

# JLG® & SkyTrak® Telehandlers - 2023 Sales Manual Specs

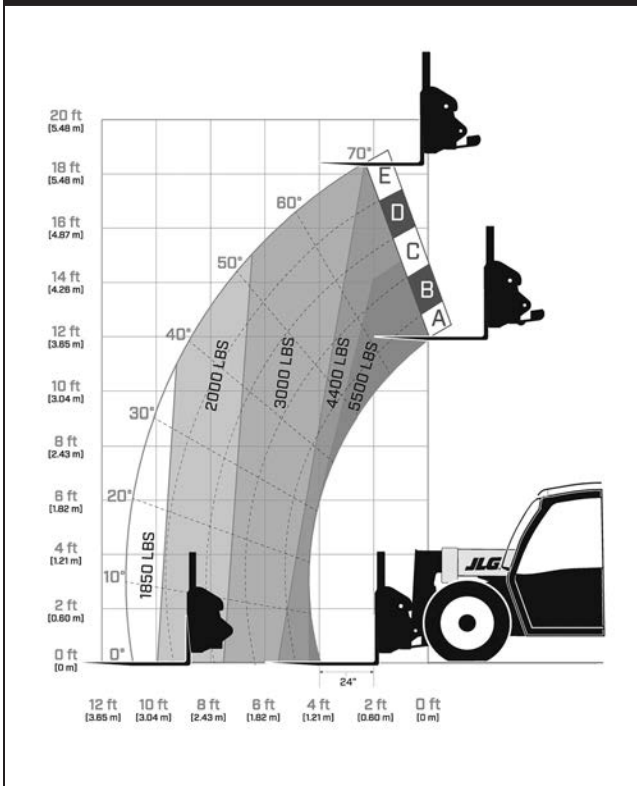


# JLG® Compact Telehandlers

## G5-18A

Rated Capacity @ 24-in Load Center	5,500-lb (2,495-kg)
Maximum Lift Height	18-ft 4-in (5.49-m)
Capacity @ Maximum Lift Height	4,400-lb (1,996-kg)
Maximum Reach	10-ft 11-in (3.33-m)
Capacity @ Maximum Reach	1,850-lb (839-kg)
Approximate Operating Weight	11,000-lb (4,990-kg)
Length (less forks)	150.4-in (3.80-m)
Width	71.5-in (1.82-m)
Height	75.6-in (1.92-m)
Wheelbase	90.0-in (2.29-m)
Outside Turning Radius	127.0-in (3.20-m)
Ground Clearance	10.8-in (27-cm)
Drive	4 x 4
Engine	Deutz TD 2.9 L4
HP @ RPM	74 hp @ 1800 rpm
Transmission	Hydrostatic
Axle—Front	High-Bias, Limited Slip
Axle—Rear	Planetary
Steering	All-Wheel
Tires	12 x 16.5
Maximum Travel Speed	15 mph (25 km/h)

## G5-18A



### FEATURES INCLUDE:

- Comfortable cab with enhanced visibility
- Compact footprint for crowded job sites
- Three steering modes for enhanced maneuverability
- Optional reverse sensing system
- Variety of attachments for extra versatility
- Advanced controls for ease of operation

# JLG® Telehandlers

	<b>742</b>	<b>943</b>	<b>1043</b>
Rated Capacity @ 24-in Load Center	7,000-lb (3,175-kg)	9,000-lb (4,082-kg)	10,000-lb (4,536-kg)
Maximum Lift Height	42-ft (12.80-m)	43-ft (13.11-m)	43-ft (13.10-m)
Capacity @ Maximum Lift Height	6,000-lb (2,722-kg)	7,000-lb (3,175-kg)	7,000-lb (3,175-kg)
Maximum Reach	29-ft 1-in (8.86-m)	30-ft 5-in (9.27-m)	30-ft 5-in (9.27-m)
Capacity @ Maximum Reach	1,000-lb (454-kg)	1,200-lb (544-kg)	1,200-lb (1,225-kg)
Approximate Operating Weight	21,476-lb (9,741-kg)	24,912-lb (11,300-kg)	26,235-lb (11,900-kg)
Length (less forks)	227-in (5.76-m)	237-in (6.02-m)	237-in (6.02-m)
Width	97-in (2.46-m)	97-in (2.46-m)	97-in (2.46-m)
Height	96-in (2.43-m)	98-in (2.48-m)	100-in (2.54-m)
Wheelbase	135-in (3.42-m)	135-in (3.42-m)	135-in (3.42-m)
Outside Turning Radius	144-in (3.66-m)	144-in (3.66-m)	144-in (3.66-m)
Ground Clearance	17-in (432-mm)	17-in (432-mm)	17-in (432-mm)
Drive	4 x 4	4 x 4	4 x 4
Engine	Cummins QSF3.8L	Cummins QSF3.8L	Cummins QSF3.8L
HP @ RPM	74 hp @ 2,400 rpm	110 hp @ 2,400 rpm	110 hp @ 2,400 rpm
Transmission	Powershift	Powershift	Powershift
Axle—Front	High-Bias, Limited Slip	High-Bias, Limited Slip	High-Bias, Limited Slip
Axle—Rear	Planetary	Planetary	Planetary
Steering	All-Wheel	All-Wheel	All-Wheel
Tires	370/75-28	370/75-28	400/75-28
Maximum Travel Speed	18 mph (29 km/h)	19 mph (31 km/h)	19 mph (31 km/h)
Frame Tilt Left/Right	±10 Degrees	±10 Degrees	±10 Degrees

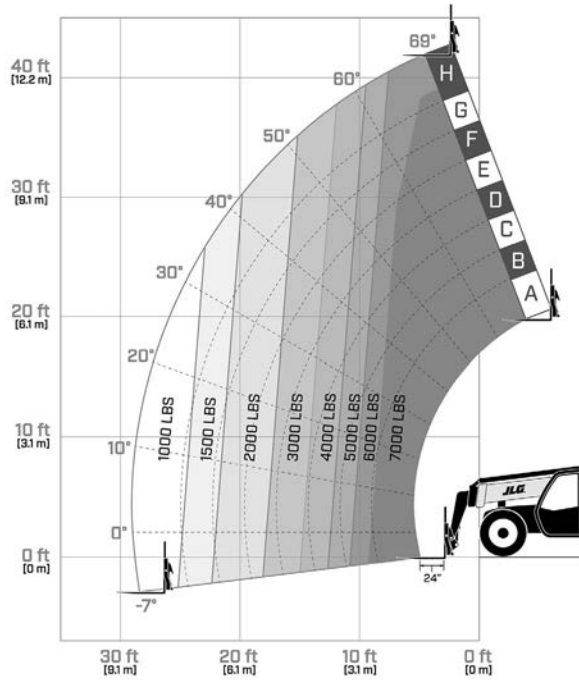
\*Outriggers are required to achieve stated capacity.



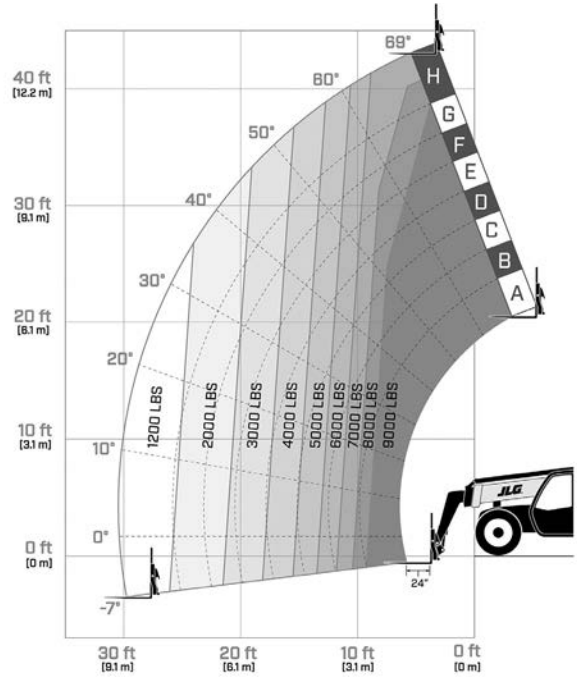
## FEATURES INCLUDE:

- 3 steering modes; crab, 4-wheel, and 2-wheel
- Optional reversing camera & reverse sensing system
- Spacious cab
- Stabil-Trak
- 4-speed powershift transmission
- Single joystick control for boom lift and crowd
- Side mounted engine.

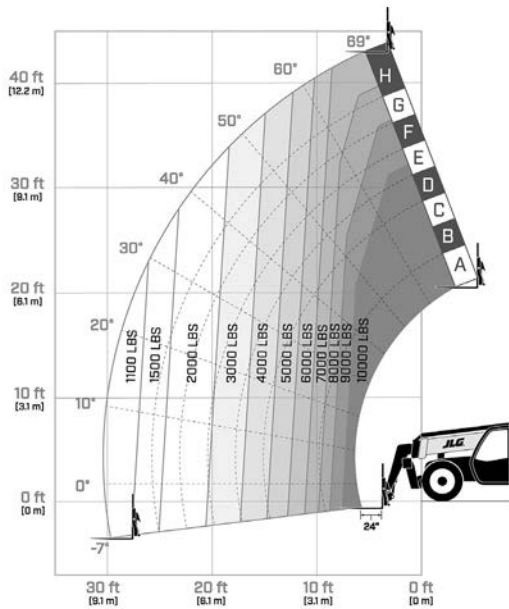
742



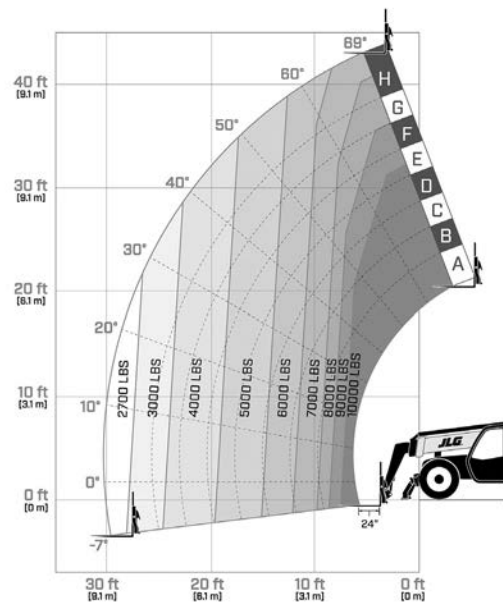
943



1043



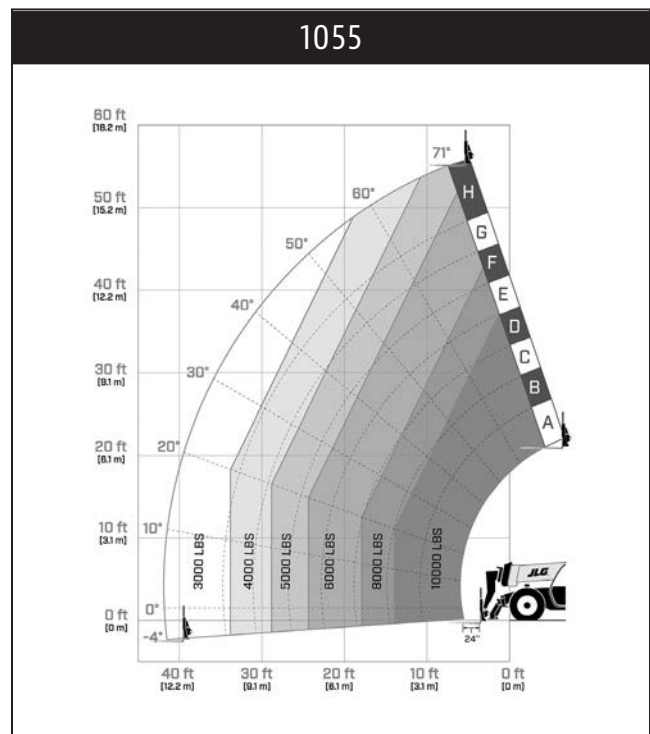
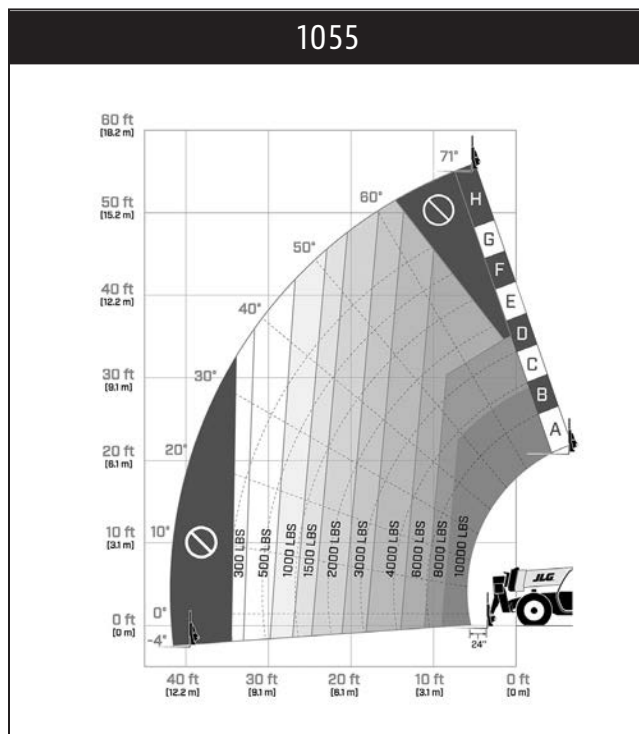
1043



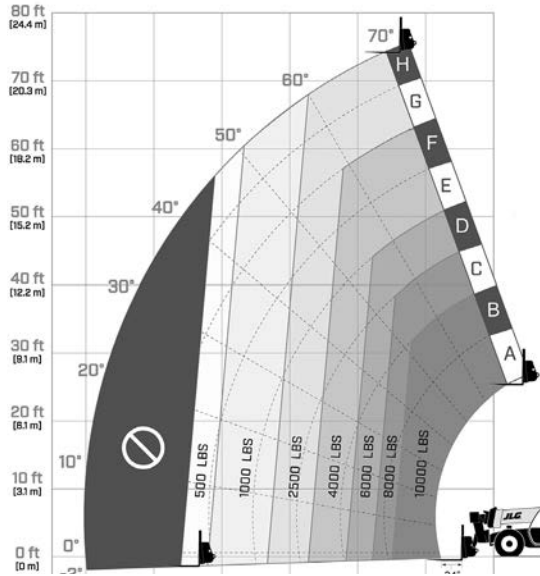
# JLG® Telehandlers

	<b>1055</b>	<b>1075</b>	<b>1255</b>
Rated Capacity @ 24-in Load Center	10,000-lb (4,536-kg)	10,000-lb (4,536-kg)	12,000-lb (5,443-kg)
Maximum Lift Height	55-ft (16.76-m)	75-ft (22.86-m)	55-ft (16.76-m)
Capacity @ Maximum Lift Height	*5,000-lb (2,268-kg)	*6,000-lb (2,720-kg)	*5,000-lb (2,268-kg)
Maximum Reach	42-ft (12.8-m)	60-ft (18.29-m)	42-ft (12.8-m)
Capacity @ Maximum Reach	*3,000-lb (1,361-kg)	*2,100-lb (950-kg)	*3,500-lb (1,588-kg)
Approximate Operating Weight	31,559-lb (14,315-kg)	43,600-lb (19,780-kg)	33,960-lb (15,404-kg)
Length (less forks)	240.8-in (6.12-m)	289-in (7.34-m)	240.8-in (6.12-m)
Width	100.75-in (2.56-m)	98-in (2.5-m)	100.75-in (2.56-m)
Height	100-in (2.54-m)	120-in (3.05-m)	100-in (2.54-m)
Wheelbase	137.5-in (3.49-m)	142-in (3.6-m)	137.5-in (3.49-m)
Outside Turning Radius	168-in (4.3-m)	160-in (4.1-m)	168-in (4.3-m)
Ground Clearance	18-in (457-mm)	17-in (440-mm)	18-in (457-mm)
Drive	4 x 4	4 x 4	4 x 4
Engine	Cummins QSF3.8L	Cummins QSB4.5L	Cummins QSF3.8L
HP @ RPM	130 hp @ 2,500 rpm	160 hp @ 2,500 rpm	130 hp @ 2,500 rpm
Transmission	Powershift	Hydrostatic	Powershift
Axle—Front	High-Bias, Limited Slip	High-Bias, Limited Slip	High-Bias, Limited Slip
Axle—Rear	Planetary	Planetary	Planetary
Steering	All-Wheel	All-Wheel	All-Wheel
Tires	400/75-28	17.5-25 SGG Foam	400/75-28
Maximum Travel Speed	20 mph (32 km/h)	17 mph (28 km/h)	20 mph (32 km/h)
Frame Tilt Left/Right	±10 Degrees	±8 Degrees	±10 Degrees

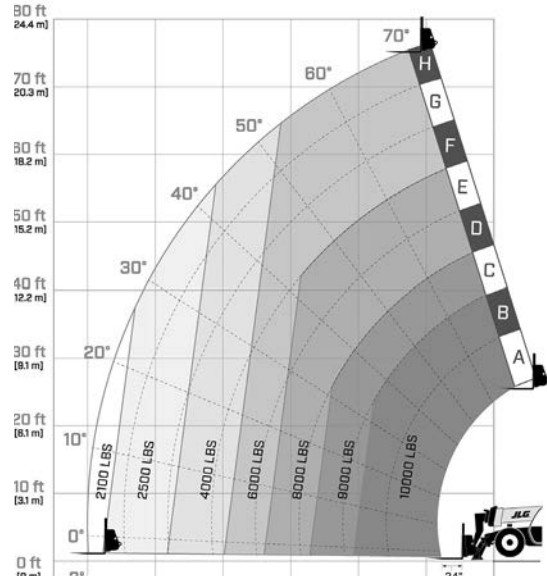
\*Outriggers are required to achieve stated capacity.



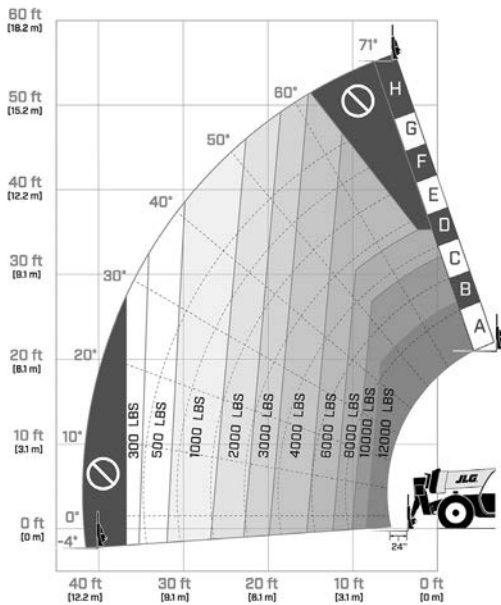
1075



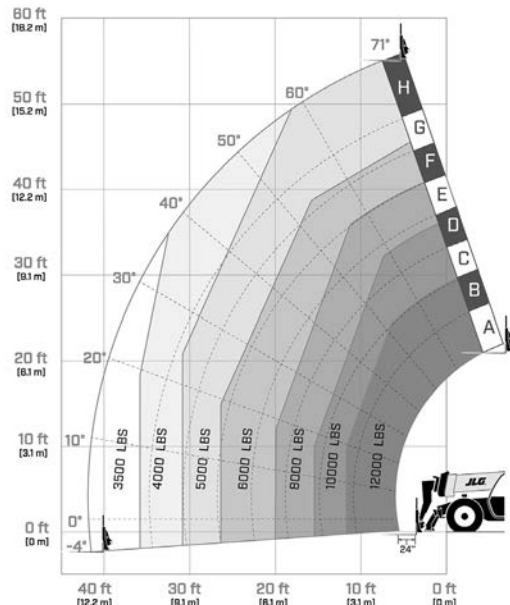
1075



1255



1255



# JLG® Telehandlers

	<b>1644</b>	<b>1732</b>	<b>2733</b>
Rated Capacity @ 24-in Load Center	15,650-lb (7,100-kg)	16,755-lb (7,600-kg)	26,600-lb (12,065-kg)
Maximum Lift Height	43-ft 7-in (13.28-m)	31-ft 8-in (9.65-m)	33-ft 1-in (10.1-m)
Capacity @ Maximum Lift Height	6,750-lb (3,062-kg)	9,900-lb (4,491-kg)	15,500-lb (7,030-kg)
Maximum Reach	31-ft 1-in (9.47-m)	18-ft 7-in (5.66-m)	17-ft 7-in (5.37-m)
Capacity @ Maximum Reach	2,000-lb (907-kg)	5,500-lb (2,495-kg)	8,000-lb (3,628-kg)
Approximate Operating Weight	33,660-lb (15,265-kg)	31,145-lb (14,127-kg)	38,775-lb (17,555-kg)
Length (less forks)	243-in (6.17-m)	233-in (5.92-m)	249-in (6.32-m)
Width	97-in (2.46-m)	97-in (2.46-m)	98-in (2.50-m)
Height	105-in (2.67-m)	105-in (2.67-m)	120-in (3.05-m)
Wheelbase	127-in (3.23-m)	127-in (3.23-m)	142-in (3.60-m)
Outside Turning Radius	13-ft 2-in (4.01-m)	13-ft 2-in (4.01-m)	14-ft 8-in (4.5-m)
Ground Clearance	19-in (483-mm)	19-in (483-mm)	17-in (440-mm)
Drive	4 x 4	4 x 4	4 x 4
Engine	Deutz TCD 3.6L	Deutz TCD 3.6L	Cummins QSB 4.5L
HP @ RPM	134 hp @ 2200 rpm	134 hp @ 2200 rpm	160 hp @ 2200 rpm
Transmission	Hydrostatic 2-speed	Hydrostatic 2-speed	Hydrostatic 2-speed
Axle—Front	High-Bias, Limited Slip	High-Bias, Limited Slip	High-Bias, Limited Slip
Axle—Rear	Planetary	Planetary	Planetary
Steering	All-Wheel	All-Wheel	All-Wheel
Tires	17.5-25 SGG	17.5-25 SGG	17.5-25 Air CAMSO L2
Maximum Travel Speed	20 mph (32 km/h)	20 mph (32 km/h)	17 mph (28 km/h)
Frame Tilt Left/Right	±8 Degrees	±8 Degrees	±8 Degrees

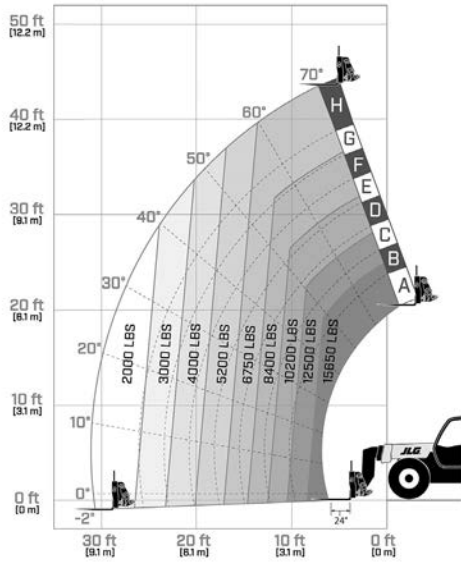


## FEATURES INCLUDE:

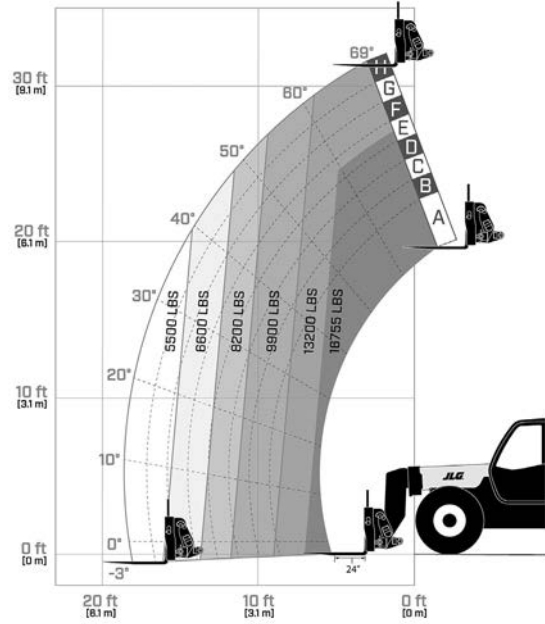
- Precision boom lowering system, soft stop boom control, optional reverse sensing and reversing camera.
- Integrated hitch and a wide-range of attachments provide more options on the job site.
- Optional automatic attachment recognition and real-time load monitoring for enhanced productivity.



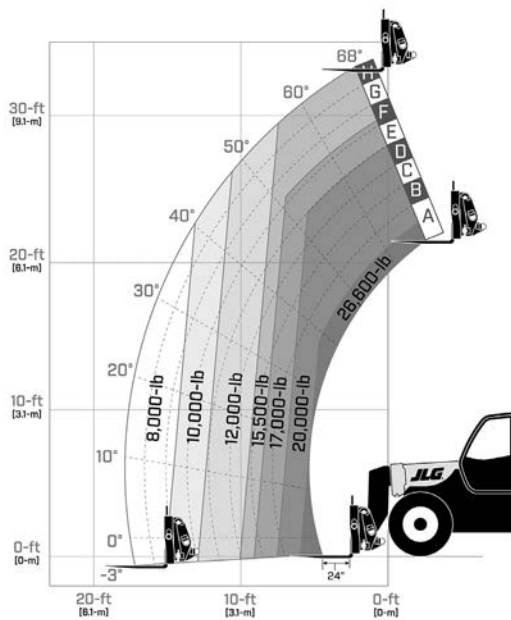
### 1644



### 1732



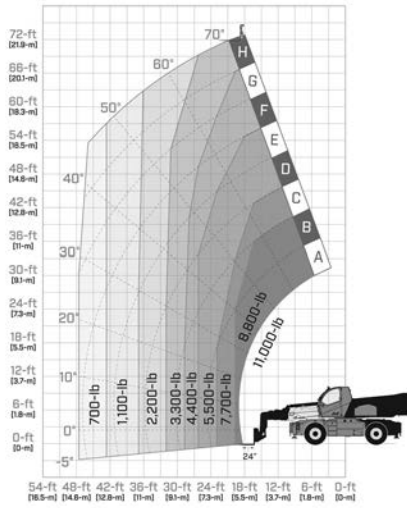
### 2733



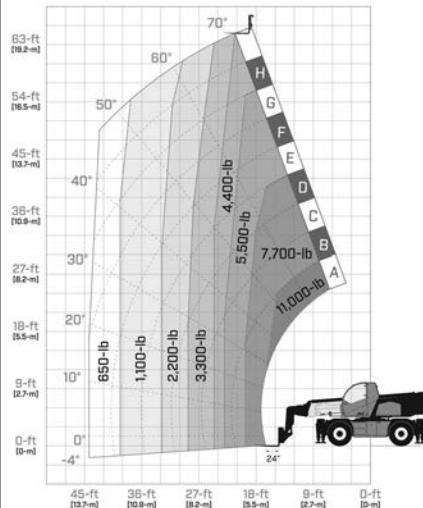
# JLG® Telehandlers

	<b>R11100</b>	<b>R1370</b>	<b>R1385</b>
Rated Capacity	11,000-lb (5,000-kg)	13,200-lb (6,000-kg)	13,200-lb (6,000-kg)
Maximum Lift Height	97-ft (29.6-m)	67-ft (20.5-m)	84-ft 6-in (25.7-m)
Capacity @ Maximum Lift Height	4,400-lb (1,900-kg)	5,500-lb (2,500-kg)	5,500-lb (2,500-kg)
Maximum Reach	86-ft (26-m)	59-ft 6-in (18.1-m)	72-ft 6-in (21.9-m)
Capacity @ Maximum Reach	300-lb (140-kg)	1,500-lb (700-kg)	1,450-lb (600-kg)
Approximate Operating Weight	52,650-lb (23,882-kg)	42,410-lb (19,237-kg)	50,570-lb (22,940-kg)
Length (less forks)	330.7-in (8.40-m)	281.5-in (7.15-m)	331.1-in (8.41-m)
Width	98.4-in (2.50-m)	93.7-in (2.38-m)	98.4-in (2.50-m)
Height	121.9-in (3.10-m)	119.3-in (3.03-m)	121.9-in (3.10-m)
Wheelbase	129.9-in (3.30-m)	116.1-in (2.95-m)	127.6-in (3.24-m)
Outside Turning Radius	14-ft 5-in (4.4-m)	14-ft 6-in (4.4-m)	14-ft 5-in (4.4-m)
Ground Clearance	16.5-in (420-mm)	14.2-in (360-mm)	16.5-in (420-mm)
Drive	4 x 4	4 x 4	4 x 4
Engine	Fiat FPT NEF-N4.5	Perkins 904J-E36TA	Fiat FPT NEF-N4.5
HP	168 hp @ 2200 rpm	134 hp @ 2200 rpm	168 hp @ 2200 rpm
Transmission	Hydrostatic 2-speed	Hydrostatic 2-speed	Hydrostatic 2-speed
Axle—Front	High-Bias, Limited Slip	High-Bias, Limited Slip	High-Bias, Limited Slip
Axle—Rear	Planetary	Planetary	Planetary
Steering	All-Wheel	All-Wheel	All-Wheel
Tires	Foam-Filled	Foam-Filled	Foam-Filled
Maximum Travel Speed - Air Tires	25 mph (40 km/h)	25 mph (40 km/h)	25 mph (40 km/h)
Maximum Travel Speed - Foam-Filled Tires	12.4-mph (20-km/h)	12.4-mph (20-km/h)	12.4-mph (20-km/h)
Frame Tilt Left/Right	±6 Degrees	±5.5 Degrees	±6 Degrees

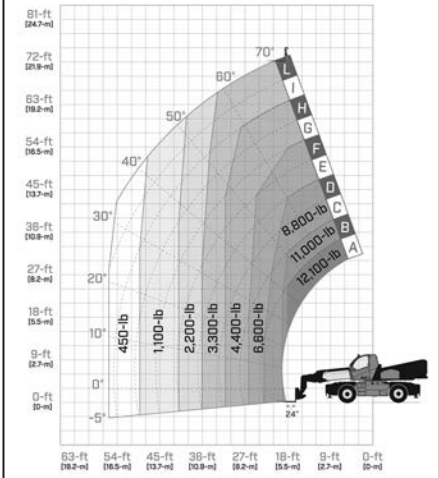
### R11100



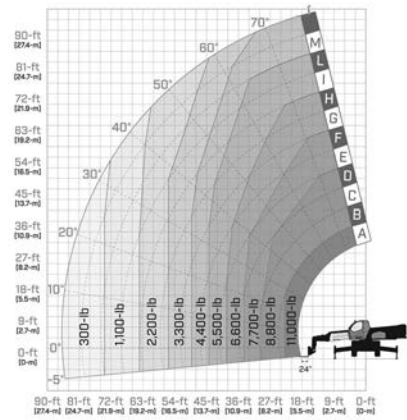
### R1370



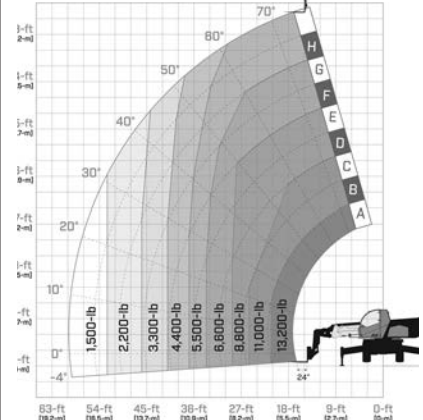
### R1385



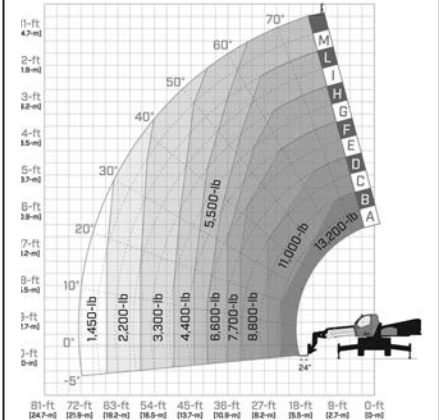
### R11100



### R1370



### R1385



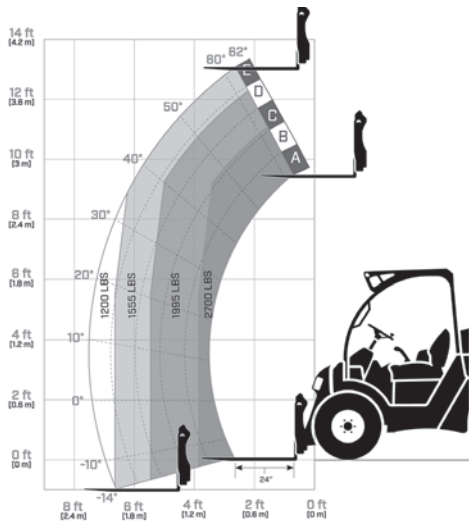
# SkyTrak<sup>®</sup> Telehandlers

## 3013

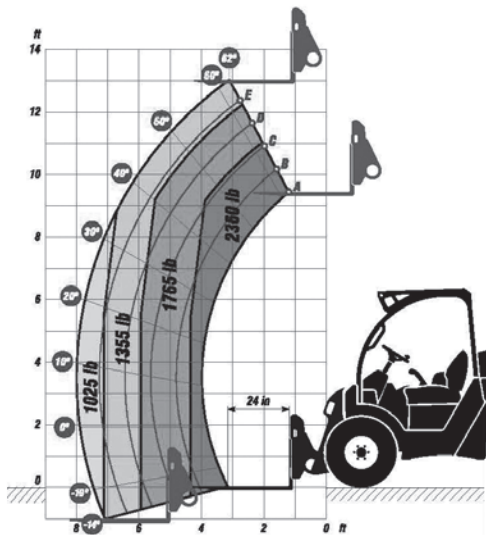
Rated Capacity @ 24-in Load Center	2,700-lb (1,225-kg)*
Maximum Lift Height	13-ft 1-in (4-m)
Capacity @ Maximum Lift Height	1,555-lb (705-kg)
Maximum Reach	7-ft 1-in (2.2-m)
Capacity @ Maximum Reach	1,200-lb (544-kg)
Approximate Operating Weight	5,280-lb (2,400-kg)
Length (less forks)	105-in (2667-mm)
Width	55.3-in (1405-mm)
Height	79-in (2007-mm)
Wheelbase	67-in (1700-mm)
Outside Turning Radius	117-in (3-m)
Ground Clearance	10-in (254-mm)
Drive	4 x 4
Engine	Kubota V-1505
HP	24.8 hp
Transmission	Hydrostatic
Axle—Front	Limited Slip
Axle—Rear	Rear Oscillating
Steering	2-Wheel
Tires	11.0/65 x 12
Maximum Travel Speed	10.5 mph (17 kph)
Frame Tilt Left/Right	N/A

\*2,360-lb capacity with universal skid steer coupler

# 3013



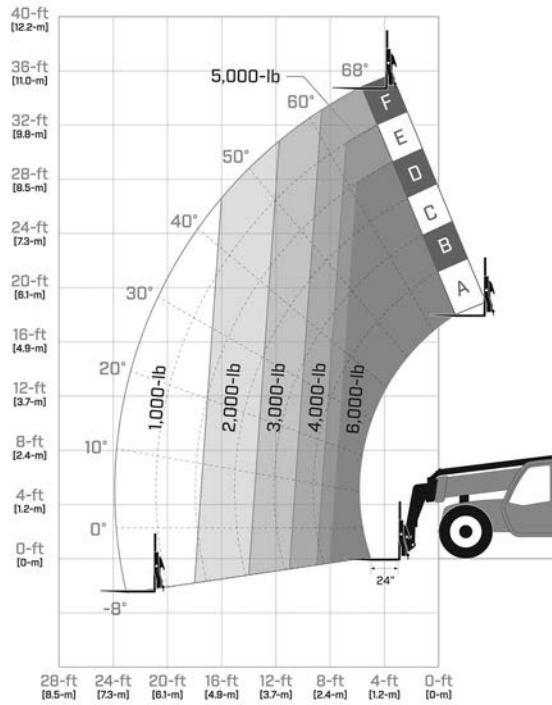
# 3013 UNIVERSAL SKID STEER COUPLER



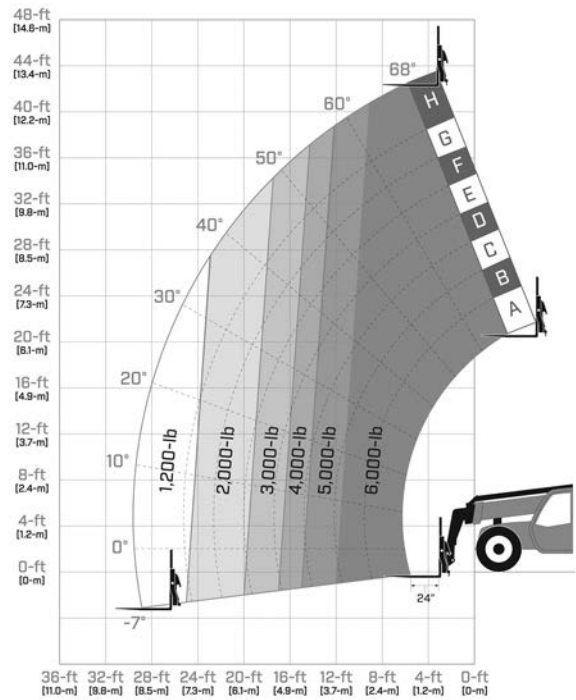
# SkyTrak<sup>®</sup> Telehandlers

	<b>6034</b>	<b>6042</b>	<b>8042</b>
Rated Capacity @ 24-in Load Center	6,000-lb (2,722-kg)	6,000-lb (2,722-kg)	8,000-lb (3,629-kg)
Maximum Lift Height	34-ft 5-in (10.5-m)	42-ft 4-in (12.9-m)	41-ft 11-in (12.78-m)
Capacity @ Maximum Lift Height	4,000-lb (1,814-kg)	6,000-lb (2,722-kg)	6,000-lb (2,722-kg)
Maximum Reach	23-ft 2-in (7.1-m)	29-ft 6-in (9.0-m)	26-ft 7-in (8.10-m)
Capacity @ Maximum Reach	1,000-lb (454-kg)	1,200-lb (544-kg)	2,200-lb (998-kg)
Approximate Operating Weight	14,500-lb (6,577-kg)	19,100-lb (8,664-kg)	27,100-lb (12,292-kg)
Length (less forks)	209.6-in (5.33-m)	235.9-in (5.99-m)	228-in (5.8-m)
Width	95-in (2.41-m)	95-in (2.41-m)	99.2-in (2.5-m)
Height	97.75-in (2.48-m)	99.8-in (2.53-m)	99.4-in (2.52-m)
Wheelbase	110-in (2.79-m)	122-in (3.1-m)	119.5-in (3.04-m)
Outside Turning Radius	143-in (3.6-m)	12-ft 7-in (3.8-m)	156-in (3.96-m)
Ground Clearance	15.4-in (390-mm)	15.1-in (384-mm)	18-in (460-mm)
Drive	4 x 4	4 x 4	4 x 4
Engine	Deutz TCD2.9 L4	Deutz TCD2.9 L4	Cummins QSF3.8L
HP @ RPM	74 hp @ 2,400 rpm	74 hp @ 2,400 rpm	110 hp @ 2,600 rpm
Transmission	Hydrostatic	Hydrostatic	Powershift
Axle—Front	High-Bias, Limited Slip	High-Bias, Limited Slip	High-Bias, Limited Slip
Axle—Rear	Planetary	Planetary	Planetary
Steering	All-Wheel	All-Wheel	All-Wheel
Tires	15-19.5	15-19.5	370/75-28
Maximum Travel Speed	15 mph (24.1 km/h)	15 mph (24.1 km/h)	19 mph (31 km/h)
Frame Tilt Left/Right	±10 Degrees	±10 Degrees	±10 Degrees

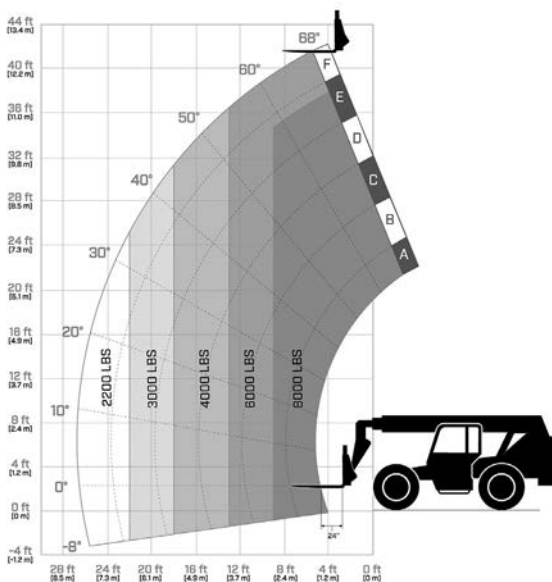
## 6034



## 6042



## 8042



### FEATURES INCLUDE:

- Stabil-Trak increases operator confidence
- Optional A/C & reverse sensing system
- Single joystick control
- Wide attachment offering for increased versatility

# SkyTrak<sup>®</sup> Telehandlers

	<b>10042</b>	<b>10054</b>	<b>12054</b>
Rated Capacity @ 24-in Load Center	10,000-lb (4,536-kg)	10,000-lb (4,536-kg)	12,000-lb (5,443-kg)
Maximum Lift Height	42-ft 1-in (12.83-m)	53-ft 2-in (16.21-m)	53-ft 2-in (16.21-m)
Capacity @ Maximum Lift Height	*6,000-lb (2,722-kg)	*4,000-lb (1,814-kg)	*5,000-lb (2,268-kg)
Maximum Reach	26-ft 7-in ( 8.10-m)	*38-ft 9-in (11.81-m)	38-ft 10-in (11.83-m)
Capacity @ Maximum Reach	6,000-lb (2,722-kg)	3,000-lb (1,361-kg)	3,500-lb (1,588-kg)
Approximate Operating Weight	27,300-lb (12,383-kg)	28,200-lb (12,791-kg)	30,357-lb (13,770-kg)
Length (less forks)	248-in (6.3-m)	252-in (6.4-m)	252-in (6.4-m)
Width	102-in (2.59-m)	102-in (2.59-m)	102-in (2.59-m)
Height	100.1-in (2.54-m)	101.1-in (2.57-m)	100-in (2.54-m)
Wheelbase	119.5-in (3.04-m)	119.5-in (3.04-m)	119.5-in (3.04-m)
Outside Turning Radius	170-in (4.32-m)	165-in (4.19-m)	166-in (4.21-m)
Ground Clearance	18-in (460-mm)	18-in (460-mm)	18-in (460-mm)
Drive	4 x 4	4 x 4	4 x 4
Engine	Cummins QSF3.8L	Cummins QSF3.8L	Cummins QSF3.8L
HP @ RPM	110 hp @ 2,600 rpm	110 hp @ 2,600 rpm	110 hp @ 2,600 rpm
Transmission	Powershift	Powershift	Powershift
Axle—Front	High-Bias, Limited Slip	High-Bias, Limited Slip	High-Bias, Limited Slip
Axle—Rear	Planetary	Planetary	Planetary
Steering	All-Wheel	All-Wheel	All-Wheel
Tires	400/75-28	400/75-28	400/75-28
Maximum Travel Speed	20 mph (32 km/h)	20 mph (32 km/h)	18.2 mph (29.3 km/h)
Frame Tilt Left/Right	±10 Degrees	±10 Degrees	±10 Degrees

\*With outriggers down.

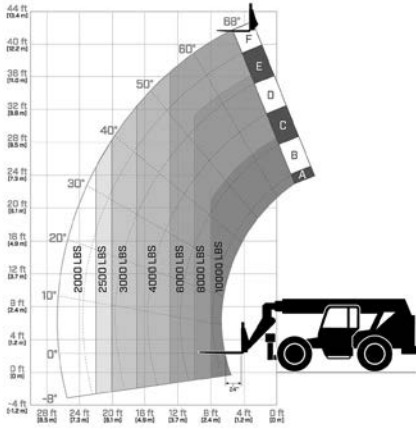


## FEATURES INCLUDE:

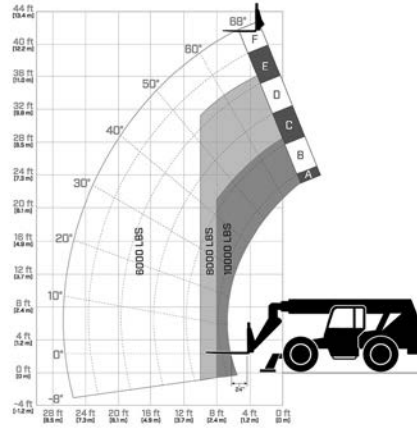
- Stabil-Trak increases operator confidence.
- Optional A/C & reverse sensing system
- Single joystick control
- Wide attachment offering for increased versatility



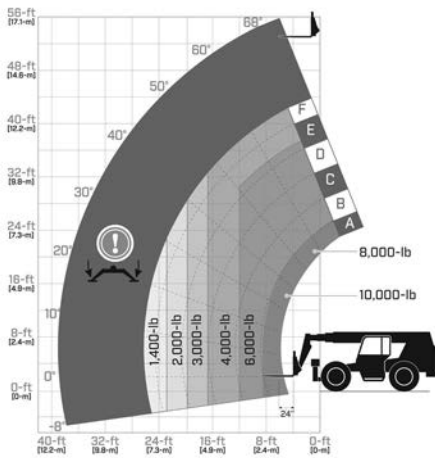
### 10042



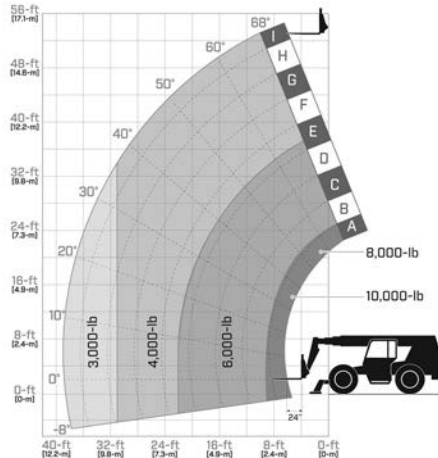
### 10042



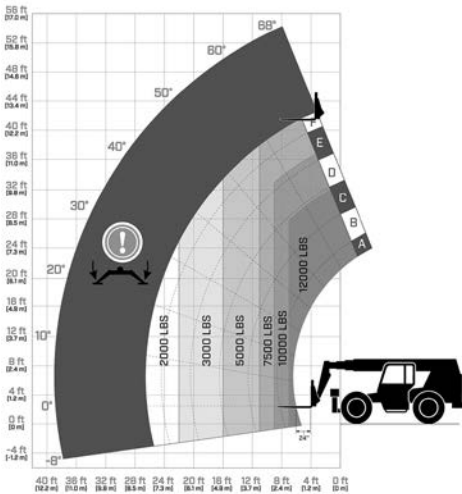
### 10054



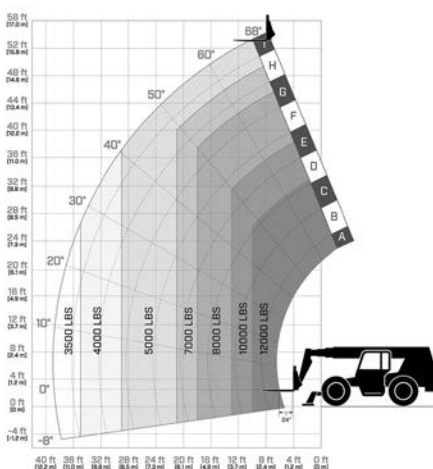
### 10054



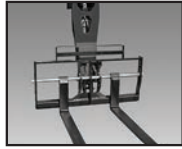
### 12054



### 12054



# Telehandler Attachments



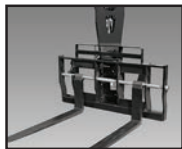
## Standard Carriage

Forks that are fully floating and adjustable side-to-side for efficient load entry and exit.



## Side-Tilt Carriage

Allows for minor lateral positioning of the load during final placement.



## Swing Carriage

Allows for greater versatility in moving and placing materials in confined areas or when exact positioning is required.



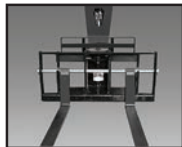
## Dual Fork Positioning Carriage

Provides the ability to adjust the position of each fork independently, allowing the operator to handle a variety of palletized loads without having to leave the cab.



## Pallet Forks

Rugged design makes it easier to handle heavy palletized material.



## Lumber Forks

Wider width provides a larger surface area for stability when transporting longer material.



## Cubing Forks

Allows operator to load, unload and place cubes of brick and block with ease.



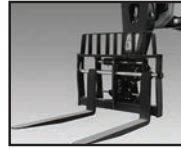
## Material Bucket

Clean up the job site, spread gravel or for loading and leveling.



## Grapple Bucket

Features a hydraulic grapple arm to assist in job site cleanup.



## Side-Shift Carriage

Four-inch left and right carriage shift allows for precision load placement.



## Fork-Mounted Work Platform

Extend the capabilities of your telehandler and get more work done by lifting material and persons to working heights.



## Lifting Hook

Add versatility to any standard carriage by lifting and lowering objects without changing attachments.



## Pipe Grapple

For handling multiple pipes or a larger single pipe.



## Coupler-Mounted Lifting Hook

For lifting and lowering objects.



## Sheet Material Handler

For placing sheet material in windows and other entry points more efficiently.



## Fork Mounted Extendable Truss

Designed for lifting and placing objects around the job site. Ideal for metal building erection, setting wooden trusses and erecting post frame buildings.



## Truss Boom

Allows operator to set trusses and wall sections for wood and steel building construction. Available with or without winch.

**JLG Industries, Inc.**  
1 JLG Drive  
McConnellsburg, PA 17233-9533  
Telephone 717-485-5161  
Toll-free in US 877-JLG-LIFT  
Fax 717-485-6417  
**[www.jlg.com](http://www.jlg.com)**  
**An Oshkosh Corporation Company**

Part No.: 3131988  
112122

