



KEY FEATURES

- Greater Capacity– 26,600-lb capacity to tackle heavy pick and carry applications
- Lower Project Costs– delay or eliminate the need for wheel loaders in certain applications where greater lift height and forward reach is required
- Best-In-Class Cab– superior cab comfort with excellent visibility, intuitive single joystick control, and wrap-around dash
- Added Versatility– wide range of specialized attachments for construction, wind, oil and gas, mining and more

ACCESSORIES & OPTIONS

- Air Conditioning
- Air Shut Off Valve
- Air Suspension Seat
- Arctic Package
- Brick Guards
- Fenders
- Hydraulic Coupler
- Multi-Function Display & Reversing Camera
- Reverse Sensing
- Ride Control & Boom Float
- Right Side Electronic Mirror
- Road Lights
- Roof Wiper
- SmartLoad Technology
- White Noise Back Up Alarm
- Work Lights

ATTACHMENTS

Standard Carriage	60 in. 72 in. 87 in.	1.5 m 1.8 m 2.2 m
Dual Fork Positioning Carriage	72 in.	1.8 m
Side-Shift Carriage	72 in.	1.8 m
Pallet Forks	2.36 in. x 6 in. x 48 in. 2.36 in. x 6 in. x 60 in. 2.36 in. x 6 in. x 72 in. 2.36 in. x 6 in. x 96 in.	60 mm x 152 mm x 1.2 m 60 mm x 152 mm x 1.5 m 60 mm x 152 mm x 1.8 m 60 mm x 152 mm x 2.4 m
General Purpose Bucket	94 in., 3.9 cu yd	2.4 m, 3 m ³
Grapple Bucket	94 in., 3.9 cu yd	2.4 m, 3 m ³
Light Material Bucket	102 in., 6.5 cu yd	2.6 m, 5.0 m ³
Truss Boom	24,000 lb max. capacity / 10,886 kg max. capacity	
Tire Handler	5,512 lb max. capacity / 2,500 kg max. capacity	
Log Handler	8,000 lb max. capacity / 3,629 kg max. capacity	
Hydraulic Winch	8,000 lb max. capacity / 3,629 kg max. capacity	
Pipe Grapple	8,000 lb max. capacity / 3,629 kg max. capacity	
Steel Coil Handler	26,600 lb max. capacity / 12,066 kg max. capacity	

STANDARD SPECIFICATIONS

Performance

Rated Capacity	26,600-lb / 12,065-kg
Maximum Lift Height	33-ft 1-in / 10.1-m
Load at Max Height	15,500-lb / 7030-kg
Maximum Forward Reach	17-ft 7-in / 5.37-m
Load at Max Reach	8000-lb / 3628-kg
Frame Leveling	8 Degrees
Lift Speed (boom retracted) Up	16 sec
Lift Speed (boom retracted) Down	11 sec
Boom Speed Extended	12 sec
Boom Speed Retracted	14 sec
Top Travel Speed (4-Speed)	17 mph / 28 kph
Drawbar Pull (loaded)	28,500-lb / 127 kN
Outside Turning Radius	176-in / 4.5-m
Operating Weight	38,775-lb / 17,555-kg

Engine

Make and Model	Cummins QSB4.5L Tier 4 F
No. of Cylinders	4
Displacement	275 cu in. / 4.5 L
Gross Power Basic	160 hp / 119 kW
Maximum Torque @ 1500 rpm	460 lb-ft / 624 Nm
Fuel Tank Capacity	43 gal / 163 L

Transmission

Hydrostatic 2-speed forward and 2-speed reverse

Axles

Trunnion mounted planetary 48° steer axles. Integral steer cylinder. High bias limited slip differential on front axle.

Brakes

Service brakes are inboard wet disc brake on front and rear axles. Parking brakes are wet disc spring-applied hydraulic release on front axle.

Tires

Standard	17.5 -25 Air CAMSO L2
Optional	17.5 -25 Air CAMSO L3 Foam-Filled

Cab

- Certified ROPS/FOPS structure
- Adjustable seat
- Horn
- Single joystick controls
- Tilt & declutch on joystick
- Anti-theft

Steering 4-Wheel

Hydraulic power steering with manual backup. Operator selectable 4-wheel circle, 4-wheel crab, 2-wheel front.

Instruments

- Volt meter
- Hourmeter
- Engine oil pressure gauge
- Temperature gauge
- Fuel gauge
- DEF gauge

Hydraulic System-Implement

Capacity	67 gal / 525 L
----------	----------------

Load sense piston pump. Auxiliary hydraulics used for all attachments equipped with cylinders or other hydraulic components.

2733

TELEHANDLER

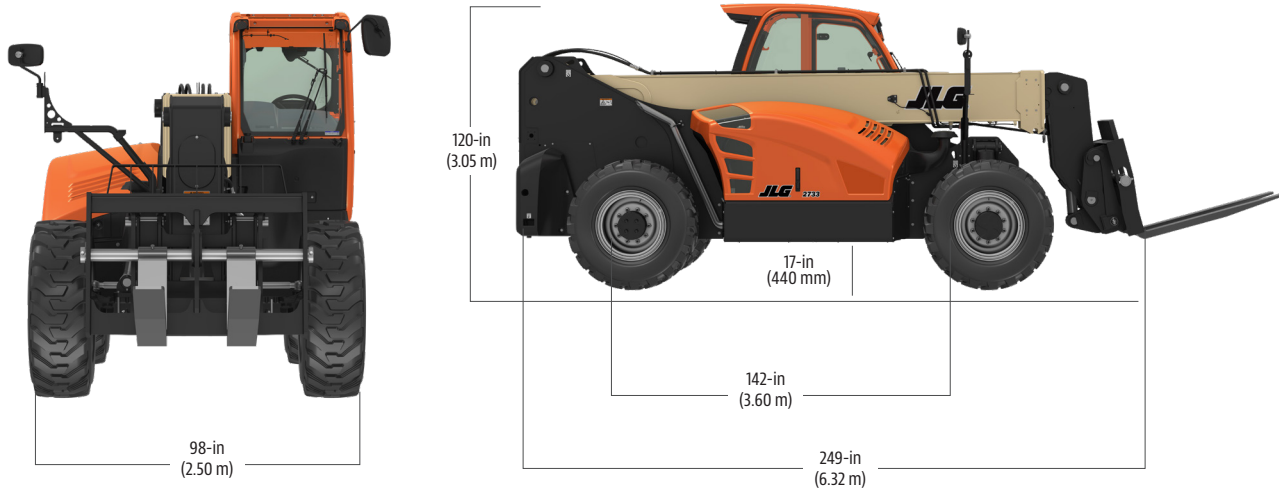


DIMENSIONS

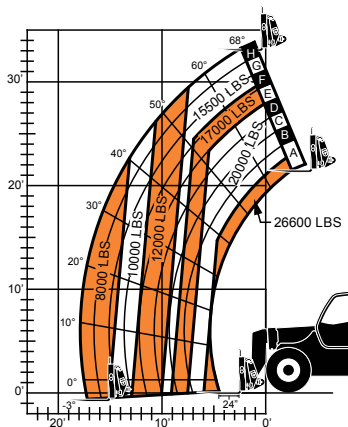
All dimensions are approximate

Dimensions

All dimensions are approximate.



LOAD CHART



We provide coverage for one (1) full year, and cover all specified major structural components for five (5) years. Due to continuous product improvements, we reserve the right to make specification and/or equipment changes without prior notification. This machine meets or exceeds applicable ANSI and CSA requirements based on machine configuration as originally manufactured for intended applications. Please reference the serial number plate on the machine for additional information.



JLG INDUSTRIES, INC.
Toll-free US 877-JLG-LIFT
JLG.com

An Oshkosh Corporation Company