

# Model 1500SJ

TELESCOPIC BOOM LIFTS



## MORE ECONOMIC

- Lower hydrocarbon, carbon monoxide, particulate and NOx emissions with Stage IV-compliant engine.

## MORE PRODUCTIVE

- 40% gradeability for improved go-anywhere mobility around jobsites.

## MORE ACCESS

- Dual capacity and class-leading reach in every direction.

## SMART DESIGN

- Fewer buttons and switches used to position the platform and less time spent learning to use the platform controls.



## Standard Features

- 0.91 m x 2.44 m low mount platform
- Side entry with drop bar mid rail
- Multiple function operation
- Full proportional drive joystick control with integral thumb steer switch
- Full proportional main boom and swing joystick control
- Variable speed dial control for telescope and platform rotate
- 4.6 m to 7.6 m Telescoping jib
- Powered side stow on jib
- 180 degree powered platform rotator
- Platform console machine status light panel<sup>1</sup>
- Load sensing system
- AC cable to platform
- Deutz TD2011 L04 (55.4 kW) diesel engine
- Gull-wing hoods
- Swing-out engine tray
- Spark arresting type muffler
- Control ADE® (Advanced Design Electronics) System
- Adjustable swing drive
- Hydrostatic transmission
- Four wheel drive
- Four wheel steer/two wheel steer/crab steer
- Horn
- Selectable dual platform capacity system (230kg/450kg)
- Drive-out extending axles
- 4 degree tilt alarm and indicator light
- 445/50D710 foam filled lug tread tyres
- Oscillating front axle
- Lifting/tie down lugs
- Hour meter
- Ground control selector switch with key lock
- Load sensing hydraulics
- Catalytic purifier muffler
- Platform tool tray
- 12V DC auxiliary power

## Standard Specifications

- Diesel Engine Deutz TD2011 L04 (55.4 kW)
- Fuel Tank Capacity 117 L
- Hydraulic System 250 L
- Auxiliary Power 12V DC
- Tyres 445/50D710 Foam Filled

## Accessories & Options

- 0.91 m x 1.83 m low mount platform
- 0.76 m x 0.91 m low mount platform, rear entry<sup>7</sup>
- Tri entry 0.91 m x 1.83 m low mount platform
- Side entry with inward swing gate
- 13 mm air line to platform
- Engine distress warning/shut down system<sup>2</sup>
- SkyPower® package 7,500 watt on-board generator
- SkyWelder® package 250 amp welder in the platform<sup>3</sup>
- SkyGlazier® package glass and panel tray
- Nite-Bright® package<sup>4</sup>
- All motion alarm
- Light package<sup>5</sup>
- Platform worklights
- Head and tail lights
- Flashing amber beacon
- Plugs & Sockets
- Hostile environment package<sup>6</sup>
- Hydraulic oil cooler
- Soft Touch proximity system
- Skyguard with beacon
- Skyguard without beacon
- Corner storage tray
- ClearSky Locate
- ClearSky CAN

<sup>1</sup> Provides indicator lights at platform control console for system distress- low fuel-<sup>5</sup> degree tilt light- and foot switch status

<sup>2</sup> Low oil pressure and high coolant temperature alarms with shut down enabled/disabled by analyser

<sup>3</sup> Available when integrated with the SkyPower® package

<sup>4</sup> Consists of six 40° watt lights- four turntable mounted lights and two platform mounted lights

<sup>5</sup> Includes platform mounted work lights and head & tail lights

<sup>6</sup> Includes console cover- boom wipers and cylinder bellows

<sup>7</sup> Available only with drop bar mid rail

# Model 1500SJ

## TELESCOPIC BOOM LIFTS

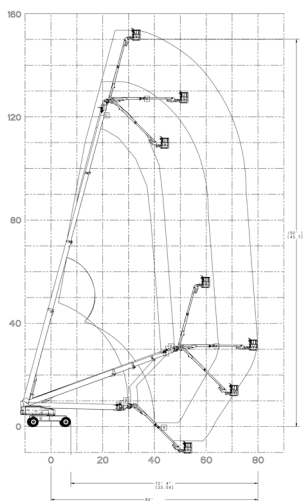
### Performance

• Working Height	47.72 m
• Platform Height	45.72 m
• Horizontal Outreach	24.38 m
• Working Outreach **	25.03 m
• Swing (Continuous)	360°
• Platform Capacity (Restricted)	450 kg
• Platform Capacity (Unrestricted)	230 kg
• Platform Rotator (Hydraulic)	180°
• Jib - Telescope: retracted	4.62 m
• Jib - Telescope: extended	7.62 m
• Jib - Range of articulation	120° Vertical (+75°/-45°)
A. Platform Size	0.91 m x 2.44 m
B <sup>1</sup> . Overall Width (Axles Retracted)	2.49 m
B <sup>2</sup> . Overall Width (Axles Extended)	3.81 m
C. Tailswing (working condition)	1.68 m
D. Stowed Height	3.05 m
E <sup>1</sup> . Stowed Length	18.82 m
E <sup>2</sup> . Transport length	13.11 m
F. Wheelbase	3.81 m
G. Ground Clearance	0.30 m
• Machine weight *	21,772 kg
• Maximum Ground Bearing Pressure	7.95 kg/cm <sup>2</sup>
• Drive Speed	4.8 km/h
• Gradeability	40%
• Axle Oscillation	0.30 m
• Turning Radius – Inside	4.39 m (Axles Retracted) 2.44 m (Axles Extended)
• Turning Radius – Outside	6.86 m (Axles Retracted) 5.89 m (Axles Extended)

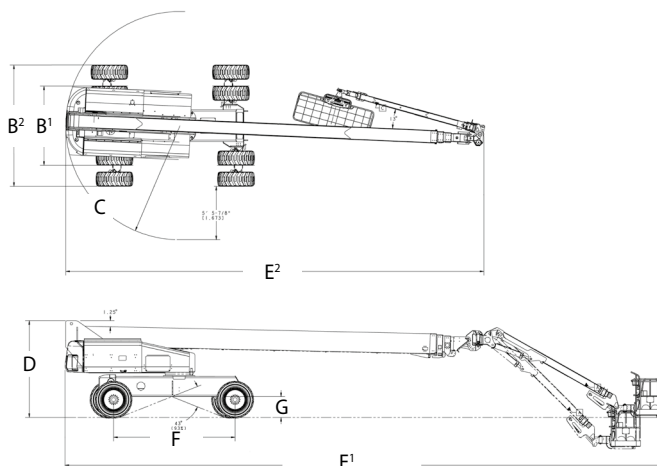


\* Certain options or country standards may increase weight and/or dimensions.  
\*\* Incl. 0.65 m outreach beyond platform

### Reach Diagram



### Dimensions



### IMPORTANT

JLG is continually researching and developing products and reserves the right to make modifications without prior notice. All data in this document is indicative. Certain options or country standards will increase weight. Specifications may change to meet country standards or with the addition of optional equipment.

Due to continuous product improvements, JLG Industries reserves the right to make specification and/or equipment changes without prior notification.



### JLG EMEA BV

Polaris Avenue 63  
2132 JH Hoofddorp  
The Netherlands  
Phone: +31 (0)23 565 5665  
[www.jlg.com](http://www.jlg.com)

An Oshkosh Corporation Company