

JLG® & SkyTrak® Telehandlers

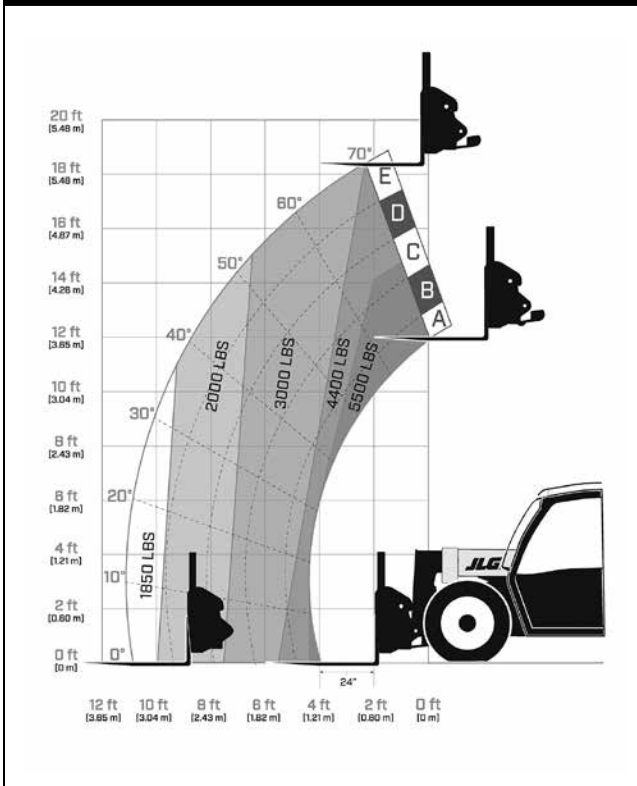


JLG® Compact Telehandlers

G5-18A

Rated Capacity @ 24-in Load Center	5,500-lb (2,495-kg)
Maximum Lift Height	18-ft 4-in (5.49-m)
Capacity @ Maximum Lift Height	4,400-lb (1,996-kg)
Maximum Reach	10-ft 11-in (3.33-m)
Capacity @ Maximum Reach	1,850-lb (839-kg)
Approximate Operating Weight	11,000-lb (4,990-kg)
Length (less forks)	150.4-in (3.80-m)
Width	71.5-in (1.82-m)
Height	75.6-in (1.92-m)
Wheelbase	90.0-in (2.29-m)
Outside Turning Radius	127.0-in (3.20-m)
Ground Clearance	10.8-in (27-cm)
Drive	4 x 4
Engine	Deutz TD 2.9 L4
HP @ RPM	74 hp @ 1800 rpm
Transmission	Hydrostatic
Axle—Front	High-Bias, Limited Slip
Axle—Rear	Planetary
Steering	All-Wheel
Tires	12 x 16.5
Maximum Travel Speed	15 mph (25 km/h)

G5-18A



FEATURES INCLUDE:

- Comfortable cab with enhanced visibility
- Compact footprint for crowded job sites
- Three steering modes for enhanced maneuverability
- Optional reverse sensing system
- Variety of attachments for extra versatility
- Advanced controls for ease of operation

JLG® Telehandlers

	742	943	1043
Rated Capacity @ 24-in Load Center	7,000-lb (3,175-kg)	9,000-lb (4,082-kg)	10,000-lb (4,536-kg)
Maximum Lift Height	42-ft (12.80-m)	43-ft (13.11-m)	43-ft (13.10-m)
Capacity @ Maximum Lift Height	6,000-lb (2,722-kg)	7,000-lb (3,175-kg)	7,000-lb (3,175-kg)
Maximum Reach	29-ft 1-in (8.86-m)	30-ft 5-in (9.27-m)	30-ft 5-in (9.27-m)
Capacity @ Maximum Reach	1,000-lb (454-kg)	1,200-lb (544-kg)	1,200-lb (1,225-kg)
Approximate Operating Weight	21,476-lb (9,741-kg)	24,912-lb (11,300-kg)	26,235-lb (11,900-kg)
Length (less forks)	227-in (5.76-m)	237-in (6.02-m)	237-in (6.02-m)
Width	97-in (2.46-m)	97-in (2.46-m)	97-in (2.46-m)
Height	96-in (2.43-m)	98-in (2.48-m)	100-in (2.54-m)
Wheelbase	135-in (3.42-m)	135-in (3.42-m)	135-in (3.42-m)
Outside Turning Radius	144-in (3.66-m)	144-in (3.66-m)	144-in (3.66-m)
Ground Clearance	17-in (432-mm)	17-in (432-mm)	17-in (432-mm)
Drive	4 x 4	4 x 4	4 x 4
Engine	Cummins QSF3.8L	Cummins QSF3.8L	Cummins QSF3.8L
HP @ RPM	74 hp @ 2,400 rpm	110 hp @ 2,400 rpm	110 hp @ 2,400 rpm
Transmission	Powershift	Powershift	Powershift
Axle—Front	High-Bias, Limited Slip	High-Bias, Limited Slip	High-Bias, Limited Slip
Axle—Rear	Planetary	Planetary	Planetary
Steering	All-Wheel	All-Wheel	All-Wheel
Tires	370/75-28	370/75-28	400/75-28
Maximum Travel Speed	18 mph (29 km/h)	19 mph (31 km/h)	19 mph (31 km/h)
Frame Tilt Left/Right	±10 Degrees	±10 Degrees	±10 Degrees

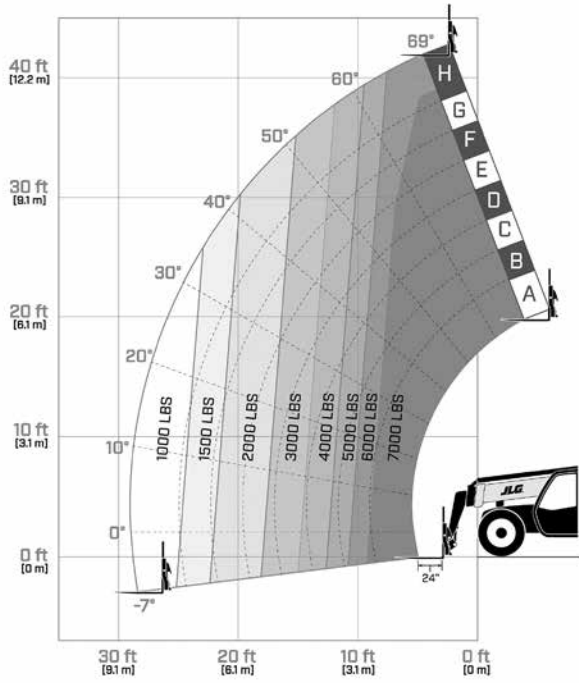
*Outriggers are required to achieve stated capacity.



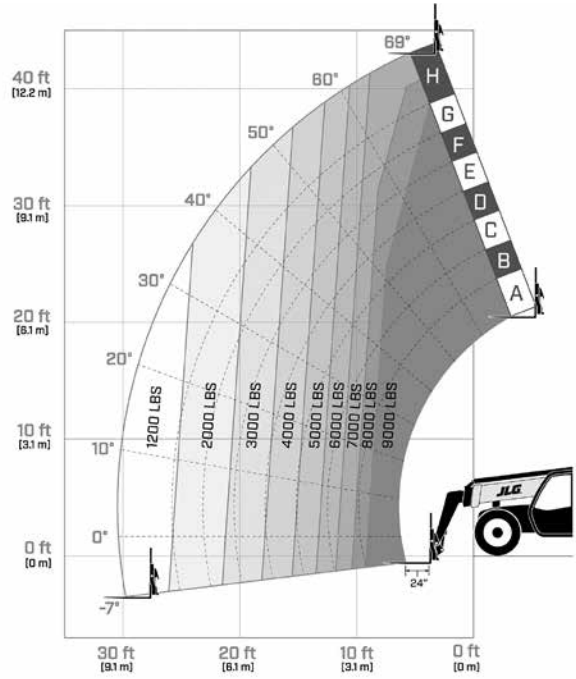
FEATURES INCLUDE:

- 3 steering modes; crab, 4-wheel, and 2-wheel
- Optional reversing camera & reverse sensing system
- Spacious cab
- Stabil-Trak
- 4-speed powershift transmission
- Single joystick control for boom lift and crowd
- Side mounted engine.

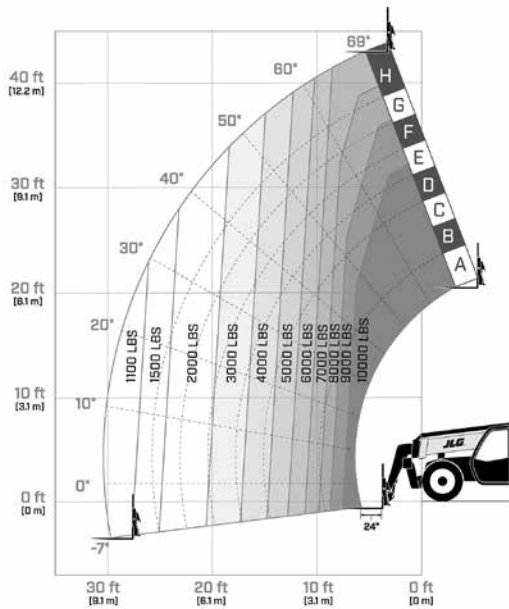
742



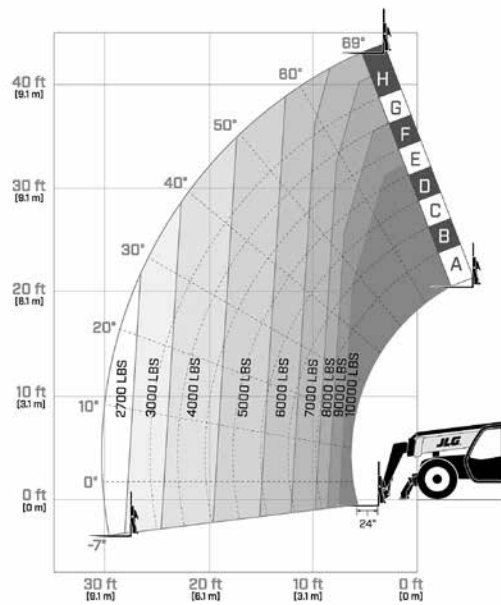
943



1043



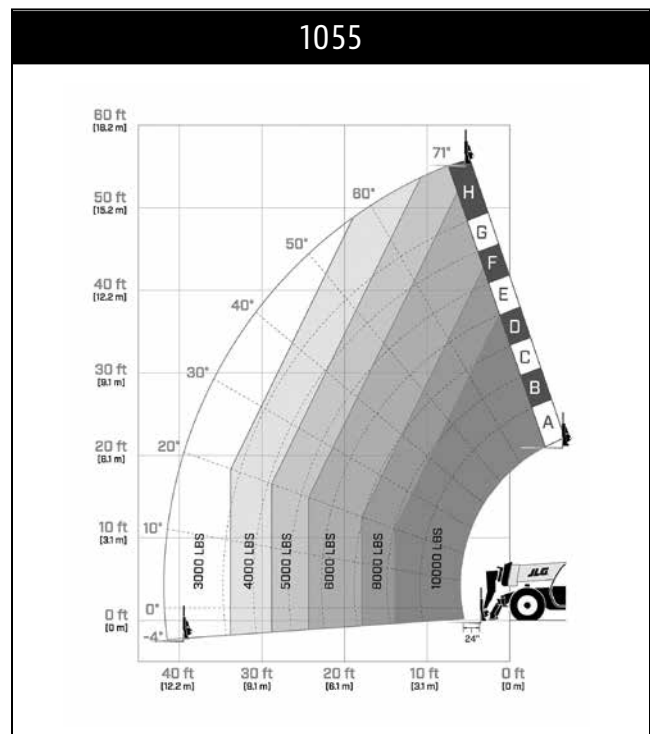
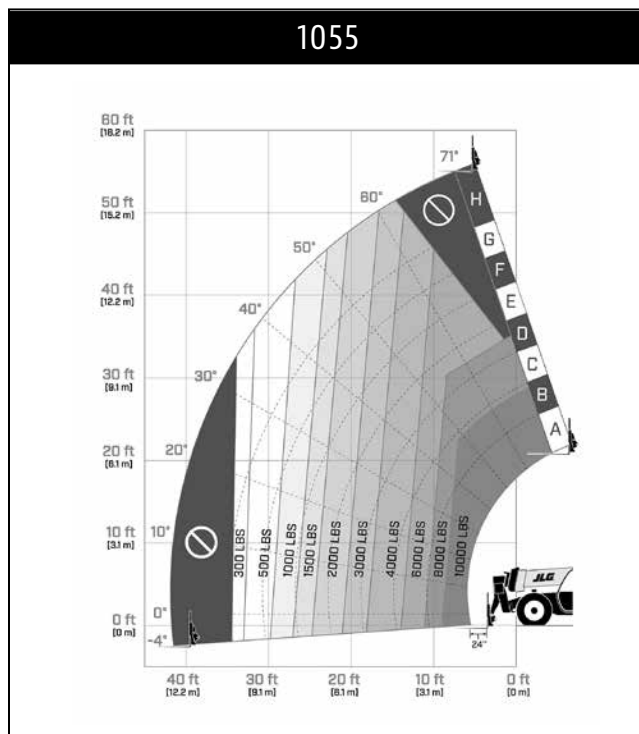
1043



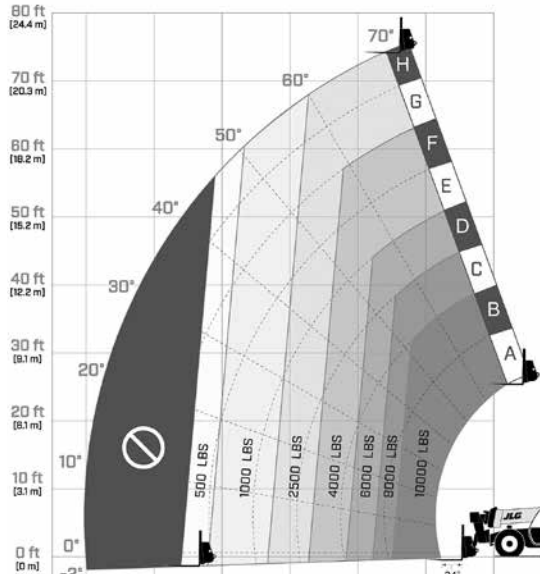
JLG® Telehandlers

	1055	1075	1255
Rated Capacity @ 24-in Load Center	10,000-lb (4,536-kg)	10,000-lb (4,536-kg)	12,000-lb (5,443-kg)
Maximum Lift Height	55-ft (16.76-m)	75-ft (22.86-m)	55-ft (16.76-m)
Capacity @ Maximum Lift Height	*5,000-lb (2,268-kg)	*6,000-lb (2,720-kg)	*5,000-lb (2,268-kg)
Maximum Reach	42-ft (12.8-m)	60-ft (18.29-m)	42-ft (12.8-m)
Capacity @ Maximum Reach	*3,000-lb (1,361-kg)	*2,100-lb (950-kg)	*3,500-lb (1,588-kg)
Approximate Operating Weight	31,559-lb (14,315-kg)	43,600-lb (19,780-kg)	33,960-lb (15,404-kg)
Length (less forks)	240.8-in (6.12-m)	289-in (7.34-m)	240.8-in (6.12-m)
Width	100.75-in (2.56-m)	98-in (2.5-m)	100.75-in (2.56-m)
Height	100-in (2.54-m)	120-in (3.05-m)	100-in (2.54-m)
Wheelbase	137.5-in (3.49-m)	142-in (3.6-m)	137.5-in (3.49-m)
Outside Turning Radius	168-in (4.3-m)	160-in (4.1-m)	168-in (4.3-m)
Ground Clearance	18-in (457-mm)	17-in (440-mm)	18-in (457-mm)
Drive	4 x 4	4 x 4	4 x 4
Engine	Cummins QSF3.8L	Cummins QSB4.5L	Cummins QSF3.8L
HP @ RPM	130 hp @ 2,500 rpm	160 hp @ 2,500 rpm	130 hp @ 2,500 rpm
Transmission	Powershift	Hydrostatic	Powershift
Axle—Front	High-Bias, Limited Slip	High-Bias, Limited Slip	High-Bias, Limited Slip
Axle—Rear	Planetary	Planetary	Planetary
Steering	All-Wheel	All-Wheel	All-Wheel
Tires	400/75-28	17.5-25 SGG Foam	400/75-28
Maximum Travel Speed	20 mph (32 km/h)	17 mph (28 km/h)	20 mph (32 km/h)
Frame Tilt Left/Right	±10 Degrees	±8 Degrees	±10 Degrees

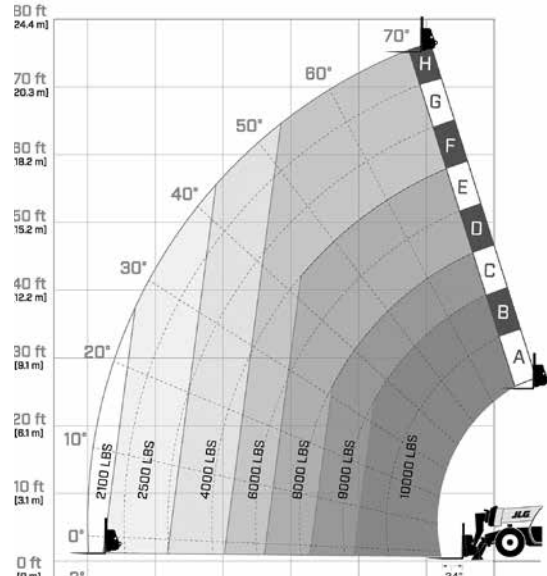
*Outriggers are required to achieve stated capacity.



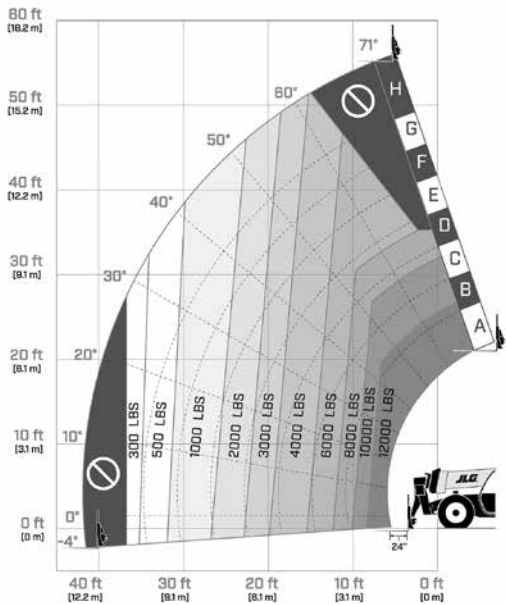
1075



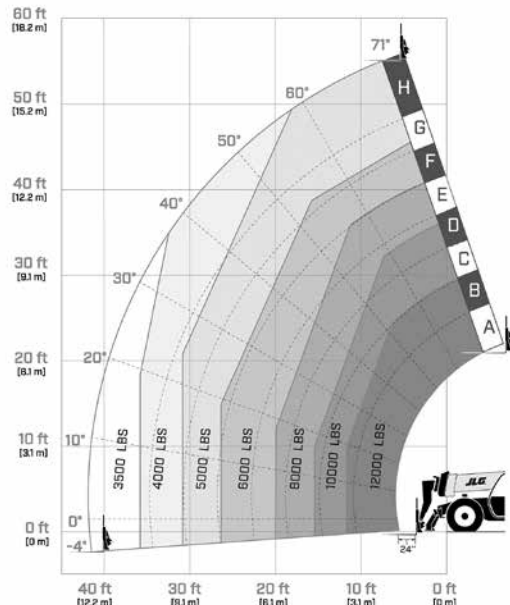
1075



1255



1255



JLG® Telehandlers

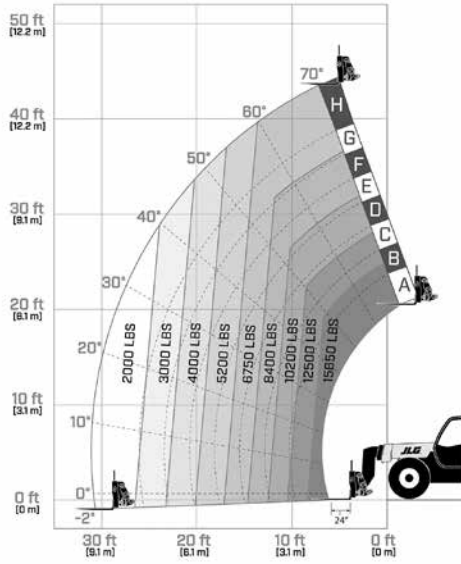
	1644	1732	2733
Rated Capacity @ 24-in Load Center	15,650-lb (7,100-kg)	16,755-lb (7,600-kg)	26,600-lb (12,065-kg)
Maximum Lift Height	43-ft 7-in (13.28-m)	31-ft 8-in (9.65-m)	33-ft 1-in (10.1-m)
Capacity @ Maximum Lift Height	6,750-lb (3,062-kg)	9,900-lb (4,491-kg)	15,500-lb (7,030-kg)
Maximum Reach	31-ft 1-in (9.47-m)	18-ft 7-in (5.66-m)	17-ft 7-in (5.37-m)
Capacity @ Maximum Reach	2,000-lb (907-kg)	5,500-lb (2,495-kg)	8,000-lb (3,628-kg)
Approximate Operating Weight	33,660-lb (15,265-kg)	31,145-lb (14,127-kg)	38,775-lb (17,555-kg)
Length (less forks)	243-in (6.17-m)	233-in (5.92-m)	249-in (6.32-m)
Width	97-in (2.46-m)	97-in (2.46-m)	98-in (2.50-m)
Height	105-in (2.67-m)	105-in (2.67-m)	120-in (3.05-m)
Wheelbase	127-in (3.23-m)	127-in (3.23-m)	142-in (3.60-m)
Outside Turning Radius	13-ft 2-in (4.01-m)	13-ft 2-in (4.01-m)	14-ft 8-in (4.5-m)
Ground Clearance	19-in (483-mm)	19-in (483-mm)	17-in (440-mm)
Drive	4 x 4	4 x 4	4 x 4
Engine	Deutz TCD 3.6L	Deutz TCD 3.6L	Cummins QSB 4.5L
HP @ RPM	134 hp @ 2200 rpm	134 hp @ 2200 rpm	160 hp @ 2200 rpm
Transmission	Hydrostatic 2-speed	Hydrostatic 2-speed	Hydrostatic 2-speed
Axle—Front	High-Bias, Limited Slip	High-Bias, Limited Slip	High-Bias, Limited Slip
Axle—Rear	Planetary	Planetary	Planetary
Steering	All-Wheel	All-Wheel	All-Wheel
Tires	17.5-25 SGG	17.5-25 SGG	17.5-25 Air CAMSO L2
Maximum Travel Speed	20 mph (32 km/h)	20 mph (32 km/h)	17 mph (28 km/h)
Frame Tilt Left/Right	±8 Degrees	±8 Degrees	±8 Degrees



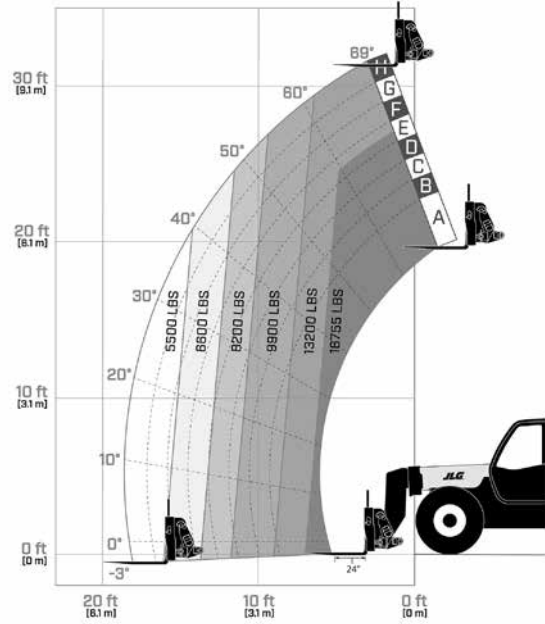
FEATURES INCLUDE:

- Precision boom lowering system, soft stop boom control, optional reverse sensing and reversing camera.
- Integrated hitch and a wide-range of attachments provide more options on the job site.
- Optional automatic attachment recognition and real-time load monitoring for enhanced productivity.

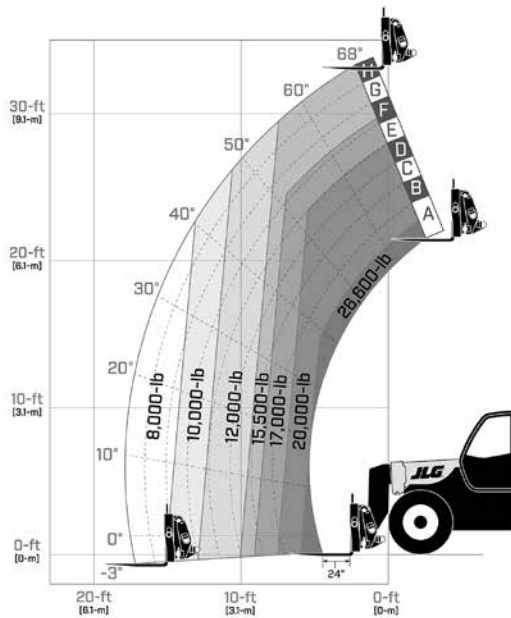
1644



1732



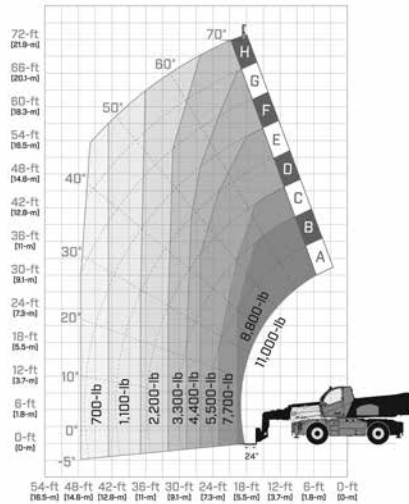
2733



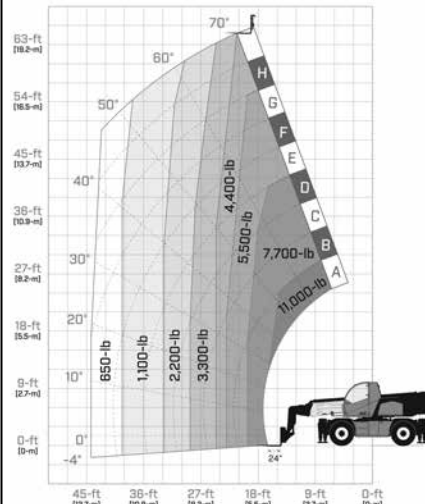
JLG® Telehandlers

	R11100	R1370	R1385
Rated Capacity	11,000-lb (5,000-kg)	13,200-lb (6,000-kg)	13,200-lb (6,000-kg)
Maximum Lift Height	97-ft (29.6-m)	67-ft (20.5-m)	84-ft 6-in (25.7-m)
Capacity @ Maximum Lift Height	4,400-lb (1,900-kg)	5,500-lb (2,500-kg)	5,500-lb (2,500-kg)
Maximum Reach	86-ft (26-m)	59-ft 6-in (18.1-m)	72-ft 6-in (21.9-m)
Capacity @ Maximum Reach	300-lb (140-kg)	1,500-lb (700-kg)	1,450-lb (600-kg)
Approximate Operating Weight	52,650-lb (23,882-kg)	42,410-lb (19,237-kg)	50,570-lb (22,940-kg)
Length (less forks)	330.7-in (8.40-m)	281.5-in (7.15-m)	331.1-in (8.41-m)
Width	98.4-in (2.50-m)	93.7-in (2.38-m)	98.4-in (2.50-m)
Height	121.9-in (3.10-m)	119.3-in (3.03-m)	121.9-in (3.10-m)
Wheelbase	129.9-in (3.30-m)	116.1-in (2.95-m)	127.6-in (3.24-m)
Outside Turning Radius	14-ft 5-in (4.4-m)	14-ft 6-in (4.4-m)	14-ft 5-in (4.4-m)
Ground Clearance	16.5-in (420-mm)	14.2-in (360-mm)	16.5-in (420-mm)
Drive	4 x 4	4 x 4	4 x 4
Engine	Fiat FPT NEF-N4.5	Perkins 904J-E36TA	Fiat FPT NEF-N4.5
HP	168 hp @ 2200 rpm	134 hp @ 2200 rpm	168 hp @ 2200 rpm
Transmission	Hydrostatic 2-speed	Hydrostatic 2-speed	Hydrostatic 2-speed
Axle—Front	High-Bias, Limited Slip	High-Bias, Limited Slip	High-Bias, Limited Slip
Axle—Rear	Planetary	Planetary	Planetary
Steering	All-Wheel	All-Wheel	All-Wheel
Tires	Foam-Filled	Foam-Filled	Foam-Filled
Maximum Travel Speed - Air Tires	25 mph (40 km/h)	25 mph (40 km/h)	25 mph (40 km/h)
Maximum Travel Speed - Foam-Filled Tires	12.4-mph (20-km/h)	12.4-mph (20-km/h)	12.4-mph (20-km/h)
Frame Tilt Left/Right	±6 Degrees	±5.5 Degrees	±6 Degrees

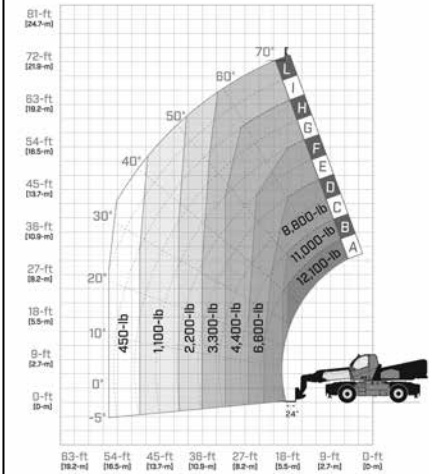
R11100



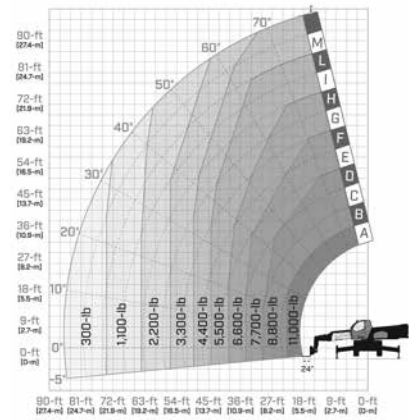
R1370



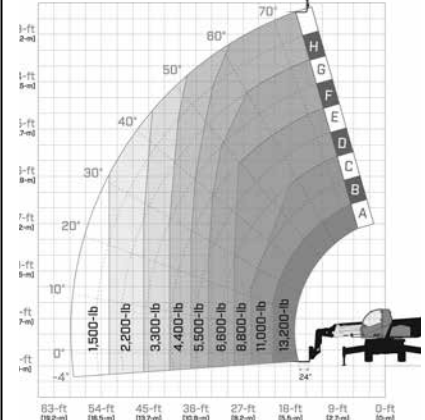
R1385



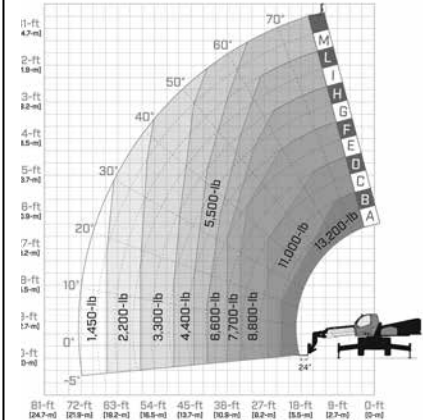
R11100



R1370



R1385



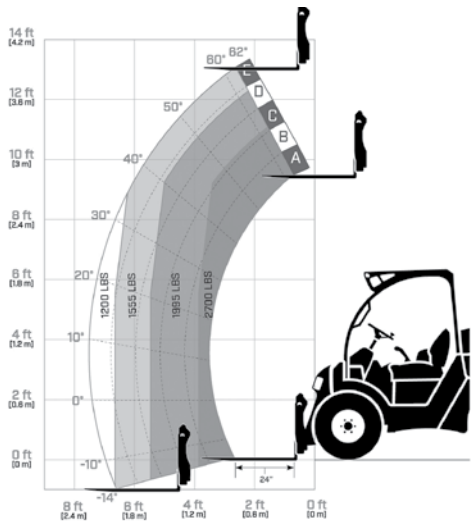
SkyTrak[®] Telehandlers

3013

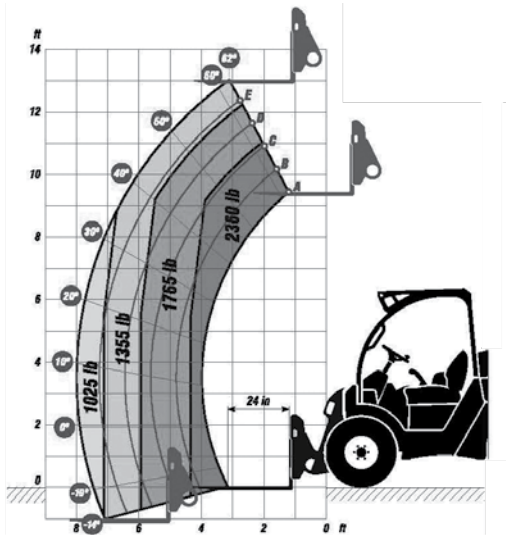
Rated Capacity @ 24-in Load Center	2,700-lb (1,225-kg)*
Maximum Lift Height	13-ft 1-in (4-m)
Capacity @ Maximum Lift Height	1,555-lb (705-kg)
Maximum Reach	7-ft 1-in (2.2-m)
Capacity @ Maximum Reach	1,200-lb (544-kg)
Approximate Operating Weight	5,280-lb (2,400-kg)
Length (less forks)	105-in (2667-mm)
Width	55.3-in (1405-mm)
Height	79-in (2007-mm)
Wheelbase	67-in (1700-mm)
Outside Turning Radius	117-in (3-m)
Ground Clearance	10-in (254-mm)
Drive	4 x 4
Engine	Kubota V-1505
HP	24.8 hp
Transmission	Hydrostatic
Axle—Front	Limited Slip
Axle—Rear	Rear Oscillating
Steering	2-Wheel
Tires	11.0/65 x 12
Maximum Travel Speed	10.5 mph (17 kph)
Frame Tilt Left/Right	N/A

*2,360-lb capacity with universal skid steer coupler

3013



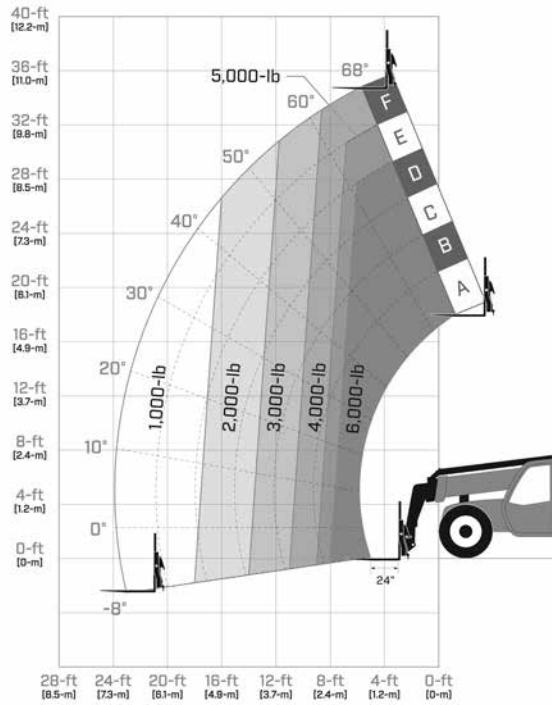
3013 UNIVERSAL SKID STEER COUPLER



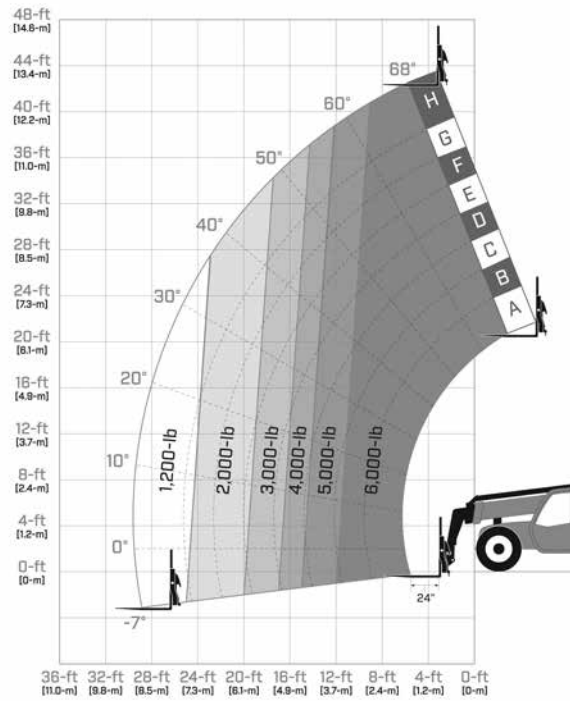
SkyTrak[®] Telehandlers

	6034	6042	8042
Rated Capacity @ 24-in Load Center	6,000-lb (2,722-kg)	6,000-lb (2,722-kg)	8,000-lb (3,629-kg)
Maximum Lift Height	34-ft 5-in (10.5-m)	42-ft 4-in (12.9-m)	42-ft 4-in (12.9-m)
Capacity @ Maximum Lift Height	4,000-lb (1,814-kg)	6,000-lb (2,722-kg)	6,000-lb (2,722-kg)
Maximum Reach	23-ft 2-in (7.1-m)	29-ft 6-in (9.0-m)	29-ft 6-in (9.0-m)
Capacity @ Maximum Reach	1,000-lb (454-kg)	1,200-lb (544-kg)	1,600-lb (726-kg)
Approximate Operating Weight	14,500-lb (6,577-kg)	19,100-lb (8,664-kg)	21,200-lb (9,616-kg)
Length (less forks)	209.6-in (5.33-m)	235.9-in (5.99-m)	239-in (6.07-m)
Width	95-in (2.41-m)	95-in (2.41-m)	99.6-in (2.53-m)
Height	97.75-in (2.48-m)	99.8-in (2.53-m)	102-in (2.59-m)
Wheelbase	110-in (2.79-m)	122-in (3.1-m)	122-in (3.10-m)
Outside Turning Radius	143-in (3.6-m)	12-ft 7-in (3.8-m)	12-ft 10-in (3.9-m)
Ground Clearance	15.4-in (390-mm)	15.1-in (384-mm)	18.1-in (460-mm)
Drive	4 x 4	4 x 4	4 x 4
Engine	Deutz TCD2.9 L4	Deutz TCD2.9 L4	Deutz TCD2.9 L4
HP @ RPM	74 hp @ 2,400 rpm	74 hp @ 2,400 rpm	74 hp @ 2,400 rpm
Transmission	Hydrostatic	Hydrostatic	Hydrostatic
Axle—Front	High-Bias, Limited Slip	High-Bias, Limited Slip	High-Bias, Limited Slip
Axle—Rear	Planetary	Planetary	Planetary
Steering	All-Wheel	All-Wheel	All-Wheel
Tires	15-19.5	15-19.5	370/75-28
Maximum Travel Speed	15 mph (24.1 km/h)	15 mph (24.1 km/h)	15 mph (24.1 km/h)
Frame Tilt Left/Right	±10 Degrees	±10 Degrees	±10 Degrees

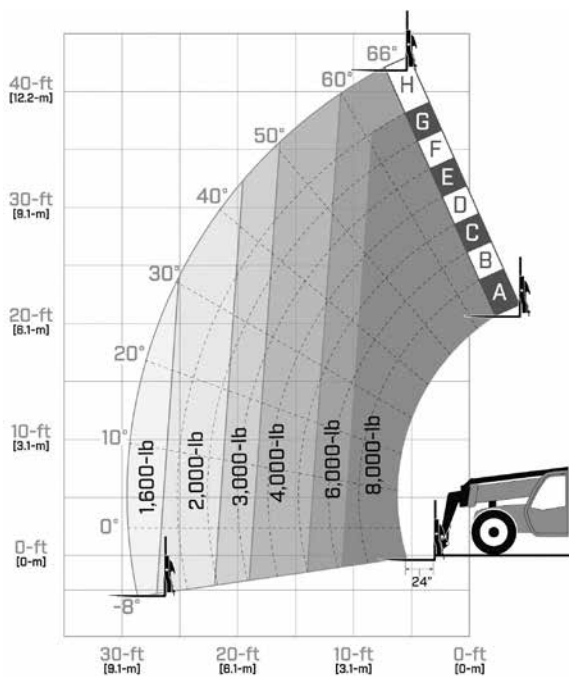
6034



6042



8042



FEATURES INCLUDE:

- Stabil-Trak increases operator confidence
- Optional A/C & reverse sensing system
- Single joystick control
- Wide attachment offering for increased versatility

SkyTrak[®] Telehandlers

	10042	10054	12054
Rated Capacity @ 24-in Load Center	10,000-lb (4,536-kg)	10,000-lb (4,536-kg)	12,000-lb (5,443-kg)
Maximum Lift Height	42-ft 1-in (12.83-m)	53-ft 2-in (16.21-m)	53-ft 2-in (16.21-m)
Capacity @ Maximum Lift Height	*6,000-lb (2,722-kg)	*4,000-lb (1,814-kg)	*5,000-lb (2,268-kg)
Maximum Reach	26-ft 7-in (8.10-m)	*38-ft 9-in (11.81-m)	38-ft 10-in (11.83-m)
Capacity @ Maximum Reach	6,000-lb (2,722-kg)	3,000-lb (1,361-kg)	3,500-lb (1,588-kg)
Approximate Operating Weight	27,300-lb (12,383-kg)	28,200-lb (12,791-kg)	30,357-lb (13,770-kg)
Length (less forks)	248-in (6.3-m)	252-in (6.4-m)	252-in (6.4-m)
Width	102-in (2.59-m)	102-in (2.59-m)	102-in (2.59-m)
Height	100.1-in (2.54-m)	101.1-in (2.57-m)	100-in (2.54-m)
Wheelbase	119.5-in (3.04-m)	119.5-in (3.04-m)	119.5-in (3.04-m)
Outside Turning Radius	170-in (4.32-m)	165-in (4.19-m)	166-in (4.21-m)
Ground Clearance	18-in (460-mm)	18-in (460-mm)	18-in (460-mm)
Drive	4 x 4	4 x 4	4 x 4
Engine	Cummins QSF3.8L	Cummins QSF3.8L	Cummins QSF3.8L
HP @ RPM	110 hp @ 2,600 rpm	110 hp @ 2,600 rpm	110 hp @ 2,600 rpm
Transmission	Powershift	Powershift	Powershift
Axle—Front	High-Bias, Limited Slip	High-Bias, Limited Slip	High-Bias, Limited Slip
Axle—Rear	Planetary	Planetary	Planetary
Steering	All-Wheel	All-Wheel	All-Wheel
Tires	400/75-28	400/75-28	400/75-28
Maximum Travel Speed	20 mph (32 km/h)	20 mph (32 km/h)	18.2 mph (29.3 km/h)
Frame Tilt Left/Right	±10 Degrees	±10 Degrees	±10 Degrees

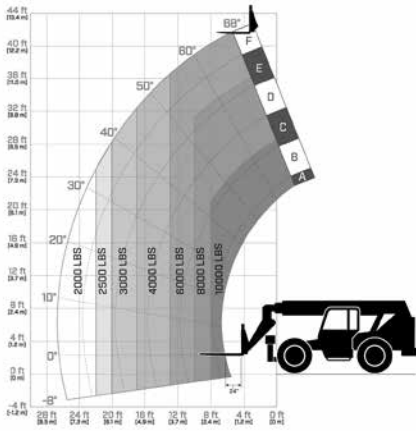
*With outriggers down.



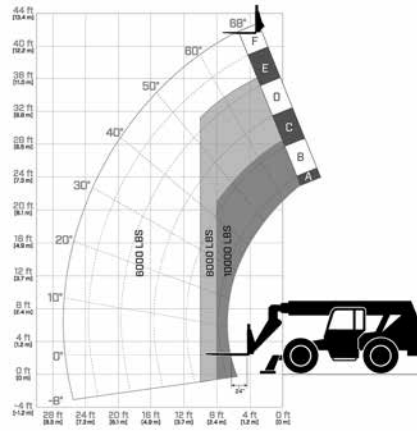
FEATURES INCLUDE:

- Stabil-Trak increases operator confidence.
- Optional A/C & reverse sensing system
- Single joystick control
- Wide attachment offering for increased versatility

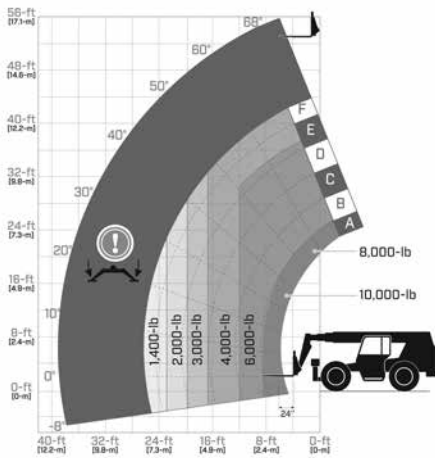
10042



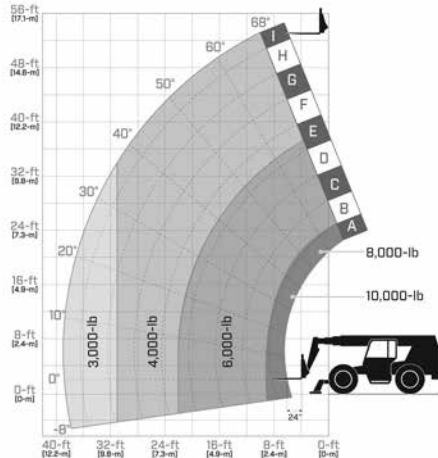
10042



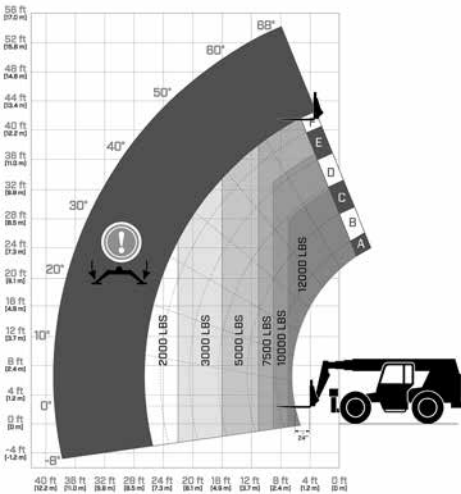
10054



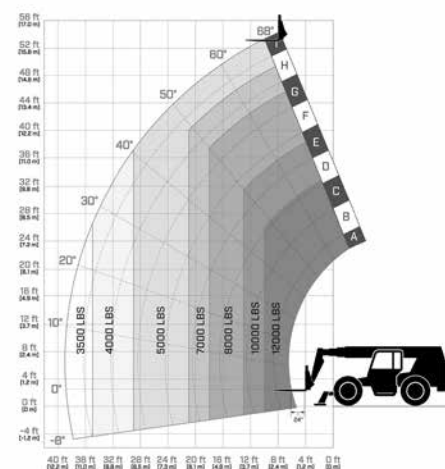
10054



12054



12054



Telehandler Attachments



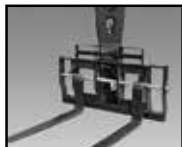
Standard Carriage

Forks that are fully floating and adjustable side-to-side for efficient load entry and exit.



Side-Tilt Carriage

Allows for minor lateral positioning of the load during final placement.



Swing Carriage

Allows for greater versatility in moving and placing materials in confined areas or when exact positioning is required.



Dual Fork Positioning Carriage

Provides the ability to adjust the position of each fork independently, allowing the operator to handle a variety of palletized loads without having to leave the cab.



Pallet Forks

Rugged design makes it easier to handle heavy palletized material.



Lumber Forks

Wider width provides a larger surface area for stability when transporting longer material.



Cubing Forks

Allows operator to load, unload and place cubes of brick and block with ease.



Material Bucket

Clean up the job site, spread gravel or for loading and leveling.



Grapple Bucket

Features a hydraulic grapple arm to assist in job site cleanup.



Side-Shift Carriage

Four-inch left and right carriage shift allows for precision load placement.



Fork-Mounted Work Platform

Extend the capabilities of your telehandler and get more work done by lifting material and persons to working heights.



Lifting Hook

Add versatility to any standard carriage by lifting and lowering objects without changing attachments.



Pipe Grapple

For handling multiple pipes or a larger single pipe.



Coupler-Mounted Lifting Hook

For lifting and lowering objects.



Sheet Material Handler

For placing sheet material in windows and other entry points more efficiently.



Fork Mounted Extendable Truss

Designed for lifting and placing objects around the job site. Ideal for metal building erection, setting wooden trusses and erecting post frame buildings.



Truss Boom

Allows operator to set trusses and wall sections for wood and steel building construction. Available with or without winch.