

340AJ

ARTICULATING BOOM LIFT



Performance

Platform Height	33 ft 10 in.	10.31 m
Horizontal Outreach	19 ft 11 in.	6.06 m
Up and Over Height	17 ft	5.17 m
Swing	355 Degrees Non-Continuous	
Platform Capacity	500 lb	227 kg
Platform Size	30 x 60 in.	0.76 x 1.52 m
Platform Rotator	180 Degrees Hydraulic	
Jib	4 ft	1.22 m
Range of Articulation	144 Degrees (+84, -60)	
Weight	9,700 lb	4,400 kg
Max. Ground Bearing Pressure	151 psi	10.6 kg/cm ²
Drive Speed		
4WD	3.1 mph	4.98 km/hr
Gradeability		
4WD	45%	
Turning Radius		
Inside	5 ft	1.52 m
Outside	13 ft	3.96 m

Standard Specifications

Engine

Make and Model		
Dual Fuel Engine		
PSI/GM	28.7 hp	21.4 kW
Diesel Engine		
Kubota D1105	24.8 hp	18.5 kW
Fuel Tank Capacity	13 gal.	49.21 L

Tires

Standard	265/50D20 Lug Tread
Optional	9 x 20 Foam-Filled Lug Tires
	9 x 20 Non-Marking Pneumatic Tires
	9 x 20 Non-Marking Foam-Filled Tires
	7 x 18 Solid Cushion Lug Tread Tires
	7 x 18 Non-marking Solid Cushion Lug Tread Tires

Hydraulic System

Capacity	20.6 gal.	77.9 L
Auxiliary Power	12V DC	



Standard Features

- 4 ft (1.22 m) Articulating Jib
- 355 Degree Non-Continuous Swing
- Platform 30 x 60 in. (0.76 x 1.22 m) Side Entry
- 180 Degree Hydraulic Platform Rotator
- Platform Console Machine Status Light Panel*
- 110V-AC Receptacle in Platform
- 5 Degree Tilt Alarm/Indicator Light
- 9 x 20 Lug Tread Pneumatic Tires
- Swing-Out Engine Tray
- Gull-Wing Steel Turntable Hoods
- 12V-DC Auxiliary Power
- Hourmeter
- Hydrostatic Drive
- Proportional Controls
- Control ADE® System
- Lifting/Tie Down Lugs
- Horn
- Oscillating Axle
- Cast Aluminum Control Box
- All Motion Alarm
- Glow Plugs (Diesel Engines)

*Provides indicator lights at platform control console for system distress, low fuel, 5 degree tilt light, and foot switch status.

Accessories & Options

- 30 x 48 in. (0.76 x 1.22 m) Platform
- Self-Closing Gate
- Mesh to Top Rail (Bolt-on Aluminum)
- 1/2 in. Air Line to Platform
- AC Generator
- 43.5 lb (19.7 kg) Propane Tank
- Chassis Illumination Lights
- Platform Worklights
- Cold Weather Start Kit¹
- Hostile Environment Kit²
- Flashing Amber Beacon
- Arctic Package³ (diesel only)
- Special Hydraulic Oils

1. Includes engine block heater, battery heater, oil tank heater.
2. Includes console cover, boom wipers and cylinder bellows.
3. Includes arctic hydraulic hoses (drive and steer only) and main boom cable, arctic hydraulic oil, extreme cold engine oil, anti-freeze (Cat only), fuel conditioner, engine block heater, battery blanket, glow plugs, hydraulic tank heater, and oversized footswitch.

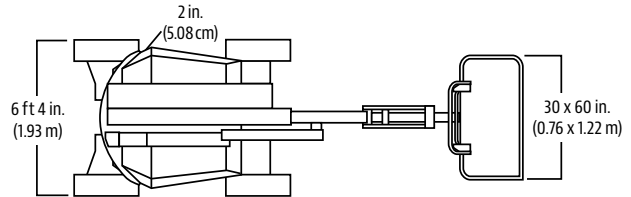
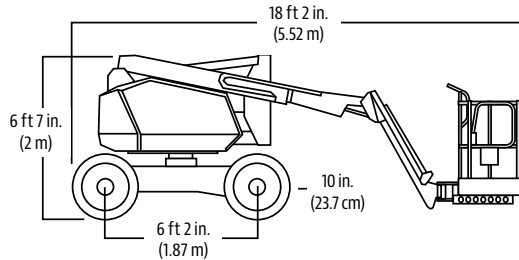
340AJ

ARTICULATING BOOM LIFTS

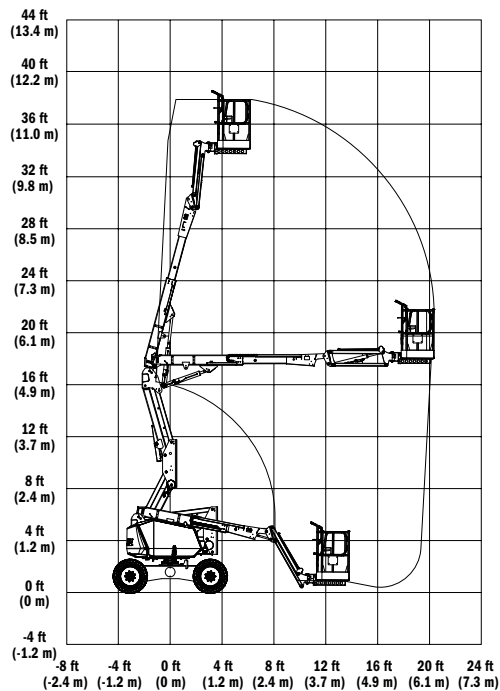


Dimensions

All dimensions are approximate.



Reach Diagram



The JLG "1 & 5" Warranty

We provide coverage for one (1) full year, and cover all specified major structural components for five (5) years. Due to continuous product improvements, we reserve the right to make specification and/or equipment changes without prior notification. This machine meets or exceeds applicable ANSI and CSA requirements based on machine configuration as originally manufactured for intended applications. Please reference the serial number plate on the machine for additional information.

Part No.: 3131121
R071804
Printed in USA



JLG Industries, Inc.
1 JLG Drive
McConnellsburg, PA 17233-9533
Telephone 717-485-5161
Toll-free in US 877-JLG-LIFT
Fax 717-485-6417
www.jlg.com

An Oshkosh Corporation Company

450 SERIES

ARTICULATING BOOM LIFT



Performance

Platform Height	45 ft	13.72 m
Horizontal Outreach		
450A	30 ft	9.14 m
450AJ	25 ft	7.62 m
Up and Over Height	24 ft	7.3 m
Swing	355 Degrees Non-Continuous	
Platform Capacity		
Unrestricted	550 lb	250 kg
Platform Size	30 x 72 in.	0.76 x 1.83 m
Platform Rotator	180 Degrees Hydraulic	
Jib	4 ft 1 in.	1.24 m
Range of Articulation	145 Degrees (+76, -69)	
Weight		
450A	15,850 lb	7,190 kg
450AJ	12,650 lb	5,738 kg
Max Ground Bearing Pressure (With Pneumatic Tires)	65 psi	4.57 kg/cm ²
Drive Speed	4.25 mph	6.84 km/hr
Gradeability		
2WD	30%	
4WD	45%	
Axle Oscillation	4 in.	10 cm
Turning Radius		
Inside	6 ft 9 in.	2.06 m
Outside	15 ft 8 in.	4.78 m

Standard Specifications

Power Source

Dual Fuel Engine		
Kubota WG2503	61 hp	45.5 kW
Diesel Engine		
Deutz D2.9 L4 Tier 4 Final	49 hp	36.4 kW
Fuel Tank Capacity	16 gal.	60.6 L

Hydraulic System

System Capacity	38 gal.	143.8 L
Tank Capacity	36 gal.	136.27 L
Auxiliary Power	12V-DC	

Tires

Standard	33/1550 x 16.5 Pneumatic Lug Tread	
Optional	Foam-filled Tires Non-marking Tires	



Standard Features

- 4 ft 1 in. (1.24 m) Articulating Jib
- Platform 30 x 72 in. (0.76 x 1.83 m) Side Entry
- 180 Degree Hydraulic Platform Rotator
- Platform Console Machine Status Light Panel¹
- 110V-AC Receptacle in the Platform
- 5 Degree Tilt Alarm/Indicator Light
- Swing Out Engine Module
- Improved Multi-Function Controls
- Gull-Wing Turntable Hoods
- 12V-DC Auxiliary Power
- Hourmeter
- Interactive Display at Ground Controls
- Proportional Controls
- Control ADE[®] System
- Lifting/Tie Down Lugs
- Horn
- Four-Wheel Hydrostatic Drive
- Oscillating Axle
- Cast Aluminum Control Box
- Motion Alarm
- Reduced Time to Full Height

Accessories & Options

- 30 x 60 in. (0.76 x 1.25 m) Platform
- Inward Self-Closing Swing
- 36 x 72 in. (0.91 x 1.83 m) Platform
- Fall Arrest Platform 30 x 60 in. (.76 x 1.53 m)
- Mesh to Top Rail— Bolt-on Aluminum
- 1/2 in. Air Line to Platform
- Soft Touch System
- AC Generator
- Flashing Amber Beacon
- 43.5 lb (19.73 kg) Propane Tank
- Cold Weather Kit²
- Arctic Package⁴
- Hostile Environment Kit³
- Light Package
- Platform Worklights
- Operator Tool Tray
- Accessory Packages
 - SkyPower[®] Package
 - SkyWelder[®] Package
 - SkyGuard[®]
 - PipeRack

1. Provides indicator lights at platform control console for system distress, low fuel, 5 degree tilt light, and foot switch status.

2. Includes battery blanket, hydraulic tank heater, block heater (GM), glow plugs (Deutz).

3. Includes boom wipers, cylinder bellows and console cover.

4. Includes arctic hydraulic hoses (drive and steer only) and main boom cable, extreme cold engine oil, fuel conditioner, engine block heater, battery blanket, glow plugs, hydraulic tank heater, and oversized footswitch.

Note: Some options may increase lead time, and some option combinations may not be available.

450 SERIES

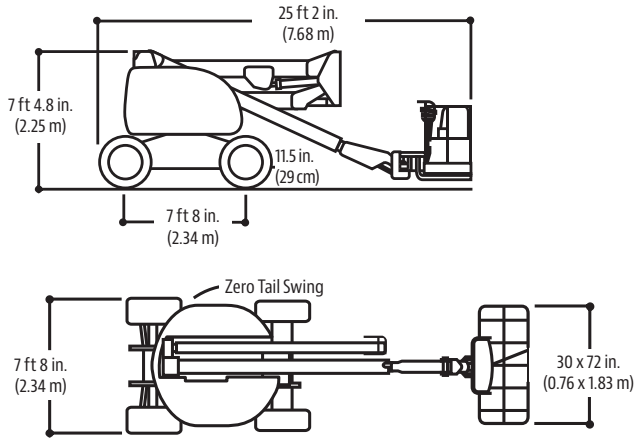
ARTICULATING BOOM LIFT



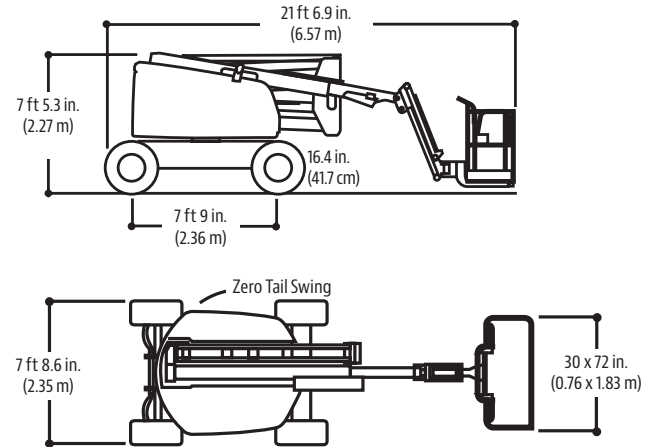
Dimensions

All dimensions are approximate.

450A

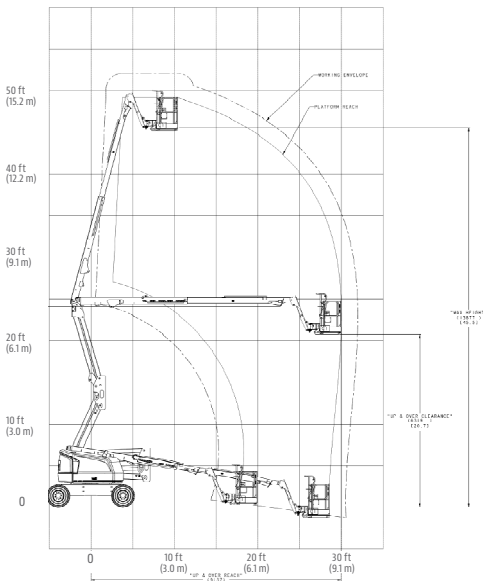


450AJ

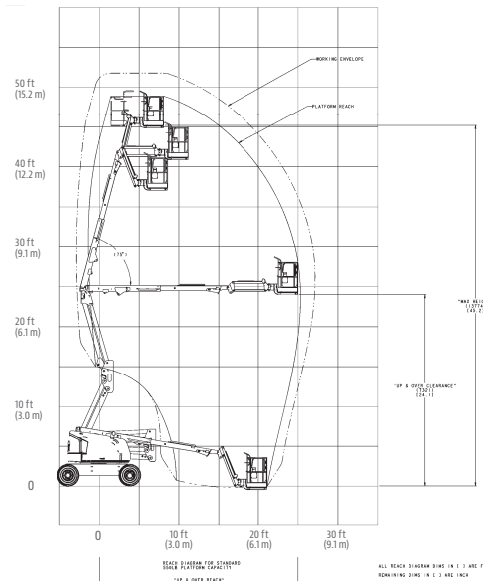


Reach Diagrams

450A



450AJ



The JLG "1 & 5" Warranty

We provide coverage for one (1) full year, and cover all specified major structural components for five (5) years. Due to continuous product improvements, we reserve the right to make specification and/or equipment changes without prior notification. This machine meets or exceeds applicable ANSI and CSA requirements based on machine configuration as originally manufactured for intended applications. Please reference the serial number plate on the machine for additional information.

Part No.: 3131117
R091219
Printed in USA



JLG Industries, Inc.
1 JLG Drive
McCconnellsburg, PA 17233-9533
Telephone 717-485-5161
Toll-free in US 877-JLG-LIFT
Fax 717-485-6417
www.jlg.com

An Oshkosh Corporation Company

600 SERIES

ARTICULATING BOOM LIFTS



Performance

Platform Height		
600A	60 ft 5 in.	18.42 m
600AJ	60 ft 7 in.	18.47 m
Horizontal Outreach		
600A	39 ft 7 in.	12.07 m
600AJ	39 ft 9 in.	12.10 m
Up and Over Clearance	26 ft 7 in.	8.1 m
Swing	360 Degrees Continuous	
Platform Capacity		
Restricted (600A)	1,000 lb	450 kg
Platform Capacity		
Unrestricted	500 lb	227 kg
Platform Rotator	180 Degrees Hydraulic	
Jib Range of Articulation (600AJ)	130 Degrees (+70, -60)	
Weight		
600A	21,640 lb	9,816 kg
600A Narrow	24,100 lb	10,931 kg
600AJ	22,240 lb	10,088 kg
600AJ Narrow	24,200 lb	10,977 kg
Max. Ground Bearing Pressure		
600A	77 psi	5.5 kg/cm ²
600A Narrow	94 psi	6.6 kg/cm ²
600AJ	75 psi	5.25 kg/cm ²
600AJ Narrow	94 psi	6.6 kg/cm ²
Drive Speed 2WD	4.25 mph	6.8 kph
Drive Speed 4WD	4.25 mph	6.8 kph
Gradeability 2WD	30%	
Gradeability 4WD	45%	
Axle Oscillation	8 in.	0.2 m
Turning Radius Inside/Outside		
2WS	10 ft. 11 in./17 ft. 7 in.	3.33 m/5.36 m
4WS	5 ft. 6 in./11 ft. 8 in.	1.68 m/3.56 m
Narrow Models		
4WS	5 ft. 7 in./11 ft. 2 in.	1.7 m/3.4 m

Standard Specifications

Power Source

Dual Fuel Engine		
Ford MSG425	84 hp	62 kw
Diesel Engine		
Deutz TD2.9L4 Tier 4 Final	67 hp	50 kw
Fuel Tank Capacity	30 gal.	113.6 L

Hydraulic System

• Capacity	30.6 gal.	115.8 L
• Auxiliary Power	12V DC	

Tires

• Standard	IN355/55D-6.25 Low Profile
• Narrow Models	14 x 17.5 Air Boss
• Optional	Foam-Filled



Standard Features

- Oscillating Axle
- 180 Degree Hydraulic Platform Rotator
- 110V-AC Receptacle in the Platform
- 5 Degree Tilt Alarm/Indicator Light
- Swing-Out Engine Tray
- 12V-DC Auxiliary Power
- Hourmeter
- Horn
- Control ADE® System
- Proportional Controls
- Gull-Wing Engine Hood
- Platform Console Machine Status Light Panel*
- Lifting/Tie Down Lugs
- All Motion Alarm
- Glow Plugs (Diesel Engines)

* Provides indicator lights at platform control console for system distress, 5 degree tilt light, and foot switch status.

Accessories & Options

- Platform: 36 x 72 in. (0.91 x 1.83 m)
- Fall Arrest Platform, Rear Entry¹: 36 x 96 in. (0.91 x 2.44 m)
- Self-Closing Gate
- Mesh to Top Rail — Bolt-on Aluminum
- Soft Touch System
- Operator Tool Tray
- 43.5 lb (19.7 kg) Propane Tank
- Cold Weather Start Kit²
- Hostile Environment Kit³
- Light Package⁴
- Platform Worklights
- Flashing Amber Beacon
- Arctic Package⁵
- Accessory Packages:
 - SkyPower⁶
 - SkyWelder⁶
 - SkyGlazier⁶
 - SkyCutter⁶
 - Pipe Rack

1. Foam-filled tires required.
2. Includes glow plugs (Diesel), battery heater, oil tank heater.
3. Includes console cover, boom wipers and cylinder bellows.
4. Includes head and tail lights, and platform worklights.
5. Includes arctic hydraulic hoses (drive and steer only) and main boom cable, arctic hydraulic oil, extreme cold engine oil, fuel conditioner, engine block heater, battery blanket, glow plugs, hydraulic tank heater, and oversized footswitch. 4. Not available on Multi-Powered models.
6. 2WD only.
7. Includes head and tail lights, and platform worklights.
8. Includes hydraulic tank heater, battery heater, and heater pad for block.

Note: Some options may increase lead time, and some option combinations may not be available.

600 SERIES

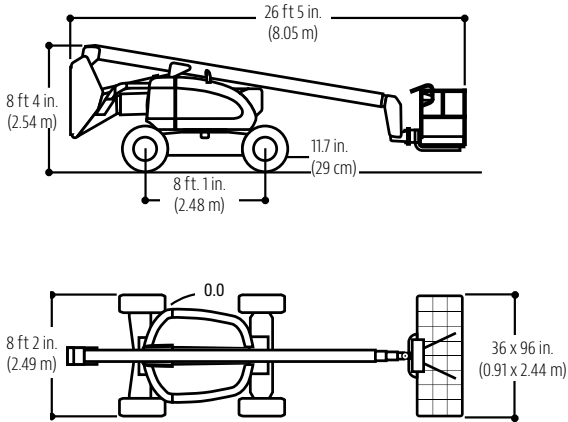
ARTICULATING BOOM LIFTS



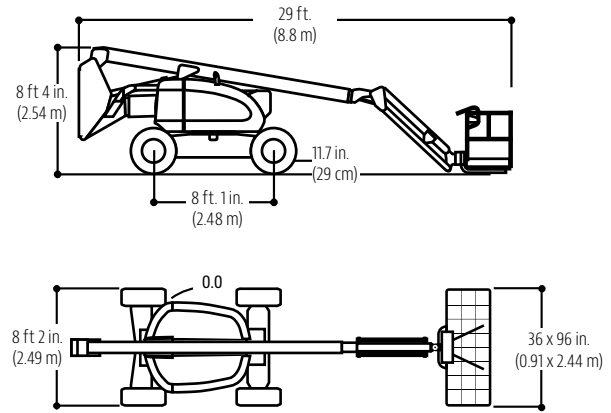
Dimensions

All dimensions are approximate.

600A

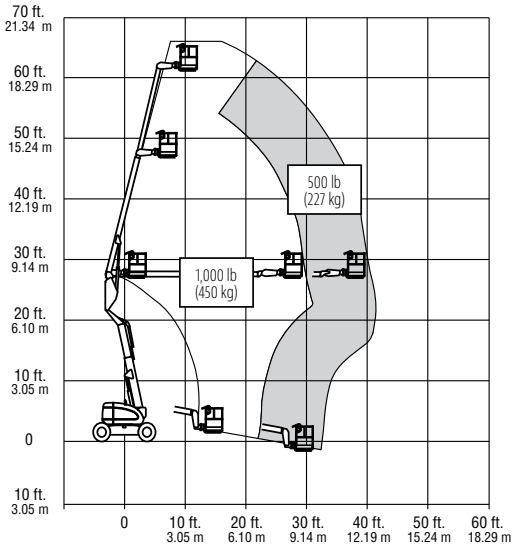


600AJ

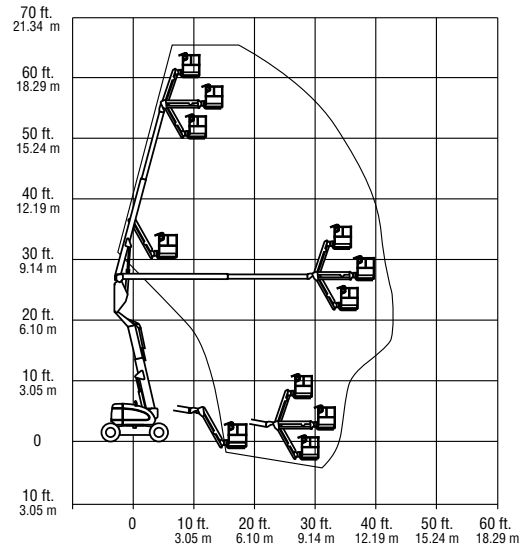


Reach Diagram

600A



600AJ



The JLG "1 & 5" Warranty

JLG Industries, Inc. backs its products with its exclusive "1 & 5" Warranty. We provide coverage on all products for one (1) full year, and cover all specified major structural components for five (5) years. Due to continuous product improvements, we reserve the right to make specification and/or equipment changes without prior notification. This machine meets or exceeds applicable OSHA Regulations in 29 CFR 1910.67, 29 CFR 1926.453, ANSI A92.5-2006, and CSA Standard CAN3-B354.2-M82, as originally manufactured for intended applications.

Part No.: 3131120
 R051410
 Printed in USA

JLG Industries, Inc.
 1 JLG Drive
 McCallsburg, PA 17233-9533
 Telephone 717-485-5161
 Toll-free in US 877-JLG-LIFT
 Fax 717-485-6417
www.jlg.com

An Oshkosh Corporation Company

800 SERIES

ARTICULATING BOOM LIFTS



Performance

Platform Height	80 ft	24.38 m
Horizontal Outreach		
800A	53 ft	16.15 m
800AJ	51 ft 10 in.	15.8 m
Up and Over Height	32 ft 1 in.	9.78 m
Swing	360 Degrees Continuous	
Platform, Side Entry	36 x 96 in.	0.91 x 2.44 m
Platform Capacity-Restricted		
800A only	1000 lb*	454 kg
Platform Capacity-Unrestricted	500 lb	227 kg
Platform Rotator	180 Degrees Hydraulic	
Jib Length		
800AJ	6 ft	1.83 m
Jib Range of Articulation		
800AJ	130 Degrees (+70, -60)	
Weight**	34,300 lb	15,558 kg
Max. Ground Bearing Pressure	76 psi	5.3 kg/cm ²
Drive Speed 2WD or 4WD	3.0 mph	4.8 km/h
Gradeability		
2WD	30%	
4WD	45%	
Turning Radius (Inside)		
2WS	12 ft	3.66 m
4WS	7 ft	2.13 m
Turning Radius (Outside)		
2WS	22 ft 6 in.	6.86 m
4WS	14 ft 6 in.	4.42 m

Standard Specifications

Power Source

Dual Fuel Engine		
GM Vortec 3000 MPFI	82 hp	61 kW
Diesel Engine		
Deutz TD2.9L4 Tier 4 Final	67 hp	50 kW
Fuel Tank Capacity	39 gal.	147.6 L

Hydraulic System

• Capacity	40 gal.	151.4 L
• Auxiliary Power	12V DC	

Tires

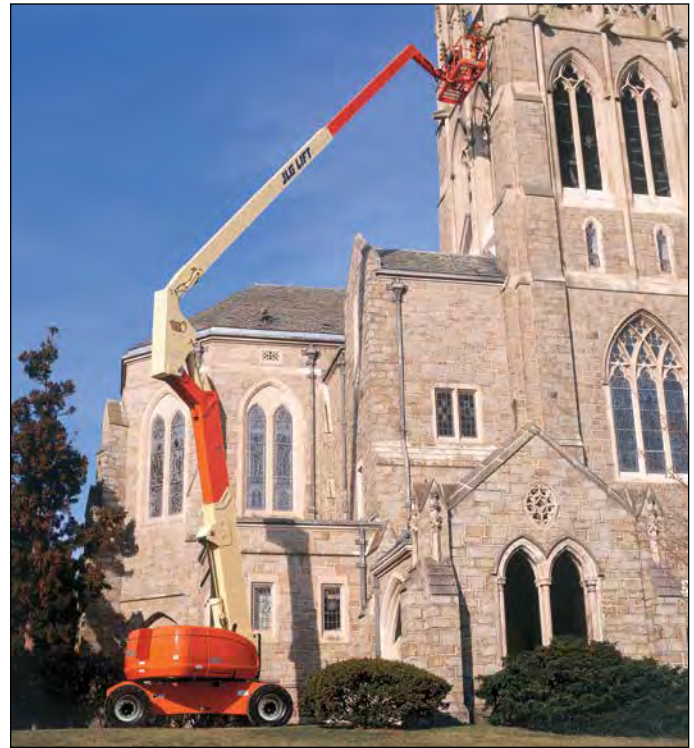
• Standard	15-625 Wide Lug Tread
• Optional	18 x 625 Foam-Filled Tires

*Except CE rating.

**Certain options or country standards will increase vehicle weight.

Standard Features

- Articulating Jib (800AJ only)
- Dual Rated Capacities (800A only)
- Oscillating Axle
- 180 Degree Hydraulic Platform Rotator
- 110V-AC Receptacle in the Platform
- 5 Degree Tilt Alarm/Indicator Light
- Swing-Out Engine Tray
- 12V-DC Auxiliary Power
- Hourmeter
- Control ADE® System
- Proportional Controls
- Gull-Wing Hoods



- Hydrostatic Drive
- Platform Console Machine Status Light Panel¹
- Lifting/Tie Down Lugs
- Engine Distress Warning
- Rim Protector Lug Tread Tires
- Engine Distress Shutdown — Selectable via Analyzer
- All Motion Alarm

1. Provides indicator lights at platform control console for system distress, 5 degree tilt light, and foot switch status.

Accessories & Options

- Platform: 36 x 72 in. (0.91 x 1.83 m)
- Operator Tool Tray
- Fall Arrest Platform, Rear Entry²: 30 x 72 in. (0.76 x 1.83 m)
- Mesh to Top Rail Bolt-on Aluminum 6 ft/8 ft
- Inward Self-Closing Swinging Gate
- Soft Touch System: 6 ft/8 ft
- 43.5 lb (19.7 kg) Propane Tank
- Cold Weather Start Kit (GM)³
- Cold Weather Start Kit (Deutz)³
- Hostile Environment Kit⁴
- Light Package⁵
- Platform Worklights
- Flashing Amber Beacon
- Arctic Package⁶
- SkyAir®
- SkyWelder®
- Pipe Rack®
- SkyGlazier®
- SkyCutter® and SkyAir® Package
- SkyWelder®/SkyCutter®/SkyAir® Combination
- SkyPower® Package — 7500 Watt Generator, power cable to platform, 1/2 in. Air Line to Platform

2. Foam-filled tires required.

3. Includes engine block heater (GM) or glow plugs (Deutz), battery heater, oil tank heater.

4. Includes console cover, boom wipers and cylinder bellows.

5. Includes head and tail lights, and platform worklights.

6. Includes arctic hydraulic hoses (drive and steer only) and main boom cable, extreme cold engine oil, fuel conditioner, engine block heater, battery blanket, glow plugs, hydraulic tank heater, and oversized footswitch. Arctic oil priced separately.

800 SERIES

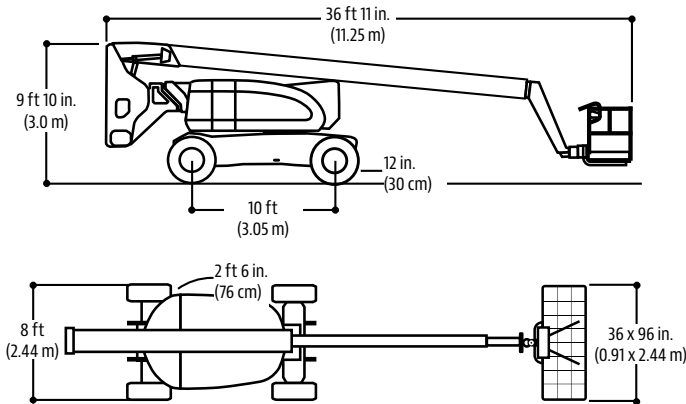
ARTICULATING BOOM LIFTS



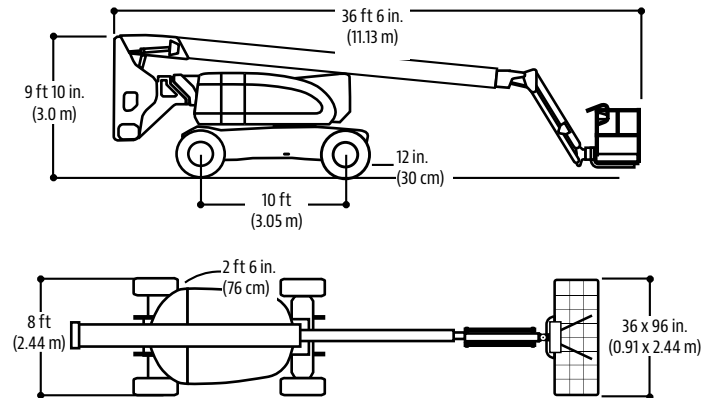
Dimensions

All dimensions are approximate.

800A

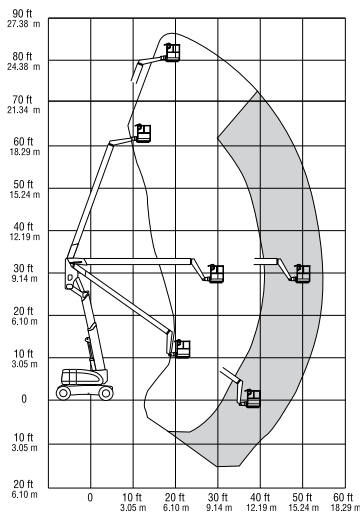


800AJ

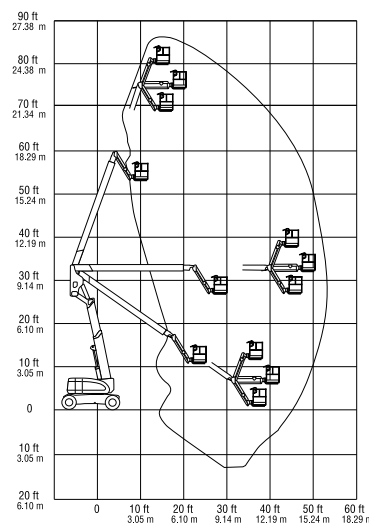


Reach Dimensions

800A



800AJ



The JLG "1 & 5" Warranty

JLG Industries, Inc. backs its products with its exclusive "1 & 5" Warranty. We provide coverage on all products for one (1) full year, and cover all specified major structural components for five (5) years. Due to continuous product improvements, we reserve the right to make specification and/or equipment changes without prior notification. This machine meets or exceeds applicable OSHA Regulations in 29 CFR 1910.67, 29 CFR 1926.453, ANSI A92.5-2006, and CSA Standard CAN3-B354.2-M82, as originally manufactured for intended applications.

Part No.: 3131108
R071615
Printed in USA



JLG Industries, Inc.
1 JLG Drive
McConnellsburg, PA 17233-9533
Telephone 717-485-5161
Toll-free in US 877-JLG-LIFT
Fax 717-485-6417
www.jlg.com

An Oshkosh Corporation Company

1500AJP

ULTRA SERIES BOOM LIFT

JLG
reachingout®

Performance

Platform Height	150 ft	45.72 m
Horizontal Outreach	75 ft	22.86 m
Up and Over Height	60 ft	18.29 m
Swing	360° Continuous	
Platform Capacity-Restricted	1,000 lb	454 kg
Platform Capacity-Unrestricted	600 lb	272 kg
Platform Rotator	180° Hydraulic	
Jib Length	8 ft	2.4 m
Jib Range of Articulation	130° (+75, -55)	
Jib Horizontal Rotation	125° (55 right, 70 left)	
Weight ¹	57,400 lb	26,039 kg
Max. Ground Bearing Pressure	120 psi	83.7 kg/cm ²
Drive Speed	2.8 mph	4.5 km/h
Gradeability	40%	
Turning Radius (Inside)		
Axles Retracted	23 ft 4 in.	7.12 m
Axles Extended	7 ft 6 in.	2.3 m
Turning Radius (Outside)		
Axles Retracted	31 ft 3 in.	9.52 m
Axles Extended	21 ft 8 in.	6.6 m
Tailswing		
Tower up	0	
Tower down	8 ft 2 in.	2.49 m

Standard Specifications

Power Source

Diesel Engine		
Deutz TCD 3.6L Tier IV F	99.8 hp	74.4 kW
Fuel Tank Capacity	45 gal	170 L

Hydraulic System

• Hydraulic Tank Capacity	93 gal	352 L
---------------------------	--------	-------

Tires

• Standard	445/50D710 24 ply Foam-Filled
------------	-------------------------------

Standard Features

- Articulating Jib
- Dual Rated Capacities (600/1,000 lb)
- Drive-Out Extendable Axles
- 180° Hydraulic Platform Rotator
- AC Receptacle in Platform
- Tilt Light and Alarm
- Swing-Out Engine Tray
- 12V-DC Auxiliary Power
- Hourmeter
- Control ADE® System
- Hydrostatic Drive
- Proportional Controls
- SkyGuard®
- Dual USB Power Outlet
- Gull-Wing Steel Hoods
- 445/50D710 Foam-Filled Rim Protector Lug Tread Tires
- Platform Console Machine Status Light Panel²
- Lifting/Tie Down Lugs
- Engine Distress Warning/Shutdown—Selectable via JLG Analyzer
- All Motion Alarm
- LCD Panel at Operator's Platform Control Console
- Quick Stik®
- Load Sensing System (LSS)



Accessories & Options

- 36 x 72 in. (.91 x 1.83 m) Platform
- Inward Self-Closing Swing Gate
- Mesh to Top Rail-Bolt-on Aluminum 6 ft⁷
- Mesh to Top Rail-Bolt-on Aluminum 8 ft⁷
- Light Package³
- Soft Touch System
- Cold Weather Start Kit⁴
- Hostile Environment Kit⁵
- Flashing Amber Beacon
- Cold Package Plus⁶
- Fall Arrest Platform
- Tool Tray
- Special Hydraulic Oils
- Accessory Packages:
 - SkyWelder®
 - SkyGlazier®
 - SkyCutter®
 - Pipe Rack
 - SkyPower® Package — 7500 Watt Generator Power Cable to Platform

1. Certain options or country standards increase weight.

2. Provides indicator lights at platform control console for system distress, fuel level, low fuel, 5 degree tilt light and foot switch status.

3. Includes platform mounted worklights and drive/back-up lights.

4. Includes engine block heater, battery heater and oil tank heater.

5. Includes console cover, boom wipers and cylinder bellows.

6. Includes extreme cold engine oil, fuel conditioner, engine block heater, battery blanket, glow plugs, hydraulic tank heater, oversized footswitch and arctic hydraulic oil priced separately.

7. Not available in all markets.

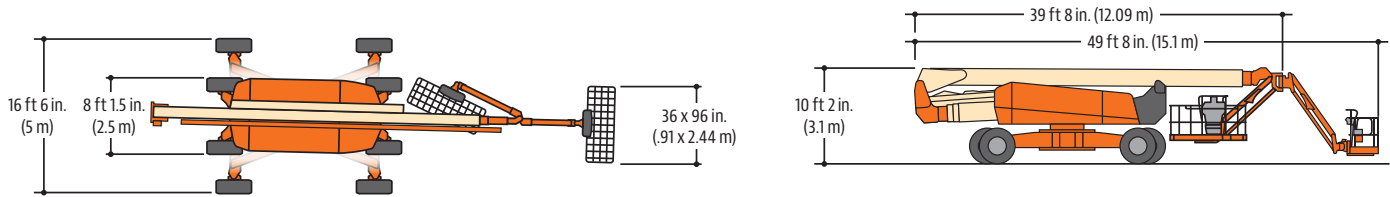
1500AJP

ULTRA SERIES BOOM LIFT



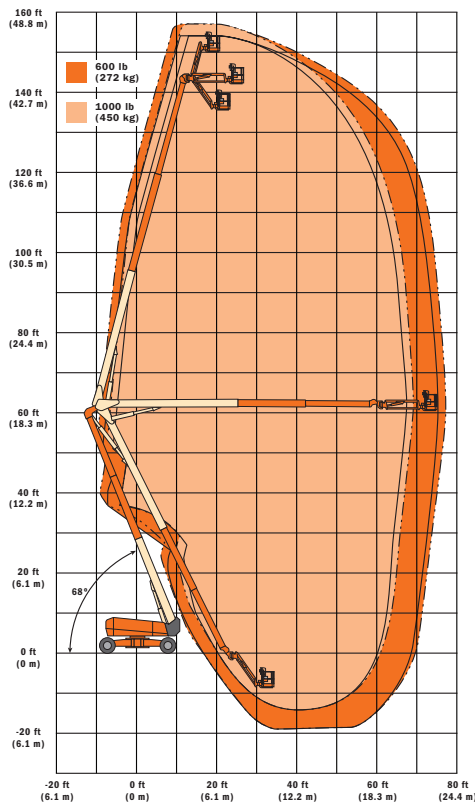
Dimensions

All dimensions are approximate.



Reach Diagram

1500AJP



The JLG "1 & 5" Warranty

JLG Industries, Inc. backs its products with its exclusive "1 & 5" Warranty. We provide coverage for one (1) full year and cover all specified major structural components for five (5) years. Due to continuous product improvements, we reserve the right to make specification and/or equipment changes without prior notification. This machine meets or exceeds applicable ANSI and CSA requirements based on machine configuration as originally manufactured for intended applications. Please reference the serial number plate on the machine for additional information.

Part No.: 3131031
R051903
Printed in USA



JLG Industries, Inc.
1 JLG Drive
McConnellsburg, PA 17233-9533
Telephone 717-485-5161
Toll-free in US 877-JLG-LIFT
Fax 717-485-6417
www.jlg.com

An Oshkosh Corporation Company

400 SERIES

TELESCOPIC BOOM LIFTS



Performance

Platform Height		
400S	40 ft	12.19 m
460SJ	46 ft	14.05 m
Horizontal Outreach		
400S	33 ft 3 in.	10.13 m
460SJ	39 ft	12 m
Swing	360 Degrees Continuous	
Platform Capacity		
Restricted (400S)	1,000 lb	454 kg
Unrestricted	600 lb	272 kg
460SJ	600 lb	272 kg
Platform Rotator		
180 Degrees Hydraulic		
Jib (460SJ only)		
Range of Articulation	6 ft	1.83 m
	130 Degrees (+70, -60)	
Weight*		
400S	13,640 lb	6,187 kg
460SJ	16,600 lb	7,530 kg
Max. Ground Bearing Pressure	60 psi	4.19 kg/cm ²
Drive Speed	4.25 mph	6.8 km/h
Gradeability	45%	
Turning Radius		
Outside	15 ft 10.5 in.	4.8 m
Inside	6 ft 6.9 in.	2.0 m

Standard Specifications

Power Source

Dual Fuel Engine		
GM Vortec 3000 MPFI	82 hp	61 kW
Diesel Engine		
Deutz D2.9L4 Tier 4 Final	49 hp	36.4 kW
Fuel Tank Capacity	22 gal.	83.3 L

Hydraulic Reservoir

Hydraulic Reservoir	36 gal	136.27 L
Auxiliary Power	12V-DC	

Tires

Standard	12 x 16.5 Pneumatic Lug Tread Tires	
Optional	14 x 17.5 Pneumatic Lug Tread Tires	
	14 x 17.5 Foam-Filled Tires	
	12 x 16.5 Foam-Filled Tires	
	12 x 16.5 Foam-Filled, Non-Marking Tires	
	High Flotation Sand/Turf Tires (4WD Only)	



Standard Features

- 180 Degree Hydraulic Platform Rotator
- Platform Console Machine Status Light Panel*
- 110V-AC Receptacle in the Platform
- 5 Degree Tilt Alarm/Indicator Light
- Swing Out Engine Tray
- 12V-DC Auxiliary Power
- Hourmeter
- Improved Multi-Function Controls
- Proportional Controls
- Interactive Display at Ground Controls
- Control ADE® System
- Lifting/Tie Down Lugs
- Horn
- Four-Wheel Hydrostatic Drive
- Oscillating Axle
- Motion Alarm
- Glow Plugs (Diesel Engines)

*Provides indicator lights at platform control console for system distress, low fuel, 5 degree tilt light, and foot switch status.

Accessories & Options

- Inward Self-Closing Swing Gate
- 36 x 72 in. (0.91 x 1.83 m) Platform
- Fall Arrest Platform 36 x 72 in. (0.91 x 1.83 m)
- 1/2 in. Air Line to Platform
- Soft Touch System
- AC Generator
- Tow Package (2WD Only)
- Flashing Amber Beacon
- 43.5 lb (19.73 kg) Propane Tank
- Cold Weather Kit
- Arctic Package
- Hostile Environment Kit
- Light Package
- Platform Worklights
- Special Hydraulic Oils (Consult Factory)
- Spark Arresting Muffler
- Operator Tool Tray
- Accessory Packages
 - SkyPower® Package
 - SkyWelder® Package
 - SkyGlazier® Package
 - Nite Bright® Package
 - SkyGuard®
 - PipeRack

Note: Some options may increase lead time, and some option combinations may not be available.

400 SERIES

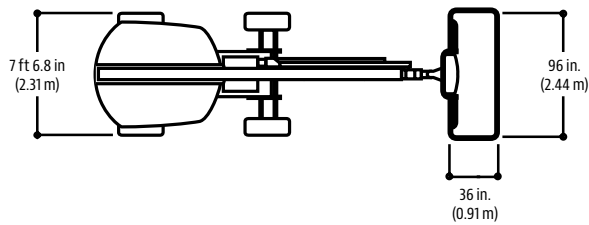
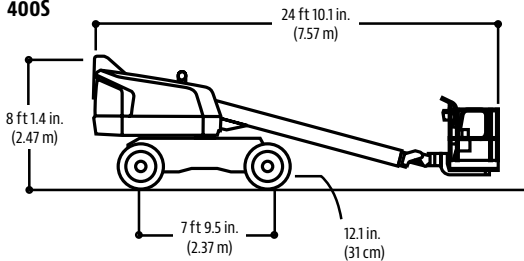
TELESCOPIC BOOM LIFTS



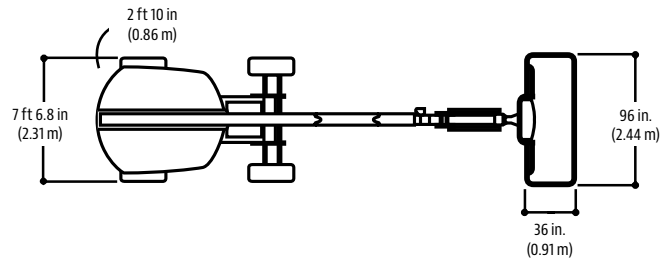
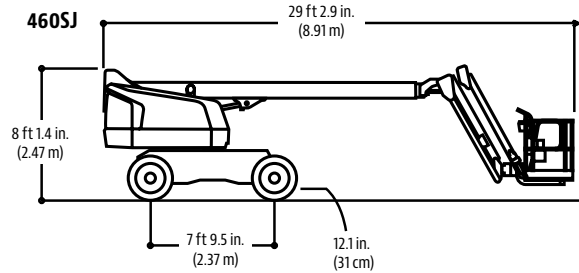
Dimensions

All dimensions are approximate.

400S

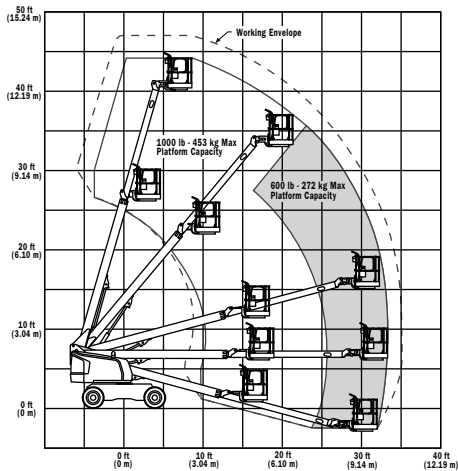


460SJ

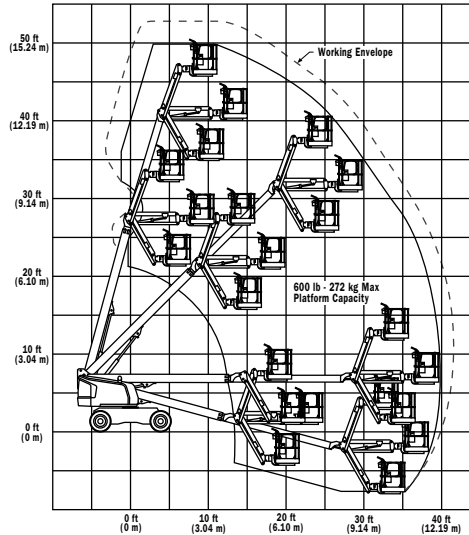


Reach Diagrams

400S



460SJ



The JLG "1 & 5" Warranty

We provide coverage for one (1) full year, and cover all specified major structural components for five (5) years. Due to continuous product improvements, we reserve the right to make specification and/or equipment changes without prior notification. This machine meets or exceeds applicable ANSI and CSA requirements based on machine configuration as originally manufactured for intended applications. Please reference the serial number plate on the machine for additional information.

Part No.: 3131026
R011814
Printed in USA



JLG Industries, Inc.
1 JLG Drive
McConnellsburg, PA 17233-9533
Telephone 717-485-5161
Toll-free in US 877-JLG-LIFT
Fax 717-485-6417
www.jlg.com

An Oshkosh Corporation Company

400 CRAWLER SERIES

TELESCOPIC BOOM LIFTS



Performance

Platform Height		
400SC	39 ft 6.5 in.	12.05 m
460SJC	45.54 ft	13.88 m
Horizontal Outreach		
400SC	33 ft	10.00 m
460SJC	39 ft	12.00 m
Swing	360 Degrees Continuous	
Platform Capacity		
Restricted (400SC only)	1,000 lb	454 kg
Unrestricted	600 lb	272 kg
Platform Rotator	180 Degrees Hydraulic	
Jib (460SJC only)		
Range of Articulation	6 ft	1.83 m
	130 Degrees (+70, -60)	
Weight*		
400SC	14,559 lb	6,603 kg
460SJC	17,998 lb	8,164 kg
Max. Ground Bearing Pressure	5.21 psi	3,666 kg/cm ²
Drive Speed	1.6 mph	2.57 km/h
Gradeability	51%	
Turning Radius	Zero	
Type of Tracks	Rubber	
Track Width	1.31 ft	0.4 m

*Certain options or county standards may increase weight.

Standard Specifications

Power Source

Diesel Engine		
Deutz D2.9L4 Tier 4 Final	49 hp	36.4 kW
Fuel Tank Capacity		
400SC	22 gal.	83.3 L
460SJC	31 gal.	117 L

Hydraulic Reservoir

Hydraulic Reservoir	36 gal	136.27 L
Auxiliary Power	12V-DC	

Tracks

Standard	Rubber
Optional	Non-marking Rubber Steel Steel with Rubber Pads



Standard Features

- 180 Degree Hydraulic Platform Rotator
- Platform Console Machine Status Light Panel*
- 110V-AC Receptacle in the Platform
- 5 Degree Tilt Alarm/Indicator Light
- Swing Out Engine Tray
- 12V-DC Auxiliary Power
- Hourmeter
- Improved Multi-Function Controls
- Proportional Controls
- Interactive Display at Ground Controls
- Control ADE® System
- Lifting/Tie Down Lugs
- Horn
- All Motion Alarm
- Glow Plugs
- 36 x 96 in. (0.91 x 2.44 m) Platform
- SkyGuard®

*Provides indicator lights at platform control console for system distress, low fuel, 5 degree tilt light, and footswitch status.

Accessories & Options

- Inward Self-Closing Swing Gate
- 36 x 72 in. (0.91 x 1.83 m) Platform
- Fall Arrest Platform 36 x 72 in. (0.91 x 1.83 m)
- 1/2 in. Air Line to Platform
- Soft Touch System
- AC Generator
- Flashing Amber Beacon
- Cold Weather Kit¹
- Arctic Package²
- Hostile Environment Kit³
- Light Package
- Platform Worklights
- Special Hydraulic Oils (consult factory)
- Spark Arresting Muffler
- Operator Tool Tray
- Bolt-on Aluminum Mesh to Top Rail
- Accessory Packages
 - SkyPower® Package
 - SkyWelder® Package
 - SkyGlazier® Package
 - Nite Bright® Package
 - Pipe Rack

Note: Some options may increase lead time, and some option combinations may not be available.

1. Includes engine block heater, battery heater and oil tank heater.

2. Includes arctic hydraulic hoses (drive and steer only) and main boom cable, arctic hydraulic oil, extreme cold engine oil, anti-freeze, fuel conditioner, engine block heater, battery blanket, glow plugs, hydraulic tank heater and oversized footswitch.

3. Includes console cover, boom wipers and cylinder bellows.

400 CRAWLER SERIES

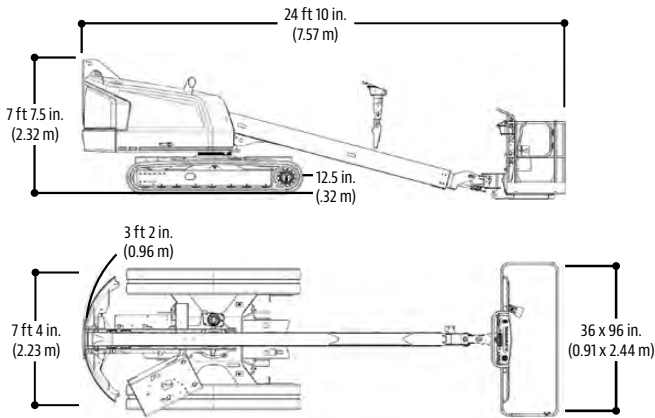
TELESCOPIC BOOM LIFTS



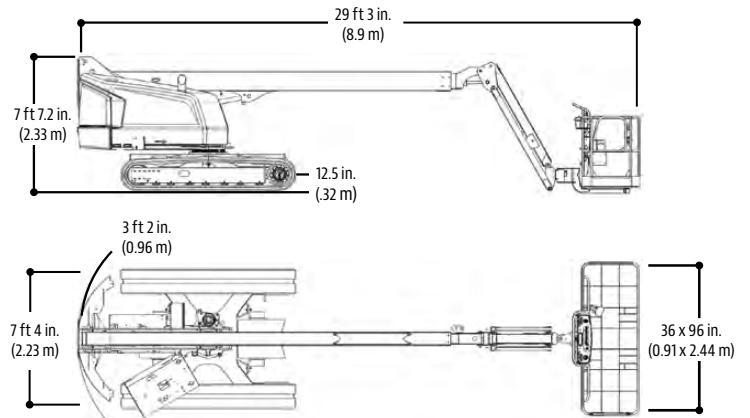
Dimensions

All dimensions are approximate.

400SC

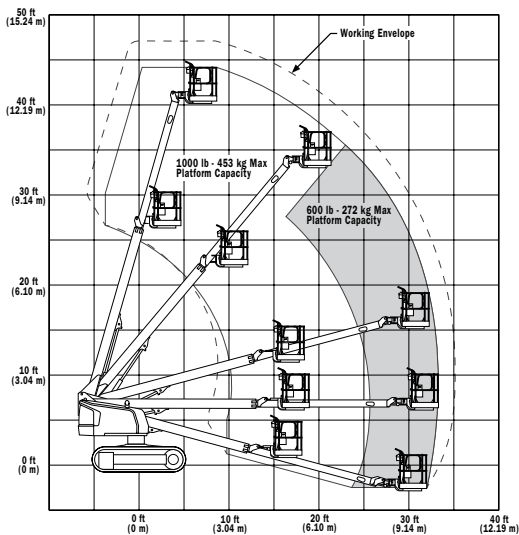


4605JC

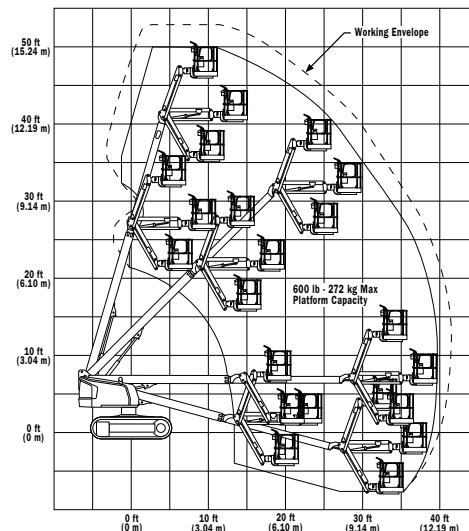


Reach Diagrams

400SC



4605JC



The JLG "1 & 5" Warranty

We provide coverage for one (1) full year, and cover all specified major structural components for five (5) years. Due to continuous product improvements, we reserve the right to make specification and/or equipment changes without prior notification. This machine meets or exceeds applicable ANSI and CSA requirements based on machine configuration as originally manufactured for intended applications. Please reference the serial number plate on the machine for additional information.

Part No.: 3131032
R051803
Printed in USA



JLG Industries, Inc.
1 JLG Drive
McCconnellsburg, PA 17233-9533
Telephone 717-485-5161
Toll-free in US 877-JLG-LIFT
Fax 717-485-6417
www.jlg.com

An Oshkosh Corporation Company

600 SERIES

TELESCOPIC BOOM LIFTS



Performance

Platform Height		
600S	59 ft 8 in.	18.18 m
660SJ	65 ft 8 in.	20.02 m
Horizontal Outreach		
600S	50 ft 2 in.	15.29 m
660SJ	57 ft 1 in.	17.40 m
Swing	360° Continuous	
Platform Capacity		
600S Restricted/Unrestricted	1,000 lb/600 lb	454 kg/272 kg
660SJ Restricted/Unrestricted	750 lb/550 lb	340 kg/249 kg
Platform Rotator		
600S	160° Hydraulic	
660SJ	180° Hydraulic	
Weight ¹		
600S	21,461 lb	9,735 kg
660SJ	25,341 lb	11,494 kg
Max. Ground Bearing Pressure		
600S	77.7 psi	5.46 kg/cm ²
660SJ	85 psi	5.97 kg/cm ²
Drive Speed 4WD	3.8 mph	6.1 km/hr
Gradeability 4WD	45%	
Axle Oscillation	8 in.	0.2 m
Turning Radius, Inside/Outside		
2WS	9 ft 7 in./19 ft 4 in.	2.92 m/5.89 m
4WS	5 ft 3 in./12 ft 8 in.	1.61 m/3.87 m

1. Certain options or country standards increase weight

Standard Specifications

Power Source

Dual Fuel Engine		
Ford MSG425-DF	84 hp	62 kW
Diesel Engine		
Deutz D2.9L4 Tier 4 Final	48.8 hp	36.4 kW
Fuel Tank Capacity	31 gal	117 L

Hydraulic System

Capacity	34 gal	129 L
Auxiliary Power	12V DC	

Tires

Standard	355/55D625 Pneumatic
Optional	Foam-Filled



Standard Features

- Oscillating Axle
- Hydraulic Platform Rotator
- 110V AC Receptacle in the Platform
- 5 Degree Tilt Alarm/Indicator Light
- Swing-Out Engine Tray
- 12V DC Auxiliary Power
- Hourmeter
- SkyGuard®
- Control ADE® System
- All Motion Alarm
- Proportional Controls
- Gull-Wing Hoods
- Platform Console Machine Status
- Light Panel*
- Engine Distress Warning/Shutdown—
- Selectable via JLG Analyzer
- Lifting/Tie Down Lugs

*Provides indicator lights at platform control console for system distress, fuel level, low fuel, 5 degree tilt light and foot switch status.

Accessories & Options

- 36 x 72 in. (0.91 x 1.83 m) Platform
- Fall Arrest Platform
- Inward Swinging Gate
- Mesh to Top Rail Bolt-on Aluminum 6 ft
- Mesh to Top Rail Bolt-on Aluminum 8 ft
- Soft Touch System
- Operators Tool Tray
- Tow Package
- 43.5 lb (19.7 kg) Propane Tank
- Cold Weather Start Kit (Ford)
- Cold Weather Start Kit (Deutz)
- Hostile Environment Kit
- Light Package
- Platform Worklights
- Flashing Amber Beacon
- Arctic Package
- Accessory Packages:
 - SkyWelder®
 - SkyGlazier®
 - Nite Bright®
 - SkyCutter®
 - Pipe Rack
 - SkyPower®

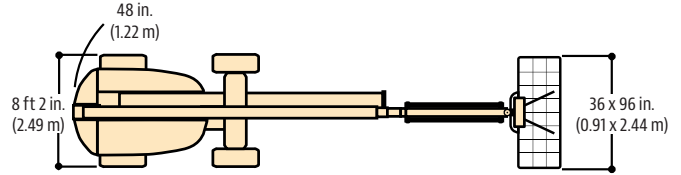
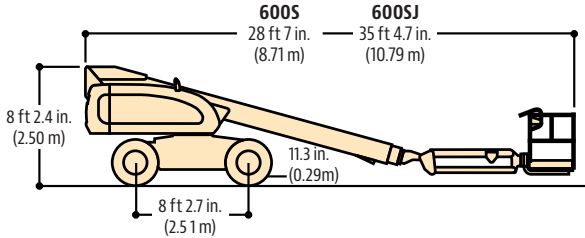
600 SERIES

TELESCOPIC BOOM LIFTS



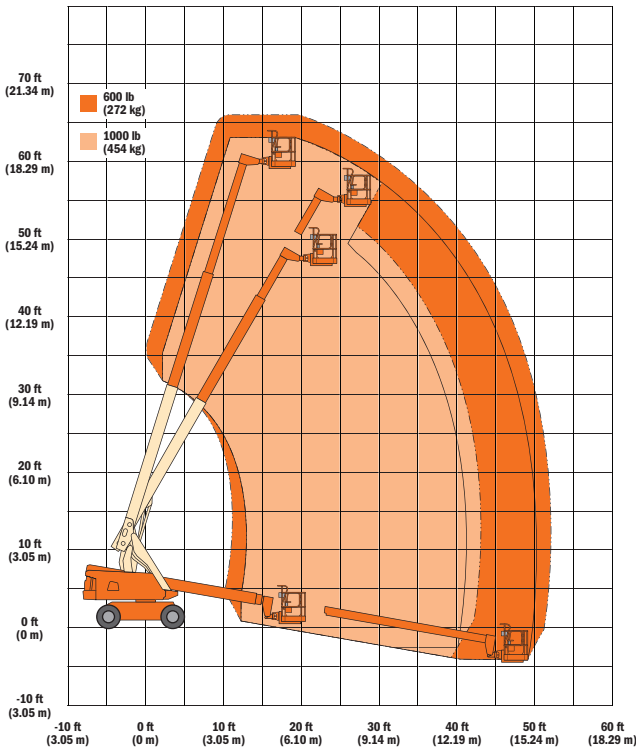
Dimensions

All dimensions are approximate.

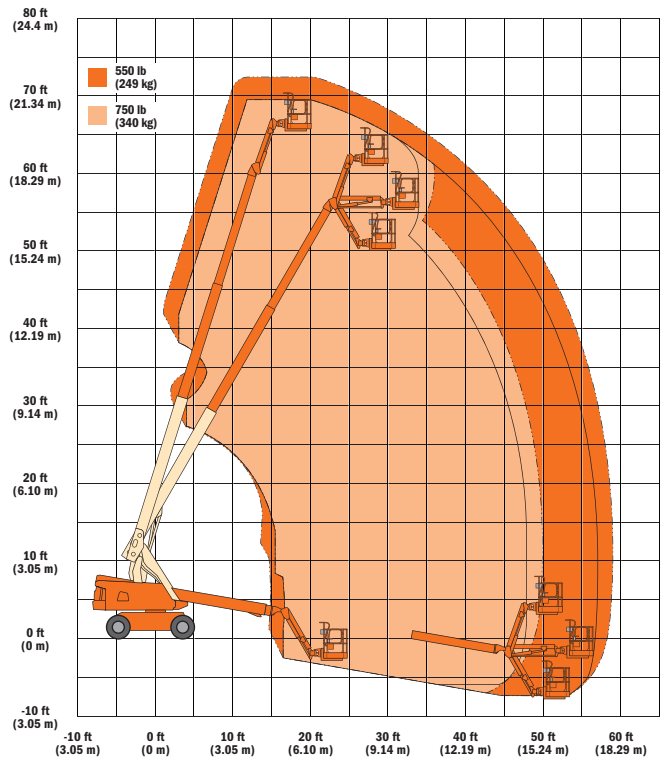


Reach Dimensions

600S



660SJ



The JLG "1 & 5" Warranty

We provide coverage for one (1) full year and cover all specified major structural components for five (5) years. Due to continuous product improvements, we reserve the right to make specification and/or equipment changes without prior notification. This machine meets or exceeds applicable ANSI and CSA requirements based on machine configuration as originally manufactured for intended applications. Please reference the serial number plate on the machine for additional information.

Part No.: 3131028
R051816
Printed in USA

JLG Industries, Inc.
1 JLG Drive
McConnellsburg, PA 17233-9533
Telephone 717-485-5161
Toll-free in US 877-JLG-LIFT
Fax 717-485-6417
www.jlg.com

An Oshkosh Corporation Company

600 CRAWLER SERIES

TELESCOPIC BOOM LIFTS



Performance

Platform Height		
600SC	59 ft 5 in.	18.11 m
660SJC	65 ft 7 in.	19.99 m
Horizontal Outreach		
600SC	50 ft 3 in.	15.32 m
660SJC	57 ft 0.6 in.	17.39 m
Swing	360° Continuous	
Platform Capacity		
600SC Restricted/Unrestricted	1,000/600 lb	454/272 kg
660SJC Restricted/Unrestricted	750/550 lb	340/249 kg
Platform Rotator		
600SC	160° Hydraulic	
660SJC	180° Hydraulic	
Jib Range of Articulation		
660SJC Only	132°	+71, -61
Weight ¹		
600SC	25,942 lb	11,767 kg
660SJC	29,339 lb	13,308 kg
Max. Ground Bearing Pressure		
600SC	5.45 psi	0.383 kg/cm ²
660SJC	6.5 psi	0.457 kg/cm ²
Drive Speed	1.6 mph	2.6 kmph
Gradeability	55%	
Turning Radius	Zero	
Type of Tracks	Steel	
Tracks Width	1 ft 7.7 in.	0.5 m

1. Certain options or country standards will increase weight.

Standard Specifications

Engine

Diesel Engine, Deutz TD2.9L4 Tier 4 Final	67 hp	50 kW
Fuel Tank Capacity	31 gal	117 L
Auxiliary Power	12V DC	

Hydraulic Reservoir

Capacity	34 gal	129 L
----------	--------	-------

Standard Features

- 36 x 96 in. (0.91 x 2.44 m) Platform
- Customized Crawler Chassis
- Steel Link Tracks
- Inward Swing Gate
- 180 Degree Hydraulic Platform Rotator¹
- Platform Console Machine Status
- Light Panel²
- 110V-AC Receptacle in the Platform
- 5-degree Tilt Alarm/Indicator Light
- Swing-out Engine Module
- Gull-wing Engine Hood
- 12V-DC Auxiliary Power
- Proportional Controls
- Lifting/Tie Down Lugs
- Hourmeter
- Bolt-on Lifting Lugs
- Horn
- Motion Alarm
- Interactive Display at Ground Controls
- Control ADE System
- SkyGuard[®]



Accessories & Options

- 36 x 72 in. (0.91 x 1.83 m) Platform
- Platform Work Lights
- Bolt-on Aluminum Mesh to Top Rail
- Light Package
- Flashing Amber Beacon
- Cold Weather Kit³
- Hostile Environment Kit⁴
- Arctic Package⁵
- Inward Self-closing Swing Gate
- Fall Arrest Platform 36 x 72 in. (0.91 x 1.83 m)
- 1/2 in. Air Line to Platform
- Soft Touch System
- AC Generator
- Special Hydraulic Oils (consult factory)
- Spark Arresting Muffler
- Operator Tool Tray
- Accessory Packages
 - SkyPower[®] Package
 - SkyWelder[®] Package
 - SkyGlazier[®] Package
 - Nite Bright[®] Package

1. 160 degrees on 600SC.

2. Provides indicator lights at platform control console for system distress, low fuel, 5-degree tilt light and footswitch status.

3. Includes engine block heater, battery heater and oil tank heater.

4. Includes console cover, boom wipers and cylinder bellows.

5. Includes arctic hydraulic hoses (drive and steer only) and main boom cable, arctic hydraulic oil, extreme cold engine oil, anti-freeze, fuel conditioner, engine block heater, battery blanket, glow plugs, hydraulic tank heater, and oversized footswitch.

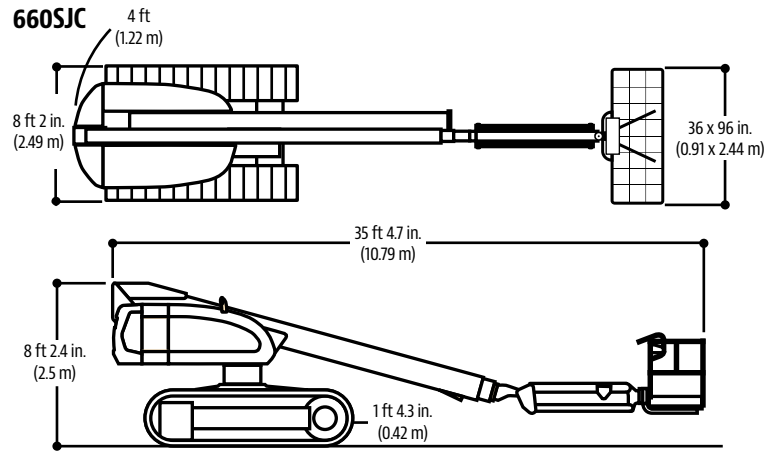
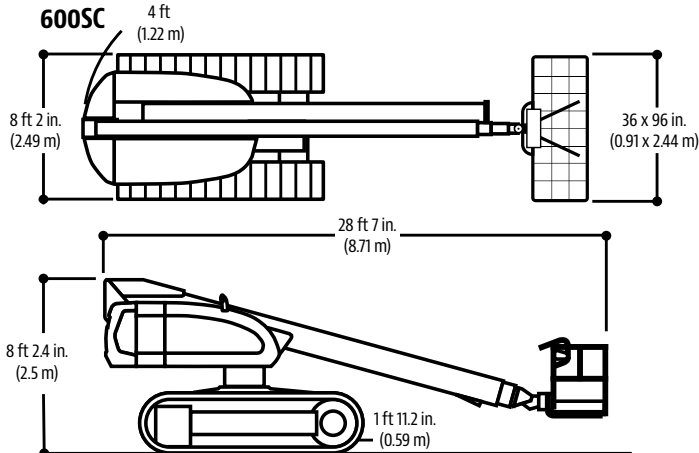
600 CRAWLER SERIES

TELESCOPIC BOOM LIFTS

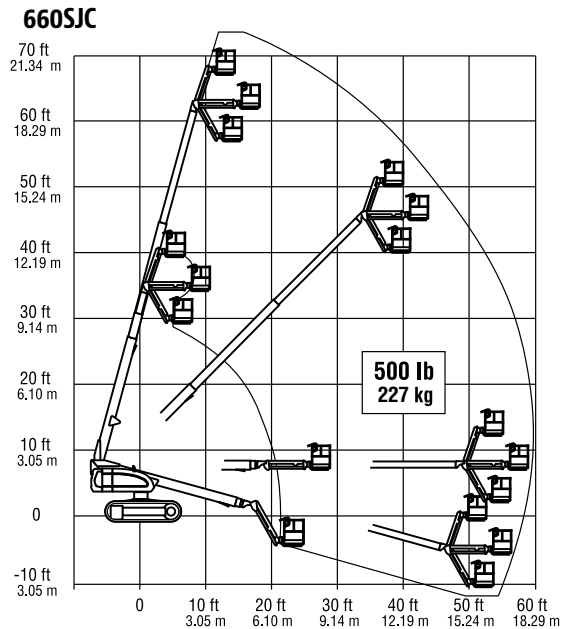
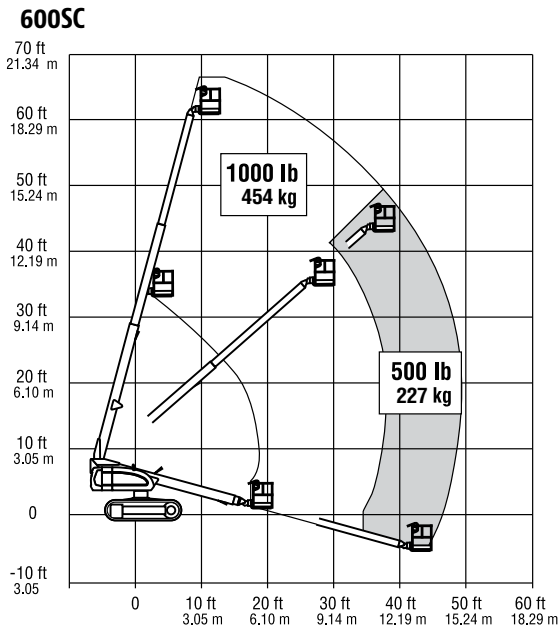


Dimensions

All dimensions are approximate.



Reach Diagrams



The JLG "1 & 5" Warranty

We provide coverage for one (1) full year, and cover all specified major structural components for five (5) years. Due to continuous product improvements, we reserve the right to make specification and/or equipment changes without prior notification. This machine meets or exceeds applicable ANSI and CSA requirements based on machine configuration as originally manufactured for intended applications. Please reference the serial number plate on the machine for additional information.

Part No.: 3131016
R011802
Printed in USA



JLG Industries, Inc.
1 JLG Drive
McConnellsburg, PA 17233-9533
Telephone 717-485-5161
Toll-free in US 877-JLG-LIFT
Fax 717-485-6417
www.jlg.com

An Oshkosh Corporation Company

800 SERIES

TELESCOPIC BOOM LIFTS



Performance

Platform Height—Elevated		
800S	80 ft	24.38 m
860SJ	86 ft	26.21 m
Horizontal Outreach		
800S	71 ft	21.64 m
860SJ	75 ft	22.86 m
Swing	360° Continuous	
Platform Capacity—		
Restricted (800S)	1,000 lb	454 kg
Restricted (860SJ)	750 lb	340 kg
Platform Capacity—		
Unrestricted	500 lb	227 kg
Platform Rotator	180° Hydraulic	
Jib Range of Articulation		
860SJ	130°	+70, -60
Weight ¹		
800S	33,030 lb	14,982 kg
860SJ	36,230 lb	16,433 kg
Max. Ground Bearing Pressure		
800S	72 psi	5.06 kg/cm ²
860SJ	81 psi	5.69 kg/cm ²
Drive Speed 2WD	3.5 mph	5.6 kmph
Drive Speed 4WD	3.5 mph	5.6 kmph
Gradeability 2WD	25%	
Gradeability 4WD	45%	
Turning Radius		
Inside	12 ft 6 in.	3.8 m
Outside	19 ft 8 in.	6.02 m

1. Certain options or country standards will increase weight.

Standard Specifications

Engine

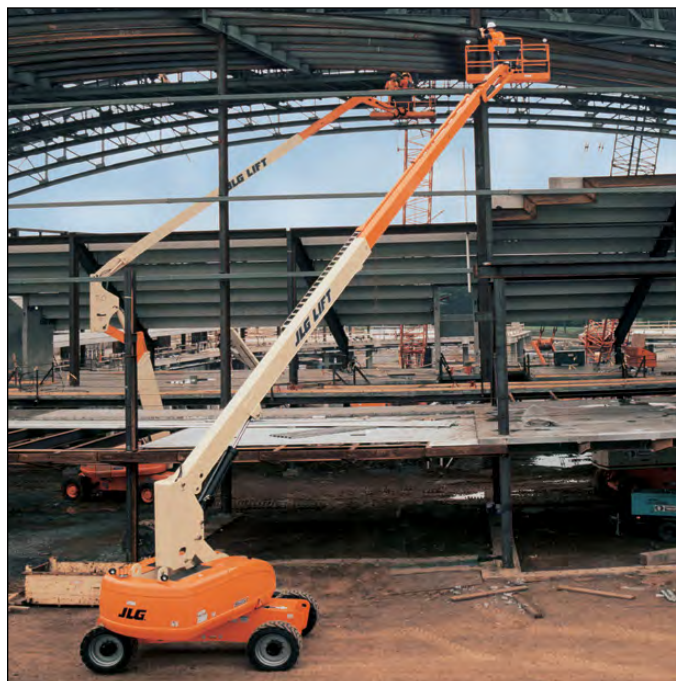
Dual Fuel Engine, Ford MSG425-DF	84 hp	62.6 kW
Diesel Engine, Deutz TD2.9L4 Tier 4 Final	67 hp	50 kW
Fuel Tank Capacity	31 gal	117.3 L

Hydraulic Reservoir

Capacity	48 gal	181.7 L
Pump	Fixed Displacement Gear	

Tires

15.625 Pneumatic



Standard Features

- Hydrostatic Drive
- Dual-Rated Capacities
- Oscillating Axle
- Hydraulic Platform Rotator
- Swing-Out Engine Tray
- 12V DC Auxiliary Power
- Fuel Gauge
- All Motion Alarm
- Gull-Wing Hoods
- Operators Tool Tray
- Lifting/Tie Down Lugs
- 6 ft (1.83 m) Articulating Jib (860SJ Only)
- Platform: 36 x 96 in. (0.91 x 2.44 m) Side Entry
- Glow Plugs (Diesel Engines)
- 110V AC Receptacle in the Platform
- 5 Degree Tilt Alarm/Indicator Light
- Hourmeter
- Control ADE® System
- Proportional Controls
- 15-625 Rim Protector Lug Tread Tires
- Platform Console Machine Status Light Panel*
- Engine Distress Warning/Shutdown—Selectable via JLG Analyzer

* Provides indicator lights at platform control console for system distress, fuel level, low fuel, 5 degree tilt light and foot switch status.

Accessories & Options

- Mesh to Top Rail
- Light Package¹
- Soft-Touch System
- 15-625 Foam Filled Tires
- Catalytic Muffler
- Hostile Environment Kit³
- Tow Package
- Platform Worklights
- Platform: 36 x 72 in. (0.91 x 1.83 m)
- Fall Arrest Platform (Requires Foam Filled Tires)
- Flashing Amber Beacon
- 18-625 Foam Filled Tires
- Cold Weather Start Kit²
- Arctic Package⁴
- Special Hydraulic Oils (Consult Factory)
- Accessory Packages:
 - SkyWelder®
 - SkyCutter®
 - SkyPower®
 - SkyGlazier®
 - Pipe Rack
 - Nite Bright®
 - SkyAir®

1. Includes platform mounted work lights and drive/backup lights.

2. Engine block heater, battery heater and oil tank heater.

3. Includes console cover, boom wipers and cylinder bellows.

4. Includes arctic hydraulic hoses (drive and steer only and main boom cable, arctic hydraulic oil, extreme cold engine oil, anti-freeze)

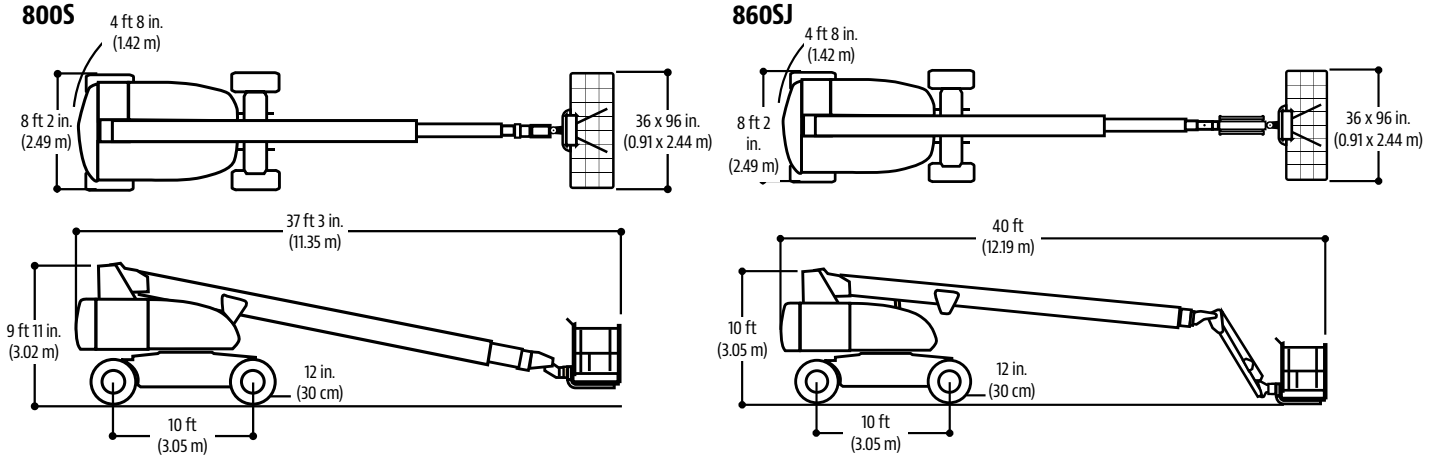
800 SERIES

TELESCOPIC BOOM LIFTS

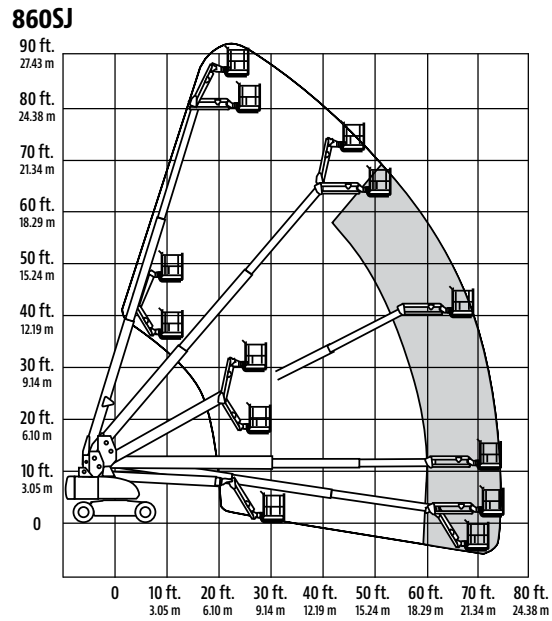
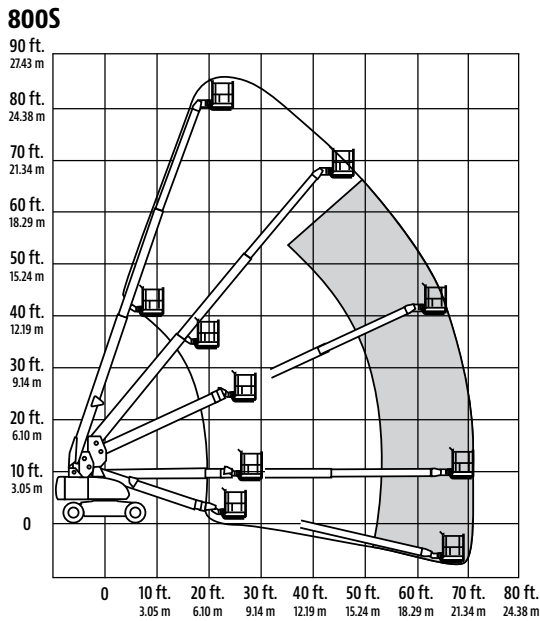


Dimensions

All dimensions are approximate.



Reach Diagrams



The JLG "1 & 5" Warranty

We provide coverage for one (1) full year, and cover all specified major structural components for five (5) years. Due to continuous product improvements, we reserve the right to make specification and/or equipment changes without prior notification. This machine meets or exceeds applicable ANSI and CSA requirements based on machine configuration as originally manufactured for intended applications. Please reference the serial number plate on the machine for additional information.

Part No.: 3131024
 R041816
 Printed in USA

JLG Industries, Inc.
 1 JLG Drive
 McConnellsburg, PA 17233-9533
 Telephone 717-485-5161
 Toll-free in US 877-JLG-LIFT
 Fax 717-485-6417
www.jlg.com

An Oshkosh Corporation Company

1850SJ

ULTRA SERIES BOOM LIFT

JLG
reachingout®

Performance

Platform Height	185 ft 7 in.	56.56 m
Horizontal Outreach	80 ft	24.38 m
Below Ground Reach	4 ft 10 in.	1.47 m
Swing	360° Continuous	
Platform Capacity-Restricted	1,000 lb	454 kg
Platform Capacity-Unrestricted	500 lb	227 kg
Platform Rotator	173° Hydraulic	
Jib Length		
Retracted	13 ft	3.96 m
Extended	20 ft	6.1 m
Jib Range of Articulation	120° (+75, -45)	
Weight ¹	59,900 lb	27,170 kg
Max. Ground Bearing Pressure	119.6 psi	8.41 kg/cm ²
Drive Speed	2.8 mph	4.5 km/h
Gradeability	40%	
Turning Radius (Inside)		
Axles Retracted	23 ft 4 in.	7.12 m
Axles Extended	7 ft 7 in.	2.3 m
Turning Radius (Outside)		
Axles Retracted	31 ft 3 in.	9.52 m
Axles Extended	21 ft 8 in.	6.6 m

1. Certain options or country standards increase weight.

Standard Specifications

Power Source

Diesel Engine		
Deutz TCD 3.6L Tier IV Final	99.8 hp	74.4 kW
Fuel Tank Capacity	52.8 gal	200 L

Hydraulic System

• Hydraulic Tank Capacity	75.1 gal	284.2 L
---------------------------	----------	---------

Tires

• Standard	445/50D710 Foam-filled
------------	------------------------

Standard Features

- Platform 36 x 96 in. (.91 x 2.44 m) Side Entry
- Selectable Capacity Envelope
- Drive-Out Extendable Axles
- 173° Hydraulic Platform Rotator
- AC Receptacle in Platform
- Tilt Light and Alarm
- Swing-Out Engine Tray
- 12V-DC Auxiliary Power
- Hourmeter
- Control ADE® System
- Full-Time 4WD
- 3 Selectable Steering Modes
- Proportional Controls
- Gull-Wing Steel Hoods
- 445/50D710 Foam-filled Rim Protector Lug Tread Tires
- Platform Console Machine Status Light Panel*
- Lifting/Tie Down Lugs
- Engine Distress Warning/Shutdown—Selectable via JLG Analyzer
- All Motion Alarm
- Glow Plugs
- LCD Panel at Operator's Platform Control Console

* Provides indicator lights at platform control console for system distress, fuel level, low fuel, 5 degree tilt light and foot switch status.



- **Heightened Productivity**—The 1850SJ is much faster to full height, so operators can spend more time working and less time positioning the boom. The axles take approximately one minute to extend or retract. They're able to pivot in and out and do not telescope like extendable axles on other Ultra Series boom lifts.
- **Greater Work Envelope**—Telescoping jib and five section boom provides over 2.9 million cubic feet of work area and greater ability to reach up and over. An LCD screen shows operators where they are in the work envelope along with other useful information.
- **More Capacity**—Featuring dual 1,000 lb/500 lb, the 1850SJ is the most powerful boom in the industry. Plus, the operator can move just the jib, rather than the whole boom, for greater maneuverability and more precise positioning.
- **Ease of Transport**—No oversized load permit needed (over weight permit is required for highway transportation).

Accessories & Options

- 36 x 72 in. (.91 x 1.83 m) Platform
- Inward Self-Closing Swing Gate
- Fall Arrest Platform 36 x 96 in. (.91 x 2.44 m) Rear Entry⁵
- Mesh to Top Rail-Bolt-on Aluminum 6 ft⁵
- Mesh to Top Rail-Bolt-on Aluminum 8 ft⁵
- Light Package¹
- Soft Touch System
- Cold Weather Start Kit²
- Hostile Environment Kit³
- Flashing Amber Beacon
- Cold Package Plus⁴
- Tool Tray
- Special Hydraulic Oils
- Accessory Packages:
 - SkyWelder® Package
 - Nite Bright® Package
 - SkyPower® Package
 - SkyGlazier®
 - SkyCutter®
 - Pipe Rack

1. Includes platform mounted worklights and drive/backup lights.

2. Includes battery heater and oil tank heater.

3. Includes console cover, boom wipers and cylinder bellows.

4. Includes extreme cold engine oil, fuel conditioner, engine block heater, battery blanket, glow plugs, hydraulic tank heater, and oversized footswitch. Arctic hydraulic oil priced separately.

5. Not available in all markets.

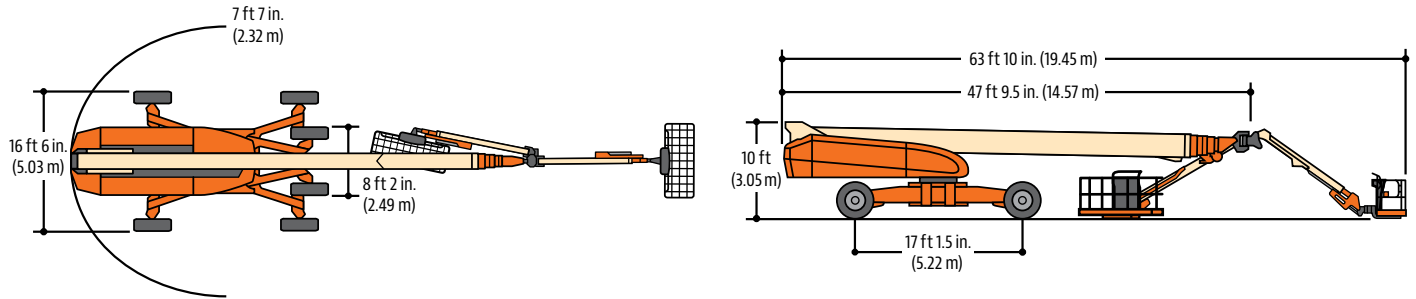
1850SJ

ULTRA SERIES BOOM LIFT



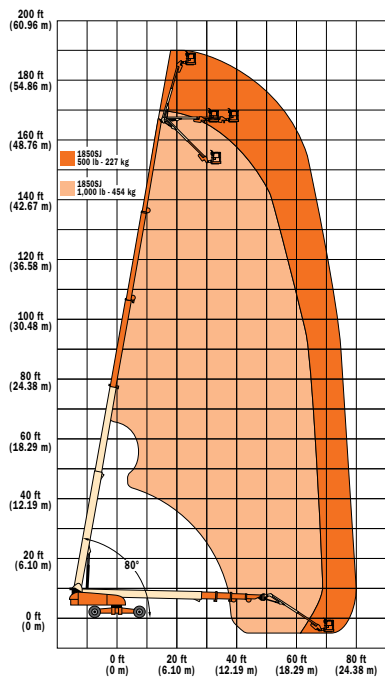
Dimensions

All dimensions are approximate.



Reach Diagram

1850SJ



The JLG "1 & 5" Warranty

We provide coverage for one (1) full year, and cover all specified major structural components for five (5) years. Due to continuous product improvements, we reserve the right to make specification and/or equipment changes without prior notification. This machine meets or exceeds applicable ANSI and CSA requirements based on machine configuration as originally manufactured for intended applications. Please reference the serial number plate on the machine for additional information.

Part No.: 3131030
R031805
Printed in USA



JLG Industries, Inc.
1 JLG Drive
McConnellsburg, PA 17233-9533
Telephone 717-485-5161
Toll-free in US 877-JLG-LIFT
Fax 717-485-6417
www.jlg.com

An Oshkosh Corporation Company

H800AJ HYBRID

ARTICULATING BOOM LIFT

JLG
reachingout[®]

Performance

Platform Height	80 ft	24.38 m
Horizontal Outreach	51 ft 10 in.	15.8 m
Up and Over Height	32 ft 1 in.	9.78 m
Swing	360 Degrees Continuous	
Platform Capacity	500 lb	227 kg
Platform Rotator	180 Degrees Hydraulic	
Jib Range of Articulation	130 Degrees (+70, -60)	
Weight	35,520 lb	16,110 kg
Drive Speed Lowered	3.45 mph	5.55 km/h
Drive Speed Elevated	0.27 mph	0.43 km/h
Gradeability 4WD	45%	
Axle Oscillation	8 in.	20.4 cm
Ground Bearing Pressure	76 psi	5.3 kg/cm ²
Turning Radius (2WS)		
Inside	12 ft 6 in.	3.8 m
Outside	19 ft 8 in.	6.02 m

Standard Specifications

Power Source

Diesel Engine		
Kubota Tier 4 Final	25 hp	18.6 kW
Motor/Generator Power	30 hp	22.3 kW
Fuel Tank Capacity	25 gal.	94.64 L
Batteries	12V 205 AH Maintenance free AGM	
System Voltage	84V	
Battery Quantity	14	

Hydraulic System

• Capacity	40 gal.	151.42 L
• Auxiliary Power	12V DC	

Tires

• Standard	15-625 Wide Lug Tread
• Optimal	18 x 19.5 Foam-Filled

Standard Features

- Oscillating Axle
- 180 Degree Hydraulic Platform Rotator
- 110V-AC Receptacle in the Platform
- 5 Degree Tilt Alarm/Indicator Light
- Automatic Engine Idle, Start/Stop
- Automatic Battery Charger in Hybrid Mode
- Electric Only Capability
- Swing-Out Engine Tray
- 12V-DC Auxiliary Power
- Hourmeter
- Horn
- Control ADE[®] System
- Proportional Controls
- Gull-Wing Engine Hood
- Platform Console Machine Status Light Panel*
- Lifting/Tie Down Lugs
- All Motion Alarm
- Glow Plugs (Diesel Engines)



* Provides indicator lights at platform control console for system distress, 5 degree tilt light, and foot switch status.

Accessories & Options

- Fall Arrest Platform, Rear Entry¹: 36 x 96 in. (0.91 x 2.44 m)
- Self-Closing Gate
- Mesh to Top Rail—Bolt-on Aluminum
- Soft Touch System
- Operator Tool Tray
- 1/2 in. Airline to Platform
- Exhaust Purifier Muffler (Diesel)
- Cold Weather Start Kit²
- Hostile Environment Kit³
- Light Package⁴
- Platform Worklights
- Flashing Amber Beacon
- Accessory Packages:
 - SkyPower[®]
 - SkyWelder[®]
 - SkyGlazier[®]
 - SkyCutter[®]
 - Pipe Rack
 - SkyWelder[®]/SkyCutter[®] Combination

1. Foam-filled tires required.
2. Includes glow plugs (Diesel), battery heater, oil tank heater.
3. Includes console cover, boom wipers and cylinder bellows.
4. Includes head and tail lights, and platform worklights.

Note: Some options may increase lead time, and some option combinations may not be available.

H800AJ HYBRID

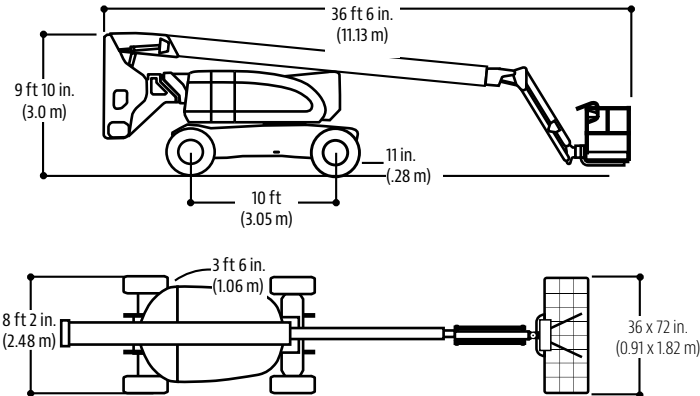
ARTICULATING BOOM LIFT



Dimensions

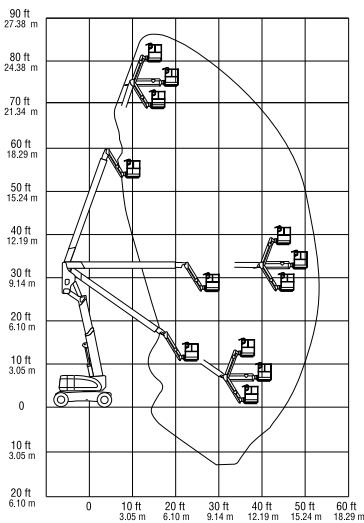
All dimensions are approximate.

H800AJ



Reach Diagram

H800AJ



The JLG "1 & 5" Warranty

JLG Industries, Inc. backs its products with its exclusive "1 & 5" Warranty. We provide coverage on all products for one (1) full year, and cover all specified major structural components for five (5) years. Due to continuous product improvements, we reserve the right to make specification and/or equipment changes without prior notification. This machine meets or exceeds applicable OSHA Regulations in 29 CFR 1910.67, 29 CFR 1926.453, ANSI A92.5-2006, and CSA Standard CAN3-B354.2-M82, as originally manufactured for intended applications.

Part No.: 3131123
R021802
Printed in USA



JLG Industries, Inc.
1 JLG Drive
McConnellsburg, PA 17233-9533
Telephone 717-485-5161
Toll-free in US 877-JLG-LIFT
Fax 717-485-6417
www.jlg.com

An Oshkosh Corporation Company

E SERIES

ELECTRIC BOOM LIFTS

JLG
reachingout™

Performance

Platform Height		
E300AJ	30 ft 2 in.	9.19 m
E300AJP	29 ft 5 in.	8.96 m
E400AN/E400AJ/M400AJP/ E400AJPN/M400AJPN		
	40 ft	12.19 m
E450A/E450AJ/M450AJ		
	45 ft	13.72 m
Horizontal Outreach		
E300AJ	20 ft 3 in.	6.17 m
E300AJP	20 ft 1 in.	6.12 m
E400AN	21 ft 2 in.	6.45 m
E400AJ/M400AJP/ E400AJPN/M400AJPN		
	22 ft 5 in.	6.83 m
E450A	23 ft 1 in.	7.04 m
E450AJ/M450AJ		
	23 ft 9 in.	7.24 m
Up and Over Height		
E300AJ/E300AJP	13 ft 2 in.	4.01 m
E400AN/E400AJ/M400AJP/ E400AJPN/M400AJPN		
	21 ft 6 in.	6.55 m
E450A	24 ft 7 in.	7.49 m
E450AJ/M450AJ		
	25 ft 3 in.	7.7 m
Swing	360° Non-continuous	
Platform Capacity	500 lb	227 kg
Platform Rotator	180° Hydraulic	
Weight		
E300AJ	15,060 lb	6,831 kg
E300AJP	15,400 lb	6,985 kg
E400AN	13,100 lb	5,942 kg
E400AJ/M400AJP		
	13,700 lb*	6,214 kg
E400AJPN/M400AJPN		
	14,900 lb*	6,759 kg
E450A	12,600 lb	5,715 kg
E450AJ/M450AJ		
	14,400 lb*	6,532 kg
Ground Bearing Pressure		
E300AJ/E300AJP		
	170 psi	11.95 kg/cm ²
E400AN		
	95 psi	6.7 kg/cm ²
E400AJ/M400AJP		
	80 psi	5.6 kg/cm ²
E400AJPN/M400AJPN		
	185 psi	13 kg/cm ²
E450A		
	95 psi	6.7 kg/cm ²
E450AJ/M450AJ		
	110 psi	7.6 kg/cm ²
Max Drive Speed		
E300AJ/E300AJP		
	4.5 mph	7.2 km/h
E400AN/E400AJ/M400AJP/ E400AJPN/M400AJPN		
	4.5 mph	7.2 km/h
E450A/E450AJ/M450AJ		
	4.5 mph	7.2 km/h
Gradeability		
E300AJ/E300AJP		
	25%	
E400AN/E400AJ/M400AJP/ E400AJPN/M400AJPN		
	30%	
E450A/E450AJ/M450AJ		
	30%	
Turning Radius (inside)		
E300AJ/E300AJP		
	5 ft	1.52 m
E400AN		
	2 ft 10 in.	.86 m
E400AJ/M400AJP		
	2 ft	.61 m
E400AJPN/M400AJPN		
	2 ft 10 in.	.86 m
E450A/E450AJ/M450AJ		
	2 ft	.61 m
Turning Radius (outside)		
E300AJ/E300AJP		
	10 ft 2 in.	3.1 m
E400AN/E400AJ/M400AJP/ E400AJPN/M400AJPN		
	10 ft 4 in.	3.15 m
E450A/E450AJ/M450AJ		
	10 ft 4 in.	3.15 m

*For M models, add 300 lb (136 kg).



Standard Specifications

Power Source

Electrical System	48V DC	
Batteries	8 x 6V, 370 amp-hr (305 amp-hr on E300)	
Drive Motors	Dual Electric Traction—Brushless AC	
Generator Set (M Models)		
Diesel Engine Kubota 45 amp	6.7 hp	4.99 kW
Fuel Tank Capacity	4 gal.	15.2 L

Hydraulic System

• E300AJ/E300AJP	2.1 gal.	7.95 L
• E400AN/E400AJ/M400AJP/ E400AJPN/M400AJPN	4 gal.	15.14 L
• E450A/E450AJ/M450AJ	4 gal.	15.14 L
• Motor/Pump	Permanent Magnet Motor/Gear Pump	

Tires

• E300AJ/E300AJP	25 x 7 x 12 Non-marking
• E400AN/E400AJPN/M400AJPN (front)	22 x 6 x 17.5 Non-marking
• E400AN/E400AJPN/M400AJPN (rear)	25 x 7 x 12 Non-marking
• E400AJ/M400AJP	240/55-17.5 Pneumatic
• E450A/E450AJ/M450AJ	240/55-17.5 Pneumatic

Standard Features

- Automatic Traction Control (ATC)
- Side Entry Platform
- 180 Degree Hydraulic Platform Rotator
- 110V-AC Receptacle on Platform
- Tilt Light and Alarm
- Hourmeter
- Battery Condition Indicator
- Lifting/Tie Down Lugs
- Horn
- All Motion Alarm
- Eight 6V 370 amp-hr Deep Cycle Batteries
- Brushless AC Motors

Accessories & Options

- Inward Self-closing Swing Gate
- Platform Worklights
- Mesh to Top Rail—Bolt-on Aluminum
- Acrylic Console Shield
- Cylinder Bellows
- UL® EE Rating¹
- Flashing Amber Beacon
- Operator Tool Tray

1. Not available on Multi-powered models.

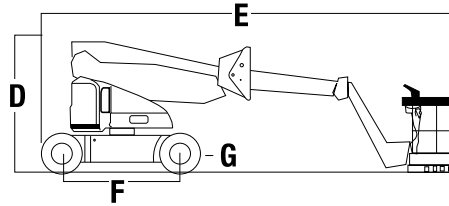
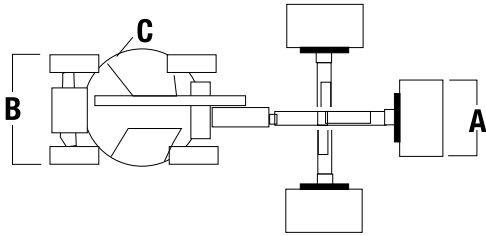
E SERIES

ELECTRIC BOOM LIFTS



Dimensions

All dimensions are approximate.



A. Platform Size

E300AJ	30 x 48 in.	0.76 x 1.22 m
E300AJP	30 x 48 in.	0.76 x 1.22 m
E400AN	30 x 48 in.	0.76 x 1.22 m
E/M400AJP	30 x 60 in.	0.76 x 1.52 m
E/M400AJPN	30 x 48 in.	0.76 x 1.22 m
E450A	30 x 60 in.	0.76 x 1.52 m
E/M450AJ	30 x 60 in.	0.76 x 1.52 m

C. Tailswing

E300AJ	Zero	
E300AJP	Zero	
E400AN	4 in.	10 cm
E/M400AJP	Zero	
E/M400AJPN	4 in.	10 cm
E450A	Zero	
E/M450AJ	Zero	

E. Stowed Length

E300AJ	18 ft 2 in.	5.54 m
E300AJP	18 ft 10 in.	5.74 m
E400AN	18 ft 1 in.	5.51 m
E/M400AJP	22 ft	6.71 m
E/M400AJPN	22 ft	6.71 m
E450A	19 ft 1 in.	5.82 m
E/M450AJ	21 ft 2 in.	6.45 m

G. Ground Clearance

E300AJ	4 in.	10 cm
E300AJP	4 in.	10 cm
E400AN	5 in.	13 cm
E/M400AJP	8.5 in.	22 cm
E/M400AJPN	5 in.	13 cm
E450A	8.5 in.	22 cm
E/M450AJ	8.5 in.	22 cm

B. Overall Width

E300AJ	4 ft	1.22 m
E300AJP	4 ft	1.22 m
E400AN	4 ft 11 in.	1.5 m
E/M400AJP	5 ft 9 in.	1.75 m
E/M400AJPN	4 ft 11 in.	1.5 m
E450A	5 ft 9 in.	1.75 m
E/M450AJ	5 ft 9 in.	1.75 m

D. Stowed Height

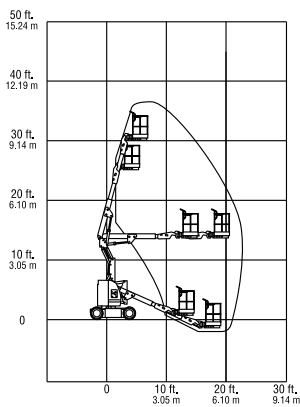
E300AJ	6 ft 7 in.	2.01 m
E300AJP	6 ft 7 in.	2.01 m
E400AN	6 ft 5.75 in.	1.97 m
E/M400AJP	6 ft 7 in.	2.01 m
E/M400AJPN	6 ft 5.75 in.	1.97 m
E450A	6 ft 6 in.	1.98 m
E/M450AJ	6 ft 7 in.	2.01 m

F. Wheelbase

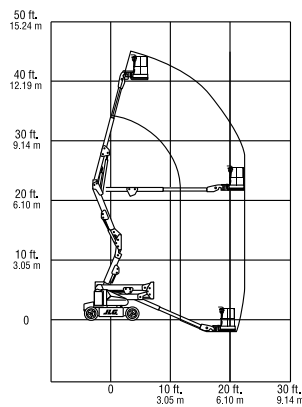
E300AJ	5 ft 5 in.	1.65 m
E300AJP	5 ft 5 in.	1.65 m
E400AN	6 ft 7 in.	2.01 m
E/M400AJP	6 ft 7 in.	2.01 m
E/M400AJPN	6 ft 7 in.	2.01 m
E450A	6 ft 7 in.	2.01 m
E/M450AJ	6 ft 7 in.	2.01 m

Reach Diagrams

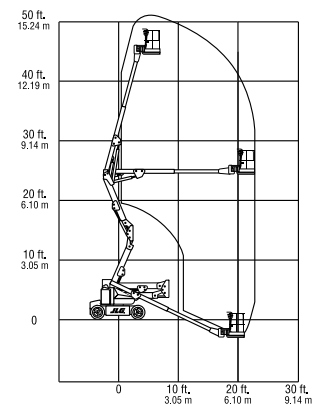
E300



E400



E450



The JLG "1 & 5" Warranty

We provide coverage for one (1) full year, and cover all specified major structural components for five (5) years. Due to continuous product improvements, we reserve the right to make specification and/or equipment changes without prior notification. This machine meets or exceeds applicable ANSI and CSA requirements based on machine configuration as originally manufactured for intended applications. Please reference the serial number plate on the machine for additional information.

Part No.: 3131119
R031810
Printed in USA



JLG Industries, Inc.
1 JLG Drive
McConnellsburg, PA 17233-9533
Telephone 717-485-5161
Toll-free in US 877-JLG-LIFT
Fax 717-485-6417
www.jlg.com

An Oshkosh Corporation Company

E600 SERIES

ELECTRIC BOOM LIFTS



Performance

Platform Height		
E600J/M600J	60 ft 3 in.	18.36 m
E600JP/M600JP	60 ft 4 in.	18.39 m
Horizontal Outreach		
E600J/M600J	43 ft 3 in.	13.18 m
E600JP/M600JP	44 ft 5 in.	13.54 m
Swing	400° Non-Continuous	
Platform Capacity	500 lb	227 kg
Platform Rotator	180° Hydraulic	
Weight ¹		
E600J/M600J	15,200 lb	6,894 kg
E600JP/M600JP	15,750 lb	7,144 kg
Max. Ground Bearing Pressure		
E600J/M600J	52 psi	3.7 kg/cm ²
E600JP/M600JP	51 psi	3.6 kg/cm ²
Drive Speed	3.0 mph	4.8 km/h
Gradeability 2WD	30%	
Gradeability 4WD	45%	
Turning Radius		
Inside	4 ft	1.22 m
Outside	15 ft 4 in.	4.67 m

1. Certain options or country standards increase weight.

2. Ground bearing pressure applies to standard tires.

Standard Specifications

Power Source

Electrical System	48V DC	
Batteries	8 x 6V, 415 amp-hr	
Drive Motors	Dual Electric Traction	
Generator Set (M Models)		
Diesel Engine		
Kubota 45 amp	6.7 hp	4.99 kW
Fuel Tank Capacity	13 gal	49.21 L

Hydraulic System

• Capacity	48 gal	181.7 L
• Motor/pump	Series Wound Motor/Gear Pump	

Tires

• Standard	36 x 14-22.5 Non-Marking Pneumatic
• Optional	Foam-Filled



Standard Features

- 6 ft (1.83 m) Articulating Jib
- 6 ft (1.83 m) Vertical and Lateral Articulating Jib (E/M600JP Only)
- Platform Console Machine Status Light Panel*
- 110V-AC GFI Receptacle in the Platform
- Tilt Light and Alarm
- Hourmeter
- Battery Condition Indicator
- Lifting/Tie Down Lugs
- 400 Degree Non-Continuous Rotation
- Removable Battery Box
- Oscillating Axle
- Manual Descent
- Automatic Traction Control (ATC)
- SCR Automatic Battery Charger
- All Motion Alarm
- Platform 30 x 72" (.76 x 1.83 m) Side Entry
- Telematics-Ready Harness
- SkyGuard®

*Provides indicator lights at platform control console for system distress, low fuel, 5 degree tilt light and foot switch status.

Accessories & Options

- 30 x 48 in. (0.76 x 1.22 m) Platform
- Mesh to Top Rail Bolt-on Aluminum
- Soft Touch System (E/M600J only)
- Platform Padding (30 x 72 in. Platform)
- 1/2 in. Airline to Platform
- Foam-Filled Tires
- 1200W Inverter
- Operators Tool Tray
- Inward Self-Closing Swing Gate
- Hostile Environment Kit³
- UL® EE Rating⁴
- Tow Package⁵
- Light Package⁶
- Cold Weather Package, Diesel⁷
- Platform Worklights
- Flashing Amber Beacon
- AGM Batteries, 390 amp-hr

3. Includes console cover, boom wipers and cylinder bellows.

4. Not available on multi-powered models.

5. 2WD only.

6. Includes head and tail lights, and platform worklights.

7. Includes hydraulic tank heater, battery heater, and heated pad for block.

Note: Some options may increase lead time, and some option combinations may not be available.

E600 SERIES

ELECTRIC BOOM LIFTS

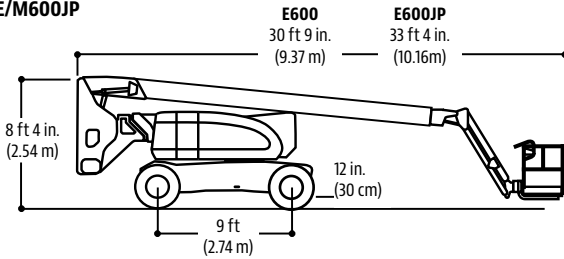


Dimensions

All dimensions are approximate.

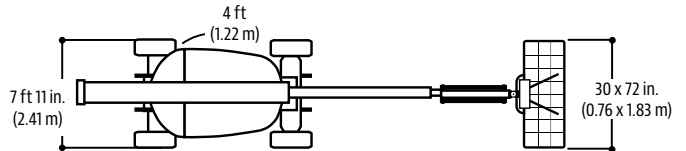
E/M600J

E/M600JP



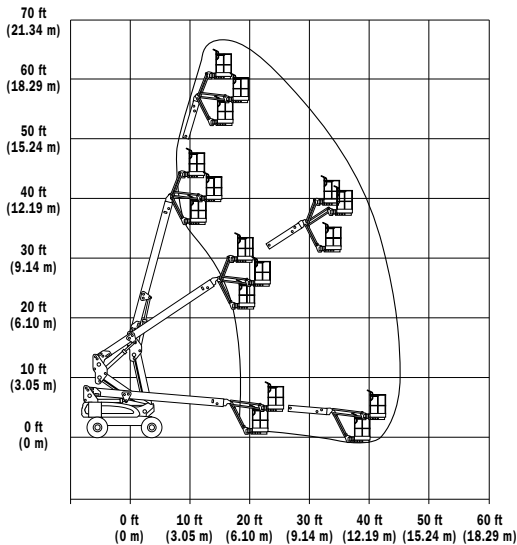
E/M600J

E/M600JP

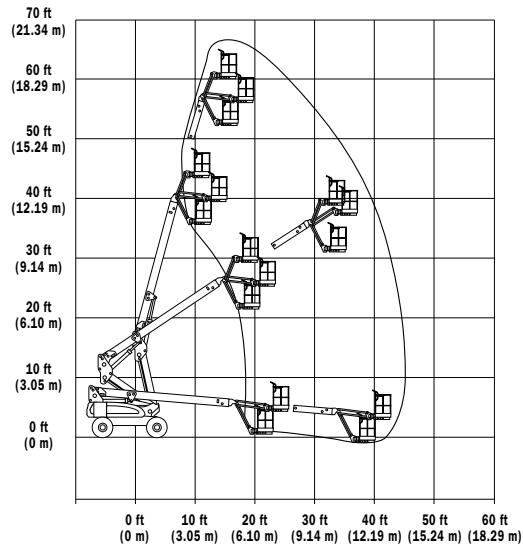


Reach Diagrams

E600J



E600JP



The JLG "1 & 5" Warranty

We provide coverage for one (1) full year, and cover all specified major structural components for five (5) years. Due to continuous product improvements, we reserve the right to make specification and/or equipment changes without prior notification. This machine meets or exceeds applicable ANSI and CSA requirements based on machine configuration as originally manufactured for intended applications. Please reference the serial number plate on the machine for additional information.

Part No.: 3131116
R091806
Printed in USA



JLG Industries, Inc.
1 JLG Drive
McConnellsburg, PA 17233-9533
Telephone 717-485-5161
Toll-free in US 877-JLG-LIFT
Fax 717-485-6417
www.jlg.com

An Oshkosh Corporation Company

TOUCAN® SERIES

MAST BOOM LIFTS



Performance

Platform Height		
T20E	20 ft 2 in.	6.14 m
T26E	26 ft 5 in.	8.05 m
T32E	32 ft 3 in.	9.83 m
Horizontal Outreach		
T20E	6 ft 6.9 in.	1.99 m
T26E	8 ft 8 in.	2.64 m
T32E	15 ft	4.57 m
Up and Over Height		
T20E	16 ft 8.75 in.	5.1 m
T26E	21 ft 8 in.	6.64 m
T32E	22 ft 9 in.	6.95 m
Swing	360 Degrees Non-continuous	
Platform Capacity	500 lb	227 kg
Platform Size		
T20E	33 x 34.5 in.	84 x 88 cm
T26E	29 x 33 in.	73 x 84 cm
T32E	27.5 x 41.3 in.	70 x 105 cm
Weight		
T20E	5,360 lb	2,431 kg
T26E	6,834 lb	3,100 kg
T32E	9,480 lb	4,300 kg
Ground Bearing Pressure		
T20E	209 psi	14.7 kg/cm ²
T26E	256 psi	18.0 kg/cm ²
T32E	178 psi	12.5 kg/cm ²
Ground Clearance	3 in.	8 cm
Drive Speed Stowed	3.4 mph	5.5 km/hr
Drive Speed Elevated	0.43 mph	0.7 km/hr
Gradeability		
T20E	25%	
T26E	25%	
T32E	24%	
Turning Radius (Inside)		
T20E	0 in.	0 m
T26E	1 ft 10 in.	0.55 m
T32E	2 ft 5 in.	0.74 m
Turning Radius (Outside)		
T20E	5 ft 9 in.	1.75 m
T26E	6 ft 7 in.	2.10 m
T32E	8 ft 6 in.	2.60 m

Standard Specifications

Battery

T20E	24V, 225 amp-hr
T26E	24V, 240 amp-hr
T32E	48V, 260 amp-hr

Battery Charger – Output

T20E	25 amps
T26E	25 amps
T32E	20 amps

Brakes

Spring Applied



Tires

T20E	16 x 5 x 10.5 Non-marking
T26E	125 x 406 Non-marking
T32E	18 x 7 x 12.12 Non-marking

Standard Features

- 110V-AC Receptacle in the Platform
- Battery Condition Indicator
- 360 Degree Non-continuous Swing
- All Motion Alarm
- Emergency Lowering Pump
- Hourmeter
- Proportional Controls
- Lifting Eyes
- 5 Degree Tilt Alarm/Indicator Light
- Tie-down Lugs
- Dual Warning Beacons
- Horn

Accessories & Options

- ½ in. Airline to Platform*
- Platform Work Lights*

* Airline and Platform Work Lights are not available in combination.

TOUCAN® SERIES

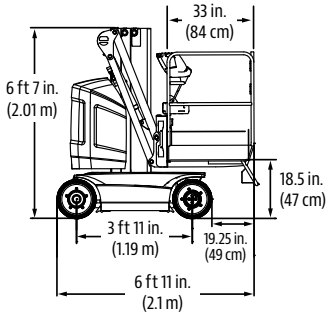
MAST BOOM LIFTS



Dimensions

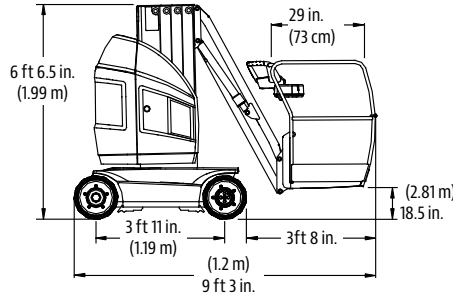
All dimensions are approximate.

T20E



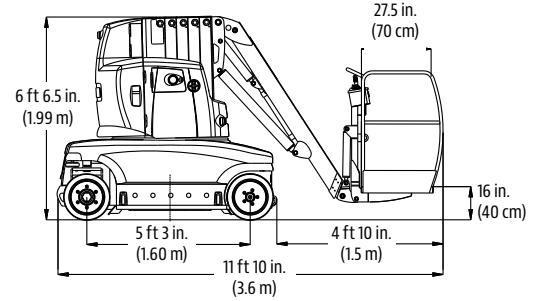
Over all width: 39 in. (0.99 m)

T26E



Over all width: 45 in. (1.14 m)

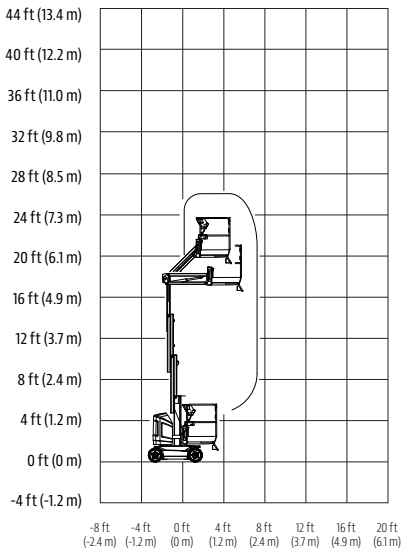
T32E



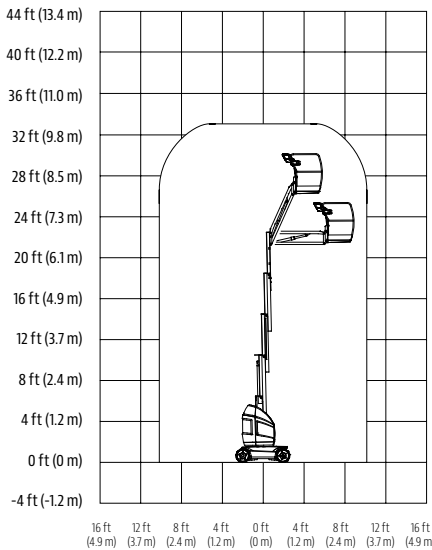
Over all width: 47.2 in. (1.20 m)

Reach Diagrams

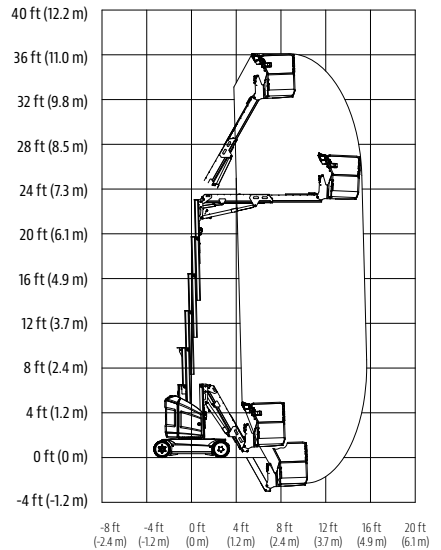
T20E



T26E



T32E



The JLG "1 & 5" Warranty

We provide coverage for one (1) full year, and cover all specified major structural components for five (5) years. Due to continuous product improvements, we reserve the right to make specification and/or equipment changes without prior notification. This machine meets or exceeds applicable ANSI and CSA requirements based on machine configuration as originally manufactured for intended applications. Please reference the serial number plate on the machine for additional information.

Form No.: SS-MB-0406
Part No.: 313217
R011806
Printed in USA



JLG Industries, Inc.
1 JLG Drive
McConnellsburg, PA 17233-9533
Telephone 717-485-5161
Toll-free in US 877-JLG-LIFT
Fax 717-485-6417
www.jlg.com

An Oshkosh Corporation Company

ES SERIES

ELECTRIC SCISSOR LIFTS



Performance

Platform Height–Elevated		
1930ES	18 ft 9 in.	5.72 m
2032ES	20 ft	6.10 m
2632ES	25 ft 5 in.	7.75 m
2646ES	26 ft	7.92 m
3246ES	31 ft 9 in.	9.68 m
Platform Capacity		
1930ES	500 lb	227 kg
2032ES	800 lb	363 kg
2632ES	500/800 lb ¹	227/363 kg
2646ES	1,000 lb	454 kg
3246ES	700/1,000 lb ²	318/454 kg
Capacity on Platform Extension		
	250 lb	113 kg
Lift/Lower Time		
1930ES	26/30 seconds	
2032ES	28/40 seconds	
2632ES	33/37 seconds	
2646ES	41/50 seconds	
3246ES	55/62 seconds	
Maximum Drive Height		
	Fully Elevated	
Weight*		
1930ES	2,710 lb	1,229 kg
2032ES	3,610 lb	1,638 kg
2632ES	4,635 lb	2,103 kg
2646ES/ 3246ES	4,975 lb	2,257 kg
Ground Bearing Pressure		
1930ES	109 psi	7.66 kg/cm ²
2032ES	81 psi	5.69 kg/cm ²
2632ES	90 psi	6.32 kg/cm ²
2646ES/ 3246ES	87 psi	6.11 kg/cm ²
Drive Speed–Elevated		
	0.5 mph	0.8 km/h
Drive Speed–Lowered		
1930ES	3.0 mph	4.82 km/h
2032ES/ 2632ES	2.75 mph	4.43 km/h
2646ES/ 3246ES	2.50 mph	4.00 km/h
Gradeability		
	25%	
Turning Radius (Inside)		
	Zero	
Turning Radius (Outside)		
1930ES	69 in.	1.75 m
2032ES/ 2632ES	81 in.	2.06 m
2646ES/ 3246ES	95 in.	2.41 m

* Certain options or country standards will increase weight.

1. 800 lb restricted to 20 ft., 500 lb unrestricted.

2. 1,000 lb restricted to 26 ft., 700 lb unrestricted.

Standard Specifications

Power Source

Batteries	4x6V, 220 amp-hr	
Charger	20 Amp Automatic	
Drive	24V Electric	8hp

Hydraulic Reservoir

• Capacity		
1930ES/2032ES/2632ES	1.25 gal.	4.73 L
2646ES/3246ES	1.7 gal.	6.4 L
• Pump		
	Fixed Displacement Gear	



Tires

• Tire Size/Type	
1930ES	12.5 x 4 in. Non-Marking Solid
2032ES/2632ES/2646ES/3246ES	16 x 5 in. Non-Marking Solid

Brakes

- Electric/Friction

Standard Features

- Proportional Controls
- Industry Leading Duty Cycles
- Drywall Gate³
- Battery Condition Indicator
- Fold-Down Guard Rails⁴
- 110V-AC Receptacle in Platform
- Slide-Out Battery Trays
- Automatic Traction Control (ATC)
- All Motion Alarm
- 20 Amp Automatic SCR Charger
- Horn
- Hourmeter
- Manual Descent Pull Cable
- Tilt Alarm and Light
- Lanyard Attach Points
- Movable, Removable Platform Control
- Powder-Coated
- Console with Rail Mounting Bracket
- Nickel Plated Pins
- Lubrication Free Scissor Arm Bushings
- Scissor Maintenance Prop
- Mechanized Pothole Protection
- Machine Tie Downs
- Fork Lift Pockets
- 36 in. (91 cm) Roll-Out Deck Extension⁵
- 50 in. (1.27 m) Roll-Out Deck Extension⁶
- Four 6V, 220 Amp-Hour Deep Cycle Batteries

3. Not included on 1930ES. 4. Optional on 1930ES. 5. 1930ES, 2032ES and 2632ES. 6. 2646ES and 3246ES.

Accessories & Options

- Spring-Loaded Gate
- Flashing Amber Beacon
- 245 Amp-Hour Batteries⁷
- 900W Inverter
- Lifting Lugs
- UL® EE Rating⁸
- Platform Padding
- Platform Padding with Proximity Switches
- 1/2 in. Airline
- Quik Welder Prep Package⁹
- Nite Bright¹⁰
- 220 Amp-Hour AGM Batteries¹¹
- Special Hydraulic Oils
- Accessory Packages:
 - Electrician's Package
 - Plumber's Package
 - JLG® Workstation
 - Panel Carrier Accessory⁷
 - Pipe Rack Accessory⁷
 - Quik Welder® Package
 - Plant Maintenance Package

7. Not available on the 1930ES. 8. Not available with AGM Batteries. 9. Includes power cable for welder and fire extinguisher. 10. Includes two platform mounted worklights. 11. Not available on EE rated units.

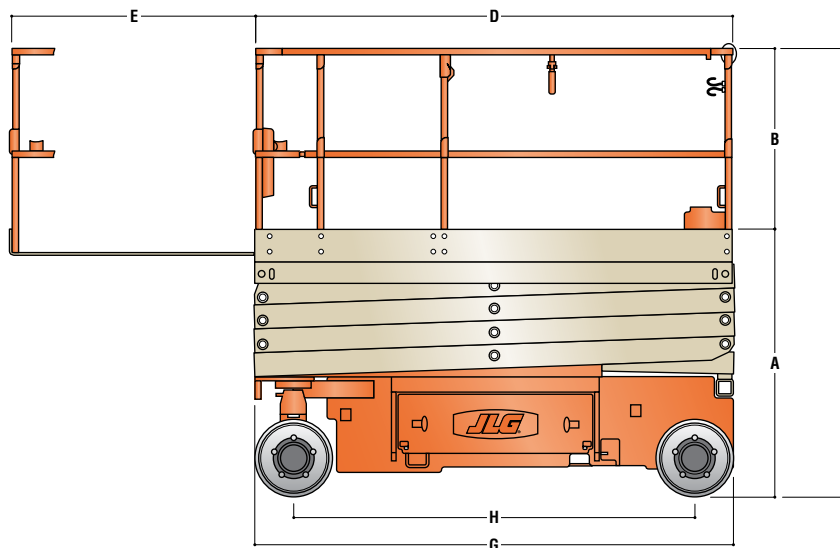
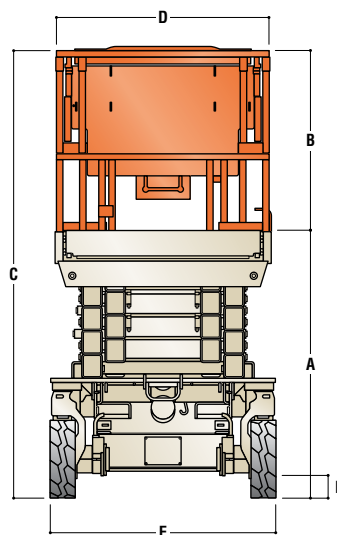
ES SERIES

ELECTRIC SCISSOR LIFTS



Dimensions

All dimensions are approximate.



A. Platform Height—Lowered

1930ES	34 in.	0.86 m
2032ES	43.5 in.	1.10 m
2632ES	48.5 in.	1.23 m
2646ES	49.5 in.	1.26 m
3246ES	49.5 in.	1.26 m

B. Platform Railing Height

ES Series	43.3 in.	1.10 m
-----------	----------	--------

C. Overall Height—Rails Lowered

1930ES	N/A	
2032ES	5 ft 11.5 in.	1.80 m
2632ES	6 ft 4.5 in.	1.94 m
2646ES/3246ES	6 ft 5.5 in.	1.97 m

D. Platform Size

1930ES	30 x 73.5 in.	0.76 x 1.87 m
2032ES/2632ES	30 x 90.5 in.	0.76 x 2.3 m
2646ES/3246ES	44 x 98.5 in.	1.12 x 2.5 m

E. Platform Extension

1930ES/2032ES/2632ES	35.5 in.	0.9 m
2646ES/3246ES	50 in.	1.27 m

F. Overall Width

1930ES	30 in.	76 cm
2032ES/2632ES	32 in.	81 cm
2646ES/3246ES	46 in.	1.17 m

G. Overall Length

1930ES	6 ft 1.5 in.	1.87 m
2032ES/2632ES	7 ft 6.5 in.	2.3 m
2646ES/3246ES	8 ft 2.5 in.	2.5 m

H. Wheelbase

1930ES	5 ft 3 in.	1.6 m
2032ES/2632ES	6 ft 2 in.	1.88 m
2646ES/3246ES	6 ft 10 in.	2.09 m

I. Ground Clearance

1930ES/2032ES/2632ES	3.5 in.	8.8 cm
2646ES/3246ES	5 in.	12.7 cm

The JLG "1 & 5" Warranty

We provide coverage for one (1) full year, and cover all specified major structural components for five (5) years. Due to continuous product improvements, we reserve the right to make specification and/or equipment changes without prior notification. This machine meets or exceeds applicable ANSI and CSA requirements based on machine configuration as originally manufactured for intended applications. Please reference the serial number plate on the machine for additional information.

Part No.: 3131580
R121711
Printed in USA



JLG Industries, Inc.
1 JLG Drive
McCconnellsburg, PA 17233-9533
Telephone 717-485-5161
Toll-free in US 877-JLG-LIFT
Fax 717-485-6417
www.jlg.com

An Oshkosh Corporation Company

R SERIES

1932R ELECTRIC SCISSOR LIFT



Performance

Platform Height–Elevated	19 ft	5.8 m
Platform Capacity	550 lb	250 kg
Capacity on Platform Extension	250 lb	113 kg
Lift/Lower Time	25/26 seconds	
Maximum Drive Height	Fully Elevated	
Weight*	2,630 lb	1,193 kg
Ground Bearing Pressure	101 psi	766 kg/cm ²
Drive Speed–Elevated	0.5 mph	0.8 km/h
Drive Speed–Lowered	2 mph	3.2 km/h
Gradeability	25%	
Turning Radius (Inside)	Zero	
Turning Radius (Outside)	66 in.	1.68 m

* Certain options or country standards will increase weight.

Standard Specifications

Power Source

Batteries	4 x 6V 220 amp-hr
Charger	27 amp High Frequency Charger
Drive	Hydraulic Front-wheel

Hydraulic Reservoir

• Capacity	4.5 gal.	17 L
• Pump	Fixed Displacement Gear	

Tires

• Tire Size/Type (Non-marking)	12 x 4 in.	323 x 100 mm
--------------------------------	------------	--------------

Brakes

- Multi-disc Friction

Standard Features

- Proportional Controls
- Battery Condition Indicator
- 110V-AC Receptacle in Platform
- All Motion Alarm
- 27 amp Multi-function Universal Charger
- Horn
- Hourmeter
- Tilt Alarm and Light
- Lanyard Attach Points
- Movable, Removable Platform Control
- Nickel Plated Pins
- Lubrication Free Scissor Arm Bushings
- Scissor Maintenance Prop
- Active Pothole Protection System
- Lifting and Tie Down Points
- Fork Lift Pockets
- 36 in. (91 cm) Foot-actuated Deck Extension
- Steel Swing-out Doors
- Variable Tilt Window
- Manual Descent Cable
- Diamond Tread Steel Deck
- Greaseless Kingpin Joints
- Analyzer Port for Diagnostics
- Dynamic Braking
- Removable Ladder



Accessories & Options

- Coiled Platform Control Box Cable
- Drive Motor Covers
- Extension Deployment Handles
- Fire Extinguisher
- Flashing Amber Beacon
- MDI (Ground)
- Anti-vandalism PKG
- Eagle Performance Charger
- 900W Inverter
- Ambient Noise Alarm
- Batteries (220AH - AGM)

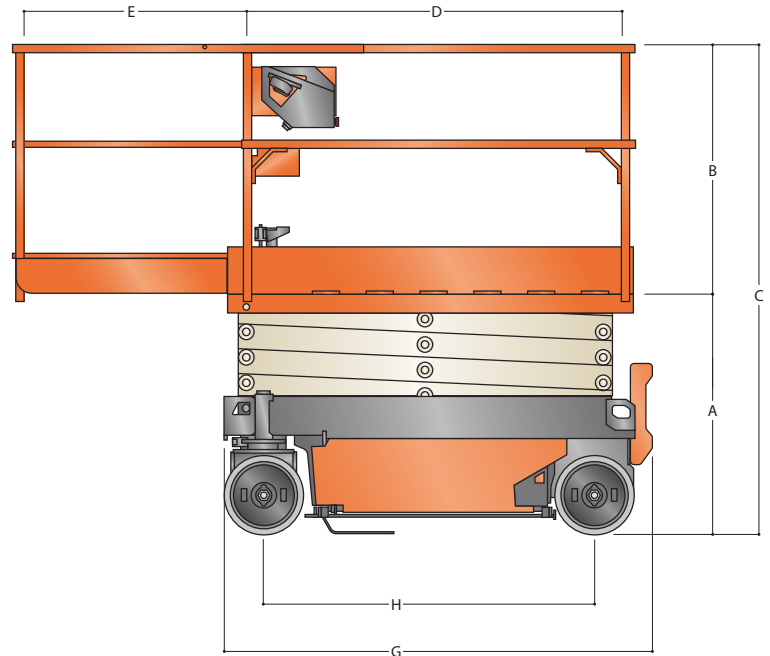
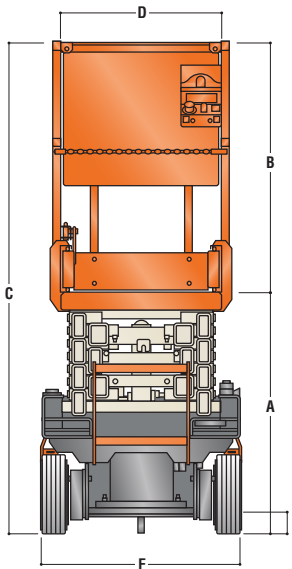
R SERIES

1932R ELECTRIC SCISSOR LIFT



Dimensions

All dimensions are approximate.



A. Platform Height-Lowered	38.6 in.	0.98 m	F. Overall Width	32 in.	81 cm
B. Platform Railing Height	39.9 in.	1.02 m	G. Overall Length	68.7 in.	1.74 m
C. Overall Height	78.5 in.	1.99 m	H. Wheelbase	53 in.	1.34 m
D. Platform Size	25.4 in. x 62.7 in.	0.64 m x 1.59 m	I. Ground Clearance	2.8 in.	7 cm
E. Platform Extension	36 in.	91 cm			



The JLG "1 & 5" Warranty

We provide coverage for one (1) full year, and cover all specified major structural components for five (5) years. Due to continuous product improvements, we reserve the right to make specification and/or equipment changes without prior notification. This machine meets or exceeds applicable ANSI and CSA requirements based on machine configuration as originally manufactured for intended applications. Please reference the serial number plate on the machine for additional information.

Part No.: 3131505
R121704
Printed in USA

JLG Industries, Inc.
1 JLG Drive
McConnellsburg, PA 17233-9533
Telephone 717-485-5161
Toll-free in US 877-JLG-LIFT
Fax 717-485-6417
www.jlg.com

An Oshkosh Corporation Company

R SERIES

2632R/3246R/4045R ELECTRIC SCISSOR LIFTS



Performance

Platform Height—Elevated (indoor / outdoor)		
2632R	25 ft 6 in. / 19 ft	7.8 m / 5.8 m
3246R	32 ft / 32 ft	9.8 m / 9.8 m
4045R	39 ft 3 in. / 29 ft	12 m / 8.8 m
Platform Capacity (indoor / outdoor)		
2632R	507 lb / 275 lb	230 kg / 125 kg
3246R	705 lb / 507 lb	320 kg / 230 kg
4045R	770 lb / 550 lb	350 kg / 250 kg
Capacity on Platform Extension		
2632R / 3246R	265 lb	120 kg
4045R	250 lb	113 kg
Lift/Lower Time		
2632R	56/42 seconds	
3246R	50/37 seconds	
4045R	73/48 seconds	
Maximum Drive Height		
2632R	Fully Elevated	
3246R	Fully Elevated	
4045R	Fully Elevated	
Weight*		
2632R	4,310 lb	1,955 kg
3246R	5,410 lb	2,454 kg
4045R	7,000 lb	3,175 kg
Ground Bearing Pressure		
2632R	92 psi	6.2 kg/cm ²
3246R	131 psi	9.2 kg/cm ²
4045R	135 psi	9.5 kg/cm ²
Drive Speed—Elevated		
Drive Speed—Lowered		
2632R	2.0 mph	3.2 km/h
3246R	2.2 mph	3.5 km/h
4045R	2.0 mph	3.2 km/h
Gradeability		
Turning Radius (Inside)		
Turning Radius (Outside)		
2632R	88 in.	2.2 m
3246R	93 in.	2.4 m
4045R	100 in.	2.5 m

* Certain options or country standards will increase weight.

Standard Specifications

Power Source

Batteries	
2632R/3246R	4 x 6V 220 amp-hr
4045R	4 x 12V 150 amp-hr
Charger	
27 amp	
Drive	
Hydraulic Front-Wheel	

Hydraulic Reservoir

• Capacity (at Full mark)		
2632R	4 gal.	15 L
3246R	4 gal.	15 L
4045R	6.6 gal.	25 L
• Pump		
Fixed Displacement Gear		

Tires

• Tire Size/Type (Non-Marking)		
2632R / 3246R / 4045R	16 x 5 in.	406 x 127 mm

Brakes

- Multi-Disc Friction



Standard Features

- Proportional Controls
- Battery Condition Indicator
- AC Receptacle in Platform
- All Motion Alarm
- 27 amp Multi-Function Universal Charger
- Horn
- Hourmeter
- Tilt Alarm and Light
- Lanyard Attach Points
- Movable, Removable Platform Control
- Nickel Plated Pins
- Lubrication Free Scissor Arm Bushings
- Scissor Maintenance Prop
- Active Pothole Protection System
- Lifting and Tie Down Points
- Fork Lift Pockets
- Foot-Actuated Deck Extension
- Steel Swing-Out Doors
- Variable Tilt Visual Zone Indicator
- Manual Descent Cable
- Diamond Tread Steel Deck
- Greaseless Kingpin Joints
- Analyzer Port for Diagnostics
- Dynamic Braking
- Removable Ladder
- ANSI 92.20 Compliant

Accessories & Options

- Coiled Platform Control Box Cable
- Drive Motor Covers
- Extension Deployment Handles
- Fire Extinguisher
- Flashing Amber Beacon
- MDI (Ground)
- Anti-Vandalism PKG
- Eagle Performance Charger
- 900W Inverter
- Ambient Noise Alarm
- Batteries, AGM (6V, 220AH) - 2632R/3246R
- Batteries (6V, 220AH) - 2632R/3246R
- Batteries (6V, 250) - 2632R
- Batteries (6V, 255AH) - 3246R
- Batteries (12V, 185AH) - 4045R
- Batteries, AGM (12V, 150AH) - 4045R
- Batteries, (12V, 150AH) - 4045R

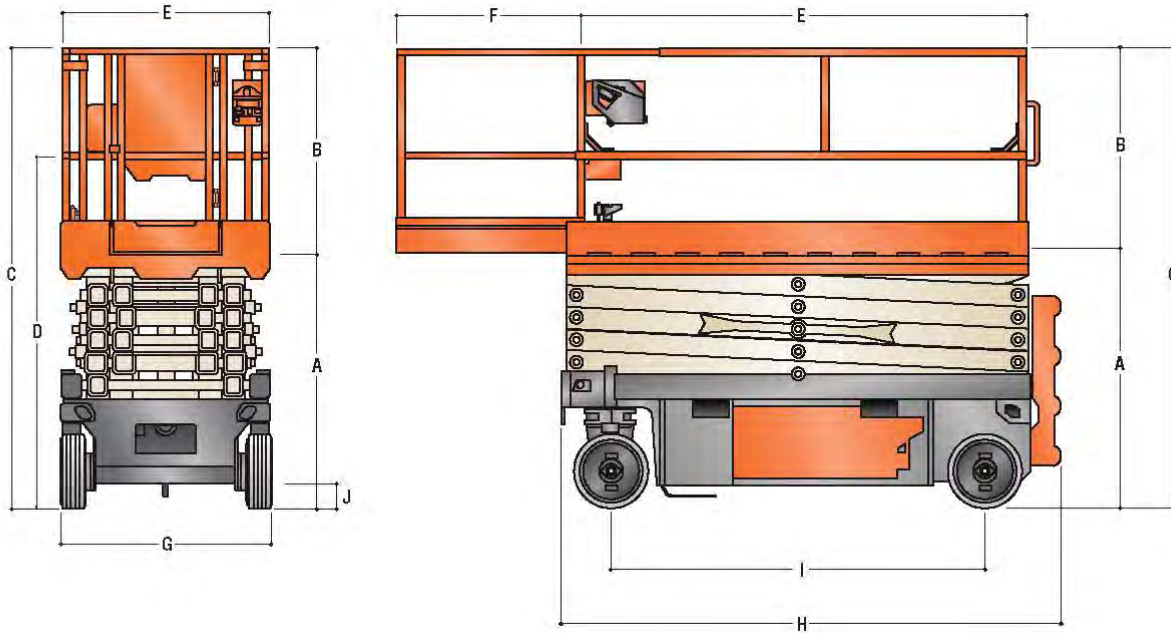
R SERIES

2632R/3246R/4045R ELECTRIC SCISSOR LIFTS



Dimensions

All dimensions are approximate.



A. Platform Height – Lowered			F. Platform Extension		
2632R	43.6 in.	1.1 m	2632R	34.0 in.	86.5 cm
3246R	50.9 in.	1.3 m	3246R / 4045R	36.0 in.	91.0 cm
4045R	55.0 in.	1.4 m			
B. Platform Railing Height			G. Overall Width		
2632R / 3246R	44.6 in.	1.1 m	2632R	32.0 in.	81.0 cm
4045R	44.0 in.	1.1 m	3246R	46.0 in.	117.0 cm
			4045R	45.0 in.	114.3 cm
C. Overall Height			H. Overall Length		
2632R	88.2 in.	2.2 m	2632R / 3246R	94.3 in.	2.4 m
3246R	96.3 in.	2.5 m	4045R	106.0 in.	2.7 m
4045R	100.0 in.	2.5 m			
D. Overall Height (Rails Lowered)			I. Wheelbase		
2632R	69.7 in.	1.8 m	2632R / 3246R	74.0 in.	1.9 m
3246R	77.6 in.	2.0 m	4045R	80.0 in.	2.0 m
4045R	75.0 in.	1.9 m			
E. Platform Size			J. Ground Clearance (Pothole Protection Not Deployed)		
2632R	25.4 in. x 84.0 in.	0.7 m x 2.1 m	2632R / 3246R	3.9 in.	9.8 cm
3246R	41.6 in. x 84.0 in.	1.1 m x 2.1 m	4045R	5.0 in.	12.7 cm
4045R	41.0 in. x 96.0 in.	1.1 m x 2.4 m			

The JLG “1 & 5” Warranty

We provide coverage for one (1) full year, and cover all specified major structural components for five (5) years. Due to continuous product improvements, we reserve the right to make specification and/or equipment changes without prior notification. This machine meets or exceeds applicable ANSI and CSA requirements based on machine configuration as originally manufactured for intended applications. Please reference the serial number plate on the machine for additional information.



JLG Industries, Inc.
 1 JLG Drive
 McConnellsburg, PA 17233-9533
 Telephone 717-485-5161
 Toll-free in US 877-JLG-LIFT
 Fax 717-485-6417
www.jlg.com

An Oshkosh Corporation Company

LE SERIES

ELECTRIC SCISSOR LIFTS



Performance

Platform Height—Elevated		
3369LE	33 ft	10.06 m
4069LE	40 ft	12.19 m
Platform Capacity		
3369LE	1,000 lb	454 kg
4069LE	800 lb	362 kg
Capacity on Platform Extension	250 lb	113 kg
Lift/Lower Time		
3369LE	38/42 sec	
4069LE	54/50 sec	
Maximum Drive Height		
3369LE	Full Height	
4069LE	30 ft	9.14 m
Weight*		
3369LE	9,760 lb	4,427 kg
4069LE	10,560 lb	4,790 kg
Ground Bearing Pressure		
3369LE	57 PSI	4.01 kg/cm ²
4069LE	61 PSI	4.29 kg/cm ²
Drive Speed		
Elevated	0.4 mph	0.64 kmph
Lowered	3.0 mph	4.8 kmph
Gradeability		
2WD	35%	
4WD	45%	
Turning Radius		
Inside	90 in.	2.29 m
Outside	186 in.	4.72 m

Standard Specifications

Tires

- Standard 240/55-17.5 Foam-Filled Non-Marking Tires
- Optional Foam-Filled Sand/Turf Tires

Brakes

- Spring Applied Hydraulically Released Discs

Power Source

Batteries	8 x 6V, 370 amp-hr	
Charger	20 Amp, Automatic SCR Charger	
Electric Pump Motor	Series Wound	
Drive Motors	Two 5.5 hp Shunt Wound	
Generator Set (M models only)		
45 Amp Kubota	6 hp	4.47 kW
Engine Fuel Tank Capacity	4 gal.	15.14 L

Hydraulic System

Capacity	8.5 gal.	32.18 L
Pump	Single Section Gear Pump	

*Certain options or country standards will increase weight.



Standard Features

- 65 x 115 in. (1.65 x 2.92 m) Work Platform
- Full Time ATC—JLG Automatic Traction Control System
- Oscillating Axle
- Proportional Direct DC Electric Drive
- Proportional Lift Up
- 110V-AC Receptacle in Platform
- 8 x 6V, 370 amp-hr Batteries
- 3 ft Roll-Out Deck Extension
- On-Board Diagnostics with Common JLG Analyzer
- Fold-Down Hand Rails
- Forklift-able Battery Compartments with Quick Disconnect Couplings
- Moveable, Removable Platform Console Box
- 20 Amp Automatic, SCR Battery Charger
- Battery Charge Indicator in Platform
- 3 Degree Tilt Indicator Light and Alarm
- All Motion Alarm
- Manual Descent
- Tie Down Lugs
- Hourmeter
- Horn

Accessories & Options

- 110V AC Power Pack (Inverter, not available on multi-powered models)
- Flashing Amber Beacon
- Hydraulic Leveling Jacks
- Platform Work Lights
- QuikCharge GenSet
- All-Wheel Drive

LE SERIES

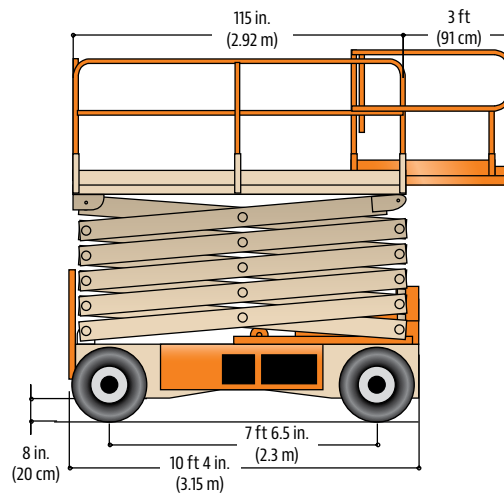
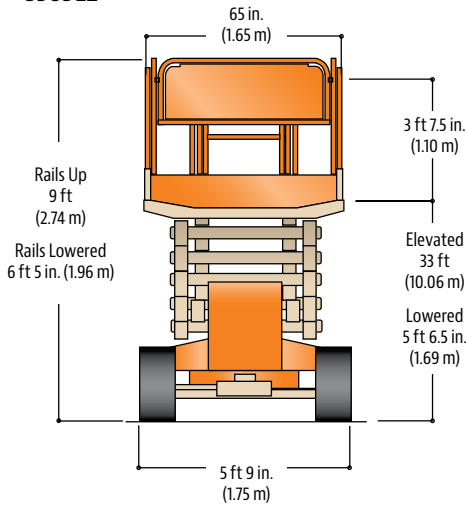
ELECTRIC SCISSOR LIFTS



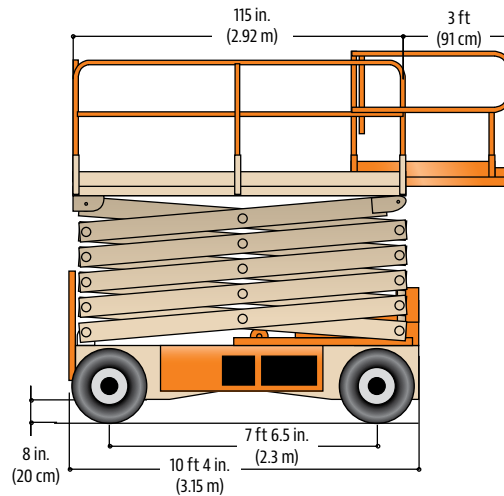
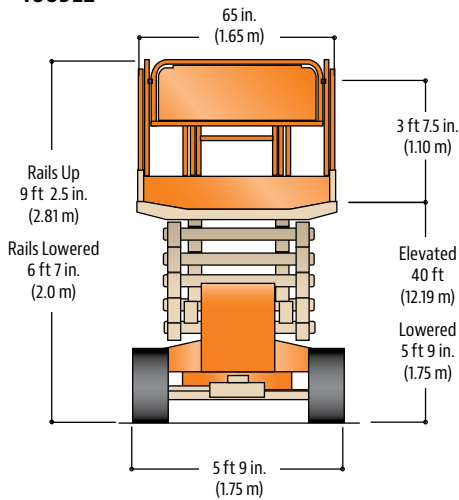
Dimensions

All dimensions are approximate.

3369LE



4069LE



The JLG "1 & 5" Warranty

We provide coverage for one (1) full year, and cover all specified major structural components for five (5) years. Due to continuous product improvements, we reserve the right to make specification and/or equipment changes without prior notification. This machine meets or exceeds applicable ANSI and CSA requirements based on machine configuration as originally manufactured for intended applications. Please reference the serial number plate on the machine for additional information.

Part No.: 3131502
R011814
Printed in USA

JLG Industries, Inc.
1 JLG Drive
McConnellsburg, PA 17233-9533
Telephone 717-485-5161
Toll-free in US 877-JLG-LIFT
Fax 717-485-6417
www.jlg.com

An Oshkosh Corporation Company

260 MRT SERIES

MIDSIZE ROUGH TERRAIN SCISSOR LIFTS

JLG
reachingout™

Performance

Platform Height-Elevated	26 ft	7.92 m
Platform Capacity	1,250 lb	567 kg
Capacity on Deck Extension	300 lb	136 kg
Lift/Lower Speed	27/21 seconds	
Maximum Drive Height	Full Height	
Gross Vehicle Weight*	7,360 lb	3,338 kg
Drive Speed-Lowered	3.5 mph	5.6 km/h
Drive Speed-Elevated	0.4 mph	0.6 km/h
Gradeability	35%	
Turning Radius (Inside)	84 in.	2.13 m

* Certain options or country standards will increase weight.

Standard Specifications

Engine

Make and Model		
· Dual Fuel		
· Kubota	24.5 hp	18.3 kW
· Diesel Fuel		
· Kubota	23.5 hp	17.5 kW
Fuel Tank Capacity	7.5 gal.	28.39 L

Tires

· Standard	26 x 12 Lug Tread
· Optional	26 x 12 Foam Filled

Brakes

- Spring Applied Hydraulically Released

Hydraulic Reservoir

· Capacity	15 gal.	56.78 L
------------	---------	---------

Standard Features

- 65 x 102 in. (1.65 x 2.59 m) Steel Platform
- 4 ft (1.22 m) Manual Roll-Out Deck Extension
- Fold-Down Platform Rails
- Moveable, Removable Platform Control Box
- Cross Corner Four-wheel Drive
- Proportional Hydrostatic Drive Control with Thumb Steer
- Proportional Lift Up
- 110V-AC Receptacle in Platform
- Horn
- Hourmeter
- Tilt Light and Alarm
- Lubrication-Free Scissor Arm Bushings
- Scissor Maintenance Prop
- Manual Descent Pull Cable
- Heavy Gauge Steel Chassis Hoods
- Nickel Plated Pins, Yellow Zinc-Chromate Plated Fasteners
- All Motion Alarm



Accessories & Options

- Leveling Jacks
- Platform Work Lights
- Full Swing-Gate
- 110V-AC Generator
- Flashing Amber Beacon
- 33.5 lb (19.73 kg) Propane Tank
- Hydraulic Leveling Jacks

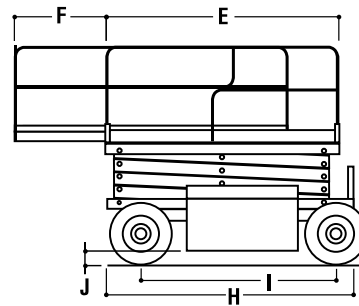
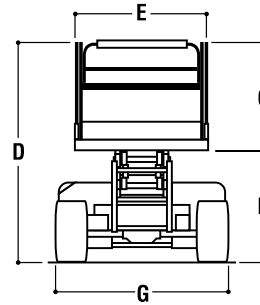
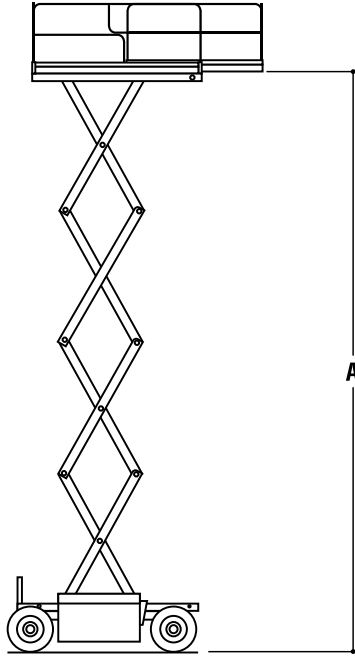
260 MRT SERIES

MIDSIZE ROUGH TERRAIN SCISSOR LIFTS



Dimensions

All dimensions are approximate.



A. Platform Height Elevated	26 ft (7.92 m)
B. Platform Height Lowered	4 ft 1.5 in. (1.26 m)
C. Platform Railing Height	3 ft 7.5 in. (1.1 m)
D. Overall Height	7 ft 9.5 in. (2.37 m)
E. Platform Size	65 x 102 in. (1.65 x 2.59 m)
F. Platform Extension	4 ft (1.22 m)

G. Overall Width	5 ft 9 in. (1.75 m)
H. Overall Length (no outriggers)	8 ft 9 in. (2.67 m)
I. Wheelbase	6 ft 6 in. (1.98 m)
J. Ground Clearance	8 in. (20 cm)

The JLG "1 & 5" Warranty

We provide coverage for one (1) full year, and cover all specified major structural components for five (5) years. Due to continuous product improvements, we reserve the right to make specification and/or equipment changes without prior notification. This machine meets or exceeds applicable ANSI and CSA requirements based on machine configuration as originally manufactured for intended applications. Please reference the serial number plate on the machine for additional information.

Part No.: 3131404
R071811
Printed in USA



JLG Industries, Inc.
1 JLG Drive
McCConnellsburg, PA 17233-9533
Telephone 717-485-5161
Toll-free in US 877-JLG-LIFT
Fax 717-485-6417
www.jlg.com

An Oshkosh Corporation Company

LRT SERIES

ROUGH TERRAIN SCISSOR LIFTS



Performance

Platform Height—Elevated		
330LRT	33 ft	10.06 m
430LRT	43 ft	13.11 m
530LRT	53 ft	16.2 m
Platform Capacity		
330LRT	2,250 lb	1,020 kg
430LRT/530LRT	1,500 lb	680 kg
Capacity on Platform Extension	500 lb	227 kg
Capacity with Dual Extensions		
330LRT	2,000 lb	907 kg
430LRT	1,250 lb	567 kg
530LRT	1,500 lb	680 kg
Lift/Lower Time		
330LRT	35/37 seconds	
430LRT	45/47 seconds	
530LRT	59/55 seconds	
Maximum Drive Height		
330LRT/430LRT	Full Height	
530LRT	32 ft	9.75 m
Weight w/One Extension*		
330LRT	11,820 lb	5,372 kg
430LRT	15,210 lb	6,914 kg
530LRT	17,000 lb	7,711 kg
Ground Bearing Pressure		
330LRT	73 psi	5.1 kg/cm ²
430LRT	83 psi	5.8 kg/cm ²
530LRT	90 psi	6.3 kg/cm ²
Drive Speed	3.5 mph	5.6 km/h
Gradeability		
330LRT/430LRT	45%	
530LRT	40%	
Turning Radius (Inside)		
330LRT/430LRT	8 ft 10.5 in.	2.71 m
530LRT	8 ft 11 in.	2.72 m
Turning Radius (Outside)		
330LRT/430LRT	19 ft 5.5 in.	5.93 m
530LRT	19 ft 5 in.	5.92 m

* Certain options or country standards will increase weight.

Standard Specifications

Engine

Make and Model		
Dual Fuel – Kubota WG972	31 hp	23.2 kW
Diesel Fuel – Kubota D1305	24.8 hp	18.5 kW
Fuel Tank Capacity	22 gal.	83.3 L

Tires

Standard		
330LRT/430LRT	33 x 15.5 Superwide/12 x 16.5 Foam-filled	
530LRT	12 x 16.5 Foam-filled	

Brakes

- Rear Wheel Spring Applied

Hydraulic System

- Capacity 32 gal. 121.42 L



Standard Features

- 4-Wheel Drive
- Automatic Transmission
- Three-speed Drive Select
- Proportional Drive/Lift Up/Lift Down
- Oscillating Axle
- 76 x 154 in. (1.95 x 3.92 m) Platform
- 4 ft (1.22 m) Manual Deck Extension
- 110V-AC Receptacle in Platform
- 73.5 x 156 in. (1.87 x 3.96 m) All-Steel Platform³
- Adjustable, Removable Platform Control Station
- Fold-Down Handrails
- Horn
- Tilt Light and Alarm
- All Motion Alarm

Accessories & Options

- Leveling Jacks¹
- Dual Extension Deck
- Platform Worklights
- 1/2 in. Airline to Platform
- Flashing Amber Beacon
- 43.5 lb (19.7 kg) Propane Tank
- Cold Weather Start Kit
- 7500 Watt Generator
- Night Bright® Package
- Pipe Rack Accessory

1. Standard on 530LRT
2. Not available on 530LRT
3. Only available on 530LRT

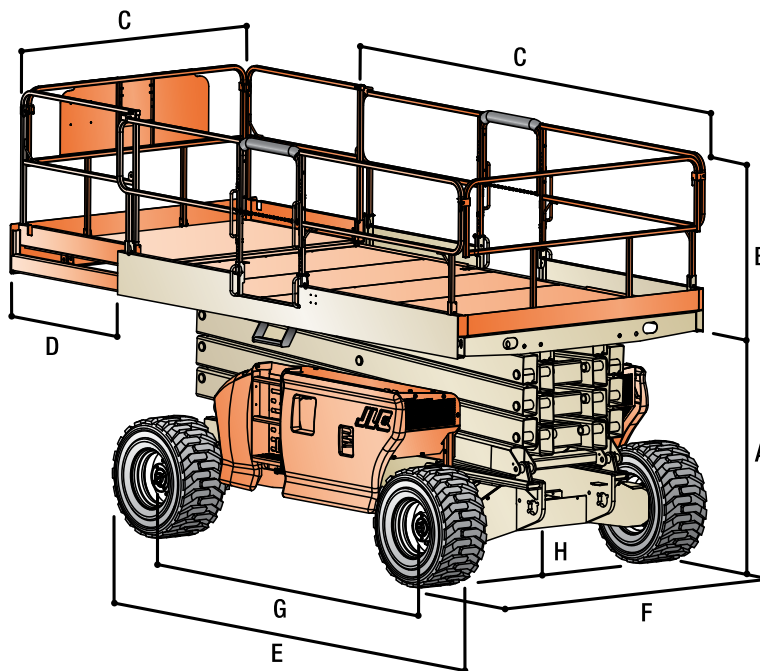
LRT SERIES

ROUGH TERRAIN SCISSOR LIFTS



Dimensions

All dimensions are approximate.



Platform Height — Elevated

330LRT	33 ft	10.06 m
430LRT	43 ft	13.11 m
530LRT	53 ft	16.2 m

A. Platform Height — Lowered

330LRT	5 ft 3.4 in.	1.61 m
430LRT	6 ft 5 in.	1.84 m
530LRT	7 ft	2.13 m

B. Platform Railing Height

330LRT/430LRT	3 ft 7.5 in.	1.1 m
530LRT	3 ft 1 in.	0.94 m

C. Platform Size

330LRT/430LRT	79 x 154 in.	2 x 3.92 m
530LRT	73.5 x 156 in.	1.87 x 3.96 m

D. Platform Extension

4 ft	1.22 m
------	--------

E. Overall Length

330LRT/430LRT	12 ft 10 in.	3.92 m
530LRT	17 ft	5.18 m

F. Overall Width

330LRT/430LRT	7 ft 9 in.	2.36 m
530LRT	7 ft 7 in.	2.31 m

G. Wheelbase

9 ft 9 in.	2.97 m
------------	--------

H. Ground Clearance

330LRT/430LRT	13.6 in.	34.5 cm
530LRT	12 in.	30 cm

The JLG "1 & 5" Warranty

We provide coverage for one (1) full year, and cover all specified major structural components for five (5) years. Due to continuous product improvements, we reserve the right to make specification and/or equipment changes without prior notification. This machine meets or exceeds applicable ANSI and CSA requirements based on machine configuration as originally manufactured for intended applications. Please reference the serial number plate on the machine for additional information.

Part No.: 3131581
R061813
Printed in USA



JLG Industries, Inc.

1 JLG Drive
McCconnellsburg, PA 17233-9533
Telephone 717-485-5161
Toll-free in US 877-JLG-LIFT
Fax 717-485-6417
www.jlg.com

An Oshkosh Corporation Company