

# X660SJ

COMPACT CRAWLER

BOOM LIFT



## KEY SPECS

**Platform Height**  
65-ft 7-in / 20-m

**Horizontal Outreach**  
39-ft / 11.9-m

**Working Height**  
71-ft 7-in / 21.81-m

**Platform Capacity**  
500-lb / 227-kg

## KEY FEATURES

- Best in class 500-lb unrestricted platform capacity, with SkyGuard SkyLine™ standard.
- Environmentally friendly with standard AC powered boom functions with diesel, optional bi-energy or optional lithium-ion electrical system for emission-free operation.
- Transport with ease by a forklift or crane with forklift pockets and lifting eyes, and fits through double doorway.
- Enhance efficiency with unique "Go Home" and "Go Back to Work" functions for ease of returning to stowed or recorded work position.

## ACCESSORIES

- Black Deep-Tread Tracks
- Platform, Single-Person 31 x 24-in

## STANDARD SPECIFICATIONS

### Performance

Platform Height	65-ft 7-in / 20-m
Working Height	71-ft 7-in / 21.81-m
Max Working Horizontal Outreach	39-ft / 11.9-m
Platform Capacity	500-lb / 227-kg
Swing	360 Degrees Non-continuous
Jib (Range of Articulation)	89 Degrees (0/-89)
Travel Speed (Diesel)	1.2 mph / 2.0 km/h
Travel Speed (Lithium Ion & Bi-Energy)	1.6 mph / 2.6 km/h
Max Front Approach Angle:	19 Degrees
Max Rear Approach Angle:	19 Degrees
Leveling Capability	15 Degrees
Gradeability	40%
Ground Bearing Pressure (Tracks)	79.7 psi / 5.6 km/cm2
Ground Bearing Pressure (Outriggers)	9.08 psi / .63 kg/cm2

### Outrigger Footprint (From Outer Edge):

Total Stabilization Area	14-ft 1-in x 13-ft 4-in / 4.27-m x 4.08-m
Reduced Stabilization Area	18-ft 10-in x 7-ft 11in / 5.73-m x 2.41-m
Weight (Diesel & Bi-Energy)*	7,385-lb / 3,350-kg
Weight (Lithium Ion)*	7,275-lb / 3,300-kg

\*Certain options or country standards increase weight.

### Power

Diesel Engine	Diesel Kubota Z602 14.5 HP / 10.8 kW
Fuel Tank Capacity (Diesel)	7.4 gal. / 28-L
Electric-motor	
Optional: 51.4V 120 Ah Lithium Ion Battery	
Optional: Bi-Energy	

### Tracks

Standard	Non-marking Tracks
----------	--------------------

### Hydraulic System

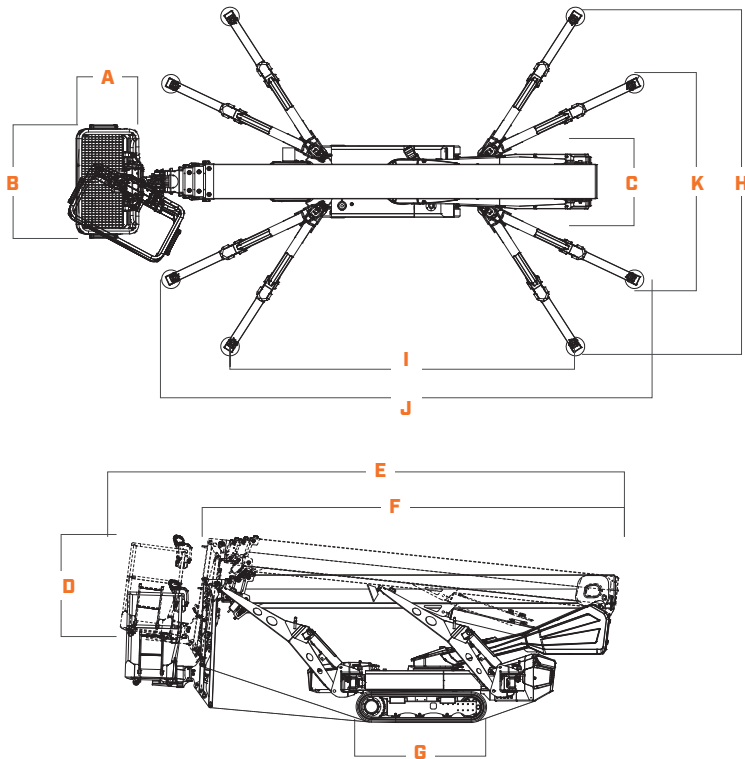
Capacity	10.6 gal / 40 L
----------	-----------------

## STANDARD FEATURES

- 110V AC Receptacle in Platform 58 x 30-in
- 360 Degree Non-Continuous Swing
- 5-ft Articulating Jib
- AC Motor for Indoor Operation
- Air/Water Line to Platform
- Electronic Controls with One-Touch Outrigger Deployment
- Emergency Lowering Pump
- Flashing Amber Beacon
- Fork Lift Pockets
- Lifting Eyes
- Load Sensing System
- Non-Marking Tracks
- Powered Track Widening
- Proportional Controls
- Removable Aluminum Platform Dual Side Entry
- Removable Controller
- SkyGuard SkyLine™
- Synthetic Biodegradable Hydraulic Oil
- Telematics-Ready Harness
- Tie Down Lugs

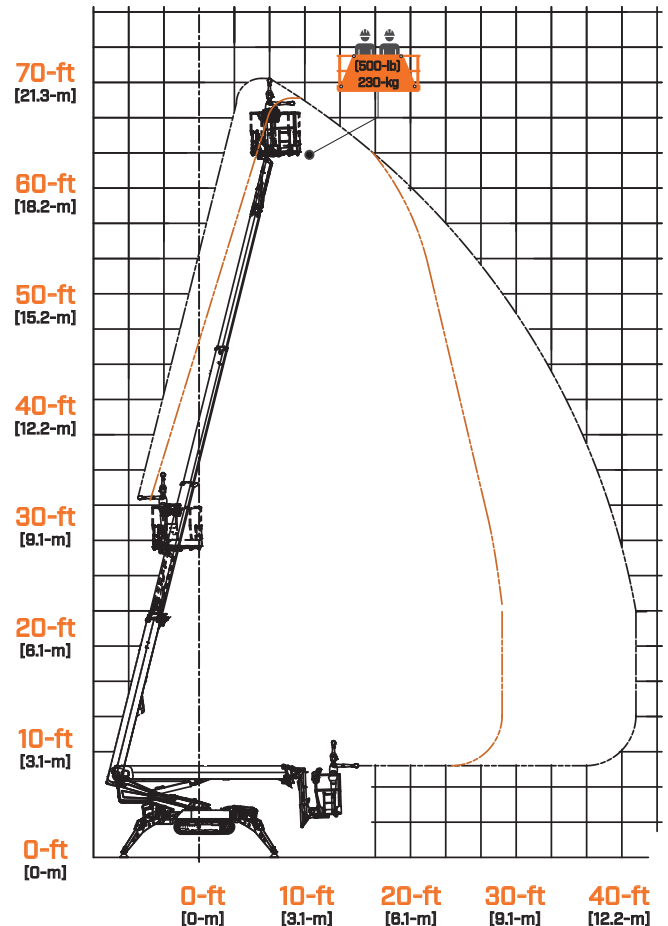
## DIMENSIONS

All dimensions are approximate



<b>A.</b> Platform Width	25.5-in / .65-m
<b>B.</b> Platform Length	51.5-in / 1.31-m
<b>C.</b> Machine Width	35-in / 89-m
<b>D.</b> Machine Height	6-ft 6-in / 1.98-m
<b>E.</b> Machine Length	21-ft 11-in / 6.44-m
<b>F.</b> Machine Length (without platform)	19-ft 1-in / 5.82-m
<b>G.</b> Track Length	5-ft 7-in / 1.71-m
<b>H.</b> Outrigger Footprint - Length	14-ft 1-in / 4.27-m
<b>I.</b> Outrigger Footprint - Width	13-ft 4-in / 4.08-m
<b>J.</b> Outrigger Footprint - Narrow Length	18-ft 10-in / 5.73-m
<b>K.</b> Outrigger Footprint - Narrow Width	7-ft 11in / 2.41-m
<b>L.</b> Outrigger Pad Diameter	9-in / 23-cm

## REACH DIAGRAM



We provide coverage for one (1) full year, and cover all specified-major structural components for five (5) years. Due to continuous product improvements, we reserve the right to make specification and/or equipment changes without prior notification. This machine meets or exceeds applicable ANSI and CSA requirements based on machine configuration as originally manufactured for intended applications. Please reference the serial number plate on the machine for additional information.



**JLG INDUSTRIES, INC.**  
Toll-free US 877-JLG-LIFT  
[JLG.com](http://JLG.com)

An Oshkosh Corporation Company