

## Performance

Rated Capacity	10,000 lb	4,536 kg
Maximum Lift Height	75 ft	22.86 m
Load at Max Height	6,000 lb	2,720 kg
Maximum Forward Reach	60 ft	18.29 m
Load at Max Reach	2,100 lb	950 kg
Frame Leveling	8°	
Lift Speed (boom retracted)		
Up	26 sec	
Down	22 sec	
Boom Speed		
Extended	30 sec	
Retracted	22 sec	
Top Travel Speed (4-Speed)	17 mph	28 kph
Drawbar Pull (loaded)	22,500 lb	100 kN
Outside Turning Radius	160 in	4.1 m
Operating Weight	43,600 lb	19,780 kg

## Standard Specifications

### Engine

Make and Model	Cummins QSB4.5L Tier 4 F	
No. of Cylinders	4	
Displacement	275 cu in.	4.5 L
Gross Power Basic	160 hp	119 kW
Maximum Torque @ 1500 rpm	460 lb-ft	624 Nm
Fuel Tank Capacity	43 gal	163 L

### Transmission

Hydrostatic 2-speed forward and 2-speed reverse

### Axles

Trunnion mounted planetary 48° steer axles. Integral steer cylinder.  
High bias limited slip differential on front axle.

### Brakes

Service brakes are inboard wet disc brake on front and rear axles.  
Parking brakes are wet disc spring-applied hydraulic release on front axle.

### Tires

Standard	17.5-25 SGG Foam Firestone
----------	----------------------------

### Cab

- Certified ROPS/FOPS structure
- Horn
- Tilt & declutch on joystick
- Adjustable seat
- Single joystick controls
- Anti-theft

### Steering 4-Wheel

Hydraulic power steering with manual backup.  
Operator selectable 4-wheel circle, 4-wheel crab, 2-wheel front.

### Instruments

- Volt meter
- Engine oil pressure gauge
- Fuel gauge
- Hourmeter
- Temperature gauge
- DEF gauge

### Hydraulic System-Implement

Capacity	90 gal	342 L
----------	--------	-------

Load sense piston pump. Auxiliary hydraulics used for all attachments equipped with cylinders or other hydraulic components.



## Accessories & Options

- Enclosed Cab
- Road Lights
- Air Conditioning
- Work Lights
- Hydraulic Coupler
- Brick Guards
- Arctic Package
- Operator Confidence Package
- Ride Control & Boom Float
- Wiper Package
- Air Shut Off Valve
- SmartLoad Technology
- White Noise Back Up Alarm

## Attachments

Standard Carriage	50 in. 60 in. 72 in.	1.3 m 1.5 m 1.8 m
Side-Tilt Carriage	50 in. 60 in. 72 in.	1.3 m 1.5 m 1.8 m
Swing 90° or 180° Carriage	72 in.	1.8 m
Dual Fork Positioning Carriage	50 in.	1.3 m
Side-Shift Carriage	48 in.	1.3 m
Pallet Forks	2.36 in. x 4 in. x 48 in. 2.36 in. x 5 in. x 48 in.	60 mm x 102 mm x 1.2 m 60 mm x 127 mm x 1.2 m
Lumber Forks	2.00 in. x 7 in. x 60 in. 2.36 in. x 6 in. x 60 in. 2.00 in. x 6 in. x 72 in.	51 mm x 178 mm x 1.5 m 60 mm x 152 mm x 1.5 m 51 mm x 152 mm x 1.8 m
Cubing Forks	2 in. x 2 in. x 48 in.	51 mm x 51 mm x 1.2 m
Material Bucket	72 in., 1.0 cu yd	1.8 m, 0.76 m³
Fork-Mounted Work Platform	8 ft, 6,000 lb Capacity	1.8 m, 2,722 kg Capacity
Sheet Material Handler		
Fork-Mounted Extendable Truss		

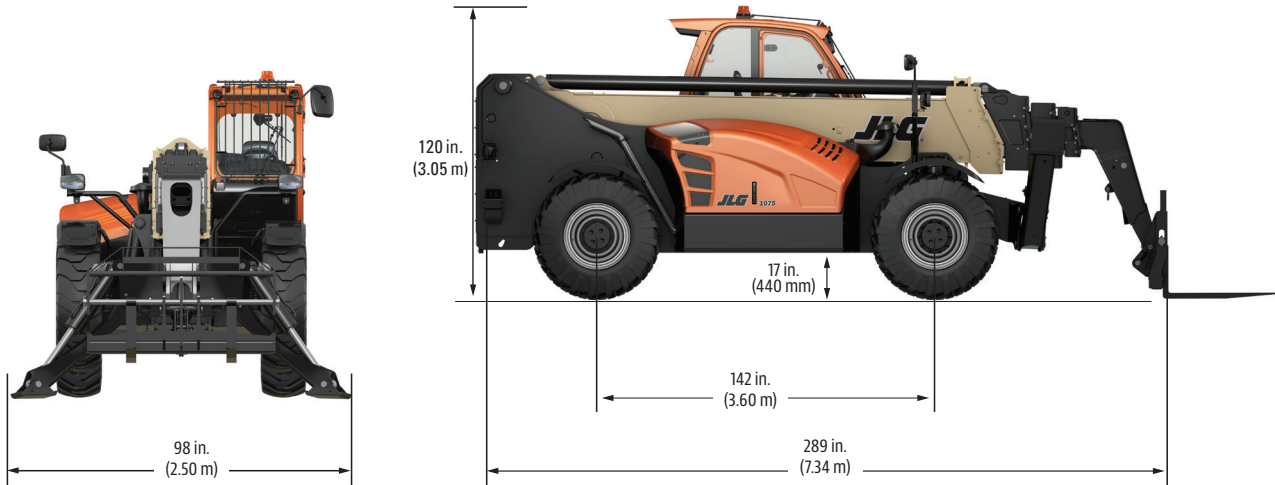
# 1075

TELEHANDLER

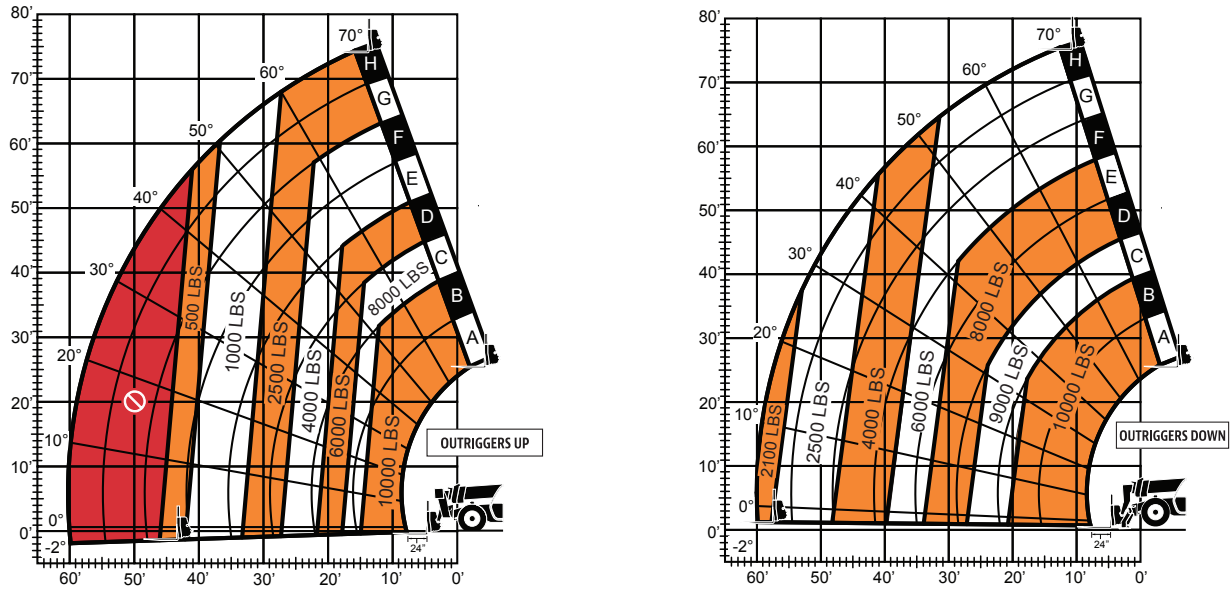


## Dimensions

All dimensions are approximate.



## Load Chart



## The JLG "1, 2 & 5" Warranty

We provide coverage for one (1) full year on the entire machine, two (2) full years or 2,000 hours on the drivetrain and cover all specified major structural components for five (5) years. Due to continuous product improvements, we reserve the right to make specification and/or equipment changes without prior notification.

Part No: 3132254  
R0220  
Printed in USA



**JLG Industries, Inc.**  
1 JLG Drive  
McConnellsburg, PA 17233-9533  
Telephone 717-485-5161  
Toll-free in US 877-JLG-LIFT  
Fax 717-485-6417  
[www.jlg.com](http://www.jlg.com)

**An Oshkosh Corporation Company**