



KEY SPECS

Platform Height
34-ft 5-in / 10.5-m

Towing Speed
65 mph / 105 km/h

Horizontal Outreach
18-ft 9-in / 5.7-m

Platform Capacity
500-lb / 227-kg

KEY FEATURES

- Optimize productivity with 11.7 hp gasoline engine.
- Set up with ease and get right to work with hydraulic, auto-leveling outriggers.
- New standard features include a smart charger, LED tail lights, lockable hoods, dual USB port in platform and parking brake audible indicator
- Detachable platform controls provide efficient boom positioning with one-hand operation of all boom functions.

ACCESSORIES & OPTIONS

- 3000W Honda Generator (Aftermarket Only)
- Material Hook — 500-lb / 227-kg Capacity
- Full-Size Spare Tire
- Platform Rotator
- Lifting Lugs

STANDARD SPECIFICATIONS

Performance

Platform Height	34-ft 5-in / 10.5-m
Horizontal Outreach	18-ft 9-in / 5.7-m
Centerline to Platform Edge	20-ft / 6.1-m
Swing	410 Degrees Non-Continuous
Platform Capacity	500-lb / 227-kg
Platform Capacity w/Rotator (Optional)	440-lb / 200-kg
Material Hook Capacity	500-lb / 227-kg
Platform Rotator	90 Degrees Manual
Weight*	3,600-lb / 1,633-kg
Leveling Capability	11 Degrees
Max. Ground Bearing Pressure	23 psi / 1.62 kg/cm ²
Towing Speed Rating	65 mph / 105 km/h
Tongue Weight*	250-lb / 114-kg
Max Gradability	20%
Hydraulic Reservoir	4.0 gal / 15.14 L

*Certain options or country standards increase weight

Power Source

DC Power	24V DC
Gasoline Engine	Honda GX 270

Tires

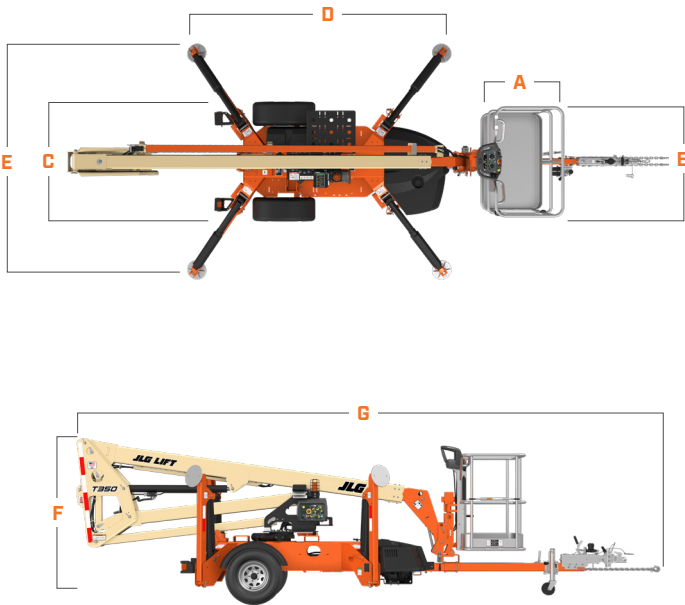
Standard	ST215/75 R14 Pneumatic
----------	------------------------

STANDARD FEATURES

- 110V-AC Receptacle in the Platform
- Hydraulic Surge Brakes
- Proportional Controls
- 2-in Hitch with Adjustable Height Coupler
- LED Taillights & Mounting Bracket
- Quick Start Guide Common Among all JLG® Towable Boom Models
- Amber Beacon
- Lockable Battery Covers
- Standard Air and Water Lines to Platform
- ANSI A92.2 Compliant
- Lockable Hoods
- Smart Charger
- Auto-Leveling Hydraulic Outriggers
- Motion Alarm
- Telescopic Upper Boom
- Dual USB Port in Platform
- Parking Brake Audible Indicator
- Tilt Alarm/Indicator Light
- Hourmeter
- Platform, Side Entry: 30 x 48-in (0.76 x 1.22-m)

DIMENSIONS

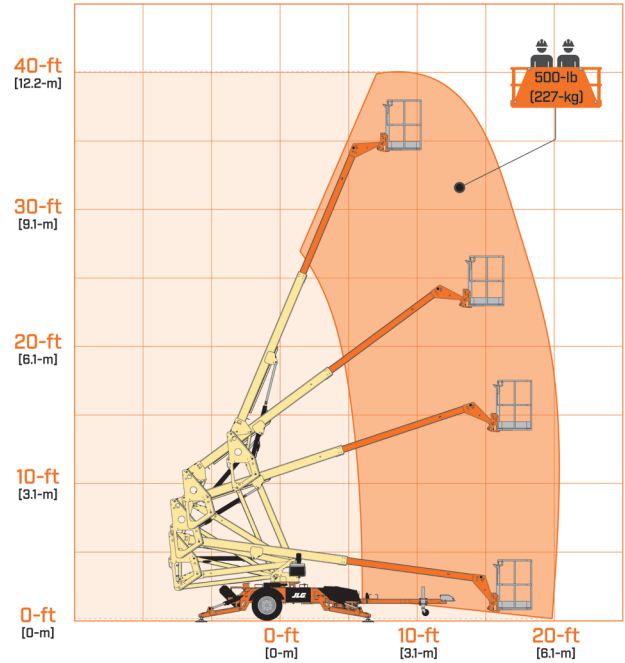
All dimensions are approximate



- A.** Platform Width 30-in / 0.76-m
- B.** Platform Length 48-in / 1.22-m
- C.** Machine Width 5-ft 2.75-in / 1.6-m
- D.** Outrigger Footprint Length 11-ft 7-in / 3.5-m
- E.** Outrigger Footprint Width 10-ft 5-in / 3.2-m
- F.** Machine Height 6-ft 7-in / 2.0-m
- G.** Machine Length 21-ft 9.5-in / 6.6-m¹

¹ With surge brake, 2-in ball

REACH DIAGRAM



We provide coverage for one (1) full year, and cover all specified major structural components for five (5) years. Due to continuous product improvements, we reserve the right to make specification and/or equipment changes without prior notification. This machine meets or exceeds applicable ANSI and CSA requirements based on machine configuration as originally manufactured for intended applications. Please reference the serial number plate on the machine for additional information.



JLG INDUSTRIES, INC.
Toll-free US 877-JLG-LIFT
JLG.com

An Oshkosh Corporation Company