



STANDARD SPECIFICATIONS

Performance

| | |
|--|----------------------------------|
| Platform Height | 50-ft 9.5-in / 15.3-m |
| Horizontal Outreach | 31-ft 6-in / 9.6-m |
| Centerline to Platform Edge | 31-ft / 9.45-m |
| From Outrigger Pad Edge | 25-ft / 7.62-m |
| Up and Over Height | 18-ft / 5.49-m |
| Swing | 410 Degrees Non-Continuous |
| Platform Capacity | 500-lb / 227-kg |
| Platform Capacity w/Rotator (optional) | 440-lb / 200-kg |
| Material Hook Capacity | 500-lb / 227-kg |
| Platform Rotator | 90 Degrees Manual |
| Jib Length | 4-ft / 1.22-m |
| Jib Vertical Motion | 130 Degrees (+75, -55) |
| Weight* | 4,800-lb / 2,177-kg |
| Leveling Capability | 11 Degrees |
| Max. Ground Bearing Pressure | 31 psi / 2.18 kg/cm ² |
| Towing Speed Rating | 65 mph / 105 km/h |
| Tongue Weight* | 350-lb / 159-kg |
| Max Gradability | 20% |

*Certain options or country standards increase weight

Power Source

| | |
|----------------------------|-------------------|
| DC Power | 24V DC |
| Batteries | 4 x 6V 220 amp-hr |
| Gasoline Engine (Optional) | 9 hp |

Tires

| | |
|----------|------------------------|
| Standard | ST225/75 R15 Pneumatic |
|----------|------------------------|

KEY SPECS

Platform Height
50-ft 9.5-in / 15.3-m

Up and Over Height
18-ft / 5.49-m

Horizontal Outreach
31-ft 6-in / 9.6-m

Platform Capacity
500-lb / 227-kg

KEY FEATURES

- Choose from a gasoline engine or 24V DC electric power to fit your unique job needs.
- Increase productivity with standard features such as air and water lines to the platform and an accessory mounting tray.
- Set up with ease and get right to work with hydraulic, auto-leveling outriggers.
- Detachable platform controls provide more efficient boom positioning with one-hand operation of all boom functions.

STANDARD FEATURES

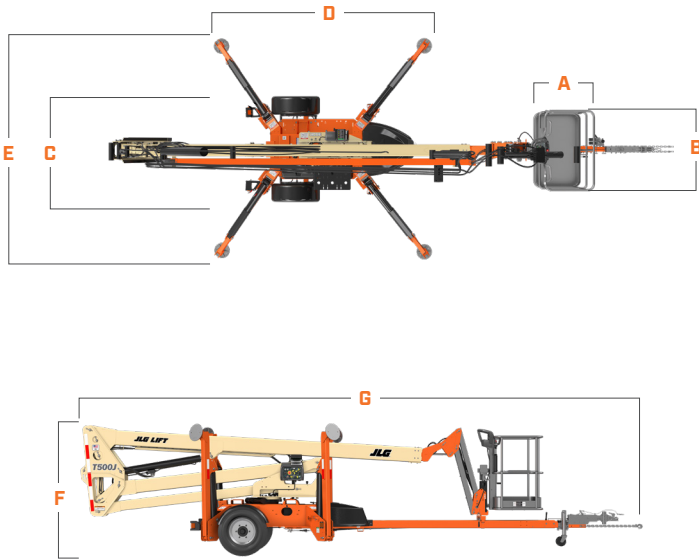
- 110V-AC Receptacle in the Platform
- 2-in Hitch with Adjustable Height Coupler
- Auto-Leveling Hydraulic Outriggers
- Battery Condition Indicator
- Four 6V 220 Amp-Hour Batteries
- Hourmeter
- Motion Alarm
- Parking Brake
- Platform, Side Entry: 30 x 48-in (0.76 x 1.22-m)
- Proportional Controls
- Standard Air and Water Lines to Platform
- Telescopic Upper Boom
- Tilt Alarm/Indicator Light

ACCESSORIES & OPTIONS

- 3000W Honda Generator
- Amber Beacon
- Drive and Outrigger Set
- Full-Size Spare Tire
- Lifting Lugs
- Material Hook — 500-lb / 227-kg Capacity
- Non-Marking Outrigger Pads
- Platform Rotator
- Wheel Chocks

DIMENSIONS

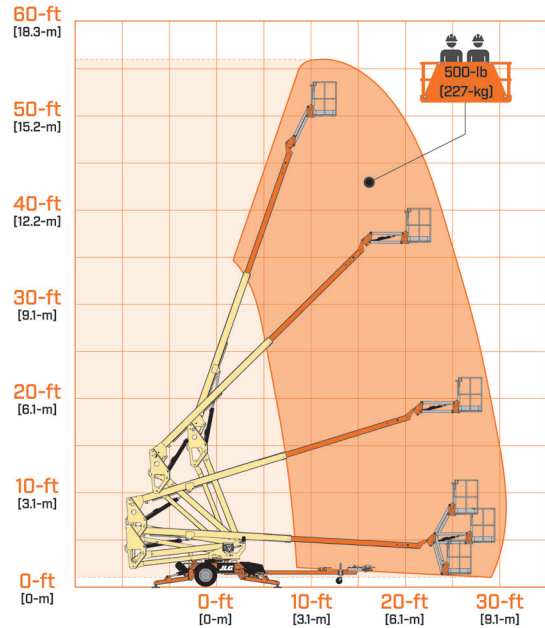
All dimensions are approximate



- A. Platform Width 30-in / 0.76-m
- B. Platform Length 48-in / 1.22-m
- C. Machine Width 5-ft 10-in / 1.8-m
- D. Outrigger Footprint Length 12-ft 4-in / 3.8-m
- E. Outrigger Footprint Width 12-ft 8-in / 3.8-m
- F. Machine Height 6-ft 7-in / 2-m
- G. Machine Length 27-ft 4-in / 8.32-m¹

¹ With surge brake, 2-in ball

REACH DIAGRAM



We provide coverage for one (1) full year, and cover all specified major structural components for five (5) years. Due to continuous product improvements, we reserve the right to make specification and/or equipment changes without prior notification. This machine meets or exceeds applicable ANSI and CSA requirements based on machine configuration as originally manufactured for intended applications. Please reference the serial number plate on the machine for additional information.



JLG INDUSTRIES, INC.
Toll-free US 877-JLG-LIFT
JLG.com

An Oshkosh Corporation Company