

# H340AJ

HYBRID ARTICULATING BOOM LIFT

**JLG**  
reachingout®

## Performance

Platform Height	10.28 m
Working Height	12.28m
Horizontal Outreach	6.06 m
Up and Over Height	5.17 m
Swing	355 Degrees Non-Continuous
Platform Capacity	230 kg
Platform Size	0.76 x 1.52 m
Platform Rotator	180 Degrees Hydraulic
Jib	1.22 m
Weight	4,675 kg
Drive Speed	5 km/hr
Gradeability	45%
Turning Radius	
Inside	1.52 m
Outside	3.96 m

## Standard Specifications

### Power

Diesel Engine  
Kubota Z482 8.3 kW  
Fuel Tank Capacity 49.2 L  
Batteries 8 x 12V 100 AH

### Tyres

Standard Non-marking Solid Cushion Lug

### Hydraulic System

Tank Capacity 18.92 L  
Auxiliary Power 12V DC

## Standard Features

- 1.22 m Articulating Jib
- 355 Degree Non-Continuous Swing
- Platform 0.76 x 1.52 m Side Entry Selfclosing, Self-locking Gate
- 180 Degree Hydraulic Platform Rotator
- Platform Console Machine Status Light Panel\*
- 4 Degree Tilt Alarm/Indicator Light
- Swing-Out Engine Tray
- Gull-Wing Steel Turntable Hoods
- 12V-DC Auxiliary Power
- Hourmeter
- Proportional Controls
- Control ADE® System
- Lifting/Tie Down Lugs
- Horn
- Oscillating Axle
- Cast Aluminum Control Box
- All Motion Alarm
- Flashing Amber Beacon

\* Provides indicator lights at platform control console for system distress, low fuel, 4 degree tilt light, and foot switch status.



- **Environmentally Friendly** — A smaller diesel engine with a "direct electric drive system" means less fuel consumption, less noise and less environmental impact.
- **Power and Performance** — Four separate drive motors provide four-wheel drive and terrainability that meets or exceeds the performance of comparable diesel models.
- **More access** — The articulating jib gets you in those hard-to-reach places.
- **Greater Strength** — Steel hoods provide added durability.

## Accessories & Options

- 30 x 48 in. (0.76 x 1.22 m) Platform
- Mesh to Mid Rail
- 1/2 in. Air Line to Platform
- SkyGuard®
- Squawker / White Noise Motion Alarm
- AC Receptacle in Platform
- AC Generator
- Chassis Illumination Lights
- Platform Worklights
- Hostile Environment Kit
- Special Hydraulic Oils

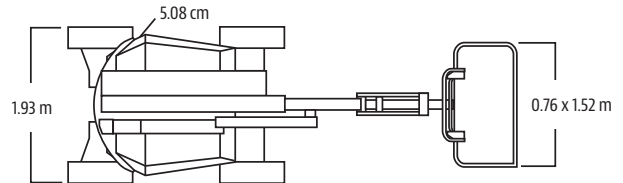
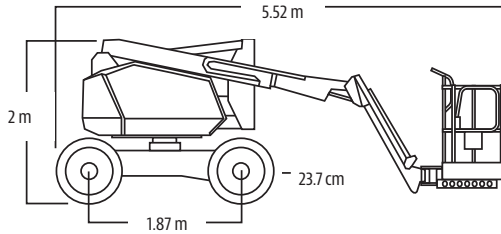
# H340AJ

HYBRID ARTICULATING BOOM LIFT

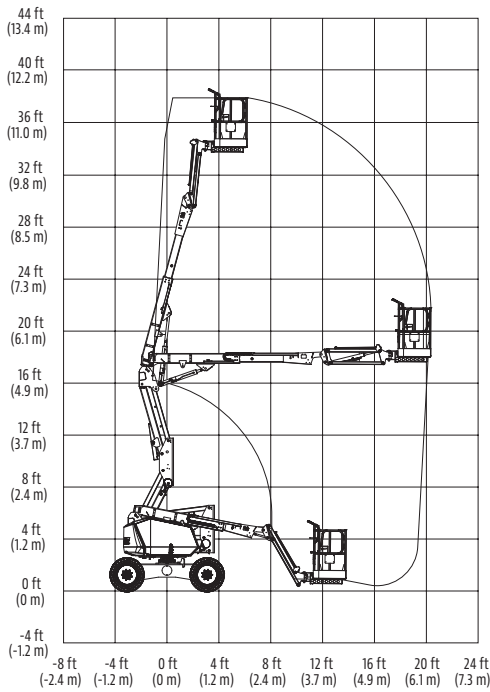


## Dimensions

All dimensions are approximate.



## Reach Diagram



## The JLG "1 & 5" Warranty

We provide coverage for one (1) full year, and cover all specified major structural components for five (5) years. Due to continuous product improvements, we reserve the right to make specification and/or equipment changes without prior notification. This machine meets or exceeds applicable ANSI and CSA requirements based on machine configuration as originally manufactured for intended applications. Please reference the serial number plate on the machine for additional information.

### JLG Industries (Australia)

358 Park Road  
Regents Park, NSW 2143  
Telephone 02 8718 6300  
Fax 02 8718 6377  
[www.jlg.com.au](http://www.jlg.com.au)

An Oshkosh Corporation Company