

Model 460SJC

TELESCOPIC BOOM LIFTS



MORE ACCESS

- Get full access in every direction with 360-degree stepless rotation.

SMART DESIGN

- Reduce maintenance with DuraTough turntable hood. High impact resistance and protects components.

Standard Features

- 180 Degree Hydraulic Platform Rotator
- 0.91 m x 1.83 m Platform Side Entry
- Platform Console Machine Status Light Panel *
- AC cable to Platform
- 5 Degree Tilt Alarm/Indicator Light
- Swing Out Engine Tray
- 12V-DC Auxiliary Power
- Hour meter
- Interactive Display at Ground Controls
- Control ADE® Advanced Design Electronics System
- Lifting/Tie Down Lugs
- Horn
- Hydrostatic drive transmission
- Platform Tool Tray
- Side entry with drop bar mid rail
- Multiple function operation
- Full proportional drive joystick control
- with integral thumb steer switch
- Full proportional main boom and swing joystick control
- Multiple speed control for telescope and platform rotate
- Selectable creep speed on drive / lift and swing functions
- Load sensing system
- Engine distress warning/shut down system
- Dura Tough gull-wing turntable hoods
- Ground control selector switch with key lock
- 6ft (1.83m) Articulating Jib
- Cast Aluminum Control Box
- JLG Skyguard active system

* Provides indicator lights at platform control console for system distress, low fuel, 5 degree tilt light, and foot switch status.

MORE ECONOMIC

- Cut fuel consumption and operating costs with variable engine control.

MORE PRODUCTIVE

- Carry more tools and materials and stay on the job longer with 270 kg unrestricted basket capacity.
- Equipped with track drive for easy maneuverability in soft environments.



Standard Specifications

Power Source	
• Diesel Engine	Deutz D2.3 L3 Stage IIIA 36.5 kW
• Fuel Tank Capacity	117 L
Hydraulic Reservoir	
• Hydraulic Reservoir	136 L
• Auxiliary Power	12V-DC
Tracks	
• Standard	0,4 wide x 2,77 long x 0,55 High Rubber Tracks

Accessories & Options

- 0.91 m x 2.44 m Self closing inward swing gate
- 0.91 m x 2.44 m side gate entry platform
- 13mm airline to platform
- Flashing Amber Beacon
- Hostile Environment Kit ¹
- Light Package
- Platform Worklights
- Synthetic Biodegradable Hydraulic Oil
- Spark Arresting Muffler
- Skypower 7,500W generator package
- SkyWelder® Package
- SkyGlazier® Package
- Euro plugs and sockets
- On-board 4,000W generator
- Soft Touch 0.91 m x 2.44 m Platform Proximity System
- Skyguard beacon (ILOS)
- Head & Tail Lights
- Arctic package
- Generator hourmeter
- Hydraulic Oil Cooler
- Special paint colour
- All motion alarm

¹ Includes boom wipers, cylinder bellows and console cover.

Note: Some options may increase lead time, and some option combinations may not be available.

Model 460SJC

TELESCOPIC BOOM LIFTS

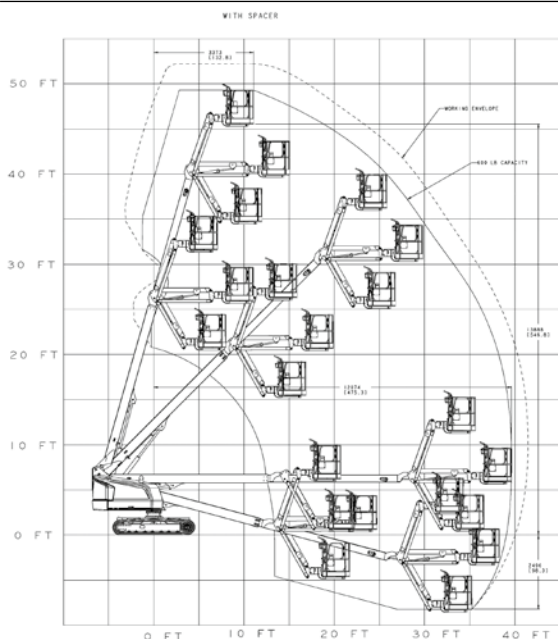
Performance

• Working Height (incl spacer ring)	15.88 m
• Platform Height	13.88 m
• Horizontal Reach	12.00 m
• Working Outreach (basket reach incl 0.65)	12.65 m
• Swing (Continuous)	360°
• Platform Capacity – Restricted	N/A
• Platform Capacity – Unrestricted	270 kg
• Platform Rotator (Hydraulic)	180°
• Jib – Overall Length	1.83 m
• Jib – Range of articulation	130° (+70°/-60°)
• Machine weight ¹	8,164kg
• Maximum Ground Bearing Pressure	4.77 kg/cm ²
• Tracks	Rubber
• Turning Radius – Inside	0 m
• Turning Radius – Outside	0 m
• Diesel Engine Deutz D2.3 L3	36.5 kW
• Fuel Tank Capacity	117 L
• Hydraulic System	136 L
• Auxiliary Power	12V DC

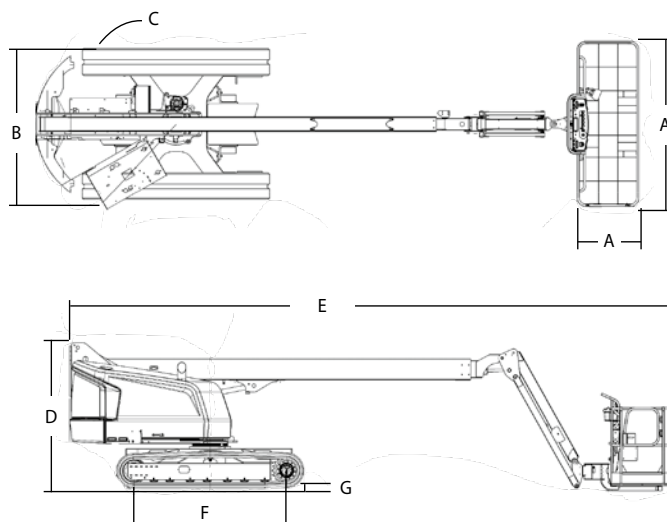
• Dimensions:	
A. Platform Size	0.91 m x 1.83 m
B. Overall Width	2.24 m
C. Tailswing (working condition)	TBC
D. Stowed Height	2.32 m
E. Stowed Length	8.91 m
F. Wheelbase	2.25 m
G. Ground Clearance	0.32 m

¹ Certain options or country standards may increase weight and/or dimensions.

Reach Diagram



Dimensions



IMPORTANT

JLG is continually researching and developing products and reserves the right to make modifications without prior notice. All data in this document is indicative. Certain options or country standards will increase weight. Specifications may change to meet country standards or with the addition of optional equipment.

Due to continuous product improvements, JLG Industries reserves the right to make specification and/or equipment changes without prior notification.



JLG EMEA BV

Polaris Avenue 63
2132 JH Hoofddorp
The Netherlands
Phone: +31 (0)23 565 5665
www.jlg.com

An Oshkosh Corporation Company