

# Model 660SJ

TELESCOPIC BOOM LIFTS



## MORE ECONOMIC

- Lower hydrocarbon, carbon monoxide, particulate and NOx emissions with Stage IV-compliant engine.

## MORE PRODUCTIVE

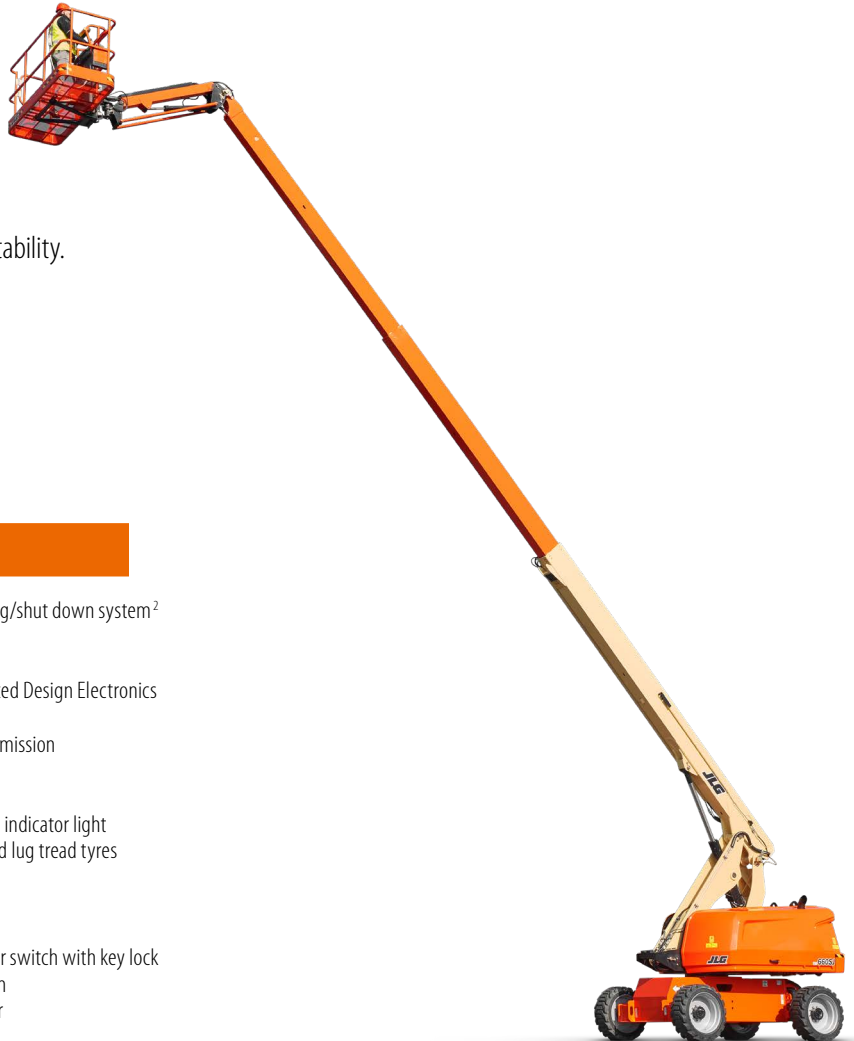
- Equipped with hydrostatic drive for easy, precise, infinitely-variable-speed manoeuvrability.

## MORE ACCESS

- Conquer rough terrain with standard oscillating axle and four-wheel drive, delivering optimised grip and stability.

## SMART DESIGN

- Fewer buttons and switches used to position the platform and less time spent learning to use the platform controls.



## Standard Features

- 0.91 m x 1.83 m low mount platform
- Side entry with drop bar mid rail
- Multiple function operation
- Full proportional drive joystick control with integral thumb steer switch
- Full proportional main boom and swing joystick control
- Multiple speed control for telescope and platform rotate
- Selectable creep speed on drive / lift and swing functions
- 1.83 m articulating jib
- 180 degree powered platform rotator
- Platform console machine status light panel<sup>1</sup>
- Load sensing system
- AC cable to platform
- Deutz D2011 L04 (36.4 kW) diesel engine
- Engine distress warning/shut down system<sup>2</sup>
- Gull-wing hoods
- Swing-out engine tray
- Control ADE® - Advanced Design Electronics System
- Hydrostatic drive transmission
- Four wheel drive
- Horn
- 5 degree tilt alarm and indicator light
- 355/55D625 foam filled lug tread tyres
- Oscillating front axle
- Lifting/tie down lugs
- Hour meter
- Ground control selector switch with key lock
- Skyguard active system
- 12V DC auxiliary power

## Standard Specifications

- |                      |                           |
|----------------------|---------------------------|
| • Diesel Engine      | Deutz D2011 L04 (36.4 kW) |
| • Fuel Tank Capacity | 151 L                     |
| • Hydraulic System   | 151 L                     |
| • Auxiliary Power    | 12V DC                    |
| • Tyres              | 39 x 15-22.5 Foam Filled  |

## Accessories & Options

- 0.92 m x 2.44 m swing gate entry
- Tri entry 0.91 m x 1.83 m low mount platform
- 0.92 m x 2.44 m low mount platform
- 0.76 m x 0.91 m low mount platform, rear entry<sup>7</sup>
- Side entry with inward swing gate
- 13 mm air line to platform
- Spark arresting type muffler
- Four Wheel Steer/Two Wheel Steer
- 355/55D625 foam filled non marking tyres
- On-board 4,000 W generator
- SkyPower® package 7,500 watt on-board generator
- SkyWelder® package 250 amp welder in the platform<sup>3</sup>
- Nite-Bright® package<sup>4</sup>
- Tow Package
- All motion alarm
- Light package<sup>5</sup>
- Platform worklights
- Head and tail lights
- Flashing amber beacon
- Euro Plugs & Sockets
- Hostile environment package<sup>6</sup>
- Hydraulic oil cooler
- Skyguard beacon (ILOS)
- Container storage tray
- Synthetic Biodegradable Hydraulic Oil
- Special paint colour
- ClearSky Locate
- ClearSky CAN
- Soft Touch Proximity System

<sup>1</sup> Provides indicator lights at platform control console for system distress, low fuel, tilt light, and foot switch status..

<sup>2</sup> Low oil pressure and high coolant temperature alarms with shut-down enabled/disabled by analyser.

<sup>3</sup> Available when integrated with the SkyPower® package.

<sup>4</sup> Consists of six 40-watt lights, four turntable mounted lights and two platform mounted lights.

<sup>5</sup> Includes platform mounted work lights and head & tail lights.

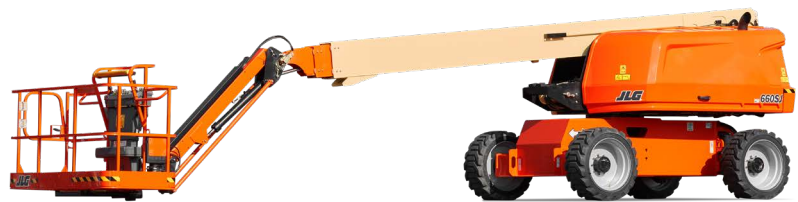
<sup>6</sup> Includes console cover, boom wipers and cylinder bellows.

# Model 660SJ

## TELESCOPIC BOOM LIFTS

### Performance

• Working Height	22.02 m
• Platform Height	20.02 m
• Horizontal Outreach	17.40 m
• Working Outreach **	18.05 m
• Swing (Continuous)	360°
• Platform Capacity (Restricted)	250 kg
• Platform Capacity (Unrestricted)	340 kg
• Platform Rotator (Hydraulic)	180°
• Jib - Overall Length	1.83 m
• Jib - Range of articulation	130° (+70°/-60°)
A. Platform Size	0.91 m x 1.83 m
B. Overall Width	2.48 m
C. Tailswing (working condition)	1.22 m
D. Stowed Height	2.50 m
E. Stowed Length	10.79 m
G. Wheelbase	2.51 m
H. Ground Clearance	0.3 m
• Machine weight *	12,079 kg
• Maximum Ground Bearing Pressure	6.07 kg/cm <sup>2</sup>
• Maximum Tyre Load	6,677 kg
• Drive Speed 4WD	6.3 km/h
• Gradeability 4WD	45%
• Axle Oscillation	0.20 m ***
• Turning Radius – Inside	2.90 m 2WS 1.62 m 4WS
• Turning Radius – Outside	5.58 m 2WS 3.02 m 4WS



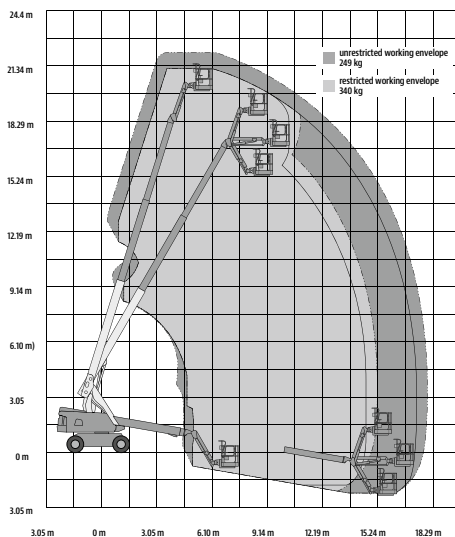
\* Certain options or country standards may increase weight and/or dimensions.

\*\* Incl. 0.65 m outreach beyond platform

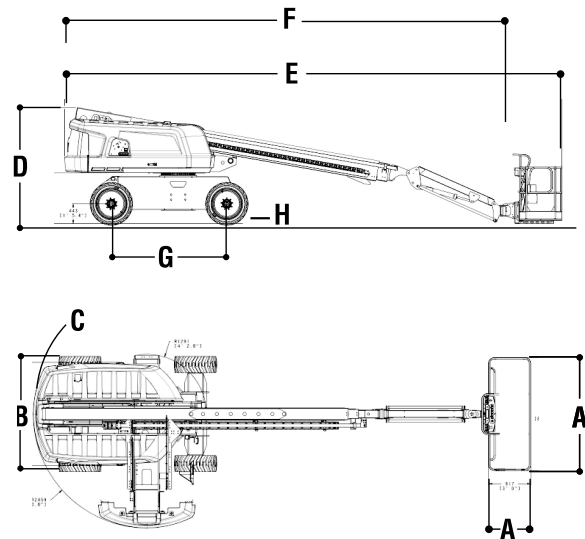
\*\*\* Optional

\*\*\*\* Optional detachable rubber pads available

### Reach Diagram



### Dimensions



### IMPORTANT

JLG is continually researching and developing products and reserves the right to make modifications without prior notice. All data in this document is indicative. Certain options or country standards will increase weight. Specifications may change to meet country standards or with the addition of optional equipment.

Due to continuous product improvements, JLG Industries reserves the right to make specification and/or equipment changes without prior notification.



### JLG EMEA BV

Polaris Avenue 63  
2132 JH Hoofddorp  
The Netherlands  
Phone: +31 (0)23 565 5665  
[www.jlg.com](http://www.jlg.com)

An Oshkosh Corporation Company