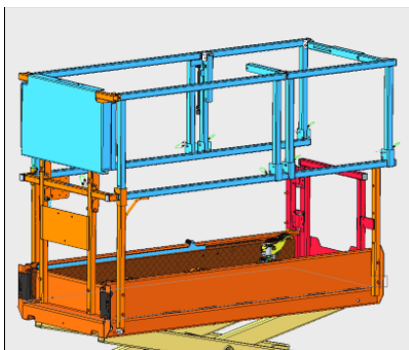
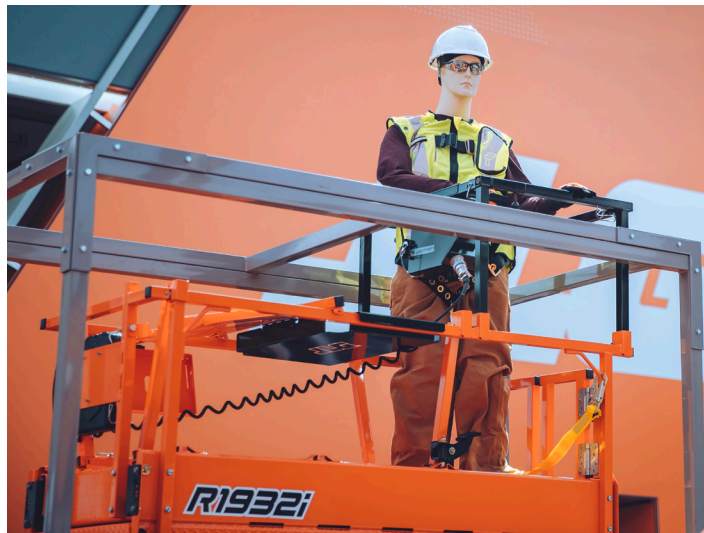


## NOW SHIPPING - New Option for Your JLG® Electric Scissor

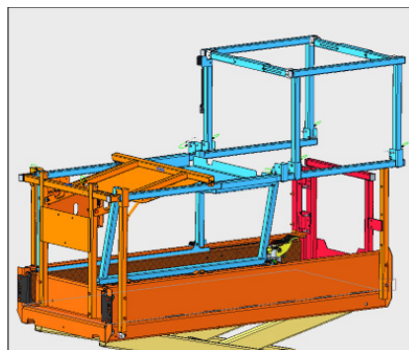
The new QuikAccess Platform from JLG maximizes productivity and efficiency by providing operators a more effective way to access into, and around, tight spaces.

### KEY FEATURES:

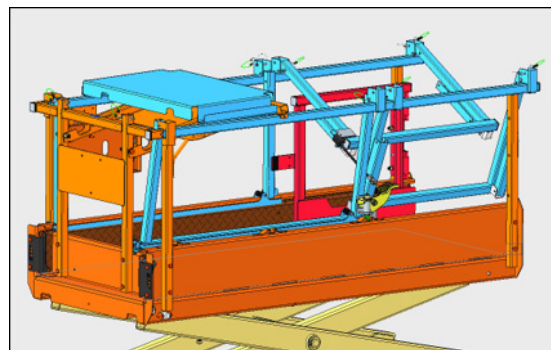
- Provides 22" extra reach
- Standard tool tray
- Complies with ANSI A92.20 requirement of 43.3" railing
- Drive while elevated in narrow platform
- Platform extension still usable
- Available on new 19' R and ES models



Fully Raised Rails



Engaged QuikAccess Functionality



Fully Lowered for Transport Through Doorways

**JLG Industries, Inc.**  
1 JLG Drive  
McConnellsburg, PA 17233-9533  
Telephone 717-485-5161  
Toll-free in US 877-JLG-LIFT  
Fax 717-485-6417  
[www.jlg.com](http://www.jlg.com)

An Oshkosh Corporation Company

QuikAccess\_05.26.2020