

JERR-DAN[®]

Illustrated Parts Manual

Model
10 TON/15 TON
HD Load Pro/
Transporter

SN 0220005217 to Present

P/N
5376000284

October 1, 2023 - Rev A

JERR-DAN[®]

An Oshkosh Corporation Company

REVISION LOG

October 1, 2023 - A - Original Issue of Manual (Edited to B/M 1001136902 Revision E to AB)

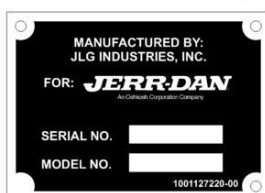
GENERAL INFORMATION

JerrDan, LLC (Jerr-Dan) strives to provide information that is accurate, complete and useful. Descriptions and illustrative material contained within this manual are as accurate as known at the time of publication and are subject to change, without notice, as a result of continuous product improvements. Jerr-Dan reserves the right to amend the information in this document at any time without prior notice.

Information contained in this manual reflects how this vehicle was built at the factory. Modifications or additions by the distributor or owner are not reflected in this manual.

This parts manual does not include service parts information for the commercial chassis (IHC, Ford, GM, etc.). That information is provided by the chassis manufacturer.

When ordering parts, please refer to your unit's Serial Number and Model Number. This information is be found on the aluminum tag riveted to the inside of the driver's side rear compartment of the main body.



Additional or replacement manuals can be ordered by calling Jerr-Dan Parts at 717-597-7111. Price and availability will be quoted at time of the request.

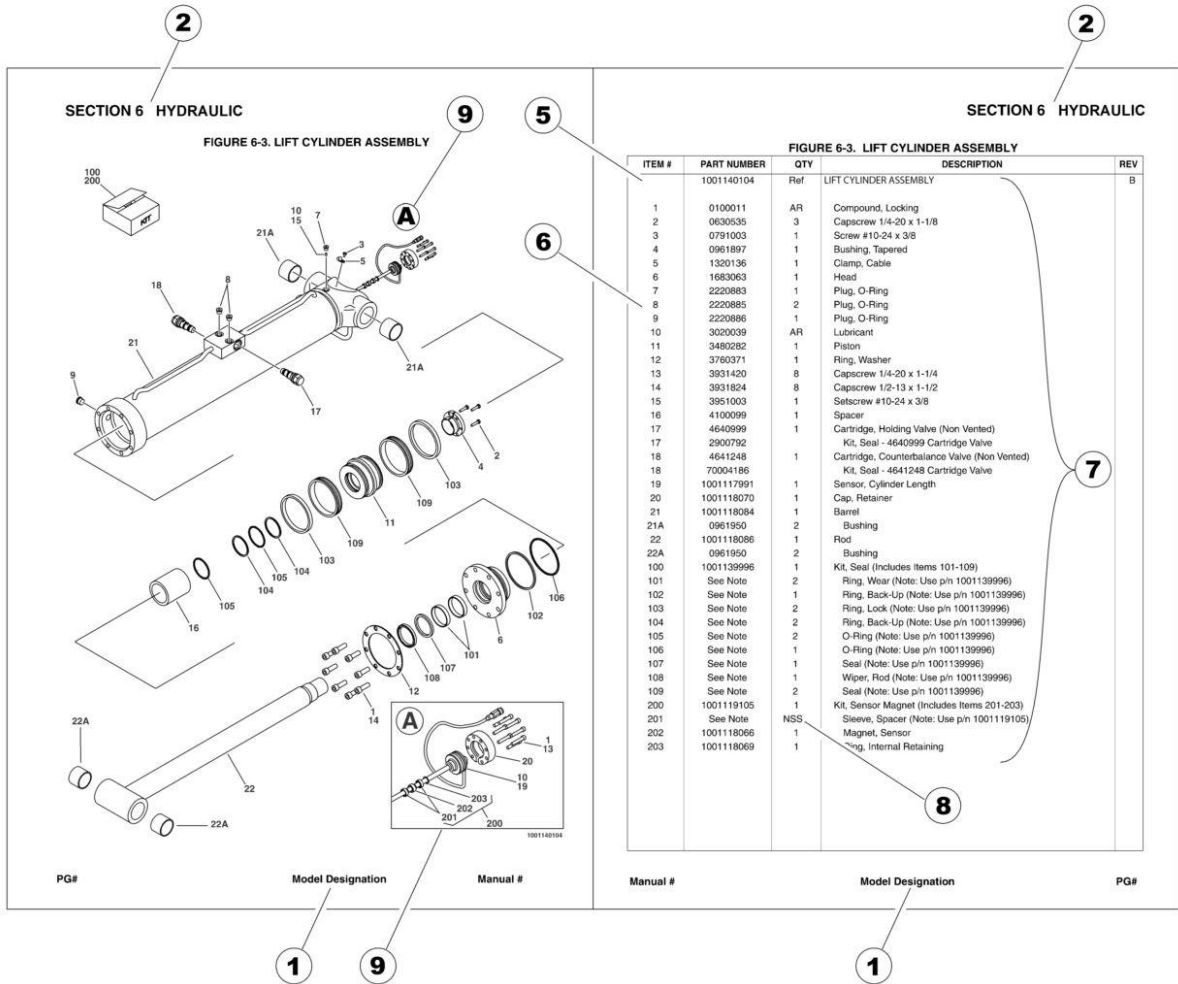
Please report comments and/or errors by contacting Jerr-Dan. Contact numbers are located on rear cover of Manual.

Manufactured under one or more of the following patents: 5,575,606; 5,672,042; 5,697,741; 5,713,714; 5,722,810; 5,782,596; 5,839,775 and 6,315,515 B1 with other Patents Pending.

Jerr-Dan and the Jerr-Dan logo are registered trademarks and Run Hard is a service mark of JerrDan, LLC, Hagerstown, MD USA.

The material in this document is confidential and the property of Jerr-Dan. No part of this document may be photocopied, reproduced or translated to another language without the express written consent of Jerr-Dan.

GENERAL INFORMATION



1) MACHINE IDENTIFICATION

Machines are identified by model and in some cases a combination of models, serial number (SN) or regional standard (i.e ANSI, CE, CSA). Components may also be identified by SN or manufacturer. Common components that may be identified by these characteristics are engines and hydraulic components.

2) PARTS MANUAL ORGANIZATION

Product information in this manual is organized under section titles. Subframe, Hydraulic and Electrical are a few examples. Each section is organized by figure and page number. The information within the Figure is then organized by item number, part number, description and corresponding illustration (s).

3) TABLE OF CONTENTS (NOT SHOWN)

A table of contents is found toward the beginning of the manual. Figure number, description and page number are provided for quick reference to the page containing the related information.

4) BUILD DOCUMENTS (NOT SHOWN)

The Build Documents, located near the end of the manual, reference components not available at the purchase level. These PN lists assembly instructions and assist in the maintenance of the parts manual.

GENERAL INFORMATION

5) NON-SERVICED PARTS

In some instances, it is necessary to display non-serviced parts, assemblies or installations. In the case of assemblies and installations there will be a Ref in the Qty. column. In case of parts that are not available for service within assemblies or components, there will be a NSS (Not Sold Separately) or NLA (No Longer Available) listed in the Qty. column of the manual.

6) PARTS LIST ITEM NUMBERS

Numbers shown in the item# column correspond to numbers used in the associated illustration (s). Item numbers which are missing from the sequence in the parts list are not used on that page.

7) INDENTED PARTS DESCRIPTION

An indented part description is included in the item under which it is indented.

8) ABBREVIATION AND SYMBOLS

AC.....	Alternating Current	L.....	Liter
ALUM.....	Aluminum	LD.....	Light Duty
AG.....	Agricultural	LB(LBS).....	Pounds
ANSI.....	American National Standards Institute	LCD.....	Liquid Crystal Display
AR.....	As Required	LED.....	Light Emitting Diodes
AUS.....	Australias	LH.....	Left Hand
ASSY.....	Assembly	M(m).....	Metric/Meter
AUX.....	Auxiliary	MD.....	Medium Duty
AWG.....	American Wire Gauge	MM (mm).....	Milimeter
CA.....	Cab To Axle	mA.....	Miliamps
CE.....	European Conformity	NLA.....	No Longer Available
CCW.....	Counter Clockwise	NPT.....	National Pipe Threads
CM.....	Centimeter	NSS.....	Not Sold Separately
CT.....	Cab To Tandem	OD.....	Outside Diameter
CW.....	Clockwise	ORB.....	O-Ring Boss
CSA.....	Canadian Standards Association	ORFS.....	O-Ring Face Seal
CYL.....	Cylinder	OZ (oz).....	Ounces
DIA.....	Diameter	PG.....	Page
DC.....	Direct Current	PN.....	Part Number
DOT.....	Department of Transportation	PTO.....	Power Take Off
EMS.....	Emergency Stop	QT(qt.).....	Quarts
ENG.....	Engine	QTY.....	Quantity
FT(ft).....	Feet	REF.....	Reference
GA(Ga).....	Gauge	REV.....	Revision Level
GAL.....	Gallons	RH.....	Right Hand
GVW.....	Gross Vehicle Weight	SAE.....	Society of Automotive Engineers
HD.....	Heavy Duty	SD.....	Standard Duty
HYD.....	Hydraulic	SN.....	Serial Number
Hz.....	Hertz	SPEC(S).....	Specifications
ID.....	Inside Diameter	SS.....	Stainless Steel
IN.....	inches	STD.....	Standards
IND.....	Independent	STL.....	Steel
IRL.....	Independent Reach/Lift	UGM.....	Universal Ground Module
INT.....	Integrated	V.....	Volts
ISO.....	International Organization for Standards	W.....	Watts
JIC.....	Joint Industry Council	WB.....	Wheel Base
KG.....	Kilogram	#.....	Number

9) ILLUSTRATION REFERENCE LETTERS

When necessary, illustrations may contain reference letters that are intended to track information (i. e. hoses, harnesses) from one point to another or to track visual enlargement of components to show details that may be located in another area on the illustration.

Note: Due to continuous product improvements, Jerr-Dan Corporation reserves the right to make specification changes without prior notification. Contact Jerr-Dan for updated information.

TABLE OF CONTENTS

SECTION 1 - SUBFRAME	15
FIGURE 1-1. SUBFRAME INSTALLATION (24FT DECK)	16
FIGURE 1-2. SUBFRAME INSTALLATION (24FT DECK) (GALVINIZED)	20
FIGURE 1-3. SUBFRAME INSTALLATION (24FT DECK) (WITH WHEEL WELLS)	24
FIGURE 1-4. SUBFRAME INSTALLATION (26FT DECK)	28
FIGURE 1-5. SUBFRAME INSTALLATION (26FT DECK) (GALVINIZED)	32
FIGURE 1-6. SUBFRAME INSTALLATION (26FT DECK) (WITH WHEEL WELLS)	36
FIGURE 1-7. SUBFRAME INSTALLATION (28FT-30FT DECK)	40
FIGURE 1-8. SUBFRAME INSTALLATION (28FT-30FT DECK) (GALVINIZED)	44
FIGURE 1-9. SUBFRAME INSTALLATION (28FT-30FT DECK) (WITH WHEEL WELLS)	48
FIGURE 1-10. SUBFRAME INSTALLATION (28FT-30FT DECK) (SUNBELT SPECS) (SN 0220005217 through 0220015208) .	52
FIGURE 1-11. CYLINDER ASSEMBLY - ROLL (24FT & 26FT DECKS)	56
FIGURE 1-12. CYLINDER ASSEMBLY - ROLL (28FT & 30FT DECKS)	58
FIGURE 1-13. CYLINDER ASSEMBLY - TILT	60
FIGURE 1-14. CYLINDER ASSEMBLY - TILT (24FT - 26FT DECK WITH WHEEL WELLS)	62
FIGURE 1-15. CYLINDER ASSEMBLY - TILT (28FT - 30 FT DECK WITHOUT WHEEL WELLS)	64
FIGURE 1-16. LIGHTBOX AND COVER INSTALLATION - GALVANIZED	66
FIGURE 1-17. LIGHTBOX AND COVER INSTALLATION	68
FIGURE 1-18. MAIN SUBFRAME PAD INSTALLATION - 24FT & 26FT DECKS	70
FIGURE 1-19. MAIN SUBFRAME PAD INSTALLATION - 28FT & 30FT DECKS	72
FIGURE 1-20. SIDE RECOVERY SYSTEM (SRS) INSTALLATION - 8000 LBS WINCH (SN 0220005217 through 0220025910)	74
.....	74
FIGURE 1-21. SIDE RECOVERY SYSTEM (SRS) INSTALLATION - 8000 LBS WINCH WITH REMOTE CONTROL (SN 0220005217 through 0220025910)	78
FIGURE 1-22. SIDE RECOVERY SYSTEM (SRS) INSTALLATION - 10000 LBS WINCH (SN 0220005217 through 0220025910)	82
.....	82
FIGURE 1-23. SIDE RECOVERY SYSTEM (SRS) INSTALLATION - 10000 LBS WINCH (3 FUNCTION REMOTE CONTROL)	86
FIGURE 1-24. SIDE RECOVERY SYSTEM (SRS) INSTALLATION - 10000 LBS WINCH WITH REMOTE CONTROL (SN 0220005217 through 0220025910)	90
FIGURE 1-25. SIDE RECOVERY SYSTEM (SRS) INSTALLATION - 10000 LBS WINCH (4 FUNCTION REMOTE CONTROL)	94
FIGURE 1-26. SIDE RECOVERY SYSTEM (SRS) INSTALLATION - 10000 LBS WINCH WITH AIR FREE SPOOL (SN 0220005217 through 0220025910)	98
FIGURE 1-27. SIDE RECOVERY SYSTEM (SRS) INSTALLATION - 10000 LBS WINCH WITH AIR FREE SPOOL (3 FUNCTION REMOTE CONTROL)	102
FIGURE 1-28. SIDE RECOVERY SYSTEM (SRS) INSTALLATION - 10000 LBS WINCH WITH AIR FREE SPOOL (4 FUNCTION REMOTE CONTROL) (SN 0220005217 through 0220025910)	106
FIGURE 1-29. SIDE RECOVERY SYSTEM (SRS) INSTALLATION - 10000 LBS WINCH WITH AIR FREE SPOOL (4 FUNCTION REMOTE CONTROL)	110
FIGURE 1-30. CYLINDER ASSEMBLY - SIDE RECOVERY SYSTEM	114
FIGURE 1-31. MUD FLAPS INSTALLATION - STANDARD	116
FIGURE 1-32. MUD FLAPS INSTALLATION - HIGH	118
FIGURE 1-33. MUD FLAPS INSTALLATION - CUSTOMER INSTALLATION	120
FIGURE 1-34. REAR BUMPER -SHORT GALVANIZED (SN 0220025911 to Present)	122
FIGURE 1-35. REAR BUMPER - SHORT (SN 0220005217 through 0220025910)	124
FIGURE 1-36. REAR BUMPER - SHORT GALVANIZED (SN 0220005217 through 0220025910)	126
FIGURE 1-37. REAR BUMPER - LONG (SN 0220005217 through 0220025910)	128
FIGURE 1-38. REAR BUMPER - LONG GALVANIZED (SN 0220025911 to Present)	130
FIGURE 1-39. REAR BUMPER - LONG GALVANIZED (SN 0220005217 through 0220025910)	132
FIGURE 1-40. REAR BUMPER - EXTRA LONG (SN 0220005217 through 0220025910)	134
FIGURE 1-41. REAR STABILIZER INSTALLATION - STANDARD	136
FIGURE 1-42. REAR STABILIZER INSTALLATION - 2-1/2IN TOW HITCH	138
FIGURE 1-43. REAR STABILIZER INSTALLATION - PINTLE TOW HITCH (HYDRAULIC)	140
FIGURE 1-44. REAR STABILIZER INSTALLATION - PINTLE TOW HITCH (MANUAL)	142
FIGURE 1-45. REAR STABILIZER INSTALLATION - WHEEL LIFT MANUAL L-ARMS	144
FIGURE 1-46. REAR STABILIZER INSTALLATION - PINTLE TOW HITCH (MANUAL)	146
FIGURE 1-47. REAR STABILIZER INSTALLATION (SUNBELT SPECS) (SN 0220005217 through 0220015208)	148
FIGURE 1-48. CHAIN BOX INSTALLATION, REAR SUBFRAME	150
FIGURE 1-49. CYLINDER ASSEMBLY - EXTEND/RETRACT	152
FIGURE 1-50. CYLINDER ASSEMBLY - PINTLE EXTEND	154
FIGURE 1-51. CYLINDER ASSEMBLY - STABILIZER LIFT	156
FIGURE 1-52. STORAGE BASKET	158
FIGURE 1-53. STORAGE BASKET DEEP	160
FIGURE 1-54. TOOLBOX INSTALLATION - 36IN	162
FIGURE 1-55. TOOLBOX INSTALLATION - 36IN NARROW	164
FIGURE 1-56. TOOLBOX INSTALLATION - 36IN UNDERBOX MOUNT NARROW	166

TABLE OF CONTENTS

FIGURE 1-57. TOOLBOX INSTALLATION - 36IN UNDERBOX MOUNT	168
FIGURE 1-58. TOOLBOX INSTALLATION - 48IN	170
FIGURE 1-59. TOOLBOX INSTALLATION - 48IN UNDERBOX MOUNT	172
FIGURE 1-60. TOOLBOX INSTALLATION - 60IN	174
FIGURE 1-61. TOOLBOX INSTALLATION - 60IN UNDERBOX MOUNT	176
FIGURE 1-62. TOOLBOX INSTALLATION - 78IN	178
FIGURE 1-63. TOOL BOX SHELF INSTALLATION - 36IN	180
FIGURE 1-64. TOOL BOX SHELF INSTALLATION - 48IN	182
FIGURE 1-65. TOOL BOX SHELF INSTALLATION - 60IN	184
FIGURE 1-66. TOOLBOX TOP STORAGE TRAY - 36IN	186
FIGURE 1-67. TOOLBOX TOP STORAGE TRAY - 48IN	188
FIGURE 1-68. TOOLBOX TOP STORAGE TRAY - 60IN	190
FIGURE 1-69. TOOLBOX TOP STORAGE TRAY - 78IN	192
SECTION 2 - WHEEL LIFT	195
FIGURE 2-1. WHEEL LIFT INSTALLATION (3500 LBS - TOWBAR) (SN 0220005217 through 0220009663)	196
FIGURE 2-2. WHEEL LIFT INSTALLATION (5000 LBS - TOWBAR) (SN 0220005217 through 0220009663)	198
FIGURE 2-3. WHEEL LIFT INSTALLATION (5000 LBS - TOWBAR WITH KEYSLOTS) (SN 0220005217 through 0220009663)	200
FIGURE 2-4. WHEEL LIFT BOOM INSTALLATION (3000 LBS)	202
FIGURE 2-5. WHEEL LIFT BOOM INSTALLATION (3000 LBS - GALVANIZED)	204
FIGURE 2-6. WHEEL LIFT BOOM INSTALLATION (4000 LBS)	206
FIGURE 2-7. WHEEL LIFT BOOM INSTALLATION (4000 LBS - GALVANIZED)	208
FIGURE 2-8. WHEEL LIFT ASSEMBLY (3000 LBS)	210
FIGURE 2-9. WHEEL LIFT ASSEMBLY (3000 LBS - GALVANIZED)	212
FIGURE 2-10. WHEEL LIFT ASSEMBLY (3500 LBS)	214
FIGURE 2-11. WHEEL LIFT ASSEMBLY (4000 LBS)	216
FIGURE 2-12. WHEEL LIFT ASSEMBLY (4000 LBS - GALVANIZED)	218
FIGURE 2-13. WHEEL LIFT ASSEMBLY (5000 LBS)	220
FIGURE 2-14. WHEEL LIFT GRID - COMPLETE (4000 LBS- FIXED) (2.5IN TOW HITCH)	222
FIGURE 2-15. WHEEL LIFT GRID - COMPLETE(4000 LBS - T37) (2.5 IN TOW HITCH)	224
FIGURE 2-16. CROSSBAR CAM_LOCK INSTALLATION	226
FIGURE 2-17. CYLINDER ASSEMBLY - BOOM EXTEND	228
FIGURE 2-18. CYLINDER ASSEMBLY - LIFT	230
FIGURE 2-19. CYLINDER ASSEMBLY - STABILIZER	232
FIGURE 2-20. CYLINDER ASSEMBLY - TOW HITCH EXTEND/RETRACT	234
FIGURE 2-21. GRID INSTALLATION- L ARM (3000 LBS FIXED ARMS)	236
FIGURE 2-22. GRID INSTALLATION- L ARM (3000 LBS PIVOTING ARMS)	238
FIGURE 2-23. GRID INSTALLATION- L ARM (3000 LBS - GALVANIZED)	240
FIGURE 2-24. GRID INSTALLATION (4000 LBS -MANUAL FIXED ARMS)	242
FIGURE 2-25. GRID INSTALLATION (4000 LBS -T37)	244
FIGURE 2-26. GRID ASSEMBLY (RH) (T-37)	246
FIGURE 2-27. GRID ASSEMBLY (LH) (T-37)	248
FIGURE 2-28. GRID ASSEMBLY - LH (PIVOTING T37 L-ARMS)	250
FIGURE 2-29. GRID ASSEMBLY - RH (PIVOTING T37 L-ARMS)	252
FIGURE 2-30. PIVOT TUBE INSTALLATION - 3000LBS IRL (MANUAL & T37 L-ARMS WITH BALL)	254
FIGURE 2-31. PIVOT TUBE INSTALLATION - 3000LBS IRL (MANUAL & T37 L-ARMS WITH 2IN HITCH)	256
FIGURE 2-32. PIVOT TUBE INSTALLATION - 4000 LBS (MANUAL WITH BALL)	258
FIGURE 2-33. PIVOT TUBE INSTALLATION - 4000 LBS (MANUAL WITH 2IN TOW HITCH)	260
FIGURE 2-34. PIVOT TUBE INSTALLATION - 4000 LBS (MANUAL WITH 2.5IN TOW HITCH)	262
SECTION 3 - DECK	265
FIGURE 3-1. DECK MODEL - STEEL 24FT X 96IN (10 TON)	266
FIGURE 3-2. DECK MODEL - STEEL 24FT X 102IN (10 TON)	268
FIGURE 3-3. DECK MODEL - STEEL 26FT X 96IN (10 TON)	270
FIGURE 3-4. DECK MODEL - STEEL 26FT X 102IN (10 TON)	272
FIGURE 3-5. DECK MODEL - STEEL 28FT X 96IN (10 TON)	274
FIGURE 3-6. DECK MODEL - STEEL 28FT X 102IN (10 TON)	276
FIGURE 3-7. DECK MODEL - STEEL 30FT X 96IN (10 TON)	278
FIGURE 3-8. DECK MODEL - STEEL 30FT X 102IN (10 TON)	280
FIGURE 3-9. DECK MODEL - STEEL 24IFT X 96IN (15 TON)	282
FIGURE 3-10. DECK MODEL - STEEL 24FT X 102IN (15 TON)	284
FIGURE 3-11. DECK MODEL - STEEL 26FT X 96IN (15 TON)	286
FIGURE 3-12. DECK MODEL - STEEL 26FT X 102IN (15 TON)	288
FIGURE 3-13. DECK MODEL - STEEL 28FT X 96IN (15 TON)	290

TABLE OF CONTENTS

FIGURE 3-14. DECK MODEL - STEEL 28FT X 102IN (15 TON).....	292
FIGURE 3-15. DECK MODEL - STEEL 30FT X 96IN (15 TON).....	294
FIGURE 3-16. DECK MODEL - STEEL 30FT X 102IN (15 TON).....	296
FIGURE 3-17. HEADBOARD INSTALLATION (45.5IN DELUXE) (SN 0220005217 through 0220012838).....	298
FIGURE 3-18. HEADBOARD INSTALLATION (45.5IN DELUXE) (SN 0220024527 to Present)	300
FIGURE 3-19. HEADBOARD INSTALLATION (50.5IN DELUXE) (SN 0220005217 through 0220012838).....	302
FIGURE 3-20. HEADBOARD INSTALLATION (50.5IN DELUXE) (SN 0220024527 to Present)	304
FIGURE 3-21. HEADBOARD INSTALLATION (57.5IN DELUXE) (SN 0220005217 through 0220012838).....	306
FIGURE 3-22. HEADBOARD INSTALLATION (57.5IN DELUXE) (SN 0220024527 to Present)	308
FIGURE 3-23. HEADBOARD INSTALLATION (57.5IN DELUXE) (GSA).....	310
FIGURE 3-24. HEADBOARD INSTALLATION STATIONARY ADJUSTABLE 8.88IN (SN 0220024527 to Present)	312
FIGURE 3-25. HEADBOARD INSTALLATION STATIONARY ADJUSTABLE (SPECIAL PAINT) 8.88IN (SN 0220005217 through 0220012838)	314
FIGURE 3-26. HEADBOARD INSTALLATION STATIONARY ADJUSTABLE (SPECIAL PAINT) 8.88IN (SN 0220013300 to Present)	316
FIGURE 3-27. HEADBOARD INSTALLATION STANTIONARY 62IN (SN 0220005217 through 0220012838).....	318
FIGURE 3-28. HEADBOARD INSTALLATION STANTIONARY 69IN (SN 0220005217 through 0220012838).....	320
FIGURE 3-29. HEADBOARD INSTALLATION STANTIONARY 73IN (SN 0220005217 through 0220012838).....	322
FIGURE 3-30. HEADBOARD INSTALLATION STANTIONARY 69IN WITH LIGHTS (SN 0220005217 through 0220012838) ...	324
FIGURE 3-31. HEADBOARD INSTALLATION STATIONARY (8.88IN + 45.5IN DELUXE) (SN 0220013300 to Present).....	326
FIGURE 3-32. HEADBOARD INSTALLATION STATIONARY (8.88IN + 50.5IN DELUXE) (SN 0220013300 to Present).....	328
FIGURE 3-33. HEADBOARD INSTALLATION STATIONARY (8.88IN + 57.5IN DELUXE) (SN 0220013300 to Present).....	330
FIGURE 3-34. HEADBOARD INSTALLATION ADJUSTABLE (45.50 - 65.50IN).....	332
FIGURE 3-35. HEADBOARD INSTALLATION ADJUSTABLE (45.50 - 65.50IN SPECIAL PAINT)	334
FIGURE 3-36. HEADBOARD INSTALLATION BUCKET REST 50IN	336
FIGURE 3-37. HEADBOARD INSTALLATION BUCKET REST 54.75IN	338
FIGURE 3-38. HEADBOARD INSTALLATION BUCKET REST 61.5IN	340
FIGURE 3-39. HEADBOARD INSTALLATION BUCKET REST 72.5IN	342
FIGURE 3-40. HEADBOARD BASE INSTALLATION	344
FIGURE 3-41. HEADBOARD BRACKET INSTALLATION (57.5IN HEADBOARD) (GSA).....	346
FIGURE 3-42. HEADBOARD SPACER INSTALLATION, BOLT ON.....	348
FIGURE 3-43. FREE SPOOL INSTALLATION - WORM GEAR/AIR FREE SPOOL WITH PPV.....	350
FIGURE 3-44. FREE SPOOL INSTALLATION - WORM GEAR/AIR FREE SPOOL W/O PPV.....	352
FIGURE 3-45. FREE SPOOL INSTALLATION - PLANETARY/AIR FREE SPOOL WITH PPV	354
FIGURE 3-46. WINCH INSTALLTION - 12000 LBS WORM GEAR WINCHES (STEEL DECK).....	356
FIGURE 3-47. WINCH INSTALLATION 20K LBS WORM GEAR.....	358
FIGURE 3-48. WINCH INSTALLATION - 20K LBS WORM GEAR/AIR FREE SPOOL.....	360
FIGURE 3-49. WINCH INSTALLTION - 20000 LBS PLANETARY, AIR FREE SPOOL.....	362
FIGURE 3-50. WINCH ASSEMBLY - 12000 LBS WORM GEAR.....	364
FIGURE 3-51. WINCH ASSEMBLY - 8000 LBS WORM GEAR.....	366
FIGURE 3-52. WINCH ASSEMBLY - 8000 LBS PLANETARY GEAR WITH MANUAL FREE SPOOL.....	368
FIGURE 3-53. WINCH ASSEMBLY - 10000 LBS PLANETARY GEAR WITH MANUAL FREE SPOOL.....	372
FIGURE 3-54. WINCH ASSEMBLY - 10000 LBS PLANETARY GEAR WITH AIR FREE SPOOL	376
FIGURE 3-55. WINCH ASSEMBLY - 20000 LBS WORM GEAR/AIR FREE SPOOL	380
FIGURE 3-56. WINCH ASSEMBLY - 20000 LBS PLANETARY/AIR FREE SPOOL.....	382
FIGURE 3-57. CABLE TENSIONER INSTALLATION - 12000 LBS WORM GEAR WINCHES	384
FIGURE 3-58. CABLE TENSIONER INSTALLATION - 8000/12000 LBS DUAL WORM GEAR WINCHES	386
FIGURE 3-59. COVER PLATE INSTALLATION, DUAL WINCHES	388
FIGURE 3-60. MOTOR ASSEMBLY - WINCH DRIVE 12000 LBS	390
FIGURE 3-61. MOTOR ASSEMBLY - 20000 LBS WINCH	392
FIGURE 3-62. D-RINGS INSTALLATION - 1 PAIR (TRANSPORTER) (BOLT ON NEAR WINCH).....	394
FIGURE 3-63. D-RINGS INSTALLATION - 1 PAIR (STEEL DECK) (SN 02200005523 through 0220005860)	396
FIGURE 3-64. D-RINGS INSTALLATION - 1 PAIR (STEEL DECK) (SN 0220005861 to Present).....	398
FIGURE 3-65. D-RINGS INSTALLATION - 1 PAIR (STEEL DECK NEAR WINCH)	400
FIGURE 3-66. ANTI-SLIP PAINT INSTALLATION (STEEL DECK SIDES) (SN 0220005217 through 0220015208)	402
FIGURE 3-67. ANTI-SLIP PAINT INSTALLATION (STEEL DECK SIDES) (SN 0220015209 to Present)	404
FIGURE 3-68. ANTI-SLIP PAINT INSTALLATION (DECK APPROACH END)	406
SECTION 4 - CONTROLS	409
FIGURE 4-1. 3 BANK CONTROLS INSTALLATION - NO/MAN TOW (SN 0220005217 through 0220005522)	410
FIGURE 4-2. 3 BANK CONTROLS INSTALLATION - NO/MAN TOW (SN 0220005523 to Present).....	412
FIGURE 4-3. 4 BANK CONTROLS INSTALLATION - NO/MAN TOW, STABILIZER (SN 0220005217 through 0220005522)....	414
FIGURE 4-4. 4 BANK CONTROLS INSTALLATION - NO/MAN TOW, STABILIZER (SN 0220005523 to Present)	416
FIGURE 4-5. 4 BANK CONTROLS INSTALLATION - HYDRAULIC TOW (SN 0220005217 through 0220005522).....	418
FIGURE 4-6. 4 BANK CONTROLS INSTALLATION - HYDRAULIC TOW (SN 0220005523 to Present)	420

TABLE OF CONTENTS

FIGURE 4-7. 4 BANK CONTROLS INSTALLATION - HYDRAULIC TOW, WINCH MOTOR SPOOL (SN 0220005217 through 0220005522)	422
FIGURE 4-8. 4 BANK CONTROLS INSTALLATION - HYDRAULIC TOW, WINCH MOTOR SPOOL (SN 0220005523 to Present)	424
FIGURE 4-9. 5 BANK CONTROLS INSTALLATION - HYDRAULIC TOW, STABILIZER (SN 0220005217 through 0220005522)	426
FIGURE 4-10. 5 BANK CONTROLS INSTALLATION - HYDRAULIC TOW, STABILIZER (SN 0220005523 to Present)	428
FIGURE 4-11. 5 BANK CONTROLS INSTALLATION - HYDRAULIC TOW, IRL (GSA SPECS) (SN 0220005217 through 0220005522)	430
FIGURE 4-12. 5 BANK CONTROLS INSTALLATION - HYDRAULIC TOW, IRL (GSA SPECS) (SN 0220005217 through 0220015208)	432
FIGURE 4-13. 5 BANK CONTROLS INSTALLATION - HYDRAULIC TOW, IRL (SN 0220005217 through 0220005522)	434
FIGURE 4-14. 5 BANK CONTROLS INSTALLATION - HYDRAULIC TOW, IRL (SN 0220005523 to Present)	436
FIGURE 4-15. 5 BANK CONTROLS INSTALLATION - HYDRAULIC TOW, IRL, WINCH MOTOR SPOOL (SN 0220005217 through 0220005522)	438
FIGURE 4-16. 5 BANK CONTROLS INSTALLATION - HYDRAULIC TOW, IRL, WINCH MOTOR SPOOL (SN 0220005523 to Present)	440
FIGURE 4-17. 6 BANK CONTROLS INSTALLATION - DUAL WINCH REMOTE CONTROL (SN 0220005217 through 0220005522)	442
FIGURE 4-18. 6 BANK CONTROLS INSTALLATION - DUAL WINCH REMOTE CONTROL (SN 0220005523 to Present)	444
FIGURE 4-19. 6 BANK CONTROLS INSTALLATION - BUMPER WINCH PREP - REMOTE CONTROL (GSA) (SN 0220005217 through 0220005522)	446
FIGURE 4-20. 6 BANK CONTROLS INSTALLATION - BUMPER WINCH PREP - REMOTE CONTROL (GSA) (SN 0220005523 to Present)	448
FIGURE 4-21. 6 BANK VALVE CONTROLS INSTALLATION - HYDRAULIC TOW / IRL / BUMPER WINCH MOTOR SPOOL PREP (SN 0220005217 through 0220005522)	450
FIGURE 4-22. 6 BANK VALVE CONTROLS INSTALLATION - HYDRAULIC TOW / IRL / BUMPER WINCH MOTOR SPOOL PREP (SN 0220005523 to Present)	452
FIGURE 4-23. VALVE ASSEMBLY - 3 BANK	454
FIGURE 4-24. VALVE ASSEMBLY - 4 & 5 BANK (WITHOUT WINCH MOTOR SPOOL)	456
FIGURE 4-25. VALVE ASSEMBLY - 4 & 5 BANK (WITH WINCH MOTOR SPOOL)	458
FIGURE 4-26. VALVE ASSEMBLY - 5 BANK (GSA SPECS)	460
FIGURE 4-27. VALVE ASSEMBLY - 6 BANK (SN 0220005217 through 0220005522)	462
FIGURE 4-28. VALVE ASSEMBLY - 6 BANK (SN 0220005523 to Present)	464
FIGURE 4-29. VALVE ASSEMBLY - 6 BANK WITH BUMPER WINCH PREP	466
FIGURE 4-30. VALVE ASSEMBLY - 6 BANK WITH BUMPER WINCH MOTOR CONTROLS	468
FIGURE 4-31. FREE SPOOL INSTALLATION - 12K WINCH (BOLT-ON HEADBOARD)	470
FIGURE 4-32. FREE SPOOL INSTALLATION - 12K WINCH (STATIONARY HEADBOARD)	472
FIGURE 4-33. LINEAR ACTUATOR MOUNT KIT (3,4,5 BANK)	474
FIGURE 4-34. LINEAR ACTUATOR MOUNT KIT (6 BANK)	476
FIGURE 4-35. LINEAR ACTUATOR INSTALLATION KIT	478
FIGURE 4-36. MIRATRON WIRELESS INSTALLATION - ONE FUNCTION	480
FIGURE 4-37. MIRATRON WIRELESS INSTALLATION - TWO FUNCTION	482
FIGURE 4-38. MIRATRON WIRELESS INSTALLATION - THREE FUNCTION	484
FIGURE 4-39. MIRATRON WIRELESS INSTALLATION - FOUR FUNCTION	486
FIGURE 4-40. MIRATRON WIRELESS INSTALLATION - FIVE FUNCTION	488
FIGURE 4-41. MIRATRON WIRELESS INSTALLATION - SIX FUNCTION	490
FIGURE 4-42. REMOTE CONTROL 6 FUNCTION U/L TRANSMITTER HOLDER	492
SECTION 5 - HYDRAULIC	495
FIGURE 5-1. HOSE INSTALLATION - 156IN CA (GENERIC)	496
FIGURE 5-2. HOSE INSTALLATION - 160IN CA (GENERIC)	498
FIGURE 5-3. HOSE INSTALLATION - 162IN CA STD CAB (PETERBILT)	500
FIGURE 5-4. HOSE INSTALLATION - 168IN CA (GENERIC)	502
FIGURE 5-5. HOSE INSTALLATION - 168IN CA STD CAB (FORD)	504
FIGURE 5-6. HOSE INSTALLATION - 192IN CA (GENERIC)	506
FIGURE 5-7. HOSE INSTALLATION - 196IN CT STD CAB (INTERNATIONAL)	508
FIGURE 5-8. HOSE INSTALLATION - 196IN CT STD CAB (FREIGHTLINER)	510
FIGURE 5-9. HOSE INSTALLATION - 218IN CA (GENERIC)	512
FIGURE 5-10. HOSE INSTALLATION - 242IN CA (GENERIC)	514
FIGURE 5-11. HOSE INSTALLATION - HEAVY DUTY 24FT DECK	516
FIGURE 5-12. HOSE INSTALLATION - HEAVY DUTY 26FT DECK	518
FIGURE 5-13. HOSE INSTALLATION - HEAVY DUTY 28FT DECK	520
FIGURE 5-14. HOSE INSTALLATION - HEAVY DUTY 30FT DECK	522
FIGURE 5-15. HOSE INSTALLATION - REAR STABILIZER WITH WHEEL LIFT	524
FIGURE 5-16. HOSE INSTALLATION - STABILIZER (REAR DECK)	526

TABLE OF CONTENTS

FIGURE 5-17. HOSE INSTALLATION - STABILIZER WITH HYDRAULIC EXTEND.....	528
FIGURE 5-18. HOSE INSTALLATION - WHEEL LIFT (3000 LBS)	530
FIGURE 5-19. HOSE INSTALLATION - WHEEL LIFT (3500 LBS) (SN 0220005217 through 0220009663)	532
FIGURE 5-20. HOSE INSTALLATION - WHEEL LIFT (4000 LBS)	534
FIGURE 5-21. HOSE INSTALLATION - WHEEL LIFT (5000 LBS) (SN 0220005217 through 0220009663)	536
FIGURE 5-22. TANK - (HYDRAULIC) AND BRACKET MOUNTING INSTALLATION (STANDARD MOUNTING).....	538
FIGURE 5-23. TANK - (HYDRAULIC) AND BRACKET MOUNTING INSTALLATION (ALTERNATE MOUNTING)	540
FIGURE 5-24. TANK - HYDRAULIC ASSEMBLY (STANDARD MOUNTING)	542
FIGURE 5-25. TANK - HYDRAULIC ASSEMBLY (ALTERNATE MOUNTING)	544
FIGURE 5-26. HYDRAULIC FILTER COVER PLATE INSTALLATION.....	546
FIGURE 5-27. WINCH HOSE INSTALLATION	548
FIGURE 5-28. AIR SYSTEM INSTALLATION - FRONT BUMPER WINCH.....	550
SECTION 6 - ELECTRICAL	553
FIGURE 6-1. ALARM INSTALLATION - BACK UP	554
FIGURE 6-2. BREAKER INSTALLATION - 50AMP.....	556
FIGURE 6-3. CAMERA INSTALLATION - BACKUP (J-D SUPPLIED).....	558
FIGURE 6-4. CAMERA INSTALLATION - BACKUP (OEM CHASSIS SUPPLIED).....	560
FIGURE 6-5. CAMERA INSTALLATION - BACKUP (REAR VIEW MIRROR)	562
FIGURE 6-6. CAMERA INSTALLATION - CARGO CAMERA, (WIRELESS HEADBOARD MOUNTED)	564
FIGURE 6-7. CAMERA HARNESS	566
FIGURE 6-8. CONNECTOR INSTALLATION - 7 WAY	568
FIGURE 6-9. DECK FLASHER REAR ILLUMINATION.....	570
FIGURE 6-10. LIGHTS - BUCKET REST HDB LIGHT BAR MOUNT	572
FIGURE 6-11. LIGHTS - HEADBOARD LIGHTS INSTALLATION - STATIONARY HEADBOARD (22-24FT) (SN 0220005217 through 0220022647)	574
FIGURE 6-12. LIGHTS - HEADBOARD LIGHTS INSTALLATION - STATIONARY HEADBOARD (22-24FT) (SN 0220022648 to Present)	576
FIGURE 6-13. LIGHTS - HEADBOARD LIGHTS INSTALLATION - STATIONARY HEADBOARD (26-30FT) (SN 0220005217 through 0220022647)	578
FIGURE 6-14. LIGHTS - HEADBOARD LIGHTS INSTALLATION - STATIONARY HEADBOARD (26-30FT) (SN 0220022648 to Present)	580
FIGURE 6-15. LIGHTS - HEADBOARD LIGHTS INSTALLATION - BOLT-ON HEADBOARD (24-FT) (SN 0220005217 through 0220006383)	582
FIGURE 6-16. LIGHTS - HEADBOARD LIGHTS INSTALLATION - BOLT-ON HEADBOARD (24-FT) (SN 0220022647 through 0220022915)	584
FIGURE 6-17. LIGHTS - HEADBOARD LIGHTS INSTALLATION - BOLT-ON HEADBOARD (26-FT) (SN 0220005217 through 0220025910)	586
FIGURE 6-18. LIGHTS - HEADBOARD LIGHTS INSTALLATION - BOLT-ON HEADBOARD (28-30-FT) (SN 0220005217 through 0220025910)	588
FIGURE 6-19. LIGHTS - HEADBOARD LIGHTS INSTALLATION - BOLT-ON HEADBOARD (24-30-FT) (SN 0220022647 to Present)	590
FIGURE 6-20. LIGHTS - HEADBOARD LIGHTS INSTALLATION - BOLT-ON HEADBOARD (24-FT GALVANIZED) (SN 0220005217 through 0220006383).....	592
FIGURE 6-21. LIGHTS - HEADBOARD LIGHTS INSTALLATION - BOLT-ON HEADBOARD (26-FT GALVANIZED) (SN 0220005217 through 0220015208).....	594
FIGURE 6-22. LIGHTS - HEADBOARD LIGHTS INSTALLATION - BOLT-ON HEADBOARD (28-30FT GALVANIZED) (SN 0220005217 through 0220015208).....	596
FIGURE 6-23. LIGHTS - HEADBOARD LIGHTS INSTALLATION - BOLT-ON HEADBOARD - 26FT (GSA) (SN 0220005217 through 0220015208)	598
FIGURE 6-24. LIGHTS - HEADBOARD LIGHTS INSTALLATION - BOLT-ON HEADBOARD - 28FT (GSA) (SN 0220005217 through 0220015208)	600
FIGURE 6-25. LIGHTS - HEADBOARD LIGHTS INSTALLATION - STATIONARY HEADBOARD (24FT GALVANIZED) (SN 0220005217 through 0220015208).....	602
FIGURE 6-26. LIGHTS - HEADBOARD LIGHTS INSTALLATION - STATIONARY HEADBOARD (26-30FT GALVANIZED) (SN 0220005217 through 0220015208).....	604
FIGURE 6-27. LIGHTS - LIGHTBAR INSTALLATION - AMBER (CODE 3 PRIZM) (STD MOUNT) (SN 0220005217 through 0220022646)	606
FIGURE 6-28. LIGHTS - LIGHTBAR INSTALLATION - AMBER (CODE 3) (STD MOUNT) (SN 0220012839 through 0220022646)	608
FIGURE 6-29. LIGHTS - LIGHTBAR INSTALLATION - AMBER (CODE 3 PRIZM) (HIGH MOUNT) (SN 0220005217 through 0220022646)	610
FIGURE 6-30. LIGHTS - LIGHTBAR INSTALLATION - AMBER (CODE 3) (HIGH MOUNT) (SN 0220012839 through 0220022646)	612
FIGURE 6-31. LIGHTS - LIGHTBAR INSTALLATION - RED (CODE 3) (STD MOUNT) (SN 0220005217 through 0220022646)	614

TABLE OF CONTENTS

FIGURE 6-32. LIGHTS - LIGHTBAR INSTALLATION - AMBER (CODE 3 PRIZM) (STD MOUNT) (GSA SPECS) (SN 0220005217 through 0220022646)	616
FIGURE 6-33. LIGHTS - LIGHTBAR INSTALLATION - STROBE (BUCKET REST HEADBOARD)	618
FIGURE 6-34. LIGHTS - LIGHTBAR INSTALLATION - AMBER (WHELEN) (STD MOUNT)	620
FIGURE 6-35. LIGHTS - LIGHTBAR INSTALLATION - AMBER (WHELEN) (HIGH MOUNT)	622
FIGURE 6-36. LIGHTS - LIGHTBAR INSTALLATION - AMBER (ECCO) (STD MOUNT)	624
FIGURE 6-37. LIGHTS - LIGHTBAR INSTALLATION - AMBER (ECCO) (HIGH MOUNT)	626
FIGURE 6-38. LIGHTS - LIGHTBAR ASSEMBLY - AMBER (CODE 3 PRIZM BRAND)	628
FIGURE 6-39. LIGHTS - LIGHTBAR ASSEMBLY - AMBER (CODE 3 PRIZM BRAND) (GSA SPECS) (SN 0220005217 through 0220015208)	630
FIGURE 6-40. LIGHTS - LIGHTBAR ASSEMBLY - AMBER (CODE 3 STD BRAND)	632
FIGURE 6-41. LIGHTS - LIGHTBAR ASSEMBLY - AMBER (ECCO)	634
FIGURE 6-42. LIGHTS - LIGHTBAR ASSEMBLY - AMBER (WHELEN)	636
FIGURE 6-43. LIGHTS - LIGHTBAR ASSEMBLY - AMBER (WHELEN)	638
FIGURE 6-44. LIGHTS - LIGHTBAR ASSEMBLY - RED (CODE 3 BRAND)	640
FIGURE 6-45. LIGHTS - MARKER LIGHT INSTALLATION, CARRIER DECK	642
FIGURE 6-46. LIGHTS - MARKER LIGHT INSTALLATION, CARRIER DECK - 24V	644
FIGURE 6-47. LIGHTS - MARKER LIGHT INSTALLATION - HEADBOARD (ADDITIONAL)	646
FIGURE 6-48. LIGHTS - 24 VOLT CONVERSION	648
FIGURE 6-49. LIGHTS - DECK LIGHTS HARNESS	650
FIGURE 6-50. LIGHTS - TOOLBOX LIGHTS	652
FIGURE 6-51. LIGHTS - WORK LIGHTS AT WINCH, LED, 10V-30V (SN 0220006254 to Present)	654
FIGURE 6-52. LIGHTS - WORKLIGHT HARNESS (HEADBOARD)	656
FIGURE 6-53. LIGHTS - WORKLIGHT INSTALLATION - NEAR 12K LBS WINCH (SN 0220005217 through 0220006253)	658
FIGURE 6-54. LIGHTS - WORKLIGHT INSTALLATION - NEAR 15K/20K LBS WINCH (SN 0220005217 through 0220006253)	660
FIGURE 6-55. LIGHTS - WORKLIGHT INSTALLATION - HEADBOARD (SN 0220005217 through 0220006253)	662
FIGURE 6-56. LIGHTS - WORKLIGHT INSTALLATION - HEADBOARD (SN 0220006254 to Present)	664
FIGURE 6-57. LIGHTS - WORKLIGHT INSTALLATION - HEADBOARD (STATIONARY) (SN 0220005217 through 0220006253)	666
FIGURE 6-58. LIGHTS - WORKLIGHT INSTALLATION - HEADBOARD (STATIONARY) (SN 0220005217 through 0220015208)	668
FIGURE 6-59. LIGHTS - WORKLIGHT INSTALLATION - HEADBOARD (BUCKET REST) (SN 0220005217 through 0220006253)	670
FIGURE 6-60. LIGHTS - WORKLIGHT INSTALLATION - HEADBOARD (BUCKET REST) (SN 0220006254 to Present)	672
FIGURE 6-61. LIGHTS - WORKLIGHT INSTALLATION - HEADBOARD (SRS), LED, 10V-30V (SN 0220005217 through 0220006253)	674
FIGURE 6-62. LIGHTS - WORKLIGHT INSTALLATION - HEADBOARD (SRS), LED, 10V-30V (SN 0220006254 to Present)	676
FIGURE 6-63. LIGHTS - WORKLIGHT INSTALLATION - HEADBOARD (TOP MOUNTED) (SN 0220005217 through 0220006253)	678
FIGURE 6-64. LIGHTS - WORKLIGHT INSTALLATION - HEADBOARD (TOP MOUNTED) (SN 0220006254 to Present)	680
FIGURE 6-65. LIGHTS - WORKLIGHT INSTALLATION - HEADBOARD (TOP MOUNTED, NO LIGHTBAR, LED, SPLIT SWITCH 10C-30V)	682
FIGURE 6-66. LIGHTS - WORKLIGHT INSTALLATION - REAR (10V-30V)	684
FIGURE 6-67. LIGHTS - WORKLIGHT INSTALLATION - REAR (12V) (SN 0220005217 through 0220006253)	686
FIGURE 6-68. LIGHTS - WORKLIGHT INSTALLATION - REAR (24V) (SN 0220005217 through 0220006253)	688
FIGURE 6-69. SIDE RECOVERY SYSTEM HARNESS	690
FIGURE 6-70. SIDE RECOVERY SYSTEM (SRS) HARNESS (WITH REMOTE CONTROL)	692
FIGURE 6-71. SUBFRAME HARNESS	694
FIGURE 6-72. SUBFRAME TO CAB HARNESS (WITH STATIONARY HEADBOARD)	696
FIGURE 6-73. SUBFRAME TO CAB HARNESS (WITH BOLT-ON HEADBOARD) (26-30FT DECK)	698
FIGURE 6-74. SUBFRAME TO DECK HARNESS (WITH STATIONARY HEADBOARD) (SN 0220005217 through 0220022646)	700
FIGURE 6-75. SUBFRAME TO DECK HARNESS (WITH STATIONARY HEADBOARD) (SN 0220022647 to Present)	702
FIGURE 6-76. SUBFRAME TO DECK HARNESS (WITH BOLT-ON HEADBOARD) (26-30FT DECK)	704
FIGURE 6-77. SUBFRAME TO WINCH HARNESS (WITH BOLT-ON HEADBOARD) (22-24FT DECK)	706
FIGURE 6-78. SUBFRAME TO WINCH HARNESS (WITH BOLT-ON HEADBOARD) (24-30FT DECK) (SN 0220022647 to Present)	708
FIGURE 6-79. SUBFRAME TO WINCH HARNESS (WITH STATIONARY HEADBOARD) (22-24FT DECK)	710
FIGURE 6-80. SUBFRAME TO WINCH HARNESS (WITH STATIONARY HEADBOARD) (26-30FT DECK)	712
FIGURE 6-81. SUBFRAME TO WINCH HARNESS (WITH STATIONARY HEADBOARD) (28FT DECK) (SN 0220005217 through 0220022646)	714
FIGURE 6-82. SWITCH INSTALLATION - 3 FUNCTION IN-DASH MINI (SN 0220005217 through 0220022646)	716
FIGURE 6-83. SWITCH INSTALLATION - 3 FUNCTION IN-DASH MINI (SN 0220022647 to Present)	718
FIGURE 6-84. SWITCH INSTALLATION - 3 FUNCTION IN-DASH COMPACT (SN 0220005217 through 0220022646)	720
FIGURE 6-85. SWITCH INSTALLATION - 3 FUNCTION IN-DASH COMPACT (SN 0220022647 to Present)	722
FIGURE 6-86. SWITCH INSTALLATION - 3 FUNCTION UNDER-DASH COMPACT (SN 0220005217 through 0220022646)	724

TABLE OF CONTENTS

FIGURE 6-87. SWITCH INSTALLATION - 3 FUNCTION UNDER-DASH COMPACT (SN 0220022647 to Present).....	726
FIGURE 6-88. SWITCH INSTALLATION - 4 FUNCTION IN-DASH (SN 0220005217 through 0220022646)	728
FIGURE 6-89. SWITCH INSTALLATION - 4 FUNCTION IN-DASH (SN 0220022647 to Present).....	730
FIGURE 6-90. SWITCH INSTALLATION - 5 FUNCTION IN-DASH COMPACT (SN 0220005217 through 0220022646)	732
FIGURE 6-91. SWITCH INSTALLATION - 5 FUNCTION IN-DASH COMPACT (SN 0220022647 to Present).....	734
FIGURE 6-92. SWITCH INSTALLATION - 5 FUNCTION UNDER-DASH COMPACT (SN 0220005217 through 0220022646) ..	736
FIGURE 6-93. SWITCH INSTALLATION - 5 FUNCTION UNDER-DASH COMPACT (SN 0220022647 to Present).....	738
FIGURE 6-94. SWITCH INSTALLATION - 5 FUNCTION IN-DASH (PETERBILT) (SN 0220005217 through 0220022646)	740
FIGURE 6-95. SWITCH INSTALLATION - 5 FUNCTION IN-DASH COMPACT (PETERBILT) (SN 0220022647 to Present)	742
FIGURE 6-96. SWITCH INSTALLATION - 5 FUNCTION IN-DASH COMPACT (IHC) WITHOUT OEM PANEL (SN 0220005217 through 0220022646)	744
FIGURE 6-97. SWITCH INSTALLATION - 5 FUNCTION IN-DASH COMPACT (IHC) WITHOUT OEM PANEL (SN 0220022647 to Present)	746
FIGURE 6-98. SWITCH INSTALLATION - 5 FUNCTION IN-DASH (F650/750) (SN 0220005217 through 0220022646).....	748
FIGURE 6-99. TOOLBOX LIGHT BRACKET ASSEMBLY	750
FIGURE 6-100. WINCH LIGHT HARNESS	752
SECTION 7 - DECALS	755
FIGURE 7-1. DECAL INSTALLATION (SRS).....	756
FIGURE 7-2. DECAL INSTALLATION - CONSPICUITY PINTLE HITCH.....	758
FIGURE 7-3. DECAL INSTALLATION - HEAVY DUTY CARRIER.....	760
FIGURE 7-4. DECAL INSTALLATION - HEAVY DUTY CARRIER.....	762
FIGURE 7-5. DECAL INSTALLATION - HIGH VISIBILITY (SN 0220005217 through 0220009663).....	764
FIGURE 7-6. DECAL INSTALLATION - HIGH VISIBILITY (SN 0220009664 to Present)	766
FIGURE 7-7. DECAL INSTALLATION - MANUAL GRID.....	768
FIGURE 7-8. DECAL INSTALLATION - PIVOTING GRID	770
FIGURE 7-9. DECAL INSTALLATION - SAFETY.....	772
FIGURE 7-10. DECAL INSTALLATION - STABILIZER.....	774
FIGURE 7-11. DECAL INSTALLATION - STABILIZER WITH 2.5IN TOW HITCH	776
FIGURE 7-12. DECAL INSTALLATION - STABILIZER WITH HYDRAULIC EXTEND	778
FIGURE 7-13. DECAL INSTALLATION - TOW HITCH	780
SECTION 8 - ACCESSORIES	783
FIGURE 8-1. KITS LIST	784
FIGURE 8-2. 7-WAY ELECTRICAL CONNECTOR INSTALLATION	786
FIGURE 8-3. AIR COMPRESSOR/HOSE REEL (INSIDE TOOLBOX)	788
FIGURE 8-4. AIR SUPPLY DISCONNECT	790
FIGURE 8-5. BUMPER INSTALLATION - PUSH (FRONT) (NO GRILLE GUARD) (2011 FORD F650/750).....	792
FIGURE 8-6. BUMPER INSTALLATION WITH WINCH (2011 FREIGHTLINER)	794
FIGURE 8-7. BUMPER INSTALLATION WITH WINCH (2012 IHC).....	796
FIGURE 8-8. BUMPER INSTALLATION - PUSH (FRONT) (NO GRILLE GUARD) (2008 + FREIGHTLINER).....	798
FIGURE 8-9. BUMPER INSTALLATION - PUSH (FRONT) (NO GRILLE GUARD) (2005 + HINO).....	800
FIGURE 8-10. CABLE ROLLER GUIDE INSTALLATION - DECK.....	802
FIGURE 8-11. CABLE TENSIONER PLATE INSTALLATION - DECK.....	804
FIGURE 8-12. CHAIN BINDER 3/8IN.....	806
FIGURE 8-13. CHAIN BINDER 1/2IN.....	808
FIGURE 8-14. CHAIN RACKS (DELUXE HEADBOARD) (LOCKING) (SN 0220005217 through 0220015208).....	810
FIGURE 8-15. CHAIN RACKS (DELUXE HEADBOARD) (LOCKING) (SN 0220015209 to Present)	812
FIGURE 8-16. CHAIN RACKS (DELUXE HEADBOARD) (SN 0220005217 through 0220013299)	814
FIGURE 8-17. CHAIN RACKS (DELUXE HEADBOARD) (SN 0220013300 to Present).....	816
FIGURE 8-18. CHAIN RACKS (ADJUSTABLE/FIXED HEADBOARD) (LOCKING) (SN 0220008083 through 0220015208)	818
FIGURE 8-19. CHAIN RACKS (ADJUSTABLE/FIXED HEADBOARD) (LOCKING) (SN 0220015209 to Present)	820
FIGURE 8-20. CHAIN RACKS (ADJUSTABLE/FIXED HEADBOARD)	822
FIGURE 8-21. DECK ROLLERS INSTALLATION - STANDARD WIDTH DECK.....	824
FIGURE 8-22. DECK ROLLERS INSTALLATION - WIDE WIDTH DECK.....	826
FIGURE 8-23. FIRE EXTINGUISHER	828
FIGURE 8-24. FUEL CAN HOLDER INSTALLATION (DELUXE HEADBOARD).....	830
FIGURE 8-25. FUEL CAN HOLDER AND PROPANE TANK INSTALLATION (ADJUSTABLE HEADBOARD)	832
FIGURE 8-26. FUEL CAN HOLDER AND LOCKING CHAIN RACK INSTALLATION (HEADBOARD) (SN 0220008083 through 0220015208)	834
FIGURE 8-27. FUEL CAN HOLDER AND LOCKING CHAIN RACK INSTALLATION (HEADBOARD) (SN 0220015209 to Present)	836
FIGURE 8-28. FUEL CAN HOLDER INSTALLATION (FIXED & ADJUSTABLE HEADBOARD)	838
FIGURE 8-29. FUEL CAN HOLDER AND CHAIN RACK INSTALLATION (HEADBOARD))	840
FIGURE 8-30. GLAD HAND INSTALLATION WITHOUT MOUNTING BRACKET	842

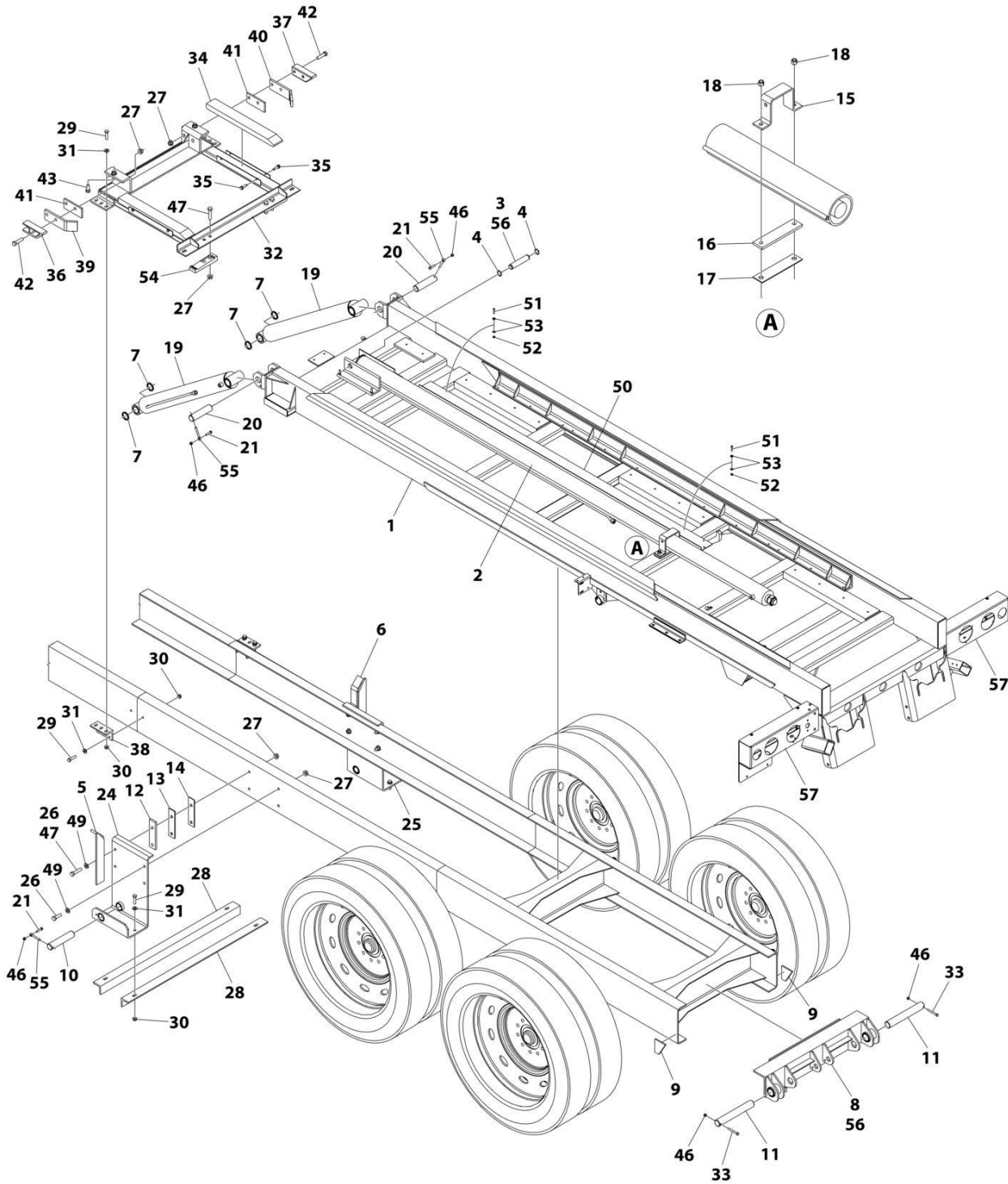
TABLE OF CONTENTS

FIGURE 8-31. GLAD HAND INSTALLATION WITH MOUNTING BRACKET	844
FIGURE 8-32. GRAB HANDLE INSTALLATION - STATIONARY HEADBOARD (SN 0220008083 through 022001330).....	846
FIGURE 8-33. GRAB HANDLE INSTALLATION - ADJUSTABLE HEADBOARD.....	848
FIGURE 8-34. HITCH BOOM INSTALLATION - BALL HITCH (HYDRAULIC)	850
FIGURE 8-35. HITCH BOOM INSTALLATION - BALL HITCH (MANUAL)	852
FIGURE 8-36. HITCH BOOM INSTALLATION - PINTLE HITCH (MANUAL)	854
FIGURE 8-37. LADDER INSTALLATION - FOLDING 3-STEP, FRONT/LEFT	856
FIGURE 8-38. LADDER INSTALLATION - FOLDING 3-STEP, FRONT/LEFT/RIGHT	858
FIGURE 8-39. LADDER INSTALLATION - FOLDING 3-STEP, FRONT/REAR/LEFT	860
FIGURE 8-40. NO EMERGENCY LIGHTBAR INSTALLATION	862
FIGURE 8-41. ON BOARD TRUCK SCALES, AIR WEIGH, VENDOR INSTALLED	864
FIGURE 8-42. ON BOARD TRUCK SCALES, RIGHT WEIGH, VENDOR INSTALLED	866
FIGURE 8-43. PROPANE TANK HOLDERS, HEADBOARD INSTALLATION	868
FIGURE 8-44. PROPANE TANK HOLDERS, ADJUSTABLE HEADBOARD INSTALLATION	870
FIGURE 8-45. REMOTE THROTTLE CONTROL	872
FIGURE 8-46. ROLLER BRACKET ASSEMBLY	874
FIGURE 8-47. SADDLE CROSS-ANGLE SPACERS (4") (SN 0220005217 through 0220006383)	876
FIGURE 8-48. SADDLE CROSS-ANGLE SPACERS (4") (SN 0220006384 to Present)	878
FIGURE 8-49. SADDLE CROSS-ANGLE SPACERS (5") (SN 0220005217 through 0220006383)	880
FIGURE 8-50. SADDLE CROSS-ANGLE SPACERS (6") (SN 0220005217 through 0220006383)	882
FIGURE 8-51. SAFETY TRIANGLE KIT	884
FIGURE 8-52. STRAP EXTENSION - 50FT NYLON	886
FIGURE 8-53. STRAP TIE DOWN KIT - CARRIER 8 POINT TIRE	888
FIGURE 8-54. TAIL LIGHT CONVERSION KIT, SPLIT STOP/TURN	890
FIGURE 8-55. TAILLIGHT HARNESS	892
FIGURE 8-56. TIE DOWN STRAP/RATCHET STRAP KIT	894
FIGURE 8-57. TOW HITCH - 2-1/2IN RECEIVER	896
FIGURE 8-58. TOW HITCH - PINTLE (STATIONARY)	898
FIGURE 8-59. TOW HITCH - TOW BALL (HYDRAULIC EXTEND).....	900
FIGURE 8-60. TOW HITCH - TOW BALL (MANUAL EXTEND)	902
FIGURE 8-61. TOW HITCH - PINTLE (HYDRAULIC EXTEND)	904
FIGURE 8-62. TOW HITCH - PINTLE (MANUAL EXTEND)	906
FIGURE 8-63. TOW HITCH - PINTLE (STATIONARY - 30000LBS).....	908
FIGURE 8-64. TOW HITCH (SUNBELT SPECS) (SN 0220005217 through 0220015208)	910
FIGURE 8-65. TOW HITCH BOOM ASSEMBLY - BALL HITCH PLATE (HYDRAULIC)	912
FIGURE 8-66. TOW HITCH BOOM ASSEMBLY - BALL HITCH PLATE (MANUAL).....	914
FIGURE 8-67. TOW HITCH BOOM ASSEMBLY - PINTLE HITCH PLATE (MANUAL).....	916
FIGURE 8-68. TOW HITCH CYLINDER ASSEMBLY - EXTEND/RETRACT	918
FIGURE 8-69. TOW LIGHTS, MAGNETIC	920
FIGURE 8-70. TOW LIGHTS, MAGNETIC/SUCTION	922
FIGURE 8-71. TRAILER ACC, 1-7/8" DIA BALL.....	924
FIGURE 8-72. TRAILER ACC, 2" DIA BALL	926
FIGURE 8-73. TRAILER ACC, 2-5/16" DIA BALL	928
FIGURE 8-74. TRAILER ACC, DUPLEX PINTLE HITCH	930
FIGURE 8-75. TRAILER ACC, SS CONVERT-A-BALL KIT.....	932
FIGURE 8-76. VALVE STEM EXTENSION KIT	934
FIGURE 8-77. WINCH ASSEMBLY - 15K LBS (FRONT BUMPER MOUNTED)	936
FIGURE 8-78. WHEEL CHUCKS (RUBBER)	938
 SECTION 9 - BUILD DOCUMENTS	 941
FIGURE 9-1. BUILD DOC_5376000283	942
 PART NUMBER INDEX	 959

SECTION 1 - SUBFRAME

SECTION 1 - SUBFRAME

FIGURE 1-1. SUBFRAME INSTALLATION (24FT DECK)



ART_2868000121

SECTION 1 - SUBFRAME

FIGURE 1-1. SUBFRAME INSTALLATION (24FT DECK)

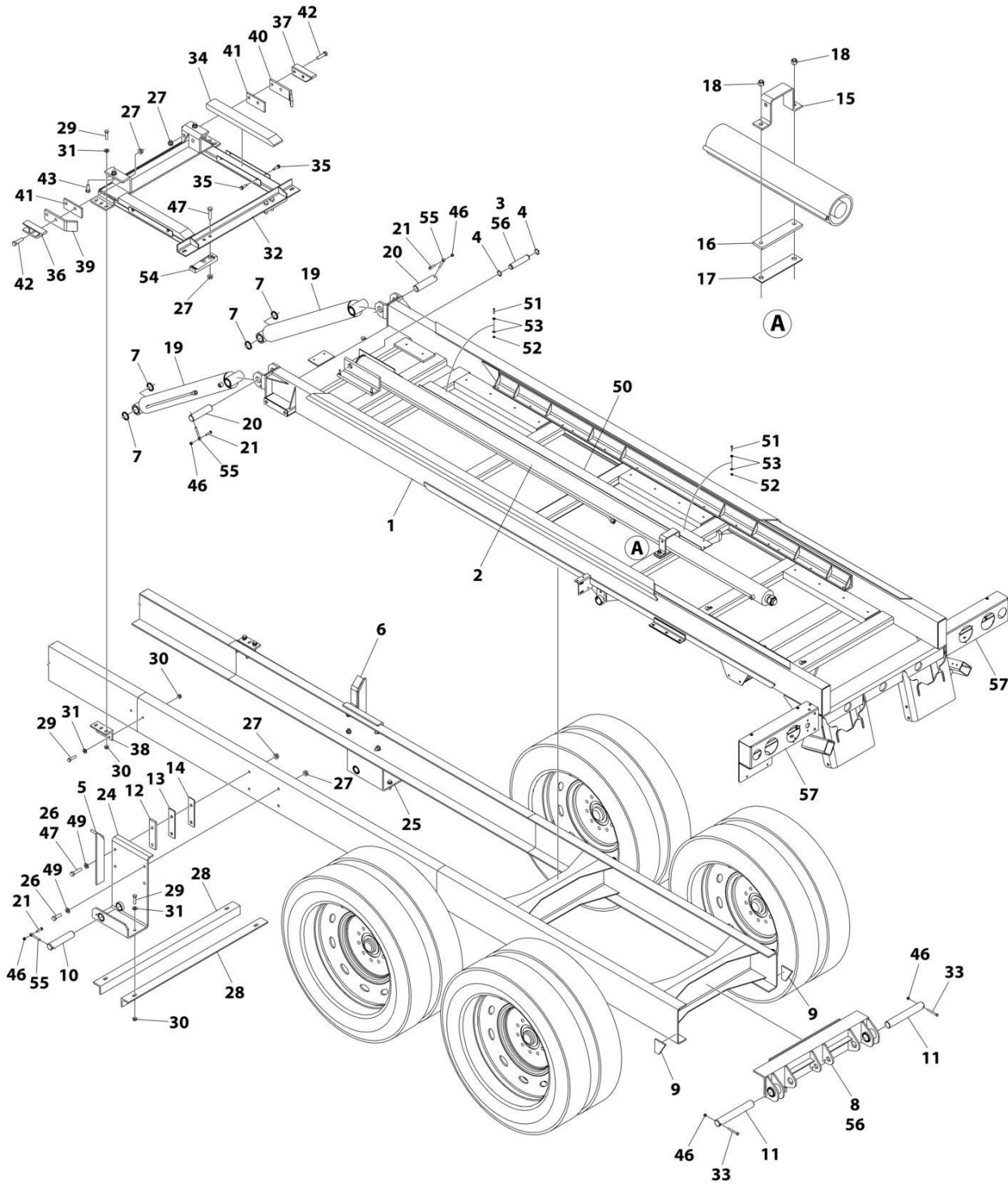
ITEM	PART NUMBER	QTY	DESCRIPTION	REV
	2868000121	Ref	SUBFRAME INSTALLATION (24FT DECK)	J
1	1001178188	1	Sub-Frame	
2	1001167763	1	Roll Cylinder Assembly (See Separate Breakdown in this Section)	
3	4691000268	1	Pin	
4	3760133	2	Ring, Retaining	
5	3062000015	1	Bar, Body Guide (LH)	
6	3062000014	1	Bar, Body Guide (RH)	
7	4209000204	4	Bushing	
8	3905000010	1	Mount, Trunnion	
9	4497000368	2	Gusset, Trunnion	
10	1001188206	2	Pin	
11	4691000348	2	Pin	
12	4831000079	AR	Spacer 1/2	
13	4831000083	AR	Spacer 1/4	
14	4831000084	AR	Spacer 1/8	
15	4178000308	1	Bracket	
16	4679000166	1	Pad	
17	4706003033	1	Plate	
18	7660182601	2	Nut 1/2	
19	1001167764	2	Tilt Cylinder Assembly (See Separate Breakdown in this Section)	
20	1001188141	2	Pin	
21	0641612	4	Bolt 3/8 x 1-1/2	
24	3178000288	1	Bracket, LH	
25	3178000289	1	Bracket, RH	
26	0652016	12	Bolt 5/8 x 2	
27	7660202347	20	Nut 5/8	
28	4017001093	2	Angle	
29	0651816	12	Bolt 1/2 x 2	
30	7660182333	12	Nut 1/2	
31	4891800	12	Washer 1/2	
32	3558000008	1	Hold Down	
33	0641624	2	Bolt 3/8 x 3	
34	4679000194	2	Pad, Wear	
35	7790152056	8	Screw 5/16 x 1-1/4	
36	7259000015	1	Hold Down Shoe, LH	
37	7259000016	1	Hold Down Shoe, RH	
38	4017001271	2	Angle	
39	4706003025	1	Plate, LH	
40	4706003026	1	Plate, RH	
41	4706003027	2	Plate	
42	7105202050	4	Bolt 5/8 x 2-1/2	
43	7105201250	2	Bolt 5/8 x 1-1/2	
46	3300492	6	Nut 3/8	
47	7105202250	8	Bolt 5/8 x 2-3/4	
49	4892000	12	Washer 5/8	
50	1001133706	1	Plate, Tray	
51	7114100810	4	Screw #10 x 1	
52	3300455	4	Nut #10	
53	4751300	8	Washer 3/16	
54	7274000046	2	Clamp, Retaining	

SECTION 1 - SUBFRAME

ITEM	PART NUMBER	QTY	DESCRIPTION	REV
55	3841143	4	Keeper, Shaft	
56	3020039	AR	Lubricant	
57	1001173948	1	Lightbox and Cover Installation (See Separate Breakdown in this Section)	

SECTION 1 - SUBFRAME

FIGURE 1-2. SUBFRAME INSTALLATION (24FT DECK) (GALVINIZED)



ART_1001136340

SECTION 1 - SUBFRAME

FIGURE 1-2. SUBFRAME INSTALLATION (24FT DECK) (GALVINIZED)

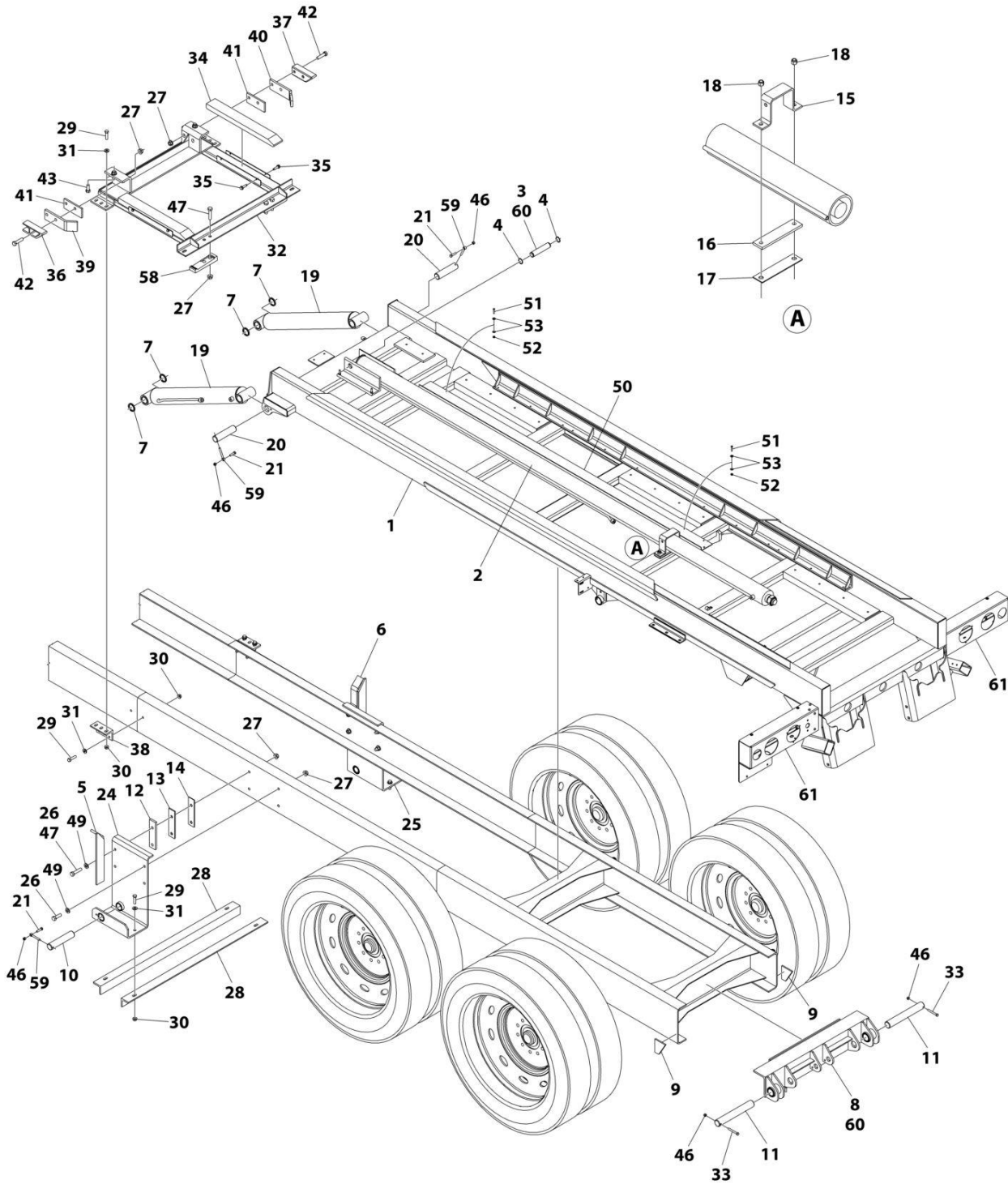
ITEM	PART NUMBER	QTY	DESCRIPTION	REV
	1001136340	Ref	SUBFRAME INSTALLATION (24FT DECK) (GALVINIZED)	H
1	1001178189	1	Sub-Frame	
2	1001167763	1	Roll Cylinder Assembly (See Separate Breakdown in this Section)	
3	4691000268	1	Pin	
4	3760133	2	Ring, Retaining	
5	3062000015	1	Bar, Body Guide (LH)	
6	3062000014	1	Bar, Body Guide (RH)	
7	4209000204	4	Bushing	
8	3905000010	1	Mount, Trunnion	
9	4497000368	2	Gusset, Trunnion	
10	1001188206	2	Pin	
11	4691000348	2	Pin	
12	4831000079	AR	Spacer 1/2	
13	4831000083	AR	Spacer 1/4	
14	4831000084	AR	Spacer 1/8	
15	4178000308	1	Bracket	
16	4679000166	1	Pad	
17	4706003033	1	Plate	
18	7660182601	2	Nut 1/2	
19	1001167764	2	Tilt Cylinder Assembly (See Separate Breakdown in this Section)	
20	1001188141	2	Pin	
21	0641612	4	Bolt 3/8 x 1-1/2	
24	3178000288	1	Bracket, LH	
25	3178000289	1	Bracket, RH	
26	0652016	12	Bolt 5/8 x 2	
27	7660202347	20	Nut 5/8	
28	4017001093	2	Angle	
29	0651816	12	Bolt 1/2 x 2	
30	7660182333	12	Nut 1/2	
31	4891800	12	Washer 1/2	
32	3558000008	1	Hold Down	
33	0641624	2	Bolt 3/8 x 3	
34	4679000194	2	Pad, Wear	
35	7790152056	8	Screw 5/16 x 1-1/4	
36	7259000015	1	Hold Down Shoe, LH	
37	7259000016	1	Hold Down Shoe, RH	
38	4017001271	2	Angle	
39	4706003025	1	Plate, LH	
40	4706003026	1	Plate, RH	
41	4706003027	2	Plate	
42	7105202050	4	Bolt 5/8 x 2-1/2	
43	7105201250	2	Bolt 5/8 x 1-1/2	
46	3300492	6	Nut 3/8	
47	7105202250	8	Bolt 5/8 x 2-3/4	
49	4892000	12	Washer 5/8	
50	1001133706	1	Plate, Tray	
51	7114100810	4	Screw #10 x 1	
52	3300455	4	Nut #10	
53	4751300	8	Washer 3/16	
54	7274000046	2	Clamp, Retaining	

SECTION 1 - SUBFRAME

ITEM	PART NUMBER	QTY	DESCRIPTION	REV
55	3841143	4	Keeper, Shaft	
56	3020039	AR	Lubricant	
57	1001173949	1	Lightbox and Cover Installation (See Separate Breakdown in this Section)	

SECTION 1 - SUBFRAME

FIGURE 1-3. SUBFRAME INSTALLATION (24FT DECK) (WITH WHEEL WELLS)



ART_2868000124

SECTION 1 - SUBFRAME

FIGURE 1-3. SUBFRAME INSTALLATION (24FT DECK) (WITH WHEEL WELLS)

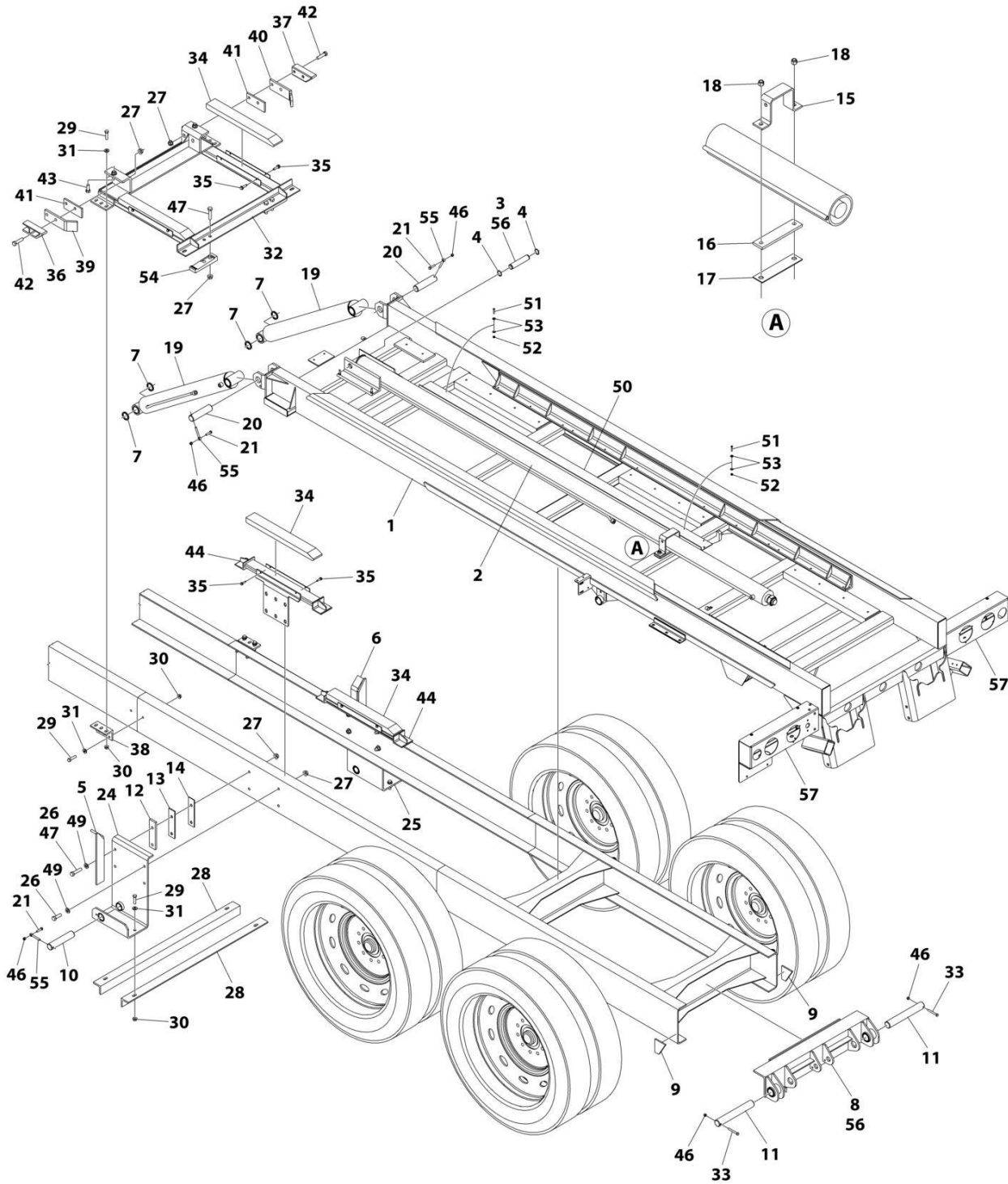
ITEM	PART NUMBER	QTY	DESCRIPTION	REV
	2868000124	Ref	SUBFRAME INSTALLATION (24FT DECK) (WITH WHEEL WELLS)	K
1	1001178190	1	Sub-Frame	
2	1001167763	1	Roll Cylinder Assembly (See Separate Breakdown in this Section)	
3	4691000268	1	Pin	
4	3760133	2	Ring, Retaining	
5	3062000015	1	Bar, Body Guide (LH)	
6	3062000014	1	Bar, Body Guide (RH)	
7	4209000204	4	Bushing	
8	3905000010	1	Mount, Trunnion	
9	4497000368	2	Gusset, Trunnion	
10	1001188206	2	Pin	
11	4691000348	2	Pin	
12	4831000079	AR	Spacer 1/2	
13	4831000083	AR	Spacer 1/4	
14	4831000084	AR	Spacer 1/8	
15	4178000308	1	Bracket	
16	4679000166	1	Pad	
17	4706003033	1	Plate	
18	7660182601	2	Nut 1/2	
19	1001167771	2	Tilt Cylinder Assembly (See Separate Breakdown in this Section)	
20	1001188141	2	Pin	
21	0641612	4	Bolt 3/8 x 1-1/2	
24	3178000288	1	Bracket, LH	
25	3178000289	1	Bracket, RH	
26	0652016	12	Bolt 5/8 x 2	
27	7660202347	20	Nut 5/8	
28	4017001093	2	Angle	
29	0651816	12	Bolt 1/2 x 2	
30	7660182333	12	Nut 1/2	
31	4891800	12	Washer 1/2	
32	3558000008	1	Hold Down	
33	0641624	2	Bolt 3/8 x 3	
34	4679000194	2	Pad, Wear	
35	7790152056	8	Screw 5/16 x 1-1/4	
36	7259000015	1	Hold Down Shoe, LH	
37	7259000016	1	Hold Down Shoe, RH	
38	4017001271	2	Angle	
39	4706003025	1	Plate, LH	
40	4706003026	1	Plate, RH	
41	4706003027	2	Plate	
42	7105202050	4	Bolt 5/8 x 2-1/2	
43	7105201250	2	Bolt 5/8 x 1-1/2	
46	3300492	6	Nut 3/8	
47	7105202250	8	Bolt 5/8 x 2-3/4	
49	4892000	12	Washer 5/8	
50	1001133706	1	Plate, Tray	
51	7114100810	4	Screw #10 x 1	
52	3300455	4	Nut #10	
53	4751300	8	Washer 3/16	
58	7274000046	2	Clamp, Retaining	

SECTION 1 - SUBFRAME

ITEM	PART NUMBER	QTY	DESCRIPTION	REV
59	3841143	4	Keeper, Shaft	
60	3020039	AR	Lubricant	
61	1001173948	1	Lightbox and Cover Installation (See Separate Breakdown in this Section)	

SECTION 1 - SUBFRAME

FIGURE 1-4. SUBFRAME INSTALLATION (26FT DECK)



ART_2868000122

SECTION 1 - SUBFRAME

FIGURE 1-4. SUBFRAME INSTALLATION (26FT DECK)

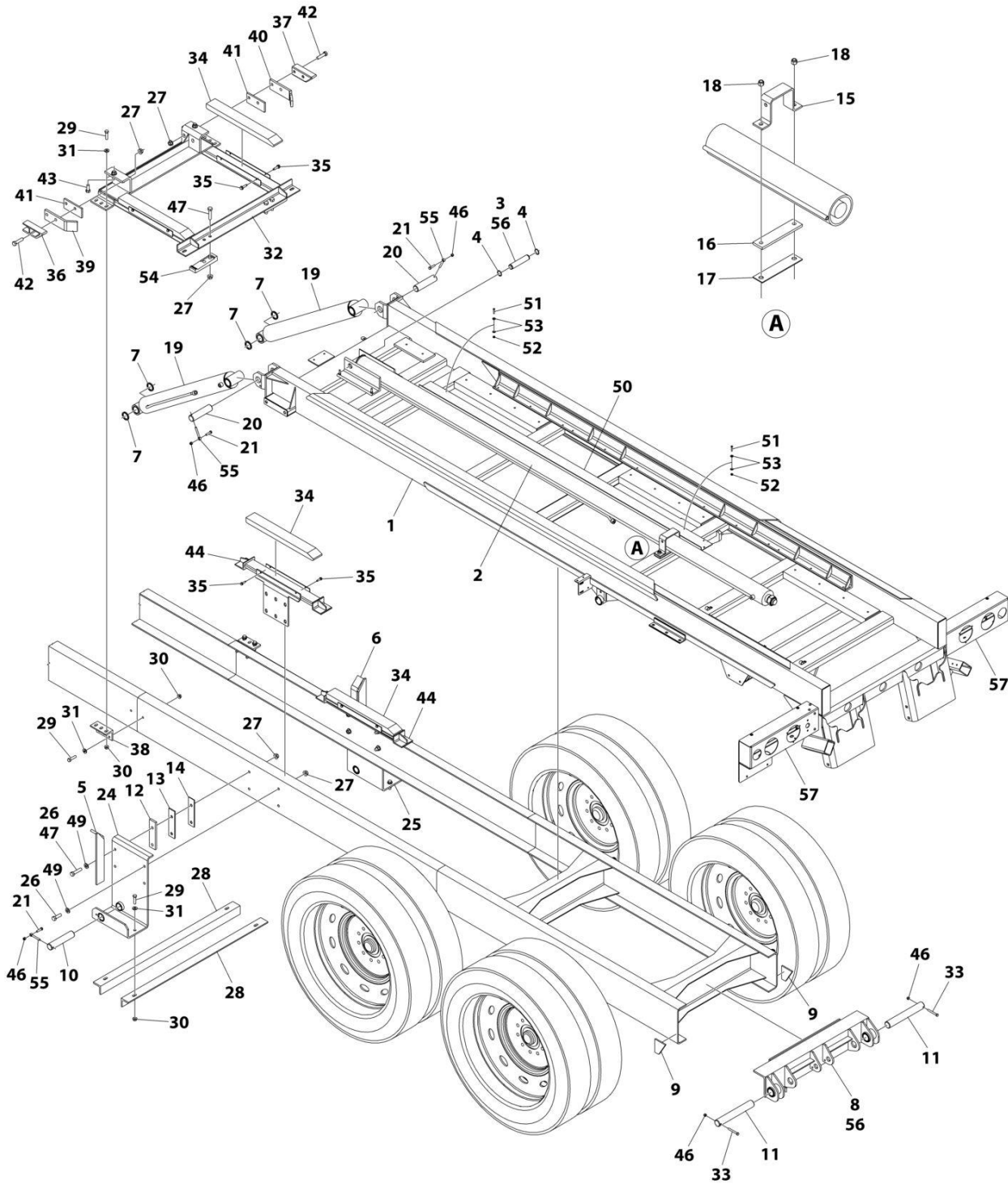
ITEM	PART NUMBER	QTY	DESCRIPTION	REV
	2868000122	Ref	SUBFRAME INSTALLATION (26FT DECK)	J
1	1001178188	1	Sub-Frame	
2	1001167763	1	Roll Cylinder Assembly (See Separate Breakdown in this Section)	
3	4691000268	1	Pin	
4	3760133	2	Ring, Retaining	
5	3062000015	1	Bar, Body Guide (LH)	
6	3062000014	1	Bar, Body Guide (RH)	
7	4209000204	4	Bushing	
8	3905000010	1	Mount, Trunnion	
9	4497000368	2	Gusset, Trunnion	
10	1001188206	2	Pin	
11	4691000348	2	Pin	
12	4831000079	AR	Spacer 1/2	
13	4831000083	AR	Spacer 1/4	
14	4831000084	AR	Spacer 1/8	
15	4178000308	1	Bracket	
16	4679000166	1	Pad	
17	4706003033	1	Plate	
18	7660182601	2	Nut 1/2	
19	1001167764	2	Tilt Cylinder Assembly (See Separate Breakdown in this Section)	
20	1001188141	2	Pin	
21	0641612	4	Bolt 3/8 x 1-1/2	
24	3178000288	1	Bracket, LH	
25	3178000289	1	Bracket, RH	
26	0652016	16	Bolt 5/8 x 2	
27	7660202347	24	Nut 5/8	
28	4017001093	2	Angle	
29	0651816	12	Bolt 1/2 x 2	
30	7660182333	12	Nut 1/2	
31	4891800	12	Washer 1/2	
32	3558000008	1	Hold Down, Primary	
33	0641624	2	Bolt 3/8 x 3	
34	4679000194	4	Pad, Wear	
35	7790152056	16	Screw 5/16 x 1-1/4	
36	7259000015	1	Hold Down Shoe, LH	
37	7259000016	1	Hold Down Shoe, RH	
38	4017001271	2	Angle	
39	4706003025	1	Plate, LH	
40	4706003026	1	Plate, RH	
41	4706003027	2	Plate	
42	7105202050	4	Bolt 5/8 x 2-1/2	
43	7105201250	2	Bolt 5/8 x 1-1/2	
44	3558000018	2	Hold Down, Secondary	
46	3300492	6	Nut 3/8	
47	7105202250	8	Bolt 5/8 x 2-3/4	
49	4892000	16	Washer 5/8	
50	1001133706	1	Plate, Tray	
51	7114100810	4	Screw #10 x 1	
52	3300455	4	Nut #10	
53	4751300	8	Washer 3/16	

SECTION 1 - SUBFRAME

ITEM	PART NUMBER	QTY	DESCRIPTION	REV
54	7274000046	2	Clamp, Retaining	
55	3841143	4	Keeper, Shaft	
56	3020039	AR	Lubricant	
57	1001173948	1	Lightbox and Cover Installation (See Separate Breakdown in this Section)	

SECTION 1 - SUBFRAME

FIGURE 1-5. SUBFRAME INSTALLATION (26FT DECK) (GALVINIZED)



ART_1001136408

SECTION 1 - SUBFRAME

FIGURE 1-5. SUBFRAME INSTALLATION (26FT DECK) (GALVINIZED)

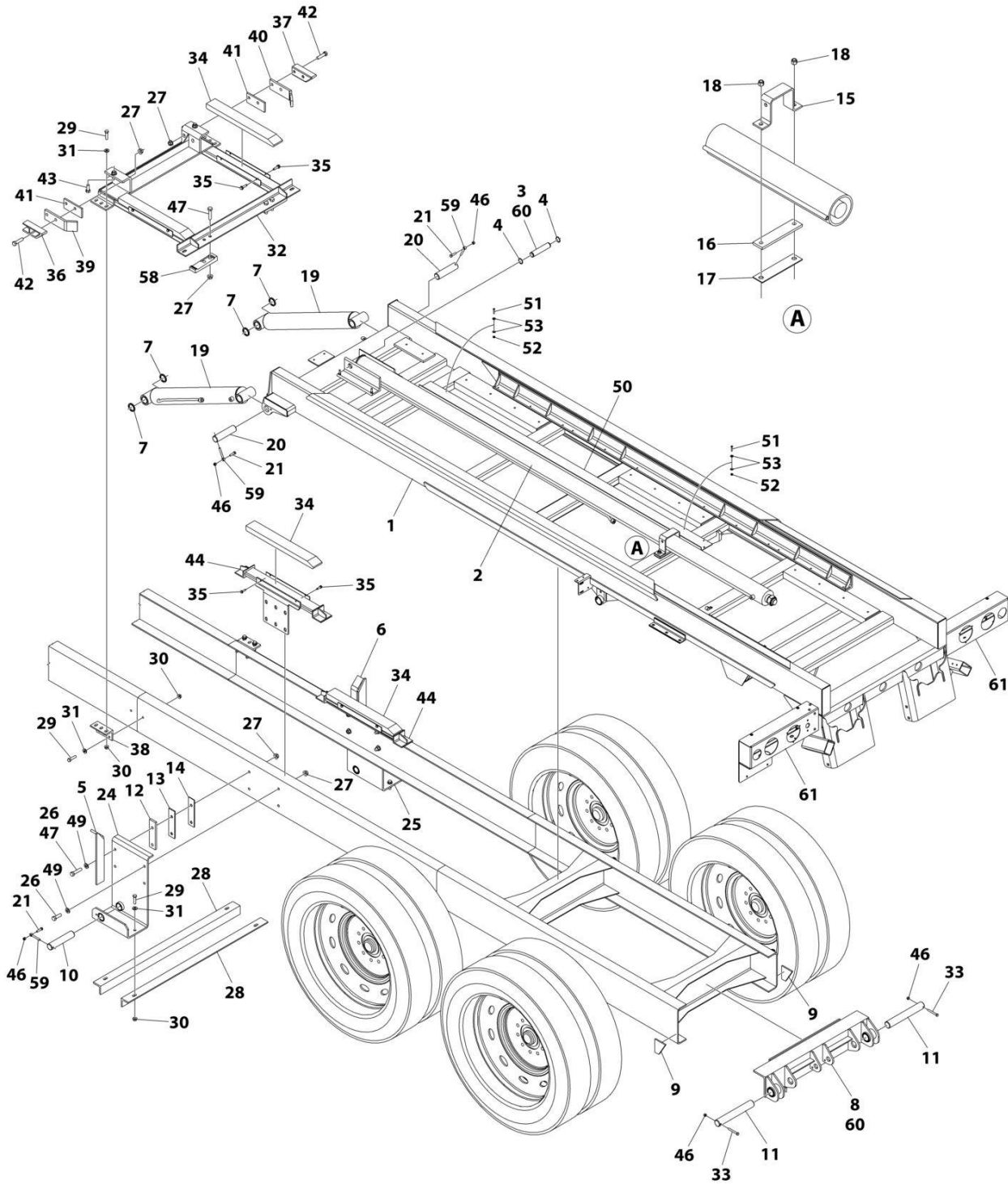
ITEM	PART NUMBER	QTY	DESCRIPTION	REV
	1001136408	Ref	SUBFRAME INSTALLATION (26FT DECK) (GALVINIZED)	G
1	1001178189	1	Sub-Frame	
2	1001167763	1	Roll Cylinder Assembly (See Separate Breakdown in this Section)	
3	4691000268	1	Pin	
4	3760133	2	Ring, Retaining	
5	3062000015	1	Bar, Body Guide (LH)	
6	3062000014	1	Bar, Body Guide (RH)	
7	4209000204	4	Bushing	
8	3905000010	1	Mount, Trunnion	
9	4497000368	2	Gusset, Trunnion	
10	1001188206	2	Pin	
11	4691000348	2	Pin	
12	4831000079	AR	Spacer 1/2	
13	4831000083	AR	Spacer 1/4	
14	4831000084	AR	Spacer 1/8	
15	4178000308	1	Bracket	
16	4679000166	1	Pad	
17	4706003033	1	Plate	
18	7660182601	2	Nut 1/2	
19	1001167764	2	Tilt Cylinder Assembly (See Separate Breakdown in this Section)	
20	1001188141	2	Pin	
21	0641612	4	Bolt 3/8 x 1-1/2	
24	3178000288	1	Bracket, LH	
25	3178000289	1	Bracket, RH	
26	0652016	16	Bolt 5/8 x 2	
27	7660202347	24	Nut 5/8	
28	4017001093	2	Angle	
29	0651816	12	Bolt 1/2 x 2	
30	7660182333	12	Nut 1/2	
31	4891800	12	Washer 1/2	
32	3558000008	1	Hold Down, Primary	
33	0641624	2	Bolt 3/8 x 3	
34	4679000194	4	Pad, Wear	
35	7790152056	16	Screw 5/16 x 1-1/4	
36	7259000015	1	Hold Down Shoe, LH	
37	7259000016	1	Hold Down Shoe, RH	
38	4017001271	2	Angle	
39	4706003025	1	Plate, LH	
40	4706003026	1	Plate, RH	
41	4706003027	2	Plate	
42	7105202050	4	Bolt 5/8 x 2-1/2	
43	7105201250	2	Bolt 5/8 x 1-1/2	
44	3558000018	2	Hold Down, Secondary	
46	3300492	6	Nut 3/8	
47	7105202250	8	Bolt 5/8 x 2-3/4	
49	4892000	16	Washer 5/8	
50	1001133706	1	Plate, Tray	
51	7114100810	4	Screw #10 x 1	
52	3300455	4	Nut #10	
53	4751300	8	Washer 3/16	

SECTION 1 - SUBFRAME

ITEM	PART NUMBER	QTY	DESCRIPTION	REV
54	7274000046	2	Clamp, Retaining	
55	3841143	4	Keeper, Shaft	
56	3020039	AR	Lubricant	
57	1001173949	1	Lightbox and Cover Installation (See Separate Breakdown in this Section)	

SECTION 1 - SUBFRAME

FIGURE 1-6. SUBFRAME INSTALLATION (26FT DECK) (WITH WHEEL WELLS)



ART_2868000125

SECTION 1 - SUBFRAME

FIGURE 1-6. SUBFRAME INSTALLATION (26FT DECK) (WITH WHEEL WELLS)

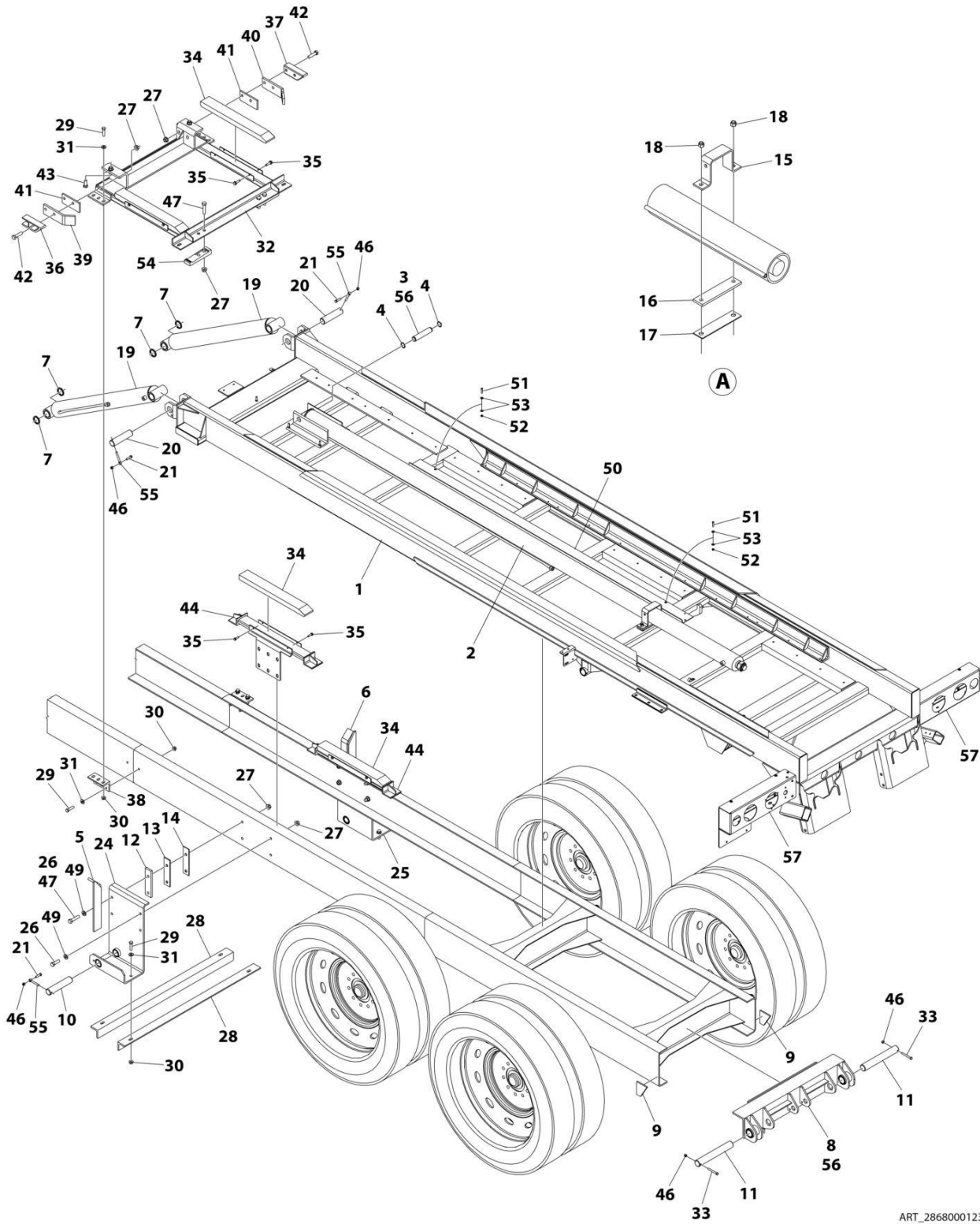
ITEM	PART NUMBER	QTY	DESCRIPTION	REV
	2868000125	Ref	SUBFRAME INSTALLATION (26FT DECK) (WITH WHEEL WELLS)	K
1	1001178190	1	Sub-Frame	
2	1001167763	1	Roll Cylinder Assembly (See Separate Breakdown in this Section)	
3	4691000268	1	Pin	
4	3760133	2	Ring, Retaining	
5	3062000015	1	Bar, Body Guide (LH)	
6	3062000014	1	Bar, Body Guide (RH)	
7	4209000204	4	Bushing	
8	3905000010	1	Mount, Trunnion	
9	4497000368	2	Gusset, Trunnion	
10	1001188206	2	Pin	
11	4691000348	2	Pin	
12	4831000079	AR	Spacer 1/2	
13	4831000083	AR	Spacer 1/4	
14	4831000084	AR	Spacer 1/8	
15	4178000308	1	Bracket	
16	4679000166	1	Pad	
17	4706003033	1	Plate	
18	7660182601	2	Nut 1/2	
19	1001167771	2	Tilt Cylinder Assembly (See Separate Breakdown in this Section)	
20	1001188141	2	Pin	
21	0641612	4	Bolt 3/8 x 1-1/2	
24	3178000288	1	Bracket, LH	
25	3178000289	1	Bracket, RH	
26	0652016	16	Bolt 5/8 x 2	
27	7660202347	24	Nut 5/8	
28	4017001093	2	Angle	
29	0651816	12	Bolt 1/2 x 2	
30	7660182333	12	Nut 1/2	
31	4891800	12	Washer 1/2	
32	3558000008	1	Hold Down, Primary	
33	0641624	2	Bolt 3/8 x 3	
34	4679000194	4	Pad, Wear	
35	7790152056	16	Screw 5/16 x 1-1/4	
36	7259000015	1	Hold Down Shoe, LH	
37	7259000016	1	Hold Down Shoe, RH	
38	4017001271	2	Angle	
39	4706003025	1	Plate, LH	
40	4706003026	1	Plate, RH	
41	4706003027	2	Plate	
42	7105202050	4	Bolt 5/8 x 2-1/2	
43	7105201250	2	Bolt 5/8 x 1-1/2	
44	3558000018	2	Hold Down, Secondary	
46	3300492	6	Nut 3/8	
47	7105202250	8	Bolt 5/8 x 2-3/4	
49	4892000	16	Washer 5/8	
50	1001133706	1	Plate, Tray	
51	7114100810	4	Screw #10 x 1	
52	3300455	4	Nut #10	
53	4751300	8	Washer 3/16	

SECTION 1 - SUBFRAME

ITEM	PART NUMBER	QTY	DESCRIPTION	REV
58	7274000046	2	Clamp, Retaining	
59	3841143	4	Keeper, Shaft	
60	3020039	AR	Lubricant	
61	1001173948	1	Lightbox and Cover Installation (See Separate Breakdown in this Section)	

SECTION 1 - SUBFRAME

FIGURE 1-7. SUBFRAME INSTALLATION (28FT-30FT DECK)



ART_2868000123

SECTION 1 - SUBFRAME

FIGURE 1-7. SUBFRAME INSTALLATION (28FT-30FT DECK)

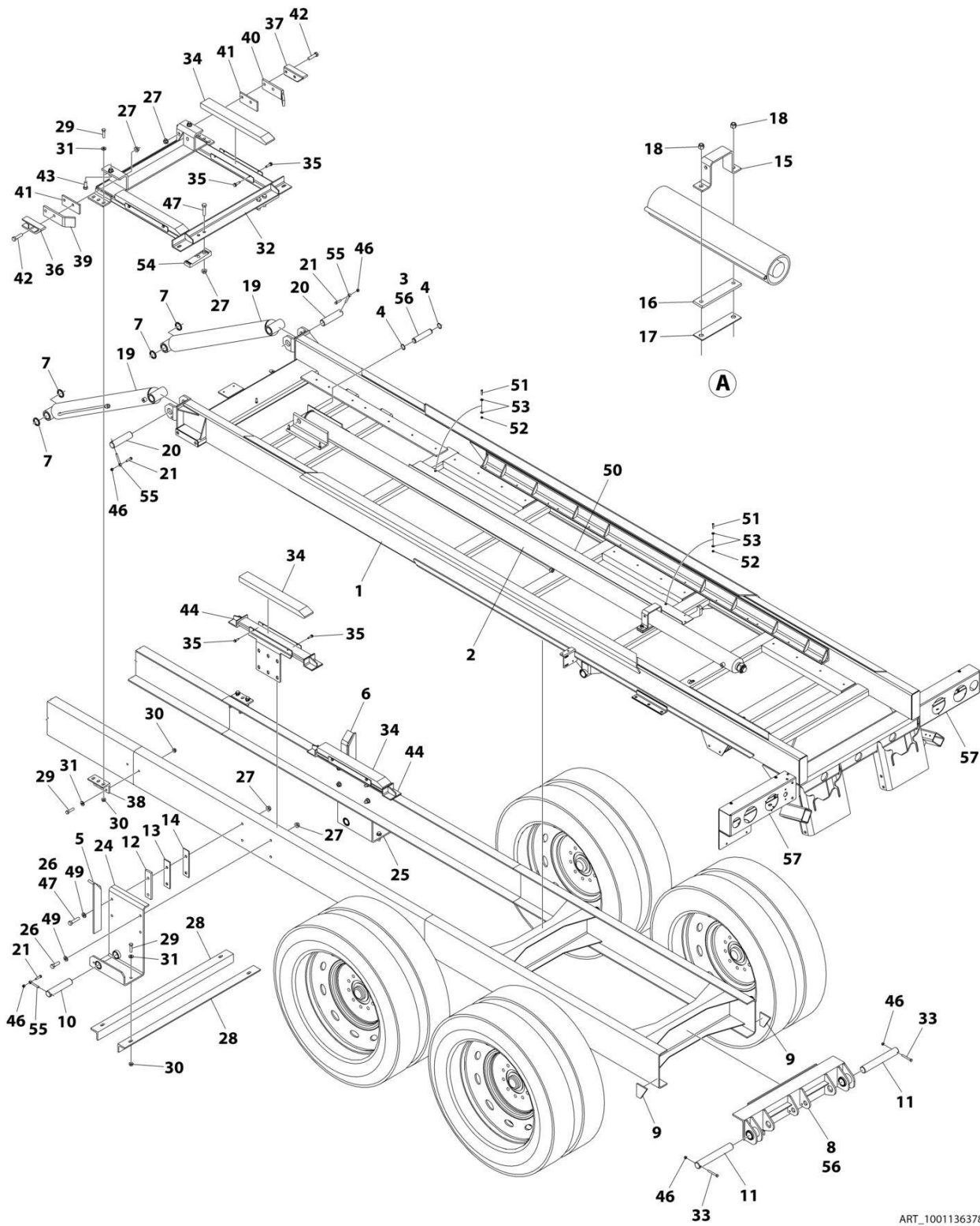
ITEM	PART NUMBER	QTY	DESCRIPTION	REV
	2868000123	Ref	SUBFRAME INSTALLATION (28FT-30FT DECK)	J
1	1001178191	1	Sub-Frame	
2	1001167770	1	Roll Cylinder Assembly (See Separate Breakdown in this Section)	
3	4691000268	1	Pin	
4	3760133	2	Ring, Retaining	
5	3062000015	1	Bar, Body Guide (LH)	
6	3062000014	1	Bar, Body Guide (RH)	
7	4209000204	4	Bushing	
8	3905000010	1	Mount, Trunnion	
9	4497000368	2	Gusset, Trunnion	
10	1001188206	2	Pin	
11	4691000348	2	Pin	
12	4831000079	AR	Spacer 1/2	
13	4831000083	AR	Spacer 1/4	
14	4831000084	AR	Spacer 1/8	
15	4178000308	1	Bracket	
16	4679000166	1	Pad	
17	4706003033	1	Plate	
18	7660182601	2	Nut 1/2	
19	1001167772	2	Tilt Cylinder Assembly (See Separate Breakdown in this Section)	
20	1001188141	2	Pin	
21	0641612	4	Bolt 3/8 x 1-1/2	
24	3178000288	1	Bracket, LH	
25	3178000289	1	Bracket, RH	
26	0652016	16	Bolt 5/8 x 2	
27	7660202347	24	Nut 5/8	
28	4017001093	2	Angle	
29	0651816	12	Bolt 1/2 x 2	
30	7660182333	12	Nut 1/2	
31	4891800	12	Washer 1/2	
32	3558000008	1	Hold Down, Primary	
33	0641624	2	Bolt 3/8 x 3	
34	4679000194	4	Pad, Wear	
35	7790152056	16	Screw 5/16 x 1-1/4	
36	7259000015	1	Hold Down Shoe, LH	
37	7259000016	1	Hold Down Shoe, RH	
38	4017001271	2	Angle	
39	4706003025	1	Plate, LH	
40	4706003026	1	Plate, RH	
41	4706003027	2	Plate	
42	7105202050	4	Bolt 5/8 x 2-1/2	
43	7105201250	2	Bolt 5/8 x 1-1/2	
44	3558000018	2	Hold Down, Secondary	
46	3300492	6	Nut 3/8	
47	7105202250	8	Bolt 5/8 x 2-3/4	
49	4892000	16	Washer 5/8	
50	1001133706	1	Plate, Tray	
51	7114100810	4	Screw #10 x 1	
52	3300455	4	Nut #10	
53	4751300	8	Washer 3/16	

SECTION 1 - SUBFRAME

ITEM	PART NUMBER	QTY	DESCRIPTION	REV
54	7274000046	2	Clamp, Retaining	
55	3841143	4	Keeper, Shaft	
56	3020039	AR	Lubricant	
57	1001173948	1	Lightbox and Cover Installation (See Separate Breakdown in this Section)	

SECTION 1 - SUBFRAME

FIGURE 1-8. SUBFRAME INSTALLATION (28FT-30FT DECK) (GALVINIZED)



ART_1001136378

SECTION 1 - SUBFRAME

FIGURE 1-8. SUBFRAME INSTALLATION (28FT-30FT DECK) (GALVINIZED)

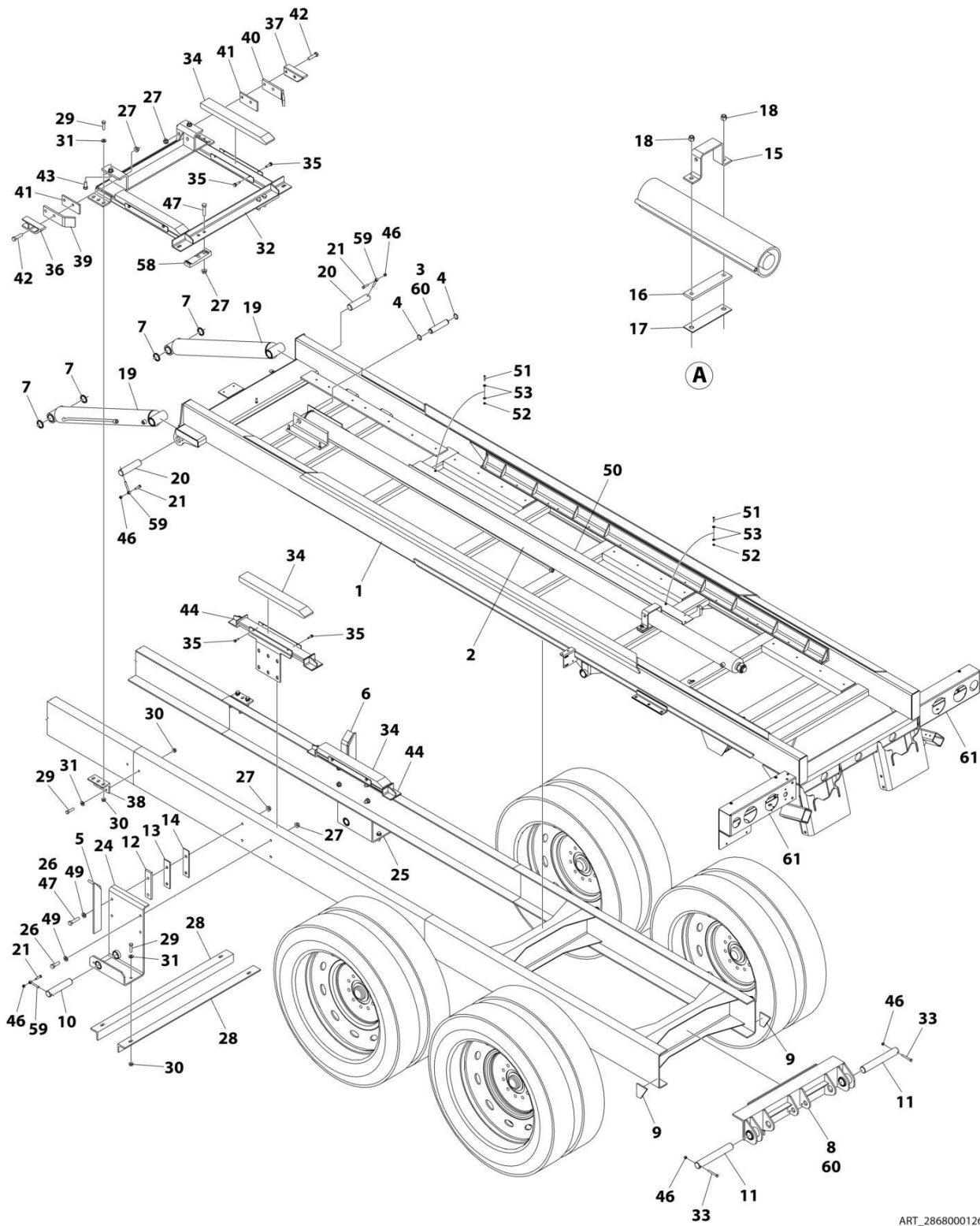
ITEM	PART NUMBER	QTY	DESCRIPTION	REV
	1001136378	Ref	SUBFRAME INSTALLATION (28FT-30FT DECK) (GALVINIZED)	G
1	1001178192	1	Sub-Frame	
2	1001167770	1	Roll Cylinder Assembly (See Separate Breakdown in this Section)	
3	4691000268	1	Pin	
4	3760133	2	Ring, Retaining	
5	3062000015	1	Bar, Body Guide (LH)	
6	3062000014	1	Bar, Body Guide (RH)	
7	4209000204	4	Bushing	
8	3905000010	1	Mount, Trunnion	
9	4497000368	2	Gusset, Trunnion	
10	1001188206	2	Pin	
11	4691000348	2	Pin	
12	4831000079	AR	Spacer 1/2	
13	4831000083	AR	Spacer 1/4	
14	4831000084	AR	Spacer 1/8	
15	4178000308	1	Bracket	
16	4679000166	1	Pad	
17	4706003033	1	Plate	
18	7660182601	2	Nut 1/2	
19	1001167772	2	Tilt Cylinder Assembly (See Separate Breakdown in this Section)	
20	1001188141	2	Pin	
21	0641612	4	Bolt 3/8 x 1-1/2	
24	3178000288	1	Bracket, LH	
25	3178000289	1	Bracket, RH	
26	0652016	16	Bolt 5/8 x 2	
27	7660202347	24	Nut 5/8	
28	4017001093	2	Angle	
29	0651816	12	Bolt 1/2 x 2	
30	7660182333	12	Nut 1/2	
31	4891800	12	Washer 1/2	
32	3558000008	1	Hold Down, Primary	
33	0641624	2	Bolt 3/8 x 3	
34	4679000194	4	Pad, Wear	
35	7790152056	16	Screw 5/16 x 1-1/4	
36	7259000015	1	Hold Down Shoe, LH	
37	7259000016	1	Hold Down Shoe, RH	
38	4017001271	2	Angle	
39	4706003025	1	Plate, LH	
40	4706003026	1	Plate, RH	
41	4706003027	2	Plate	
42	7105202050	4	Bolt 5/8 x 2-1/2	
43	7105201250	2	Bolt 5/8 x 1-1/2	
44	3558000018	2	Hold Down, Secondary	
46	3300492	6	Nut 3/8	
47	7105202250	8	Bolt 5/8 x 2-3/4	
49	4892000	16	Washer 5/8	
50	1001133706	1	Plate, Tray	
51	7114100810	4	Screw #10 x 1	
52	3300455	4	Nut #10	
53	4751300	8	Washer 3/16	

SECTION 1 - SUBFRAME

ITEM	PART NUMBER	QTY	DESCRIPTION	REV
54	7274000046	2	Clamp, Retaining	
55	3841143	4	Keeper, Shaft	
56	3020039	AR	Lubricant	
57	1001173949	1	Lightbox and Cover Installation (See Separate Breakdown in this Section)	

SECTION 1 - SUBFRAME

FIGURE 1-9. SUBFRAME INSTALLATION (28FT-30FT DECK) (WITH WHEEL WELLS)



ART_2868000126

SECTION 1 - SUBFRAME

FIGURE 1-9. SUBFRAME INSTALLATION (28FT-30FT DECK) (WITH WHEEL WELLS)

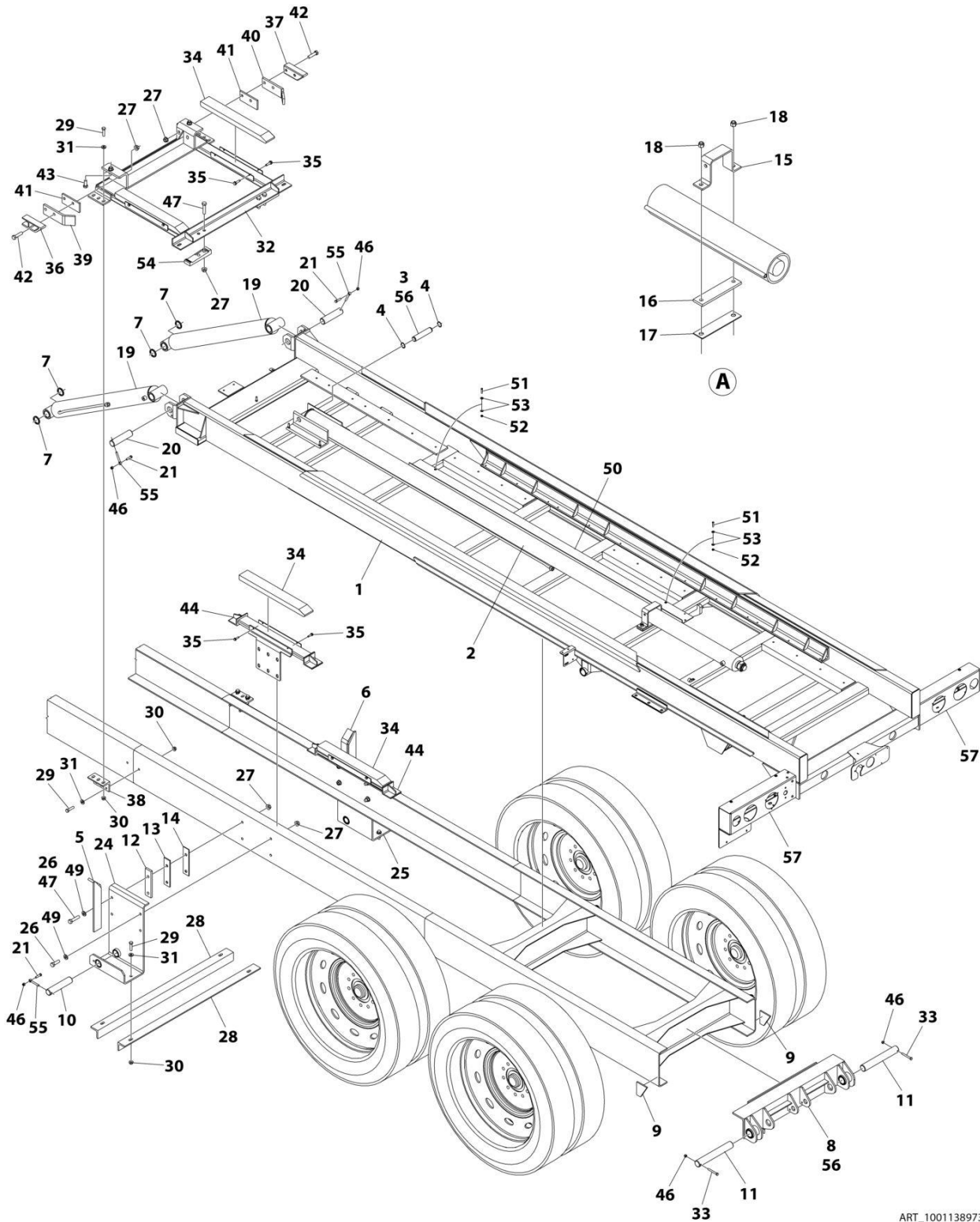
ITEM	PART NUMBER	QTY	DESCRIPTION	REV
	2868000126	Ref	SUBFRAME INSTALLATION (28FT-30FT DECK) (WITH WHEEL WELLS)	K
1	1001178193	1	Sub-Frame	
2	1001167770	1	Roll Cylinder Assembly (See Separate Breakdown in this Section)	
3	4691000268	1	Pin	
4	3760133	2	Ring, Retaining	
5	3062000015	1	Bar, Body Guide (LH)	
6	3062000014	1	Bar, Body Guide (RH)	
7	4209000204	4	Bushing	
8	3905000010	1	Mount, Trunnion	
9	4497000368	2	Gusset, Trunnion	
10	1001188206	2	Pin	
11	4691000348	2	Pin	
12	4831000079	AR	Spacer 1/2	
13	4831000083	AR	Spacer 1/4	
14	4831000084	AR	Spacer 1/8	
15	4178000308	1	Bracket	
16	4679000166	1	Pad	
17	4706003033	1	Plate	
18	7660182601	2	Nut 1/2	
19	1001167764	2	Tilt Cylinder Assembly (See Separate Breakdown in this Section)	
20	1001188141	2	Pin	
21	0641612	4	Bolt 3/8 x 1-1/2	
24	3178000288	1	Bracket, LH	
25	3178000289	1	Bracket, RH	
26	0652016	16	Bolt 5/8 x 2	
27	7660202347	24	Nut 5/8	
28	4017001093	2	Angle	
29	0651816	12	Bolt 1/2 x 2	
30	7660182333	12	Nut 1/2	
31	4891800	12	Washer 1/2	
32	3558000008	1	Hold Down, Primary	
33	0641624	2	Bolt 3/8 x 3	
34	4679000194	4	Pad, Wear	
35	7790152056	16	Screw 5/16 x 1-1/4	
36	7259000015	1	Hold Down Shoe, LH	
37	7259000016	1	Hold Down Shoe, RH	
38	4017001271	2	Angle	
39	4706003025	1	Plate, LH	
40	4706003026	1	Plate, RH	
41	4706003027	2	Plate	
42	7105202050	4	Bolt 5/8 x 2-1/2	
43	7105201250	2	Bolt 5/8 x 1-1/2	
44	3558000018	2	Hold Down, Secondary	
46	3300492	6	Nut 3/8	
47	7105202250	8	Bolt 5/8 x 2-3/4	
49	4892000	16	Washer 5/8	
50	1001133706	1	Plate, Tray	
51	7114100810	4	Screw #10 x 1	
52	3300455	4	Nut #10	

SECTION 1 - SUBFRAME

ITEM	PART NUMBER	QTY	DESCRIPTION	REV
53	4751300	8	Washer 3/16	
58	7274000046	2	Clamp, Retaining	
59	3841143	4	Keeper, Shaft	
60	3020039	AR	Lubricant	
61	1001173948	1	Lightbox and Cover Installation (See Separate Breakdown in this Section)	

SECTION 1 - SUBFRAME

FIGURE 1-10. SUBFRAME INSTALLATION (28FT-30FT DECK) (SUNBELT SPECS) (SN 0220005217 through 0220015208)



ART_1001138973

SECTION 1 - SUBFRAME

FIGURE 1-10. SUBFRAME INSTALLATION (28FT-30FT DECK) (SUNBELT SPECS) (SN 0220005217 through 0220015208)

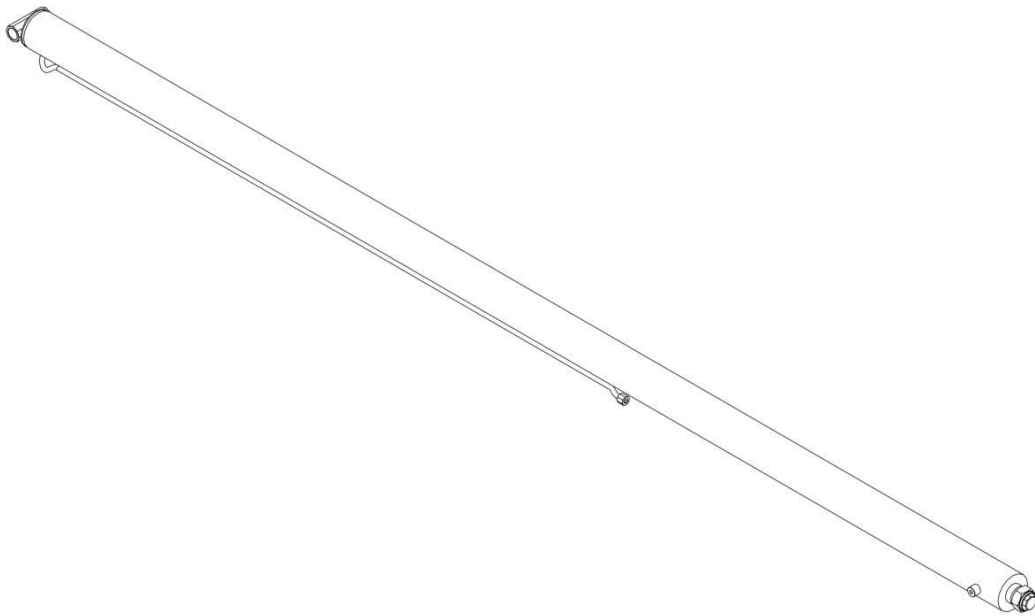
ITEM	PART NUMBER	QTY	DESCRIPTION	REV
	1001138973	Ref	SUBFRAME INSTALLATION (28FT-30FT DECK) (SUNBELT SPECS)	E
1	1001138974	1	Sub-Frame	
2	1001167770	1	Roll Cylinder Assembly (See Separate Breakdown in this Section)	
3	4691000268	1	Pin	
4	3760133	2	Ring, Retaining	
5	3062000015	1	Bar, Body Guide (LH)	
6	3062000014	1	Bar, Body Guide (RH)	
7	4209000204	4	Bushing	
8	3905000010	1	Mount, Trunnion	
9	4497000368	2	Gusset, Trunnion	
10	1001188206	2	Pin	
11	4691000348	2	Pin	
12	4831000079	AR	Spacer 1/2	
13	4831000083	AR	Spacer 1/4	
14	4831000084	AR	Spacer 1/8	
15	4178000308	1	Bracket	
16	4679000166	1	Pad	
17	4706003033	1	Plate	
18	7660182601	2	Nut 1/2	
19	1001167772	2	Tilt Cylinder Assembly (See Separate Breakdown in this Section)	
20	1001188141	2	Pin	
21	0641612	4	Bolt 3/8 x 1-1/2	
24	3178000288	1	Bracket, LH	
25	3178000289	1	Bracket, RH	
26	0652016	16	Bolt 5/8 x 2	
27	7660202347	24	Nut 5/8	
28	4017001093	2	Angle	
29	0651816	12	Bolt 1/2 x 2	
30	7660182333	12	Nut 1/2	
31	4891800	12	Washer 1/2	
32	3558000008	1	Hold Down, Primary	
33	0641624	2	Bolt 3/8 x 3	
34	4679000194	4	Pad, Wear	
35	7790152056	16	Screw 5/16 x 1-1/4	
36	7259000015	1	Hold Down Shoe, LH	
37	7259000016	1	Hold Down Shoe, RH	
38	4017001271	2	Angle	
39	4706003025	1	Plate, LH	
40	4706003026	1	Plate, RH	
41	4706003027	2	Plate	
42	7105202050	4	Bolt 5/8 x 2-1/2	
43	7105201250	2	Bolt 5/8 x 1-1/2	
44	3558000018	2	Hold Down, Secondary	
46	3300492	6	Nut 3/8	
47	7105202250	8	Bolt 5/8 x 2-3/4	
49	4892000	16	Washer 5/8	
50	1001133706	1	Plate, Tray	
51	7114100810	4	Screw #10 x 1	

SECTION 1 - SUBFRAME

ITEM	PART NUMBER	QTY	DESCRIPTION	REV
52	3300455	4	Nut #10	
53	4751300	8	Washer 3/16	
54	7274000046	2	Clamp, Retaining	
55	3841143	4	Keeper, Shaft	
56	3020039	AR	Lubricant	
57	1001173948	1	Lightbox and Cover Installation (See Separate Breakdown in this Section)	

SECTION 1 - SUBFRAME

FIGURE 1-11. CYLINDER ASSEMBLY - ROLL (24FT & 26FT DECKS)



ART_1001167763

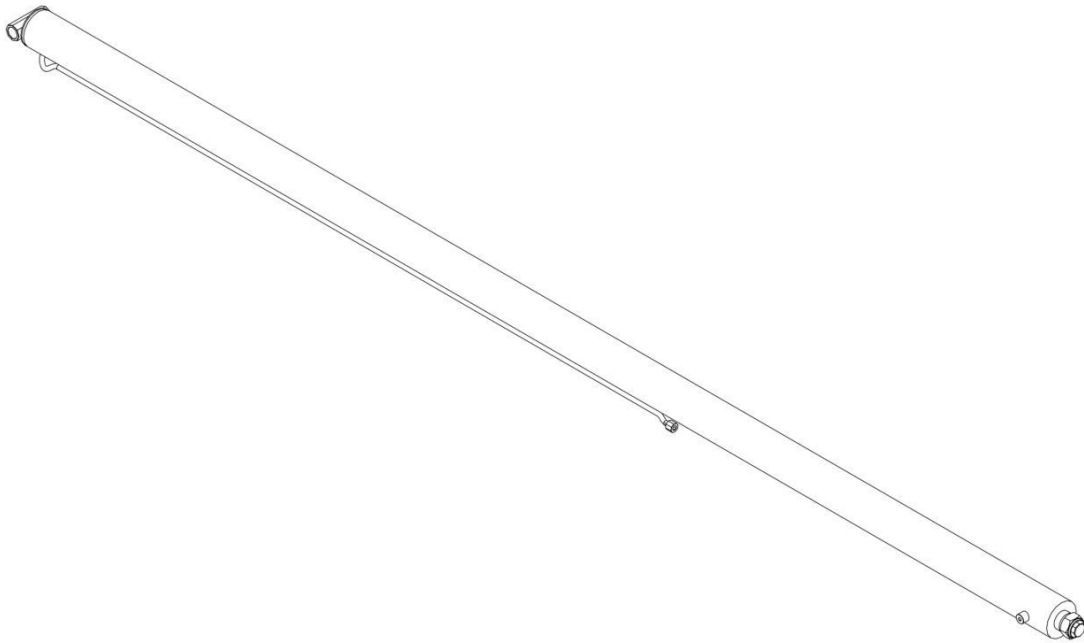
SECTION 1 - SUBFRAME

FIGURE 1-11. CYLINDER ASSEMBLY - ROLL (24FT & 26FT DECKS)

ITEM	PART NUMBER	QTY	DESCRIPTION	REV
	1001167763	Ref	CYLINDER ASSEMBLY - ROLL	C
		Ref	Note: Original Cylinder May Have Been Replaced with Service Replacement. Identify PN Stamped on Cylinder Before Ordering Parts.	
		Ref	Note: No Service Parts Available at Time of Printing.	

SECTION 1 - SUBFRAME

FIGURE 1-12. CYLINDER ASSEMBLY - ROLL (28FT & 30FT DECKS)



ART_1001167770

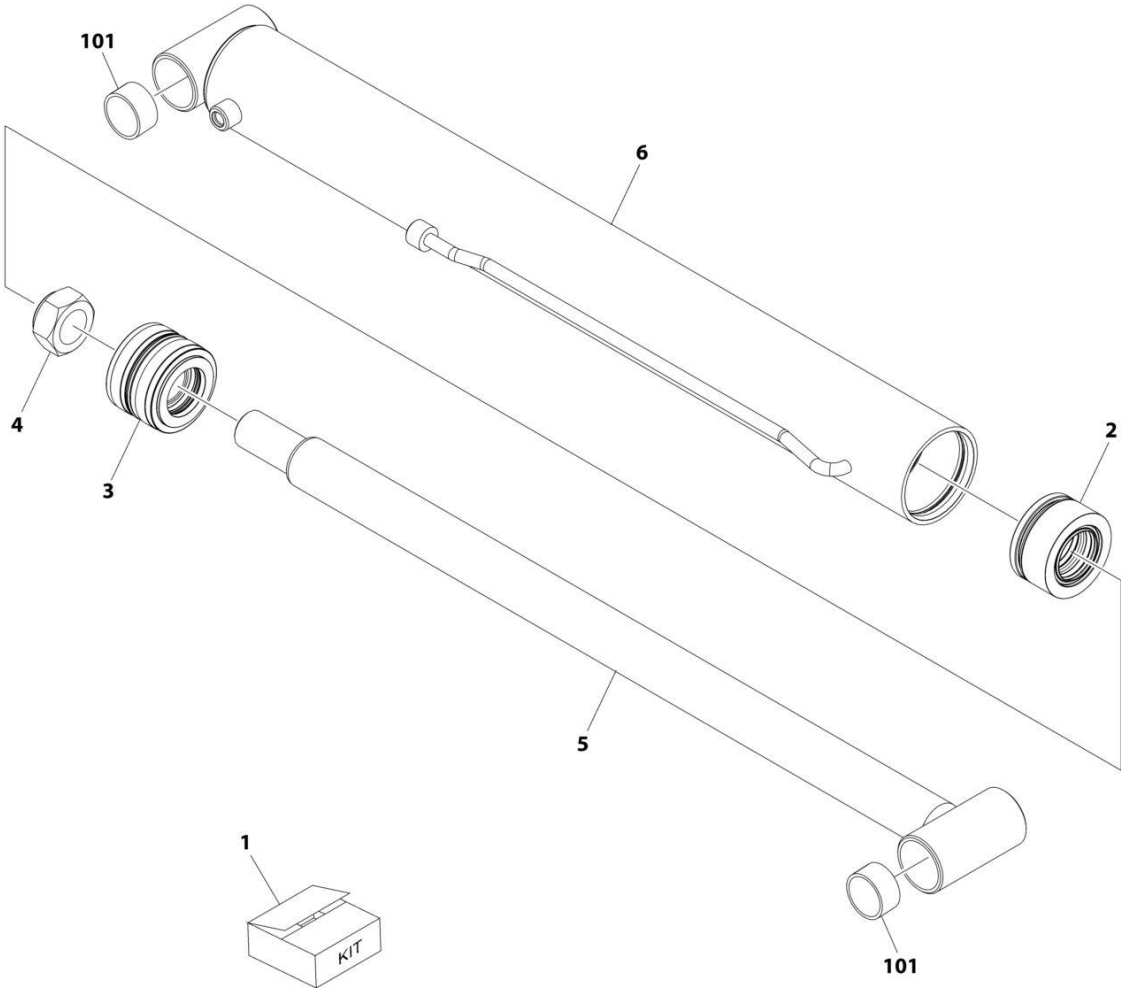
SECTION 1 - SUBFRAME

FIGURE 1-12. CYLINDER ASSEMBLY - ROLL (28FT & 30FT DECKS)

ITEM	PART NUMBER	QTY	DESCRIPTION	REV
	1001167770	Ref	CYLINDER ASSEMBLY - ROLL	B
		Ref	Note: Original Cylinder May Have Been Replaced with Service Replacement. Identify PN Stamped on Cylinder Before Ordering Parts.	
		Ref	Note: No Service Parts Available at Time of Printing.	

SECTION 1 - SUBFRAME

FIGURE 1-13. CYLINDER ASSEMBLY - TILT



ART_100116764

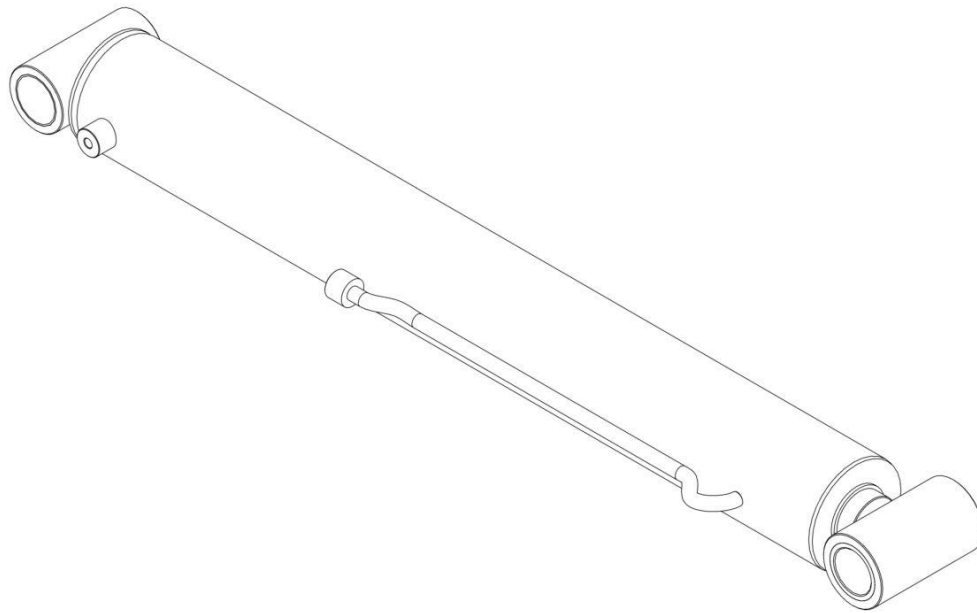
SECTION 1 - SUBFRAME

FIGURE 1-13. CYLINDER ASSEMBLY - TILT

ITEM	PART NUMBER	QTY	DESCRIPTION	REV
	1001167764	Ref	Tilt Cylinder Assembly	C
1	70051167	1	Kit, Seal	
2	70051170	1	Kit, Head	
3	70051171	1	Kit, Piston	
4	70051391	1	Rod End	
5	70051392	1	Rod	
6	70051393	1	Barrel	
101	7082000018	4	Bushing	

SECTION 1 - SUBFRAME

FIGURE 1-14. CYLINDER ASSEMBLY - TILT (24FT - 26FT DECK WITH WHEEL WELLS)



ART_1001167771

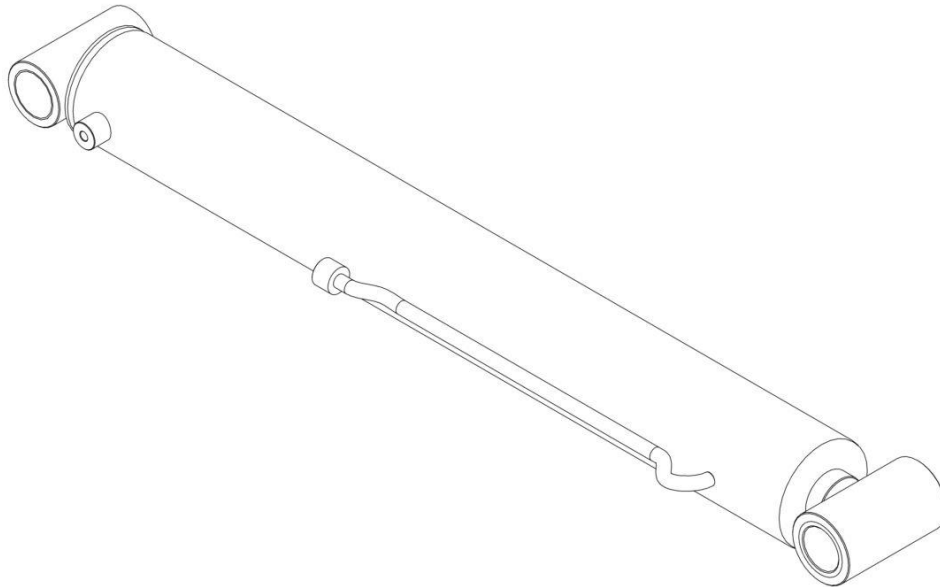
SECTION 1 - SUBFRAME

FIGURE 1-14. CYLINDER ASSEMBLY - TILT (24FT - 26FT DECK WITH WHEEL WELLS)

ITEM	PART NUMBER	QTY	DESCRIPTION	REV
	1001167771	Ref	CYLINDER ASSEMBLY - TILT	B
		Ref	Note: Original Cylinder May Have Been Replaced with Service Replacement. Identify PN Stamped on Cylinder Before Ordering Parts.	
		Ref	Note: No Service Parts Available at Time of Printing.	

SECTION 1 - SUBFRAME

FIGURE 1-15. CYLINDER ASSEMBLY - TILT (28FT - 30 FT DECK WITHOUT WHEEL WELLS)



ART_1001167772

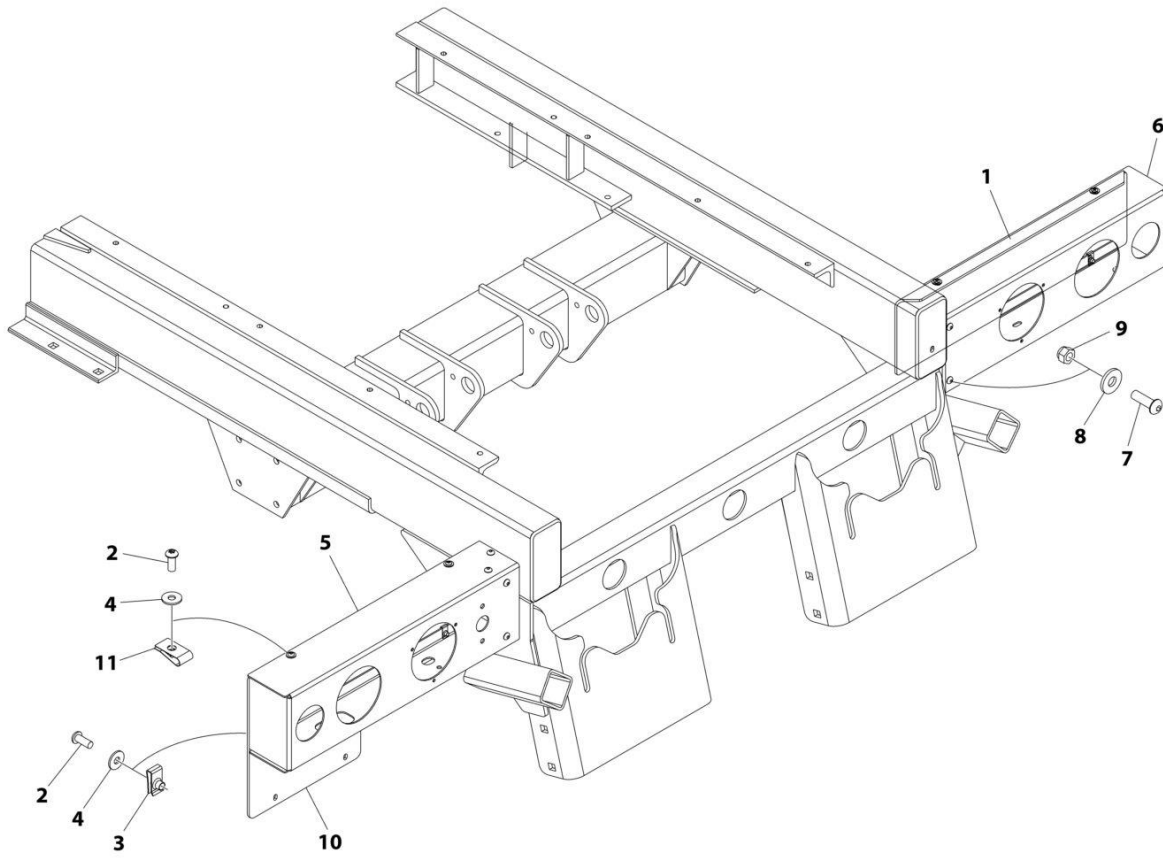
SECTION 1 - SUBFRAME

FIGURE 1-15. CYLINDER ASSEMBLY - TILT (28FT - 30 FT DECK WITHOUT WHEEL WELLS)

ITEM	PART NUMBER	QTY	DESCRIPTION	REV
	1001167772	Ref	CYLINDER ASSEMBLY - TILT	B
		Ref	Note: Original Cylinder May Have Been Replaced with Service Replacement. Identify PN Stamped on Cylinder Before Ordering Parts.	
		Ref	Note: No Service Parts Available at Time of Printing.	

SECTION 1 - SUBFRAME

FIGURE 1-16. LIGHTBOX AND COVER INSTALLATION - GALVANIZED



ART_1001173948

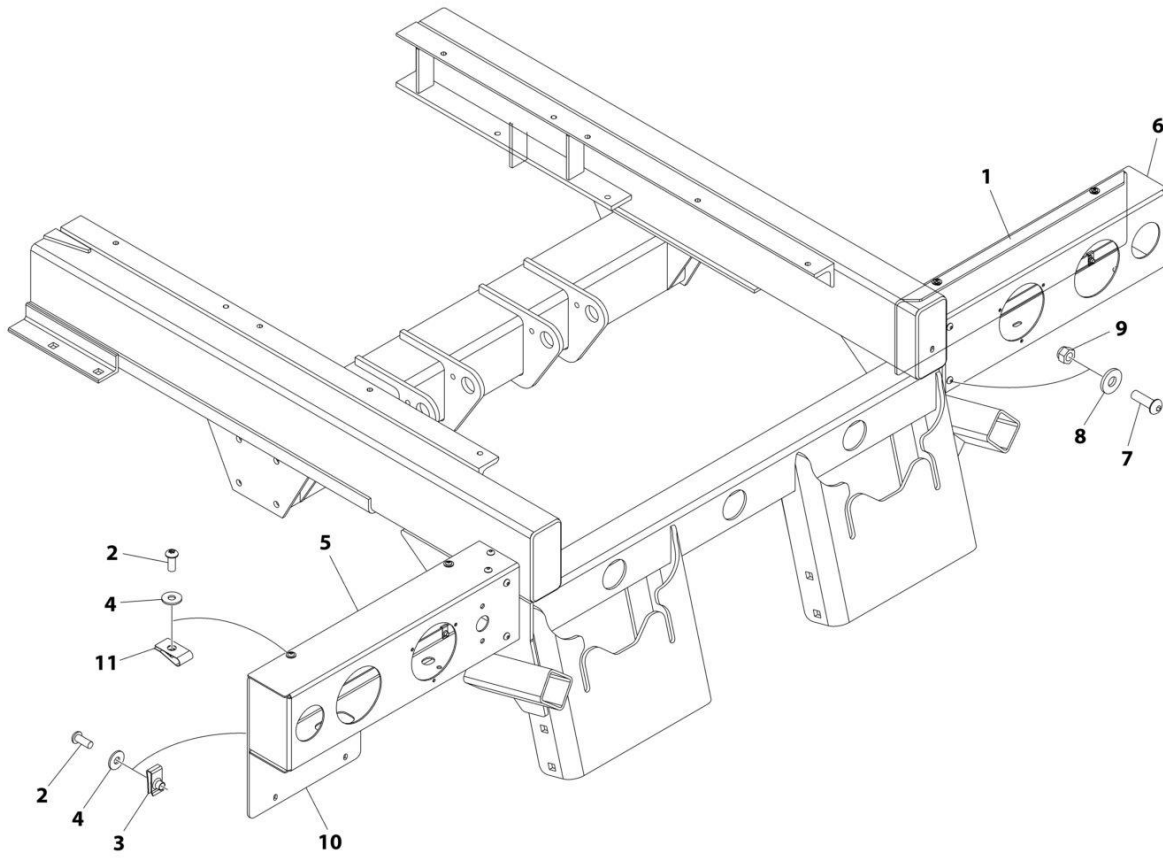
SECTION 1 - SUBFRAME

FIGURE 1-16. LIGHTBOX AND COVER INSTALLATION - GALVANIZED

ITEM	PART NUMBER	QTY	DESCRIPTION	REV
	1001173948	Ref	LIGHT BOX AND COVER INSTALLATION	B
1	1001188615	1	Cover, Light Box (RH)	
2	7114140529	8	Screw 1/4 x 5/8	
3	7661000042	4	U-Nut 1/4	
4	7949000023	8	Washer	
5	1001173945	1	Bracket, Light Box (LH)	
6	1001173944	1	Bracket, Light Box (RH)	
7	7114150818	8	Capscrew 3/8 x 1	
8	7950150153	8	Washer 3/8	
9	7660152601	8	Nut 3/8	
10	1001188616	1	Cover, Light Box (LH)	
11	7661000064	4	U-Nut 1/4	

SECTION 1 - SUBFRAME

FIGURE 1-17. LIGHTBOX AND COVER INSTALLATION



ART_1001173949

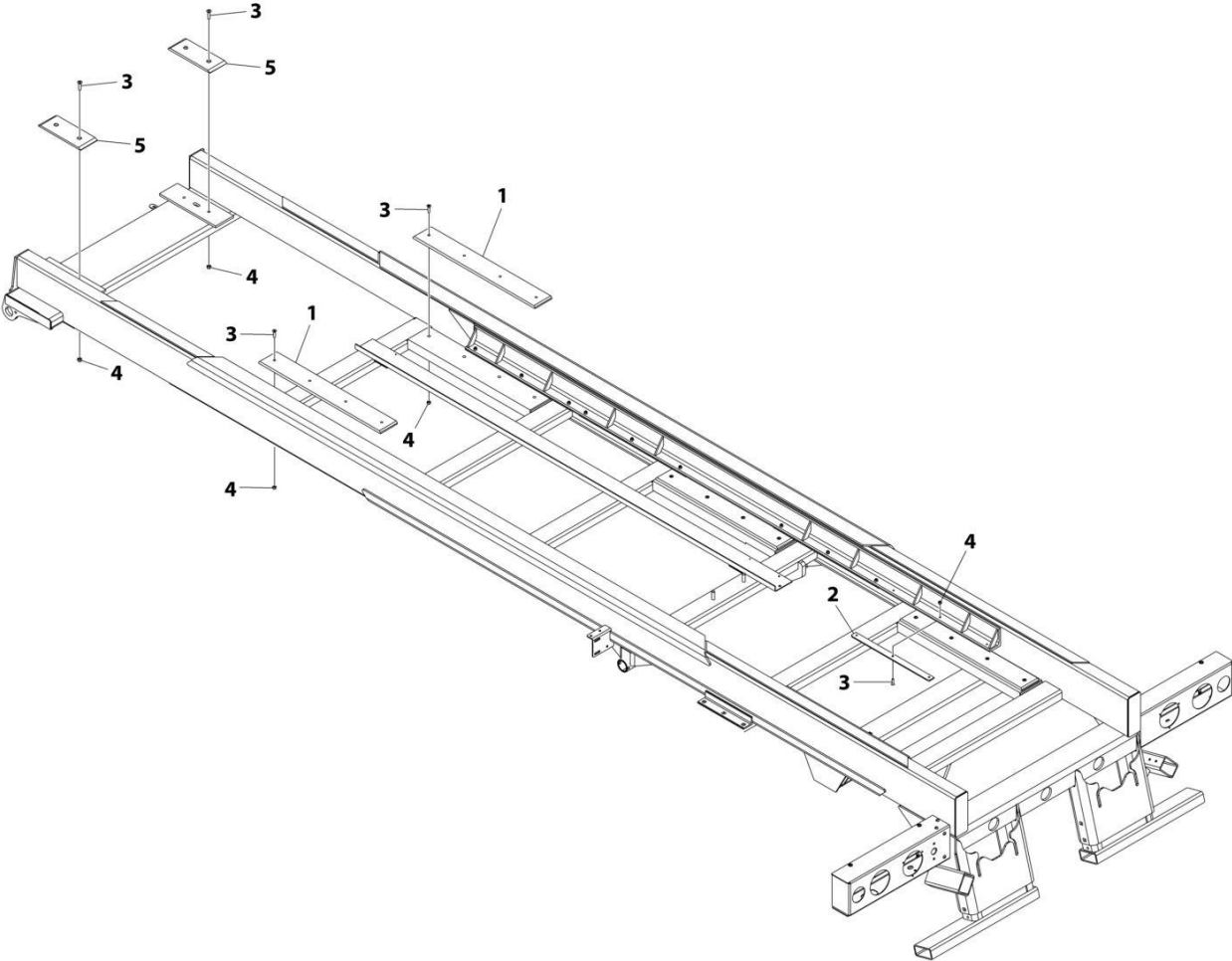
SECTION 1 - SUBFRAME

FIGURE 1-17. LIGHTBOX AND COVER INSTALLATION

ITEM	PART NUMBER	QTY	DESCRIPTION	REV
	1001173949	Ref	LIGHT BOX AND COVER INSTALLATION	B
1	1001188615	1	Cover, Light Box (RH)	
2	7114140529	8	Screw 1/4 x 5/8	
3	7661000042	4	U-Nut 1/4	
4	7949000023	8	Washer	
5	1001173947	1	Bracket, Light Box (LH)	
6	1001173946	1	Bracket, Light Box (RH)	
7	7114150818	8	Screw 3/8 x 1	
8	7950150153	8	Washer 3/8	
9	7660152601	8	Nut 3/8	
10	1001188616	1	Cover, Light Box (LH)	
11	7661000064	4	U-Nut 1/4	

SECTION 1 - SUBFRAME

FIGURE 1-18. MAIN SUBFRAME PAD INSTALLATION - 24FT & 26FT DECKS



ART_267900009

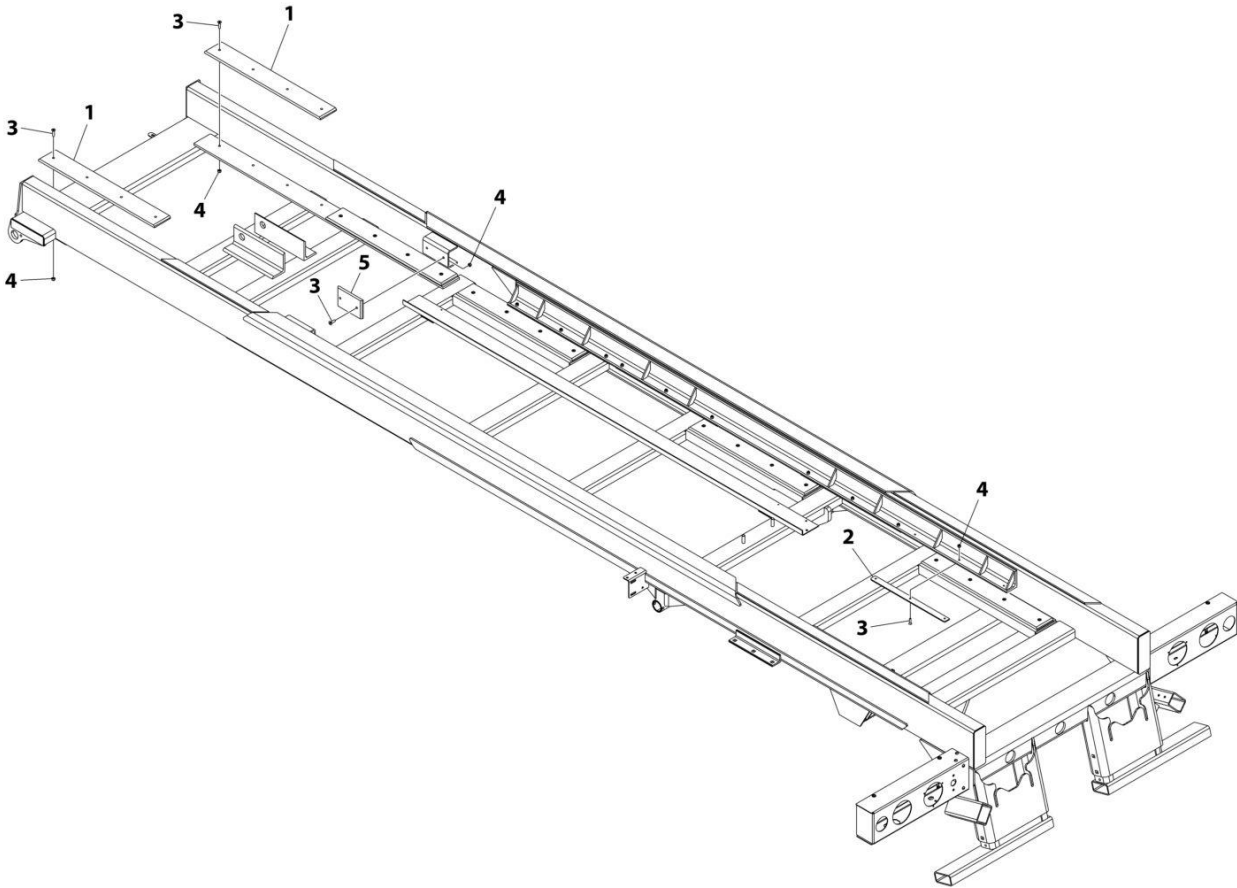
SECTION 1 - SUBFRAME

FIGURE 1-18. MAIN SUBFRAME PAD INSTALLATION - 24FT & 26FT DECKS

ITEM	PART NUMBER	QTY	DESCRIPTION	REV
	2679000009	Ref	MAIN SUBFRAME PAD INSTALLATION - 24FT & 26FT DECKS	0
1	4679000192	6	Pad	
2	4679000193	8	Pad	
3	7118161026	52	Capscrew 3/8 x 1-1/4	
4	7660162601	52	Nut 3/8	
5	4679000154	2	Pad	

SECTION 1 - SUBFRAME

FIGURE 1-19. MAIN SUBFRAME PAD INSTALLATION - 28FT & 30FT DECKS



ART_267900008

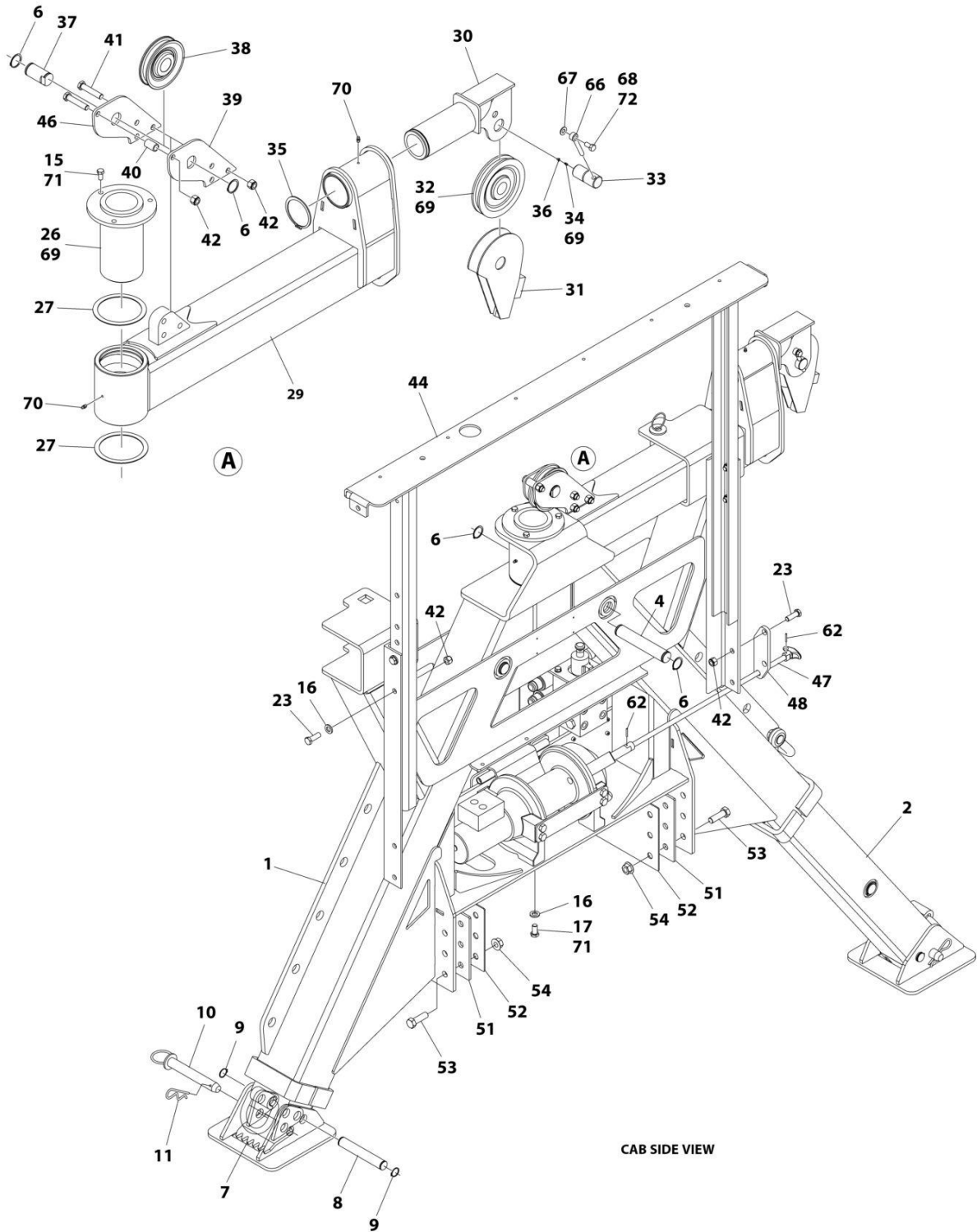
SECTION 1 - SUBFRAME

FIGURE 1-19. MAIN SUBFRAME PAD INSTALLATION - 28FT & 30FT DECKS

ITEM	PART NUMBER	QTY	DESCRIPTION	REV
	2679000008	Ref	MAIN SUBFRAME PAD INSTALLATION - 28FT & 30FT DECKS	A
1	4679000192	10	Pad	
2	4679000193	8	Pad	
3	7118161026	68	Capscrew 3/8 x 1-1/4	
4	7660162601	68	Nut 3/8	
5	4679000267	2	Pad	

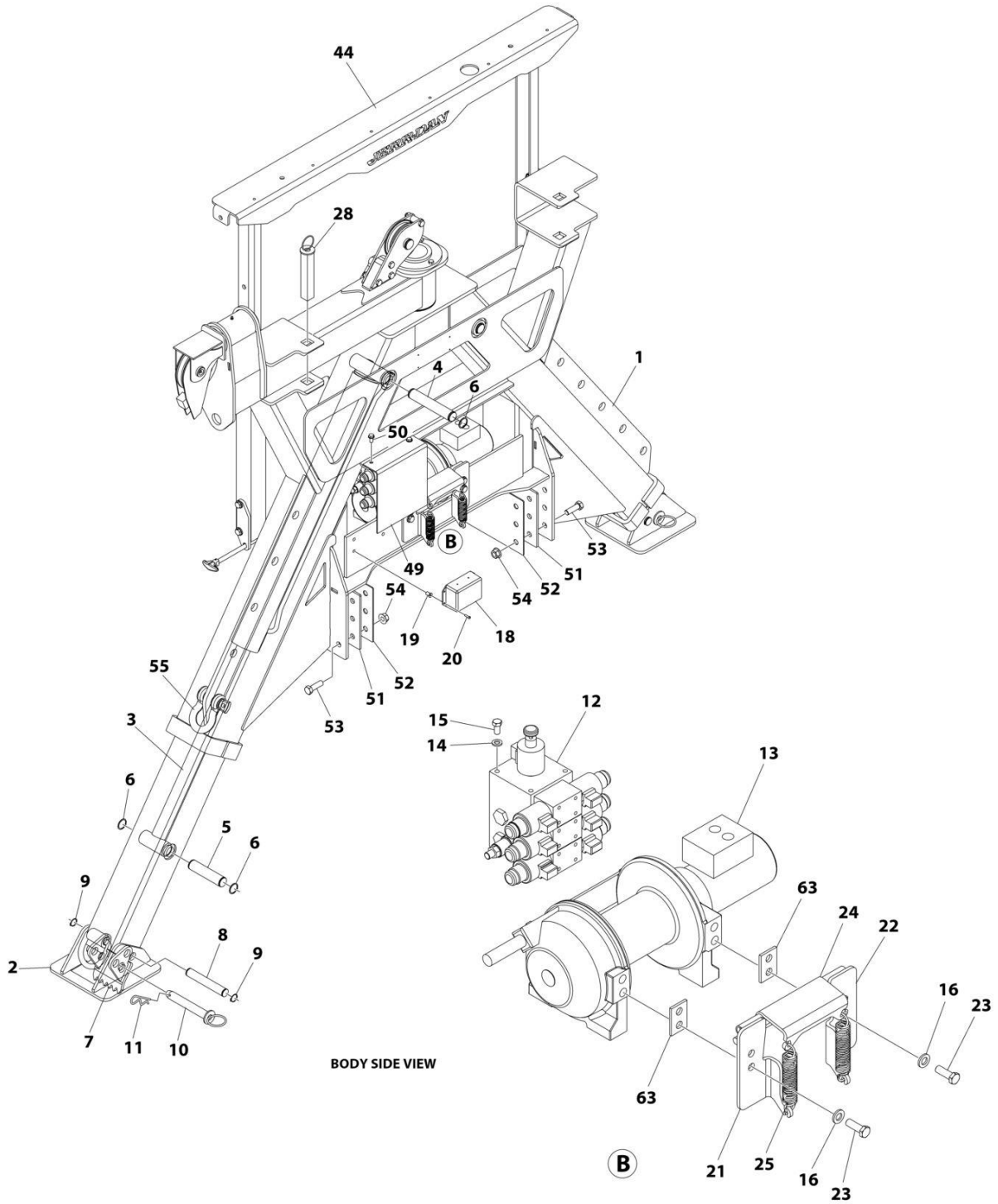
SECTION 1 - SUBFRAME

FIGURE 1-20. SIDE RECOVERY SYSTEM (SRS) INSTALLATION - 8000 LBS WINCH (SN 0220005217 through 0220025910)



ART_3455000059_10F2

SECTION 1 - SUBFRAME



BODY SIDE VIEW

ART_3455000059_20F2

SECTION 1 - SUBFRAME

FIGURE 1-20. SIDE RECOVERY SYSTEM (SRS) INSTALLATION - 8000 LBS WINCH (SN 0220005217 through 0220025910)

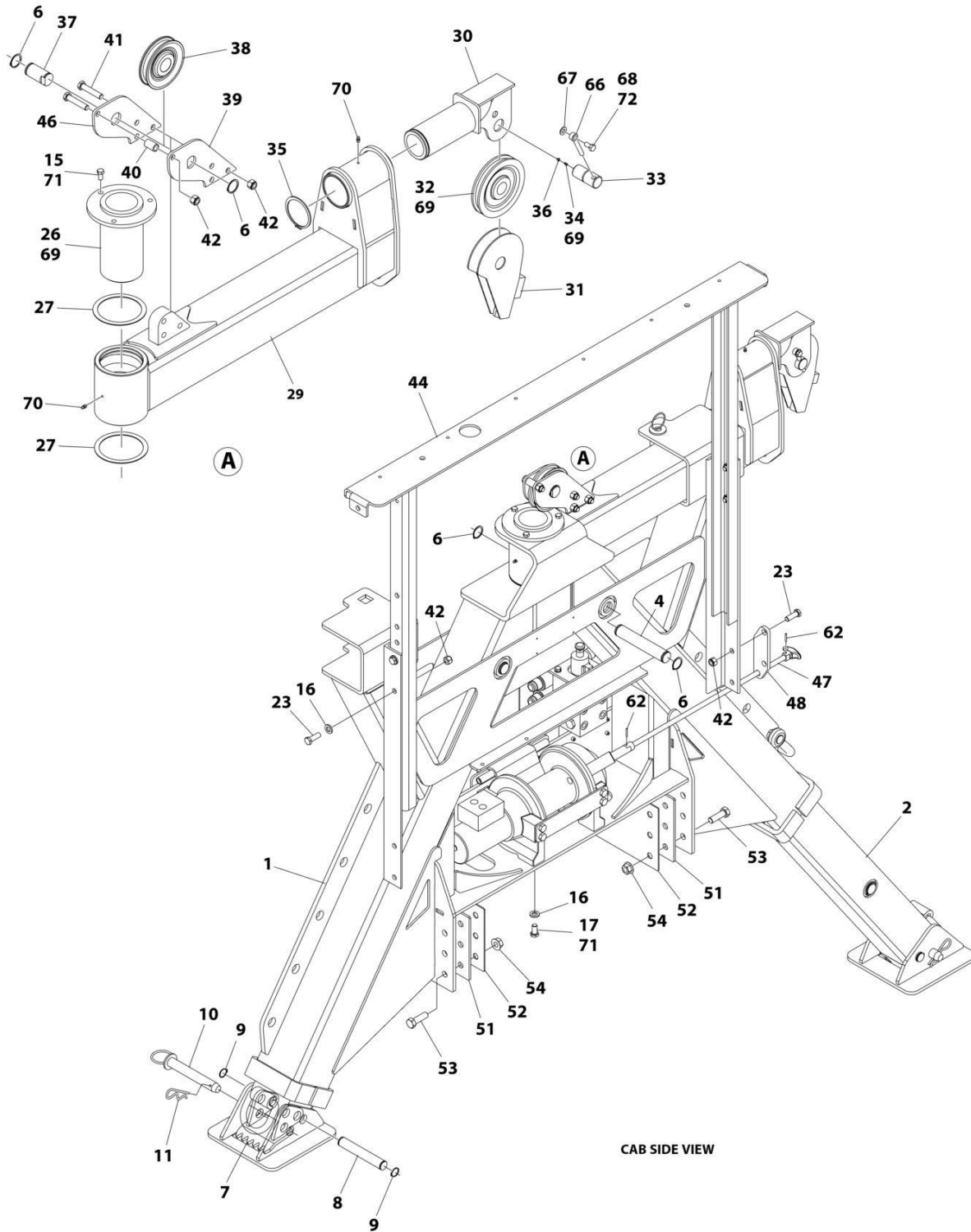
ITEM	PART NUMBER	QTY	DESCRIPTION	REV
	3455000059	Ref	FRAME ASSEMBLY (SRS-8)	D
1	3455000058	1	Frame Weldment	
2	3170000473	2	Boom Weldment	
3	3320000229	2	Cylinder Assembly (See Separate Breakdown in this Section)	
4	4691000296	2	Pin	
5	4691000429	2	Pin	
6	3760133	9	Ring	
7	3706000363	2	Plate	
8	4691000495	2	Pin	
9	7754000019	6	Ring	
10	3691000064	2	Pin	
11	7691000001	2	Hair Pin	
12	3619000010	1	Manifold Assembly	
13	7970000157	1	Winch Assembly (See Separate Breakdown in this Section)	
14	7950160000	3	Lockwasher	
15	0641606	6	Bolt 3/8 x 3/4	
16	4891800	20	Washer 1/2	
17	1001139343	8	Bolt 1/2 x 1-1/4	
18	7295000118	1	Controller	
19	7661000007	4	Nut #10	
20	7104100613	4	Screw #10	
21	3178000517	1	Bracket	
22	3178000518	1	Bracket	
23	0641812	10	Bolt 1/2 1-1/2	
24	3706000364	1	Plate	
25	7843000035	2	Spring	
26	3691000259	1	Pin	
27	4949000059	2	Washer 5 x 4-1/2	
28	3691000260	1	Pin	
29	1001206388	1	Boom	
30	1001206161	1	Support	
31	1001206167	1	Support	
32	7809000001	1	Sheave	
33	1001206171	1	Pin	
34	88671008	1	Fitting, Straight	
35	7754000005	1	Ring	
36	7253000002	1	Fitting	
37	4691000513	1	Pin	
38	7809000021	1	Sheave	
39	4706005651	1	Plate	
40	4209000336	1	Bushing	
41	0641820	4	Bolt 1/2 x 2	
42	7660182601	12	Nut 1/2	
44	3241000208	1	Headboard	
45	7552000385	1	Side Recovery System Harness (Not Shown - See Separate Breakdown in ELECTRICAL Section)	
46	4706005650	1	Plate	
47	3763000188	1	Rod	
48	4706005672	1	Plate	

SECTION 1 - SUBFRAME

ITEM	PART NUMBER	QTY	DESCRIPTION	REV
49	4314000167	1	Cover	
50	7790161253	2	Screw 3/8 x 3/4	
51	4831000126	2	Spacer	
52	4831000127	2	Spacer	
53	0652016	12	Bolt 5/8 x 2	
54	7660202347	12	Nut 1/6	
55	7804000007	1	Shackle	
56	7248000077	1	Wire Rope (Not Shown)	
57	7274000053	4	Clamp (Not Shown)	
58	0641508	4	Bolt 5/16 x 1 (Not Shown)	
59	4751500	4	Washer 5/16 (Not Shown)	
60	7660152601	4	Nut 1/3 (Not Shown)	
61	7002000519	1	Snatch (Not Shown)	
62	7690051641	1	Pin	
63	4706005752	2	Plate	
66	3841143	1	Keeper	
67	4711600	1	Washer	
68	0651606	1	Bolt 3/8 x 3/4	
69	3020039	AR	Lubricant	
70	3020029	AR	Lube	
71	0100071	AR	Adhesive	
72	1001095650	AR	Adhesive	

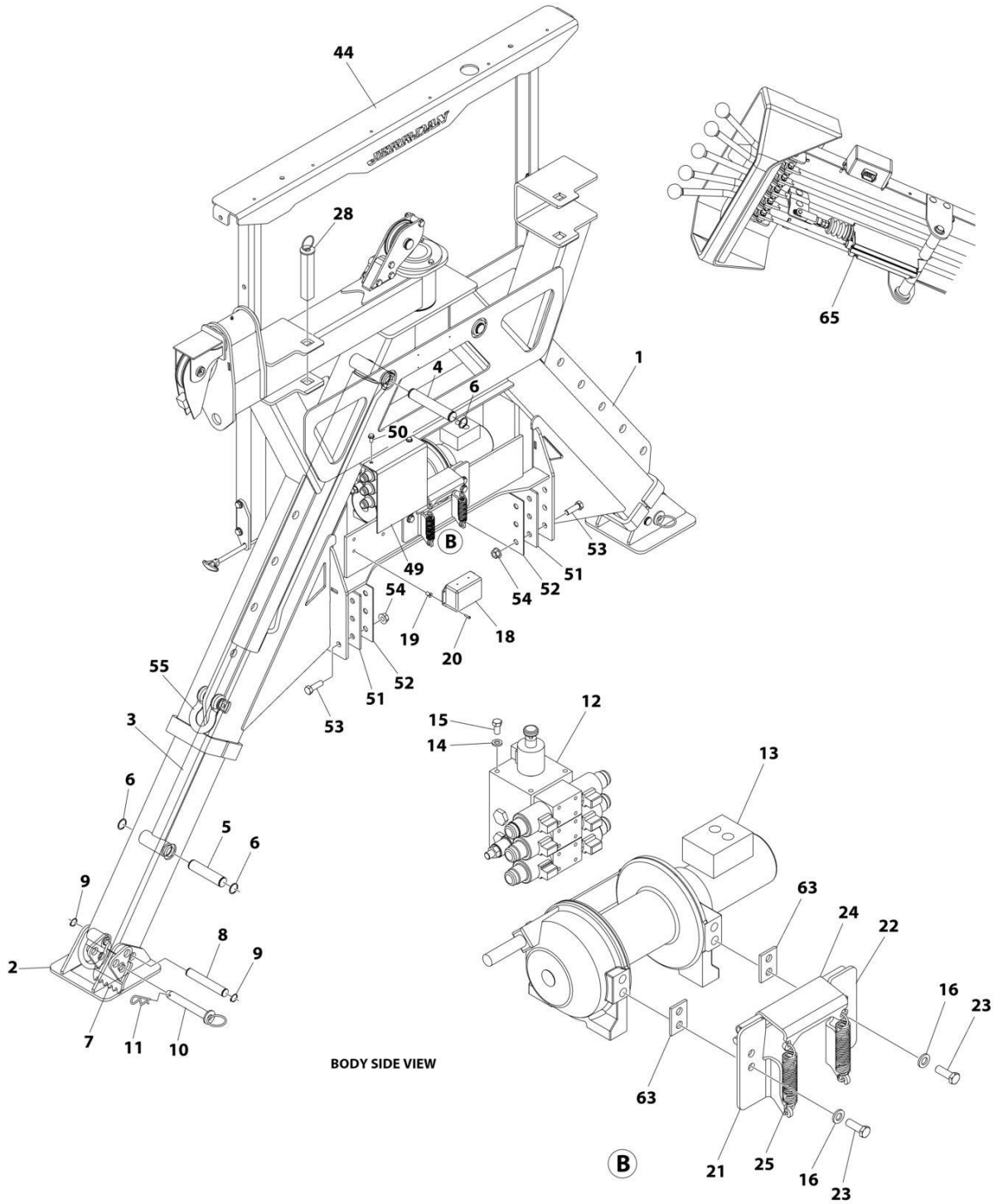
SECTION 1 - SUBFRAME

FIGURE 1-21. SIDE RECOVERY SYSTEM (SRS) INSTALLATION - 8000 LBS WINCH WITH REMOTE CONTROL (SN 0220005217 through 0220025910)



ART_3455000064_10F2

SECTION 1 - SUBFRAME



ART_345500064_2OF2

SECTION 1 - SUBFRAME

FIGURE 1-21. SIDE RECOVERY SYSTEM (SRS) INSTALLATION - 8000 LBS WINCH WITH REMOTE CONTROL (SN 0220005217 through 0220025910)

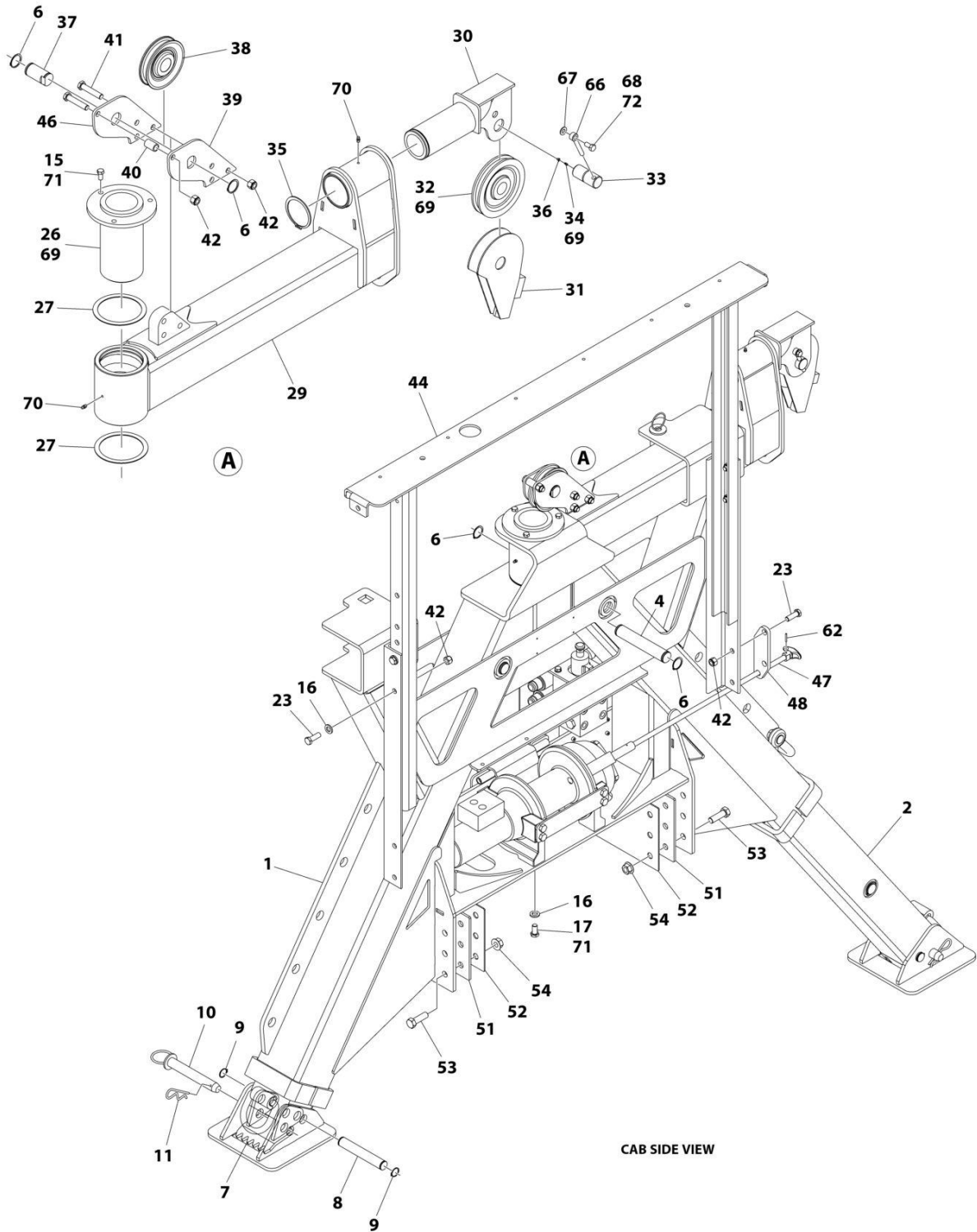
ITEM	PART NUMBER	QTY	DESCRIPTION	REV
	3455000064	Ref	FRAME ASSEMBLY (SRS-8), 3+1 REMOTE	C
1	3455000058	1	Frame Weldment	
2	3170000473	2	Boom Weldment	
3	3320000229	2	Cylinder Assembly (See Separate Breakdown in this Section)	
4	4691000296	2	Pin	
5	4691000429	2	Pin	
6	3760133	9	Ring	
7	3706000363	2	Plate	
8	4691000495	2	Pin	
9	7754000019	6	Ring	
10	3691000064	2	Pin	
11	7691000001	2	Hair Pin	
12	3619000010	1	Manifold Assembly	
13	7970000157	1	Winch Assembly (See Separate Breakdown in this Section)	
14	7950160000	3	Lockwasher	
15	0641606	6	Bolt 3/8 x 3/4	
16	4891800	20	Washer 1/2	
17	1001139343	8	Bolt 1/2 x 1-1/4	
18	7295000130	1	Controller	
19	7661000007	4	Nut #10	
20	7104100613	4	Screw #10	
21	3178000517	1	Bracket	
22	3178000518	1	Bracket	
23	0641812	10	Bolt 1/2 1-1/2	
24	3706000364	1	Plate	
25	7843000035	2	Spring	
26	3691000259	1	Pin	
27	4949000059	2	Washer 5 x 4-1/2	
28	3691000260	1	Pin	
29	1001206388	1	Boom	
30	1001206161	1	Support	
31	1001206167	1	Support	
32	7809000001	1	Sheave	
33	1001206171	1	Pin	
34	88671008	1	Fitting, Straight	
35	7754000005	1	Ring	
36	7253000002	1	Fitting	
37	4691000513	1	Pin	
38	7809000021	1	Sheave	
39	4706005651	1	Plate	
40	4209000336	1	Bushing	
41	0641820	4	Bolt 1/2 x 2	
42	7660182601	12	Nut 1/2	
44	3241000208	1	Headboard	
45	7552000413	1	Side Recovery System Harness (Not Shown - See Separate Breakdown in ELECTRICAL Section)	
46	4706005650	1	Plate	
47	3763000188	1	Rod	
48	4706005672	1	Plate	

SECTION 1 - SUBFRAME

ITEM	PART NUMBER	QTY	DESCRIPTION	REV
49	4314000167	1	Cover	
50	7790161253	2	Screw 3/8 x 3/4	
51	4831000126	2	Spacer	
52	4831000127	2	Spacer	
53	0652016	12	Bolt 5/8 x 2	
54	7660202347	12	Nut 1/6	
55	7804000007	1	Shackle	
56	7248000077	1	Wire Rope (Not Shown)	
57	7274000053	4	Clamp (Not Shown)	
58	0641508	4	Bolt 5/16 x 1 (Not Shown)	
59	4751500	4	Washer 5/16 (Not Shown)	
60	7660152601	4	Nut 1/3 (Not Shown)	
61	7002000519	1	Snatch (Not Shown)	
62	7690051641	1	Pin	
63	4706005752	2	Plate	
65	2577000016	1	Actuator	
66	3841143	1	Keeper	
67	4711600	1	Washer	
68	0651606	1	Bolt 3/8 x 3/4	
69	3020039	AR	Lubricant	
70	3020029	AR	Lube	
71	0100071	AR	Compound Locking	
72	1001095650	AR	Compound Locking	

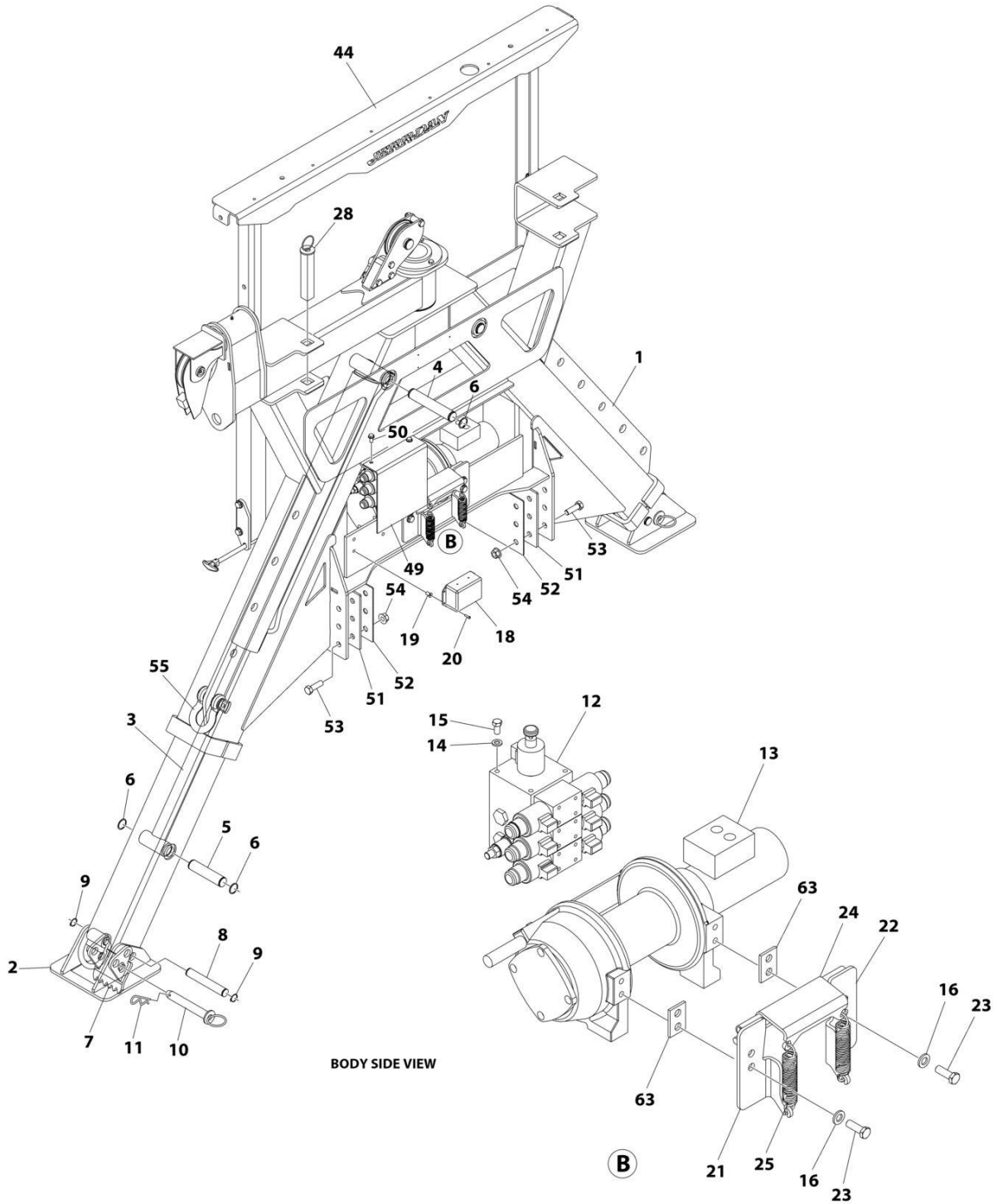
SECTION 1 - SUBFRAME

FIGURE 1-22. SIDE RECOVERY SYSTEM (SRS) INSTALLATION - 10000 LBS WINCH (SN 022005217 through 0220025910)



ART_3455000060_10F2

SECTION 1 - SUBFRAME



BODY SIDE VIEW

ART_3455000060_2OF2

SECTION 1 - SUBFRAME

FIGURE 1-22. SIDE RECOVERY SYSTEM (SRS) INSTALLATION - 10000 LBS WINCH (SN 0220005217 through 0220025910)

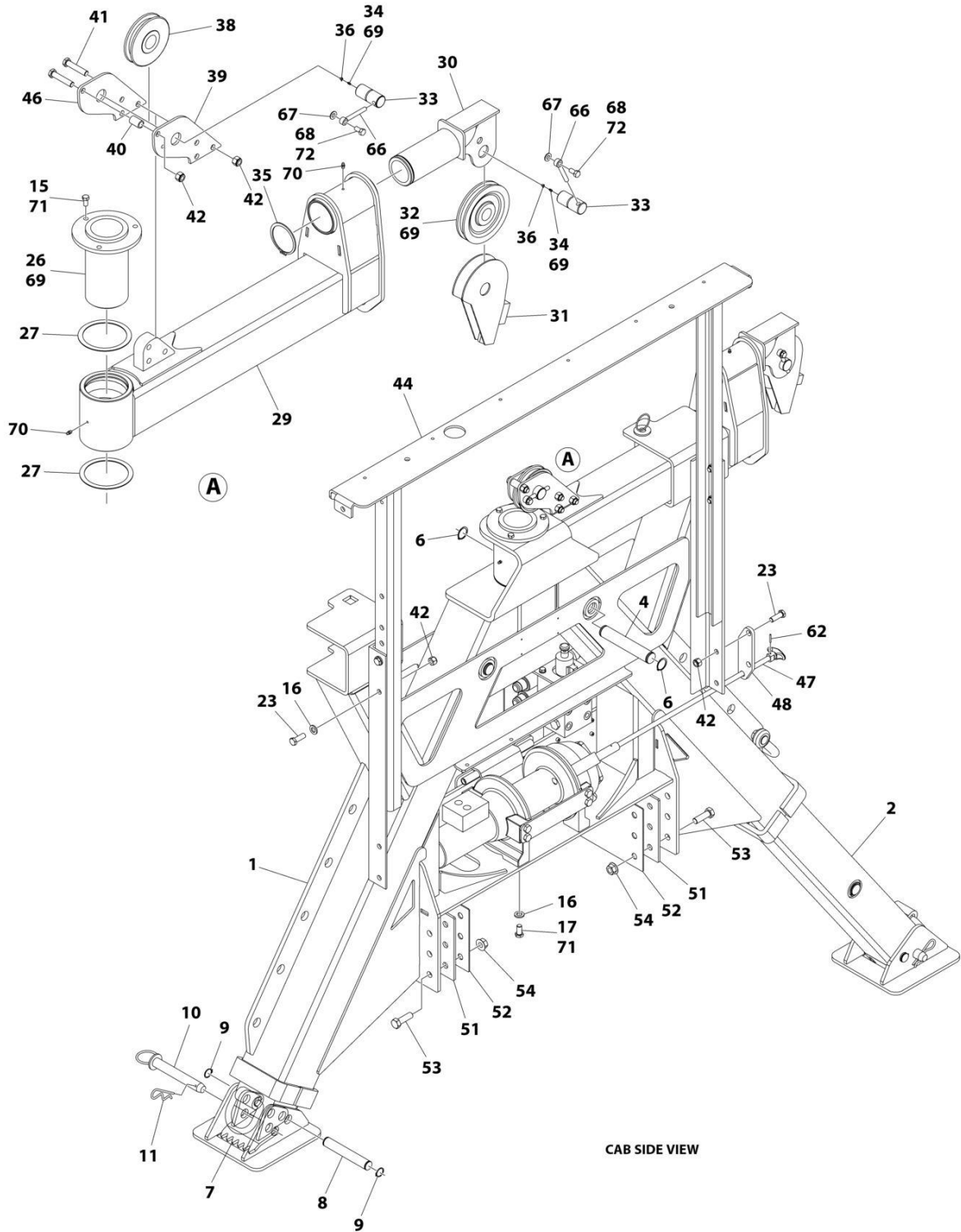
ITEM	PART NUMBER	QTY	DESCRIPTION	REV
	3455000060	Ref	FRAME ASSEMBLY (SRS-10)	D
1	3455000058	1	Frame Weldment	
2	3170000473	2	Boom Weldment	
3	3320000229	2	Cylinder Assembly (See Separate Breakdown in this Section)	
4	4691000296	2	Pin	
5	4691000429	2	Pin	
6	3760133	9	Ring	
7	3706000363	2	Plate	
8	4691000495	2	Pin	
9	7754000019	6	Ring	
10	3691000064	2	Pin	
11	7691000001	2	Hair Pin	
12	3619000010	1	Manifold Assembly	
13	7970000158	1	Winch Assembly (See Separate Breakdown in this Section)	
14	7950160000	3	Lockwasher	
15	0641606	6	Bolt 3/8 x 3/4	
16	4891800	20	Washer 1/2	
17	1001139343	8	Bolt 1/2 x 1-1/4	
18	7295000118	1	Controller	
19	7661000007	4	Nut #10	
20	7104100613	4	Screw #10	
21	3178000517	1	Bracket	
22	3178000518	1	Bracket	
23	0641812	10	Bolt 1/2 1-1/2	
24	3706000364	1	Plate	
25	7843000035	2	Spring	
26	3691000259	1	Pin	
27	4949000059	2	Washer 5 x 4-1/2	
28	3691000260	1	Pin	
29	1001206388	1	Boom	
30	1001206161	1	Support	
31	1001206167	1	Support	
32	7809000001	1	Sheave	
33	1001206171	1	Pin	
34	88671008	1	Fitting, Straight	
35	7754000005	1	Ring	
36	7253000002	1	Fitting	
37	4691000513	1	Pin	
38	7809000021	1	Sheave	
39	4706005651	1	Plate	
40	4209000336	1	Bushing	
41	0641820	4	Bolt 1/2 x 2	
42	7660182601	14	Nut 1/2	
44	3241000208	1	Headboard	
45	7552000385	1	Side Recovery System Harness (Not Shown - See Separate Breakdown in ELECTRICAL Section)	
46	4706005650	1	Plate	
47	3763000188	1	Rod	
48	4706005672	1	Plate	

SECTION 1 - SUBFRAME

ITEM	PART NUMBER	QTY	DESCRIPTION	REV
49	4314000167	1	Cover	
50	7790161253	2	Screw 3/8 x 3/4	
51	4831000126	2	Spacer	
52	4831000127	2	Spacer	
53	0652016	12	Bolt 5/8 x 2	
54	7660202347	12	Nut 1/6	
55	7804000007	1	Shackle	
56	7248000070	1	Wire Rope (Not Shown)	
57	7274000053	4	Clamp (Not Shown)	
58	0641508	4	Bolt 5/16 x 1 (Not Shown)	
59	4751500	4	Washer 5/16 (Not Shown)	
60	7660152601	4	Nut 1/3 (Not Shown)	
61	7002000519	1	Snatch (Not Shown)	
62	7690051641	1	Pin	
63	4706005752	2	Plate	
66	3841143	1	Keeper	
67	4711600	1	Washer	
68	0651606	1	Bolt 3/8 x 3/4	
69	3020039	AR	Lubricant	
70	3020029	AR	Lube	
71	0100071	AR	Adhesive	
72	1001095650	AR	Adhesive	

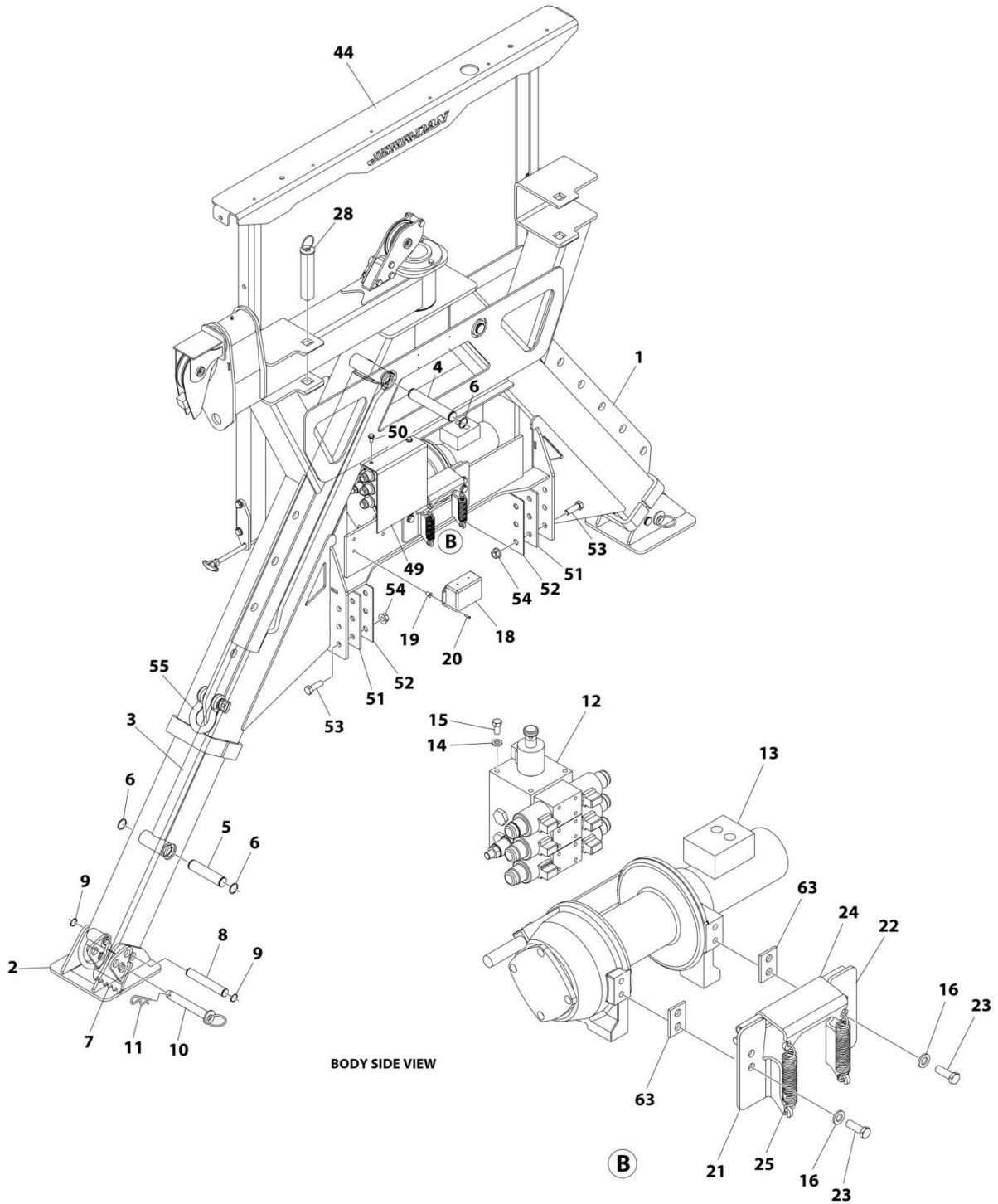
SECTION 1 - SUBFRAME

FIGURE 1-23. SIDE RECOVERY SYSTEM (SRS) INSTALLATION - 10000 LBS WINCH (3 FUNCTION REMOTE CONTROL)



ART_1001271983_10F2

SECTION 1 - SUBFRAME



BODY SIDE VIEW

ART_1001271983_2OF2

SECTION 1 - SUBFRAME

FIGURE 1-23. SIDE RECOVERY SYSTEM (SRS) INSTALLATION - 10000 LBS WINCH (3 FUNCTION REMOTE CONTROL)

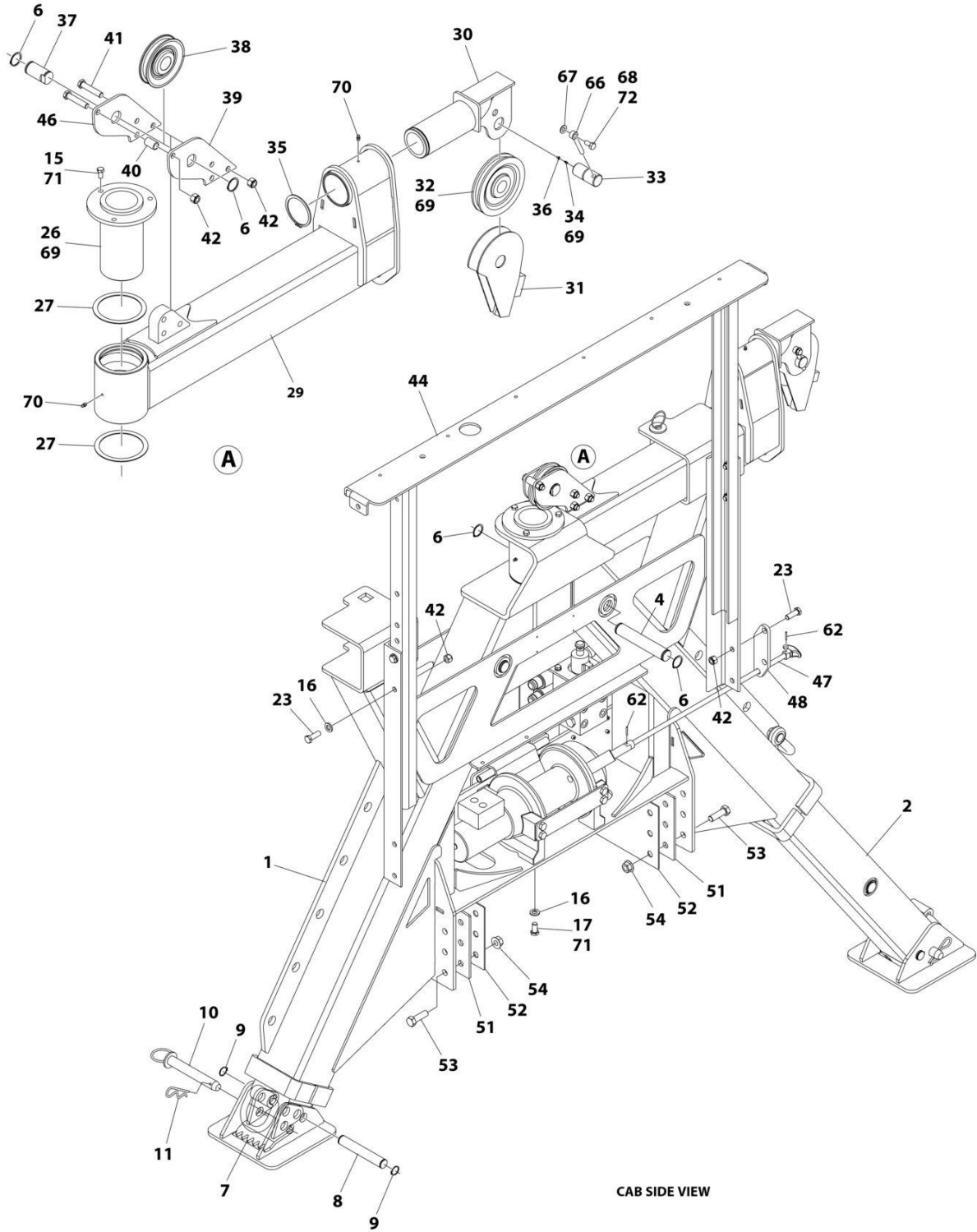
ITEM	PART NUMBER	QTY	DESCRIPTION	REV
	1001271983	Ref	FRAME ASSEMBLY (SRS-10), MAN F/S, 3 REMOTE	A
1	3455000058	1	Frame Weldment	
2	3170000473	2	Boom Weldment	
3	3320000229	2	Cylinder Assembly (See Separate Breakdown in this Section)	
4	4691000296	2	Pin	
5	4691000429	2	Pin	
6	3760133	7	Ring	
7	3706000363	2	Plate	
8	4691000495	2	Pin	
9	7754000019	6	Ring	
10	3691000064	2	Pin	
11	7691000001	2	Hair Pin	
12	3619000010	1	Manifold Assembly	
13	7970000158	1	Winch assembly (See Separate Breakdown in this Section)	
14	7950160000	3	Lockwasher	
15	0641606	6	Bolt 3/8 x 3/4	
16	4891800	20	Washer 1/2	
17	1001139343	8	Bolt 1/2 x 1-1/4	
18	7295000118	1	Controller	
19	7661000007	4	Nut #10	
20	7104100613	4	Screw #10	
21	3178000517	1	Bracket	
22	3178000518	1	Bracket	
23	0641812	10	Bolt 1/2 1-1/2	
24	3706000364	1	Plate	
25	7843000035	2	Spring	
26	3691000259	1	Pin	
27	4949000059	2	Washer 5 x 4-1/2	
28	3691000260	1	Pin	
29	1001206388	1	Boom	
30	1001206161	1	Support	
31	1001206167	1	Support	
32	7809000001	1	Sheave	
33	1001206171	2	Pin	
34	88671008	2	Fitting, Straight	
35	7754000005	1	Ring	
36	7253000002	2	Fitting	
38	1001271775	1	Sheave	
39	1001271842	1	Plate	
40	4209000336	1	Bushing	
41	0641820	4	Bolt 1/2 x 2	
42	7660182601	14	Nut 1/2	
44	3241000208	1	Headboard	
45	7552000385	1	Side Recovery System Harness (Not Shown - See Separate Breakdown in ELECTRICAL Section)	
46	4706005650	1	Plate	
47	3763000188	1	Rod	
48	4706005672	1	Plate	
49	4314000167	1	Cover	

SECTION 1 - SUBFRAME

ITEM	PART NUMBER	QTY	DESCRIPTION	REV
50	7790161253	2	Screw 3/8 x 3/4	
51	4831000126	2	Spacer	
52	4831000127	2	Spacer	
53	0652016	12	Bolt 5/8 x 2	
54	7660202347	12	Nut 1/6	
55	7804000007	1	Shackle	
56	7248000077	1	Wire Rope (Not Shown)	
57	7274000053	4	Clamp (Not Shown)	
58	0641508	4	Bolt 5/16 x 1 (Not Shown)	
59	4751500	4	Washer 5/16 (Not Shown)	
60	7660152601	4	Nut 1/3 (Not Shown)	
61	7002000519	1	Snatch (Not Shown)	
62	7690051641	1	Pin	
63	4706005752	2	Plate	
66	3841143	2	Keeper	
67	4711600	2	Washer	
68	0651606	2	Bolt 3/8 x 3/4	
69	3020039	AR	Lubricant	
70	3020029	AR	Lube	
71	0100071	AR	Adhesive	
72	1001095650	AR	Adhesive	

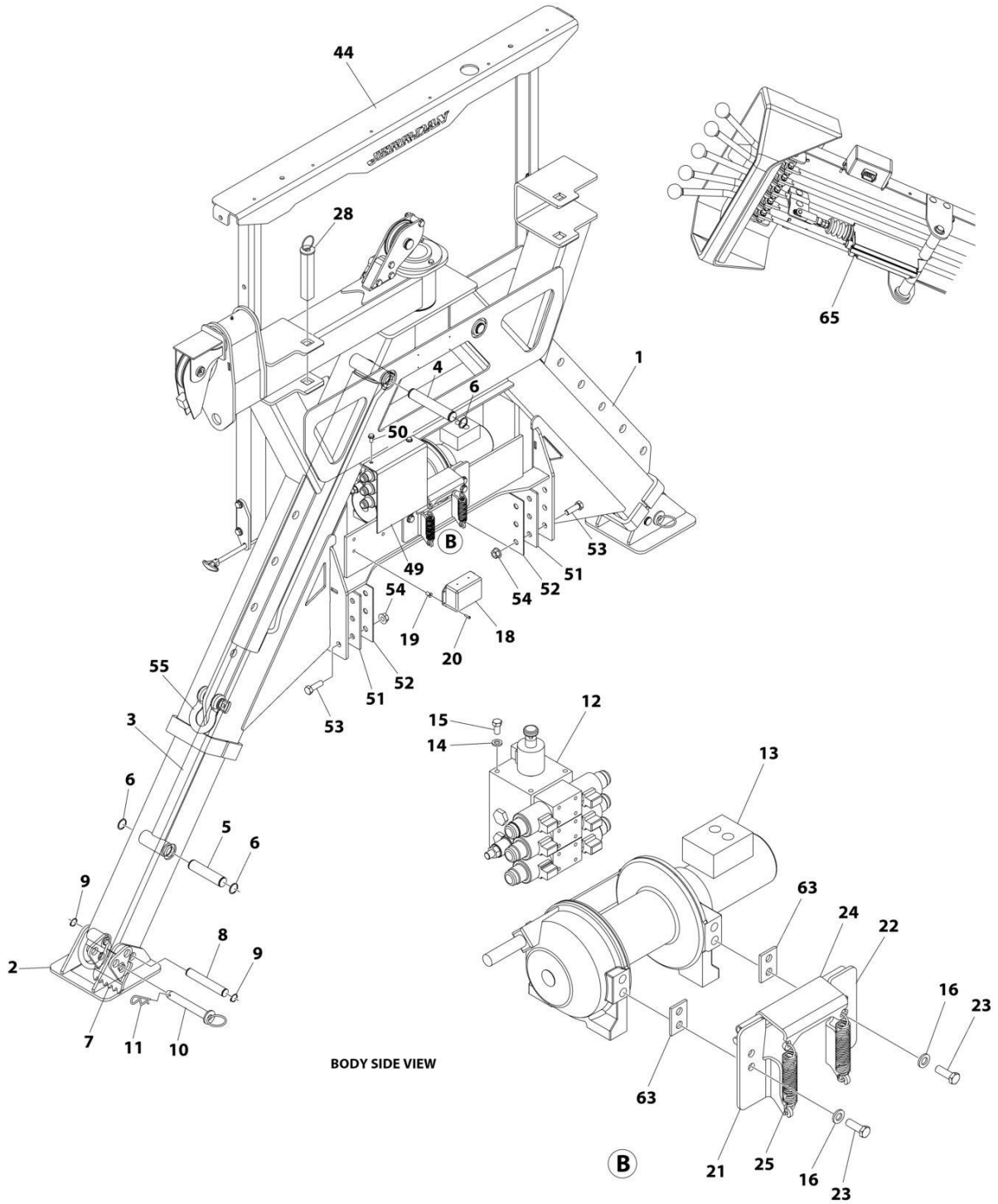
SECTION 1 - SUBFRAME

FIGURE 1-24. SIDE RECOVERY SYSTEM (SRS) INSTALLATION - 10000 LBS WINCH WITH REMOTE CONTROL (SN 0220005217 through 0220025910)



ART_3455000065_10F2

SECTION 1 - SUBFRAME



ART_345500065_2OF2

SECTION 1 - SUBFRAME

FIGURE 1-24. SIDE RECOVERY SYSTEM (SRS) INSTALLATION - 10000 LBS WINCH WITH REMOTE CONTROL (SN 0220005217 through 0220025910)

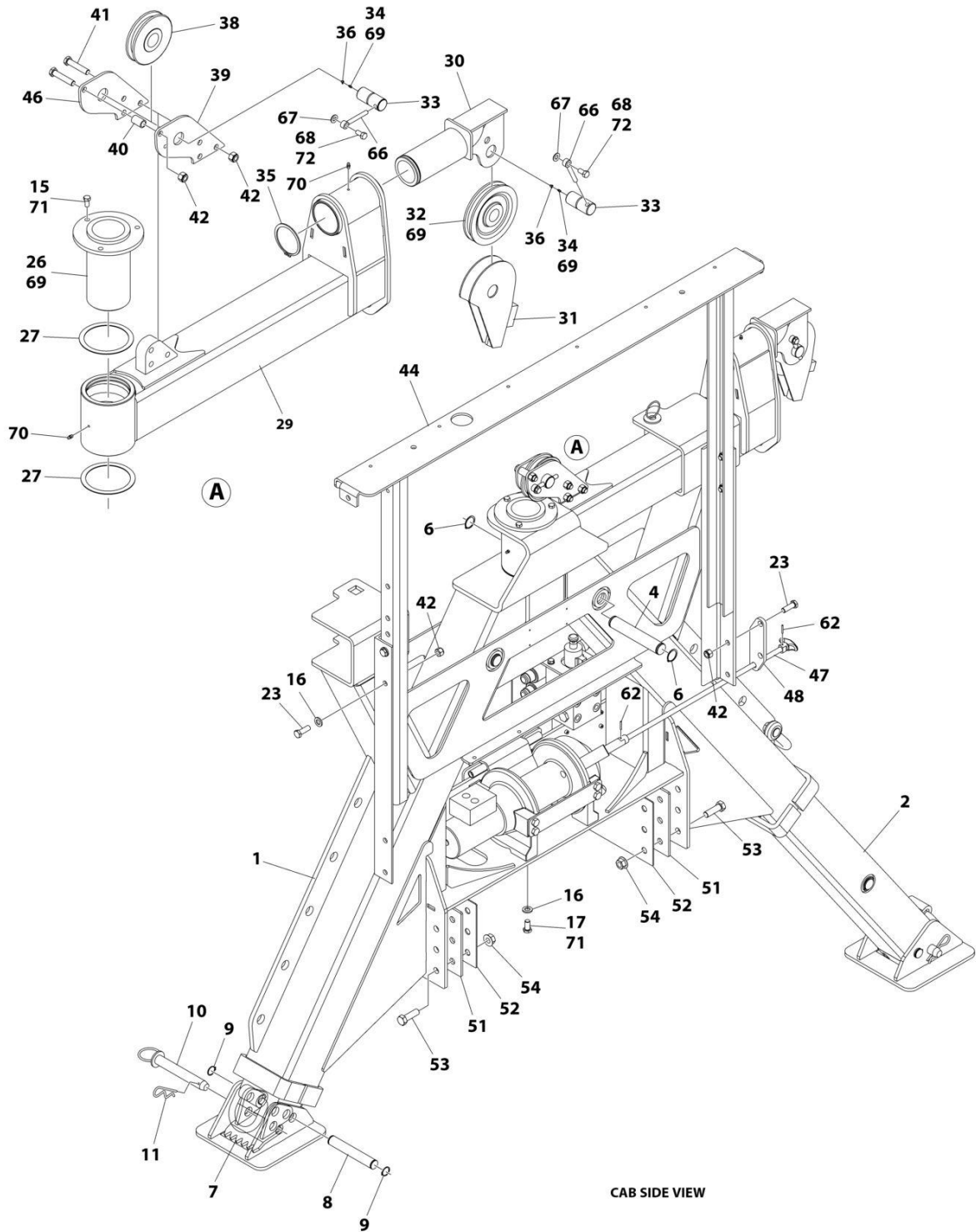
ITEM	PART NUMBER	QTY	DESCRIPTION	REV
	3455000065	Ref	FRAME ASSEMBLY (SRS-10), 3+1 REMOTE	C
1	3455000058	1	Frame Weldment	
2	3170000473	2	Boom Weldment	
3	3320000229	2	Cylinder Assembly (See Separate Breakdown in this Section)	
4	4691000296	2	Pin	
5	4691000429	2	Pin	
6	3760133	9	Ring	
7	3706000363	2	Plate	
8	4691000495	2	Pin	
9	7754000019	6	Ring	
10	3691000064	2	Pin	
11	7691000001	2	Hair Pin	
12	3619000010	1	Manifold Assembly	
13	7970000158	1	Winch Assembly (See Separate Breakdown in this Section)	
14	7950160000	3	Lockwasher	
15	0641606	6	Bolt 3/8 x 3/4	
16	4891800	20	Washer 1/2	
17	1001139343	8	Bolt 1/2 x 1-1/4	
18	7295000130	1	Controller	
19	7661000007	4	Nut #10	
20	7104100613	4	Screw #10	
21	3178000517	1	Bracket	
22	3178000518	1	Bracket	
23	0641812	10	Bolt 1/2 1-1/2	
24	3706000364	1	Plate	
25	7843000035	2	Spring	
26	3691000259	1	Pin	
27	4949000059	2	Washer 5 x 4-1/2	
28	3691000260	1	Pin	
29	1001206388	1	Boom	
30	1001206161	1	Support	
31	1001206167	1	Support	
32	7809000001	1	Sheave	
33	1001206171	1	Pin	
34	88671008	1	Fitting, Straight	
35	7754000005	1	Ring	
36	7253000002	1	Fitting	
37	4691000513	1	Pin	
38	7809000021	1	Sheave	
39	4706005651	1	Plate	
40	4209000336	1	Bushing	
41	0641820	4	Bolt 1/2 x 2	
42	7660182601	12	Nut 1/2	
44	3241000208	1	Headboard	
45	7552000413	1	Side Recovery System Harness (Not Shown - See Separate Breakdown in ELECTRICAL Section)	
46	4706005650	1	Plate	
47	3763000188	1	Rod	
48	4706005672	1	Plate	

SECTION 1 - SUBFRAME

ITEM	PART NUMBER	QTY	DESCRIPTION	REV
49	4314000167	1	Cover	
50	7790161253	2	Screw 3/8 x 3/4	
51	4831000126	2	Spacer	
52	4831000127	2	Spacer	
53	0652016	12	Bolt 5/8 x 2	
54	7660202347	12	Nut 1/6	
55	7804000007	1	Shackle	
56	7248000070	1	Wire Rope (Not Shown)	
57	7274000053	4	Clamp (Not Shown)	
58	0641508	4	Bolt 5/16 x 1 (Not Shown)	
59	4751500	4	Washer 5/16 (Not Shown)	
60	7660152601	4	Nut 1/3 (Not Shown)	
61	7002000519	1	Snatch (Not Shown)	
62	7690051641	1	Pin	
63	4706005752	2	Plate	
65	2577000016	1	Linear Actuator Kit	
66	3841143	1	Keeper	
67	4711600	1	Washer	
68	0651606	1	Bolt 3/8 x 3/4	
69	3020039	AR	Lubricant	
70	3020029	AR	Lube	
71	0100071	AR	Adhesive	
72	1001095650	AR	Adhesive	

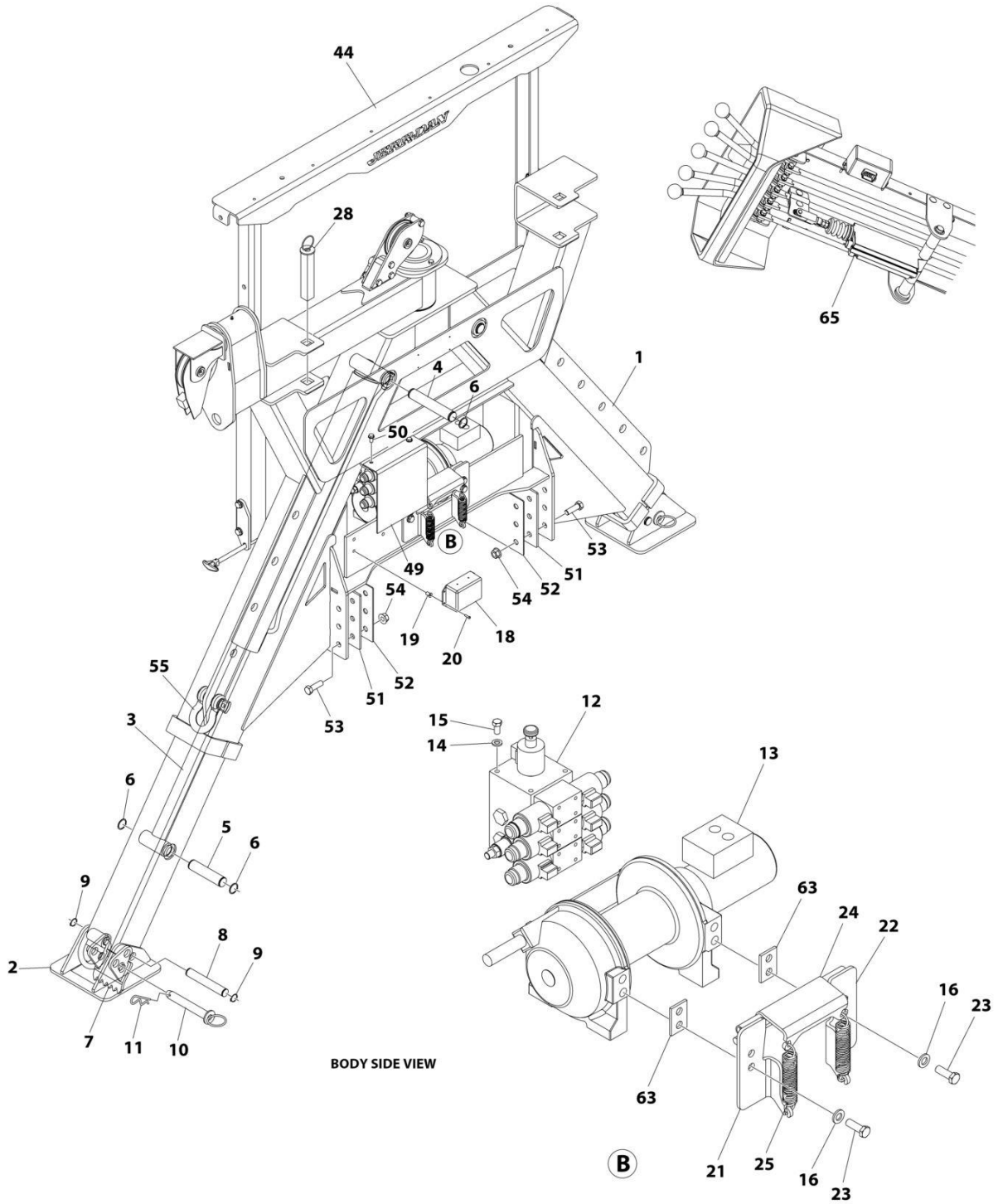
SECTION 1 - SUBFRAME

FIGURE 1-25. SIDE RECOVERY SYSTEM (SRS) INSTALLATION - 10000 LBS WINCH (4 FUNCTION REMOTE CONTROL)



ART_1001271985_10F2

SECTION 1 - SUBFRAME



ART_1001271985_2OF2

SECTION 1 - SUBFRAME

FIGURE 1-25. SIDE RECOVERY SYSTEM (SRS) INSTALLATION - 10000 LBS WINCH (4 FUNCTION REMOTE CONTROL)

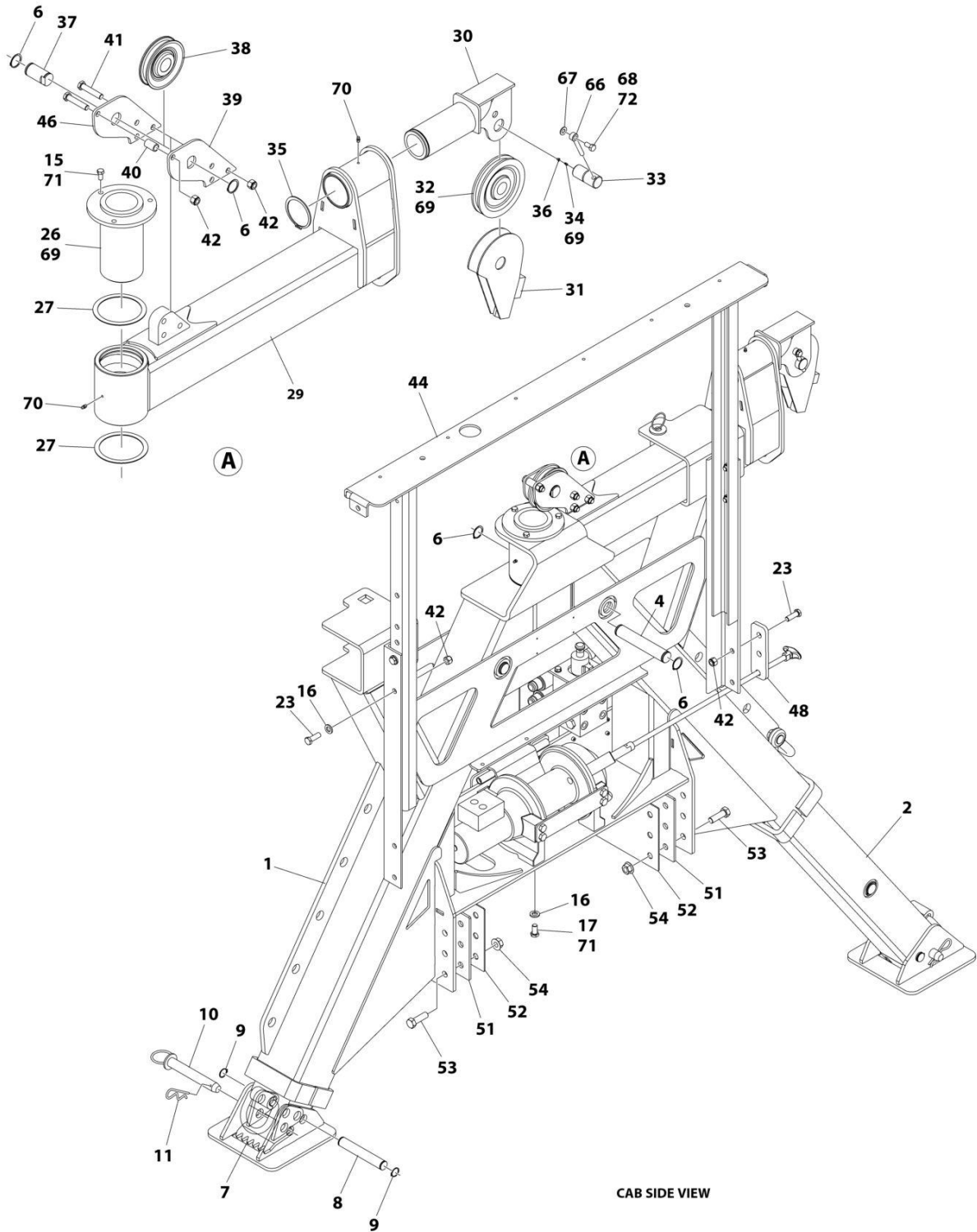
ITEM	PART NUMBER	QTY	DESCRIPTION	REV
	1001271985	Ref	FRAME ASSEMBLY (SRS-10), MAN F/S, 4 REMOTE	A
1	3455000058	1	Frame Weldment	
2	3170000473	2	Boom Weldment	
3	3320000229	2	Cylinder Assembly (See Separate Breakdown in this Section)	
4	4691000296	2	Pin	
5	4691000429	2	Pin	
6	3760133	7	Ring	
7	3706000363	2	Plate	
8	4691000495	2	Pin	
9	7754000019	6	Ring	
10	3691000064	2	Pin	
11	7691000001	2	Hair Pin	
12	3619000010	1	Manifold Assembly	
13	7970000158	1	Winch Assembly (See Separate Breakdown in this Section)	
14	7950160000	3	Lockwasher	
15	0641606	6	Bolt 3/8 x 3/4	
16	4891800	20	Washer 1/2	
17	1001139343	8	Bolt 1/2 x 1-1/4	
18	7295000130	1	Controller	
19	7661000007	4	Nut #10	
20	7104100613	4	Screw #10	
21	3178000517	1	Bracket	
22	3178000518	1	Bracket	
23	0641812	10	Bolt 1/2 1-1/2	
24	3706000364	1	Plate	
25	7843000035	2	Spring	
26	3691000259	1	Pin	
27	4949000059	2	Washer 5 x 4-1/2	
28	3691000260	1	Pin	
29	1001206388	1	Boom	
30	1001206161	1	Support	
31	1001206167	1	Support	
32	7809000001	1	Sheave	
33	1001206171	2	Pin	
34	88671008	2	Fitting, Straight	
35	7754000005	1	Ring	
36	7253000002	2	Fitting	
38	1001271775	1	Sheave	
39	1001271842	1	Plate	
40	4209000336	1	Bushing	
41	0641820	4	Bolt 1/2 x 2	
42	7660182601	12	Nut 1/2	
44	3241000208	1	Headboard	
45	7552000413	1	Harness Side Recovery System Harness (Not Shown - See Separate Breakdown in ELECTRICAL Section)	
46	4706005650	1	Plate	
47	3763000188	1	Rod	
48	4706005672	1	Plate	
49	4314000167	1	Cover	

SECTION 1 - SUBFRAME

ITEM	PART NUMBER	QTY	DESCRIPTION	REV
50	7790161253	2	Screw 3/8 x 3/4	
51	4831000126	2	Spacer	
52	4831000127	2	Spacer	
53	0652016	12	Bolt 5/8 x 2	
54	7660202347	12	Nut 1/6	
55	7804000007	1	Shackle	
56	7248000077	1	Wire Rope (Not Shown)	
57	7274000053	4	Clamp (Not Shown)	
58	0641508	4	Bolt 5/16 x 1 (Not Shown)	
59	4751500	4	Washer 5/16 (Not Shown)	
60	7660152601	4	Nut 1/3 (Not Shown)	
61	7002000519	1	Snatch (Not Shown)	
62	7690051641	1	Pin	
63	4706005752	2	Plate	
65	2577000016	1	Linear Actuator Kit	
66	3841143	2	Keeper	
67	4711600	2	Washer	
68	0651606	2	Bolt 3/8 x 3/4	
69	3020039	AR	Lubricant	
70	3020029	AR	Lube	
71	0100071	AR	Adhesive	
72	1001095650	AR	Adhesive	

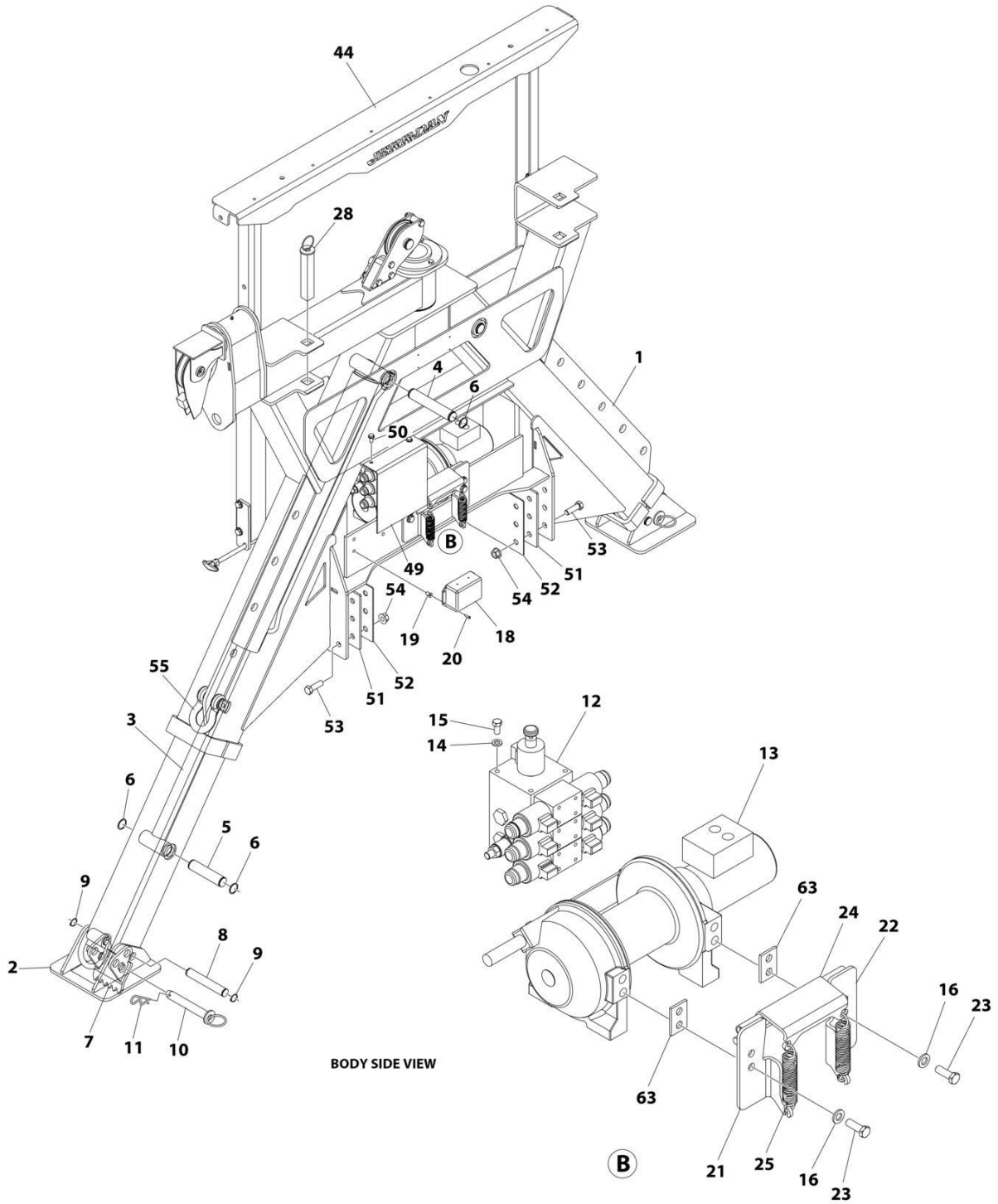
SECTION 1 - SUBFRAME

FIGURE 1-26. SIDE RECOVERY SYSTEM (SRS) INSTALLATION - 10000 LBS WINCH WITH AIR FREE SPOOL (SN 0220005217 through 0220025910)



ART_3455000063_10F2

SECTION 1 - SUBFRAME



BODY SIDE VIEW

ART_345500063_2OF2

SECTION 1 - SUBFRAME

FIGURE 1-26. SIDE RECOVERY SYSTEM (SRS) INSTALLATION - 10000 LBS WINCH WITH AIR FREE SPOOL (SN 0220005217 through 0220025910)

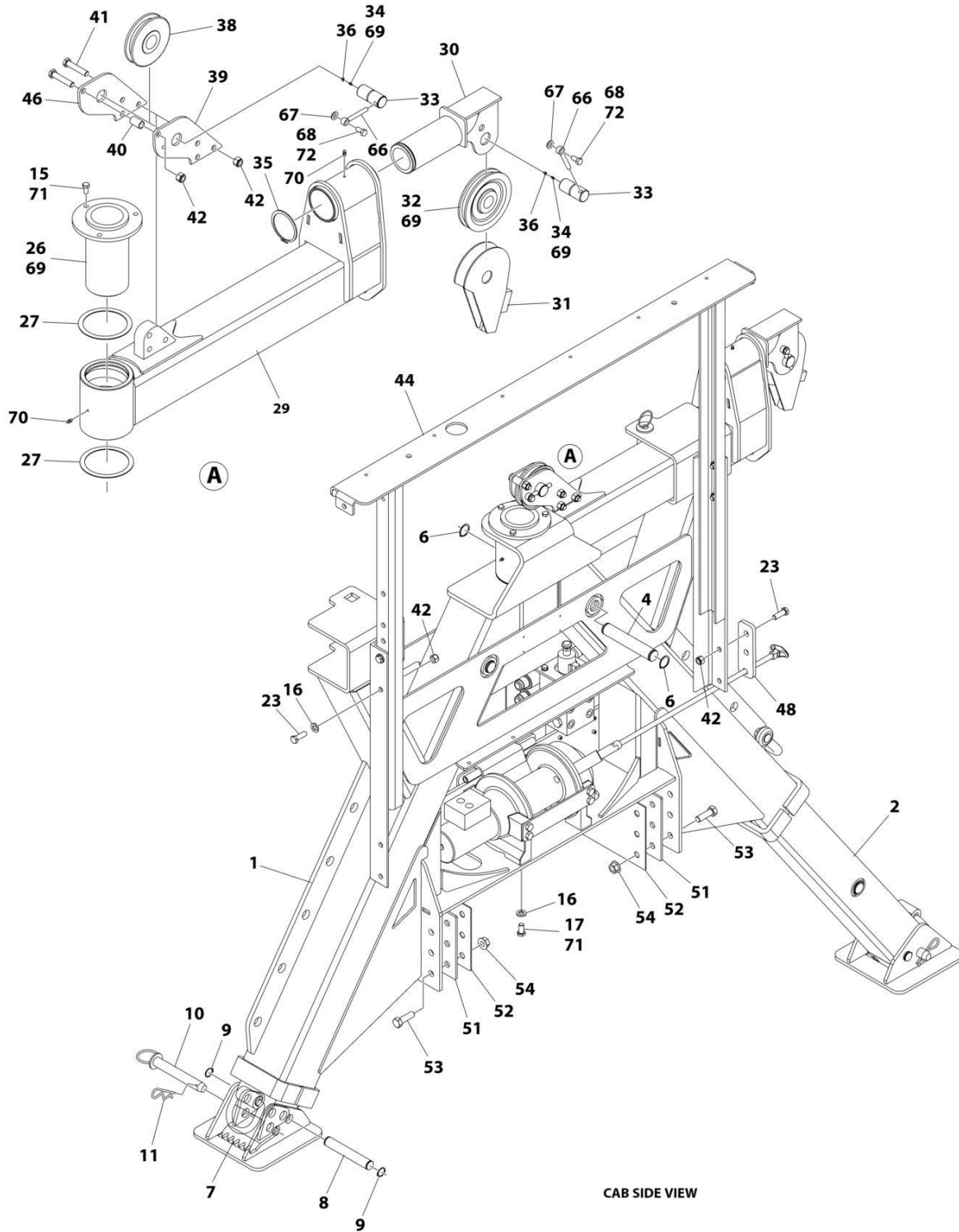
ITEM	PART NUMBER	QTY	DESCRIPTION	REV
	3455000063	Ref	FRAME ASSEMBLY (SRS-10), AIR F/S	C
1	3455000058	1	Frame Weldment	
2	3170000473	2	Boom Weldment	
3	3320000229	2	Cylinder Assembly (See Separate Breakdown in this Section)	
4	4691000296	2	Pin	
5	4691000429	2	Pin	
6	3760133	9	Ring	
7	3706000363	2	Plate	
8	4691000495	2	Pin	
9	7754000019	6	Ring	
10	3691000064	2	Pin	
11	7691000001	2	Hair Pin	
12	3619000010	1	Manifold Assembly	
13	7970000166	1	Winch Assembly (See Separate Breakdown in this Section)	
14	7950160000	3	Lockwasher	
15	0641606	6	Bolt 3/8 x 3/4	
16	4891800	20	Washer 1/2	
17	1001139343	8	Bolt 1/2 x 1-1/4	
18	7295000118	1	Controller	
19	7661000007	4	Nut #10	
20	7104100613	4	Screw #10	
21	3178000517	1	Bracket	
22	3178000518	1	Bracket	
23	0641812	12	Bolt 1/2 1-1/2	
24	3706000364	1	Plate	
25	7843000035	2	Spring	
26	3691000259	1	Pin	
27	4949000059	2	Washer 5 x 4-1/2	
28	3691000260	1	Pin	
29	1001206388	1	Boom	
30	1001206161	1	Support	
31	1001206167	1	Support	
32	7809000001	1	Sheave	
33	1001206171	1	Pin	
34	88671008	1	Fitting, Straight	
35	7754000005	1	Ring	
36	7253000002	1	Fitting	
37	4691000513	1	Pin	
38	7809000021	1	Sheave	
39	4706005651	1	Plate	
40	4209000336	1	Bushing	
41	0641820	4	Bolt 1/2 x 2	
42	7660182601	14	Nut 1/2	
44	3241000208	1	Headboard	
45	7552000385	1	Side Recovery System Harness (Not Shown - See Separate Breakdown in ELECTRICAL Section)	
46	4706005650	1	Plate	
48	4706006211	2	Plate	
49	4314000167	1	Cover	

SECTION 1 - SUBFRAME

ITEM	PART NUMBER	QTY	DESCRIPTION	REV
50	7790161253	2	Screw 3/8 x 3/4	
51	4831000126	2	Spacer	
52	4831000127	2	Spacer	
53	0652016	12	Bolt 5/8 x 2	
54	7660202347	12	Nut 1/6	
55	7804000007	1	Shackle	
56	7248000070	1	Wire Rope (Not Shown)	
57	7274000053	4	Clamp (Not Shown)	
58	0641508	4	Bolt 5/16 x 1 (Not Shown)	
59	4751500	4	Washer 5/16 (Not Shown)	
60	7660152601	4	Nut 1/3 (Not Shown)	
61	7002000519	1	Snatch (Not Shown)	
63	4706005752	2	Plate	
64	2870000023	1	Switch Installation (Not Shown)	
66	3841143	1	Keeper	
67	4711600	1	Washer	
68	0651606	1	Bolt 3/8 x 3/4	
69	3020039	AR	Lubricant	
70	3020029	AR	Lube	
71	0100071	AR	Adhesive	
72	1001095650	AR	Adhesive	

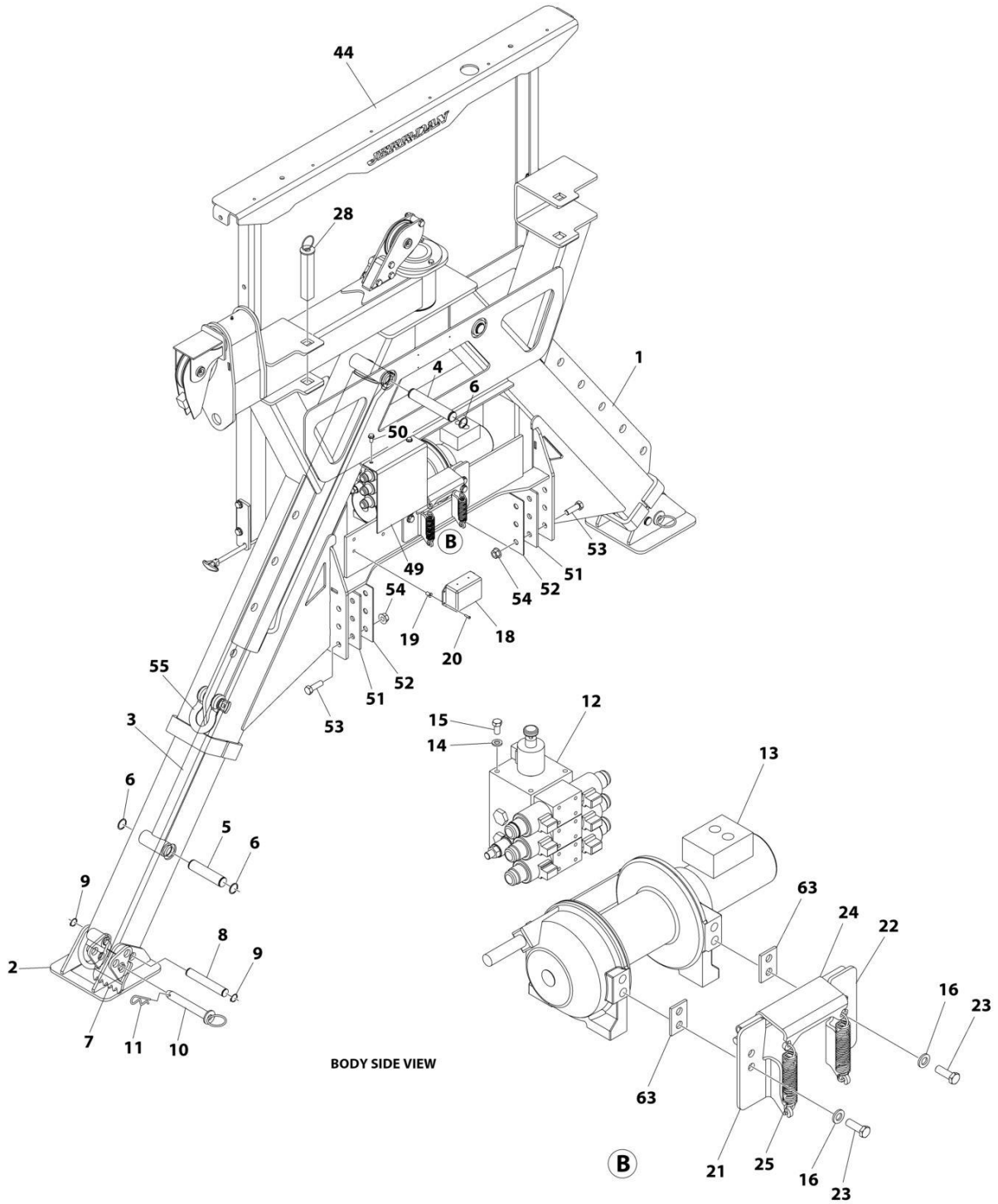
SECTION 1 - SUBFRAME

FIGURE 1-27. SIDE RECOVERY SYSTEM (SRS) INSTALLATION - 10000 LBS WINCH WITH AIR FREE SPOOL (3 FUNCTION REMOTE CONTROL)



ART_1001271984_10F2

SECTION 1 - SUBFRAME



BODY SIDE VIEW

ART_1001271984_20F2

SECTION 1 - SUBFRAME

FIGURE 1-27. SIDE RECOVERY SYSTEM (SRS) INSTALLATION - 10000 LBS WINCH WITH AIR FREE SPOOL (3 FUNCTION REMOTE CONTROL)

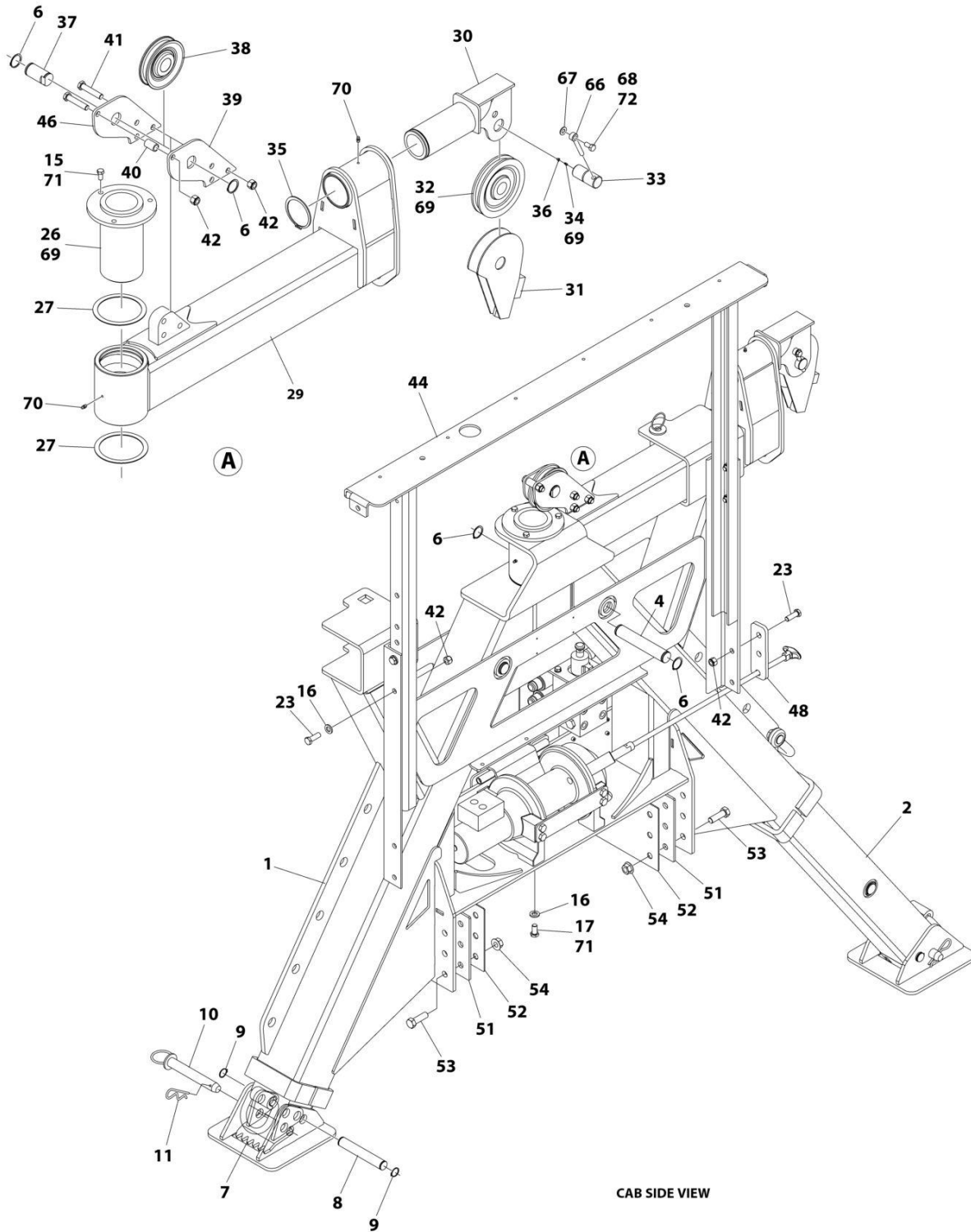
ITEM	PART NUMBER	QTY	DESCRIPTION	REV
	1001271984	Ref	FRAME ASSEMBLY (SRS-10), AIR F/S, 3 REMOTE	A
1	3455000058	1	Frame Weldment	
2	3170000473	2	Boom Weldment	
3	3320000229	2	Cylinder Assembly (See Separate Breakdown in this Section)	
4	4691000296	2	Pin	
5	4691000429	2	Pin	
6	3760133	7	Ring	
7	3706000363	2	Plate	
8	4691000495	2	Pin	
9	7754000019	6	Ring	
10	3691000064	2	Pin	
11	7691000001	2	Hair Pin	
12	3619000010	1	Manifold Assembly	
13	7970000166	1	Winch Assembly (See Separate Breakdown in this Section)	
14	7950160000	3	Lockwasher	
15	0641606	6	Bolt 3/8 x 3/4	
16	4891800	20	Washer 1/2	
17	1001139343	8	Bolt 1/2 x 1-1/4	
18	7295000118	1	Controller	
19	7661000007	4	Nut #10	
20	7104100613	4	Screw #10	
21	3178000517	1	Bracket	
22	3178000518	1	Bracket	
23	0641812	12	Bolt 1/2 1-1/2	
24	3706000364	1	Plate	
25	7843000035	2	Spring	
26	3691000259	1	Pin	
27	4949000059	2	Washer 5 x 4-1/2	
28	3691000260	1	Pin	
29	1001206388	1	Boom	
30	1001206161	1	Support	
31	1001206167	1	Support	
32	7809000001	1	Sheave	
33	1001206171	2	Pin	
34	88671008	2	Fitting, Straight	
35	7754000005	1	Ring	
36	7253000002	2	Fitting	
38	1001271775	1	Sheave	
39	1001271842	1	Plate	
40	4209000336	1	Bushing	
41	0641820	4	Bolt 1/2 x 2	
42	7660182601	14	Nut 1/2	
44	3241000208	1	Headboard	
45	7552000385	1	Side Recovery System Harness (Not Shown - See Separate Breakdown in ELECTRICAL Section)	
46	4706005650	1	Plate	
48	4706006211	2	Plate	
49	4314000167	1	Cover	
50	7790161253	2	Screw 3/8 x 3/4	

SECTION 1 - SUBFRAME

ITEM	PART NUMBER	QTY	DESCRIPTION	REV
51	4831000126	2	Spacer	
52	4831000127	2	Spacer	
53	0652016	12	Bolt 5/8 x 2	
54	7660202347	12	Nut 1/6	
55	7804000007	1	Shackle	
56	7248000077	1	Wire Rope (Not Shown)	
57	7274000053	4	Clamp (Not Shown)	
58	0641508	4	Bolt 5/16 x 1 (Not Shown)	
59	4751500	4	Washer 5/16 (Not Shown)	
60	7660152601	4	Nut 1/3 (Not Shown)	
61	7002000519	1	Snatch (Not Shown)	
63	4706005752	2	Plate	
64	2870000023	1	Switch Installation (Not Shown)	
66	3841143	2	Keeper	
67	4711600	2	Washer	
68	0651606	2	Bolt 3/8 x 3/4	
69	3020039	AR	Lubricant	
70	3020029	AR	Lube	
71	0100071	AR	Adhesive	
72	1001095650	AR	Adhesive	

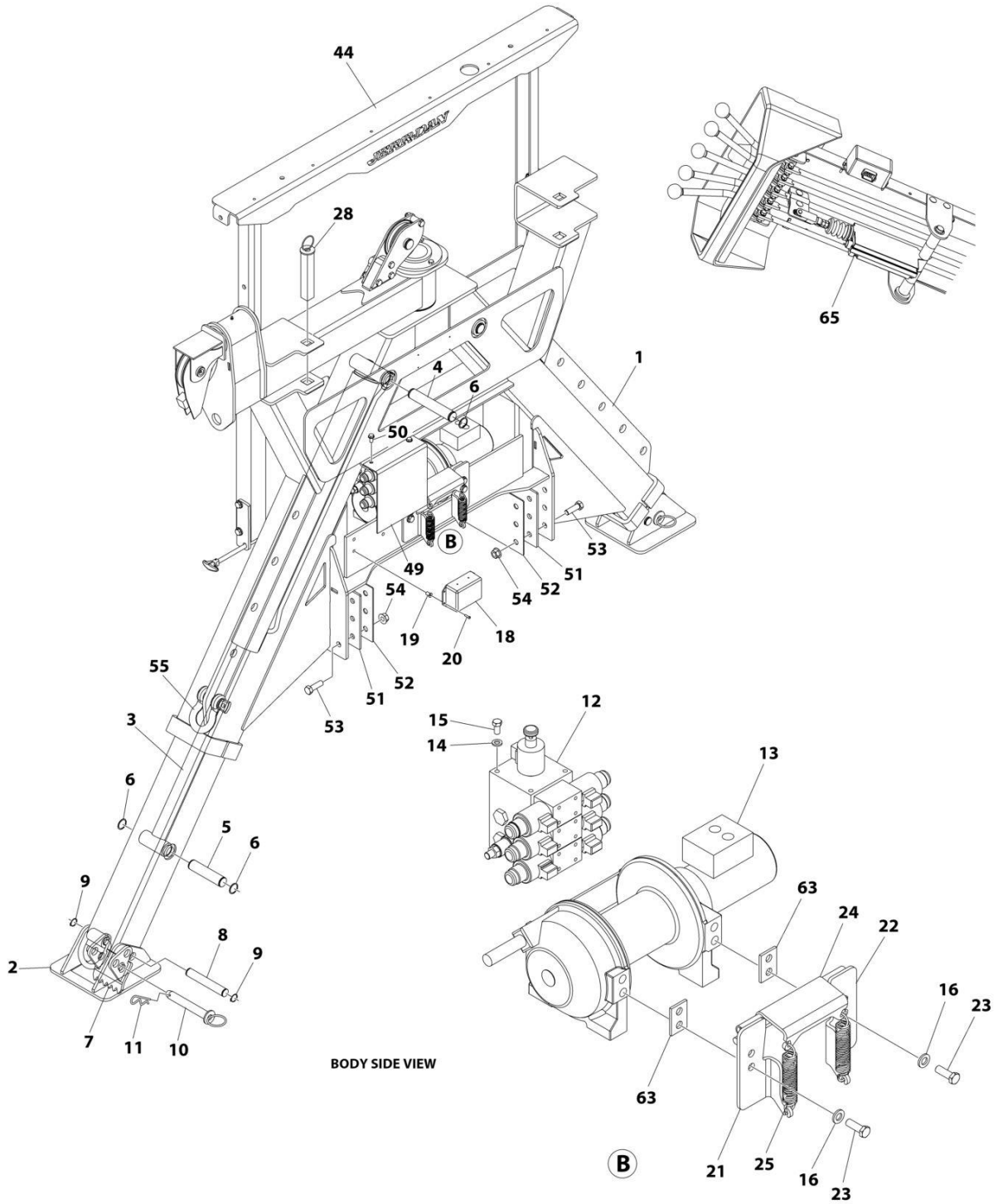
SECTION 1 - SUBFRAME

FIGURE 1-28. SIDE RECOVERY SYSTEM (SRS) INSTALLATION - 10000 LBS WINCH WITH AIR FREE SPOOL (4 FUNCTION REMOTE CONTROL) (SN 0220005217 through 0220025910)



ART_3455000066_10F2

SECTION 1 - SUBFRAME



BODY SIDE VIEW

ART_345500066_2OF2

SECTION 1 - SUBFRAME

FIGURE 1-28. SIDE RECOVERY SYSTEM (SRS) INSTALLATION - 10000 LBS WINCH WITH AIR FREE SPOOL (4 FUNCTION REMOTE CONTROL) (SN 0220005217 through 0220025910)

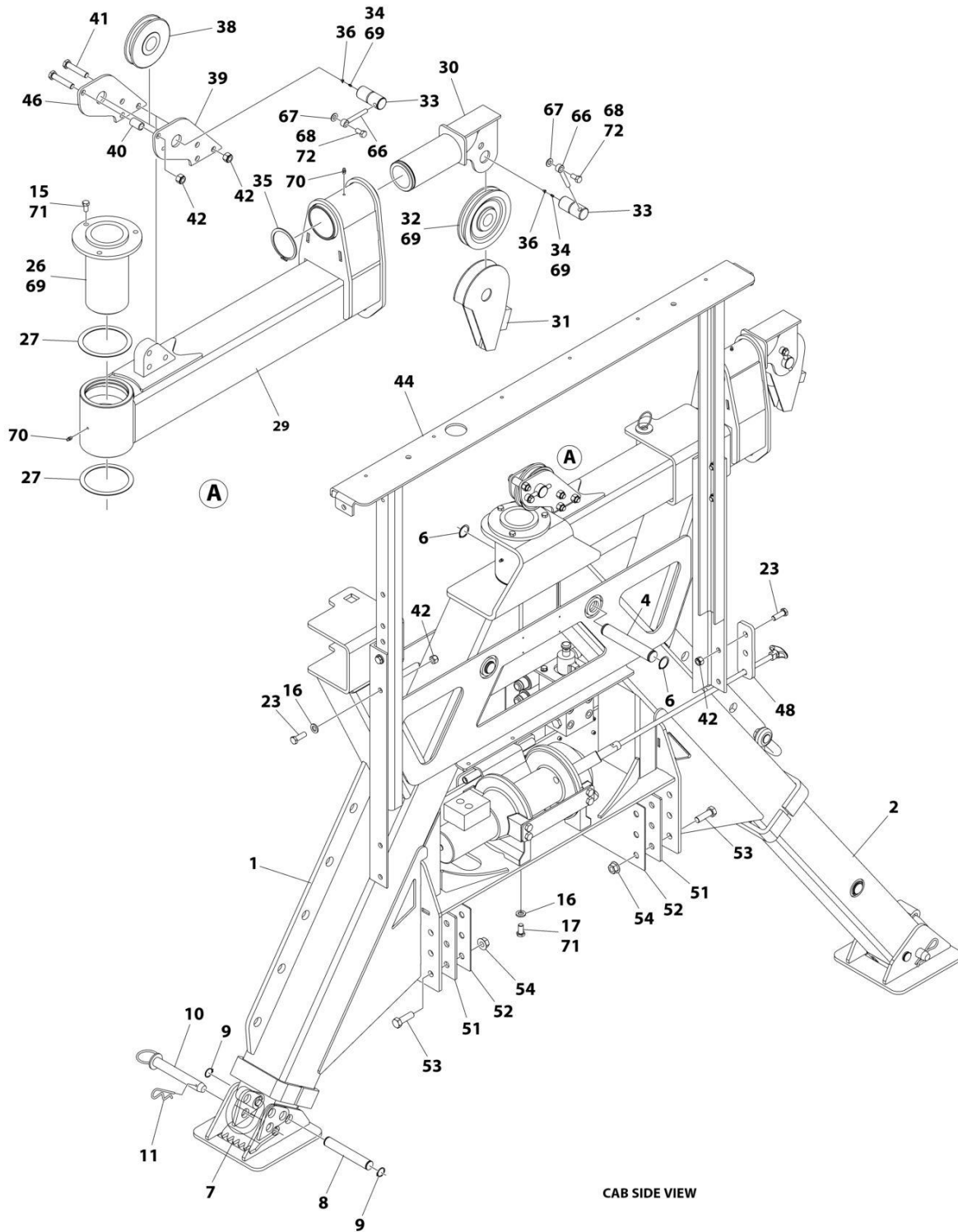
ITEM	PART NUMBER	QTY	DESCRIPTION	REV
	3455000066	Ref	FRAME ASSEMBLY (SRS-10), AIR F/S, 3+1 REMOTE	C
1	3455000058	1	Frame	
2	3170000473	2	Boom Weldment	
3	3320000229	2	Cylinder Assembly (See Separate Breakdown in this Section)	
4	4691000296	2	Pin	
5	4691000429	2	Pin	
6	3760133	9	Ring	
7	3706000363	2	Plate	
8	4691000495	2	Pin	
9	7754000019	6	Ring	
10	3691000064	2	Pin	
11	7691000001	2	Hair Pin	
12	3619000010	1	Manifold Assembly	
13	7970000166	1	Winch Assembly (See Separate Breakdown in this Section)	
14	7950160000	3	Lockwasher	
15	0641606	6	Bolt 3/8 x 3/4	
16	4891800	20	Washer 1/2	
17	1001139343	8	Bolt 1/2 x 1-1/4	
18	7295000130	1	Controller	
19	7661000007	4	Nut #10	
20	7104100613	4	Screw #10	
21	3178000517	1	Bracket	
22	3178000518	1	Bracket	
23	0641812	12	Bolt 1/2 1-1/2	
24	3706000364	1	Plate	
25	7843000035	2	Spring	
26	3691000259	1	Pin	
27	4949000059	2	Washer 5 x 4-1/2	
28	3691000260	1	Pin	
29	1001206388	1	Boom	
30	1001206161	1	Support	
31	1001206167	1	Support	
32	7809000001	1	Sheave	
33	1001206171	1	Pin	
34	88671008	1	Fitting, Straight	
35	7754000005	1	Ring	
36	7253000002	1	Fitting	
37	4691000513	1	Pin	
38	7809000021	1	Sheave	
39	4706005651	1	Plate	
40	4209000336	1	Bushing	
41	0641820	4	Bolt 1/2 x 2	
42	7660182601	14	Nut 1/2	
44	3241000208	1	Headboard	
45	7552000413	1	Side Recovery System Harness (Not Shown - See Separate Breakdown in ELECTRICAL Section)	
46	4706005650	1	Plate	
48	4706006211	2	Plate	
49	4314000167	1	Cover	

SECTION 1 - SUBFRAME

ITEM	PART NUMBER	QTY	DESCRIPTION	REV
50	7790161253	2	Screw 3/8 x 3/4	
51	4831000126	2	Spacer	
52	4831000127	2	Spacer	
53	0652016	12	Bolt 5/8 x 2	
54	7660202347	12	Nut 1/6	
55	7804000007	1	Shackle	
56	7248000070	1	Wire Rope (Not Shown)	
57	7274000053	4	Clamp (Not Shown)	
58	0641508	4	Bolt 5/16 x 1 (Not Shown)	
59	4751500	4	Washer 5/16 (Not Shown)	
60	7660152601	4	Nut 1/3 (Not Shown)	
61	7002000519	1	Snatch (Not Shown)	
63	4706005752	2	Plate	
64	2870000023	1	Switch Installation (Not Shown)	
65	2577000016	1	Linear Actuator Kit	
66	3841143	1	Keeper	
67	4711600	1	Washer	
68	0651606	1	Bolt 3/8 x 3/4	
69	3020039	AR	Lubricant	
70	3020029	AR	Lube	
71	0100071	AR	Adhesive	
72	1001095650	AR	Adhesive	

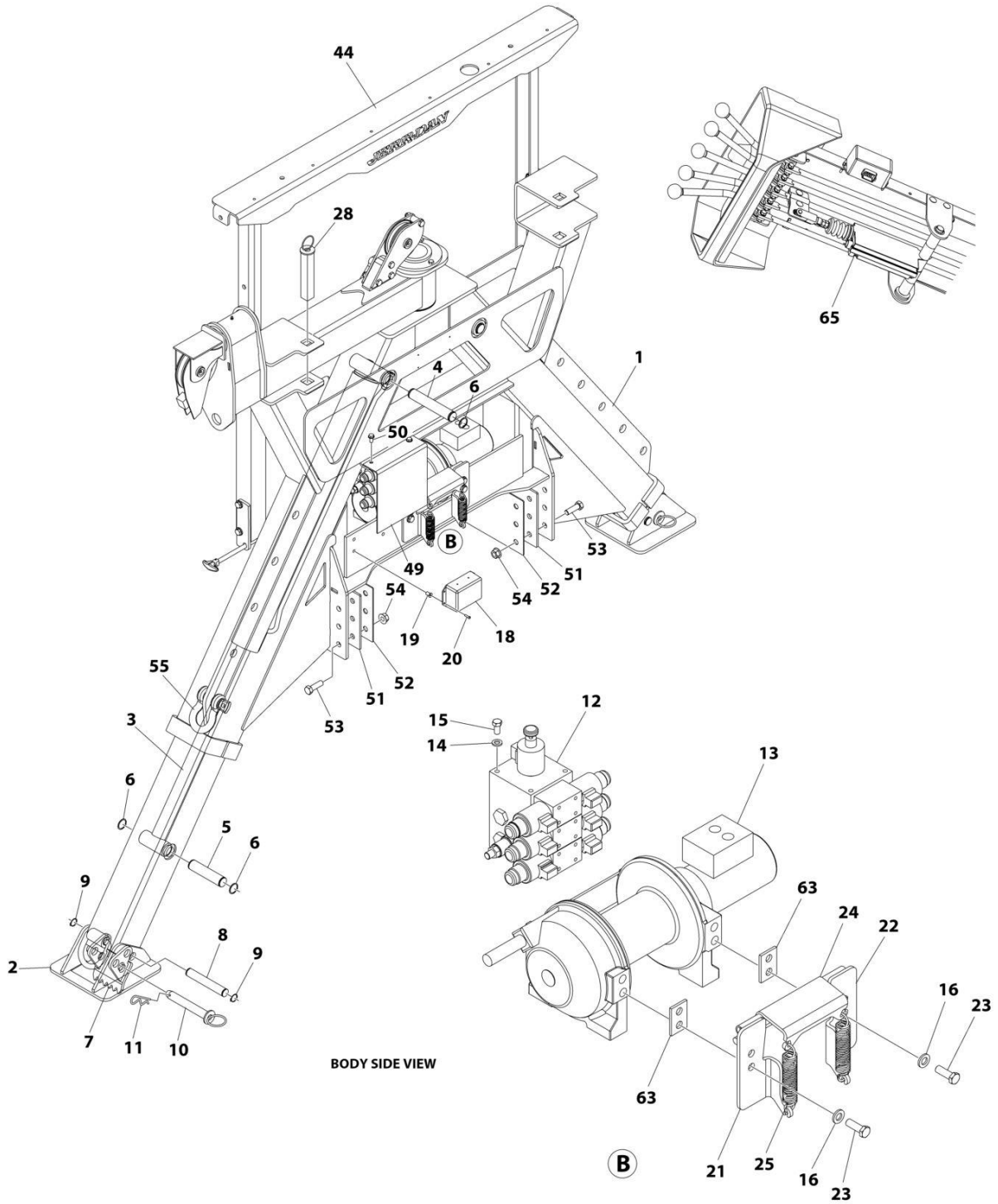
SECTION 1 - SUBFRAME

FIGURE 1-29. SIDE RECOVERY SYSTEM (SRS) INSTALLATION - 10000 LBS WINCH WITH AIR FREE SPOOL (4 FUNCTION REMOTE CONTROL)



ART_1001271986_10F2

SECTION 1 - SUBFRAME



ART_1001271986_20F2

SECTION 1 - SUBFRAME

FIGURE 1-29. SIDE RECOVERY SYSTEM (SRS) INSTALLATION - 10000 LBS WINCH WITH AIR FREE SPOOL (4 FUNCTION REMOTE CONTROL)

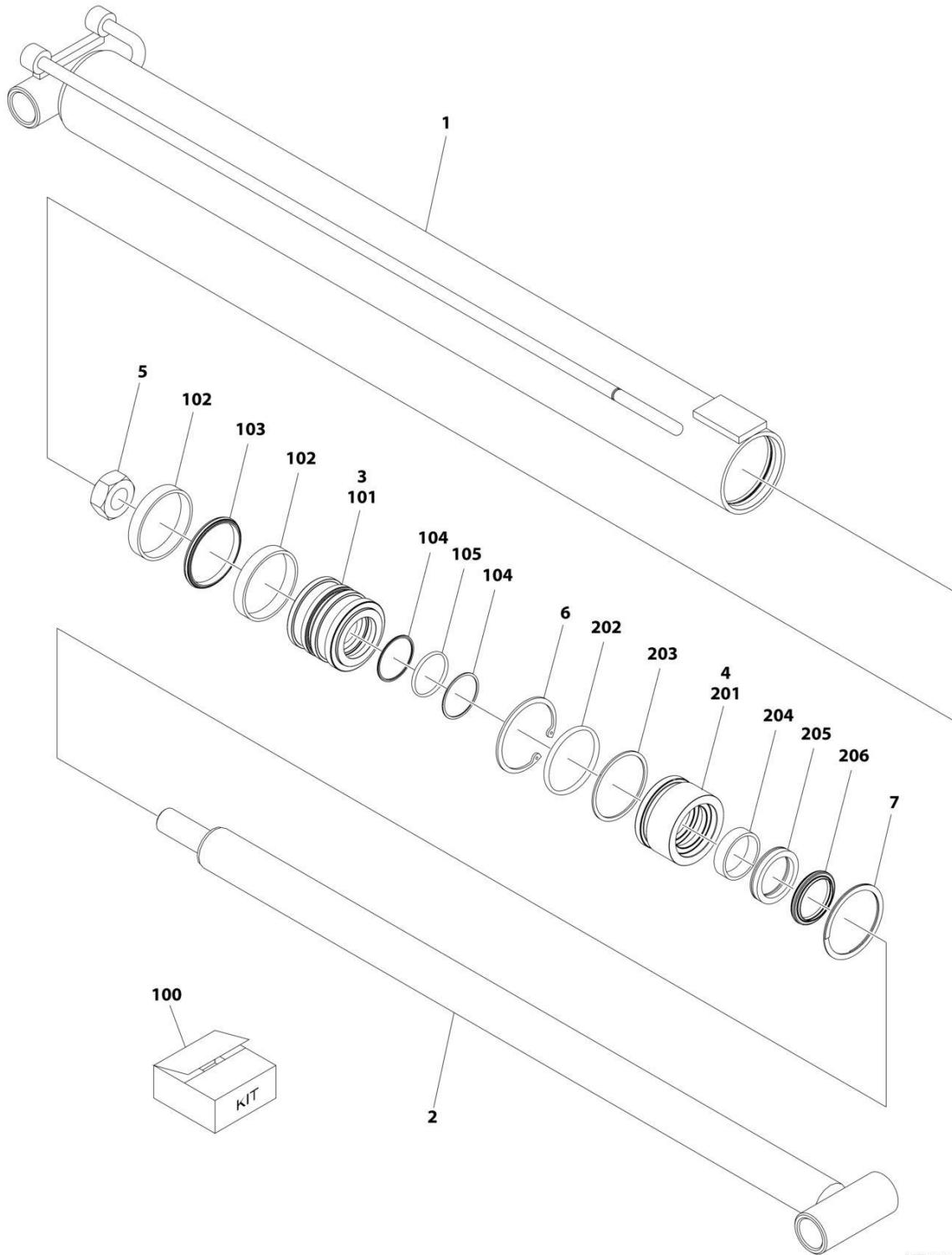
ITEM	PART NUMBER	QTY	DESCRIPTION	REV
	1001271986	Ref	FRAME ASSEMBLY (SRS-10), AIR F/S, 4 REMOTE	A
1	3455000058	1	Frame	
2	3170000473	2	Boom Weldment	
3	3320000229	2	Cylinder Assembly (See Separate Breakdown in this Section)	
4	4691000296	2	Pin	
5	4691000429	2	Pin	
6	3760133	7	Ring	
7	3706000363	2	Plate	
8	4691000495	2	Pin	
9	7754000019	6	Ring	
10	3691000064	2	Pin	
11	7691000001	2	Hair Pin	
12	3619000010	1	Manifold Assembly	
13	7970000166	1	Winch Assembly (See Separate Breakdown in this Section)	
14	7950160000	3	Lockwasher	
15	0641606	6	Bolt 3/8 x 3/4	
16	4891800	20	Washer 1/2	
17	1001139343	8	Bolt 1/2 x 1-1/4	
18	7295000130	1	Controller	
19	7661000007	4	Nut #10	
20	7104100613	4	Screw #10	
21	3178000517	1	Bracket	
22	3178000518	1	Bracket	
23	0641812	12	Bolt 1/2 1-1/2	
24	3706000364	1	Plate	
25	7843000035	2	Spring	
26	3691000259	1	Pin	
27	4949000059	2	Washer 5 x 4-1/2	
28	3691000260	1	Pin	
29	1001206388	1	Boom	
30	1001206161	1	Support	
31	1001206167	1	Support	
32	7809000001	1	Sheave	
33	1001206171	2	Pin	
34	88671008	2	Fitting	
35	7754000005	1	Ring	
36	7253000002	2	Fitting	
38	1001271775	1	Sheave	
39	1001271842	1	Plate	
40	4209000336	1	Bushing	
41	0641820	4	Bolt 1/2 x 2	
42	7660182601	14	Nut 1/2	
44	3241000208	1	Headboard	
45	7552000413	1	Side Recovery System Harness (Not Shown - See Separate Breakdown in ELECTRICAL Section)	
46	4706005650	1	Plate	
48	4706006211	2	Plate	
49	4314000167	1	Cover	
50	7790161253	2	Screw 3/8 x 3/4	

SECTION 1 - SUBFRAME

ITEM	PART NUMBER	QTY	DESCRIPTION	REV
51	4831000126	2	Spacer	
52	4831000127	2	Spacer	
53	0652016	12	Bolt 5/8 x 2	
54	7660202347	12	Nut 1/6	
55	7804000007	1	Shackle	
56	7248000077	1	Wire Rope (Not Shown)	
57	7274000053	4	Clamp (Not Shown)	
58	0641508	4	Bolt 5/16 x 1 (Not Shown)	
59	4751500	4	Washer 5/16 (Not Shown)	
60	7660152601	4	Nut 1/3 (Not Shown)	
61	7002000519	1	Snatch (Not Shown)	
63	4706005752	2	Plate	
64	2870000023	1	Switch Installation (Not Shown)	
65	2577000016	1	Linear Actuator Kit	
66	3841143	2	Keeper	
67	4711600	2	Washer	
68	0651606	2	Bolt 3/8 x 3/4	
69	3020039	AR	Lubricant	
70	3020029	AR	Lube	
71	0100071	AR	Adhesive	
72	1001095650	AR	Adhesive	

SECTION 1 - SUBFRAME

FIGURE 1-30. CYLINDER ASSEMBLY - SIDE RECOVERY SYSTEM



ART_3320000229

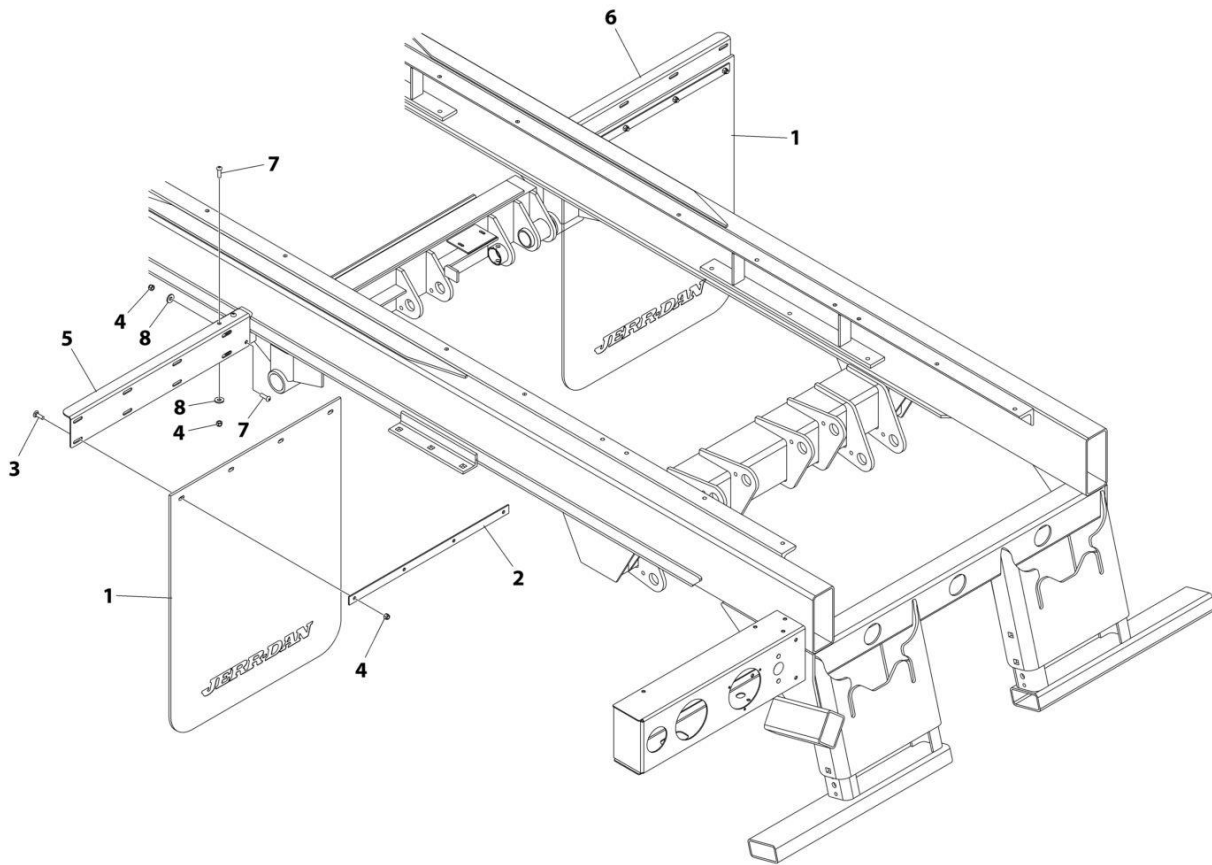
SECTION 1 - SUBFRAME

FIGURE 1-30. CYLINDER ASSEMBLY - SIDE RECOVERY SYSTEM

ITEM	PART NUMBER	QTY	DESCRIPTION	REV
	3320000229	Ref	CYLINDER ASSEMBLY - SIDE RECOVERY SYSTEM	A
1	3071000213	1	Barrel	
2	3763000187	1	Rod	
3	3698000001	1	Piston Assembly (Includes Items 101-105)	
4	3553000011	1	Head Assembly (Includes Items 201-206)	
5	7661000034	1	Nut	
6	7754000002	1	Ring, Retaining	
7	7754000026	1	Ring, Retaining	
100	7577250024	1	Seal Kit (Includes Items 102-105 & 202-206)	
	3698000001	Ref	PISTON ASSEMBLY	
101	4698000007	1	Piston	
102	7754000003	2	Ring, Wear	
103	7796000063	1	Seal	
104	7755224609	2	Ring, Back-up	
105	7755224000	1	O-Ring	
	3553000011	Ref	HEAD ASSEMBLY	
201	4553000008	1	Head	
202	7755334000	1	O-Ring	
203	7755334609	1	Ring, Back-up	
204	7754000004	1	Ring, Wear	
205	7796000024	1	Seal	
206	7796000008	1	Wiper	

SECTION 1 - SUBFRAME

FIGURE 1-31. MUD FLAPS INSTALLATION - STANDARD



ART_263800017

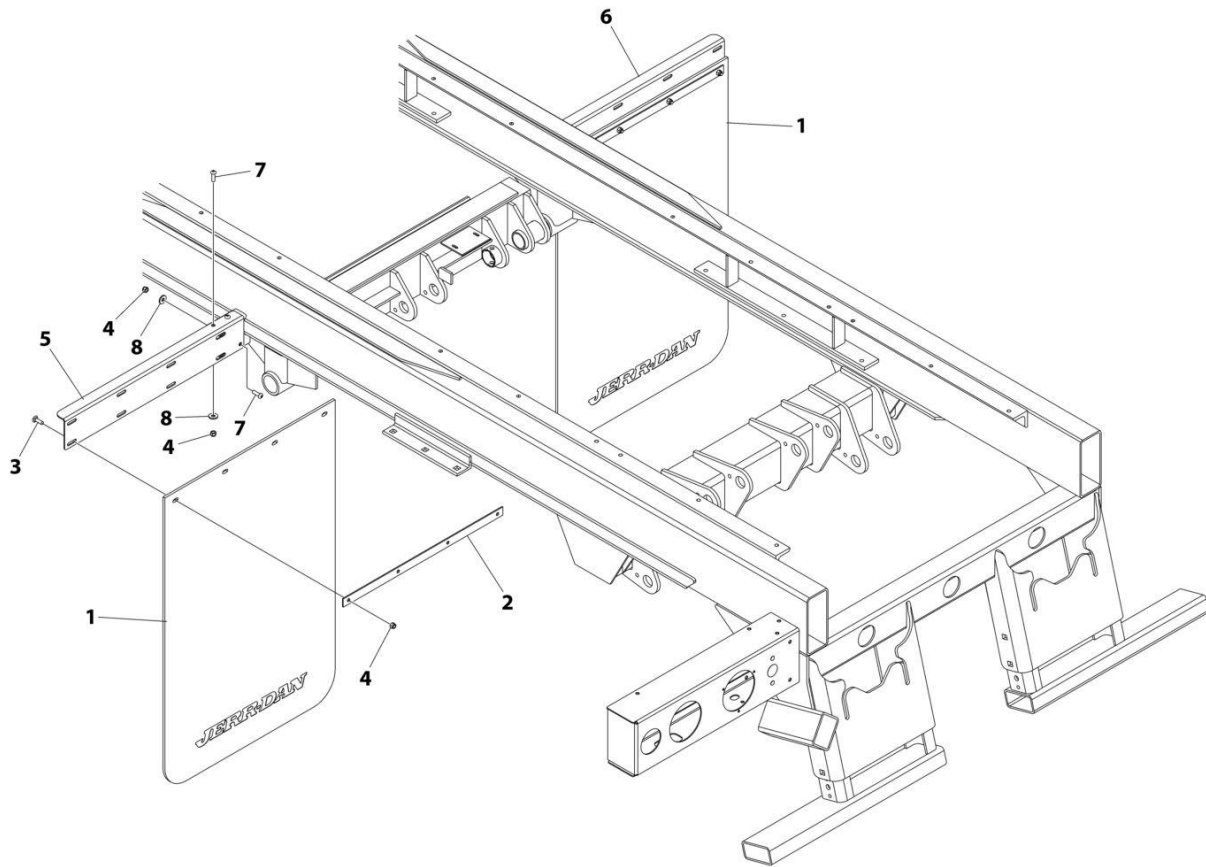
SECTION 1 - SUBFRAME

FIGURE 1-31. MUD FLAPS INSTALLATION - STANDARD

ITEM	PART NUMBER	QTY	DESCRIPTION	REV
	2638000017	Ref	Mud Flaps, Standard	B
1	7638000004	2	Mud Flaps with Jerr-Dan Logo	
2	4706006427	2	Plate	
3	7111150864	8	Bolt 5/16 x 1	
4	7660152601	14	Nut 5/16	
5	4017001742	1	Angle (LH)	
6	4017001743	1	Angle (RH)	
7	7114150818	6	Capscrew 5/16 x 1	
8	7950150153	6	Washer 5/16	

SECTION 1 - SUBFRAME

FIGURE 1-32. MUD FLAPS INSTALLATION - HIGH



ART_263800019

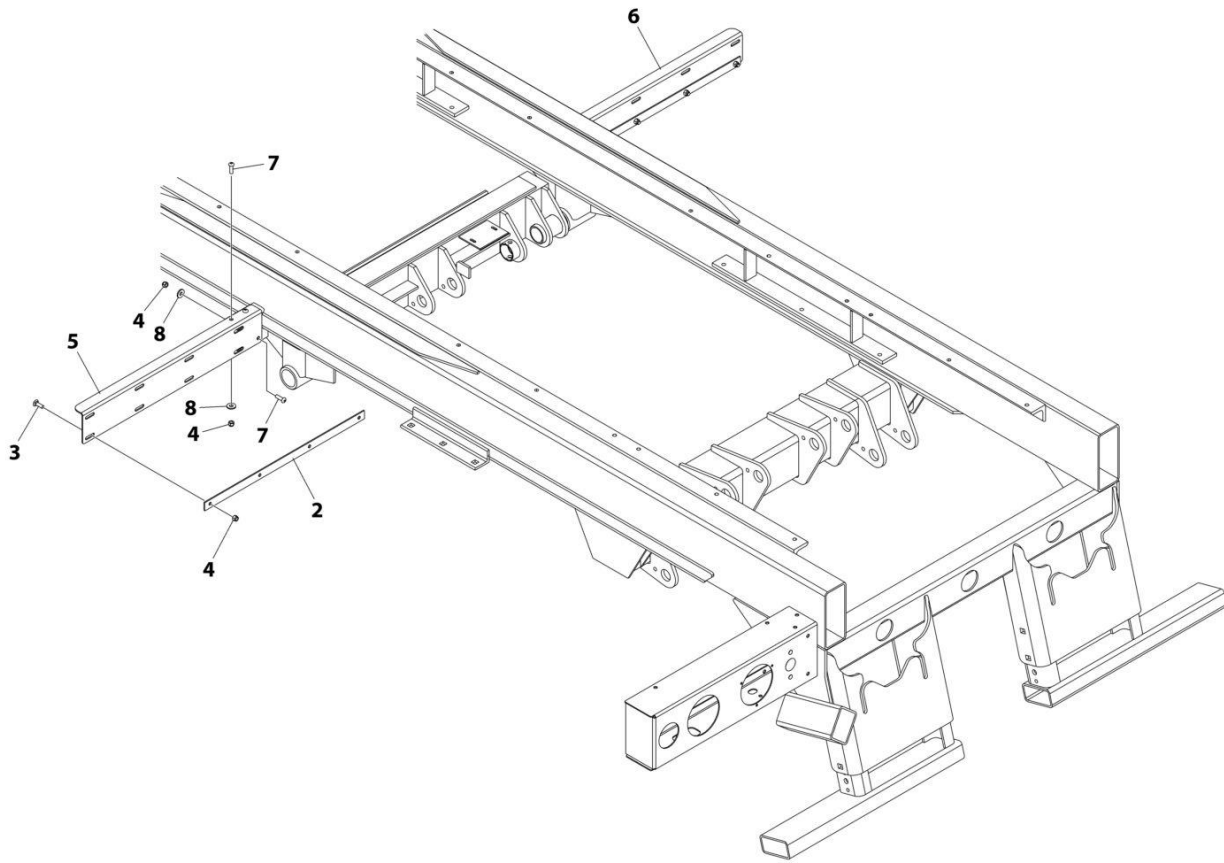
SECTION 1 - SUBFRAME

FIGURE 1-32. MUD FLAPS INSTALLATION - HIGH

ITEM	PART NUMBER	QTY	DESCRIPTION	REV
	2638000019	Ref	Mud Flap - High	D
1	7638000013	2	Mud Flap with Jerr-Dan Logo	
2	4706006427	2	Plate	
3	7111150864	8	Bolt 5/16 x 1	
4	7660152601	14	Nut 5/16	
5	4017001742	1	Angle (LH)	
6	4017001743	1	Angle (RH)	
7	7114150818	6	Capscrew 5/16 x 1	
8	7950150153	6	Washer 5/16	

SECTION 1 - SUBFRAME

FIGURE 1-33. MUD FLAPS INSTALLATION - CUSTOMER INSTALLATION



ART_1001131724

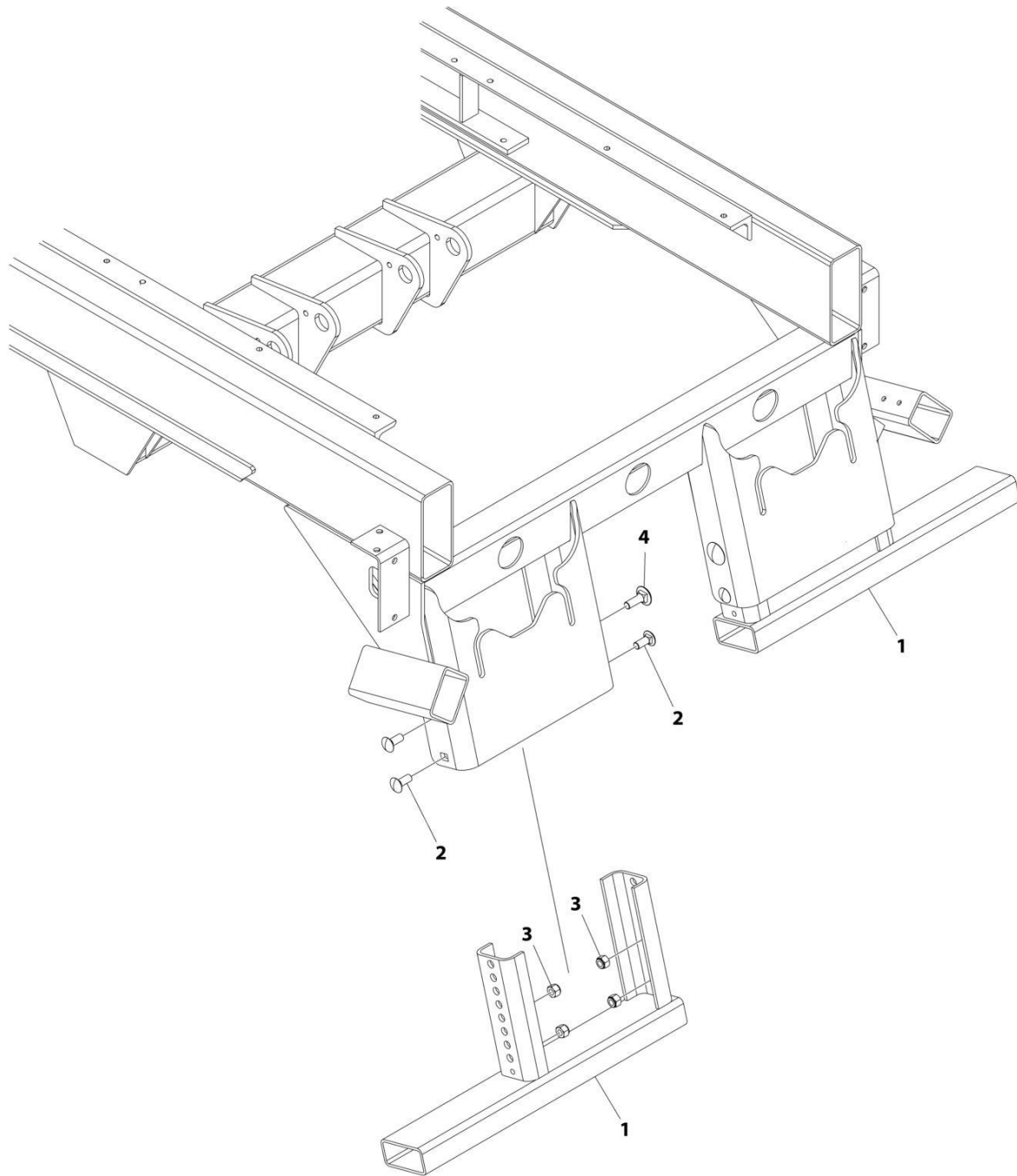
SECTION 1 - SUBFRAME

FIGURE 1-33. MUD FLAPS INSTALLATION - CUSTOMER INSTALLATION

ITEM	PART NUMBER	QTY	DESCRIPTION	REV
	1001131724	Ref	Mud Flaps, Customer Installation	0
2	4706006427	2	Plate Galvanneal	
3	7111150864	8	Bolt 5/16 x 1	
4	7660152601	14	Nut 5/16	
5	4017001742	1	Angle LH Galvanneal	
6	4017001743	1	Angle RH Galvanneal	
7	7114150818	6	Capscrew 5/16 x 1	
8	7950150153	6	Washer 5/16	

SECTION 1 - SUBFRAME

FIGURE 1-34. REAR BUMPER -SHORT GALVANIZED (SN 0220025911 to Present)



ART_1001177633

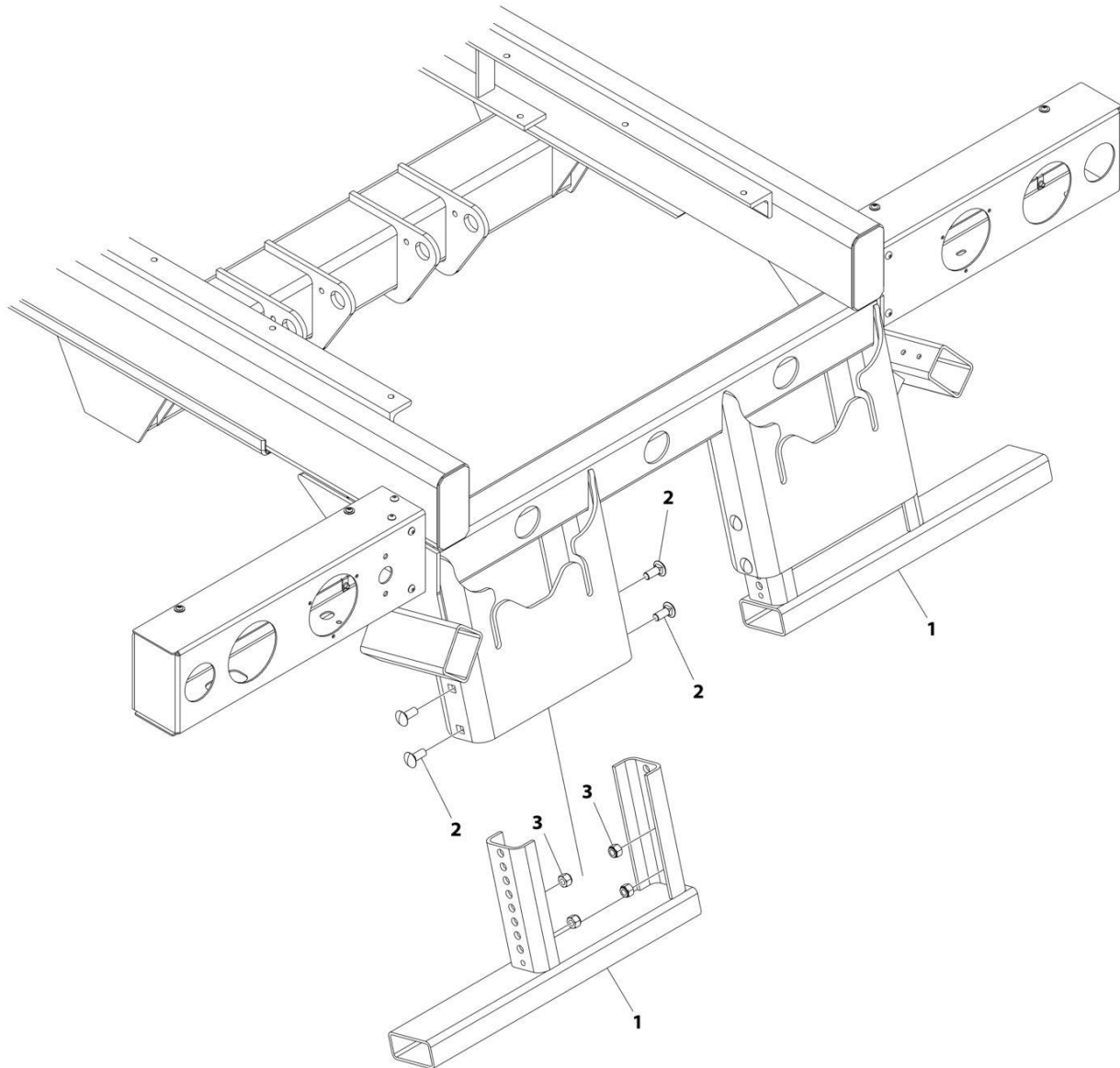
SECTION 1 - SUBFRAME

FIGURE 1-34. REAR BUMPER -SHORT GALVANIZED (SN 0220025911 to Present)

ITEM	PART NUMBER	QTY	DESCRIPTION	REV
	1001177633	Ref	Rear Bumper - Short Galvanized	B
1	1001177603	2	Bumper	
2	7115181064	6	Bolt 1/2 x 1-1/4	
3	7660182601	8	Nut 1/2	
4	7115181664	2	Bolt 1/2 x 2	

SECTION 1 - SUBFRAME

FIGURE 1-35. REAR BUMPER - SHORT (SN 0220005217 through 0220025910)



ART_2190000025

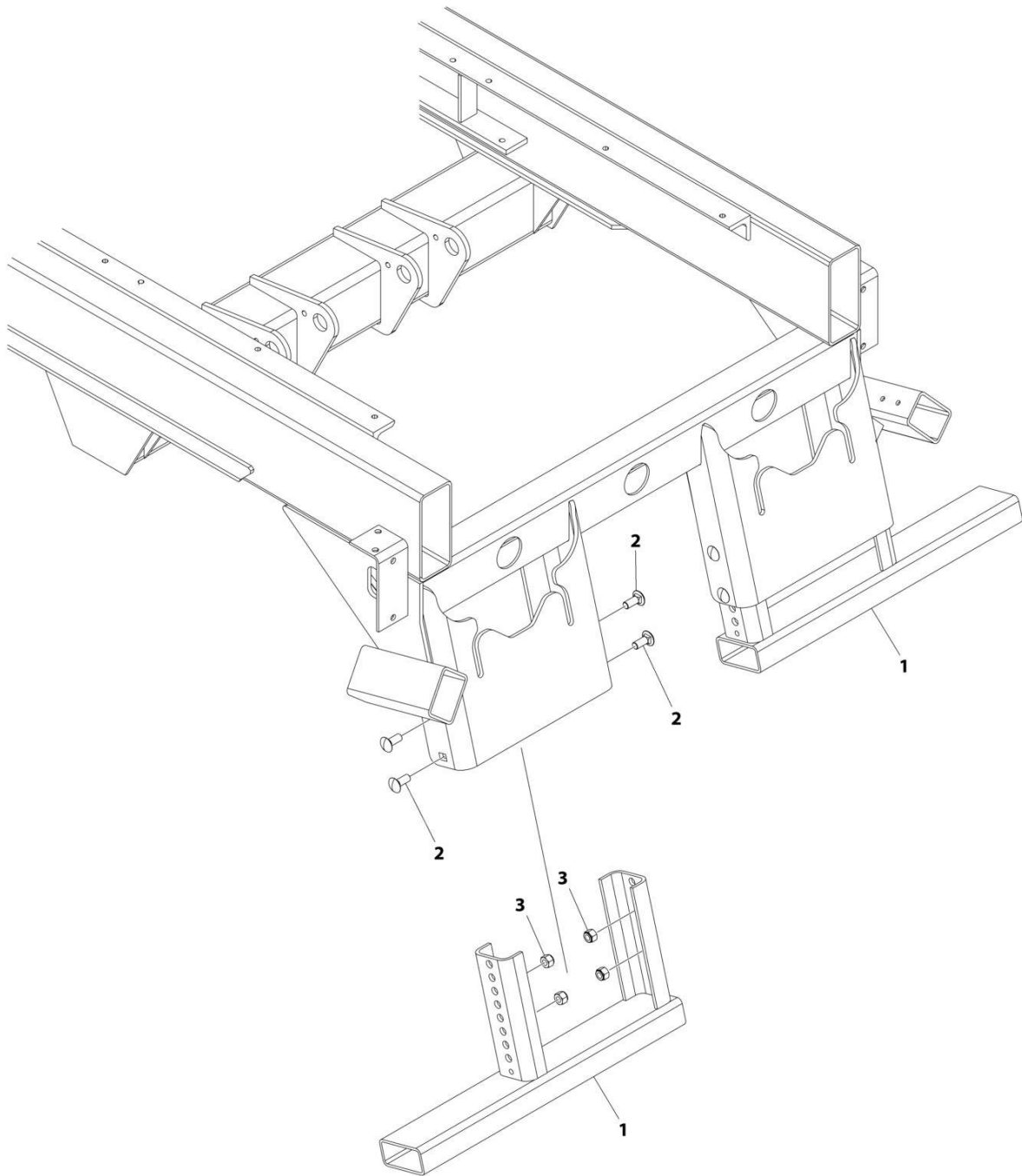
SECTION 1 - SUBFRAME

FIGURE 1-35. REAR BUMPER - SHORT (SN 0220005217 through 0220025910)

ITEM	PART NUMBER	QTY	DESCRIPTION	REV
	2190000025	Ref	BUMPER INSTALLATION - REAR (SHORT)	B
1	3190000058	2	Bumper	
2	7115181064	8	Bolt 1/2 x 1-1/4	
3	7660182601	8	Nut 1/2	

SECTION 1 - SUBFRAME

FIGURE 1-36. REAR BUMPER - SHORT GALVANIZED (SN 0220005217 through 0220025910)



ART_219000027

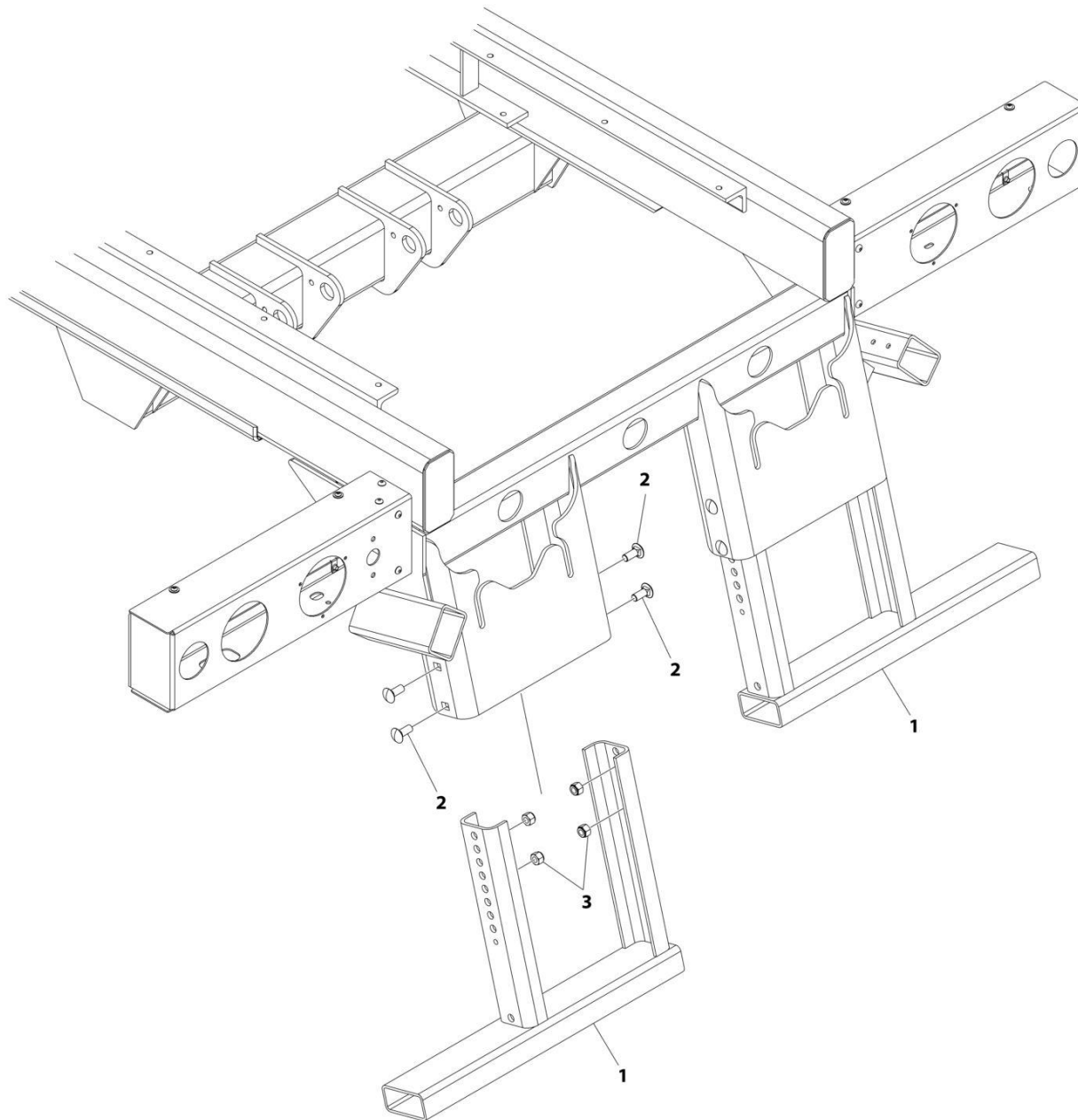
SECTION 1 - SUBFRAME

FIGURE 1-36. REAR BUMPER - SHORT GALVANIZED (SN 0220005217 through 0220025910)

ITEM	PART NUMBER	QTY	DESCRIPTION	REV
	2190000027	Ref	BUMPER INSTALLATION - REAR (SHORT GALVANIZED)	B
1	3190000060	2	Bumper	
2	7115181064	8	Bolt 1/2 x 1-1/4	
3	7660182601	8	Nut 1/2	

SECTION 1 - SUBFRAME

FIGURE 1-37. REAR BUMPER - LONG (SN 0220005217 through 0220025910)



ART_2190000026

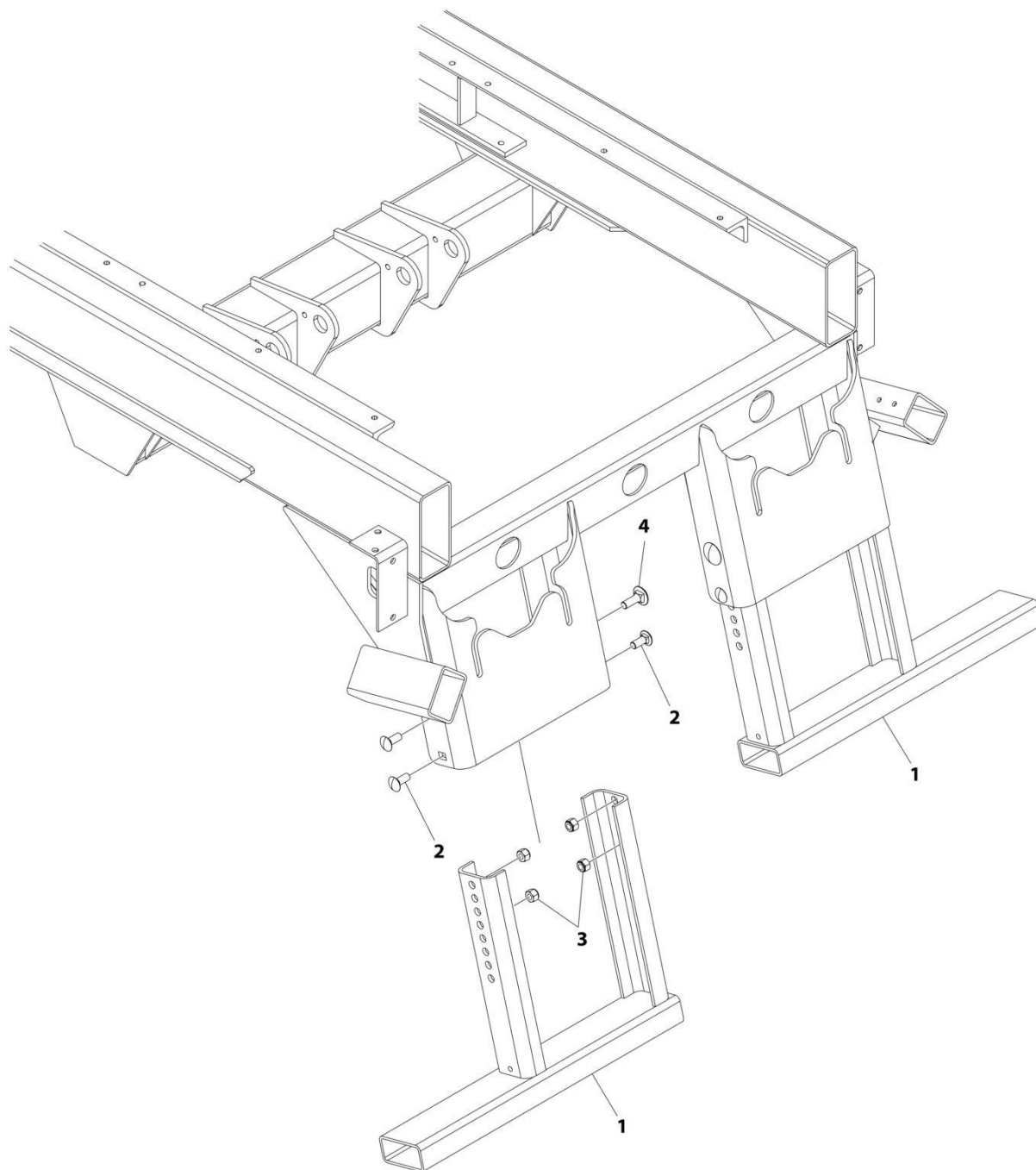
SECTION 1 - SUBFRAME

FIGURE 1-37. REAR BUMPER - LONG (SN 0220005217 through 0220025910)

ITEM	PART NUMBER	QTY	DESCRIPTION	REV
	2190000026	Ref	BUMPER INSTALLATION - REAR (LONG)	B
1	3190000059	2	Bumper	
2	7115181064	8	Bolt 1/2 x 1-1/4	
3	7660182601	8	Nut 1/2	

SECTION 1 - SUBFRAME

FIGURE 1-38. REAR BUMPER - LONG GALVANIZED (SN 0220025911 to Present)



ART_1001177634

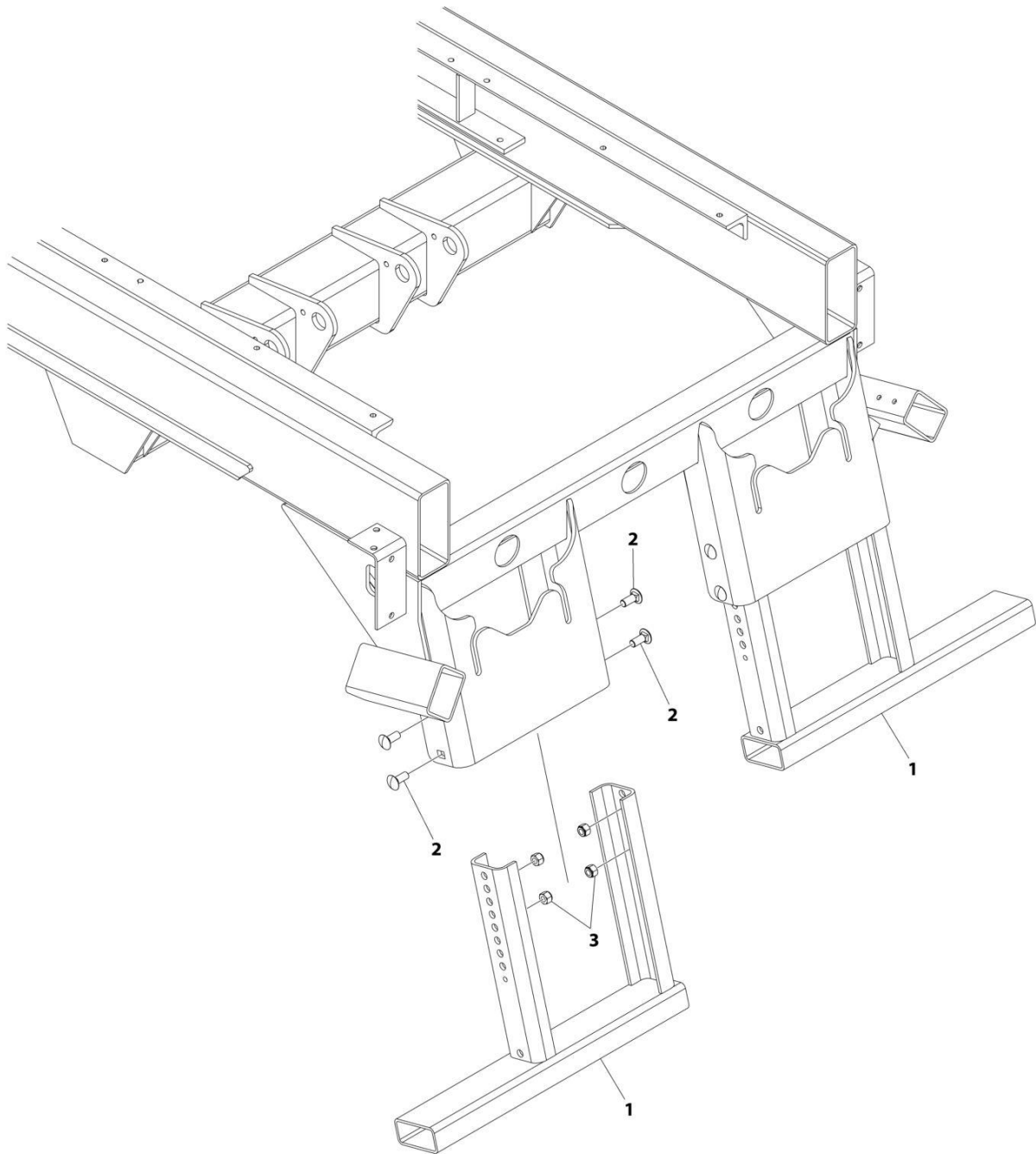
SECTION 1 - SUBFRAME

FIGURE 1-38. REAR BUMPER - LONG GALVANIZED (SN 0220025911 to Present)

ITEM	PART NUMBER	QTY	DESCRIPTION	REV
	1001177634	Ref	Rear Bumper - Long Galvanized	B
1	1001177605	2	Bumper	
2	7115181064	6	Bolt 1/2 x 1-1/4	
3	7660182601	8	Nut 1/2	
4	7115181664	2	Bolt 1/2 x 2	

SECTION 1 - SUBFRAME

FIGURE 1-39. REAR BUMPER - LONG GALVANIZED (SN 0220005217 through 0220025910)



ART_219000028

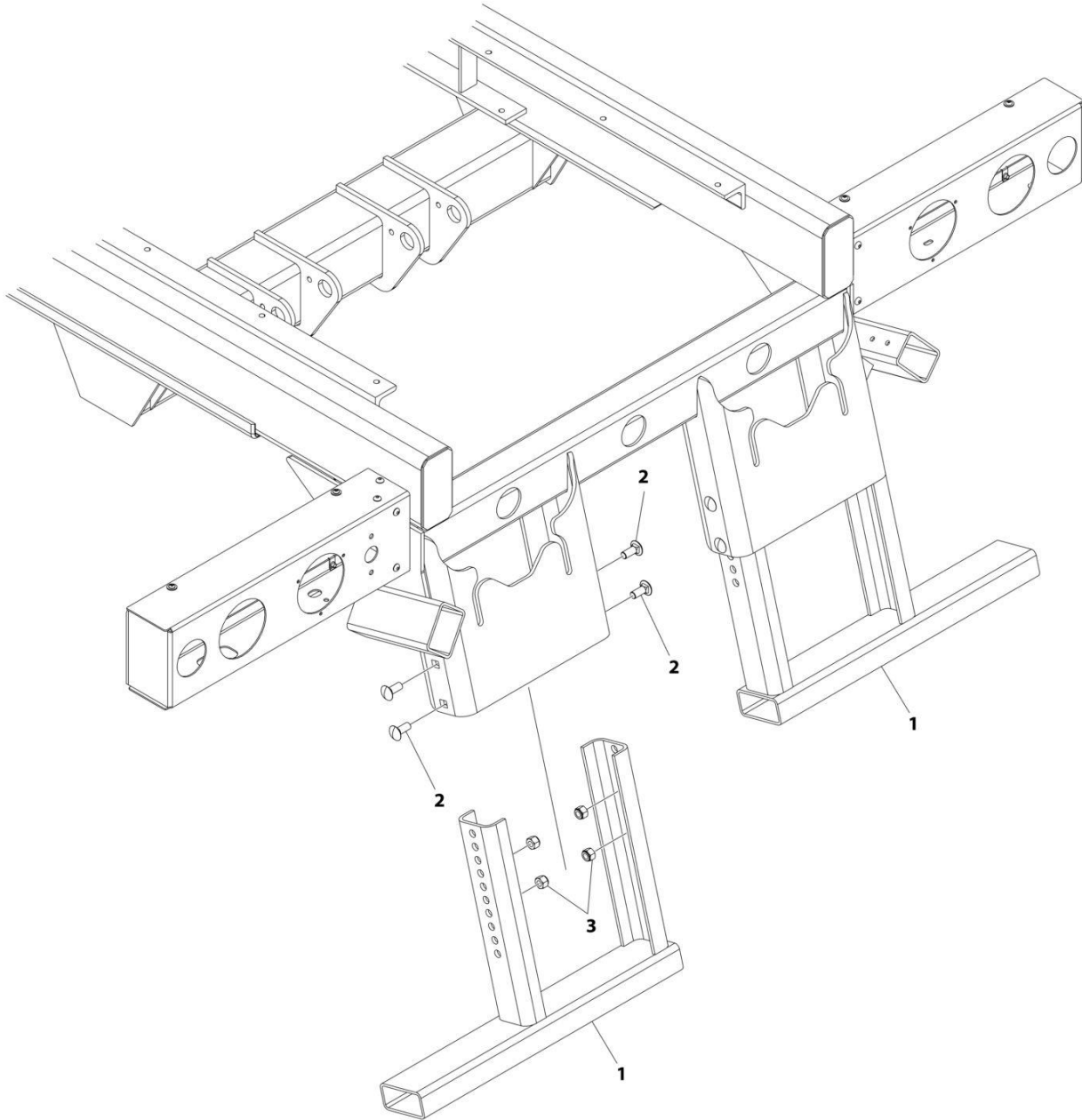
SECTION 1 - SUBFRAME

FIGURE 1-39. REAR BUMPER - LONG GALVANIZED (SN 0220005217 through 0220025910)

ITEM	PART NUMBER	QTY	DESCRIPTION	REV
	2190000028	Ref	BUMPER INSTALLATION - REAR (LONG GALVANIZED)	B
1	3190000061	2	Bumper	
2	7115181064	8	Bolt 1/2 x 1-1/4	
3	7660182601	8	Nut 1/2	

SECTION 1 - SUBFRAME

FIGURE 1-40. REAR BUMPER - EXTRA LONG (SN 0220005217 through 0220025910)



ART_219000018

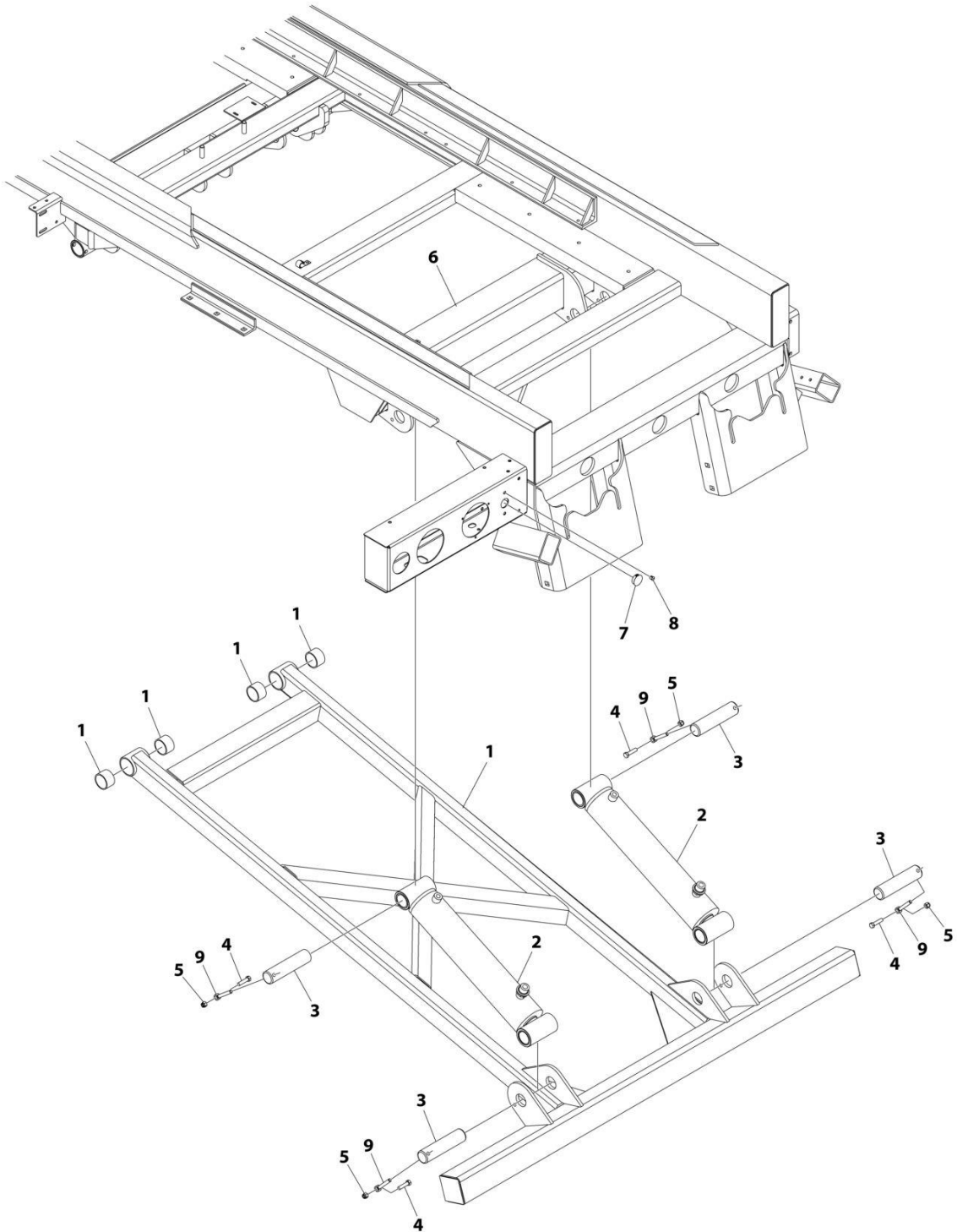
SECTION 1 - SUBFRAME

FIGURE 1-40. REAR BUMPER - EXTRA LONG (SN 0220005217 through 0220025910)

ITEM	PART NUMBER	QTY	DESCRIPTION	REV
	2190000018	Ref	BUMPER INSTALLATION - REAR (EXTRA LONG)	B
1	3190000034	2	Bumper	
2	7115181064	8	Bolt 1/2 x 1-1/4	
3	7660182601	8	Nut 1/2	

SECTION 1 - SUBFRAME

FIGURE 1-41. REAR STABILIZER INSTALLATION - STANDARD



ART_2849000043

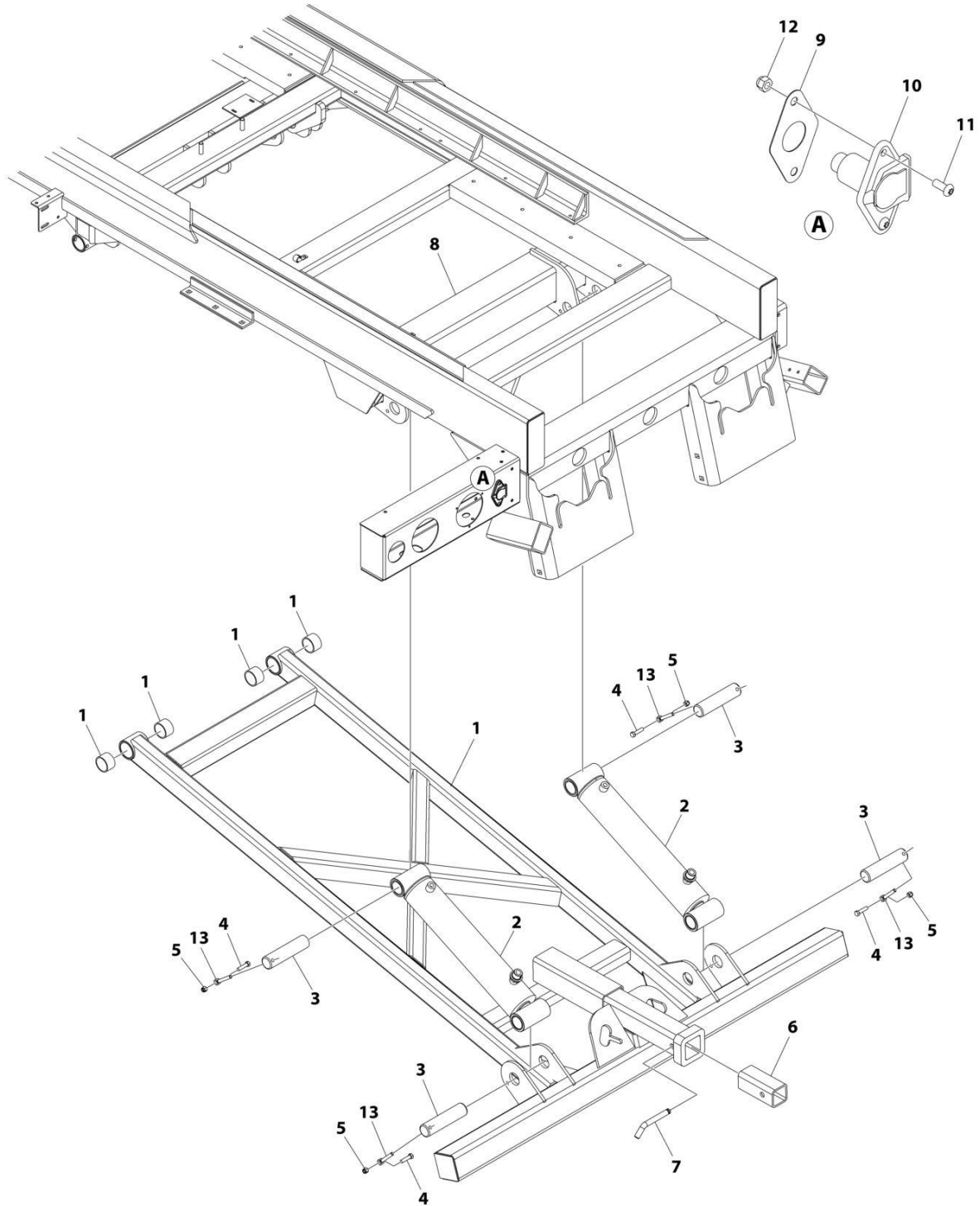
SECTION 1 - SUBFRAME

FIGURE 1-41. REAR STABILIZER INSTALLATION - STANDARD

ITEM	PART NUMBER	QTY	DESCRIPTION	REV
	2849000043	Ref	REAR STABILIZER INSTALLATION - STANDARD	C
1	3849000032	1	Rear Stabilizer Dock Weldment	
1	7082000019	4	Bushing 2IN OD x 1.75IN ID	
2	1001167765	2	Cylinder Assembly - Stabilizer Lift (See Separate Breakdown in this Section)	
3	1001188141	4	Pin	
4	0641612	4	Bolt 3/8 x 1-1/2	
5	3300492	4	Nut 3/8	
6	3316000058	1	Crossmember, Rear	
7	7701000049	1	Plug	
8	7701000055	2	Plug	
9	3841143	4	Keeper, Pin	

SECTION 1 - SUBFRAME

FIGURE 1-42. REAR STABILIZER INSTALLATION - 2-1/2IN TOW HITCH



ART_2849000046

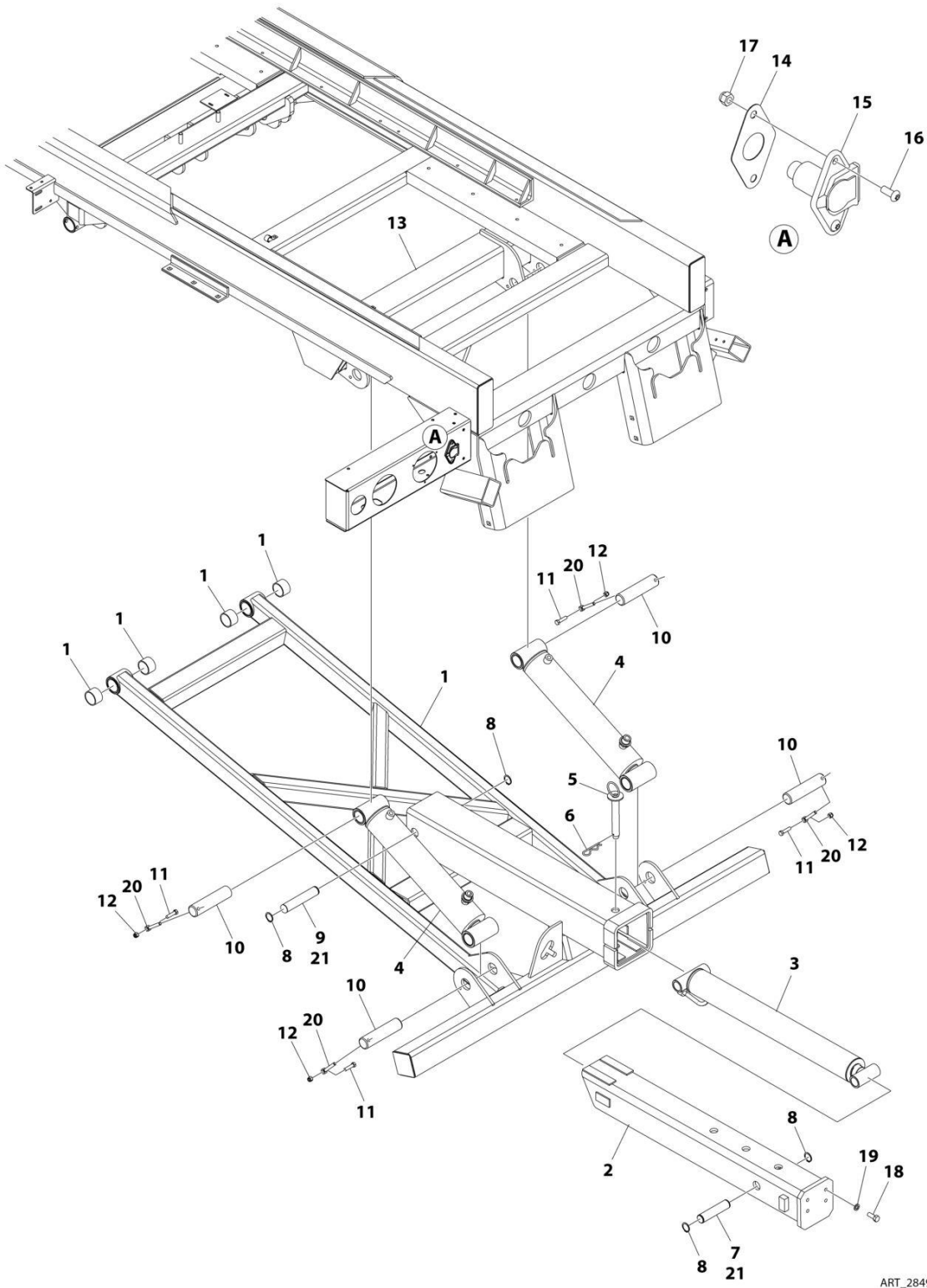
SECTION 1 - SUBFRAME

FIGURE 1-42. REAR STABILIZER INSTALLATION - 2-1/2IN TOW HITCH

ITEM	PART NUMBER	QTY	DESCRIPTION	REV
	2849000046	Ref	REAR STABILIZER INSTALLATION - 2-1/2IN TOW HITCH	B
1	3849000034	1	Stabilizer Weldment with HD Reese Tube	
1	7082000019	4	Bushing 2IN OD x 1.75IN ID	
2	1001167765	2	Cylinder Assembly - Stabilizer Lift (See Separate Breakdown in this Section)	
3	1001188141	4	Pin	
4	0641612	4	Bolt 3/8 x 1-1/2	
5	3300492	4	Nut 3/8	
6	7913000006	1	Tube, Reducer	
7	7691000033	1	Pin with Cotter Pin	
8	3316000058	1	Crossmember, Rear	
9	7796000048	1	Gasket	
10	7291000010	1	Receptacle with Connector	
11	7114140528	2	Screw 1/4 x 5/8	
12	7660142601	2	Nut 1/4	
13	3841143	4	Keeper, Pin	

SECTION 1 - SUBFRAME

FIGURE 1-43. REAR STABILIZER INSTALLATION - PINTLE TOW HITCH (HYDRAULIC)



ART_2849000044

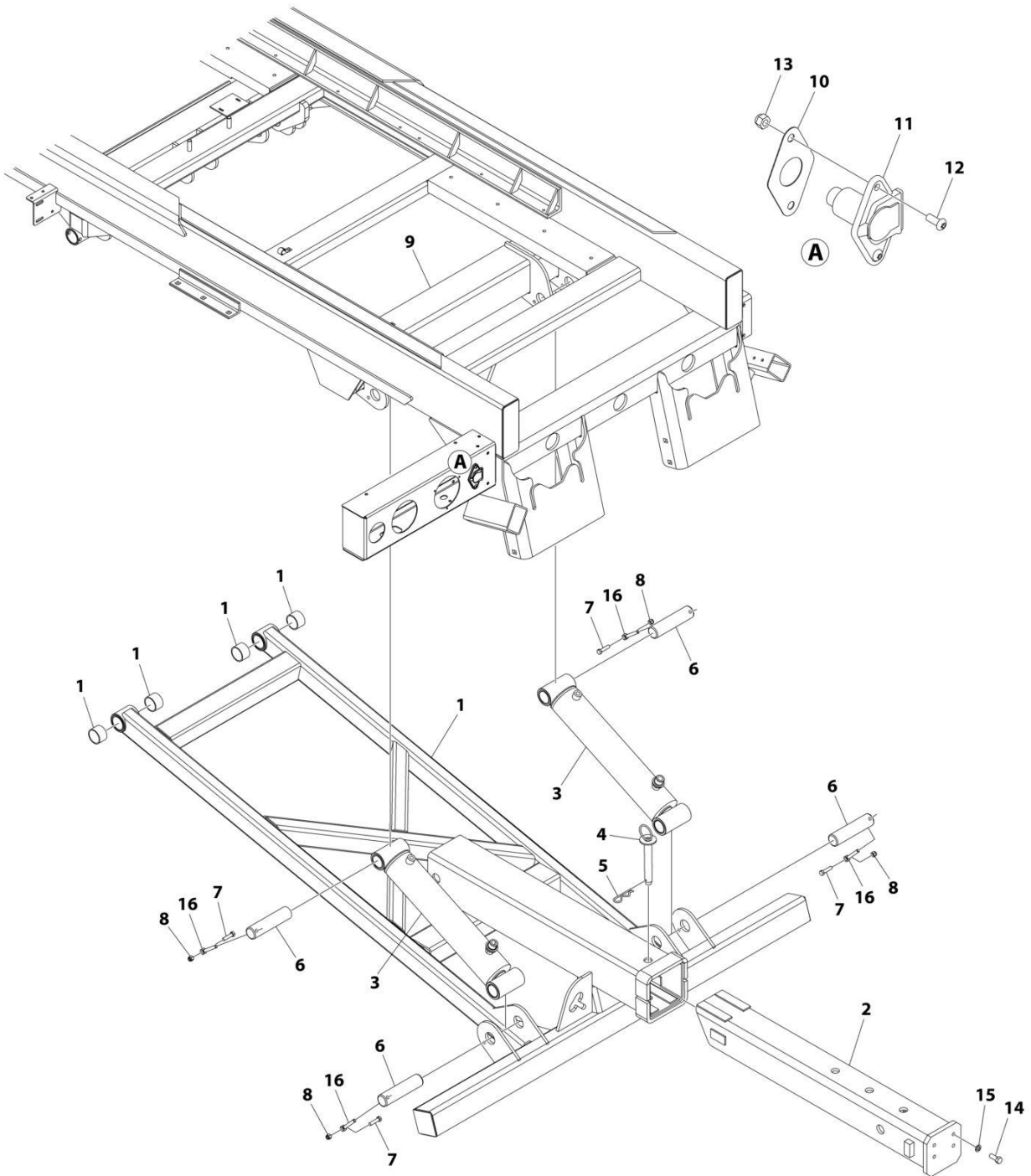
SECTION 1 - SUBFRAME

FIGURE 1-43. REAR STABILIZER INSTALLATION - PINTLE TOW HITCH (HYDRAULIC)

ITEM	PART NUMBER	QTY	DESCRIPTION	REV
	2849000044	Ref	REAR STABILIZER INSTALLATION - PINTLE TOW HITCH (HYDRAULIC)	D
1	3849000033	1	Stabilizer Weldment	
1	7082000019	4	Bushing 2IN OD x 1.75IN ID	
2	1001127297	1	Boom Weldment	
3	1001183326	1	Cylinder Assembly - Stabilizer Extend/Retract (See Separate Breakdown in this Section)	
4	1001167765	2	Cylinder Assembly - Stabilizer Lift (See Separate Breakdown in this Section)	
5	3691000064	1	Pin	
6	7691000001	1	Hairpin	
7	4691000429	1	Pin	
8	3760133	4	Ring, Retaining	
9	4691000430	1	Pin	
10	1001188141	4	Pin	
11	0641612	4	Bolt 3/8 x 1-1/2	
12	3300492	4	Nut 3/8	
13	3316000058	1	Crossmember, Rear	
14	7796000048	1	Gasket	
15	7291000010	1	Receptacle with Connector	
16	7114140528	2	Screw 1/4 x 5/8	
17	7660142601	2	Nut 1/4	
18	0691810	4	Bolt 1/2 x 1-1/4	
19	4761800	4	Washer 1/2	
20	3841143	4	Keeper, Pin	
21	3020039	AR	Lubricant	

SECTION 1 - SUBFRAME

FIGURE 1-44. REAR STABILIZER INSTALLATION - PINTLE TOW HITCH (MANUAL)



ART_2849000045

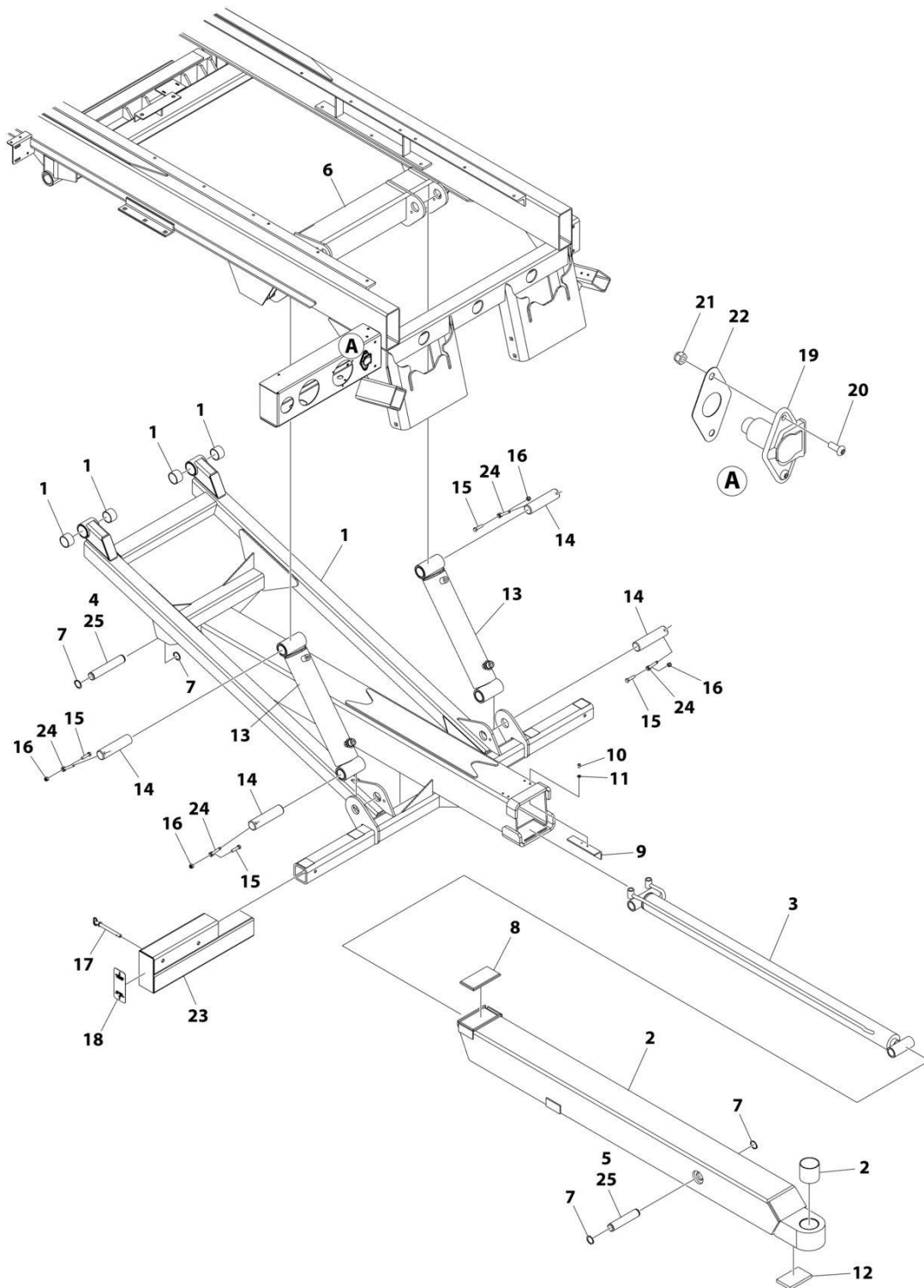
SECTION 1 - SUBFRAME

FIGURE 1-44. REAR STABILIZER INSTALLATION - PINTLE TOW HITCH (MANUAL)

ITEM	PART NUMBER	QTY	DESCRIPTION	REV
	2849000045	Ref	REAR STABILIZER INSTALLATION - PINTLE TOW HITCH (MANUAL)	E
1	3849000033	1	Stabilizer Weldment	
1	7082000019	4	Bushing 2IN OD x 1.75IN ID	
2	1001127297	1	Boom Weldment	
3	1001167765	2	Cylinder Assembly - Stabilizer Lift (See Separate Breakdown in this Section)	
4	3691000064	1	Pin	
5	7691000001	1	Hairpin	
6	1001188141	4	Pin	
7	0641612	4	Bolt 3/8 x 1-1/2	
8	3300492	4	Nut 3/8	
9	3316000058	1	Crossmember, Rear	
10	7796000048	1	Gasket	
11	7291000010	1	Receptacle with Connector	
12	7114140528	2	Screw 1/4 x 5/8	
13	7660142601	2	Nut 1/4	
14	0691810	4	Bolt 1/2 x 1-1/4	
15	4761800	4	Washer 1/2	
16	3841143	4	Keeper, Pin	

SECTION 1 - SUBFRAME

FIGURE 1-45. REAR STABILIZER INSTALLATION - WHEEL LIFT MANUAL L-ARMS



ART_1001163552

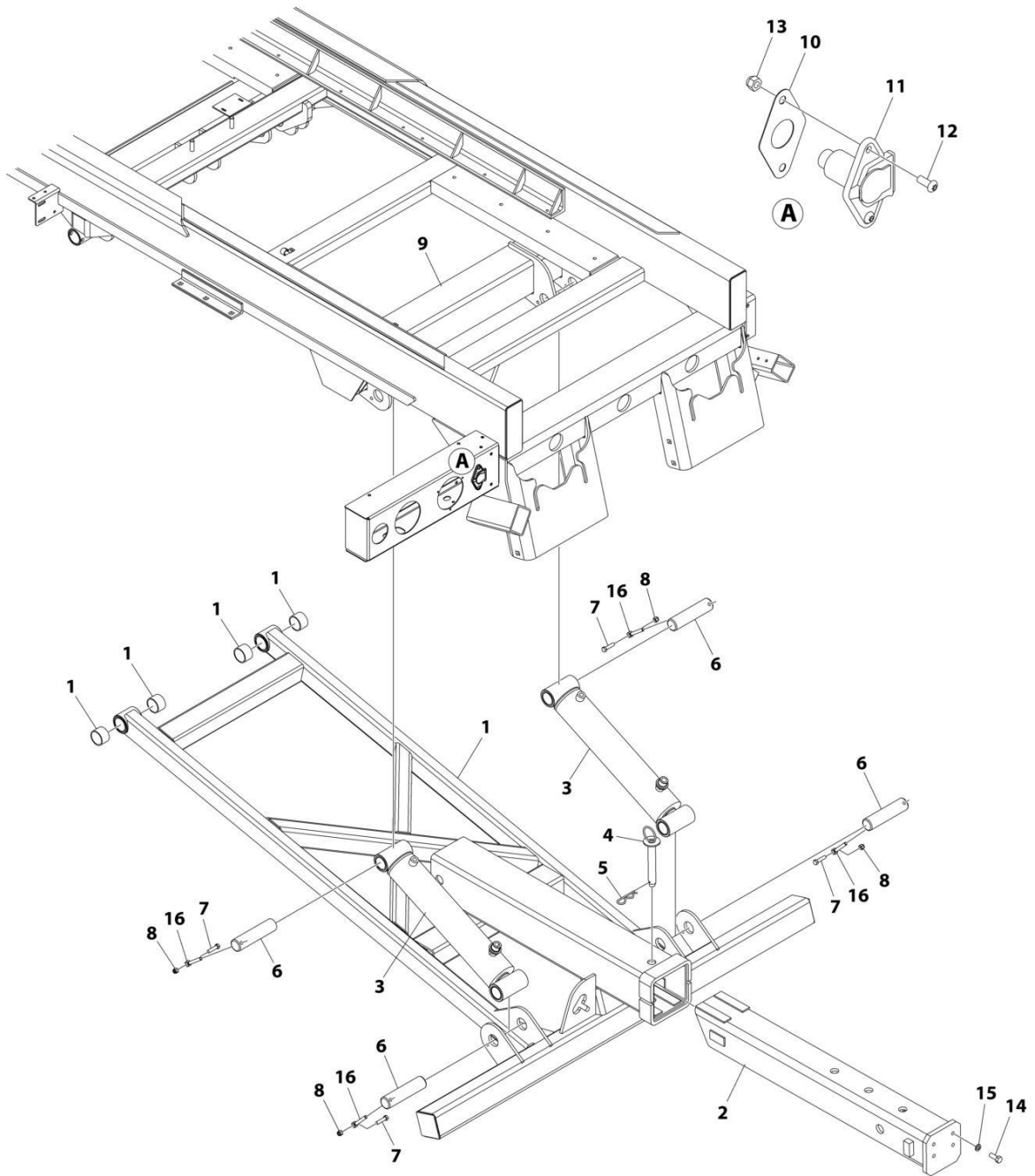
SECTION 1 - SUBFRAME

FIGURE 1-45. REAR STABILIZER INSTALLATION - WHEEL LIFT MANUAL L-ARMS

ITEM	PART NUMBER	QTY	DESCRIPTION	REV
	1001163552	Ref	REAR STABILIZER INSTALLATION - WHEEL LIFT MANUAL L-ARMS	C
1	3849000035	1	Stabilizer Weldment	
1	7082000019	4	Bushing 2IN OD x 1.75IN ID	
2	1001158876	1	Tube, Inner	
2	7209000028	1	Bushing 3IN OD x 2.75IN ID	
3	1001166858	1	Cylinder Assembly - Stabilizer Extend/Retract (See Separate Breakdown in this Section)	
4	4691000296	1	Pin	
5	4691000268	1	Pin	
6	3316000059	1	Crossmember, Rear	
7	3760133	4	Ring, Retaining	
8	4679000046	1	Pad	
9	4017000739	2	Angle	
10	7118140418	4	Capscrew 1/4 x 1/2	
11	4751300	4	Washer 3/16	
12	4679000211	1	Pad	
13	1001167765	2	Cylinder Assembly - Stabilizer Lift (See Separate Breakdown in this Section)	
14	1001188141	4	Pin	
15	0641612	4	Bolt 3/8 x 1-1/2	
16	3300492	4	Nut 3/8	
17	1001151904	2	Pin, Hitch	
18	7330000390	2	Decal - Stabilizer	
19	7291000010	1	Receptacle with Connector	
20	7114140528	2	Screw 1/4 x 5/8	
21	7660142601	2	Nut 1/4	
22	7796000048	1	Gasket	
23	3073000010	2	Base Stabilizer Weldment	
24	3841143	4	Keeper, Pin	
25	3020039	AR	Lubricant	

SECTION 1 - SUBFRAME

FIGURE 1-46. REAR STABILIZER INSTALLATION - PINTLE TOW HITCH (MANUAL)



ART_1001134476

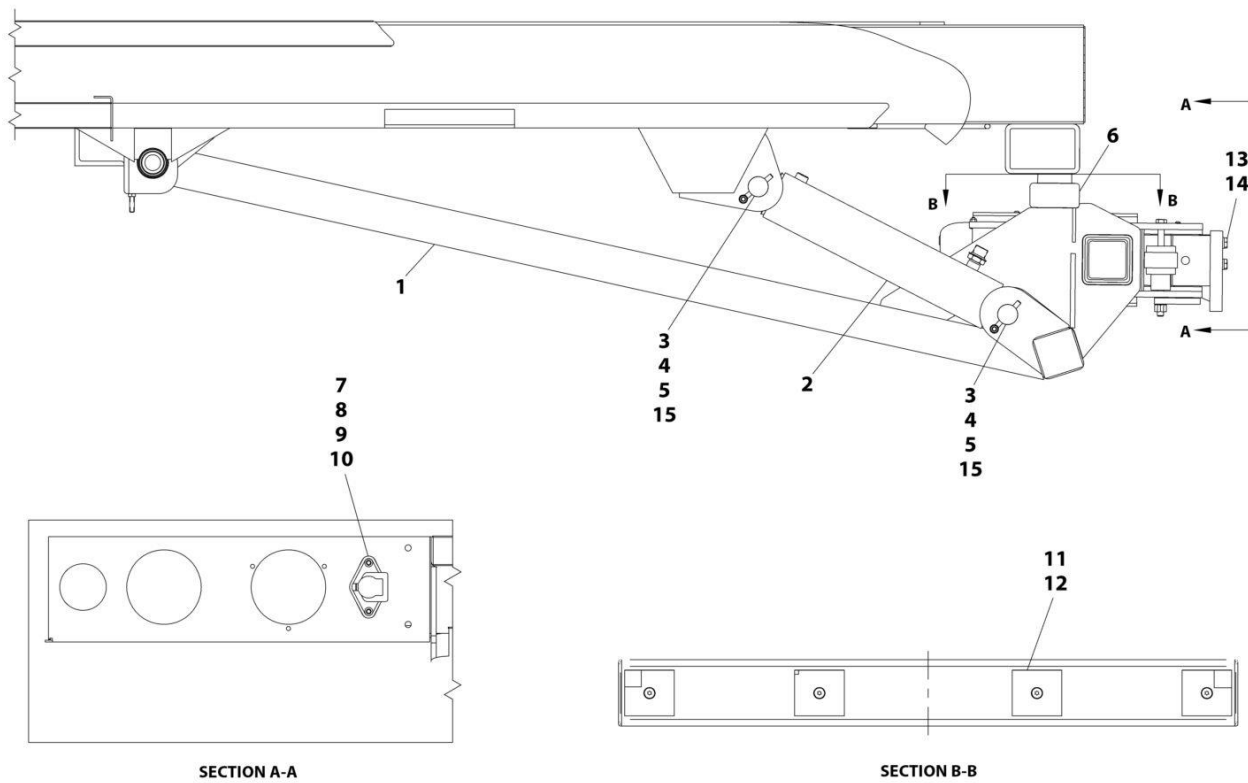
SECTION 1 - SUBFRAME

FIGURE 1-46. REAR STABILIZER INSTALLATION - PINTLE TOW HITCH (MANUAL)

ITEM	PART NUMBER	QTY	DESCRIPTION	REV
	1001134476	Ref	REAR STABILIZER INSTALLATION - PINTLE TOW HITCH (MANUAL)	E
1	3849000033	1	Stabilizer Weldment	
1	7082000019	4	Bushing 2IN OD x 1.75IN ID	
2	1001127297	1	Boom, Fly	
3	1001167765	2	Cylinder Assembly - Stabilizer Lift (See Separate Breakdown in this Section)	
4	3691000064	1	Pin	
5	7691000001	1	Hairpin	
6	1001188141	4	Pin	
7	0641612	4	Bolt 3/8 x 1-1/2	
8	3300492	4	Nut 3/8	
9	3316000058	1	Crossmember, Rear	
10	7796000048	1	Gasket	
11	1001133719	1	Receptacle with Connector	
12	7114140528	2	Screw 1/4 x 5/8	
13	7660142601	2	Nut 1/4	
14	0691810	4	Bolt 1/2 x 1-1/4	
15	4761800	4	Washer 1/2	
16	3841143	4	Keeper, Pin	

SECTION 1 - SUBFRAME

FIGURE 1-47. REAR STABILIZER INSTALLATION (SUNBELT SPECS) (SN 0220005217 through 0220015208)



ART_1001138975

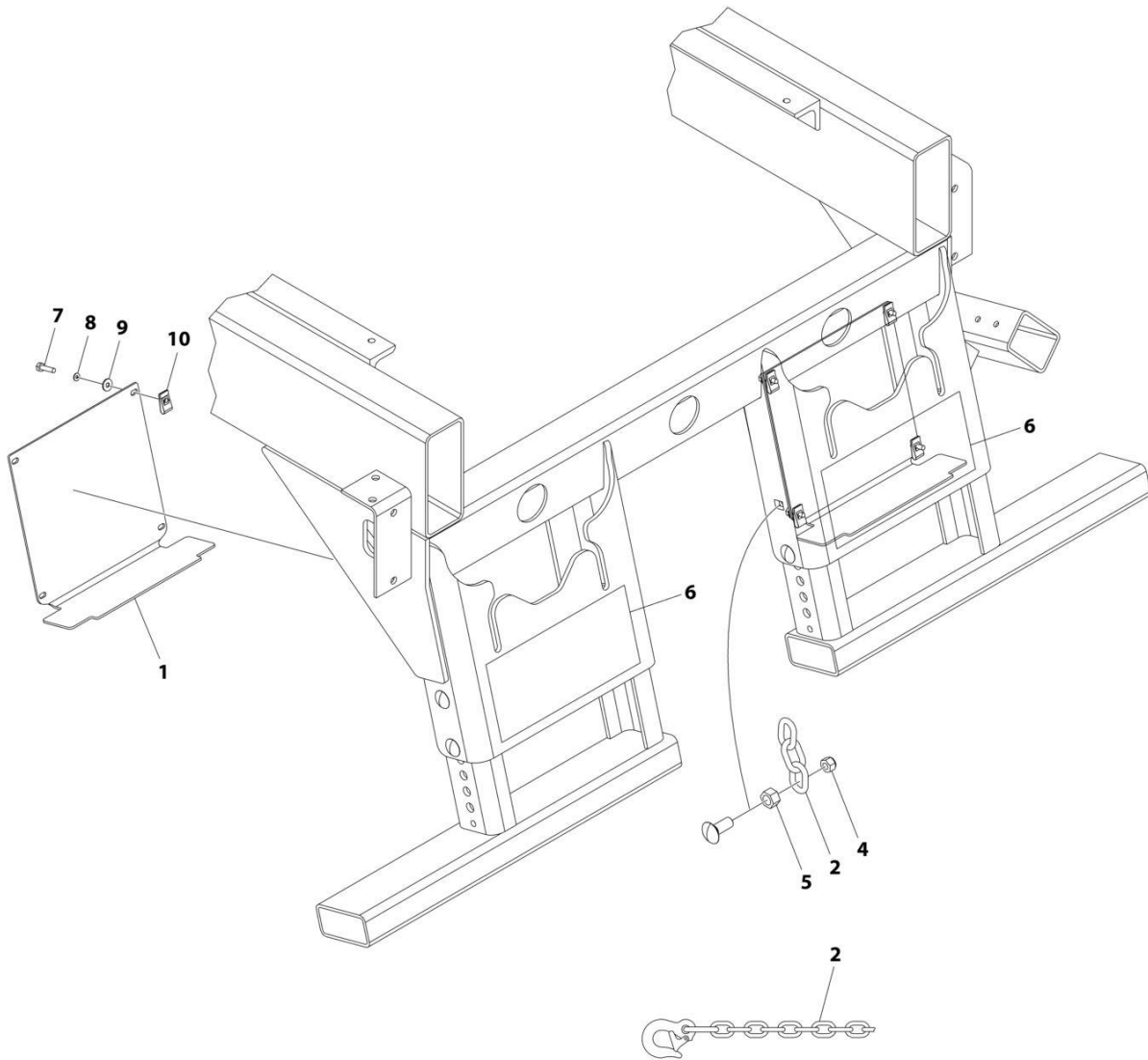
SECTION 1 - SUBFRAME

FIGURE 1-47. REAR STABILIZER INSTALLATION (SUNBELT SPECS) (SN 0220005217 through 0220015208)

ITEM	PART NUMBER	QTY	DESCRIPTION	REV
	1001138975	Ref	REAR STABILIZER INSTALLATION	G
1	1001138976	1	Stabilizer Weldment	
1	7082000019	4	Bushing 2IN OD x 1.75IN ID	
2	1001167765	2	Cylinder Assembly - Stabilizer Lift (See Separate Breakdown in this Section)	
3	1001188141	4	Pin	
4	0641612	4	Bolt 3/8 x 1-1/2	
5	3300492	4	Nut 3/8	
6	7701000051	2	Plug	
7	7291000010	1	Receptacle with Connector	
8	7796000048	1	Gasket	
9	7114140528	2	Screw 1/4 x 5/8	
10	7660142601	2	Nut 1/4	
11	1001134994	4	Pad	
12	7786000007	4	Screw 5/16 x 2	
13	0681810	4	Bolt 1/2 x 1-1/4	
14	4761800	4	Washer 1/2	
15	3841143	4	Keeper, Pin	

SECTION 1 - SUBFRAME

FIGURE 1-48. CHAIN BOX INSTALLATION, REAR SUBFRAME



ART_2262000011

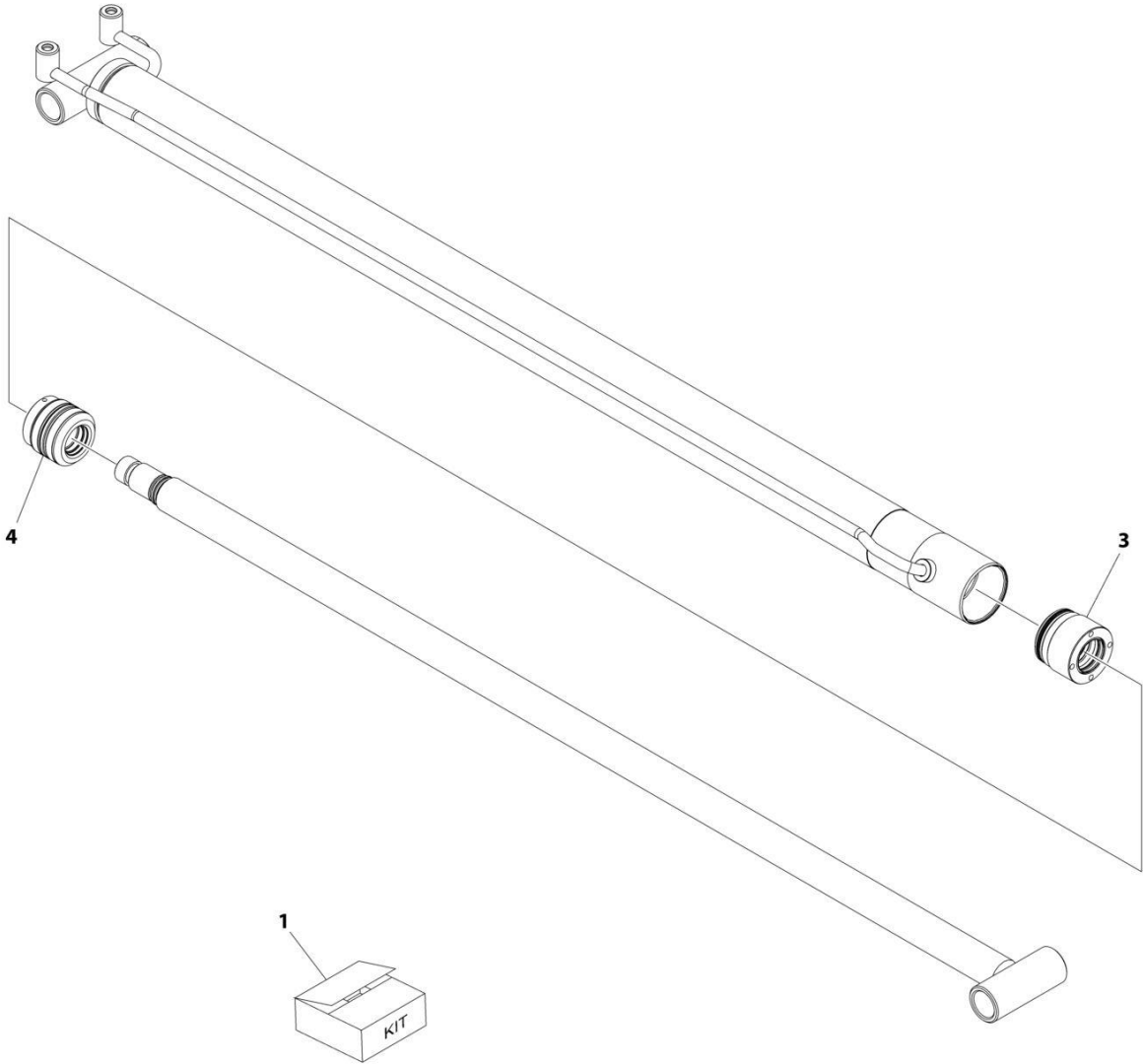
SECTION 1 - SUBFRAME

FIGURE 1-48. CHAIN BOX INSTALLATION, REAR SUBFRAME

ITEM	PART NUMBER	QTY	DESCRIPTION	REV
	2262000011	Ref	CHAIN BOX INSTALLATION	C
1	1001177601	2	Panel	
2	7262000040	2	Chain	
4	7660182601	2	Nut 1/2	
5	7660180001	2	Nut 1/2	
6	7679000020	2	Pad	
7	7115140850	8	Capscrew 1/4 x 1	
8	7950140000	8	Washer 1/4	
9	7949000023	8	Washer	
10	7661000064	8	Clip, U-Nut 1/4	

SECTION 1 - SUBFRAME

FIGURE 1-49. CYLINDER ASSEMBLY - EXTEND/RETRACT



ART_1001166858

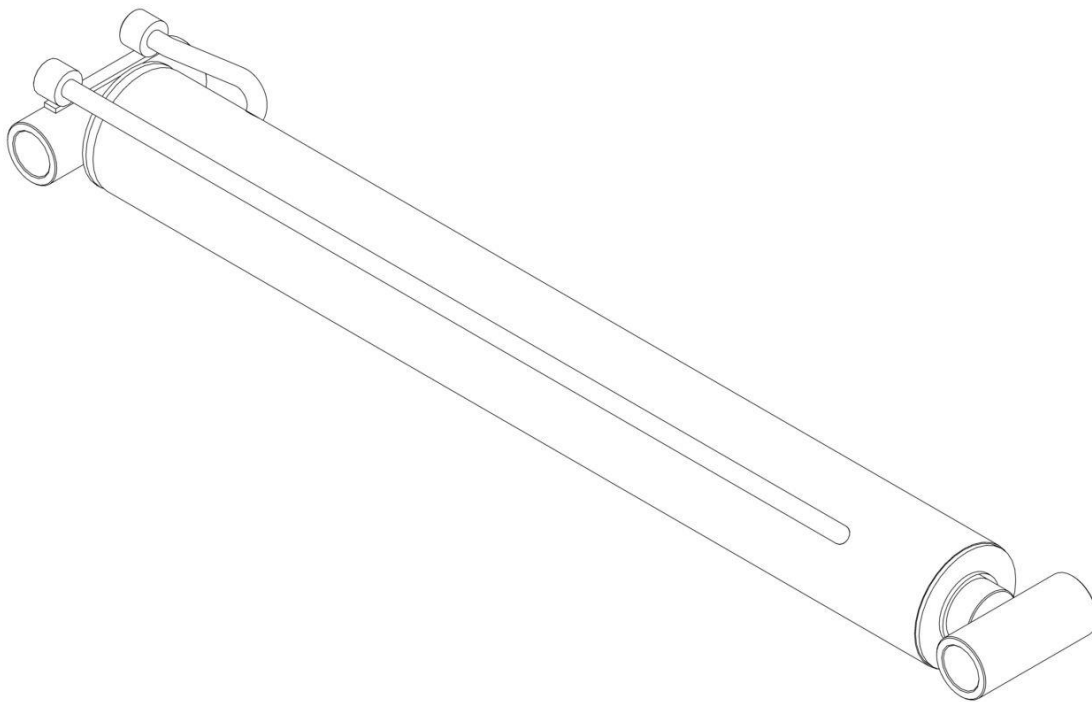
SECTION 1 - SUBFRAME

FIGURE 1-49. CYLINDER ASSEMBLY - EXTEND/RETRACT

ITEM	PART NUMBER	QTY	DESCRIPTION	REV
	1001166858	Ref	EXTEND/RETRACT CYLINDER ASSEMBLY	D
1	70051169	1	Kit, Seal	
2	70051174	1	Instruction Assembly/Disassembly (not shown)	
3	70051175	1	Kit, Head	
4	70051176	1	Kit, Piston	

SECTION 1 - SUBFRAME

FIGURE 1-50. CYLINDER ASSEMBLY - PINTLE EXTEND



ART_1001183326

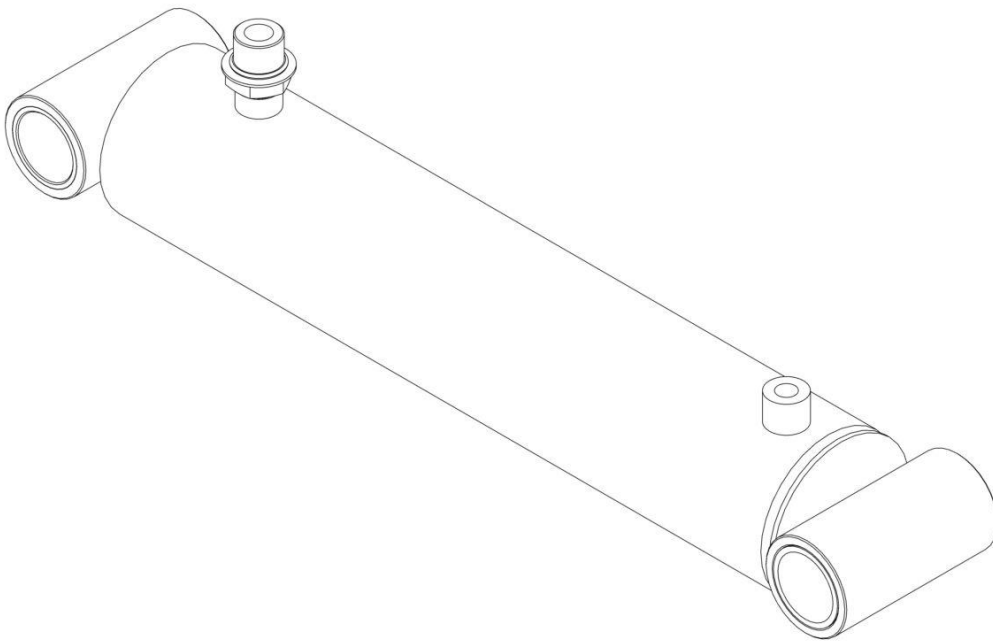
SECTION 1 - SUBFRAME

FIGURE 1-50. CYLINDER ASSEMBLY - PINTLE EXTEND

ITEM	PART NUMBER	QTY	DESCRIPTION	REV
	1001183326	Ref Ref	Pintle Extend Cylinder Assembly Note: No Service Parts Available at Time of Printing.	D

SECTION 1 - SUBFRAME

FIGURE 1-51. CYLINDER ASSEMBLY - STABILIZER LIFT



ART_1001167765

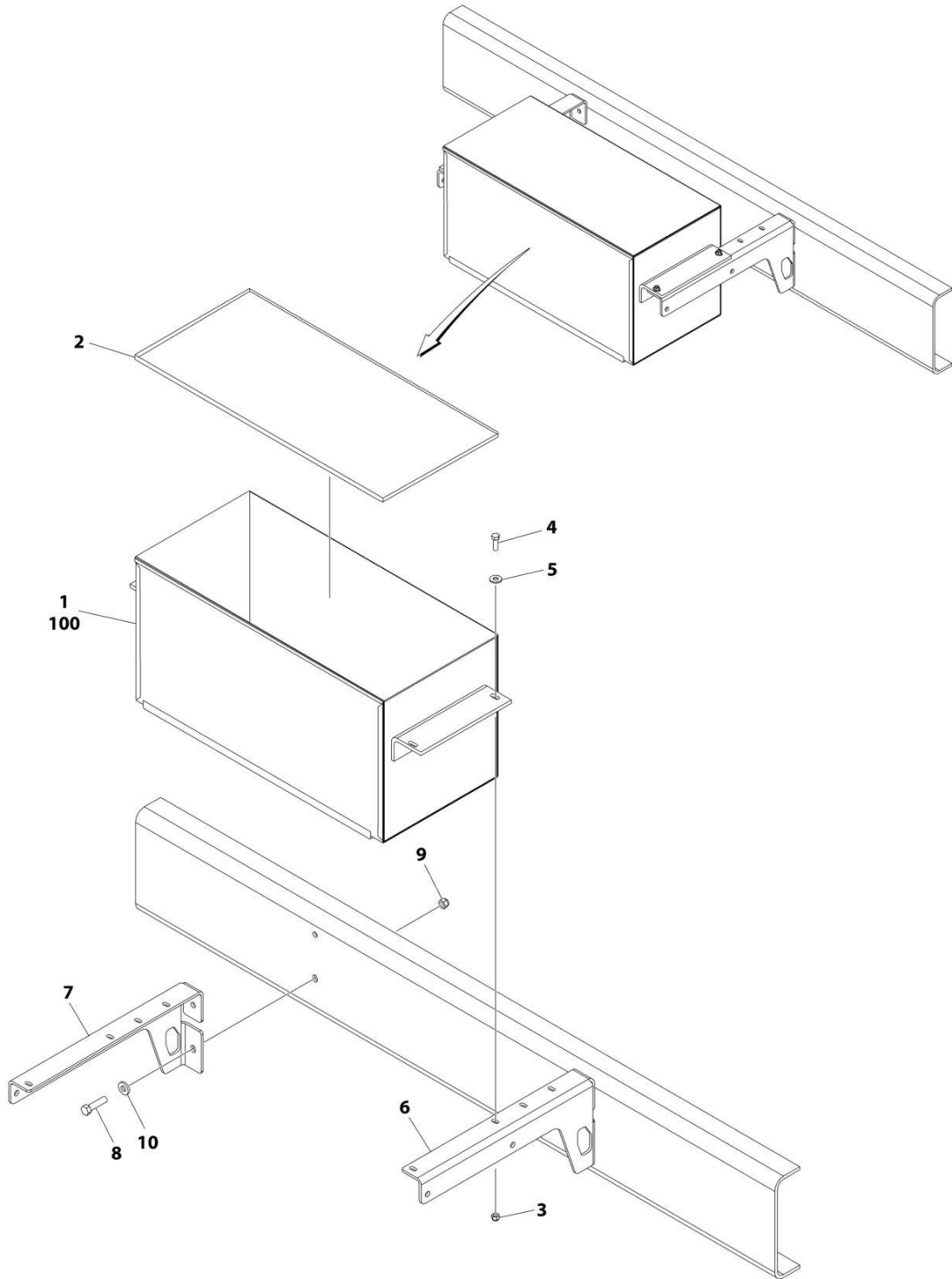
SECTION 1 - SUBFRAME

FIGURE 1-51. CYLINDER ASSEMBLY - STABILIZER LIFT

ITEM	PART NUMBER	QTY	DESCRIPTION	REV
	1001167765	Ref	CYLINDER ASSEMBLY - STABILIZER LIFT	C
		Ref	Note: Original Cylinder May Have Been Replaced with Service Replacement. Identify PN Stamped on Cylinder Before Ordering Parts.	
		Ref	Note: No Service Parts Available at Time of Printing.	

SECTION 1 - SUBFRAME

FIGURE 1-52. STORAGE BASKET



ART_289900030

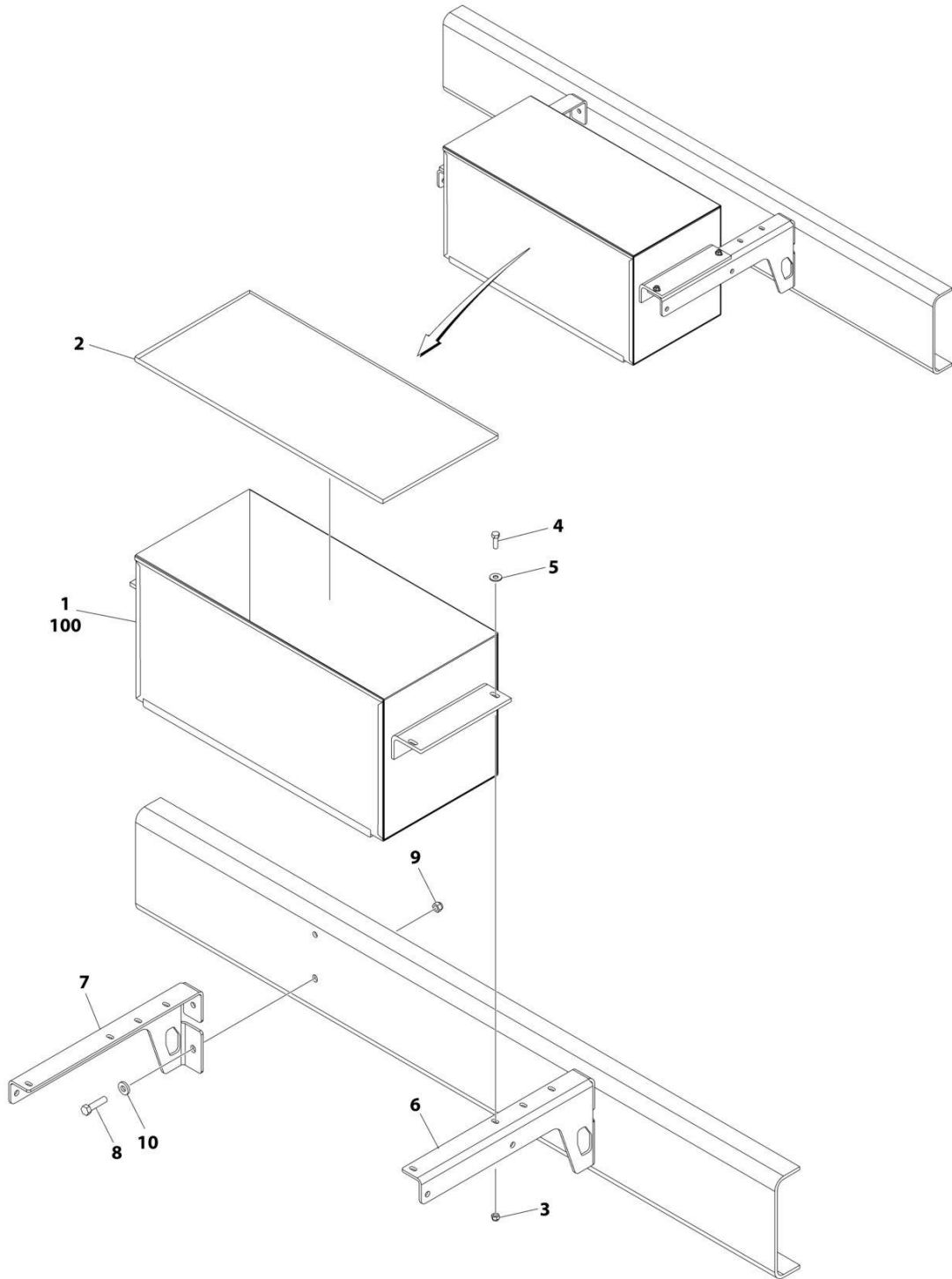
SECTION 1 - SUBFRAME

FIGURE 1-52. STORAGE BASKET

ITEM	PART NUMBER	QTY	DESCRIPTION	REV
	2899000030	Ref	STORAGE BASKET	C
1	3899000053	1	Basket Weldment	
2	4632000015	1	Moulding	
3	7660152601	4	Nut 5/16	
4	7115150850	4	Capscrew 5/16 x 1	
5	7950150161	4	Washer 5/16	
6	4178000290	1	Bracket	
7	4178000291	1	Bracket	
8	7105181650	4	Capscrew 1/2 x 2	
9	7660182333	4	Nut 1/2	
10	7950180153	4	Washer 1/2	
100	2002000008	1	Cover Kit – Storage Basket (SS) (Includes SS Cover Face Plate and Rivets)	

SECTION 1 - SUBFRAME

FIGURE 1-53. STORAGE BASKET DEEP



ART_289900041

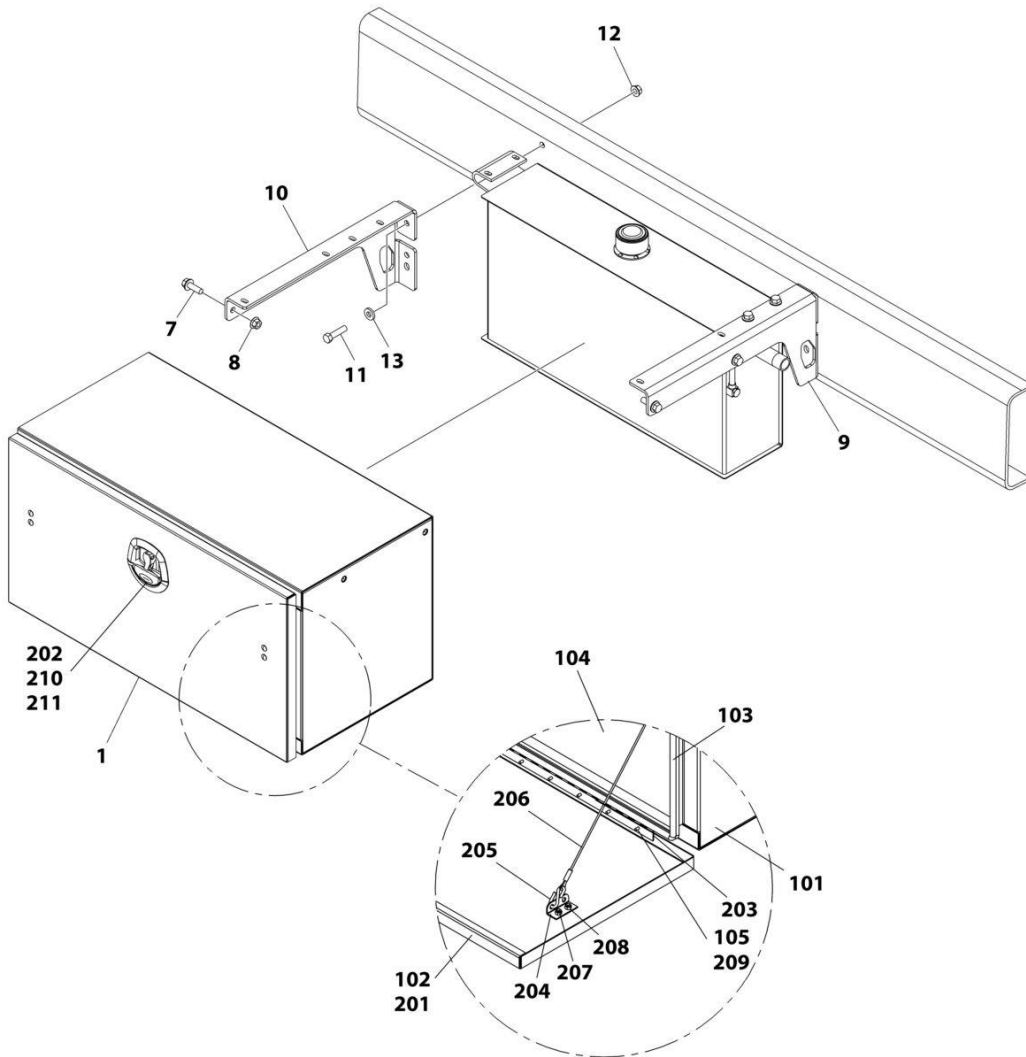
SECTION 1 - SUBFRAME

FIGURE 1-53. STORAGE BASKET DEEP

ITEM	PART NUMBER	QTY	DESCRIPTION	REV
	2899000041	Ref	STORAGE BASKET, DEEP	B
1	3899000075	1	Basket Weldment	
2	4632000048	1	Moulding	
3	7660152601	4	Nut 5/16	
4	7115150850	4	Capscrew 5/16 x 1	
5	7950150161	4	Washer 5/16	
6	4178000290	1	Bracket	
7	4178000291	1	Bracket	
8	7105181650	4	Capscrew 1/2 x 2	
9	7660182333	4	Nut 1/2	
10	7950180153	4	Washer 1/2	
100	2002000008	1	Cover Kit – Storage Basket (SS) (Includes SS Cover Face Plate and Rivets)	

SECTION 1 - SUBFRAME

FIGURE 1-54. TOOLBOX INSTALLATION - 36IN



ART_289900055

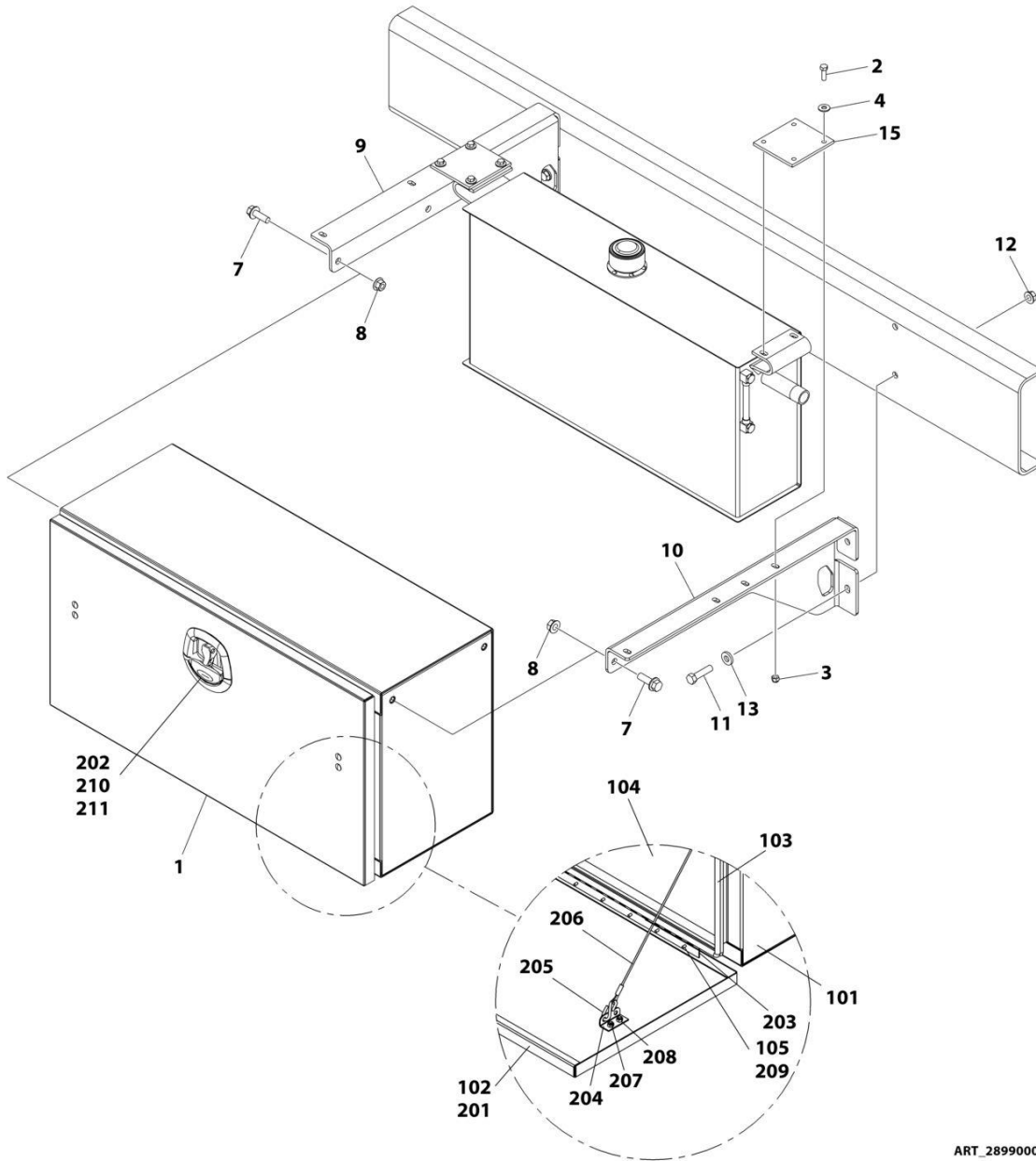
SECTION 1 - SUBFRAME

FIGURE 1-54. TOOLBOX INSTALLATION - 36IN

ITEM	PART NUMBER	QTY	DESCRIPTION	REV
	2899000055	Ref	TOOLBOX, 36IN	F
1	1001208769	1	Toolbox Assembly (includes items 101 through 105)	A
7	7118181216	4	Capscrew 1/2 x 1-1/2	
8	7660182301	4	Nut 1/2	
9	4178000290	1	Bracket	
10	4178000291	1	Bracket	
11	0651816	4	Bolt 1/2 x 2	
12	7660182333	4	Nut 1/2	
13	4891800	4	Washer 1/2	
101	3899000125	1	Toolbox Weldment	
102	1001223819	1	Toolbox Door Assembly (includes items 201 through 211)	A
103	4796000009	1	Gasket	
104	4679000256	1	Pad	
105	7759000020	9	Rivet	
201	1001223815	1	Door Weldment	
202	1001223814	1	Latch	
203	7555000016	1	Hinge	
204	4178000599	2	Bracket	
205	7592000005	4	S-Link	
206	7248000114	2	Cable	
207	7114140465	4	Bolt 0.25-20X0.50	
208	7660142604	4	Locknut 0.25-20	
209	7759000020	9	Rivet	
210	7950100143	4	Washer 0.19	
211	7660102604	4	Locknut #10-24	

SECTION 1 - SUBFRAME

FIGURE 1-55. TOOLBOX INSTALLATION - 36IN NARROW



ART_289900065

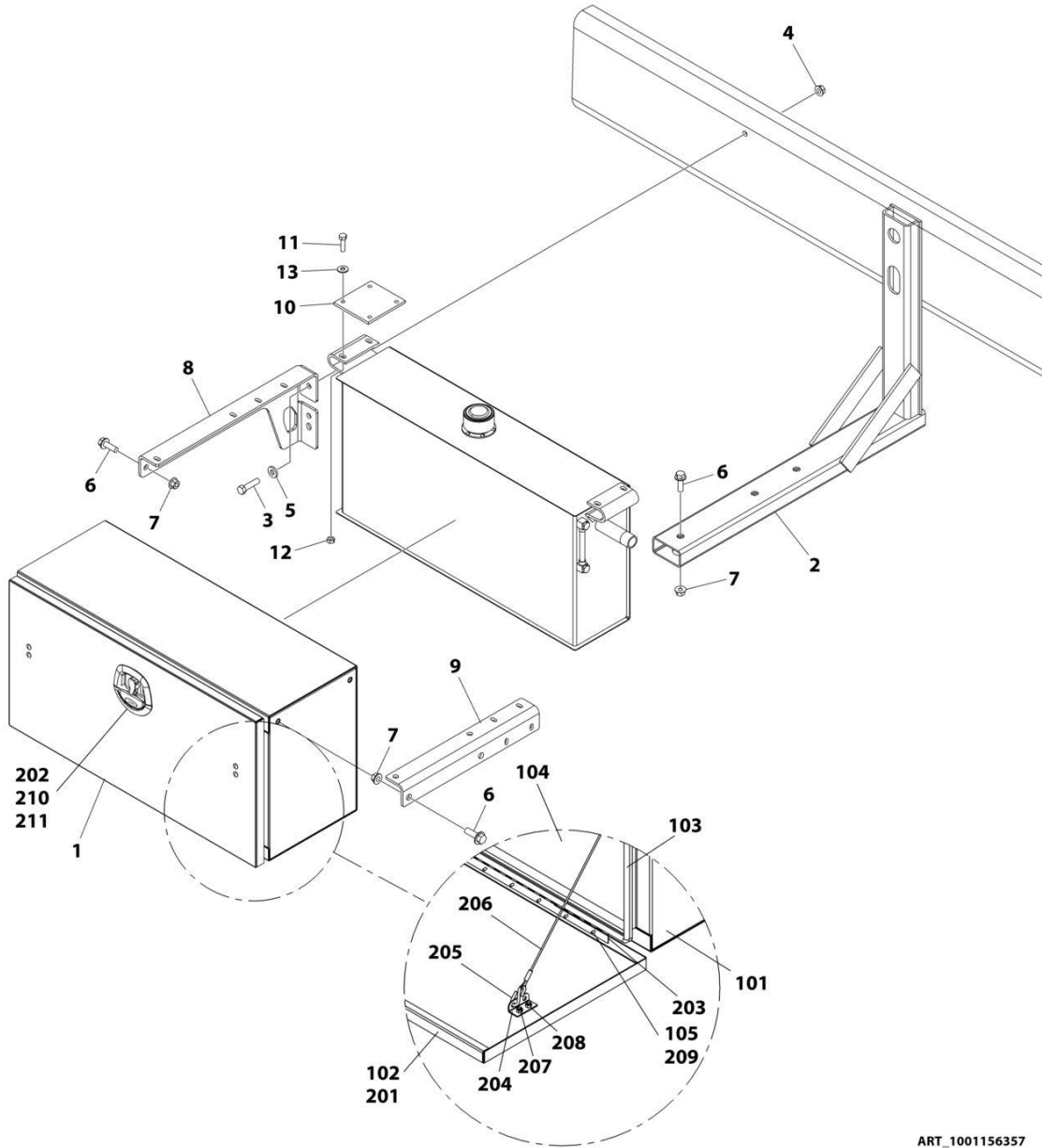
SECTION 1 - SUBFRAME

FIGURE 1-55. TOOLBOX INSTALLATION - 36IN NARROW

ITEM	PART NUMBER	QTY	DESCRIPTION	REV
	2899000065	Ref	TOOLBOX, 36IN NARROW	F
1	1001208772	1	Toolbox Assembly (includes items 101 through 105)	A
2	0641508	4	Bolt 5/16 x 1	
3	7660152601	4	Nut 5/16	
4	4751500	8	Washer 5/16	
7	7118181216	4	Capscrew 1/2 x 1-1/2	
8	7660182301	4	Nut 1/2	
9	4178000338	1	Bracket	
10	4178000339	1	Bracket	
11	0651816	4	Bolt 1/2 x 2	
12	7660182333	4	Nut 1/2	
13	4891800	4	Washer 1/2	
15	4706002361	2	Plate	
101	3899000126	1	Toolbox Weldment	
102	1001223819	1	Toolbox Door Assembly (includes items 201 through 211)	A
103	4796000009	1	Gasket	
104	4679000257	1	Pad	
105	7759000020	9	Rivet	
201	1001223815	1	Toolbox Door	
202	1001223814	1	Latch	
203	7555000016	1	Hinge	
204	4178000599	2	Bracket	
205	7592000005	4	S-Link	
206	7248000114	2	Cable	
207	7114140465	4	Bolt 0.25-20X.050	
208	7660142604	4	Locknut 0.25-20	
209	7759000020	9	Rivet	
210	7950100143	4	Washer 0.19	
211	7660102604	4	Locknut #10-24	

SECTION 1 - SUBFRAME

FIGURE 1-56. TOOLBOX INSTALLATION - 36IN UNDERBOX MOUNT NARROW



ART_1001156357

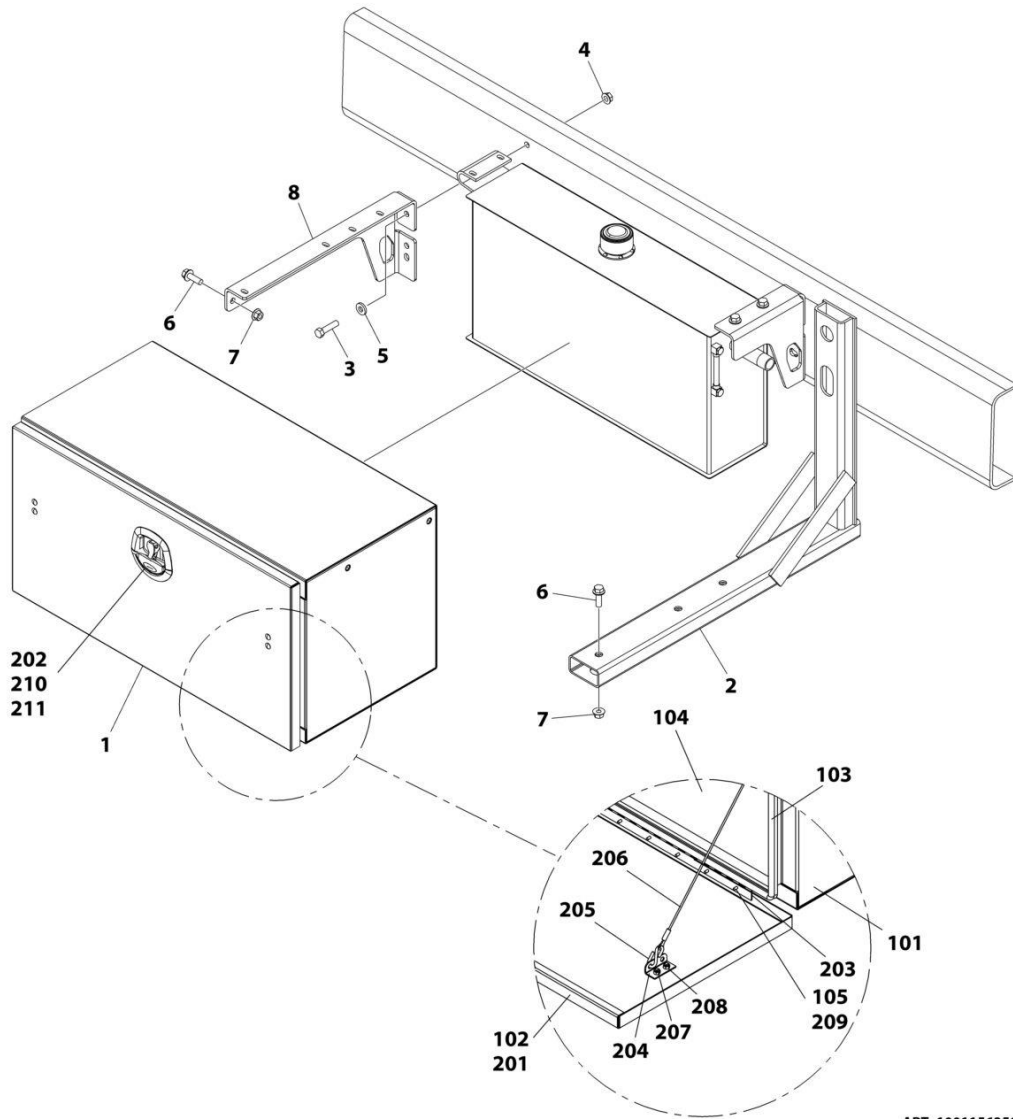
SECTION 1 - SUBFRAME

FIGURE 1-56. TOOLBOX INSTALLATION - 36IN UNDERBOX MOUNT NARROW

ITEM	PART NUMBER	QTY	DESCRIPTION	REV
	1001156357	Ref	TOOLBOX, 36IN UNDERBOX MOUNT NARROW	B
1	1001208772	1	Toolbox Assembly (includes items 101 through 105)	A
2	1001156006	1	Frame Weldment	
3	0651816	4	Bolt 1/2 x 2	
4	7660182333	4	Nut 1/2	
5	4891800	4	Washer 1/2	
6	7118181216	6	Capscrew 1/2 x 1-1/2	
7	7660182301	6	Nut 1/2	
8	4178000339	1	Bracket	
9	1001155975	1	Bracket	
10	4706002361	1	Plate	
11	0641508	2	Bolt 5/16 x 1	
12	7660152601	2	Nut 5/16	
13	4751500	4	Washer 5/16	
101	3899000126	1	Toolbox Weldment	
102	1001223819	1	Toolbox Door Assembly (includes items 201 through 211)	A
103	4796000009	1	Gasket	
104	4679000257	1	Pad	
105	7759000020	9	Rivet	
201	1001223815	1	Toolbox Door	
202	1001223814	1	Latch	
203	7555000016	1	Hinge	
204	4178000599	2	Bracket	
205	7592000005	4	S-Link	
206	7248000114	2	Cable	
207	7114140465	4	Bolt 0.25-20X0.50	
208	7660142604	4	Locknut 0.25-20	
209	7759000020	9	Rivet	
210	7950100143	4	Washer 0.19	
211	7660102604	4	Locknut #10-24	

SECTION 1 - SUBFRAME

FIGURE 1-57. TOOLBOX INSTALLATION - 36IN UNDERBOX MOUNT



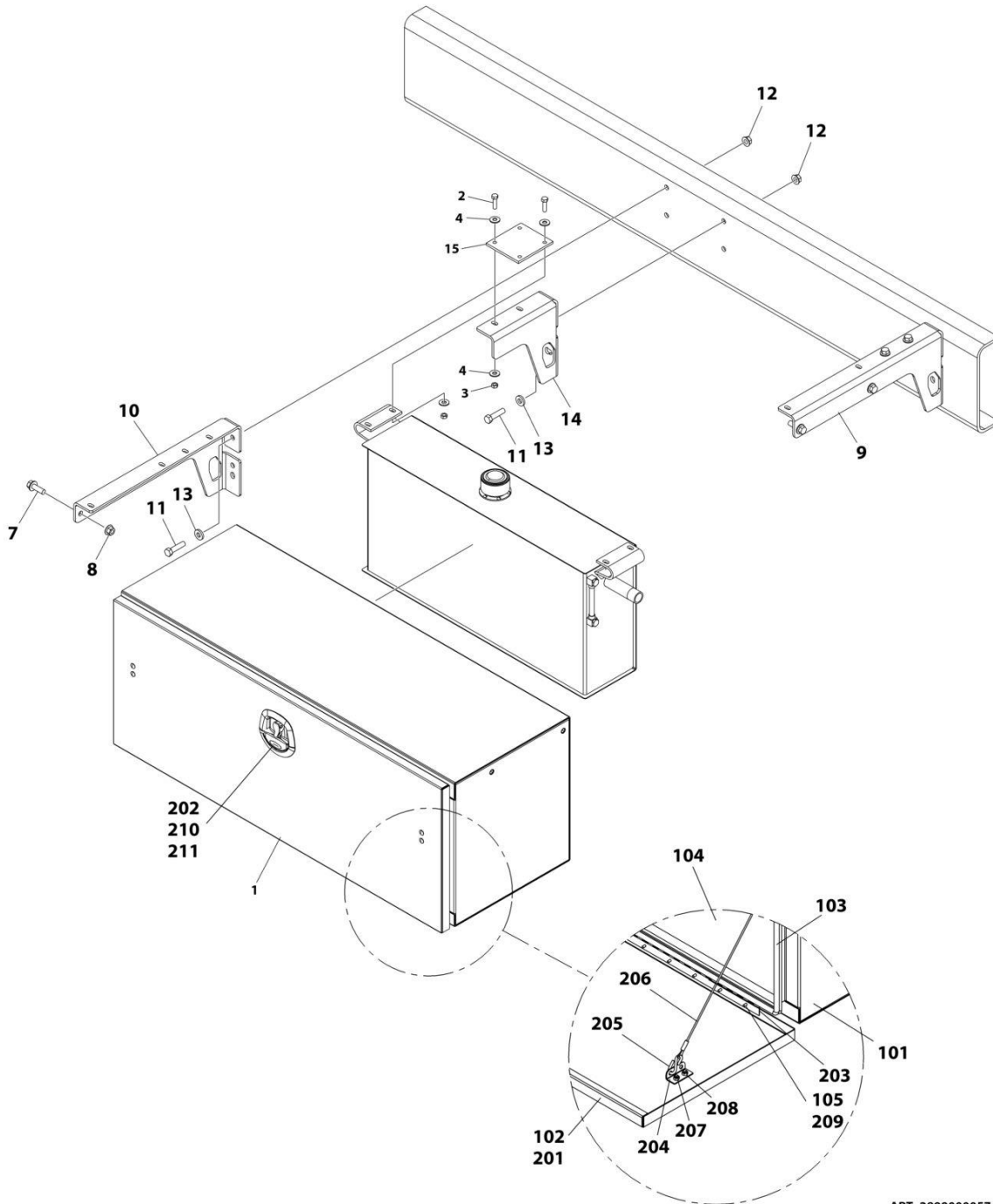
SECTION 1 - SUBFRAME

FIGURE 1-57. TOOLBOX INSTALLATION - 36IN UNDERBOX MOUNT

ITEM	PART NUMBER	QTY	DESCRIPTION	REV
	1001156358	Ref	TOOLBOX, 36IN UNDERBOX MOUNT	B
1	1001208769	1	Toolbox Assembly (includes items 101 through 105)	A
2	1001156006	1	Frame Weldment	
3	0651816	4	Bolt 1/2 x 2	
4	7660182333	4	Nut 1/2	
5	4891800	4	Washer 1/2	
6	7118181216	4	Capscrew 1/2 x 1-1/2	
7	7660182301	4	Nut 1/2	
8	4178000291	1	Bracket	
101	3899000125	1	Toolbox Weldment	
102	1001223819	1	Toolbox Door Assembly (includes items 201 through 211)	A
103	4796000009	1	Gasket	
104	4679000256	1	Pad	
105	7759000020	1	Rivet	
201	1001223815	1	Toolbox Door	
202	1001223814	1	Latch	
203	7555000016	1	Hinge	
204	4178000599	2	Bracket	
205	7592000005	4	S-Link	
206	7248000114	2	Cable	
207	7114140465	4	Bolt 0.25-20X0.50	
208	7660142604	4	Locknut 0.25-20	
209	7759000020	9	Rivet	
210	7950100143	4	Washer 0.19	
211	7660102604	4	Locknut #10-24	

SECTION 1 - SUBFRAME

FIGURE 1-58. TOOLBOX INSTALLATION - 48IN



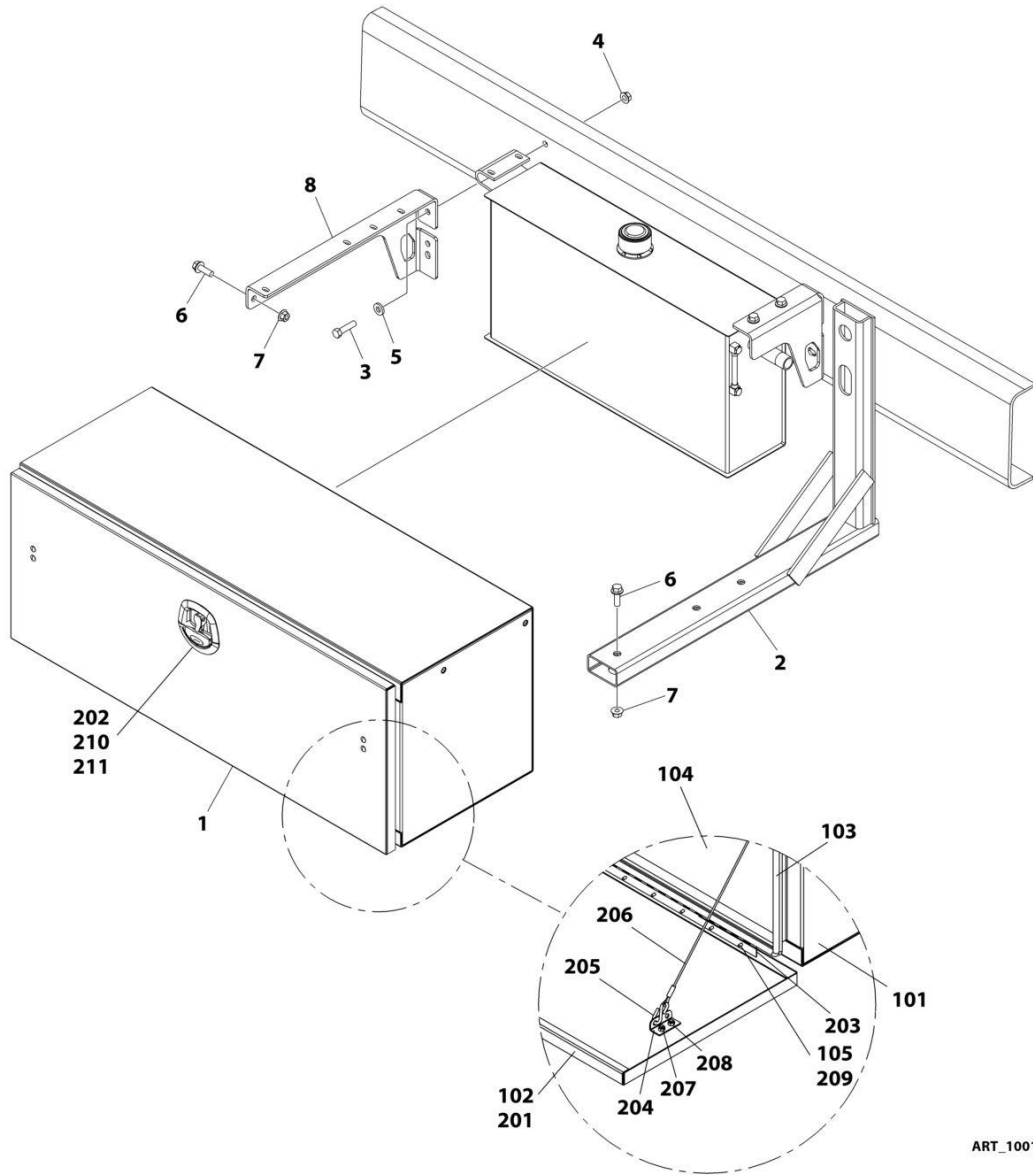
SECTION 1 - SUBFRAME

FIGURE 1-58. TOOLBOX INSTALLATION - 48IN

ITEM	PART NUMBER	QTY	DESCRIPTION	REV
	2899000057	Ref	TOOLBOX, 48IN	E
1	1001208776	1	Toolbox Assembly (includes iotemss 101 through 105)	A
2	0641508	4	Bolt 5/16 x 1	
3	7660152601	4	Nut 5/16	
4	4751500	8	Washer 5/16	
7	7118181216	4	Capscrew 1/2 x 1-1/2	
8	7660182301	4	Nut 1/2	
9	4178000290	1	Bracket	
10	4178000291	1	Bracket	
11	0651816	6	Bolt 1/2 x 2	
12	7660182333	6	Nut 1/2	
13	4891800	6	Washer 1/2	
14	4178000330	1	Bracket	
15	4706002361	1	Plate	
101	3899000127	1	Toolbox Weldment	
102	1001223820	1	Toolbox Door Assembly (includes items 201 through 211)	A
103	4796000010	1	Gasket	
104	4679000258	1	Pad	
105	7759000020	14	Rivet	
201	1001223816	1	Toolbox Door	
202	1001223814	1	Latch	
203	7555000015	2	Hinge	
204	4178000599	2	Braclet	
205	7592000005	4	S-Link	
206	7248000114	2	Cable	
207	7114140465	4	Bolt 0.25-20X0.50	
208	7660142604	4	Locknut 0.25-20	
209	7759000020	14	Rivet	
210	7950100143	4	Washer 0.19	
211	7660102604	4	Locknut #10-24	

SECTION 1 - SUBFRAME

FIGURE 1-59. TOOLBOX INSTALLATION - 48IN UNDERBOX MOUNT



ART_1001137931

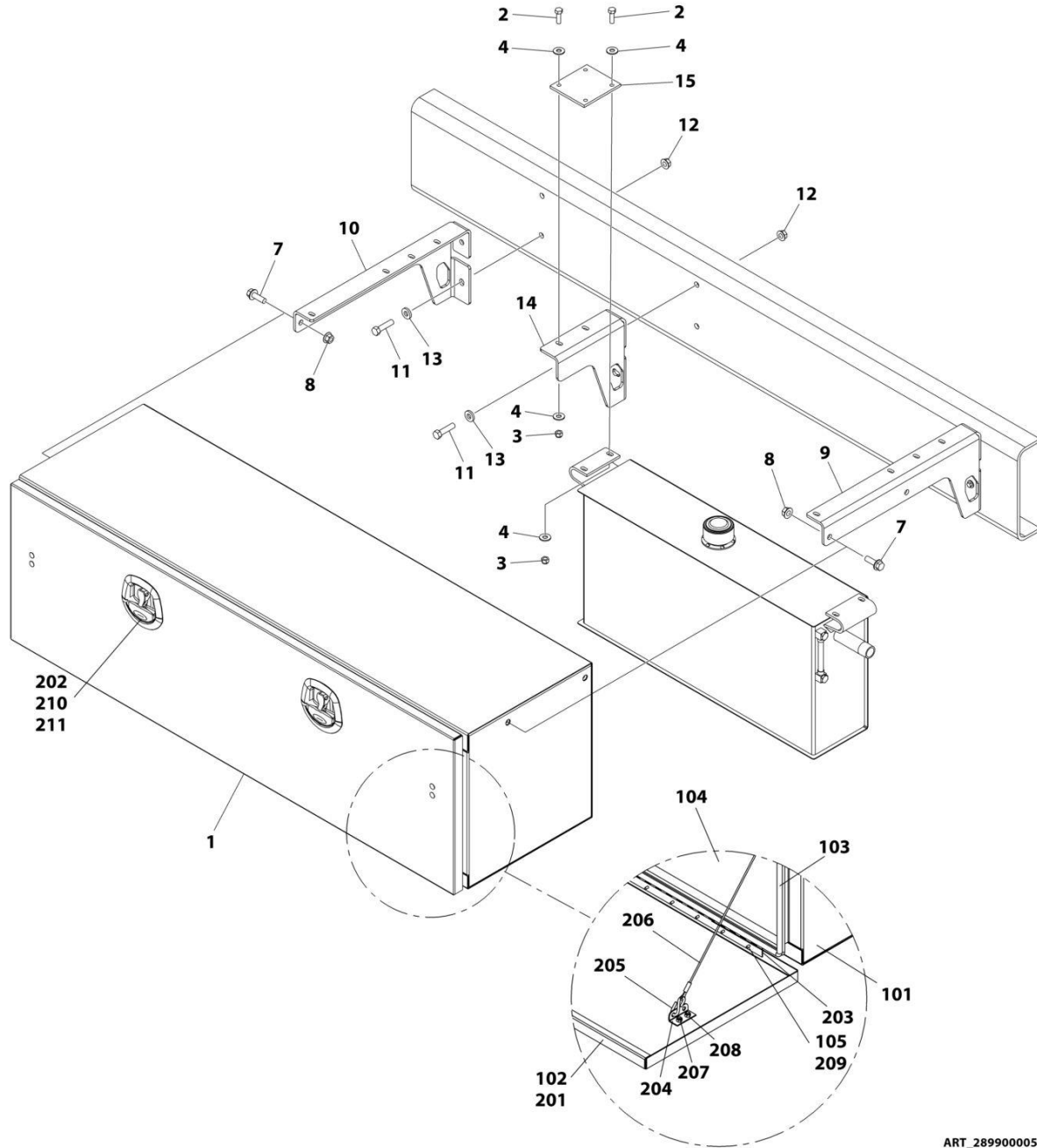
SECTION 1 - SUBFRAME

FIGURE 1-59. TOOLBOX INSTALLATION - 48IN UNDERBOX MOUNT

ITEM	PART NUMBER	QTY	DESCRIPTION	REV
	1001137931	Ref	TOOLBOX, 48IN UNDERBOX MOUNT	D
1	1001208776	1	Toolbox Assembly (includes items 101 through 105)	A
2	1001156006	1	Frame Weldment	
3	0651816	4	Bolt 1/2 x 2	
4	7660182333	4	Nut 1/2	
5	4891800	4	Washer 1/2	
6	7118181216	6	Capscrew 1/2 x 1-1/2	
7	7660182301	6	Nut 1/2	
8	4178000291	1	Bracket	
101	3899000127	1	Toolbox Weldment	
102	1001223820	1	Toolbox Door Assembly (includes items 201 through 211)	
103	4796000010	1	Gasket	
104	4679000258	1	Pad	
105	7759000020	14	Rivet	
201	1001223816	1	Toolbox Door	
202	1001223814	1	Latch	
203	7555000015	2	Hinge	
204	4178000599	2	Bracket	
205	7592000005	4	S-Link	
206	7248000114	2	Cable	
207	7114140465	4	Bolt 0.25-20X0.50	
208	7660142604	4	Locknut 0.25-20	
209	7759000020	14	Rivet	
210	7950100143	4	Washer 0.19	
211	7660102604	4	Locknut #10-24	

SECTION 1 - SUBFRAME

FIGURE 1-60. TOOLBOX INSTALLATION - 60IN



ART_2899000058

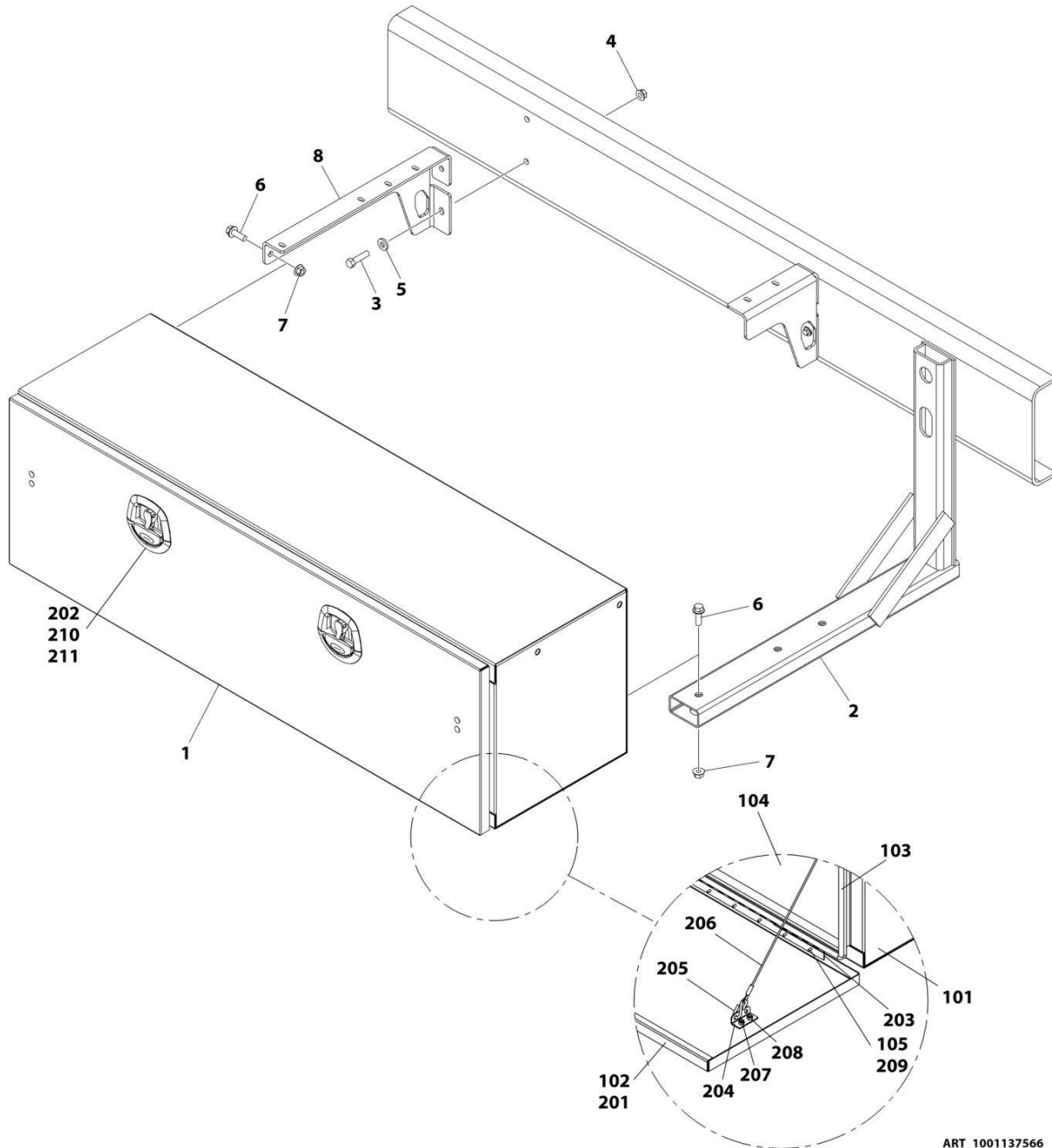
SECTION 1 - SUBFRAME

FIGURE 1-60. TOOLBOX INSTALLATION - 60IN

ITEM	PART NUMBER	QTY	DESCRIPTION	REV
	2899000058	Ref	TOOLBOX, 60IN	E
1	1001208780	1	Toolbox Assembly (includes items 101 through 105)	A
2	0641508	4	Bolt 5/16 x 1	
3	7660152601	4	Nut 5/16	
4	4751500	8	Washer 5/16	
7	7118181216	4	Capscrew 1/2 x 1-1/2	
8	7660182301	4	Nut 1/2	
9	4178000290	1	Bracket	
10	4178000291	1	Bracket	
11	0651816	6	Bolt 1/2 x 2	
12	7660182333	6	Nut 1/2	
13	4891800	6	Washer 1/2	
14	4178000330	1	Bracket	
15	4706002361	1	Plate	
101	3899000128	1	Toolbox Weldment	
102	1001223821	1	Toolbox Door Assembly (includes items 201 through 211)	A
103	4796000011	1	Gasket	
104	4679000259	1	Pad	
105	7759000020	18	Rivet	
201	1001223817	1	Toolbox Door	
202	1001223814	2	Latch	
203	7555000016	2	Hinge	
204	4178000599	2	Bracket	
205	7592000005	4	S-Link	
206	7248000114	2	Cable	
207	7114140465	4	Bolt 0.25-20X.050	
208	7660142604	4	Locknut 0.25-20	
209	7759000020	18	Rivet	
210	7950100143	8	Washer 0.191	
211	7660102604	8	Locknut #10-24	

SECTION 1 - SUBFRAME

FIGURE 1-61. TOOLBOX INSTALLATION - 60IN UNDERBOX MOUNT



ART_1001137566

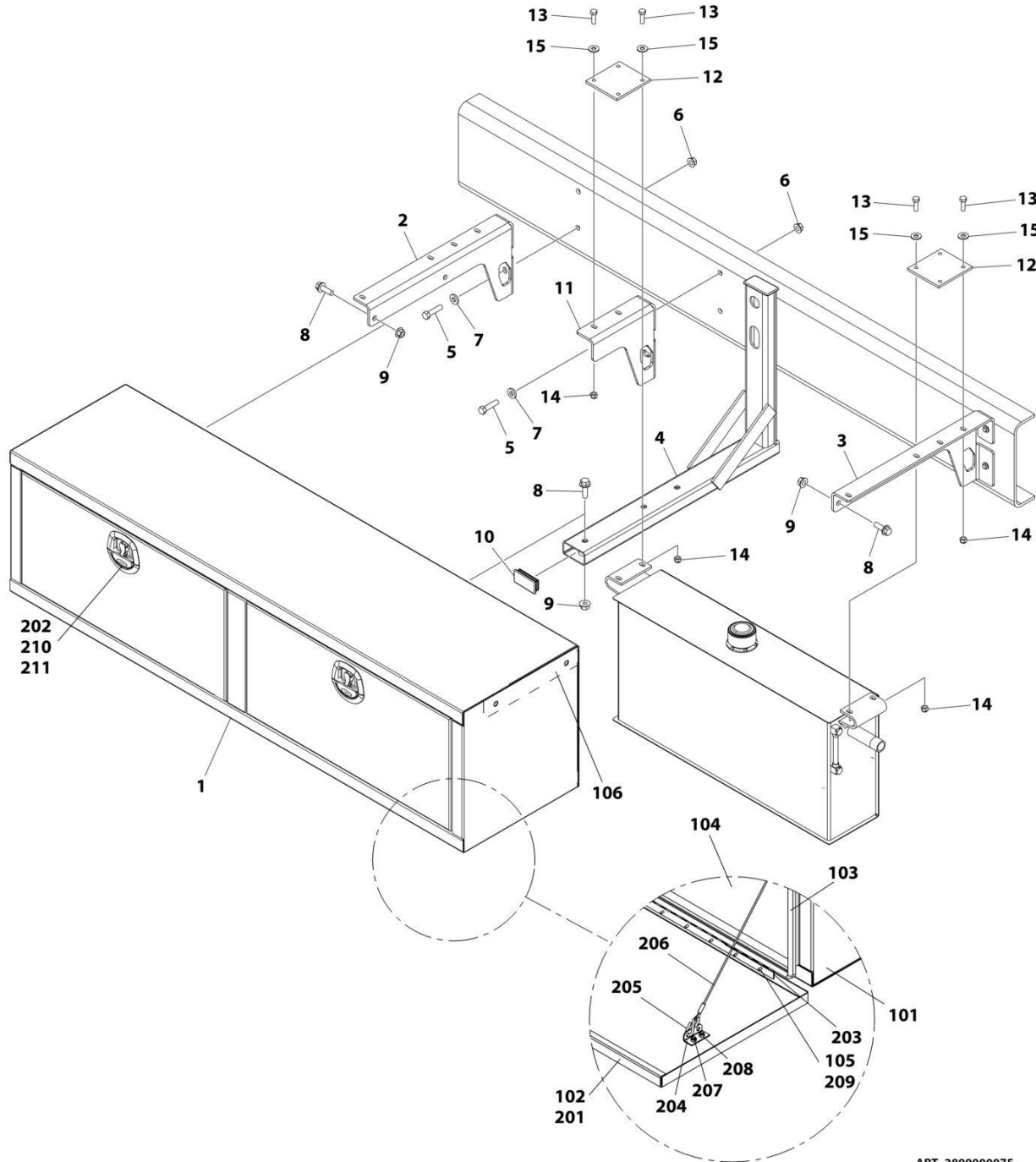
SECTION 1 - SUBFRAME

FIGURE 1-61. TOOLBOX INSTALLATION - 60IN UNDERBOX MOUNT

ITEM	PART NUMBER	QTY	DESCRIPTION	REV
	1001137566	Ref	TOOLBOX, 60IN UNDERBOX MOUNT	D
1	1001208780	1	Toolbox Assembly (includes items 101 through 105)	A
2	1001156006	1	Frame Weldment	
3	0651816	4	Bolt 1/2 x 2	
4	7660182333	4	Nut 1/2	
5	4891800	4	Washer 1/2	
6	7118181216	6	Capscrew 1/2 x 1-1/2	
7	7660182301	6	Nut 1/2	
8	4178000291	1	Bracket	
101	3899000128	1	Toolbox Weldment	
102	1001223821	1	Toolbox Door Assembly (includes items 201 through 211)	A
103	4796000011	1	Gasket	
104	4679000259	1	Pad	
105	7759000020	18	Rivet	
201	1001223817	1	Toolbox Door	
202	1001223814	2	Latch	
203	7555000016	2	Hinge	
204	4178000599	2	Bracket	
205	7592000005	4	S-Link	
206	7248000114	2	Cable	
207	7114140465	4	Bolt 0.25-20X0.50	
208	7660142604	4	Locknut 0.25-20	
209	7759000020	18	Rivet	
210	7950100143	8	Washer 0.19	
211	7660102604	8	Locknut #10-24	

SECTION 1 - SUBFRAME

FIGURE 1-62. TOOLBOX INSTALLATION - 78IN



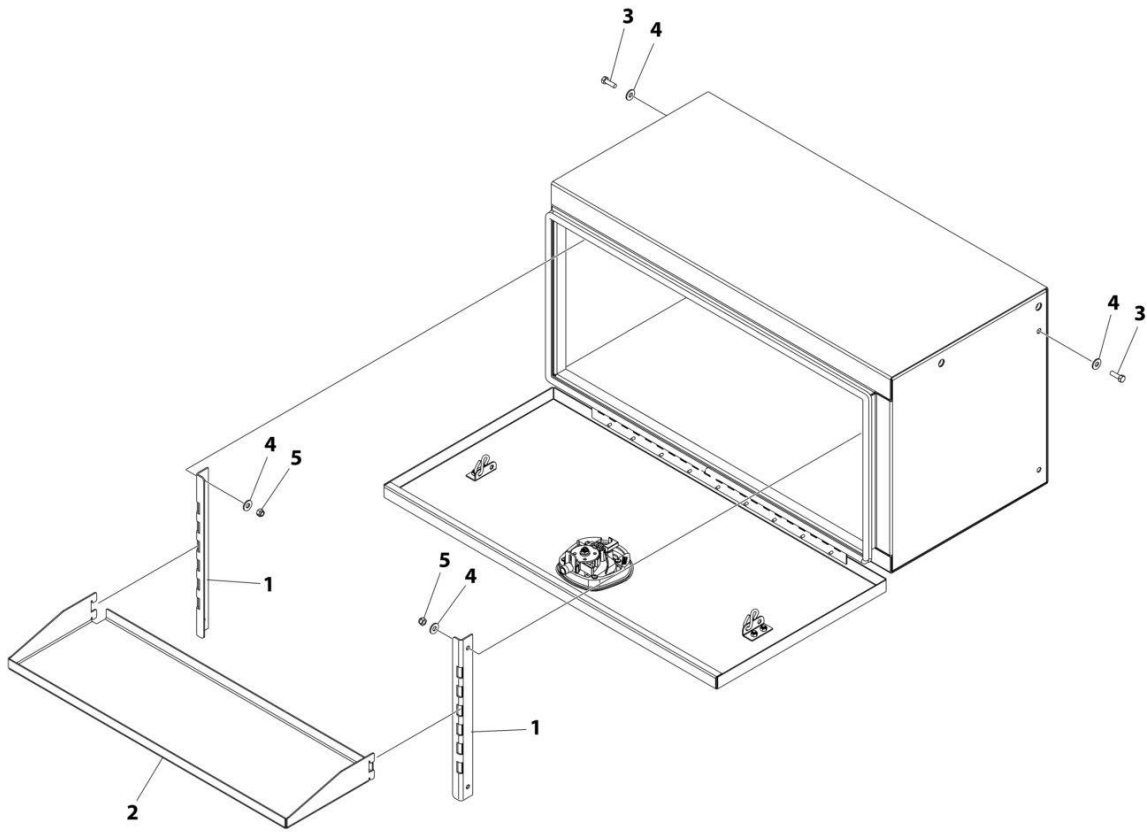
SECTION 1 - SUBFRAME

FIGURE 1-62. TOOLBOX INSTALLATION - 78IN

ITEM	PART NUMBER	QTY	DESCRIPTION	REV
	2899000075	Ref	TOOLBOX, 78IN	C
1	1001208785	1	Toolbox Assembly (includes items 101 through 106)	A
2	4178000291	1	Bracket	
3	4178000290	1	Bracket	
4	3178000566	1	Bracket	
5	0651816	8	Bolt 1/2 x 2	
6	7660182333	8	Nut 1/2	
7	4891800	8	Washer 1/2	
8	7118181216	6	Capscrew 1/2 x 1-1/2	
9	7660182301	6	Nut 1/2	
10	7701000051	2	Plug	
11	4178000330	1	Bracket	
12	4706002361	2	Plate	
13	0641508	4	Bolt 5/16 x 1	
14	7660152601	4	Nut 5/16	
15	4751500	8	Washer 5/16	
101	3899000173	1	Toolbox Weldment	
102	1001223822	2	Toolbox Door Assembly (includes items 201 through 211)	A
103	4796000012	2	Gasket	
104	4679000322	1	Pad	
105	7759000020	18	Rivet	
106	7701000074	2	Plug	
201	1001223818	1	Toolbox Door	
202	1001223814	1	Latch	
203	7555000016	1	Hinge	
204	4178000599	2	Bracket	
205	7592000005	4	S-Link	
206	7248000155	2	Cable	
207	7114140465	4	Bolt 0.25-20X0.50	
208	7660142604	4	Locknut 0.25-20	
209	7759000020	9	Rivet	
210	7950100143	4	Washer 0.19	
211	7660102604	4	Locknut #10-24	

SECTION 1 - SUBFRAME

FIGURE 1-63. TOOL BOX SHELF INSTALLATION - 36IN



ART_289900059

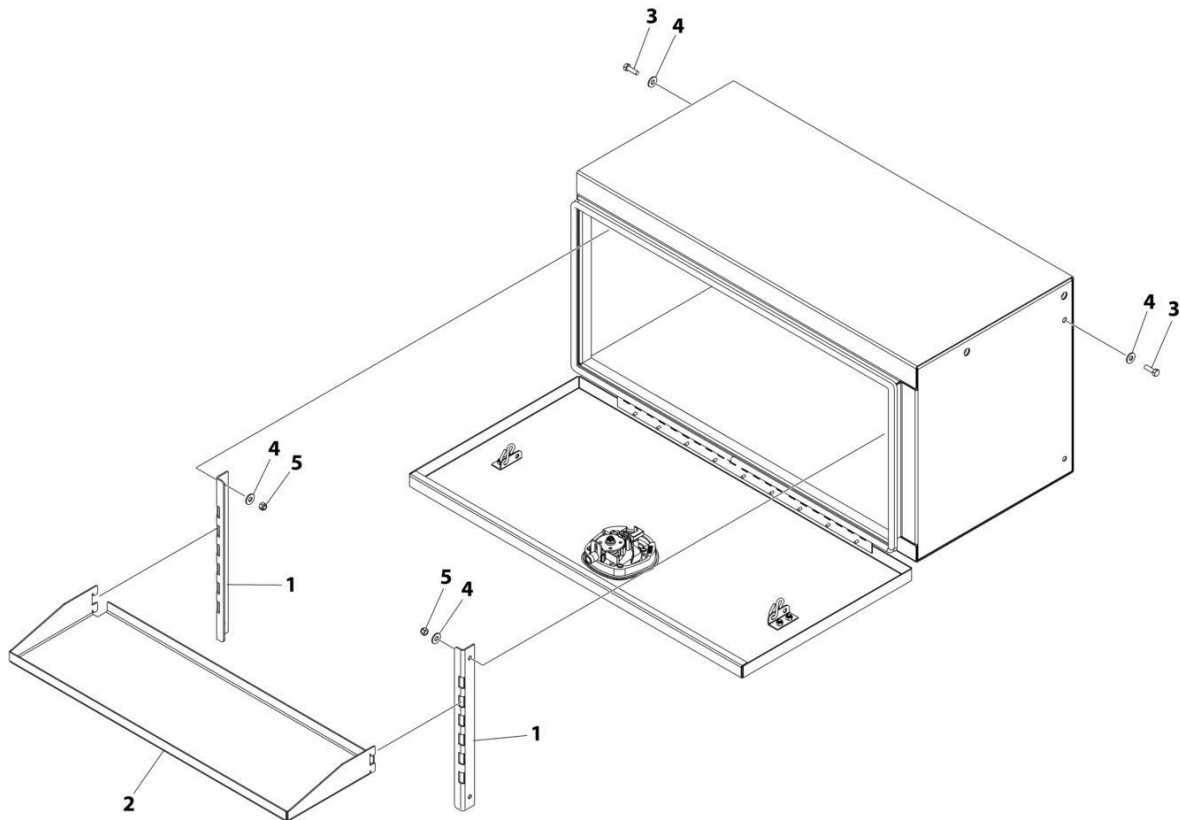
SECTION 1 - SUBFRAME

FIGURE 1-63. TOOL BOX SHELF INSTALLATION - 36IN

ITEM	PART NUMBER	QTY	DESCRIPTION	REV
	2899000059	Ref	TOOL BOX SHELF, 36IN	B
1	4017001403	2	Angle	
2	4811000841	1	Sheet	
3	7115150850	4	Capscrew 5/16 x 1	
4	7950150161	8	Washer 5/16	
5	7660152601	4	Nut 5/16	

SECTION 1 - SUBFRAME

FIGURE 1-64. TOOL BOX SHELF INSTALLATION - 48IN



ART_2899000060

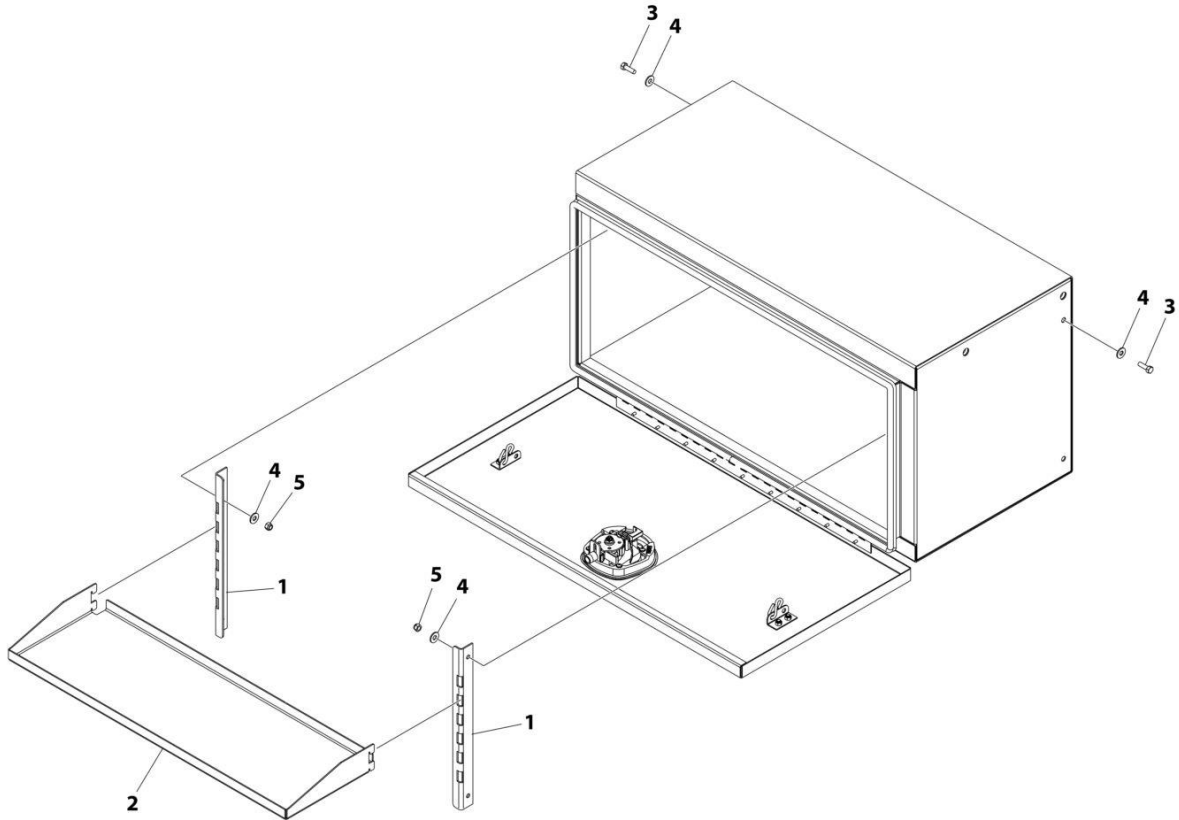
SECTION 1 - SUBFRAME

FIGURE 1-64. TOOL BOX SHELF INSTALLATION - 48IN

ITEM	PART NUMBER	QTY	DESCRIPTION	REV
	2899000060	Ref	TOOL BOX SHELF, 48IN	B
1	4017001403	2	Angle	
2	4811000868	1	Sheet	
3	7115150850	4	Capscrew 5/16 x 1	
4	7950150161	8	Washer 5/16	
5	7660152601	4	Nut 5/16	

SECTION 1 - SUBFRAME

FIGURE 1-65. TOOL BOX SHELF INSTALLATION - 60IN



ART_289900061

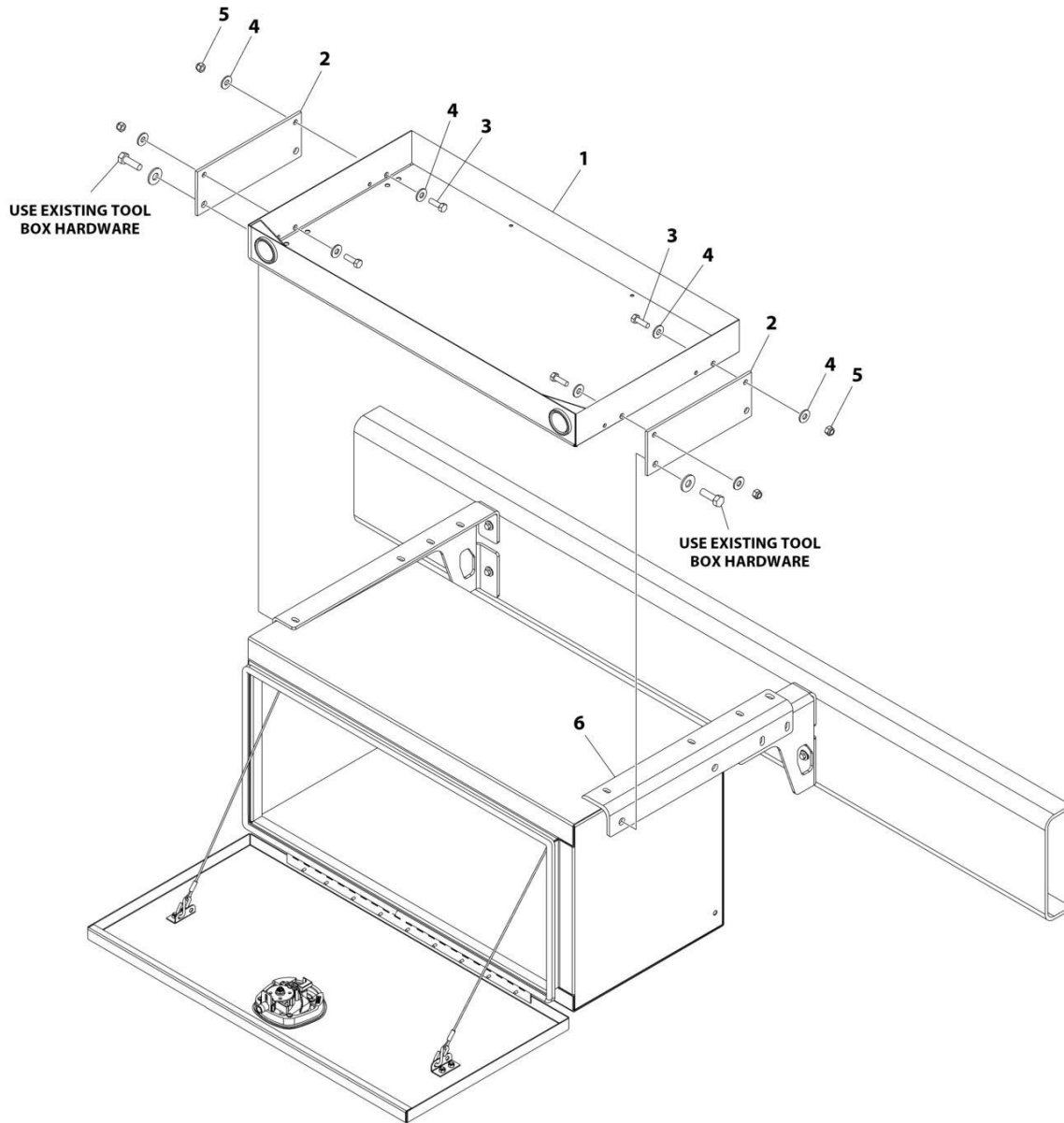
SECTION 1 - SUBFRAME

FIGURE 1-65. TOOL BOX SHELF INSTALLATION - 60IN

ITEM	PART NUMBER	QTY	DESCRIPTION	REV
	2899000061	Ref	TOOL BOX SHELF, 60IN	B
1	4017001403	2	Angle	
2	4811000868	1	Sheet	
3	7115150850	4	Capscrew 5/16 x 1	
4	7950150161	8	Washer 5/16	
5	7660152601	4	Nut 5/16	

SECTION 1 - SUBFRAME

FIGURE 1-66. TOOLBOX TOP STORAGE TRAY - 36IN



ART_2002000048

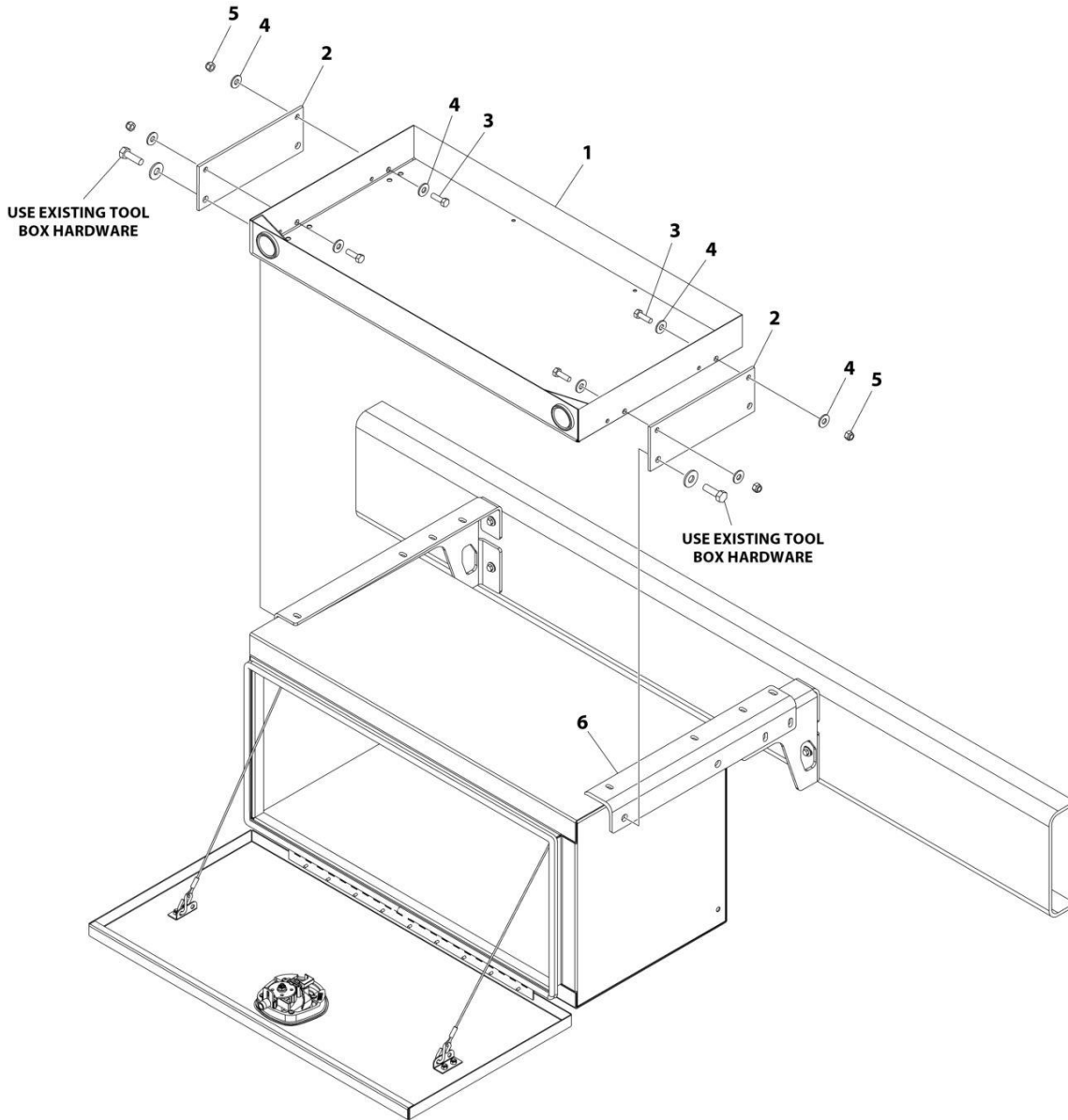
SECTION 1 - SUBFRAME

FIGURE 1-66. TOOLBOX TOP STORAGE TRAY - 36IN

ITEM	PART NUMBER	QTY	DESCRIPTION	REV
	2002000048	Ref	TOOL BOX TOP STORAGE TRAY, 36IN	B
1	3811000053	1	Sheet Weldment	
2	4706006216	1	Plate	
3	7115160950	4	Bolt 3/8 x 1-1/8	
4	7950150161	8	Washer 5/16	
5	7660162601	4	Nut 3/8	
6	1001155975	1	Bracket	

SECTION 1 - SUBFRAME

FIGURE 1-67. TOOLBOX TOP STORAGE TRAY - 48IN



ART_200200049

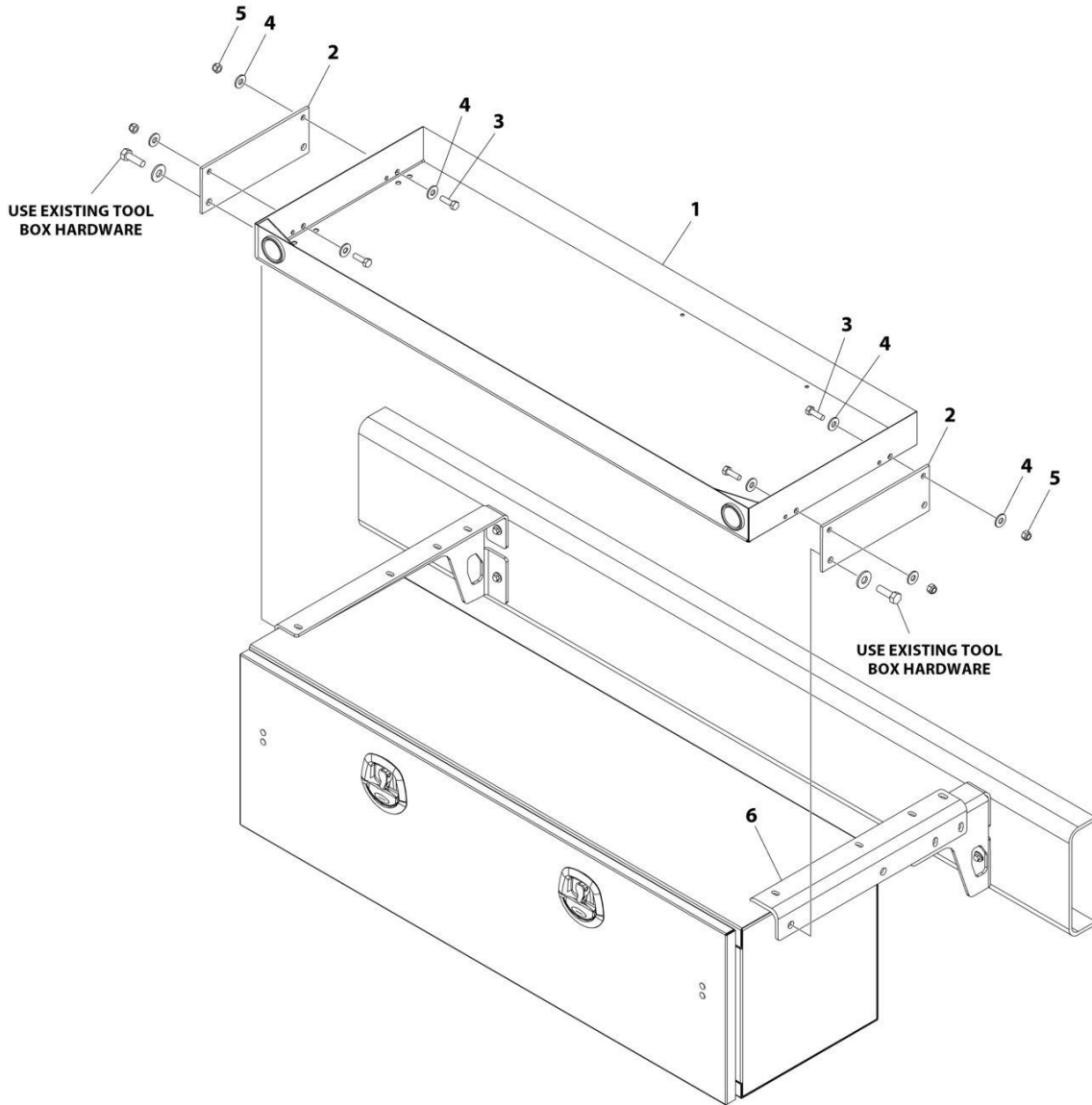
SECTION 1 - SUBFRAME

FIGURE 1-67. TOOLBOX TOP STORAGE TRAY - 48IN

ITEM	PART NUMBER	QTY	DESCRIPTION	REV
	2002000049	Ref	TOOL BOX TOP STORAGE TRAY, 48IN	B
1	3811000054	1	Sheet Weldment	
2	4706006216	2	Plate	
3	7115160950	1	Bolt 3/8 x 1-1/8	
4	7950150161	8	Washer 5/16	
5	7660162601	4	Nut 3/8	
6	1001155975	1	Bracket	

SECTION 1 - SUBFRAME

FIGURE 1-68. TOOLBOX TOP STORAGE TRAY - 60IN



ART_2002000050

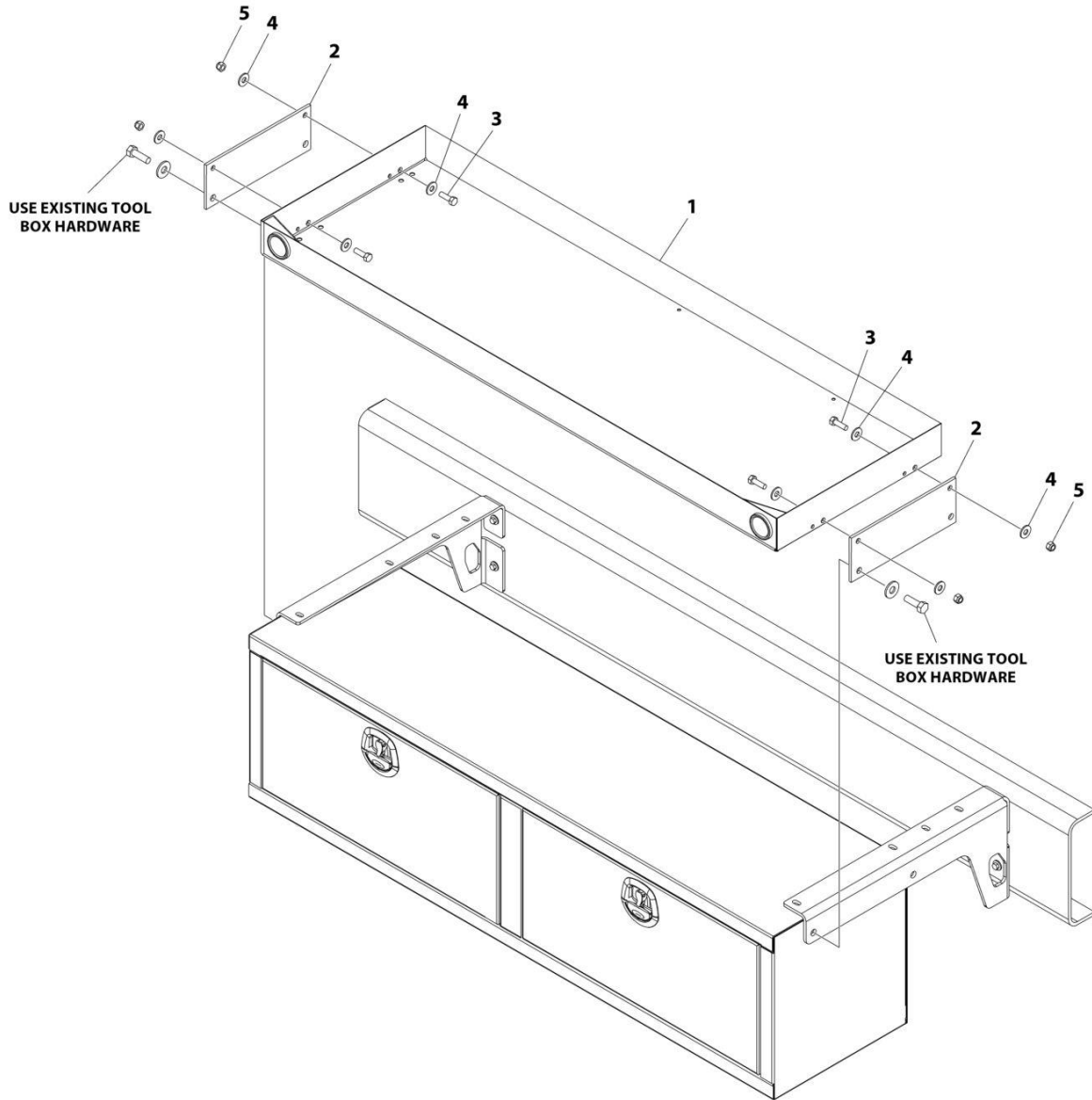
SECTION 1 - SUBFRAME

FIGURE 1-68. TOOLBOX TOP STORAGE TRAY - 60IN

ITEM	PART NUMBER	QTY	DESCRIPTION	REV
	2002000050	Ref	TOOL BOX TOP STORAGE TRAY, 60IN	B
1	3811000055	1	Sheet	
2	4706006216	2	Plate	
3	7115160950	4	Bolt 3/8 x 1-1/8	
4	7950150161	8	Washer 5/16	
5	7660162601	4	Nut 3/8	
6	1001155975	1	Bracket	

SECTION 1 - SUBFRAME

FIGURE 1-69. TOOLBOX TOP STORAGE TRAY - 78IN



ART_200200051

SECTION 1 - SUBFRAME

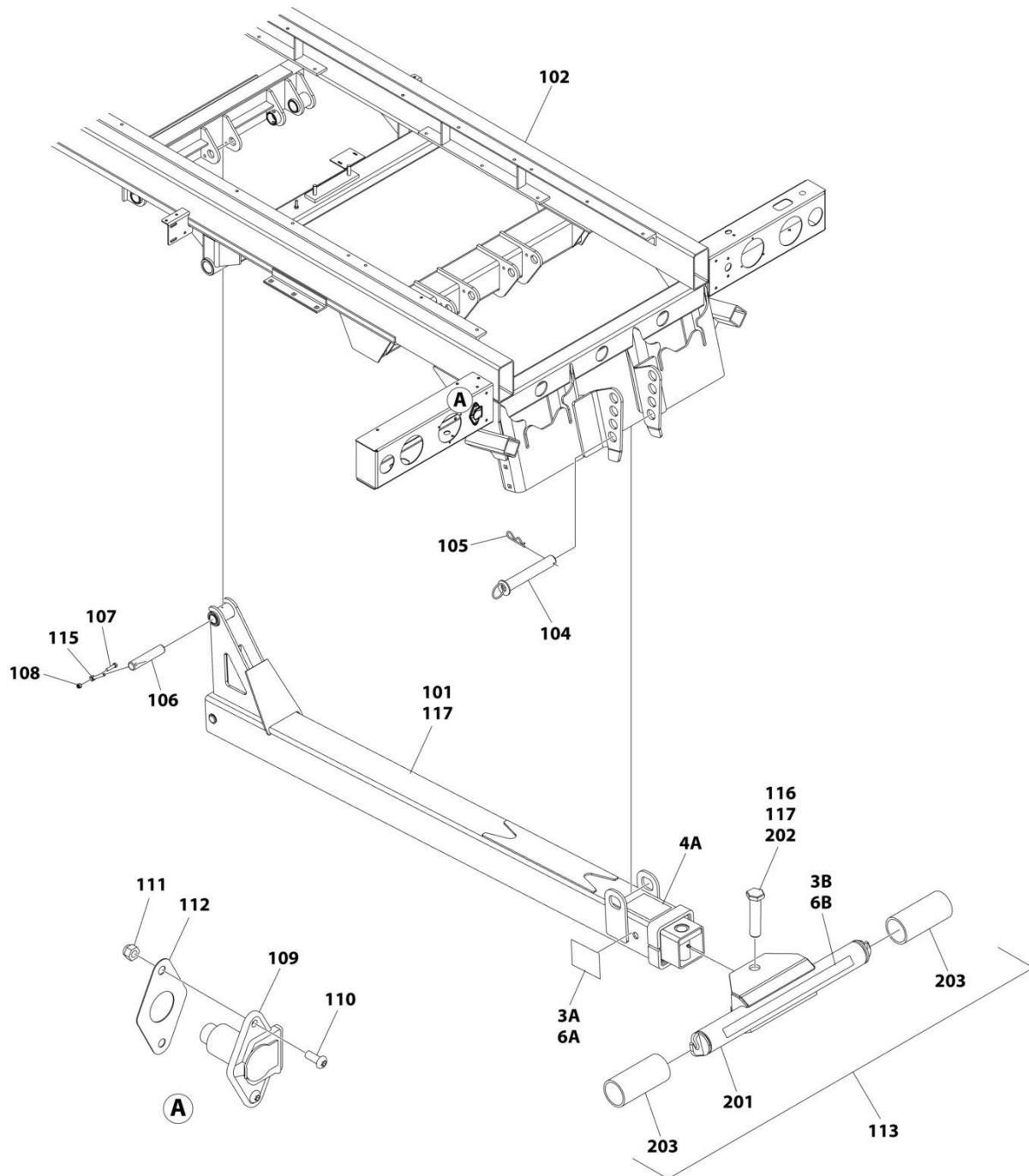
FIGURE 1-69. TOOLBOX TOP STORAGE TRAY - 78IN

ITEM	PART NUMBER	QTY	DESCRIPTION	REV
	2002000051	Ref	TOOL BOX TOP STORAGE TRAY, 78IN	B
1	3811000057	1	Sheet	
2	4706006216	2	Plate	
3	7115160950	4	Bolt 3/8 x 1-1/8	
4	7950150161	8	Washer 5/16	
5	7660162601	1	Nut 3/8	

SECTION 2 - WHEEL LIFT

SECTION 2 - WHEEL LIFT

FIGURE 2-1. WHEEL LIFT INSTALLATION (3500 LBS - TOWBAR) (SN 0220005217 through 0220009663)



ART_TBH35-HD

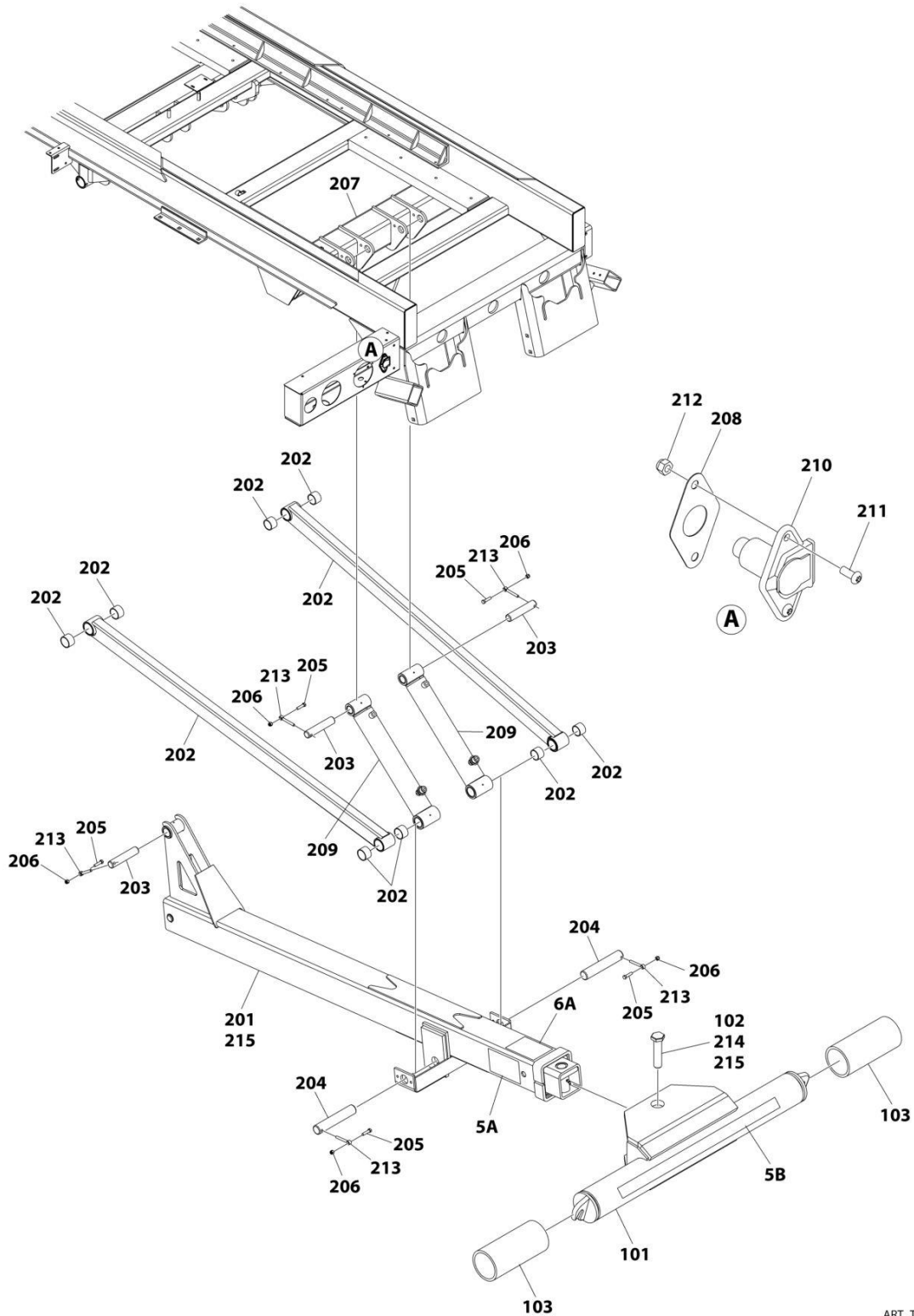
SECTION 2 - WHEEL LIFT

FIGURE 2-1. WHEEL LIFT INSTALLATION (3500 LBS - TOWBAR) (SN 0220005217 through 0220009663)

ITEM	PART NUMBER	QTY	DESCRIPTION	REV
	TBH35-HD	Ref	WHEEL LIFT INSTALLATION	0
1	2570000055	Ref	Hose Installation (Not Shown) (See Separate Breakdown in HYDRAULIC Section)	
2	7262000010	2	Chain 0.31 x 8FT with J&T Hook (Not Shown)	
3	2330000039	Ref	Decal Installation - Conspicuity Tow Bar (Not Shown)	
3A	7330000419	2	Decal - Red Reflective	
3B	4330000001	1	Decal - Red/White Reflective	
4	2330000059	Ref	Decal Installation - Tow Bar (Not Shown)	
4A	7330000684	1	Decal - Safety	
5	2170000086	Ref	Boom Installation (Not Shown) (See Items 101-117 for Breakdown)	
6	2330000056	Ref	Decal Installation - Conspicuity Tow Bar (Not Shown)	
6A	4330000002	1	Decal - Red Reflective	
6B	4330000001	1	Decal - Red/White Reflective	
7	2262000011	Ref	Chain Box Installation - Rear Subframe (Not Shown) (See Separate Breakdown in this Section)	
	2170000086	Ref	BOOM INSTALLATION	D
101	3170000306	1	Boom Assembly (See Separate Breakdown in this Section)	
102	1001143054	1	Hitch, Pintle	
104	3691000097	1	Pin	
105	7691000001	1	Hairpin	
106	1001188129	1	Pin	
107	0641612	1	Bolt 3/8 x 1-1/2	
108	3300492	1	Nut 3/8	
109	7291000010	1	Receptacle with Connector	
110	7114140528	2	Screw 1/4 x 5/8	
111	7660142601	2	Nut 1/4	
112	7796000048	1	Gasket	
113	2500790487	1	Towbar Head Assembly (See Items 201-204 for Breakdown)	
115	3841143	1	Keeper, Pin	
116	3020039	AR	Lubricant	
117	3020029	AR	Grease	
	2500790487	Ref	TOWBAR HEAD ASSEMBLY	0
201	3556000023	1	Tow Hitch	
202	4120000008	1	Bolt 1-1/2 x 6-3/8	
203	7912000011	2	Tube, Rubber	
204	7262000010	2	Chain 0.31 x 8FT with J&T Hook (Not Shown)	

SECTION 2 - WHEEL LIFT

FIGURE 2-2. WHEEL LIFT INSTALLATION (5000 LBS - TOWBAR) (SN 0220005217 through 0220009663)



ART_TB150R-HD

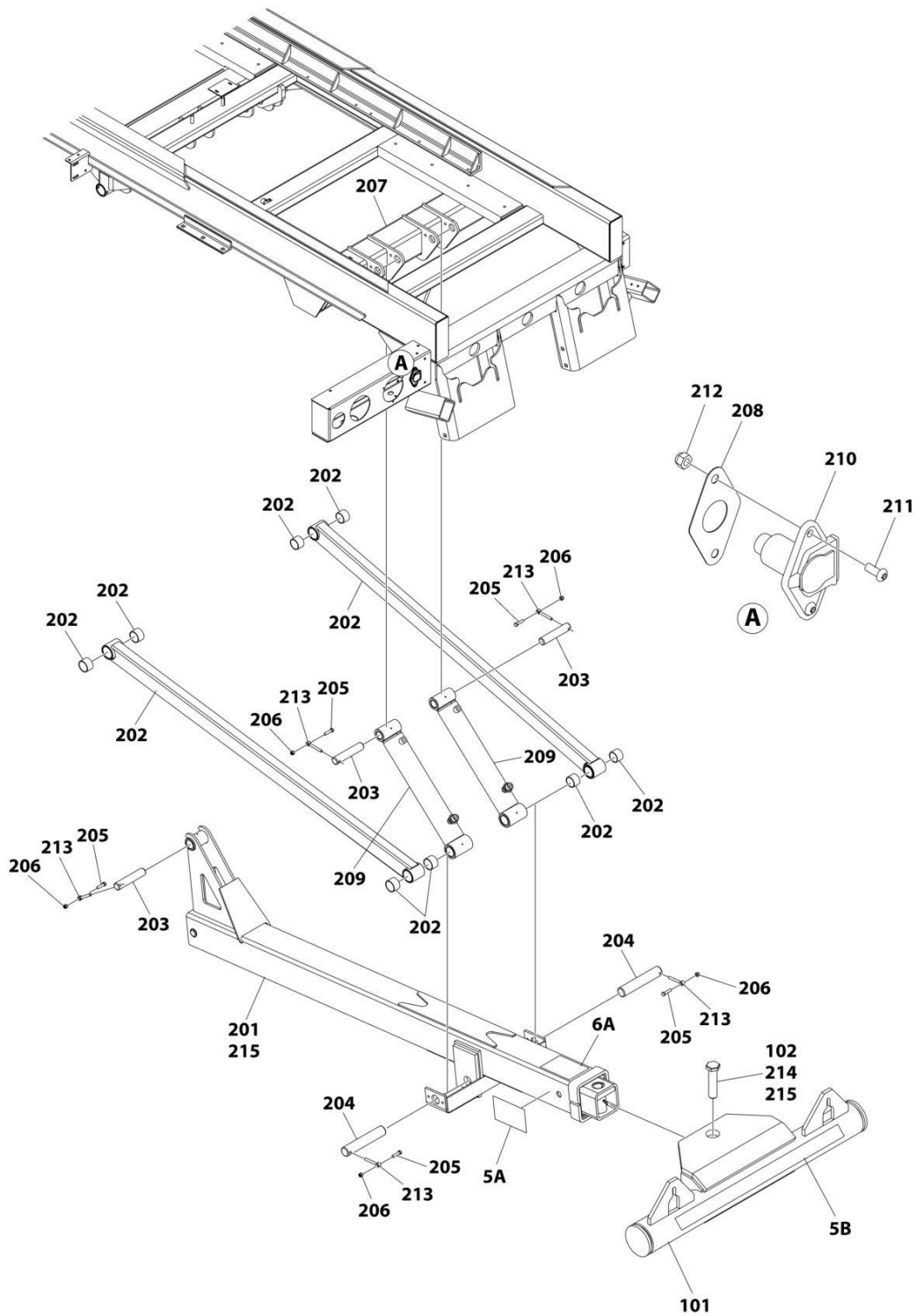
SECTION 2 - WHEEL LIFT

FIGURE 2-2. WHEEL LIFT INSTALLATION (5000 LBS - TOWBAR) (SN 0220005217 through 0220009663)

ITEM	PART NUMBER	QTY	DESCRIPTION	REV
	TBI50R-HD	Ref	WHEEL LIFT INSTALLATION (5000 LBS - TOWBAR)	B
1	2553000009	Ref	Towbar Head Assembly (Not Shown) (See Items 101-103 for Breakdown)	
2	2570000058	Ref	Hose Installation (Not Shown) (See Separate Breakdown in HYDRAULIC Section)	
3	7262000011	2	Chain 0.38 x 12FT (Not Shown)	
4	7262000014	2	Chain 0.50 x 8FT (Not Shown)	
5	2330000039	Ref	Decal Installation - Conspicuity Tow Bar (Not Shown)	
5A	7330000419	2	Decal - Red Reflective	
5B	4330000001	1	Decal - Red/White Reflective	
6	2330000059	Ref	Decal Installation - Tow Bar (Not Shown)	
6A	7330000684	1	Decal - Safety	
7	2170000066	Ref	Boom Installation (Not Shown) (See Items 201-215 for Breakdown)	
	2553000009	Ref	TOWBAR HEAD ASSEMBLY	0
101	3556000026	1	Tow Hitch	
102	4120000008	1	Bolt 1-1/2 x 6-3/8	
103	7912000011	2	Tube, Rubber	
	2170000066	Ref	BOOM INSTALLATION	C
201	3170000305	1	Boom Assembly (See Separate Breakdown in this Section)	
202	3020000106	2	Arm	
202	7082000019	4	Bushing 2IN OD x 1.75IN ID	
202	7082000018	4	Bushing 1.88IN OD x 1.63IN ID	
203	1001188129	3	Pin	
204	1001188132	2	Pin	
205	0641612	5	Bolt 3/8 x 1-1/2	
206	3300492	5	Nut 3/8	
207	3316000047	1	Crossmember, Rear	
208	7796000048	1	Gasket	
209	1001166857	2	Cylinder Assembly (See Separate Breakdown in this Section)	
210	7291000010	1	Receptacle with Connector	
211	7114140528	2	Screw 1/4 x 5/8	
212	7660142601	2	Nut 1/4	
213	3841143	5	Keeper, Pin	
214	3020039	AR	Lubricant	
215	3020029	AR	Grease	

SECTION 2 - WHEEL LIFT

FIGURE 2-3. WHEEL LIFT INSTALLATION (5000 LBS - TOWBAR WITH KEYSLOTS) (SN 0220005217 through 0220009663)



ART_TBI50K-HD

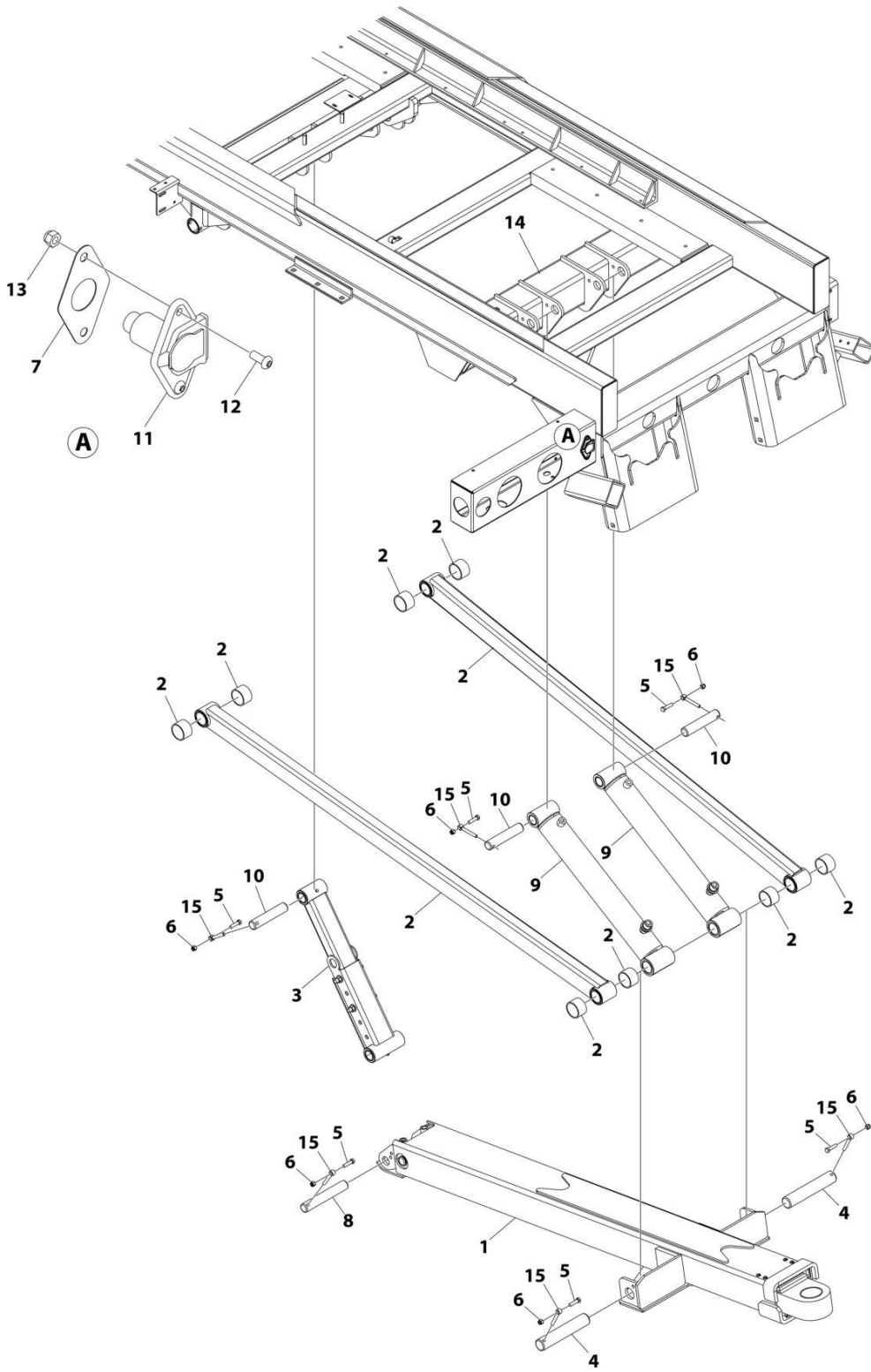
SECTION 2 - WHEEL LIFT

FIGURE 2-3. WHEEL LIFT INSTALLATION (5000 LBS - TOWBAR WITH KEYSLOTS) (SN 0220005217 through 0220009663)

ITEM	PART NUMBER	QTY	DESCRIPTION	REV
	TBI50K-HD	Ref	WHEEL LIFT INSTALLATION (5000 LBS - TOWBAR WITH KEYSLOTS)	B
1	2553000008	Ref	Towbar Head Assembly (Not Shown) (See Items 101-102 for Breakdown)	
2	2570000058	Ref	Hose Installation (Not Shown) (See Separate Breakdown in HYDRAULIC Section)	
3	7262000011	2	Chain 0.38 x 12 (Not Shown)	
4	7262000014	2	Chain 0.50 x 8 (Not Shown)	
5	2330000039	Ref	Decal Installation - Conspicuity Tow Bar (Not Shown)	
5A	7330000419	2	Decal - Red Reflective	
5B	4330000001	1	Decal - Red/White Reflective	
6	2330000059	Ref	Decal Installation - Tow Bar (Not Shown)	
6A	7330000684	1	Decal - Safety	
7	2170000066	Ref	Boom Installation (Not Shown) (See Items 201-215 for Breakdown)	
	2553000008	Ref	TOWBAR HEAD ASSEMBLY	0
101	3556000028	1	Tow Hitch	
102	4120000008	1	Bolt 1-1/2 x 6-3/8	
	2170000066	Ref	BOOM INSTALLATION	C
201	3170000305	1	Boom Assembly (See Separate Breakdown in this Section)	
202	3020000106	2	Arm	
202	7082000019	4	Bushing 2IN OD x 1.75IN ID	
202	7082000018	4	Bushing 1.88IN OD x 1.63IN ID	
203	1001188129	3	Pin	
204	1001188132	2	Pin	
205	0641612	5	Bolt 3/8 x 1-1/2	
206	3300492	5	Nut 3/8	
207	3316000047	1	Crossmember, Rear	
208	7796000048	1	Gasket	
209	1001166857	2	Cylinder Assembly (See Separate Breakdown in this Section)	
210	7291000010	1	Receptacle with Connector	
211	7114140528	2	Screw 1/4 x 5/8	
212	7660142601	2	Nut 1/4	
213	3841143	5	Keeper, Pin	
214	3020039	AR	Lubricant	
215	3020029	AR	Grease	

SECTION 2 - WHEEL LIFT

FIGURE 2-4. WHEEL LIFT BOOM INSTALLATION (3000 LBS)



ART_1001159079

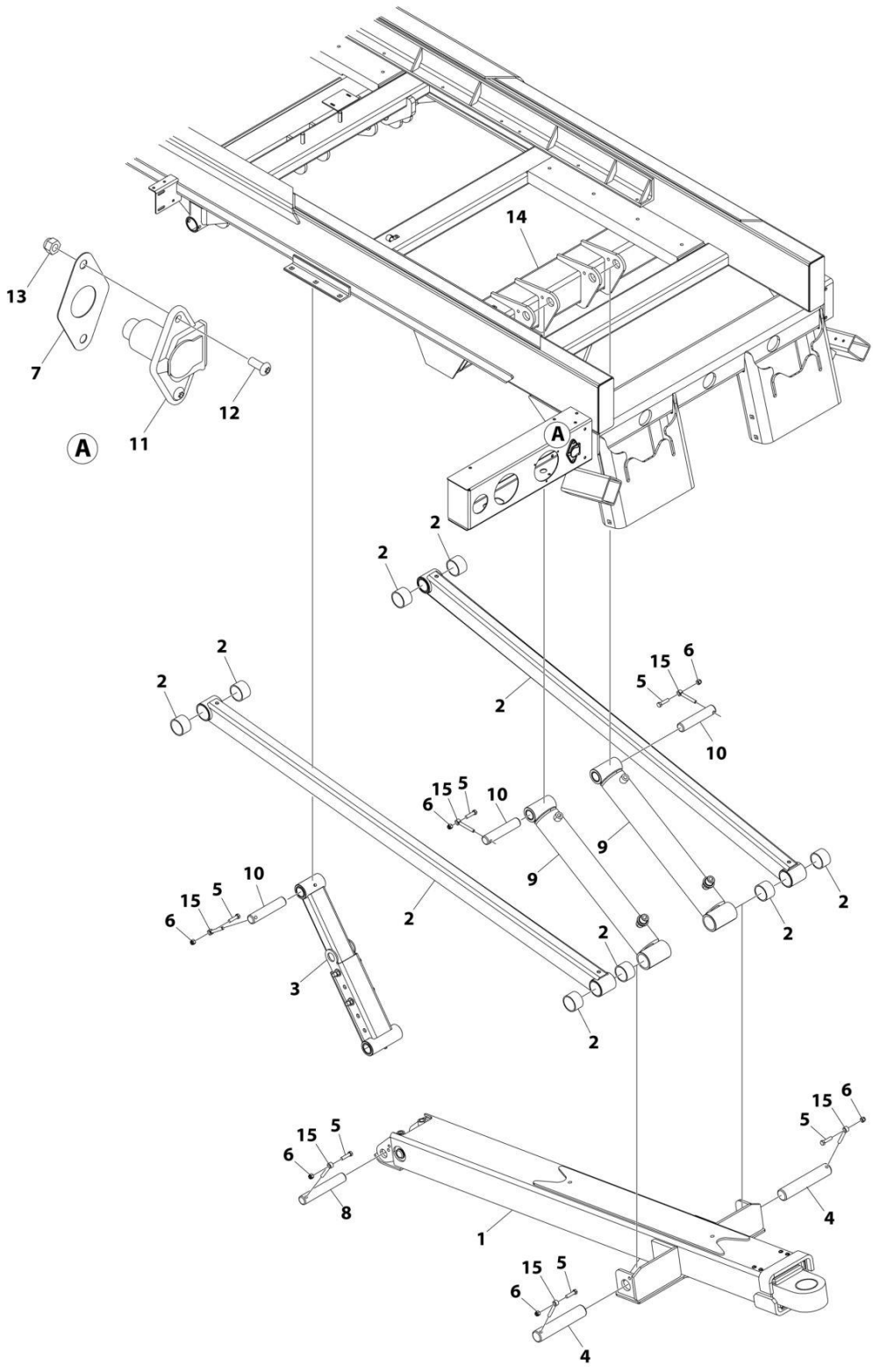
SECTION 2 - WHEEL LIFT

FIGURE 2-4. WHEEL LIFT BOOM INSTALLATION (3000 LBS)

ITEM	PART NUMBER	QTY	DESCRIPTION	REV
	1001159079	Ref	WHEEL LIFT INSTALLATION (3000 LBS - MANUAL L-ARMS)	C
1	1001158867	1	Wheel Lift Assembly (See Separate Breakdown in this Section)	
2	3020000105	2	Arm Assembly	
2	7082000019	4	Bushing 2IN OD x 1.75IN ID	
2	7082000018	4	Bushing 1.88IN OD x 1.63IN ID	
3	3592000039	1	Link Assembly	
3	3592000058	1	Tube, Outer	
3	3592000041	1	Tube, Inner	
4	1001188132	2	Pin	
5	0641612	6	Bolt 3/8 x 1-1/2	
6	3300492	6	Nut 3/8	
7	7796000048	1	Gasket	
8	1001188133	1	Pin	
9	1001167767	2	Cylinder Assembly (See Separate Breakdown in this Section)	
10	1001188129	3	Pin	
11	7291000010	1	Receptacle with Connector	
12	7114140528	2	Screw 1/4 x 5/8	
13	7660142601	2	Nut 1/4	
14	3316000047	1	Crossmember, Rear	
15	3841143	6	Keeper, Pin	

SECTION 2 - WHEEL LIFT

FIGURE 2-5. WHEEL LIFT BOOM INSTALLATION (3000 LBS - GALVANIZED)



ART_1001159080

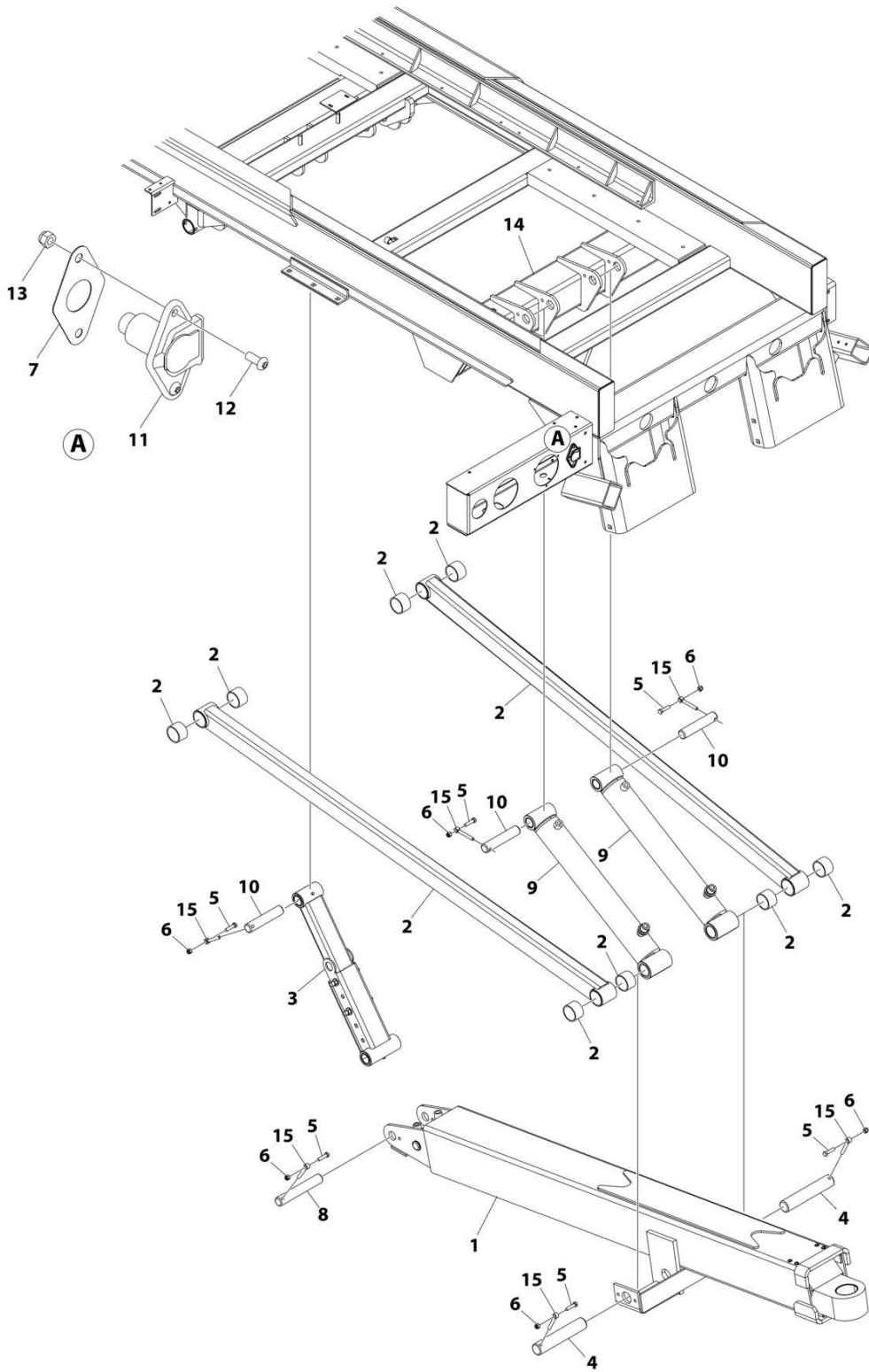
SECTION 2 - WHEEL LIFT

FIGURE 2-5. WHEEL LIFT BOOM INSTALLATION (3000 LBS - GALVANIZED)

ITEM	PART NUMBER	QTY	DESCRIPTION	REV
	1001159080	Ref	WHEEL LIFT INSTALLATION (3000 LBS - MANUAL L-ARMS) (GALVANIZED)	C
1	1001158868	1	Wheel Lift Assembly (See Separate Breakdown in this Section)	
2	1001136435	2	Arm Assembly	
2	7082000019	4	Bushing 2IN OD x 1.75IN ID	
2	7082000018	4	Bushing 1.88IN OD x 1.63IN ID	
3	1001136430	1	Link Assembly	
3	3592000060	1	Tube, Outer	
3	1001136427	1	Tube, Inner	
4	1001188132	2	Pin	
5	0641612	6	Bolt 3/8 x 1-1/2	
6	3300492	6	Nut 3/8	
7	7796000048	1	Gasket	
8	1001188133	1	Pin	
9	1001167767	2	Cylinder Assembly (See Separate Breakdown in this Section)	
10	1001188129	3	Pin	
11	7291000010	1	Receptacle with Connector	
12	7114140528	2	Screw 1/4 x 5/8	
13	7660142601	2	Nut 1/4	
14	3316000052	1	Crossmember, Rear	
15	3841143	6	Keeper, Pin	

SECTION 2 - WHEEL LIFT

FIGURE 2-6. WHEEL LIFT BOOM INSTALLATION (4000 LBS)



ART_1001159081

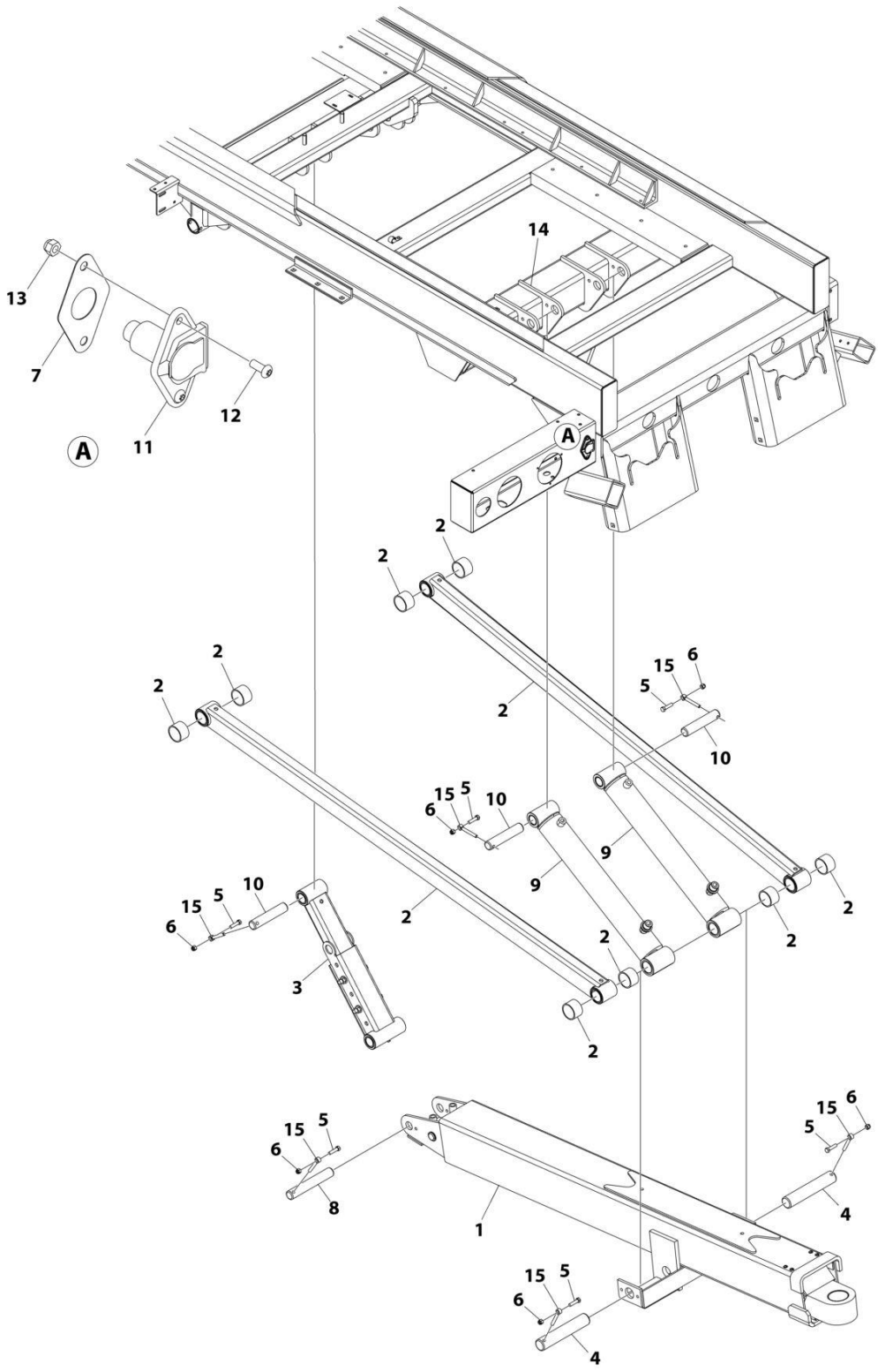
SECTION 2 - WHEEL LIFT

FIGURE 2-6. WHEEL LIFT BOOM INSTALLATION (4000 LBS)

ITEM	PART NUMBER	QTY	DESCRIPTION	REV
	1001159081	Ref	WHEEL LIFT INSTALLATION (4000 LBS - MANUAL L-ARMS)	D
1	1001158870	1	Wheel Lift Assembly (See Separate Breakdown in this Section)	
2	3020000106	2	Arm Assembly	
4	7082000019	4	Bushing 2IN OD x 1.75IN ID	
4	7082000018	4	Bushing 1.88IN OD x 1.63IN ID	
3	1001136430	1	Link Assembly	
3	3592000060	1	Tube, Outer	
3	1001136427	1	Tube, Inner	
4	1001188132	2	Pin	
5	0641612	6	Bolt 3/8 x 1-1/2	
6	3300492	6	Nut 3/8	
7	7796000048	1	Gasket	
8	1001188133	1	Pin	
9	1001167766	2	Cylinder Assembly (See Separate Breakdown in this Section)	
10	1001188129	3	Pin	
11	7291000010	1	Receptacle with Connector	
12	7114140528	2	Screw 1/4 x 5/8	
13	7660142601	2	Nut 1/4	
14	3316000047	1	Crossmember, Rear	
15	3841143	6	Keeper, Pin	

SECTION 2 - WHEEL LIFT

FIGURE 2-7. WHEEL LIFT BOOM INSTALLATION (4000 LBS - GALVANIZED)



ART_1001159082

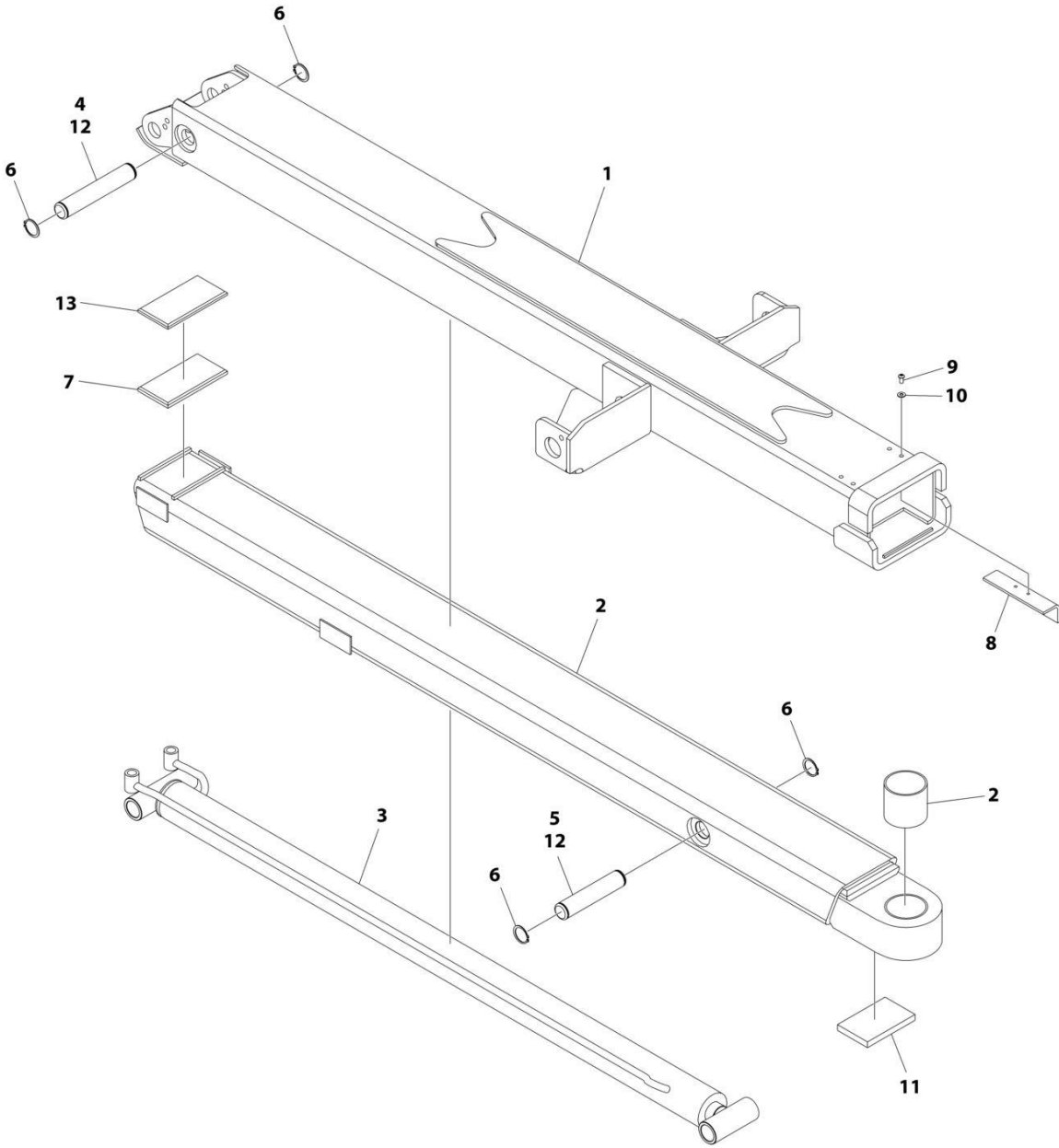
SECTION 2 - WHEEL LIFT

FIGURE 2-7. WHEEL LIFT BOOM INSTALLATION (4000 LBS - GALVANIZED)

ITEM	PART NUMBER	QTY	DESCRIPTION	REV
	1001159082	Ref	WHEEL LIFT INSTALLATION (4000 LBS - MANUAL L-ARMS) (GALVANIZED)	D
1	1001158869	1	Wheel Lift Assembly (See Separate Breakdown in this Section)	
2	1001136147	2	Arm Assembly	
2	7082000019	4	Bushing 2IN OD x 1.75IN ID	
2	7082000018	4	Bushing 1.88IN OD x 1.63IN ID	
3	3592000066	1	Link Assembly	
3	1001300517	1	Tube, Outer	
3	3592000065	1	Tube, Inner	
4	1001188132	2	Pin	
5	0641612	6	Bolt 3/8 x 1-1/2	
6	3300492	6	Nut 3/8	
7	7796000048	1	Gasket	
8	1001188133	1	Pin	
9	1001167766	2	Cylinder Assembly (See Separate Breakdown in this Section)	
10	1001188129	3	Pin	
11	7291000010	1	Receptacle with Connector	
12	7114140528	2	Screw 1/4 x 5/8	
13	7660142601	2	Nut 1/4	
14	3316000047	1	Crossmember, Rear	
15	3841143	6	Keeper, Pin	

SECTION 2 - WHEEL LIFT

FIGURE 2-8. WHEEL LIFT ASSEMBLY (3000 LBS)



ART_1001158867

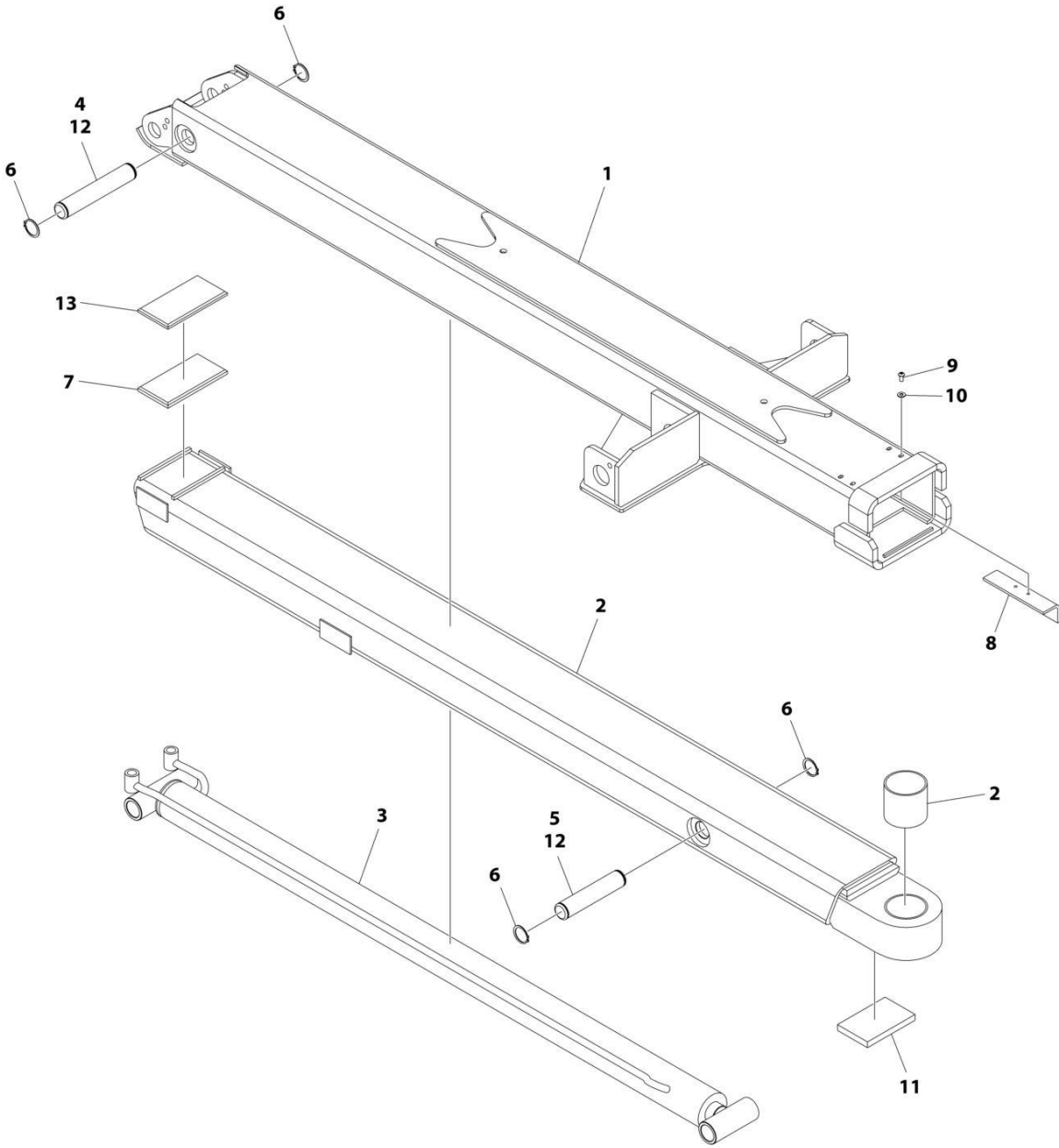
SECTION 2 - WHEEL LIFT

FIGURE 2-8. WHEEL LIFT ASSEMBLY (3000 LBS)

ITEM	PART NUMBER	QTY	DESCRIPTION	REV
	1001158867	Ref	WHEEL LIFT ASSEMBLY (3000 LBS - MANUAL L-ARMS)	D
1	3170000162	1	Boom Weldment	
2	1001158626	1	Tube Weldment	
2	7209000030	1	Bushing	
3	1001166858	1	Cylinder Assembly - Extend/Retract (See Separate Breakdown in this Section)	
4	4691000296	1	Pin	
5	4691000268	1	Pin	
6	3760133	4	Ring, Retaining	
7	4679000046	1	Pad	
8	4017000739	2	Angle	
9	7118140418	4	Capscrew 1/4 x 1/2	
10	4751300	4	Washer 3/16	
11	4679000211	1	Pad	
12	3020039	AR	Lubricant	
13	1001291152	AR	Pad	

SECTION 2 - WHEEL LIFT

FIGURE 2-9. WHEEL LIFT ASSEMBLY (3000 LBS - GALVANIZED)



ART_1001158868

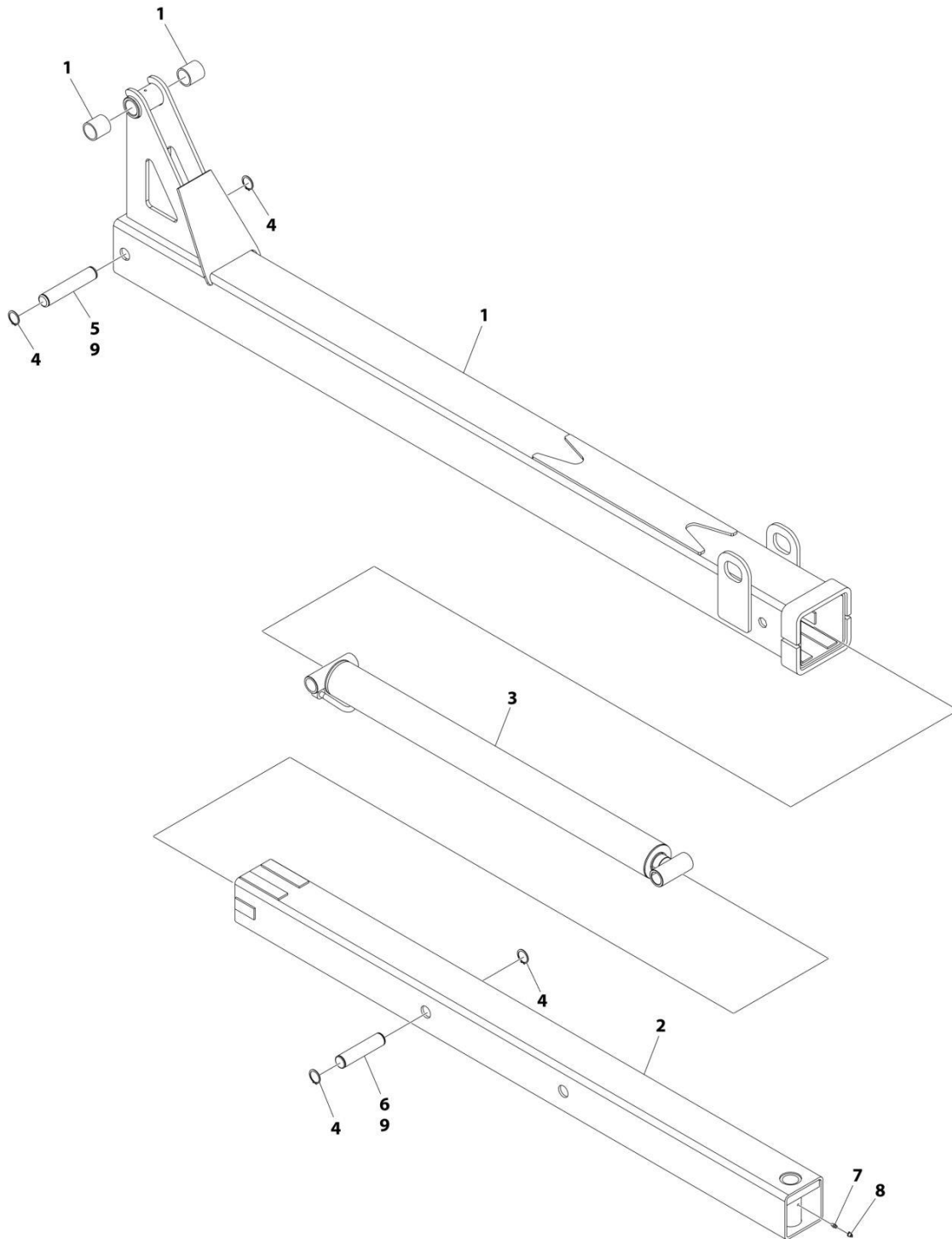
SECTION 2 - WHEEL LIFT

FIGURE 2-9. WHEEL LIFT ASSEMBLY (3000 LBS - GALVANIZED)

ITEM	PART NUMBER	QTY	DESCRIPTION	REV
	1001158868	Ref	WHEEL LIFT ASSEMBLY (3000 LBS - MANUAL L-ARMS) (GALVANIZED)	E
1	3170000504	1	Boom Weldment	
2	1001158626	1	Tube Weldment	
2	7209000030	1	Bushing	
3	1001166858	1	Cylinder Assembly - Extend/Retract (See Separate Breakdown in this Section)	
4	4691000296	1	Pin	
5	4691000268	1	Pin	
6	3760133	4	Ring, Retaining	
7	4679000046	1	Pad	
8	4017000739	2	Angle	
9	7118140418	4	Capscrew 1/4 x 1/2	
10	4751300	4	Washer 3/16	
11	4679000211	1	Pad	
12	3020039	AR	Lubricant	
13	1001291152	AR	Pad	

SECTION 2 - WHEEL LIFT

FIGURE 2-10. WHEEL LIFT ASSEMBLY (3500 LBS)



ART_3170000306

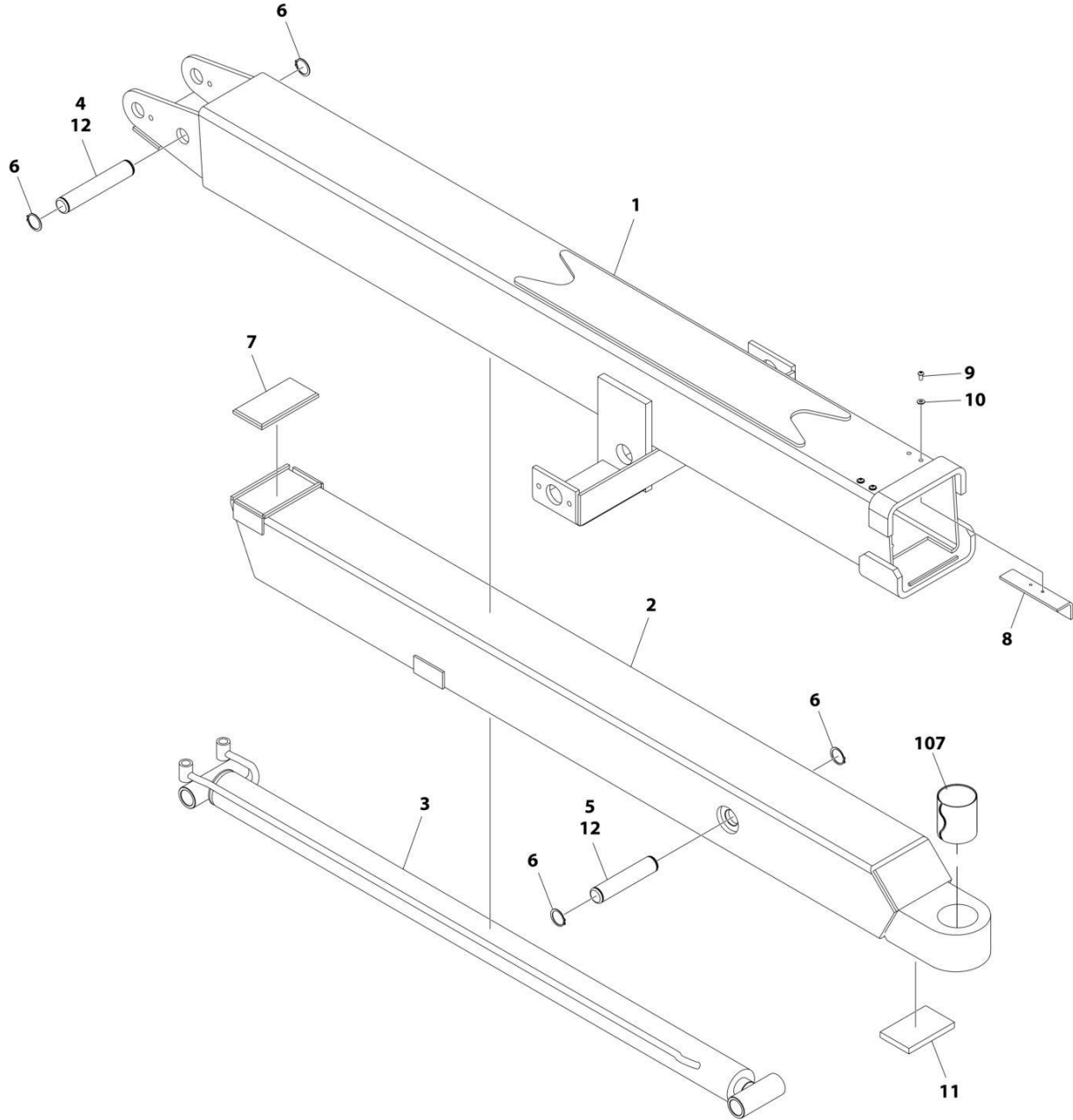
SECTION 2 - WHEEL LIFT

FIGURE 2-10. WHEEL LIFT ASSEMBLY (3500 LBS)

ITEM	PART NUMBER	QTY	DESCRIPTION	REV
	3170000306	Ref	WHEEL LIFT ASSEMBLY (3500 LBS - TOWBAR)	C
1	3170000314	1	Boom, Outer	
1	7082000016	2	Bushing	
2	3170000048	1	Boom, Inner	
3	1001183327	1	Cylinder Assembly - Extend/Retract (See Separate Breakdown in this Section)	
4	3760133	4	Ring, Retaining	
5	4691000430	1	Pin	
6	4691000429	1	Pin	
7	88671008	1	Fitting, Grease	
8	7253000002	1	Cap, Grease Fitting	
9	3020039	AR	Lubricant	

SECTION 2 - WHEEL LIFT

FIGURE 2-11. WHEEL LIFT ASSEMBLY (4000 LBS)



ART_1001158870

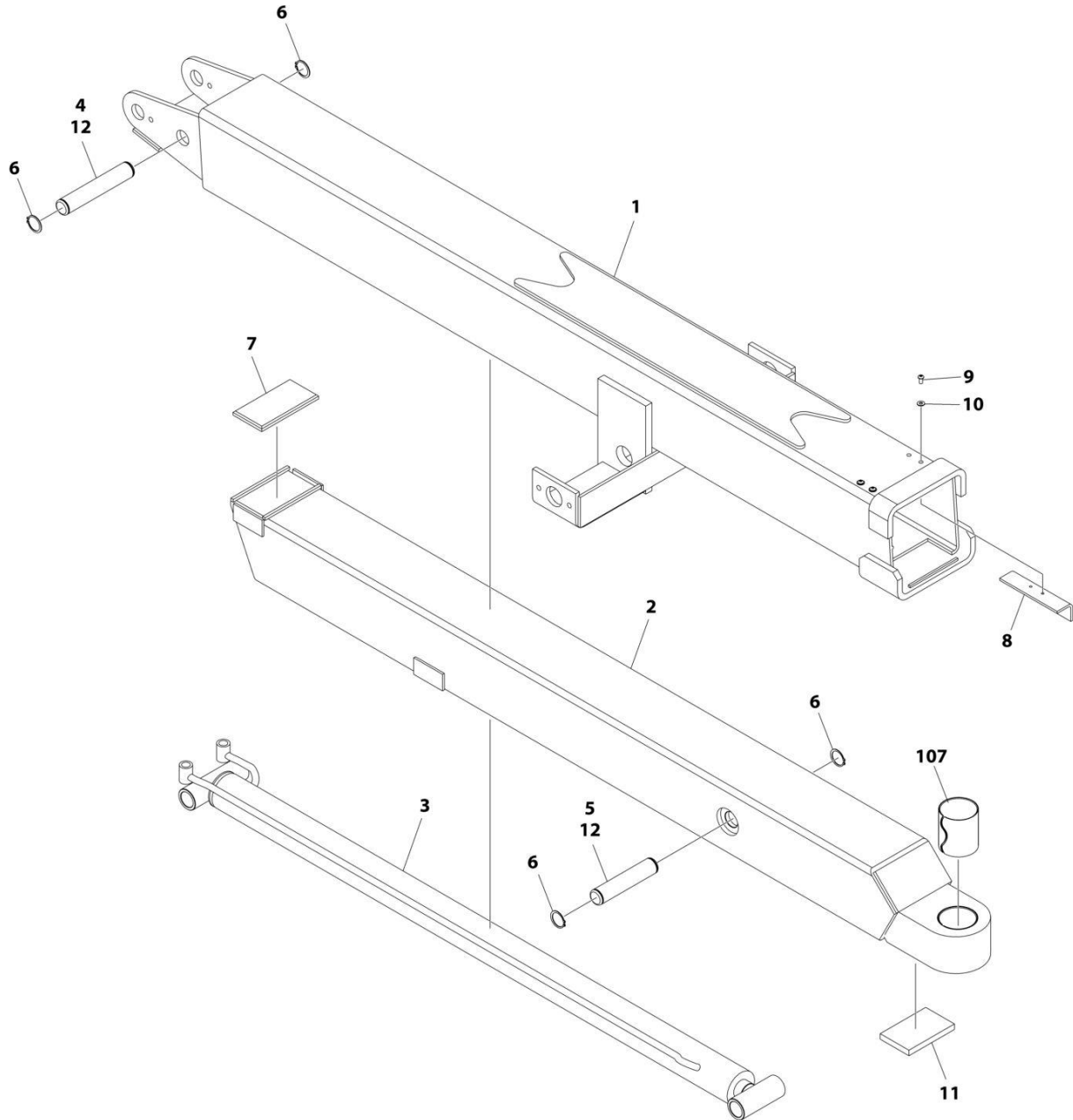
SECTION 2 - WHEEL LIFT

FIGURE 2-11. WHEEL LIFT ASSEMBLY (4000 LBS)

ITEM	PART NUMBER	QTY	DESCRIPTION	REV
	1001158870	Ref	Boom Assembly, 4000 lbs	B
1	3170000163	1	Boom, Outer	
2	1001158876	1	Boom, Inner	
3	1001166858	1	Wheel Lift Boom Extend/Retract Cylinder Assembly (See Separate Breakdown in this Section)	
4	4691000296	1	Pin	
5	4691000268	1	Pin	
6	3760133	4	Ring	
7	4679000046	1	Pad	
8	4017000739	2	Angle	
9	7118140418	4	Capscrew 1/4 x 1/2	
10	4751300	4	Washer 3/16	
11	4679000211	1	Pad	
12	3020039	AR	Lubricant	
107	7209000028	1	Bushing	

SECTION 2 - WHEEL LIFT

FIGURE 2-12. WHEEL LIFT ASSEMBLY (4000 LBS - GALVANIZED)



ART_1001158869

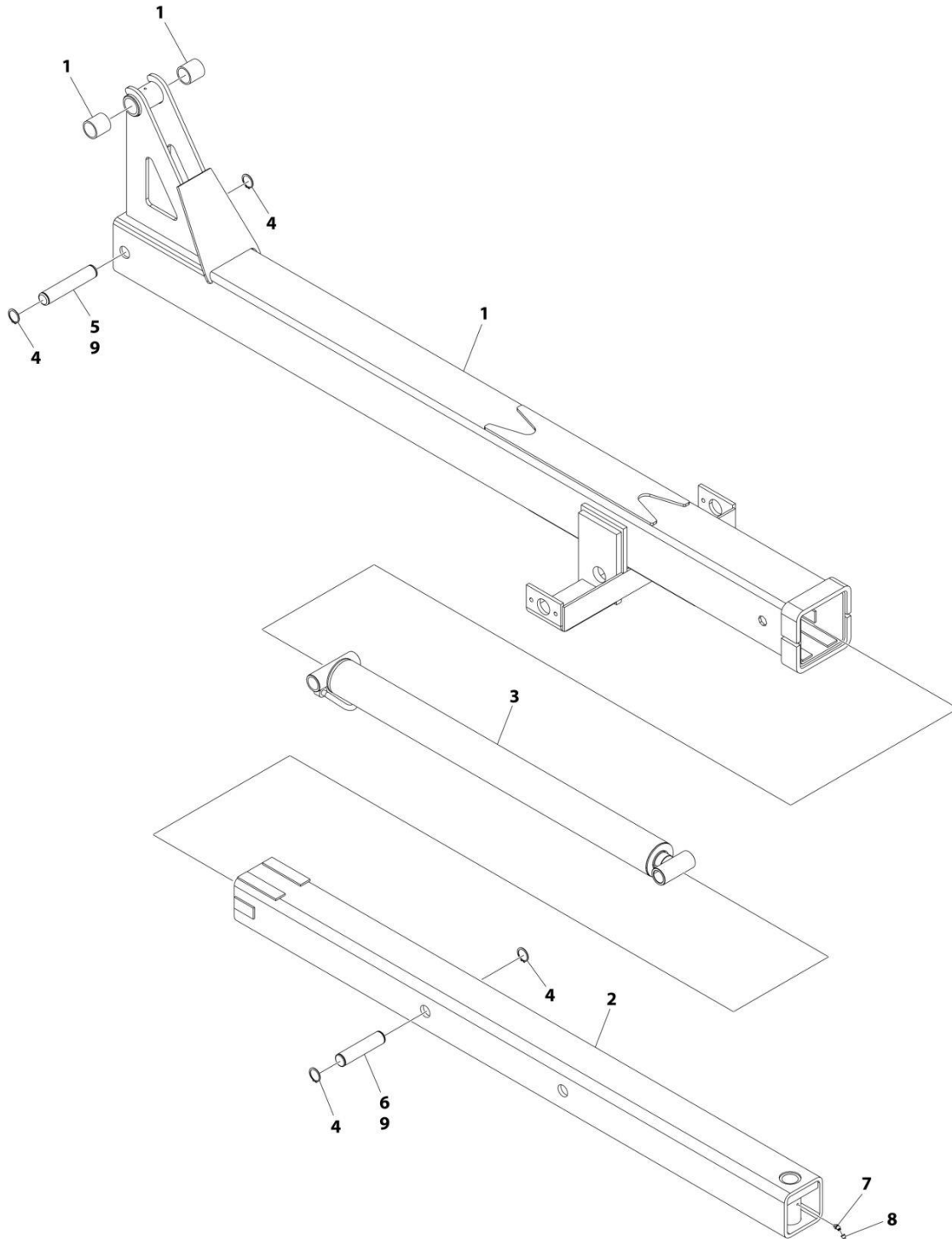
SECTION 2 - WHEEL LIFT

FIGURE 2-12. WHEEL LIFT ASSEMBLY (4000 LBS - GALVANIZED)

ITEM	PART NUMBER	QTY	DESCRIPTION	REV
	1001158869	Ref	Boom Assembly, 4000 lbs Galvanized	B
1	3170000492	1	Boom, Outer	
2	1001158876	1	Boom, Inner	
3	1001166858	1	Wheel Lift Boom Extend/Retract Cylinder Assembly (See Separate Breakdown in this Section)	
4	4691000296	1	Pin	
5	4691000268	1	Pin	
6	3760133	4	Ring	
7	4679000046	1	Pad	
8	4017000739	2	Angle	
9	7118140418	4	Capscrew 1/4 x 1/2	
10	4751300	4	Washer 3/16	
11	4679000211	1	Pad	
12	3020039	AR	Lubricant	
107	7209000028	1	Bushing	

SECTION 2 - WHEEL LIFT

FIGURE 2-13. WHEEL LIFT ASSEMBLY (5000 LBS)



ART_3170000305

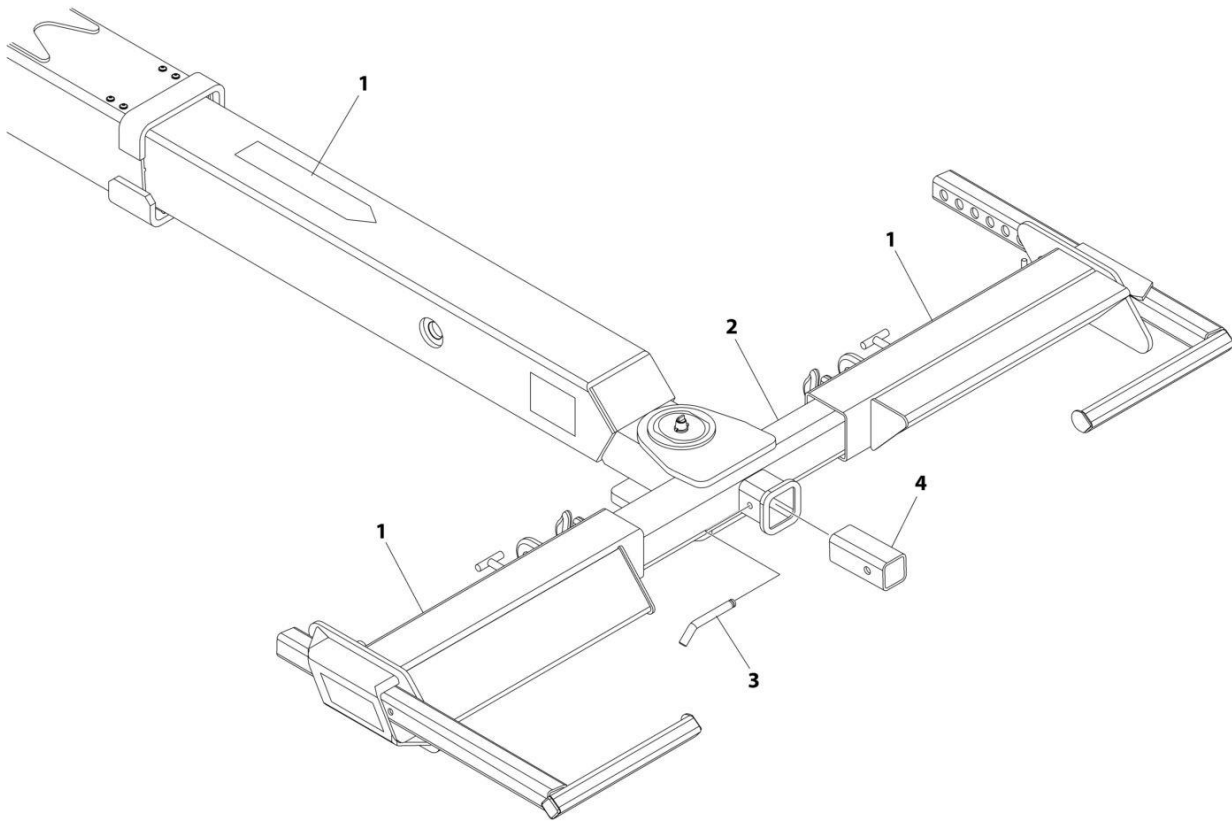
SECTION 2 - WHEEL LIFT

FIGURE 2-13. WHEEL LIFT ASSEMBLY (5000 LBS)

ITEM	PART NUMBER	QTY	DESCRIPTION	REV
	3170000305	Ref	WHEEL LIFT ASSEMBLY (5000 LBS - TOWBAR)	B
1	3170000313	1	Boom, Outer	
1	7082000016	2	Bushing	
2	3170000078	1	Tube, Inner	
3	1001183327	1	Cylinder Assembly - Extend/Retract (See Separate Breakdown in this Section)	
4	3760133	4	Ring, Retaining	
5	4691000430	1	Pin	
6	4691000429	1	Pin	
7	7440030200	1	Fitting, Grease	
8	7253000002	1	Cap, Grease Fitting	
9	3020039	AR	Lubricant	

SECTION 2 - WHEEL LIFT

FIGURE 2-14. WHEEL LIFT GRID - COMPLETE (4000 LBS- FIXED) (2.5IN TOW HITCH)



ART_1001158887

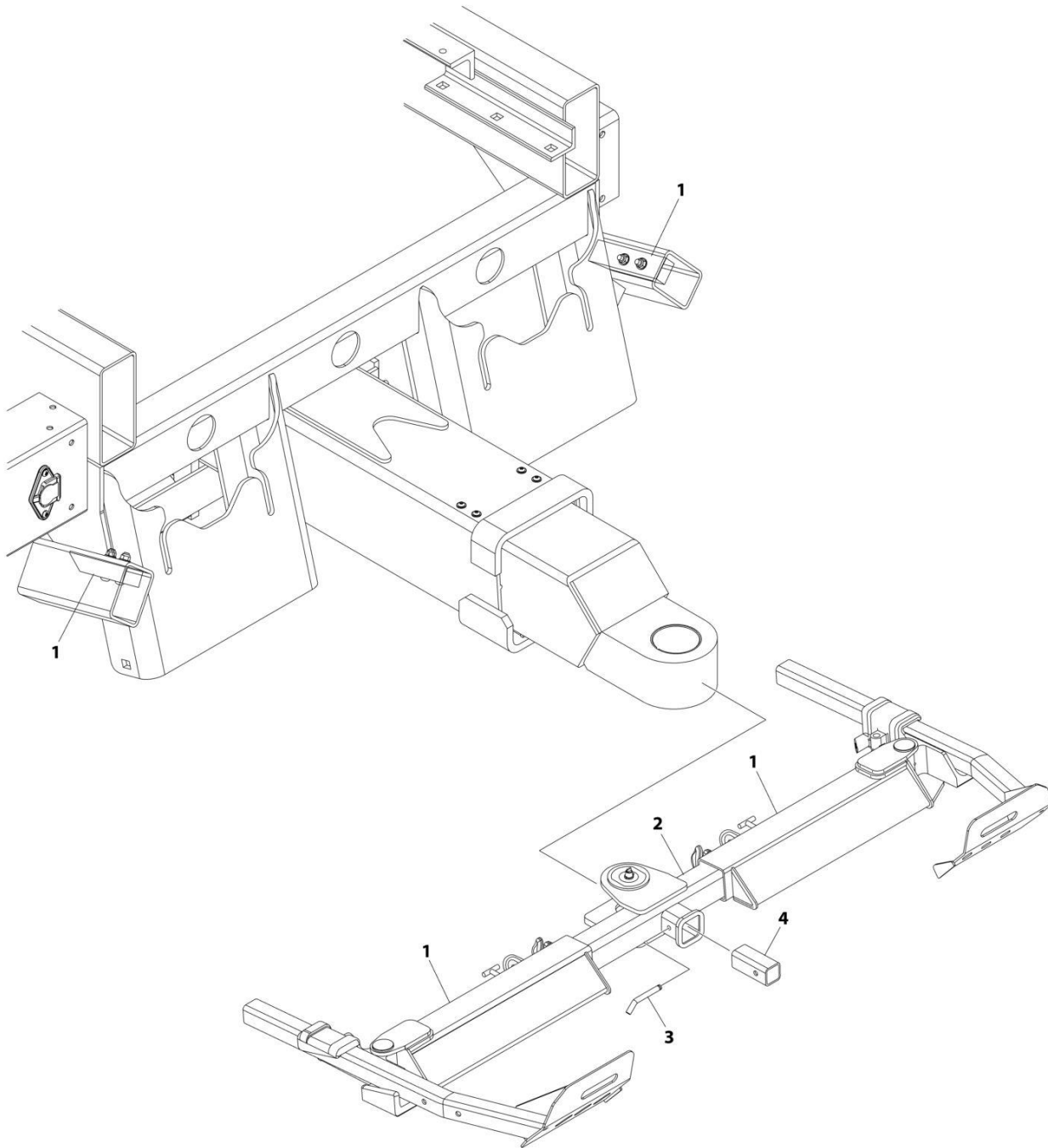
SECTION 2 - WHEEL LIFT

FIGURE 2-14. WHEEL LIFT GRID - COMPLETE (4000 LBS- FIXED) (2.5IN TOW HITCH)

ITEM	PART NUMBER	QTY	DESCRIPTION	REV
	1001158887	Ref	WHEEL LIFT GRID INSTALLATION (4000 LBS - FIXED ARMS) (2.5IN TOW HITCH)	A
1	2484000004	1	L-Arm Grid Installation (See Separate Breakdown in this Section)	
2	1001158678	1	Pivot Tube Installation (2.5 in Tow Hitch) (See Separate Breakdown in this Section)	
3	7691000033	1	Pin	
4	7913000006	1	Tube Reese Reducer	

SECTION 2 - WHEEL LIFT

FIGURE 2-15. WHEEL LIFT GRID - COMPLETE(4000 LBS - T37) (2.5 IN TOW HITCH)



ART_1001158890

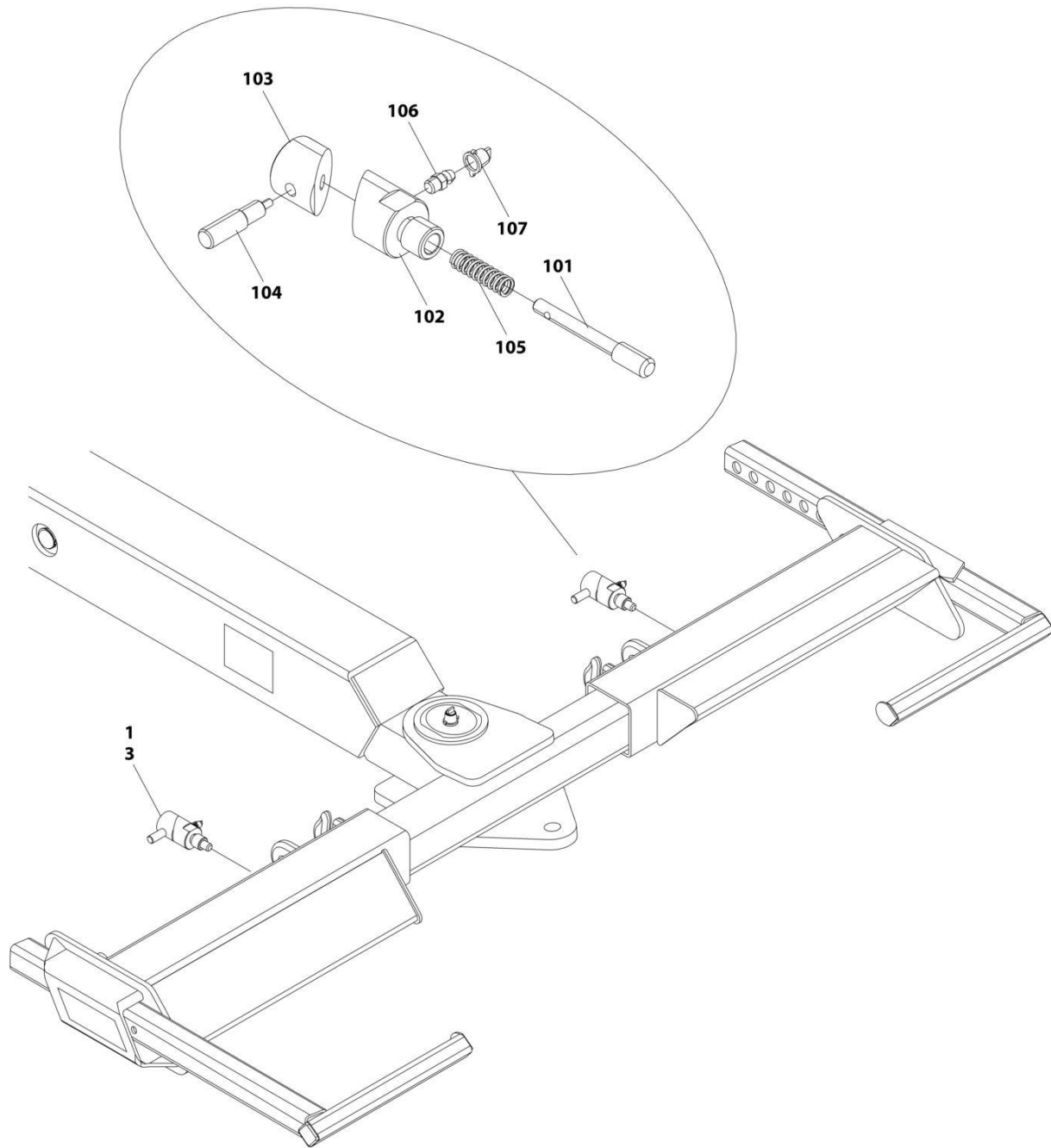
SECTION 2 - WHEEL LIFT

FIGURE 2-15. WHEEL LIFT GRID - COMPLETE(4000 LBS - T37) (2.5 IN TOW HITCH)

ITEM	PART NUMBER	QTY	DESCRIPTION	REV
	1001158890	Ref	WHEEL LIFT GRID INSTALLATION (4000 LBS - T37 PIVOTING ARMS) (2.5IN TOW HITCH)	A
1	2484000006	1	L-Arms Grid Installation (T-37 Pivoting Arm) (See Separate Breakdown in this Section)	
2	1001158678	1	Pivot Tube Installation (2.5in Tow Hitch) (See Separate Breakdown in this Section)	
3	7691000033	1	Pin	
4	7913000006	1	Tube, Reducer	

SECTION 2 - WHEEL LIFT

FIGURE 2-16. CROSSBAR CAM_LOCK INSTALLATION



ART_1001160195

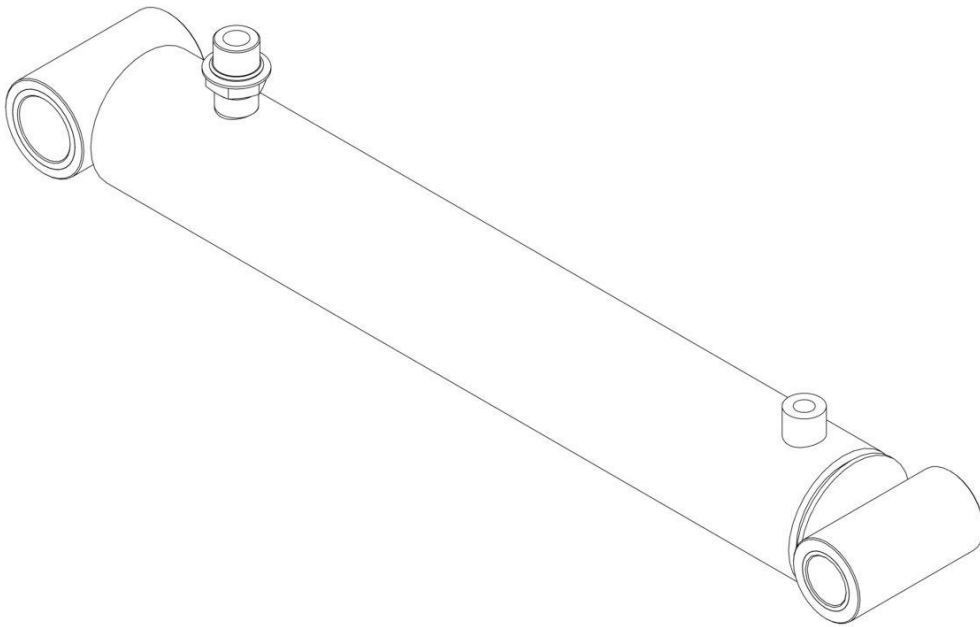
SECTION 2 - WHEEL LIFT

FIGURE 2-16. CROSSBAR CAM_LOCK INSTALLATION

ITEM	PART NUMBER	QTY	DESCRIPTION	REV
	1001160195	Ref	Wheel Lift Crossbar Cam-Lock	A
1	1001153950	2	Cam Lock (includes items 101 through 107)	
3	0100011	AR	Compound Locking	
101	1001153944	2	Pin	
102	1001153945	2	Cam-Lock Tube	
103	1001153946	2	Cam-Lock Cap	
104	1001153947	2	Handle	
105	1001153971	1	Spring	
106	7440030000	2	Fitting, Grease	
107	7253000002	2	Cap, Grease	

SECTION 2 - WHEEL LIFT

FIGURE 2-17. CYLINDER ASSEMBLY - BOOM EXTEND



ART_1001167766

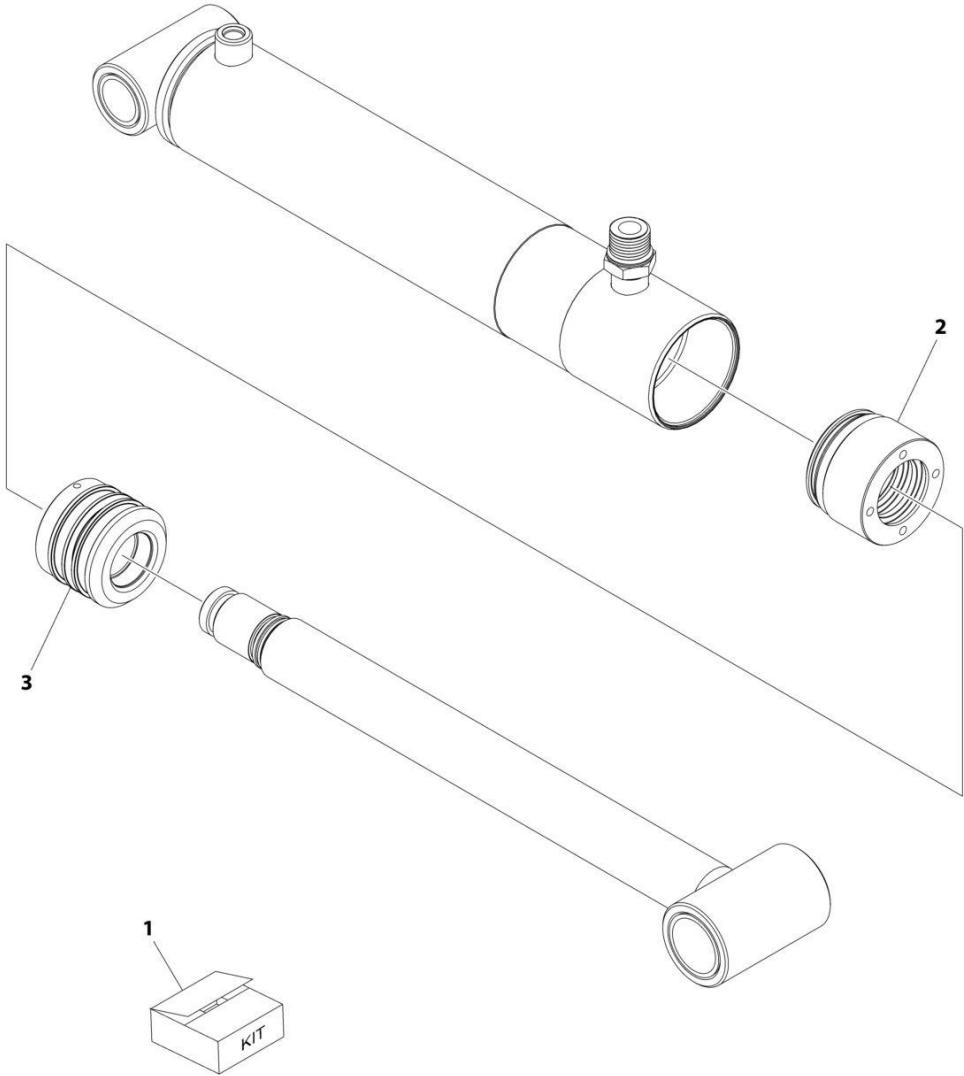
SECTION 2 - WHEEL LIFT

FIGURE 2-17. CYLINDER ASSEMBLY - BOOM EXTEND

ITEM	PART NUMBER	QTY	DESCRIPTION	REV
	1001167766	Ref Ref	Boom Extend Cylinder Assembly, 4000 lbs Note: No Service Parts Available at Time of Printing.	C

SECTION 2 - WHEEL LIFT

FIGURE 2-18. CYLINDER ASSEMBLY - LIFT



ART_1001166857

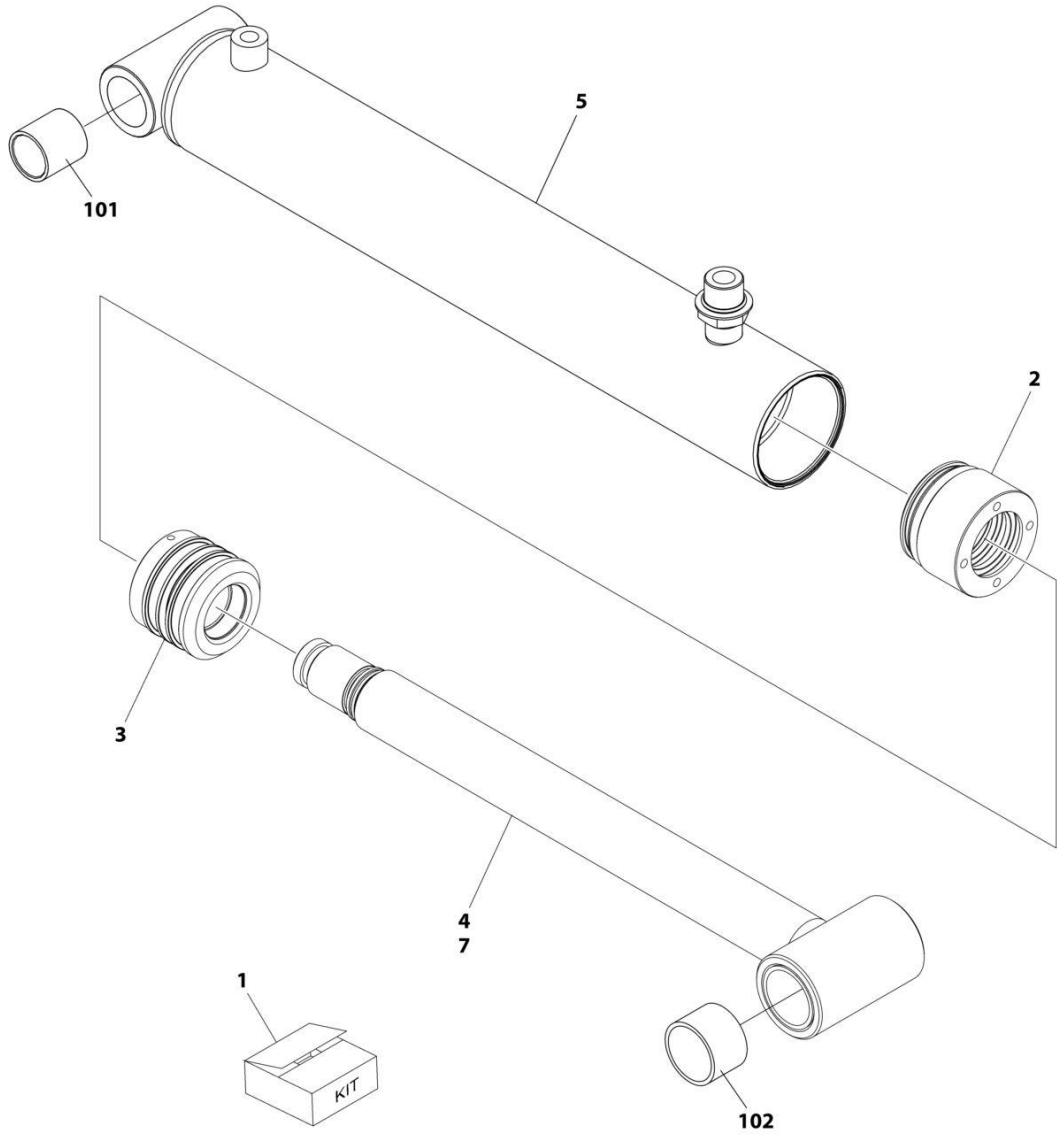
SECTION 2 - WHEEL LIFT

FIGURE 2-18. CYLINDER ASSEMBLY - LIFT

ITEM	PART NUMBER	QTY	DESCRIPTION	REV
	1001166857	Ref	IRL CYLINDER ASSEMBLY	E
1	70051168	1	Kit, Seal	
2	70051172	1	Kit, Head	
3	70051173	1	Kit, Piston	

SECTION 2 - WHEEL LIFT

FIGURE 2-19. CYLINDER ASSEMBLY - STABILIZER



ART_1001167767

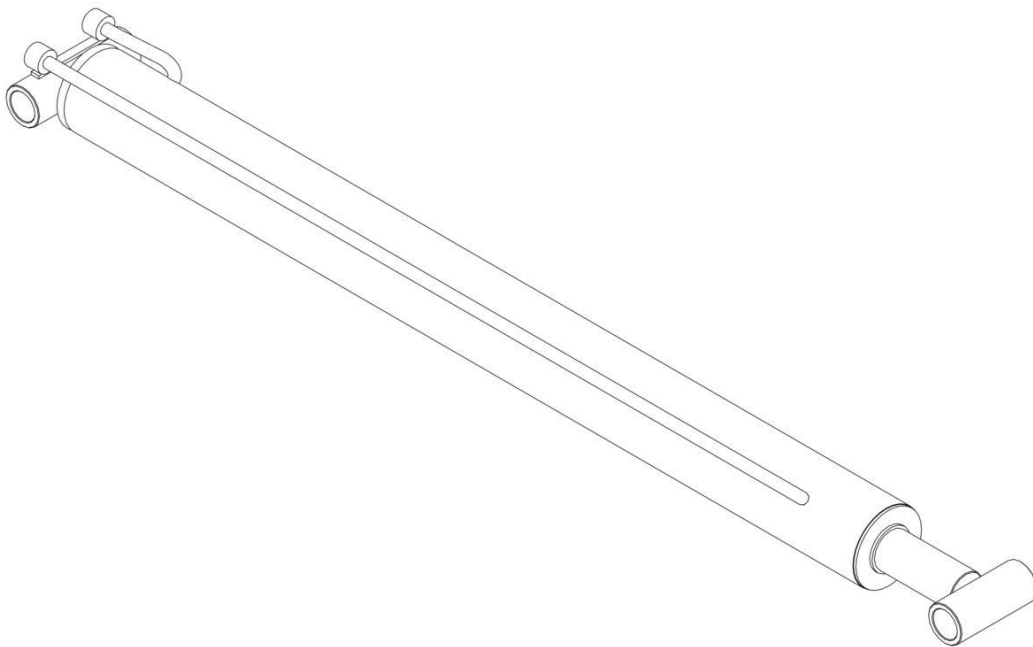
SECTION 2 - WHEEL LIFT

FIGURE 2-19. CYLINDER ASSEMBLY - STABILIZER

ITEM	PART NUMBER	QTY	DESCRIPTION	REV
	1001167767	Ref	Stabilizer Cylinder Assembly	C
1	70051168	1	Kit, Seal	
2	70051172	1	Kit, Head	
3	70051173	1	Kit, Piston	
4	70051388	1	Rod	
5	70051389	1	Barrel	
6	70051390	1	Head Bushing (not shown)	
7	70051391	1	Rod End	
101	7082000016	2	Bearing	
102	7082000018	2	Bearing	

SECTION 2 - WHEEL LIFT

FIGURE 2-20. CYLINDER ASSEMBLY - TOW HITCH EXTEND/RETRACT



ART_1001183327

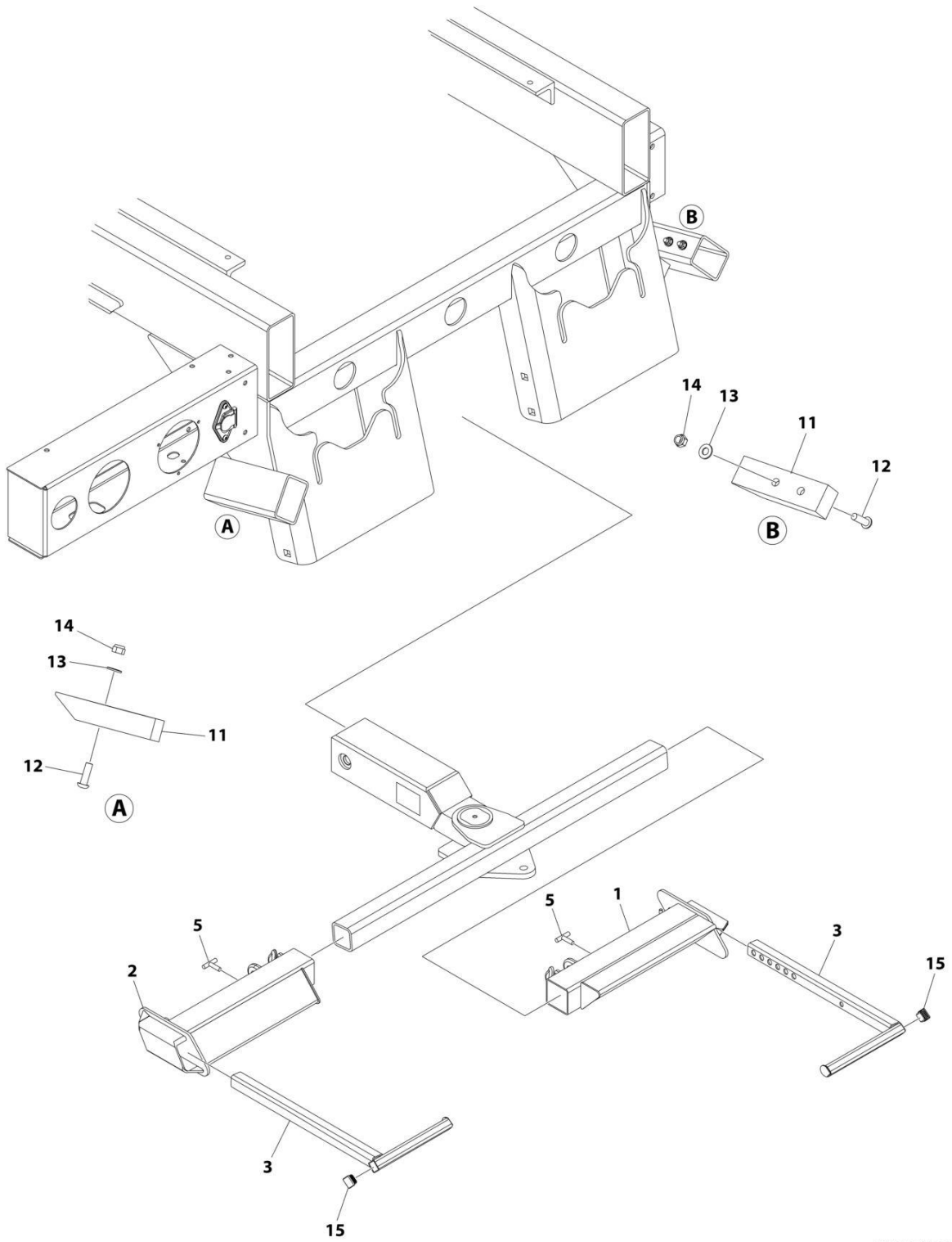
SECTION 2 - WHEEL LIFT

FIGURE 2-20. CYLINDER ASSEMBLY - TOW HITCH EXTEND/RETRACT

ITEM	PART NUMBER	QTY	DESCRIPTION	REV
	1001183327	Ref Ref	TOW HITCH CYLINDER ASSEMBLY – EXTEND/RETRACT Note: No Service Components Available at Time of Printing.	D

SECTION 2 - WHEEL LIFT

FIGURE 2-21. GRID INSTALLATION- L ARM (3000 LBS FIXED ARMS)



ART_248400003

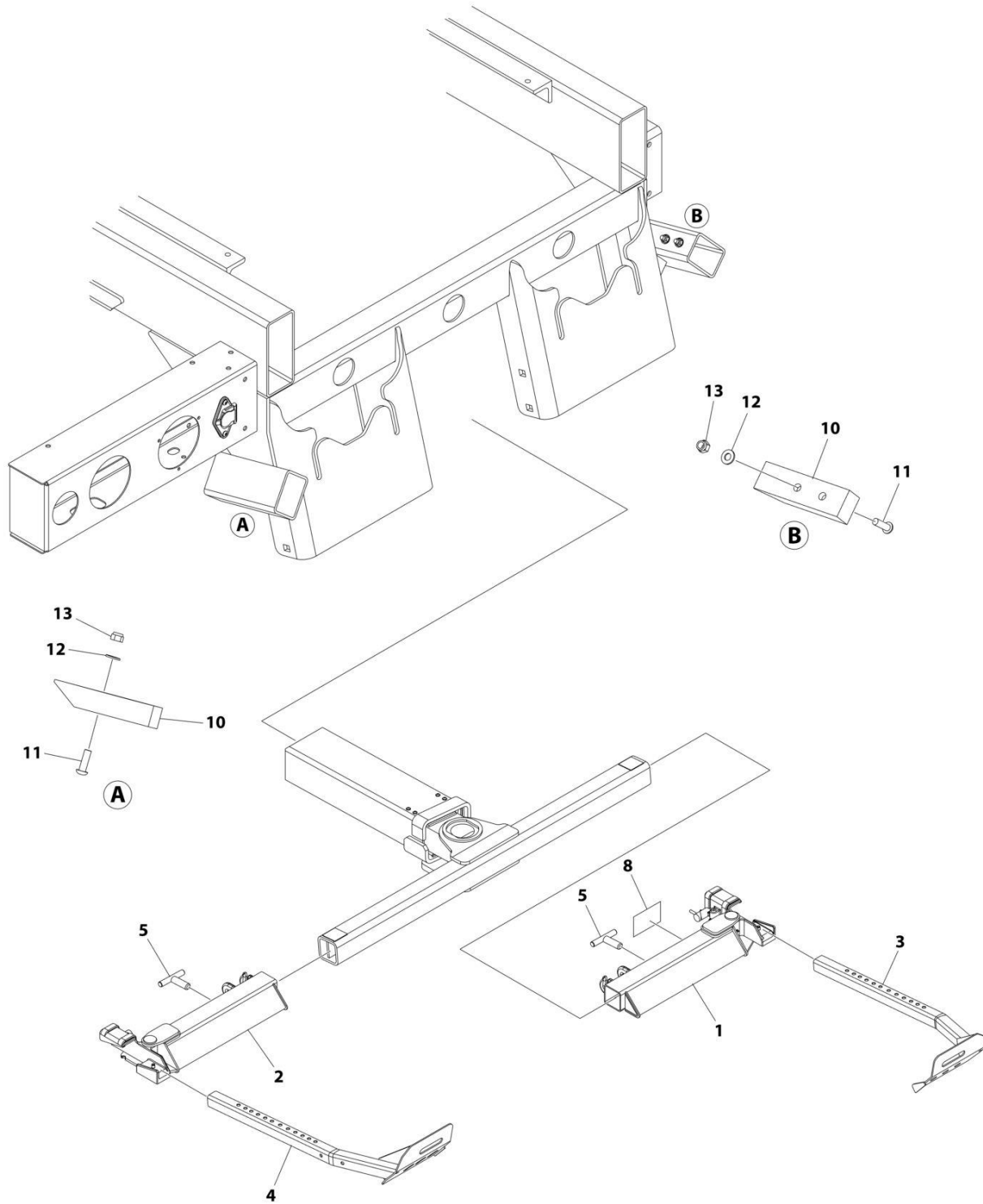
SECTION 2 - WHEEL LIFT

FIGURE 2-21. GRID INSTALLATION- L ARM (3000 LBS FIXED ARMS)

ITEM	PART NUMBER	QTY	DESCRIPTION	REV
	2484000003	Ref	L-ARM GRID INSTALLATION (3000 LBS FIXED ARMS)	G
1	3484000034	1	Grid (RH)	
2	3484000035	1	Grid (LH)	
3	3020000072	2	Arm	
5	3551000036	2	T-Handle	
11	4679000221	2	Pad	
12	7114150818	4	Capscrew 5/16 x1	
13	7950150141	4	Washer 5/16	
14	7660152601	4	Nut 5/16	
15	7701000062	2	Plug	

SECTION 2 - WHEEL LIFT

FIGURE 2-22. GRID INSTALLATION- L ARM (3000 LBS PIVOTING ARMS)



ART_248400005

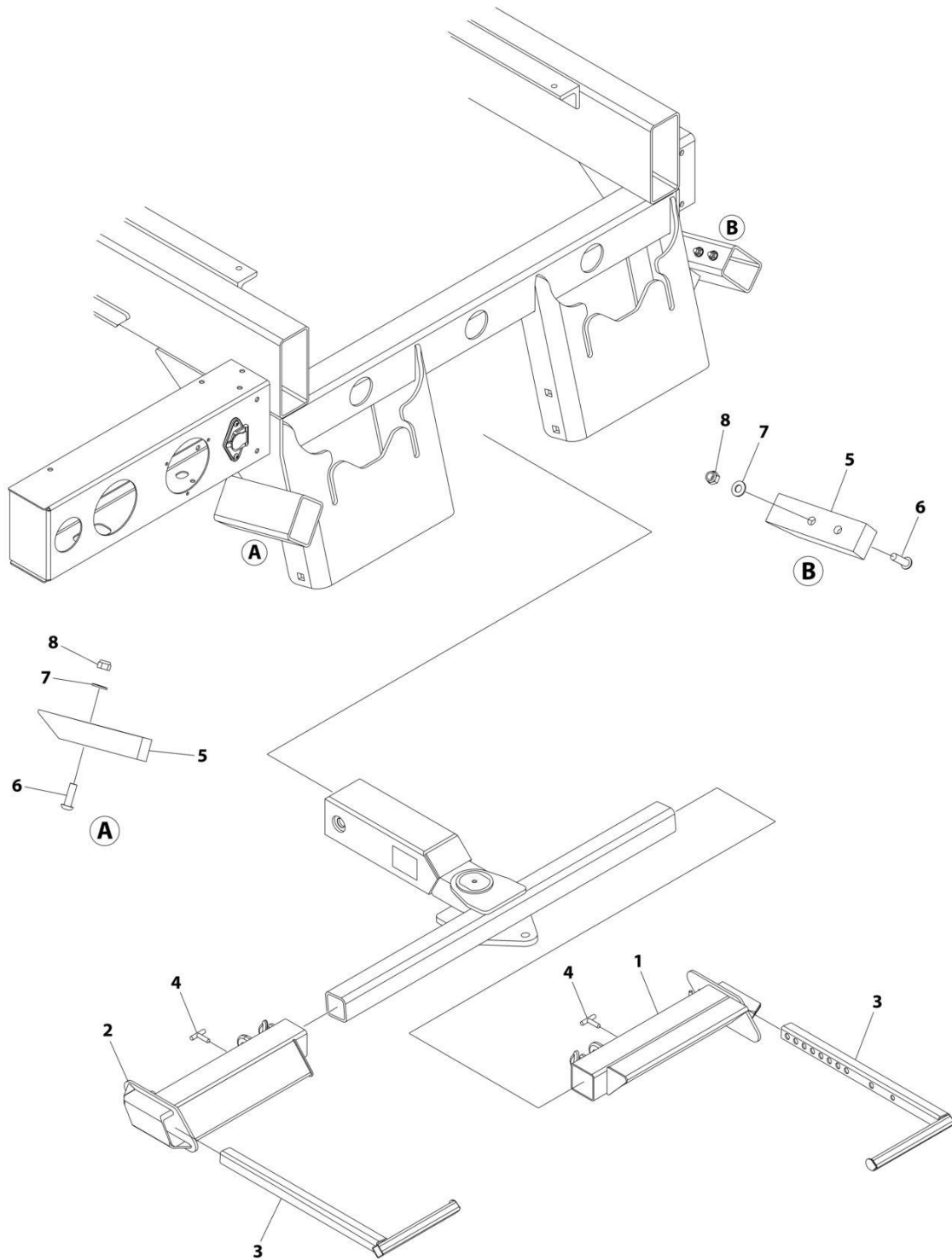
SECTION 2 - WHEEL LIFT

FIGURE 2-22. GRID INSTALLATION- L ARM (3000 LBS PIVOTING ARMS)

ITEM	PART NUMBER	QTY	DESCRIPTION	REV
	2484000005	Ref	L-ARM GRID INSTALLATION (3000 LBS T-37 PIVOTING ARMS)	D
1	3484000052	1	Grid (RH) (See Separate Breakdown in this Section)	
2	3484000053	1	Grid (LH) (See Separate Breakdown in this Section)	
3	3020000030	1	L-Arm (RH)	
4	3020000029	1	L-Arm (LH)	
5	3551000036	2	T-Handle	
8	7330000385	2	Decal - T37 Patent	
10	4679000221	2	Pad	
11	7114150818	4	Capscrew 5/16 x1	
12	7950150141	4	Washer 5/16	
13	7660152601	4	Nut 5/16	

SECTION 2 - WHEEL LIFT

FIGURE 2-23. GRID INSTALLATION- L ARM (3000 LBS - GALVANIZED)



ART_1001140504

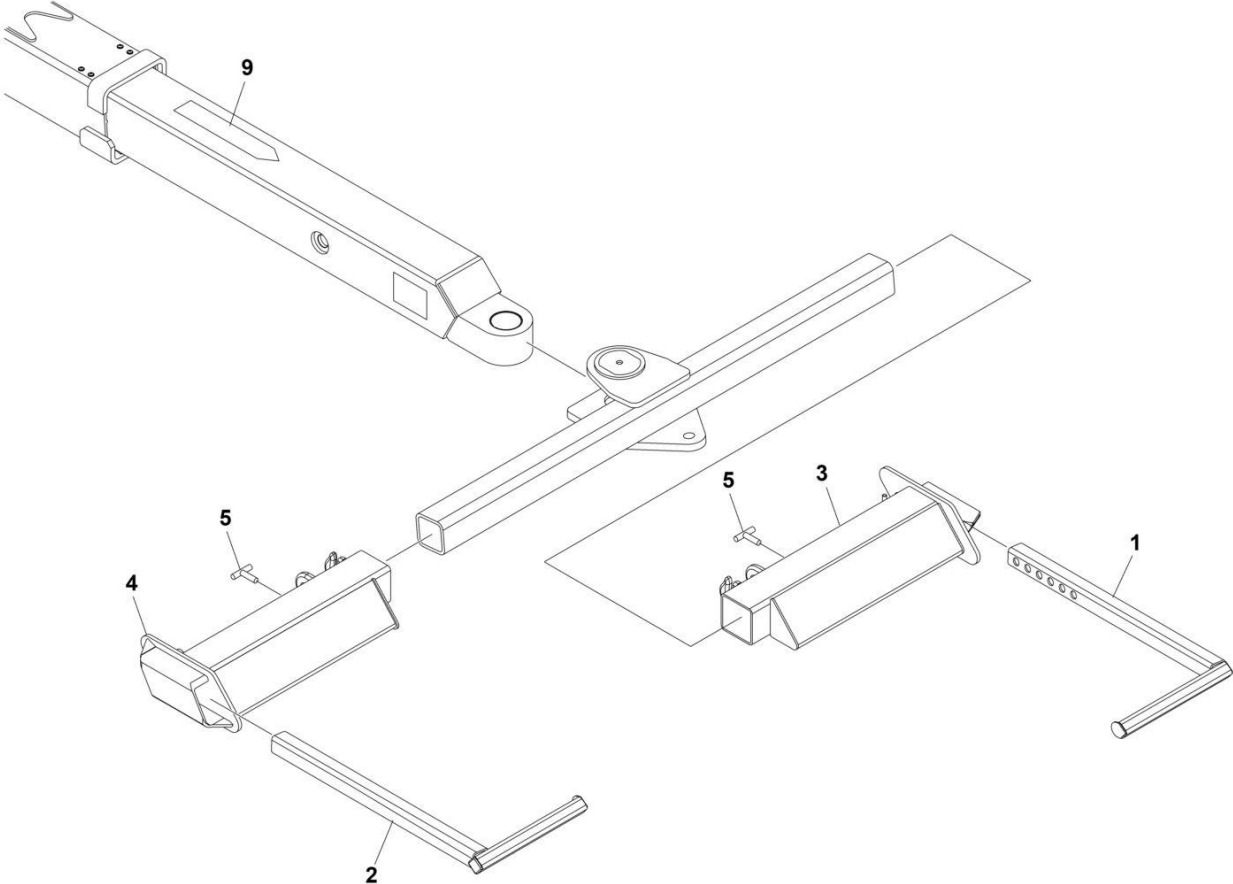
SECTION 2 - WHEEL LIFT

FIGURE 2-23. GRID INSTALLATION- L ARM (3000 LBS - GALVANIZED)

ITEM	PART NUMBER	QTY	DESCRIPTION	REV
	1001140504	Ref	L-ARM GRID INSTALLATION (3000 LBS FIXED ARMS) (GALVANIZED)	C
1	3484000034	1	Grid (RH)	
2	3484000035	1	Grid (LH)	
3	3020000132	2	Arm	
4	3551000036	2	T-Handle	
5	4679000221	2	Pad	
6	7114150818	4	Capscrew 5/16 x1	
7	7950150141	4	Washer 5/16	
8	7660152601	4	Nut 5/16	

SECTION 2 - WHEEL LIFT

FIGURE 2-24. GRID INSTALLATION (4000 LBS -MANUAL FIXED ARMS)



ART_248400004

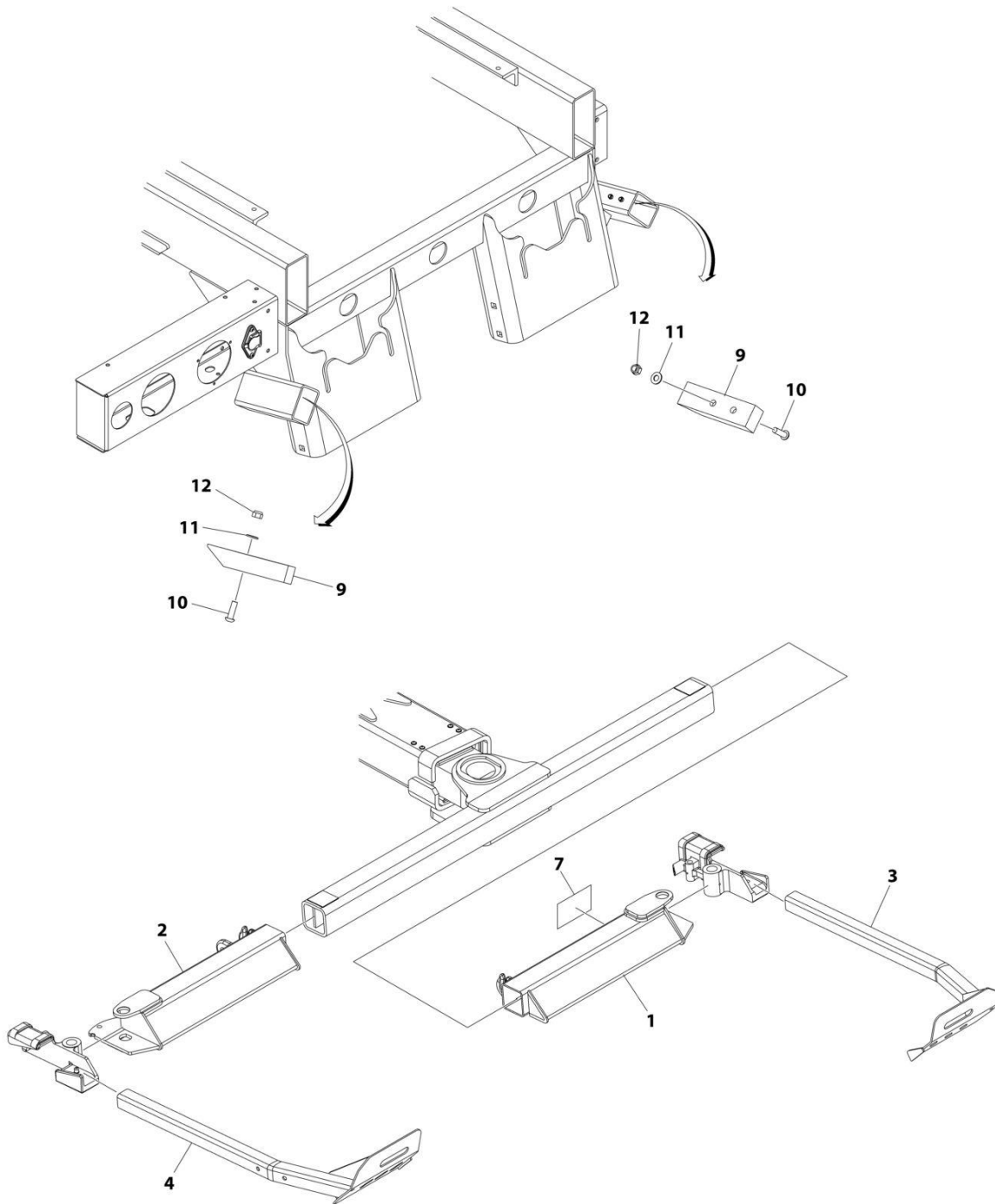
SECTION 2 - WHEEL LIFT

FIGURE 2-24. GRID INSTALLATION (4000 LBS -MANUAL FIXED ARMS)

ITEM	PART NUMBER	QTY	DESCRIPTION	REV
	2484000004	Ref	L-ARM GRID INSTALLATION (4000 LBS FIXED ARMS)	E
1	3020000038	1	Arm (RH)	
2	3020000037	1	Arm (LH)	
3	3484000030	1	Grid (RH)	
4	3484000031	1	Grid (LH)	
5	3551000036	2	T-Handle	
9	1001166071	1	Decal - Wheel Lift Rating	

SECTION 2 - WHEEL LIFT

FIGURE 2-25. GRID INSTALLATION (4000 LBS -T37)



ART_2484000006

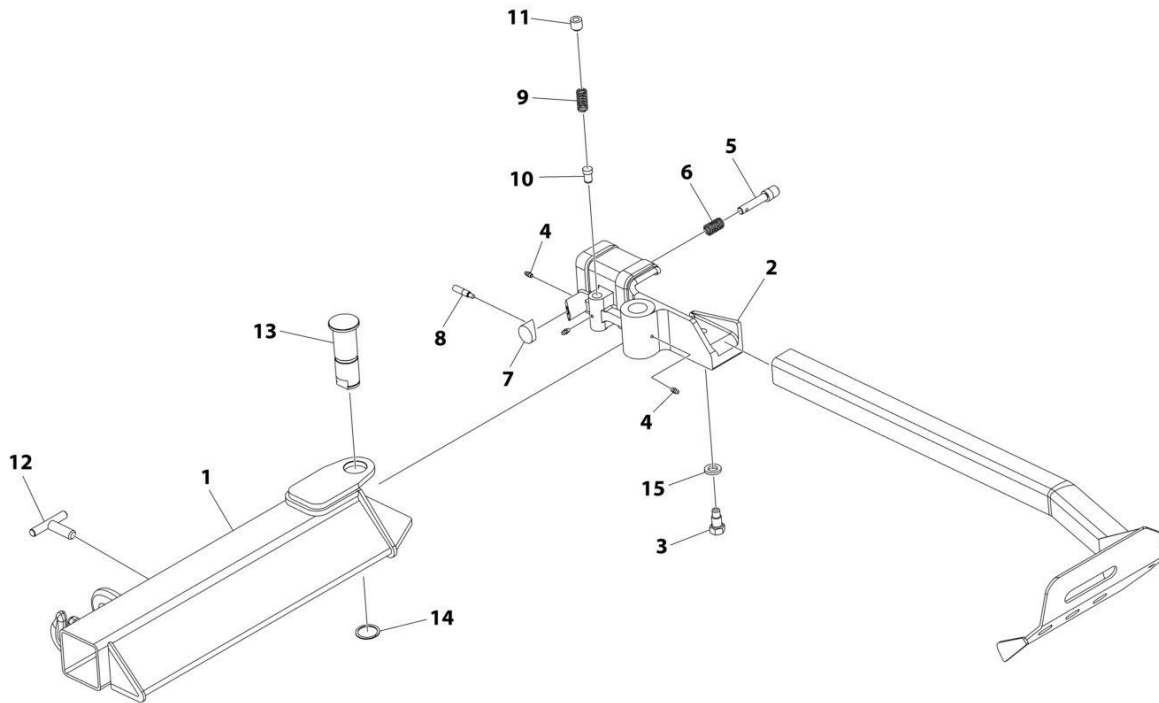
SECTION 2 - WHEEL LIFT

FIGURE 2-25. GRID INSTALLATION (4000 LBS -T37)

ITEM	PART NUMBER	QTY	DESCRIPTION	REV
	2484000006	Ref	L-ARMS GRID INSTALLATION (4000 LBS - T37 PIVOTING ARMS)	E
1	3484000046	1	Pivot Assembly (RH) (See Separate Breakdown in this Section)	
2	3484000047	1	Pivot Assembly (LH) (See Separate Breakdown in this Section)	
3	3020000030	1	L-Arm (RH)	
4	3020000029	1	L-Arm (LH)	
7	7330000384	2	Decal - T37 Patent	
9	4679000221	2	Pad	
10	7114150818	4	Capscrew 5/16	
11	7950150141	4	Washer 5/16	
12	7660152601	4	Nut 5/16	

SECTION 2 - WHEEL LIFT

FIGURE 2-26. GRID ASSEMBLY (RH) (T-37)



ART_348400046

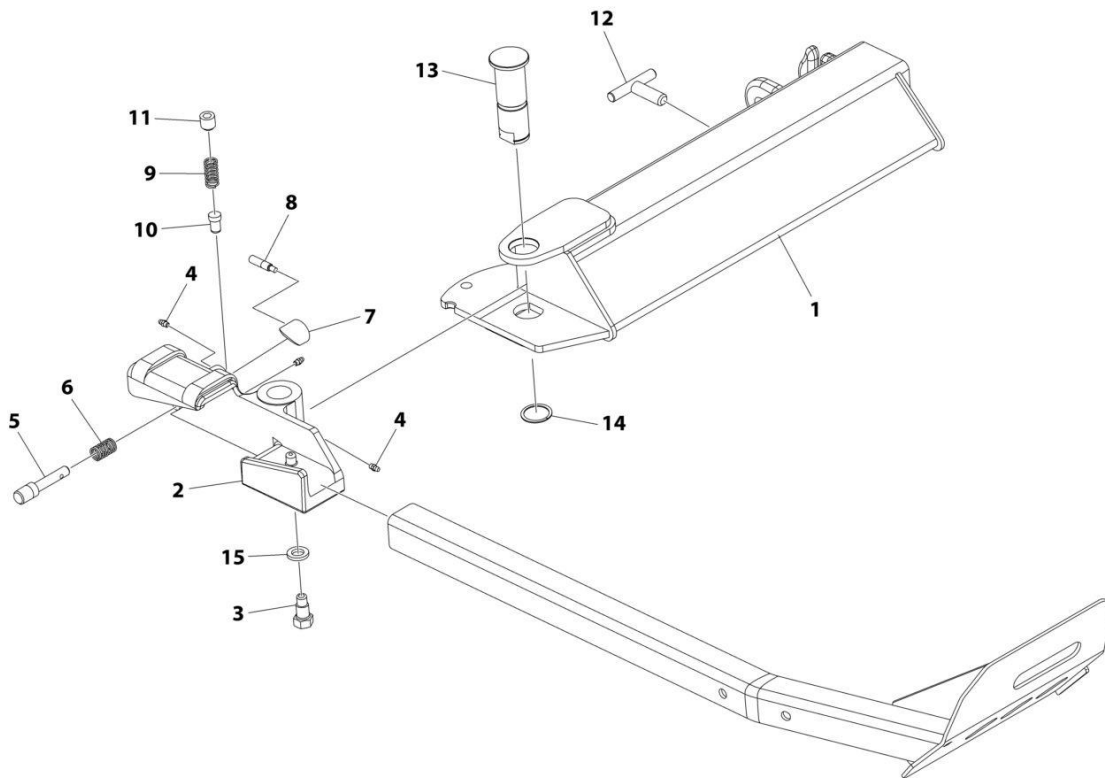
SECTION 2 - WHEEL LIFT

FIGURE 2-26. GRID ASSEMBLY (RH) (T-37)

ITEM	PART NUMBER	QTY	DESCRIPTION	REV
	3484000046	Ref	WHEEL LIFT ASSEMBLY (GRID), RH	C
1	3484000016	1	Grid Weldment, RH	
2	4259000001	1	Pivot Weldment, RH	
3	4691000354	1	Pin	
4	7440030000	3	Fitting	
5	4691000186	1	Pin	
6	7843000006	1	Spring	
7	4254000005	1	Cap	
8	4763000184	1	Rod	
9	7843000016	1	Spring	
10	4691000183	1	Pin	
11	7786000006	1	Screw 3/4 x 5/8	
12	3551000036	1	T-Handle	
13	4691000357	1	Pin	
14	7754000037	1	Ring Retaining	
15	7950200000	1	Washer 5/8	

SECTION 2 - WHEEL LIFT

FIGURE 2-27. GRID ASSEMBLY (LH) (T-37)



ART_3484000047

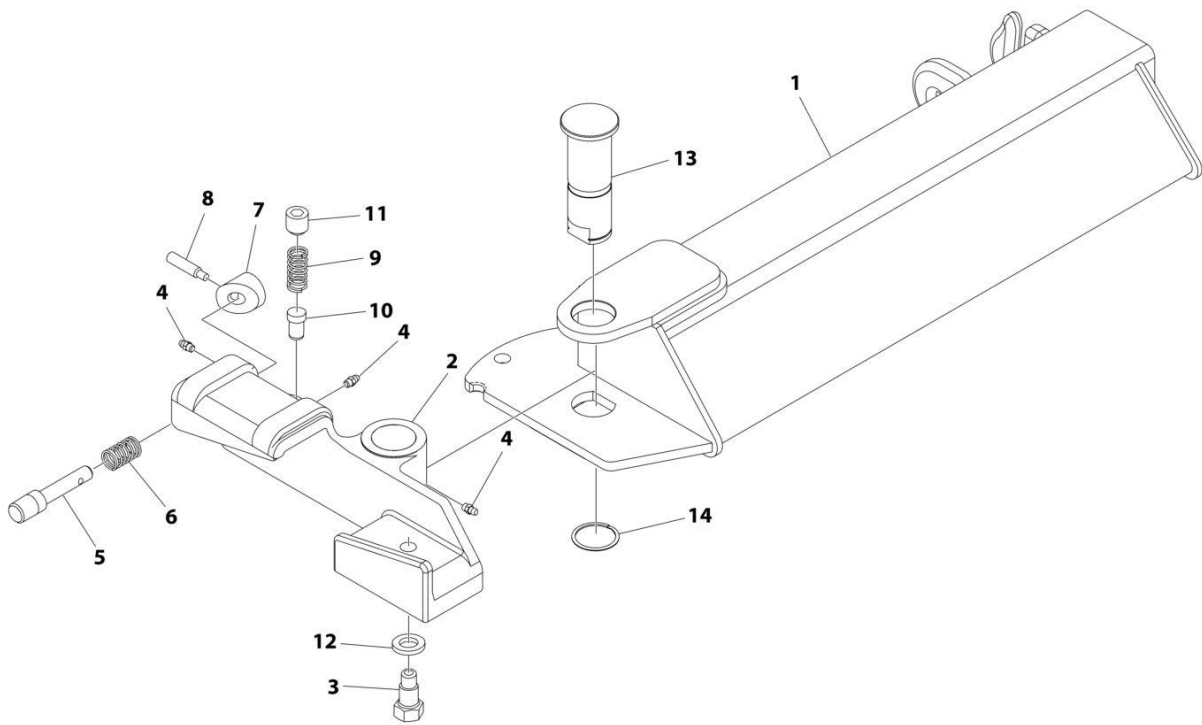
SECTION 2 - WHEEL LIFT

FIGURE 2-27. GRID ASSEMBLY (LH) (T-37)

ITEM	PART NUMBER	QTY	DESCRIPTION	REV
	3484000047	Ref	WHEEL LIFT ASSEMBLY (GRID), LH	C
1	3484000017	1	Grid Weldment, LH	
2	4259000002	1	Pivot Weldment, LH	
3	4691000354	1	Pin	
4	7440030000	3	Fitting	
5	4691000186	1	Pin	
6	7843000006	1	Spring	
7	4254000005	1	Cap	
8	4763000184	1	Rod	
9	7843000016	1	Spring	
10	4691000183	1	Pin	
11	7786000006	1	Screw 3/4 x 5/8	
12	3551000036	1	T-Handle	
13	4691000357	1	Pin	
14	7754000037	1	Ring Retaining	
15	7950200000	1	Washer 5/8	

SECTION 2 - WHEEL LIFT

FIGURE 2-28. GRID ASSEMBLY - LH (PIVOTING T37 L-ARMS)



ART_348400053

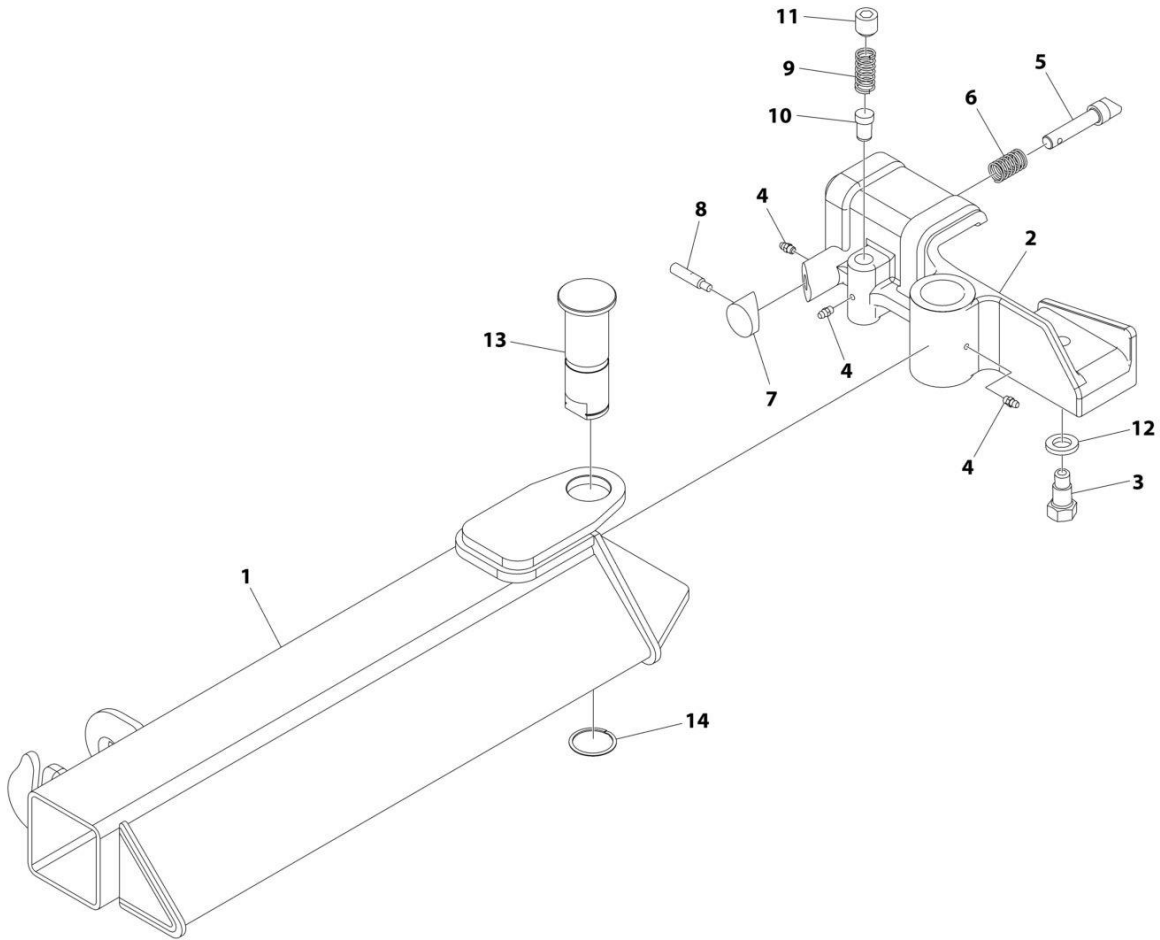
SECTION 2 - WHEEL LIFT

FIGURE 2-28. GRID ASSEMBLY - LH (PIVOTING T37 L-ARMS)

ITEM	PART NUMBER	QTY	DESCRIPTION	REV
	3484000053	Ref	WHEEL LIFT ASSEMBLY (GRID), LH	0
1	3484000052	1	Grid Weldment, LH	
2	4259000002	1	Grid Pivot LH	
3	4691000354	1	Pin	
4	7440030000	3	Fitting	
5	4691000186	1	Pin	
6	7843000006	1	Spring	
7	4254000005	1	Cap	
8	4763000184	1	Rod	
9	7843000016	1	Spring	
10	4691000183	1	Pin	
11	7786000006	1	Screw 3/4 x 5/8	
12	7950200000	1	Washer 5/8	
13	4691000357	1	Pin	
14	7754000037	1	Ring Retaining	

SECTION 2 - WHEEL LIFT

FIGURE 2-29. GRID ASSEMBLY - RH (PIVOTING T37 L-ARMS)



ART_3484000052

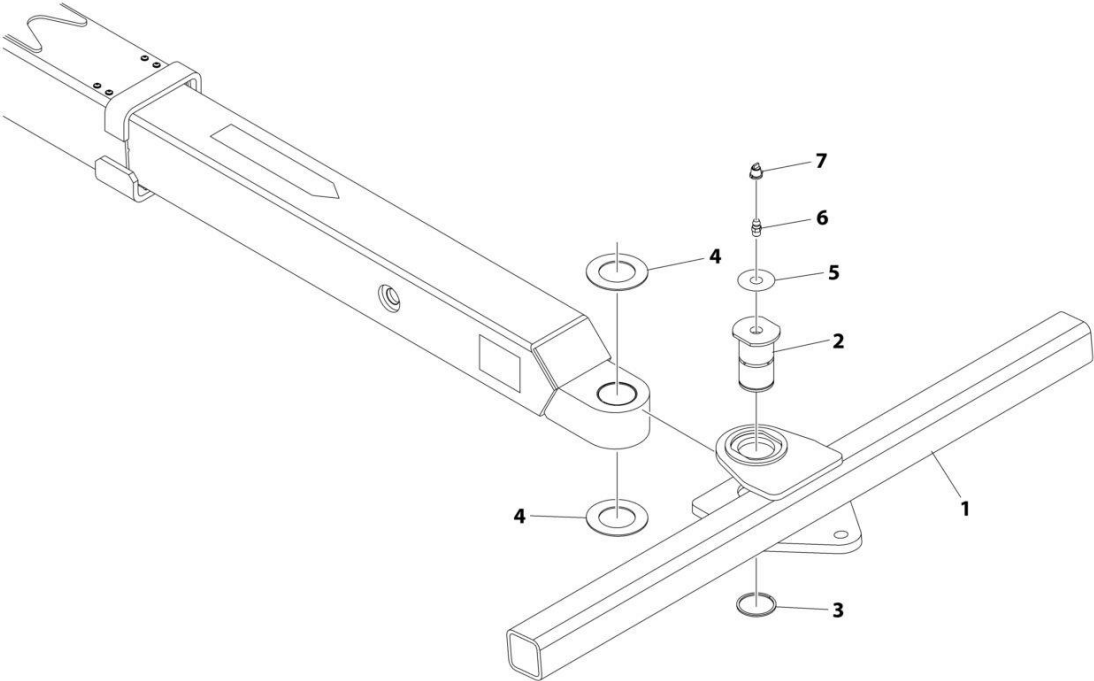
SECTION 2 - WHEEL LIFT

FIGURE 2-29. GRID ASSEMBLY - RH (PIVOTING T37 L-ARMS)

ITEM	PART NUMBER	QTY	DESCRIPTION	REV
	3484000052	Ref	WHEEL LIFT ASSEMBLY (GRID), RH	0
1	3484000050	1	Grid Weldment, RH	
2	4259000001	1	Grid Pivot RH	
3	4691000354	1	Pin	
4	7440030000	3	Fitting	
5	4691000186	1	Pin	
6	7843000006	1	Spring	
7	4254000005	1	Cap	
8	4763000184	1	Rod	
9	7843000016	1	Spring	
10	4691000183	1	Pin	
11	7786000006	1	Screw 3/4 x 5/8	
12	7950200000	1	Washer 5/8	
13	4691000357	1	Pin	
14	7754000037	1	Ring Retaining	

SECTION 2 - WHEEL LIFT

FIGURE 2-30. PIVOT TUBE INSTALLATION - 3000LBS IRL (MANUAL & T37 L-ARMS WITH BALL)



ART_1001158672

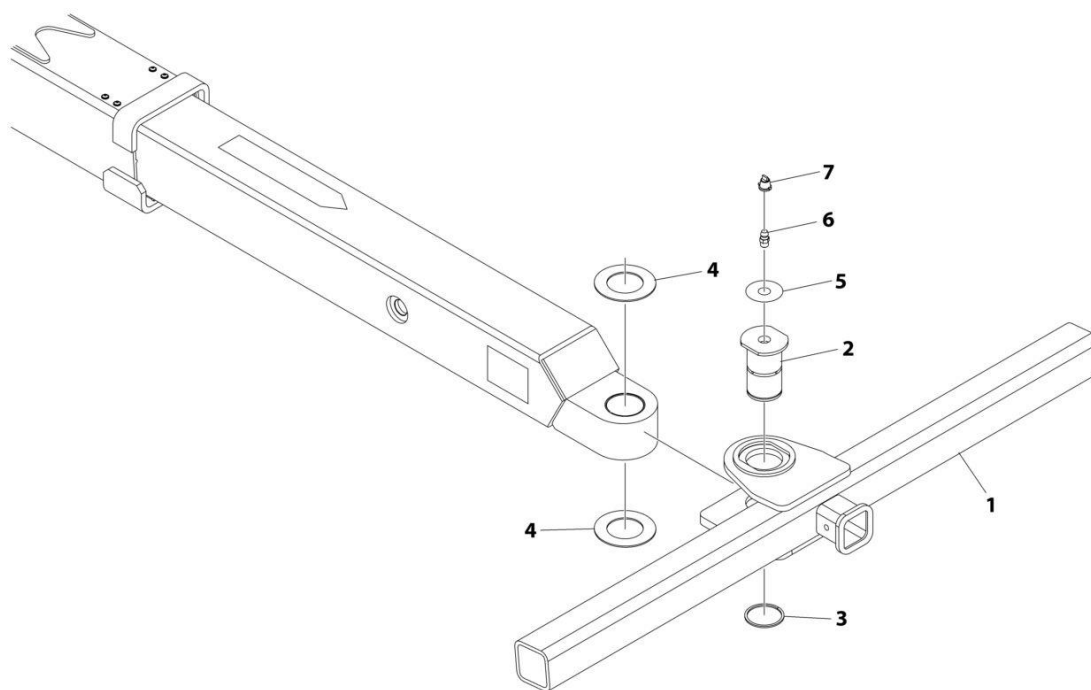
SECTION 2 - WHEEL LIFT

FIGURE 2-30. PIVOT TUBE INSTALLATION - 3000LBS IRL (MANUAL & T37 L-ARMS WITH BALL)

ITEM	PART NUMBER	QTY	DESCRIPTION	REV
	1001158672	Ref	IRL PIVOT TUBE INSTALLATION - (3000 LBS) (BALL)	A
1	3913000093	1	Tube	
2	4691000278	1	Pin	
3	7754000024	1	Ring	
4	4949000047	2	Washer	
5	7330000609	1	Decal, Grease Required	
6	7440030000	1	Fitting	
7	7253000002	1	Fitting, Cap	
8	3020039	AR	Lubricant (Not Shown)	
9	3020029	AR	Lube Bearing Grease (Not Shown)	

SECTION 2 - WHEEL LIFT

FIGURE 2-31. PIVOT TUBE INSTALLATION - 3000LBS IRL (MANUAL & T37 L-ARMS WITH 2IN HITCH)



ART_1001158675

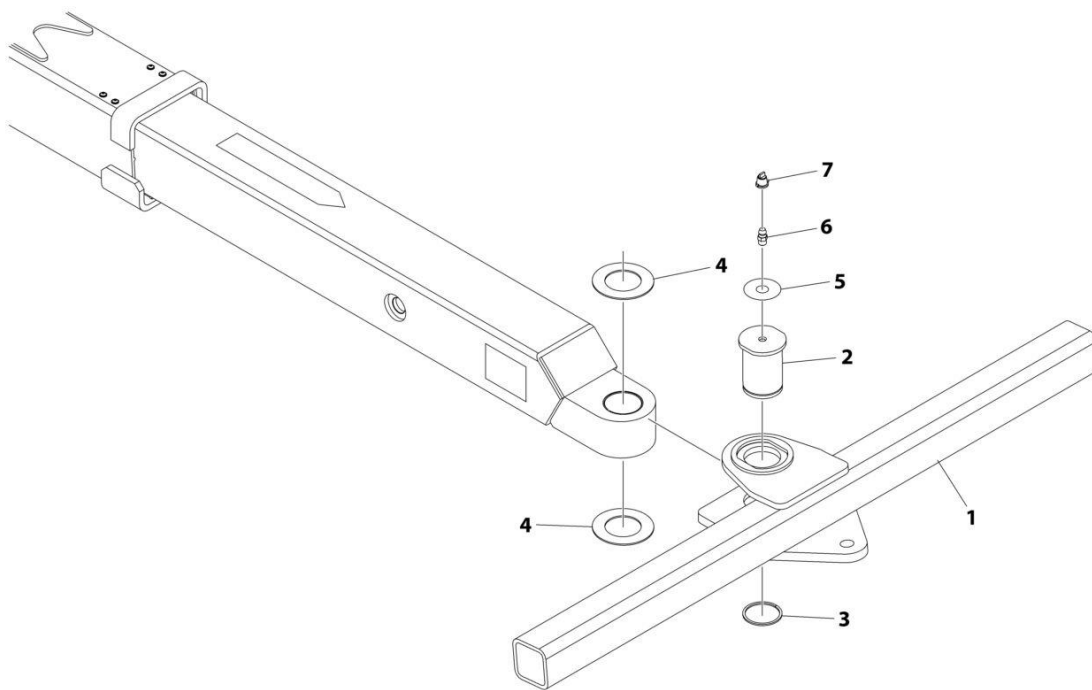
SECTION 2 - WHEEL LIFT

FIGURE 2-31. PIVOT TUBE INSTALLATION - 3000LBS IRL (MANUAL & T37 L-ARMS WITH 2IN HITCH)

ITEM	PART NUMBER	QTY	DESCRIPTION	REV
	1001158675	Ref	IRL PIVOT TUBE INSTALLATION - (3000 LBS) (2 IN TOW HITCH)	A
1	3913000098	1	Tube	
2	4691000278	1	Pin	
3	7754000024	1	Ring	
4	4949000047	2	Washer	
5	7330000609	1	Decal, Grease Required	
6	7440030000	1	Fitting	
7	7253000002	1	Fitting, Cap	
8	3020039	AR	Lubricant (Not Shown)	
9	3020029	AR	Lube Bearing Grease (Not Shown)	

SECTION 2 - WHEEL LIFT

FIGURE 2-32. PIVOT TUBE INSTALLATION - 4000 LBS (MANUAL WITH BALL)



ART_1001158674

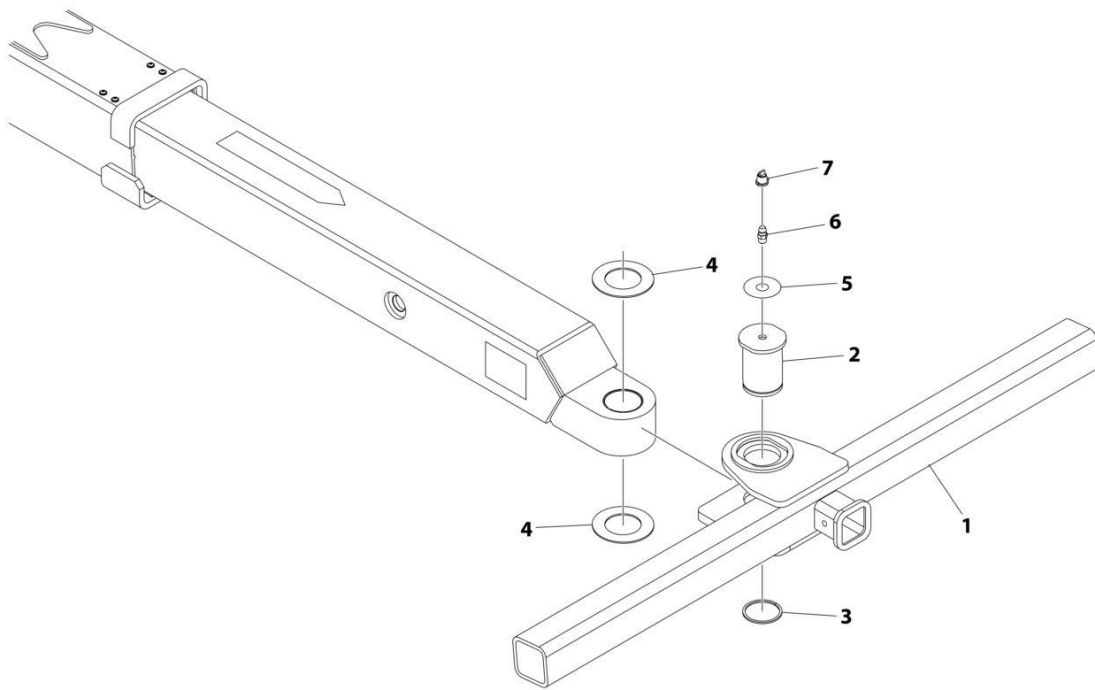
SECTION 2 - WHEEL LIFT

FIGURE 2-32. PIVOT TUBE INSTALLATION - 4000 LBS (MANUAL WITH BALL)

ITEM	PART NUMBER	QTY	DESCRIPTION	REV
	1001158674	Ref	PIVOT TUBE INSTALLATION 4000 LBS	A
1	3913000097	1	Tube	
2	4691000103	1	Pin	
3	7754000024	1	Ring	
4	4949000047	2	Washer	
5	7330000609	1	Decal - Grease Required	
6	7440030000	1	Fitting	
7	7253000002	1	Fitting, Cap	
8	3020039	AR	Lubricant (Not Shown)	
9	3020029	AR	Lube Bearing Grease (Not Shown)	

SECTION 2 - WHEEL LIFT

FIGURE 2-33. PIVOT TUBE INSTALLATION - 4000 LBS (MANUAL WITH 2IN TOW HITCH)



ART_1001158677

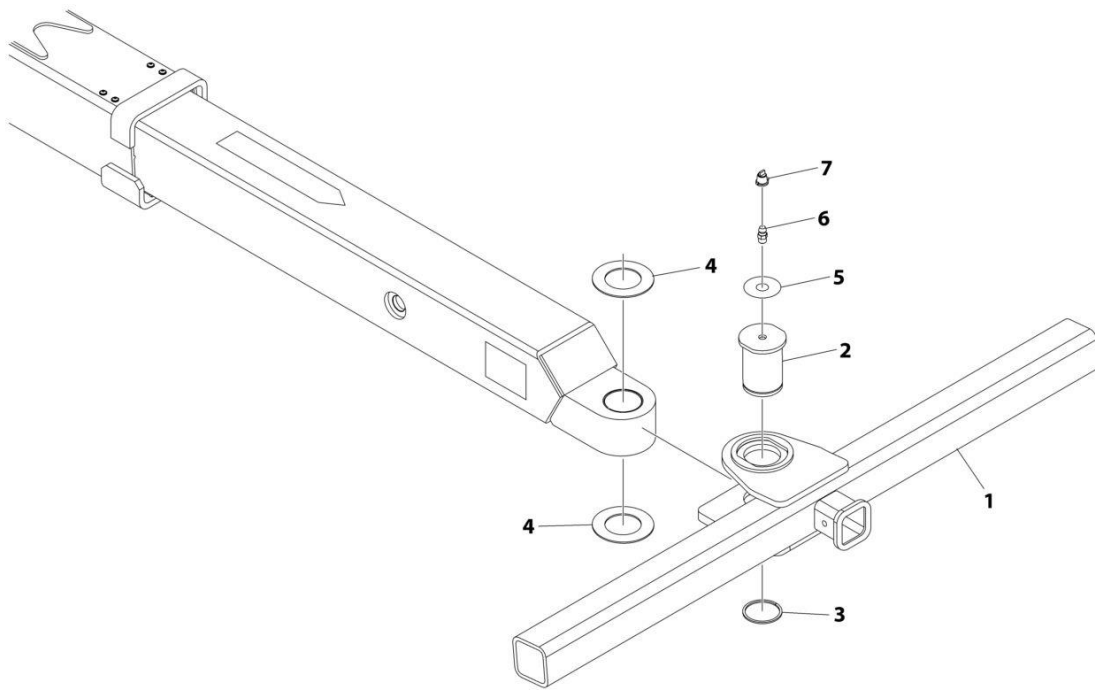
SECTION 2 - WHEEL LIFT

FIGURE 2-33. PIVOT TUBE INSTALLATION - 4000 LBS (MANUAL WITH 2IN TOW HITCH)

ITEM	PART NUMBER	QTY	DESCRIPTION	REV
	1001158677	Ref	PIVOT TUBE INSTALLATION (4000 LBS) (2 IN TOW HITCH)	B
1	3913000100	1	Tube	
2	4691000103	1	Pin	
3	7754000024	1	Ring	
4	4949000047	2	Washer	
5	7330000609	1	Decal - Grease Required	
6	7440030000	1	Fitting	
7	7253000002	1	Fitting, Cap	
8	3020039	AR	Lubricant (Not Shown)	
9	3020029	AR	Lube Bearing Grease (Not Shown)	

SECTION 2 - WHEEL LIFT

FIGURE 2-34. PIVOT TUBE INSTALLATION - 4000 LBS (MANUAL WITH 2.5IN TOW HITCH)



ART_1001158678

SECTION 2 - WHEEL LIFT

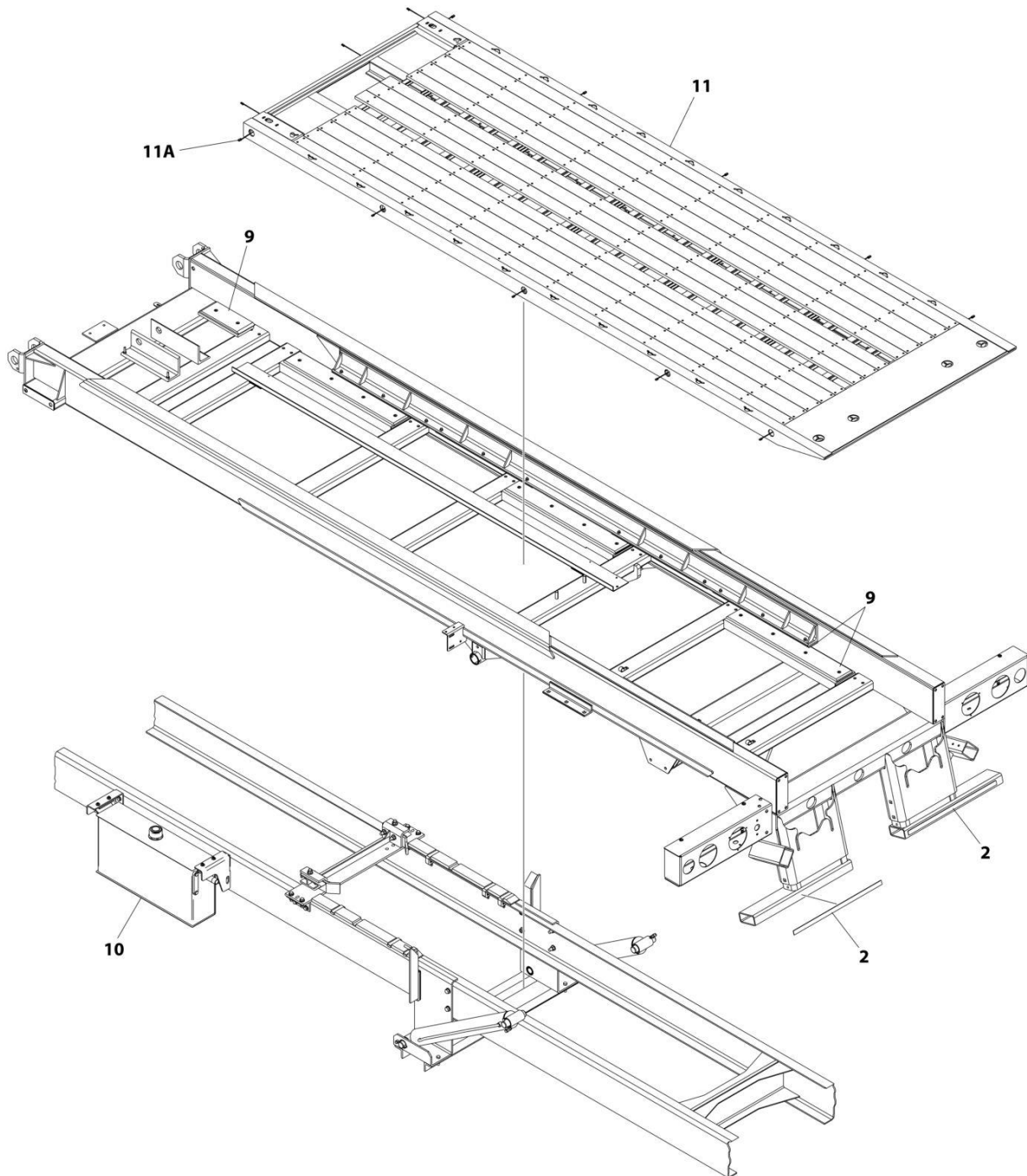
FIGURE 2-34. PIVOT TUBE INSTALLATION - 4000 LBS (MANUAL WITH 2.5IN TOW HITCH)

ITEM	PART NUMBER	QTY	DESCRIPTION	REV
	1001158678	Ref	PIVOT TUBE INSTALLATION (2.5 IN TOW HITCH)	A
1	3913000101	1	Tube	
2	4691000103	1	Pin	
3	7754000024	1	Ring	
4	4949000047	2	Washer	
5	7330000609	1	Decal - Grease Required	
6	7440030000	1	Fitting	
7	7253000002	1	Fitting, cap	
8	3020039	AR	Lubricant (Not Shown)	
9	3020029	AR	Lube Bearing Grease (Not Shown)	

SECTION 3 - DECK

SECTION 3 - DECK

FIGURE 3-1. DECK MODEL - STEEL 24FT X 96IN (10 TON)



ART_410TRB-8

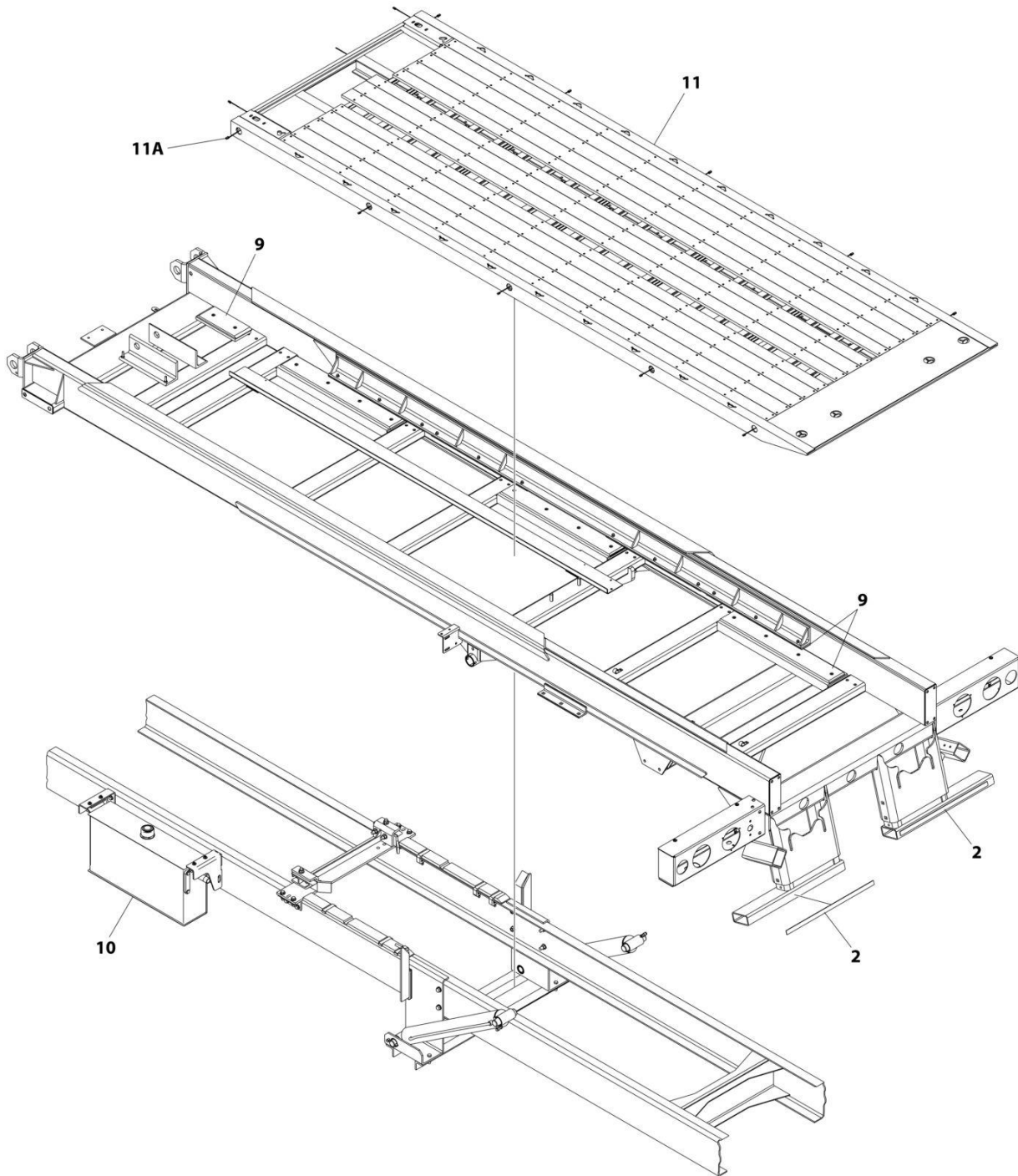
SECTION 3 - DECK

FIGURE 3-1. DECK MODEL - STEEL 24FT X 96IN (10 TON)

ITEM	PART NUMBER	QTY	DESCRIPTION	REV
	410TRB-8	Ref	DECK INSTALLATION (10 TON - 24FT X 96IN)	C
1	2330000045	1	Heavy Duty Decals Installation (Not Shown - See Separate Breakdown in DECAL Section)	
2	2330000055	Ref	Conspicuity Decal Installation	
2	7330000428	2	Decal - Red/White Reflective	
5	2570000114	1	Heavy Duty Hose Installation (Not Shown - See Separate Breakdown in HYDRAULIC Section)	
9	2679000009	1	Main Subframe Pad Installation (See Separate Breakdown in SUBFRAME Section)	
10	2750000008	1	Hydraulic Reservoir and Bracket Mount (See Separate Breakdown in HYDRAULIC Section)	
11	3097000303	1	Deck Installation	
11A	7552000212	1	Deck Light Harness (See Separate Breakdown in ELECTRICAL Section)	

SECTION 3 - DECK

FIGURE 3-2. DECK MODEL - STEEL 24FT X 102IN (10 TON)



ART_410TRB-8W

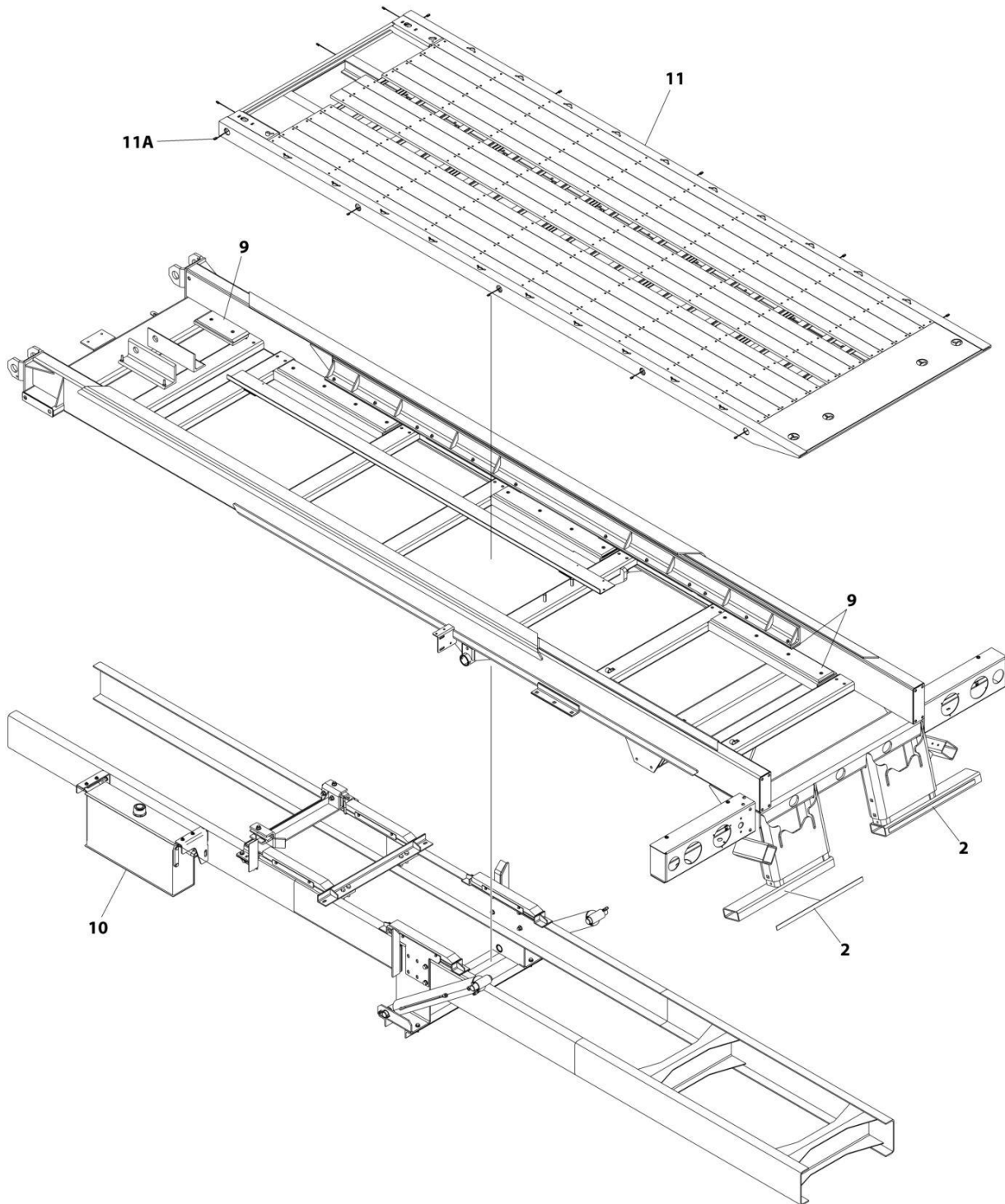
SECTION 3 - DECK

FIGURE 3-2. DECK MODEL - STEEL 24FT X 102IN (10 TON)

ITEM	PART NUMBER	QTY	DESCRIPTION	REV
	410TRB-8W	Ref	DECK INSTALLATION (10 TON - 24FT X 102IN)	C
1	2330000045	1	Heavy Duty Decals Installation (Not Shown - See Separate Breakdown in DECAL Section)	
2	2330000055	Ref	Conspicuity Decal Installation	
2	7330000428	2	Decal - Red/White Reflective	
5	2570000114	1	Heavy Duty Hose Installation (Not Shown - See Separate Breakdown in HYDRAULIC Section)	
9	2679000009	1	Main Subframe Pad Installation (See Separate Breakdown in SUBFRAME Section)	
10	2750000008	1	Hydraulic Reservoir and Bracket Mount (See Separate Breakdown in HYDRAULIC Section)	
11	3097000312	1	Deck Installation	
11A	7552000212	1	Deck Light Harness (See Separate Breakdown in ELECTRICAL Section)	

SECTION 3 - DECK

FIGURE 3-3. DECK MODEL - STEEL 26FT X 96IN (10 TON)



ART_610TRB-8

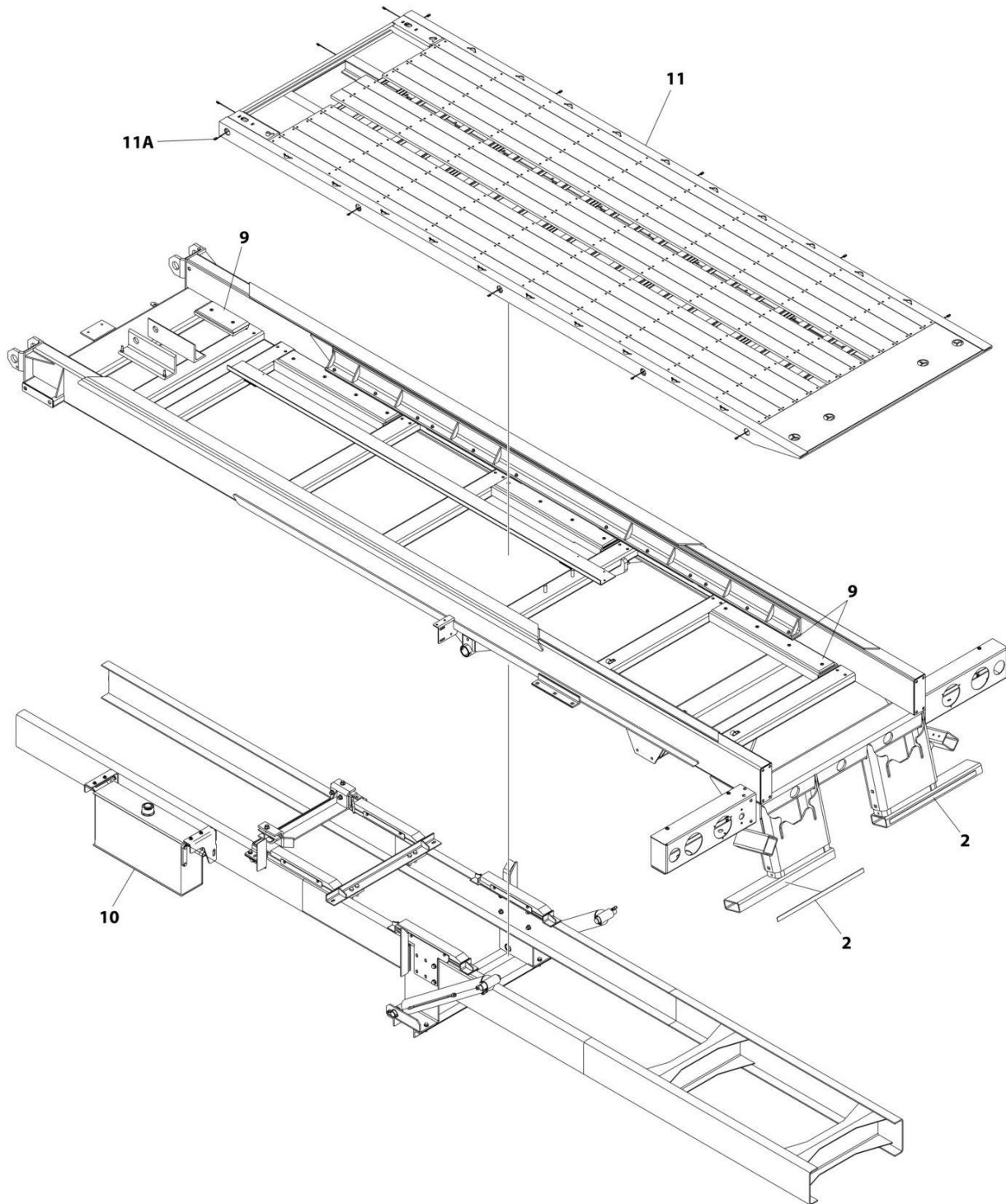
SECTION 3 - DECK

FIGURE 3-3. DECK MODEL - STEEL 26FT X 96IN (10 TON)

ITEM	PART NUMBER	QTY	DESCRIPTION	REV
	610TRB-8	Ref	DECK INSTALLATION (10 TON - 26FT X 96IN)	C
1	2330000045	1	Heavy Duty Decals Installation (Not Shown - See Separate Breakdown in DECAL Section)	
2	2330000055	Ref	Conspicuity Decal Installation	
2	7330000428	2	Decal - Red/White Reflective	
5	2570000115	1	Heavy Duty Hose Installation (Not Shown - See Separate Breakdown in HYDRAULIC Section)	
9	2679000009	1	Main Subframe Pad Installation (See Separate Breakdown in SUBFRAME Section)	
10	2750000008	1	Hydraulic Reservoir and Bracket Mount (See Separate Breakdown in HYDRAULIC Section)	
11	3097000302	1	Deck Installation	
11A	7552000212	1	Deck Light Harness (See Separate Breakdown in ELECTRICAL Section)	

SECTION 3 - DECK

FIGURE 3-4. DECK MODEL - STEEL 26FT X 102IN (10 TON)



ART_610TRB-8W

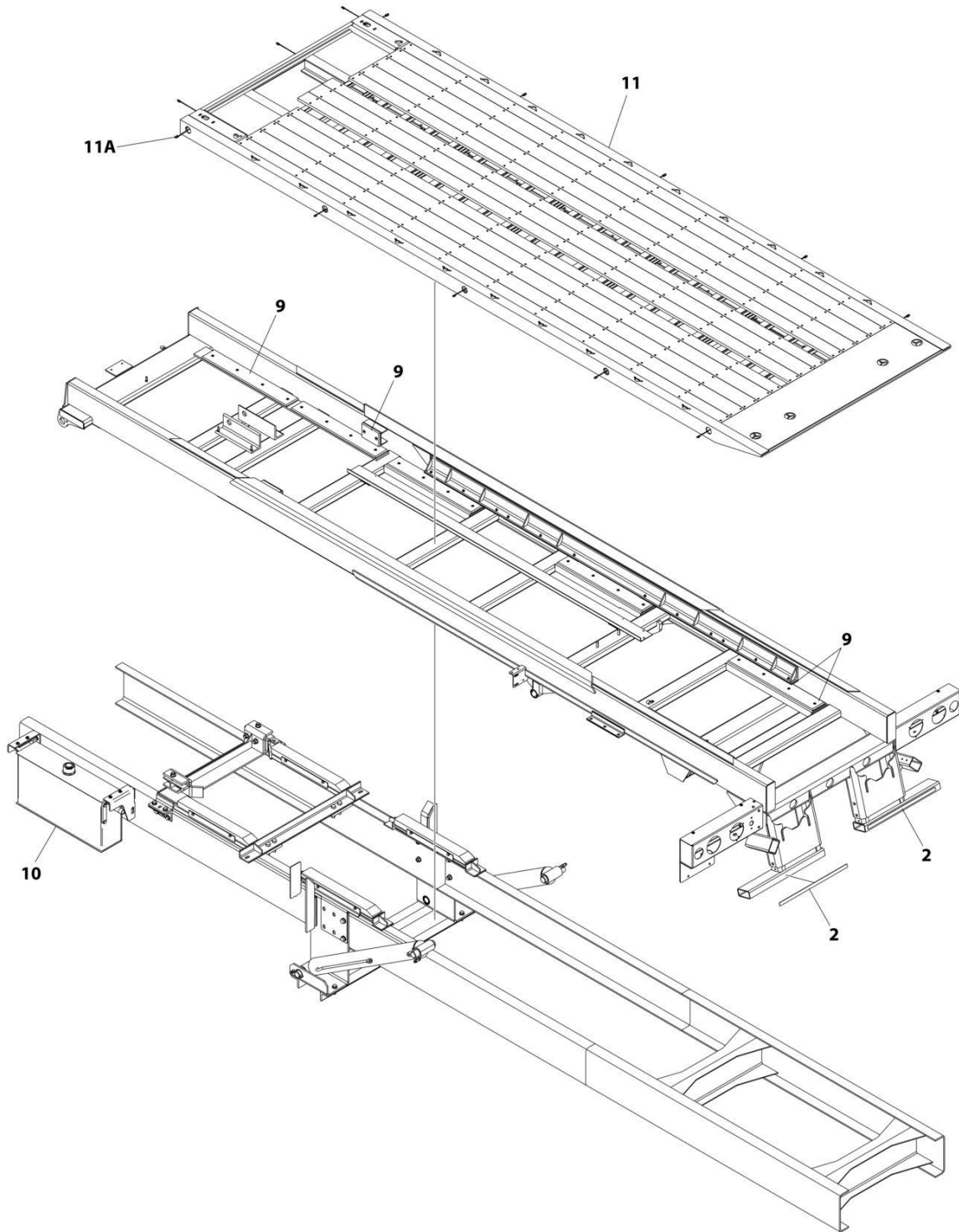
SECTION 3 - DECK

FIGURE 3-4. DECK MODEL - STEEL 26FT X 102IN (10 TON)

ITEM	PART NUMBER	QTY	DESCRIPTION	REV
	610TRB-8W	Ref	DECK INSTALLATION (10 TON - 26FT X 102IN)	C
1	2330000045	1	Heavy Duty Decals Installation (Not Shown - See Separate Breakdown in DECAL Section)	
2	2330000055	Ref	Conspicuity Decal Installation	
2	7330000428	2	Decal - Red/White Reflective	
5	2570000115	1	Heavy Duty Hose Installation (Not Shown - See Separate Breakdown in HYDRAULIC Section)	
9	2679000009	1	Main Subframe Pad Installation (See Separate Breakdown in SUBFRAME Section)	
10	2750000008	1	Hydraulic Reservoir and Bracket Mount (See Separate Breakdown in HYDRAULIC Section)	
11	3097000311	1	Deck Installation	
11A	7552000212	1	Deck Light Harness (See Separate Breakdown in ELECTRICAL Section)	

SECTION 3 - DECK

FIGURE 3-5. DECK MODEL - STEEL 28FT X 96IN (10 TON)



ART_810TRB-8

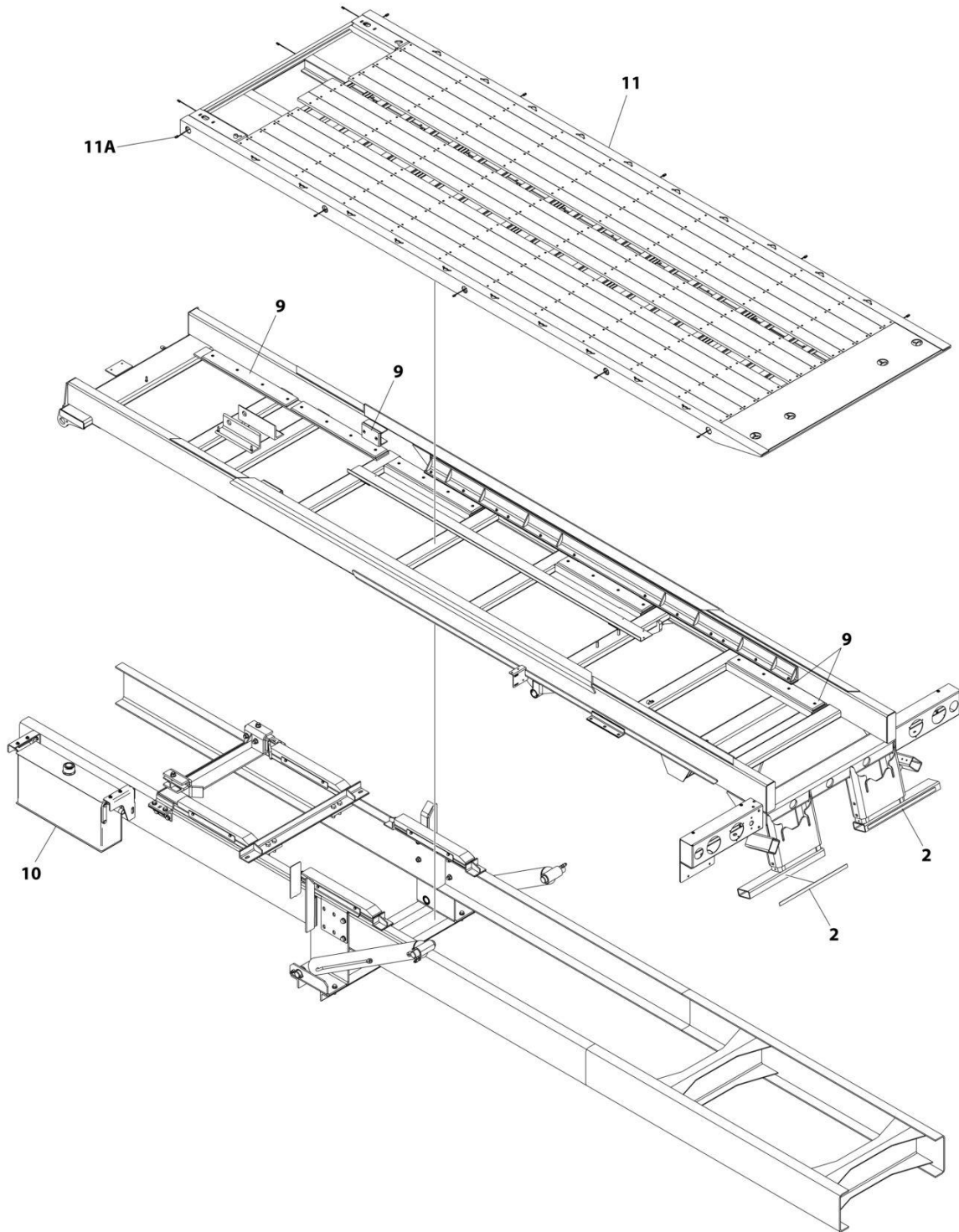
SECTION 3 - DECK

FIGURE 3-5. DECK MODEL - STEEL 28FT X 96IN (10 TON)

ITEM	PART NUMBER	QTY	DESCRIPTION	REV
	810TRB-8	Ref	DECK INSTALLATION (10 TON - 28FT X 96IN)	C
1	2330000045	1	Heavy Duty Decals Installation (Not Shown - See Separate Breakdown in DECAL Section)	
2	2330000055	Ref	Conspicuity Decal Installation	
2	7330000428	2	Decal - Red/White Reflective	
5	2570000116	1	Heavy Duty Hose Installation (Not Shown - See Separate Breakdown in HYDRAULIC Section)	
9	2679000008	1	Main Subframe Pad Installation (See Separate Breakdown in SUBFRAME Section)	
10	2750000008	1	Hydraulic Reservoir and Bracket Mount (See Separate Breakdown in HYDRAULIC Section)	
11	3097000301	1	Deck Installation	
11A	7552000212	1	Deck Light Harness (See Separate Breakdown in ELECTRICAL Section)	

SECTION 3 - DECK

FIGURE 3-6. DECK MODEL - STEEL 28FT X 102IN (10 TON)



ART_810TRB-8W

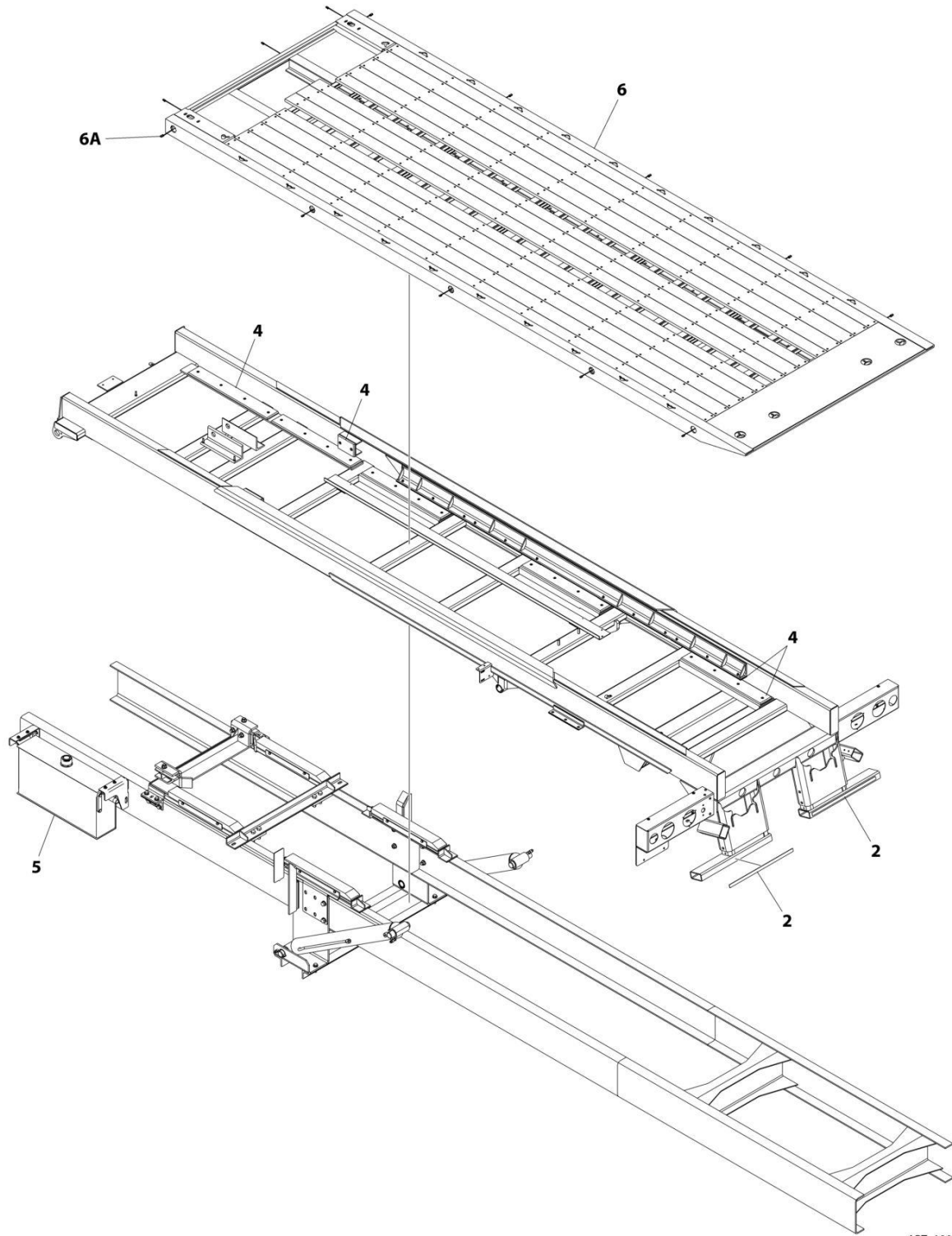
SECTION 3 - DECK

FIGURE 3-6. DECK MODEL - STEEL 28FT X 102IN (10 TON)

ITEM	PART NUMBER	QTY	DESCRIPTION	REV
	810TRB-8W	Ref	DECK INSTALLATION (10 TON - 28FT X 102IN)	C
1	2330000045	1	Heavy Duty Decals Installation (Not Shown - See Separate Breakdown in DECAL Section)	
2	2330000055	Ref	Conspicuity Decal Installation	
2	7330000428	2	Decal - Red/White Reflective	
5	2570000116	1	Heavy Duty Hose Installation (Not Shown - See Separate Breakdown in HYDRAULIC Section)	
9	2679000008	1	Main Subframe Pad Installation (See Separate Breakdown in SUBFRAME Section)	
10	2750000008	1	Hydraulic Reservoir and Bracket Mount (See Separate Breakdown in HYDRAULIC Section)	
11	3097000310	1	Deck Installation	
11A	7552000212	1	Deck Light Harness (See Separate Breakdown in ELECTRICAL Section)	

SECTION 3 - DECK

FIGURE 3-7. DECK MODEL - STEEL 30FT X 96IN (10 TON)



ART_1001151914

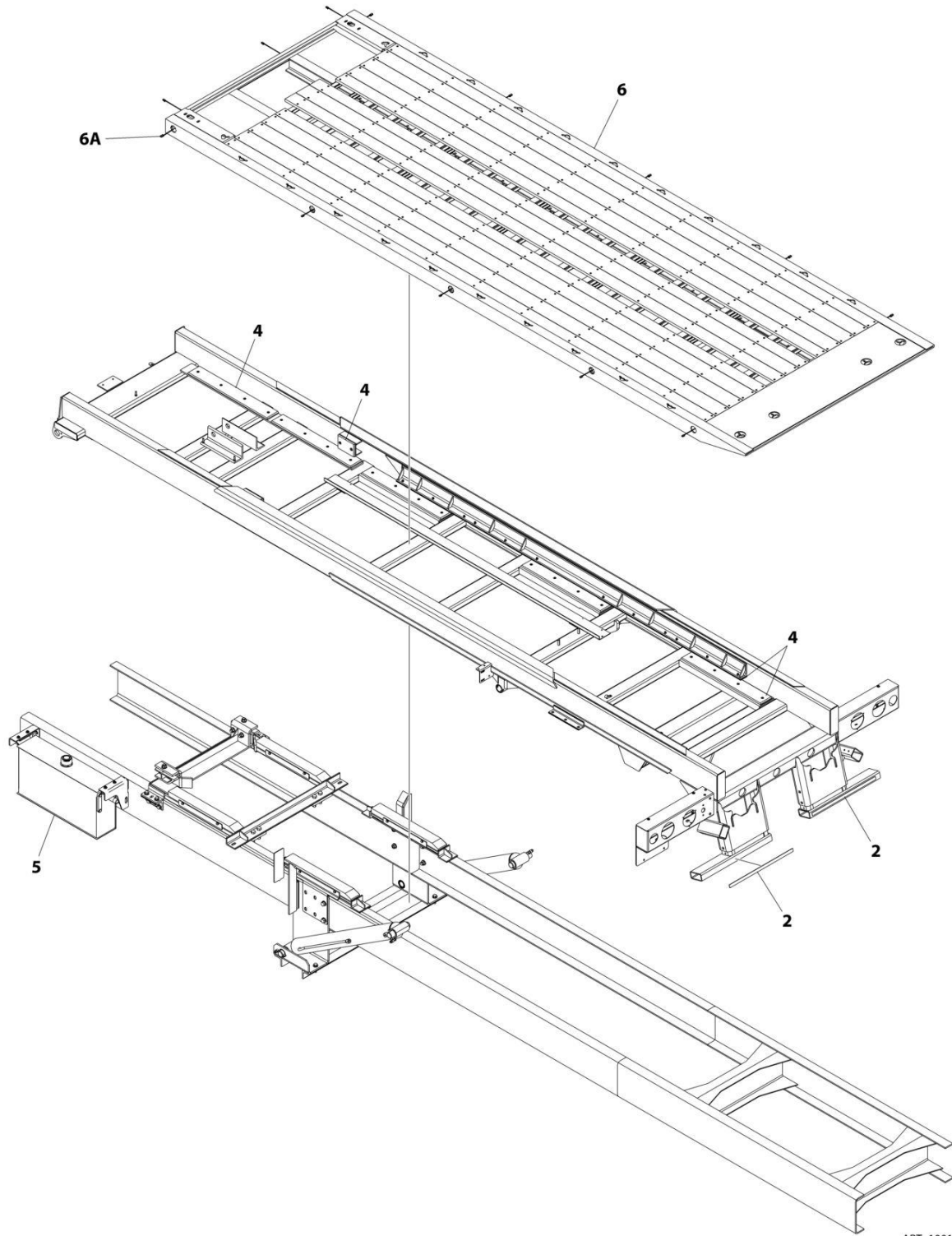
SECTION 3 - DECK

FIGURE 3-7. DECK MODEL - STEEL 30FT X 96IN (10 TON)

ITEM	PART NUMBER	QTY	DESCRIPTION	REV
	1001151914	Ref	DECK INSTALLATION (10 TON - 30FT X 96IN)	A
1	2330000045	1	Heavy Duty Decals Installation (Not Shown - See Separate Breakdown in DECAL Section)	
2	2330000055	Ref	Conspicuity Decal Installation	
2	7330000428	2	Decal - Red/White Reflective	
3	2570000117	1	Heavy Duty Hose Installation (Not Shown - See Separate Breakdown in HYDRAULIC Section)	
4	2679000008	1	Main Subframe Pad Installation (See Separate Breakdown in SUBFRAME Section)	
5	2750000008	1	Hydraulic Reservoir and Bracket Mount (See Separate Breakdown in HYDRAULIC Section)	
6	3097000358	1	Deck Installation	
6A	7552000212	1	Deck Light Harness (See Separate Breakdown in ELECTRICAL Section)	

SECTION 3 - DECK

FIGURE 3-8. DECK MODEL - STEEL 30FT X 102IN (10 TON)



ART_1001151915

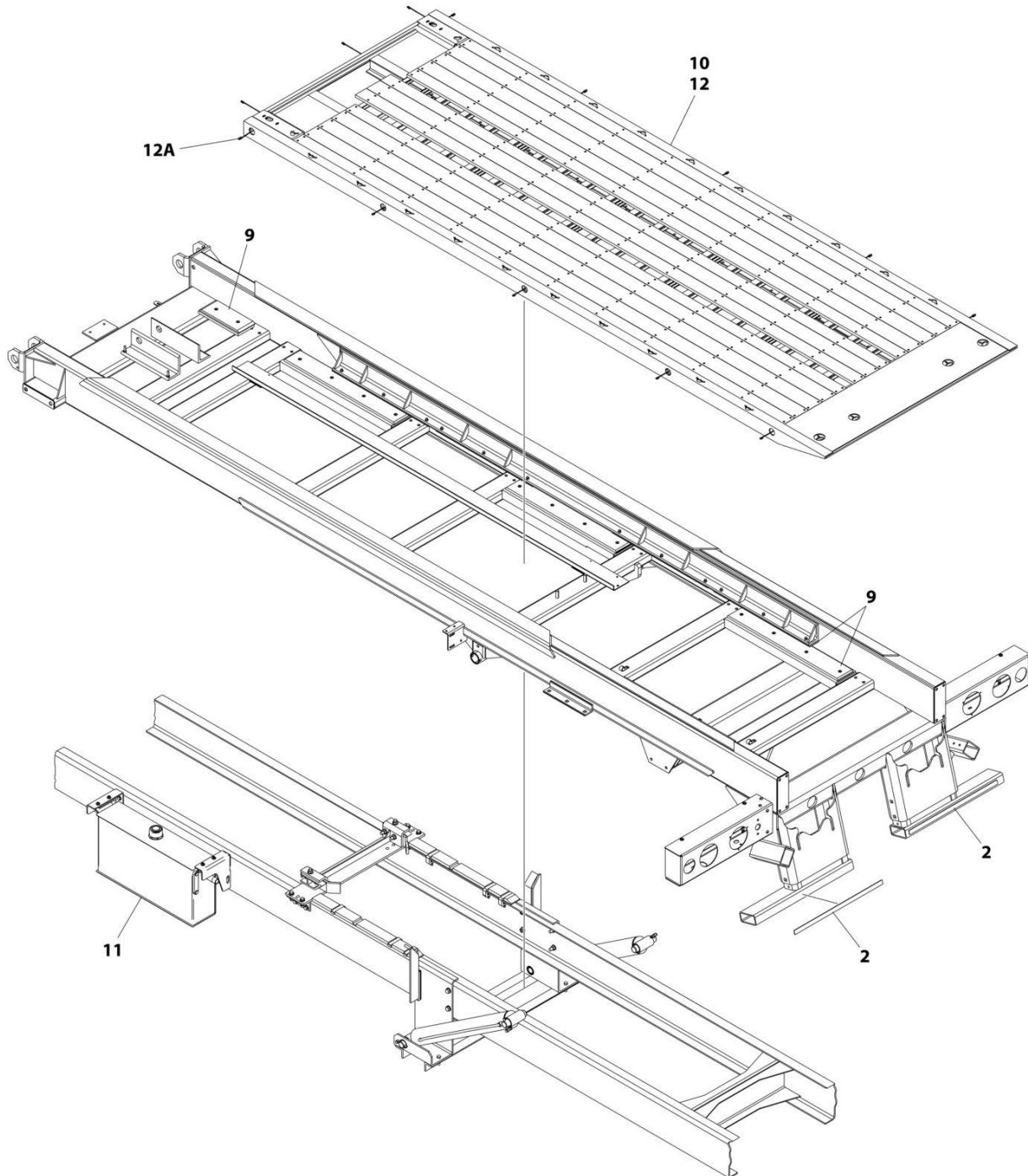
SECTION 3 - DECK

FIGURE 3-8. DECK MODEL - STEEL 30FT X 102IN (10 TON)

ITEM	PART NUMBER	QTY	DESCRIPTION	REV
	1001151915	Ref	DECK INSTALLATION (10 TON - 30FT X 102IN)	A
1	2330000045	1	Heavy Duty Decals Installation (Not Shown - See Separate Breakdown in DECAL Section)	
2	2330000055	Ref	Conspicuity Decal Installation	
2	7330000428	2	Decal - Red/White Reflective	
3	2570000117	1	Heavy Duty Hose Installation (Not Shown - See Separate Breakdown in HYDRAULIC Section)	
4	2679000008	1	Main Subframe Pad Installation (See Separate Breakdown in SUBFRAME Section)	
5	2750000008	1	Hydraulic Reservoir and Bracket Mount (See Separate Breakdown in HYDRAULIC Section)	
6	3097000361	1	Deck Installation	
6A	7552000212	1	Deck Light Harness (See Separate Breakdown in ELECTRICAL Section)	

SECTION 3 - DECK

FIGURE 3-9. DECK MODEL - STEEL 24FT X 96IN (15 TON)



ART_415TRBLP

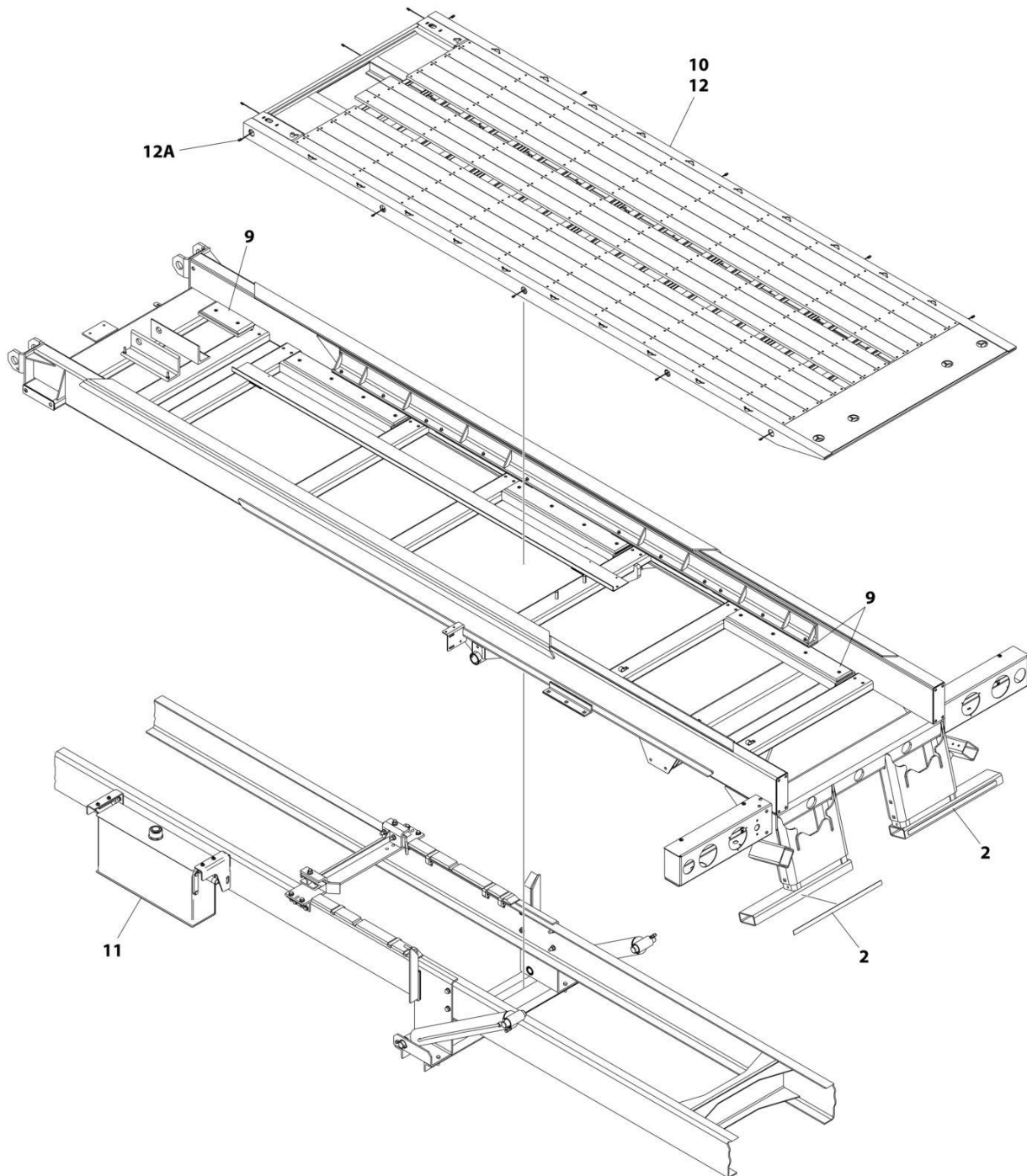
SECTION 3 - DECK

FIGURE 3-9. DECK MODEL - STEEL 24FT X 96IN (15 TON)

ITEM	PART NUMBER	QTY	DESCRIPTION	REV
	415TRBLP	Ref	DECK INSTALLATION (15 TON - 24FT X 96IN)	D
1	2330000045	1	Heavy Duty Decals Installation (Not Shown - See Separate Breakdown in DECAL Section)	
2	2330000055	Ref	Conspicuity Decal Installation	
2	7330000428	2	Decal - Red/White Reflective	
5	2570000114	1	Heavy Duty Hose Installation (Not Shown - See Separate Breakdown in HYDRAULIC Section)	
9	2679000009	1	Main Subframe Pad Installation (See Separate Breakdown in SUBFRAME Section)	
10	2706000045	1	Plate Installation, Center Beam	
11	2750000008	1	Hydraulic Reservoir and Bracket Mount (See Separate Breakdown in HYDRAULIC Section)	
12	3097000303	1	Deck Installation	
12A	7552000212	1	Deck Light Harness (See Separate Breakdown in ELECTRICAL Section)	

SECTION 3 - DECK

FIGURE 3-10. DECK MODEL - STEEL 24FT X 102IN (15 TON)



ART_415TRBLP-W

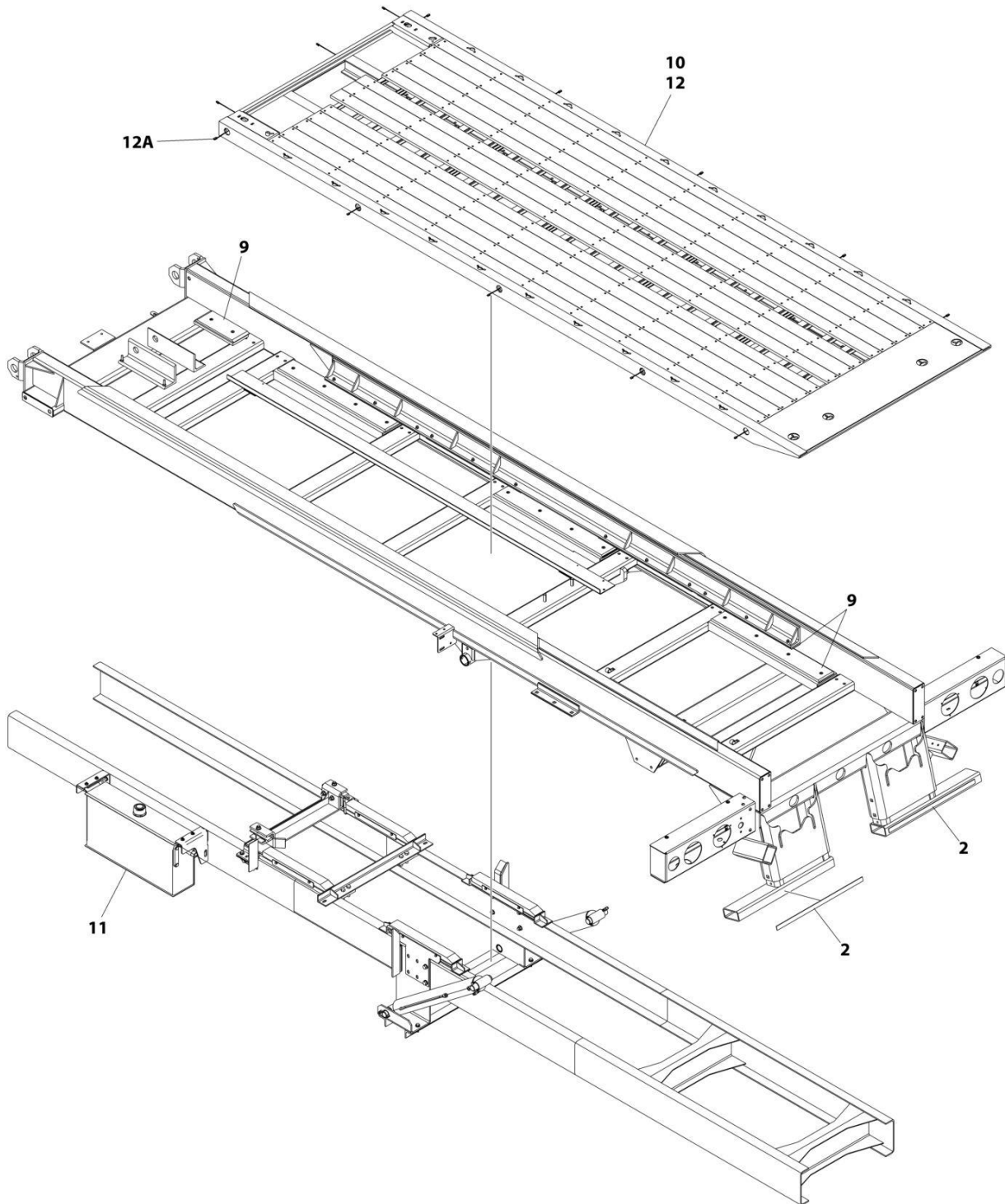
SECTION 3 - DECK

FIGURE 3-10. DECK MODEL - STEEL 24FT X 102IN (15 TON)

ITEM	PART NUMBER	QTY	DESCRIPTION	REV
	415TRBLP-W	Ref	DECK INSTALLATION (15 TON - 24FT X 102IN)	D
1	2330000045	1	Heavy Duty Decals Installation (Not Shown - See Separate Breakdown in DECAL Section)	
2	2330000055	Ref	Conspicuity Decal Installation	
2	7330000428	2	Decal - Red/White Reflective	
5	2570000114	1	Heavy Duty Hose Installation (Not Shown - See Separate Breakdown in HYDRAULIC Section)	
9	2679000009	1	Main Subframe Pad Installation (See Separate Breakdown in SUBFRAME Section)	
10	2706000045	1	Plate Installation, Center Beam	
11	2750000008	1	Hydraulic Reservoir and Bracket Mount (See Separate Breakdown in HYDRAULIC Section)	
12	3097000312	1	Deck Installation	
12A	7552000212	1	Deck Light Harness (See Separate Breakdown in ELECTRICAL Section)	

SECTION 3 - DECK

FIGURE 3-11. DECK MODEL - STEEL 26FT X 96IN (15 TON)



ART_615TRBLP

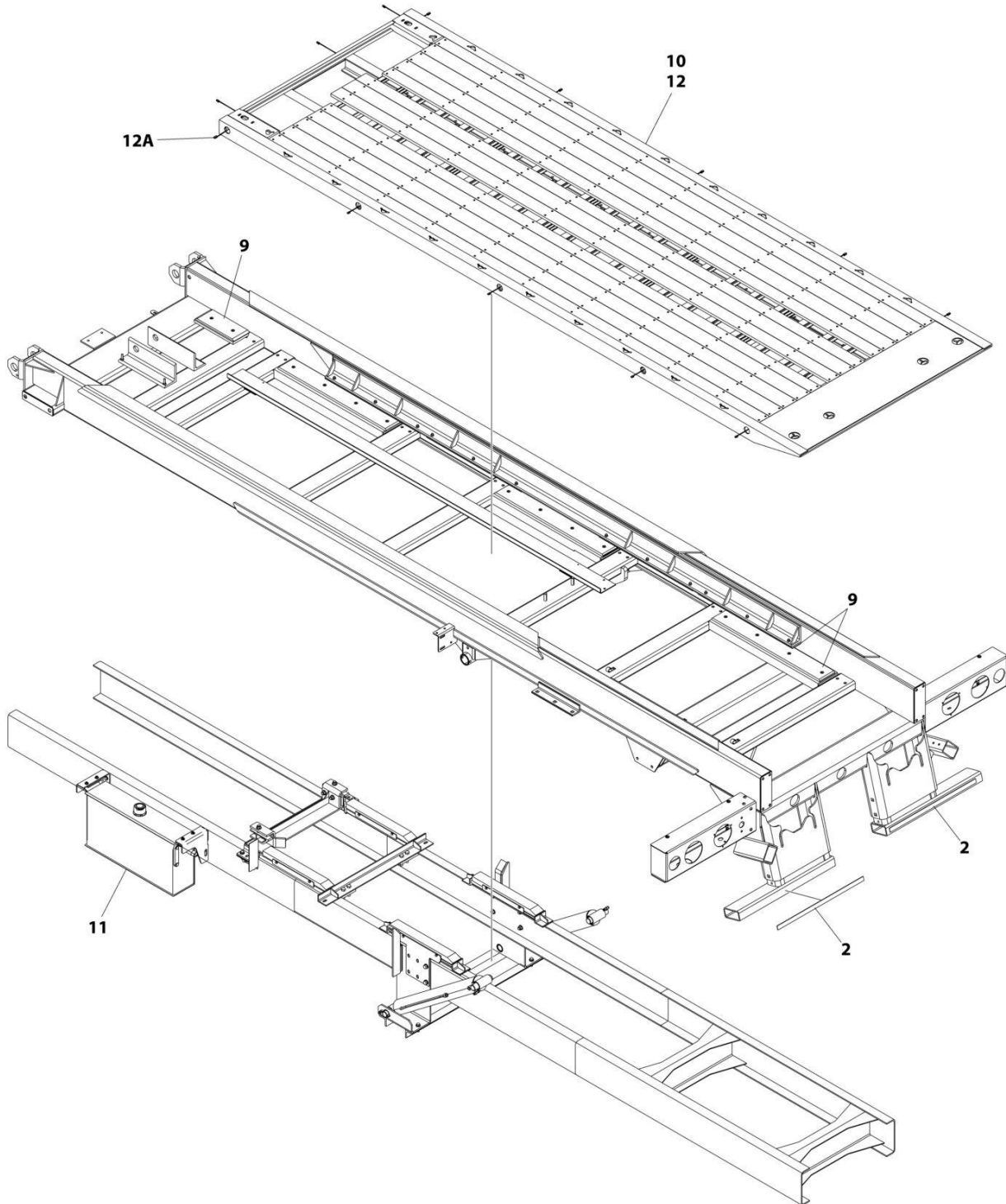
SECTION 3 - DECK

FIGURE 3-11. DECK MODEL - STEEL 26FT X 96IN (15 TON)

ITEM	PART NUMBER	QTY	DESCRIPTION	REV
	615TRBLP	Ref	DECK INSTALLATION (15 TON - 26FT X 96IN)	C
1	2330000045	1	Heavy Duty Decals Installation (Not Shown - See Separate Breakdown in DECAL Section)	
2	2330000055	Ref	Conspicuity Decal Installation	
2	7330000428	2	Decal - Red/White Reflective	
5	2570000115	1	Heavy Duty Hose Installation (Not Shown - See Separate Breakdown in HYDRAULIC Section)	
9	2679000009	1	Main Subframe Pad Installation (See Separate Breakdown in SUBFRAME Section)	
10	2706000008	1	Plate Installation, Center Beam	
11	2750000008	1	Hydraulic Reservoir and Bracket Mount (See Separate Breakdown in HYDRAULIC Section)	
12	3097000302	1	Deck Installation	
12A	7552000212	1	Deck Light Harness (See Separate Breakdown in ELECTRICAL Section)	

SECTION 3 - DECK

FIGURE 3-12. DECK MODEL - STEEL 26FT X 102IN (15 TON)



ART_615TRBLP-W

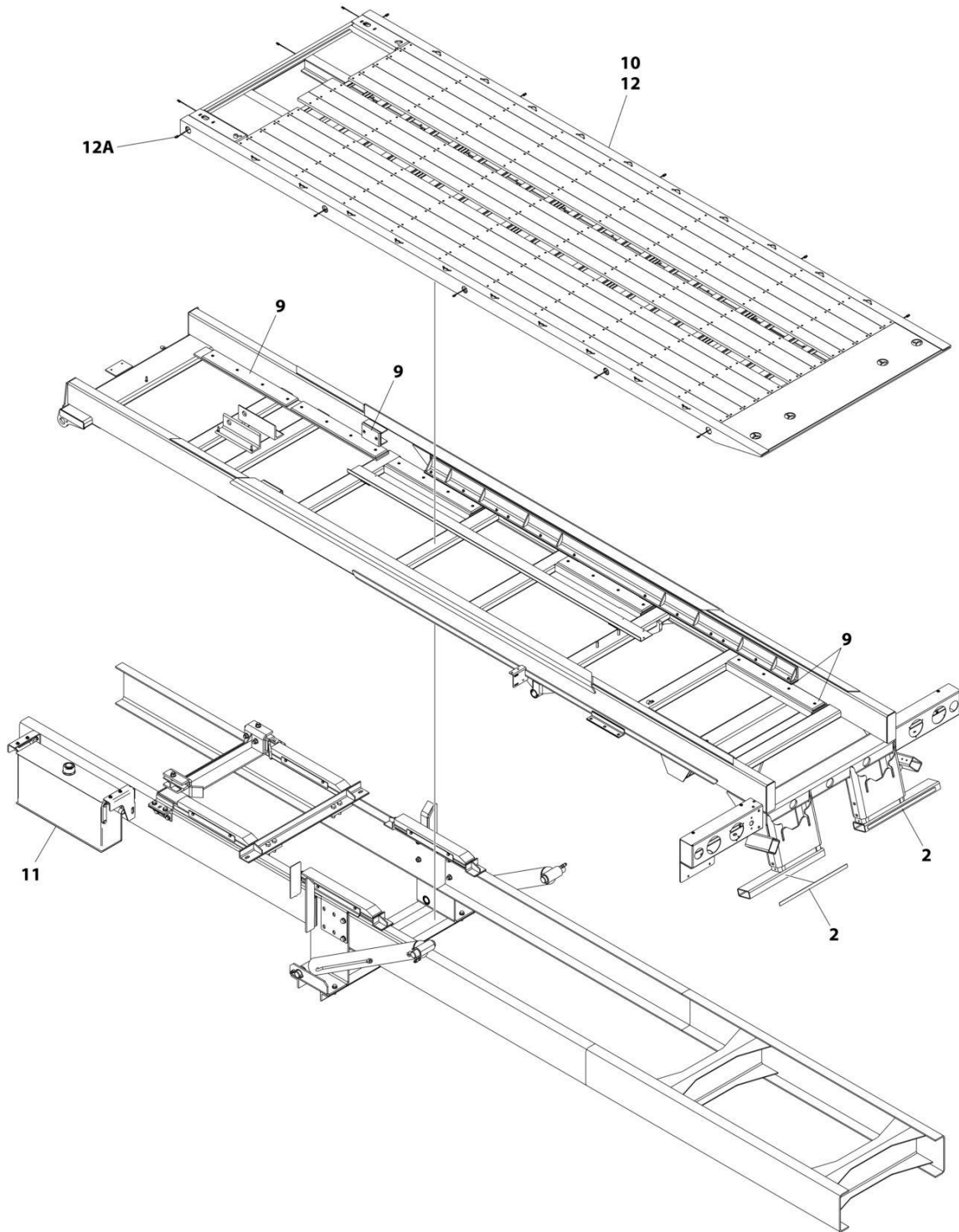
SECTION 3 - DECK

FIGURE 3-12. DECK MODEL - STEEL 26FT X 102IN (15 TON)

ITEM	PART NUMBER	QTY	DESCRIPTION	REV
	615TRBLP-W	Ref	DECK INSTALLATION (15 TON - 26FT X 102IN)	C
1	2330000045	1	Heavy Duty Decals Installation (Not Shown - See Separate Breakdown in DECAL Section)	
2	2330000055	Ref	Conspicuity Decal Installation	
2	7330000428	2	Decal - Red/White Reflective	
5	2570000115	1	Heavy Duty Hose Installation (Not Shown - See Separate Breakdown in HYDRAULIC Section)	
9	2679000009	1	Main Subframe Pad Installation (See Separate Breakdown in SUBFRAME Section)	
10	2706000008	1	Plate Installation, Center Beam	
11	2750000008	1	Hydraulic Reservoir and Bracket Mount (See Separate Breakdown in HYDRAULIC Section)	
12	3097000311	1	Deck Installation	
12A	7552000212	1	Deck Light Harness (See Separate Breakdown in ELECTRICAL Section)	

SECTION 3 - DECK

FIGURE 3-13. DECK MODEL - STEEL 28FT X 96IN (15 TON)



ART_815TRBLP

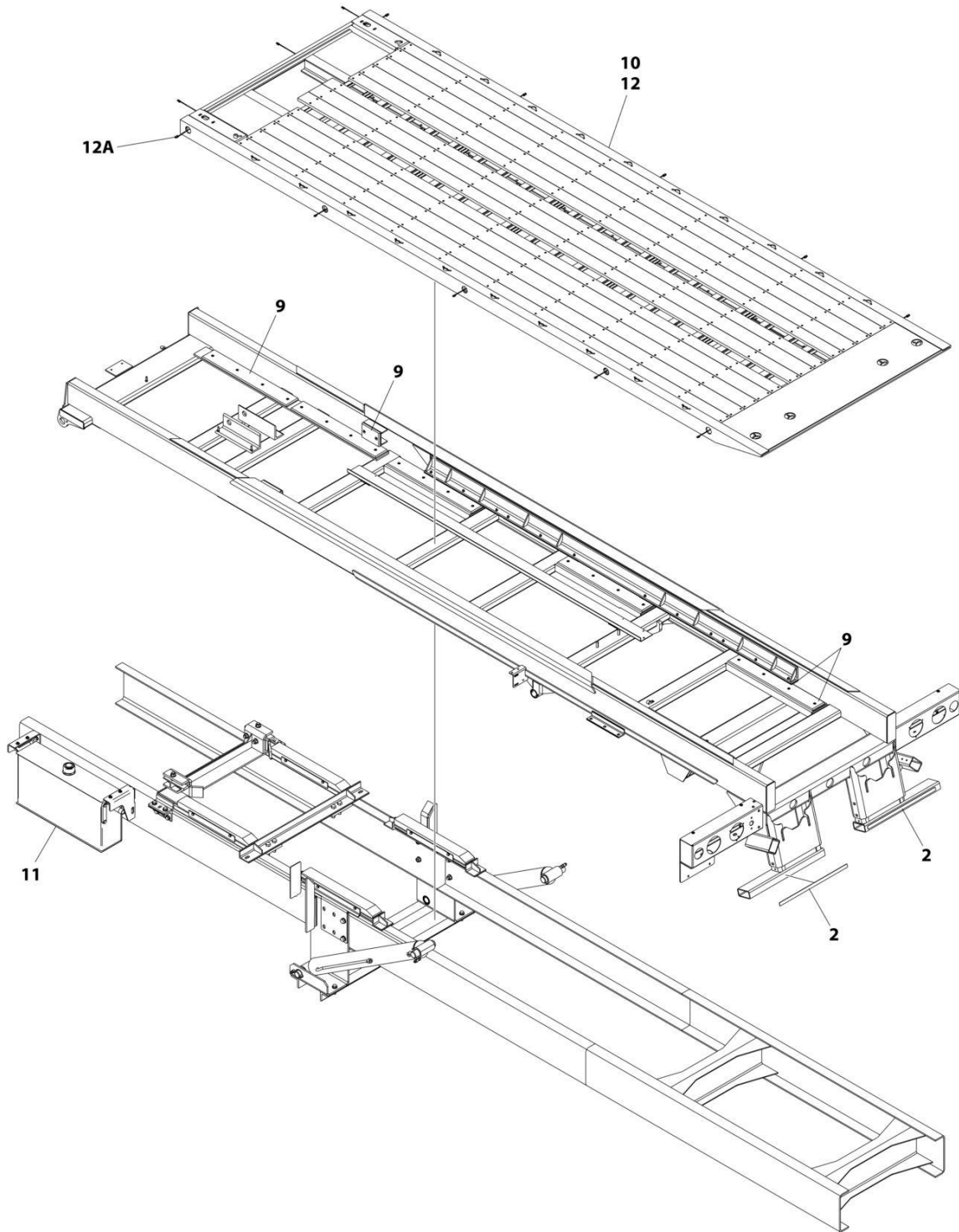
SECTION 3 - DECK

FIGURE 3-13. DECK MODEL - STEEL 28FT X 96IN (15 TON)

ITEM	PART NUMBER	QTY	DESCRIPTION	REV
	815TRBLP	Ref	DECK INSTALLATION (15 TON - 28FT X 96IN)	C
1	2330000045	1	Heavy Duty Decals Installation (Not Shown - See Separate Breakdown in DECAL Section)	
2	2330000055	Ref	Conspicuity Decal Installation	
2	7330000428	2	Decal - Red/White Reflective	
5	2570000116	1	Heavy Duty Hose Installation (Not Shown - See Separate Breakdown in HYDRAULIC Section)	
9	2679000008	1	Main Subframe Pad Installation (See Separate Breakdown in SUBFRAME Section)	
10	2706000009	1	Plate Installation, Center Beam	
11	2750000008	1	Hydraulic Reservoir and Bracket Mount (See Separate Breakdown in HYDRAULIC Section)	
12	3097000301	1	Deck Installation	
12A	7552000212	1	Deck Light Harness (See Separate Breakdown in ELECTRICAL Section)	

SECTION 3 - DECK

FIGURE 3-14. DECK MODEL - STEEL 28FT X 102IN (15 TON)



ART_815TRBLP-W

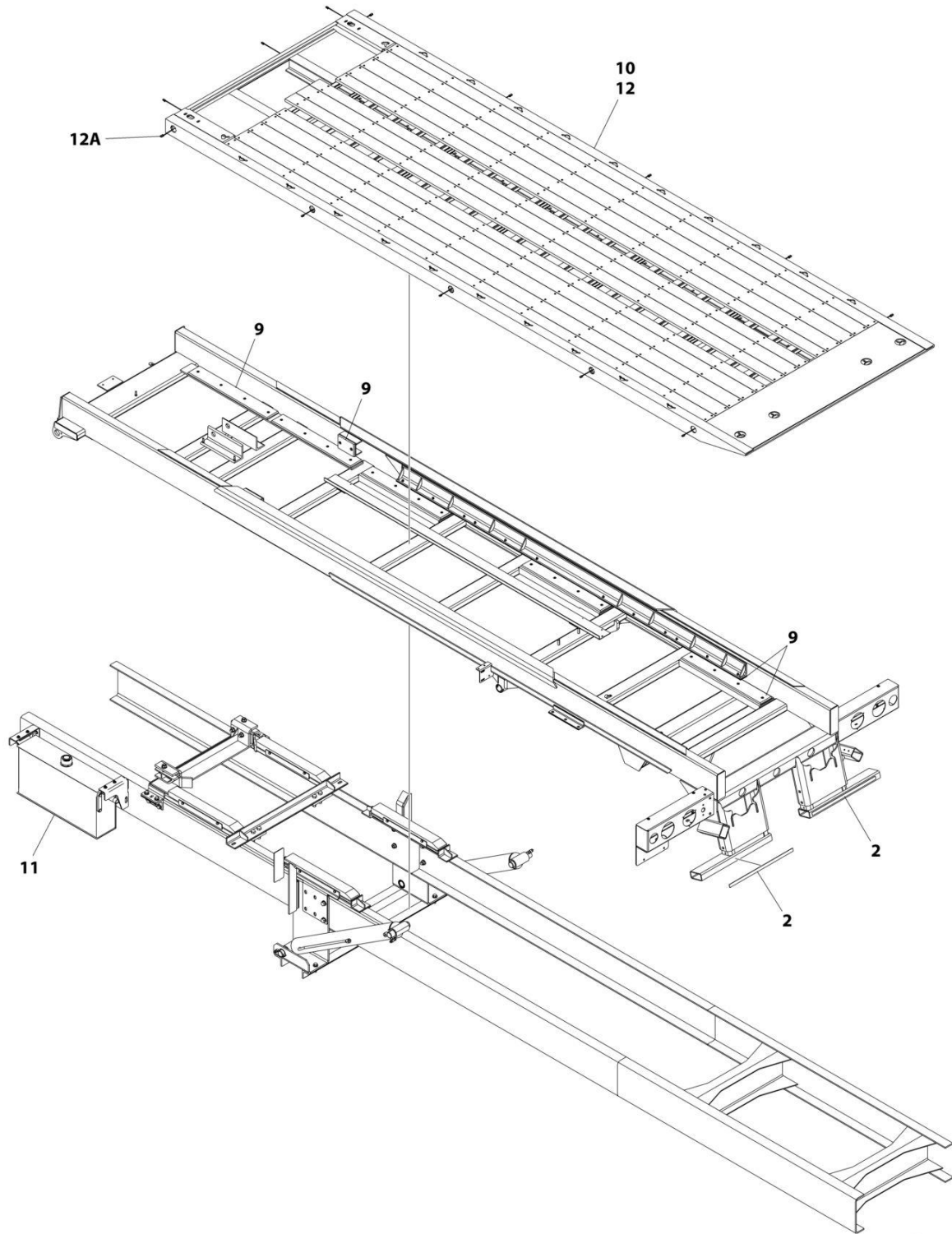
SECTION 3 - DECK

FIGURE 3-14. DECK MODEL - STEEL 28FT X 102IN (15 TON)

ITEM	PART NUMBER	QTY	DESCRIPTION	REV
	815TRBLP-W	Ref	DECK INSTALLATION (15 TON - 28FT X 102IN)	C
1	2330000045	1	Heavy Duty Decals Installation (Not Shown - See Separate Breakdown in DECAL Section)	
2	2330000055	Ref	Conspicuity Decal Installation	
2	7330000428	2	Decal - Red/White Reflective	
5	2570000116	1	Heavy Duty Hose Installation (Not Shown - See Separate Breakdown in HYDRAULIC Section)	
9	2679000008	1	Main Subframe Pad Installation (See Separate Breakdown in SUBFRAME Section)	
10	2706000009	1	Plate Installation, Center Beam	
11	2750000008	1	Hydraulic Reservoir and Bracket Mount (See Separate Breakdown in HYDRAULIC Section)	
12	3097000310	1	Deck Installation	
12A	7552000212	1	Deck Light Harness (See Separate Breakdown in ELECTRICAL Section)	

SECTION 3 - DECK

FIGURE 3-15. DECK MODEL - STEEL 30FT X 96IN (15 TON)



ART_1001132310

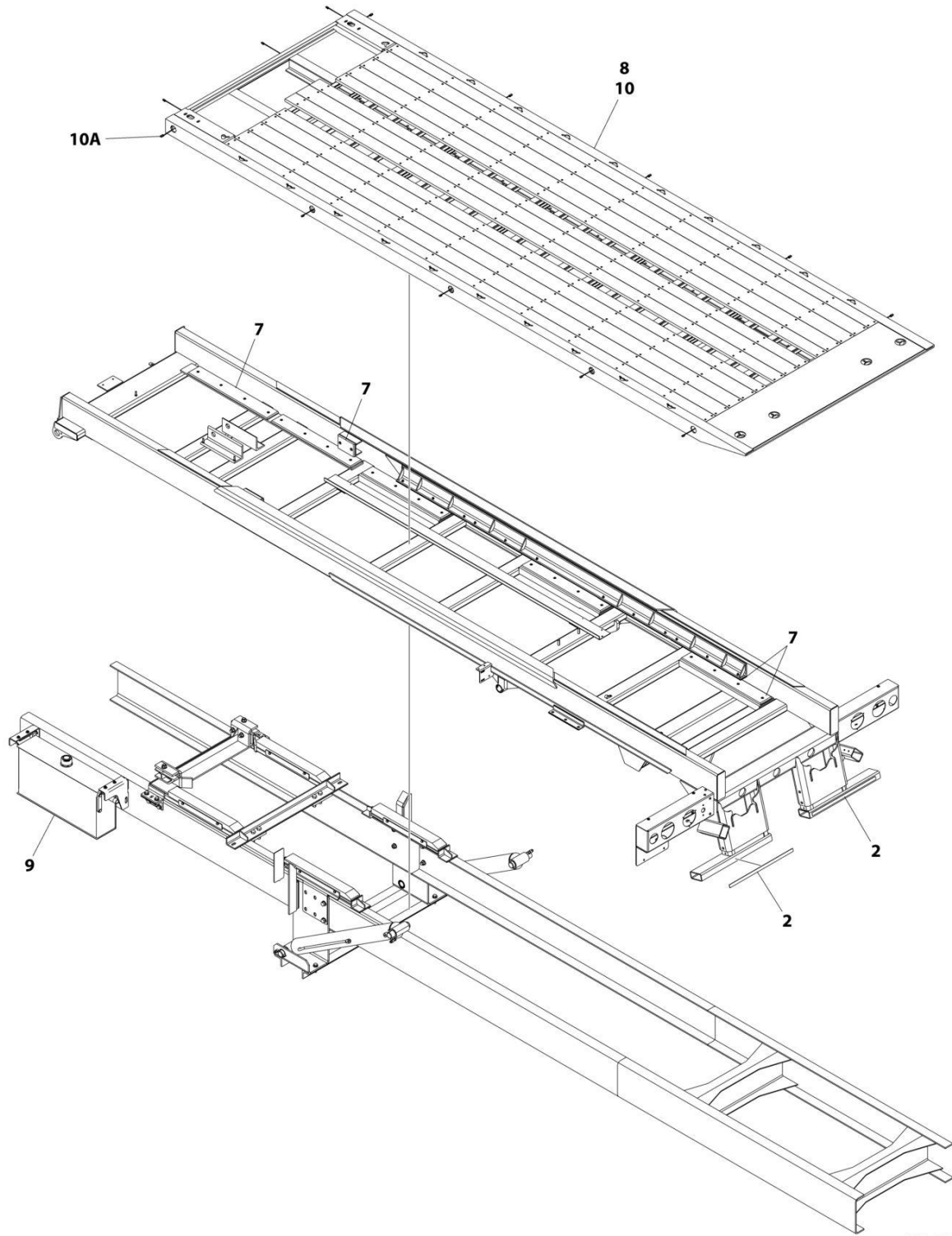
SECTION 3 - DECK

FIGURE 3-15. DECK MODEL - STEEL 30FT X 96IN (15 TON)

ITEM	PART NUMBER	QTY	DESCRIPTION	REV
	1001132310	Ref	DECK INSTALLATION (15 TON - 30FT X 96IN)	B
1	2330000045	1	Heavy Duty Decals Installation (Not Shown - See Separate Breakdown in DECAL Section)	
2	2330000055	Ref	Conspicuity Decal Installation	
2	7330000428	2	Decal - Red/White Reflective	
5	2570000117	1	Heavy Duty Hose Installation (Not Shown - See Separate Breakdown in HYDRAULIC Section)	
9	2679000008	1	Main Subframe Pad Installation (See Separate Breakdown in SUBFRAME Section)	
10	2706000047	1	Plate Installation, Center Beam	
11	2750000008	1	Hydraulic Reservoir and Bracket Mount (See Separate Breakdown in HYDRAULIC Section)	
12	3097000358	1	Deck Installation	
12A	7552000212	1	Deck Light Harness (See Separate Breakdown in ELECTRICAL Section)	

SECTION 3 - DECK

FIGURE 3-16. DECK MODEL - STEEL 30FT X 102IN (15 TON)



ART_1001135070

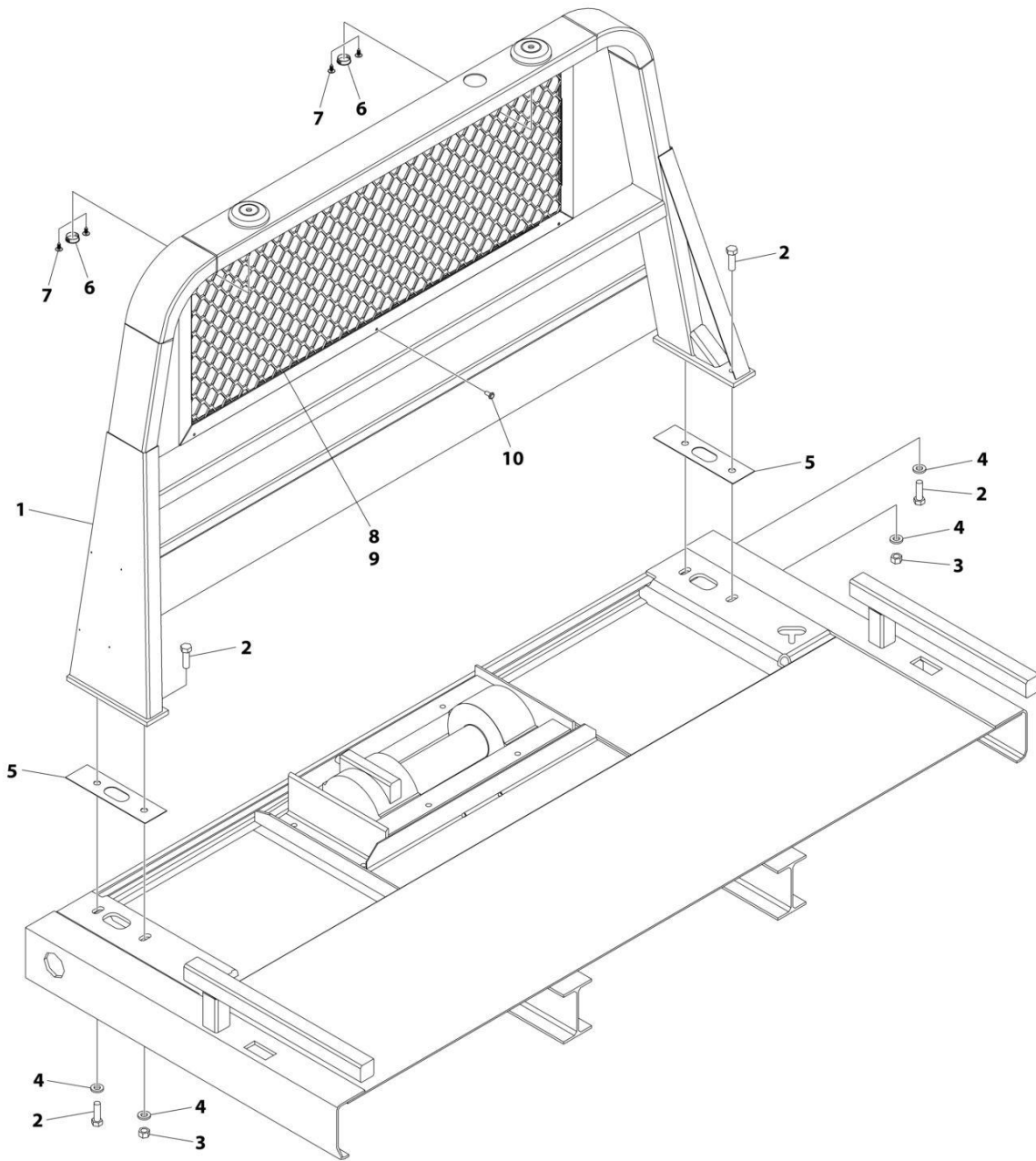
SECTION 3 - DECK

FIGURE 3-16. DECK MODEL - STEEL 30FT X 102IN (15 TON)

ITEM	PART NUMBER	QTY	DESCRIPTION	REV
	1001135070	Ref	DECK INSTALLATION (15 TON - 30FT X 102IN)	B
1	2330000045	1	Heavy Duty Decals Installation (Not Shown - See Separate Breakdown in DECAL Section)	
2	2330000055	Ref	Conspicuity Decal Installation	
2	7330000428	2	Decal - Red/White Reflective	
4	2570000117	1	Heavy Duty Hose Installation (Not Shown - See Separate Breakdown in HYDRAULIC Section)	
7	2679000008	1	Main Subframe Pad Installation (See Separate Breakdown in SUBFRAME Section)	
8	2706000047	1	Plate Installation, Center Beam	
9	2750000008	1	Hydraulic Reservoir and Bracket Mount (See Separate Breakdown in HYDRAULIC Section)	
10	3097000361	1	Deck Installation	
10A	7552000212	1	Deck Light Harness (See Separate Breakdown in ELECTRICAL Section)	

SECTION 3 - DECK

FIGURE 3-17. HEADBOARD INSTALLATION (45.5IN DELUXE) (SN 0220005217 through 0220012838)



ART_1001129120

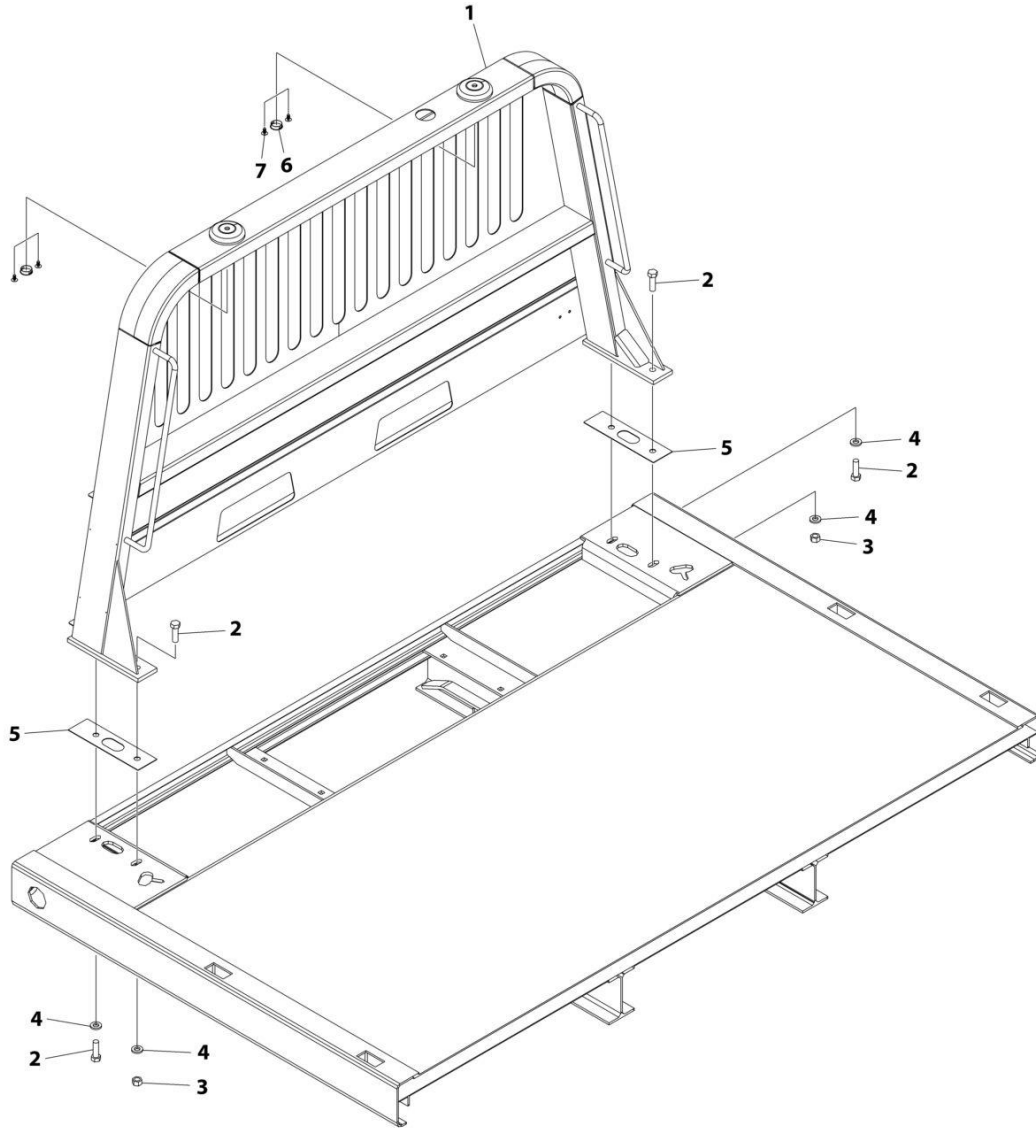
SECTION 3 - DECK

FIGURE 3-17. HEADBOARD INSTALLATION (45.5IN DELUXE) (SN 0220005217 through 0220012838)

ITEM	PART NUMBER	QTY	DESCRIPTION	REV
	1001129120	Ref	HEADBOARD INSTALLATION (45.5IN DELUXE)	B
1	1001129159	1	Headboard Weldment	
2	7105201650	4	Bolt 5/8 x 2	
3	7660200035	2	Nut M16	
4	7950200152	4	Washer 5/8	
5	4796000037	2	Gasket	
6	7701000049	2	Plug	
7	7413000013	4	Push-In Fastener	
8	3391000021	1	Screen Weld	
9	4796000003	1	Gasket	
10	7759000015	6	Rivet	

SECTION 3 - DECK

FIGURE 3-18. HEADBOARD INSTALLATION (45.5IN DELUXE) (SN 0220024527 to Present)



ART_1001129114

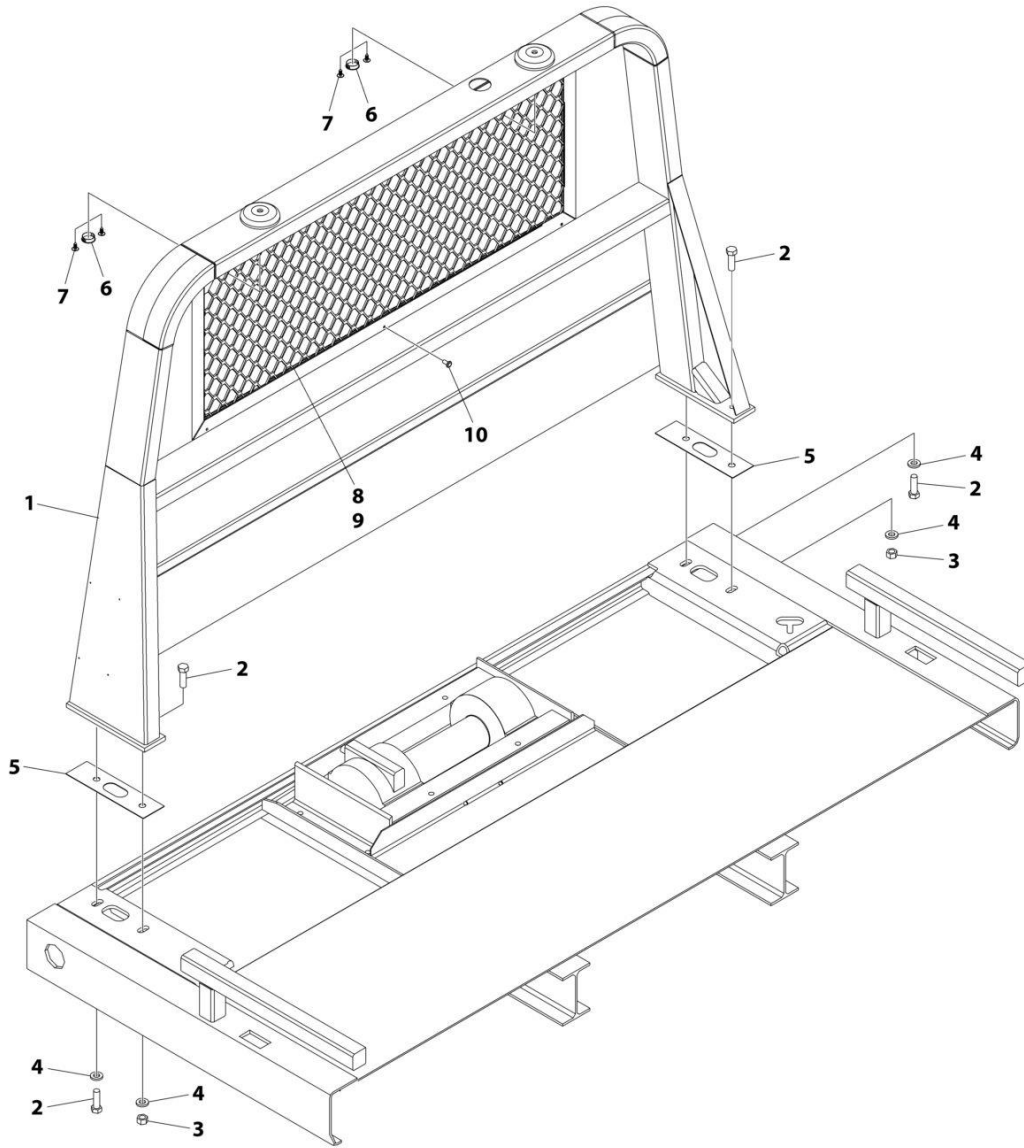
SECTION 3 - DECK

FIGURE 3-18. HEADBOARD INSTALLATION (45.5IN DELUXE) (SN 0220024527 to Present)

ITEM	PART NUMBER	QTY	DESCRIPTION	REV
	1001129114	Ref	BUMPER HEADBOARD 45.50IN DELUXE	B
1	1001223267	1	Headboard Weldment	
2	0652016	4	Bolt 5/8 x 2	
3	7660200035	2	Nut 5/8	
4	4712000	4	Washer 5/8	
5	4796000037	2	Gasket	
6	7701000049	2	Plug	
7	7413000013	4	Push-In Fastener	

SECTION 3 - DECK

FIGURE 3-19. HEADBOARD INSTALLATION (50.5IN DELUXE) (SN 0220005217 through 0220012838)



ART_1001129122

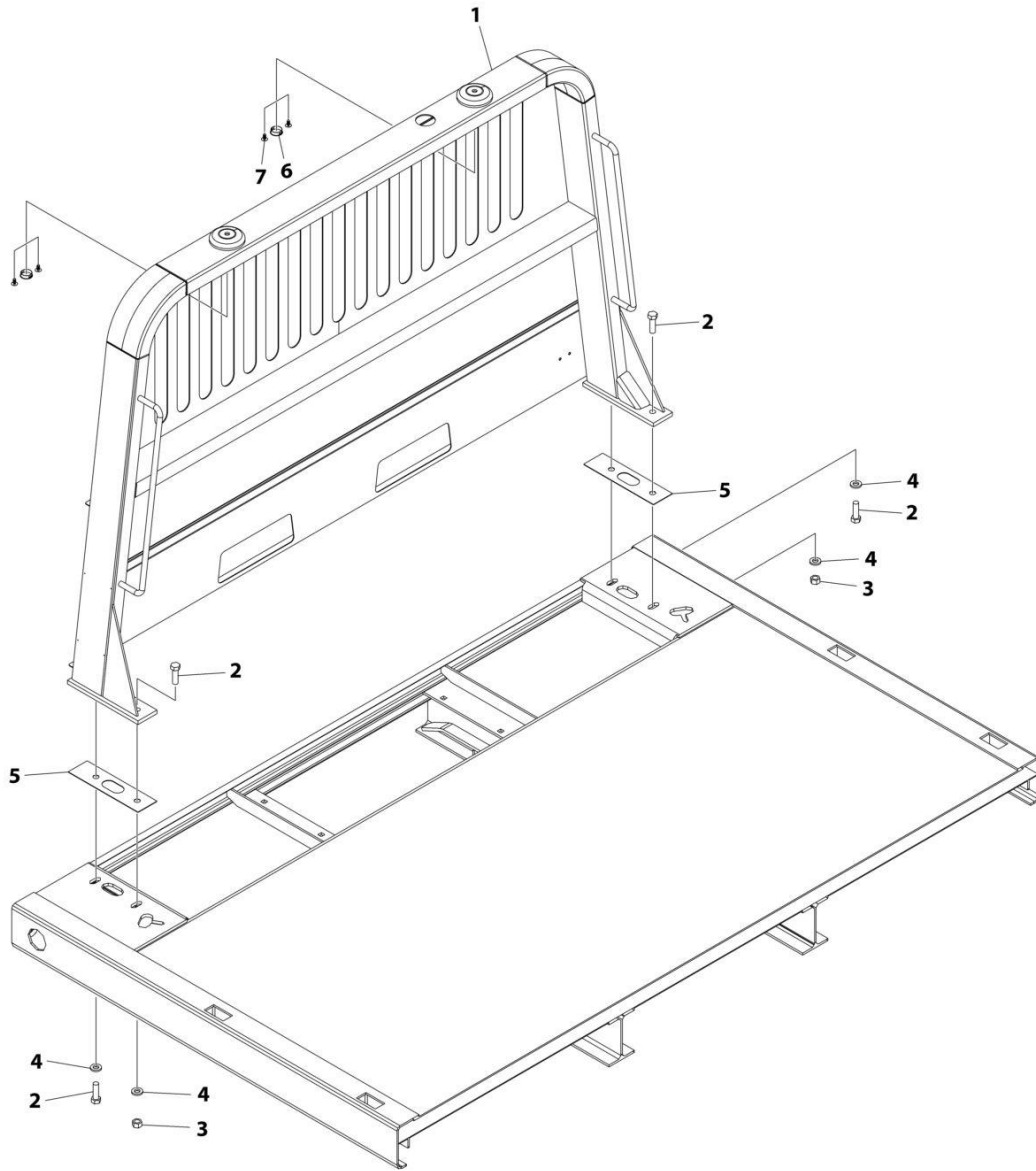
SECTION 3 - DECK

FIGURE 3-19. HEADBOARD INSTALLATION (50.5IN DELUXE) (SN 0220005217 through 0220012838)

ITEM	PART NUMBER	QTY	DESCRIPTION	REV
	1001129122	Ref	HEADBOARD INSTALLATION (50.5IN DELUXE)	B
1	1001129161	1	Headboard Weldment	
2	7105201650	4	Bolt 5/8 x 2	
3	7660200035	2	Nut M16	
4	7950200152	4	Washer 5/8	
5	4796000037	2	Gasket	
6	7701000049	2	Plug	
7	7413000013	4	Push-In Fastener	
8	3391000017	1	Screen Weld	
9	4796000003	1	Gasket	
10	7759000015	6	Rivet	

SECTION 3 - DECK

FIGURE 3-20. HEADBOARD INSTALLATION (50.5IN DELUXE) (SN 0220024527 to Present)



ART_1001129116

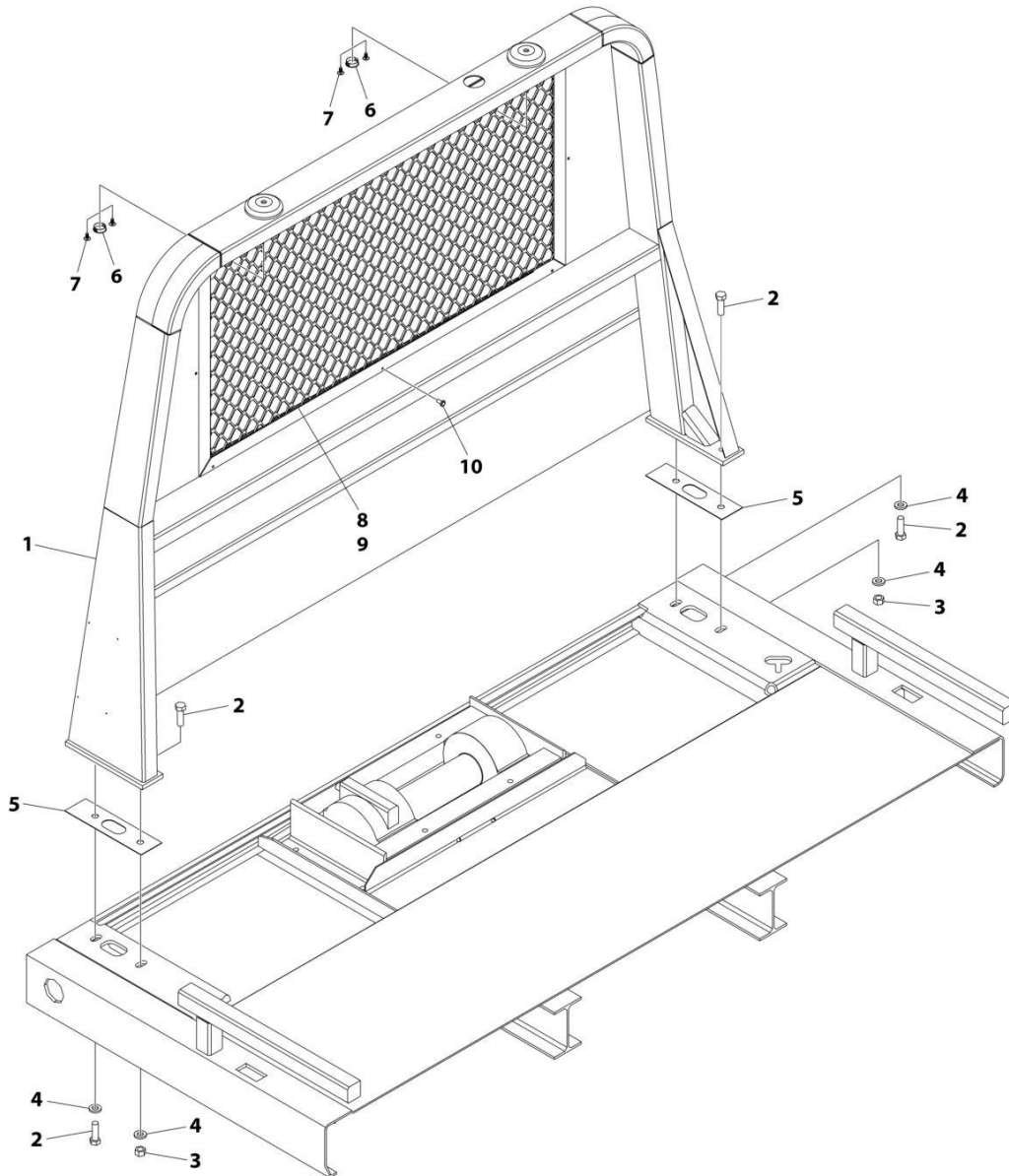
SECTION 3 - DECK

FIGURE 3-20. HEADBOARD INSTALLATION (50.5IN DELUXE) (SN 0220024527 to Present)

ITEM	PART NUMBER	QTY	DESCRIPTION	REV
	1001129116	Ref	BUMPER HEADBOARD 50.50IN DELUXE	B
1	1001223268	1	Headboard Weldment	
2	0652016	4	Bolt 5/8 x 2	
3	7660200035	2	Nut 5/8	
4	4712000	4	Washer 5/8	
5	4796000037	2	Gasket	
6	7701000049	2	Plug	
7	7413000013	4	Push-In Fastener	

SECTION 3 - DECK

FIGURE 3-21. HEADBOARD INSTALLATION (57.5IN DELUXE) (SN 0220005217 through 0220012838)



ART_1001129124

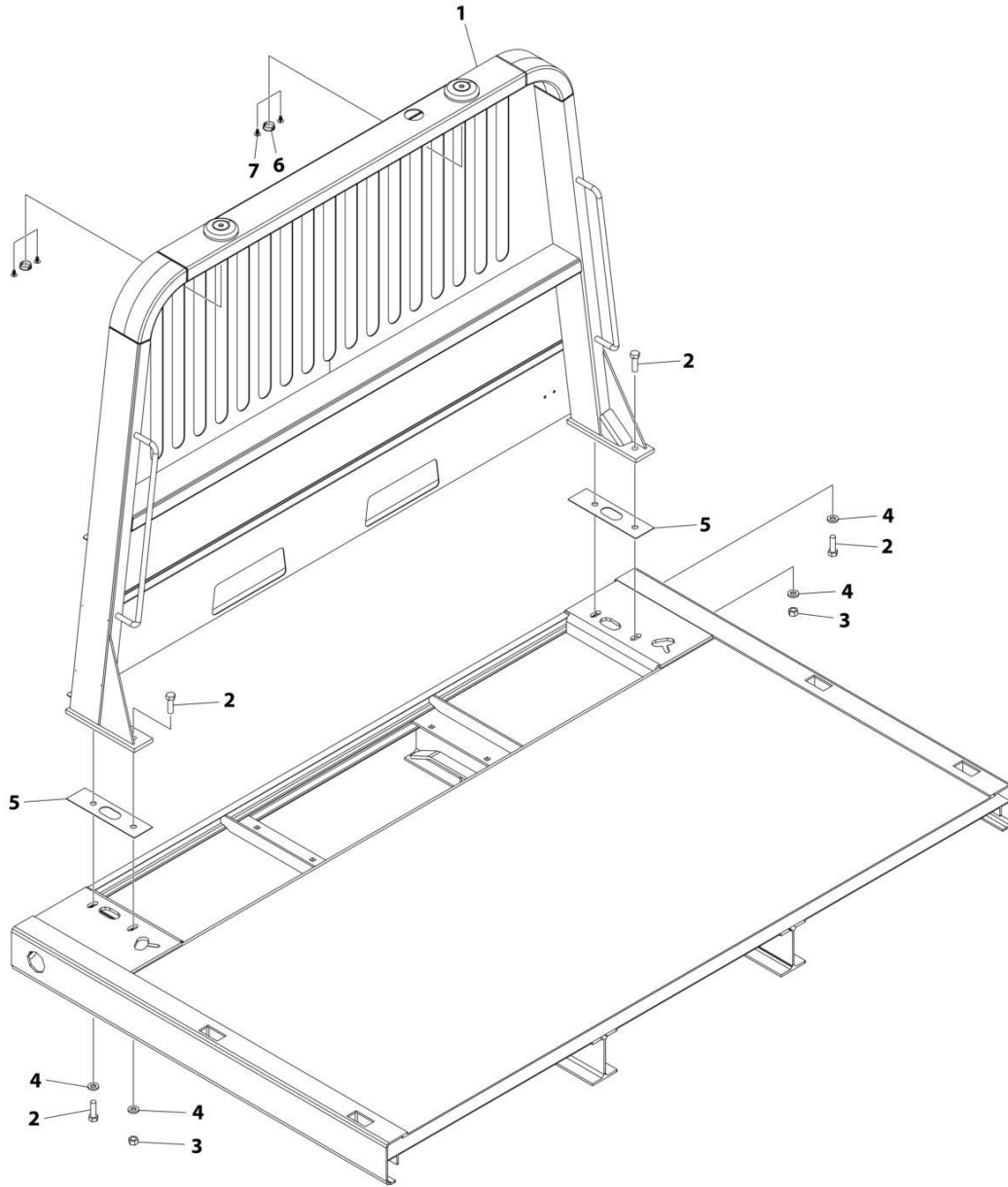
SECTION 3 - DECK

FIGURE 3-21. HEADBOARD INSTALLATION (57.5IN DELUXE) (SN 0220005217 through 0220012838)

ITEM	PART NUMBER	QTY	DESCRIPTION	REV
	1001129124	Ref	HEADBOARD INSTALLATION (57.5IN DELUXE)	B
1	1001129163	1	Headboard Weldment	
2	7105201650	4	Bolt 5/8 x 2	
3	7660200035	2	Nut M16	
4	7950200152	4	Washer 5/8	
5	4796000037	2	Gasket	
6	7701000049	2	Plug	
7	7413000013	4	Push-In Fastener	
8	3391000022	1	Screen Weld	
9	4796000003	1	Gasket	
10	7759000015	8	Rivet	

SECTION 3 - DECK

FIGURE 3-22. HEADBOARD INSTALLATION (57.5IN DELUXE) (SN 0220024527 to Present)



ART_1001129118

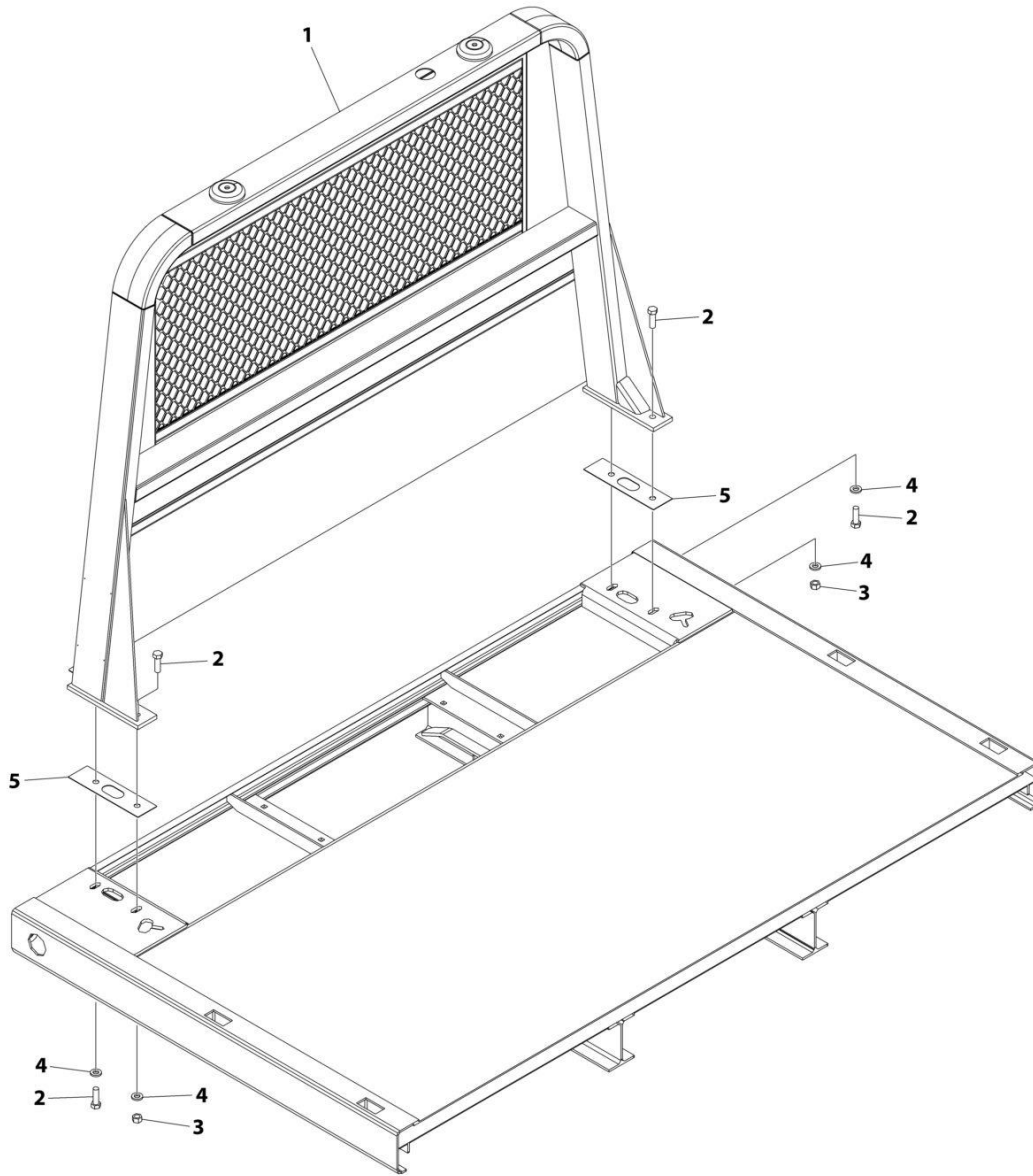
SECTION 3 - DECK

FIGURE 3-22. HEADBOARD INSTALLATION (57.5IN DELUXE) (SN 0220024527 to Present)

ITEM	PART NUMBER	QTY	DESCRIPTION	REV
	1001129118	Ref	BUMPER HEADBOARD 57.50IN DELUXE	B
1	1001223269	1	Headboard Weldment	
2	0652016	4	Bolt 5/8 x 2	
3	7660200035	2	Nut 5/8	
4	4712000	4	Washer 5/8	
5	4796000037	2	Gasket	
6	7701000049	2	Plug	
7	7413000013	4	Push-In Fastener	

SECTION 3 - DECK

FIGURE 3-23. HEADBOARD INSTALLATION (57.5IN DELUXE) (GSA)



ART_2241000142

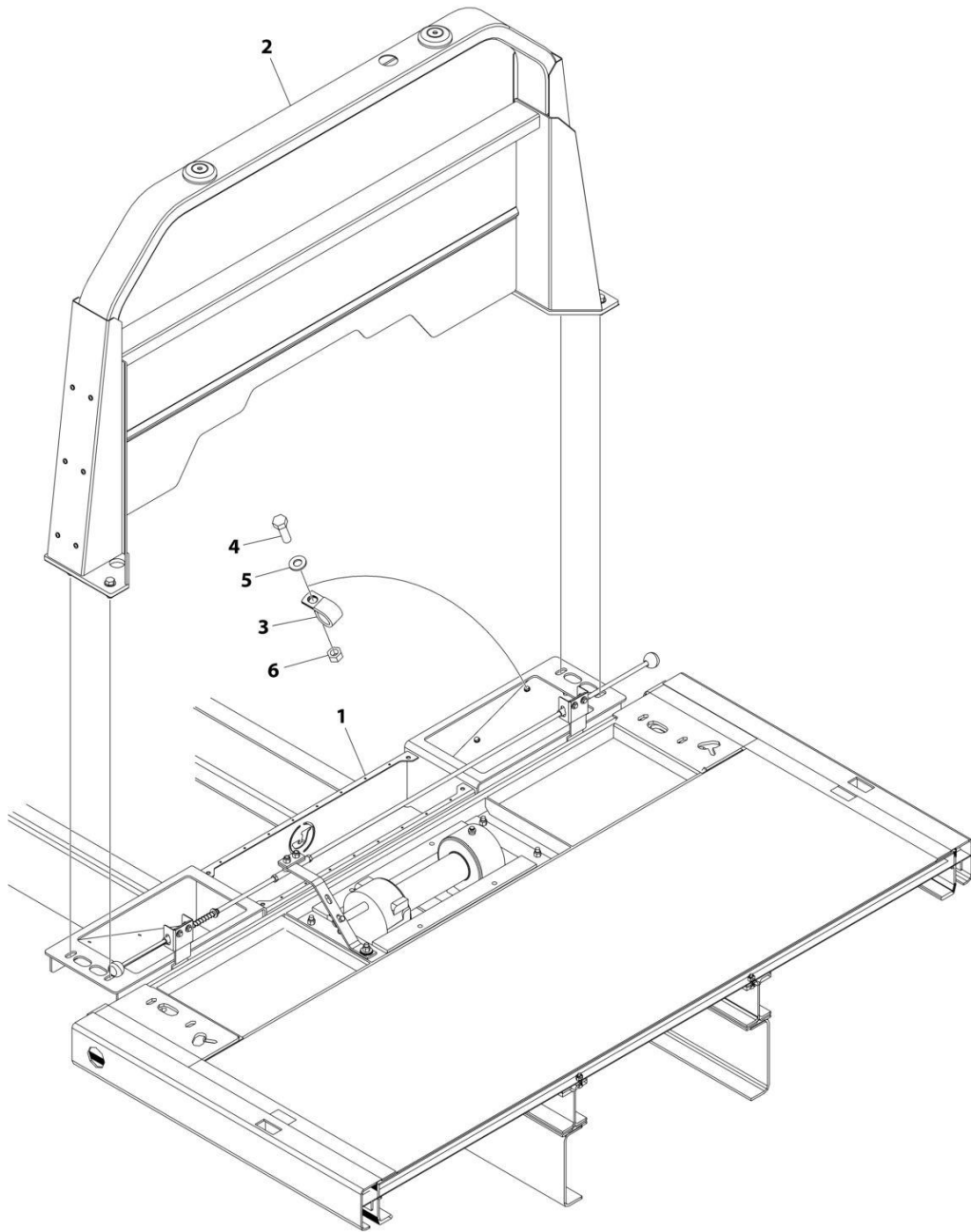
SECTION 3 - DECK

FIGURE 3-23. HEADBOARD INSTALLATION (57.5IN DELUXE) (GSA)

ITEM	PART NUMBER	QTY	DESCRIPTION	REV
	2241000142	Ref	HEADBOARD INSTALLATION (57.50IN DELUXE) (GSA)	B
1	3241000262	1	Headboard Deluxe	
2	7105201650	4	Bolt 5/8 x 2	
3	7660200035	2	Nut 5/8	
4	7950200152	4	Washer 5/8	
5	4796000037	2	Gasket	

SECTION 3 - DECK

FIGURE 3-24. HEADBOARD INSTALLATION STATIONARY ADJUSTABLE 8.88IN (SN 0220024527 to Present)



ART_1001226004

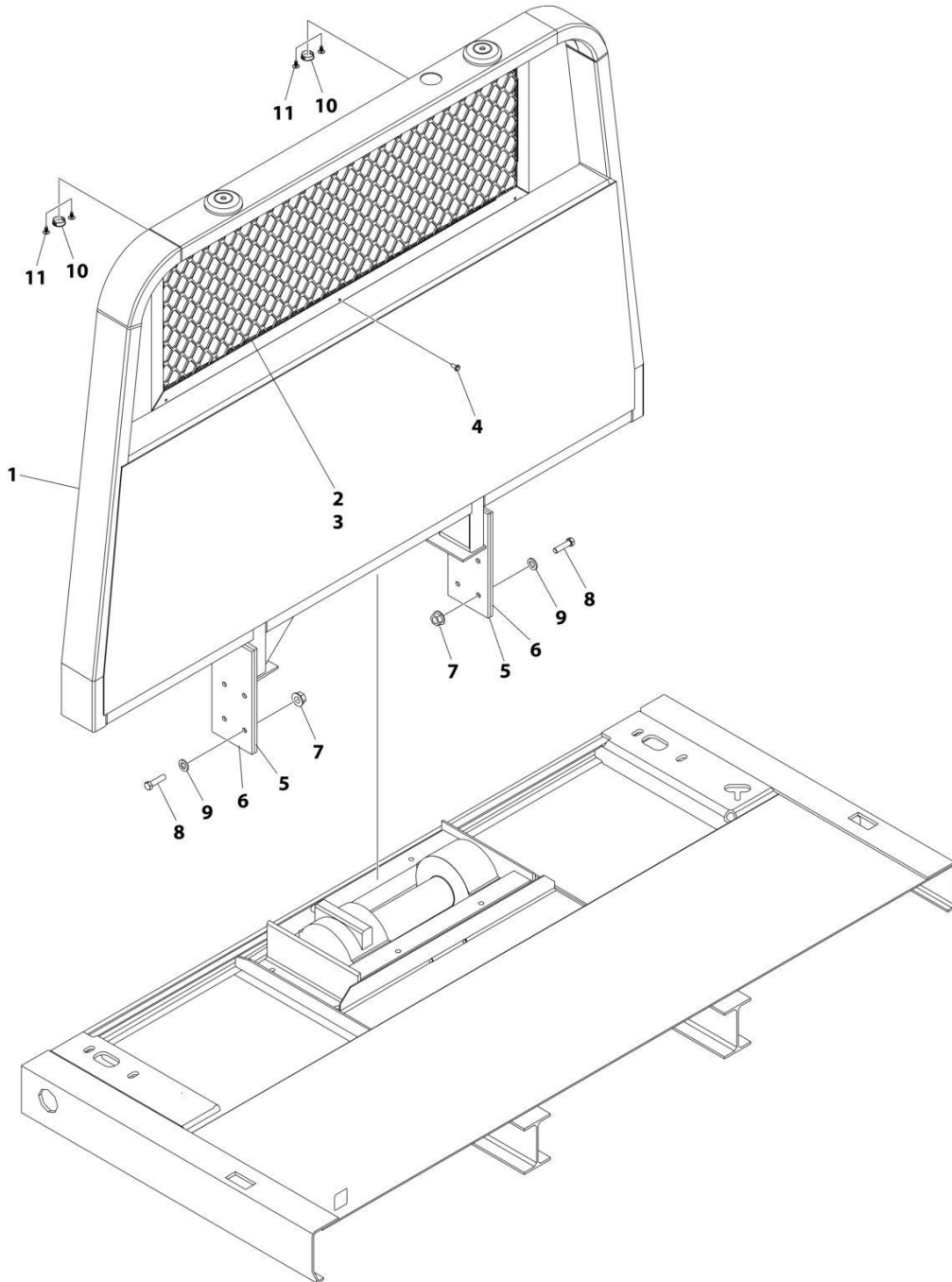
SECTION 3 - DECK

FIGURE 3-24. HEADBOARD INSTALLATION STATIONARY ADJUSTABLE 8.88IN (SN 0220024527 to Present)

ITEM	PART NUMBER	QTY	DESCRIPTION	REV
	1001226004	Ref	STATIONARY ADJUSTABLE HEADBOARD 8.88IN	B
1	1001225870	1	Headboard Base Installation (See Separate Breakdown in this Section)	
2	1001189544	1	Headboard Installation (See Separate Breakdown in this Section)	
3	7274000063	3	Clamp	
4	0641508	3	Bolt 5/16 x 1	
5	4711500	3	Washer 5/16	
6	3311505	3	Nut 5/16	

SECTION 3 - DECK

FIGURE 3-25. HEADBOARD INSTALLATION STATIONARY ADJUSTABLE (SPECIAL PAINT) 8.88IN
(SN 0220005217 through 0220012838)



ART_1001129126

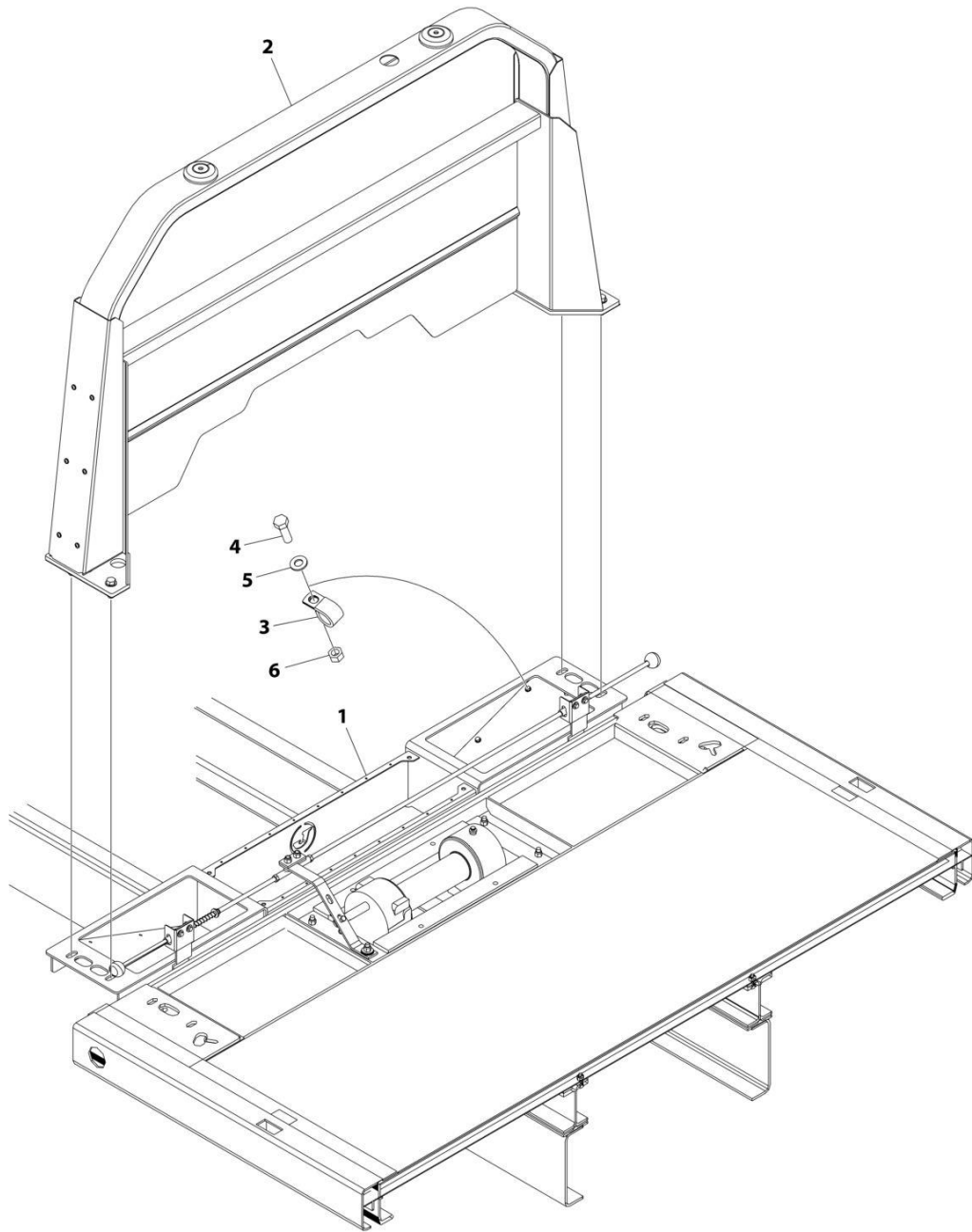
SECTION 3 - DECK

**FIGURE 3-25. HEADBOARD INSTALLATION STATIONARY ADJUSTABLE (SPECIAL PAINT) 8.88IN
(SN 0220005217 through 0220012838)**

ITEM	PART NUMBER	QTY	DESCRIPTION	REV
	1001129126	Ref	HEADBOARD INSTALLATION (57IN DELUXE)	B
1	1001129165	1	Headboard Weldment	
2	3391000014	1	Screen Weld	
3	4796000003	1	Gasket	
4	7759000015	6	Rivet	
5	4705000607	2	Plate	
6	4705000608	2	Plate	
7	7660182333	8	Nut 1/2	
8	7105181650	8	Bolt 1/2 x 2	
9	7950180153	8	Washer 1/2	
10	7701000049	2	Plug	
11	7413000013	4	Push-In Fastener	

SECTION 3 - DECK

FIGURE 3-26. HEADBOARD INSTALLATION STATIONARY ADJUSTABLE (SPECIAL PAINT) 8.88IN
(SN 0220013300 to Present)



ART_1001226005

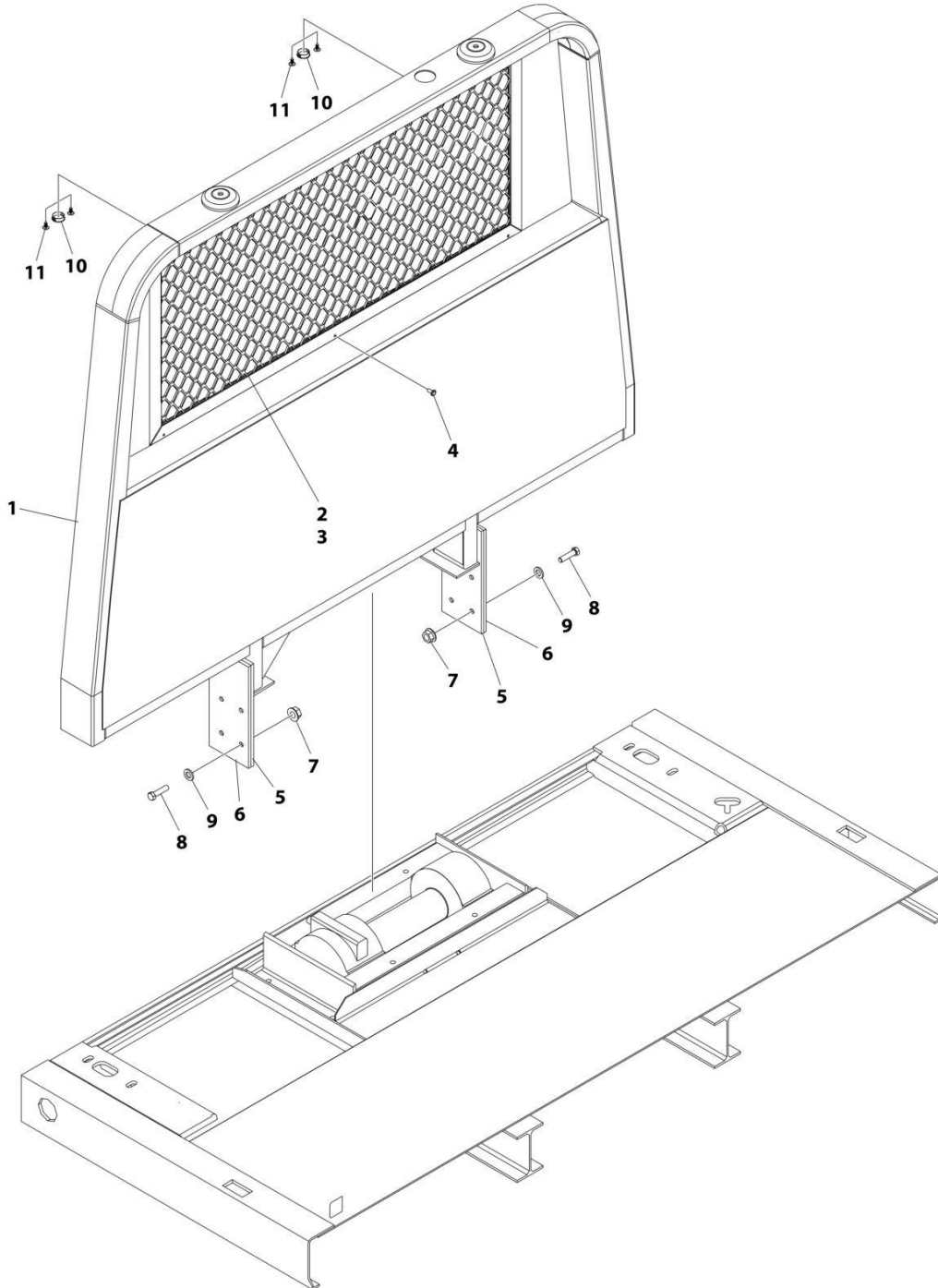
SECTION 3 - DECK

**FIGURE 3-26. HEADBOARD INSTALLATION STATIONARY ADJUSTABLE (SPECIAL PAINT) 8.88IN
(SN 0220013300 to Present)**

ITEM	PART NUMBER	QTY	DESCRIPTION	REV
	1001226005	Ref	STATIONARY ADJUSTABLE HEADBOARD 8.88IN SPECIAL PAINT	B
1	1001225870	1	Headboard Base Installation (See Separate Breakdown in this Section)	
2	1001203834	1	Headboard Installation (See Separate Breakdown in this Section)	
3	7274000063	3	Clamp	
4	0641508	3	Bolt 5/16 x 1	
5	4711500	3	Washer 5/16	
6	3311505	3	Nut 5/16	

SECTION 3 - DECK

FIGURE 3-27. HEADBOARD INSTALLATION STATIONARY 62IN (SN 0220005217 through 0220012838)



ART_1001129128

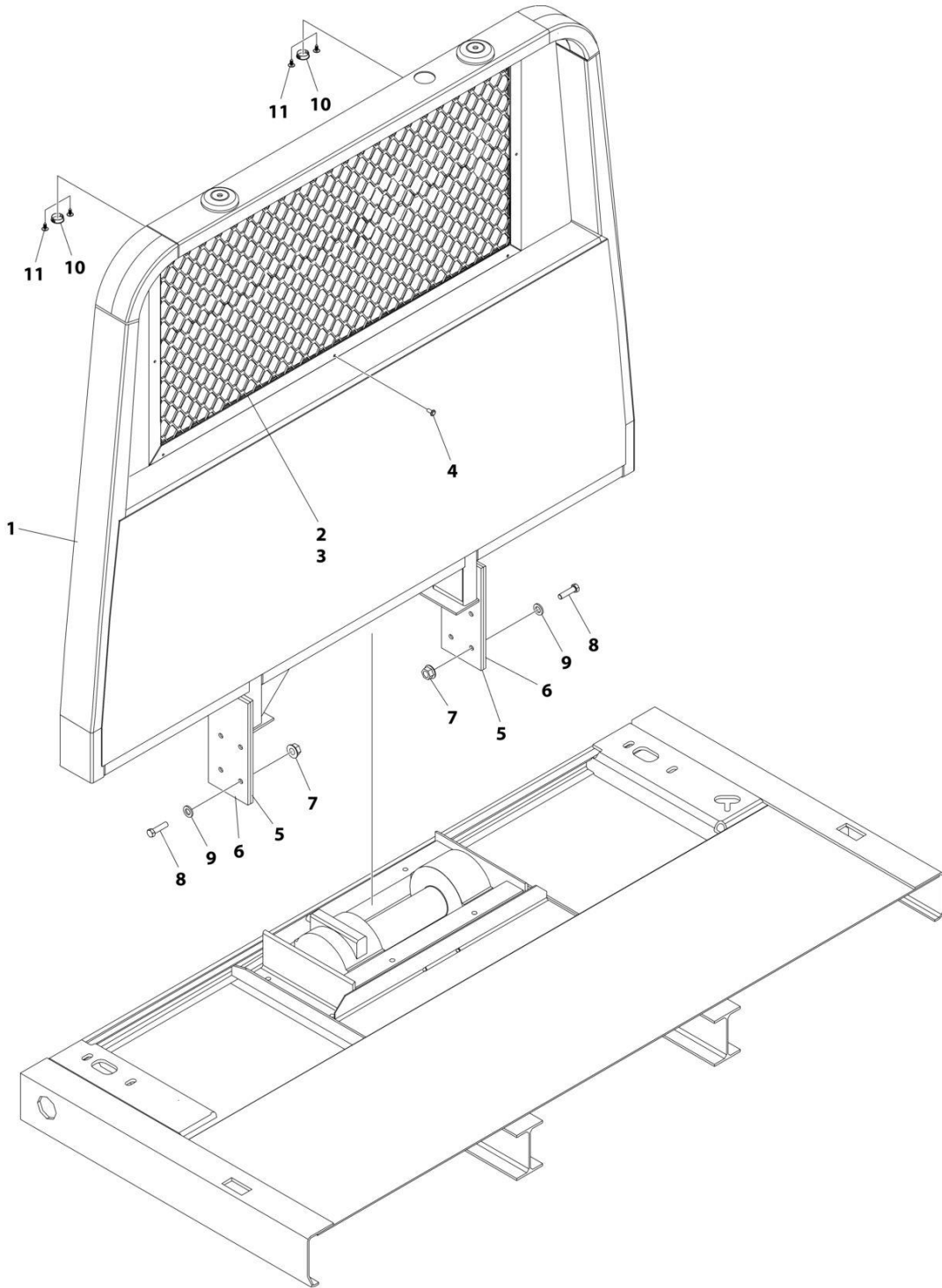
SECTION 3 - DECK

FIGURE 3-27. HEADBOARD INSTALLATION STATIONARY 62IN (SN 0220005217 through 0220012838)

ITEM	PART NUMBER	QTY	DESCRIPTION	REV
	1001129128	Ref	HEADBOARD INSTALLATION (62IN DELUXE)	B
1	1001129167	1	Headboard Weldment	
2	3391000017	1	Screen Weld	
3	4796000003	1	Gasket	
4	7759000015	6	Rivet	
5	4705000607	2	Plate	
6	4705000608	2	Plate	
7	7660182333	8	Nut 1/2	
8	7105181650	8	Bolt 1/2 x 2	
9	7950180153	8	Washer 1/2	
10	7701000049	2	Plug	
11	7413000013	4	Push-In Fastener	

SECTION 3 - DECK

FIGURE 3-28. HEADBOARD INSTALLATION STATIONARY 69IN (SN 0220005217 through 0220012838)



ART_1001129130

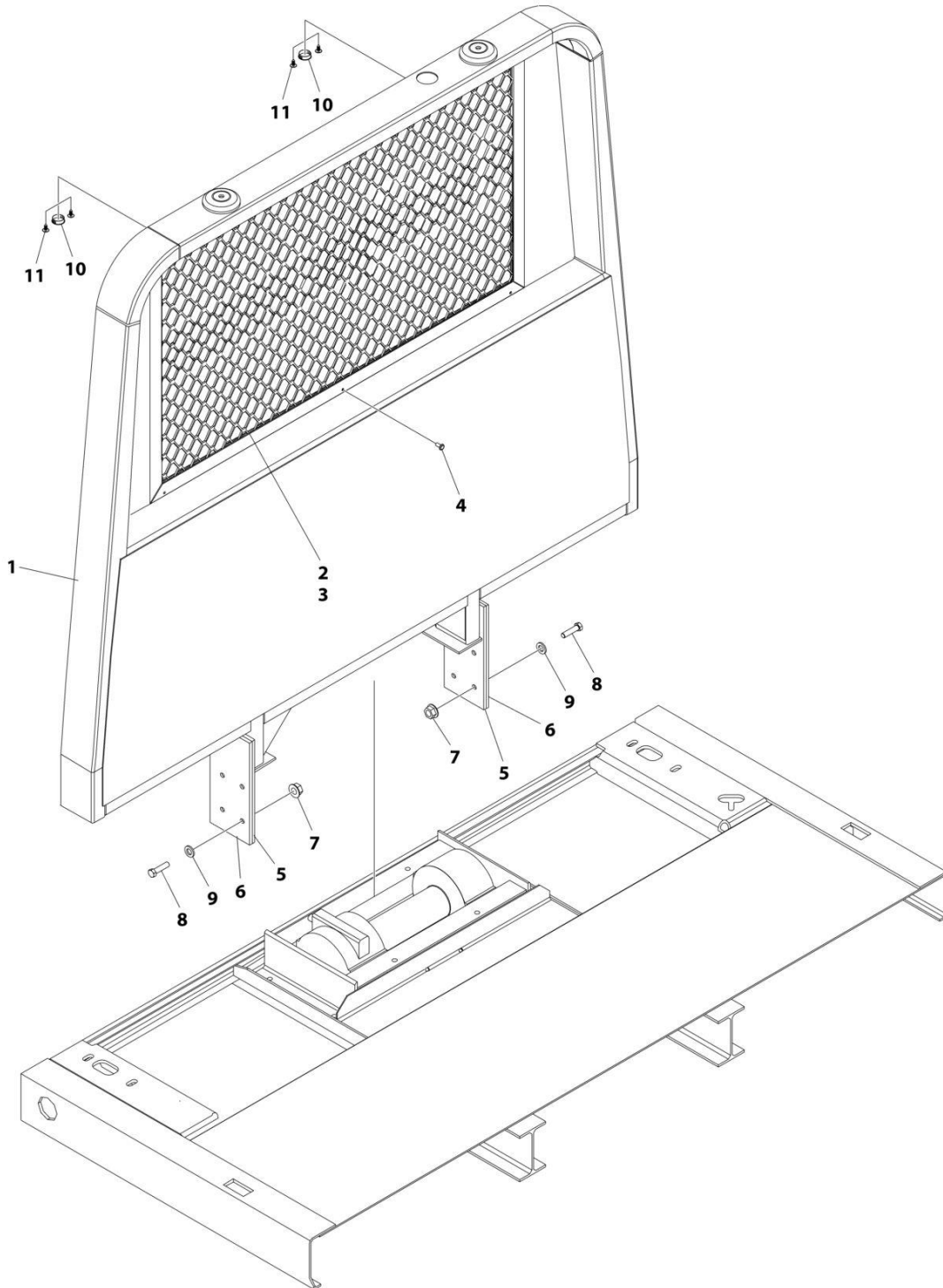
SECTION 3 - DECK

FIGURE 3-28. HEADBOARD INSTALLATION STATIONARY 69IN (SN 0220005217 through 0220012838)

ITEM	PART NUMBER	QTY	DESCRIPTION	REV
	1001129130	Ref	HEADBOARD INSTALLATION (69IN DELUXE)	B
1	1001129169	1	Headboard Weldment	
2	3391000018	1	Screen Weld	
3	4796000003	1	Gasket	
4	7759000015	4	Rivet	
5	4705000607	2	Plate	
6	4705000608	2	Plate	
7	7660182333	8	Nut 1/2	
8	7105181650	8	Bolt 1/2 x 2	
9	7950180153	8	Washer 1/2	
10	7701000049	2	Plug	
11	7413000013	4	Push-In Fastener	

SECTION 3 - DECK

FIGURE 3-29. HEADBOARD INSTALLATION STATIONARY 73IN (SN 0220005217 through 0220012838)



ART_1001138439

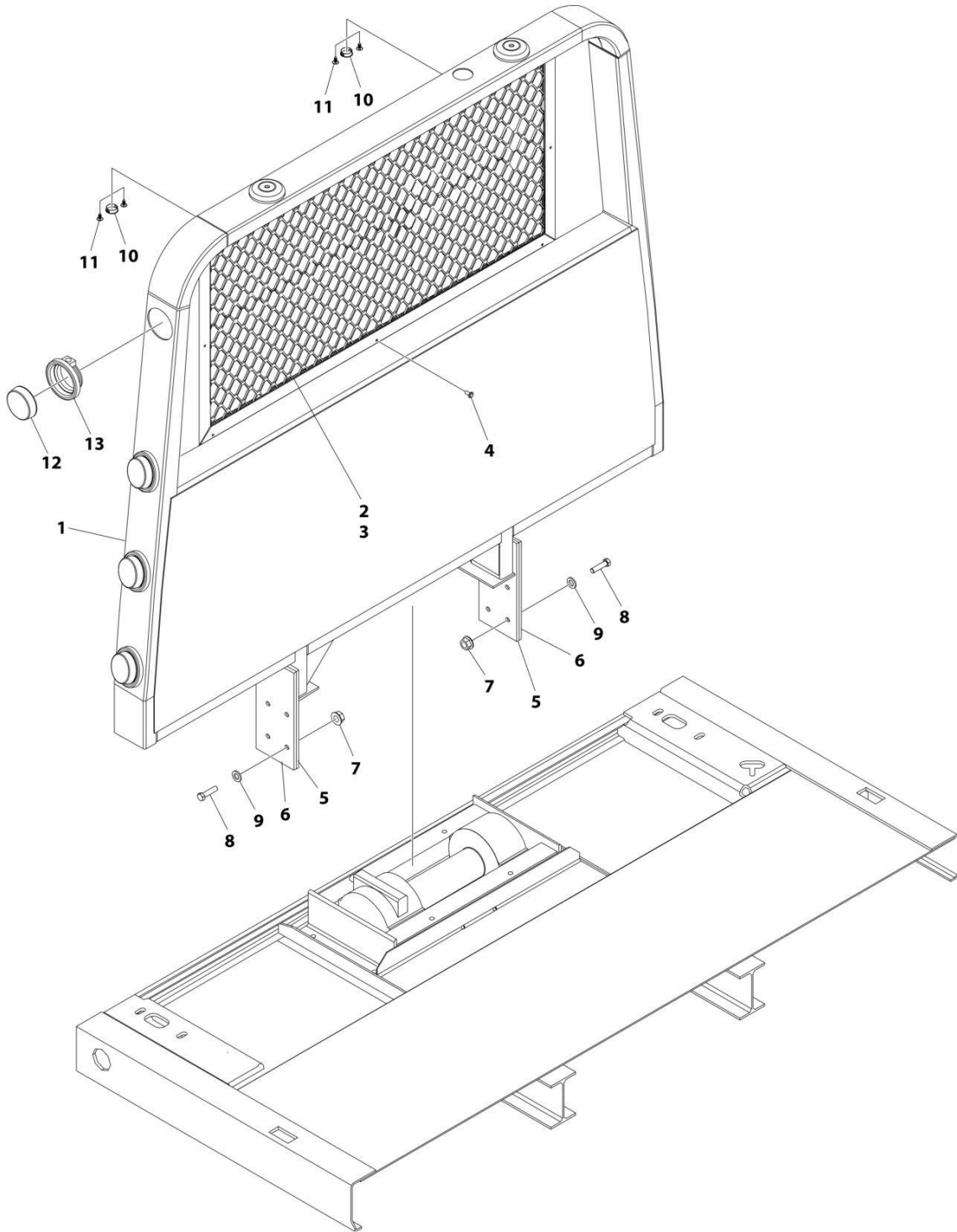
SECTION 3 - DECK

FIGURE 3-29. HEADBOARD INSTALLATION STATIONARY 73IN (SN 0220005217 through 0220012838)

ITEM	PART NUMBER	QTY	DESCRIPTION	REV
	1001138439	Ref	HEADBOARD INSTALLATION (73IN STATIONARY)	B
1	1001138438	1	Headboard Weldment	
2	3391000014	1	Screen Weld	
3	4796000003	1	Gasket	
4	7759000015	6	Rivet	
5	4705000607	2	Plate	
6	4705000608	2	Plate	
7	7660182333	8	Nut 1/2	
8	7105181650	8	Bolt 1/2 x 2	
9	7950180153	8	Washer 1/2	
10	7701000049	2	Plug	
11	7413000013	4	Push-In Fastener	

SECTION 3 - DECK

FIGURE 3-30. HEADBOARD INSTALLATION STATIONARY 69IN WITH LIGHTS (SN 0220005217 through 0220012838)



ART_1001133228

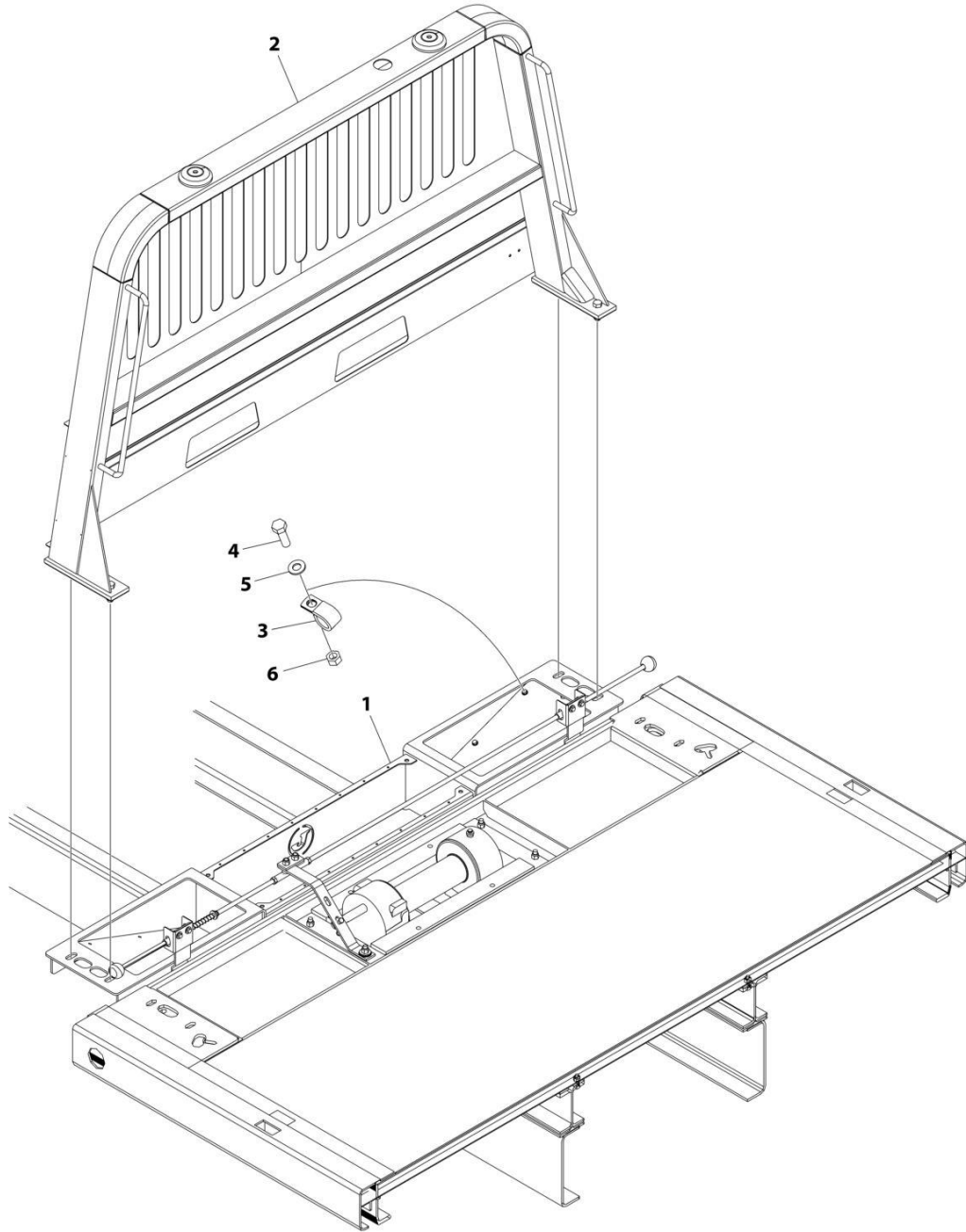
SECTION 3 - DECK

FIGURE 3-30. HEADBOARD INSTALLATION STATIONARY 69IN WITH LIGHTS (SN 0220005217 through 0220012838)

ITEM	PART NUMBER	QTY	DESCRIPTION	REV
	1001133228	Ref	HEADBOARD INSTALLATION (69IN STATIONARY WITH LIGHTS)	B
1	1001133225	1	Headboard Weldment	
2	3391000018	1	Screen Weld	
3	4796000003	1	Gasket	
4	7759000015	8	Rivet	
5	4705000607	2	Plate	
6	4705000608	2	Plate	
7	7660182333	8	Nut 1/2	
8	7105181650	8	Bolt 1/2 x 2	
9	7950180153	8	Washer 1/2	
10	7701000049	2	Plug	
11	7413000013	4	Push-In Fastener	
12	7590000342	8	Marker Light - Amber (LED)	
13	7493000009	8	Grommet	
14	1001133195	1	Lamp, Harness (Not Shown)	

SECTION 3 - DECK

FIGURE 3-31. HEADBOARD INSTALLATION STATIONARY (8.88IN + 45.5IN DELUXE) (SN 0220013300 to Present)



ART_1001226007

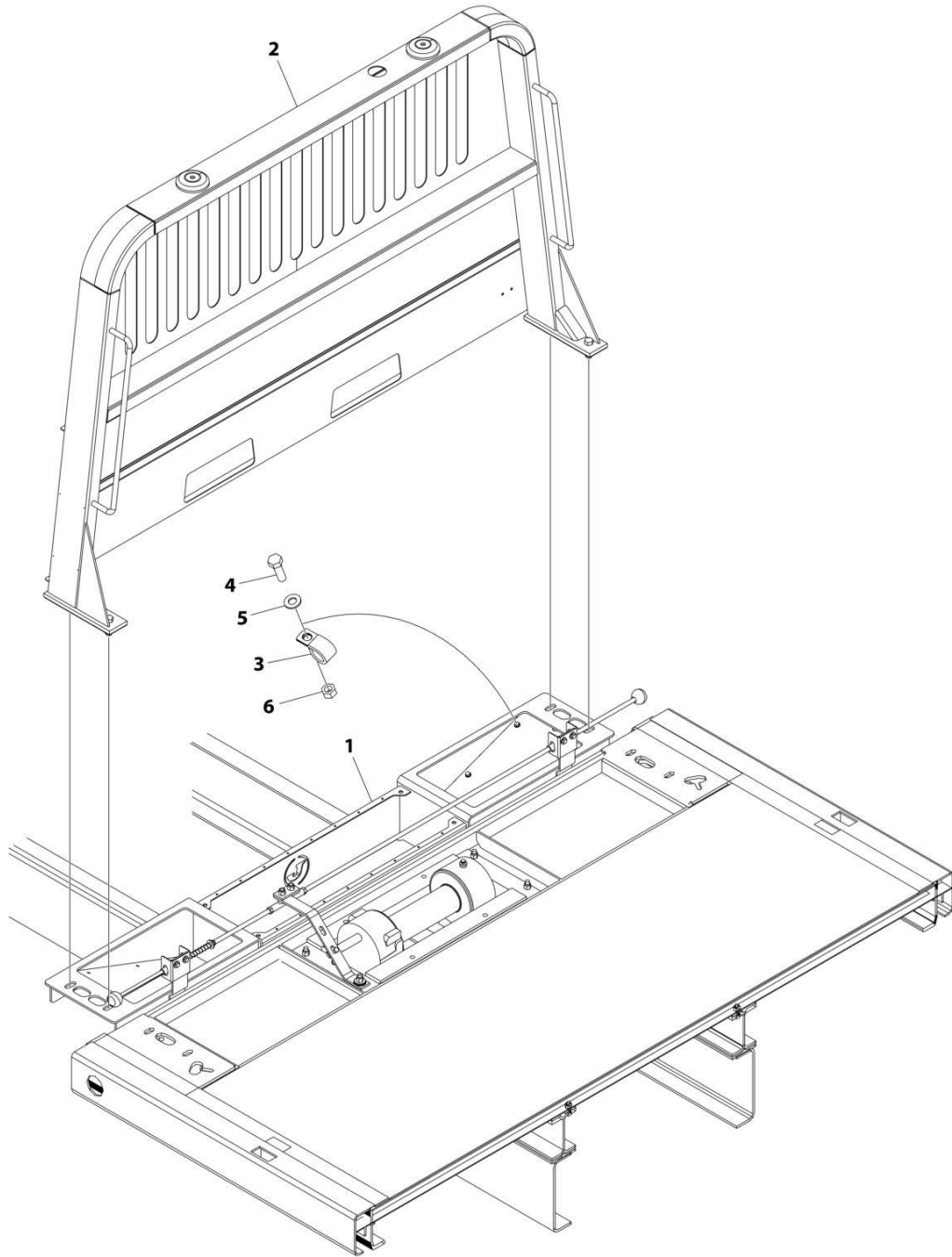
SECTION 3 - DECK

FIGURE 3-31. HEADBOARD INSTALLATION STATIONARY (8.88IN + 45.5IN DELUXE) (SN 0220013300 to Present)

ITEM	PART NUMBER	QTY	DESCRIPTION	REV
	1001226007	Ref	STATIONARY HEADBOARD 8.88 + 45.50IN DELUXE	B
1	1001225870	1	Headboard Base Installation (See Separate Breakdown in this Section)	
2	1001129114	1	Headboard Deluxe Installation (See Separate Breakdown in this Section)	
3	7274000063	3	Clamp	
4	0641508	3	Bolt 5/16 x 1	
5	4711500	3	Washer 5/16	
6	3311505	3	Nut 5/16	

SECTION 3 - DECK

FIGURE 3-32. HEADBOARD INSTALLATION STATIONARY (8.88IN + 50.5N DELUXE) (SN 0220013300 to Present)



ART_1001226008

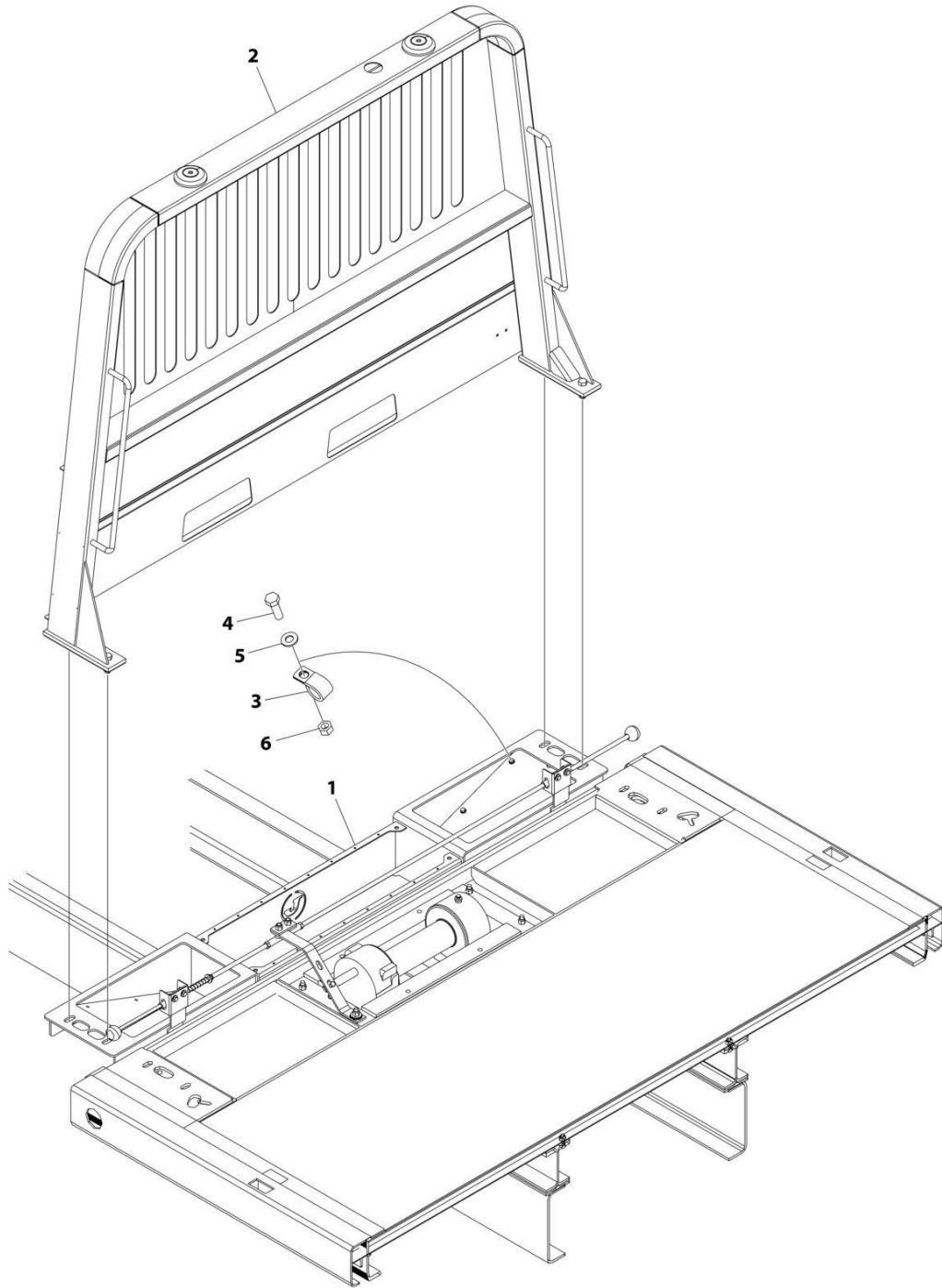
SECTION 3 - DECK

FIGURE 3-32. HEADBOARD INSTALLATION STATIONARY (8.88IN + 50.5N DELUXE) (SN 0220013300 to Present)

ITEM	PART NUMBER	QTY	DESCRIPTION	REV
	1001226008	Ref	STATIONARY HEADBOARD 8.88 + 50.50IN DELUXE	B
1	1001225870	1	Headboard Base Installation (See Separate Breakdown in this Section)	
2	1001129116	1	Headboard Deluxe Installation (See Separate Breakdown in this Section)	
3	7274000063	3	Clamp	
4	0641508	3	Bolt 5/16 x 1	
5	4711500	3	Washer 5/16	
6	3311505	3	Nut 5/16	

SECTION 3 - DECK

FIGURE 3-33. HEADBOARD INSTALLATION STATIONARY (8.88IN + 57.5N DELUXE) (SN 0220013300 to Present)



ART_1001226009

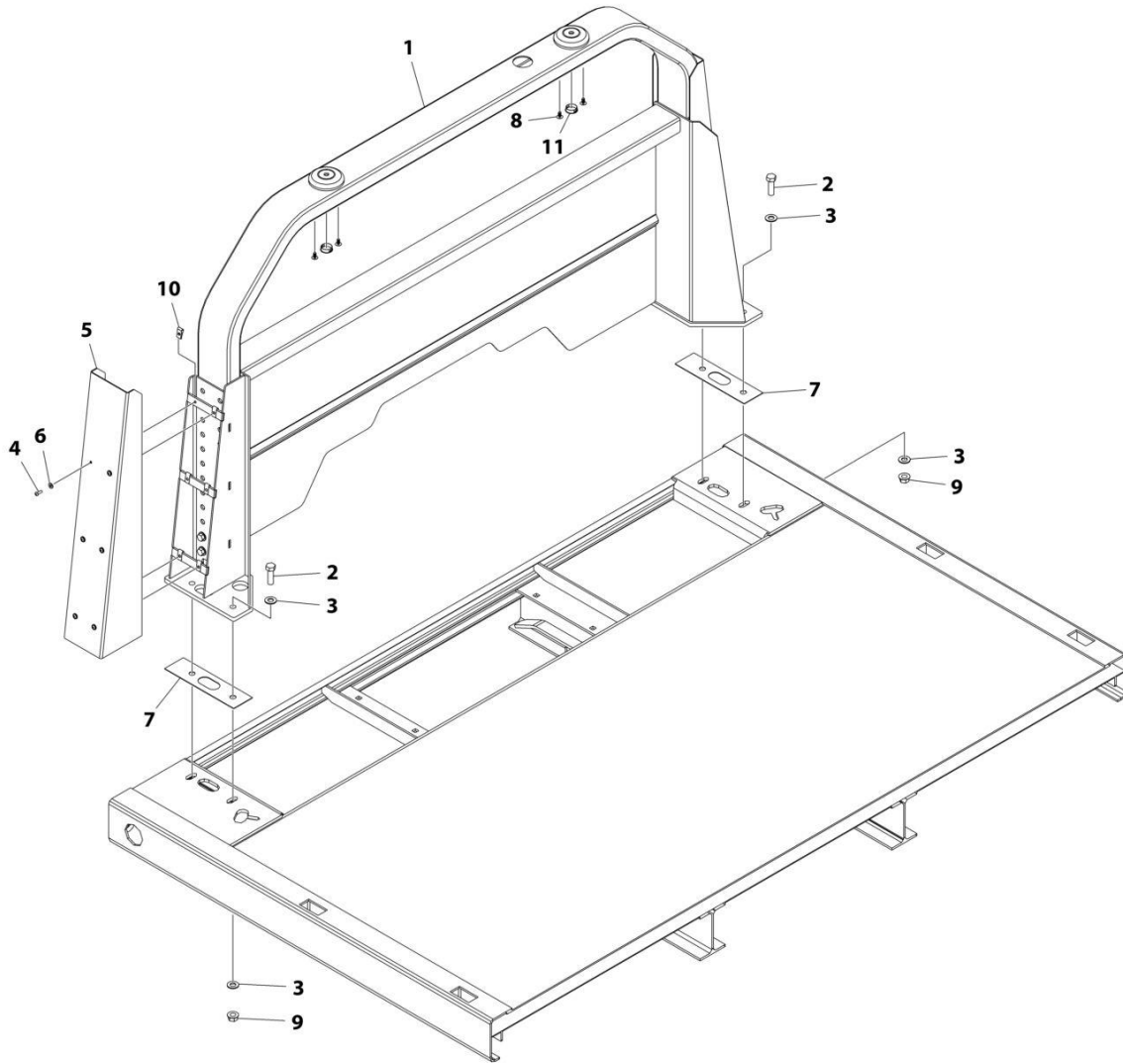
SECTION 3 - DECK

FIGURE 3-33. HEADBOARD INSTALLATION STATIONARY (8.88IN + 57.5N DELUXE) (SN 0220013300 to Present)

ITEM	PART NUMBER	QTY	DESCRIPTION	REV
	1001226009	Ref	STATIONARY HEADBOARD 8.88 + 57.50IN DELUXE	B
1	1001225870	1	Headboard Base Installation (See Separate Breakdown in this Section)	
2	1001129118	1	Headboard Deluxe Installation (See Separate Breakdown in this Section)	
3	7274000063	3	Clamp	
4	0641508	3	Bolt 5/16 x 1	
5	4711500	3	Washer 5/16	
6	3311505	3	Nut 5/16	

SECTION 3 - DECK

FIGURE 3-34. HEADBOARD INSTALLATION ADJUSTABLE (45.50 - 65.50IN)



ART_1001189544

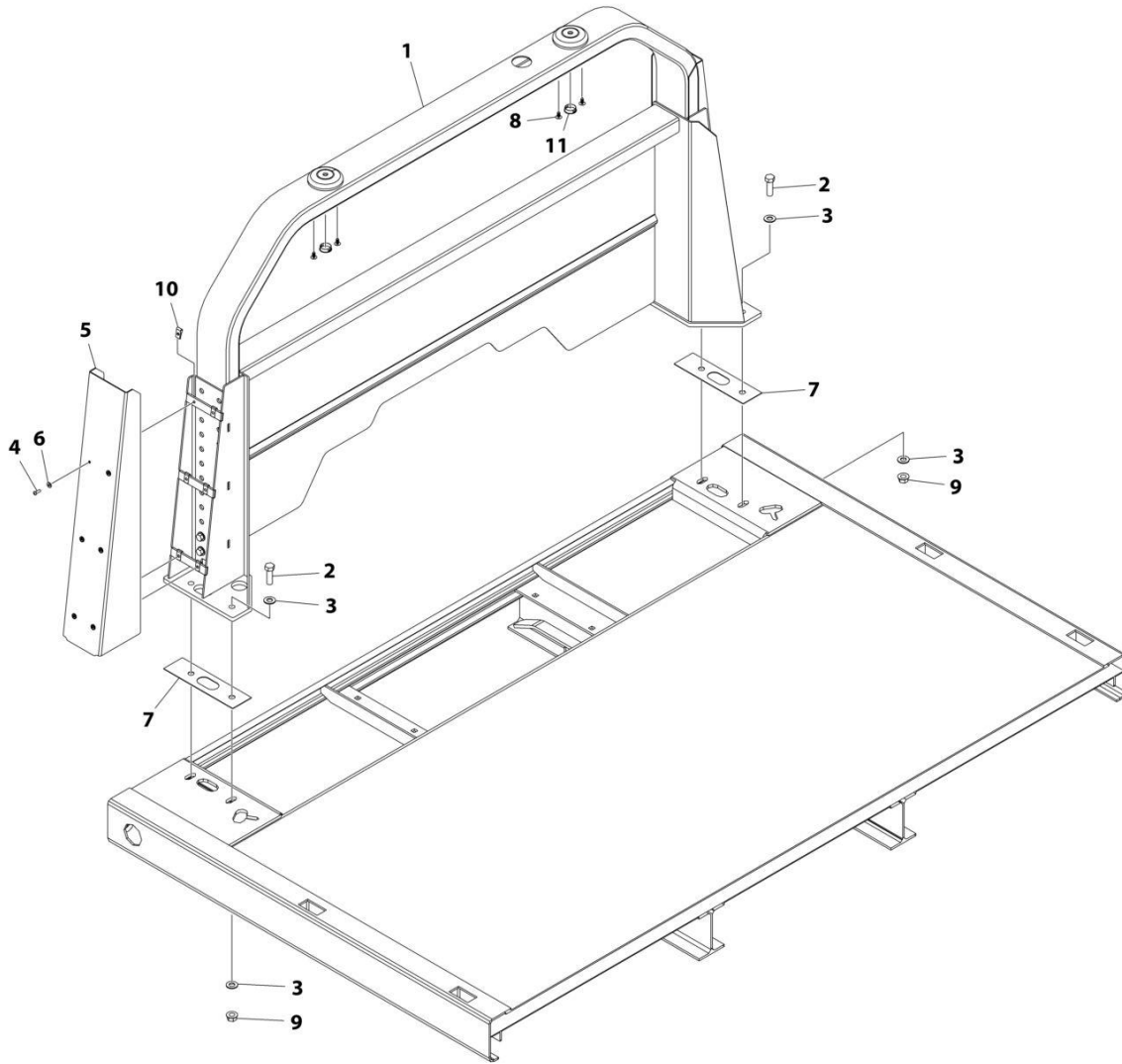
SECTION 3 - DECK

FIGURE 3-34. HEADBOARD INSTALLATION ADJUSTABLE (45.50 - 65.50IN)

ITEM	PART NUMBER	QTY	DESCRIPTION	REV
	1001189544	Ref	ADJUSTABLE HEADBOARD INSTALLATION 45.50 - 65.50IN	A
1	1001192132	1	Headboard Weldment	
2	0652016	4	Bolt 5/8 x 2	
3	4712000	8	Washer 5/8	
4	0630448001	12	Screw 1/4 x 3/4	
5	1001177459	2	Cover	
6	4711400001	12	Washer 1/4	
7	4796000037	2	Gasket	
8	7413000013	4	Push-In Fastener	
9	7660202347	4	Nut 5/8	
10	7661000064	12	Clip, U-Nut 1/4	
11	7701000049	2	Plug	

SECTION 3 - DECK

FIGURE 3-35. HEADBOARD INSTALLATION ADJUSTABLE (45.50 - 65.50IN SPECIAL PAINT)



ART_1001203834

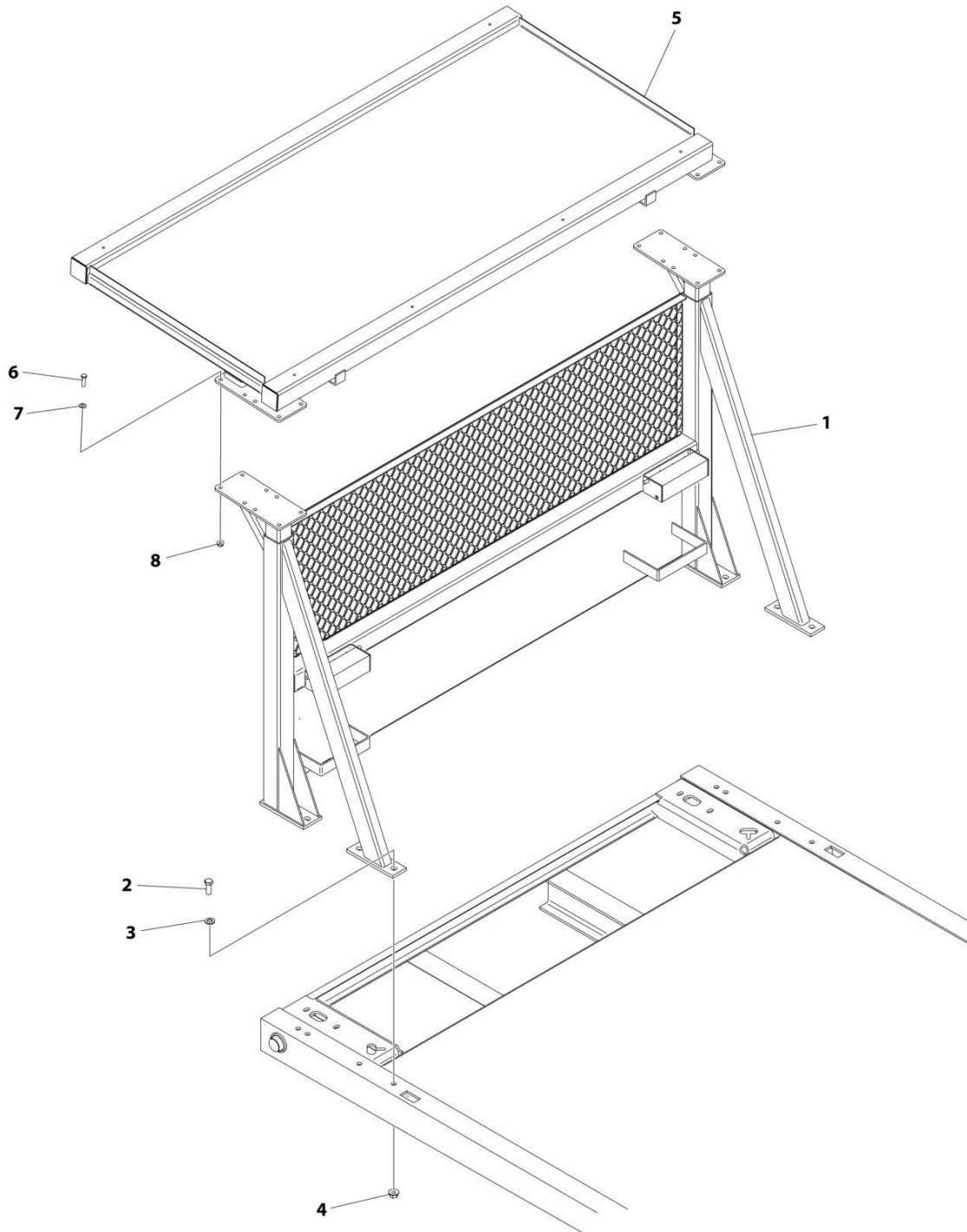
SECTION 3 - DECK

FIGURE 3-35. HEADBOARD INSTALLATION ADJUSTABLE (45.50 - 65.50IN SPECIAL PAINT)

ITEM	PART NUMBER	QTY	DESCRIPTION	REV
	1001203834	Ref	ADJUSTABLE HEADBOARD INSTALLATION 45.50 - 65.50IN SPECIAL PAINT	B
1	1001203833	1	Headboard Weldment	
2	0652016	4	Bolt 5/8 x 2	
3	4712000	8	Washer 5/8	
4	0630448001	12	Screw 1/4 x 3/4	
5	1001203829	2	Cover	
6	4711400001	12	Washer 1/4	
7	4796000037	2	Gasket	
8	7413000013	4	Push-In Fastener	
9	7660202347	4	Nut 5/8	
10	7661000064	12	Clip, U-Nut 1/4	
11	7701000049	2	Plug	

SECTION 3 - DECK

FIGURE 3-36. HEADBOARD INSTALLATION BUCKET REST 50IN



ART_1001141922

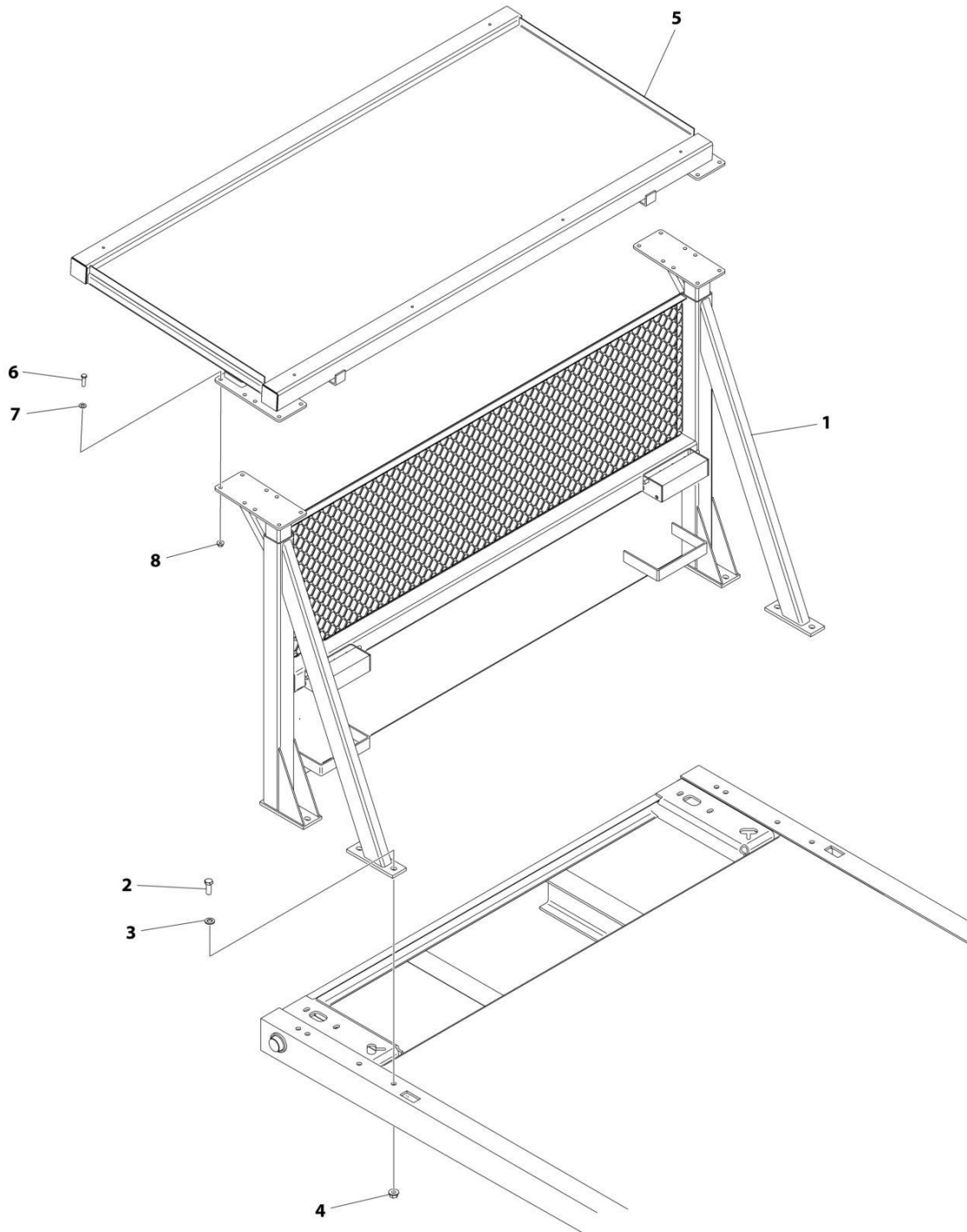
SECTION 3 - DECK

FIGURE 3-36. HEADBOARD INSTALLATION BUCKET REST 50IN

ITEM	PART NUMBER	QTY	DESCRIPTION	REV
	1001141922	Ref	BUCKET REST HEADBOARD - 50IN	B
1	1001141918	1	Lower Headboard Weldment	
2	7115222050	8	Capscrew 3/4 x 2-1/2	
3	7950220141	8	Washer 3/4	
4	7660222308	8	Nut 3/4	
5	1001141875	1	Upper Headboard Weldment	
6	7115181450	16	Capscrew 1/2 x 1-3/4	
7	7950180143	16	Washer 1/2	
8	7660182304	16	Nut 1/2	
9	1001142381	1	Deck Modified (Not Shown)	
10	7894000042	30	Tie Strap (Not Shown)	
11	7701000058	16	Plug (Not Shown)	

SECTION 3 - DECK

FIGURE 3-37. HEADBOARD INSTALLATION BUCKET REST 54.75IN



ART_1001128443

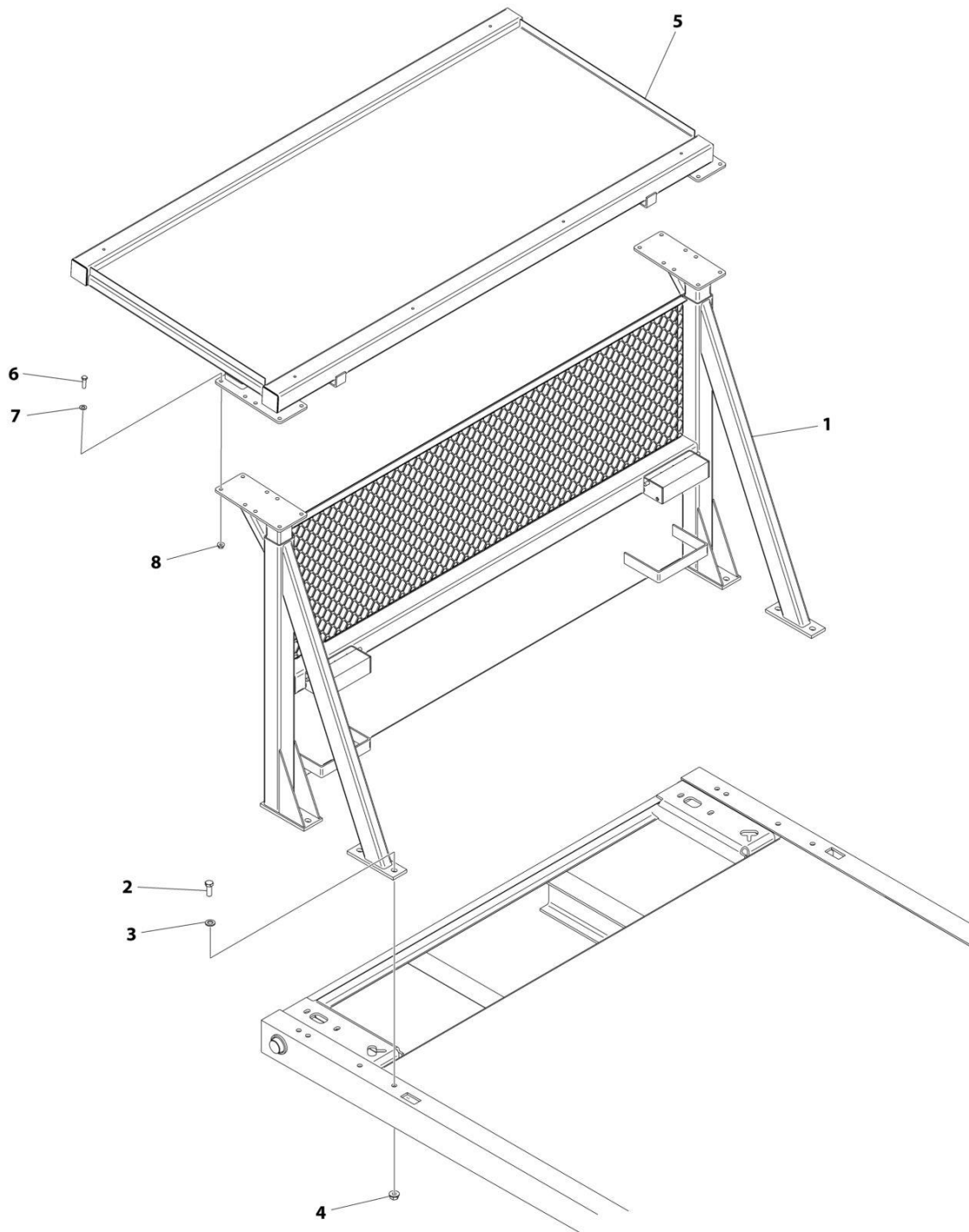
SECTION 3 - DECK

FIGURE 3-37. HEADBOARD INSTALLATION BUCKET REST 54.75IN

ITEM	PART NUMBER	QTY	DESCRIPTION	REV
	1001128443	Ref	BUCKET REST HEADBOARD - 54.75IN	D
1	1001132350	1	Lower Headboard Weldment	
2	7115222050	8	Capscrew 3/4 x 2-1/2	
3	7950220141	8	Washer 3/4	
4	7660222308	8	Nut 3/4	
5	1001141875	1	Upper Headboard Weldment	
6	7115181450	16	Capscrew 1/2 x 1-3/4	
7	7950180143	16	Washer 1/2	
8	7660182304	16	Nut 1/2	
9	1001142381	1	Deck Modified (Not Shown)	
10	7894000042	30	Tie Strap (Not Shown)	
11	7701000058	16	Plug (Not Shown)	

SECTION 3 - DECK

FIGURE 3-38. HEADBOARD INSTALLATION BUCKET REST 61.5IN



ART_1001139579

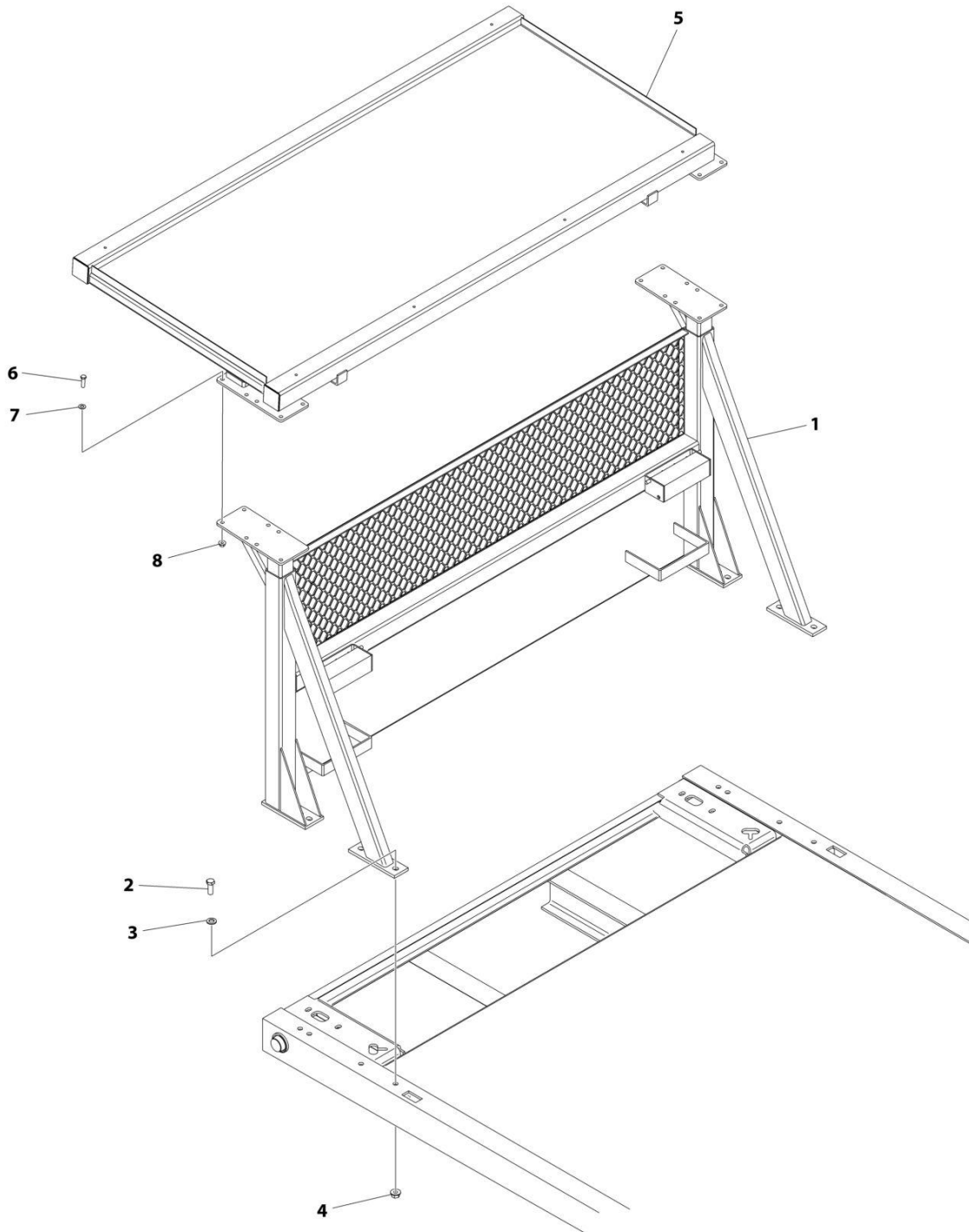
SECTION 3 - DECK

FIGURE 3-38. HEADBOARD INSTALLATION BUCKET REST 61.5IN

ITEM	PART NUMBER	QTY	DESCRIPTION	REV
	1001139579	Ref	BUCKET REST HEADBOARD - 61.5IN	C
1	1001139503	1	Lower Headboard Weldment	
2	7115222050	8	Capscrew 3/4 x 2-1/2	
3	7950220141	8	Washer 3/4	
4	7660222308	8	Nut 3/4	
5	1001141875	1	Upper Headboard Weldment	
6	7115181450	16	Capscrew 1/2 x 1-3/4	
7	7950180143	16	Washer 1/2	
8	7660182304	16	Nut 1/2	
9	1001142381	1	Deck Modified (Not Shown)	
10	7894000042	30	Tie Strap (Not Shown)	
11	7701000058	16	Plug (Not Shown)	

SECTION 3 - DECK

FIGURE 3-39. HEADBOARD INSTALLATION BUCKET REST 72.5IN



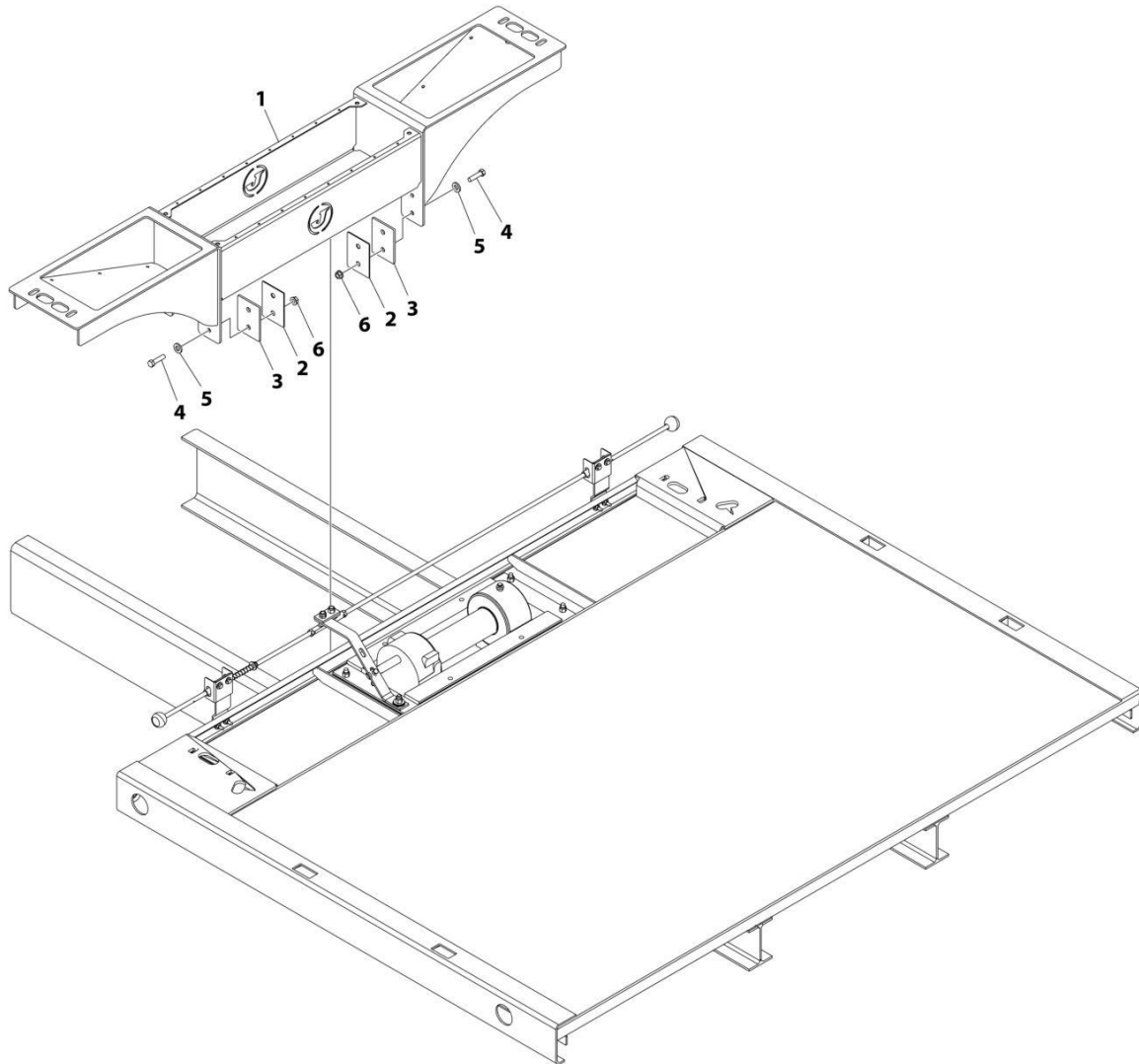
ART_1001141753

SECTION 3 - DECK**FIGURE 3-39. HEADBOARD INSTALLATION BUCKET REST 72.5IN**

ITEM	PART NUMBER	QTY	DESCRIPTION	REV
	1001141753	Ref	BUCKET REST HEADBOARD - 72.5IN	C
1	1001141752	1	Lower Headboard Weldment	
2	7115222050	8	Capscrew 3/4 x 2-1/2	
3	7950220141	8	Washer 3/4	
4	7660222308	8	Nut 3/4	
5	1001141875	1	Upper Headboard Weldment	
6	7115181450	16	Capscrew 1/2 x 1-3/4	
7	7950180143	16	Washer 1/2	
8	7660182304	16	Nut 1/2	
9	1001142381	1	Deck Modified (Not Shown)	
10	7894000042	30	Tie Strap (Not Shown)	
11	7701000058	16	Plug (Not Shown)	

SECTION 3 - DECK

FIGURE 3-40. HEADBOARD BASE INSTALLATION



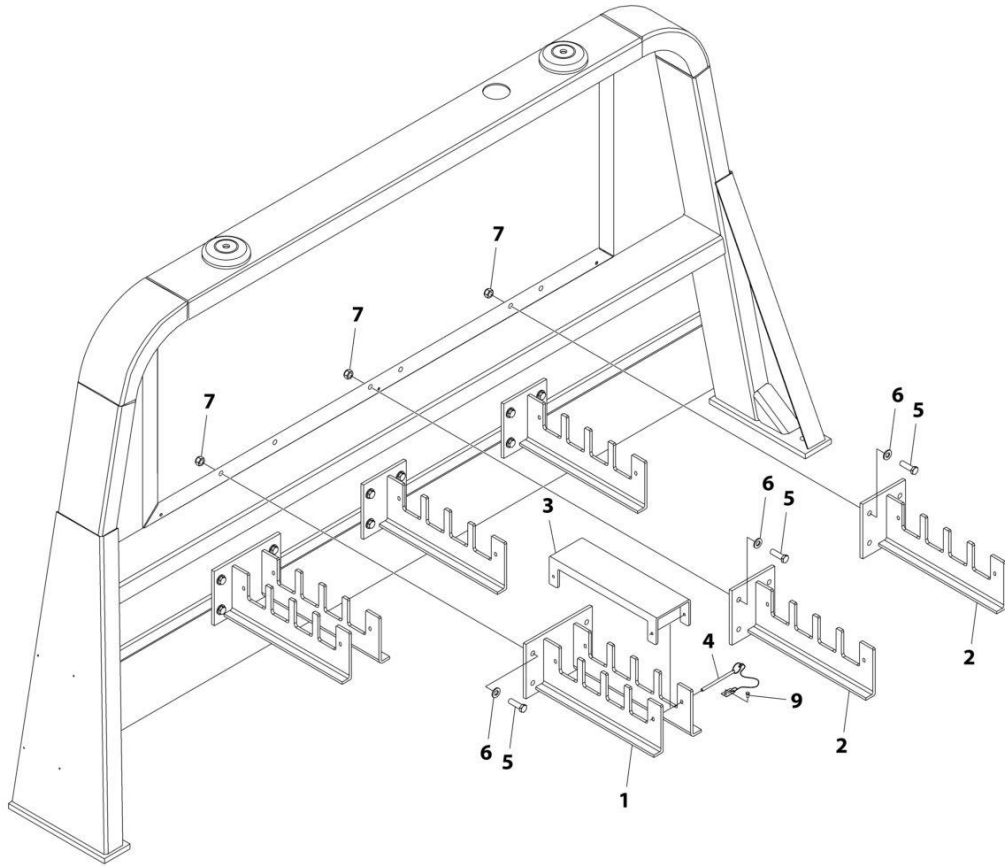
ART_1001225870

FIGURE 3-40. HEADBOARD BASE INSTALLATION

ITEM	PART NUMBER	QTY	DESCRIPTION	REV
	1001225870	Ref	HEADBOARD BASE INSTALLATION	C
1	1001225869	1	Mount	
2	1001226847	4	Shim	
3	1001226848	4	Shim	
4	7105181650	8	Capscrew 1/2 x 2	
5	4892000	8	Washer 5/8	
6	7660182333	8	Nut 1/2	

SECTION 3 - DECK

FIGURE 3-41. HEADBOARD BRACKET INSTALLATION (57.5IN HEADBOARD) (GSA)



ART_2178000030

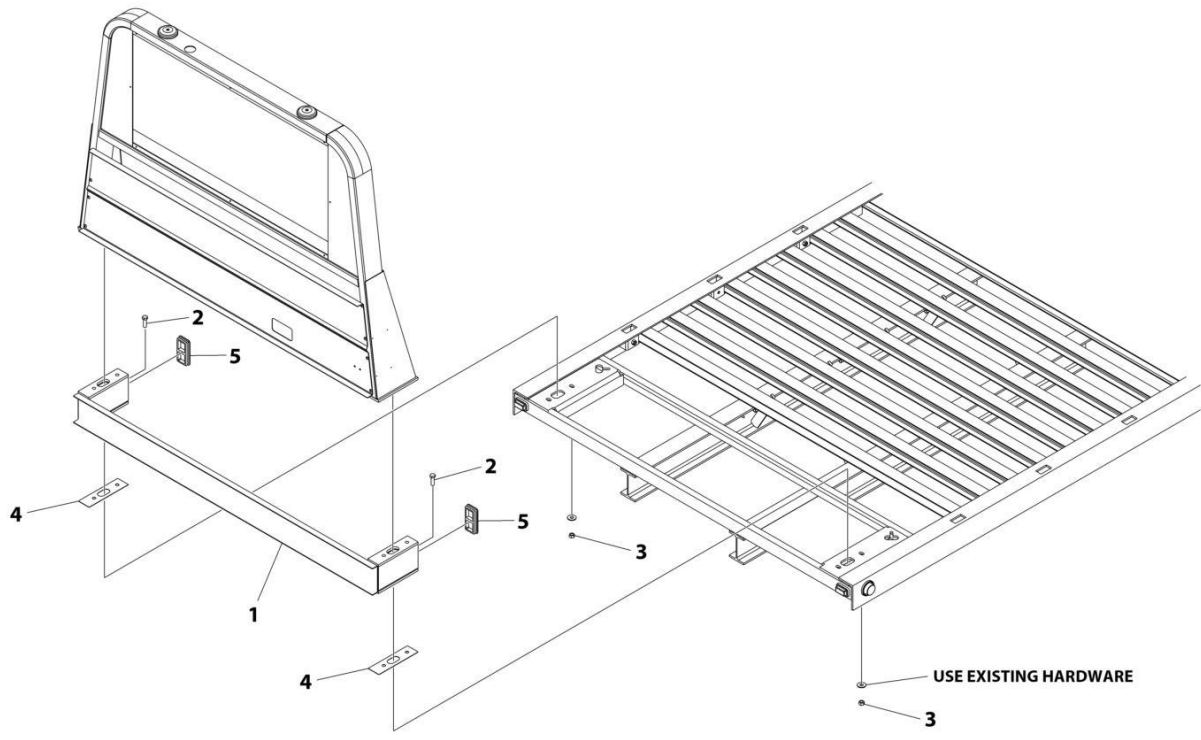
SECTION 3 - DECK

FIGURE 3-41. HEADBOARD BRACKET INSTALLATION (57.5IN HEADBOARD) (GSA)

ITEM	PART NUMBER	QTY	DESCRIPTION	REV
	2178000030	Ref	BRACKET INSTALLATION (57.50IN DELUXE HEADBOARD) (GSA)	A
1	3178000429	2	Bracket, LH	
2	3178000430	4	Bracket, RH	
3	4263000661	1	Channel	
4	7691000055	2	Pin	
5	7105181250	24	Bolt 1/2 x 1-1/2	
6	7950180153	24	Washer 1/2	
7	7660182631	24	Nut 1/2	
8	8632000022	11	Trim, Rubber (Not Shown)	
9	7790100856	1	Screw #10 x 1/2	

SECTION 3 - DECK

FIGURE 3-42. HEADBOARD SPACER INSTALLATION, BOLT ON



ART_1001134788

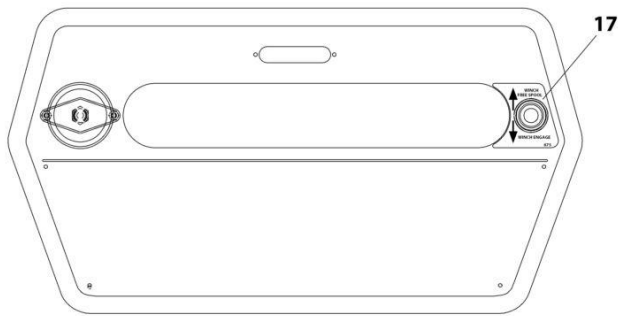
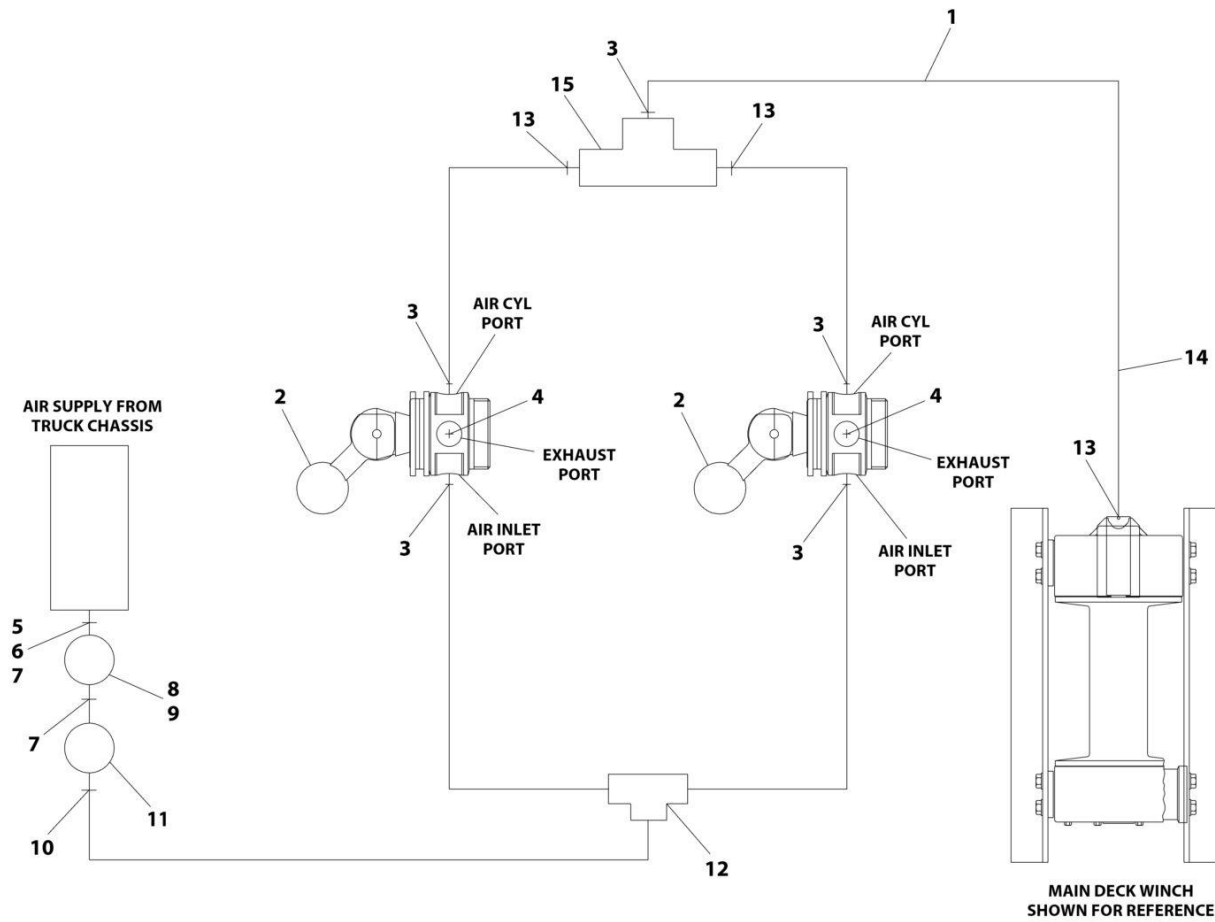
SECTION 3 - DECK

FIGURE 3-42. HEADBOARD SPACER INSTALLATION, BOLT ON

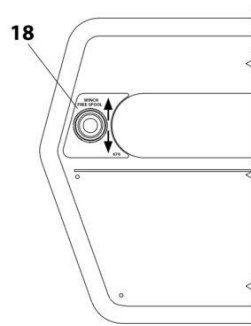
ITEM	PART NUMBER	QTY	DESCRIPTION	REV
	1001134788	Ref	SPACER BOLT ON HEADBOARD INSTALLATION	A
1	1001134776	1	Mount, Headboard	
2	7105201650	4	Screw M16 x 50	
3	7660200035	4	Nut M16	
4	4796000037	2	Gasket	
5	7701000048	2	Plug	

SECTION 3 - DECK

FIGURE 3-43. FREE SPOOL INSTALLATION - WORM GEAR/AIR FREE SPOOL WITH PPV



LH CONTROL HOOD REF



RH CONTROL HOOD REF

ART_2870000019

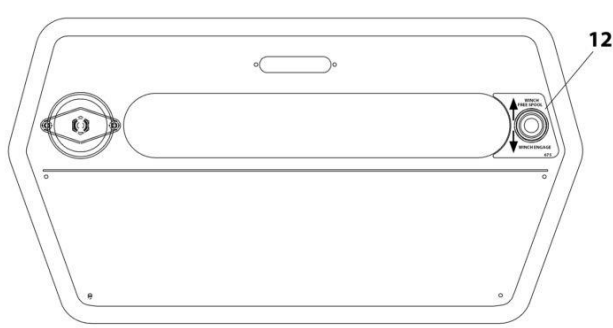
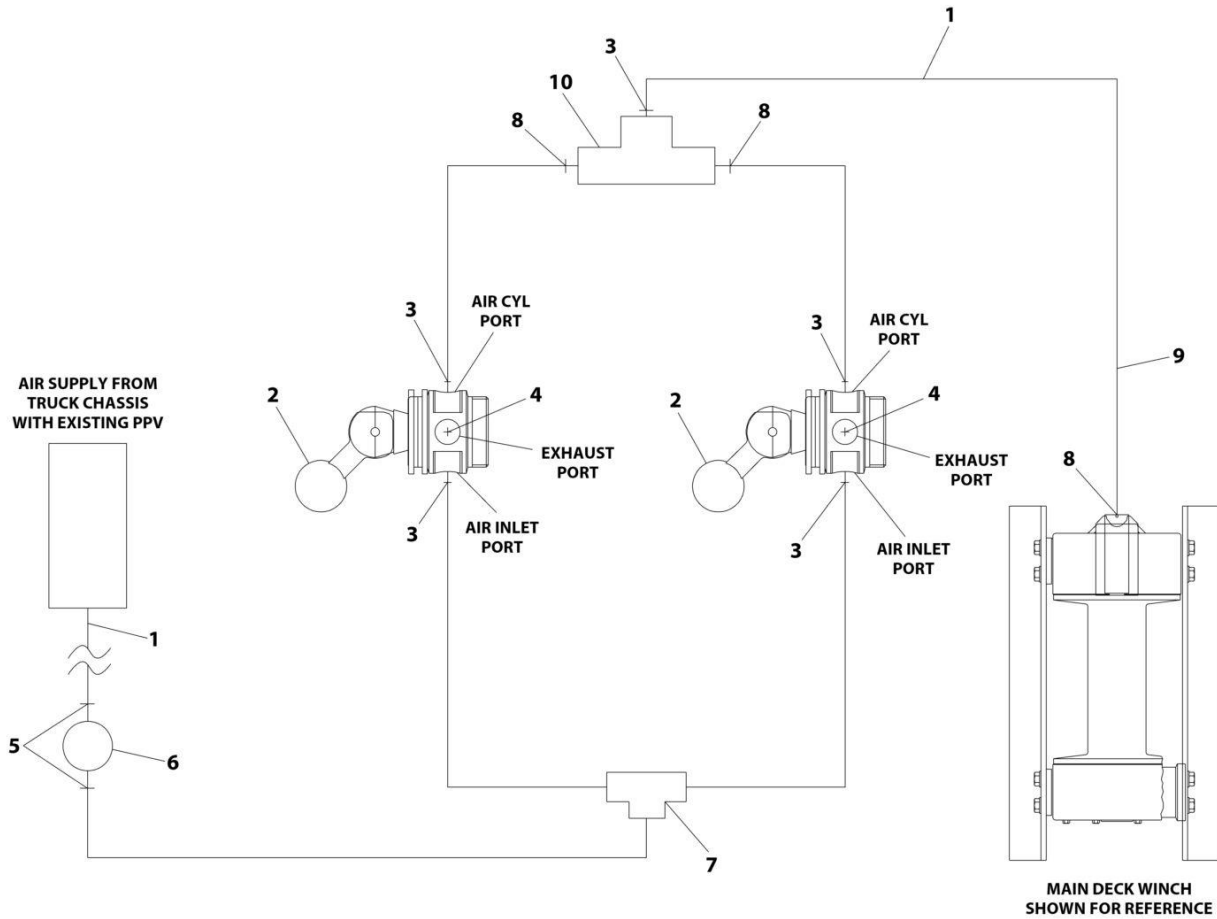
SECTION 3 - DECK

FIGURE 3-43. FREE SPOOL INSTALLATION - WORM GEAR/AIR FREE SPOOL WITH PPV

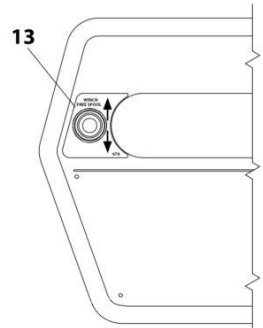
ITEM	PART NUMBER	QTY	DESCRIPTION	REV
	2870000019	Ref	FREE SPOOL INSTALLATION - WORM GEAR/AIR FREE SPOOL WITH PPV	B
1	7565000014	AR	Tubing	
2	7935000182	2	Valve, Air	
3	7443000364	5	Fitting, Straight	
4	7640000002	2	Muffler	
5	7443000154	1	Fitting, Straight	
6	7443000155	1	Fitting, 90	
7	7443000156	2	Nipple	
8	7935000120	1	Valve, Pressure	
9	7443000152	1	Plug	
10	7443000366	1	Fitting, Straight	
11	7935000248	1	Valve, Air Regulator	
12	7443000371	1	Union, Tee	
13	7443000365	3	Fitting, Straight	
14	8597650001	AR	Loom	
15	7935000229	1	Valve, Air Shuttle	
16	7894000004	8	Tie Strap (Not Shown)	
17	7330000675	1	Decal	
18	7330000676	1	Decal	

SECTION 3 - DECK

FIGURE 3-44. FREE SPOOL INSTALLATION - WORM GEAR/AIR FREE SPOOL W/O PPV



LH CONTROL HOOD REF



RH CONTROL HOOD REF

ART_1001220098

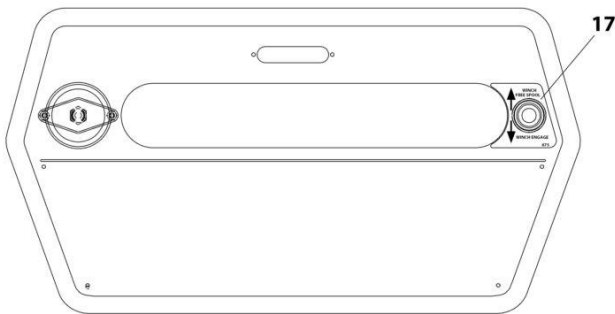
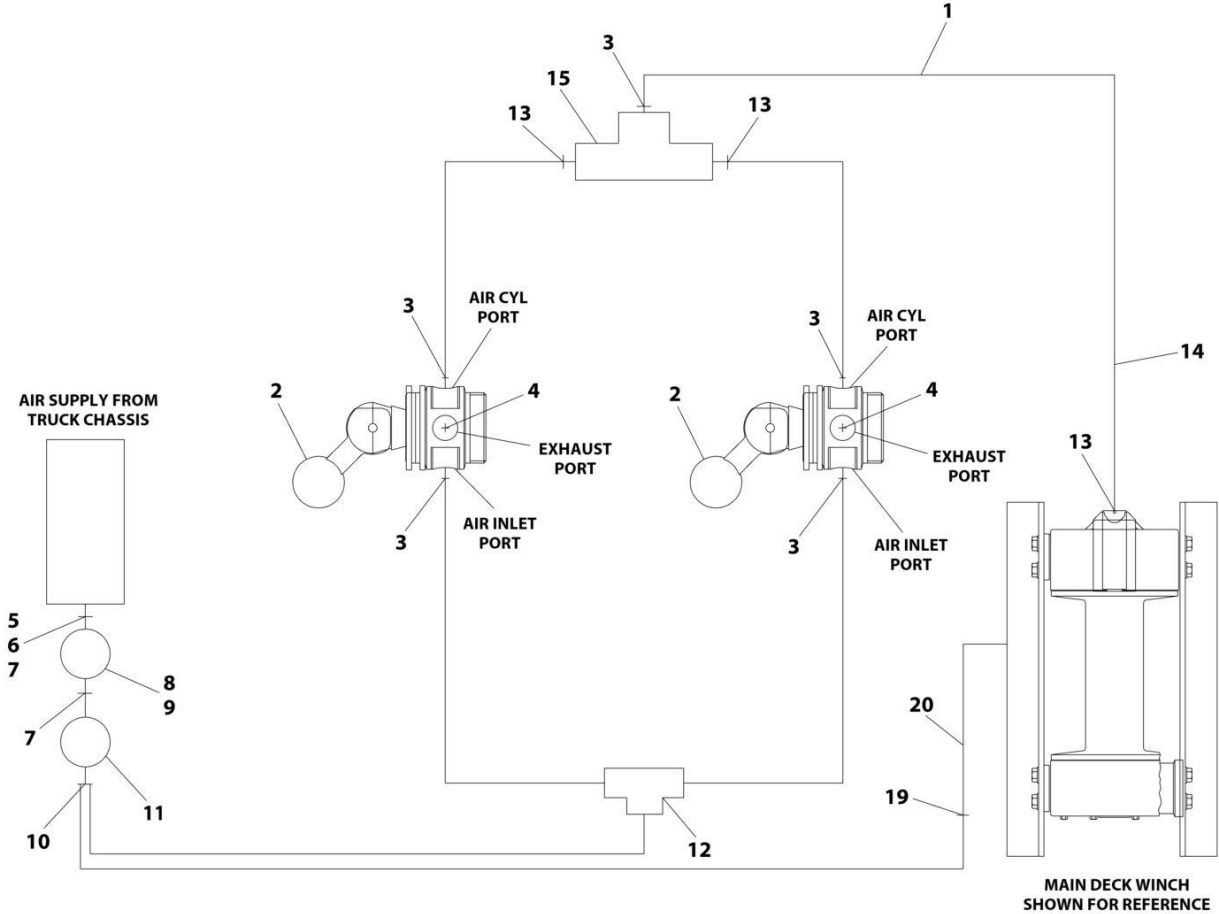
SECTION 3 - DECK

FIGURE 3-44. FREE SPOOL INSTALLATION - WORM GEAR/AIR FREE SPOOL W/O PPV

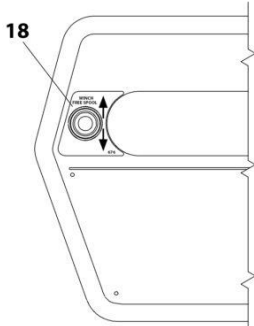
ITEM	PART NUMBER	QTY	DESCRIPTION	REV
	1001220098	Ref	FREE SPOOL INSTALLATION - WORM GEAR/AIR FREE SPOOL WITHOUT PPV	A
1	7565000014	AR	Tubing	
2	7935000182	2	Valve, Air	
3	7443000364	5	Fitting, Straight	
4	7640000002	2	Muffler	
5	7443000366	2	Fitting, Straight	
6	7935000248	1	Valve, Air Regulator	
7	7443000371	1	Union, Tee	
8	7443000365	3	Fitting, Straight	
9	8597650001	AR	Loom	
10	7935000229	1	Valve, Air Shuttle	
11	7894000004	8	Tie Strap (Not Shown)	
12	7330000675	1	Decal	
13	7330000676	1	Decal	

SECTION 3 - DECK

FIGURE 3-45. FREE SPOOL INSTALLATION - PLANETARY/AIR FREE SPOOL WITH PPV



LH CONTROL HOOD REF



RH CONTROL HOOD REF

ART_1001145984

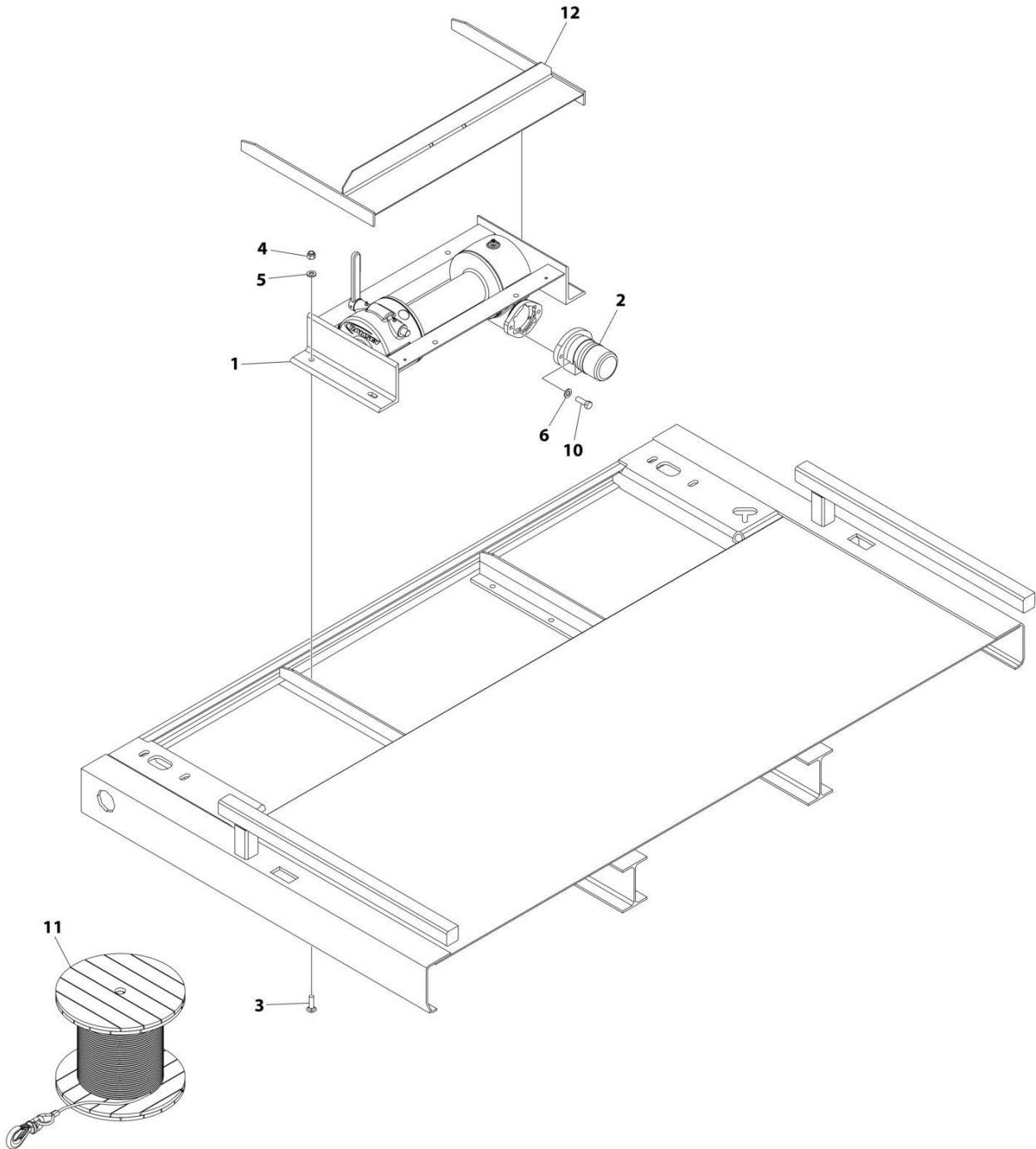
SECTION 3 - DECK

FIGURE 3-45. FREE SPOOL INSTALLATION - PLANETARY/AIR FREE SPOOL WITH PPV

ITEM	PART NUMBER	QTY	DESCRIPTION	REV
	1001145984	Ref	FREE SPOOL INSTALLATION - PLANETARY/AIR FREE SPOOL WITH PPV	B
1	7565000014	130 ft	Tubing	
2	7935000182	2	Valve, Air	
3	7443000364	5	Fitting, Straight	
4	7640000002	2	Muffler	
5	7443000154	1	Fitting, Straight	
6	7443000155	1	Fitting, 90	
7	7443000156	2	Nipple	
8	7935000120	1	Valve, Pressure	
9	7443000152	1	Plug	
10	7443000270	1	Fitting, Tee	
11	7935000248	1	Valve, Air Regulator	
12	7443000371	1	Union, Tee	
13	7443000365	3	Fitting, Straight	
14	8597650001	AR	Loom	
15	7935000229	1	Valve, Air Shuttle	
16	7894000004	14	Tie-Strap (Not Shown)	
17	7330000675	1	Decal	
18	7330000676	1	Decal	
19	7443000443	1	Fitting, Straight	
20	7565000016	1.5 ft	Tubing	

SECTION 3 - DECK

FIGURE 3-46. WINCH INSTALLTION - 12000 LBS WORM GEAR WINCHES (STEEL DECK)



ART_297000097

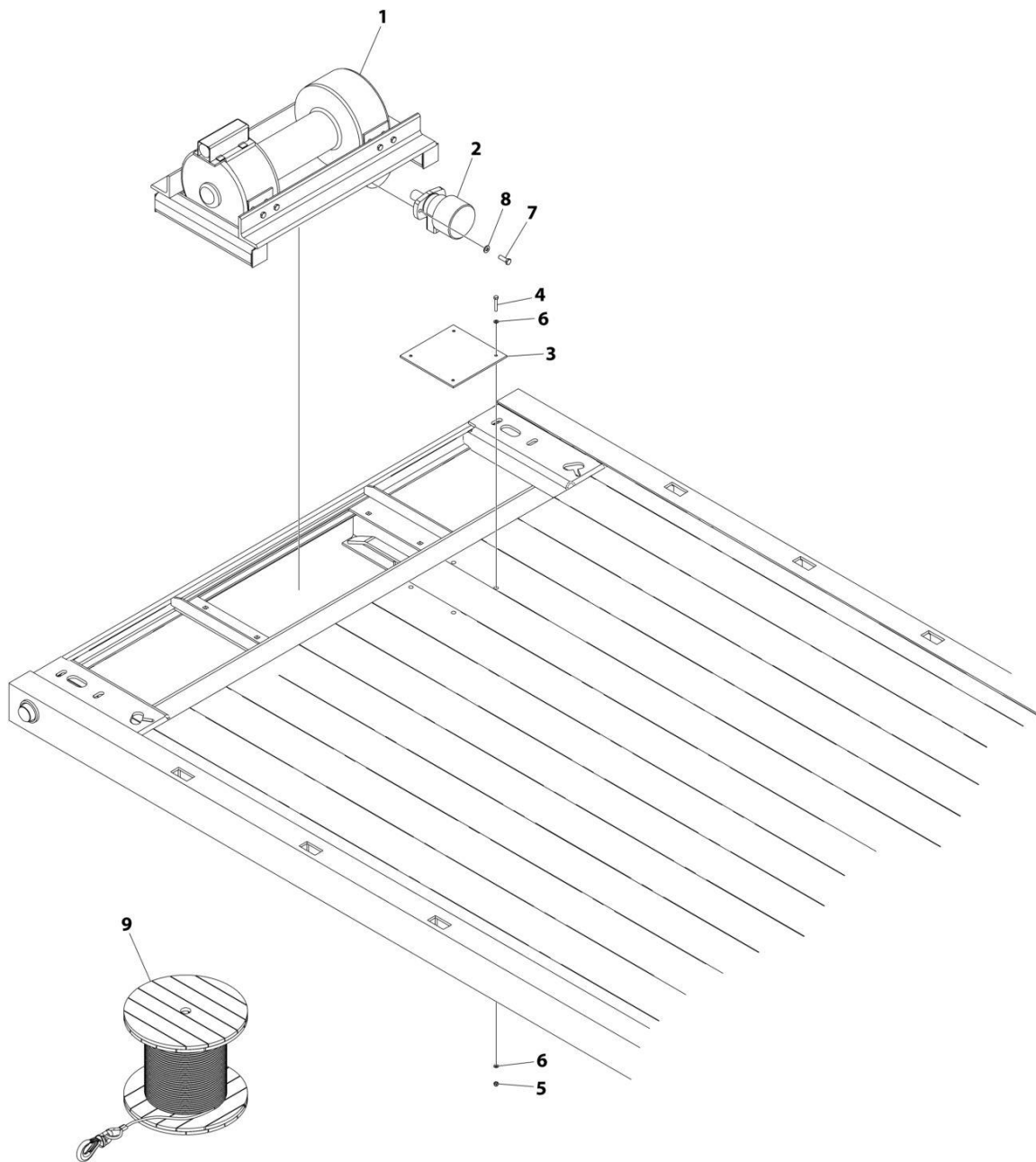
SECTION 3 - DECK

FIGURE 3-46. WINCH INSTALLTION - 12000 LBS WORM GEAR WINCHES (STEEL DECK)

ITEM	PART NUMBER	QTY	DESCRIPTION	REV
	2970000097	Ref	WINCH INSTALLATION - 12K LBS	C
1	7970000083	1	Winch Assembly (See Separate Breakdown in this Section)	
2	7626000018	1	Motor Assembly (See Separate Breakdown in this Section)	
3	7115181464	4	Bolt 1/2 x 1-3/4	
4	7660182301	4	Nut 1/2	
5	7950180153	4	Washer 1/2	
6	7950180400	2	Washer 1/2	
8	4632000004	1	Moulding Trim Lock (Not Shown)	
10	7115181250	2	Capscrew 1/2 x 1-1/2	
11	7248000064	1	Wire Rope	
12	1001146869	1	Bracket	

SECTION 3 - DECK

FIGURE 3-47. WINCH INSTALLATION 20K LBS WORM GEAR



ART_2970000102

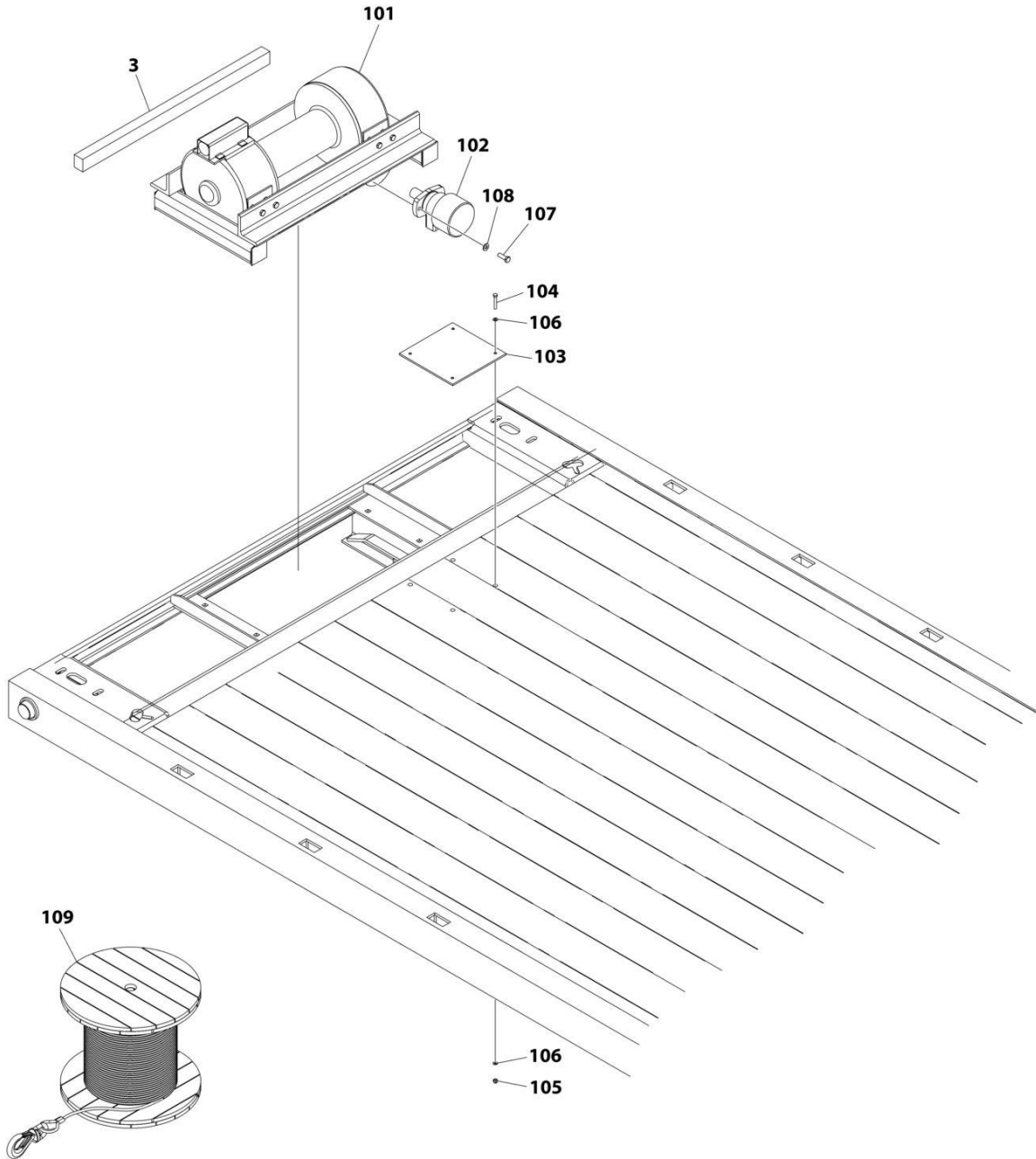
SECTION 3 - DECK

FIGURE 3-47. WINCH INSTALLATION 20K LBS WORM GEAR

ITEM	PART NUMBER	QTY	DESCRIPTION	REV
	2970000102	Ref	WINCH INSTALLATION	D
1	7970000109	1	Winch Assembly - 20K LBS (See Separate Breakdown in this Section)	
2	7626000011	1	Motor Assembly (See Separate Breakdown in this Section)	
3	4314000060	1	Plate	
4	7115151650	4	Bolt 5/16 x 2	
5	7660152601	4	Nut 5/16	
6	7950140161	8	Washer 1/4	
7	7115181250	2	Capscrew 1/2 x 1-1/2	
8	7950180400	2	Washer 1/2	
9	7248000067	1	Wire Rope	

SECTION 3 - DECK

FIGURE 3-48. WINCH INSTALLATION - 20K LBS WORM GEAR/AIR FREE SPOOL



ART_W20W-HD

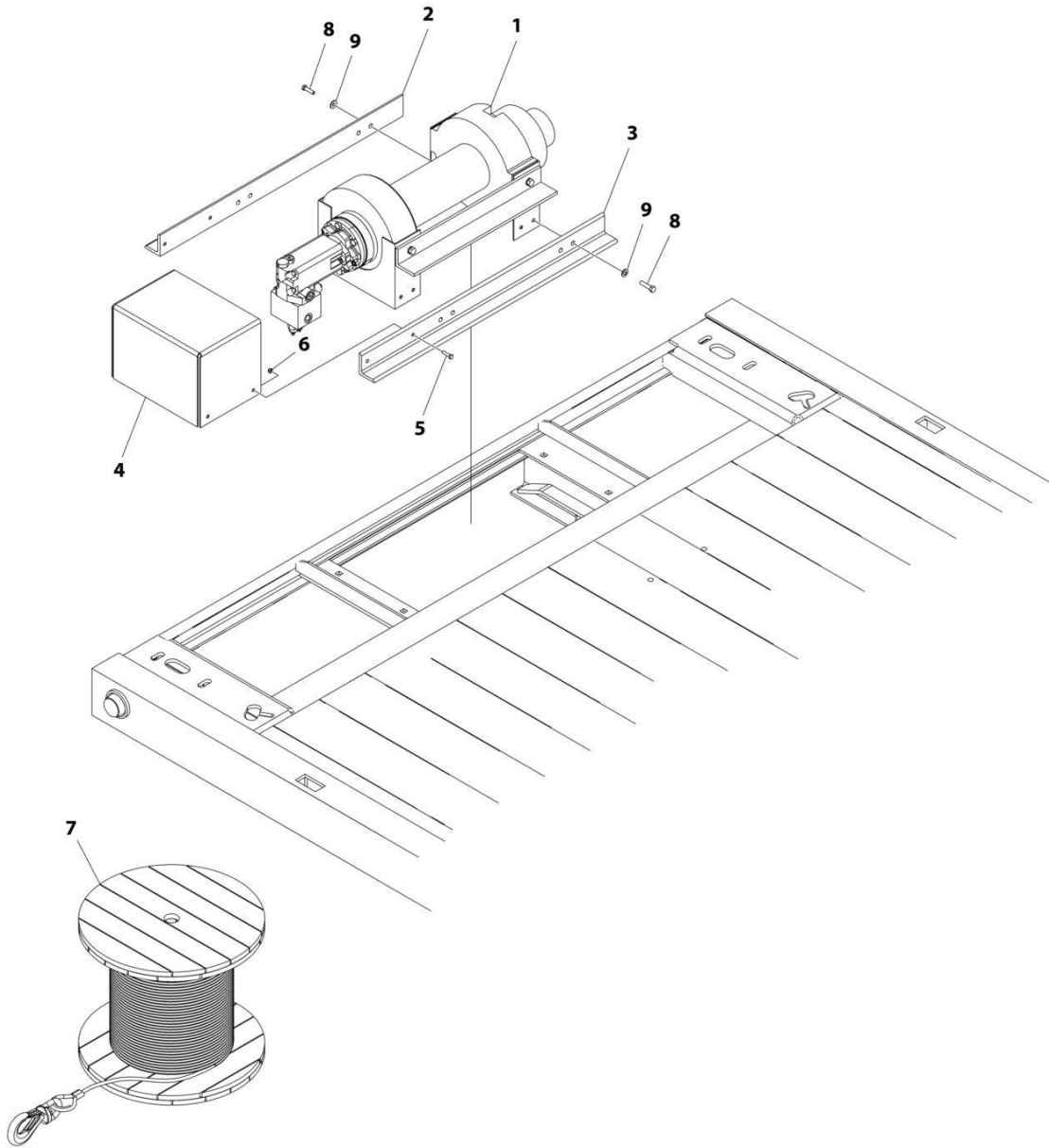
SECTION 3 - DECK

FIGURE 3-48. WINCH INSTALLATION - 20K LBS WORM GEAR/AIR FREE SPOOL

ITEM	PART NUMBER	QTY	DESCRIPTION	REV
	W20W-HD	Ref	WINCH INSTALLATION - 20K LBS	C
1	2970000102	1	Winch Installation (Not Shown) (See Items 101-109 for breakdown)	
3	4066000050	1	Bar	
	2970000102	Ref	WINCH INSTALLATION	D
101	7970000109	1	Winch Assembly - 20K LBS (See Separate Breakdown in this Section)	
102	7626000011	1	Motor Assembly (See Separate Breakdown in this Section)	
103	4314000060	1	Plate	
104	7115151650	4	Bolt 5/16 x 2	
105	7660152601	4	Nut 5/16	
106	7950140161	8	Washer 1/4	
107	7115181250	2	Capscrew 1/2 x 1-1/2	
108	7950180400	2	Washer 1/2	
109	7248000067	1	Wire Rope	

SECTION 3 - DECK

FIGURE 3-49. WINCH INSTALLTION - 20000 LBS PLANETARY, AIR FREE SPOOL



ART_1001145938

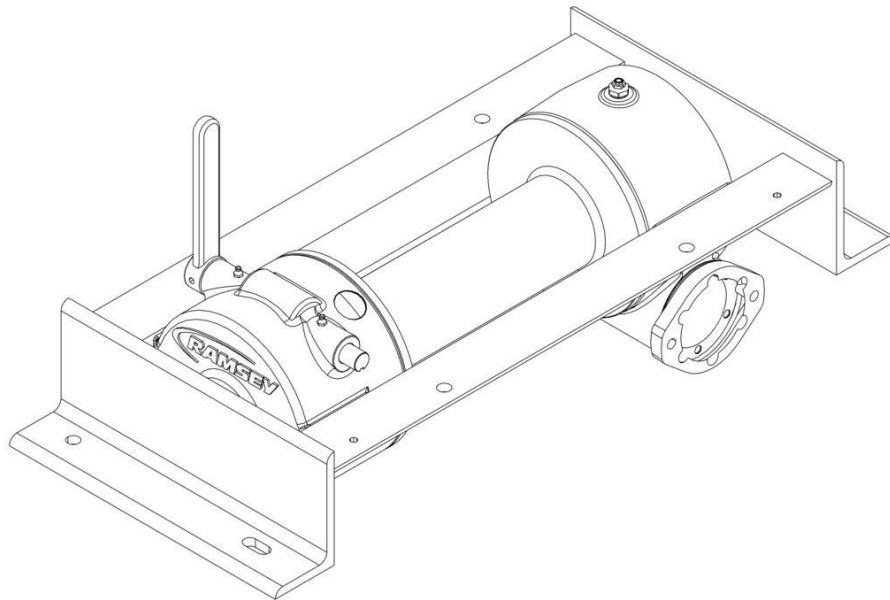
SECTION 3 - DECK

FIGURE 3-49. WINCH INSTALLTION - 20000 LBS PLANETARY, AIR FREE SPOOL

ITEM	PART NUMBER	QTY	DESCRIPTION	REV
	1001145938	Ref	WINCH INSTALLATION - 20K LBS	A
1	7970000110	1	Winch Assembly (See Separate Breakdown in this Section)	
2	4550003733	1	Angle	
3	4550003734	1	Angle	
4	4550003732	1	Cover Plate	
5	0641608	4	Bolt 3/8 x 1	
6	3311601	4	Nut 3/8	
7	7248000067	1	Wire Rope	
8	0641813	8	Bolt 1/2 x 1-5/8	
9	4761800	8	Washer 1/2	

SECTION 3 - DECK

FIGURE 3-50. WINCH ASSEMBLY - 12000 LBS WORM GEAR



ART_7970000083

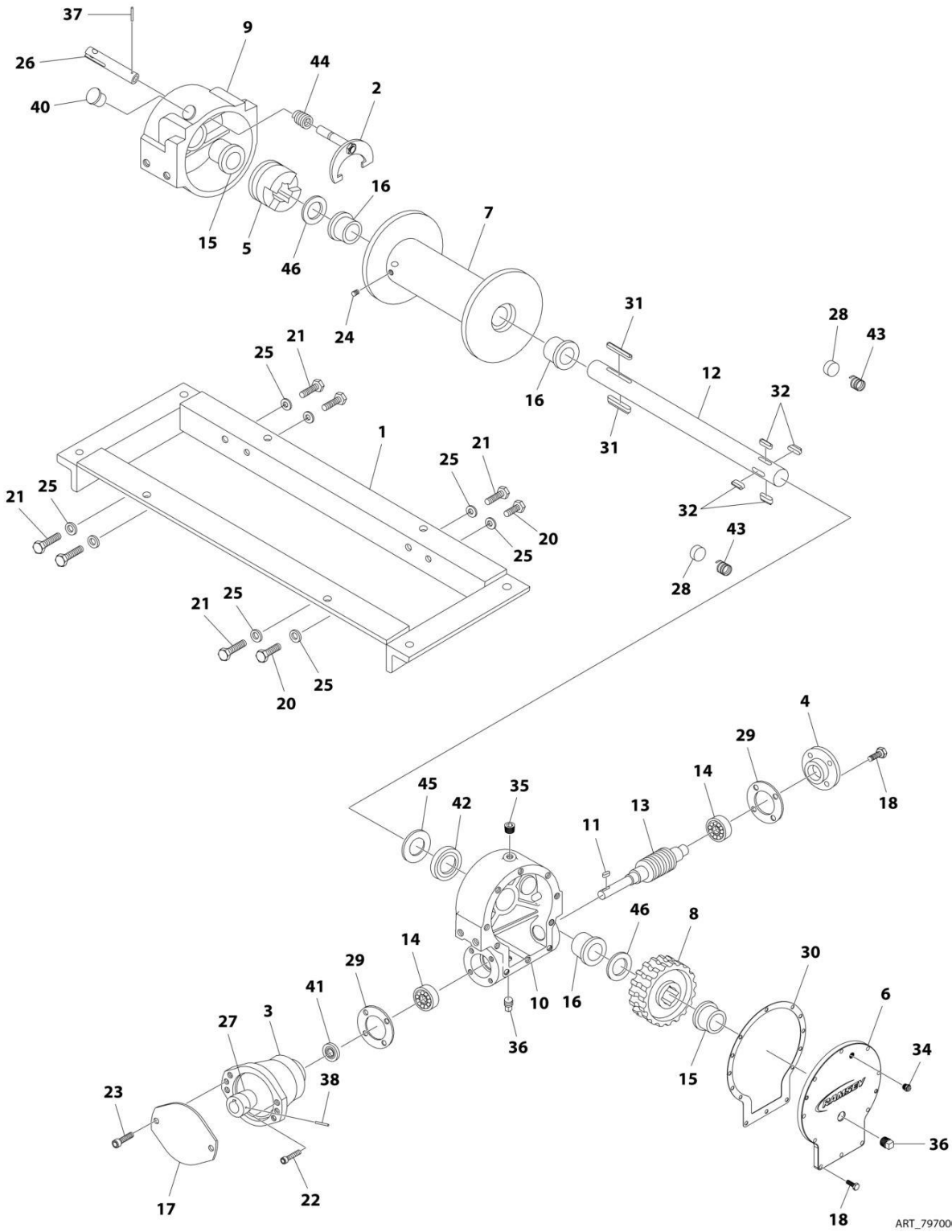
SECTION 3 - DECK

FIGURE 3-50. WINCH ASSEMBLY - 12000 LBS WORM GEAR

ITEM	PART NUMBER	QTY	DESCRIPTION	REV
	7970000083	Ref Ref	WINCH ASSEMBLY - 12000 LBS Note: No Service Components Available at Time of Printing.	D

SECTION 3 - DECK

FIGURE 3-51. WINCH ASSEMBLY - 8000 LBS WORM GEAR



ART_7970000121

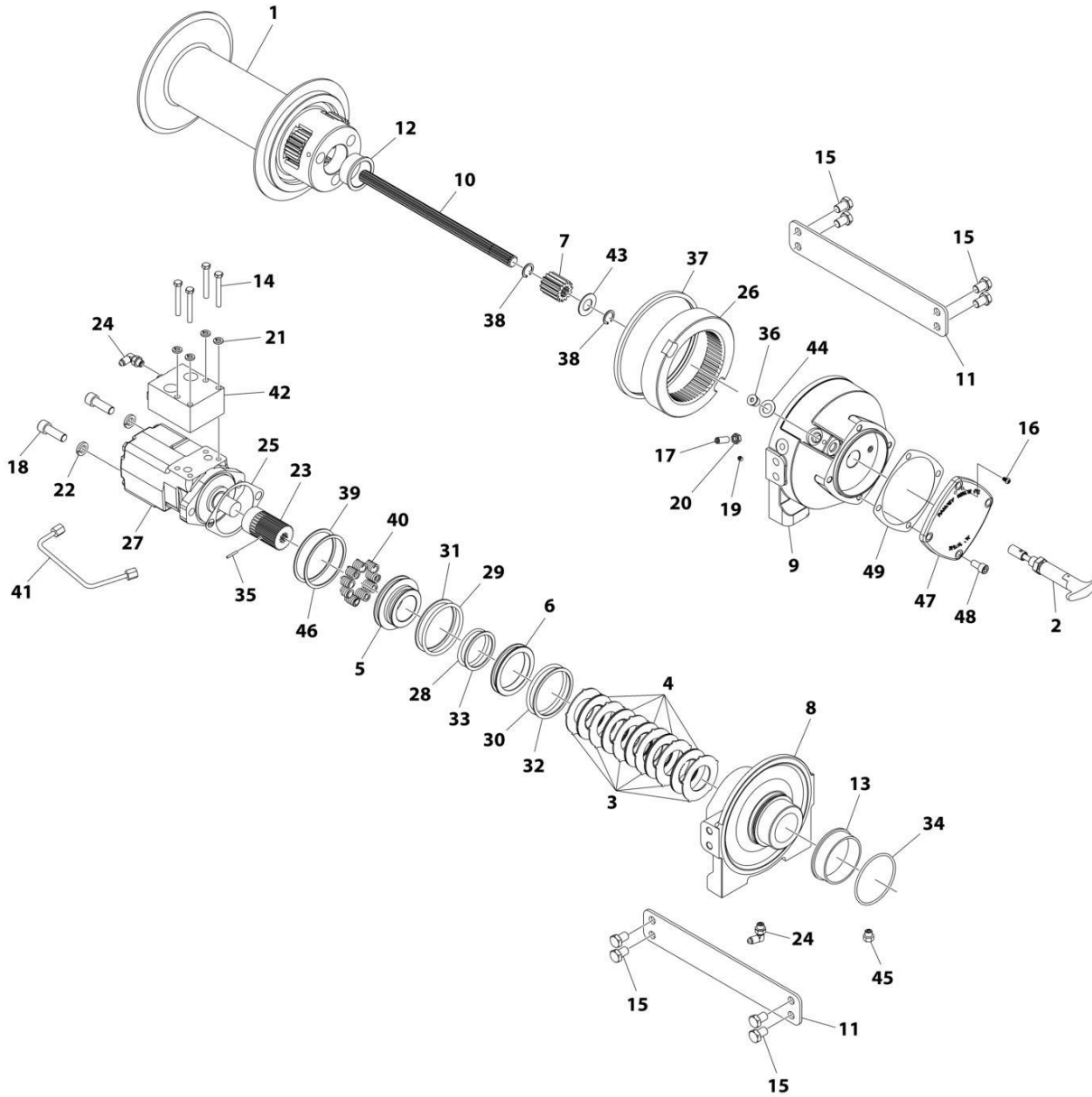
SECTION 3 - DECK

FIGURE 3-51. WINCH ASSEMBLY - 8000 LBS WORM GEAR

ITEM	PART NUMBER	QTY	DESCRIPTION	REV
	7970000121	Ref	WINCH ASSEMBLY - 8000 LBS	D
1	70050694	1	Frame Assembly	
2	70050678	1	Shifter Assembly	
3	9970300057	1	Adapter	
4	9970316083	1	Bearing Cap	
5	9970960060	1	Jaw Clutch	
6	9314960024	1	Cover	
7	9970960068	1	Drum "Std"	
8	9472960072	1	Gear RH	
9	9560960021	1	Housing-Clutch	
10	9560960011	1	Housing-Gear	
11	9970342027	1	Key	
12	9806960009	1	Shaft-Drum "Std"	
13	9970960062	1	Worm RH	
14	9970402002	2	Bearing-Ball	
15	9970412003	4	Bushing	
16	9970412045	4	Bushing	
17	70050679	1	Adapter Cover	
18	9970414045	14	Capscrew 1/4 x 7/8	
20	9120960034	2	Bolt 3/8 x 1	
21	9120960059	6	Capscrew 3/8 x 1-1/4	
22	70050682	4	Capscrew 1/4 x 1-3/4	
23	9120960061	2	Capscrew 1/2 x 1-1/2	
24	9786960015	1	Setscrew 3/8 x 1/2	
25	9970418177	8	Washer 3/8	
26	9007960003	1	Adapter-Rod	
27	9970431008	1	Coupling	
28	9970330010	2	Disc Brake	
29	9970442184	2	Gasket	
30	9970442205	1	Gasket	
31	9970450006	2	Barth Key	
32	9575960014	4	Barth Key	
34	9970456008	1	Fitting-Relief	
35	9701960015	1	Pipe Plug	
36	9970468011	2	Pipe Plug	
37	9691960035	1	Spirol Pin	
38	9691960001	1	Spirol Pin	
40	9970472013	1	Plastic Plug	
41	9970486009	1	Oil Seal	
42	9970486017	1	Oil Seal	
43	9970494002	2	Spring	
44	9970494053	1	Spring	
45	9970518014	1	Thrust Washer	
46	9970518015	2	Thrust Washer	

SECTION 3 - DECK

FIGURE 3-52. WINCH ASSEMBLY - 8000 LBS PLANETARY GEAR WITH MANUAL FREE SPOOL



ART_7970000157

SECTION 3 - DECK

FIGURE 3-52. WINCH ASSEMBLY - 8000 LBS PLANETARY GEAR WITH MANUAL FREE SPOOL

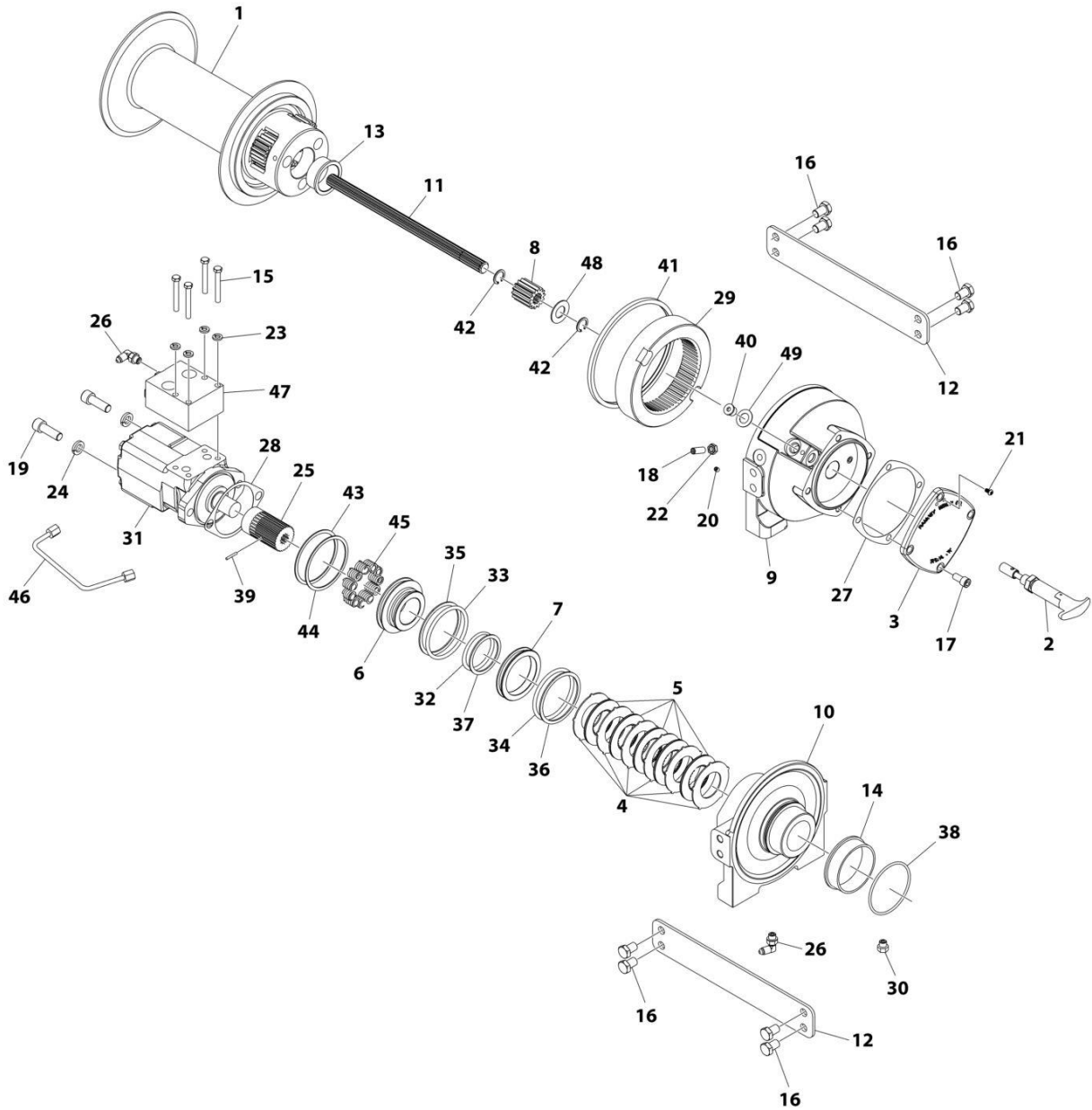
ITEM	PART NUMBER	QTY	DESCRIPTION	REV
	7970000157	Ref	WINCH - 8000 LBS PLANETARY GEAR WITH MANUAL FREE SPOOL	B
1	9970960027	1	Drum Assembly "Y"	
2	9551960018	1	Shifter Assembly	
3	70050612	6	Stator - Brake	
4	70050613	5	Disc Brake	
5	70050614	1	Piston Brake	
6	70050615	1	Piston Brake Backup	
7	9472960042	1	Gear - Output, Sun	
8	70050456	1	End Bearing - Motor	
9	70050616	1	End Bearing - Gear housing	
10	70050617	1	Shaft - Input "Y" Drum	
11	70050618	2	Plate - Tie "Y" Drum	
12	9209960023	1	Bushing - Drum	
13	70050457	1	Bushing - Drum, Motor End	
14	70050619	4	Capscrew 5/16 x 2-1/2	
15	9120960025	8	Capscrew 1/2 x 3/4	
16	70050682	2	Screw 1/4 x 1-2	
17	9786960006	1	Setscrew 3/8 x 1	
18	70050627	2	Capscrew 1/2 x 1-3/4	
19	7785140404	1	Setscrew 1/4 x 1/4	
20	70050628	1	Nut 3/8	
21	9970418163	4	Washer 5/16	
22	9949960016	2	Washer 1/2	
23	9309960009	1	Coupling - Motor	
24	9443960010	2	Fitting	
25	70050458	1	Gasket	
26	9472960043	1	Gear - Ring	
27	9626960012	1	Motor - Hydraulic	
28	70050459	1	O-Ring	
29	70050460	1	O-Ring	
30	70050461	1	O-Ring	
31	70050462	1	Ring - Backup	
32	70050463	1	Ring - Backup	
33	70050464	1	Ring - Backup	
34	70050465	1	O-Ring	
35	9691960001	1	Spirol Pin	
36	9701960016	1	Plug	
37	9796960049	1	Seal	
38	9754960039	2	Snap Ring	
39	70050466	1	Ring - Internal Retaining	
40	70050622	9	Spring - Brake	
41	9912960035	1	Tube - Brake Release (Ports Up)	
42	9935960142	1	Valve - Motor Control "B" Rotation	
43	9812960005	1	Washer - Thrust	
44	9949960017	1	Washer - Thrust	
45	9183960002	1	Fitting, Vent	
46	70050626	1	Ring - Internal Retaining	
47	70050625	1	Cover - Gear Housing	
48	9120960081	4	Capscrew 3/8 x 3/4	

SECTION 3 - DECK

ITEM	PART NUMBER	QTY	DESCRIPTION	REV
49	9796960047	1	Gasket	

SECTION 3 - DECK

FIGURE 3-53. WINCH ASSEMBLY - 10000 LBS PLANETARY GEAR WITH MANUAL FREE SPOOL



ART_7970000158

SECTION 3 - DECK

FIGURE 3-53. WINCH ASSEMBLY - 10000 LBS PLANETARY GEAR WITH MANUAL FREE SPOOL

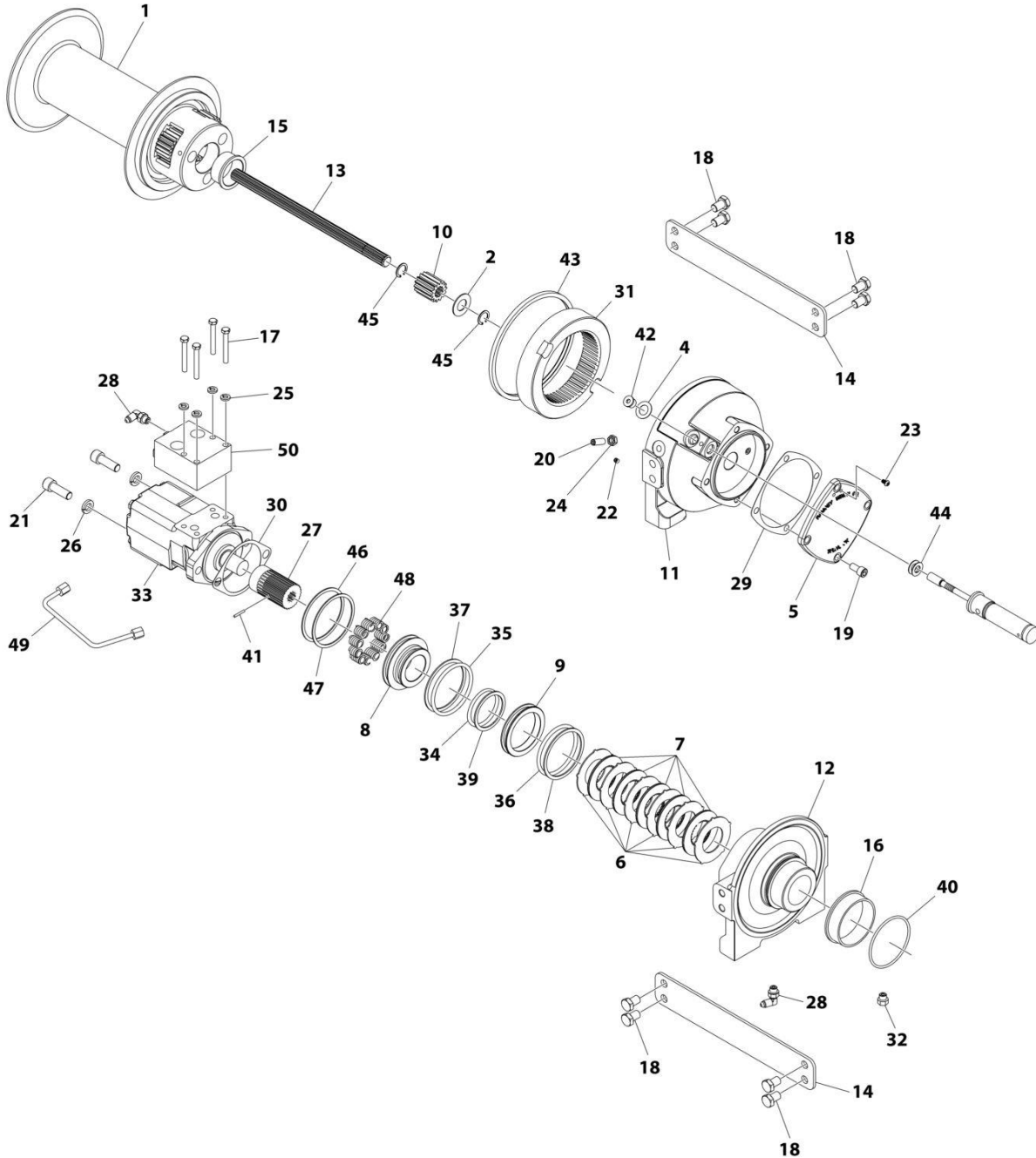
ITEM	PART NUMBER	QTY	DESCRIPTION	REV
	7970000158	Ref	WINCH - 10000 LBS PLANETARY GEAR WITH MANUAL FREE SPOOL	B
1	70050525	1	Drum Assembly "Y"	
2	9551960018	1	Shifter Assembly	
3	70050625	1	Cover - Gear Housing	
4	70050612	6	Stator - Brake	
5	70050613	5	Disc Brake	
6	70050614	1	Piston Brake	
7	70050615	1	Piston Brake Backup	
8	9472960042	1	Gear - Output, Sun	
9	70050616	1	End Bearing - Gear housing	
10	70050456	1	End Bearing - Motor	
11	70050617	1	Shaft - Input "Y" Drum	
12	70050618	2	Plate - Tie "Y" Drum	
13	9209960023	1	Bushing - Drum	
14	70050457	1	Bushing - Drum, Motor End	
15	70050619	4	Capscrew 5/16 x 2-1/2	
16	9120960025	8	Capscrew 1/2 x 3/4	
17	9120960081	4	Capscrew 3/8 x 3/4	
18	9786960006	1	Setscrew 3/8 x 1	
19	70050627	2	Capscrew 1/2 x 1-3/4	
20	7785140404	1	Setscrew 1/4 x 1/4	
21	70050620	2	Screw #10 x 3/8	
22	70050628	1	Nut 3/8	
23	9970418163	4	Washer 5/16	
24	9949960031	2	Washer 1/2	
25	70050621	1	Coupling - Motor	
26	9443960010	2	Fitting	
27	9796960047	1	Gasket	
28	70050458	1	Gasket	
29	9472960043	1	Gear - Ring	
30	9183960002	1	Fitting, Vent	
31	9626960027	1	Motor - Hydraulic	
32	70050459	1	O-Ring	
33	70050460	1	O-Ring	
34	70050461	1	O-Ring	
35	70050462	1	Ring - Backup	
36	70050463	1	Ring - Backup	
37	70050464	1	Ring - Backup	
38	70050465	1	O-Ring	
39	9691960001	1	Spirol Pin	
40	9701960016	1	Plug	
41	9796960049	1	Seal	
42	9754960039	2	Snap Ring	
43	70050466	2	Ring - Internal Retaining	
44	70050626	1	Ring - Internal Retaining	
45	70050622	11	Spring - Brake	
46	9912960035	1	Tube - Brake Release (Ports Up)	
47	9935960142	1	Valve - Motor Control "B" Rotation	
48	9812960005	1	Washer - Thrust	

SECTION 3 - DECK

ITEM	PART NUMBER	QTY	DESCRIPTION	REV
49	9949960017	1	Washer - Thrust	

SECTION 3 - DECK

FIGURE 3-54. WINCH ASSEMBLY - 10000 LBS PLANETARY GEAR WITH AIR FREE SPOOL



ART_7970000166

SECTION 3 - DECK

FIGURE 3-54. WINCH ASSEMBLY - 10000 LBS PLANETARY GEAR WITH AIR FREE SPOOL

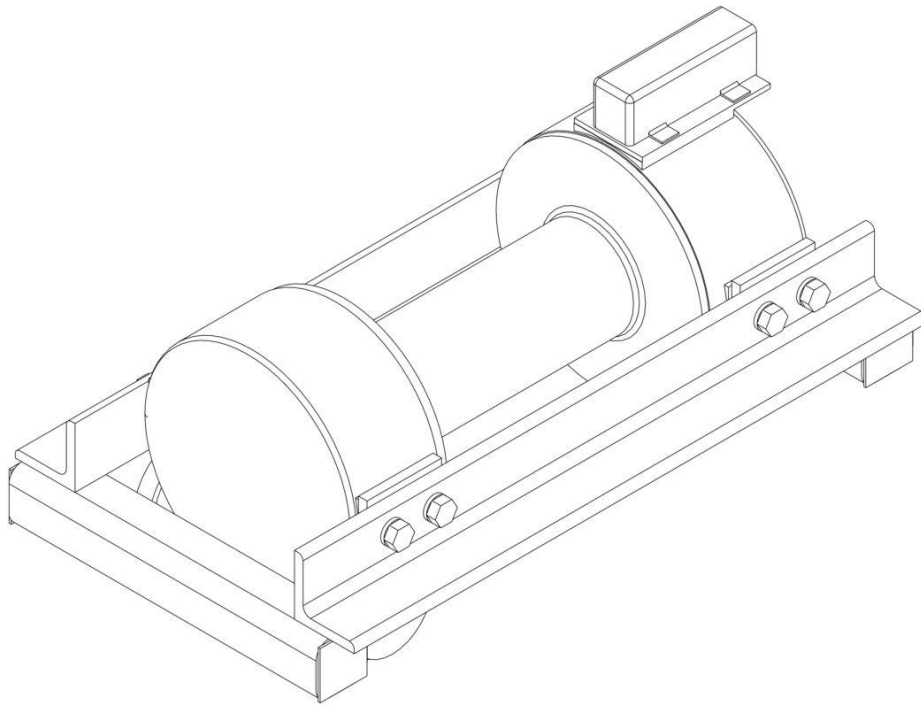
ITEM	PART NUMBER	QTY	DESCRIPTION	REV
	7970000166	Ref	WINCH - 10000 LBS PLANETARY GEAR WITH AIR FREE SPOOL	B
1	70050525	1	Drum Assembly "Y"	
2	9812960005	1	Washer - Thrust	
3	70050662	1	Decal - Slide Pad / Pivot Joint (Not Shown)	
4	9949960017	1	Washer - Thrust	
5	70050625	1	Cover - Gear Housing	
60	70050612	6	Stator - Brake	
7	70050613	5	Disc Brake	
8	70050614	1	Piston Brake	
9	70050615	1	Piston Brake Backup	
10	9742960064	1	Gear - Output, Sun	
11	70050616	1	End Bearing - Gear housing	
12	70050456	1	End Bearing - Motor	
13	70050617	1	Shaft - Input "Y" Drum	
14	70050618	2	Plate - Tie "Y" Drum	
15	9209960023	1	Bushing - Drum	
16	70050457	1	Bushing - Drum, Motor End	
17	70050619	4	Capscrew 5/16 x 2-1/2	
18	9120960025	8	Capscrew 1/2 x 3/4	
19	9120960081	4	Capscrew 3/8 x 3/4	
20	9786960006	1	Setscrew 3/8 x 1	
21	70050627	2	Capscrew 1/2 x 1-3/4	
22	7785140404	1	Setscrew 1/4 x 1/4	
23	70050620	2	Screw #10 x 3/8	
24	70050628	1	Nut 3/8	
25	9970418163	4	Washer 5/16	
26	9949960031	2	Washer 1/2	
27	70050621	1	Coupling - Motor	
28	9443960010	2	Fitting	
29	9796960047	1	Gasket	
30	70050458	1	Gasket	
31	9472960043	1	Gear - Ring	
32	9183960002	1	Fitting, Vent	
33	9626960027	1	Motor - Hydraulic	
34	70050459	1	O-Ring	
35	70050460	1	O-Ring	
36	70050461	1	O-Ring	
37	70050462	1	Ring - Backup	
38	70050463	1	Ring - Backup	
39	70050464	1	Ring - Backup	
40	70050465	1	O-Ring	
41	9691960001	1	Spirol Pin	
42	9701960016	1	Plug	
43	9796960049	1	Seal	
44	70050100	1	Shim	
45	9754960039	2	Snap Ring	
46	70050466	2	Ring - Internal Retaining	
47	70050626	1	Ring - Internal Retaining	
48	70050622	11	Spring - Brake	
49	9912960035	1	Tube - Brake Release (Ports Up)	

SECTION 3 - DECK

ITEM	PART NUMBER	QTY	DESCRIPTION	REV
50	70050701	1	Valve - Motor Control "A" Rotation	

SECTION 3 - DECK

FIGURE 3-55. WINCH ASSEMBLY - 20000 LBS WORM GEAR/AIR FREE SPOOL



ART_7970000109

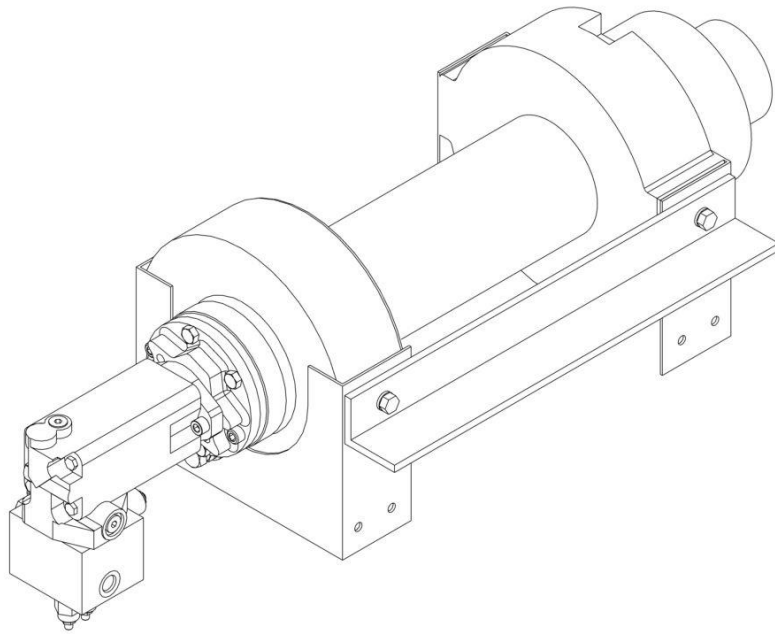
SECTION 3 - DECK

FIGURE 3-55. WINCH ASSEMBLY - 20000 LBS WORM GEAR/AIR FREE SPOOL

ITEM	PART NUMBER	QTY	DESCRIPTION	REV
	7970000109	Ref Ref	WINCH ASSEMBLY - 2000 LBS WORM GEAR/AIR FREE SPOOL Note: No Service Parts Available at Time of Printing.	B

SECTION 3 - DECK

FIGURE 3-56. WINCH ASSEMBLY - 20000 LBS PLANETARY/AIR FREE SPOOL



ART_7970000110

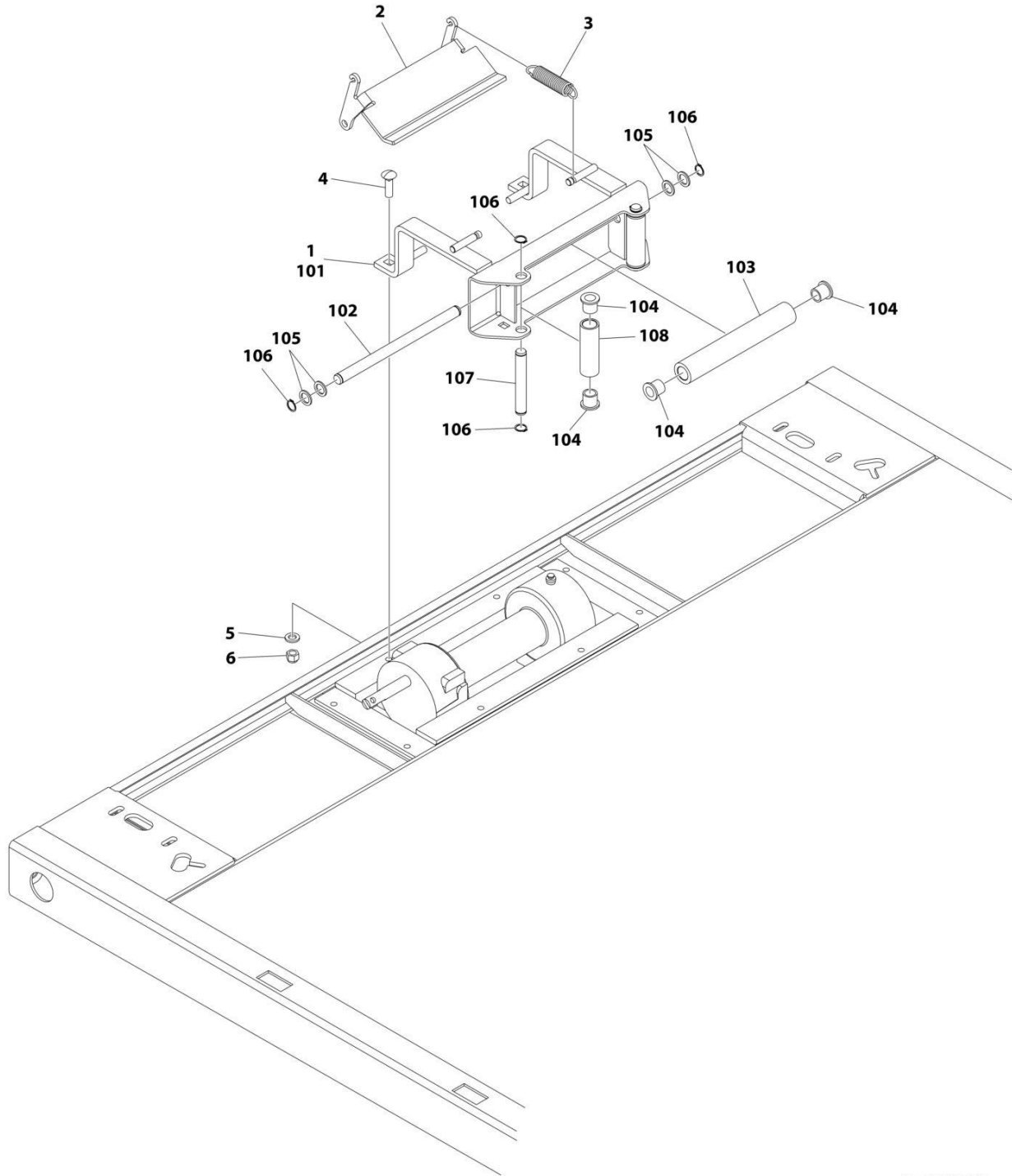
SECTION 3 - DECK

FIGURE 3-56. WINCH ASSEMBLY - 20000 LBS PLANETARY/AIR FREE SPOOL

ITEM	PART NUMBER	QTY	DESCRIPTION	REV
	7970000110	Ref Ref	WINCH ASSEMBLY - 2000 LBS PLANETARY/AIR FREE SPOOL Note: No Service Parts Available at Time of Printing.	B

SECTION 3 - DECK

FIGURE 3-57. CABLE TENSIONER INSTALLATION - 12000 LBS WORM GEAR WINCHES



ART_224900018

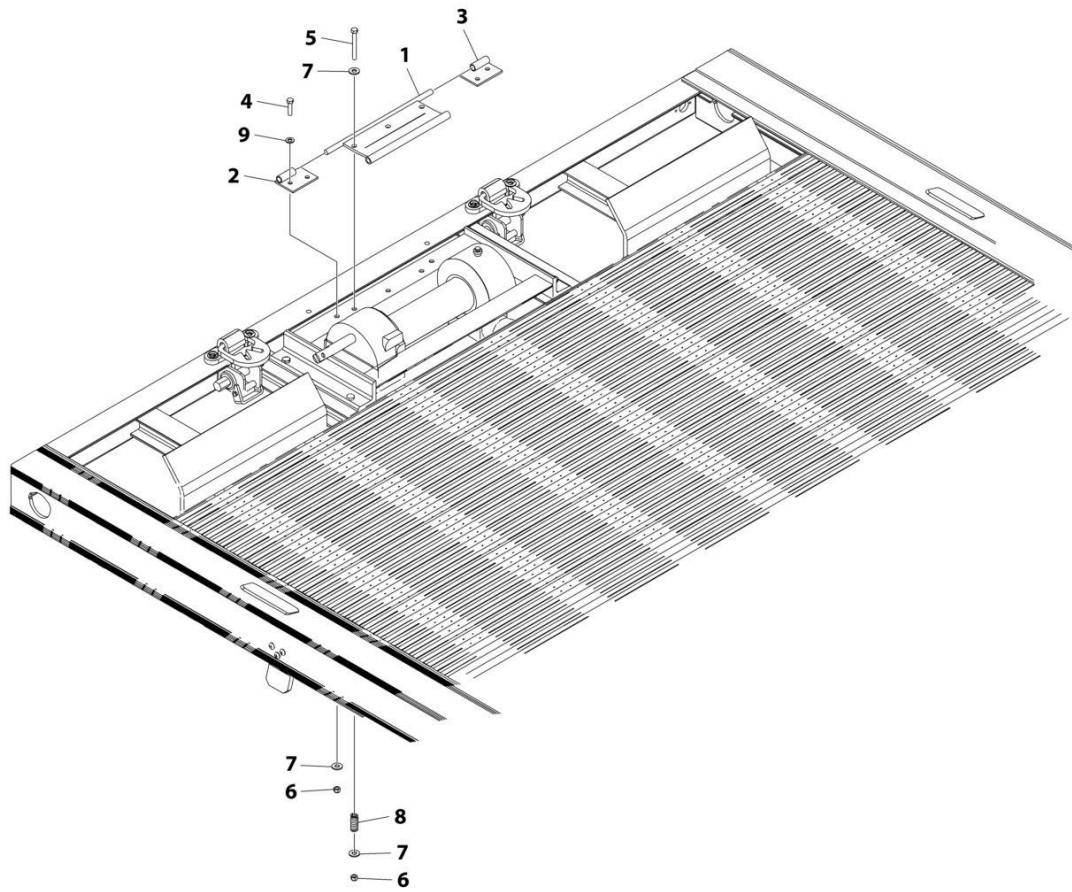
SECTION 3 - DECK

FIGURE 3-57. CABLE TENSIONER INSTALLATION - 12000 LBS WORM GEAR WINCHES

ITEM	PART NUMBER	QTY	DESCRIPTION	REV
	2249000018	Ref	CABLE TENSIONER INSTALLATION, WORM GEAR - 12000 LBS	B
1	3249000036	1	Cable Tensioner Assembly (Includes Items 101-108)	
2	4706003857	1	Plate	
3	7843000035	2	Spring	
4	7115181464	4	Bolt 1/2 x 1-3/4	
5	7950180153	2	Washer 1/2	
6	7660182601	4	Nut 1/2	
101	3178000433	1	Bracket Weld	
102	4806000014	1	Shaft	
103	4912000130	1	Roller	
104	7209000011	6	Bushing	
105	7949000034	4	Spacer	
106	7754000022	6	Retaining Ring	
107	4806000011	2	Shaft	
108	4912000394	2	Roller	

SECTION 3 - DECK

FIGURE 3-58. CABLE TENSIONER INSTALLATION - 8000/12000 LBS DUAL WORM GEAR WINCHES



ART_224900009

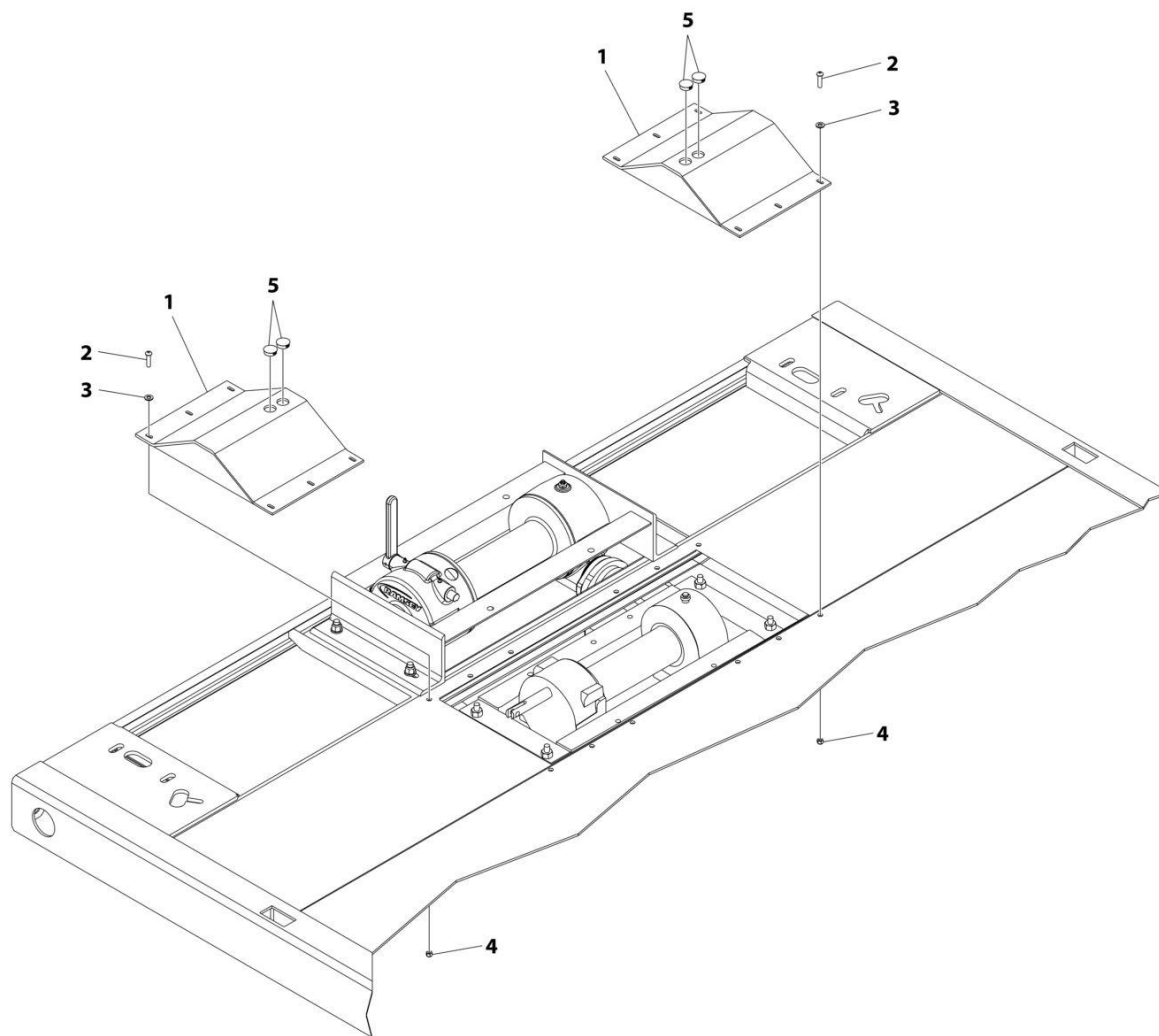
SECTION 3 - DECK

FIGURE 3-58. CABLE TENSIONER INSTALLATION - 8000/12000 LBS DUAL WORM GEAR WINCHES

ITEM	PART NUMBER	QTY	DESCRIPTION	REV
	2249000009	Ref	CABLE TENSIONER INSTALLATION	A
1	3706000213	1	Plate	
2	3706000214	1	Plate	
3	3706000215	1	Plate	
4	7115161250	2	Capscrew 3/8 x 1-1/2	
5	7115162650	3	Capscrew 3/8 x 3-1/4	
6	7660162601	5	Nut 3/8	
7	7950160161	8	Washer 3/8	
8	7843000034	3	Spring	
9	7950160141	2	Washer 3/8	

SECTION 3 - DECK

FIGURE 3-59. COVER PLATE INSTALLATION, DUAL WINCHES



ART_1001142009

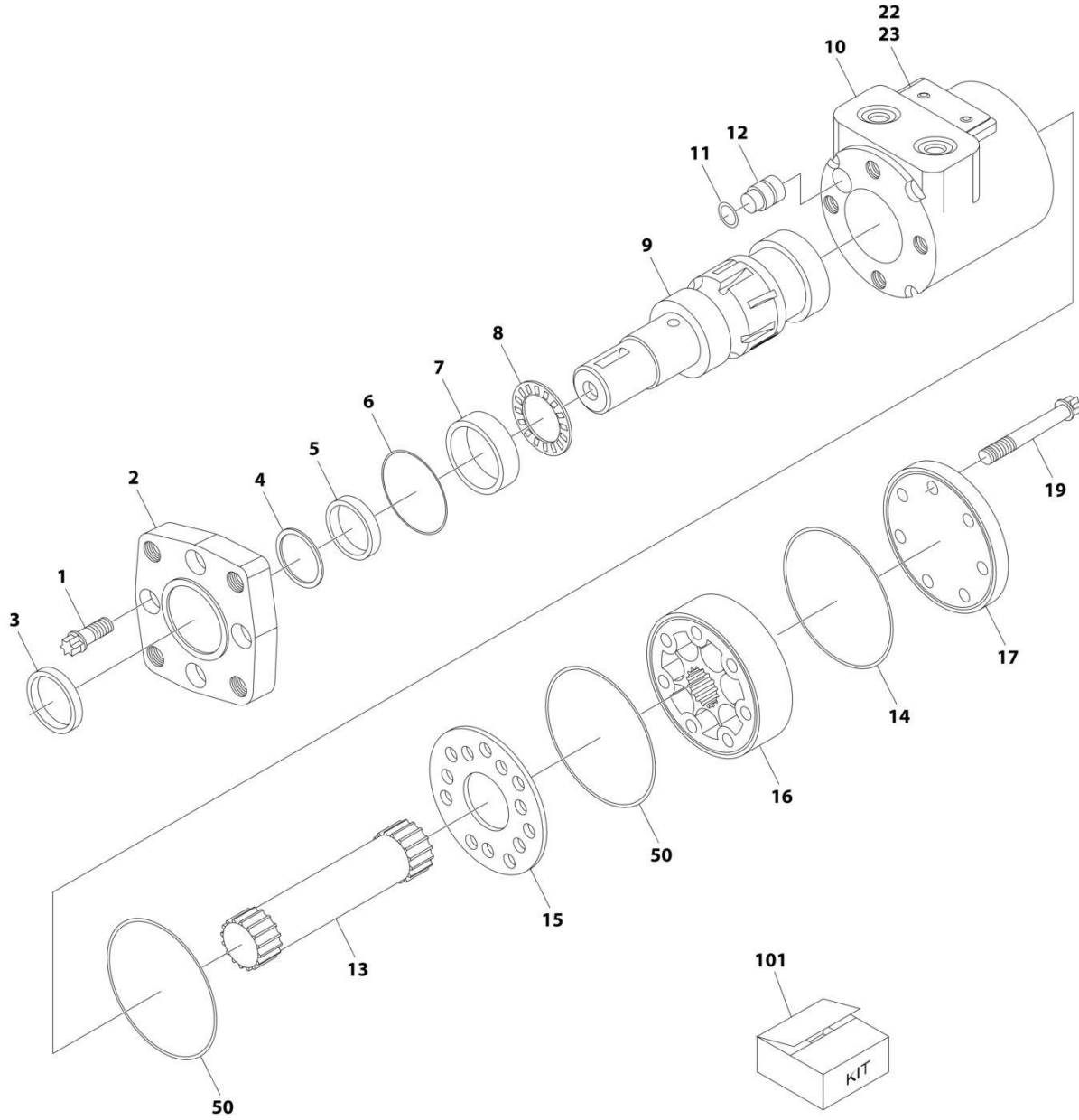
SECTION 3 - DECK

FIGURE 3-59. COVER PLATE INSTALLATION, DUAL WINCHES

ITEM	PART NUMBER	QTY	DESCRIPTION	REV
	1001142009	Ref	COVER PLATE DUAL WINCH INSTALLATION - 8000 LBS	A
1	3314000055	2	Cover Plate Weldment Single Winch	
2	7114161218	12	Capscrew 3/8 x 1-1/2	
3	7950150161	12	Capscrew 3/8 x 1-1/2	
4	7660162601	12	Nut 3/8	
5	7701000049	4	Plug	

SECTION 3 - DECK

FIGURE 3-60. MOTOR ASSEMBLY - WINCH DRIVE 12000 LBS



ART_7626000018

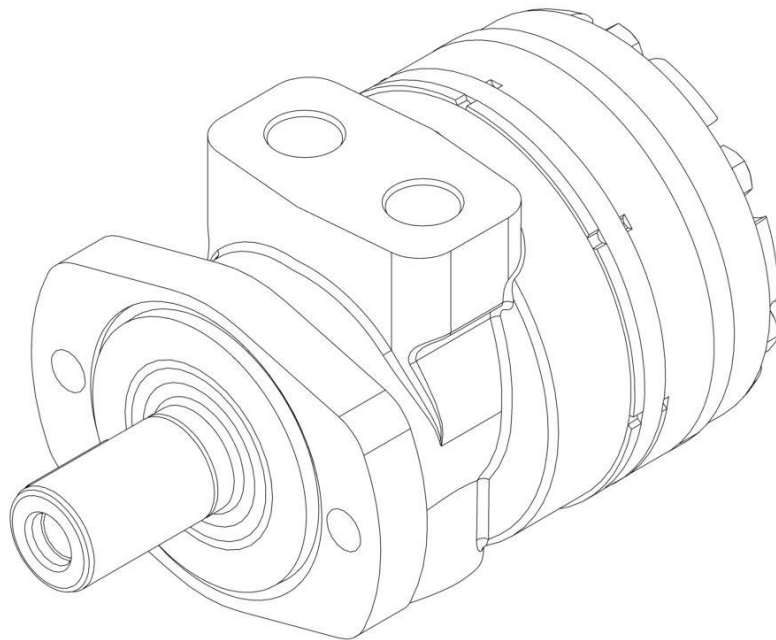
SECTION 3 - DECK

FIGURE 3-60. MOTOR ASSEMBLY - WINCH DRIVE 12000 LBS

ITEM	PART NUMBER	QTY	DESCRIPTION	REV
	7626000018	Ref	MOTOR ASSEMBLY - WINCH DRIVE (12000LBS WINCH) (WEST COAST SPECS)	0
1	7002123	4	Capscrew	
2	7009974	1	Flange, Mounting	
3	See Note	NSS	Seal, Exclusion (Note: Use Item 101)	
4	7009975	1	Washer, Backup	
5	7009997	1	Pressure Seal	
6	See Note	NSS	Seal (Note: Use Item 101)	
7	7002117	1	Race, Bearing	
8	7002111	1	Bearing, Thrust Needle	
9	70070028	1	Output Shaft (STD)	
10	See Note	NSS	(Note: Not Available for Purchase)	
11	See Note	NSS	O-Ring (Note: Use Item 101)	
12	7009992	1	Plug, Housing	
13	70070031	1	Drive	
14	See Note	NSS	Seal (Note: Use Item 101)	
15	7002110	1	Plate, Spacer	
16	70070032	1	Gerotor Sub-Assembly	
17	7002107	1	Cap, End	
19	70070030	7	Capscrew	
22	See Note	NSS	(Note: Not Available for Purchase)	
23	See Note	NSS	(Note: Not Available for Purchase)	
50	See Note	NSS	Seal (Note: Use Item 101)	
100		Ref	Key (Not Shown)	
101	2900733	1	Seal Kit (Includes Items 3, 6, 11, 14 & 50)	

SECTION 3 - DECK

FIGURE 3-61. MOTOR ASSEMBLY - 20000 LBS WINCH



ART_762600011

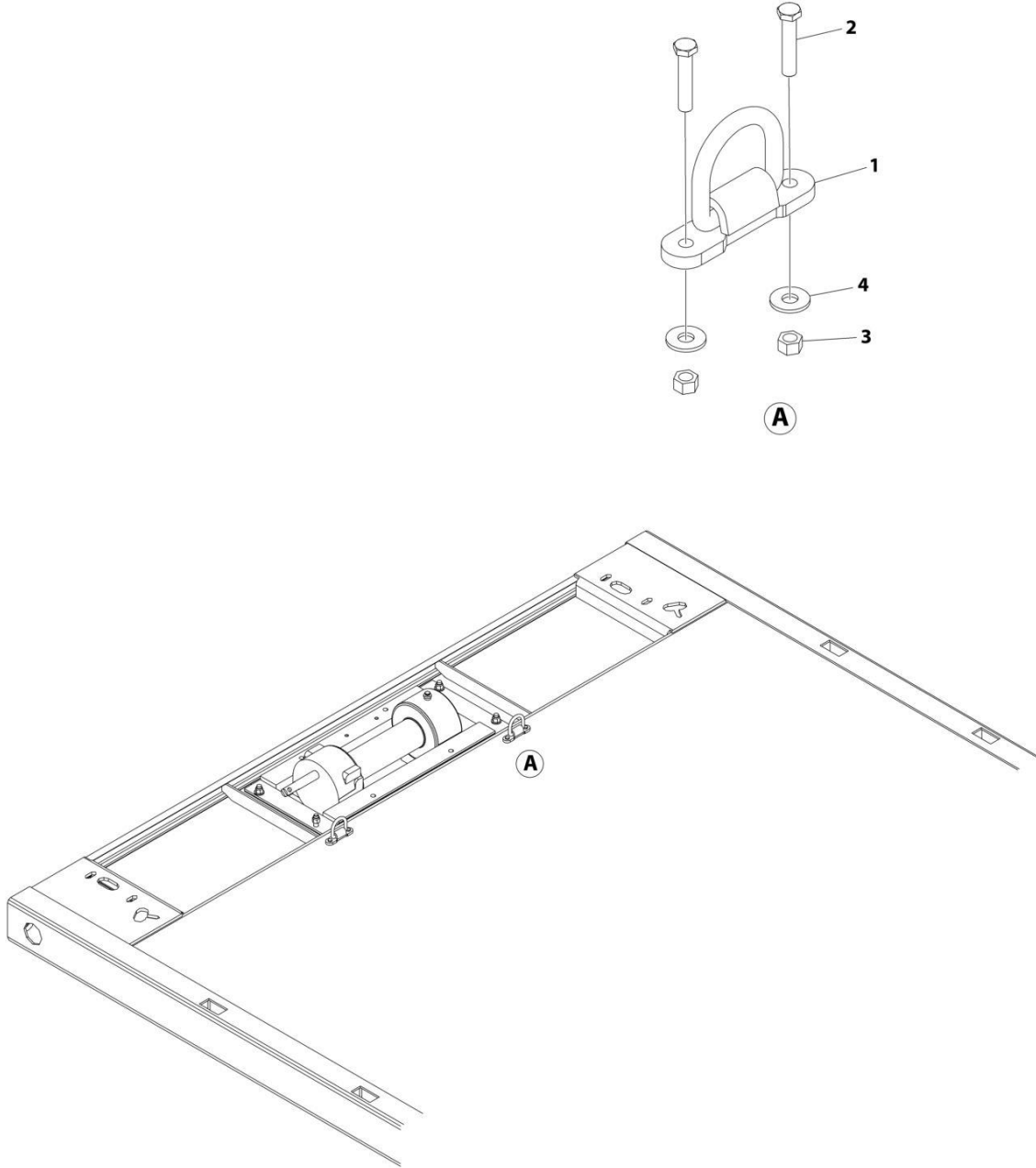
SECTION 3 - DECK

FIGURE 3-61. MOTOR ASSEMBLY - 20000 LBS WINCH

ITEM	PART NUMBER	QTY	DESCRIPTION	REV
	7626000011	Ref Ref	MOTOR ASSEMBLY - 20000 LBS WINCH Note: No Service Parts Available at Time of Printing.	C

SECTION 3 - DECK

FIGURE 3-62. D-RINGS INSTALLATION - 1 PAIR (TRANSPORTER) (BOLT ON NEAR WINCH)



ART_1001188648

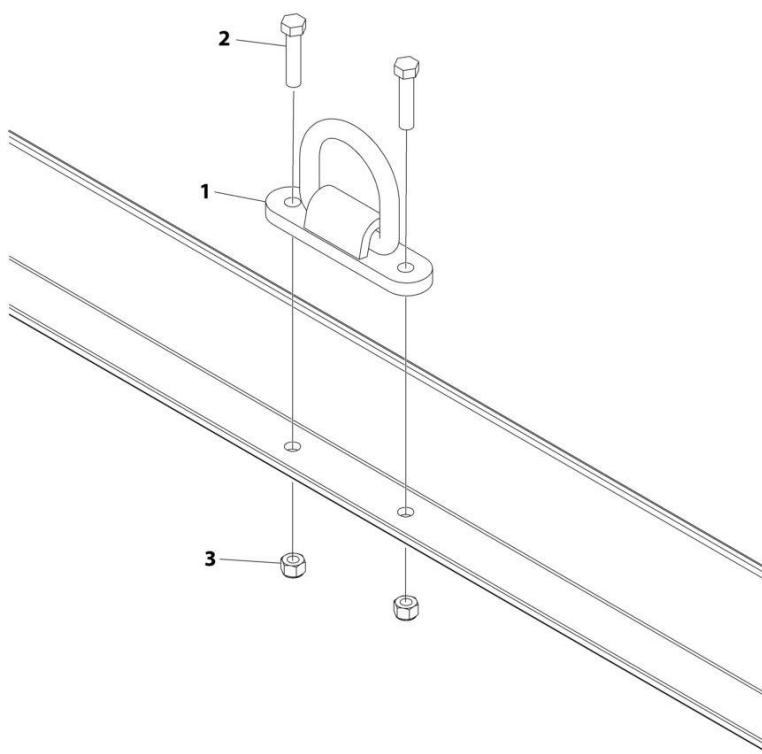
SECTION 3 - DECK

FIGURE 3-62. D-RINGS INSTALLATION - 1 PAIR (TRANSPORTER) (BOLT ON NEAR WINCH)

ITEM	PART NUMBER	QTY	DESCRIPTION	REV
	1001188648	Ref	D-RINGS, 5/8IN BOLT-ON NEAR WINCH, 1 PAIR, TRANSPORTER	B
1	1001171652	2	D-Ring	
2	7115182250	4	Capscrew 1/2 x 2-3/4	
3	7660182601	4	Nut 1/2	
4	7950180141	4	Washer 1/2	

SECTION 3 - DECK

FIGURE 3-63. D-RINGS INSTALLATION - 1 PAIR (STEEL DECK) (SN 02200005523 through 0220005860)



ART_275400005

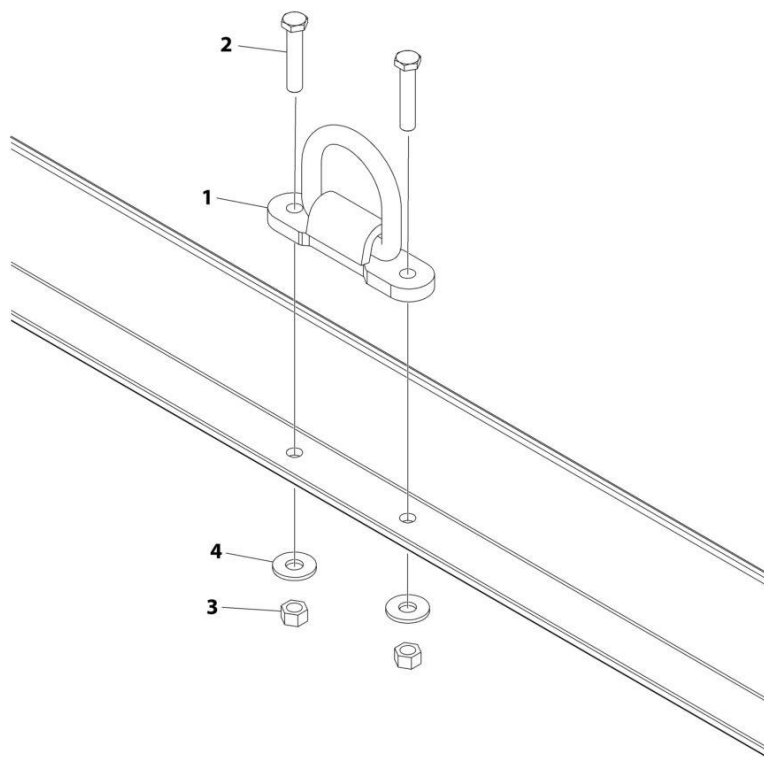
SECTION 3 - DECK

FIGURE 3-63. D-RINGS INSTALLATION - 1 PAIR (STEEL DECK) (SN 02200005523 through 0220005860)

ITEM	PART NUMBER	QTY	DESCRIPTION	REV
	2754000005	Ref	D-RINGS INSTALLATION - DECK MOUNTED	A
1	3556000019	2	D-Ring	
2	7115181850	4	Bolt 1/2 x 2-1/4	
3	7660182601	4	Nut 1/2	

SECTION 3 - DECK

FIGURE 3-64. D-RINGS INSTALLATION - 1 PAIR (STEEL DECK) (SN 0220005861 to Present)



ART_1001171659

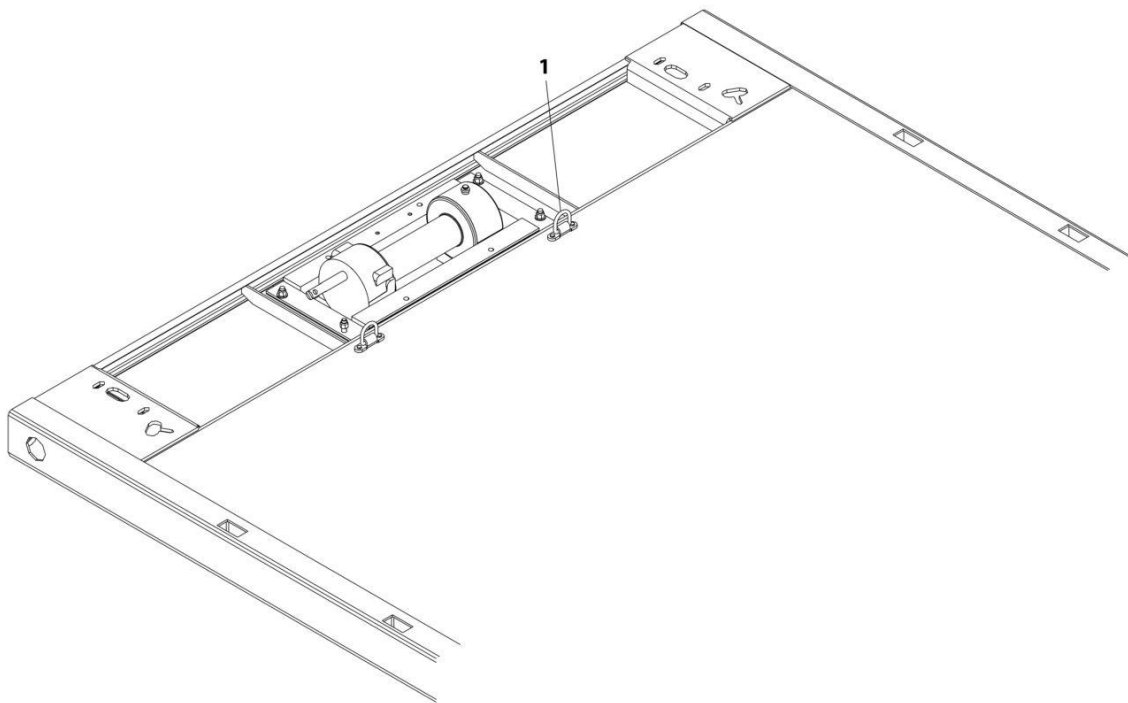
SECTION 3 - DECK

FIGURE 3-64. D-RINGS INSTALLATION - 1 PAIR (STEEL DECK) (SN 0220005861 to Present)

ITEM	PART NUMBER	QTY	DESCRIPTION	REV
	1001171659	Ref	D-RINGS, 5/8IN BOLT-ON, 1 PAIR, STEEL DECK	B
1	1001171652	2	D-Ring	
2	1001248245	4	Bolt 1/2 x 2-1/8	
3	3271805	4	Nut 1/2	
4	4711800	4	Washer 1/2	

SECTION 3 - DECK

FIGURE 3-65. D-RINGS INSTALLATION - 1 PAIR (STEEL DECK NEAR WINCH)



ART_1001188647

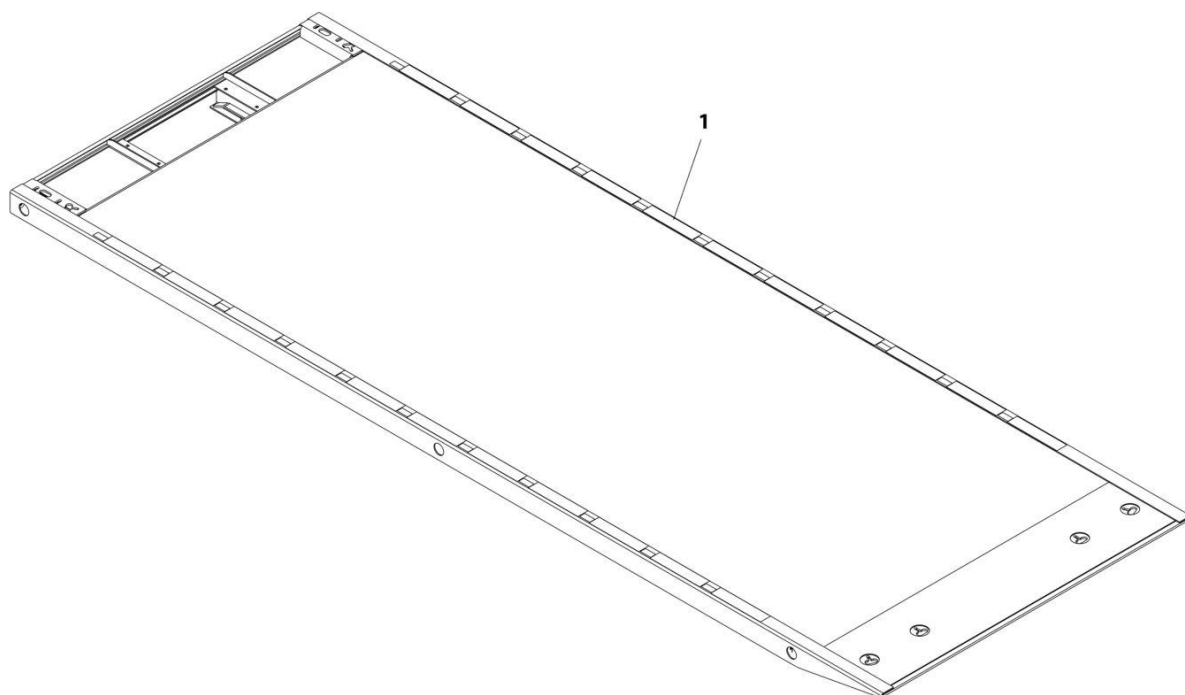
SECTION 3 - DECK

FIGURE 3-65. D-RINGS INSTALLATION - 1 PAIR (STEEL DECK NEAR WINCH)

ITEM	PART NUMBER	QTY	DESCRIPTION	REV
1	1001188647 7754000068	Ref 2	D-RINGS, 5/8IN WELD-ON NEAR WINCH, 1 PAIR, STEEL D-Ring	B

SECTION 3 - DECK

FIGURE 3-66. ANTI-SLIP PAINT INSTALLATION (STEEL DECK SIDES) (SN 0220005217 through 0220015208)



ART_1001128525

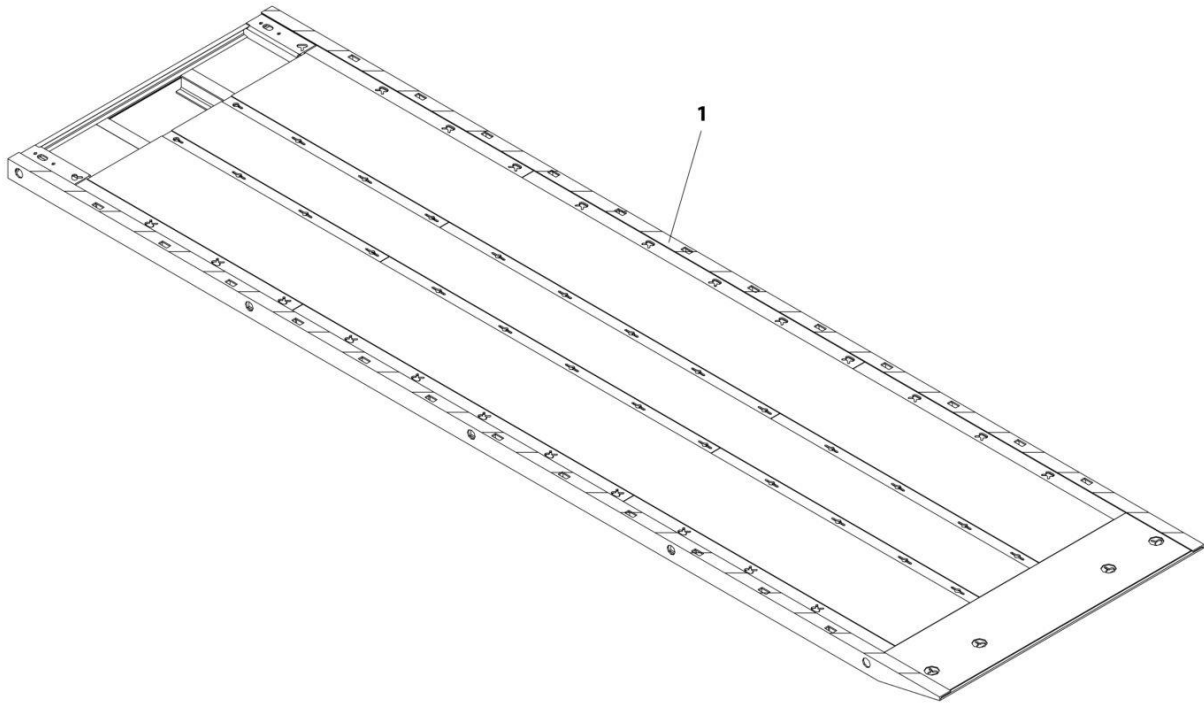
SECTION 3 - DECK

FIGURE 3-66. ANTI-SLIP PAINT INSTALLATION (STEEL DECK SIDES) (SN 0220005217 through 0220015208)

ITEM	PART NUMBER	QTY	DESCRIPTION	REV
1	1001128525	Ref	TAPE INSTALLATION - DECK ANTI-SKID	0
	8892040006	2	Tape, Antislip	

SECTION 3 - DECK

FIGURE 3-67. ANTI-SLIP PAINT INSTALLATION (STEEL DECK SIDES) (SN 0220015209 to Present)



ART_1001228190

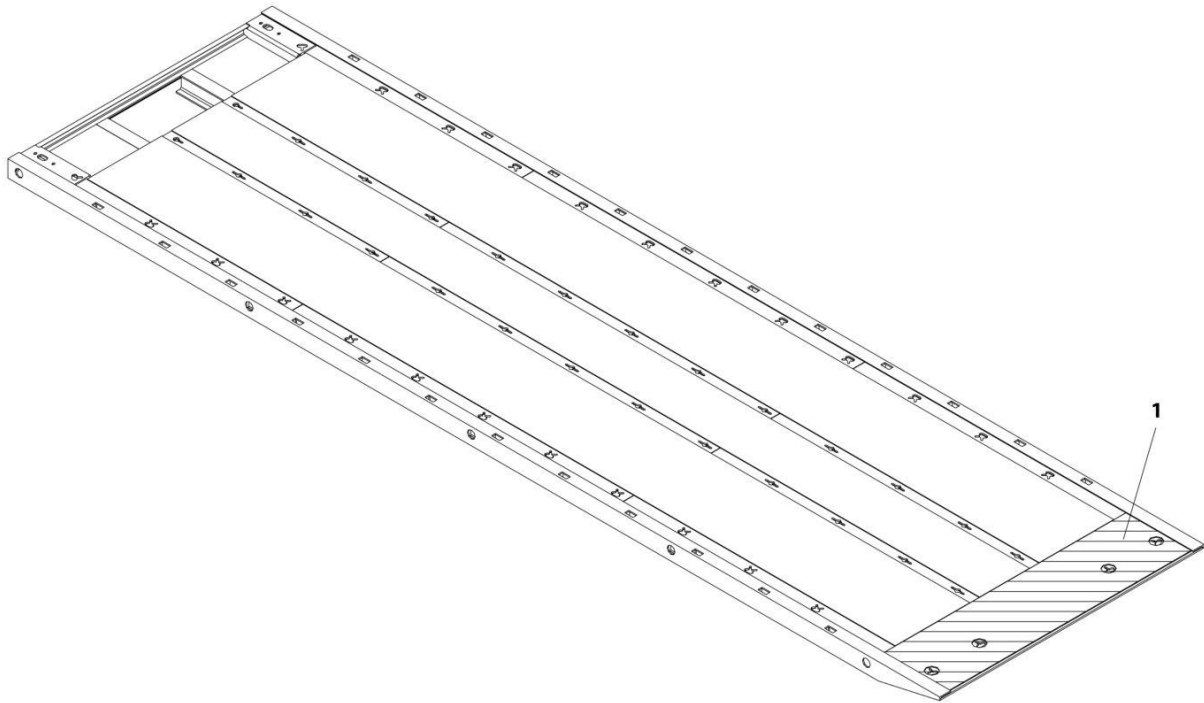
SECTION 3 - DECK

FIGURE 3-67. ANTI-SLIP PAINT INSTALLATION (STEEL DECK SIDES) (SN 0220015209 to Present)

ITEM	PART NUMBER	QTY	DESCRIPTION	REV
1	1001228190	Ref	ANTI-SLIP PAINT INSTALLATION (STEEL DECK SIDES)	A
	1001219737	AR	Paint, Non-Skid Yellow (1GAL Can)	

SECTION 3 - DECK

FIGURE 3-68. ANTI-SLIP PAINT INSTALLATION (DECK APPROACH END)



ART_1001232775

SECTION 3 - DECK

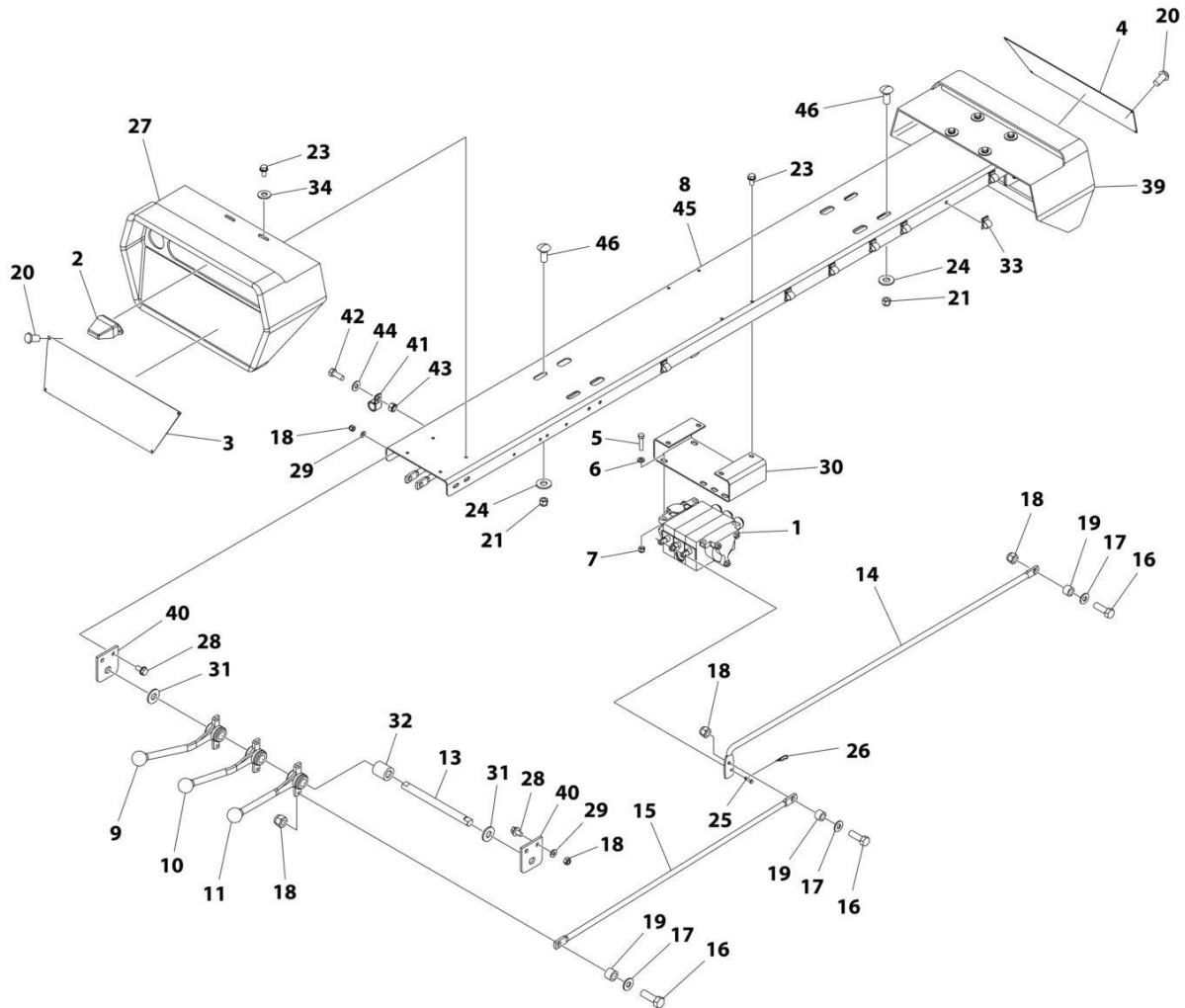
FIGURE 3-68. ANTI-SLIP PAINT INSTALLATION (DECK APPROACH END)

ITEM	PART NUMBER	QTY	DESCRIPTION	REV
1	1001232775	Ref	ANTI-SLIP PAINT INSTALLATION (DECK APPROACH END)	B
	1001219737	AR	Paint, Non-Skid Yellow (1GAL Can)	

SECTION 4 - CONTROLS

SECTION 4 - CONTROLS

FIGURE 4-1. 3 BANK CONTROLS INSTALLATION - NO/MAN TOW (SN 0220005217 through 0220005522)



ART_2296000107

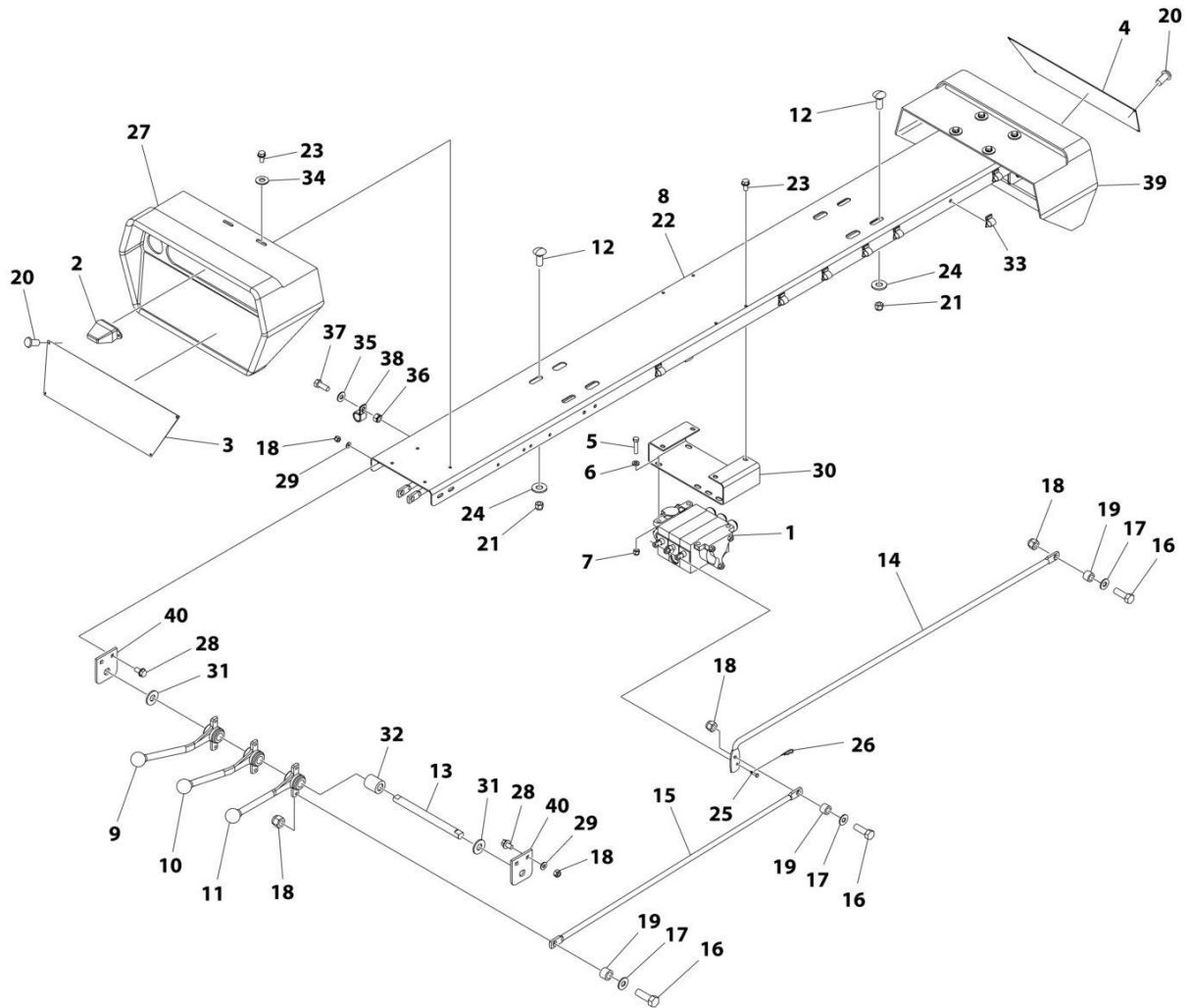
SECTION 4 - CONTROLS

FIGURE 4-1. 3 BANK CONTROLS INSTALLATION - NO/MAN TOW (SN 0220005217 through 0220005522)

ITEM	PART NUMBER	QTY	DESCRIPTION	REV
	2296000107	Ref	3 BANK CONTROLS INSTALLATION - NO/MAN TOW	I
1	3935000115	1	Valve Assembly (See Separate Breakdown in this Section)	
2	1001143764	2	Lamp	
3	7330000648	1	Decal Control Panel, LH	
4	7330000649	1	Decal Control Panel, RH	
5	7111161050	4	Capscrew 3/8 x 1-1/4	
6	7950160161	4	Washer 3/8	
7	7660162601	4	Nut 3/8	
8	1001135273	1	Channel	
9	7551000021	2	Control Handle	
10	7551000020	2	Control Handle	
11	7551000018	2	Control Handle	
13	7691000064	2	Pin	
14	4763000280	3	Control Rod	
15	4763000279	3	Control Rod	
16	7115150850	9	Capscrew 5/16 x 1	
17	7949000011	9	Washer	
18	7660152601	17	Nut 5/16	
19	4831000069	9	Spacer	
20	7759000006	8	Rivet	
21	7660182601	4	Nut 1/2	
23	7790151253	12	Screw 5/16 x 3/4	
24	7950180161	4	Washer 1/2	
25	7690101200	3	Clevis Pin	
26	7691000056	3	Pin, Hairpin Cotter	
27	3560000010	1	Control Hood Assembly	
28	7115150664	8	Bolt 5/16 x 3/4	
29	7950150161	8	Washer 5/16	
30	1001135272	1	Channel	
31	7950220141	2	Washer 3/4	
32	4211000001	4	Bushing	
33	7280000007	11	Wire Clip	
34	7949000054	8	Washer	
39	7560000007	1	Control Hood, RH	
40	4606000217	4	Lug	
41	7274000063	1	Clamp	
42	7115140650	1	Capscrew 1/4 x 3/4	
43	7660142601	1	Nut 1/4	
44	7950140141	1	Washer 1/4	
45	8632000012	AR	Trim Lock	
46	7115181064	4	Bolt 1/2 x 1-1/4	

SECTION 4 - CONTROLS

FIGURE 4-2. 3 BANK CONTROLS INSTALLATION - NO/MAN TOW (SN 0220005523 to Present)



ART_1001170378

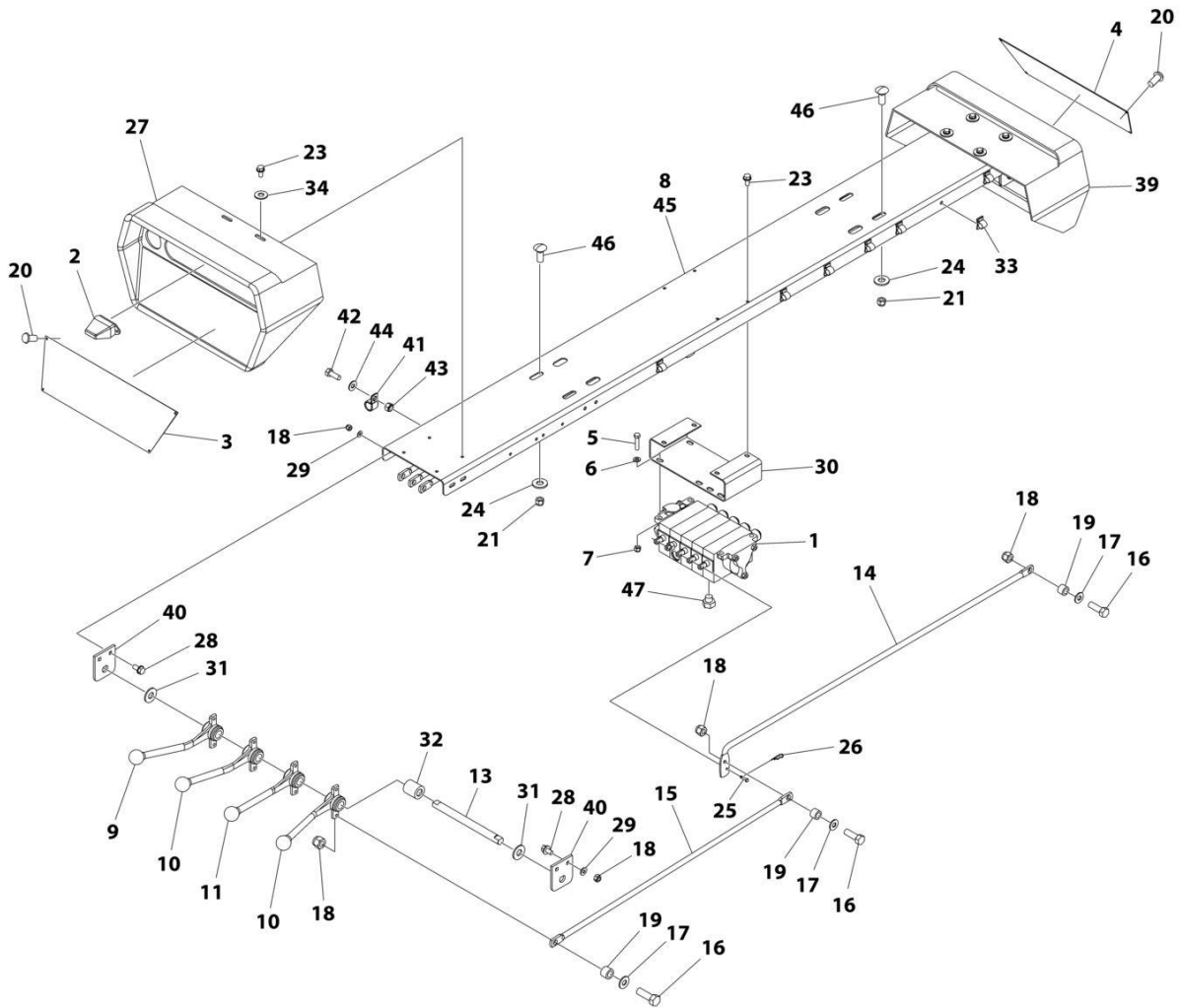
SECTION 4 - CONTROLS

FIGURE 4-2. 3 BANK CONTROLS INSTALLATION - NO/MAN TOW (SN 0220005523 to Present)

ITEM	PART NUMBER	QTY	DESCRIPTION	REV
	1001170378	Ref	3 BANK CONTROLS INSTALLATION - NO/MAN TOW	A
1	3935000115	1	Valve Assembly (See Separate Breakdown in this Section)	
2	1001143764	2	Lamp	
3	7330000648	1	Decal, Control Panel, LH	
4	7330000649	1	Decal, Control Panel, RH	
5	7111161050	4	Capscrew 3/8 x 1-1/4	
6	7950160161	4	Washer 3/8	
7	7660162601	4	Nut 3/8	
8	1001170189	1	Channel	
9	7551000021	2	Control Handle	
10	7551000020	2	Control Handle	
11	7551000018	2	Control Handle	
12	7115181064	4	Bolt 1/2 x 1-1/4	
13	7691000064	2	Pin	
14	1001170187	3	Control Rod	
15	1001170188	3	Control Rod	
16	7115150850	9	Capscrew 5/16 x 1	
17	7949000011	9	Washer	
18	7660152601	17	Nut 5/16	
19	4831000069	9	Spacer	
20	7759000006	8	Rivet	
21	7660182601	4	Nut 1/2	
22	8632000012	AR	Trim Lock	
23	7790151253	12	Screw 5/16 x 3/4	
24	7950180161	4	Washer 1/2	
25	7690101200	3	Clevis Pin	
26	7691000056	3	Pin, Hairpin Cotter	
27	3560000010	1	Control Hood Assembly	
28	7115150664	8	Bolt 5/16 x 3/4	
29	7950150161	8	Washer 5/16	
30	1001135272	1	Channel	
31	7950220141	2	Washer 3/4	
32	4211000001	4	Bushing	
33	7280000007	11	Wire Clip	
34	7949000054	8	Washer	
35	7950140141	1	Washer 1/4	
36	7660142601	1	Nut 1/4	
37	7115140650	1	Capscrew 1/4 x 3/4	
38	7274000063	1	Clamp	
39	7560000007	1	Control Hood RH	
40	4606000217	4	Lug	

SECTION 4 - CONTROLS

FIGURE 4-3. 4 BANK CONTROLS INSTALLATION - NO/MAN TOW, STABILIZER (SN 0220005217 through 0220005522)



ART_2296000108

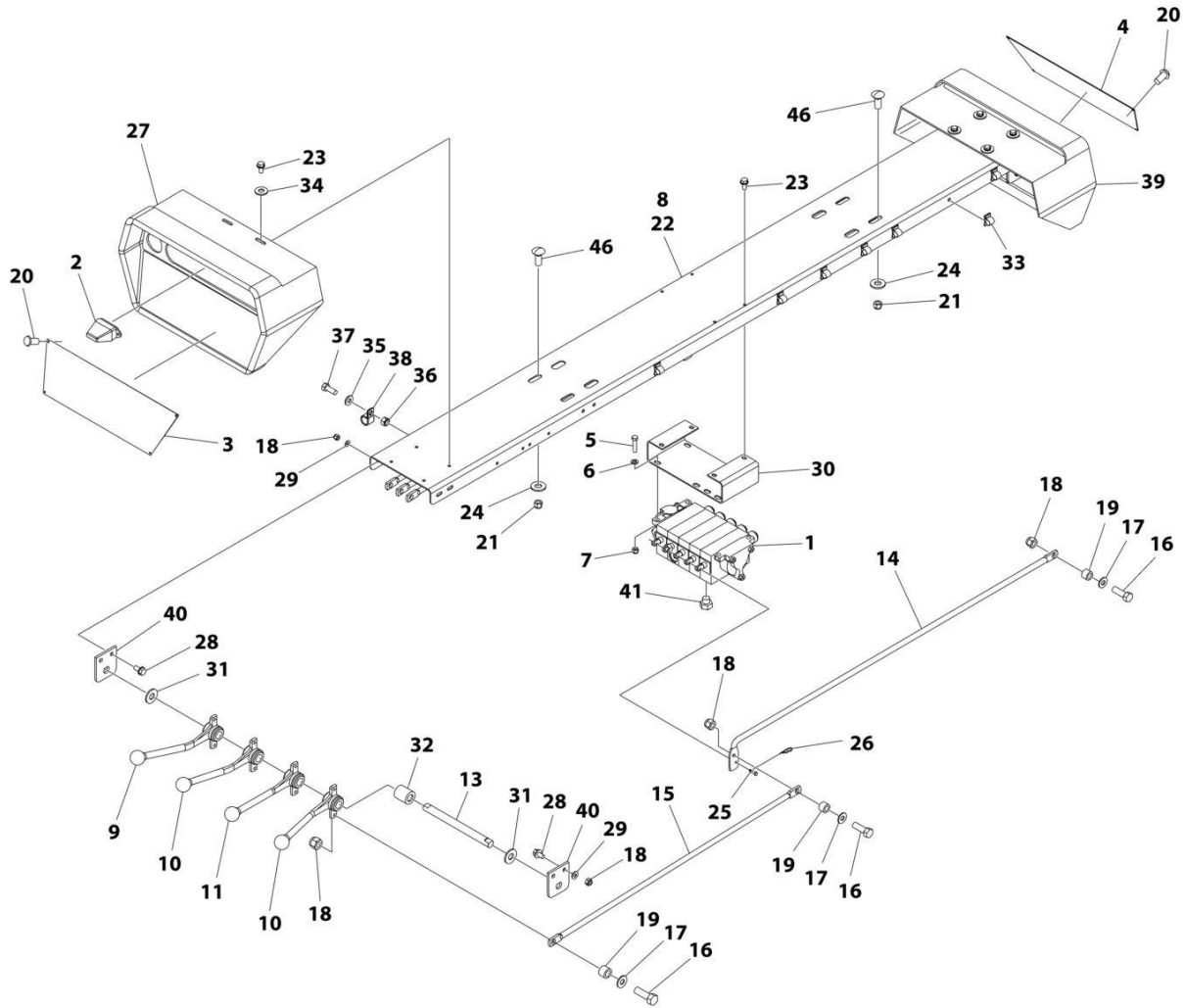
SECTION 4 - CONTROLS

FIGURE 4-3. 4 BANK CONTROLS INSTALLATION - NO/MAN TOW, STABILIZER (SN 0220005217 through 0220005522)

ITEM	PART NUMBER	QTY	DESCRIPTION	REV
	2296000108	Ref	4 BANK CONTROLS INSTALLATION - NO/MAN TOW, STABILIZER	J
1	3935000117	1	Valve Assembly (See Separate Breakdown in this Section)	
2	1001143764	2	Lamp	
3	7330000650	1	Decal, Control Panel Stabilizer, LH	
4	7330000651	1	Decal, Control Panel Stabilizer, RH	
5	7111161050	4	Capscrew 3/8 x 1-1/4	
6	7950160161	4	Washer 3/8	
7	7660162601	4	Nut 3/8	
8	1001135273	1	Channel	
9	7551000021	2	Control Handle	
10	7551000020	4	Control Handle	
11	7551000018	2	Control Handle	
13	7691000064	2	Pin	
14	4763000280	4	Control Rod	
15	4763000279	4	Control Rod	
16	7115150850	12	Capscrew 5/16 x 1	
17	7949000011	12	Washer	
18	7660152601	20	Nut 5/16	
19	4831000069	12	Spacer	
20	7759000006	8	Rivet	
21	7660182601	4	Nut 1/2	
23	7790151253	12	Screw 5/16 x 3/4	
24	7950180161	4	Washer 1/2	
25	7690101200	4	Clevis Pin	
26	7691000056	4	Pin, Hairpin Cotter	
27	3560000010	1	Control Hood Assembly	
28	7115150664	8	Bolt 5/16 x 3/4	
29	7950150161	8	Washer 5/16	
30	1001135272	1	Channel	
31	7950220141	2	Washer 3/4	
32	4211000001	2	Bushing	
33	7280000007	11	Wire Clip	
34	7949000054	8	Washer	
39	7560000007	1	Control Hood, RH	
40	4606000217	4	Lug	
41	7274000063	1	Clamp	
42	7115140650	1	Capscrew 1/4 x 3/4	
43	7660142601	1	Nut 1/4	
44	7950140141	1	Washer 1/4	
45	8632000012	AR	Trim Lock	
46	7115181064	4	Bolt 1/2 x 1-1/4	
47	7443000048	2	Fitting Plug	

SECTION 4 - CONTROLS

FIGURE 4-4. 4 BANK CONTROLS INSTALLATION - NO/MAN TOW, STABILIZER (SN 0220005523 to Present)



ART_1001170391

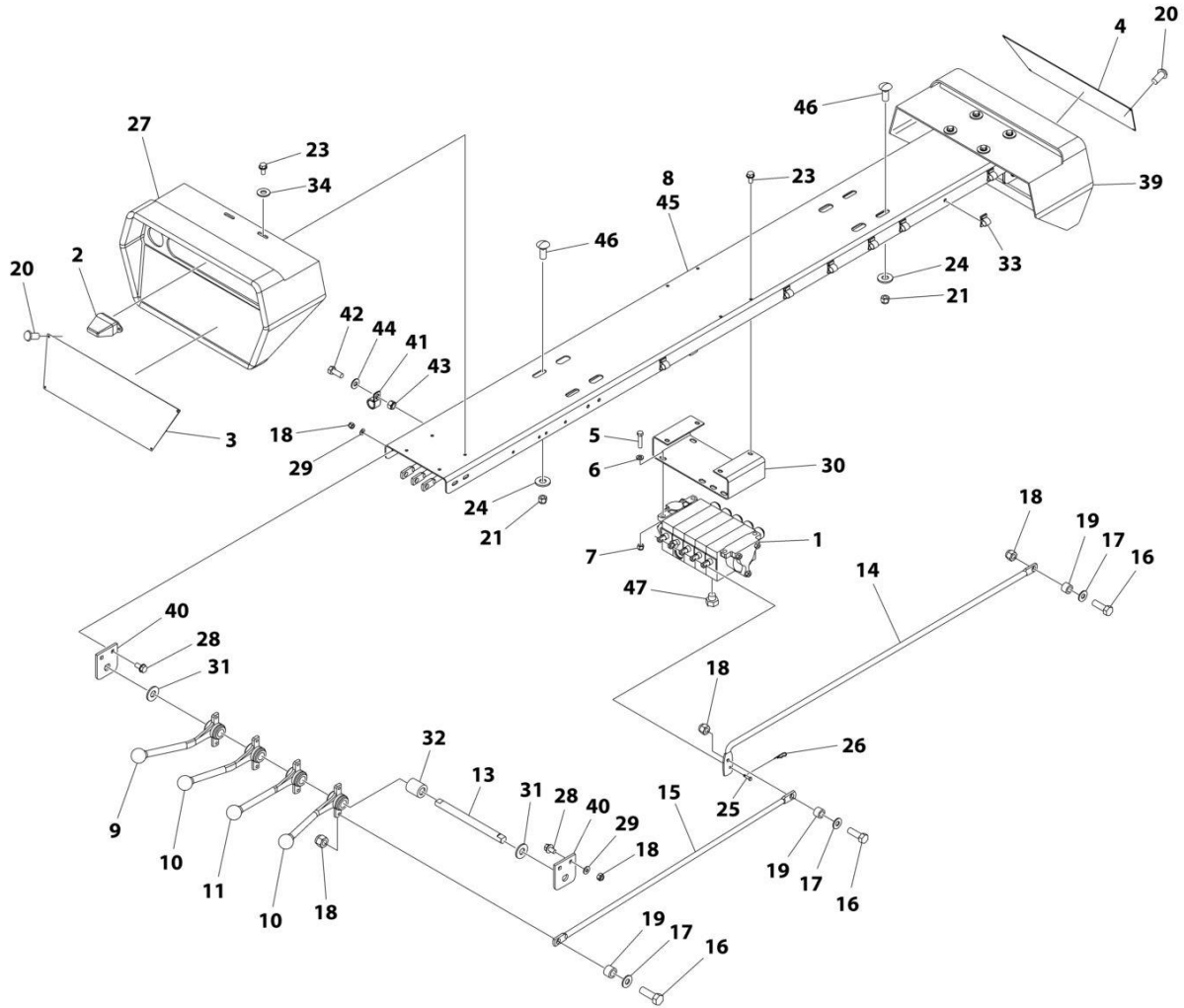
SECTION 4 - CONTROLS

FIGURE 4-4. 4 BANK CONTROLS INSTALLATION - NO/MAN TOW, STABILIZER (SN 0220005523 to Present)

ITEM	PART NUMBER	QTY	DESCRIPTION	REV
	1001170391	Ref	4 BANK CONTROLS INSTALLATION WITH STABILIZER	B
1	3935000117	1	Valve Assembly (See Separate Breakdown in this Section)	
2	1001143764	2	Lamp	
3	7330000650	1	Decal, Control Panel Stabilizer, LH	
4	7330000651	1	Decal, Control Panel Stabilizer, RH	
5	7111161050	4	Capscrew 3/8 x 1-1/4	
6	7950160161	4	Washer 3/8	
7	7660162601	4	Nut 3/8	
8	1001170189	1	Channel	
9	7551000021	2	Control Handle	
10	7551000020	4	Control Handle	
11	7551000018	2	Control Handle	
12	7115181064	4	Bolt 1/2 x 1/4	
13	7691000064	2	Pin	
14	1001170187	4	Control Rod	
15	1001170188	4	Control Rod	
16	7115150850	12	Capscrew 5/16 x 1	
17	7949000011	12	Washer	
18	7660152601	20	Nut 5/16	
19	4831000069	12	Spacer	
20	7759000006	8	Rivet	
21	7660182601	4	Nut 1/2	
22	8632000012	AR	Trim lock	
23	7790151253	12	Screw 5/16 x 3/4	
24	7950180161	4	Washer 1/2	
25	7690101200	4	Clevis Pin	
26	7691000056	1	Pin, Hairpin Cotter	
27	3560000010	1	Control Hood Assembly	
28	7115150664	8	Bolt 5/16 x 3/4	
29	7950150161	8	Washer 5/16	
30	1001135272	1	Channel	
31	7950220141	2	Washer 3/4	
32	4211000001	2	Bushing	
33	7280000007	11	Wire Clip	
34	7949000054	8	Washer	
35	7950140141	1	Washer 1/4	
36	7660142601	1	Nut 1/4	
37	7115140650	1	Capscrew 1/4 x 3/4	
38	7274000063	1	Clamp	
39	7560000007	1	Control Hood, RH	
40	4606000217	4	Lug	
41	7443000048	2	Fitting Plug	

SECTION 4 - CONTROLS

FIGURE 4-5. 4 BANK CONTROLS INSTALLATION - HYDRAULIC TOW (SN 0220005217 through 0220005522)



ART_2296000112

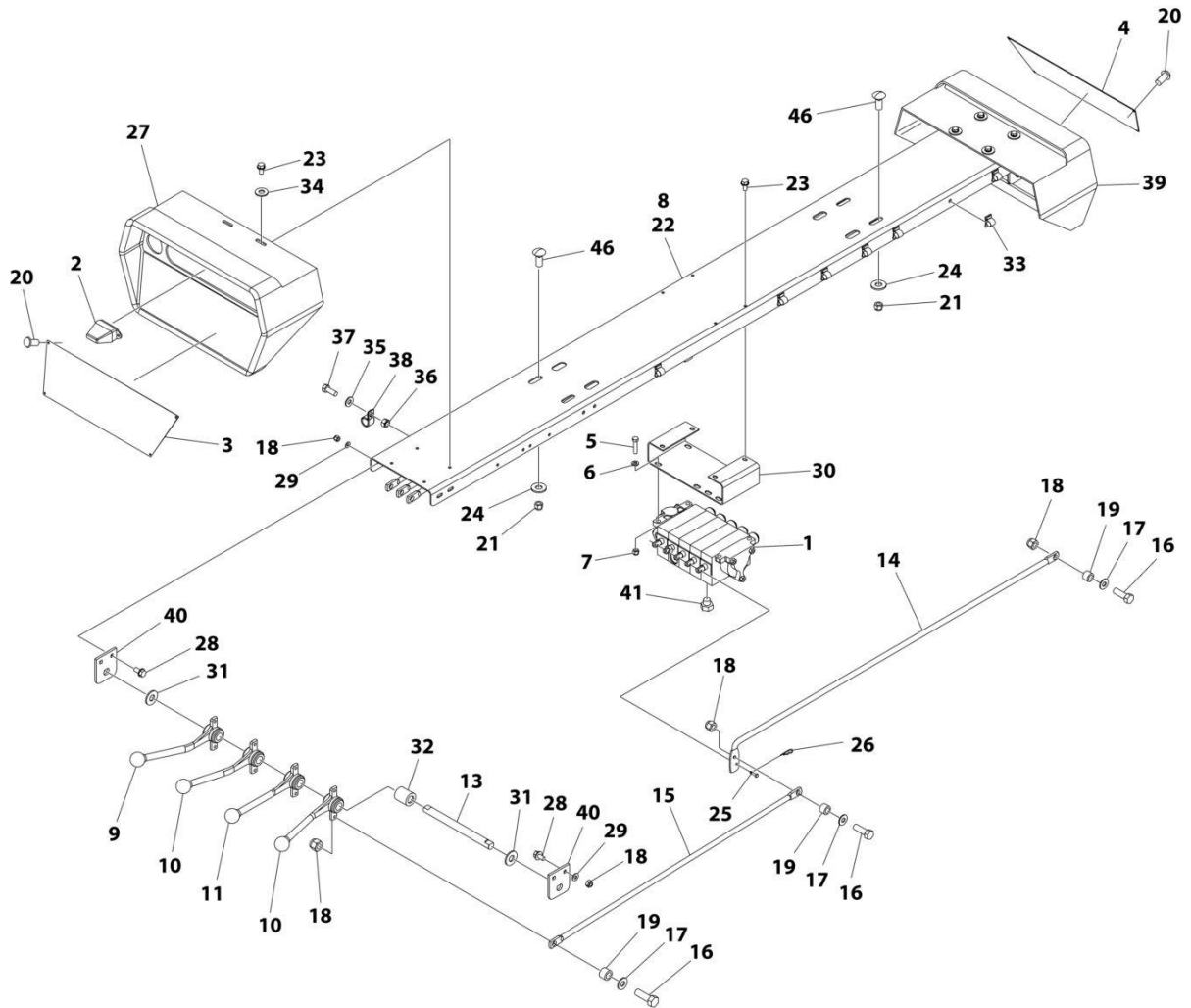
SECTION 4 - CONTROLS

FIGURE 4-5. 4 BANK CONTROLS INSTALLATION - HYDRAULIC TOW (SN 0220005217 through 0220005522)

ITEM	PART NUMBER	QTY	DESCRIPTION	REV
	2296000112	Ref	4 BANK CONTROLS INSTALLATION WITH HITCH	K
1	3935000117	1	Valve Assembly (See Separate Breakdown in this Section)	
2	1001143764	2	Lamp	
3	7330000648	1	Decal Control Panel, LH	
4	7330000649	1	Decal Control Panel, RH	
5	7111161050	4	Capscrew 3/8 x 1-1/4	
6	7950160161	4	Washer 3/8	
7	7660162601	4	Nut 3/8	
8	1001135273	1	Channel	
9	7551000021	2	Control Handle	
10	7551000020	4	Control Handle	
11	7551000018	2	Control Handle	
13	7691000064	2	Pin	
14	4763000280	4	Control Rod	
15	4763000279	4	Control Rod	
16	7115150850	12	Capscrew 5/16 x 1	
17	7949000011	12	Washer	
18	7660152601	20	Nut 5/16	
19	4831000069	12	Spacer	
20	7759000006	8	Rivet	
21	7660182601	4	Nut 1/2	
23	7790151253	12	Screw 5/16 x 3/4	
24	7950180161	4	Washer 1/2	
25	7690101200	4	Clevis Pin	
26	7691000056	4	Pin, Hairpin Cotter	
27	3560000010	1	Control Hood Assembly	
28	7115150664	8	Bolt 5/16 x 3/4	
29	7950150161	8	Washer 5/16	
30	1001135272	1	Channel	
31	7950220141	2	Washer 3/4	
32	4211000001	2	Bushing	
33	7280000007	11	Wire Clip	
34	7949000054	8	Washer	
39	7560000007	1	Control Hood, RH	
40	4606000217	4	Lug	
41	7274000063	1	Clamp	
42	7115140650	1	Capscrew 1/4 x 3/4	
43	7660142601	1	Nut 1/4	
44	7950140141	1	Washer 1/4	
45	8632000012	AR	Trim Lock	
46	7115181064	4	Bolt 1/2 x 1-1/4	
47	7443000048	4	Fitting Plug	

SECTION 4 - CONTROLS

FIGURE 4-6. 4 BANK CONTROLS INSTALLATION - HYDRAULIC TOW (SN 0220005523 to Present)



ART_1001170390

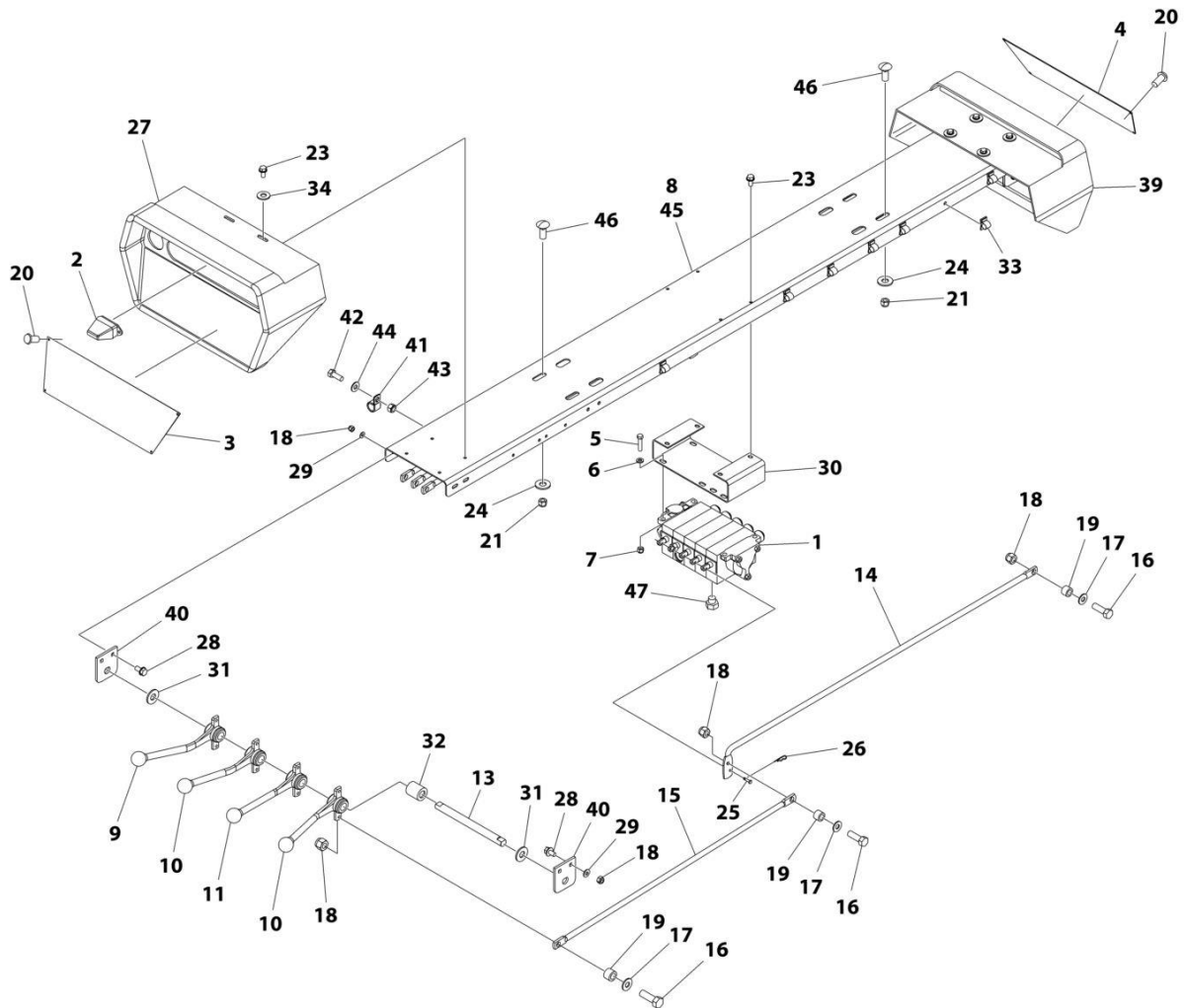
SECTION 4 - CONTROLS

FIGURE 4-6. 4 BANK CONTROLS INSTALLATION - HYDRAULIC TOW (SN 0220005523 to Present)

ITEM	PART NUMBER	QTY	DESCRIPTION	REV
	1001170390	Ref	4 BANK CONTROLS INSTALLATION WITH HITCH	B
1	3935000117	1	Valve Assembly (See Separate Breakdown in this Section)	
2	1001143764	2	Lamp	
3	7330000648	1	Decal Control Panel, LH	
4	7330000649	1	Decal Control Panel, RH	
5	7111161050	4	Capscrew 3/8 x 1-1/4	
6	7950160161	4	Washer 3/8	
7	7660162601	4	Nut 3/8	
8	1001170189	1	Channel	
9	7551000021	2	Control Handle	
10	7551000020	4	Control Handle	
11	7551000018	2	Control Handle	
12	7115181064	4	Bolt 1/2 x 1/4	
13	7691000064	2	Pin	
14	1001170187	4	Control Rod	
15	1001170188	4	Control Rod	
16	7115150850	12	Capscrew 5/16 x 1	
17	7949000011	12	Washer	
18	7660152601	20	Nut 5/16	
19	4831000069	12	Spacer	
20	7759000006	8	Rivet	
21	7660182601	4	Nut 1/2	
22	8632000012	AR	Trim lock	
23	7790151253	12	Screw 5/16 x 3/4	
24	7950180161	4	Washer 1/2	
25	7690101200	4	Clevis Pin	
26	7691000056	4	Pin, Hairpin Cotter	
27	3560000010	1	Control Hood Assembly	
28	7115150664	8	Bolt 5/16 x 3/4	
29	7950150161	8	Washer 5/16	
30	1001135272	1	Channel	
31	7950220141	2	Washer 3/4	
32	4211000001	2	Bushing	
33	7280000007	11	Wire Clip	
34	7949000054	8	Washer	
35	7950140141	1	Washer 1/4	
36	7660142601	1	Nut 1/4	
37	7115140650	1	Capscrew 1/4 x 3/4	
38	7274000063	1	Clamp	
39	7560000007	1	Control Hood, RH	
40	4606000217	4	Lug	
41	7443000048	2	Fitting Plug	

SECTION 4 - CONTROLS

FIGURE 4-7. 4 BANK CONTROLS INSTALLATION - HYDRAULIC TOW, WINCH MOTOR SPOOL (SN 0220005217 through 0220005522)



ART_1001145990

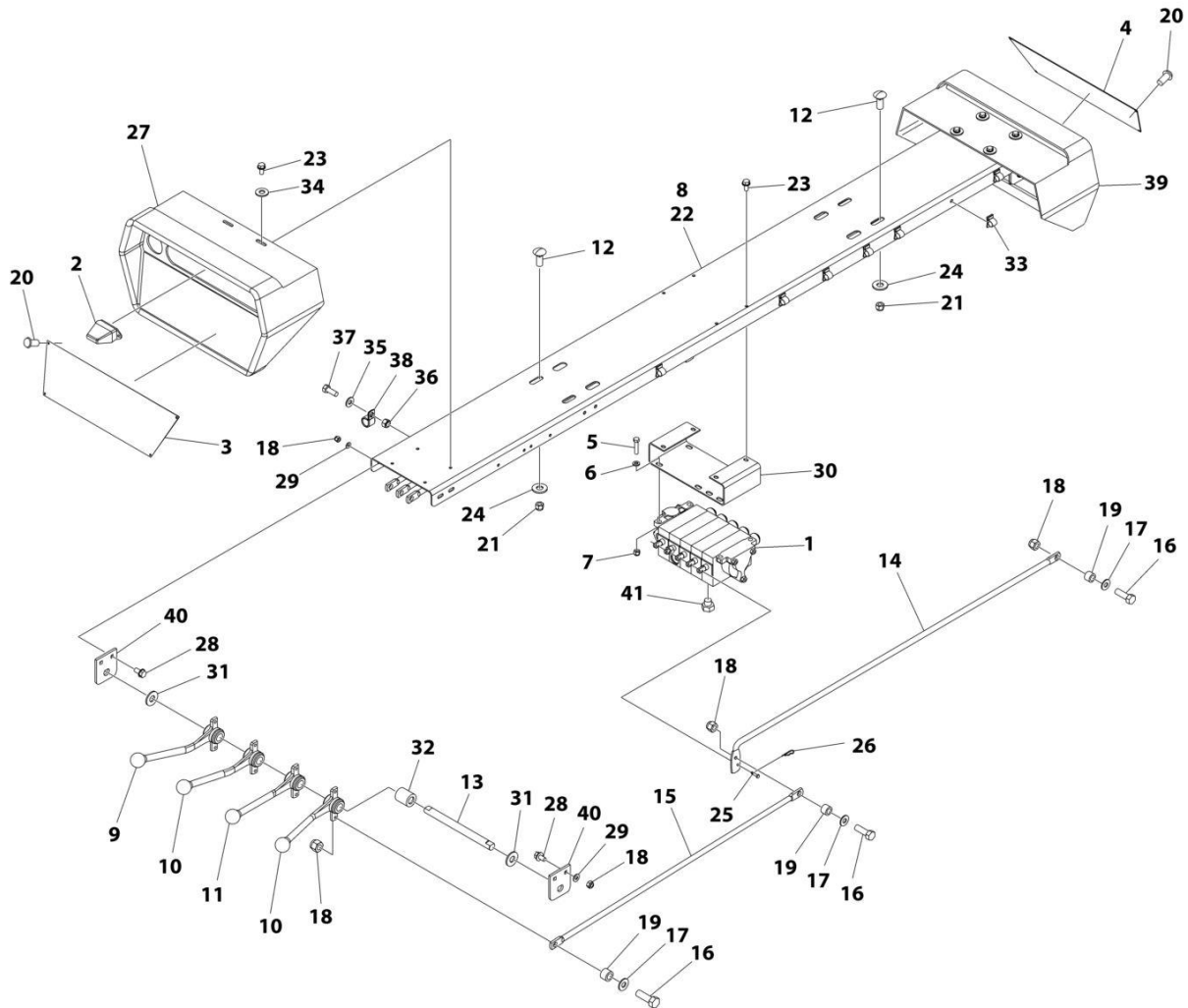
SECTION 4 - CONTROLS

FIGURE 4-7. 4 BANK CONTROLS INSTALLATION - HYDRAULIC TOW, WINCH MOTOR SPOOL (SN 0220005217 through 0220005522)

ITEM	PART NUMBER	QTY	DESCRIPTION	REV
	1001145990	Ref	4 BANK CONTROLS INSTALLATION - HYDRAULIC TOW, WINCH MOTOR SPOOL	C
1	1001146603	1	Valve Assembly (See Separate Breakdown in this Section)	
2	1001143764	2	Lamp	
3	7330000650	1	Decal Control Panel Stabilizer, LH	
4	7330000651	1	Decal Control Panel Stabilizer, RH	
5	7111161050	4	Capscrew 3/8 x 1-1/4	
6	7950160161	4	Washer 3/8	
7	7660162601	4	Nut 3/8	
8	1001135273	1	Channel	
9	7551000021	2	Control Handle	
10	7551000020	4	Control Handle	
11	7551000018	2	Control Handle	
13	7691000064	2	Pin	
14	4763000280	4	Control Rod	
15	4763000279	4	Control Rod	
16	7115150850	12	Capscrew 5/16 x 1	
17	7949000011	12	Washer	
18	7660152601	20	Nut 5/16	
19	4831000069	12	Spacer	
20	7759000006	8	Rivet	
21	7660182601	4	Nut 1/2	
23	7790151253	12	Screw 5/16 x 3/4	
24	7950180161	4	Washer 1/2	
25	7690101200	4	Clevis Pin	
26	7691000056	1	Pin, Hairpin Cotter	
27	3560000010	8	Control Hood Assembly	
28	7115150664	8	Bolt 5/16 x 3/4	
29	7950150161	1	Washer 5/16	
30	1001135272	2	Channel	
31	7950220141	2	Washer 3/4	
32	4211000001	11	Bushing	
33	7280000007	8	Wire Clip	
34	7949000054	1	Washer	
39	7560000007	1	Control Hood, RH	
40	4606000217	4	Lug	
41	7274000063	1	Clamp	
42	7115140650	1	Capscrew 1/4 x 3/4	
43	7660142601	1	Nut 1/4	
44	7950140141	1	Washer 1/4	
45	8632000012	AR	Trim Lock	
46	7115181064	4	Bolt 1/2 x 1-1/4	
47	7443000048	2	Fitting Plug	

SECTION 4 - CONTROLS

FIGURE 4-8. 4 BANK CONTROLS INSTALLATION - HYDRAULIC TOW, WINCH MOTOR SPOOL (SN 0220005523 to Present)



ART_1001170423

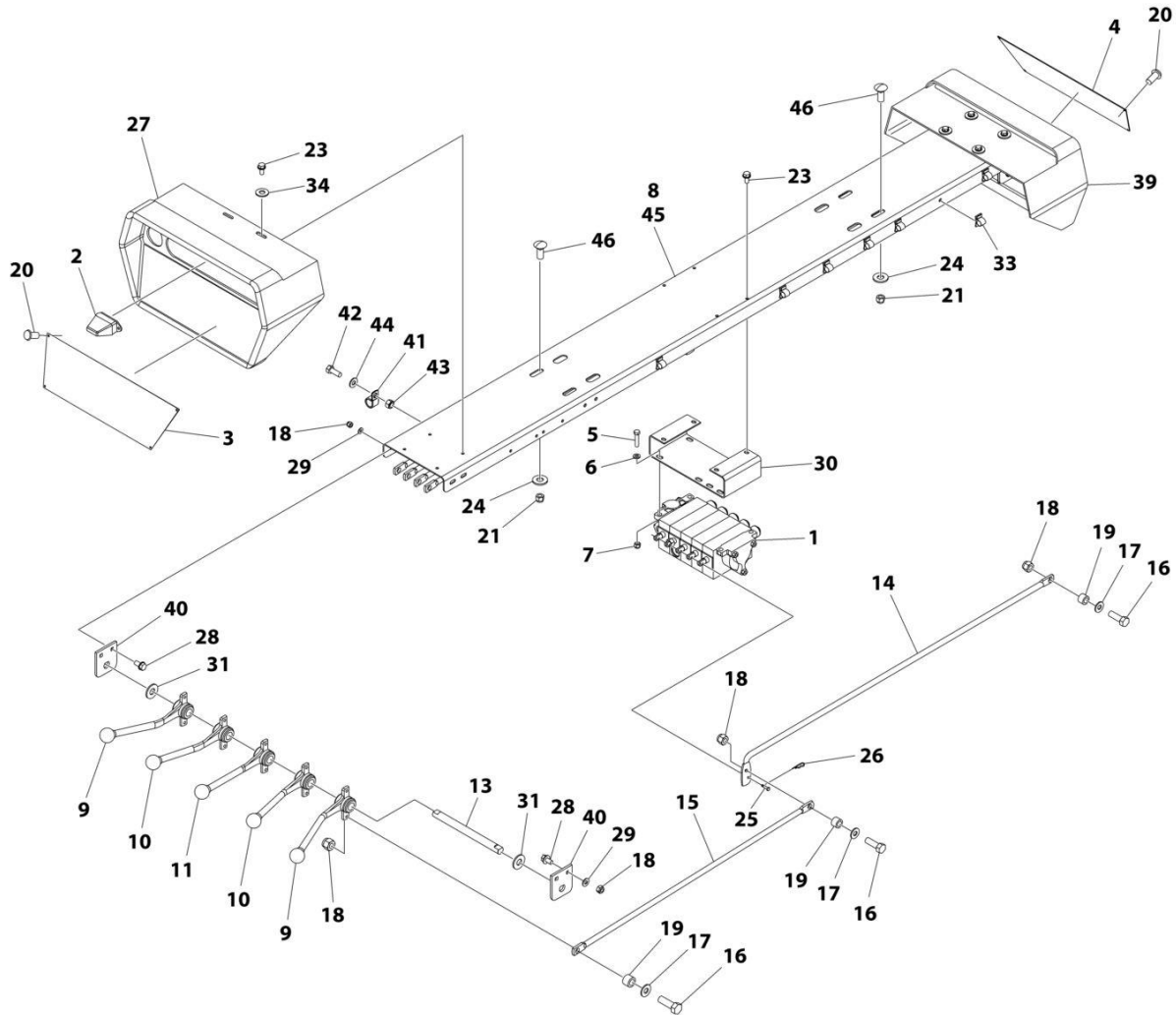
SECTION 4 - CONTROLS

FIGURE 4-8. 4 BANK CONTROLS INSTALLATION - HYDRAULIC TOW, WINCH MOTOR SPOOL (SN 0220005523 to Present)

ITEM	PART NUMBER	QTY	DESCRIPTION	REV
	1001170423	Ref	4 BANK CONTROLS INSTALLATION - HYDRAULIC TOW, WINCH MOTOR SPOOL	B
1	1001146603	1	Valve Assembly (See Separate Breakdown in this Section)	
2	1001143764	2	Lamp	
3	7330000650	1	Decal Control Panel, LH	
4	7330000651	1	Decal Control Panel, RH	
5	7111161050	4	Capscrew 3/8 x 1-1/4	
6	7950160161	4	Washer 3/8	
7	7660162601	4	Nut 3/8	
8	1001170189	1	Channel	
9	7551000021	2	Control Handle	
10	7551000020	4	Control Handle	
11	7551000018	2	Control Handle	
12	7115181064	4	Bolt 1/2 x 1/4	
13	7691000064	2	Pin	
14	1001170187	4	Control Rod	
15	1001170188	4	Control Rod	
16	7115150850	12	Capscrew 5/16 x 1	
17	7949000011	12	Washer	
18	7660152601	20	Nut 5/16	
19	4831000069	12	Spacer	
20	7759000006	8	Rivet	
21	7660182601	4	Nut 1/2	
22	8632000012	AR	Trim lock	
23	7790151253	12	Screw 5/16 x 3/4	
24	7950180161	4	Washer 1/2	
25	7690101200	4	Clevis Pin	
26	7691000056	4	Pin, Hairpin Cotter	
27	3560000010	1	Control Hood Assembly	
28	7115150664	8	Bolt 5/16 x 3/4	
29	7950150161	8	Washer 5/16	
30	1001135272	1	Channel	
31	7950220141	2	Washer 3/4	
32	4211000001	2	Bushing	
33	7280000007	11	Wire Clip	
34	7949000054	8	Washer	
35	7950140141	1	Washer 1/4	
36	7660142601	1	Nut 1/4	
37	7115140650	1	Capscrew 1/4 x 3/4	
38	7274000063	1	Clamp	
39	7560000007	1	Control Hood, RH	
40	4606000217	4	Lug	
41	7443000048	2	Fitting Plug	

SECTION 4 - CONTROLS

FIGURE 4-9. 5 BANK CONTROLS INSTALLATION - HYDRAULIC TOW, STABILIZER (SN 0220005217 through 0220005522)



ART_2296000111

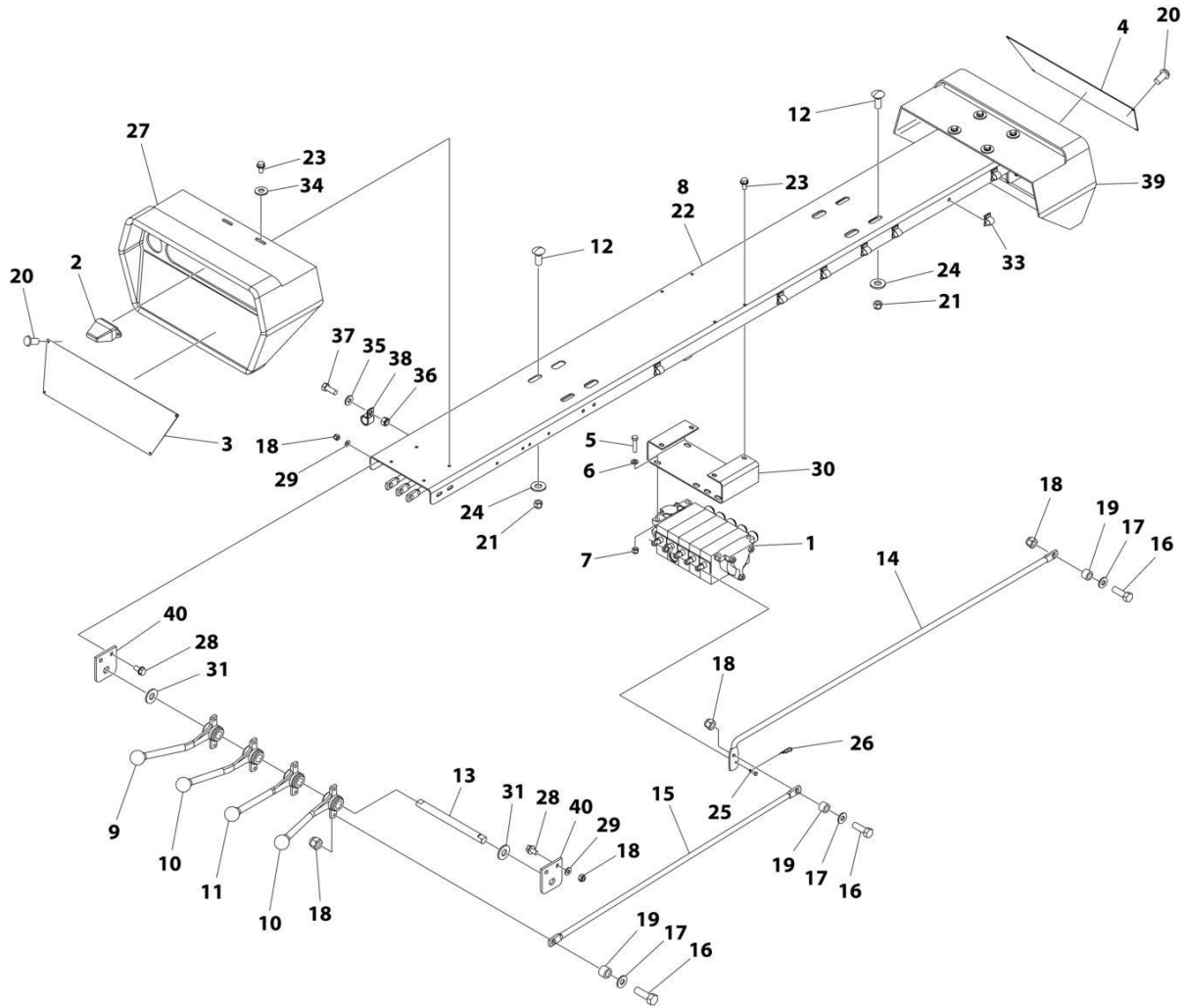
SECTION 4 - CONTROLS

FIGURE 4-9. 5 BANK CONTROLS INSTALLATION - HYDRAULIC TOW, STABILIZER (SN 0220005217 through 0220005522)

ITEM	PART NUMBER	QTY	DESCRIPTION	REV
	2296000111	Ref	5 BANK CONTROLS INSTALLATION - HYDRAULIC TOW, STABILIZER	J
1	3935000117	1	Valve Assembly (See Separate Breakdown in this Section)	
2	1001143764	2	Lamp	
3	7330000650	1	Decal, Control Panel Stabilizer, LH	
4	7330000651	1	Decal, Control Panel Stabilizer, RH	
5	7111161050	4	Capscrew 3/8 x 1-1/4	
6	7950160161	4	Washer 3/8	
7	7660162601	4	Nut 3/8	
8	1001135273	1	Channel	
9	7551000021	2	Control Handle	
10	7551000020	4	Control Handle	
11	7551000018	2	Control Handle	
13	7691000064	2	Pin	
14	4763000280	5	Control Rod	
15	4763000279	5	Control Rod	
16	7115150850	15	Capscrew 5/16 x 1	
17	7949000011	15	Washer	
18	7660152601	23	Nut 5/16	
19	4831000069	15	Spacer	
20	7759000006	8	Rivet	
21	7660182601	4	Nut 1/2	
23	7790151253	12	Screw 5/16 x 3/4	
24	7950180161	4	Washer 1/2	
25	7690101200	5	Clevis Pin	
26	7691000056	5	Pin, Hairpin Cotter	
27	3560000010	1	Control Hood Assembly	
28	7115150664	8	Bolt 5/16 x 3/4	
29	7950150161	8	Washer 5/16	
30	1001135272	1	Channel	
31	7950220141	2	Washer 3/4	
33	7280000007	11	Wire Clip	
34	7949000054	8	Washer	
39	7560000007	1	Control Hood, RH	
40	4606000217	4	Lug	
41	7274000063	1	Clamp	
42	7115140650	1	Capscrew 1/4 x 3/4	
43	7660142601	1	Nut 1/4	
44	7950140141	1	Washer 1/4	
45	8632000012	AR	Trim Lock	
46	7115181064	4	Bolt 1/2 x 1-1/4	

SECTION 4 - CONTROLS

FIGURE 4-10. 5 BANK CONTROLS INSTALLATION - HYDRAULIC TOW, STABILIZER (SN 0220005523 to Present)



ART_1001170401

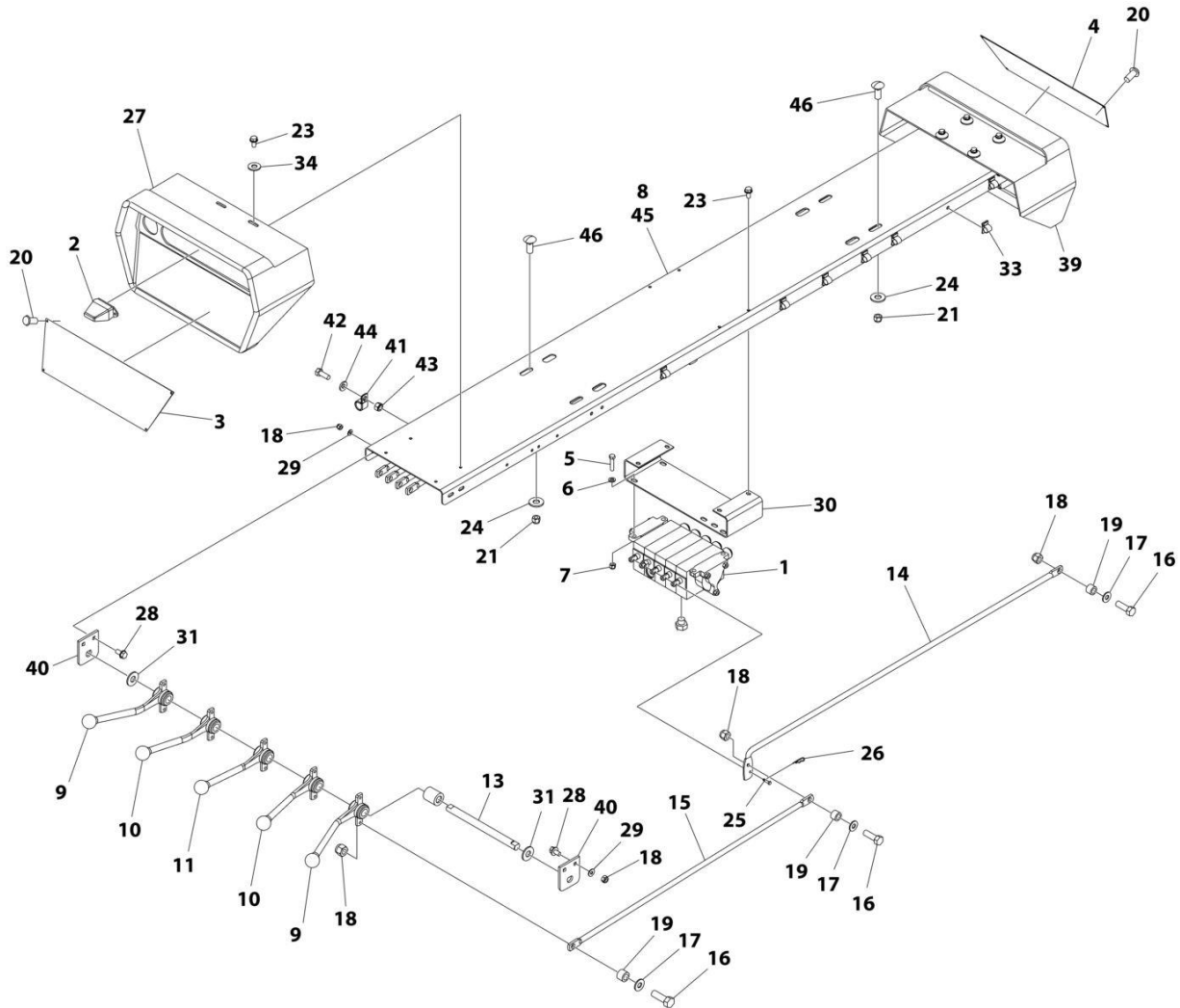
SECTION 4 - CONTROLS

FIGURE 4-10. 5 BANK CONTROLS INSTALLATION - HYDRAULIC TOW, STABILIZER (SN 0220005523 to Present)

ITEM	PART NUMBER	QTY	DESCRIPTION	REV
	1001170401	Ref	5 BANK CONTROLS INSTALLATION WITH STABILIZER - EXTEND	A
1	3935000117	1	Valve Assembly (See Separate Breakdown in this Section)	
2	1001143764	2	Lamp	
3	7330000650	1	Decal Control Panel Stabilizer, LH	
4	7330000651	1	Decal Control Panel Stabilizer, RH	
5	7111161050	4	Capscrew 3/8 x 1-1/4	
6	7950160161	4	Washer 3/8	
7	7660162601	4	Nut 3/8	
8	1001170189	1	Channel	
9	7551000021	4	Control Handle	
10	7551000020	4	Control Handle	
11	7551000018	2	Control Handle	
12	7115181064	4	Bolt 1/2 x 1/4	
13	7691000064	2	Pin	
14	1001170187	5	Control Rod	
15	1001170188	5	Control Rod	
16	7115150850	15	Capscrew 5/16 x 1	
17	7949000011	15	Washer	
18	7660152601	23	Nut 5/16	
19	4831000069	15	Spacer	
20	7759000006	8	Rivet	
21	7660182601	4	Nut 1/2	
22	8632000012	AR	Trim lock	
23	7790151253	12	Screw 5/16 x 3/4	
24	7950180161	4	Washer 1/2	
25	7690101200	5	Clevis Pin	
26	7691000056	5	Pin, Hairpin Cotter	
27	3560000010	1	Control Hood Assembly	
28	7115150664	8	Bolt 5/16 x 3/4	
29	7950150161	8	Washer 5/16	
30	1001135272	1	Channel	
31	7950220141	2	Washer 3/4	
33	7280000007	11	Wire Clip	
34	7949000054	8	Washer	
35	7950140141	1	Washer 1/4	
36	7660142601	1	Nut 1/4	
37	7115140650	1	Capscrew 1/4 x 3/4	
38	7274000063	1	Clamp	
39	7560000007	1	Control Hood, RH	
40	4606000217	4	Lug	

SECTION 4 - CONTROLS

FIGURE 4-11. 5 BANK CONTROLS INSTALLATION - HYDRAULIC TOW, IRL (GSA SPECS) (SN 0220005217 through 0220005522)



ART_2296000153

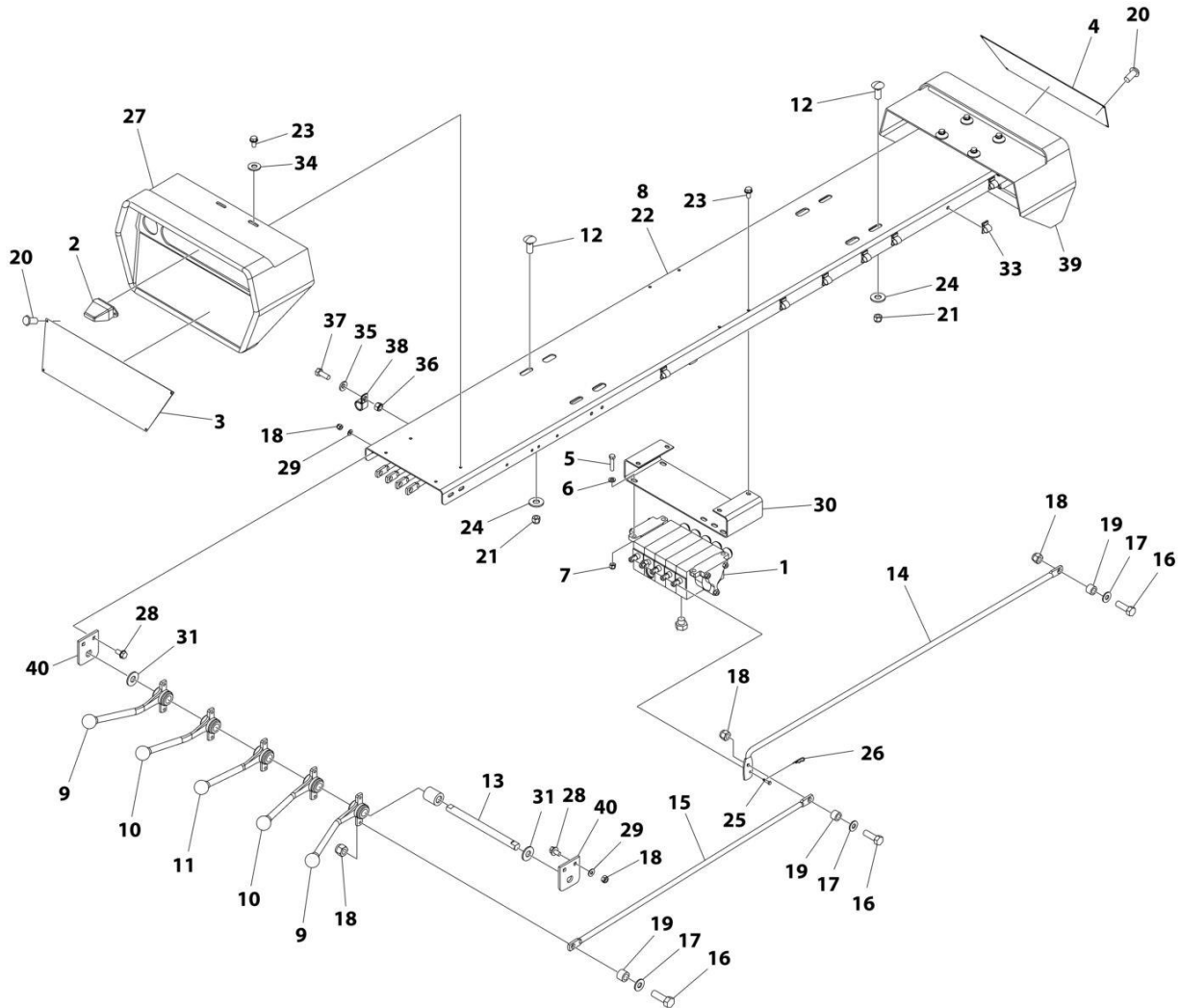
SECTION 4 - CONTROLS

FIGURE 4-11. 5 BANK CONTROLS INSTALLATION - HYDRAULIC TOW, IRL (GSA SPECS) (SN 0220005217 through 0220005522)

ITEM	PART NUMBER	QTY	DESCRIPTION	REV
	2296000153	Ref	CONTROLS INSTALLATION - 5 BANK (GSA SPECS)	D
1	3935000382	1	Valve Assembly (See Separate Breakdown in this Section)	
2	1001143764	2	Lamp	
3	7330000648	1	Decal - Control Panel (LH)	
4	7330000649	1	Decal - Control Panel (RH)	
5	7111161050	4	Capscrew 3/8 x 1-1/4	
6	7950160161	4	Washer 3/8	
7	7660162601	4	Nut 3/8	
8	1001135273	1	Channel	
9	7551000021	4	Handle, Control	
10	7551000020	4	Handle, Control	
11	7551000018	2	Handle, Control	
13	7691000064	2	Pin	
14	4763000280	5	Rod, Control	
15	4763000279	5	Rod, Control	
16	7115150850	15	Capscrew 5/16 x 1	
17	7949000011	15	Washer	
18	7660152601	23	Nut 5/16	
19	4831000069	15	Spacer	
20	7759000006	8	Rivet	
21	7660182601	4	Nut 1/2	
23	7790151253	12	Screw 5/16 x 3/4	
24	7950180161	4	Washer 1/2	
25	7690101200	5	Clevis Pin	
26	7691000056	5	Pin, Hairpin Cotter	
27	3560000010	1	Control Hood Assembly	
28	7115150664	8	Bolt 5/16 x 3/4	
29	7950150161	8	Washer 5/16	
30	1001135272	1	Channel	
31	7950220141	2	Washer 3/4	
33	7280000007	11	Clip, Wire	
34	7949000054	8	Washer	
39	7560000007	1	Hood, Control (RH)	
40	4606000217	4	Lug	
41	7274000063	1	Clamp	
42	7115140650	1	Capscrew 1/4 x 3/4	
43	7660142601	1	Nut 1/4	
44	7950140141	1	Washer 1/4	
45	8632000012	AR	Trim Lock	
46	7115181064	4	Bolt 1/2 x 1-1/4	

SECTION 4 - CONTROLS

FIGURE 4-12. 5 BANK CONTROLS INSTALLATION - HYDRAULIC TOW, IRL (GSA SPECS) (SN 0220005217 through 0220015208)



ART_1001170394

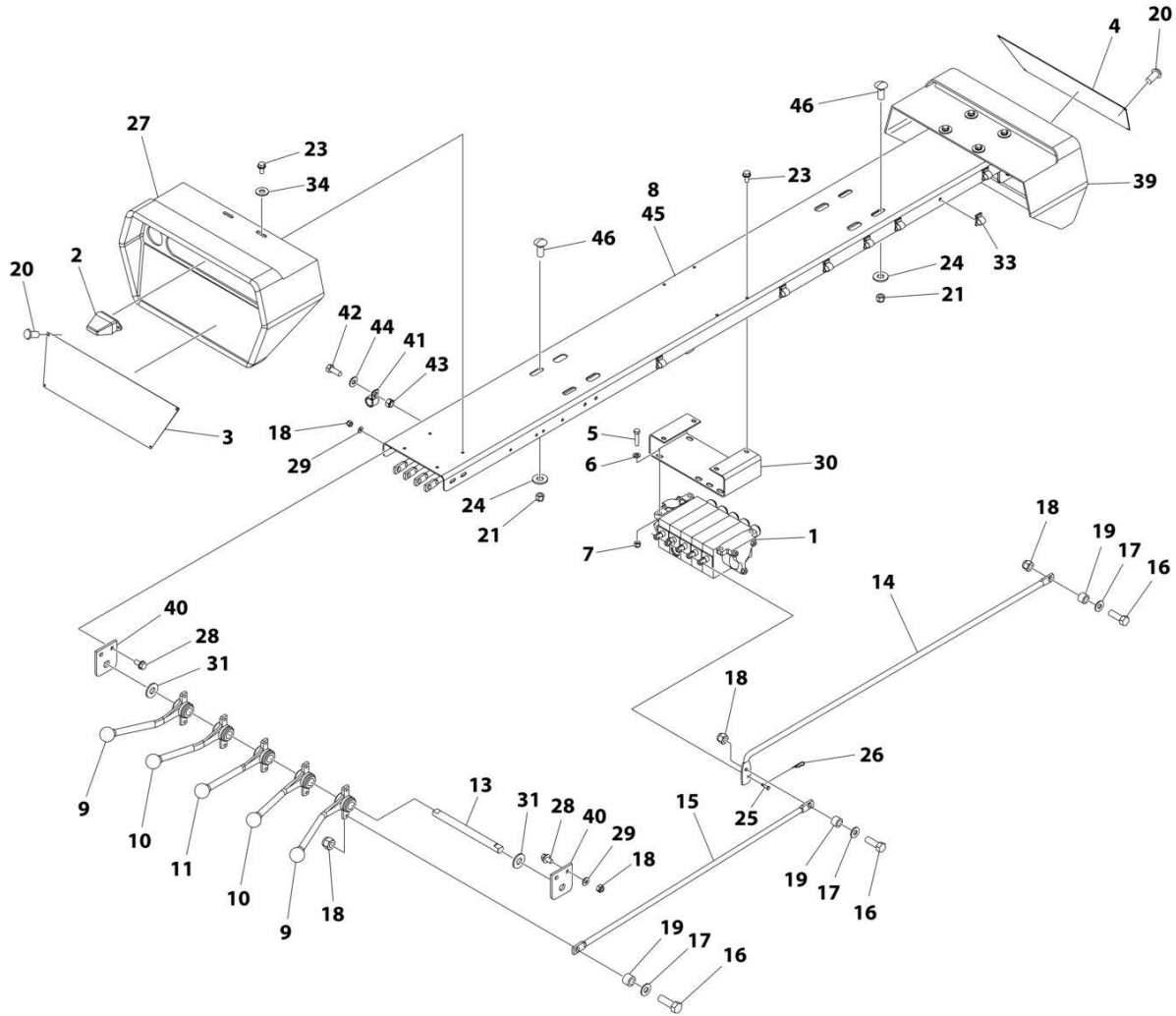
SECTION 4 - CONTROLS

FIGURE 4-12. 5 BANK CONTROLS INSTALLATION - HYDRAULIC TOW, IRL (GSA SPECS) (SN 0220005217 through 0220015208)

ITEM	PART NUMBER	QTY	DESCRIPTION	REV
	1001170394	Ref	CONTROLS INSTALLATION - 5 BANK (GSA SPECS)	A
1	3935000382	1	Valve Assembly (See Separate Breakdown in this Section)	
2	1001143764	2	Lamp	
3	7330000648	1	Decal - Control Panel (LH)	
4	7330000649	1	Decal - Control Panel (RH)	
5	7111161050	4	Capscrew 3/8 x 1-1/4	
6	7950160161	4	Washer 3/8	
7	7660162601	4	Nut 3/8	
8	1001170189	1	Channel	
9	7551000021	4	Handle, Control	
10	7551000020	4	Handle, Control	
11	7551000018	2	Handle, Control	
12	7115181064	4	Bolt 1/2 x 1/4	
13	7691000064	2	Pin	
14	1001170187	5	Rod, Control	
15	1001170188	5	Rod, Control	
16	7115150850	15	Capscrew 5/16 x 1	
17	7949000011	15	Washer	
18	7660152601	23	Nut 5/16	
19	4831000069	15	Spacer	
20	7759000006	8	Rivet	
21	7660182601	4	Nut 1/2	
22	8632000012	AR	Trim lock	
23	7790151253	12	Screw 5/16 x 3/4	
24	7950180161	4	Washer 1/2	
25	7690101200	5	Clevis Pin	
26	7691000056	5	Pin, Hairpin Cotter	
27	3560000010	1	Control Hood Assembly	
28	7115150664	8	Bolt 5/16 x 3/4	
29	7950150161	8	Washer 5/16	
30	1001135272	1	Channel	
31	7950220141	2	Washer 3/4	
33	7280000007	11	Clip, Wire	
34	7949000054	8	Washer	
35	7950140141	1	Washer 1/4	
36	7660142601	1	Nut 1/4	
37	7115140650	1	Capscrew 1/4 x 3/4	
38	7274000063	1	Clamp	
39	7560000007	1	Hood, Control (RH)	
40	4606000217	4	Lug	

SECTION 4 - CONTROLS

FIGURE 4-13. 5 BANK CONTROLS INSTALLATION - HYDRAULIC TOW, IRL (SN 0220005217 through 0220005522)



ART_2296000106

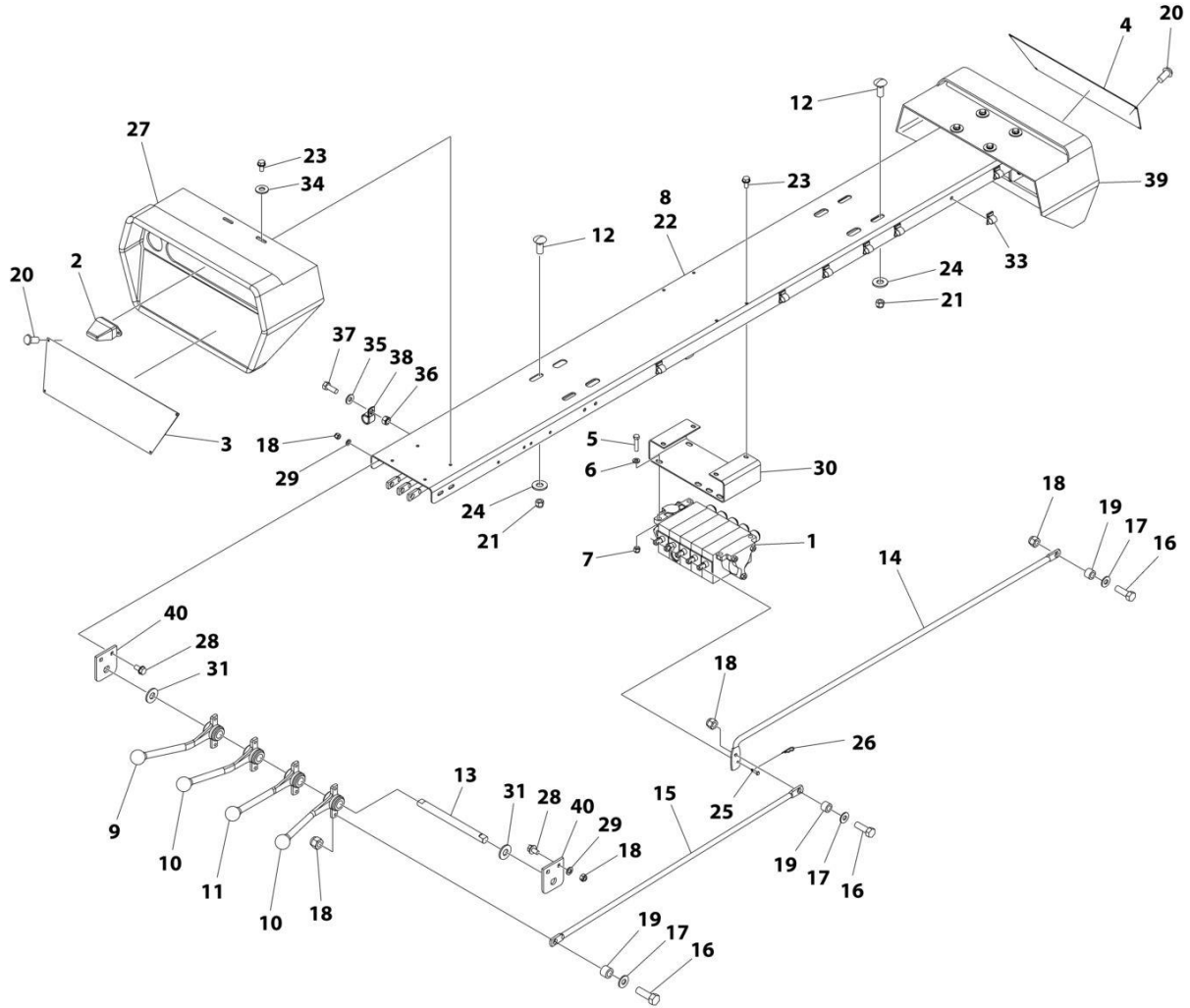
SECTION 4 - CONTROLS

FIGURE 4-13. 5 BANK CONTROLS INSTALLATION - HYDRAULIC TOW, IRL (SN 0220005217 through 0220005522)

ITEM	PART NUMBER	QTY	DESCRIPTION	REV
	2296000106	Ref	5 BANK CONTROLS INSTALLATION - HYDRAULIC TOW, IRL	I
1	3935000117	1	Valve Assembly (See Separate Breakdown in this Section)	
2	1001143764	2	Lamp	
3	7330000648	1	Decal Control Panel, LH	
4	7330000649	1	Decal Control Panel, RH	
5	7111161050	4	Capscrew 3/8 x 1-1/4	
6	7950160161	4	Washer 3/8	
7	7660162601	4	Nut 3/8	
8	1001135273	1	Channel	
9	7551000021	4	Control Handle	
10	7551000020	4	Control Handle	
11	7551000018	2	Control Handle	
13	7691000064	2	Pin	
14	4763000280	5	Control Rod	
15	4763000279	5	Control Rod	
16	7115150850	15	Capscrew 5/16 x 1	
17	7949000011	15	Washer	
18	7660152601	23	Nut 5/16	
19	4831000069	15	Spacer	
20	7759000006	8	Rivet	
21	7660182601	4	Nut 1/2	
23	7790151253	12	Screw 5/16 x 3/4	
24	7950180161	4	Washer 1/2	
25	7690101200	5	Clevis Pin	
26	7691000056	5	Pin, Hairpin Cotter	
27	3560000010	1	Control Hood Assembly	
28	7115150664	8	Bolt 5/16 x 3/4	
29	7950150161	8	Washer 5/16	
30	1001135272	1	Channel	
31	7950220141	2	Washer 3/4	
33	7280000007	11	Wire Clip	
34	7949000054	8	Washer	
39	7560000007	1	Control Hood, RH	
40	4606000217	4	Lug	
41	7274000063	1	Clamp	
42	7115140650	1	Capscrew 1/4 x 3/4	
43	7660142601	1	Nut 1/4	
44	7950140141	1	Washer 1/4	
45	8632000012	AR	Trim Lock	
46	7115181064	4	Bolt 1/2 x 1-1/4	

SECTION 4 - CONTROLS

FIGURE 4-14. 5 BANK CONTROLS INSTALLATION - HYDRAULIC TOW, IRL (SN 0220005523 to Present)



ART_1001170393

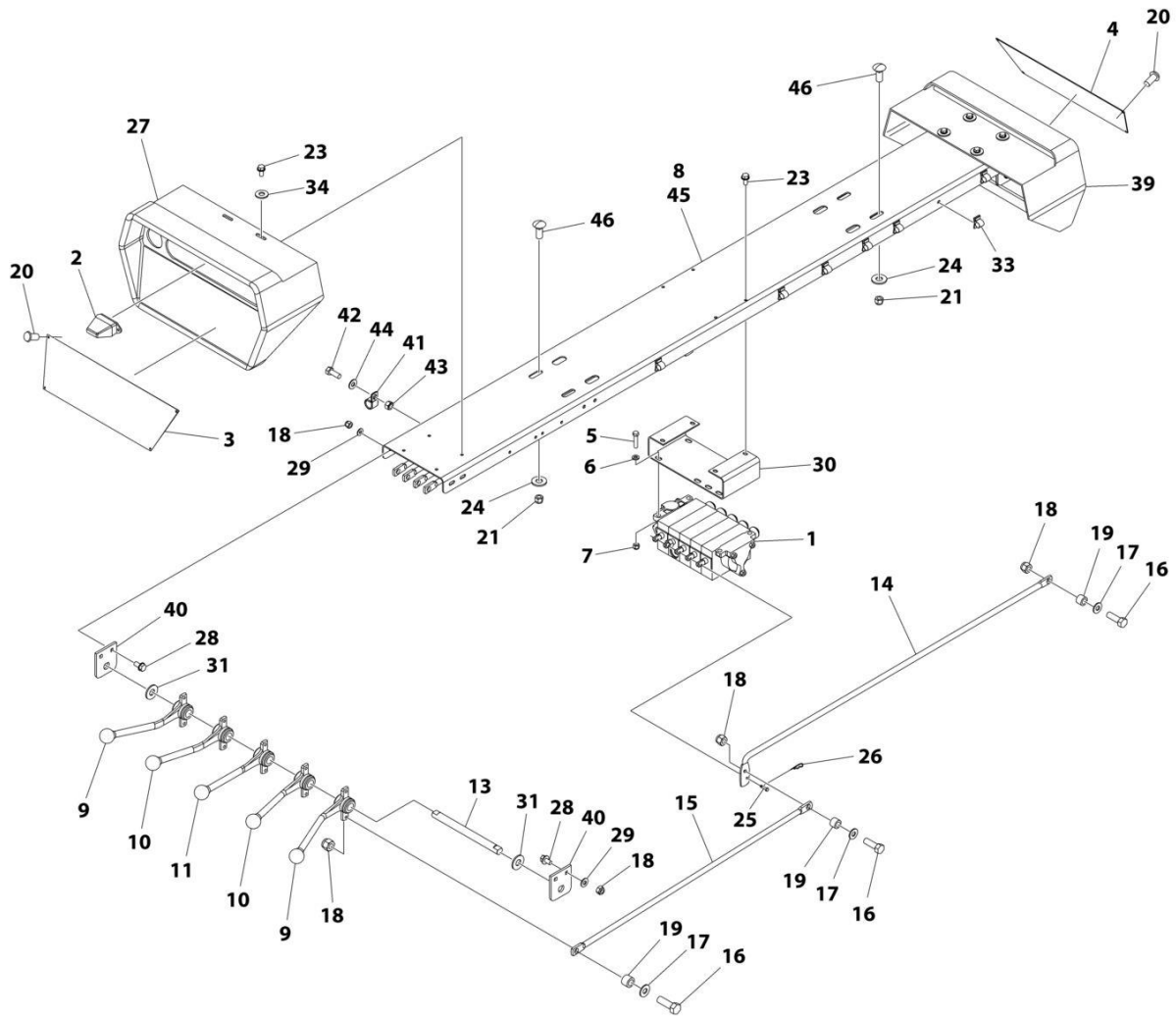
SECTION 4 - CONTROLS

FIGURE 4-14. 5 BANK CONTROLS INSTALLATION - HYDRAULIC TOW, IRL (SN 0220005523 to Present)

ITEM	PART NUMBER	QTY	DESCRIPTION	REV
	1001170393	Ref	5 BANK CONTROLS INSTALLATION - IRL	A
1	3935000117	1	Valve Assembly (See Separate Breakdown in this Section)	
2	1001143764	2	Lamp	
3	7330000648	1	Decal Control Panel, LH	
4	7330000649	1	Decal Control Panel, RH	
5	7111161050	4	Capscrew 3/8 x 1-1/4	
6	7950160161	4	Washer 3/8	
7	7660162601	4	Nut 3/8	
8	1001170189	1	Channel	
9	7551000021	4	Control Handle	
10	7551000020	4	Control Handle	
11	7551000018	2	Control Handle	
12	7115181064	4	Bolt 1/2 x 1-1/4	
13	7691000064	2	Pin	
14	1001170187	5	Control Rod	
15	1001170188	5	Control Rod	
16	7115150850	15	Capscrew 5/16 x 1	
17	7949000011	15	Washer	
18	7660152601	23	Nut 5/16	
19	4831000069	15	Sapcer	
20	7759000006	8	Rivet	
21	7660182601	4	Nut 1/2	
22	8632000012	AR	Trim Lock	
23	7790151253	12	Screw 5/16 x 3/4	
24	7950180161	4	Washer 1/2	
25	7690101200	5	Clevis Pin	
26	7691000056	5	Pin, Hairpin Cotter	
27	3560000010	1	Control Hood Assembly	
28	7115150664	8	Bolt 5/16 x 3/4	
29	7950150000	8	Washer 5/16	
30	1001135272	1	Channel	
31	7950220141	2	Washer 3/4	
33	7280000007	11	Wire Clip	
34	7949000054	8	Washer	
35	7950140141	1	Washer 1/4	
36	7660142601	1	Nut 1/4	
37	7115140650	1	Capscrew 1/4 x 3/4	
38	7274000063	1	Clamp	
39	7560000007	1	Control Hood, RH	
40	4606000217	4	Lug	

SECTION 4 - CONTROLS

FIGURE 4-15. 5 BANK CONTROLS INSTALLATION - HYDRAULIC TOW, IRL, WINCH MOTOR SPOOL (SN 0220005217 through 0220005522)



ART_1001146605

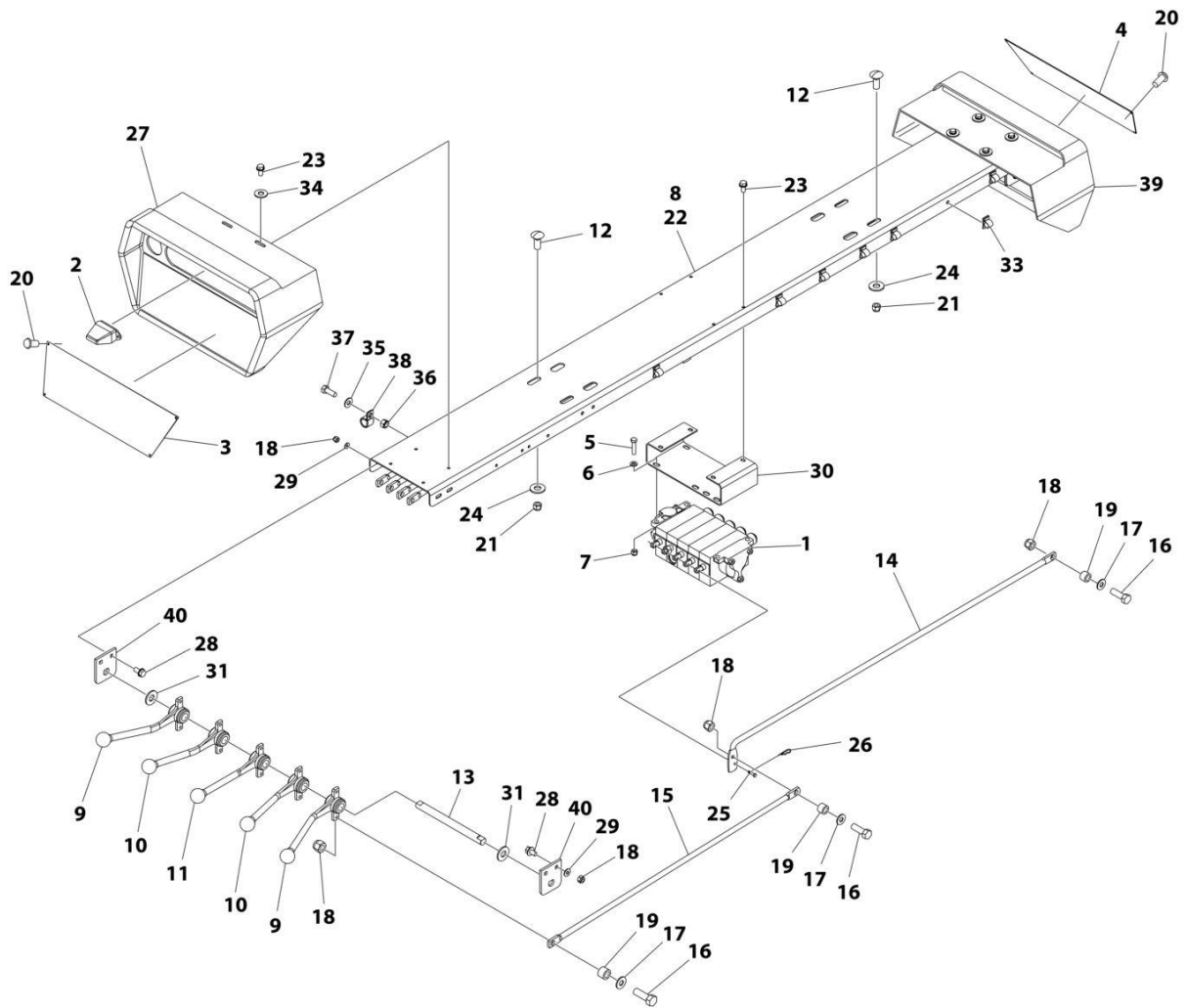
SECTION 4 - CONTROLS

**FIGURE 4-15. 5 BANK CONTROLS INSTALLATION - HYDRAULIC TOW, IRL, WINCH MOTOR SPOOL
(SN 0220005217 through 0220005522)**

ITEM	PART NUMBER	QTY	DESCRIPTION	REV
	1001146605	Ref	5 BANK CONTROLS INSTALLATION - HYDRAULIC TOW, IRL, WINCH MOTOR SPOOL	B
1	1001146603	1	Valve Assembly (See Separate Breakdown in this Section)	
2	1001143764	2	Lamp	
3	7330000648	1	Decal, Control Panel, LH	
4	7330000649	1	Decal, Control Panel, RH	
5	7111161050	4	Capscrew 3/8 x 1-1/4	
6	7950160161	4	Washer 3/8	
7	7660162601	4	Nut 3/8	
8	1001135273	1	Channel	
9	7551000021	4	Control Handle	
10	7551000020	4	Control Handle	
11	7551000018	2	Control Handle	
13	7691000064	2	Pin	
14	4763000280	5	Control Rod	
15	4763000279	5	Control Rod	
16	7115150850	15	Capscrew 5/16 x 1	
17	7949000011	15	Washer	
18	7660152601	23	Nut 5/16	
19	4831000069	15	Spacer	
20	7759000006	8	Rivet	
21	7660182601	4	Nut 1/2	
23	7790151253	12	Screw 5/16 x 3/4	
24	7950180161	4	Washer 1/2	
25	7690101200	5	Clevis Pin	
26	7691000056	5	Pin, Hairpin Cotter	
27	3560000010	1	Control Hood Assembly	
28	7115150664	8	Bolt 5/16 x 3/4	
29	7950150161	8	Washer 5/16	
30	1001135272	1	Channel	
31	7950220141	2	Washer 3/4	
33	7280000007	11	Wire Clip	
34	7949000054	8	Washer	
39	7560000007	1	Control Hood, RH	
40	4606000217	4	Lug	
41	7274000063	1	Clamp	
42	7115140650	1	Capscrew 1/4 x 3/4	
43	7660142601	1	Nut 1/4	
44	7950140141	1	Washer 1/4	
45	8632000012	AR	Trim Lock	
46	7115181064	4	Bolt 1/2 x 1-1/4	

SECTION 4 - CONTROLS

FIGURE 4-16. 5 BANK CONTROLS INSTALLATION - HYDRAULIC TOW, IRL, WINCH MOTOR SPOOL
(SN 0220005523 to Present)



ART_1001170399

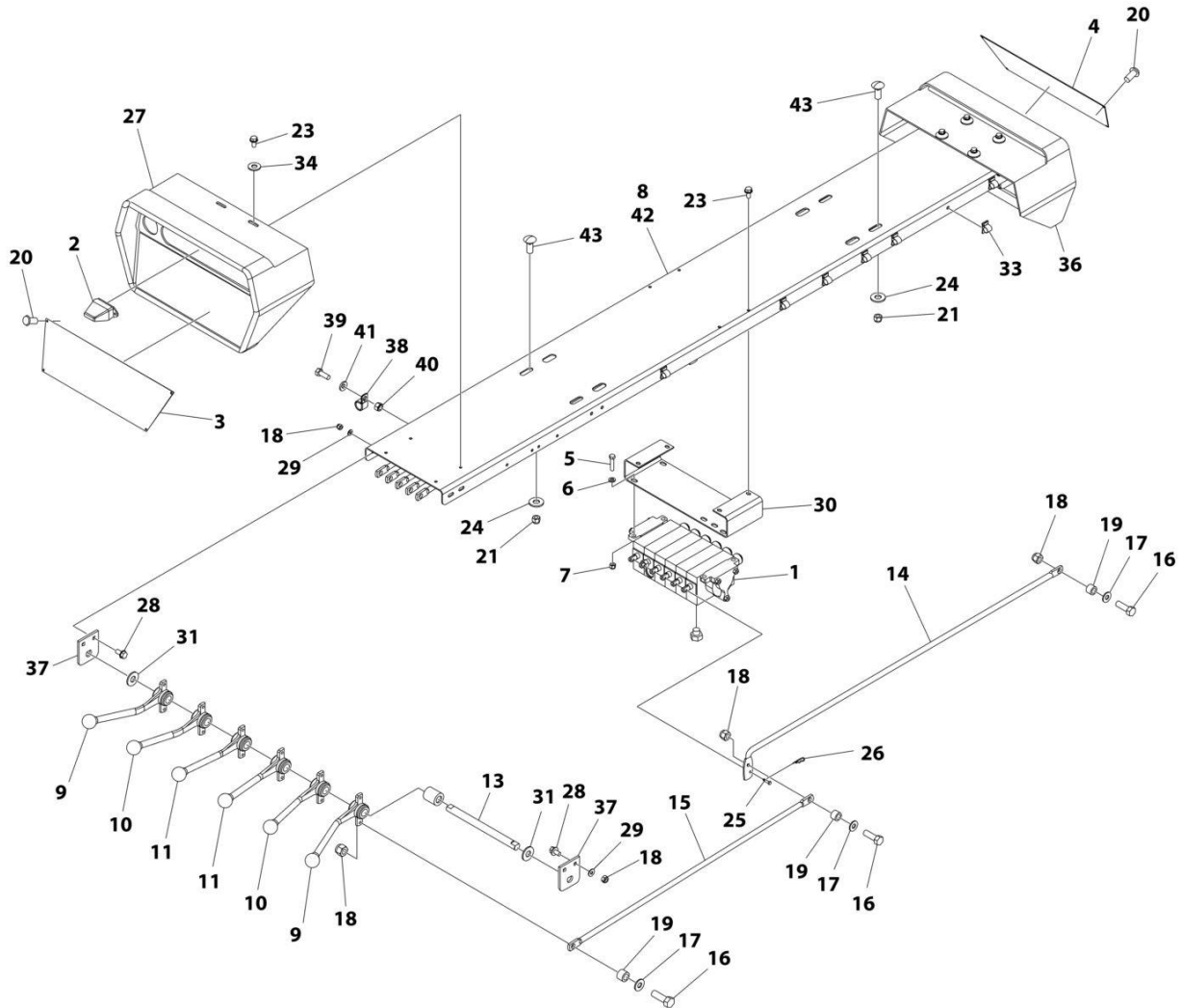
SECTION 4 - CONTROLS

**FIGURE 4-16. 5 BANK CONTROLS INSTALLATION - HYDRAULIC TOW, IRL, WINCH MOTOR SPOOL
(SN 0220005523 to Present)**

ITEM	PART NUMBER	QTY	DESCRIPTION	REV
	1001170399	Ref	5 BANK CONTROLS INSTALLATION - HYDRAULIC TOW, IRL, WINCH MOTOR SPOOL	A
1	1001146603	1	Valve Assembly (See Separate Breakdown in this Section)	
2	1001143764	2	Lamp	
3	7330000648	1	Decal Control Panel, LH	
4	7330000649	1	Decal Control Panel, RH	
5	7111161050	4	Capscrew 3/8 x 1-1/4	
6	7950160161	4	Washer 3/8	
7	7660162601	4	Nut 3/8	
8	1001170189	1	Channel	
9	7551000021	4	Control Handle	
10	7551000020	4	Control Handle	
11	7551000018	2	Control Handle	
12	7115181064	4	Bolt 1/2 x 1-1/4	
13	7691000064	2	Pin	
14	1001170187	5	Control Rod	
15	1001170188	5	Control Rod	
16	7115150850	15	Capscrew 5/16 x 1	
17	7949000011	15	Washer	
18	7660152601	23	Nut 5/16	
19	4831000069	15	Sapcer	
20	7759000006	8	Rivet	
21	7660182601	4	Nut 1/2	
22	8632000012	AR	Trim Lock	
23	7790151253	12	Screw 5/16 x 3/4	
24	7950180161	4	Washer 1/2	
25	7690101200	5	Clevis Pin	
26	7691000056	5	Pin, Hairpin Cotter	
27	3560000010	1	Control Hood Assembly	
28	7115150664	8	Bolt 5/16 x 3/4	
29	7950150161	8	Washer 5/16	
30	1001135272	1	Channel	
31	7950220141	2	Washer 3/4	
33	7280000007	11	Wire Clip	
34	7949000054	8	Washer	
35	7950140141	1	Washer 1/4	
36	7660142601	1	Nut 1/4	
37	7115140650	1	Capscrew 1/4 x 3/4	
38	7274000063	1	Clamp	
39	7560000007	1	Control Hood, RH	
40	4606000217	4	Lug	

SECTION 4 - CONTROLS

FIGURE 4-17. 6 BANK CONTROLS INSTALLATION - DUAL WINCH REMOTE CONTROL (SN 0220005217 through 0220005522)



ART_1001142059

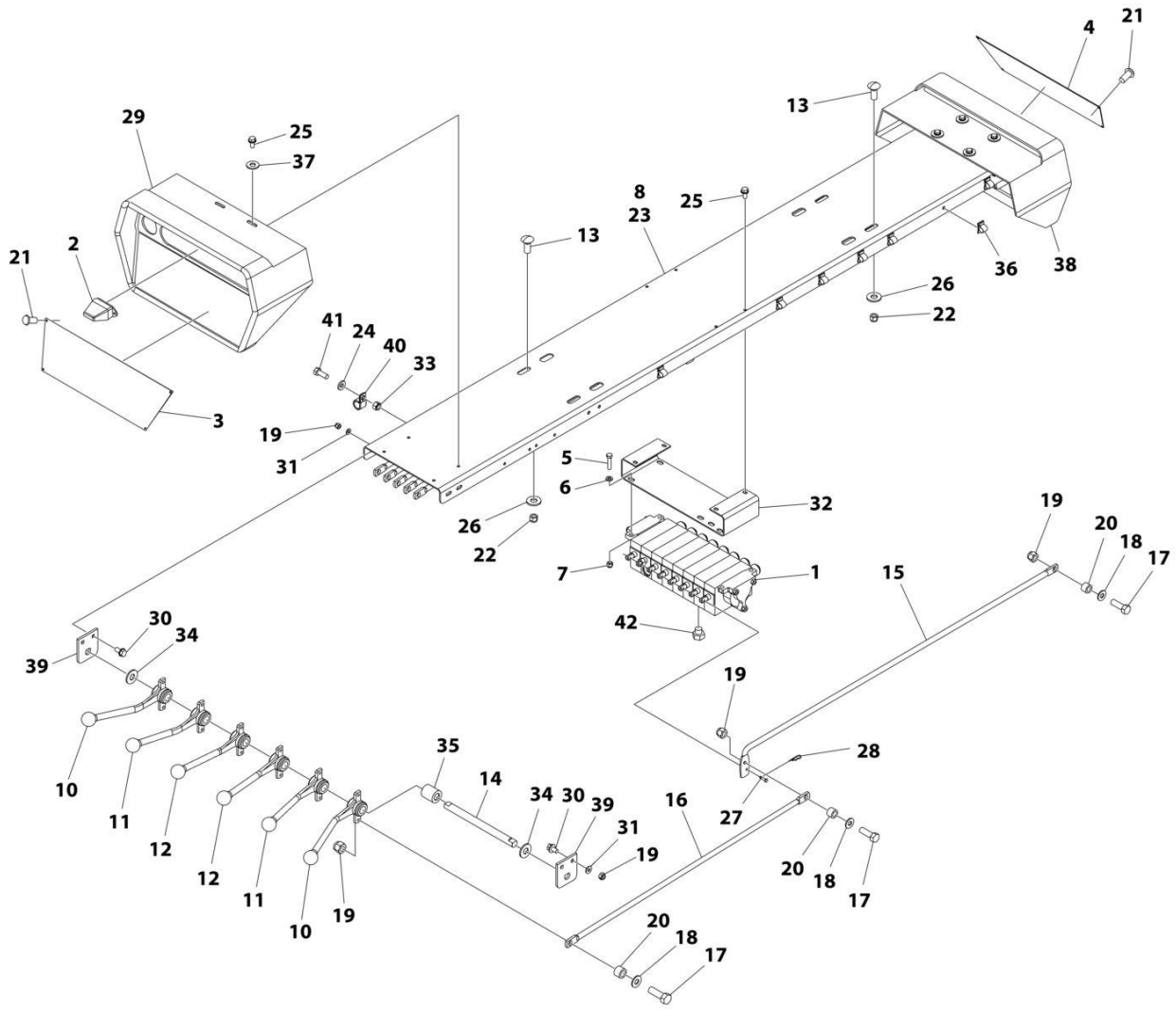
SECTION 4 - CONTROLS

FIGURE 4-17. 6 BANK CONTROLS INSTALLATION - DUAL WINCH REMOTE CONTROL (SN 0220005217 through 0220005522)

ITEM	PART NUMBER	QTY	DESCRIPTION	REV
	1001142059	Ref	CONTROLS INSTALLATION - 6 BANK (DUAL WINCH)	C
1	3935000125	1	Valve Assembly (See Separate Breakdown in this Section)	
2	1001143764	2	Lamp	
3	7330000864	1	Decal - Control Panel (LH)	
4	7330000865	1	Decal - Control Panel (RH)	
5	7111161050	3	Capscrew 3/8 x 1-1/4	
6	7950160161	4	Washer 3/8	
7	7660162601	4	Nut 3/8	
8	1001135330	1	Channel	
9	7551000021	4	Handle, Control	
10	7551000020	4	Handle, Control	
11	7551000019	4	Handle, Control	
13	7691000065	2	Pin	
14	4763000280	6	Rod, Control	
15	4763000279	6	Rod, Control	
16	7115150850	18	Capscrew 5/16 x 1	
17	7949000011	18	Washer	
18	7660152601	26	Nut 5/16	
19	4831000069	18	Spacer	
20	7759000006	8	Rivet	
21	7660182601	4	Nut 1/2	
23	7790151253	12	Screw 5/16 x 3/4	
24	7950180161	4	Washer 1/2	
25	7690101200	6	Clevis Pin	
26	7691000056	6	Pin, Hairpin Cotter	
27	3560000010	1	Control Hood Assembly	
28	7115150664	8	Bolt 5/16 x 3/4	
29	7950150161	8	Washer 5/16	
30	1001135329	1	Channel	
31	7950220141	2	Washer 3/4	
33	7280000007	11	Clip, Wire	
34	7949000054	8	Washer	
36	7560000007	1	Hood, Control (RH)	
37	4606000217	4	Lug	
38	7274000063	1	Clamp	
39	7115140650	1	Capscrew 1/4 x 3/4	
40	7660142601	1	Nut 1/4	
41	7950140141	1	Washer 1/4	
42	8632000012	AR	Trim Lock	
43	7115181064	6	Bolt 1/2 x 1-1/4	

SECTION 4 - CONTROLS

FIGURE 4-18. 6 BANK CONTROLS INSTALLATION - DUAL WINCH REMOTE CONTROL (SN 0220005523 to Present)



ART_1001170409

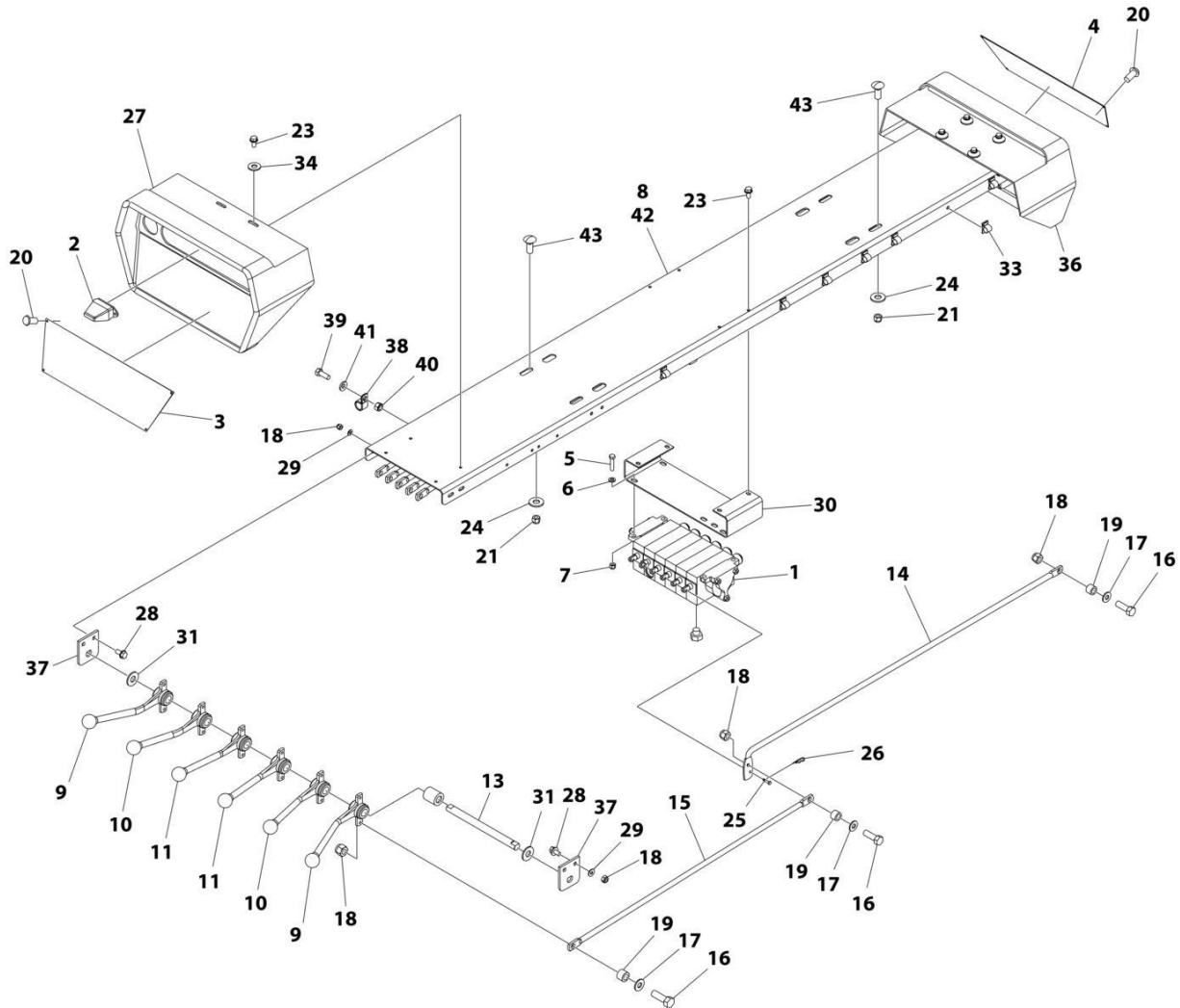
SECTION 4 - CONTROLS

FIGURE 4-18. 6 BANK CONTROLS INSTALLATION - DUAL WINCH REMOTE CONTROL (SN 0220005523 to Present)

ITEM	PART NUMBER	QTY	DESCRIPTION	REV
	1001170409	Ref	6 BANK DUAL WINCH CONTROLS INSTALLATION	C
1	3935000124	1	Valve Assembly (See Separate Breakdown in this Section)	
2	1001143764	2	Lamp	
3	7330000864	1	Decal Control Panel	
4	7330000865	1	Decal Control Panel	
5	7111161050	3	Capscrew 3/8 x 1-1/4	
6	7950160161	4	Washer 3/8	
7	7660162601	4	Nut 3/8	
8	1001170190	1	Channel	
10	7551000021	4	Control Handle	
11	7551000020	4	Control Handle	
12	7551000019	4	Control Handle	
13	7115181064	6	Bolt 1/2 x 1-1/4	
14	7691000066	2	Pin	
15	1001170187	6	Control Rod	
16	1001170188	6	Control Rod	
17	7115150850	18	Capscrew 5/16 x 1	
18	7949000011	18	Washer	
19	7660152601	26	Nut 5/16	
20	4831000069	18	Sapcer	
21	7759000006	8	Rivet	
22	7660182601	6	Nut 1/2	
23	8632000012	AR	Trim Lock	
24	7950140141	1	Washer 1/4	
25	7790151253	12	Screw 5/16 x 3/4	
26	7950180161	6	Washer 1/2	
27	7690101200	6	Clevis Pin	
28	7691000056	6	Pin, Hairpin Cotter	
29	3560000010	1	Control Hood Assembly	
30	7115150664	8	Bolt 5/16 x 3/4	
31	7950150161	8	Washer 5/16	
32	4263000464	1	Channel	
33	7660142601	1	Nut 1/4	
34	7950220141	4	Washer 3/4	
35	4211000001	4	Bushing	
36	7280000007	11	Wire Clip	
37	7949000054	8	Washer	
38	7560000007	1	Control Hood, RH	
39	4606000217	4	Lug	
40	7274000063	1	Clamp	
41	7115140650	1	Capscrew 1/4 x 3/4	
42	7443000048	4	Fitting Plug	

SECTION 4 - CONTROLS

FIGURE 4-19. 6 BANK CONTROLS INSTALLATION - BUMPER WINCH PREP - REMOTE CONTROL (GSA) (SN 0220005217 through 0220005522)



ART_2296000160

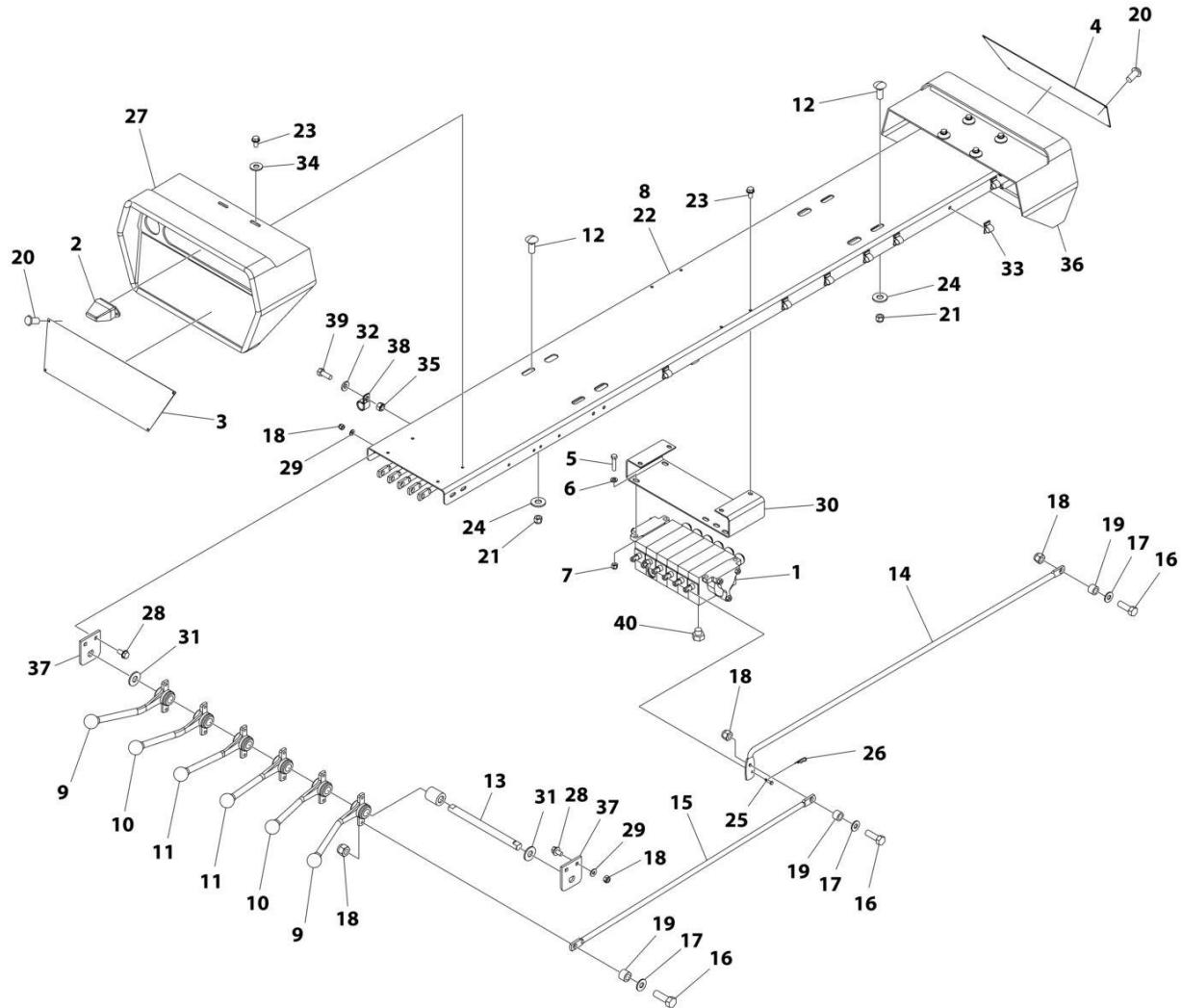
SECTION 4 - CONTROLS

FIGURE 4-19. 6 BANK CONTROLS INSTALLATION - BUMPER WINCH PREP - REMOTE CONTROL (GSA) (SN 0220005217 through 0220005522)

ITEM	PART NUMBER	QTY	DESCRIPTION	REV
	2296000160	Ref	CONTROLS INSTALLATION - 6 BANK (GSA SPECS)	D
1	3935000224	1	Valve Assembly (See Separate Breakdown in this Section)	
2	1001143764	2	Lamp	
3	7330000873	1	Decal - Control Panel (LH)	
4	7330000874	1	Decal - Control Panel (RH)	
5	7111161050	4	Capscrew 3/8 x 1-1/4	
6	7950160161	4	Washer 3/8	
7	7660162601	4	Nut 3/8	
8	1001135330	1	Channel	
9	7551000021	4	Handle, Control	
10	7551000020	4	Handle, Control	
11	7551000019	4	Handle, Control	
13	7691000065	2	Pin	
14	4763000280	6	Rod, Control	
15	4763000279	6	Rod, Control	
16	7115150850	18	Capscrew 5/16 x 1	
17	7949000011	18	Washer	
18	7660152601	26	Nut 5/16	
19	4831000069	18	Spacer	
20	7759000006	8	Rivet	
21	7660182601	4	Nut 1/2	
23	7790151253	12	Screw 5/16 x 3/4	
24	7950180161	4	Washer 1/2	
25	7690101200	6	Clevis Pin	
26	7691000056	6	Pin, Hairpin Cotter	
27	3560000010	1	Control Hood Assembly	
28	7115150664	8	Bolt 5/16 x 3/4	
29	7950150161	8	Washer 5/16	
30	1001135329	1	Channel	
31	7950220141	2	Washer 3/4	
33	7280000007	11	Clip, Wire	
34	7949000054	8	Washer	
36	7560000007	1	Hood, Control (RH)	
37	4606000217	4	Lug	
38	7274000063	1	Clamp	
39	7115140650	1	Capscrew 1/4 x 3/4	
40	7660142601	1	Nut 1/4	
41	7950140141	1	Washer 1/4	
42	8632000012	AR	Trim Lock	
43	7115181064	4	Bolt 1/2 x 1-1/4	

SECTION 4 - CONTROLS

FIGURE 4-20. 6 BANK CONTROLS INSTALLATION - BUMPER WINCH PREP - REMOTE CONTROL (GSA) (SN 0220005523 to Present)



ART_1001170407

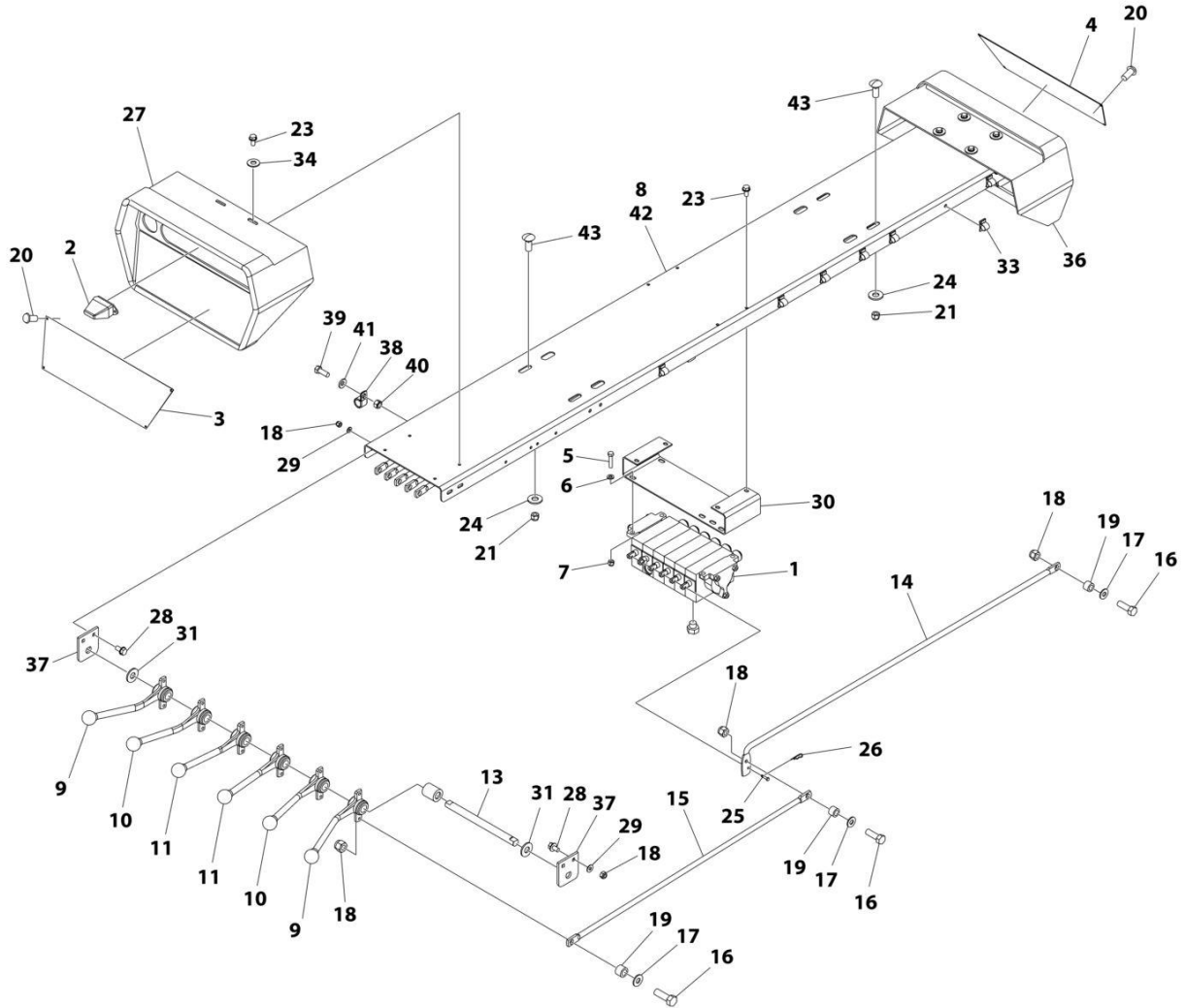
SECTION 4 - CONTROLS

**FIGURE 4-20. 6 BANK CONTROLS INSTALLATION - BUMPER WINCH PREP - REMOTE CONTROL
(GSA) (SN 0220005523 to Present)**

ITEM	PART NUMBER	QTY	DESCRIPTION	REV
	1001170407	Ref	CONTROLS INSTALLATION - 6 BANK (GSA SPECS)	B
1	3935000224	1	Valve Assembly (See Separate Breakdown in this Section)	
2	1001143764	2	Lamp	
3	7330000873	1	Decal - Control Panel (LH)	
4	7330000874	1	Decal - Control Panel (RH)	
5	7111161050	4	Capscrew 3/8 x 1-1/4	
6	7950160161	4	Washer 3/8	
7	7660162601	4	Nut 3/8	
8	1001170191	1	Channel	
9	7551000021	4	Handle, Control	
10	7551000020	4	Handle, Control	
11	7551000019	4	Handle, Control	
12	7115181064	4	Bolt 1/2 x 1-1/4	
13	7691000065	2	Pin	
14	1001170187	6	Rod, Control	
15	1001170188	6	Rod, Control	
16	7115150850	18	Capscrew 5/16 x 1	
17	7949000011	18	Washer	
18	7660152601	26	Nut 5/16	
19	4831000069	18	Sapcer	
20	7759000006	8	Rivet	
21	7660182601	4	Nut 1/2	
22	8632000012	AR	Trim Lock	
23	7790151253	12	Screw 5/16 x 3/4	
24	7950180161	4	Washer 1/2	
25	7690101200	6	Clevis Pin	
26	7691000056	6	Pin, Hairpin Cotter	
27	3560000010	1	Control Hood Assembly	
28	7115150664	8	Bolt 5/16 x 3/4	
29	7950150161	8	Washer 5/16	
30	1001135329	1	Channel	
31	7950220141	2	Washer 3/4	
32	7950140141	1	Washer 1/4	
33	7280000007	11	Clip, Wire	
34	7949000054	8	Washer	
35	7660142601	1	Nut 1/4	
36	7560000007	1	Hood, Control (RH)	
37	4606000217	4	Lug	
38	7274000063	1	Clamp	
39	7115140650	1	Capscrew 1/4 x 3/4	
40	7443000048	2	Fitting Plug	

SECTION 4 - CONTROLS

FIGURE 4-21. 6 BANK VALVE CONTROLS INSTALLATION - HYDRAULIC TOW / IRL / BUMPER WINCH MOTOR SPOOL PREP (SN 0220005217 through 0220005522)



ART_1001133739

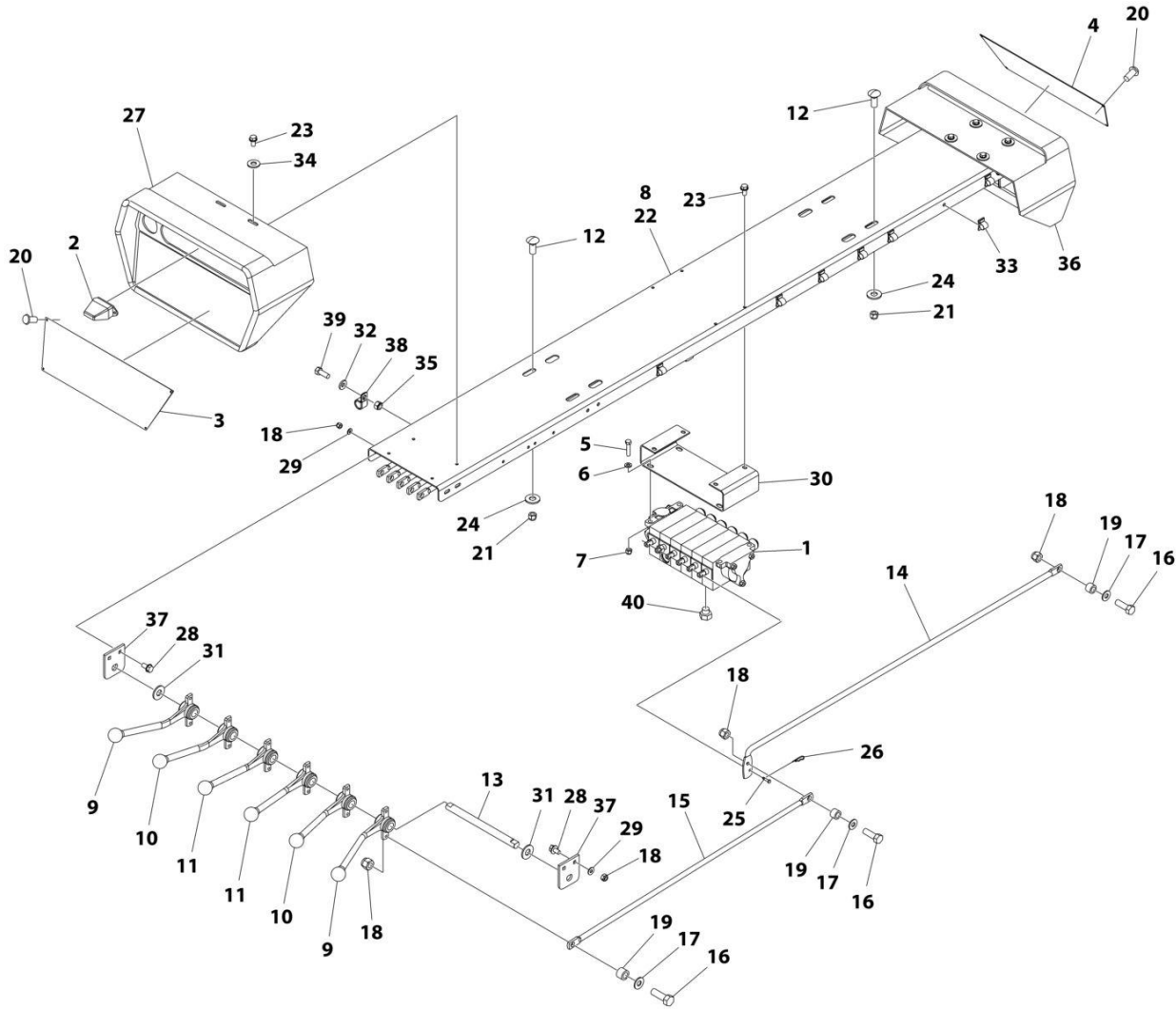
SECTION 4 - CONTROLS

**FIGURE 4-21. 6 BANK VALVE CONTROLS INSTALLATION - HYDRAULIC TOW / IRL / BUMPER
WINCH MOTOR SPOOL PREP (SN 0220005217 through 0220005522)**

ITEM	PART NUMBER	QTY	DESCRIPTION	REV
	1001133739	Ref	CONTROLS INSTALLATION - 6 BANK	C
1	1001133741	1	Valve Assembly (See Separate Breakdown in this Section)	
2	1001143764	2	Lamp	
3	7330000873	1	Decal - Control Panel (LH)	
4	7330000874	1	Decal - Control Panel (RH)	
5	7111161050	4	Capscrew 3/8 x 1-1/4	
6	7950160161	4	Washer 3/8	
7	7660162601	4	Nut 3/8	
8	1001135330	1	Channel	
9	7551000021	4	Handle, Control	
10	7551000020	4	Handle, Control	
11	7551000019	4	Handle, Control	
13	7691000065	2	Pin	
14	4763000280	6	Rod, Control	
15	4763000279	6	Rod, Control	
16	7115150850	18	Capscrew 5/16 x 1	
17	7949000011	18	Washer	
18	7660152601	26	Nut 5/16	
19	4831000069	18	Spacer	
20	7759000006	8	Rivet	
21	7660182601	4	Nut 1/2	
23	7790151253	12	Screw 5/16 x 3/4	
24	7950180161	4	Washer 1/2	
25	7690101200	6	Clevis Pin	
26	7691000056	6	Pin, Hairpin Cotter	
27	3560000010	1	Control Hood Assembly	
28	7115150664	8	Bolt 5/16 x 3/4	
29	7950150161	8	Washer 5/16	
30	1001135329	1	Channel	
31	7950220141	2	Washer 3/4	
33	7280000007	11	Clip, Wire	
34	7949000054	8	Washer	
36	7560000007	1	Hood, Control (RH)	
37	4606000217	4	Lug	
38	7274000063	1	Clamp	
39	7115140650	1	Capscrew 1/4 x 3/4	
40	7660142601	1	Nut 1/4	
41	7950140141	1	Washer 1/4	
42	8632000012	AR	Trim Lock	
43	7115181064	4	Bolt 1/2 x 1-1/4	

SECTION 4 - CONTROLS

FIGURE 4-22. 6 BANK VALVE CONTROLS INSTALLATION - HYDRAULIC TOW / IRL / BUMPER WINCH MOTOR SPOOL PREP (SN 0220005523 to Present)



ART_1001170406

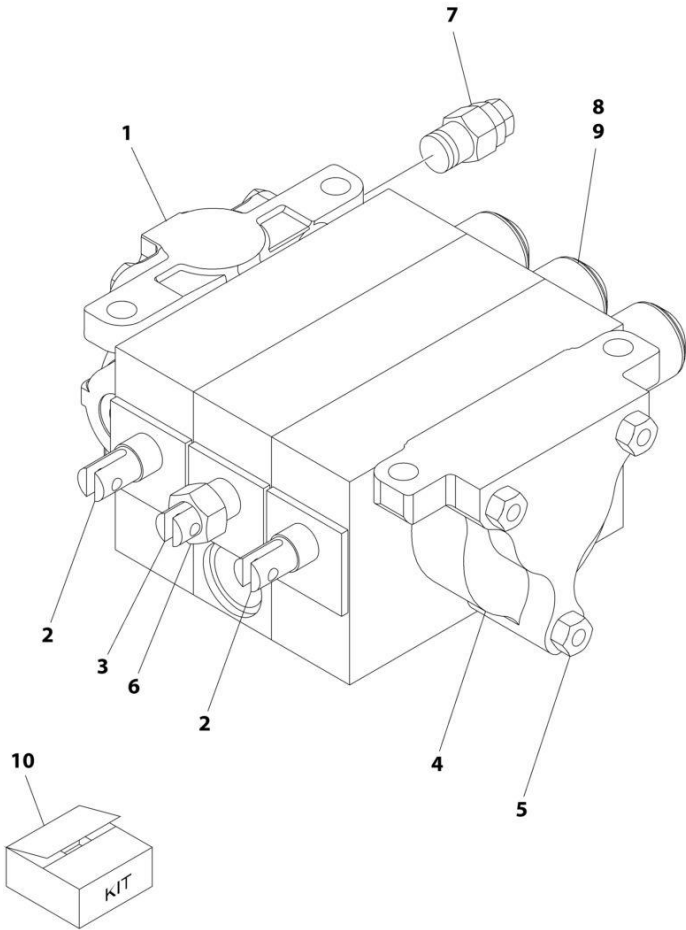
SECTION 4 - CONTROLS

FIGURE 4-22. 6 BANK VALVE CONTROLS INSTALLATION - HYDRAULIC TOW / IRL / BUMPER WINCH MOTOR SPOOL PREP (SN 0220005523 to Present)

ITEM	PART NUMBER	QTY	DESCRIPTION	REV
	1001170406	Ref	6 BANK BUMPER WINCH MOTOR CONTROLS INSTALLATION	B
1	1001133741	1	Valve Assembly (See Separate Breakdown in this Section)	
2	1001143764	2	Lamp	
3	7330000873	1	Decal Control Panel	
4	7330000874	1	Decal Control Panel	
5	7111161050	4	Capscrew 3/8 x 1-1/4	
6	7950160161	4	Washer 3/8	
7	7660162601	4	Nut 3/8	
8	1001170191	1	Channel	
9	7551000021	4	Control Handle	
10	7551000020	4	Control Handle	
11	7551000019	4	Control Handle	
12	7115181064	4	Bolt 1/2 x 1-1/4	
13	7691000065	2	Pin	
14	1001170187	6	Control Rod	
15	1001170188	6	Control Rod	
16	7115150850	18	Capscrew 5/16 x 1	
17	7949000011	18	Washer	
18	7660152601	26	Nut 5/16	
19	4831000069	18	Sapcer	
20	7759000006	8	Rivet	
21	7660182601	4	Nut 1/2	
22	8632000012	AR	Trim Lock	
23	7790151253	12	Screw 5/16 x 3/4	
24	7950180161	4	Washer 1/2	
25	7690101200	6	Clevis Pin	
26	7691000056	6	Pin, Hairpin Cotter	
27	3560000010	1	Control Hood Assembly	
28	7115150664	8	Bolt 5/16 x 3/4	
29	7950150161	8	Washer 5/16	
30	1001135329	1	Channel	
31	7950220141	2	Washer 3/4	
32	7950140141	1	Washer 1/4	
33	7280000007	11	Wire Clip	
34	7949000054	8	Washer	
35	7660142601	1	Nut 1/4	
36	7560000007	1	Control Hood, RH	
37	4606000217	4	Lug	
38	7274000063	1	Clamp	
39	7115140650	1	Capscrew 1/4 x 3/4	
40	7443000048	2	Fitting Plug	

SECTION 4 - CONTROLS

FIGURE 4-23. VALVE ASSEMBLY - 3 BANK



ART_3935000115

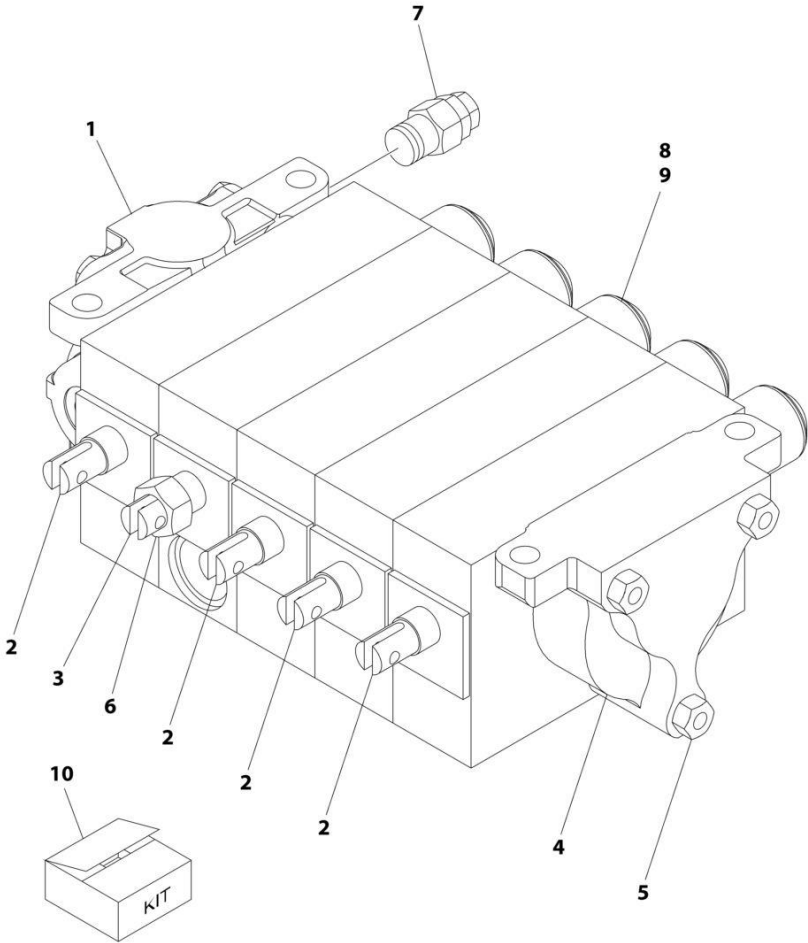
SECTION 4 - CONTROLS

FIGURE 4-23. VALVE ASSEMBLY - 3 BANK

ITEM	PART NUMBER	QTY	DESCRIPTION	REV
	3935000115	Ref	VALVE ASSEMBLY - 3 BANK	B
1	7935000369	1	Inlet/Outlet Valve	
2	7935000170	4	Single Clevis Valve	
3	7935000227	1	Relief Valve	
4	7935000173	1	End Valve	
5	7577000215	1	Bolt Kit	
6	7935000388	1	Relief Valve	
7	7935000174	1	Relief Valve	
8	9843930044	AR	Cap	
9	7577000343	AR	Cap	
10	9577930187	AR	Kit, Spool Seal	

SECTION 4 - CONTROLS

FIGURE 4-24. VALVE ASSEMBLY - 4 & 5 BANK (WITHOUT WINCH MOTOR SPOOL)



ART_3935000117

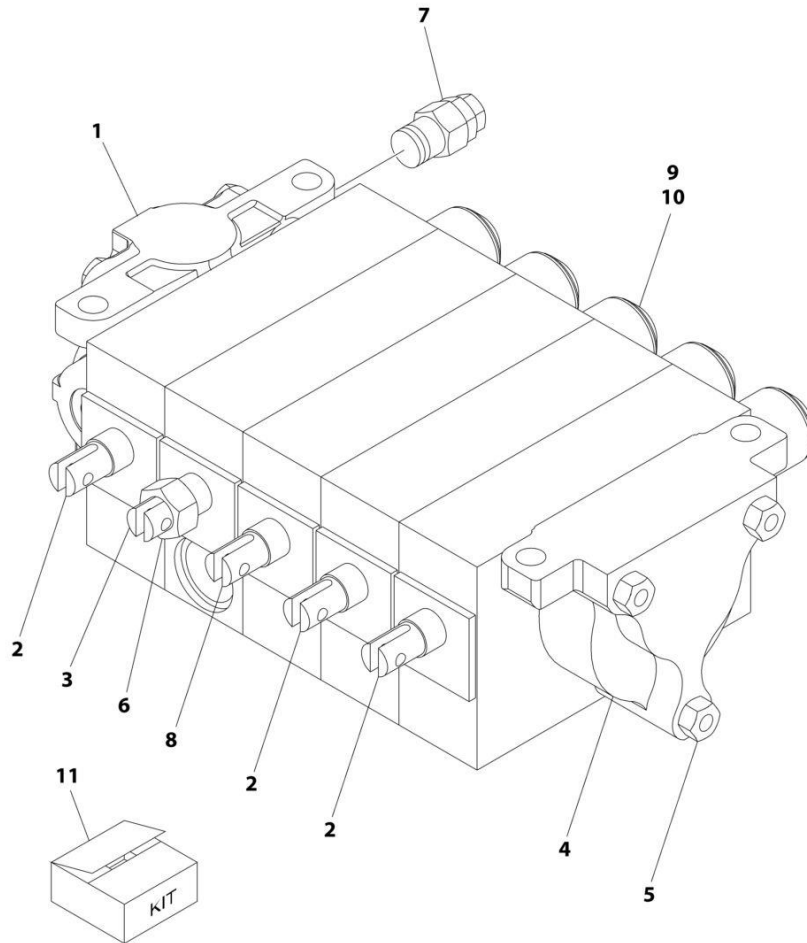
SECTION 4 - CONTROLS

FIGURE 4-24. VALVE ASSEMBLY - 4 & 5 BANK (WITHOUT WINCH MOTOR SPOOL)

ITEM	PART NUMBER	QTY	DESCRIPTION	REV
	3935000117	Ref	VALVE ASSEMBLY - 5 BANK	B
1	7935000369	1	Inlet/Outlet Valve	
2	7935000170	4	Single Clevis Valve	
3	7935000227	1	Relief Valve	
4	7935000173	1	End Valve	
5	7577000217	1	Bolt Kit	
6	7935000388	1	Relief Valve	
7	7935000174	1	Relief Valve	
8	9843930044	AR	Cap	
9	7577000343	AR	Cap	
10	9577930187	AR	Kit, Spool Seal	

SECTION 4 - CONTROLS

FIGURE 4-25. VALVE ASSEMBLY - 4 & 5 BANK (WITH WINCH MOTOR SPOOL)



ART_1001146603

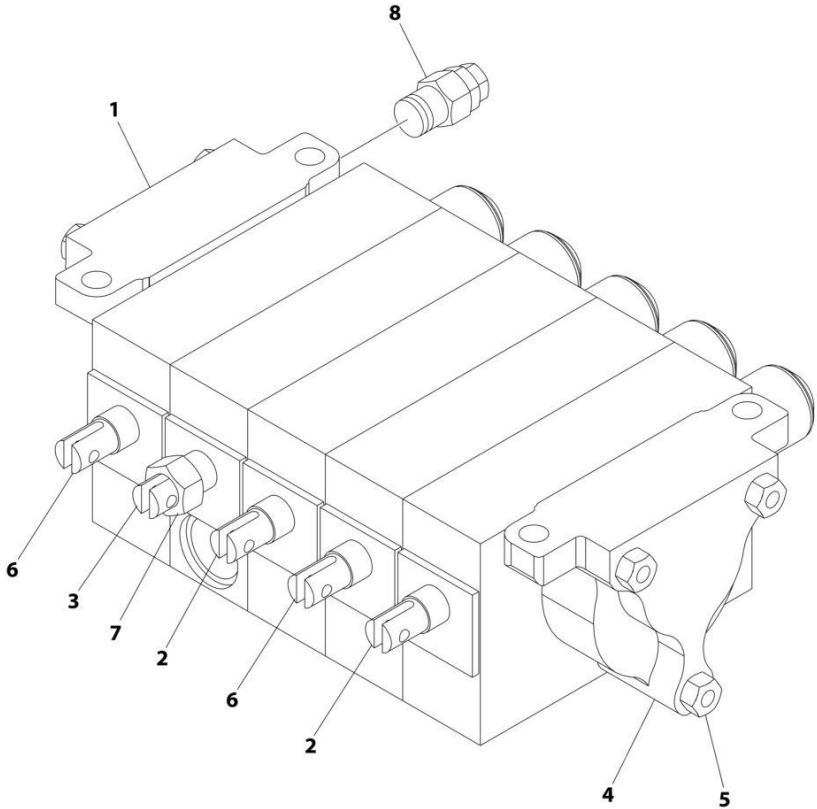
SECTION 4 - CONTROLS

FIGURE 4-25. VALVE ASSEMBLY - 4 & 5 BANK (WITH WINCH MOTOR SPOOL)

ITEM	PART NUMBER	QTY	DESCRIPTION	REV
	1001146603	Ref	VALVE ASSEMBLY - 5 BANK	A
1	7935000369	1	Inlet/Outlet Valve	
2	7935000170	4	Single Clevis Valve	
3	7935000227	1	Relief Valve	
4	7935000173	1	End Valve	
6	7577000217	1	Bolt Kit	
6	7935000388	1	Relief Valve	
7	7935000174	1	Relief Valve	
8	1001133740	1	Single Clevis Motor	
9	9843930044	AR	Cap	
10	7577000343	AR	Cap	
11	9577930187	AR	Kit, Spool Seal	

SECTION 4 - CONTROLS

FIGURE 4-26. VALVE ASSEMBLY - 5 BANK (GSA SPECS)



ART_3935000382

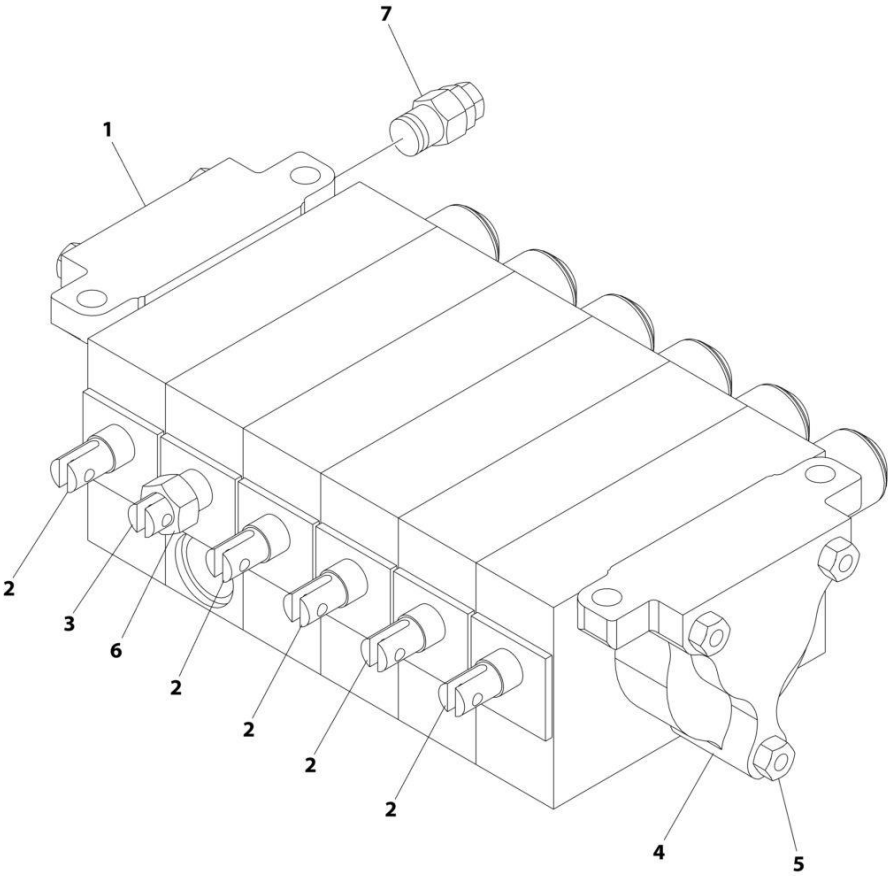
SECTION 4 - CONTROLS

FIGURE 4-26. VALVE ASSEMBLY - 5 BANK (GSA SPECS)

ITEM	PART NUMBER	QTY	DESCRIPTION	REV
	3935000382	Ref	VALVE ASSEMBLY - 5 BANK	B
1	7935000369	1	Inlet/Outlet Valve	
2	7935000170	2	Valve, Single Clevis	
3	7935000227	1	Valve with Relief	
4	7935000173	1	End Valve	
5	7577000217	1	Bolt Kit	
6	7935000171	2	Counterbalance Valve	
7	7935000388	1	Relief Valve	
8	7935000174	1	Relief Valve	

SECTION 4 - CONTROLS

FIGURE 4-27. VALVE ASSEMBLY - 6 BANK (SN 0220005217 through 0220005522)



ART_3935000125

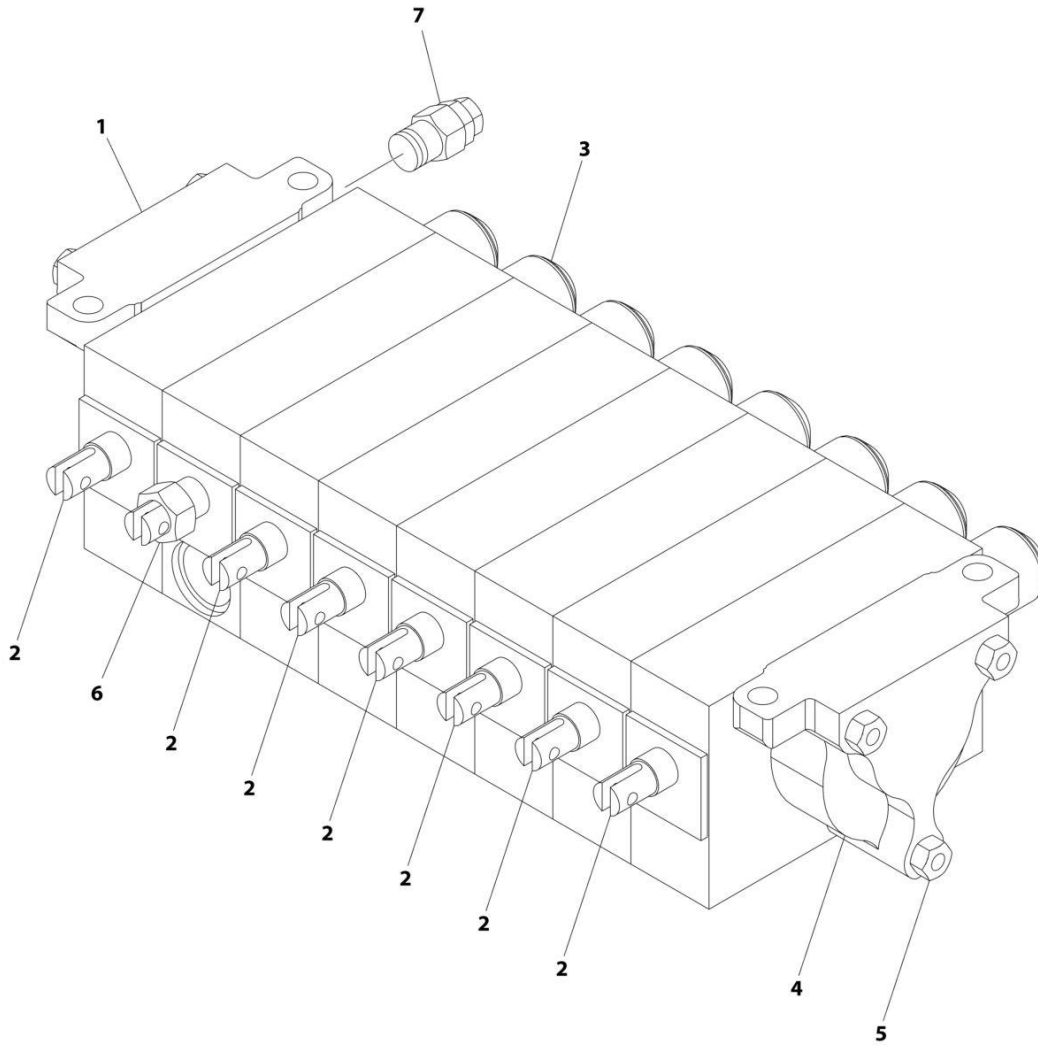
SECTION 4 - CONTROLS

FIGURE 4-27. VALVE ASSEMBLY - 6 BANK (SN 0220005217 through 0220005522)

ITEM	PART NUMBER	QTY	DESCRIPTION	REV
	3935000125	Ref	VALVE ASSEMBLY - 6 BANK	C
1	7935000369	1	Inlet/Outlet Valve	
2	7935000170	5	Valve, Single Clevis	
3	7935000227	1	Valve with Relief	
4	7935000173	1	Valve End	
5	7577000218	1	Bolt Kit	
6	7935000388	1	Relief Valve	
7	7935000174	1	Relief Valve	

SECTION 4 - CONTROLS

FIGURE 4-28. VALVE ASSEMBLY - 6 BANK (SN 0220005523 to Present)



ART_3935000124

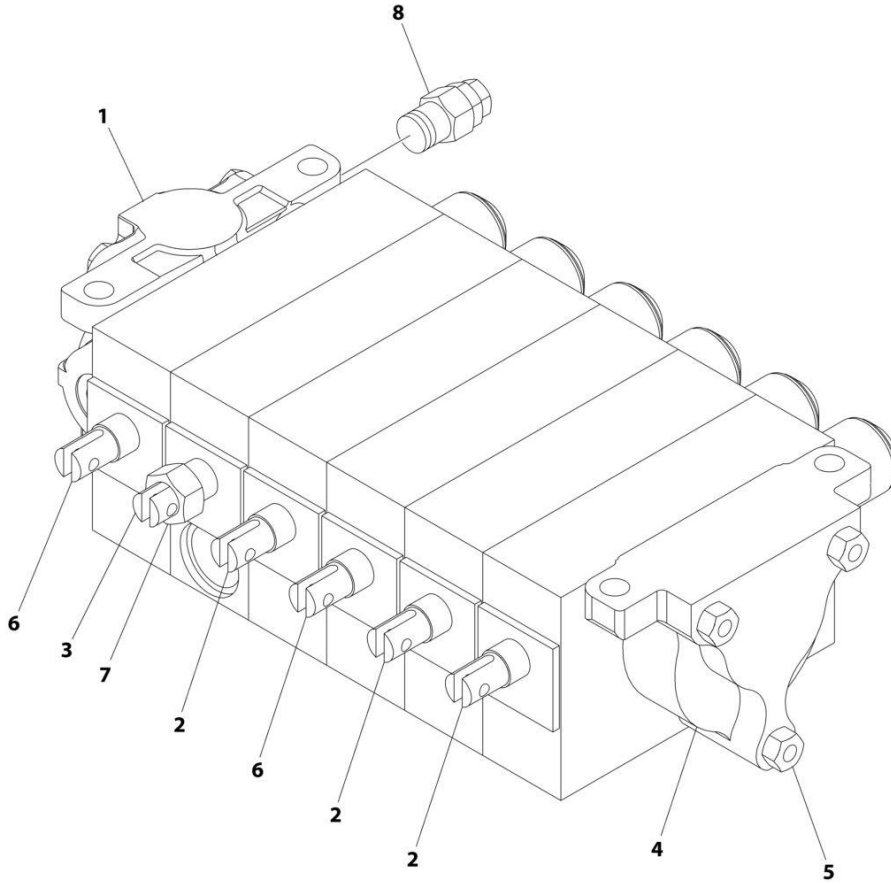
SECTION 4 - CONTROLS

FIGURE 4-28. VALVE ASSEMBLY - 6 BANK (SN 0220005523 to Present)

ITEM	PART NUMBER	QTY	DESCRIPTION	REV
	3935000124	Ref	Valve Assembly	B
1	7935000369	1	Inlet/Outlet Valve	
2	7935000170	7	Single Clevis Valve	
3	7935000227	1	Relief Valve	
4	7935000173	1	End Valve	
5	7577000239	1	Bolt Kit	
6	7935000388	1	Relief Valve	
7	7935000174	1	Relief Valve	

SECTION 4 - CONTROLS

FIGURE 4-29. VALVE ASSEMBLY - 6 BANK WITH BUMPER WINCH PREP



ART_3935000224

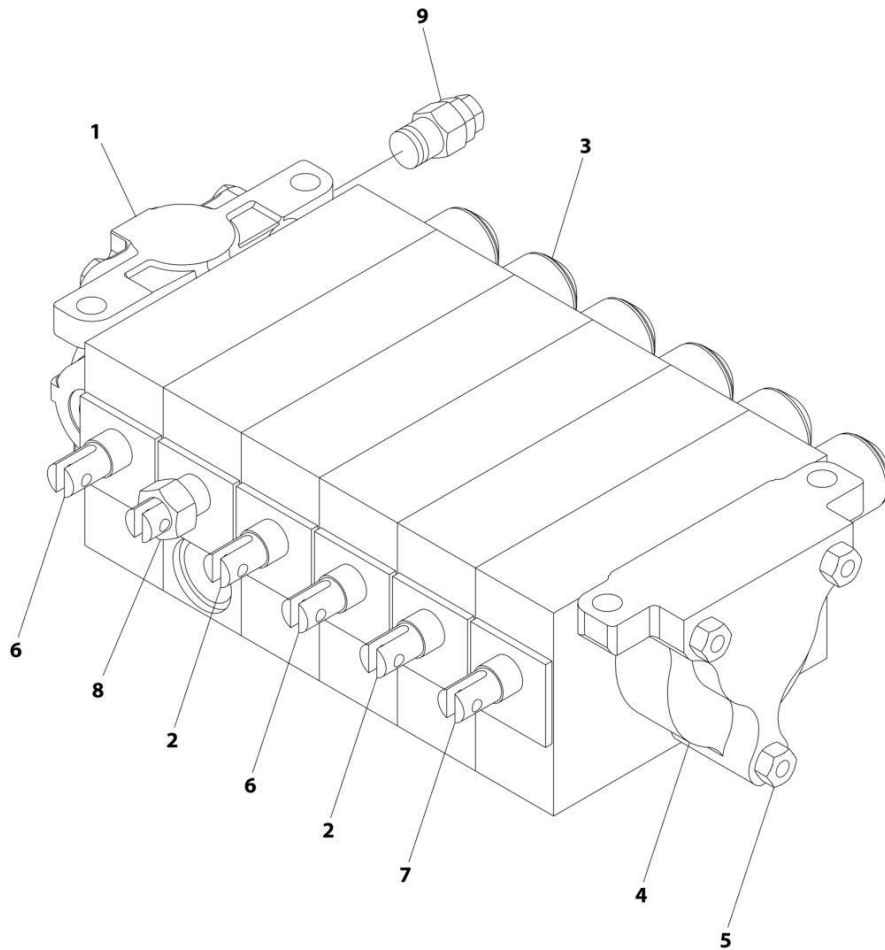
SECTION 4 - CONTROLS

FIGURE 4-29. VALVE ASSEMBLY - 6 BANK WITH BUMPER WINCH PREP

ITEM	PART NUMBER	QTY	DESCRIPTION	REV
	3935000224	Ref	VALVE ASSEMBLY - 6 BANK	B
1	7935000369	1	Inlet/Outlet Valve	
2	7935000170	3	Single Clevis Valve	
3	7935000227	1	Relief Valve	
4	7935000173	1	End Valve	
5	7577000218	1	Bolt Kit	
6	7935000171	2	Valve with PO Check	
7	7935000388	1	Relief Valve	
8	7935000174	1	Relief Valve	

SECTION 4 - CONTROLS

FIGURE 4-30. VALVE ASSEMBLY - 6 BANK WITH BUMPER WINCH MOTOR CONTROLS



ART_1001133741

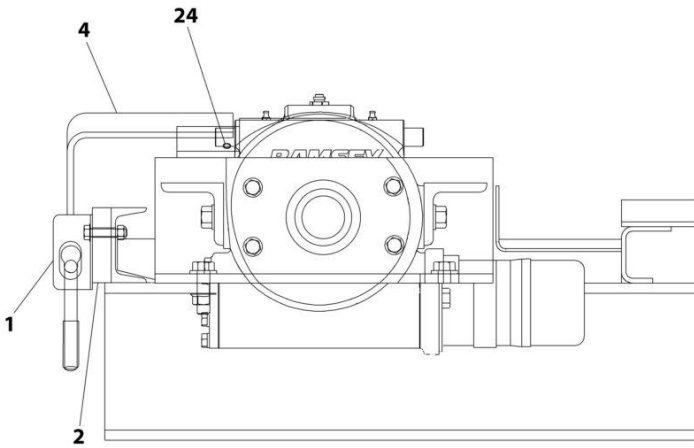
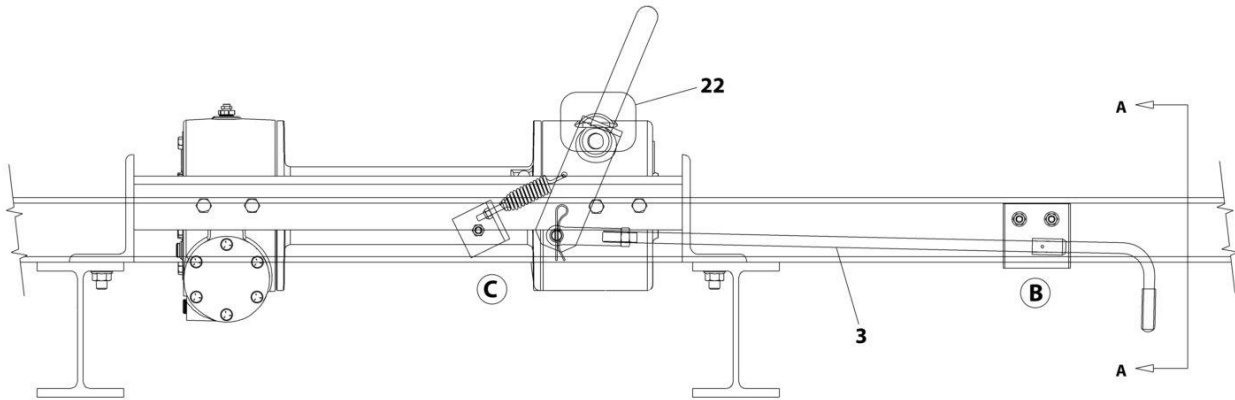
SECTION 4 - CONTROLS

FIGURE 4-30. VALVE ASSEMBLY - 6 BANK WITH BUMPER WINCH MOTOR CONTROLS

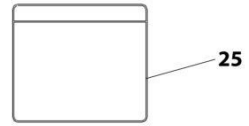
ITEM	PART NUMBER	QTY	DESCRIPTION	REV
	1001133741	Ref	VALVE ASSEMBLY - 6 BANK	B
1	7935000369	1	Inlet/Outlet Valve	
2	7935000170	2	Single Clevis Valve	
3	7935000227	1	Relief Valve	
4	7935000173	1	End Valve	
5	7577000218	1	Bolt Kit	
6	7935000171	2	Valve with Counterbalance	
7	1001133740	1	Valve, Motor Spool	
8	7935000388	1	Relief Valve	
9	7935000174	1	Relief Valve	

SECTION 4 - CONTROLS

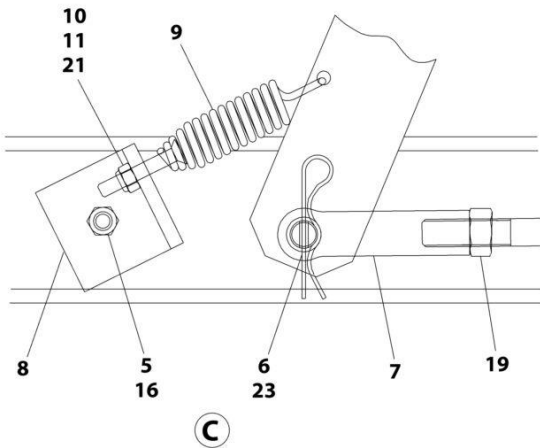
FIGURE 4-31. FREE SPOOL INSTALLATION - 12K WINCH (BOLT-ON HEADBOARD)



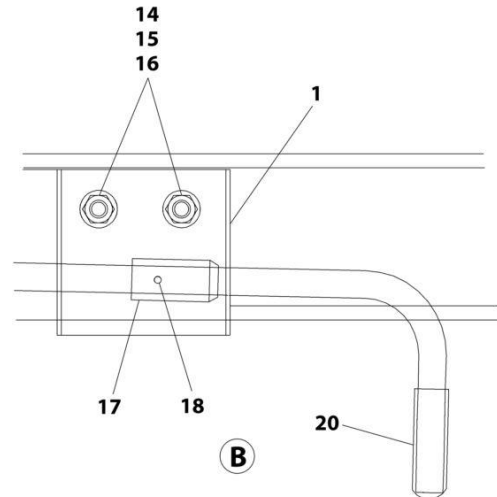
VIEW A-A



LOCATED ON REAR SIDE
STAT HEADBOARD



C



B

ART_2970000069

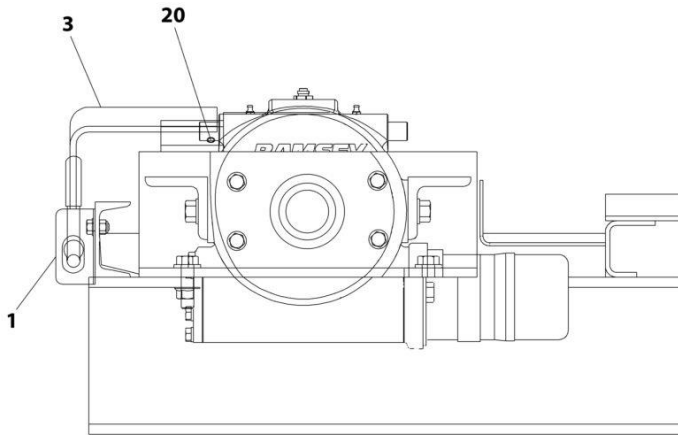
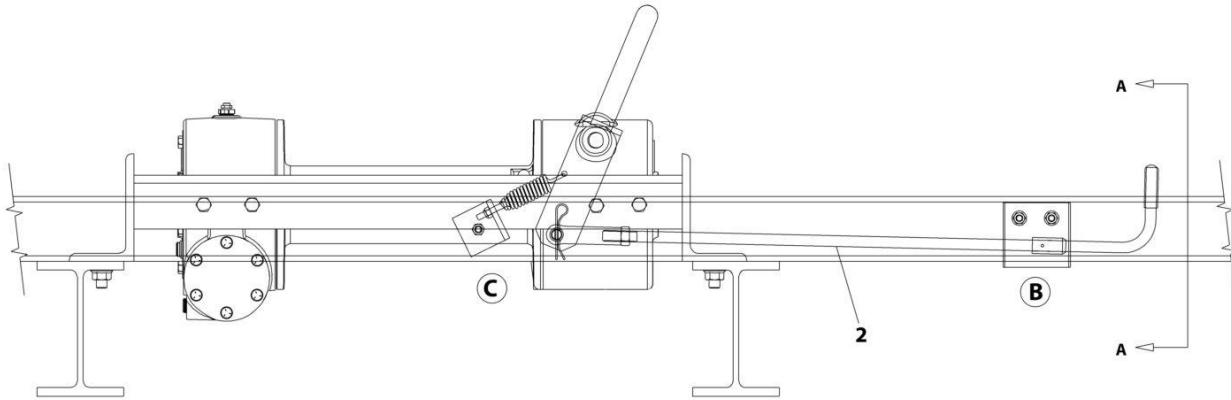
SECTION 4 - CONTROLS

FIGURE 4-31. FREE SPOOL INSTALLATION - 12K WINCH (BOLT-ON HEADBOARD)

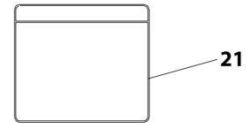
ITEM	PART NUMBER	QTY	DESCRIPTION	REV
	297000069	Ref	FREE SPOOL INSTALLATION	F
1	4178000673	1	Bracket	
2	4679000208	1	Pad	
3	4763000253	1	Rod	
4	3020000091	1	Arm Weldment Lever	
5	7115150850	1	Capscrew 5/16 x 1	
6	7950180143	2	Washer 1/2	
7	7990000011	1	Yoke	
8	4017001194	1	Angle	
9	7843000007	1	Spring	
10	7111141407	1	Bolt 1/4 x 1-3/4	
11	7660142601	1	Nut 1/4	
14	7950150161	2	Washer 5/16	
15	7115151250	2	Capscrew 5/16 x 1-1/2	
16	7660152601	3	Nut 5/16	
17	4209000212	1	Bushing	
18	7690051274	1	Pin	
19	7660180234	1	Nut 1/2	
20	7254000016	1	Cap	
21	7950140141	1	Washer 1/4	
22	4632000030	1	Moulding	
23	1001179025	1	Pin	
24	7785150500	1	Screw 5/16 x 5/16	
25	7330000242	1	Decal, Free Spool	

SECTION 4 - CONTROLS

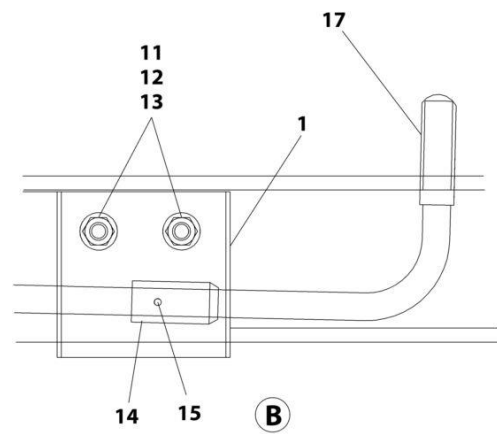
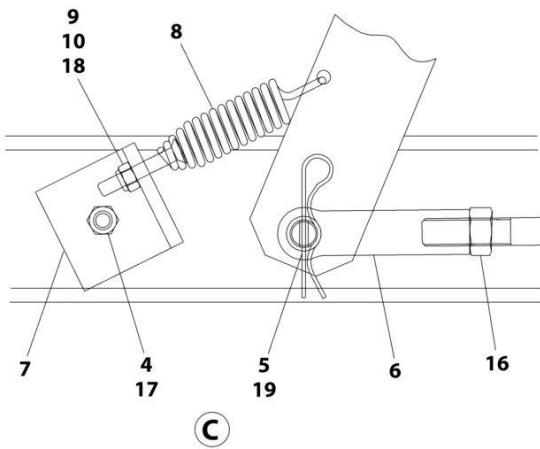
FIGURE 4-32. FREE SPOOL INSTALLATION - 12K WINCH (STATIONARY HEADBOARD)



VIEW A-A



LOCATED ON REAR SIDE
STAT HEADBOARD



ART_2970000105

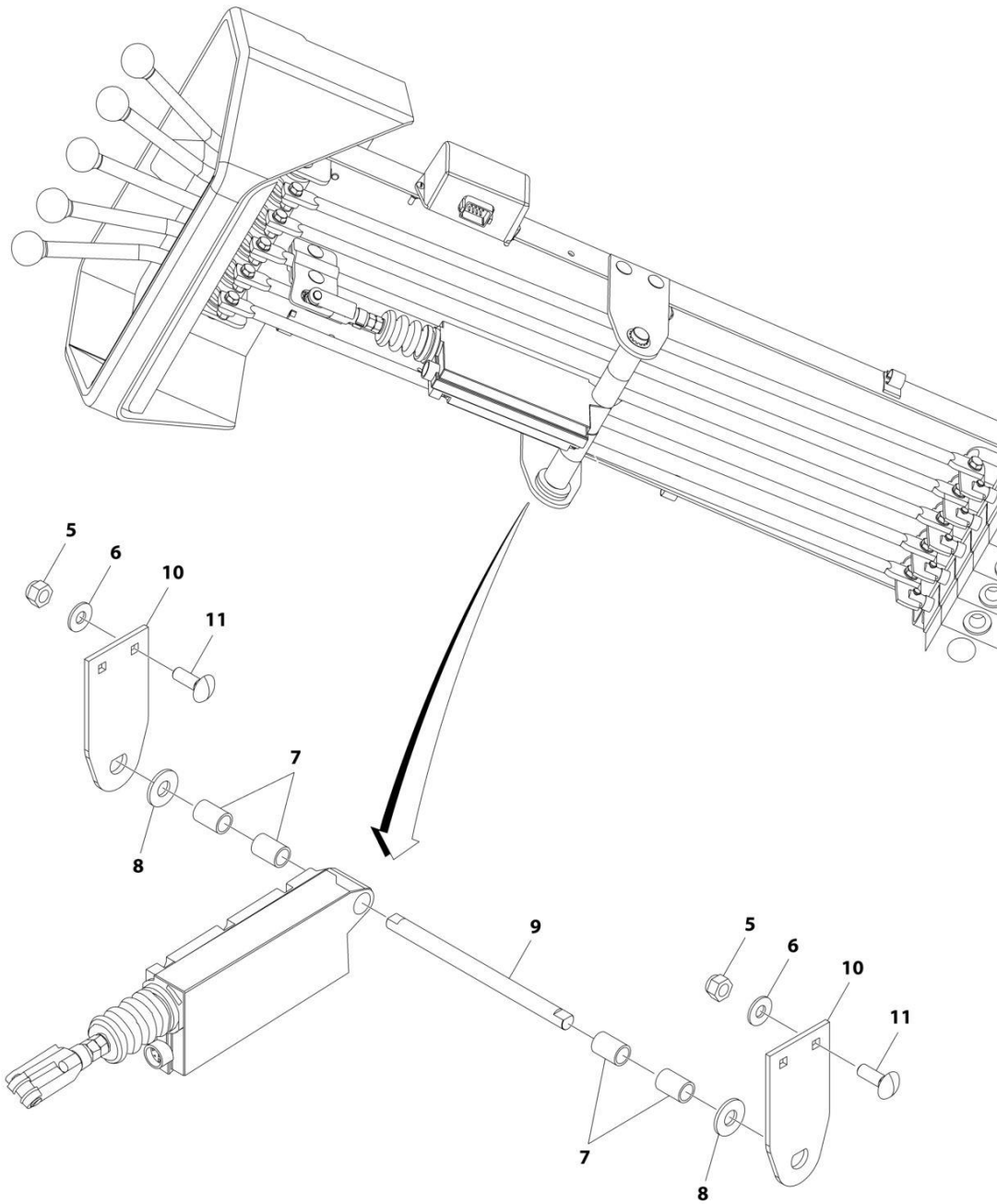
SECTION 4 - CONTROLS

FIGURE 4-32. FREE SPOOL INSTALLATION - 12K WINCH (STATIONARY HEADBOARD)

ITEM	PART NUMBER	QTY	DESCRIPTION	REV
	2970000105	Ref	FREE SPOOL INSTALLATION	C
1	4178000673	1	Bracket	
2	4763000253	1	Rod	
3	3020000123	1	Arm Weldment Lever	
4	7115150850	1	Capscrew 5/16 x 1	
5	7950180143	2	Washer 1/2	
6	7990000011	1	Yoke	
7	4017001504	1	Angle	
8	7843000007	1	Spring	
9	7111141407	1	Bolt 1/4 x 1-3/4	
10	7660142601	1	Nut 1/4	
11	7950150161	2	Washer 5/16	
13	7115150850	3	Capscrew 5/16 x 1	
12	7660152601	2	Nut 5/16	
14	4209000212	1	Bushing	
15	7690051274	1	Pin	
16	7660180234	1	Nut	
17	7254000016	1	Cap	
18	7950140141	1	Washer 1/4	
19	1001179025	1	Pin	
20	7785150500	1	Screw 5/16 x 5/16	
21	7330000495	1	Decal, Free Spool	

SECTION 4 - CONTROLS

FIGURE 4-33. LINEAR ACTUATOR MOUNT KIT (3,4,5 BANK)



ART_2577000017

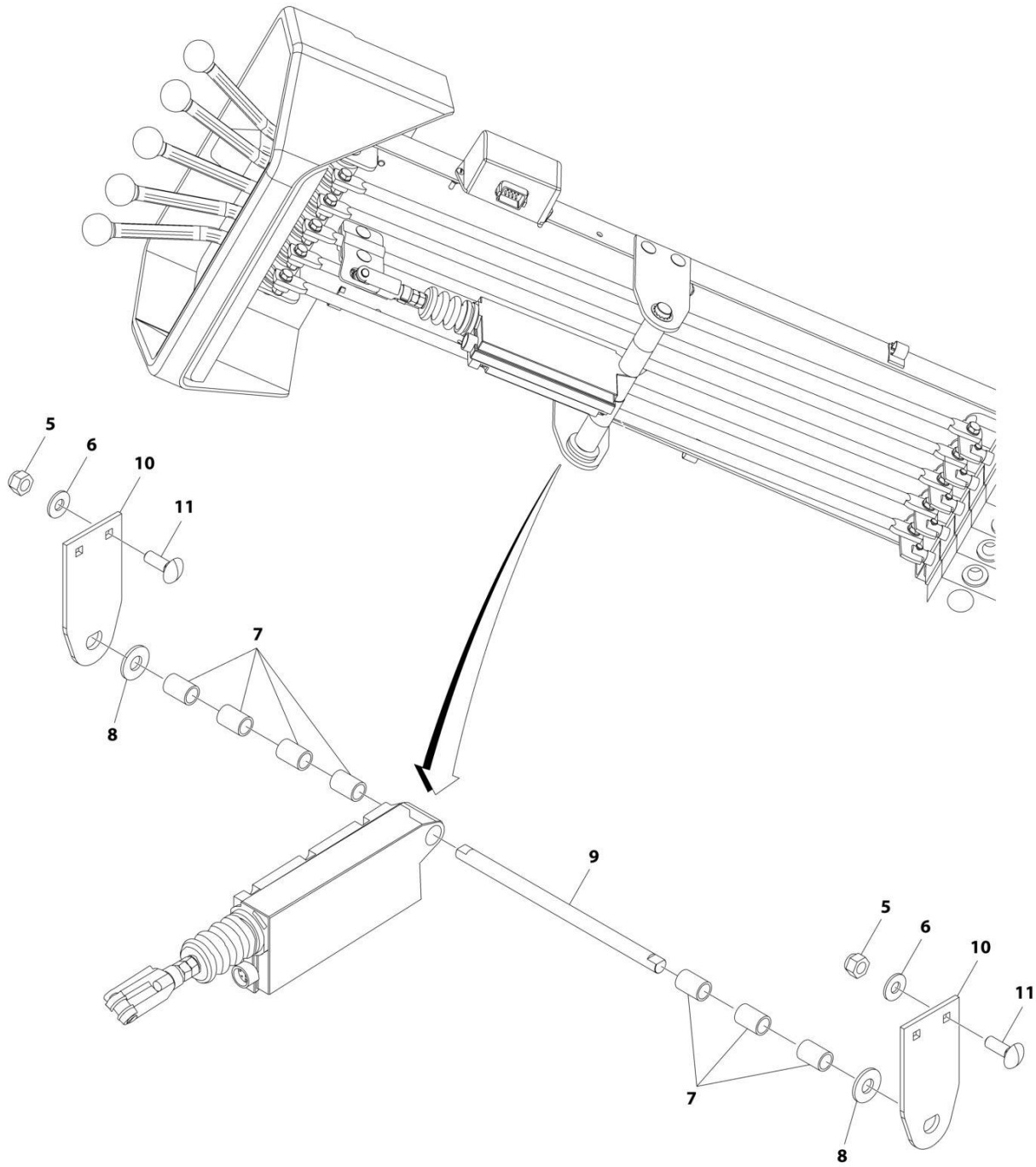
SECTION 4 - CONTROLS

FIGURE 4-33. LINEAR ACTUATOR MOUNT KIT (3,4,5 BANK)

ITEM	PART NUMBER	QTY	DESCRIPTION	REV
	2577000017	Ref	LINEAR ACTUATOR MOUNT KIT	B
5	7660152601	4	Nut 1/3	
6	7950150161	4	Washer 1/3	
7	4211000001	4	Bushing	
8	7950220141	2	Washer 3/4	
9	7691000064	1	Pin	
10	1001198871	2	Plate	
11	7115150664	4	Bolt 1/3 x 3/4	

SECTION 4 - CONTROLS

FIGURE 4-34. LINEAR ACTUATOR MOUNT KIT (6 BANK)



ART_2577000018

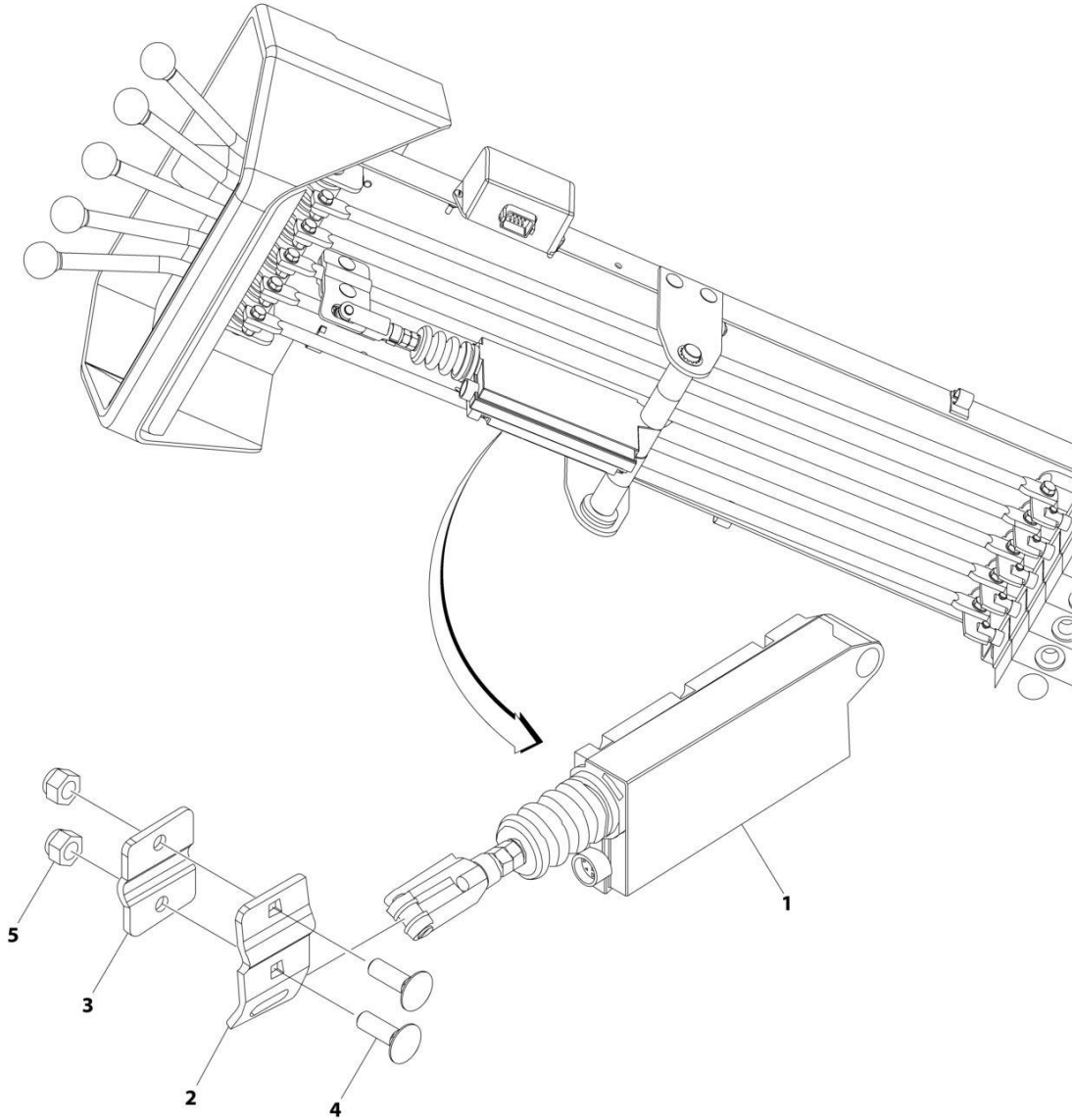
SECTION 4 - CONTROLS

FIGURE 4-34. LINEAR ACTUATOR MOUNT KIT (6 BANK)

ITEM	PART NUMBER	QTY	DESCRIPTION	REV
	2577000018	Ref	6 BANK LINEAR ACTUATOR MOUNT KIT	B
5	7660152601	4	Nut 5/16	
6	7950150161	4	Washer 5/16	
7	4211000001	5	Bushing	
8	7950220141	2	Washer 3/4	
9	7691000065	1	Pin	
10	1001198871	2	Plate	
11	7115150664	4	Bolt 5/16 x 3/4	

SECTION 4 - CONTROLS

FIGURE 4-35. LINEAR ACTUATOR INSTALLATION KIT



ART_2577000016

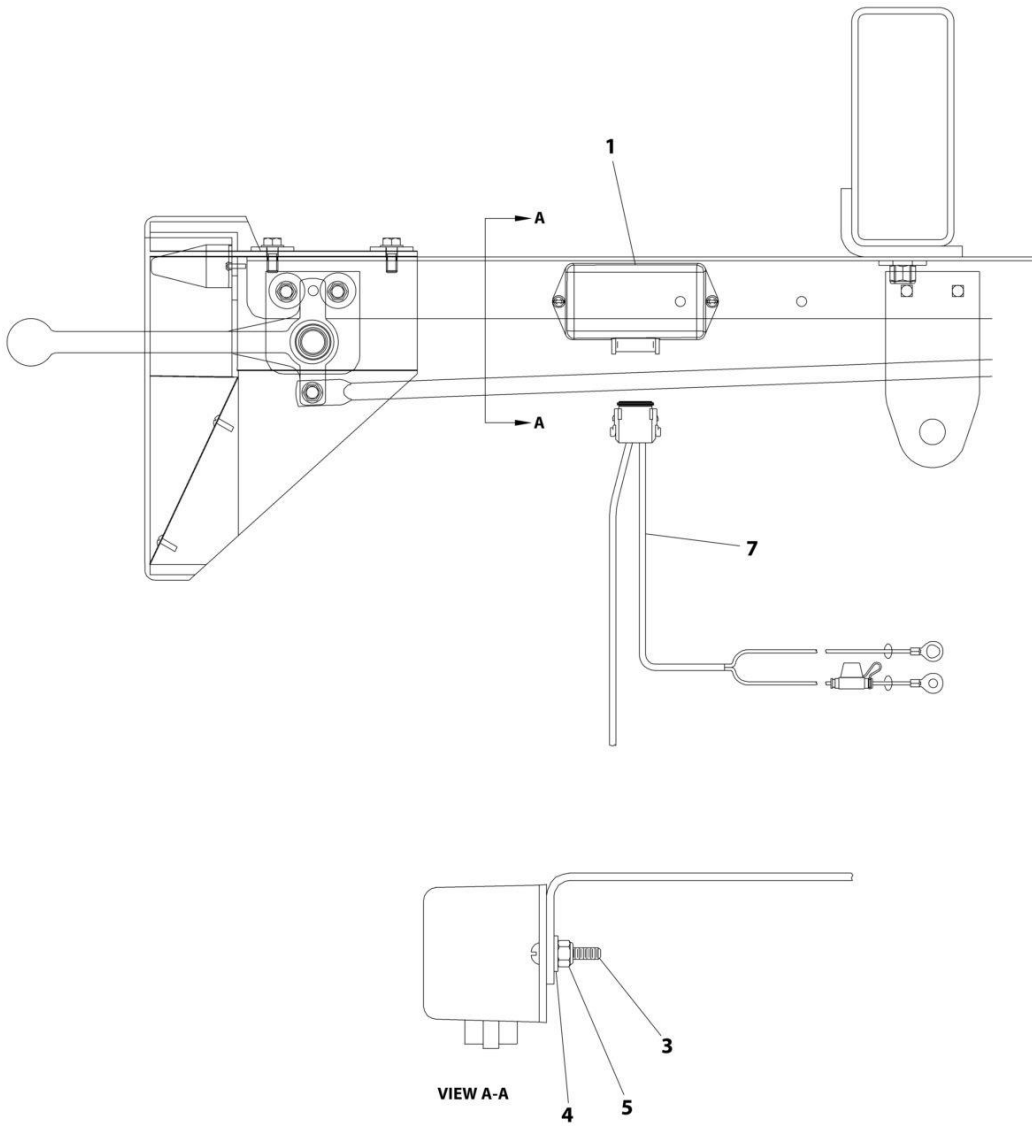
SECTION 4 - CONTROLS

FIGURE 4-35. LINEAR ACTUATOR INSTALLATION KIT

ITEM	PART NUMBER	QTY	DESCRIPTION	REV
	2577000016	Ref	LINEAR ACTUATOR INSTALLATION KIT	A
1	7005000003	1	Linear Actuator 12V	
2	4178000664	1	Bracket	
3	4178000665	1	Bracket	
4	7115150864	2	Bolt 5/16 x 1	
5	7660152601	2	Nut 5/16	

SECTION 4 - CONTROLS

FIGURE 4-36. MIRATRON WIRELESS INSTALLATION - ONE FUNCTION



ART_2577000029

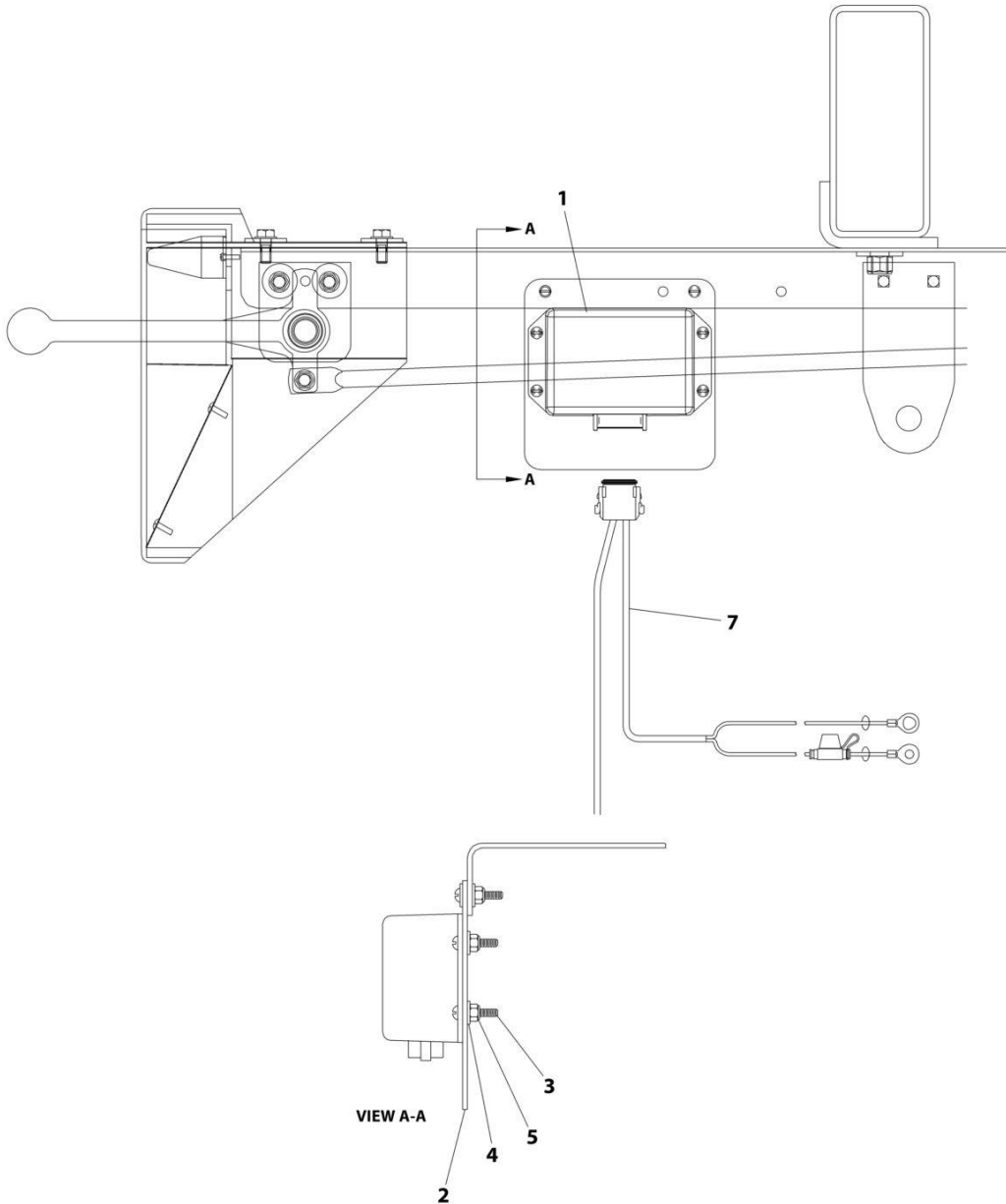
SECTION 4 - CONTROLS

FIGURE 4-36. MIRATRON WIRELESS INSTALLATION - ONE FUNCTION

ITEM	PART NUMBER	QTY	DESCRIPTION	REV
	2577000029	Ref	CONT INST WIRELESS MIRATRON 2 FUNCT	0
1	7295000106	1	Wireless Cont 2 Function Miratron Rollback	
3	7114100810	2	Screw #10 x 1	
4	7950100151	2	Washer 3/16	
5	7660102604	2	Nut #10	
7	7552000391	1	Harness 2 Function Miratron Rollback	
7	4460930	1	Plug, Male - 8 Position	
7	4460465	6	Socket, Female	
7	4460955	2	Plug, Male - 2 Position	
7	4460842	4	Terminal	
7		Ref	Fuse - 10Amp ATO (Purchase Locally)	

SECTION 4 - CONTROLS

FIGURE 4-37. MIRATRON WIRELESS INSTALLATION - TWO FUNCTION



ART_2577000030

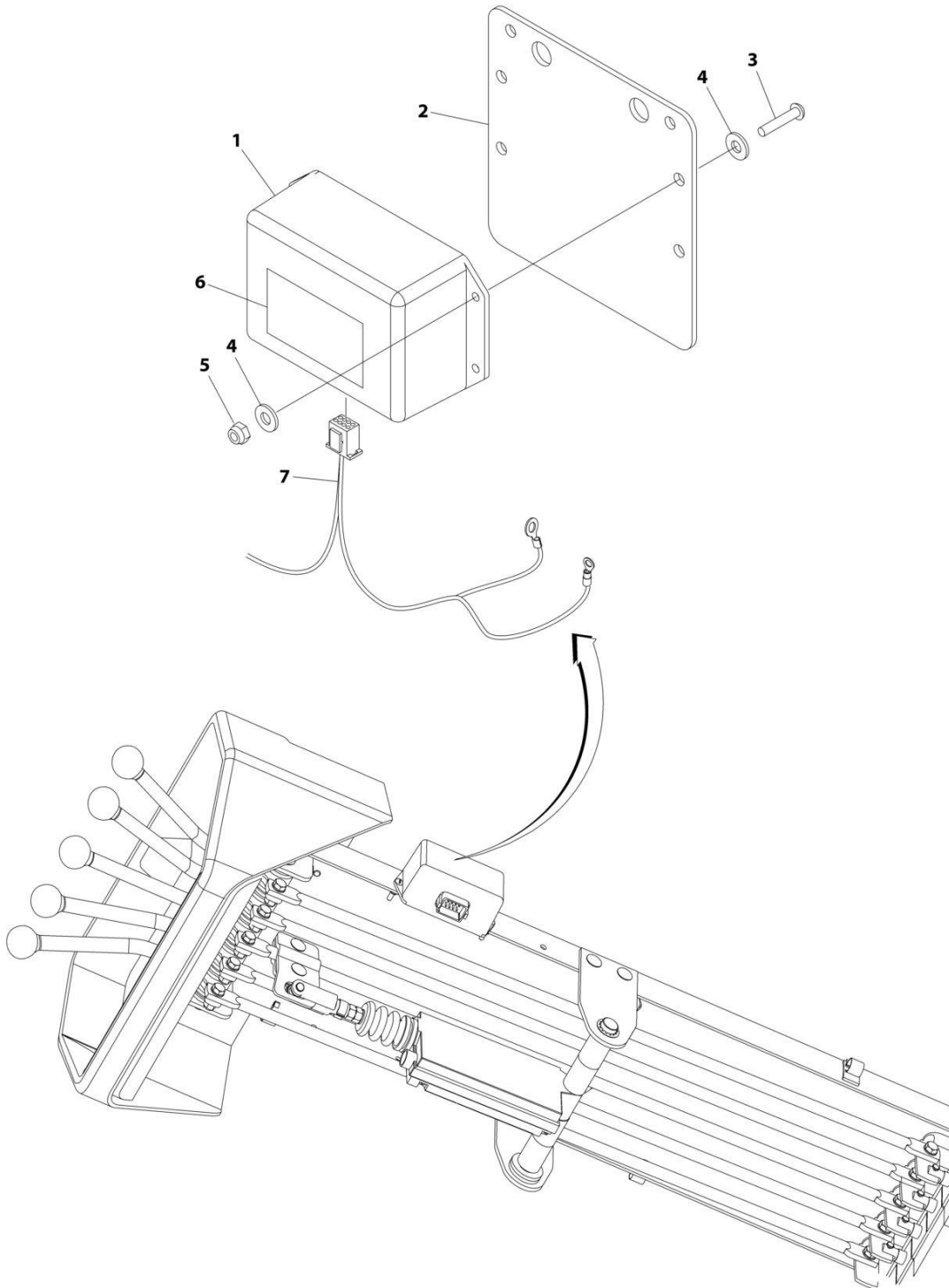
SECTION 4 - CONTROLS

FIGURE 4-37. MIRATRON WIRELESS INSTALLATION - TWO FUNCTION

ITEM	PART NUMBER	QTY	DESCRIPTION	REV
	2577000030	Ref	REMOTE CONTROL INSTALLATION - FOUR FUNCTION	A
1	7295000108	1	Controller, Wireless - 4 Function	
2	4706005595	1	Plate	
3	7114100810	6	Screw #10 x 1	
4	7950100151	8	Washer 3/16	
5	7660102604	6	Nut #10	
7	7552000392	1	Harness 4 Function Miratron Rollback	
7	4460933	1	Plug, Male - 12 Position	
7	4460465	10	Socket, Female	
7	4460955	4	Plug, Male - 2 Position	
7	4460842	8	Terminal	
7		Ref	Fuse - 10AMP ATO (Purchase Locally)	

SECTION 4 - CONTROLS

FIGURE 4-38. MIRATRON WIRELESS INSTALLATION - THREE FUNCTION



ART_2577000031

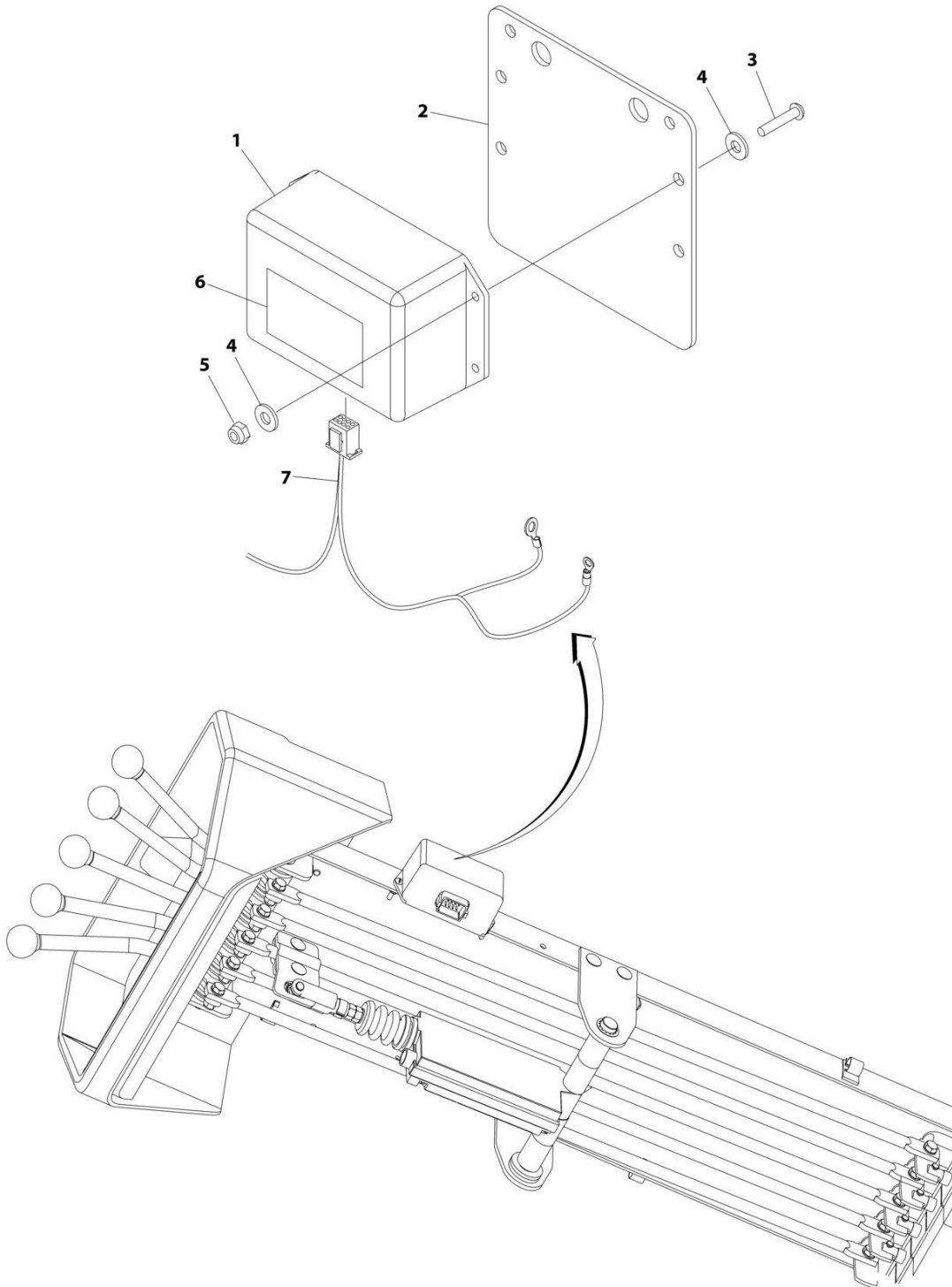
SECTION 4 - CONTROLS

FIGURE 4-38. MIRATRON WIRELESS INSTALLATION - THREE FUNCTION

ITEM	PART NUMBER	QTY	DESCRIPTION	REV
	2577000031	Ref	Remote Control Installation - Three Function	A
1	7295000109	1	Controller (3 remote operations)	
2	4706005595	1	Plate	
3	7114100810	6	Screw #10	
4	7950100151	8	Washer 3/16	
5	7660102604	6	Nut #10	
6	7330000696	1	Decal - Controller Functions	
7	7552000393	1	Harness - 6 Function	
7	4460933	1	Plug, Male - 12 Position	
7	4460465	8	Socket, Female	
7	4460955	6	Plug, Male - 2 Position	
7	4460842	12	Terminal	
7		Ref	Fuse - 10AMP ATO (Purchase Locally)	

SECTION 4 - CONTROLS

FIGURE 4-39. MIRATRON WIRELESS INSTALLATION - FOUR FUNCTION



ART_2577000034

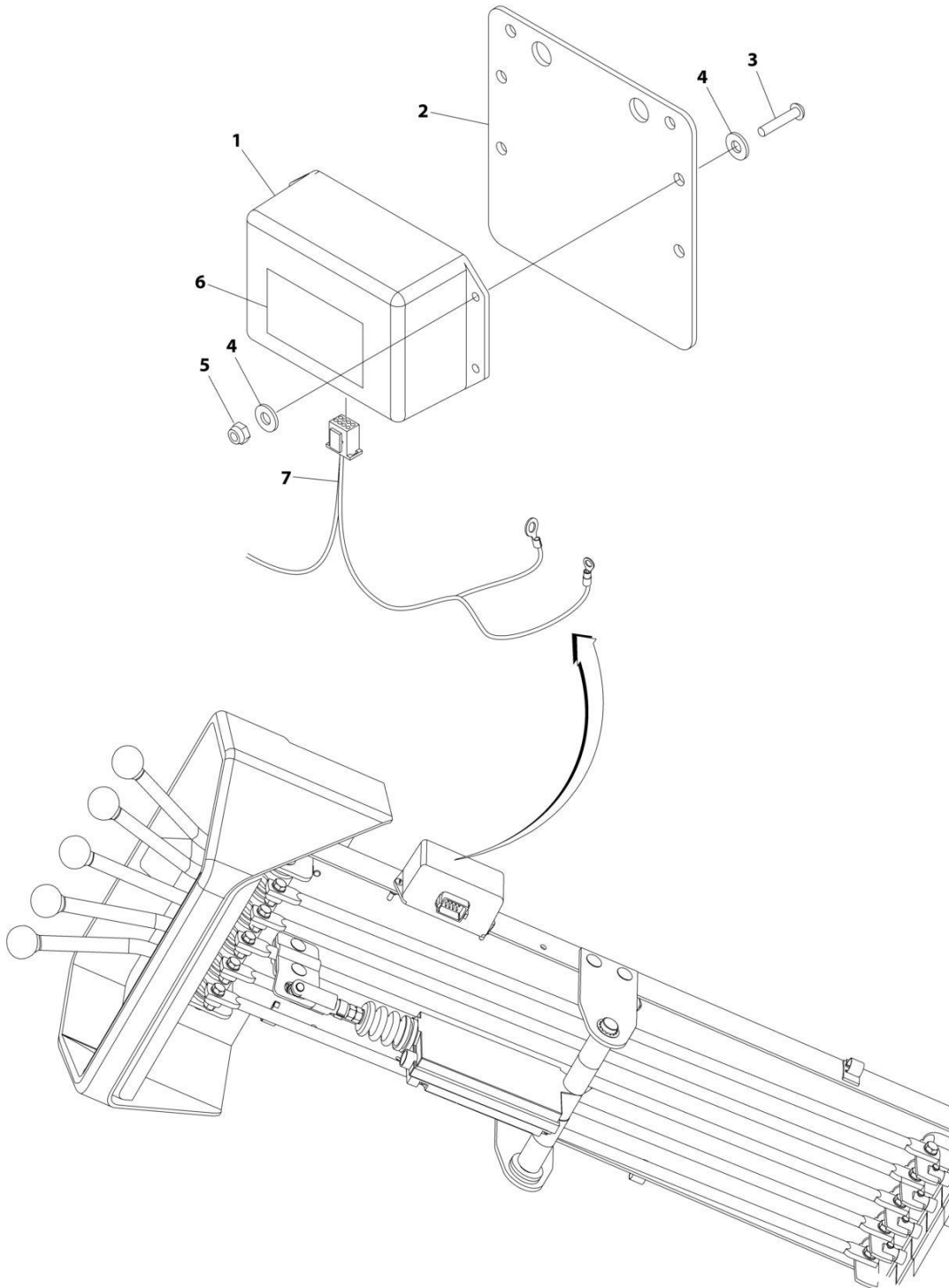
SECTION 4 - CONTROLS

FIGURE 4-39. MIRATRON WIRELESS INSTALLATION - FOUR FUNCTION

ITEM	PART NUMBER	QTY	DESCRIPTION	REV
	2577000034	Ref	Remote Control Installation - Four Function	0
1	7295000111	1	Controller (4 remote operations)	
2	4706005595	1	Plate	
3	7114100810	6	Screw #10	
4	7950100151	8	Washer 3/16	
5	7660102604	6	Nut #10	
6	7330000696	1	Decal - Controller Functions	
7	7552000426	1	Harness - 4 Function	
7	4460933	1	Plug, Male - 12 Position	
7	4460465	11	Socket, Female	
7	4460955	10	Plug, Male - 2 Position	
7	4460842	20	Terminal	
7		Ref	Fuse - 10Amp ATO (Purchase Locally)	
7		Ref	Connector - 1 Position	
7	4460850	1	Terminal	
7	4460458	1	Seal	

SECTION 4 - CONTROLS

FIGURE 4-40. MIRATRON WIRELESS INSTALLATION - FIVE FUNCTION



ART_2577000035

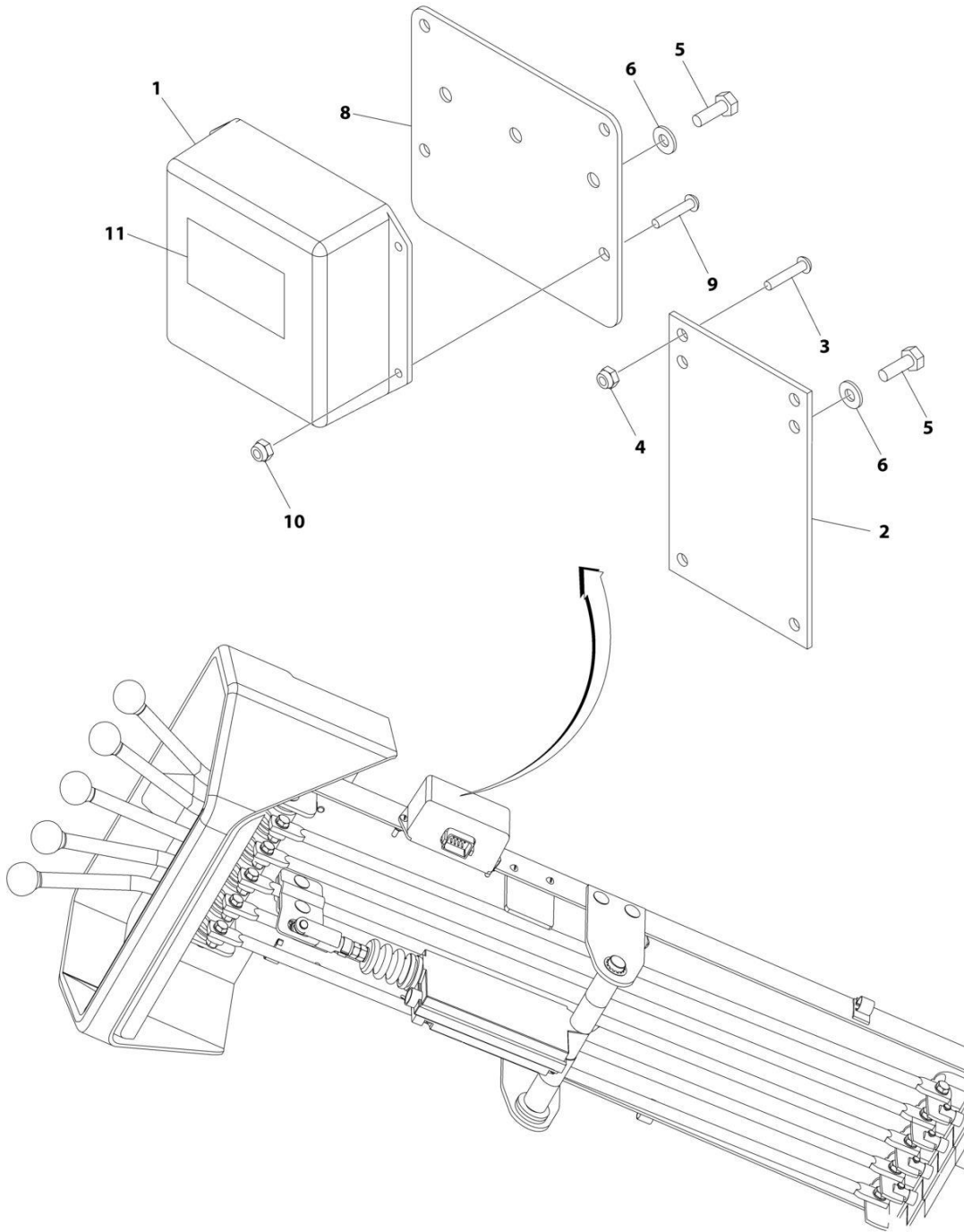
SECTION 4 - CONTROLS

FIGURE 4-40. MIRATRON WIRELESS INSTALLATION - FIVE FUNCTION

ITEM	PART NUMBER	QTY	DESCRIPTION	REV
	2577000035	Ref	Remote Control Installation - Five Function	0
1	7295000111	1	Controller (5 remote operations)	
2	4706005595	1	Plate	
3	7114100810	6	Screw #10	
4	7950100151	8	Washer 3/16	
5	7660102604	6	Nut #10	
6	7330000696	1	Decal - Controller Functions	
7	7552000426	1	Harness	
7	4460933	1	Plug, Male - 12 Position	
7	4460465	11	Socket, Female	
7	4460955	10	Plug, Male - 2 Position	
7	4460842	20	Terminal	
7		Ref	Fuse - 10Amp ATO (Purchase Locally)	
7		Ref	Connector - 1 Position	
7	4460850	1	Terminal	
7	4460458	1	Seal	

SECTION 4 - CONTROLS

FIGURE 4-41. MIRATRON WIRELESS INSTALLATION - SIX FUNCTION



ART_2577000025

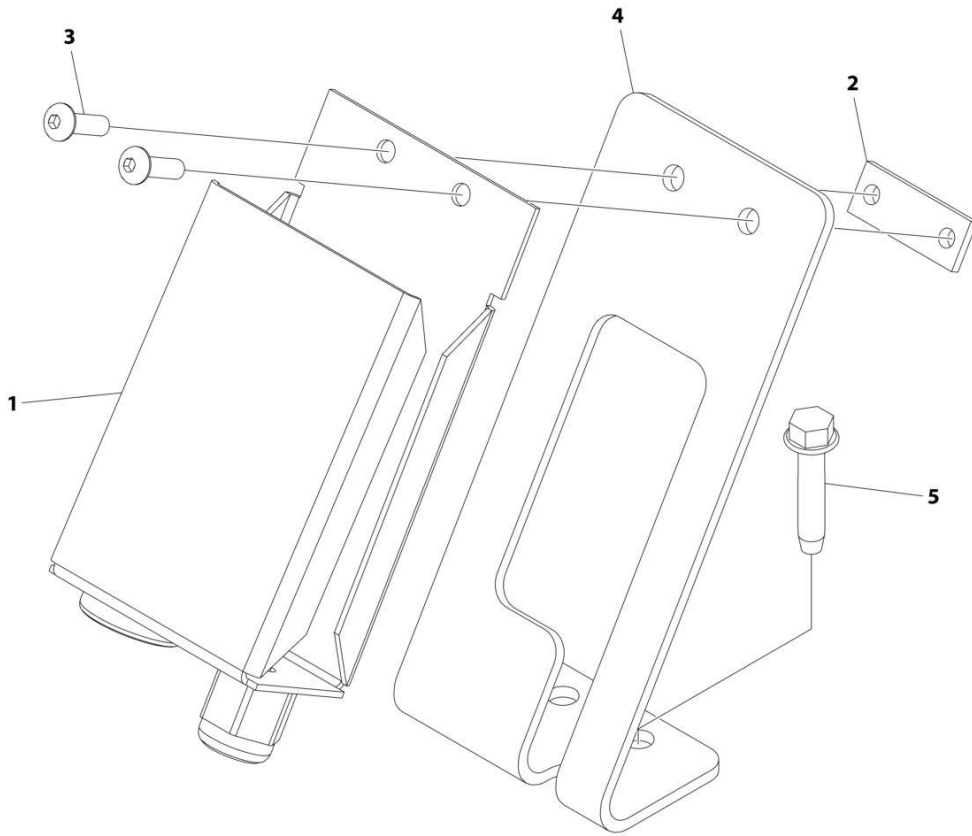
SECTION 4 - CONTROLS

FIGURE 4-41. MIRATRON WIRELESS INSTALLATION - SIX FUNCTION

ITEM	PART NUMBER	QTY	DESCRIPTION	REV
	2577000025	Ref	REMOTE CONTROL INSTALLATION - 6 FUNCTION	0
1	7295000102	1	Controller (12 remote operations)	
2	4706003650	1	Plate	
3	7104100613	4	Screw #10	
4	7661000007	4	Nut #10	
5	7115140650	5	Bolt 1/4 x 3/4	
6	7950140141	5	Washer 1/4	
8	4706005396	1	Plate	
9	7114080618	4	Screw #8	
10	7660082604	4	Nut #8	
11	7330000612	1	Decal	

SECTION 4 - CONTROLS

FIGURE 4-42. REMOTE CONTROL 6 FUNCTION U/L TRANSMITTER HOLDER



ART_2002000031

SECTION 4 - CONTROLS

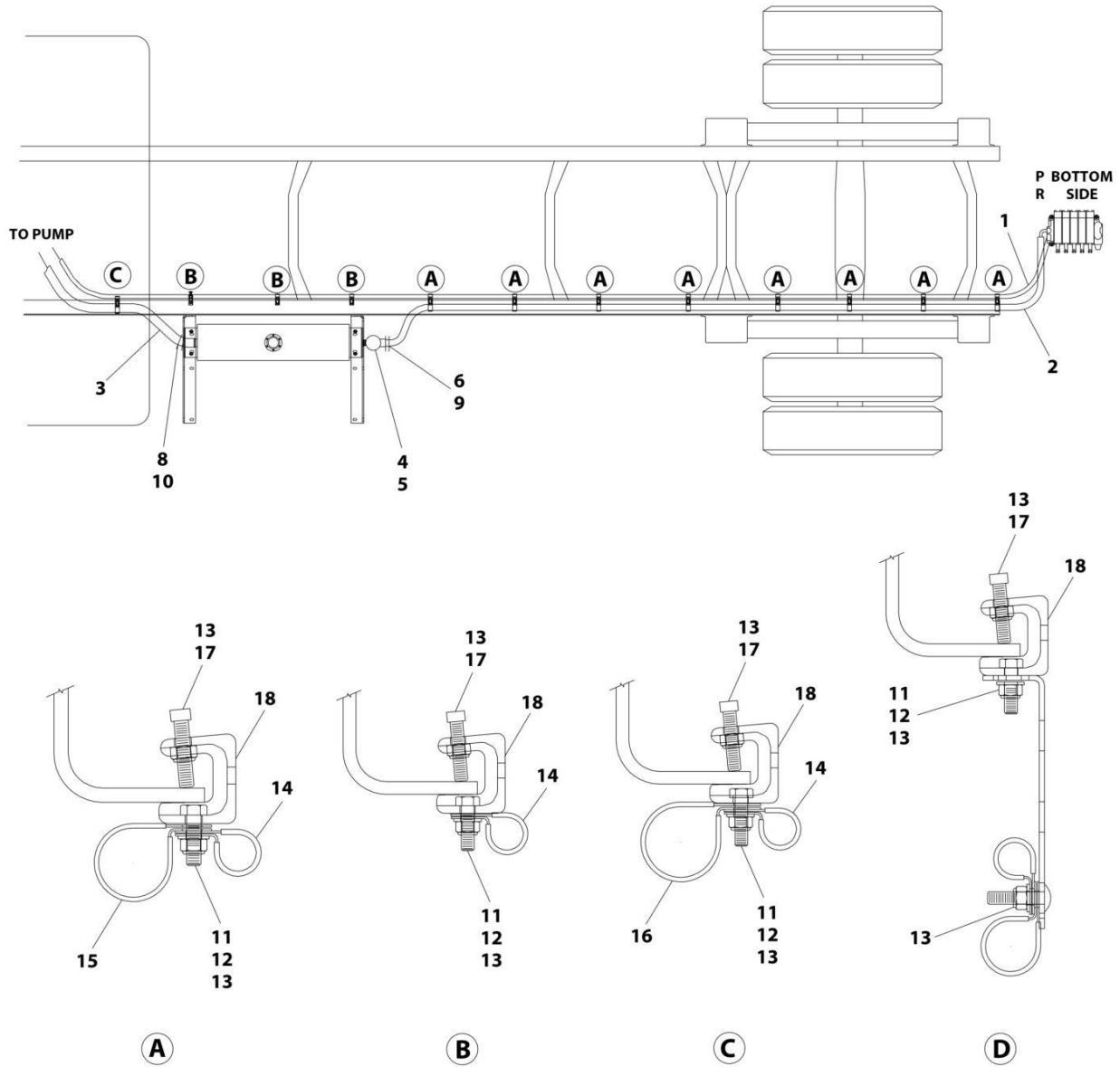
FIGURE 4-42. REMOTE CONTROL 6 FUNCTION U/L TRANSMITTER HOLDER

ITEM	PART NUMBER	QTY	DESCRIPTION	REV
	2002000031	Ref	Remote Control 6 Function U/L Transmitter Holder	D
1	7002000521	1	Accessory, Box	
2	7661000056	1	Nut #10	
3	7114100518	2	Screw #10 x 5/8	
4	1001230127	1	Mount	
5	7790142051	2	Screw 1/4 x 1-1/4	

SECTION 5 - HYDRAULIC

SECTION 5 - HYDRAULIC

FIGURE 5-1. HOSE INSTALLATION - 156IN CA (GENERIC)



ART_2570000097

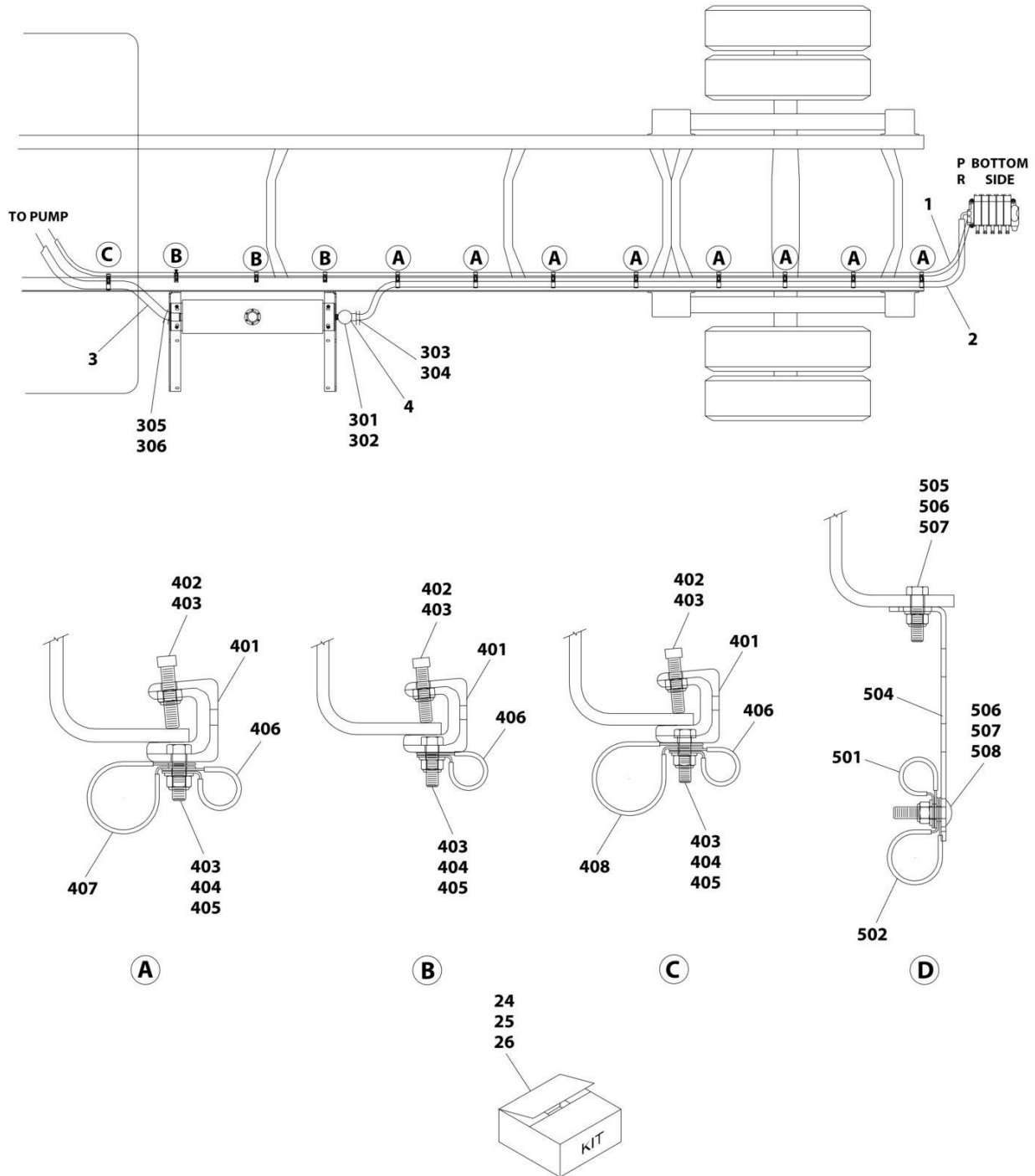
SECTION 5 - HYDRAULIC

FIGURE 5-1. HOSE INSTALLATION - 156IN CA (GENERIC)

ITEM	PART NUMBER	QTY	DESCRIPTION	REV
	2570000097	Ref	SPR HOSE INSTALLATION 156IN CA	B
1	4567130244	1	Hose	
2	4570000113	1	Hose	
3	4570000112	1	Hose	
4	7430000003	1	Filter, Oil	
4	7431000001	1	Element, Replacement Oil Filter	
5	7470000002	1	Oil Guage	
6	7443000319	1	Fitting, 90	
8	7443000013	1	Nipple	
9	7274000080	2	Hose Clamp	
10	7274000002	2	Hose Clamp	
11	7785152420	13	Set Screw 5/16 x 1-1/2	
12	7950150161	13	Washer 5/16	
13	7660152601	26	Nut 5/16	
14	7274000040	13	Clamp	
15	7274000041	8	Clamp	
16	7274000042	3	Clamp	
17	7115151050	13	Bolt 5/16 x 1-1/4	
18	7274000076	13	Clamp	

SECTION 5 - HYDRAULIC

FIGURE 5-2. HOSE INSTALLATION - 160IN CA (GENERIC)



ART_2570000098

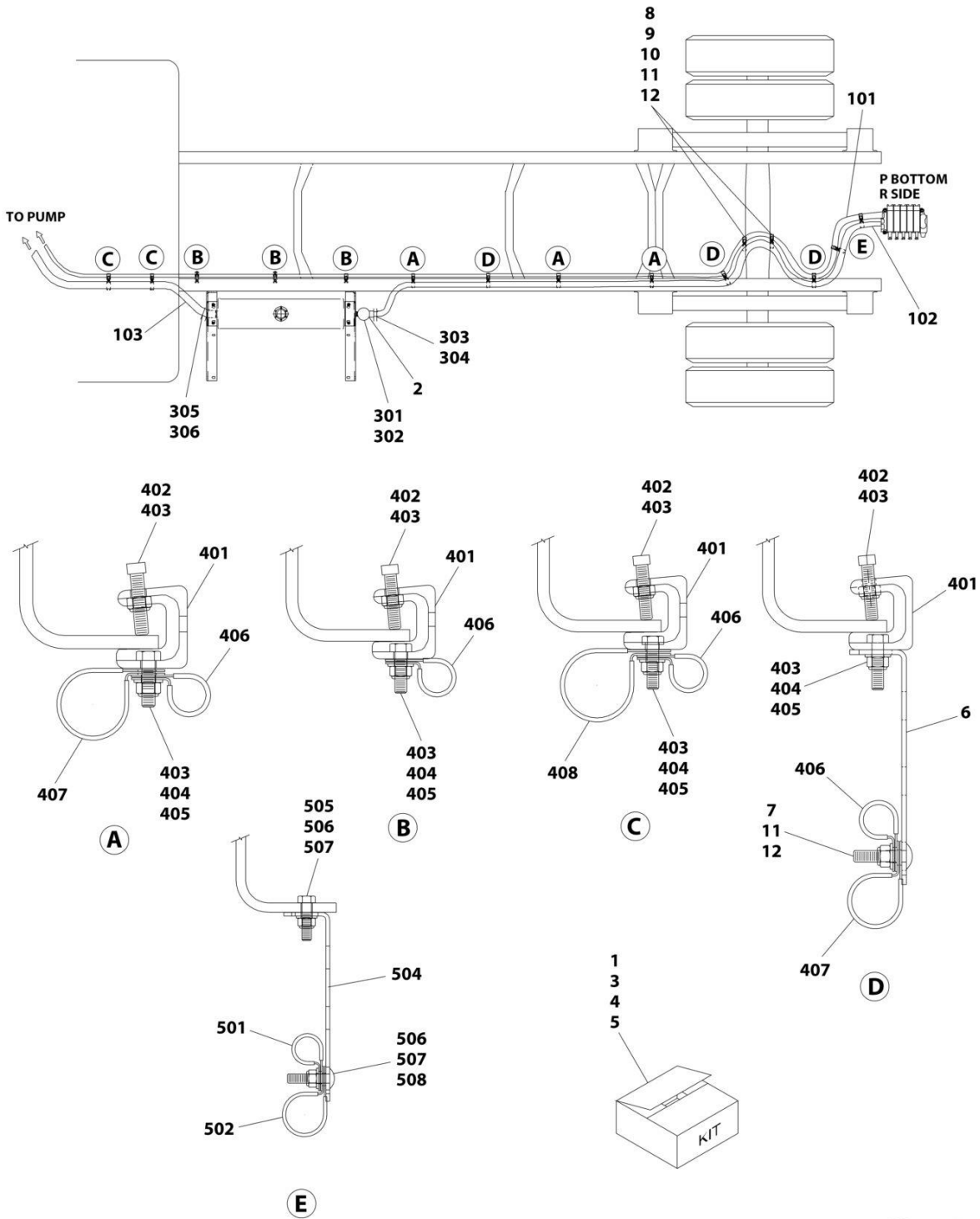
SECTION 5 - HYDRAULIC

FIGURE 5-2. HOSE INSTALLATION - 160IN CA (GENERIC)

ITEM	PART NUMBER	QTY	DESCRIPTION	REV
	2570000098	Ref	HOSE INSTALLATION - 160IN CA - GENERIC	3
1	4567130248	1	Hose	
2	4570000114	1	Hose	
3	4570000112	1	Hose	
4	7430000003	1	Filter, Oil	
4	7431000001	1	Element, Replacement Oil Filter	
24	1001132801	1	Clamp, Hose Kit (Includes Items 301-306)	
25	1001132794	14	Clamp, Hose Kit (Includes Items 401-408)	
26	1001132800	5	Clamp, Hose Kit (Includes Items 501-508)	
301	7470000002	1	Gauge, Oil Filter Head	
302	7443000158	1	Fitting, 90	
303	7443000319	1	Fitting, 90	
304	7274000080	2	Clamp	
305	7443000013	1	Nipple	
306	7274000002	2	Clamp	
401	7274000076	1	Clamp	
402	7785152420	1	Screw 5/16 x 1-1/2	
403	7660152601	2	Nut 5/16	
404	7115151050	1	Capscrew 5/16 x 1-1/4	
405	7950150161	1	Washer 5/16	
406	7274000040	1	Clamp	
407	7274000041	1	Clamp	
408	7274000042	1	Clamp	
501	7274000040	1	Clamp	
502	7274000041	1	Clamp	
503	7274000042	1	Clamp	
504	4706003844	1	Plate	
505	7115151050	1	Capscrew 5/16 x 1-1/4	
506	7950150161	3	Washer 5/16	
507	7660152601	2	Nut 5/16	
508	7115151064	1	Bolt 5/16 x 1-1/4	

SECTION 5 - HYDRAULIC

FIGURE 5-3. HOSE INSTALLATION - 162IN CA STD CAB (PETERBILT)



ART_1001132748

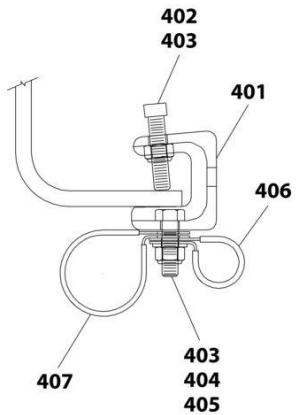
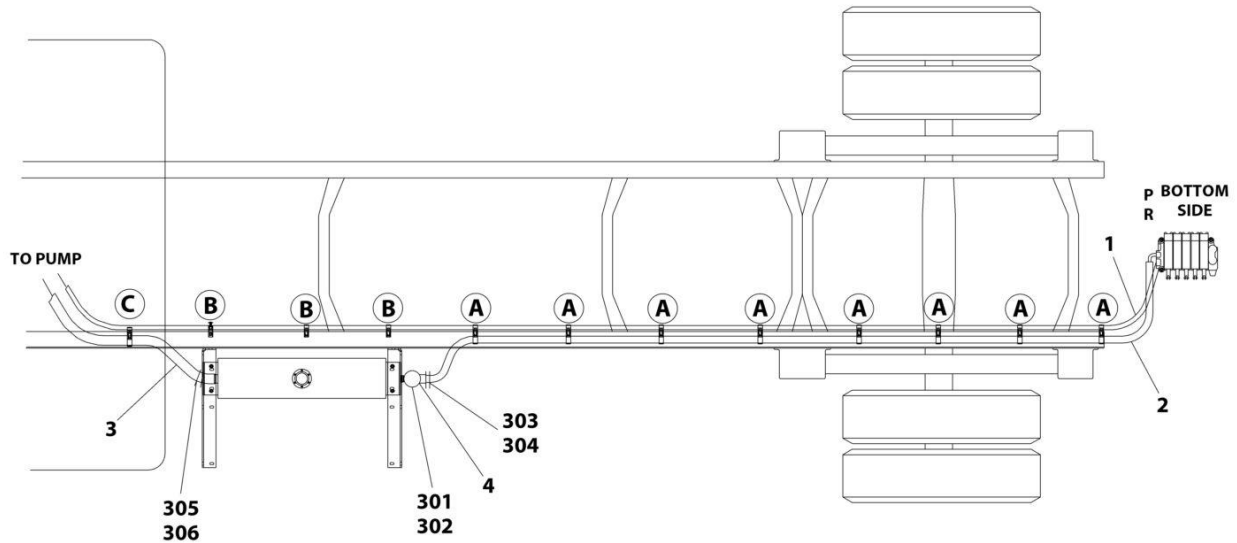
SECTION 5 - HYDRAULIC

FIGURE 5-3. HOSE INSTALLATION - 162IN CA STD CAB (PETERBILT)

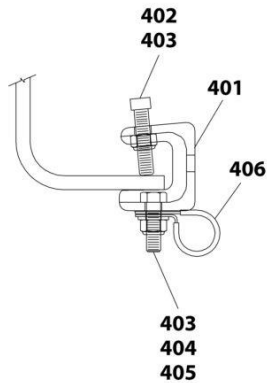
ITEM	PART NUMBER	QTY	DESCRIPTION	REV
	1001132748	Ref	HOSE INSTALLATION - 162IN CA (STD CAB PETERBILT)	0
1	1001132717	1	Hose Kit (Include Items 101-103)	
2	7430000003	1	Filter, Oil	
2	7431000001	1	Element, Replacement Oil Filter	
3	1001132801	1	Clamp, Hose Kit (Includes Items 301-306)	
4	1001132794	11	Clamp, Hose Kit (includes items 401-408)	
5	1001132800	2	Clamp, Hose Kit (Includes Items 501-508)	
6	4706003844	3	Plate	
7	7115151064	3	Bolt 5/16 x 1-1/4	
8	7274000040	2	Clamp	
9	7274000041	2	Clamp	
10	7115151050	2	Capscrew 5/16 x 1-1/4	
11	7950150161	5	Washer 5/16	
12	7660152601	5	Nut 5/16	
101	4567130290	1	Hose	
102	4570000121	1	Hose	
103	1001132601	1	Hose	
301	7470000002	1	Gauge, Oil Filter Head	
302	7443000158	1	Fitting, 90	
303	7443000319	1	Fitting, 90	
304	7274000080	2	Clamp	
305	7443000013	1	Nipple	
306	7274000002	2	Clamp	
401	7274000076	1	Clamp	
402	7785152420	1	Screw 5/16 x 1-1/2	
403	7660152601	2	Nut 5/16	
404	7115151050	1	Capscrew 5/16 x 1-1/4	
405	7950150161	1	Washer 5/16	
406	7274000040	1	Clamp	
407	7274000041	1	Clamp	
408	7274000042	1	Clamp	
501	7274000040	1	Clamp	
502	7274000041	1	Clamp	
503	7274000042	1	Clamp (Not Shown)	
504	4706003844	1	Plate	
505	7115151050	1	Capscrew 5/16 x 1-1/4	
506	7950150161	3	Washer 5/16	
507	7660152601	2	Nut 5/16	
508	7115151064	1	Bolt 5/16 x 1-1/4	

SECTION 5 - HYDRAULIC

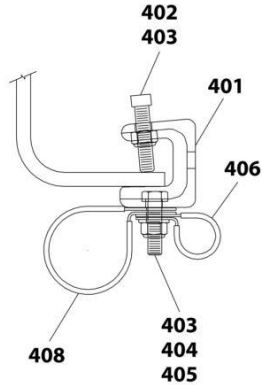
FIGURE 5-4. HOSE INSTALLATION - 168IN CA (GENERIC)



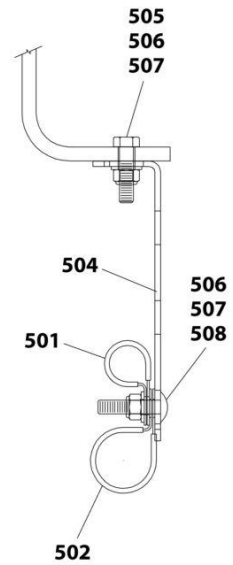
A



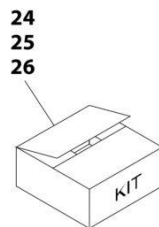
B



C



D



ART_2570000100

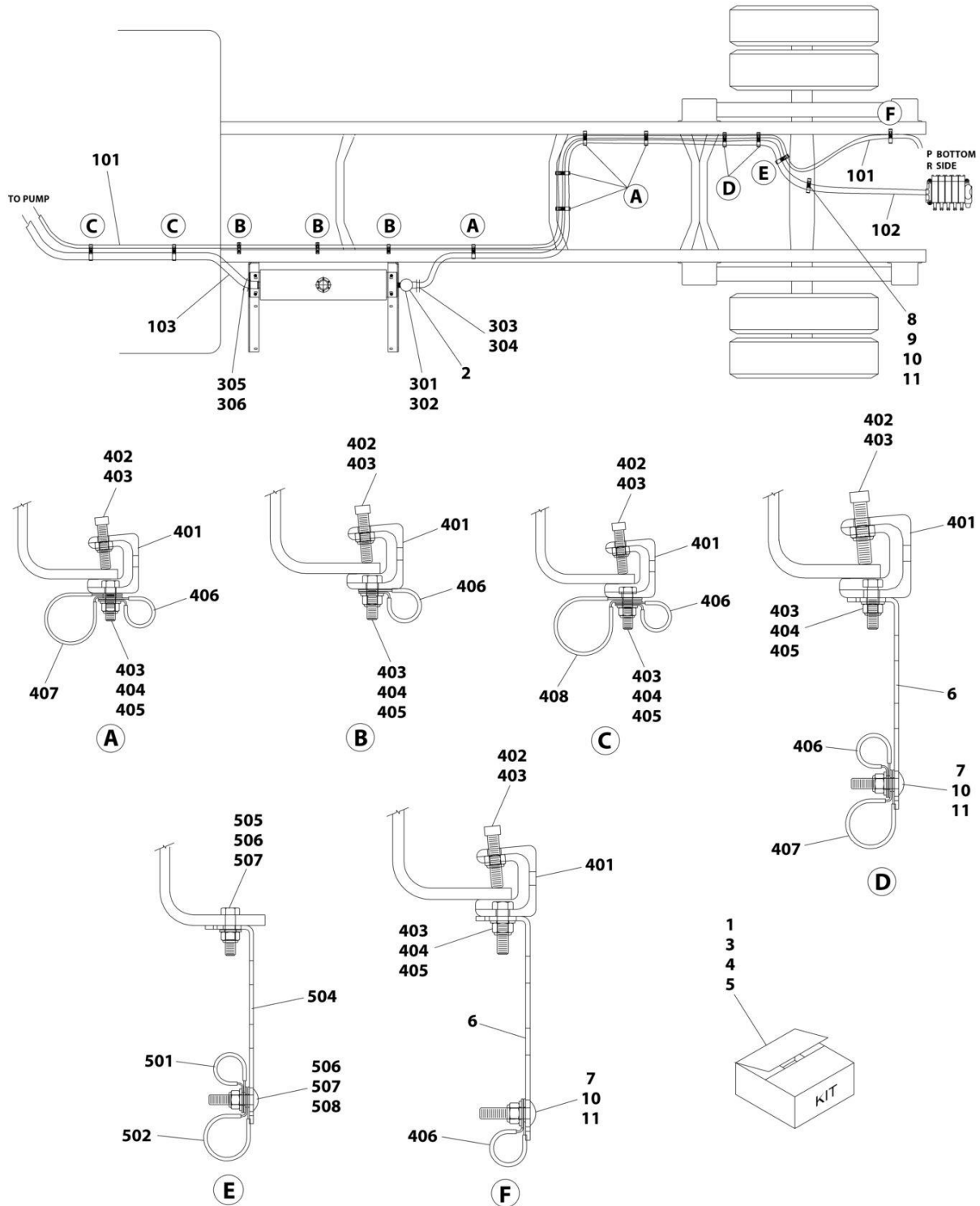
SECTION 5 - HYDRAULIC

FIGURE 5-4. HOSE INSTALLATION - 168IN CA (GENERIC)

ITEM	PART NUMBER	QTY	DESCRIPTION	REV
	2570000100	Ref	SPR HOSE INSTALLATION - 168IN CA	D
1	4567130264	1	Hose	
2	4570000159	1	Hose	
3	4570000046	1	Hose	
4	7430000003	1	Filter, Oil	
4	7431000001	1	Element, Replacement Oil Filter	
24	1001132801	1	Clamp, Hose Kit (Includes Items 301-306)	
25	1001132794	12	Clamp, Hose Kit (Includes Items 401-408)	
26	1001132800	10	Clamp, Hose Kit (Includes Items 501-508)	
301	7470000002	1	Gauge, Oil Filter Head	
302	7443000158	1	Fitting, 90	
303	7443000319	1	Fitting, 90	
304	7274000080	2	Clamp	
305	7443000013	1	Nipple	
306	7274000002	2	Clamp	
401	7274000076	1	Clamp	
402	7785152420	1	Screw 5/16 x 1-1/2	
403	7660152601	2	Nut 5/16	
404	7115151050	1	Capscrew 5/16 x 1-1/4	
405	7950150161	1	Washer 5/16	
406	7274000040	1	Clamp	
407	7274000041	1	Clamp	
408	7274000042	1	Clamp	
501	7274000040	1	Clamp	
502	7274000041	1	Clamp	
503	7274000042	1	Clamp (Not Shown)	
504	4706003844	1	Plate	
505	7115151050	1	Capscrew 5/16 x 1-1/4	
506	7950150161	3	Washer 5/16	
507	7660152601	2	Nut 5/16	
508	7115151064	1	Bolt 5/16 x 1-1/4	

SECTION 5 - HYDRAULIC

FIGURE 5-5. HOSE INSTALLATION - 168IN CA STD CAB (FORD)



ART_1001132742

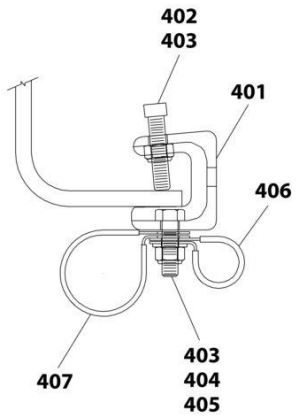
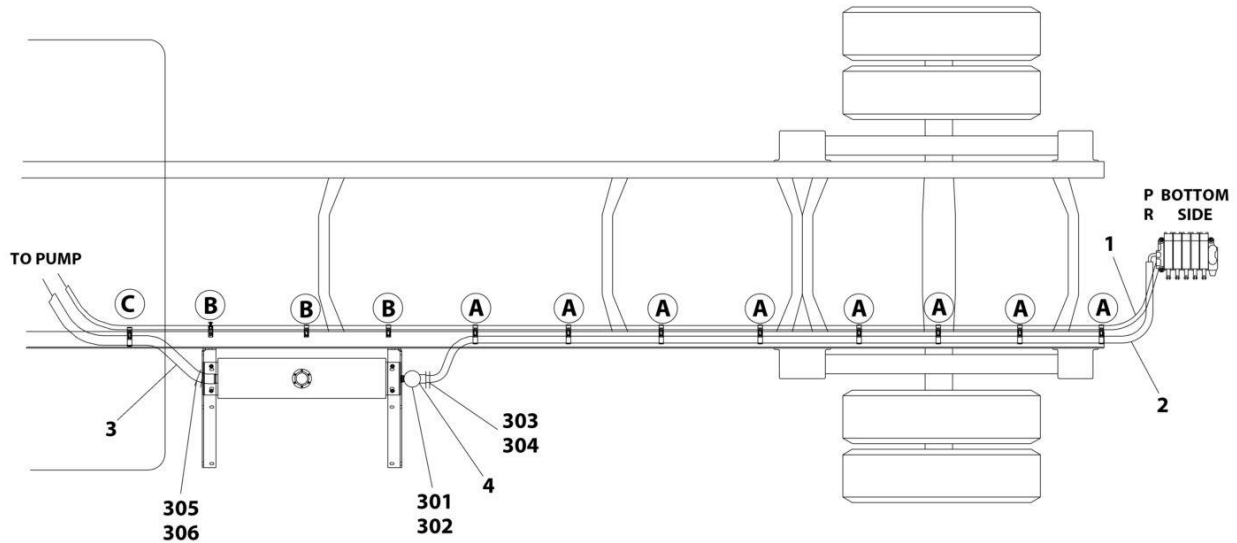
SECTION 5 - HYDRAULIC

FIGURE 5-5. HOSE INSTALLATION - 168IN CA STD CAB (FORD)

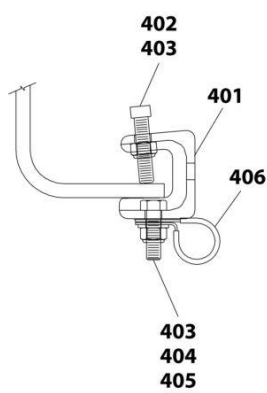
ITEM	PART NUMBER	QTY	DESCRIPTION	REV
	1001132742	Ref	HOSE INSTALLATION - 168IN CA (STD CAB FORD)	0
1	1001132711	1	Hose Kit (Include Items 101-103)	
2	7430000003	1	Filter, Oil	
3	1001132801	1	Clamp, Hose Kit (Includes Items 301-306)	
4	1001132794	14	Clamp, Hose Kit (Includes Items 401-408)	
4	7431000001	1	Element, Replacement Oil Filter	
5	1001132800	1	Clamp, Hose Kit (Includes Items 501-508)	
6	4706003844	3	Plate	
7	7115151064	3	Bolt 5/16 x 1-1/4	
8	7274000041	1	Clamp	
9	7115151050	1	Capscrew 5/16 x 1-1/4	
10	7950150161	4	Washer 5/16	
11	7660152601	4	Nut 5/16	
101	4567130300	1	Hose	
102	1001132683	1	Hose	
103	4570000044	1	Hose	
301	7470000002	1	Gauge, Oil Filter Head	
302	7443000158	1	Fitting, 90	
303	7443000319	1	Fitting, 90	
304	7274000080	2	Clamp	
305	7443000013	1	Nipple	
306	7274000002	2	Clamp	
401	7274000076	1	Clamp	
402	7785152420	1	Screw 5/16 x 1-1/2	
403	7660152601	2	Nut 5/16	
404	7115151050	1	Capscrew 5/16 x 1-1/4	
405	7950150161	1	Washer 5/16	
406	7274000040	1	Clamp	
407	7274000041	1	Clamp	
408	7274000042	1	Clamp	
501	7274000040	1	Clamp	
502	7274000041	1	Clamp	
503	7274000042	1	Clamp (Not Shown)	
504	4706003844	1	Plate	
505	7115151050	1	Capscrew 5/16 x 1-1/4	
506	7950150161	3	Washer 5/16	
507	7660152601	2	Nut 5/16	
508	7115151064	1	Bolt 5/16 x 1-1/4	

SECTION 5 - HYDRAULIC

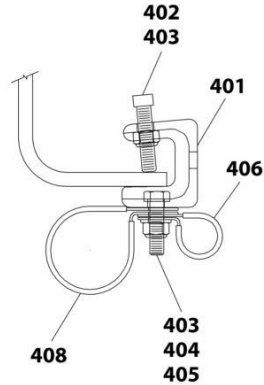
FIGURE 5-6. HOSE INSTALLATION - 192IN CA (GENERIC)



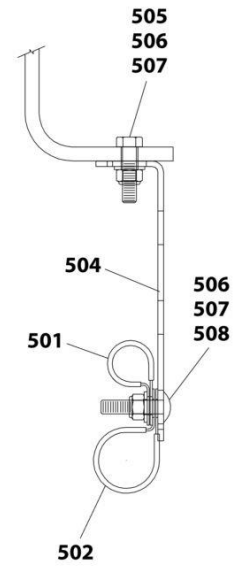
A



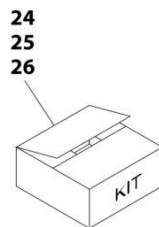
B



C



D



ART_2570000101

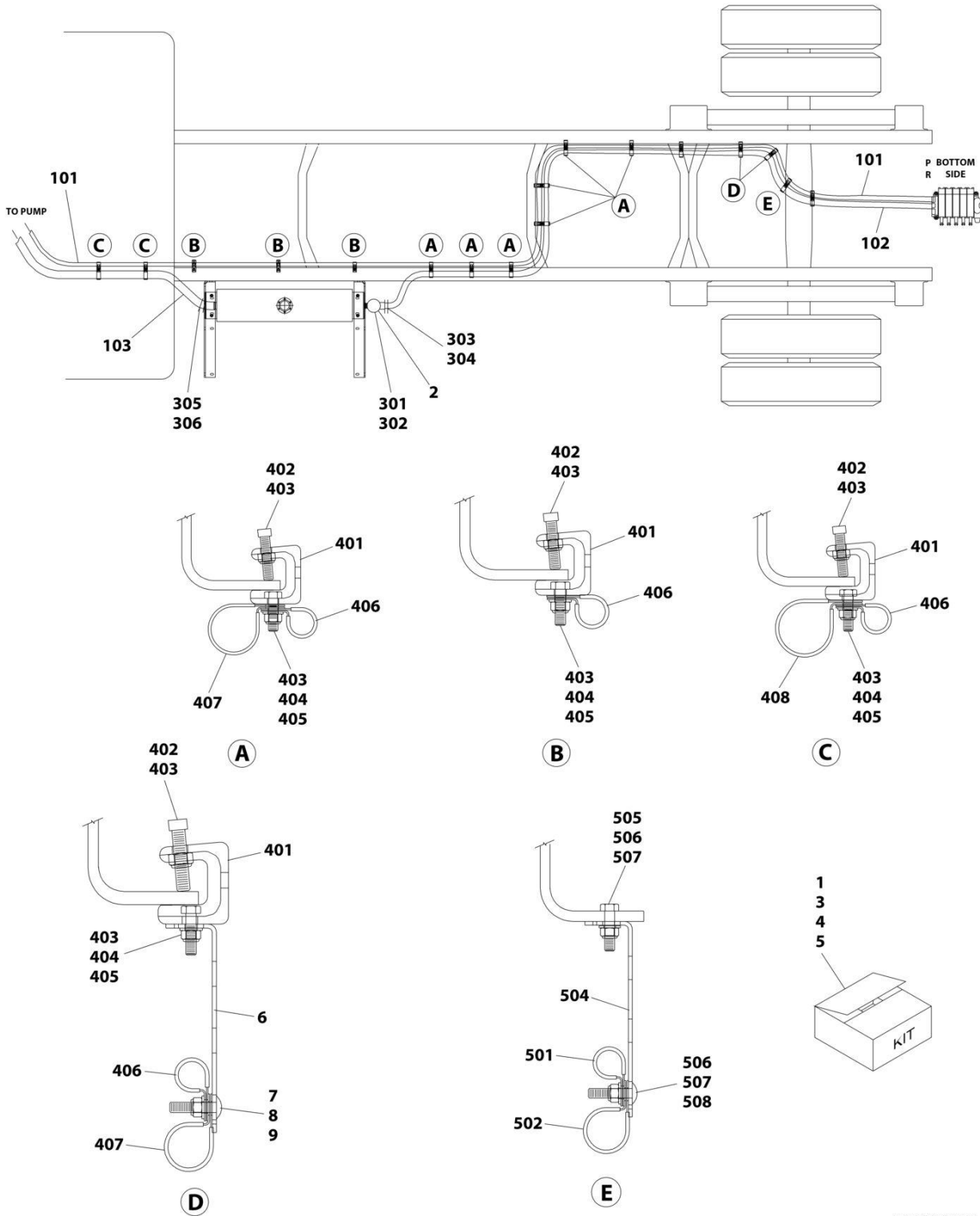
SECTION 5 - HYDRAULIC

FIGURE 5-6. HOSE INSTALLATION - 192IN CA (GENERIC)

ITEM	PART NUMBER	QTY	DESCRIPTION	REV
	2570000101	Ref	HOSE INSTALLATION - 192IN CA - GENERIC	D
1	4567130290	1	Hose	
2	4570000160	1	Hose	
3	4570000046	1	Hose	
4	7430000003	1	Filter, Oil	
4	7431000001	1	Element, Replacement Oil Filter	
24	1001132801	1	Clamp, Hose Kit (Includes Items 301-306)	
25	1001132794	14	Clamp, Hose Kit (Includes Items 401-408)	
26	1001132800	10	Clamp, Hose Kit (Includes Items 501-508)	
301	7470000002	1	Gauge, Oil Filter Head	
302	7443000158	1	Fitting, 90	
303	7443000319	1	Fitting, 90	
304	7274000080	2	Clamp	
305	7443000013	1	Nipple	
306	7274000002	2	Clamp	
401	7274000076	1	Clamp	
402	7785152420	1	Screw 5/16 x 1-1/2	
403	7660152601	2	Nut 5/16	
404	7115151050	1	Capscrew 5/16 x 1-1/4	
405	7950150161	1	Washer 5/16	
406	7274000040	1	Clamp	
407	7274000041	1	Clamp	
408	7274000042	1	Clamp	
501	7274000040	1	Clamp	
502	7274000041	1	Clamp	
503	7274000042	1	Clamp (Not Shown)	
504	4706003844	1	Plate	
505	7115151050	1	Capscrew 5/16 x 1-1/4	
506	7950150161	3	Washer 5/16	
507	7660152601	2	Nut 5/16	
508	7115151064	1	Bolt 5/16 x 1-1/4	

SECTION 5 - HYDRAULIC

FIGURE 5-7. HOSE INSTALLATION - 196IN CT STD CAB (INTERNATIONAL)



ART_1001132745

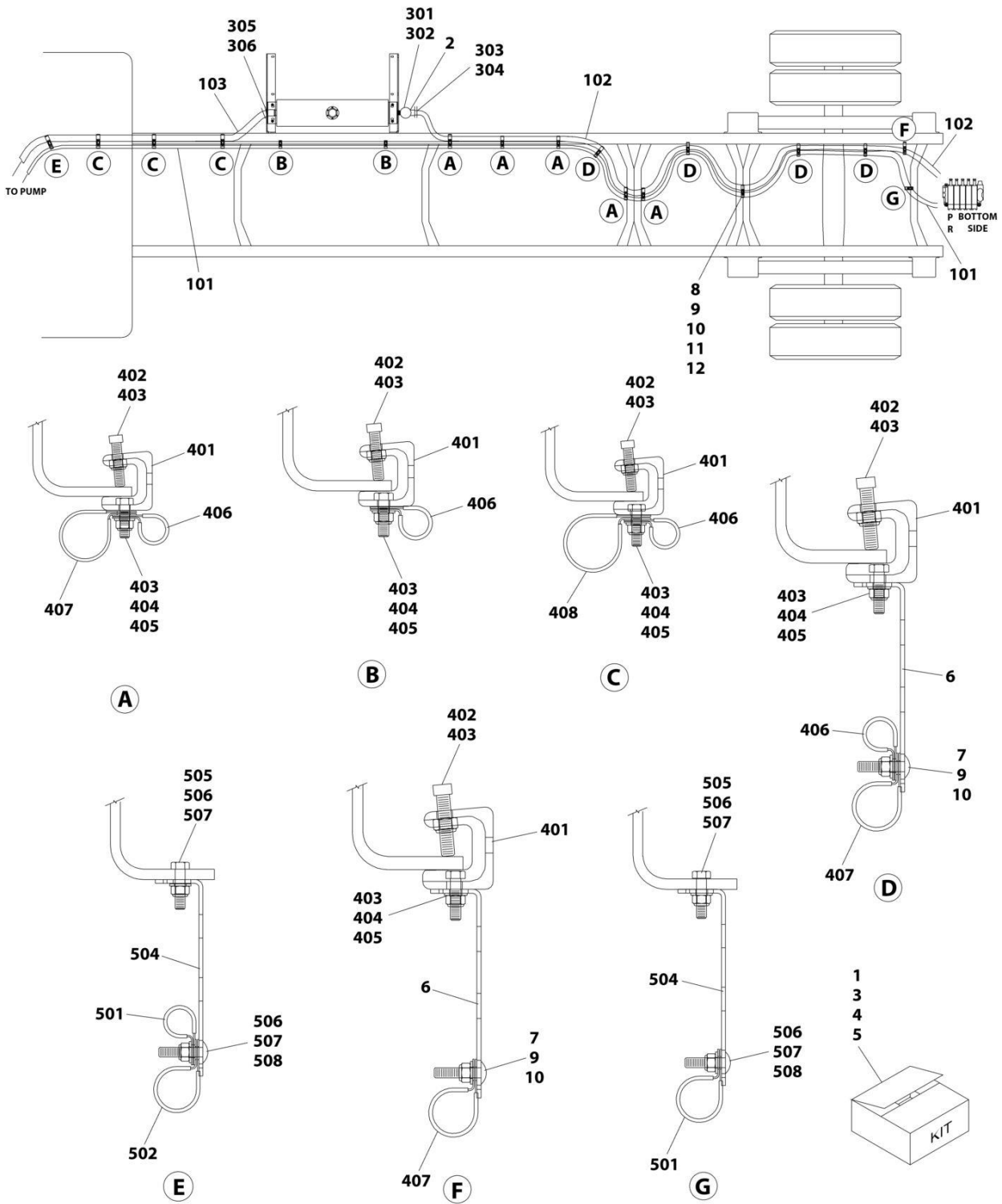
SECTION 5 - HYDRAULIC

FIGURE 5-7. HOSE INSTALLATION - 196IN CT STD CAB (INTERNATIONAL)

ITEM	PART NUMBER	QTY	DESCRIPTION	REV
	1001132745	Ref	HOSE & CLAMP INSTALLATION - 196IN CT STD CAB (INTERNATIONAL)	0
1	1001132714	1	Hose Kit (includes items 101-103)	
2	7430000003	1	Filter, Oil	
2	7431000001	1	Element, Replacement Oil Filter	
3	1001132801	1	Clamp, Hose (includes items 301-306)	
4	1001132794	15	Clamp, Hose (includes items 401-408)	
5	1001132800	4	Clamp, Hose (includes items 501-508)	
6	4706003844	4	Plate	
7	7115151064	4	Bolt 5/16 x 1-1/4	
8	7950150161	4	Washer 5/16	
9	7660152601	4	Nut 5/16	
101	4567130330	1	Hose	
102	1001132688	1	Hose	
103	1001132595	1	Hose	
301	7470000002	1	Gauge, Oil Filter Head	
302	7443000158	1	Fitting, 90	
303	7443000319	1	Fitting, 90	
304	7274000080	2	Clamp	
305	7443000013	1	Nipple	
306	7274000002	2	Clamp	
401	7274000076	1	Clamp	
402	7785152420	1	Screw 5/16 x 1-1/2	
403	7660152601	2	Nut 5/16	
404	7115151050	1	Capscrew 5/16 x 1-1/4	
405	7950150161	1	Washer 5/16	
406	7274000040	1	Clamp	
407	7274000041	1	Clamp	
408	7274000042	1	Clamp	
501	7274000040	1	Clamp	
502	7274000041	1	Clamp	
503	7274000042	1	Clamp (Not Shown)	
504	4706003844	1	Plate	
505	7115151050	1	Capscrew 5/16 x 1-1/4	
506	7950150161	3	Washer 5/16	
507	7660152601	2	Nut 5/16	
508	7115151064	1	Bolt 5/16 x 1-1/4	

SECTION 5 - HYDRAULIC

FIGURE 5-8. HOSE INSTALLATION - 196IN CT STD CAB (FREIGHTLINER)



ART_1001132751

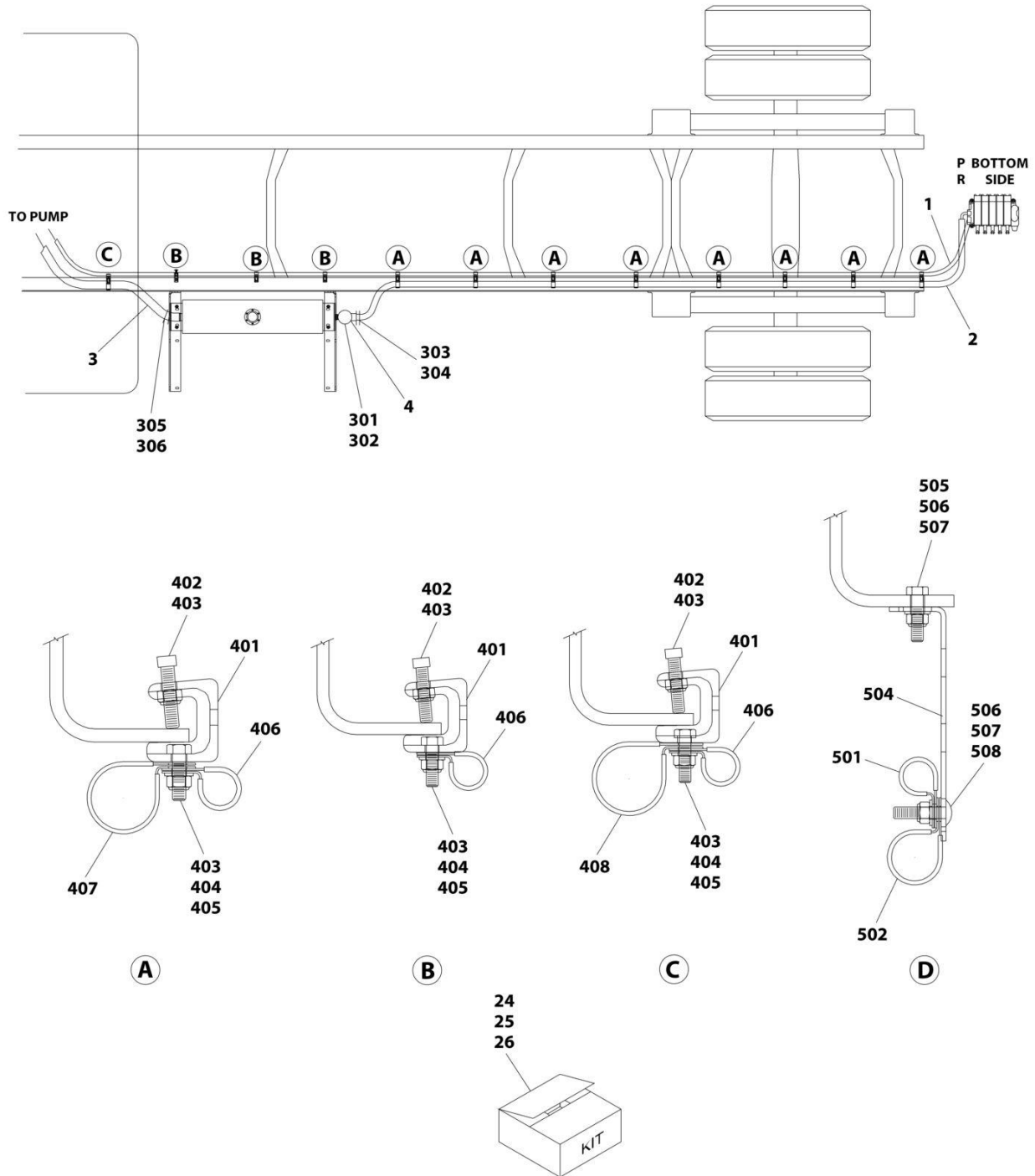
SECTION 5 - HYDRAULIC

FIGURE 5-8. HOSE INSTALLATION - 196IN CT STD CAB (FREIGHTLINER)

ITEM	PART NUMBER	QTY	DESCRIPTION	REV
	1001132751	Ref	HOSE & CLAMP INSTALLATION - 196IN CT STD CAB (FREIGHTLINER)	0
1	1001132721	1	Hose Kit (Includes Item 101-103)	
2	7430000003	1	Filter, Oil	
2	7431000001	1	Element, Replacement Oil Filter	
3	1001132801	1	Clamp, Hose (Includes item 301-306)	
4	1001132794	15	Clamp, Hose (Includes item 401-408)	
5	1001132800	2	Clamp, Hose (Includes Item 501-508)	
6	4706003844	5	Plate	
7	7115151064	5	Bolt 5/16 x 1-1/4	
8	7115151050	1	Capscrew 5/16 x 1-1/4	
9	7950150161	6	Washer 5/16	
10	7660152601	6	Nut 5/16	
11	7274000040	1	Clamp, Hose	
12	7274000041	1	Clamp, Hose	
101	4567130330	1	Hose	
102	1001132688	1	Hose	
103	1001132595	1	Hose	
301	7470000002	1	Gauge, Oil Filter Head	
302	7443000158	1	Fitting, 90	
303	7443000319	1	Fitting, 90	
304	7274000080	2	Clamp	
305	7443000013	1	Nipple	
306	7274000002	2	Clamp	
401	7274000076	1	Clamp	
402	7785152420	1	Screw 5/16 x 1-1/2	
403	7660152601	2	Nut 5/16	
404	7115151050	1	Capscrew 5/16 x 1-1/4	
405	7950150161	1	Washer 5/16	
406	7274000040	1	Clamp	
407	7274000041	1	Clamp	
408	7274000042	1	Clamp	
501	7274000040	1	Clamp	
502	7274000041	1	Clamp	
503	7274000042	1	Clamp (Not Shown)	
504	4706003844	1	Plate	
505	7115151050	1	Capscrew 5/16 x 1-1/4	
506	7950150161	3	Washer 5/16	
507	7660152601	2	Nut 5/16	
508	7115151064	1	Bolt 5/16 x 1-1/4	

SECTION 5 - HYDRAULIC

FIGURE 5-9. HOSE INSTALLATION - 218IN CA (GENERIC)



ART_2570000102

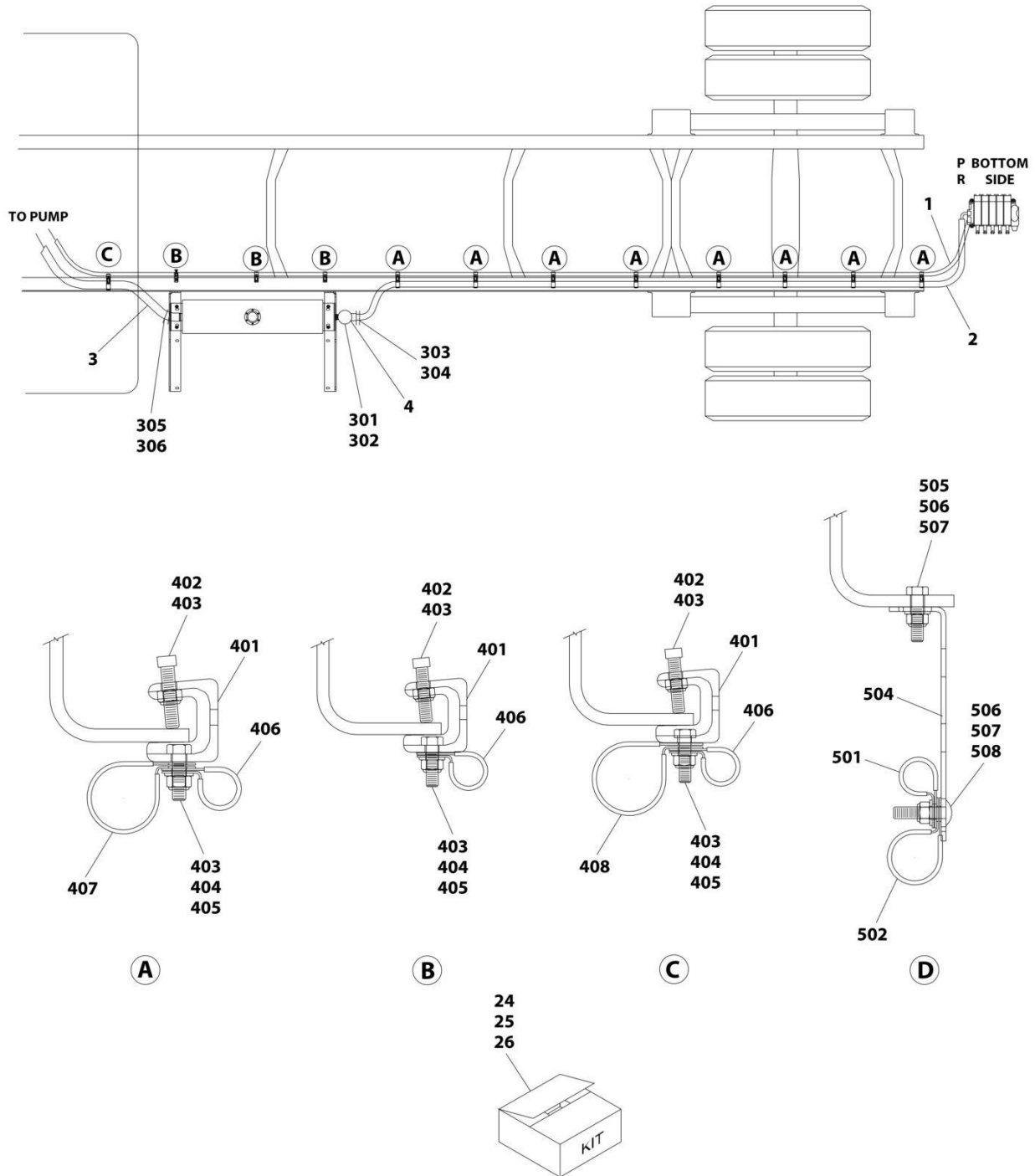
SECTION 5 - HYDRAULIC

FIGURE 5-9. HOSE INSTALLATION - 218IN CA (GENERIC)

ITEM	PART NUMBER	QTY	DESCRIPTION	REV
	2570000102	Ref	HOSE INSTALLATION - 218IN CA - GENERIC	D
1	4567130316	1	Hose	
2	4570000161	1	Hose	
3	4570000046	1	Hose	
4	7430000003	1	Filter, Oil	
4	7431000001	1	Element, Replacement Oil Filter	
24	1001132801	1	Clamp, Hose Kit (Includes Items 301-306)	
25	1001132794	15	Clamp, Hose Kit (Includes Items 401-408)	
26	1001132800	10	Clamp, Hose Kit (Includes Items 501-508)	
301	7470000002	1	Gauge, Oil Filter Head	
302	7443000158	1	Fitting, 90	
303	7443000319	1	Fitting, 90	
304	7274000080	2	Clamp	
305	7443000013	1	Nipple	
306	7274000002	2	Clamp	
401	7274000076	1	Clamp	
402	7785152420	1	Screw 5/16 x 1-1/2	
403	7660152601	2	Nut 5/16	
404	7115151050	1	Capscrew 5/16 x 1-1/4	
405	7950150161	1	Washer 5/16	
406	7274000040	1	Clamp	
407	7274000041	1	Clamp	
408	7274000042	1	Clamp	
501	7274000040	1	Clamp	
502	7274000041	1	Clamp	
503	7274000042	1	Clamp (Not Shown)	
504	4706003844	1	Plate	
505	7115151050	1	Capscrew 5/16 x 1-1/4	
506	7950150161	3	Washer 5/16	
507	7660152601	2	Nut 5/16	
508	7115151064	1	Bolt 5/16 x 1-1/4	

SECTION 5 - HYDRAULIC

FIGURE 5-10. HOSE INSTALLATION - 242IN CA (GENERIC)



ART_2570000103

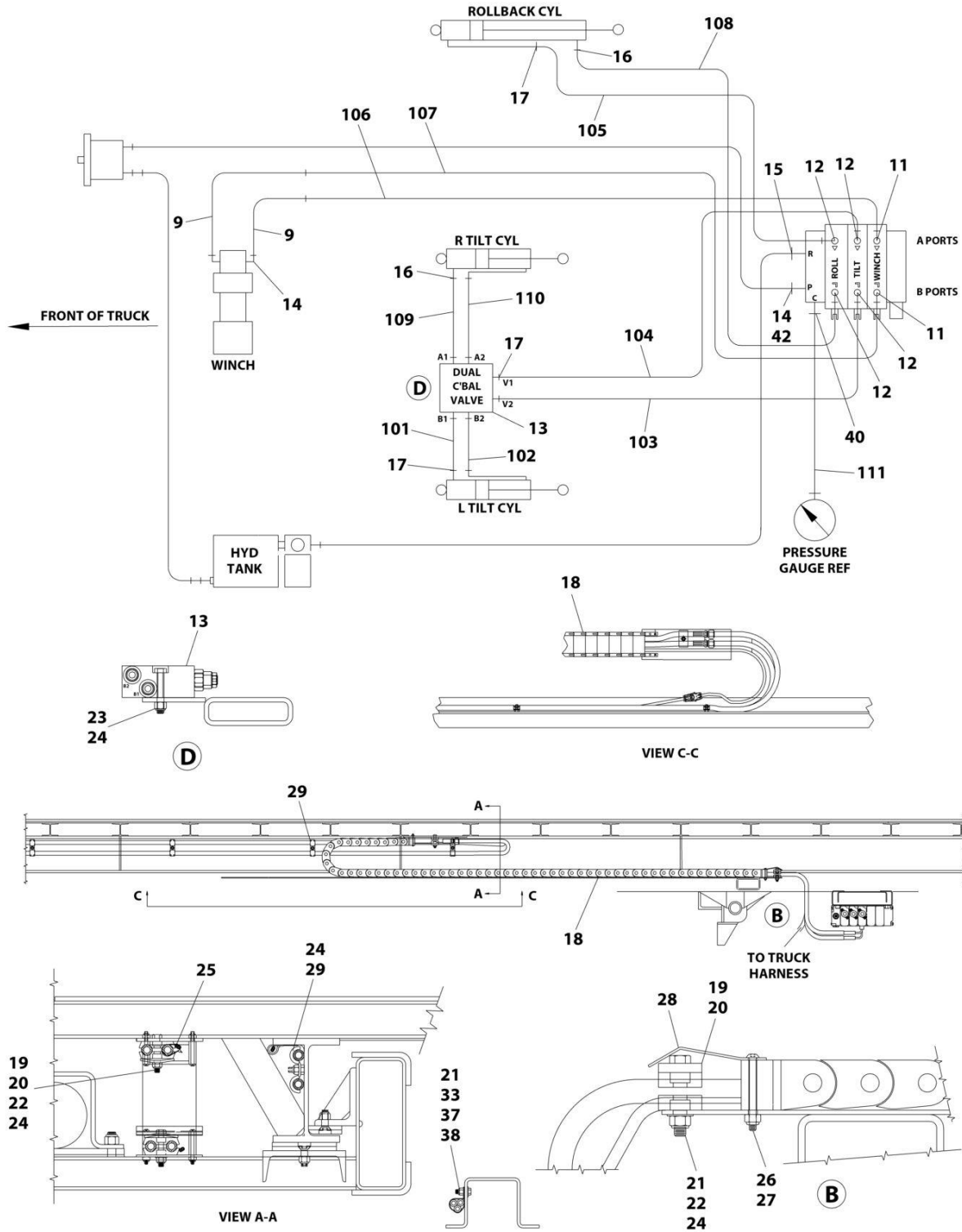
SECTION 5 - HYDRAULIC

FIGURE 5-10. HOSE INSTALLATION - 242IN CA (GENERIC)

ITEM	PART NUMBER	QTY	DESCRIPTION	REV
	2570000103	Ref	HOSE & CLAMP INSTALLATION - 242IN CA - GENERIC	D
1	4567130340	1	Hose	
2	4570000182	1	Hose	
3	4570000046	1	Hose	
4	7430000003	1	Filter, Oil	
4	7431000001	1	Element, Replacement Oil Filter	
24	1001132801	1	Clamp, Hose Kit (includes items 301-306)	
25	1001132794	15	Clamp, Hose Kit (includes items 401-408)	
26	1001132800	10	Clamp, Hose Kit (includes items 501-508)	
301	7470000002	1	Gauge, Oil Filter Head	
302	7443000158	1	Fitting, 90	
303	7443000319	1	Fitting, 90	
304	7274000080	2	Clamp	
305	7443000013	1	Nipple	
306	7274000002	2	Clamp	
401	7274000076	1	Clamp	
402	7785152420	1	Screw 5/16 x 1-1/2	
403	7660152601	2	Nut 5/16	
404	7115151050	1	Capscrew 5/16 x 1-1/4	
405	7950150161	1	Washer 5/16	
406	7274000040	1	Clamp	
407	7274000041	1	Clamp	
408	7274000042	1	Clamp	
501	7274000040	1	Clamp	
502	7274000041	1	Clamp	
503	7274000042	1	Clamp (Not Shown)	
504	4706003844	1	Plate	
505	7115151050	1	Capscrew 5/16 x 1-1/4	
506	7950150161	3	Washer 5/16	
507	7660152601	2	Nut 5/16	
508	7115151064	1	Bolt 5/16 x 1-1/4	

SECTION 5 - HYDRAULIC

FIGURE 5-11. HOSE INSTALLATION - HEAVY DUTY 24FT DECK



ART_2570000114

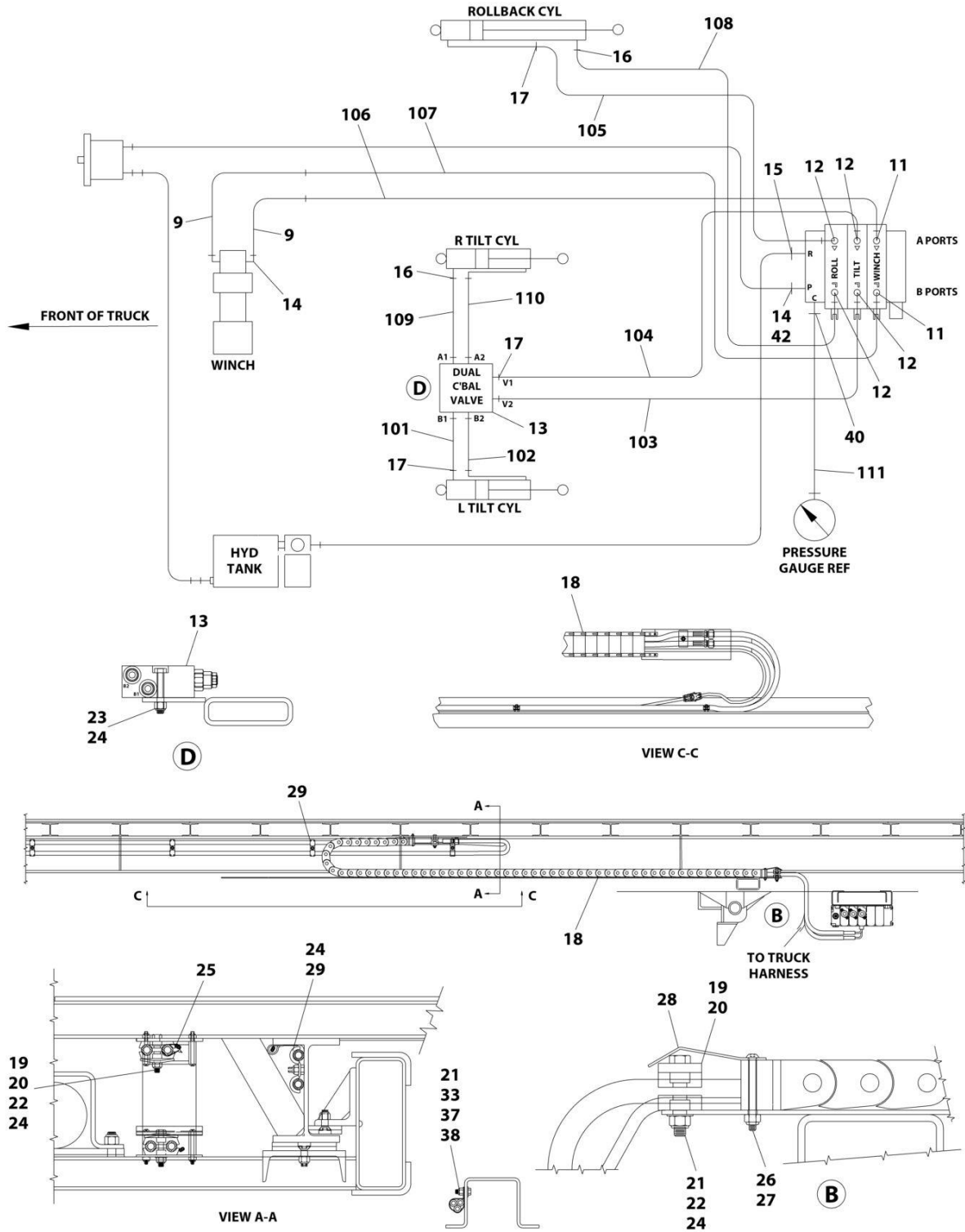
SECTION 5 - HYDRAULIC

FIGURE 5-11. HOSE INSTALLATION - HEAVY DUTY 24FT DECK

ITEM	PART NUMBER	QTY	DESCRIPTION	REV
	2570000114	Ref	HOSE INSTALLATION - HEAVY DUTY 24FT DECK	N
9	4567430153	2	Hose	
11	7445080843	2	Fitting, Straight	
12	7445060843	4	Fitting, Straight	
13	7935000306	1	Valve Assembly	
14	7445081045	3	Fitting, 90	
15	7443000446	1	Fitting, Straight	
16	7445060645	3	Fitting, 90	
17	7445060643	5	Fitting, Straight	
18	7904000001	1	Track, Cable	
19	7274000038	4	Clamp	
20	7274000039	2	Cover, Clamp	
21	7950150161	2	Washer 5/16	
22	7115151650	2	Bolt 5/16 x 2	
23	7115151850	2	Bolt 5/16 x 2-1/4	
24	7660152601	10	Nut 5/16	
25	7894000004	5	Tie-Strap	
26	7114101618	4	Capscrew #10 x 2	
27	7660102604	4	Nut #10	
28	4706003038	1	Plate	
29	7274000066	5	Clamp	
30	7274000011	3	Clamp (Not Shown)	
31	4090000001	3	Belt (Not Shown)	
32	7274000040	1	Clamp (Not Shown)	
33	7274000041	5	Clamp	
34	7274000042	1	Clamp (Not Shown)	
37	7115160950	1	Bolt 3/8 x 1-1/8	
38	7660162601	1	Nut 3/8	
40	7445040443	1	Fitting, Straight	
41	1001131084	1	Hose Kit (Not Shown) (Includes Items 101-111)	
42	7445080818	1	Nut #8	
43	1001158298	6	Tie-Strap (Not Shown)	
101	4570000199	1	Hose	
102	4570000201	1	Hose	
103	4567122144	1	Hose	
104	4567123144	1	Hose	
105	4567123047	1	Hose	
106	1001138711	1	Hose	
107	1001138710	1	Hose	
108	4567122040	1	Hose	
109	4570000200	1	Hose	
110	4570000202	1	Hose	
111	4567112042	1	Hose	

SECTION 5 - HYDRAULIC

FIGURE 5-12. HOSE INSTALLATION - HEAVY DUTY 26FT DECK



ART_2570000115

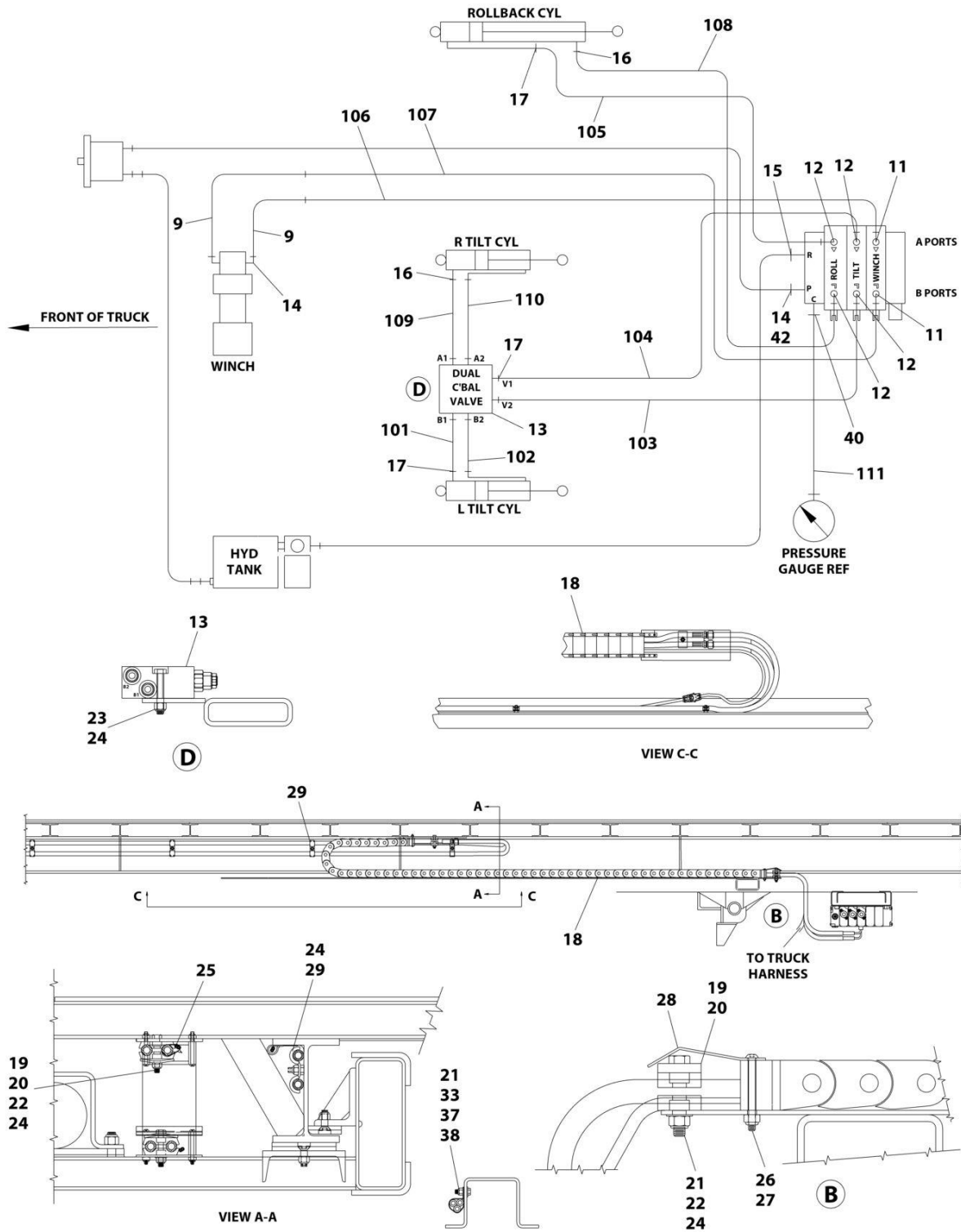
SECTION 5 - HYDRAULIC

FIGURE 5-12. HOSE INSTALLATION - HEAVY DUTY 26FT DECK

ITEM	PART NUMBER	QTY	DESCRIPTION	REV
	2570000115	Ref	HOSE INSTALLATION - HEAVY DUTY 26FT DECK	O
9	4567430177	2	Hose	
11	7445080843	2	Fitting, Straight	
12	7445060843	4	Fitting, Straight	
13	7935000306	1	Valve Assembly	
14	7445081045	3	Fitting, 90	
15	7443000446	1	Fitting, Straight	
16	7445060645	3	Fitting, 90	
17	7445060643	5	Fitting, Straight	
18	7904000001	1	Track, Cable	
19	7274000038	4	Clamp	
20	7274000039	2	Cover, Clamp	
21	7950150161	2	Washer 5/16	
22	7115151650	2	Bolt 5/16 x 2	
23	7115151850	2	Bolt 5/16 x 2-1/4	
24	7660152601	11	Nut 5/16	
25	7894000004	5	Tie-Strap	
26	7114101618	4	Capscrew #10 x 2	
27	7660102604	4	Nut #10	
28	4706003038	1	Plate	
29	7274000066	6	Clamp	
30	7274000011	4	Clamp (Not Shown)	
31	4090000001	4	Belt (Not Shown)	
32	7274000040	1	Clamp (Not Shown)	
33	7274000041	5	Clamp	
34	7274000042	1	Clamp (Not Shown)	
37	7115160950	1	Bolt 3/8 x 1-1/8	
38	7660162601	1	Nut 3/8	
40	7445040443	1	Fitting, Straight	
41	1001131084	1	Hose Kit (Not Shown) (Includes Items 101-111)	
42	7445080818	1	Nut #8	
43	1001158298	8	Tie-Strap (Not Shown)	
101	4570000199	1	Hose	
102	4570000201	1	Hose	
103	4567122144	1	Hose	
104	4567123144	1	Hose	
105	4567123047	1	Hose	
106	1001138711	1	Hose	
107	1001138710	1	Hose	
108	4567122040	1	Hose	
109	4570000200	1	Hose	
110	4570000202	1	Hose	
111	4567112042	1	Hose	

SECTION 5 - HYDRAULIC

FIGURE 5-13. HOSE INSTALLATION - HEAVY DUTY 28FT DECK



ART_2570000116

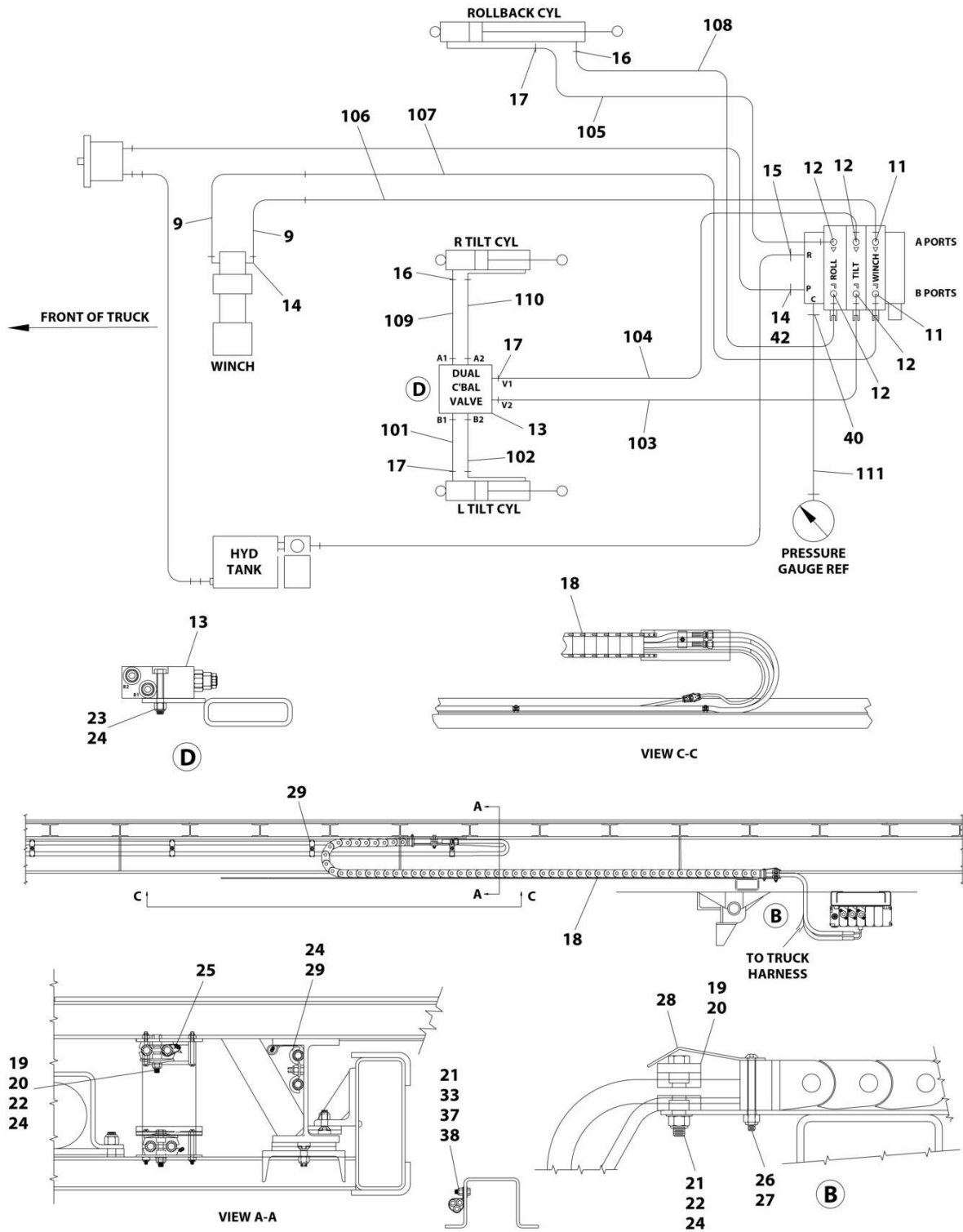
SECTION 5 - HYDRAULIC

FIGURE 5-13. HOSE INSTALLATION - HEAVY DUTY 28FT DECK

ITEM	PART NUMBER	QTY	DESCRIPTION	REV
	2570000116	Ref	HOSE INSTALLATION - HEAVY DUTY 28FT DECK	M
9	4567430193	2	Hose	
11	7445080843	2	Fitting, Straight	
12	7445060843	4	Fitting, Straight	
13	7935000306	1	Valve Assembly	
14	7445081045	3	Fitting, 90	
15	7443000446	1	Fitting, Straight	
16	7445060645	3	Fitting, 90	
17	7445060643	5	Fitting, Straight	
18	7904000003	1	Track, Cable	
19	7274000038	4	Clamp	
20	7274000039	2	Cover, Clamp	
21	7950150161	2	Washer 5/16	
22	7115151650	2	Bolt 5/16 x 2	
23	7115151850	2	Bolt 5/16 x 2-1/4	
24	7660152601	12	Nut 5/16	
25	7894000004	5	Tie-Strap	
26	7114101618	4	Capscrew #10 x 2	
27	7660102604	4	Nut #10	
28	4706003038	1	Plate	
29	7274000066	7	Clamp	
30	7274000011	4	Clamp (Not Shown)	
31	4090000001	4	Belt (Not Shown)	
32	7274000040	1	Clamp (Not Shown)	
33	7274000041	5	Clamp	
34	7274000042	1	Clamp (Not Shown)	
37	7115160950	1	Bolt 3/8 x 1-1/8	
38	7660162601	1	Nut 3/8	
40	7445040443	1	Fitting, Straight	
41	1001131085	1	Hose Kit (Not Shown) (Includes Items 101-111)	
42	7445080818	1	Nut #8	
43	1001158298	8	Tie-Strap (Not Shown)	
101	4570000199	1	Hose	
102	4570000202	1	Hose	
103	4567122186	1	Hose	
104	4567123186	1	Hose	
105	4567123056	1	Hose	
106	1001138711	1	Hose	
107	1001138710	1	Hose	
108	4567122040	1	Hose	
109	4570000200	1	Hose	
110	4570000203	1	Hose	
111	4567112042	1	Hose	

SECTION 5 - HYDRAULIC

FIGURE 5-14. HOSE INSTALLATION - HEAVY DUTY 30FT DECK



ART_2570000117

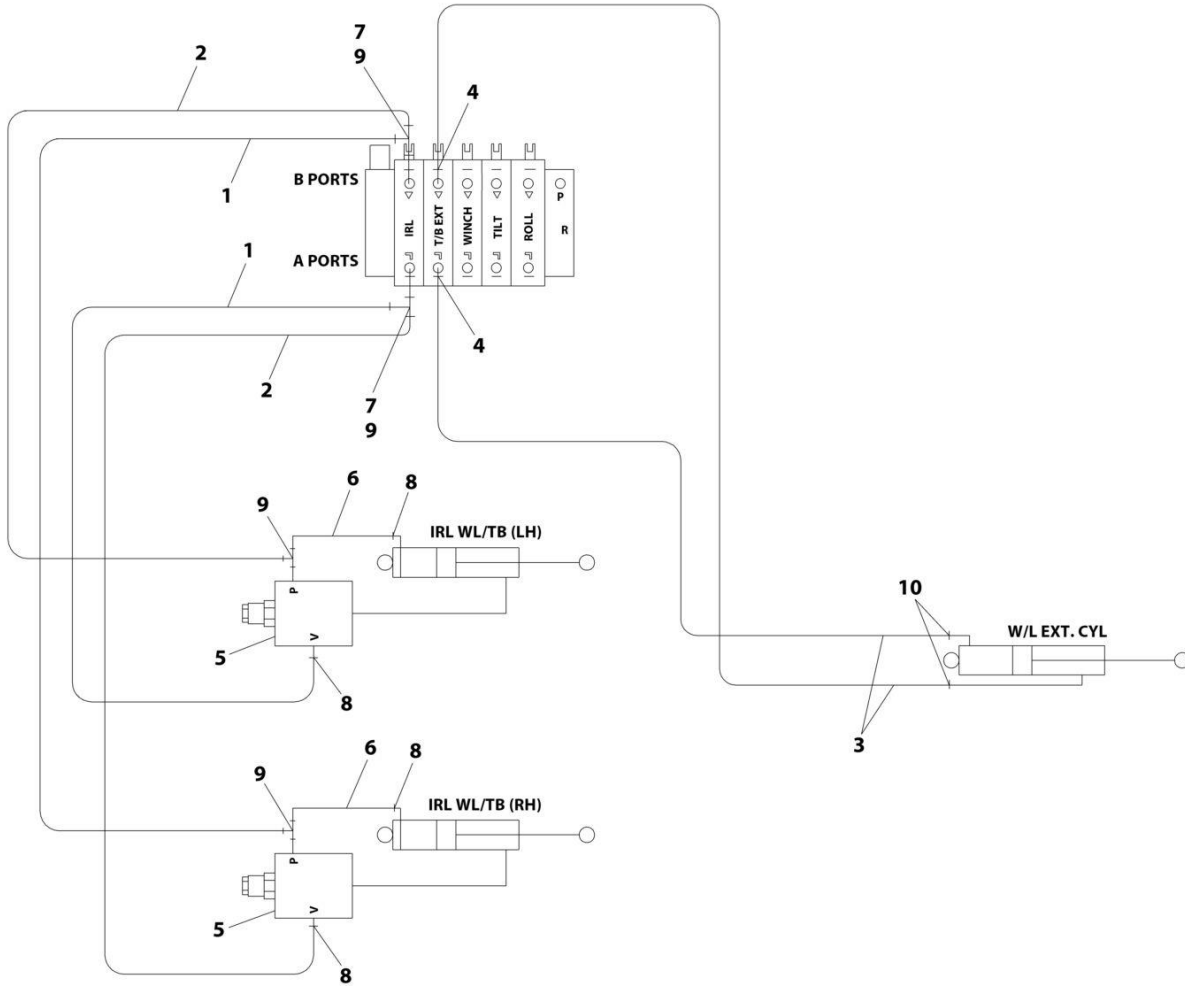
SECTION 5 - HYDRAULIC

FIGURE 5-14. HOSE INSTALLATION - HEAVY DUTY 30FT DECK

ITEM	PART NUMBER	QTY	DESCRIPTION	REV
	2570000117	Ref	HOSE INSTALLATION - HEAVY DUTY 30FT DECK	L
9	4567430217	2	Hose	
11	7445080843	2	Fitting, Straight	
12	7445060843	4	Fitting, Straight	
13	7935000306	1	Valve Assembly	
14	7445081045	3	Fitting, 90	
15	7443000446	1	Fitting, Straight	
16	7445060645	3	Fitting, 90	
17	7445060643	5	Fitting, Straight	
18	7904000003	1	Track, Cable	
19	7274000038	4	Clamp	
20	7274000039	2	Cover, Clamp	
21	7950150161	2	Washer 5/16	
22	7115151650	2	Bolt 5/16 x 2	
23	7115151850	2	Bolt 5/16 x 2-1/4	
24	7660152601	14	Nut 5/16	
25	7894000004	5	Tie-Strap	
26	7114101618	4	Capscrew #10 x 2	
27	7660102604	4	Nut #10	
28	4706003038	1	Plate	
29	7274000066	9	Clamp	
30	7274000011	4	Clamp (Not Shown)	
31	4090000001	4	Belt (Not Shown)	
32	7274000040	1	Clamp (Not Shown)	
33	7274000041	5	Clamp	
34	7274000042	1	Clamp (Not Shown)	
37	7115160950	1	Bolt 3/8 x 1-1/8	
38	7660162601	1	Nut 3/8	
40	7445040443	1	Fitting, Straight	
41	1001131085	1	Hose Kit (Not Shown) (Includes Items 101-111)	
42	7445080818	1	Nut #8	
43	1001158298	8	Tie-Strap (Not Shown)	
101	4570000199	1	Hose	
102	4570000202	1	Hose	
103	4567122186	1	Hose	
104	4567123186	1	Hose	
105	4567123056	1	Hose	
106	1001138711	1	Hose	
107	1001138710	1	Hose	
108	4567122040	1	Hose	
109	4570000200	1	Hose	
110	4570000203	1	Hose	
111	4567112042	1	Hose	

SECTION 5 - HYDRAULIC

FIGURE 5-15. HOSE INSTALLATION - REAR STABILIZER WITH WHEEL LIFT



ART_2570000083

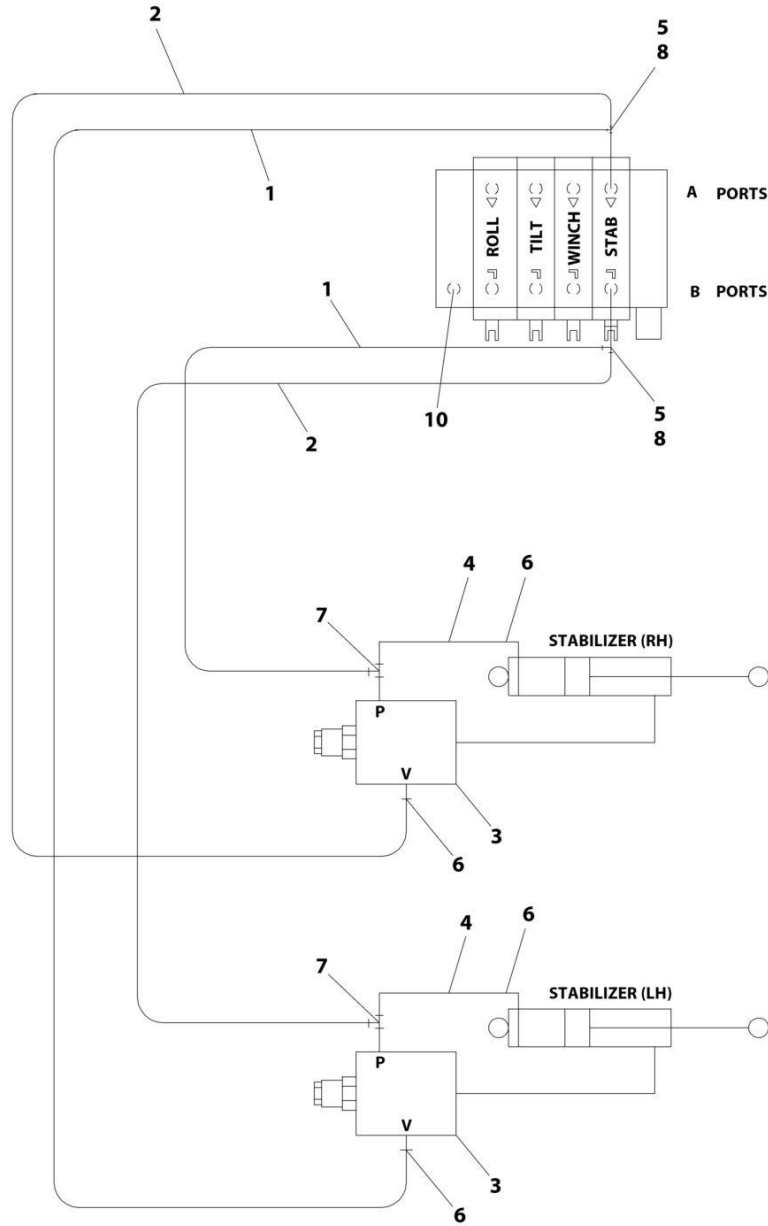
SECTION 5 - HYDRAULIC

FIGURE 5-15. HOSE INSTALLATION - REAR STABILIZER WITH WHEEL LIFT

ITEM	PART NUMBER	QTY	DESCRIPTION	REV
	2570000083	Ref	HOSE INSTALLATION - REAR STABILIZER WITH WHEEL LIFT (4000 LBS)	C
1	4567122050	2	Hose	
2	4567123051	2	Hose	
3	4567112042	2	Hose	
4	7445040843	2	Fitting, Straight	
5	7935000305	2	Valve Assembly	
5	900115	2	Valve, Counterbalance Cartridge (1 Per Assembly)	
5	960006	2	Seal Kit - 900115 Cartridge Valve (1 Per Cartridge)	
6	4567122016	2	Hose	
7	7443000129	2	Reducer	
8	7445060645	4	Fitting, 90	
9	7445060648	4	Fitting, Tee	
10	7445040445	2	Fitting, 90	

SECTION 5 - HYDRAULIC

FIGURE 5-16. HOSE INSTALLATION - STABILIZER (REAR DECK)



ART_2570000049

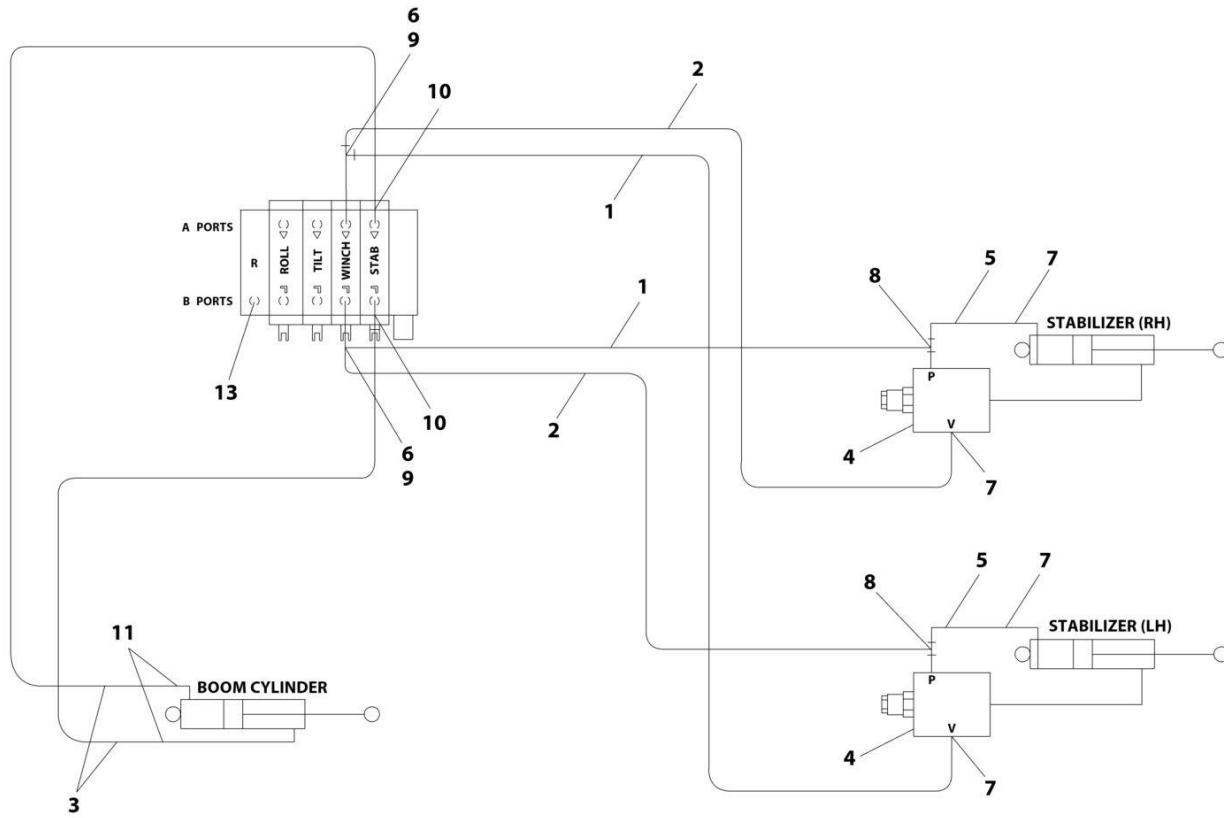
SECTION 5 - HYDRAULIC

FIGURE 5-16. HOSE INSTALLATION - STABILIZER (REAR DECK)

ITEM	PART NUMBER	QTY	DESCRIPTION	REV
	2570000049	Ref	Stabilizer Hydraulic Installation	E
1	4567122050	2	Hose	
2	4567123051	2	Hose	
3	7935000305	2	Valve Assembly - Counter Balance	
3	900115	2	Valve, Counter Balance Cartridge (1 Per Assembly)	
3	960006	2	Seal Kit - 900115 Cartridge Valve (1 Per Cartridge)	
4	4567122016	2	Hose	
5	7445060845	2	Fitting, 90	
6	7445060645	4	Fitting, 90	
7	7445060648	2	Fitting, Tee	
8	7443000030	2	Fitting, Tee	
10	7445081046	1	Fitting, 45	

SECTION 5 - HYDRAULIC

FIGURE 5-17. HOSE INSTALLATION - STABILIZER WITH HYDRAULIC EXTEND



ART_2570000032

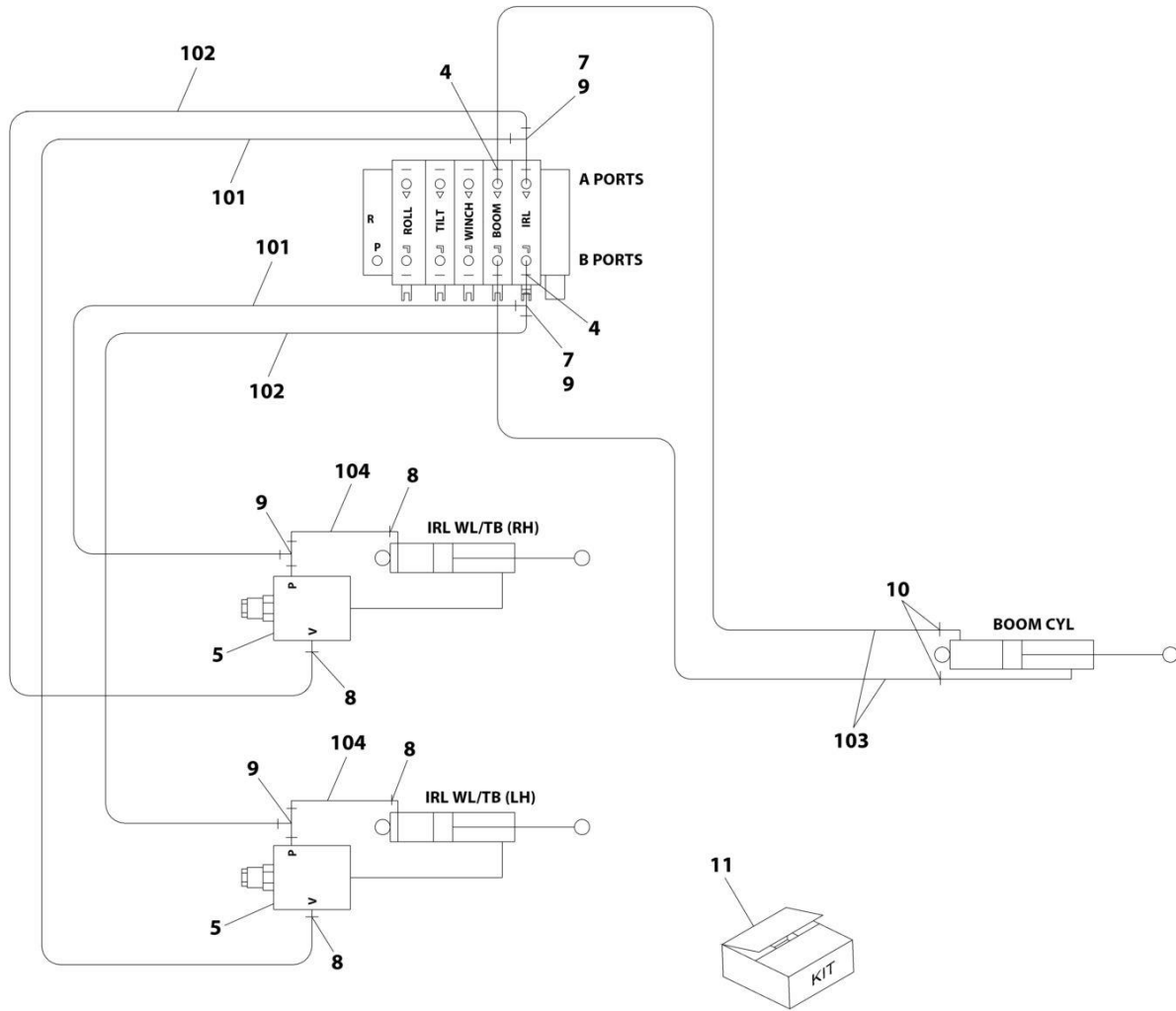
SECTION 5 - HYDRAULIC

FIGURE 5-17. HOSE INSTALLATION - STABILIZER WITH HYDRAULIC EXTEND

ITEM	PART NUMBER	QTY	DESCRIPTION	REV
	2570000032	Ref	Stabilizer with Hydraulic Extend Hydraulic Installation	E
1	4567122050	2	Hose	
2	4567123051	2	Hose	
3	4567123036	2	Hose	
4	7935000305	2	Valve Assembly	
4	900115	2	Valve, Counterbalance Cartridge(1 Per Assembly)	
4	960006	2	Seal Kit - 900115 Cartridge Valve (1 Per Cartridge)	
5	4567122016	2	Hose	
6	7445060845	2	Fitting, 90	
7	7445060645	4	Fitting, 90	
8	7445060648	2	Fitting, Tee	
9	7443000030	2	Fitting, Tee	
10	7445060843	2	Fitting, Straight	
11	7445060646	2	Fitting, 45	
13	7445081046	1	Fitting, 45	

SECTION 5 - HYDRAULIC

FIGURE 5-18. HOSE INSTALLATION - WHEEL LIFT (3000 LBS)



ART_2570000053

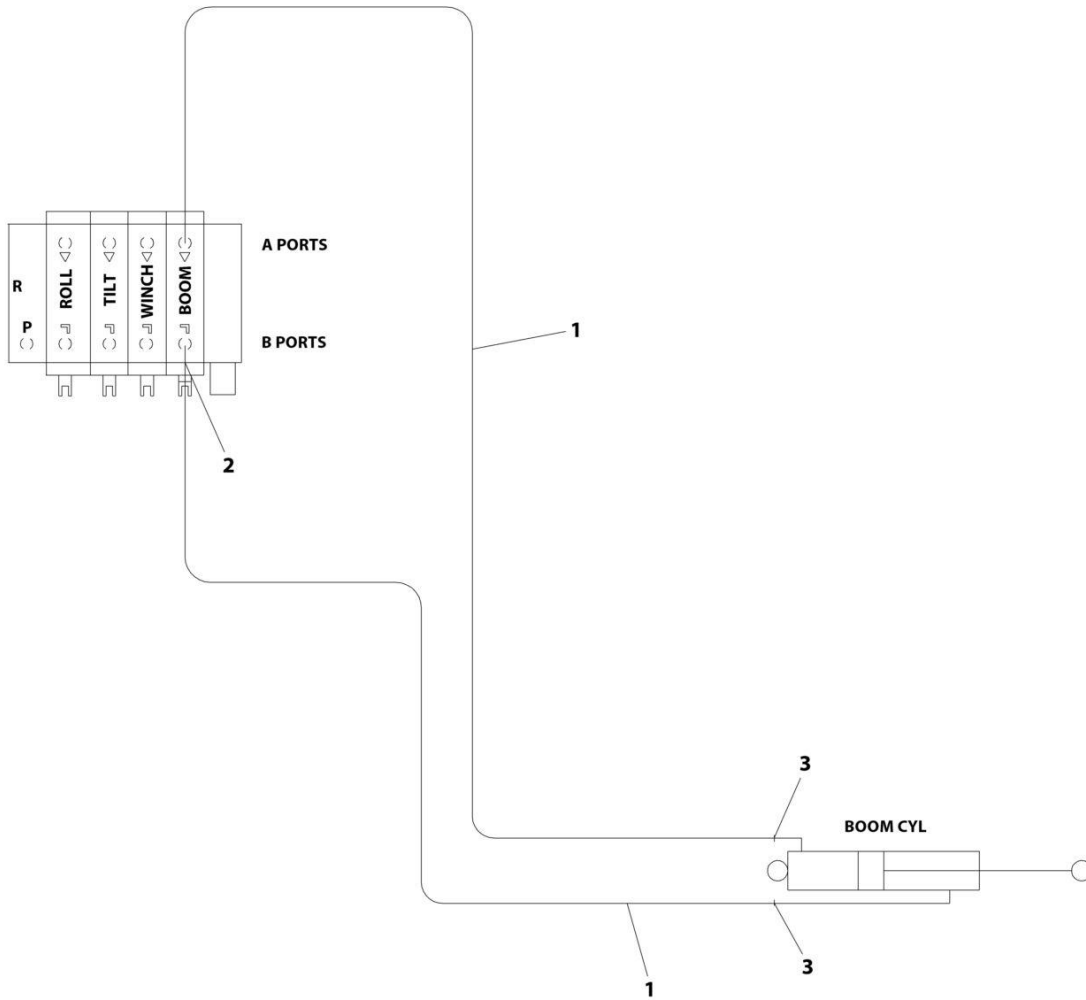
SECTION 5 - HYDRAULIC

FIGURE 5-18. HOSE INSTALLATION - WHEEL LIFT (3000 LBS)

ITEM	PART NUMBER	QTY	DESCRIPTION	REV
	2570000053	Ref	HOSE INSTALLATION - WHEEL LIFT (3000 LBS)	K
4	7445040843	2	Fitting, Straight	
5	7935000305	2	Valve Assembly	
5	900115	2	Valve, Counterbalance Cartridge (1 Per Assembly)	
5	960006	2	Seal Kit - 900115 Cartridge Valve (1 Per Cartridge)	
7	7443000129	2	Reducer	
8	7445060645	4	Fitting, 90	
9	7445060648	4	Fitting, Tee	
10	7445040446	2	Fitting, 45	
11	1001131080	1	Hose Kit (Includes Items 101-104)	
12	5526000553	12	Tie-Strap (Not Shown)	
101	4567122045	2	Hose	
102	4567123048	2	Hose	
103	4567110034	2	Hose	
104	4567122016	2	Hose	

SECTION 5 - HYDRAULIC

FIGURE 5-19. HOSE INSTALLATION - WHEEL LIFT (3500 LBS) (SN 0220005217 through 0220009663)



ART_2570000055

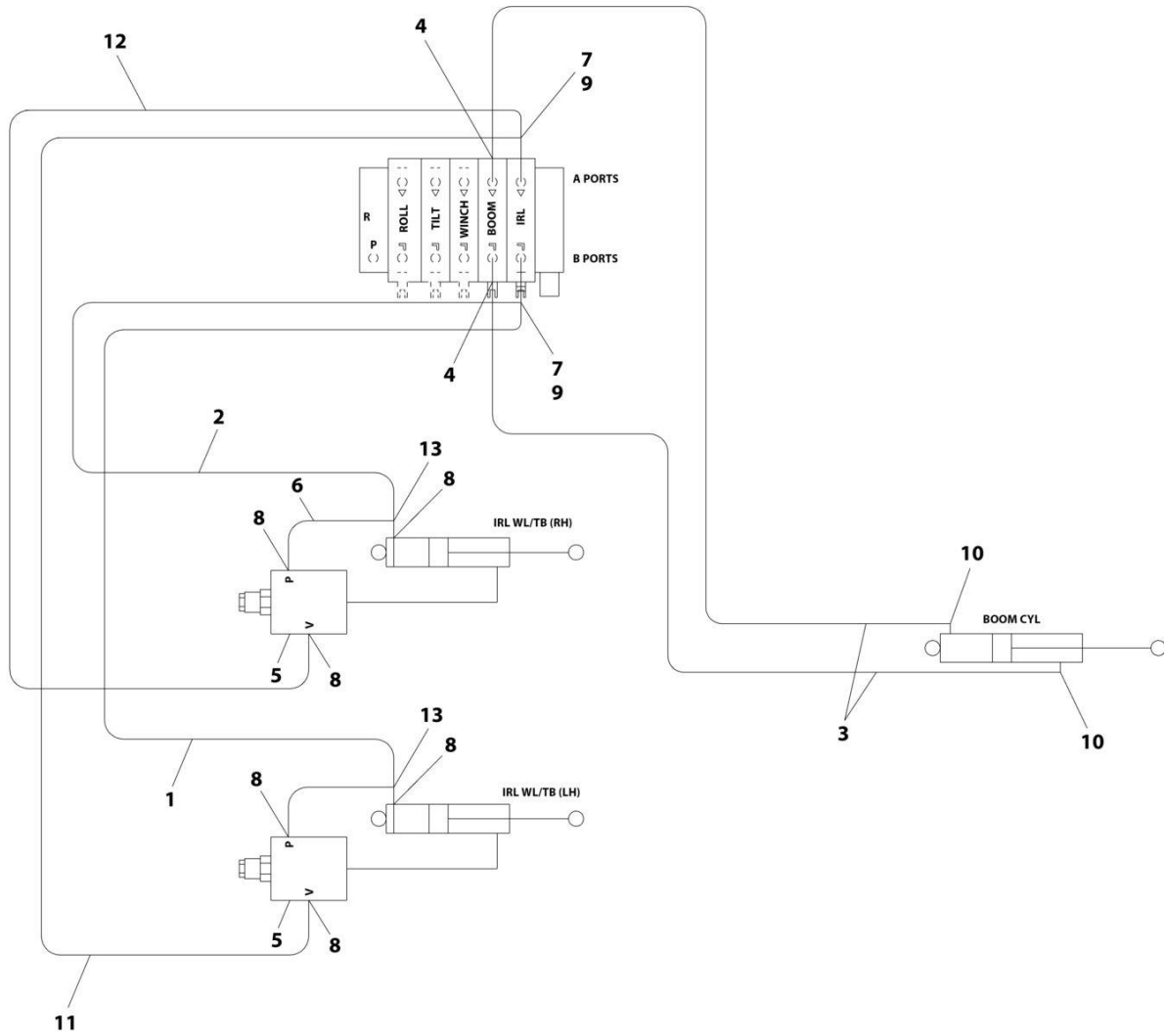
SECTION 5 - HYDRAULIC

FIGURE 5-19. HOSE INSTALLATION - WHEEL LIFT (3500 LBS) (SN 0220005217 through 0220009663)

ITEM	PART NUMBER	QTY	DESCRIPTION	REV
	2570000055	Ref	HITCH HYDRAULIC INSTALLATION	0
1	4567122042	2	Hose	
2	7445060843	2	Fitting, Straight	
3	7445060643	2	Fitting, Straight	

SECTION 5 - HYDRAULIC

FIGURE 5-20. HOSE INSTALLATION - WHEEL LIFT (4000 LBS)



ART_1001130062

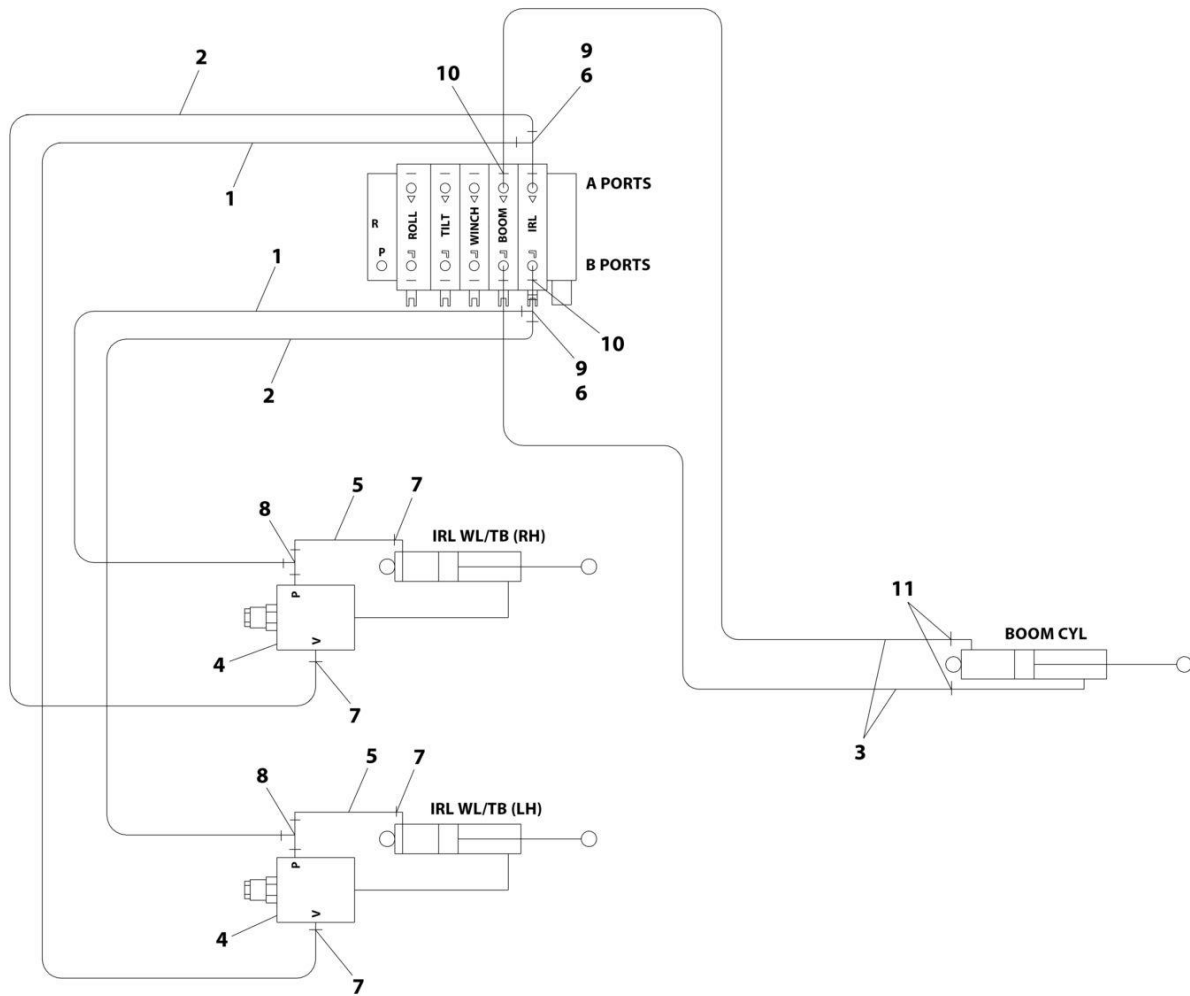
SECTION 5 - HYDRAULIC

FIGURE 5-20. HOSE INSTALLATION - WHEEL LIFT (4000 LBS)

ITEM	PART NUMBER	QTY	DESCRIPTION	REV
	1001130062	Ref	Wheel Lift Hydraulic Installation (IRL 4000LBS)	E
1	4567122038	1	Hose	
2	4567120042	1	Hose	
3	4567110034	2	Hose	
4	7445040843	2	Fitting, Straight	
5	7935000305	2	Valve Assembly	
5	900115	2	Valve, Counterbalance Cartridge (1 Per Assembly)	
5	960006	2	Seal Kit - 900115 Cartridge Valve (1 Per Cartridge)	
6	4567120010	2	Hose	
7	7443000129	2	Reducer	
8	7445060645	6	Fitting, 90	
9	7445060648	2	Fitting, Tee	
10	7445040446	2	Fitting, 45	
11	4567123048	1	Hose	
12	4567122043	1	Hose	
13	7443000030	2	Fitting, Tee	
14	5526000553	12	Tie-Strap (Not Shown)	

SECTION 5 - HYDRAULIC

FIGURE 5-21. HOSE INSTALLATION - WHEEL LIFT (5000 LBS) (SN 0220005217 through 0220009663)



ART_2570000058

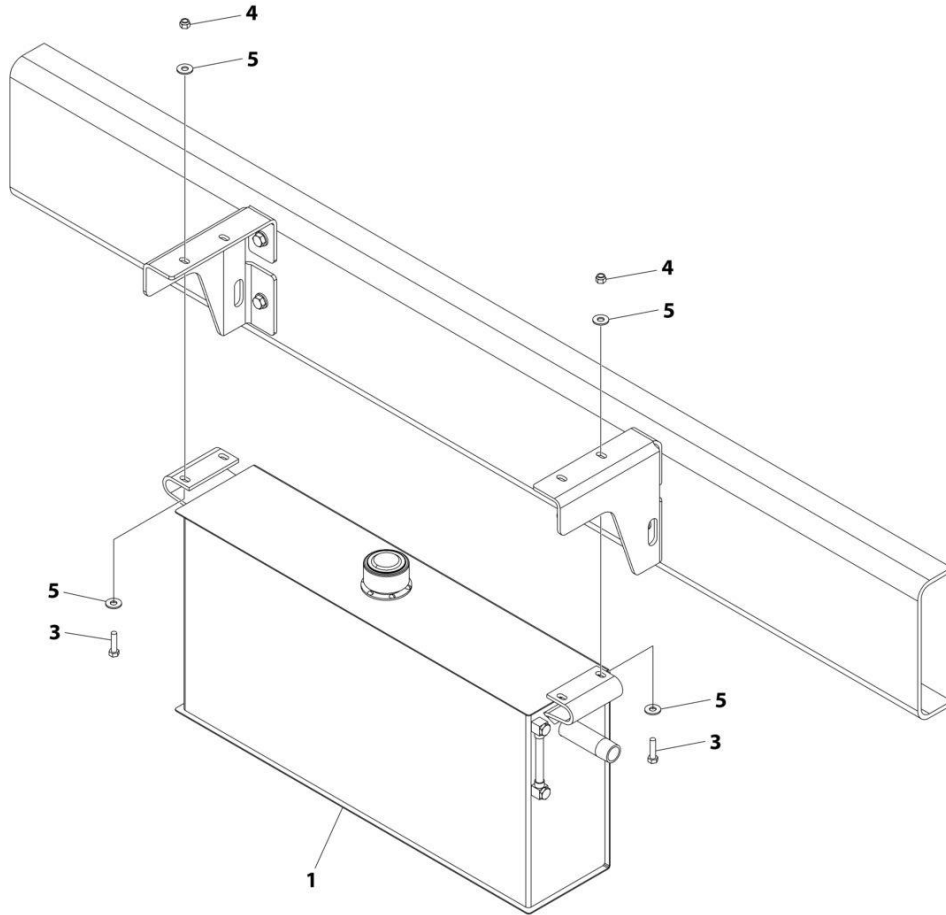
SECTION 5 - HYDRAULIC

FIGURE 5-21. HOSE INSTALLATION - WHEEL LIFT (5000 LBS) (SN 0220005217 through 0220009663)

ITEM	PART NUMBER	QTY	DESCRIPTION	REV
	2570000058	Ref	HOSE INSTALLATION - WHEEL LIFT (5000 LBS)	B
1	4567122046	2	Hose	
2	4567123050	2	Hose	
3	4567122042	2	Hose	
4	7935000305	2	Valve Assembly	
4	900115	2	Valve, Counterbalance Cartridge (1 Per Assembly)	
4	960006	2	Seal Kit - 900115 Cartridge Valve (1 Per Cartridge)	
5	4567122014	2	Hose	
6	7445060845	2	Fitting, 90	
7	7445060645	4	Fitting, 90	
8	7445060648	2	Fitting, Tee	
9	7443000030	2	Fitting, Tee	
10	7445060843	2	Fitting, Straight	
11	7445060643	2	Fitting, Straight	

SECTION 5 - HYDRAULIC

FIGURE 5-22. TANK - (HYDRAULIC) AND BRACKET MOUNTING INSTALLATION (STANDARD MOUNTING)



ART_275000008

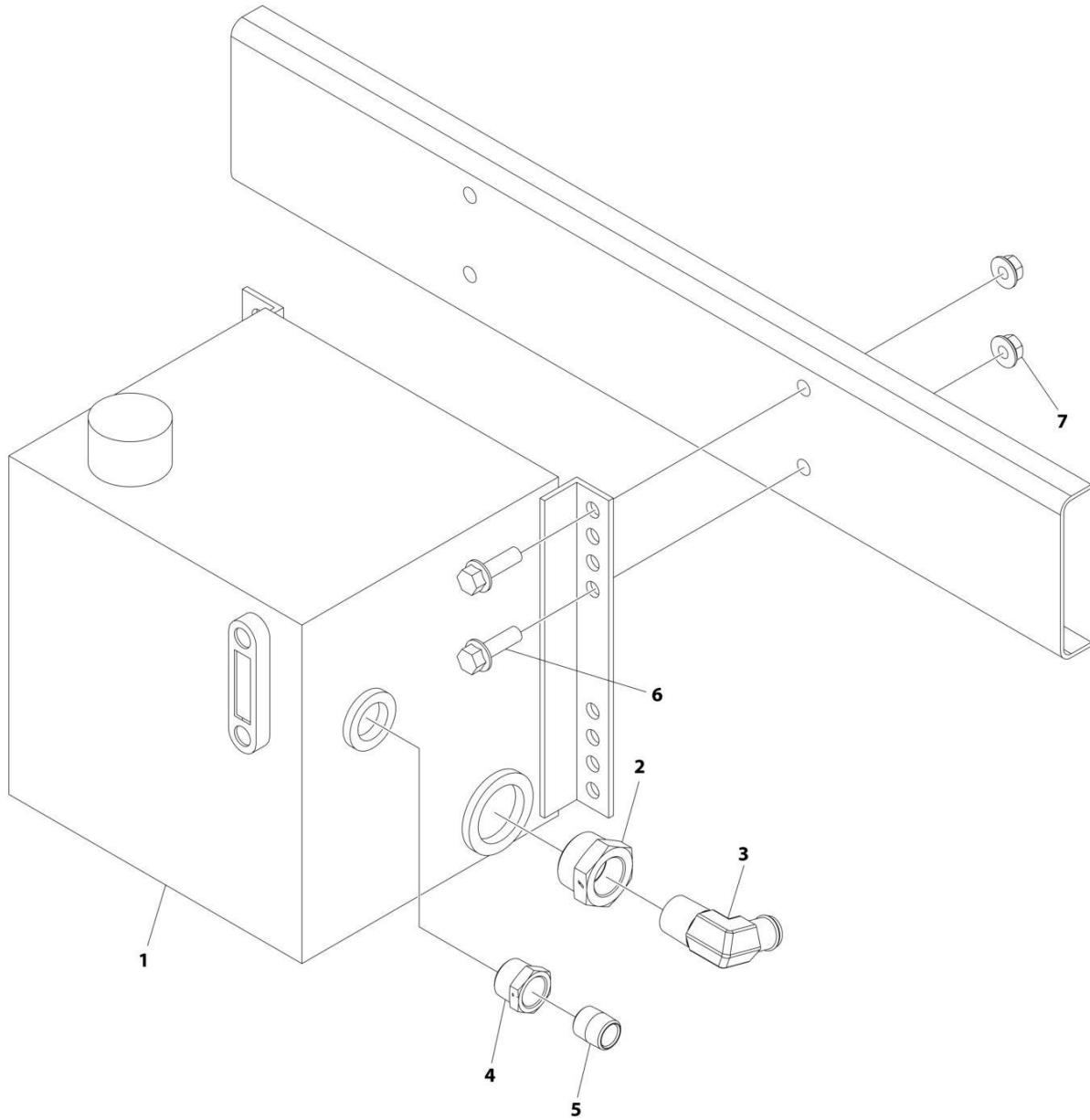
SECTION 5 - HYDRAULIC

FIGURE 5-22. TANK - (HYDRAULIC) AND BRACKET MOUNTING INSTALLATION (STANDARD MOUNTING)

ITEM	PART NUMBER	QTY	DESCRIPTION	REV
	2750000008	Ref	Hydraulic Reservoir and Bracket Mount	C
1	3750000018	1	Hydraulic Tank Assembly (See Seperate Breakdown in HYDRAULIC Section)	
3	7115151050	4	Capscrew 5/8 x 1-1/4	
4	7660152601	4	Nut 5/8	
5	7950150161	8	Washer 5/8	

SECTION 5 - HYDRAULIC

FIGURE 5-23. TANK - (HYDRAULIC) AND BRACKET MOUNTING INSTALLATION (ALTERNATE MOUNTING)



ART_1001284419

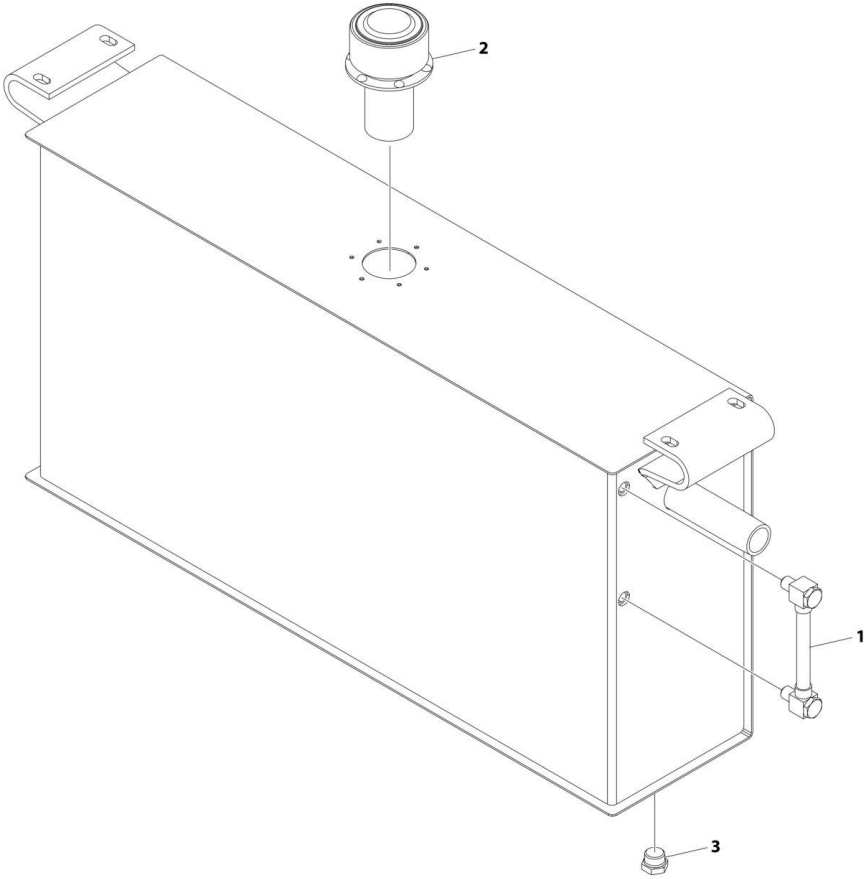
SECTION 5 - HYDRAULIC

FIGURE 5-23. TANK - (HYDRAULIC) AND BRACKET MOUNTING INSTALLATION (ALTERNATE MOUNTING)

ITEM	PART NUMBER	QTY	DESCRIPTION	REV
	1001284419	Ref	TANK INSTALLATION - HYDRAULIC	A
1	1001284178	1	Hydraulic Tank Assembly (See Separate Breakdown in this Section)	
2	1001284179	1	Filter	
3	7443000412	1	Fitting, 90	
4	7444100850	1	Bushing	
5	7650080125	1	Nipple	
6	7118201616	4	Capscrew 5/8 x 2	
7	7661000018	4	Nut 5/8	

SECTION 5 - HYDRAULIC

FIGURE 5-24. TANK - HYDRAULIC ASSEMBLY (STANDARD MOUNTING)



ART_375000018

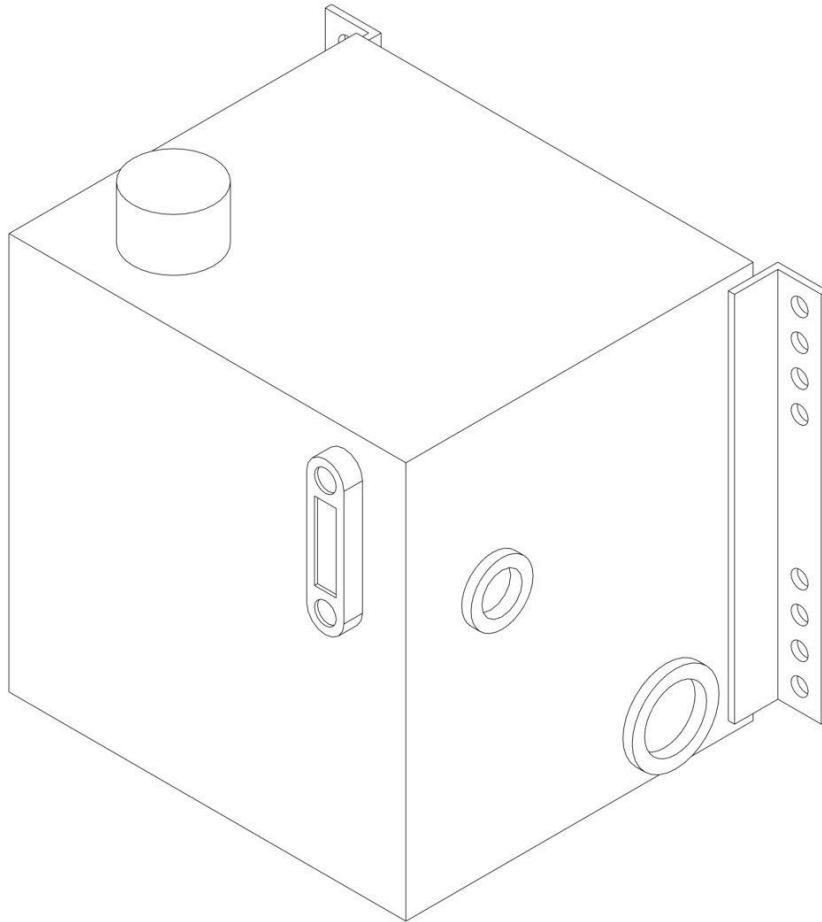
SECTION 5 - HYDRAULIC

FIGURE 5-24. TANK - HYDRAULIC ASSEMBLY (STANDARD MOUNTING)

ITEM	PART NUMBER	QTY	DESCRIPTION	REV
	375000018	1	Hydraulic Assembly - Tank	I
1	747000027	1	Oil Level Gauge	
2	718300004	1	Breather Filter	
3	770100031	1	Plug w/O-ring	

SECTION 5 - HYDRAULIC

FIGURE 5-25. TANK - HYDRAULIC ASSEMBLY (ALTERNATE MOUNTING)



ART_1001284178

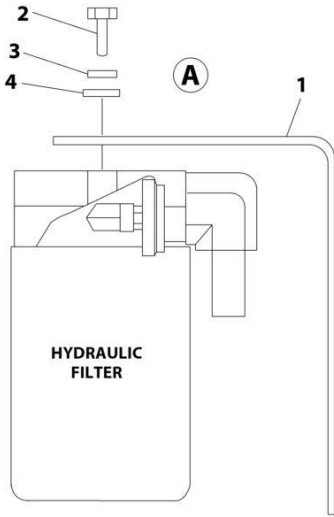
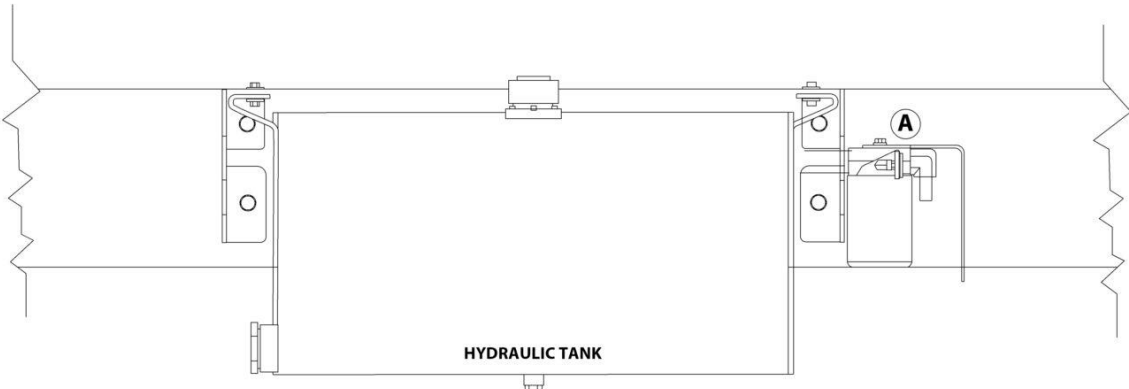
SECTION 5 - HYDRAULIC

FIGURE 5-25. TANK - HYDRAULIC ASSEMBLY (ALTERNATE MOUNTING)

ITEM	PART NUMBER	QTY	DESCRIPTION	REV
	1001284178	Ref Ref	HYDRAULIC TANK ASSEMBLY Note: No Service Parts Available at Time of Printing	A

SECTION 5 - HYDRAULIC

FIGURE 5-26. HYDRAULIC FILTER COVER PLATE INSTALLATION



ART_1001168319

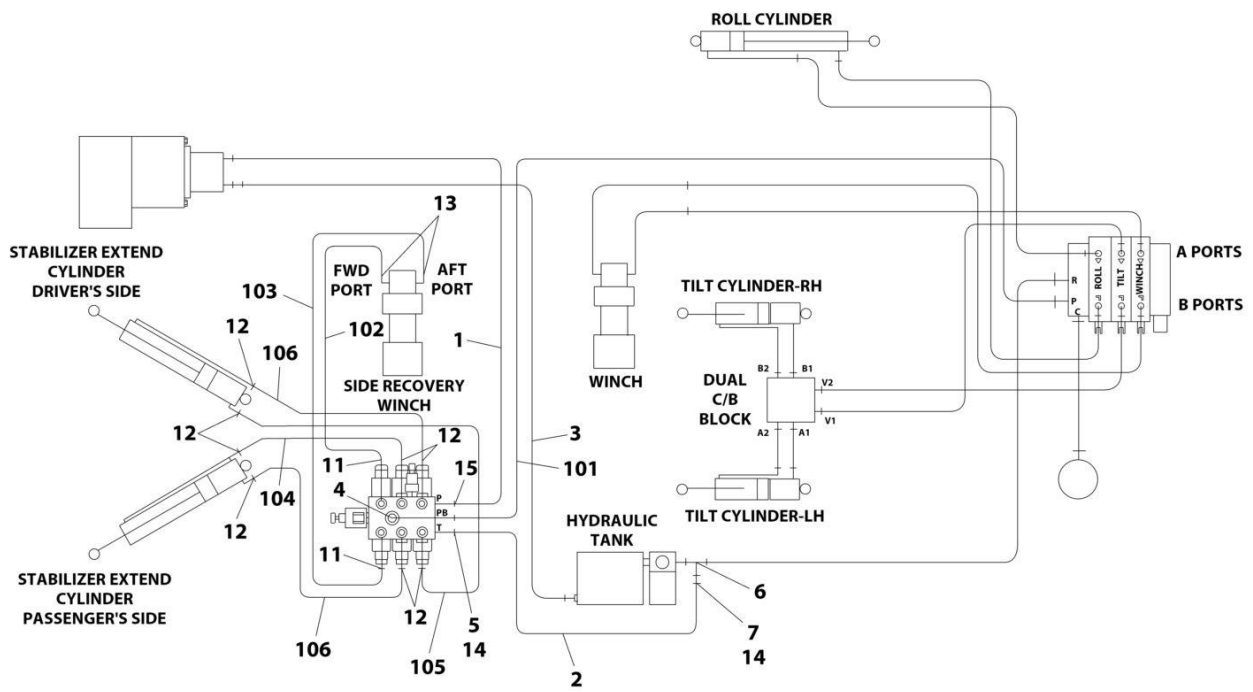
SECTION 5 - HYDRAULIC

FIGURE 5-26. HYDRAULIC FILTER COVER PLATE INSTALLATION

ITEM	PART NUMBER	QTY	DESCRIPTION	REV
	1001168319	Ref	Filter (Hydraulic) Cover Plate Installation	B
1	1001181417	1	Cover	
2	7115140450	2	Capscrew 1/4 x 1/2	
3	7950140000	2	Washer 1/4	
4	7950140141	2	Washer 1/4	

SECTION 5 - HYDRAULIC

FIGURE 5-27. WINCH HOSE INSTALLATION



ART_2570000152

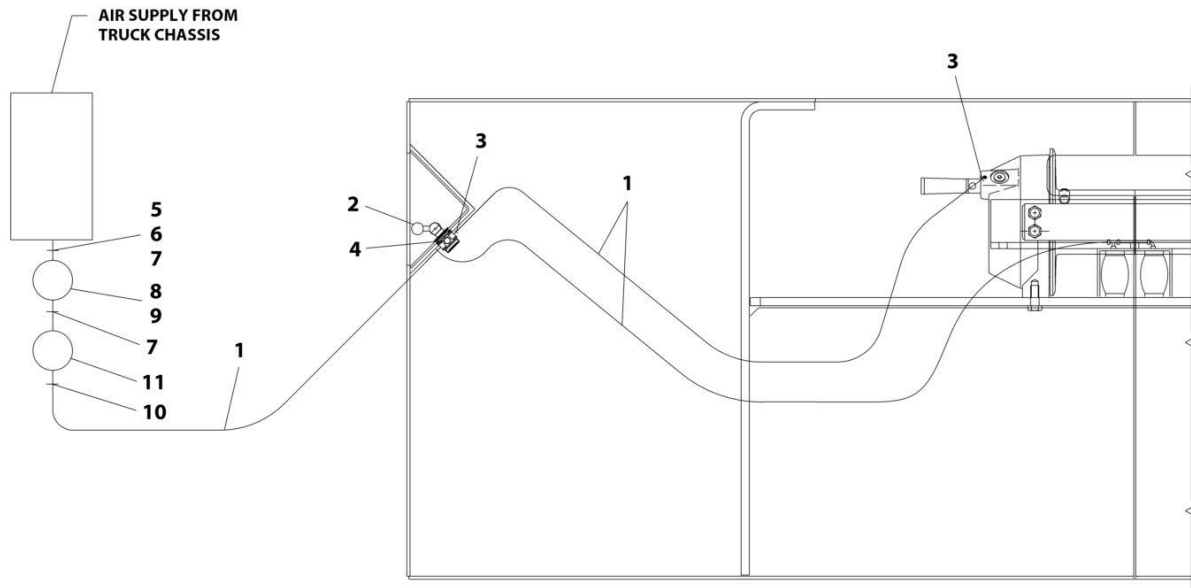
SECTION 5 - HYDRAULIC

FIGURE 5-27. WINCH HOSE INSTALLATION

ITEM	PART NUMBER	QTY	DESCRIPTION	REV
	2570000152	Ref	HOSE INSTALLATION SPR/HLF (SRS)	C
1	4567133058	1	Hose	
2	4570000104	1	Hose	
3	4570000099	1	Hose	
4	7445081043	1	Fitting, Straight	
5	7443000446	1	Fitting, Straight	
6	7443000445	1	Fitting, Tee	
7	7443000374	1	Fitting, Straight	
8	4577000006	1	Hose, Kit (Not Shown) (Includes Items 101-106)	
9	7819000005	1	Sleeve (Not Shown)	
10	7894000004	8	Tie-Strap (Not Shown)	
11	7445060643	2	Fitting, Straight	
12	7445060645	8	Fitting, 90	
13	7445061043	2	Fitting, Straight	
14	7274000080	2	Clamp	
15	7445081045	1	Fitting, 90	
16	7445080818	1	Nut #8 (Not Shown)	
101	4569142018	1	Hose	
102	4567123023	1	Hose	
103	4567122022	1	Hose	
104	4567122034	1	Hose	
105	4567122032	1	Hose	
106	4567122030	1	Hose	

SECTION 5 - HYDRAULIC

FIGURE 5-28. AIR SYSTEM INSTALLATION - FRONT BUMPER WINCH



ART_1001133649

SECTION 5 - HYDRAULIC

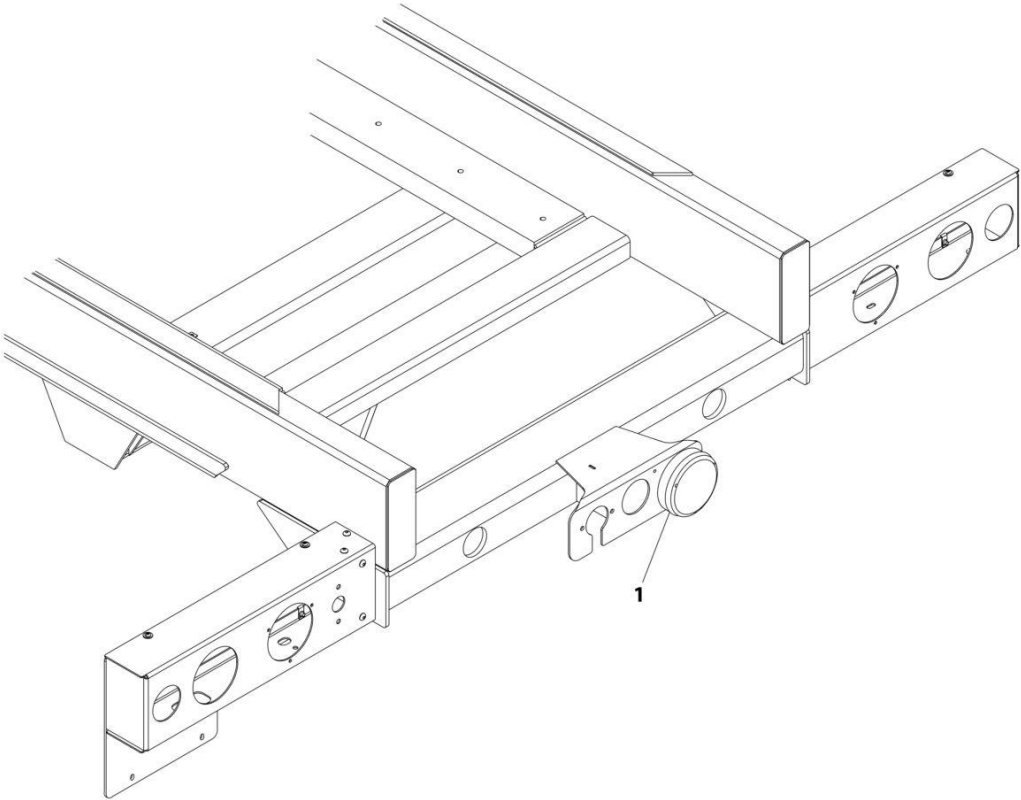
FIGURE 5-28. AIR SYSTEM INSTALLATION - FRONT BUMPER WINCH

ITEM	PART NUMBER	QTY	DESCRIPTION	REV
	1001133649	Ref	AIR SYSTEM INSTALLATION - FRONT BUMPER WINCH	B
1	7565000016	35 ft/11 m	Tube	
2	7935000182	1	Valve, Air 2-Way	
3	7443000177	2	Fitting NPTM	
4	7640000002	1	Muffler, Air Exhaust	
5	7443000154	1	Fitting NPTM x NPTF	
6	7443000155	1	Fitting, 90 NPTM x NPTF	
7	7443000156	2	Fitting Nipple NPTM x BRASS	
8	7935000120	1	Valve, Pressure Protection	
9	7443000152	1	Plug	
10	7446040435	1	Fitting Tube x NPTM	
11	7935000248	1	Valve, Air Regulator	
12	7443000174	1	Fitting, Tee Tube x NPTM	

SECTION 6 - ELECTRICAL

SECTION 6 - ELECTRICAL

FIGURE 6-1. ALARM INSTALLATION - BACK UP



ART_1001130143

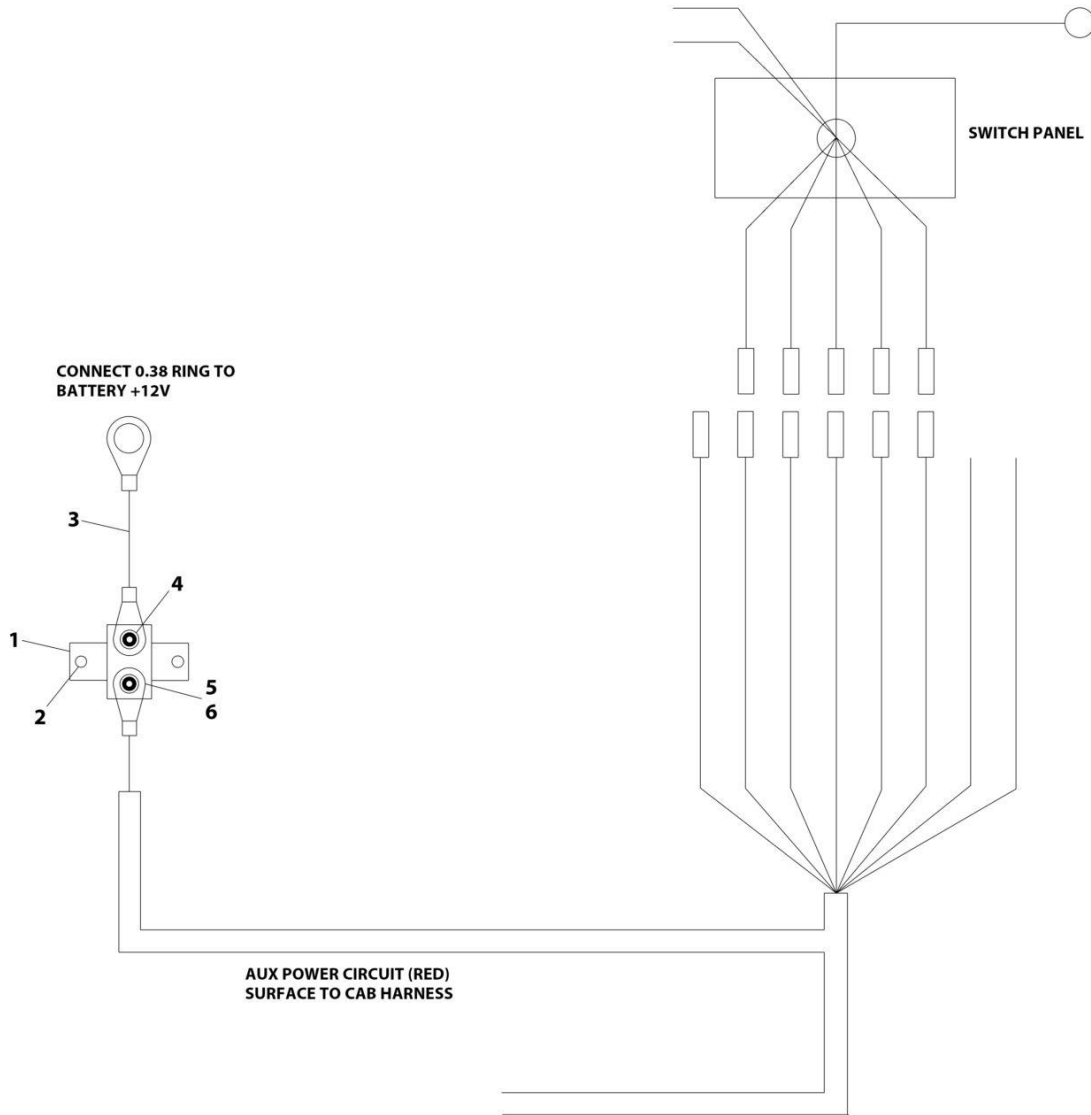
SECTION 6 - ELECTRICAL

FIGURE 6-1. ALARM INSTALLATION - BACK UP

ITEM	PART NUMBER	QTY	DESCRIPTION	REV
1	1001130143 1001129874	Ref 1	ALARM INSTALLATION - BACK UP Alarm	B

SECTION 6 - ELECTRICAL

FIGURE 6-2. BREAKER INSTALLATION - 50AMP



ART_1001129883

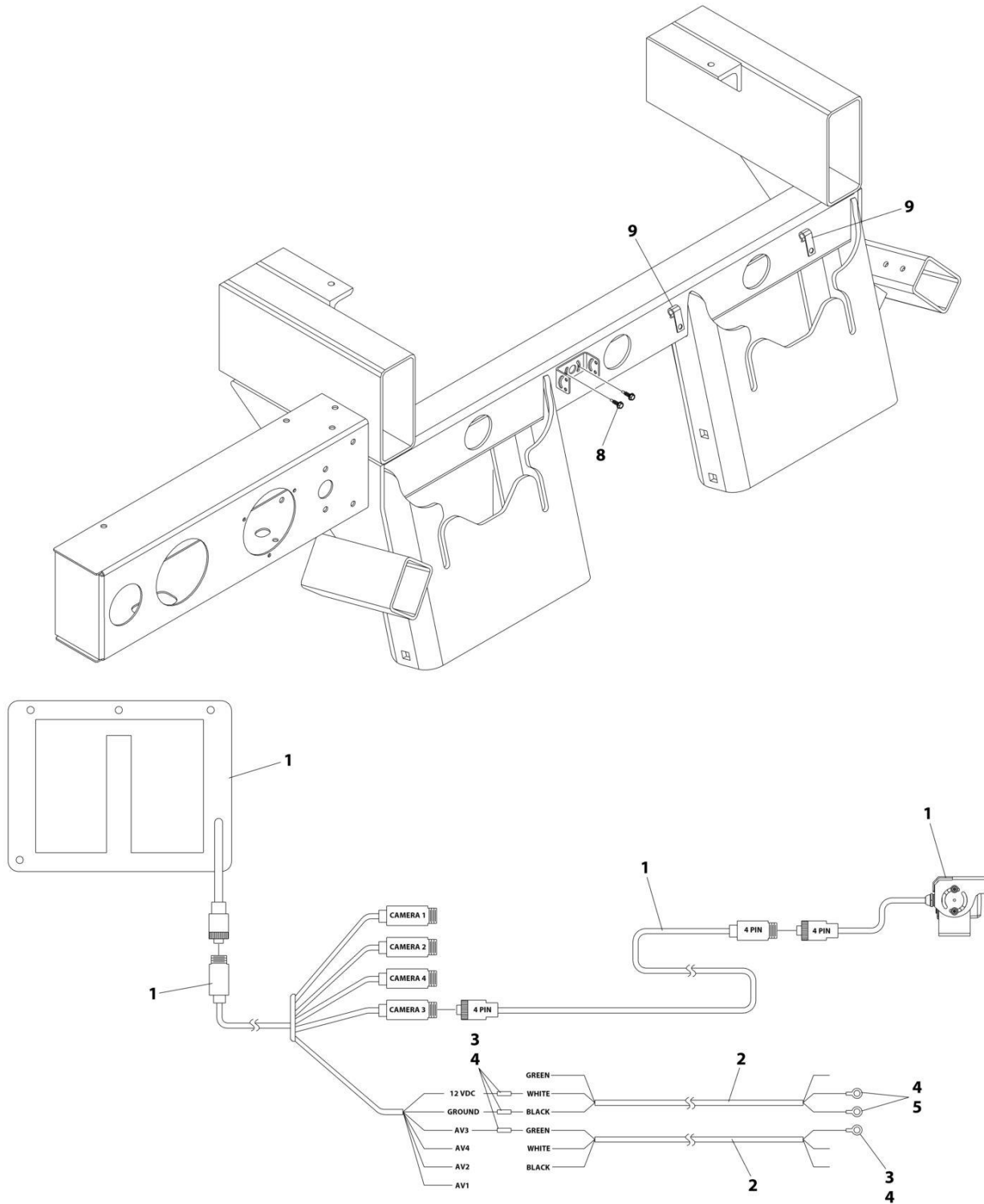
SECTION 6 - ELECTRICAL

FIGURE 6-2. BREAKER INSTALLATION - 50AMP

ITEM	PART NUMBER	QTY	DESCRIPTION	REV
	1001129883	Ref	50A BREAKER INSTALLATION	C
1	7457000004	1	Breaker, 50A	
2	7120000034	2	Screw #10 x 3/4	
3	1001129882	1	Harness	
4	7950100151	2	Washer 3/16	
5	7345221902	1	Terminal	
6	4346000005	1	Heat Shrink	

SECTION 6 - ELECTRICAL

FIGURE 6-3. CAMERA INSTALLATION - BACKUP (J-D SUPPLIED)



ART_1001219321

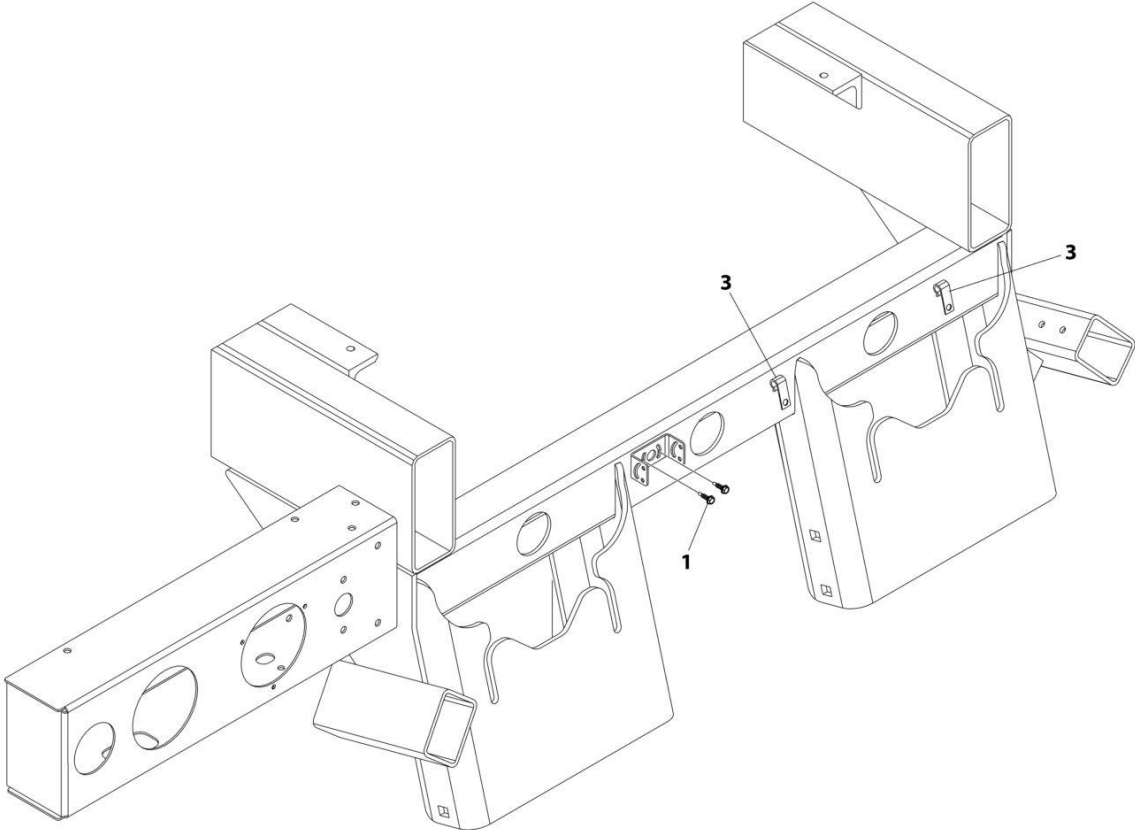
SECTION 6 - ELECTRICAL

FIGURE 6-3. CAMERA INSTALLATION - BACKUP (J-D SUPPLIED)

ITEM	PART NUMBER	QTY	DESCRIPTION	REV
	1001219321	Ref	Backup Camera Carrier Installation	E
1	1001219309	1	Camera	
2	5525000537	AR	Wire	
3	7345001714	4	Terminal	
4	7346000039	AR	Tubing	
5	7345211702	3	Terminal	
6	8597650002	AR	Wire (Not Shown)	
7	7894000010	40	Tie Strap (Not Shown)	
8	7120000034	2	Screw #10 x 3/4	
9	7280000018	2	Clip	

SECTION 6 - ELECTRICAL

FIGURE 6-4. CAMERA INSTALLATION - BACKUP (OEM CHASSIS SUPPLIED)



ART_1001220181

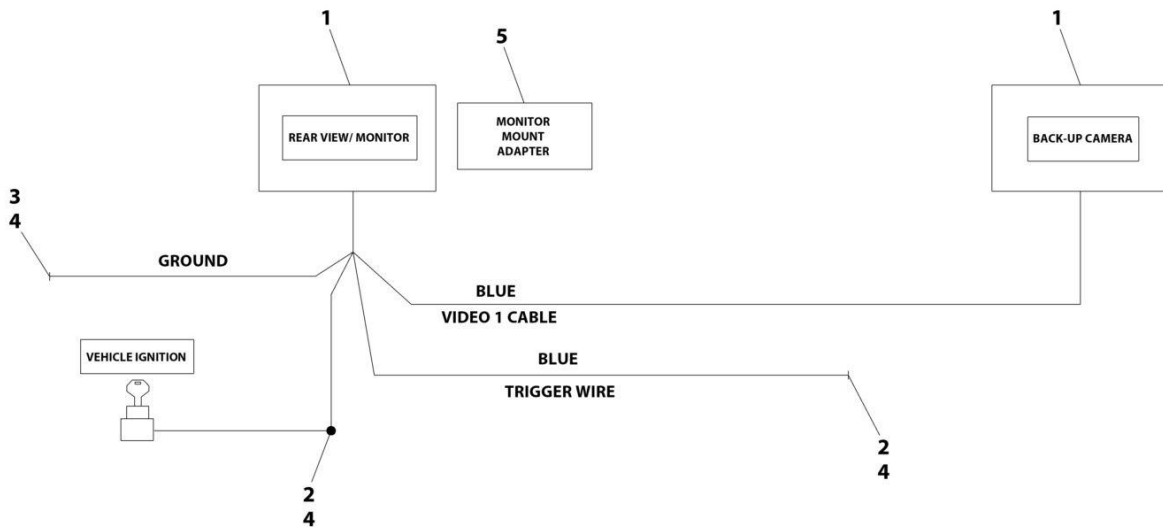
SECTION 6 - ELECTRICAL

FIGURE 6-4. CAMERA INSTALLATION - BACKUP (OEM CHASSIS SUPPLIED)

ITEM	PART NUMBER	QTY	DESCRIPTION	REV
	1001220181	Ref	Backup Camera Installation - Chassis (OEM Supplied)	C
1	7120000034	2	Screw #10 x 3/4	
2	5526000553	40	Tie Strap	
3	7280000018	2	Clip	

SECTION 6 - ELECTRICAL

FIGURE 6-5. CAMERA INSTALLATION - BACKUP (REAR VIEW MIRROR)



ART_1001142974_D

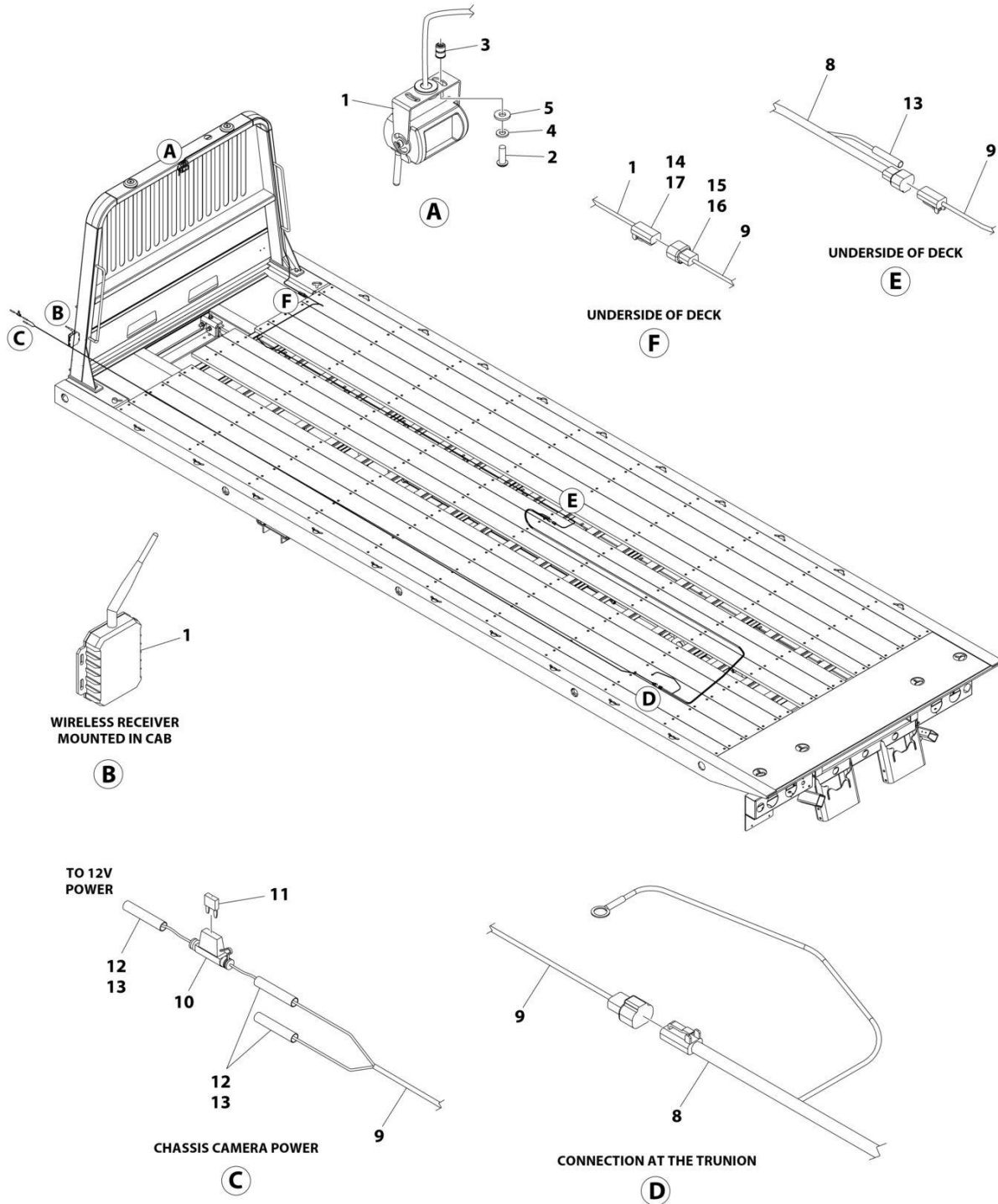
SECTION 6 - ELECTRICAL

FIGURE 6-5. CAMERA INSTALLATION - BACKUP (REAR VIEW MIRROR)

ITEM	PART NUMBER	QTY	DESCRIPTION	REV
	1001142974	Ref	BACKUP CAMERA IN REAR VIEW MIRROR INSTALLATION	B
1	1001273600	1	Camera System	
2	7345001914	2	Terminal	
3	7345221902	1	Terminal	
4	7346000039	AR	Tubing	
5	1001229606	1	Monitor Mount Adapter	

SECTION 6 - ELECTRICAL

FIGURE 6-6. CAMERA INSTALLATION - CARGO CAMERA, (WIRELESS HEADBOARD MOUNTED)



ART_1001257876

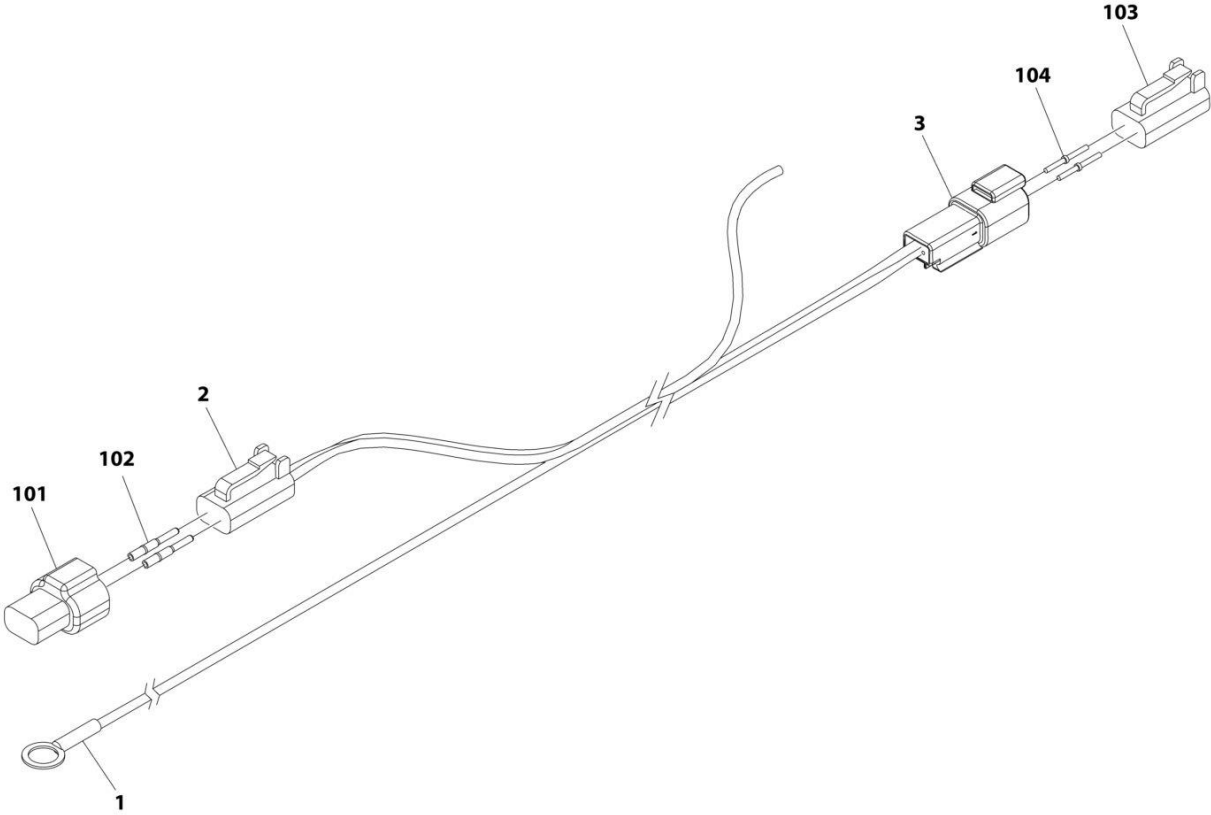
SECTION 6 - ELECTRICAL

FIGURE 6-6. CAMERA INSTALLATION - CARGO CAMERA, (WIRELESS HEADBOARD MOUNTED)

ITEM	PART NUMBER	QTY	DESCRIPTION	REV
	1001257876	Ref	CARGO CAMERA, WIRELESS HEADBOARD, INSTALLATION	B
1	1001237244	1	Kit, Wireless Backup Camera	
2	7114140618	2	Screw 1/4 x 3/4	
3	7413000002	2	Nut 1/4	
4	7950140003	2	Washer 1/4	
5	7950140143	2	Washer 1/4	
8	1001280899	1	Camera Harness (See Separate Breakdown in this Section)	
9	8977010103	1	Wire #16 GA 2-Conductor	
10	2400066	1	Fuse, Holder	
11	1001228388	1	Fuse, Lamp	
12	7345001714	3	Terminal	
13	4346000005	4	Heat Shrink	
14	4460891	1	Plug, 2 Position	
15	4460897	1	Receptacle, 2 Position	
16	4460464	2	Pin, Male	
17	4460465	2	Socket, Female	

SECTION 6 - ELECTRICAL

FIGURE 6-7. CAMERA HARNESS



ART_1001280899

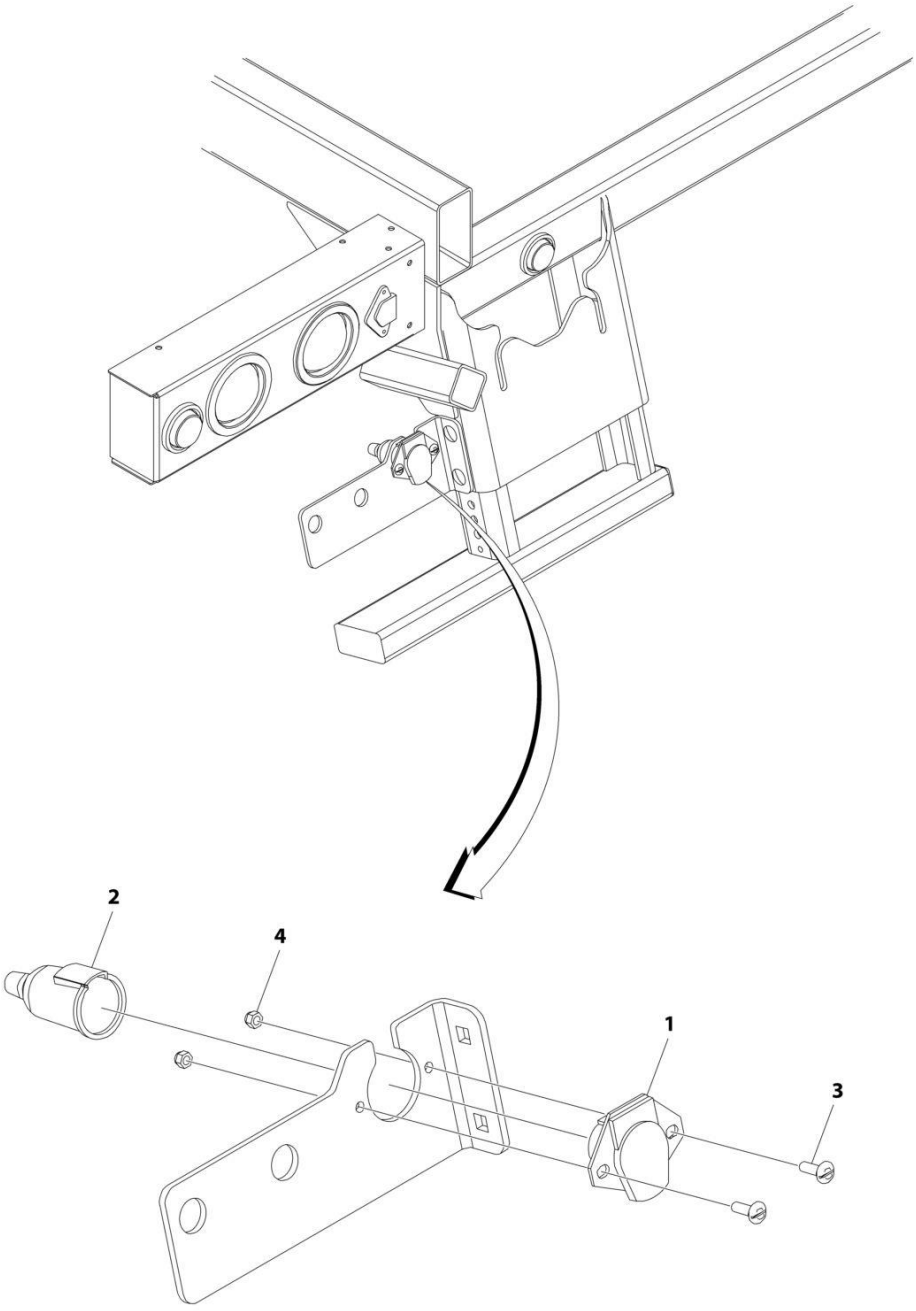
SECTION 6 - ELECTRICAL

FIGURE 6-7. CAMERA HARNESS

ITEM	PART NUMBER	QTY	DESCRIPTION	REV
	1001280899	Ref	CAMERA HARNESS	A
1	4460256	1	Terminal, Ring	
2	4460891	1	Plug, Male - 2 Position	
2	4460942	2	Socket, Female	
3	4460897	1	Receptacle, Female - 2 Position	
3	4460941	2	Pin, Male	
101	4460897	1	Receptacle, Female - 2 Position	
102	4460464	2	Pin, Male	
103	4460891	1	Plug, Male - 2 Position	
104	4460465	2	Socket, Female	

SECTION 6 - ELECTRICAL

FIGURE 6-8. CONNECTOR INSTALLATION - 7 WAY



ART_2346000008

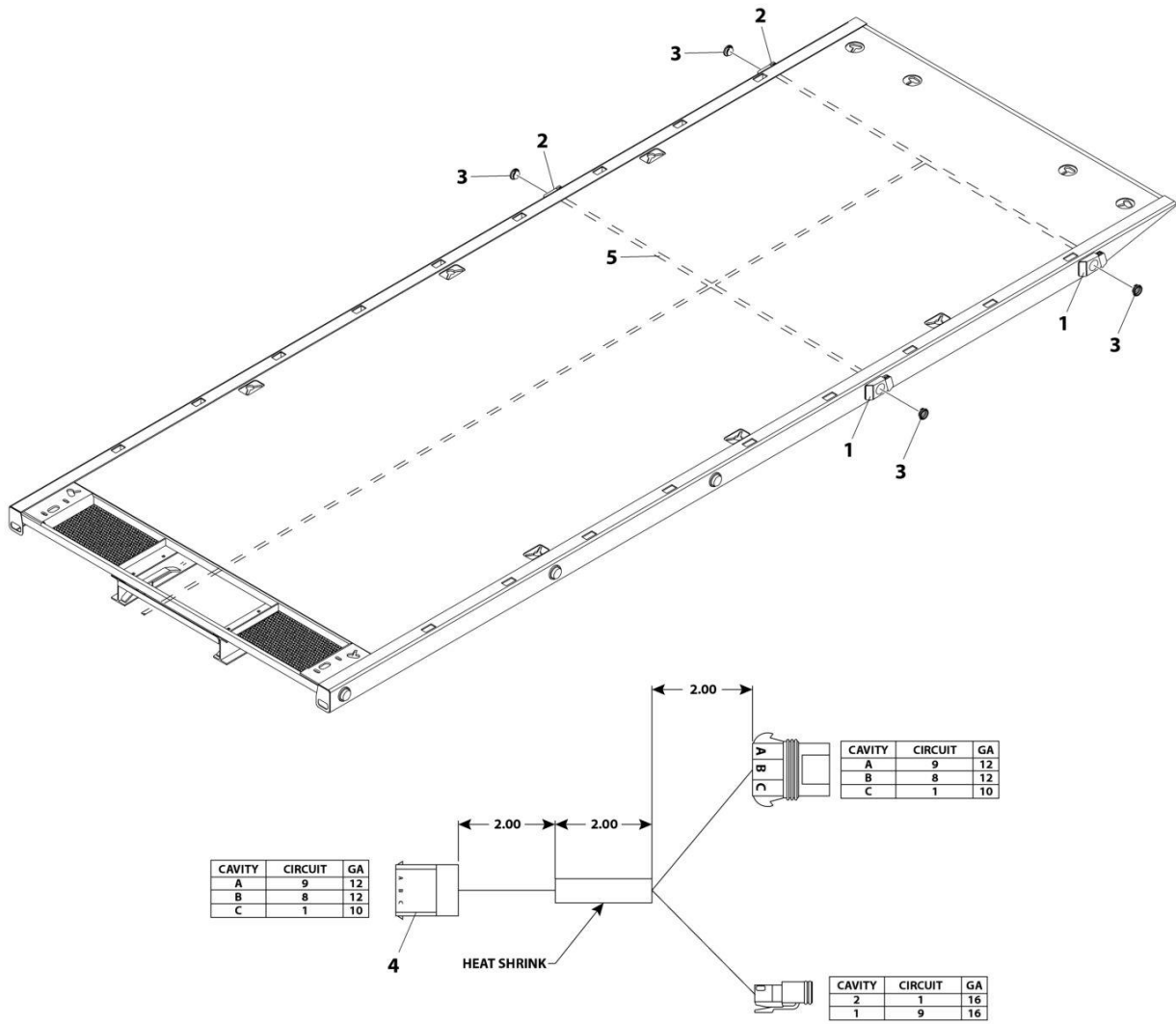
SECTION 6 - ELECTRICAL

FIGURE 6-8. CONNECTOR INSTALLATION - 7 WAY

ITEM	PART NUMBER	QTY	DESCRIPTION	REV
	2346000008	Ref	7-Way Electrical Connector	0
1	7346000055	1	Electrical Receptacle 7-way Connect	
2	7346000078	1	Electrical Boot	
3	7111150813	2	Screw 5/16 x 1	
4	7660152601	2	Nut 5/16	

SECTION 6 - ELECTRICAL

FIGURE 6-9. DECK FLASHER REAR ILLUMINATION



ART_1001145076

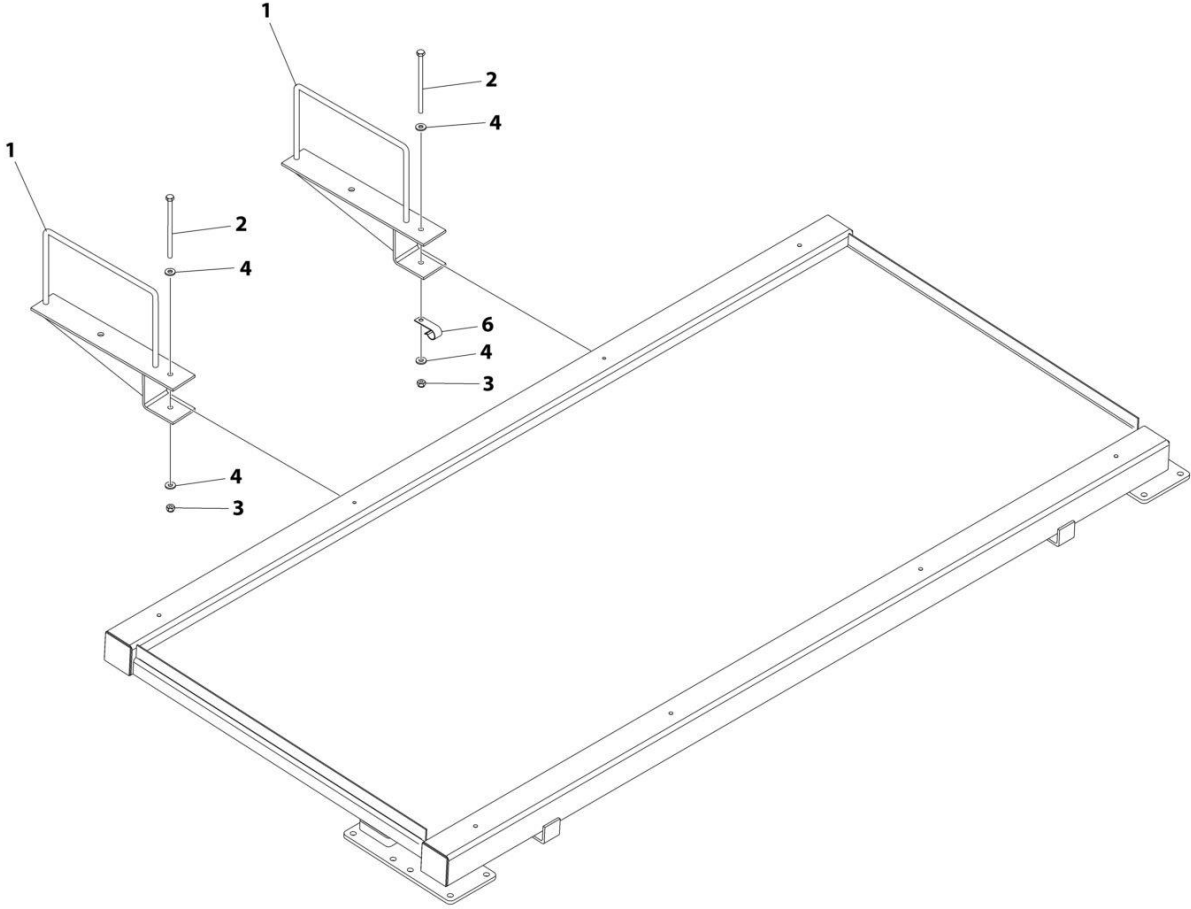
SECTION 6 - ELECTRICAL

FIGURE 6-9. DECK FLASHER REAR ILLUMINATION

ITEM	PART NUMBER	QTY	DESCRIPTION	REV
	1001145076	Ref	Deck Flasher Rear Illumination	B
1	1001145074	2	Bracket, LH Whelen Flash	
2	1001145075	2	Bracket, RH Whelen Flash	
3	7493000009	4	Grommet	
4	1001144986	1	Flashers Jumper Wire Harness	
4	8220934	1	Receptacle, Female - 3 Position	
4	8220936	1	Lock	
4	1001277282	3	Terminal	
4	1001277283	3	Seal	
4	4460891	1	Plug, Male - 2 Position	
4	4460465	2	Socket, Female	
4	8220935	1	Plug, Male - 3 Position	
4	8220936	1	Lock	
4	8220099	1	Terminal	
4	1001277283	1	Seal	
5	1001145077	Ref	Flasher Harness Installation	
5	1001143842	1	Flasher Harness	
5	4460897	5	Receptacle, Female - 2 Position	
5	4460464	10	Pin, Male	

SECTION 6 - ELECTRICAL

FIGURE 6-10. LIGHTS - BUCKET REST HDB LIGHT BAR MOUNT



ART_1001141894

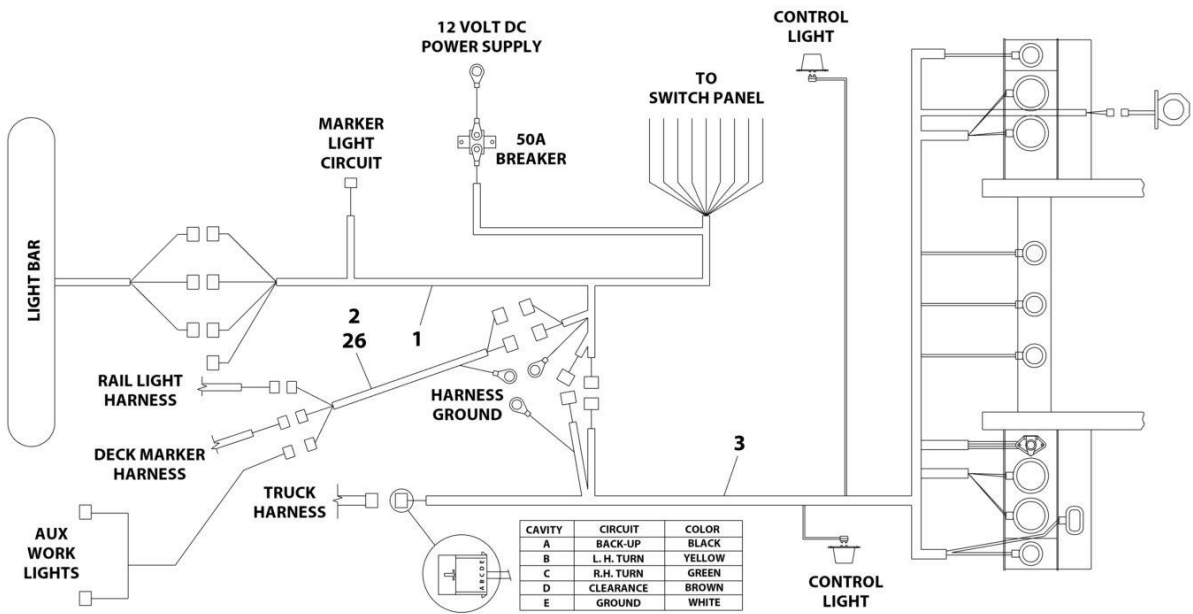
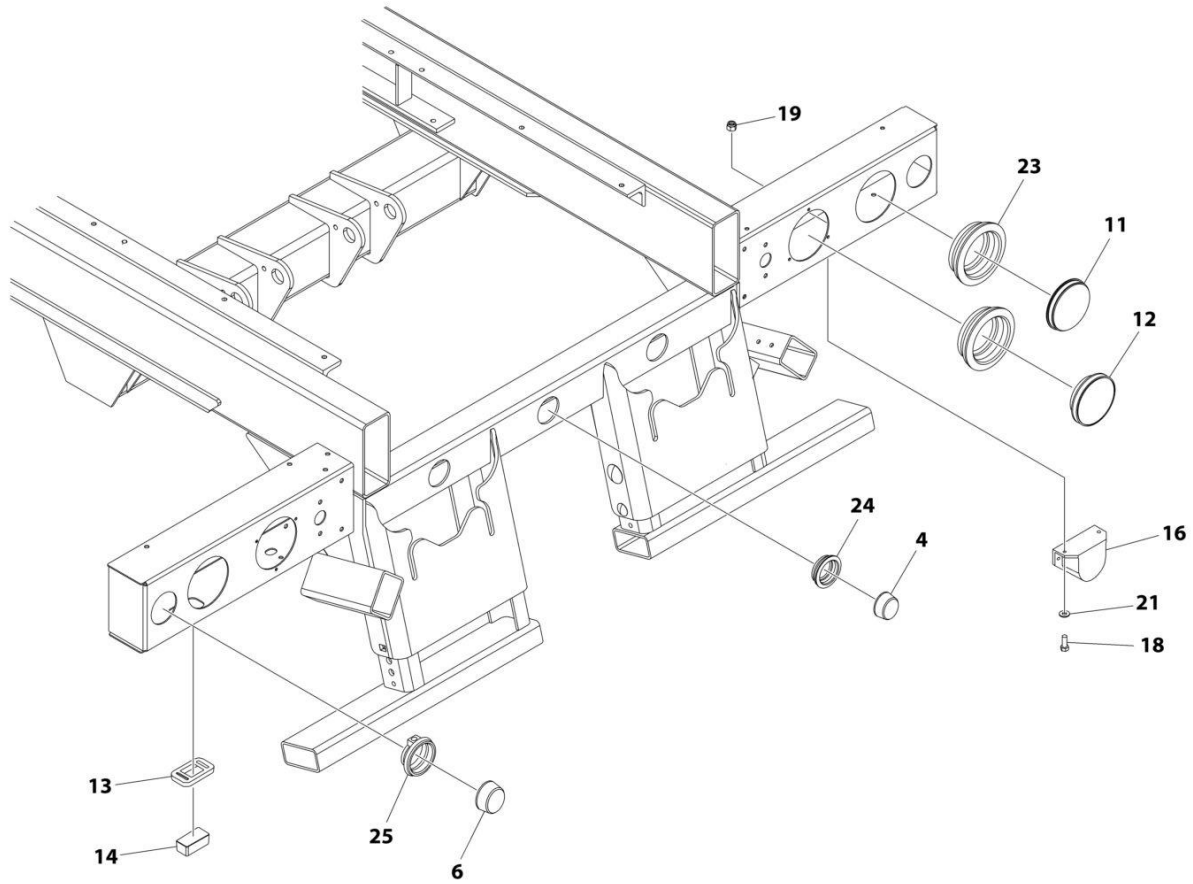
SECTION 6 - ELECTRICAL

FIGURE 6-10. LIGHTS - BUCKET REST HDB LIGHT BAR MOUNT

ITEM	PART NUMBER	QTY	DESCRIPTION	REV
	1001141894	Ref	LIGHT MOUNTING BRACKET INSTALLATION	A
1	1001141889	2	Light Bar Bracket	
2	0641436	2	Bolt 1/4 x 4-1/2	
3	7660142601	2	Nut 1/4	
4	7950140143	4	Washer 1/4	
5	7660142601	2	Nut 1/2 (Not Shown)	
6	7280000019	1	Clip	

SECTION 6 - ELECTRICAL

FIGURE 6-11. LIGHTS - HEADBOARD LIGHTS INSTALLATION - STATIONARY HEADBOARD (22-24FT) (SN 0220005217 through 0220022647)



ART_2590000165

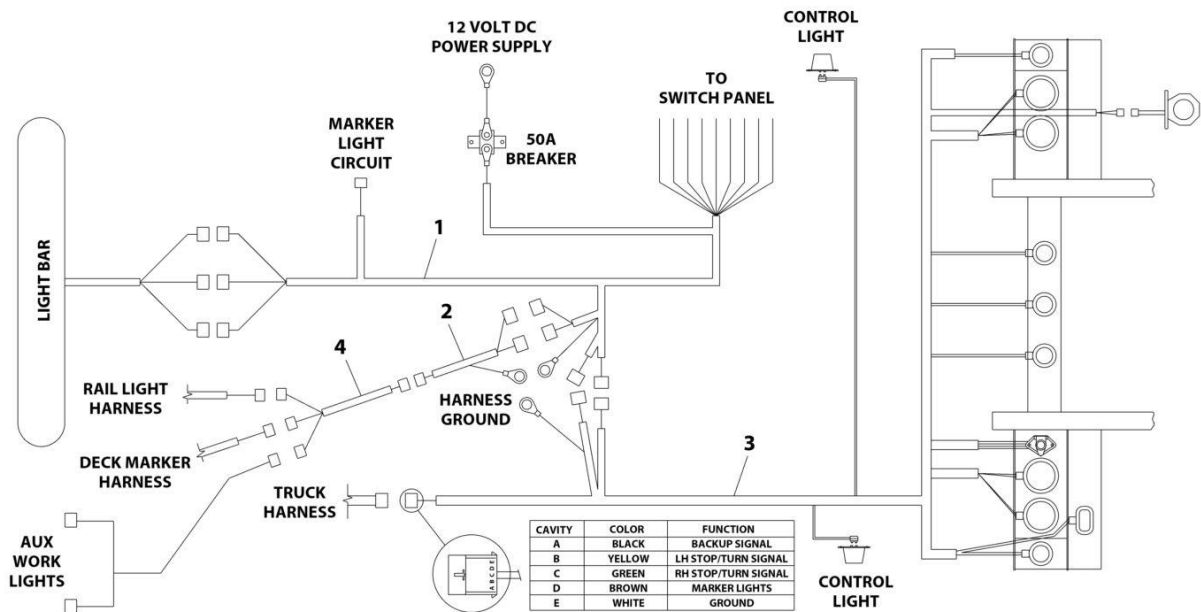
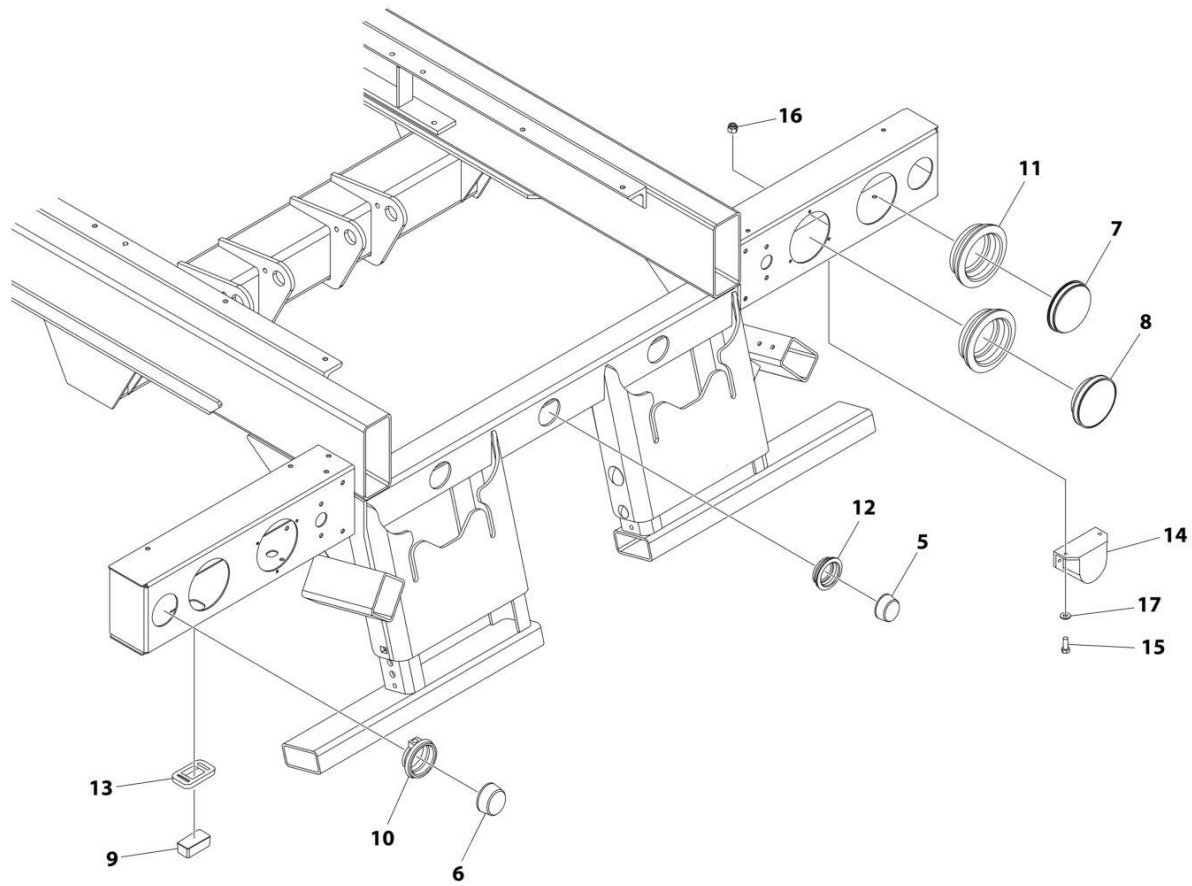
SECTION 6 - ELECTRICAL

FIGURE 6-11. LIGHTS - HEADBOARD LIGHTS INSTALLATION - STATIONARY HEADBOARD (22-24FT) (SN 0220005217 through 0220022647)

ITEM	PART NUMBER	QTY	DESCRIPTION	REV
	2590000165	Ref	LIGHTS AND WIRING INSTALLATION - STATIONARY HEADBOARD	J
1	1001152345	1	Cab to Subframe Wiring Harness (See Separate Breakdown in this Section)	
2	1001152349	1	Subframe to Deck Wiring Harness (See Separate Breakdown in this Section)	
3	1001173952	1	Subframe Harness (See Separate Breakdown in this Section)	
4	7590000340	3	Marker Light - Red (LED)	
6	7590000343	2	Marker Light - Red (LED)	
11	7590000341	2	Marker Light - Red (LED)	
12	1001142769	2	Backup Alarm	
13	7493000010	1	Grommet	
14	1001142771	1	Lamp	
16	7011000006	1	Backup Alarm	
18	7114140528	2	Screw 1/4 x 5/8	
19	7660142601	2	Nut 1/4	
21	7949000023	2	Washer	
23	7493000002	4	Grommet	
24	7493000023	3	Grommet	
25	7493000009	2	Grommet	
26	1001152348	1	Deck to Winch Harness (See Separate Breakdown in this Section)	
27	4346000005	5	Heat Shrink (Not Shown)	

SECTION 6 - ELECTRICAL

FIGURE 6-12. LIGHTS - HEADBOARD LIGHTS INSTALLATION - STATIONARY HEADBOARD (22-24FT) (SN 0220022648 to Present)



ART_1001260278

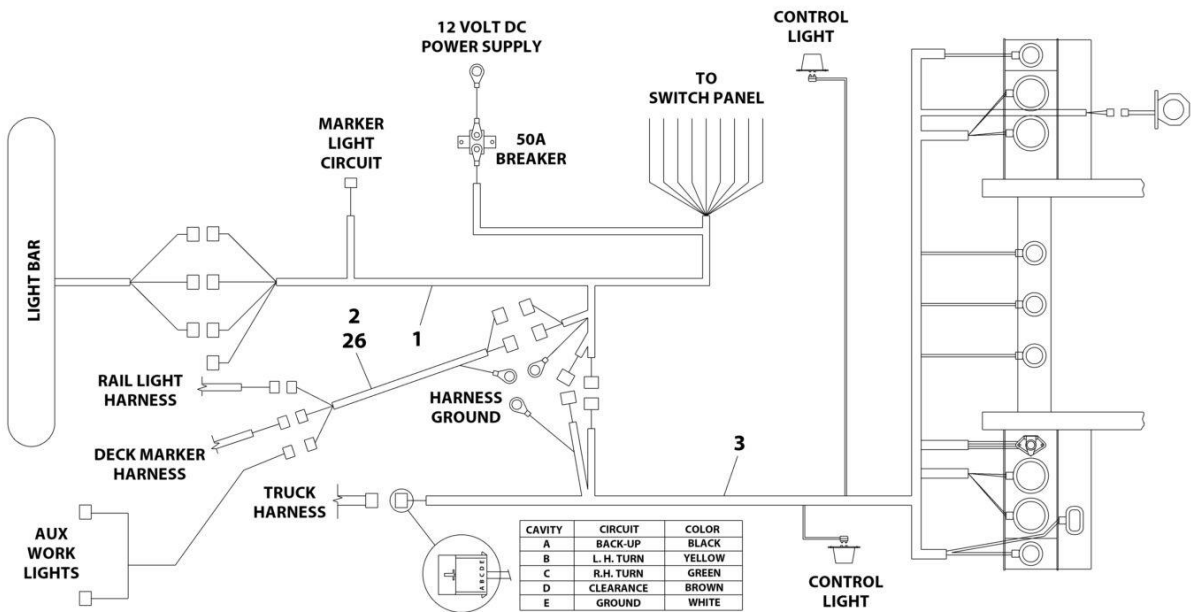
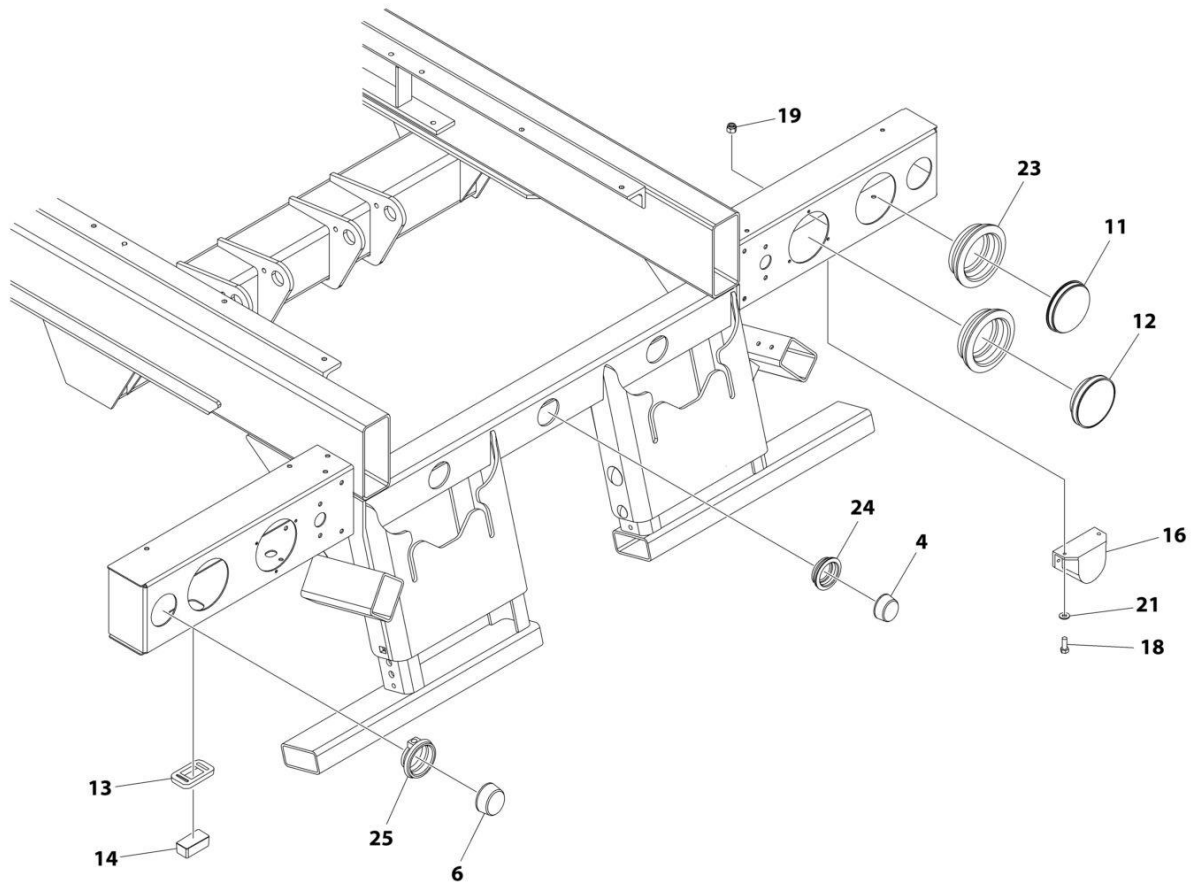
SECTION 6 - ELECTRICAL

FIGURE 6-12. LIGHTS - HEADBOARD LIGHTS INSTALLATION - STATIONARY HEADBOARD (22-24FT) (SN 0220022648 to Present)

ITEM	PART NUMBER	QTY	DESCRIPTION	REV
	1001260278	Ref	LIGHTS - HEADBOARD LIGHTS INSTALLATION - STATIONARY HEADBOARD	A
1	1001260058	1	Cab to Subframe Harness (See Separate Breakdown in this Section)	
2	1001152349	1	Subframe to Deck Wiring Harness (See Separate Breakdown in this Section)	
3	1001173952	1	Subframe Harness (See Separate Breakdown in this Section)	
4	1001152348	1	Deck to Winch Harness (See Separate Breakdown in this Section)	
5	7590000340	3	Marker Light - Red (LED)	
6	7590000343	2	Marker Light - Red (LED)	
7	7590000341	2	Marker Light - Red (LED)	
8	1001142769	2	Backup Alarm	
9	1001142771	1	Lamp	
10	7493000009	2	Grommet	
11	7493000002	4	Grommet	
12	7493000023	3	Grommet	
13	7493000010	1	Grommet	
14	7011000006	1	Backup Alarm	
15	7114140528	2	Screw 1/4 x 5/8	
16	7660142601	2	Nut 1/4	
17	7949000023	2	Washer	
18	4346000005	5	Heat Shrink (Not Shown)	

SECTION 6 - ELECTRICAL

FIGURE 6-13. LIGHTS - HEADBOARD LIGHTS INSTALLATION - STATIONARY HEADBOARD (26-30FT) (SN 0220005217 through 0220022647)



ART_2590000166

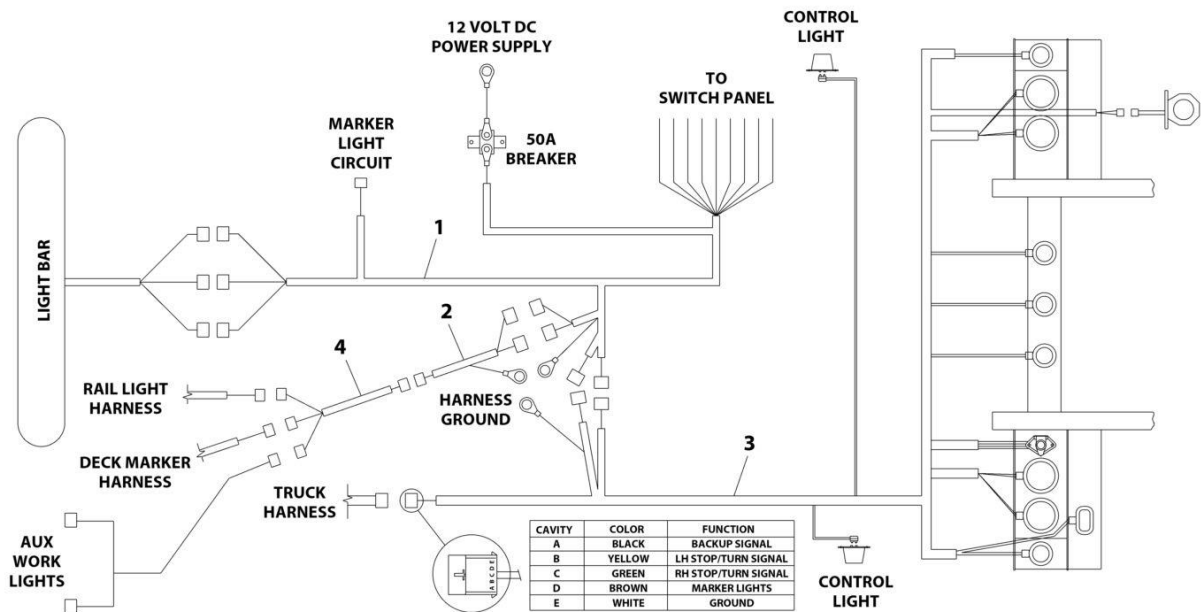
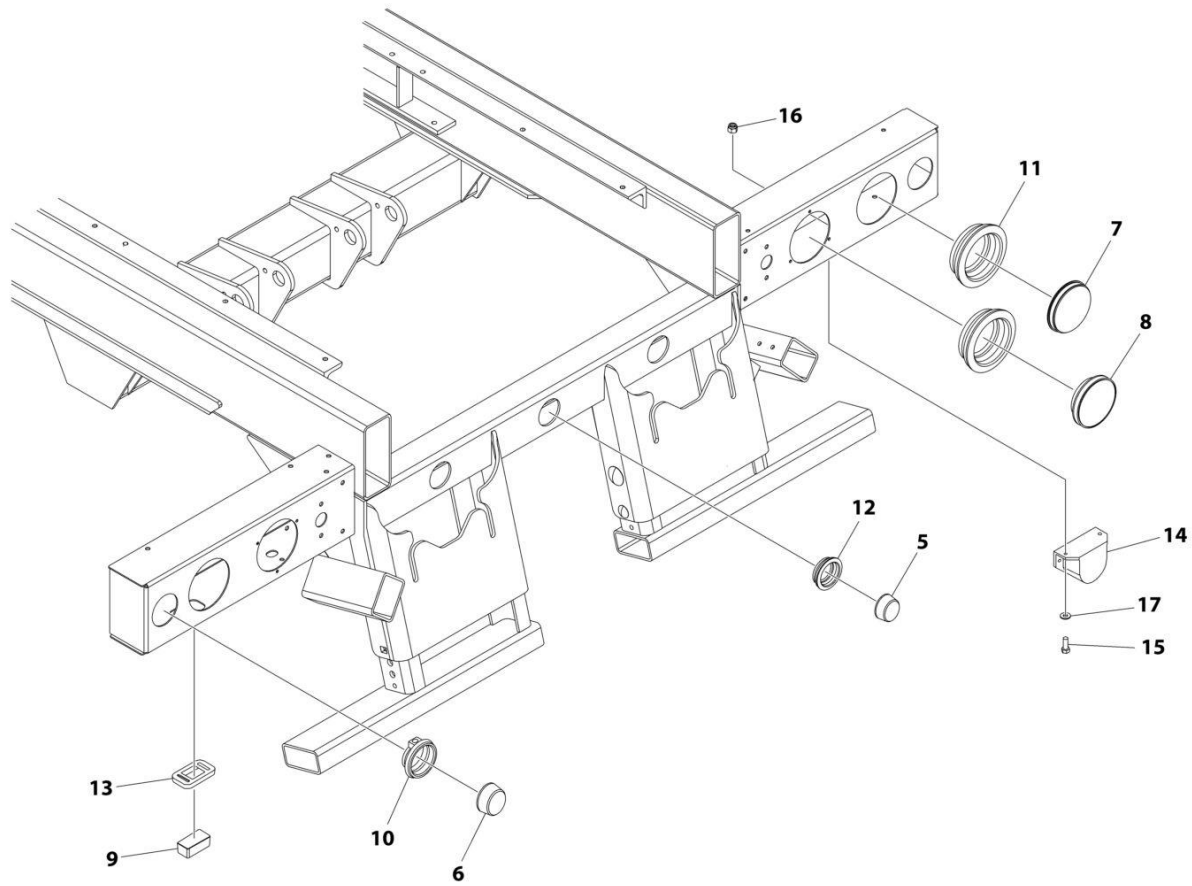
SECTION 6 - ELECTRICAL

FIGURE 6-13. LIGHTS - HEADBOARD LIGHTS INSTALLATION - STATIONARY HEADBOARD (26-30FT) (SN 0220005217 through 0220022647)

ITEM	PART NUMBER	QTY	DESCRIPTION	REV
	2590000166	Ref	LIGHTS AND WIRING INSTALLATION - STATIONARY HEADBOARD	I
1	1001152345	1	Cab to Subframe Wiring Harness (See Separate Breakdown in this Section)	
2	1001152349	1	Subframe to Deck Wiring Harness (See Separate Breakdown in this Section)	
3	1001173952	1	Subframe Harness (See Separate Breakdown in this Section)	
4	7590000340	3	Marker Light - Red (LED)	
6	7590000343	2	Marker Light - Red (LED)	
11	7590000341	2	Marker Light - Red (LED)	
12	1001142769	2	Backup Alarm	
13	7493000010	1	Grommet	
14	1001142771	1	Lamp	
16	7011000006	1	Backup Alarm	
18	7114140528	2	Screw 1/4 x 5/8	
19	7660142601	2	Nut 1/4	
21	7949000023	2	Washer	
23	7493000002	4	Grommet	
24	7493000023	3	Grommet	
25	7493000009	2	Grommet	
26	1001152347	1	Deck to Winch Harness (See Separate Breakdown in this Section)	
27	4346000005	5	Heat Shrink (Not Shown)	

SECTION 6 - ELECTRICAL

FIGURE 6-14. LIGHTS - HEADBOARD LIGHTS INSTALLATION - STATIONARY HEADBOARD (26-30FT) (SN 0220022648 to Present)



ART_1001260279

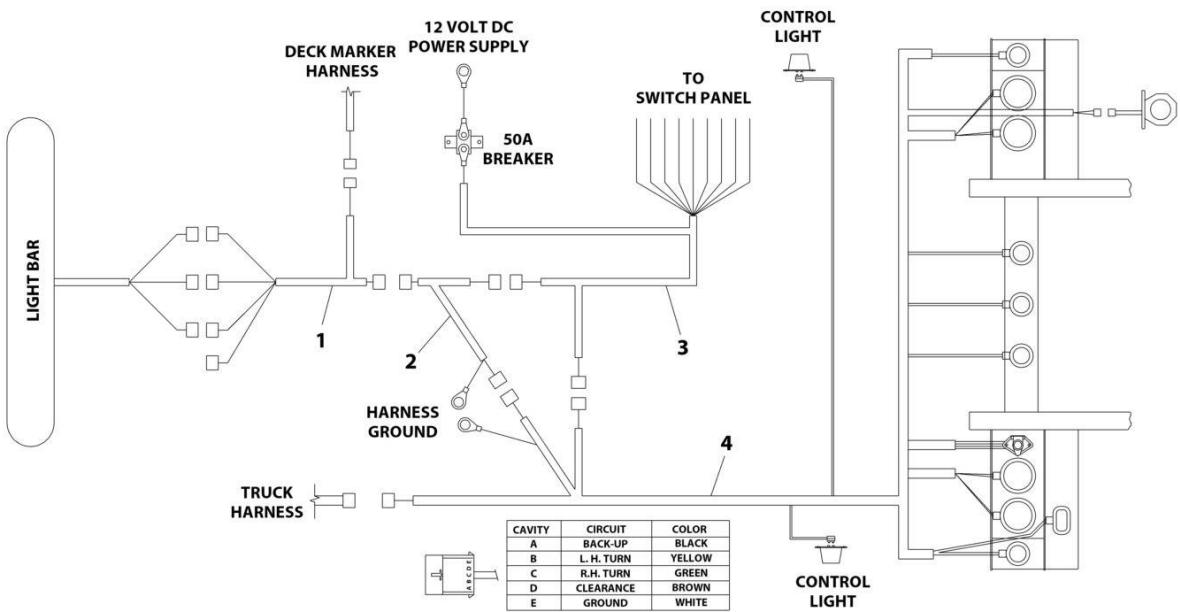
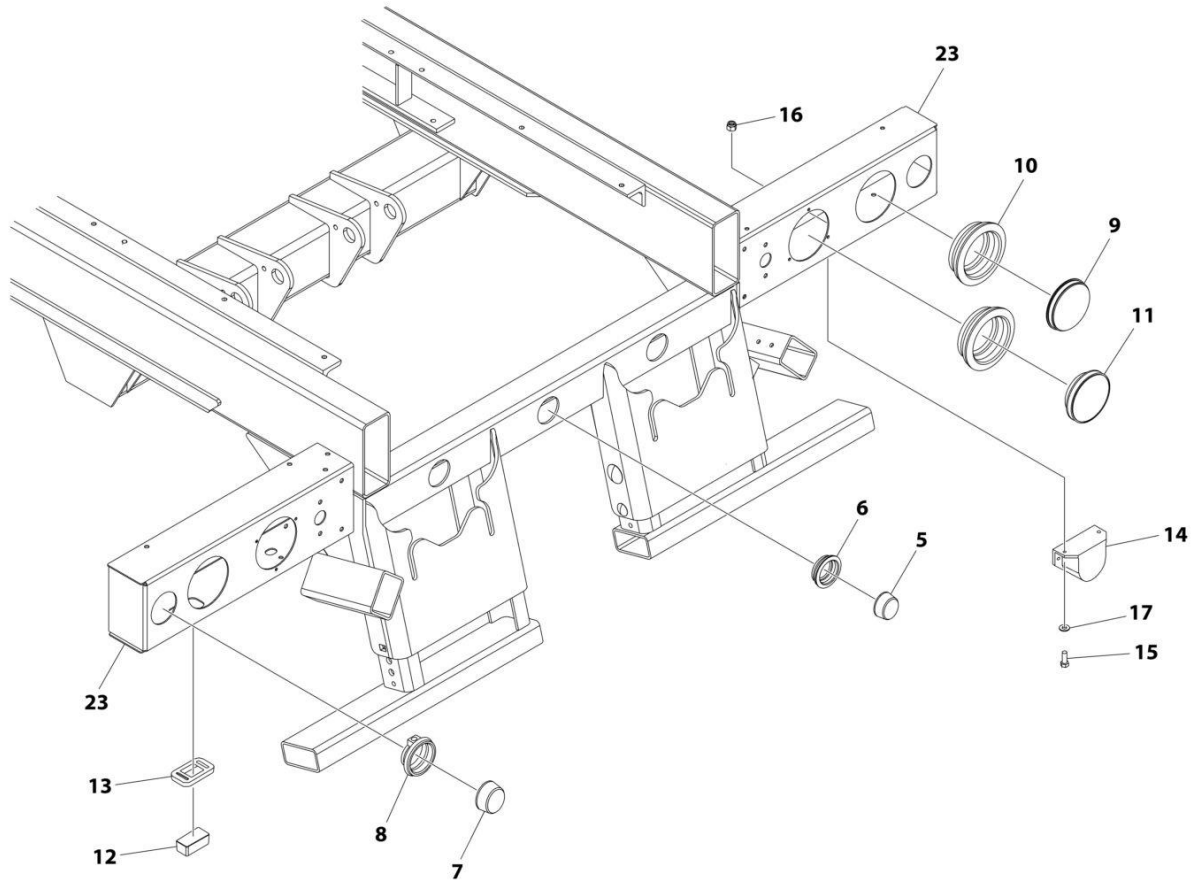
SECTION 6 - ELECTRICAL

FIGURE 6-14. LIGHTS - HEADBOARD LIGHTS INSTALLATION - STATIONARY HEADBOARD (26-30FT) (SN 0220022648 to Present)

ITEM	PART NUMBER	QTY	DESCRIPTION	REV
	1001260279	Ref	LIGHTS - HEADBOARD LIGHTS INSTALLATION - STATIONARY HEADBOARD	A
1	1001260058	1	Subframe To Deck Harness (See Separate Breakdown in this Section)	
2	1001152349	1	Subframe to Deck Wiring Harness (See Separate Breakdown in this Section)	
3	1001173952	1	Subframe Harness (See Separate Breakdown in this Section)	
4	1001152347	1	Deck to Winch Harness (See Separate Breakdown in this Section)	
5	7590000340	3	Marker Light - Red (LED)	
6	7590000343	2	Marker Light - Red (LED)	
7	7590000341	2	Marker Light - Red (LED)	
8	1001142769	2	Backup Alarm	
9	1001142771	1	Lamp	
10	7493000009	2	Grommet	
11	7493000002	4	Grommet	
12	7493000023	3	Grommet	
13	7493000010	1	Grommet	
14	7011000006	1	Backup Alarm	
15	7114140528	2	Screw 1/4 x 5/8	
16	7660142601	2	Nut 1/4	
17	7949000023	2	Washer	
18	4346000005	5	Heat Shrink (Not Shown)	

SECTION 6 - ELECTRICAL

FIGURE 6-15. LIGHTS - HEADBOARD LIGHTS INSTALLATION - BOLT-ON HEADBOARD (24-FT) (SN 0220005217 through 0220006383)



ART_2590000201

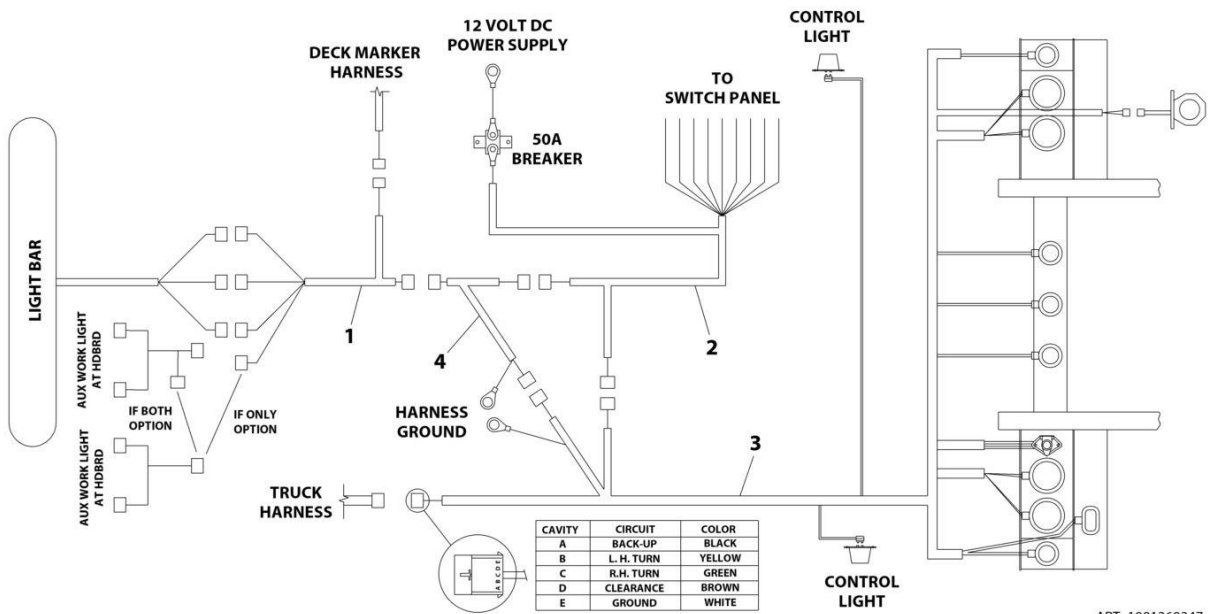
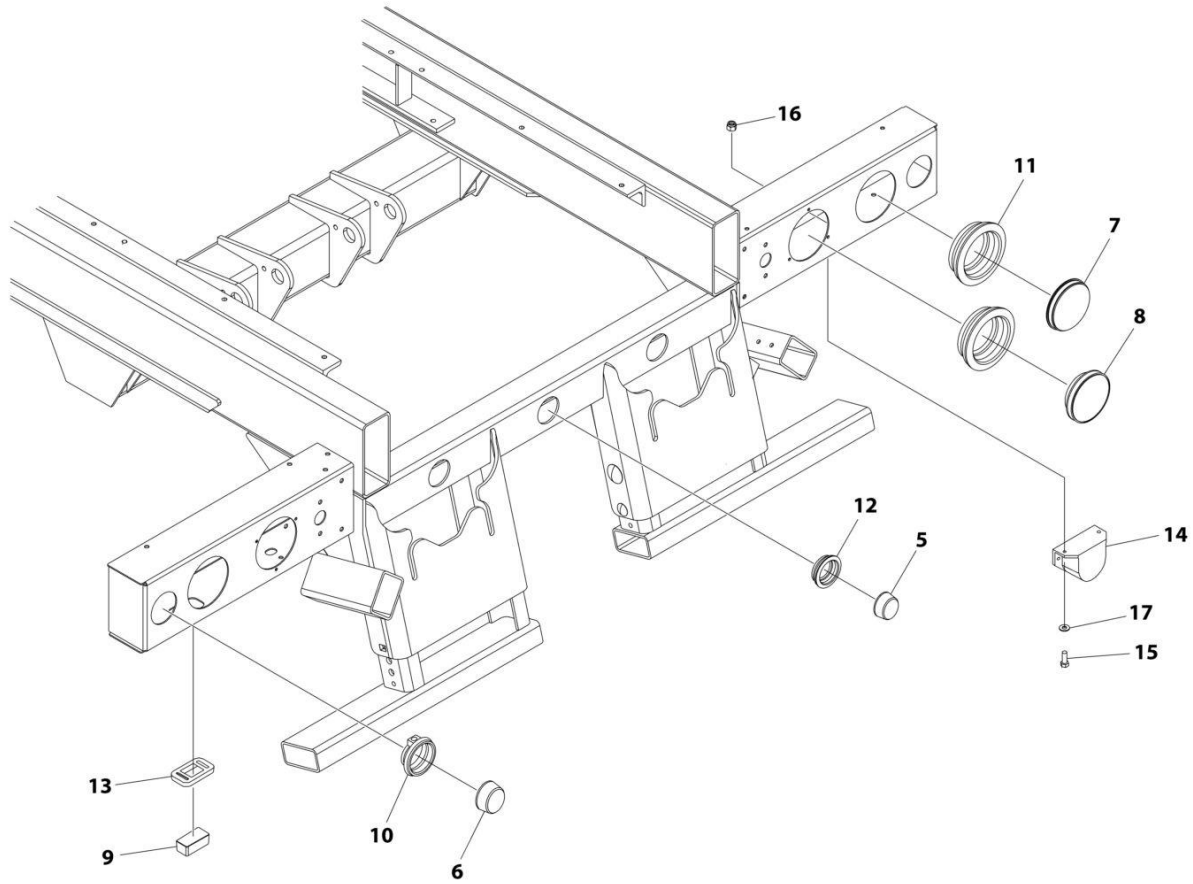
SECTION 6 - ELECTRICAL

FIGURE 6-15. LIGHTS - HEADBOARD LIGHTS INSTALLATION - BOLT-ON HEADBOARD (24-FT) (SN 0220005217 through 0220006383)

ITEM	PART NUMBER	QTY	DESCRIPTION	REV
	2590000201	Ref	LIGHTS INSTALLATION - TAILLIGHTS (24FT DECK)	E
1	7552000187	1	Subframe to Winch Harness (See Separate Breakdown in this Section)	
2	7552000186	1	Subframe to Deck Harness (See Separate Breakdown in this Section)	
3	7552000178	1	Subframe to Cab Harness (See Separate Breakdown in this Section)	
4	7552000135	1	Subframe Harness (See Separate Breakdown in this Section)	
5	7590000340	3	Light, Marker - Red (LED)	
6	7493000023	3	Grommet	
7	7590000343	4	Light, Marker - Red (LED)	
8	7493000009	4	Grommet	
9	7590000341	2	Light, Marker - Red (LED)	
10	7493000002	4	Grommet	
11	1001142769	2	Lamp	
12	1001142771	1	Lamp	
13	7493000010	1	Grommet	
14	7011000007	1	Alarm, Backup	
15	7114140528	2	Screw 1/4 x 5/8	
16	7660142601	2	Nut 1/4	
17	7949000023	2	Washer	
23	2314000034	1	Lightbox and Cover Installation	
23	4314000235	1	Box, Light (RH- Passenger Side)	
23	4314000232	1	Box, Light (LH- Driver Side)	
24	4346000005	5	Heat Shrink (Not Shown)	

SECTION 6 - ELECTRICAL

FIGURE 6-16. LIGHTS - HEADBOARD LIGHTS INSTALLATION - BOLT-ON HEADBOARD (24-FT) (SN 0220022647 through 0220022915)



ART_1001260347

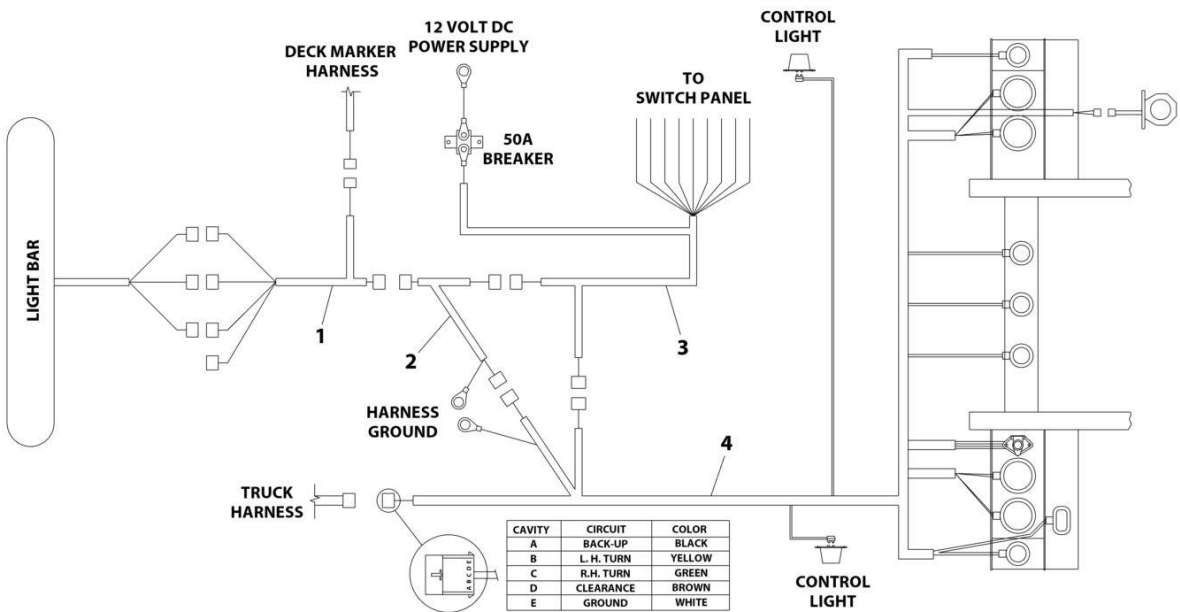
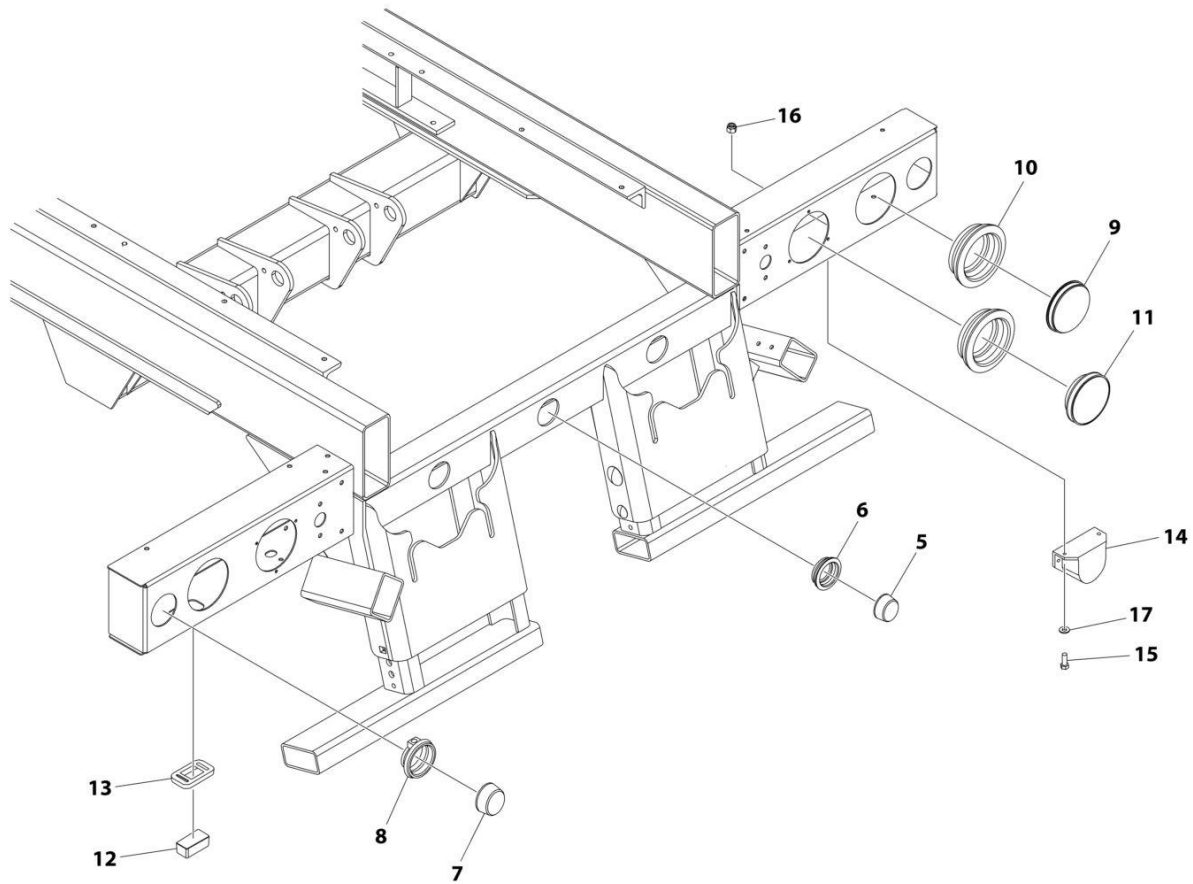
SECTION 6 - ELECTRICAL

FIGURE 6-16. LIGHTS - HEADBOARD LIGHTS INSTALLATION - BOLT-ON HEADBOARD (24-FT) (SN 0220022647 through 0220022915)

ITEM	PART NUMBER	QTY	DESCRIPTION	REV
	1001260347	Ref	LIGHTS - WORKLIGHTS INSTALLATION (ON HEADBOARD FOR 24-26FT DECK)	B
1	1001260350	1	Deck to Winch Wiring Harness	
2	7552000178	1	Subframe to Cab Wiring Harness	
3	1001173952	1	Subframe Harness	
4	7552000186	1	Subframe to Deck Wiring Harness	
5	7590000340	3	Marker Light - Red (LED)	
6	7590000343	2	Marker Light - Red (LED)	
7	7590000341	2	Marker Light - Red (LED)	
8	1001142769	2	Lamp	
9	1001142771	1	Lamp	
10	7493000009	2	Grommet	
11	7493000002	4	Grommet	
12	7493000023	3	Grommet	
13	7493000010	1	Grommet	
14	7011000006	1	Backup Alarm	
15	7114140528	2	Screw 1/4 x 5/8	
16	7660142601	2	Nut 1/4	
17	7949000023	2	Washer	
18	4346000005	5	Heat Shrink (Not Shown)	

SECTION 6 - ELECTRICAL

FIGURE 6-17. LIGHTS - HEADBOARD LIGHTS INSTALLATION - BOLT-ON HEADBOARD (26-FT) (SN 0220005217 through 0220025910)



ART_1001260346

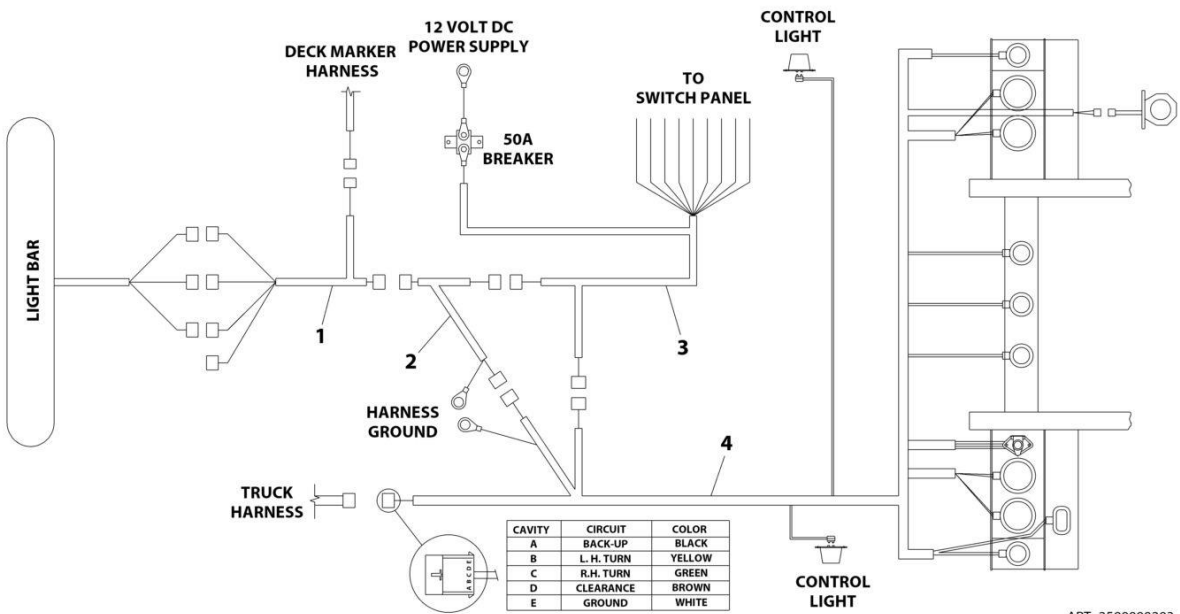
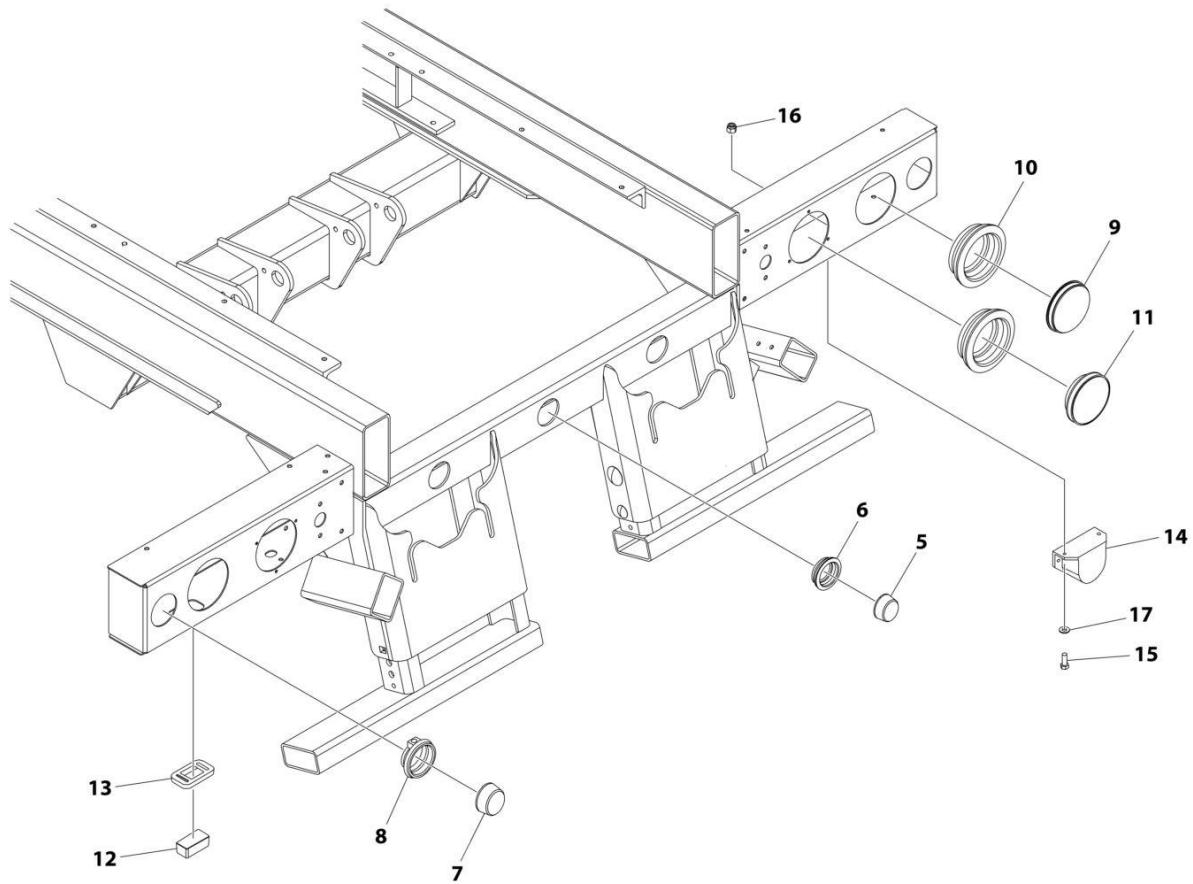
SECTION 6 - ELECTRICAL

FIGURE 6-17. LIGHTS - HEADBOARD LIGHTS INSTALLATION - BOLT-ON HEADBOARD (26-FT) (SN 0220005217 through 0220025910)

ITEM	PART NUMBER	QTY	DESCRIPTION	REV
	2590000202	Ref	LIGHTS AND WIRING INSTALLATION - BOLT-ON HEADBOARD	F
1	7552000187	1	Subframe to Winch Harness (See Separate Breakdown in this Section)	
2	7552000186	1	Subframe to Deck Harness (See Separate Breakdown in this Section)	
3	7552000178	1	Subframe to Cab Harness (See Separate Breakdown in this Section)	
4	1001173952	1	Subframe Harness (See Separate Breakdown in this Section)	
5	7590000340	3	Marker Light - Red (LED)	
6	7493000023	3	Grommet	
7	7590000343	2	Marker Light - Red (LED)	
8	7493000009	2	Grommet	
9	7590000341	2	Marker Light - Red (LED)	
10	7493000002	4	Grommet	
11	1001142769	2	Backup Alarm	
12	1001142771	1	Lamp	
13	7493000010	1	Grommet	
14	7011000006	1	Backup Alarm	
15	7114140528	2	Screw 1/4 x 5/8	
16	7660142601	2	Nut 1/4	
17	7949000023	2	Washer	
24	4346000005	5	Heat Shrink (Not Shown)	

SECTION 6 - ELECTRICAL

**FIGURE 6-18. LIGHTS - HEADBOARD LIGHTS INSTALLATION - BOLT-ON HEADBOARD (28-30-FT)
(SN 022005217 through 0220025910)**



ART_2590000203

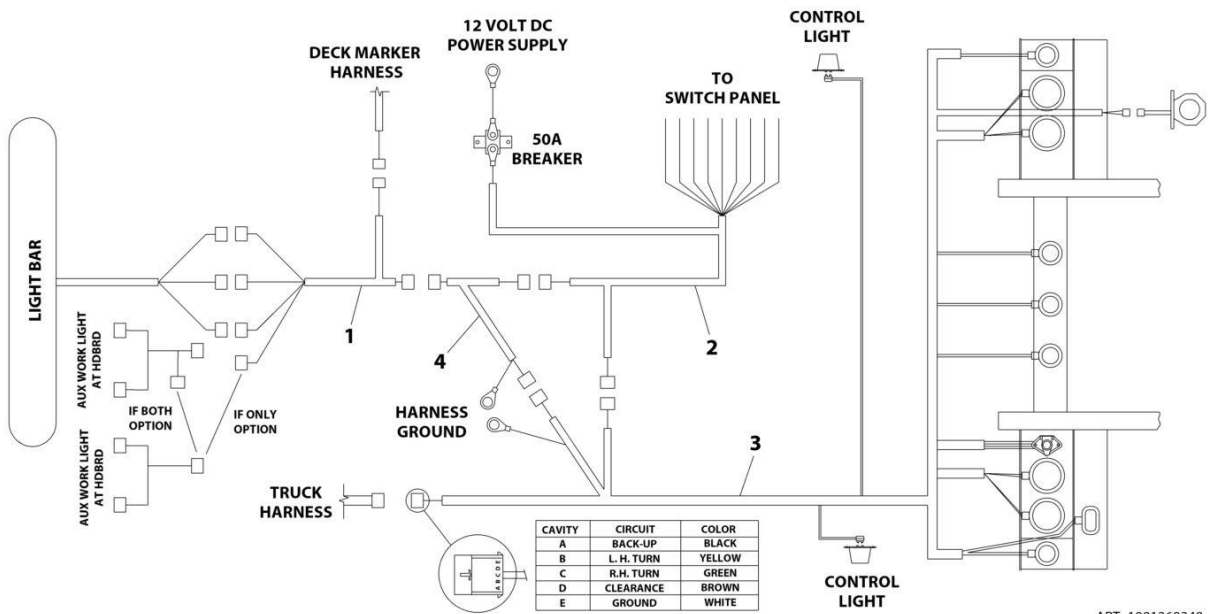
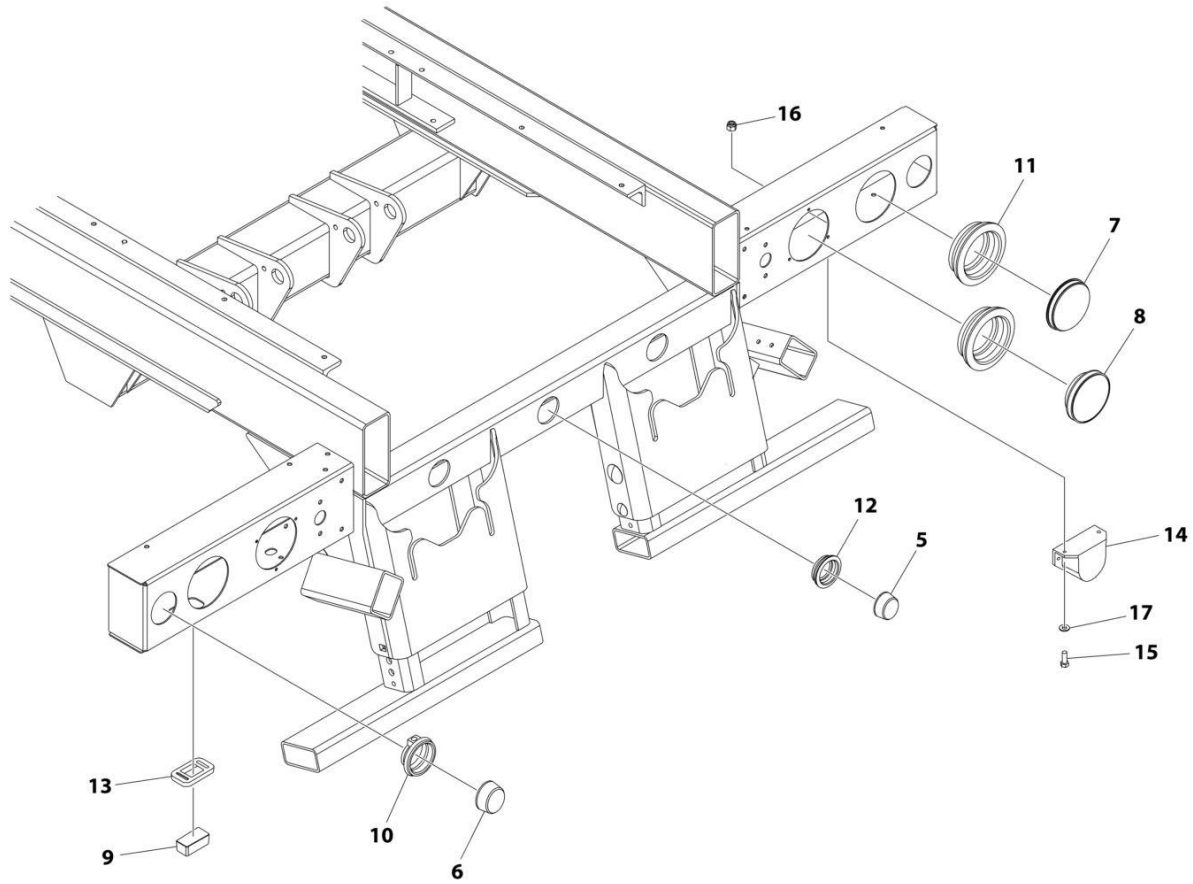
SECTION 6 - ELECTRICAL

**FIGURE 6-18. LIGHTS - HEADBOARD LIGHTS INSTALLATION - BOLT-ON HEADBOARD (28-30-FT)
(SN 0220005217 through 0220025910)**

ITEM	PART NUMBER	QTY	DESCRIPTION	REV
	2590000203	Ref	LIGHTS AND WIRING INSTALLATION - WITH BOLT-ON HEADBOARD (28-30FT)	F
1	7552000188	1	Subframe to Winch Harness (See Separate Breakdown in this Section)	
2	7552000186	1	Subframe to Deck Harness (See Separate Breakdown in this Section)	
3	7552000178	1	Subframe to Cab Harness (See Separate Breakdown in this Section)	
4	1001173952	1	Subframe Harness (See Separate Breakdown in this Section)	
5	7590000340	3	Marker Light - Red (LED)	
6	7493000023	3	Grommet	
7	7590000343	2	Marker Light - Red (LED)	
8	7493000009	2	Grommet	
9	7590000341	2	Marker Light - Red (LED)	
10	7493000002	4	Grommet	
11	1001142769	2	Backup Alarm	
12	1001142771	1	Lamp	
13	7493000010	1	Grommet	
14	7011000006	1	Backup Alarm	
15	7114140528	2	Screw 1/4 x 5/8	
16	7660142601	2	Nut 1/4	
17	7949000023	2	Washer	
24	4346000005	5	Heat Shrink (Not Shown)	

SECTION 6 - ELECTRICAL

**FIGURE 6-19. LIGHTS - HEADBOARD LIGHTS INSTALLATION - BOLT-ON HEADBOARD (24-30-FT)
(SN 0220022647 to Present)**



ART_1001260348

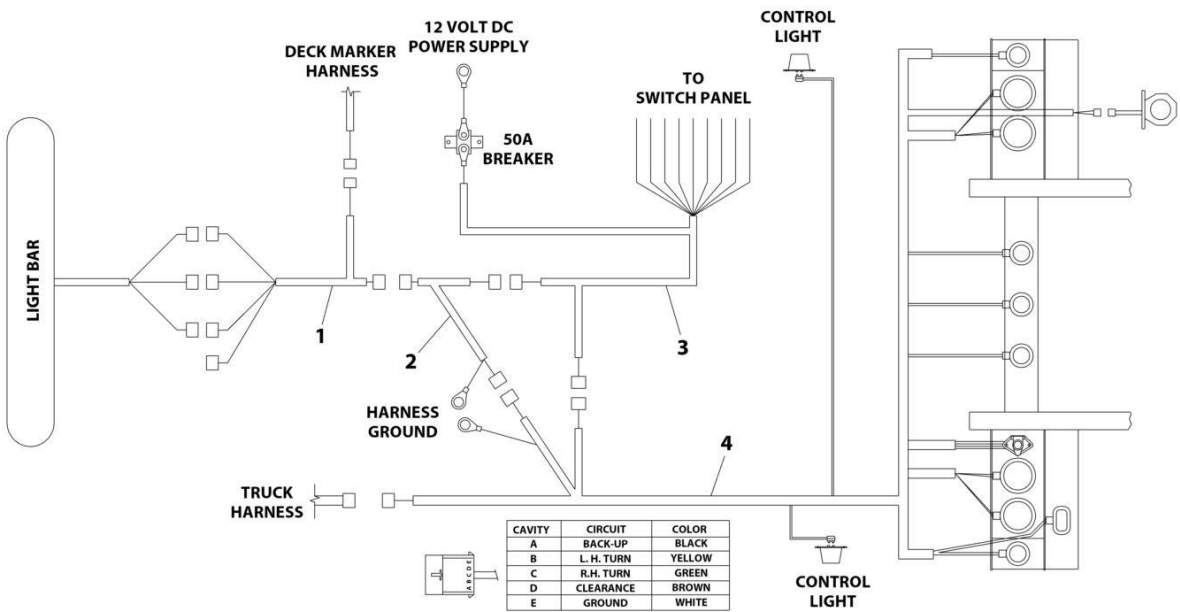
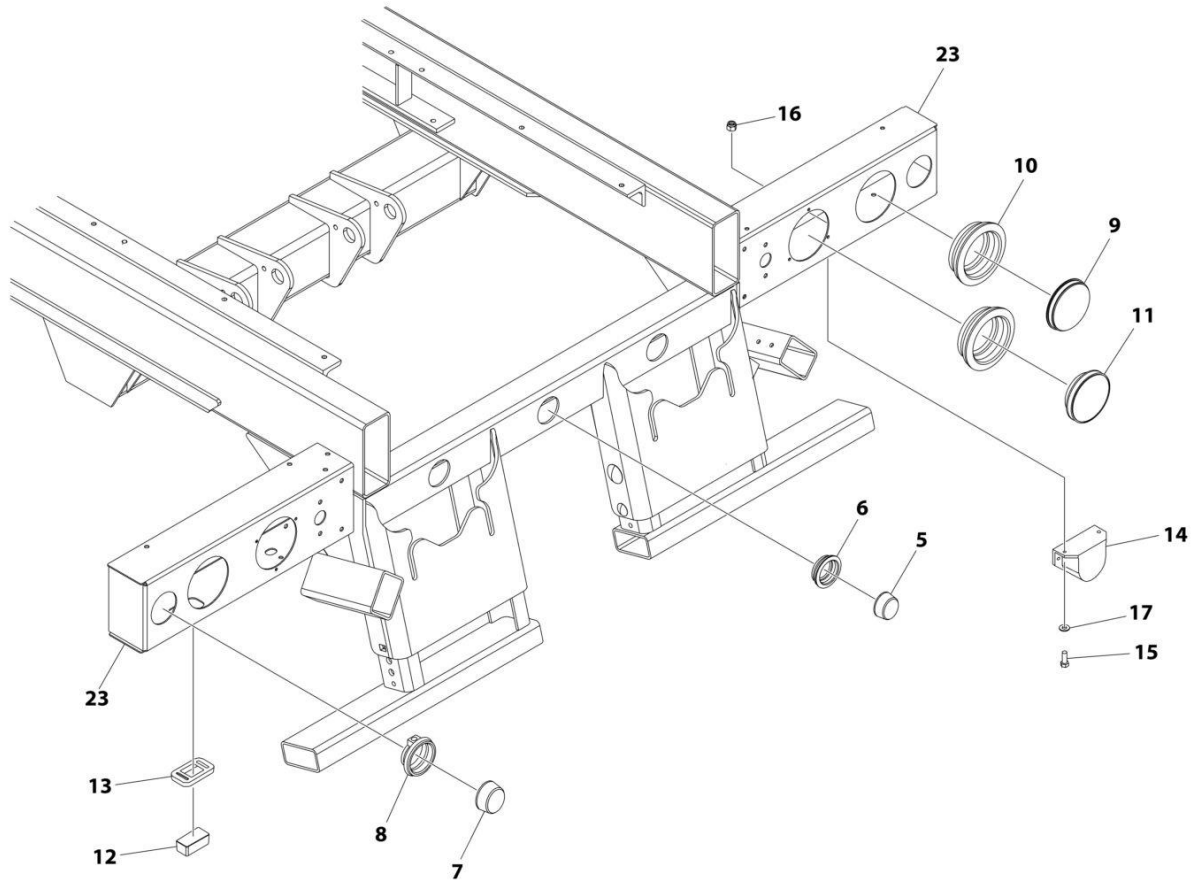
SECTION 6 - ELECTRICAL

**FIGURE 6-19. LIGHTS - HEADBOARD LIGHTS INSTALLATION - BOLT-ON HEADBOARD (24-30-FT)
(SN 0220022647 to Present)**

ITEM	PART NUMBER	QTY	DESCRIPTION	REV
	1001260348	Ref	LIGHTS - WORKLIGHTS INSTALLATION (ON HEADBOARD FOR 28-30FT DECK)	B
1	1001260351	1	Subframe to Winch Harness (See Separate Breakdown in this Section)	
2	7552000178	1	Subframe to Cab Harness (See Separate Breakdown in this Section)	
3	1001173952	1	Subframe Harness (See Separate Breakdown in this Section)	
4	7552000186	1	Subframe to Deck Harness (See Separate Breakdown in this Section)	
5	7590000340	3	Marker Light - Red (LED)	
6	7590000343	2	Marker Light - Red (LED)	
7	7590000341	2	Marker Light - Red (LED)	
8	1001142769	2	Lamp	
9	1001142771	1	Lamp	
10	7493000009	2	Grommet	
11	7493000002	4	Grommet	
12	7493000023	3	Grommet	
13	7493000010	1	Grommet	
14	7011000006	1	Backup Alarm	
15	7114140528	2	Screw 1/4 x 5/8	
16	7660142601	2	Nut 1/4	
17	7949000023	2	Washer	
18	4346000005	5	Heat Shrink (Not Shown)	

SECTION 6 - ELECTRICAL

FIGURE 6-20. LIGHTS - HEADBOARD LIGHTS INSTALLATION - BOLT-ON HEADBOARD (24-FT GALVANIZED) (SN 0220005217 through 0220006383)



ART_1001137926

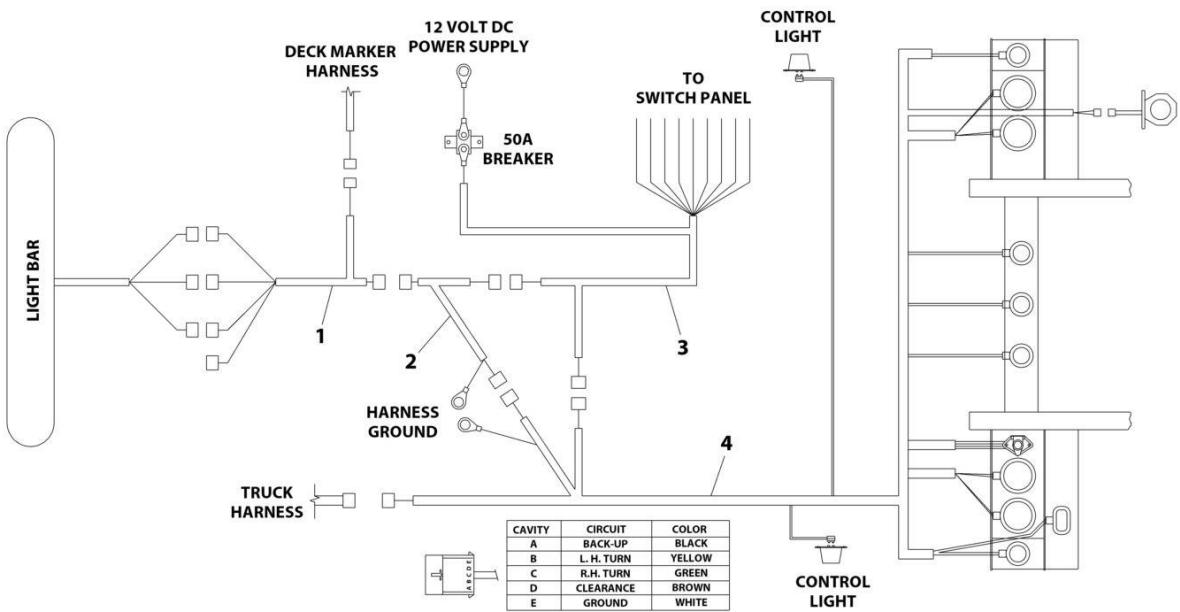
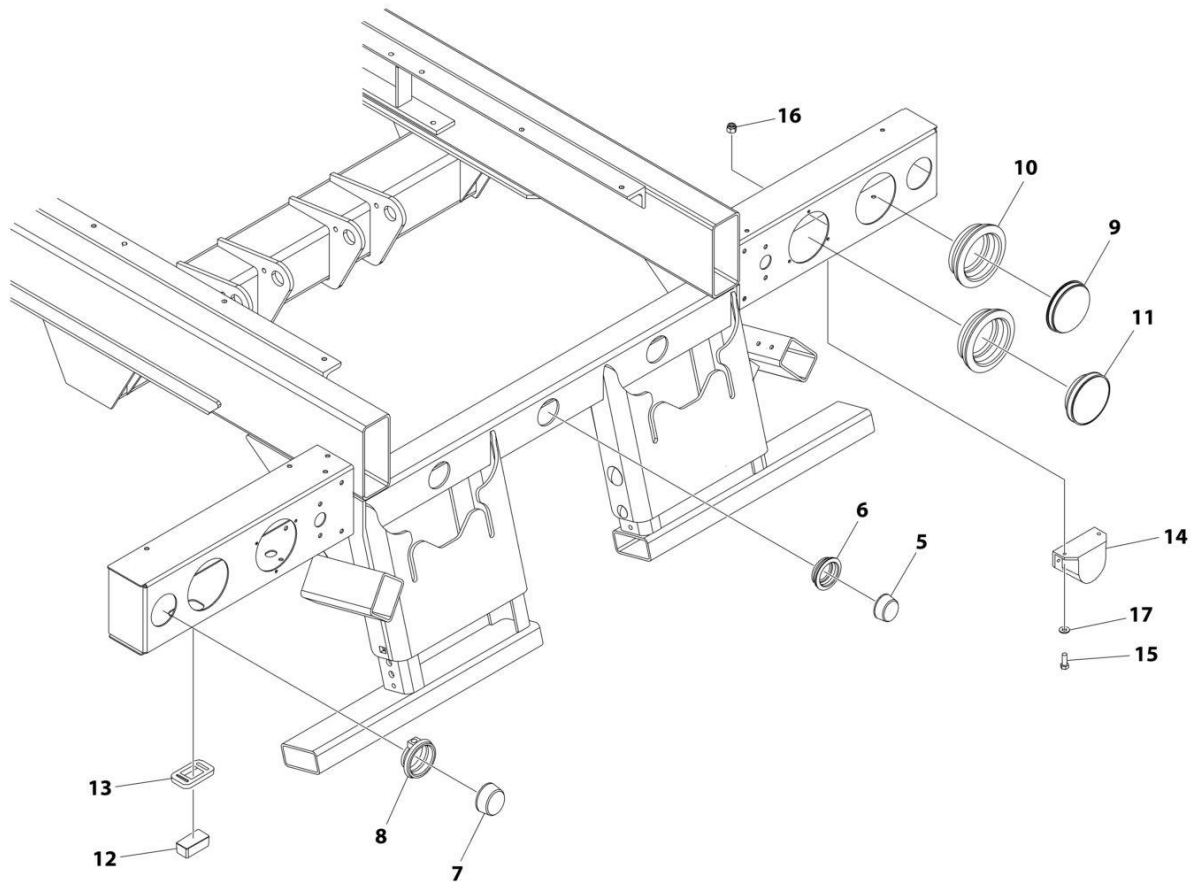
SECTION 6 - ELECTRICAL

FIGURE 6-20. LIGHTS - HEADBOARD LIGHTS INSTALLATION - BOLT-ON HEADBOARD (24-FT GALVANIZED) (SN 0220005217 through 0220006383)

ITEM	PART NUMBER	QTY	DESCRIPTION	REV
	1001137926	Ref	LIGHTS INSTALLATION - TAILLIGHTS (24FT DECK - GALVANIZED)	D
1	7552000187	1	Subframe to Winch Harness (See Separate Breakdown in this Section)	
2	7552000186	1	Subframe to Deck Harness (See Separate Breakdown in this Section)	
3	7552000178	1	Subframe to Cab Harness (See Separate Breakdown in this Section)	
4	7552000135	1	Subframe Harness (See Separate Breakdown in this Section)	
5	7590000340	3	Light, Marker - Red (LED)	
6	7493000023	3	Grommet	
7	7590000343	4	Light, Marker - Red (LED)	
8	7493000009	4	Grommet	
9	7590000341	2	Light, Marker - Red (LED)	
10	7493000002	4	Grommet	
11	1001142769	2	Lamp	
12	1001142771	1	Lamp	
13	7493000010	1	Grommet	
14	7011000007	1	Alarm, Backup	
15	7114140528	2	Screw 1/4 x 5/8	
16	7660142601	2	Nut 1/4	
17	7949000023	2	Washer	
23	2314000019	1	Lightbox and Cover Installation	
23	4314000235	1	Box, Light (RH- Passenger Side)	
23	4314000232	1	Box, Light (LH- Driver Side)	
24	4346000005	5	Heat Shrink (Not Shown)	

SECTION 6 - ELECTRICAL

FIGURE 6-21. LIGHTS - HEADBOARD LIGHTS INSTALLATION - BOLT-ON HEADBOARD (26-FT GALVANIZED) (SN 0220005217 through 0220015208)



ART_1001137923

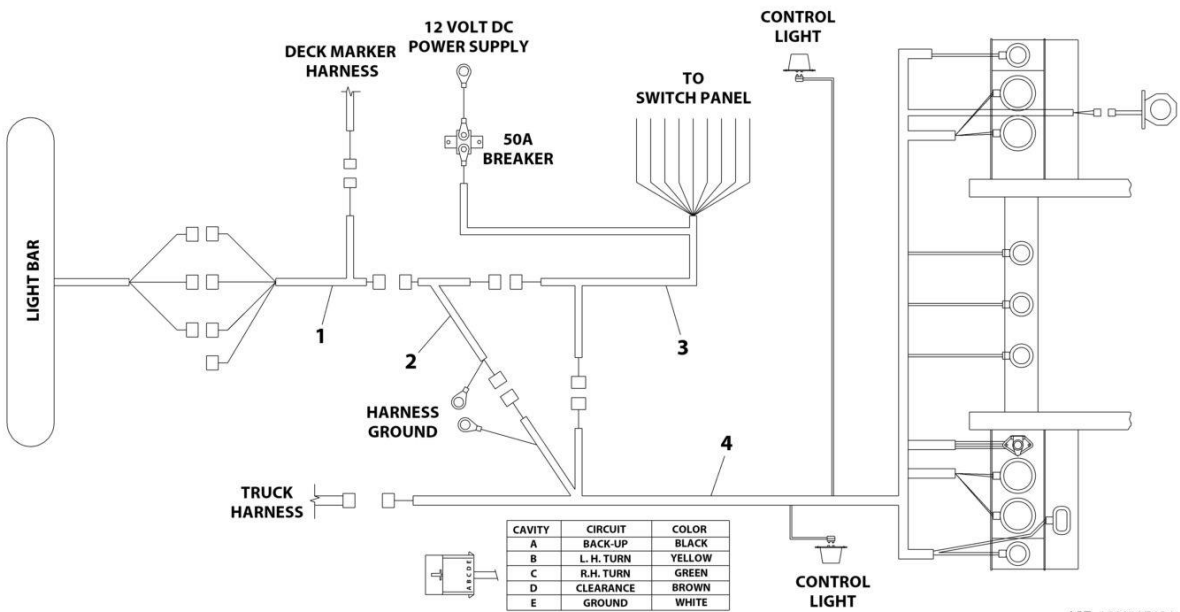
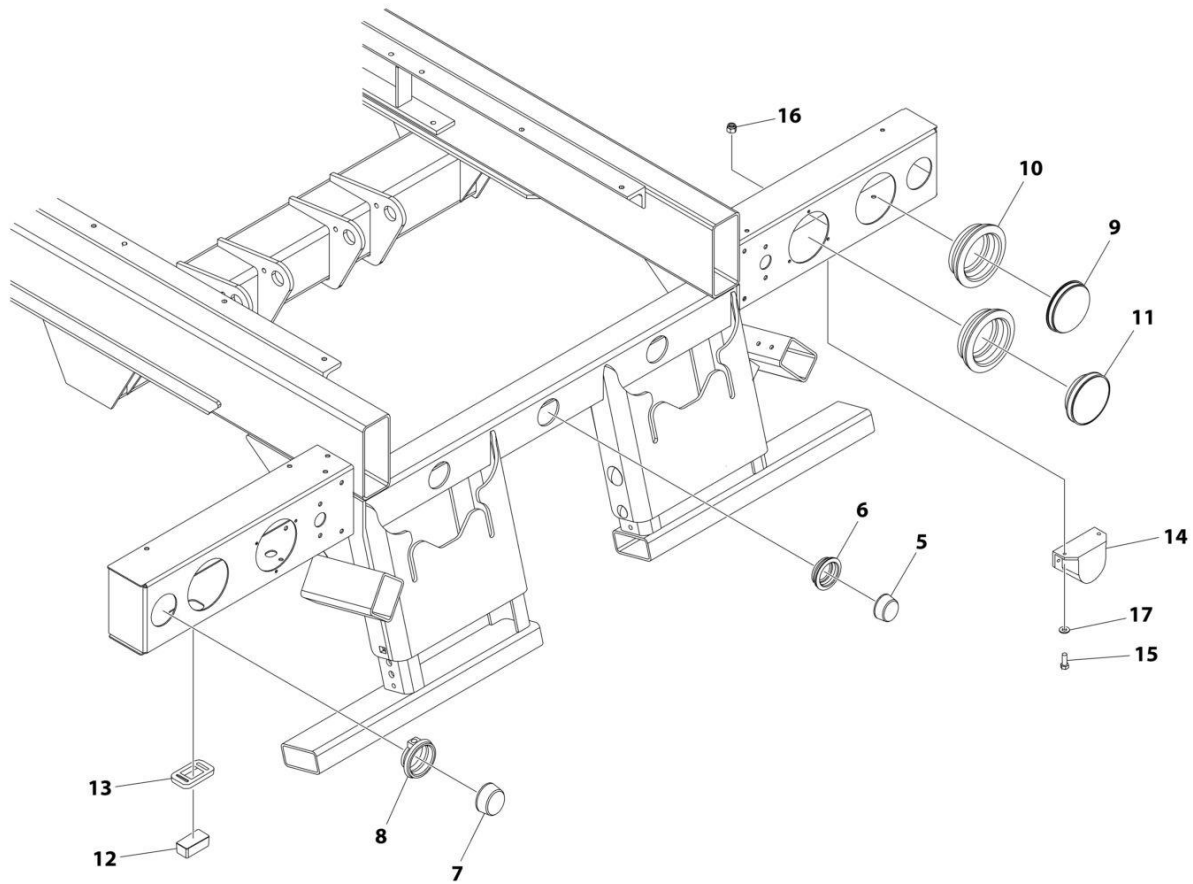
SECTION 6 - ELECTRICAL

FIGURE 6-21. LIGHTS - HEADBOARD LIGHTS INSTALLATION - BOLT-ON HEADBOARD (26-FT GALVANIZED) (SN 0220005217 through 0220015208)

ITEM	PART NUMBER	QTY	DESCRIPTION	REV
	1001137923	Ref	LIGHTS INSTALLATION - TAILLIGHTS (26FT DECK - GALVANIZED)	D
1	7552000187	1	Subframe to Winch Harness (See Separate Breakdown in this Section)	
2	7552000186	1	Subframe to Deck Harness (See Separate Breakdown in this Section)	
3	7552000178	1	Subframe to Cab Harness (See Separate Breakdown in this Section)	
4	1001173952	1	Subframe Harness (See Separate Breakdown in this Section)	
5	7590000340	3	Light, Marker - Red (LED)	
6	7493000023	3	Grommet	
7	7590000343	2	Light, Marker - Red (LED)	
8	7493000009	2	Grommet	
9	7590000341	2	Light, Marker - Red (LED)	
10	7493000002	4	Grommet	
11	1001142769	2	Lamp	
12	1001142771	1	Lamp	
13	7493000010	1	Grommet	
14	7011000006	1	Alarm, Backup	
15	7114140528	2	Screw 1/4 x 5/8	
16	7660142601	2	Nut 1/4	
17	7949000023	2	Washer	
24	4346000005	5	Heat Shrink (Not Shown)	

SECTION 6 - ELECTRICAL

FIGURE 6-22. LIGHTS - HEADBOARD LIGHTS INSTALLATION - BOLT-ON HEADBOARD (28-30FT GALVANIZED) (SN 0220005217 through 0220015208)



ART_1001137924

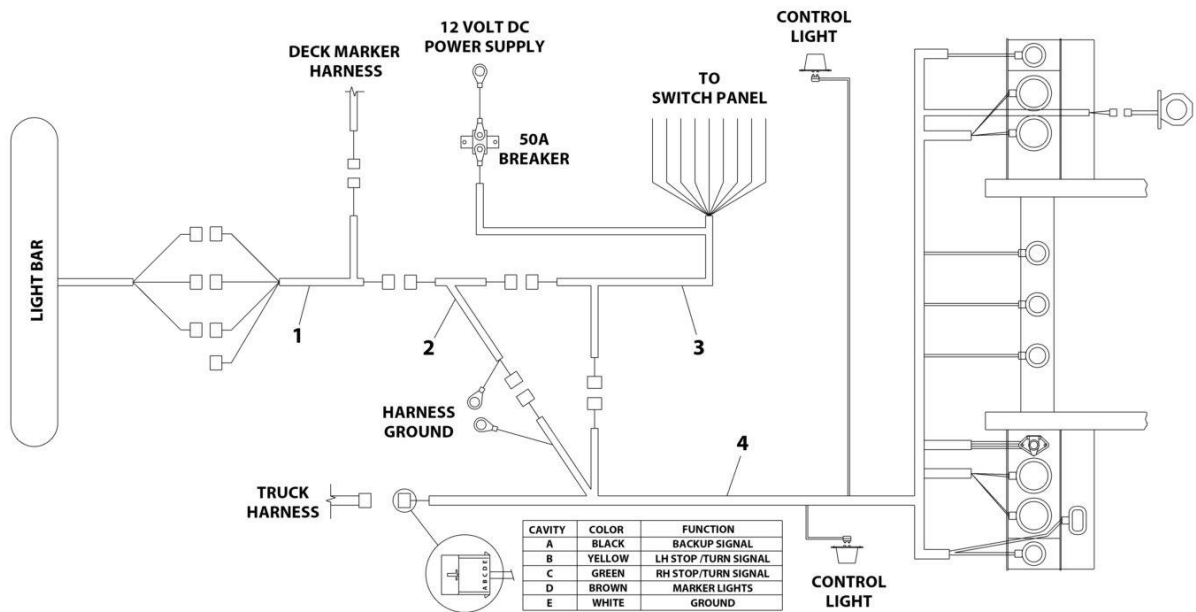
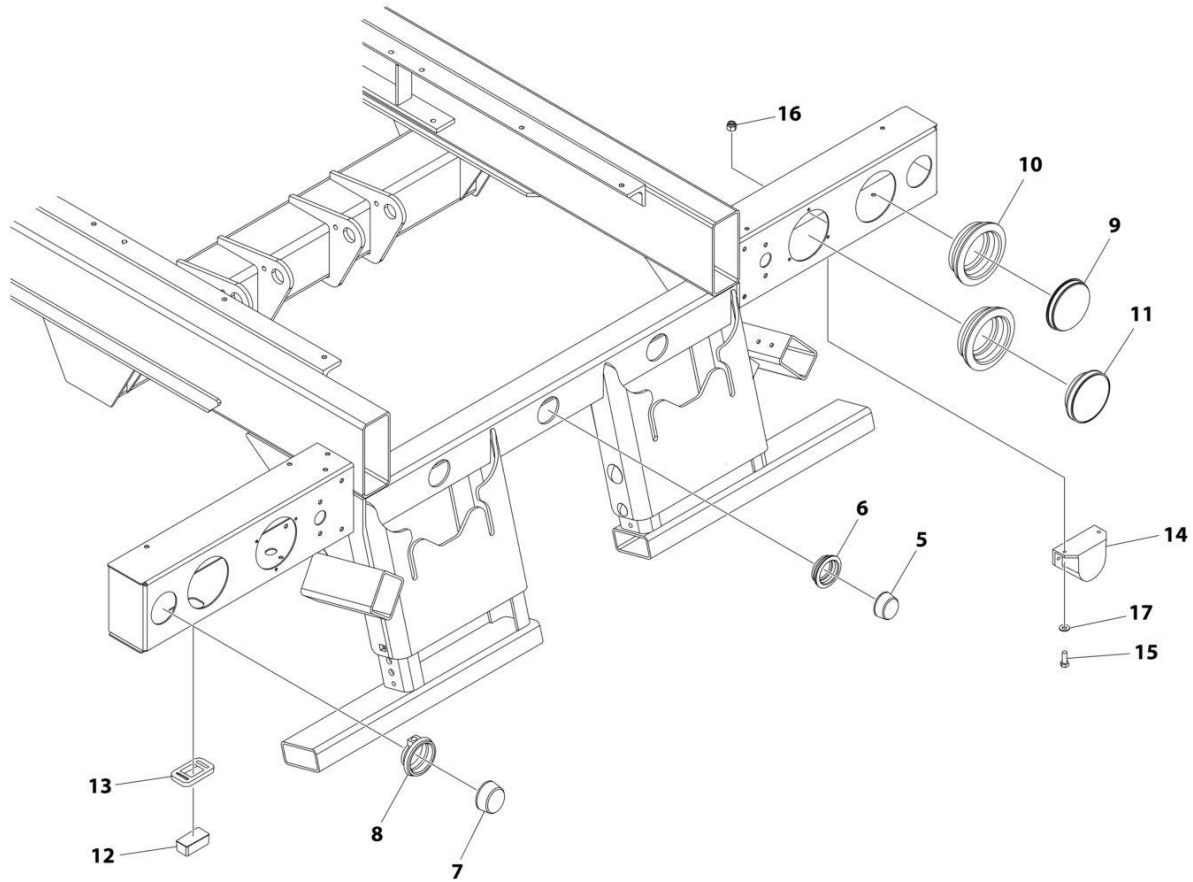
SECTION 6 - ELECTRICAL

FIGURE 6-22. LIGHTS - HEADBOARD LIGHTS INSTALLATION - BOLT-ON HEADBOARD (28-30FT GALVANIZED) (SN 0220005217 through 0220015208)

ITEM	PART NUMBER	QTY	DESCRIPTION	REV
	1001137924	Ref	LIGHTS INSTALLATION - TAILLIGHTS (28FT DECK - GALVANIZED)	D
1	7552000188	1	Subframe to Winch Harness (See Separate Breakdown in this Section)	
2	7552000186	1	Subframe to Deck Harness (See Separate Breakdown in this Section)	
3	7552000178	1	Subframe to Cab Harness (See Separate Breakdown in this Section)	
4	1001173952	1	Subframe Harness (See Separate Breakdown in this Section)	
5	7590000340	3	Light, Marker - Red (LED)	
6	7493000023	3	Grommet	
7	7590000343	2	Light, Marker - Red (LED)	
8	7493000009	2	Grommet	
9	7590000341	2	Light, Marker - Red (LED)	
10	7493000002	4	Grommet	
11	1001142769	2	Lamp	
12	1001142771	1	Lamp	
13	7493000010	1	Grommet	
14	7011000006	1	Alarm, Backup	
15	7114140528	2	Screw 1/4 x 5/8	
16	7660142601	2	Nut 1/4	
17	7949000023	2	Washer	
24	4346000005	5	Heat Shrink (Not Shown)	

SECTION 6 - ELECTRICAL

**FIGURE 6-23. LIGHTS - HEADBOARD LIGHTS INSTALLATION - BOLT-ON HEADBOARD - 26FT (GSA)
(SN 0220005217 through 0220015208)**



ART_2590000276

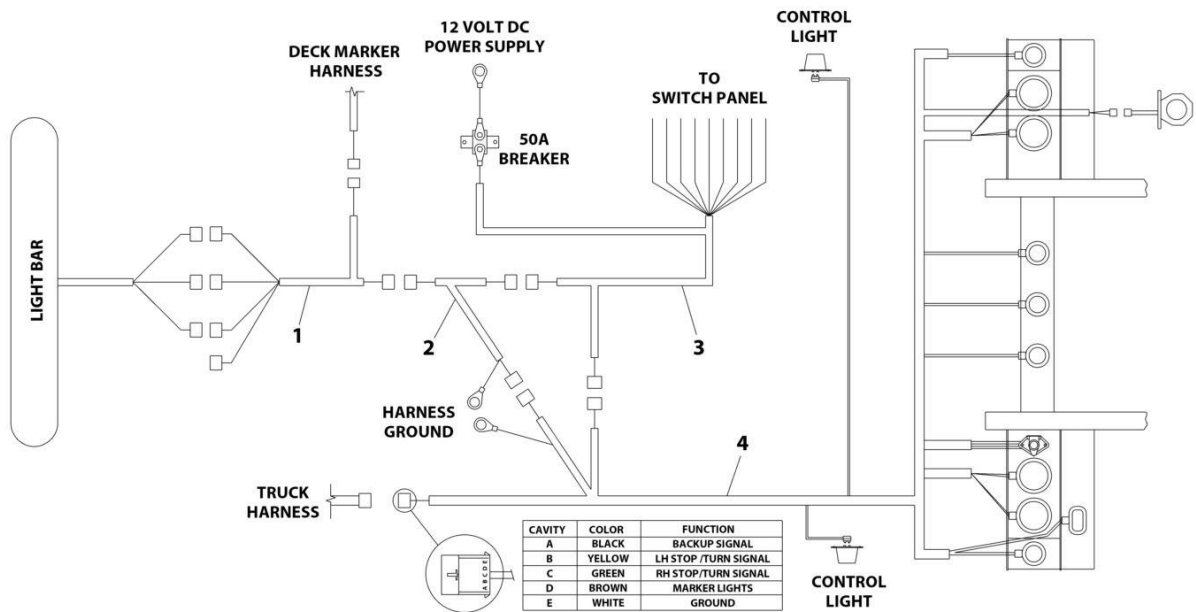
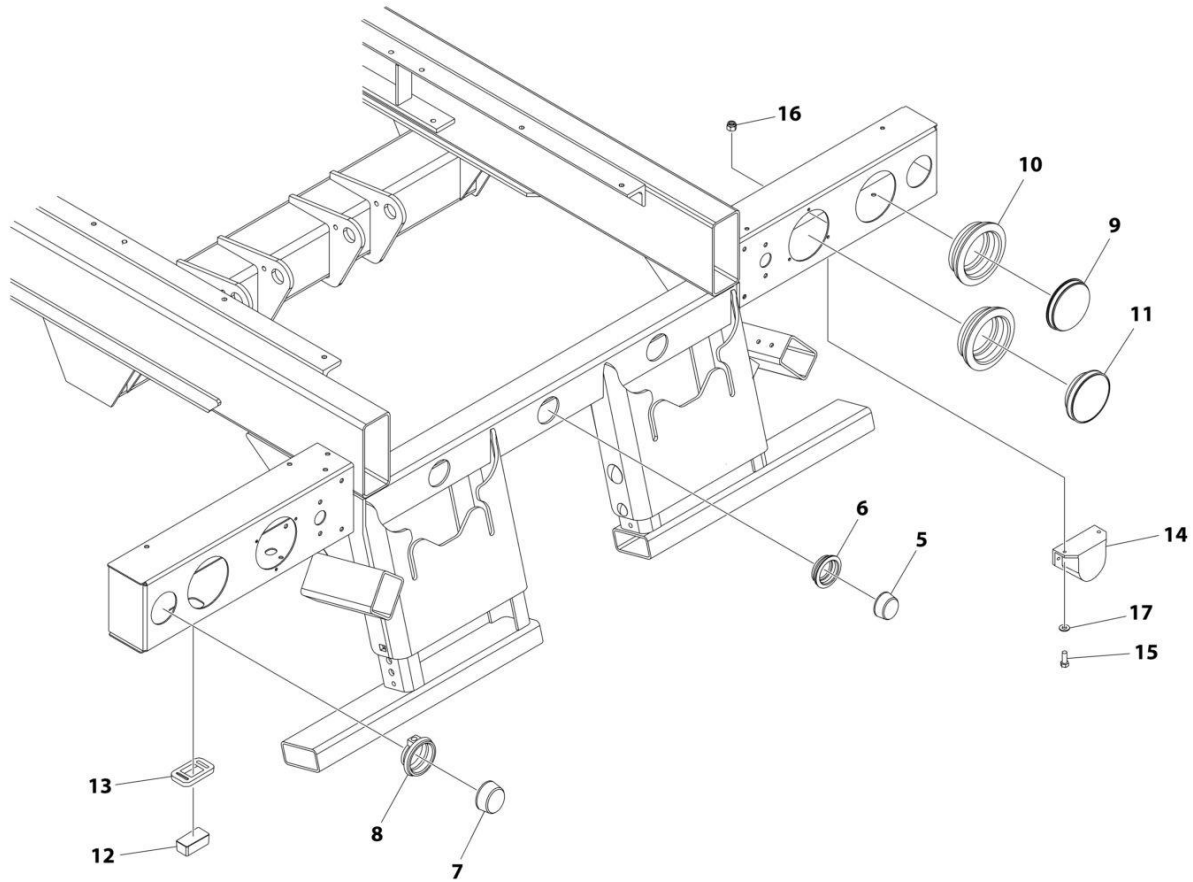
SECTION 6 - ELECTRICAL

**FIGURE 6-23. LIGHTS - HEADBOARD LIGHTS INSTALLATION - BOLT-ON HEADBOARD - 26FT (GSA)
(SN 0220005217 through 0220015208)**

ITEM	PART NUMBER	QTY	DESCRIPTION	REV
	2590000276	Ref	LIGHTS INSTALLATION - TAILLIGHTS (26FT DECK - GSA SPECS)	E
1	7552000187	1	Subframe to Winch Harness (See Separate Breakdown in this Section)	
2	7552000186	1	Subframe to Deck Harness (See Separate Breakdown in this Section)	
3	7552000178	1	Subframe to Cab Harness (See Separate Breakdown in this Section)	
4	1001173952	1	Subframe Harness (See Separate Breakdown in this Section)	
5	7590000340	3	Light, Marker - Red (LED)	
6	7493000023	3	Grommet	
7	7590000343	2	Light, Marker - Red (LED)	
8	7493000009	2	Grommet	
9	7590000341	2	Light, Marker - Red (LED)	
10	7493000002	4	Grommet	
11	1001142769	2	Lamp	
12	1001142771	1	Lamp	
13	7493000010	1	Grommet	
14	1001175061	1	Alarm, Backup	
15	7114140528	2	Screw 1/4 x 5/8	
16	7660142601	2	Nut 1/4	
17	7949000023	2	Washer	
24	4346000005	5	Heat Shrink (Not Shown)	

SECTION 6 - ELECTRICAL

**FIGURE 6-24. LIGHTS - HEADBOARD LIGHTS INSTALLATION - BOLT-ON HEADBOARD - 28FT (GSA)
(SN 0220005217 through 0220015208)**



ART_2590000277

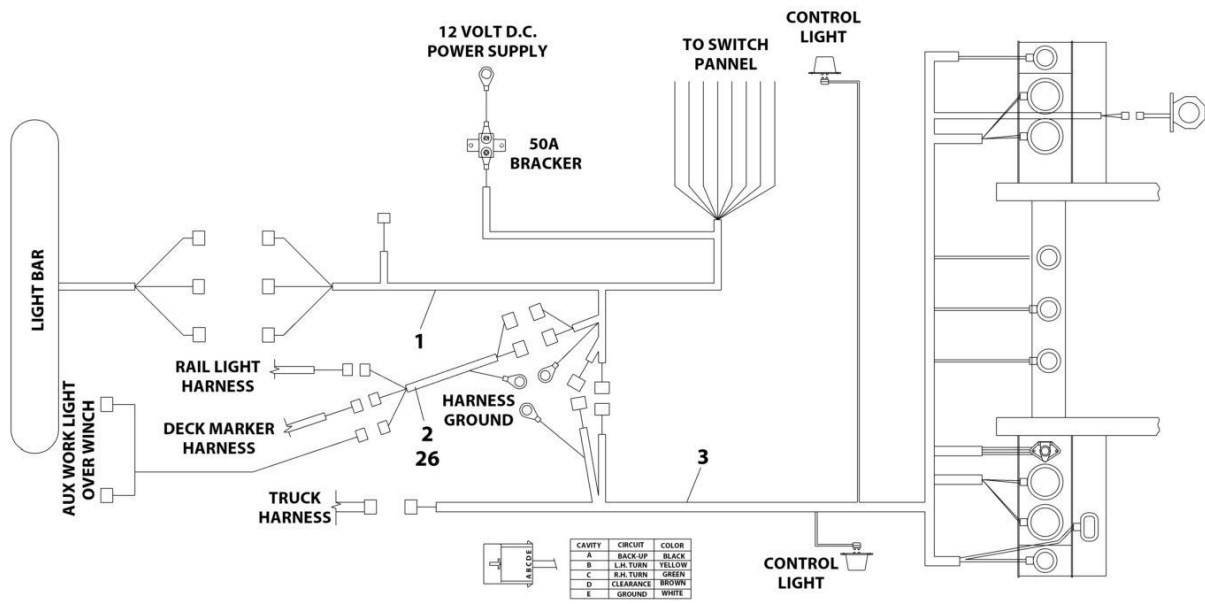
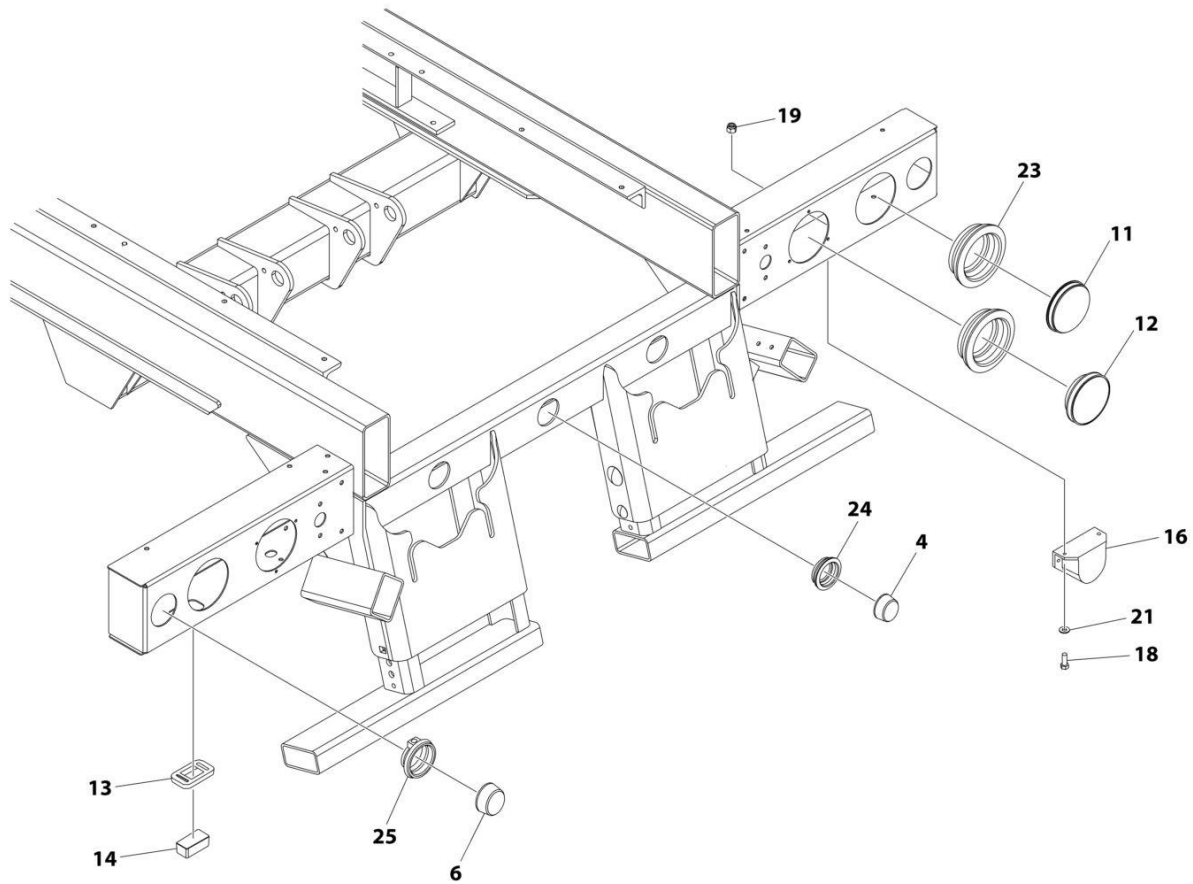
SECTION 6 - ELECTRICAL

**FIGURE 6-24. LIGHTS - HEADBOARD LIGHTS INSTALLATION - BOLT-ON HEADBOARD - 28FT (GSA)
(SN 0220005217 through 0220015208)**

ITEM	PART NUMBER	QTY	DESCRIPTION	REV
	2590000277	Ref	LIGHTS INSTALLATION - TAILLIGHTS (28FT DECK - GSA SPECS)	E
1	7552000188	1	Subframe to Winch Harness (See Separate Breakdown in this Section)	
2	7552000186	1	Subframe to Deck Harness (See Separate Breakdown in this Section)	
3	7552000178	1	Subframe to Cab Harness (See Separate Breakdown in this Section)	
4	1001173952	1	Subframe Harness (See Separate Breakdown in this Section)	
5	7590000340	3	Light, Marker - Red (LED)	
6	7493000023	3	Grommet	
7	7590000343	2	Light, Marker - Red (LED)	
8	7493000009	2	Grommet	
9	7590000341	2	Light, Marker - Red (LED)	
10	7493000002	4	Grommet	
11	1001142769	2	Lamp	
12	1001142771	1	Lamp	
13	7493000010	1	Grommet	
14	1001175061	1	Alarm, Backup	
15	7114140528	2	Screw 1/4 x 5/8	
16	7660142601	2	Nut 1/4	
17	7949000023	2	Washer	
24	4346000005	5	Heat Shrink (Not Shown)	

SECTION 6 - ELECTRICAL

FIGURE 6-25. LIGHTS - HEADBOARD LIGHTS INSTALLATION - STATIONARY HEADBOARD (24FT GALVANIZED) (SN 0220005217 through 0220015208)



ART_2590000286

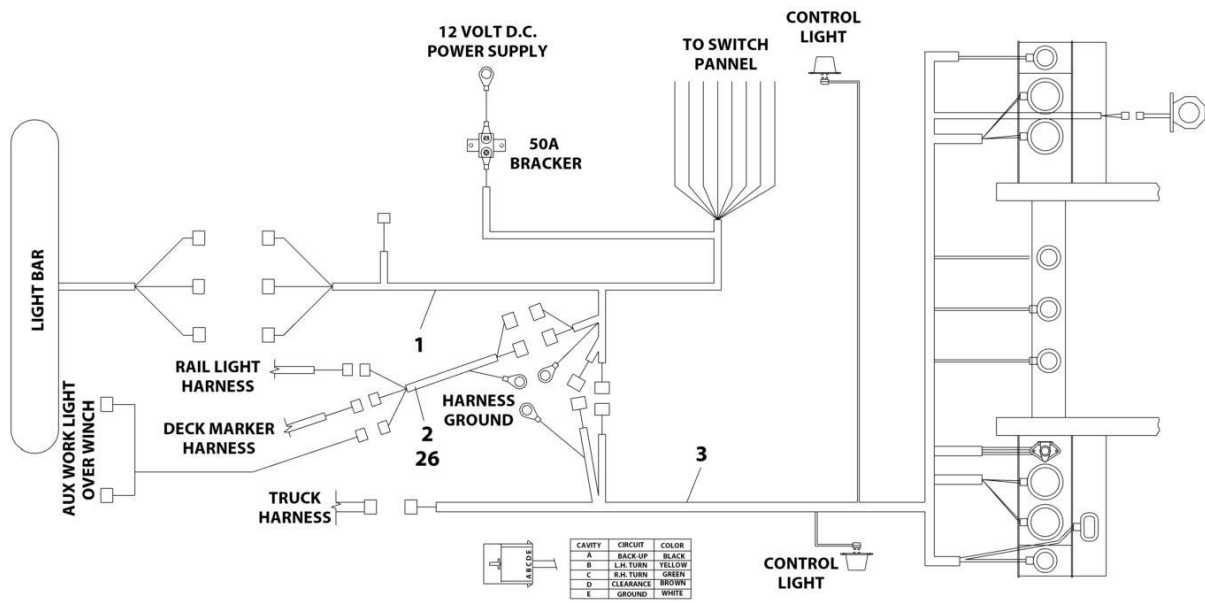
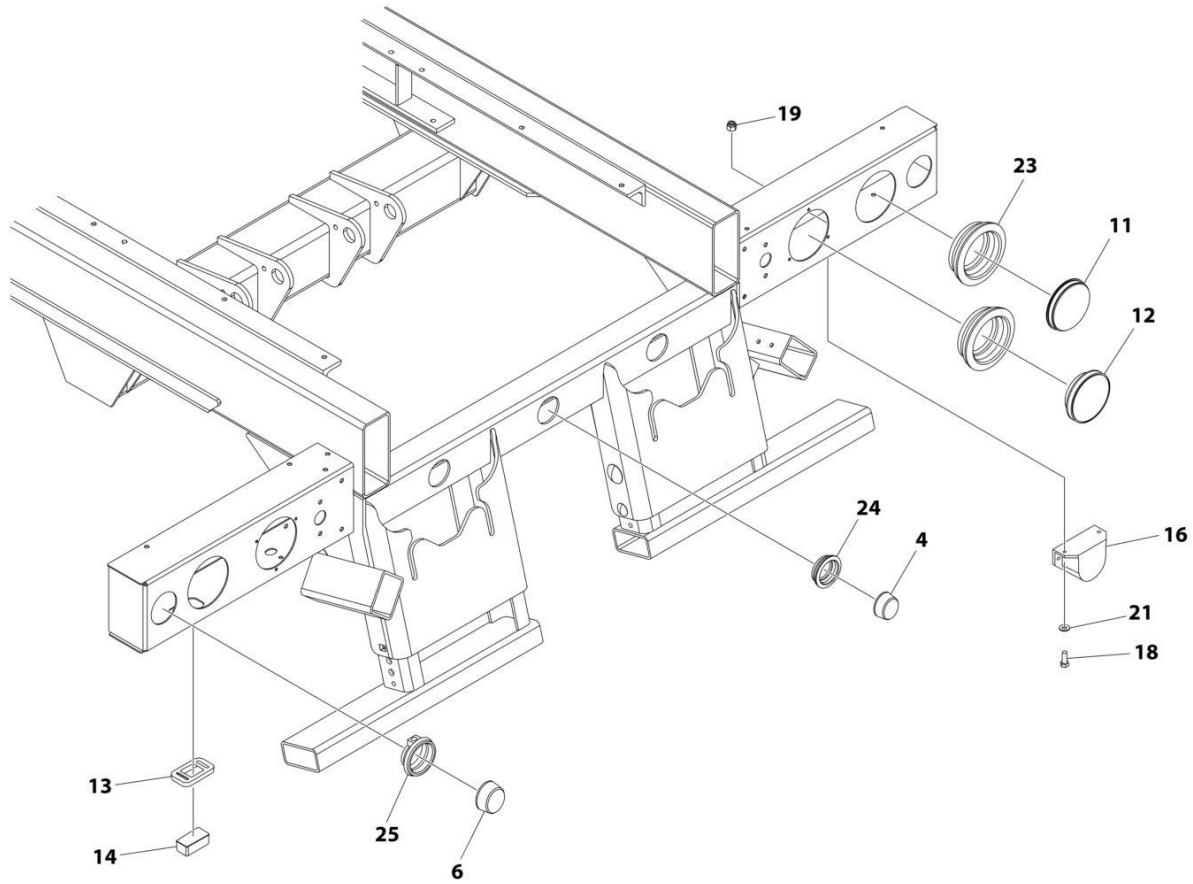
SECTION 6 - ELECTRICAL

FIGURE 6-25. LIGHTS - HEADBOARD LIGHTS INSTALLATION - STATIONARY HEADBOARD (24FT GALVANIZED) (SN 0220005217 through 0220015208)

ITEM	PART NUMBER	QTY	DESCRIPTION	REV
	2590000286	Ref	LIGHTS INSTALLATION - TAILLIGHTS (24FT DECK WITH SRS - GALVANIZED)	F
1	1001152345	1	Cab to Subframe Wiring Harness (See Separate Breakdown in this Section)	
2	1001152349	1	Subframe to Deck Wiring Harness (See Separate Breakdown in this Section)	
3	1001173952	1	Subframe Harness (See Separate Breakdown in this Section)	
4	7590000340	3	Light, Marker - Red (LED)	
6	7590000343	2	Light, Marker - Red (LED)	
11	7590000341	2	Light, Marker - Red (LED)	
12	1001142769	2	Lamp	
13	7493000010	1	Grommet	
14	1001142771	1	Lamp	
16	7011000006	1	Alarm, Backup	
18	7114140528	2	Screw 1/4 x 5/8	
19	7660142601	2	Nut 1/4	
21	7949000023	2	Washer	
23	7493000002	4	Grommet	
24	7493000023	3	Grommet	
25	7493000009	2	Grommet	
26	1001152348	1	Deck to Winch Harness (See Separate Breakdown in this Section)	
27	4346000005	5	Heat Shrink (Not Shown)	

SECTION 6 - ELECTRICAL

FIGURE 6-26. LIGHTS - HEADBOARD LIGHTS INSTALLATION - STATIONARY HEADBOARD (26-30FT GALVANIZED) (SN 0220005217 through 0220015208)



ART_1001152395

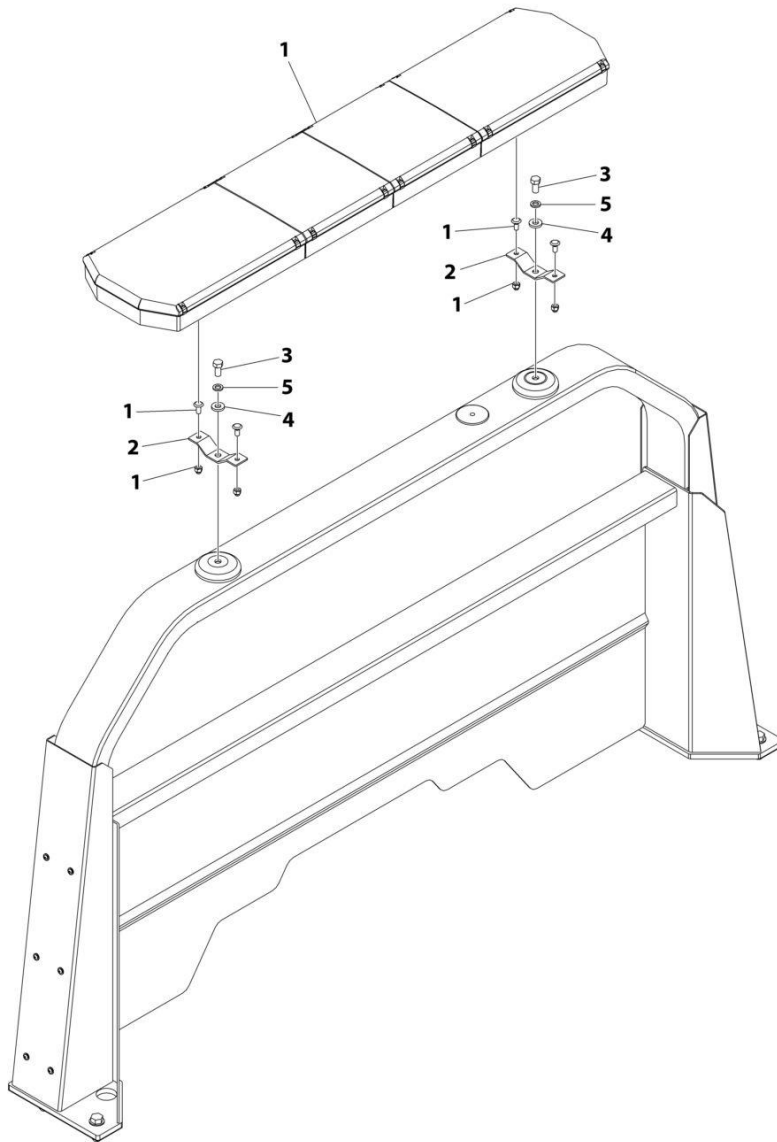
SECTION 6 - ELECTRICAL

FIGURE 6-26. LIGHTS - HEADBOARD LIGHTS INSTALLATION - STATIONARY HEADBOARD (26-30FT GALVANIZED) (SN 0220005217 through 0220015208)

ITEM	PART NUMBER	QTY	DESCRIPTION	REV
	1001152395	Ref	LIGHTS INSTALLATION - TAILLIGHTS (26FT-30FT DECK WITH SRS - GALVANIZED)	D
1	1001152345	1	Cab to Subframe Wiring Harness (See Separate Breakdown in this Section)	
2	1001152349	1	Subframe to Deck Wiring Harness (See Separate Breakdown in this Section)	
3	1001173952	1	Subframe Harness (See Separate Breakdown in this Section)	
4	7590000340	3	Light, Marker - Red (LED)	
6	7590000343	2	Light, Marker - Red (LED)	
11	7590000341	2	Light, Marker - Red (LED)	
12	1001142769	2	Lamp	
13	7493000010	1	Grommet	
14	1001142771	1	Lamp	
16	7011000006	1	Alarm, Backup	
18	7114140528	2	Screw 1/4 x 5/8	
19	7660142601	2	Nut 1/4	
21	7949000023	2	Washer	
23	7493000002	4	Grommet	
24	7493000023	3	Grommet	
25	7493000009	2	Grommet	
26	1001152347	1	Deck to Winch Harness (See Separate Breakdown in this Section)	
27	4346000005	5	Heat Shrink (Not Shown)	

SECTION 6 - ELECTRICAL

FIGURE 6-27. LIGHTS - LIGHTBAR INSTALLATION - AMBER (CODE 3 PRIZM) (STD MOUNT) (SN 0220005217 through 0220022646)



ART_2590000252

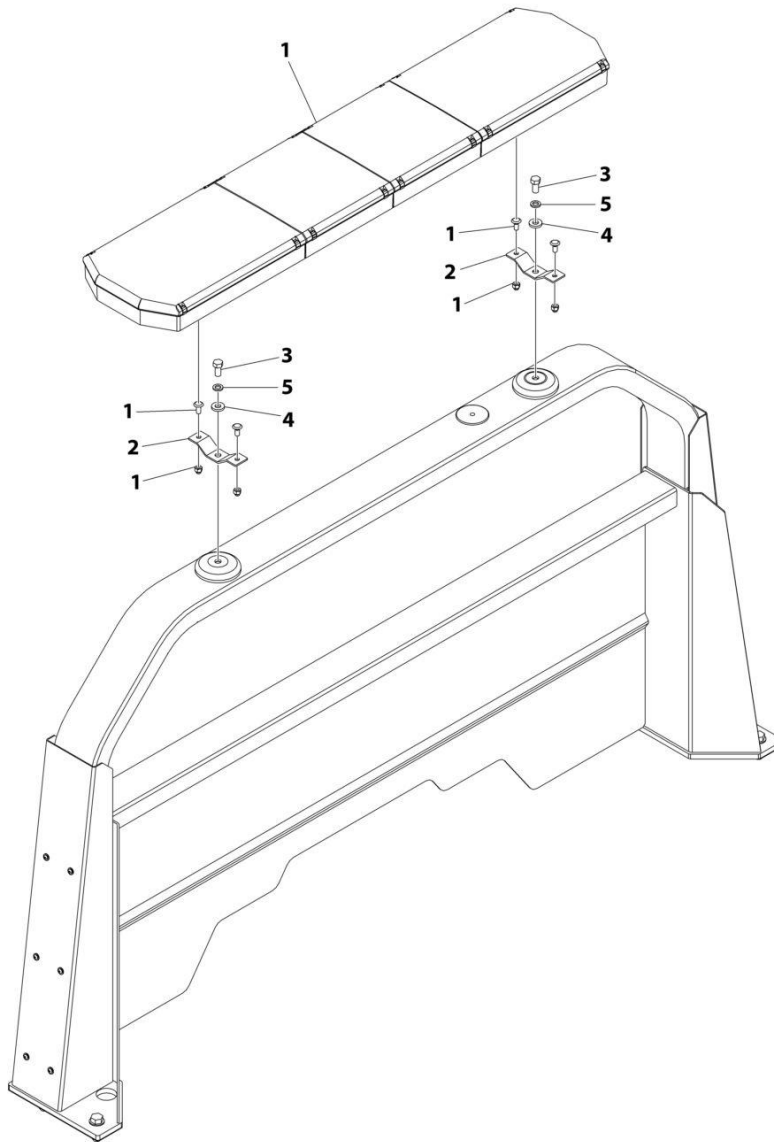
SECTION 6 - ELECTRICAL

FIGURE 6-27. LIGHTS - LIGHTBAR INSTALLATION - AMBER (CODE 3 PRIZM) (STD MOUNT) (SN 0220005217 through 0220022646)

ITEM	PART NUMBER	QTY	DESCRIPTION	REV
	2590000252	Ref	EMERGENCY LIGHTBAR, AMBER, PRIZM - STANDARD MOUNT	D
1	1001136989	1	Lightbar Assembly (See Separate Breakdown in this Section)	
2	4178000402	2	Bracket	
3	7115180850	2	Capscrew 1/2 x 1	
4	7950180252	2	Washer 1/2	
5	7950180000	2	Washer 19/32	

SECTION 6 - ELECTRICAL

FIGURE 6-28. LIGHTS - LIGHTBAR INSTALLATION - AMBER (CODE 3) (STD MOUNT) (SN 0220012839 through 0220022646)



ART_1001165618

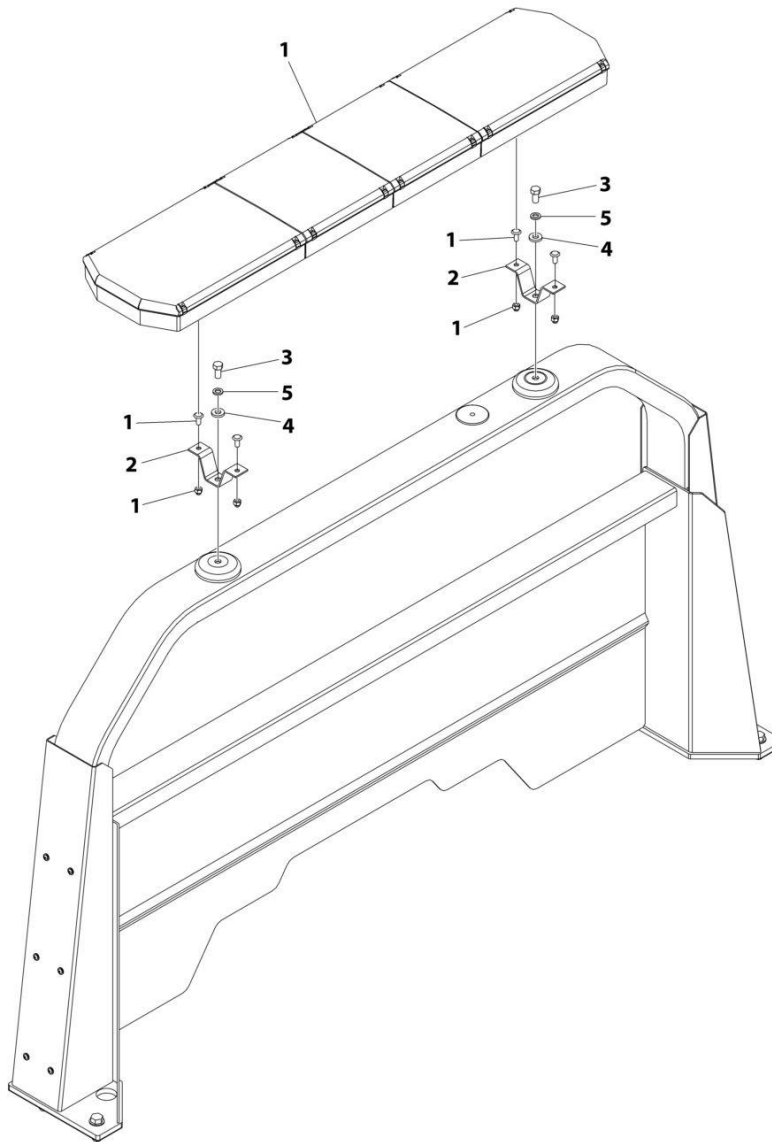
SECTION 6 - ELECTRICAL

FIGURE 6-28. LIGHTS - LIGHTBAR INSTALLATION - AMBER (CODE 3) (STD MOUNT) (SN 0220012839 through 0220022646)

ITEM	PART NUMBER	QTY	DESCRIPTION	REV
	1001165618	Ref	EMERGENCY LIGHTBAR, AMBER LENS - STANDARD MOUNT	B
1	1001165614	1	Lightbar Assembly (See Separate Breakdown in this Section)	
2	4178000402	2	Bracket	
3	7115180850	2	Capscrew 1/2 x 1	
4	7950180252	2	Washer 1/2	
5	7950180000	2	Washer 19/32	

SECTION 6 - ELECTRICAL

FIGURE 6-29. LIGHTS - LIGHTBAR INSTALLATION - AMBER (CODE 3 PRIZM) (HIGH MOUNT) (SN 0220005217 through 0220022646)



ART_2590000253

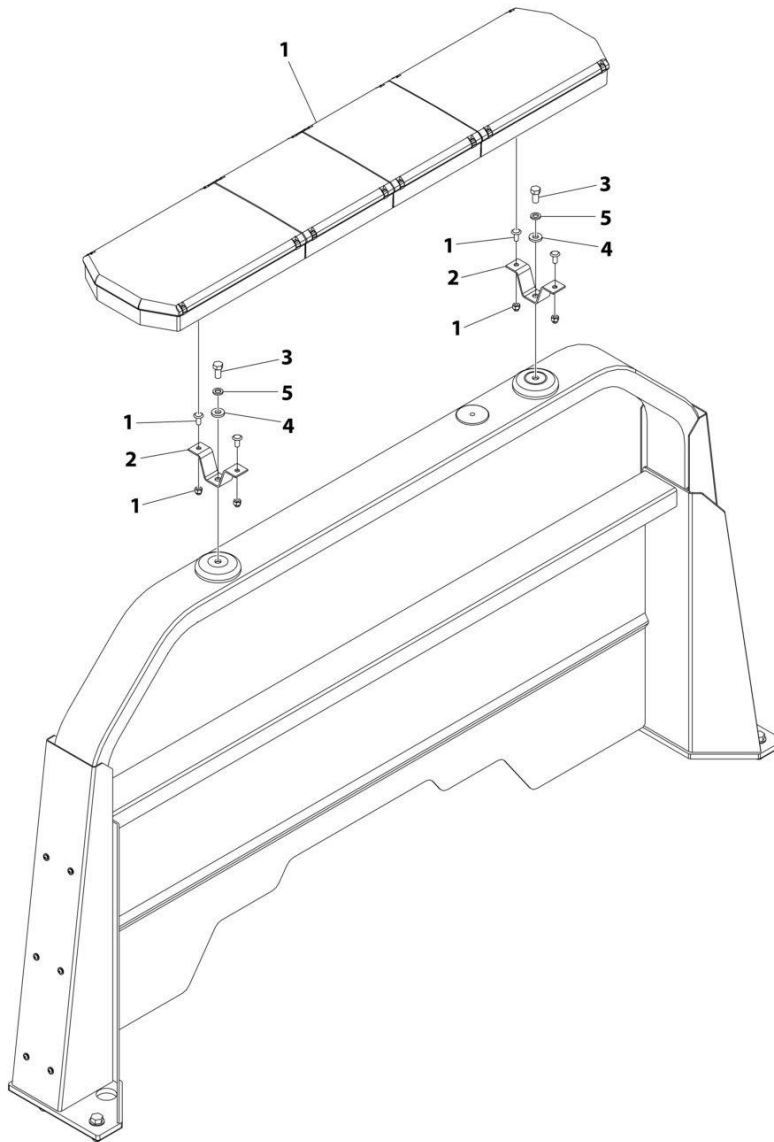
SECTION 6 - ELECTRICAL

FIGURE 6-29. LIGHTS - LIGHTBAR INSTALLATION - AMBER (CODE 3 PRIZM) (HIGH MOUNT) (SN 0220005217 through 0220022646)

ITEM	PART NUMBER	QTY	DESCRIPTION	REV
	2590000253	Ref	EMERGENCY LIGHTBAR, AMBER, PRIZM - HIGH MOUNT	D
1	1001136989	1	Lightbar Assembly (See Separate Breakdown in this Section)	
2	4178000437	2	Bracket	
3	7115180850	2	Capscrew 1/2 x 1	
4	7950180252	2	Washer 1/2	
5	7950180000	2	Washer 19/32	

SECTION 6 - ELECTRICAL

FIGURE 6-30. LIGHTS - LIGHTBAR INSTALLATION - AMBER (CODE 3) (HIGH MOUNT) (SN 0220012839 through 0220022646)



ART_1001165619

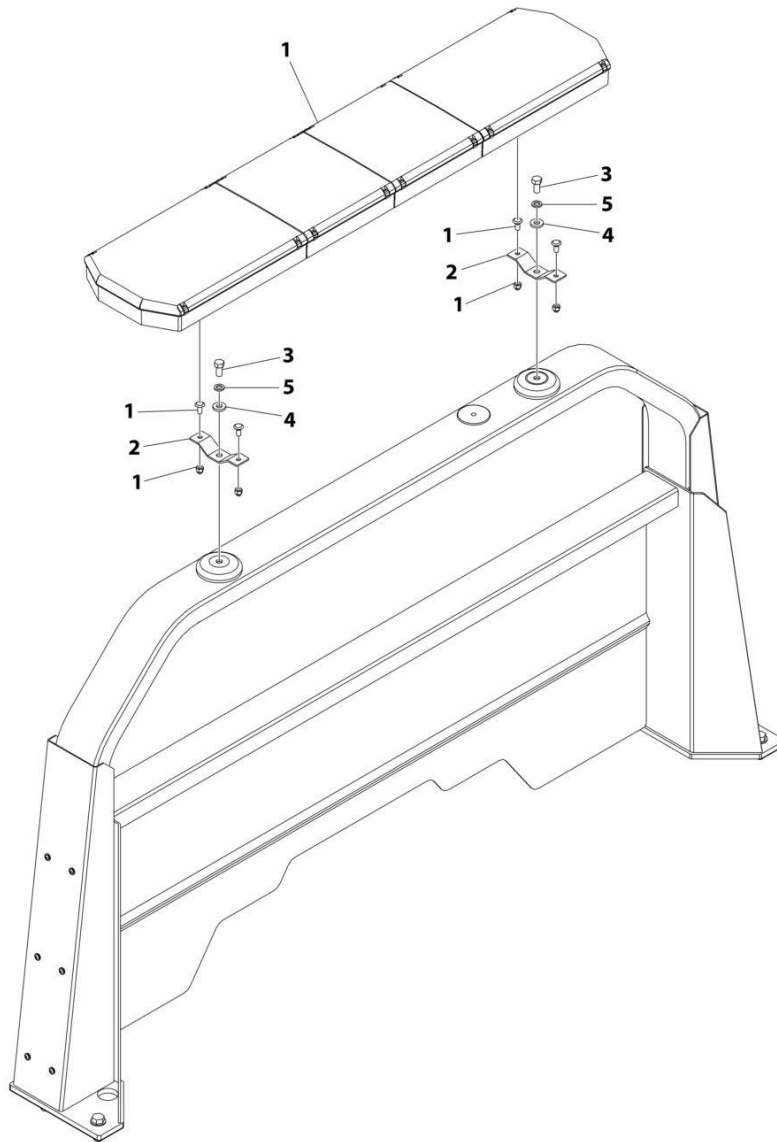
SECTION 6 - ELECTRICAL

FIGURE 6-30. LIGHTS - LIGHTBAR INSTALLATION - AMBER (CODE 3) (HIGH MOUNT) (SN 0220012839 through 0220022646)

ITEM	PART NUMBER	QTY	DESCRIPTION	REV
	1001165619	Ref	EMERGENCY LIGHTBAR, AMBER LENS - HIGH MOUNT	B
1	1001165614	1	Lamp, Lightbar	
2	4178000437	2	Bracket	
3	7115180850	2	Capscrew 1/2 x 1	
4	7950180252	2	Washer 1/2	
5	7950180000	2	Washer 19/32	

SECTION 6 - ELECTRICAL

FIGURE 6-31. LIGHTS - LIGHTBAR INSTALLATION - RED (CODE 3) (STD MOUNT) (SN 0220005217 through 0220022646)



ART_1001129068

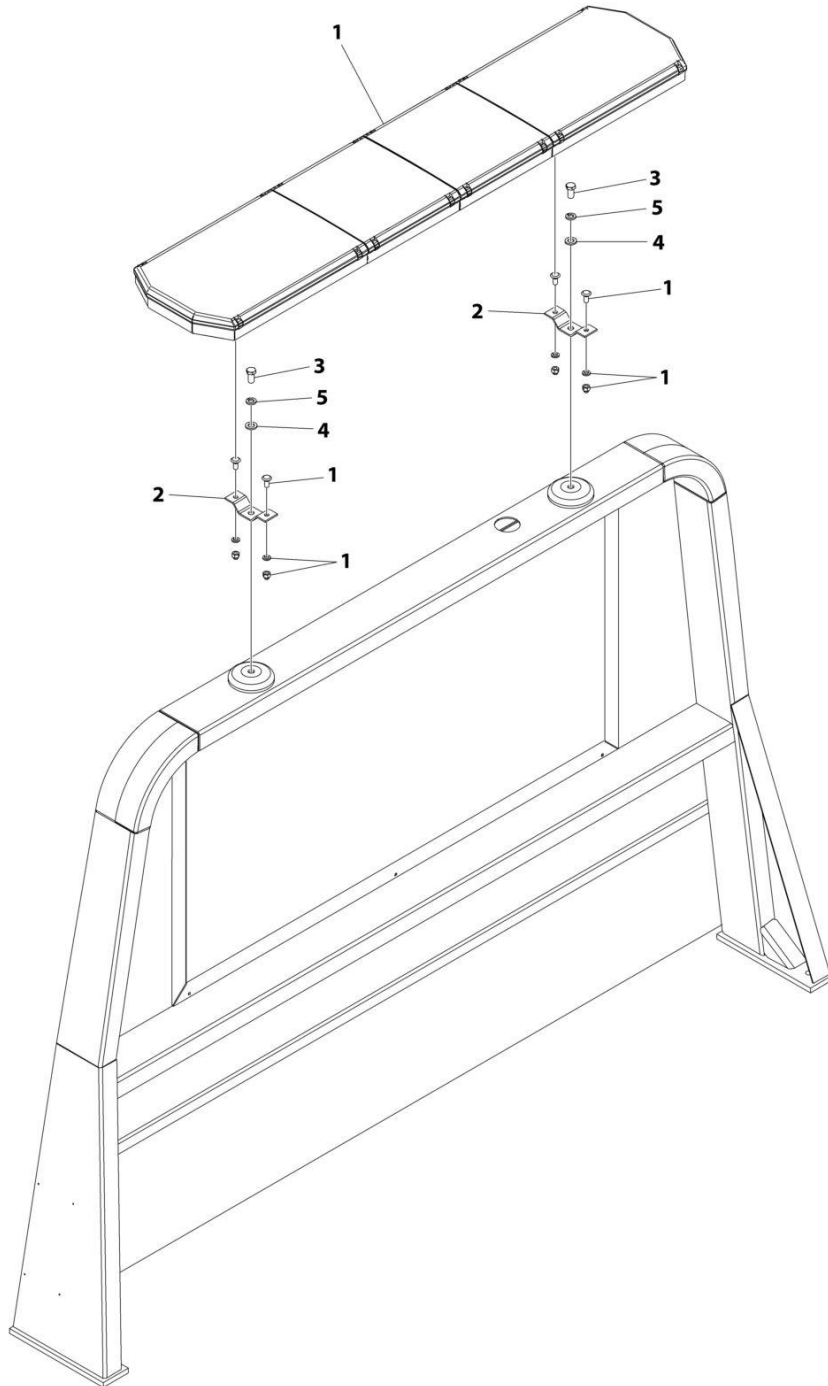
SECTION 6 - ELECTRICAL

FIGURE 6-31. LIGHTS - LIGHTBAR INSTALLATION - RED (CODE 3) (STD MOUNT) (SN 0220005217 through 0220022646)

ITEM	PART NUMBER	QTY	DESCRIPTION	REV
	1001129068	Ref	EMERGENCY LIGHTBAR, RED, PRIZM - STANDARD MOUNT	D
1	1001136993	1	Lightbar Assembly (See Separate Breakdown in this Section)	
2	4178000402	2	Bracket	
3	7115180850	2	Capscrew 1/2 x 1	
4	7950180252	2	Washer 1/2	
5	7950180000	2	Washer 19/32	

SECTION 6 - ELECTRICAL

FIGURE 6-32. LIGHTS - LIGHTBAR INSTALLATION - AMBER (CODE 3 PRIZM) (STD MOUNT) (GSA SPECS) (SN 0220005217 through 0220022646)



ART_2590000266

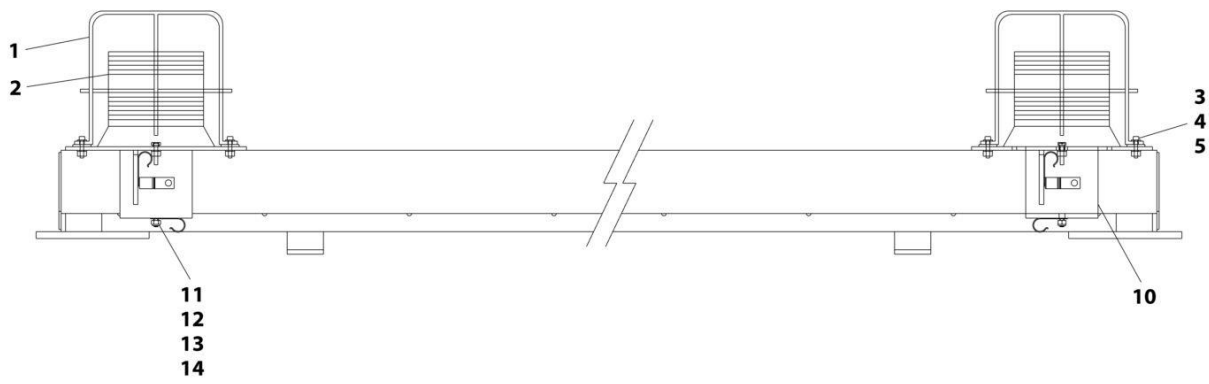
SECTION 6 - ELECTRICAL

FIGURE 6-32. LIGHTS - LIGHTBAR INSTALLATION - AMBER (CODE 3 PRIZM) (STD MOUNT) (GSA SPECS) (SN 0220005217 through 0220022646)

ITEM	PART NUMBER	QTY	DESCRIPTION	REV
	2590000266	Ref	LIGHT - LIGHTBAR INSTALLATION - CODE 3 (GSA SPECS)	B
1	1001136991	1	Lightbar (See Separate Breakdown in this Section)	
2	4178000402	2	Bracket	
3	7115180850	2	Capscrew 1/2 x 1	
4	7950180252	2	Washer 1/2	
5	7950180000	2	Washer 19/32	

SECTION 6 - ELECTRICAL

FIGURE 6-33. LIGHTS - LIGHTBAR INSTALLATION - STROBE (BUCKET REST HEADBOARD)



ART_1001128435

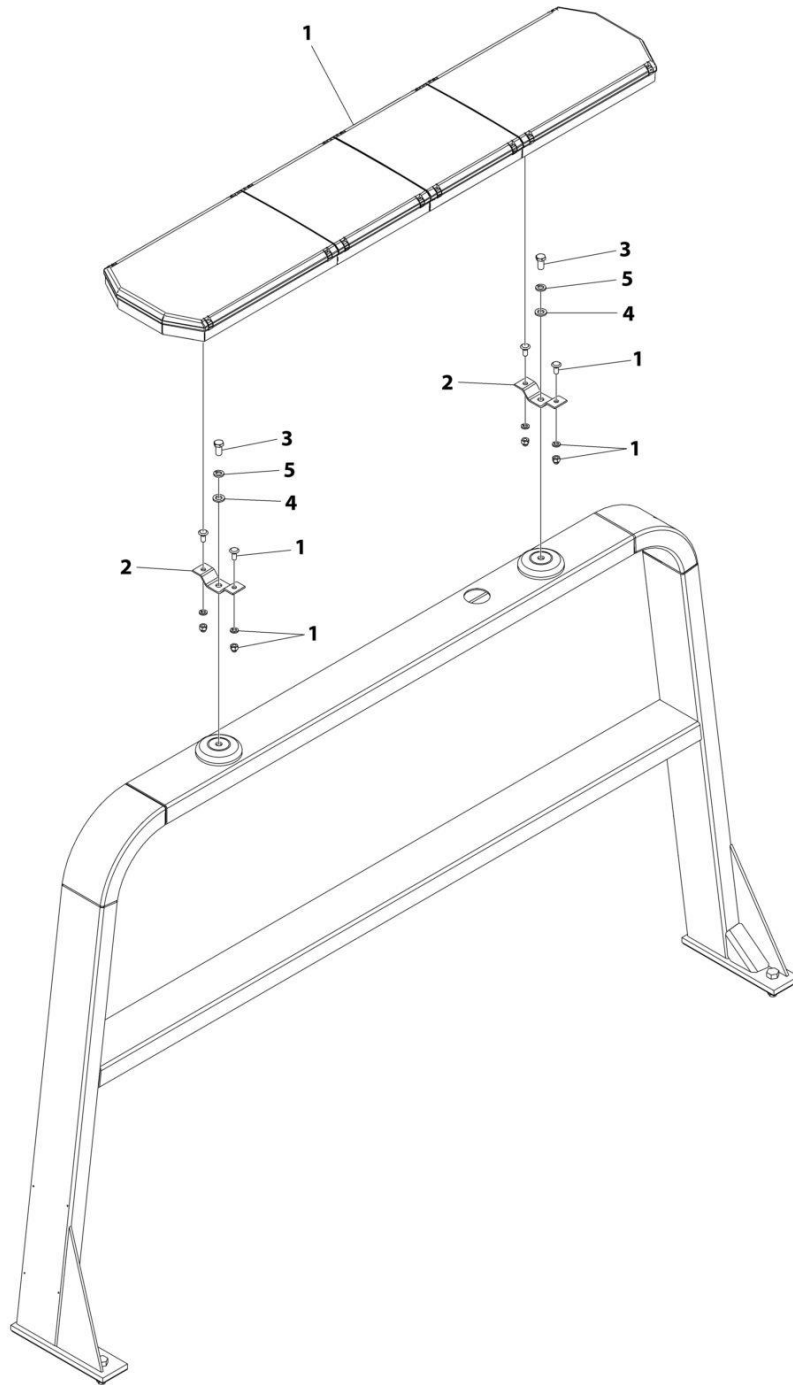
SECTION 6 - ELECTRICAL

FIGURE 6-33. LIGHTS - LIGHTBAR INSTALLATION - STROBE (BUCKET REST HEADBOARD)

ITEM	PART NUMBER	QTY	DESCRIPTION	REV
	1001128435	Ref	LIGHT - STROBE LIGHT INSTALLATION - BUCKET REST HEADBOARD	B
1	7590000305	2	Light Strobe FED Signal	
2	7495000010	2	Gaurd Branch FED Signal	
3	7114100818	12	Capscrew #10 x 1	
4	7660102604	12	Locknut #10-24	
5	7950100153	18	Washer #10	
6	1060341	40 ft/12 m	Cable (Not Shown)	
7	4460035	6	Connector (Not Shown)	
8	1001098349	1	Connector (Not Shown)	
9	7346000104	1	Plug (Not Shown)	
10	1001141937	2	Mount, Bucket Sunbelt	
11	0641436	2	Bolt 1/4 x 4-1/2	
12	7660142601	2	Nut 1/4	
13	7950140143	4	Washer 1/4	
14	7280000019	2	Clip	

SECTION 6 - ELECTRICAL

FIGURE 6-34. LIGHTS - LIGHTBAR INSTALLATION - AMBER (WHELEN) (STD MOUNT)



ART_1001137524

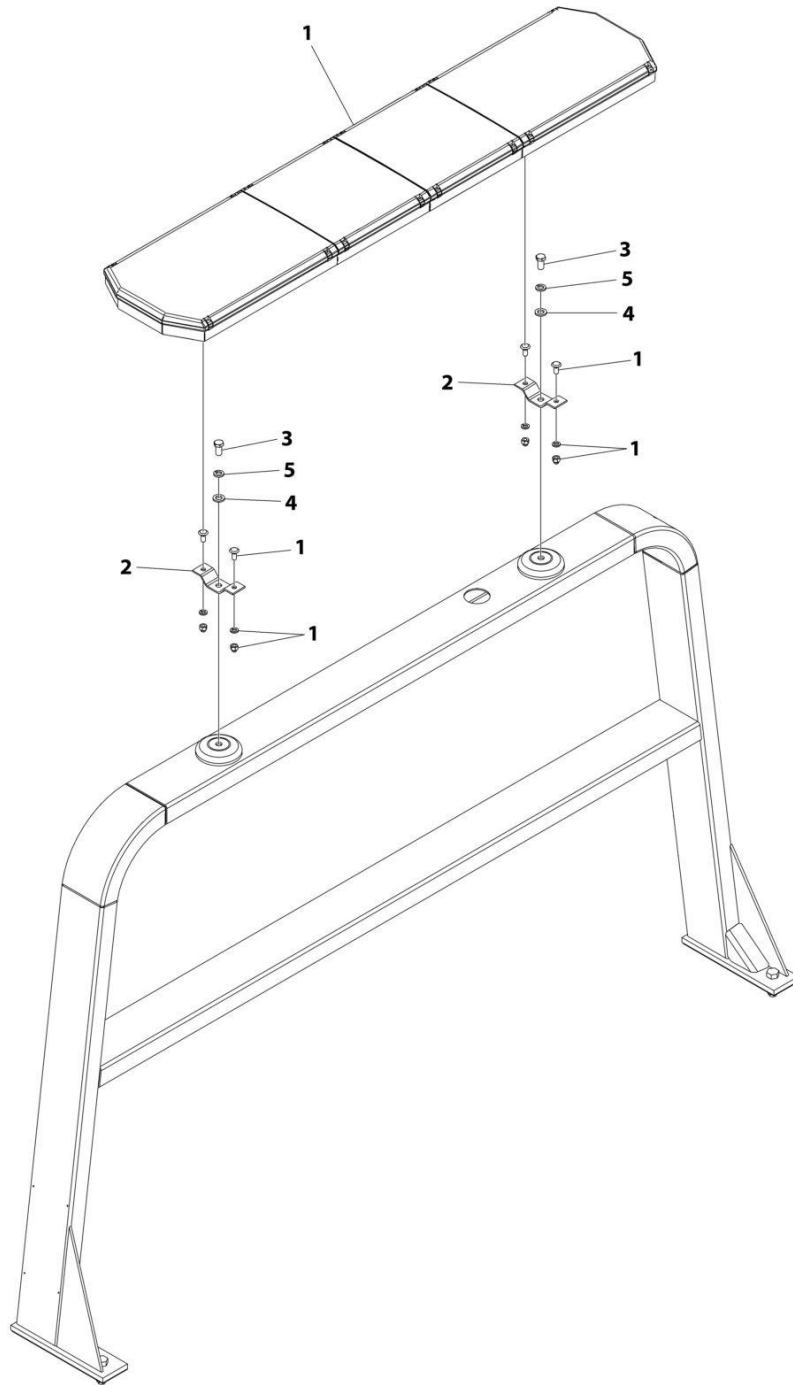
SECTION 6 - ELECTRICAL

FIGURE 6-34. LIGHTS - LIGHTBAR INSTALLATION - AMBER (WHELEN) (STD MOUNT)

ITEM	PART NUMBER	QTY	DESCRIPTION	REV
	1001137524	Ref	EMERGENCY LIGHTBAR, AMBER, WHELEN, STANDARD MOUNT	C
1	1001199476	1	Lightbar Assembly (See Separate Breakdown in this Section)	
2	4178000402	2	Bracket	
3	7115180850	2	Capscrew 1/2 x 1	
4	7950180252	2	Washer 1/2	
5	7950180000	2	Washer 19/32	

SECTION 6 - ELECTRICAL

FIGURE 6-35. LIGHTS - LIGHTBAR INSTALLATION - AMBER (WHELEN) (HIGH MOUNT)



ART_1001137525

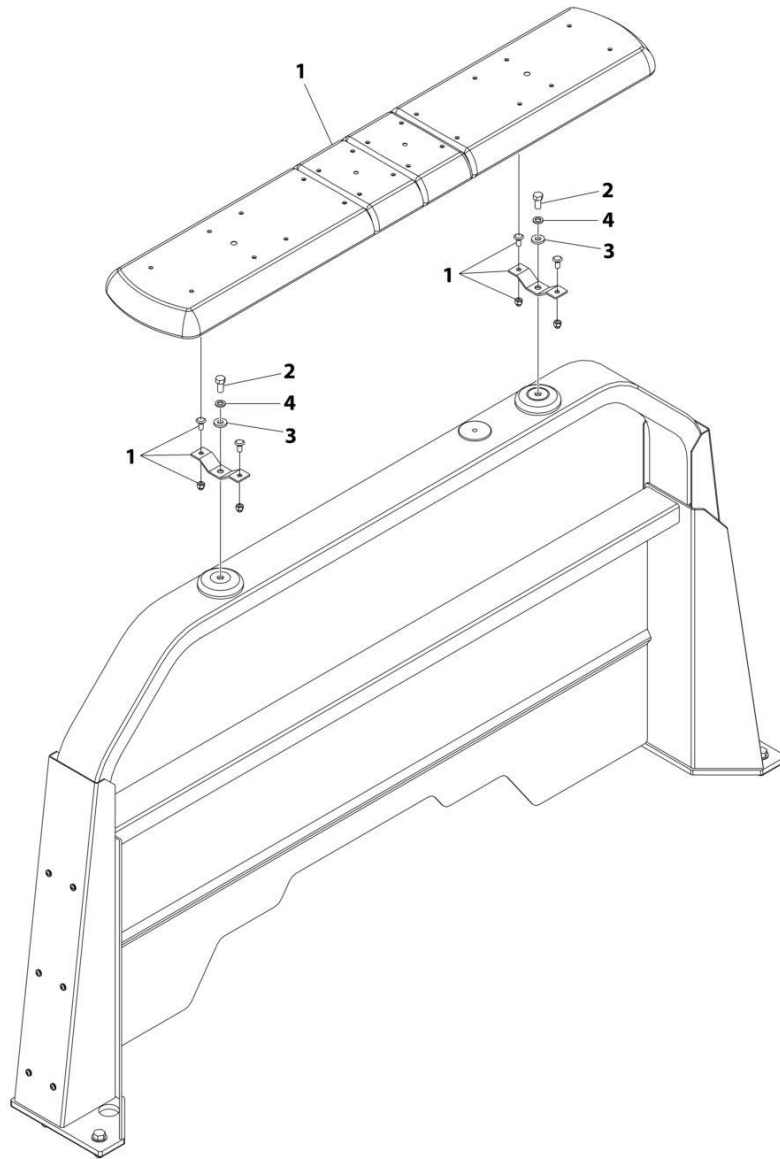
SECTION 6 - ELECTRICAL

FIGURE 6-35. LIGHTS - LIGHTBAR INSTALLATION - AMBER (WHELEN) (HIGH MOUNT)

ITEM	PART NUMBER	QTY	DESCRIPTION	REV
	1001137525	Ref	EMERGENCY LIGHTBAR, AMBER, WHELEN, HIGH MOUNT	C
1	1001199476	1	Lamp, Lightbar (See Separate Breakdown in this Section)	
2	4178000437	2	Bracket	
3	7115180850	2	Capscrew 1/2 x 1	
4	7950180252	2	Washer 1/2	
5	7950180000	2	Washer 19/32	

SECTION 6 - ELECTRICAL

FIGURE 6-36. LIGHTS - LIGHTBAR INSTALLATION - AMBER (ECCO) (STD MOUNT)



ART_1001259575

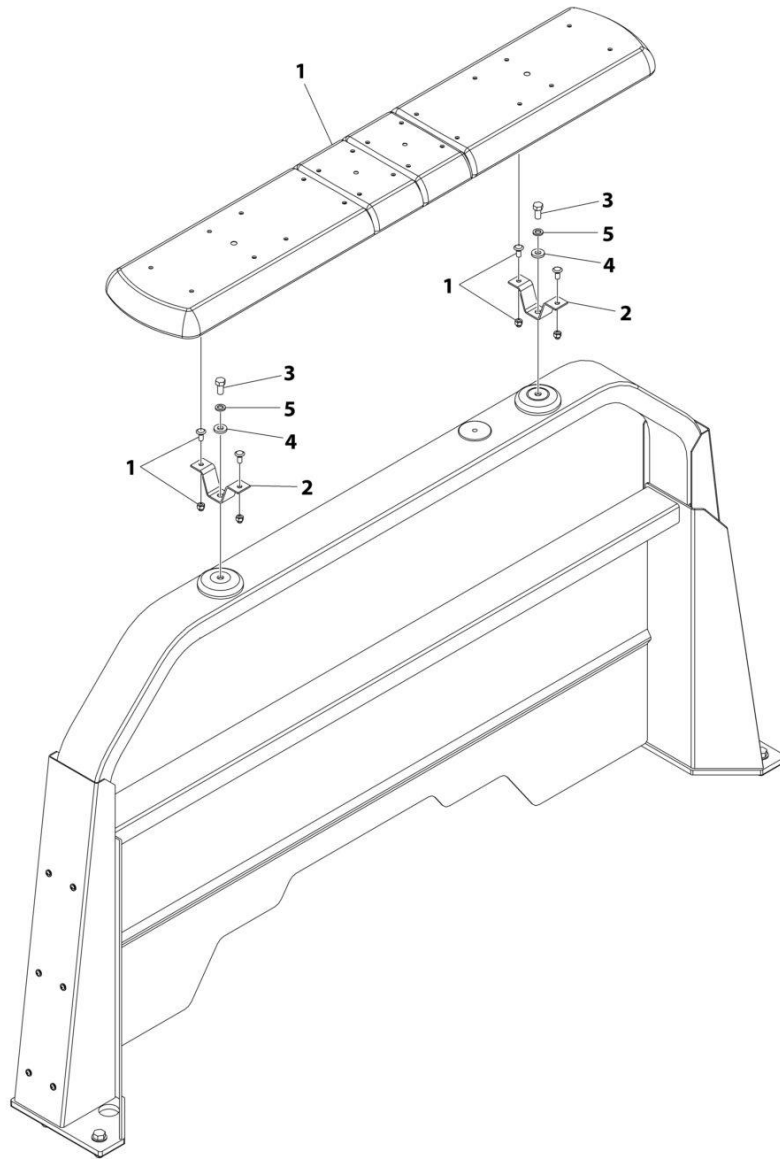
SECTION 6 - ELECTRICAL

FIGURE 6-36. LIGHTS - LIGHTBAR INSTALLATION - AMBER (ECCO) (STD MOUNT)

ITEM	PART NUMBER	QTY	DESCRIPTION	REV
	1001259575	Ref	EMERGENCY LIGHTBAR AMBER ECCO 12+ 60 STD MOUNT INSTALLATION	A
1	1001247138	1	Lightbar Assembly (See Separate Breakdown in this Section)	
2	0641808	2	Bolt 1/2 x 1	
3	4891800	2	Washer 1/2	
4	4761800	2	Washer 1/2	

SECTION 6 - ELECTRICAL

FIGURE 6-37. LIGHTS - LIGHTBAR INSTALLATION - AMBER (ECCO) (HIGH MOUNT)



ART_1001261039

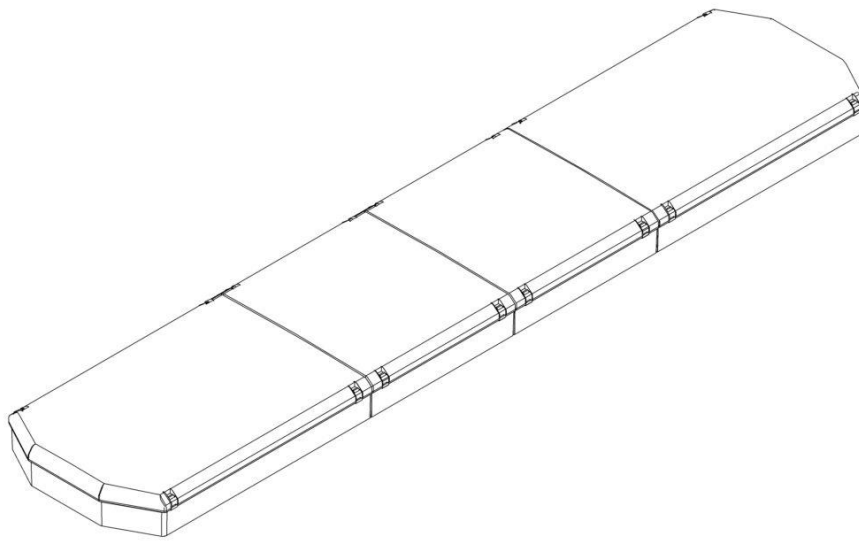
SECTION 6 - ELECTRICAL

FIGURE 6-37. LIGHTS - LIGHTBAR INSTALLATION - AMBER (ECCO) (HIGH MOUNT)

ITEM	PART NUMBER	QTY	DESCRIPTION	REV
	1001261039	Ref	EMERGENCY LIGHTBAR AMBER ECCO 12+ 60 HIGH MOUNT INSTALLATION	A
1	1001247138	1	Lightbar Assembly (See Separate Breakdown in this Section)	
2	1001262106	2	Bracket	
3	0641808	2	Bolt 1/2 x 1	
4	4891800	2	Washer 1/2	
5	4761800	2	Washer 1/2	

SECTION 6 - ELECTRICAL

FIGURE 6-38. LIGHTS - LIGHTBAR ASSEMBLY - AMBER (CODE 3 PRIZM BRAND)



ART_1001136989

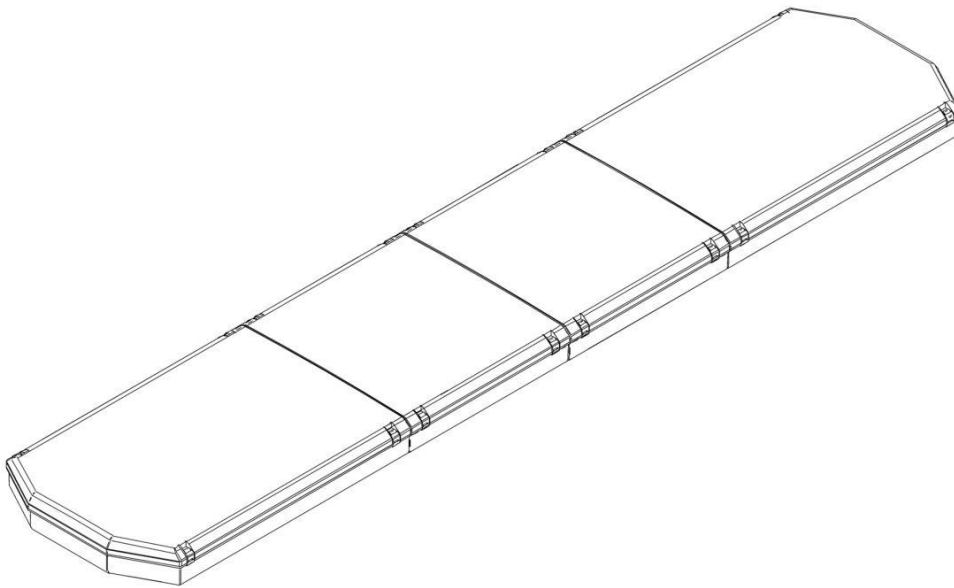
SECTION 6 - ELECTRICAL

FIGURE 6-38. LIGHTS - LIGHTBAR ASSEMBLY - AMBER (CODE 3 PRIZM BRAND)

ITEM	PART NUMBER	QTY	DESCRIPTION	REV
	1001136989	Ref	LIGHTS - LIGHTBAR ASSEMBLY – (CODE 3 PRIZM BRAND) (AMBER)	D
		Ref	Note: No Service Components Available at Time of Printing.	

SECTION 6 - ELECTRICAL

FIGURE 6-39. LIGHTS - LIGHTBAR ASSEMBLY - AMBER (CODE 3 PRIZM BRAND) (GSA SPECS) (SN 0220005217 through 0220015208)



ART_1001136991

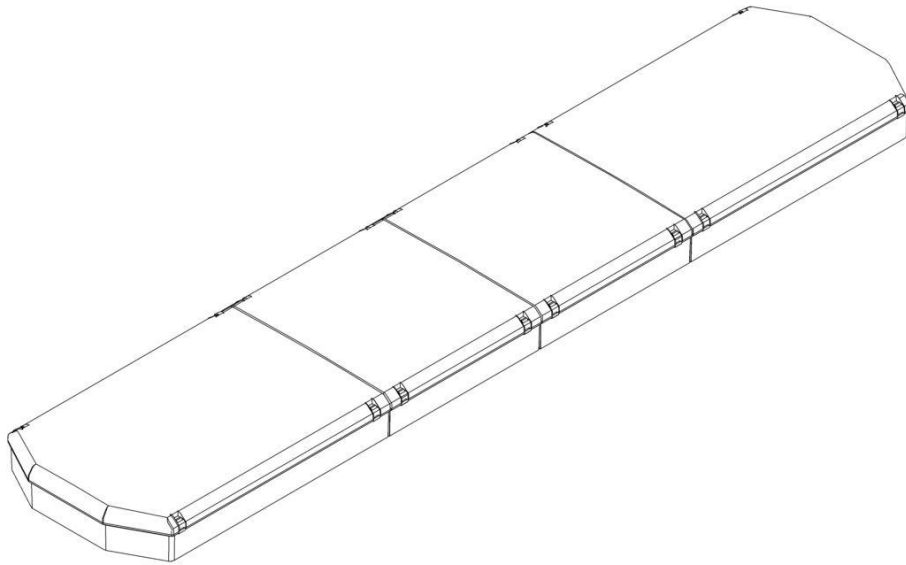
SECTION 6 - ELECTRICAL

FIGURE 6-39. LIGHTS - LIGHTBAR ASSEMBLY - AMBER (CODE 3 PRIZM BRAND) (GSA SPECS) (SN 0220005217 through 0220015208)

ITEM	PART NUMBER	QTY	DESCRIPTION	REV
	1001136991	Ref Ref	LIGHTBAR ASSEMBLY - AMBER (CODE 3 PRIZM) Note: No Service Parts Available at Time of Printing.	A

SECTION 6 - ELECTRICAL

FIGURE 6-40. LIGHTS - LIGHTBAR ASSEMBLY – AMBER (CODE 3 STD BRAND)



ART_1001165614

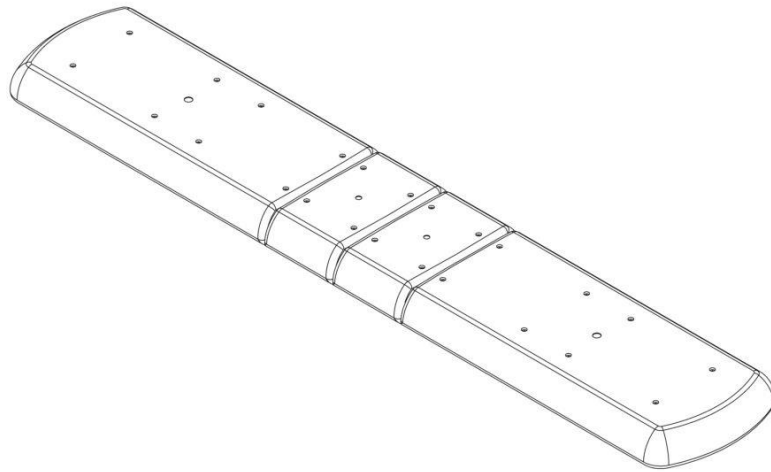
SECTION 6 - ELECTRICAL

FIGURE 6-40. LIGHTS - LIGHTBAR ASSEMBLY – AMBER (CODE 3 STD BRAND)

ITEM	PART NUMBER	QTY	DESCRIPTION	REV
	1001165614	Ref	LIGHTS - LIGHTBAR ASSEMBLY – (CODE 3 STD BRAND) (AMBER)	C
		Ref	Note: No Service Components Available at Time of Printing.	

SECTION 6 - ELECTRICAL

FIGURE 6-41. LIGHTS - LIGHTBAR ASSEMBLY - AMBER (ECCO)



ART_1001247138

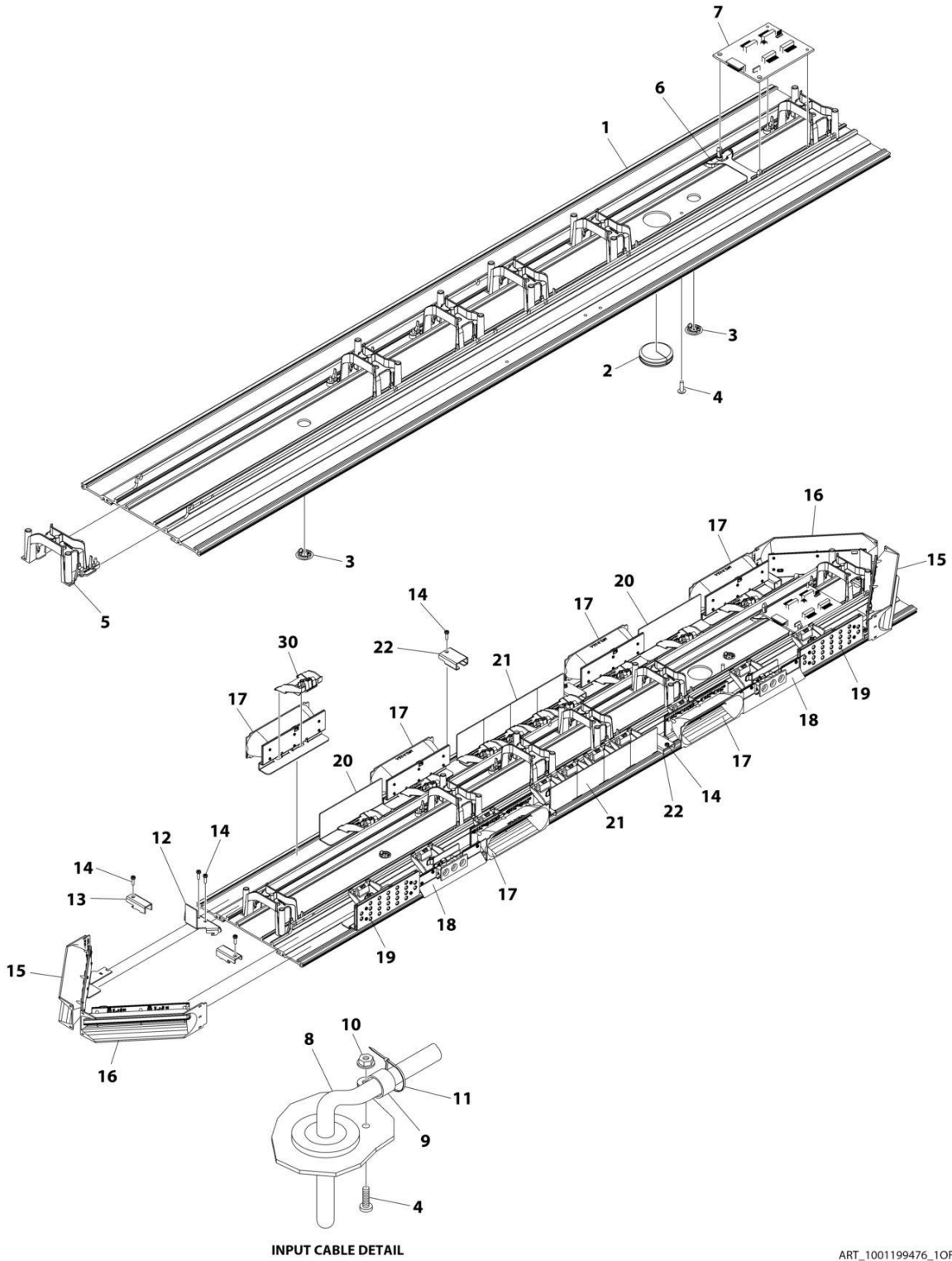
SECTION 6 - ELECTRICAL

FIGURE 6-41. LIGHTS - LIGHTBAR ASSEMBLY - AMBER (ECCO)

ITEM	PART NUMBER	QTY	DESCRIPTION	REV
	1001247138	Ref	LIGHTBAR ASSEMBLY (ECCO BRAND)	A
		Ref	Replacement Amber Module	
		Ref	Work/Alley Light (Pair)	
		Ref	Stop/Turn/Taillight Kit (Includes 2 Modules, Harness and STT Cable)	
		Ref	Replacement Driver Board	

SECTION 6 - ELECTRICAL

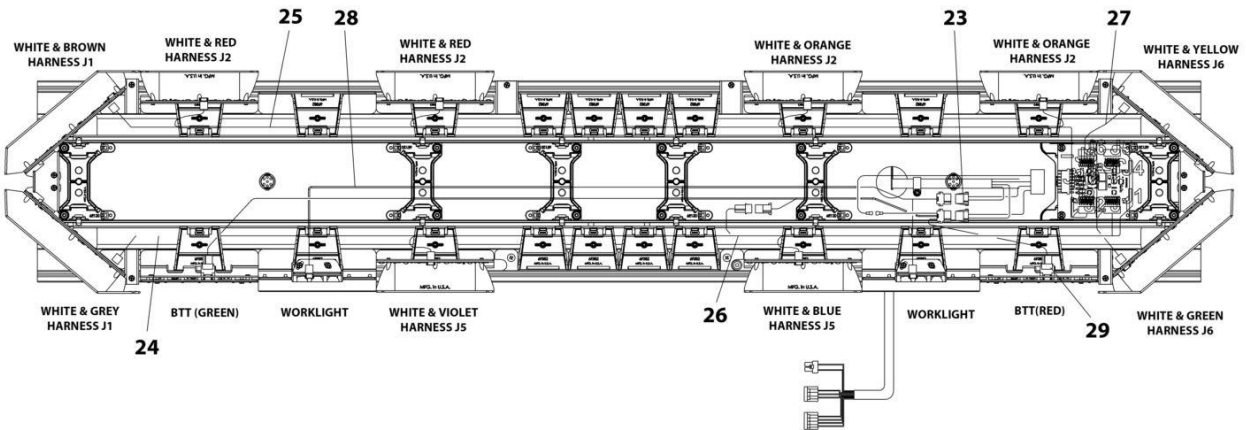
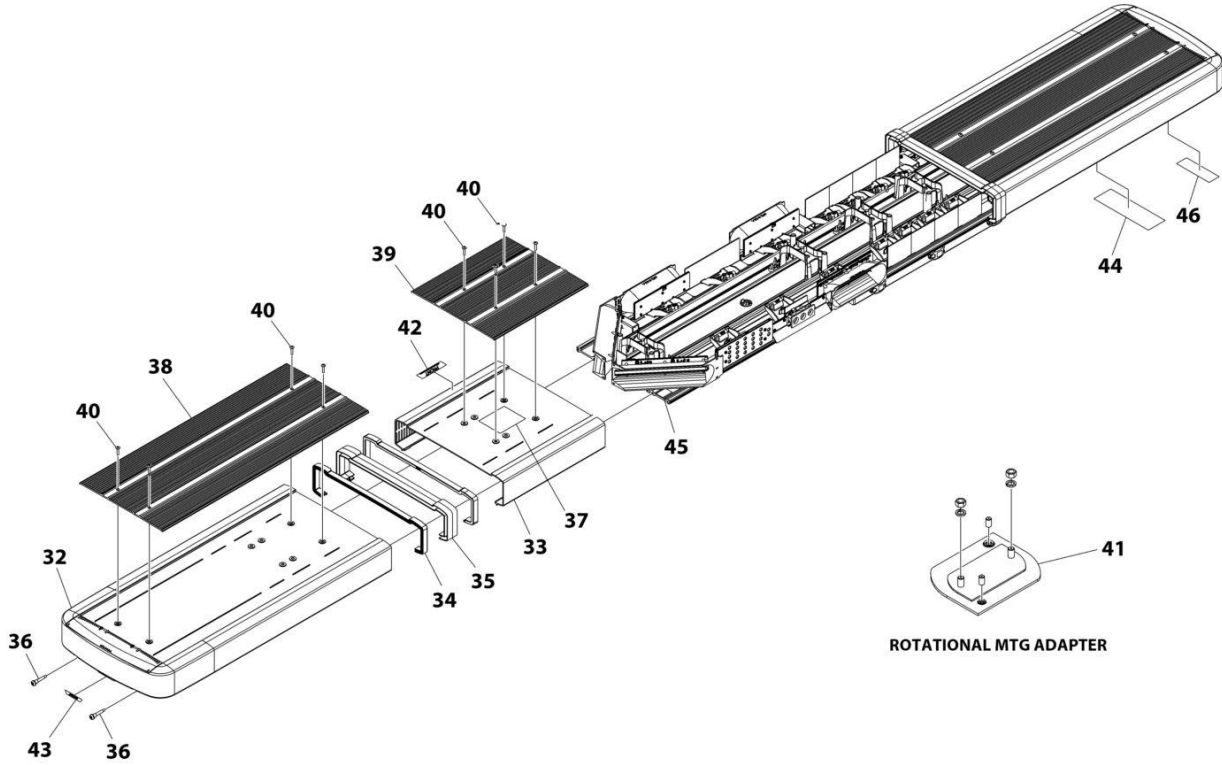
FIGURE 6-42. LIGHTS - LIGHTBAR ASSEMBLY - AMBER (WHELEN)



ART_1001199476_10F2

SECTION 6 - ELECTRICAL

FIGURE 6-43. LIGHTS - LIGHTBAR ASSEMBLY - AMBER (WHELEN)



ART_1001199476_20F2

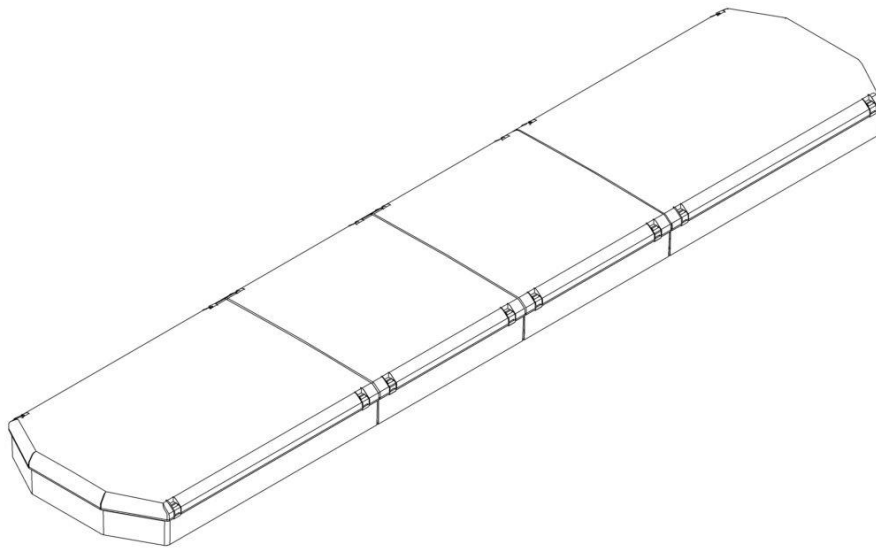
SECTION 6 - ELECTRICAL

FIGURE 6-43. LIGHTS - LIGHTBAR ASSEMBLY - AMBER (WHELEN)

ITEM	PART NUMBER	QTY	DESCRIPTION	REV
	1001199476	Ref	LAMP LIGHTBAR WHELEN LIB2 60 CARR	B
1		Ref	Base, Extruded	
2		Ref	Grommet	
3		Ref	Plug	
4		Ref	Screw 10 x 5/8	
5		Ref	Bracket	
6		Ref	Bracket	
7		Ref	Board Assembly	
8		Ref	Cable Assembly	
9		Ref	Clamp	
10		Ref	Nut 10	
11		Ref	Tie-Strap (Not Shown)	
12		Ref	Bracket	
13		Ref	Bracket	
14		Ref	Screw 6 x 1/2	
15		Ref	Corner Assembly, L-Front/R-Rear	
16		Ref	Corner Assembly, L-Rear/R-Front	
17		Ref	Sub Assembly, Full Directional Liberty	
18		Ref	Sub Assembly, Single 3 Led Full T-D Liberty	
19		Ref	Sub Assembly, 12V Stop/Turn, Tail LC Liberty	
20		Ref	Bracket	
21		Ref	Bracket	
22		Ref	Bracket	
23		Ref	Housing, 6-Position Socket Motor	
24		Ref	Harness, Driver Corner J1	
25		Ref	Harness, Front Inboard J2	
26		Ref	Harness, Rear In Boards J5	
27		Ref	Harness, Pass Corners J6	
28		Ref	Harness, Work Light	
29		Ref	Harness, B/T/T W/Dot LTS	
30		Ref	Bracket	
31		Ref	Tie-Strap (Not Shown)	
32		Ref	Sub Assembly, Full Lens	
33		Ref	Lens, Clear Optic Cut Center	
34		Ref	Seal, Lens Divider	
35		Ref	Divider, Lens Independence Lightbar	
36		Ref	Screw 10 x 1-1/4	
37		Ref	Label, Center Dome Removal Instructions	
38		Ref	Cover, Top Extruded	
39		Ref	Cover, Top Extruded	
40		Ref	Screw 10 x 7/8	
41		Ref	Kit, Rotational	
42		Ref	Label, "Front" Lightbar Assembly	
43		Ref	Label, Jerr-Dan Liberty	
44		Ref	Label, MN/SN	
45		Ref	Label, Serial Number	
46		Ref	Label, "Pre-Production"	

SECTION 6 - ELECTRICAL

FIGURE 6-44. LIGHTS - LIGHTBAR ASSEMBLY - RED (CODE 3 BRAND)



ART_1001136993

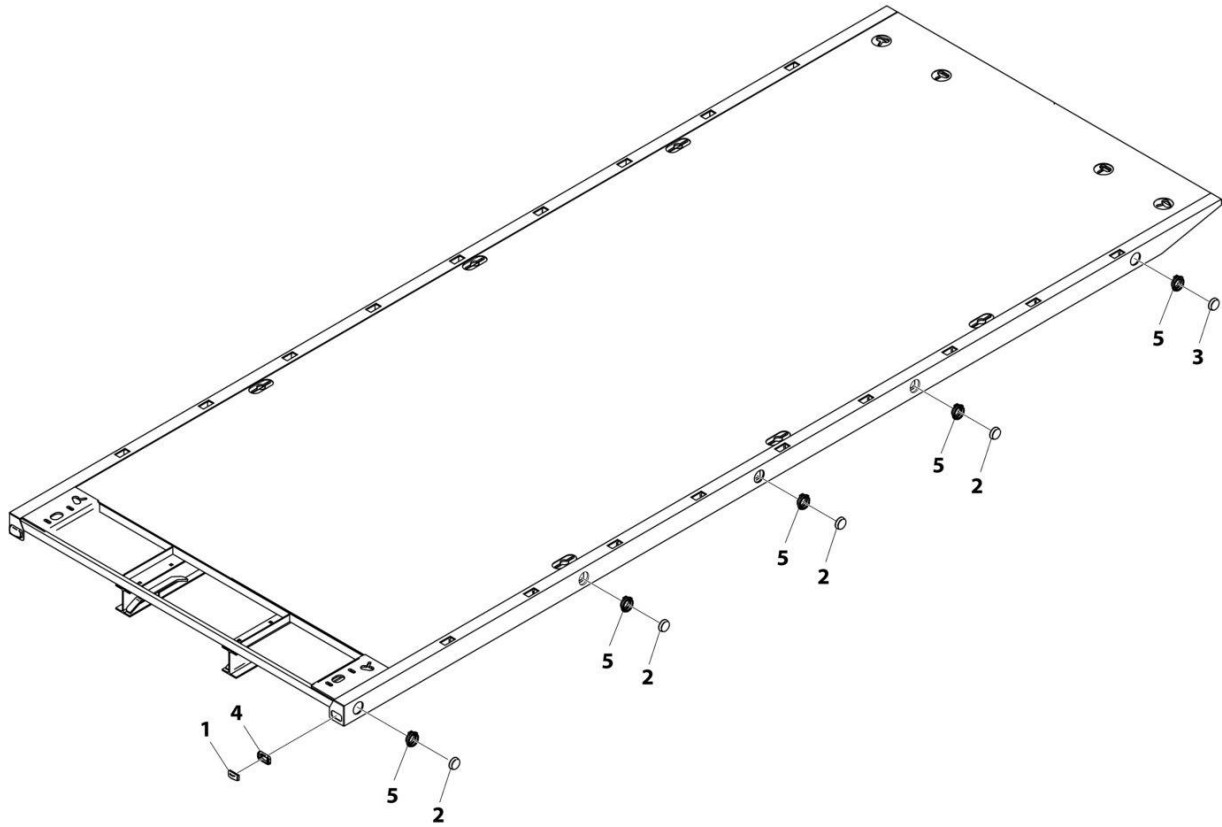
SECTION 6 - ELECTRICAL

FIGURE 6-44. LIGHTS - LIGHTBAR ASSEMBLY - RED (CODE 3 BRAND)

ITEM	PART NUMBER	QTY	DESCRIPTION	REV
	1001136993	Ref	LIGHTS - LIGHTBAR ASSEMBLY – (CODE 3 PRIZM BRAND) (RED)	B
		Ref	Note: No Service Components Available at Time of Printing.	

SECTION 6 - ELECTRICAL

FIGURE 6-45. LIGHTS - MARKER LIGHT INSTALLATION, CARRIER DECK



ART_2590000215

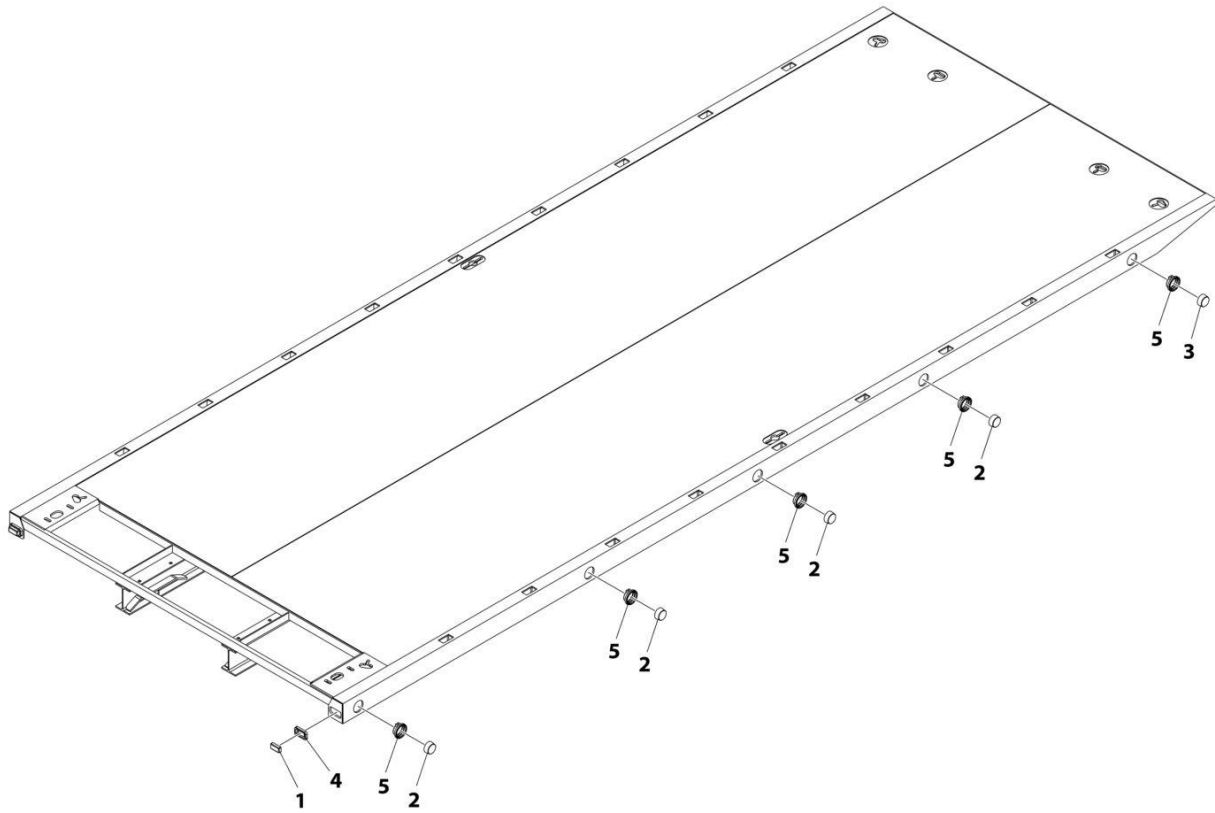
SECTION 6 - ELECTRICAL

FIGURE 6-45. LIGHTS - MARKER LIGHT INSTALLATION, CARRIER DECK

ITEM	PART NUMBER	QTY	DESCRIPTION	REV
	2590000215	Ref	LIGHTS INSTALLATION - STANDARD CARRIER DECK	B
1	7590000339	2	Marker Light - Amber (LED)	
2	7590000342	8	Marker Light - Amber (LED)	
3	7590000343	2	Marker Light - Red (LED)	
4	7493000010	2	Grommet	
5	7493000009	10	Grommet	

SECTION 6 - ELECTRICAL

FIGURE 6-46. LIGHTS - MARKER LIGHT INSTALLATION, CARRIER DECK - 24V



ART_1001131570

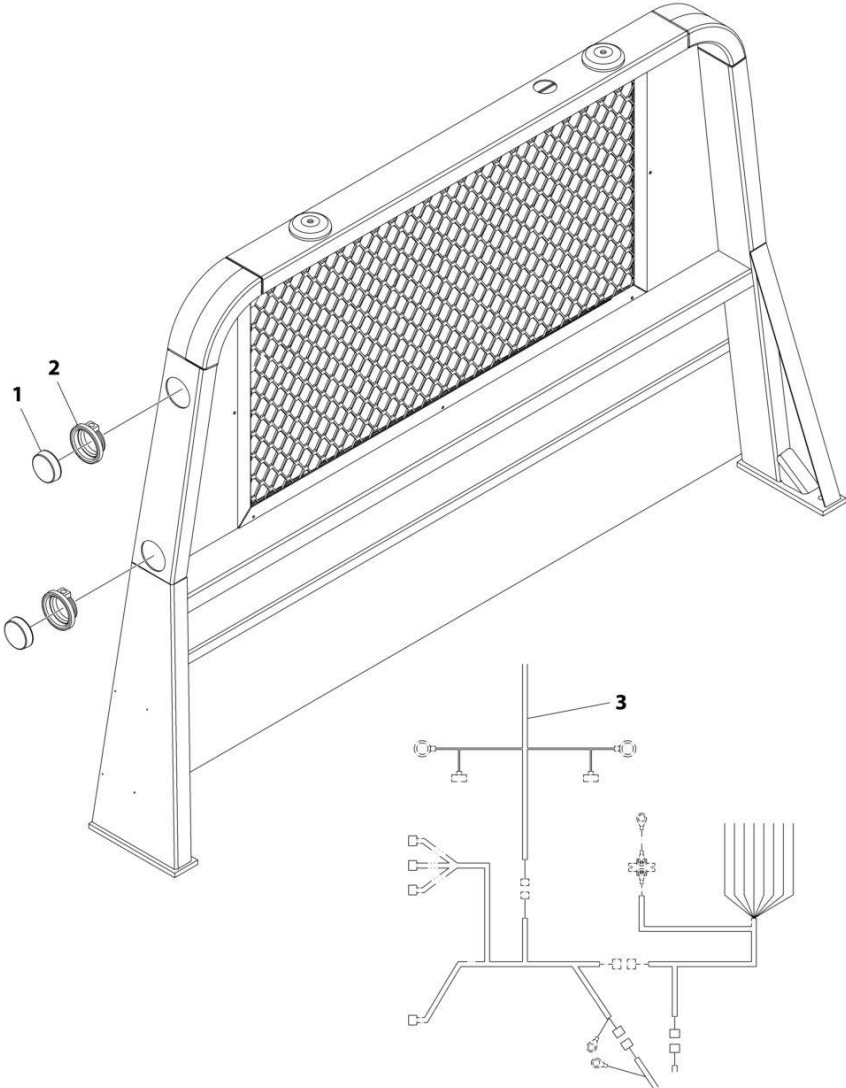
SECTION 6 - ELECTRICAL

FIGURE 6-46. LIGHTS - MARKER LIGHT INSTALLATION, CARRIER DECK - 24V

ITEM	PART NUMBER	QTY	DESCRIPTION	REV
	1001131570	Ref	DECK MARKER LIGHTS	B
1	7590000148	2	Marker Light - Amber	
2	7590000133	8	Light, Round - Amber - 24V	
3	7590000132	2	Light, Round - Red - 24V	
4	7493000010	2	Grommet	
5	7493000009	10	Grommet	

SECTION 6 - ELECTRICAL

FIGURE 6-47. LIGHTS - MARKER LIGHT INSTALLATION - HEADBOARD (ADDITIONAL)



ART_2590000232

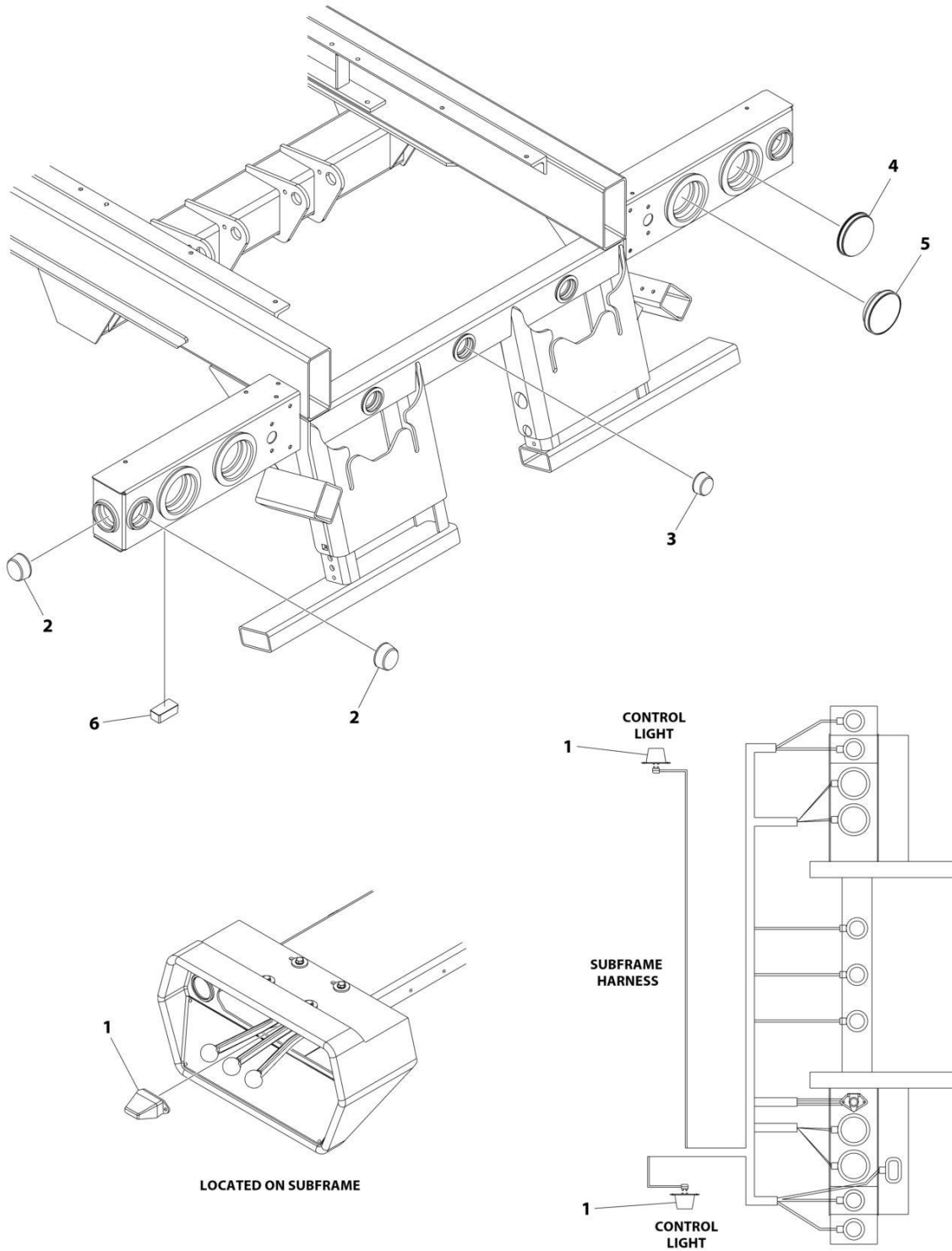
SECTION 6 - ELECTRICAL

FIGURE 6-47. LIGHTS - MARKER LIGHT INSTALLATION - HEADBOARD (ADDITIONAL)

ITEM	PART NUMBER	QTY	DESCRIPTION	REV
	2590000232	Ref	LIGHT - MARKER LIGHT INSTALLATION - HEADBOARD (ADDITIONAL)	0
1	7590000342	4	Marker Light - Amber (LED)	
2	7493000009	4	Grommet	
3	7552000409	1	Harness, Cab	
3	80963057	1	Connector	
3	80963068	1	Terminal	
3	91364009	2	Seal	
3	80963058	1	Connector	
3	4460475	1	Terminal	
3		Ref	Connector, Truck Light	

SECTION 6 - ELECTRICAL

FIGURE 6-48. LIGHTS - 24 VOLT CONVERSION



ART_1001161526

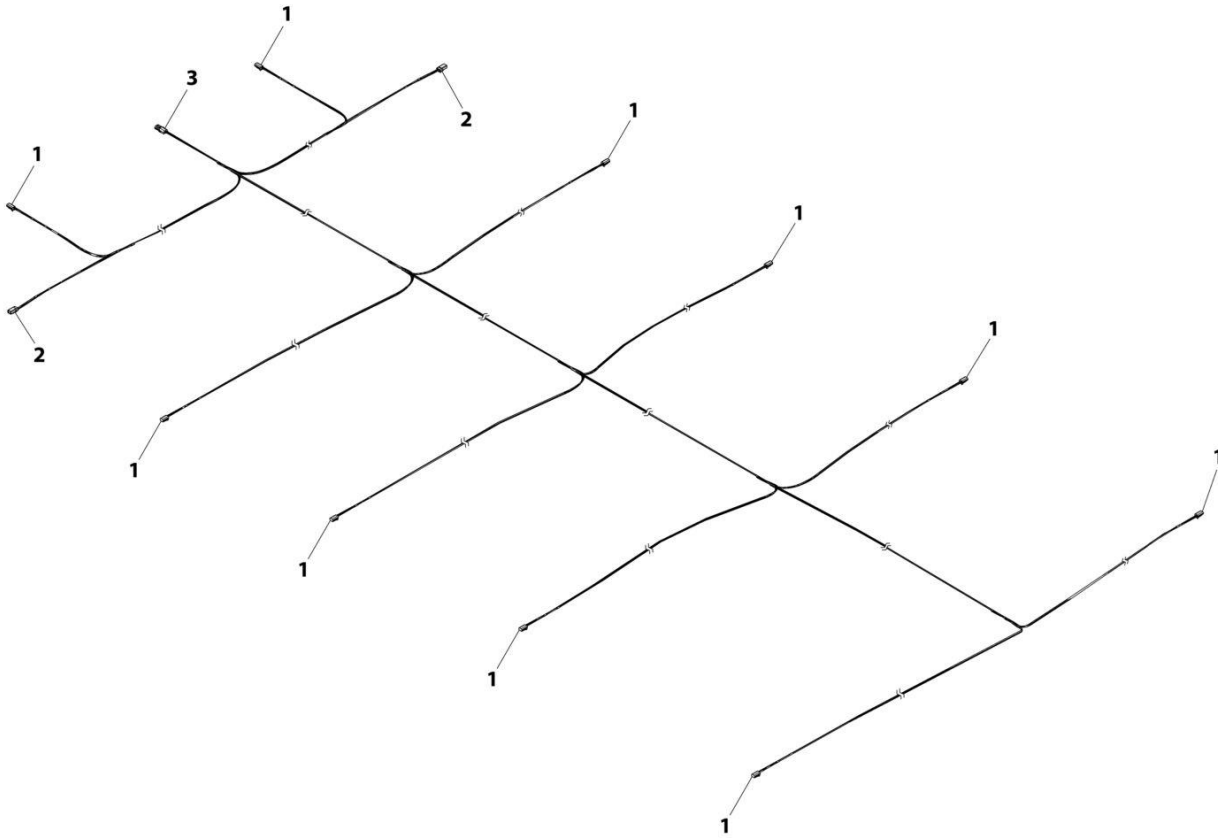
SECTION 6 - ELECTRICAL

FIGURE 6-48. LIGHTS - 24 VOLT CONVERSION

ITEM	PART NUMBER	QTY	DESCRIPTION	REV
	1001161526	Ref	LIGHT CONVERSION - 24 VOLT	A
1	7590000143	2	Light, Courtesy	
2	7590000132	4	Marker Light - Red (LED)	
3	7590000142	3	Marker Light with Grommet - Red (LED)	
4	7590000135	2	Stop Light	
5	7590000134	2	Backup Light	
6	7590000138	1	Lamp	

SECTION 6 - ELECTRICAL

FIGURE 6-49. LIGHTS - DECK LIGHTS HARNESS



ART_7552000212

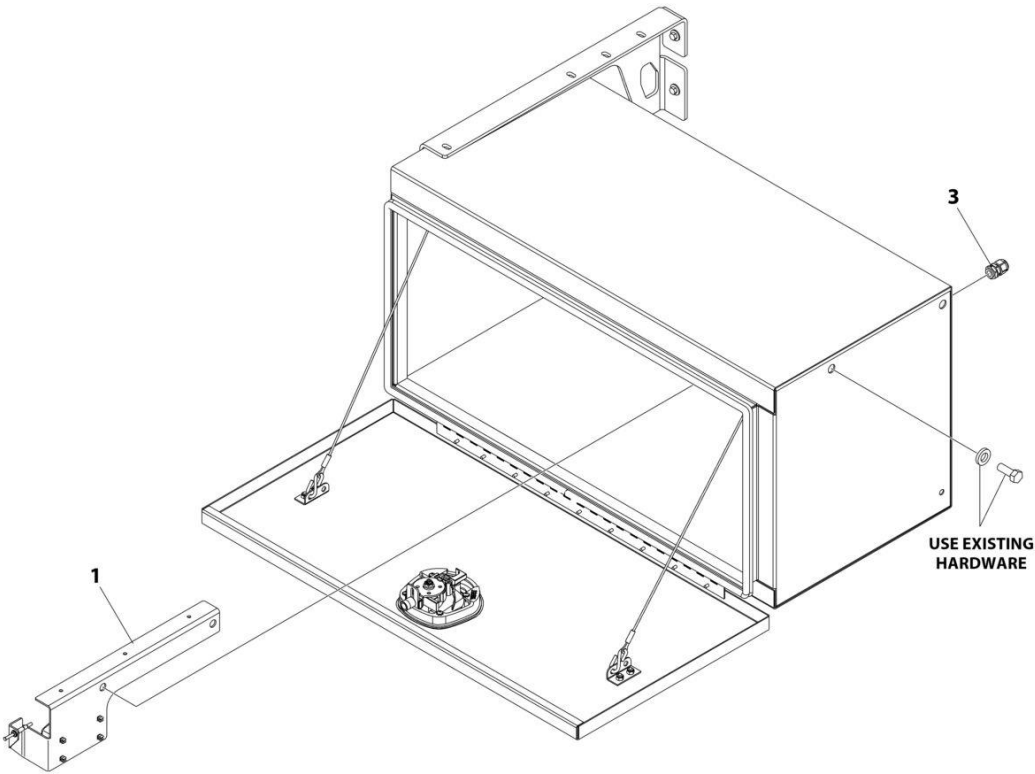
SECTION 6 - ELECTRICAL

FIGURE 6-49. LIGHTS - DECK LIGHTS HARNESS

ITEM	PART NUMBER	QTY	DESCRIPTION	REV
	7552000212	Ref	DECK LIGHTS HARNESS	D
1	1001275791	10	Connector (Marker Light)	
2	NPN	2	Connector (Clearance Light)	
3	4461157	1	Receptacle, Female - 2 Position (Power in)	
3	4460475	2	Terminal (Power in)	
3	NPN	2	Seal (Power in)	

SECTION 6 - ELECTRICAL

FIGURE 6-50. LIGHTS - TOOLBOX LIGHTS



ART_217800031

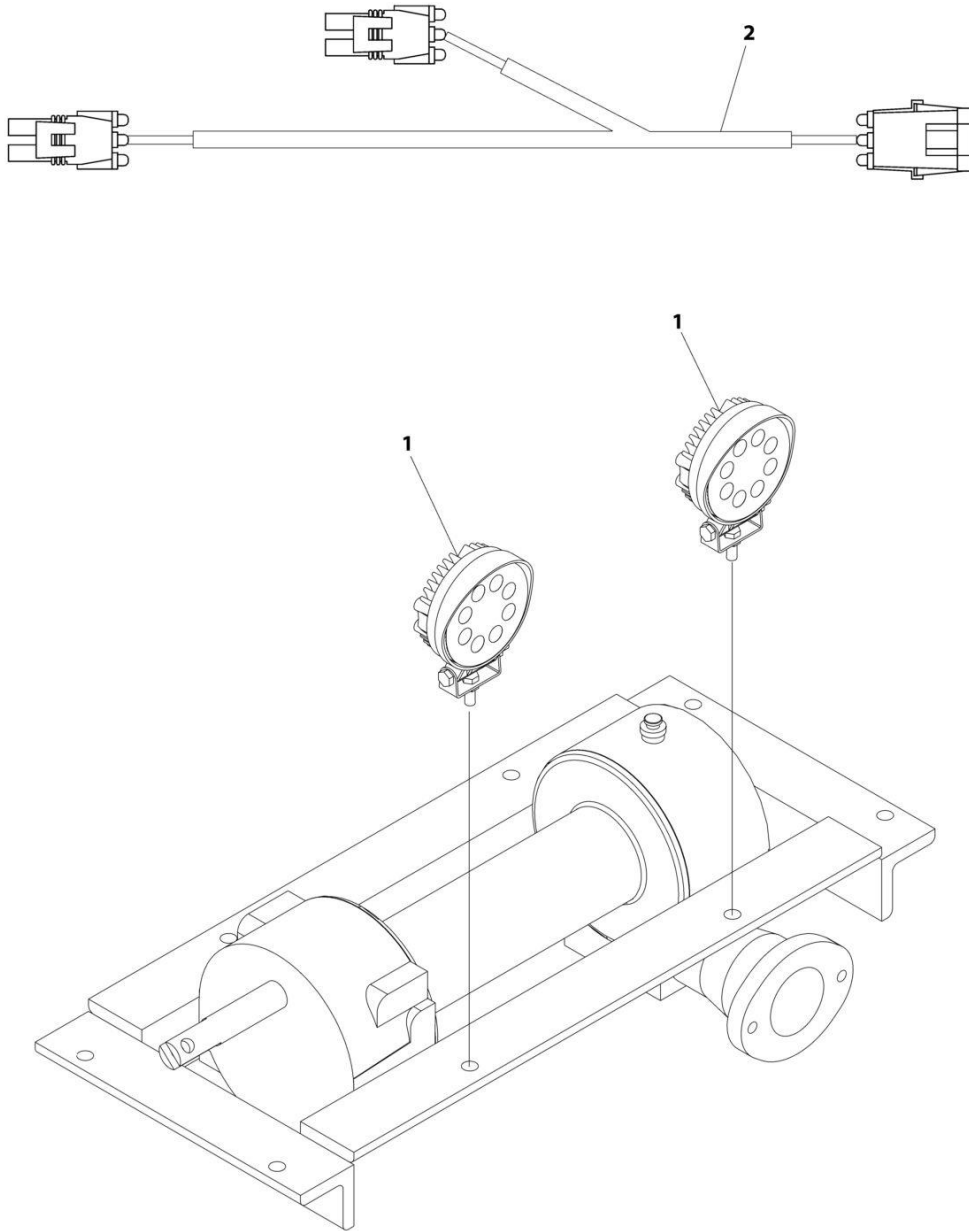
SECTION 6 - ELECTRICAL

FIGURE 6-50. LIGHTS - TOOLBOX LIGHTS

ITEM	PART NUMBER	QTY	DESCRIPTION	REV
	2178000031	Ref	Toolbox Light Installation	0
1	3178000437	1	Bracket Assembly (See Separate Breakdown in this Section)	
2	7552000297	1	Harness, Tool Box Light (Not Shown)	
2	4460742	1	Plug, Male - 2 Position	
2	4460457	2	Socket, Female	
3	7443000377	1	Fitting	

SECTION 6 - ELECTRICAL

FIGURE 6-51. LIGHTS - WORK LIGHTS AT WINCH, LED, 10V-30V (SN 0220006254 to Present)



ART_1001176431

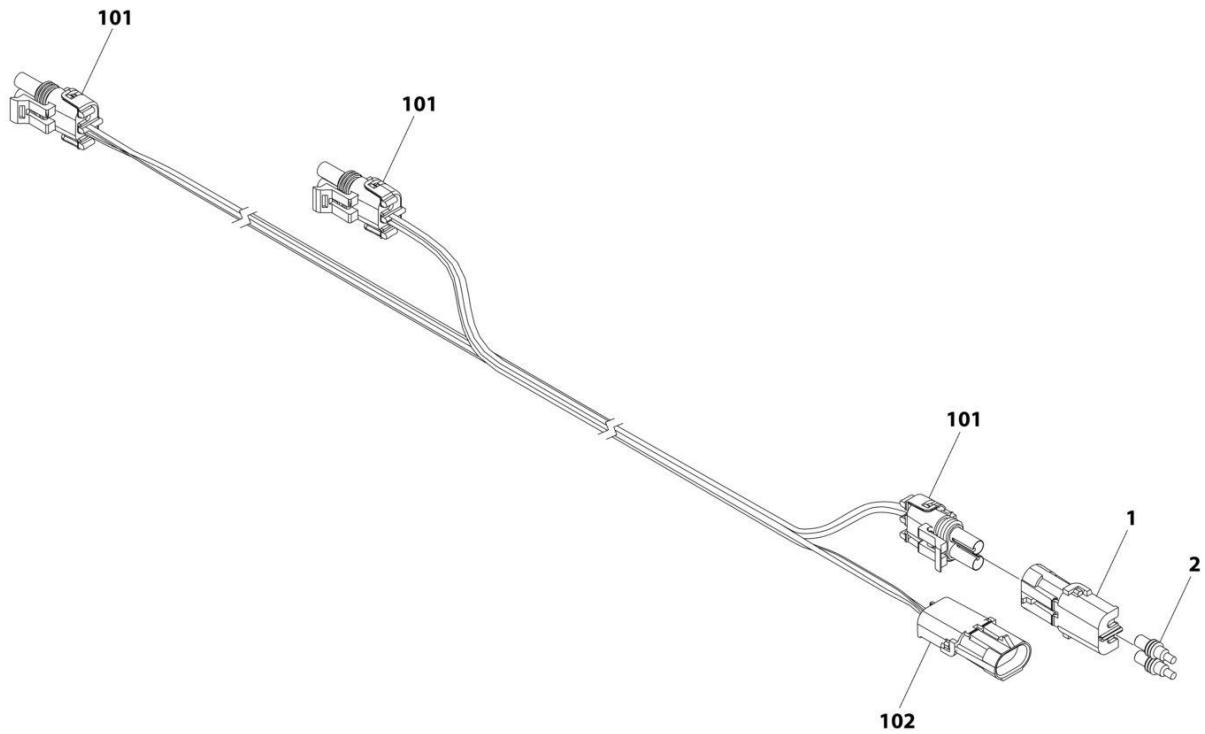
SECTION 6 - ELECTRICAL

FIGURE 6-51. LIGHTS - WORK LIGHTS AT WINCH, LED, 10V-30V (SN 0220006254 to Present)

ITEM	PART NUMBER	QTY	DESCRIPTION	REV
	1001176431	Ref	LED WORK LIGHTS WINCH INSTALLATION	C
1	1001176337	2	Lamp, LED Work Light 10V-30V (Prior to SN 0220026465)	
1	1001273634	2	Lamp, LED Work Light 10V-30V (SN 0220026465 to Present)	
2	7552000166	1	Harness, Deck Work Light	
2	4460742	2	Plug, Male - 2 Position	
2	4461157	1	Receptacle, Female - 2 Position	
2	4460457	6	Terminal	
2	8220081	6	Seal	
3	5526000553	4	Tie-Strap (Not Shown)	

SECTION 6 - ELECTRICAL

FIGURE 6-52. LIGHTS - WORKLIGHT HARNESS (HEADBOARD)



ART_7552000222

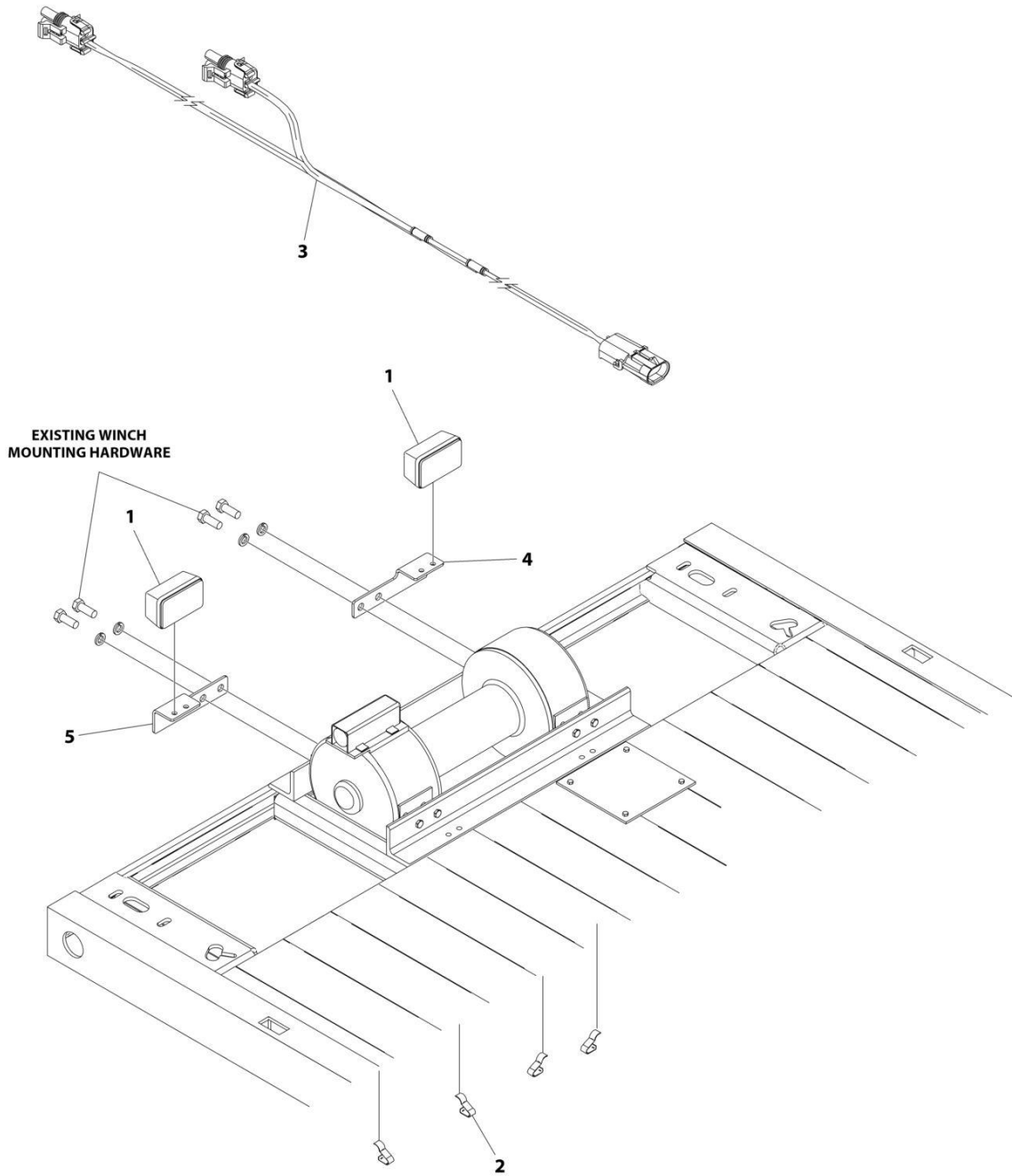
SECTION 6 - ELECTRICAL

FIGURE 6-52. LIGHTS - WORKLIGHT HARNESS (HEADBOARD)

ITEM	PART NUMBER	QTY	DESCRIPTION	REV
	7552000222	Ref	HEADBOARD WORK LIGHT HARNESS	B
1	4461157	1	Connector	
2	1001116727	2	Plug	
101	4460742	3	Connector	
101	4460457	6	Terminal	
101	8220081	6	Seal	
102	4461157	1	Connector	
102	4460475	2	Terminal	
102	8220081	2	Seal	

SECTION 6 - ELECTRICAL

FIGURE 6-53. LIGHTS - WORKLIGHT INSTALLATION - NEAR 12K LBS WINCH (SN 0220005217 through 0220006253)



ART_2590000123

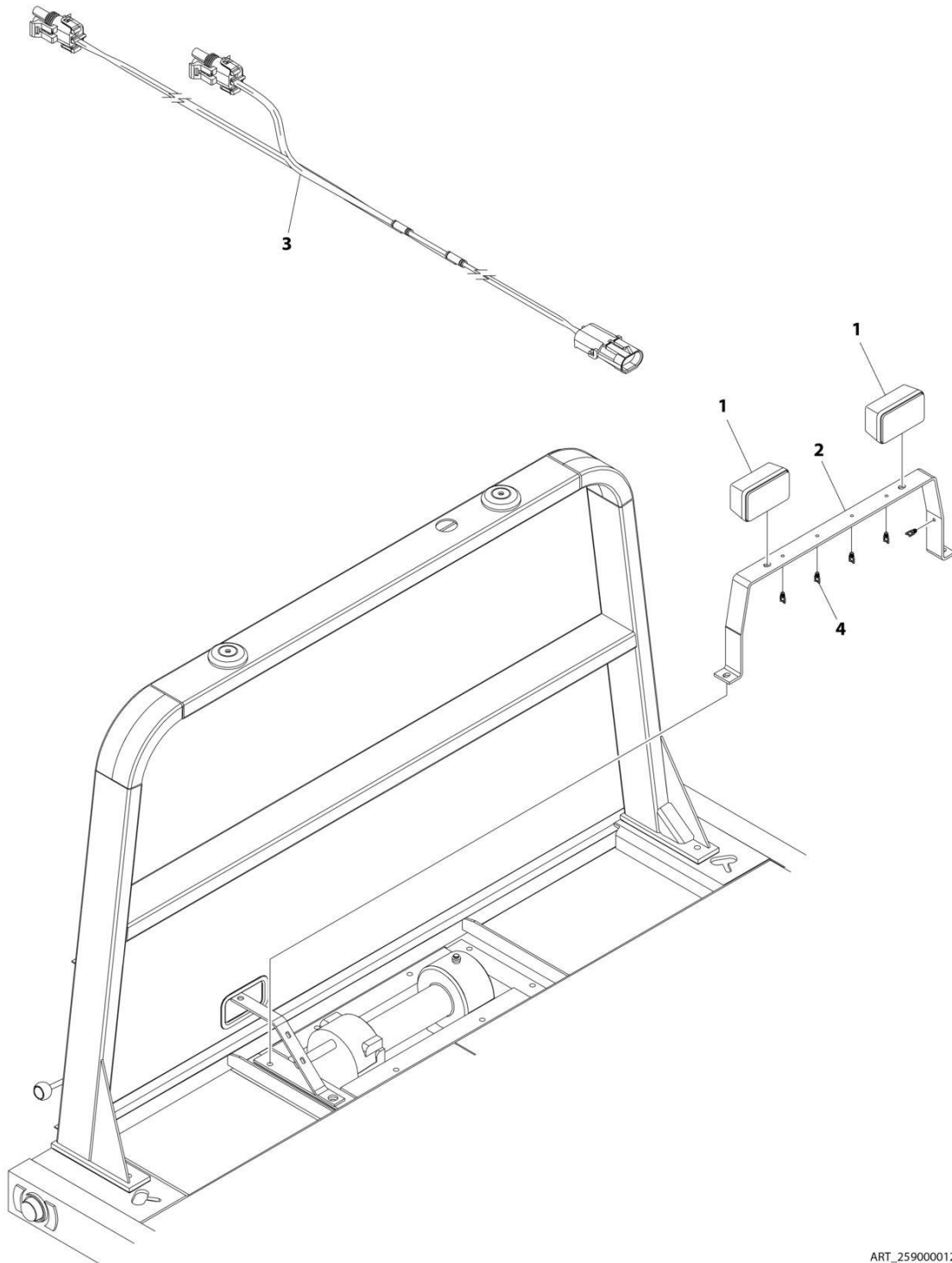
SECTION 6 - ELECTRICAL

FIGURE 6-53. LIGHTS - WORKLIGHT INSTALLATION - NEAR 12K LBS WINCH (SN 0220005217 through 0220006253)

ITEM	PART NUMBER	QTY	DESCRIPTION	REV
	2590000123	Ref	LIGHT - WORKLIGHT INSTALLATION - NEAR 12K LBS WINCH	0
1	7590000223	2	Work Light	
2	7280000013	4	Clip	
3	7552000166	1	Harness, Winch Light (See Separate Breakdown in this Section)	
4	4178000424	1	Bracket	
5	4178000425	1	Bracket	

SECTION 6 - ELECTRICAL

FIGURE 6-54. LIGHTS - WORKLIGHT INSTALLATION - NEAR 15K/20K LBS WINCH (SN 0220005217 through 0220006253)



ART_2590000122

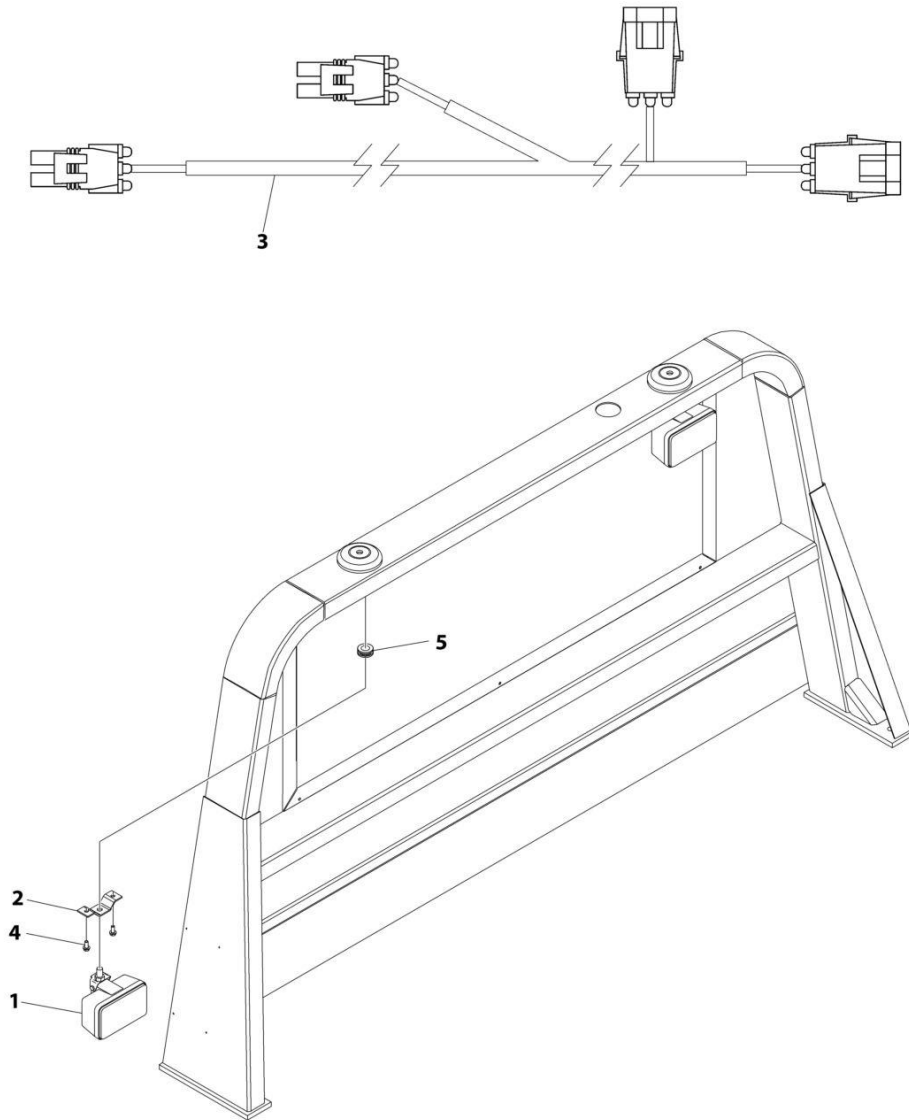
SECTION 6 - ELECTRICAL

FIGURE 6-54. LIGHTS - WORKLIGHT INSTALLATION - NEAR 15K/20K LBS WINCH (SN 0220005217 through 0220006253)

ITEM	PART NUMBER	QTY	DESCRIPTION	REV
	2590000122	Ref	LIGHT - WORKLIGHT INSTALLATION - NEAR 15K/20K LBS WINCH	0
1	7590000223	2	Work Light	
2	4178000423	1	Bracket	
3	7552000166	1	Harness, Winch Light (See Separate Breakdown in this Section)	
4	7280000011	6	Clip	

SECTION 6 - ELECTRICAL

FIGURE 6-55. LIGHTS - WORKLIGHT INSTALLATION - HEADBOARD (SN 0220005217 through 0220006253)



ART_2590000124

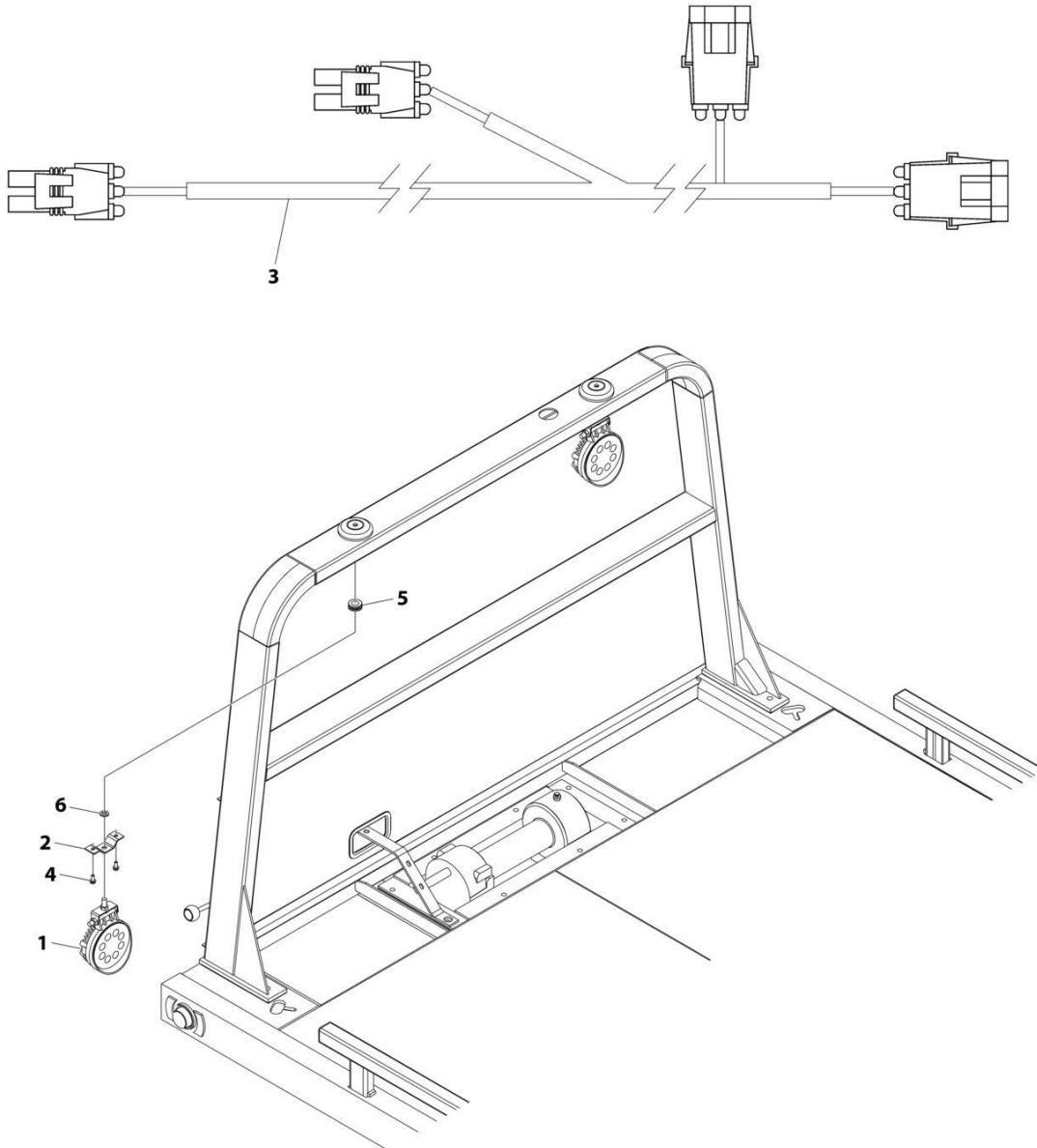
SECTION 6 - ELECTRICAL

FIGURE 6-55. LIGHTS - WORKLIGHT INSTALLATION - HEADBOARD (SN 0220005217 through 0220006253)

ITEM	PART NUMBER	QTY	DESCRIPTION	REV
	2590000124	Ref	LIGHT - WORKLIGHT INSTALLATION - HEADBOARD	B
1	7590000223	2	Work Light	
2	4178000402	2	Bracket	
3	7552000222	1	Harness, Headboard Work Light (See Separate Breakdown in this Section)	
4	7790151253	4	Screw 5/16 x 3/4	
5	7493000003	2	Grommet	

SECTION 6 - ELECTRICAL

FIGURE 6-56. LIGHTS - WORKLIGHT INSTALLATION - HEADBOARD (SN 0220006254 to Present)



ART_1001176428

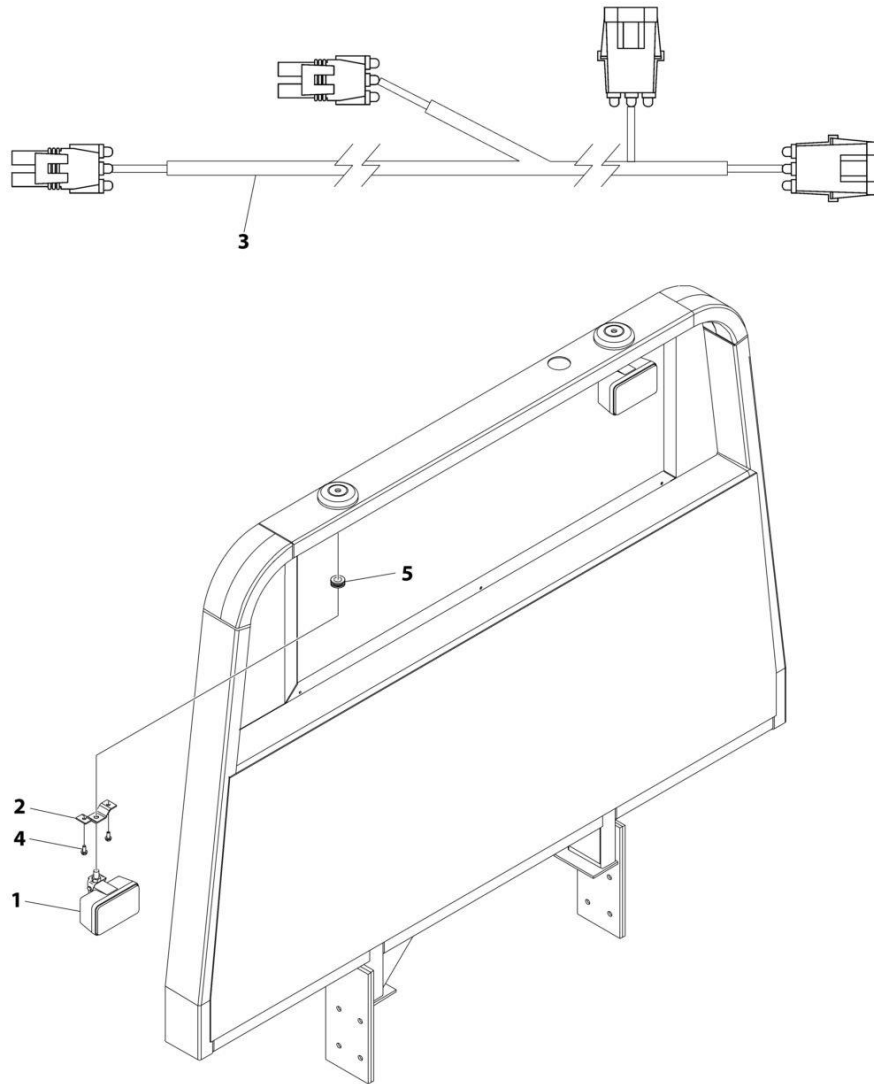
SECTION 6 - ELECTRICAL

FIGURE 6-56. LIGHTS - WORKLIGHT INSTALLATION - HEADBOARD (SN 0220006254 to Present)

ITEM	PART NUMBER	QTY	DESCRIPTION	REV
	1001176428	Ref	LED WORK LIGHTS REAR HEADBOARD INSTALLATION	B
1	1001176337	2	Lamp, LED Work Light 10V-30V (Prior to SN 0220026465)	
1	1001273634	2	Lamp, LED Work Light 10V-30V (SN 0220026465 to Present)	
2	4178000402	2	Bracket	
3	7552000222	1	Harness, Headboard Work Light	
3	4460742	3	Plug, Male - 2 Position	
3	4461157	1	Receptacle, Female - 2 Position	
3	4460457	8	Terminal	
3	8220081	8	Seal	
4	7790151253	4	Screw 5/16 x 3/4	
5	7493000003	2	Grommet	
6	7950150161	2	Washer 5/16	
7	5526000553	4	Tie-Strap (Not Shown)	

SECTION 6 - ELECTRICAL

FIGURE 6-57. LIGHTS - WORKLIGHT INSTALLATION - HEADBOARD (STATIONARY) (SN 0220005217 through 0220006253)



ART_2590000269

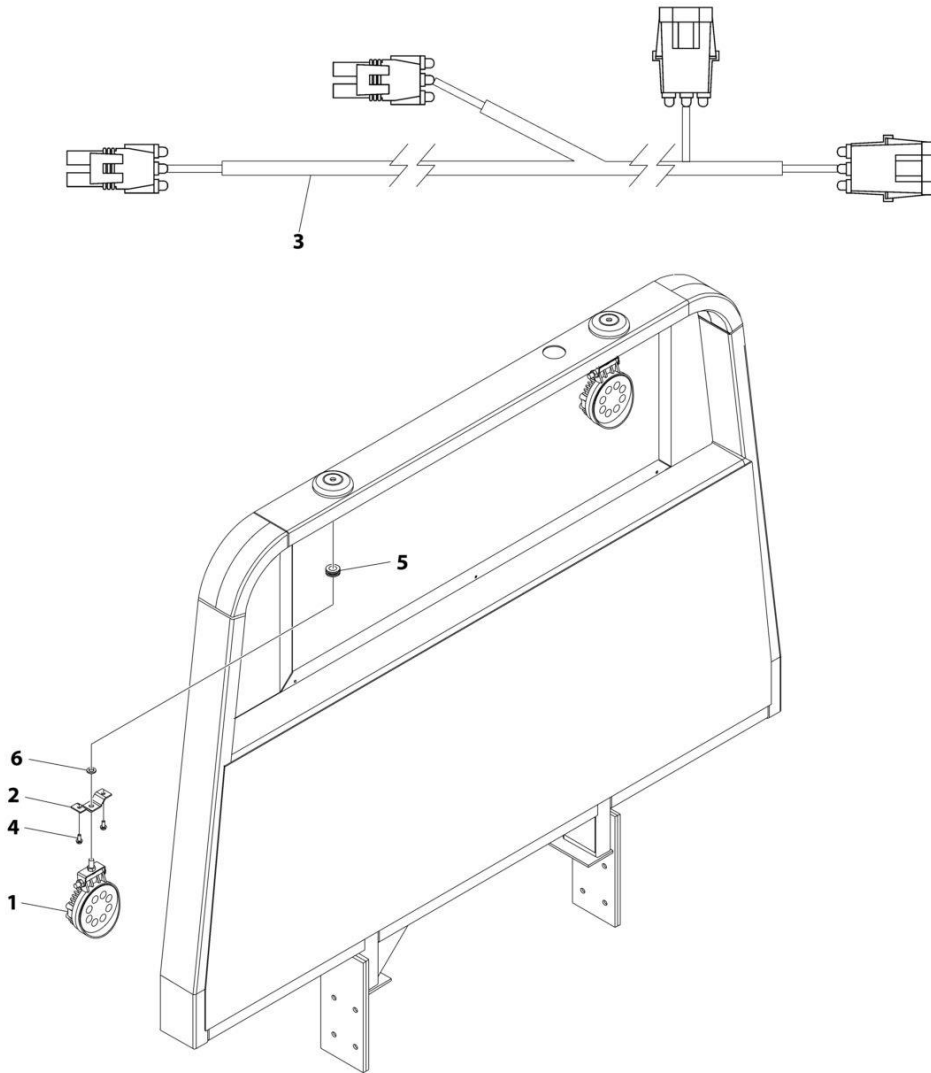
SECTION 6 - ELECTRICAL

FIGURE 6-57. LIGHTS - WORKLIGHT INSTALLATION - HEADBOARD (STATIONARY) (SN 0220005217 through 0220006253)

ITEM	PART NUMBER	QTY	DESCRIPTION	REV
	2590000269	Ref	LIGHT - WORKLIGHT INSTALLATION - HEADBOARD (STATIONARY)	C
1	7590000223	2	Work Light	
2	4178000402	2	Bracket	
3	7552000222	1	Harness, Headboard Work Light (See Separate Breakdown in this Section)	
4	7790151253	4	Screw 5/16 x 3/4	
5	7493000003	2	Grommet	

SECTION 6 - ELECTRICAL

FIGURE 6-58. LIGHTS - WORKLIGHT INSTALLATION - HEADBOARD (STATIONARY) (SN 0220005217 through 0220015208)



ART_1001176434

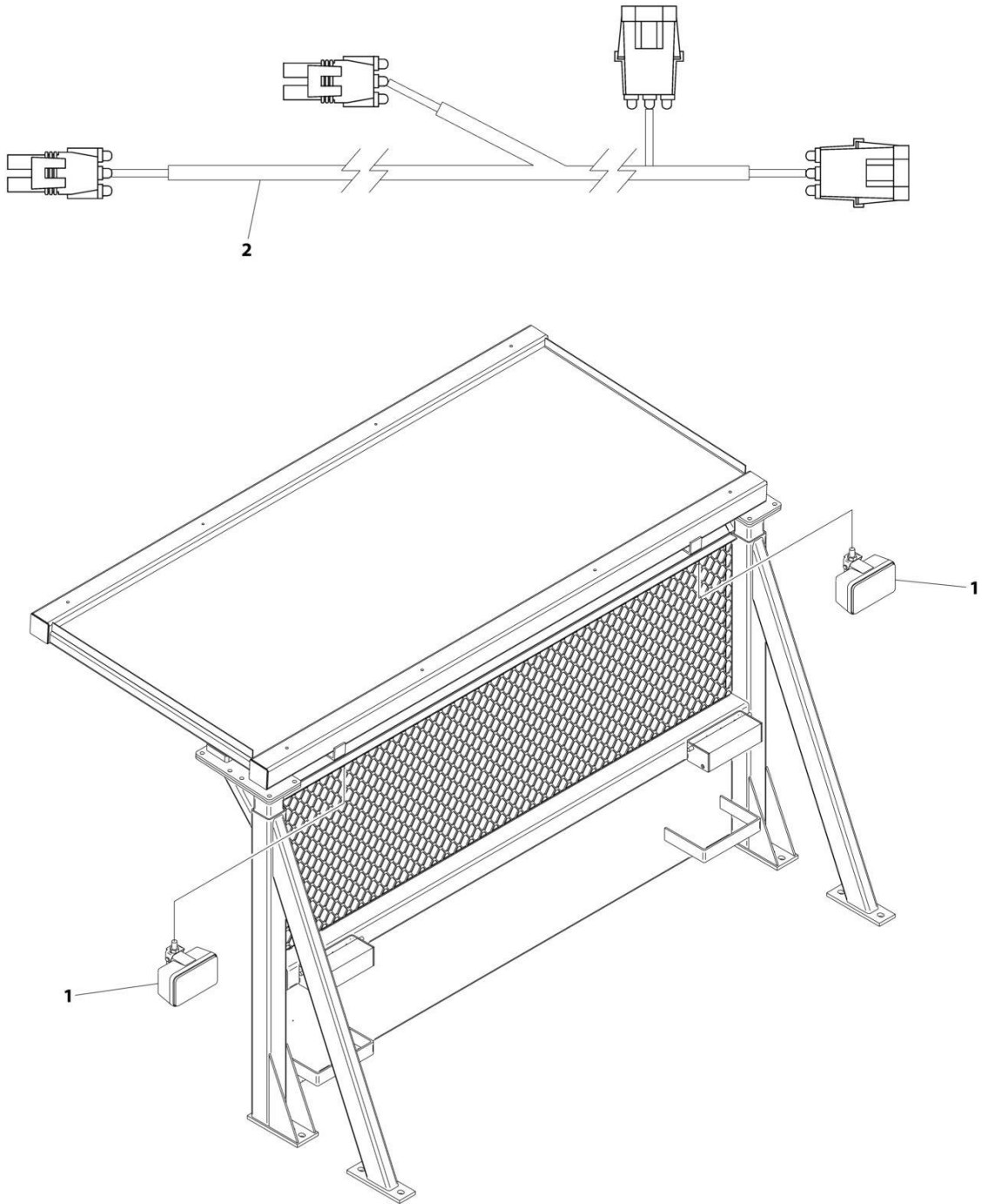
SECTION 6 - ELECTRICAL

FIGURE 6-58. LIGHTS - WORKLIGHT INSTALLATION - HEADBOARD (STATIONARY) (SN 0220005217 through 0220015208)

ITEM	PART NUMBER	QTY	DESCRIPTION	REV
	1001176434	Ref	LIGHT - WORKLIGHT INSTALLATION - HEADBOARD (STATIONARY)	B
1	1001176337	2	Lamp, LED Work Light 10V-30V	
2	4178000402	2	Bracket	
3	7552000222	1	Harness, Headboard Work Light (See Separate Breakdown in this Section)	
4	7790151253	4	Screw 5/16 x 3/4	
5	7493000003	2	Grommet	
6	7950150161	2	Washer 5/16	
7	5526000553	4	Tie-Strap (Not Shown)	

SECTION 6 - ELECTRICAL

FIGURE 6-59. LIGHTS - WORKLIGHT INSTALLATION - HEADBOARD (BUCKET REST) (SN 0220005217 through 0220006253)



ART_2590000206

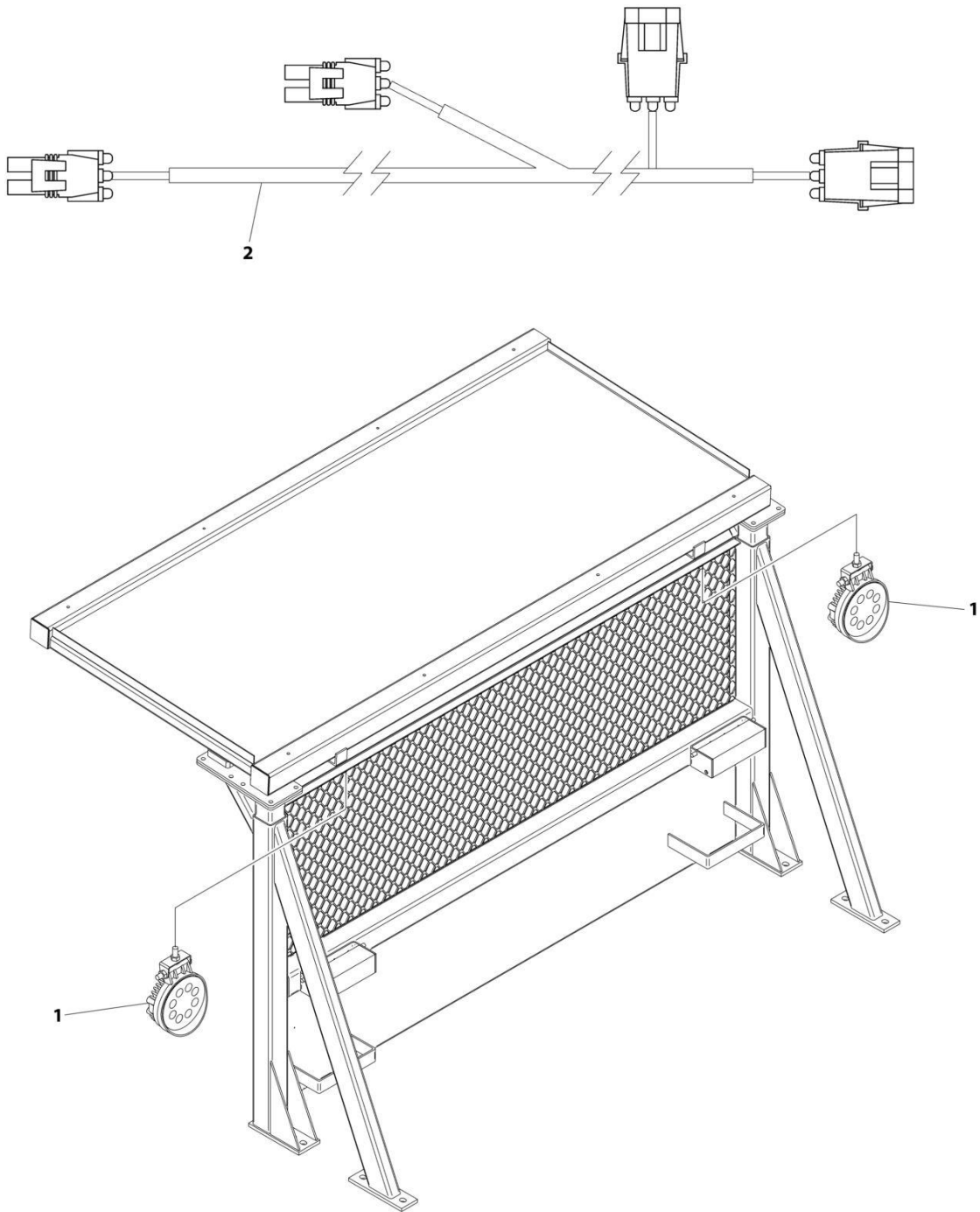
SECTION 6 - ELECTRICAL

FIGURE 6-59. LIGHTS - WORKLIGHT INSTALLATION - HEADBOARD (BUCKET REST) (SN 0220005217 through 0220006253)

ITEM	PART NUMBER	QTY	DESCRIPTION	REV
	2590000206	Ref	LIGHT - WORKLIGHT INSTALLATION - HEADBOARD (BUCKET REST)	0
1	7590000223	2	Work Light	
2	7552000360	1	Harness, Headboard Work Light	
2	4460742	3	Connector	
2	4461157	2	Connector	
2	4460457	8	Terminal	
2	8220081	6	Seal	
2	4460748	2	Plug, Cavity	

SECTION 6 - ELECTRICAL

FIGURE 6-60. LIGHTS - WORKLIGHT INSTALLATION - HEADBOARD (BUCKET REST) (SN 0220006254 to Present)



ART_1001176427

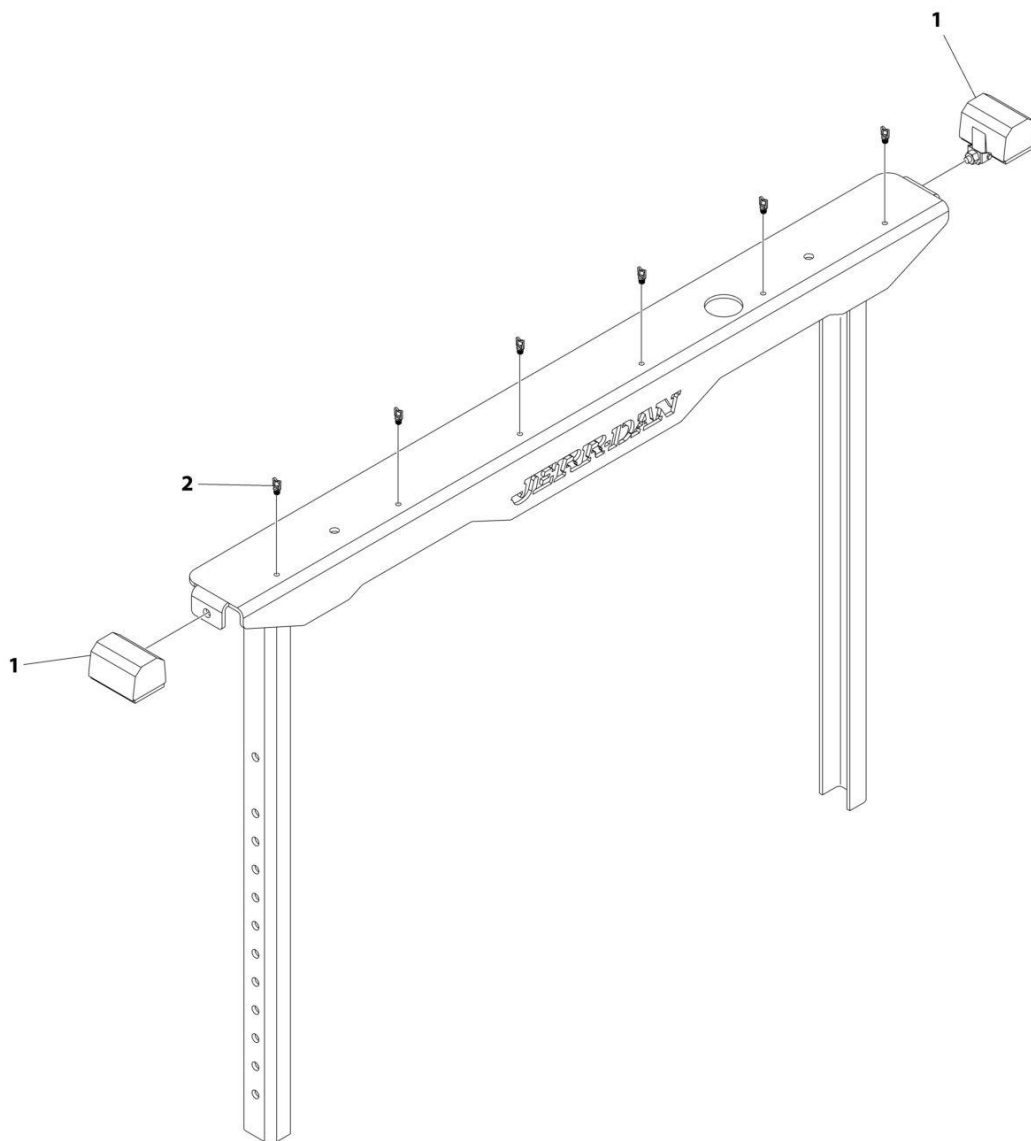
SECTION 6 - ELECTRICAL

FIGURE 6-60. LIGHTS - WORKLIGHT INSTALLATION - HEADBOARD (BUCKET REST) (SN 0220006254 to Present)

ITEM	PART NUMBER	QTY	DESCRIPTION	REV
	1001176427	Ref	LED WORK LIGHTS BRACKET HEADBOARD INSTALLATION	B
1	1001176337	2	Lamp, LED Work Light 10V-30V (Prior to SN 0220026465)	
1	1001273634	2	Lamp, LED Work Light 10V-30V (SN 0220026465 to Present)	
2	7552000360	1	Harness, Deck Work Light	
2	4460742	3	Plug, Male - 2 Position	
2	4461157	2	Receptacle, Female - 2 Postion	
2	4460457	8	Terminal	
2	8220081	6	Seal	
2	4460748	2	Plug, Cavity	
3	5526000553	4	Tie-Strap (Not Shown)	

SECTION 6 - ELECTRICAL

FIGURE 6-61. LIGHTS - WORKLIGHT INSTALLATION - HEADBOARD (SRS), LED, 10V-30V (SN 0220005217 through 0220006253)



ART_2590000229

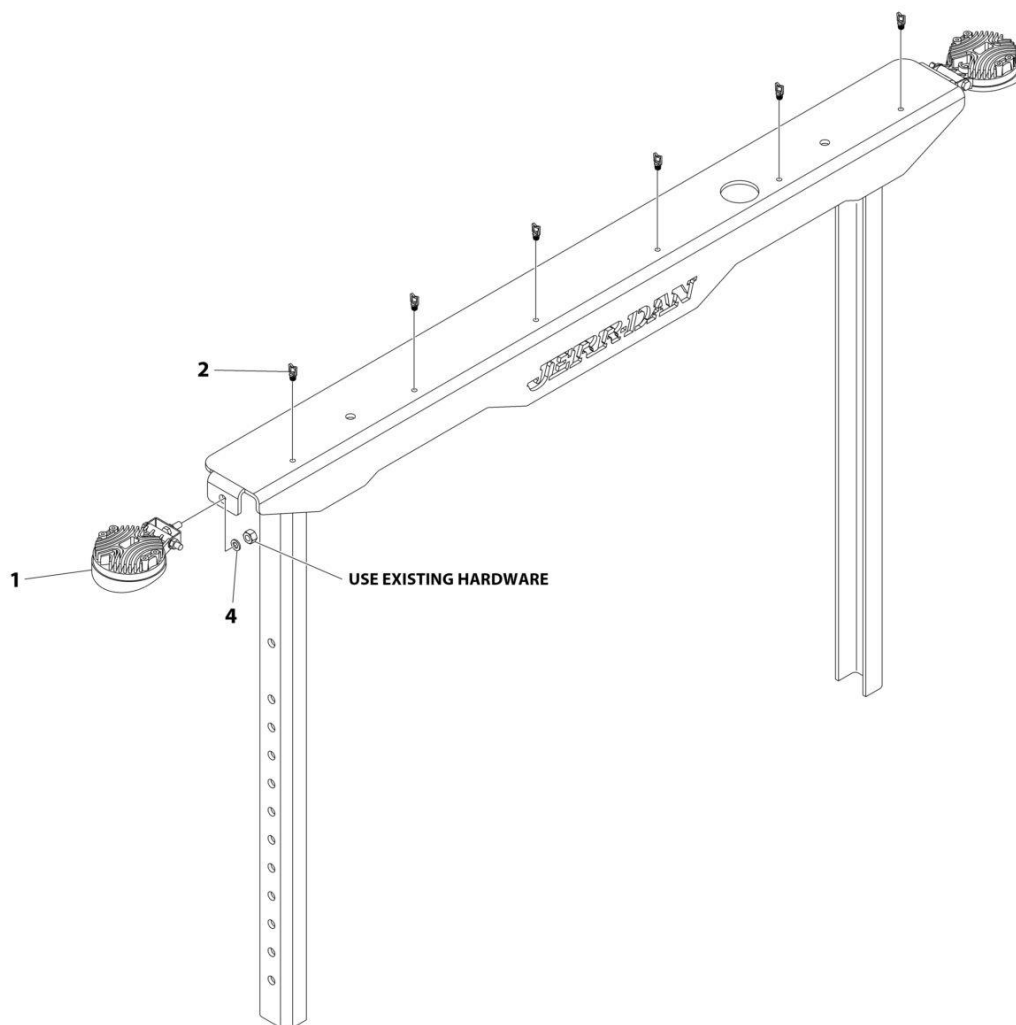
SECTION 6 - ELECTRICAL

FIGURE 6-61. LIGHTS - WORKLIGHT INSTALLATION - HEADBOARD (SRS), LED, 10V-30V (SN 0220005217 through 0220006253)

ITEM	PART NUMBER	QTY	DESCRIPTION	REV
3	4460742	2	Connector	
3	4460457	4	Terminal	
	2590000229	Ref	LIGHT - WORKLIGHT INSTALLATION - SIDE RECOVERY SYSTEM	0
1	7590000223	2	Work Light	
2	7280000011	6	Clip	
3	7552000397	1	Harness, Headboard Work Light (Not Shown)	

SECTION 6 - ELECTRICAL

FIGURE 6-62. LIGHTS - WORKLIGHT INSTALLATION - HEADBOARD (SRS), LED, 10V-30V (SN 0220006254 to Present)



ART_1001176429

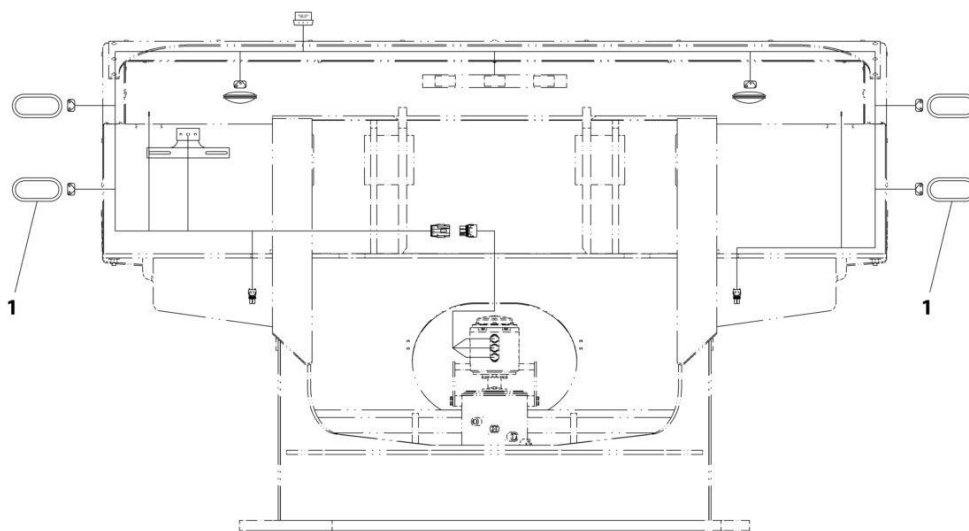
SECTION 6 - ELECTRICAL

FIGURE 6-62. LIGHTS - WORKLIGHT INSTALLATION - HEADBOARD (SRS), LED, 10V-30V (SN 0220006254 to Present)

ITEM	PART NUMBER	QTY	DESCRIPTION	REV
	1001176429	Ref	LED WORK LIGHTS HEADBOARD INSTALLATION - SRS	B
1	1001176337	2	Lamp, LED Work Light 10V-30V (Prior to SN 0220026465)	
1	1001273634	2	Lamp, LED Work Light 10V-30V (SN 0220026465 to Present)	
2	7280000011	6	Clip	
3	7552000397	1	Harness, Deck Work Light (Not Shown)	
3	4460742	2	Plug, Male - 2 Position	
3	4460457	4	Terminal	
4	7950150161	2	Washer 5/16	

SECTION 6 - ELECTRICAL

FIGURE 6-63. LIGHTS - WORKLIGHT INSTALLATION - HEADBOARD (TOP MOUNTED) (SN 0220005217 through 0220006253)



ART_2590000248

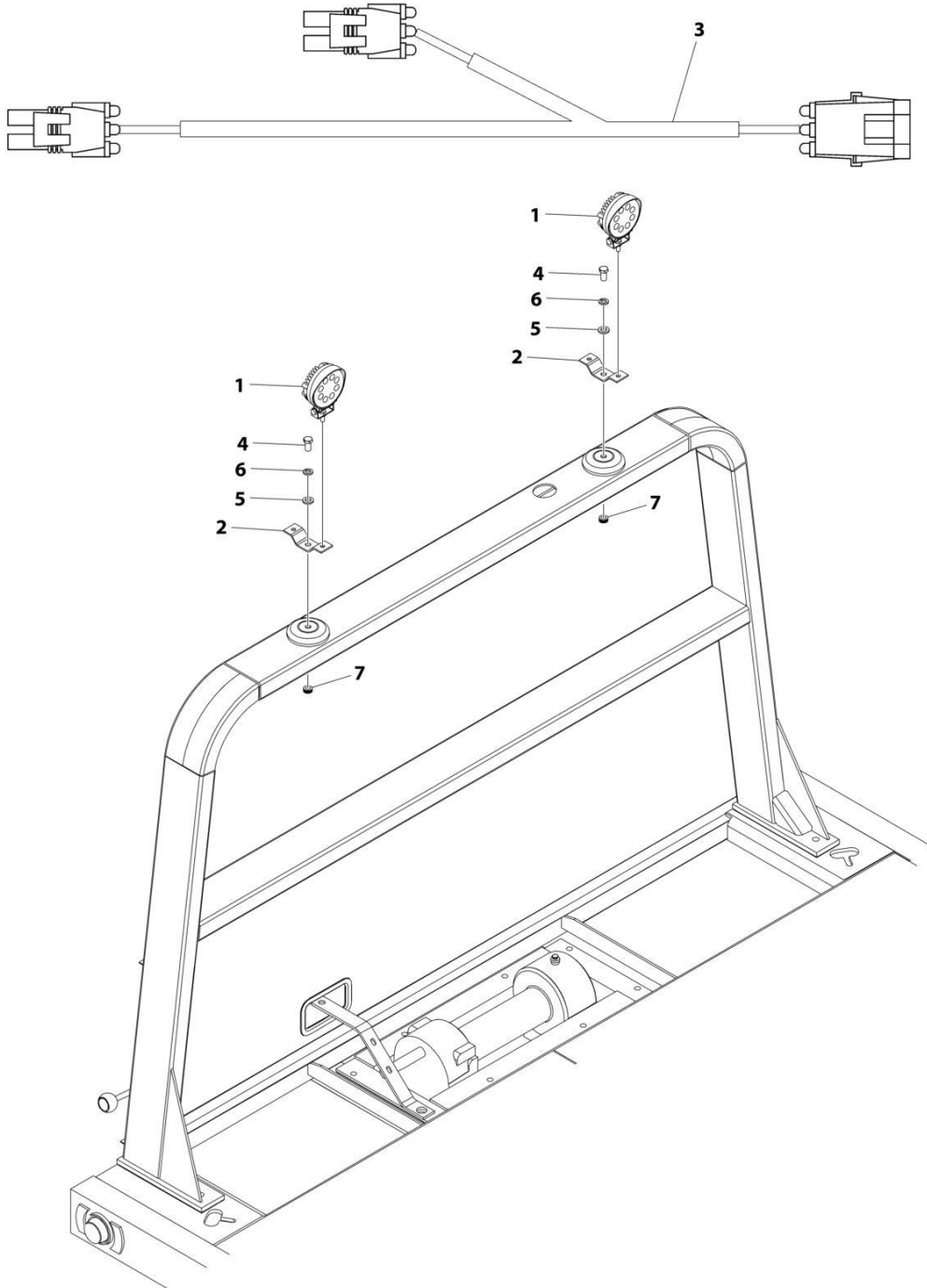
SECTION 6 - ELECTRICAL

FIGURE 6-63. LIGHTS - WORKLIGHT INSTALLATION - HEADBOARD (TOP MOUNTED) (SN 0220005217 through 0220006253)

ITEM	PART NUMBER	QTY	DESCRIPTION	REV
	2590000248	Ref	LIGHT - WORKLIGHT INSTALLATION - HEADBOARD (TOP MOUNTED)	B
1	1001174682	2	Lamp, Amber	

SECTION 6 - ELECTRICAL

FIGURE 6-64. LIGHTS - WORKLIGHT INSTALLATION - HEADBOARD (TOP MOUNTED) (SN 0220006254 to Present)



ART_1001176432

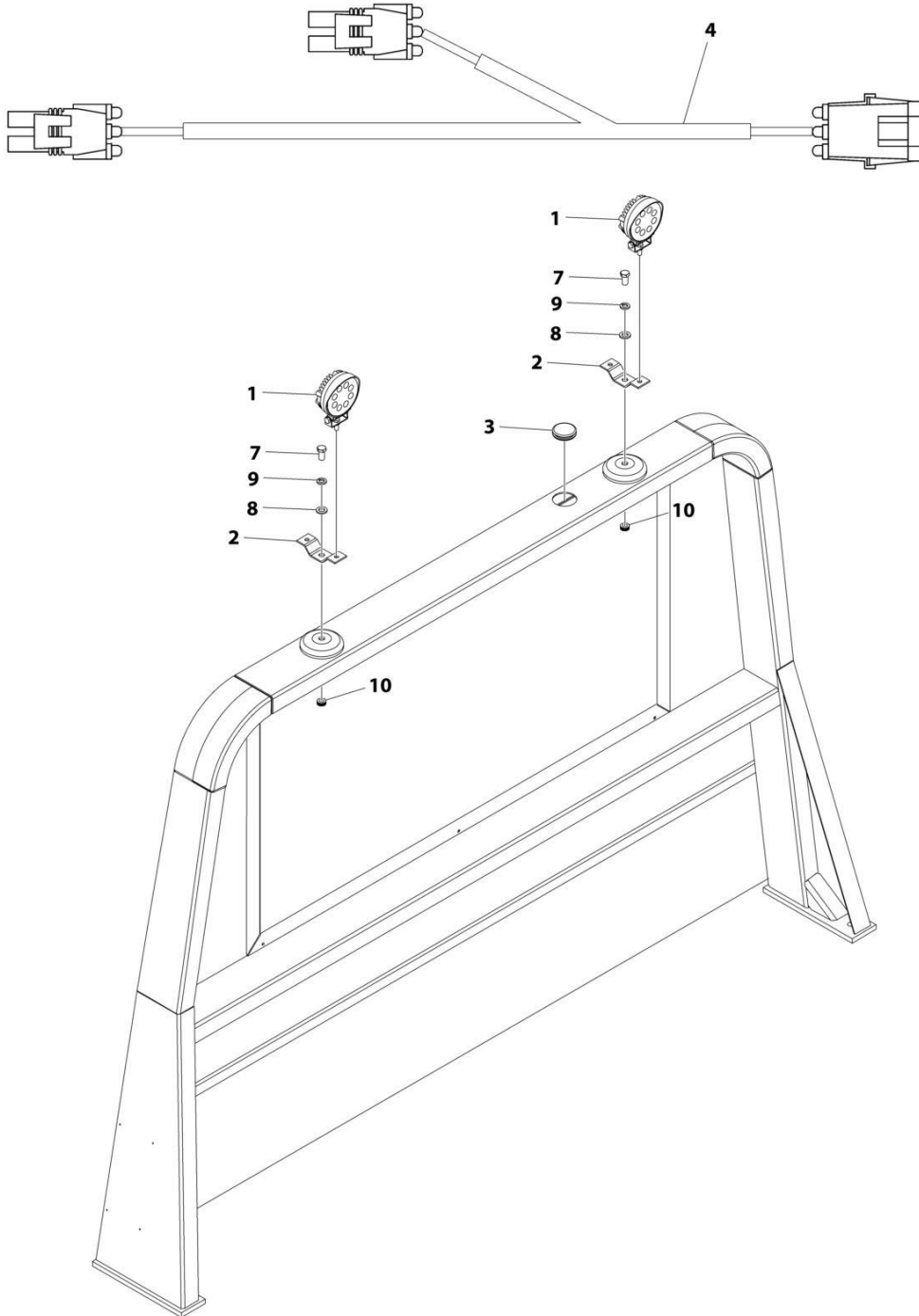
SECTION 6 - ELECTRICAL

FIGURE 6-64. LIGHTS - WORKLIGHT INSTALLATION - HEADBOARD (TOP MOUNTED) (SN 0220006254 to Present)

ITEM	PART NUMBER	QTY	DESCRIPTION	REV
	1001176432	Ref	LIGHT - WORKLIGHT INSTALLATION - HEADBOARD (TOP MOUNTED)	B
1	1001273634	2	Lamp, LED Work Light 10V-30V	
2	4178000402	2	Bracket	
3	7552000222	1	Harness, Headboard Work Light (See Separate Breakdown in this Section)	
4	7115180850	2	Capscrew 1/2 x 1	
5	7950180252	2	Washer 1/2	
6	7950180000	2	Washer 19/32	
7	7493000003	2	Grommet	
8	5526000553	4	Tie-Strap (Not Shown)	

SECTION 6 - ELECTRICAL

FIGURE 6-65. LIGHTS - WORKLIGHT INSTALLATION - HEADBOARD (TOP MOUNTED, NO LIGHTBAR, LED, SPLIT SWITCH 10C-30V)



ART_1001176625

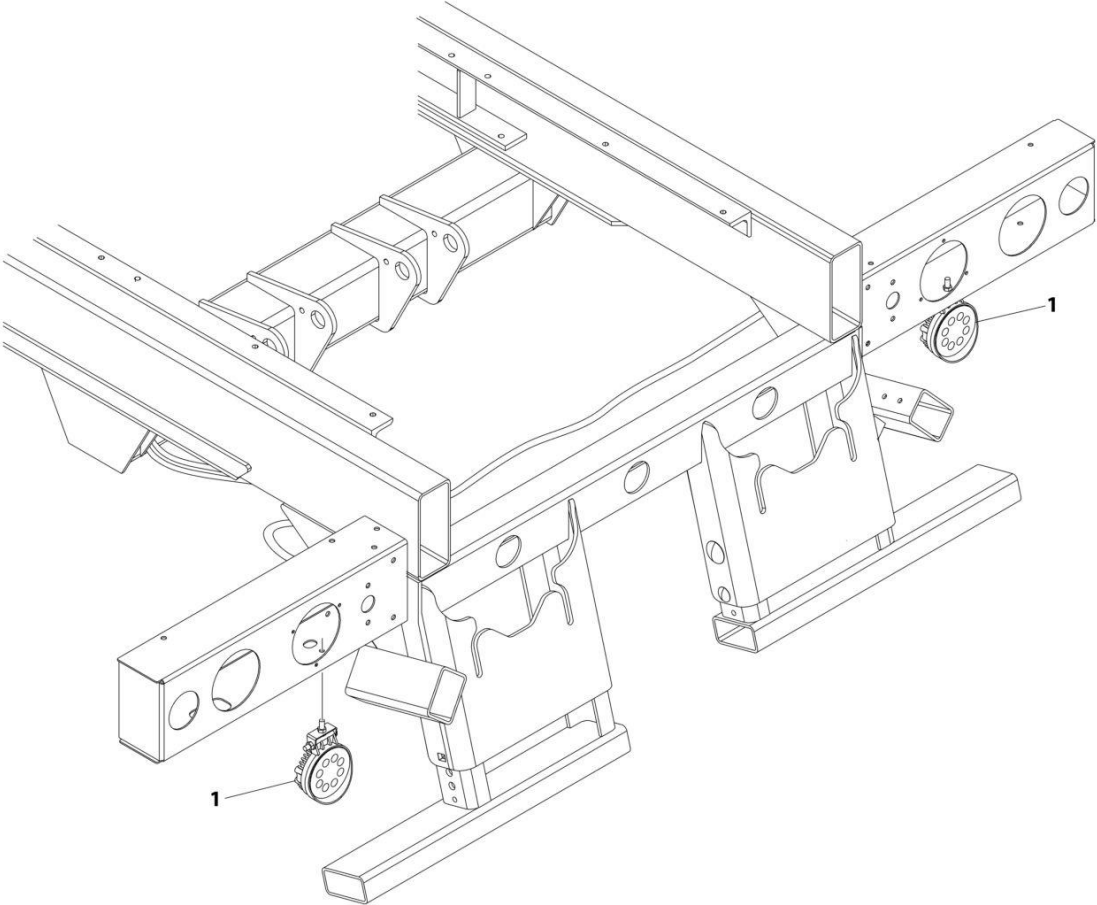
SECTION 6 - ELECTRICAL

FIGURE 6-65. LIGHTS - WORKLIGHT INSTALLATION - HEADBOARD (TOP MOUNTED, NO LIGHTBAR, LED, SPLIT SWITCH 10C-30V)

ITEM	PART NUMBER	QTY	DESCRIPTION	REV
	1001176625	Ref	LIGHT - WORKLIGHT INSTALLATION - HEADBOARD (TOP MOUNTED/SPLIT SWITCH)	B
1	1001273634	2	Lamp, LED Work Light 10V-30V	
2	4178000402	2	Bracket	
3	7493000015	1	Grommet	
4	7552000397	1	Harness, Headboard Work Light	
4	4460742	2	Connector	
4	4460457	4	Terminal	
5	7577000157	1	Connector (Not Shown)	
6	7346000167	6	Plug (Not Shown)	
7	7115180850	2	Capscrew 1/2 x 1	
8	7950180252	2	Washer 1/2	
9	7950180000	2	Washer 19/32	
10	7493000003	2	Grommet	
11	5526000553	4	Tie-Strap (Not Shown)	

SECTION 6 - ELECTRICAL

FIGURE 6-66. LIGHTS - WORKLIGHT INSTALLATION - REAR (10V-30V)



ART_1001176430

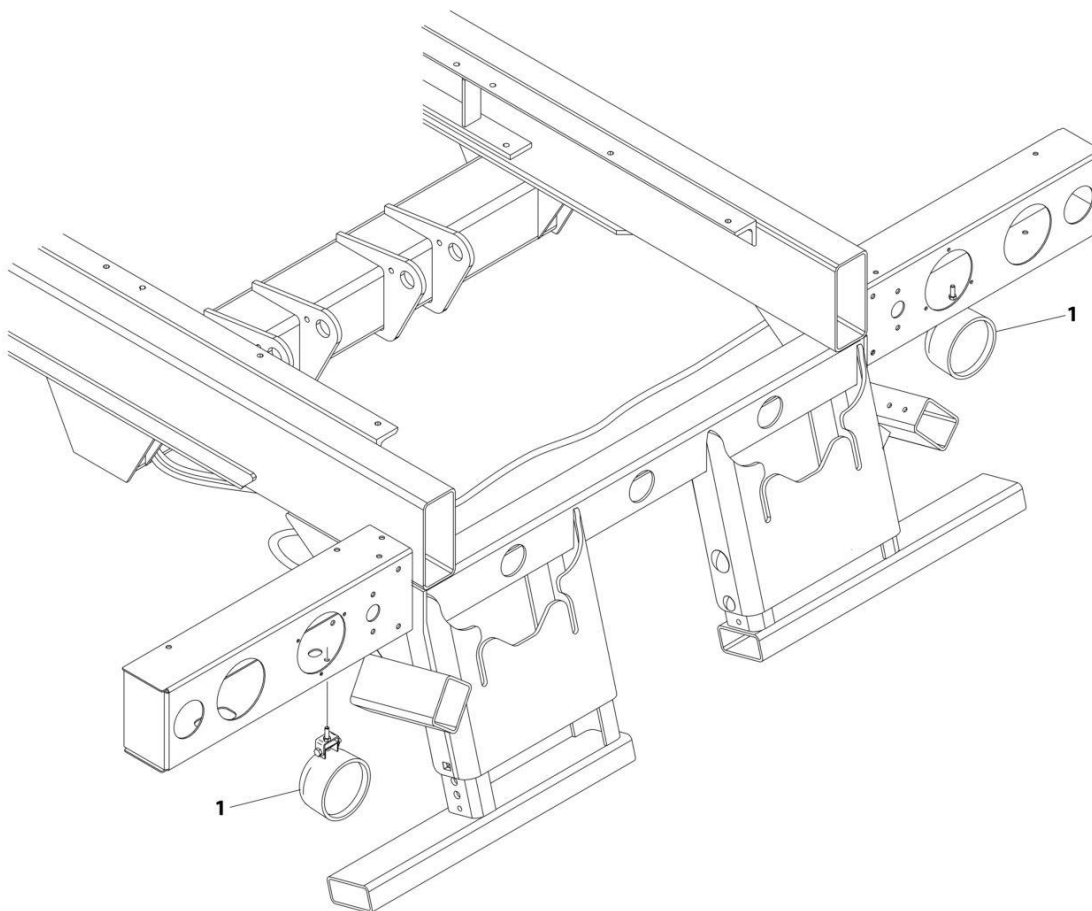
SECTION 6 - ELECTRICAL

FIGURE 6-66. LIGHTS - WORKLIGHT INSTALLATION - REAR (10V-30V)

ITEM	PART NUMBER	QTY	DESCRIPTION	REV
	1001176430	Ref	LED WORK LIGHTS REAR INSTALLATION	B
1	1001176337	2	Lamp, LED Work Light 10V-30V (Prior to SN 0220026465)	
1	1001273634	2	Lamp, LED Work Light 10V-30V (SN 0220026465 to Present)	

SECTION 6 - ELECTRICAL

FIGURE 6-67. LIGHTS - WORKLIGHT INSTALLATION - REAR (12V) (SN 0220005217 through 0220006253)



ART_2590000115

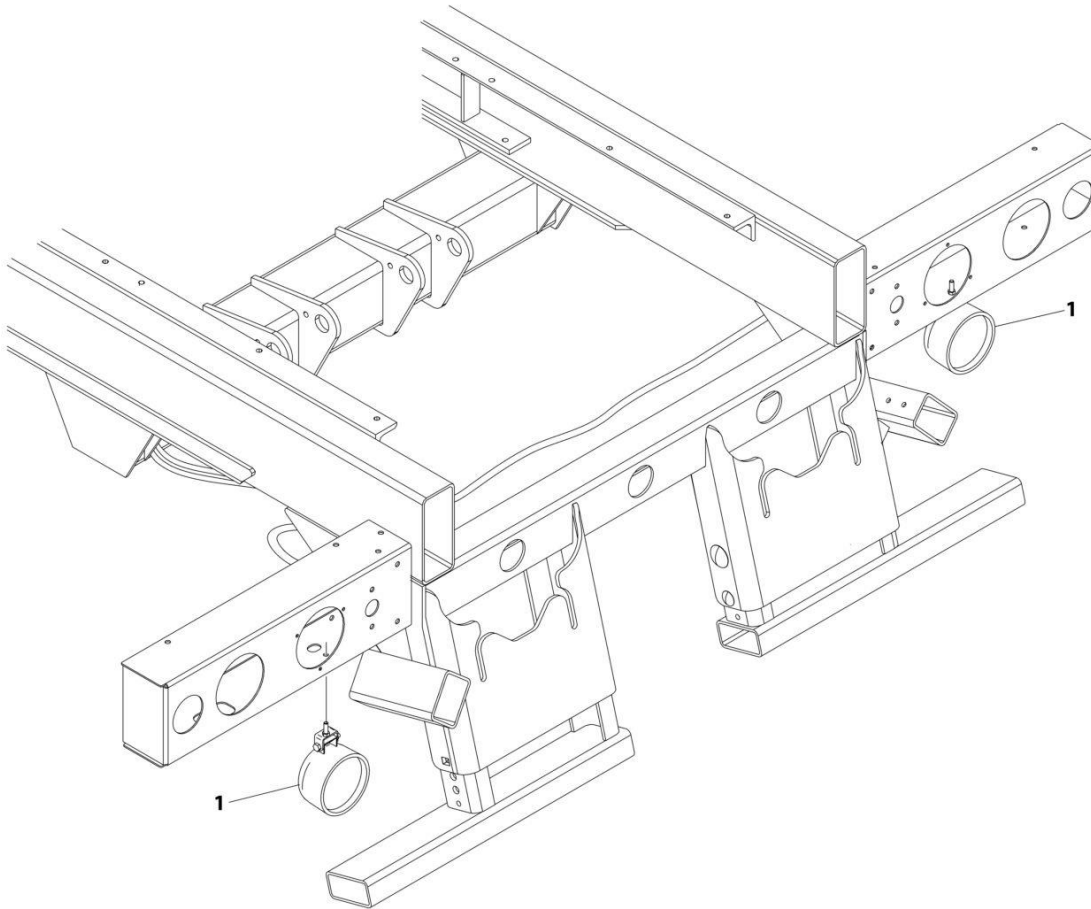
SECTION 6 - ELECTRICAL

FIGURE 6-67. LIGHTS - WORKLIGHT INSTALLATION - REAR (12V) (SN 0220005217 through 0220006253)

ITEM	PART NUMBER	QTY	DESCRIPTION	REV
1	2590000115	Ref	LIGHT - WORKLIGHT INSTALLATION - REAR	B
	7590000185	2	Work Light	

SECTION 6 - ELECTRICAL

FIGURE 6-68. LIGHTS - WORKLIGHT INSTALLATION - REAR (24V) (SN 0220005217 through 0220006253)



ART_1001131572

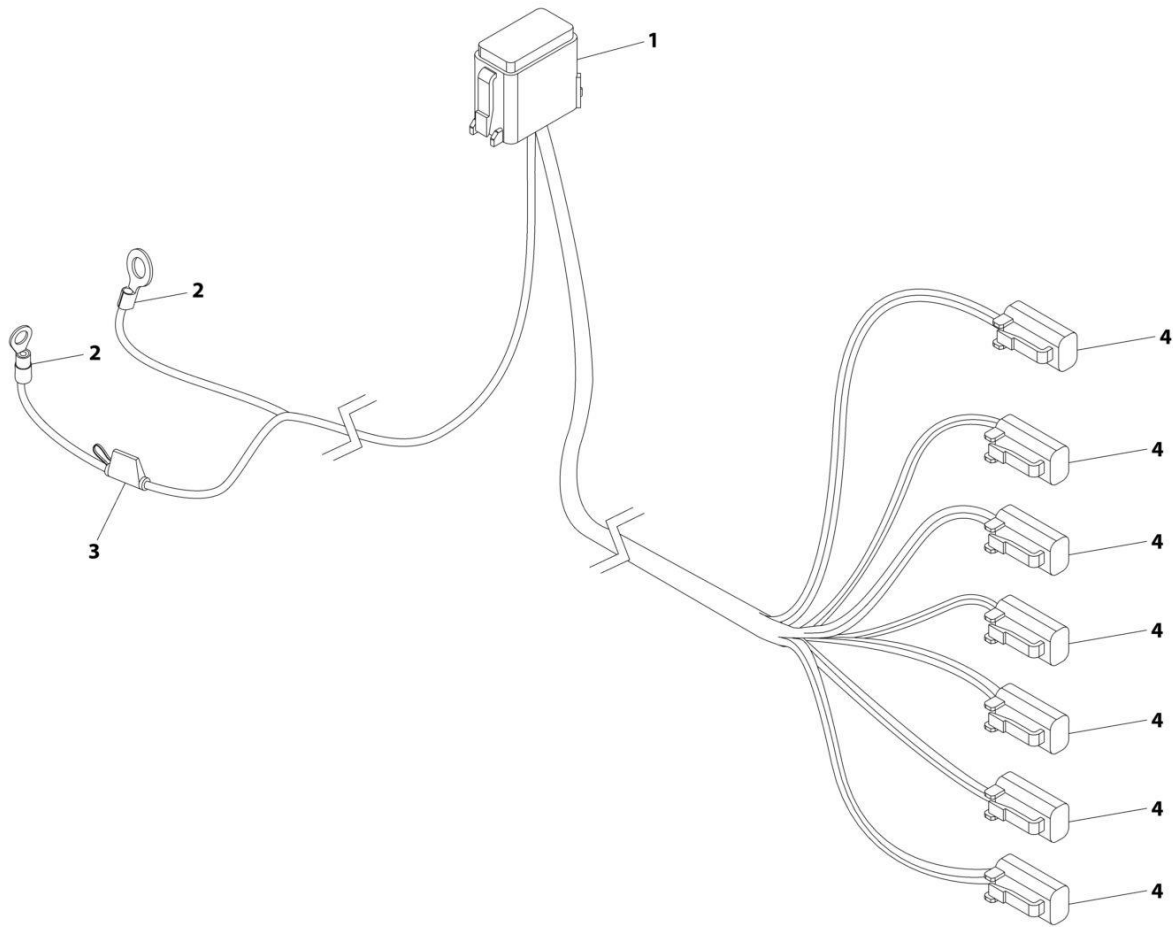
SECTION 6 - ELECTRICAL

FIGURE 6-68. LIGHTS - WORKLIGHT INSTALLATION - REAR (24V) (SN 0220005217 through 0220006253)

ITEM	PART NUMBER	QTY	DESCRIPTION	REV
1	1001131572	Ref	LIGHT - WORKLIGHT INSTALLATION - REAR	B
	7590000118	2	Work Light	

SECTION 6 - ELECTRICAL

FIGURE 6-69. SIDE RECOVERY SYSTEM HARNESS



ART_7552000385

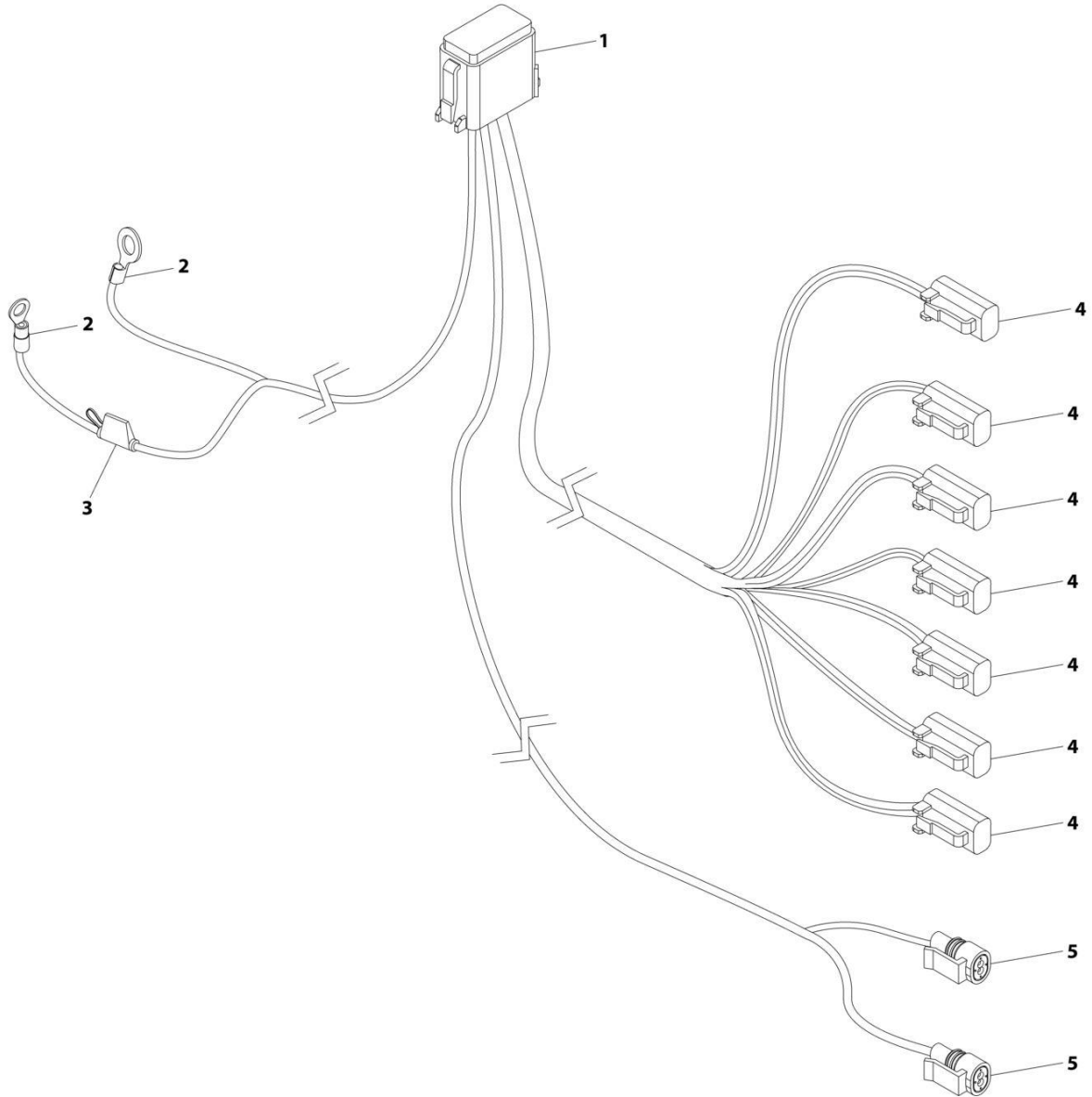
SECTION 6 - ELECTRICAL

FIGURE 6-69. SIDE RECOVERY SYSTEM HARNESS

ITEM	PART NUMBER	QTY	DESCRIPTION	REV
	7552000385	Ref	SIDE RECOVERY SYSTEM HARNESS (WITHOUT REMOTE CONTROL)	2
1	4460933	1	Plug, Male - 12 Position	
1	4460465	9	Socket, Female	
1	4460466	3	Plug, Terminal	
2		Ref	Terminal, Ring	
3		Ref	Fuseholder	
3		Ref	Fuse - 10Amp ATO	
4	4460891	7	Plug, Male - 2 Position	
4	4460465	14	Socket, Female	

SECTION 6 - ELECTRICAL

FIGURE 6-70. SIDE RECOVERY SYSTEM (SRS) HARNESS (WITH REMOTE CONTROL)



ART_7552000413

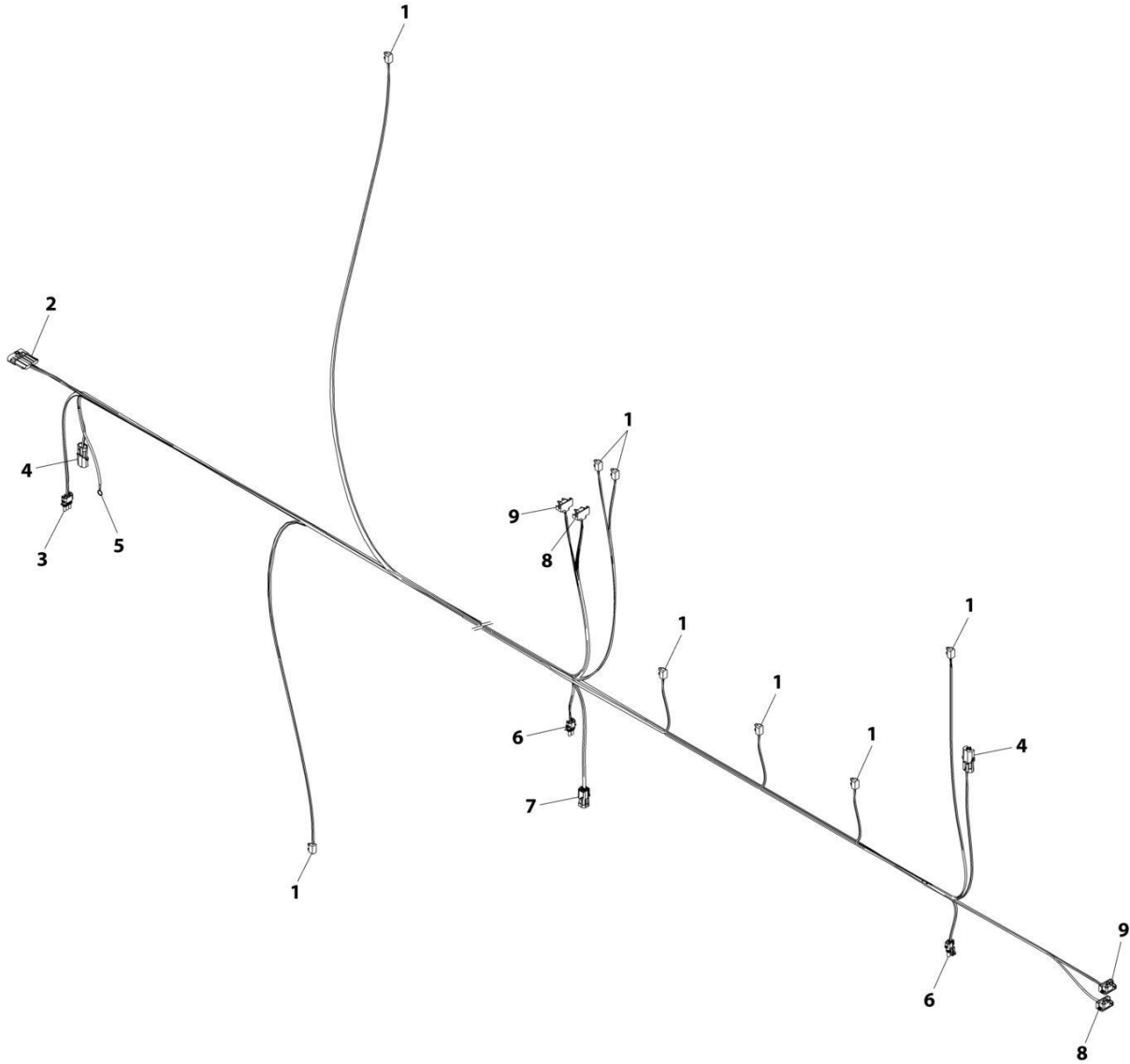
SECTION 6 - ELECTRICAL

FIGURE 6-70. SIDE RECOVERY SYSTEM (SRS) HARNESS (WITH REMOTE CONTROL)

ITEM	PART NUMBER	QTY	DESCRIPTION	REV
	7552000413	Ref	SIDE RECOVERY SYSTEM (SRS) HARNESS (WITH REMOTE CONTROL)	0
1	4460933	1	Plug, Male - 12 position	
1	4460465	11	Socket, Female	
1	4460466	1	Plug, Terminal	
2		Ref	Terminal, Ring	
3		Ref	Fuseholder	
3		Ref	Fuse - 10Amp ATO	
4	4460891	7	Plug, Male - 2 Position	
4	4460465	14	Socket, Female	
5	4460955	2	Plug, Male - 2 Position	
5	4460842	4	Socket, Female	

SECTION 6 - ELECTRICAL

FIGURE 6-71. SUBFRAME HARNESS



ART_1001173952

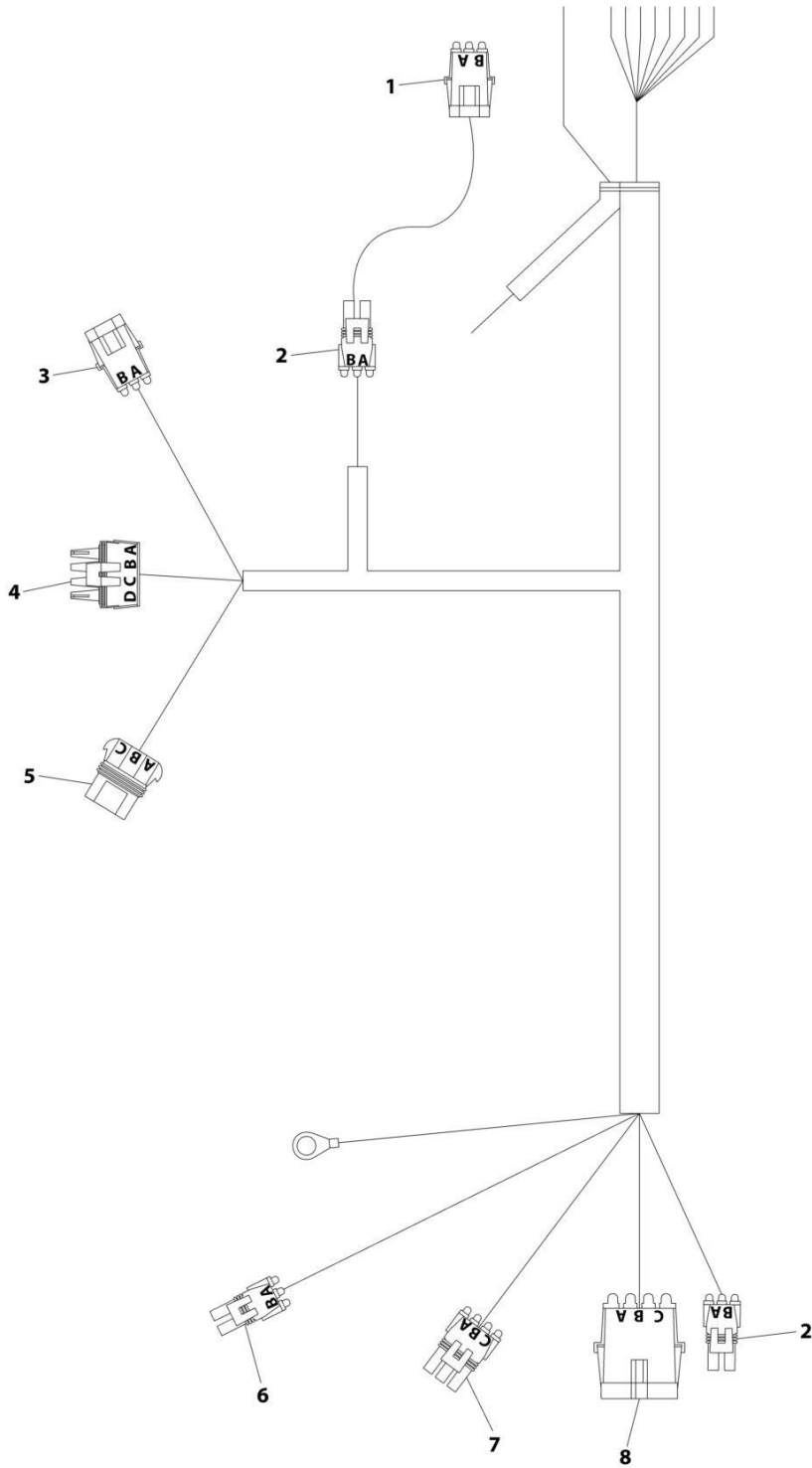
SECTION 6 - ELECTRICAL

FIGURE 6-71. SUBFRAME HARNESS

ITEM	PART NUMBER	QTY	DESCRIPTION	REV
	1001173952	Ref	SUBFRAME HARNESS	C
1	1001275791	8	Connector & Lead Wire - 2 Position (Marker Lights)	
2	1001121727	1	Connector - 5 Position	
2	1001116729	5	Terminal	
2	1001190037	5	Seal	
3	4460459	1	Plug, Male - 3 Position	
3	4460457	3	Terminal	
3	1001190037	3	Seal	
4	4461157	2	Plug, Male - 2 Position	
4	4460457	4	Terminal	
4	1001190037	4	Seal	
5	4460019	1	Terminal, Ring	
6	4460742	2	Plug, Male - 2 Position	
6	4460457	4	Terminal	
7	80963062	1	Plug, Male - 4 Position	
7	4460457	4	Terminal	
7	1001190037	4	Seal	
8	1001275792	2	Connector & Lead Wire - 2 Position (Stop/Turn/Taillights)	
9	1001275793	2	Connector & Lead Wire - 2 Position (Stop/Turn/Taillights)	

SECTION 6 - ELECTRICAL

FIGURE 6-72. SUBFRAME TO CAB HARNESS (WITH STATIONARY HEADBOARD)



ART_1001152345

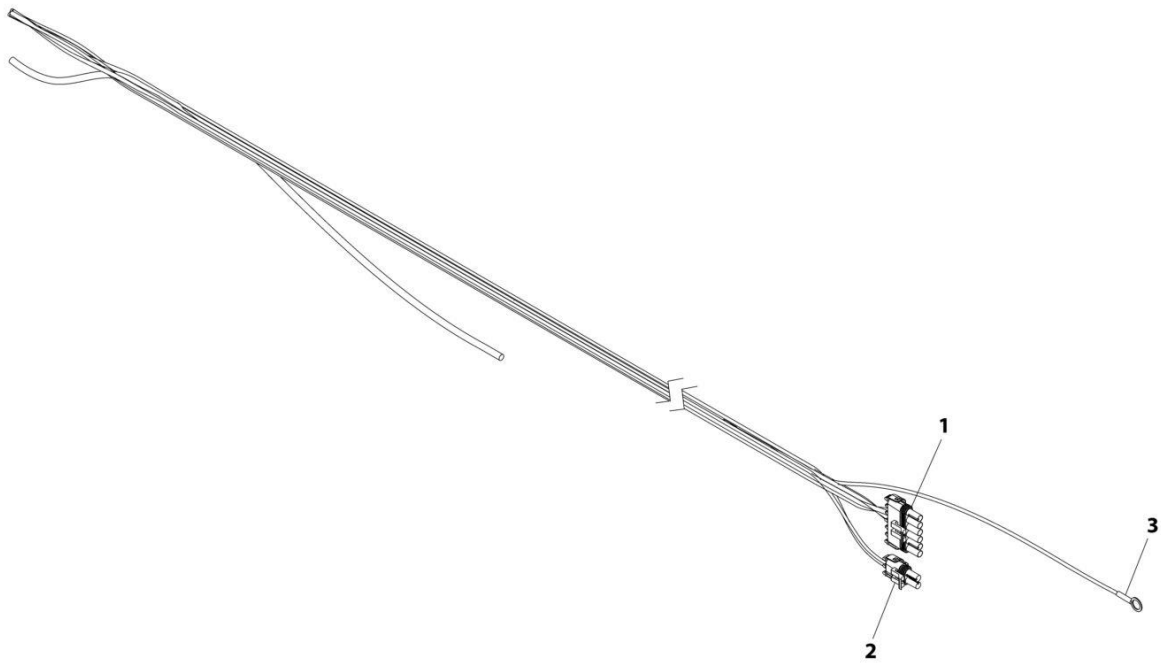
SECTION 6 - ELECTRICAL

FIGURE 6-72. SUBFRAME TO CAB HARNESS (WITH STATIONARY HEADBOARD)

ITEM	PART NUMBER	QTY	DESCRIPTION	REV
	1001152345	Ref	SUBFRAME TO CAB HARNESS	C
1	4460867	1	Receptacle, Female - 2 Position	
1	1001116727	2	Plug, Terminal	
2	4460742	2	Plug, Male - 2 Position	
2	4460457	4	Terminal	
2	NPN	4	Seal	
2	80963064	1	Connector - 6 Position	
2	4460850	5	Terminal	
2	NPN	3	Seal	
2	1001116727	1	Plug, Terminal	
3	4460867	1	Receptacle, Female - 2 Position	
3	4460850	2	Terminal	
3	NPN	2	Seal	
4	4460460	1	Receptacle, Female - 4 Position	
4	4460790	4	Terminal	
4	NPN	4	Seal	
5	8220935	1	Connector - 3 Position	
5	7346000108	1	Lock	
5	8220099	3	Terminal	
5	NPN	2	Seal	
5	NPN	1	Seal	
6	4460742	1	Plug, Male - 2 Position	
6	4460790	2	Terminal	
6	NPN	2	Seal	
7	4460459	1	Plug, Male - 3 Position	
7	4460457	2	Socket, Female	
7	1001116727	1	Plug, Terminal	
7	NPN	3	Seal	
8	4460476	1	Receptacle, Female - 3 Position	
8	4460850	3	Terminal	
8	NPN	3	Seal	

SECTION 6 - ELECTRICAL

FIGURE 6-73. SUBFRAME TO CAB HARNESS (WITH BOLT-ON HEADBOARD) (26-30FT DECK)



ART_7552000178

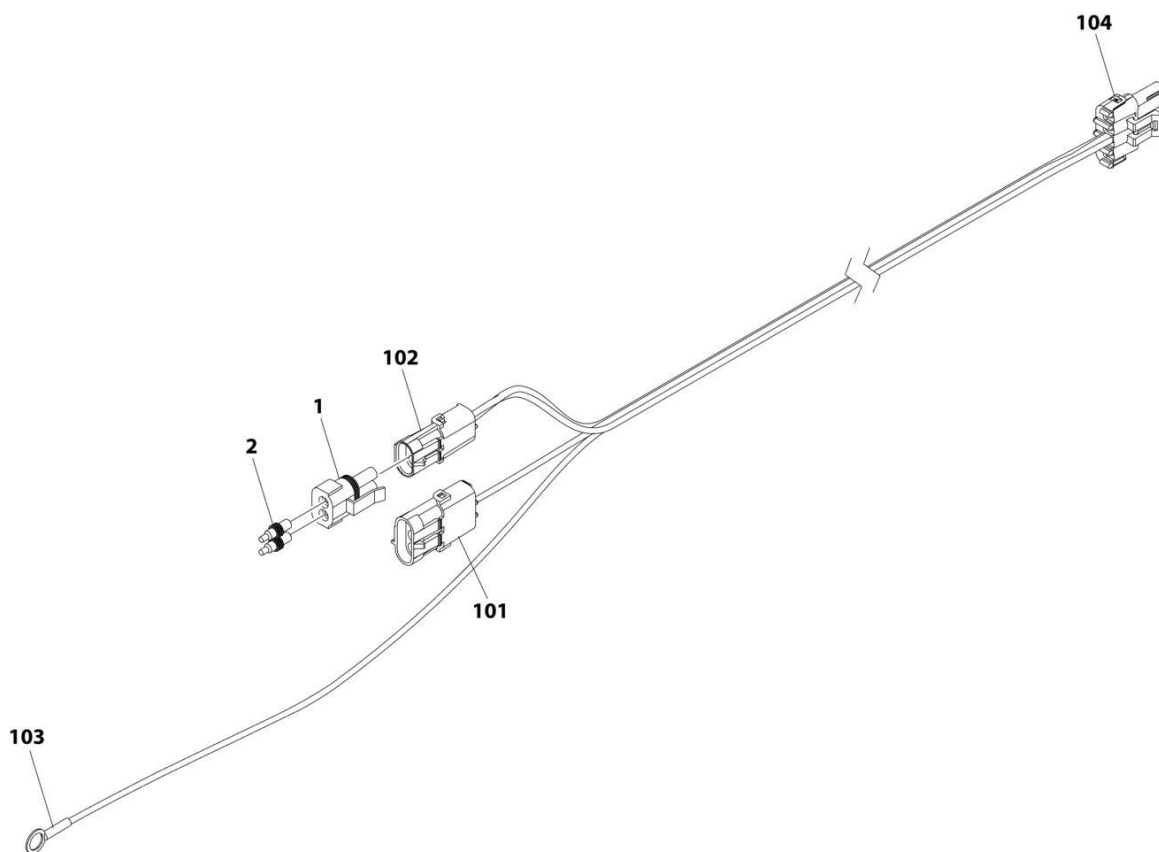
SECTION 6 - ELECTRICAL

FIGURE 6-73. SUBFRAME TO CAB HARNESS (WITH BOLT-ON HEADBOARD) (26-30FT DECK)

ITEM	PART NUMBER	QTY	DESCRIPTION	REV
	7552000178	Ref	SUBFRAME TO CAB HARNESS (WITH BOLT-ON HEADBOARD) (26-30FT DECK)	B
1	4460461	1	Connector	
1	4460790	5	Terminal	
1	8220089	5	Seal	
1	1001116727	1	Plug, Terminal	
2	4460742	1	Connector	
2	4460457	2	Terminal	
2	8220081	2	Seal	
3	4460256	1	Terminal, Ring	

SECTION 6 - ELECTRICAL

FIGURE 6-74. SUBFRAME TO DECK HARNESS (WITH STATIONARY HEADBOARD) (SN 0220005217 through 0220022646)



ART_1001152349

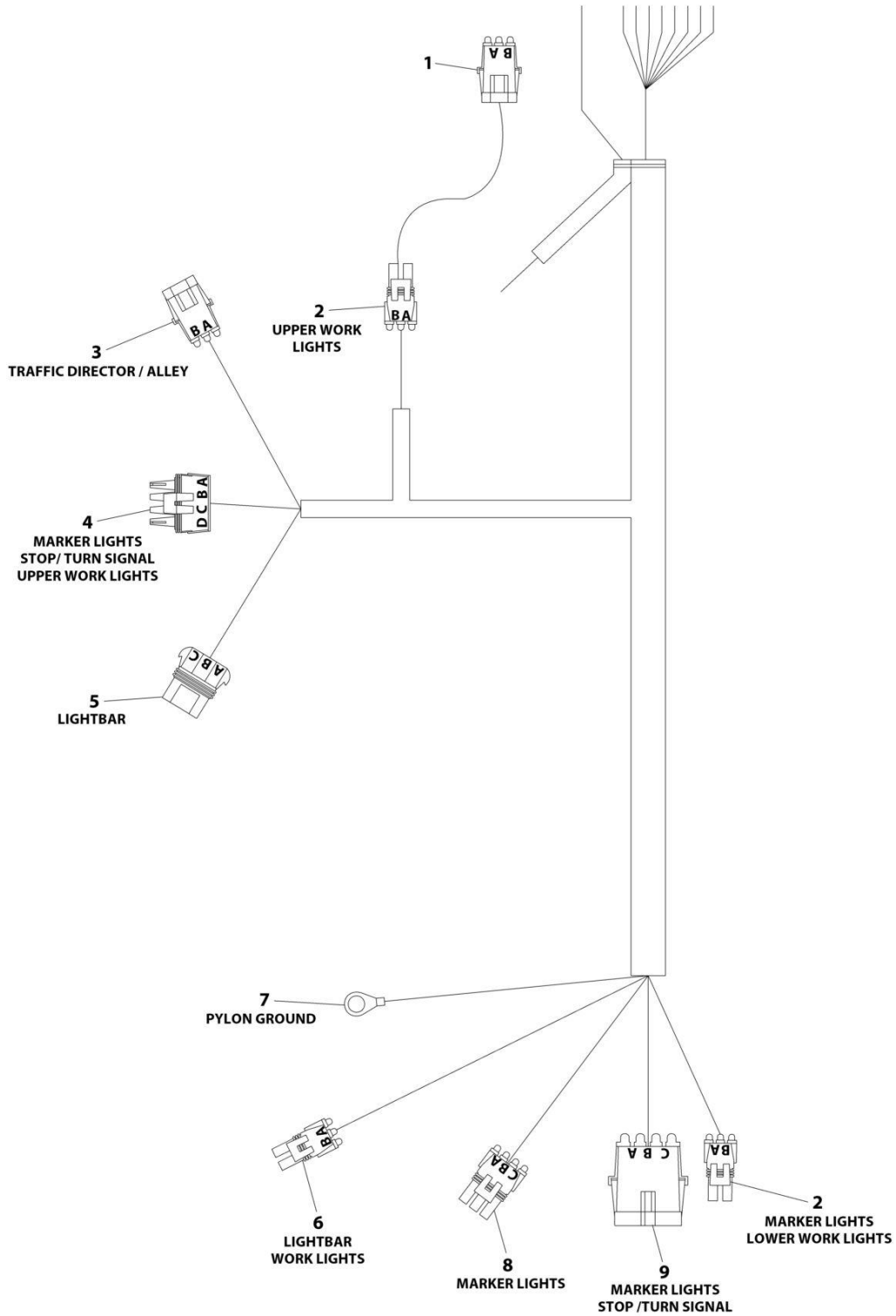
SECTION 6 - ELECTRICAL

FIGURE 6-74. SUBFRAME TO DECK HARNESS (WITH STATIONARY HEADBOARD) (SN 0220005217 through 0220022646)

ITEM	PART NUMBER	QTY	DESCRIPTION	REV
	1001152349	Ref	SUBFRAME TO DECK HARNESS	C
1	4460742	1	Plug, Male - 2 Position	
2	1001116727	2	Plug, Terminal	
101	4460476	1	Receptacle, Female - 3 Position	
101	4460850	1	Terminal	
101	1001116727	2	Plug, Terminal	
102	4461157	1	Connector - 2 Position	
102	4460850	2	Terminal	
103	4460256	1	Terminal, Ring	
104	4460460	1	Plug, Male - 4 Position	
104	4460790	4	Terminal	

SECTION 6 - ELECTRICAL

FIGURE 6-75. SUBFRAME TO DECK HARNESS (WITH STATIONARY HEADBOARD) (SN 0220022647 to Present)



ART_1001260058

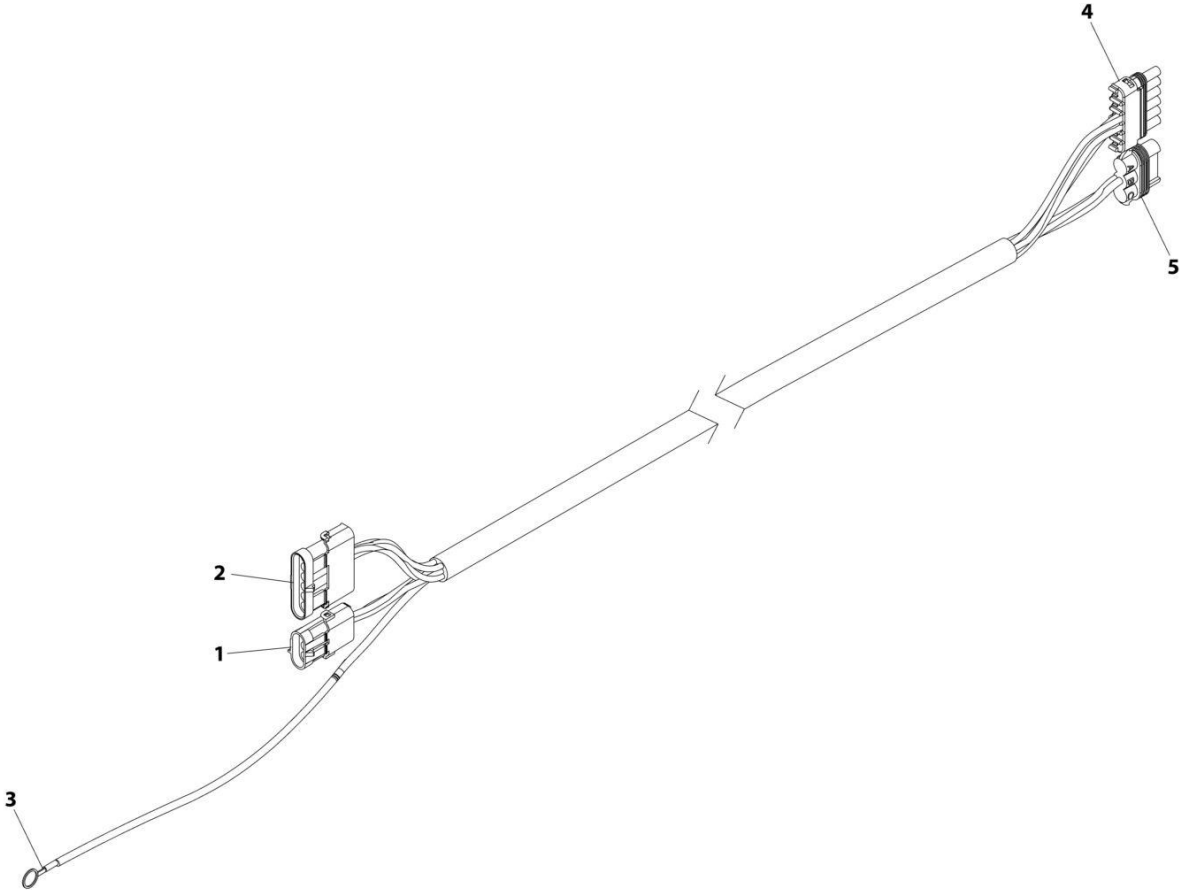
SECTION 6 - ELECTRICAL

FIGURE 6-75. SUBFRAME TO DECK HARNESS (WITH STATIONARY HEADBOARD) (SN 0220022647 to Present)

ITEM	PART NUMBER	QTY	DESCRIPTION	REV
	1001260058	Ref	SUBFRAME TO DECK HARNESS (WITH STATIONARY HEADBOARD)	A
1	4460867	1	Receptacle, Female - 2 Position	
1	1001116727	2	Plug, Terminal	
2	4460742	3	Plug, Male - 2 Position	
2	4460457	4	Terminal	
2	4460458	6	Seal	
3	4461157	1	Connector - 2 Position	
3	4460850	2	Terminal	
3		Ref	Seal	
4	4460460	1	Plug, Male - 4 Position	
4	4460790	4	Terminal	
4		Ref	Seal	
5	8220935	1	Plug, Male - 3 Position	
5	7346000108	1	Lock	
5	8220099	3	Terminal	
5		Ref	Seal	
6	4460742	1	Plug, Male - 2 Position	
6	4460790	2	Terminal	
6		Ref	Seal	
7	4460256	1	Terminal, Ring	
8	4460459	1	Plug, Male - 3 Position	
8		Ref	Terminal	
8	1001116727	2	Plug, Terminal	
8	4460458	2	Seal	
9		Ref	Connector - 3 Position	
9		Ref	Terminal	
9		Ref	Seal	

SECTION 6 - ELECTRICAL

FIGURE 6-76. SUBFRAME TO DECK HARNESS (WITH BOLT-ON HEADBOARD) (26-30FT DECK)



ART_7552000186

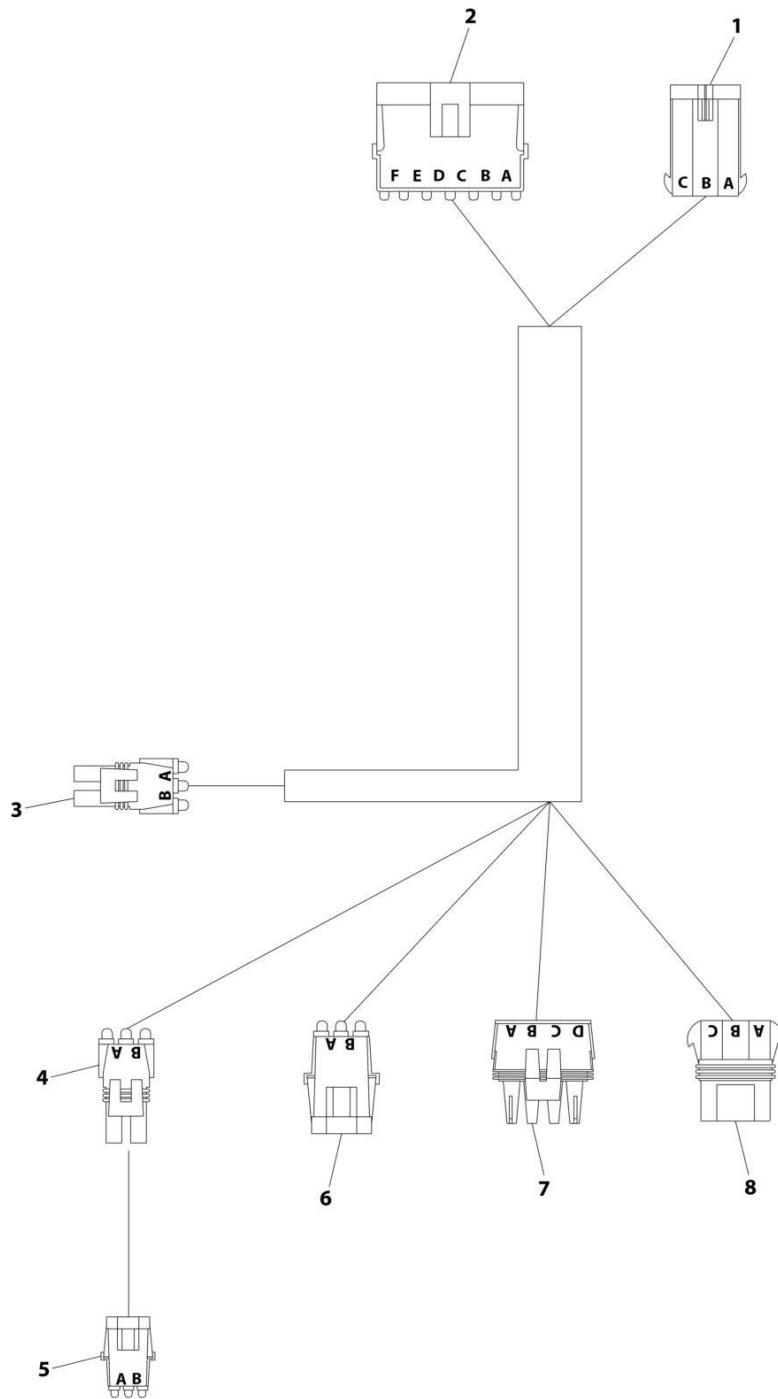
SECTION 6 - ELECTRICAL

FIGURE 6-76. SUBFRAME TO DECK HARNESS (WITH BOLT-ON HEADBOARD) (26-30FT DECK)

ITEM	PART NUMBER	QTY	DESCRIPTION	REV
	7552000186	Ref	SUBFRAME TO DECK HARNESS	B
1	4460476	1	Connector - 3 Position	
1	4460850	3	Terminal	
1	8220089	3	Seal	
2	80963064	1	Connector - 6 Position	
2	4460850	5	Terminal	
2	8220089	3	Seal	
2	1001116727	1	Plug, Terminal	
3	4460019	1	Terminal, Ring	
4	4460461	1	Plug, Male - 2 Position	
4	4460790	6	Terminal	
4	8220089	6	Seal	
5	8220935	1	Connector - 3 Position	
5	8220936	1	Lock	
5	8220099	3	Terminal	
5	1001277283	2	Seal	
5	1001277284	1	Seal	

SECTION 6 - ELECTRICAL

FIGURE 6-77. SUBFRAME TO WINCH HARNESS (WITH BOLT-ON HEADBOARD) (22-24FT DECK)



ART_7552000187

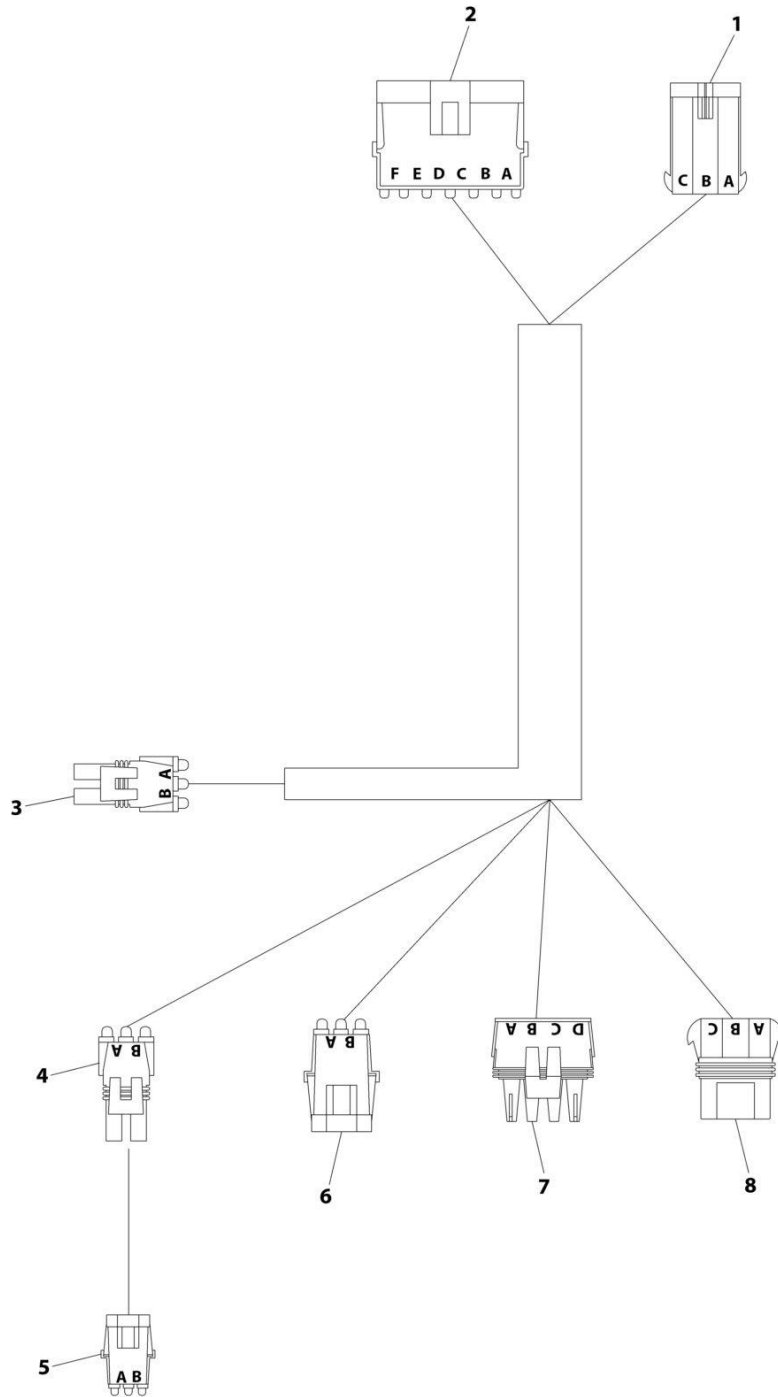
SECTION 6 - ELECTRICAL

FIGURE 6-77. SUBFRAME TO WINCH HARNESS (WITH BOLT-ON HEADBOARD) (22-24FT DECK)

ITEM	PART NUMBER	QTY	DESCRIPTION	REV
	7552000187	Ref	SUBFRAME TO WINCH HARNESS	B
1	8220934	1	Connector - 3 Position	
1	NPN	1	Lock	
1	8220100	2	Terminal	
1	NPN	3	Seal	
1	NPN	1	Terminal	
1	NPN	1	Seal	
2	80963064	1	Connector - 6 Position	
2	4460850	3	Terminal	
2	NPN	3	Seal	
2	4460475	3	Terminal	
2	NPN	3	Seal	
3	4460742	1	Plug, Male - 2 Position	
3	4460457	2	Terminal	
3	NPN	2	Seal	
4	4460742	1	Plug, Male - 2 Position	
4	4460790	2	Terminal	
4	NPN	2	Seal	
5	4460867	1	Receptacle, Female - 2 Position	
5	1001116727	2	Plug, Terminal	
6	4460867	1	Receptacle, Female - 2 Position	
6	4460850	2	Terminal	
6	NPN	2	Seal	
7	4460460	1	Plug, Male - 4 Position	
7	4460790	1	Terminal	
7	NPN	1	Seal	
7	4460457	4	Terminal	
7	NPN	4	Seal	
8	8220935	1	Connector - 3 Position	
8	7346000108	1	Lock	
8	8220099	3	Terminal	
8	NPN	2	Seal	
8	NPN	1	Seal	

SECTION 6 - ELECTRICAL

FIGURE 6-78. SUBFRAME TO WINCH HARNESS (WITH BOLT-ON HEADBOARD) (24-30FT DECK) (SN 0220022647 to Present)



ART_1001260351

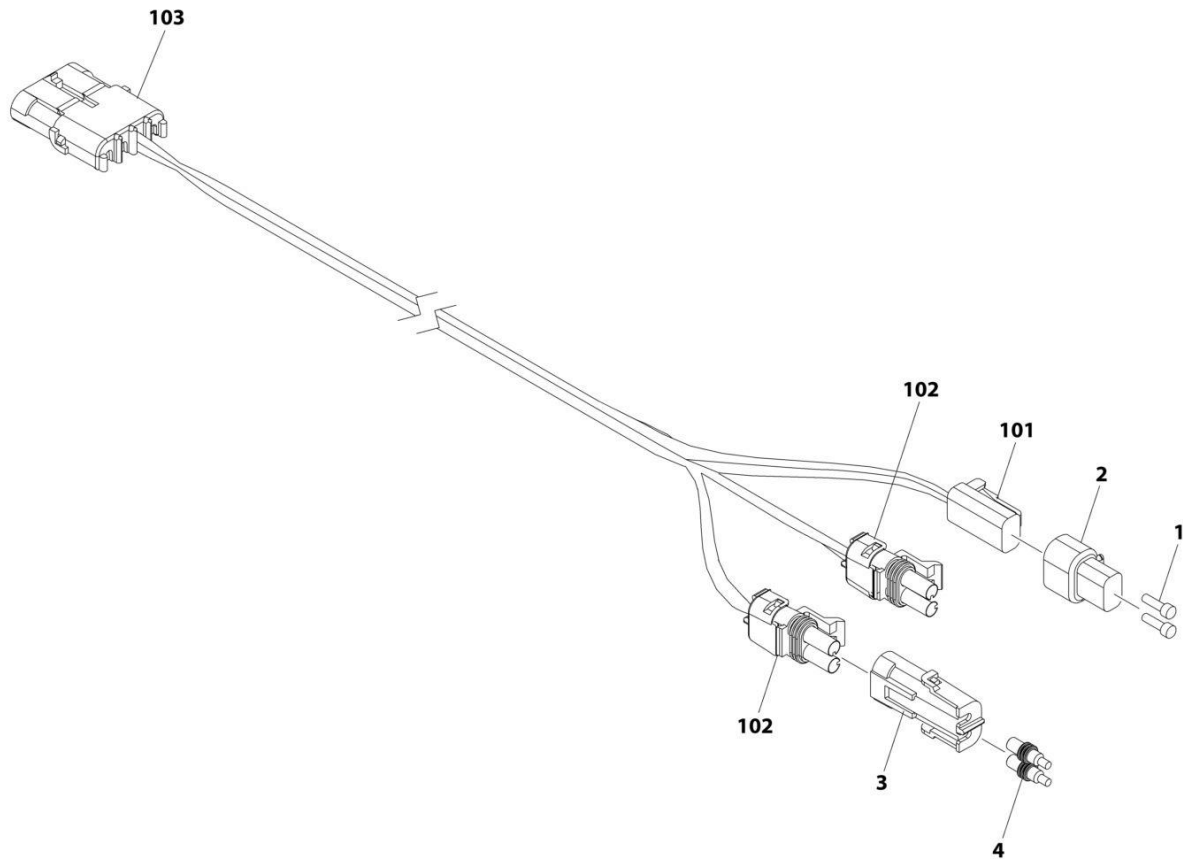
SECTION 6 - ELECTRICAL

FIGURE 6-78. SUBFRAME TO WINCH HARNESS (WITH BOLT-ON HEADBOARD) (24-30FT DECK) (SN 0220022647 to Present)

ITEM	PART NUMBER	QTY	DESCRIPTION	REV
	1001260351	Ref	SUBFRAME TO WINCH HARNESS	B
1	8220934	1	Connector - 3 Position	
1	NPN	1	Lock	
1	8220100	2	Terminal	
1	NPN	3	Seal	
1	NPN	1	Terminal	
1	NPN	1	Seal	
2	80963064	1	Connector - 6 Position	
2	4460850	3	Terminal	
2	NPN	3	Seal	
2	4460475	3	Terminal	
2	NPN	3	Seal	
3	4460742	1	Plug, Male - 2 Position	
3	4460457	2	Terminal	
3	NPN	2	Seal	
4	4460742	1	Plug, Male - 2 Position	
4	4460790	2	Terminal	
4	NPN	2	Seal	
5	4460867	1	Receptacle, Female - 2 Position	
5	1001116727	2	Plug, Terminal	
6	4460867	1	Receptacle, Female - 2 Position	
6	4460850	2	Terminal	
6	NPN	2	Seal	
7	4460460	1	Plug, Male - 4 Position	
7	4460790	1	Terminal	
7	NPN	1	Seal	
7	4460457	4	Terminal	
7	NPN	4	Seal	
8	8220935	1	Connector - 3 Position	
8	7346000109	1	Lock	
8	8220099	3	Terminal	
8	NPN	2	Seal	
8	NPN	1	Seal	

SECTION 6 - ELECTRICAL

FIGURE 6-79. SUBFRAME TO WINCH HARNESS (WITH STATIONARY HEADBOARD) (22-24FT DECK)



ART_1001152348

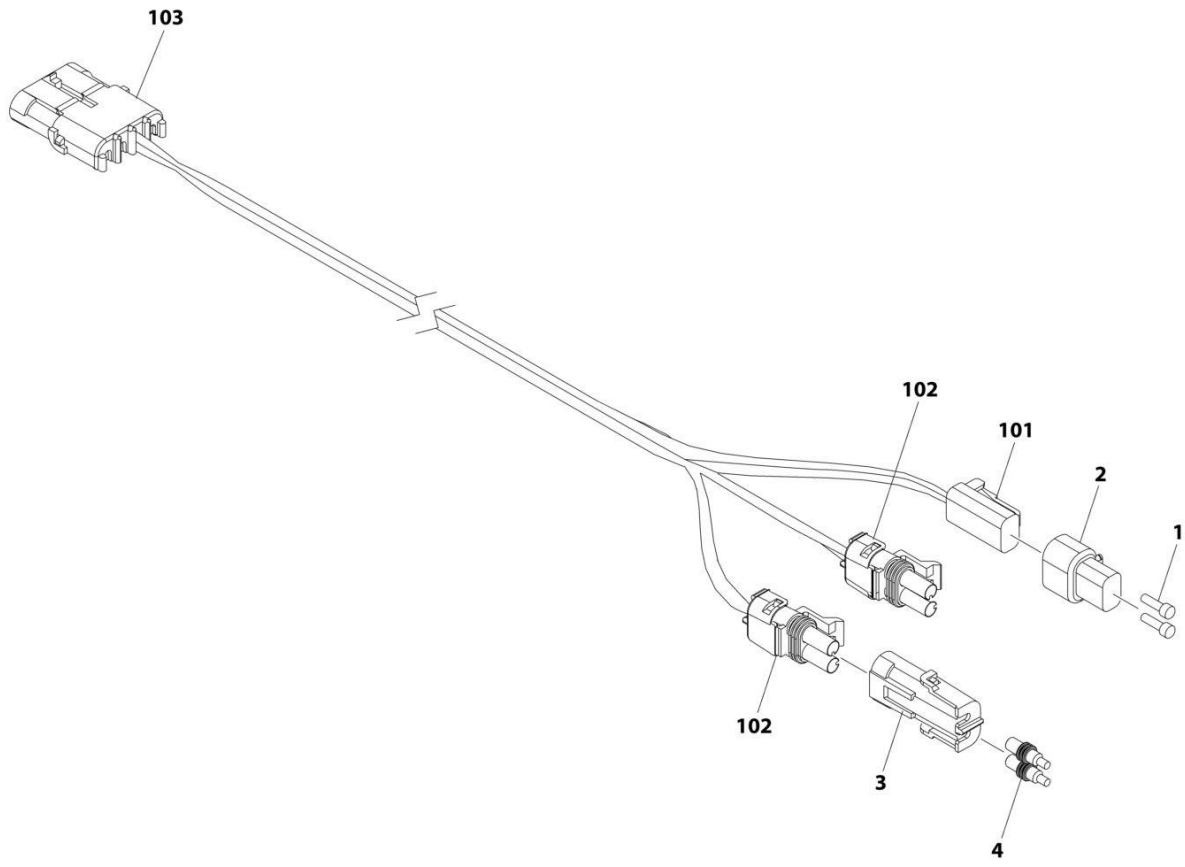
SECTION 6 - ELECTRICAL

FIGURE 6-79. SUBFRAME TO WINCH HARNESS (WITH STATIONARY HEADBOARD) (22-24FT DECK)

ITEM	PART NUMBER	QTY	DESCRIPTION	REV
	1001152348	Ref	SUBFRAME TO WINCH HARNESS	D
1	4460466	2	Plug, Terminal	
2	4460897	1	Receptacle, Female - 2 Position	
3	4461157	1	Receptacle, Female - 2 Position	
4	1001116727	2	Plug, Terminal	
101	4460891	1	Plug, Male - 2 Position	
101	4460942	2	Socket, Female	
102	4460742	2	Plug, Male - 2 Position	
102	4460457	4	Terminal	
103	4460844	1	Receptacle, Female - 4 Position	
103	4460475	4	Terminal	
103	8220089	4	Seal	

SECTION 6 - ELECTRICAL

FIGURE 6-80. SUBFRAME TO WINCH HARNESS (WITH STATIONARY HEADBOARD) (26-30FT DECK)



ART_1001152347

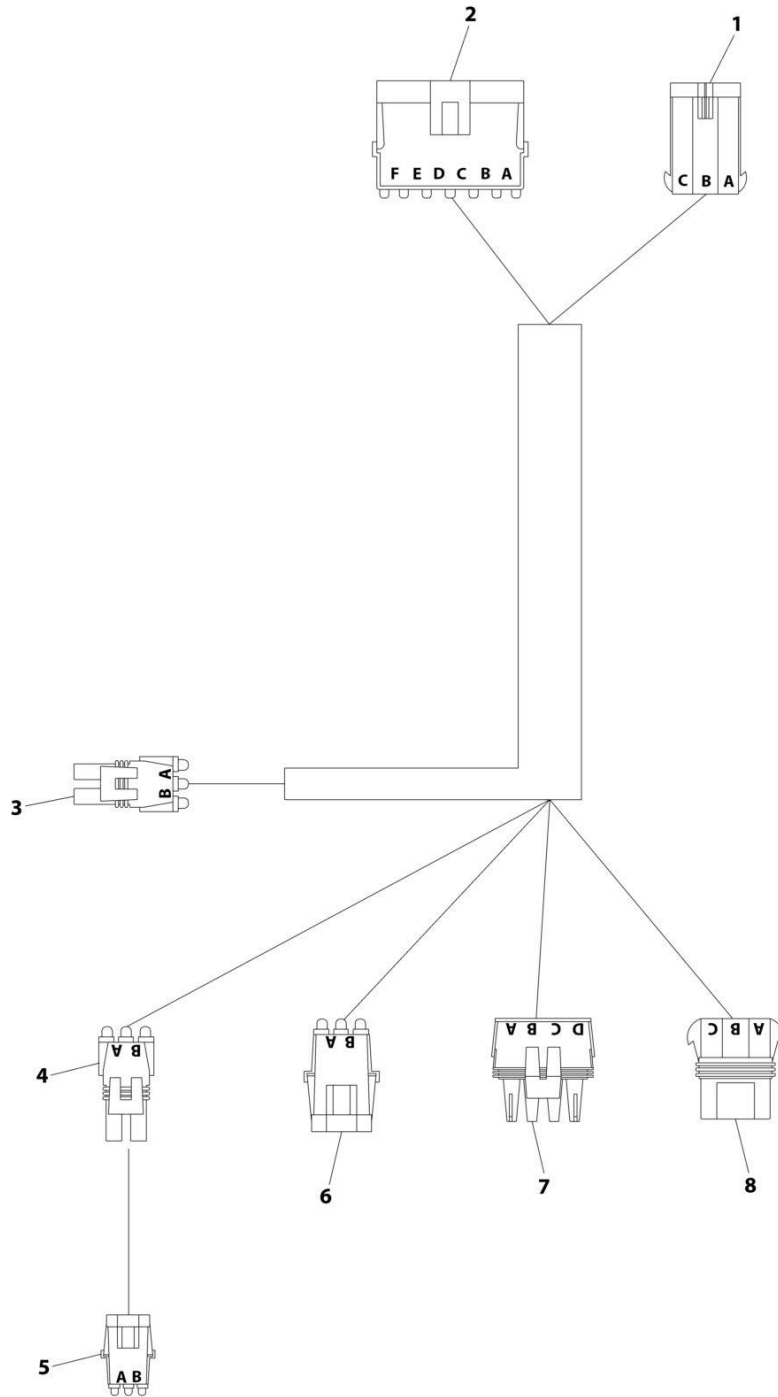
SECTION 6 - ELECTRICAL

FIGURE 6-80. SUBFRAME TO WINCH HARNESS (WITH STATIONARY HEADBOARD) (26-30FT DECK)

ITEM	PART NUMBER	QTY	DESCRIPTION	REV
	1001152347	Ref	SUBFRAME TO WINCH HARNESS	D
1	4460466	2	Plug, Terminal	
2	4460897	1	Receptacle, Female - 2 Position	
3	4461157	1	Receptacle, Female - 2 Position	
4	1001116727	2	Plug, Terminal	
101	4460891	1	Plug, Male - 2 Position	
101	4460942	2	Socket, Female	
102	4460742	2	Plug, Male - 2 Position	
102	4460457	4	Terminal	
103	4460844	1	Receptacle, Female - 4 Position	
103	4460475	4	Terminal	
103	8220089	4	Seal	

SECTION 6 - ELECTRICAL

FIGURE 6-81. SUBFRAME TO WINCH HARNESS (WITH STATIONARY HEADBOARD) (28FT DECK)
(SN 0220005217 through 0220022646)



ART_7552000188

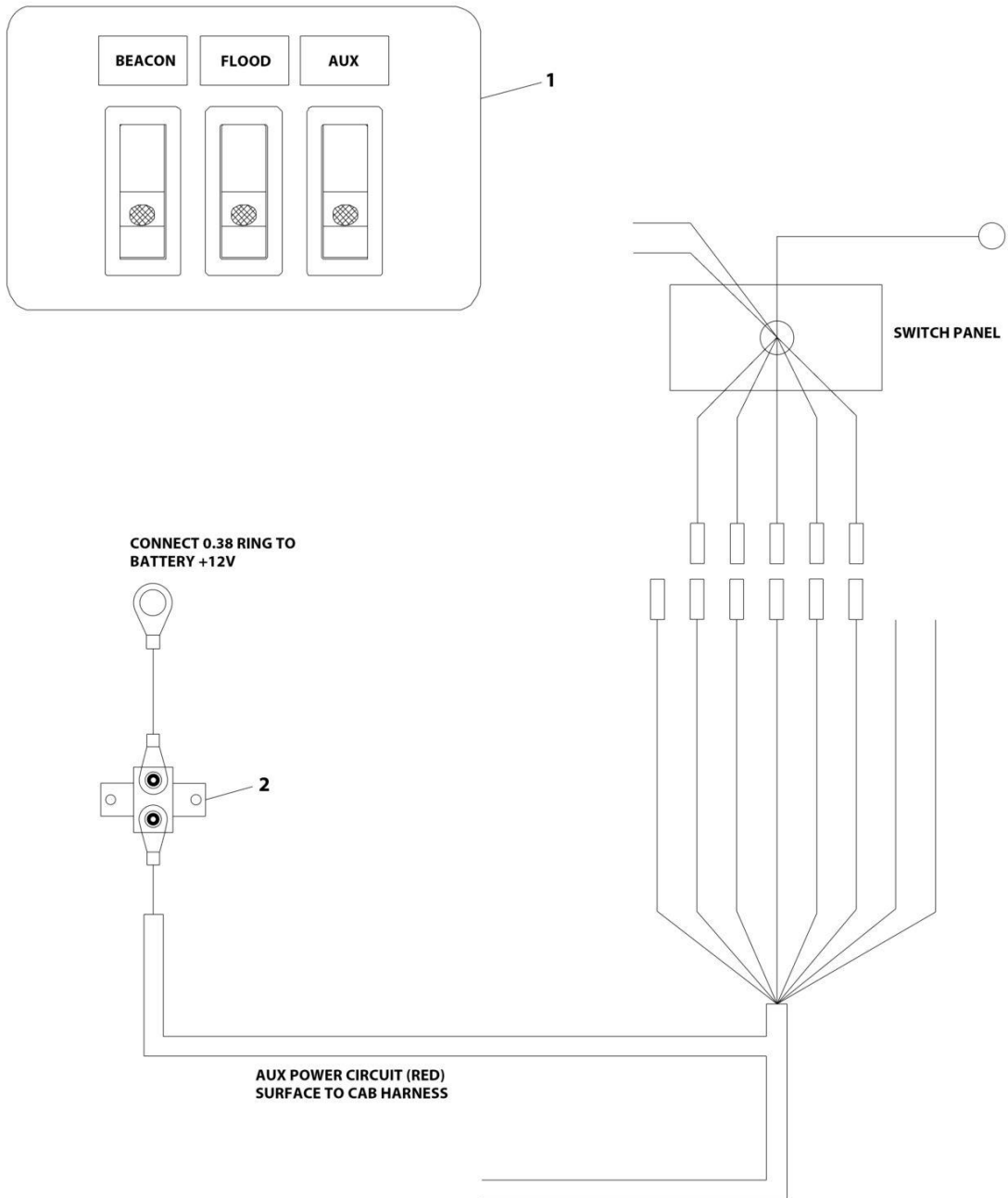
SECTION 6 - ELECTRICAL

**FIGURE 6-81. SUBFRAME TO WINCH HARNESS (WITH STATIONARY HEADBOARD) (28FT DECK)
(SN 0220005217 through 0220022646)**

ITEM	PART NUMBER	QTY	DESCRIPTION	REV
	7552000188	Ref	SUBFRAME TO WINCH HARNESS	B
1	8220934	1	Connector - 3 Position	
1	NPN	1	Lock	
1	8220100	2	Terminal	
1	NPN	3	Seal	
1	NPN	1	Terminal	
1	NPN	1	Seal	
2	80963064	1	Connector - 6 Position	
2	4460850	3	Terminal	
2	NPN	3	Seal	
2	4460475	3	Terminal	
2	NPN	3	Seal	
3	4460742	1	Plug, Male - 2 Position	
3	4460457	2	Terminal	
3	NPN	2	Seal	
4	4460742	1	Plug, Male - 2 Position	
4	4460790	2	Terminal	
4	NPN	2	Seal	
5	4460867	1	Receptacle, Female - 2 Position	
5	1001116727	2	Plug, Terminal	
6	4460867	1	Receptacle, Female - 2 Position	
6	4460850	2	Terminal	
6	NPN	2	Seal	
7	4460460	1	Plug, Male - 4 Position	
7	4460790	1	Terminal	
7	NPN	1	Seal	
7	4460457	4	Terminal	
7	NPN	4	Seal	
8	8220935	1	Connector - 3 Position	
8	7346000109	1	Lock	
8	8220099	3	Terminal	
8	NPN	2	Seal	
8	NPN	1	Seal	

SECTION 6 - ELECTRICAL

FIGURE 6-82. SWITCH INSTALLATION - 3 FUNCTION IN-DASH MINI (SN 0220005217 through 0220022646)



ART_SP3IMPKG

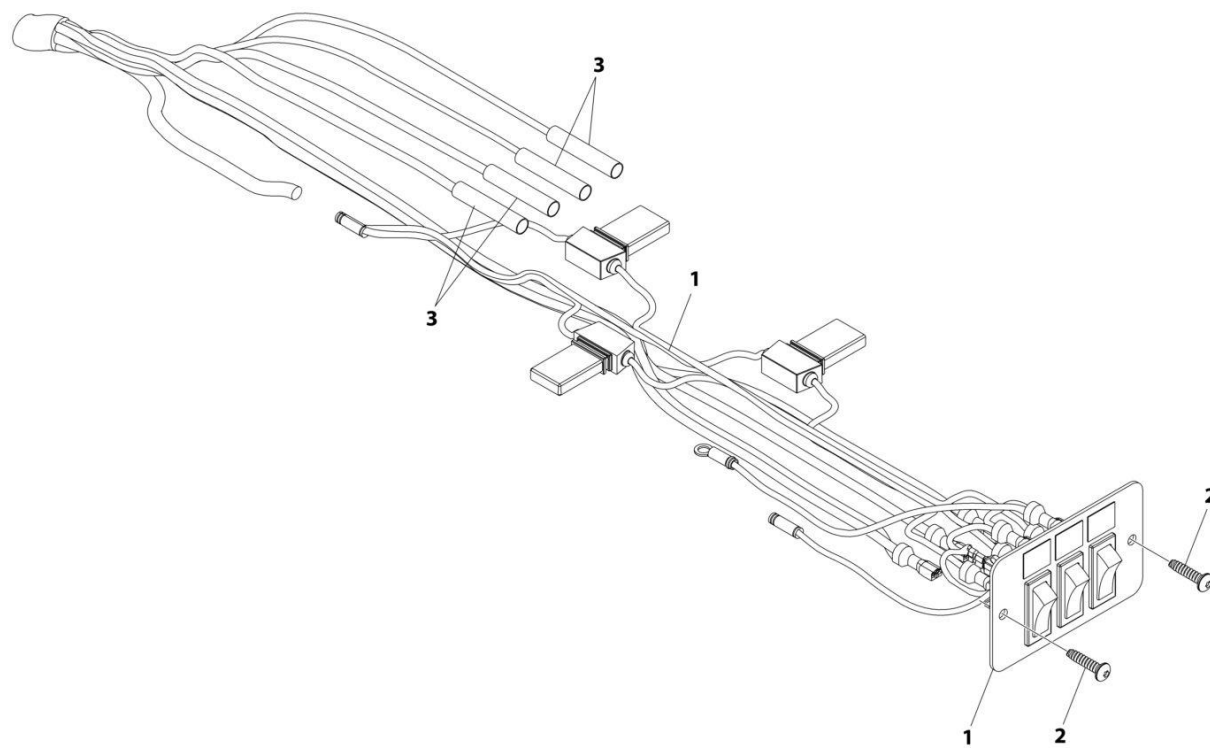
SECTION 6 - ELECTRICAL

FIGURE 6-82. SWITCH INSTALLATION - 3 FUNCTION IN-DASH MINI (SN 0220005217 through 0220022646)

ITEM	PART NUMBER	QTY	DESCRIPTION	REV
	SP3IMPKG	Ref	3 FUNCTION IN-DASH MINI SWITCH PANEL	B
1	7870000113	1	Switch Panel	
2	1001129883	1	Breaker Installation (See Separate Breakdown in this Section)	

SECTION 6 - ELECTRICAL

FIGURE 6-83. SWITCH INSTALLATION - 3 FUNCTION IN-DASH MINI (SN 0220022647 to Present)



ART_1001260898

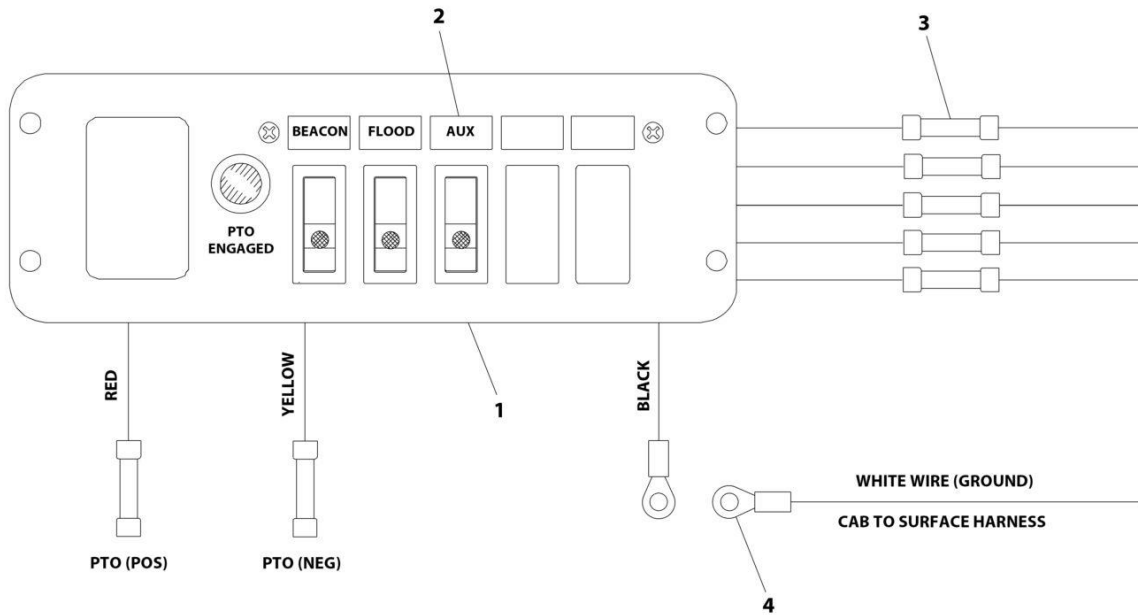
SECTION 6 - ELECTRICAL

FIGURE 6-83. SWITCH INSTALLATION - 3 FUNCTION IN-DASH MINI (SN 0220022647 to Present)

ITEM	PART NUMBER	QTY	DESCRIPTION	REV
	1001260898	Ref	3 FUNCTION IN-DASH MINI SWITCH PANEL INSTALLATION	A
1	7870000113	1	Switch Panel (Sold as Assembly)	
2	1001196552	2	Screw #8 x 3/4	
3	4346000005	4	Heat Shrink	

SECTION 6 - ELECTRICAL

FIGURE 6-84. SWITCH INSTALLATION - 3 FUNCTION IN-DASH COMPACT (SN 0220005217 through 0220022646)



ART_1001135700

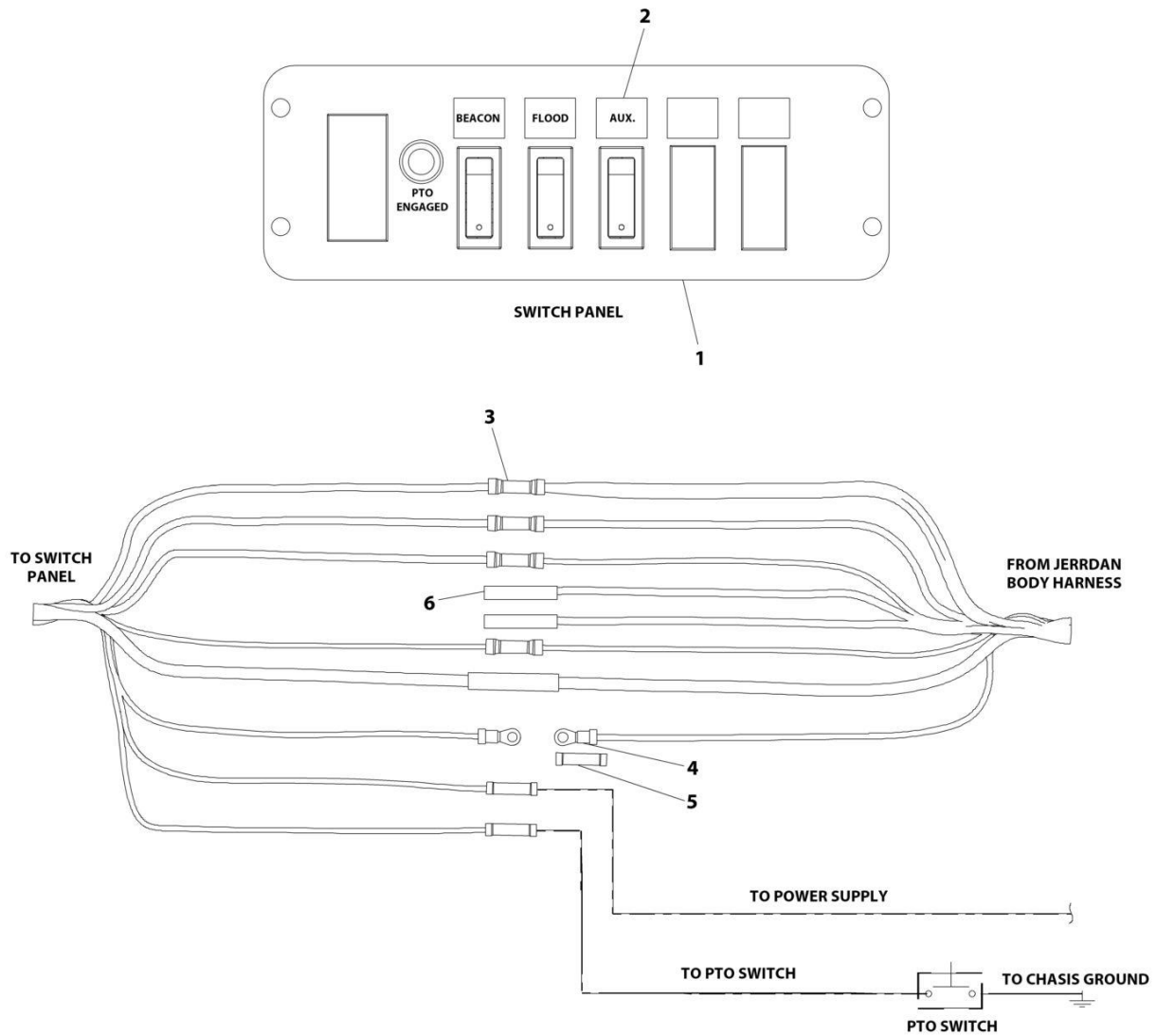
SECTION 6 - ELECTRICAL

FIGURE 6-84. SWITCH INSTALLATION - 3 FUNCTION IN-DASH COMPACT (SN 0220005217 through 0220022646)

ITEM	PART NUMBER	QTY	DESCRIPTION	REV
	1001135700	Ref	3 Function In-Dash Compact Installation	B
1	7870000100	1	Switch Panel	
2	7330000288	1	Decal	
3	7345001913	4	Connector	
4	7345211701	1	Terminal	
4	7345001713	1	Connector	
5	4346000005	1	Heat Shrink (Not Shown)	

SECTION 6 - ELECTRICAL

FIGURE 6-85. SWITCH INSTALLATION - 3 FUNCTION IN-DASH COMPACT (SN 0220022647 to Present)



ART_1001261002

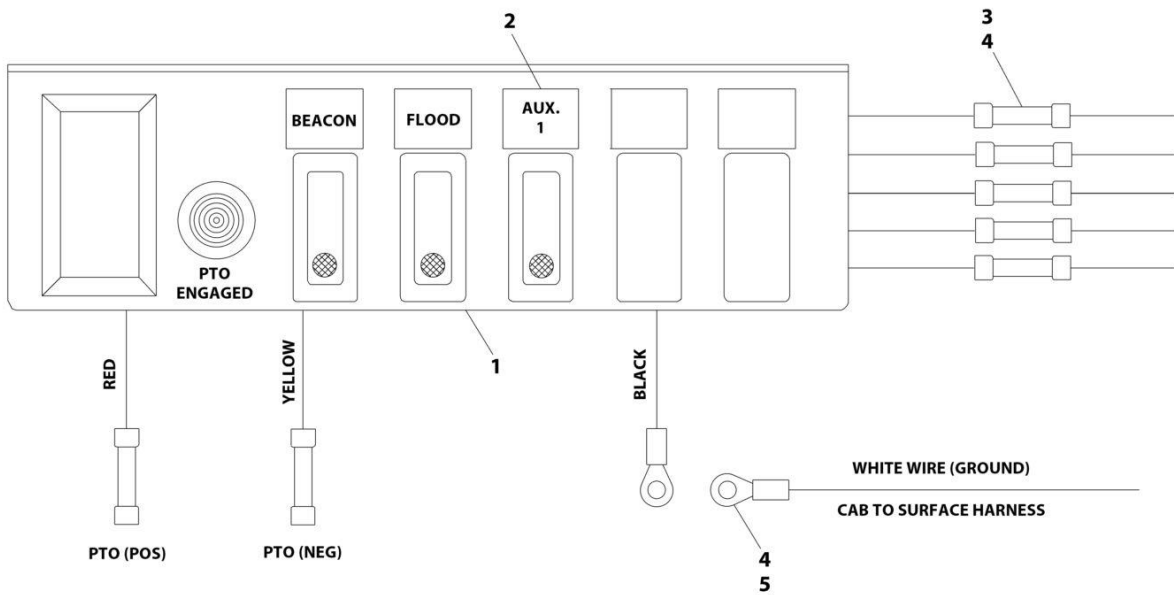
SECTION 6 - ELECTRICAL

FIGURE 6-85. SWITCH INSTALLATION - 3 FUNCTION IN-DASH COMPACT (SN 0220022647 to Present)

ITEM	PART NUMBER	QTY	DESCRIPTION	REV
	1001261002	Ref	3 FUNCTION IN-DASH COMPACT SWITCH PANEL INSTALLATION	B
1	7870000100	1	Switch Panel	
2	7330000288	1	Decal	
3	4460018	4	Connector	
4	4460042	1	Terminal, Ring	
5	4460035	1	Connector	
6	4346000005	2	Heat Shrink	

SECTION 6 - ELECTRICAL

FIGURE 6-86. SWITCH INSTALLATION - 3 FUNCTION UNDER-DASH COMPACT (SN 0220005217 through 0220022646)



ART_1001135756

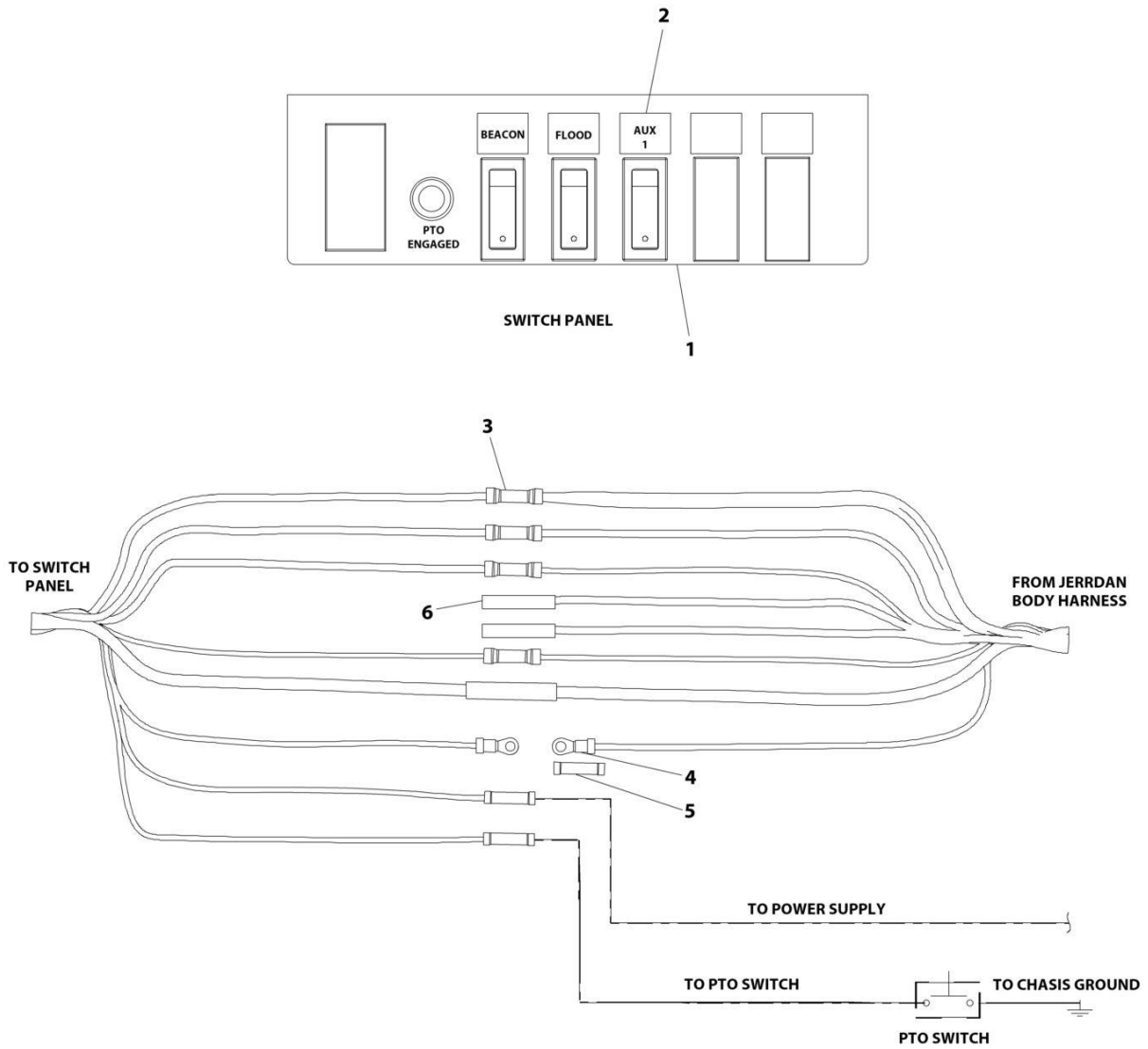
SECTION 6 - ELECTRICAL

FIGURE 6-86. SWITCH INSTALLATION - 3 FUNCTION UNDER-DASH COMPACT (SN 0220005217 through 0220022646)

ITEM	PART NUMBER	QTY	DESCRIPTION	REV
	1001135756	1	3 Function Under-Dash Compact Assembly	B
1	7870000134	1	Switch Panel	
2	7330000288	1	Decal	
3	7346000242	2	Connector	
4	7345001713	4	Connector	
5	7345211701	1	Terminal	
6	4346000005	1	Heat Shrink (Not Shown)	
7	8597650003	2	Wire (Not Shown)	
8	5526000553	6	Tie Strap (Not Shown)	

SECTION 6 - ELECTRICAL

FIGURE 6-87. SWITCH INSTALLATION - 3 FUNCTION UNDER-DASH COMPACT (SN 0220022647 to Present)



ART_1001261004

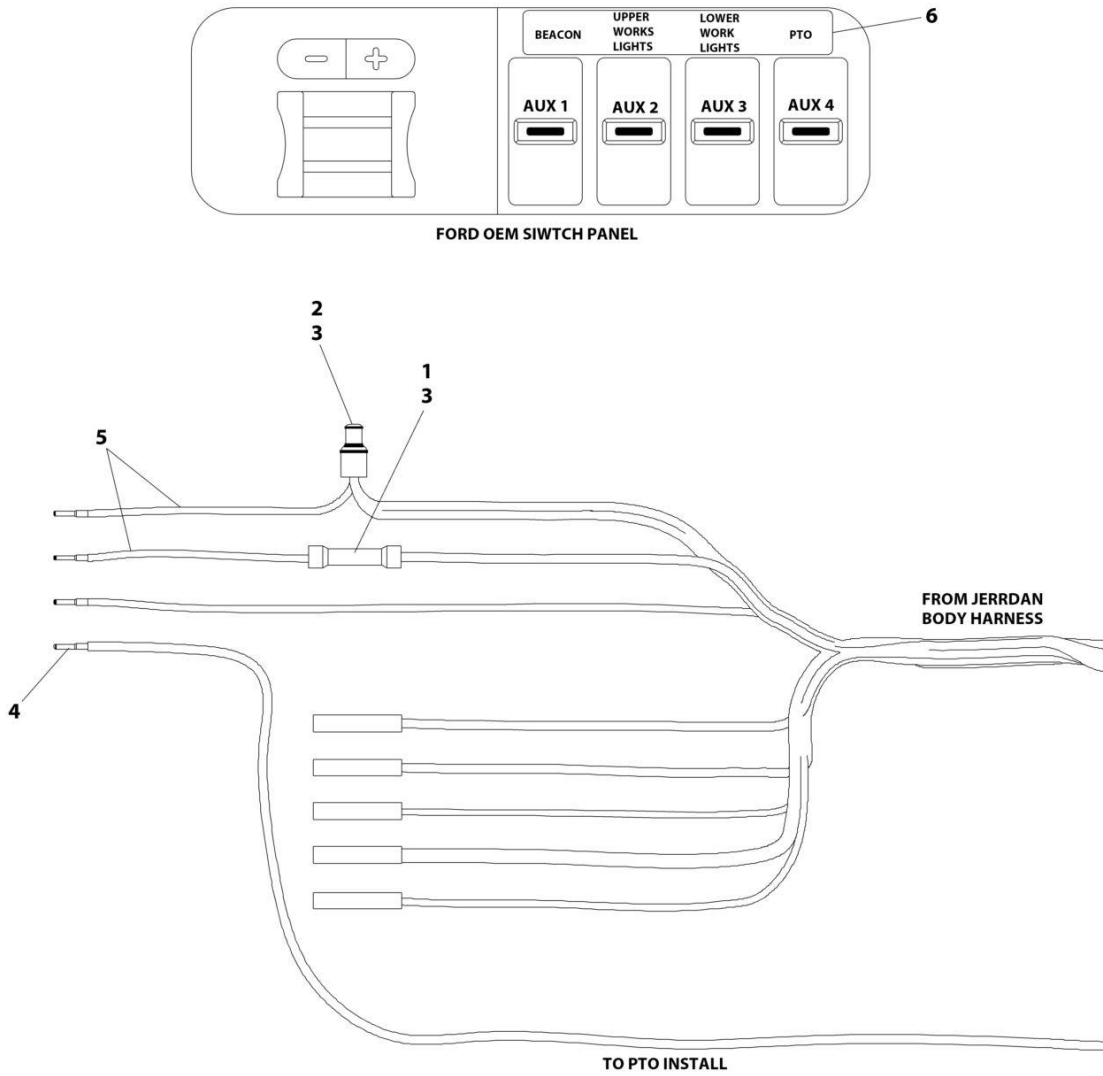
SECTION 6 - ELECTRICAL

FIGURE 6-87. SWITCH INSTALLATION - 3 FUNCTION UNDER-DASH COMPACT (SN 0220022647 to Present)

ITEM	PART NUMBER	QTY	DESCRIPTION	REV
	1001261004	Ref	3 FUNCTION UNDER-DASH COMPACT INSTALLATION	B
1	7870000134	1	Switch Panel	
2	7330000288	1	Decal	
3	4460018	4	Connector	
4	4460042	1	Terminal, Ring	
5	4460035	1	Connector	
6	4346000005	2	Heat Shrink	

SECTION 6 - ELECTRICAL

FIGURE 6-88. SWITCH INSTALLATION - 4 FUNCTION IN-DASH (SN 0220005217 through 0220022646)



ART_1001135524

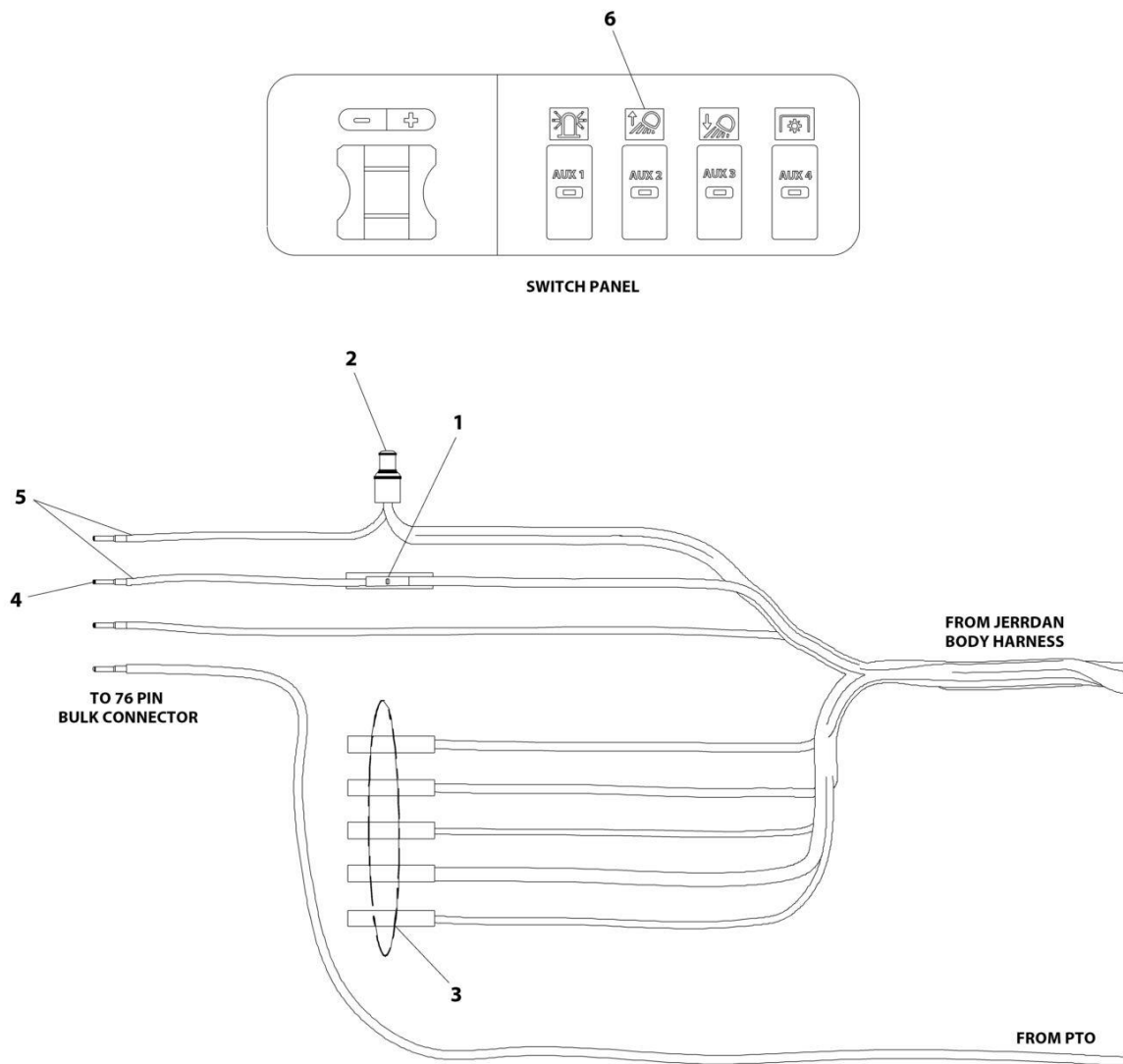
SECTION 6 - ELECTRICAL

FIGURE 6-88. SWITCH INSTALLATION - 4 FUNCTION IN-DASH (SN 0220005217 through 0220022646)

ITEM	PART NUMBER	QTY	DESCRIPTION	REV
	1001135524	Ref	4 FUNCTION IN-DASH SWITCH PANEL, FORD F650/750 OEM 2011+	C
1	7345001914	2	Terminal	
2	7346000242	1	Connector	
3	4346000005	7	Heat Shrink, Tubing	
4	1001129095	4	Terminal	
5	7978000020	AR	Wire	
6	7330000627	AR	Decal	
6	7330000628	AR	Decal	
6	1001135622	AR	Decal	

SECTION 6 - ELECTRICAL

FIGURE 6-89. SWITCH INSTALLATION - 4 FUNCTION IN-DASH (SN 0220022647 to Present)



ART_1001261008

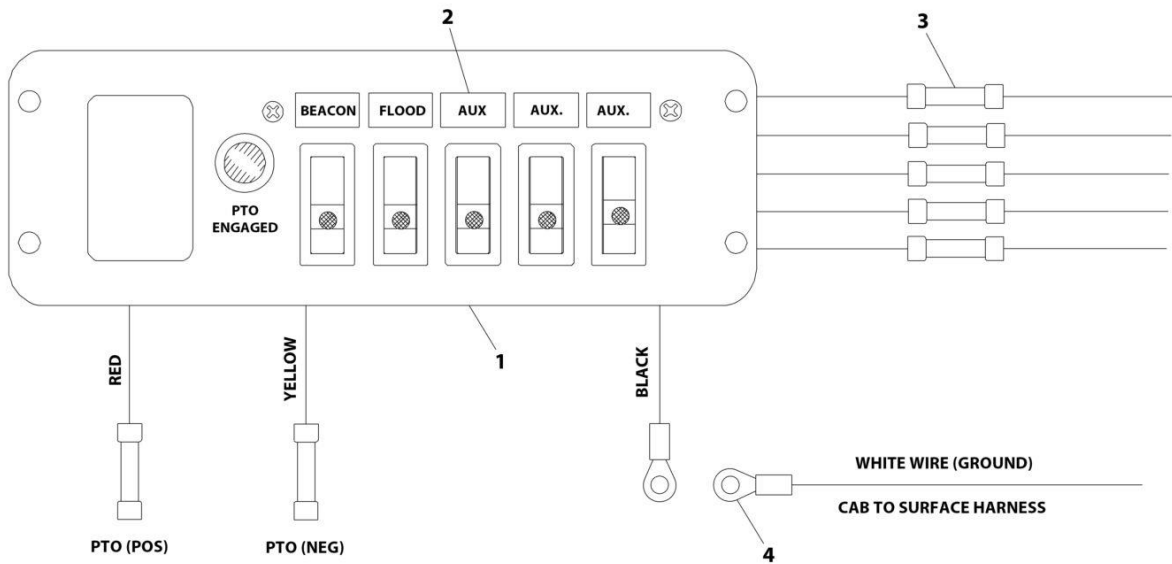
SECTION 6 - ELECTRICAL

FIGURE 6-89. SWITCH INSTALLATION - 4 FUNCTION IN-DASH (SN 0220022647 to Present)

ITEM	PART NUMBER	QTY	DESCRIPTION	REV
	1001261008	Ref	4 FUNCTION IN-DASH SWITCH PANEL, FORD F650/750 OEM 2011+	A
1	7345001914	1	Terminal	
2	7346000242	1	Connector	
3	4346000005	7	Heat Shrink, Tubing	
4	1001129095	4	Terminal	
5	7978000020	AR	Wire	
6	1001221375	AR	Decal	

SECTION 6 - ELECTRICAL

FIGURE 6-90. SWITCH INSTALLATION - 5 FUNCTION IN-DASH COMPACT (SN 0220005217 through 0220022646)



ART_1001135701

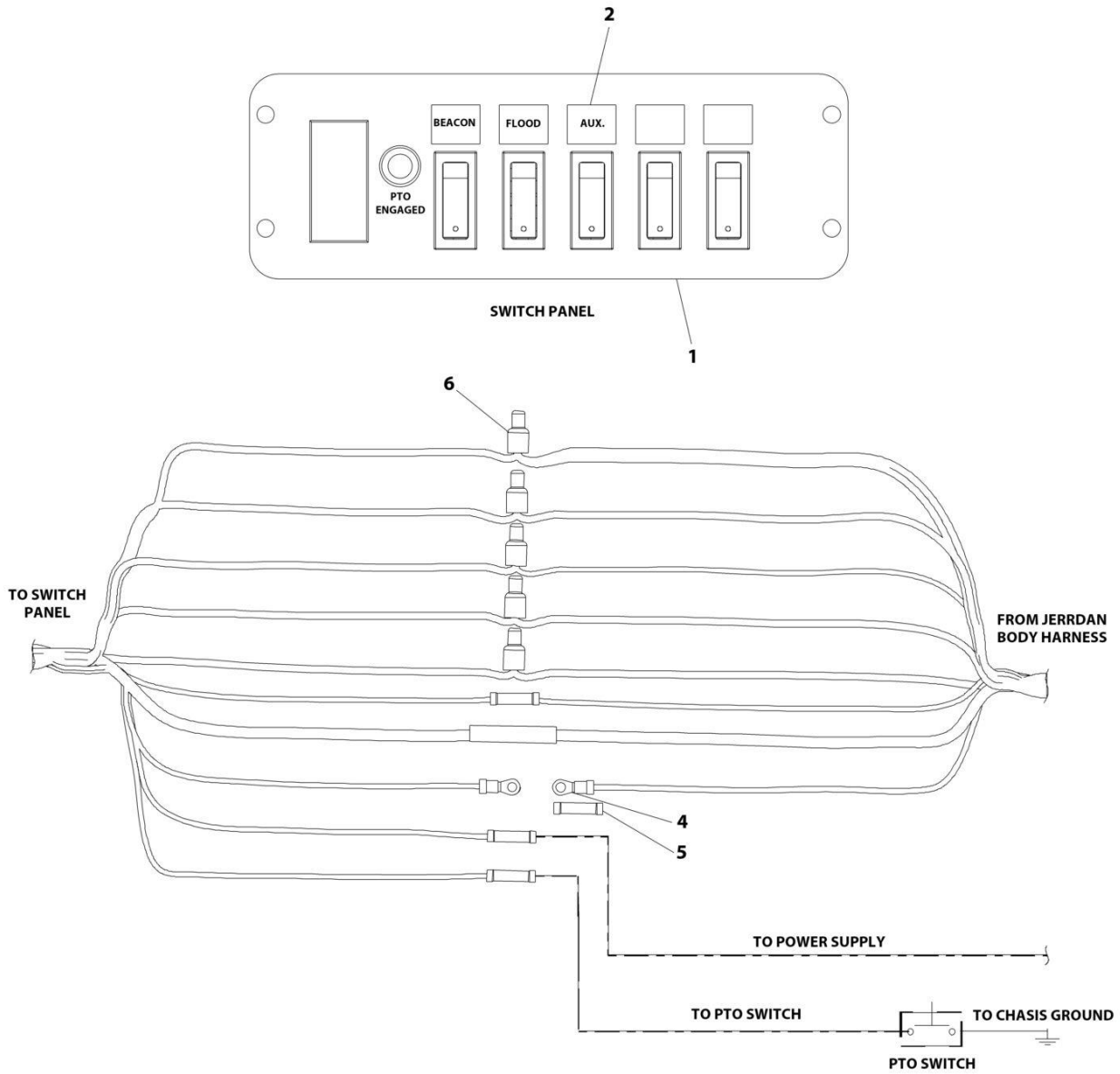
SECTION 6 - ELECTRICAL

FIGURE 6-90. SWITCH INSTALLATION - 5 FUNCTION IN-DASH COMPACT (SN 0220005217 through 0220022646)

ITEM	PART NUMBER	QTY	DESCRIPTION	REV
	1001135701	Ref	5 FUNCTION IN-DASH COMPACT SWITCH PANEL ASSEMBLY	B
1	7870000106	1	Switch Panel	
2	7330000288	1	Decal	
3	7345001913	6	Connector	
4	7345211701	1	Terminal	
4	7345001713	1	Connector	

SECTION 6 - ELECTRICAL

FIGURE 6-91. SWITCH INSTALLATION - 5 FUNCTION IN-DASH COMPACT (SN 0220022647 to Present)



ART_1001261005

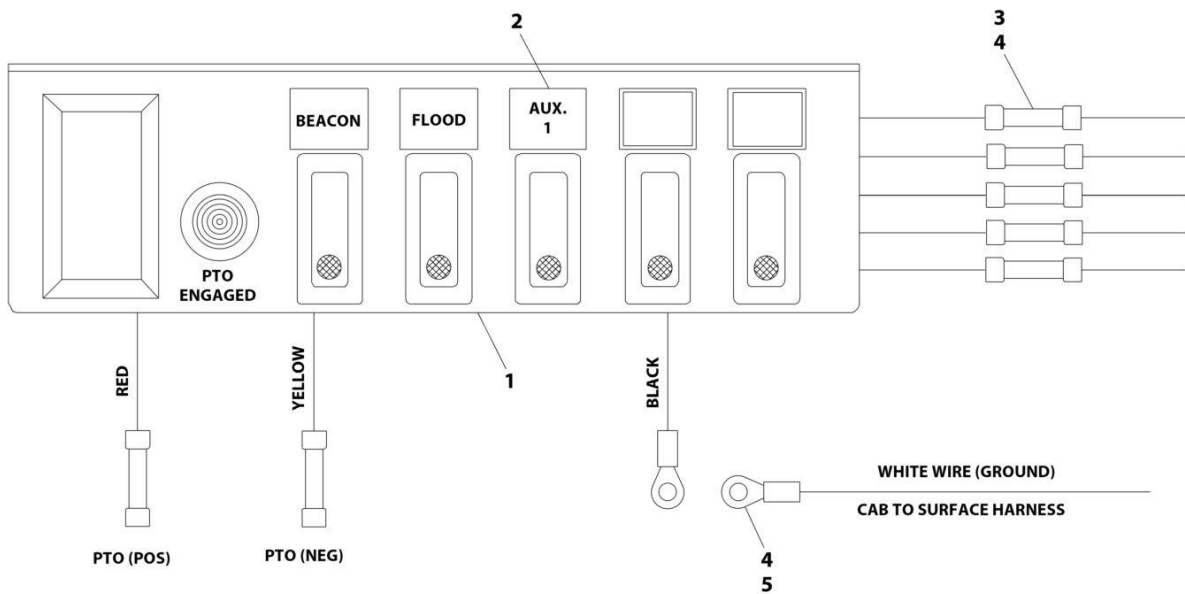
SECTION 6 - ELECTRICAL

FIGURE 6-91. SWITCH INSTALLATION - 5 FUNCTION IN-DASH COMPACT (SN 0220022647 to Present)

ITEM	PART NUMBER	QTY	DESCRIPTION	REV
	1001261005	Ref	5 FUNCTION IN-DASH COMPACT SWITCH PANEL INSTALLATION	B
1	7870000106	1	Switch Panel	
2	7330000288	1	Decal	
4	4460042	1	Terminal, Ring	
5	4460035	2	Connector	
6	7346000242	5	Connector	

SECTION 6 - ELECTRICAL

FIGURE 6-92. SWITCH INSTALLATION - 5 FUNCTION UNDER-DASH COMPACT (SN 0220005217 through 0220022646)



ART_1001135757

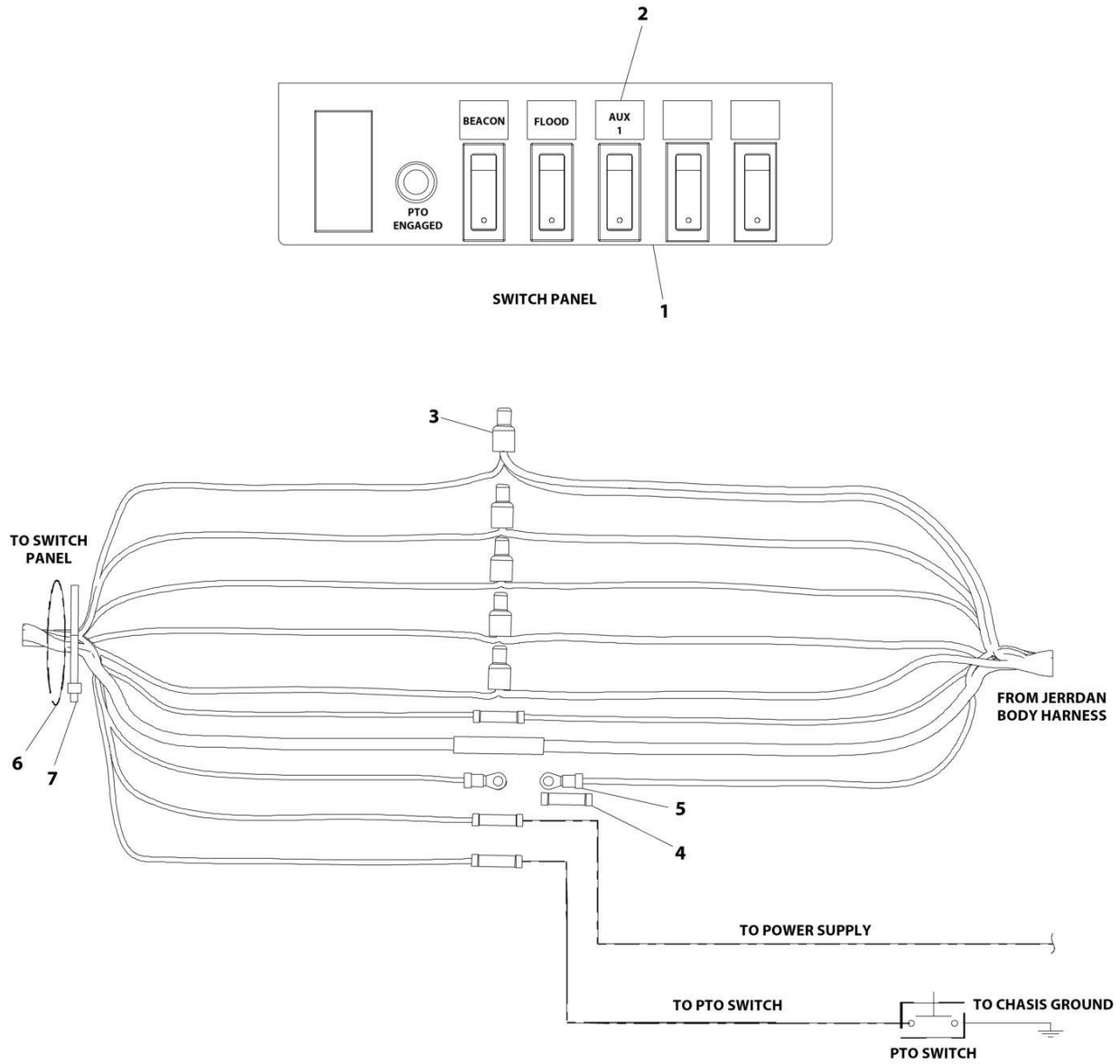
SECTION 6 - ELECTRICAL

FIGURE 6-92. SWITCH INSTALLATION - 5 FUNCTION UNDER-DASH COMPACT (SN 0220005217 through 0220022646)

ITEM	PART NUMBER	QTY	DESCRIPTION	REV
	1001135757	1	5 FUNCTION UNDER-DASH SWITCH PANEL ASSEMBLY	A
1	7870000137	1	Switch Panel	
2	7330000288	1	Decal	
3	7346000242	2	Connector	
4	7345001713	5	Connector	
5	7345211701	1	Terminal	
6	8597650003	2	Wire (Not Shown)	
7	5526000553	6	Tie Strap (Not Shown)	

SECTION 6 - ELECTRICAL

FIGURE 6-93. SWITCH INSTALLATION - 5 FUNCTION UNDER-DASH COMPACT (SN 0220022647 to Present)



ART_1001261006

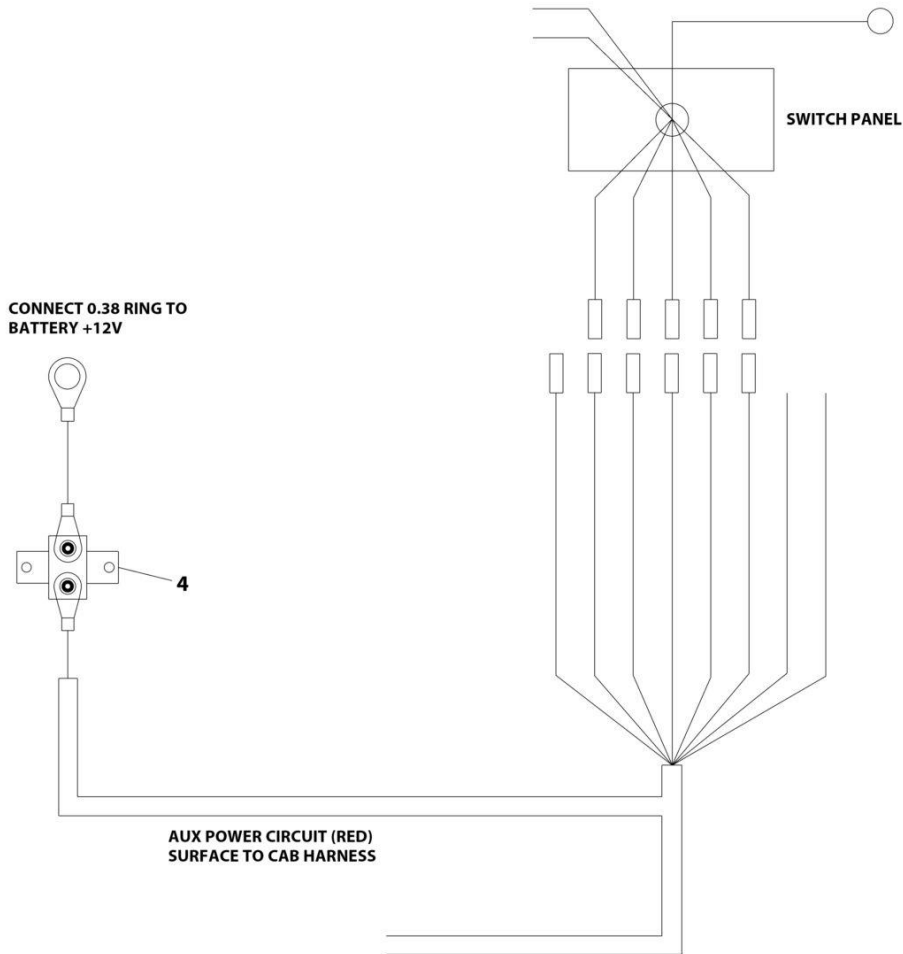
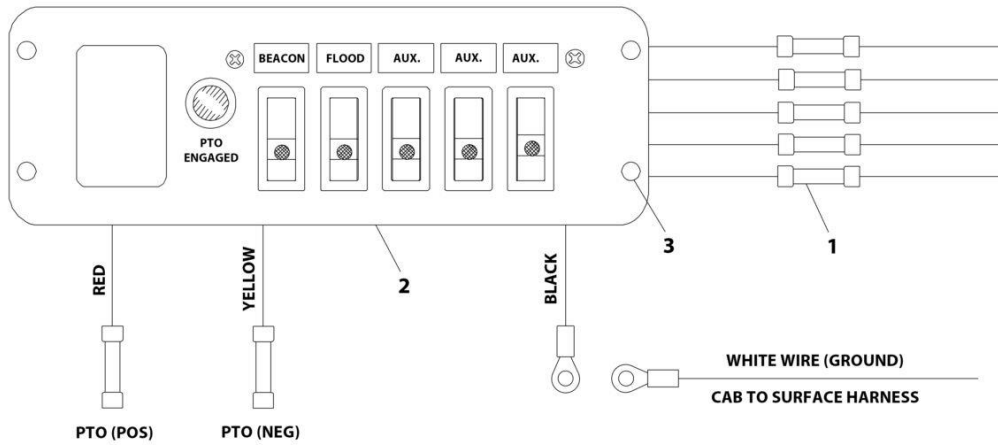
SECTION 6 - ELECTRICAL

FIGURE 6-93. SWITCH INSTALLATION - 5 FUNCTION UNDER-DASH COMPACT (SN 0220022647 to Present)

ITEM	PART NUMBER	QTY	DESCRIPTION	REV
	1001261006	Ref	5 FUNCTION UNDER-DASH COMPACT SWITCH PANEL INSTALLATION	B
1	7870000137	1	Switch Panel	
2	7330000288	1	Decal	
3	7346000242	5	Connector	
4	4460035	2	Connector	
5	4460042	1	Terminal, Ring	
6	8597650003	2	Wire	
7	5526000553	6	Tie Strap	

SECTION 6 - ELECTRICAL

FIGURE 6-94. SWITCH INSTALLATION - 5 FUNCTION IN-DASH (PETERBILT) (SN 0220005217 through 0220022646)



ART_1001135812

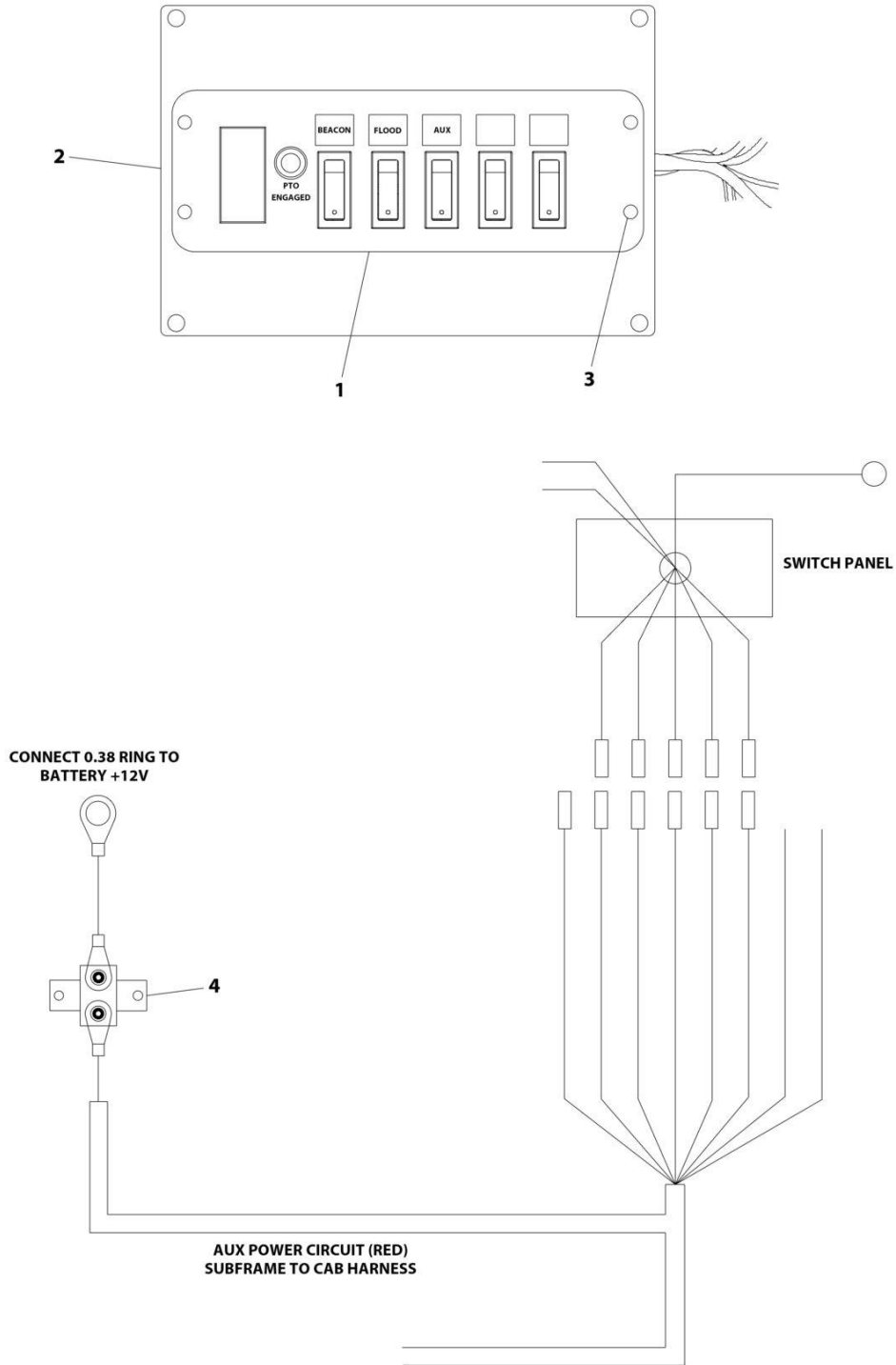
SECTION 6 - ELECTRICAL

FIGURE 6-94. SWITCH INSTALLATION - 5 FUNCTION IN-DASH (PETERBILT) (SN 0220005217 through 0220022646)

ITEM	PART NUMBER	QTY	DESCRIPTION	REV
	1001135812	Ref	5 FUNCTION IN-DASH SWITCH PANEL, PETERBILT	B
1	1001135701	1	5 Function In-Dash Switch Panel Installation (See Separate Breakdown in this Section)	
2	1001135814	1	Switch Panel	
3	1001135815	4	Screw #8 x 3/8	
4	1001129883	1	Breaker Installation (See Separate Breakdown in this Section)	

SECTION 6 - ELECTRICAL

FIGURE 6-95. SWITCH INSTALLATION - 5 FUNCTION IN-DASH COMPACT (PETERBILT) (SN 0220022647 to Present)



ART_1001262052

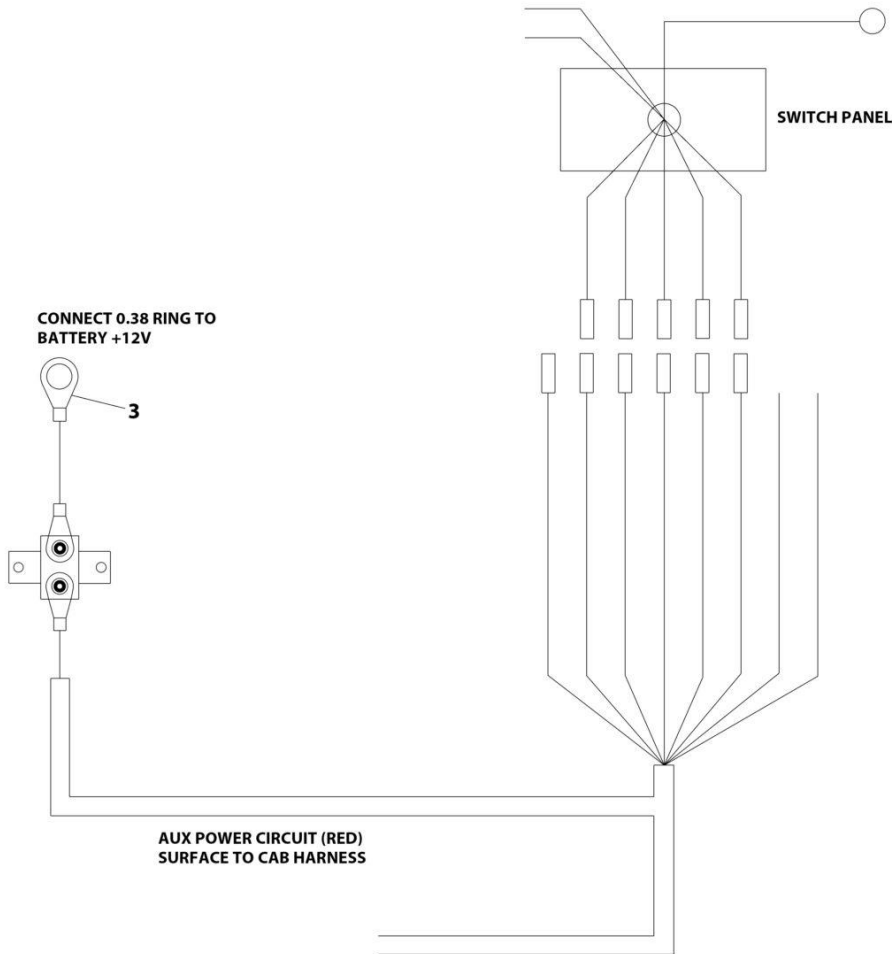
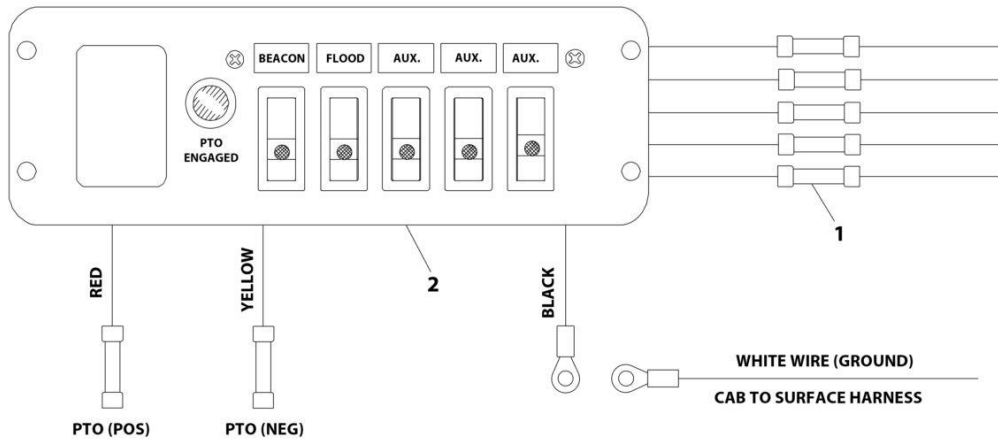
SECTION 6 - ELECTRICAL

FIGURE 6-95. SWITCH INSTALLATION - 5 FUNCTION IN-DASH COMPACT (PETERBILT) (SN 0220022647 to Present)

ITEM	PART NUMBER	QTY	DESCRIPTION	REV
	1001262052	Ref	5 FUNCTION IN-DASH SWITCH PANEL, PETERBILT	A
1	1001261005	1	5 Function In-Dash Switch Panel Installation (See Separate Breakdown in this Section)	
2	1001135814	1	Switch Panel	
3	1001135815	1	Screw #8 x 3/8	
4	1001129883	1	Breaker Installation (See Separate Breakdown in this Section)	

SECTION 6 - ELECTRICAL

FIGURE 6-96. SWITCH INSTALLATION - 5 FUNCTION IN-DASH COMPACT (IHC) WITHOUT OEM PANEL (SN 0220005217 through 0220022646)



ART_1001135811

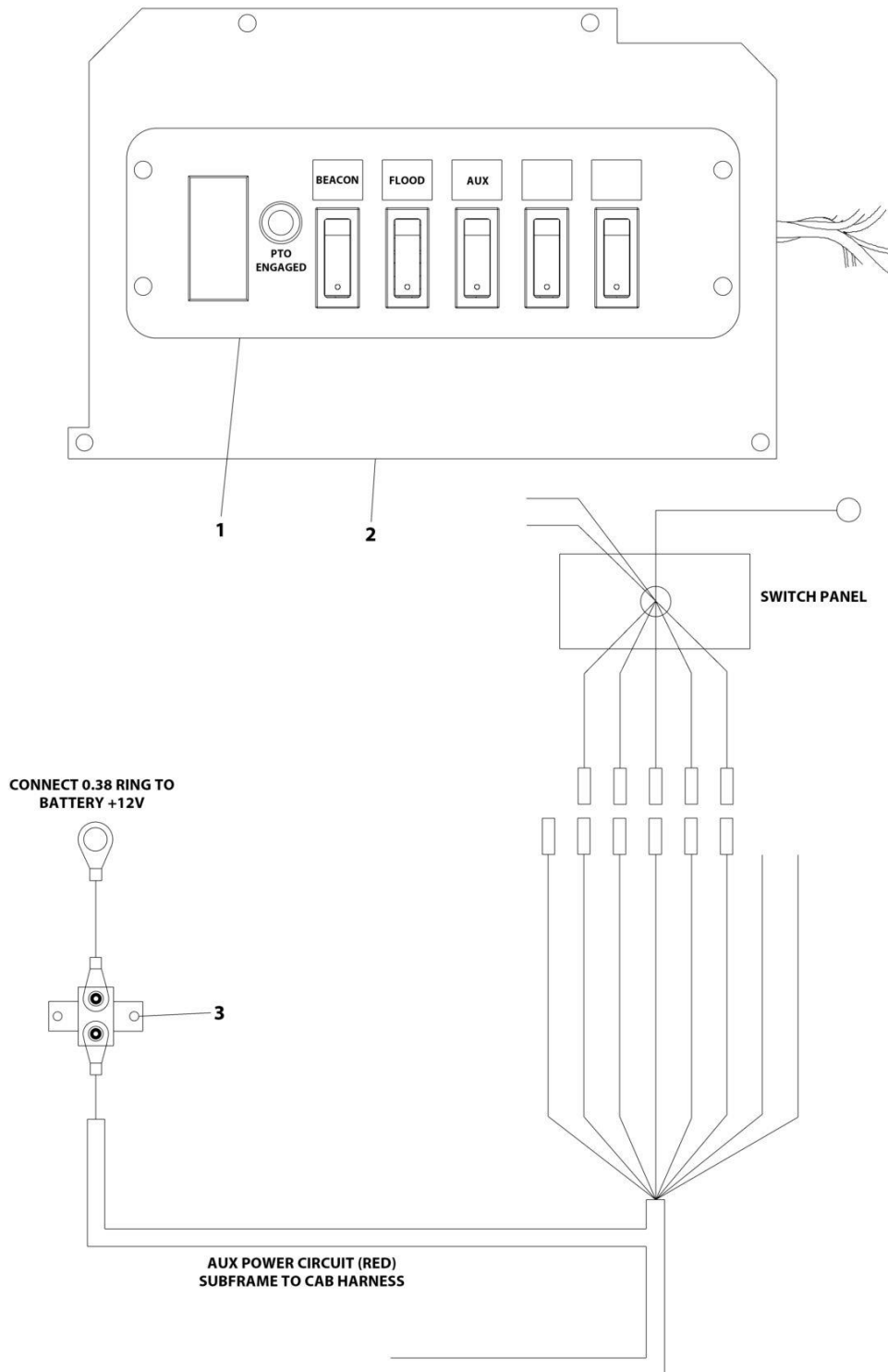
SECTION 6 - ELECTRICAL

FIGURE 6-96. SWITCH INSTALLATION - 5 FUNCTION IN-DASH COMPACT (IHC) WITHOUT OEM PANEL (SN 0220005217 through 0220022646)

ITEM	PART NUMBER	QTY	DESCRIPTION	REV
	1001135811	Ref	5 FUNCTION IN-DASH SWITCH PANEL, IHC WITHOUT OEM	B
1	1001135701	1	5 Function In-Dash Compact Installation (See Separate Breakdown in this Section)	
2	1001135813	1	Switch Panel	
3	1001129883	1	Breaker Installation (See Separate Breakdown in this Section)	

SECTION 6 - ELECTRICAL

FIGURE 6-97. SWITCH INSTALLATION - 5 FUNCTION IN-DASH COMPACT (IHC) WITHOUT OEM PANEL (SN 0220022647 to Present)



ART_1001262053

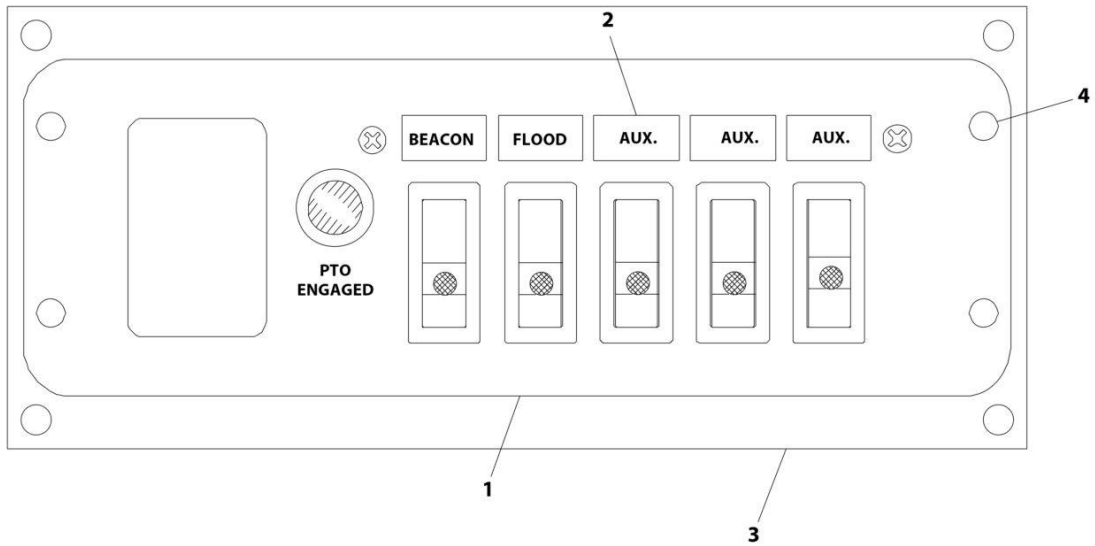
SECTION 6 - ELECTRICAL

FIGURE 6-97. SWITCH INSTALLATION - 5 FUNCTION IN-DASH COMPACT (IHC) WITHOUT OEM PANEL (SN 0220022647 to Present)

ITEM	PART NUMBER	QTY	DESCRIPTION	REV
	1001262053	Ref	5 FUNCTION IN-DASH SWITCH PANEL, IHC WITHOUT OEM	A
1	1001261005	1	5 Function In-Dash Switch Panel Installation (See Separate Breakdown in this Section)	
2	1001135813	1	Switch Panel	
3	1001129883	1	Breaker Installation (See Separate Breakdown in this Section)	

SECTION 6 - ELECTRICAL

FIGURE 6-98. SWITCH INSTALLATION - 5 FUNCTION IN-DASH (F650/750) (SN 0220005217 through 0220022646)



ART_2870000021

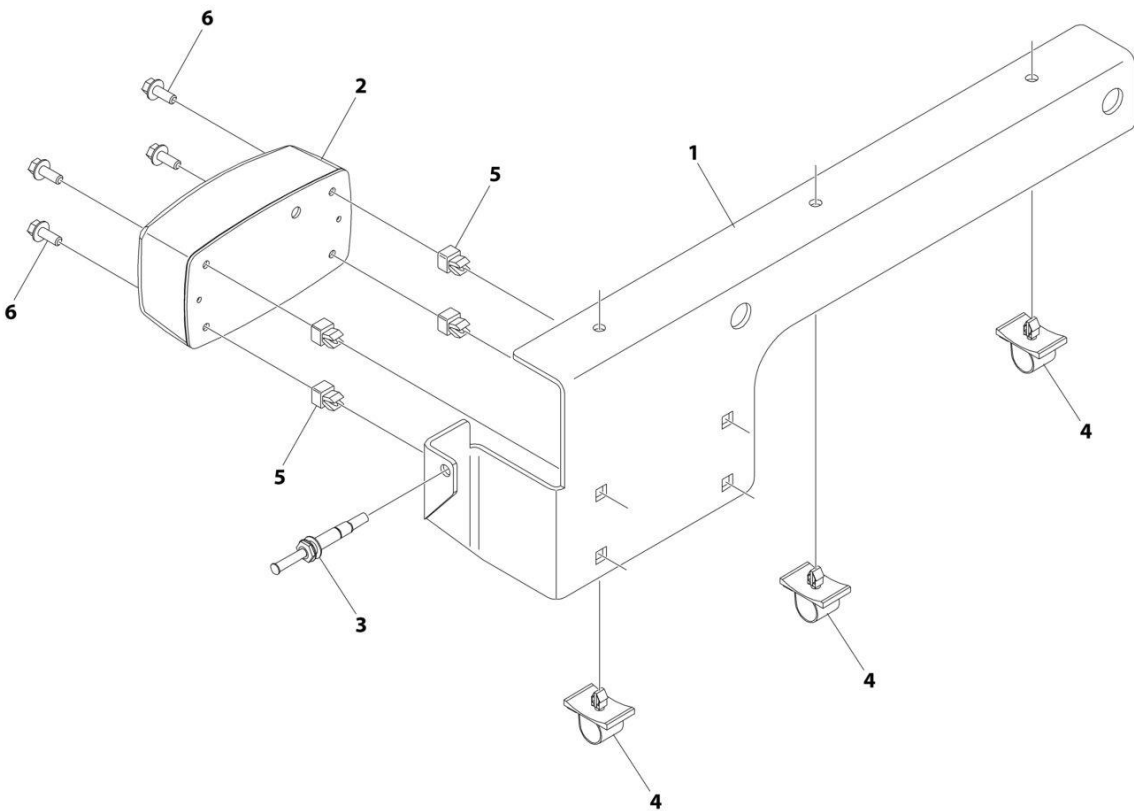
SECTION 6 - ELECTRICAL

FIGURE 6-98. SWITCH INSTALLATION - 5 FUNCTION IN-DASH (F650/750) (SN 0220005217 through 0220022646)

ITEM	PART NUMBER	QTY	DESCRIPTION	REV
	2870000021	Ref	5 Function In-Dash Switch Panel Installation	0
1	7870000106	1	Switch Panel	
2	7330000288	1	Decal	
3	4178000864	1	Bracket	
4	7120000034	4	Screw #10 x 3/4	

SECTION 6 - ELECTRICAL

FIGURE 6-99. TOOLBOX LIGHT BRACKET ASSEMBLY



ART_3178000437

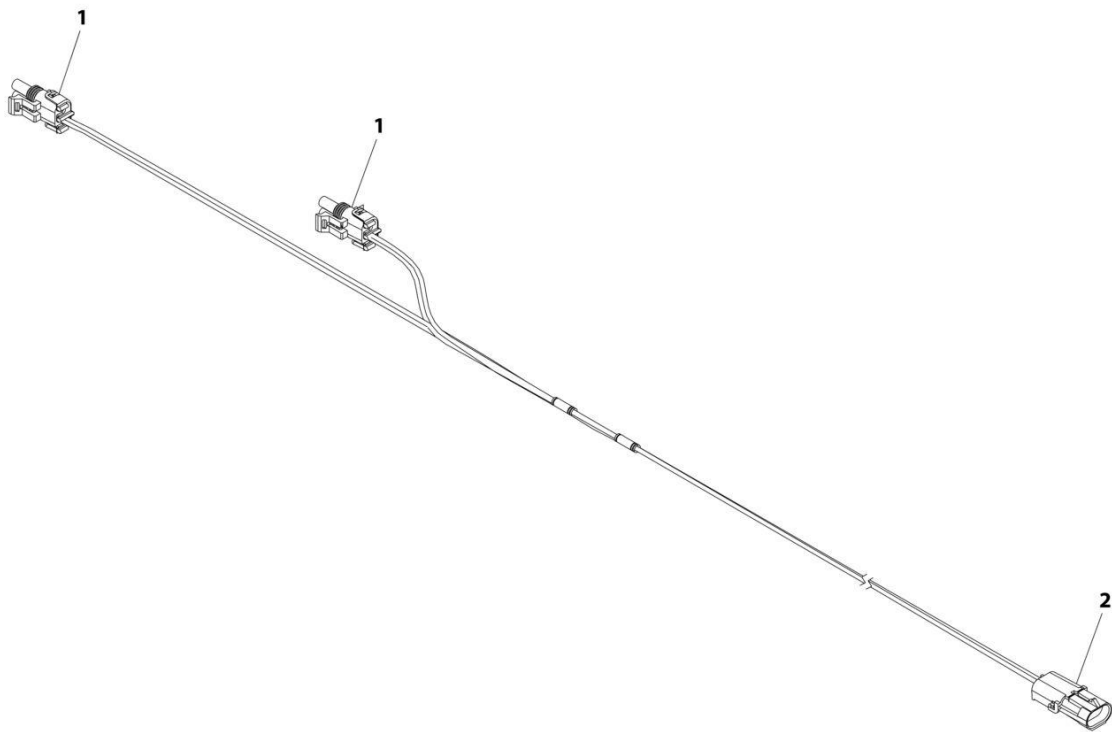
SECTION 6 - ELECTRICAL

FIGURE 6-99. TOOLBOX LIGHT BRACKET ASSEMBLY

ITEM	PART NUMBER	QTY	DESCRIPTION	REV
	3178000437	Ref	Toolbox Light Bracket Assembly	0
1	4178000578	1	Bracket	
2	7590000273	1	Light Dome Lamp	
3	7870000115	1	Switch	
4	7280000007	3	Clip	
5	7661000047	4	Nut #10 x 1/8	
6	7790100856	4	Screw #10 x 1/2	

SECTION 6 - ELECTRICAL

FIGURE 6-100. WINCH LIGHT HARNESS



ART_7552000166

SECTION 6 - ELECTRICAL

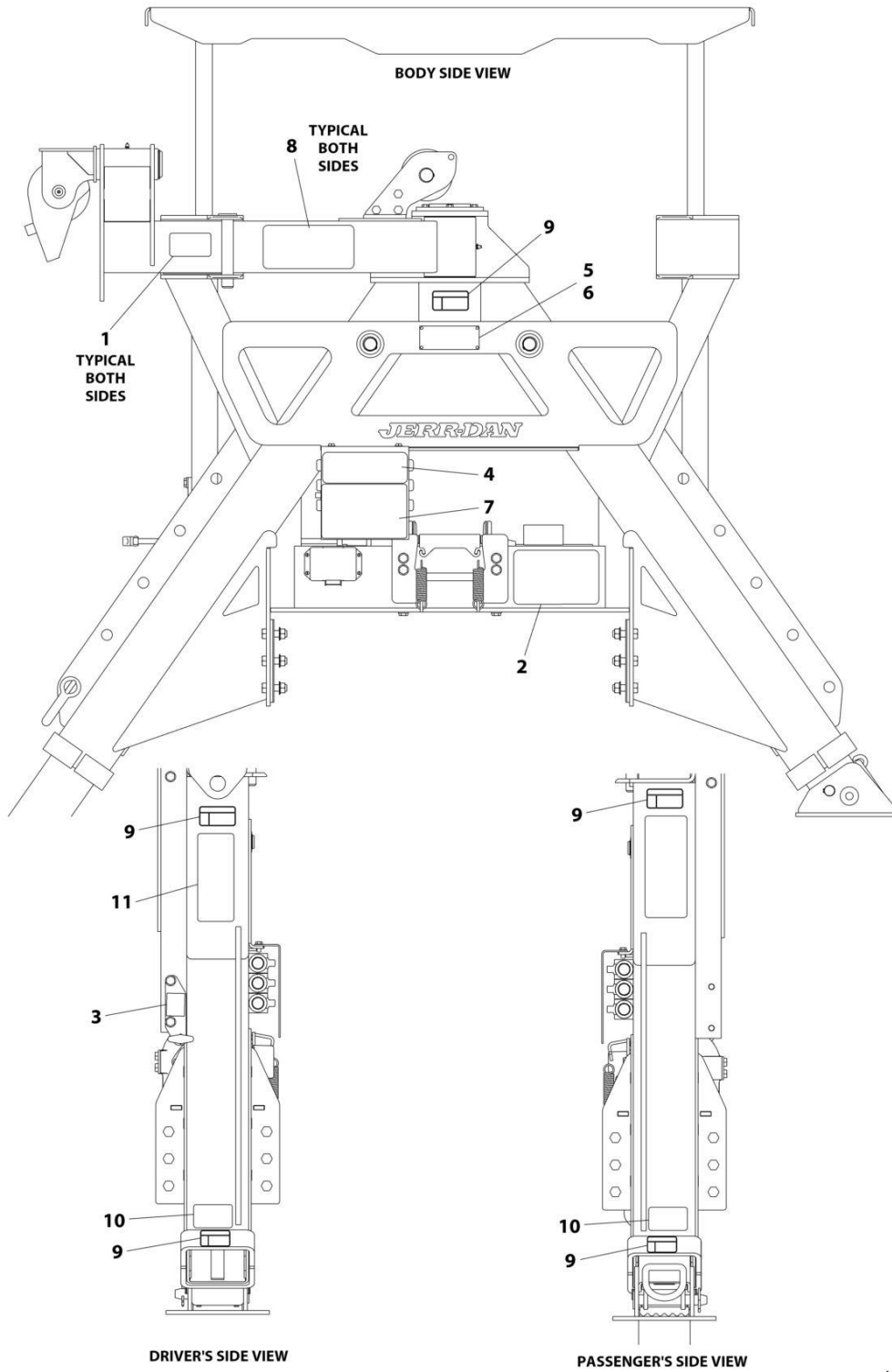
FIGURE 6-100. WINCH LIGHT HARNESS

ITEM	PART NUMBER	QTY	DESCRIPTION	REV
	7552000166	Ref	WINCH LIGHT HARNESS	B
1	4460742	2	Connector	
1	4460457	4	Terminal	
1	8220081	4	Seal	
2	4461157	1	Connector	
2	4460475	2	Terminal	
2	8220081	2	Seal	

SECTION 7 - DECALS

SECTION 7 - DECALS

FIGURE 7-1. DECAL INSTALLATION (SRS)



ART_233000068

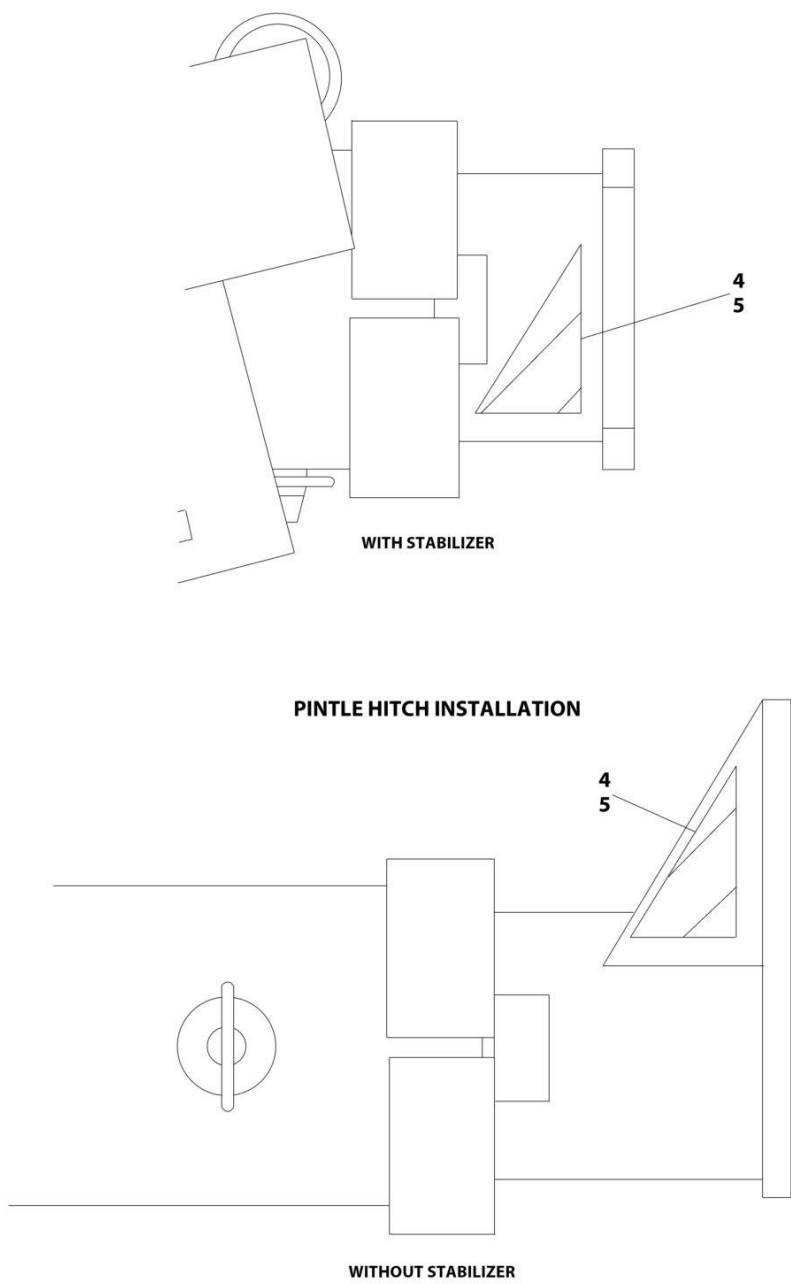
SECTION 7 - DECALS

FIGURE 7-1. DECAL INSTALLATION (SRS)

ITEM	PART NUMBER	QTY	DESCRIPTION	REV
	2330000068	Ref	DECAL INSTALLATION - SIDE RECOVERY SYSTEM	A
1	7330000708	2	Decal, Warning	
2	7330000709	1	Decal, Lubrication	
3	7330000707	1	Decal, Winch Free Spool	
4	7330000711	1	Decal, Valve Manual Override	
5	7330000710	1	Decal, Seal	
6	7759000004	4	Rivet	
7	7330000713	1	Decal, Winch Warning	
8	7330000714	2	Decal, SRS Logo	
9	7330000599	5	Decal, Pinch Point	
10	7330000580	2	Decal, Outrigger	
11	7330000723	1	Decal, Safety	

SECTION 7 - DECALS

FIGURE 7-2. DECAL INSTALLATION - CONSPICUITY PINTLE HITCH



ART_2330000041

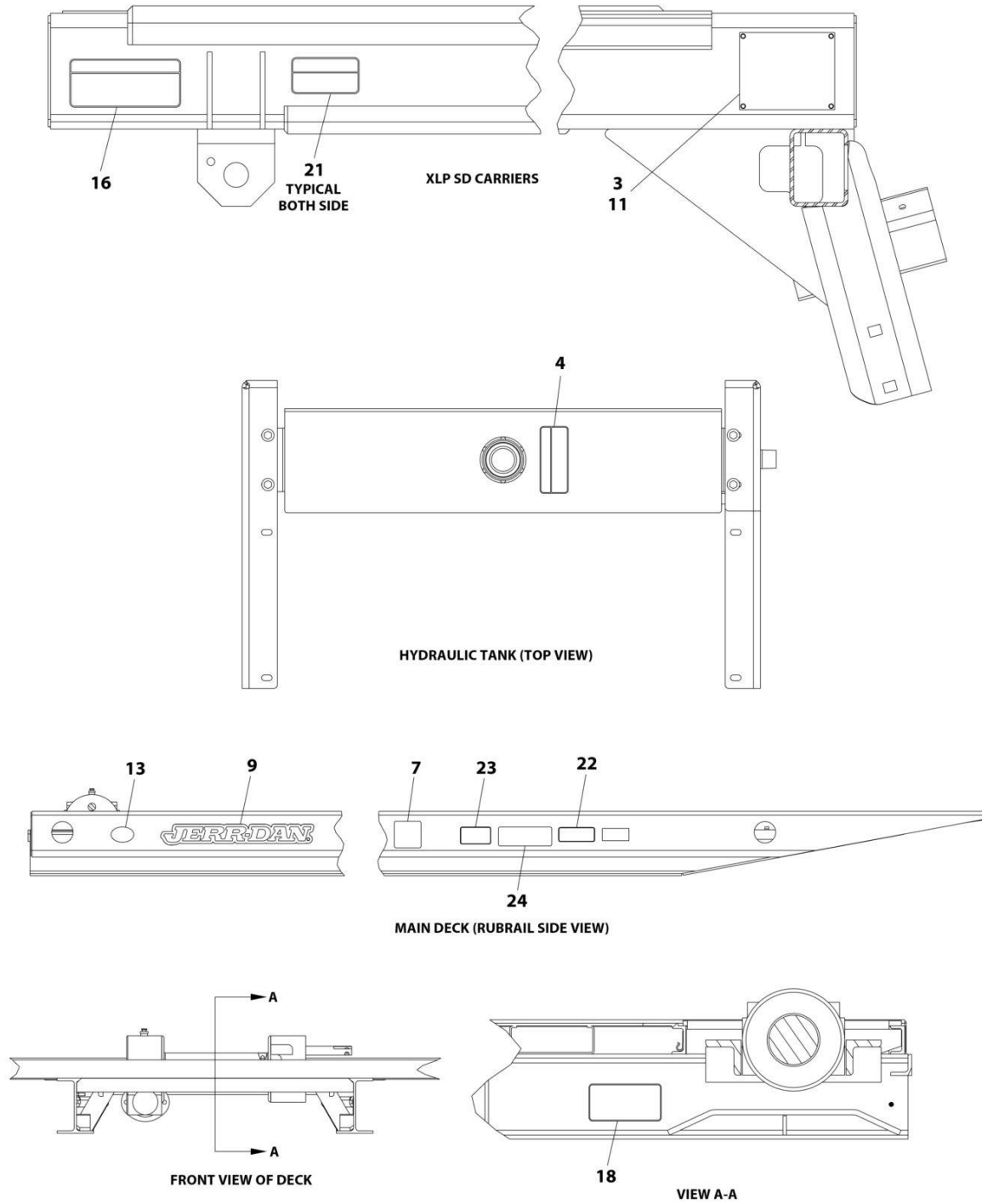
SECTION 7 - DECALS

FIGURE 7-2. DECAL INSTALLATION - CONSPICUITY PINTLE HITCH

ITEM	PART NUMBER	QTY	DESCRIPTION	REV
	2330000041	Ref	Reflective Tape Installation	B
4	7330000645	1	Decal - Red, Retro-reflective LH	
5	7330000646	1	Decal - Red, Retro-reflective RH	

SECTION 7 - DECALS

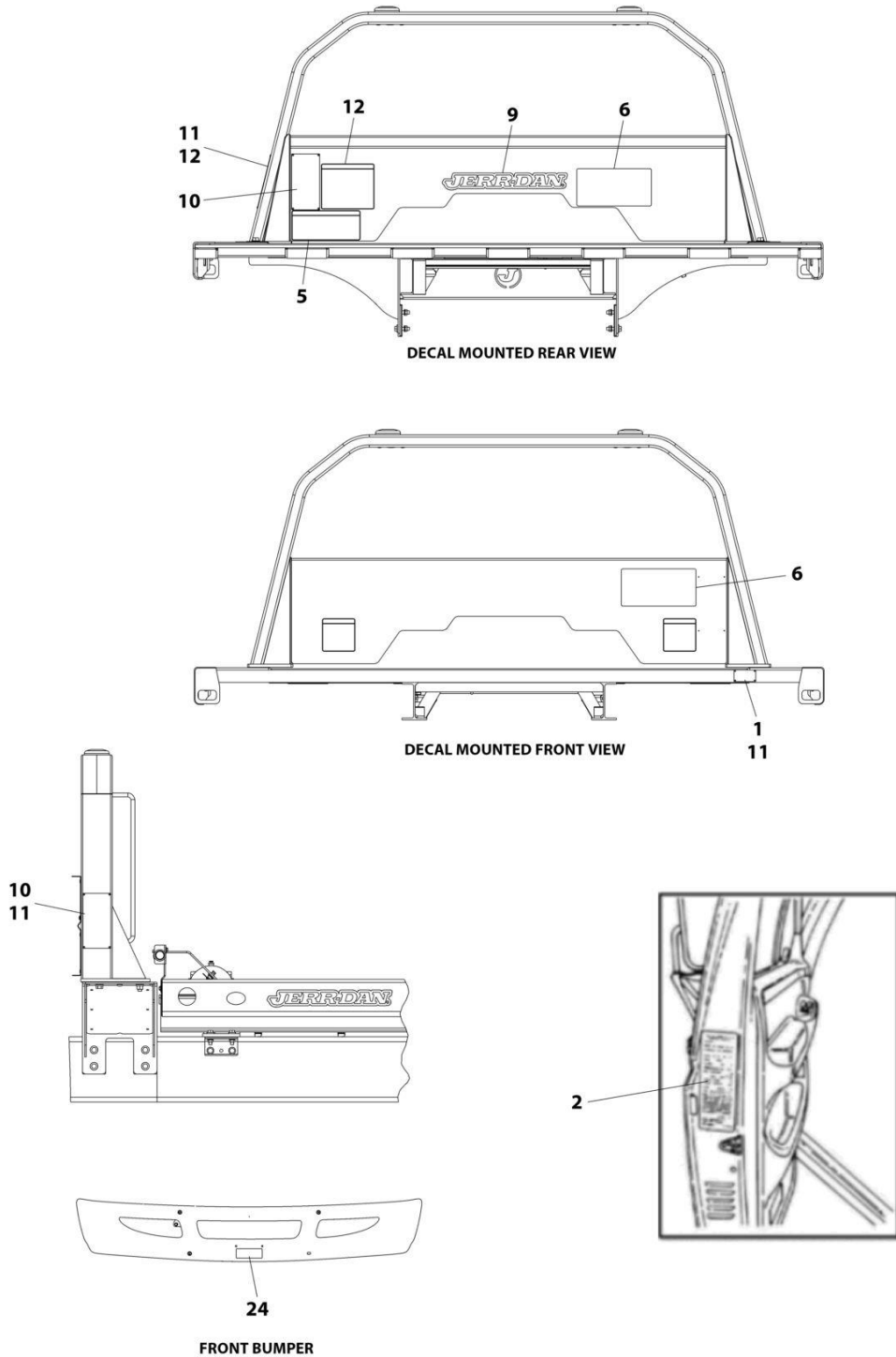
FIGURE 7-3. DECAL INSTALLATION - HEAVY DUTY CARRIER



ART_233000045_10F2

SECTION 7 - DECALS

FIGURE 7-4. DECAL INSTALLATION - HEAVY DUTY CARRIER



ART_233000045_20F2

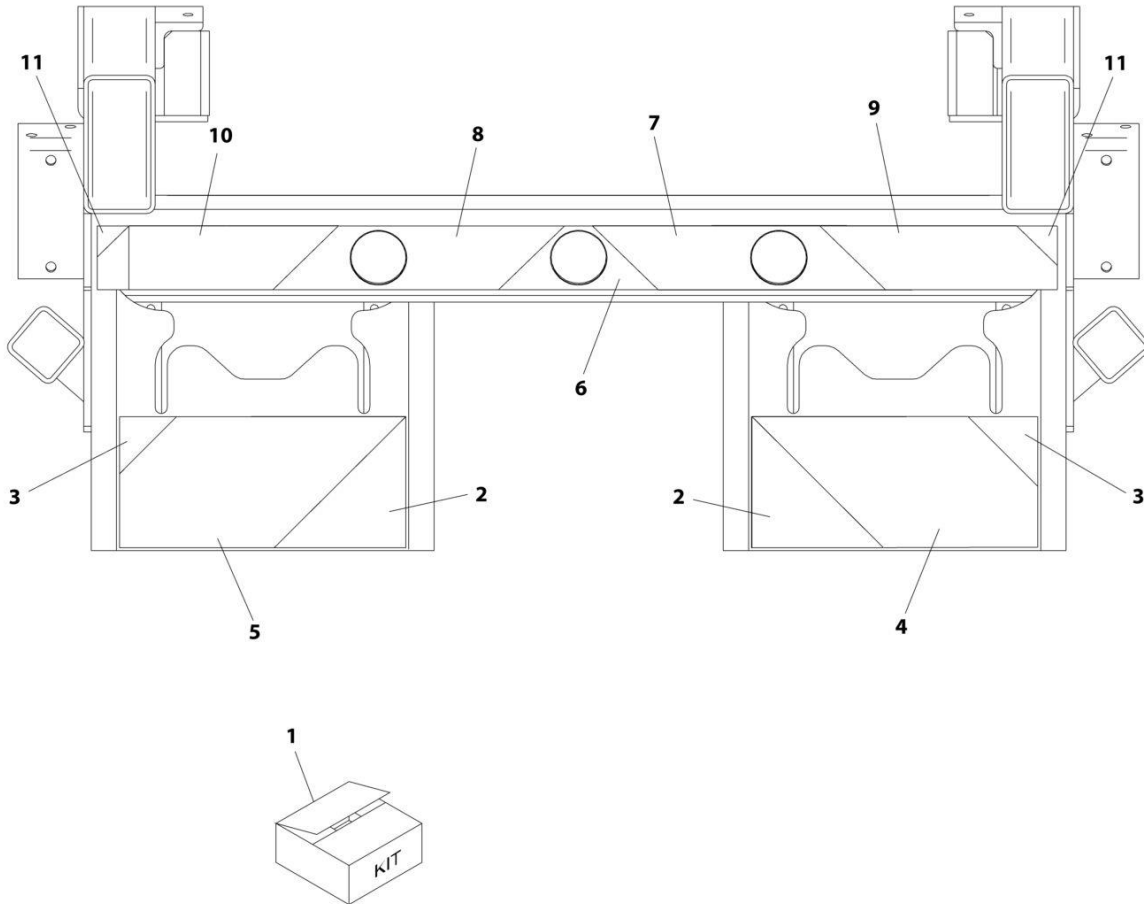
SECTION 7 - DECALS

FIGURE 7-4. DECAL INSTALLATION - HEAVY DUTY CARRIER

ITEM	PART NUMBER	QTY	DESCRIPTION	REV
	2330000045	Ref	HEAVY DUTY CARRIER DECAL INSTALLATION	N
1	1001127221	1	Decal - Ident Tag	
2	7330000689	1	Decal - Certification	
3	1001132766	1	Decal - Patent/Subframe	
4	7330000272	1	Decal - Oil Level	
5	1001190626	1	Decal - Winch Warning	
6	7330000478	1	Decal - Lub Chart Bic	
7	1001154689	2	Decal - Arrow Rollback Tilt	
9	1001153789	3	Decal - Amber Reflect	
10	1001132765	1	Decal - Structural Capacity	
11	7759000004	12	Pop Rivet	
12	1001190625	1	Decal - Checklist	
13	7330000143	1	Decal - Made in the USA	
14	7330000139	1	Decal - Wheel Lift (Not Shown)	
16	1001168591	1	Decal - Slide Pad Lubrication	
18	7330000330	1	Decal - Hose Track Carrier	
21	7330000599	2	Decal - Pinch Point	
22	7330000176	3	Decal - Air Suspension	
23	1001231801	2	Decal - Warning Prop 65 Diesel	
24	1001230968	3	Decal - Electrocutation Hazard	

SECTION 7 - DECALS

FIGURE 7-5. DECAL INSTALLATION - HIGH VISIBILITY (SN 0220005217 through 0220009663)



ART_1001166910

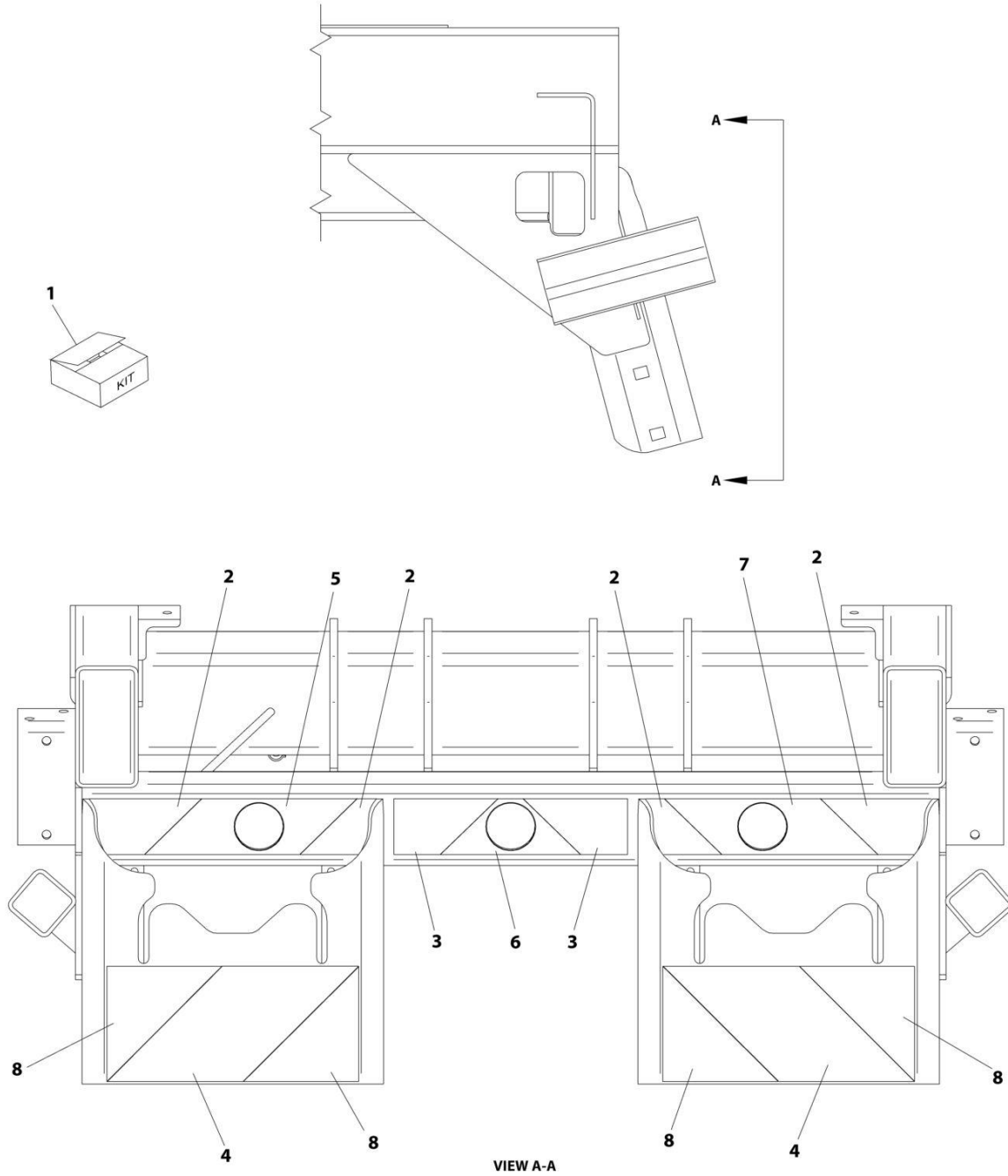
SECTION 7 - DECALS

FIGURE 7-5. DECAL INSTALLATION - HIGH VISIBILITY (SN 0220005217 through 0220009663)

ITEM	PART NUMBER	QTY	DESCRIPTION	REV
	1001166910	Ref	TAPE INSTALLATION - HIGH VISIBILITY	A
1	1001166909	1	Decal - Conspicuity Tape Kit (Includes Items 2-11)	
2	1001166890	2	Tape, Yellow	
3	1001166893	2	Tape, Yellow	
4	1001166901	1	Tape, Red	
5	1001166904	1	Tape, Red	
6	1001169235	1	Tape, Yellow	
7	1001169236	1	Tape, Red	
8	1001169237	1	Tape, Red	
9	1001169238	1	Tape, Yellow	
10	1001169239	1	Tape, Yellow	
11	1001166892	2	Tape, Red	

SECTION 7 - DECALS

FIGURE 7-6. DECAL INSTALLATION - HIGH VISIBILITY (SN 0220009664 to Present)



ART_1001203303

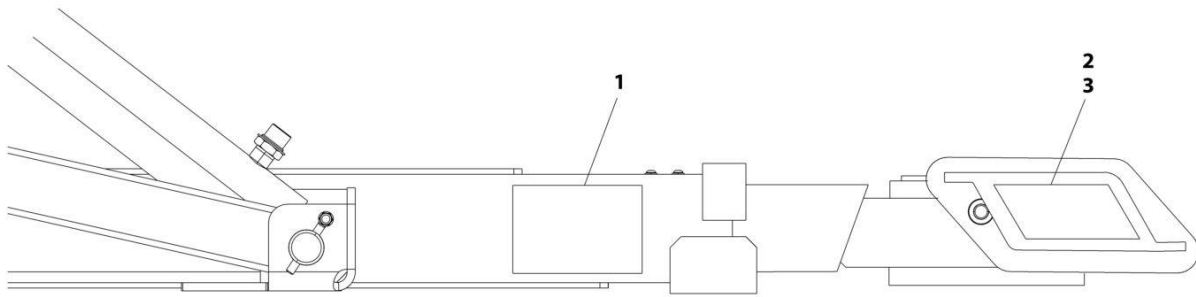
SECTION 7 - DECALS

FIGURE 7-6. DECAL INSTALLATION - HIGH VISIBILITY (SN 0220009664 to Present)

ITEM	PART NUMBER	QTY	DESCRIPTION	REV
	1001203303	Ref	High Visibility Reflective Tape Intallation	A
1	1001203302	1	Decal - Conspicuity Tape Kit (Includes Items 2-8)	
2	1001203295	1	Tape, Yellow	
3	1001203296	1	Tape, Yellow	
4	1001203297	1	Tape, Yellow	
5	1001203298	1	Tape, Red	
6	1001203299	1	Tape, Red	
7	1001203300	1	Tape, Red	
8	1001203301	1	Tape, Red	

SECTION 7 - DECALS

FIGURE 7-7. DECAL INSTALLATION - MANUAL GRID



ART_2330000035

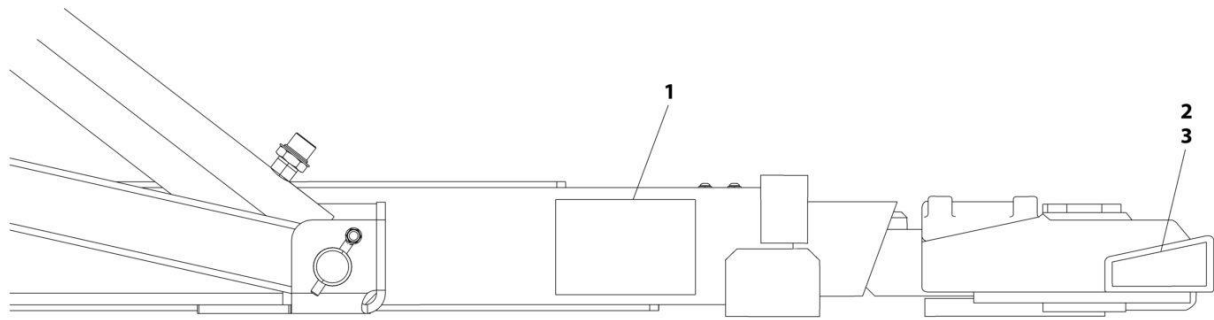
SECTION 7 - DECALS

FIGURE 7-7. DECAL INSTALLATION - MANUAL GRID

ITEM	PART NUMBER	QTY	DESCRIPTION	REV
	2330000035	Ref	Wheel Lift Decal Installation	0
1	7330000419	2	Decal - Red Reflective (Boom)	
2	7330000417	1	Decal - LH Red Reflective (Grid)	
3	7330000418	1	Decal - RH Red Reflective (Grid)	

SECTION 7 - DECALS

FIGURE 7-8. DECAL INSTALLATION - PIVOTING GRID



ART_2330000036

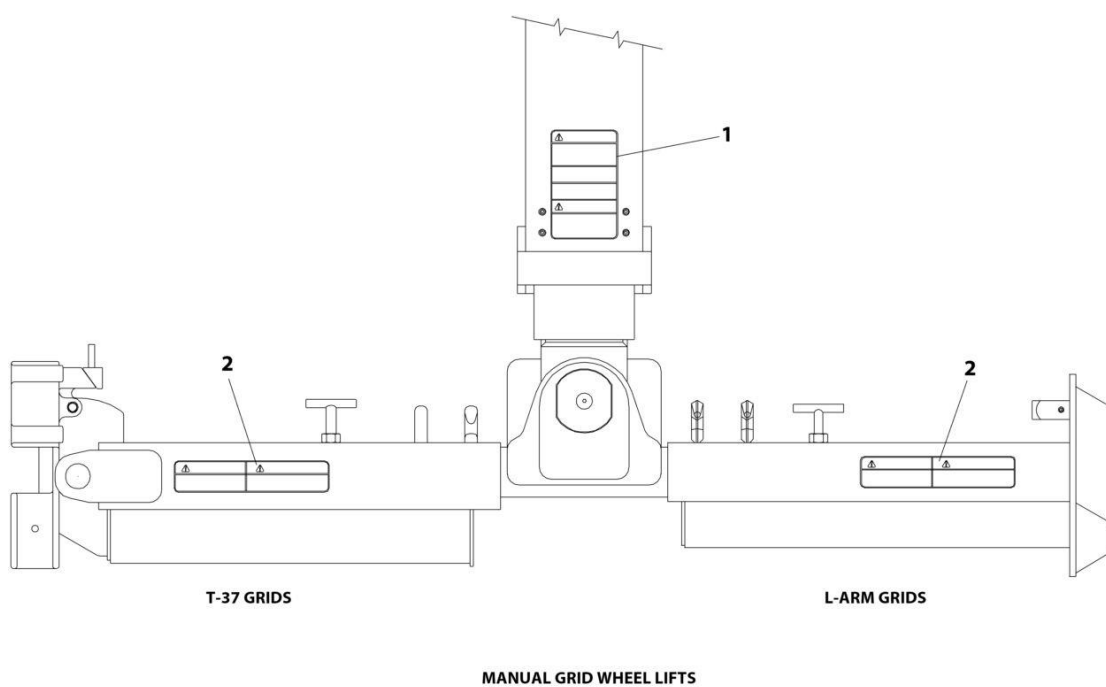
SECTION 7 - DECALS

FIGURE 7-8. DECAL INSTALLATION - PIVOTING GRID

ITEM	PART NUMBER	QTY	DESCRIPTION	REV
	2330000036	Ref	Wheel Lift Decal Installation, T37	0
1	7330000419	2	Decal - Red Reflective (Boom)	
2	7330000420	1	Decal - LH Red Reflective (T37 Grid)	
3	7330000432	1	Decal - RH Red Reflective (T37 Grid)	

SECTION 7 - DECALS

FIGURE 7-9. DECAL INSTALLATION - SAFETY



ART_2330000057

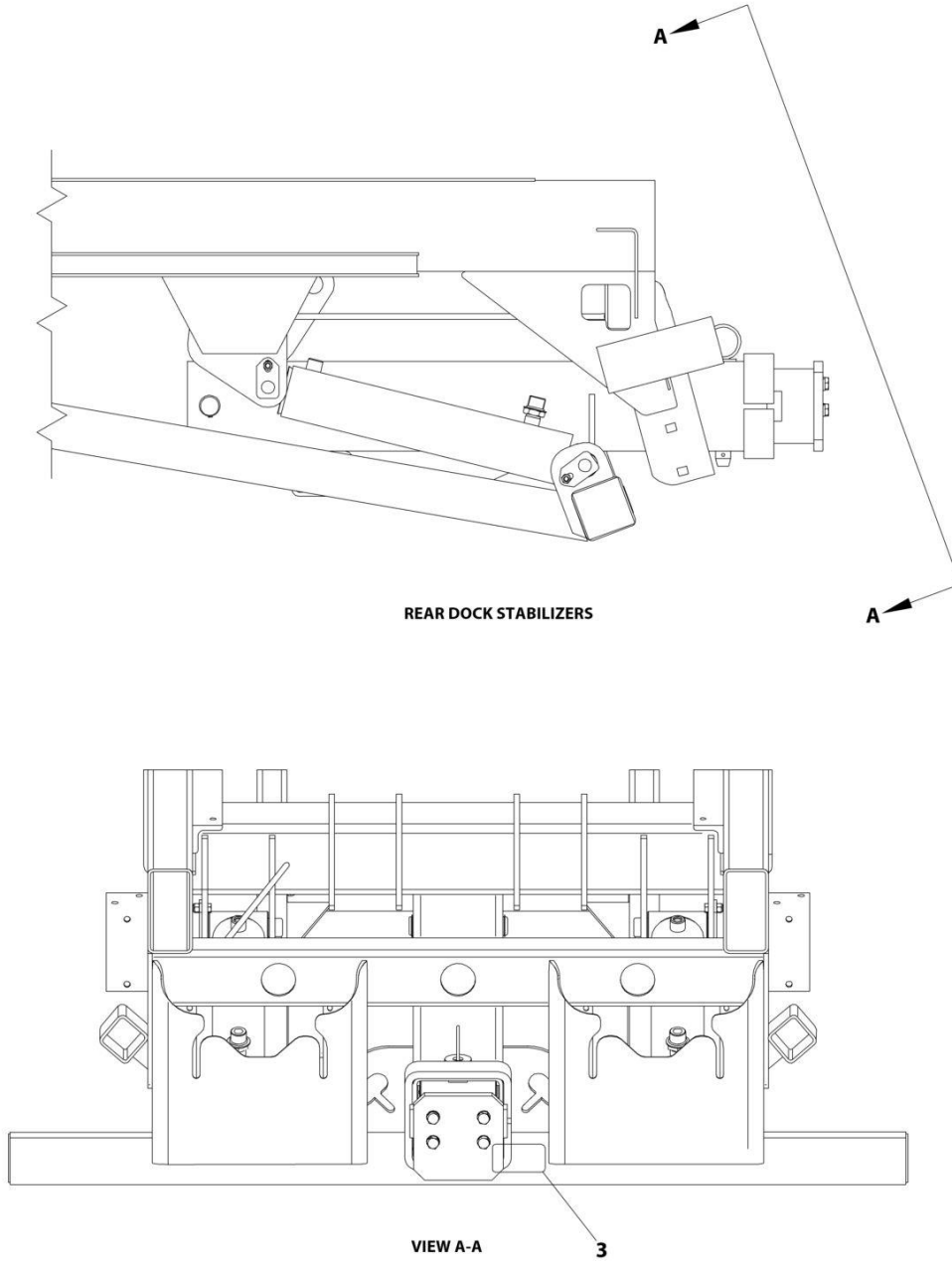
SECTION 7 - DECALS

FIGURE 7-9. DECAL INSTALLATION - SAFETY

ITEM	PART NUMBER	QTY	DESCRIPTION	REV
	2330000057	Ref	Decal Installation, Safety	0
1	7330000684	1	Decal - Safety	
2	7330000683	2	Decal - Safety	

SECTION 7 - DECALS

FIGURE 7-10. DECAL INSTALLATION - STABILIZER



ART_233000064

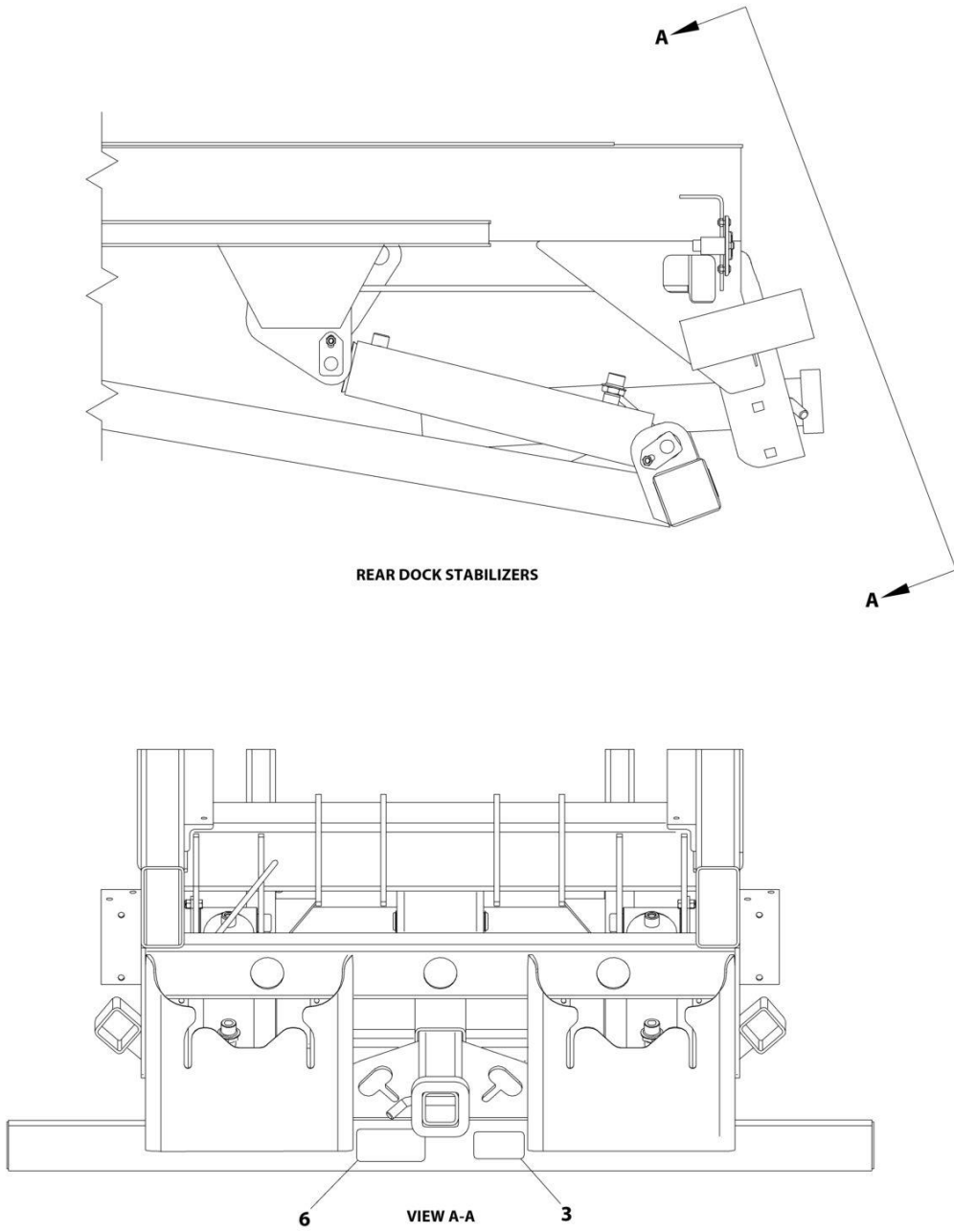
SECTION 7 - DECALS

FIGURE 7-10. DECAL INSTALLATION - STABILIZER

ITEM	PART NUMBER	QTY	DESCRIPTION	REV
3	2330000064	Ref	Decal Installation	B
	7330000599	1	Decal - Warning Pinch Point	

SECTION 7 - DECALS

FIGURE 7-11. DECAL INSTALLATION - STABILIZER WITH 2.5IN TOW HITCH



ART_2330000063

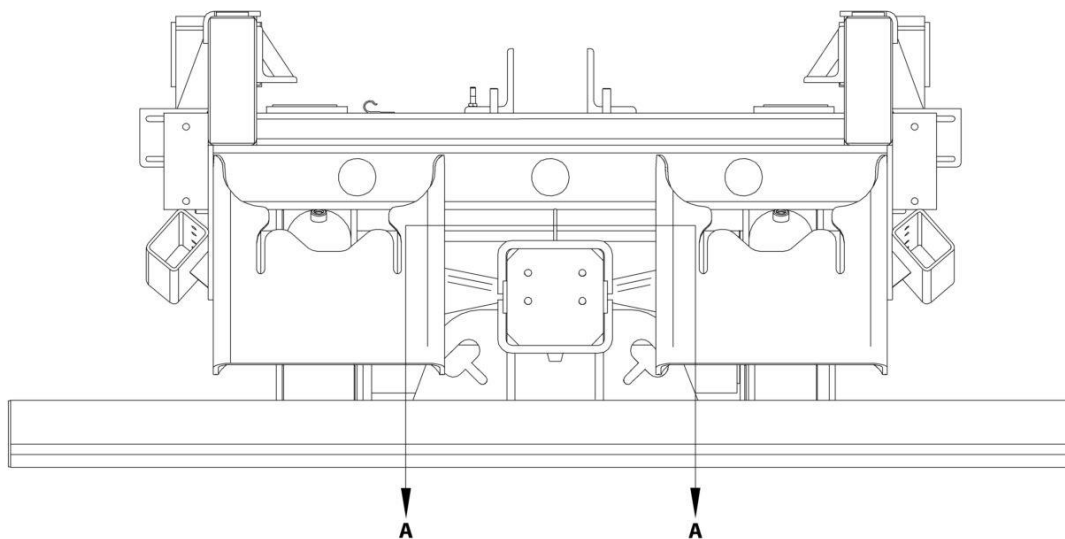
SECTION 7 - DECALS

FIGURE 7-11. DECAL INSTALLATION - STABILIZER WITH 2.5IN TOW HITCH

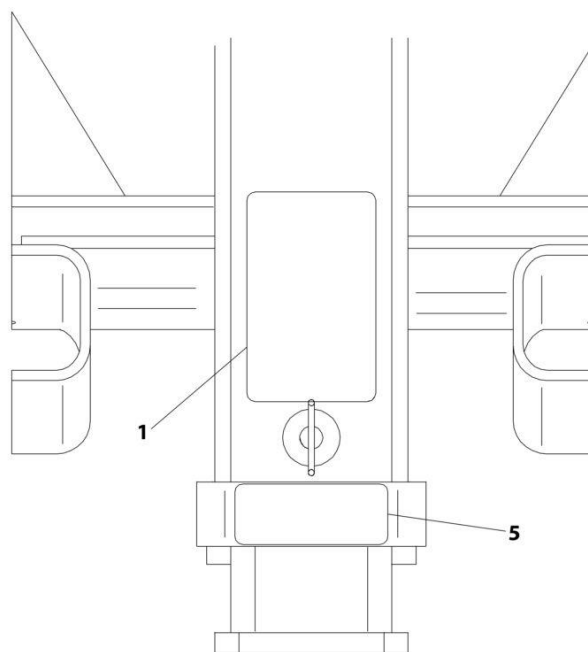
ITEM	PART NUMBER	QTY	DESCRIPTION	REV
	2330000063	Ref	Decal Installation - Tow Hitch	B
3	7330000599	1	Decal - Warning Pinch Point	
6	7330000274	1	Decal - Warning Overloading	

SECTION 7 - DECALS

FIGURE 7-12. DECAL INSTALLATION - STABILIZER WITH HYDRAULIC EXTEND



REAR DOCK STABILIZERS
WITH MANUAL AND HYDRAULIC EXTEND PINTLE



VIEW A-A

ART_233000061

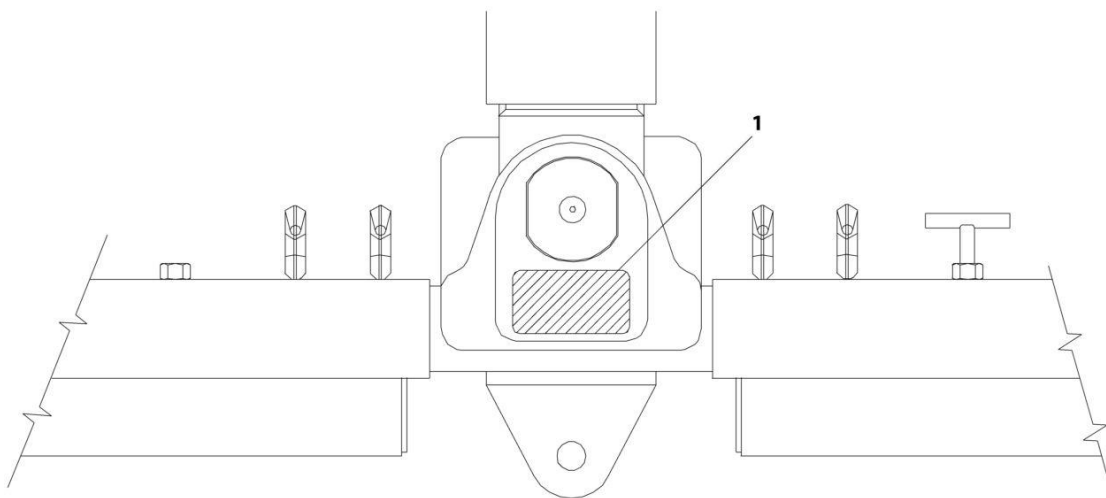
SECTION 7 - DECALS

FIGURE 7-12. DECAL INSTALLATION - STABILIZER WITH HYDRAULIC EXTEND

ITEM	PART NUMBER	QTY	DESCRIPTION	REV
	2330000061	Ref	Decal Installation - Stabilizer Hydraulics With Hydraulic Extend	B
1	7330000684	1	Decal - Safety	
5	7330000391	1	Decal - Warning, Tow Boom Configuration	

SECTION 7 - DECALS

FIGURE 7-13. DECAL INSTALLATION - TOW HITCH



MANUAL GRID WHEEL LIFTS

ART_2330000057

SECTION 7 - DECALS

FIGURE 7-13. DECAL INSTALLATION - TOW HITCH

ITEM	PART NUMBER	QTY	DESCRIPTION	REV
1	2330000065 7330000060	Ref 1	Tow Hitch Decal Installation Decal - Warning, Hitch on Wheel lift	0

SECTION 8 - ACCESSORIES

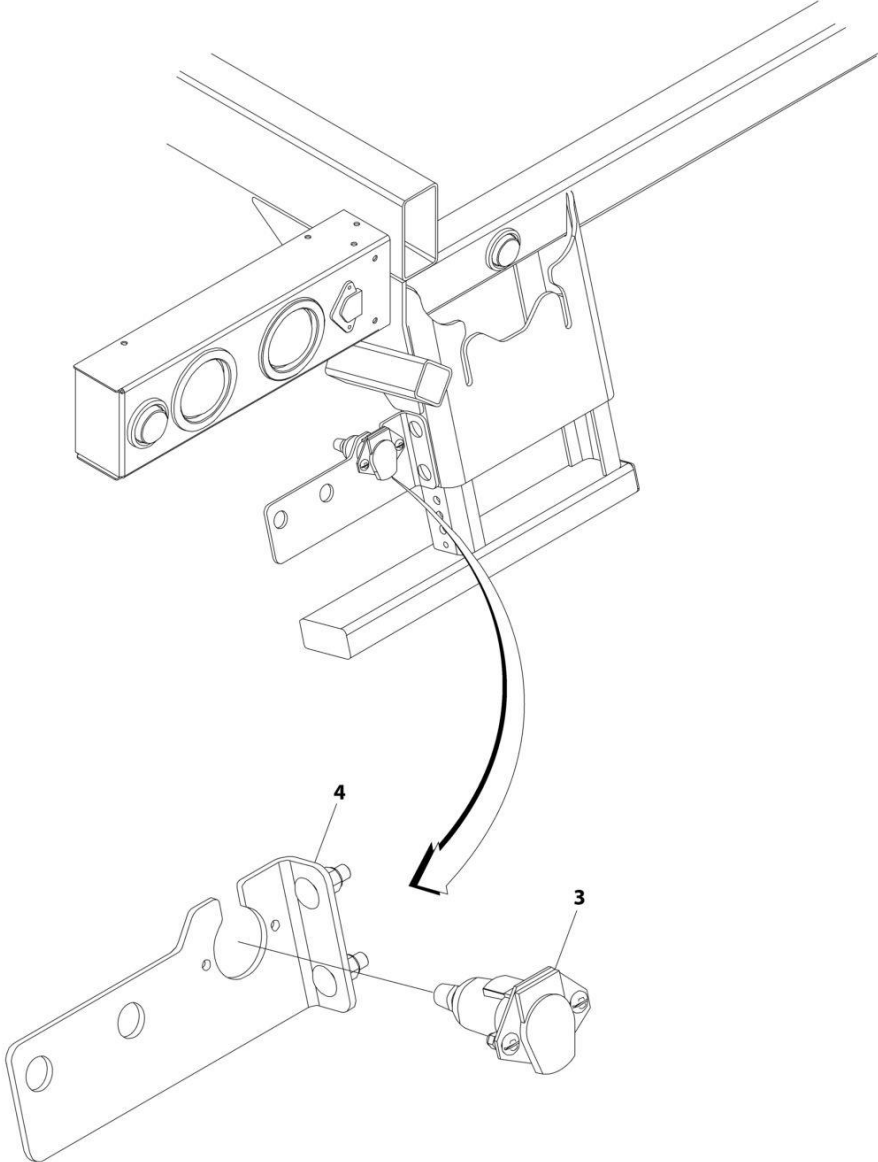
SECTION 8 - ACCESSORIES

FIGURE 8-1. KITS LIST

ITEM	PART NUMBER	QTY	DESCRIPTION	REV
	1001241870	Ref	KITS LIST	K
		Ref	Note: Contact JERR-DAN Parts Department for exact contents of kit:	
	1001262545	Ref	Chain Rack Kit - Non-Locking (Standard Headboard) (Includes Rack & Attaching Hardware)	
	1001262546	Ref	Chain Rack Kit - Non-Locking (Deluxe Headboard) (Includes Rack & Attaching Hardware)	
	1001265255	Ref	Chain Rack Kit - Locking (Standard Headboard) (Includes Rack & Attaching Hardware)	
	1001262544	Ref	Chain Rack Kit - Locking (Deluxe Headboard) (Includes Rack & Attaching Hardware)	
	1001265236	Ref	Decal Kit - Cargo Hauler	
	1001187663S	Ref	Free Spool Kit - Single Winch (8000-10000 LBS)	
	3570000008	Ref	Hose Kit - 28FT Deck sub-Frame Retrofit with Emergency Lights	
	3249000004S	Ref	Roller Cable Guide Kit	

SECTION 8 - ACCESSORIES

FIGURE 8-2. 7-WAY ELECTRICAL CONNECTOR INSTALLATION



ART_A7WCON

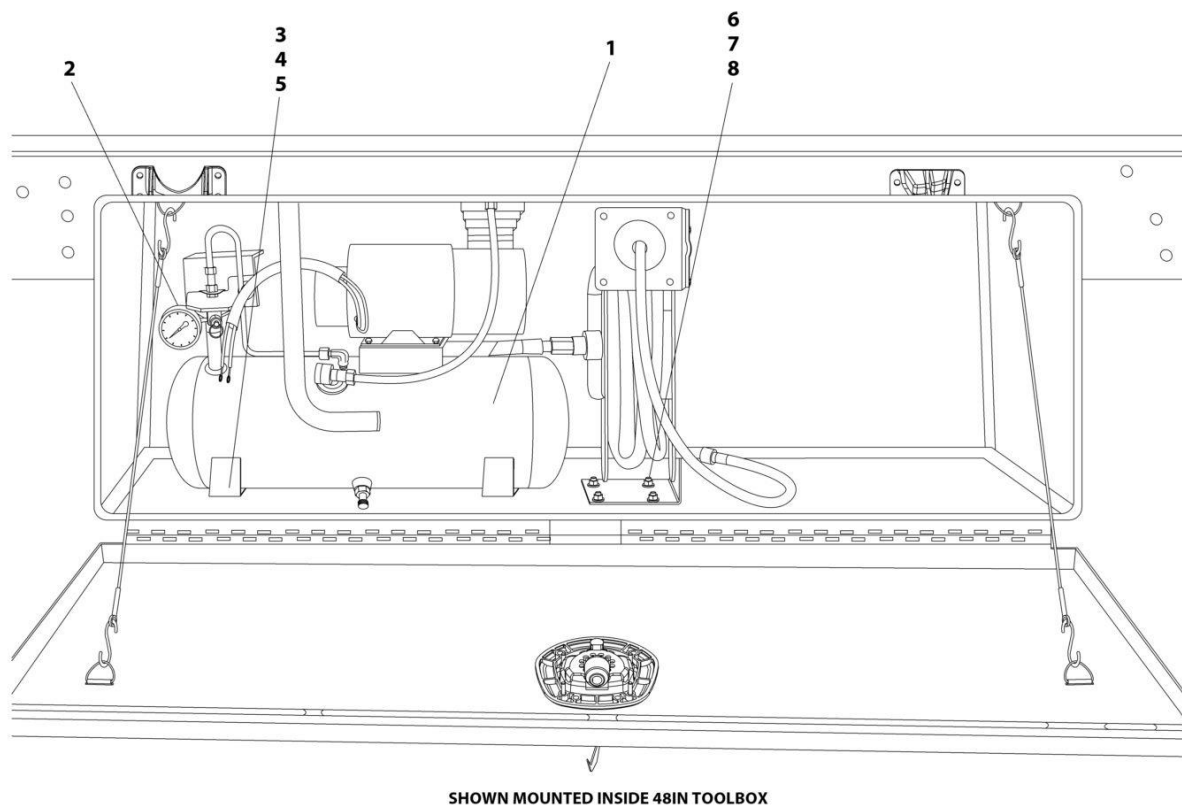
SECTION 8 - ACCESSORIES

FIGURE 8-2. 7-WAY ELECTRICAL CONNECTOR INSTALLATION

ITEM	PART NUMBER	QTY	DESCRIPTION	REV
	A7WCON	Ref	7 Way Electric Connector Installation	0
1	7346000132	1	Electrical Adapter 7 to 4 way (Not Shown)	
2	7346000157	1	Electrical Adapter 7 to 6 way (Not Shown)	
3	2346000008	1	7-Way Electrical Connector (See Separate Breakdown in this Section)	
4	2178000037	Ref	Glad Hands Bracket Installation	
4	4178000666	1	Bracket	
4	7115181464	2	Bolt 1/2 x 1-3/4	
4	7660182601	2	Nut 1/2	

SECTION 8 - ACCESSORIES

FIGURE 8-3. AIR COMPRESSOR/HOSE REEL (INSIDE TOOLBOX)



ART_2002000030

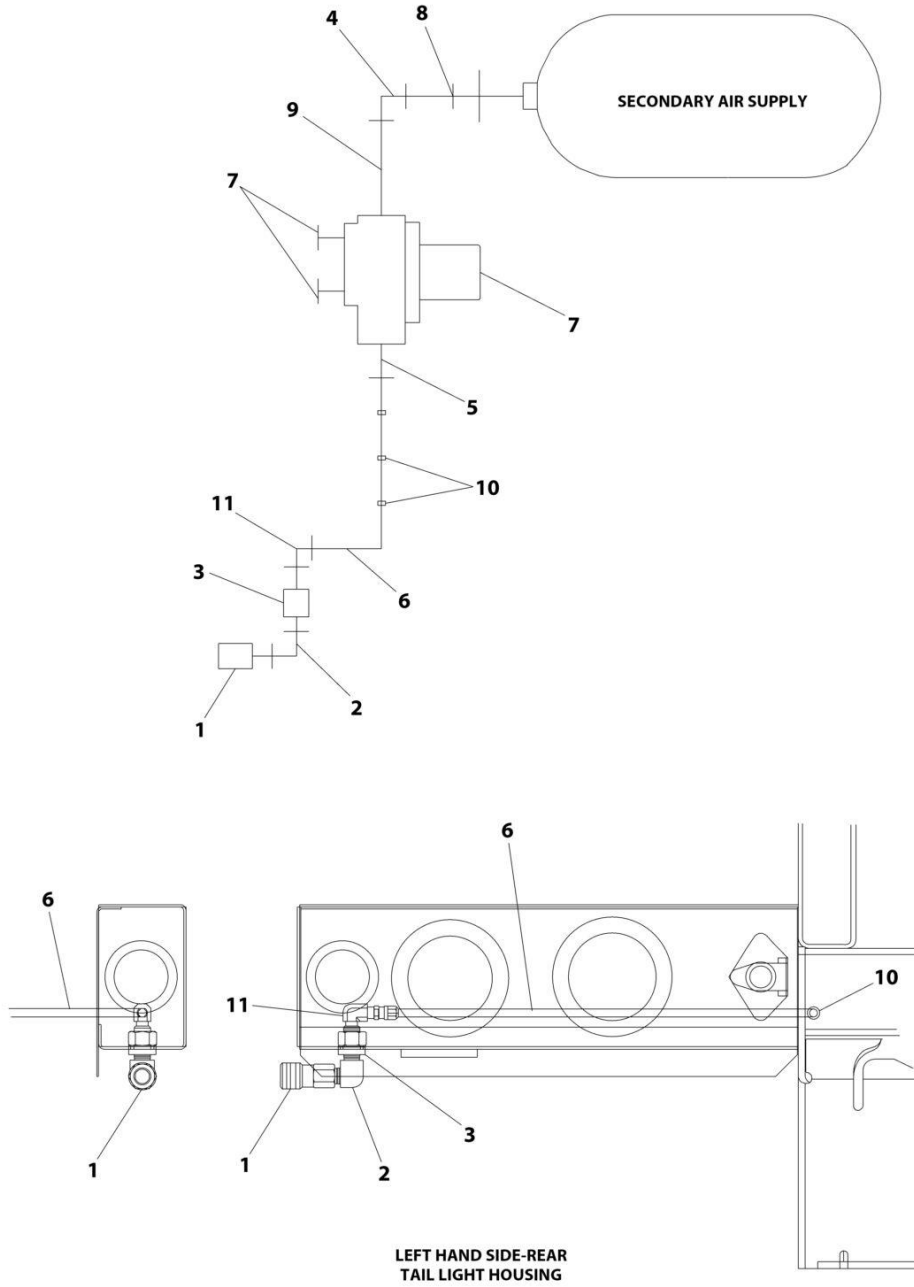
SECTION 8 - ACCESSORIES

FIGURE 8-3. AIR COMPRESSOR/HOSE REEL (INSIDE TOOLBOX)

ITEM	PART NUMBER	QTY	DESCRIPTION	REV
	2002000030	Ref	Toolbox Air Compressor/Hose Reel	B
1	7002000503	1	Air Compressor with Hose Reel	
2	7443000155	1	Fitting, 90	
3	7115161050	4	Capscrew 3/8 x 1-1/4	
4	7950150161	4	Washer 3/8	
5	7660162601	4	Nut 3/8	
6	7115181050	4	Capscrew 1/2 x 1-1/4	
7	7950180153	8	Washer 1/2	
8	7660182601	4	Nut 1/2	

SECTION 8 - ACCESSORIES

FIGURE 8-4. AIR SUPPLY DISCONNECT



ART_2002000009

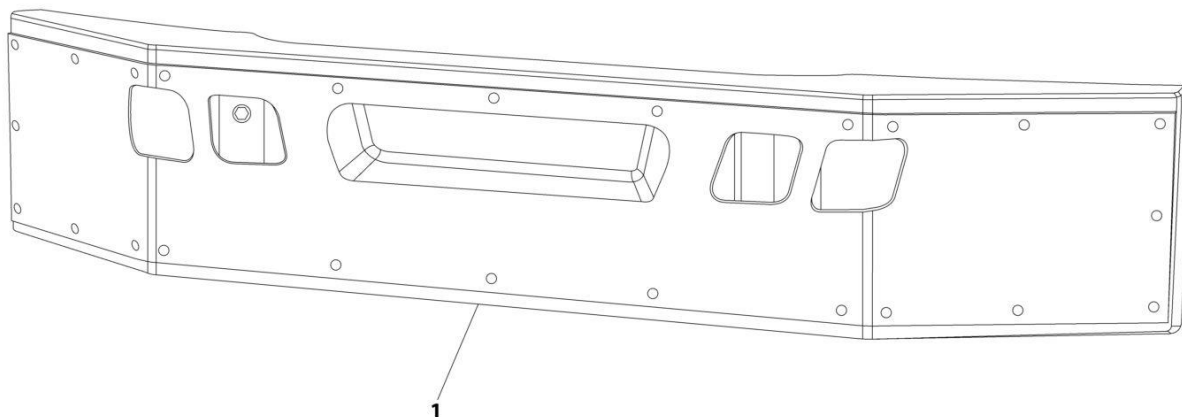
SECTION 8 - ACCESSORIES

FIGURE 8-4. AIR SUPPLY DISCONNECT

ITEM	PART NUMBER	QTY	DESCRIPTION	REV
	2002000009	Ref	AIR SUPPLY DISCONNECT	E
1	7312000017	1	Fitting, Coupling	
2	7445080853	1	Fitting, 90	
3	7446502518	1	Fitting	
4	7443000155	1	Fitting, 90	
5	7446060435	2	Tube	
6	7565000014	32	Tubing, Airline	
7	7935000120	1	Valve, Pressure Protection	
8	7443000154	1	Bushing	
9	7443000156	1	Fitting, Nipple	
10	7894000031	6	Tie-Strap	
11	7443000366	1	Fitting, Tube	

SECTION 8 - ACCESSORIES

FIGURE 8-5. BUMPER INSTALLATION - PUSH (FRONT) (NO GRILLE GUARD) (2011 FORD F650/750)



ART_1001133674

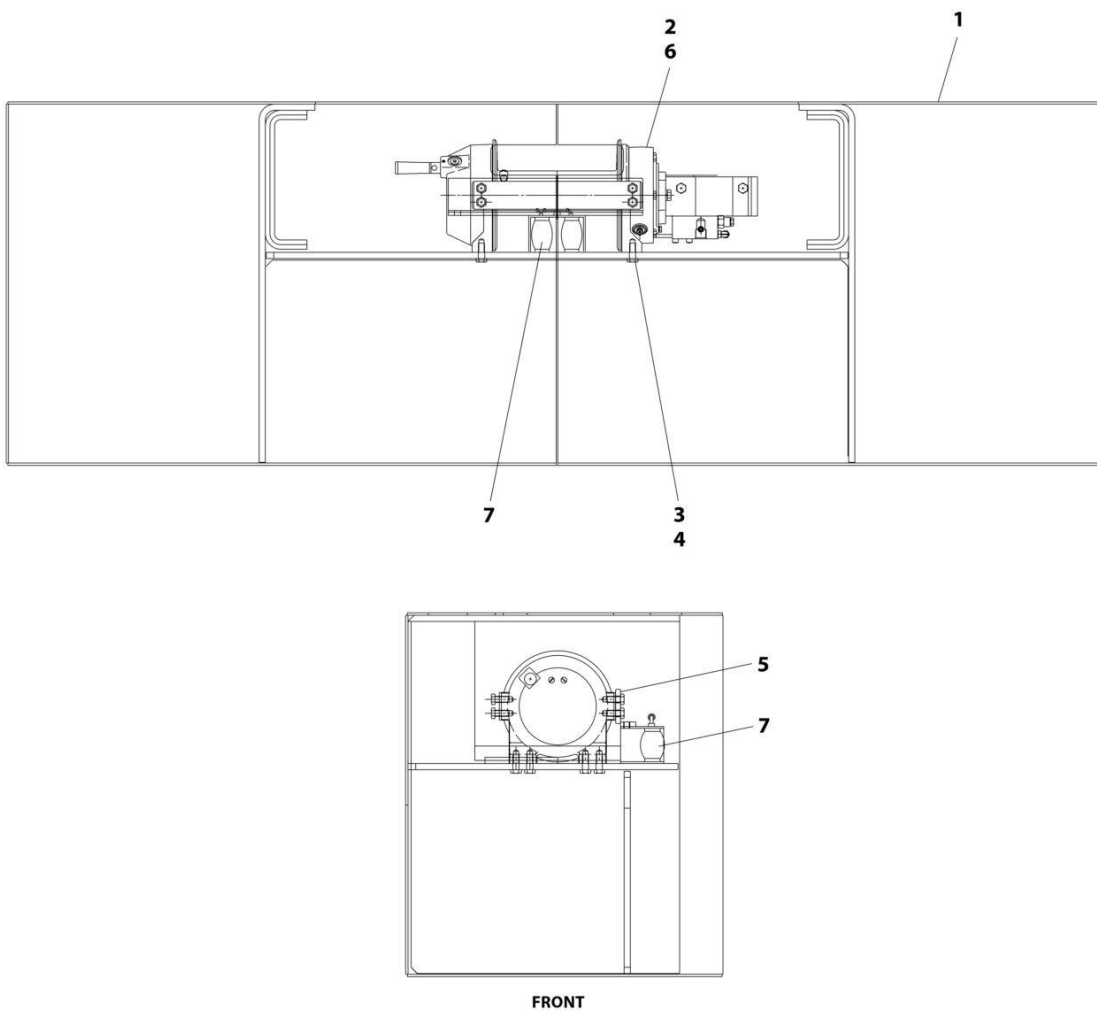
SECTION 8 - ACCESSORIES

FIGURE 8-5. BUMPER INSTALLATION - PUSH (FRONT) (NO GRILLE GUARD) (2011 FORD F650/750)

ITEM	PART NUMBER	QTY	DESCRIPTION	REV
	1001133674	Ref	BUMPER INSTALLATION - PUSH (FRONT) (NO GRILLE GUARD) (FORD F650 2011-2016)	A
1	1001129909	1	Bumper	

SECTION 8 - ACCESSORIES

FIGURE 8-6. BUMPER INSTALLATION WITH WINCH (2011 FREIGHTLINER)



ART_1001133631

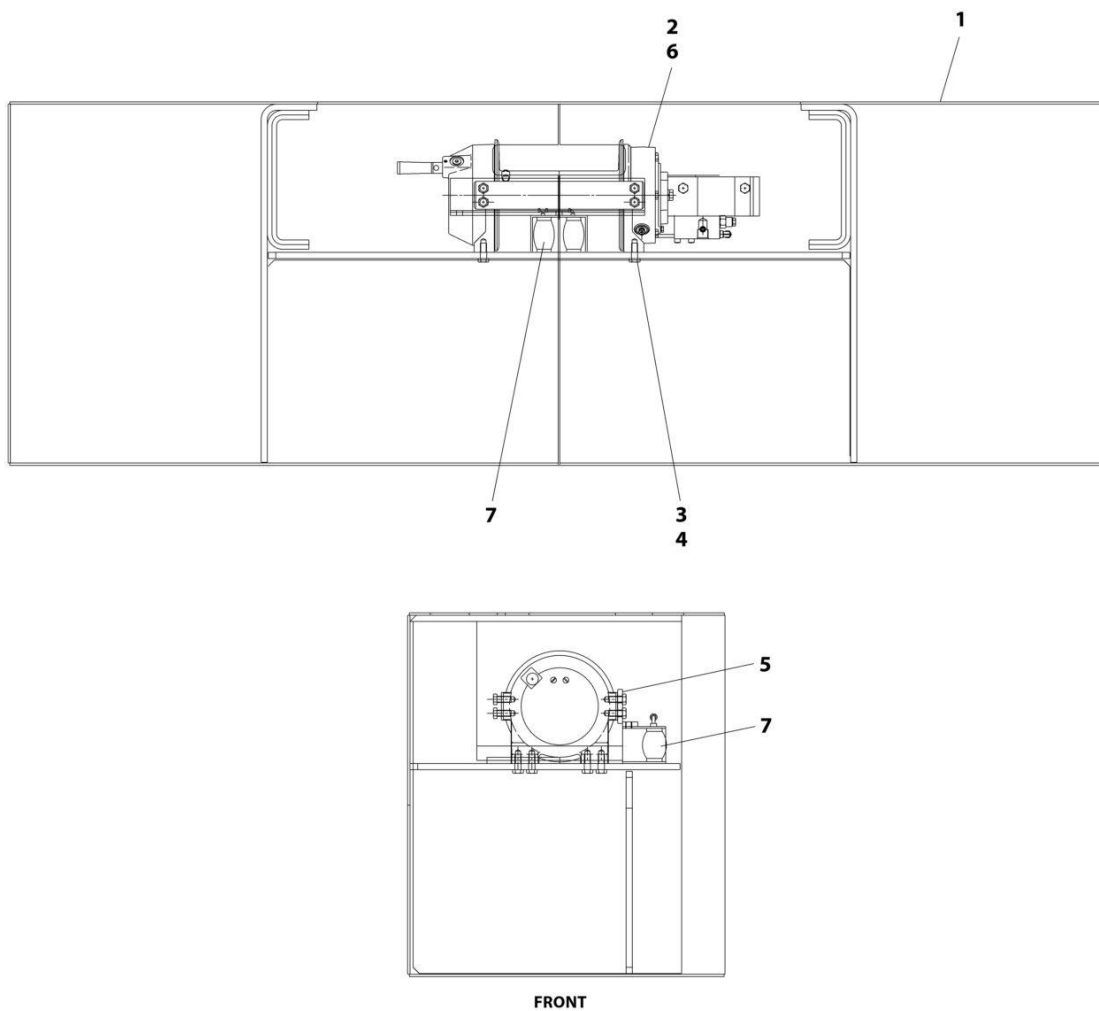
SECTION 8 - ACCESSORIES

FIGURE 8-6. BUMPER INSTALLATION WITH WINCH (2011 FREIGHTLINER)

ITEM	PART NUMBER	QTY	DESCRIPTION	REV
	1001133631	Ref	WINCH/BUMPER INSTALLATION	B
1	1001133639	1	Bumper, Push	
2	1001133342	1	Winch Assembly (See Separate Breakdown in this Section)	
3	7115181050	8	Bolt 1/2 x 1-1/4	
4	4761800	8	Washer 1/2	
5	1001128861	1	Plate	
6	1001133630	1	Wire Rope - 1/2in x 100ft with Swivel Hook	
7	1001133348	1	Winder, Winch	
8	1001133649	1	Air System Installation (Not Shown - See Separate Breakdown in HYDRAULIC Section)	

SECTION 8 - ACCESSORIES

FIGURE 8-7. BUMPER INSTALLATION WITH WINCH (2012 IHC)



ART_1001145184

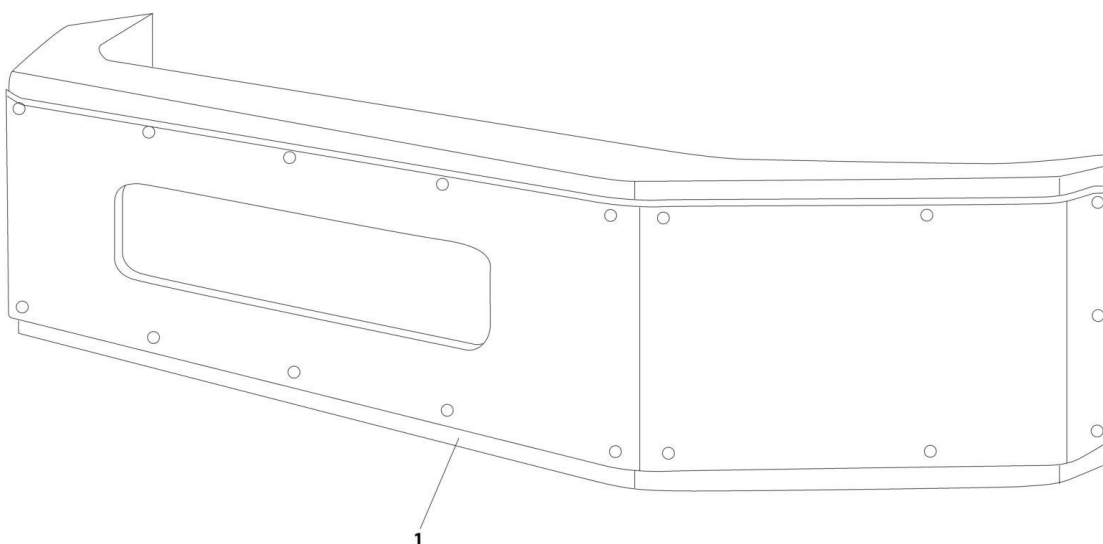
SECTION 8 - ACCESSORIES

FIGURE 8-7. BUMPER INSTALLATION WITH WINCH (2012 IHC)

ITEM	PART NUMBER	QTY	DESCRIPTION	REV
	1001145184	Ref	WINCH/BUMPER INSTALLATION	B
1	1001145183	1	Bumper, Push	
2	1001133342	1	Winch Assembly (See Separate Breakdown in this Section)	
3	7115181050	8	Bolt 1/2 x 1-1/4	
4	4761800	8	Washer 1/2	
5	1001128861	1	Plate	
6	1001133630	1	Wire Rope - 1/2in x 100ft with Swivel Hook	
7	1001133348	1	Winder, Winch	
8	1001133649	1	Air System Installation (Not Shown - See Separate Breakdown in HYDRAULIC Section)	

SECTION 8 - ACCESSORIES

FIGURE 8-8. BUMPER INSTALLATION - PUSH (FRONT) (NO GRILLE GUARD) (2008 + FREIGHTLINER)



ART_1001146879

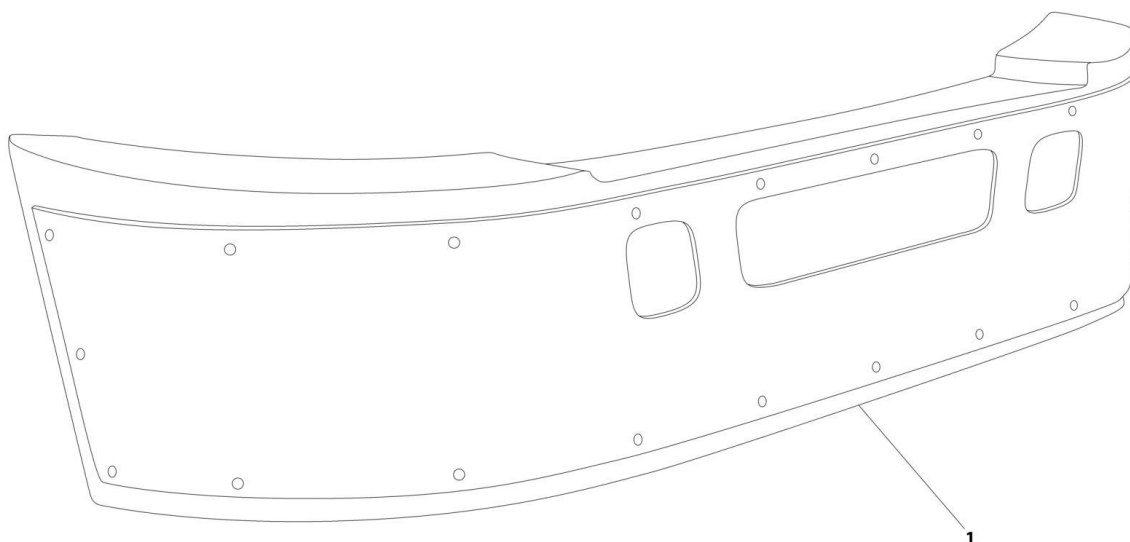
SECTION 8 - ACCESSORIES

FIGURE 8-8. BUMPER INSTALLATION - PUSH (FRONT) (NO GRILLE GUARD) (2008 + FREIGHTLINER)

ITEM	PART NUMBER	QTY	DESCRIPTION	REV
	1001146879	Ref	BUMPER INSTALLATION - PUSH (FRONT) (NO GRILLE GUARD) (FREIGHTLINER 2008+)	A
1	1001146878	1	Bumper	

SECTION 8 - ACCESSORIES

FIGURE 8-9. BUMPER INSTALLATION - PUSH (FRONT) (NO GRILLE GUARD) (2005 + HINO)



ART_1001242699

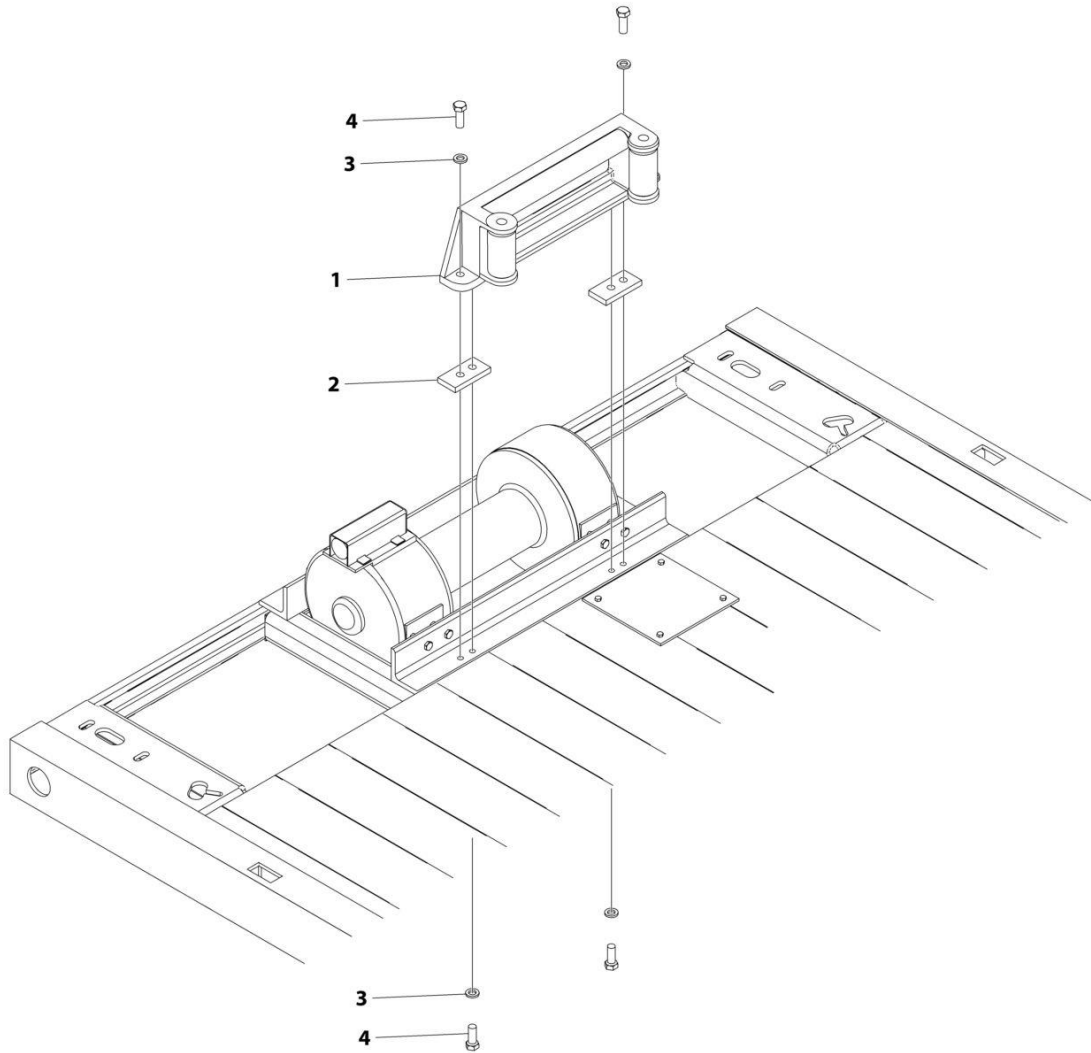
SECTION 8 - ACCESSORIES

FIGURE 8-9. BUMPER INSTALLATION - PUSH (FRONT) (NO GRILLE GUARD) (2005 + HINO)

ITEM	PART NUMBER	QTY	DESCRIPTION	REV
	1001242699	Ref	BUMPER INSTALLATION - PUSH (FRONT) (WITHOUT GRILLE GUARD) (HINO)	A
1	1001225228	1	Bumper	

SECTION 8 - ACCESSORIES

FIGURE 8-10. CABLE ROLLER GUIDE INSTALLATION - DECK



ART_224900007

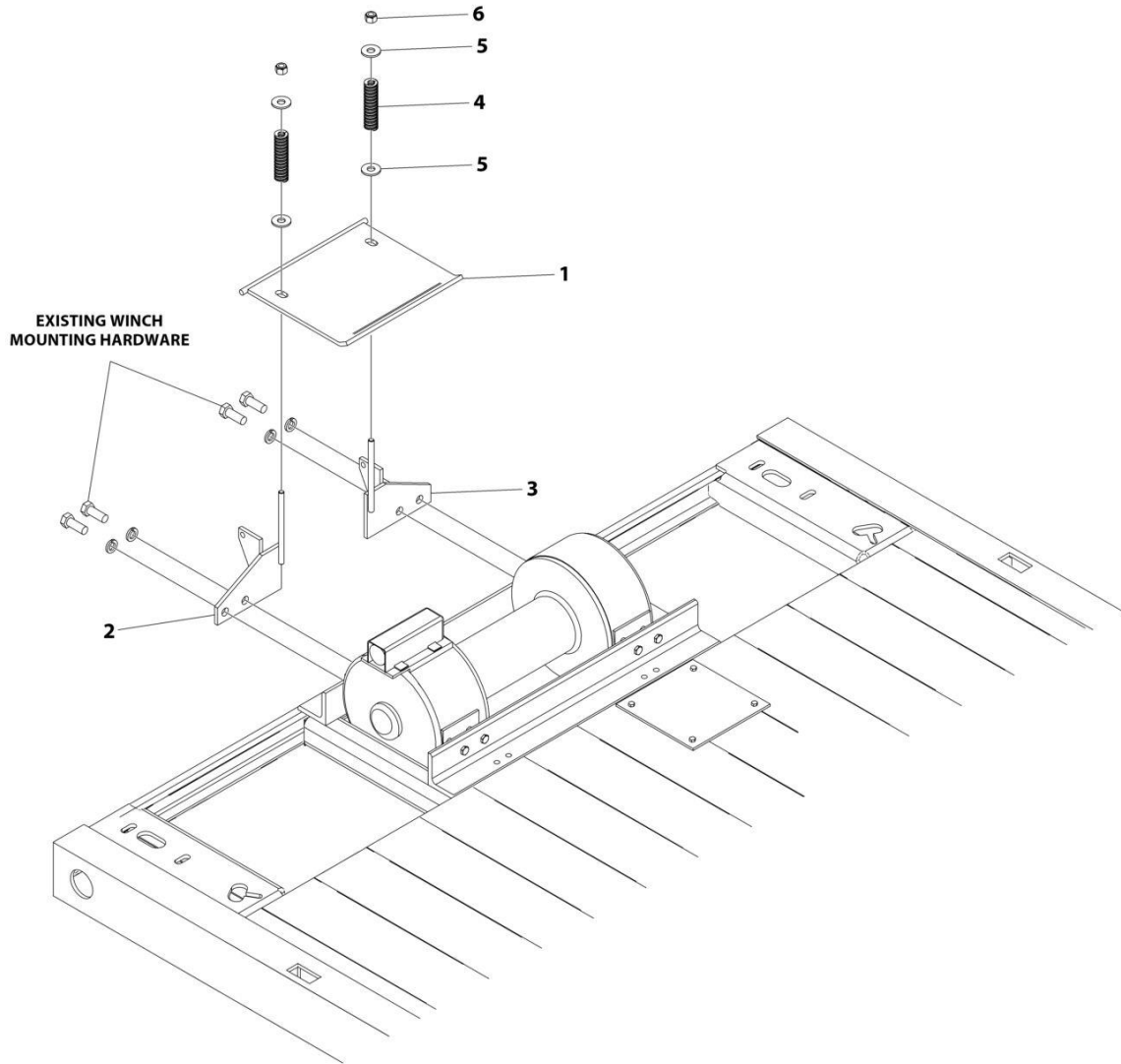
SECTION 8 - ACCESSORIES

FIGURE 8-10. CABLE ROLLER GUIDE INSTALLATION - DECK

ITEM	PART NUMBER	QTY	DESCRIPTION	REV
	2249000007	Ref	CABLE ROLLER GUIDE INSTALLATION - DECK	A
1	3527000075	1	Tensioner, Winch Cable	
2	4706001149	2	Plate	
3	7950200000	4	Washer 5/8	
4	7110201605	4	Bolt 5/8 x 2	

SECTION 8 - ACCESSORIES

FIGURE 8-11. CABLE TENSIONER PLATE INSTALLATION - DECK



ART_224900008

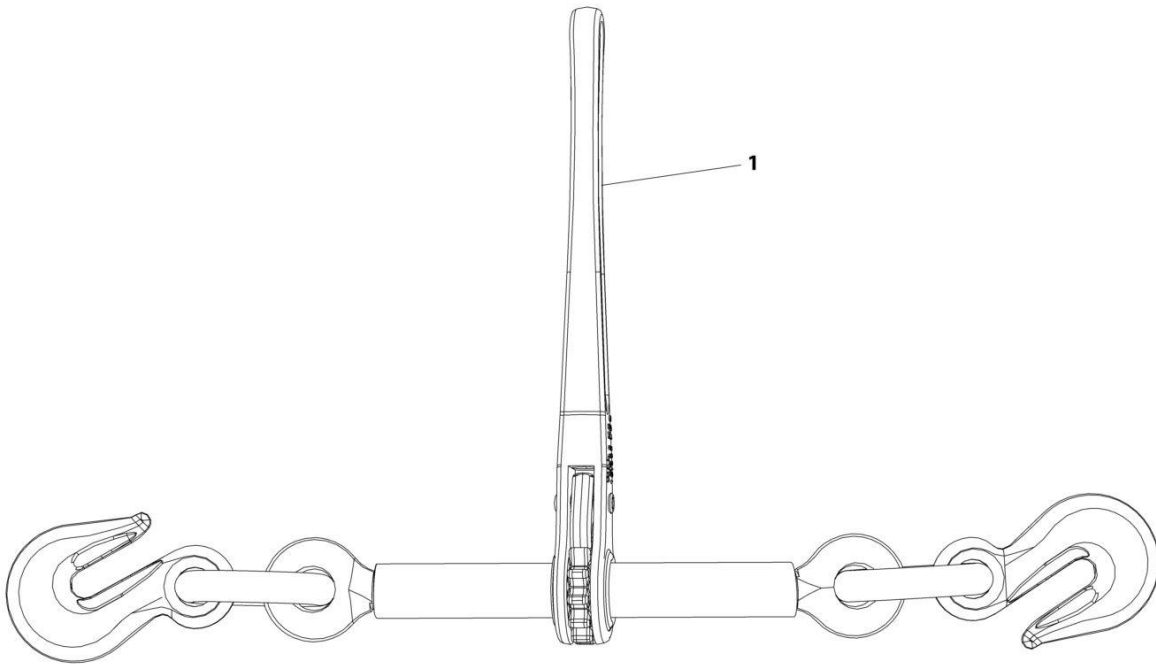
SECTION 8 - ACCESSORIES

FIGURE 8-11. CABLE TENSIONER PLATE INSTALLATION - DECK

ITEM	PART NUMBER	QTY	DESCRIPTION	REV
	2249000008	Ref	CABLE TENSIONER PLATE INSTALLATION - DECK	0
1	3706000192	1	Plate	
2	3178000307	1	Bracket Weld LH	
3	3178000308	1	Bracket Weld RH	
4	7843000004	2	Spring	
5	7950180161	4	Washer 1/2	
6	7660182601	2	Nut 1/2	

SECTION 8 - ACCESSORIES

FIGURE 8-12. CHAIN BINDER 3/8IN



ART_CHB38

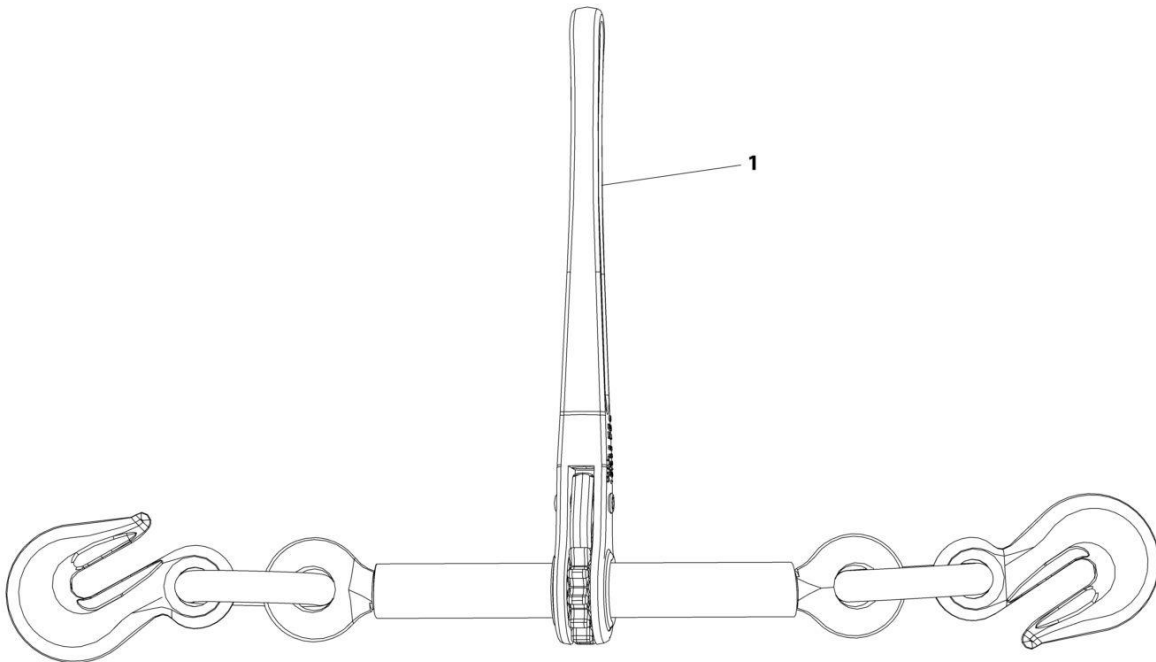
SECTION 8 - ACCESSORIES

FIGURE 8-12. CHAIN BINDER 3/8IN

ITEM	PART NUMBER	QTY	DESCRIPTION	REV
1	CHB38 7002000451	Ref 1	CHAIN BINDER 3/8IN Load Binder	0

SECTION 8 - ACCESSORIES

FIGURE 8-13. CHAIN BINDER 1/2IN



ART_CHB50

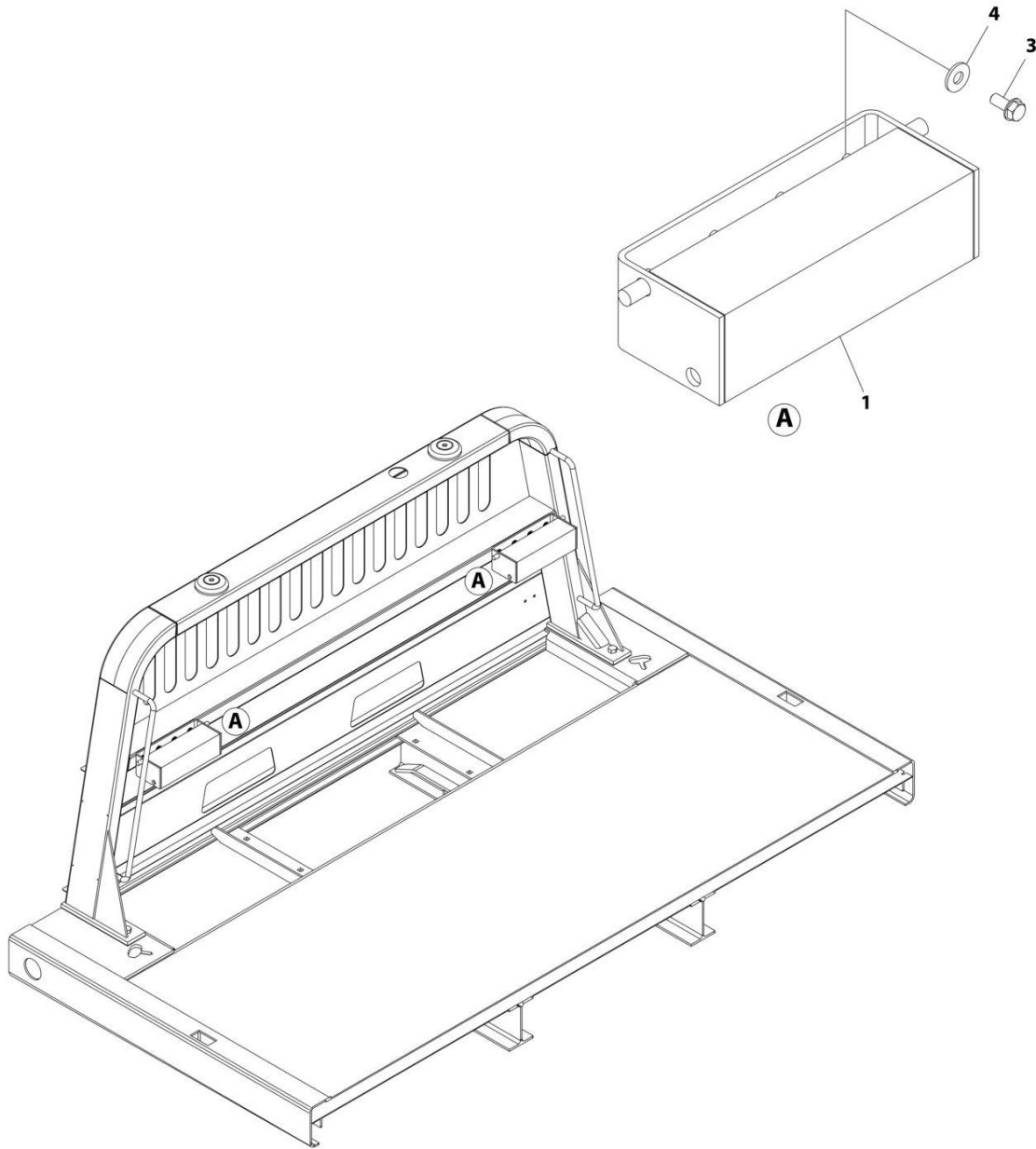
SECTION 8 - ACCESSORIES

FIGURE 8-13. CHAIN BINDER 1/2IN

ITEM	PART NUMBER	QTY	DESCRIPTION	REV
1	CHB50 7002000450	Ref 1	CHAIN BINDER 1/2IN Load Binder	0

SECTION 8 - ACCESSORIES

FIGURE 8-14. CHAIN RACKS (DELUXE HEADBOARD) (LOCKING) (SN 0220005217 through 0220015208)



ART_1001129544

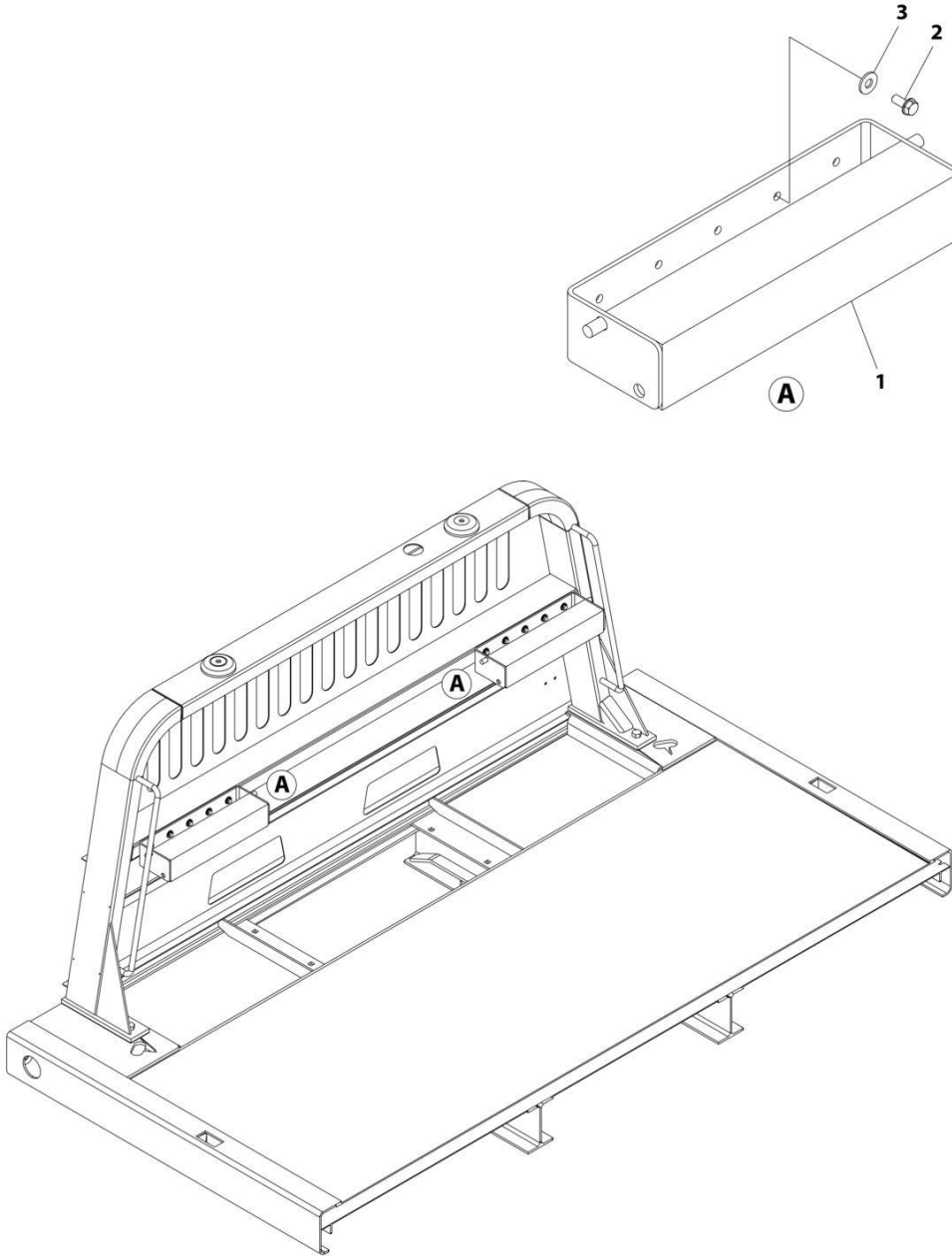
SECTION 8 - ACCESSORIES

FIGURE 8-14. CHAIN RACKS (DELUXE HEADBOARD) (LOCKING) (SN 0220005217 through 0220015208)

ITEM	PART NUMBER	QTY	DESCRIPTION	REV
	1001129544	Ref	CHAIN RACK INSTALLATION - DELUXE HEADBOARD	D
1	1001129537	2	Bracket	
2	7790151253	8	Screw 5/16 x 3/4	
3	4751500	8	Washer 5/16	

SECTION 8 - ACCESSORIES

FIGURE 8-15. CHAIN RACKS (DELUXE HEADBOARD) (LOCKING) (SN 0220015209 to Present)



ART_1001232620

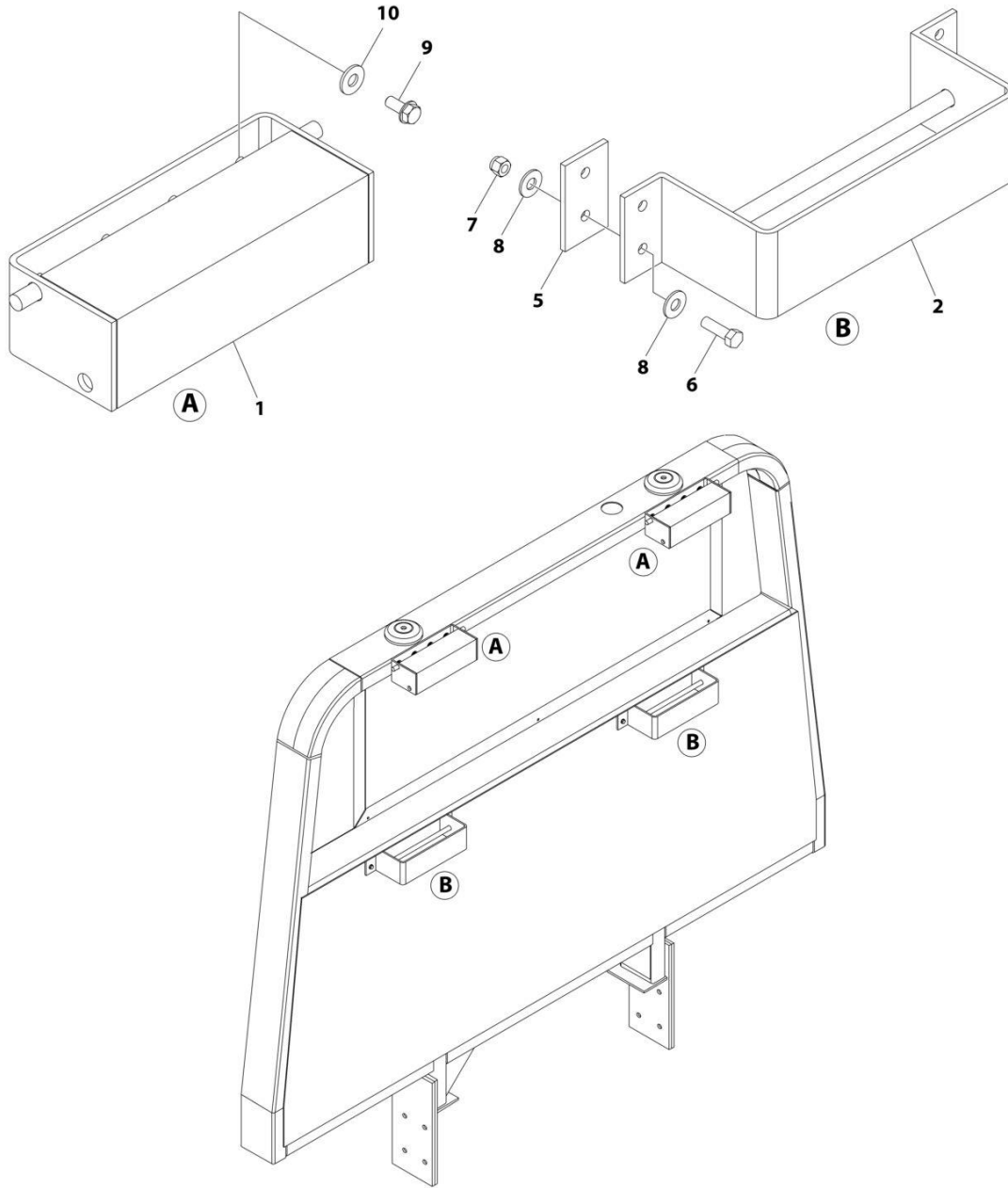
SECTION 8 - ACCESSORIES

FIGURE 8-15. CHAIN RACKS (DELUXE HEADBOARD) (LOCKING) (SN 0220015209 to Present)

ITEM	PART NUMBER	QTY	DESCRIPTION	REV
	1001232620	Ref	LOCKING CHAIN RACKS, DELUXE HEADBOARD INSTALLATION	A
1	1001232525	2	Bracket	
2	7790151253	10	Screw 5/16 x 3/4	
3	4751500	10	Washer 5/16	

SECTION 8 - ACCESSORIES

FIGURE 8-16. CHAIN RACKS (DELUXE HEADBOARD) (SN 0220005217 through 0220013299)



ART_2262000006

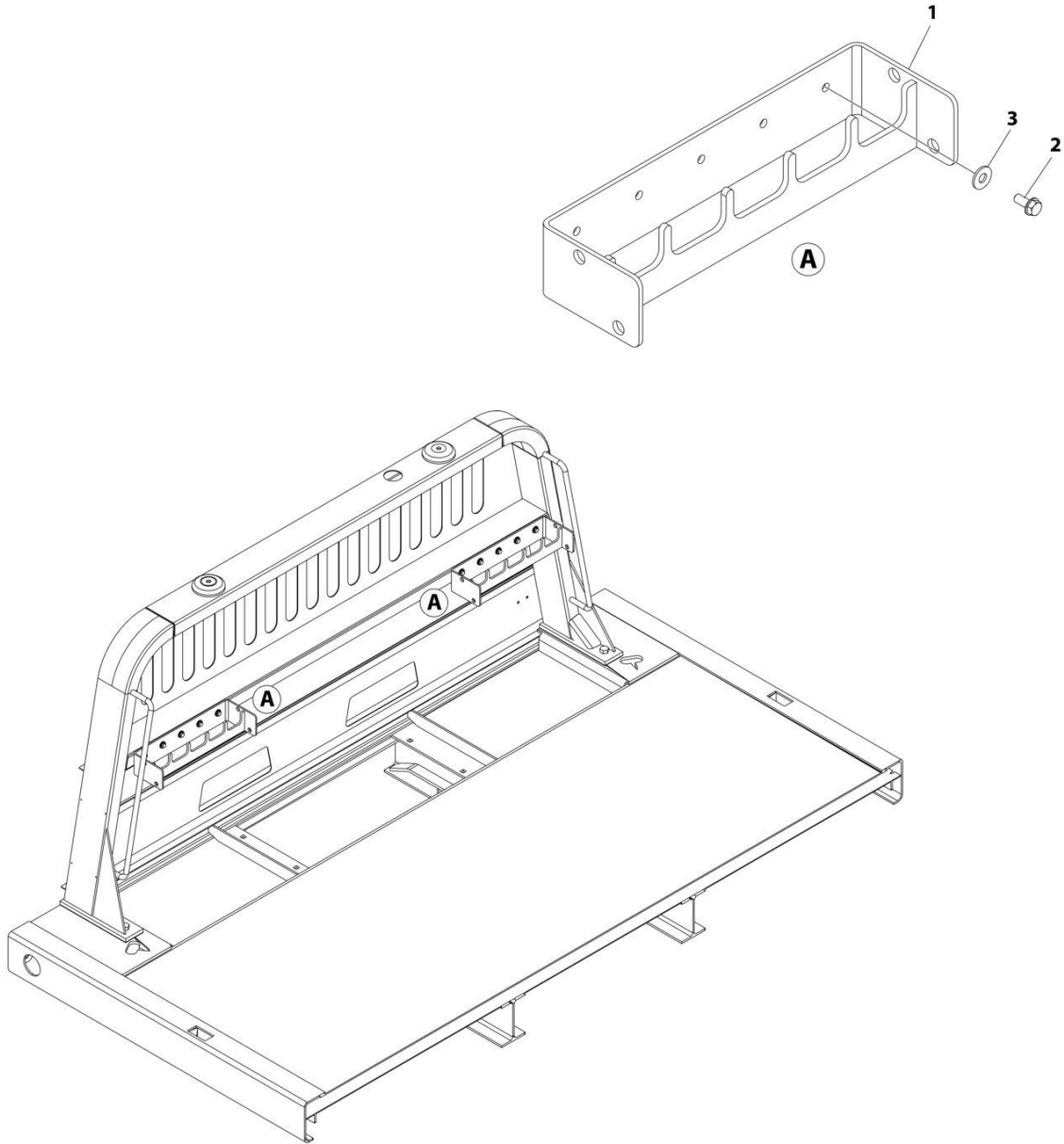
SECTION 8 - ACCESSORIES

FIGURE 8-16. CHAIN RACKS (DELUXE HEADBOARD) (SN 0220005217 through 0220013299)

ITEM	PART NUMBER	QTY	DESCRIPTION	REV
	2262000006	Ref	CHAIN RACK INSTALLATION - STATIONARY HEADBOARD	B
1	1001129537	2	Bracket	
2	1001131341	2	Tool, Chain Holder	
5	1001131492	4	Plate	
6	0641610	8	Bolt 3/8 x 1-1/4	
7	3271601	8	Nut 3/8	
8	4751600	16	Washer 3/8	
9	7790151253	8	Screw 5/16 x 3/4	
10	7950150161	8	Washer 5/16	

SECTION 8 - ACCESSORIES

FIGURE 8-17. CHAIN RACKS (DELUXE HEADBOARD) (SN 0220013300 to Present)



ART_1001232621

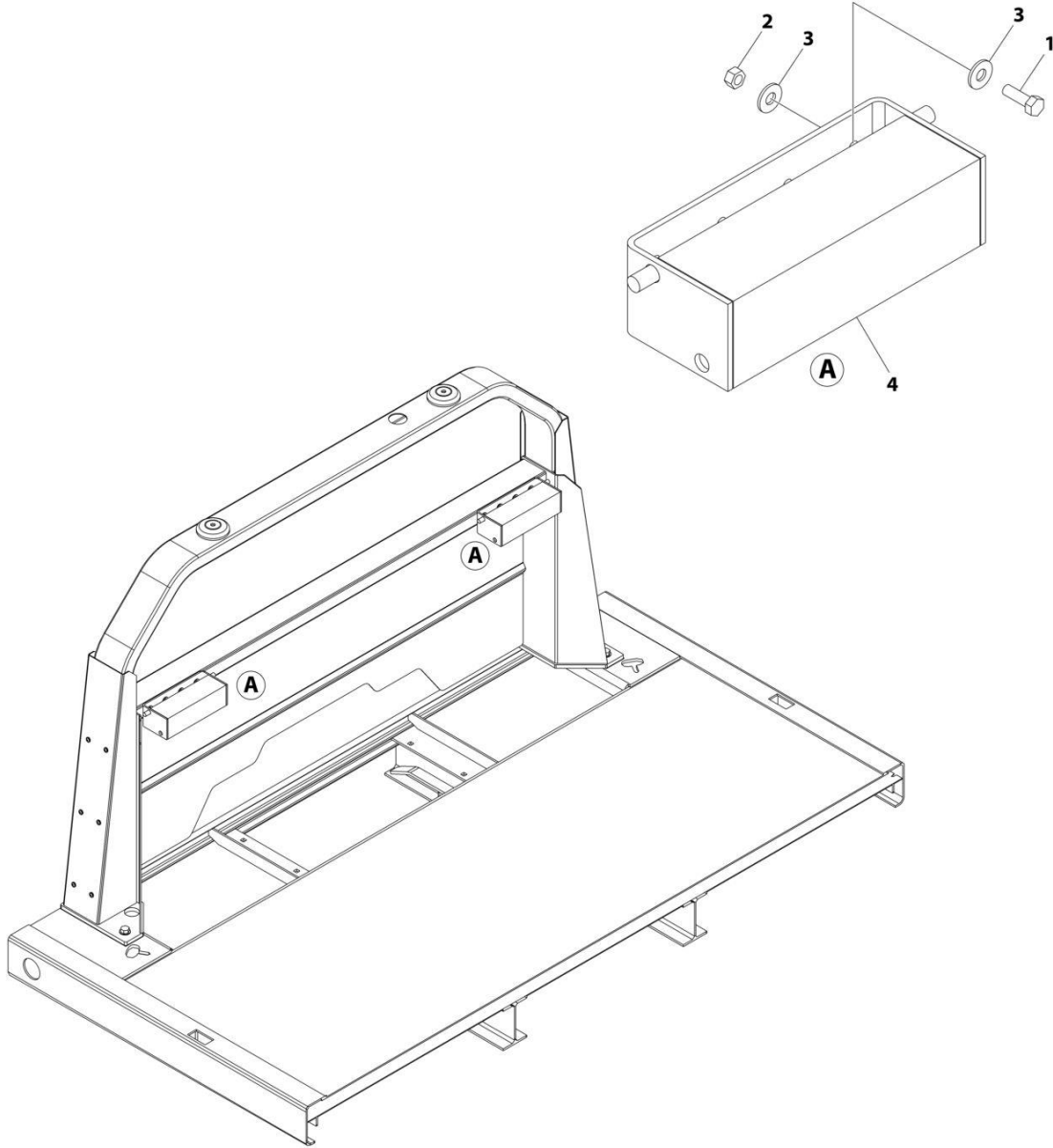
SECTION 8 - ACCESSORIES

FIGURE 8-17. CHAIN RACKS (DELUXE HEADBOARD) (SN 0220013300 to Present)

ITEM	PART NUMBER	QTY	DESCRIPTION	REV
	1001232621	Ref	CHAIN RACKS, DELUXE HEADBOARD INSTALLATION	A
1	1001232524	2	Bracket	
2	7790151253	10	Screw 5/16 x 3/4	
3	4751500	10	Washer 5/16	

SECTION 8 - ACCESSORIES

FIGURE 8-18. CHAIN RACKS (ADJUSTABLE/FIXED HEADBOARD) (LOCKING) (SN 0220008083 through 0220015208)



ART_1001189549

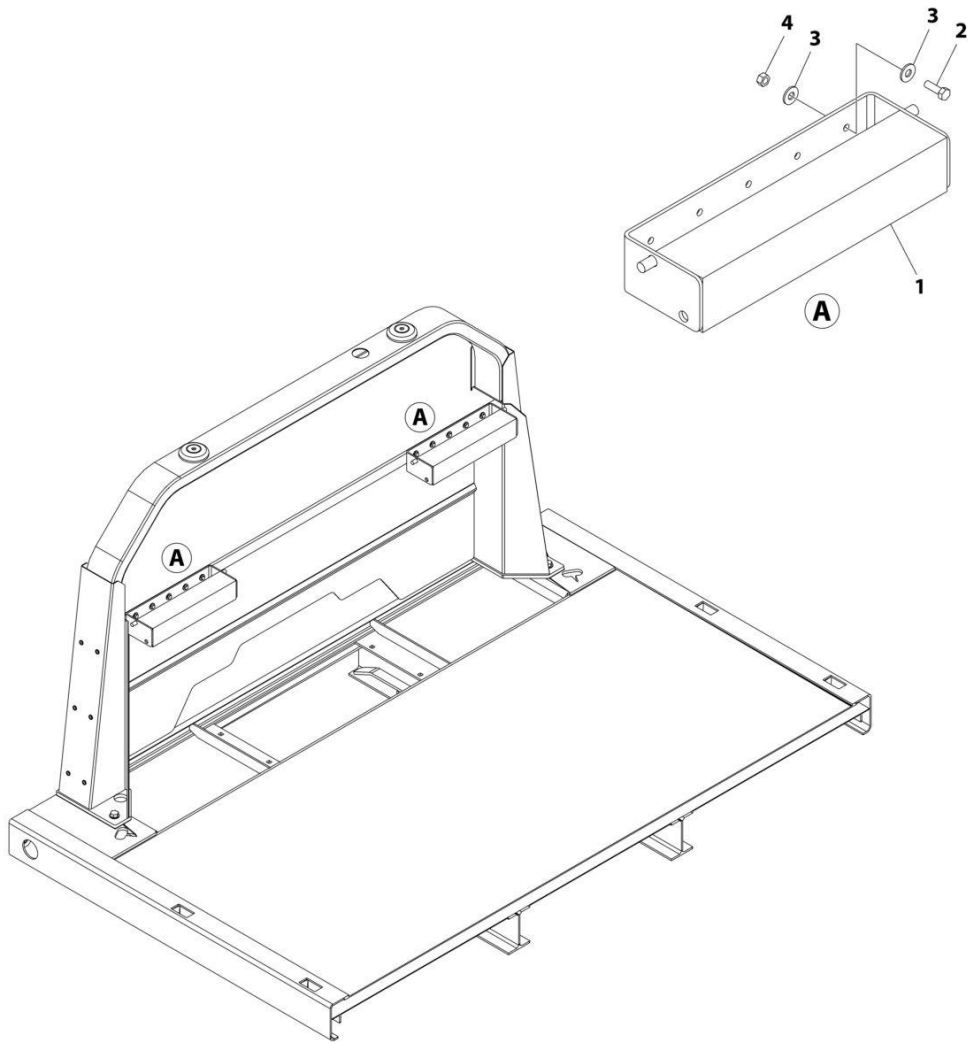
SECTION 8 - ACCESSORIES

FIGURE 8-18. CHAIN RACKS (ADJUSTABLE/FIXED HEADBOARD) (LOCKING) (SN 0220008083 through 0220015208)

ITEM	PART NUMBER	QTY	DESCRIPTION	REV
	1001189549	Ref	CHAIN RACK INSTALLATION - ADJUSTABLE/FIXED HEADBOARD	C
1	0641508	8	Bolt 5/16 x 1	
2	3271505	8	Nut 5/16	
3	4751500	16	Washer 5/16	
4	1001129537	2	Bracket	

SECTION 8 - ACCESSORIES

FIGURE 8-19. CHAIN RACKS (ADJUSTABLE/FIXED HEADBOARD) (LOCKING) (SN 0220015209 to Present)



ART_1001232527

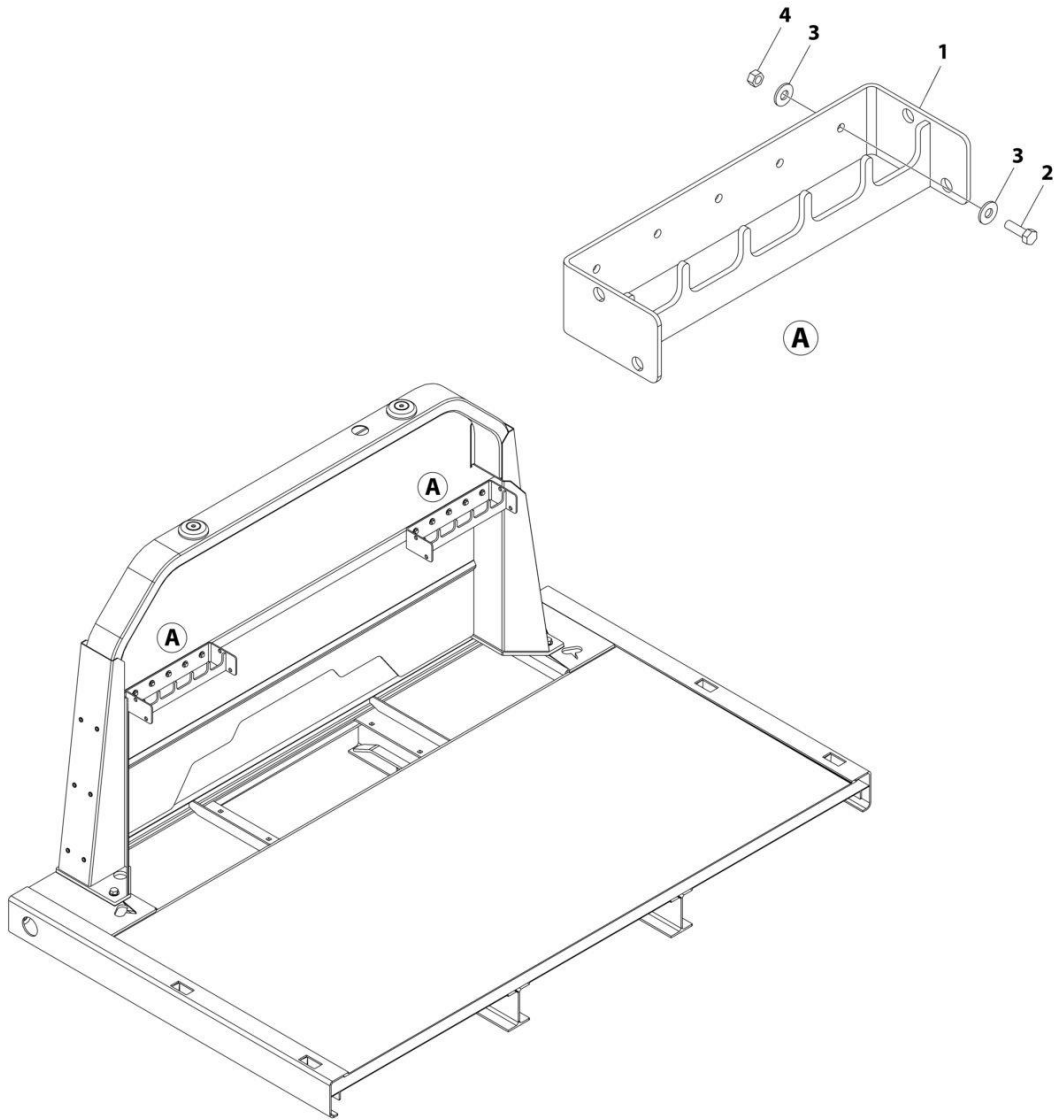
SECTION 8 - ACCESSORIES

FIGURE 8-19. CHAIN RACKS (ADJUSTABLE/FIXED HEADBOARD) (LOCKING) (SN 0220015209 to Present)

ITEM	PART NUMBER	QTY	DESCRIPTION	REV
	1001232527	Ref	LOCKING CHAIN RACKS, ADJUSTABLE/FIXED HEIGHT, HEADBOARD INSTALLATION	A
1	1001232525	2	Bracket	
2	0641508	10	Bolt 5/16 x 1	
3	4751500	20	Washer 5/16	
4	3271505	10	Nut 5/16	

SECTION 8 - ACCESSORIES

FIGURE 8-20. CHAIN RACKS (ADJUSTABLE/FIXED HEADBOARD)



ART_1001232526

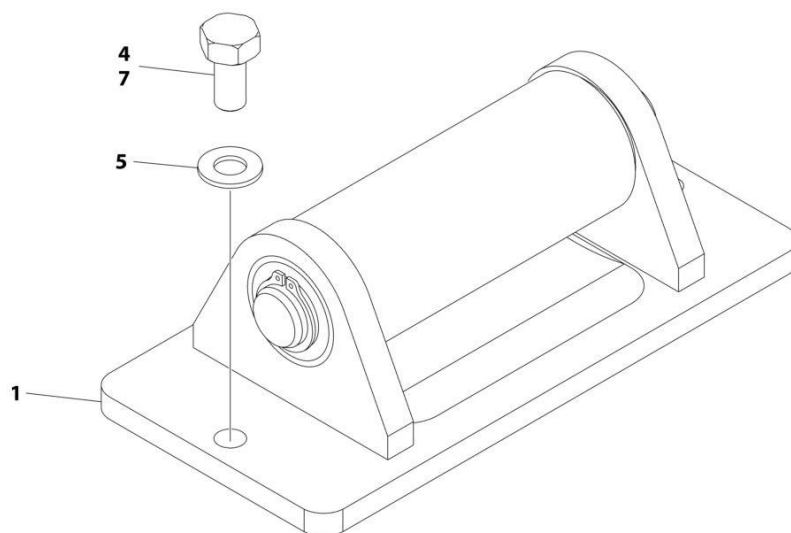
SECTION 8 - ACCESSORIES

FIGURE 8-20. CHAIN RACKS (ADJUSTABLE/FIXED HEADBOARD)

ITEM	PART NUMBER	QTY	DESCRIPTION	REV
	1001232526	Ref	CHAIN RACKS ADJUSTABLE/FIXED HEIGHT, HEADBOARD INSTALLATION	A
1	1001232524	2	Bracket	
2	0641508	10	Bolt 5/16 x 1	
3	4751500	20	Washer 5/16	
4	3271505	10	Nut 5/16	

SECTION 8 - ACCESSORIES

FIGURE 8-21. DECK ROLLERS INSTALLATION - STANDARD WIDTH DECK



ART_1001154805

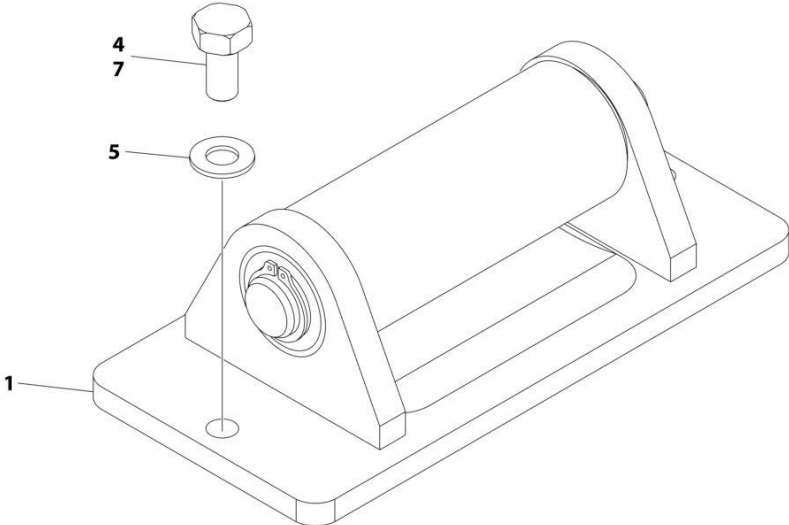
SECTION 8 - ACCESSORIES

FIGURE 8-21. DECK ROLLERS INSTALLATION - STANDARD WIDTH DECK

ITEM	PART NUMBER	QTY	DESCRIPTION	REV
	1001154805	Ref	DECK ROLLERS INSTALLATION - STANDARD WIDTH DECK	B
1	3550001913	4	Roller Bracket Assembly (See Separate Breakdown in this Section)	
4	0651806	8	Bolt 1/2 x 3/4	
5	4761800	8	Washer 1/2	
6	1001155037	1	Deck, Rework Closure Plate (Not Shown)	
7	0100011	AR	Loctite	

SECTION 8 - ACCESSORIES

FIGURE 8-22. DECK ROLLERS INSTALLATION - WIDE WIDTH DECK



ART_1001154809

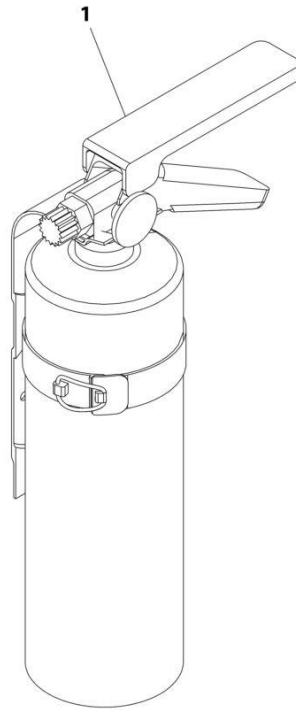
SECTION 8 - ACCESSORIES

FIGURE 8-22. DECK ROLLERS INSTALLATION - WIDE WIDTH DECK

ITEM	PART NUMBER	QTY	DESCRIPTION	REV
	1001154809	Ref	DECK ROLLERS INSTALLATION - WIDE WIDTH DECK	B
1	3550001913	4	Roller Bracket Assembly (See Separate Breakdown in this Section)	
4	0651806	8	Bolt 1/2 x 3/4	
5	4761800	8	Washer 1/2	
6	1001155038	1	Deck, Rework Closure Plate Wide (Not Shown)	
7	0100011	AR	Loctite	

SECTION 8 - ACCESSORIES

FIGURE 8-23. FIRE EXTINGUISHER



ART_2002000028

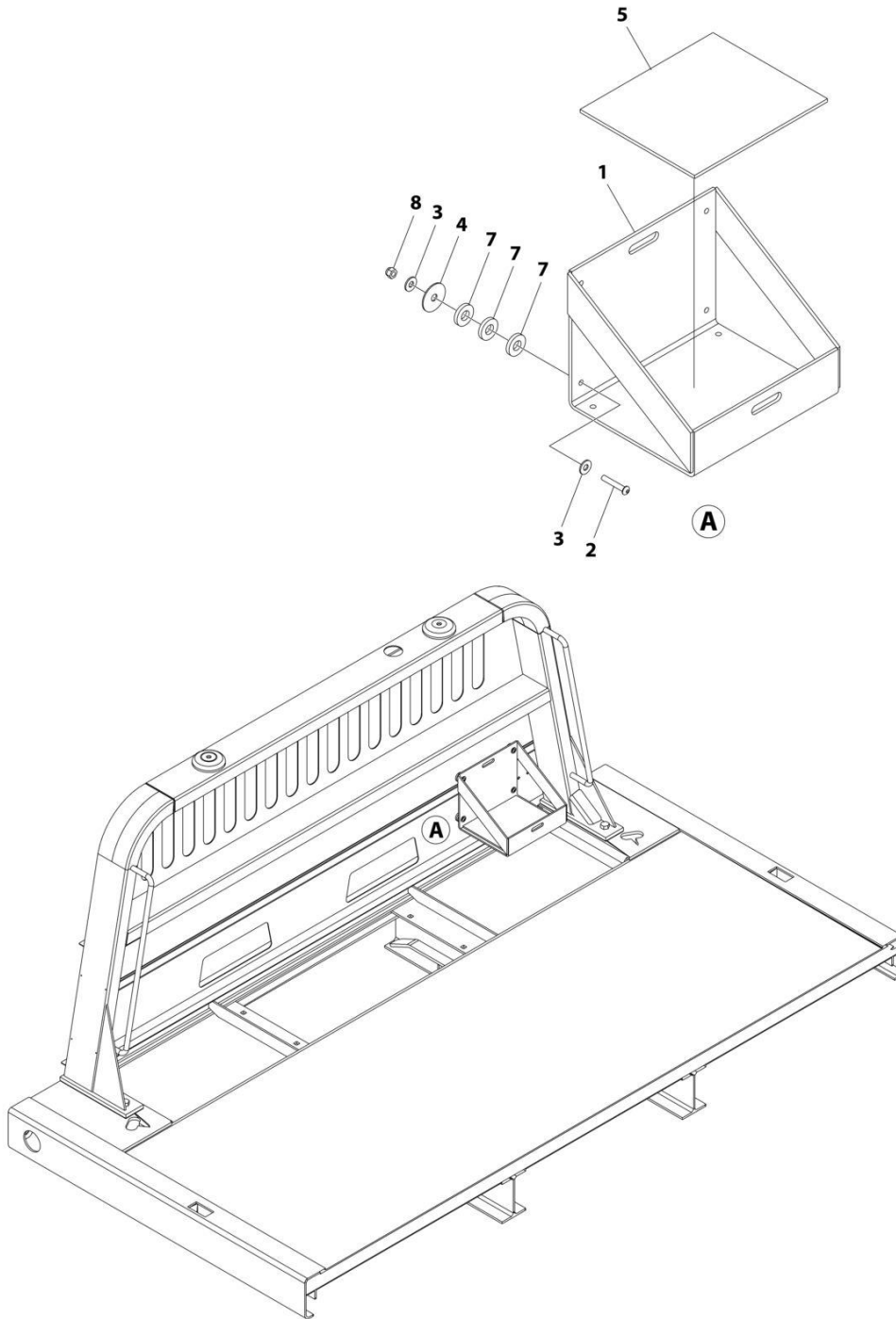
SECTION 8 - ACCESSORIES

FIGURE 8-23. FIRE EXTINGUISHER

ITEM	PART NUMBER	QTY	DESCRIPTION	REV
1	2002000028	Ref	Fire Extinguisher Accessory	0
	7002000404	1	Fire Extinguisher	

SECTION 8 - ACCESSORIES

FIGURE 8-24. FUEL CAN HOLDER INSTALLATION (DELUXE HEADBOARD)



ART_1001129332

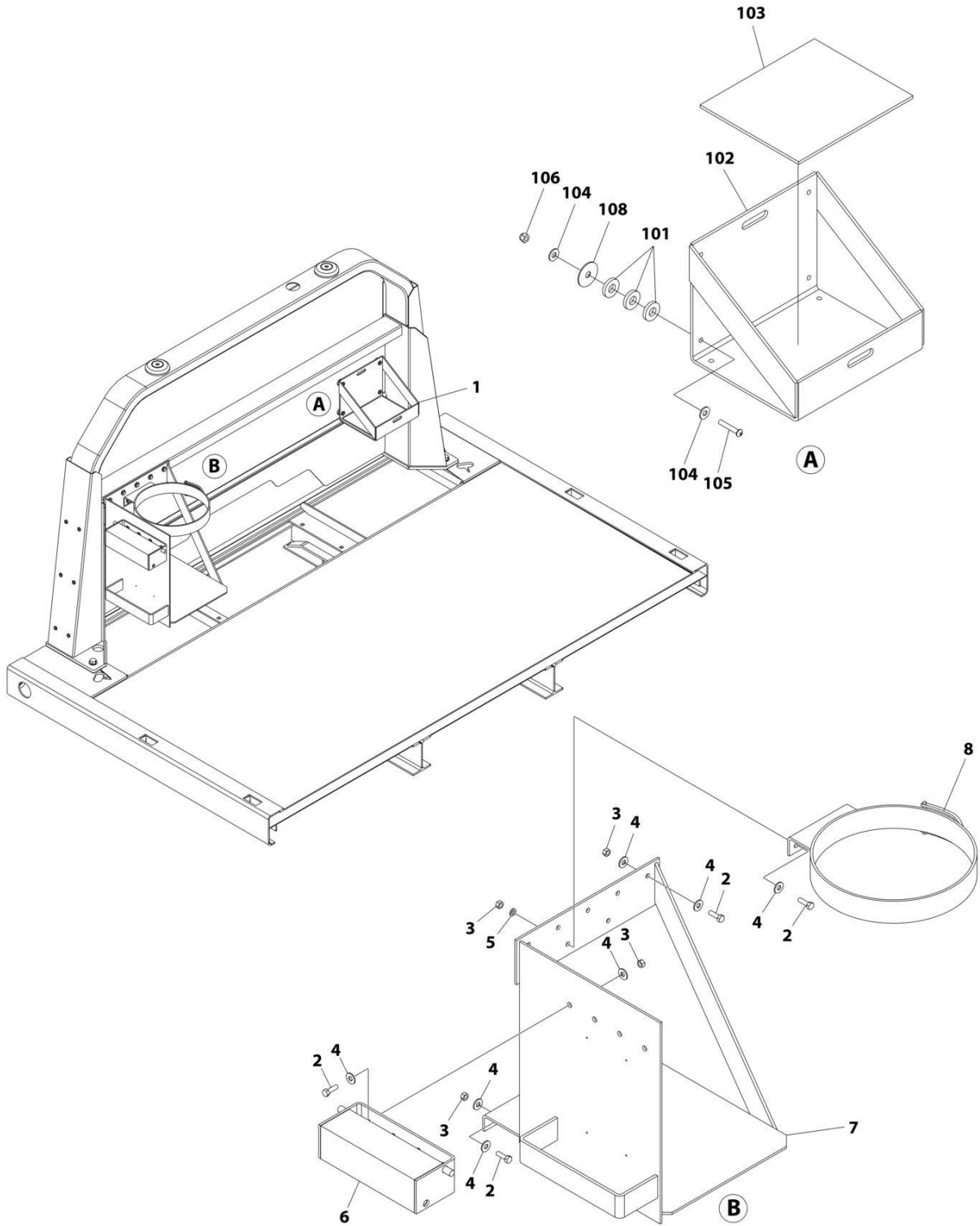
SECTION 8 - ACCESSORIES

FIGURE 8-24. FUEL CAN HOLDER INSTALLATION (DELUXE HEADBOARD)

ITEM	PART NUMBER	QTY	DESCRIPTION	REV
	1001129332	Ref	FUEL CAN HOLDER INSTALLATION	F
1	3178000471	1	Bracket	
2	7114141218	4	Capscrew 1/4	
3	4751400001	8	Washer 1/4	
4	7949000055	4	Washer	
5	4679000274	1	Pad	
6	7894000063	1	Tie-Strap (Not Shown)	
7	4891800	12	Washer 1/2	
8	7660142601	4	Nut 1/4	

SECTION 8 - ACCESSORIES

FIGURE 8-25. FUEL CAN HOLDER AND PROPANE TANK INSTALLATION (ADJUSTABLE HEADBOARD)



ART_1001191543

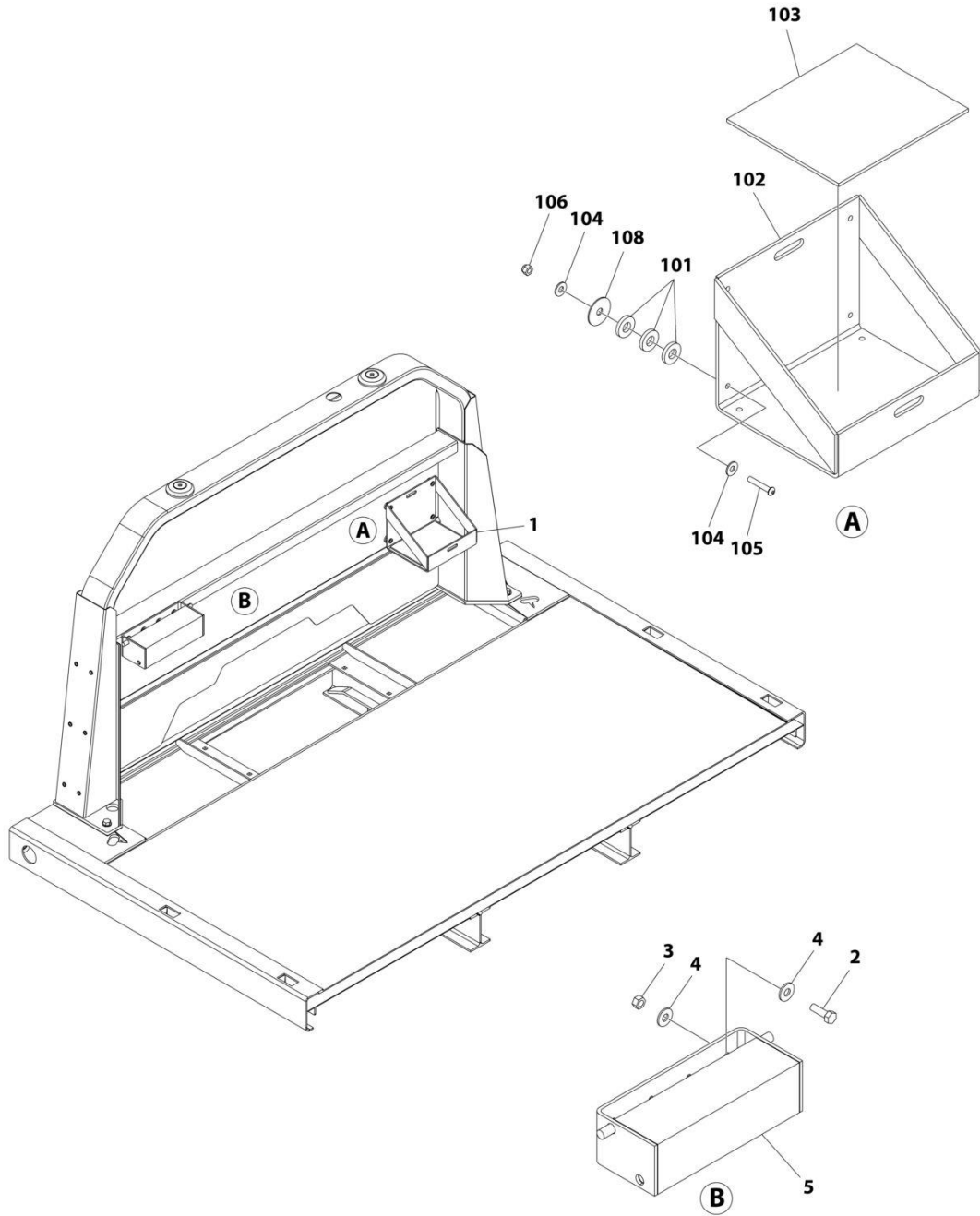
SECTION 8 - ACCESSORIES

FIGURE 8-25. FUEL CAN HOLDER AND PROPANE TANK INSTALLATION (ADJUSTABLE HEADBOARD)

ITEM	PART NUMBER	QTY	DESCRIPTION	REV
	1001191543	Ref	FUEL CAN HOLDER AND PROPANE TANK INSTALLATION	D
1	1001190184	1	Fuel Can Holder Installation (Includes Items 101-108)	
2	0641508	15	Bolt 5/16 x 1	
3	3271505	15	Nut 5/16	
4	4751500	28	Washer 5/16	
5	4761500	2	Washer 5/16	
6	1001129537	1	Bracket	
7	1001190131	1	Support, LH	
8	7178000029	1	Bracket	
101	4891800	12	Washer 1/2	
102	3178000471	1	Bracket	
103	4679000274	1	Pad	
104	4751400001	8	Washer 1/4	
105	7114141218	4	Capscrew 1/4-20 x 1-1/2	
106	7660142601	4	Nut 1/4	
107	7894000063	1	Tie-Strap (Not Shown)	
108	7949000055	4	Washer	

SECTION 8 - ACCESSORIES

FIGURE 8-26. FUEL CAN HOLDER AND LOCKING CHAIN RACK INSTALLATION (HEADBOARD) (SN 0220008083 through 0220015208)



ART_1001191544

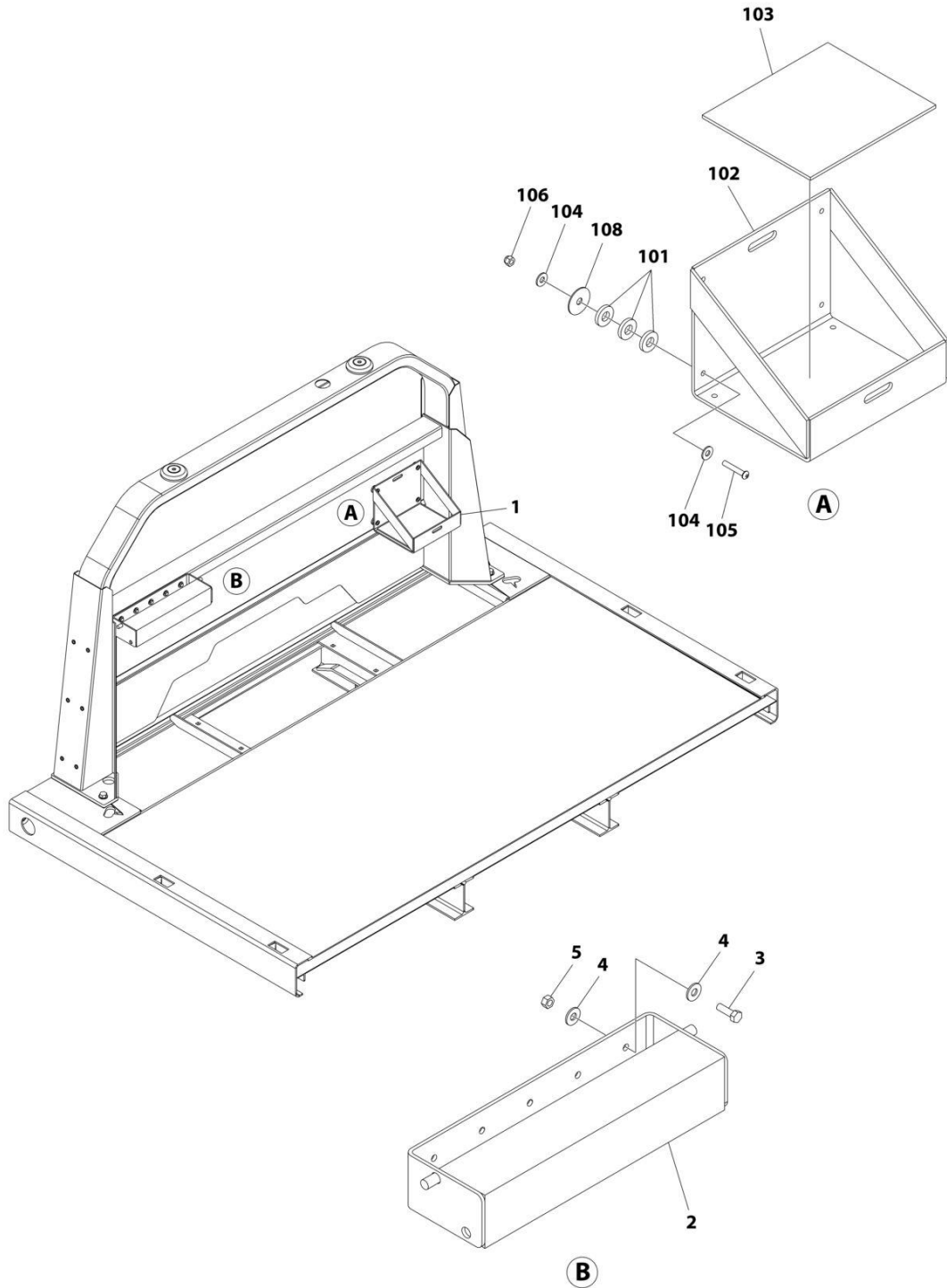
SECTION 8 - ACCESSORIES

FIGURE 8-26. FUEL CAN HOLDER AND LOCKING CHAIN RACK INSTALLATION (HEADBOARD) (SN 0220008083 through 0220015208)

ITEM	PART NUMBER	QTY	DESCRIPTION	REV
	1001191544	Ref	FUEL CAN HOLDER AND CHAIN RACK INSTALLATION	C
1	1001190184	1	Fuel Can Holder Installation (Includes Items 101-108)	
2	0641508	4	Bolt 5/16 x 1	
3	3271505	4	Nut 5/16	
4	4751500	8	Washer 5/16	
5	1001129537	1	Bracket	
101	4891800	12	Washer 1/2	
102	3178000471	1	Bracket	
103	4679000274	1	Pad	
104	4751400001	8	Washer 1/4	
105	7114141218	4	Capscrew 1/4-20 x 1-1/2	
106	7660142601	4	Nut 1/4	
107	7894000063	1	Tie-Strap (Not Shown)	
108	7949000055	4	Washer 1-1/2	

SECTION 8 - ACCESSORIES

FIGURE 8-27. FUEL CAN HOLDER AND LOCKING CHAIN RACK INSTALLATION (HEADBOARD) (SN 0220015209 to Present)



ART_1001232554

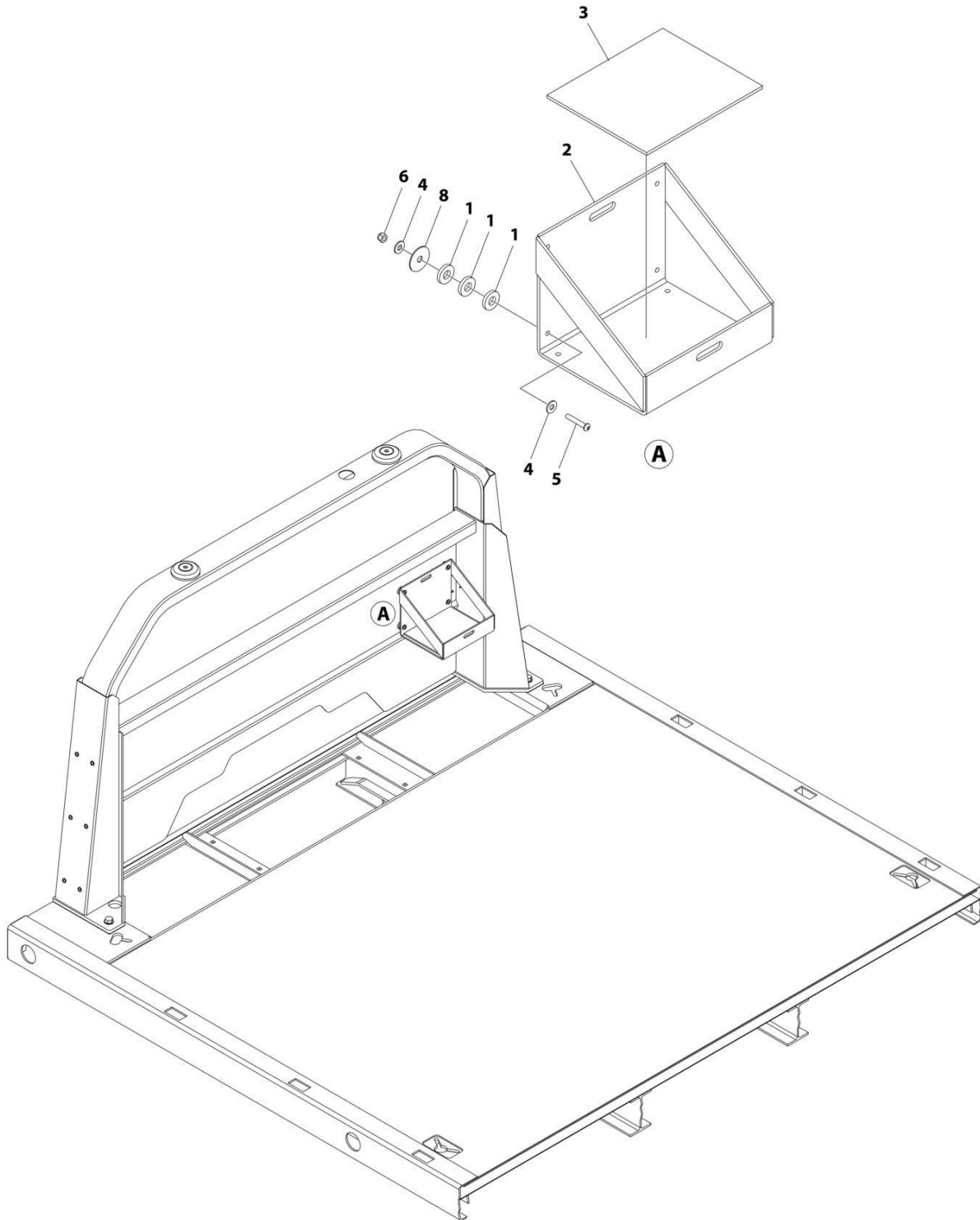
SECTION 8 - ACCESSORIES

FIGURE 8-27. FUEL CAN HOLDER AND LOCKING CHAIN RACK INSTALLATION (HEADBOARD) (SN 0220015209 to Present)

ITEM	PART NUMBER	QTY	DESCRIPTION	REV
	1001232554	Ref	FUEL CAN HOLDER AND LOCKING CHAIN RACK INSTALLATION	A
1	1001190184	1	Fuel Can Holder Installation (Includes Items 101-108)	
2	1001232525	1	Bracket	
3	0641508	5	Bolt 5/16	
4	4751500	10	Washer 5/16	
5	3271505	5	Nut 5/16	
101	4891800	12	Washer 1/2	
102	3178000471	1	Bracket	
103	4679000274	1	Pad	
104	4751400001	8	Washer 1/4	
105	7114141218	4	Capscrew 1/4-20 x 1-1/2	
106	7660142601	4	Nut 1/4	
107	7894000063	1	Tie-Strap (Not Shown)	
108	7949000055	4	Washer	

SECTION 8 - ACCESSORIES

FIGURE 8-28. FUEL CAN HOLDER INSTALLATION (FIXED & ADJUSTABLE HEADBOARD)



ART_1001190184

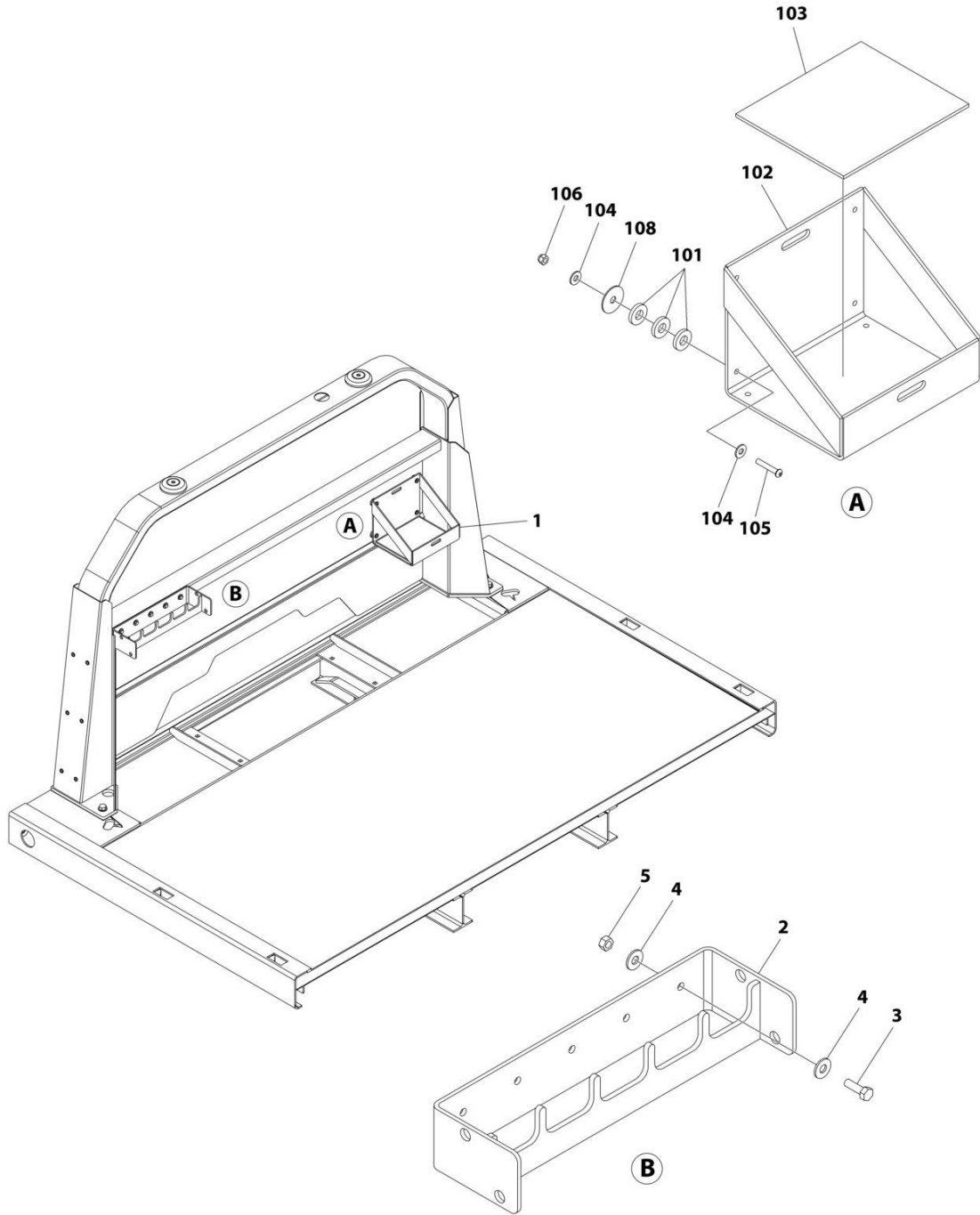
SECTION 8 - ACCESSORIES

FIGURE 8-28. FUEL CAN HOLDER INSTALLATION (FIXED & ADJUSTABLE HEADBOARD)

ITEM	PART NUMBER	QTY	DESCRIPTION	REV
	1001190184	Ref	FUEL CAN HOLDER INSTALLATION	C
1	4891800	12	Washer 1/2	
2	3178000471	1	Bracket	
3	4679000274	1	Pad	
4	4751400001	8	Washer 1/4	
5	7114141218	4	Capscrew 1/4	
6	7660142601	4	Nut 1/4	
7	7894000063	1	Tie Strap (Not Shown)	
8	7949000055	4	Washer	

SECTION 8 - ACCESSORIES

FIGURE 8-29. FUEL CAN HOLDER AND CHAIN RACK INSTALLATION (HEADBOARD)



ART_1001232555

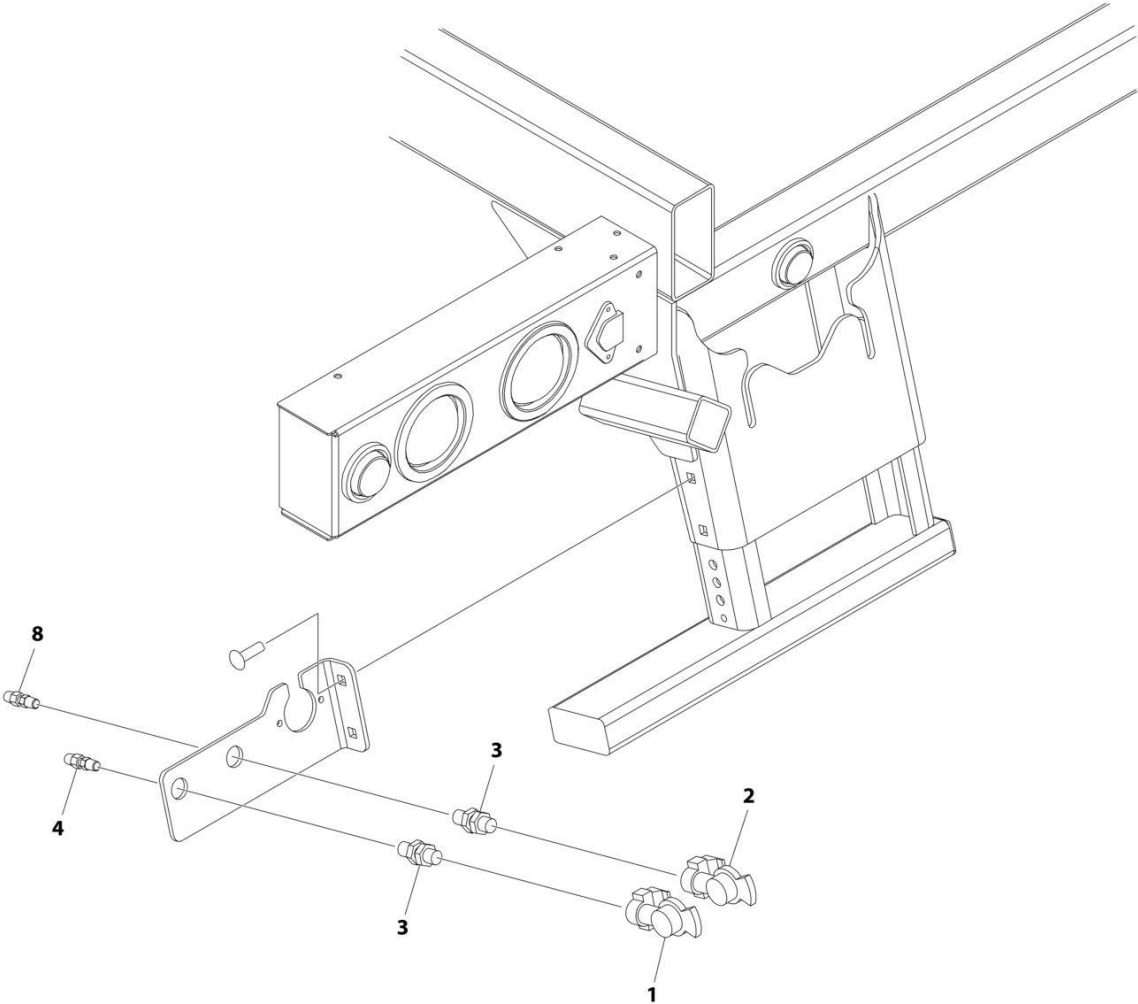
SECTION 8 - ACCESSORIES

FIGURE 8-29. FUEL CAN HOLDER AND CHAIN RACK INSTALLATION (HEADBOARD))

ITEM	PART NUMBER	QTY	DESCRIPTION	REV
	1001232555	Ref	FUEL CAN HOLDER AND CHAIN RACK INSTALLATION	A
1	1001190184	1	Fuel Can Holder Installation (Includes Items 101-108)	
2	1001232524	1	Bracket	
3	0641508	5	Bolt 5/16	
4	4751500	10	Washer 5/16	
5	3271505	5	Nut 5/16	
101	4891800	12	Washer 1/2	
102	3178000471	1	Bracket	
103	4679000274	1	Pad	
104	4751400001	8	Washer 1/4	
105	7114141218	4	Capscrew 1/4-20 x 1-1/2	
106	7660142601	4	Nut 1/4	
107	7894000063	1	Tie-Strap (Not Shown)	
108	7949000055	4	Washer	

SECTION 8 - ACCESSORIES

FIGURE 8-30. GLAD HAND INSTALLATION WITHOUT MOUNTING BRACKET



ART_2002000016

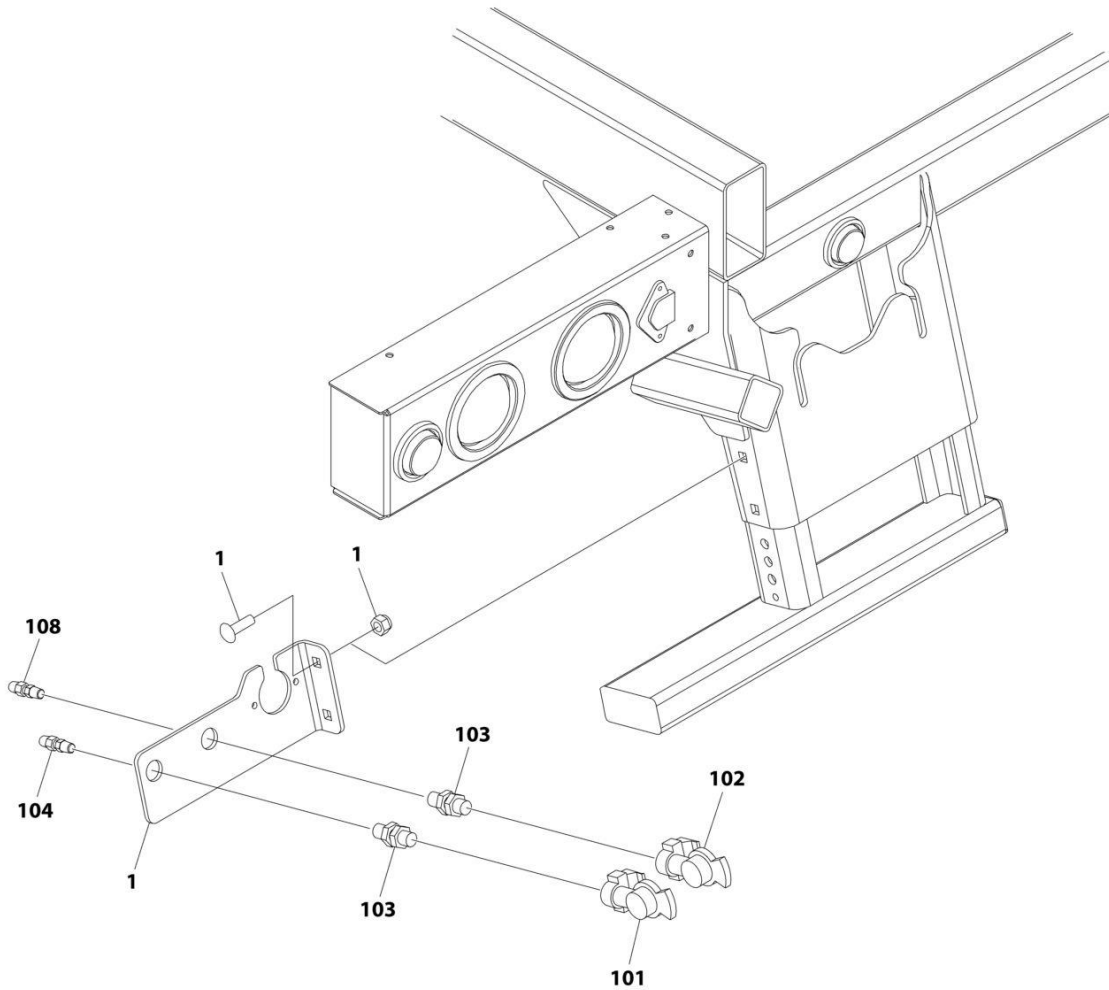
SECTION 8 - ACCESSORIES

FIGURE 8-30. GLAD HAND INSTALLATION WITHOUT MOUNTING BRACKET

ITEM	PART NUMBER	QTY	DESCRIPTION	REV
	2002000016	Ref	Glad Hands Installation	D
1	7312000016	1	Gladhand	
2	7312000015	1	Gladhand	
3	7446502518	2	Fitting, Straight	
4	7446060435	1	Fitting, Straight	
6	7565000014	50 ft	Tubing, Airline (Not Shown)	
7	7312000013	2	Fitting (Not Shown)	
8	7446502506	1	Connector, Tubing	

SECTION 8 - ACCESSORIES

FIGURE 8-31. GLAD HAND INSTALLATION WITH MOUNTING BRACKET



ART_1001270102

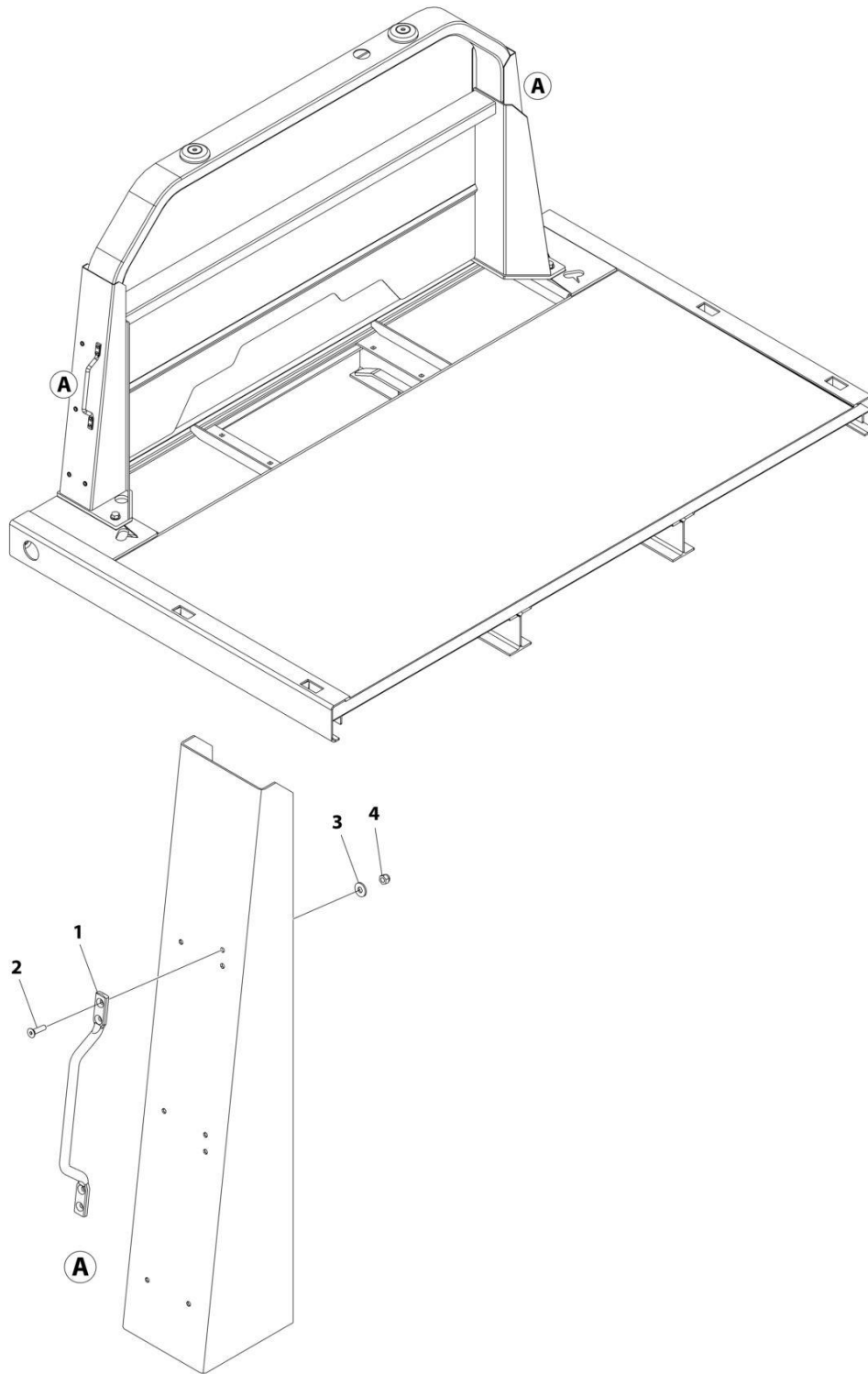
SECTION 8 - ACCESSORIES

FIGURE 8-31. GLAD HAND INSTALLATION WITH MOUNTING BRACKET

ITEM	PART NUMBER	QTY	DESCRIPTION	REV
	1001270102	Ref	GLAND HAND INSTALLATION WITH MOUNTING BRACKET	A
1	2178000037	Ref	Glad Hand Bracket Installation	
1	4178000666	1	Bracket	
1	7115181464	2	Bolt 1/2 x 1-3/4	
1	7660182601	2	Nut 1/2	
101	7312000016	1	Gladhand	
102	7312000015	1	Gladhand	
103	7446502518	2	Fitting, Straight	
104	7446060435	1	Fitting, Straight	
106	7565000014	50 ft	Airline Tubing (Not Shown)	
107	7312000013	2	Union (Not Shown)	
108	7446502506	1	Connector	

SECTION 8 - ACCESSORIES

FIGURE 8-32. GRAB HANDLE INSTALLATION - STATIONARY HEADBOARD (SN 0220008083 through 022001330)



ART_1001135054

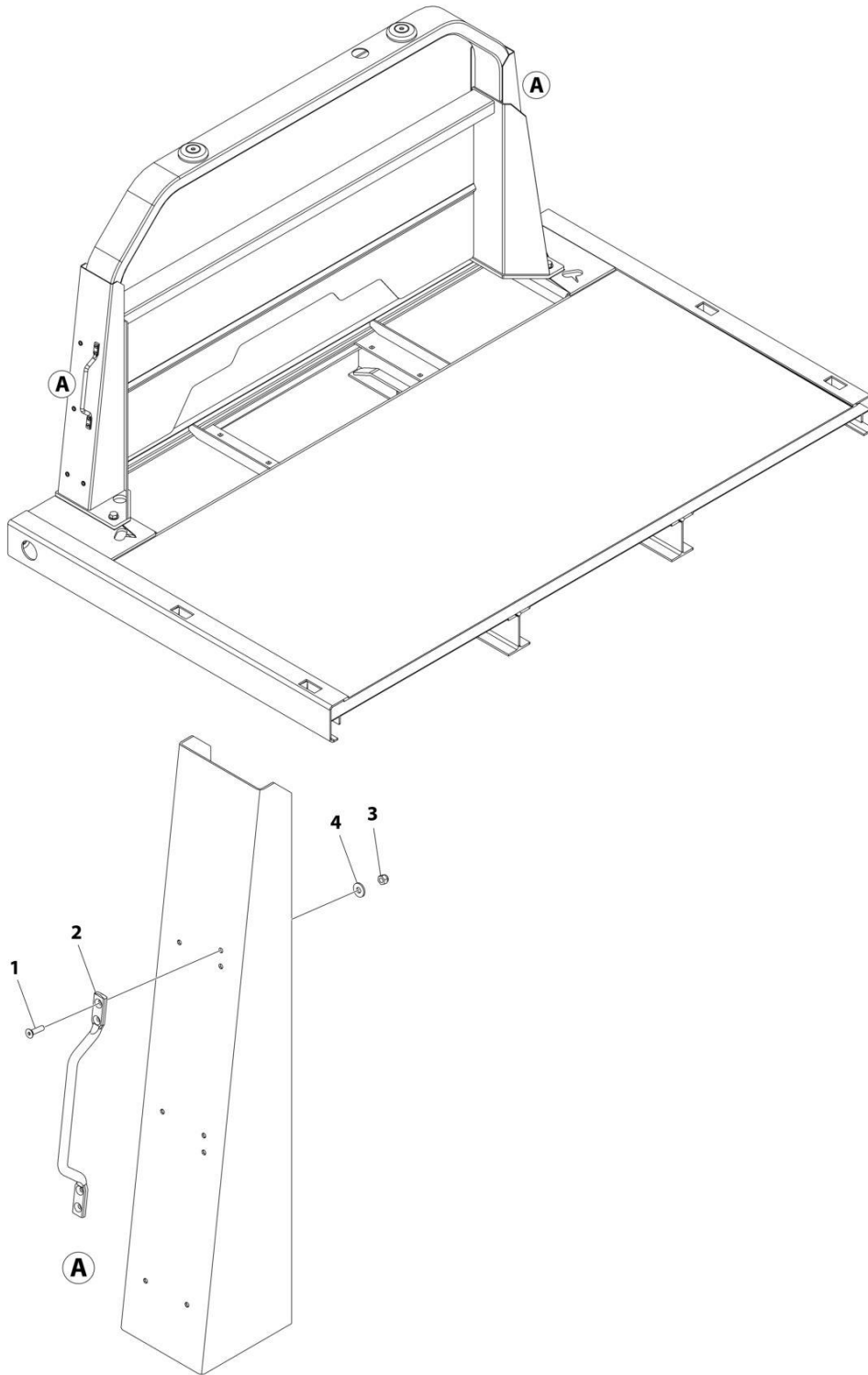
SECTION 8 - ACCESSORIES

FIGURE 8-32. GRAB HANDLE INSTALLATION - STATIONARY HEADBOARD (SN 0220008083 through 022001330)

ITEM	PART NUMBER	QTY	DESCRIPTION	REV
	1001135054	Ref	GRAB HANDLE INSTALLATION - STATIONARY HEADBOARD	A
1	7550000070	2	Handle	
2	7114140823	8	Capscrew 1/4 x 1	
3	7950140153	8	Washer 5/16	
4	7660142601	8	Nut 5/16	

SECTION 8 - ACCESSORIES

FIGURE 8-33. GRAB HANDLE INSTALLATION - ADJUSTABLE HEADBOARD



ART_1001189548

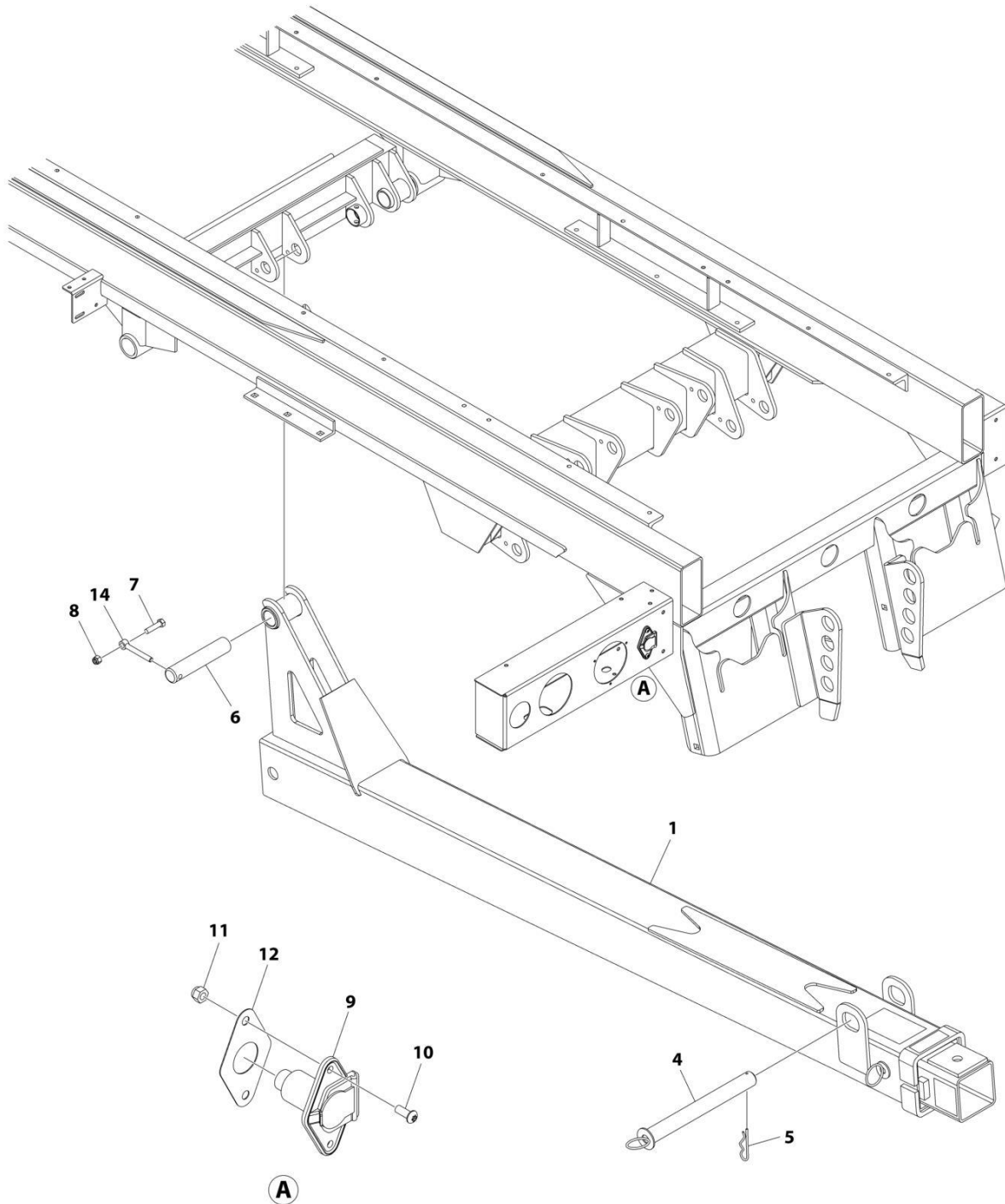
SECTION 8 - ACCESSORIES

FIGURE 8-33. GRAB HANDLE INSTALLATION - ADJUSTABLE HEADBOARD

ITEM	PART NUMBER	QTY	DESCRIPTION	REV
	1001189548	Ref	GRAB HANDLES ADJUSTABLE HEADBOARD INSTALLATION	A
1	7114140823	8	Capscrew 1/4 x 1	
2	7550000070	2	Handle	
3	7660142601	4	Nut 5/16	
4	7950140153	4	Washer 5/16	

SECTION 8 - ACCESSORIES

FIGURE 8-34. HITCH BOOM INSTALLATION - BALL HITCH (HYDRAULIC)



ART_217000087

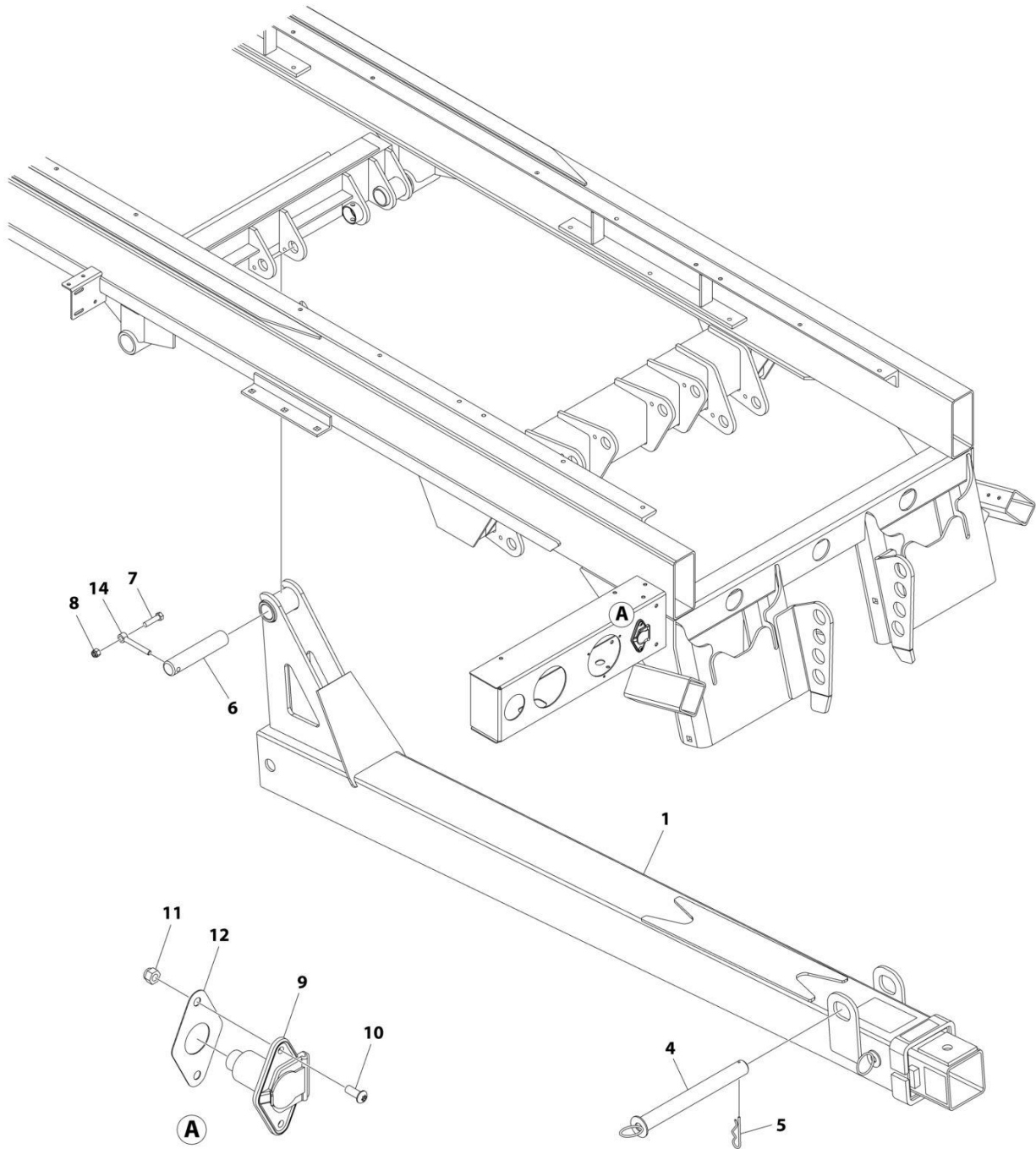
SECTION 8 - ACCESSORIES

FIGURE 8-34. HITCH BOOM INSTALLATION - BALL HITCH (HYDRAULIC)

ITEM	PART NUMBER	QTY	DESCRIPTION	REV
	2170000087	Ref	TOW HITCH BOOM INSTALLATION - BALL HITCH (HYDRAULIC)	D
1	3170000308	1	Boom Assembly (See Separate Breakdown in this Section)	
4	3691000097	1	Pin	
5	7691000001	1	Hairpin	
6	1001188129	1	Pin	
7	0641612	1	Bolt 3/8 x 1-1/2	
8	3300492	1	Nut 3/8	
9	7291000010	1	Female Receptacle	
10	7114140528	2	Screw 1/4 x 5/8	
11	7660142601	2	Nut 1/4	
12	7796000048	1	Gasket	
14	3841143	1	Keeper	

SECTION 8 - ACCESSORIES

FIGURE 8-35. HITCH BOOM INSTALLATION - BALL HITCH (MANUAL)



ART_217000088

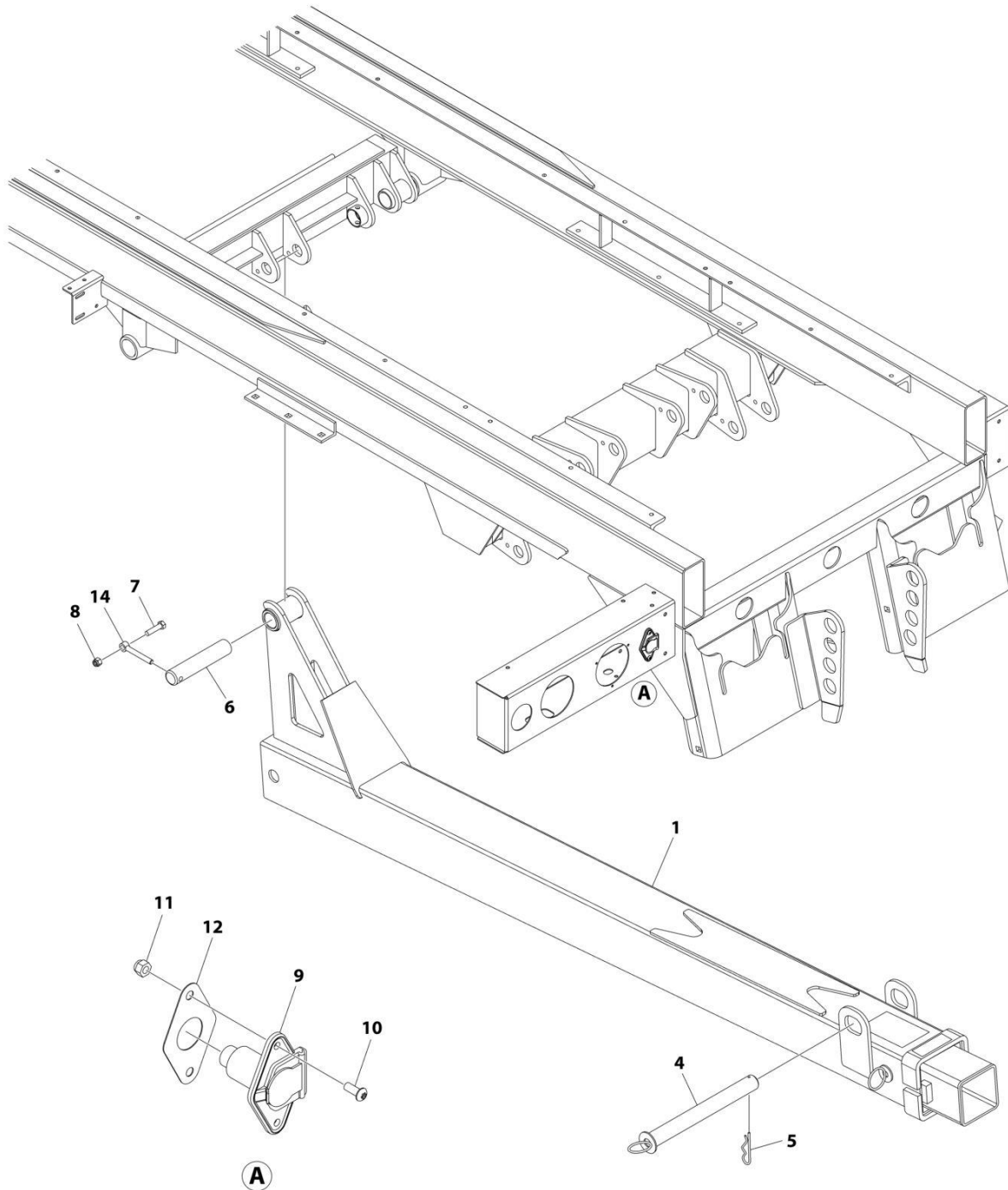
SECTION 8 - ACCESSORIES

FIGURE 8-35. HITCH BOOM INSTALLATION - BALL HITCH (MANUAL)

ITEM	PART NUMBER	QTY	DESCRIPTION	REV
	2170000088	Ref	TOW HITCH BOOM INSTALLATION - BALL HITCH (MANUAL)	D
1	3170000309	1	Boom Assembly (See Separate Breakdown in this Section)	
4	3691000097	1	Pin	
5	7691000001	1	Hairpin	
6	1001188129	1	Pin	
7	0641612	1	Bolt 3/8 x 1-1/2	
8	3300492	1	Nut 3/8	
9	7291000010	1	Female Receptacle	
10	7114140528	2	Screw 1/4 x 5/8	
11	7660142601	2	Nut 1/4	
12	7796000048	1	Gasket	
14	3841143	1	Keeper	

SECTION 8 - ACCESSORIES

FIGURE 8-36. HITCH BOOM INSTALLATION - PINTLE HITCH (MANUAL)



ART_217000090

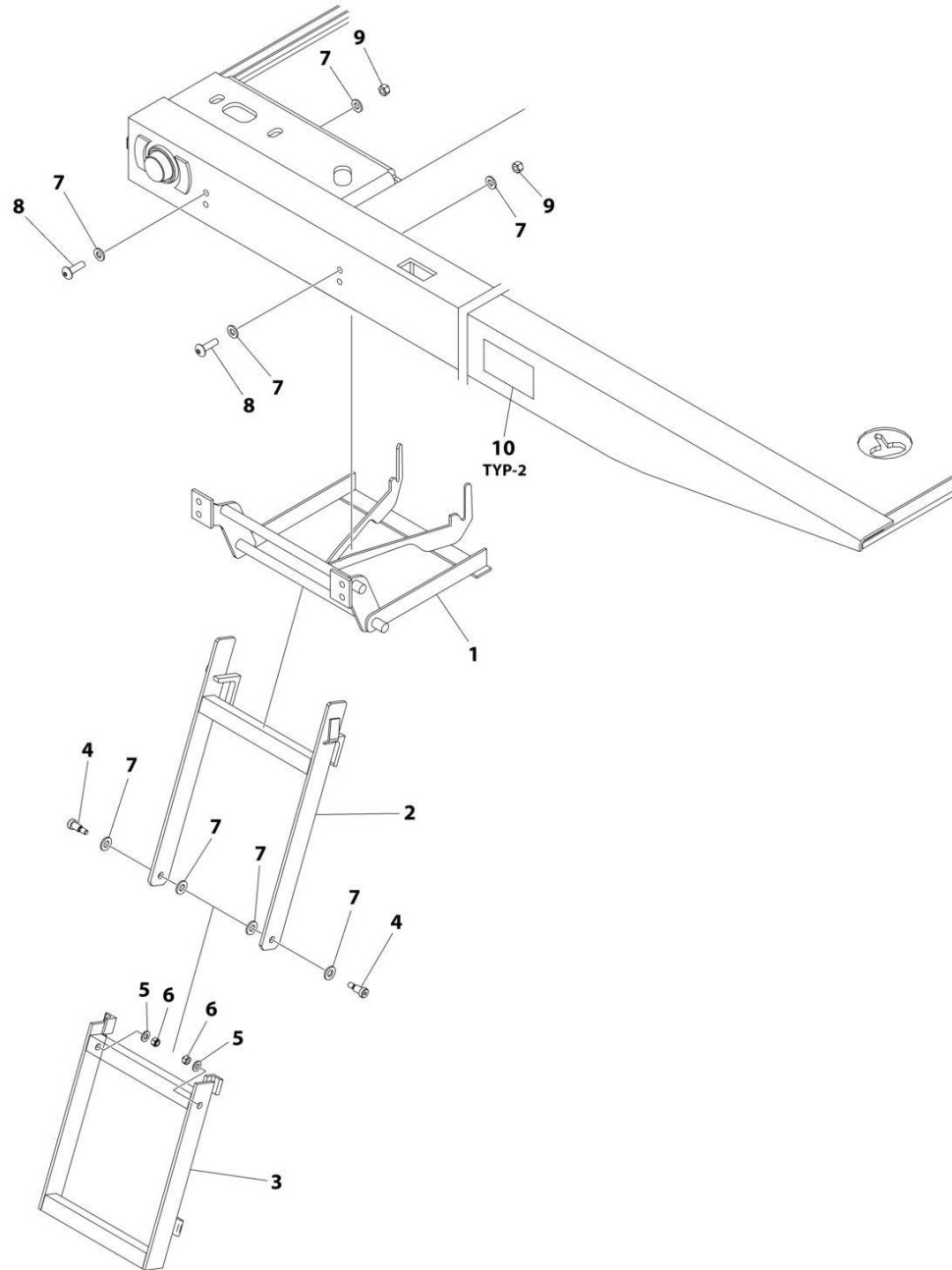
SECTION 8 - ACCESSORIES

FIGURE 8-36. HITCH BOOM INSTALLATION - PINTLE HITCH (MANUAL)

ITEM	PART NUMBER	QTY	DESCRIPTION	REV
	2170000090	Ref	TOW HITCH BOOM INSTALLATION - PINTLE HITCH (MANUAL)	D
1	3170000312	1	Boom Assembly (See Separate Breakdown in this Section)	
4	3691000097	1	Pin	
5	7691000001	1	Hairpin	
6	1001188129	1	Pin	
7	0641612	1	Bolt 3/8 x 1-1/2	
8	3300492	1	Nut 3/8	
9	7291000010	1	Female Receptacle	
10	7114140528	2	Screw 1/4 x 5/8	
11	7660142601	2	Nut 1/4	
12	7796000048	1	Gasket	
14	3841143	1	Keeper	

SECTION 8 - ACCESSORIES

FIGURE 8-37. LADDER INSTALLATION - FOLDING 3-STEP, FRONT/LEFT



ART_1001142329

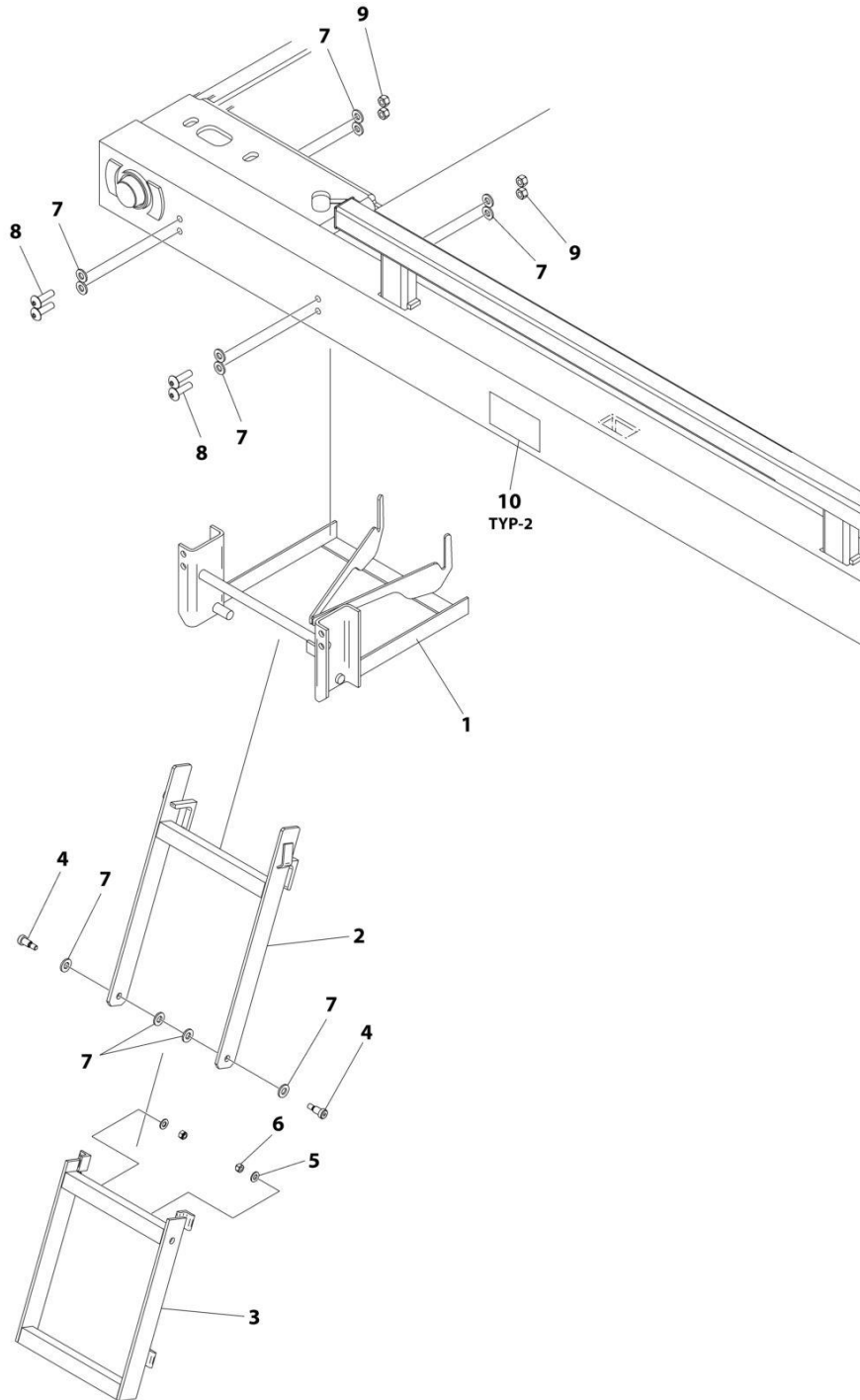
SECTION 8 - ACCESSORIES

FIGURE 8-37. LADDER INSTALLATION - FOLDING 3-STEP, FRONT/LEFT

ITEM	PART NUMBER	QTY	DESCRIPTION	REV
	1001142329	Ref	LADDER, FOLDING 3-STEP, FRONT LEFT INSTALLATION	B
1	3178000555	1	Bracket	
2	3002000009	1	Top Ladder Weld, Accessory	
3	3002000008	1	Bottom Ladder Weld, Accessory	
4	7115180606	2	Bolt 1/2 x 3/4	
5	7950160161	2	Washer	
6	7660162601	2	Nut	
7	7950180141	12	Washer 1/2	
8	7114181418	4	Capscrew 1/2 x 1- 3/4	
9	7660182601	4	Nut 1/2	
10	1001131998	2	Decal	
11	1001142333	1	Front Left Drill, Ladder, Specification (Not Shown)	

SECTION 8 - ACCESSORIES

FIGURE 8-38. LADDER INSTALLATION - FOLDING 3-STEP, FRONT/LEFT/RIGHT



ART_1001142330

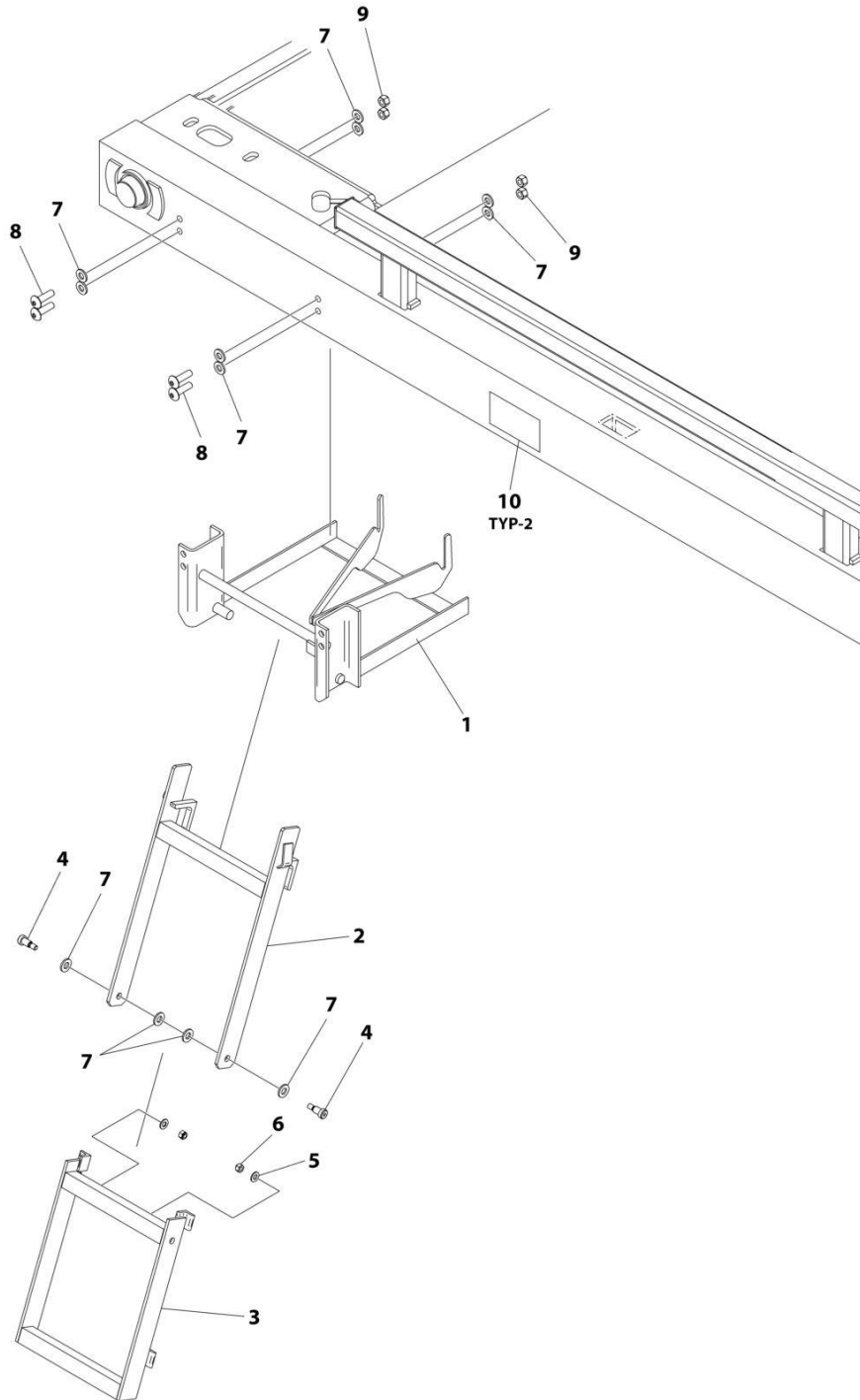
SECTION 8 - ACCESSORIES

FIGURE 8-38. LADDER INSTALLATION - FOLDING 3-STEP, FRONT/LEFT/RIGHT

ITEM	PART NUMBER	QTY	DESCRIPTION	REV
	1001142330	Ref	FOLDING DECK LADDER	B
1	3178000555	2	Bracket Weldment	
2	3002000009	2	Ladder Top Weldment	
3	3002000008	2	Ladder Bottom Weldment	
4	7115180606	4	Bolt 1/2 x 3/4	
5	7950160161	4	Washer 3/8	
6	7660162601	4	Nut	
7	7950180141	24	Washer 1/2	
8	7114181418	8	Capscrew 1/2 x 1- 3/4	
9	7660182601	8	Nut 1/2	
10	1001131998	2	Decal	
11	1001142334	1	Front Left/Right Drill, Ladder, Specification (Not Shown)	

SECTION 8 - ACCESSORIES

FIGURE 8-39. LADDER INSTALLATION - FOLDING 3-STEP, FRONT/REAR/LEFT



ART_1001142331

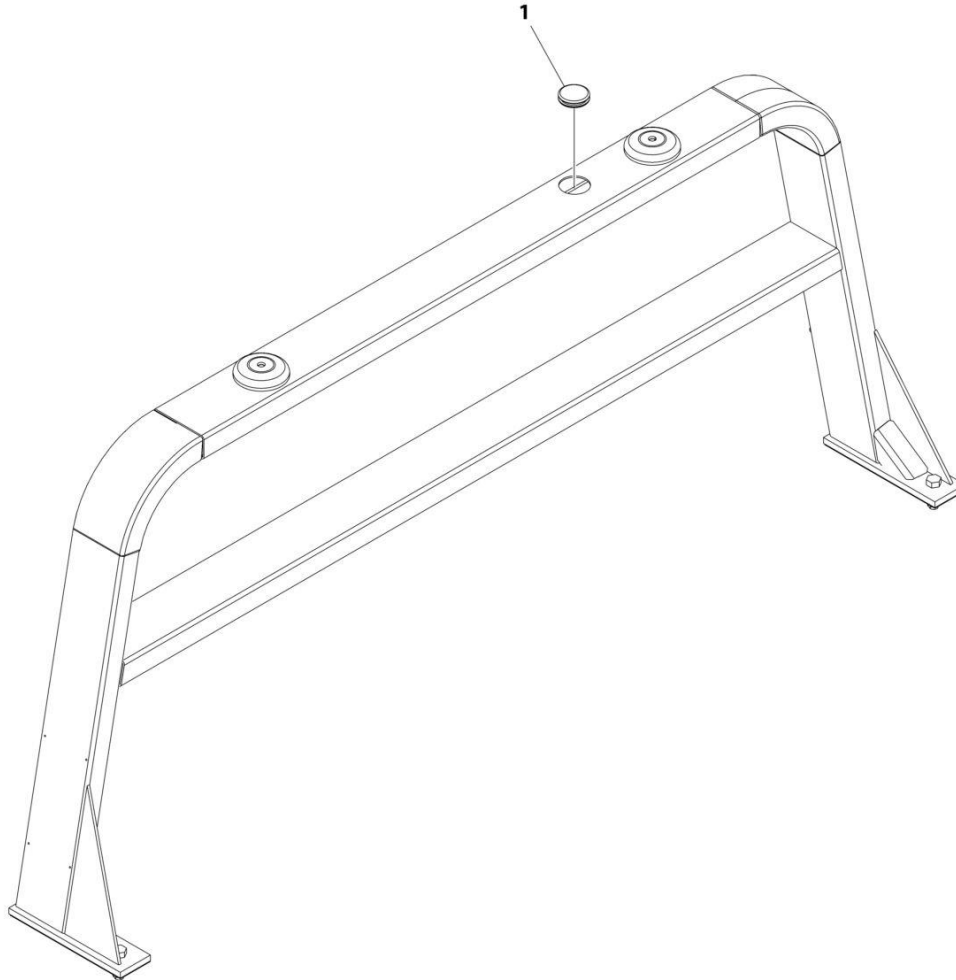
SECTION 8 - ACCESSORIES

FIGURE 8-39. LADDER INSTALLATION - FOLDING 3-STEP, FRONT/REAR/LEFT

ITEM	PART NUMBER	QTY	DESCRIPTION	REV
	1001142331	Ref	LADDER INSTALLATION	B
1	3178000555	2	Bracket Weldment	
2	3002000009	2	Ladder Top Weldment	
3	3002000008	2	Ladder Bottom Weldment	
4	7115180606	4	Bolt 1/2 x 3/4	
5	7950160161	4	Washer 3/8	
6	7660162601	4	Nut	
7	7950180141	24	Washer 1/2	
8	7114181418	8	Capscrew 1/2 x 1- 3/4	
9	7660182601	8	Nut 1/2	
10	1001131998	2	Decal	
11	1001142335	1	Front/Rear Left Drill, Ladder, Specification (Not Shown)	

SECTION 8 - ACCESSORIES

FIGURE 8-40. NO EMERGENCY LIGHTBAR INSTALLATION



ART_1001156677

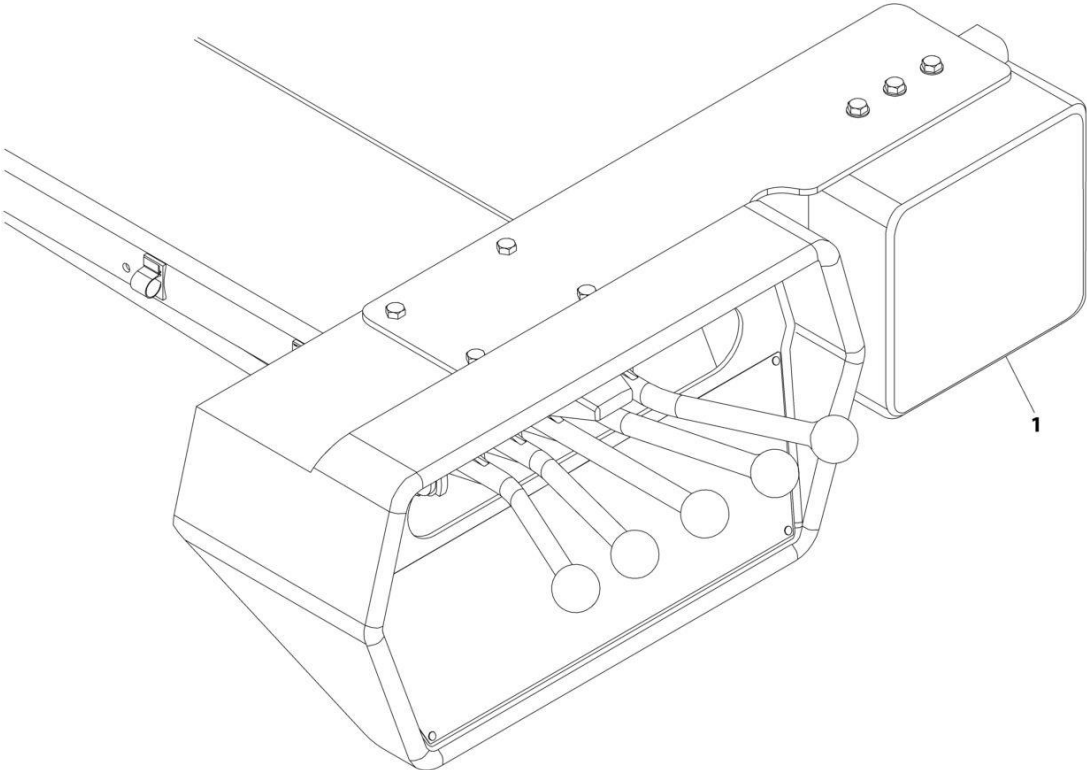
SECTION 8 - ACCESSORIES

FIGURE 8-40. NO EMERGENCY LIGHTBAR INSTALLATION

ITEM	PART NUMBER	QTY	DESCRIPTION	REV
1	1001156677 7493000015	Ref 1	NO EMERGENCY LIGHTBAR INSTALLATION GROMMET	A

SECTION 8 - ACCESSORIES

FIGURE 8-41. ON BOARD TRUCK SCALES, AIR WEIGH, VENDOR INSTALLED



ART_1001133721

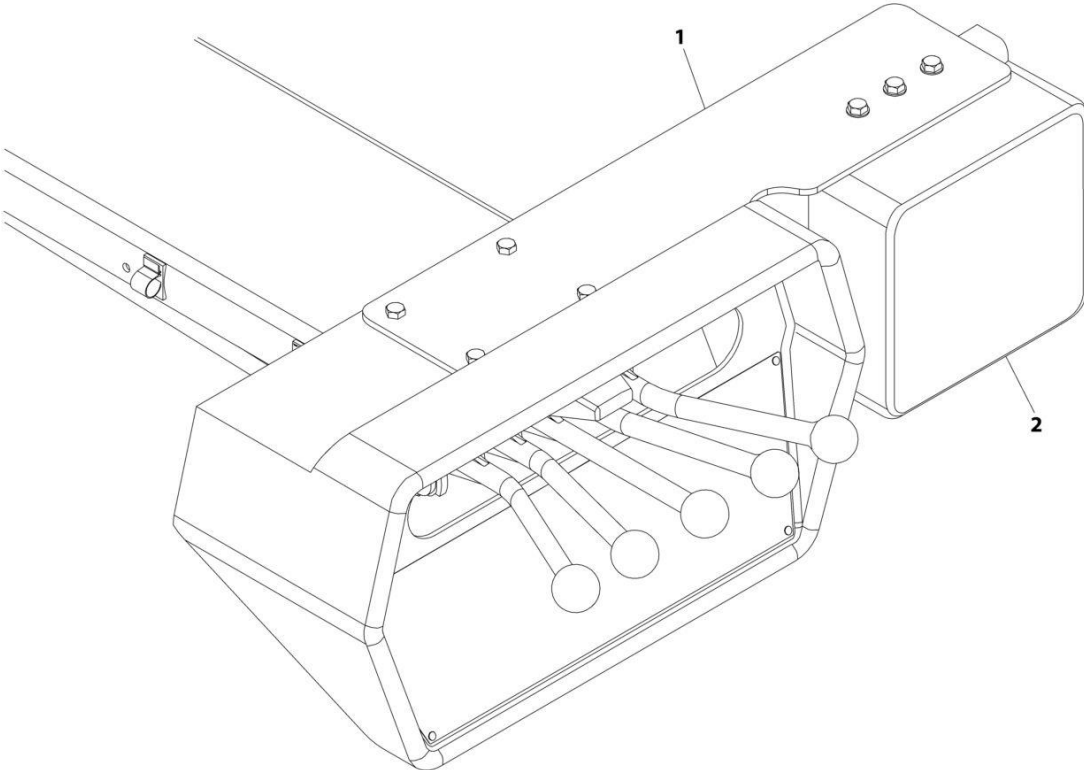
SECTION 8 - ACCESSORIES

FIGURE 8-41. ON BOARD TRUCK SCALES, AIR WEIGH, VENDOR INSTALLED

ITEM	PART NUMBER	QTY	DESCRIPTION	REV
	1001133721	Ref	TRUCK SCALES - ON BOARD (AIR WEIGH) (DEALER INSTALLED)	A
1	7577000442	1	Truck Scales - On Board (Air Weigh) Add - On Kit	

SECTION 8 - ACCESSORIES

FIGURE 8-42. ON BOARD TRUCK SCALES, RIGHT WEIGH, VENDOR INSTALLED



ART_1001130142

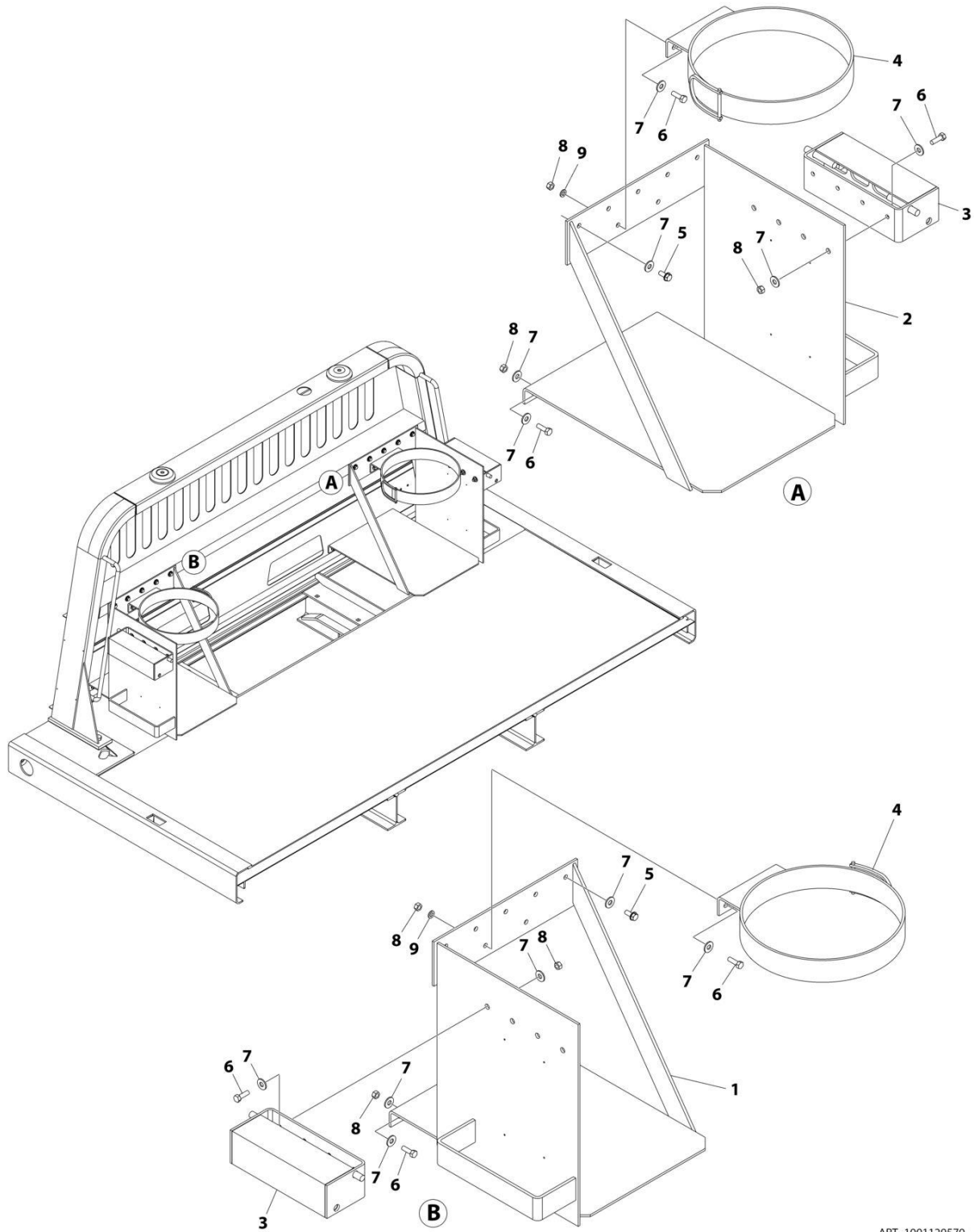
SECTION 8 - ACCESSORIES

FIGURE 8-42. ON BOARD TRUCK SCALES, RIGHT WEIGH, VENDOR INSTALLED

ITEM	PART NUMBER	QTY	DESCRIPTION	REV
	1001130142	Ref	TRUCK SCALES - ONBOARD (RIGHT WEIGHT, DEALER INSTALLED)	0
1	1001130151	1	Plate Weight Mount	
2	1001129875	1	Accessory Weight Load Scale	

SECTION 8 - ACCESSORIES

FIGURE 8-43. PROPANE TANK HOLDERS, HEADBOARD INSTALLATION



ART_1001129570

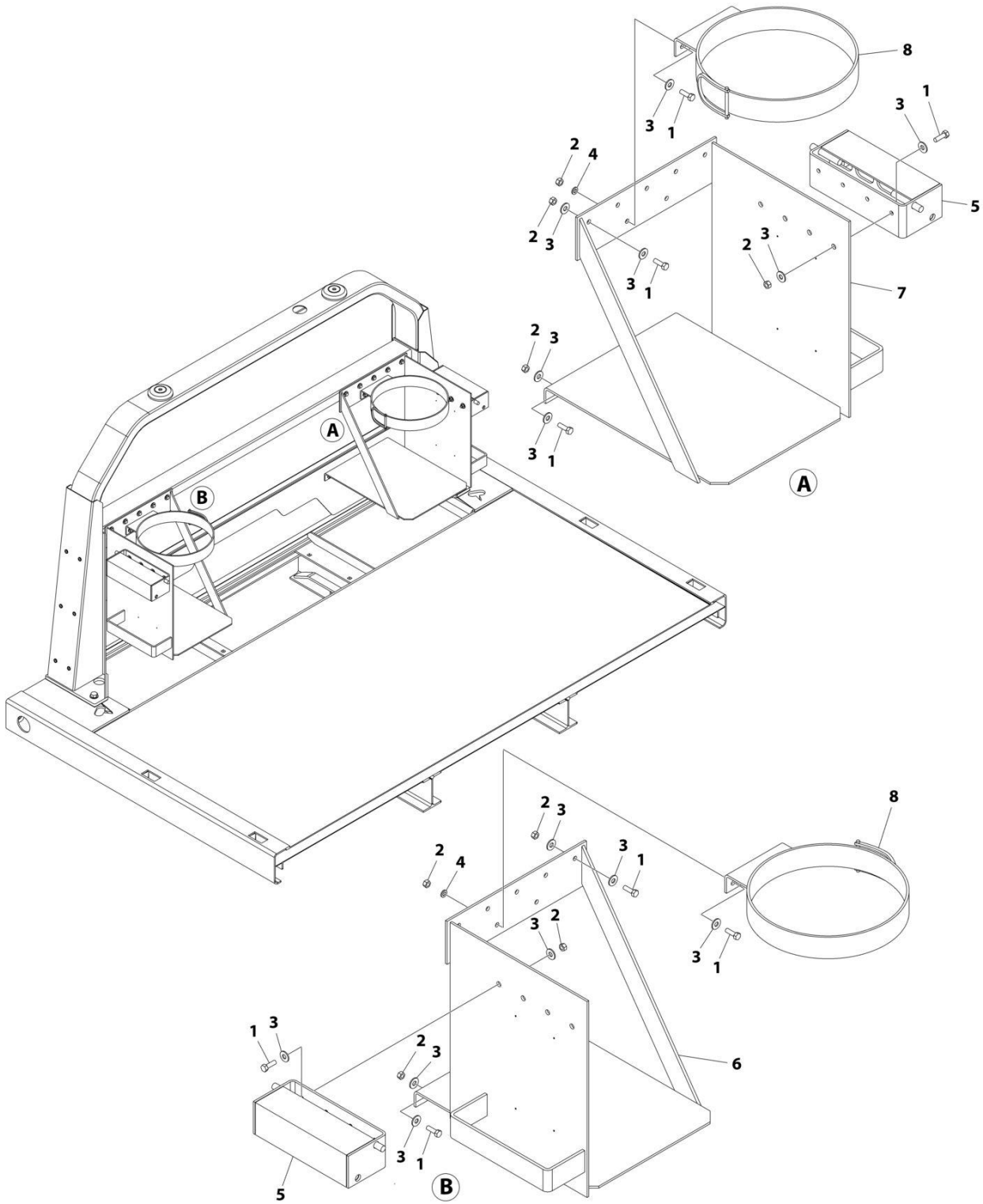
SECTION 8 - ACCESSORIES

FIGURE 8-43. PROPANE TANK HOLDERS, HEADBOARD INSTALLATION

ITEM	PART NUMBER	QTY	DESCRIPTION	REV
	1001129570	Ref	PROPANE TANK HOLDERS, HEADBOARD INSTALLATION	E
1	1001129573	1	Propane Tank Support Weld, LH	
2	1001129576	1	Propane Tank Support Weld, RH	
3	1001129537	2	Bracket	
4	7178000029	1	Bracket	
5	7790151253	10	Screw 5/16 x 3/4	
6	0641508	20	Bolt 5/16 x 1	
7	4751500	46	Washer 5/16	
8	3271505	20	Nut 5/16	
9	4761500	4	Washer 5/16	

SECTION 8 - ACCESSORIES

FIGURE 8-44. PROPANE TANK HOLDERS, ADJUSTABLE HEADBOARD INSTALLATION



ART_1001189550

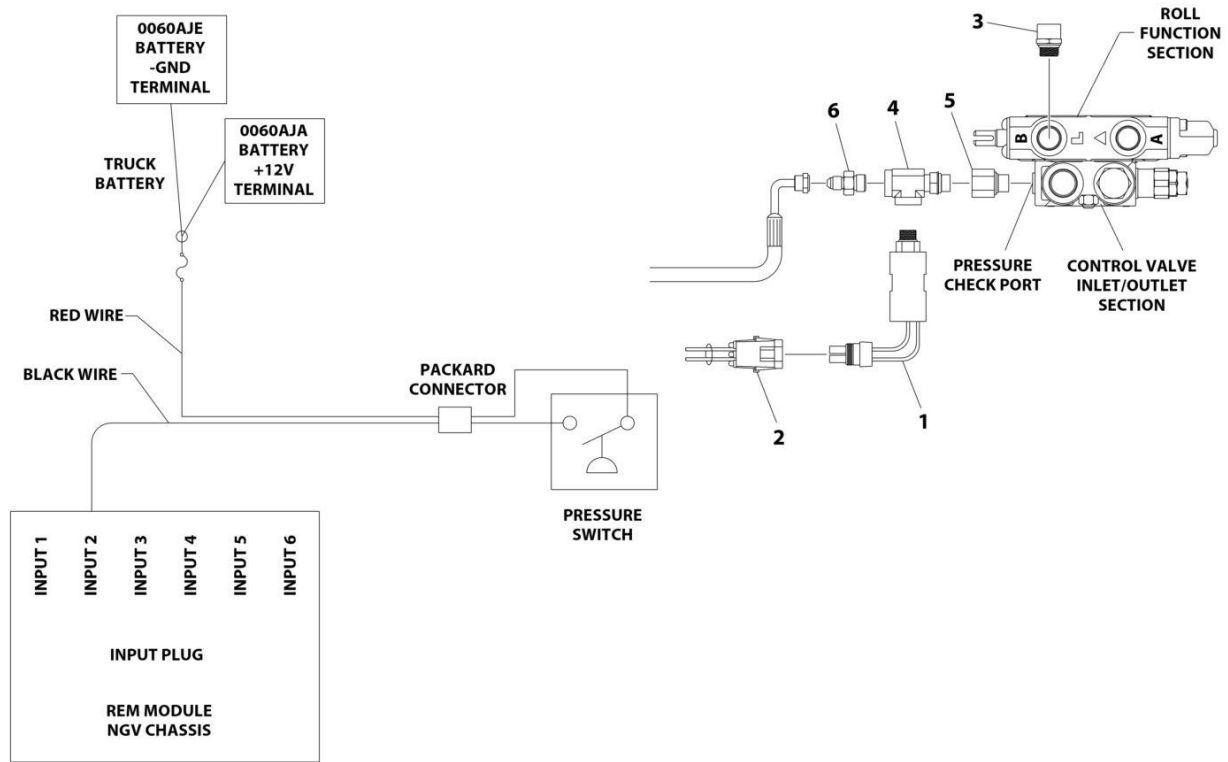
SECTION 8 - ACCESSORIES

FIGURE 8-44. PROPANE TANK HOLDERS, ADJUSTABLE HEADBOARD INSTALLATION

ITEM	PART NUMBER	QTY	DESCRIPTION	REV
	1001189550	Ref	PROPANE TANK HOLDERS, ADJUSTABLE HEADBOARD INSTALLATION	D
1	0641508	30	Bolt 5/16 x 1	
2	3271505	30	Nut 5/16	
3	4751500	56	Washer 5/16	
4	4761500	4	Washer 5/16	
5	1001129537	2	Bracket	
6	1001190131	1	Propane Tank Support Weld, LH	
7	1001190140	1	Propane Tank Support Weld, RH	
8	7178000029	1	Bracket	

SECTION 8 - ACCESSORIES

FIGURE 8-45. REMOTE THROTTLE CONTROL



ART_2870000013

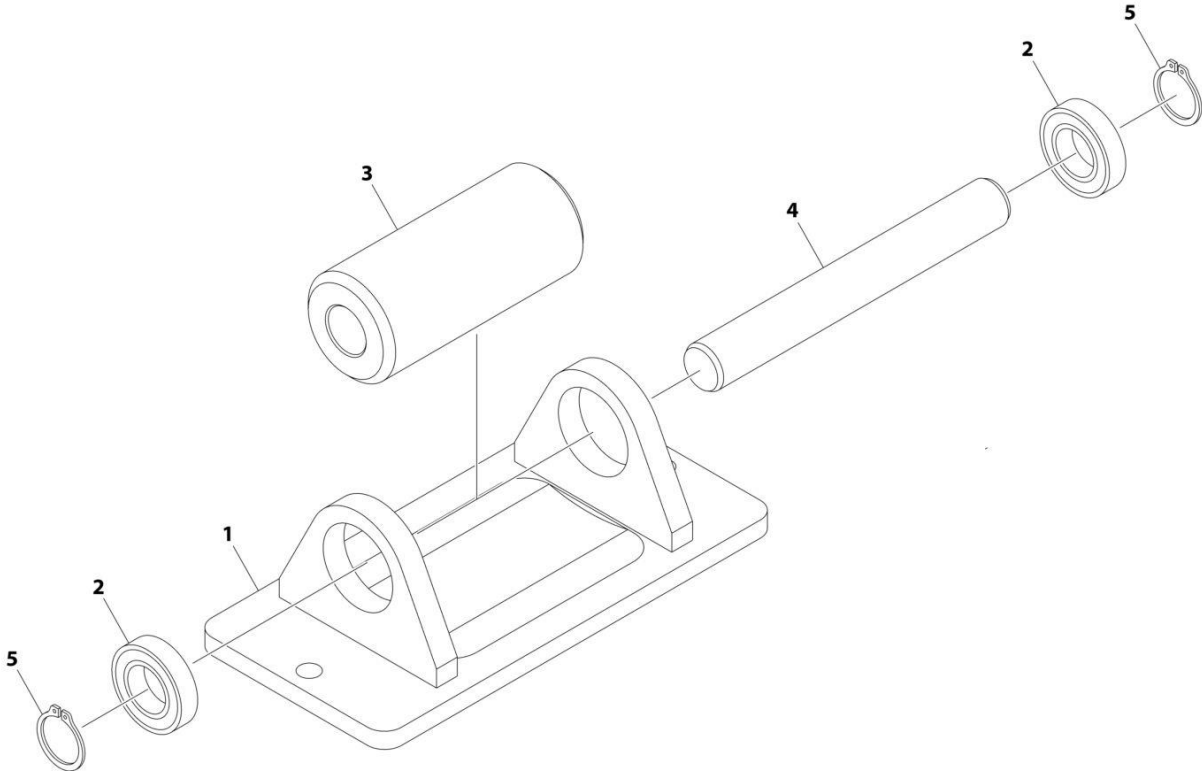
SECTION 8 - ACCESSORIES

FIGURE 8-45. REMOTE THROTTLE CONTROL

ITEM	PART NUMBER	QTY	DESCRIPTION	REV
	2870000013	Ref	REMOTE THROTTLE CONTROL	D
1	7346000208	1	Pressure Switch	
2	7552000241	1	Harness, Throttle Control	
2	4460867	1	Plug, Male - 2 Position	
2	4460850	2	Terminal	
2		Ref	Seal	
2		Ref	Fuse - 5 Amp ATO (Purchase Locally)	
3	7443000428	1	Valve, Check	
4	7443000432	1	Fitting, Tee	
5	7443000469	1	Fitting, Straight	
6	7445040643	1	Fitting, Straight	

SECTION 8 - ACCESSORIES

FIGURE 8-46. ROLLER BRACKET ASSEMBLY



ART_3550001913

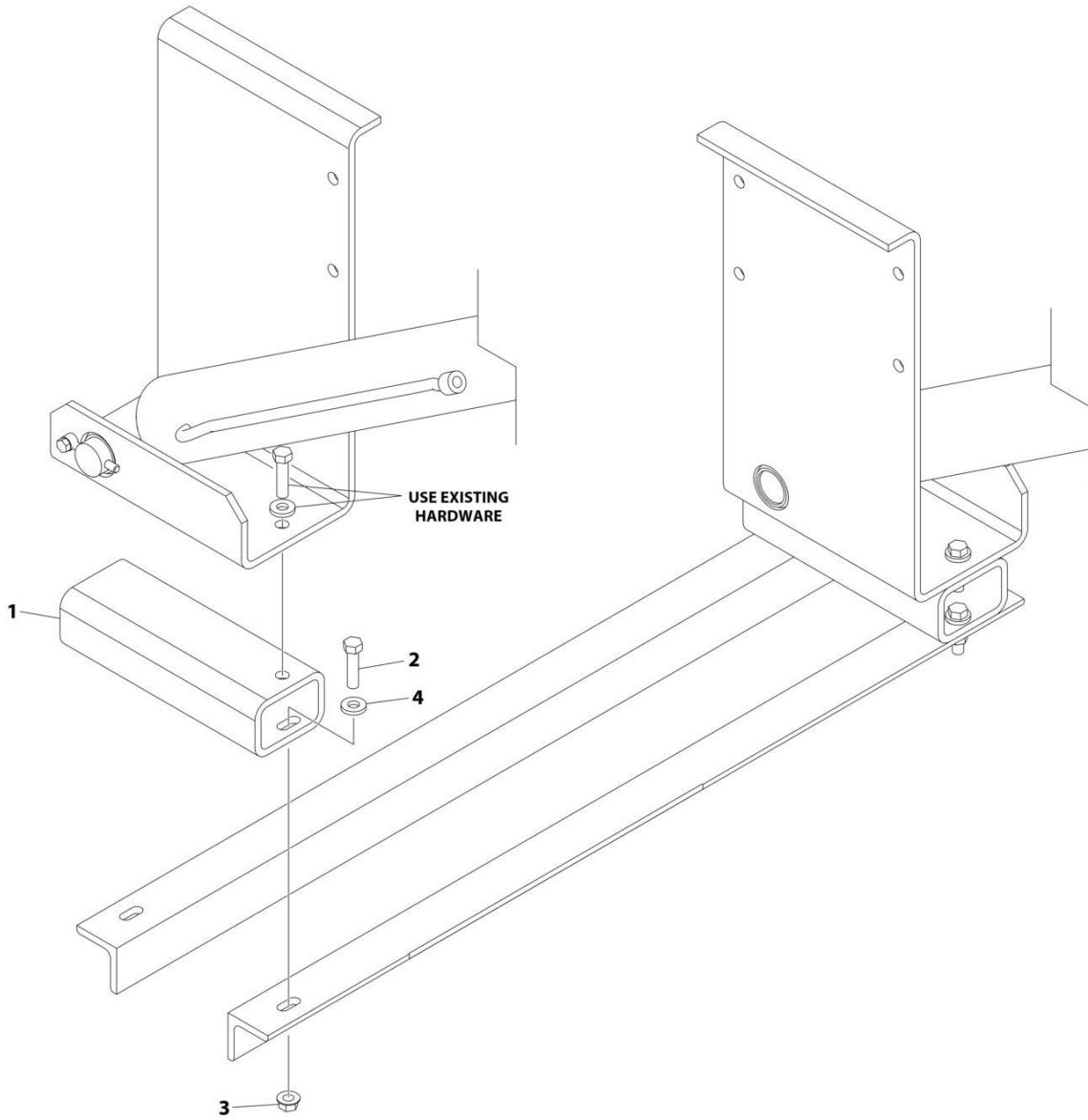
SECTION 8 - ACCESSORIES

FIGURE 8-46. ROLLER BRACKET ASSEMBLY

ITEM	PART NUMBER	QTY	DESCRIPTION	REV
	3550001913	Ref	Roller Bracket Assembly	B
1	3550001912	1	Bracket Weldment	
2	7550000074	2	Bearing	
3	7550000073	1	Roller	
4	4691000568	1	Pin	
5	7754000022	2	Retaining Ring	

SECTION 8 - ACCESSORIES

FIGURE 8-47. SADDLE CROSS-ANGLE SPACERS (4") (SN 0220005217 through 0220006383)



ART_1001132382

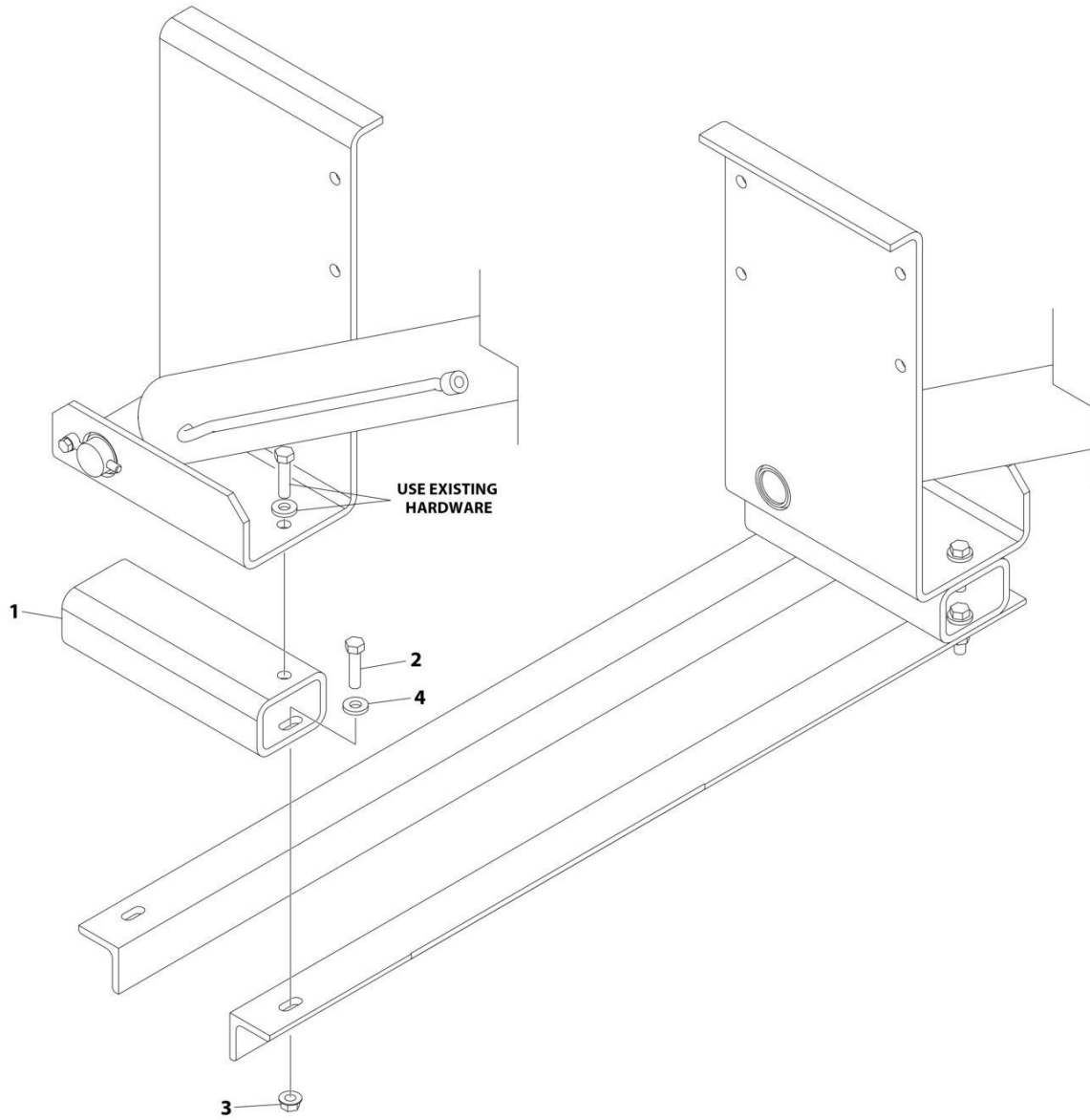
SECTION 8 - ACCESSORIES

FIGURE 8-47. SADDLE CROSS-ANGLE SPACERS (4") (SN 0220005217 through 0220006383)

ITEM	PART NUMBER	QTY	DESCRIPTION	REV
	1001132382	Ref	SADDLE SPACER INSTALLATION	B
1	1001132384	2	Saddle Spacer	
2	7105181650	4	Bolt 1/2 x 2	
3	7660182333	4	Nut 1/2	
4	7950180153	4	Washer 1/2	

SECTION 8 - ACCESSORIES

FIGURE 8-48. SADDLE CROSS-ANGLE SPACERS (4") (SN 0220006384 to Present)



ART_1001175532

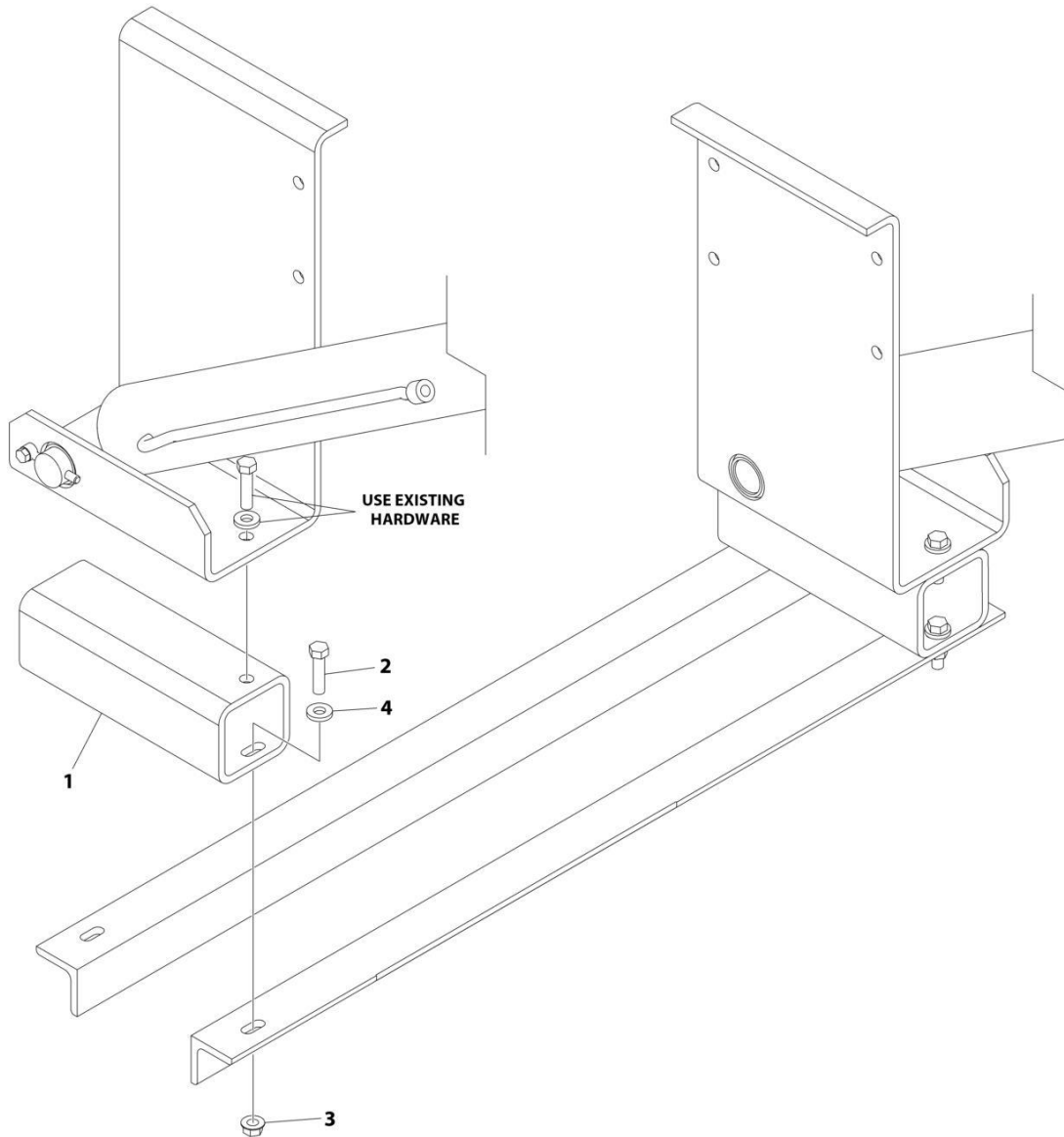
SECTION 8 - ACCESSORIES

FIGURE 8-48. SADDLE CROSS-ANGLE SPACERS (4") (SN 0220006384 to Present)

ITEM	PART NUMBER	QTY	DESCRIPTION	REV
	1001175532	Ref	Saddle Spacer Installation	A
1	1001175531	2	Saddle Spacer	
2	7105181650	4	Capscrew 1/2 x 2	
3	7660182333	4	Nut 1/2	
4	7950180153	4	Washer 1/2	

SECTION 8 - ACCESSORIES

FIGURE 8-49. SADDLE CROSS-ANGLE SPACERS (5") (SN 0220005217 through 0220006383)



ART_1001134396

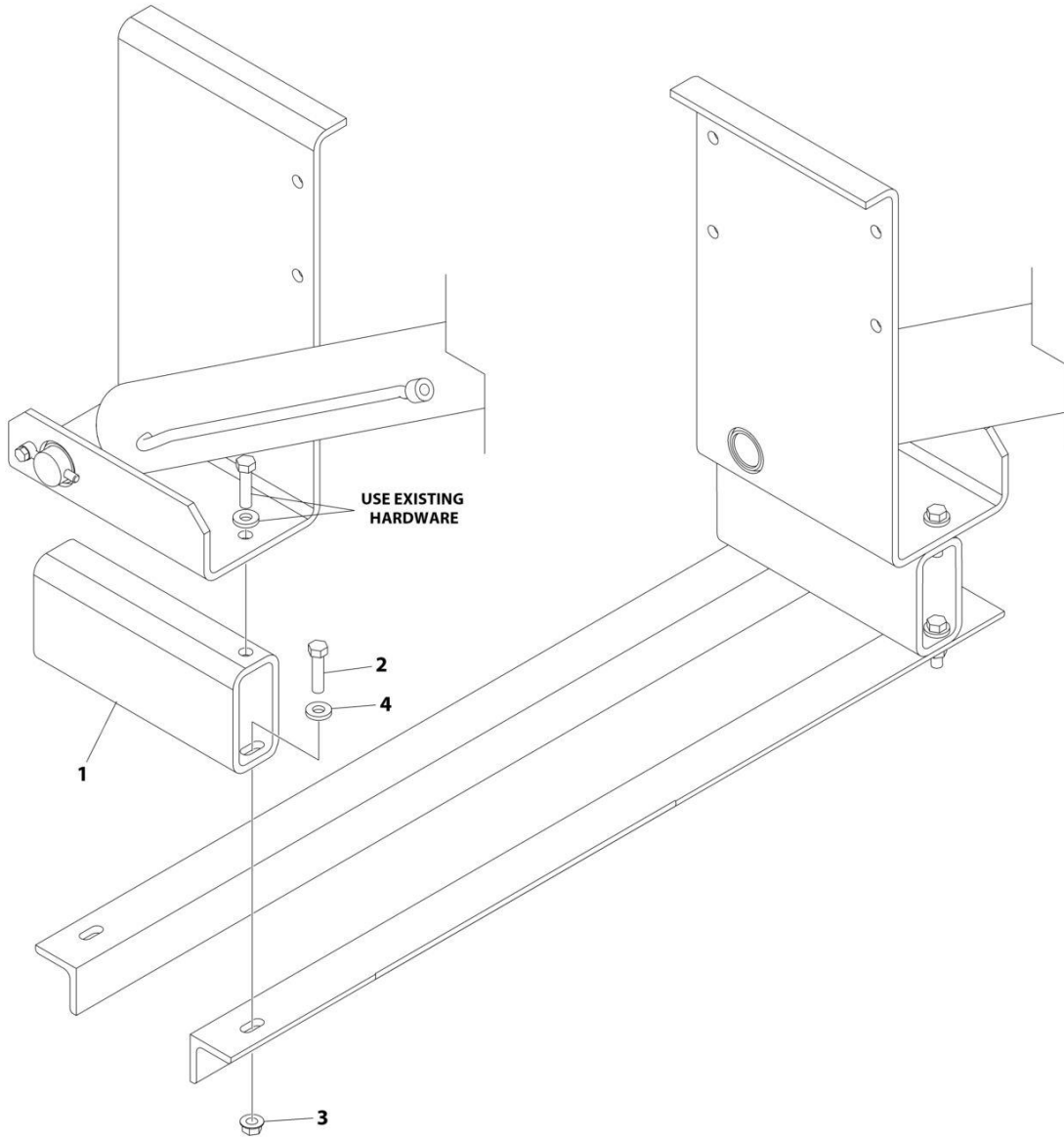
SECTION 8 - ACCESSORIES

FIGURE 8-49. SADDLE CROSS-ANGLE SPACERS (5") (SN 0220005217 through 0220006383)

ITEM	PART NUMBER	QTY	DESCRIPTION	REV
	1001134396	Ref	SADDLE CROSS SPACER 5	B
1	1001134397	2	Saddle Spacer	
2	7105181650	4	Bolt 1/2 x 2	
3	7660182333	4	Nut 1/2	
4	7950180153	4	Washer 1/2	

SECTION 8 - ACCESSORIES

FIGURE 8-50. SADDLE CROSS-ANGLE SPACERS (6") (SN 0220005217 through 0220006383)



ART_1001146395

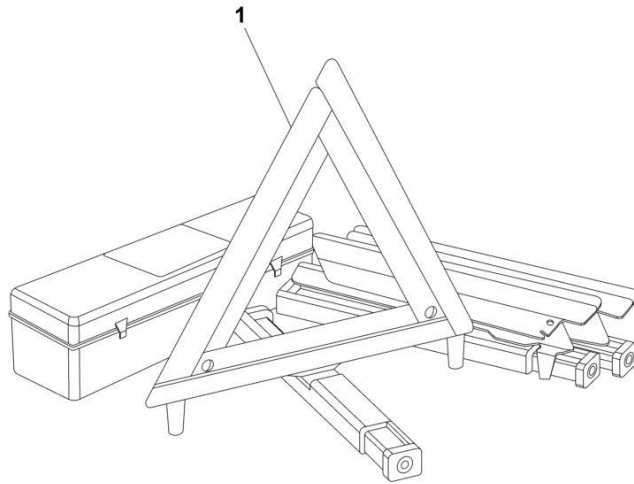
SECTION 8 - ACCESSORIES

FIGURE 8-50. SADDLE CROSS-ANGLE SPACERS (6") (SN 0220005217 through 0220006383)

ITEM	PART NUMBER	QTY	DESCRIPTION	REV
	1001146395	Ref	SADDLE CROSS SPACER 6	B
1	1001146393	2	Saddle Spacer	
2	7105181650	4	Bolt 1/2 x 2	
3	7660182333	4	Nut 1/2	
4	7950180153	4	Washer 1/2	

SECTION 8 - ACCESSORIES

FIGURE 8-51. SAFETY TRIANGLE KIT



ART_STK

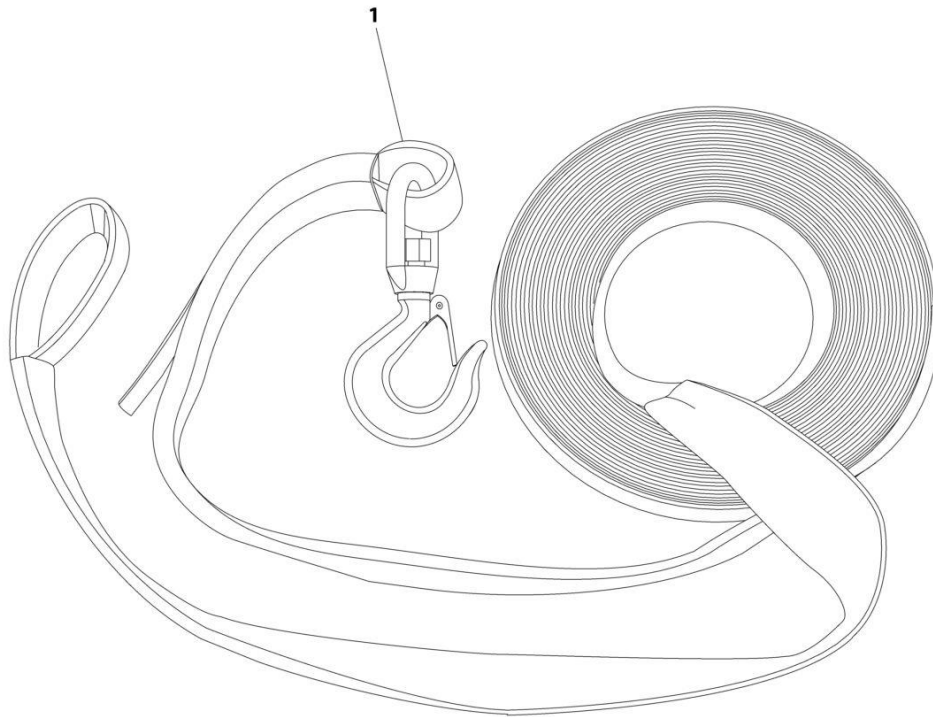
SECTION 8 - ACCESSORIES

FIGURE 8-51. SAFETY TRIANGLE KIT

ITEM	PART NUMBER	QTY	DESCRIPTION	REV
1	STK 7002000285	Ref 1	Safety Triangle Kit Reflective Triangles	0

SECTION 8 - ACCESSORIES

FIGURE 8-52. STRAP EXTENSION - 50FT NYLON



ART_STRAP50

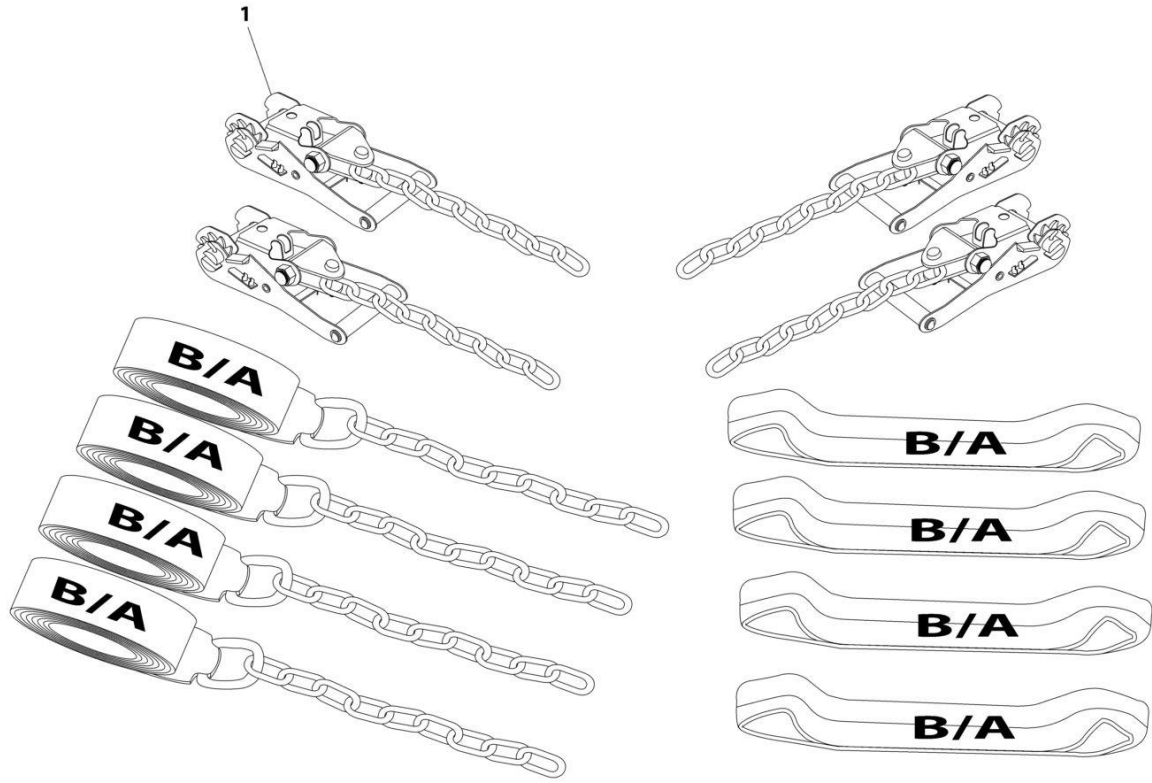
SECTION 8 - ACCESSORIES

FIGURE 8-52. STRAP EXTENSION - 50FT NYLON

ITEM	PART NUMBER	QTY	DESCRIPTION	REV
1	STRAP50 7894000071	Ref 1	50FT STRAP EXTENSION WITH SWIVEL HOOK Strap Extension with Swivel Hook	0

SECTION 8 - ACCESSORIES

FIGURE 8-53. STRAP TIE DOWN KIT - CARRIER 8 POINT TIRE



ART_CAR8PTTD

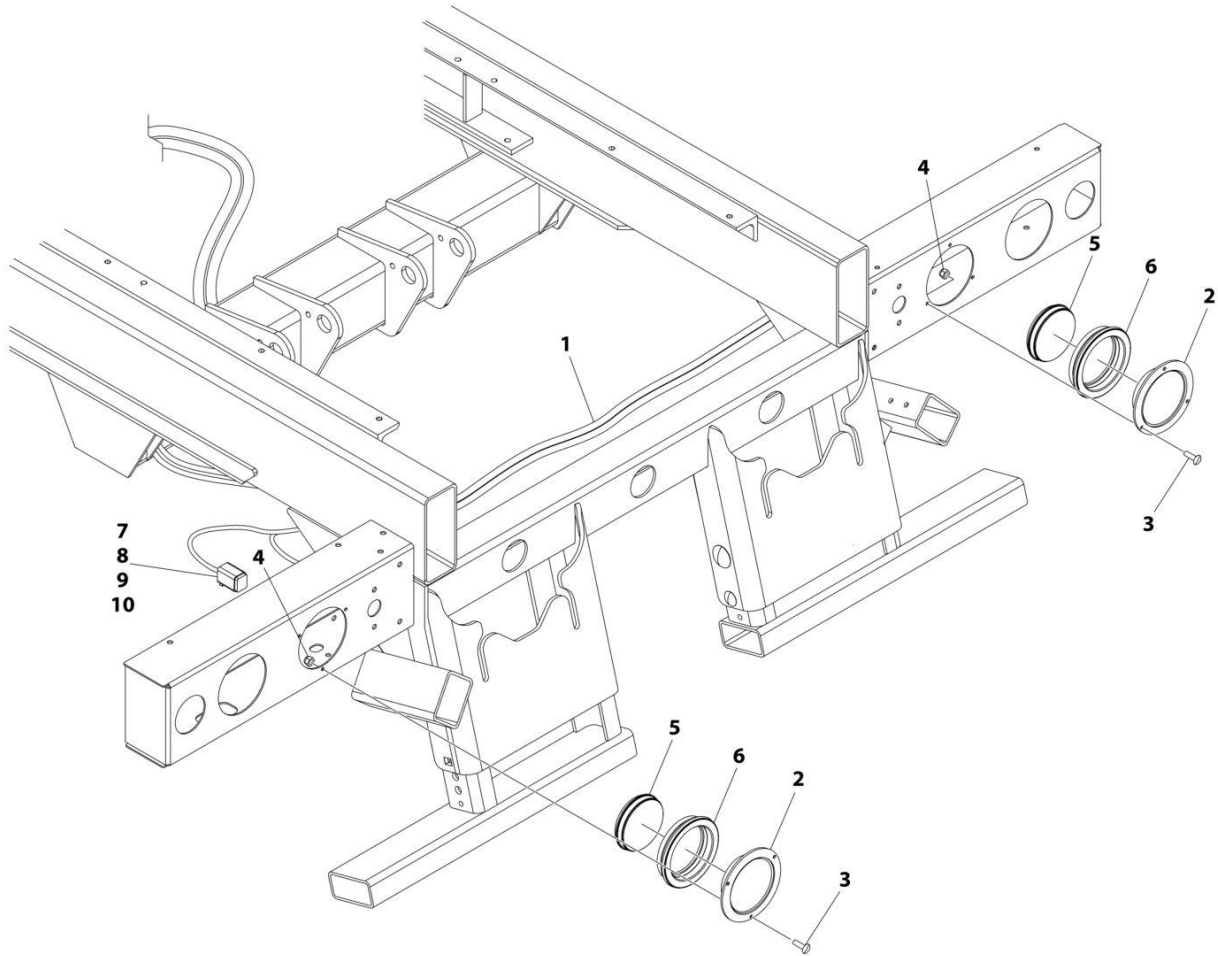
SECTION 8 - ACCESSORIES

FIGURE 8-53. STRAP TIE DOWN KIT - CARRIER 8 POINT TIRE

ITEM	PART NUMBER	QTY	DESCRIPTION	REV
1	CAR8PTTD 7894000073	Ref 1	STRAP/TIE DOWN KIT - 8-POINT TIRE STRAP Chain Strap and Chain Tyre Tie-Down	0

SECTION 8 - ACCESSORIES

FIGURE 8-54. TAIL LIGHT CONVERSION KIT, SPLIT STOP/TURN



ART_2590000292

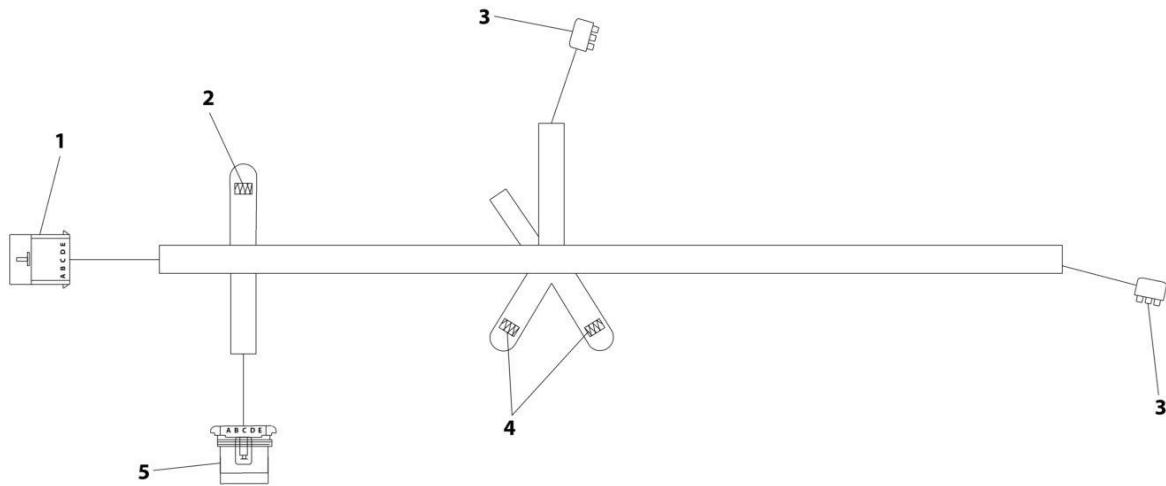
SECTION 8 - ACCESSORIES

FIGURE 8-54. TAIL LIGHT CONVERSION KIT, SPLIT STOP/TURN

ITEM	PART NUMBER	QTY	DESCRIPTION	REV
	2590000292	Ref	TAIL LIGHT CONVERSION KIT, SPLIT STOP/TURN	E
1	7552000472	1	Harness, Tail Light (See Separate Breakdown in this Section)	
2	7590000432	2	Light	
3	7114101018	6	Capscrew #10 x 1-1/4	
4	7660102604	6	Nut #10	
5	1001142769	2	Lamp	
6	7493000002	2	Grommet	
7	1001159336	1	Electrical Assembly, Tail Light Converter	
8	7345001714	6	Terminal	
9	7346000039	AR	Heat Shrink 1/4IN	
10	1001100949	1	Diode - IN5400, 50V, 3.0Amp	

SECTION 8 - ACCESSORIES

FIGURE 8-55. TAILLIGHT HARNESS



ART_7552000472

SECTION 8 - ACCESSORIES

FIGURE 8-55. TAILLIGHT HARNESS

ITEM	PART NUMBER	QTY	DESCRIPTION	REV
	7552000472	Ref	TAILLIGHT HARNESS	B
1		Ref	Connector - 5 Position	
1	1001116720	5	Terminal	
1		Ref	Seal	
2	7346000220	1	Resistor 100 Ohm/10 Watt	
3		Ref	Connector - 3 Position	
4	7346000231	2	Resistor 10 Ohm/50 Watt	
5	1001121726	1	Connector - 5 Position	
5	1001116747	5	Terminal	
5		Ref	Seal	

SECTION 8 - ACCESSORIES

FIGURE 8-56. TIE DOWN STRAP/RATCHET STRAP KIT

INFORMATION NOT AVAILABLE AT THE TIME OF PRINTING

ART_7577000242

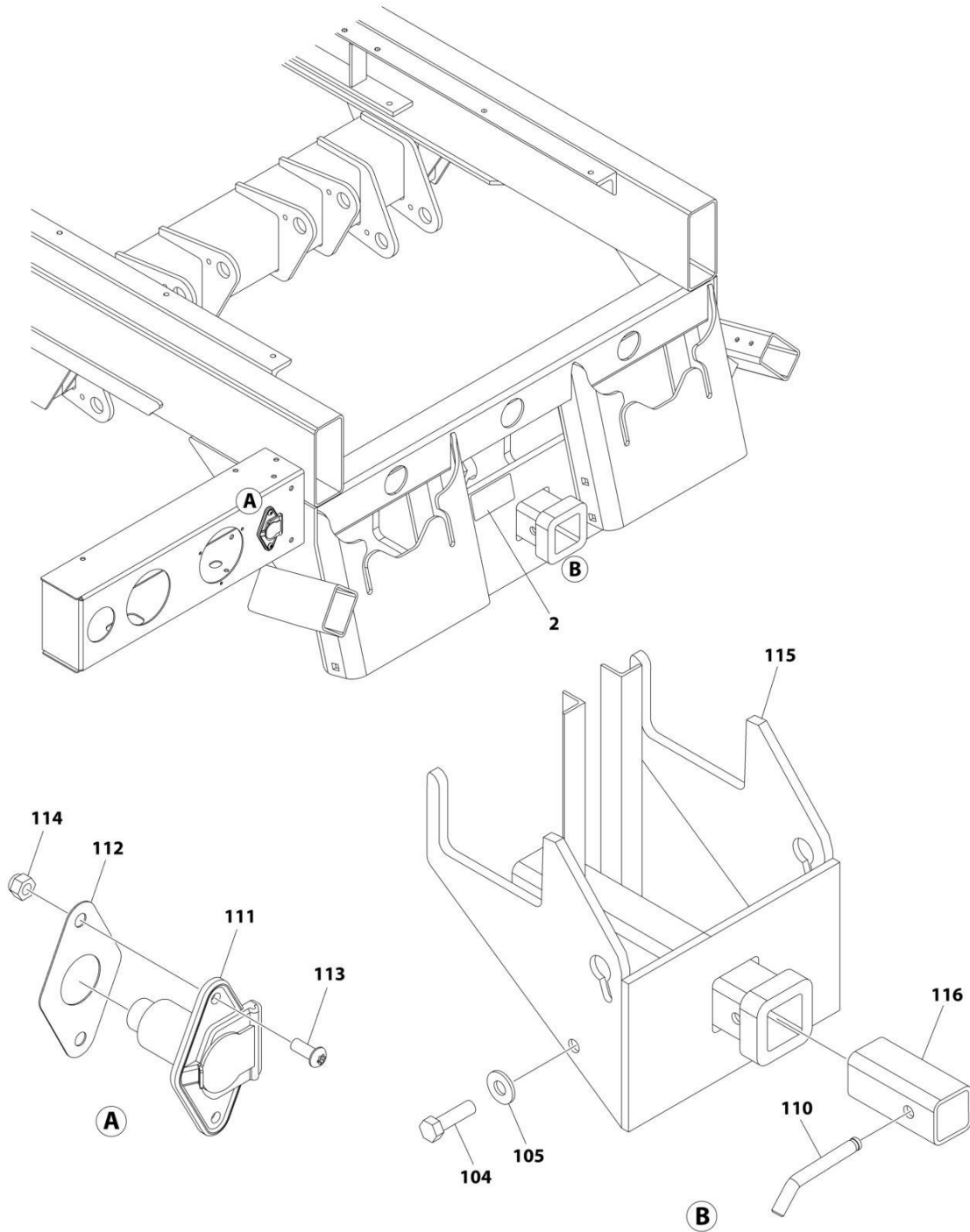
SECTION 8 - ACCESSORIES

FIGURE 8-56. TIE DOWN STRAP/RATCHET STRAP KIT

ITEM	PART NUMBER	QTY	DESCRIPTION	REV
	7577000242	Ref Ref	Tie Down Strap/Ratchet Strap Kit Note: No Service Parts Available at Time of Printing.	0

SECTION 8 - ACCESSORIES

FIGURE 8-57. TOW HITCH - 2-1/2IN RECEIVER



ART_RHS12-HD

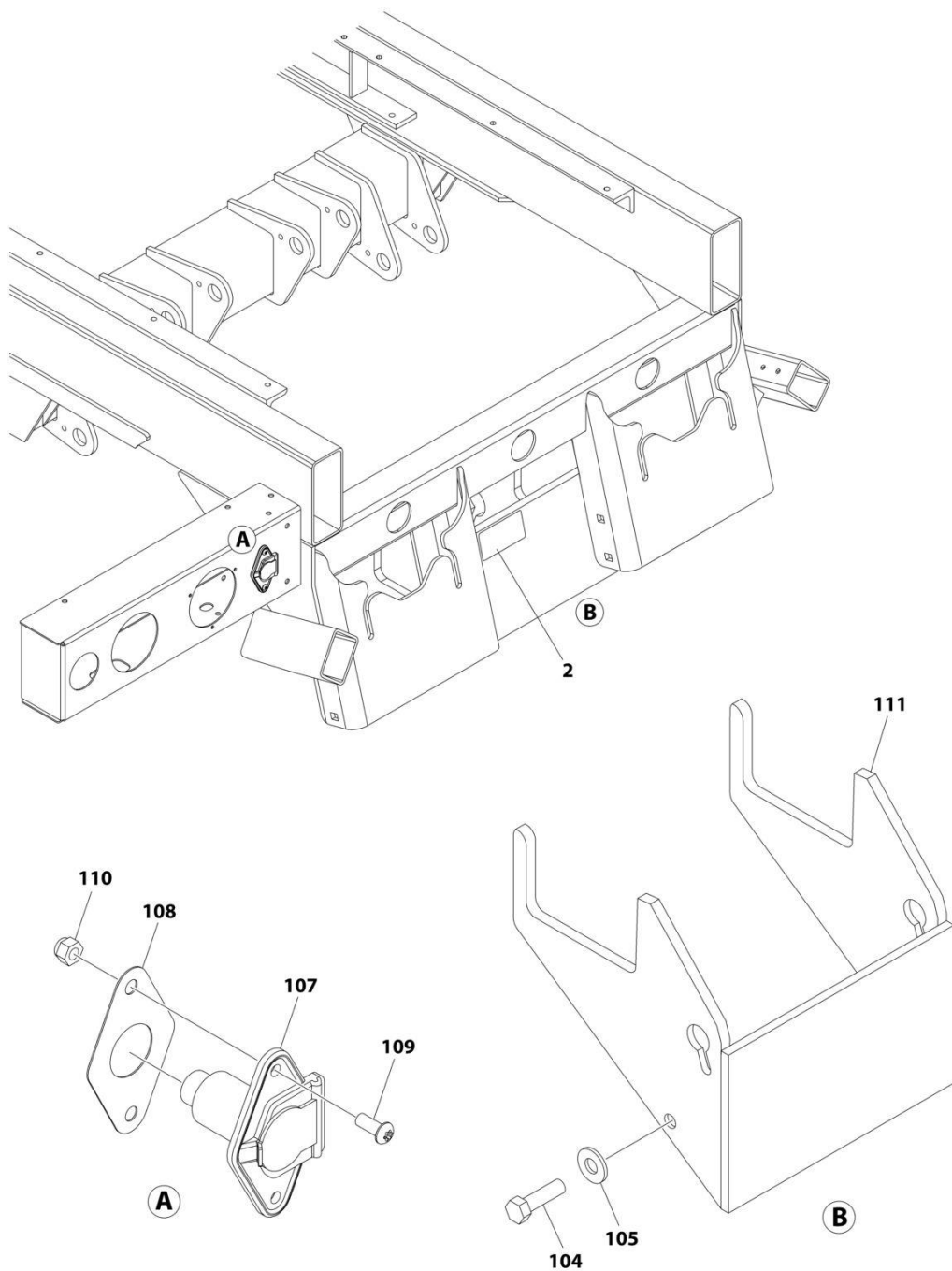
SECTION 8 - ACCESSORIES

FIGURE 8-57. TOW HITCH - 2-1/2IN RECEIVER

ITEM	PART NUMBER	QTY	DESCRIPTION	REV
	RHS12-HD	Ref	TOW HITCH - 2-1/2IN RECEIVER	0
1	A7WCON	1	7 Way Electrical Connector (Not Shown)	
2	2330000062	Ref	Decal Installation - Stationary Hitch	
2	7330000274	1	Decal - Warning Overloading	
3	3556000043	Ref	Hitch Installation (See Items 104-116 for Breakdown)	
104	7115181450	2	Bolt 1/2 x 1-3/4	
105	7950180150	2	Washer 1/2	
110	7691000033	1	Pin with Cotter Pin	
111	7291000010	1	Connector	
112	7796000048	1	Gasket	
113	7114140528	2	Screw 1/4 x 5/8	
114	7660142601	2	Nut 1/4	
115	1001180291	1	Hitch	
116	7913000006	1	Tube, Reducer	

SECTION 8 - ACCESSORIES

FIGURE 8-58. TOW HITCH - PINTLE (STATIONARY)



ART_PHS50-HD

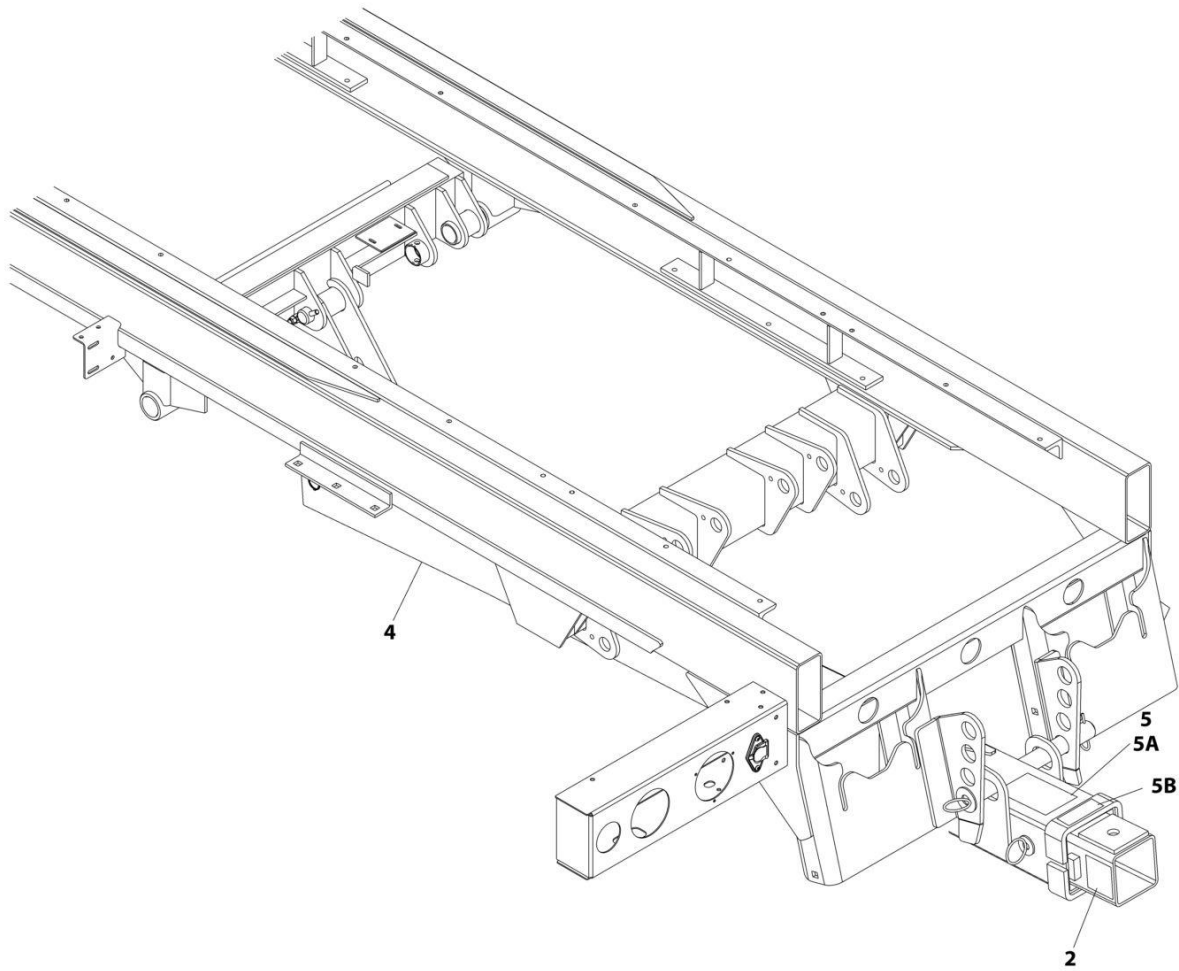
SECTION 8 - ACCESSORIES

FIGURE 8-58. TOW HITCH - PINTLE (STATIONARY)

ITEM	PART NUMBER	QTY	DESCRIPTION	REV
	PHS50-HD	Ref	TOW HITCH - PINTLE (STATIONARY)	0
1	A7WCON	1	7 Way Electrical Connector (Not Shown)	
2	2330000062	Ref	Decal Installation - Stationary Hitch	
2	7330000274	1	Decal - Warning Overloading	
3	3556000042	Ref	Hitch Installation (See Items 104-111 for Breakdown)	
104	7115181450	2	Bolt 1/2 x 1-3/4	
105	7950180150	2	Washer 1/2	
107	7291000010	1	Connector	
108	7796000048	1	Gasket	
109	7114140528	2	Screw 1/4 x 5/8	
110	7660142601	2	Nut 1/4	
111	1001180292	1	Hitch	

SECTION 8 - ACCESSORIES

FIGURE 8-59. TOW HITCH - TOW BALL (HYDRAULIC EXTEND)



ART_BHH35-HD

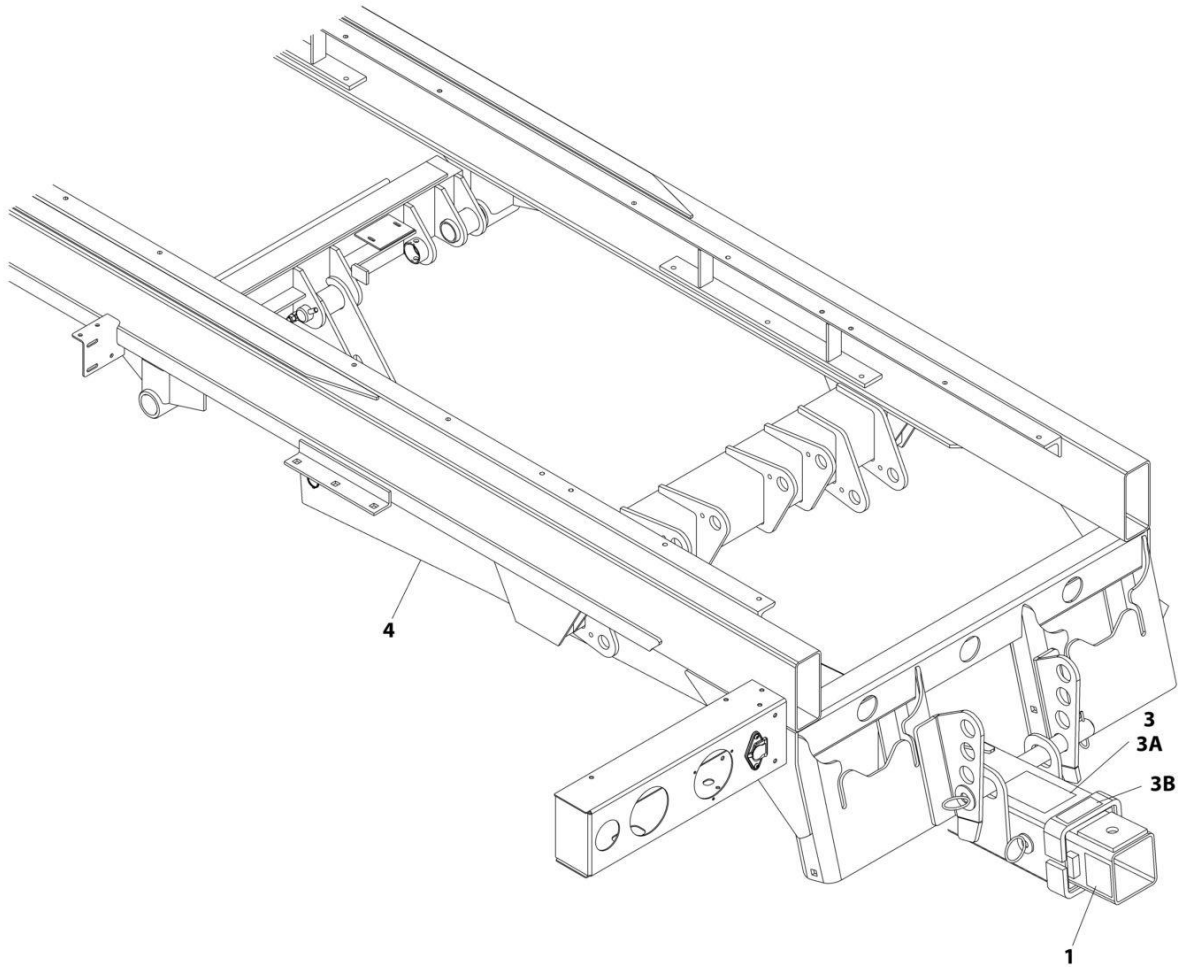
SECTION 8 - ACCESSORIES

FIGURE 8-59. TOW HITCH - TOW BALL (HYDRAULIC EXTEND)

ITEM	PART NUMBER	QTY	DESCRIPTION	REV
1	BHH35-HD	Ref	TOW HITCH - TOW BALL	0
	2570000055	Ref	Hose Installation (Not Shown - See Separate Breakdown in HYDRAULIC Section)	
2	2330000040	Ref	Decal Installation - Conspicuity Ball Hitch	
2	4330000002	2	Decal - Red Reflective	
3	A7WCON	1	7 Way Electrical Connector (Not Shown)	
4	2170000087	1	Hitch Boom Installation (See Separate Breakdown in this Section)	
5	2330000060	Ref	Decal Installation - Tow Option	
5A	7330000684	1	Decal - Safety	
5B	7330000391	1	Decal - Warning Tow Configuration	

SECTION 8 - ACCESSORIES

FIGURE 8-60. TOW HITCH - TOW BALL (MANUAL EXTEND)



ART_BHM35-HD

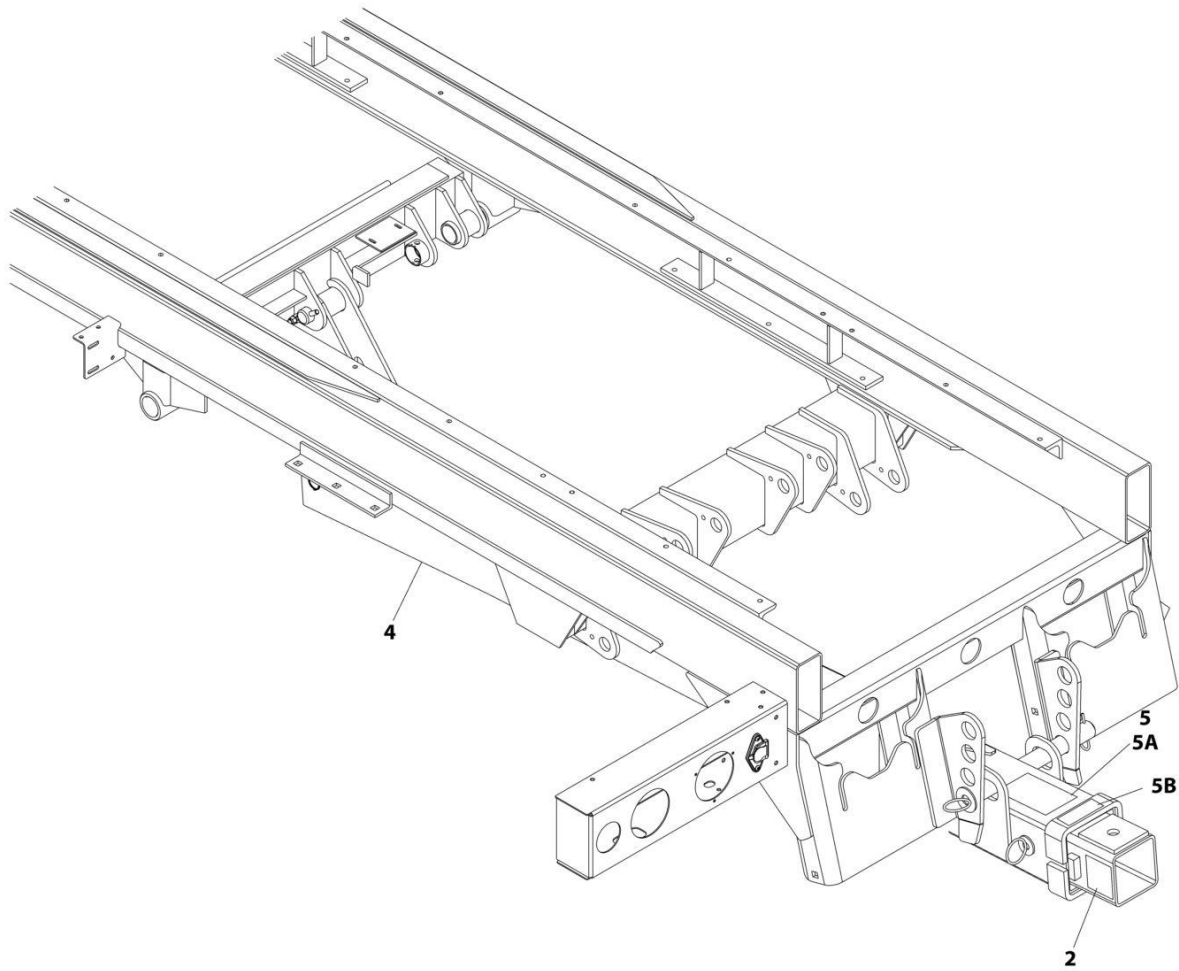
SECTION 8 - ACCESSORIES

FIGURE 8-60. TOW HITCH - TOW BALL (MANUAL EXTEND)

ITEM	PART NUMBER	QTY	DESCRIPTION	REV
	BHM35-HD	Ref	TOW HITCH - TOW BALL	0
1	2330000040	Ref	Decal Installation - Conspicuity Ball Hitch	
1	4330000002	2	Decal - Red Reflective	
2	A7WCON	1	7 Way Electrical Connector (Not Shown)	
3	2330000060	Ref	Decal Installation - Tow Option	
3A	7330000684	1	Decal - Safety	
3B	7330000391	1	Decal - Warning Tow Configuration	
4	2170000088	1	Hitch Boom Installation (See Separate Breakdown in this Section)	

SECTION 8 - ACCESSORIES

FIGURE 8-61. TOW HITCH - PINTLE (HYDRAULIC EXTEND)



ART_PHH35-HD

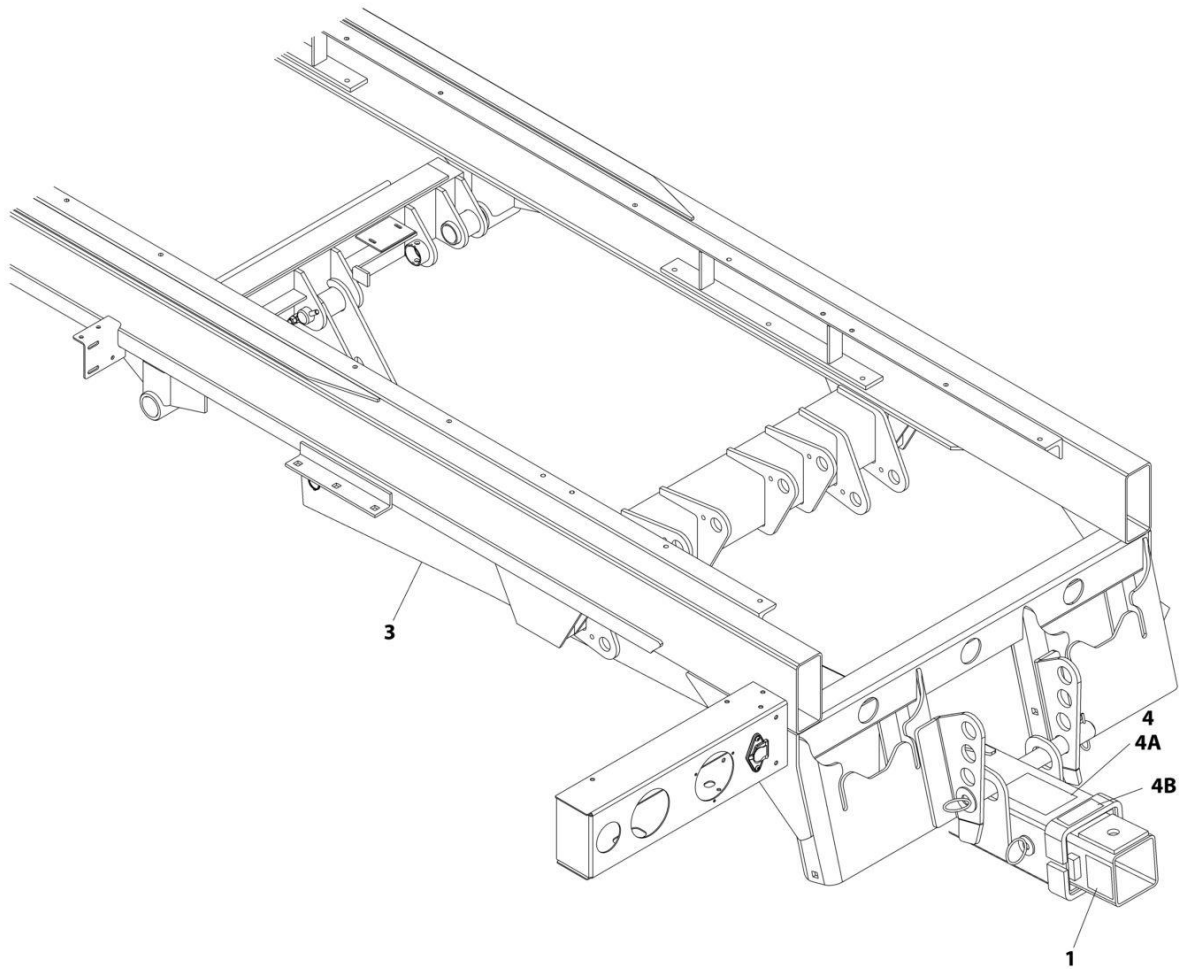
SECTION 8 - ACCESSORIES

FIGURE 8-61. TOW HITCH - PINTLE (HYDRAULIC EXTEND)

ITEM	PART NUMBER	QTY	DESCRIPTION	REV
1	PHH35-HD	Ref	TOW HITCH - PINTLE (HYDRAULIC EXTEND)	0
	2570000055	Ref	Hose Installation (Not Shown - See Separate Breakdown in HYDRAULIC Section)	
2	2330000041	Ref	Decal Installation - Conspicuity Ball Hitch	
2	7330000645	1	Decal - Red, Retro-reflective LH	
2	7330000646	1	Decal - Red, Retro-reflective RH	
3	A7WCON	1	7 Way Electrical Connector (Not Shown)	
4	2170000087	1	Hitch Boom Installation (See Separate Breakdown in this Section)	
5	2330000060	Ref	Decal Installation - Tow Option	
5A	7330000684	1	Decal - Safety	
5B	7330000391	1	Decal - Warning Tow Configuration	

SECTION 8 - ACCESSORIES

FIGURE 8-62. TOW HITCH – PINTLE (MANUAL EXTEND)



ART_PHM35-HD

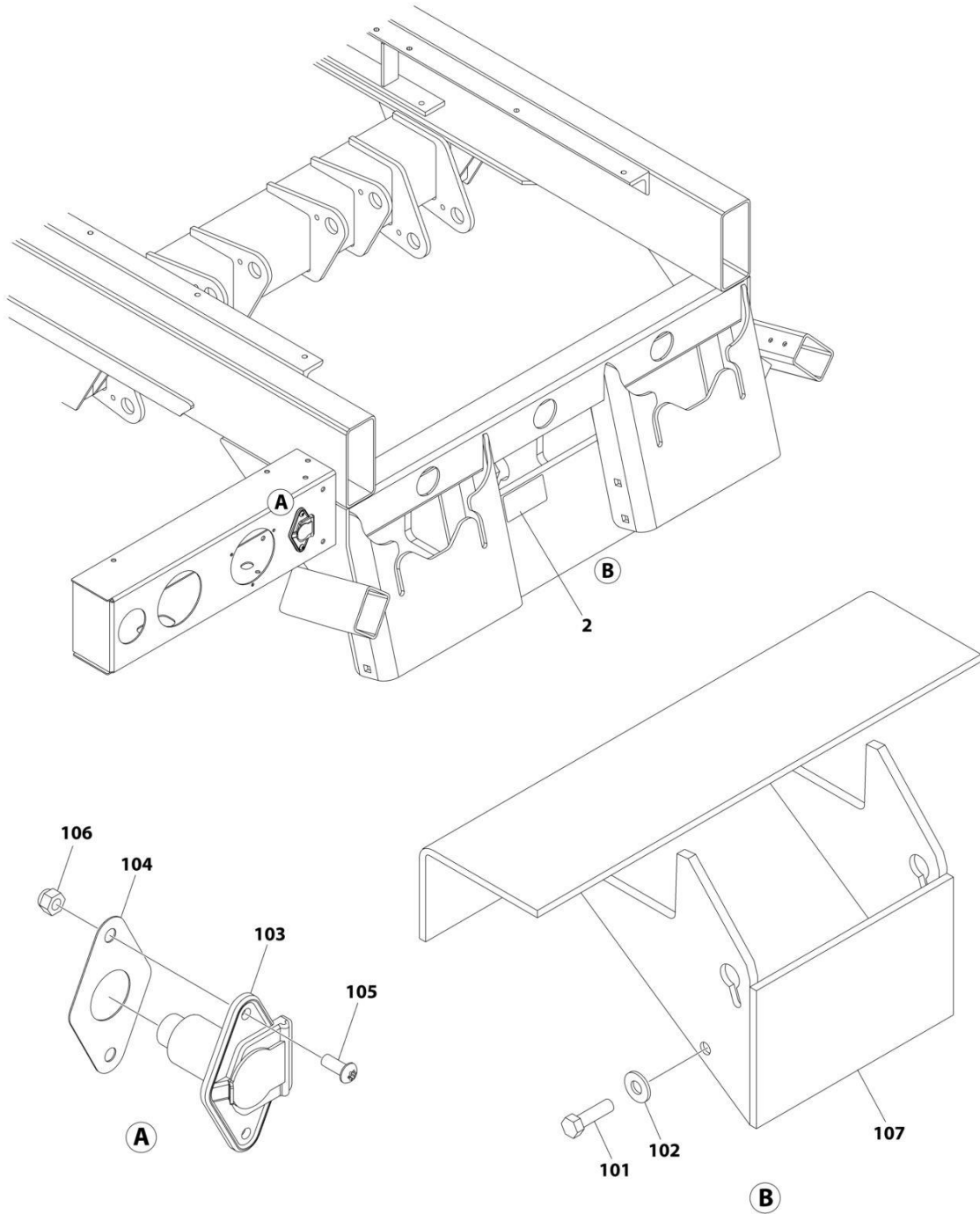
SECTION 8 - ACCESSORIES

FIGURE 8-62. TOW HITCH – PINTLE (MANUAL EXTEND)

ITEM	PART NUMBER	QTY	DESCRIPTION	REV
	PHM35-HD	Ref	TOW HITCH - PINTLE (MANUAL EXTEND)	0
1	2330000041	Ref	Reflective Tape Installation	
1	7330000645	1	Decal - Red, Retro-reflective LH	
1	7330000646	1	Decal - Red, Retro-reflective RH	
2	A7WCON	1	7 Way Electrical Connector (Not Shown)	
3	2170000090	1	Boom Installation, Pintle Hitch (Manual) (See Separate Breakdown in this Section)	
4	2330000060	Ref	Decal Installation - Tow Option	
4A	7330000684	1	Decal - Safety	
4B	7330000391	1	Decal - Warning Tow Configuration	

SECTION 8 - ACCESSORIES

FIGURE 8-63. TOW HITCH - PINTLE (STATIONARY - 30000LBS)



ART_1001136496

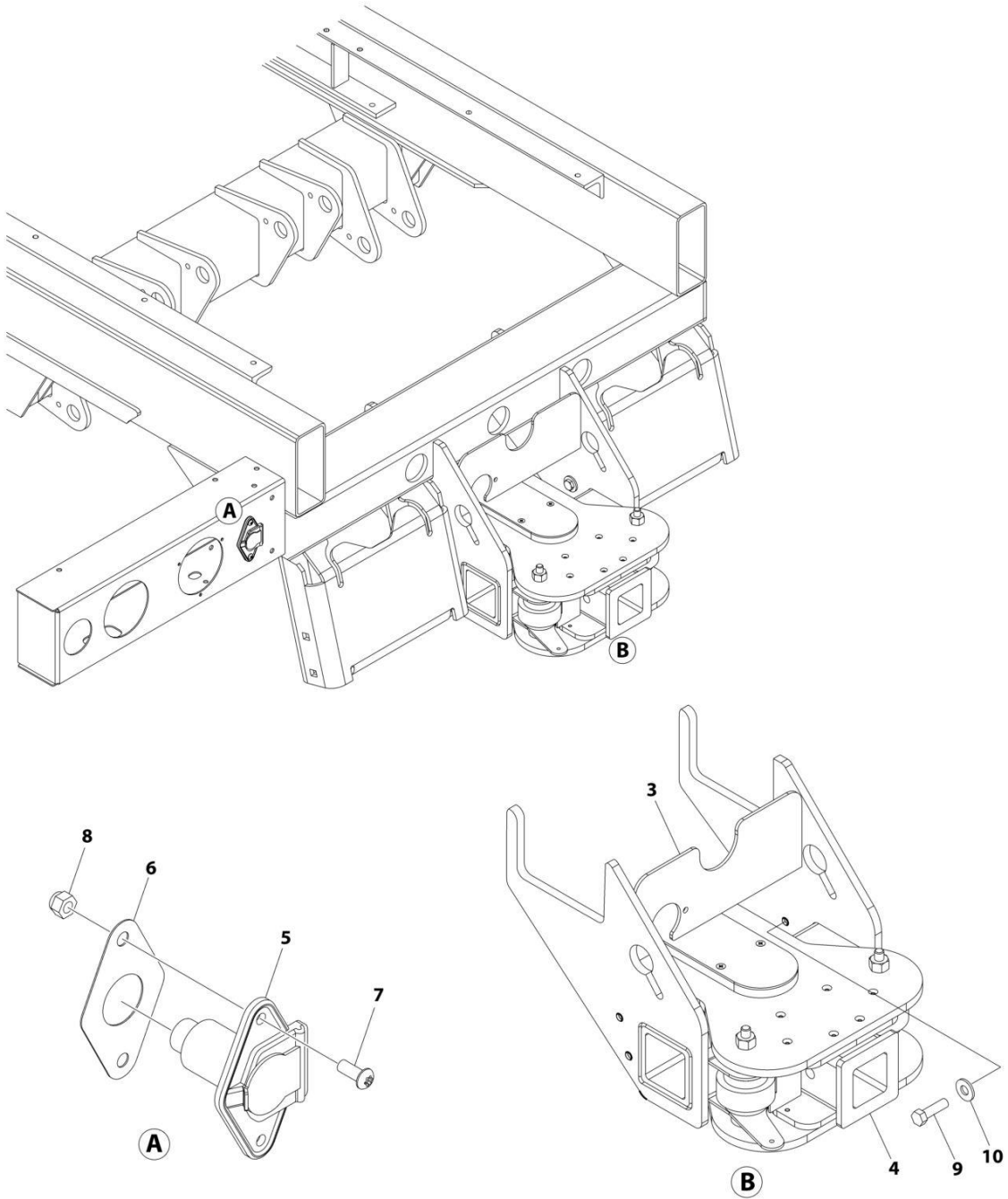
SECTION 8 - ACCESSORIES

FIGURE 8-63. TOW HITCH - PINTLE (STATIONARY - 30000LBS)

ITEM	PART NUMBER	QTY	DESCRIPTION	REV
	1001136496	Ref	TOW HITCH - PINTLE (STATIONARY - 30000LBS)	A
1	A7WCON	1	7 Way Electrical Connector (Not Shown)	
2	2330000062	Ref	Decal Installation - Stationary Hitch	
2	7330000274	1	Decal - Warning Overloading	
3	1001136497	Ref	Hitch Installation (See Items 101-107 for Breakdown)	
101	7115181450	2	Bolt 1/2 x 1-3/4	
102	7950180150	2	Washer 1/2	
103	7291000010	1	Connector	
104	7796000048	1	Gasket	
105	7114140528	2	Screw 1/4 x 5/8	
106	7660142601	2	Nut 1/4	
107	1001180293	1	Hitch	

SECTION 8 - ACCESSORIES

FIGURE 8-64. TOW HITCH (SUNBELT SPECS) (SN 0220005217 through 0220015208)



ART_1001129985

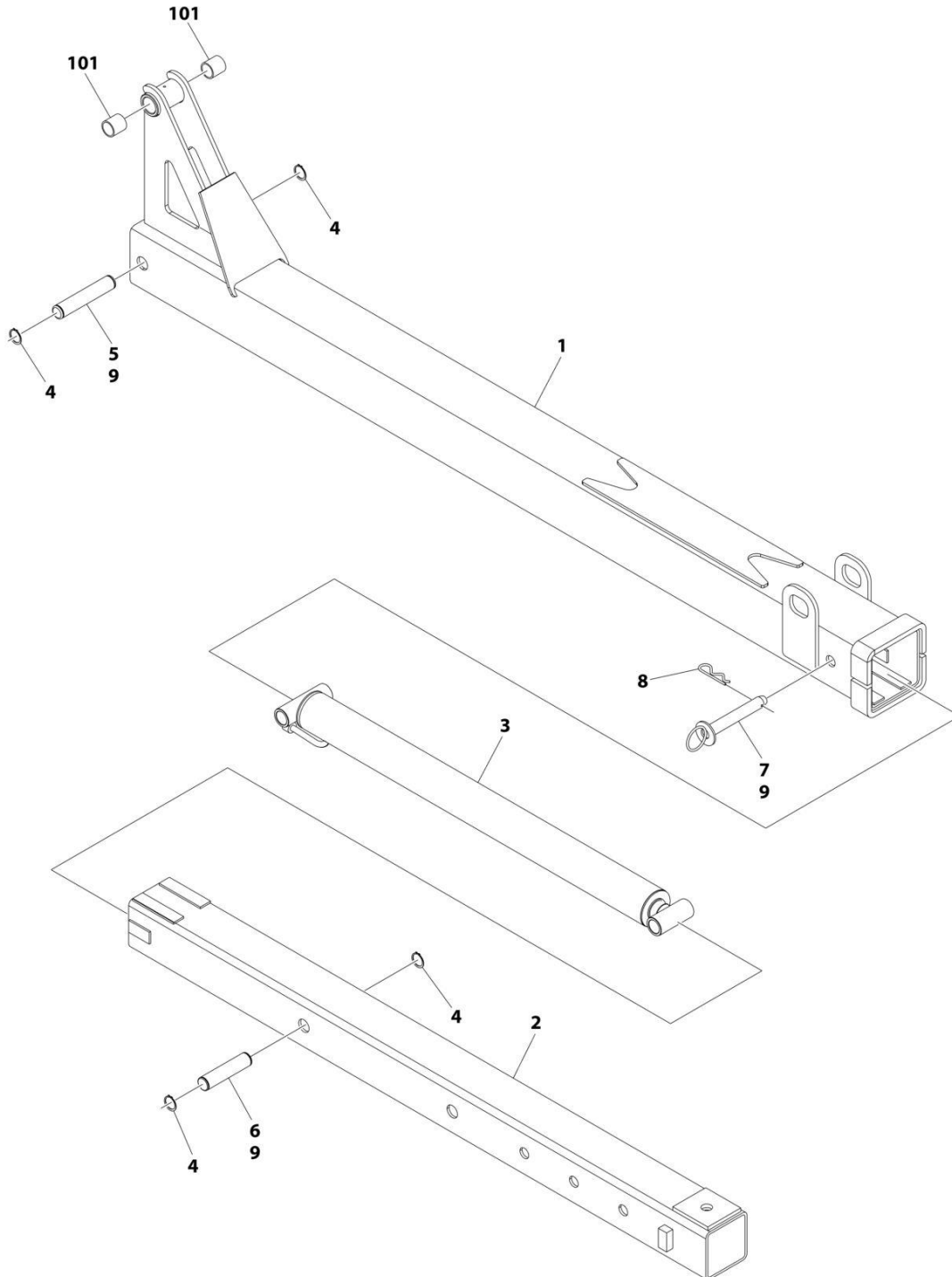
SECTION 8 - ACCESSORIES

FIGURE 8-64. TOW HITCH (SUNBELT SPECS) (SN 0220005217 through 0220015208)

ITEM	PART NUMBER	QTY	DESCRIPTION	REV
	1001129985	Ref	TOW HITCH (SUNBELT SPECS)	D
3	1001129984	1	Plate	
4	1001131288	1	Hitch	
5	7291000010	1	Connector	
6	7796000048	1	Gasket	
7	7114140528	2	Screw 1/4 x 5/8	
8	7660142601	2	Nut 1/4	
9	7115181450	4	Bolt 1/2 x 1-3/4	
10	7950180150	4	Washer 1/2	

SECTION 8 - ACCESSORIES

FIGURE 8-65. TOW HITCH BOOM ASSEMBLY - BALL HITCH PLATE (HYDRAULIC)



ART_3170000308

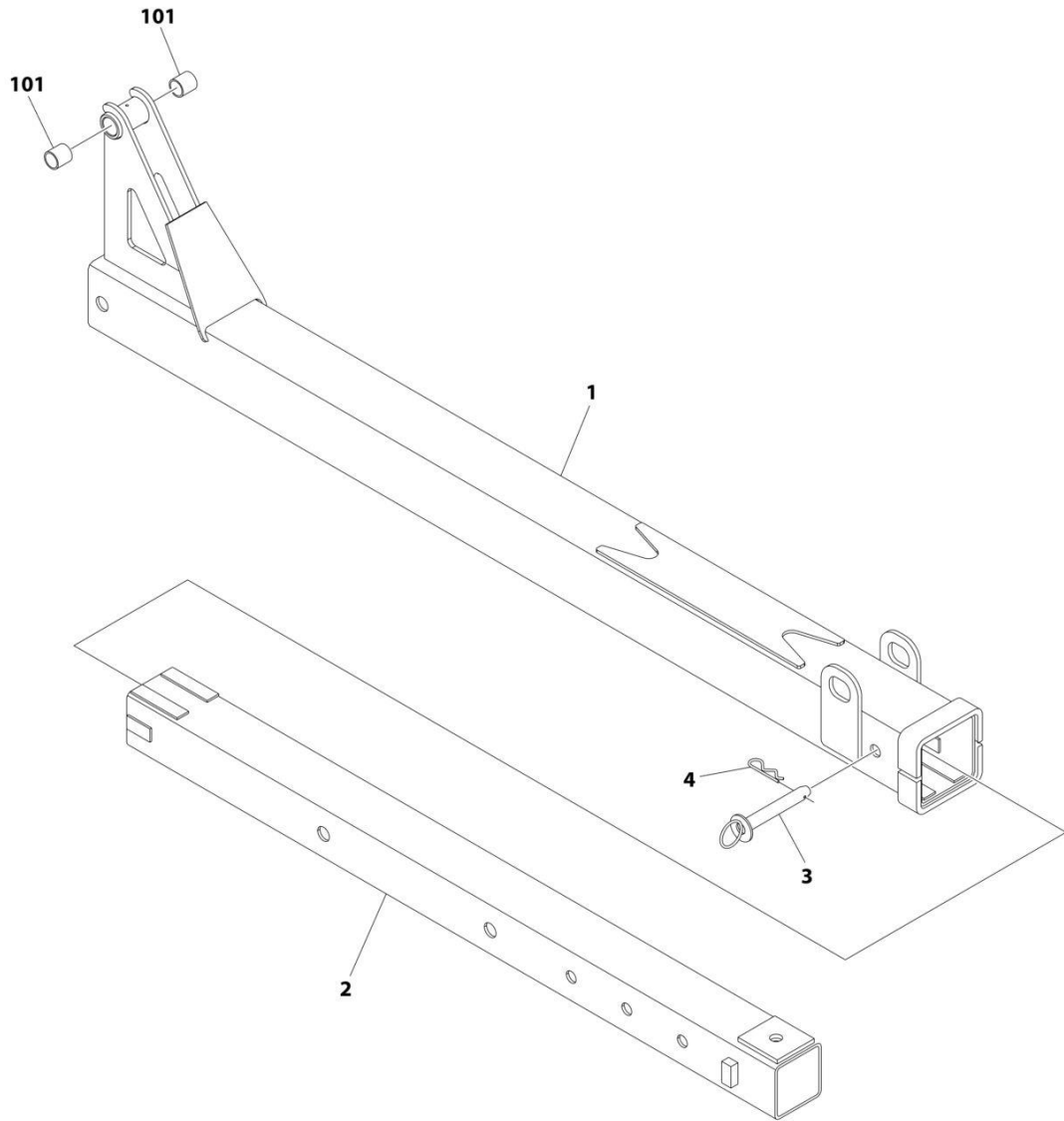
SECTION 8 - ACCESSORIES

FIGURE 8-65. TOW HITCH BOOM ASSEMBLY - BALL HITCH PLATE (HYDRAULIC)

ITEM	PART NUMBER	QTY	DESCRIPTION	REV
	3170000308	Ref	TOW HITCH BOOM ASSEMBLY - BALL HITCH PLATE (HYDRAULIC)	B
1	3170000314	1	Boom, Outer (Includes Item 101)	
2	3913000062	1	Boom, Inner	
3	1001183327	1	Cylinder Assembly (See Separate Breakdown in this Section)	
4	3760133	4	Ring, Retaining	
5	4691000430	1	Pin	
6	4691000429	1	Pin	
7	3691000064	1	Pin	
8	7691000001	1	Hair Pin	
9	3020039	AR	Lubricant	
101	7082000016	2	Bearing	

SECTION 8 - ACCESSORIES

FIGURE 8-66. TOW HITCH BOOM ASSEMBLY - BALL HITCH PLATE (MANUAL)



ART_3170000309

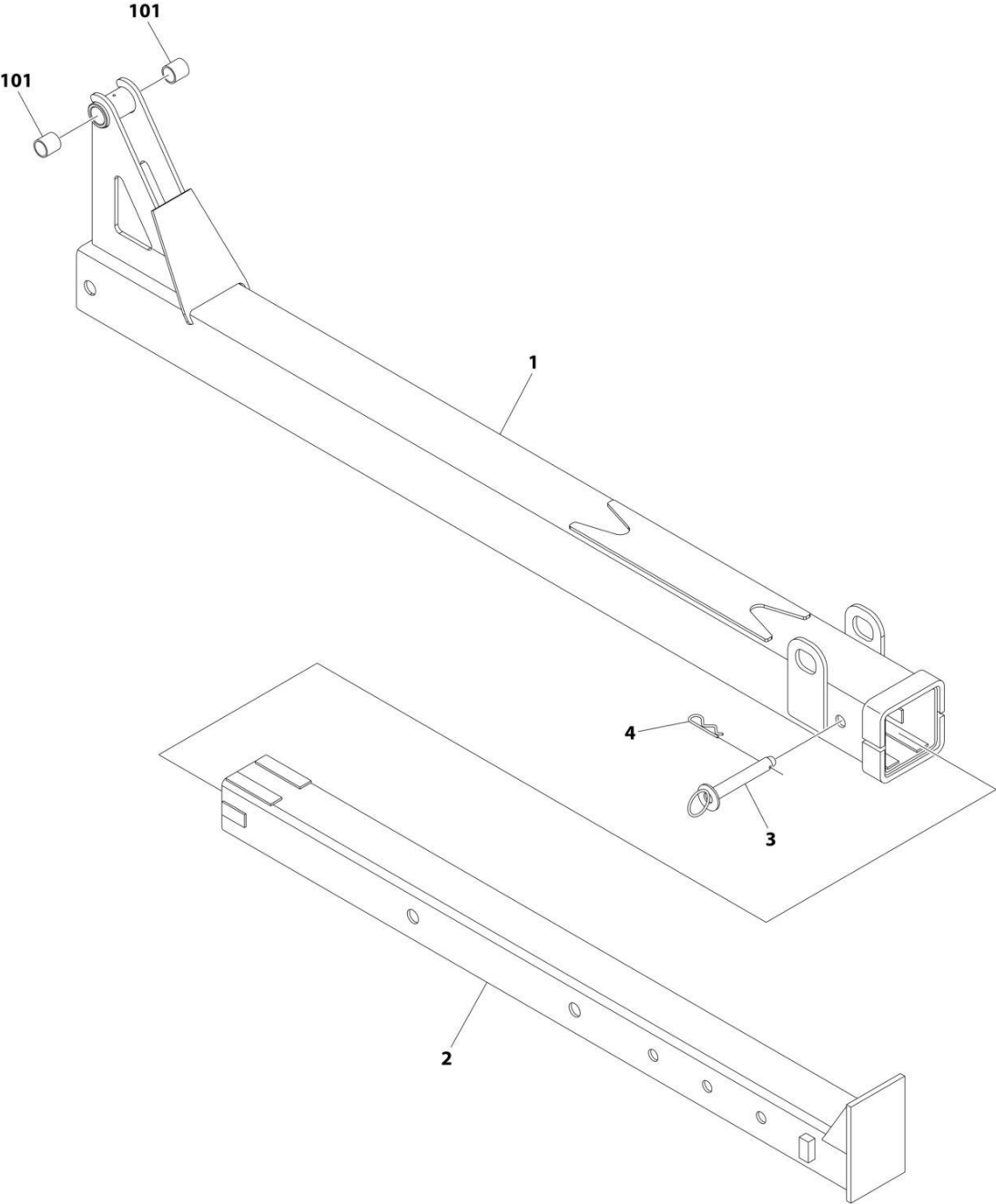
SECTION 8 - ACCESSORIES

FIGURE 8-66. TOW HITCH BOOM ASSEMBLY - BALL HITCH PLATE (MANUAL)

ITEM	PART NUMBER	QTY	DESCRIPTION	REV
	3170000309	Ref	TOW HITCH BOOM ASSEMBLY - BALL HITCH PLATE (MANUAL)	0
1	3170000314	1	Boom, Outer (Includes Item 101)	
2	3913000062	1	Boom, Inner	
3	3691000064	1	Pin	
4	7691000001	1	Hair Pin	
101	7082000016	2	Bearing	

SECTION 8 - ACCESSORIES

FIGURE 8-67. TOW HITCH BOOM ASSEMBLY - PINTLE HITCH PLATE (MANUAL)



ART_3170000312

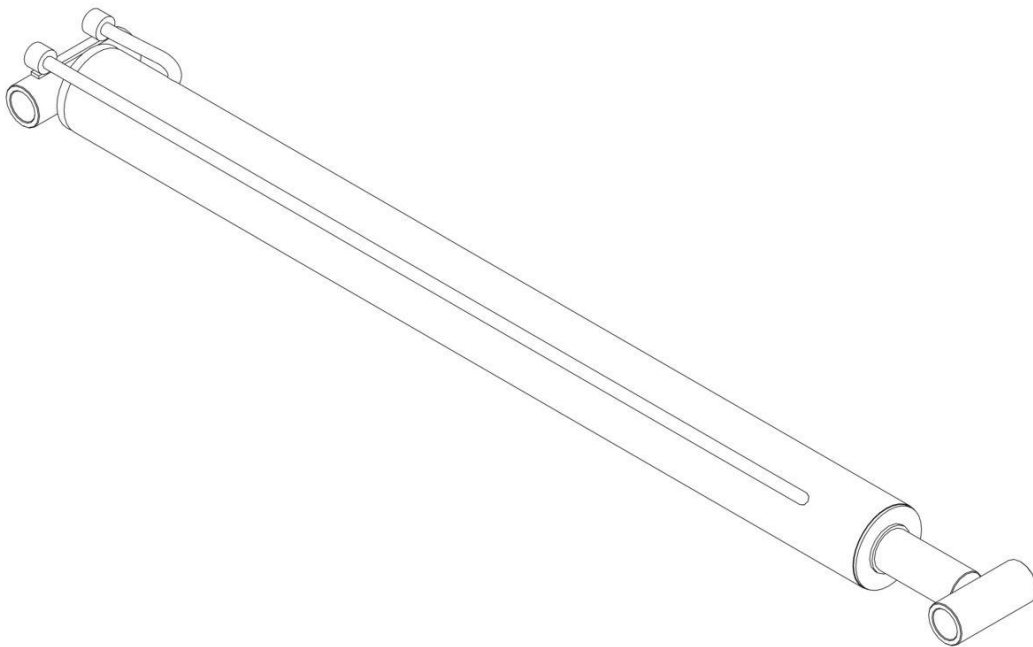
SECTION 8 - ACCESSORIES

FIGURE 8-67. TOW HITCH BOOM ASSEMBLY - PINTLE HITCH PLATE (MANUAL)

ITEM	PART NUMBER	QTY	DESCRIPTION	REV
	3170000312	Ref	TOW HITCH BOOM ASSEMBLY - PINTLE HITCH PLATE (MANUAL)	0
1	3170000314	1	Boom, Outer (Includes Item 101)	
2	3170000208	1	Boom, Inner	
3	3691000064	1	Pin	
4	7691000001	1	Hair Pin	
101	7082000016	2	Bearing	

SECTION 8 - ACCESSORIES

FIGURE 8-68. TOW HITCH CYLINDER ASSEMBLY – EXTEND/RETRACT



ART_1001183327

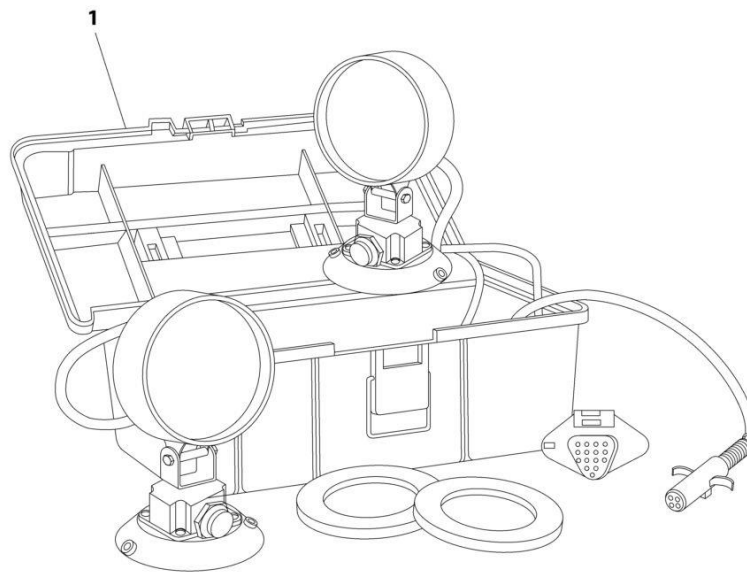
SECTION 8 - ACCESSORIES

FIGURE 8-68. TOW HITCH CYLINDER ASSEMBLY – EXTEND/RETRACT

ITEM	PART NUMBER	QTY	DESCRIPTION	REV
	1001183327	Ref Ref	TOW HITCH CYLINDER ASSEMBLY – EXTEND/RETRACT Note: No Service Components Available at Time of Printing.	D

SECTION 8 - ACCESSORIES

FIGURE 8-69. TOW LIGHTS, MAGNETIC



ART_LMT

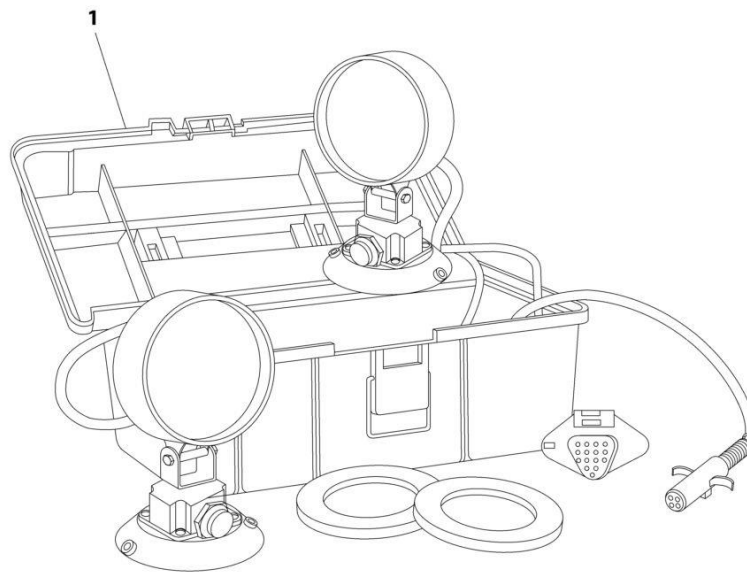
SECTION 8 - ACCESSORIES

FIGURE 8-69. TOW LIGHTS, MAGNETIC

ITEM	PART NUMBER	QTY	DESCRIPTION	REV
1	LMT 5525000752	Ref 1	TOW LIGHT KIT - MAGNETIC MOUNTED Magnetic Light Kit Towing - with Case	0

SECTION 8 - ACCESSORIES

FIGURE 8-70. TOW LIGHTS, MAGNETIC/SUCTION



ART_LST

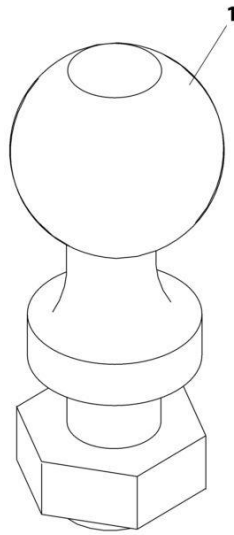
SECTION 8 - ACCESSORIES

FIGURE 8-70. TOW LIGHTS, MAGNETIC/SUCTION

ITEM	PART NUMBER	QTY	DESCRIPTION	REV
1	LST 7002000449	Ref 1	SUCTION MOUNTED TOW LIGHT KIT Tow Lights Suction	0

SECTION 8 - ACCESSORIES

FIGURE 8-71. TRAILER ACC, 1-7/8" DIA BALL



ART_TB178

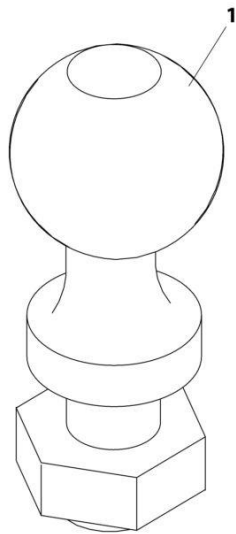
SECTION 8 - ACCESSORIES

FIGURE 8-71. TRAILER ACC, 1-7/8" DIA BALL

ITEM	PART NUMBER	QTY	DESCRIPTION	REV
1	TB178 7056000007	Ref 1	TRAILER BALL - 1.88IN DIA BALL Ball	0

SECTION 8 - ACCESSORIES

FIGURE 8-72. TRAILER ACC, 2" DIA BALL



ART_TB200

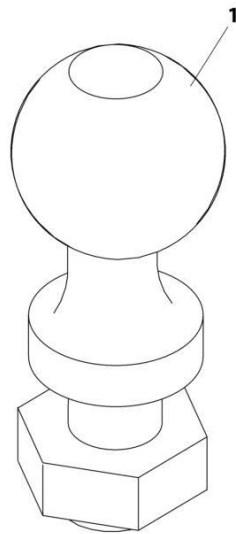
SECTION 8 - ACCESSORIES

FIGURE 8-72. TRAILER ACC, 2" DIA BALL

ITEM	PART NUMBER	QTY	DESCRIPTION	REV
1	TB200 7056000008	Ref 1	TRAILER BALL - 2IN DIA BALL Ball	0

SECTION 8 - ACCESSORIES

FIGURE 8-73. TRAILER ACC, 2-5/16" DIA BALL



ART_TB256

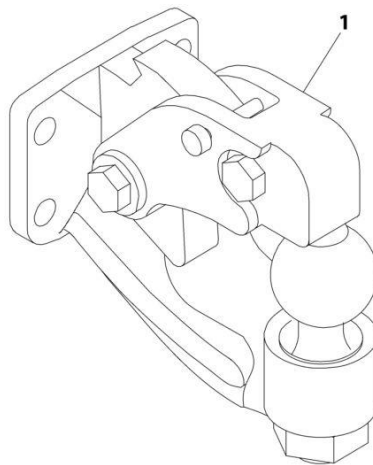
SECTION 8 - ACCESSORIES

FIGURE 8-73. TRAILER ACC, 2-5/16" DIA BALL

ITEM	PART NUMBER	QTY	DESCRIPTION	REV
1	TB256 7056000009	Ref 1	TRAILER BALL - 2-5/16IN DIA BALL Ball	0

SECTION 8 - ACCESSORIES

FIGURE 8-74. TRAILER ACC, DUPLEX PINTLE HITCH



ART_DPH-16B

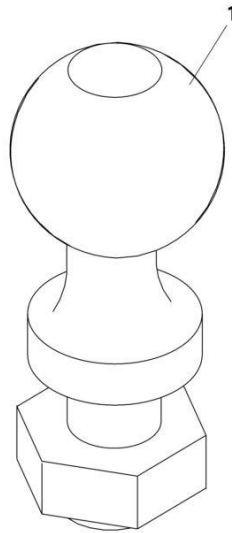
SECTION 8 - ACCESSORIES

FIGURE 8-74. TRAILER ACC, DUPLEX PINTLE HITCH

ITEM	PART NUMBER	QTY	DESCRIPTION	REV
1	DPH-16B 7556000003	Ref 1	TRAILER PINTLE WITH BALL Pintle Hitch	B

SECTION 8 - ACCESSORIES

FIGURE 8-75. TRAILER ACC, SS CONVERT-A-BALL KIT



ART_1001133675

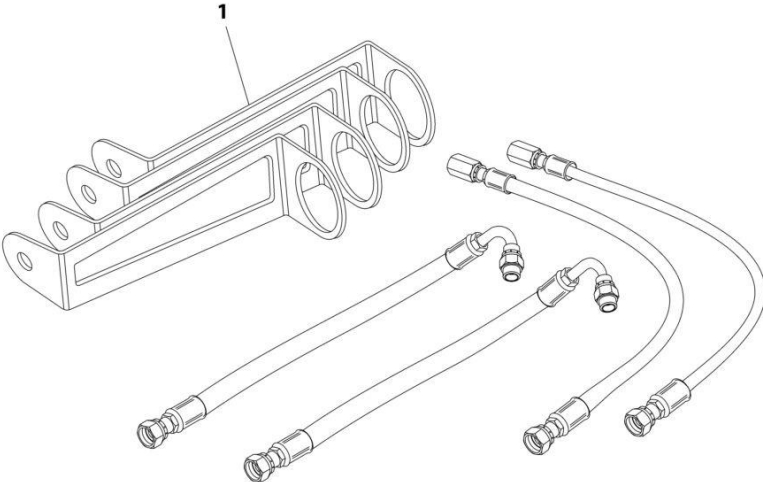
SECTION 8 - ACCESSORIES

FIGURE 8-75. TRAILER ACC, SS CONVERT-A-BALL KIT

ITEM	PART NUMBER	QTY	DESCRIPTION	REV
1	1001133675 7002000458	Ref 1	TRAILER BALL - SS CONVERT-A-BALL KIT Ball	A

SECTION 8 - ACCESSORIES

FIGURE 8-76. VALVE STEM EXTENSION KIT



ART_2002000029

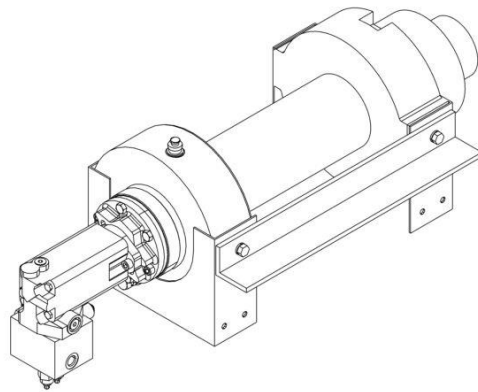
SECTION 8 - ACCESSORIES

FIGURE 8-76. VALVE STEM EXTENSION KIT

ITEM	PART NUMBER	QTY	DESCRIPTION	REV
1	2002000029	Ref	Valve System Extension Kit	0
	7002000447	1	Valve Stem	

SECTION 8 - ACCESSORIES

FIGURE 8-77. WINCH ASSEMBLY – 15K LBS (FRONT BUMPER MOUNTED)



ART_1001133342

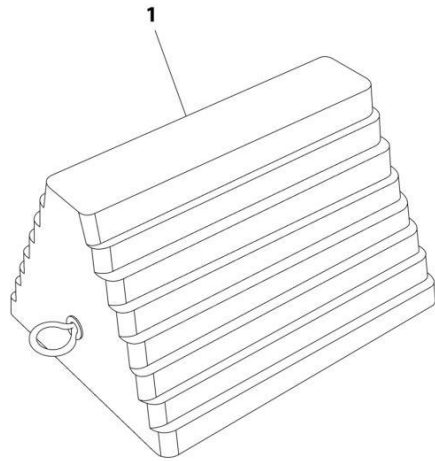
SECTION 8 - ACCESSORIES

FIGURE 8-77. WINCH ASSEMBLY – 15K LBS (FRONT BUMPER MOUNTED)

ITEM	PART NUMBER	QTY	DESCRIPTION	REV
	1001133342	Ref Ref	WINCH ASSEMBLY Note: No Service Part Available at the Time of Printing	0

SECTION 8 - ACCESSORIES

FIGURE 8-78. WHEEL CHUCKS (RUBBER)



ART_RWC

SECTION 8 - ACCESSORIES

FIGURE 8-78. WHEEL CHUCKS (RUBBER)

ITEM	PART NUMBER	QTY	DESCRIPTION	REV
1	RWC 7002000448	Ref 2	WHEEL CHOCKS Wheel Chock - Rubber	0

SECTION 9 - BUILD DOCUMENTS

SECTION 9 - BUILD DOCUMENTS

FIGURE 9-1. BUILD DOC_5376000283

ITEM	PART NUMBER	QTY	DESCRIPTION	REV
	Note	Ref	Note: This list is for build tracking purposes only. Parts in this list are not available at this inventory stocking level. Parts in this list may not be applicable to all models. For more specific parts information contact Jerr-Dan Parts Department	
	1001241870	Ref	SERVICE/AFTERMARKET KIT LIST	K
	C3BNORC-TPR	Ref	3 BANK VALVE INSTALLATION - NO/MAN TOW/REMOTE CONTROL (SN 0220005217 through 0220005522)	
	2296000107	Ref	3 BANK CONTROLS INSTALLATION - NO/MAN TOW/REMOTE CONTROL (See Separate Breakdown in CONTROL Section) (SN 0220005217 through 0220005522)	
	2577000017	Ref	LINEAR ACTUATOR MOUNT KIT (See Separate Breakdown in CONTROL Section) (SN 0220005217 through 0220005522)	
	1001170381	Ref	3 BANK VALVE INSTALLATION - NO/MAN TOW/REMOTE CONTROL (SN 0220005523 to Present)	
	1001170378	Ref	3 BANK CONTROLS INSTALLATION - NO/MAN TOW/REMOTE CONTROL (See Separate Breakdown in CONTROL Section) (SN 0220005523 to Present)	
	2577000017	Ref	LINEAR ACTUATOR MOUNT KIT (See Separate Breakdown in CONTROL Section) (SN 0220005523 to Present)	
	C4BSTRC-TPR	Ref	4 BANK VALVE INSTALLATION - NO/MAN TOW/STABLIZERS/REMOTE CONTROL (SN 0220005217 through 0220005522)	
	2296000108	Ref	4 BANK CONTROLS INSTALLATION - NO/MAN TOW/STABLIZERS/REMOTE CONTROL (See Separate Breakdown in CONTROL Section) (SN 0220005217 through 0220005522)	
	2577000017	Ref	LINEAR ACTUATOR MOUNT KIT (See Separate Breakdown in CONTROL Section) (SN 0220005217 through 0220005522)	
	1001170392	Ref	4 BANK VALVE INSTALLATION - NO/MAN TOW/STABLIZERS/REMOTE CONTROL (SN 0220005523 to Present)	
	1001170391	Ref	4 BANK CONTROLS INSTALLATION - NO/MAN TOW/STABLIZERS/REMOTE CONTROL (See Separate Breakdown in CONTROL Section) (SN 0220005523 to Present)	
	2577000017	Ref	LINEAR ACTUATOR MOUNT KIT (See Separate Breakdown in CONTROL Section) (SN 0220005523 to Present)	
	C4BHTRC-TPR	Ref	4 BANK VALVE INSTALLATION - HYDRAULIC TOW/REMOTE CONTROL (SN 0220005217 through 0220005522)	
	2296000112	Ref	4 BANK CONTROLS INSTALLATION - HYDRAULIC TOW/REMOTE CONTROL (See Separate Breakdown in CONTROL Section) (SN 0220005217 through 0220005522)	
	2577000017	Ref	LINEAR ACTUATOR MOUNT KIT (See Separate Breakdown in CONTROL Section) (SN 0220005217 through 0220005522)	
	1001170385	Ref	4 BANK VALVE INSTALLATION - HYDRAULIC TOW/REMOTE CONTROL (SN 0220005523 to Present)	
	1001170390	Ref	4 BANK CONTROLS INSTALLATION - HYDRAULIC TOW/REMOTE CONTROL (See Separate Breakdown in CONTROL Section) (SN 0220005523 to Present)	
	2577000017	Ref	LINEAR ACTUATOR MOUNT KIT (See Separate Breakdown in CONTROL Section) (SN 0220005523 to Present)	
	1001153232	Ref	4 BANK VALVE INSTALLATION - HYDRAULIC TOW/WINCH MOTOR SPOOL/REMOTE CONTROL (SN 0220005217 through 0220005522)	
	1001145990	Ref	4 BANK CONTROLS INSTALLATION - HYDRAULIC TOW/WINCH MOTOR SPOOL/REMOTE CONTROL (See Separate Breakdown in CONTROL Section) (SN 0220005217 through 0220005522)	

SECTION 9 - BUILD DOCUMENTS

ITEM	PART NUMBER	QTY	DESCRIPTION	REV
	2577000017	Ref	through 0220005522) LINEAR ACTUATOR MOUNT KIT (See Separate Breakdown in CONTROL Section) (SN 0220005217 through 0220005522)	
	1001170424	Ref	4 BANK VALVE INSTALLATION - HYDRAULIC TOW/WINCH MOTOR SPOOL/REMOTE CONTROL (SN 0220005523 to Present)	
	1001170423	Ref	4 BANK CONTROLS INSTALLATION - HYDRAULIC TOW/WINCH MOTOR SPOOL/REMOTE CONTROL (See Separate Breakdown in CONTROL Section) (SN 0220005523 to Present)	
	2577000017	Ref	LINEAR ACTUATOR MOUNT KIT (See Separate Breakdown in CONTROL Section) (SN 0220005523 to Present)	
	C5BSTRC-TPR	Ref	5 BANK VALVE INSTALLATION - HYDRAULIC TOW/STABLIZERS/REMOTE CONTROL (SN 0220005217 through 0220005522)	
	2296000111	Ref	5 BANK CONTROLS INSTALLATION - HYDRAULIC TOW/STABILIZER/REMOTE CONTROL (See Separate Breakdown in CONTROL Section) (SN 0220005217 through 0220005522)	
	2577000017	Ref	LINEAR ACTUATOR MOUNT KIT (See Separate Breakdown in CONTROL Section) (SN 0220005217 through 0220005522)	
	1001170402	Ref	5 BANK VALVE INSTALLATION - HYDRAULIC TOW/STABLIZERS/REMOTE CONTROL (SN 0220005523 to Present)	
	1001170401	Ref	5 BANK CONTROLS INSTALLATION - HYDRAULIC TOW/STABILIZER/REMOTE CONTROL (See Separate Breakdown in CONTROL Section) (SN 0220005523 to Present)	
	2577000017	Ref	LINEAR ACTUATOR MOUNT KIT (See Separate Breakdown in CONTROL Section) (SN 0220005523 to Present)	
	C5BITRC-GSA	Ref	5 BANK VALVE INSTALLATION - HYDRAULIC TOW/IRL/REMOTE CONTROL (GSA SPEC) (SN 0220005217 through 0220005522)	
	2296000153	Ref	5 BANK CONTROLS INSTALLATION - HYDRAULIC TOW/IRL/REMOTE CONTROL (See Separate Breakdown in CONTROL Section) (GSA SPEC) (SN 0220005217 through 0220005522)	
	2577000017	Ref	LINEAR ACTUATOR MOUNT KIT (See Separate Breakdown in CONTROL Section) (GSA SPEC) (SN 0220005217 through 0220005522)	
	1001170398	Ref	5 BANK VALVE INSTALLATION - HYDRAULIC TOW/IRL/REMOTE CONTROL (GSA SPEC) (SN 0220005217 through 0220015208)	
	1001170394	Ref	5 BANK CONTROLS INSTALLATION - HYDRAULIC TOW/IRL/REMOTE CONTROL (See Separate Breakdown in CONTROL Section) (GSA SPEC) (SN 0220005217 through 0220015208)	
	2577000017	Ref	LINEAR ACTUATOR MOUNT KIT (See Separate Breakdown in CONTROL Section) (GSA SPEC) (SN 0220005217 through 0220015208)	
	C5BITRC-TPR	Ref	5 BANK VALVE INSTALLATION - HYDRAULIC TOW/IRL/REMOTE CONTROL (SN 0220005217 through 0220005522)	
	2296000106	Ref	5 BANK CONTROLS INSTALLATION - HYDRAULIC TOW/IRL/REMOTE CONTROL (See Separate Breakdown in CONTROL Section) (SN 0220005217 through 0220005522)	
	2577000017	Ref	LINEAR ACTUATOR MOUNT KIT (See Separate Breakdown in CONTROL Section) (SN 0220005217 through 0220005522)	
	1001170397	Ref	5 BANK VALVE INSTALLATION - HYDRAULIC TOW/IRL/REMOTE CONTROL (SN 0220005523 to Present)	
	1001170393	Ref	5 BANK CONTROLS INSTALLATION - HYDRAULIC	

SECTION 9 - BUILD DOCUMENTS

ITEM	PART NUMBER	QTY	DESCRIPTION	REV
			TOW/IRL/REMOTE CONTROL (See Separate Breakdown in CONTROL Section) (SN 0220005523 to Present)	
	2577000017	Ref	LINEAR ACTUATOR MOUNT KIT (See Separate Breakdown in CONTROL Section) (SN 0220005523 to Present)	
	1001153233	Ref	5 BANK VALVE INSTALLATION - HYDRAULIC TOW/WINCH MOTOR SPOOL/REMOTE CONTROL (SN 0220005217 through 0220005522)	
	1001146605	Ref	5 BANK CONTROLS INSTALLATION - HYDRAULIC TOW/WINCH MOTOR SPOOL/REMOTE CONTROL (See Separate Breakdown in CONTROL Section) (SN 0220005217 through 0220005522)	
	2577000017	Ref	LINEAR ACTUATOR MOUNT KIT (See Separate Breakdown in CONTROL Section) (SN 0220005217 through 0220005522)	
	1001170400	Ref	5 BANK VALVE INSTALLATION - HYDRAULIC TOW/WINCH MOTOR SPOOL/REMOTE CONTROL (SN 0220005523 to Present)	
	1001170399	Ref	5 BANK CONTROLS INSTALLATION - HYDRAULIC TOW/WINCH MOTOR SPOOL/REMOTE CONTROL (See Separate Breakdown in CONTROL Section) (SN 0220005523 to Present)	
	2577000017	Ref	LINEAR ACTUATOR MOUNT KIT (See Separate Breakdown in CONTROL Section) (SN 0220005523 to Present)	
	1001142058	Ref	6 BANK VALVE INSTALLATION - DUAL WINCH REMOTE CONTROL (SN 0220005217 through 0220005522)	
	1001142059	Ref	6 BANK CONTROLS INSTALLATION - DUAL WINCH REMOTE CONTROL (See Separate Breakdown in CONTROL Section) (SN 0220005217 through 0220005522)	
	2577000018	Ref	LINEAR ACTUATOR MOUNT KIT (See Separate Breakdown in CONTROL Section) (SN 0220005217 through 0220005522)	
	1001170410	Ref	6 BANK VALVE INSTALLATION - DUAL WINCH REMOTE CONTROL (SN 0220005523 to Present)	
	1001170409	Ref	6 BANK CONTROLS INSTALLATION - DUAL WINCH REMOTE CONTROL (See Separate Breakdown in CONTROL Section) (SN 0220005523 to Present)	
	2577000018	Ref	LINEAR ACTUATOR MOUNT KIT (See Separate Breakdown in CONTROL Section) (SN 0220005523 to Present)	
	C6BITRC-GSA	Ref	6 BANK VALVE INSTALLATION - BUMPER WINCH PREP - REMOTE CONTROL (SN 0220005217 through 0220005522)	
	2296000160	Ref	6 BANK CONTROLS INSTALLATION - BUMPER WINCH PREP - REMOTE CONTROL (See Separate Breakdown in CONTROL Section) (SN 0220005217 through 0220005522)	
	2577000017	Ref	LINEAR ACTUATOR MOUNT KIT (See Separate Breakdown in CONTROL Section) (SN 0220005217 through 0220005522)	
	1001170408	Ref	6 BANK VALVE INSTALLATION - BUMPER WINCH PREP - REMOTE CONTROL (SN 0220005523 to Present)	
	1001170407	Ref	6 BANK CONTROLS INSTALLATION - BUMPER WINCH PREP - REMOTE CONTROL (See Separate Breakdown in CONTROL Section) (SN 0220005523 to Present)	
	2577000018	Ref	LINEAR ACTUATOR MOUNT KIT (See Separate Breakdown in CONTROL Section) (SN 0220005523 to Present)	
	AIRDISC	Ref	AIR SUPPLY DISCONNECT AT REAR LIGHTBOX - QTY2 (SN 0220005217 through 0220008003)	
	BSKT-2	Ref	Basket, Storage (Standard) (Qty 2 of PN 2899000030)	
	BSKT24-2	Ref	Basket, Storage (Deep) (Qty 2 of PN 2899000041)	
	2178000028	Ref	BRACKET KIT, SHORT MOUNTING	
	2178000027	Ref	BRACKET KIT, STD MOUNTING	
	MBK-STD-2	Ref	BRACKET KIT, STD MOUNTING (QTY 2 OF PN 2178000027)	
	MBK-STD-3	Ref	BRACKET KIT, STD MOUNTING (QTY 3 OF PN 2178000027)	

SECTION 9 - BUILD DOCUMENTS

ITEM	PART NUMBER	QTY	DESCRIPTION	REV
	MBK-STD-4	Ref	BRACKET KIT, STD MOUNTING (QTY 4 OF PN 2178000027)	
	2178000025	Ref	BRACKET KIT, LONG MOUNTING	
	2178000068	Ref	BRACKET KIT, HIGH MOUNTING	
	MBK-HM-2	Ref	BRACKET KIT, HIGH MOUNTING (QTY 2 OF PN 2178000068)	
	2178000067	Ref	BRACKET KIT, ALTERNATE MOUNTING - 78IN TOOLBOX	
	2706000045	Ref	CENTER BEAM PLATES (24FT)	
	2706000008	Ref	CENTER BEAM PLATES (26FT)	
	2706000009	Ref	CENTER BEAM PLATES (28FT)	
	2706000047	Ref	CENTER BEAM PLATES (30FT)	
	CMKSTD-SD	Ref	Chassis Mounting Kit - Standard	
	1001220105	Ref	Chassis Mounting Kit - Ford 2016+ F650/F750	
	1001134107	Ref	Chassis Mounting Kit - Ford 2011-2015+ F650/F750	
	1001134108	Ref	Chassis Mounting Kit - IHC 2011+	
	2002000024	Ref	CLEATED DECK OPTION 26FT 15TON 96"	
	2002000025	Ref	CLEATED DECK OPTION 26FT 15 TON 102"	
	1001228185	Ref	DECK SEAM SEAL INSTALLATION	
	1001127910	Ref	Deck Modification - Bucket Rest Headboard (102IN Wide Deck)	
	1001152801	Ref	DECKING - STEEL DIAMOND OVER WOOD 24X96 (OUTSIDE KEYSLOTS)	
	1001152802	Ref	DECKING - STEEL DIAMOND OVER WOOD 24X102 (OUTSIDE KEYSLOTS)	
	1001152803	Ref	DECKING - STEEL DIAMOND OVER WOOD 26X96 (OUTSIDE KEYSLOTS)	
	1001152804	Ref	DECKING - STEEL DIAMOND OVER WOOD 26X102 (OUTSIDE KEYSLOTS)	
	1001152805	Ref	DECKING - STEEL DIAMOND OVER WOOD 28X96 (OUTSIDE KEYSLOTS)	
	1001152806	Ref	DECKING - STEEL DIAMOND OVER WOOD 28X102 (OUTSIDE KEYSLOTS)	
	1001131335	Ref	DECKING - STEEL DIAMOND OVER WOOD 28FT CENTER DECK	
	1001152807	Ref	DECKING - STEEL DIAMOND OVER WOOD 30X96 (OUTSIDE KEYSLOTS)	
	1001152808	Ref	DECKING - STEEL DIAMOND OVER WOOD 30X102 (OUTSIDE KEYSLOTS)	
	1001153117	Ref	DECKING - STEEL DIAMOND OVER WOOD 24X96 (OUT & IN KEYSLOTS)	
	1001153118	Ref	DECKING - STEEL DIAMOND OVER WOOD 24X102 (OUT & IN KEYSLOTS)	
	1001153119	Ref	DECKING - STEEL DIAMOND OVER WOOD 26X96 (OUT & IN KEYSLOTS)	
	1001153120	Ref	DECKING - STEEL DIAMOND OVER WOOD 26X102 (OUT & IN KEYSLOTS)	
	1001153121	Ref	DECKING - STEEL DIAMOND OVER WOOD 28X96 (OUT & IN KEYSLOTS)	
	1001153122	Ref	DECKING - STEEL DIAMOND OVER WOOD 28X102 (OUT & IN KEYSLOTS)	
	1001153123	Ref	DECKING - STEEL DIAMOND OVER WOOD 30X96 (OUT & IN KEYSLOTS)	
	1001153124	Ref	DECKING - STEEL DIAMOND OVER WOOD 30X102 (OUT & IN KEYSLOTS)	
	1001157808	Ref	DECKING - MORTON STAR 28x96 IN KEYSLOTS	
	1001157809	Ref	DECKING - MORTON STAR 28x102 IN KEYSLOTS	
	1001157810	Ref	DECKING - MORTON STAR 30x96 IN KEYSLOTS	
	1001157811	Ref	DECKING - MORTON STAR 30x102 IN KEYSLOTS	

SECTION 9 - BUILD DOCUMENTS

ITEM	PART NUMBER	QTY	DESCRIPTION	REV
	1001157812	Ref	DECKING - MORTON STAR 28x96 OUT KEYSLOTS	
	1001157813	Ref	DECKING - MORTON STAR 28x102 OUT KEYSLOTS	
	1001157814	Ref	DECKING - MORTON STAR 30x96 OUT KEYSLOTS	
	1001157815	Ref	DECKING - MORTON STAR 30x102 OUT KEYSLOTS	
	1001157816	Ref	DECKING - MORTON STAR 28x96 OUT & IN KEYSLOTS	
	1001157817	Ref	DECKING - MORTON STAR 28x102 OUT & IN KEYSLOTS	
	1001157818	Ref	DECKING - MORTON STAR 30x96 OUT & IN KEYSLOTS	
	1001157819	Ref	DECKING - MORTON STAR 30x102 OUT & IN KEYSLOTS	
	1001171660	Ref	D-RINGS INSTALLATION - BOLT ON - 2 PAIR (STEEL DECK)	
	1001171661	Ref	D-RINGS INSTALLATION - BOLT ON - 3 PAIR (STEEL DECK)	
	1001129516	Ref	D-RINGS INSTALLATION - BOLT ON - 4 PAIR (STEEL DECK) (SN 0220005523 through 0220005860)	
	1001171662	Ref	D-RINGS INSTALLATION - BOLT ON - 4 PAIR (STEEL DECK)	
	2754000001	Ref	D-RINGS INSTALLATION - WELD ON (0.63IN) - 1 PAIR (STEEL DECK)	
	DR063W-2	Ref	D-RINGS INSTALLATION - WELD ON (0.63IN) - 2 PAIR (STEEL DECK)	
	2754000002	Ref	D-RINGS INSTALLATION - WELD ON (1IN) - 1 PAIR (STEEL DECK)	
	2754000004	Ref	D-RINGS INSTALLATION - WELD ON ABREAST OF WINCH (1IN) - 1 PAIR (STEEL DECK) (SN 0220005217 through 0220008003)	
	1001131327	Ref	D-RINGS INSTALLATION - WELD ON AT FRONT OF DECK (1IN) - 1 PAIR (STEEL DECK)	
	2754000003	Ref	D-RINGS INSTALLATION - WELD ON NEAR WINCH (0.63IN) - 1 PAIR (STEEL DECK) (SN 0220006384 through 0220008003)	
	1001130144	Ref	ELECTRIC BRAKE INSTALLATION	
	2002000008	Ref	Faceplate Accessory Installation Kit	
	SSQF-24	Ref	Fender, Quarter 22.50IN Wheels (SS)	
	1001135446	Ref	ELECTRIC BRAKE INSTALLATION (FREIGHTLINER)	
	2002000012	Ref	FORK LIFT STOP INSTALLATION (WELDED ON)	
	HB57DXFS-GSAR	Ref	HEADBOARD (57.5IN DELUXE) (GSA) (SN 0220005217 through 0220013299)	
	2241000142	Ref	HEADBOARD INSTALLATION (57.5IN DELUXE) (GSA) (See Separate Breakdown in DECK Section) (SN 0220005217 through 0220013299)	
	2178000030	Ref	BRACKET INSTALLATION (57.5IN DELUXE) (GSA) (See Separate Breakdown in DECK Section) (SN 0220005217 through 0220013299)	
	SP-HDBD-CHANN	Ref	HEADBOARD LIGHT MOUNT CHANNEL - 96IN WIDE (SN 0220005217 through 0220009288)	
	1001211686	Ref	HEADBOARD LIGHT MOUNT CHANNEL - 96IN WIDE (SN 0220009289 to Present)	
	1001133677	Ref	HEADBOARD LIGHT MOUNT CHANNEL - 102IN WIDE	
	2706000012	Ref	KEYSLOTS STRIPS - MID SECTION (DUAL 180 DEG) (24FT-28FT)	
	1001131162	Ref	KEYSLOTS STRIPS - MID SECTION (DUAL 180 DEG) WHEEL WELL (28FT)	
	2706000048	Ref	KEYSLOTS STRIPS - MID SECTION (DUAL 180 DEG) (30FT)	
	2706000015	Ref	KEYSLOTS STRIPS - RUBRAILS (DUAL 90 DEG) (24FT-28FT)	
	1001131101	Ref	KEYSLOTS STRIPS - RUBRAILS (DUAL 90 DEG) WHEEL WELL (28FT)	
	2706000049	Ref	KEYSLOTS STRIPS - RUBRAILS (DUAL 90 DEG) (30FT)	
	2590000261	Ref	LIGHT, MARKER FOR TOOLBOX STORAGE TRAY	
	ML-TBTST-2	Ref	LIGHT, MARKER FOR TOOLBOX STORAGE TRAY (QTY 2 of	

SECTION 9 - BUILD DOCUMENTS

ITEM	PART NUMBER	QTY	DESCRIPTION	REV
			PN 2590000261)	
	1001181867	Ref	LIGHT, MARKER FOR TOOLBOX STORAGE TRAY (QTY 3 of PN 2590000261)	
	1001181868	Ref	LIGHT, MARKER FOR TOOLBOX STORAGE TRAY (QTY 4 of PN 2590000261)	
	2550000506	Ref	LADDER, PERMANENT INSTALLATION (WELDED ON)	
	NPN	Ref	PTO Installation and replacement is based on individual characteristics of the unit - Contact Jerr-Dan Parts Dept.)	
	NPN	Ref	Pump Installation and replacement is based on individual characteristics of the unit - Contact Jerr-Dan Parts Dept.)	
	2729000034	Ref	RAIL INSTALLATION - PERMANENT RAISED 24"	
	2729000033	Ref	RAIL INSTALLATION - PERMANENT RAISED 26"	
	2729000032	Ref	RAIL INSTALLATION - PERMANENT RAISED 28"	
	2729000045	Ref	RAIL INSTALLATION - PERMANENT RAISED 30"	
	2729000106	Ref	RAIL INSTALLATION - REMOVEABLE RAISED 24"	
	2729000107	Ref	RAIL INSTALLATION - REMOVEABLE RAISED 26"	
	2729000108	Ref	RAIL INSTALLATION - REMOVEABLE RAISED 28"	
	2729000109	Ref	RAIL INSTALLATION - REMOVEABLE RAISED 30"	
	STAB-HD	Ref	REAR STABILIZER - COMPLETE (WITHOUT TOW HITCH)	
	2330000064	Ref	DECAL INSTALLATION STABILIZER (See Separate Breakdown in DECAL Section)	
	2570000049	Ref	HOSE INSTALLATION - STABILIZER (REAR DECK) (See Separate Breakdown in HYDRAULIC Section)	
	2849000043	Ref	REAR STABILIZER INSTALLATION (See Separate Breakdown in SUBFRAME Section)	
	SRHS-HD	Ref	REAR STABILIZER - COMPLETE (WITH 2.5IN TOW HITCH)	
	2570000049	Ref	HOSE INSTALLATION - STABILIZER (REAR DECK) (See Separate Breakdown in HYDRAULIC Section)	
	2849000046	Ref	REAR STABILIZER INSTALLATION (See Separate Breakdown in SUBFRAME Section)	
	2330000063	Ref	DECAL INSTALLATION STABILIZER - WITH 2.5IN TOW HITCH (See Separate Breakdown in DECAL Section)	
	SPHH-HD	Ref	REAR STABILIZER - COMPLETE (WITH HYDRAULIC EXTEND)	
	2570000032	Ref	HOSE INSTALLATION - STABILIZER (WITH HYDRAULIC EXTEND) (See Separate Breakdown in HYDRAULIC Section)	
	2330000061	Ref	DECAL INSTALLATION STABILIZER - WITH PINTLE HITCH (See Separate Breakdown in DECAL Section)	
	2849000044	Ref	REAR STABILIZER INSTALLATION - WITH HYDRALIC EXTEND (See Separate Breakdown in SUBFRAME Section)	
	2330000041	Ref	DECAL INSTALLATION - CONSPICUITY HITCH (See Separate Breakdown in DECAL Section)	
	SPHM-HD	Ref	REAR STABILIZER - COMPLETE (WITH MANUAL EXTEND)	
	2570000049	Ref	HOSE INSTALLATION - STABILIZER (REAR DECK) (See Separate Breakdown in HYDRAULIC Section)	
	2330000061	Ref	DECAL INSTALLATION STABILIZER - WITH PINTLE HITCH (See Separate Breakdown in DECAL Section)	
	2849000045	Ref	REAR STABILIZER INSTALLATION - WITH MANUAL EXTEND (See Separate Breakdown in SUBFRAME Section)	
	2330000041	Ref	DECAL INSTALLATION - CONSPICUITY HITCH (See Separate Breakdown in DECAL Section)	
	1001163550	Ref	REAR STABILIZER - COMPLETE (WITH 5000 LBS WHEEL LIFT, MANUAL I-ARMS)	
	2262000011	Ref	CHAIN BOX INSTALLATION - REAR SUBFRAME (See Separate Breakdown in SUBFRAME Section)	
	2330000035	Ref	DECAL INSTALLATION - CONSPICUITY (See Separate Breakdown in DECAL Section)	

SECTION 9 - BUILD DOCUMENTS

ITEM	PART NUMBER	QTY	DESCRIPTION	REV
	2330000057	Ref	DECAL INSTALLATION - MANUAL WHEEL LIFT (See Separate Breakdown in DECAL Section)	
	2330000065	Ref	DECAL INSTALLATION - TOW HITCH WHEEL LIFT (See Separate Breakdown in DECAL Section)	
	2570000083	Ref	HYDRAULIC INSTALLATION (4000 LBS WHEEL LIFT) (See Separate Breakdown in HYDRAULIC Section)	
	1001163552	Ref	STABILIZER INSTALLATION (4000 LBS WHEEL LIFT) (See Separate Breakdown in SUBFRAME Section)	
	7577000242	Ref	TIE STRAP AND RACHET KIT (See Separate Breakdown in ACCESSORY Section)	
	1001163551	Ref	REAR STABILIZER - COMPLETE (WITH 4000 LBS WHEEL LIFT, T37 I-ARMS)	
	2262000011	Ref	CHAIN BOX INSTALLATION - REAR SUBFRAME (See Separate Breakdown in SUBFRAME Section)	
	2330000036	Ref	DECAL INSTALLATION - CONSPICUITY (See Separate Breakdown in DECAL Section)	
	2330000057	Ref	DECAL INSTALLATION - MANUAL WHEEL LIFT (See Separate Breakdown in DECAL Section)	
	2330000065	Ref	DECAL INSTALLATION - TOW HITCH WHEEL LIFT (See Separate Breakdown in DECAL Section)	
	2570000083	Ref	HYDRAULIC INSTALLATION (4000 LBS WHEEL LIFT) (See Separate Breakdown in HYDRAULIC Section)	
	1001163552	Ref	STABILIZER INSTALLATION (4000 LBS WHEEL LIFT) (See Separate Breakdown in SUBFRAME Section)	
	7577000242	Ref	TIE STRAP AND RACHET KIT (See Separate Breakdown in ACCESSORY Section)	
	1001134473	Ref	REAR STABILIZER - COMPLETE (MANUAL EXT PINTLE, 6 WAY CONN)	
	1001209295	Ref	CHAIN BOX INSTALLATION - 6 WAY CONNECTOR (NOT SHOWN)	
	2330000041	Ref	DECAL INSTALLATION - CONSPICUITY HITCH (See Separate Breakdown in DECAL Section)	
	2330000061	Ref	DECAL INSTALLATION STABILIZER - WITH PINTLE HITCH (See Separate Breakdown in DECAL Section)	
	2570000049	Ref	HOSE INSTALLATION - STABILIZER (REAR DECK) (See Separate Breakdown in HYDRAULIC Section)	
	1001134476	Ref	STABILIZER INSTALLATION (MANUAL PINTLE WITH 6 WAY CONNECTOR) (See Separate Breakdown in SUBFRAME Section)	
	2346000008	Ref	ELECTRICAL INSTALLATION - 7 WAY CONNECTOR	
	7346000132	Ref	ELECTRICAL ADAPTR TRAILER 7 RN	
	7346000157	Ref	ELECTRICAL ADAPTR TRAILER 7 RN	
	1001139839	Ref	BOOM WELD PINTLE STABILIZER D RINGS (NOT SHOWN)	
	7754000068	Ref	D-RINGS	
	1001139008	Ref	REAR STABILIZER - COMPLETE (TELESWIVEL - SUNBELT SPECS) (SN 0220005217 through 0220015208)	
	1001138975	Ref	STABILIZER INSTALLATION (TELESWIVEL - SUNBELT SPECS) (See Separate Breakdown in SUBFRAME Section) (SN 0220005217 through 0220015208)	
	2570000049	Ref	HOSE INSTALLATION - STABILIZER (REAR DECK) (See Separate Breakdown in HYDRAULIC Section) (SN 0220005217 through 0220015208)	
	2330000063	Ref	DECAL INSTALLATION STABILIZER - WITH 2.5IN TOW HITCH (See Separate Breakdown in DECAL Section) (SN 0220005217 through 0220015208)	
	RC-1	Ref	REMOTE CONTROL INSTALLATION - ONE FUNCTION	
	2577000016	Ref	LINEAR ACTUATOR INSTALLATION KIT (See Separate	

SECTION 9 - BUILD DOCUMENTS

ITEM	PART NUMBER	QTY	DESCRIPTION	REV
			Breakdown in CONTROLS Section)	
	2577000029	Ref	MIRATRON WIRELESS INSTALLATION - ONE FUNCTION (See Separate Breakdown in CONTROLS Section)	
	RC-2	Ref	REMOTE CONTROL INSTALLATION - TWO FUNCTION	
	2577000016	Ref	LINEAR ACTUATOR INSTALLATION KIT (See Separate Breakdown in CONTROLS Section)	
	2577000030	Ref	MIRATRON WIRELESS INSTALLATION - TWO FUNCTION (See Separate Breakdown in CONTROLS Section)	
	RC-3	Ref	REMOTE CONTROL INSTALLATION - THREE FUNCTION	
	2577000016	Ref	LINEAR ACTUATOR INSTALLATION KIT (See Separate Breakdown in CONTROLS Section)	
	2577000031	Ref	MIRATRON WIRELESS INSTALLATION - THREE FUNCTION (See Separate Breakdown in CONTROLS Section)	
	RC-4	Ref	REMOTE CONTROL INSTALLATION - FOUR FUNCTION	
	2577000016	Ref	LINEAR ACTUATOR INSTALLATION KIT (See Separate Breakdown in CONTROLS Section)	
	2577000034	Ref	MIRATRON WIRELESS INSTALLATION - FOUR FUNCTION (See Separate Breakdown in CONTROLS Section)	
	RC-5	Ref	REMOTE CONTROL INSTALLATION - FIVE FUNCTION	
	2577000016	Ref	LINEAR ACTUATOR INSTALLATION KIT (See Separate Breakdown in CONTROLS Section)	
	2577000035	Ref	MIRATRON WIRELESS INSTALLATION - FIVE FUNCTION (See Separate Breakdown in CONTROLS Section)	
	RC-6	Ref	REMOTE CONTROL INSTALLATION - SIX FUNCTION (SN 0220005217 through 0220009663)	
	2577000016	Ref	LINEAR ACTUATOR INSTALLATION KIT (See Separate Breakdown in CONTROLS Section) (SN 0220005217 through 0220009663)	
	2577000025	Ref	MIRATRON WIRELESS INSTALLATION - SIX FUNCTION (See Separate Breakdown in CONTROLS Section) (SN 0220005217 through 0220009663)	
	RCTH-2	Ref	Remote Control 6 Function U/L Transmitter Holder (Duplicate of PN 2002000031)	
	2706000037	Ref	RUBRAIL OVERLAY INSTALLATION - 0IN ABOUT RAIL (24FT STEEL DECK)	
	2706000038	Ref	RUBRAIL OVERLAY INSTALLATION - 0IN ABOUT RAIL (26/28FT STEEL DECK)	
	2706000040	Ref	RUBRAIL OVERLAY INSTALLATION - 2IN ABOUT RAIL (24FT STEEL DECK)	
	2706000041	Ref	RUBRAIL OVERLAY INSTALLATION - 2IN ABOUT RAIL (26/28FT STEEL DECK)	
	2706000043	Ref	RUBRAIL OVERLAY INSTALLATION - 4IN ABOUT RAIL (24FT STEEL DECK)	
	2706000044	Ref	RUBRAIL OVERLAY INSTALLATION - 4IN ABOUT RAIL (26/28FT STEEL DECK)	
	SRS-8	Ref	Side Recovery System - 8 K Winch (SN 0220005217 through 0220025910)	
	2570000152	Ref	WINCH HOSE INSTALLATION (See Separate Breakdown in HYDRAULIC Section) (SN 0220005217 through 0220025910)	
	2330000068	Ref	DECAL INSTALLATION (SRS) (See Separate Breakdown in DECAL Section) (SN 0220005217 through 0220025910)	
	3455000059	Ref	SIDE RECOVERY SYSTEM (SRS) INSTALLATION - 8000 LBS WINCH (See Separate Breakdown in SUBFRAME Section) (SN 0220005217 through 0220025910)	
	SRS-8-CRC	Ref	Side Recovery System - 8 K Winch with Combo Remote (SN 0220005217 through 0220025910)	
	3455000064	Ref	SIDE RECOVERY SYSTEM (SRS) INSTALLATION - 8000 LBS	

SECTION 9 - BUILD DOCUMENTS

ITEM	PART NUMBER	QTY	DESCRIPTION	REV
			WINCH WITH REMOTE CONTROL (See Separate Breakdown in SUBFRAME Section) (SN 0220005217 through 0220025910)	
	2570000152	Ref	WINCH HOSE INSTALLATION (See Separate Breakdown in HYDRAULIC Section) (SN 0220005217 through 0220025910)	
	2330000068	Ref	DECAL INSTALLATION (SRS) (See Separate Breakdown in DECAL Section) (SN 0220005217 through 0220025910)	
	2577000017	Ref	LINEAR ACTUATOR INSTALLATION (See Separate Breakdown in CONTROL Section) (SN 0220005217 through 0220025910)	
	SRS-10	Ref	Side Recovery System - 10 K Winch (SN 0220005217 through 0220025910)	
	2570000152	Ref	WINCH HOSE INSTALLATION (See Separate Breakdown in HYDRAULIC Section) (SN 0220005217 through 0220025910)	
	2330000068	Ref	DECAL INSTALLATION (SRS) (See Separate Breakdown in DECAL Section) (SN 0220005217 through 0220025910)	
	3455000060	Ref	SIDE RECOVERY SYSTEM (SRS) INSTALLATION - 10000 LBS WINCH (See Separate Breakdown in SUBFRAME Section) (SN 0220005217 through 0220025910)	
	1001271987	Ref	Side Recovery System - 10 K Winch with 3 Function Remote Control (Manual) (SN 0220025911 to Present)	
	1001271983	Ref	SIDE RECOVERY SYSTEM (SRS) INSTALLATION - 10000 LBS WINCH (3 FUNCTION REMOTE CONTROL) (See Separate Breakdown in SUBFRAME Section) (SN 0220025911 to Present)	
	2570000152	Ref	WINCH HOSE INSTALLATION (See Separate Breakdown in HYDRAULIC Section) (SN 0220025911 to Present)	
	2330000068	Ref	DECAL INSTALLATION (SRS) (See Separate Breakdown in DECAL Section) (SN 0220025911 to Present)	
	SRS-10-CRC	Ref	Side Recovery System - 10 K Winch with Remote Control (SN 0220005217 through 0220025910)	
	3455000065	Ref	SIDE RECOVERY SYSTEM (SRS) INSTALLATION - 10000 LBS WINCH WITH REMOTE CONTROL (See Separate Breakdown in SUBFRAME Section) (SN 0220005217 through 0220025910)	
	2570000152	Ref	WINCH HOSE INSTALLATION (See Separate Breakdown in HYDRAULIC Section) (SN 0220005217 through 0220025910)	
	2330000068	Ref	DECAL INSTALLATION (SRS) (See Separate Breakdown in DECAL Section) (SN 0220005217 through 0220025910)	
	2577000017	Ref	LINEAR ACTUATOR INSTALLATION (See Separate Breakdown in CONTROL Section) (SN 0220005217 through 0220025910)	
	1001271989	Ref	Side Recovery System - 10 K Winch with 4 Function Remote Control (Manual) (SN 0220025911 to Present)	
	1001271985	Ref	SIDE RECOVERY SYSTEM (SRS) INSTALLATION - 10000 LBS WINCH (4 FUNCTION REMOTE CONTROL) (See Separate Breakdown in SUBFRAME Section) (SN 0220025911 to Present)	
	2570000152	Ref	WINCH HOSE INSTALLATION (See Separate Breakdown in HYDRAULIC Section) (SN 0220025911 to Present)	
	2330000068	Ref	DECAL INSTALLATION (SRS) (See Separate Breakdown in DECAL Section) (SN 0220025911 to Present)	
	2577000017	Ref	LINEAR ACTUATOR INSTALLATION (See Separate Breakdown in CONTROL Section) (SN 0220025911 to Present)	
	SRS-10-AFS	Ref	Side Recovery System - 10 K Winch with Air Free Spool (SN 0220005217 through 0220025910)	
	3455000063	Ref	SIDE RECOVERY SYSTEM (SRS) INSTALLATION - 10000 LBS WINCH WITH AIR FREE SPOOL (See Separate Breakdown in SUBFRAME Section) (SN 0220005217 through 0220025910)	
	2570000152	Ref	WINCH HOSE INSTALLATION (See Separate Breakdown in HYDRAULIC Section) (SN 0220005217 through 0220025910)	
	2330000068	Ref	DECAL INSTALLATION (SRS) (See Separate Breakdown in	

SECTION 9 - BUILD DOCUMENTS

ITEM	PART NUMBER	QTY	DESCRIPTION	REV
			DECAL Section) (SN 0220005217 through 0220025910)	
	1001271988	Ref	Side Recovery System - 10 K Winch 3 Function Remote Control (Air Free Spool) (SN 0220025911 to Present)	
	1001271984	Ref	SIDE RECOVERY SYSTEM (SRS) INSTALLATION - 10000 LBS WINCH WITH AIR FREE SPOOL (3 FUNCTION REMOTE CONTROL) (See Separate Breakdown in SUBFRAME Section) (SN 0220025911 to Present)	
	2570000152	Ref	WINCH HOSE INSTALLATION (See Separate Breakdown in HYDRAULIC Section) (SN 0220025911 to Present)	
	2330000068	Ref	DECAL INSTALLATION (SRS) (See Separate Breakdown in DECAL Section) (SN 0220025911 to Present)	
	SRS-10-AFS-CRC	Ref	Side Recovery System - 10 K Winch 4 Function Remote Control (Air Free Spool) (SN 0220005217 through 0220009288)	
	3455000066	Ref	SIDE RECOVERY SYSTEM (SRS) INSTALLATION - 10000 LBS WINCH WITH AIR FREE SPOOL (4 FUNCTION REMOTE CONTROL) (See Separate Breakdown in SUBFRAME Section) (SN 0220005217 through 0220009288)	
	2570000152	Ref	WINCH HOSE INSTALLATION (See Separate Breakdown in HYDRAULIC Section) (SN 0220005217 through 0220009288)	
	2330000068	Ref	DECAL INSTALLATION (SRS) (See Separate Breakdown in DECAL Section) (SN 0220005217 through 0220009288)	
	2577000017	Ref	LINEAR ACTUATOR INSTALLATION (See Separate Breakdown in CONTROL Section) (SN 0220005217 through 0220009288)	
	1001211215	Ref	Side Recovery System - 10 K Winch 4 Function Remote Control (Air Free Spool) (SN 0220009289 through 0220025910)	
	3455000066	Ref	SIDE RECOVERY SYSTEM (SRS) INSTALLATION - 10000 LBS WINCH WITH AIR FREE SPOOL (4 FUNCTION REMOTE CONTROL) (See Separate Breakdown in SUBFRAME Section) (SN 0220009289 through 0220025910)	
	2570000152	Ref	WINCH HOSE INSTALLATION (See Separate Breakdown in HYDRAULIC Section) (SN 0220009289 through 0220025910)	
	2330000068	Ref	DECAL INSTALLATION (SRS) (See Separate Breakdown in DECAL Section) (SN 0220009289 through 0220025910)	
	2577000017	Ref	LINEAR ACTUATOR INSTALLATION (See Separate Breakdown in CONTROL Section) (SN 0220009289 through 0220025910)	
	1001271990	Ref	Side Recovery System - 10 K Winch 4 Function Remote Control (Air Free Spool) (SN 0220025911 to Present)	
	1001271986	Ref	SIDE RECOVERY SYSTEM (SRS) INSTALLATION - 10000 LBS WINCH WITH AIR FREE SPOOL (4 FUNCTION REMOTE CONTROL) (See Separate Breakdown in SUBFRAME Section) (SN 0220025911 to Present)	
	2570000152	Ref	WINCH HOSE INSTALLATION (See Separate Breakdown in HYDRAULIC Section) (SN 0220025911 to Present)	
	2330000068	Ref	DECAL INSTALLATION (SRS) (See Separate Breakdown in DECAL Section) (SN 0220025911 to Present)	
	2577000017	Ref	LINEAR ACTUATOR INSTALLATION (See Separate Breakdown in CONTROL Section) (SN 0220025911 to Present)	
	1001161142	Ref	SPECIFICATION, CARRIER LUBRICATION INSTALL	
	STAB-HIGH	Ref	STABILIZER MODIFICATION - HIGH FRAMES	
	1001136272	Ref	STAKES/RUBRAILS/PIPES INSTALLATION (24FT STEEL DECK)	
	1001136273	Ref	STAKES/RUBRAILS/PIPES INSTALLATION (26FT STEEL DECK)	
	1001136274	Ref	STAKES/RUBRAILS/PIPES INSTALLATION (28FT STEEL DECK)	
	1001145052	Ref	STAKES/RUBRAILS/PIPES INSTALLATION (30FT STEEL DECK) (SN 0220005217 through 0220009861)	
	1001145810	Ref	STAKES/RUBRAILS/PIPES INSTALLATION (30FT STEEL	

SECTION 9 - BUILD DOCUMENTS

ITEM	PART NUMBER	QTY	DESCRIPTION	REV
			DECK) (SN 0220009862 to Present)	
	1001132943	Ref	STEP COVER (SUNBELT)	
	1001262045	Ref	SWITCH - 3 FUNCTION IN-DASH MINI (SN 0220022647 to Present)	
	1001260898	Ref	SWITCH INSTALLATION - 3 FUNCTION IN-DASH MINI (See Separate Breakdown in ELECTRICAL Section) (SN 0220022647 to Present)	
	1001129883	Ref	BREAKER INSTALLATION - 50AMP (See Separate Breakdown in ELECTRICAL Section) (SN 0220022647 to Present)	
	SP3ICPKG	Ref	SWITCH - 3 FUNCTION IN-DASH COMPACT (SN 0220005217 through 0220022646)	
	1001135700	Ref	SWITCH INSTALLATION - 3 FUNCTION IN-DASH COMPACT (See Separate Breakdown in ELECTRICAL Section) (SN 0220005217 through 0220022646)	
	1001129883	Ref	BREAKER INSTALLATION - 50AMP (See Separate Breakdown in ELECTRICAL Section) (SN 0220005217 through 0220022646)	
	1001262046	Ref	SWITCH - 3 FUNCTION IN-DASH COMPACT (SN 0220022647 to Present)	
	1001261002	Ref	SWITCH INSTALLATION - 3 FUNCTION IN-DASH COMPACT (See Separate Breakdown in ELECTRICAL Section) (SN 0220022647 to Present)	
	1001129883	Ref	BREAKER INSTALLATION - 50AMP (See Separate Breakdown in ELECTRICAL Section) (SN 0220022647 to Present)	
	SP3CPKG	Ref	SWITCH - 3 FUNCTION UNDER-DASH COMPACT (SN 0220005217 through 0220022646)	
	1001135756	Ref	SWITCH INSTALLATION - 3 FUNCTION UNDER-DASH COMPACT (See Separate Breakdown in ELECTRICAL Section) (SN 0220005217 through 0220022646)	
	1001129883	Ref	BREAKER INSTALLATION - 50AMP (See Separate Breakdown in ELECTRICAL Section) (SN 0220005217 through 0220022646)	
	1001262048	Ref	SWITCH - 3 FUNCTION UNDER-DASH COMPACT (SN 0220022647 to Present)	
	1001261004	Ref	SWITCH INSTALLATION - 3 FUNCTION UNDER-DASH COMPACT (See Separate Breakdown in ELECTRICAL Section) (SN 0220022647 to Present)	
	1001129883	Ref	BREAKER INSTALLATION - 50AMP (See Separate Breakdown in ELECTRICAL Section) (SN 0220022647 to Present)	
	SP5ICPKG	Ref	SWITCH - 5 FUNCTION IN-DASH COMPACT (SN 0220005217 through 0220022646)	
	1001135701	Ref	SWITCH INSTALLATION - 5 FUNCTION IN-DASH COMPACT (See Separate Breakdown in ELECTRICAL Section) (SN 0220005217 through 0220022646)	
	1001129883	Ref	BREAKER INSTALLATION - 50AMP (See Separate Breakdown in ELECTRICAL Section) (SN 0220005217 through 0220022646)	
	1001262049	Ref	SWITCH - 5 FUNCTION IN-DASH COMPACT (SN 0220022647 to Present)	
	1001261005	Ref	SWITCH INSTALLATION - 5 FUNCTION IN-DASH COMPACT (See Separate Breakdown in ELECTRICAL Section) (SN 0220022647 to Present)	
	1001129883	Ref	BREAKER INSTALLATION - 50AMP (See Separate Breakdown in ELECTRICAL Section) (SN 0220022647 to Present)	
	SP5CPKG	Ref	SWITCH - 5 FUNCTION UNDER-DASH COMPACT (SN 0220005289 through 0220020220005217)	
	1001135757	Ref	SWITCH INSTALLATION - 5 FUNCTION UNDER-DASH COMPACT (See Separate Breakdown in ELECTRICAL Section) (SN 0220005217 through 0220022646)	

SECTION 9 - BUILD DOCUMENTS

ITEM	PART NUMBER	QTY	DESCRIPTION	REV
	1001129883	Ref	BREAKER INSTALLATION - 50AMP (See Separate Breakdown in ELECTRICAL Section) (SN 0220005217 through 0220022646)	
	1001262050	Ref	SWITCH - 5 FUNCTION UNDER-DASH COMPACT (SN 0220022647 to Present)	
	1001261006	Ref	SWITCH INSTALLATION - 5 FUNCTION UNDER-DASH COMPACT (See Separate Breakdown in ELECTRICAL Section) (SN 0220022647 to Present)	
	1001129883	Ref	BREAKER INSTALLATION - 50AMP (See Separate Breakdown in ELECTRICAL Section) (SN 0220022647 to Present)	
	SP5IFPKG	Ref	SWITCH - 5 FUNCTION IN-DASH COMPACT (F650/750) (SN 0220005217 through 0220022646)	
	2870000021	Ref	SWITCH INSTALLATION - 5 FUNCTION IN-DASH COMPACT (F650/750) (See Separate Breakdown in ELECTRICAL Section) (SN 0220005217 through 0220022646)	
	1001129883	Ref	BREAKER INSTALLATION - 50AMP (See Separate Breakdown in ELECTRICAL Section) (SN 0220005217 through 0220022646)	
	1001137290	Ref	SWITCH - 6 FUNCTION (FREIGHTLINER) (SN 0220005217 through 0220022646)	
	2978000001	Ref	SWITCH - 6 FUNCTION (IHC) (SN 0220005217 through 0220022646)	
	1001261016	Ref	SWITCH - 6 FUNCTION (IHC) (SN 0220022647 to Present)	
	TB36-2	Ref	TOOLBOX 36IN (QTY 2 of PN 2899000055)	
	TB36-3	Ref	TOOLBOX 36IN (QTY 3 of PN 2899000055)	
	TB36-4	Ref	TOOLBOX 36IN (QTY 4 of PN 2899000055)	
	TB48-2	Ref	TOOLBOX 48IN (QTY 2 OF PN 2899000057)	
	TB48-3	Ref	TOOLBOX 48IN (QTY 3 OF PN 2899000057)	
	TB48-4	Ref	TOOLBOX 48IN (QTY 4 OF PN 2899000057)	
	1001138026	Ref	TOOLBOX 48IN UNDERMOUNT BOX (QTY 2 of PN 1001137931) (SN 0220005217 through 0220008003)	
	1001181841	Ref	TOOLBOX 48IN UNDERMOUNT BOX (QTY 2 of PN 1001137931) (SN 0220008004 to Present)	
	TB60-2	Ref	TOOLBOX 60IN (QTY 2 of PN 2899000058)	
	1001138025	Ref	TOOLBOX 60IN UNDERMOUNT BOX (QTY 2 of PN 1001137566) (SN 0220005217 through 0220008003)	
	1001181843	Ref	TOOLBOX 60IN UNDERMOUNT BOX (QTY 2 of PN 1001137566) (SN 0220008004 to Present)	
	TB78-2	Ref	TOOLBOX 78IN (QTY 2 of PN 2899000075)	
	TBSA36-2	Ref	TOOL BOX SHELF, 36IN (QTY 2 OF PN 2899000059)	
	TBSA48-2	Ref	TOOL BOX SHELF, 48IN (QTY 2 OF PN 2899000060)	
	1001181855	Ref	TOOL BOX SHELF, 48IN (QTY 3 OF PN 2899000060)	
	TBSA48-4	Ref	TOOL BOX SHELF, 48IN (QTY 4 OF PN 2899000060)	
	TBSA60-2	Ref	TOOL BOX SHELF, 60IN (QTY 2 OF PN 2899000061)	
	TBSA36-3	Ref	TOOL BOX SHELF, 36IN (QTY 3 OF PN 2899000059)	
	TBSA36-4	Ref	TOOL BOX SHELF, 36IN (QTY 4 OF PN 2899000059)	
	TBL-2	Ref	TOOLBOX LIGHT (QTY 2 OF PN 2178000031)	
	TBL-3	Ref	TOOLBOX LIGHT (QTY 3 OF PN 2178000031)	
	TBL-4	Ref	TOOLBOX LIGHT (QTY 4 OF PN 2178000031)	
	TBTST36-2	Ref	TRAY, STORAGE - 36IN (TOP OF TOOLBOX) (QTY 2 OF PN 2002000048)	
	TBTST36-3	Ref	TRAY, STORAGE - 36IN (TOP OF TOOLBOX) (QTY 3 OF PN 2002000048)	
	TBTST36-4	Ref	TRAY, STORAGE - 36IN (TOP OF TOOLBOX) (QTY 4 OF PN 2002000048)	
	TBTST48-2	Ref	TRAY, STORAGE - 48IN (TOP OF TOOLBOX) (QTY 2 OF PN	

SECTION 9 - BUILD DOCUMENTS

ITEM	PART NUMBER	QTY	DESCRIPTION	REV
			2002000049)	
	1001181859	Ref	TRAY, STORAGE - 48IN (TOP OF TOOLBOX) (QTY 3 OF PN 2002000049)	
	1001181860	Ref	TRAY, STORAGE - 48IN (TOP OF TOOLBOX) (QTY 4 OF PN 2002000049)	
	TBTST60-2	Ref	TRAY, STORAGE - 60IN (TOP OF TOOLBOX) (QTY 2 OF PN 2002000050)	
	TBTST78-2	Ref	TRAY, STORAGE - 78IN (TOP OF TOOLBOX) (QTY 2 OF PN 2002000051)	
	1001159083	Ref	WHEEL LIFT - COMPLETE (3000 LBS - MANUAL L-ARMS)	
	1001159079	Ref	WHEEL LIFT BOOM INSTALLATION 3000 LBS (See Separate Breakdown in WHEEL LIFT Section)	
	2262000011	Ref	CHAIN BOX INSTALLATION - REAR SUBFRAME (See Separate Breakdown in SUBFRAME Section)	
	2330000035	Ref	DECAL INSTALLATION - CONSPICUITY (See Separate Breakdown in DECAL Section)	
	2330000057	Ref	DECAL INSTALLATION - MANUAL WHEEL LIFT (See Separate Breakdown in DECAL Section)	
	2330000065	Ref	DECAL INSTALLATION - TOW HITCH WHEEL LIFT (See Separate Breakdown in DECAL Section)	
	2570000053	Ref	HYDRAULIC INSTALLTION (3000 LBS WHEEL LIFT) (See Separate Breakdown in HYDRAULIC Section)	
	7577000242	Ref	TIE STRAP AND RACHET KIT (See Separate Breakdown in ACCESSORY Section)	
	1001159085	Ref	WHEEL LIFT - COMPLETE (3000 LBS - MANUAL L-ARMS) GALVANIZED	
	2570000053	Ref	HYDRAULIC INSTALLTION (3000 LBS WHEEL LIFT) (See Separate Breakdown in HYDRAULIC Section)	
	2330000057	Ref	DECAL INSTALLATION - MANUAL WHEEL LIFT (See Separate Breakdown in DECAL Section)	
	7577000242	Ref	TIE STRAP AND RACHET KIT (See Separate Breakdown in ACCESSORY Section)	
	2330000035	Ref	DECAL INSTALLATION - CONSPICUITY (See Separate Breakdown in DECAL Section)	
	1001159080	Ref	WHEEL LIFT BOOM INSTALLATION 3000 LBS - GALVANIZED (See Separate Breakdown in WHEEL LIFT Section)	
	2330000065	Ref	DECAL INSTALLATION - TOW HITCH WHEEL LIFT (See Separate Breakdown in DECAL Section)	
	2262000011	Ref	CHAIN BOX INSTALLATION - REAR SUBFRAME - GALVANIZED (See Separate Breakdown in SUBFRAME Section)	
	1001159084	Ref	WHEEL LIFT - COMPLETE (3000 LBS - T37 L-ARMS)	
	1001159079	Ref	WHEEL LIFT BOOM INSTALLATION 3000 LBS (See Separate Breakdown in WHEEL LIFT Section)	
	2262000011	Ref	CHAIN BOX INSTALLATION - REAR SUBFRAME (See Separate Breakdown in SUBFRAME Section)	
	2330000036	Ref	DECAL INSTALLATION - CONSPICUITY T37 (See Separate Breakdown in DECAL Section)	
	2330000057	Ref	DECAL INSTALLATION - MANUAL WHEEL LIFT (See Separate Breakdown in DECAL Section)	
	2330000065	Ref	DECAL INSTALLATION - TOW HITCH WHEEL LIFT (See Separate Breakdown in DECAL Section)	
	2570000053	Ref	HYDRAULIC INSTALLTION (3000 LBS WHEEL LIFT) (See Separate Breakdown in HYDRAULIC Section)	
	7577000242	Ref	TIE STRAP AND RACHET KIT (See Separate Breakdown in ACCESSORY Section)	
	1001159090	Ref	WHEEL LIFT - COMPLETE (3000 LBS - T37 L-ARMS)	

SECTION 9 - BUILD DOCUMENTS

ITEM	PART NUMBER	QTY	DESCRIPTION	REV
			GALVANIZED	
	2570000053	Ref	HYDRAULIC INSTALLTION (3000 LBS WHEEL LIFT) (See Separate Breakdown in HYDRAULIC Section)	
	2330000057	Ref	DECAL INSTALLATION - MANUAL WHEEL LIFT (See Separate Breakdown in DECAL Section)	
	7577000242	Ref	TIE STRAP AND RACHET KIT (See Separate Breakdown in ACCESSORY Section)	
	2330000036	Ref	DECAL INSTALLATION - CONSPICUITY T37 (See Separate Breakdown in DECAL Section)	
	1001159080	Ref	WHEEL LIFT BOOM INSTALLATION 3000 LBS - GALVANIZED (See Separate Breakdown in WHEEL LIFT Section)	
	2330000065	Ref	DECAL INSTALLATION - TOW HITCH WHEEL LIFT (See Separate Breakdown in DECAL Section)	
	2262000011	Ref	CHAIN BOX INSTALLATION - REAR SUBFRAME (See Separate Breakdown in SUBFRAME Section)	
	1001159087	Ref	WHEEL LIFT - COMPLETE (4000 LBS - MANUAL L-ARMS)	
	1001130062	Ref	HYDRAULIC INSTALLTION (4000 LBS WHEEL LIFT) (See Separate Breakdown in HYDRAULIC Section)	
	1001159081	Ref	WHEEL LIFT BOOM INSTALLATION 4000 LBS (See Separate Breakdown in WHEEL LIFT Section)	
	2262000011	Ref	CHAIN BOX INSTALLATION - REAR SUBFRAME (See Separate Breakdown in SUBFRAME Section)	
	2330000035	Ref	DECAL INSTALLATION - CONSPICUITY (See Separate Breakdown in DECAL Section)	
	2330000057	Ref	DECAL INSTALLATION - MANUAL WHEEL LIFT (See Separate Breakdown in DECAL Section)	
	2330000065	Ref	DECAL INSTALLATION - TOW HITCH WHEEL LIFT (See Separate Breakdown in DECAL Section)	
	7577000242	Ref	TIE STRAP AND RACHET KIT (See Separate Breakdown in ACCESSORY Section)	
	1001159088	Ref	WHEEL LIFT - COMPLETE (4000 LBS - MANUAL L-ARMS) GALVANIZED	
	1001159082	Ref	WHEEL LIFT BOOM INSTALLATION 4000 LBS - GALVANIZED (See Separate Breakdown in WHEEL LIFT Section)	
	2262000011	Ref	CHAIN BOX INSTALLATION - REAR SUBFRAME (See Separate Breakdown in SUBFRAME Section)	
	2330000035	Ref	DECAL INSTALLATION - CONSPICUITY (See Separate Breakdown in DECAL Section)	
	2330000057	Ref	DECAL INSTALLATION - MANUAL WHEEL LIFT (See Separate Breakdown in DECAL Section)	
	2330000065	Ref	DECAL INSTALLATION - TOW HITCH WHEEL LIFT (See Separate Breakdown in DECAL Section)	
	1001130062	Ref	HYDRAULIC INSTALLTION (4000 LBS WHEEL LIFT) (See Separate Breakdown in HYDRAULIC Section)	
	7577000242	Ref	TIE STRAP AND RACHET KIT (See Separate Breakdown in ACCESSORY Section)	
	1001159089	Ref	WHEEL LIFT - COMPLETE (4000 LBS - T37 L-ARMS)	
	1001130062	Ref	HYDRAULIC INSTALLTION (4000 LBS WHEEL LIFT) (See Separate Breakdown in HYDRAULIC Section)	
	1001159081	Ref	WHEEL LIFT BOOM INSTALLATION 4000 LBS (See Separate Breakdown in WHEEL LIFT Section)	
	2262000011	Ref	CHAIN BOX INSTALLATION - REAR SUBFRAME (See Separate Breakdown in SUBFRAME Section)	
	2330000036	Ref	DECAL INSTALLATION - CONSPICUITY T37 (See Separate Breakdown in DECAL Section)	
	2330000057	Ref	DECAL INSTALLATION - MANUAL WHEEL LIFT (See Separate Breakdown in DECAL Section)	

SECTION 9 - BUILD DOCUMENTS

ITEM	PART NUMBER	QTY	DESCRIPTION	REV
	2330000065	Ref	DECAL INSTALLATION - TOW HITCH WHEEL LIFT (See Separate Breakdown in DECAL Section)	
	7577000242	Ref	TIE STRAP AND RACHET KIT (See Separate Breakdown in ACCESSORY Section)	
	1001159091	Ref	WHEEL LIFT - COMPLETE (4000 LBS - T37 L-ARMS) GALVANIZED	
	1001159082	Ref	WHEEL LIFT BOOM INSTALLATION 4000 LBS - GALVANIZED (See Separate Breakdown in WHEEL LIFT Section)	
	2262000011	Ref	CHAIN BOX INSTALLATION - REAR SUBFRAME (See Separate Breakdown in SUBFRAME Section)	
	2330000036	Ref	DECAL INSTALLATION - CONSPICUITY T37 (See Separate Breakdown in DECAL Section)	
	2330000057	Ref	DECAL INSTALLATION - MANUAL WHEEL LIFT (See Separate Breakdown in DECAL Section)	
	2330000065	Ref	DECAL INSTALLATION - TOW HITCH WHEEL LIFT (See Separate Breakdown in DECAL Section)	
	1001130062	Ref	HYDRAULIC INSTALLTION (4000 LBS WHEEL LIFT) (See Separate Breakdown in HYDRAULIC Section)	
	7577000242	Ref	TIE STRAP AND RACHET KIT (See Separate Breakdown in ACCESSORY Section)	
	1001158877	Ref	WHEEL LIFT GRID INSTALLATION COMPLETE- WITH BALL (3000 LBS -MANUAL L-ARMS) (SN 0220005217 through 0220006383)	
	2484000003	Ref	GRID INSTALLATION (3000 LBS -MANUAL L-ARMS) (See Separate Breakdown in WHEEL LIFT Section) (SN 0220005217 through 0220006383)	
	1001158672	Ref	PIVOT TUBE INSTALLATION - IRL (MANUAL & T37 L-ARMS WITH BALL) (See Separate Breakdown in WHEEL LIFT Section) (SN 0220005217 through 0220006383)	
	1001158878	Ref	WHEEL LIFT GRID INSTALLATION COMPLETE - WITH 2IN TOW HITCH (3000 LBS -MANUAL L-ARMS) (SN 0220005217 through 0220006383)	
	2484000003	Ref	GRID INSTALLATION (3000 LBS -MANUAL L-ARMS) (See Separate Breakdown in WHEEL LIFT Section) (SN 0220005217 through 0220006383)	
	1001158675	Ref	PIVOT TUBE INSTALLATION - IRL (MANUAL & T37 L-ARMS WITH 2IN HITCH) (See Separate Breakdown in WHEEL LIFT Section) (SN 0220005217 through 0220006383)	
	1001158881	Ref	WHEEL LIFT GRID INSTALLATION COMPLETE - WITH BALL (3000 LBS T37 PIVOTING ARMS)	
	2484000005	Ref	GRID INSTALLATION (3000 LBS -MANUAL T37 PIVOTING ARMS) (See Separate Breakdown in WHEEL LIFT Section)	
	1001158672	Ref	PIVOT TUBE INSTALLATION - IRL (MANUAL & T37 L-ARMS WITH BALL) (See Separate Breakdown in WHEEL LIFT Section)	
	1001158882	Ref	WHEEL LIFT GRID INSTALLATION COMPLETE - WITH 2IN TOW HITCH (3000 LBS T37 PIVOTING ARMS)	
	2484000005	Ref	GRID INSTALLATION (3000 LBS -MANUAL T37 PIVOTING ARMS) (See Separate Breakdown in WHEEL LIFT Section)	
	1001158675	Ref	PIVOT TUBE INSTALLATION - IRL (MANUAL & T37 L-ARMS WITH 2IN HITCH) (See Separate Breakdown in WHEEL LIFT Section)	
	1001158891	Ref	WHEEL LIFT GRID INSTALLATION COMPLETE- WITH BALL (3000 LBS - GALVANIZED)	
	1001158672	Ref	PIVOT TUBE INSTALLATION - IRL (MANUAL & T37 L-ARMS WITH BALL) (See Separate Breakdown in WHEEL LIFT Section)	
	1001140504	Ref	GRID INSTALLATION (3000 LBS -MANUAL WITH BALL - GALVANIZED) (See Separate Breakdown in WHEEL LIFT Section)	

SECTION 9 - BUILD DOCUMENTS

ITEM	PART NUMBER	QTY	DESCRIPTION	REV
	1001158892	Ref	WHEEL LIFT GRID INSTALLATION COMPLETE - WITH 2IN TOW HITCH (3000 LBS - GALVANIZED)	
	1001158675	Ref	PIVOT TUBE INSTALLATION - IRL (MANUAL & T37 L-ARMS WITH 2IN HITCH) (See Separate Breakdown in WHEEL LIFT Section)	
	1001140504	Ref	GRID INSTALLATION (3000 LBS -MANUAL WITH 2IN TOW HITCH - GALVANIZED) (See Separate Breakdown in WHEEL LIFT Section)	
	1001158885	Ref	WHEEL LIFT GRID INSTALLATION COMPLETE- WITH BALL (4000 LBS -MANUAL)	
	2484000004	Ref	GRID INSTALLATION (4000 LBS -MANUAL FIXED ARMS) (See Separate Breakdown in WHEEL LIFT Section)	
	1001158674	Ref	PIVOT TUBE INSTALLATION - 4000 LBSI (MANUAL WITH BALL) (See Separate Breakdown in WHEEL LIFT Section)	
	1001158886	Ref	WHEEL LIFT GRID INSTALLATION COMPLETE- WITH 2IN TOW HITCH (4000 LBS -MANUAL)	
	2484000004	Ref	GRID INSTALLATION (4000 LBS -MANUAL FIXED ARMS) (See Separate Breakdown in WHEEL LIFT Section)	
	1001158677	Ref	PIVOT TUBE INSTALLATION - 4000 LBSI (MANUAL WITH 2IN TOW HITCH) (See Separate Breakdown in WHEEL LIFT Section)	
	1001158888	Ref	WHEEL LIFT GRID INSTALLATION COMPLETE- WITH BALL (4000 LBS -T37)	
	2484000006	Ref	GRID INSTALLATION (4000 LBS -T37) (See Separate Breakdown in WHEEL LIFT Section)	
	1001158674	Ref	PIVOT TUBE INSTALLATION - 4000 LBSI (MANUAL WITH BALL) (See Separate Breakdown in WHEEL LIFT Section)	
	1001158889	Ref	WHEEL LIFT GRID INSTALLATION COMPLETE- WITH 2IN TOW HITCH(4000 LBS -T37)	
	2484000006	Ref	GRID INSTALLATION (4000 LBS -T37) (See Separate Breakdown in WHEEL LIFT Section)	
	1001158677	Ref	PIVOT TUBE INSTALLATION - 4000 LBSI (MANUAL WITH 2IN TOW HITCH) (See Separate Breakdown in WHEEL LIFT Section)	
	2314000008	Ref	WHEEL WELL COVER INSTALLATION - 96IN WIDE DECK	
	2314000009	Ref	WHEEL WELL COVER INSTALLATION - 102IN WIDE DECK	
	2962000008	Ref	WHEEL WELL INSTALLATION - PAIR OF 8" DEEP -96IN WIDE DECK	
	2962000009	Ref	WHEEL WELL INSTALLATION - PAIR OF 8" DEEP -102N WIDE DECK	
	SSWS-NH252	Ref	WHEEL COVERS - STAINLESS STEEP (QTY 4) (SN 0220005217 through 0220008003)	
	W12WTR-HD	Ref	WINCH 12000 LBS WORM GEAR WINCHES	
	2970000097	Ref	WINCH INSTALLTION - 12000 LBS WORM GEAR WINCHES, STEEL DECK (See Separate Breakdown in DECK Section)	
	2249000018	Ref	CABLE GUIDE TENSIONER INSTALLATION - 12000 LBS WORM GEAR WINCHES (See Separate Breakdown in DECK Section)	
	W20WTR-HD	Ref	WINCH 20000 LBS WORM GEAR WINCHES (AIR FREE SPOOL)	
	2970000102	Ref	WINCH INSTALLTION - 20000LBS WORM GEAR WINCHES (AIR FREE SPOOL) (See Separate Breakdown in DECK Section)	
	1001145983	Ref	WINCH 20000 LBS PLANETARY, AIR FREE SPOOL	
	1001145938	Ref	WINCH INSTALLTION - 20000 LBS PLANETARY, AIR FREE SPOOL (See Separate Breakdown in DECK Section)	
	1001146175	Ref	CABLE TENSIONER INSTALLATION - 20000 PLANETARY, AIR FREE SPOOL	
	1001129907	Ref	WINCH CAGE INSTALLATION (WELDED ON)	

PART NUMBER INDEX

SECTION 9 - BUILD DOCUMENTS

0100011.....227, 825, 827	1001128435..... 619	1001132683..... 505	1001135330.....443, 447, 451
0100071....77, 81, 85, 89, 93, 97, 101, 105, 109, 113	1001128443..... 339	1001132688..... 509, 511	1001135446.....946
0630448001.....333, 335	1001128525..... 403	1001132711..... 505	1001135524.....729
0641436.....573, 619	1001128861..... 795, 797	1001132714..... 509	1001135622.....729
0641508....77, 81, 85, 89, 93, 97, 101, 105, 109, 113, 165, 167, 171, 175, 179, 313, 317, 327, 329, 331, 819, 821, 823, 833, 835, 837, 841, 869, 871	1001129068..... 615	1001132717..... 501	1001135700.....721, 952
0641606....76, 80, 84, 88, 92, 96, 100, 104, 108, 112	1001129095..... 729, 731	1001132721..... 511	1001135701.....733, 741, 745, 952
0641608.....363	1001129114..... 301, 327	1001132742..... 505	1001135756.....725, 952
0641610.....815	1001129116..... 305, 329	1001132745..... 509	1001135757.....737, 952
0641612....17, 21, 25, 29, 33, 37, 41, 45, 49, 53, 137, 139, 141, 143, 145, 147, 149, 197, 199, 201, 203, 205, 207, 209, 851, 853, 855	1001129118..... 309, 331	1001132748..... 501	1001135811.....745
0641624....17, 21, 25, 29, 33, 37, 41, 45, 49, 53	1001129120..... 299	1001132751..... 511	1001135812.....741
0641808.....625, 627	1001129122..... 303	1001132765..... 763	1001135813.....745, 747
0641812....76, 80, 84, 88, 92, 96, 100, 104, 108, 112	1001129124..... 307	1001132766..... 763	1001135814.....741, 743
0641813.....363	1001129126..... 315	1001132794..... 499, 501, 503, 505, 507, 509, 511, 513, 515	1001135815.....741, 743
0641820....76, 80, 84, 88, 92, 96, 100, 104, 108, 112	1001129128..... 319	1001132800..... 499, 501, 503, 505, 507, 509, 511, 513, 515	1001136147.....209
0651606....77, 81, 85, 89, 93, 97, 101, 105, 109, 113	1001129130..... 321	1001132801..... 499, 501, 503, 505, 507, 509, 511, 513, 515	1001136272.....951
0651806.....825, 827	1001129159..... 299	1001132943..... 952	1001136273.....951
0651816....17, 21, 25, 29, 33, 37, 41, 45, 49, 53, 163, 165, 167, 169, 171, 173, 175, 177, 179	1001129161..... 303	1001133195..... 325	1001136274.....951
0652016....17, 21, 25, 29, 33, 37, 41, 45, 49, 53, 77, 81, 85, 89, 93, 97, 101, 105, 109, 113, 301, 305, 309, 333, 335	1001129163..... 307	1001133225..... 325	1001136340.....21
0681810.....149	1001129165..... 315	1001133228..... 325	1001136378.....45
0691810.....141, 143, 147	1001129167..... 319	1001133342..... 795, 797, 937	1001136408.....33
1001095650....77, 81, 85, 89, 93, 97, 101, 105, 109, 113	1001129169..... 321	1001133348..... 795, 797	1001136427.....205, 207
1001098349.....619	1001129332..... 831	1001133630..... 795, 797	1001136430.....205, 207
1001100949.....891	1001129516..... 946	1001133631..... 795	1001136435.....205
1001116720.....893	1001129537..... 811, 815, 819, 833, 835, 869, 871	1001133639..... 795	1001136496.....909
1001116727.....657, 697, 699, 701, 703, 705, 707, 709, 711, 713, 715	1001129544..... 811	1001133649..... 551, 795, 797	1001136497.....909
1001116729.....695	1001129570..... 869	1001133674..... 793	1001136989.....607, 611, 629
1001116747.....893	1001129573..... 869	1001133675..... 933	1001136991.....617, 631
1001121726.....893	1001129576..... 869	1001133677..... 946	1001136993.....615, 641
1001121727.....695	1001129874..... 555	1001133706..... 17, 21, 25, 29, 33, 37, 41, 45, 49, 53	1001137290.....953
1001127221.....763	1001129875..... 867	1001133719..... 147	1001137524.....621
1001127297.....141, 143, 147	1001129882..... 557	1001133721..... 865	1001137525.....623
1001127910.....945	1001129883..... 557, 717, 741, 743, 745, 747, 952, 953	1001133739..... 451	1001137566.....177
	1001129907..... 957	1001133740..... 459, 469	1001137923.....595
	1001129909..... 793	1001133741..... 451, 453, 469	1001137924.....597
	1001129984..... 911	1001134107..... 945	1001137926.....593
	1001129985..... 911	1001134108..... 945	1001137931.....173
	1001130062..... 535, 955, 956	1001134396..... 881	1001138025.....953
	1001130142..... 867	1001134397..... 881	1001138026.....953
	1001130143..... 555	1001134473..... 948	1001138438.....323
	1001130144..... 946	1001134476..... 147, 948	1001138439.....323
	1001130151..... 867	1001134776..... 349	1001138710.....517, 519, 521, 523
	1001131080..... 531	1001134788..... 349	1001138711.....517, 519, 521, 523
	1001131084..... 517, 519	1001134994..... 149	1001138973.....53
	1001131085..... 521, 523	1001135054..... 847	1001138974.....53
	1001131101..... 946	1001135070..... 297	1001138975.....149, 948
	1001131162..... 946	1001135272..... 411, 413, 415, 417, 419, 421, 423, 425, 427, 429, 431, 433, 435, 437, 439, 441	1001138976.....149
	1001131288..... 911	1001135273..... 411, 415, 419, 423, 427, 431, 435, 439	1001139008.....948
	1001131327..... 946	1001135329..... 443, 447, 449, 451, 453	1001139343.....76, 80, 84, 88, 92, 96, 100, 104, 108, 112
	1001131335..... 945		1001139503.....341
	1001131341..... 815		1001139579.....341
	1001131492..... 815		1001139839.....948
	1001131570..... 645		1001140504.....241, 956, 957
	1001131572..... 689		1001141752.....343
	1001131724..... 121		1001141753.....343
	1001131998..... 857, 859, 861		1001141875.....337, 339, 341, 343
	1001132310..... 295		1001141889.....573
	1001132350..... 339		1001141894.....573
	1001132382..... 877		
	1001132384..... 877		
	1001132595..... 509, 511		
	1001132601..... 501		

SECTION 9 - BUILD DOCUMENTS

1001141918.....	337	1001152801.....	945	1001158881.....	956	1001169237.....	765	
1001141922.....	337	1001152802.....	945	1001158882.....	956	1001169238.....	765	
1001141937.....	619	1001152803.....	945	1001158885.....	957	1001169239.....	765	
1001142009.....	389	1001152804.....	945	1001158886.....	957	1001170187.....	413, 417,	
1001142058.....	944	1001152805.....	945	1001158887.....	223	421, 425, 429, 433,		
1001142059.....	443, 944	1001152806.....	945	1001158888.....	957	437, 441, 445, 449, 453		
1001142329.....	857	1001152807.....	945	1001158889.....	957	1001170188.....	413, 417,	
1001142330.....	859	1001152808.....	945	1001158890.....	225	421, 425, 429, 433,		
1001142331.....	861	1001153117.....	945	1001158891.....	956	437, 441, 445, 449, 453		
1001142333.....	857	1001153118.....	945	1001158892.....	957	1001170189.....	413, 417,	
1001142334.....	859	1001153119.....	945	1001159079.....	203, 954	421, 425, 429, 433,		
1001142335.....	861	1001153120.....	945	1001159080.....	205, 954,			
1001142381.....	337, 339,	1001153121.....	945	955	1001170190.....	445		
341, 343		1001153122.....	945	1001159081.....	207, 955	1001170191.....	449, 453	
1001142769.....	575, 577,	1001153123.....	945	1001159082.....	209, 955,			
579, 581, 583, 585,		1001153124.....	945	956	1001170378.....	413, 942		
587, 589, 591, 593,		1001153232.....	942	1001159083.....	954	1001170381.....	942	
595, 597, 599, 601,		1001153233.....	944	1001159084.....	954	1001170385.....	942	
603, 605, 891		1001153789.....	763	1001159085.....	954	1001170390.....	421, 942	
1001142771.....	575, 577,	1001153944.....	227	1001159087.....	955	1001170391.....	417, 942	
579, 581, 583, 585,		1001153945.....	227	1001159088.....	955	1001170392.....	942	
587, 589, 591, 593,		1001153946.....	227	1001159089.....	955	1001170393.....	437, 943	
595, 597, 599, 601,		1001153947.....	227	1001159090.....	954	1001170394.....	433, 943	
603, 605		1001153950.....	227	1001159091.....	956	1001170397.....	943	
1001142974.....	563	1001153971.....	227	1001159336.....	891	1001170398.....	943	
1001143054.....	197	1001154689.....	763	1001160195.....	227	1001170399.....	441, 944	
1001143764.....	411, 413,	1001154805.....	825	1001161142.....	951	1001170400.....	944	
415, 417, 419, 421,		1001154809.....	827	1001161526.....	649	1001170401.....	429, 943	
423, 425, 427, 429,		1001155037.....	825	1001163550.....	947	1001170402.....	943	
431, 433, 435, 437,		1001155038.....	827	1001163551.....	948	1001170406.....	453	
439, 441, 443, 445,		1001155975.....	167, 187,	1001163552.....	145, 948	1001170407.....	449, 944	
447, 449, 451, 453		189, 191		1001165614.....	609, 613,			
1001143842.....	571	1001156006.....	167, 169,	633	1001165616.....	609	1001170408.....	944
1001144986.....	571	173, 177		1001165618.....	609	1001170409.....	445, 944	
1001145052.....	951	1001156357.....	167	1001165619.....	613	1001170410.....	944	
1001145074.....	571	1001156358.....	169	1001166071.....	243	1001170423.....	425, 943	
1001145075.....	571	1001156677.....	863	1001166857.....	199, 201,			
1001145076.....	571	1001157808.....	945	231	1001171659.....	399		
1001145077.....	571	1001157809.....	945	1001166858.....	145, 153,			
1001145183.....	797	1001157810.....	945	211, 213, 217, 219	1001171660.....	946		
1001145184.....	797	1001157811.....	945	1001166890.....	765	1001171661.....	946	
1001145810.....	951	1001157812.....	946	1001166892.....	765	1001171662.....	946	
1001145938.....	363, 957	1001157813.....	946	1001166893.....	765	1001173944.....	67	
1001145983.....	957	1001157814.....	946	1001166901.....	765	1001173945.....	67	
1001145984.....	355	1001157815.....	946	1001166904.....	765	1001173946.....	69	
1001145990.....	423, 942	1001157816.....	946	1001166909.....	765	1001173947.....	69	
1001146175.....	957	1001157817.....	946	1001166910.....	765	1001173948... 18, 26, 30,		
1001146393.....	883	1001157818.....	946	1001167763.....	17, 21, 25,	38, 42, 50, 54, 67		
1001146395.....	883	1001157819.....	946	29, 33, 37, 57	1001173949... 22, 34, 46,			
1001146603.....	423, 425,	1001158298.....	517, 519,	1001167764.....	17, 21, 29,	69		
439, 441, 459		521, 523		33, 49, 61	1001173952.....	575, 577,		
1001146605.....	439, 944	1001158626.....	211, 213	1001167765.....	137, 139,	579, 581, 585, 587,		
1001146869.....	357	1001158672.....	255, 956	141, 143, 145, 147,	1001174682.....	599, 601, 603, 605, 695		
1001146878.....	799	1001158674.....	259, 957	149, 157	1001175061.....	599, 601		
1001146879.....	799	1001158675.....	257, 956,	1001167766.....	207, 209,	1001175531.....	879	
1001151904.....	145	957		229	1001167767.....	203, 205,		
1001151914.....	279	1001158677.....	261, 957	1001167770.....	41, 45, 49,	233		
1001151915.....	281	1001158678.....	223, 225,	53, 59	1001167771.....	25, 37, 63		
1001152345.....	575, 579,	263		1001167772.....	41, 45, 53,			
603, 605, 697		1001158867.....	203, 211	65	1001168319.....	547		
1001152347.....	579, 581,	1001158868.....	205, 213	1001168591.....	763	1001169235.....	765	
605, 713		1001158869.....	209, 219	1001169236.....	765	1001177459.....	333	
1001152348.....	575, 577,	1001158870.....	207, 217					
603, 711		1001158876.....	145, 217,					
1001152349.....	575, 577,	219						
579, 581, 603, 605, 701		1001158877.....	956					
1001152395.....	605	1001158878.....	956					

SECTION 9 - BUILD DOCUMENTS

1001177601.....	151	1001203299.....	767	1001230968.....	763	1001275791.....	651, 695
1001177603.....	123	1001203300.....	767	1001231801.....	763	1001275792.....	695
1001177605.....	131	1001203301.....	767	1001232524.....	817, 823, 841	1001275793.....	695
1001177633.....	123	1001203302.....	767	1001232525.....	813, 821, 837	1001277282.....	571
1001177634.....	131	1001203303.....	767	1001232526.....	823	1001277283.....	571, 705
1001178188.....	17, 29	1001203829.....	335	1001232527.....	821	1001277284.....	705
1001178189.....	21, 33	1001203833.....	335	1001232554.....	837	1001280899.....	565, 567
1001178190.....	25, 37	1001203834.....	317, 335	1001232555.....	841	1001284178.....	541, 545
1001178191.....	41	1001206161... 76, 80, 84, 88, 92, 96, 100, 104, 108, 112		1001232620.....	813	1001284179.....	541
1001178192.....	45	1001206167... 76, 80, 84, 88, 92, 96, 100, 104, 108, 112		1001232621.....	817	1001284419.....	541
1001178193.....	49	1001206171... 76, 80, 84, 88, 92, 96, 100, 104, 108, 112		1001232775.....	407	1001291152.....	211, 213
1001179025.....	471, 473	1001206388... 76, 80, 84, 88, 92, 96, 100, 104, 108, 112		1001237244.....	565	1001300517.....	209
1001180291.....	897	1001208769.....	163, 169	1001241870.....	784, 942	1060341.....	619
1001180292.....	899	1001208772.....	165, 167	1001242699.....	801	2002000008.....	159, 161, 946
1001180293.....	909	1001208776.....	171, 173	1001247138.....	625, 627, 635	2002000009.....	791
1001181417.....	547	1001208780.....	175, 177	1001248245.....	399	2002000012.....	946
1001181841.....	953	1001208785.....	179	1001257876.....	565	2002000016.....	843
1001181843.....	953	1001209295.....	948	1001259575.....	625	2002000024.....	945
1001181855.....	953	1001211215.....	951	1001260058.....	577, 581, 703	2002000025.....	945
1001181859.....	954	1001211686.....	946	1001260278.....	577	2002000028.....	829
1001181860.....	954	1001219309.....	559	1001260279.....	581	2002000029.....	935
1001181867.....	947	1001219321.....	559	1001260347.....	585	2002000030.....	789
1001181868.....	947	1001219737.....	405, 407	1001260348.....	591	2002000031.....	493
1001183326.....	141, 155	1001220098.....	353	1001260350.....	585	2002000048.....	187
1001183327.....	215, 221, 235, 913, 919	1001220105.....	945	1001260351.....	591, 709	2002000049.....	189
1001187663S.....	784	1001220181.....	561	1001260898.....	719, 952	2002000050.....	191
1001188129.....	197, 199, 201, 203, 205, 207, 209, 851, 853, 855	1001220181.....	561	1001261002.....	723, 952	2002000051.....	193
1001188132.....	199, 201, 203, 205, 207, 209	1001221375.....	731	1001261004.....	727, 952	2170000066.....	199, 201
1001188133.....	203, 205, 207, 209	1001223267.....	301	1001261005.....	735, 743, 747, 952	2170000086.....	197
1001188141.....	17, 21, 25, 29, 33, 37, 41, 45, 49, 53, 137, 139, 141, 143, 145, 147, 149	1001223268.....	305	1001261006.....	739, 953	2170000087.....	851, 901, 905
1001188206.....	17, 21, 25, 29, 33, 37, 41, 45, 49, 53	1001223269.....	309	1001261008.....	731	2170000088.....	853, 903
1001188615.....	67, 69	1001223814.....	163, 165, 167, 169, 171, 173, 175, 177, 179	1001261016.....	953	2170000090.....	855, 907
1001188616.....	67, 69	1001223815.....	163, 165, 167, 169	1001261039.....	627	2178000025.....	945
1001188647.....	401	1001223816.....	171, 173	1001262045.....	952	2178000027.....	944
1001188648.....	395	1001223817.....	175, 177	1001262046.....	952	2178000028.....	944
1001189544.....	313, 333	1001223818.....	179	1001262048.....	952	2178000030.....	347, 946
1001189548.....	849	1001223819.....	163, 165, 167, 169	1001262049.....	952	2178000031.....	653
1001189549.....	819	1001223820.....	171, 173	1001262050.....	953	2178000037.....	787, 845
1001189550.....	871	1001223821.....	175, 177	1001262052.....	743	2178000067.....	945
1001190037.....	695	1001223822.....	179	1001262053.....	747	2178000068.....	945
1001190131.....	833, 871	1001225228.....	801	1001262106.....	627	2190000018.....	135
1001190140.....	871	1001225869.....	345	1001262544.....	784	2190000025.....	125
1001190184.....	833, 835, 837, 839, 841	1001225870.....	313, 317, 327, 329, 331, 345	1001262545.....	784	2190000026.....	129
1001190625.....	763	1001226004.....	313	1001262546.....	784	2190000027.....	127
1001190626.....	763	1001226005.....	317	1001265236.....	784	2190000028.....	133
1001191543.....	833	1001226007.....	327	1001265255.....	784	2241000142.....	311, 946
1001191544.....	835	1001226008.....	329	1001270102.....	845	2249000007.....	803
1001192132.....	333	1001226009.....	331	1001271775.....	88, 96, 104, 112	2249000008.....	805
1001196552.....	719	1001226847.....	345	1001271842.....	88, 96, 104, 112	2249000009.....	387
1001198871.....	475, 477	1001226848.....	345	1001271983.....	88, 950	2249000018.....	385, 957
1001199476.....	621, 623, 639	1001228185.....	945	1001271984.....	104, 951	2262000006.....	815
1001203295.....	767	1001228190.....	405	1001271985.....	96, 950	2262000011.....	151, 197, 947, 948, 954, 955, 956
1001203296.....	767	1001228388.....	565	1001271986.....	112, 951	2296000106.....	435, 943
1001203297.....	767	1001229606.....	563	1001271987.....	950	2296000107.....	411, 942
1001203298.....	767	1001230127.....	493	1001271988.....	951	2296000108.....	415, 942
				1001271989.....	950	2296000111.....	427, 943
				1001271990.....	951	2296000112.....	419, 942
				1001273600.....	563	2296000153.....	431, 943
				1001273634.....	655, 665, 673, 677, 681, 683, 685	2296000160.....	447, 944
						2314000008.....	957
						2314000009.....	957
						2314000019.....	593
						2314000034.....	583

SECTION 9 - BUILD DOCUMENTS

2330000035 769, 947, 954, 955	2570000114.....267, 269, 283, 285, 517	2706000047295, 297, 945	3020000106 199, 201, 207
2330000036 771, 948, 954, 955, 956	2570000115.....271, 273, 287, 289, 519	2706000048.....946	3020000123 473
2330000039 197, 199, 201	2570000116.....275, 277, 291, 293, 521	2706000049.....946	3020000132 241
2330000040 901, 903	2570000117.....279, 281, 295, 297, 523	2729000032.....947	3020029 ... 77, 81, 85, 89, 93, 97, 101, 105, 109, 113, 197, 199, 201, 255, 257, 259, 261, 263
2330000041 759, 905, 907, 947, 948	2570000152..... 549, 949, 950, 951	2729000033.....947	3020039 ... 18, 22, 26, 30, 34, 38, 42, 46, 50, 54, 77, 81, 85, 89, 93, 97, 101, 105, 109, 113, 141, 145, 197, 199, 201, 211, 213, 215, 217, 219, 221, 255, 257, 259, 261, 263, 913
2330000045 267, 269, 271, 273, 275, 277, 279, 281, 283, 285, 287, 289, 291, 293, 295, 297, 763	2577000016....81, 93, 97, 109, 113, 479, 948, 949	2729000034.....947	3062000014 ... 17, 21, 25, 29, 33, 37, 41, 45, 49, 53
2330000055 267, 269, 271, 273, 275, 277, 279, 281, 283, 285, 287, 289, 291, 293, 295, 297	2577000017.....475, 942, 943, 944, 950, 951	2729000045.....947	3062000015 ... 17, 21, 25, 29, 33, 37, 41, 45, 49, 53
2330000056 197	2577000018..... 477, 944	2729000106.....947	3071000213 115
2330000057 773, 948, 954, 955, 956	2577000025..... 491, 949	2729000107.....947	3073000010 145
2330000059 197, 199, 201	2577000029..... 481, 949	2729000108.....947	3097000301 275, 291
2330000060 901, 903, 905, 907	2577000030..... 483, 949	2729000109.....947	3097000302 271, 287
2330000061 779, 947, 948	2577000031..... 485, 949	2750000008.....267, 269, 271, 273, 275, 277, 279, 281, 283, 285, 287, 289, 291, 293, 295, 297, 539	3097000303 267, 283
2330000062 897, 899, 909	2577000034..... 487, 949	27540000001946	3097000310 277, 293
2330000063 777, 947, 948	2577000035..... 489, 949	27540000002946	3097000311 273, 289
2330000064 775, 947	2590000115..... 687	27540000003946	3097000312 269, 285
2330000065 781, 948, 954, 955, 956	2590000122.....661	27540000004946	3097000358 279, 295
2330000068 757, 949, 950, 951	2590000123.....659	27540000005397	3097000361 281, 297
2346000008 569, 787, 948	2590000124.....663	2849000043 137, 947	3170000048 215
2400066 565	2590000165.....575	2849000044 141, 947	3170000078 221
2484000003 237, 956	2590000166.....579	2849000045 143, 947	3170000162 211
2484000004 223, 243, 957	2590000201.....583	2849000046 139, 947	3170000163 217
2484000005 239, 956	2590000202.....587	286800012117	3170000208 917
2484000006 225, 245, 957	2590000203.....589	286800012229	3170000305 199, 201, 221
2500790487 197	2590000206.....671	286800012341	3170000306 197, 215
2550000506 947	2590000215.....643	286800012425	3170000308 851, 913
2553000008 201	2590000229.....675	286800012537	3170000309 853, 915
2553000009 199	2590000232.....647	286800012649	3170000312 855, 917
2570000032 529, 947	2590000248.....679	2870000013873	3170000313 221
2570000049 527, 947, 948	2590000252.....607	2870000019351	3170000314 215, 913, 915, 917
2570000053 531, 954, 955	2590000253.....611	2870000021749, 953	3170000473 ... 76, 80, 84, 88, 92, 96, 100, 104, 108, 112
2570000055 197, 533, 901, 905	2590000261.....946	2870000023101, 105, 109, 113	3170000492 219
2570000058 199, 201, 537	2590000266.....617	2899000030159	3170000504 213
2570000083 525, 948	2590000269.....667	2899000041161	3178000288 ... 17, 21, 25, 29, 33, 37, 41, 45, 49, 53
2570000097 497	2590000276.....599	2899000055163	3178000289 ... 17, 21, 25, 29, 33, 37, 41, 45, 49, 53
2570000098 499	2590000277.....601	2899000057171	3178000307 805
2570000100 503	2590000286.....603	2899000058175	3178000308 805
2570000101 507	2590000292.....891	2899000059181	3178000429 347
2570000102 513	2590000292.....891	2899000060183	3178000430 347
2570000103 515	2638000017..... 117	2899000061185	3178000433 385
	2638000019..... 119	2899000065165	3178000437 653, 751
	267900000873, 275, 277, 279, 281, 291, 293, 295, 297	2899000075179	3178000471 831, 833, 835, 837, 839, 841
	267900000971, 267, 269, 271, 273, 283, 285, 287, 289	2900733391	
	2706000008.....287, 289, 945	2962000008957	
	2706000009.....291, 293, 945	2962000009957	
	2706000012.....946	2970000069471	
	2706000015.....946	2970000097357, 957	
	2706000037.....949	2970000102359, 361, 957	
	2706000038.....949	2970000105473	
	2706000040.....949	2978000001953	
	2706000041.....949	3002000008857, 859, 861	
	2706000043.....949	3002000009857, 859, 861	
	2706000044.....949	3020000029239, 245	
	2706000045.....283, 285, 945	3020000030239, 245	
		3020000037243	
		3020000038243	
		3020000072237	
		3020000091471	
		3020000105203	

SECTION 9 - BUILD DOCUMENTS

317800051776, 80, 84, 88, 92, 96, 100, 104, 108, 112	3484000047 245, 249	141, 145, 211, 213, 215, 217, 219, 221, 913	4090000001.....517, 519, 521, 523
317800051876, 80, 84, 88, 92, 96, 100, 104, 108, 112	3484000050 253	3763000187 115	410TRB-8267
3178000555.....857, 859, 861	3484000052 239, 251, 253	3763000188 ... 76, 80, 84, 88, 92, 96	410TRB-8W.....269
3178000566.....179	3484000053 239, 251	3811000053 187	4120000008.....197, 199, 201
3190000034.....135	3527000075 803	3811000054 189	415TRBLP283
3190000058.....125	3550001912 875	3811000055 191	415TRBLP-W285
3190000059.....129	3550001913 825, 827, 875	3811000057 193	4178000290.....159, 161, 163, 171, 175, 179
3190000060.....127	3551000036 237, 239, 241, 243, 247, 249	3841143 ... 18, 22, 26, 30, 34, 38, 42, 46, 50, 54, 77, 81, 85, 89, 93, 97, 101, 105, 109, 113, 137, 139, 141, 143, 145, 147, 149, 197, 199, 201, 203, 205, 207, 209, 851, 853, 855	4178000291.....159, 161, 163, 169, 171, 173, 175, 177, 179
3190000061.....133	3553000011 115	3849000032 137	4178000308....17, 21, 25, 29, 33, 37, 41, 45, 49, 53
324100020876, 80, 84, 88, 92, 96, 100, 104, 108, 112	3556000019 397	3849000033 141, 143, 147	4178000330.....171, 175, 179
3241000262.....311	3556000023 197	3849000034 139	4178000338.....165
3249000004S784	3556000026 199	3849000035 145	4178000339.....165, 167
3249000036.....385	3556000028 201	3890000053 159	4178000402.....607, 609, 615, 617, 621, 663, 665, 667, 669, 681, 683
3271505....819, 821, 823, 833, 835, 837, 841, 869, 871	3556000042 899	3890000075 161	4178000423.....661
3271601.....815	3556000043 897	3899000125 163, 169	4178000424.....659
3271805.....399	3558000008 ... 17, 21, 25, 29, 33, 37, 41, 45, 49, 53	3899000126 165, 167	4178000425.....659
3300455....17, 21, 25, 29, 33, 37, 41, 45, 49, 54	3558000018 ... 29, 33, 37, 41, 45, 49, 53	3899000127 171, 173	4178000437.....611, 613, 623
3300492....17, 21, 25, 29, 33, 37, 41, 45, 49, 53, 137, 139, 141, 143, 145, 147, 149, 197, 199, 201, 203, 205, 207, 209, 851, 853, 855	3560000010 411, 413, 415, 417, 419, 421, 423, 425, 427, 429, 431, 433, 435, 437, 439, 441, 443, 445, 447, 449, 451, 453	3899000128 175, 177	4178000578.....751
3311505....313, 317, 327, 329, 331	3570000008 784	3899000173 179	4178000599.....163, 165, 167, 169, 171, 173, 175, 177, 179
3311601.....363	3592000039 203	3905000010 ... 17, 21, 25, 29, 33, 37, 41, 45, 49, 53	4178000664.....479
3314000055.....389	3592000041 203	3913000062 913, 915	4178000665.....479
3316000047.....199, 201, 203, 207, 209	3592000058 203	3913000093 255	4178000666.....787, 845
3316000052.....205	3592000060 205, 207	3913000097 259	4178000673.....471, 473
3316000058.....137, 139, 141, 143, 147	3592000065 209	3913000098 257	4178000864.....749
3316000059.....145	3592000066 209	3913000100 261	4209000204....17, 21, 25, 29, 33, 37, 41, 45, 49, 53
332000022976, 80, 84, 88, 92, 96, 100, 104, 108, 112, 115	3619000010 ... 76, 80, 84, 88, 92, 96, 100, 104, 108, 112	3913000101 263	4209000212.....471, 473
3391000014.....315, 323	3691000064 ... 76, 80, 84, 88, 92, 96, 100, 104, 108, 112, 141, 143, 147, 913, 915, 917	3935000115 411, 413, 455	4209000336....76, 80, 84, 88, 92, 96, 100, 104, 108, 112
3391000017303, 319	3691000097 197, 851, 853, 855	3935000117 415, 417, 419, 421, 427, 429, 435, 437, 457	4211000001.....411, 413, 415, 417, 419, 421, 423, 425, 445, 475, 477
3391000018.....321, 325	3691000259 ... 76, 80, 84, 88, 92, 96, 100, 104, 108, 112	3935000124 445, 465	4254000005.....247, 249, 251, 253
3391000021299	3691000260 ... 76, 80, 84, 88, 92, 96, 100, 104, 108, 112	3935000125 443, 463	4259000001.....247, 253
3391000022307	3698000001 115	3935000224 447, 449, 467	4259000002.....249, 251
345500005876, 80, 84, 88, 92, 96, 100, 104, 108, 112	3706000192 805	3935000382 431, 433, 461	4263000464.....445
345500005976, 949	3706000213 387	4017000739 145, 211, 213, 217, 219	4263000661.....347
345500006084, 950	3706000214 387	4017001194 471	4314000060.....359, 361
3455000063.....100, 950	3706000215 387	4017001271 ... 17, 21, 25, 29, 33, 37, 41, 45, 49, 53	4314000167....77, 81, 85, 88, 93, 96, 100, 104, 108, 112
345500006480, 949	3706000363 ... 76, 80, 84, 88, 92, 96, 100, 104, 108, 112	4017001403 181, 183, 185	4314000232.....583, 593
345500006592, 950	3706000364 ... 76, 80, 84, 88, 92, 96, 100, 104, 108, 112	4017001504 473	4314000235.....583, 593
3455000066108, 951	3750000018 539, 543	4017001742 117, 119, 121	4330000001.....197, 199, 201
3484000016.....247	3760133... 17, 21, 25, 29, 33, 37, 41, 45, 49, 53, 76, 80, 84, 88, 92, 96, 100, 104, 108, 112,	4017001743 117, 119, 121	4346000005.....557, 565, 575, 577, 579, 581, 583, 585, 587, 589, 591, 593, 595, 597,
3484000017249		4066000050 361	
3484000030243			
3484000031243			
3484000034237, 241			
3484000035237, 241			
3484000046245, 247			

SECTION 9 - BUILD DOCUMENTS

<p>599, 601, 603, 605, 719, 721, 723, 725, 727, 729, 731 4460018 723, 727 4460019 695, 705 4460035 ... 619, 723, 727, 735, 739 4460042 ... 723, 727, 735, 739 4460256 ... 567, 699, 701, 703 4460457 ... 653, 655, 657, 665, 671, 673, 675, 677, 683, 695, 697, 699, 703, 707, 709, 711, 713, 715, 753 4460458 487, 489, 703 4460459 695, 697, 703 4460460 ... 697, 701, 703, 707, 709, 715 4460461 699, 705 4460464 565, 567, 571 4460465 ... 481, 483, 485, 487, 489, 565, 567, 571, 691, 693 4460466 ... 691, 693, 711, 713 4460475 ... 647, 651, 657, 707, 709, 711, 713, 715, 753 4460476 697, 701, 705 4460742 ... 653, 655, 657, 665, 671, 673, 675, 677, 683, 695, 697, 699, 701, 703, 707, 709, 711, 713, 715, 753 4460748 671, 673 4460790 ... 697, 699, 701, 703, 705, 707, 709, 715 4460842 ... 481, 483, 485, 487, 489, 693 4460844 711, 713 4460850 ... 487, 489, 697, 701, 703, 705, 707, 709, 715, 873 4460867 ... 697, 703, 707, 709, 715, 873 4460891 ... 565, 567, 571, 691, 693, 711, 713 4460897 ... 565, 567, 571, 711, 713 4460930 481 4460933 ... 483, 485, 487, 489, 691, 693 4460941 567 4460942 567, 711, 713 4460955 ... 481, 483, 485, 487, 489, 693 4461157 ... 651, 655, 657, 665, 671, 673, 695, 701, 703, 711, 713, 753 4497000368 ... 17, 21, 25, 29, 33, 37, 41, 45, 49, 53 4550003732 363 4550003733 363 4550003734 363</p>	<p>4553000008..... 115 4567110034..... 531, 535 4567112042..... 517, 519, 521, 523, 525 4567120010..... 535 4567120042..... 535 4567122014..... 537 4567122016..... 525, 527, 529, 531 4567122022..... 549 4567122030..... 549 4567122032..... 549 4567122034..... 549 4567122038..... 535 4567122040..... 517, 519, 521, 523 4567122042..... 533, 537 4567122043..... 535 4567122045..... 531 4567122046..... 537 4567122050..... 525, 527, 529 4567122144..... 517, 519 4567122186..... 521, 523 4567123023..... 549 4567123036..... 529 4567123047..... 517, 519 4567123048..... 531, 535 4567123050..... 537 4567123051..... 525, 527, 529 4567123056..... 521, 523 4567123144..... 517, 519 4567123186..... 521, 523 4567130244..... 497 4567130248..... 499 4567130264..... 503 4567130290..... 501, 507 4567130300..... 505 4567130316..... 513 4567130330..... 509, 511 4567130340..... 515 4567133058..... 549 4567430153..... 517 4567430177..... 519 4567430193..... 521 4567430217..... 523 4569142018..... 549 4570000044..... 505 4570000046..... 503, 507, 513, 515 4570000099..... 549 4570000104..... 549 4570000112..... 497, 499 4570000113..... 497 4570000114..... 499 4570000121..... 501 4570000159..... 503 4570000160..... 507 4570000161..... 513 4570000182..... 515 4570000199..... 517, 519, 521, 523 4570000200..... 517, 519, 521, 523 4570000201..... 517, 519</p>	<p>4570000202..... 517, 519, 521, 523 4570000203..... 521, 523 4577000006..... 549 4606000217..... 411, 413, 415, 417, 419, 421, 423, 425, 427, 429, 431, 433, 435, 437, 439, 441, 443, 445, 447, 449, 451, 453 4632000004..... 357 4632000015..... 159 4632000030..... 471 4632000048..... 161 4679000046..... 145, 211, 213, 217, 219 4679000154..... 71 4679000166..... 17, 21, 25, 29, 33, 37, 41, 45, 49, 53 4679000192..... 71, 73 4679000193..... 71, 73 4679000194..... 17, 21, 25, 29, 33, 37, 41, 45, 49, 53 4679000208..... 471 4679000211..... 145, 211, 213, 217, 219 4679000221..... 237, 239, 241, 245 4679000256..... 163, 169 4679000257..... 165, 167 4679000258..... 171, 173 4679000259..... 175, 177 4679000267..... 73 4679000274..... 831, 833, 835, 837, 839, 841 4679000322..... 179 4691000103..... 259, 261, 263 4691000183..... 247, 249, 251, 253 4691000186..... 247, 249, 251, 253 4691000268..... 17, 21, 25, 29, 33, 37, 41, 45, 49, 53, 145, 211, 213, 217, 219 4691000278..... 255, 257 4691000296..... 76, 80, 84, 88, 92, 96, 100, 104, 108, 112, 145, 211, 213, 217, 219 4691000348..... 17, 21, 25, 29, 33, 37, 41, 45, 49, 53 4691000354..... 247, 249, 251, 253 4691000357..... 247, 249, 251, 253 4691000429..... 76, 80, 84, 88, 92, 96, 100, 104, 108, 112, 141, 215, 221, 913 4691000430..... 141, 215, 221, 913</p>	<p>4691000495 ... 76, 80, 84, 88, 92, 96, 100, 104, 108, 112 4691000513 ... 76, 80, 84, 92, 100, 108 4691000568 875 4698000007 115 4705000607 315, 319, 321, 323, 325 4705000608 315, 319, 321, 323, 325 4706001149 803 4706002361 165, 167, 171, 175, 179 4706003025 ... 17, 21, 25, 29, 33, 37, 41, 45, 49, 53 4706003026 ... 17, 21, 25, 29, 33, 37, 41, 45, 49, 53 4706003027 ... 17, 21, 25, 29, 33, 37, 41, 45, 49, 53 4706003033 ... 17, 21, 25, 29, 33, 37, 41, 45, 49, 53 4706003038 517, 519, 521, 523 4706003650 491 4706003844 499, 501, 503, 505, 507, 509, 511, 513, 515 4706003857 385 4706005396 491 4706005595 483, 485, 487, 489 4706005650 ... 76, 80, 84, 88, 92, 96, 100, 104, 108, 112 4706005651 ... 76, 80, 84, 92, 100, 108 4706005672 ... 76, 80, 84, 88, 92, 96 4706005752 ... 77, 81, 85, 89, 93, 97, 101, 105, 109, 113 4706006211 100, 104, 108, 112 4706006216 187, 189, 191, 193 4706006427 117, 119, 121 4711400001 333, 335 4711500 ... 313, 317, 327, 329, 331 4711600 ... 77, 81, 85, 89, 93, 97, 101, 105, 109, 113 4711800 399 4712000 ... 301, 305, 309, 333, 335 4751300 ... 17, 21, 25, 29, 33, 37, 41, 45, 50, 54, 145, 211, 213, 217, 219 4751400001 831, 833, 835, 837, 839, 841</p>
--	--	---	--

SECTION 9 - BUILD DOCUMENTS

4751500.....77, 81, 85, 89, 93, 97, 101, 105, 109, 113, 165, 167, 171, 175, 179, 811, 813, 817, 819, 821, 823, 833, 835, 837, 841, 869, 871	4892000 ... 17, 21, 25, 29, 33, 37, 41, 45, 49, 53, 345 4912000130 385 4912000394 385 4949000047 255, 257, 259, 261, 263 4949000059 ... 76, 80, 84, 88, 92, 96, 100, 104, 108, 112 5525000537 559 5525000752 921 5526000553 531, 535, 561, 655, 665, 669, 673, 681, 683, 725, 737, 739 610TRB-8..... 271 610TRB-8W 273 615TRBLP 287 615TRBLP-W..... 289 7002000285 885 7002000404 829 7002000447 935 7002000448 939 7002000449 923 7002000450 809 7002000451 807 7002000458 933 7002000503 789 7002000519 ... 77, 81, 85, 89, 93, 97, 101, 105, 109, 113 7002000521 493 7002107 391 7002110 391 7002111 391 7002117 391 7002123 391 7005000003 479 70050100 377 70050456 .. 369, 373, 377 70050457 .. 369, 373, 377 70050458 .. 369, 373, 377 70050459 .. 369, 373, 377 70050460 .. 369, 373, 377 70050461 .. 369, 373, 377 70050462 .. 369, 373, 377 70050463 .. 369, 373, 377 70050464 .. 369, 373, 377 70050465 .. 369, 373, 377 70050466 .. 369, 373, 377 70050525 373, 377 70050612 .. 369, 373, 377 70050613 .. 369, 373, 377 70050614 .. 369, 373, 377 70050615 .. 369, 373, 377 70050616 .. 369, 373, 377 70050617 .. 369, 373, 377 70050618 .. 369, 373, 377 70050619 .. 369, 373, 377 70050620 373, 377 70050621 373, 377 70050622 .. 369, 373, 377 70050625 .. 369, 373, 377 70050626 .. 369, 373, 377 70050627 .. 369, 373, 377 70050628 .. 369, 373, 377	70050662 377 70050678 367 70050679 367 70050682 367, 369 70050694 367 70050701 378 70051167 61 70051168 231, 233 70051169 153 70051170 61 70051171 61 70051172 231, 233 70051173 231, 233 70051174 153 70051175 153 70051176 153 70051388 233 70051389 233 70051390 233 70051391 61, 233 70051392 61 70051393 61 70070028 391 70070030 391 70070031 391 70070032 391 7009974 391 7009975 391 7009992 391 7009997 391 7011000006 575, 577, 579, 581, 585, 587, 589, 591, 595, 597, 603, 605 7011000007 583, 593 7056000007 925 7056000008 927 7056000009 929 7082000016 215, 221, 233, 913, 915, 917 708200001861, 199, 201, 203, 205, 207, 209, 233 7082000019 137, 139, 141, 143, 145, 147, 149, 199, 201, 203, 205, 207, 209 7104100613 ... 76, 80, 84, 88, 92, 96, 100, 104, 108, 112, 491 7105181250 347 7105181650 159, 161, 315, 319, 321, 323, 325, 345, 877, 879, 881, 883 7105201250 ... 17, 21, 25, 29, 33, 37, 41, 45, 49, 53 7105201650 299, 303, 307, 311, 349 7105202050 ... 17, 21, 25, 29, 33, 37, 41, 45, 49, 53 7105202250 ... 17, 21, 25, 29, 33, 37, 41, 45, 49, 53 7110201605 803 7111141407 471, 473	7111150813.....569 7111150864.....117, 119, 121 7111161050.....411, 413, 415, 417, 419, 421, 423, 425, 427, 429, 431, 433, 435, 437, 439, 441, 443, 445, 447, 449, 451, 453 7114080618.....491 7114100518.....493 7114100810.... 17, 21, 25, 29, 33, 37, 41, 45, 49, 53, 481, 483, 485, 487, 489 7114100818.....619 7114101018.....891 7114101618.....517, 519, 521, 523 7114140465.....163, 165, 167, 169, 171, 173, 175, 177, 179 7114140528.....139, 141, 143, 145, 147, 149, 197, 199, 201, 203, 205, 207, 209, 575, 577, 579, 581, 583, 585, 587, 589, 591, 593, 595, 597, 599, 601, 603, 605, 851, 853, 855, 897, 899, 909, 911 7114140529.....67, 69 7114140618.....565 7114140823.....847, 849 7114141218.....831, 833, 835, 837, 839, 841 7114150818..67, 69, 117, 119, 121, 237, 239, 241, 245 7114161218.....389 7114181418.....857, 859, 861 7115140450.....547 7115140650.....411, 413, 415, 417, 419, 421, 423, 425, 427, 429, 431, 433, 435, 437, 439, 441, 443, 445, 447, 449, 451, 453, 491 7115140850.....151 7115150664.....411, 413, 415, 417, 419, 421, 423, 425, 427, 429, 431, 433, 435, 437, 439, 441, 443, 445, 447, 449, 451, 453, 475, 477 7115150850.....159, 161, 181, 183, 185, 411, 413, 415, 417, 419, 421, 423, 425, 427, 429, 431, 433, 435, 437, 439, 441, 443, 445, 447, 449, 451, 453, 471, 473 7115150864.....479
---	---	--	---

SECTION 9 - BUILD DOCUMENTS

7115151050 497, 499, 501, 503, 505, 507, 509, 511, 513, 515, 539	7248000114..... 163, 165, 167, 169, 171, 173, 175, 177	439, 441, 443, 445, 447, 449, 451, 453, 751	7330000648 411, 413, 419, 421, 431, 433, 435, 437, 439, 441
7115151064 499, 501, 503, 505, 507, 509, 511, 513, 515	7248000155..... 179	7280000011.....661, 675, 677	7330000649 411, 413, 419, 421, 431, 433, 435, 437, 439, 441
7115151250 471	7253000002..... 76, 80, 84, 88, 92, 96, 100, 104, 108, 112, 215, 221, 227, 255, 257, 259, 261, 263	7280000013..... 659	7330000650 415, 417, 423, 425, 427, 429
7115151650 359, 361, 517, 519, 521, 523	7259000015.... 17, 21, 25, 29, 33, 37, 41, 45, 49, 53	7280000018.....559, 561	7330000651 415, 417, 423, 425, 427, 429
7115151850 517, 519, 521, 523	7259000016.... 17, 21, 25, 29, 33, 37, 41, 45, 49, 53	7291000010..... 139, 141, 143, 145, 149, 197, 199, 201, 203, 205, 207, 209, 851, 853, 855, 897, 899, 909, 911	7330000675 351, 353, 355
7115160950 187, 189, 191, 193, 517, 519, 521, 523	7262000010..... 197	7295000102.....491	7330000676 351, 353, 355
7115161050 789	7262000011..... 199, 201	7295000106.....481	7330000683 773
7115161250 387	7262000014..... 199, 201	7295000108.....483	7330000684 197, 199, 201, 773, 779, 901, 903, 905, 907
7115162650 387	7262000040..... 151	7295000109.....485	7330000689 763
7115180606 857, 859, 861	7274000002..... 497, 499, 501, 503, 505, 507, 509, 511, 513, 515	7295000111.....487, 489	7330000696 485, 487, 489
7115180850 607, 609, 611, 613, 615, 617, 621, 623, 681, 683	7274000011..... 517, 519, 521, 523	7295000118....76, 84, 88, 100, 104	7330000707 757
7115181050 789, 795, 797	7274000038..... 517, 519, 521, 523	7295000130....80, 92, 96, 108, 112	7330000708 757
7115181064 123, 125, 127, 129, 131, 133, 135, 411, 413, 415, 417, 419, 421, 423, 425, 427, 429, 431, 433, 435, 437, 439, 441, 443, 445, 447, 449, 451, 453	7274000039..... 517, 519, 521, 523	7312000013..... 843, 845	7330000709 757
7115181250 357, 359, 361	7274000040..... 497, 499, 501, 503, 505, 507, 509, 511, 513, 515, 517, 519, 521, 523	7312000015..... 843, 845	7330000710 757
7115181450 337, 339, 341, 343, 897, 899, 909, 911	7274000041..... 497, 499, 501, 503, 505, 507, 509, 511, 513, 515, 517, 519, 521, 523	7312000016..... 843, 845	7330000711 757
7115181464 357, 385, 787, 845	7274000042..... 497, 499, 501, 503, 505, 507, 509, 511, 513, 515, 517, 519, 521, 523	7312000017.....791	7330000713 757
7115181664 123, 131	7274000044..... 497, 499, 501, 503, 505, 507, 509, 511, 513, 515, 517, 519, 521, 523	7330000060.....781	7330000714 757
7115181850 397	7274000046.... 17, 21, 25, 30, 34, 38, 42, 46, 50, 54	7330000139.....763	7330000723 757
7115182250 395	7274000053.... 77, 81, 85, 89, 93, 97, 101, 105, 109, 113	7330000176.....763	7330000864 443, 445
7115222050 337, 339, 341, 343	7274000063..... 313, 317, 327, 329, 331, 411, 413, 415, 417, 419, 421, 423, 425, 427, 429, 431, 433, 435, 437, 439, 441, 443, 445, 447, 449, 451, 453	7330000242.....471	7330000865 443, 445
7118140418 145, 211, 213, 217, 219	7274000066..... 517, 519, 521, 523	7330000272.....763	7330000873 447, 449, 451, 453
7118161026 71, 73	7274000076..... 497, 499, 501, 503, 505, 507, 509, 511, 513, 515	7330000274.....777, 897, 899, 909	7330000874 447, 449, 451, 453
7118181216 163, 165, 167, 169, 171, 173, 175, 177, 179	7274000077..... 497, 499, 501, 503, 505, 507, 509, 511, 513, 515	7330000288.....721, 723, 725, 727, 733, 735, 737, 739, 749	7345001713 721, 725, 733, 737
7118201616 541	7274000080..... 497, 499, 501, 503, 505, 507, 509, 511, 513, 515, 549	7330000330.....763	7345001714 559, 565, 891
7120000034 557, 559, 561, 749	7280000007..... 411, 413, 415, 417, 419, 421, 423, 425, 427, 429, 431, 433, 435, 437,	7330000384.....245	7345001913 721, 733
7178000029 833, 869, 871	7280000007..... 411, 413, 415, 417, 419, 421, 423, 425, 427, 429, 431, 433, 435, 437,	7330000385.....239	7345001914 563, 729, 731
7183000004 543	7280000007..... 411, 413, 415, 417, 419, 421, 423, 425, 427, 429, 431, 433, 435, 437,	7330000390.....145	7345211701 721, 725, 733, 737
7209000011 385	7280000007..... 411, 413, 415, 417, 419, 421, 423, 425, 427, 429, 431, 433, 435, 437,	7330000391.....779, 901, 903, 905, 907	7345211702 559
7209000028 145, 217, 219	7280000007..... 411, 413, 415, 417, 419, 421, 423, 425, 427, 429, 431, 433, 435, 437,	7330000417.....769	7345221902 557, 563
7209000030 211, 213	7280000007..... 411, 413, 415, 417, 419, 421, 423, 425, 427, 429, 431, 433, 435, 437,	7330000418.....769	7346000039 559, 563, 891
7248000064 357	7280000007..... 411, 413, 415, 417, 419, 421, 423, 425, 427, 429, 431, 433, 435, 437,	7330000419.....197, 199, 201, 769, 771	7346000055 569
7248000067 359, 361, 363	7280000007..... 411, 413, 415, 417, 419, 421, 423, 425, 427, 429, 431, 433, 435, 437,	7330000420.....771	7346000078 569
7248000070 . 85, 93, 101, 109	7280000007..... 411, 413, 415, 417, 419, 421, 423, 425, 427, 429, 431, 433, 435, 437,	7330000428.....267, 269, 271, 273, 275, 277, 279, 281, 283, 285, 287, 289, 291, 293, 295, 297	7346000104 619
7248000077 ... 77, 81, 89, 97, 105, 113	7280000007..... 411, 413, 415, 417, 419, 421, 423, 425, 427, 429, 431, 433, 435, 437,	7330000432.....771	7346000108 697, 703, 707
	7280000007..... 411, 413, 415, 417, 419, 421, 423, 425, 427, 429, 431, 433, 435, 437,	7330000432.....771	7346000109 709, 715
	7280000007..... 411, 413, 415, 417, 419, 421, 423, 425, 427, 429, 431, 433, 435, 437,	7330000478.....763	7346000132 787, 948
	7280000007..... 411, 413, 415, 417, 419, 421, 423, 425, 427, 429, 431, 433, 435, 437,	7330000495.....473	7346000157 787, 948
	7280000007..... 411, 413, 415, 417, 419, 421, 423, 425, 427, 429, 431, 433, 435, 437,	7330000580.....757	7346000167 683
	7280000007..... 411, 413, 415, 417, 419, 421, 423, 425, 427, 429, 431, 433, 435, 437,	7330000599.....757, 763, 775, 777	7346000208 873
	7280000007..... 411, 413, 415, 417, 419, 421, 423, 425, 427, 429, 431, 433, 435, 437,	7330000609.....255, 257, 259, 261, 263	7346000220 893
	7280000007..... 411, 413, 415, 417, 419, 421, 423, 425, 427, 429, 431, 433, 435, 437,	7330000612.....491	7346000231 893
	7280000007..... 411, 413, 415, 417, 419, 421, 423, 425, 427, 429, 431, 433, 435, 437,	7330000627.....729	7346000242 725, 729, 731, 735, 737, 739
	7280000007..... 411, 413, 415, 417, 419, 421, 423, 425, 427, 429, 431, 433, 435, 437,	7330000628.....729	7413000002 565
	7280000007..... 411, 413, 415, 417, 419, 421, 423, 425, 427, 429, 431, 433, 435, 437,	7330000645.....759, 905, 907	7413000013 299, 301, 303, 305, 307, 309, 315, 319, 321, 323, 325, 333, 335
	7280000007..... 411, 413, 415, 417, 419, 421, 423, 425, 427, 429, 431, 433, 435, 437,	7330000646.....759, 905, 907	

SECTION 9 - BUILD DOCUMENTS

743000003.....497, 499, 501, 503, 505, 507, 509, 511, 513, 515	7445060645 517, 519, 521, 523, 525, 527, 529, 531, 535, 537, 549	7551000020 411, 413, 415, 417, 419, 421, 423, 425, 427, 429, 431, 433, 435, 437, 439, 441, 443, 445, 447, 449, 451, 453	7577000242..... 895, 948, 954, 955, 956
7431000001.....497, 499, 501, 503, 505, 507, 509, 511, 513, 515	7445060646 529	7551000021 411, 413, 415, 417, 419, 421, 423, 425, 427, 429, 431, 433, 435, 437, 439, 441, 443, 445, 447, 449, 451, 453	7577000343.....455, 457, 459
7440030000.....227, 247, 249, 251, 253, 255, 257, 259, 261, 263	7445060648 525, 527, 529, 531, 535, 537	7552000135 583, 593	7577000442..... 865
7440030200.....221	7445060843 517, 519, 521, 523, 529, 533, 537	7552000166 655, 659, 661, 753	7577250024..... 115
7443000013.....497, 499, 501, 503, 505, 507, 509, 511, 513, 515	7445060845 527, 529, 537	7552000178 583, 585, 587, 589, 591, 593, 595, 597, 599, 601, 699	7590000118..... 689
7443000030.....527, 529, 535, 537	7445061043 549	7552000186 583, 585, 587, 589, 591, 593, 595, 597, 599, 601, 705	7590000132..... 645, 649
7443000048.....415, 417, 419, 421, 423, 425, 445, 449, 453	7445080818 517, 519, 521, 523, 549	7552000187 583, 587, 593, 595, 599, 707	7590000133..... 645
7443000129.....525, 531, 535	7445080843 517, 519, 521, 523	7552000188 589, 597, 601, 715	7590000134..... 649
7443000152.....351, 355, 551	7445080853 791	7552000212 267, 269, 271, 273, 275, 277, 279, 281, 283, 285, 287, 289, 291, 293, 295, 297, 651	7590000135..... 649
7443000154.....351, 355, 551, 791	7445081043 549	7552000222 657, 663, 665, 667, 669, 681	7590000142..... 649
7443000155.....351, 355, 551, 789, 791	7445081045 517, 519, 521, 523, 549	7552000241 873	7590000143..... 649
7443000156.....351, 355, 551, 791	7445081046 527, 529	7552000297 653	7590000148..... 645
7443000158.....499, 501, 503, 505, 507, 509, 511, 513, 515	7446040435 551	7552000360 671, 673	7590000185..... 687
7443000174.....551	7446060435 791, 843, 845	7552000385 ... 76, 84, 88, 100, 104, 691	7590000223..... 659, 661, 663, 667, 671, 675
7443000177551	7446502506 843, 845	7552000391 481	7590000273..... 751
7443000270355	7446502518 791, 843, 845	7552000392 483	7590000305..... 619
7443000319.....497, 499, 501, 503, 505, 507, 509, 511, 513, 515	7457000004 557	7552000393 485	7590000339..... 643
7443000364.....351, 353, 355	7470000002 497, 499, 501, 503, 505, 507, 509, 511, 513, 515	7552000397 675, 677, 683	7590000340..... 575, 577, 579, 581, 583, 585, 587, 589, 591, 593, 595, 597, 599, 601, 603, 605
7443000365.....351, 353, 355	7470000027 543	7552000409 647	7590000341..... 575, 577, 579, 581, 583, 585, 587, 589, 591, 593, 595, 597, 599, 601, 603, 605
7443000366.....351, 353, 791	7493000002 575, 577, 579, 581, 583, 585, 587, 589, 591, 593, 595, 597, 599, 601, 603, 605, 891	7552000413 ... 80, 92, 96, 108, 112, 693	7590000342..... 325, 643, 647
7443000371.....351, 353, 355	7493000003 663, 665, 667, 669, 681, 683	7552000426 487, 489	7590000343..... 575, 577, 579, 581, 583, 585, 587, 589, 591, 593, 595, 597, 599, 601, 603, 605, 643
7443000374549	7493000009 325, 571, 575, 577, 579, 581, 583, 585, 587, 589, 591, 593, 595, 597, 599, 601, 603, 605, 643, 645, 647	7552000472 891, 893	7590000432..... 891
7443000377653	7493000015 683, 863	7555000015 171, 173	7592000005..... 163, 165, 167, 169, 171, 173, 175, 177, 179
7443000412541	7493000023 575, 577, 579, 581, 583, 585, 587, 589, 591, 593, 595, 597, 599, 601, 603, 605	7555000016 163, 165, 167, 169, 175, 177, 179	7626000011..... 359, 361, 393
7443000428873	7495000010 619	7556000003 931	7626000018..... 357, 391
7443000432873	7550000070 847, 849	7560000007 411, 413, 415, 417, 419, 421, 423, 425, 427, 429, 431, 433, 435, 437, 439, 441, 443, 445, 447, 449, 451, 453	7638000004..... 117
7443000443355	7550000073 875	7565000014 351, 353, 355, 791, 843, 845	7638000013..... 119
7443000445549	7550000074 875	7565000016 355, 551	7640000002..... 351, 353, 355, 551
7443000446.....517, 519, 521, 523, 549	7551000018 411, 413, 415, 417, 419, 421, 423, 425, 427, 429, 431, 433, 435, 437, 439, 441	7577000157 683	7650080125..... 541
7443000469873	7551000019 443, 445, 447, 449, 451, 453	7577000215 455	7660082604..... 491
7444100850541		7577000217 457, 459, 461	7660102604..... 163, 165, 167, 169, 171, 173, 175, 177, 179, 481, 483, 485, 487, 489, 517, 519, 521, 523, 619, 891
7445040443.....517, 519, 521, 523		7577000218 463, 467, 469	7660142601..... 139, 141, 143, 145, 147, 149, 197, 199, 201, 203, 205, 207, 209, 411, 413, 415, 417, 419, 421, 423, 425, 427, 429, 431, 433, 435, 437, 439, 441, 443, 445, 447, 449, 451, 453, 471, 473, 573,
7445040445525		7577000239 465	
7445040446531, 535			
7445040643873			
7445040843.....525, 531, 535			
7445060643.....517, 519, 521, 523, 533, 537, 549			

SECTION 9 - BUILD DOCUMENTS

575, 577, 579, 581,	7660182631.....347	7754000004.....115	7804000007 ... 77, 81, 85,
583, 585, 587, 589,	7660200035.....299, 301,	7754000005....76, 80, 84,	89, 93, 97, 101, 105,
591, 593, 595, 597,	303, 305, 307, 309,	88, 92, 96, 100, 104,	109, 113
599, 601, 603, 605,	311, 349	108, 112	7809000001 ... 76, 80, 84,
619, 831, 833, 835,	7660202347.... 17, 21, 25,	7754000019....76, 80, 84,	88, 92, 96, 100, 104,
837, 839, 841, 847,	29, 33, 37, 41, 45, 49,	88, 92, 96, 100, 104,	108, 112
849, 851, 853, 855,	53, 77, 81, 85, 89, 93,	108, 112	7809000021 ... 76, 80, 84,
897, 899, 909, 911	97, 101, 105, 109, 113,	7754000022.....385, 875	92, 100, 108
7660142604 163, 165,	333, 335	7754000024.....255, 257,	7819000005 549
167, 169, 171, 173,	7660222308.....337, 339,	259, 261, 263	7843000004 805
175, 177, 179	341, 343	7754000026.....115	7843000006 247, 249,
7660152601 ... 67, 69, 77,	7661000007.... 76, 80, 84,	7754000037247, 249,	251, 253
81, 85, 89, 93, 97, 101,	88, 92, 96, 100, 104,	251, 253	7843000007 471, 473
105, 109, 113, 117,	108, 112, 491	7754000068.....401, 948	7843000016 247, 249,
119, 121, 159, 161,	7661000018.....541	7755224000.....115	251, 253
165, 167, 171, 175,	7661000034.....115	7755224609.....115	7843000034 387
179, 181, 183, 185,	7661000042.....67, 69	7755334000.....115	7843000035 ... 76, 80, 84,
237, 239, 241, 245,	7661000047.....751	7755334609.....115	88, 92, 96, 100, 104,
359, 361, 411, 413,	7661000056.....493	7759000004.....757, 763	108, 112, 385
415, 417, 419, 421,	7661000064..67, 69, 151,	7759000006.....411, 413,	7870000100 721, 723
423, 425, 427, 429,	333, 335	415, 417, 419, 421,	7870000106 733, 735,
431, 433, 435, 437,	7679000020.....151	423, 425, 427, 429,	749
439, 441, 443, 445,	7690051274.....471, 473	431, 433, 435, 437,	7870000113 717, 719
447, 449, 451, 453,	7690051641....77, 81, 85,	439, 441, 443, 445,	7870000115 751
471, 473, 475, 477,	89, 93, 97	447, 449, 451, 453	7870000134 725, 727
479, 497, 499, 501,	7690101200.....411, 413,	7759000015.....299, 303,	7870000137 737, 739
503, 505, 507, 509,	415, 417, 419, 421,	307, 315, 319, 321,	7894000004 351, 353,
511, 513, 515, 517,	423, 425, 427, 429,	323, 325	355, 517, 519, 521,
519, 521, 523, 539, 569	431, 433, 435, 437,	7759000020.....163, 165,	523, 549
7660162601 . 71, 73, 187,	439, 441, 443, 445,	167, 169, 171, 173,	7894000010 559
189, 191, 193, 387,	447, 449, 451, 453	175, 177, 179	7894000031 791
389, 411, 413, 415,	7691000001.... 76, 80, 84,	7785140404.....369, 373,	7894000042 337, 339,
417, 419, 421, 423,	88, 92, 96, 100, 104,	377	341, 343
425, 427, 429, 431,	108, 112, 141, 143,	7785150500.....471, 473	7894000063 831, 833,
433, 435, 437, 439,	147, 197, 851, 853,	7785152420.....497, 499,	835, 837, 839, 841
441, 443, 445, 447,	855, 913, 915, 917	501, 503, 505, 507,	7894000071 887
449, 451, 453, 517,	7691000033.....139, 223,	509, 511, 513, 515	7894000073 889
519, 521, 523, 789,	225, 897	7786000006.....247, 249,	7904000001 517, 519
857, 859, 861	7691000055.....347	251, 253	7904000003 521, 523
7660180001 151	7691000056.....411, 413,	7786000007.....149	7912000011 197, 199
7660180234 471, 473	415, 417, 419, 421,	7790100856.....347, 751	7913000006 139, 223,
7660182301 163, 165,	423, 425, 427, 429,	7790142051493	225, 897
167, 169, 171, 173,	431, 433, 435, 437,	7790151253.....411, 413,	7935000120 351, 355,
175, 177, 179, 357	439, 441, 443, 445,	415, 417, 419, 421,	551, 791
7660182304 337, 339,	447, 449, 451, 453	423, 425, 427, 429,	7935000170 455, 457,
341, 343	7691000064.....411, 413,	431, 433, 435, 437,	459, 461, 463, 465,
7660182333 ... 17, 21, 25,	415, 417, 419, 421,	439, 441, 443, 445,	467, 469
29, 33, 37, 41, 45, 49,	423, 425, 427, 429,	447, 449, 451, 453,	7935000171 461, 467,
53, 159, 161, 163, 165,	431, 433, 435, 437,	663, 665, 667, 669,	469
167, 169, 171, 173,	439, 441, 475	811, 813, 815, 817, 869	7935000173 455, 457,
175, 177, 179, 315,	7691000065.....443, 447,	7790152056....17, 21, 25,	459, 461, 463, 465,
319, 321, 323, 325,	449, 451, 453, 477	29, 33, 37, 41, 45, 49,	467, 469
345, 877, 879, 881, 883	7691000066.....445	53	7935000174 455, 457,
7660182601 ... 17, 21, 25,	7701000031.....543	7790161253....77, 81, 85,	459, 461, 463, 465,
29, 33, 37, 41, 45, 49,	7701000048.....349	89, 93, 97, 101, 104,	467, 469
53, 76, 80, 84, 88, 92,	7701000049.....137, 299,	109, 112	7935000182 351, 353,
96, 100, 104, 108, 112,	301, 303, 305, 307,	7796000008.....115	355, 551
123, 125, 127, 129,	309, 315, 319, 321,	7796000024.....115	7935000227 455, 457,
131, 133, 135, 151,	323, 325, 333, 335, 389	7796000048.....139, 141,	459, 461, 463, 465,
385, 395, 397, 411,	7701000051.....149, 179	143, 145, 147, 149,	467, 469
413, 415, 417, 419,	7701000055.....137	197, 199, 201, 203,	7935000229 351, 353,
421, 423, 425, 427,	7701000058.....337, 339,	205, 207, 209, 851,	355
429, 431, 433, 435,	341, 343	853, 855, 897, 899,	7935000248 351, 353,
437, 439, 441, 443,	7701000062.....237	909, 911	355, 551
445, 447, 449, 451,	7701000074.....179	7796000063.....115	7935000305 525, 527,
453, 787, 789, 805,	7754000002.....115		529, 531, 535, 537
845, 857, 859, 861	7754000003.....115		

SECTION 9 - BUILD DOCUMENTS

7935000306.....517, 519, 521, 523	7950160000 ... 76, 80, 84, 88, 92, 96, 100, 104, 108, 112	815TRBLP.....291	9701960015.....367
7935000369.....455, 457, 459, 461, 463, 465, 467, 469	7950160141 387	815TRBLP-W293	9701960016.....369, 373, 377
7935000388.....455, 457, 459, 461, 463, 465, 467, 469	7950160161 387, 411, 413, 415, 417, 419, 421, 423, 425, 427, 429, 431, 433, 435, 437, 439, 441, 443, 445, 447, 449, 451, 453, 857, 859, 861	8220081 ... 655, 657, 665, 671, 673, 699, 753	9742960064.....377
7949000011.....411, 413, 415, 417, 419, 421, 423, 425, 427, 429, 431, 433, 435, 437, 439, 441, 443, 445, 447, 449, 451, 453	7950180000 607, 609, 611, 613, 615, 617, 621, 623, 681, 683	8220089 ... 699, 705, 711, 713	9754960039.....369, 373, 377
7949000023..67, 69, 151, 575, 577, 579, 581, 583, 585, 587, 589, 591, 593, 595, 597, 599, 601, 603, 605	7950180141 395, 857, 859, 861	8220099 ... 571, 697, 703, 705, 707, 709, 715	9786960006.....369, 373, 377
7949000034.....385	7950180143 337, 339, 341, 343, 471, 473	8220100 707, 709, 715	9786960015.....367
7949000054.....411, 413, 415, 417, 419, 421, 423, 425, 427, 429, 431, 433, 435, 437, 439, 441, 443, 445, 447, 449, 451, 453	7950180150 897, 899, 909, 911	8220934 ... 571, 707, 709, 715	9796960047.....370, 373, 377
7949000055.....831, 833, 835, 837, 839, 841	7950180153 159, 161, 315, 319, 321, 323, 325, 347, 357, 385, 789, 877, 879, 881, 883	8220935 ... 571, 697, 703, 705, 707, 709, 715	9796960049.....369, 373, 377
7950100143.....163, 165, 167, 169, 171, 173, 175, 177, 179	7950180161 411, 413, 415, 417, 419, 421, 423, 425, 427, 429, 431, 433, 435, 437, 439, 441, 443, 445, 447, 449, 451, 453	8220936 571, 705	9806960009.....367
7950100151.....481, 483, 485, 487, 489, 557	7950180252 607, 609, 611, 613, 615, 617, 621, 623, 681, 683	8597650001 351, 353, 355	9812960005.....369, 373, 377
7950100153.....619	7950180400 357, 359, 361	8597650002 559	9843930044.....455, 457, 459
7950140000.....151, 547	7950200000 247, 249, 251, 253, 803	8597650003 725, 737, 739	9912960035.....369, 373, 377
7950140003.....565	7950200152 299, 303, 307, 311	8632000012 411, 413, 415, 417, 419, 421, 423, 425, 427, 429, 431, 433, 435, 437, 439, 441, 443, 445, 447, 449, 451, 453	9935960142.....369, 373
7950140141.....411, 413, 415, 417, 419, 421, 423, 425, 427, 429, 431, 433, 435, 437, 439, 441, 443, 445, 447, 449, 451, 453, 471, 473, 491, 547	7950220141 337, 339, 341, 343, 411, 413, 415, 417, 419, 421, 423, 425, 427, 429, 431, 433, 435, 437, 439, 441, 443, 445, 447, 449, 451, 453, 475, 477	88671008 . 76, 80, 84, 88, 92, 96, 100, 104, 108, 112, 215	9949960016.....369
7950140143.....565, 573, 619	7970000083 357, 365	8892040006 403	9949960017.....369, 374, 377
7950140153.....847, 849	7970000109 359, 361, 381	8977010103 565	9949960031.....373, 377
7950140161.....359, 361	7970000110 363, 383	900115 525, 527, 529, 531, 535, 537	9970300057.....367
7950150000.....437	7970000121 367	9007960003 367	9970316083.....367
7950150141.....237, 239, 241, 245	7970000157 .. 76, 80, 369	9120960025 369, 373, 377	9970330010.....367
7950150153..67, 69, 117, 119, 121	7970000158 ... 84, 88, 92, 96, 373	9120960034 367	9970342027.....367
7950150161.....159, 161, 181, 183, 185, 187, 189, 191, 193, 389, 411, 413, 415, 417, 419, 421, 423, 425, 427, 429, 431, 433, 435, 439, 441, 443, 445, 447, 449, 451, 453, 471, 473, 475, 477, 497, 499, 501, 503, 505, 507, 509, 511, 513, 515, 517, 519, 521, 523, 539, 665, 669, 677, 789, 815	7970000166 100, 104, 108, 112, 377	9120960059 367	9970402002.....367
	7978000020 729, 731	9120960061 367	9970412003.....367
	7990000011 471, 473	9120960081 369, 373, 377	9970412045.....367
	80963057 647	91364009 647	9970414045.....367
	80963058 647	9183960002 369, 373, 377	9970418163.....369, 373, 377
	80963062 695	9209960023 369, 373, 377	9970418177.....367
	80963064 . 697, 705, 707, 709, 715	9309960009 369	9970431008.....367
	80963068 647	9314960024 367	9970442184.....367
	810TRB-8.....275	9443960010 369, 373, 377	9970442205.....367
	810TRB-8W 277	9472960042 369, 373	9970450006.....367
		9472960043 369, 373, 377	9970456008.....367
		9472960072 367	9970468011.....367
		9551960018 369, 373	9970472013.....367
		9560960011 367	9970486009.....367
		9560960021 367	9970486017.....367
		9575960014 367	9970494002.....367
		9577930187 455, 457, 459	9970494053.....367
		960006 525, 527, 529, 531, 535, 537	9970518014.....367
		9626960012 369	9970518015.....367
		9626960027 373, 377	9970960027.....369
		9691960001 367, 369, 373, 377	9970960060.....367
		9691960035 367	9970960062.....367
			9970960068.....367
			A7WCON..787, 897, 899, 901, 903, 905, 907, 909
			AIRDISC 944
			BHH35-HD.....901
			BHM35-HD 903
			BSKT-2 944
			BSKT24-2 944
			C3BNORC-TPR 942
			C4BHTRC-TPR 942
			C4BSTRC-TPR..... 942
			C5BITRC-GSA..... 943
			C5BITRC-TPR 943
			C5BSTRC-TPR..... 943
			C6BITRC-GSA..... 944

SECTION 9 - BUILD DOCUMENTS

CAR8PTTD	889	RC-4	949	SRS-8	949	TBI50K-HD	201
CHB38	807	RC-5	949	SRS-8-CRC	949	TBI50R-HD	199
CHB50	809	RC-6	949	SSQF-24	946	TBL-2	953
CMKSTD-SD	945	RCTH-2	949	SSWS-NH252	957	TBL-3	953
DPH-16B	931	RHS12-HD	897	STAB-HD	947	TBL-4	953
DR063W-2	946	RWC	939	STAB-HIGH	951	TBSA36-2	953
HB57DXFS-GSAR	946	SP3CPKG	952	STK	885	TBSA36-3	953
LMT	921	SP3ICPKG	952	STRAP50	887	TBSA36-4	953
LST	923	SP3IMPKG	717	TB178	925	TBSA48-2	953
MBK-HM-2	945	SP5CPKG	952	TB200	927	TBSA48-4	953
MBK-STD-2	944	SP5ICPKG	952	TB256	929	TBSA60-2	953
MBK-STD-3	944	SP5IFPKG	953	TB36-2	953	TBTST36-2	953
MBK-STD-4	945	SP-HDBD-CHANN	946	TB36-3	953	TBTST36-3	953
ML-TBTST-2	946	SPHH-HD	947	TB36-4	953	TBTST36-4	953
PHH35-HD	905	SPHM-HD	947	TB48-2	953	TBTST48-2	953
PHM35-HD	907	SRHS-HD	947	TB48-3	953	TBTST60-2	954
PHS50-HD	899	SRS-10	950	TB48-4	953	TBTST78-2	954
RC-1	948	SRS-10-AFS	950	TB60-2	953	W12WTR-HD	957
RC-2	949	SRS-10-AFS-CRC	951	TB78-2	953	W20W-HD	361
RC-3	949	SRS-10-CRC	950	TBH35-HD	197	W20WTR-HD	957

JERR-DAN[®]

***Corporate Office
13224 Fountainhead Plaza
Hagerstown, MD 21742 USA***

***☎ (717) 597-7111 (Corporate)
☎ (800) 926-9666 (Customer Support)***

***Visit our website
www.jerrdan.com***



OSHKOSH™