

JERR-DAN[®]

Illustrated Parts Manual

Model 10 TON/15 TON Load Pro/ Transporter Carrier

SN 0220026591 to Present

P/N
5376000318

January 1, 2024 - Rev A

JERR-DAN[®]

An Oshkosh Corporation Company

REVISION LOG

January 1, 2024 - A - Original Issue of Manual (Edited to B/M 1001136902 Rev AC)

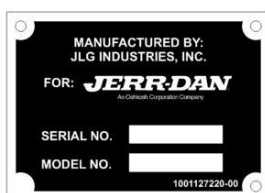
GENERAL INFORMATION

JerrDan, LLC (Jerr-Dan) strives to provide information that is accurate, complete and useful. Descriptions and illustrative material contained within this manual are as accurate as known at the time of publication and are subject to change, without notice, as a result of continuous product improvements. Jerr-Dan reserves the right to amend the information in this document at any time without prior notice.

Information contained in this manual reflects how this vehicle was built at the factory. Modifications or additions by the distributor or owner are not reflected in this manual.

This parts manual does not include service parts information for the commercial chassis (IHC, Ford, GM, etc.). That information is provided by the chassis manufacturer.

When ordering parts, please refer to your unit's Serial Number and Model Number. This information is be found on the aluminum tag riveted to the inside of the driver's side rear compartment of the main body.



Additional or replacement manuals can be ordered by calling Jerr-Dan Parts at 717-597-7111. Price and availability will be quoted at time of the request.

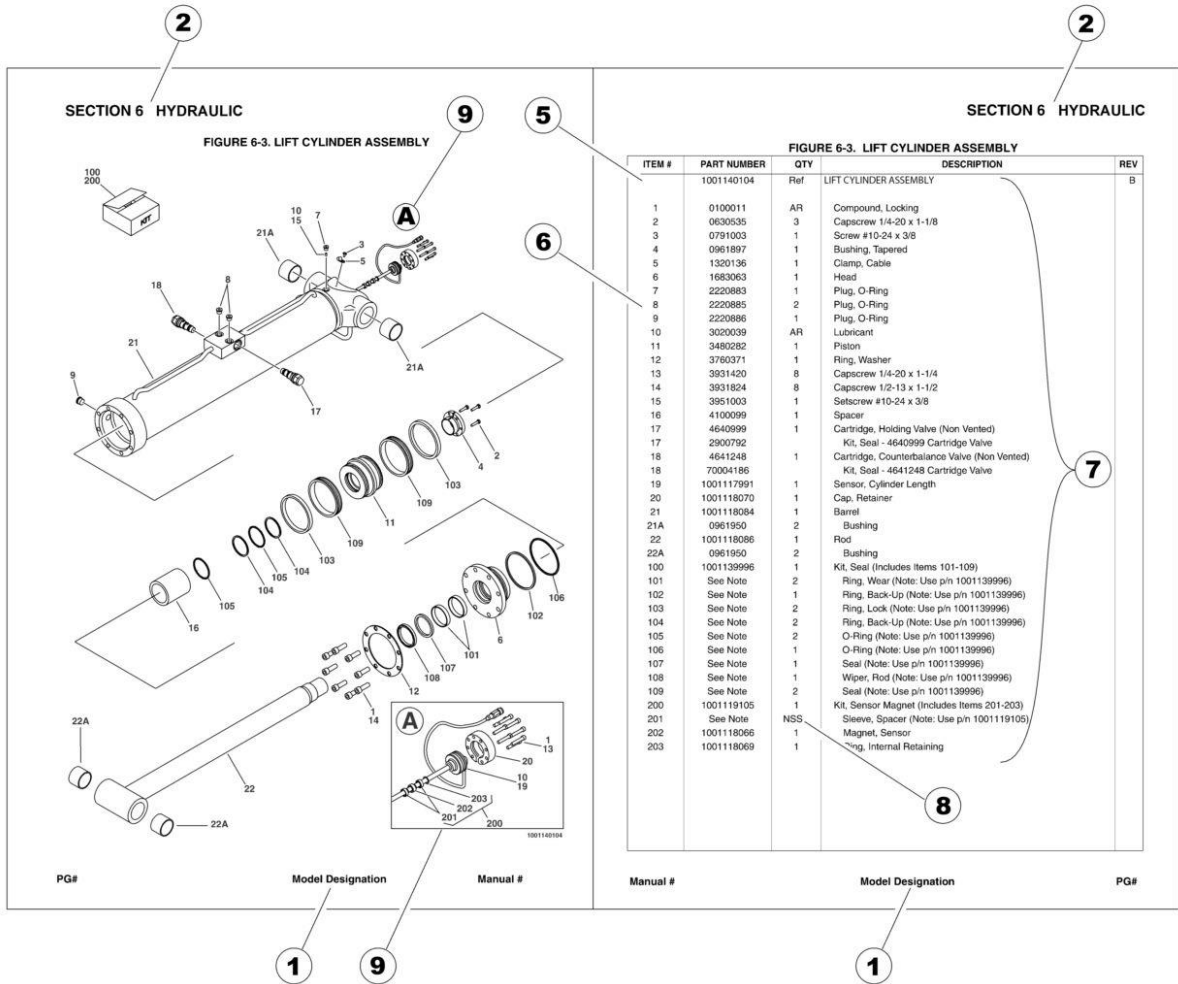
Please report comments and/or errors by contacting Jerr-Dan. Contact numbers are located on rear cover of Manual.

Manufactured under one or more of the following patents: 5,575,606; 5,672,042; 5,697,741; 5,713,714; 5,722,810; 5,782,596; 5,839,775 and 6,315,515 B1 with other Patents Pending.

Jerr-Dan and the Jerr-Dan logo are registered trademarks and Run Hard is a service mark of JerrDan, LLC, Hagerstown, MD USA.

The material in this document is confidential and the property of Jerr-Dan. No part of this document may be photocopied, reproduced or translated to another language without the express written consent of Jerr-Dan.

GENERAL INFORMATION



1) MACHINE IDENTIFICATION

Machines are identified by model and in some cases a combination of models, serial number (SN) or regional standard (i.e ANSI, CE, CSA). Components may also be identified by SN or manufacturer. Common components that may be identified by these characteristics are engines and hydraulic components.

2) PARTS MANUAL ORGANIZATION

Product information in this manual is organized under section titles. Subframe, Hydraulic and Electrical are a few examples. Each section is organized by figure and page number. The information within the Figure is then organized by item number, part number, description and corresponding illustration (s).

3) TABLE OF CONTENTS (NOT SHOWN)

A table of contents is found toward the beginning of the manual. Figure number, description and page number are provided for quick reference to the page containing the related information.

4) BUILD DOCUMENTS (NOT SHOWN)

The Build Documents, located near the end of the manual, reference components not available at the purchase level. These PN's list assembly instructions and assist in the maintenance of the parts manual.

GENERAL INFORMATION

5) NON-SERVICED PARTS

In some instances, it is necessary to display non-serviced parts, assemblies or installations. In the case of assemblies and installations there will be a Ref in the Qty. column. In case of parts that are not available for service within assemblies or components, there will be a NSS (Not Sold Separately) or NLA (No Longer Available) listed in the Qty. column of the manual.

6) PARTS LIST ITEM NUMBERS

Numbers shown in the item# column correspond to numbers used in the associated illustration (s). Item numbers which are missing from the sequence in the parts list are not used on that page.

7) INDENTED PARTS DESCRIPTION

An indented part description is included in the item under which it is indented.

8) ABBREVIATION AND SYMBOLS

AC.....	Alternating Current	L.....	Liter
ALUM.....	Aluminum	LD.....	Light Duty
AG.....	Agricultural	LB(LBS).....	Pounds
ANSI.....	American National Standards Institute	LCD.....	Liquid Crystal Display
AR.....	As Required	LED.....	Light Emitting Diodes
AUS.....	Australias	LH.....	Left Hand
ASSY.....	Assembly	M(m).....	Metric/Meter
AUX.....	Auxiliary	MD.....	Medium Duty
AWG.....	American Wire Gauge	MM (mm).....	Milimeter
CA.....	Cab To Axle	mA.....	Miliamps
CE.....	European Conformity	NLA.....	No Longer Available
CCW.....	Counter Clockwise	NPT.....	National Pipe Threads
CM.....	Centimeter	NSS.....	Not Sold Separately
CT.....	Cab To Tandem	OD.....	Outside Diameter
CW.....	Clockwise	ORB.....	O-Ring Boss
CSA.....	Canadian Standards Association	ORFS.....	O-Ring Face Seal
CYL.....	Cylinder	OZ (oz).....	Ounces
DIA.....	Diameter	PG.....	Page
DC.....	Direct Current	PN.....	Part Number
DOT.....	Department of Transportation	PTO.....	Power Take Off
EMS.....	Emergency Stop	QT(qt.).....	Quarts
ENG.....	Engine	QTY.....	Quantity
FT(ft).....	Feet	REF.....	Reference
GA(Ga).....	Gauge	REV.....	Revision Level
GAL.....	Gallons	RH.....	Right Hand
GVW.....	Gross Vehicle Weight	SAE.....	Society of Automotive Engineers
HD.....	Heavy Duty	SD.....	Standard Duty
HYD.....	Hydraulic	SN.....	Serial Number
Hz.....	Hertz	SPEC(S).....	Specifications
ID.....	Inside Diameter	SS.....	Stainless Steel
IN.....	inches	STD.....	Standards
IND.....	Independent	STL.....	Steel
IRL.....	Independent Reach/Lift	UGM.....	Universal Ground Module
INT.....	Integrated	V.....	Volts
ISO.....	International Organization for Standards	W.....	Watts
JIC.....	Joint Industry Council	WB.....	Wheel Base
KG.....	Kilogram	#.....	Number

9) ILLUSTRATION REFERENCE LETTERS

When necessary, illustrations may contain reference letters that are intended to track information (i. e. hoses, harnesses) from one point to another or to track visual enlargement of components to show details that may be located in another area on the illustration.

Note: Due to continuous product improvements, Jerr-Dan Corporation reserves the right to make specification changes without prior notification. Contact Jerr-Dan for updated information.

TABLE OF CONTENTS

SECTION 1 - SUBFRAME	13
FIGURE 1-1. SUBFRAME INSTALLATION (24FT DECK)	14
FIGURE 1-2. SUBFRAME INSTALLATION (24FT DECK) (GALVINIZED)	18
FIGURE 1-3. SUBFRAME INSTALLATION (24FT DECK) (WITH WHEEL WELLS)	22
FIGURE 1-4. SUBFRAME INSTALLATION (26FT DECK)	26
FIGURE 1-5. SUBFRAME INSTALLATION (26FT DECK) (GALVINIZED)	30
FIGURE 1-6. SUBFRAME INSTALLATION (26FT DECK) (WITH WHEEL WELLS)	34
FIGURE 1-7. SUBFRAME INSTALLATION (28FT-30FT DECK)	38
FIGURE 1-8. SUBFRAME INSTALLATION (28FT-30FT DECK) (GALVINIZED)	42
FIGURE 1-9. SUBFRAME INSTALLATION (28FT-30FT DECK) (WITH WHEEL WELLS)	46
FIGURE 1-10. CYLINDER ASSEMBLY - ROLL (24FT & 26FT DECKS)	50
FIGURE 1-11. CYLINDER ASSEMBLY - ROLL (28FT & 30FT DECKS)	52
FIGURE 1-12. CYLINDER ASSEMBLY - TILT	54
FIGURE 1-13. CYLINDER ASSEMBLY - TILT (24FT - 26FT DECK WITH WHEEL WELLS)	56
FIGURE 1-14. CYLINDER ASSEMBLY - TILT (28FT - 30 FT DECK WITHOUT WHEEL WELLS)	58
FIGURE 1-15. LIGHTBOX AND COVER INSTALLATION - GALVANIZED	60
FIGURE 1-16. LIGHTBOX AND COVER INSTALLATION	62
FIGURE 1-17. MAIN SUBFRAME PAD INSTALLATION - 24FT & 26FT DECKS	64
FIGURE 1-18. MAIN SUBFRAME PAD INSTALLATION - 28FT & 30FT DECKS	66
FIGURE 1-19. SIDE RECOVERY SYSTEM (SRS) INSTALLATION - 10000 LBS WINCH (3 FUNCTION REMOTE CONTROL)	68
FIGURE 1-20. SIDE RECOVERY SYSTEM (SRS) INSTALLATION - 10000 LBS WINCH (4 FUNCTION REMOTE CONTROL)	72
FIGURE 1-21. SIDE RECOVERY SYSTEM (SRS) INSTALLATION - 10000 LBS WINCH WITH AIR FREE SPOOL (3 FUNCTION REMOTE CONTROL)	76
FIGURE 1-22. SIDE RECOVERY SYSTEM (SRS) INSTALLATION - 10000 LBS WINCH WITH AIR FREE SPOOL (4 FUNCTION REMOTE CONTROL)	80
FIGURE 1-23. CYLINDER ASSEMBLY - SIDE RECOVERY SYSTEM	84
FIGURE 1-24. MUD FLAPS INSTALLATION - STANDARD	86
FIGURE 1-25. MUD FLAPS INSTALLATION - HIGH	88
FIGURE 1-26. MUD FLAPS INSTALLATION - CUSTOMER INSTALLATION	90
FIGURE 1-27. REAR BUMPER - SHORT GALVANIZED	92
FIGURE 1-28. REAR BUMPER - LONG GALVANIZED	94
FIGURE 1-29. REAR STABILIZER INSTALLATION - STANDARD	96
FIGURE 1-30. REAR STABILIZER INSTALLATION - 2-1/2IN TOW HITCH	98
FIGURE 1-31. REAR STABILIZER INSTALLATION - PINTLE TOW HITCH (HYDRAULIC)	100
FIGURE 1-32. REAR STABILIZER INSTALLATION - PINTLE TOW HITCH (MANUAL)	102
FIGURE 1-33. REAR STABILIZER INSTALLATION - WHEEL LIFT MANUAL L-ARMS	104
FIGURE 1-34. REAR STABILIZER INSTALLATION - PINTLE TOW HITCH (MANUAL)	106
FIGURE 1-35. CHAIN BOX INSTALLATION, REAR SUBFRAME	108
FIGURE 1-36. CYLINDER ASSEMBLY - EXTEND/RETRACT	110
FIGURE 1-37. CYLINDER ASSEMBLY - PINTLE EXTEND	112
FIGURE 1-38. CYLINDER ASSEMBLY - STABILIZER LIFT	114
FIGURE 1-39. TOOLBOX INSTALLATION - 36IN	116
FIGURE 1-40. TOOLBOX INSTALLATION - 36IN UNDERBOX MOUNT NARROW	118
FIGURE 1-41. TOOLBOX INSTALLATION - 36IN UNDERBOX MOUNT	120
FIGURE 1-42. TOOLBOX INSTALLATION - 48IN	122
FIGURE 1-43. TOOLBOX INSTALLATION - 48IN UNDERBOX MOUNT	124
FIGURE 1-44. TOOLBOX INSTALLATION - 60IN	126
FIGURE 1-45. TOOLBOX INSTALLATION - 60IN UNDERBOX MOUNT	128
FIGURE 1-46. TOOL BOX SHELF INSTALLATION - 36IN	130
FIGURE 1-47. TOOL BOX SHELF INSTALLATION - 48IN	132
FIGURE 1-48. TOOL BOX SHELF INSTALLATION - 60IN	134
FIGURE 1-49. TOOLBOX TOP STORAGE TRAY - 36IN	136
FIGURE 1-50. TOOLBOX TOP STORAGE TRAY - 48IN	138
FIGURE 1-51. TOOLBOX TOP STORAGE TRAY - 60IN	140
SECTION 2 - WHEEL LIFT	143
FIGURE 2-1. WHEEL LIFT BOOM INSTALLATION (3000 LBS)	144
FIGURE 2-2. WHEEL LIFT BOOM INSTALLATION (3000 LBS - GALVANIZED)	146
FIGURE 2-3. WHEEL LIFT BOOM INSTALLATION (4000 LBS)	148
FIGURE 2-4. WHEEL LIFT BOOM INSTALLATION (4000 LBS - GALVANIZED)	150
FIGURE 2-5. WHEEL LIFT ASSEMBLY (3000 LBS)	152
FIGURE 2-6. WHEEL LIFT ASSEMBLY (3000 LBS - GALVANIZED)	154
FIGURE 2-7. WHEEL LIFT ASSEMBLY (3500 LBS)	156
FIGURE 2-8. WHEEL LIFT ASSEMBLY (4000 LBS)	158

TABLE OF CONTENTS

FIGURE 2-9. WHEEL LIFT ASSEMBLY (4000 LBS - GALVANIZED)	160
FIGURE 2-10. WHEEL LIFT ASSEMBLY (5000 LBS)	162
FIGURE 2-11. WHEEL LIFT GRID - COMPLETE (4000 LBS- FIXED) (2.5IN TOW HITCH)	164
FIGURE 2-12. CROSSBAR CAM_LOCK INSTALLATION	166
FIGURE 2-13. CYLINDER ASSEMBLY - BOOM EXTEND.....	168
FIGURE 2-14. CYLINDER ASSEMBLY - STABILIZER.....	170
FIGURE 2-15. CYLINDER ASSEMBLY - TOW HITCH EXTEND/RETRACT	172
FIGURE 2-16. GRID INSTALLATION- L ARM (3000 LBS FIXED ARMS)	174
FIGURE 2-17. GRID INSTALLATION- L ARM (3000 LBS PIVOTING ARMS).....	176
FIGURE 2-18. GRID INSTALLATION- L ARM (3000 LBS - GALVANIZED)	178
FIGURE 2-19. GRID INSTALLATION (4000 LBS -MANUAL FIXED ARMS)	180
FIGURE 2-20. GRID INSTALLATION (4000 LBS -T37).....	182
FIGURE 2-21. GRID ASSEMBLY (RH) (T-37)	184
FIGURE 2-22. GRID ASSEMBLY (LH) (T-37).....	186
FIGURE 2-23. GRID ASSEMBLY - LH (PIVOTING T37 L-ARMS).....	188
FIGURE 2-24. GRID ASSEMBLY - RH (PIVOTING T37 L-ARMS).....	190
FIGURE 2-25. PIVOT TUBE INSTALLATION - 3000LBS IRL (MANUAL & T37 L-ARMS WITH BALL)	192
FIGURE 2-26. PIVOT TUBE INSTALLATION - 3000LBS IRL (MANUAL & T37 L-ARMS WITH 2IN HITCH).....	194
FIGURE 2-27. PIVOT TUBE INSTALLATION - 4000 LBS (MANUAL WITH BALL).....	196
FIGURE 2-28. PIVOT TUBE INSTALLATION - 4000 LBS (MANUAL WITH 2IN TOW HITCH).....	198
FIGURE 2-29. PIVOT TUBE INSTALLATION - 4000 LBS (MANUAL WITH 2.5IN TOW HITCH).....	200
 SECTION 3 - DECK.....	 203
FIGURE 3-1. DECK MODEL - STEEL 24FT X 96IN (10 TON)	204
FIGURE 3-2. DECK MODEL - STEEL 24FT X 102IN (10 TON)	206
FIGURE 3-3. DECK MODEL - STEEL 26FT X 96IN (10 TON)	208
FIGURE 3-4. DECK MODEL - STEEL 26FT X 102IN (10 TON)	210
FIGURE 3-5. DECK MODEL - STEEL 28FT X 96IN (10 TON)	212
FIGURE 3-6. DECK MODEL - STEEL 28FT X 102IN (10 TON)	214
FIGURE 3-7. DECK MODEL - STEEL 30FT X 96IN (10 TON)	216
FIGURE 3-8. DECK MODEL - STEEL 30FT X 102IN (10 TON)	218
FIGURE 3-9. DECK MODEL - STEEL 24IFT X 96IN (15 TON)	220
FIGURE 3-10. DECK MODEL - STEEL 24FT X 102IN (15 TON)	222
FIGURE 3-11. DECK MODEL - STEEL 26FT X 96IN (15 TON)	224
FIGURE 3-12. DECK MODEL - STEEL 26FT X 102IN (15 TON)	226
FIGURE 3-13. DECK MODEL - STEEL 28FT X 96IN (15 TON)	228
FIGURE 3-14. DECK MODEL - STEEL 28FT X 102IN (15 TON)	230
FIGURE 3-15. DECK MODEL - STEEL 30FT X 96IN (15 TON)	232
FIGURE 3-16. DECK MODEL - STEEL 30FT X 102IN (15 TON)	234
FIGURE 3-17. HEADBOARD INSTALLATION (45.5IN DELUXE)	236
FIGURE 3-18. HEADBOARD INSTALLATION (50.5IN DELUXE)	238
FIGURE 3-19. HEADBOARD INSTALLATION (57.5IN DELUXE)	240
FIGURE 3-20. HEADBOARD INSTALLATION (57.5IN DELUXE) (GSA)	242
FIGURE 3-21. HEADBOARD INSTALLATION STATIONARY ADJUSTABLE 8.88IN	244
FIGURE 3-22. HEADBOARD INSTALLATION STATIONARY ADJUSTABLE (SPECIAL PAINT) 8.88IN	246
FIGURE 3-23. HEADBOARD INSTALLATION ADJUSTABLE (45.50 - 65.50IN)	248
FIGURE 3-24. HEADBOARD INSTALLATION ADJUSTABLE (45.50 - 65.50IN SPECIAL PAINT).....	250
FIGURE 3-25. HEADBOARD BASE INSTALLATION.....	252
FIGURE 3-26. HEADBOARD BRACKET INSTALLATION (57.5IN HEADBOARD) (GSA)	254
FIGURE 3-27. FREE SPOOL INSTALLATION - WORM GEAR/AIR FREE SPOOL WITH PPV	256
FIGURE 3-28. FREE SPOOL INSTALLATION - WORM GEAR/AIR FREE SPOOL W/O PPV	258
FIGURE 3-29. FREE SPOOL INSTALLATION - PLANETARY/AIR FREE SPOOL WITH PPV	260
FIGURE 3-30. WINCH INSTALLTION - 12000 LBS WORM GEAR WINCHES (STEEL DECK)	262
FIGURE 3-31. WINCH INSTALLATION 20K LBS WORM GEAR	264
FIGURE 3-32. WINCH INSTALLATION - 20K LBS WORM GEAR/AIR FREE SPOOL	266
FIGURE 3-33. WINCH INSTALLTION - 20000 LBS PLANETARY, AIR FREE SPOOL.....	268
FIGURE 3-34. WINCH ASSEMBLY - 12000 LBS WORM GEAR	270
FIGURE 3-35. WINCH ASSEMBLY - 8000 LBS WORM GEAR	272
FIGURE 3-36. WINCH ASSEMBLY - 8000 LBS PLANETARY GEAR WITH MANUAL FREE SPOOL	274
FIGURE 3-37. WINCH ASSEMBLY - 10000 LBS PLANETARY GEAR WITH MANUAL FREE SPOOL	278
FIGURE 3-38. WINCH ASSEMBLY - 10000 LBS PLANETARY GEAR WITH AIR FREE SPOOL	282
FIGURE 3-39. WINCH ASSEMBLY - 20000 LBS WORM GEAR/AIR FREE SPOOL.....	286
FIGURE 3-40. WINCH ASSEMBLY - 20000 LBS PLANETARY/AIR FREE SPOOL	288
FIGURE 3-41. CABLE TENSIONER INSTALLATION - 12000 LBS WORM GEAR WINCHES	290
FIGURE 3-42. CABLE TENSIONER INSTALLATION - 8000/12000 LBS DUAL WORM GEAR WINCHES.....	292
FIGURE 3-43. COVER PLATE INSTALLATION, DUAL WINCHES.....	294

TABLE OF CONTENTS

FIGURE 3-44. MOTOR ASSEMBLY - WINCH DRIVE 12000 LBS	296
FIGURE 3-45. MOTOR ASSEMBLY - 20000 LBS WINCH	298
FIGURE 3-46. D-RINGS INSTALLATION - 1 PAIR (TRANSPORTER) (BOLT ON NEAR WINCH).....	300
FIGURE 3-47. D-RINGS INSTALLATION - 1 PAIR (STEEL DECK NEAR WINCH)	302
FIGURE 3-48. ANTI-SLIP PAINT INSTALLATION (STEEL DECK SIDES).....	304
FIGURE 3-49. ANTI-SLIP PAINT INSTALLATION (DECK APPROACH END)	306
SECTION 4 - CONTROLS	309
FIGURE 4-1. 3 BANK CONTROLS INSTALLATION - NO/MAN TOW	310
FIGURE 4-2. 4 BANK CONTROLS INSTALLATION - NO/MAN TOW, STABILIZER.....	312
FIGURE 4-3. 4 BANK CONTROLS INSTALLATION - HYDRAULIC TOW, WINCH MOTOR SPOOL	314
FIGURE 4-4. 5 BANK CONTROLS INSTALLATION - HYDRAULIC TOW, STABILIZER	316
FIGURE 4-5. 5 BANK CONTROLS INSTALLATION - HYDRAULIC TOW, IRL	318
FIGURE 4-6. 5 BANK CONTROLS INSTALLATION - HYDRAULIC TOW, IRL, WINCH MOTOR SPOOL.....	320
FIGURE 4-7. 6 BANK CONTROLS INSTALLATION - DUAL WINCH REMOTE CONTROL	322
FIGURE 4-8. 6 BANK CONTROLS INSTALLATION - BUMPER WINCH PREP - REMOTE CONTROL (GSA).....	324
FIGURE 4-9. VALVE ASSEMBLY - 3 BANK	326
FIGURE 4-10. VALVE ASSEMBLY - 4 & 5 BANK (WITHOUT WINCH MOTOR SPOOL)	328
FIGURE 4-11. VALVE ASSEMBLY - 4 & 5 BANK (WITH WINCH MOTOR SPOOL).....	330
FIGURE 4-12. VALVE ASSEMBLY - 5 BANK (GSA SPECS)	332
FIGURE 4-13. VALVE ASSEMBLY - 6 BANK	334
FIGURE 4-14. VALVE ASSEMBLY - 6 BANK WITH BUMPER WINCH PREP	336
FIGURE 4-15. VALVE ASSEMBLY - 6 BANK WITH BUMPER WINCH MOTOR CONTROLS.....	338
FIGURE 4-16. FREE SPOOL INSTALLATION - 12K WINCH (BOLT-ON HEADBOARD)	340
FIGURE 4-17. FREE SPOOL INSTALLATION - 12K WINCH (STATIONARY HEADBOARD)	342
FIGURE 4-18. LINEAR ACTUATOR MOUNT KIT (3,4,5 BANK).....	344
FIGURE 4-19. LINEAR ACTUATOR MOUNT KIT (6 BANK).....	346
FIGURE 4-20. LINEAR ACTUATOR INSTALLATION KIT	348
FIGURE 4-21. MIRATRON WIRELESS INSTALLATION - ONE FUNCTION.....	350
FIGURE 4-22. MIRATRON WIRELESS INSTALLATION - TWO FUNCTION	352
FIGURE 4-23. MIRATRON WIRELESS INSTALLATION - THREE FUNCTION	354
FIGURE 4-24. MIRATRON WIRELESS INSTALLATION - FOUR FUNCTION	356
FIGURE 4-25. MIRATRON WIRELESS INSTALLATION - FIVE FUNCTION	358
FIGURE 4-26. MIRATRON WIRELESS INSTALLATION - SIX FUNCTION.....	360
FIGURE 4-27. REMOTE CONTROL 6 FUNCTION U/L TRANSMITTER HOLDER	362
SECTION 5 - HYDRAULIC	365
FIGURE 5-1. HOSE INSTALLATION - 156IN CA (GENERIC).....	366
FIGURE 5-2. HOSE INSTALLATION - 160IN CA (GENERIC).....	368
FIGURE 5-3. HOSE INSTALLATION - 162IN CA STD CAB (PETERBILT)	370
FIGURE 5-4. HOSE INSTALLATION - 168IN CA (GENERIC).....	372
FIGURE 5-5. HOSE INSTALLATION - 168IN CA STD CAB (FORD).....	374
FIGURE 5-6. HOSE INSTALLATION - 192IN CA (GENERIC).....	376
FIGURE 5-7. HOSE INSTALLATION - 196IN CT STD CAB (INTERNATIONAL)	378
FIGURE 5-8. HOSE INSTALLATION - 196IN CT STD CAB (FREIGHTLINER).....	380
FIGURE 5-9. HOSE INSTALLATION - 218IN CA (GENERIC).....	382
FIGURE 5-10. HOSE INSTALLATION - 242IN CA (GENERIC)	384
FIGURE 5-11. HOSE INSTALLATION - HEAVY DUTY 24FT DECK	386
FIGURE 5-12. HOSE INSTALLATION - HEAVY DUTY 26FT DECK	388
FIGURE 5-13. HOSE INSTALLATION - HEAVY DUTY 28FT DECK	390
FIGURE 5-14. HOSE INSTALLATION - HEAVY DUTY 30FT DECK	392
FIGURE 5-15. HOSE INSTALLATION - REAR STABILIZER WITH WHEEL LIFT.....	394
FIGURE 5-16. HOSE INSTALLATION - STABILIZER (REAR DECK).....	396
FIGURE 5-17. HOSE INSTALLATION - STABILIZER WITH HYDRAULIC EXTEND.....	398
FIGURE 5-18. HOSE INSTALLATION - WHEEL LIFT (3000 LBS)	400
FIGURE 5-19. HOSE INSTALLATION - WHEEL LIFT (4000 LBS)	402
FIGURE 5-20. TANK - (HYDRAULIC) AND BRACKET MOUNTING INSTALLATION (STANDARD MOUNTING).....	404
FIGURE 5-21. TANK - (HYDRAULIC) AND BRACKET MOUNTING INSTALLATION (ALTERNATE MOUNTING)	406
FIGURE 5-22. TANK - HYDRAULIC ASSEMBLY (STANDARD MOUNTING)	408
FIGURE 5-23. TANK - HYDRAULIC ASSEMBLY (ALTERNATE MOUNTING)	410
FIGURE 5-24. HYDRAULIC FILTER COVER PLATE INSTALLATION.....	412
FIGURE 5-25. WINCH HOSE INSTALLATION	414
FIGURE 5-26. AIR SYSTEM INSTALLATION - FRONT BUMPER WINCH.....	416
SECTION 6 - ELECTRICAL	419

TABLE OF CONTENTS

FIGURE 6-1. ALARM INSTALLATION - BACK UP	420
FIGURE 6-2. BREAKER INSTALLATION - 50AMP	422
FIGURE 6-3. CAMERA INSTALLATION - BACKUP (J-D SUPPLIED)	424
FIGURE 6-4. CAMERA INSTALLATION - BACKUP (OEM CHASSIS SUPPLIED)	426
FIGURE 6-5. CAMERA INSTALLATION - BACKUP (REAR VIEW MIRROR)	428
FIGURE 6-6. CAMERA INSTALLATION - CARGO CAMERA, (WIRELESS HEADBOARD MOUNTED)	430
FIGURE 6-7. CAMERA HARNESS	432
FIGURE 6-8. CONNECTOR INSTALLATION - 7 WAY	434
FIGURE 6-9. DECK FLASHER REAR ILLUMINATION	436
FIGURE 6-10. LIGHTS - HEADBOARD LIGHTS INSTALLATION - STATIONARY HEADBOARD (22-24FT)	438
FIGURE 6-11. LIGHTS - HEADBOARD LIGHTS INSTALLATION - STATIONARY HEADBOARD (26-30FT)	440
FIGURE 6-12. LIGHTS - HEADBOARD LIGHTS INSTALLATION - BOLT-ON HEADBOARD (24-30-FT)	442
FIGURE 6-13. LIGHTS - LIGHTBAR INSTALLATION - AMBER (WHELEN) (STD MOUNT)	444
FIGURE 6-14. LIGHTS - LIGHTBAR INSTALLATION - AMBER (WHELEN) (HIGH MOUNT)	446
FIGURE 6-15. LIGHTS - LIGHTBAR INSTALLATION - AMBER (ECCO) (STD MOUNT)	448
FIGURE 6-16. LIGHTS - LIGHTBAR INSTALLATION - AMBER (ECCO) (HIGH MOUNT)	450
FIGURE 6-17. LIGHTS - LIGHTBAR ASSEMBLY - AMBER (CODE 3 PRIZM BRAND)	452
FIGURE 6-18. LIGHTS - LIGHTBAR ASSEMBLY - AMBER (CODE 3 STD BRAND)	454
FIGURE 6-19. LIGHTS - LIGHTBAR ASSEMBLY - AMBER (ECCO)	456
FIGURE 6-20. LIGHTS - LIGHTBAR ASSEMBLY - AMBER (WHELEN)	458
FIGURE 6-21. LIGHTS - LIGHTBAR ASSEMBLY - AMBER (WHELEN)	460
FIGURE 6-22. LIGHTS - LIGHTBAR ASSEMBLY - RED (CODE 3 BRAND)	462
FIGURE 6-23. LIGHTS - MARKER LIGHT INSTALLATION, CARRIER DECK	464
FIGURE 6-24. LIGHTS - MARKER LIGHT INSTALLATION, CARRIER DECK - 24V	466
FIGURE 6-25. LIGHTS - MARKER LIGHT INSTALLATION - HEADBOARD (ADDITIONAL)	468
FIGURE 6-26. LIGHTS - 24 VOLT CONVERSION	470
FIGURE 6-27. LIGHTS - DECK LIGHTS HARNESS	472
FIGURE 6-28. LIGHTS - TOOLBOX LIGHTS	474
FIGURE 6-29. LIGHTS - WORK LIGHTS AT WINCH, LED, 10V-30V	476
FIGURE 6-30. LIGHTS - WORKLIGHT HARNESS (HEADBOARD)	478
FIGURE 6-31. LIGHTS - WORKLIGHT INSTALLATION - HEADBOARD	480
FIGURE 6-32. LIGHTS - WORKLIGHT INSTALLATION - HEADBOARD (SRS), LED, 10V-30V	482
FIGURE 6-33. LIGHTS - WORKLIGHT INSTALLATION - HEADBOARD (TOP MOUNTED)	484
FIGURE 6-34. LIGHTS - WORKLIGHT INSTALLATION - HEADBOARD (TOP MOUNTED, NO LIGHTBAR, LED, SPLIT SWITCH 10C-30V)	486
FIGURE 6-35. LIGHTS - WORKLIGHT INSTALLATION - REAR (10V-30V)	488
FIGURE 6-36. SIDE RECOVERY SYSTEM HARNESS	490
FIGURE 6-37. SIDE RECOVERY SYSTEM (SRS) HARNESS (WITH REMOTE CONTROL)	492
FIGURE 6-38. SUBFRAME HARNESS	494
FIGURE 6-39. SUBFRAME TO CAB HARNESS (WITH STATIONARY HEADBOARD)	496
FIGURE 6-40. SUBFRAME TO CAB HARNESS (WITH BOLT-ON HEADBOARD) (26-30FT DECK)	498
FIGURE 6-41. SUBFRAME TO DECK HARNESS (WITH STATIONARY HEADBOARD)	500
FIGURE 6-42. SUBFRAME TO DECK HARNESS (WITH BOLT-ON HEADBOARD) (26-30FT DECK)	502
FIGURE 6-43. SUBFRAME TO WINCH HARNESS (WITH BOLT-ON HEADBOARD) (22-24FT DECK)	504
FIGURE 6-44. SUBFRAME TO WINCH HARNESS (WITH BOLT-ON HEADBOARD) (24-30FT DECK)	506
FIGURE 6-45. SUBFRAME TO WINCH HARNESS (WITH STATIONARY HEADBOARD) (22-24FT DECK)	508
FIGURE 6-46. SUBFRAME TO WINCH HARNESS (WITH STATIONARY HEADBOARD) (26-30FT DECK)	510
FIGURE 6-47. SWITCH INSTALLATION - 3 FUNCTION IN-DASH MINI	512
FIGURE 6-48. SWITCH INSTALLATION - 3 FUNCTION IN-DASH COMPACT	514
FIGURE 6-49. SWITCH INSTALLATION - 3 FUNCTION UNDER-DASH COMPACT	516
FIGURE 6-50. SWITCH INSTALLATION - 4 FUNCTION IN-DASH	518
FIGURE 6-51. SWITCH INSTALLATION - 5 FUNCTION IN-DASH COMPACT	520
FIGURE 6-52. SWITCH INSTALLATION - 5 FUNCTION UNDER-DASH COMPACT	522
FIGURE 6-53. SWITCH INSTALLATION - 5 FUNCTION IN-DASH COMPACT (PETERBILT)	524
FIGURE 6-54. TOOLBOX LIGHT BRACKET ASSEMBLY	526
FIGURE 6-55. WINCH LIGHT HARNESS	528
 SECTION 7 - DECALS	 531
FIGURE 7-1. DECAL INSTALLATION (SRS)	532
FIGURE 7-2. DECAL INSTALLATION - CONSPICUITY PINTLE HITCH	534
FIGURE 7-3. DECAL INSTALLATION - HEAVY DUTY CARRIER	536
FIGURE 7-4. DECAL INSTALLATION - HEAVY DUTY CARRIER	538
FIGURE 7-5. DECAL INSTALLATION - HIGH VISIBILITY	540
FIGURE 7-6. DECAL INSTALLATION - MANUAL GRID	542
FIGURE 7-7. DECAL INSTALLATION - PIVOTING GRID	544
FIGURE 7-8. DECAL INSTALLATION - SAFETY	546

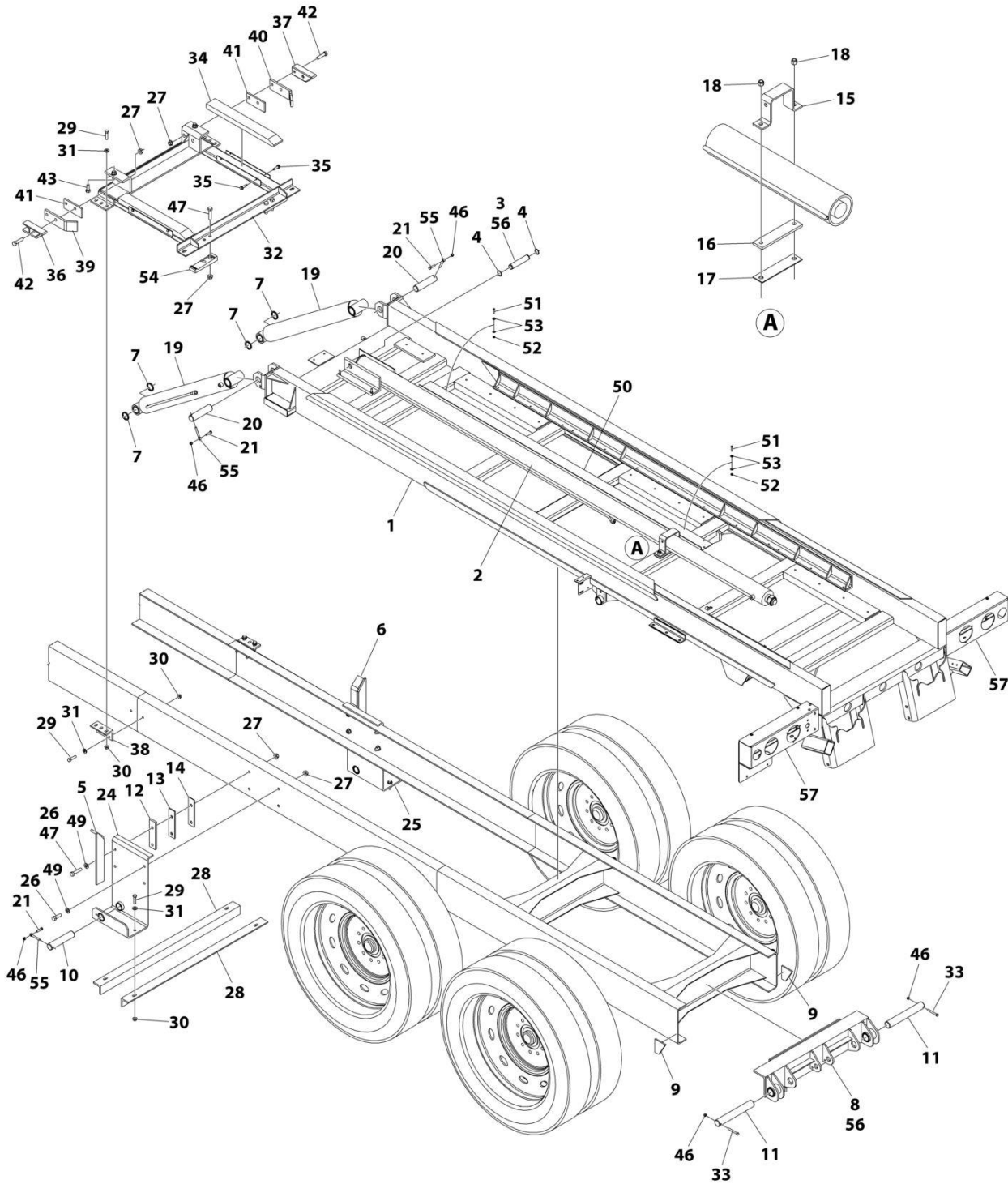
TABLE OF CONTENTS

FIGURE 7-9. DECAL INSTALLATION - STABILIZER.....	548
FIGURE 7-10. DECAL INSTALLATION - STABILIZER WITH 2.5IN TOW HITCH.....	550
FIGURE 7-11. DECAL INSTALLATION - STABILIZER WITH HYDRAULIC EXTEND.....	552
FIGURE 7-12. DECAL INSTALLATION - TOW HITCH.....	554
SECTION 8 - ACCESSORIES.....	557
FIGURE 8-1. KITS LIST.....	558
FIGURE 8-2. 7-WAY ELECTRICAL CONNECTOR INSTALLATION.....	560
FIGURE 8-3. AIR COMPRESSOR/HOSE REEL (INSIDE TOOLBOX).....	562
FIGURE 8-4. AIR SUPPLY DISCONNECT.....	564
FIGURE 8-5. CABLE ROLLER GUIDE INSTALLATION - DECK.....	566
FIGURE 8-6. CABLE TENSIONER PLATE INSTALLATION - DECK.....	568
FIGURE 8-7. CHAIN BINDER 3/8IN.....	570
FIGURE 8-8. CHAIN BINDER 1/2IN.....	572
FIGURE 8-9. CHAIN RACKS (DELUXE HEADBOARD) (LOCKING).....	574
FIGURE 8-10. CHAIN RACKS (DELUXE HEADBOARD).....	576
FIGURE 8-11. CHAIN RACKS (ADJUSTABLE/FIXED HEADBOARD) (LOCKING).....	578
FIGURE 8-12. CHAIN RACKS (ADJUSTABLE/FIXED HEADBOARD).....	580
FIGURE 8-13. DECK ROLLERS INSTALLATION - STANDARD WIDTH DECK.....	582
FIGURE 8-14. DECK ROLLERS INSTALLATION - WIDE WIDTH DECK.....	584
FIGURE 8-15. FIRE EXTINGUISHER.....	586
FIGURE 8-16. GLAD HAND INSTALLATION WITHOUT MOUNTING BRACKET.....	588
FIGURE 8-17. GLAD HAND INSTALLATION WITH MOUNTING BRACKET.....	590
FIGURE 8-18. GRAB HANDLE INSTALLATION - ADJUSTABLE HEADBOARD.....	592
FIGURE 8-19. HITCH BOOM INSTALLATION - BALL HITCH (HYDRAULIC).....	594
FIGURE 8-20. HITCH BOOM INSTALLATION - BALL HITCH (MANUAL).....	596
FIGURE 8-21. HITCH BOOM INSTALLATION - PINTLE HITCH (MANUAL).....	598
FIGURE 8-22. LADDER INSTALLATION - FOLDING 3-STEP, FRONT/LEFT.....	600
FIGURE 8-23. LADDER INSTALLATION - FOLDING 3-STEP, FRONT/LEFT/RIGHT.....	602
FIGURE 8-24. LADDER INSTALLATION - FOLDING 3-STEP, FRONT/REAR/LEFT.....	604
FIGURE 8-25. NO EMERGENCY LIGHTBAR INSTALLATION.....	606
FIGURE 8-26. PROPANE TANK HOLDERS, HEADBOARD INSTALLATION.....	608
FIGURE 8-27. PROPANE TANK HOLDERS, ADJUSTABLE HEADBOARD INSTALLATION.....	610
FIGURE 8-28. REMOTE THROTTLE CONTROL.....	612
FIGURE 8-29. ROLLER BRACKET ASSEMBLY.....	614
FIGURE 8-30. SADDLE CROSS-ANGLE SPACERS (4").....	616
FIGURE 8-31. SAFETY TRIANGLE KIT.....	618
FIGURE 8-32. STRAP EXTENSION - 50FT NYLON.....	620
FIGURE 8-33. STRAP TIE DOWN KIT - CARRIER 8 POINT TIRE.....	622
FIGURE 8-34. TAIL LIGHT CONVERSION KIT, SPLIT STOP/TURN.....	624
FIGURE 8-35. TAILLIGHT HARNESS.....	626
FIGURE 8-36. TIE DOWN STRAP/RATCHET STRAP KIT.....	628
FIGURE 8-37. TOW HITCH - 2-1/2IN RECEIVER.....	630
FIGURE 8-38. TOW HITCH - PINTLE (STATIONARY).....	632
FIGURE 8-39. TOW HITCH - PINTLE (STATIONARY - 30000LBS).....	634
FIGURE 8-40. TOW HITCH BOOM ASSEMBLY - BALL HITCH PLATE (HYDRAULIC).....	636
FIGURE 8-41. TOW HITCH BOOM ASSEMBLY - BALL HITCH PLATE (MANUAL).....	638
FIGURE 8-42. TOW HITCH BOOM ASSEMBLY - PINTLE HITCH PLATE (MANUAL).....	640
FIGURE 8-43. TOW HITCH CYLINDER ASSEMBLY – EXTEND/RETRACT.....	642
FIGURE 8-44. TRAILER ACC, 1-7/8" DIA BALL.....	644
FIGURE 8-45. TRAILER ACC, 2" DIA BALL.....	646
FIGURE 8-46. TRAILER ACC, 2-5/16" DIA BALL.....	648
FIGURE 8-47. TRAILER ACC, DUPLEX PINTLE HITCH.....	650
FIGURE 8-48. TRAILER ACC, SS CONVERT-A-BALL KIT.....	652
FIGURE 8-49. WINCH ASSEMBLY – 15K LBS (FRONT BUMPER MOUNTED).....	654
FIGURE 8-50. WHEEL CHUCKS (RUBBER).....	656
SECTION 9 - BUILD DOCUMENTS.....	659
FIGURE 9-1. BUILD DOC_5376000318.....	660
PART NUMBER INDEX.....	669

SECTION 1 - SUBFRAME

SECTION 1 - SUBFRAME

FIGURE 1-1. SUBFRAME INSTALLATION (24FT DECK)



ART_2868000121

SECTION 1 - SUBFRAME

FIGURE 1-1. SUBFRAME INSTALLATION (24FT DECK)

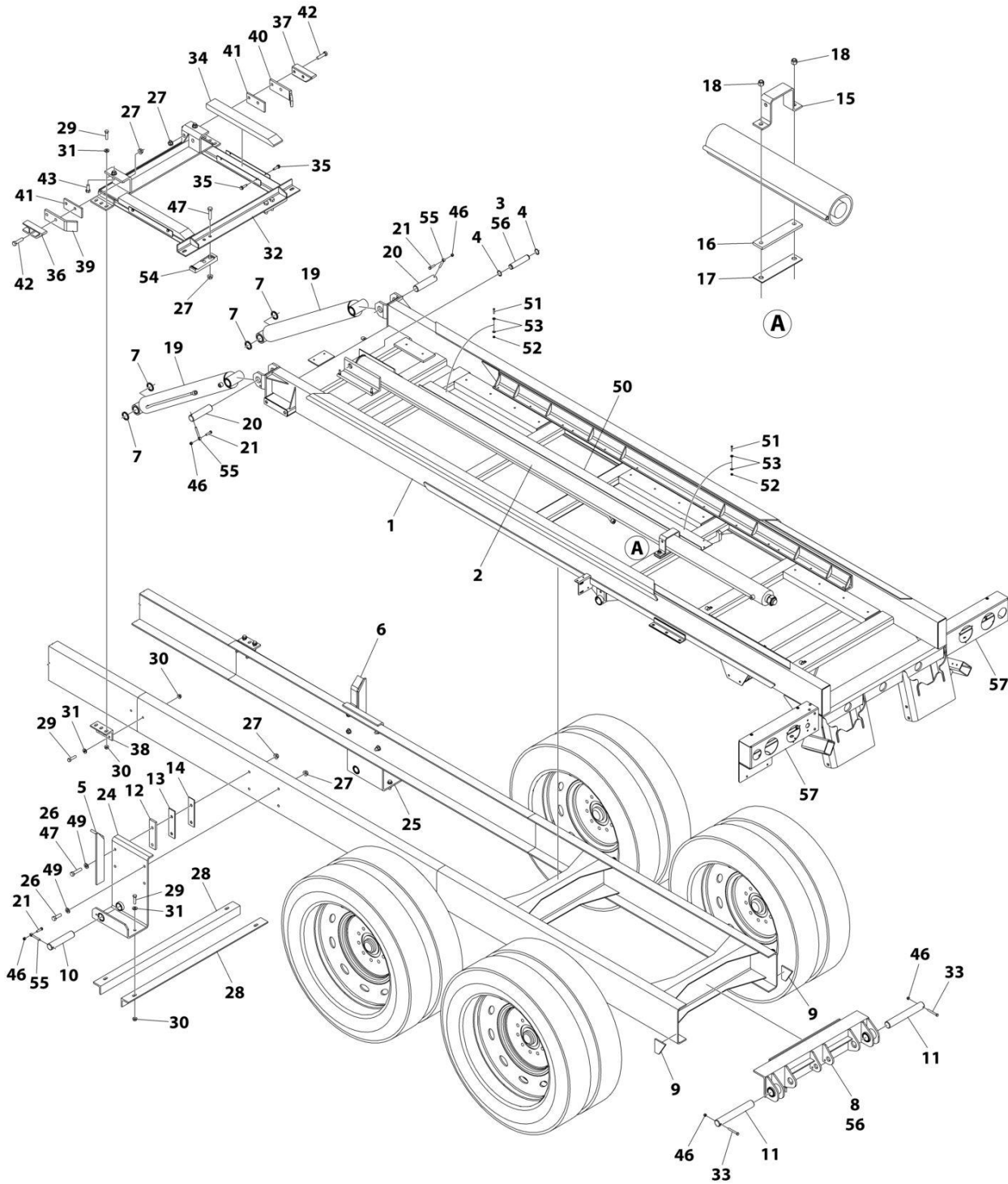
ITEM	PART NUMBER	QTY	DESCRIPTION	REV
	2868000121	Ref	SUBFRAME INSTALLATION (24FT DECK)	J
1	1001178188	1	Sub-Frame	
2	1001167763	1	Roll Cylinder Assembly (See Separate Breakdown in this Section)	
3	4691000268	1	Pin	
4	3760133	2	Ring, Retaining	
5	3062000015	1	Bar, Body Guide (LH)	
6	3062000014	1	Bar, Body Guide (RH)	
7	4209000204	4	Bushing	
8	3905000010	1	Mount, Trunnion	
9	4497000368	2	Gusset, Trunnion	
10	1001188206	2	Pin	
11	4691000348	2	Pin	
12	4831000079	AR	Spacer 1/2	
13	4831000083	AR	Spacer 1/4	
14	4831000084	AR	Spacer 1/8	
15	4178000308	1	Bracket	
16	4679000166	1	Pad	
17	4706003033	1	Plate	
18	7660182601	2	Nut 1/2	
19	1001167764	2	Tilt Cylinder Assembly (See Separate Breakdown in this Section)	
20	1001188141	2	Pin	
21	0641612	4	Bolt 3/8 x 1-1/2	
24	3178000288	1	Bracket, LH	
25	3178000289	1	Bracket, RH	
26	0652016	12	Bolt 5/8 x 2	
27	7660202347	20	Nut 5/8	
28	4017001093	2	Angle	
29	0651816	12	Bolt 1/2 x 2	
30	7660182333	12	Nut 1/2	
31	4891800	12	Washer 1/2	
32	3558000008	1	Hold Down	
33	0641624	2	Bolt 3/8 x 3	
34	4679000194	2	Pad, Wear	
35	7790152056	8	Screw 5/16 x 1-1/4	
36	7259000015	1	Hold Down Shoe, LH	
37	7259000016	1	Hold Down Shoe, RH	
38	4017001271	2	Angle	
39	4706003025	1	Plate, LH	
40	4706003026	1	Plate, RH	
41	4706003027	2	Plate	
42	7105202050	4	Bolt 5/8 x 2-1/2	
43	7105201250	2	Bolt 5/8 x 1-1/2	
46	3300492	6	Nut 3/8	
47	7105202250	8	Bolt 5/8 x 2-3/4	
49	4892000	12	Washer 5/8	
50	1001133706	1	Plate, Tray	
51	7114100810	4	Screw #10 x 1	
52	3300455	4	Nut #10	
53	4751300	8	Washer 3/16	
54	7274000046	2	Clamp, Retaining	

SECTION 1 - SUBFRAME

ITEM	PART NUMBER	QTY	DESCRIPTION	REV
55	3841143	4	Keeper, Shaft	
56	3020039	AR	Lubricant	
57	1001173948	1	Lightbox and Cover Installation (See Separate Breakdown in this Section)	

SECTION 1 - SUBFRAME

FIGURE 1-2. SUBFRAME INSTALLATION (24FT DECK) (GALVINIZED)



ART_1001136340

SECTION 1 - SUBFRAME

FIGURE 1-2. SUBFRAME INSTALLATION (24FT DECK) (GALVINIZED)

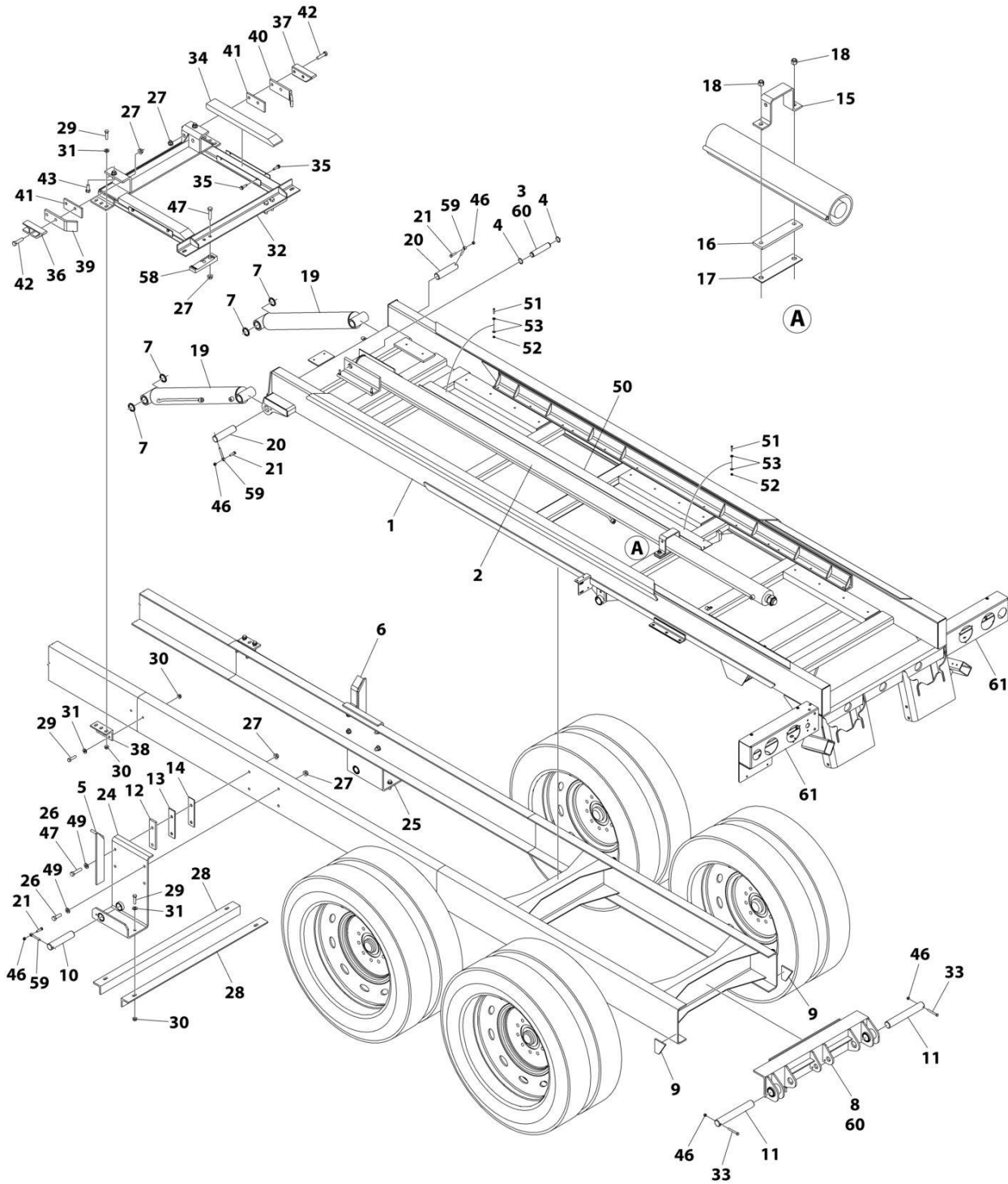
ITEM	PART NUMBER	QTY	DESCRIPTION	REV
	1001136340	Ref	SUBFRAME INSTALLATION (24FT DECK) (GALVINIZED)	H
1	1001178189	1	Sub-Frame	
2	1001167763	1	Roll Cylinder Assembly (See Separate Breakdown in this Section)	
3	4691000268	1	Pin	
4	3760133	2	Ring, Retaining	
5	3062000015	1	Bar, Body Guide (LH)	
6	3062000014	1	Bar, Body Guide (RH)	
7	4209000204	4	Bushing	
8	3905000010	1	Mount, Trunnion	
9	4497000368	2	Gusset, Trunnion	
10	1001188206	2	Pin	
11	4691000348	2	Pin	
12	4831000079	AR	Spacer 1/2	
13	4831000083	AR	Spacer 1/4	
14	4831000084	AR	Spacer 1/8	
15	4178000308	1	Bracket	
16	4679000166	1	Pad	
17	4706003033	1	Plate	
18	7660182601	2	Nut 1/2	
19	1001167764	2	Tilt Cylinder Assembly (See Separate Breakdown in this Section)	
20	1001188141	2	Pin	
21	0641612	4	Bolt 3/8 x 1-1/2	
24	3178000288	1	Bracket, LH	
25	3178000289	1	Bracket, RH	
26	0652016	12	Bolt 5/8 x 2	
27	7660202347	20	Nut 5/8	
28	4017001093	2	Angle	
29	0651816	12	Bolt 1/2 x 2	
30	7660182333	12	Nut 1/2	
31	4891800	12	Washer 1/2	
32	3558000008	1	Hold Down	
33	0641624	2	Bolt 3/8 x 3	
34	4679000194	2	Pad, Wear	
35	7790152056	8	Screw 5/16 x 1-1/4	
36	7259000015	1	Hold Down Shoe, LH	
37	7259000016	1	Hold Down Shoe, RH	
38	4017001271	2	Angle	
39	4706003025	1	Plate, LH	
40	4706003026	1	Plate, RH	
41	4706003027	2	Plate	
42	7105202050	4	Bolt 5/8 x 2-1/2	
43	7105201250	2	Bolt 5/8 x 1-1/2	
46	3300492	6	Nut 3/8	
47	7105202250	8	Bolt 5/8 x 2-3/4	
49	4892000	12	Washer 5/8	
50	1001133706	1	Plate, Tray	
51	7114100810	4	Screw #10 x 1	
52	3300455	4	Nut #10	
53	4751300	8	Washer 3/16	
54	7274000046	2	Clamp, Retaining	

SECTION 1 - SUBFRAME

ITEM	PART NUMBER	QTY	DESCRIPTION	REV
55	3841143	4	Keeper, Shaft	
56	3020039	AR	Lubricant	
57	1001173949	1	Lightbox and Cover Installation (See Separate Breakdown in this Section)	

SECTION 1 - SUBFRAME

FIGURE 1-3. SUBFRAME INSTALLATION (24FT DECK) (WITH WHEEL WELLS)



ART_2868000124

SECTION 1 - SUBFRAME

FIGURE 1-3. SUBFRAME INSTALLATION (24FT DECK) (WITH WHEEL WELLS)

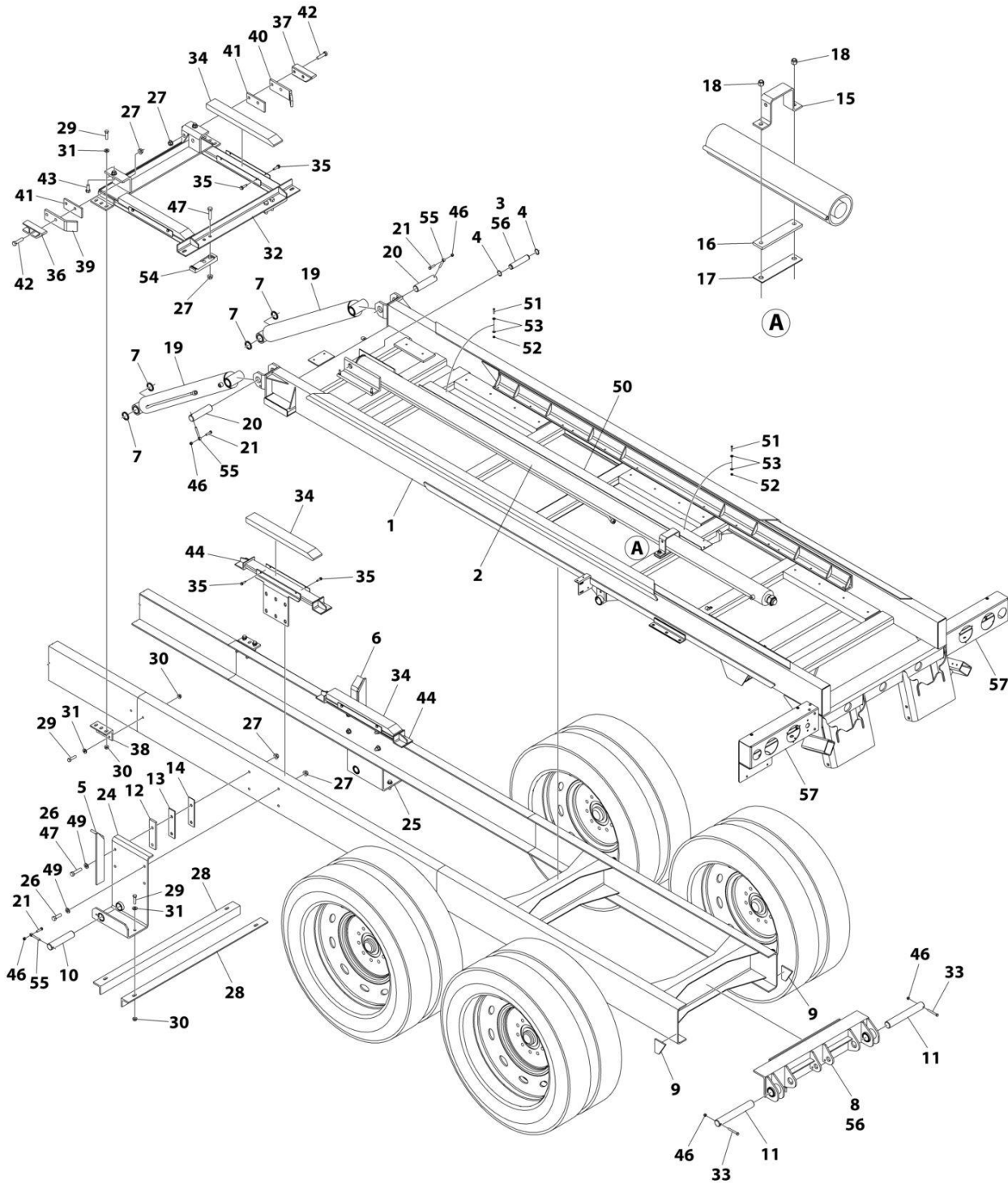
ITEM	PART NUMBER	QTY	DESCRIPTION	REV
	2868000124	Ref	SUBFRAME INSTALLATION (24FT DECK) (WITH WHEEL WELLS)	K
1	1001178190	1	Sub-Frame	
2	1001167763	1	Roll Cylinder Assembly (See Separate Breakdown in this Section)	
3	4691000268	1	Pin	
4	3760133	2	Ring, Retaining	
5	3062000015	1	Bar, Body Guide (LH)	
6	3062000014	1	Bar, Body Guide (RH)	
7	4209000204	4	Bushing	
8	3905000010	1	Mount, Trunnion	
9	4497000368	2	Gusset, Trunnion	
10	1001188206	2	Pin	
11	4691000348	2	Pin	
12	4831000079	AR	Spacer 1/2	
13	4831000083	AR	Spacer 1/4	
14	4831000084	AR	Spacer 1/8	
15	4178000308	1	Bracket	
16	4679000166	1	Pad	
17	4706003033	1	Plate	
18	7660182601	2	Nut 1/2	
19	1001167771	2	Tilt Cylinder Assembly (See Separate Breakdown in this Section)	
20	1001188141	2	Pin	
21	0641612	4	Bolt 3/8 x 1-1/2	
24	3178000288	1	Bracket, LH	
25	3178000289	1	Bracket, RH	
26	0652016	12	Bolt 5/8 x 2	
27	7660202347	20	Nut 5/8	
28	4017001093	2	Angle	
29	0651816	12	Bolt 1/2 x 2	
30	7660182333	12	Nut 1/2	
31	4891800	12	Washer 1/2	
32	3558000008	1	Hold Down	
33	0641624	2	Bolt 3/8 x 3	
34	4679000194	2	Pad, Wear	
35	7790152056	8	Screw 5/16 x 1-1/4	
36	7259000015	1	Hold Down Shoe, LH	
37	7259000016	1	Hold Down Shoe, RH	
38	4017001271	2	Angle	
39	4706003025	1	Plate, LH	
40	4706003026	1	Plate, RH	
41	4706003027	2	Plate	
42	7105202050	4	Bolt 5/8 x 2-1/2	
43	7105201250	2	Bolt 5/8 x 1-1/2	
46	3300492	6	Nut 3/8	
47	7105202250	8	Bolt 5/8 x 2-3/4	
49	4892000	12	Washer 5/8	
50	1001133706	1	Plate, Tray	
51	7114100810	4	Screw #10 x 1	
52	3300455	4	Nut #10	
53	4751300	8	Washer 3/16	
58	7274000046	2	Clamp, Retaining	

SECTION 1 - SUBFRAME

ITEM	PART NUMBER	QTY	DESCRIPTION	REV
59	3841143	4	Keeper, Shaft	
60	3020039	AR	Lubricant	
61	1001173948	1	Lightbox and Cover Installation (See Separate Breakdown in this Section)	

SECTION 1 - SUBFRAME

FIGURE 1-4. SUBFRAME INSTALLATION (26FT DECK)



ART_2868000122

SECTION 1 - SUBFRAME

FIGURE 1-4. SUBFRAME INSTALLATION (26FT DECK)

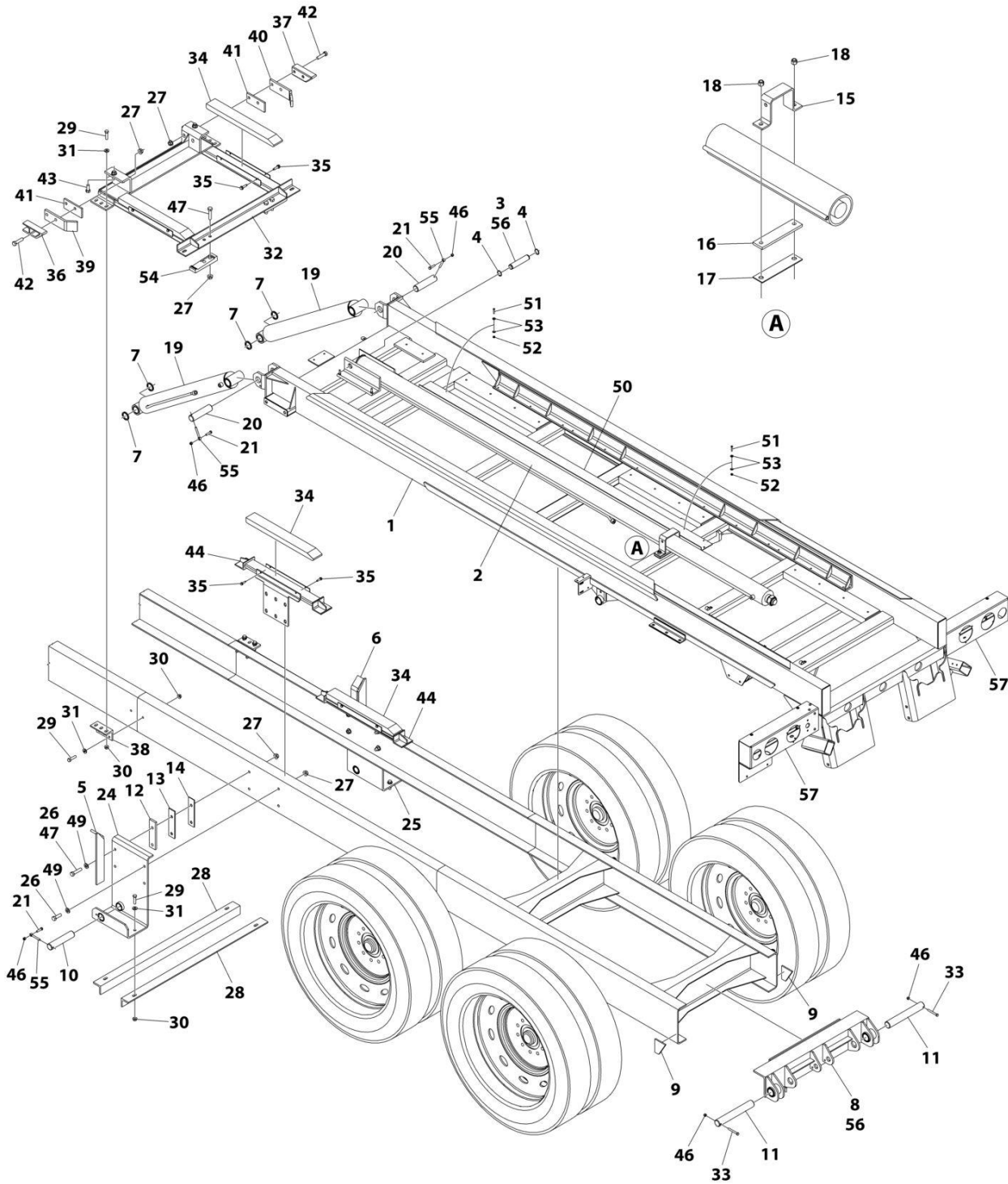
ITEM	PART NUMBER	QTY	DESCRIPTION	REV
	2868000122	Ref	SUBFRAME INSTALLATION (26FT DECK)	J
1	1001178188	1	Sub-Frame	
2	1001167763	1	Roll Cylinder Assembly (See Separate Breakdown in this Section)	
3	4691000268	1	Pin	
4	3760133	2	Ring, Retaining	
5	3062000015	1	Bar, Body Guide (LH)	
6	3062000014	1	Bar, Body Guide (RH)	
7	4209000204	4	Bushing	
8	3905000010	1	Mount, Trunnion	
9	4497000368	2	Gusset, Trunnion	
10	1001188206	2	Pin	
11	4691000348	2	Pin	
12	4831000079	AR	Spacer 1/2	
13	4831000083	AR	Spacer 1/4	
14	4831000084	AR	Spacer 1/8	
15	4178000308	1	Bracket	
16	4679000166	1	Pad	
17	4706003033	1	Plate	
18	7660182601	2	Nut 1/2	
19	1001167764	2	Tilt Cylinder Assembly (See Separate Breakdown in this Section)	
20	1001188141	2	Pin	
21	0641612	4	Bolt 3/8 x 1-1/2	
24	3178000288	1	Bracket, LH	
25	3178000289	1	Bracket, RH	
26	0652016	16	Bolt 5/8 x 2	
27	7660202347	24	Nut 5/8	
28	4017001093	2	Angle	
29	0651816	12	Bolt 1/2 x 2	
30	7660182333	12	Nut 1/2	
31	4891800	12	Washer 1/2	
32	3558000008	1	Hold Down, Primary	
33	0641624	2	Bolt 3/8 x 3	
34	4679000194	4	Pad, Wear	
35	7790152056	16	Screw 5/16 x 1-1/4	
36	7259000015	1	Hold Down Shoe, LH	
37	7259000016	1	Hold Down Shoe, RH	
38	4017001271	2	Angle	
39	4706003025	1	Plate, LH	
40	4706003026	1	Plate, RH	
41	4706003027	2	Plate	
42	7105202050	4	Bolt 5/8 x 2-1/2	
43	7105201250	2	Bolt 5/8 x 1-1/2	
44	3558000018	2	Hold Down, Secondary	
46	3300492	6	Nut 3/8	
47	7105202250	8	Bolt 5/8 x 2-3/4	
49	4892000	16	Washer 5/8	
50	1001133706	1	Plate, Tray	
51	7114100810	4	Screw #10 x 1	
52	3300455	4	Nut #10	
53	4751300	8	Washer 3/16	

SECTION 1 - SUBFRAME

ITEM	PART NUMBER	QTY	DESCRIPTION	REV
54	7274000046	2	Clamp, Retaining	
55	3841143	4	Keeper, Shaft	
56	3020039	AR	Lubricant	
57	1001173948	1	Lightbox and Cover Installation (See Separate Breakdown in this Section)	

SECTION 1 - SUBFRAME

FIGURE 1-5. SUBFRAME INSTALLATION (26FT DECK) (GALVINIZED)



ART_1001136408

SECTION 1 - SUBFRAME

FIGURE 1-5. SUBFRAME INSTALLATION (26FT DECK) (GALVINIZED)

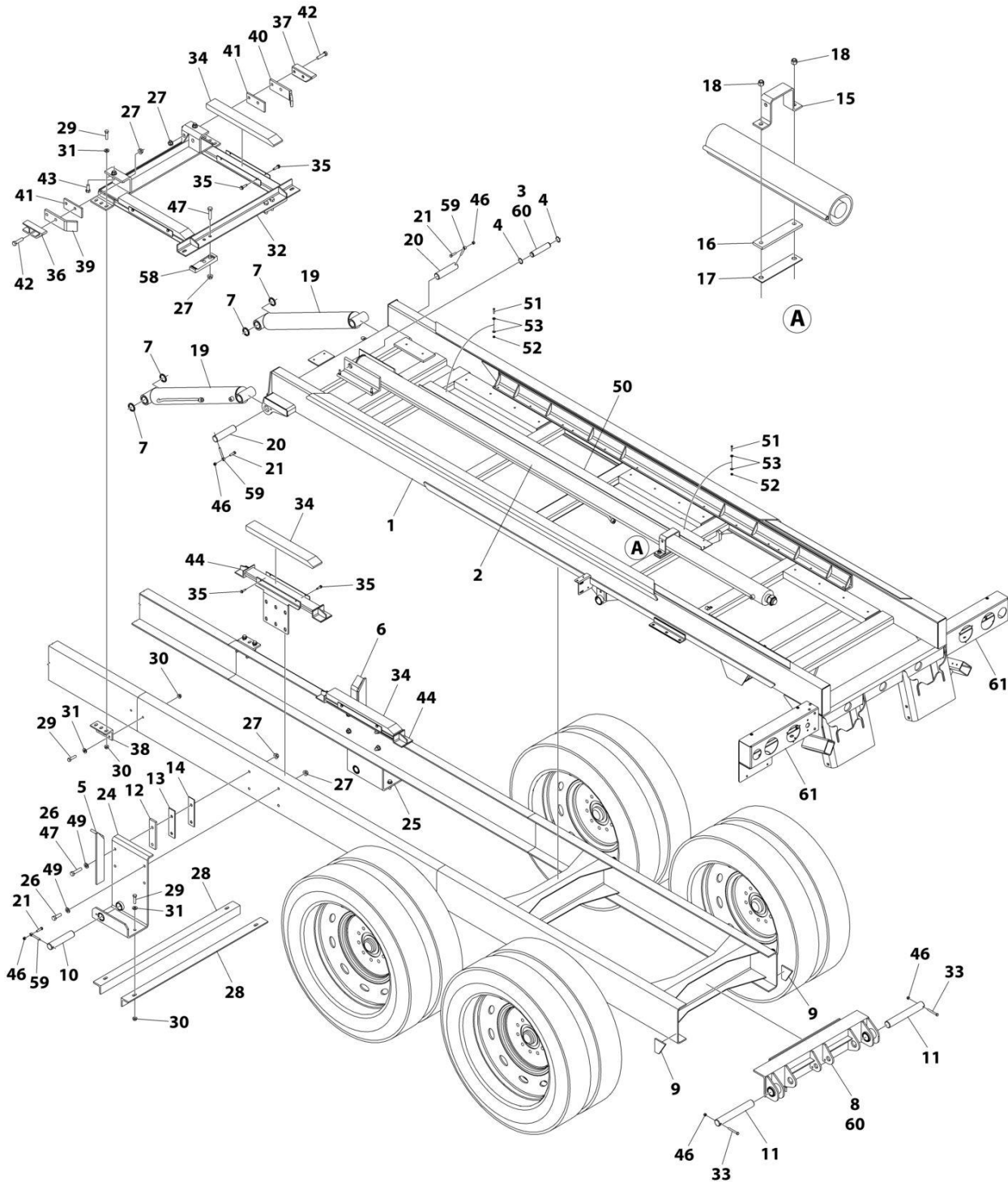
ITEM	PART NUMBER	QTY	DESCRIPTION	REV
	1001136408	Ref	SUBFRAME INSTALLATION (26FT DECK) (GALVINIZED)	G
1	1001178189	1	Sub-Frame	
2	1001167763	1	Roll Cylinder Assembly (See Separate Breakdown in this Section)	
3	4691000268	1	Pin	
4	3760133	2	Ring, Retaining	
5	3062000015	1	Bar, Body Guide (LH)	
6	3062000014	1	Bar, Body Guide (RH)	
7	4209000204	4	Bushing	
8	3905000010	1	Mount, Trunnion	
9	4497000368	2	Gusset, Trunnion	
10	1001188206	2	Pin	
11	4691000348	2	Pin	
12	4831000079	AR	Spacer 1/2	
13	4831000083	AR	Spacer 1/4	
14	4831000084	AR	Spacer 1/8	
15	4178000308	1	Bracket	
16	4679000166	1	Pad	
17	4706003033	1	Plate	
18	7660182601	2	Nut 1/2	
19	1001167764	2	Tilt Cylinder Assembly (See Separate Breakdown in this Section)	
20	1001188141	2	Pin	
21	0641612	4	Bolt 3/8 x 1-1/2	
24	3178000288	1	Bracket, LH	
25	3178000289	1	Bracket, RH	
26	0652016	16	Bolt 5/8 x 2	
27	7660202347	24	Nut 5/8	
28	4017001093	2	Angle	
29	0651816	12	Bolt 1/2 x 2	
30	7660182333	12	Nut 1/2	
31	4891800	12	Washer 1/2	
32	3558000008	1	Hold Down, Primary	
33	0641624	2	Bolt 3/8 x 3	
34	4679000194	4	Pad, Wear	
35	7790152056	16	Screw 5/16 x 1-1/4	
36	7259000015	1	Hold Down Shoe, LH	
37	7259000016	1	Hold Down Shoe, RH	
38	4017001271	2	Angle	
39	4706003025	1	Plate, LH	
40	4706003026	1	Plate, RH	
41	4706003027	2	Plate	
42	7105202050	4	Bolt 5/8 x 2-1/2	
43	7105201250	2	Bolt 5/8 x 1-1/2	
44	3558000018	2	Hold Down, Secondary	
46	3300492	6	Nut 3/8	
47	7105202250	8	Bolt 5/8 x 2-3/4	
49	4892000	16	Washer 5/8	
50	1001133706	1	Plate, Tray	
51	7114100810	4	Screw #10 x 1	
52	3300455	4	Nut #10	
53	4751300	8	Washer 3/16	

SECTION 1 - SUBFRAME

ITEM	PART NUMBER	QTY	DESCRIPTION	REV
54	7274000046	2	Clamp, Retaining	
55	3841143	4	Keeper, Shaft	
56	3020039	AR	Lubricant	
57	1001173949	1	Lightbox and Cover Installation (See Separate Breakdown in this Section)	

SECTION 1 - SUBFRAME

FIGURE 1-6. SUBFRAME INSTALLATION (26FT DECK) (WITH WHEEL WELLS)



ART_2868000125

SECTION 1 - SUBFRAME

FIGURE 1-6. SUBFRAME INSTALLATION (26FT DECK) (WITH WHEEL WELLS)

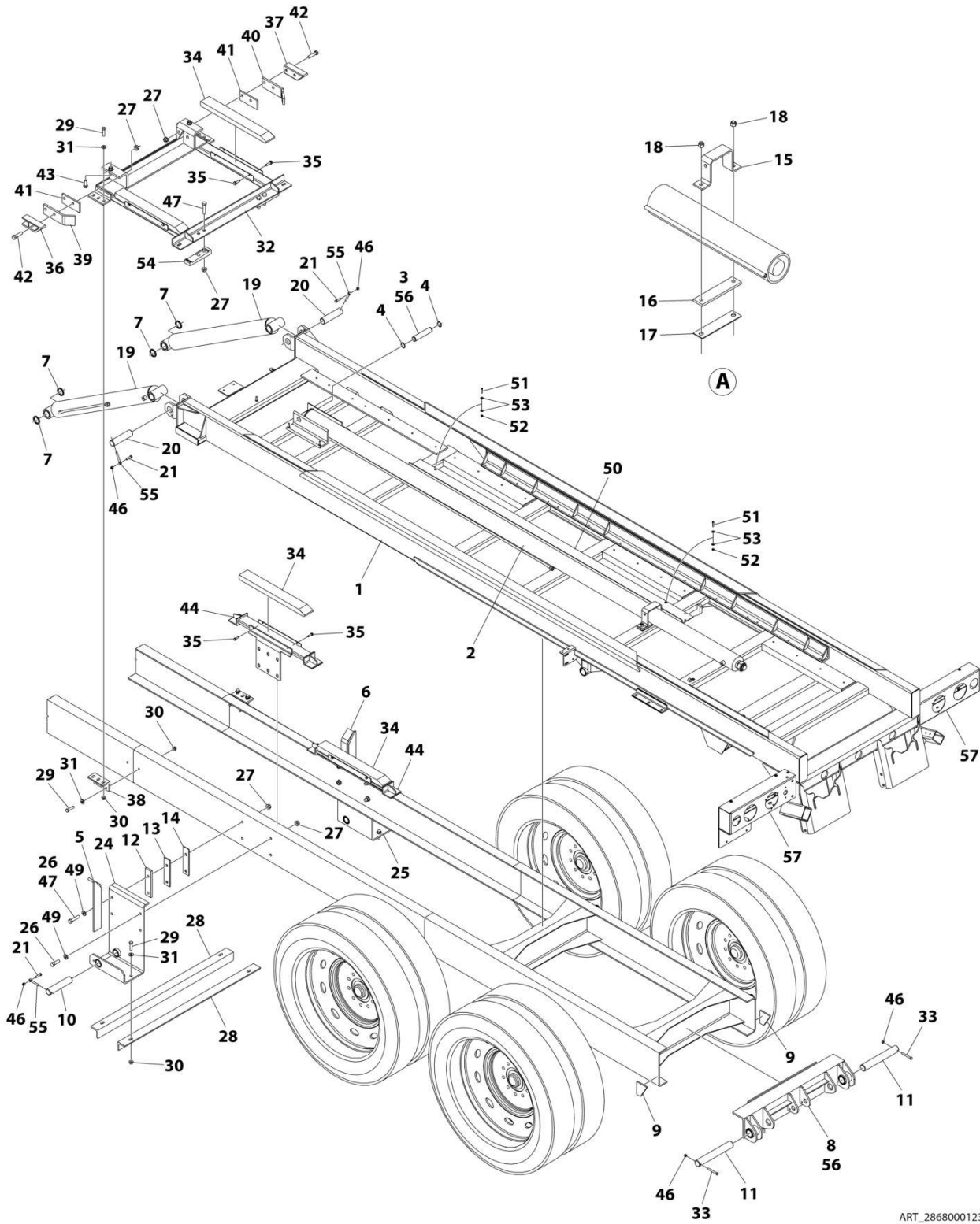
ITEM	PART NUMBER	QTY	DESCRIPTION	REV
	2868000125	Ref	SUBFRAME INSTALLATION (26FT DECK) (WITH WHEEL WELLS)	K
1	1001178190	1	Sub-Frame	
2	1001167763	1	Roll Cylinder Assembly (See Separate Breakdown in this Section)	
3	4691000268	1	Pin	
4	3760133	2	Ring, Retaining	
5	3062000015	1	Bar, Body Guide (LH)	
6	3062000014	1	Bar, Body Guide (RH)	
7	4209000204	4	Bushing	
8	3905000010	1	Mount, Trunnion	
9	4497000368	2	Gusset, Trunnion	
10	1001188206	2	Pin	
11	4691000348	2	Pin	
12	4831000079	AR	Spacer 1/2	
13	4831000083	AR	Spacer 1/4	
14	4831000084	AR	Spacer 1/8	
15	4178000308	1	Bracket	
16	4679000166	1	Pad	
17	4706003033	1	Plate	
18	7660182601	2	Nut 1/2	
19	1001167771	2	Tilt Cylinder Assembly (See Separate Breakdown in this Section)	
20	1001188141	2	Pin	
21	0641612	4	Bolt 3/8 x 1-1/2	
24	3178000288	1	Bracket, LH	
25	3178000289	1	Bracket, RH	
26	0652016	16	Bolt 5/8 x 2	
27	7660202347	24	Nut 5/8	
28	4017001093	2	Angle	
29	0651816	12	Bolt 1/2 x 2	
30	7660182333	12	Nut 1/2	
31	4891800	12	Washer 1/2	
32	3558000008	1	Hold Down, Primary	
33	0641624	2	Bolt 3/8 x 3	
34	4679000194	4	Pad, Wear	
35	7790152056	16	Screw 5/16 x 1-1/4	
36	7259000015	1	Hold Down Shoe, LH	
37	7259000016	1	Hold Down Shoe, RH	
38	4017001271	2	Angle	
39	4706003025	1	Plate, LH	
40	4706003026	1	Plate, RH	
41	4706003027	2	Plate	
42	7105202050	4	Bolt 5/8 x 2-1/2	
43	7105201250	2	Bolt 5/8 x 1-1/2	
44	3558000018	2	Hold Down, Secondary	
46	3300492	6	Nut 3/8	
47	7105202250	8	Bolt 5/8 x 2-3/4	
49	4892000	16	Washer 5/8	
50	1001133706	1	Plate, Tray	
51	7114100810	4	Screw #10 x 1	
52	3300455	4	Nut #10	
53	4751300	8	Washer 3/16	

SECTION 1 - SUBFRAME

ITEM	PART NUMBER	QTY	DESCRIPTION	REV
58	7274000046	2	Clamp, Retaining	
59	3841143	4	Keeper, Shaft	
60	3020039	AR	Lubricant	
61	1001173948	1	Lightbox and Cover Installation (See Separate Breakdown in this Section)	

SECTION 1 - SUBFRAME

FIGURE 1-7. SUBFRAME INSTALLATION (28FT-30FT DECK)



ART_2868000123

SECTION 1 - SUBFRAME

FIGURE 1-7. SUBFRAME INSTALLATION (28FT-30FT DECK)

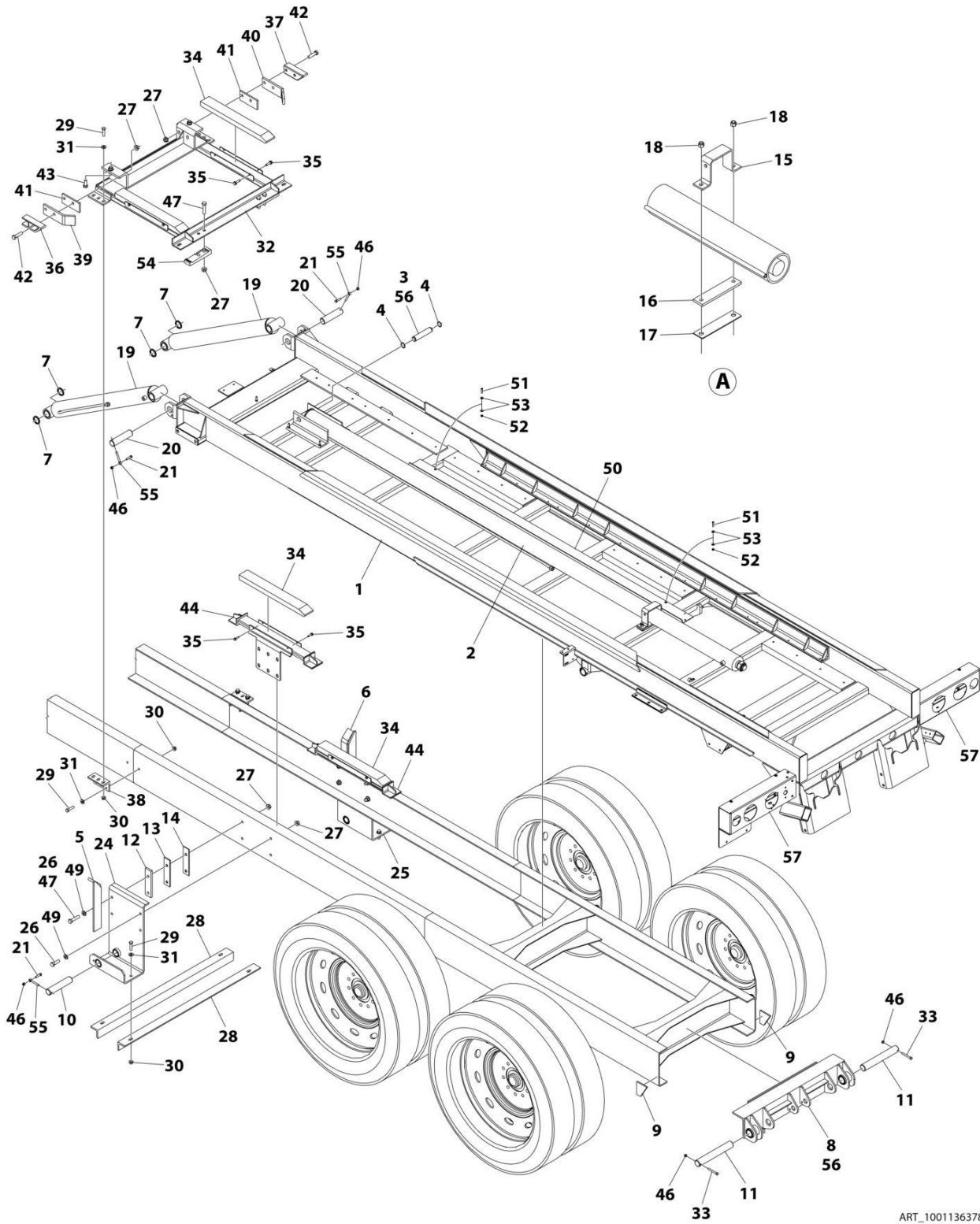
ITEM	PART NUMBER	QTY	DESCRIPTION	REV
	2868000123	Ref	SUBFRAME INSTALLATION (28FT-30FT DECK)	J
1	1001178191	1	Sub-Frame	
2	1001167770	1	Roll Cylinder Assembly (See Separate Breakdown in this Section)	
3	4691000268	1	Pin	
4	3760133	2	Ring, Retaining	
5	3062000015	1	Bar, Body Guide (LH)	
6	3062000014	1	Bar, Body Guide (RH)	
7	4209000204	4	Bushing	
8	3905000010	1	Mount, Trunnion	
9	4497000368	2	Gusset, Trunnion	
10	1001188206	2	Pin	
11	4691000348	2	Pin	
12	4831000079	AR	Spacer 1/2	
13	4831000083	AR	Spacer 1/4	
14	4831000084	AR	Spacer 1/8	
15	4178000308	1	Bracket	
16	4679000166	1	Pad	
17	4706003033	1	Plate	
18	7660182601	2	Nut 1/2	
19	1001167772	2	Tilt Cylinder Assembly (See Separate Breakdown in this Section)	
20	1001188141	2	Pin	
21	0641612	4	Bolt 3/8 x 1-1/2	
24	3178000288	1	Bracket, LH	
25	3178000289	1	Bracket, RH	
26	0652016	16	Bolt 5/8 x 2	
27	7660202347	24	Nut 5/8	
28	4017001093	2	Angle	
29	0651816	12	Bolt 1/2 x 2	
30	7660182333	12	Nut 1/2	
31	4891800	12	Washer 1/2	
32	3558000008	1	Hold Down, Primary	
33	0641624	2	Bolt 3/8 x 3	
34	4679000194	4	Pad, Wear	
35	7790152056	16	Screw 5/16 x 1-1/4	
36	7259000015	1	Hold Down Shoe, LH	
37	7259000016	1	Hold Down Shoe, RH	
38	4017001271	2	Angle	
39	4706003025	1	Plate, LH	
40	4706003026	1	Plate, RH	
41	4706003027	2	Plate	
42	7105202050	4	Bolt 5/8 x 2-1/2	
43	7105201250	2	Bolt 5/8 x 1-1/2	
44	3558000018	2	Hold Down, Secondary	
46	3300492	6	Nut 3/8	
47	7105202250	8	Bolt 5/8 x 2-3/4	
49	4892000	16	Washer 5/8	
50	1001133706	1	Plate, Tray	
51	7114100810	4	Screw #10 x 1	
52	3300455	4	Nut #10	
53	4751300	8	Washer 3/16	

SECTION 1 - SUBFRAME

ITEM	PART NUMBER	QTY	DESCRIPTION	REV
54	7274000046	2	Clamp, Retaining	
55	3841143	4	Keeper, Shaft	
56	3020039	AR	Lubricant	
57	1001173948	1	Lightbox and Cover Installation (See Separate Breakdown in this Section)	

SECTION 1 - SUBFRAME

FIGURE 1-8. SUBFRAME INSTALLATION (28FT-30FT DECK) (GALVINIZED)



ART_1001136378

SECTION 1 - SUBFRAME

FIGURE 1-8. SUBFRAME INSTALLATION (28FT-30FT DECK) (GALVINIZED)

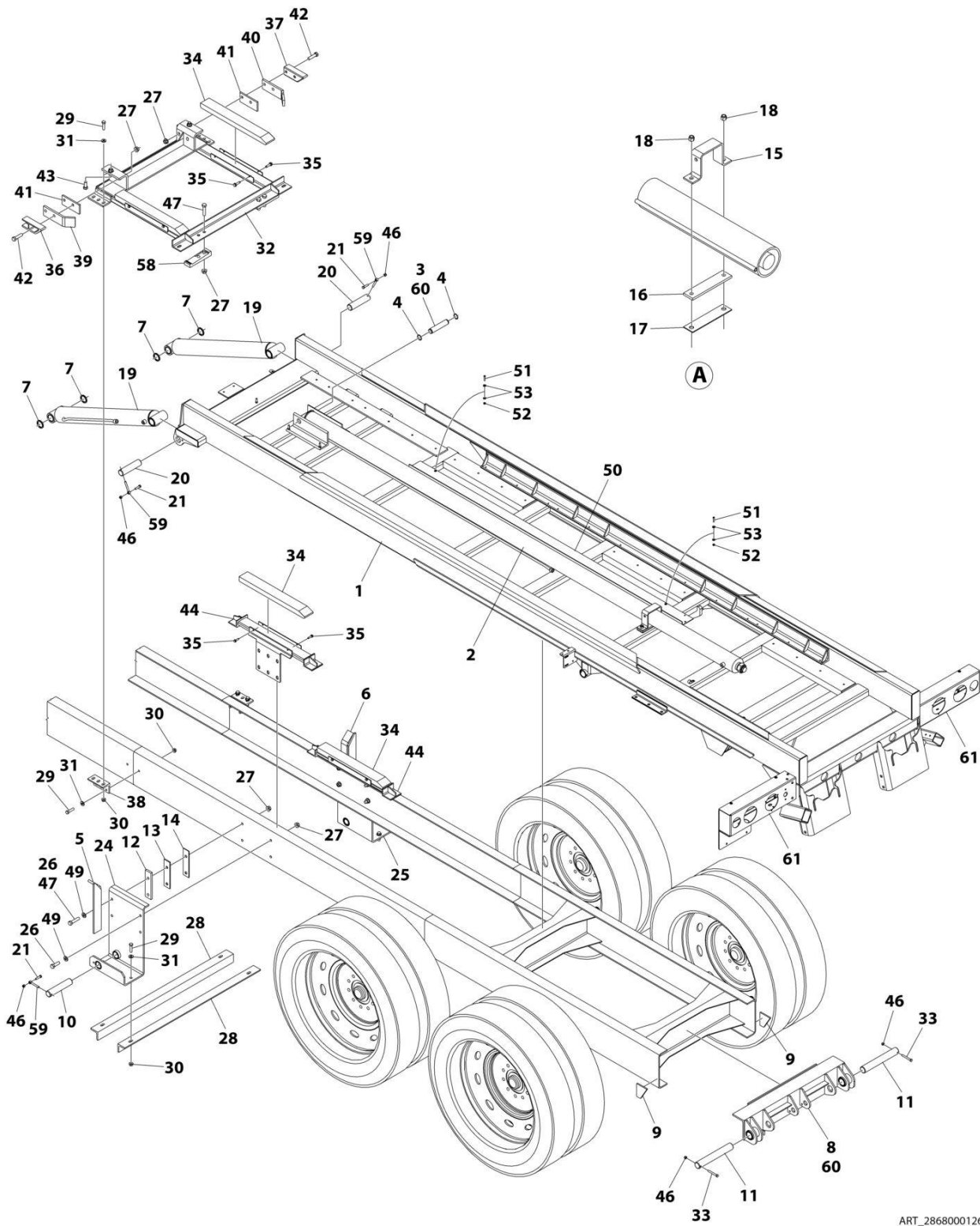
ITEM	PART NUMBER	QTY	DESCRIPTION	REV
	1001136378	Ref	SUBFRAME INSTALLATION (28FT-30FT DECK) (GALVINIZED)	G
1	1001178192	1	Sub-Frame	
2	1001167770	1	Roll Cylinder Assembly (See Separate Breakdown in this Section)	
3	4691000268	1	Pin	
4	3760133	2	Ring, Retaining	
5	3062000015	1	Bar, Body Guide (LH)	
6	3062000014	1	Bar, Body Guide (RH)	
7	4209000204	4	Bushing	
8	3905000010	1	Mount, Trunnion	
9	4497000368	2	Gusset, Trunnion	
10	1001188206	2	Pin	
11	4691000348	2	Pin	
12	4831000079	AR	Spacer 1/2	
13	4831000083	AR	Spacer 1/4	
14	4831000084	AR	Spacer 1/8	
15	4178000308	1	Bracket	
16	4679000166	1	Pad	
17	4706003033	1	Plate	
18	7660182601	2	Nut 1/2	
19	1001167772	2	Tilt Cylinder Assembly (See Separate Breakdown in this Section)	
20	1001188141	2	Pin	
21	0641612	4	Bolt 3/8 x 1-1/2	
24	3178000288	1	Bracket, LH	
25	3178000289	1	Bracket, RH	
26	0652016	16	Bolt 5/8 x 2	
27	7660202347	24	Nut 5/8	
28	4017001093	2	Angle	
29	0651816	12	Bolt 1/2 x 2	
30	7660182333	12	Nut 1/2	
31	4891800	12	Washer 1/2	
32	3558000008	1	Hold Down, Primary	
33	0641624	2	Bolt 3/8 x 3	
34	4679000194	4	Pad, Wear	
35	7790152056	16	Screw 5/16 x 1-1/4	
36	7259000015	1	Hold Down Shoe, LH	
37	7259000016	1	Hold Down Shoe, RH	
38	4017001271	2	Angle	
39	4706003025	1	Plate, LH	
40	4706003026	1	Plate, RH	
41	4706003027	2	Plate	
42	7105202050	4	Bolt 5/8 x 2-1/2	
43	7105201250	2	Bolt 5/8 x 1-1/2	
44	3558000018	2	Hold Down, Secondary	
46	3300492	6	Nut 3/8	
47	7105202250	8	Bolt 5/8 x 2-3/4	
49	4892000	16	Washer 5/8	
50	1001133706	1	Plate, Tray	
51	7114100810	4	Screw #10 x 1	
52	3300455	4	Nut #10	
53	4751300	8	Washer 3/16	

SECTION 1 - SUBFRAME

ITEM	PART NUMBER	QTY	DESCRIPTION	REV
54	7274000046	2	Clamp, Retaining	
55	3841143	4	Keeper, Shaft	
56	3020039	AR	Lubricant	
57	1001173949	1	Lightbox and Cover Installation (See Separate Breakdown in this Section)	

SECTION 1 - SUBFRAME

FIGURE 1-9. SUBFRAME INSTALLATION (28FT-30FT DECK) (WITH WHEEL WELLS)



ART_2868000126

SECTION 1 - SUBFRAME

FIGURE 1-9. SUBFRAME INSTALLATION (28FT-30FT DECK) (WITH WHEEL WELLS)

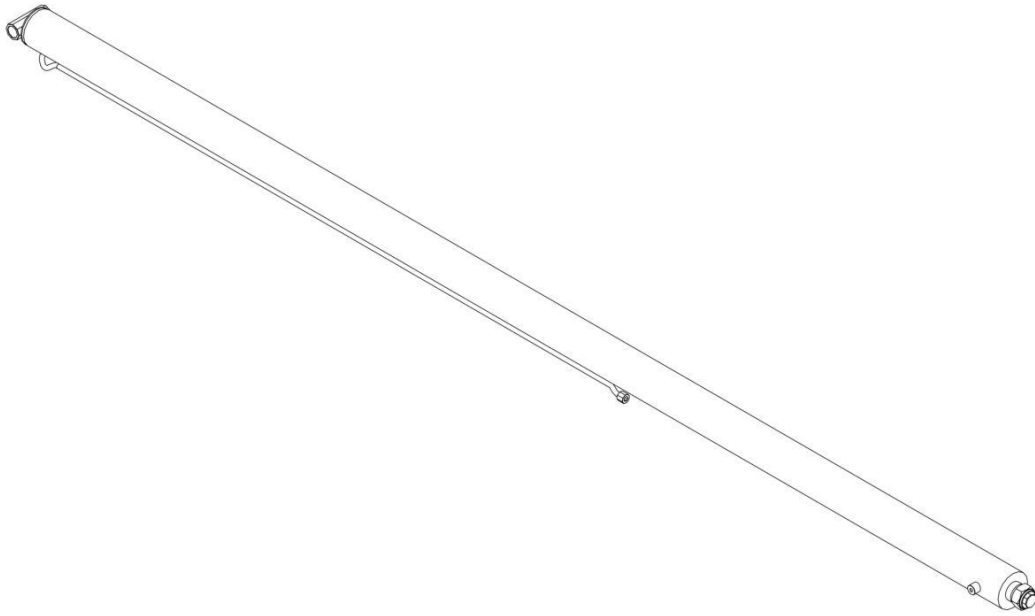
ITEM	PART NUMBER	QTY	DESCRIPTION	REV
	2868000126	Ref	SUBFRAME INSTALLATION (28FT-30FT DECK) (WITH WHEEL WELLS)	K
1	1001178193	1	Sub-Frame	
2	1001167770	1	Roll Cylinder Assembly (See Separate Breakdown in this Section)	
3	4691000268	1	Pin	
4	3760133	2	Ring, Retaining	
5	3062000015	1	Bar, Body Guide (LH)	
6	3062000014	1	Bar, Body Guide (RH)	
7	4209000204	4	Bushing	
8	3905000010	1	Mount, Trunnion	
9	4497000368	2	Gusset, Trunnion	
10	1001188206	2	Pin	
11	4691000348	2	Pin	
12	4831000079	AR	Spacer 1/2	
13	4831000083	AR	Spacer 1/4	
14	4831000084	AR	Spacer 1/8	
15	4178000308	1	Bracket	
16	4679000166	1	Pad	
17	4706003033	1	Plate	
18	7660182601	2	Nut 1/2	
19	1001167764	2	Tilt Cylinder Assembly (See Separate Breakdown in this Section)	
20	1001188141	2	Pin	
21	0641612	4	Bolt 3/8 x 1-1/2	
24	3178000288	1	Bracket, LH	
25	3178000289	1	Bracket, RH	
26	0652016	16	Bolt 5/8 x 2	
27	7660202347	24	Nut 5/8	
28	4017001093	2	Angle	
29	0651816	12	Bolt 1/2 x 2	
30	7660182333	12	Nut 1/2	
31	4891800	12	Washer 1/2	
32	3558000008	1	Hold Down, Primary	
33	0641624	2	Bolt 3/8 x 3	
34	4679000194	4	Pad, Wear	
35	7790152056	16	Screw 5/16 x 1-1/4	
36	7259000015	1	Hold Down Shoe, LH	
37	7259000016	1	Hold Down Shoe, RH	
38	4017001271	2	Angle	
39	4706003025	1	Plate, LH	
40	4706003026	1	Plate, RH	
41	4706003027	2	Plate	
42	7105202050	4	Bolt 5/8 x 2-1/2	
43	7105201250	2	Bolt 5/8 x 1-1/2	
44	3558000018	2	Hold Down, Secondary	
46	3300492	6	Nut 3/8	
47	7105202250	8	Bolt 5/8 x 2-3/4	
49	4892000	16	Washer 5/8	
50	1001133706	1	Plate, Tray	
51	7114100810	4	Screw #10 x 1	
52	3300455	4	Nut #10	

SECTION 1 - SUBFRAME

ITEM	PART NUMBER	QTY	DESCRIPTION	REV
53	4751300	8	Washer 3/16	
58	7274000046	2	Clamp, Retaining	
59	3841143	4	Keeper, Shaft	
60	3020039	AR	Lubricant	
61	1001173948	1	Lightbox and Cover Installation (See Separate Breakdown in this Section)	

SECTION 1 - SUBFRAME

FIGURE 1-10. CYLINDER ASSEMBLY - ROLL (24FT & 26FT DECKS)



ART_1001167763

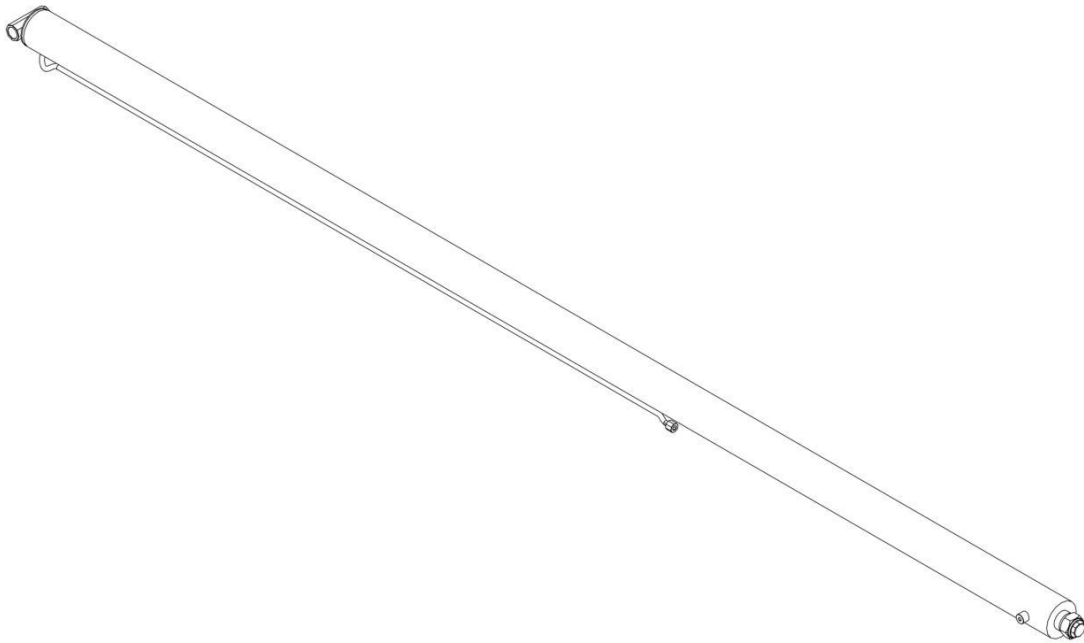
SECTION 1 - SUBFRAME

FIGURE 1-10. CYLINDER ASSEMBLY - ROLL (24FT & 26FT DECKS)

ITEM	PART NUMBER	QTY	DESCRIPTION	REV
	1001167763	Ref	CYLINDER ASSEMBLY - ROLL	C
		Ref	Note: Original Cylinder May Have Been Replaced with Service Replacement. Identify PN Stamped on Cylinder Before Ordering Parts.	
		Ref	Note: No Service Parts Available at Time of Printing.	

SECTION 1 - SUBFRAME

FIGURE 1-11. CYLINDER ASSEMBLY - ROLL (28FT & 30FT DECKS)



ART_1001167770

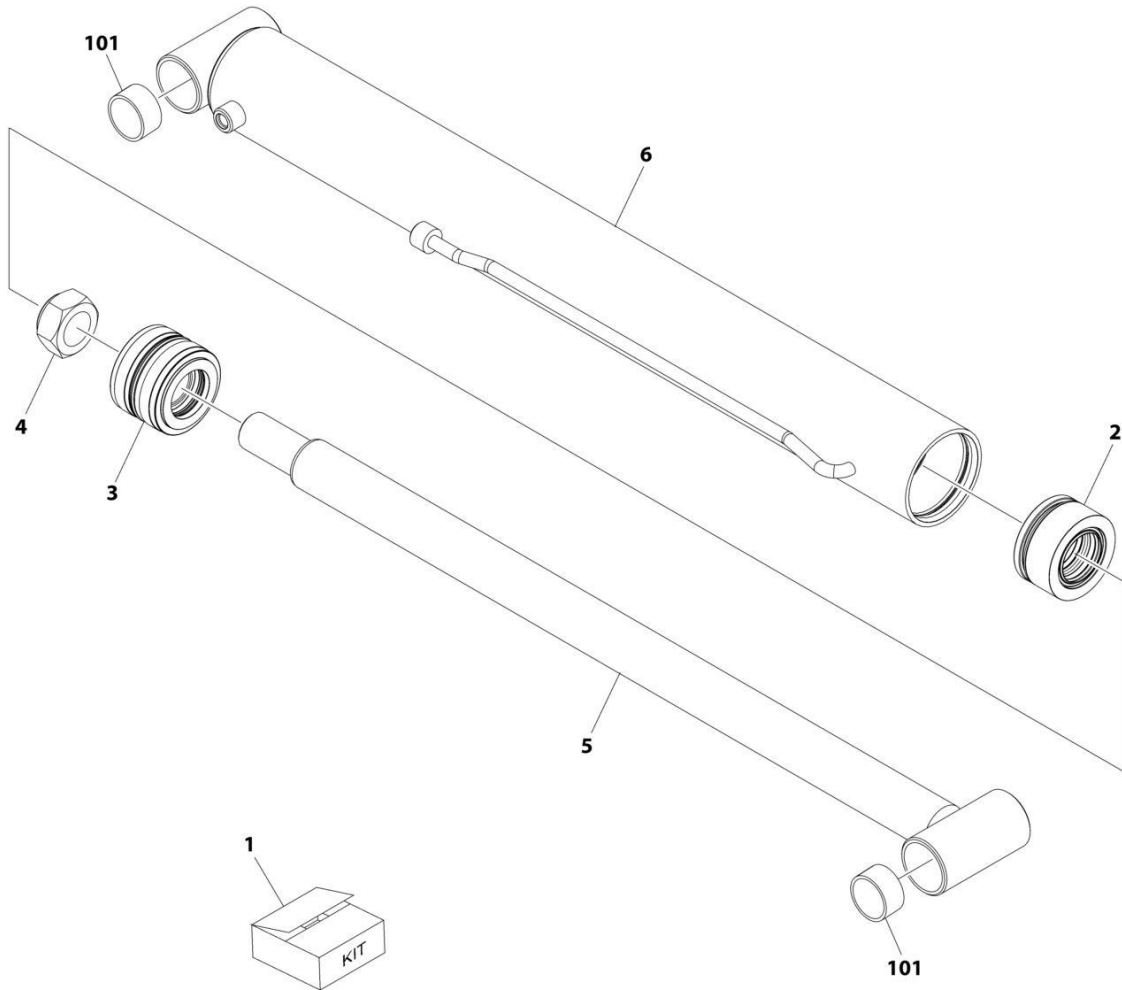
SECTION 1 - SUBFRAME

FIGURE 1-11. CYLINDER ASSEMBLY - ROLL (28FT & 30FT DECKS)

ITEM	PART NUMBER	QTY	DESCRIPTION	REV
	1001167770	Ref	CYLINDER ASSEMBLY - ROLL	B
		Ref	Note: Original Cylinder May Have Been Replaced with Service Replacement. Identify PN Stamped on Cylinder Before Ordering Parts.	
		Ref	Note: No Service Parts Available at Time of Printing.	

SECTION 1 - SUBFRAME

FIGURE 1-12. CYLINDER ASSEMBLY - TILT



ART_100116764

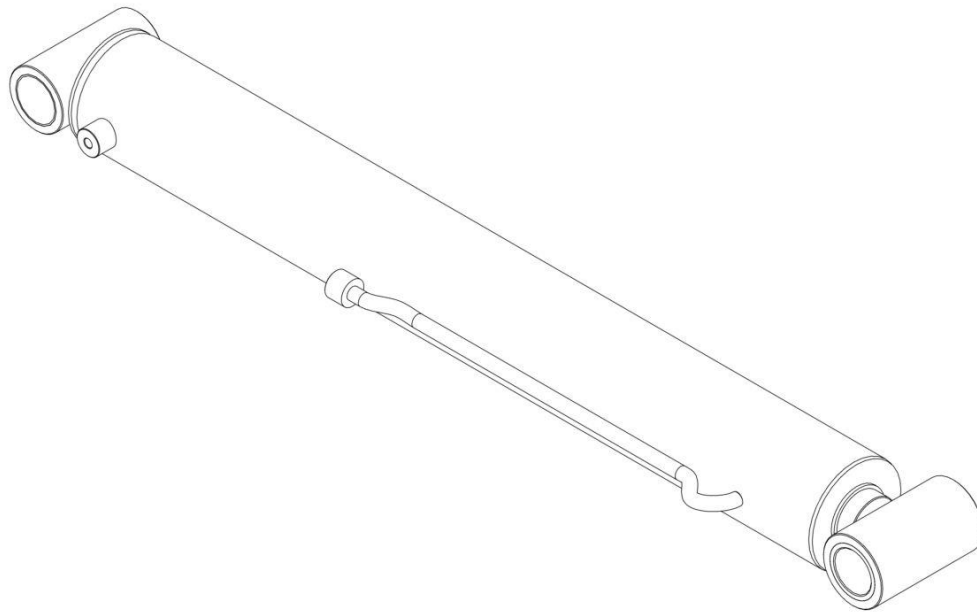
SECTION 1 - SUBFRAME

FIGURE 1-12. CYLINDER ASSEMBLY - TILT

ITEM	PART NUMBER	QTY	DESCRIPTION	REV
	1001167764	Ref	Tilt Cylinder Assembly	C
1	70051167	1	Kit, Seal	
2	70051170	1	Kit, Head	
3	70051171	1	Kit, Piston	
4	70051391	1	Rod End	
5	70051392	1	Rod	
6	70051393	1	Barrel	
101	7082000018	4	Bushing	

SECTION 1 - SUBFRAME

FIGURE 1-13. CYLINDER ASSEMBLY - TILT (24FT - 26FT DECK WITH WHEEL WELLS)



ART_1001167771

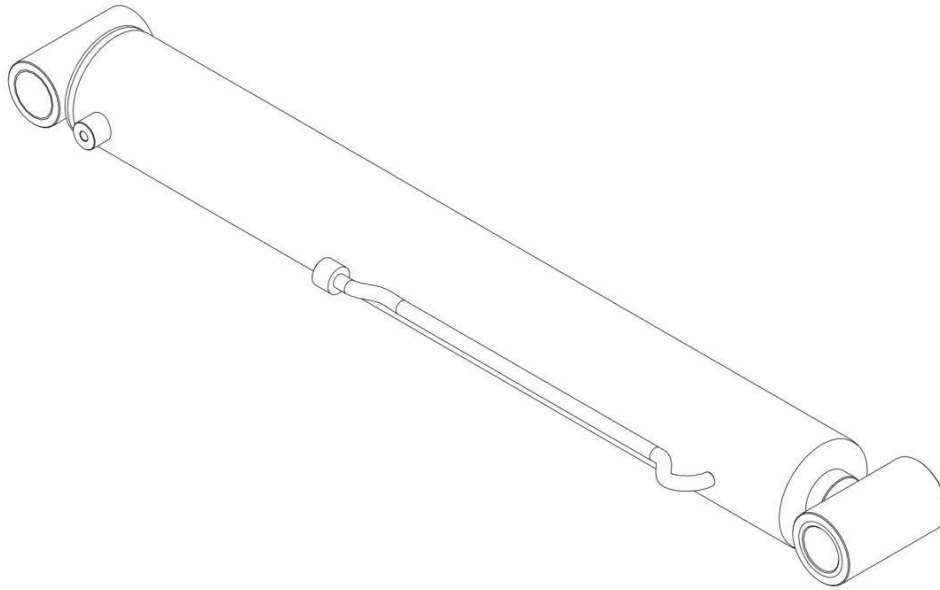
SECTION 1 - SUBFRAME

FIGURE 1-13. CYLINDER ASSEMBLY - TILT (24FT - 26FT DECK WITH WHEEL WELLS)

ITEM	PART NUMBER	QTY	DESCRIPTION	REV
	1001167771	Ref	CYLINDER ASSEMBLY - TILT	B
		Ref	Note: Original Cylinder May Have Been Replaced with Service Replacement. Identify PN Stamped on Cylinder Before Ordering Parts.	
		Ref	Note: No Service Parts Available at Time of Printing.	

SECTION 1 - SUBFRAME

FIGURE 1-14. CYLINDER ASSEMBLY - TILT (28FT - 30 FT DECK WITHOUT WHEEL WELLS)



ART_1001167772

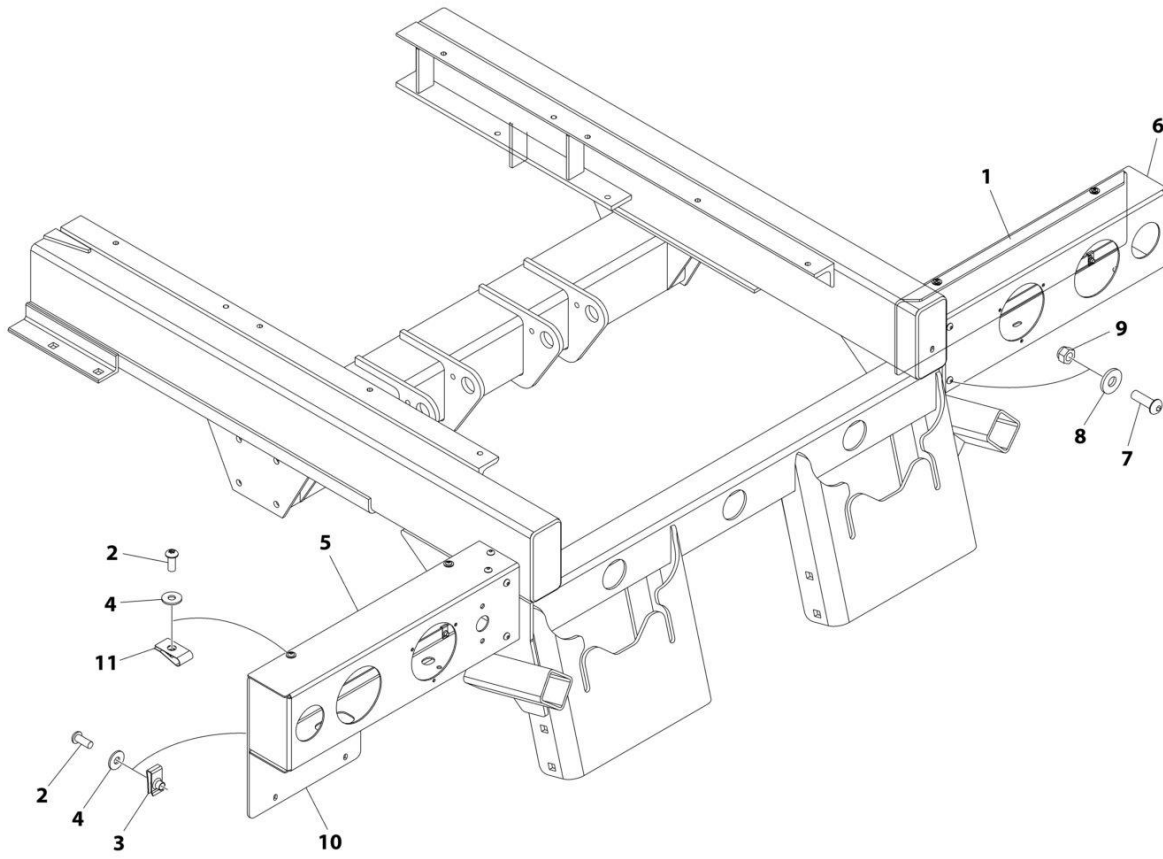
SECTION 1 - SUBFRAME

FIGURE 1-14. CYLINDER ASSEMBLY - TILT (28FT - 30 FT DECK WITHOUT WHEEL WELLS)

ITEM	PART NUMBER	QTY	DESCRIPTION	REV
	1001167772	Ref	CYLINDER ASSEMBLY - TILT	B
		Ref	Note: Original Cylinder May Have Been Replaced with Service Replacement. Identify PN Stamped on Cylinder Before Ordering Parts.	
		Ref	Note: No Service Parts Available at Time of Printing.	

SECTION 1 - SUBFRAME

FIGURE 1-15. LIGHTBOX AND COVER INSTALLATION - GALVANIZED



ART_1001173948

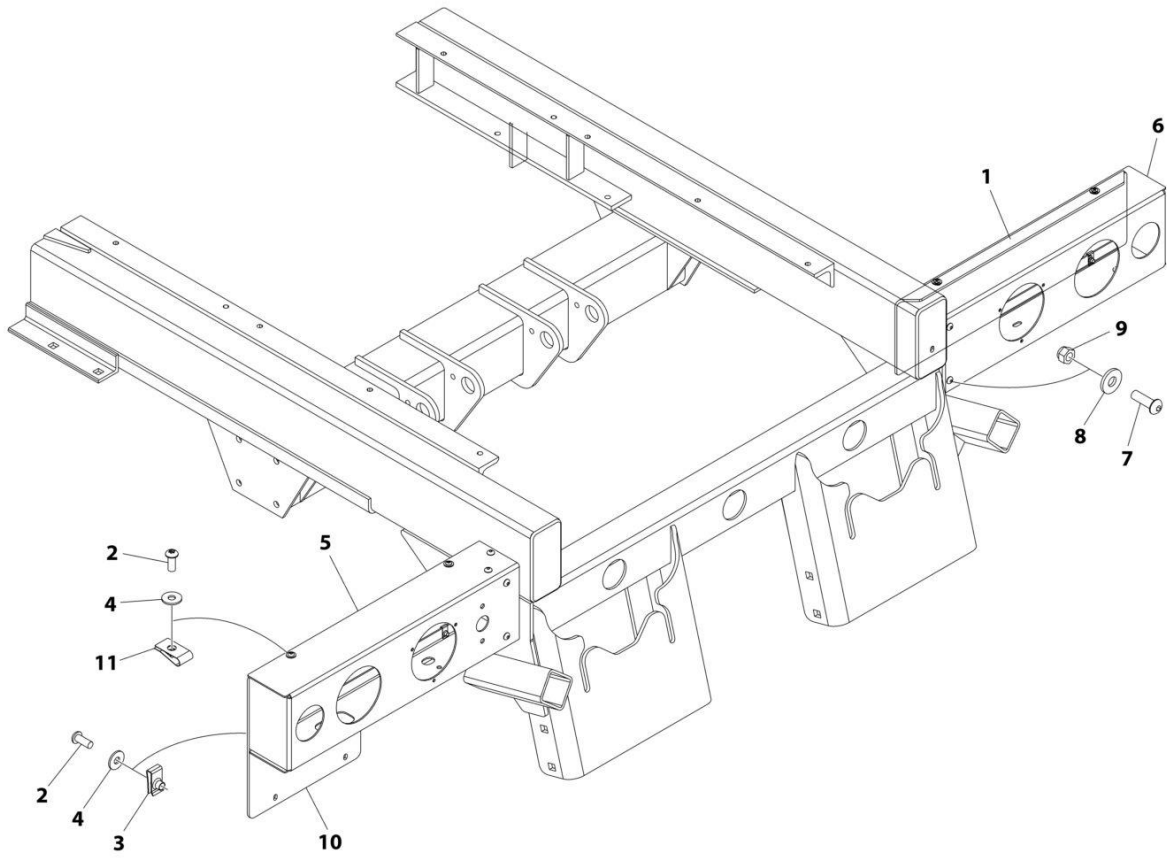
SECTION 1 - SUBFRAME

FIGURE 1-15. LIGHTBOX AND COVER INSTALLATION - GALVANIZED

ITEM	PART NUMBER	QTY	DESCRIPTION	REV
	1001173948	Ref	LIGHT BOX AND COVER INSTALLATION	B
1	1001188615	1	Cover, Light Box (RH)	
2	7114140529	8	Screw 1/4 x 5/8	
3	7661000042	4	U-Nut 1/4	
4	7949000023	8	Washer	
5	1001173945	1	Bracket, Light Box (LH)	
6	1001173944	1	Bracket, Light Box (RH)	
7	7114150818	8	Capscrew 3/8 x 1	
8	7950150153	8	Washer 3/8	
9	7660152601	8	Nut 3/8	
10	1001188616	1	Cover, Light Box (LH)	
11	7661000064	4	U-Nut 1/4	

SECTION 1 - SUBFRAME

FIGURE 1-16. LIGHTBOX AND COVER INSTALLATION



ART_1001173949

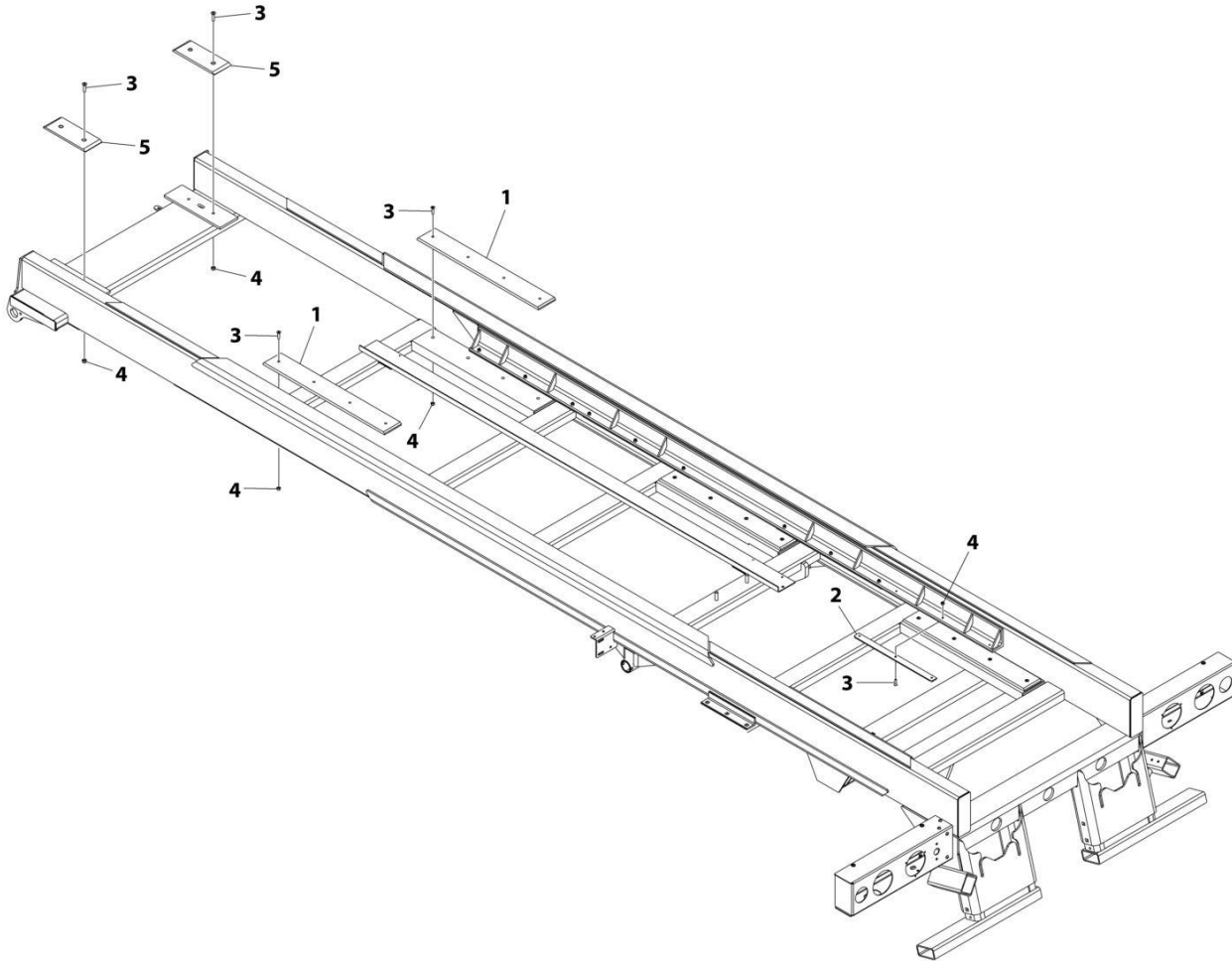
SECTION 1 - SUBFRAME

FIGURE 1-16. LIGHTBOX AND COVER INSTALLATION

ITEM	PART NUMBER	QTY	DESCRIPTION	REV
	1001173949	Ref	LIGHT BOX AND COVER INSTALLATION	B
1	1001188615	1	Cover, Light Box (RH)	
2	7114140529	8	Screw 1/4 x 5/8	
3	7661000042	4	U-Nut 1/4	
4	7949000023	8	Washer	
5	1001173947	1	Bracket, Light Box (LH)	
6	1001173946	1	Bracket, Light Box (RH)	
7	7114150818	8	Screw 3/8 x 1	
8	7950150153	8	Washer 3/8	
9	7660152601	8	Nut 3/8	
10	1001188616	1	Cover, Light Box (LH)	
11	7661000064	4	U-Nut 1/4	

SECTION 1 - SUBFRAME

FIGURE 1-17. MAIN SUBFRAME PAD INSTALLATION - 24FT & 26FT DECKS



ART_267900009

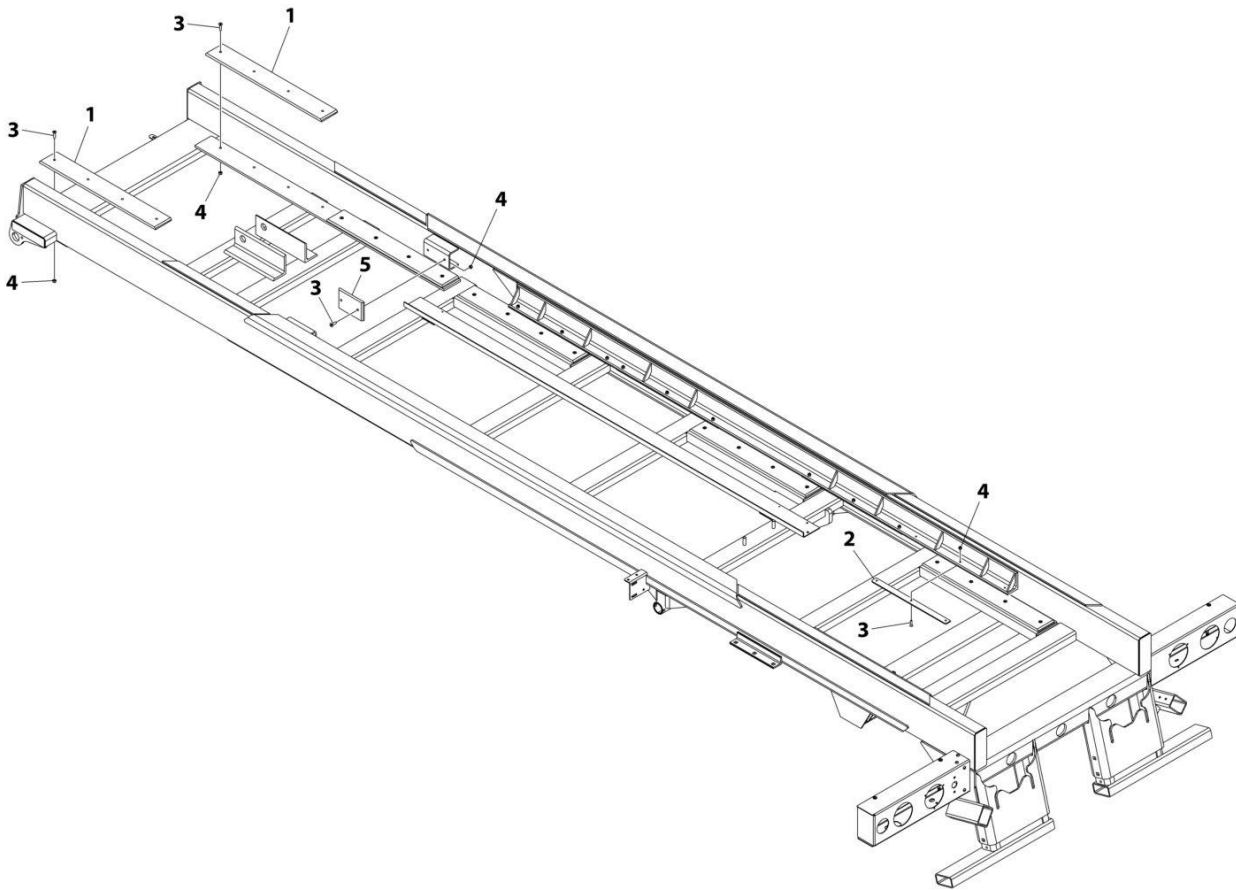
SECTION 1 - SUBFRAME

FIGURE 1-17. MAIN SUBFRAME PAD INSTALLATION - 24FT & 26FT DECKS

ITEM	PART NUMBER	QTY	DESCRIPTION	REV
	2679000009	Ref	MAIN SUBFRAME PAD INSTALLATION - 24FT & 26FT DECKS	0
1	4679000192	6	Pad	
2	4679000193	8	Pad	
3	7118161026	52	Capscrew 3/8 x 1-1/4	
4	7660162601	52	Nut 3/8	
5	4679000154	2	Pad	

SECTION 1 - SUBFRAME

FIGURE 1-18. MAIN SUBFRAME PAD INSTALLATION - 28FT & 30FT DECKS



ART_2679000008

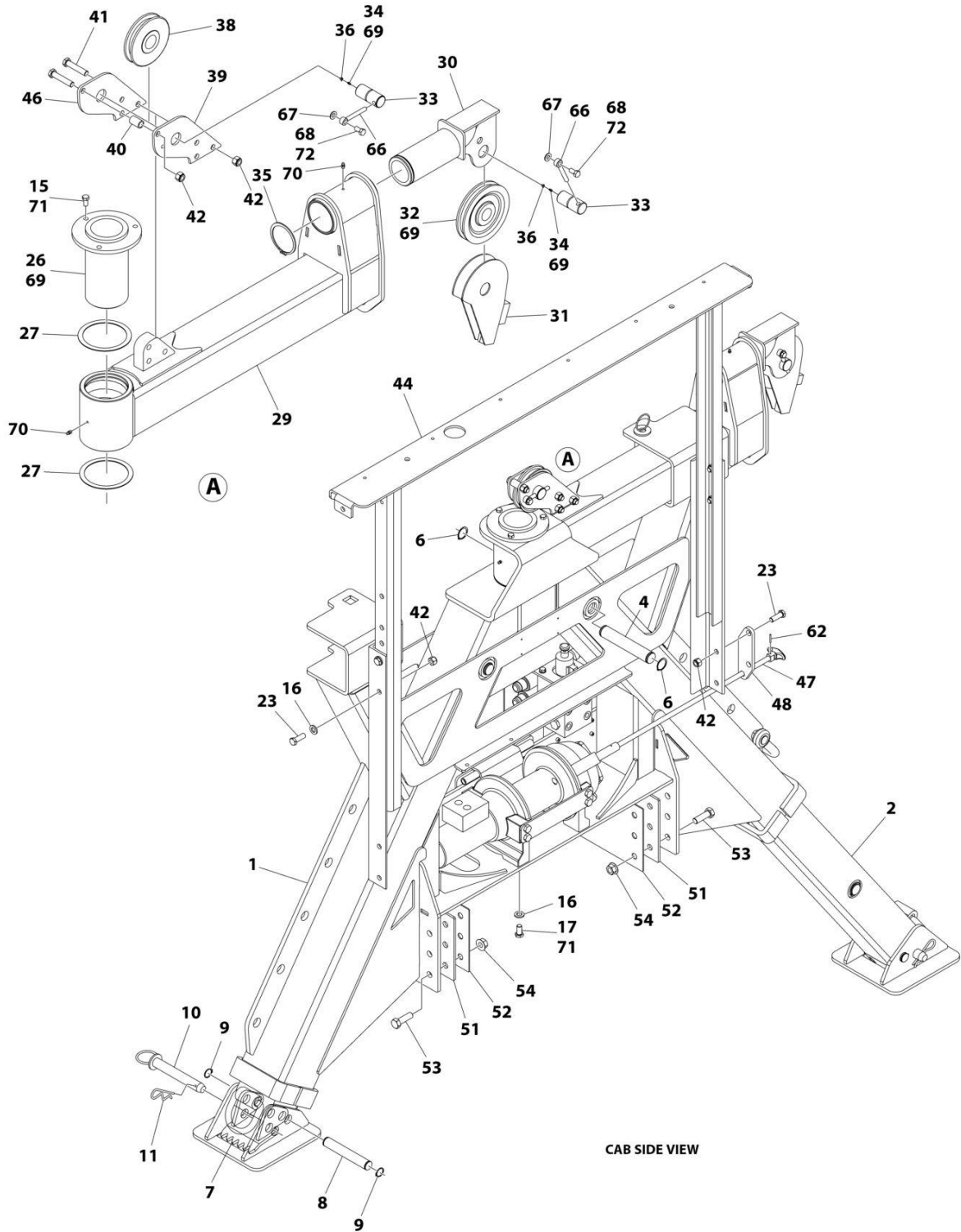
SECTION 1 - SUBFRAME

FIGURE 1-18. MAIN SUBFRAME PAD INSTALLATION - 28FT & 30FT DECKS

ITEM	PART NUMBER	QTY	DESCRIPTION	REV
	2679000008	Ref	MAIN SUBFRAME PAD INSTALLATION - 28FT & 30FT DECKS	A
1	4679000192	10	Pad	
2	4679000193	8	Pad	
3	7118161026	68	Capscrew 3/8 x 1-1/4	
4	7660162601	68	Nut 3/8	
5	4679000267	2	Pad	

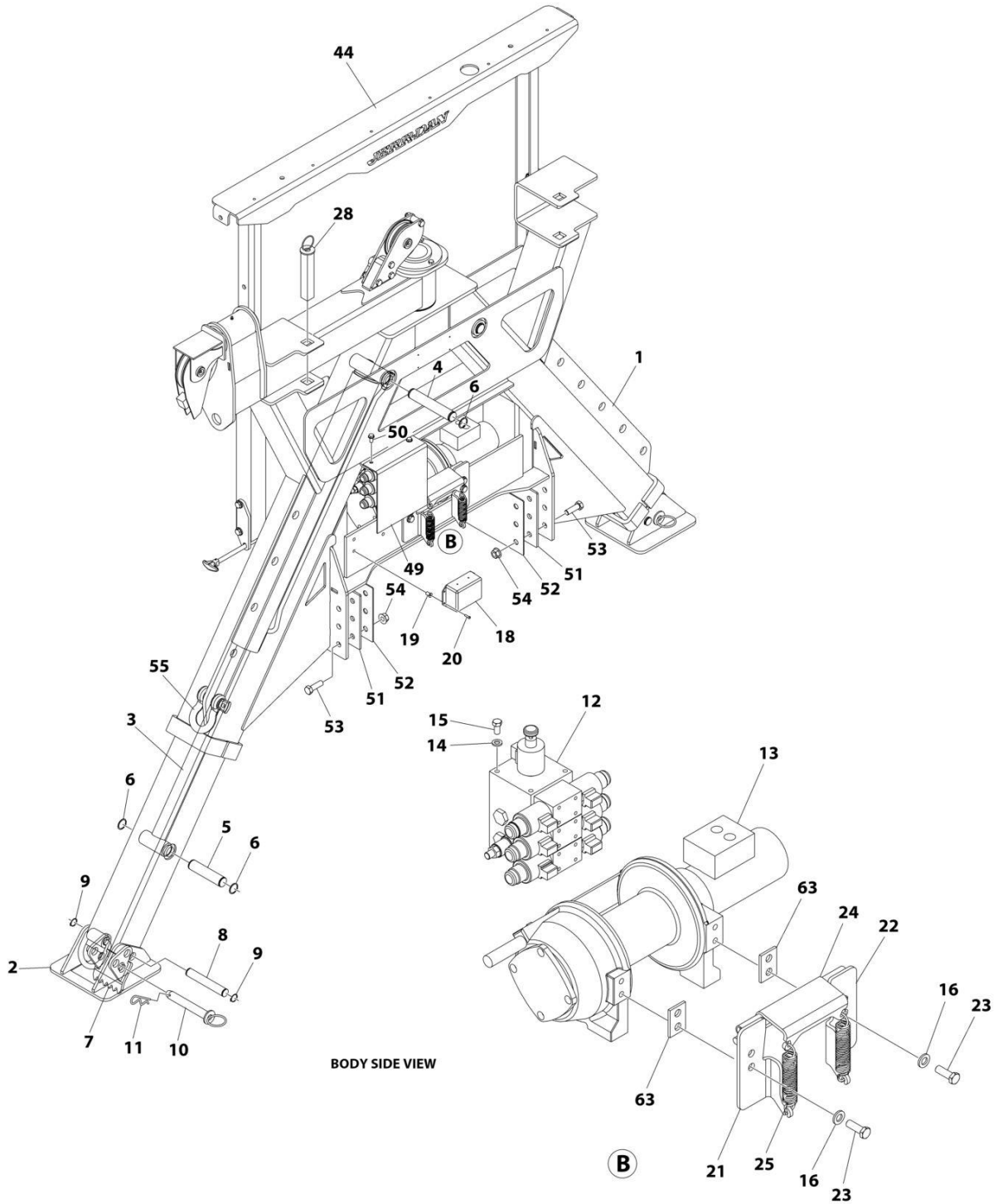
SECTION 1 - SUBFRAME

FIGURE 1-19. SIDE RECOVERY SYSTEM (SRS) INSTALLATION - 10000 LBS WINCH (3 FUNCTION REMOTE CONTROL)



ART_1001271983_10F2

SECTION 1 - SUBFRAME



BODY SIDE VIEW

ART_1001271983_2OF2

SECTION 1 - SUBFRAME

FIGURE 1-19. SIDE RECOVERY SYSTEM (SRS) INSTALLATION - 10000 LBS WINCH (3 FUNCTION REMOTE CONTROL)

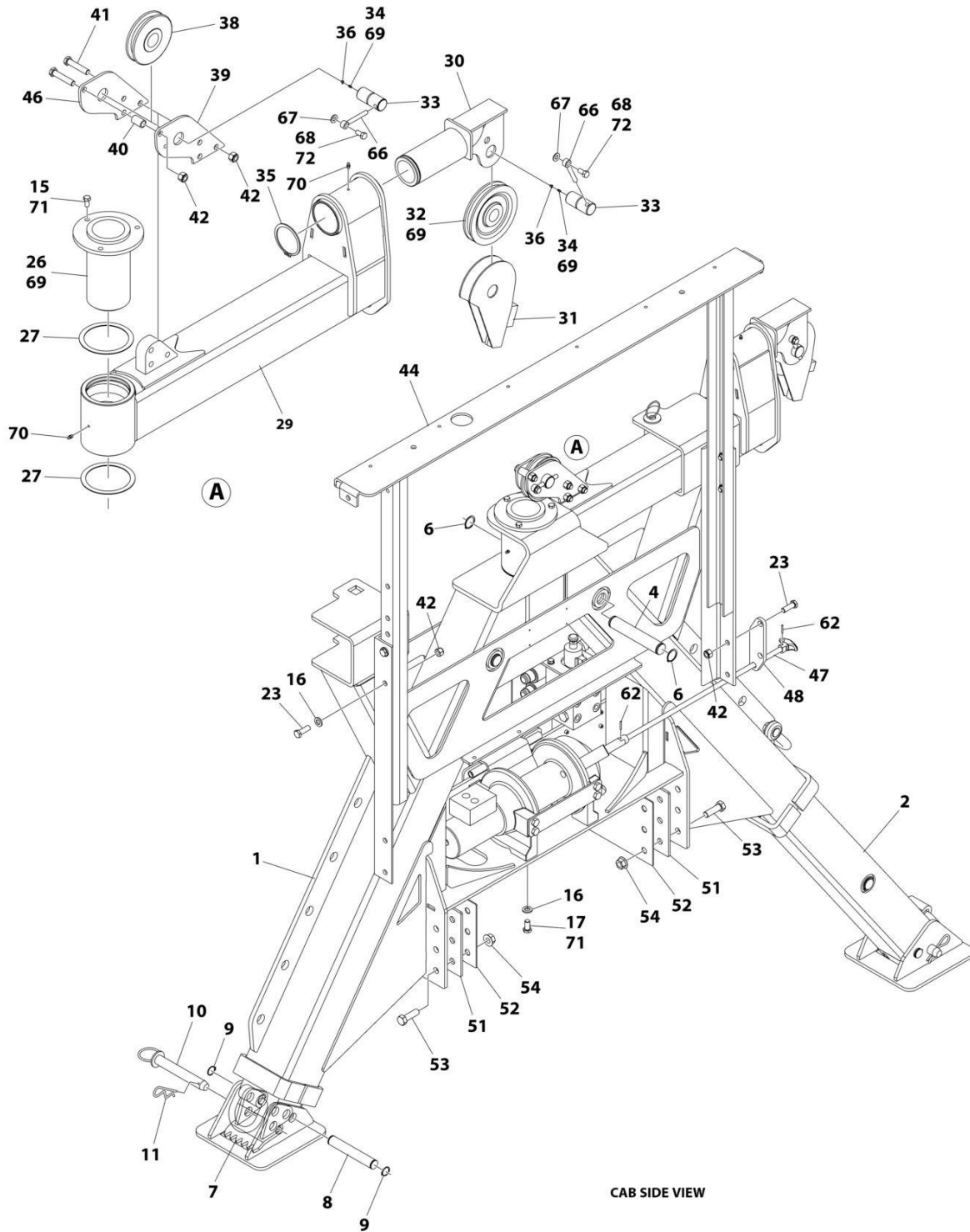
ITEM	PART NUMBER	QTY	DESCRIPTION	REV
	1001271983	Ref	FRAME ASSEMBLY (SRS-10), MAN F/S, 3 REMOTE	A
1	3455000058	1	Frame Weldment	
2	3170000473	2	Boom Weldment	
3	3320000229	2	Cylinder Assembly (See Separate Breakdown in this Section)	
4	4691000296	2	Pin	
5	4691000429	2	Pin	
6	3760133	7	Ring	
7	3706000363	2	Plate	
8	4691000495	2	Pin	
9	7754000019	6	Ring	
10	3691000064	2	Pin	
11	7691000001	2	Hair Pin	
12	3619000010	1	Manifold Assembly	
13	7970000158	1	Winch assembly (See Separate Breakdown in this Section)	
14	7950160000	3	Lockwasher	
15	0641606	6	Bolt 3/8 x 3/4	
16	4891800	20	Washer 1/2	
17	1001139343	8	Bolt 1/2 x 1-1/4	
18	7295000118	1	Controller	
19	7661000007	4	Nut #10	
20	7104100613	4	Screw #10	
21	3178000517	1	Bracket	
22	3178000518	1	Bracket	
23	0641812	10	Bolt 1/2 1-1/2	
24	3706000364	1	Plate	
25	7843000035	2	Spring	
26	3691000259	1	Pin	
27	4949000059	2	Washer 5 x 4-1/2	
28	3691000260	1	Pin	
29	1001206388	1	Boom	
30	1001206161	1	Support	
31	1001206167	1	Support	
32	7809000001	1	Sheave	
33	1001206171	2	Pin	
34	88671008	2	Fitting, Straight	
35	7754000005	1	Ring	
36	7253000002	2	Fitting	
38	1001271775	1	Sheave	
39	1001271842	1	Plate	
40	4209000336	1	Bushing	
41	0641820	4	Bolt 1/2 x 2	
42	7660182601	14	Nut 1/2	
44	3241000208	1	Headboard	
45	7552000385	1	Side Recovery System Harness (Not Shown - See Separate Breakdown in ELECTRICAL Section)	
46	4706005650	1	Plate	
47	3763000188	1	Rod	
48	4706005672	1	Plate	
49	4314000167	1	Cover	

SECTION 1 - SUBFRAME

ITEM	PART NUMBER	QTY	DESCRIPTION	REV
50	7790161253	2	Screw 3/8 x 3/4	
51	4831000126	2	Spacer	
52	4831000127	2	Spacer	
53	0652016	12	Bolt 5/8 x 2	
54	7660202347	12	Nut 1/6	
55	7804000007	1	Shackle	
56	7248000077	1	Wire Rope (Not Shown)	
57	7274000053	4	Clamp (Not Shown)	
58	0641508	4	Bolt 5/16 x 1 (Not Shown)	
59	4751500	4	Washer 5/16 (Not Shown)	
60	7660152601	4	Nut 1/3 (Not Shown)	
61	7002000519	1	Snatch (Not Shown)	
62	7690051641	1	Pin	
63	4706005752	2	Plate	
66	3841143	2	Keeper	
67	4711600	2	Washer	
68	0651606	2	Bolt 3/8 x 3/4	
69	3020039	AR	Lubricant	
70	3020029	AR	Lube	
71	0100071	AR	Adhesive	
72	1001095650	AR	Adhesive	

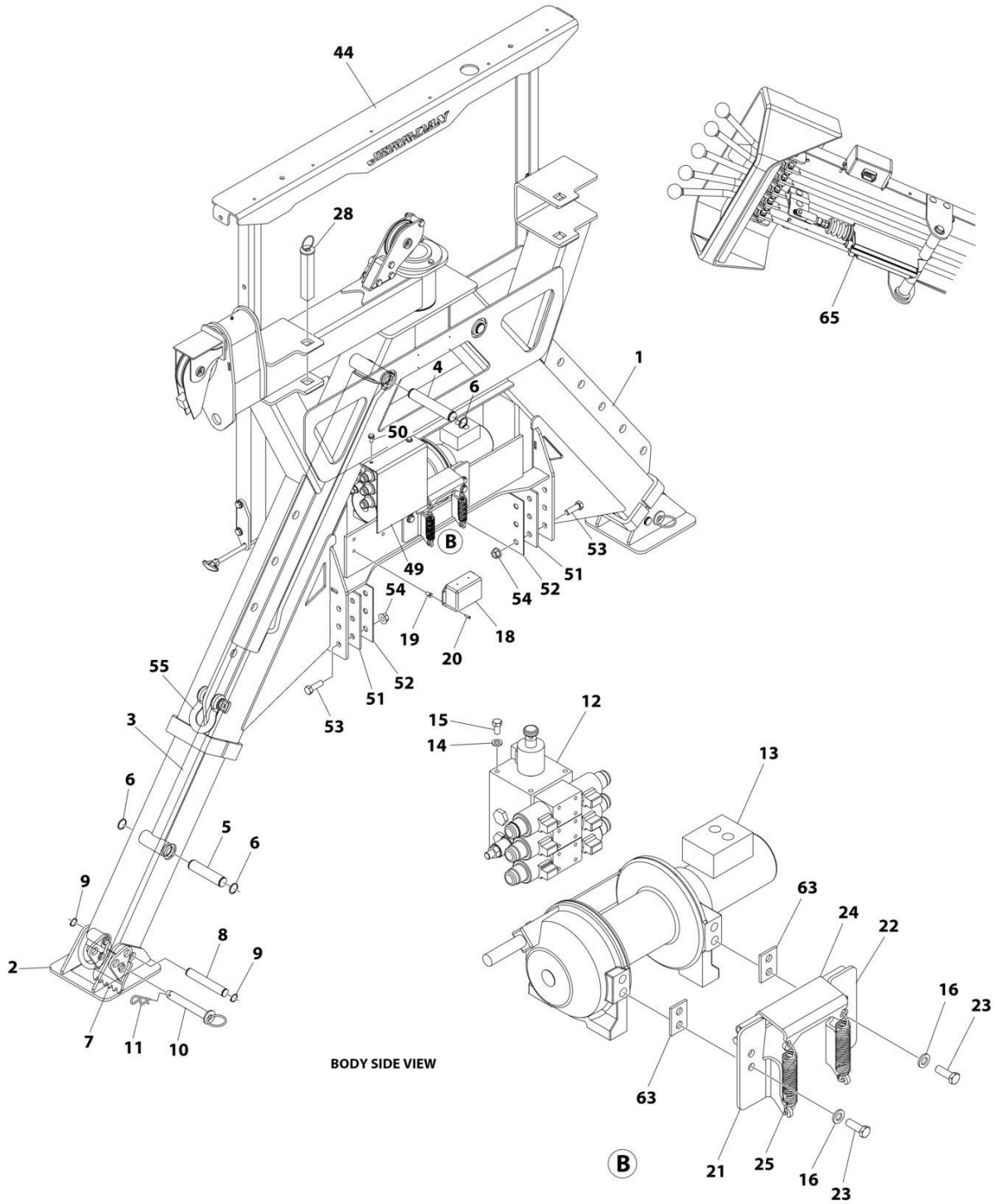
SECTION 1 - SUBFRAME

FIGURE 1-20. SIDE RECOVERY SYSTEM (SRS) INSTALLATION - 10000 LBS WINCH (4 FUNCTION REMOTE CONTROL)



ART_1001271985_10F2

SECTION 1 - SUBFRAME



BODY SIDE VIEW

ART_1001271985_2OF2

SECTION 1 - SUBFRAME

FIGURE 1-20. SIDE RECOVERY SYSTEM (SRS) INSTALLATION - 10000 LBS WINCH (4 FUNCTION REMOTE CONTROL)

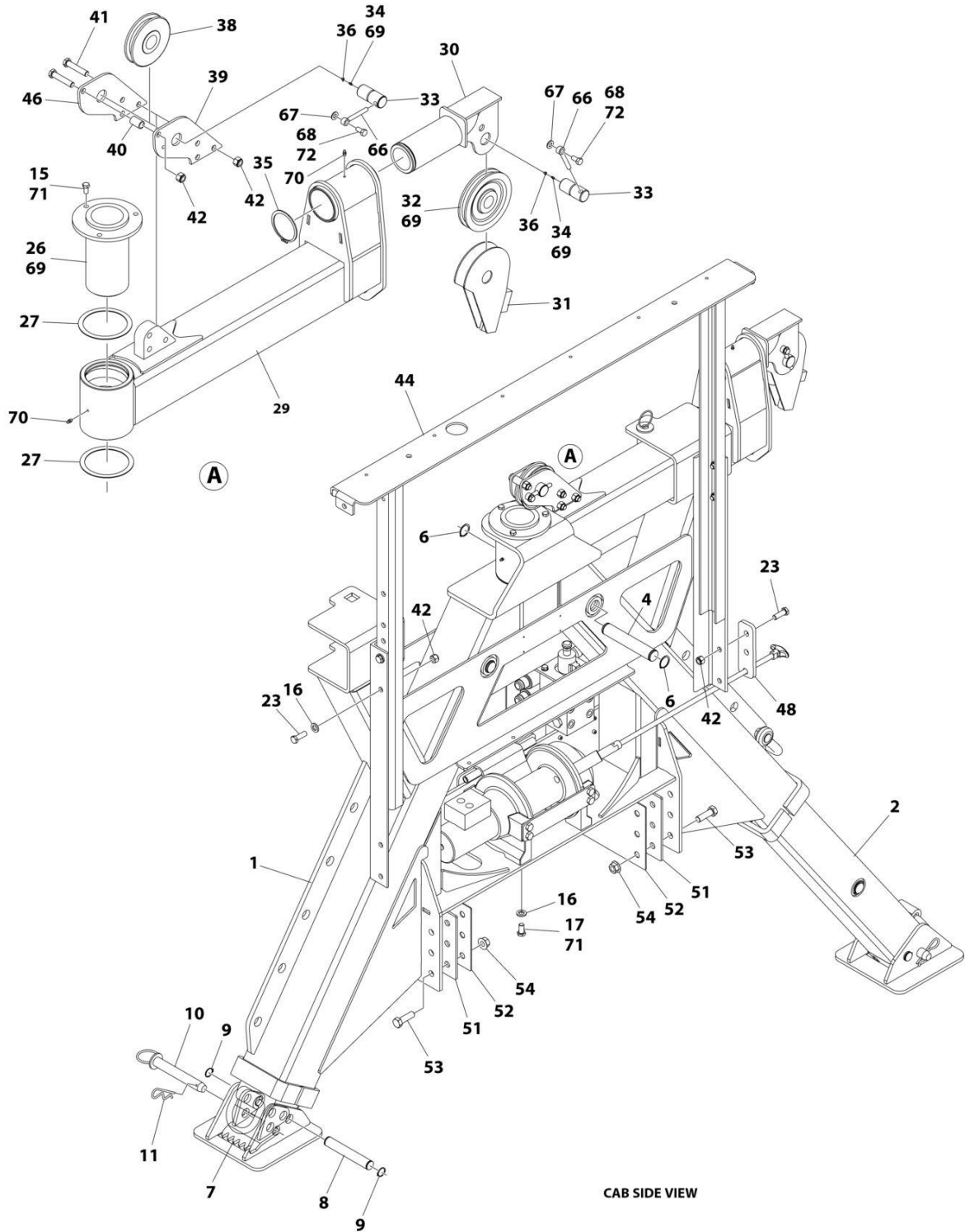
ITEM	PART NUMBER	QTY	DESCRIPTION	REV
	1001271985	Ref	FRAME ASSEMBLY (SRS-10), MAN F/S, 4 REMOTE	A
1	3455000058	1	Frame Weldment	
2	3170000473	2	Boom Weldment	
3	3320000229	2	Cylinder Assembly (See Separate Breakdown in this Section)	
4	4691000296	2	Pin	
5	4691000429	2	Pin	
6	3760133	7	Ring	
7	3706000363	2	Plate	
8	4691000495	2	Pin	
9	7754000019	6	Ring	
10	3691000064	2	Pin	
11	7691000001	2	Hair Pin	
12	3619000010	1	Manifold Assembly	
13	7970000158	1	Winch Assembly (See Separate Breakdown in this Section)	
14	7950160000	3	Lockwasher	
15	0641606	6	Bolt 3/8 x 3/4	
16	4891800	20	Washer 1/2	
17	1001139343	8	Bolt 1/2 x 1-1/4	
18	7295000130	1	Controller	
19	7661000007	4	Nut #10	
20	7104100613	4	Screw #10	
21	3178000517	1	Bracket	
22	3178000518	1	Bracket	
23	0641812	10	Bolt 1/2 1-1/2	
24	3706000364	1	Plate	
25	7843000035	2	Spring	
26	3691000259	1	Pin	
27	4949000059	2	Washer 5 x 4-1/2	
28	3691000260	1	Pin	
29	1001206388	1	Boom	
30	1001206161	1	Support	
31	1001206167	1	Support	
32	7809000001	1	Sheave	
33	1001206171	2	Pin	
34	88671008	2	Fitting, Straight	
35	7754000005	1	Ring	
36	7253000002	2	Fitting	
38	1001271775	1	Sheave	
39	1001271842	1	Plate	
40	4209000336	1	Bushing	
41	0641820	4	Bolt 1/2 x 2	
42	7660182601	12	Nut 1/2	
44	3241000208	1	Headboard	
45	7552000413	1	Harness Side Recovery System Harness (Not Shown - See Separate Breakdown in ELECTRICAL Section)	
46	4706005650	1	Plate	
47	3763000188	1	Rod	
48	4706005672	1	Plate	
49	4314000167	1	Cover	

SECTION 1 - SUBFRAME

ITEM	PART NUMBER	QTY	DESCRIPTION	REV
50	7790161253	2	Screw 3/8 x 3/4	
51	4831000126	2	Spacer	
52	4831000127	2	Spacer	
53	0652016	12	Bolt 5/8 x 2	
54	7660202347	12	Nut 1/6	
55	7804000007	1	Shackle	
56	7248000077	1	Wire Rope (Not Shown)	
57	7274000053	4	Clamp (Not Shown)	
58	0641508	4	Bolt 5/16 x 1 (Not Shown)	
59	4751500	4	Washer 5/16 (Not Shown)	
60	7660152601	4	Nut 1/3 (Not Shown)	
61	7002000519	1	Snatch (Not Shown)	
62	7690051641	1	Pin	
63	4706005752	2	Plate	
65	2577000016	1	Linear Actuator Kit	
66	3841143	2	Keeper	
67	4711600	2	Washer	
68	0651606	2	Bolt 3/8 x 3/4	
69	3020039	AR	Lubricant	
70	3020029	AR	Lube	
71	0100071	AR	Adhesive	
72	1001095650	AR	Adhesive	

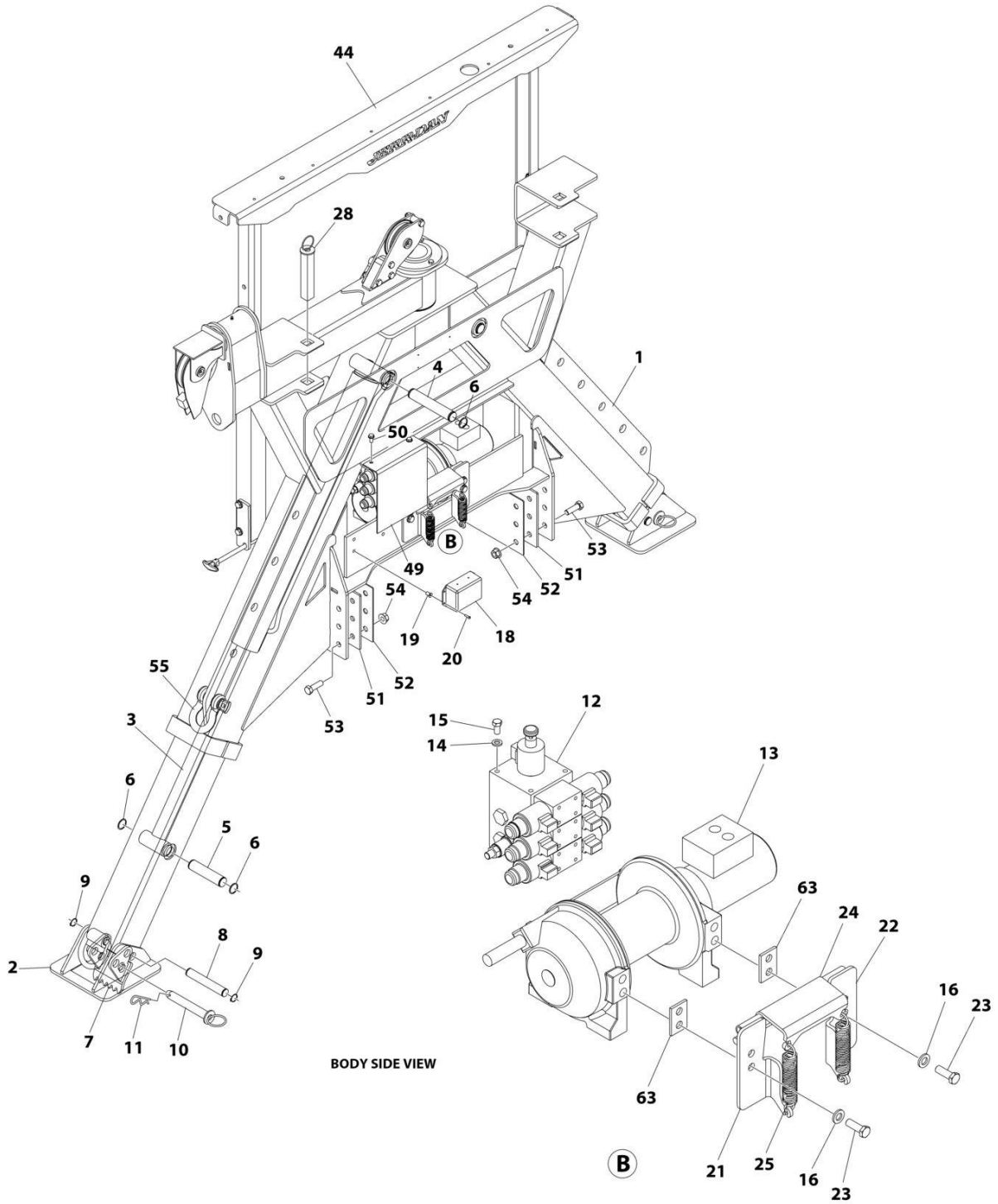
SECTION 1 - SUBFRAME

FIGURE 1-21. SIDE RECOVERY SYSTEM (SRS) INSTALLATION - 10000 LBS WINCH WITH AIR FREE SPOOL (3 FUNCTION REMOTE CONTROL)



ART_1001271984_10F2

SECTION 1 - SUBFRAME



ART_1001271984_20F2

SECTION 1 - SUBFRAME

FIGURE 1-21. SIDE RECOVERY SYSTEM (SRS) INSTALLATION - 10000 LBS WINCH WITH AIR FREE SPOOL (3 FUNCTION REMOTE CONTROL)

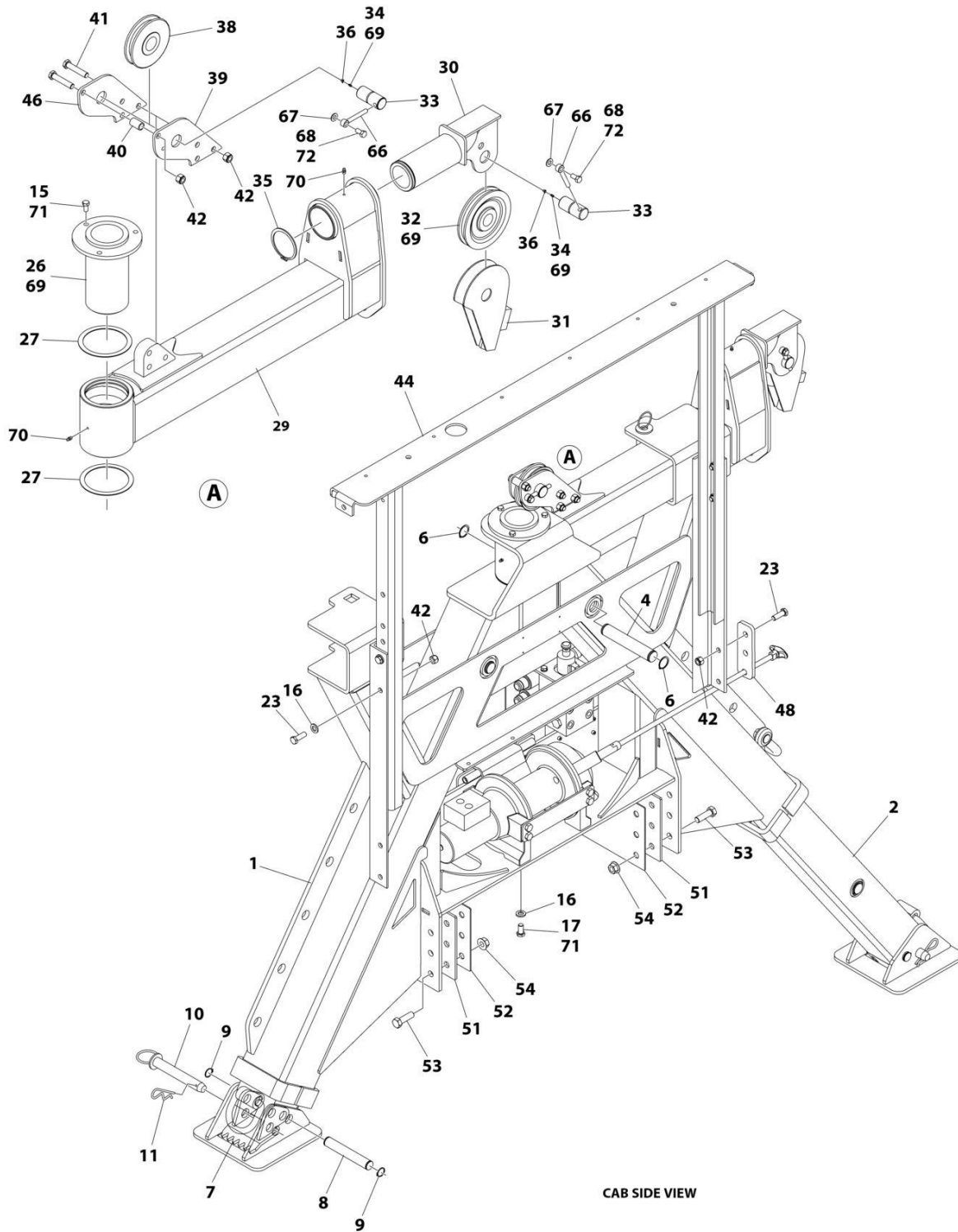
ITEM	PART NUMBER	QTY	DESCRIPTION	REV
	1001271984	Ref	FRAME ASSEMBLY (SRS-10), AIR F/S, 3 REMOTE	A
1	3455000058	1	Frame Weldment	
2	3170000473	2	Boom Weldment	
3	3320000229	2	Cylinder Assembly (See Separate Breakdown in this Section)	
4	4691000296	2	Pin	
5	4691000429	2	Pin	
6	3760133	7	Ring	
7	3706000363	2	Plate	
8	4691000495	2	Pin	
9	7754000019	6	Ring	
10	3691000064	2	Pin	
11	7691000001	2	Hair Pin	
12	3619000010	1	Manifold Assembly	
13	7970000166	1	Winch Assembly (See Separate Breakdown in this Section)	
14	7950160000	3	Lockwasher	
15	0641606	6	Bolt 3/8 x 3/4	
16	4891800	20	Washer 1/2	
17	1001139343	8	Bolt 1/2 x 1-1/4	
18	7295000118	1	Controller	
19	7661000007	4	Nut #10	
20	7104100613	4	Screw #10	
21	3178000517	1	Bracket	
22	3178000518	1	Bracket	
23	0641812	12	Bolt 1/2 1-1/2	
24	3706000364	1	Plate	
25	7843000035	2	Spring	
26	3691000259	1	Pin	
27	4949000059	2	Washer 5 x 4-1/2	
28	3691000260	1	Pin	
29	1001206388	1	Boom	
30	1001206161	1	Support	
31	1001206167	1	Support	
32	7809000001	1	Sheave	
33	1001206171	2	Pin	
34	88671008	2	Fitting, Straight	
35	7754000005	1	Ring	
36	7253000002	2	Fitting	
38	1001271775	1	Sheave	
39	1001271842	1	Plate	
40	4209000336	1	Bushing	
41	0641820	4	Bolt 1/2 x 2	
42	7660182601	14	Nut 1/2	
44	3241000208	1	Headboard	
45	7552000385	1	Side Recovery System Harness (Not Shown - See Separate Breakdown in ELECTRICAL Section)	
46	4706005650	1	Plate	
48	4706006211	2	Plate	
49	4314000167	1	Cover	
50	7790161253	2	Screw 3/8 x 3/4	

SECTION 1 - SUBFRAME

ITEM	PART NUMBER	QTY	DESCRIPTION	REV
51	4831000126	2	Spacer	
52	4831000127	2	Spacer	
53	0652016	12	Bolt 5/8 x 2	
54	7660202347	12	Nut 1/6	
55	7804000007	1	Shackle	
56	7248000077	1	Wire Rope (Not Shown)	
57	7274000053	4	Clamp (Not Shown)	
58	0641508	4	Bolt 5/16 x 1 (Not Shown)	
59	4751500	4	Washer 5/16 (Not Shown)	
60	7660152601	4	Nut 1/3 (Not Shown)	
61	7002000519	1	Snatch (Not Shown)	
63	4706005752	2	Plate	
64	2870000023	1	Switch Installation (Not Shown)	
66	3841143	2	Keeper	
67	4711600	2	Washer	
68	0651606	2	Bolt 3/8 x 3/4	
69	3020039	AR	Lubricant	
70	3020029	AR	Lube	
71	0100071	AR	Adhesive	
72	1001095650	AR	Adhesive	

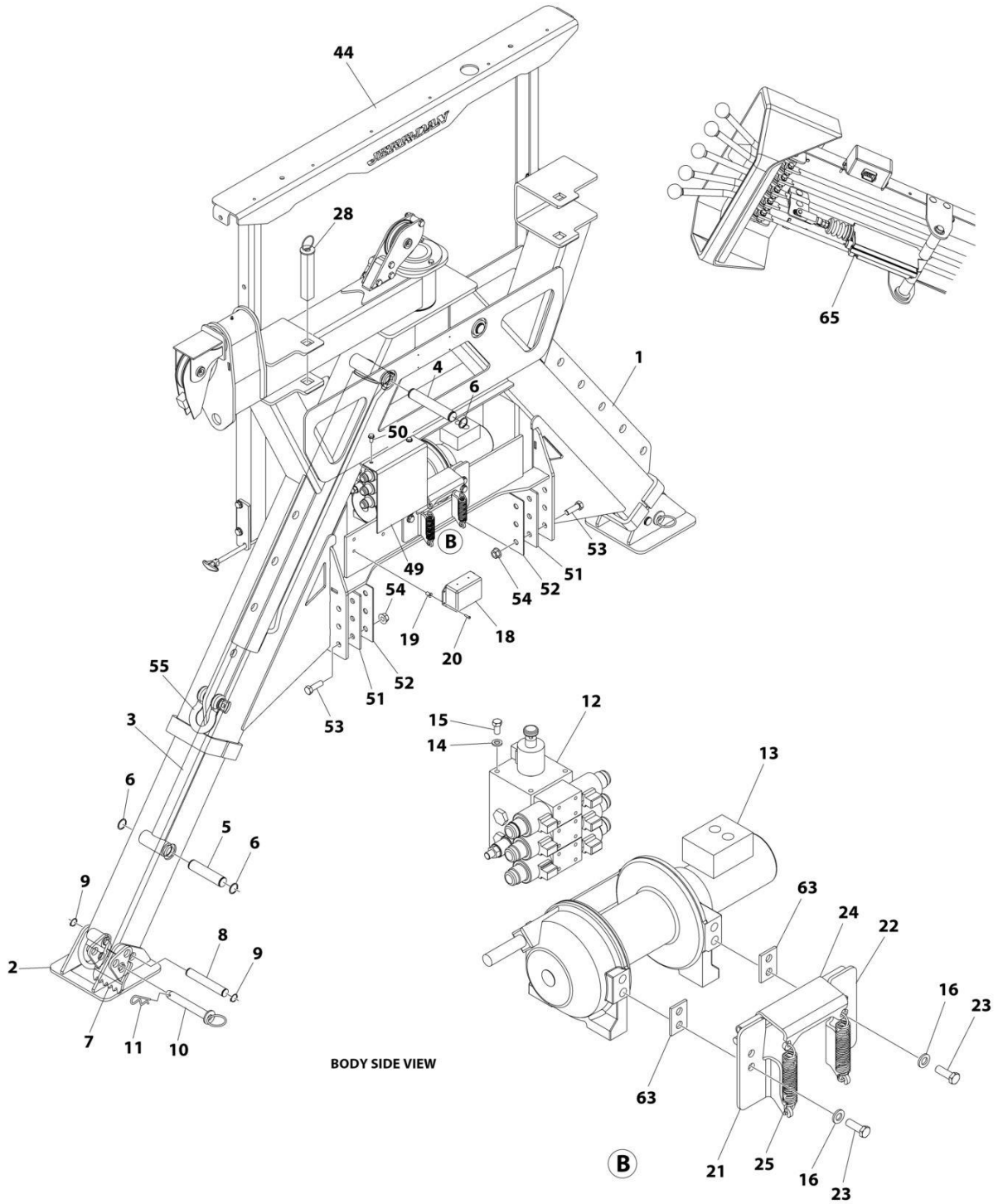
SECTION 1 - SUBFRAME

FIGURE 1-22. SIDE RECOVERY SYSTEM (SRS) INSTALLATION - 10000 LBS WINCH WITH AIR FREE SPOOL (4 FUNCTION REMOTE CONTROL)



ART_1001271986_10F2

SECTION 1 - SUBFRAME



BODY SIDE VIEW

ART_1001271986_2OF2

SECTION 1 - SUBFRAME

FIGURE 1-22. SIDE RECOVERY SYSTEM (SRS) INSTALLATION - 10000 LBS WINCH WITH AIR FREE SPOOL (4 FUNCTION REMOTE CONTROL)

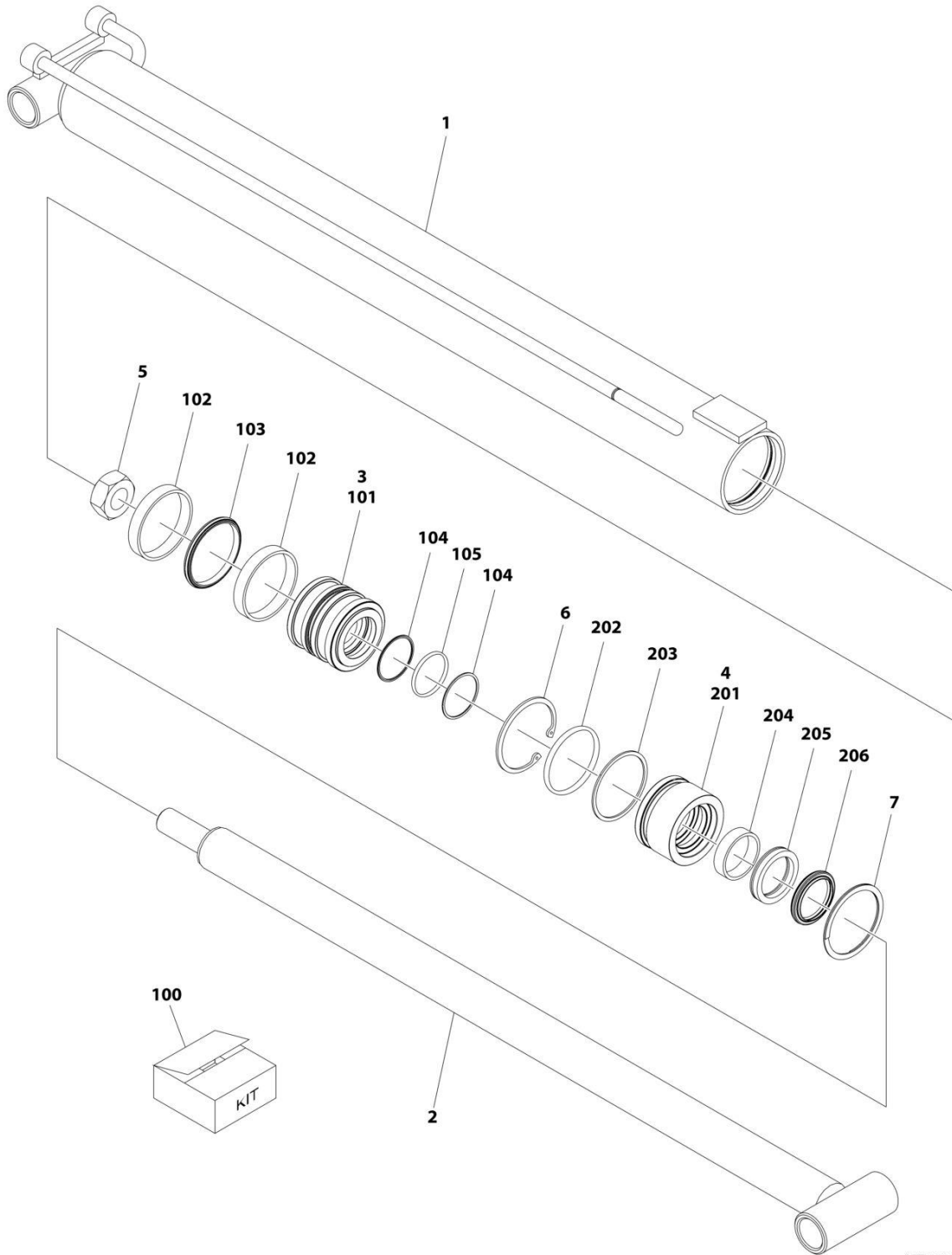
ITEM	PART NUMBER	QTY	DESCRIPTION	REV
	1001271986	Ref	FRAME ASSEMBLY (SRS-10), AIR F/S, 4 REMOTE	A
1	3455000058	1	Frame	
2	3170000473	2	Boom Weldment	
3	3320000229	2	Cylinder Assembly (See Separate Breakdown in this Section)	
4	4691000296	2	Pin	
5	4691000429	2	Pin	
6	3760133	7	Ring	
7	3706000363	2	Plate	
8	4691000495	2	Pin	
9	7754000019	6	Ring	
10	3691000064	2	Pin	
11	7691000001	2	Hair Pin	
12	3619000010	1	Manifold Assembly	
13	7970000166	1	Winch Assembly (See Separate Breakdown in this Section)	
14	7950160000	3	Lockwasher	
15	0641606	6	Bolt 3/8 x 3/4	
16	4891800	20	Washer 1/2	
17	1001139343	8	Bolt 1/2 x 1-1/4	
18	7295000130	1	Controller	
19	7661000007	4	Nut #10	
20	7104100613	4	Screw #10	
21	3178000517	1	Bracket	
22	3178000518	1	Bracket	
23	0641812	12	Bolt 1/2 1-1/2	
24	3706000364	1	Plate	
25	7843000035	2	Spring	
26	3691000259	1	Pin	
27	4949000059	2	Washer 5 x 4-1/2	
28	3691000260	1	Pin	
29	1001206388	1	Boom	
30	1001206161	1	Support	
31	1001206167	1	Support	
32	7809000001	1	Sheave	
33	1001206171	2	Pin	
34	88671008	2	Fitting	
35	7754000005	1	Ring	
36	7253000002	2	Fitting	
38	1001271775	1	Sheave	
39	1001271842	1	Plate	
40	4209000336	1	Bushing	
41	0641820	4	Bolt 1/2 x 2	
42	7660182601	14	Nut 1/2	
44	3241000208	1	Headboard	
45	7552000413	1	Side Recovery System Harness (Not Shown - See Separate Breakdown in ELECTRICAL Section)	
46	4706005650	1	Plate	
48	4706006211	2	Plate	
49	4314000167	1	Cover	
50	7790161253	2	Screw 3/8 x 3/4	

SECTION 1 - SUBFRAME

ITEM	PART NUMBER	QTY	DESCRIPTION	REV
51	4831000126	2	Spacer	
52	4831000127	2	Spacer	
53	0652016	12	Bolt 5/8 x 2	
54	7660202347	12	Nut 1/6	
55	7804000007	1	Shackle	
56	7248000077	1	Wire Rope (Not Shown)	
57	7274000053	4	Clamp (Not Shown)	
58	0641508	4	Bolt 5/16 x 1 (Not Shown)	
59	4751500	4	Washer 5/16 (Not Shown)	
60	7660152601	4	Nut 1/3 (Not Shown)	
61	7002000519	1	Snatch (Not Shown)	
63	4706005752	2	Plate	
64	2870000023	1	Switch Installation (Not Shown)	
65	2577000016	1	Linear Actuator Kit	
66	3841143	2	Keeper	
67	4711600	2	Washer	
68	0651606	2	Bolt 3/8 x 3/4	
69	3020039	AR	Lubricant	
70	3020029	AR	Lube	
71	0100071	AR	Adhesive	
72	1001095650	AR	Adhesive	

SECTION 1 - SUBFRAME

FIGURE 1-23. CYLINDER ASSEMBLY - SIDE RECOVERY SYSTEM



ART_3320000229

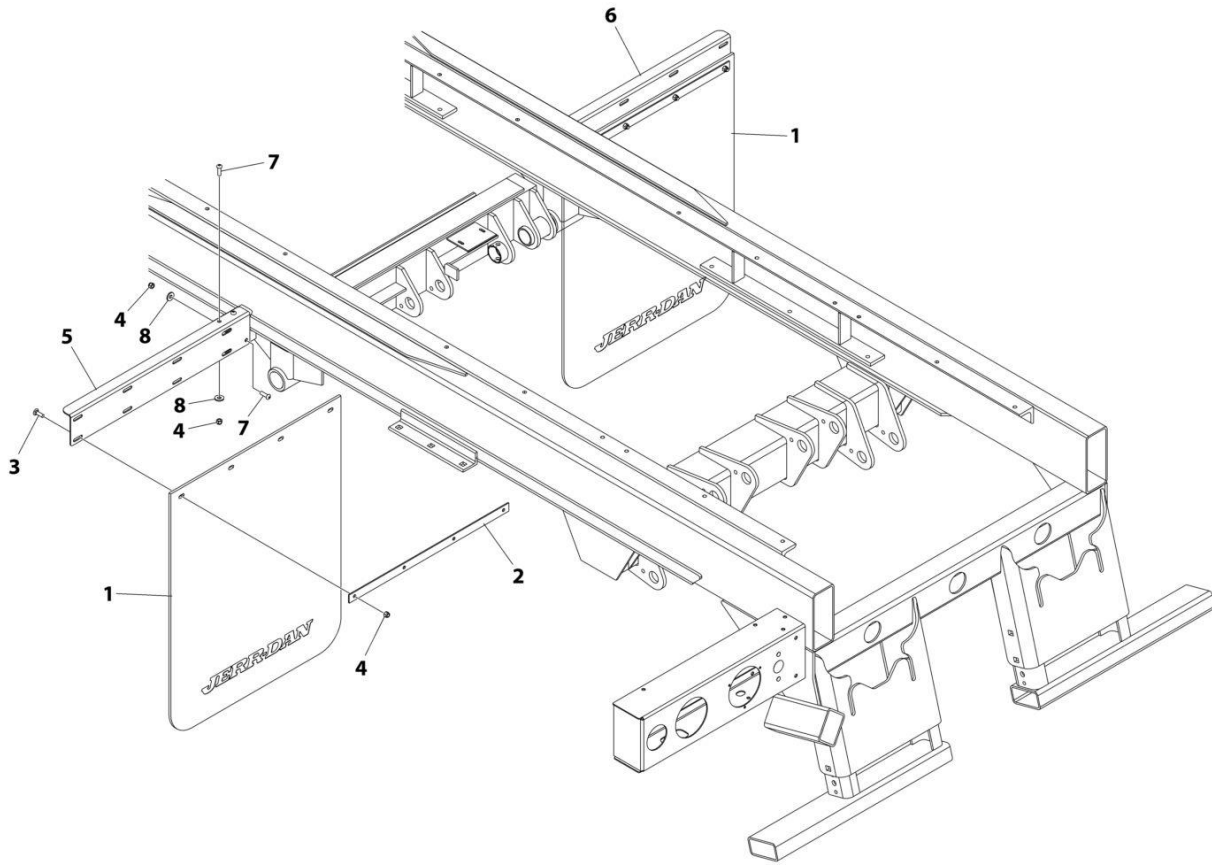
SECTION 1 - SUBFRAME

FIGURE 1-23. CYLINDER ASSEMBLY - SIDE RECOVERY SYSTEM

ITEM	PART NUMBER	QTY	DESCRIPTION	REV
	3320000229	Ref	CYLINDER ASSEMBLY - SIDE RECOVERY SYSTEM	A
1	3071000213	1	Barrel	
2	3763000187	1	Rod	
3	3698000001	1	Piston Assembly (Includes Items 101-105)	
4	3553000011	1	Head Assembly (Includes Items 201-206)	
5	7661000034	1	Nut	
6	7754000002	1	Ring, Retaining	
7	7754000026	1	Ring, Retaining	
100	7577250024	1	Seal Kit (Includes Items 102-105 & 202-206)	
	3698000001	Ref	PISTON ASSEMBLY	
101	4698000007	1	Piston	
102	7754000003	2	Ring, Wear	
103	7796000063	1	Seal	
104	7755224609	2	Ring, Back-up	
105	7755224000	1	O-Ring	
	3553000011	Ref	HEAD ASSEMBLY	
201	4553000008	1	Head	
202	7755334000	1	O-Ring	
203	7755334609	1	Ring, Back-up	
204	7754000004	1	Ring, Wear	
205	7796000024	1	Seal	
206	7796000008	1	Wiper	

SECTION 1 - SUBFRAME

FIGURE 1-24. MUD FLAPS INSTALLATION - STANDARD



ART_2638000017

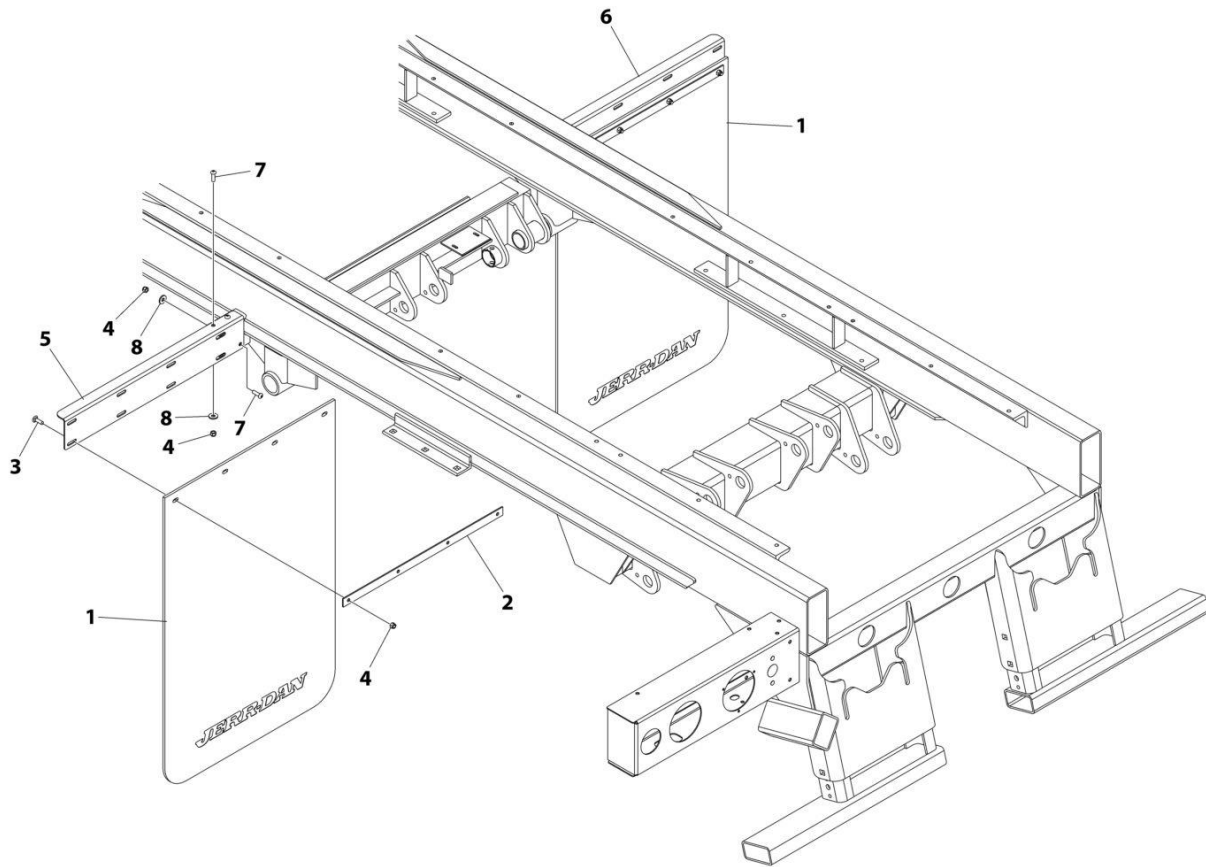
SECTION 1 - SUBFRAME

FIGURE 1-24. MUD FLAPS INSTALLATION - STANDARD

ITEM	PART NUMBER	QTY	DESCRIPTION	REV
	2638000017	Ref	Mud Flaps, Standard	B
1	7638000004	2	Mud Flaps with Jerr-Dan Logo	
2	4706006427	2	Plate	
3	7111150864	8	Bolt 5/16 x 1	
4	7660152601	14	Nut 5/16	
5	4017001742	1	Angle (LH)	
6	4017001743	1	Angle (RH)	
7	7114150818	6	Capscrew 5/16 x 1	
8	7950150153	6	Washer 5/16	

SECTION 1 - SUBFRAME

FIGURE 1-25. MUD FLAPS INSTALLATION - HIGH



ART_2638000019

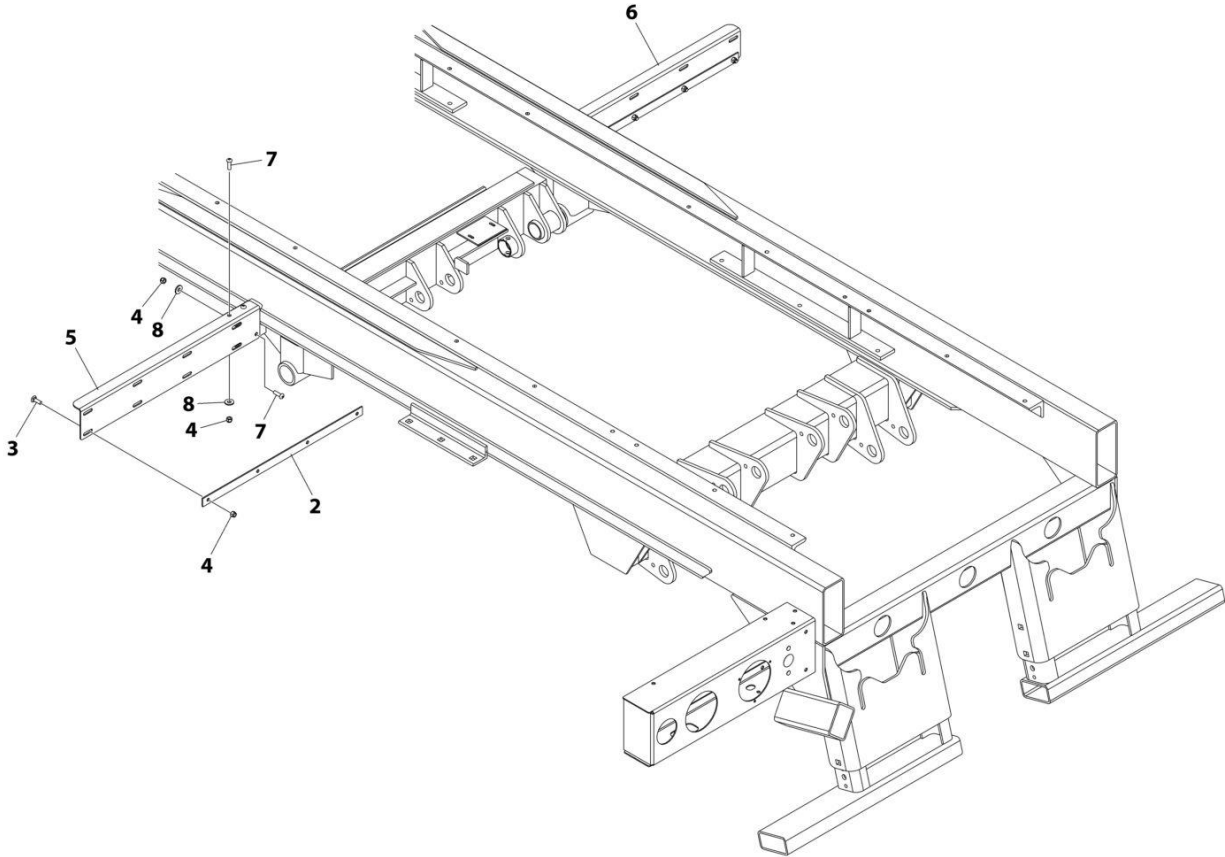
SECTION 1 - SUBFRAME

FIGURE 1-25. MUD FLAPS INSTALLATION - HIGH

ITEM	PART NUMBER	QTY	DESCRIPTION	REV
	2638000019	Ref	Mud Flap - High	D
1	7638000013	2	Mud Flap with Jerr-Dan Logo	
2	4706006427	2	Plate	
3	7111150864	8	Bolt 5/16 x 1	
4	7660152601	14	Nut 5/16	
5	4017001742	1	Angle (LH)	
6	4017001743	1	Angle (RH)	
7	7114150818	6	Capscrew 5/16 x 1	
8	7950150153	6	Washer 5/16	

SECTION 1 - SUBFRAME

FIGURE 1-26. MUD FLAPS INSTALLATION - CUSTOMER INSTALLATION



ART_1001131724

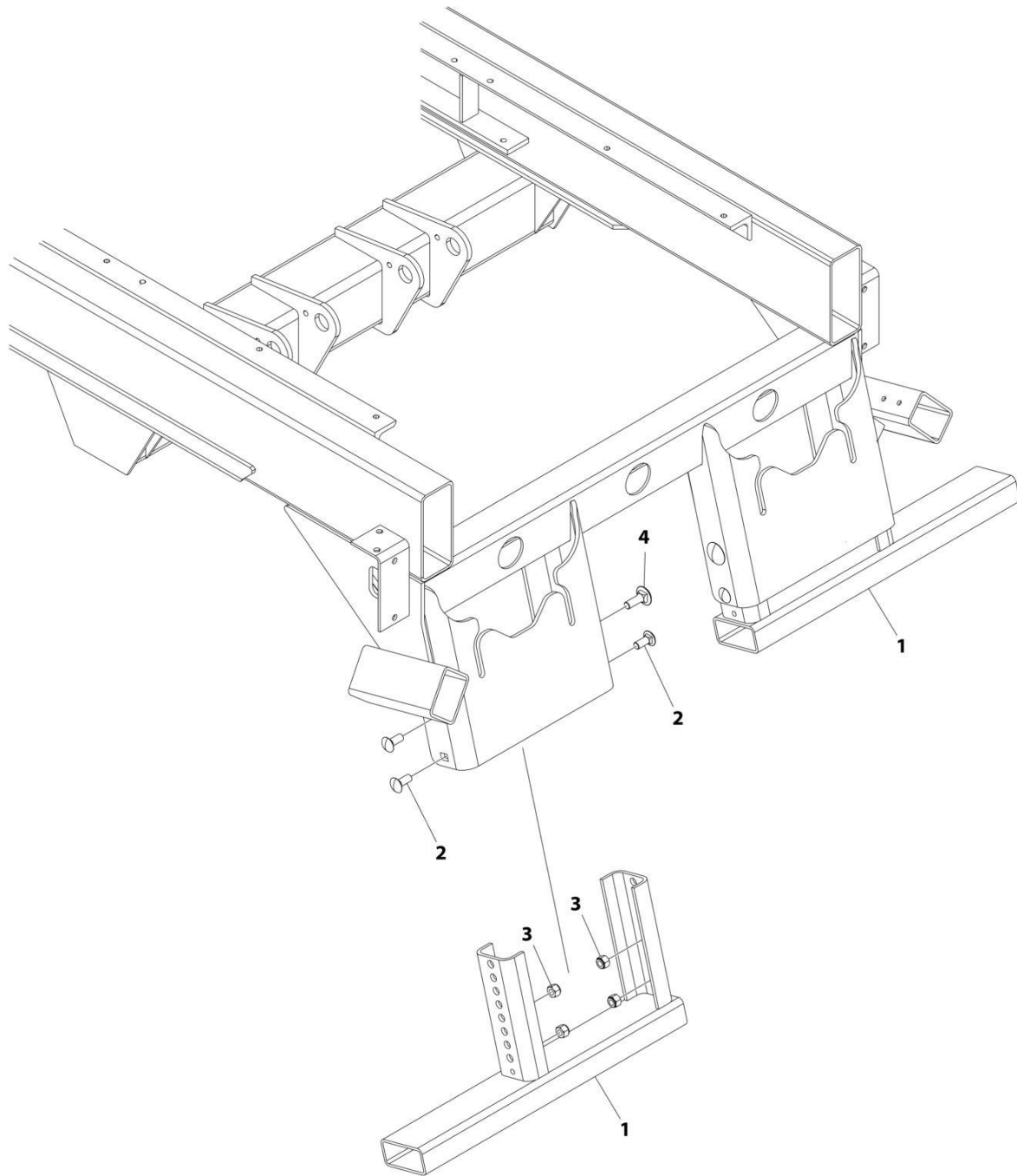
SECTION 1 - SUBFRAME

FIGURE 1-26. MUD FLAPS INSTALLATION - CUSTOMER INSTALLATION

ITEM	PART NUMBER	QTY	DESCRIPTION	REV
	1001131724	Ref	Mud Flaps, Customer Installation	0
2	4706006427	2	Plate Galvanneal	
3	7111150864	8	Bolt 5/16 x 1	
4	7660152601	14	Nut 5/16	
5	4017001742	1	Angle LH Galvanneal	
6	4017001743	1	Angle RH Galvanneal	
7	7114150818	6	Capscrew 5/16 x 1	
8	7950150153	6	Washer 5/16	

SECTION 1 - SUBFRAME

FIGURE 1-27. REAR BUMPER -SHORT GALVANIZED



ART_1001177633

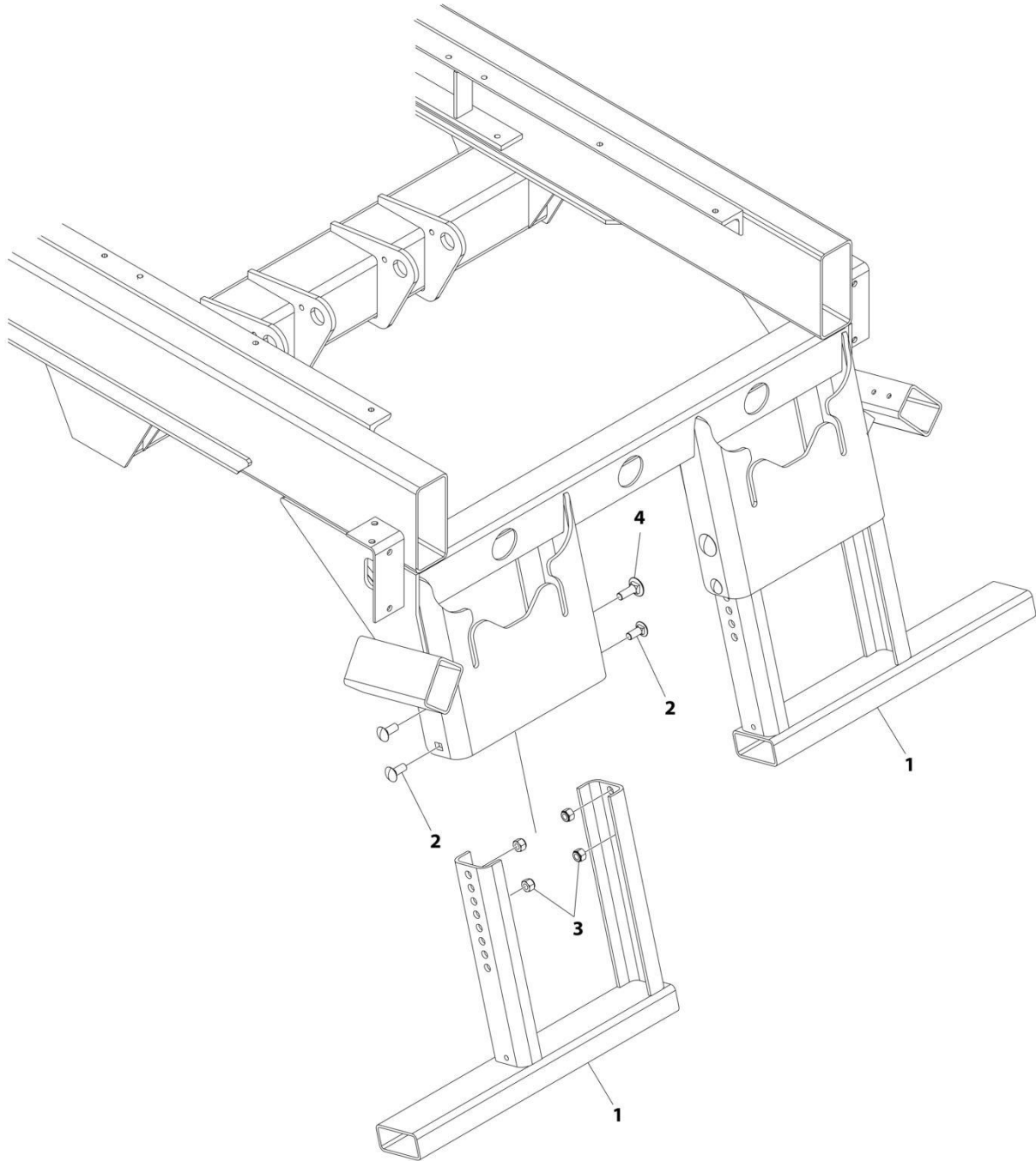
SECTION 1 - SUBFRAME

FIGURE 1-27. REAR BUMPER -SHORT GALVANIZED

ITEM	PART NUMBER	QTY	DESCRIPTION	REV
	1001177633	Ref	Rear Bumper - Short Galvanized	B
1	1001177603	2	Bumper	
2	7115181064	6	Bolt 1/2 x 1-1/4	
3	7660182601	8	Nut 1/2	
4	7115181664	2	Bolt 1/2 x 2	

SECTION 1 - SUBFRAME

FIGURE 1-28. REAR BUMPER - LONG GALVANIZED



ART_1001177634

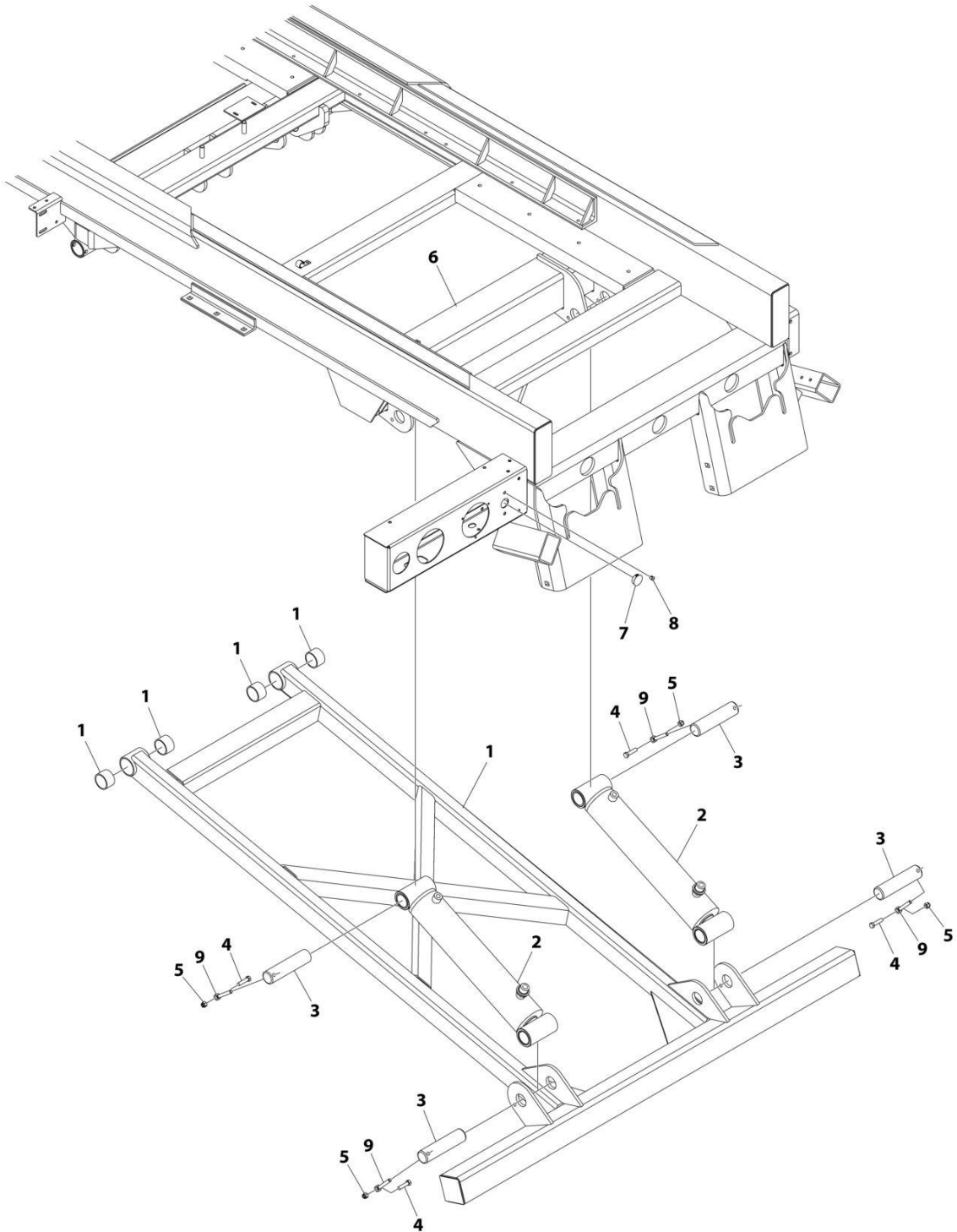
SECTION 1 - SUBFRAME

FIGURE 1-28. REAR BUMPER - LONG GALVANIZED

ITEM	PART NUMBER	QTY	DESCRIPTION	REV
	1001177634	Ref	Rear Bumper - Long Galvanized	B
1	1001177605	2	Bumper	
2	7115181064	6	Bolt 1/2 x 1-1/4	
3	7660182601	8	Nut 1/2	
4	7115181664	2	Bolt 1/2 x 2	

SECTION 1 - SUBFRAME

FIGURE 1-29. REAR STABILIZER INSTALLATION - STANDARD



ART_2849000043

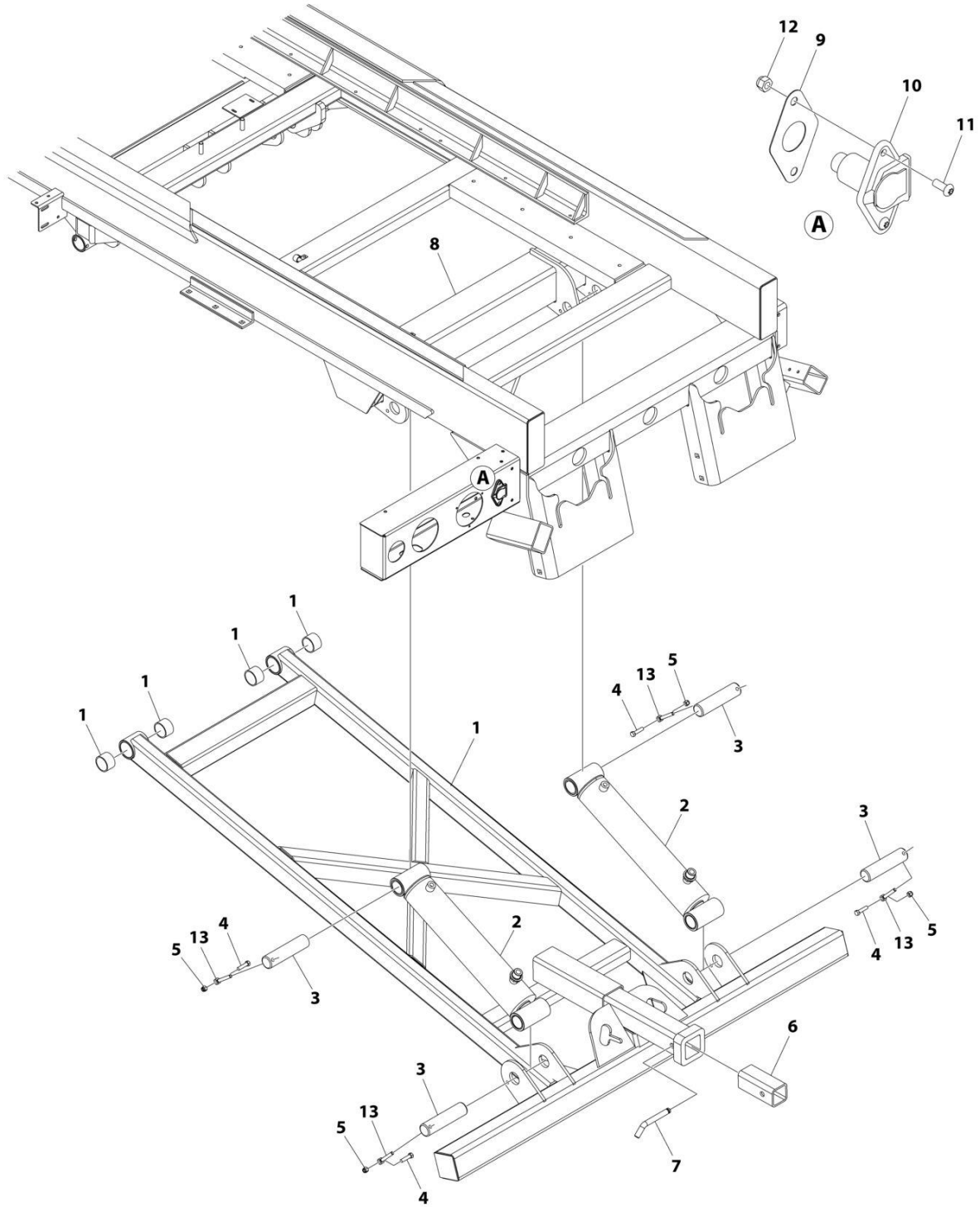
SECTION 1 - SUBFRAME

FIGURE 1-29. REAR STABILIZER INSTALLATION - STANDARD

ITEM	PART NUMBER	QTY	DESCRIPTION	REV
	2849000043	Ref	REAR STABILIZER INSTALLATION - STANDARD	C
1	3849000032	1	Rear Stabilizer Dock Weldment	
1	7082000019	4	Bushing 2IN OD x 1.75IN ID	
2	1001167765	2	Cylinder Assembly - Stabilizer Lift (See Separate Breakdown in this Section)	
3	1001188141	4	Pin	
4	0641612	4	Bolt 3/8 x 1-1/2	
5	3300492	4	Nut 3/8	
6	3316000058	1	Crossmember, Rear	
7	7701000049	1	Plug	
8	7701000055	2	Plug	
9	3841143	4	Keeper, Pin	

SECTION 1 - SUBFRAME

FIGURE 1-30. REAR STABILIZER INSTALLATION - 2-1/2IN TOW HITCH



ART_2849000046

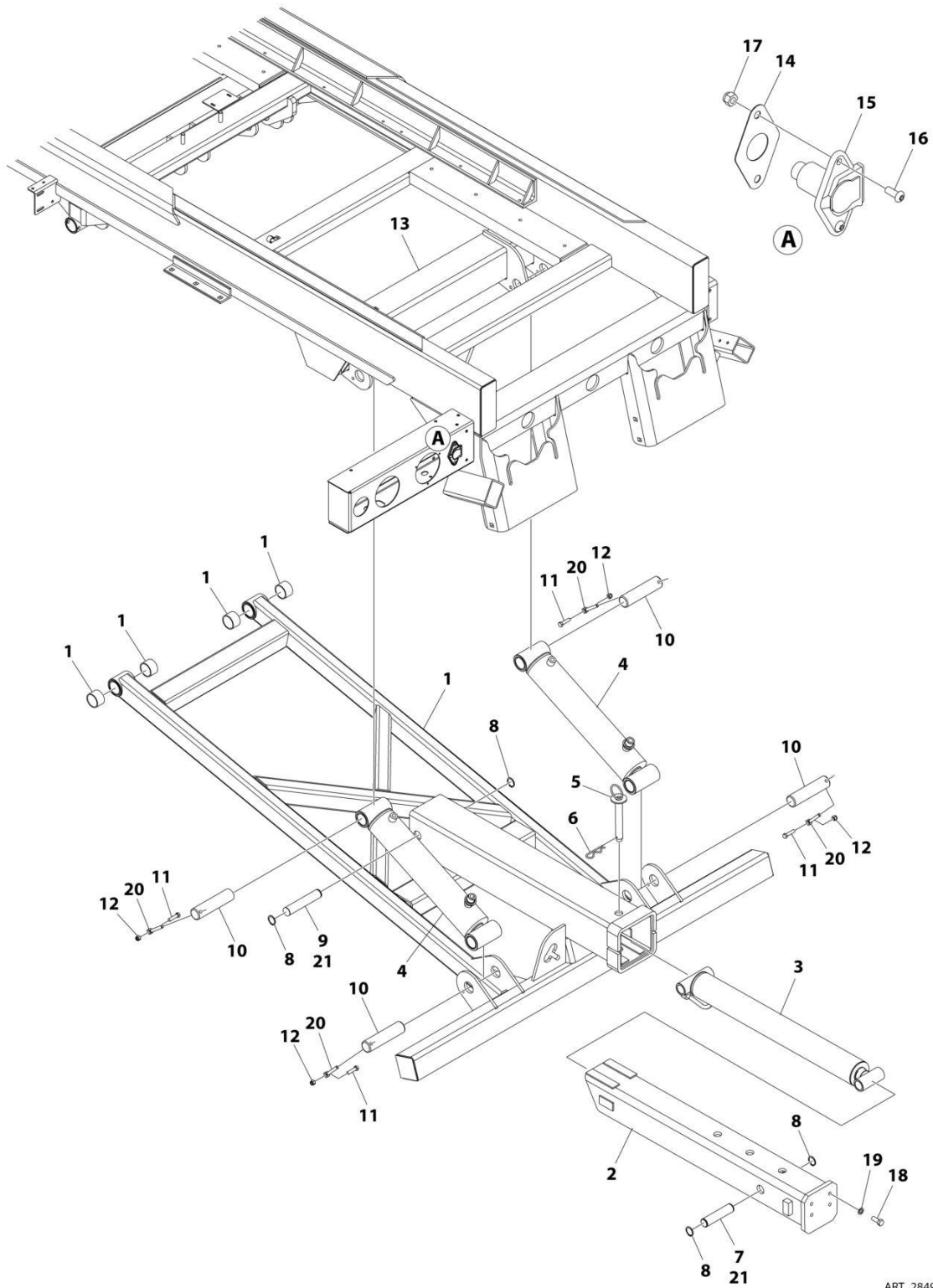
SECTION 1 - SUBFRAME

FIGURE 1-30. REAR STABILIZER INSTALLATION - 2-1/2IN TOW HITCH

ITEM	PART NUMBER	QTY	DESCRIPTION	REV
	2849000046	Ref	REAR STABILIZER INSTALLATION - 2-1/2IN TOW HITCH	B
1	3849000034	1	Stabilizer Weldment with HD Reese Tube	
1	7082000019	4	Bushing 2IN OD x 1.75IN ID	
2	1001167765	2	Cylinder Assembly - Stabilizer Lift (See Separate Breakdown in this Section)	
3	1001188141	4	Pin	
4	0641612	4	Bolt 3/8 x 1-1/2	
5	3300492	4	Nut 3/8	
6	7913000006	1	Tube, Reducer	
7	7691000033	1	Pin with Cotter Pin	
8	3316000058	1	Crossmember, Rear	
9	7796000048	1	Gasket	
10	7291000010	1	Receptacle with Connector	
11	7114140528	2	Screw 1/4 x 5/8	
12	7660142601	2	Nut 1/4	
13	3841143	4	Keeper, Pin	

SECTION 1 - SUBFRAME

FIGURE 1-31. REAR STABILIZER INSTALLATION - PINTLE TOW HITCH (HYDRAULIC)



ART_2849000044

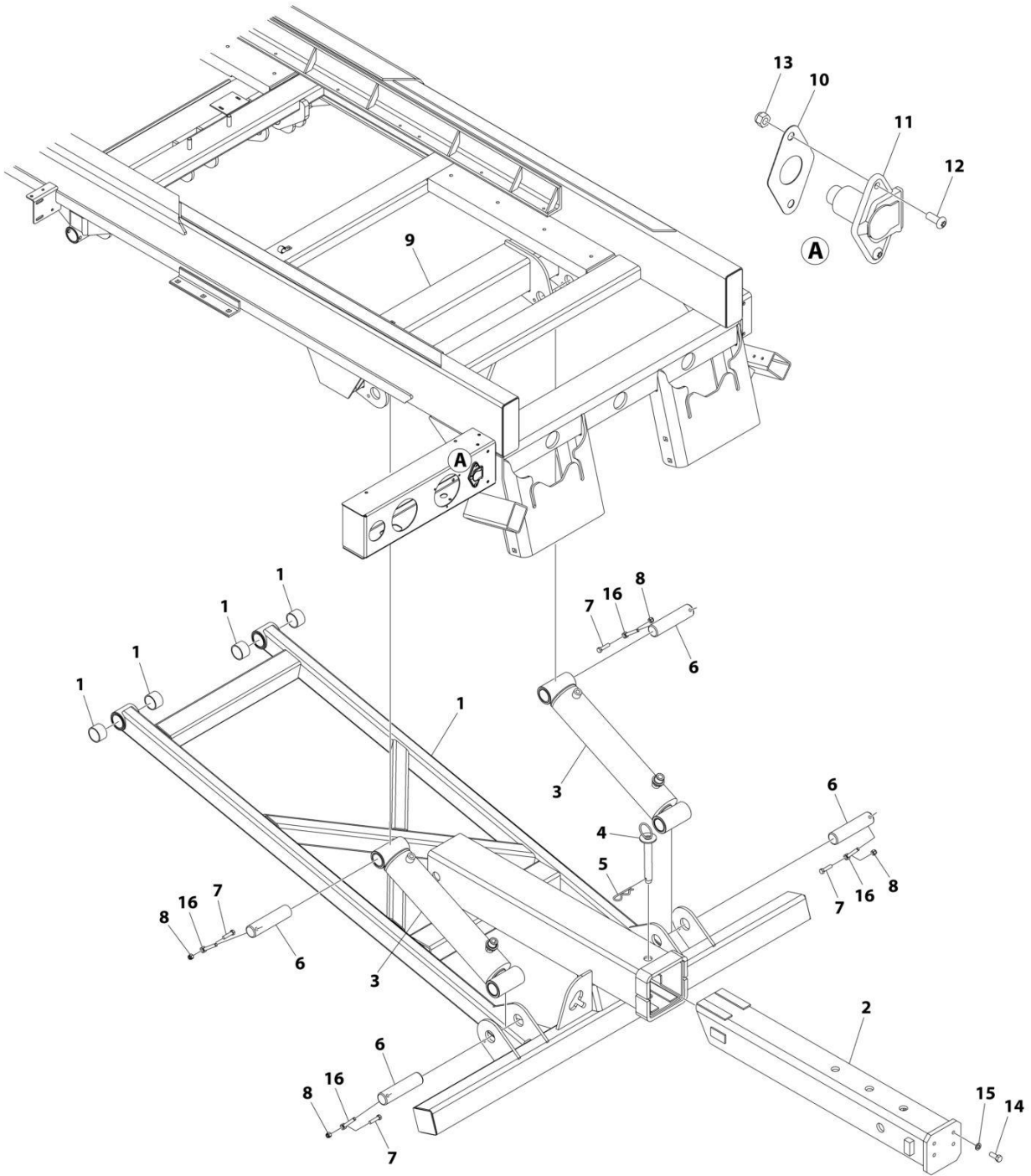
SECTION 1 - SUBFRAME

FIGURE 1-31. REAR STABILIZER INSTALLATION - PINTLE TOW HITCH (HYDRAULIC)

ITEM	PART NUMBER	QTY	DESCRIPTION	REV
	2849000044	Ref	REAR STABILIZER INSTALLATION - PINTLE TOW HITCH (HYDRAULIC)	D
1	3849000033	1	Stabilizer Weldment	
1	7082000019	4	Bushing 2IN OD x 1.75IN ID	
2	1001127297	1	Boom Weldment	
3	1001183326	1	Cylinder Assembly - Stabilizer Extend/Retract (See Separate Breakdown in this Section)	
4	1001167765	2	Cylinder Assembly - Stabilizer Lift (See Separate Breakdown in this Section)	
5	3691000064	1	Pin	
6	7691000001	1	Hairpin	
7	4691000429	1	Pin	
8	3760133	4	Ring, Retaining	
9	4691000430	1	Pin	
10	1001188141	4	Pin	
11	0641612	4	Bolt 3/8 x 1-1/2	
12	3300492	4	Nut 3/8	
13	3316000058	1	Crossmember, Rear	
14	7796000048	1	Gasket	
15	7291000010	1	Receptacle with Connector	
16	7114140528	2	Screw 1/4 x 5/8	
17	7660142601	2	Nut 1/4	
18	0691810	4	Bolt 1/2 x 1-1/4	
19	4761800	4	Washer 1/2	
20	3841143	4	Keeper, Pin	
21	3020039	AR	Lubricant	

SECTION 1 - SUBFRAME

FIGURE 1-32. REAR STABILIZER INSTALLATION - PINTLE TOW HITCH (MANUAL)



ART_2849000045

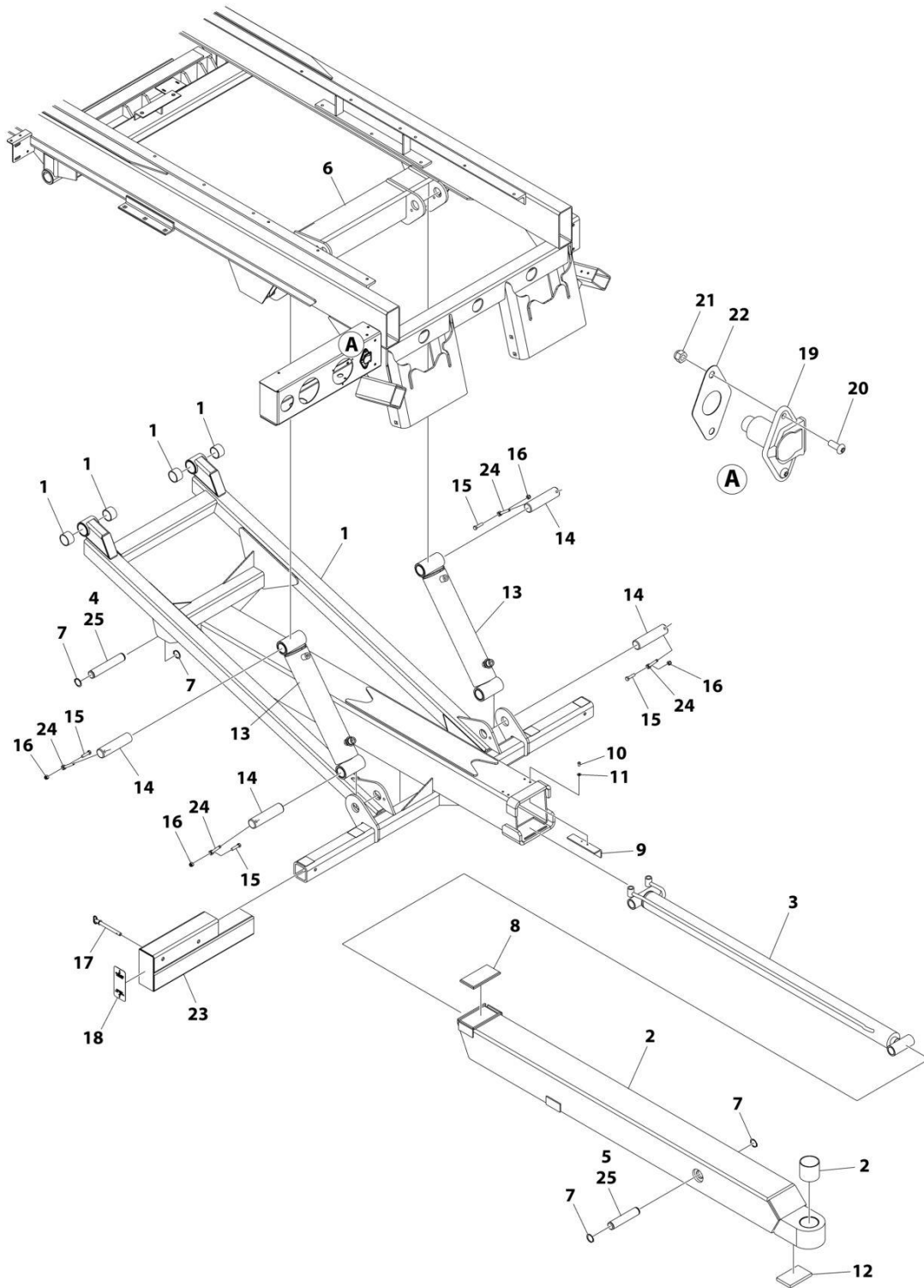
SECTION 1 - SUBFRAME

FIGURE 1-32. REAR STABILIZER INSTALLATION - PINTLE TOW HITCH (MANUAL)

ITEM	PART NUMBER	QTY	DESCRIPTION	REV
	2849000045	Ref	REAR STABILIZER INSTALLATION - PINTLE TOW HITCH (MANUAL)	E
1	3849000033	1	Stabilizer Weldment	
1	7082000019	4	Bushing 2IN OD x 1.75IN ID	
2	1001127297	1	Boom Weldment	
3	1001167765	2	Cylinder Assembly - Stabilizer Lift (See Separate Breakdown in this Section)	
4	3691000064	1	Pin	
5	7691000001	1	Hairpin	
6	1001188141	4	Pin	
7	0641612	4	Bolt 3/8 x 1-1/2	
8	3300492	4	Nut 3/8	
9	3316000058	1	Crossmember, Rear	
10	7796000048	1	Gasket	
11	7291000010	1	Receptacle with Connector	
12	7114140528	2	Screw 1/4 x 5/8	
13	7660142601	2	Nut 1/4	
14	0691810	4	Bolt 1/2 x 1-1/4	
15	4761800	4	Washer 1/2	
16	3841143	4	Keeper, Pin	

SECTION 1 - SUBFRAME

FIGURE 1-33. REAR STABILIZER INSTALLATION - WHEEL LIFT MANUAL L-ARMS



ART_1001163552

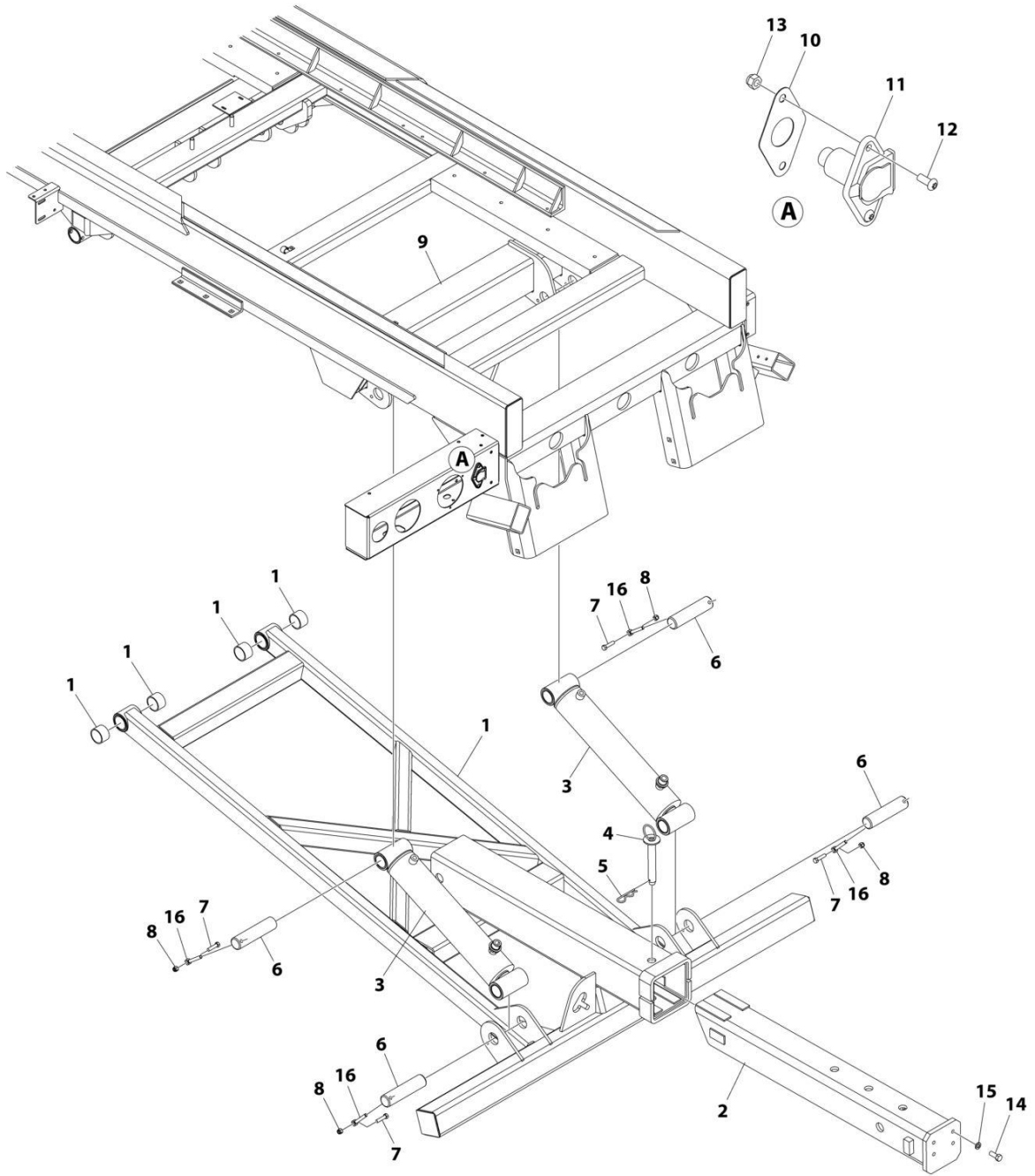
SECTION 1 - SUBFRAME

FIGURE 1-33. REAR STABILIZER INSTALLATION - WHEEL LIFT MANUAL L-ARMS

ITEM	PART NUMBER	QTY	DESCRIPTION	REV
	1001163552	Ref	REAR STABILIZER INSTALLATION - WHEEL LIFT MANUAL L-ARMS	C
1	3849000035	1	Stabilizer Weldment	
1	7082000019	4	Bushing 2IN OD x 1.75IN ID	
2	1001158876	1	Tube, Inner	
2	7209000028	1	Bushing 3IN OD x 2.75IN ID	
3	1001166858	1	Cylinder Assembly - Stabilizer Extend/Retract (See Separate Breakdown in this Section)	
4	4691000296	1	Pin	
5	4691000268	1	Pin	
6	3316000059	1	Crossmember, Rear	
7	3760133	4	Ring, Retaining	
8	4679000046	1	Pad	
9	4017000739	2	Angle	
10	7118140418	4	Capscrew 1/4 x 1/2	
11	4751300	4	Washer 3/16	
12	4679000211	1	Pad	
13	1001167765	2	Cylinder Assembly - Stabilizer Lift (See Separate Breakdown in this Section)	
14	1001188141	4	Pin	
15	0641612	4	Bolt 3/8 x 1-1/2	
16	3300492	4	Nut 3/8	
17	1001151904	2	Pin, Hitch	
18	7330000390	2	Decal - Stabilizer	
19	7291000010	1	Receptacle with Connector	
20	7114140528	2	Screw 1/4 x 5/8	
21	7660142601	2	Nut 1/4	
22	7796000048	1	Gasket	
23	3073000010	2	Base Stabilizer Weldment	
24	3841143	4	Keeper, Pin	
25	3020039	AR	Lubricant	

SECTION 1 - SUBFRAME

FIGURE 1-34. REAR STABILIZER INSTALLATION - PINTLE TOW HITCH (MANUAL)



ART_1001134476

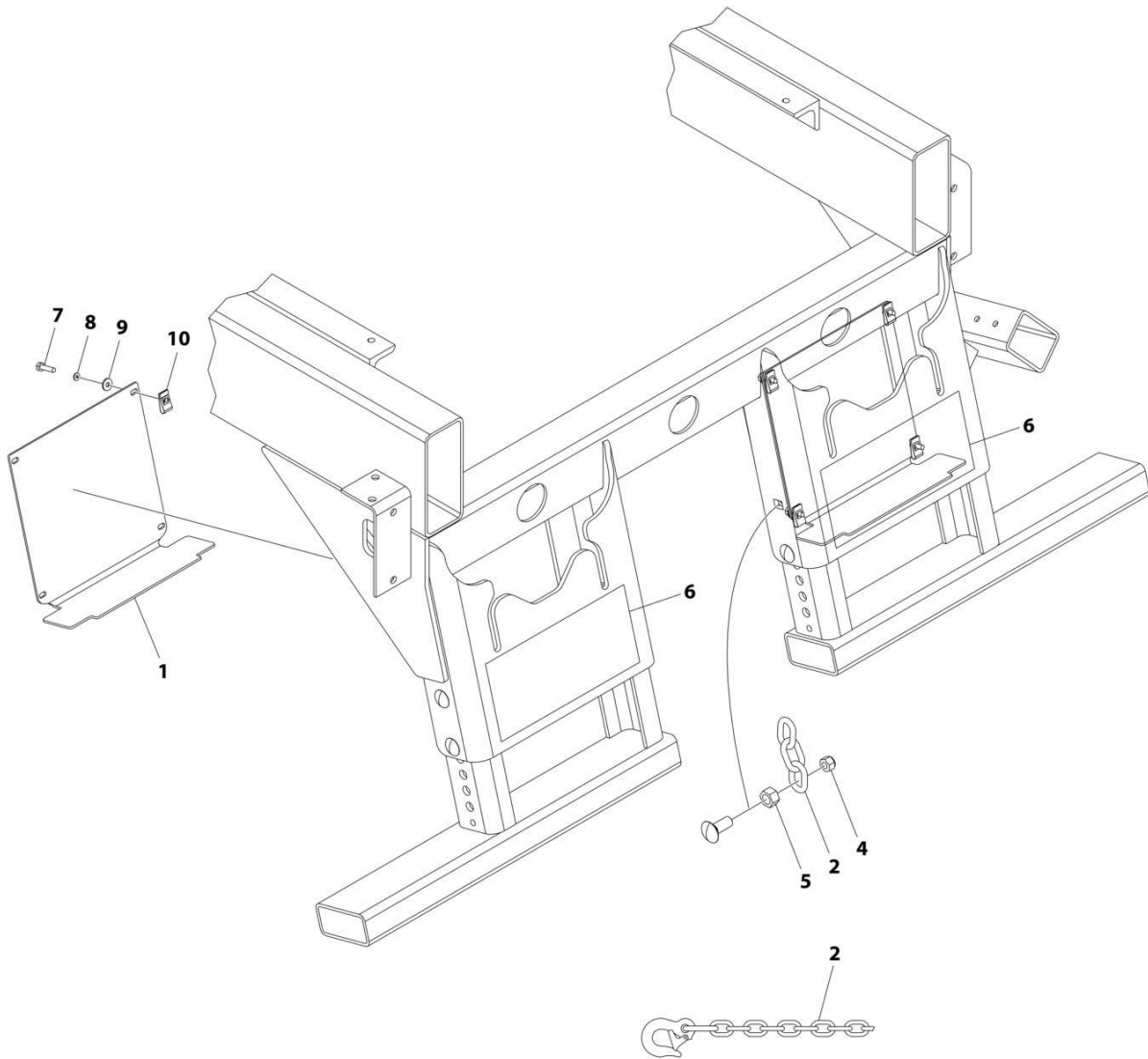
SECTION 1 - SUBFRAME

FIGURE 1-34. REAR STABILIZER INSTALLATION - PINTLE TOW HITCH (MANUAL)

ITEM	PART NUMBER	QTY	DESCRIPTION	REV
	1001134476	Ref	REAR STABILIZER INSTALLATION - PINTLE TOW HITCH (MANUAL)	E
1	3849000033	1	Stabilizer Weldment	
1	7082000019	4	Bushing 2IN OD x 1.75IN ID	
2	1001127297	1	Boom, Fly	
3	1001167765	2	Cylinder Assembly - Stabilizer Lift (See Separate Breakdown in this Section)	
4	3691000064	1	Pin	
5	7691000001	1	Hairpin	
6	1001188141	4	Pin	
7	0641612	4	Bolt 3/8 x 1-1/2	
8	3300492	4	Nut 3/8	
9	3316000058	1	Crossmember, Rear	
10	7796000048	1	Gasket	
11	1001133719	1	Receptacle with Connector	
12	7114140528	2	Screw 1/4 x 5/8	
13	7660142601	2	Nut 1/4	
14	0691810	4	Bolt 1/2 x 1-1/4	
15	4761800	4	Washer 1/2	
16	3841143	4	Keeper, Pin	

SECTION 1 - SUBFRAME

FIGURE 1-35. CHAIN BOX INSTALLATION, REAR SUBFRAME



ART_2262000011

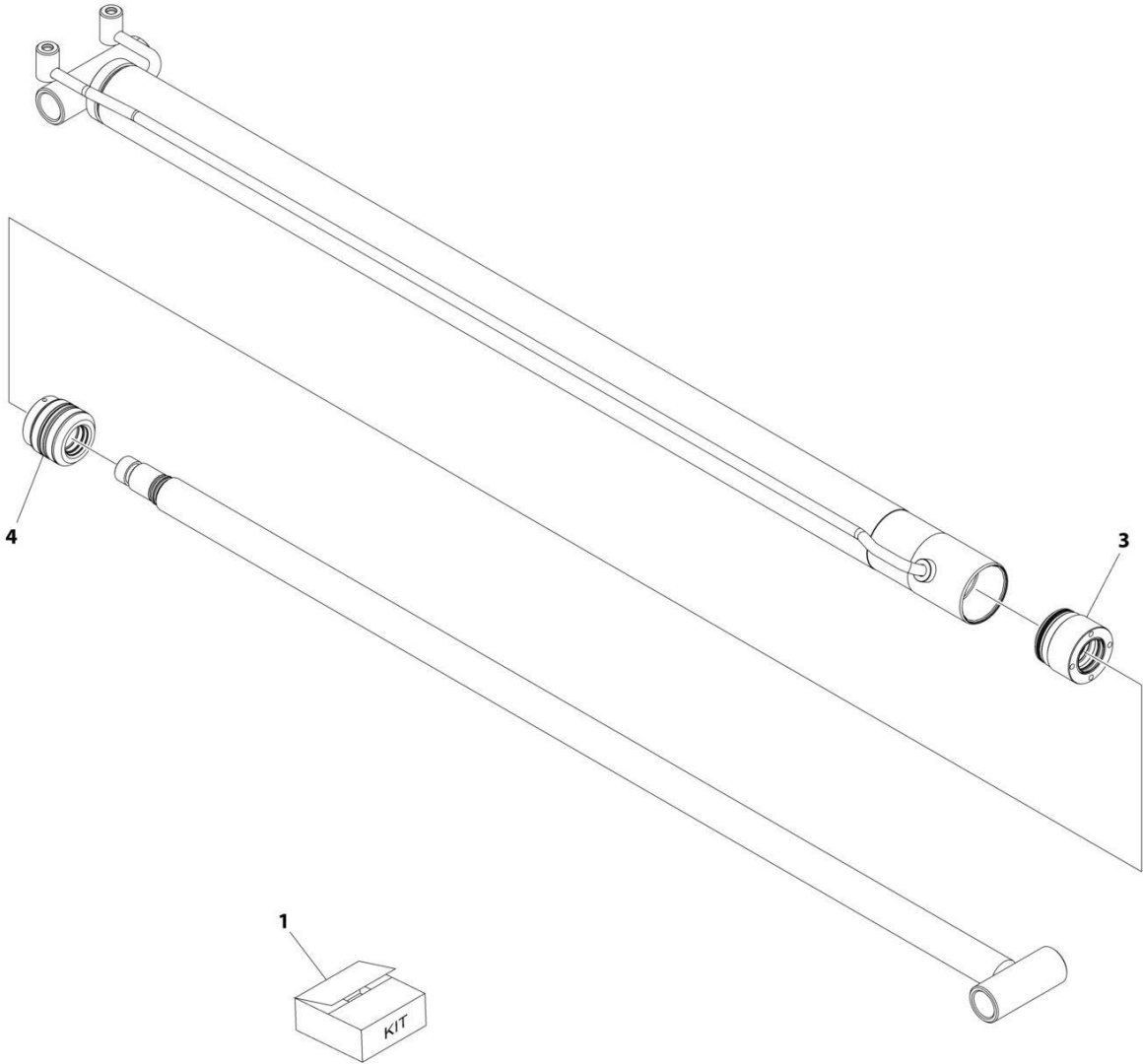
SECTION 1 - SUBFRAME

FIGURE 1-35. CHAIN BOX INSTALLATION, REAR SUBFRAME

ITEM	PART NUMBER	QTY	DESCRIPTION	REV
	2262000011	Ref	CHAIN BOX INSTALLATION	C
1	1001177601	2	Panel	
2	7262000040	2	Chain	
4	7660182601	2	Nut 1/2	
5	7660180001	2	Nut 1/2	
6	7679000020	2	Pad	
7	7115140850	8	Capscrew 1/4 x 1	
8	7950140000	8	Washer 1/4	
9	7949000023	8	Washer	
10	7661000064	8	Clip, U-Nut 1/4	

SECTION 1 - SUBFRAME

FIGURE 1-36. CYLINDER ASSEMBLY - EXTEND/RETRACT



ART_1001166858

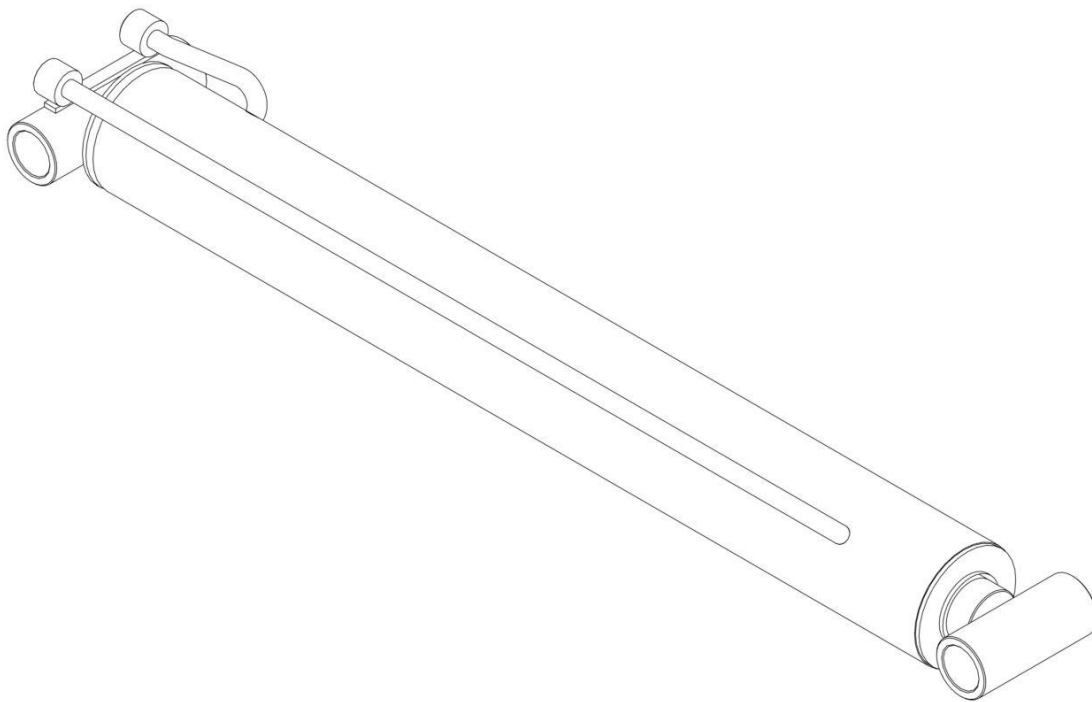
SECTION 1 - SUBFRAME

FIGURE 1-36. CYLINDER ASSEMBLY - EXTEND/RETRACT

ITEM	PART NUMBER	QTY	DESCRIPTION	REV
	1001166858	Ref	EXTEND/RETRACT CYLINDER ASSEMBLY	D
1	70051169	1	Kit, Seal	
2	70051174	1	Instruction Assembly/Disassembly (not shown)	
3	70051175	1	Kit, Head	
4	70051176	1	Kit, Piston	

SECTION 1 - SUBFRAME

FIGURE 1-37. CYLINDER ASSEMBLY - PINTLE EXTEND



ART_1001183326

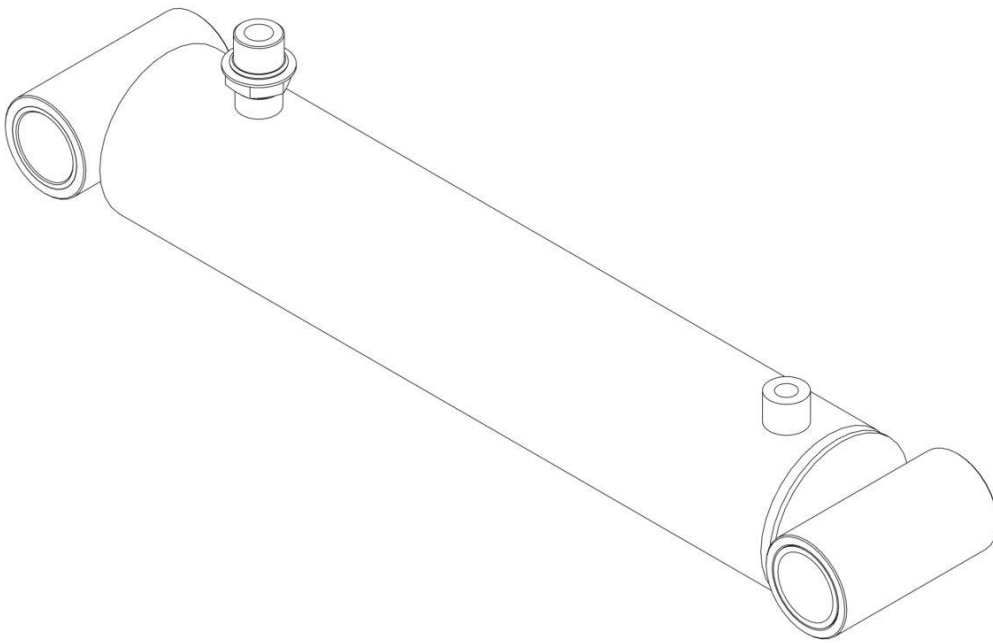
SECTION 1 - SUBFRAME

FIGURE 1-37. CYLINDER ASSEMBLY - PINTLE EXTEND

ITEM	PART NUMBER	QTY	DESCRIPTION	REV
	1001183326	Ref Ref	Pintle Extend Cylinder Assembly Note: No Service Parts Available at Time of Printing.	D

SECTION 1 - SUBFRAME

FIGURE 1-38. CYLINDER ASSEMBLY - STABILIZER LIFT



ART_1001167765

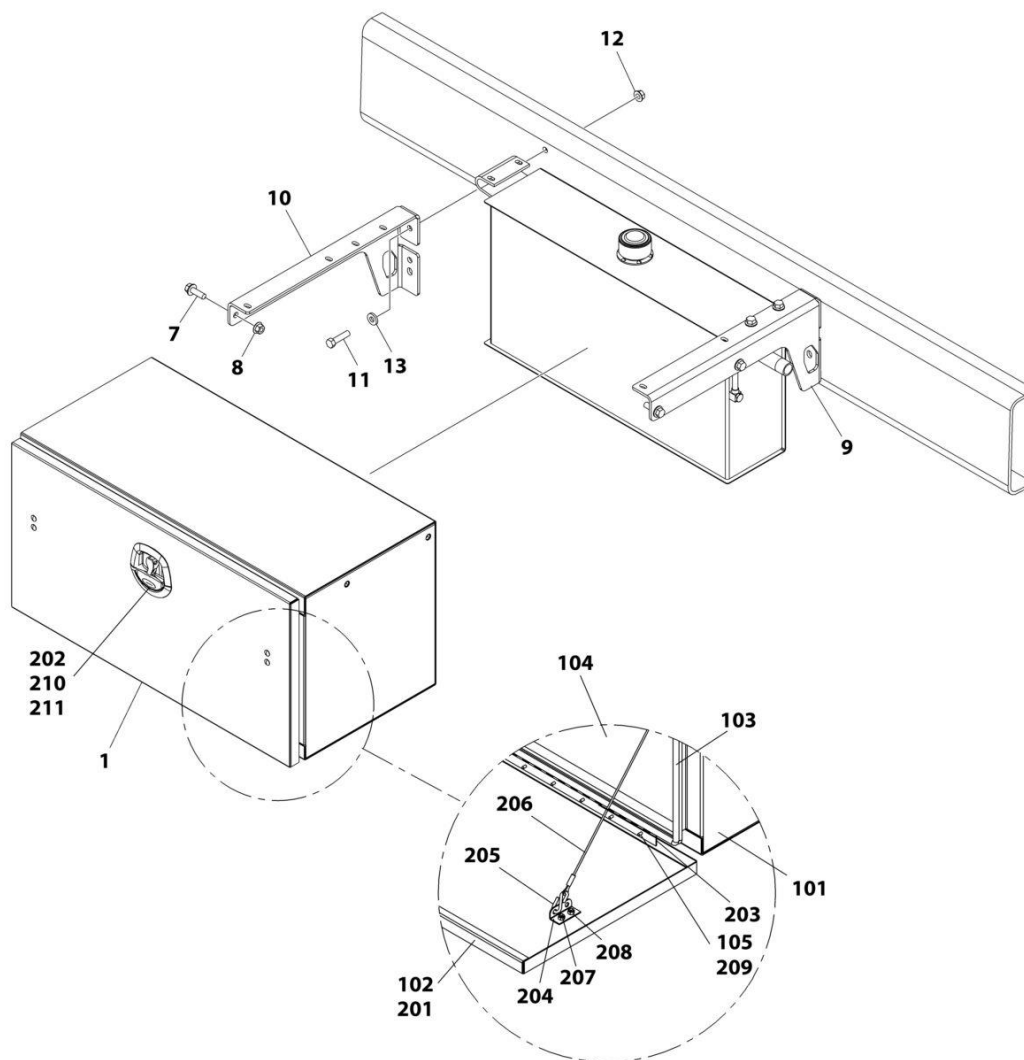
SECTION 1 - SUBFRAME

FIGURE 1-38. CYLINDER ASSEMBLY - STABILIZER LIFT

ITEM	PART NUMBER	QTY	DESCRIPTION	REV
	1001167765	Ref	CYLINDER ASSEMBLY - STABILIZER LIFT	C
		Ref	Note: Original Cylinder May Have Been Replaced with Service Replacement. Identify PN Stamped on Cylinder Before Ordering Parts.	
		Ref	Note: No Service Parts Available at Time of Printing.	

SECTION 1 - SUBFRAME

FIGURE 1-39. TOOLBOX INSTALLATION - 36IN



ART_289900055

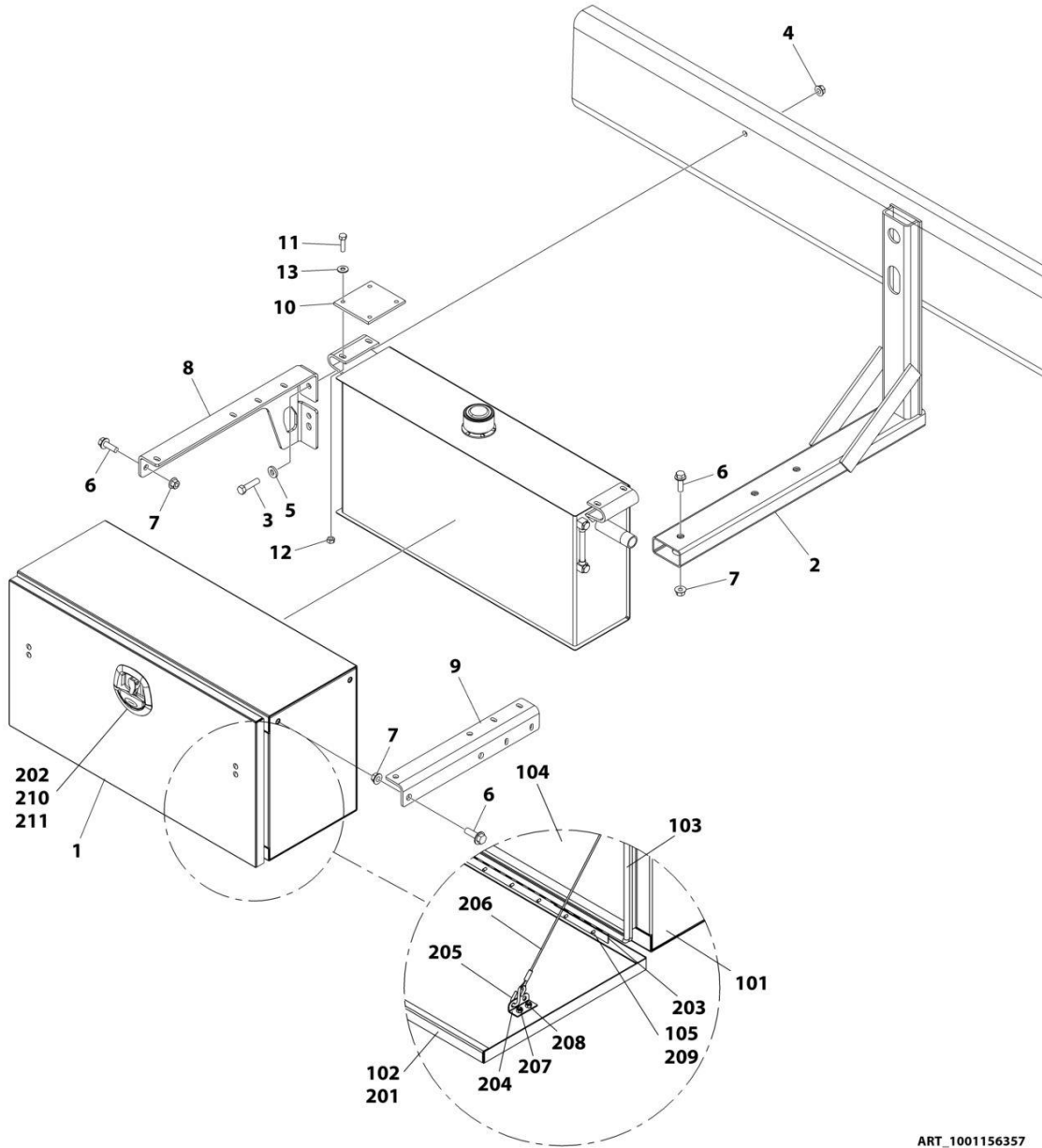
SECTION 1 - SUBFRAME

FIGURE 1-39. TOOLBOX INSTALLATION - 36IN

ITEM	PART NUMBER	QTY	DESCRIPTION	REV
	2899000055	Ref	TOOLBOX, 36IN	F
1	1001208769	1	Toolbox Assembly (includes items 101 through 105)	A
7	7118181216	4	Capscrew 1/2 x 1-1/2	
8	7660182301	4	Nut 1/2	
9	4178000290	1	Bracket	
10	4178000291	1	Bracket	
11	0651816	4	Bolt 1/2 x 2	
12	7660182333	4	Nut 1/2	
13	4891800	4	Washer 1/2	
101	3899000125	1	Toolbox Weldment	
102	1001223819	1	Toolbox Door Assembly (includes items 201 through 211)	A
103	4796000009	1	Gasket	
104	4679000256	1	Pad	
105	7759000020	9	Rivet	
201	1001223815	1	Door Weldment	
202	1001223814	1	Latch	
203	7555000016	1	Hinge	
204	4178000599	2	Bracket	
205	7592000005	4	S-Link	
206	7248000114	2	Cable	
207	7114140465	4	Bolt 0.25-20X0.50	
208	7660142604	4	Locknut 0.25-20	
209	7759000020	9	Rivet	
210	7950100143	4	Washer 0.19	
211	7660102604	4	Locknut #10-24	

SECTION 1 - SUBFRAME

FIGURE 1-40. TOOLBOX INSTALLATION - 36IN UNDERBOX MOUNT NARROW



ART_1001156357

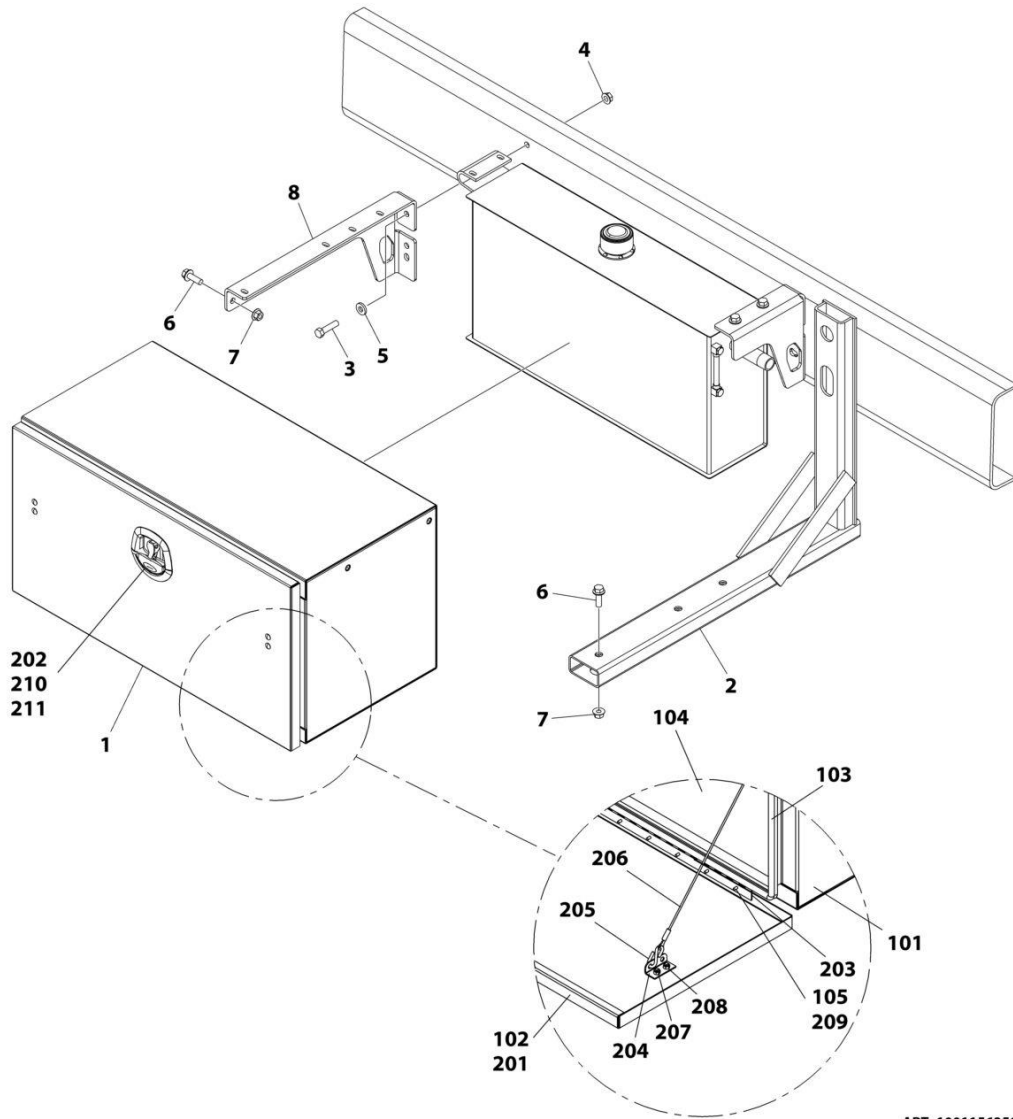
SECTION 1 - SUBFRAME

FIGURE 1-40. TOOLBOX INSTALLATION - 36IN UNDERBOX MOUNT NARROW

ITEM	PART NUMBER	QTY	DESCRIPTION	REV
	1001156357	Ref	TOOLBOX, 36IN UNDERBOX MOUNT NARROW	B
1	1001208772	1	Toolbox Assembly (includes items 101 through 105)	A
2	1001156006	1	Frame Weldment	
3	0651816	4	Bolt 1/2 x 2	
4	7660182333	4	Nut 1/2	
5	4891800	4	Washer 1/2	
6	7118181216	6	Capscrew 1/2 x 1-1/2	
7	7660182301	6	Nut 1/2	
8	4178000339	1	Bracket	
9	1001155975	1	Bracket	
10	4706002361	1	Plate	
11	0641508	2	Bolt 5/16 x 1	
12	7660152601	2	Nut 5/16	
13	4751500	4	Washer 5/16	
101	3899000126	1	Toolbox Weldment	
102	1001223819	1	Toolbox Door Assembly (includes items 201 through 211)	A
103	4796000009	1	Gasket	
104	4679000257	1	Pad	
105	7759000020	9	Rivet	
201	1001223815	1	Toolbox Door	
202	1001223814	1	Latch	
203	7555000016	1	Hinge	
204	4178000599	2	Bracket	
205	7592000005	4	S-Link	
206	7248000114	2	Cable	
207	7114140465	4	Bolt 0.25-20X0.50	
208	7660142604	4	Locknut 0.25-20	
209	7759000020	9	Rivet	
210	7950100143	4	Washer 0.19	
211	7660102604	4	Locknut #10-24	

SECTION 1 - SUBFRAME

FIGURE 1-41. TOOLBOX INSTALLATION - 36IN UNDERBOX MOUNT



ART_1001156358

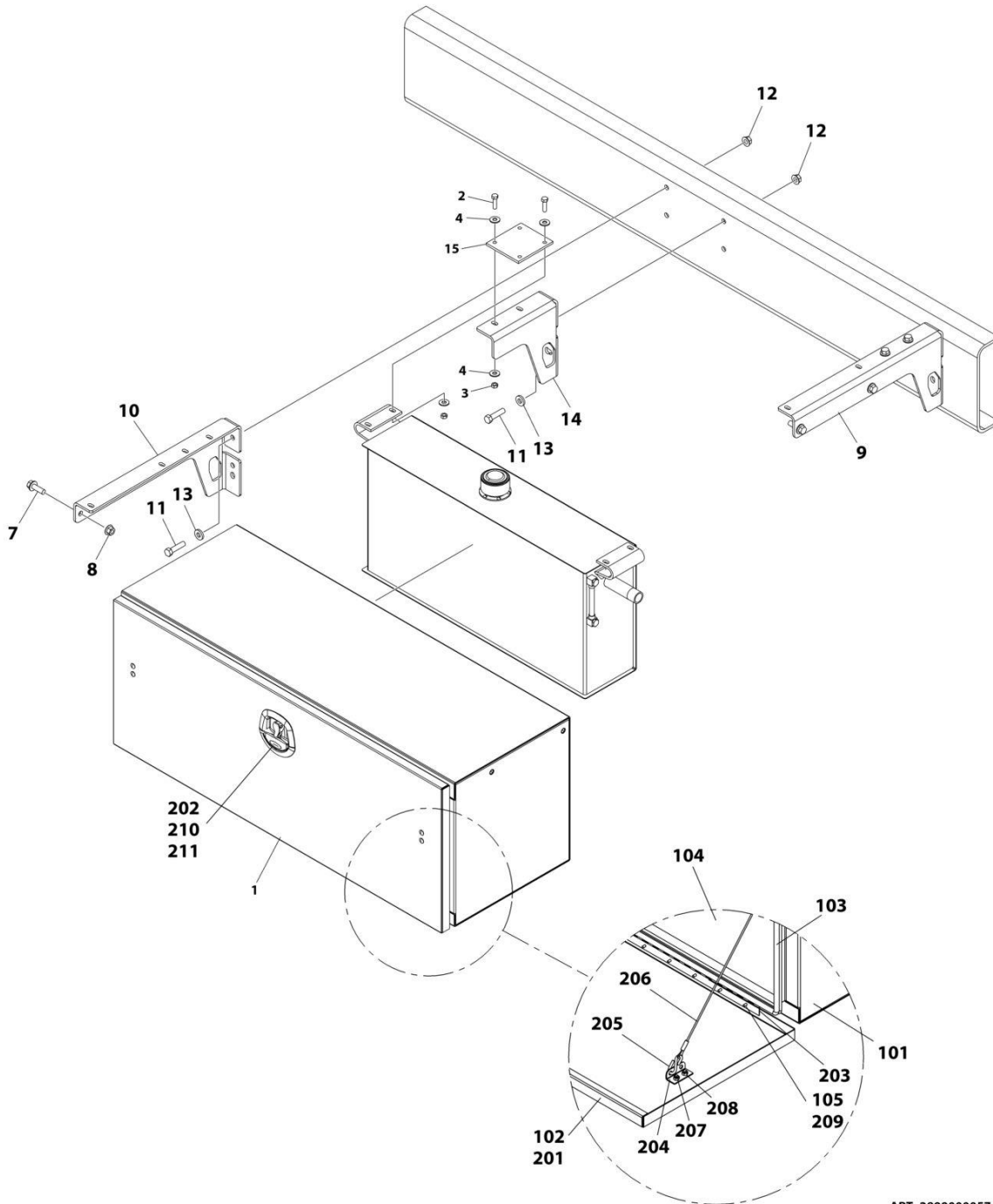
SECTION 1 - SUBFRAME

FIGURE 1-41. TOOLBOX INSTALLATION - 36IN UNDERBOX MOUNT

ITEM	PART NUMBER	QTY	DESCRIPTION	REV
	1001156358	Ref	TOOLBOX, 36IN UNDERBOX MOUNT	B
1	1001208769	1	Toolbox Assembly (includes items 101 through 105)	A
2	1001156006	1	Frame Weldment	
3	0651816	4	Bolt 1/2 x 2	
4	7660182333	4	Nut 1/2	
5	4891800	4	Washer 1/2	
6	7118181216	4	Capscrew 1/2 x 1-1/2	
7	7660182301	4	Nut 1/2	
8	4178000291	1	Bracket	
101	3899000125	1	Toolbox Weldment	
102	1001223819	1	Toolbox Door Assembly (includes items 201 through 211)	A
103	4796000009	1	Gasket	
104	4679000256	1	Pad	
105	7759000020	1	Rivet	
201	1001223815	1	Toolbox Door	
202	1001223814	1	Latch	
203	7555000016	1	Hinge	
204	4178000599	2	Bracket	
205	7592000005	4	S-Link	
206	7248000114	2	Cable	
207	7114140465	4	Bolt 0.25-20X0.50	
208	7660142604	4	Locknut 0.25-20	
209	7759000020	9	Rivet	
210	7950100143	4	Washer 0.19	
211	7660102604	4	Locknut #10-24	

SECTION 1 - SUBFRAME

FIGURE 1-42. TOOLBOX INSTALLATION - 48IN



ART_289900057

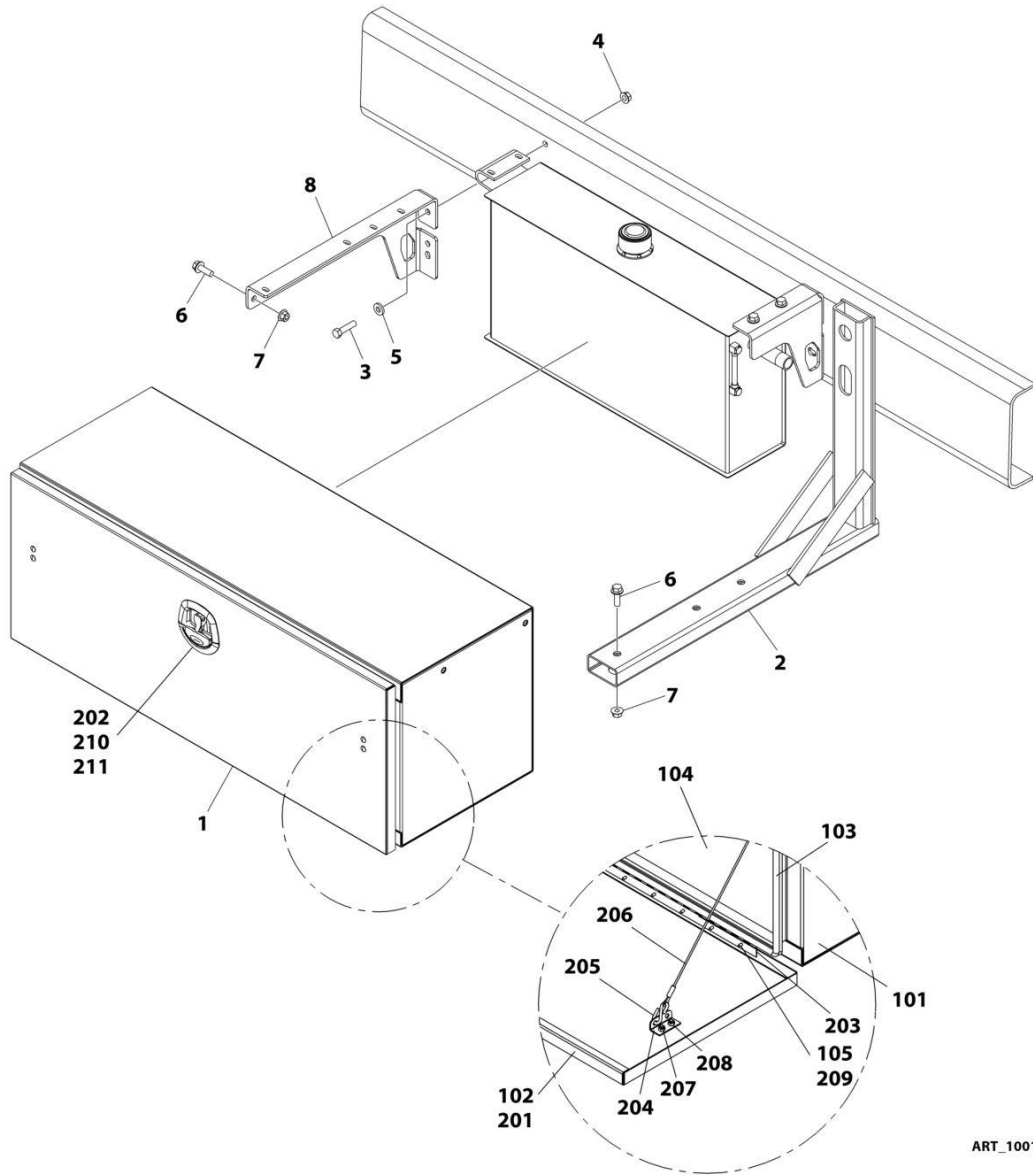
SECTION 1 - SUBFRAME

FIGURE 1-42. TOOLBOX INSTALLATION - 48IN

ITEM	PART NUMBER	QTY	DESCRIPTION	REV
	2899000057	Ref	TOOLBOX, 48IN	E
1	1001208776	1	Toolbox Assembly (includes iotemss 101 through 105)	A
2	0641508	4	Bolt 5/16 x 1	
3	7660152601	4	Nut 5/16	
4	4751500	8	Washer 5/16	
7	7118181216	4	Capscrew 1/2 x 1-1/2	
8	7660182301	4	Nut 1/2	
9	4178000290	1	Bracket	
10	4178000291	1	Bracket	
11	0651816	6	Bolt 1/2 x 2	
12	7660182333	6	Nut 1/2	
13	4891800	6	Washer 1/2	
14	4178000330	1	Bracket	
15	4706002361	1	Plate	
101	3899000127	1	Toolbox Weldment	
102	1001223820	1	Toolbox Door Assembly (includes items 201 through 211)	A
103	4796000010	1	Gasket	
104	4679000258	1	Pad	
105	7759000020	14	Rivet	
201	1001223816	1	Toolbox Door	
202	1001223814	1	Latch	
203	7555000015	2	Hinge	
204	4178000599	2	Braclet	
205	7592000005	4	S-Link	
206	7248000114	2	Cable	
207	7114140465	4	Bolt 0.25-20X0.50	
208	7660142604	4	Locknut 0.25-20	
209	7759000020	14	Rivet	
210	7950100143	4	Washer 0.19	
211	7660102604	4	Locknut #10-24	

SECTION 1 - SUBFRAME

FIGURE 1-43. TOOLBOX INSTALLATION - 48IN UNDERBOX MOUNT



ART_1001137931

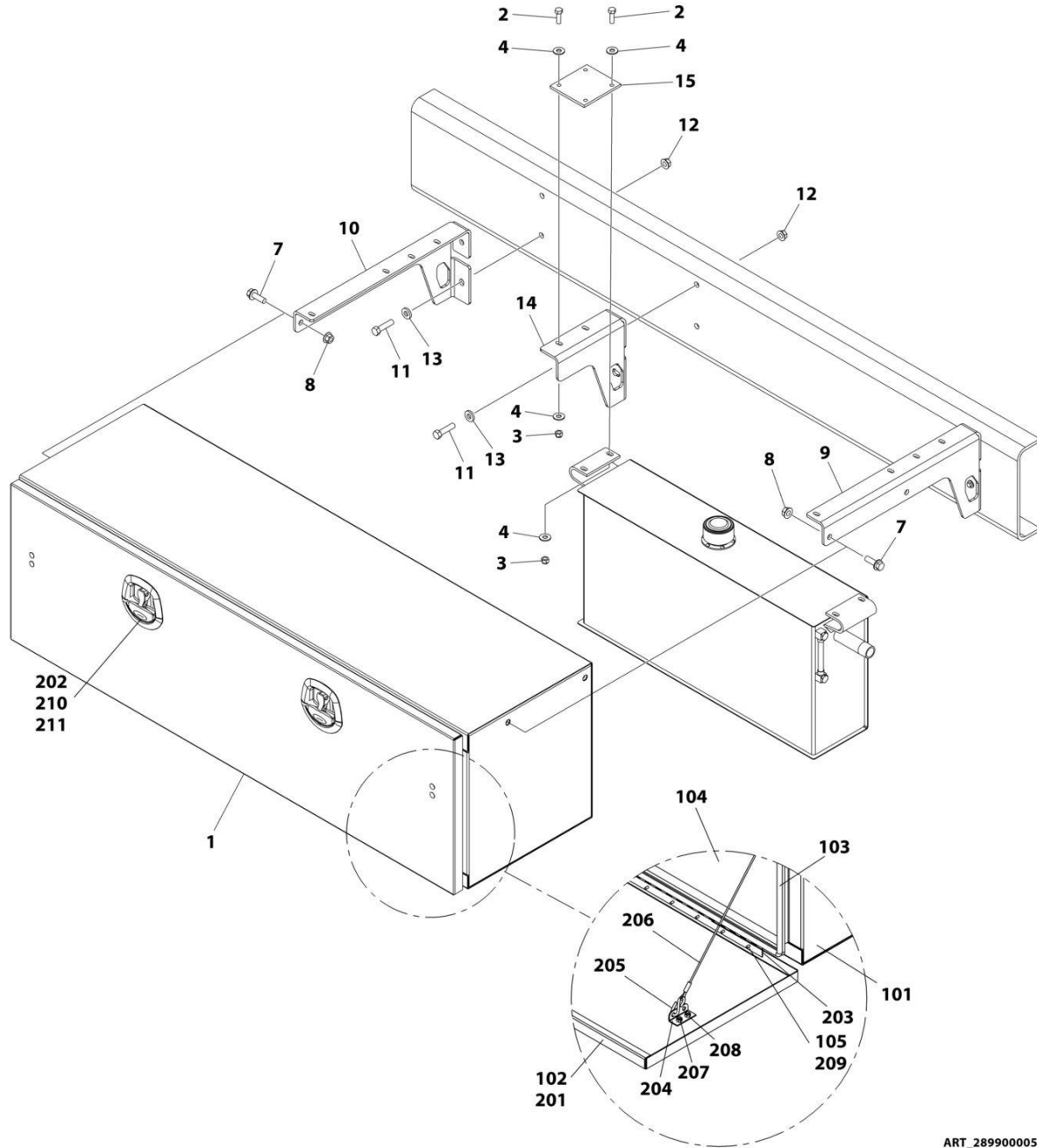
SECTION 1 - SUBFRAME

FIGURE 1-43. TOOLBOX INSTALLATION - 48IN UNDERBOX MOUNT

ITEM	PART NUMBER	QTY	DESCRIPTION	REV
	1001137931	Ref	TOOLBOX, 48IN UNDERBOX MOUNT	D
1	1001208776	1	Toolbox Assembly (includes items 101 through 105)	A
2	1001156006	1	Frame Weldment	
3	0651816	4	Bolt 1/2 x 2	
4	7660182333	4	Nut 1/2	
5	4891800	4	Washer 1/2	
6	7118181216	6	Capscrew 1/2 x 1-1/2	
7	7660182301	6	Nut 1/2	
8	4178000291	1	Bracket	
101	3899000127	1	Toolbox Weldment	
102	1001223820	1	Toolbox Door Assembly (includes items 201 through 211)	
103	4796000010	1	Gasket	
104	4679000258	1	Pad	
105	7759000020	14	Rivet	
201	1001223816	1	Toolbox Door	
202	1001223814	1	Latch	
203	7555000015	2	Hinge	
204	4178000599	2	Bracket	
205	7592000005	4	S-Link	
206	7248000114	2	Cable	
207	7114140465	4	Bolt 0.25-20X0.50	
208	7660142604	4	Locknut 0.25-20	
209	7759000020	14	Rivet	
210	7950100143	4	Washer 0.19	
211	7660102604	4	Locknut #10-24	

SECTION 1 - SUBFRAME

FIGURE 1-44. TOOLBOX INSTALLATION - 60IN



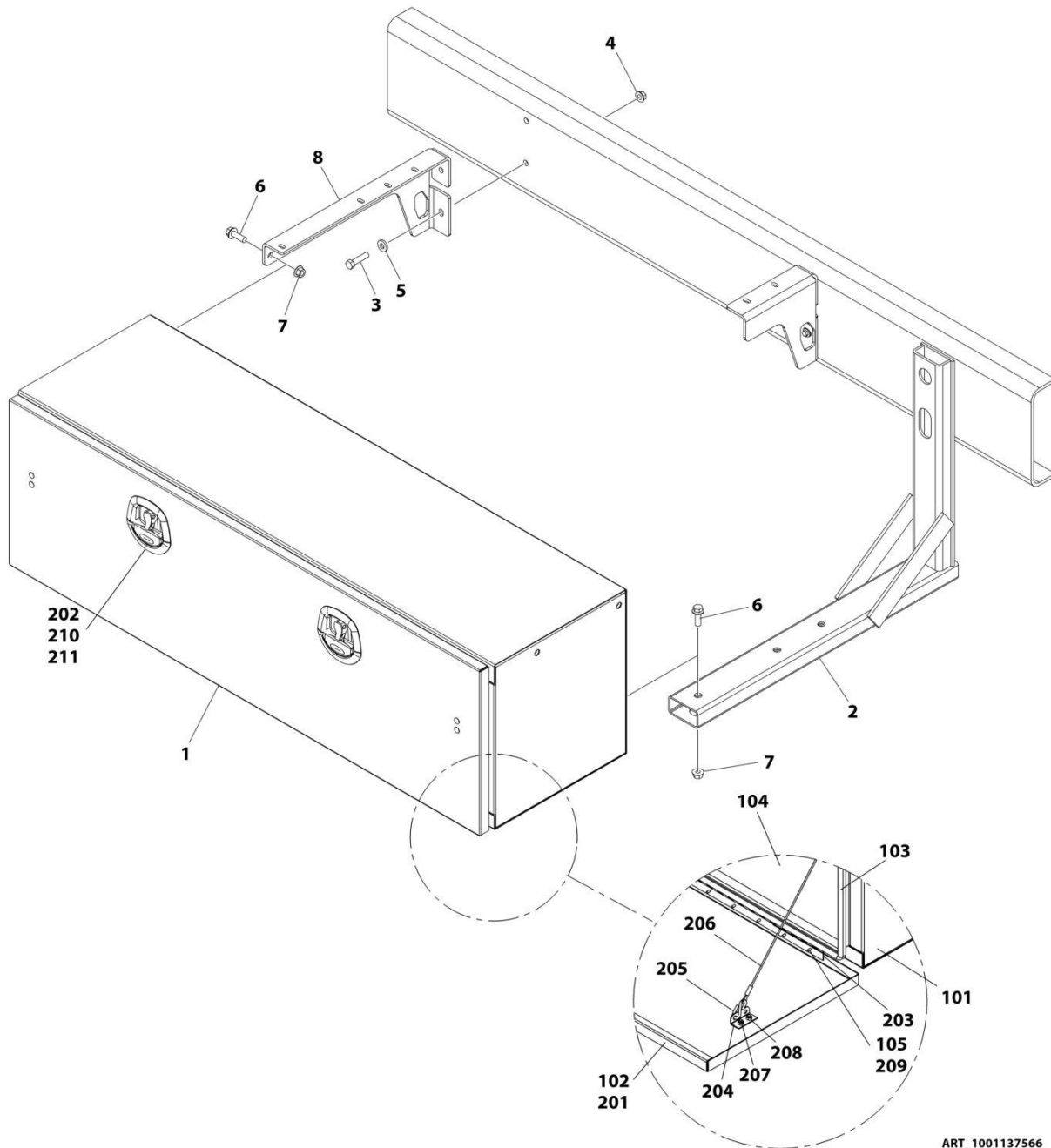
SECTION 1 - SUBFRAME

FIGURE 1-44. TOOLBOX INSTALLATION - 60IN

ITEM	PART NUMBER	QTY	DESCRIPTION	REV
	2899000058	Ref	TOOLBOX, 60IN	E
1	1001208780	1	Toolbox Assembly (includes items 101 through 105)	A
2	0641508	4	Bolt 5/16 x 1	
3	7660152601	4	Nut 5/16	
4	4751500	8	Washer 5/16	
7	7118181216	4	Capscrew 1/2 x 1-1/2	
8	7660182301	4	Nut 1/2	
9	4178000290	1	Bracket	
10	4178000291	1	Bracket	
11	0651816	6	Bolt 1/2 x 2	
12	7660182333	6	Nut 1/2	
13	4891800	6	Washer 1/2	
14	4178000330	1	Bracket	
15	4706002361	1	Plate	
101	3899000128	1	Toolbox Weldment	
102	1001223821	1	Toolbox Door Assembly (includes items 201 through 211)	A
103	4796000011	1	Gasket	
104	4679000259	1	Pad	
105	7759000020	18	Rivet	
201	1001223817	1	Toolbox Door	
202	1001223814	2	Latch	
203	7555000016	2	Hinge	
204	4178000599	2	Bracket	
205	7592000005	4	S-Link	
206	7248000114	2	Cable	
207	7114140465	4	Bolt 0.25-20X.050	
208	7660142604	4	Locknut 0.25-20	
209	7759000020	18	Rivet	
210	7950100143	8	Washer 0.191	
211	7660102604	8	Locknut #10-24	

SECTION 1 - SUBFRAME

FIGURE 1-45. TOOLBOX INSTALLATION - 60IN UNDERBOX MOUNT



ART_1001137566

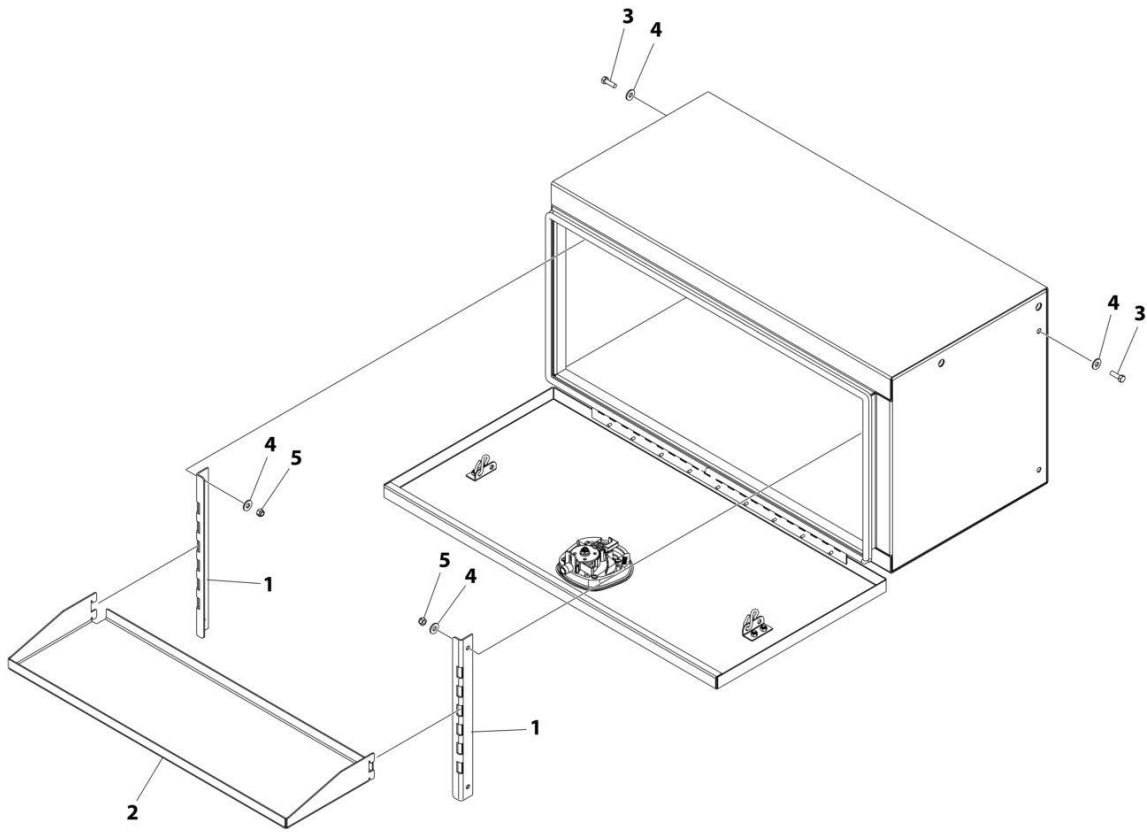
SECTION 1 - SUBFRAME

FIGURE 1-45. TOOLBOX INSTALLATION - 60IN UNDERBOX MOUNT

ITEM	PART NUMBER	QTY	DESCRIPTION	REV
	1001137566	Ref	TOOLBOX, 60IN UNDERBOX MOUNT	D
1	1001208780	1	Toolbox Assembly (includes items 101 through 105)	A
2	1001156006	1	Frame Weldment	
3	0651816	4	Bolt 1/2 x 2	
4	7660182333	4	Nut 1/2	
5	4891800	4	Washer 1/2	
6	7118181216	6	Capscrew 1/2 x 1-1/2	
7	7660182301	6	Nut 1/2	
8	4178000291	1	Bracket	
101	3899000128	1	Toolbox Weldment	
102	1001223821	1	Toolbox Door Assembly (includes items 201 through 211)	A
103	4796000011	1	Gasket	
104	4679000259	1	Pad	
105	7759000020	18	Rivet	
201	1001223817	1	Toolbox Door	
202	1001223814	2	Latch	
203	7555000016	2	Hinge	
204	4178000599	2	Bracket	
205	7592000005	4	S-Link	
206	7248000114	2	Cable	
207	7114140465	4	Bolt 0.25-20X0.50	
208	7660142604	4	Locknut 0.25-20	
209	7759000020	18	Rivet	
210	7950100143	8	Washer 0.19	
211	7660102604	8	Locknut #10-24	

SECTION 1 - SUBFRAME

FIGURE 1-46. TOOL BOX SHELF INSTALLATION - 36IN



ART_289900059

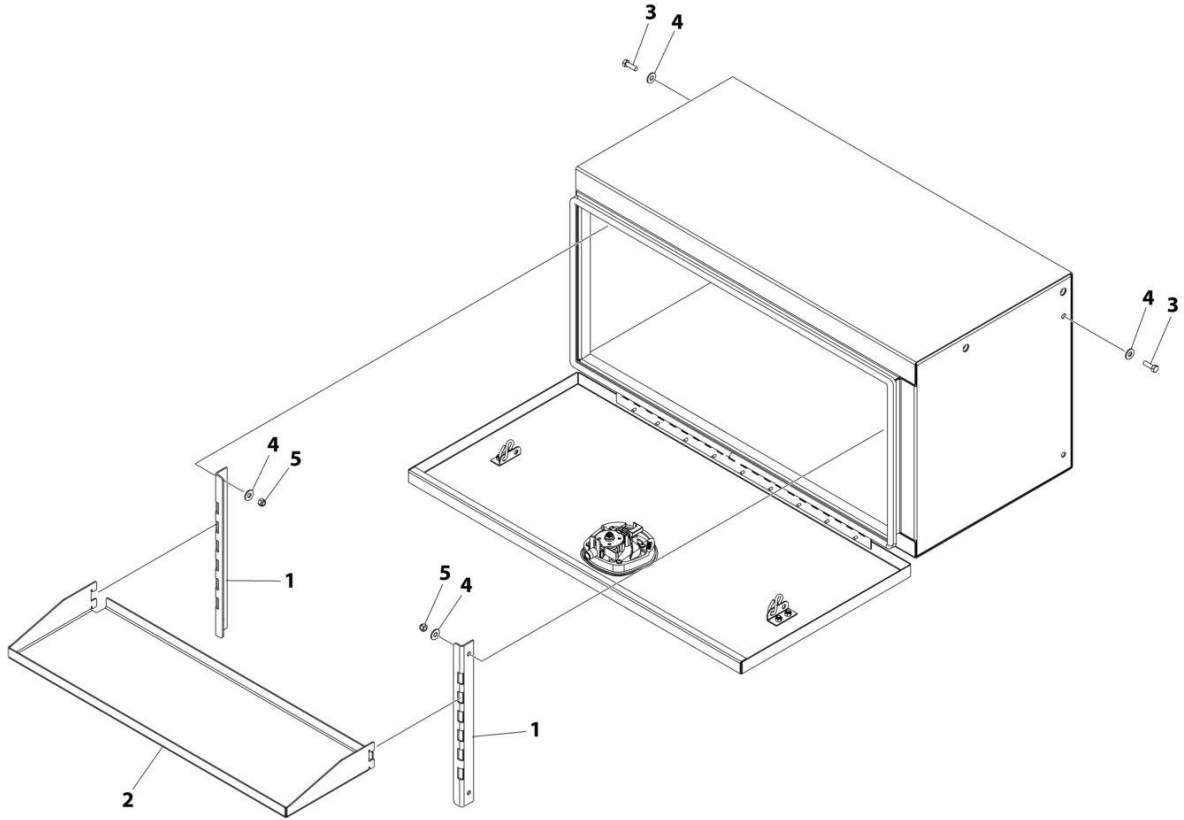
SECTION 1 - SUBFRAME

FIGURE 1-46. TOOL BOX SHELF INSTALLATION - 36IN

ITEM	PART NUMBER	QTY	DESCRIPTION	REV
	2899000059	Ref	TOOL BOX SHELF, 36IN	B
1	4017001403	2	Angle	
2	4811000841	1	Sheet	
3	7115150850	4	Capscrew 5/16 x 1	
4	7950150161	8	Washer 5/16	
5	7660152601	4	Nut 5/16	

SECTION 1 - SUBFRAME

FIGURE 1-47. TOOL BOX SHELF INSTALLATION - 48IN



ART_2899000060

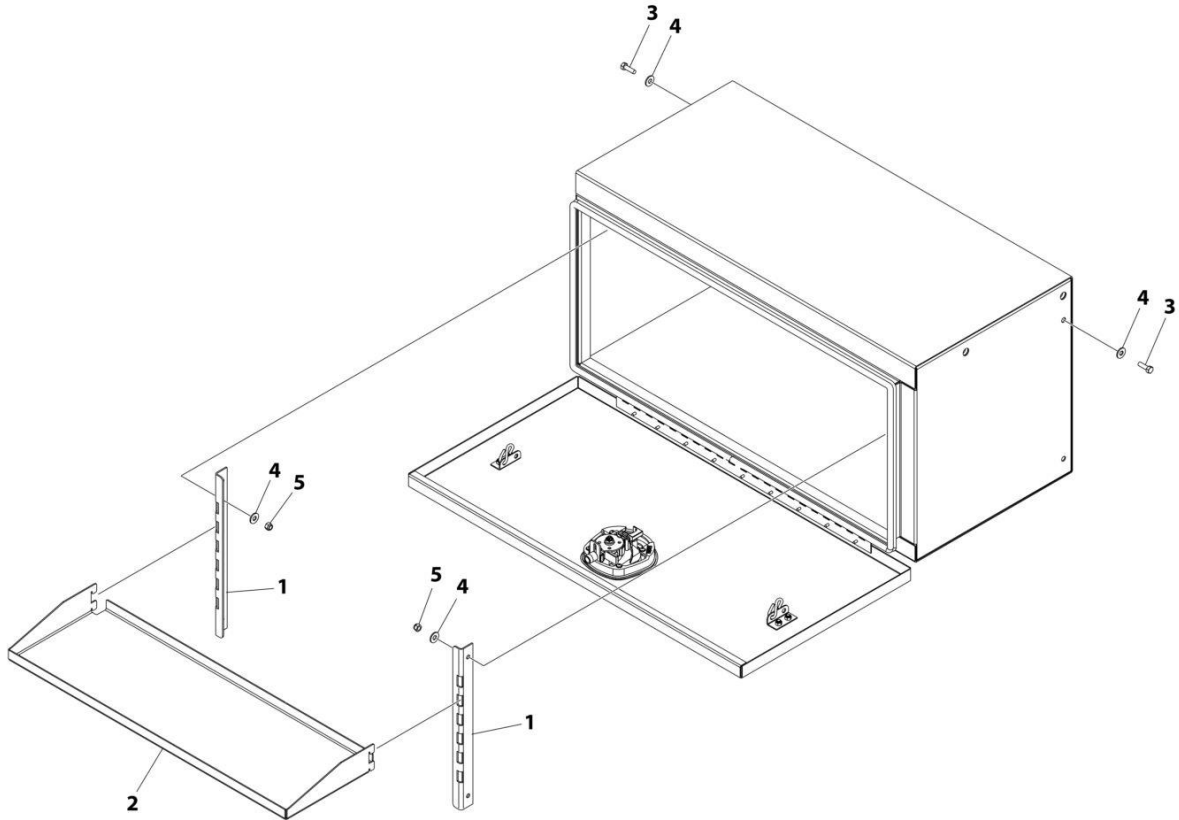
SECTION 1 - SUBFRAME

FIGURE 1-47. TOOL BOX SHELF INSTALLATION - 48IN

ITEM	PART NUMBER	QTY	DESCRIPTION	REV
	2899000060	Ref	TOOL BOX SHELF, 48IN	B
1	4017001403	2	Angle	
2	4811000868	1	Sheet	
3	7115150850	4	Capscrew 5/16 x 1	
4	7950150161	8	Washer 5/16	
5	7660152601	4	Nut 5/16	

SECTION 1 - SUBFRAME

FIGURE 1-48. TOOL BOX SHELF INSTALLATION - 60IN



ART_289900061

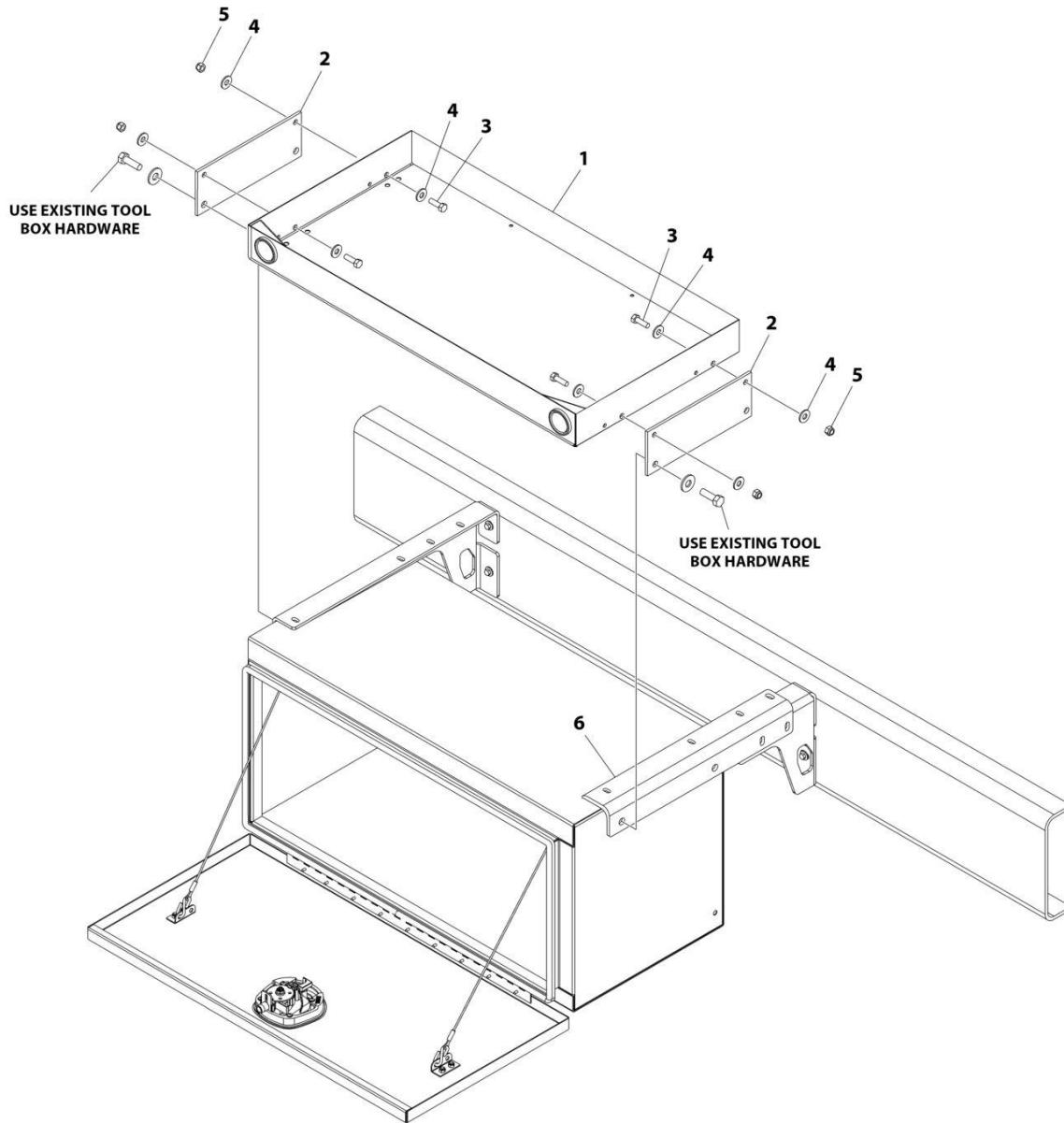
SECTION 1 - SUBFRAME

FIGURE 1-48. TOOL BOX SHELF INSTALLATION - 60IN

ITEM	PART NUMBER	QTY	DESCRIPTION	REV
	2899000061	Ref	TOOL BOX SHELF, 60IN	B
1	4017001403	2	Angle	
2	4811000868	1	Sheet	
3	7115150850	4	Capscrew 5/16 x 1	
4	7950150161	8	Washer 5/16	
5	7660152601	4	Nut 5/16	

SECTION 1 - SUBFRAME

FIGURE 1-49. TOOLBOX TOP STORAGE TRAY - 36IN



ART_2002000048

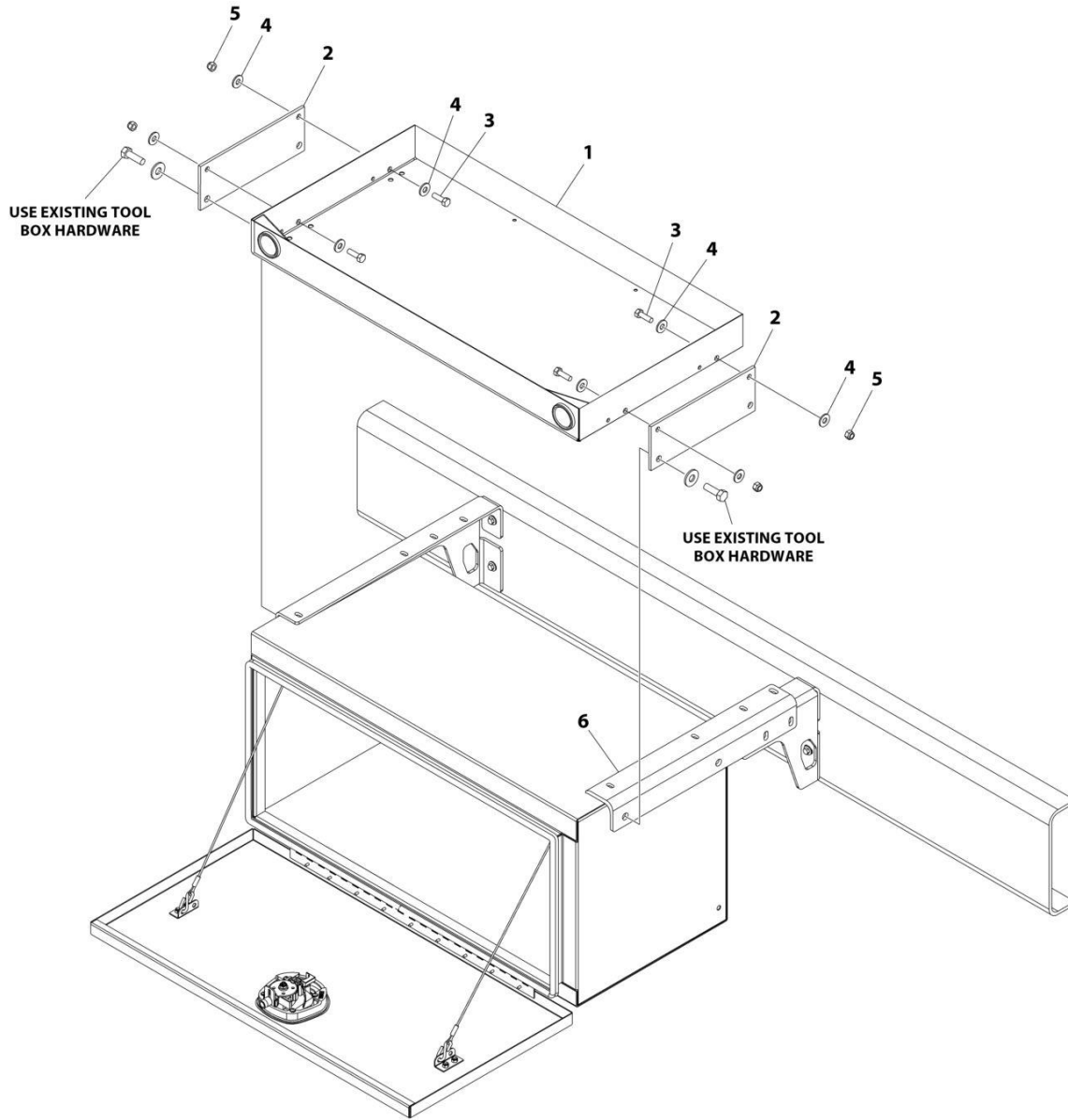
SECTION 1 - SUBFRAME

FIGURE 1-49. TOOLBOX TOP STORAGE TRAY - 36IN

ITEM	PART NUMBER	QTY	DESCRIPTION	REV
	2002000048	Ref	TOOL BOX TOP STORAGE TRAY, 36IN	B
1	3811000053	1	Sheet Weldment	
2	4706006216	1	Plate	
3	7115160950	4	Bolt 3/8 x 1-1/8	
4	7950150161	8	Washer 5/16	
5	7660162601	4	Nut 3/8	
6	1001155975	1	Bracket	

SECTION 1 - SUBFRAME

FIGURE 1-50. TOOLBOX TOP STORAGE TRAY - 48IN



ART_200200049

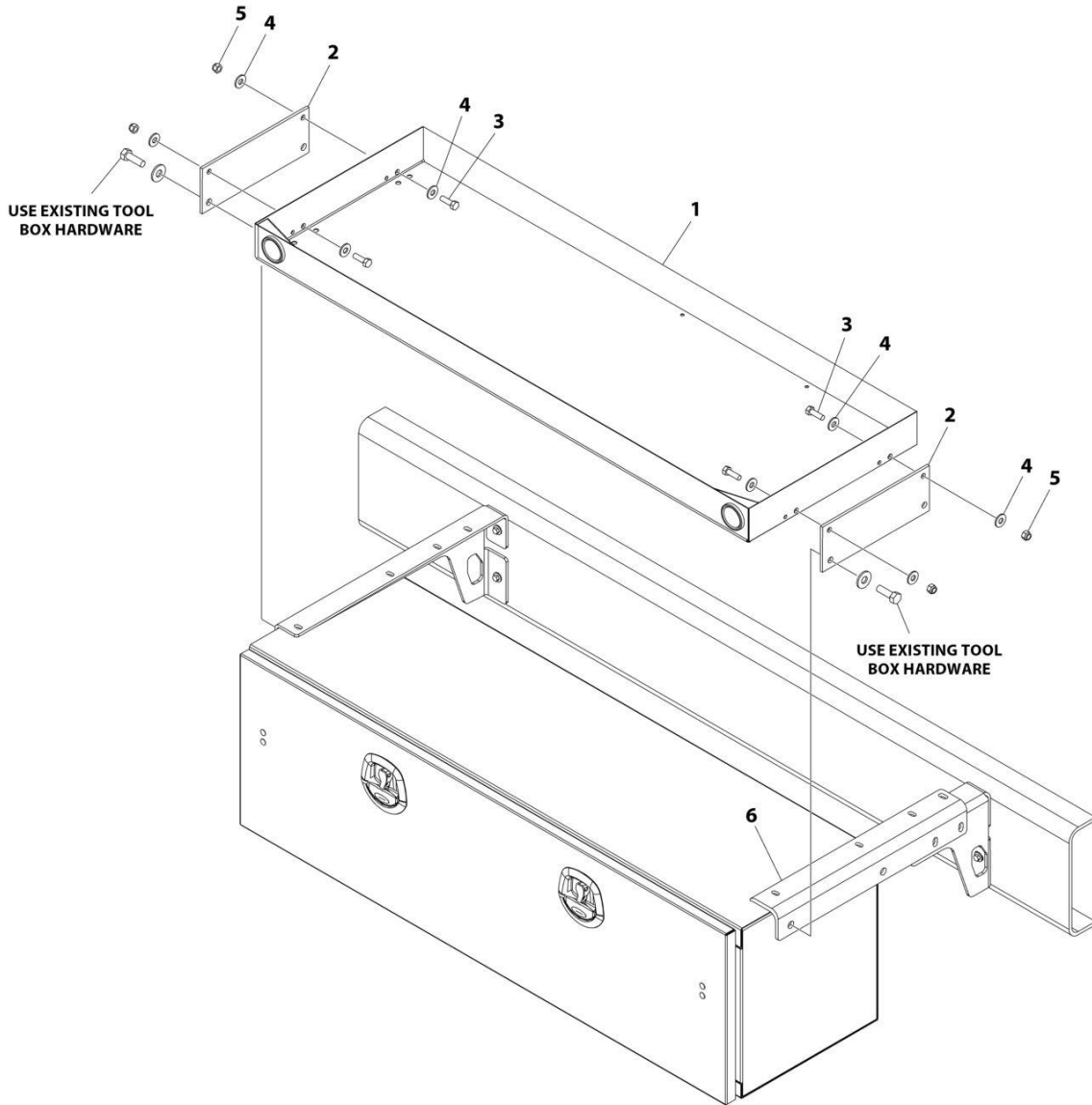
SECTION 1 - SUBFRAME

FIGURE 1-50. TOOLBOX TOP STORAGE TRAY - 48IN

ITEM	PART NUMBER	QTY	DESCRIPTION	REV
	2002000049	Ref	TOOL BOX TOP STORAGE TRAY, 48IN	B
1	3811000054	1	Sheet Weldment	
2	4706006216	2	Plate	
3	7115160950	1	Bolt 3/8 x 1-1/8	
4	7950150161	8	Washer 5/16	
5	7660162601	4	Nut 3/8	
6	1001155975	1	Bracket	

SECTION 1 - SUBFRAME

FIGURE 1-51. TOOLBOX TOP STORAGE TRAY - 60IN



ART_2002000050

SECTION 1 - SUBFRAME

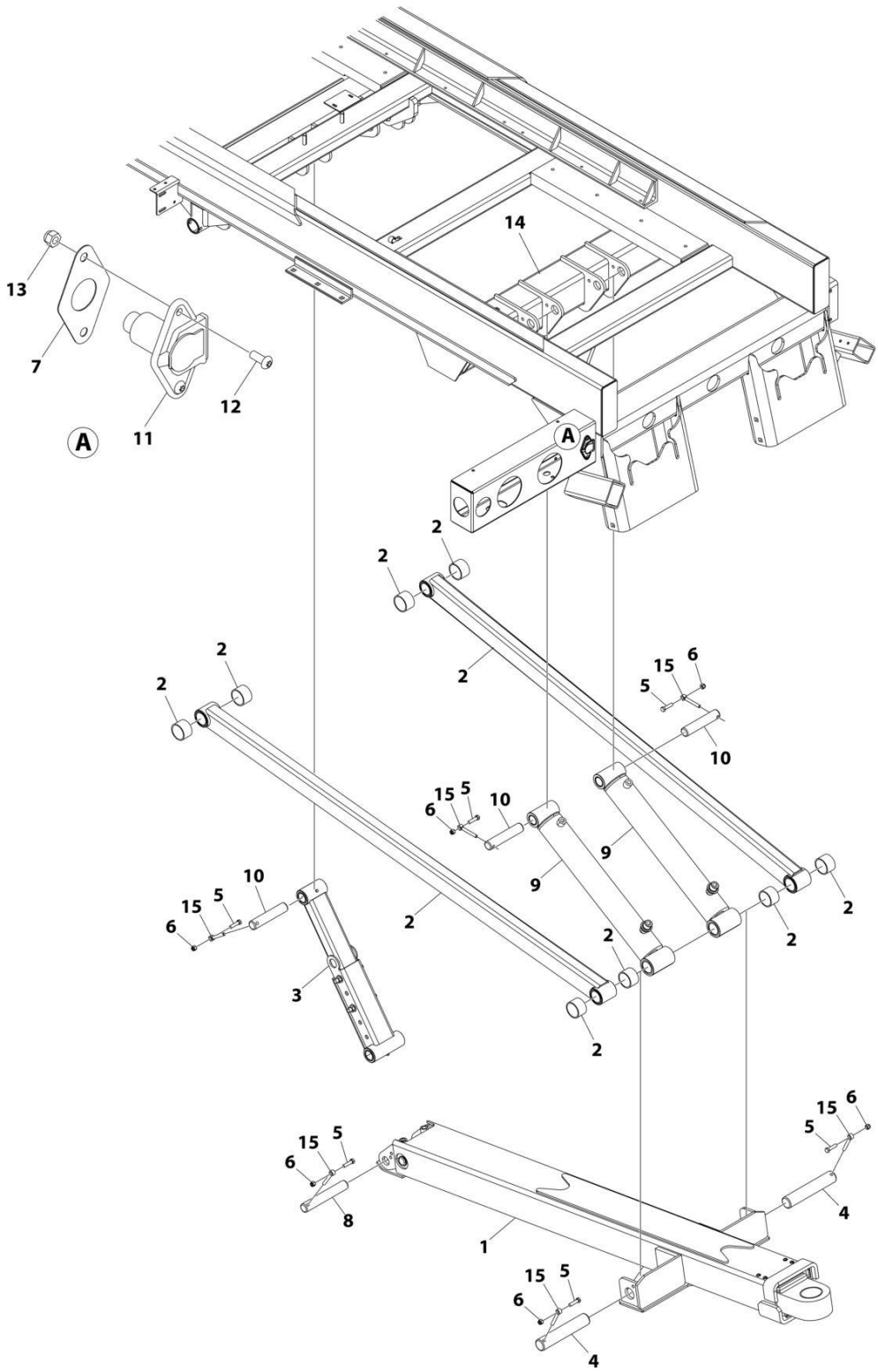
FIGURE 1-51. TOOLBOX TOP STORAGE TRAY - 60IN

ITEM	PART NUMBER	QTY	DESCRIPTION	REV
	2002000050	Ref	TOOL BOX TOP STORAGE TRAY, 60IN	B
1	3811000055	1	Sheet	
2	4706006216	2	Plate	
3	7115160950	4	Bolt 3/8 x 1-1/8	
4	7950150161	8	Washer 5/16	
5	7660162601	4	Nut 3/8	
6	1001155975	1	Bracket	

SECTION 2 - WHEEL LIFT

SECTION 2 - WHEEL LIFT

FIGURE 2-1. WHEEL LIFT BOOM INSTALLATION (3000 LBS)



ART_1001159079

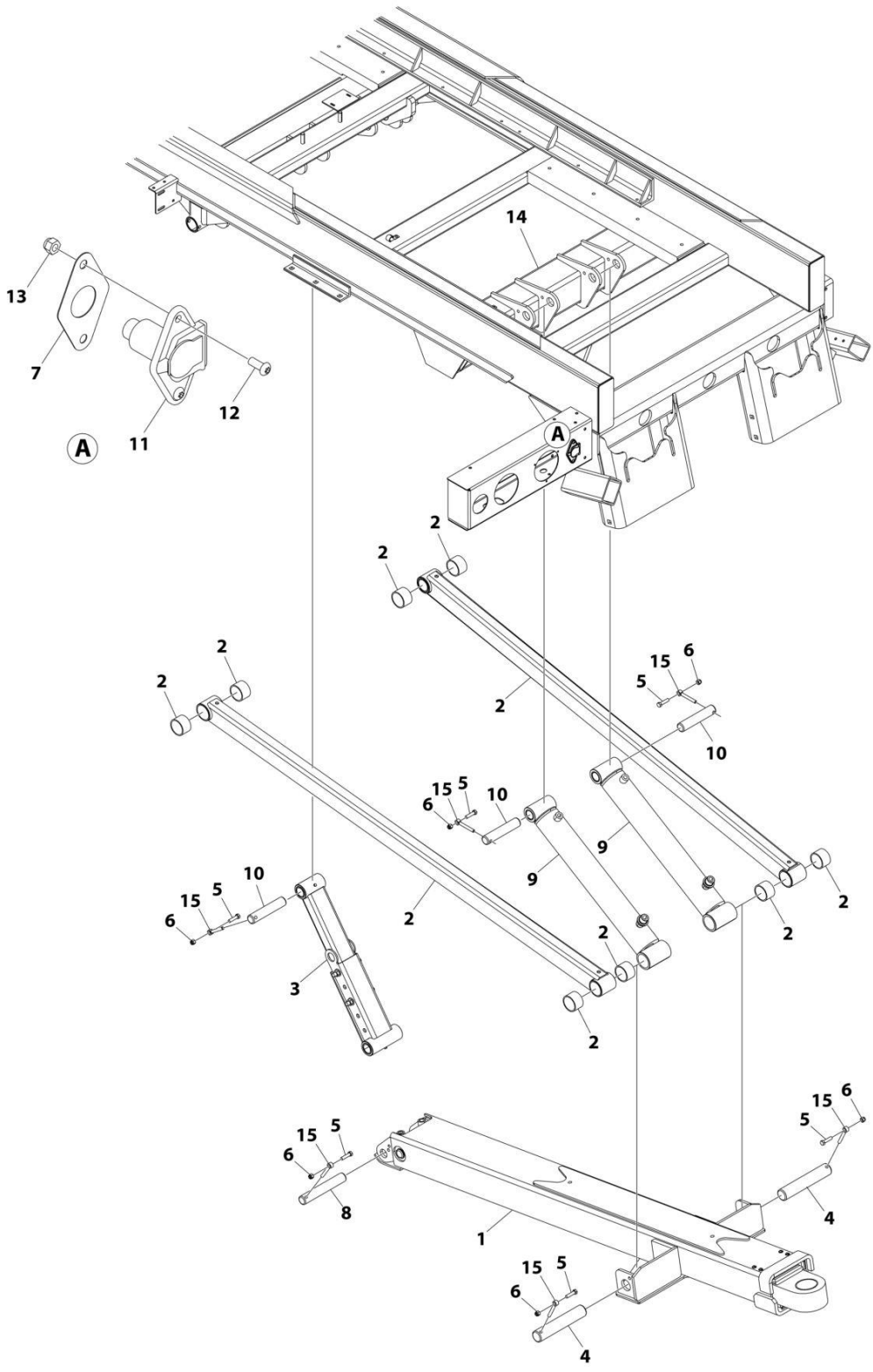
SECTION 2 - WHEEL LIFT

FIGURE 2-1. WHEEL LIFT BOOM INSTALLATION (3000 LBS)

ITEM	PART NUMBER	QTY	DESCRIPTION	REV
	1001159079	Ref	WHEEL LIFT INSTALLATION (3000 LBS - MANUAL L-ARMS)	C
1	1001158867	1	Wheel Lift Assembly (See Separate Breakdown in this Section)	
2	3020000105	2	Arm Assembly	
2	7082000019	4	Bushing 2IN OD x 1.75IN ID	
2	7082000018	4	Bushing 1.88IN OD x 1.63IN ID	
3	3592000039	1	Link Assembly	
3	3592000058	1	Tube, Outer	
3	3592000041	1	Tube, Inner	
4	1001188132	2	Pin	
5	0641612	6	Bolt 3/8 x 1-1/2	
6	3300492	6	Nut 3/8	
7	7796000048	1	Gasket	
8	1001188133	1	Pin	
9	1001167767	2	Cylinder Assembly (See Separate Breakdown in this Section)	
10	1001188129	3	Pin	
11	7291000010	1	Receptacle with Connector	
12	7114140528	2	Screw 1/4 x 5/8	
13	7660142601	2	Nut 1/4	
14	3316000047	1	Crossmember, Rear	
15	3841143	6	Keeper, Pin	

SECTION 2 - WHEEL LIFT

FIGURE 2-2. WHEEL LIFT BOOM INSTALLATION (3000 LBS - GALVANIZED)



ART_1001159080

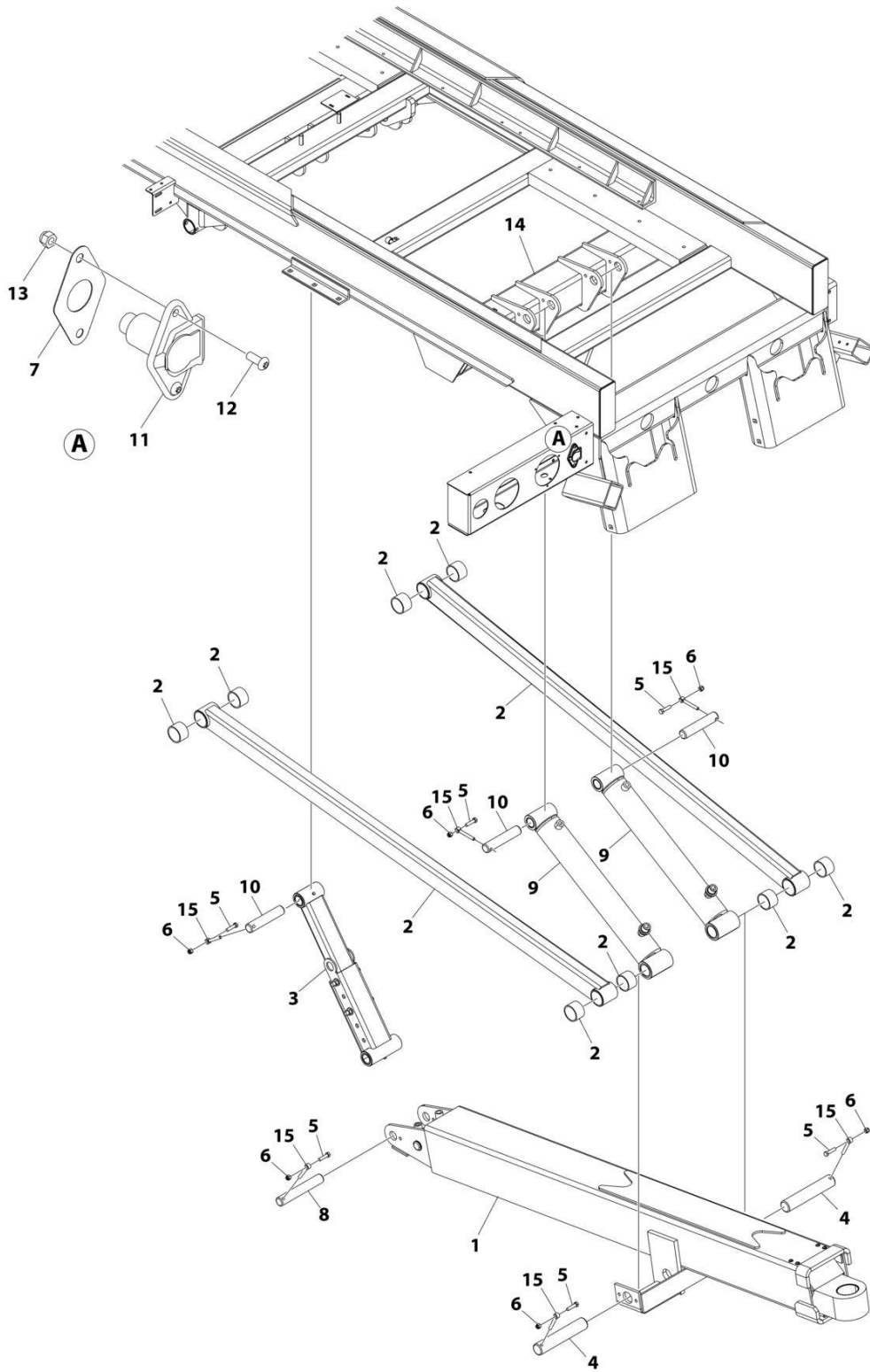
SECTION 2 - WHEEL LIFT

FIGURE 2-2. WHEEL LIFT BOOM INSTALLATION (3000 LBS - GALVANIZED)

ITEM	PART NUMBER	QTY	DESCRIPTION	REV
	1001159080	Ref	WHEEL LIFT INSTALLATION (3000 LBS - MANUAL L-ARMS) (GALVANIZED)	C
1	1001158868	1	Wheel Lift Assembly (See Separate Breakdown in this Section)	
2	1001136435	2	Arm Assembly	
2	7082000019	4	Bushing 2IN OD x 1.75IN ID	
2	7082000018	4	Bushing 1.88IN OD x 1.63IN ID	
3	1001136430	1	Link Assembly	
3	3592000060	1	Tube, Outer	
3	1001136427	1	Tube, Inner	
4	1001188132	2	Pin	
5	0641612	6	Bolt 3/8 x 1-1/2	
6	3300492	6	Nut 3/8	
7	7796000048	1	Gasket	
8	1001188133	1	Pin	
9	1001167767	2	Cylinder Assembly (See Separate Breakdown in this Section)	
10	1001188129	3	Pin	
11	7291000010	1	Receptacle with Connector	
12	7114140528	2	Screw 1/4 x 5/8	
13	7660142601	2	Nut 1/4	
14	3316000052	1	Crossmember, Rear	
15	3841143	6	Keeper, Pin	

SECTION 2 - WHEEL LIFT

FIGURE 2-3. WHEEL LIFT BOOM INSTALLATION (4000 LBS)



ART_1001159081

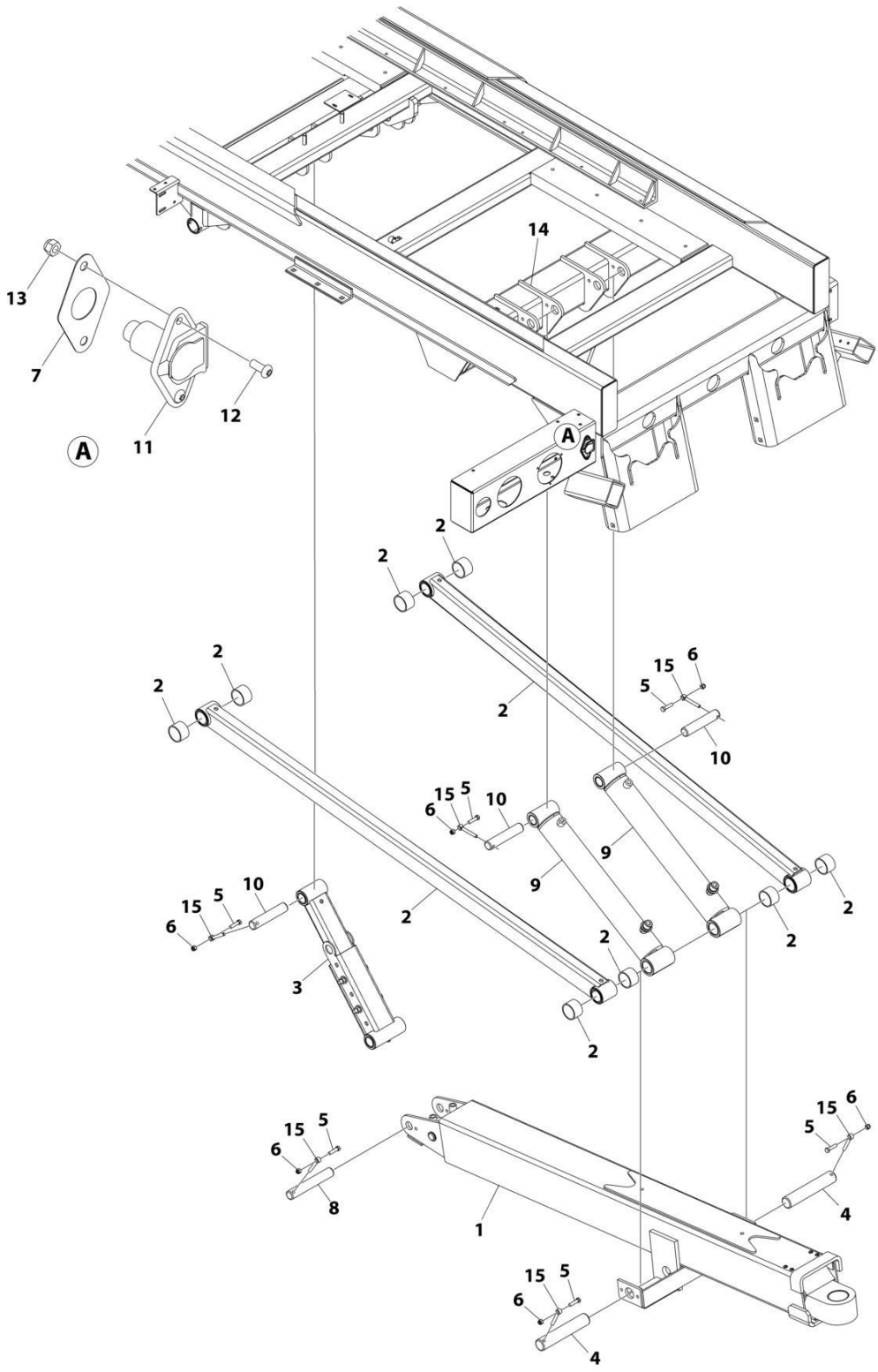
SECTION 2 - WHEEL LIFT

FIGURE 2-3. WHEEL LIFT BOOM INSTALLATION (4000 LBS)

ITEM	PART NUMBER	QTY	DESCRIPTION	REV
	1001159081	Ref	WHEEL LIFT INSTALLATION (4000 LBS - MANUAL L-ARMS)	D
1	1001158870	1	Wheel Lift Assembly (See Separate Breakdown in this Section)	
2	3020000106	2	Arm Assembly	
4	7082000019	4	Bushing 2IN OD x 1.75IN ID	
4	7082000018	4	Bushing 1.88IN OD x 1.63IN ID	
3	1001136430	1	Link Assembly	
3	3592000060	1	Tube, Outer	
3	1001136427	1	Tube, Inner	
4	1001188132	2	Pin	
5	0641612	6	Bolt 3/8 x 1-1/2	
6	3300492	6	Nut 3/8	
7	7796000048	1	Gasket	
8	1001188133	1	Pin	
9	1001167766	2	Cylinder Assembly (See Separate Breakdown in this Section)	
10	1001188129	3	Pin	
11	7291000010	1	Receptacle with Connector	
12	7114140528	2	Screw 1/4 x 5/8	
13	7660142601	2	Nut 1/4	
14	3316000047	1	Crossmember, Rear	
15	3841143	6	Keeper, Pin	

SECTION 2 - WHEEL LIFT

FIGURE 2-4. WHEEL LIFT BOOM INSTALLATION (4000 LBS - GALVANIZED)



ART_1001159082

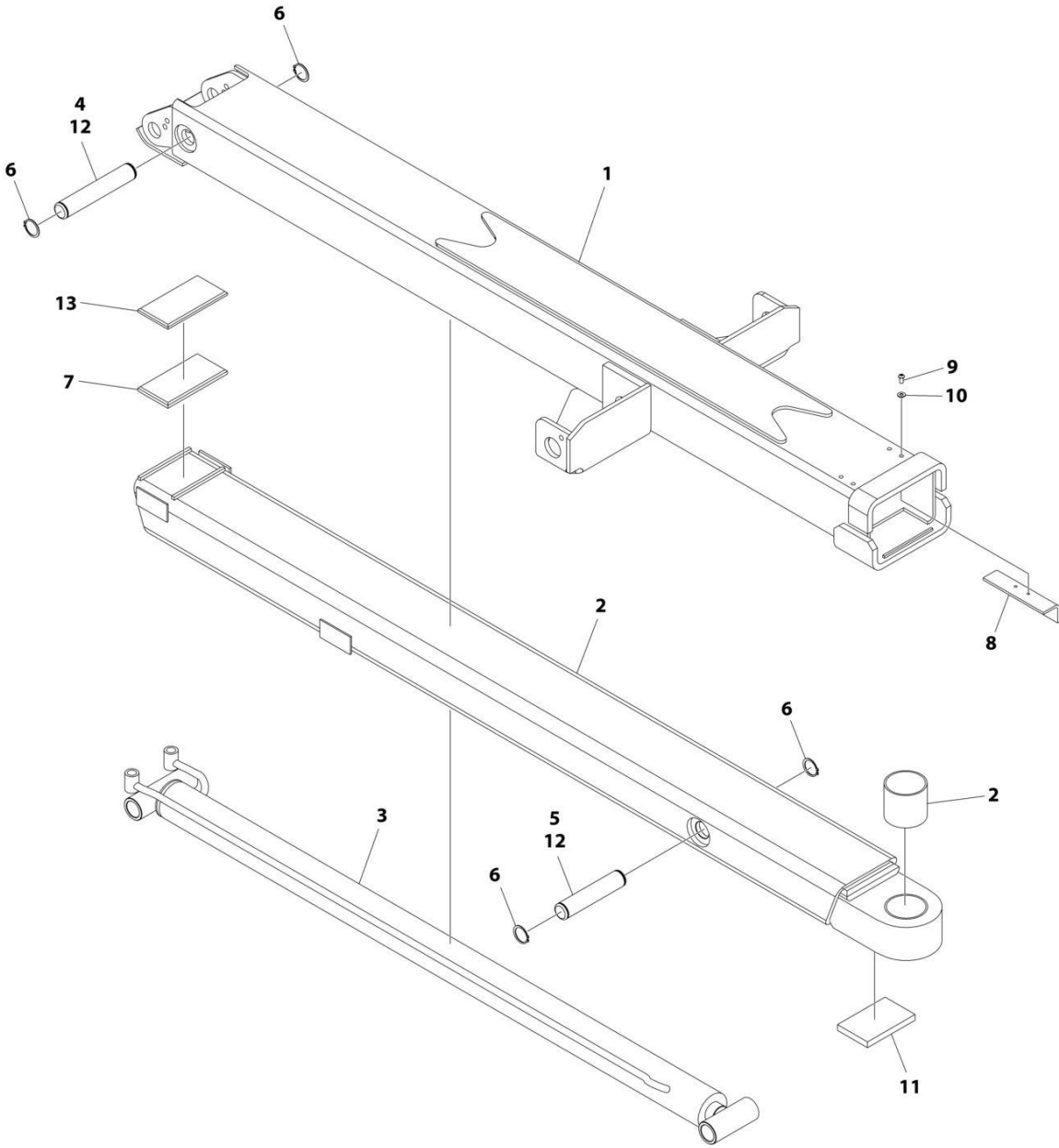
SECTION 2 - WHEEL LIFT

FIGURE 2-4. WHEEL LIFT BOOM INSTALLATION (4000 LBS - GALVANIZED)

ITEM	PART NUMBER	QTY	DESCRIPTION	REV
	1001159082	Ref	WHEEL LIFT INSTALLATION (4000 LBS - MANUAL L-ARMS) (GALVANIZED)	D
1	1001158869	1	Wheel Lift Assembly (See Separate Breakdown in this Section)	
2	1001136147	2	Arm Assembly	
2	7082000019	4	Bushing 2IN OD x 1.75IN ID	
2	7082000018	4	Bushing 1.88IN OD x 1.63IN ID	
3	3592000066	1	Link Assembly	
3	1001300517	1	Tube, Outer	
3	3592000065	1	Tube, Inner	
4	1001188132	2	Pin	
5	0641612	6	Bolt 3/8 x 1-1/2	
6	3300492	6	Nut 3/8	
7	7796000048	1	Gasket	
8	1001188133	1	Pin	
9	1001167766	2	Cylinder Assembly (See Separate Breakdown in this Section)	
10	1001188129	3	Pin	
11	7291000010	1	Receptacle with Connector	
12	7114140528	2	Screw 1/4 x 5/8	
13	7660142601	2	Nut 1/4	
14	3316000047	1	Crossmember, Rear	
15	3841143	6	Keeper, Pin	

SECTION 2 - WHEEL LIFT

FIGURE 2-5. WHEEL LIFT ASSEMBLY (3000 LBS)



ART_1001158867

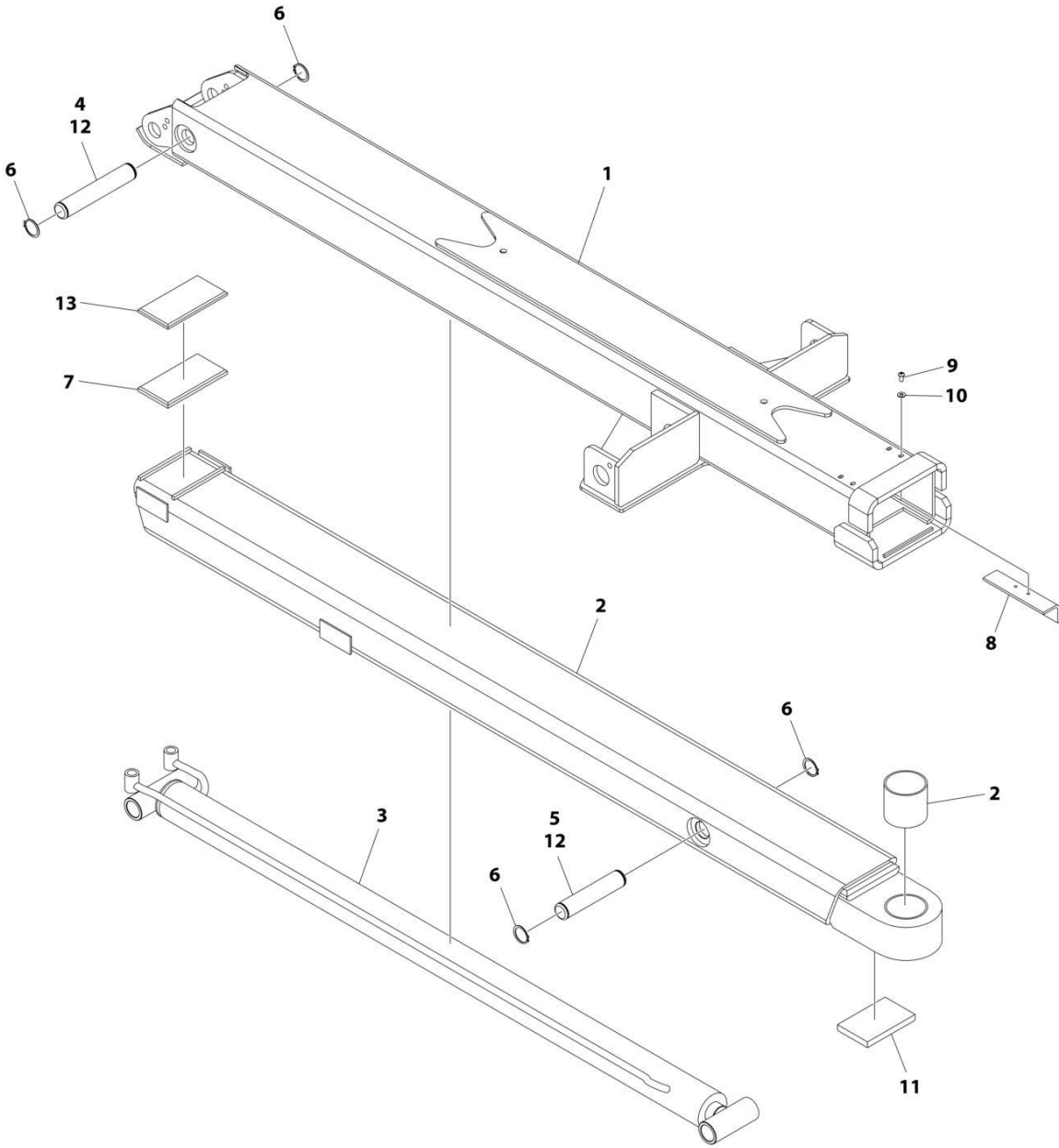
SECTION 2 - WHEEL LIFT

FIGURE 2-5. WHEEL LIFT ASSEMBLY (3000 LBS)

ITEM	PART NUMBER	QTY	DESCRIPTION	REV
	1001158867	Ref	WHEEL LIFT ASSEMBLY (3000 LBS - MANUAL L-ARMS)	D
1	3170000162	1	Boom Weldment	
2	1001158626	1	Tube Weldment	
2	7209000030	1	Bushing	
3	1001166858	1	Cylinder Assembly - Extend/Retract (See Separate Breakdown in this Section)	
4	4691000296	1	Pin	
5	4691000268	1	Pin	
6	3760133	4	Ring, Retaining	
7	4679000046	1	Pad	
8	4017000739	2	Angle	
9	7118140418	4	Capscrew 1/4 x 1/2	
10	4751300	4	Washer 3/16	
11	4679000211	1	Pad	
12	3020039	AR	Lubricant	
13	1001291152	AR	Pad	

SECTION 2 - WHEEL LIFT

FIGURE 2-6. WHEEL LIFT ASSEMBLY (3000 LBS - GALVANIZED)



ART_1001158868

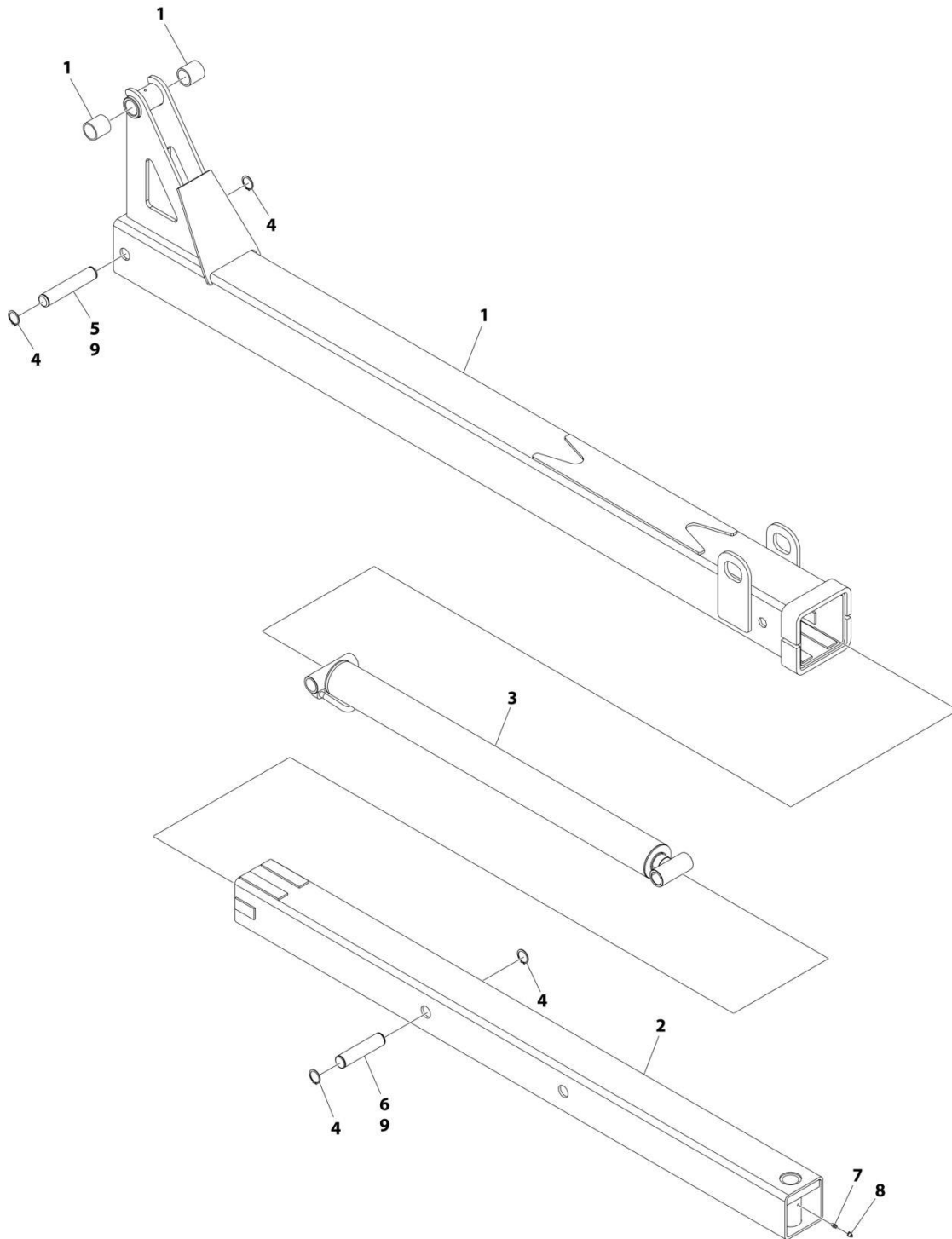
SECTION 2 - WHEEL LIFT

FIGURE 2-6. WHEEL LIFT ASSEMBLY (3000 LBS - GALVANIZED)

ITEM	PART NUMBER	QTY	DESCRIPTION	REV
	1001158868	Ref	WHEEL LIFT ASSEMBLY (3000 LBS - MANUAL L-ARMS) (GALVANIZED)	E
1	3170000504	1	Boom Weldment	
2	1001158626	1	Tube Weldment	
2	7209000030	1	Bushing	
3	1001166858	1	Cylinder Assembly - Extend/Retract (See Separate Breakdown in this Section)	
4	4691000296	1	Pin	
5	4691000268	1	Pin	
6	3760133	4	Ring, Retaining	
7	4679000046	1	Pad	
8	4017000739	2	Angle	
9	7118140418	4	Capscrew 1/4 x 1/2	
10	4751300	4	Washer 3/16	
11	4679000211	1	Pad	
12	3020039	AR	Lubricant	
13	1001291152	AR	Pad	

SECTION 2 - WHEEL LIFT

FIGURE 2-7. WHEEL LIFT ASSEMBLY (3500 LBS)



ART_3170000306

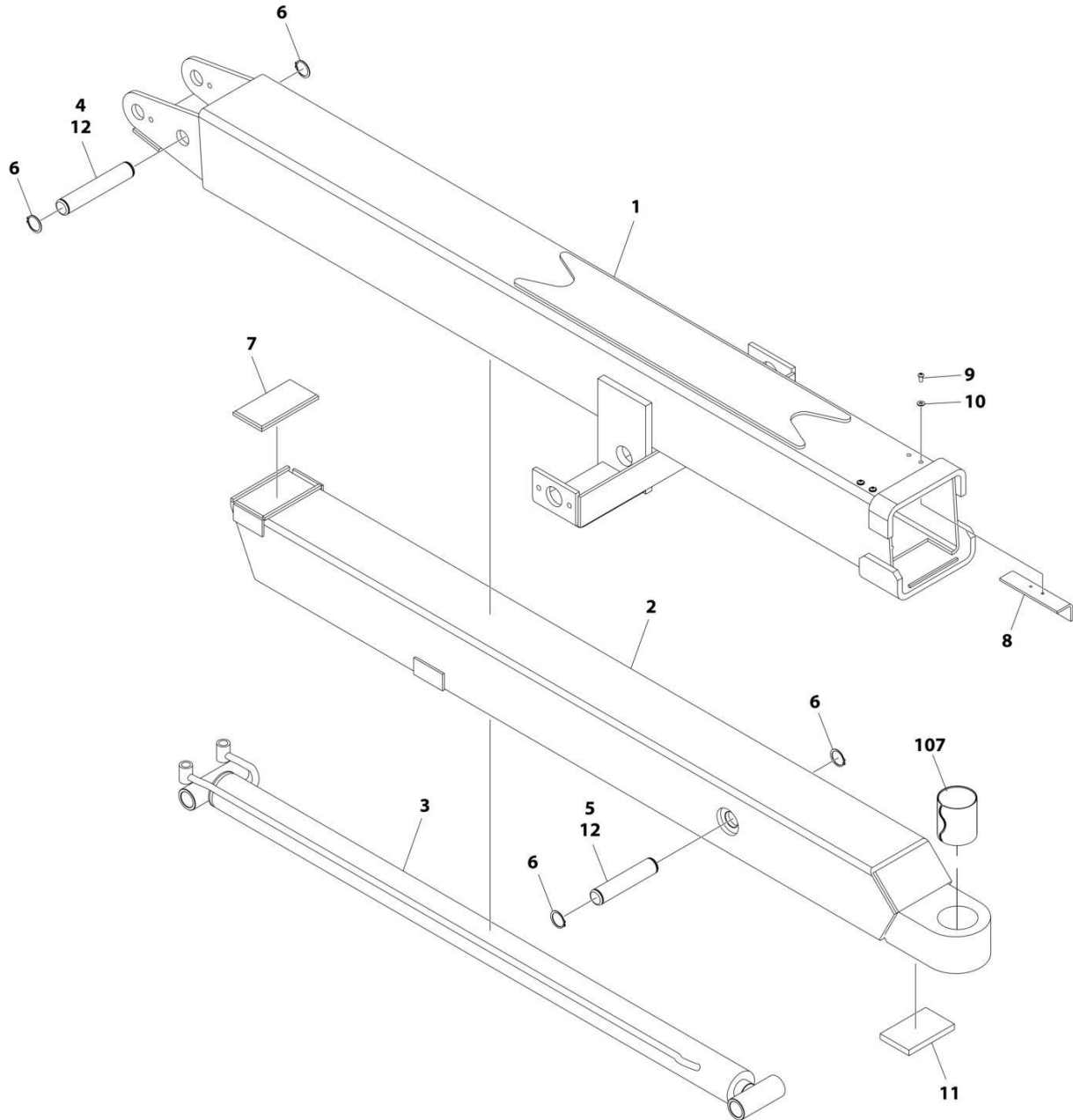
SECTION 2 - WHEEL LIFT

FIGURE 2-7. WHEEL LIFT ASSEMBLY (3500 LBS)

ITEM	PART NUMBER	QTY	DESCRIPTION	REV
	3170000306	Ref	WHEEL LIFT ASSEMBLY (3500 LBS - TOWBAR)	C
1	3170000314	1	Boom, Outer	
1	7082000016	2	Bushing	
2	3170000048	1	Boom, Inner	
3	1001183327	1	Cylinder Assembly - Extend/Retract (See Separate Breakdown in this Section)	
4	3760133	4	Ring, Retaining	
5	4691000430	1	Pin	
6	4691000429	1	Pin	
7	88671008	1	Fitting, Grease	
8	7253000002	1	Cap, Grease Fitting	
9	3020039	AR	Lubricant	

SECTION 2 - WHEEL LIFT

FIGURE 2-8. WHEEL LIFT ASSEMBLY (4000 LBS)



ART_1001158870

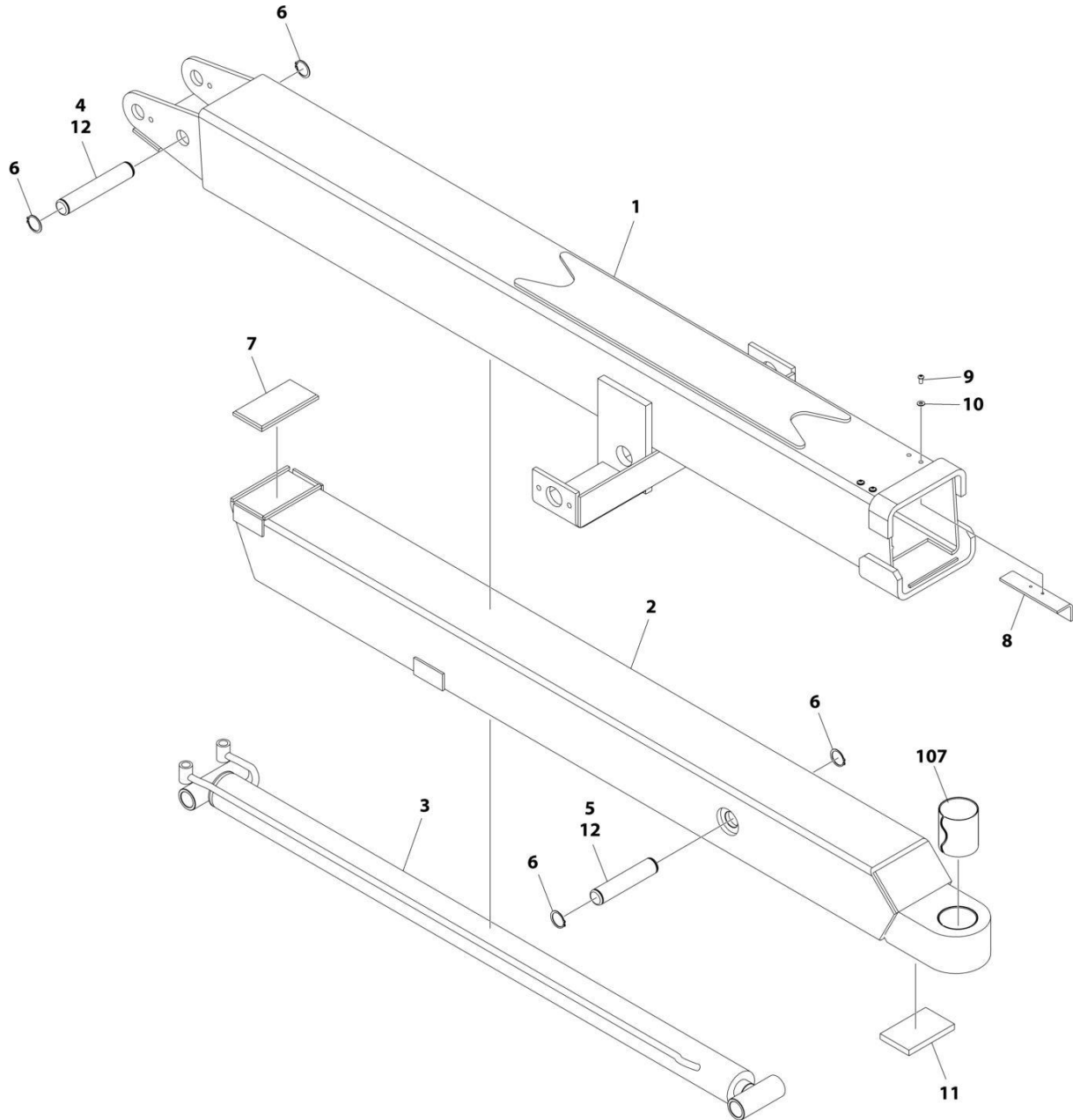
SECTION 2 - WHEEL LIFT

FIGURE 2-8. WHEEL LIFT ASSEMBLY (4000 LBS)

ITEM	PART NUMBER	QTY	DESCRIPTION	REV
	1001158870	Ref	Boom Assembly, 4000 lbs	B
1	3170000163	1	Boom, Outer	
2	1001158876	1	Boom, Inner	
3	1001166858	1	Wheel Lift Boom Extend/Retract Cylinder Assembly (See Separate Breakdown in this Section)	
4	4691000296	1	Pin	
5	4691000268	1	Pin	
6	3760133	4	Ring	
7	4679000046	1	Pad	
8	4017000739	2	Angle	
9	7118140418	4	Capscrew 1/4 x 1/2	
10	4751300	4	Washer 3/16	
11	4679000211	1	Pad	
12	3020039	AR	Lubricant	
107	7209000028	1	Bushing	

SECTION 2 - WHEEL LIFT

FIGURE 2-9. WHEEL LIFT ASSEMBLY (4000 LBS - GALVANIZED)



ART_1001158869

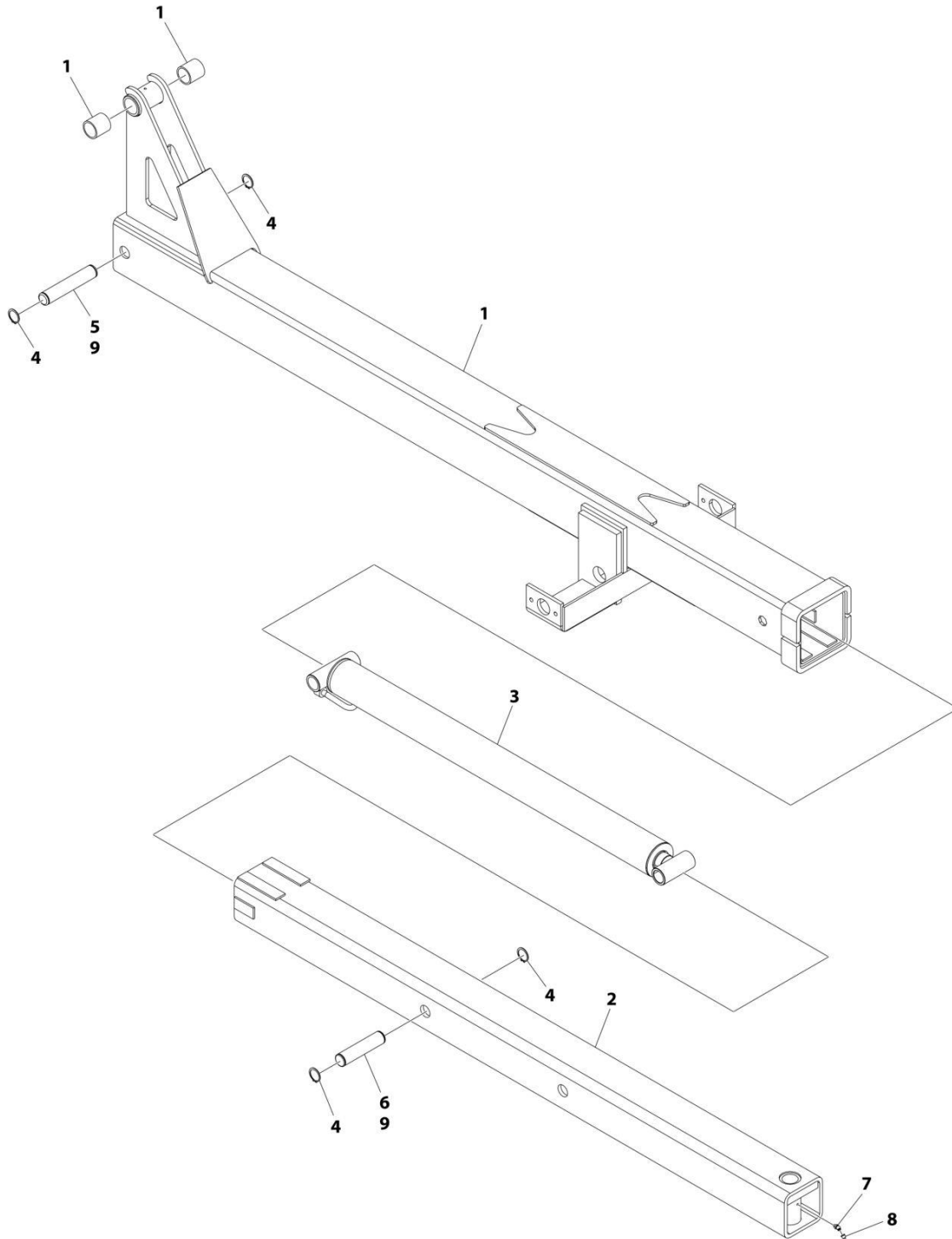
SECTION 2 - WHEEL LIFT

FIGURE 2-9. WHEEL LIFT ASSEMBLY (4000 LBS - GALVANIZED)

ITEM	PART NUMBER	QTY	DESCRIPTION	REV
	1001158869	Ref	Boom Assembly, 4000 lbs Galvanized	B
1	3170000492	1	Boom, Outer	
2	1001158876	1	Boom, Inner	
3	1001166858	1	Wheel Lift Boom Extend/Retract Cylinder Assembly (See Separate Breakdown in this Section)	
4	4691000296	1	Pin	
5	4691000268	1	Pin	
6	3760133	4	Ring	
7	4679000046	1	Pad	
8	4017000739	2	Angle	
9	7118140418	4	Capscrew 1/4 x 1/2	
10	4751300	4	Washer 3/16	
11	4679000211	1	Pad	
12	3020039	AR	Lubricant	
107	7209000028	1	Bushing	

SECTION 2 - WHEEL LIFT

FIGURE 2-10. WHEEL LIFT ASSEMBLY (5000 LBS)



ART_3170000305

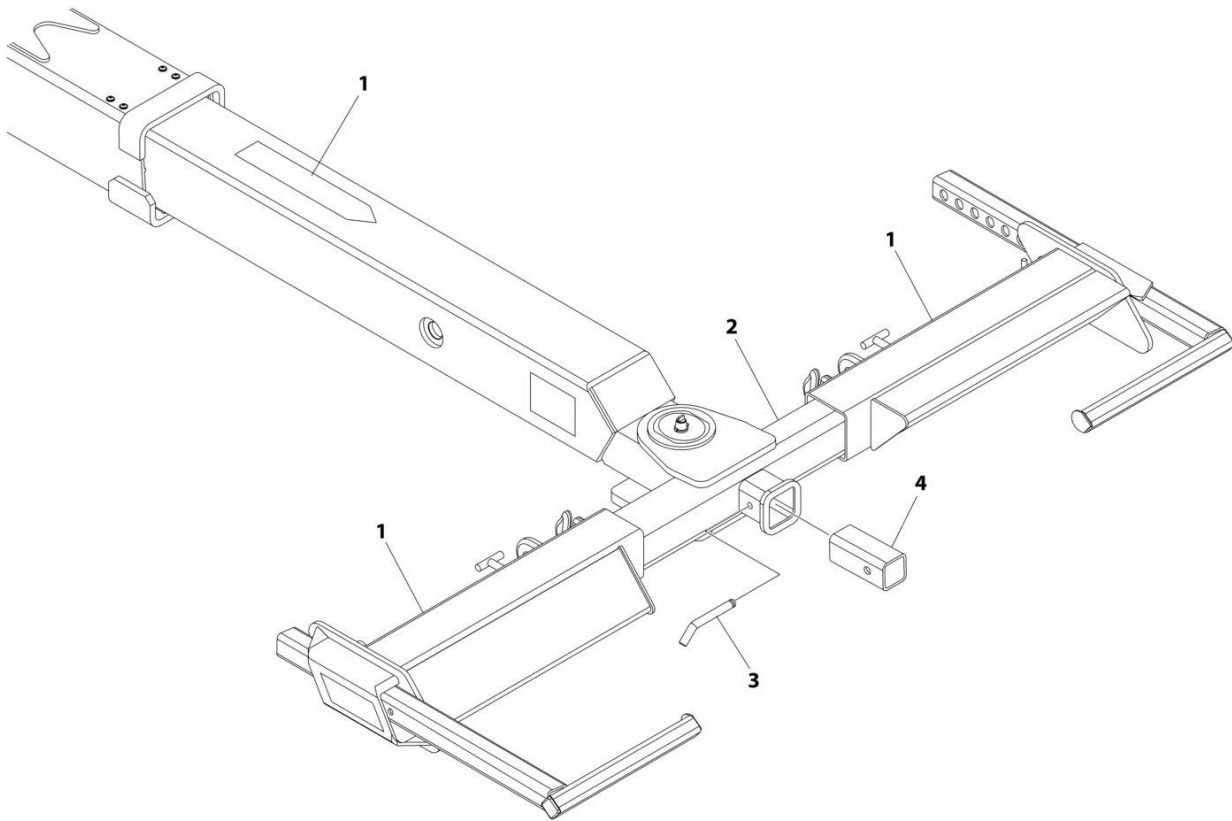
SECTION 2 - WHEEL LIFT

FIGURE 2-10. WHEEL LIFT ASSEMBLY (5000 LBS)

ITEM	PART NUMBER	QTY	DESCRIPTION	REV
	3170000305	Ref	WHEEL LIFT ASSEMBLY (5000 LBS - TOWBAR)	B
1	3170000313	1	Boom, Outer	
1	7082000016	2	Bushing	
2	3170000078	1	Tube, Inner	
3	1001183327	1	Cylinder Assembly - Extend/Retract (See Separate Breakdown in this Section)	
4	3760133	4	Ring, Retaining	
5	4691000430	1	Pin	
6	4691000429	1	Pin	
7	7440030200	1	Fitting, Grease	
8	7253000002	1	Cap, Grease Fitting	
9	3020039	AR	Lubricant	

SECTION 2 - WHEEL LIFT

FIGURE 2-11. WHEEL LIFT GRID - COMPLETE (4000 LBS- FIXED) (2.5IN TOW HITCH)



ART_1001158887

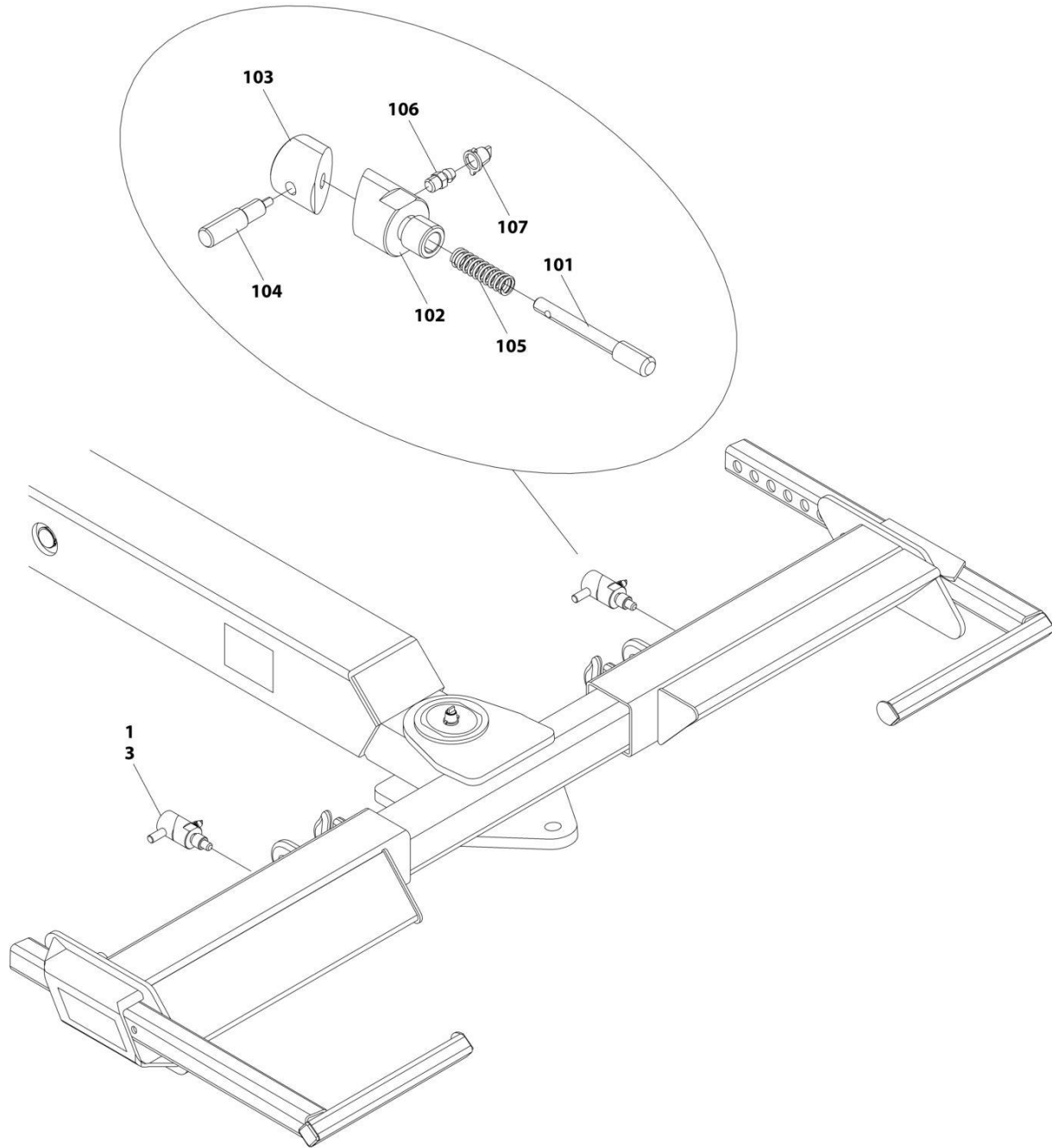
SECTION 2 - WHEEL LIFT

FIGURE 2-11. WHEEL LIFT GRID - COMPLETE (4000 LBS- FIXED) (2.5IN TOW HITCH)

ITEM	PART NUMBER	QTY	DESCRIPTION	REV
	1001158887	Ref	WHEEL LIFT GRID INSTALLATION (4000 LBS - FIXED ARMS) (2.5IN TOW HITCH)	A
1	2484000004	1	L-Arm Grid Installation (See Separate Breakdown in this Section)	
2	1001158678	1	Pivot Tube Installation (2.5 in Tow Hitch) (See Separate Breakdown in this Section)	
3	7691000033	1	Pin	
4	7913000006	1	Tube Reese Reducer	

SECTION 2 - WHEEL LIFT

FIGURE 2-12. CROSSBAR CAM_LOCK INSTALLATION



ART_1001160195

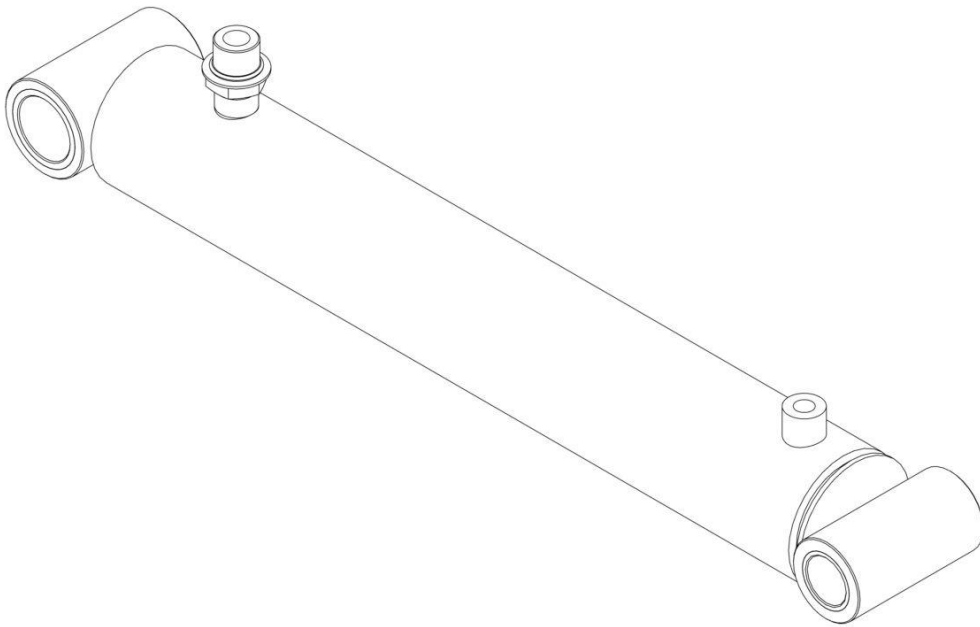
SECTION 2 - WHEEL LIFT

FIGURE 2-12. CROSSBAR CAM_LOCK INSTALLATION

ITEM	PART NUMBER	QTY	DESCRIPTION	REV
	1001160195	Ref	Wheel Lift Crossbar Cam-Lock	A
1	1001153950	2	Cam Lock (includes items 101 through 107)	
3	0100011	AR	Compound Locking	
101	1001153944	2	Pin	
102	1001153945	2	Cam-Lock Tube	
103	1001153946	2	Cam-Lock Cap	
104	1001153947	2	Handle	
105	1001153971	1	Spring	
106	7440030000	2	Fitting, Grease	
107	7253000002	2	Cap, Grease	

SECTION 2 - WHEEL LIFT

FIGURE 2-13. CYLINDER ASSEMBLY - BOOM EXTEND



ART_1001167766

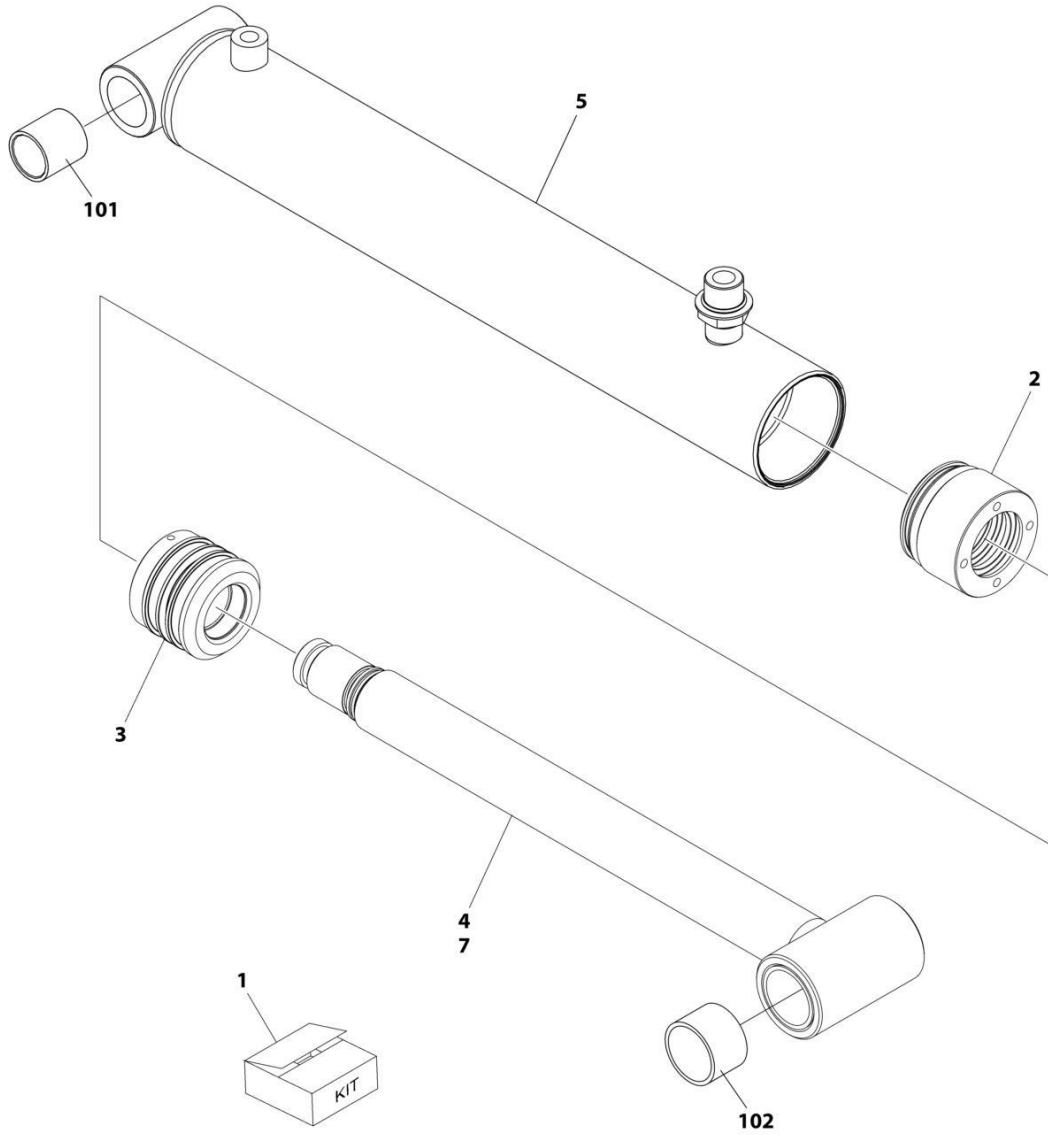
SECTION 2 - WHEEL LIFT

FIGURE 2-13. CYLINDER ASSEMBLY - BOOM EXTEND

ITEM	PART NUMBER	QTY	DESCRIPTION	REV
	1001167766	Ref Ref	Boom Extend Cylinder Assembly, 4000 lbs Note: No Service Parts Available at Time of Printing.	C

SECTION 2 - WHEEL LIFT

FIGURE 2-14. CYLINDER ASSEMBLY - STABILIZER



ART_1001167767

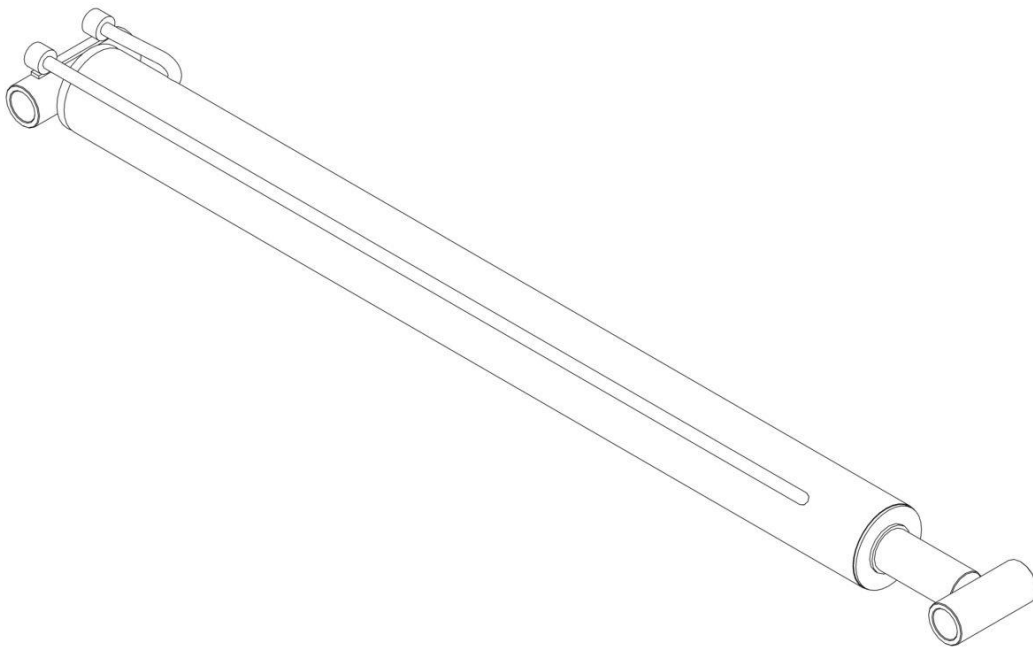
SECTION 2 - WHEEL LIFT

FIGURE 2-14. CYLINDER ASSEMBLY - STABILIZER

ITEM	PART NUMBER	QTY	DESCRIPTION	REV
	1001167767	Ref	Stabilizer Cylinder Assembly	C
1	70051168	1	Kit, Seal	
2	70051172	1	Kit, Head	
3	70051173	1	Kit, Piston	
4	70051388	1	Rod	
5	70051389	1	Barrel	
6	70051390	1	Head Bushing (not shown)	
7	70051391	1	Rod End	
101	7082000016	2	Bearing	
102	7082000018	2	Bearing	

SECTION 2 - WHEEL LIFT

FIGURE 2-15. CYLINDER ASSEMBLY - TOW HITCH EXTEND/RETRACT



ART_1001183327

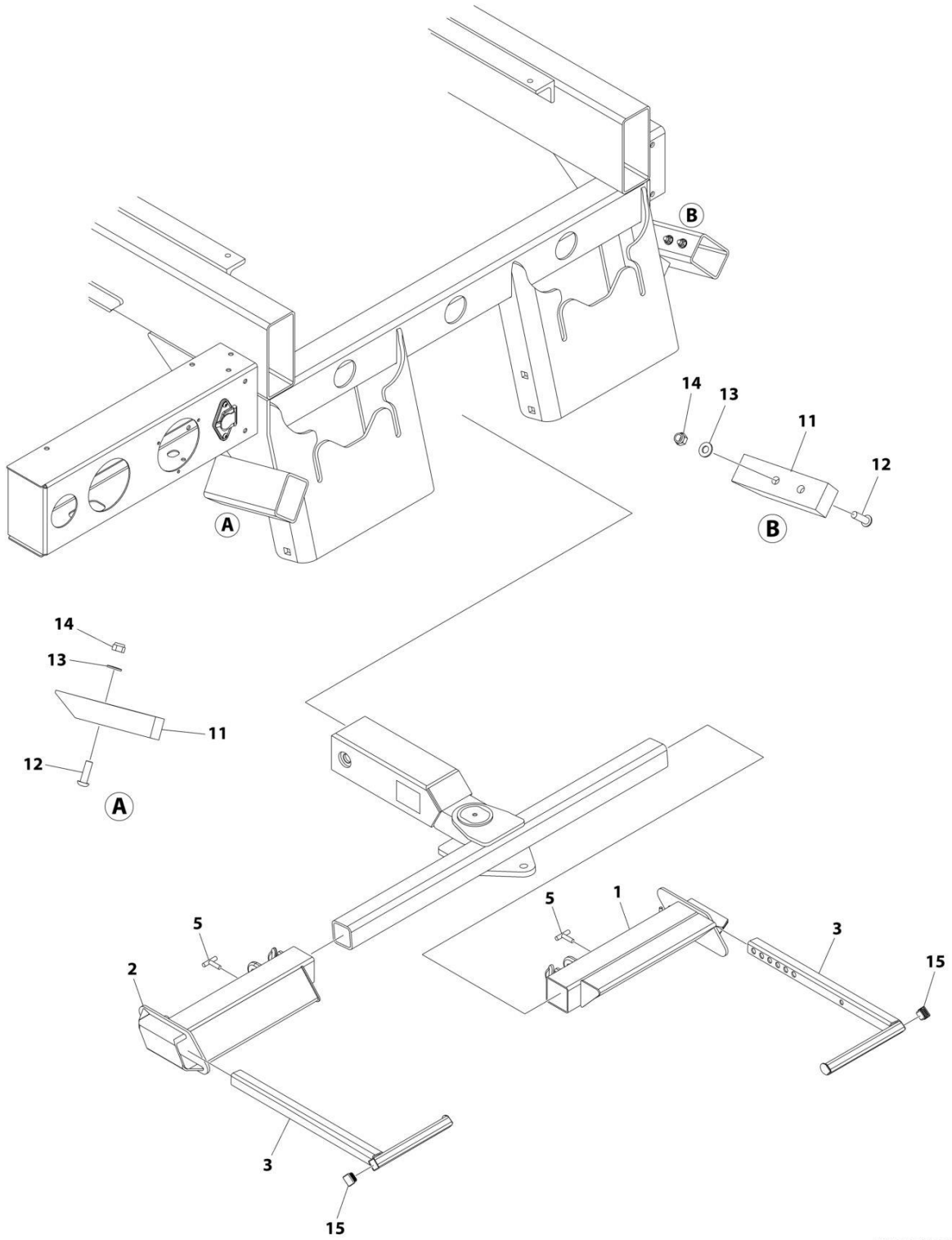
SECTION 2 - WHEEL LIFT

FIGURE 2-15. CYLINDER ASSEMBLY - TOW HITCH EXTEND/RETRACT

ITEM	PART NUMBER	QTY	DESCRIPTION	REV
	1001183327	Ref Ref	TOW HITCH CYLINDER ASSEMBLY – EXTEND/RETRACT Note: No Service Components Available at Time of Printing.	D

SECTION 2 - WHEEL LIFT

FIGURE 2-16. GRID INSTALLATION- L ARM (3000 LBS FIXED ARMS)



ART_248400003

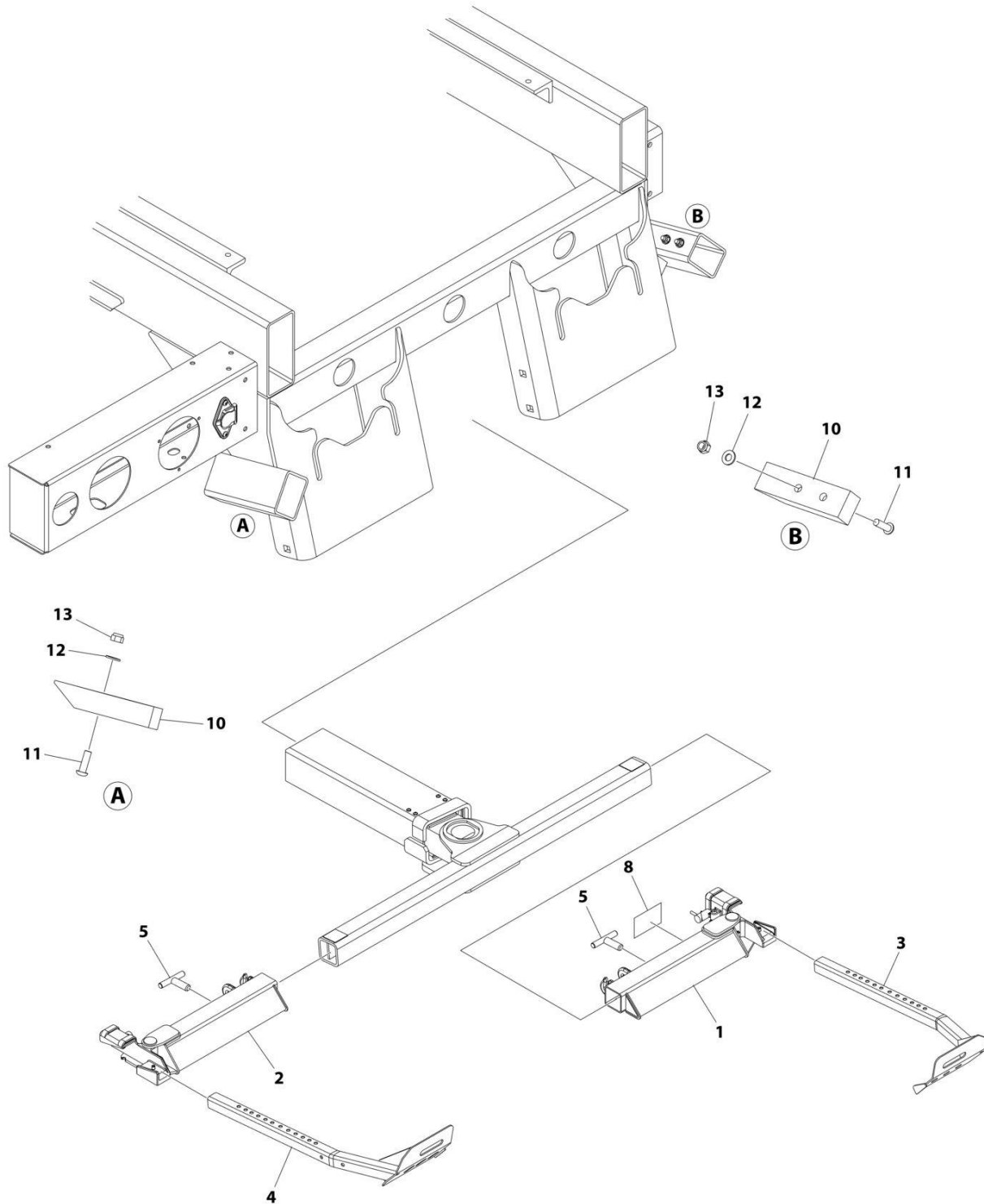
SECTION 2 - WHEEL LIFT

FIGURE 2-16. GRID INSTALLATION- L ARM (3000 LBS FIXED ARMS)

ITEM	PART NUMBER	QTY	DESCRIPTION	REV
	2484000003	Ref	L-ARM GRID INSTALLATION (3000 LBS FIXED ARMS)	G
1	3484000034	1	Grid (RH)	
2	3484000035	1	Grid (LH)	
3	3020000072	2	Arm	
5	3551000036	2	T-Handle	
11	4679000221	2	Pad	
12	7114150818	4	Capscrew 5/16 x1	
13	7950150141	4	Washer 5/16	
14	7660152601	4	Nut 5/16	
15	7701000062	2	Plug	

SECTION 2 - WHEEL LIFT

FIGURE 2-17. GRID INSTALLATION- L ARM (3000 LBS PIVOTING ARMS)



ART_248400005

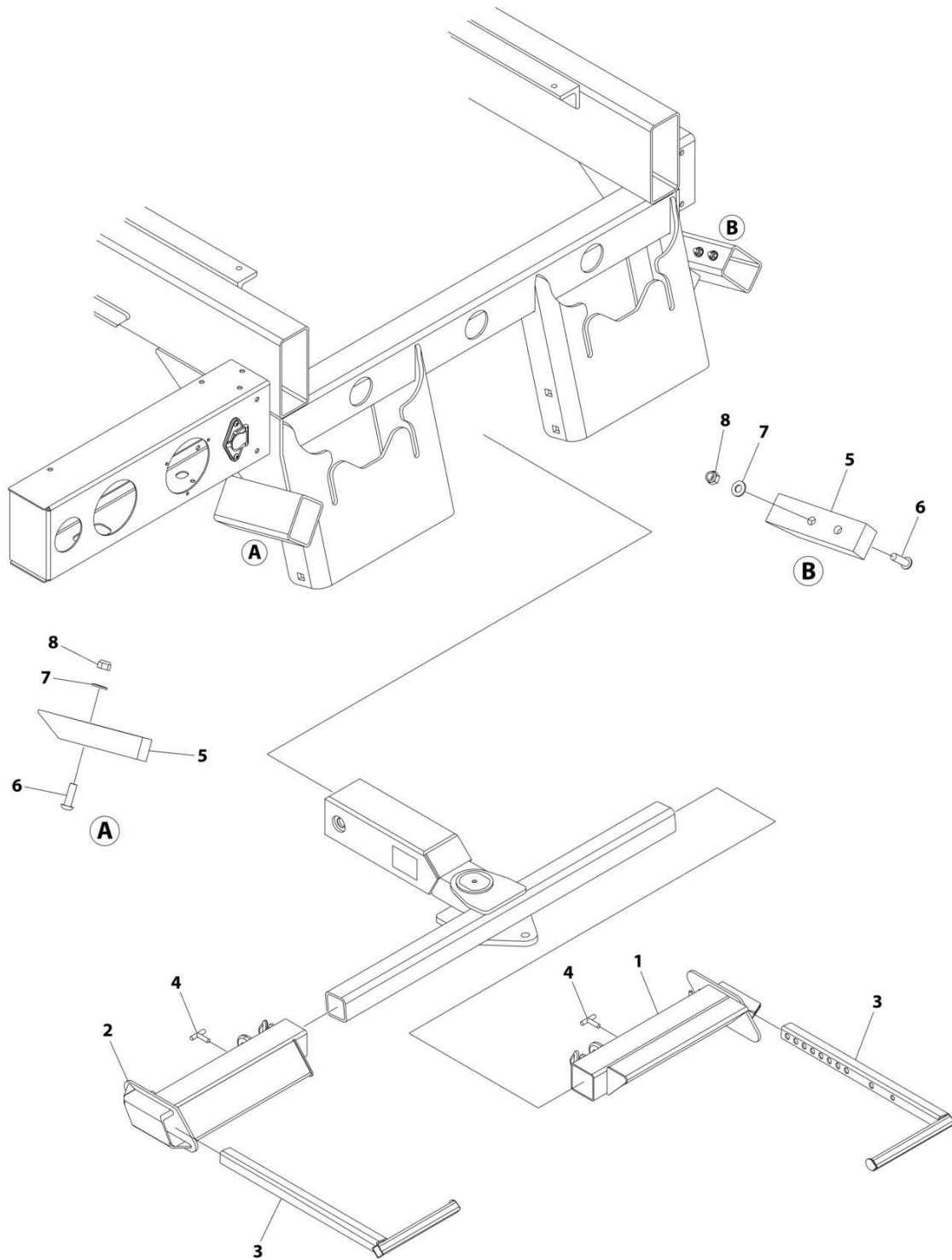
SECTION 2 - WHEEL LIFT

FIGURE 2-17. GRID INSTALLATION- L ARM (3000 LBS PIVOTING ARMS)

ITEM	PART NUMBER	QTY	DESCRIPTION	REV
	2484000005	Ref	L-ARM GRID INSTALLATION (3000 LBS T-37 PIVOTING ARMS)	D
1	3484000052	1	Grid (RH) (See Separate Breakdown in this Section)	
2	3484000053	1	Grid (LH) (See Separate Breakdown in this Section)	
3	3020000030	1	L-Arm (RH)	
4	3020000029	1	L-Arm (LH)	
5	3551000036	2	T-Handle	
8	7330000385	2	Decal - T37 Patent	
10	4679000221	2	Pad	
11	7114150818	4	Capscrew 5/16 x1	
12	7950150141	4	Washer 5/16	
13	7660152601	4	Nut 5/16	

SECTION 2 - WHEEL LIFT

FIGURE 2-18. GRID INSTALLATION- L ARM (3000 LBS - GALVANIZED)



ART_1001140504

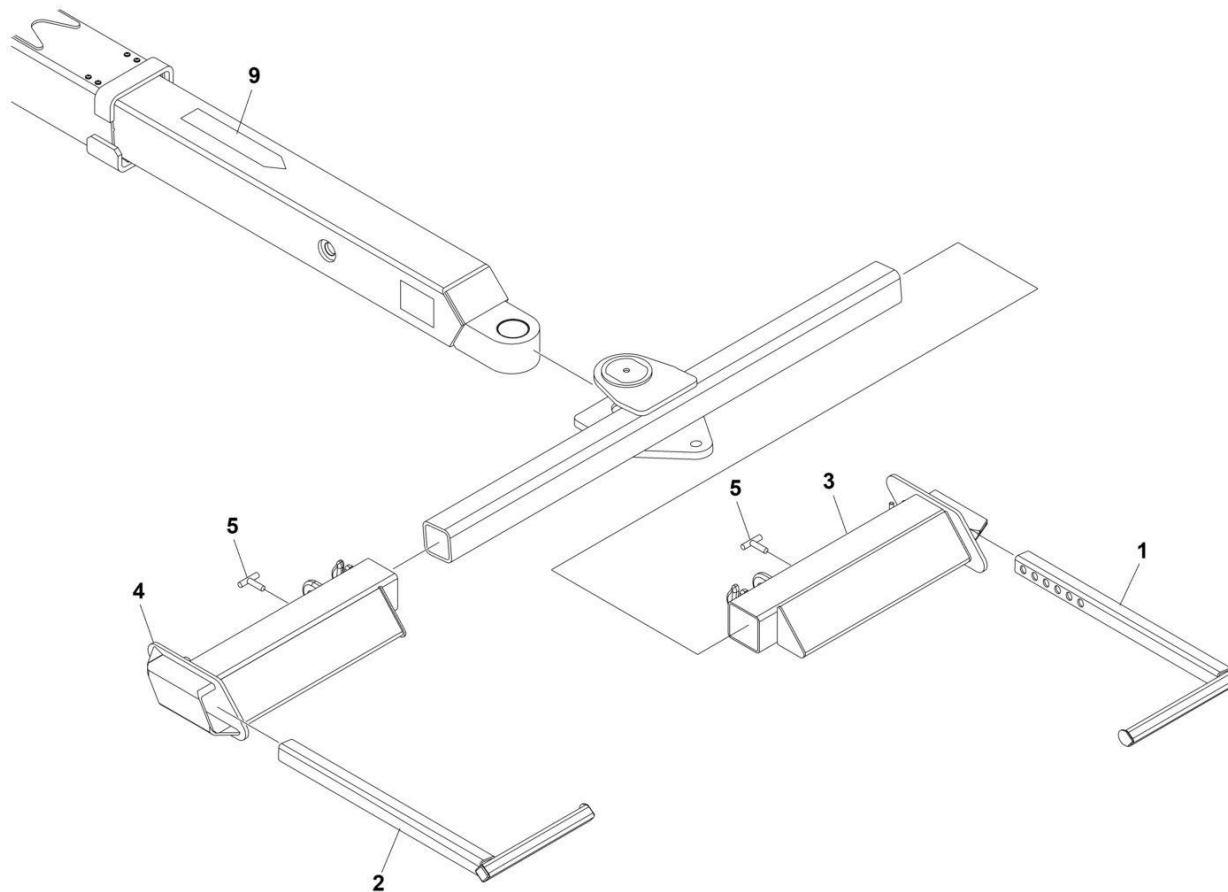
SECTION 2 - WHEEL LIFT

FIGURE 2-18. GRID INSTALLATION- L ARM (3000 LBS - GALVANIZED)

ITEM	PART NUMBER	QTY	DESCRIPTION	REV
	1001140504	Ref	L-ARM GRID INSTALLATION (3000 LBS FIXED ARMS) (GALVANIZED)	C
1	3484000034	1	Grid (RH)	
2	3484000035	1	Grid (LH)	
3	3020000132	2	Arm	
4	3551000036	2	T-Handle	
5	4679000221	2	Pad	
6	7114150818	4	Capscrew 5/16 x1	
7	7950150141	4	Washer 5/16	
8	7660152601	4	Nut 5/16	

SECTION 2 - WHEEL LIFT

FIGURE 2-19. GRID INSTALLATION (4000 LBS -MANUAL FIXED ARMS)



ART_248400004

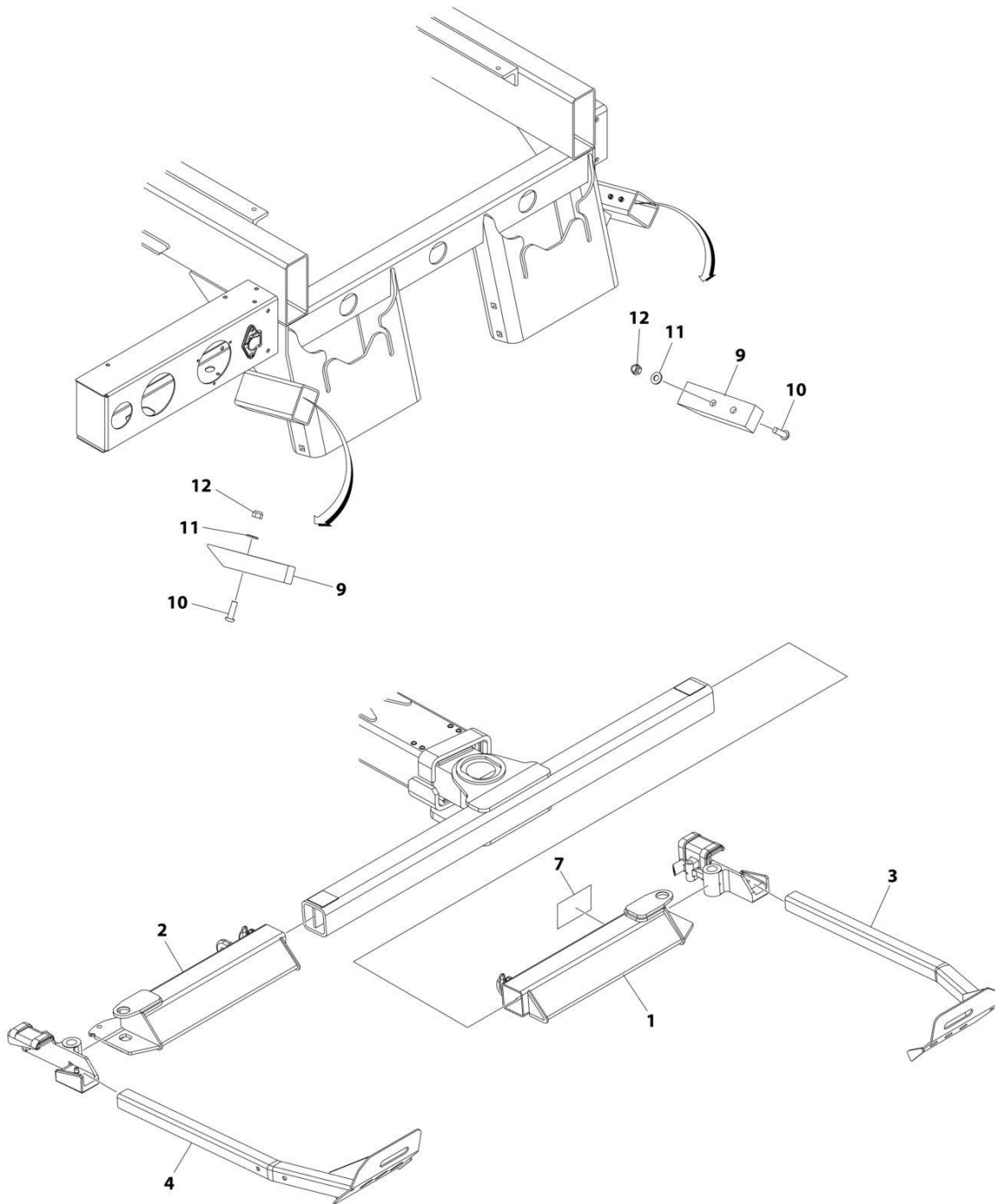
SECTION 2 - WHEEL LIFT

FIGURE 2-19. GRID INSTALLATION (4000 LBS -MANUAL FIXED ARMS)

ITEM	PART NUMBER	QTY	DESCRIPTION	REV
	2484000004	Ref	L-ARM GRID INSTALLATION (4000 LBS FIXED ARMS)	E
1	3020000038	1	Arm (RH)	
2	3020000037	1	Arm (LH)	
3	3484000030	1	Grid (RH)	
4	3484000031	1	Grid (LH)	
5	3551000036	2	T-Handle	
9	1001166071	1	Decal - Wheel Lift Rating	

SECTION 2 - WHEEL LIFT

FIGURE 2-20. GRID INSTALLATION (4000 LBS -T37)



ART_2484000006

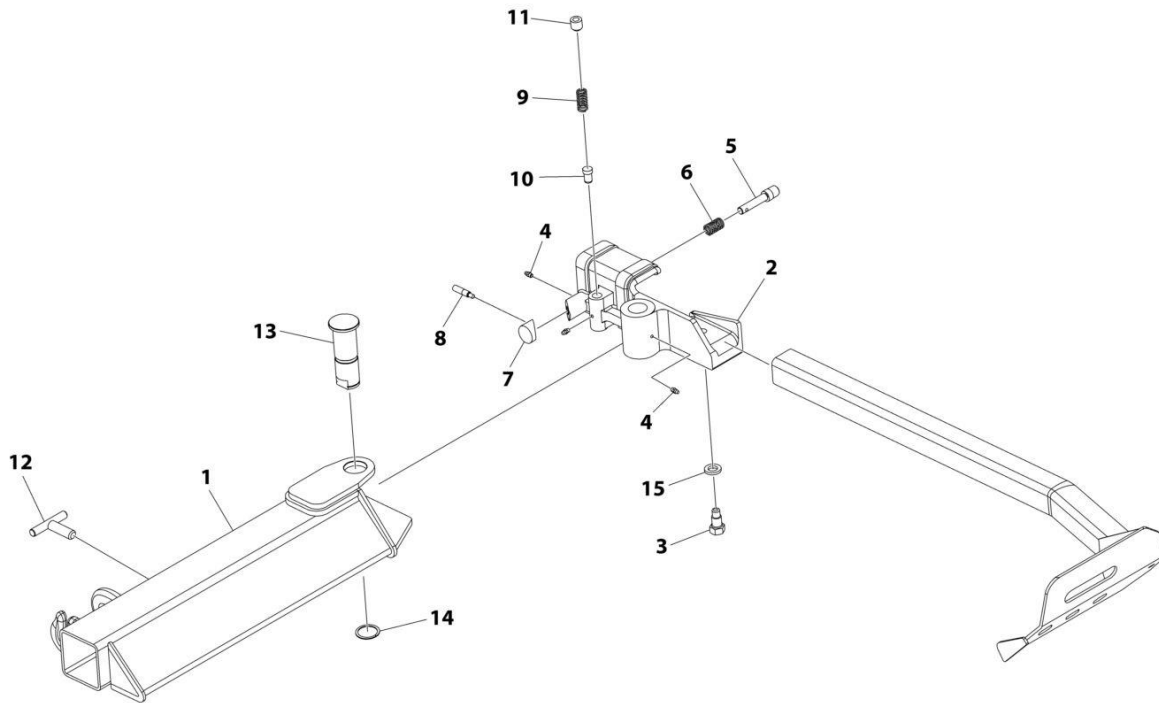
SECTION 2 - WHEEL LIFT

FIGURE 2-20. GRID INSTALLATION (4000 LBS -T37)

ITEM	PART NUMBER	QTY	DESCRIPTION	REV
	2484000006	Ref	L-ARMS GRID INSTALLATION (4000 LBS - T37 PIVOTING ARMS)	E
1	3484000046	1	Pivot Assembly (RH) (See Separate Breakdown in this Section)	
2	3484000047	1	Pivot Assembly (LH) (See Separate Breakdown in this Section)	
3	3020000030	1	L-Arm (RH)	
4	3020000029	1	L-Arm (LH)	
7	7330000384	2	Decal - T37 Patent	
9	4679000221	2	Pad	
10	7114150818	4	Capscrew 5/16	
11	7950150141	4	Washer 5/16	
12	7660152601	4	Nut 5/16	

SECTION 2 - WHEEL LIFT

FIGURE 2-21. GRID ASSEMBLY (RH) (T-37)



ART_348400046

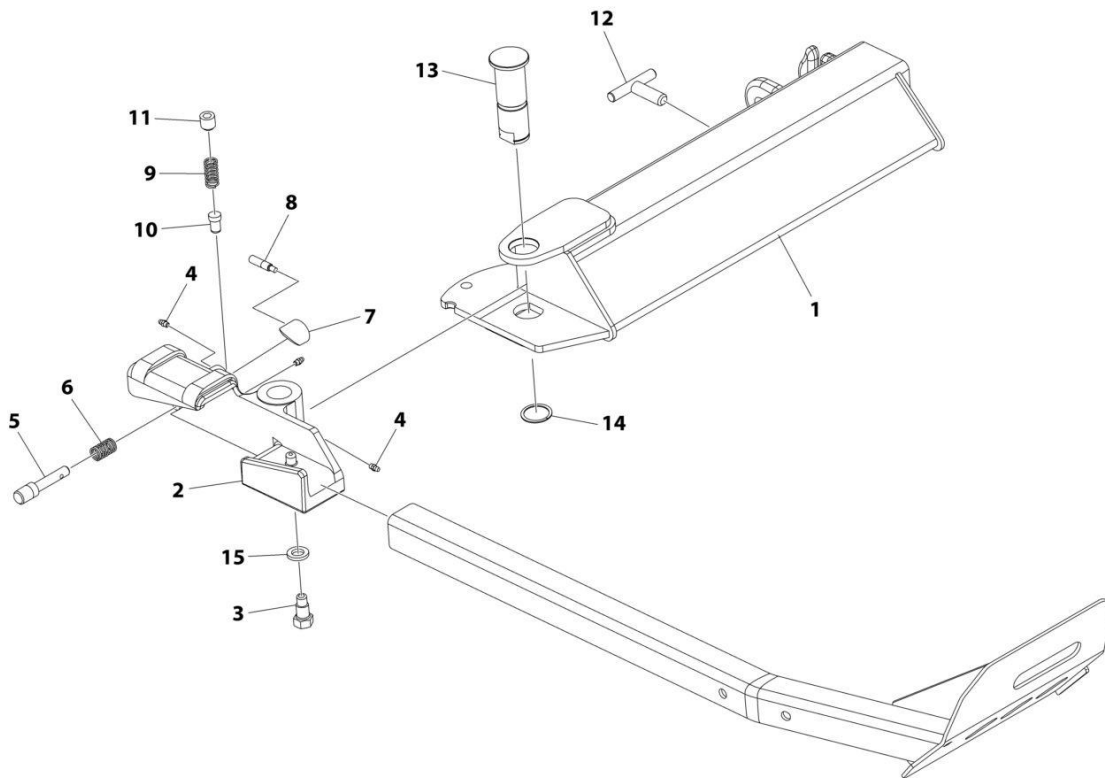
SECTION 2 - WHEEL LIFT

FIGURE 2-21. GRID ASSEMBLY (RH) (T-37)

ITEM	PART NUMBER	QTY	DESCRIPTION	REV
	3484000046	Ref	WHEEL LIFT ASSEMBLY (GRID), RH	C
1	3484000016	1	Grid Weldment, RH	
2	4259000001	1	Pivot Weldment, RH	
3	4691000354	1	Pin	
4	7440030000	3	Fitting	
5	4691000186	1	Pin	
6	7843000006	1	Spring	
7	4254000005	1	Cap	
8	4763000184	1	Rod	
9	7843000016	1	Spring	
10	4691000183	1	Pin	
11	7786000006	1	Screw 3/4 x 5/8	
12	3551000036	1	T-Handle	
13	4691000357	1	Pin	
14	7754000037	1	Ring Retaining	
15	7950200000	1	Washer 5/8	

SECTION 2 - WHEEL LIFT

FIGURE 2-22. GRID ASSEMBLY (LH) (T-37)



ART_3484000047

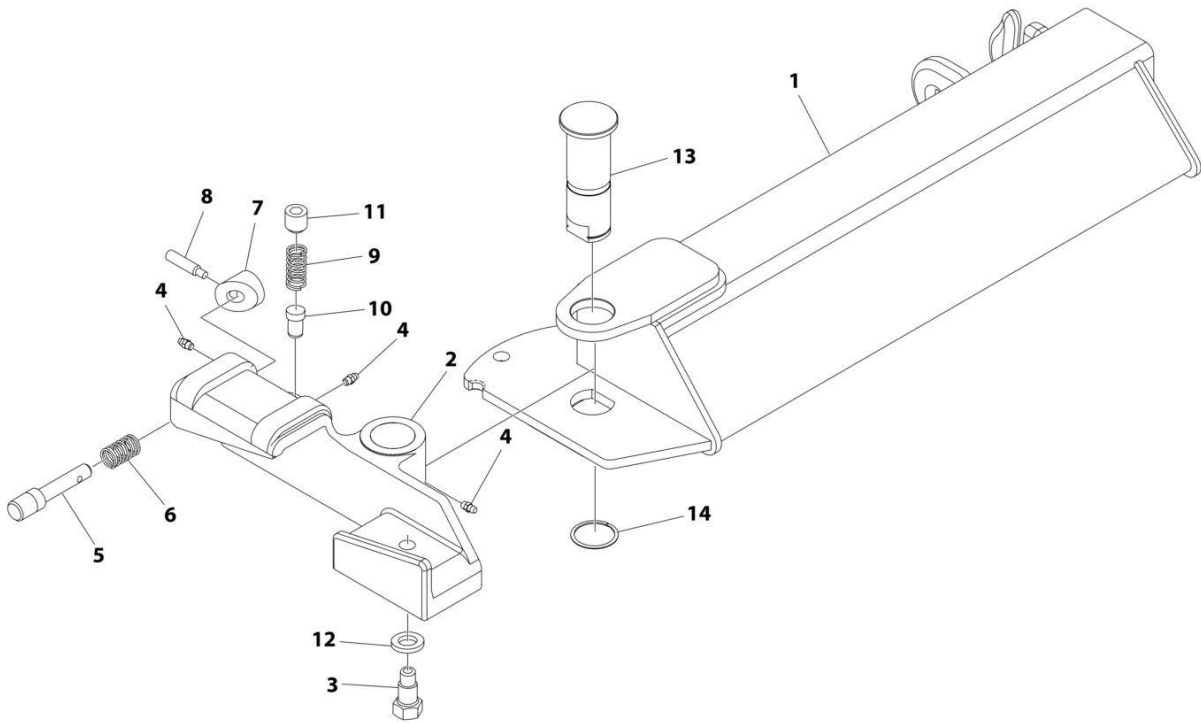
SECTION 2 - WHEEL LIFT

FIGURE 2-22. GRID ASSEMBLY (LH) (T-37)

ITEM	PART NUMBER	QTY	DESCRIPTION	REV
	3484000047	Ref	WHEEL LIFT ASSEMBLY (GRID), LH	C
1	3484000017	1	Grid Weldment, LH	
2	4259000002	1	Pivot Weldment, LH	
3	4691000354	1	Pin	
4	7440030000	3	Fitting	
5	4691000186	1	Pin	
6	7843000006	1	Spring	
7	4254000005	1	Cap	
8	4763000184	1	Rod	
9	7843000016	1	Spring	
10	4691000183	1	Pin	
11	7786000006	1	Screw 3/4 x 5/8	
12	3551000036	1	T-Handle	
13	4691000357	1	Pin	
14	7754000037	1	Ring Retaining	
15	7950200000	1	Washer 5/8	

SECTION 2 - WHEEL LIFT

FIGURE 2-23. GRID ASSEMBLY - LH (PIVOTING T37 L-ARMS)



ART_348400053

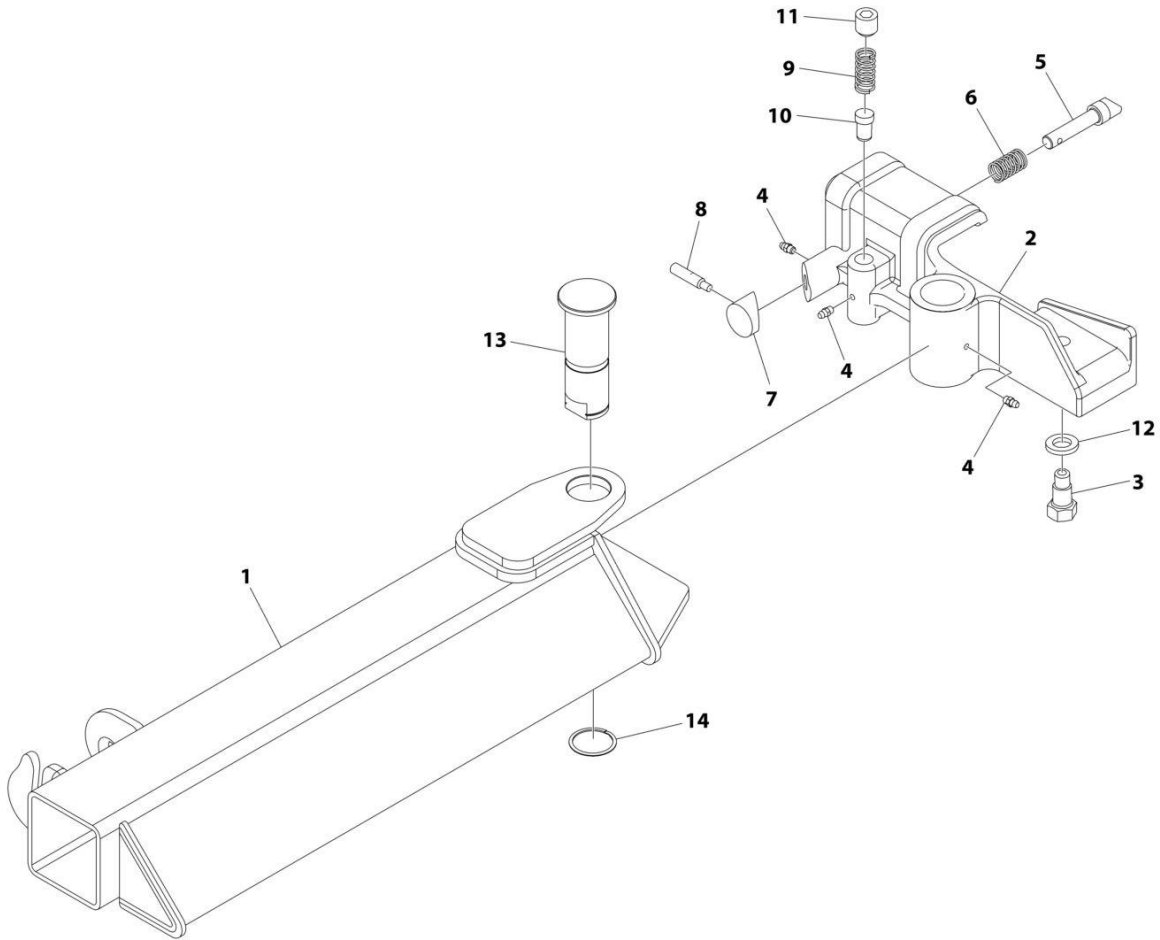
SECTION 2 - WHEEL LIFT

FIGURE 2-23. GRID ASSEMBLY - LH (PIVOTING T37 L-ARMS)

ITEM	PART NUMBER	QTY	DESCRIPTION	REV
	3484000053	Ref	WHEEL LIFT ASSEMBLY (GRID), LH	0
1	3484000052	1	Grid Weldment, LH	
2	4259000002	1	Grid Pivot LH	
3	4691000354	1	Pin	
4	7440030000	3	Fitting	
5	4691000186	1	Pin	
6	7843000006	1	Spring	
7	4254000005	1	Cap	
8	4763000184	1	Rod	
9	7843000016	1	Spring	
10	4691000183	1	Pin	
11	7786000006	1	Screw 3/4 x 5/8	
12	7950200000	1	Washer 5/8	
13	4691000357	1	Pin	
14	7754000037	1	Ring Retaining	

SECTION 2 - WHEEL LIFT

FIGURE 2-24. GRID ASSEMBLY - RH (PIVOTING T37 L-ARMS)



ART_3484000052

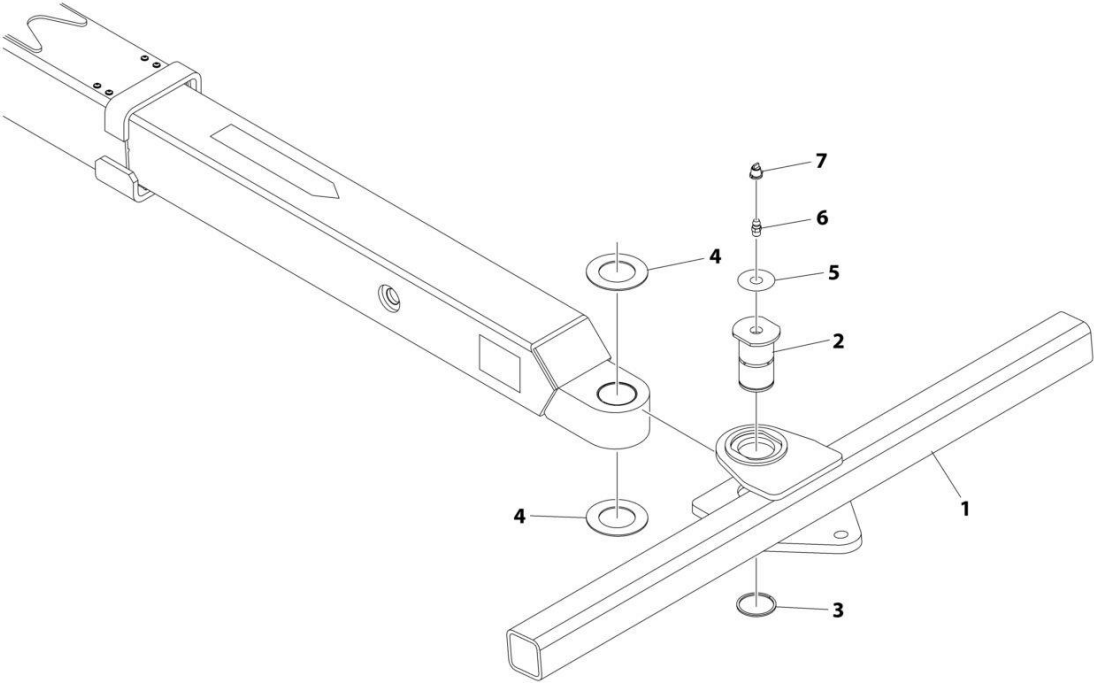
SECTION 2 - WHEEL LIFT

FIGURE 2-24. GRID ASSEMBLY - RH (PIVOTING T37 L-ARMS)

ITEM	PART NUMBER	QTY	DESCRIPTION	REV
	3484000052	Ref	WHEEL LIFT ASSEMBLY (GRID), RH	0
1	3484000050	1	Grid Weldment, RH	
2	4259000001	1	Grid Pivot RH	
3	4691000354	1	Pin	
4	7440030000	3	Fitting	
5	4691000186	1	Pin	
6	7843000006	1	Spring	
7	4254000005	1	Cap	
8	4763000184	1	Rod	
9	7843000016	1	Spring	
10	4691000183	1	Pin	
11	7786000006	1	Screw 3/4 x 5/8	
12	7950200000	1	Washer 5/8	
13	4691000357	1	Pin	
14	7754000037	1	Ring Retaining	

SECTION 2 - WHEEL LIFT

FIGURE 2-25. PIVOT TUBE INSTALLATION - 3000LBS IRL (MANUAL & T37 L-ARMS WITH BALL)



ART_1001158672

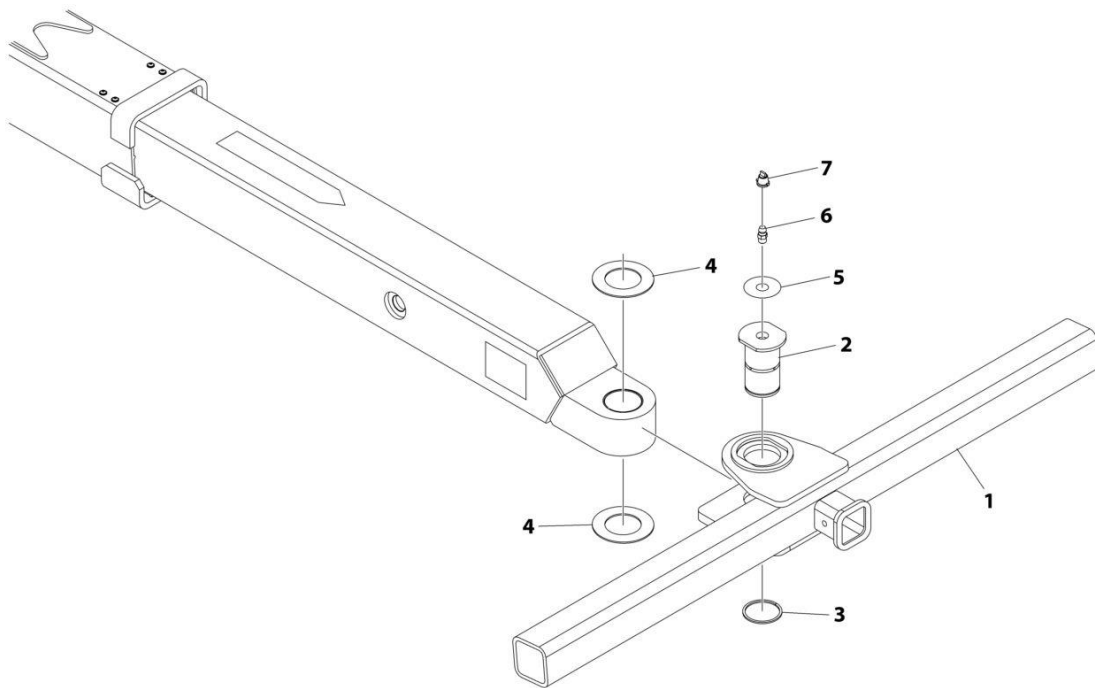
SECTION 2 - WHEEL LIFT

FIGURE 2-25. PIVOT TUBE INSTALLATION - 3000LBS IRL (MANUAL & T37 L-ARMS WITH BALL)

ITEM	PART NUMBER	QTY	DESCRIPTION	REV
	1001158672	Ref	IRL PIVOT TUBE INSTALLATION - (3000 LBS) (BALL)	A
1	3913000093	1	Tube	
2	4691000278	1	Pin	
3	7754000024	1	Ring	
4	4949000047	2	Washer	
5	7330000609	1	Decal, Grease Required	
6	7440030000	1	Fitting	
7	7253000002	1	Fitting, Cap	
8	3020039	AR	Lubricant (Not Shown)	
9	3020029	AR	Lube Bearing Grease (Not Shown)	

SECTION 2 - WHEEL LIFT

FIGURE 2-26. PIVOT TUBE INSTALLATION - 3000LBS IRL (MANUAL & T37 L-ARMS WITH 2IN HITCH)



ART_1001158675

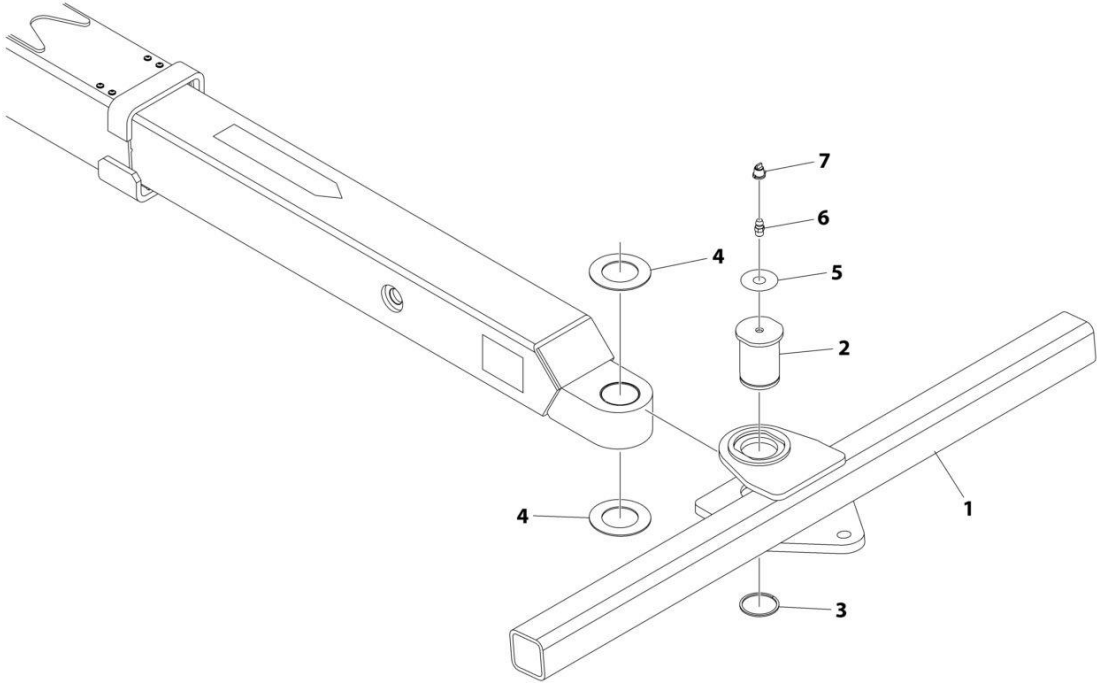
SECTION 2 - WHEEL LIFT

FIGURE 2-26. PIVOT TUBE INSTALLATION - 3000LBS IRL (MANUAL & T37 L-ARMS WITH 2IN HITCH)

ITEM	PART NUMBER	QTY	DESCRIPTION	REV
	1001158675	Ref	IRL PIVOT TUBE INSTALLATION - (3000 LBS) (2 IN TOW HITCH)	A
1	3913000098	1	Tube	
2	4691000278	1	Pin	
3	7754000024	1	Ring	
4	4949000047	2	Washer	
5	7330000609	1	Decal, Grease Required	
6	7440030000	1	Fitting	
7	7253000002	1	Fitting, Cap	
8	3020039	AR	Lubricant (Not Shown)	
9	3020029	AR	Lube Bearing Grease (Not Shown)	

SECTION 2 - WHEEL LIFT

FIGURE 2-27. PIVOT TUBE INSTALLATION - 4000 LBS (MANUAL WITH BALL)



ART_1001158674

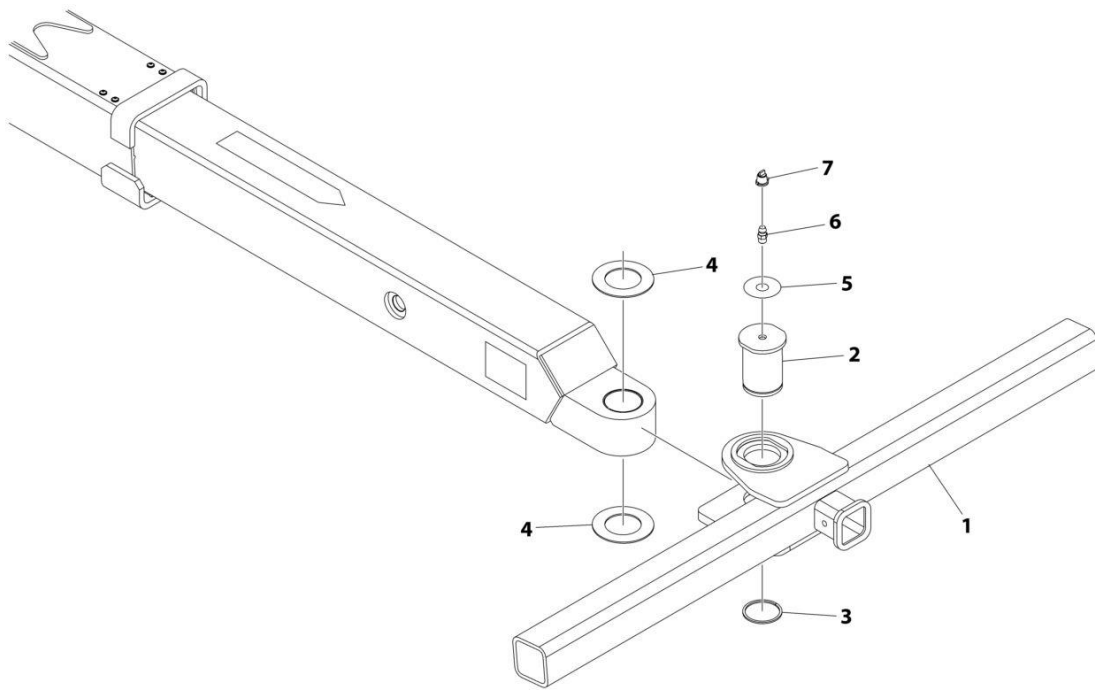
SECTION 2 - WHEEL LIFT

FIGURE 2-27. PIVOT TUBE INSTALLATION - 4000 LBS (MANUAL WITH BALL)

ITEM	PART NUMBER	QTY	DESCRIPTION	REV
	1001158674	Ref	PIVOT TUBE INSTALLATION 4000 LBS	A
1	3913000097	1	Tube	
2	4691000103	1	Pin	
3	7754000024	1	Ring	
4	4949000047	2	Washer	
5	7330000609	1	Decal - Grease Required	
6	7440030000	1	Fitting	
7	7253000002	1	Fitting, Cap	
8	3020039	AR	Lubricant (Not Shown)	
9	3020029	AR	Lube Bearing Grease (Not Shown)	

SECTION 2 - WHEEL LIFT

FIGURE 2-28. PIVOT TUBE INSTALLATION - 4000 LBS (MANUAL WITH 2IN TOW HITCH)



ART_1001158677

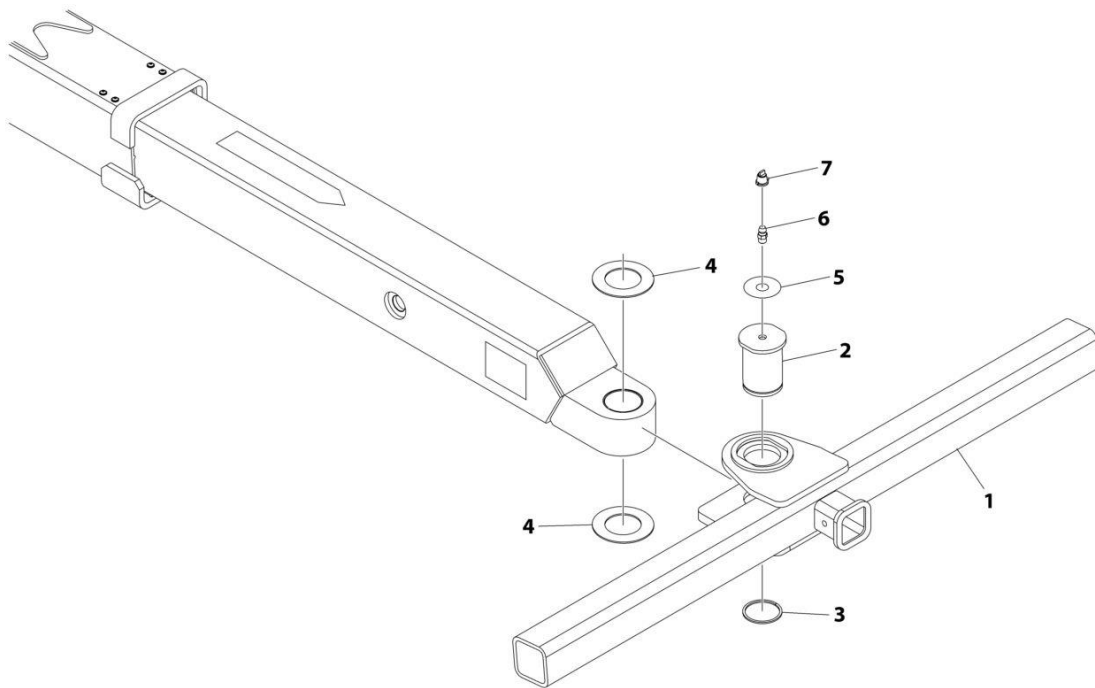
SECTION 2 - WHEEL LIFT

FIGURE 2-28. PIVOT TUBE INSTALLATION - 4000 LBS (MANUAL WITH 2IN TOW HITCH)

ITEM	PART NUMBER	QTY	DESCRIPTION	REV
	1001158677	Ref	PIVOT TUBE INSTALLATION (4000 LBS) (2 IN TOW HITCH)	B
1	3913000100	1	Tube	
2	4691000103	1	Pin	
3	7754000024	1	Ring	
4	4949000047	2	Washer	
5	7330000609	1	Decal - Grease Required	
6	7440030000	1	Fitting	
7	7253000002	1	Fitting, Cap	
8	3020039	AR	Lubricant (Not Shown)	
9	3020029	AR	Lube Bearing Grease (Not Shown)	

SECTION 2 - WHEEL LIFT

FIGURE 2-29. PIVOT TUBE INSTALLATION - 4000 LBS (MANUAL WITH 2.5IN TOW HITCH)



ART_1001158678

SECTION 2 - WHEEL LIFT

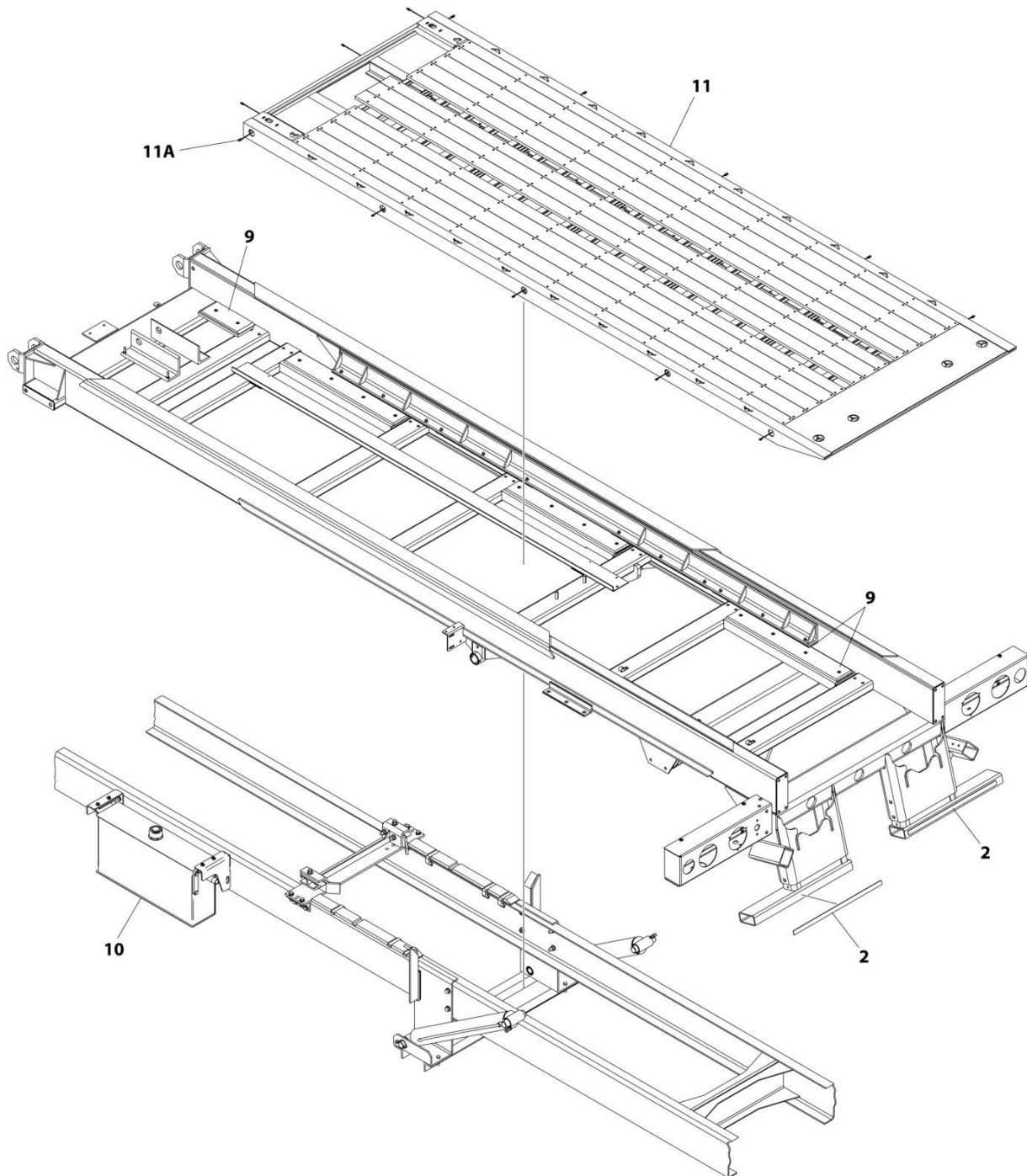
FIGURE 2-29. PIVOT TUBE INSTALLATION - 4000 LBS (MANUAL WITH 2.5IN TOW HITCH)

ITEM	PART NUMBER	QTY	DESCRIPTION	REV
	1001158678	Ref	PIVOT TUBE INSTALLATION (2.5 IN TOW HITCH)	A
1	3913000101	1	Tube	
2	4691000103	1	Pin	
3	7754000024	1	Ring	
4	4949000047	2	Washer	
5	7330000609	1	Decal - Grease Required	
6	7440030000	1	Fitting	
7	7253000002	1	Fitting, cap	
8	3020039	AR	Lubricant (Not Shown)	
9	3020029	AR	Lube Bearing Grease (Not Shown)	

SECTION 3 - DECK

SECTION 3 - DECK

FIGURE 3-1. DECK MODEL - STEEL 24FT X 96IN (10 TON)



ART_410TRB-8

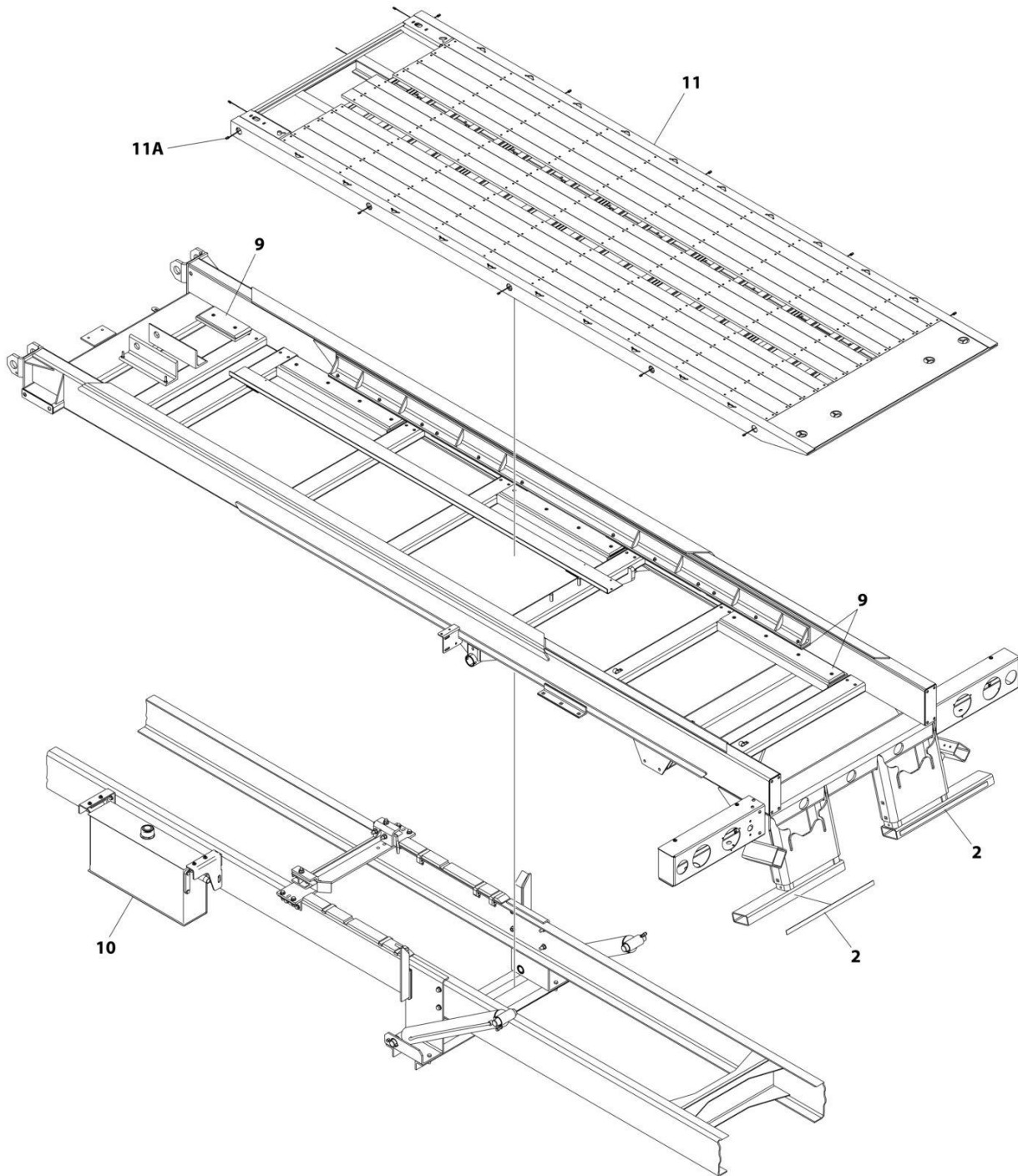
SECTION 3 - DECK

FIGURE 3-1. DECK MODEL - STEEL 24FT X 96IN (10 TON)

ITEM	PART NUMBER	QTY	DESCRIPTION	REV
	410TRB-8	Ref	DECK INSTALLATION (10 TON - 24FT X 96IN)	C
1	2330000045	1	Heavy Duty Decals Installation (Not Shown - See Separate Breakdown in DECAL Section)	
2	2330000055	Ref	Conspicuity Decal Installation	
2	7330000428	2	Decal - Red/White Reflective	
5	2570000114	1	Heavy Duty Hose Installation (Not Shown - See Separate Breakdown in HYDRAULIC Section)	
9	2679000009	1	Main Subframe Pad Installation (See Separate Breakdown in SUBFRAME Section)	
10	2750000008	1	Hydraulic Reservoir and Bracket Mount (See Separate Breakdown in HYDRAULIC Section)	
11	3097000303	1	Deck Installation	
11A	7552000212	1	Deck Light Harness (See Separate Breakdown in ELECTRICAL Section)	

SECTION 3 - DECK

FIGURE 3-2. DECK MODEL - STEEL 24FT X 102IN (10 TON)



ART_410TRB-8W

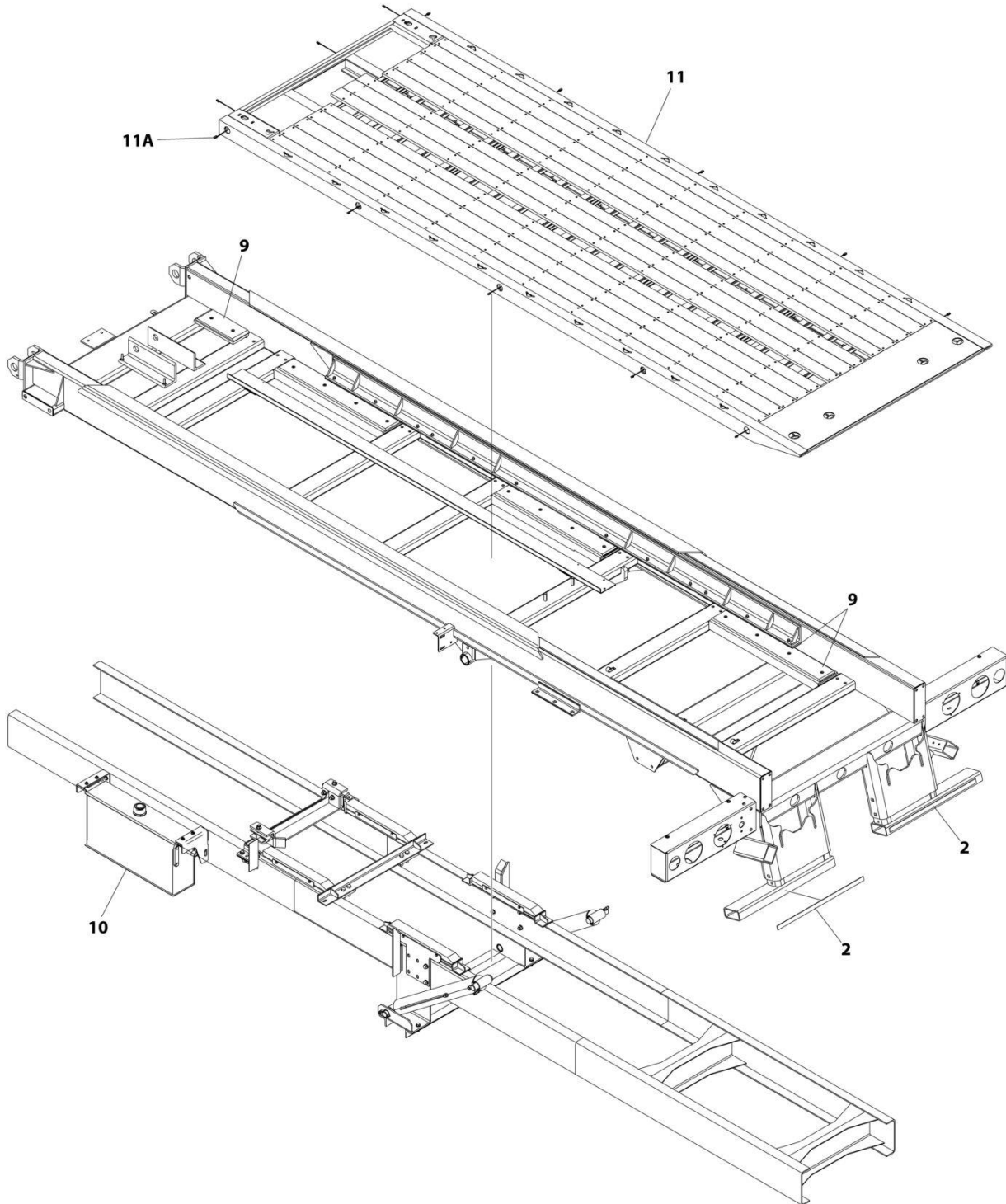
SECTION 3 - DECK

FIGURE 3-2. DECK MODEL - STEEL 24FT X 102IN (10 TON)

ITEM	PART NUMBER	QTY	DESCRIPTION	REV
	410TRB-8W	Ref	DECK INSTALLATION (10 TON - 24FT X 102IN)	C
1	2330000045	1	Heavy Duty Decals Installation (Not Shown - See Separate Breakdown in DECAL Section)	
2	2330000055	Ref	Conspicuity Decal Installation	
2	7330000428	2	Decal - Red/White Reflective	
5	2570000114	1	Heavy Duty Hose Installation (Not Shown - See Separate Breakdown in HYDRAULIC Section)	
9	2679000009	1	Main Subframe Pad Installation (See Separate Breakdown in SUBFRAME Section)	
10	2750000008	1	Hydraulic Reservoir and Bracket Mount (See Separate Breakdown in HYDRAULIC Section)	
11	3097000312	1	Deck Installation	
11A	7552000212	1	Deck Light Harness (See Separate Breakdown in ELECTRICAL Section)	

SECTION 3 - DECK

FIGURE 3-3. DECK MODEL - STEEL 26FT X 96IN (10 TON)



ART_610TRB-8

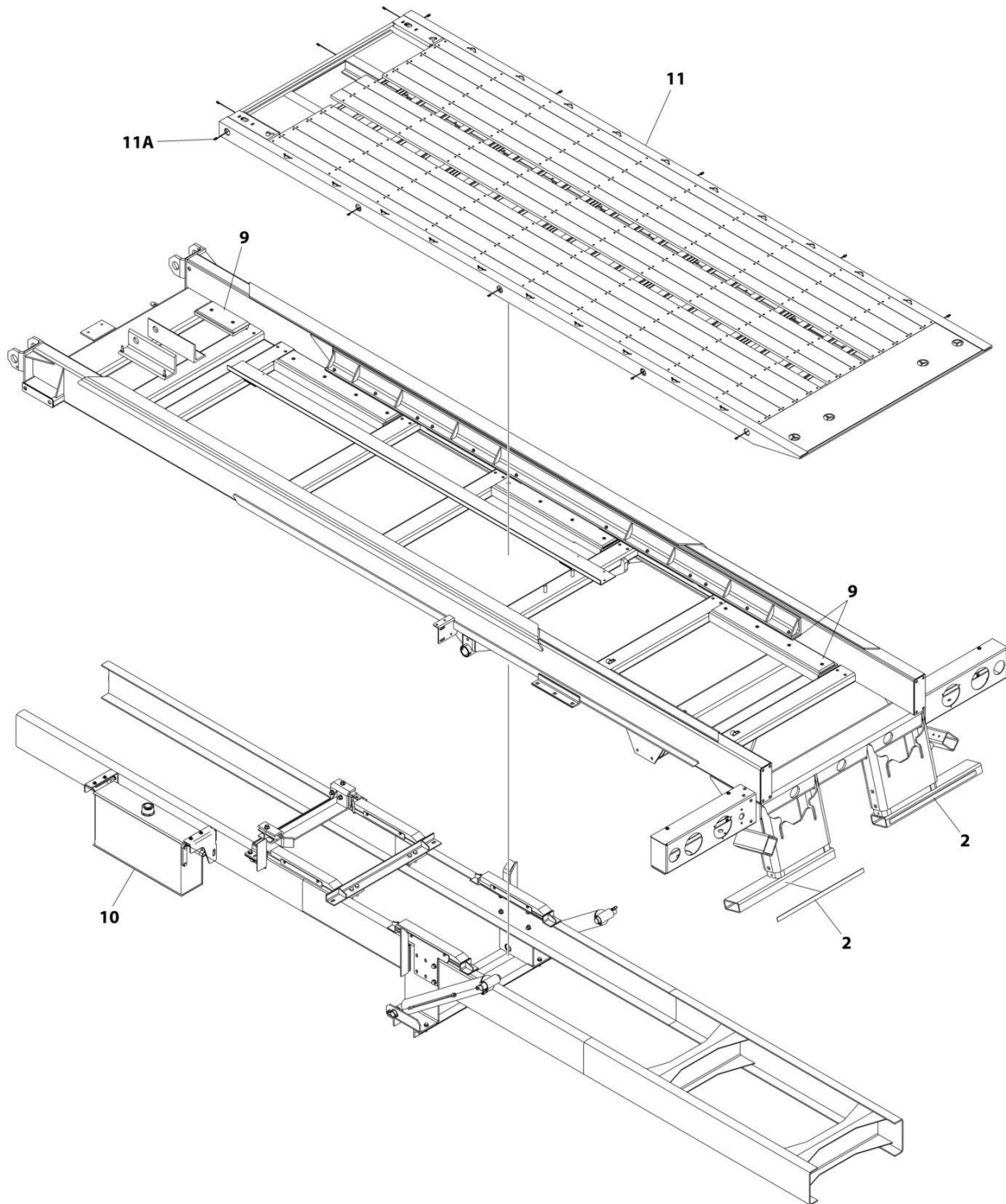
SECTION 3 - DECK

FIGURE 3-3. DECK MODEL - STEEL 26FT X 96IN (10 TON)

ITEM	PART NUMBER	QTY	DESCRIPTION	REV
	610TRB-8	Ref	DECK INSTALLATION (10 TON - 26FT X 96IN)	C
1	2330000045	1	Heavy Duty Decals Installation (Not Shown - See Separate Breakdown in DECAL Section)	
2	2330000055	Ref	Conspicuity Decal Installation	
2	7330000428	2	Decal - Red/White Reflective	
5	2570000115	1	Heavy Duty Hose Installation (Not Shown - See Separate Breakdown in HYDRAULIC Section)	
9	2679000009	1	Main Subframe Pad Installation (See Separate Breakdown in SUBFRAME Section)	
10	2750000008	1	Hydraulic Reservoir and Bracket Mount (See Separate Breakdown in HYDRAULIC Section)	
11	3097000302	1	Deck Installation	
11A	7552000212	1	Deck Light Harness (See Separate Breakdown in ELECTRICAL Section)	

SECTION 3 - DECK

FIGURE 3-4. DECK MODEL - STEEL 26FT X 102IN (10 TON)



ART_610TRB-8W

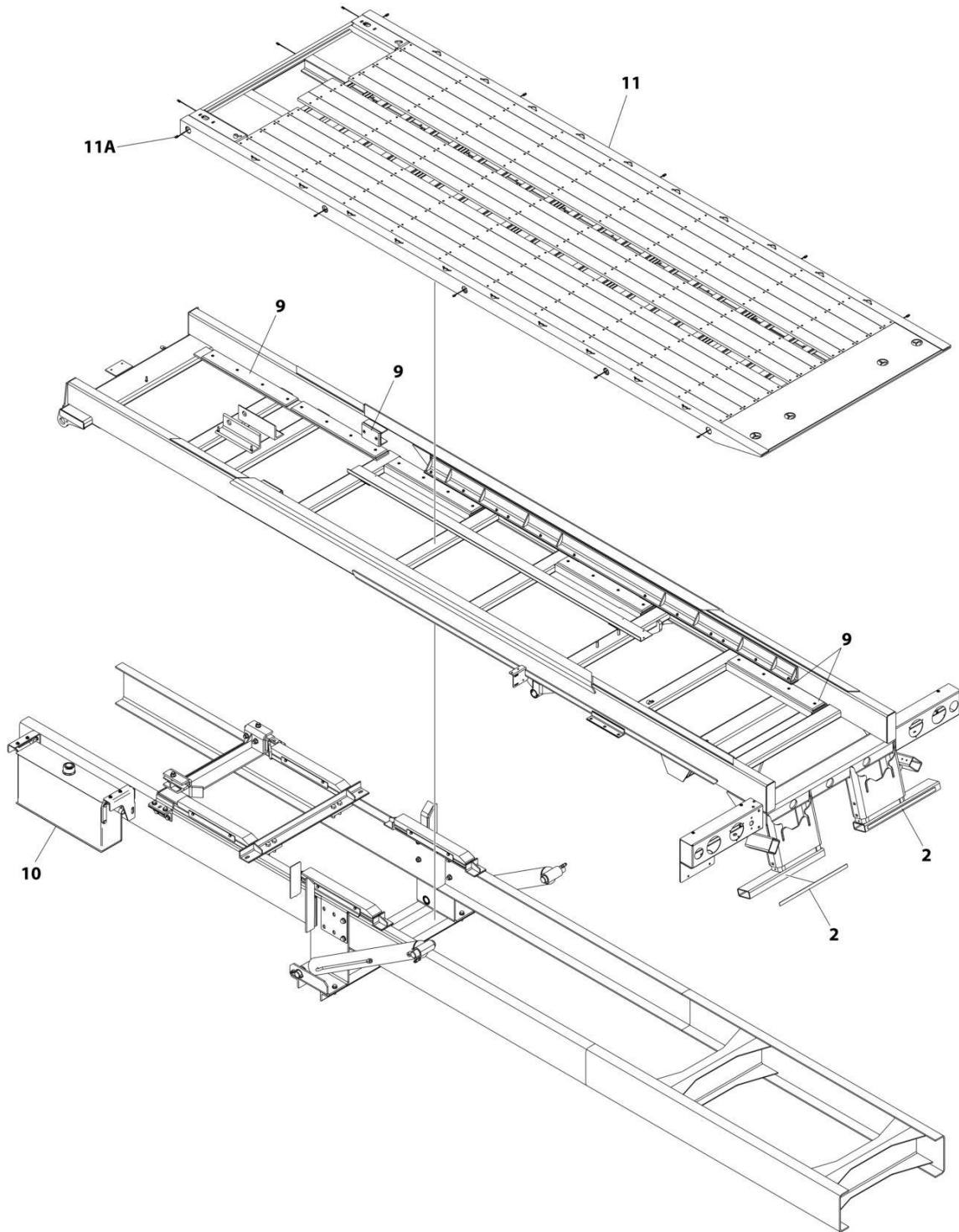
SECTION 3 - DECK

FIGURE 3-4. DECK MODEL - STEEL 26FT X 102IN (10 TON)

ITEM	PART NUMBER	QTY	DESCRIPTION	REV
	610TRB-8W	Ref	DECK INSTALLATION (10 TON - 26FT X 102IN)	C
1	2330000045	1	Heavy Duty Decals Installation (Not Shown - See Separate Breakdown in DECAL Section)	
2	2330000055	Ref	Conspicuity Decal Installation	
2	7330000428	2	Decal - Red/White Reflective	
5	2570000115	1	Heavy Duty Hose Installation (Not Shown - See Separate Breakdown in HYDRAULIC Section)	
9	2679000009	1	Main Subframe Pad Installation (See Separate Breakdown in SUBFRAME Section)	
10	2750000008	1	Hydraulic Reservoir and Bracket Mount (See Separate Breakdown in HYDRAULIC Section)	
11	3097000311	1	Deck Installation	
11A	7552000212	1	Deck Light Harness (See Separate Breakdown in ELECTRICAL Section)	

SECTION 3 - DECK

FIGURE 3-5. DECK MODEL - STEEL 28FT X 96IN (10 TON)



ART_810TRB-8

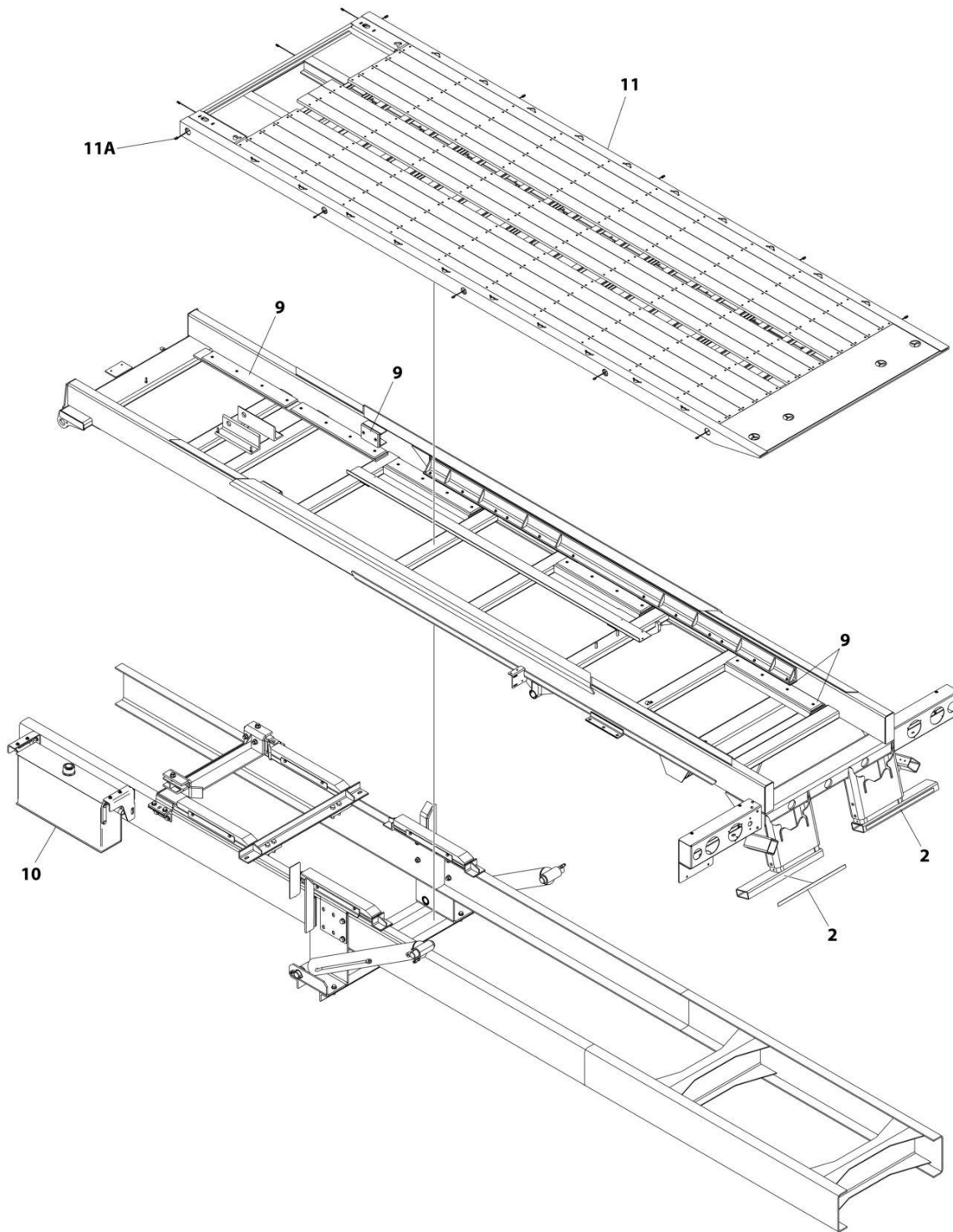
SECTION 3 - DECK

FIGURE 3-5. DECK MODEL - STEEL 28FT X 96IN (10 TON)

ITEM	PART NUMBER	QTY	DESCRIPTION	REV
	810TRB-8	Ref	DECK INSTALLATION (10 TON - 28FT X 96IN)	C
1	2330000045	1	Heavy Duty Decals Installation (Not Shown - See Separate Breakdown in DECAL Section)	
2	2330000055	Ref	Conspicuity Decal Installation	
2	7330000428	2	Decal - Red/White Reflective	
5	2570000116	1	Heavy Duty Hose Installation (Not Shown - See Separate Breakdown in HYDRAULIC Section)	
9	2679000008	1	Main Subframe Pad Installation (See Separate Breakdown in SUBFRAME Section)	
10	2750000008	1	Hydraulic Reservoir and Bracket Mount (See Separate Breakdown in HYDRAULIC Section)	
11	3097000301	1	Deck Installation	
11A	7552000212	1	Deck Light Harness (See Separate Breakdown in ELECTRICAL Section)	

SECTION 3 - DECK

FIGURE 3-6. DECK MODEL - STEEL 28FT X 102IN (10 TON)



ART_810TRB-8W

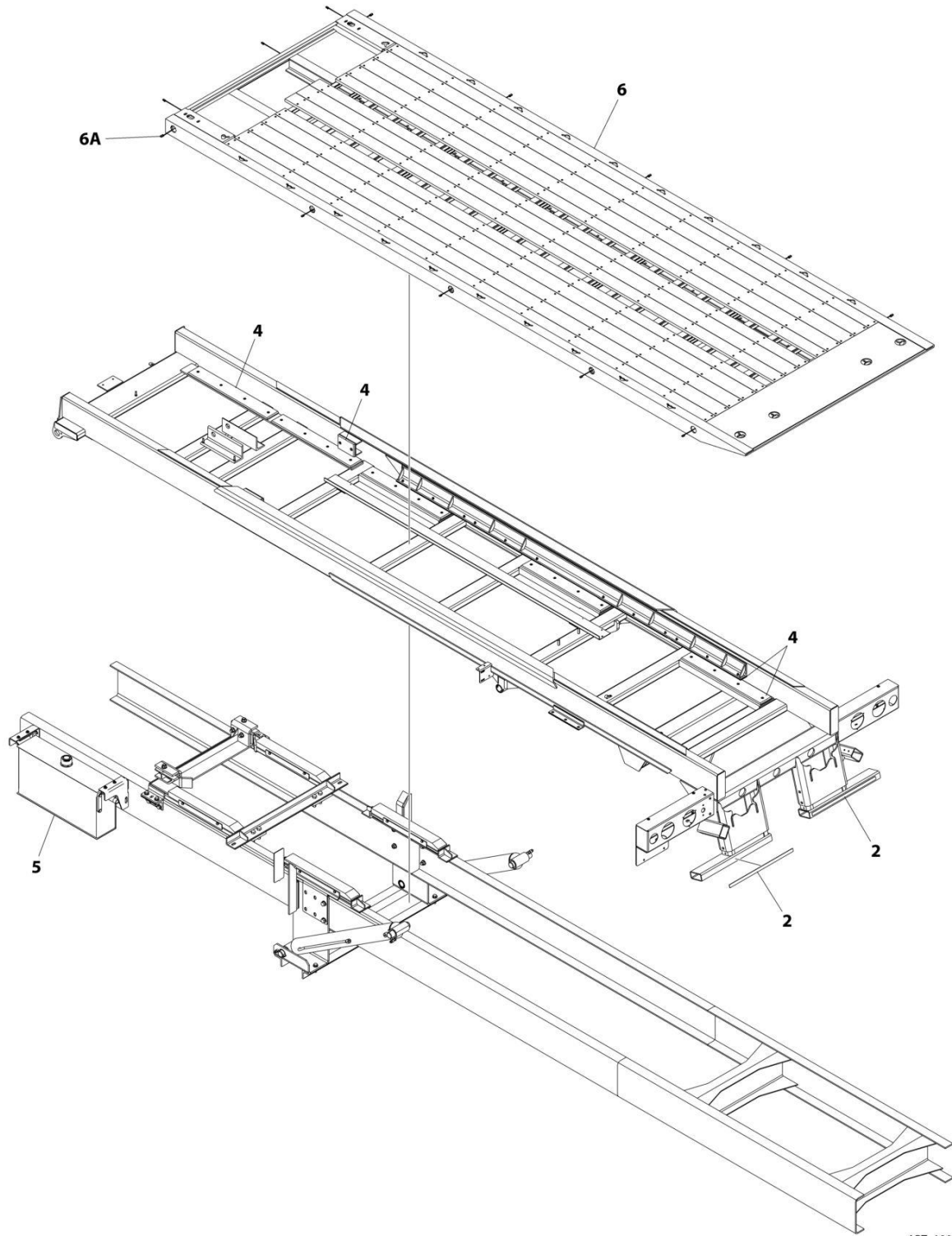
SECTION 3 - DECK

FIGURE 3-6. DECK MODEL - STEEL 28FT X 102IN (10 TON)

ITEM	PART NUMBER	QTY	DESCRIPTION	REV
	810TRB-8W	Ref	DECK INSTALLATION (10 TON - 28FT X 102IN)	C
1	2330000045	1	Heavy Duty Decals Installation (Not Shown - See Separate Breakdown in DECAL Section)	
2	2330000055	Ref	Conspicuity Decal Installation	
2	7330000428	2	Decal - Red/White Reflective	
5	2570000116	1	Heavy Duty Hose Installation (Not Shown - See Separate Breakdown in HYDRAULIC Section)	
9	2679000008	1	Main Subframe Pad Installation (See Separate Breakdown in SUBFRAME Section)	
10	2750000008	1	Hydraulic Reservoir and Bracket Mount (See Separate Breakdown in HYDRAULIC Section)	
11	3097000310	1	Deck Installation	
11A	7552000212	1	Deck Light Harness (See Separate Breakdown in ELECTRICAL Section)	

SECTION 3 - DECK

FIGURE 3-7. DECK MODEL - STEEL 30FT X 96IN (10 TON)



ART_1001151914

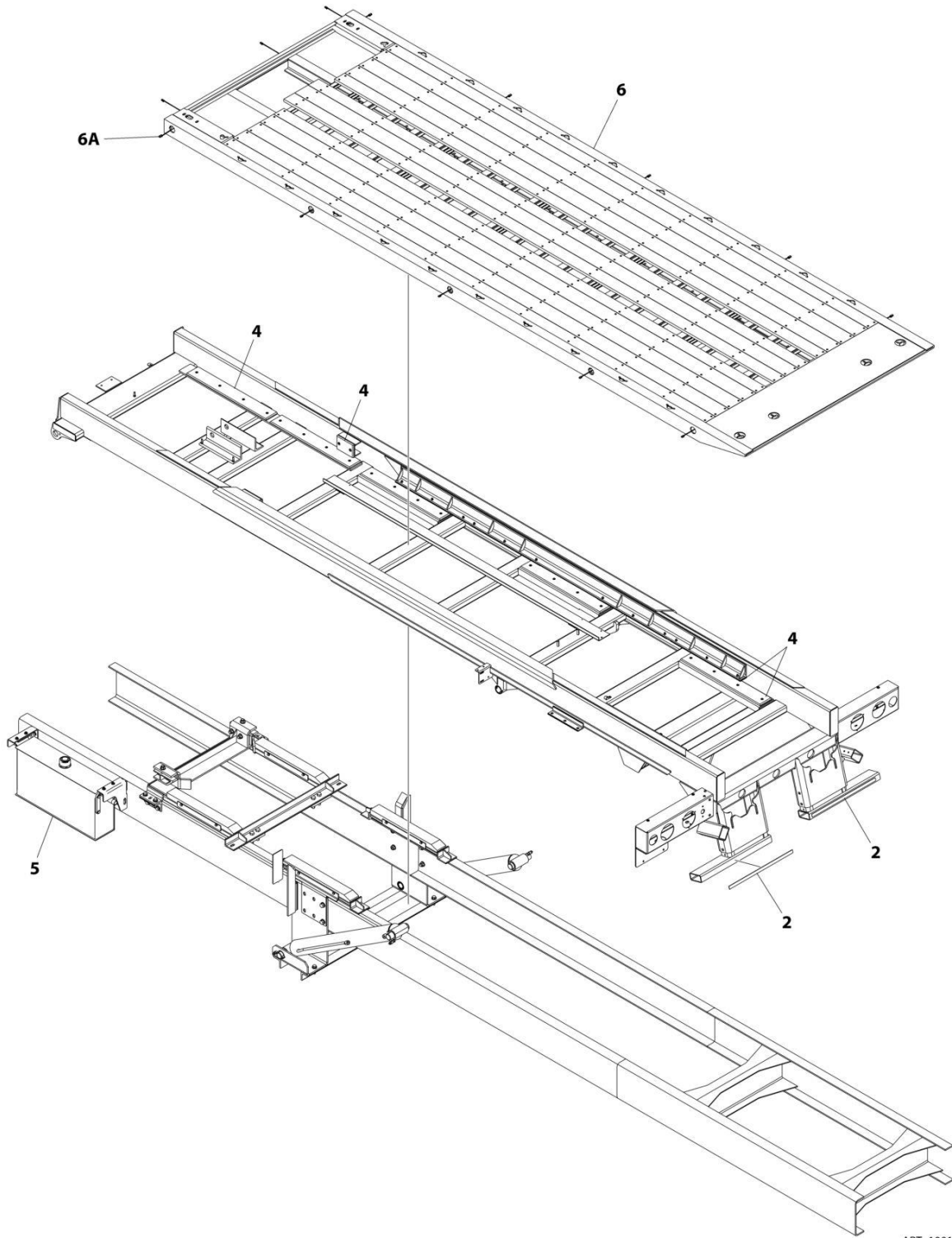
SECTION 3 - DECK

FIGURE 3-7. DECK MODEL - STEEL 30FT X 96IN (10 TON)

ITEM	PART NUMBER	QTY	DESCRIPTION	REV
	1001151914	Ref	DECK INSTALLATION (10 TON - 30FT X 96IN)	A
1	2330000045	1	Heavy Duty Decals Installation (Not Shown - See Separate Breakdown in DECAL Section)	
2	2330000055	Ref	Conspicuity Decal Installation	
2	7330000428	2	Decal - Red/White Reflective	
3	2570000117	1	Heavy Duty Hose Installation (Not Shown - See Separate Breakdown in HYDRAULIC Section)	
4	2679000008	1	Main Subframe Pad Installation (See Separate Breakdown in SUBFRAME Section)	
5	2750000008	1	Hydraulic Reservoir and Bracket Mount (See Separate Breakdown in HYDRAULIC Section)	
6	3097000358	1	Deck Installation	
6A	7552000212	1	Deck Light Harness (See Separate Breakdown in ELECTRICAL Section)	

SECTION 3 - DECK

FIGURE 3-8. DECK MODEL - STEEL 30FT X 102IN (10 TON)



ART_1001151915

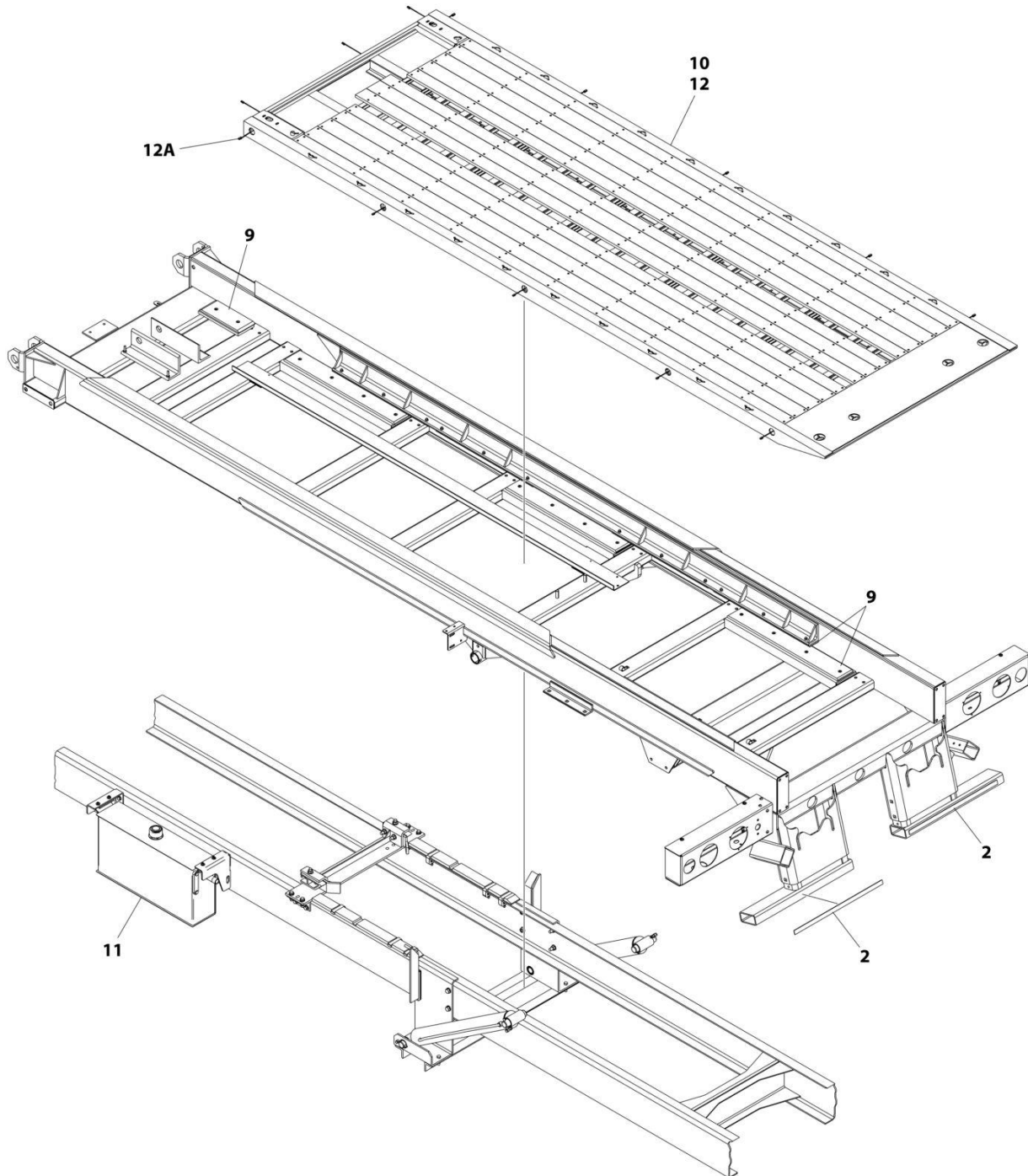
SECTION 3 - DECK

FIGURE 3-8. DECK MODEL - STEEL 30FT X 102IN (10 TON)

ITEM	PART NUMBER	QTY	DESCRIPTION	REV
	1001151915	Ref	DECK INSTALLATION (10 TON - 30FT X 102IN)	A
1	2330000045	1	Heavy Duty Decals Installation (Not Shown - See Separate Breakdown in DECAL Section)	
2	2330000055	Ref	Conspicuity Decal Installation	
2	7330000428	2	Decal - Red/White Reflective	
3	2570000117	1	Heavy Duty Hose Installation (Not Shown - See Separate Breakdown in HYDRAULIC Section)	
4	2679000008	1	Main Subframe Pad Installation (See Separate Breakdown in SUBFRAME Section)	
5	2750000008	1	Hydraulic Reservoir and Bracket Mount (See Separate Breakdown in HYDRAULIC Section)	
6	3097000361	1	Deck Installation	
6A	7552000212	1	Deck Light Harness (See Separate Breakdown in ELECTRICAL Section)	

SECTION 3 - DECK

FIGURE 3-9. DECK MODEL - STEEL 24FT X 96IN (15 TON)



ART_415TRBLP

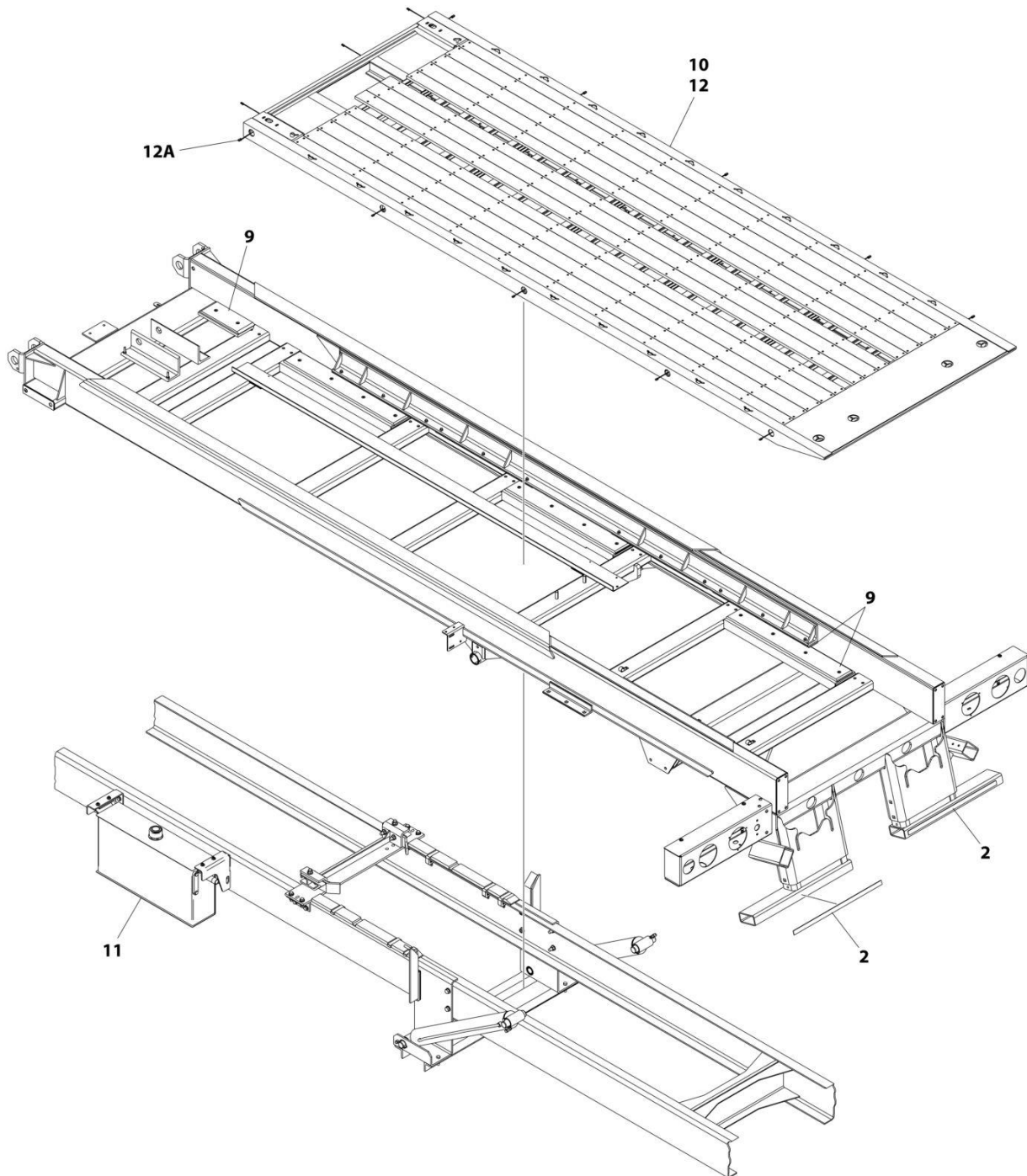
SECTION 3 - DECK

FIGURE 3-9. DECK MODEL - STEEL 24FT X 96IN (15 TON)

ITEM	PART NUMBER	QTY	DESCRIPTION	REV
	415TRBLP	Ref	DECK INSTALLATION (15 TON - 24FT X 96IN)	D
1	2330000045	1	Heavy Duty Decals Installation (Not Shown - See Separate Breakdown in DECAL Section)	
2	2330000055	Ref	Conspicuity Decal Installation	
2	7330000428	2	Decal - Red/White Reflective	
5	2570000114	1	Heavy Duty Hose Installation (Not Shown - See Separate Breakdown in HYDRAULIC Section)	
9	2679000009	1	Main Subframe Pad Installation (See Separate Breakdown in SUBFRAME Section)	
10	2706000045	1	Plate Installation, Center Beam	
11	2750000008	1	Hydraulic Reservoir and Bracket Mount (See Separate Breakdown in HYDRAULIC Section)	
12	3097000303	1	Deck Installation	
12A	7552000212	1	Deck Light Harness (See Separate Breakdown in ELECTRICAL Section)	

SECTION 3 - DECK

FIGURE 3-10. DECK MODEL - STEEL 24FT X 102IN (15 TON)



ART_415TRBLP-W

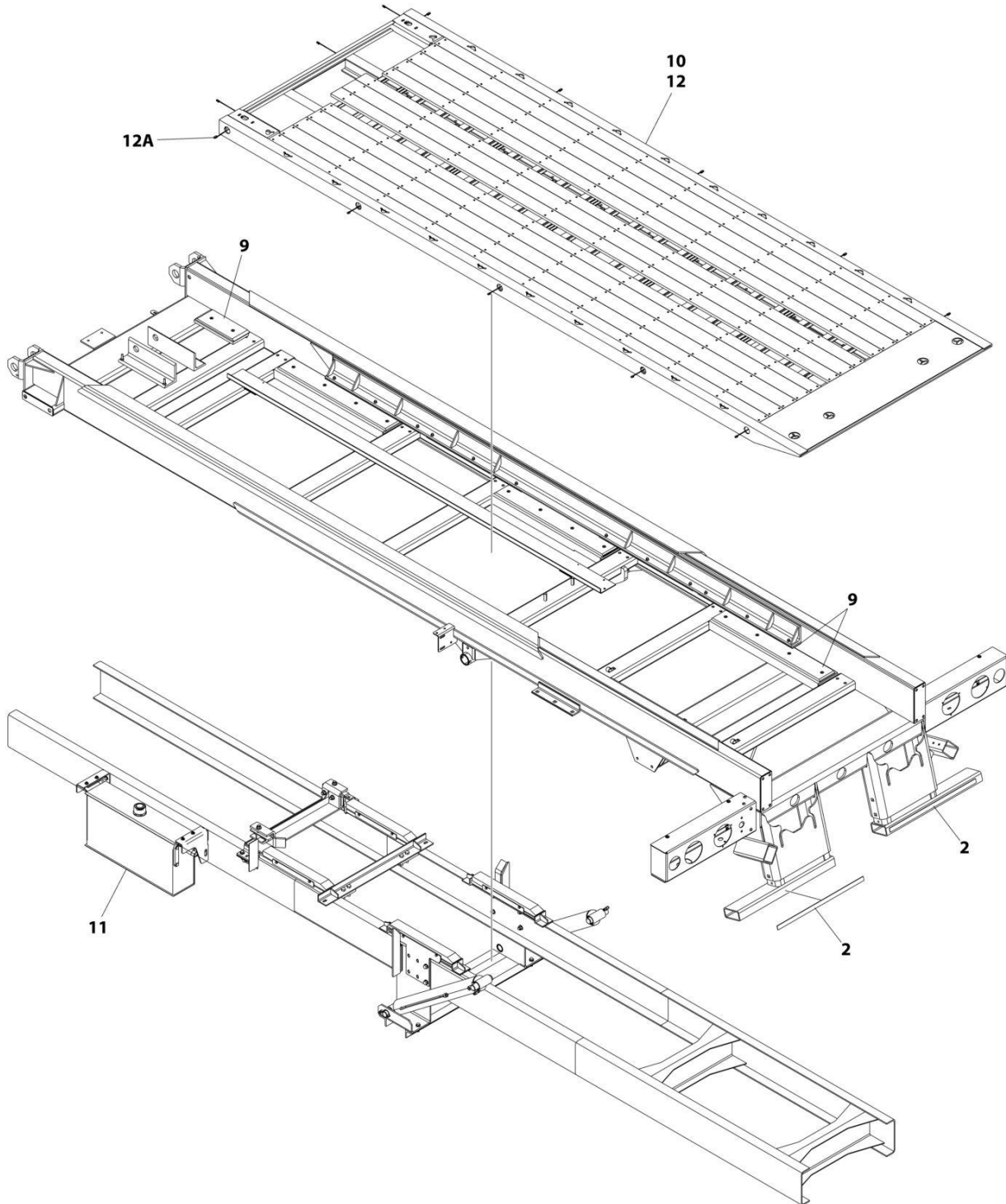
SECTION 3 - DECK

FIGURE 3-10. DECK MODEL - STEEL 24FT X 102IN (15 TON)

ITEM	PART NUMBER	QTY	DESCRIPTION	REV
	415TRBLP-W	Ref	DECK INSTALLATION (15 TON - 24FT X 102IN)	D
1	2330000045	1	Heavy Duty Decals Installation (Not Shown - See Separate Breakdown in DECAL Section)	
2	2330000055	Ref	Conspicuity Decal Installation	
2	7330000428	2	Decal - Red/White Reflective	
5	2570000114	1	Heavy Duty Hose Installation (Not Shown - See Separate Breakdown in HYDRAULIC Section)	
9	2679000009	1	Main Subframe Pad Installation (See Separate Breakdown in SUBFRAME Section)	
10	2706000045	1	Plate Installation, Center Beam	
11	2750000008	1	Hydraulic Reservoir and Bracket Mount (See Separate Breakdown in HYDRAULIC Section)	
12	3097000312	1	Deck Installation	
12A	7552000212	1	Deck Light Harness (See Separate Breakdown in ELECTRICAL Section)	

SECTION 3 - DECK

FIGURE 3-11. DECK MODEL - STEEL 26FT X 96IN (15 TON)



ART_615TRBLP

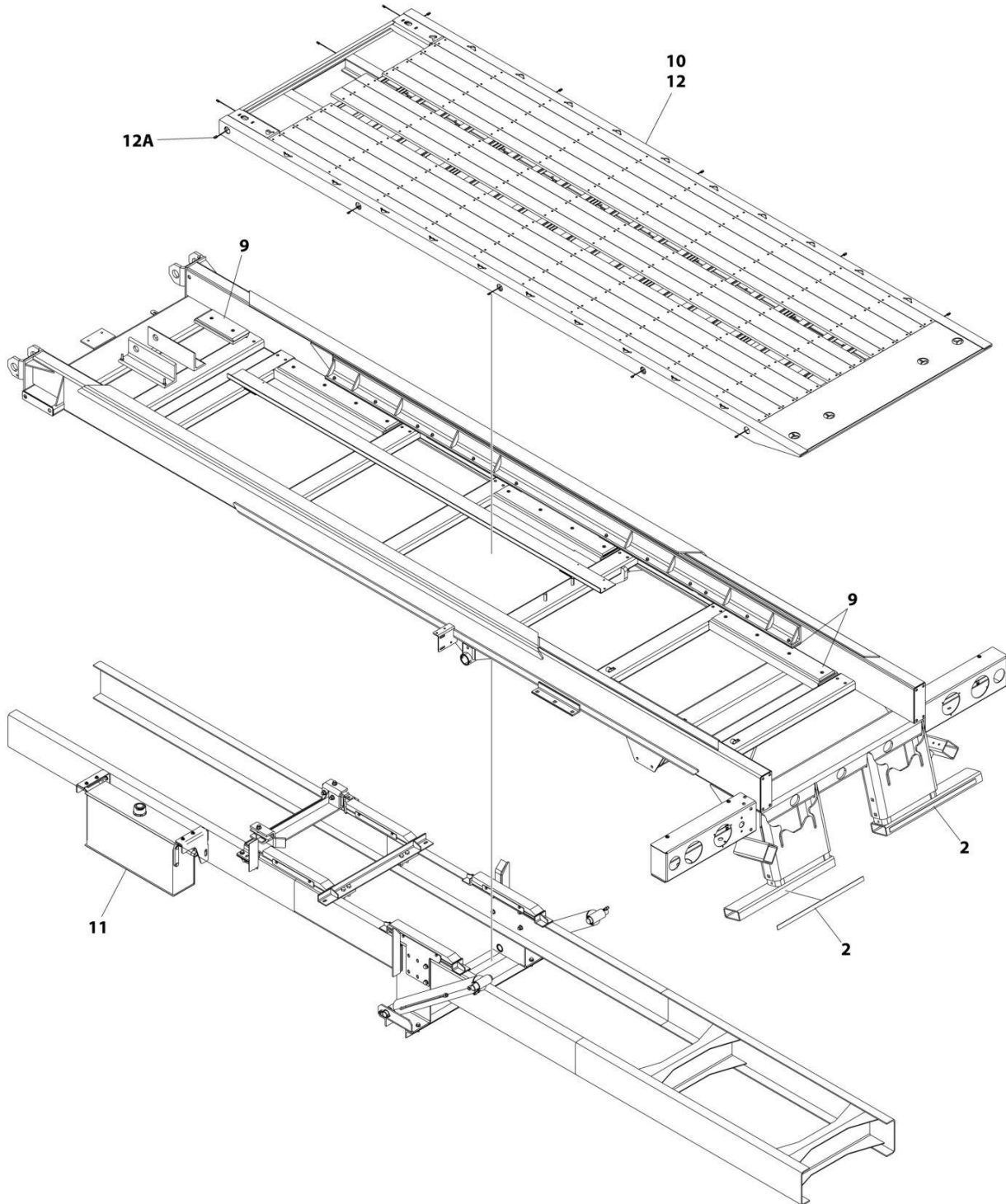
SECTION 3 - DECK

FIGURE 3-11. DECK MODEL - STEEL 26FT X 96IN (15 TON)

ITEM	PART NUMBER	QTY	DESCRIPTION	REV
	615TRBLP	Ref	DECK INSTALLATION (15 TON - 26FT X 96IN)	C
1	2330000045	1	Heavy Duty Decals Installation (Not Shown - See Separate Breakdown in DECAL Section)	
2	2330000055	Ref	Conspicuity Decal Installation	
2	7330000428	2	Decal - Red/White Reflective	
5	2570000115	1	Heavy Duty Hose Installation (Not Shown - See Separate Breakdown in HYDRAULIC Section)	
9	2679000009	1	Main Subframe Pad Installation (See Separate Breakdown in SUBFRAME Section)	
10	2706000008	1	Plate Installation, Center Beam	
11	2750000008	1	Hydraulic Reservoir and Bracket Mount (See Separate Breakdown in HYDRAULIC Section)	
12	3097000302	1	Deck Installation	
12A	7552000212	1	Deck Light Harness (See Separate Breakdown in ELECTRICAL Section)	

SECTION 3 - DECK

FIGURE 3-12. DECK MODEL - STEEL 26FT X 102IN (15 TON)



ART_615TRBLP-W

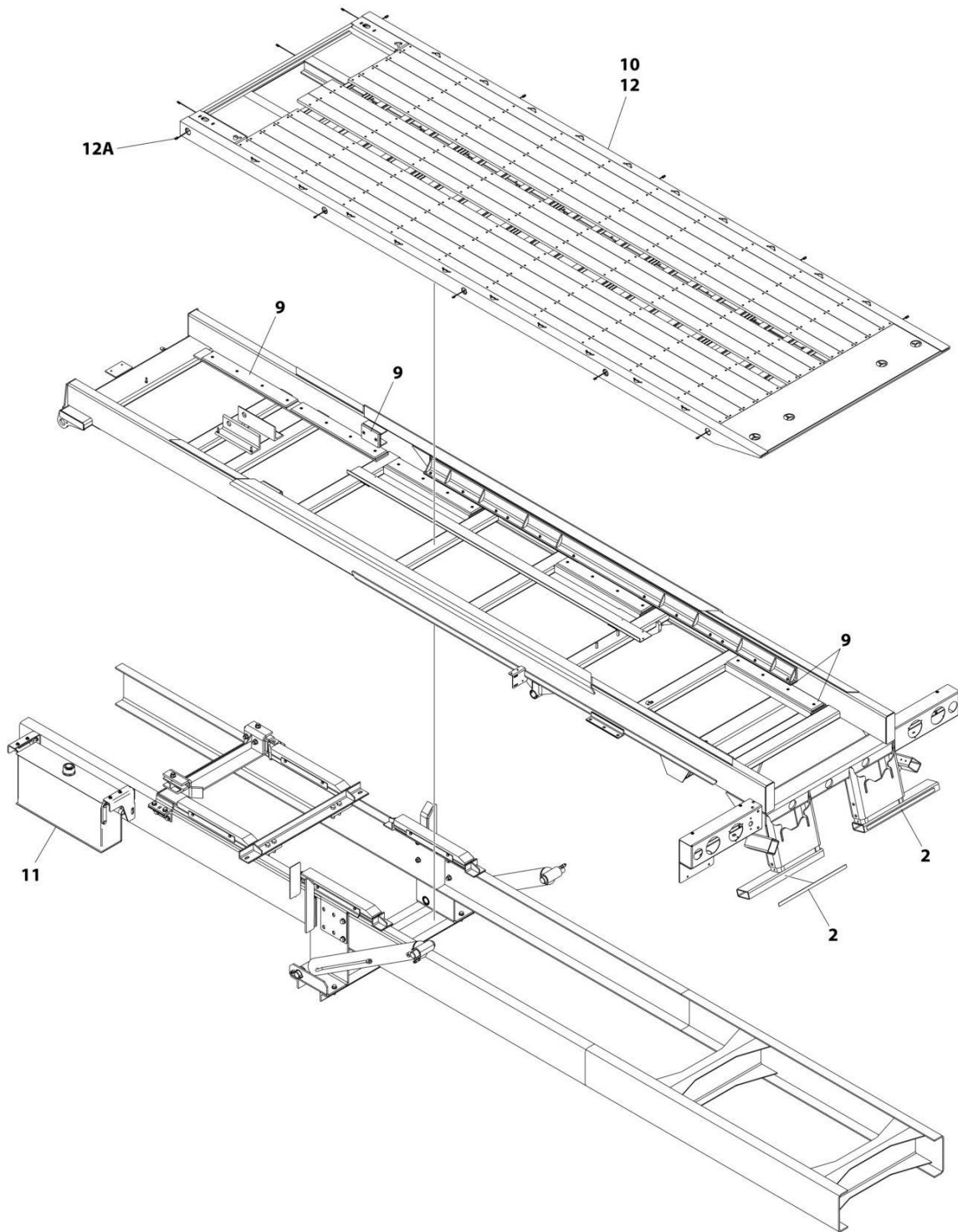
SECTION 3 - DECK

FIGURE 3-12. DECK MODEL - STEEL 26FT X 102IN (15 TON)

ITEM	PART NUMBER	QTY	DESCRIPTION	REV
	615TRBLP-W	Ref	DECK INSTALLATION (15 TON - 26FT X 102IN)	C
1	2330000045	1	Heavy Duty Decals Installation (Not Shown - See Separate Breakdown in DECAL Section)	
2	2330000055	Ref	Conspicuity Decal Installation	
2	7330000428	2	Decal - Red/White Reflective	
5	2570000115	1	Heavy Duty Hose Installation (Not Shown - See Separate Breakdown in HYDRAULIC Section)	
9	2679000009	1	Main Subframe Pad Installation (See Separate Breakdown in SUBFRAME Section)	
10	2706000008	1	Plate Installation, Center Beam	
11	2750000008	1	Hydraulic Reservoir and Bracket Mount (See Separate Breakdown in HYDRAULIC Section)	
12	3097000311	1	Deck Installation	
12A	7552000212	1	Deck Light Harness (See Separate Breakdown in ELECTRICAL Section)	

SECTION 3 - DECK

FIGURE 3-13. DECK MODEL - STEEL 28FT X 96IN (15 TON)



ART_815TRBLP

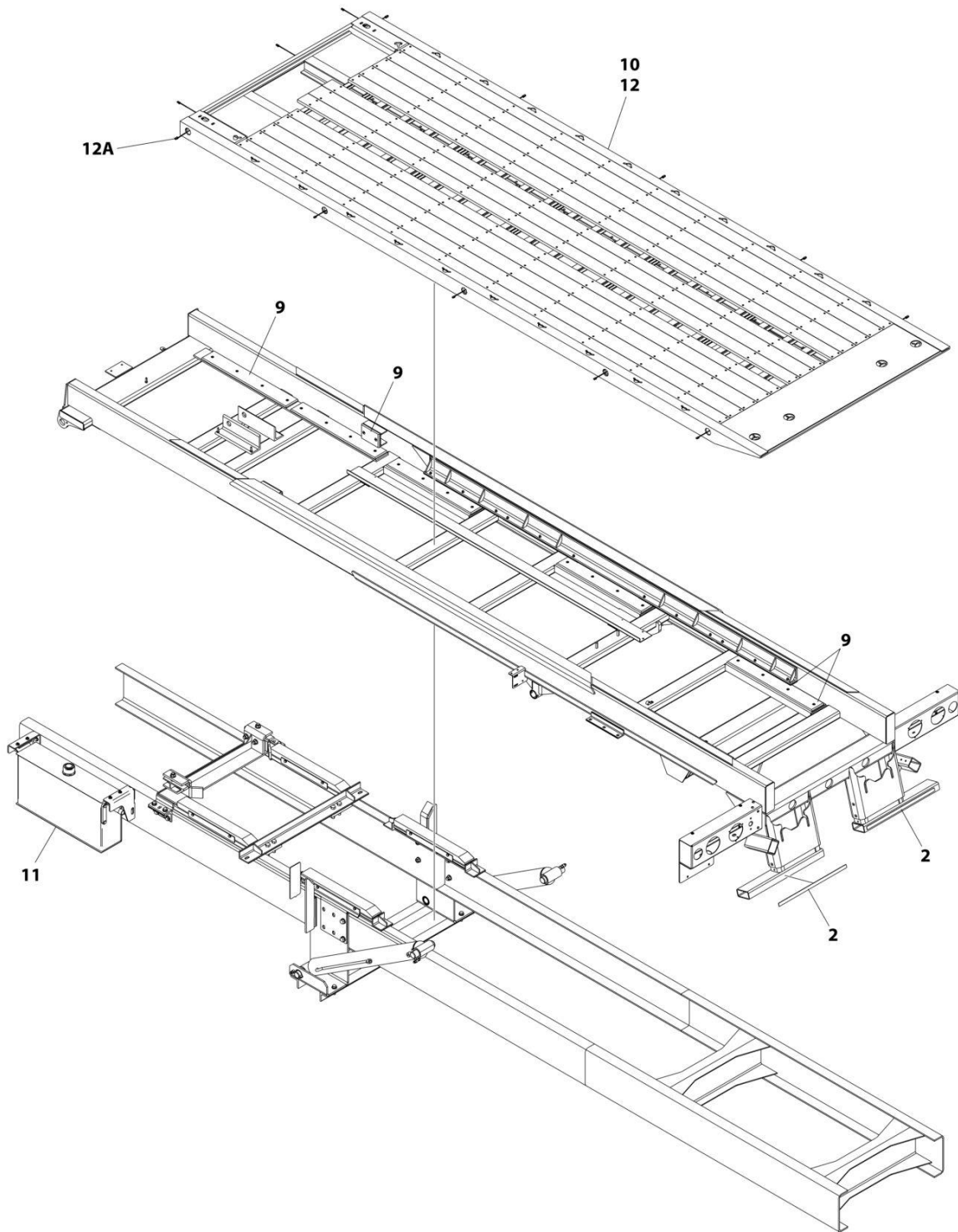
SECTION 3 - DECK

FIGURE 3-13. DECK MODEL - STEEL 28FT X 96IN (15 TON)

ITEM	PART NUMBER	QTY	DESCRIPTION	REV
	815TRBLP	Ref	DECK INSTALLATION (15 TON - 28FT X 96IN)	C
1	2330000045	1	Heavy Duty Decals Installation (Not Shown - See Separate Breakdown in DECAL Section)	
2	2330000055	Ref	Conspicuity Decal Installation	
2	7330000428	2	Decal - Red/White Reflective	
5	2570000116	1	Heavy Duty Hose Installation (Not Shown - See Separate Breakdown in HYDRAULIC Section)	
9	2679000008	1	Main Subframe Pad Installation (See Separate Breakdown in SUBFRAME Section)	
10	2706000009	1	Plate Installation, Center Beam	
11	2750000008	1	Hydraulic Reservoir and Bracket Mount (See Separate Breakdown in HYDRAULIC Section)	
12	3097000301	1	Deck Installation	
12A	7552000212	1	Deck Light Harness (See Separate Breakdown in ELECTRICAL Section)	

SECTION 3 - DECK

FIGURE 3-14. DECK MODEL - STEEL 28FT X 102IN (15 TON)



ART_815TRBLP-W

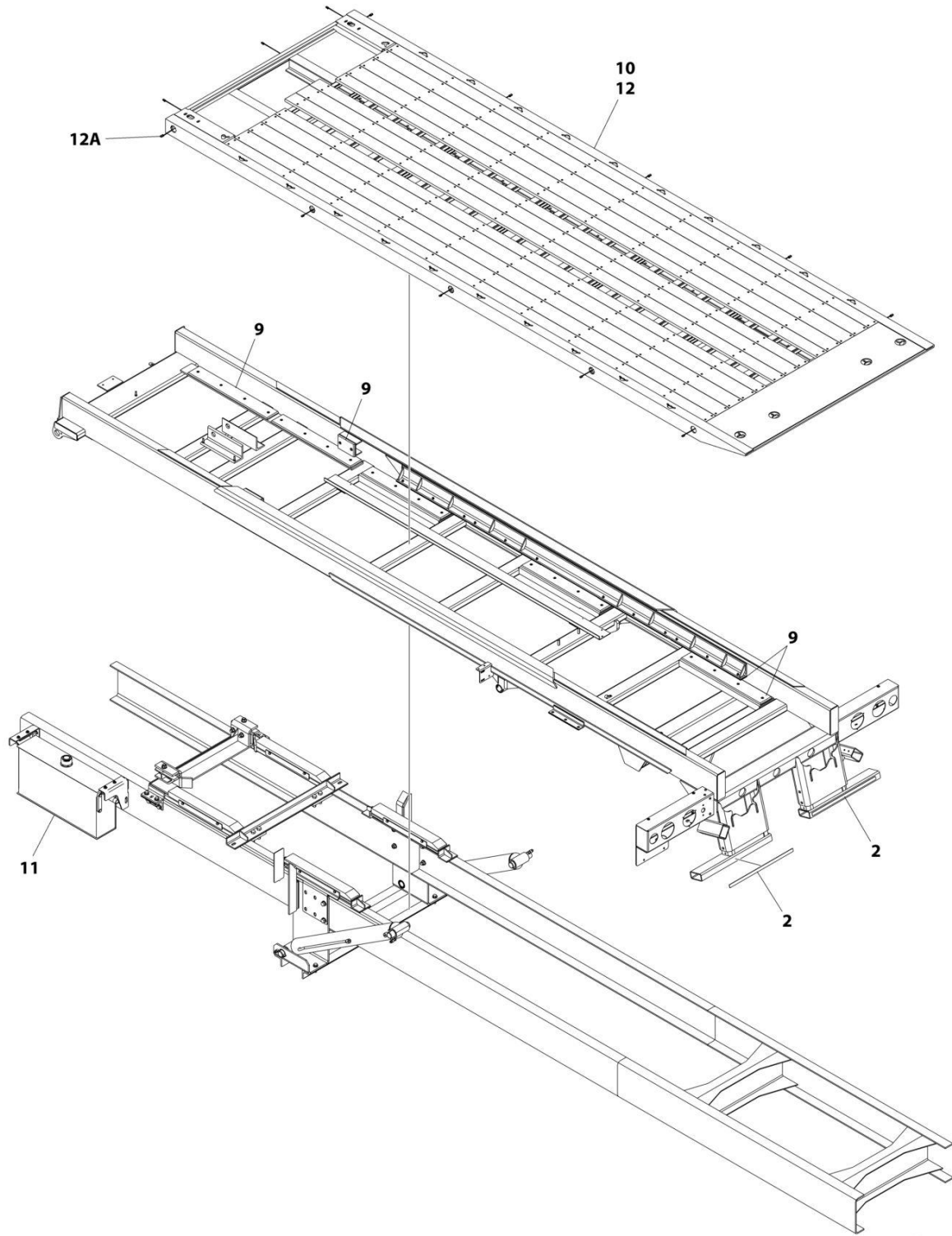
SECTION 3 - DECK

FIGURE 3-14. DECK MODEL - STEEL 28FT X 102IN (15 TON)

ITEM	PART NUMBER	QTY	DESCRIPTION	REV
	815TRBLP-W	Ref	DECK INSTALLATION (15 TON - 28FT X 102IN)	C
1	2330000045	1	Heavy Duty Decals Installation (Not Shown - See Separate Breakdown in DECAL Section)	
2	2330000055	Ref	Conspicuity Decal Installation	
2	7330000428	2	Decal - Red/White Reflective	
5	2570000116	1	Heavy Duty Hose Installation (Not Shown - See Separate Breakdown in HYDRAULIC Section)	
9	2679000008	1	Main Subframe Pad Installation (See Separate Breakdown in SUBFRAME Section)	
10	2706000009	1	Plate Installation, Center Beam	
11	2750000008	1	Hydraulic Reservoir and Bracket Mount (See Separate Breakdown in HYDRAULIC Section)	
12	3097000310	1	Deck Installation	
12A	7552000212	1	Deck Light Harness (See Separate Breakdown in ELECTRICAL Section)	

SECTION 3 - DECK

FIGURE 3-15. DECK MODEL - STEEL 30FT X 96IN (15 TON)



ART_1001132310

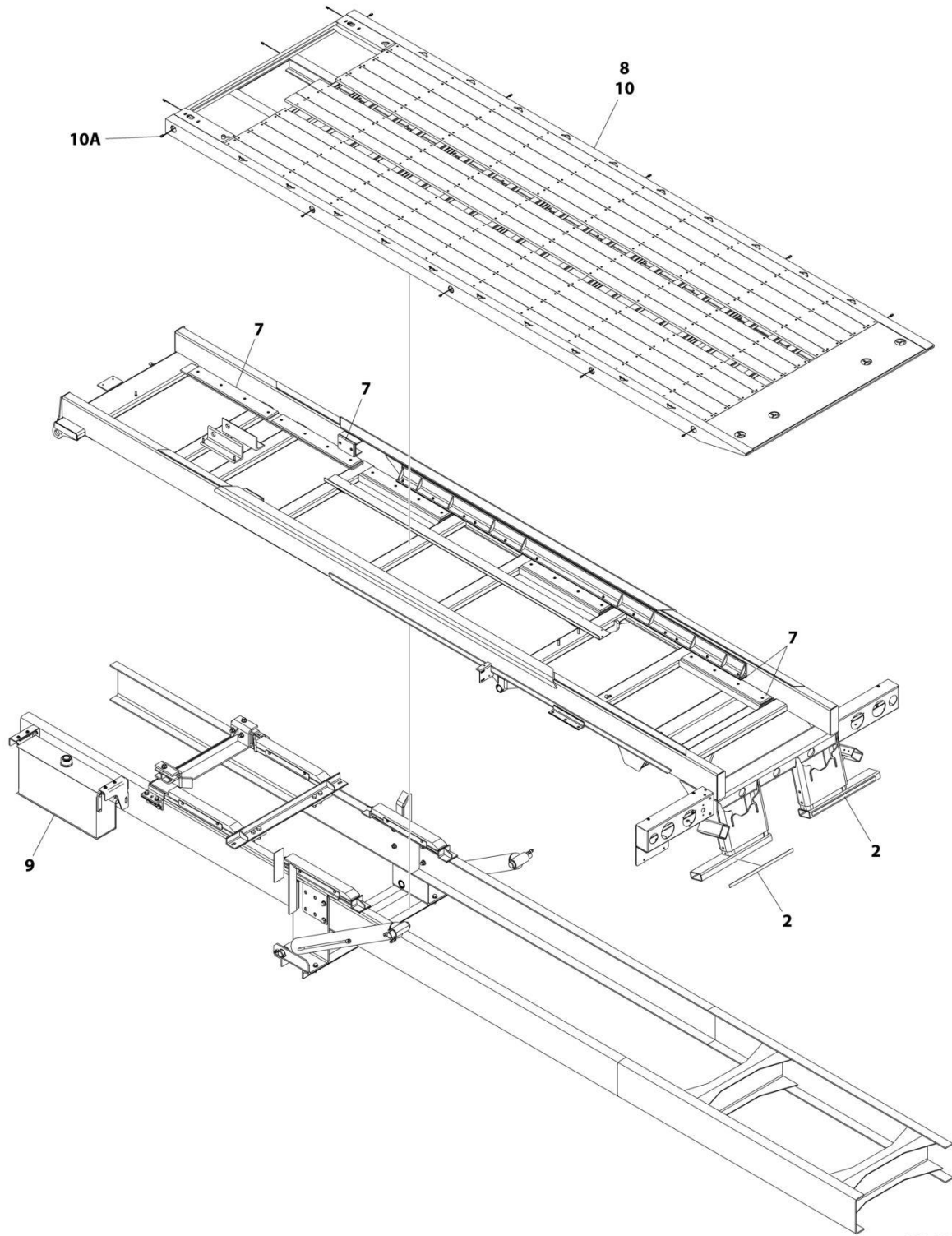
SECTION 3 - DECK

FIGURE 3-15. DECK MODEL - STEEL 30FT X 96IN (15 TON)

ITEM	PART NUMBER	QTY	DESCRIPTION	REV
	1001132310	Ref	DECK INSTALLATION (15 TON - 30FT X 96IN)	B
1	2330000045	1	Heavy Duty Decals Installation (Not Shown - See Separate Breakdown in DECAL Section)	
2	2330000055	Ref	Conspicuity Decal Installation	
2	7330000428	2	Decal - Red/White Reflective	
5	2570000117	1	Heavy Duty Hose Installation (Not Shown - See Separate Breakdown in HYDRAULIC Section)	
9	2679000008	1	Main Subframe Pad Installation (See Separate Breakdown in SUBFRAME Section)	
10	2706000047	1	Plate Installation, Center Beam	
11	2750000008	1	Hydraulic Reservoir and Bracket Mount (See Separate Breakdown in HYDRAULIC Section)	
12	3097000358	1	Deck Installation	
12A	7552000212	1	Deck Light Harness (See Separate Breakdown in ELECTRICAL Section)	

SECTION 3 - DECK

FIGURE 3-16. DECK MODEL - STEEL 30FT X 102IN (15 TON)



ART_1001135070

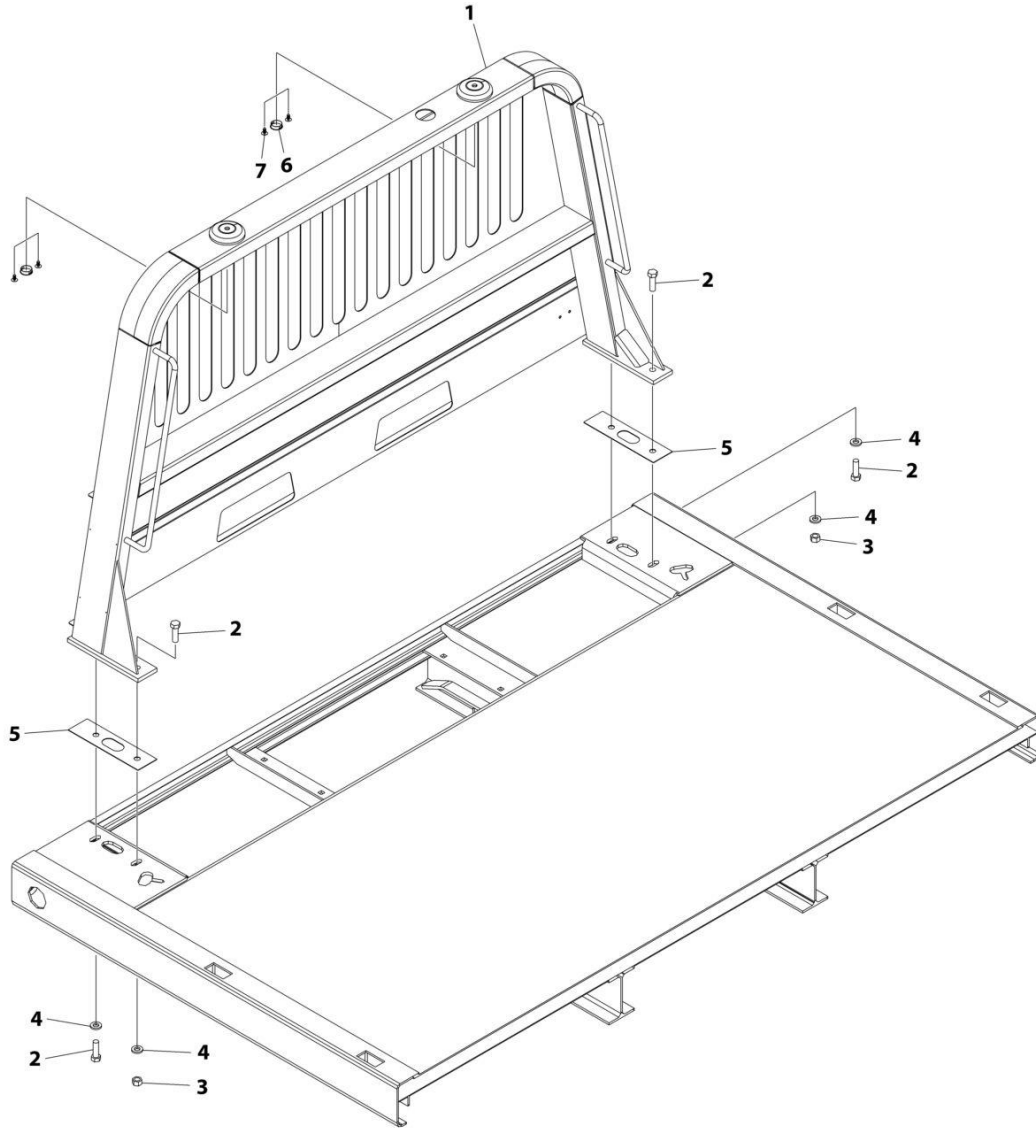
SECTION 3 - DECK

FIGURE 3-16. DECK MODEL - STEEL 30FT X 102IN (15 TON)

ITEM	PART NUMBER	QTY	DESCRIPTION	REV
	1001135070	Ref	DECK INSTALLATION (15 TON - 30FT X 102IN)	B
1	2330000045	1	Heavy Duty Decals Installation (Not Shown - See Separate Breakdown in DECAL Section)	
2	2330000055	Ref	Conspicuity Decal Installation	
2	7330000428	2	Decal - Red/White Reflective	
4	2570000117	1	Heavy Duty Hose Installation (Not Shown - See Separate Breakdown in HYDRAULIC Section)	
7	2679000008	1	Main Subframe Pad Installation (See Separate Breakdown in SUBFRAME Section)	
8	2706000047	1	Plate Installation, Center Beam	
9	2750000008	1	Hydraulic Reservoir and Bracket Mount (See Separate Breakdown in HYDRAULIC Section)	
10	3097000361	1	Deck Installation	
10A	7552000212	1	Deck Light Harness (See Separate Breakdown in ELECTRICAL Section)	

SECTION 3 - DECK

FIGURE 3-17. HEADBOARD INSTALLATION (45.5IN DELUXE)



ART_1001129114

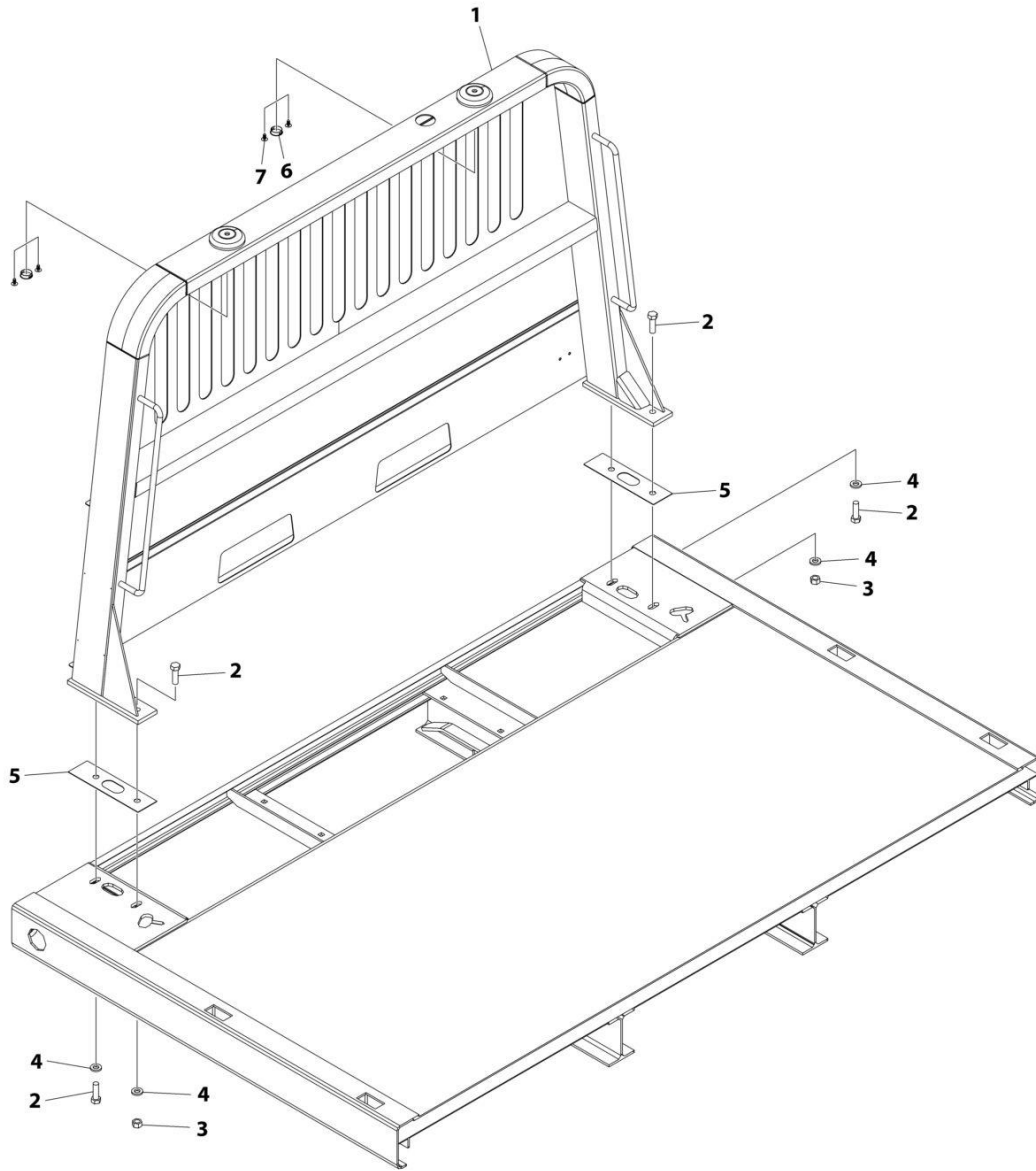
SECTION 3 - DECK

FIGURE 3-17. HEADBOARD INSTALLATION (45.5IN DELUXE)

ITEM	PART NUMBER	QTY	DESCRIPTION	REV
	1001129114	Ref	BUMPER HEADBOARD 45.50IN DELUXE	B
1	1001223267	1	Headboard Weldment	
2	0652016	4	Bolt 5/8 x 2	
3	7660200035	2	Nut 5/8	
4	4712000	4	Washer 5/8	
5	4796000037	2	Gasket	
6	7701000049	2	Plug	
7	7413000013	4	Push-In Fastener	

SECTION 3 - DECK

FIGURE 3-18. HEADBOARD INSTALLATION (50.5IN DELUXE)



ART_1001129116

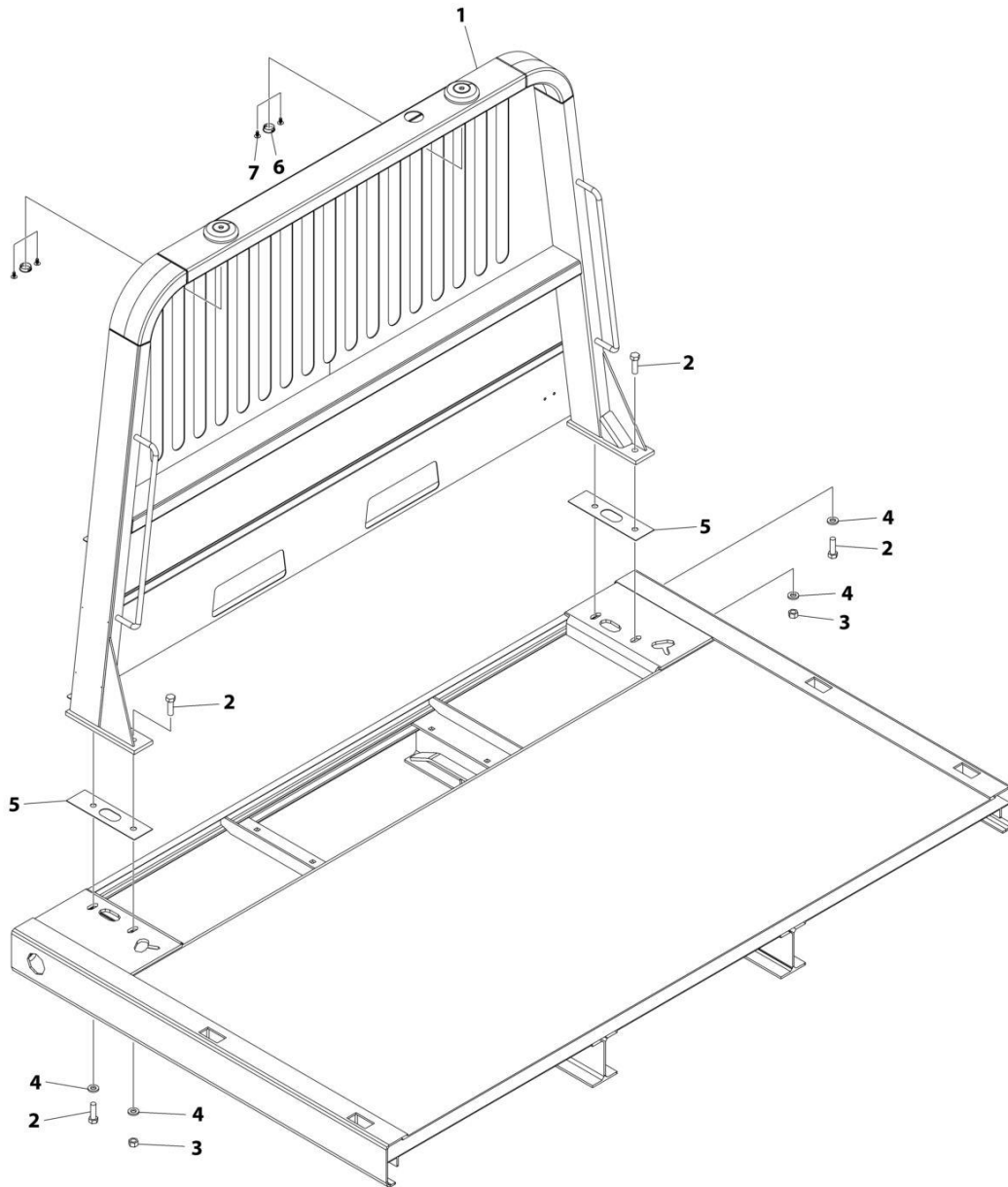
SECTION 3 - DECK

FIGURE 3-18. HEADBOARD INSTALLATION (50.5IN DELUXE)

ITEM	PART NUMBER	QTY	DESCRIPTION	REV
	1001129116	Ref	BUMPER HEADBOARD 50.50IN DELUXE	B
1	1001223268	1	Headboard Weldment	
2	0652016	4	Bolt 5/8 x 2	
3	7660200035	2	Nut 5/8	
4	4712000	4	Washer 5/8	
5	4796000037	2	Gasket	
6	7701000049	2	Plug	
7	7413000013	4	Push-In Fastener	

SECTION 3 - DECK

FIGURE 3-19. HEADBOARD INSTALLATION (57.5IN DELUXE)



ART_1001129118

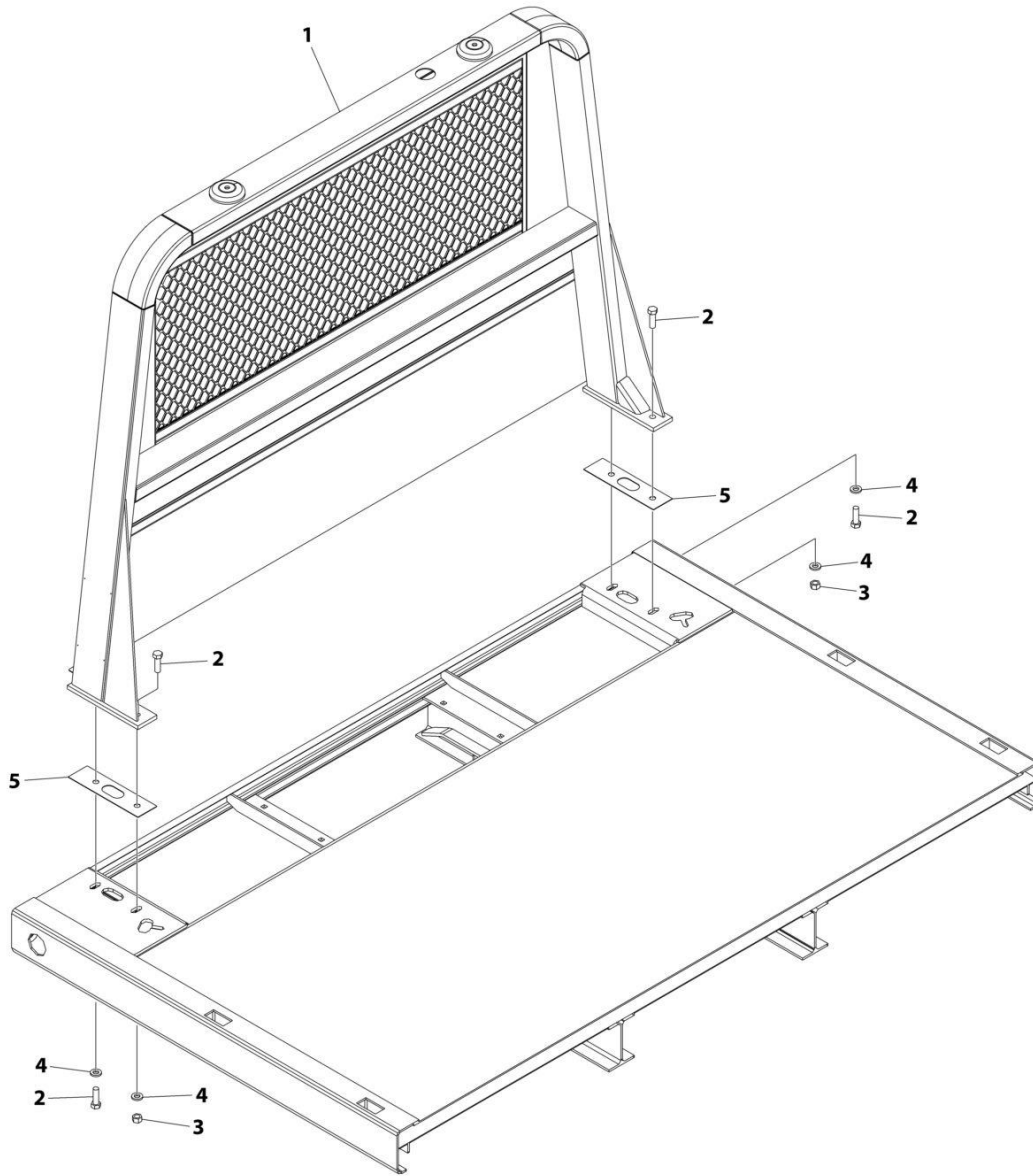
SECTION 3 - DECK

FIGURE 3-19. HEADBOARD INSTALLATION (57.5IN DELUXE)

ITEM	PART NUMBER	QTY	DESCRIPTION	REV
	1001129118	Ref	BUMPER HEADBOARD 57.50IN DELUXE	B
1	1001223269	1	Headboard Weldment	
2	0652016	4	Bolt 5/8 x 2	
3	7660200035	2	Nut 5/8	
4	4712000	4	Washer 5/8	
5	4796000037	2	Gasket	
6	7701000049	2	Plug	
7	7413000013	4	Push-In Fastener	

SECTION 3 - DECK

FIGURE 3-20. HEADBOARD INSTALLATION (57.5IN DELUXE) (GSA)



ART_2241000142

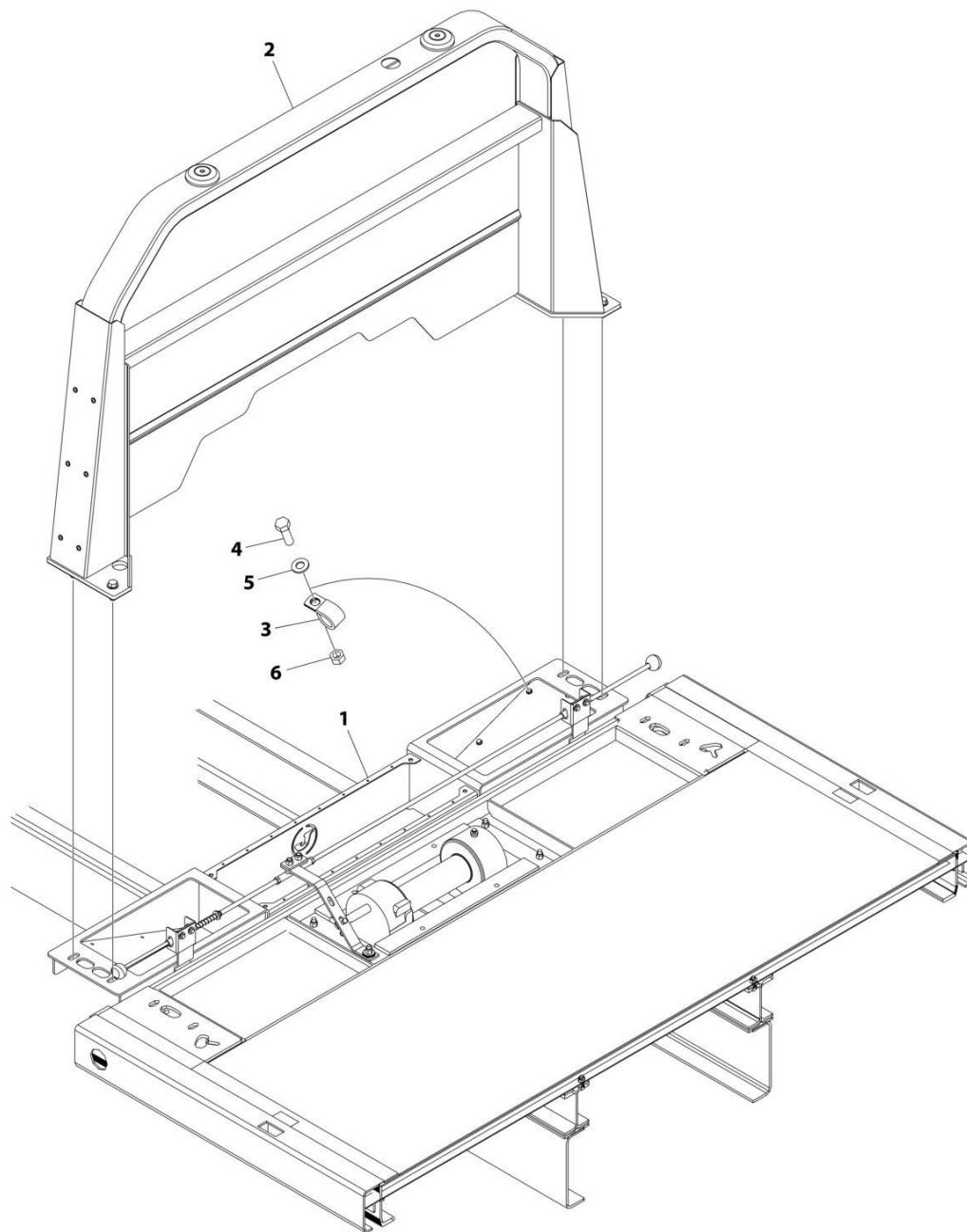
SECTION 3 - DECK

FIGURE 3-20. HEADBOARD INSTALLATION (57.5IN DELUXE) (GSA)

ITEM	PART NUMBER	QTY	DESCRIPTION	REV
	2241000142	Ref	HEADBOARD INSTALLATION (57.50IN DELUXE) (GSA)	B
1	3241000262	1	Headboard Deluxe	
2	7105201650	4	Bolt 5/8 x 2	
3	7660200035	2	Nut 5/8	
4	7950200152	4	Washer 5/8	
5	4796000037	2	Gasket	

SECTION 3 - DECK

FIGURE 3-21. HEADBOARD INSTALLATION STATIONARY ADJUSTABLE 8.88IN



ART_1001226004

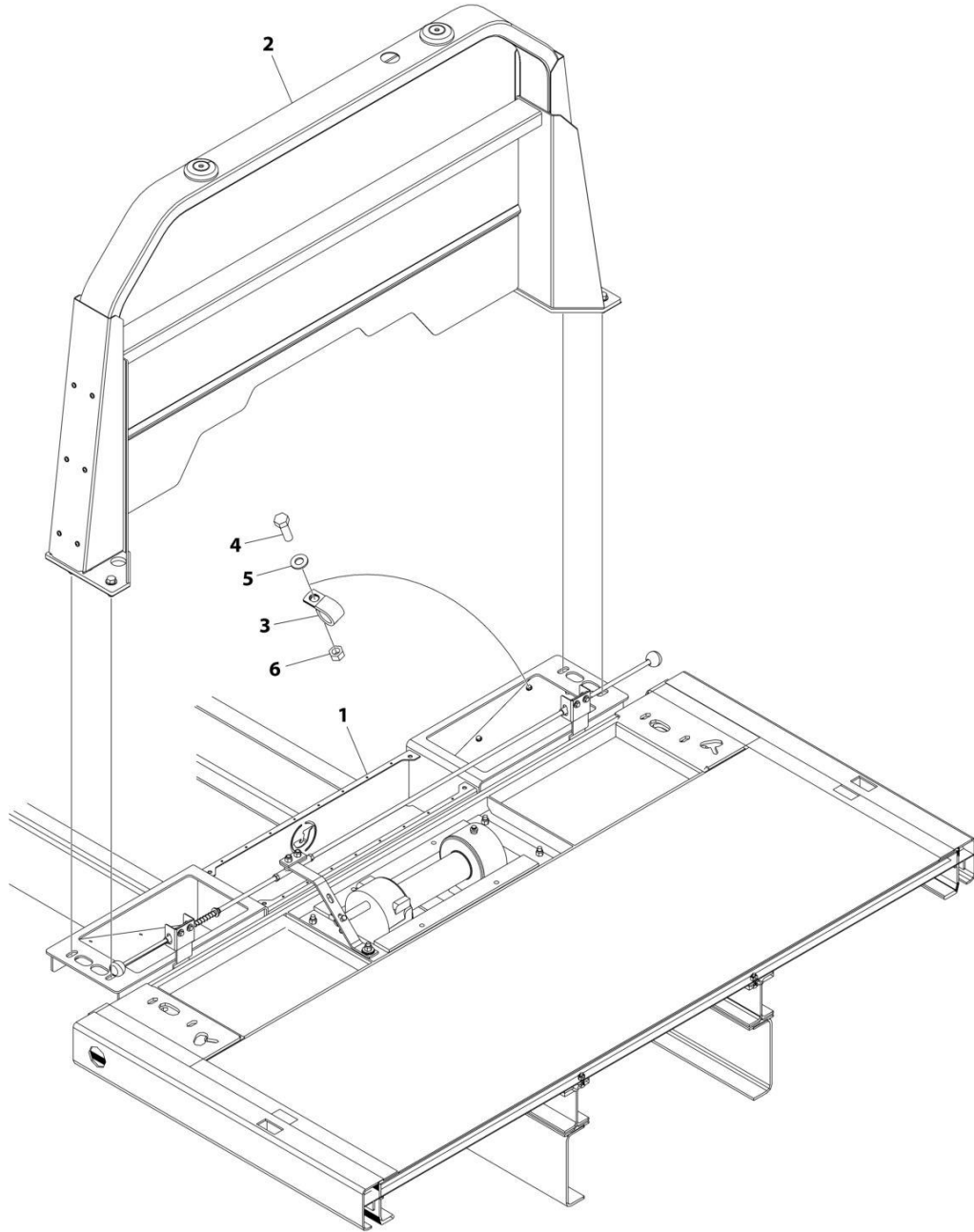
SECTION 3 - DECK

FIGURE 3-21. HEADBOARD INSTALLATION STATIONARY ADJUSTABLE 8.88IN

ITEM	PART NUMBER	QTY	DESCRIPTION	REV
	1001226004	Ref	STATIONARY ADJUSTABLE HEADBOARD 8.88IN	B
1	1001225870	1	Headboard Base Installation (See Separate Breakdown in this Section)	
2	1001189544	1	Headboard Installation (See Separate Breakdown in this Section)	
3	7274000063	3	Clamp	
4	0641508	3	Bolt 5/16 x 1	
5	4711500	3	Washer 5/16	
6	3311505	3	Nut 5/16	

SECTION 3 - DECK

FIGURE 3-22. HEADBOARD INSTALLATION STATIONARY ADJUSTABLE (SPECIAL PAINT) 8.88IN



ART_1001226005

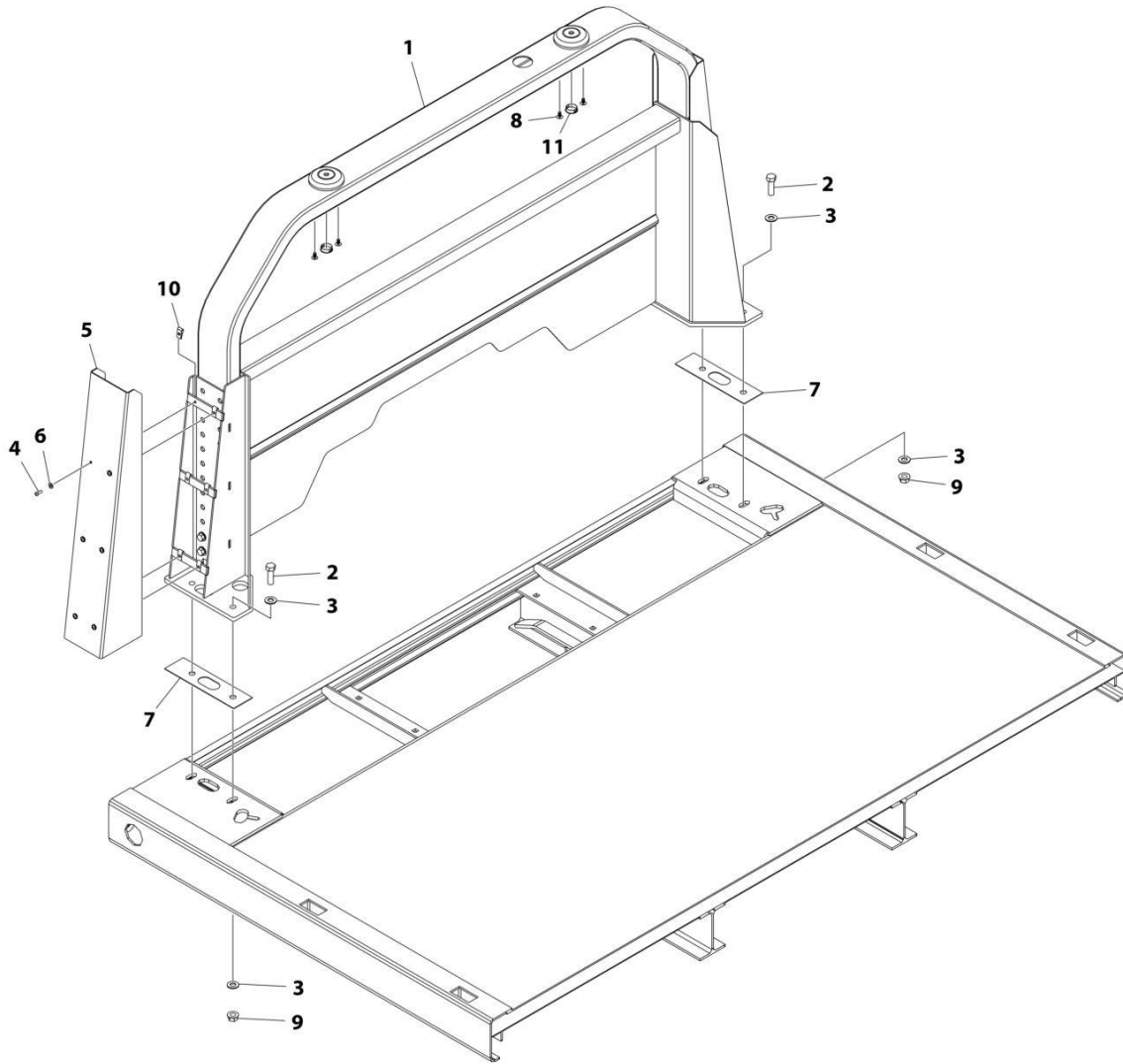
SECTION 3 - DECK

FIGURE 3-22. HEADBOARD INSTALLATION STATIONARY ADJUSTABLE (SPECIAL PAINT) 8.88IN

ITEM	PART NUMBER	QTY	DESCRIPTION	REV
	1001226005	Ref	STATIONARY ADJUSTABLE HEADBOARD 8.88IN SPECIAL PAINT	B
1	1001225870	1	Headboard Base Installation (See Separate Breakdown in this Section)	
2	1001203834	1	Headboard Installation (See Separate Breakdown in this Section)	
3	7274000063	3	Clamp	
4	0641508	3	Bolt 5/16 x 1	
5	4711500	3	Washer 5/16	
6	3311505	3	Nut 5/16	

SECTION 3 - DECK

FIGURE 3-23. HEADBOARD INSTALLATION ADJUSTABLE (45.50 - 65.50IN)



ART_1001189544

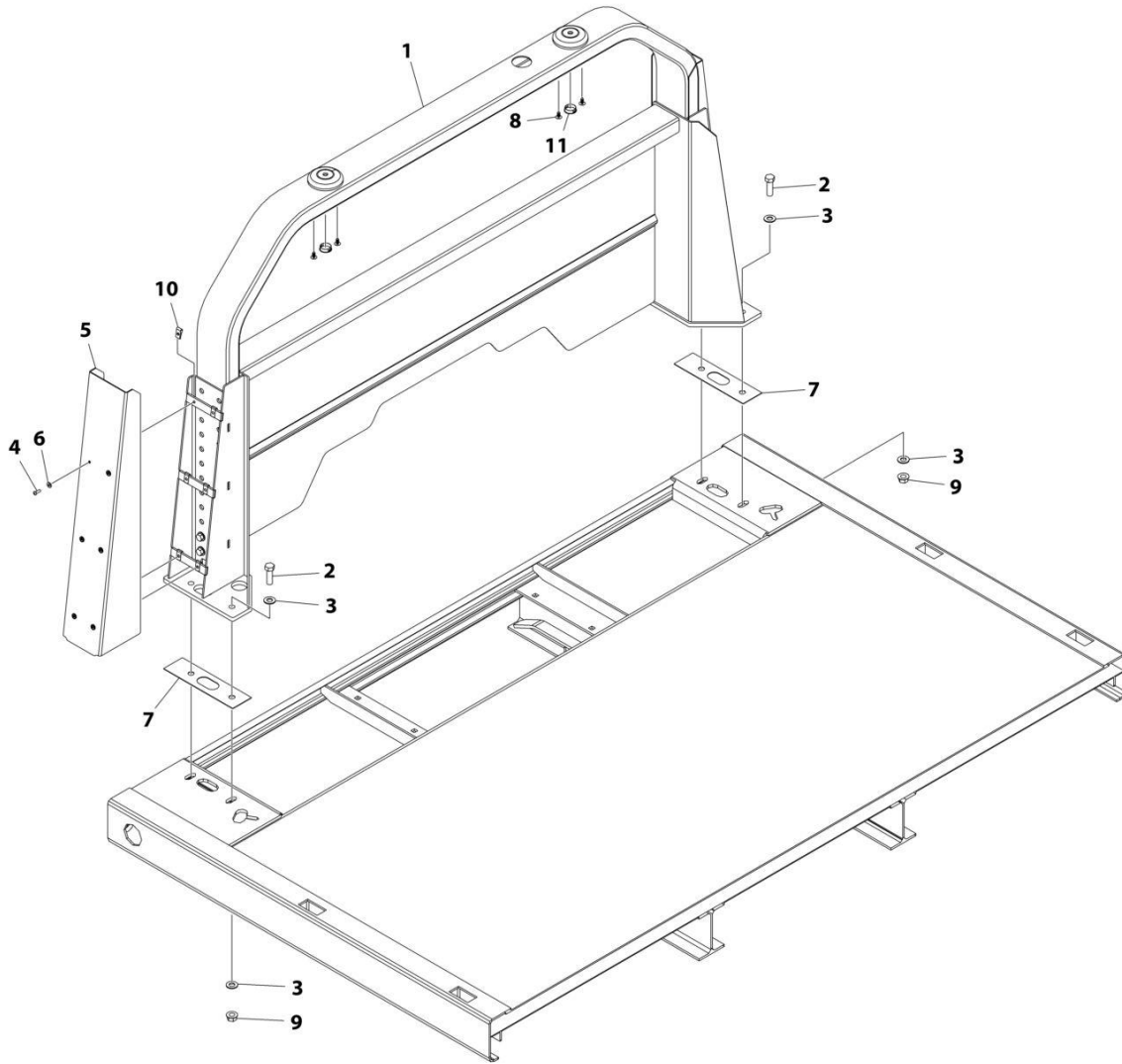
SECTION 3 - DECK

FIGURE 3-23. HEADBOARD INSTALLATION ADJUSTABLE (45.50 - 65.50IN)

ITEM	PART NUMBER	QTY	DESCRIPTION	REV
	1001189544	Ref	ADJUSTABLE HEADBOARD INSTALLATION 45.50 - 65.50IN	A
1	1001192132	1	Headboard Weldment	
2	0652016	4	Bolt 5/8 x 2	
3	4712000	8	Washer 5/8	
4	0630448001	12	Screw 1/4 x 3/4	
5	1001177459	2	Cover	
6	4711400001	12	Washer 1/4	
7	4796000037	2	Gasket	
8	7413000013	4	Push-In Fastener	
9	7660202347	4	Nut 5/8	
10	7661000064	12	Clip, U-Nut 1/4	
11	7701000049	2	Plug	

SECTION 3 - DECK

FIGURE 3-24. HEADBOARD INSTALLATION ADJUSTABLE (45.50 - 65.50IN SPECIAL PAINT)



ART_1001203834

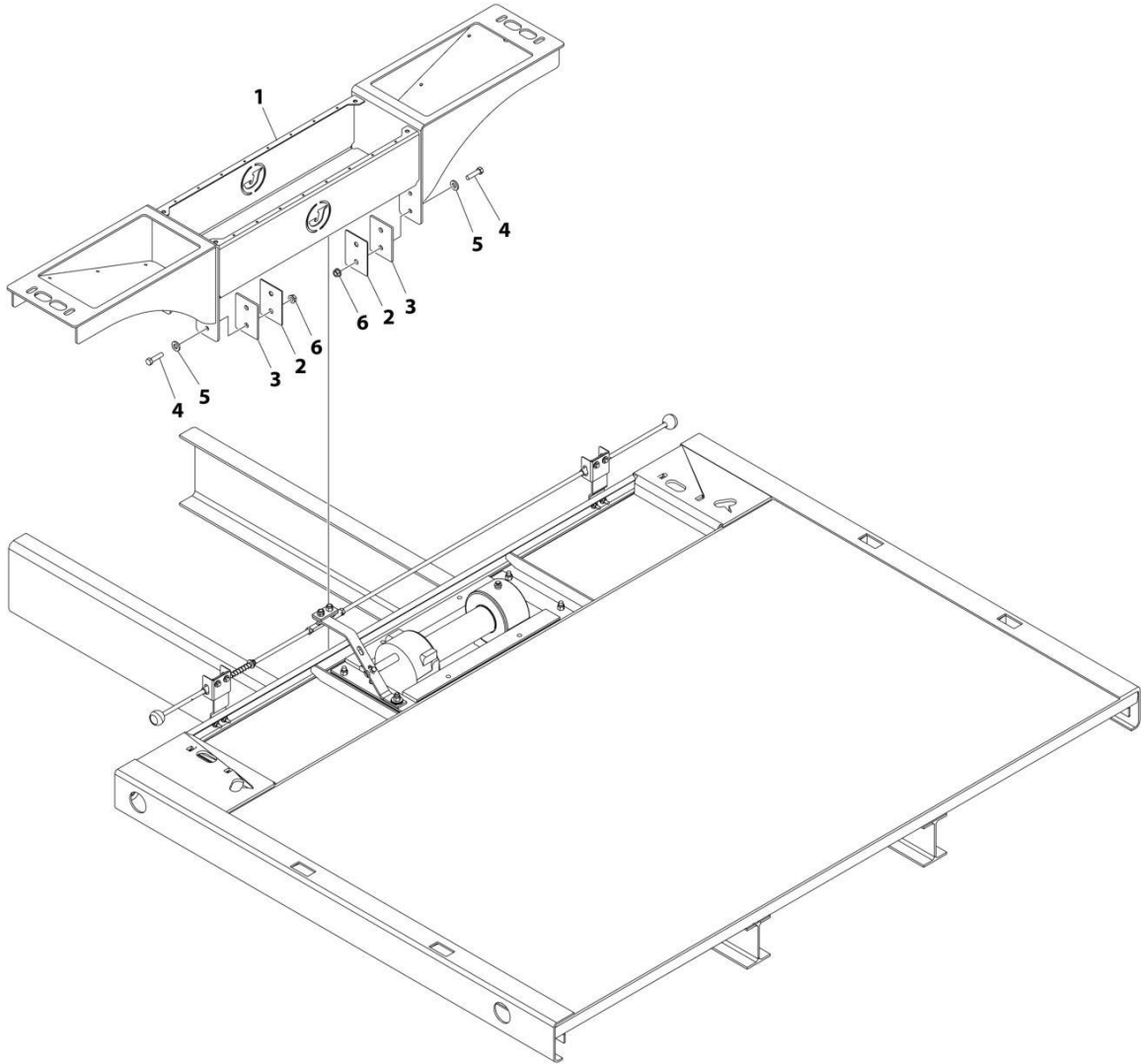
SECTION 3 - DECK

FIGURE 3-24. HEADBOARD INSTALLATION ADJUSTABLE (45.50 - 65.50IN SPECIAL PAINT)

ITEM	PART NUMBER	QTY	DESCRIPTION	REV
	1001203834	Ref	ADJUSTABLE HEADBOARD INSTALLATION 45.50 - 65.50IN SPECIAL PAINT	B
1	1001203833	1	Headboard Weldment	
2	0652016	4	Bolt 5/8 x 2	
3	4712000	8	Washer 5/8	
4	0630448001	12	Screw 1/4 x 3/4	
5	1001203829	2	Cover	
6	4711400001	12	Washer 1/4	
7	4796000037	2	Gasket	
8	7413000013	4	Push-In Fastener	
9	7660202347	4	Nut 5/8	
10	7661000064	12	Clip, U-Nut 1/4	
11	7701000049	2	Plug	

SECTION 3 - DECK

FIGURE 3-25. HEADBOARD BASE INSTALLATION



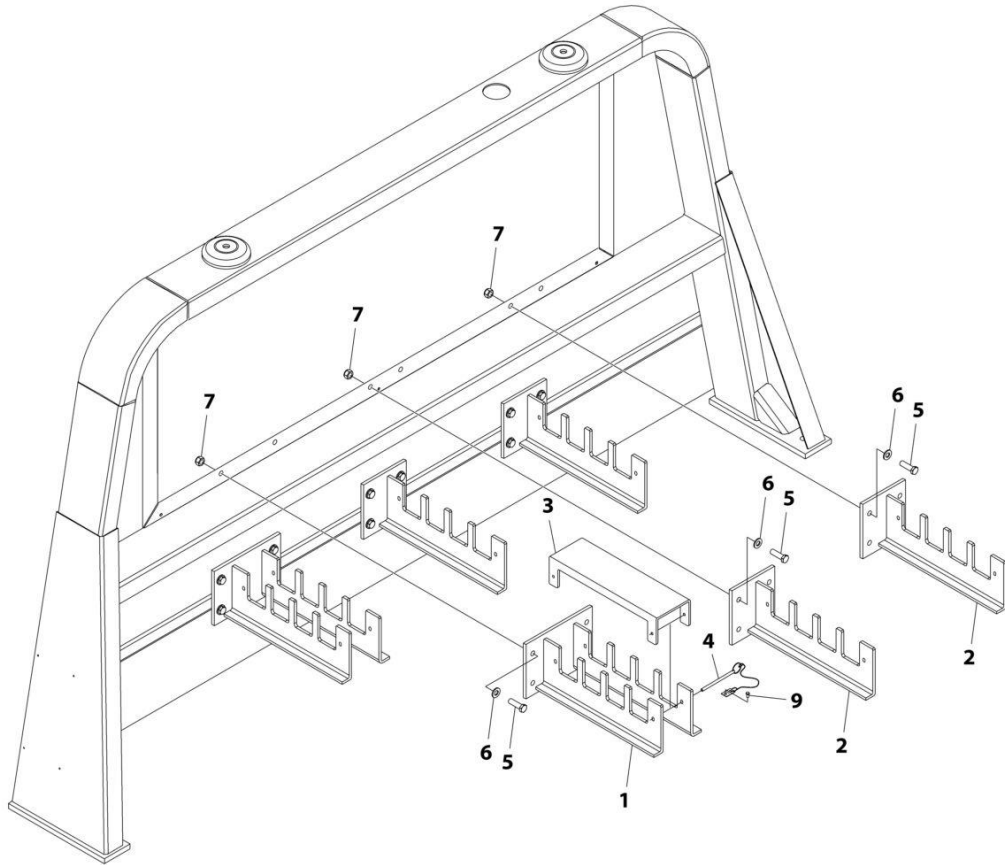
ART_1001225870

FIGURE 3-25. HEADBOARD BASE INSTALLATION

ITEM	PART NUMBER	QTY	DESCRIPTION	REV
	1001225870	Ref	HEADBOARD BASE INSTALLATION	C
1	1001225869	1	Mount	
2	1001226847	4	Shim	
3	1001226848	4	Shim	
4	7105181650	8	Capscrew 1/2 x 2	
5	4892000	8	Washer 5/8	
6	7660182333	8	Nut 1/2	

SECTION 3 - DECK

FIGURE 3-26. HEADBOARD BRACKET INSTALLATION (57.5IN HEADBOARD) (GSA)



ART_2178000030

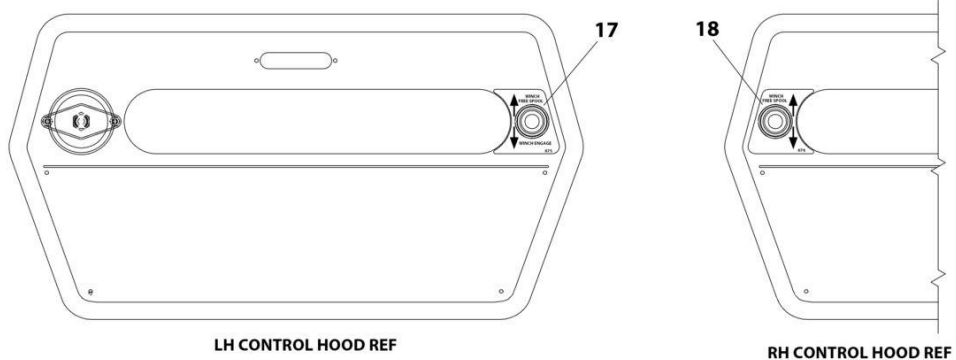
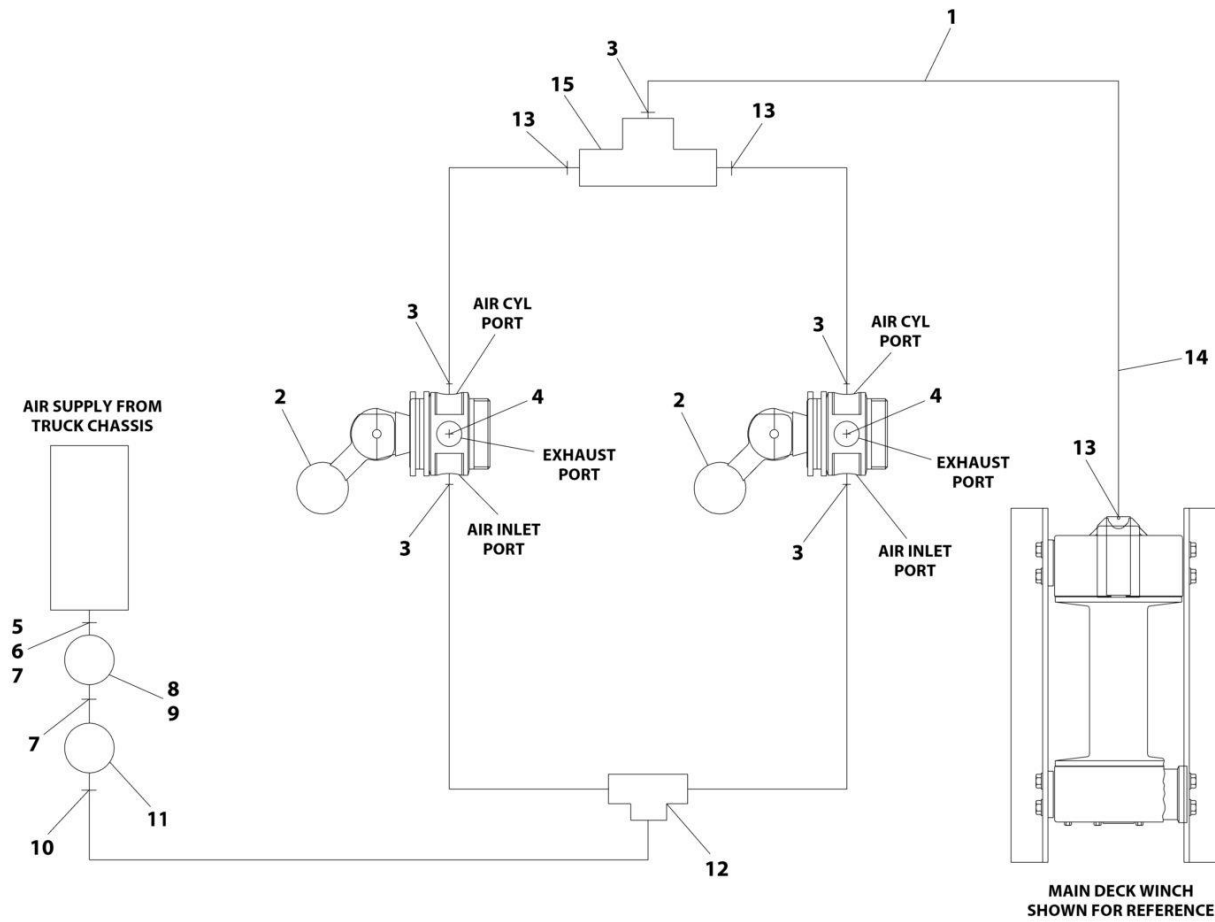
SECTION 3 - DECK

FIGURE 3-26. HEADBOARD BRACKET INSTALLATION (57.5IN HEADBOARD) (GSA)

ITEM	PART NUMBER	QTY	DESCRIPTION	REV
	2178000030	Ref	BRACKET INSTALLATION (57.50IN DELUXE HEADBOARD) (GSA)	A
1	3178000429	2	Bracket, LH	
2	3178000430	4	Bracket, RH	
3	4263000661	1	Channel	
4	7691000055	2	Pin	
5	7105181250	24	Bolt 1/2 x 1-1/2	
6	7950180153	24	Washer 1/2	
7	7660182631	24	Nut 1/2	
8	8632000022	11	Trim, Rubber (Not Shown)	
9	7790100856	1	Screw #10 x 1/2	

SECTION 3 - DECK

FIGURE 3-27. FREE SPOOL INSTALLATION - WORM GEAR/AIR FREE SPOOL WITH PPV



ART_2870000019

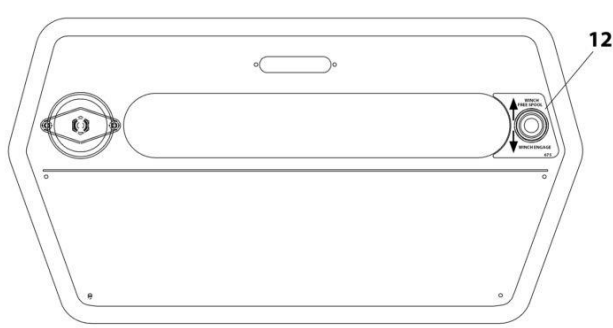
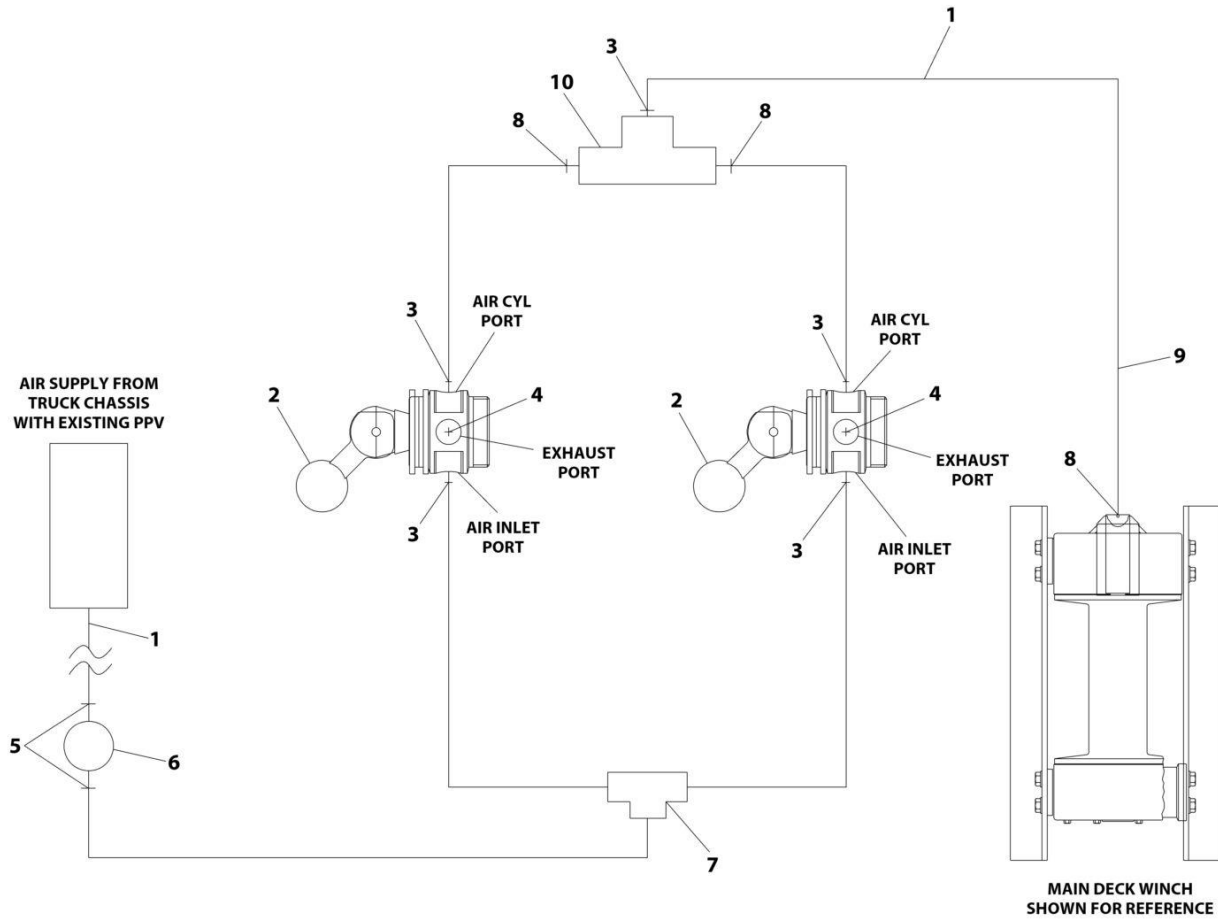
SECTION 3 - DECK

FIGURE 3-27. FREE SPOOL INSTALLATION - WORM GEAR/AIR FREE SPOOL WITH PPV

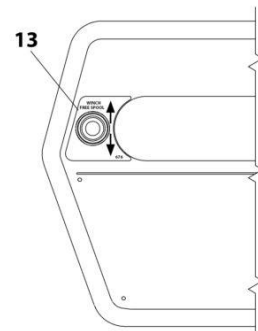
ITEM	PART NUMBER	QTY	DESCRIPTION	REV
	2870000019	Ref	FREE SPOOL INSTALLATION - WORM GEAR/AIR FREE SPOOL WITH PPV	B
1	7565000014	AR	Tubing	
2	7935000182	2	Valve, Air	
3	7443000364	5	Fitting, Straight	
4	7640000002	2	Muffler	
5	7443000154	1	Fitting, Straight	
6	7443000155	1	Fitting, 90	
7	7443000156	2	Nipple	
8	7935000120	1	Valve, Pressure	
9	7443000152	1	Plug	
10	7443000366	1	Fitting, Straight	
11	7935000248	1	Valve, Air Regulator	
12	7443000371	1	Union, Tee	
13	7443000365	3	Fitting, Straight	
14	8597650001	AR	Loom	
15	7935000229	1	Valve, Air Shuttle	
16	7894000004	8	Tie Strap (Not Shown)	
17	7330000675	1	Decal	
18	7330000676	1	Decal	

SECTION 3 - DECK

FIGURE 3-28. FREE SPOOL INSTALLATION - WORM GEAR/AIR FREE SPOOL W/O PPV



LH CONTROL HOOD REF



RH CONTROL HOOD REF

ART_1001220098

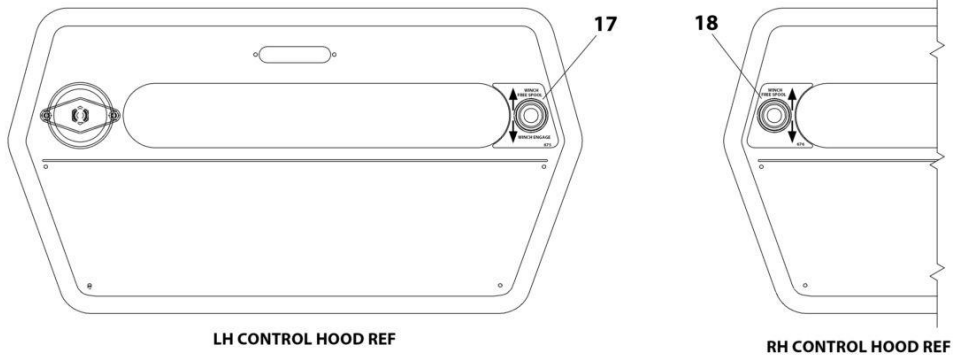
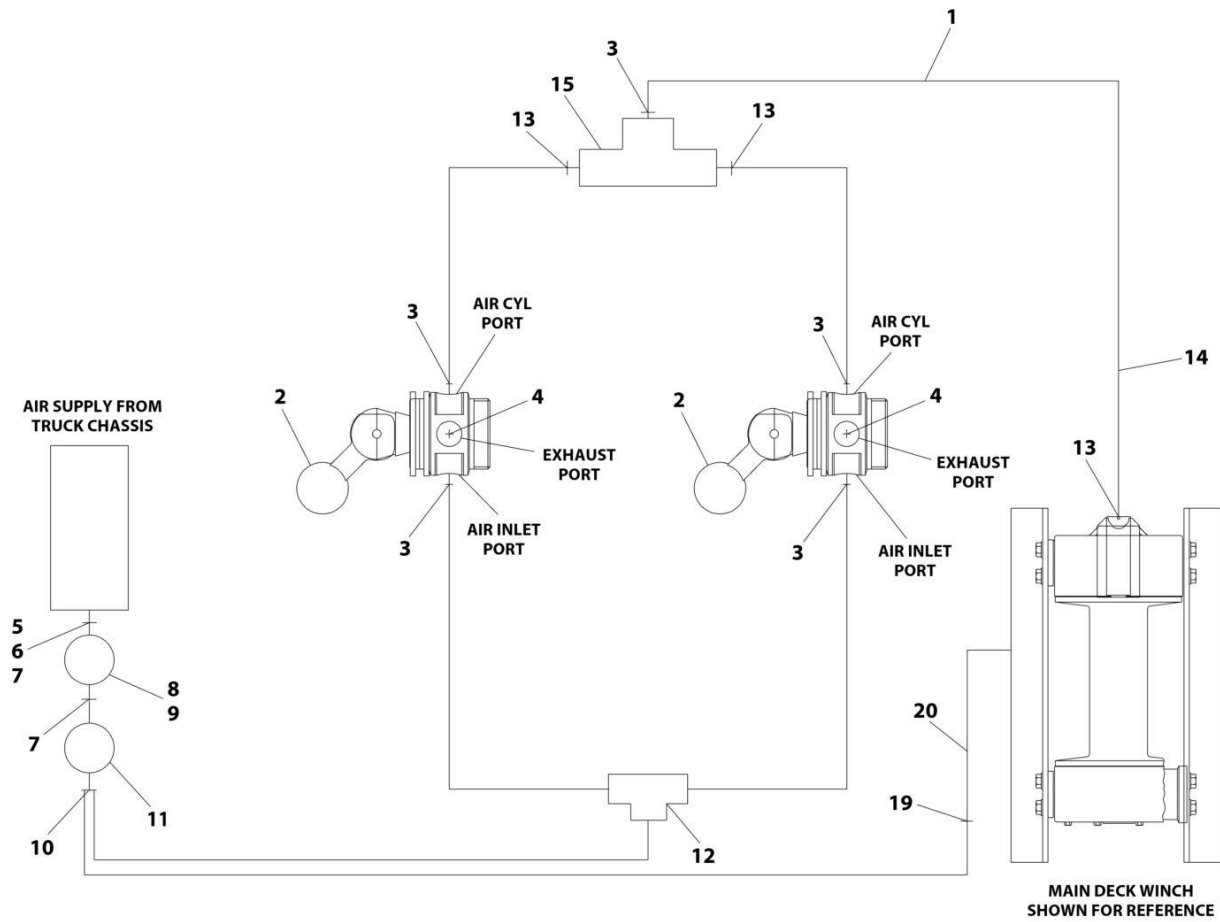
SECTION 3 - DECK

FIGURE 3-28. FREE SPOOL INSTALLATION - WORM GEAR/AIR FREE SPOOL W/O PPV

ITEM	PART NUMBER	QTY	DESCRIPTION	REV
	1001220098	Ref	FREE SPOOL INSTALLATION - WORM GEAR/AIR FREE SPOOL WITHOUT PPV	A
1	7565000014	AR	Tubing	
2	7935000182	2	Valve, Air	
3	7443000364	5	Fitting, Straight	
4	7640000002	2	Muffler	
5	7443000366	2	Fitting, Straight	
6	7935000248	1	Valve, Air Regulator	
7	7443000371	1	Union, Tee	
8	7443000365	3	Fitting, Straight	
9	8597650001	AR	Loom	
10	7935000229	1	Valve, Air Shuttle	
11	7894000004	8	Tie Strap (Not Shown)	
12	7330000675	1	Decal	
13	7330000676	1	Decal	

SECTION 3 - DECK

FIGURE 3-29. FREE SPOOL INSTALLATION - PLANETARY/AIR FREE SPOOL WITH PPV



ART_1001145984

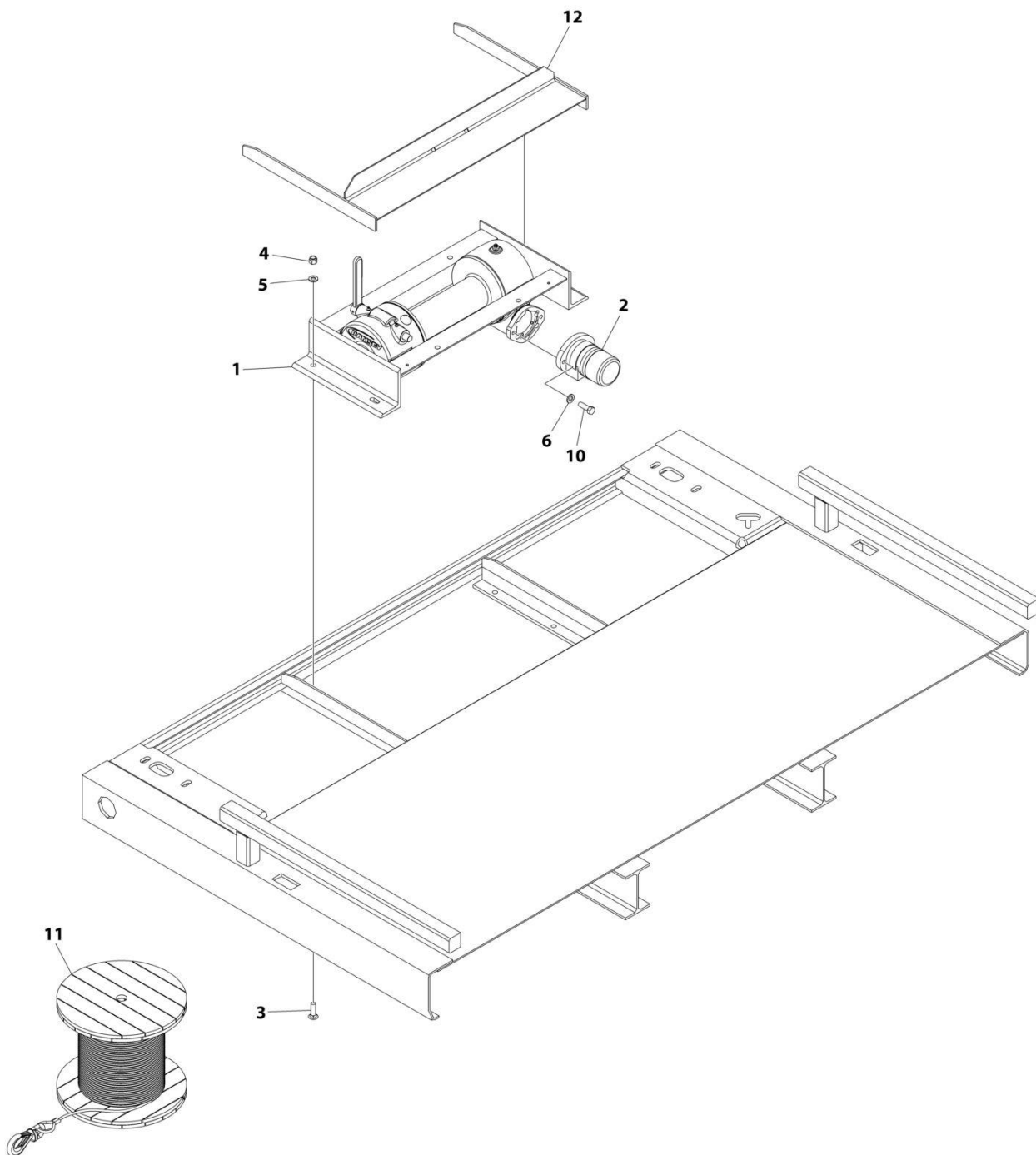
SECTION 3 - DECK

FIGURE 3-29. FREE SPOOL INSTALLATION - PLANETARY/AIR FREE SPOOL WITH PPV

ITEM	PART NUMBER	QTY	DESCRIPTION	REV
	1001145984	Ref	FREE SPOOL INSTALLATION - PLANETARY/AIR FREE SPOOL WITH PPV	B
1	7565000014	130 ft	Tubing	
2	7935000182	2	Valve, Air	
3	7443000364	5	Fitting, Straight	
4	7640000002	2	Muffler	
5	7443000154	1	Fitting, Straight	
6	7443000155	1	Fitting, 90	
7	7443000156	2	Nipple	
8	7935000120	1	Valve, Pressure	
9	7443000152	1	Plug	
10	7443000270	1	Fitting, Tee	
11	7935000248	1	Valve, Air Regulator	
12	7443000371	1	Union, Tee	
13	7443000365	3	Fitting, Straight	
14	8597650001	AR	Loom	
15	7935000229	1	Valve, Air Shuttle	
16	7894000004	14	Tie-Strap (Not Shown)	
17	7330000675	1	Decal	
18	7330000676	1	Decal	
19	7443000443	1	Fitting, Straight	
20	7565000016	1.5 ft	Tubing	

SECTION 3 - DECK

FIGURE 3-30. WINCH INSTALLTION - 12000 LBS WORM GEAR WINCHES (STEEL DECK)



ART_297000097

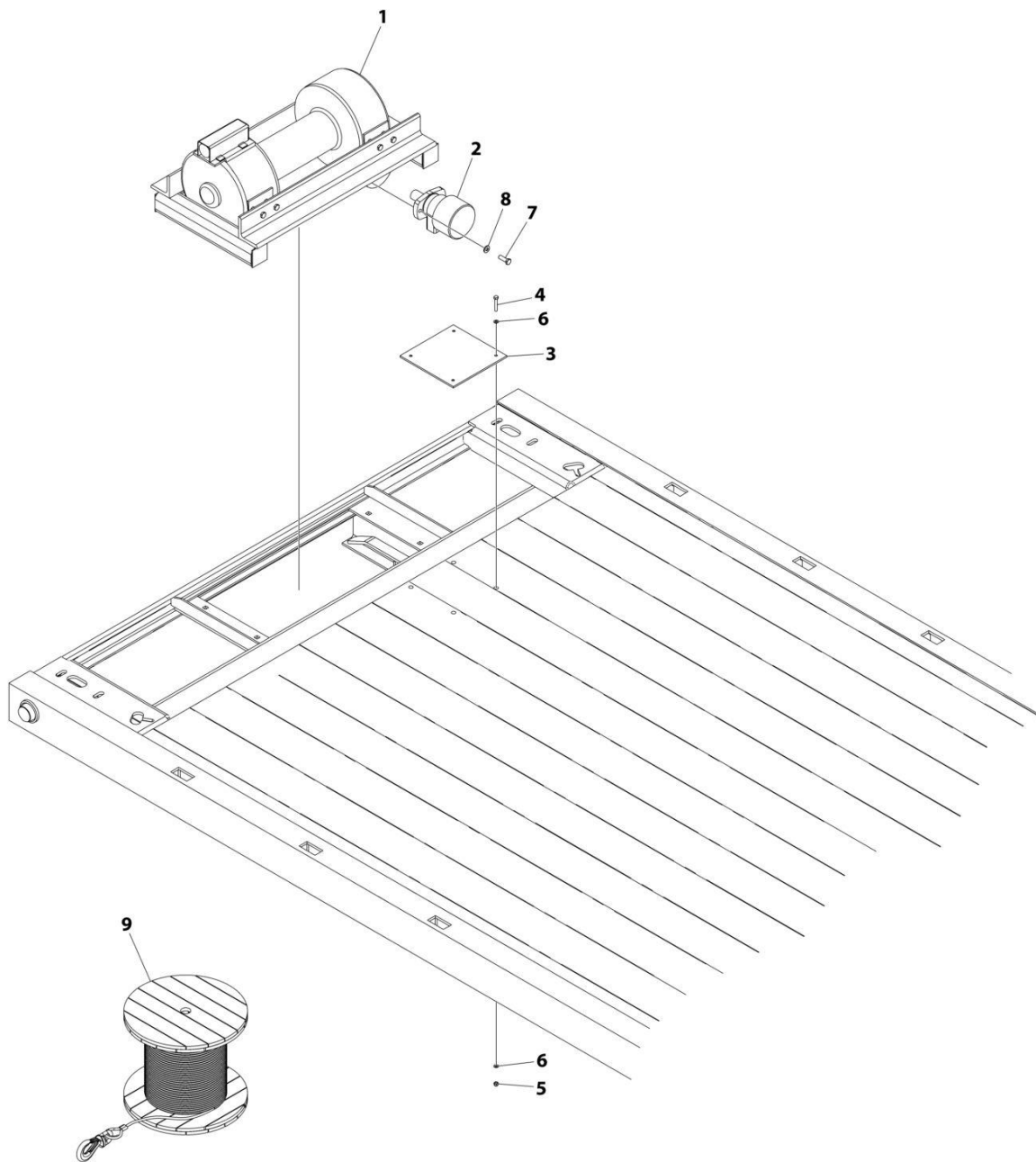
SECTION 3 - DECK

FIGURE 3-30. WINCH INSTALLTION - 12000 LBS WORM GEAR WINCHES (STEEL DECK)

ITEM	PART NUMBER	QTY	DESCRIPTION	REV
	2970000097	Ref	WINCH INSTALLATION - 12K LBS	C
1	7970000083	1	Winch Assembly (See Separate Breakdown in this Section)	
2	7626000018	1	Motor Assembly (See Separate Breakdown in this Section)	
3	7115181464	4	Bolt 1/2 x 1-3/4	
4	7660182301	4	Nut 1/2	
5	7950180153	4	Washer 1/2	
6	7950180400	2	Washer 1/2	
8	4632000004	1	Moulding Trim Lock (Not Shown)	
10	7115181250	2	Capscrew 1/2 x 1-1/2	
11	7248000064	1	Wire Rope	
12	1001146869	1	Bracket	

SECTION 3 - DECK

FIGURE 3-31. WINCH INSTALLATION 20K LBS WORM GEAR



ART_2970000102

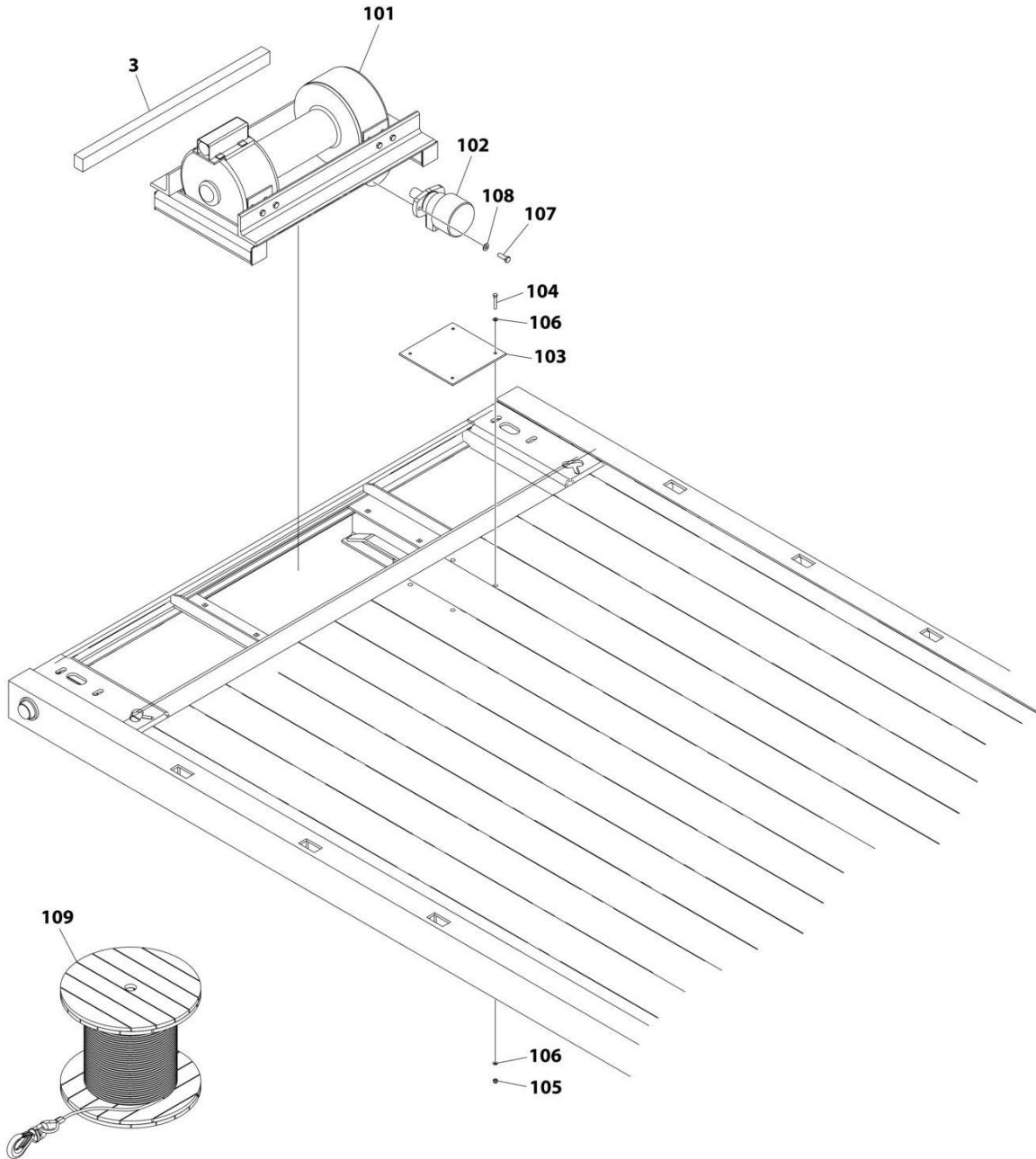
SECTION 3 - DECK

FIGURE 3-31. WINCH INSTALLATION 20K LBS WORM GEAR

ITEM	PART NUMBER	QTY	DESCRIPTION	REV
	2970000102	Ref	WINCH INSTALLATION	D
1	7970000109	1	Winch Assembly - 20K LBS (See Separate Breakdown in this Section)	
2	7626000011	1	Motor Assembly (See Separate Breakdown in this Section)	
3	4314000060	1	Plate	
4	7115151650	4	Bolt 5/16 x 2	
5	7660152601	4	Nut 5/16	
6	7950140161	8	Washer 1/4	
7	7115181250	2	Capscrew 1/2 x 1-1/2	
8	7950180400	2	Washer 1/2	
9	7248000067	1	Wire Rope	

SECTION 3 - DECK

FIGURE 3-32. WINCH INSTALLATION - 20K LBS WORM GEAR/AIR FREE SPOOL



ART_W20W-HD

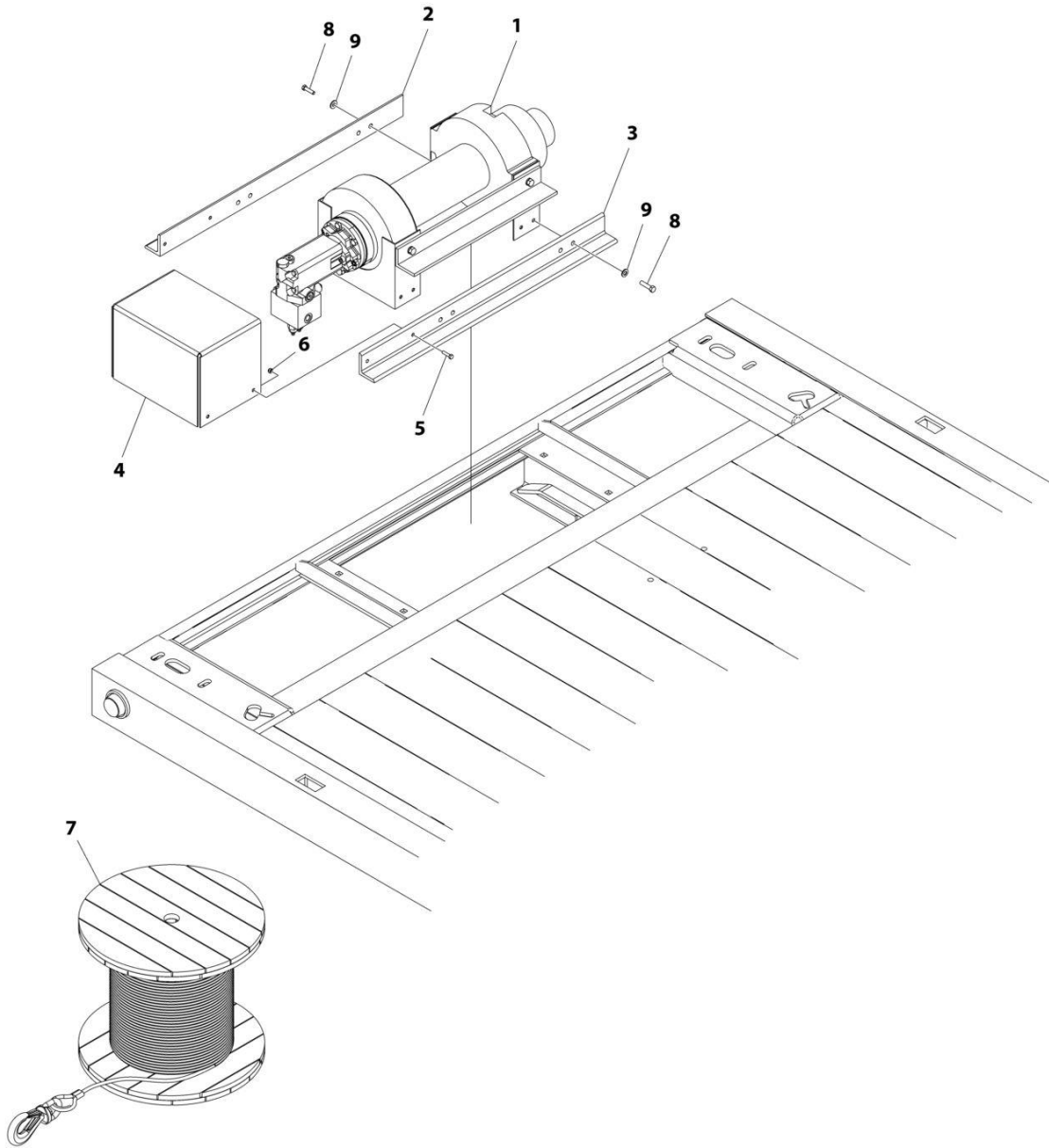
SECTION 3 - DECK

FIGURE 3-32. WINCH INSTALLATION - 20K LBS WORM GEAR/AIR FREE SPOOL

ITEM	PART NUMBER	QTY	DESCRIPTION	REV
	W20W-HD	Ref	WINCH INSTALLATION - 20K LBS	C
1	2970000102	1	Winch Installation (Not Shown) (See Items 101-109 for breakdown)	
3	4066000050	1	Bar	
	2970000102	Ref	WINCH INSTALLATION	D
101	7970000109	1	Winch Assembly - 20K LBS (See Separate Breakdown in this Section)	
102	7626000011	1	Motor Assembly (See Separate Breakdown in this Section)	
103	4314000060	1	Plate	
104	7115151650	4	Bolt 5/16 x 2	
105	7660152601	4	Nut 5/16	
106	7950140161	8	Washer 1/4	
107	7115181250	2	Capscrew 1/2 x 1-1/2	
108	7950180400	2	Washer 1/2	
109	7248000067	1	Wire Rope	

SECTION 3 - DECK

FIGURE 3-33. WINCH INSTALLTION - 20000 LBS PLANETARY, AIR FREE SPOOL



ART_1001145938

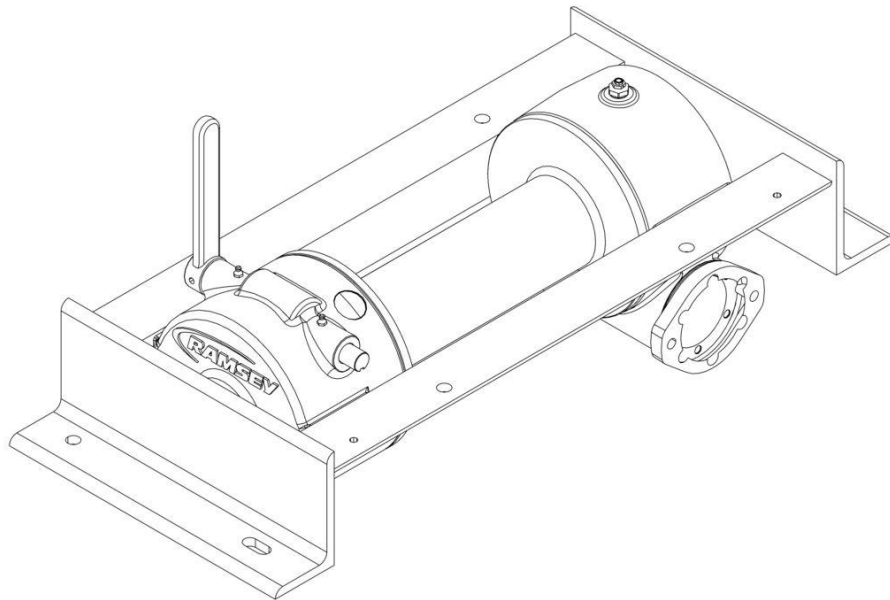
SECTION 3 - DECK

FIGURE 3-33. WINCH INSTALLTION - 20000 LBS PLANETARY, AIR FREE SPOOL

ITEM	PART NUMBER	QTY	DESCRIPTION	REV
	1001145938	Ref	WINCH INSTALLATION - 20K LBS	A
1	7970000110	1	Winch Assembly (See Separate Breakdown in this Section)	
2	4550003733	1	Angle	
3	4550003734	1	Angle	
4	4550003732	1	Cover Plate	
5	0641608	4	Bolt 3/8 x 1	
6	3311601	4	Nut 3/8	
7	7248000067	1	Wire Rope	
8	0641813	8	Bolt 1/2 x 1-5/8	
9	4761800	8	Washer 1/2	

SECTION 3 - DECK

FIGURE 3-34. WINCH ASSEMBLY - 12000 LBS WORM GEAR



ART_7970000083

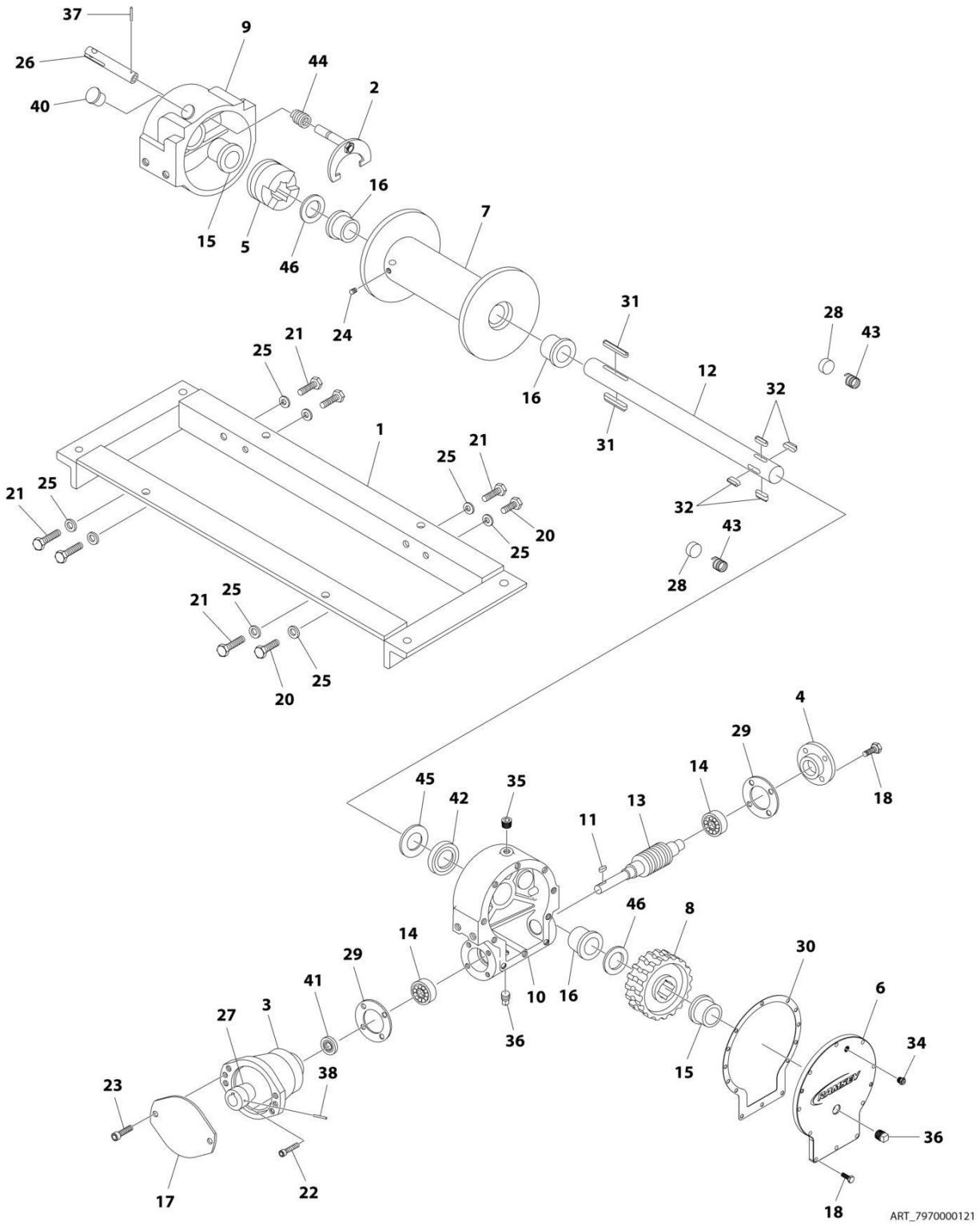
SECTION 3 - DECK

FIGURE 3-34. WINCH ASSEMBLY - 12000 LBS WORM GEAR

ITEM	PART NUMBER	QTY	DESCRIPTION	REV
	7970000083	Ref Ref	WINCH ASSEMBLY - 12000 LBS Note: No Service Components Available at Time of Printing.	D

SECTION 3 - DECK

FIGURE 3-35. WINCH ASSEMBLY - 8000 LBS WORM GEAR



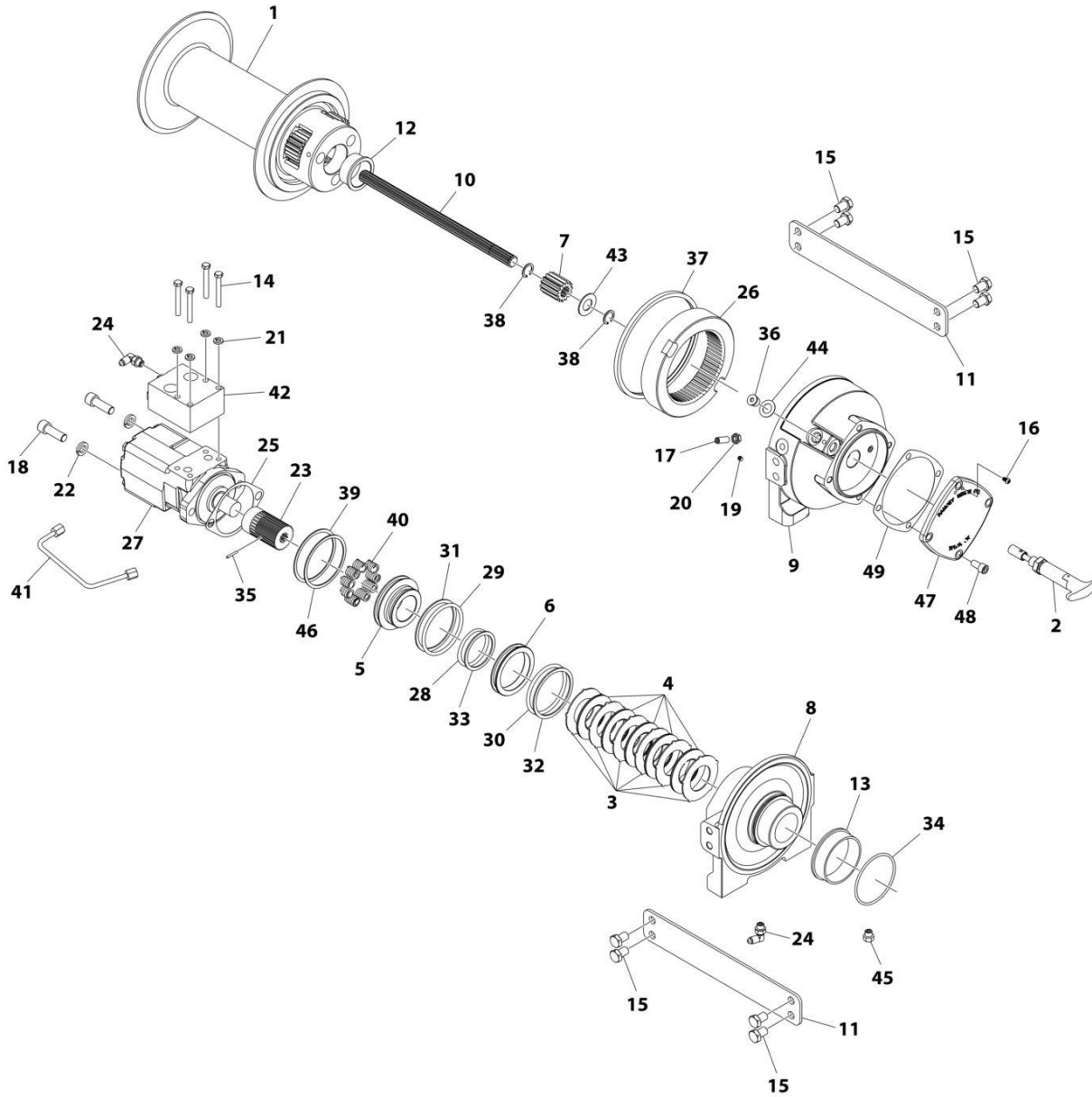
SECTION 3 - DECK

FIGURE 3-35. WINCH ASSEMBLY - 8000 LBS WORM GEAR

ITEM	PART NUMBER	QTY	DESCRIPTION	REV
	7970000121	Ref	WINCH ASSEMBLY - 8000 LBS	D
1	70050694	1	Frame Assembly	
2	70050678	1	Shifter Assembly	
3	9970300057	1	Adapter	
4	9970316083	1	Bearing Cap	
5	9970960060	1	Jaw Clutch	
6	9314960024	1	Cover	
7	9970960068	1	Drum "Std"	
8	9472960072	1	Gear RH	
9	9560960021	1	Housing-Clutch	
10	9560960011	1	Housing-Gear	
11	9970342027	1	Key	
12	9806960009	1	Shaft-Drum "Std"	
13	9970960062	1	Worm RH	
14	9970402002	2	Bearing-Ball	
15	9970412003	4	Bushing	
16	9970412045	4	Bushing	
17	70050679	1	Adapter Cover	
18	9970414045	14	Capscrew 1/4 x 7/8	
20	9120960034	2	Bolt 3/8 x 1	
21	9120960059	6	Capscrew 3/8 x 1-1/4	
22	70050682	4	Capscrew 1/4 x 1-3/4	
23	9120960061	2	Capscrew 1/2 x 1-1/2	
24	9786960015	1	Setscrew 3/8 x 1/2	
25	9970418177	8	Washer 3/8	
26	9007960003	1	Adapter-Rod	
27	9970431008	1	Coupling	
28	9970330010	2	Disc Brake	
29	9970442184	2	Gasket	
30	9970442205	1	Gasket	
31	9970450006	2	Barth Key	
32	9575960014	4	Barth Key	
34	9970456008	1	Fitting-Relief	
35	9701960015	1	Pipe Plug	
36	9970468011	2	Pipe Plug	
37	9691960035	1	Spirol Pin	
38	9691960001	1	Spirol Pin	
40	9970472013	1	Plastic Plug	
41	9970486009	1	Oil Seal	
42	9970486017	1	Oil Seal	
43	9970494002	2	Spring	
44	9970494053	1	Spring	
45	9970518014	1	Thrust Washer	
46	9970518015	2	Thrust Washer	

SECTION 3 - DECK

FIGURE 3-36. WINCH ASSEMBLY - 8000 LBS PLANETARY GEAR WITH MANUAL FREE SPOOL



ART_7970000157

SECTION 3 - DECK

FIGURE 3-36. WINCH ASSEMBLY - 8000 LBS PLANETARY GEAR WITH MANUAL FREE SPOOL

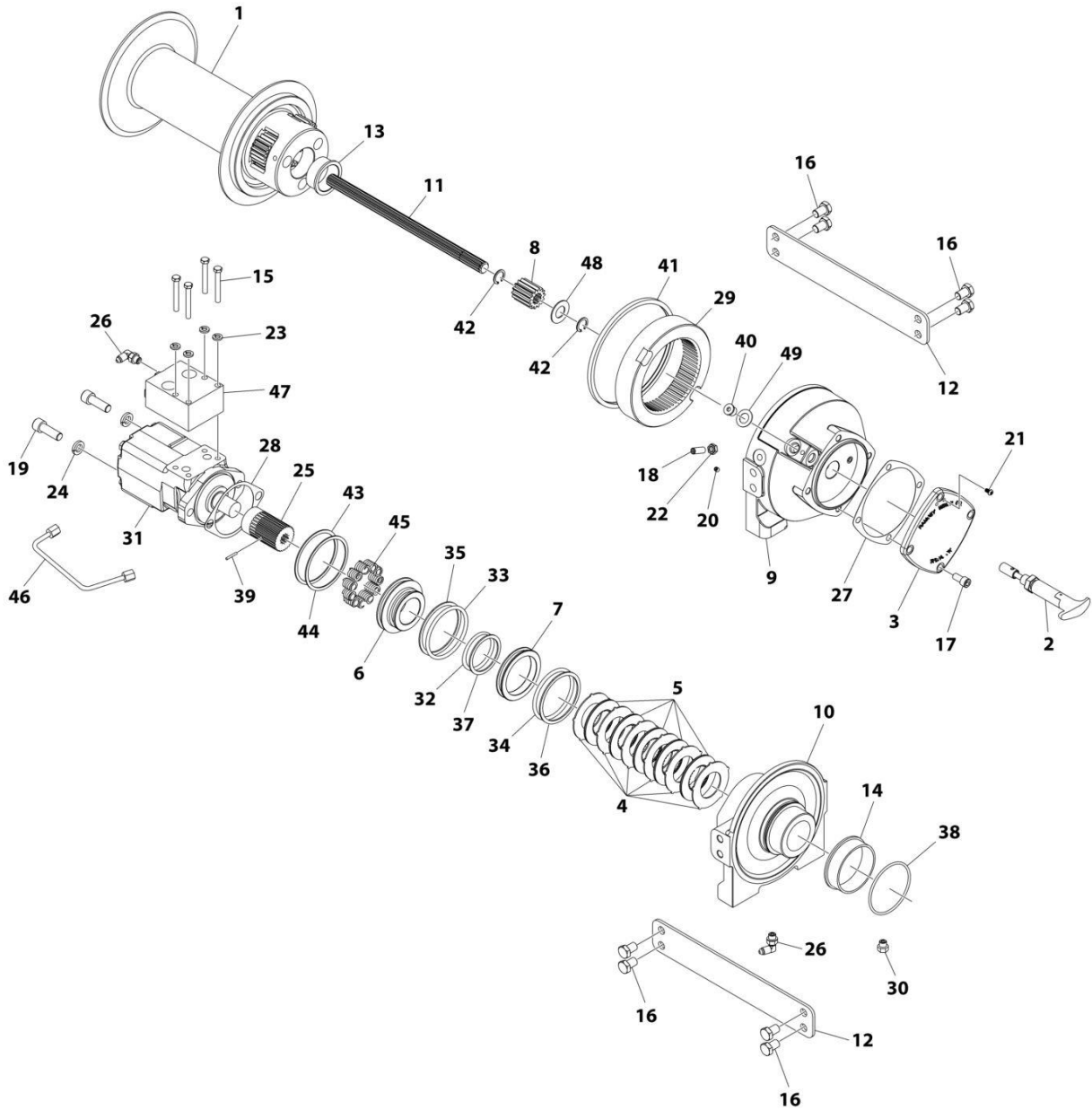
ITEM	PART NUMBER	QTY	DESCRIPTION	REV
	7970000157	Ref	WINCH - 8000 LBS PLANETARY GEAR WITH MANUAL FREE SPOOL	B
1	9970960027	1	Drum Assembly "Y"	
2	9551960018	1	Shifter Assembly	
3	70050612	6	Stator - Brake	
4	70050613	5	Disc Brake	
5	70050614	1	Piston Brake	
6	70050615	1	Piston Brake Backup	
7	9472960042	1	Gear - Output, Sun	
8	70050456	1	End Bearing - Motor	
9	70050616	1	End Bearing - Gear housing	
10	70050617	1	Shaft - Input "Y" Drum	
11	70050618	2	Plate - Tie "Y" Drum	
12	9209960023	1	Bushing - Drum	
13	70050457	1	Bushing - Drum, Motor End	
14	70050619	4	Capscrew 5/16 x 2-1/2	
15	9120960025	8	Capscrew 1/2 x 3/4	
16	70050682	2	Screw 1/4 x 1-2	
17	9786960006	1	Setscrew 3/8 x 1	
18	70050627	2	Capscrew 1/2 x 1-3/4	
19	7785140404	1	Setscrew 1/4 x 1/4	
20	70050628	1	Nut 3/8	
21	9970418163	4	Washer 5/16	
22	9949960016	2	Washer 1/2	
23	9309960009	1	Coupling - Motor	
24	9443960010	2	Fitting	
25	70050458	1	Gasket	
26	9472960043	1	Gear - Ring	
27	9626960012	1	Motor - Hydraulic	
28	70050459	1	O-Ring	
29	70050460	1	O-Ring	
30	70050461	1	O-Ring	
31	70050462	1	Ring - Backup	
32	70050463	1	Ring - Backup	
33	70050464	1	Ring - Backup	
34	70050465	1	O-Ring	
35	9691960001	1	Spirol Pin	
36	9701960016	1	Plug	
37	9796960049	1	Seal	
38	9754960039	2	Snap Ring	
39	70050466	1	Ring - Internal Retaining	
40	70050622	9	Spring - Brake	
41	9912960035	1	Tube - Brake Release (Ports Up)	
42	9935960142	1	Valve - Motor Control "B" Rotation	
43	9812960005	1	Washer - Thrust	
44	9949960017	1	Washer - Thrust	
45	9183960002	1	Fitting, Vent	
46	70050626	1	Ring - Internal Retaining	
47	70050625	1	Cover - Gear Housing	
48	9120960081	4	Capscrew 3/8 x 3/4	

SECTION 3 - DECK

ITEM	PART NUMBER	QTY	DESCRIPTION	REV
49	9796960047	1	Gasket	

SECTION 3 - DECK

FIGURE 3-37. WINCH ASSEMBLY - 10000 LBS PLANETARY GEAR WITH MANUAL FREE SPOOL



ART_7970000158

SECTION 3 - DECK

FIGURE 3-37. WINCH ASSEMBLY - 10000 LBS PLANETARY GEAR WITH MANUAL FREE SPOOL

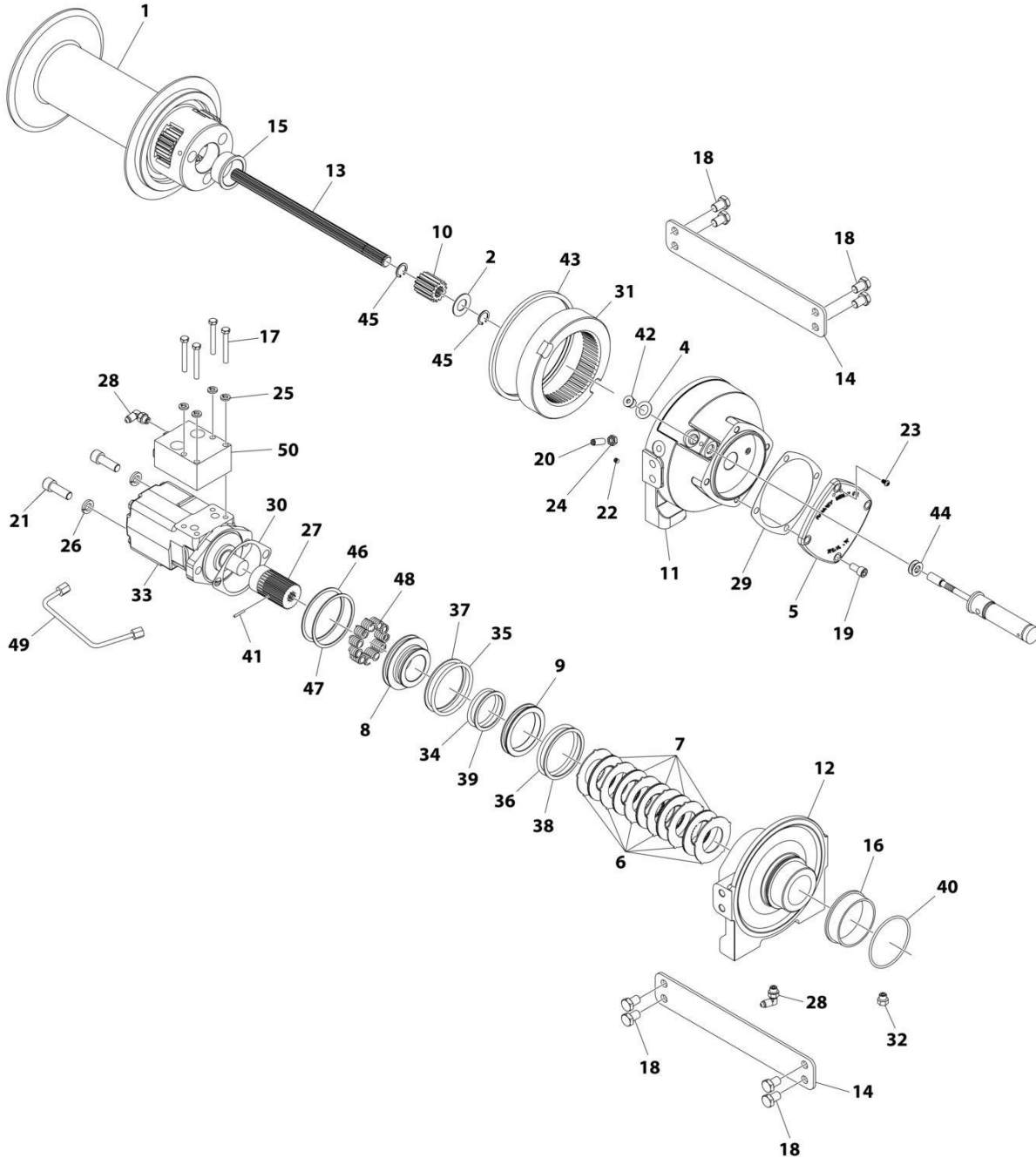
ITEM	PART NUMBER	QTY	DESCRIPTION	REV
	7970000158	Ref	WINCH - 10000 LBS PLANETARY GEAR WITH MANUAL FREE SPOOL	B
1	70050525	1	Drum Assembly "Y"	
2	9551960018	1	Shifter Assembly	
3	70050625	1	Cover - Gear Housing	
4	70050612	6	Stator - Brake	
5	70050613	5	Disc Brake	
6	70050614	1	Piston Brake	
7	70050615	1	Piston Brake Backup	
8	9472960042	1	Gear - Output, Sun	
9	70050616	1	End Bearing - Gear housing	
10	70050456	1	End Bearing - Motor	
11	70050617	1	Shaft - Input "Y" Drum	
12	70050618	2	Plate - Tie "Y" Drum	
13	9209960023	1	Bushing - Drum	
14	70050457	1	Bushing - Drum, Motor End	
15	70050619	4	Capscrew 5/16 x 2-1/2	
16	9120960025	8	Capscrew 1/2 x 3/4	
17	9120960081	4	Capscrew 3/8 x 3/4	
18	9786960006	1	Setscrew 3/8 x 1	
19	70050627	2	Capscrew 1/2 x 1-3/4	
20	7785140404	1	Setscrew 1/4 x 1/4	
21	70050620	2	Screw #10 x 3/8	
22	70050628	1	Nut 3/8	
23	9970418163	4	Washer 5/16	
24	9949960031	2	Washer 1/2	
25	70050621	1	Coupling - Motor	
26	9443960010	2	Fitting	
27	9796960047	1	Gasket	
28	70050458	1	Gasket	
29	9472960043	1	Gear - Ring	
30	9183960002	1	Fitting, Vent	
31	9626960027	1	Motor - Hydraulic	
32	70050459	1	O-Ring	
33	70050460	1	O-Ring	
34	70050461	1	O-Ring	
35	70050462	1	Ring - Backup	
36	70050463	1	Ring - Backup	
37	70050464	1	Ring - Backup	
38	70050465	1	O-Ring	
39	9691960001	1	Spirol Pin	
40	9701960016	1	Plug	
41	9796960049	1	Seal	
42	9754960039	2	Snap Ring	
43	70050466	2	Ring - Internal Retaining	
44	70050626	1	Ring - Internal Retaining	
45	70050622	11	Spring - Brake	
46	9912960035	1	Tube - Brake Release (Ports Up)	
47	9935960142	1	Valve - Motor Control "B" Rotation	
48	9812960005	1	Washer - Thrust	

SECTION 3 - DECK

ITEM	PART NUMBER	QTY	DESCRIPTION	REV
49	9949960017	1	Washer - Thrust	

SECTION 3 - DECK

FIGURE 3-38. WINCH ASSEMBLY - 10000 LBS PLANETARY GEAR WITH AIR FREE SPOOL



ART_7970000166

SECTION 3 - DECK

FIGURE 3-38. WINCH ASSEMBLY - 10000 LBS PLANETARY GEAR WITH AIR FREE SPOOL

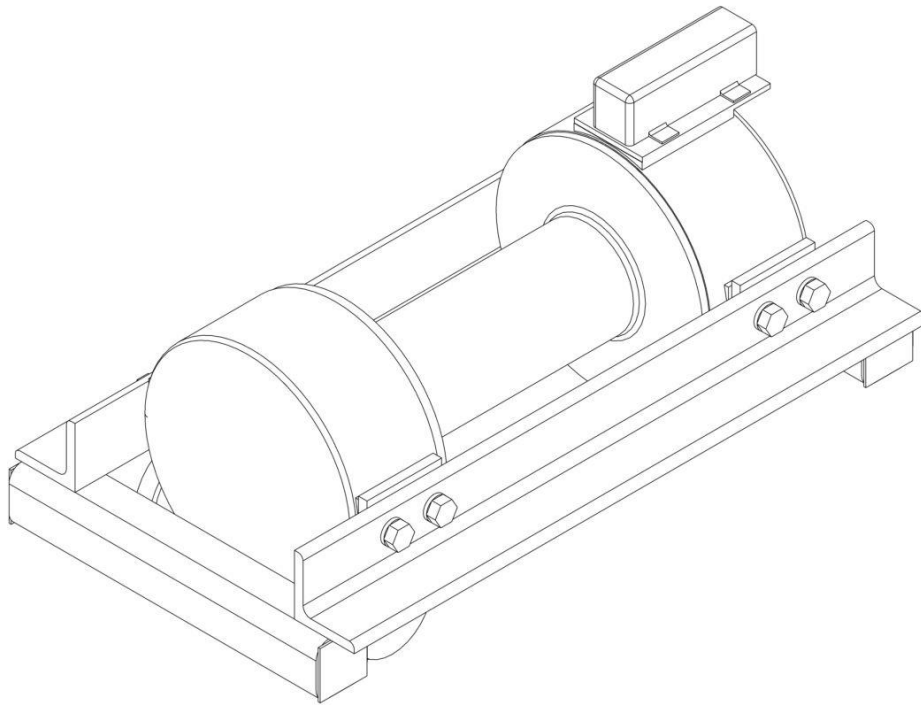
ITEM	PART NUMBER	QTY	DESCRIPTION	REV
	7970000166	Ref	WINCH - 10000 LBS PLANETARY GEAR WITH AIR FREE SPOOL	B
1	70050525	1	Drum Assembly "Y"	
2	9812960005	1	Washer - Thrust	
3	70050662	1	Decal - Slide Pad / Pivot Joint (Not Shown)	
4	9949960017	1	Washer - Thrust	
5	70050625	1	Cover - Gear Housing	
60	70050612	6	Stator - Brake	
7	70050613	5	Disc Brake	
8	70050614	1	Piston Brake	
9	70050615	1	Piston Brake Backup	
10	9742960064	1	Gear - Output, Sun	
11	70050616	1	End Bearing - Gear housing	
12	70050456	1	End Bearing - Motor	
13	70050617	1	Shaft - Input "Y" Drum	
14	70050618	2	Plate - Tie "Y" Drum	
15	9209960023	1	Bushing - Drum	
16	70050457	1	Bushing - Drum, Motor End	
17	70050619	4	Capscrew 5/16 x 2-1/2	
18	9120960025	8	Capscrew 1/2 x 3/4	
19	9120960081	4	Capscrew 3/8 x 3/4	
20	9786960006	1	Setscrew 3/8 x 1	
21	70050627	2	Capscrew 1/2 x 1-3/4	
22	7785140404	1	Setscrew 1/4 x 1/4	
23	70050620	2	Screw #10 x 3/8	
24	70050628	1	Nut 3/8	
25	9970418163	4	Washer 5/16	
26	9949960031	2	Washer 1/2	
27	70050621	1	Coupling - Motor	
28	9443960010	2	Fitting	
29	9796960047	1	Gasket	
30	70050458	1	Gasket	
31	9472960043	1	Gear - Ring	
32	9183960002	1	Fitting, Vent	
33	9626960027	1	Motor - Hydraulic	
34	70050459	1	O-Ring	
35	70050460	1	O-Ring	
36	70050461	1	O-Ring	
37	70050462	1	Ring - Backup	
38	70050463	1	Ring - Backup	
39	70050464	1	Ring - Backup	
40	70050465	1	O-Ring	
41	9691960001	1	Spirol Pin	
42	9701960016	1	Plug	
43	9796960049	1	Seal	
44	70050100	1	Shim	
45	9754960039	2	Snap Ring	
46	70050466	2	Ring - Internal Retaining	
47	70050626	1	Ring - Internal Retaining	
48	70050622	11	Spring - Brake	
49	9912960035	1	Tube - Brake Release (Ports Up)	

SECTION 3 - DECK

ITEM	PART NUMBER	QTY	DESCRIPTION	REV
50	70050701	1	Valve - Motor Control "A" Rotation	

SECTION 3 - DECK

FIGURE 3-39. WINCH ASSEMBLY - 20000 LBS WORM GEAR/AIR FREE SPOOL



ART_7970000109

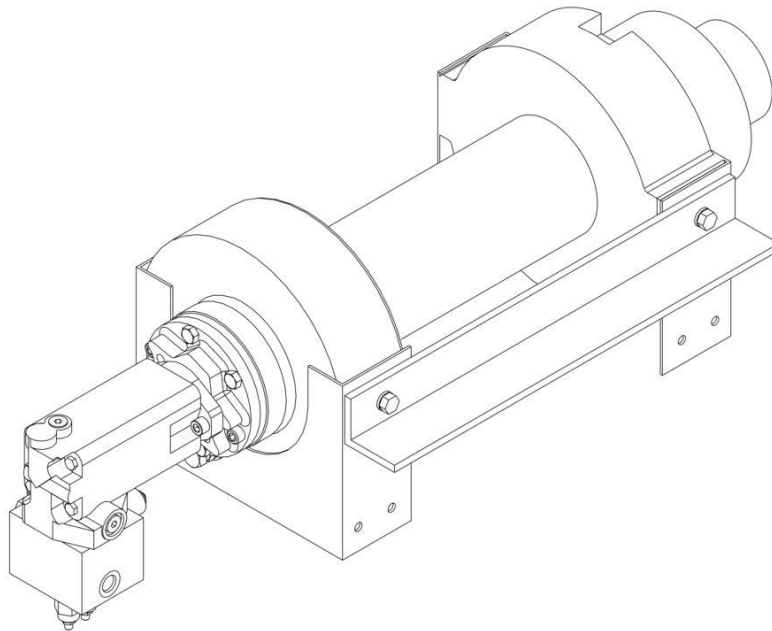
SECTION 3 - DECK

FIGURE 3-39. WINCH ASSEMBLY - 20000 LBS WORM GEAR/AIR FREE SPOOL

ITEM	PART NUMBER	QTY	DESCRIPTION	REV
	7970000109	Ref Ref	WINCH ASSEMBLY - 2000 LBS WORM GEAR/AIR FREE SPOOL Note: No Service Parts Available at Time of Printing.	B

SECTION 3 - DECK

FIGURE 3-40. WINCH ASSEMBLY - 20000 LBS PLANETARY/AIR FREE SPOOL



ART_7970000110

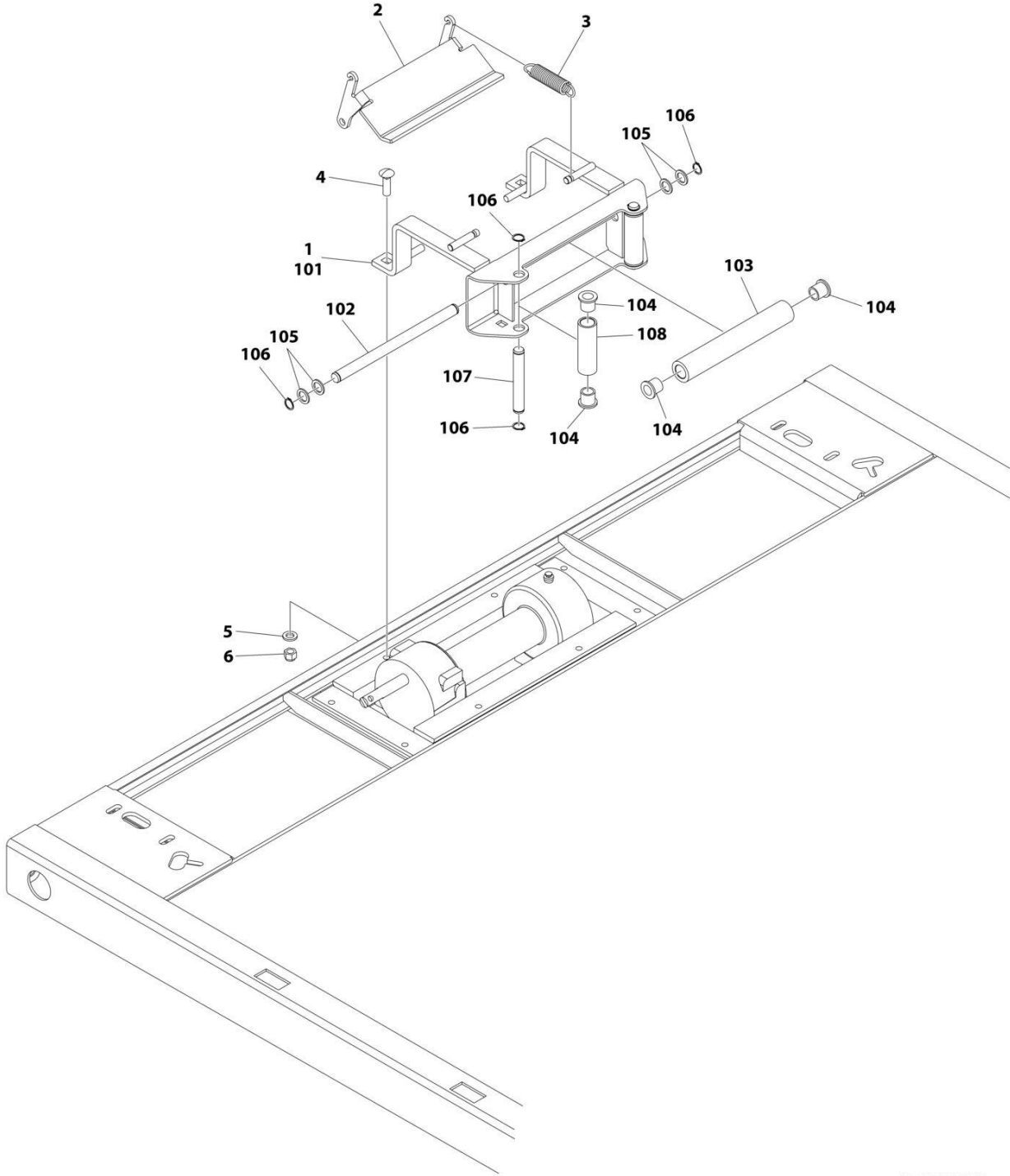
SECTION 3 - DECK

FIGURE 3-40. WINCH ASSEMBLY - 20000 LBS PLANETARY/AIR FREE SPOOL

ITEM	PART NUMBER	QTY	DESCRIPTION	REV
	7970000110	Ref Ref	WINCH ASSEMBLY - 2000 LBS PLANETARY/AIR FREE SPOOL Note: No Service Parts Available at Time of Printing.	B

SECTION 3 - DECK

FIGURE 3-41. CABLE TENSIONER INSTALLATION - 12000 LBS WORM GEAR WINCHES



ART_224900018

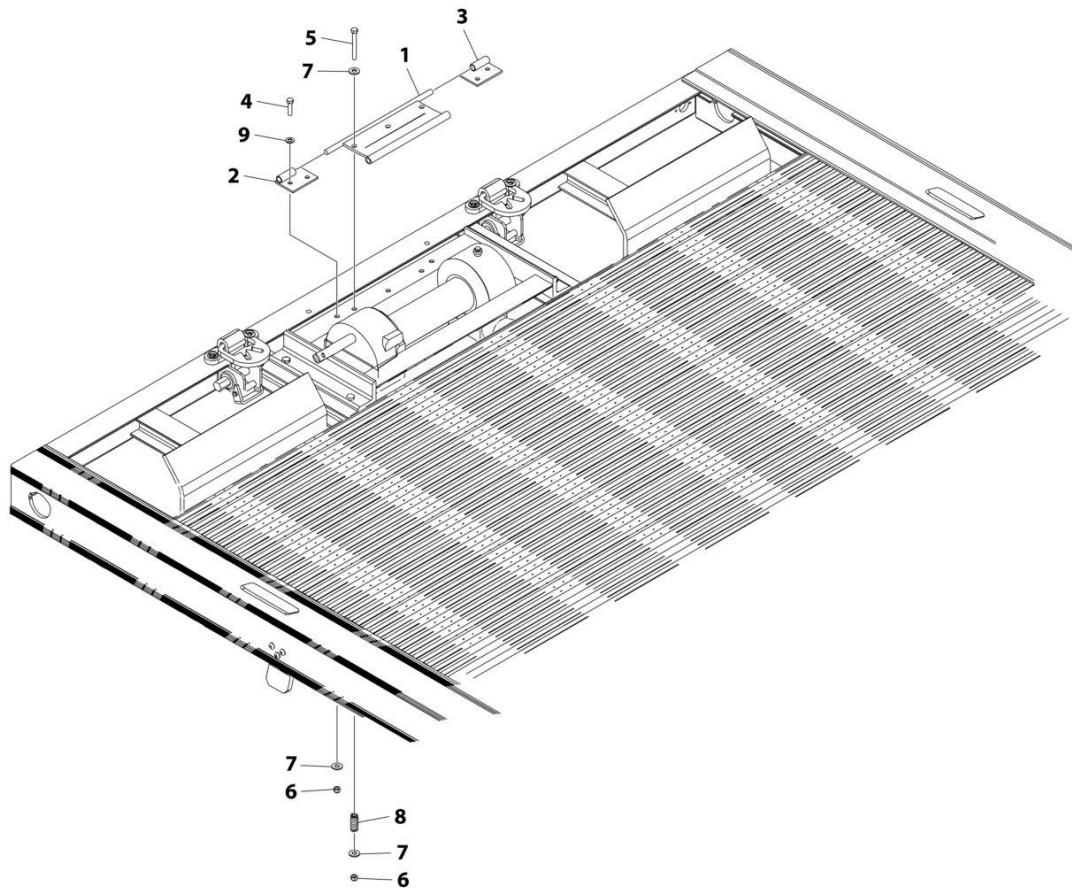
SECTION 3 - DECK

FIGURE 3-41. CABLE TENSIONER INSTALLATION - 12000 LBS WORM GEAR WINCHES

ITEM	PART NUMBER	QTY	DESCRIPTION	REV
	2249000018	Ref	CABLE TENSIONER INSTALLATION, WORM GEAR - 12000 LBS	B
1	3249000036	1	Cable Tensioner Assembly (Includes Items 101-108)	
2	4706003857	1	Plate	
3	7843000035	2	Spring	
4	7115181464	4	Bolt 1/2 x 1-3/4	
5	7950180153	2	Washer 1/2	
6	7660182601	4	Nut 1/2	
101	3178000433	1	Bracket Weld	
102	4806000014	1	Shaft	
103	4912000130	1	Roller	
104	7209000011	6	Bushing	
105	7949000034	4	Spacer	
106	7754000022	6	Retaining Ring	
107	4806000011	2	Shaft	
108	4912000394	2	Roller	

SECTION 3 - DECK

FIGURE 3-42. CABLE TENSIONER INSTALLATION - 8000/12000 LBS DUAL WORM GEAR WINCHES



ART_224900009

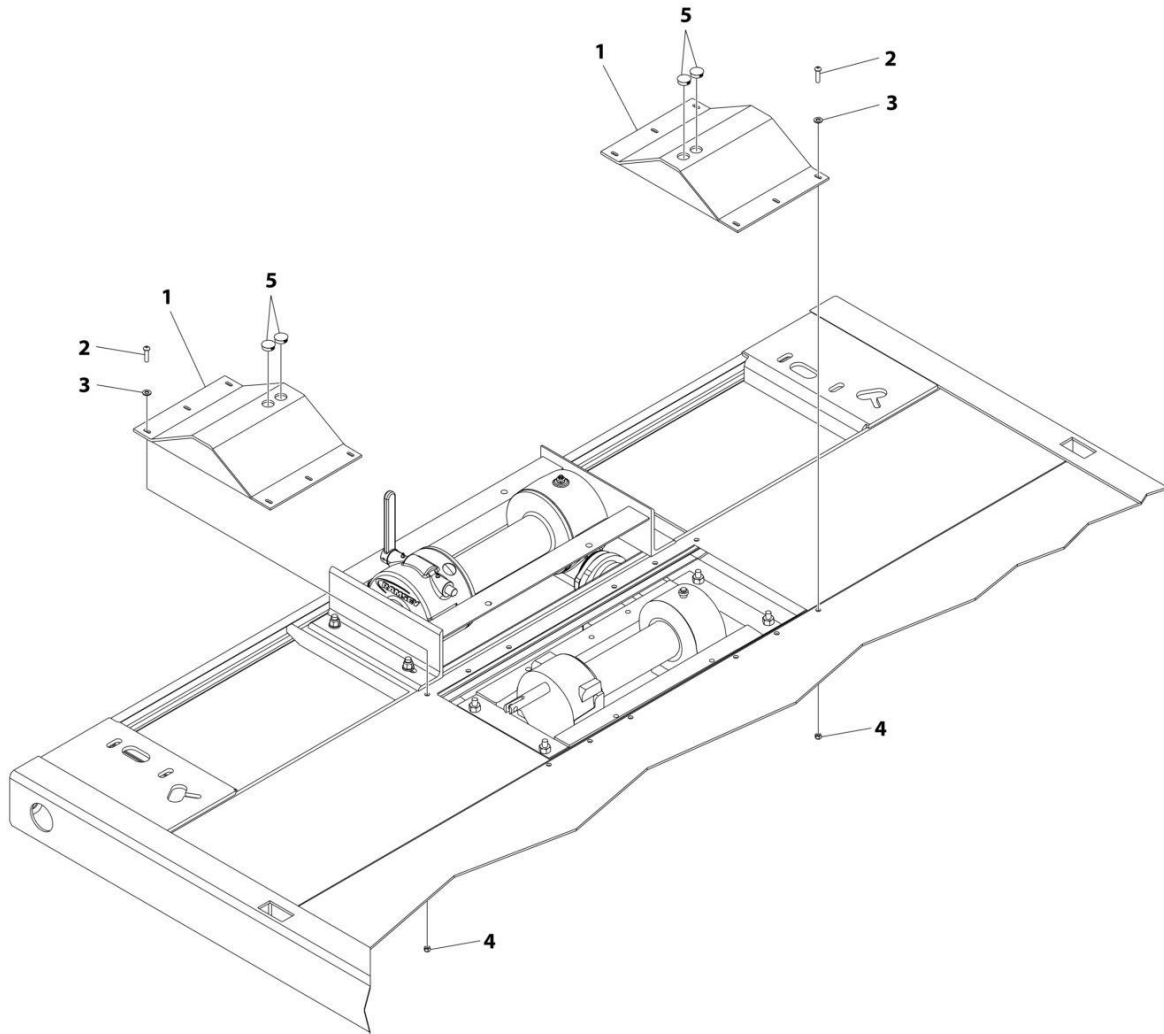
SECTION 3 - DECK

FIGURE 3-42. CABLE TENSIONER INSTALLATION - 8000/12000 LBS DUAL WORM GEAR WINCHES

ITEM	PART NUMBER	QTY	DESCRIPTION	REV
	2249000009	Ref	CABLE TENSIONER INSTALLATION	A
1	3706000213	1	Plate	
2	3706000214	1	Plate	
3	3706000215	1	Plate	
4	7115161250	2	Capscrew 3/8 x 1-1/2	
5	7115162650	3	Capscrew 3/8 x 3-1/4	
6	7660162601	5	Nut 3/8	
7	7950160161	8	Washer 3/8	
8	7843000034	3	Spring	
9	7950160141	2	Washer 3/8	

SECTION 3 - DECK

FIGURE 3-43. COVER PLATE INSTALLATION, DUAL WINCHES



ART_1001142009

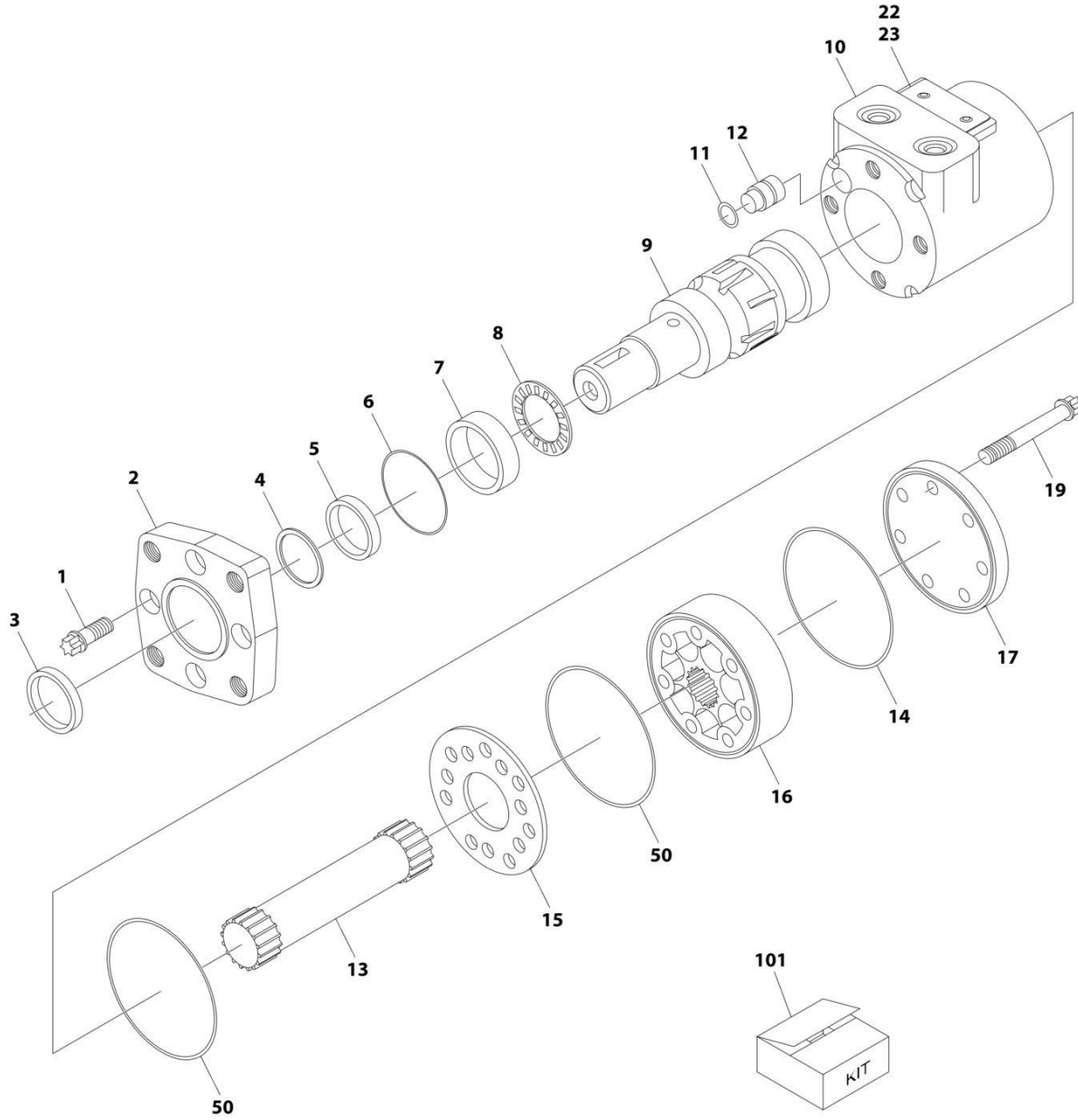
SECTION 3 - DECK

FIGURE 3-43. COVER PLATE INSTALLATION, DUAL WINCHES

ITEM	PART NUMBER	QTY	DESCRIPTION	REV
	1001142009	Ref	COVER PLATE DUAL WINCH INSTALLATION - 8000 LBS	A
1	3314000055	2	Cover Plate Weldment Single Winch	
2	7114161218	12	Capscrew 3/8 x 1-1/2	
3	7950150161	12	Capscrew 3/8 x 1-1/2	
4	7660162601	12	Nut 3/8	
5	7701000049	4	Plug	

SECTION 3 - DECK

FIGURE 3-44. MOTOR ASSEMBLY - WINCH DRIVE 12000 LBS



ART_7626000018

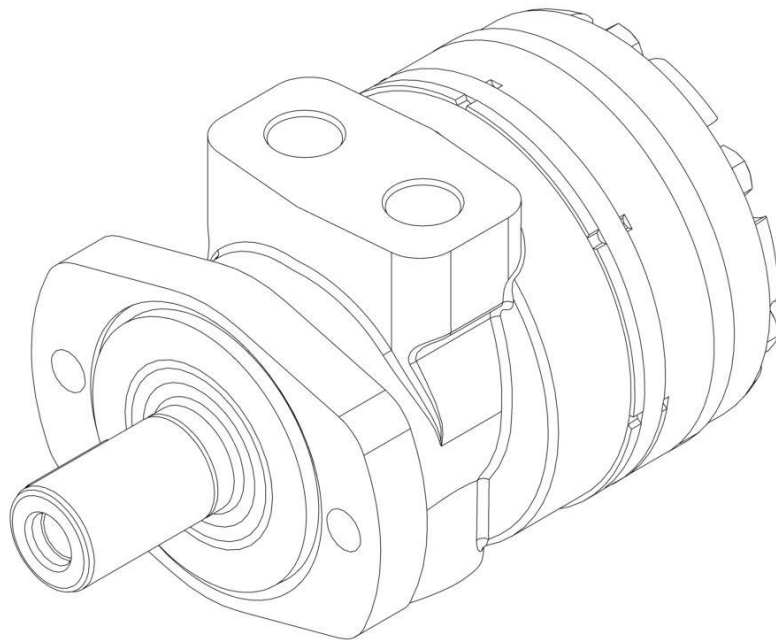
SECTION 3 - DECK

FIGURE 3-44. MOTOR ASSEMBLY - WINCH DRIVE 12000 LBS

ITEM	PART NUMBER	QTY	DESCRIPTION	REV
	7626000018	Ref	MOTOR ASSEMBLY - WINCH DRIVE (12000LBS WINCH) (WEST COAST SPECS)	0
1	7002123	4	Capscrew	
2	7009974	1	Flange, Mounting	
3	See Note	NSS	Seal, Exclusion (Note: Use Item 101)	
4	7009975	1	Washer, Backup	
5	7009997	1	Pressure Seal	
6	See Note	NSS	Seal (Note: Use Item 101)	
7	7002117	1	Race, Bearing	
8	7002111	1	Bearing, Thrust Needle	
9	70070028	1	Output Shaft (STD)	
10	See Note	NSS	(Note: Not Available for Purchase)	
11	See Note	NSS	O-Ring (Note: Use Item 101)	
12	7009992	1	Plug, Housing	
13	70070031	1	Drive	
14	See Note	NSS	Seal (Note: Use Item 101)	
15	7002110	1	Plate, Spacer	
16	70070032	1	Gerotor Sub-Assembly	
17	7002107	1	Cap, End	
19	70070030	7	Capscrew	
22	See Note	NSS	(Note: Not Available for Purchase)	
23	See Note	NSS	(Note: Not Available for Purchase)	
50	See Note	NSS	Seal (Note: Use Item 101)	
100		Ref	Key (Not Shown)	
101	2900733	1	Seal Kit (Includes Items 3, 6, 11, 14 & 50)	

SECTION 3 - DECK

FIGURE 3-45. MOTOR ASSEMBLY - 20000 LBS WINCH



ART_762600011

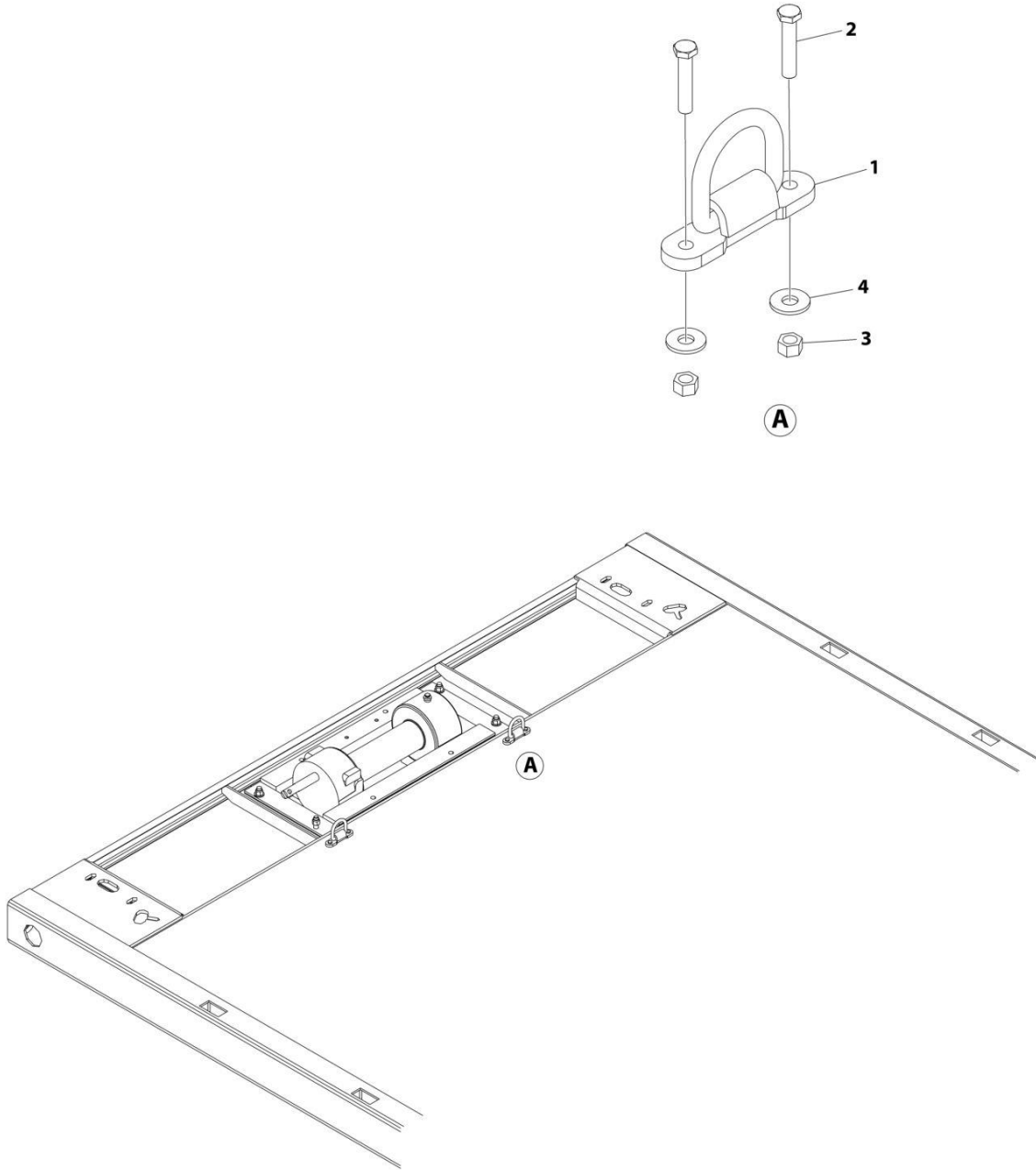
SECTION 3 - DECK

FIGURE 3-45. MOTOR ASSEMBLY - 20000 LBS WINCH

ITEM	PART NUMBER	QTY	DESCRIPTION	REV
	7626000011	Ref Ref	MOTOR ASSEMBLY - 20000 LBS WINCH Note: No Service Parts Available at Time of Printing.	C

SECTION 3 - DECK

FIGURE 3-46. D-RINGS INSTALLATION - 1 PAIR (TRANSPORTER) (BOLT ON NEAR WINCH)



ART_1001188648

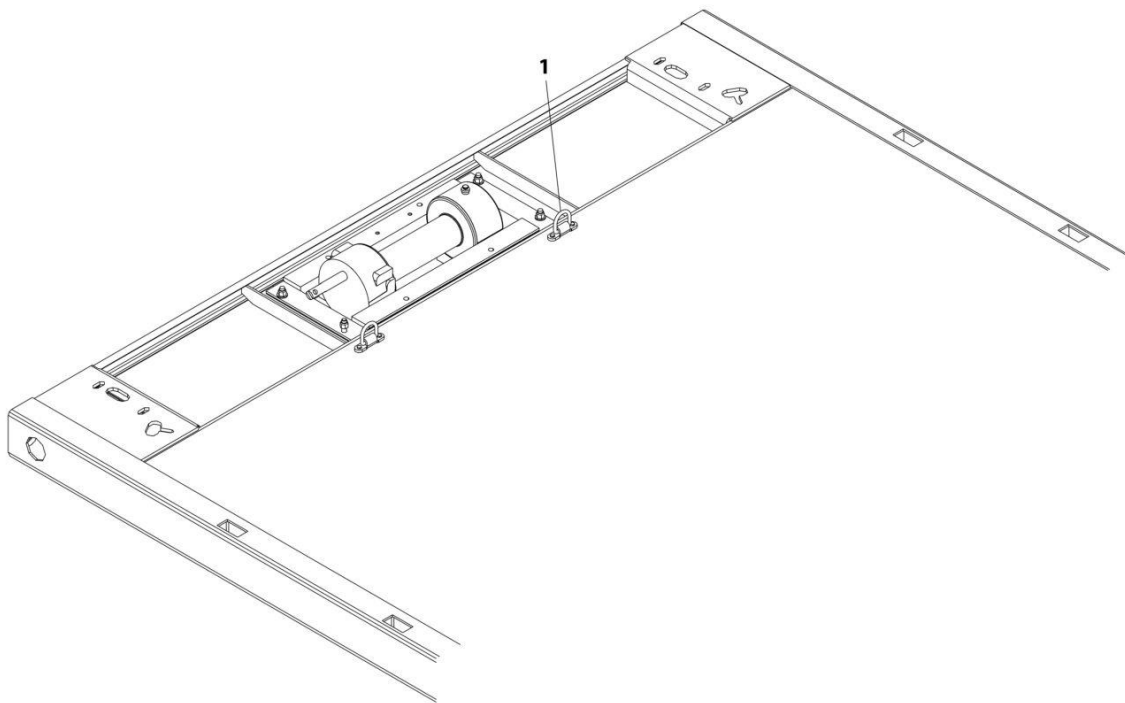
SECTION 3 - DECK

FIGURE 3-46. D-RINGS INSTALLATION - 1 PAIR (TRANSPORTER) (BOLT ON NEAR WINCH)

ITEM	PART NUMBER	QTY	DESCRIPTION	REV
	1001188648	Ref	D-RINGS, 5/8IN BOLT-ON NEAR WINCH, 1 PAIR, TRANSPORTER	B
1	1001171652	2	D-Ring	
2	7115182250	4	Capscrew 1/2 x 2-3/4	
3	7660182601	4	Nut 1/2	
4	7950180141	4	Washer 1/2	

SECTION 3 - DECK

FIGURE 3-47. D-RINGS INSTALLATION - 1 PAIR (STEEL DECK NEAR WINCH)



ART_1001188647

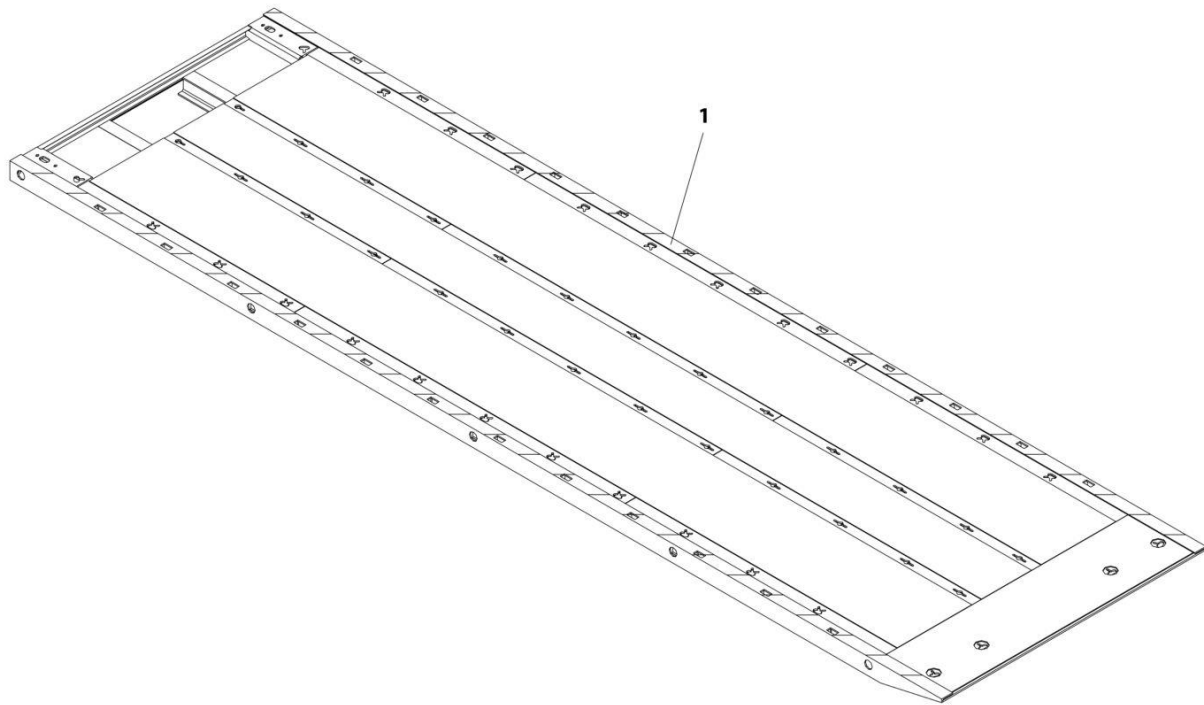
SECTION 3 - DECK

FIGURE 3-47. D-RINGS INSTALLATION - 1 PAIR (STEEL DECK NEAR WINCH)

ITEM	PART NUMBER	QTY	DESCRIPTION	REV
1	1001188647 7754000068	Ref 2	D-RINGS, 5/8IN WELD-ON NEAR WINCH, 1 PAIR, STEEL D-Ring	B

SECTION 3 - DECK

FIGURE 3-48. ANTI-SLIP PAINT INSTALLATION (STEEL DECK SIDES)



ART_1001228190

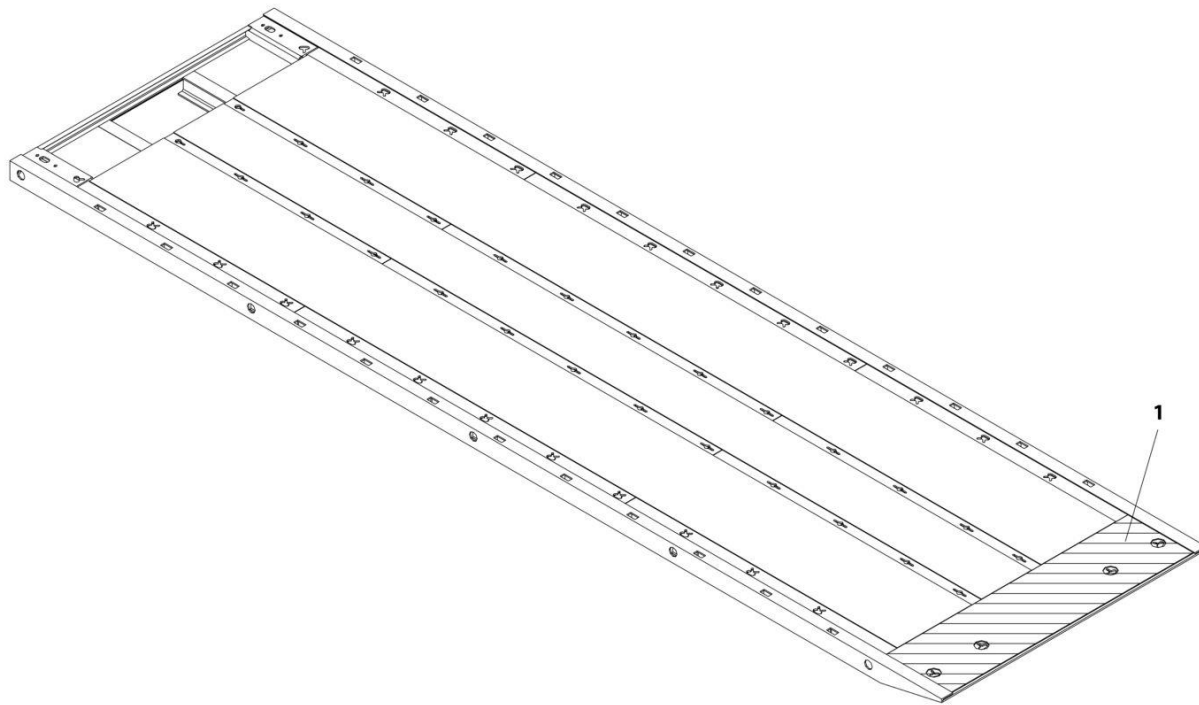
SECTION 3 - DECK

FIGURE 3-48. ANTI-SLIP PAINT INSTALLATION (STEEL DECK SIDES)

ITEM	PART NUMBER	QTY	DESCRIPTION	REV
1	1001228190 1001219737	Ref AR	ANTI-SLIP PAINT INSTALLATION (STEEL DECK SIDES) Paint, Non-Skid Yellow (1GAL Can)	A

SECTION 3 - DECK

FIGURE 3-49. ANTI-SLIP PAINT INSTALLATION (DECK APPROACH END)



ART_1001232775

SECTION 3 - DECK

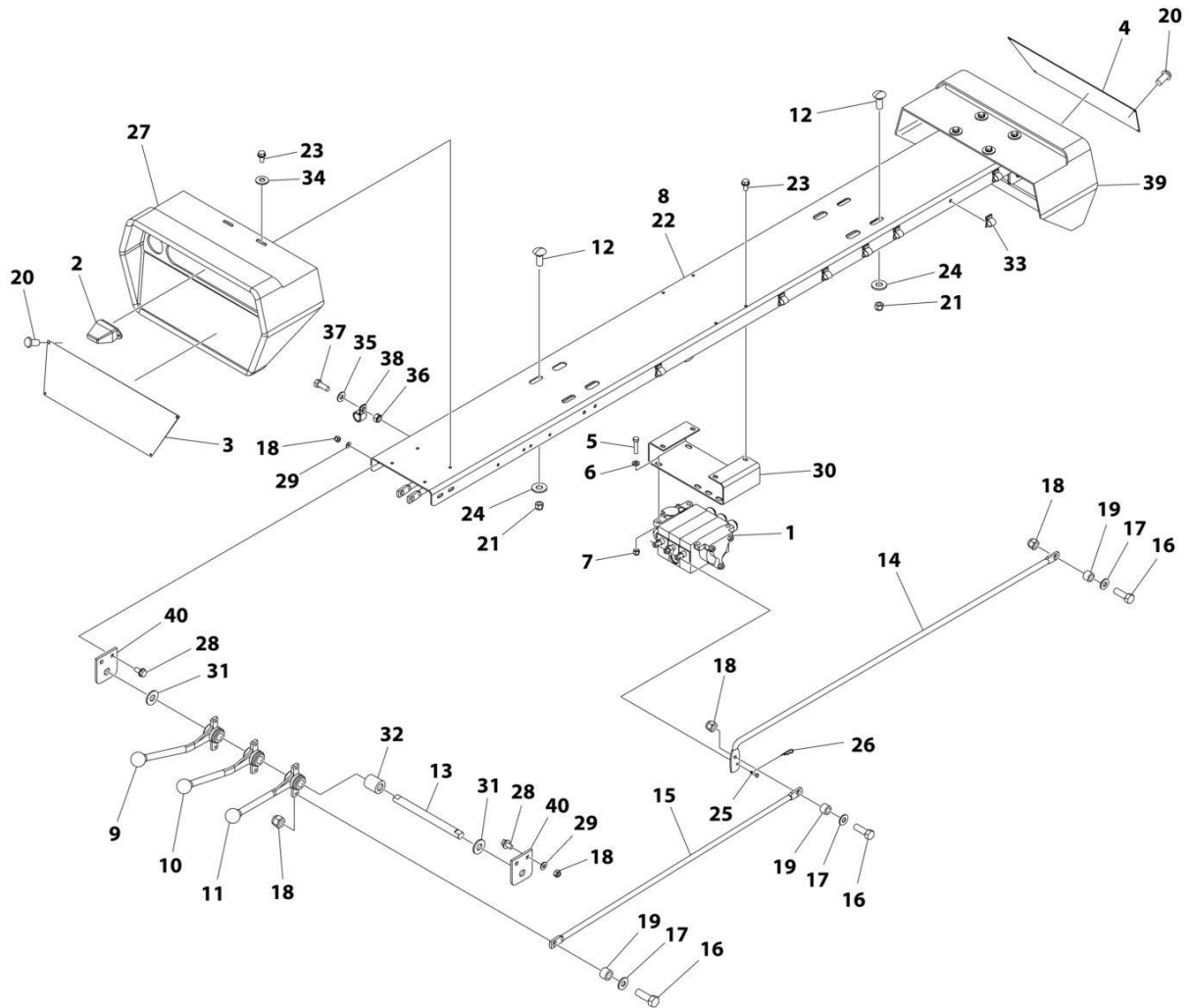
FIGURE 3-49. ANTI-SLIP PAINT INSTALLATION (DECK APPROACH END)

ITEM	PART NUMBER	QTY	DESCRIPTION	REV
1	1001232775	Ref	ANTI-SLIP PAINT INSTALLATION (DECK APPROACH END)	B
	1001219737	AR	Paint, Non-Skid Yellow (1GAL Can)	

SECTION 4 - CONTROLS

SECTION 4 - CONTROLS

FIGURE 4-1. 3 BANK CONTROLS INSTALLATION - NO/MAN TOW



ART_1001170378

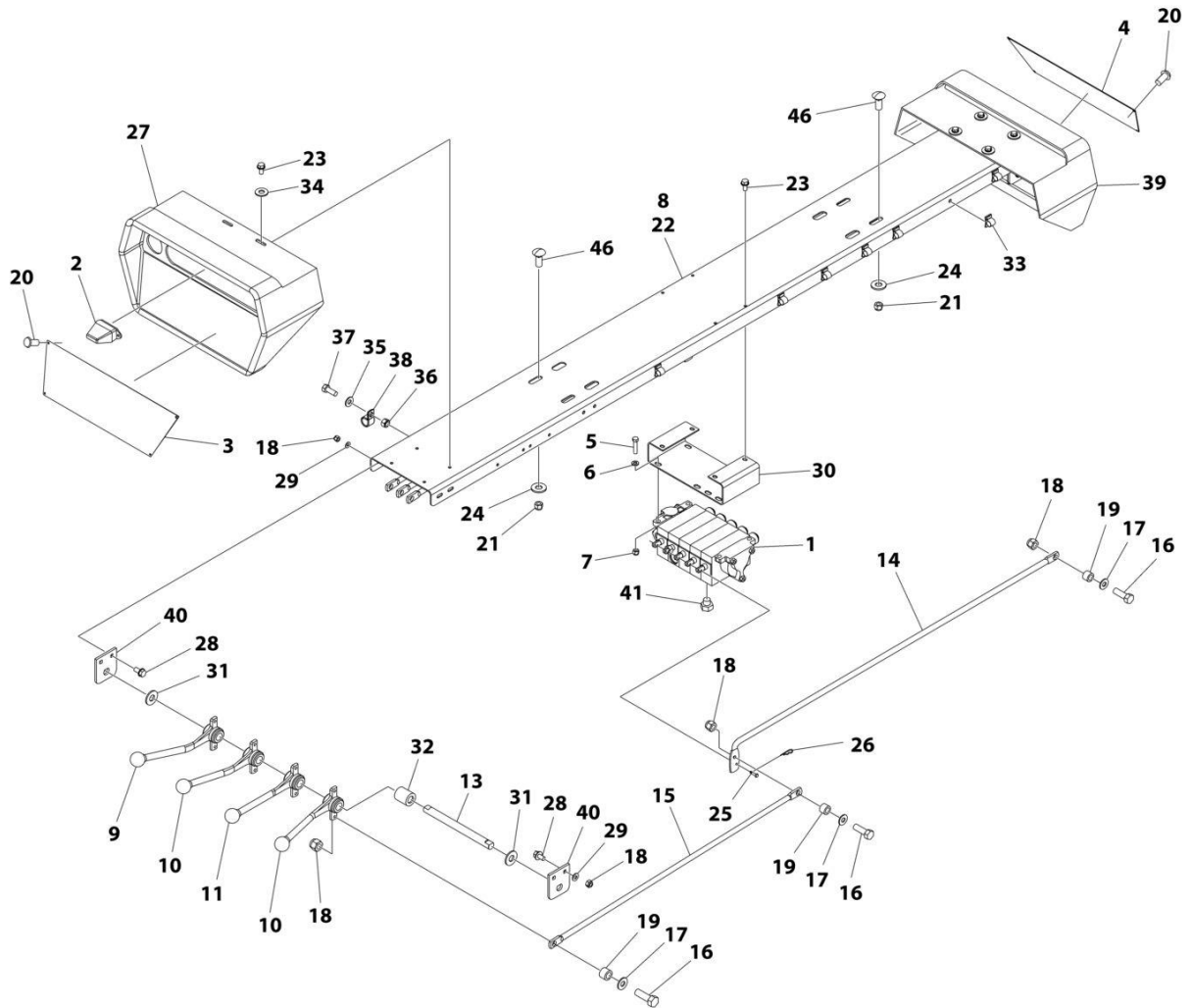
SECTION 4 - CONTROLS

FIGURE 4-1. 3 BANK CONTROLS INSTALLATION - NO/MAN TOW

ITEM	PART NUMBER	QTY	DESCRIPTION	REV
	1001170378	Ref	3 BANK CONTROLS INSTALLATION - NO/MAN TOW	A
1	3935000115	1	Valve Assembly (See Separate Breakdown in this Section)	
2	1001143764	2	Lamp	
3	7330000648	1	Decal, Control Panel, LH	
4	7330000649	1	Decal, Control Panel, RH	
5	7111161050	4	Capscrew 3/8 x 1-1/4	
6	7950160161	4	Washer 3/8	
7	7660162601	4	Nut 3/8	
8	1001170189	1	Channel	
9	7551000021	2	Control Handle	
10	7551000020	2	Control Handle	
11	7551000018	2	Control Handle	
12	7115181064	4	Bolt 1/2 x 1-1/4	
13	7691000064	2	Pin	
14	1001170187	3	Control Rod	
15	1001170188	3	Control Rod	
16	7115150850	9	Capscrew 5/16 x 1	
17	7949000011	9	Washer	
18	7660152601	17	Nut 5/16	
19	4831000069	9	Spacer	
20	7759000006	8	Rivet	
21	7660182601	4	Nut 1/2	
22	8632000012	AR	Trim Lock	
23	7790151253	12	Screw 5/16 x 3/4	
24	7950180161	4	Washer 1/2	
25	7690101200	3	Clevis Pin	
26	7691000056	3	Pin, Hairpin Cotter	
27	3560000010	1	Control Hood Assembly	
28	7115150664	8	Bolt 5/16 x 3/4	
29	7950150161	8	Washer 5/16	
30	1001135272	1	Channel	
31	7950220141	2	Washer 3/4	
32	4211000001	4	Bushing	
33	7280000007	11	Wire Clip	
34	7949000054	8	Washer	
35	7950140141	1	Washer 1/4	
36	7660142601	1	Nut 1/4	
37	7115140650	1	Capscrew 1/4 x 3/4	
38	7274000063	1	Clamp	
39	7560000007	1	Control Hood RH	
40	4606000217	4	Lug	

SECTION 4 - CONTROLS

FIGURE 4-2. 4 BANK CONTROLS INSTALLATION - NO/MAN TOW, STABILIZER



ART_1001170391

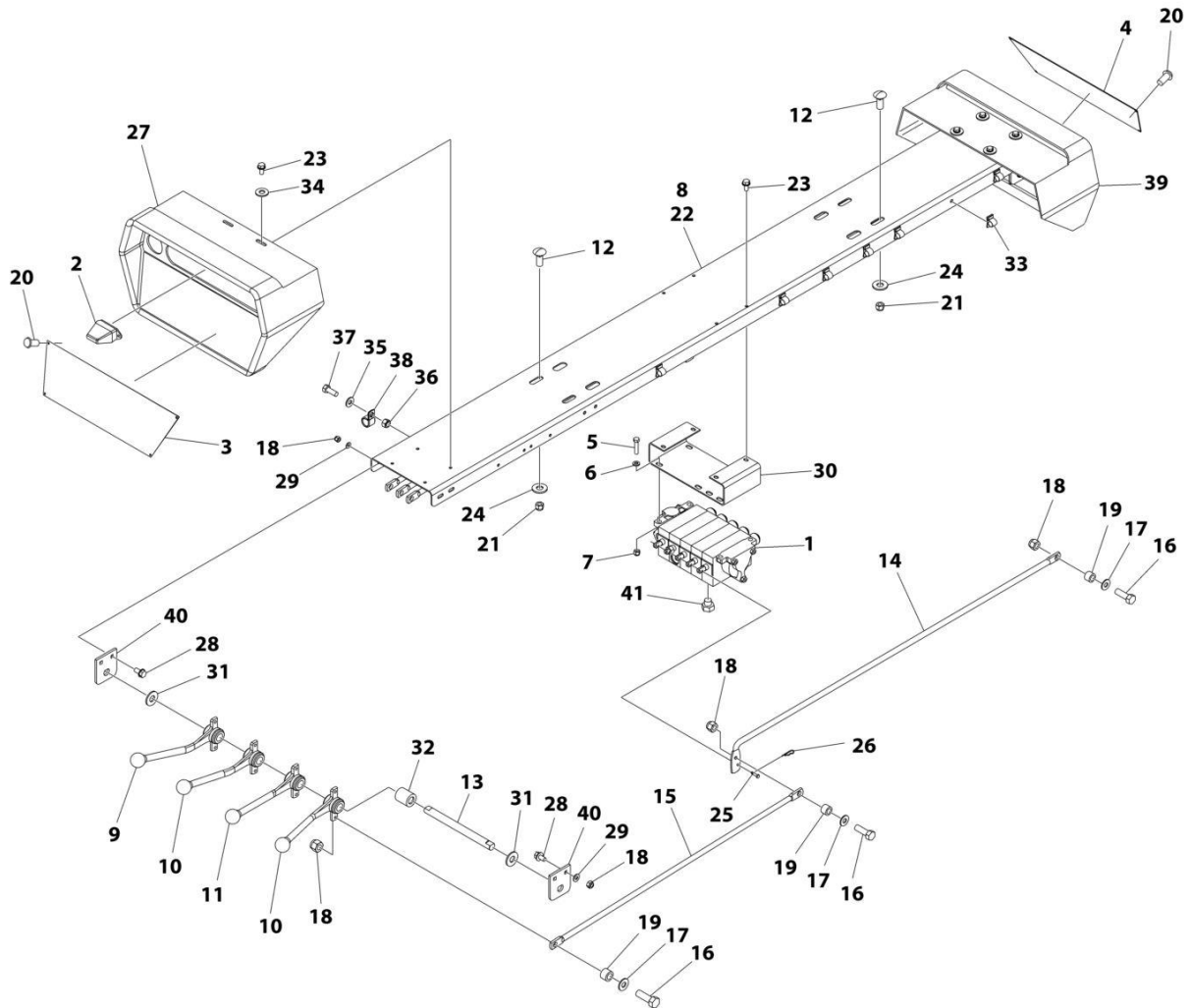
SECTION 4 - CONTROLS

FIGURE 4-2. 4 BANK CONTROLS INSTALLATION - NO/MAN TOW, STABILIZER

ITEM	PART NUMBER	QTY	DESCRIPTION	REV
	1001170391	Ref	4 BANK CONTROLS INSTALLATION WITH STABILIZER	B
1	3935000117	1	Valve Assembly (See Separate Breakdown in this Section)	
2	1001143764	2	Lamp	
3	7330000650	1	Decal, Control Panel Stabilizer, LH	
4	7330000651	1	Decal, Control Panel Stabilizer, RH	
5	7111161050	4	Capscrew 3/8 x 1-1/4	
6	7950160161	4	Washer 3/8	
7	7660162601	4	Nut 3/8	
8	1001170189	1	Channel	
9	7551000021	2	Control Handle	
10	7551000020	4	Control Handle	
11	7551000018	2	Control Handle	
12	7115181064	4	Bolt 1/2 x 1/4	
13	7691000064	2	Pin	
14	1001170187	4	Control Rod	
15	1001170188	4	Control Rod	
16	7115150850	12	Capscrew 5/16 x 1	
17	7949000011	12	Washer	
18	7660152601	20	Nut 5/16	
19	4831000069	12	Spacer	
20	7759000006	8	Rivet	
21	7660182601	4	Nut 1/2	
22	8632000012	AR	Trim lock	
23	7790151253	12	Screw 5/16 x 3/4	
24	7950180161	4	Washer 1/2	
25	7690101200	4	Clevis Pin	
26	7691000056	1	Pin, Hairpin Cotter	
27	3560000010	1	Control Hood Assembly	
28	7115150664	8	Bolt 5/16 x 3/4	
29	7950150161	8	Washer 5/16	
30	1001135272	1	Channel	
31	7950220141	2	Washer 3/4	
32	4211000001	2	Bushing	
33	7280000007	11	Wire Clip	
34	7949000054	8	Washer	
35	7950140141	1	Washer 1/4	
36	7660142601	1	Nut 1/4	
37	7115140650	1	Capscrew 1/4 x 3/4	
38	7274000063	1	Clamp	
39	7560000007	1	Control Hood, RH	
40	4606000217	4	Lug	
41	7443000048	2	Fitting Plug	

SECTION 4 - CONTROLS

FIGURE 4-3. 4 BANK CONTROLS INSTALLATION - HYDRAULIC TOW, WINCH MOTOR SPOOL



ART_1001170423

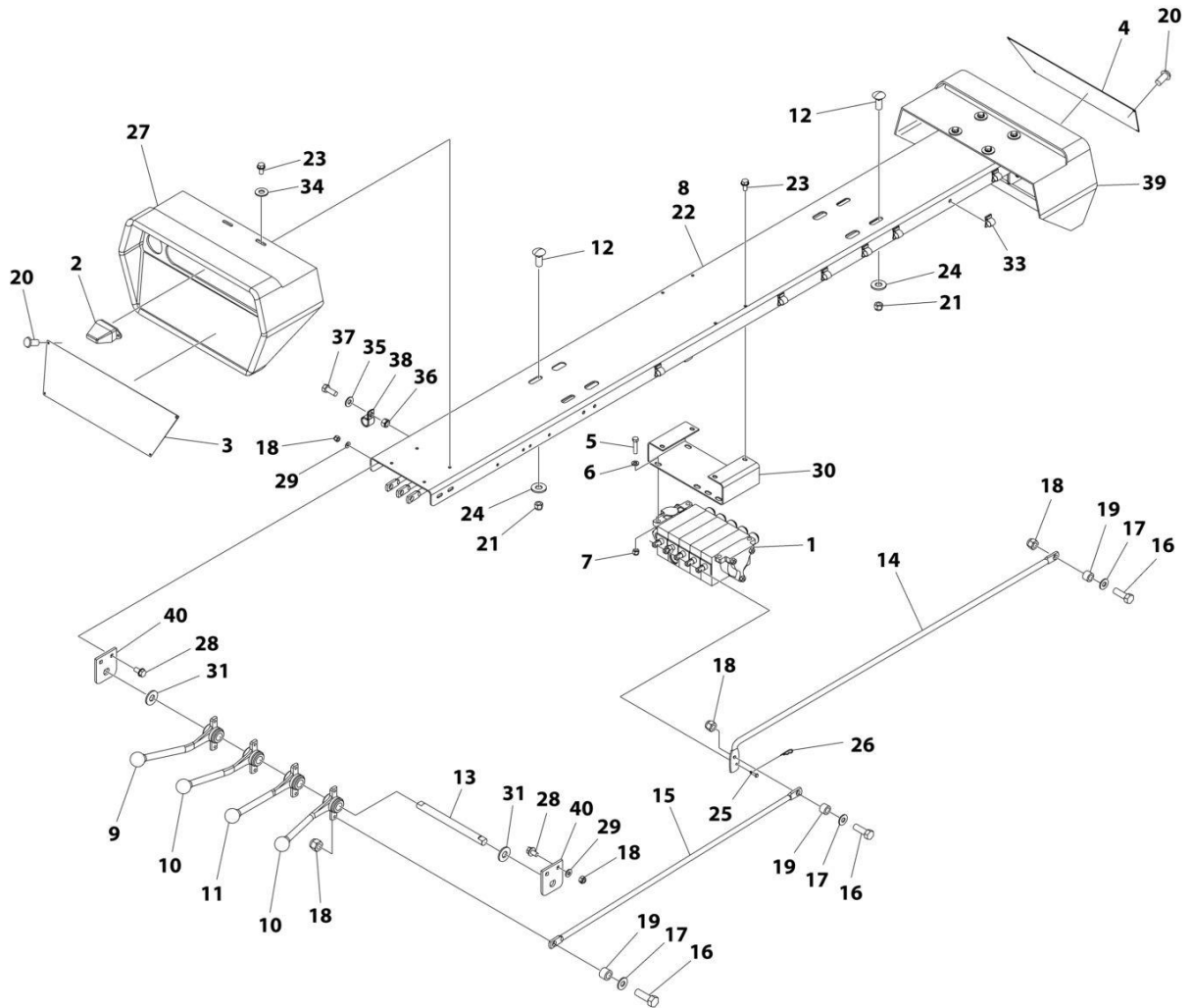
SECTION 4 - CONTROLS

FIGURE 4-3. 4 BANK CONTROLS INSTALLATION - HYDRAULIC TOW, WINCH MOTOR SPOOL

ITEM	PART NUMBER	QTY	DESCRIPTION	REV
	1001170423	Ref	4 BANK CONTROLS INSTALLATION - HYDRAULIC TOW, WINCH MOTOR SPOOL	B
1	1001146603	1	Valve Assembly (See Separate Breakdown in this Section)	
2	1001143764	2	Lamp	
3	7330000650	1	Decal Control Panel, LH	
4	7330000651	1	Decal Control Panel, RH	
5	7111161050	4	Capscrew 3/8 x 1-1/4	
6	7950160161	4	Washer 3/8	
7	7660162601	4	Nut 3/8	
8	1001170189	1	Channel	
9	7551000021	2	Control Handle	
10	7551000020	4	Control Handle	
11	7551000018	2	Control Handle	
12	7115181064	4	Bolt 1/2 x 1/4	
13	7691000064	2	Pin	
14	1001170187	4	Control Rod	
15	1001170188	4	Control Rod	
16	7115150850	12	Capscrew 5/16 x 1	
17	7949000011	12	Washer	
18	7660152601	20	Nut 5/16	
19	4831000069	12	Spacer	
20	7759000006	8	Rivet	
21	7660182601	4	Nut 1/2	
22	8632000012	AR	Trim lock	
23	7790151253	12	Screw 5/16 x 3/4	
24	7950180161	4	Washer 1/2	
25	7690101200	4	Clevis Pin	
26	7691000056	4	Pin, Hairpin Cotter	
27	3560000010	1	Control Hood Assembly	
28	7115150664	8	Bolt 5/16 x 3/4	
29	7950150161	8	Washer 5/16	
30	1001135272	1	Channel	
31	7950220141	2	Washer 3/4	
32	4211000001	2	Bushing	
33	7280000007	11	Wire Clip	
34	7949000054	8	Washer	
35	7950140141	1	Washer 1/4	
36	7660142601	1	Nut 1/4	
37	7115140650	1	Capscrew 1/4 x 3/4	
38	7274000063	1	Clamp	
39	7560000007	1	Control Hood, RH	
40	4606000217	4	Lug	
41	7443000048	2	Fitting Plug	

SECTION 4 - CONTROLS

FIGURE 4-4. 5 BANK CONTROLS INSTALLATION - HYDRAULIC TOW, STABILIZER



ART_1001170401

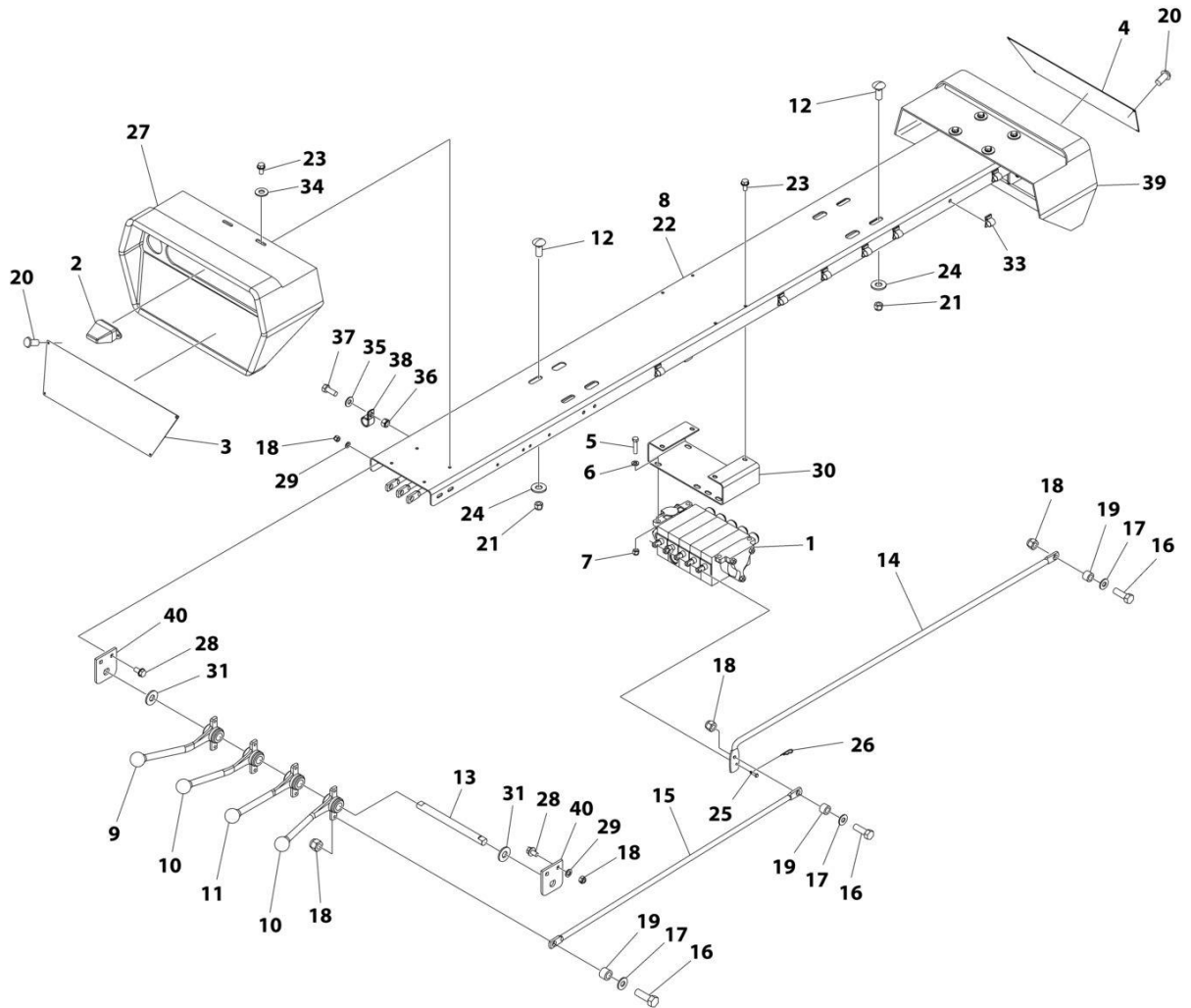
SECTION 4 - CONTROLS

FIGURE 4-4. 5 BANK CONTROLS INSTALLATION - HYDRAULIC TOW, STABILIZER

ITEM	PART NUMBER	QTY	DESCRIPTION	REV
	1001170401	Ref	5 BANK CONTROLS INSTALLATION WITH STABILIZER - EXTEND	A
1	3935000117	1	Valve Assembly (See Separate Breakdown in this Section)	
2	1001143764	2	Lamp	
3	7330000650	1	Decal Control Panel Stabilizer, LH	
4	7330000651	1	Decal Control Panel Stabilizer, RH	
5	7111161050	4	Capscrew 3/8 x 1-1/4	
6	7950160161	4	Washer 3/8	
7	7660162601	4	Nut 3/8	
8	1001170189	1	Channel	
9	7551000021	4	Control Handle	
10	7551000020	4	Control Handle	
11	7551000018	2	Control Handle	
12	7115181064	4	Bolt 1/2 x 1/4	
13	7691000064	2	Pin	
14	1001170187	5	Control Rod	
15	1001170188	5	Control Rod	
16	7115150850	15	Capscrew 5/16 x 1	
17	7949000011	15	Washer	
18	7660152601	23	Nut 5/16	
19	4831000069	15	Spacer	
20	7759000006	8	Rivet	
21	7660182601	4	Nut 1/2	
22	8632000012	AR	Trim lock	
23	7790151253	12	Screw 5/16 x 3/4	
24	7950180161	4	Washer 1/2	
25	7690101200	5	Clevis Pin	
26	7691000056	5	Pin, Hairpin Cotter	
27	3560000010	1	Control Hood Assembly	
28	7115150664	8	Bolt 5/16 x 3/4	
29	7950150161	8	Washer 5/16	
30	1001135272	1	Channel	
31	7950220141	2	Washer 3/4	
33	7280000007	11	Wire Clip	
34	7949000054	8	Washer	
35	7950140141	1	Washer 1/4	
36	7660142601	1	Nut 1/4	
37	7115140650	1	Capscrew 1/4 x 3/4	
38	7274000063	1	Clamp	
39	7560000007	1	Control Hood, RH	
40	4606000217	4	Lug	

SECTION 4 - CONTROLS

FIGURE 4-5. 5 BANK CONTROLS INSTALLATION - HYDRAULIC TOW, IRL



ART_1001170393

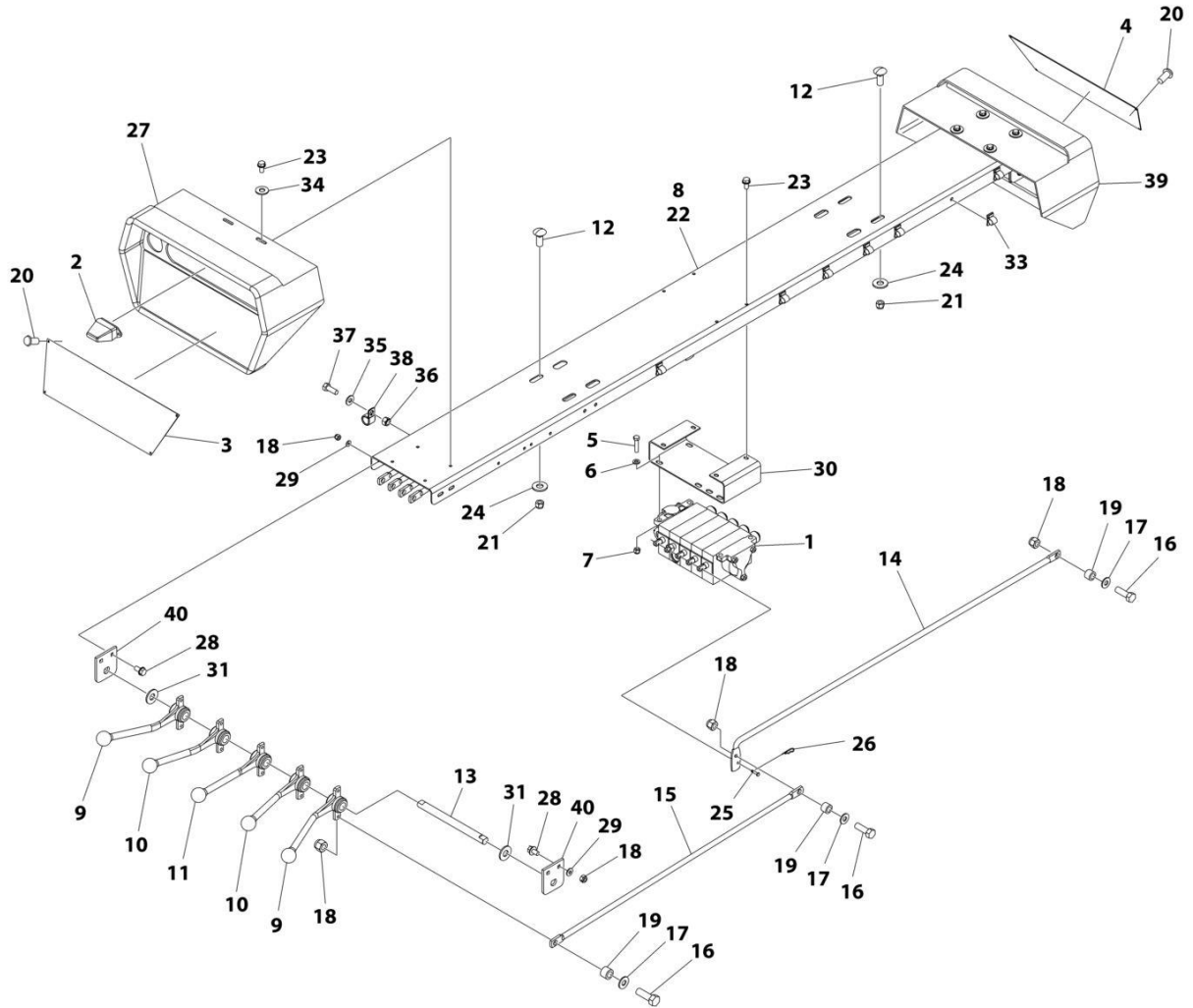
SECTION 4 - CONTROLS

FIGURE 4-5. 5 BANK CONTROLS INSTALLATION - HYDRAULIC TOW, IRL

ITEM	PART NUMBER	QTY	DESCRIPTION	REV
	1001170393	Ref	5 BANK CONTROLS INSTALLATION - IRL	A
1	3935000117	1	Valve Assembly (See Separate Breakdown in this Section)	
2	1001143764	2	Lamp	
3	7330000648	1	Decal Control Panel, LH	
4	7330000649	1	Decal Control Panel, RH	
5	7111161050	4	Capscrew 3/8 x 1-1/4	
6	7950160161	4	Washer 3/8	
7	7660162601	4	Nut 3/8	
8	1001170189	1	Channel	
9	7551000021	4	Control Handle	
10	7551000020	4	Control Handle	
11	7551000018	2	Control Handle	
12	7115181064	4	Bolt 1/2 x 1-1/4	
13	7691000064	2	Pin	
14	1001170187	5	Control Rod	
15	1001170188	5	Control Rod	
16	7115150850	15	Capscrew 5/16 x 1	
17	7949000011	15	Washer	
18	7660152601	23	Nut 5/16	
19	4831000069	15	Sapcer	
20	7759000006	8	Rivet	
21	7660182601	4	Nut 1/2	
22	8632000012	AR	Trim Lock	
23	7790151253	12	Screw 5/16 x 3/4	
24	7950180161	4	Washer 1/2	
25	7690101200	5	Clevis Pin	
26	7691000056	5	Pin, Hairpin Cotter	
27	3560000010	1	Control Hood Assembly	
28	7115150664	8	Bolt 5/16 x 3/4	
29	7950150000	8	Washer 5/16	
30	1001135272	1	Channel	
31	7950220141	2	Washer 3/4	
33	7280000007	11	Wire Clip	
34	7949000054	8	Washer	
35	7950140141	1	Washer 1/4	
36	7660142601	1	Nut 1/4	
37	7115140650	1	Capscrew 1/4 x 3/4	
38	7274000063	1	Clamp	
39	7560000007	1	Control Hood, RH	
40	4606000217	4	Lug	

SECTION 4 - CONTROLS

FIGURE 4-6. 5 BANK CONTROLS INSTALLATION - HYDRAULIC TOW, IRL, WINCH MOTOR SPOOL



ART_1001170399

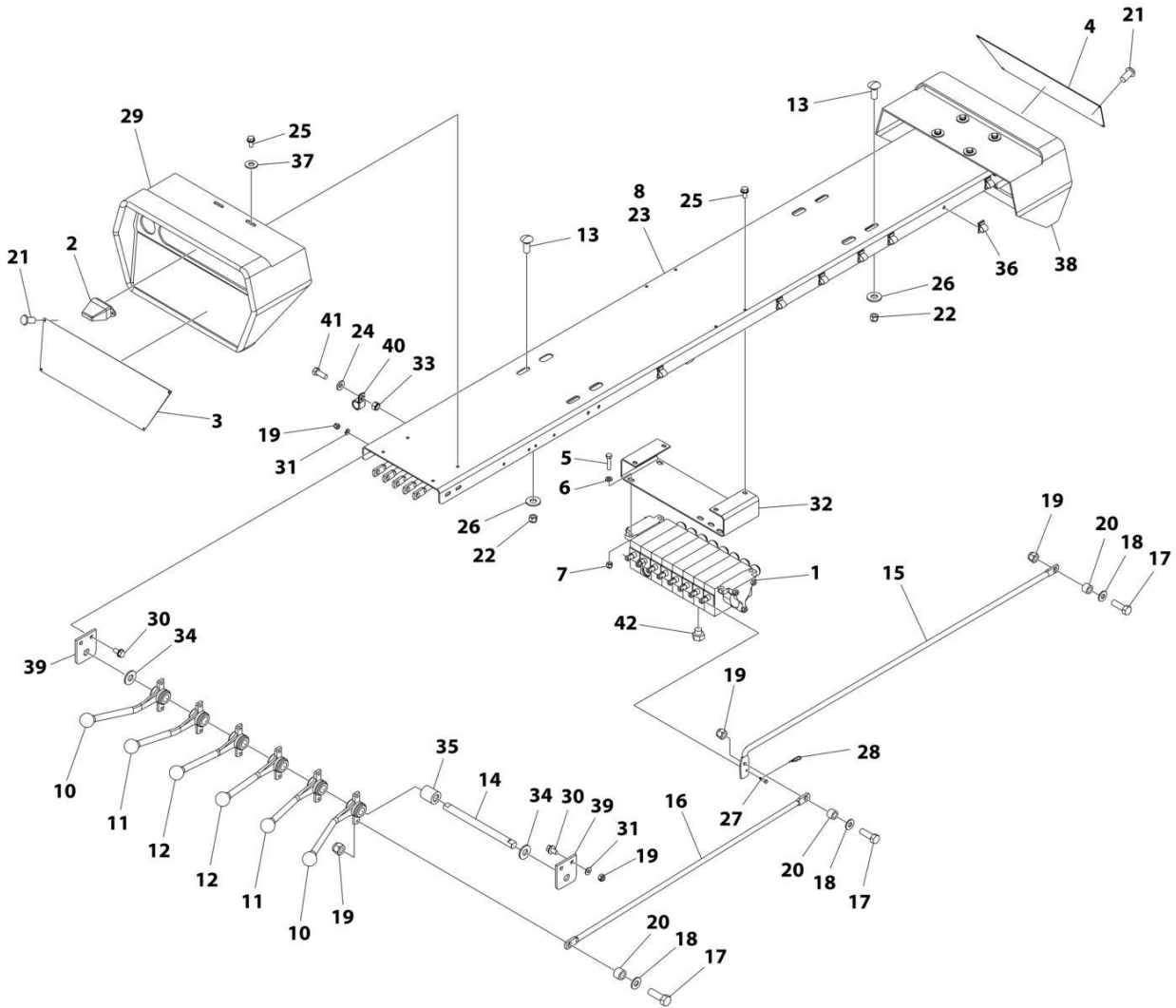
SECTION 4 - CONTROLS

FIGURE 4-6. 5 BANK CONTROLS INSTALLATION - HYDRAULIC TOW, IRL, WINCH MOTOR SPOOL

ITEM	PART NUMBER	QTY	DESCRIPTION	REV
	1001170399	Ref	5 BANK CONTROLS INSTALLATION - HYDRAULIC TOW, IRL, WINCH MOTOR SPOOL	A
1	1001146603	1	Valve Assembly (See Separate Breakdown in this Section)	
2	1001143764	2	Lamp	
3	7330000648	1	Decal Control Panel, LH	
4	7330000649	1	Decal Control Panel, RH	
5	7111161050	4	Capscrew 3/8 x 1-1/4	
6	7950160161	4	Washer 3/8	
7	7660162601	4	Nut 3/8	
8	1001170189	1	Channel	
9	7551000021	4	Control Handle	
10	7551000020	4	Control Handle	
11	7551000018	2	Control Handle	
12	7115181064	4	Bolt 1/2 x 1-1/4	
13	7691000064	2	Pin	
14	1001170187	5	Control Rod	
15	1001170188	5	Control Rod	
16	7115150850	15	Capscrew 5/16 x 1	
17	7949000011	15	Washer	
18	7660152601	23	Nut 5/16	
19	4831000069	15	Sapcer	
20	7759000006	8	Rivet	
21	7660182601	4	Nut 1/2	
22	8632000012	AR	Trim Lock	
23	7790151253	12	Screw 5/16 x 3/4	
24	7950180161	4	Washer 1/2	
25	7690101200	5	Clevis Pin	
26	7691000056	5	Pin, Hairpin Cotter	
27	3560000010	1	Control Hood Assembly	
28	7115150664	8	Bolt 5/16 x 3/4	
29	7950150161	8	Washer 5/16	
30	1001135272	1	Channel	
31	7950220141	2	Washer 3/4	
33	7280000007	11	Wire Clip	
34	7949000054	8	Washer	
35	7950140141	1	Washer 1/4	
36	7660142601	1	Nut 1/4	
37	7115140650	1	Capscrew 1/4 x 3/4	
38	7274000063	1	Clamp	
39	7560000007	1	Control Hood, RH	
40	4606000217	4	Lug	

SECTION 4 - CONTROLS

FIGURE 4-7. 6 BANK CONTROLS INSTALLATION - DUAL WINCH REMOTE CONTROL



ART_1001170409

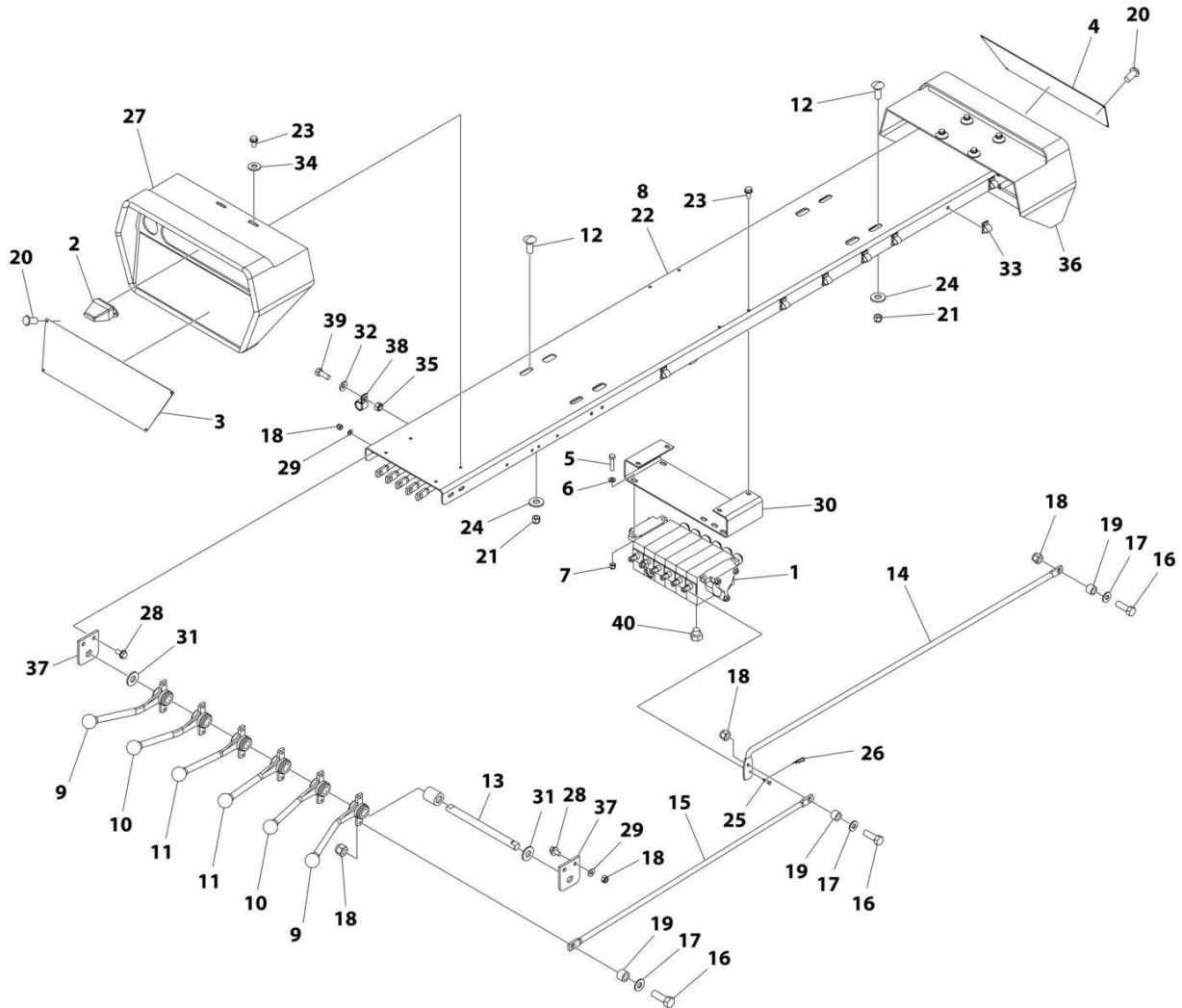
SECTION 4 - CONTROLS

FIGURE 4-7. 6 BANK CONTROLS INSTALLATION - DUAL WINCH REMOTE CONTROL

ITEM	PART NUMBER	QTY	DESCRIPTION	REV
	1001170409	Ref	6 BANK DUAL WINCH CONTROLS INSTALLATION	C
1	3935000124	1	Valve Assembly (See Separate Breakdown in this Section)	
2	1001143764	2	Lamp	
3	7330000864	1	Decal Control Panel	
4	7330000865	1	Decal Control Panel	
5	7111161050	3	Capscrew 3/8 x 1-1/4	
6	7950160161	4	Washer 3/8	
7	7660162601	4	Nut 3/8	
8	1001170190	1	Channel	
10	7551000021	4	Control Handle	
11	7551000020	4	Control Handle	
12	7551000019	4	Control Handle	
13	7115181064	6	Bolt 1/2 x 1-1/4	
14	7691000066	2	Pin	
15	1001170187	6	Control Rod	
16	1001170188	6	Control Rod	
17	7115150850	18	Capscrew 5/16 x 1	
18	7949000011	18	Washer	
19	7660152601	26	Nut 5/16	
20	4831000069	18	Sapcer	
21	7759000006	8	Rivet	
22	7660182601	6	Nut 1/2	
23	8632000012	AR	Trim Lock	
24	7950140141	1	Washer 1/4	
25	7790151253	12	Screw 5/16 x 3/4	
26	7950180161	6	Washer 1/2	
27	7690101200	6	Clevis Pin	
28	7691000056	6	Pin, Hairpin Cotter	
29	3560000010	1	Control Hood Assembly	
30	7115150664	8	Bolt 5/16 x 3/4	
31	7950150161	8	Washer 5/16	
32	4263000464	1	Channel	
33	7660142601	1	Nut 1/4	
34	7950220141	4	Washer 3/4	
35	4211000001	4	Bushing	
36	7280000007	11	Wire Clip	
37	7949000054	8	Washer	
38	7560000007	1	Control Hood, RH	
39	4606000217	4	Lug	
40	7274000063	1	Clamp	
41	7115140650	1	Capscrew 1/4 x 3/4	
42	7443000048	4	Fitting Plug	

SECTION 4 - CONTROLS

FIGURE 4-8. 6 BANK CONTROLS INSTALLATION - BUMPER WINCH PREP - REMOTE CONTROL (GSA)



ART_1001170407

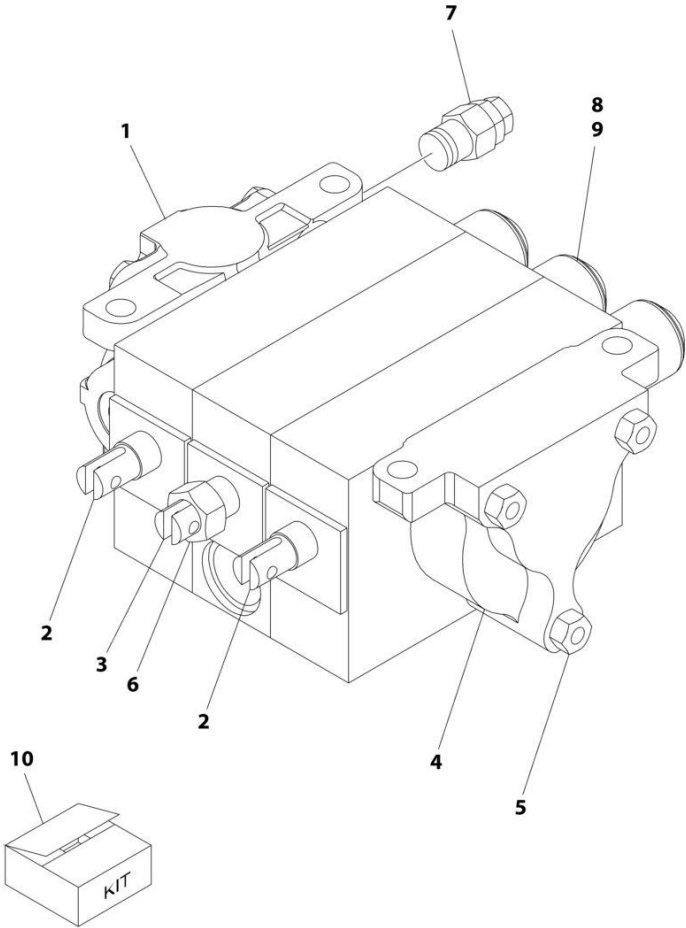
SECTION 4 - CONTROLS

FIGURE 4-8. 6 BANK CONTROLS INSTALLATION - BUMPER WINCH PREP - REMOTE CONTROL (GSA)

ITEM	PART NUMBER	QTY	DESCRIPTION	REV
	1001170407	Ref	CONTROLS INSTALLATION - 6 BANK (GSA SPECS)	B
1	3935000224	1	Valve Assembly (See Separate Breakdown in this Section)	
2	1001143764	2	Lamp	
3	7330000873	1	Decal - Control Panel (LH)	
4	7330000874	1	Decal - Control Panel (RH)	
5	7111161050	4	Capscrew 3/8 x 1-1/4	
6	7950160161	4	Washer 3/8	
7	7660162601	4	Nut 3/8	
8	1001170191	1	Channel	
9	7551000021	4	Handle, Control	
10	7551000020	4	Handle, Control	
11	7551000019	4	Handle, Control	
12	7115181064	4	Bolt 1/2 x 1-1/4	
13	7691000065	2	Pin	
14	1001170187	6	Rod, Control	
15	1001170188	6	Rod, Control	
16	7115150850	18	Capscrew 5/16 x 1	
17	7949000011	18	Washer	
18	7660152601	26	Nut 5/16	
19	4831000069	18	Sapcer	
20	7759000006	8	Rivet	
21	7660182601	4	Nut 1/2	
22	8632000012	AR	Trim Lock	
23	7790151253	12	Screw 5/16 x 3/4	
24	7950180161	4	Washer 1/2	
25	7690101200	6	Clevis Pin	
26	7691000056	6	Pin, Hairpin Cotter	
27	3560000010	1	Control Hood Assembly	
28	7115150664	8	Bolt 5/16 x 3/4	
29	7950150161	8	Washer 5/16	
30	1001135329	1	Channel	
31	7950220141	2	Washer 3/4	
32	7950140141	1	Washer 1/4	
33	7280000007	11	Clip, Wire	
34	7949000054	8	Washer	
35	7660142601	1	Nut 1/4	
36	7560000007	1	Hood, Control (RH)	
37	4606000217	4	Lug	
38	7274000063	1	Clamp	
39	7115140650	1	Capscrew 1/4 x 3/4	
40	7443000048	2	Fitting Plug	

SECTION 4 - CONTROLS

FIGURE 4-9. VALVE ASSEMBLY - 3 BANK



ART_3935000115

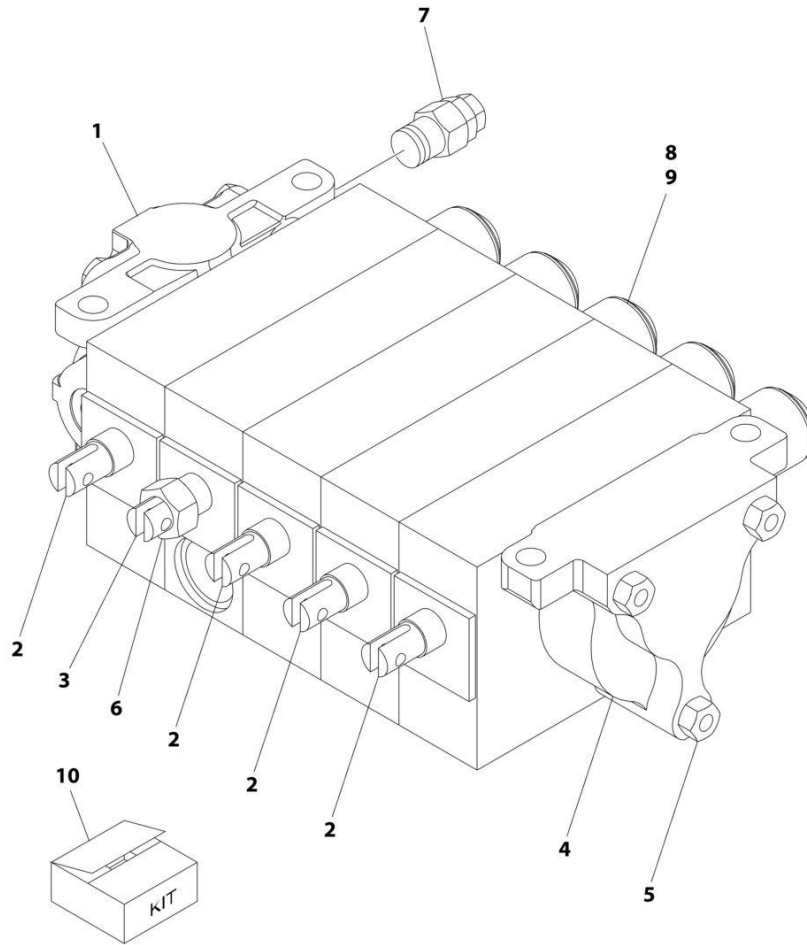
SECTION 4 - CONTROLS

FIGURE 4-9. VALVE ASSEMBLY - 3 BANK

ITEM	PART NUMBER	QTY	DESCRIPTION	REV
	3935000115	Ref	VALVE ASSEMBLY - 3 BANK	B
1	7935000369	1	Inlet/Outlet Valve	
2	7935000170	4	Single Clevis Valve	
3	7935000227	1	Relief Valve	
4	7935000173	1	End Valve	
5	7577000215	1	Bolt Kit	
6	7935000388	1	Relief Valve	
7	7935000174	1	Relief Valve	
8	9843930044	AR	Cap	
9	7577000343	AR	Cap	
10	9577930187	AR	Kit, Spool Seal	

SECTION 4 - CONTROLS

FIGURE 4-10. VALVE ASSEMBLY - 4 & 5 BANK (WITHOUT WINCH MOTOR SPOOL)



ART_3935000117

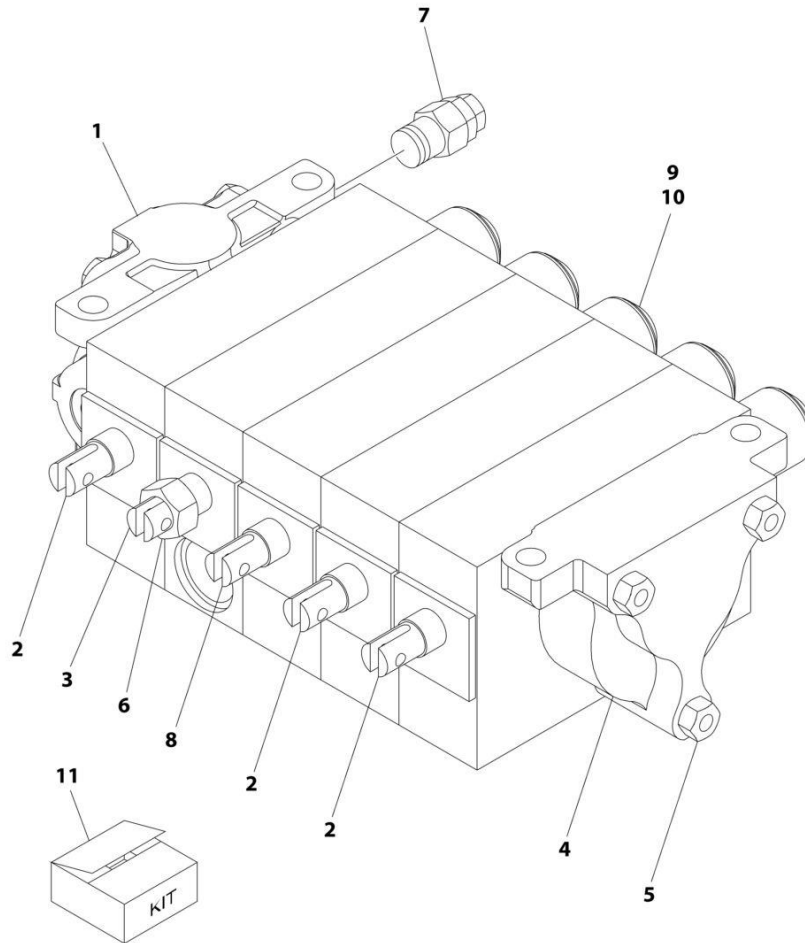
SECTION 4 - CONTROLS

FIGURE 4-10. VALVE ASSEMBLY - 4 & 5 BANK (WITHOUT WINCH MOTOR SPOOL)

ITEM	PART NUMBER	QTY	DESCRIPTION	REV
	3935000117	Ref	VALVE ASSEMBLY - 5 BANK	B
1	7935000369	1	Inlet/Outlet Valve	
2	7935000170	4	Single Clevis Valve	
3	7935000227	1	Relief Valve	
4	7935000173	1	End Valve	
5	7577000217	1	Bolt Kit	
6	7935000388	1	Relief Valve	
7	7935000174	1	Relief Valve	
8	9843930044	AR	Cap	
9	7577000343	AR	Cap	
10	9577930187	AR	Kit, Spool Seal	

SECTION 4 - CONTROLS

FIGURE 4-11. VALVE ASSEMBLY - 4 & 5 BANK (WITH WINCH MOTOR SPOOL)



ART_1001146603

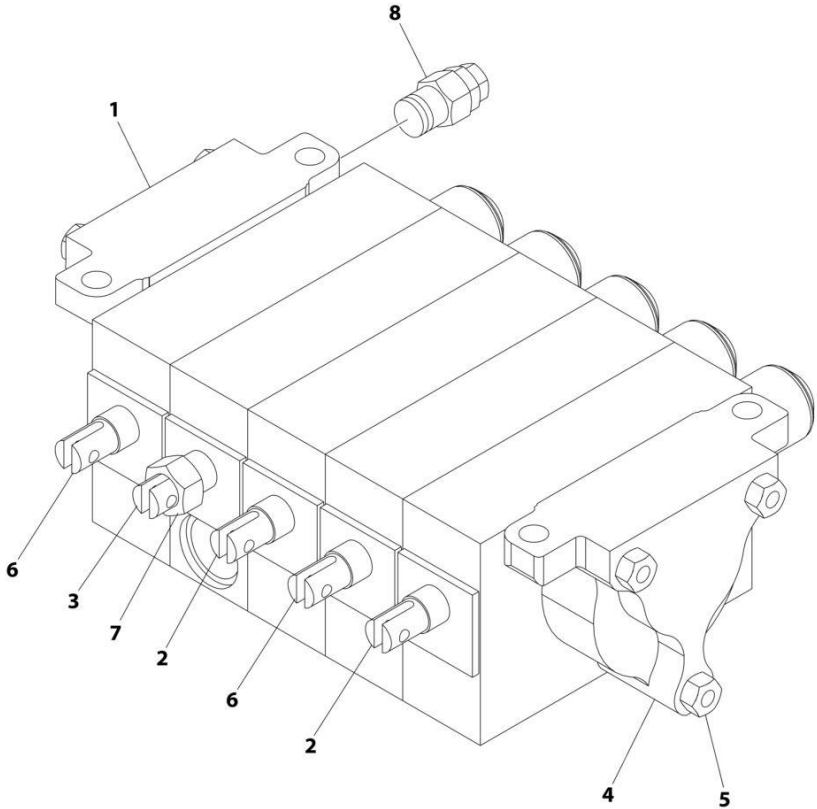
SECTION 4 - CONTROLS

FIGURE 4-11. VALVE ASSEMBLY - 4 & 5 BANK (WITH WINCH MOTOR SPOOL)

ITEM	PART NUMBER	QTY	DESCRIPTION	REV
	1001146603	Ref	VALVE ASSEMBLY - 5 BANK	A
1	7935000369	1	Inlet/Outlet Valve	
2	7935000170	4	Single Clevis Valve	
3	7935000227	1	Relief Valve	
4	7935000173	1	End Valve	
6	7577000217	1	Bolt Kit	
6	7935000388	1	Relief Valve	
7	7935000174	1	Relief Valve	
8	1001133740	1	Single Clevis Motor	
9	9843930044	AR	Cap	
10	7577000343	AR	Cap	
11	9577930187	AR	Kit, Spool Seal	

SECTION 4 - CONTROLS

FIGURE 4-12. VALVE ASSEMBLY - 5 BANK (GSA SPECS)



ART_3935000382

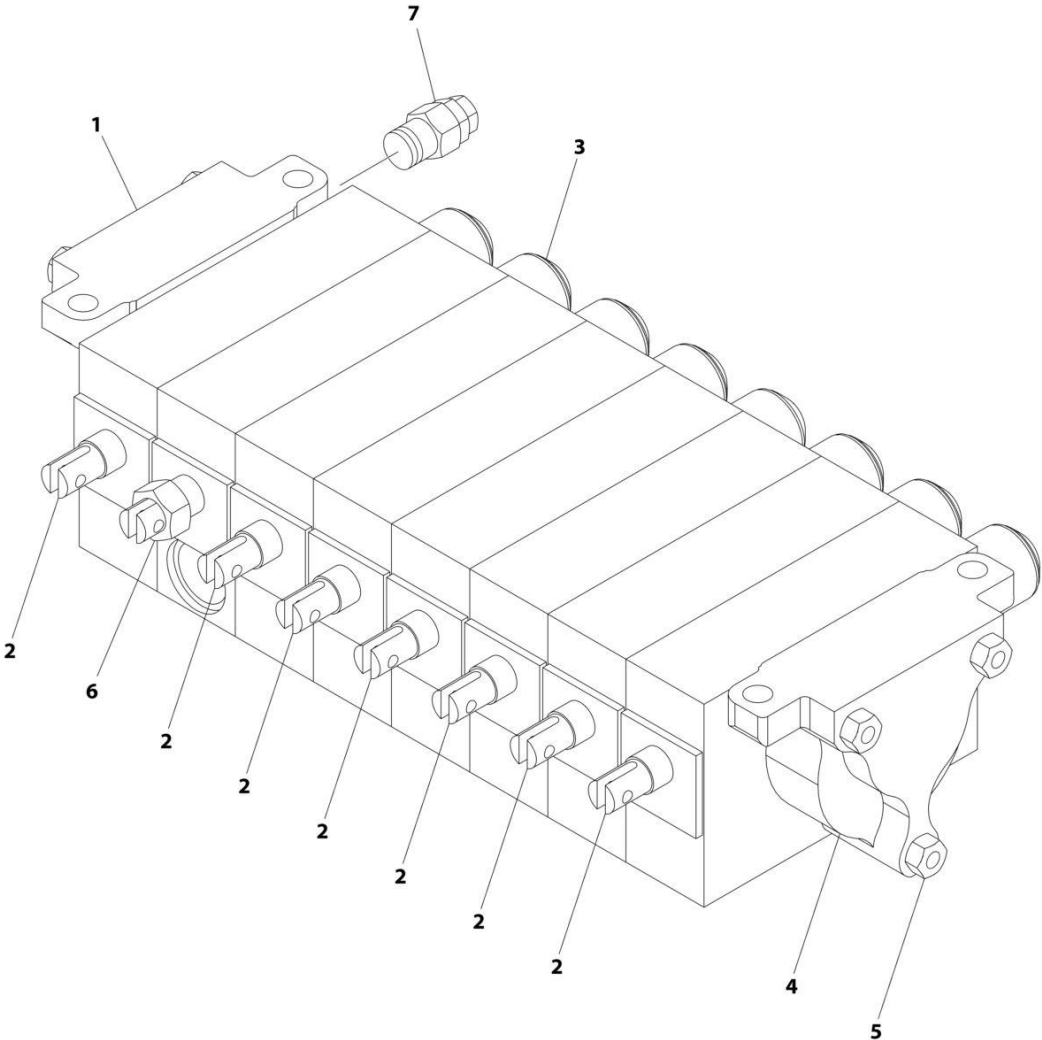
SECTION 4 - CONTROLS

FIGURE 4-12. VALVE ASSEMBLY - 5 BANK (GSA SPECS)

ITEM	PART NUMBER	QTY	DESCRIPTION	REV
	3935000382	Ref	VALVE ASSEMBLY - 5 BANK	B
1	7935000369	1	Inlet/Outlet Valve	
2	7935000170	2	Valve, Single Clevis	
3	7935000227	1	Valve with Relief	
4	7935000173	1	End Valve	
5	7577000217	1	Bolt Kit	
6	7935000171	2	Counterbalance Valve	
7	7935000388	1	Relief Valve	
8	7935000174	1	Relief Valve	

SECTION 4 - CONTROLS

FIGURE 4-13. VALVE ASSEMBLY - 6 BANK



ART_3935000124

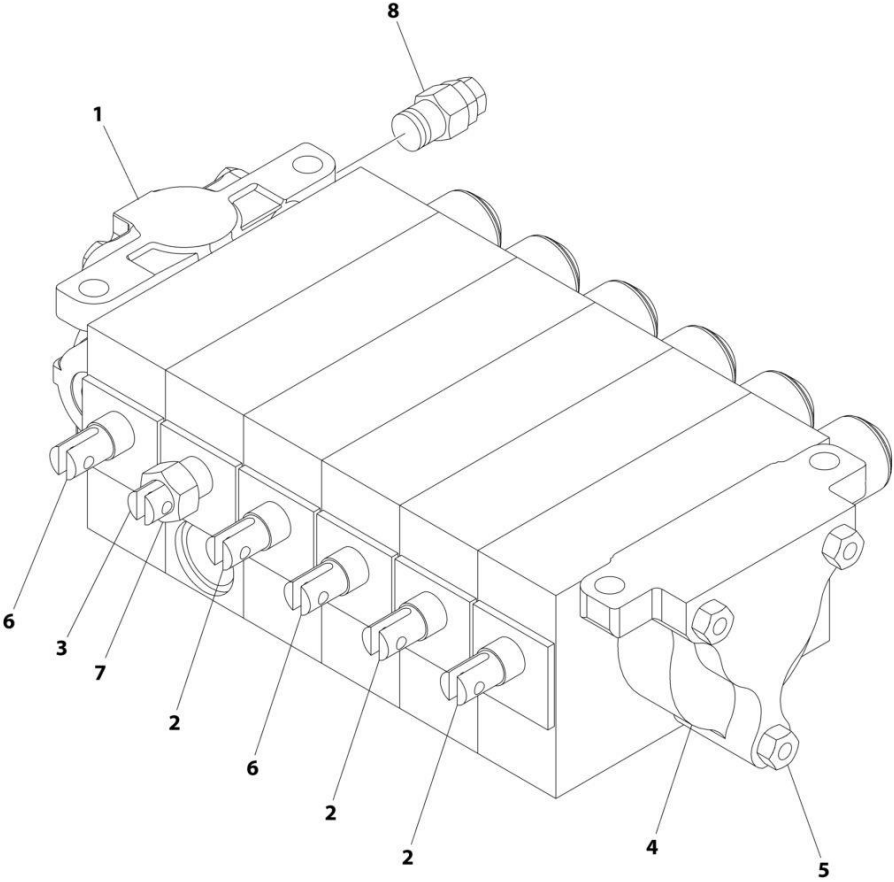
SECTION 4 - CONTROLS

FIGURE 4-13. VALVE ASSEMBLY - 6 BANK

ITEM	PART NUMBER	QTY	DESCRIPTION	REV
	3935000124	Ref	Valve Assembly	B
1	7935000369	1	Inlet/Outlet Valve	
2	7935000170	7	Single Clevis Valve	
3	7935000227	1	Relief Valve	
4	7935000173	1	End Valve	
5	7577000239	1	Bolt Kit	
6	7935000388	1	Relief Valve	
7	7935000174	1	Relief Valve	

SECTION 4 - CONTROLS

FIGURE 4-14. VALVE ASSEMBLY - 6 BANK WITH BUMPER WINCH PREP



ART_3935000224

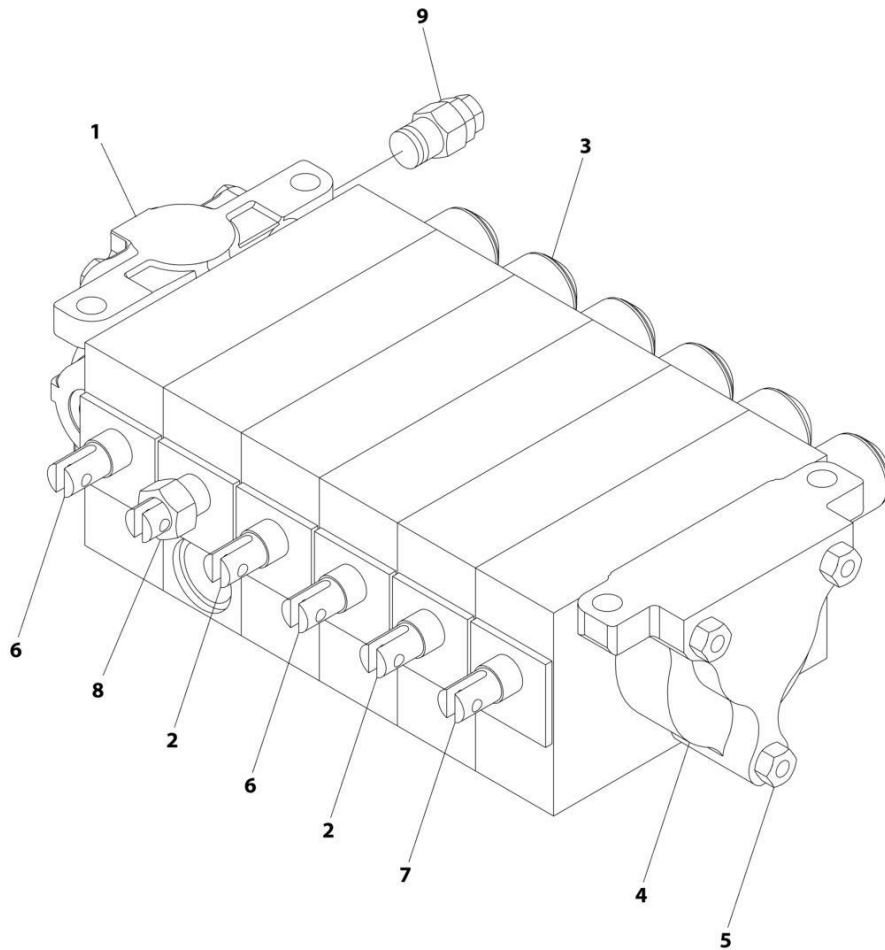
SECTION 4 - CONTROLS

FIGURE 4-14. VALVE ASSEMBLY - 6 BANK WITH BUMPER WINCH PREP

ITEM	PART NUMBER	QTY	DESCRIPTION	REV
	3935000224	Ref	VALVE ASSEMBLY - 6 BANK	B
1	7935000369	1	Inlet/Outlet Valve	
2	7935000170	3	Single Clevis Valve	
3	7935000227	1	Relief Valve	
4	7935000173	1	End Valve	
5	7577000218	1	Bolt Kit	
6	7935000171	2	Valve with PO Check	
7	7935000388	1	Relief Valve	
8	7935000174	1	Relief Valve	

SECTION 4 - CONTROLS

FIGURE 4-15. VALVE ASSEMBLY - 6 BANK WITH BUMPER WINCH MOTOR CONTROLS



ART_1001133741

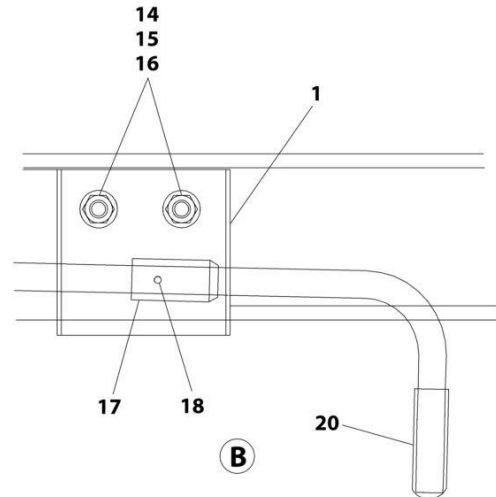
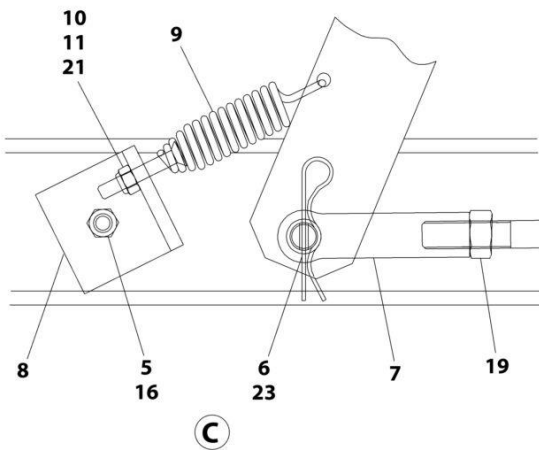
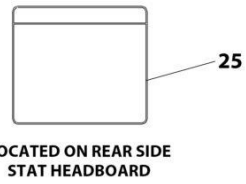
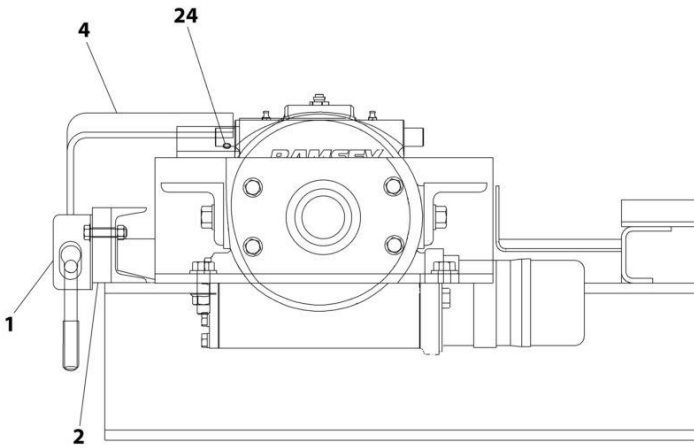
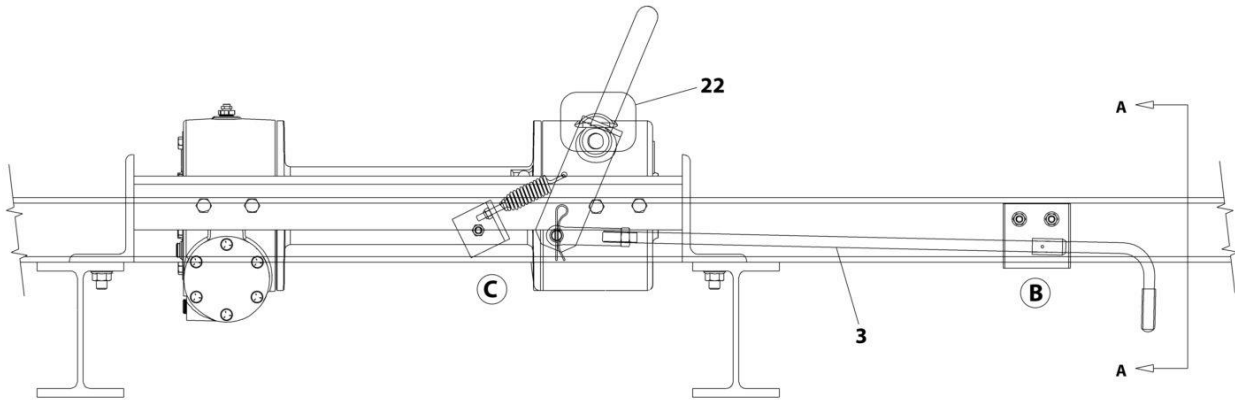
SECTION 4 - CONTROLS

FIGURE 4-15. VALVE ASSEMBLY - 6 BANK WITH BUMPER WINCH MOTOR CONTROLS

ITEM	PART NUMBER	QTY	DESCRIPTION	REV
	1001133741	Ref	VALVE ASSEMBLY - 6 BANK	B
1	7935000369	1	Inlet/Outlet Valve	
2	7935000170	2	Single Clevis Valve	
3	7935000227	1	Relief Valve	
4	7935000173	1	End Valve	
5	7577000218	1	Bolt Kit	
6	7935000171	2	Valve with Counterbalance	
7	1001133740	1	Valve, Motor Spool	
8	7935000388	1	Relief Valve	
9	7935000174	1	Relief Valve	

SECTION 4 - CONTROLS

FIGURE 4-16. FREE SPOOL INSTALLATION - 12K WINCH (BOLT-ON HEADBOARD)



ART_2970000069

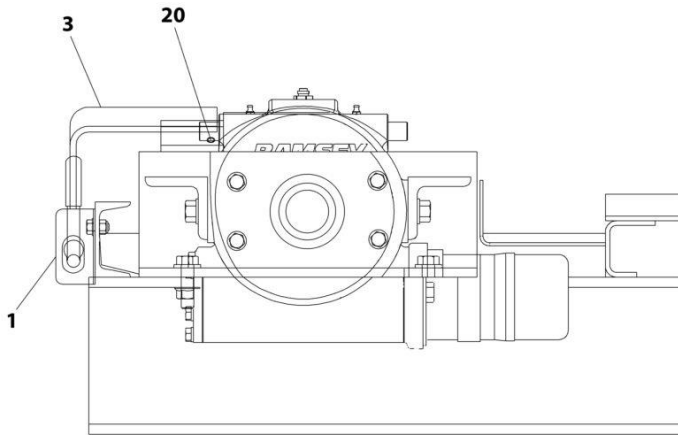
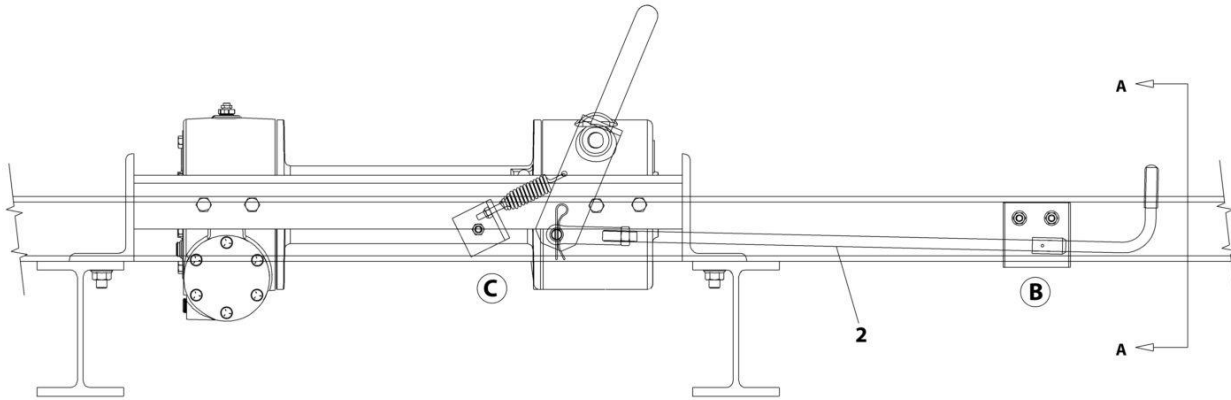
SECTION 4 - CONTROLS

FIGURE 4-16. FREE SPOOL INSTALLATION - 12K WINCH (BOLT-ON HEADBOARD)

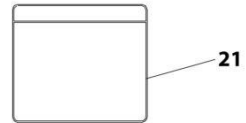
ITEM	PART NUMBER	QTY	DESCRIPTION	REV
	297000069	Ref	FREE SPOOL INSTALLATION	F
1	4178000673	1	Bracket	
2	4679000208	1	Pad	
3	4763000253	1	Rod	
4	3020000091	1	Arm Weldment Lever	
5	7115150850	1	Capscrew 5/16 x 1	
6	7950180143	2	Washer 1/2	
7	7990000011	1	Yoke	
8	4017001194	1	Angle	
9	7843000007	1	Spring	
10	7111141407	1	Bolt 1/4 x 1-3/4	
11	7660142601	1	Nut 1/4	
14	7950150161	2	Washer 5/16	
15	7115151250	2	Capscrew 5/16 x 1-1/2	
16	7660152601	3	Nut 5/16	
17	4209000212	1	Bushing	
18	7690051274	1	Pin	
19	7660180234	1	Nut 1/2	
20	7254000016	1	Cap	
21	7950140141	1	Washer 1/4	
22	4632000030	1	Moulding	
23	1001179025	1	Pin	
24	7785150500	1	Screw 5/16 x 5/16	
25	7330000242	1	Decal, Free Spool	

SECTION 4 - CONTROLS

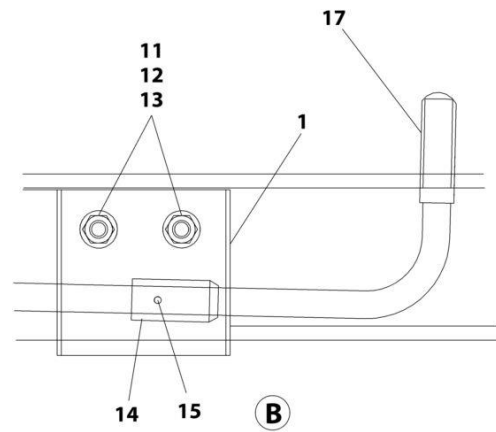
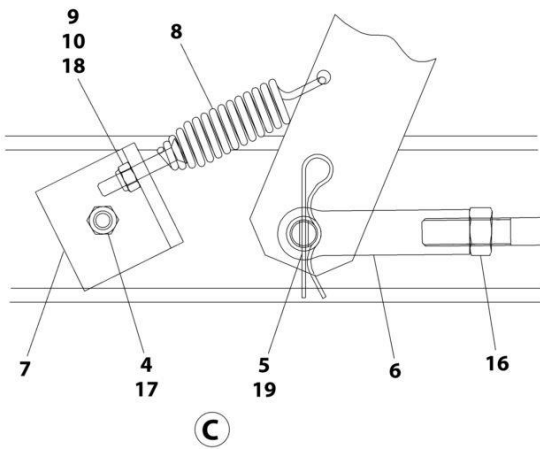
FIGURE 4-17. FREE SPOOL INSTALLATION - 12K WINCH (STATIONARY HEADBOARD)



VIEW A-A



LOCATED ON REAR SIDE
STAT HEADBOARD



ART_2970000105

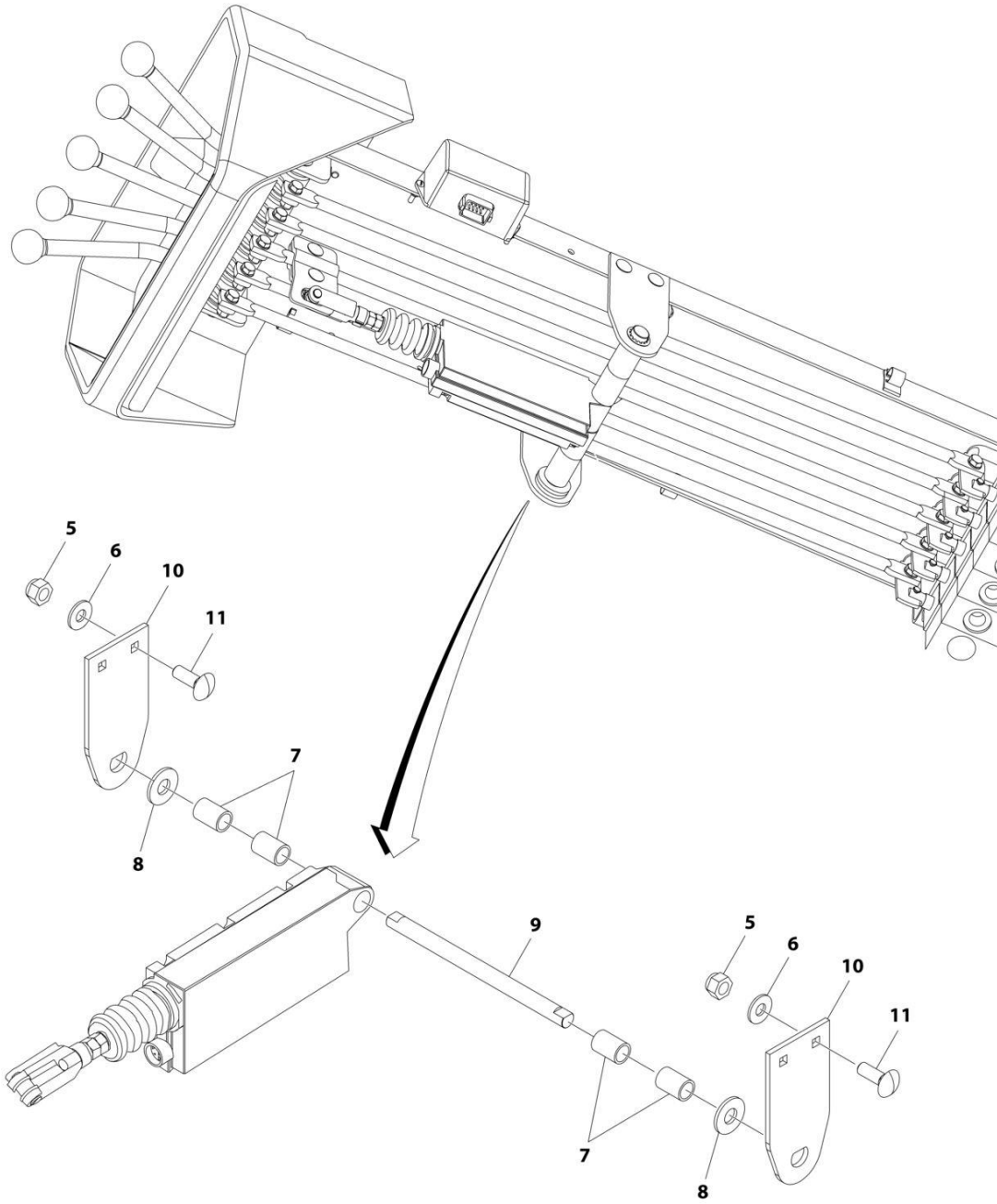
SECTION 4 - CONTROLS

FIGURE 4-17. FREE SPOOL INSTALLATION - 12K WINCH (STATIONARY HEADBOARD)

ITEM	PART NUMBER	QTY	DESCRIPTION	REV
	2970000105	Ref	FREE SPOOL INSTALLATION	C
1	4178000673	1	Bracket	
2	4763000253	1	Rod	
3	3020000123	1	Arm Weldment Lever	
4	7115150850	1	Capscrew 5/16 x 1	
5	7950180143	2	Washer 1/2	
6	7990000011	1	Yoke	
7	4017001504	1	Angle	
8	7843000007	1	Spring	
9	7111141407	1	Bolt 1/4 x 1-3/4	
10	7660142601	1	Nut 1/4	
11	7950150161	2	Washer 5/16	
13	7115150850	3	Capscrew 5/16 x 1	
12	7660152601	2	Nut 5/16	
14	4209000212	1	Bushing	
15	7690051274	1	Pin	
16	7660180234	1	Nut	
17	7254000016	1	Cap	
18	7950140141	1	Washer 1/4	
19	1001179025	1	Pin	
20	7785150500	1	Screw 5/16 x 5/16	
21	7330000495	1	Decal, Free Spool	

SECTION 4 - CONTROLS

FIGURE 4-18. LINEAR ACTUATOR MOUNT KIT (3,4,5 BANK)



ART_2577000017

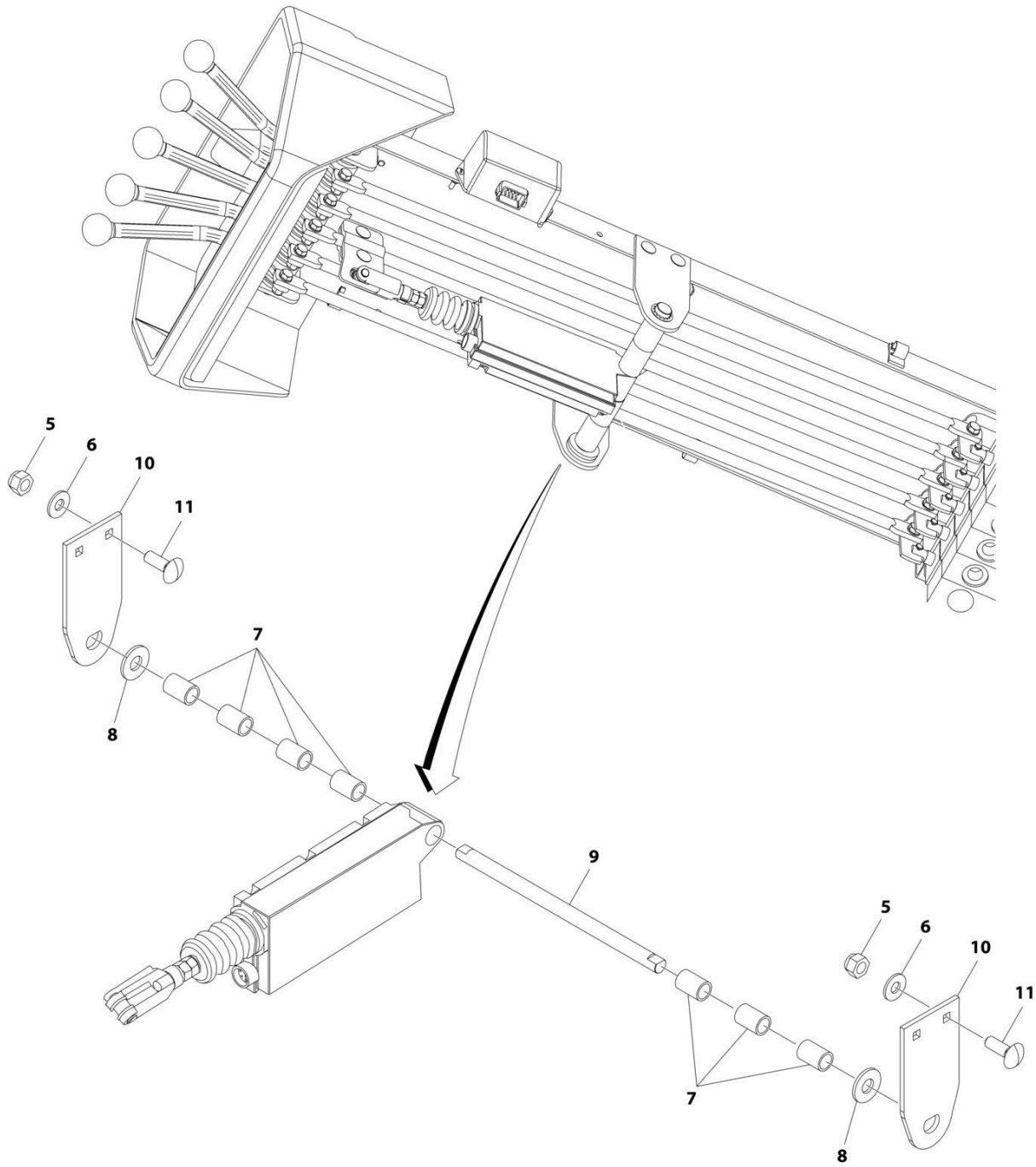
SECTION 4 - CONTROLS

FIGURE 4-18. LINEAR ACTUATOR MOUNT KIT (3,4,5 BANK)

ITEM	PART NUMBER	QTY	DESCRIPTION	REV
	2577000017	Ref	LINEAR ACTUATOR MOUNT KIT	B
5	7660152601	4	Nut 1/3	
6	7950150161	4	Washer 1/3	
7	4211000001	4	Bushing	
8	7950220141	2	Washer 3/4	
9	7691000064	1	Pin	
10	1001198871	2	Plate	
11	7115150664	4	Bolt 1/3 x 3/4	

SECTION 4 - CONTROLS

FIGURE 4-19. LINEAR ACTUATOR MOUNT KIT (6 BANK)



ART_2577000018

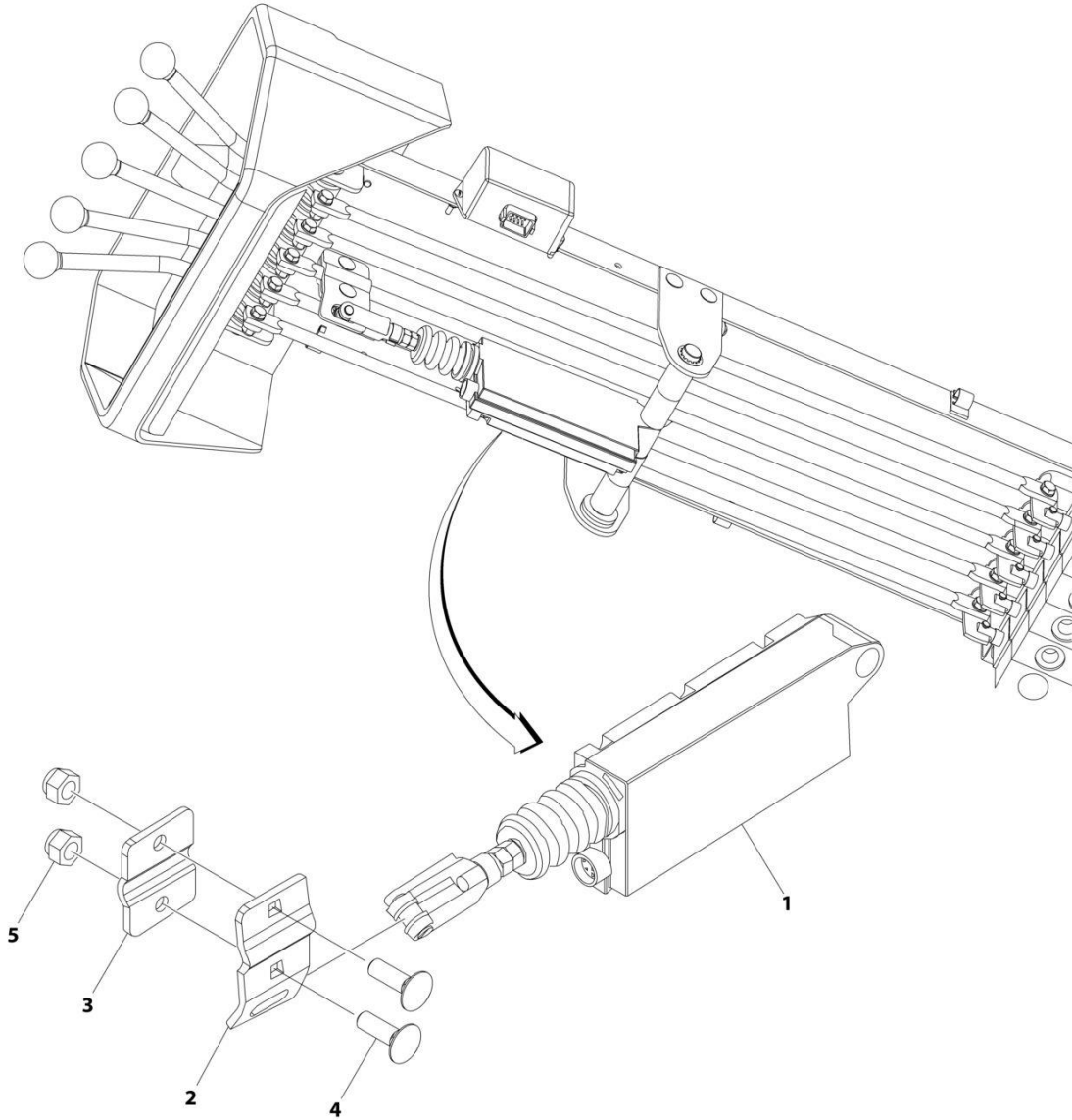
SECTION 4 - CONTROLS

FIGURE 4-19. LINEAR ACTUATOR MOUNT KIT (6 BANK)

ITEM	PART NUMBER	QTY	DESCRIPTION	REV
	2577000018	Ref	6 BANK LINEAR ACTUATOR MOUNT KIT	B
5	7660152601	4	Nut 5/16	
6	7950150161	4	Washer 5/16	
7	4211000001	5	Bushing	
8	7950220141	2	Washer 3/4	
9	7691000065	1	Pin	
10	1001198871	2	Plate	
11	7115150664	4	Bolt 5/16 x 3/4	

SECTION 4 - CONTROLS

FIGURE 4-20. LINEAR ACTUATOR INSTALLATION KIT



ART_2577000016

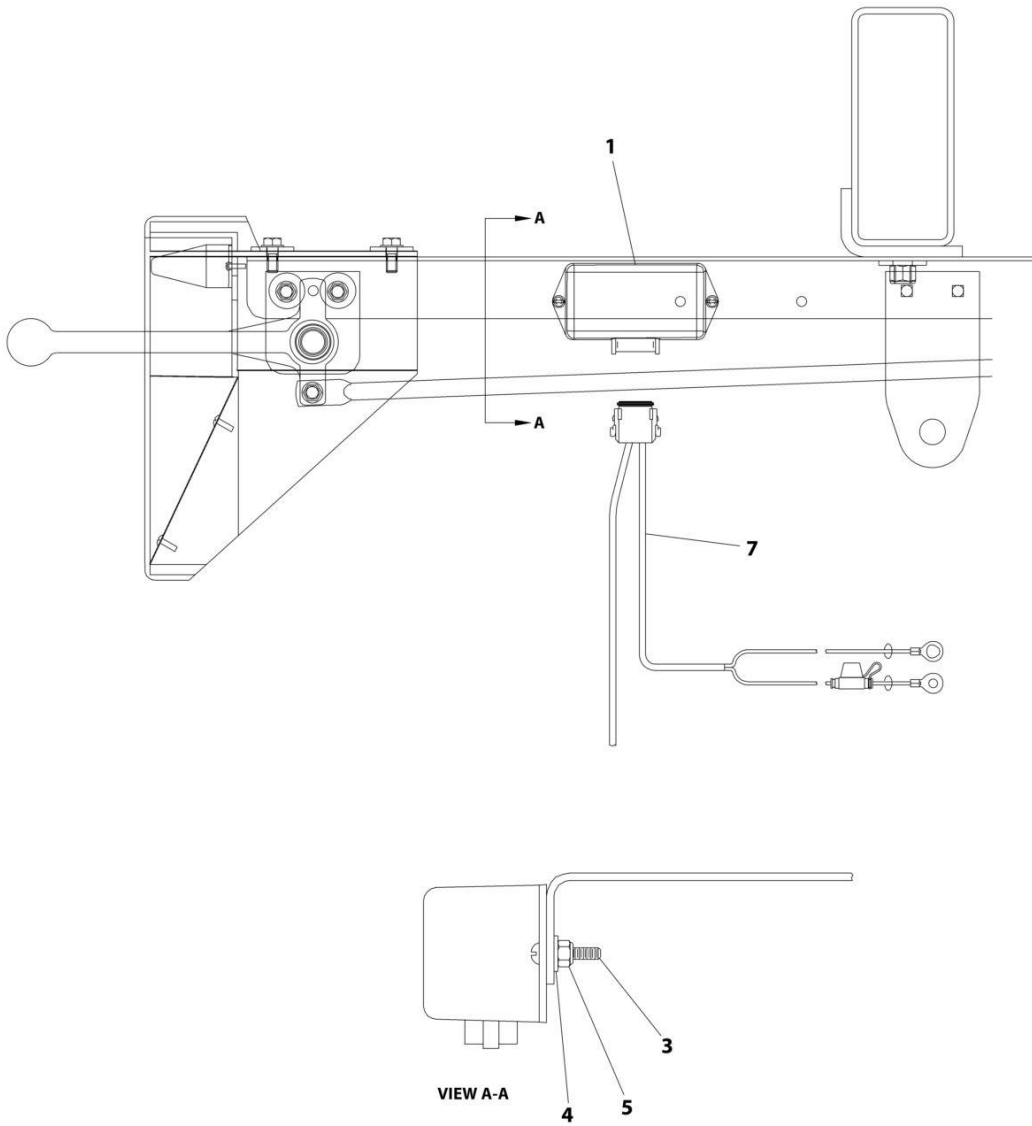
SECTION 4 - CONTROLS

FIGURE 4-20. LINEAR ACTUATOR INSTALLATION KIT

ITEM	PART NUMBER	QTY	DESCRIPTION	REV
	2577000016	Ref	LINEAR ACTUATOR INSTALLATION KIT	A
1	7005000003	1	Linear Actuator 12V	
2	4178000664	1	Bracket	
3	4178000665	1	Bracket	
4	7115150864	2	Bolt 5/16 x 1	
5	7660152601	2	Nut 5/16	

SECTION 4 - CONTROLS

FIGURE 4-21. MIRATRON WIRELESS INSTALLATION - ONE FUNCTION



ART_2577000029

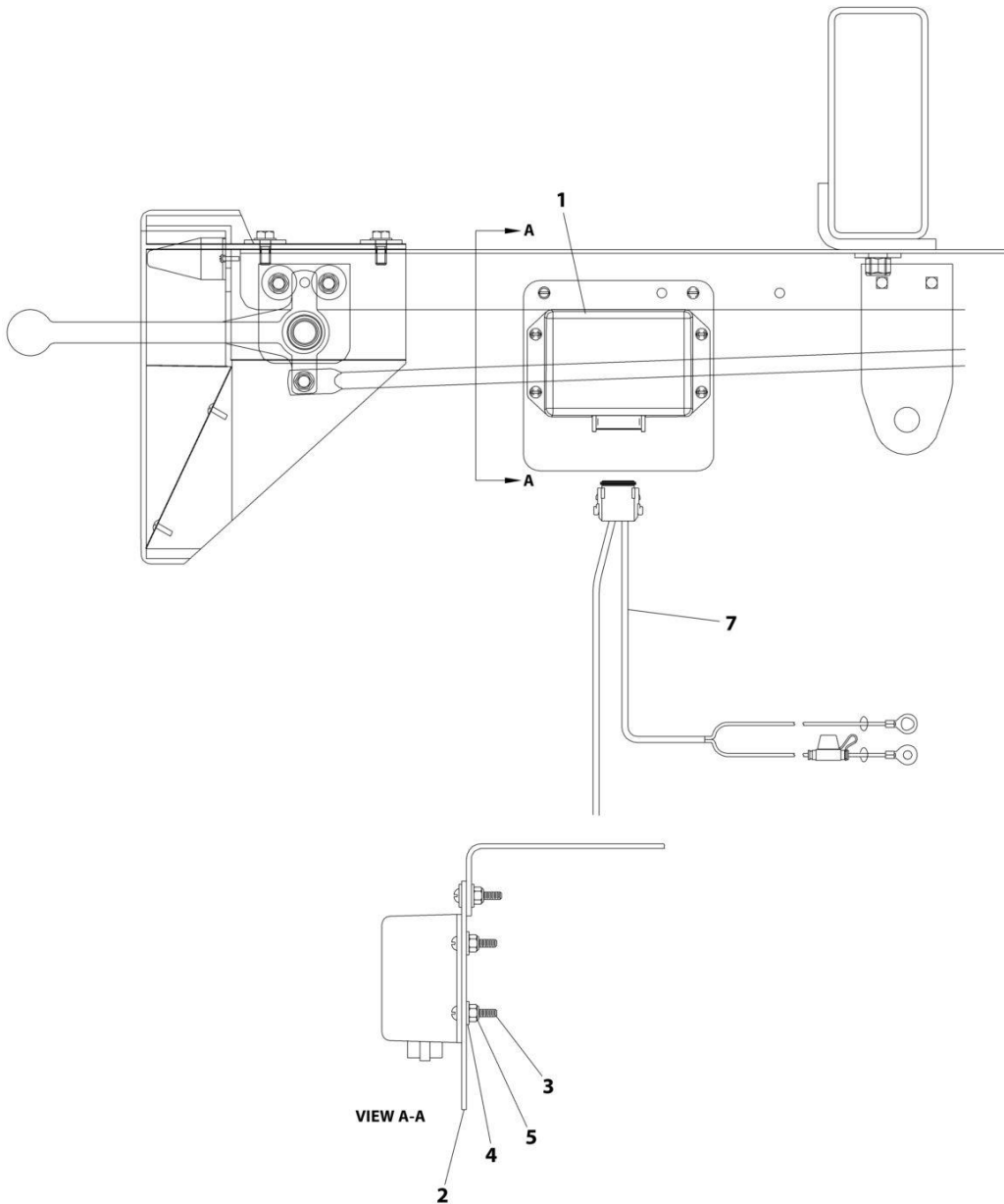
SECTION 4 - CONTROLS

FIGURE 4-21. MIRATRON WIRELESS INSTALLATION - ONE FUNCTION

ITEM	PART NUMBER	QTY	DESCRIPTION	REV
	2577000029	Ref	CONT INST WIRELESS MIRATRON 2 FUNCT	0
1	7295000106	1	Wireless Cont 2 Function Miratron Rollback	
3	7114100810	2	Screw #10 x 1	
4	7950100151	2	Washer 3/16	
5	7660102604	2	Nut #10	
7	7552000391	1	Harness 2 Function Miratron Rollback	
7	4460930	1	Plug, Male - 8 Position	
7	4460465	6	Socket, Female	
7	4460955	2	Plug, Male - 2 Position	
7	4460842	4	Terminal	
7		Ref	Fuse - 10Amp ATO (Purchase Locally)	

SECTION 4 - CONTROLS

FIGURE 4-22. MIRATRON WIRELESS INSTALLATION - TWO FUNCTION



ART_2577000030

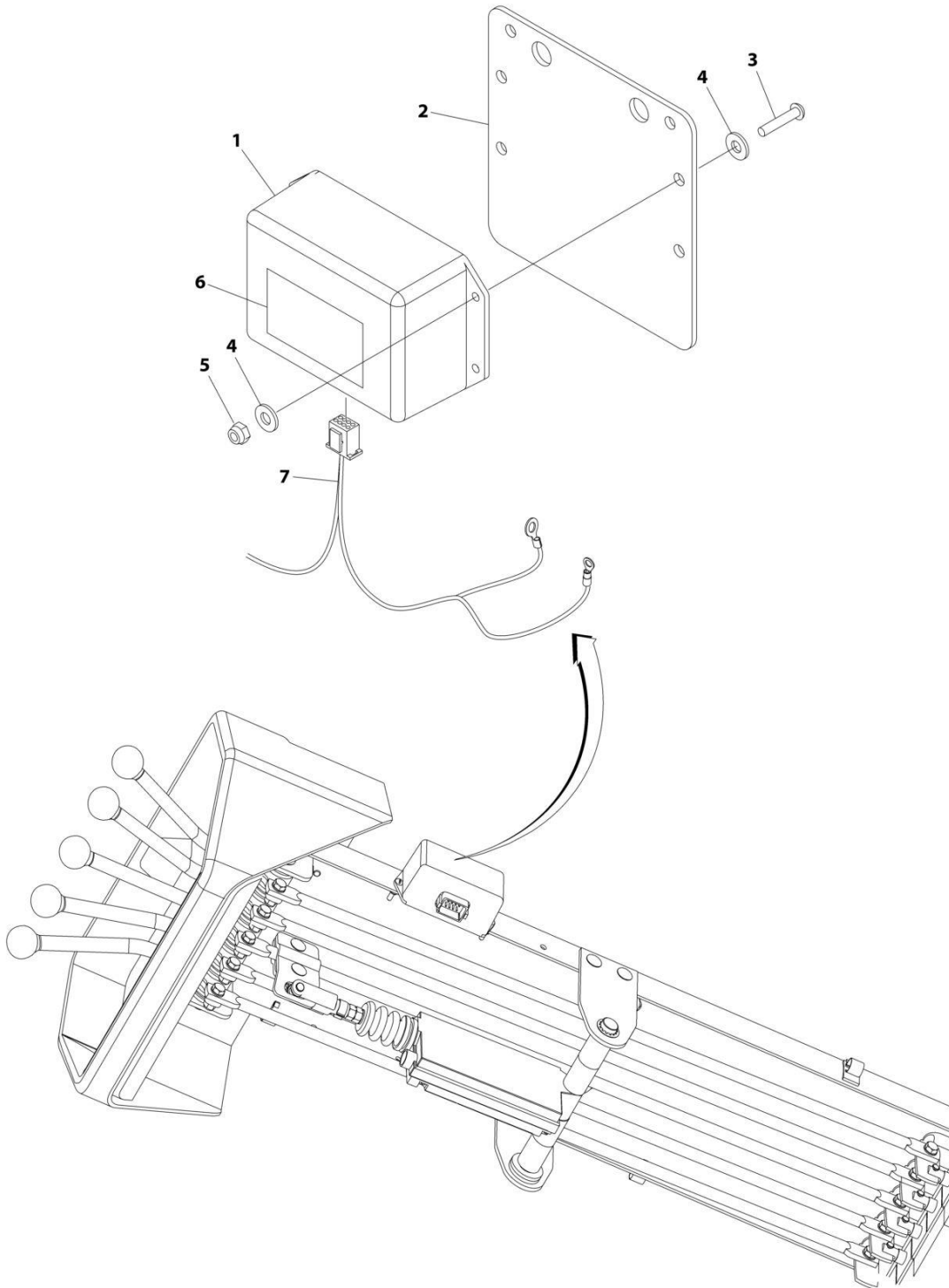
SECTION 4 - CONTROLS

FIGURE 4-22. MIRATRON WIRELESS INSTALLATION - TWO FUNCTION

ITEM	PART NUMBER	QTY	DESCRIPTION	REV
	2577000030	Ref	REMOTE CONTROL INSTALLATION - FOUR FUNCTION	A
1	7295000108	1	Controller, Wireless - 4 Function	
2	4706005595	1	Plate	
3	7114100810	6	Screw #10 x 1	
4	7950100151	8	Washer 3/16	
5	7660102604	6	Nut #10	
7	7552000392	1	Harness 4 Function Miratron Rollback	
7	4460933	1	Plug, Male - 12 Position	
7	4460465	10	Socket, Female	
7	4460955	4	Plug, Male - 2 Position	
7	4460842	8	Terminal	
7		Ref	Fuse - 10AMP ATO (Purchase Locally)	

SECTION 4 - CONTROLS

FIGURE 4-23. MIRATRON WIRELESS INSTALLATION - THREE FUNCTION



ART_2577000031

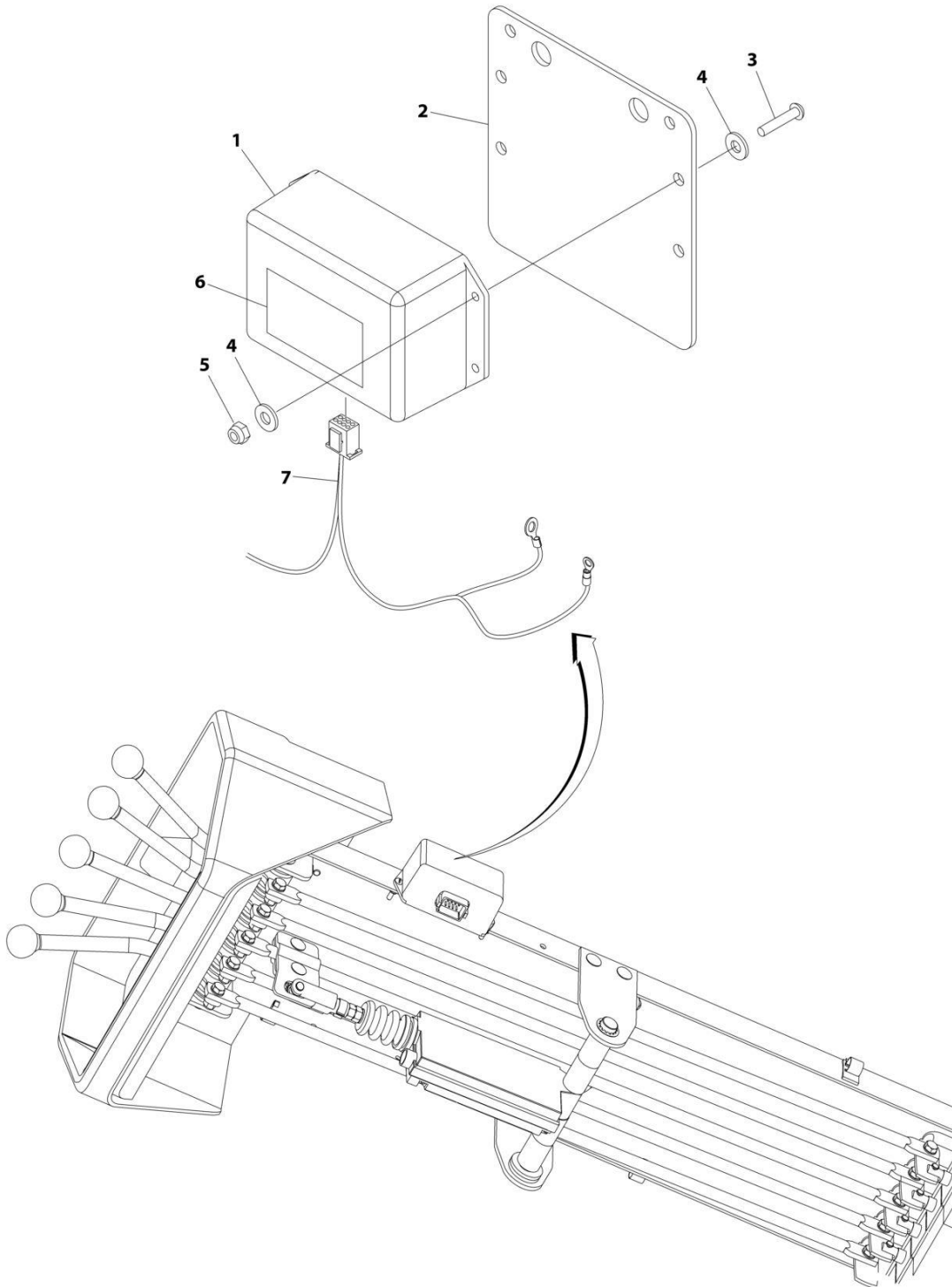
SECTION 4 - CONTROLS

FIGURE 4-23. MIRATRON WIRELESS INSTALLATION - THREE FUNCTION

ITEM	PART NUMBER	QTY	DESCRIPTION	REV
	2577000031	Ref	Remote Control Installation - Three Function	A
1	7295000109	1	Controller (3 remote operations)	
2	4706005595	1	Plate	
3	7114100810	6	Screw #10	
4	7950100151	8	Washer 3/16	
5	7660102604	6	Nut #10	
6	7330000696	1	Decal - Controller Functions	
7	7552000393	1	Harness - 6 Function	
7	4460933	1	Plug, Male - 12 Position	
7	4460465	8	Socket, Female	
7	4460955	6	Plug, Male - 2 Position	
7	4460842	12	Terminal	
7		Ref	Fuse - 10AMP ATO (Purchase Locally)	

SECTION 4 - CONTROLS

FIGURE 4-24. MIRATRON WIRELESS INSTALLATION - FOUR FUNCTION



ART_2577000034

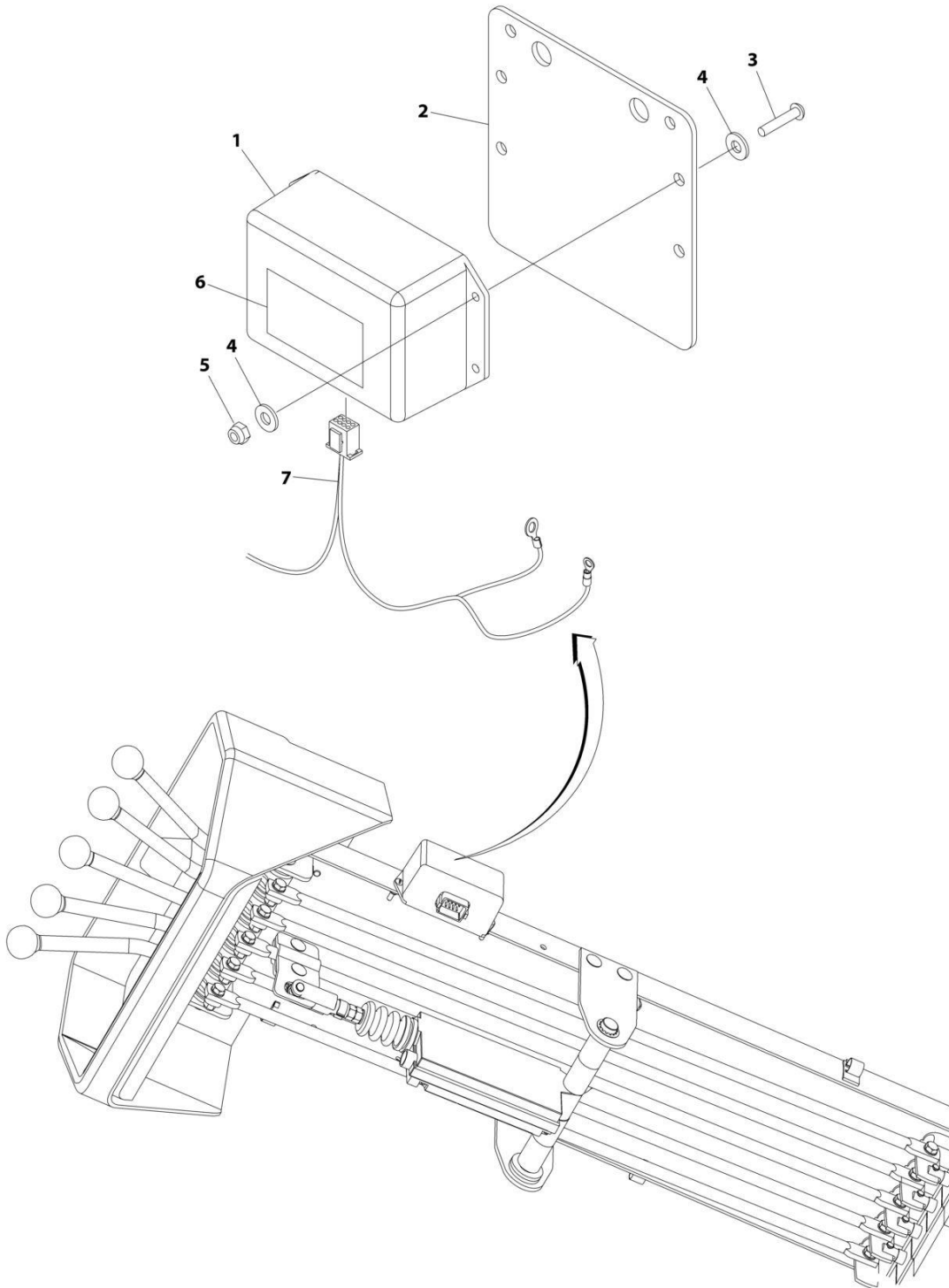
SECTION 4 - CONTROLS

FIGURE 4-24. MIRATRON WIRELESS INSTALLATION - FOUR FUNCTION

ITEM	PART NUMBER	QTY	DESCRIPTION	REV
	2577000034	Ref	Remote Control Installation - Four Function	0
1	7295000111	1	Controller (4 remote operations)	
2	4706005595	1	Plate	
3	7114100810	6	Screw #10	
4	7950100151	8	Washer 3/16	
5	7660102604	6	Nut #10	
6	7330000696	1	Decal - Controller Functions	
7	7552000426	1	Harness - 4 Function	
7	4460933	1	Plug, Male - 12 Position	
7	4460465	11	Socket, Female	
7	4460955	10	Plug, Male - 2 Position	
7	4460842	20	Terminal	
7		Ref	Fuse - 10Amp ATO (Purchase Locally)	
7		Ref	Connector - 1 Position	
7	4460850	1	Terminal	
7	4460458	1	Seal	

SECTION 4 - CONTROLS

FIGURE 4-25. MIRATRON WIRELESS INSTALLATION - FIVE FUNCTION



ART_2577000035

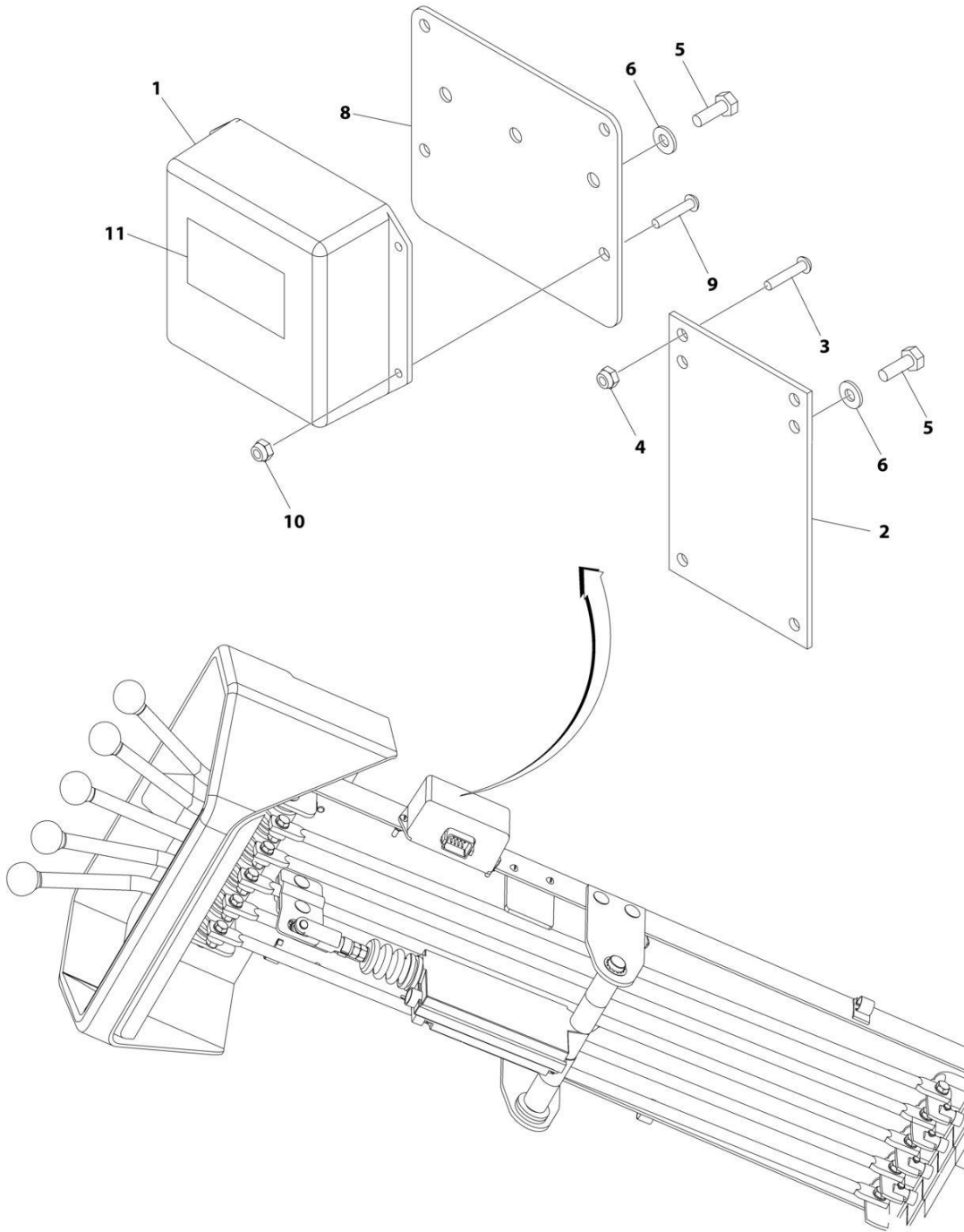
SECTION 4 - CONTROLS

FIGURE 4-25. MIRATRON WIRELESS INSTALLATION - FIVE FUNCTION

ITEM	PART NUMBER	QTY	DESCRIPTION	REV
	2577000035	Ref	Remote Control Installation - Five Function	0
1	7295000111	1	Controller (5 remote operations)	
2	4706005595	1	Plate	
3	7114100810	6	Screw #10	
4	7950100151	8	Washer 3/16	
5	7660102604	6	Nut #10	
6	7330000696	1	Decal - Controller Functions	
7	7552000426	1	Harness	
7	4460933	1	Plug, Male - 12 Position	
7	4460465	11	Socket, Female	
7	4460955	10	Plug, Male - 2 Position	
7	4460842	20	Terminal	
7		Ref	Fuse - 10Amp ATO (Purchase Locally)	
7		Ref	Connector - 1 Position	
7	4460850	1	Terminal	
7	4460458	1	Seal	

SECTION 4 - CONTROLS

FIGURE 4-26. MIRATRON WIRELESS INSTALLATION - SIX FUNCTION



ART_2577000025

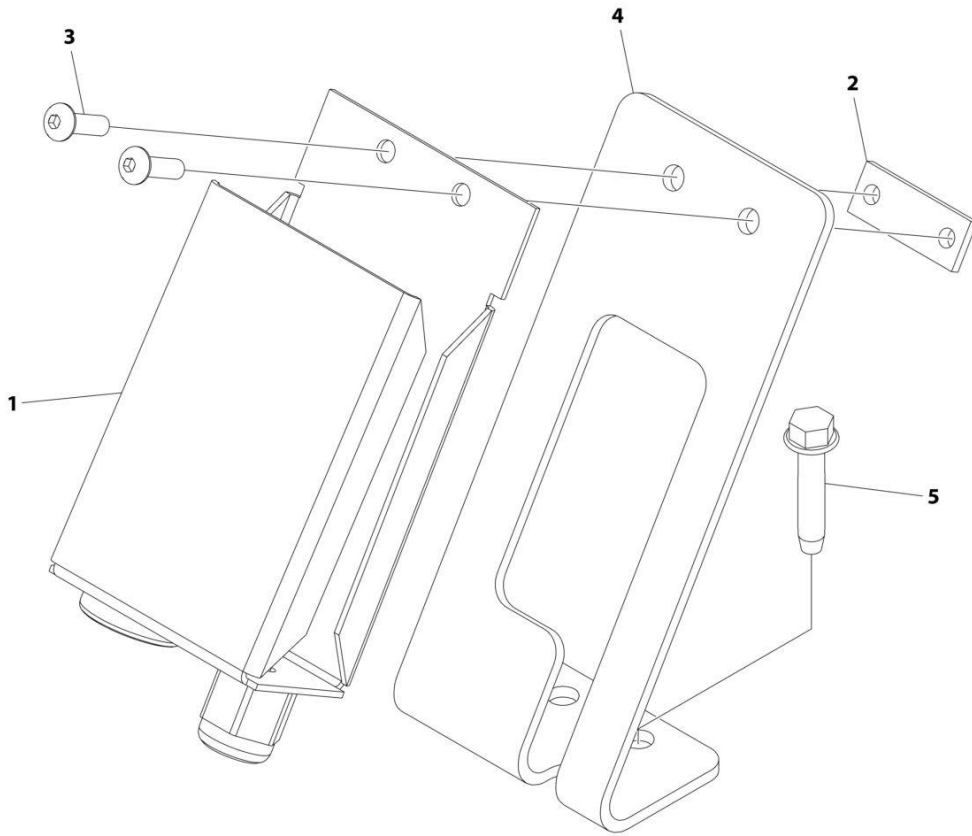
SECTION 4 - CONTROLS

FIGURE 4-26. MIRATRON WIRELESS INSTALLATION - SIX FUNCTION

ITEM	PART NUMBER	QTY	DESCRIPTION	REV
	2577000025	Ref	REMOTE CONTROL INSTALLATION - 6 FUNCTION	0
1	7295000102	1	Controller (12 remote operations)	
2	4706003650	1	Plate	
3	7104100613	4	Screw #10	
4	7661000007	4	Nut #10	
5	7115140650	5	Bolt 1/4 x 3/4	
6	7950140141	5	Washer 1/4	
8	4706005396	1	Plate	
9	7114080618	4	Screw #8	
10	7660082604	4	Nut #8	
11	7330000612	1	Decal	

SECTION 4 - CONTROLS

FIGURE 4-27. REMOTE CONTROL 6 FUNCTION U/L TRANSMITTER HOLDER



ART_2002000031

SECTION 4 - CONTROLS

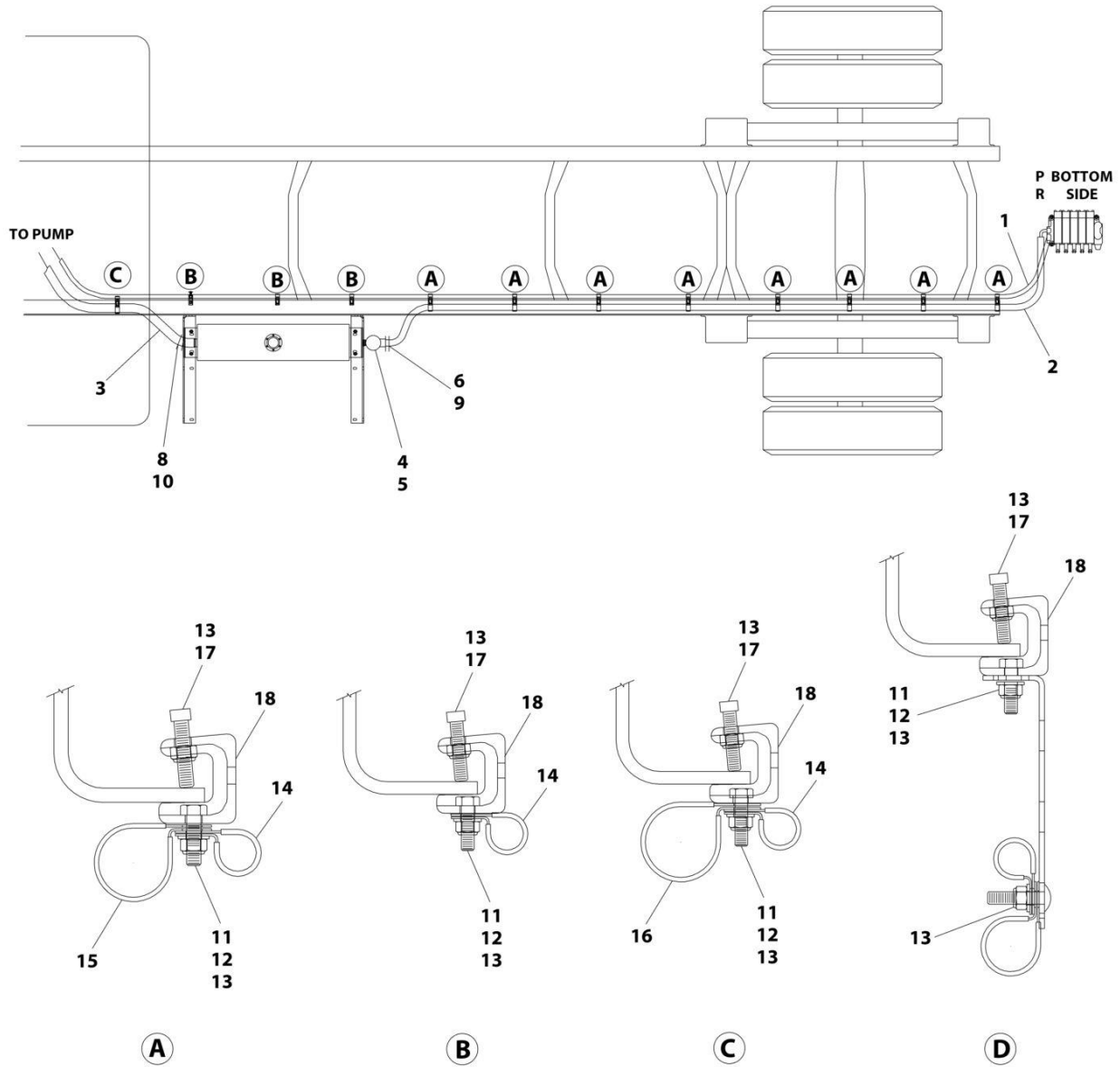
FIGURE 4-27. REMOTE CONTROL 6 FUNCTION U/L TRANSMITTER HOLDER

ITEM	PART NUMBER	QTY	DESCRIPTION	REV
	2002000031	Ref	Remote Control 6 Function U/L Transmitter Holder	D
1	7002000521	1	Accessory, Box	
2	7661000056	1	Nut #10	
3	7114100518	2	Screw #10 x 5/8	
4	1001230127	1	Mount	
5	7790142051	2	Screw 1/4 x 1-1/4	

SECTION 5 - HYDRAULIC

SECTION 5 - HYDRAULIC

FIGURE 5-1. HOSE INSTALLATION - 156IN CA (GENERIC)



ART_2570000097

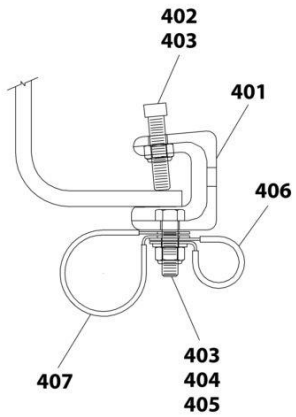
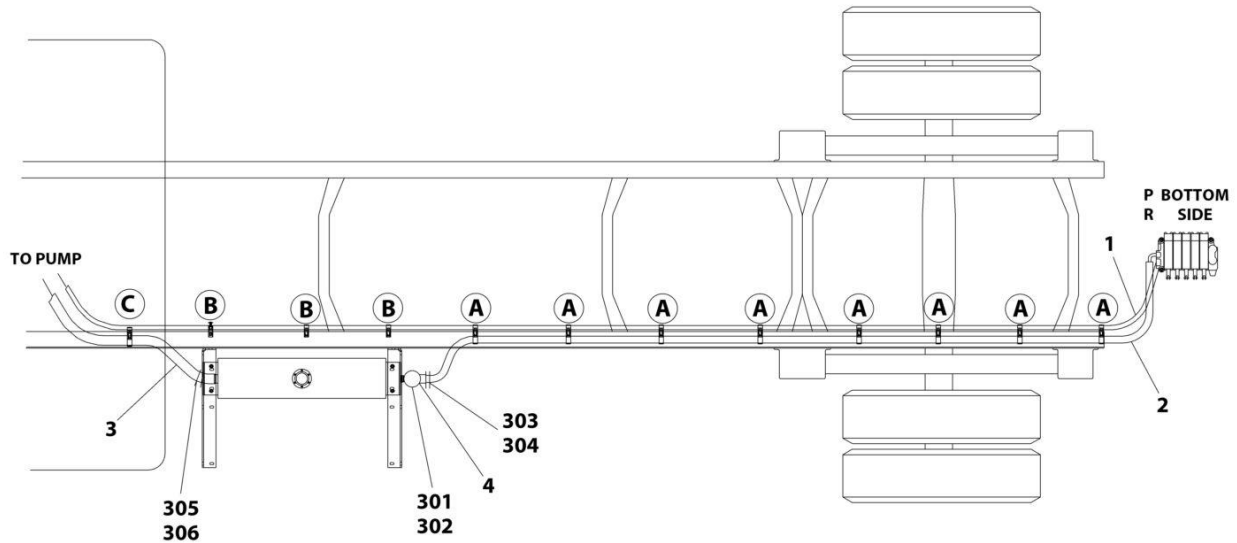
SECTION 5 - HYDRAULIC

FIGURE 5-1. HOSE INSTALLATION - 156IN CA (GENERIC)

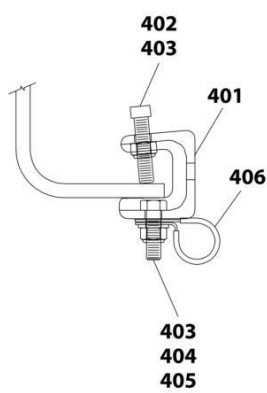
ITEM	PART NUMBER	QTY	DESCRIPTION	REV
	2570000097	Ref	SPR HOSE INSTALLATION 156IN CA	B
1	4567130244	1	Hose	
2	4570000113	1	Hose	
3	4570000112	1	Hose	
4	7430000003	1	Filter, Oil	
4	7431000001	1	Element, Replacement Oil Filter	
5	7470000002	1	Oil Guage	
6	7443000319	1	Fitting, 90	
8	7443000013	1	Nipple	
9	7274000080	2	Hose Clamp	
10	7274000002	2	Hose Clamp	
11	7785152420	13	Set Screw 5/16 x 1-1/2	
12	7950150161	13	Washer 5/16	
13	7660152601	26	Nut 5/16	
14	7274000040	13	Clamp	
15	7274000041	8	Clamp	
16	7274000042	3	Clamp	
17	7115151050	13	Bolt 5/16 x 1-1/4	
18	7274000076	13	Clamp	

SECTION 5 - HYDRAULIC

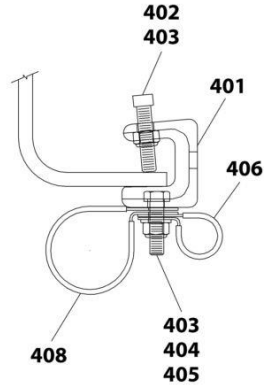
FIGURE 5-2. HOSE INSTALLATION - 160IN CA (GENERIC)



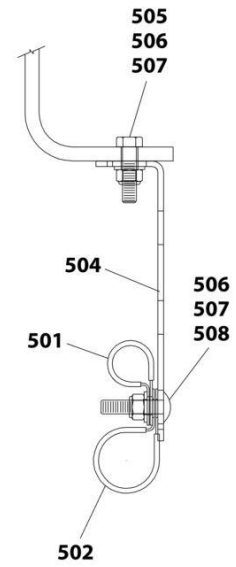
A



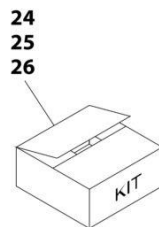
B



C



D



ART_2570000098

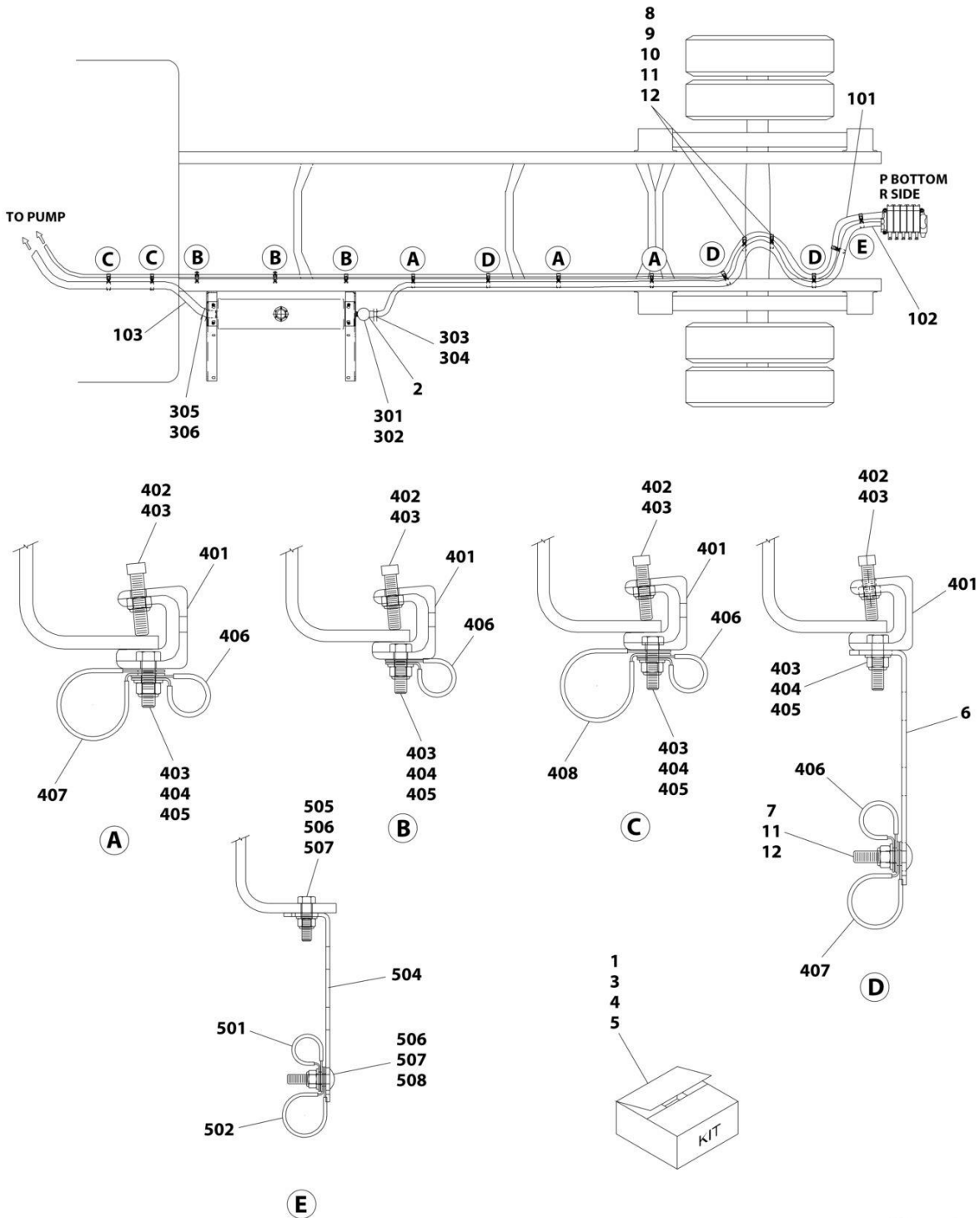
SECTION 5 - HYDRAULIC

FIGURE 5-2. HOSE INSTALLATION - 160IN CA (GENERIC)

ITEM	PART NUMBER	QTY	DESCRIPTION	REV
	2570000098	Ref	HOSE INSTALLATION - 160IN CA - GENERIC	3
1	4567130248	1	Hose	
2	4570000114	1	Hose	
3	4570000112	1	Hose	
4	7430000003	1	Filter, Oil	
4	7431000001	1	Element, Replacement Oil Filter	
24	1001132801	1	Clamp, Hose Kit (Includes Items 301-306)	
25	1001132794	14	Clamp, Hose Kit (Includes Items 401-408)	
26	1001132800	5	Clamp, Hose Kit (Includes Items 501-508)	
301	7470000002	1	Gauge, Oil Filter Head	
302	7443000158	1	Fitting, 90	
303	7443000319	1	Fitting, 90	
304	7274000080	2	Clamp	
305	7443000013	1	Nipple	
306	7274000002	2	Clamp	
401	7274000076	1	Clamp	
402	7785152420	1	Screw 5/16 x 1-1/2	
403	7660152601	2	Nut 5/16	
404	7115151050	1	Capscrew 5/16 x 1-1/4	
405	7950150161	1	Washer 5/16	
406	7274000040	1	Clamp	
407	7274000041	1	Clamp	
408	7274000042	1	Clamp	
501	7274000040	1	Clamp	
502	7274000041	1	Clamp	
503	7274000042	1	Clamp	
504	4706003844	1	Plate	
505	7115151050	1	Capscrew 5/16 x 1-1/4	
506	7950150161	3	Washer 5/16	
507	7660152601	2	Nut 5/16	
508	7115151064	1	Bolt 5/16 x 1-1/4	

SECTION 5 - HYDRAULIC

FIGURE 5-3. HOSE INSTALLATION - 162IN CA STD CAB (PETERBILT)



ART_1001132748

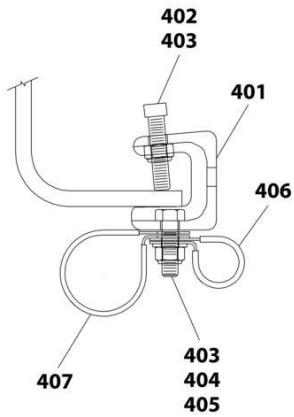
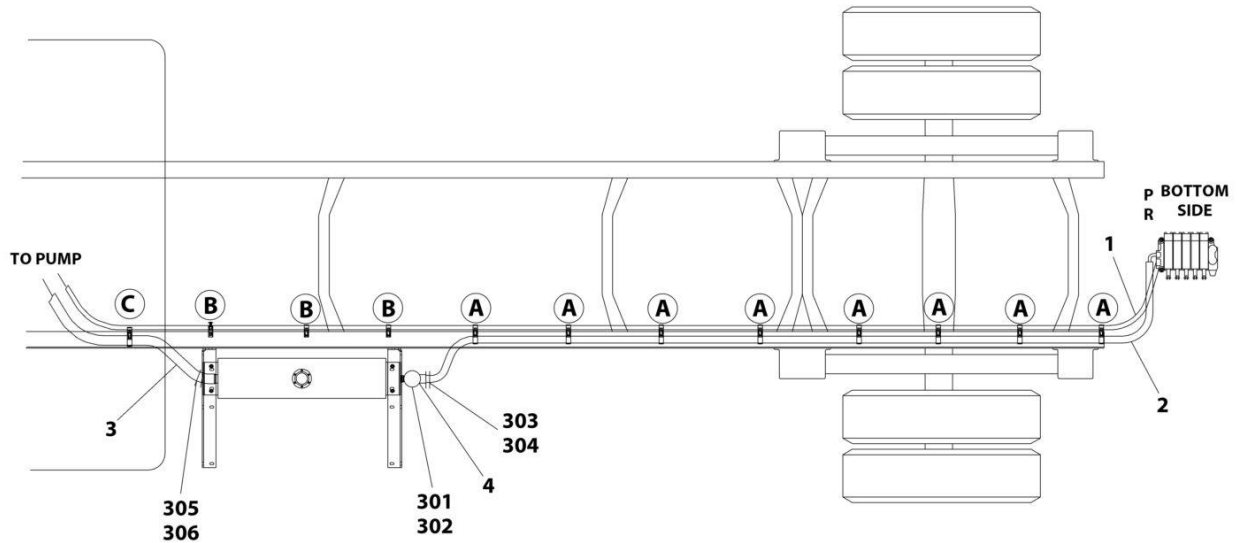
SECTION 5 - HYDRAULIC

FIGURE 5-3. HOSE INSTALLATION - 162IN CA STD CAB (PETERBILT)

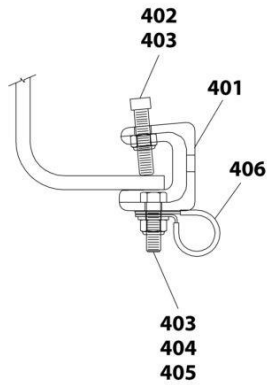
ITEM	PART NUMBER	QTY	DESCRIPTION	REV
	1001132748	Ref	HOSE INSTALLATION - 162IN CA (STD CAB PETERBILT)	0
1	1001132717	1	Hose Kit (Include Items 101-103)	
2	7430000003	1	Filter, Oil	
2	7431000001	1	Element, Replacement Oil Filter	
3	1001132801	1	Clamp, Hose Kit (Includes Items 301-306)	
4	1001132794	11	Clamp, Hose Kit (includes items 401-408)	
5	1001132800	2	Clamp, Hose Kit (Includes Items 501-508)	
6	4706003844	3	Plate	
7	7115151064	3	Bolt 5/16 x 1-1/4	
8	7274000040	2	Clamp	
9	7274000041	2	Clamp	
10	7115151050	2	Capscrew 5/16 x 1-1/4	
11	7950150161	5	Washer 5/16	
12	7660152601	5	Nut 5/16	
101	4567130290	1	Hose	
102	4570000121	1	Hose	
103	1001132601	1	Hose	
301	7470000002	1	Gauge, Oil Filter Head	
302	7443000158	1	Fitting, 90	
303	7443000319	1	Fitting, 90	
304	7274000080	2	Clamp	
305	7443000013	1	Nipple	
306	7274000002	2	Clamp	
401	7274000076	1	Clamp	
402	7785152420	1	Screw 5/16 x 1-1/2	
403	7660152601	2	Nut 5/16	
404	7115151050	1	Capscrew 5/16 x 1-1/4	
405	7950150161	1	Washer 5/16	
406	7274000040	1	Clamp	
407	7274000041	1	Clamp	
408	7274000042	1	Clamp	
501	7274000040	1	Clamp	
502	7274000041	1	Clamp	
503	7274000042	1	Clamp (Not Shown)	
504	4706003844	1	Plate	
505	7115151050	1	Capscrew 5/16 x 1-1/4	
506	7950150161	3	Washer 5/16	
507	7660152601	2	Nut 5/16	
508	7115151064	1	Bolt 5/16 x 1-1/4	

SECTION 5 - HYDRAULIC

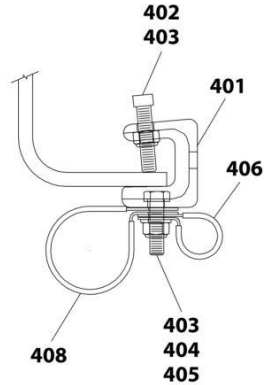
FIGURE 5-4. HOSE INSTALLATION - 168IN CA (GENERIC)



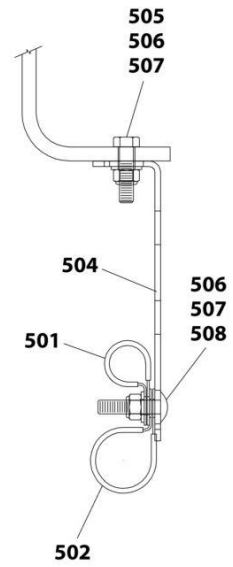
A



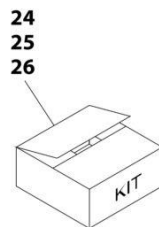
B



C



D



ART_2570000100

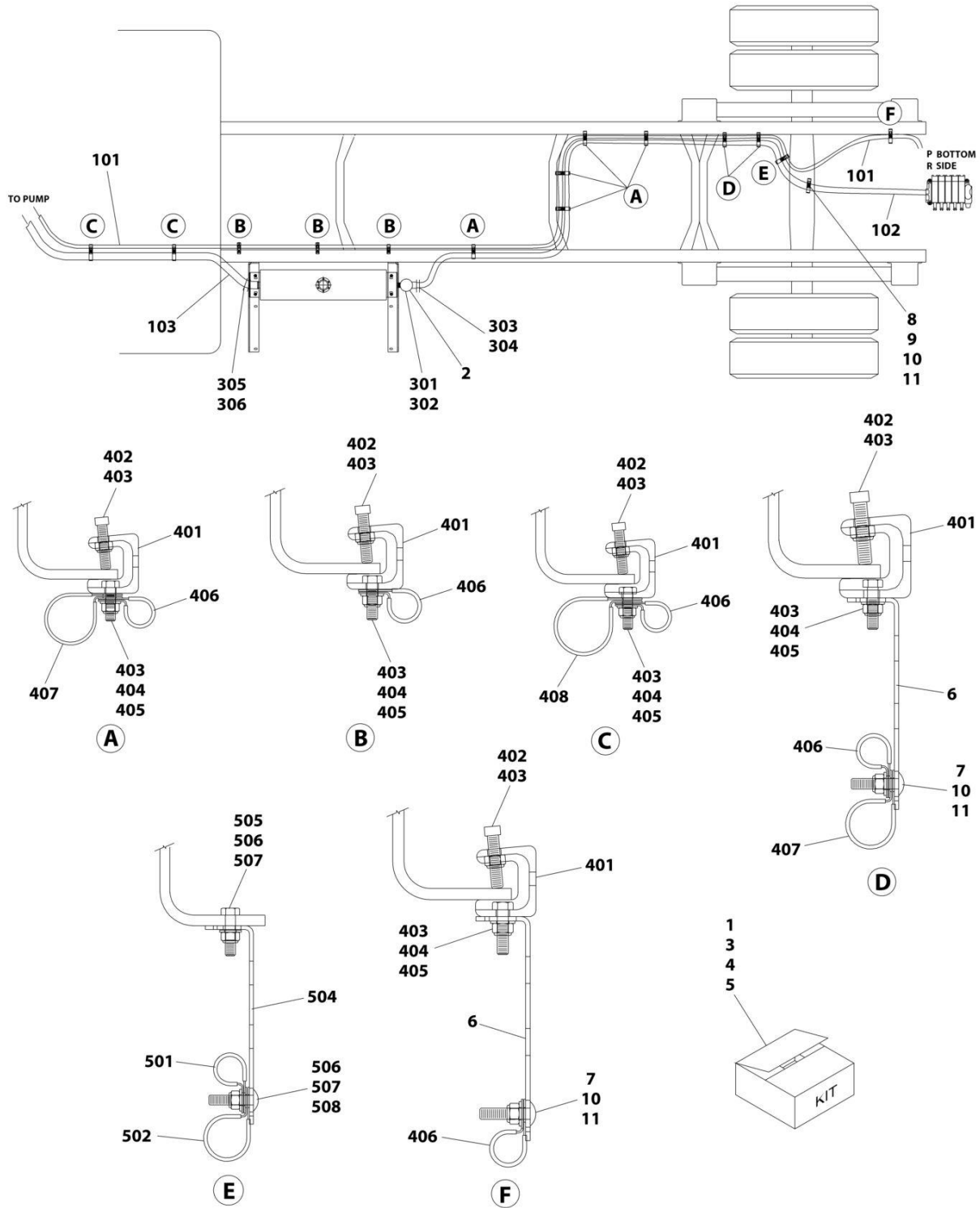
SECTION 5 - HYDRAULIC

FIGURE 5-4. HOSE INSTALLATION - 168IN CA (GENERIC)

ITEM	PART NUMBER	QTY	DESCRIPTION	REV
	2570000100	Ref	SPR HOSE INSTALLATION - 168IN CA	D
1	4567130264	1	Hose	
2	4570000159	1	Hose	
3	4570000046	1	Hose	
4	7430000003	1	Filter, Oil	
4	7431000001	1	Element, Replacement Oil Filter	
24	1001132801	1	Clamp, Hose Kit (Includes Items 301-306)	
25	1001132794	12	Clamp, Hose Kit (Includes Items 401-408)	
26	1001132800	10	Clamp, Hose Kit (Includes Items 501-508)	
301	7470000002	1	Gauge, Oil Filter Head	
302	7443000158	1	Fitting, 90	
303	7443000319	1	Fitting, 90	
304	7274000080	2	Clamp	
305	7443000013	1	Nipple	
306	7274000002	2	Clamp	
401	7274000076	1	Clamp	
402	7785152420	1	Screw 5/16 x 1-1/2	
403	7660152601	2	Nut 5/16	
404	7115151050	1	Capscrew 5/16 x 1-1/4	
405	7950150161	1	Washer 5/16	
406	7274000040	1	Clamp	
407	7274000041	1	Clamp	
408	7274000042	1	Clamp	
501	7274000040	1	Clamp	
502	7274000041	1	Clamp	
503	7274000042	1	Clamp (Not Shown)	
504	4706003844	1	Plate	
505	7115151050	1	Capscrew 5/16 x 1-1/4	
506	7950150161	3	Washer 5/16	
507	7660152601	2	Nut 5/16	
508	7115151064	1	Bolt 5/16 x 1-1/4	

SECTION 5 - HYDRAULIC

FIGURE 5-5. HOSE INSTALLATION - 168IN CA STD CAB (FORD)



ART_1001132742

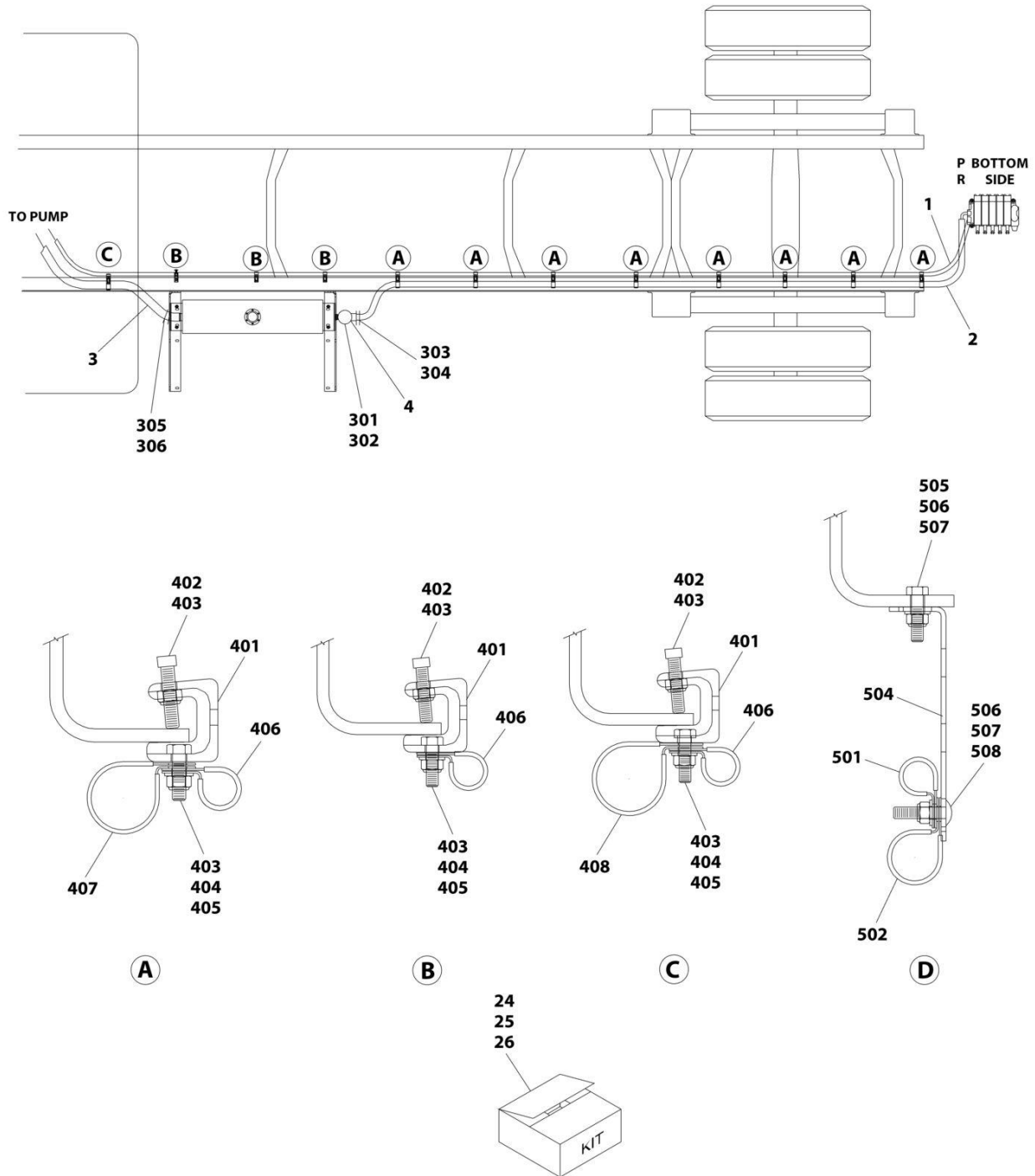
SECTION 5 - HYDRAULIC

FIGURE 5-5. HOSE INSTALLATION - 168IN CA STD CAB (FORD)

ITEM	PART NUMBER	QTY	DESCRIPTION	REV
	1001132742	Ref	HOSE INSTALLATION - 168IN CA (STD CAB FORD)	0
1	1001132711	1	Hose Kit (Include Items 101-103)	
2	7430000003	1	Filter, Oil	
3	1001132801	1	Clamp, Hose Kit (Includes Items 301-306)	
4	1001132794	14	Clamp, Hose Kit (Includes Items 401-408)	
4	7431000001	1	Element, Replacement Oil Filter	
5	1001132800	1	Clamp, Hose Kit (Includes Items 501-508)	
6	4706003844	3	Plate	
7	7115151064	3	Bolt 5/16 x 1-1/4	
8	7274000041	1	Clamp	
9	7115151050	1	Capscrew 5/16 x 1-1/4	
10	7950150161	4	Washer 5/16	
11	7660152601	4	Nut 5/16	
101	4567130300	1	Hose	
102	1001132683	1	Hose	
103	4570000044	1	Hose	
301	7470000002	1	Gauge, Oil Filter Head	
302	7443000158	1	Fitting, 90	
303	7443000319	1	Fitting, 90	
304	7274000080	2	Clamp	
305	7443000013	1	Nipple	
306	7274000002	2	Clamp	
401	7274000076	1	Clamp	
402	7785152420	1	Screw 5/16 x 1-1/2	
403	7660152601	2	Nut 5/16	
404	7115151050	1	Capscrew 5/16 x 1-1/4	
405	7950150161	1	Washer 5/16	
406	7274000040	1	Clamp	
407	7274000041	1	Clamp	
408	7274000042	1	Clamp	
501	7274000040	1	Clamp	
502	7274000041	1	Clamp	
503	7274000042	1	Clamp (Not Shown)	
504	4706003844	1	Plate	
505	7115151050	1	Capscrew 5/16 x 1-1/4	
506	7950150161	3	Washer 5/16	
507	7660152601	2	Nut 5/16	
508	7115151064	1	Bolt 5/16 x 1-1/4	

SECTION 5 - HYDRAULIC

FIGURE 5-6. HOSE INSTALLATION - 192IN CA (GENERIC)



ART_2570000101

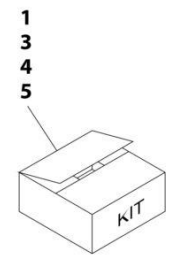
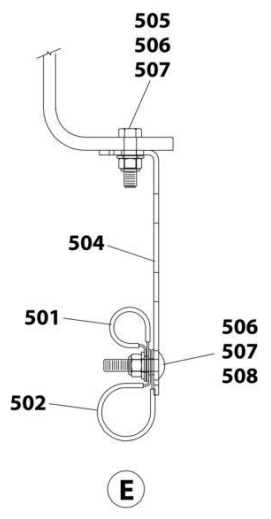
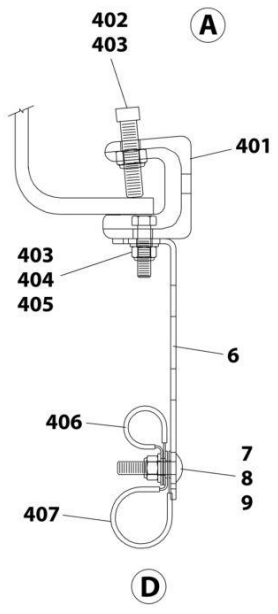
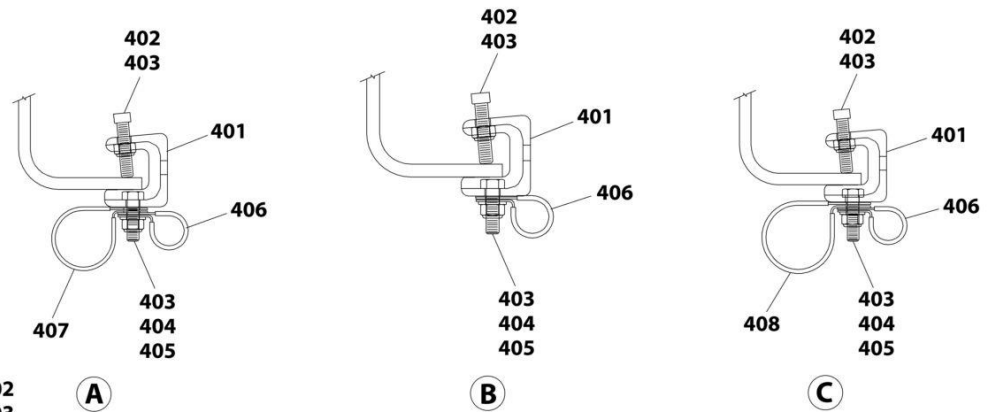
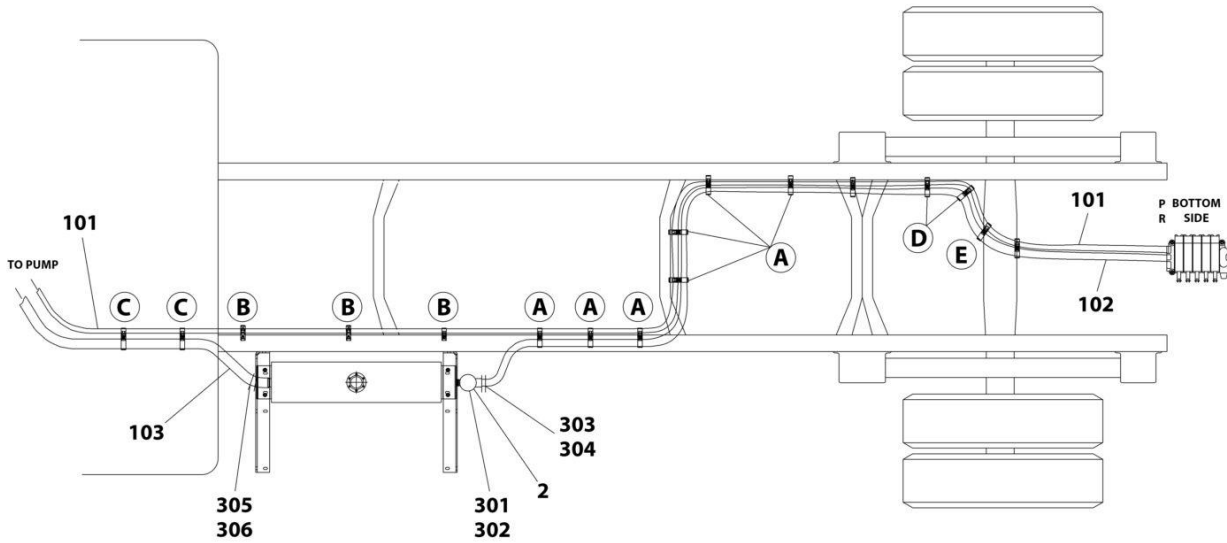
SECTION 5 - HYDRAULIC

FIGURE 5-6. HOSE INSTALLATION - 192IN CA (GENERIC)

ITEM	PART NUMBER	QTY	DESCRIPTION	REV
	2570000101	Ref	HOSE INSTALLATION - 192IN CA - GENERIC	D
1	4567130290	1	Hose	
2	4570000160	1	Hose	
3	4570000046	1	Hose	
4	7430000003	1	Filter, Oil	
4	7431000001	1	Element, Replacement Oil Filter	
24	1001132801	1	Clamp, Hose Kit (Includes Items 301-306)	
25	1001132794	14	Clamp, Hose Kit (Includes Items 401-408)	
26	1001132800	10	Clamp, Hose Kit (Includes Items 501-508)	
301	7470000002	1	Gauge, Oil Filter Head	
302	7443000158	1	Fitting, 90	
303	7443000319	1	Fitting, 90	
304	7274000080	2	Clamp	
305	7443000013	1	Nipple	
306	7274000002	2	Clamp	
401	7274000076	1	Clamp	
402	7785152420	1	Screw 5/16 x 1-1/2	
403	7660152601	2	Nut 5/16	
404	7115151050	1	Capscrew 5/16 x 1-1/4	
405	7950150161	1	Washer 5/16	
406	7274000040	1	Clamp	
407	7274000041	1	Clamp	
408	7274000042	1	Clamp	
501	7274000040	1	Clamp	
502	7274000041	1	Clamp	
503	7274000042	1	Clamp (Not Shown)	
504	4706003844	1	Plate	
505	7115151050	1	Capscrew 5/16 x 1-1/4	
506	7950150161	3	Washer 5/16	
507	7660152601	2	Nut 5/16	
508	7115151064	1	Bolt 5/16 x 1-1/4	

SECTION 5 - HYDRAULIC

FIGURE 5-7. HOSE INSTALLATION - 196IN CT STD CAB (INTERNATIONAL)



ART_1001132745

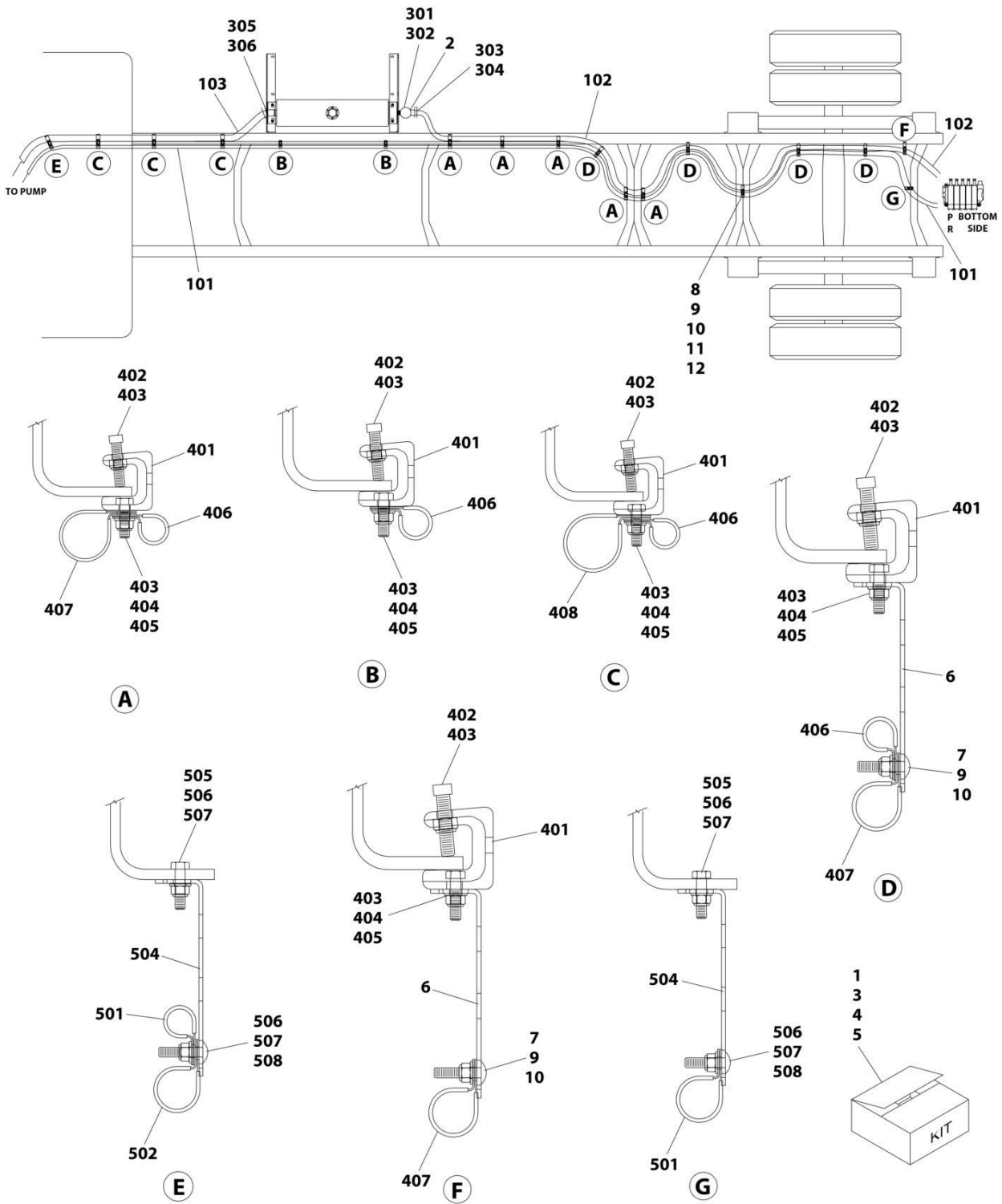
SECTION 5 - HYDRAULIC

FIGURE 5-7. HOSE INSTALLATION - 196IN CT STD CAB (INTERNATIONAL)

ITEM	PART NUMBER	QTY	DESCRIPTION	REV
	1001132745	Ref	HOSE & CLAMP INSTALLATION - 196IN CT STD CAB (INTERNATIONAL)	0
1	1001132714	1	Hose Kit (includes items 101-103)	
2	7430000003	1	Filter, Oil	
2	7431000001	1	Element, Replacement Oil Filter	
3	1001132801	1	Clamp, Hose (includes items 301-306)	
4	1001132794	15	Clamp, Hose (includes items 401-408)	
5	1001132800	4	Clamp, Hose (includes items 501-508)	
6	4706003844	4	Plate	
7	7115151064	4	Bolt 5/16 x 1-1/4	
8	7950150161	4	Washer 5/16	
9	7660152601	4	Nut 5/16	
101	4567130330	1	Hose	
102	1001132688	1	Hose	
103	1001132595	1	Hose	
301	7470000002	1	Gauge, Oil Filter Head	
302	7443000158	1	Fitting, 90	
303	7443000319	1	Fitting, 90	
304	7274000080	2	Clamp	
305	7443000013	1	Nipple	
306	7274000002	2	Clamp	
401	7274000076	1	Clamp	
402	7785152420	1	Screw 5/16 x 1-1/2	
403	7660152601	2	Nut 5/16	
404	7115151050	1	Capscrew 5/16 x 1-1/4	
405	7950150161	1	Washer 5/16	
406	7274000040	1	Clamp	
407	7274000041	1	Clamp	
408	7274000042	1	Clamp	
501	7274000040	1	Clamp	
502	7274000041	1	Clamp	
503	7274000042	1	Clamp (Not Shown)	
504	4706003844	1	Plate	
505	7115151050	1	Capscrew 5/16 x 1-1/4	
506	7950150161	3	Washer 5/16	
507	7660152601	2	Nut 5/16	
508	7115151064	1	Bolt 5/16 x 1-1/4	

SECTION 5 - HYDRAULIC

FIGURE 5-8. HOSE INSTALLATION - 196IN CT STD CAB (FREIGHTLINER)



ART_1001132751

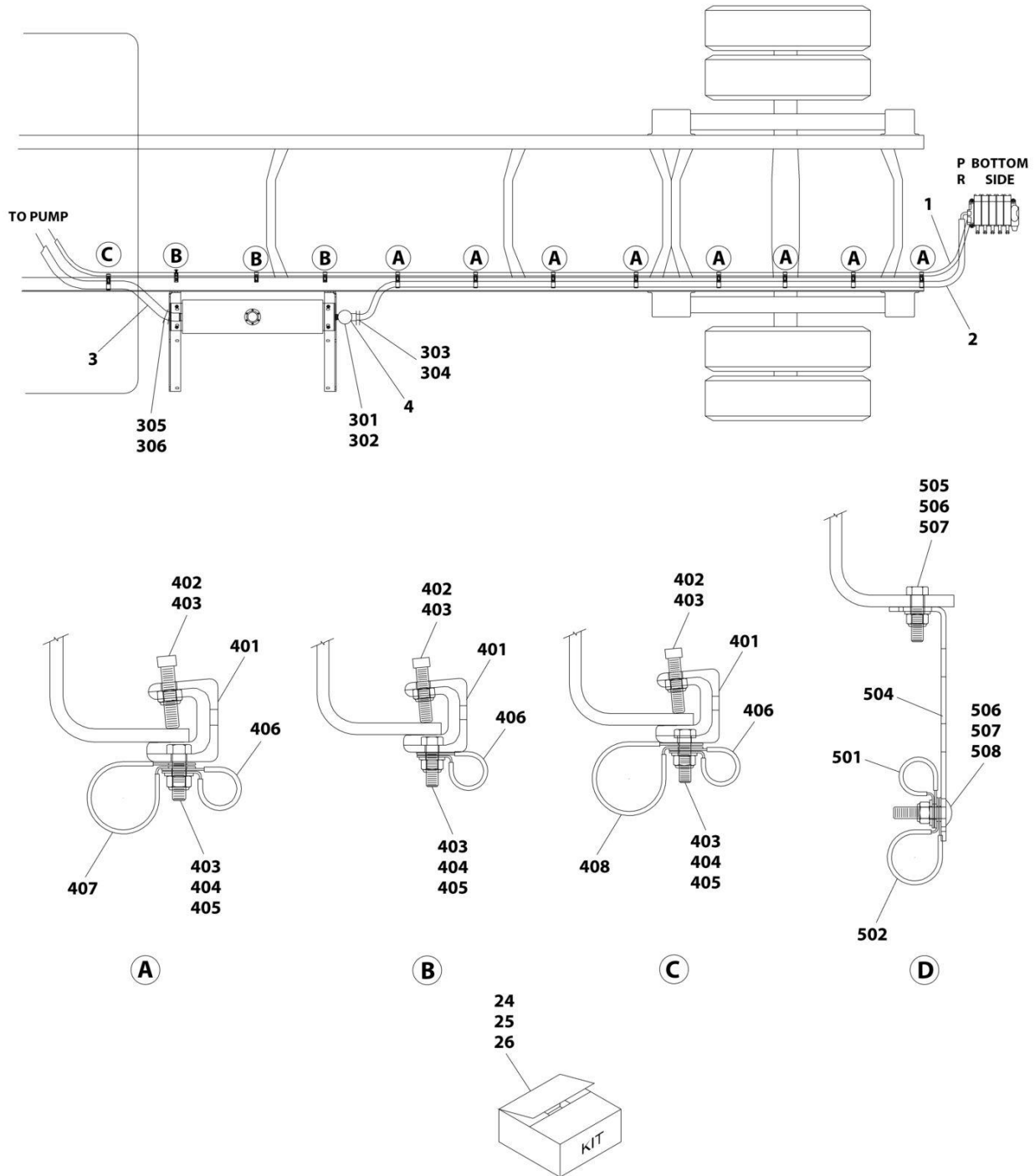
SECTION 5 - HYDRAULIC

FIGURE 5-8. HOSE INSTALLATION - 196IN CT STD CAB (FREIGHTLINER)

ITEM	PART NUMBER	QTY	DESCRIPTION	REV
	1001132751	Ref	HOSE & CLAMP INSTALLATION - 196IN CT STD CAB (FREIGHTLINER)	0
1	1001132721	1	Hose Kit (Includes Item 101-103)	
2	7430000003	1	Filter, Oil	
2	7431000001	1	Element, Replacement Oil Filter	
3	1001132801	1	Clamp, Hose (Includes item 301-306)	
4	1001132794	15	Clamp, Hose (Includes item 401-408)	
5	1001132800	2	Clamp, Hose (Includes Item 501-508)	
6	4706003844	5	Plate	
7	7115151064	5	Bolt 5/16 x 1-1/4	
8	7115151050	1	Capscrew 5/16 x 1-1/4	
9	7950150161	6	Washer 5/16	
10	7660152601	6	Nut 5/16	
11	7274000040	1	Clamp, Hose	
12	7274000041	1	Clamp, Hose	
101	4567130330	1	Hose	
102	1001132688	1	Hose	
103	1001132595	1	Hose	
301	7470000002	1	Gauge, Oil Filter Head	
302	7443000158	1	Fitting, 90	
303	7443000319	1	Fitting, 90	
304	7274000080	2	Clamp	
305	7443000013	1	Nipple	
306	7274000002	2	Clamp	
401	7274000076	1	Clamp	
402	7785152420	1	Screw 5/16 x 1-1/2	
403	7660152601	2	Nut 5/16	
404	7115151050	1	Capscrew 5/16 x 1-1/4	
405	7950150161	1	Washer 5/16	
406	7274000040	1	Clamp	
407	7274000041	1	Clamp	
408	7274000042	1	Clamp	
501	7274000040	1	Clamp	
502	7274000041	1	Clamp	
503	7274000042	1	Clamp (Not Shown)	
504	4706003844	1	Plate	
505	7115151050	1	Capscrew 5/16 x 1-1/4	
506	7950150161	3	Washer 5/16	
507	7660152601	2	Nut 5/16	
508	7115151064	1	Bolt 5/16 x 1-1/4	

SECTION 5 - HYDRAULIC

FIGURE 5-9. HOSE INSTALLATION - 218IN CA (GENERIC)



ART_2570000102

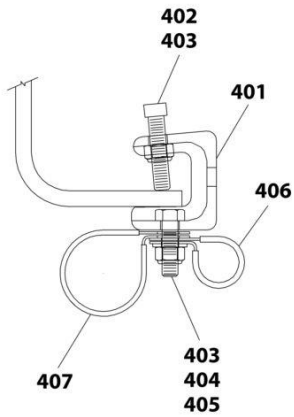
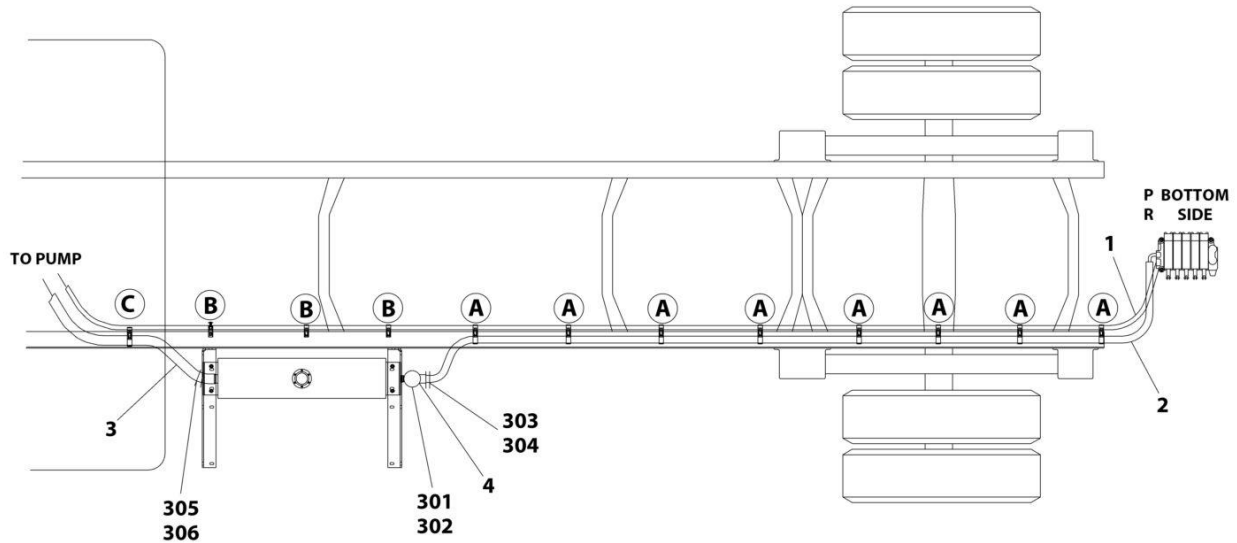
SECTION 5 - HYDRAULIC

FIGURE 5-9. HOSE INSTALLATION - 218IN CA (GENERIC)

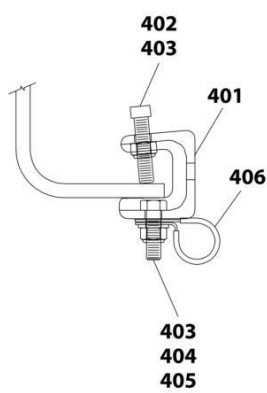
ITEM	PART NUMBER	QTY	DESCRIPTION	REV
	2570000102	Ref	HOSE INSTALLATION - 218IN CA - GENERIC	D
1	4567130316	1	Hose	
2	4570000161	1	Hose	
3	4570000046	1	Hose	
4	7430000003	1	Filter, Oil	
4	7431000001	1	Element, Replacement Oil Filter	
24	1001132801	1	Clamp, Hose Kit (Includes Items 301-306)	
25	1001132794	15	Clamp, Hose Kit (Includes Items 401-408)	
26	1001132800	10	Clamp, Hose Kit (Includes Items 501-508)	
301	7470000002	1	Gauge, Oil Filter Head	
302	7443000158	1	Fitting, 90	
303	7443000319	1	Fitting, 90	
304	7274000080	2	Clamp	
305	7443000013	1	Nipple	
306	7274000002	2	Clamp	
401	7274000076	1	Clamp	
402	7785152420	1	Screw 5/16 x 1-1/2	
403	7660152601	2	Nut 5/16	
404	7115151050	1	Capscrew 5/16 x 1-1/4	
405	7950150161	1	Washer 5/16	
406	7274000040	1	Clamp	
407	7274000041	1	Clamp	
408	7274000042	1	Clamp	
501	7274000040	1	Clamp	
502	7274000041	1	Clamp	
503	7274000042	1	Clamp (Not Shown)	
504	4706003844	1	Plate	
505	7115151050	1	Capscrew 5/16 x 1-1/4	
506	7950150161	3	Washer 5/16	
507	7660152601	2	Nut 5/16	
508	7115151064	1	Bolt 5/16 x 1-1/4	

SECTION 5 - HYDRAULIC

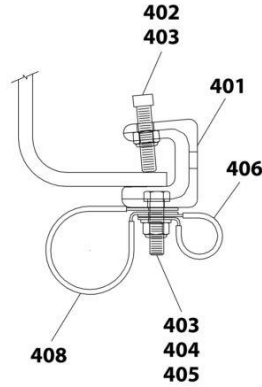
FIGURE 5-10. HOSE INSTALLATION - 242IN CA (GENERIC)



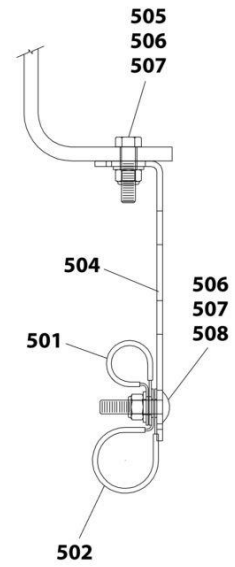
A



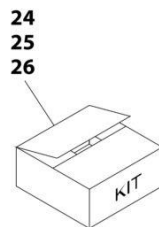
B



C



D



ART_2570000103

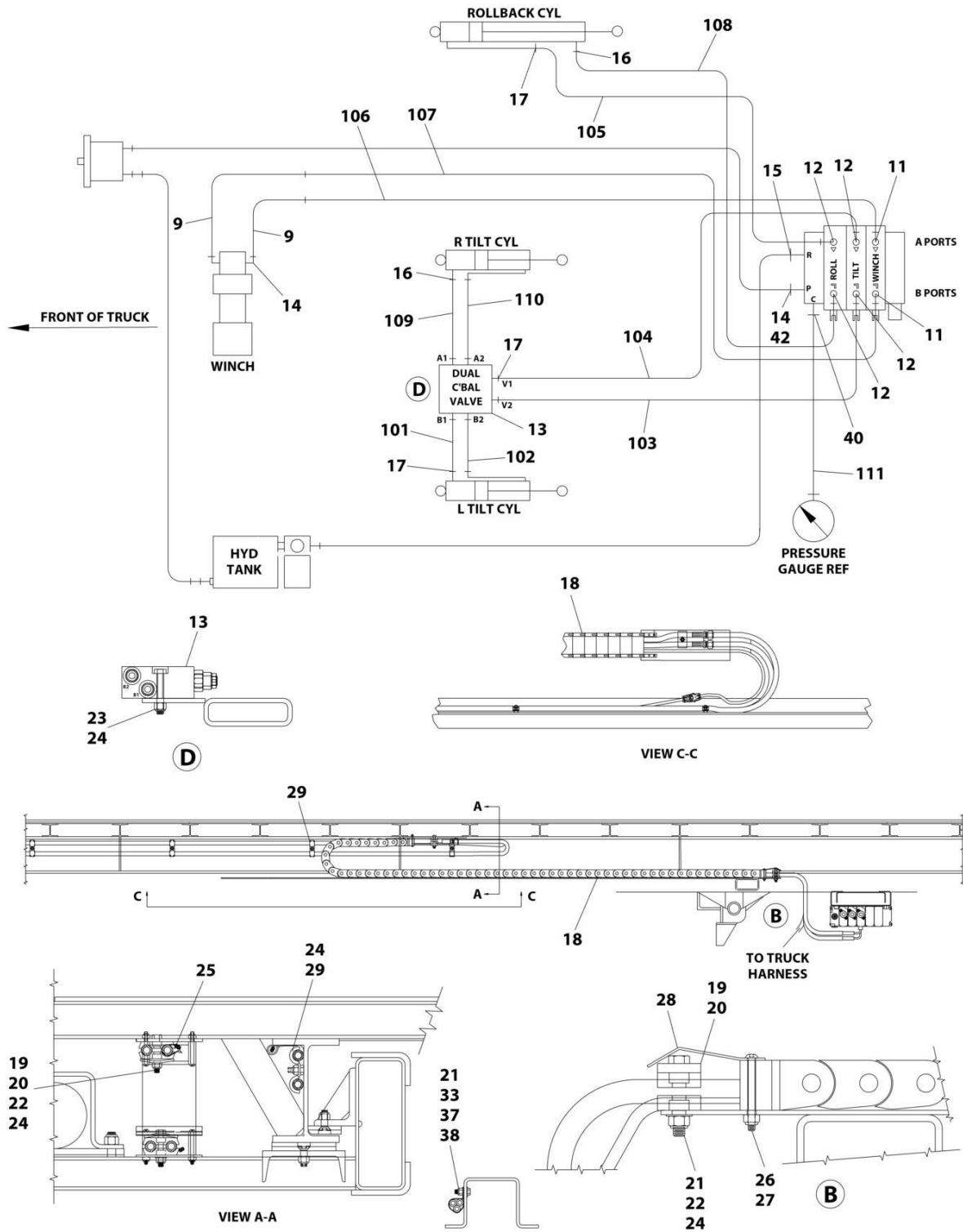
SECTION 5 - HYDRAULIC

FIGURE 5-10. HOSE INSTALLATION - 242IN CA (GENERIC)

ITEM	PART NUMBER	QTY	DESCRIPTION	REV
	2570000103	Ref	HOSE & CLAMP INSTALLATION - 242IN CA - GENERIC	D
1	4567130340	1	Hose	
2	4570000182	1	Hose	
3	4570000046	1	Hose	
4	7430000003	1	Filter, Oil	
4	7431000001	1	Element, Replacement Oil Filter	
24	1001132801	1	Clamp, Hose Kit (includes items 301-306)	
25	1001132794	15	Clamp, Hose Kit (includes items 401-408)	
26	1001132800	10	Clamp, Hose Kit (includes items 501-508)	
301	7470000002	1	Gauge, Oil Filter Head	
302	7443000158	1	Fitting, 90	
303	7443000319	1	Fitting, 90	
304	7274000080	2	Clamp	
305	7443000013	1	Nipple	
306	7274000002	2	Clamp	
401	7274000076	1	Clamp	
402	7785152420	1	Screw 5/16 x 1-1/2	
403	7660152601	2	Nut 5/16	
404	7115151050	1	Capscrew 5/16 x 1-1/4	
405	7950150161	1	Washer 5/16	
406	7274000040	1	Clamp	
407	7274000041	1	Clamp	
408	7274000042	1	Clamp	
501	7274000040	1	Clamp	
502	7274000041	1	Clamp	
503	7274000042	1	Clamp (Not Shown)	
504	4706003844	1	Plate	
505	7115151050	1	Capscrew 5/16 x 1-1/4	
506	7950150161	3	Washer 5/16	
507	7660152601	2	Nut 5/16	
508	7115151064	1	Bolt 5/16 x 1-1/4	

SECTION 5 - HYDRAULIC

FIGURE 5-11. HOSE INSTALLATION - HEAVY DUTY 24FT DECK



ART_2570000114

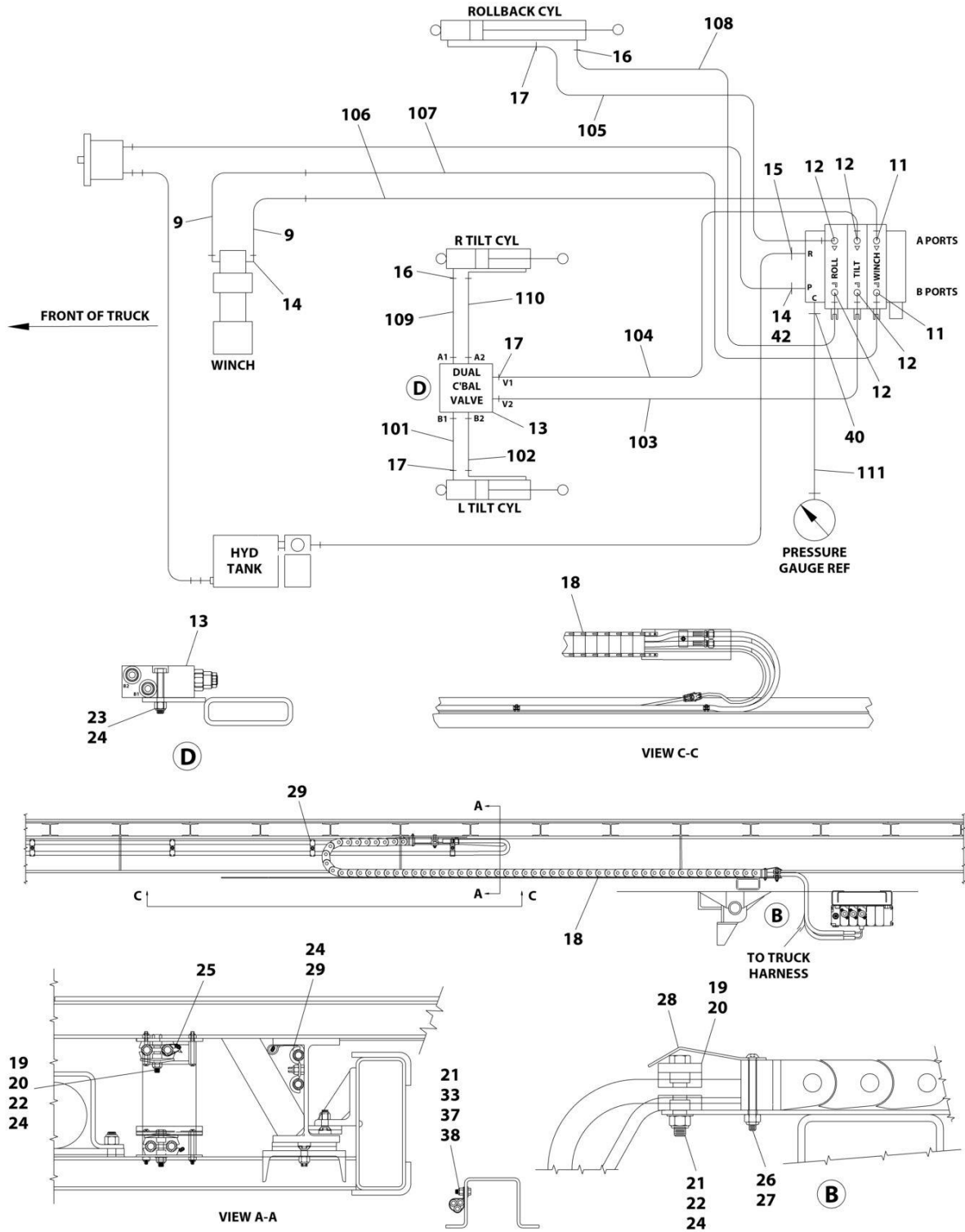
SECTION 5 - HYDRAULIC

FIGURE 5-11. HOSE INSTALLATION - HEAVY DUTY 24FT DECK

ITEM	PART NUMBER	QTY	DESCRIPTION	REV
	2570000114	Ref	HOSE INSTALLATION - HEAVY DUTY 24FT DECK	N
9	4567430153	2	Hose	
11	7445080843	2	Fitting, Straight	
12	7445060843	4	Fitting, Straight	
13	7935000306	1	Valve Assembly	
14	7445081045	3	Fitting, 90	
15	7443000446	1	Fitting, Straight	
16	7445060645	3	Fitting, 90	
17	7445060643	5	Fitting, Straight	
18	7904000001	1	Track, Cable	
19	7274000038	4	Clamp	
20	7274000039	2	Cover, Clamp	
21	7950150161	2	Washer 5/16	
22	7115151650	2	Bolt 5/16 x 2	
23	7115151850	2	Bolt 5/16 x 2-1/4	
24	7660152601	10	Nut 5/16	
25	7894000004	5	Tie-Strap	
26	7114101618	4	Capscrew #10 x 2	
27	7660102604	4	Nut #10	
28	4706003038	1	Plate	
29	7274000066	5	Clamp	
30	7274000011	3	Clamp (Not Shown)	
31	4090000001	3	Belt (Not Shown)	
32	7274000040	1	Clamp (Not Shown)	
33	7274000041	5	Clamp	
34	7274000042	1	Clamp (Not Shown)	
37	7115160950	1	Bolt 3/8 x 1-1/8	
38	7660162601	1	Nut 3/8	
40	7445040443	1	Fitting, Straight	
41	1001131084	1	Hose Kit (Not Shown) (Includes Items 101-111)	
42	7445080818	1	Nut #8	
43	1001158298	6	Tie-Strap (Not Shown)	
101	4570000199	1	Hose	
102	4570000201	1	Hose	
103	4567122144	1	Hose	
104	4567123144	1	Hose	
105	4567123047	1	Hose	
106	1001138711	1	Hose	
107	1001138710	1	Hose	
108	4567122040	1	Hose	
109	4570000200	1	Hose	
110	4570000202	1	Hose	
111	4567112042	1	Hose	

SECTION 5 - HYDRAULIC

FIGURE 5-12. HOSE INSTALLATION - HEAVY DUTY 26FT DECK



ART_2570000115

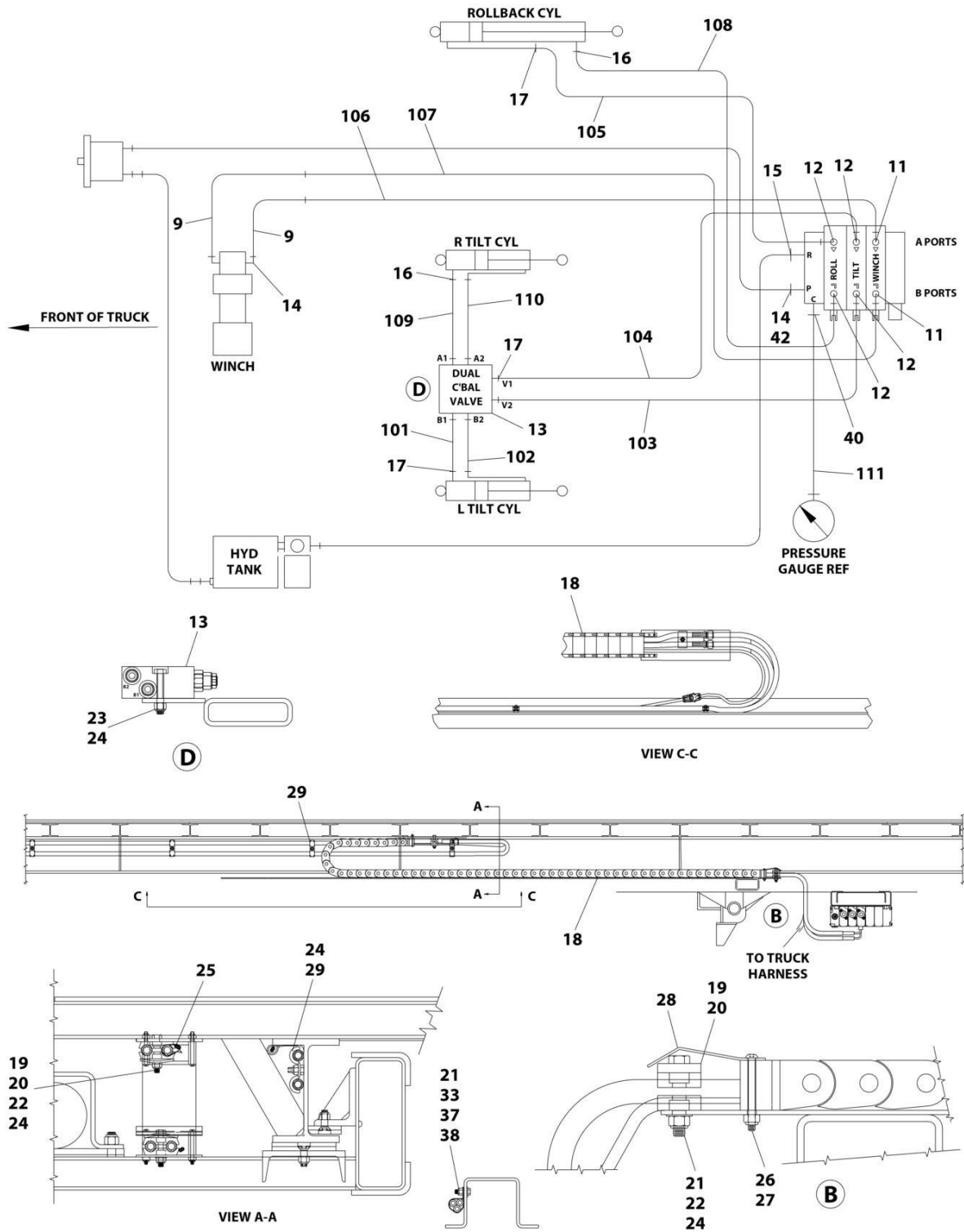
SECTION 5 - HYDRAULIC

FIGURE 5-12. HOSE INSTALLATION - HEAVY DUTY 26FT DECK

ITEM	PART NUMBER	QTY	DESCRIPTION	REV
	2570000115	Ref	HOSE INSTALLATION - HEAVY DUTY 26FT DECK	O
9	4567430177	2	Hose	
11	7445080843	2	Fitting, Straight	
12	7445060843	4	Fitting, Straight	
13	7935000306	1	Valve Assembly	
14	7445081045	3	Fitting, 90	
15	7443000446	1	Fitting, Straight	
16	7445060645	3	Fitting, 90	
17	7445060643	5	Fitting, Straight	
18	7904000001	1	Track, Cable	
19	7274000038	4	Clamp	
20	7274000039	2	Cover, Clamp	
21	7950150161	2	Washer 5/16	
22	7115151650	2	Bolt 5/16 x 2	
23	7115151850	2	Bolt 5/16 x 2-1/4	
24	7660152601	11	Nut 5/16	
25	7894000004	5	Tie-Strap	
26	7114101618	4	Capscrew #10 x 2	
27	7660102604	4	Nut #10	
28	4706003038	1	Plate	
29	7274000066	6	Clamp	
30	7274000011	4	Clamp (Not Shown)	
31	4090000001	4	Belt (Not Shown)	
32	7274000040	1	Clamp (Not Shown)	
33	7274000041	5	Clamp	
34	7274000042	1	Clamp (Not Shown)	
37	7115160950	1	Bolt 3/8 x 1-1/8	
38	7660162601	1	Nut 3/8	
40	7445040443	1	Fitting, Straight	
41	1001131084	1	Hose Kit (Not Shown) (Includes Items 101-111)	
42	7445080818	1	Nut #8	
43	1001158298	8	Tie-Strap (Not Shown)	
101	4570000199	1	Hose	
102	4570000201	1	Hose	
103	4567122144	1	Hose	
104	4567123144	1	Hose	
105	4567123047	1	Hose	
106	1001138711	1	Hose	
107	1001138710	1	Hose	
108	4567122040	1	Hose	
109	4570000200	1	Hose	
110	4570000202	1	Hose	
111	4567112042	1	Hose	

SECTION 5 - HYDRAULIC

FIGURE 5-13. HOSE INSTALLATION - HEAVY DUTY 28FT DECK



ART_2570000116

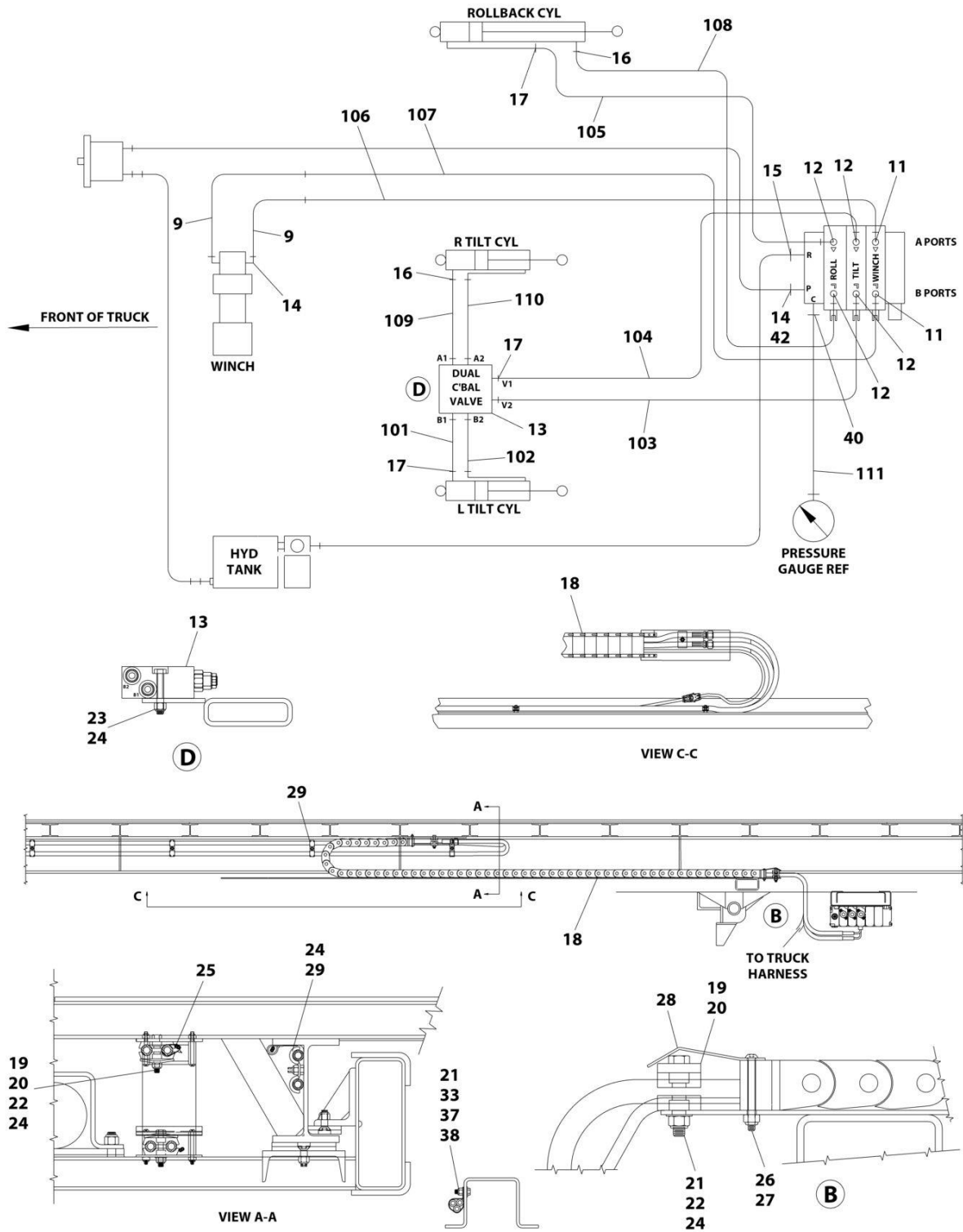
SECTION 5 - HYDRAULIC

FIGURE 5-13. HOSE INSTALLATION - HEAVY DUTY 28FT DECK

ITEM	PART NUMBER	QTY	DESCRIPTION	REV
	2570000116	Ref	HOSE INSTALLATION - HEAVY DUTY 28FT DECK	M
9	4567430193	2	Hose	
11	7445080843	2	Fitting, Straight	
12	7445060843	4	Fitting, Straight	
13	7935000306	1	Valve Assembly	
14	7445081045	3	Fitting, 90	
15	7443000446	1	Fitting, Straight	
16	7445060645	3	Fitting, 90	
17	7445060643	5	Fitting, Straight	
18	7904000003	1	Track, Cable	
19	7274000038	4	Clamp	
20	7274000039	2	Cover, Clamp	
21	7950150161	2	Washer 5/16	
22	7115151650	2	Bolt 5/16 x 2	
23	7115151850	2	Bolt 5/16 x 2-1/4	
24	7660152601	12	Nut 5/16	
25	7894000004	5	Tie-Strap	
26	7114101618	4	Capscrew #10 x 2	
27	7660102604	4	Nut #10	
28	4706003038	1	Plate	
29	7274000066	7	Clamp	
30	7274000011	4	Clamp (Not Shown)	
31	4090000001	4	Belt (Not Shown)	
32	7274000040	1	Clamp (Not Shown)	
33	7274000041	5	Clamp	
34	7274000042	1	Clamp (Not Shown)	
37	7115160950	1	Bolt 3/8 x 1-1/8	
38	7660162601	1	Nut 3/8	
40	7445040443	1	Fitting, Straight	
41	1001131085	1	Hose Kit (Not Shown) (Includes Items 101-111)	
42	7445080818	1	Nut #8	
43	1001158298	8	Tie-Strap (Not Shown)	
101	4570000199	1	Hose	
102	4570000202	1	Hose	
103	4567122186	1	Hose	
104	4567123186	1	Hose	
105	4567123056	1	Hose	
106	1001138711	1	Hose	
107	1001138710	1	Hose	
108	4567122040	1	Hose	
109	4570000200	1	Hose	
110	4570000203	1	Hose	
111	4567112042	1	Hose	

SECTION 5 - HYDRAULIC

FIGURE 5-14. HOSE INSTALLATION - HEAVY DUTY 30FT DECK



ART_2570000117

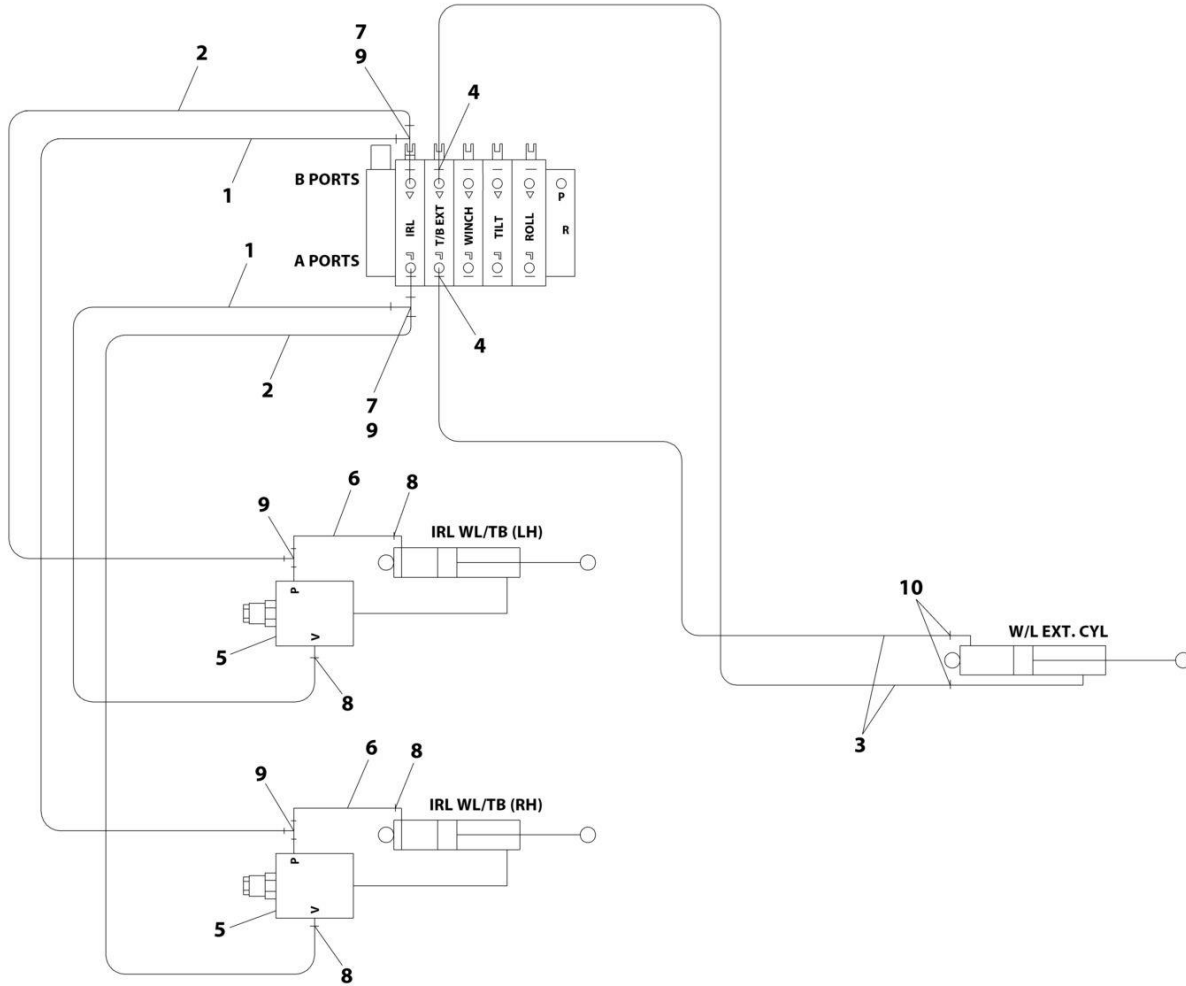
SECTION 5 - HYDRAULIC

FIGURE 5-14. HOSE INSTALLATION - HEAVY DUTY 30FT DECK

ITEM	PART NUMBER	QTY	DESCRIPTION	REV
	2570000117	Ref	HOSE INSTALLATION - HEAVY DUTY 30FT DECK	L
9	4567430217	2	Hose	
11	7445080843	2	Fitting, Straight	
12	7445060843	4	Fitting, Straight	
13	7935000306	1	Valve Assembly	
14	7445081045	3	Fitting, 90	
15	7443000446	1	Fitting, Straight	
16	7445060645	3	Fitting, 90	
17	7445060643	5	Fitting, Straight	
18	7904000003	1	Track, Cable	
19	7274000038	4	Clamp	
20	7274000039	2	Cover, Clamp	
21	7950150161	2	Washer 5/16	
22	7115151650	2	Bolt 5/16 x 2	
23	7115151850	2	Bolt 5/16 x 2-1/4	
24	7660152601	14	Nut 5/16	
25	7894000004	5	Tie-Strap	
26	7114101618	4	Capscrew #10 x 2	
27	7660102604	4	Nut #10	
28	4706003038	1	Plate	
29	7274000066	9	Clamp	
30	7274000011	4	Clamp (Not Shown)	
31	4090000001	4	Belt (Not Shown)	
32	7274000040	1	Clamp (Not Shown)	
33	7274000041	5	Clamp	
34	7274000042	1	Clamp (Not Shown)	
37	7115160950	1	Bolt 3/8 x 1-1/8	
38	7660162601	1	Nut 3/8	
40	7445040443	1	Fitting, Straight	
41	1001131085	1	Hose Kit (Not Shown) (Includes Items 101-111)	
42	7445080818	1	Nut #8	
43	1001158298	8	Tie-Strap (Not Shown)	
101	4570000199	1	Hose	
102	4570000202	1	Hose	
103	4567122186	1	Hose	
104	4567123186	1	Hose	
105	4567123056	1	Hose	
106	1001138711	1	Hose	
107	1001138710	1	Hose	
108	4567122040	1	Hose	
109	4570000200	1	Hose	
110	4570000203	1	Hose	
111	4567112042	1	Hose	

SECTION 5 - HYDRAULIC

FIGURE 5-15. HOSE INSTALLATION - REAR STABILIZER WITH WHEEL LIFT



ART_2570000083

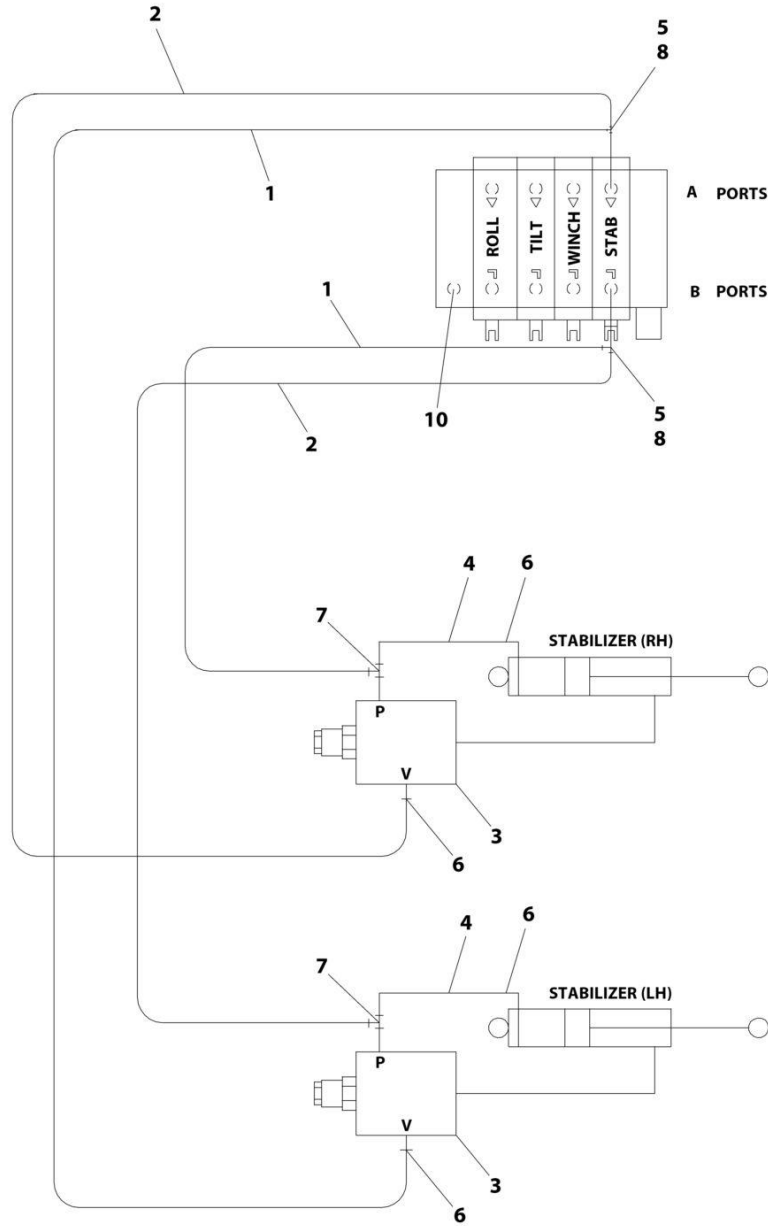
SECTION 5 - HYDRAULIC

FIGURE 5-15. HOSE INSTALLATION - REAR STABILIZER WITH WHEEL LIFT

ITEM	PART NUMBER	QTY	DESCRIPTION	REV
	2570000083	Ref	HOSE INSTALLATION - REAR STABILIZER WITH WHEEL LIFT (4000 LBS)	C
1	4567122050	2	Hose	
2	4567123051	2	Hose	
3	4567112042	2	Hose	
4	7445040843	2	Fitting, Straight	
5	7935000305	2	Valve Assembly	
5	900115	2	Valve, Counterbalance Cartridge (1 Per Assembly)	
5	960006	2	Seal Kit - 900115 Cartridge Valve (1 Per Cartridge)	
6	4567122016	2	Hose	
7	7443000129	2	Reducer	
8	7445060645	4	Fitting, 90	
9	7445060648	4	Fitting, Tee	
10	7445040445	2	Fitting, 90	

SECTION 5 - HYDRAULIC

FIGURE 5-16. HOSE INSTALLATION - STABILIZER (REAR DECK)



ART_2570000049

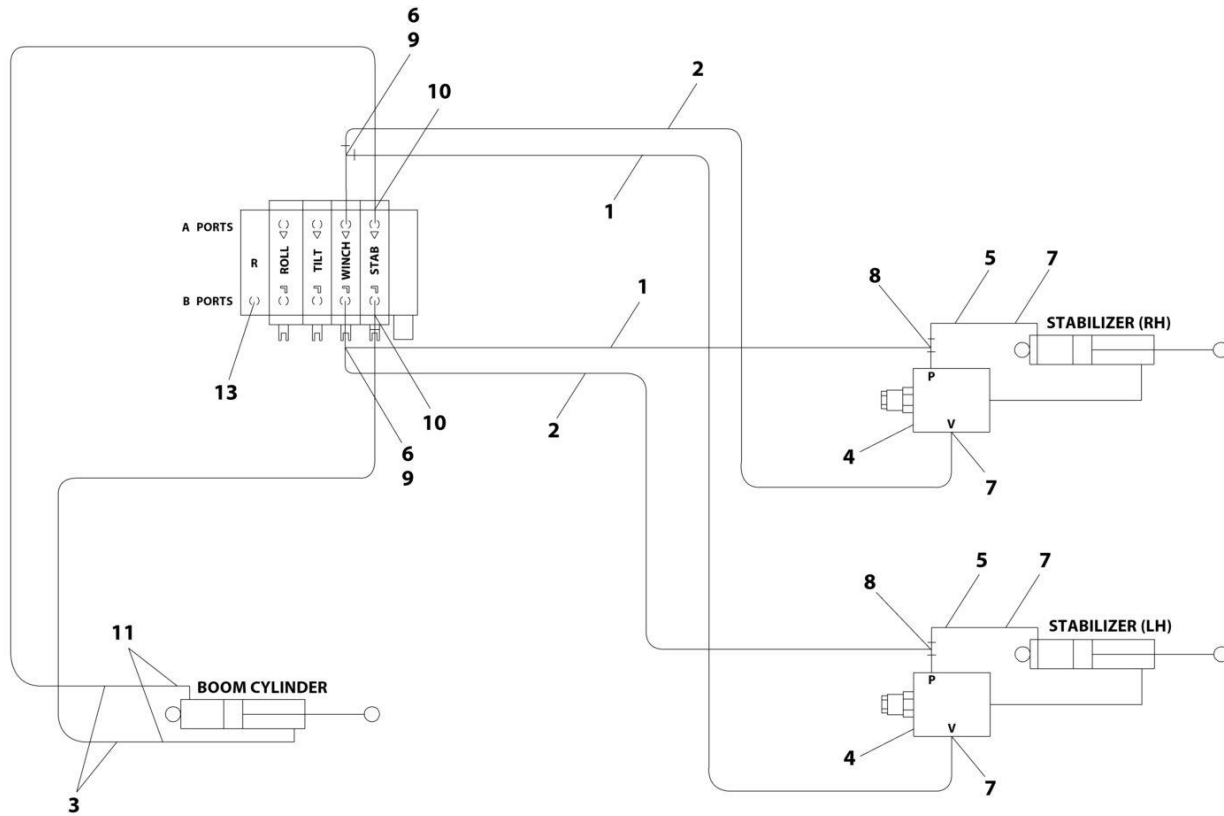
SECTION 5 - HYDRAULIC

FIGURE 5-16. HOSE INSTALLATION - STABILIZER (REAR DECK)

ITEM	PART NUMBER	QTY	DESCRIPTION	REV
	2570000049	Ref	Stabilizer Hydraulic Installation	E
1	4567122050	2	Hose	
2	4567123051	2	Hose	
3	7935000305	2	Valve Assembly - Counter Balance	
3	900115	2	Valve, Counter Balance Cartridge (1 Per Assembly)	
3	960006	2	Seal Kit - 900115 Cartridge Valve (1 Per Cartridge)	
4	4567122016	2	Hose	
5	7445060845	2	Fitting, 90	
6	7445060645	4	Fitting, 90	
7	7445060648	2	Fitting, Tee	
8	7443000030	2	Fitting, Tee	
10	7445081046	1	Fitting, 45	

SECTION 5 - HYDRAULIC

FIGURE 5-17. HOSE INSTALLATION - STABILIZER WITH HYDRAULIC EXTEND



ART_2570000032

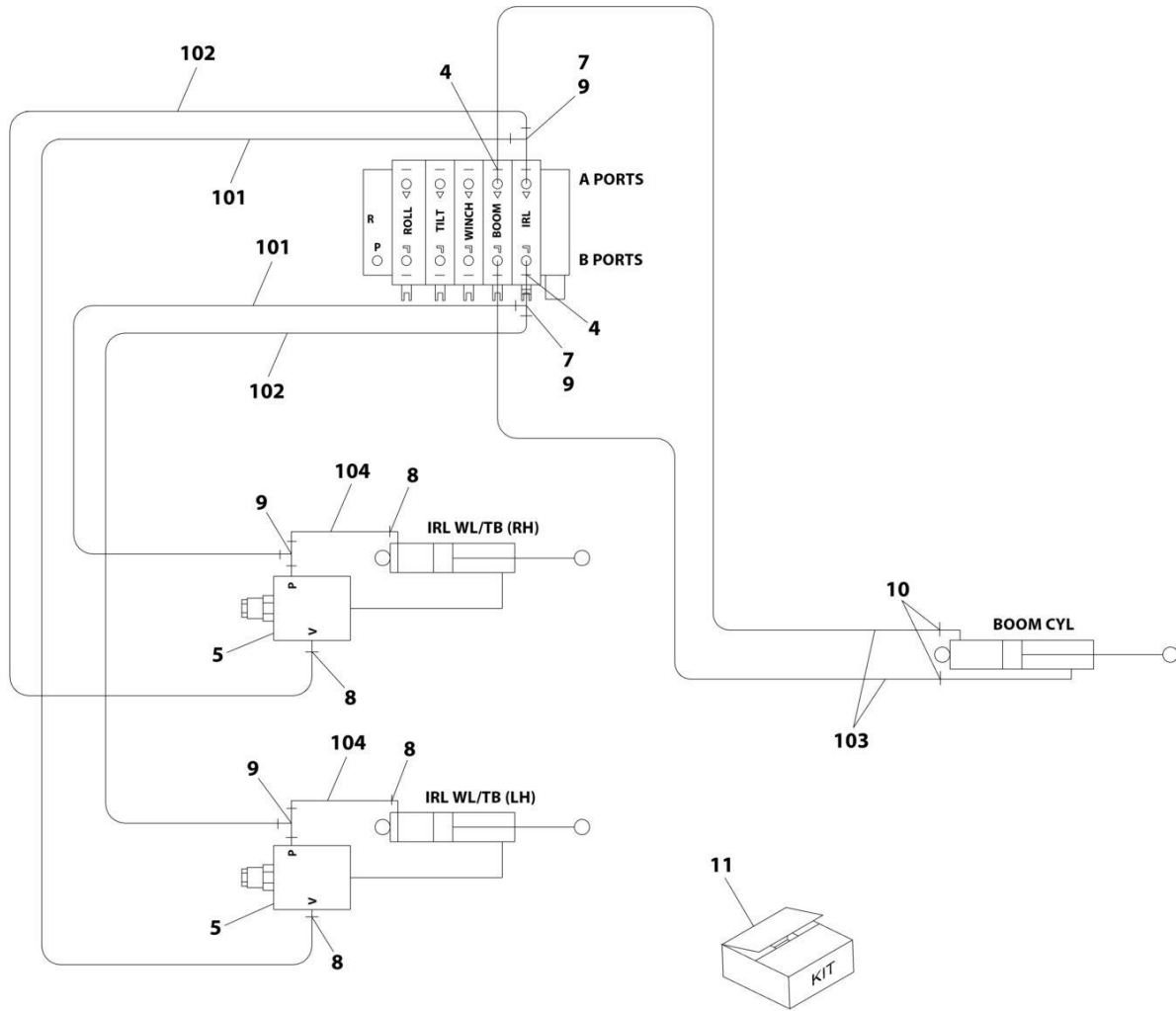
SECTION 5 - HYDRAULIC

FIGURE 5-17. HOSE INSTALLATION - STABILIZER WITH HYDRAULIC EXTEND

ITEM	PART NUMBER	QTY	DESCRIPTION	REV
	2570000032	Ref	Stabilizer with Hydraulic Extend Hydraulic Installation	E
1	4567122050	2	Hose	
2	4567123051	2	Hose	
3	4567123036	2	Hose	
4	7935000305	2	Valve Assembly	
4	900115	2	Valve, Counterbalance Cartridge(1 Per Assembly)	
4	960006	2	Seal Kit - 900115 Cartridge Valve (1 Per Cartridge)	
5	4567122016	2	Hose	
6	7445060845	2	Fitting, 90	
7	7445060645	4	Fitting, 90	
8	7445060648	2	Fitting, Tee	
9	7443000030	2	Fitting, Tee	
10	7445060843	2	Fitting, Straight	
11	7445060646	2	Fitting, 45	
13	7445081046	1	Fitting, 45	

SECTION 5 - HYDRAULIC

FIGURE 5-18. HOSE INSTALLATION - WHEEL LIFT (3000 LBS)



ART_2570000053

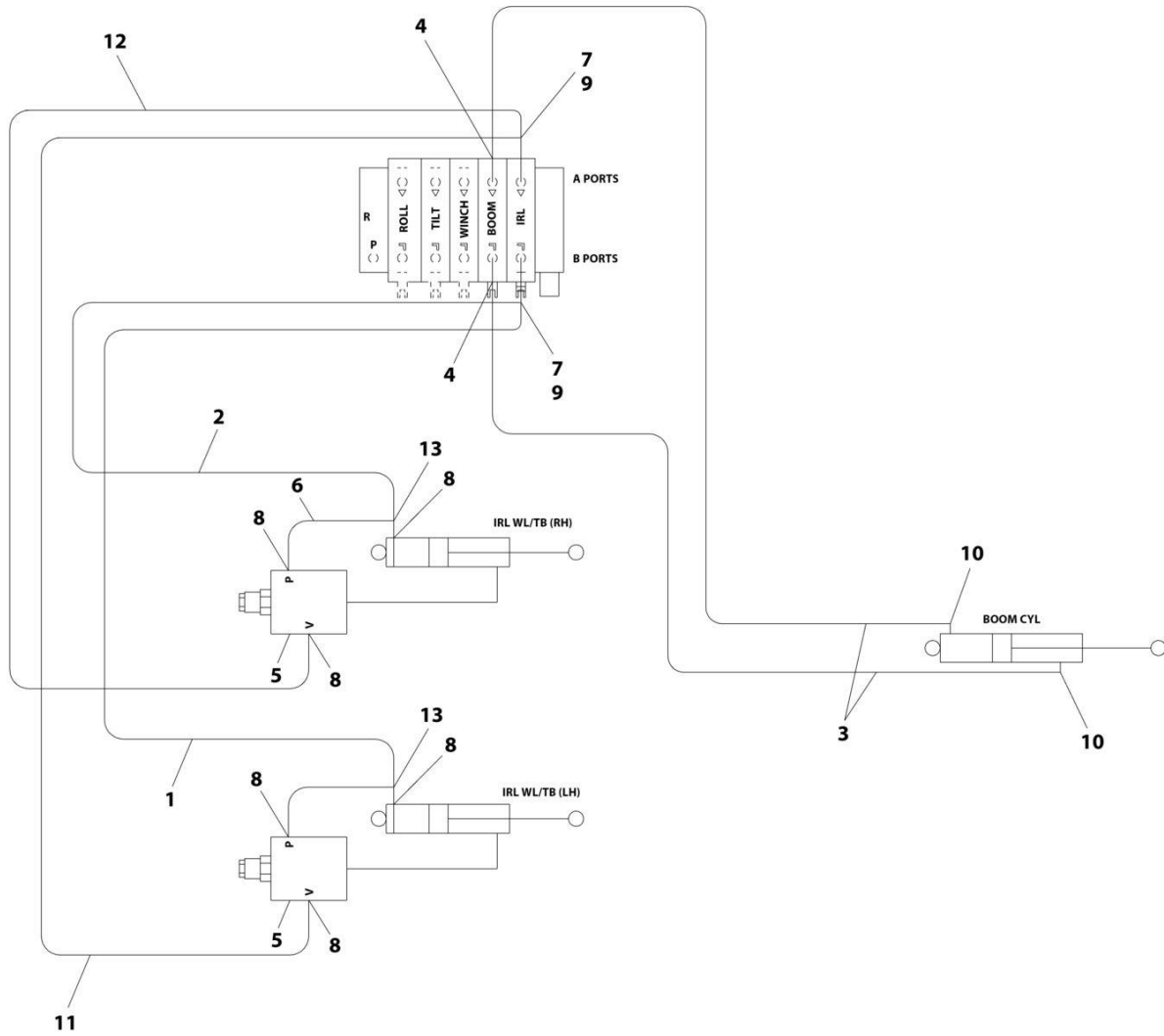
SECTION 5 - HYDRAULIC

FIGURE 5-18. HOSE INSTALLATION - WHEEL LIFT (3000 LBS)

ITEM	PART NUMBER	QTY	DESCRIPTION	REV
	2570000053	Ref	HOSE INSTALLATION - WHEEL LIFT (3000 LBS)	K
4	7445040843	2	Fitting, Straight	
5	7935000305	2	Valve Assembly	
5	900115	2	Valve, Counterbalance Cartridge (1 Per Assembly)	
5	960006	2	Seal Kit - 900115 Cartridge Valve (1 Per Cartridge)	
7	7443000129	2	Reducer	
8	7445060645	4	Fitting, 90	
9	7445060648	4	Fitting, Tee	
10	7445040446	2	Fitting, 45	
11	1001131080	1	Hose Kit (Includes Items 101-104)	
12	5526000553	12	Tie-Strap (Not Shown)	
101	4567122045	2	Hose	
102	4567123048	2	Hose	
103	4567110034	2	Hose	
104	4567122016	2	Hose	

SECTION 5 - HYDRAULIC

FIGURE 5-19. HOSE INSTALLATION - WHEEL LIFT (4000 LBS)



ART_1001130062

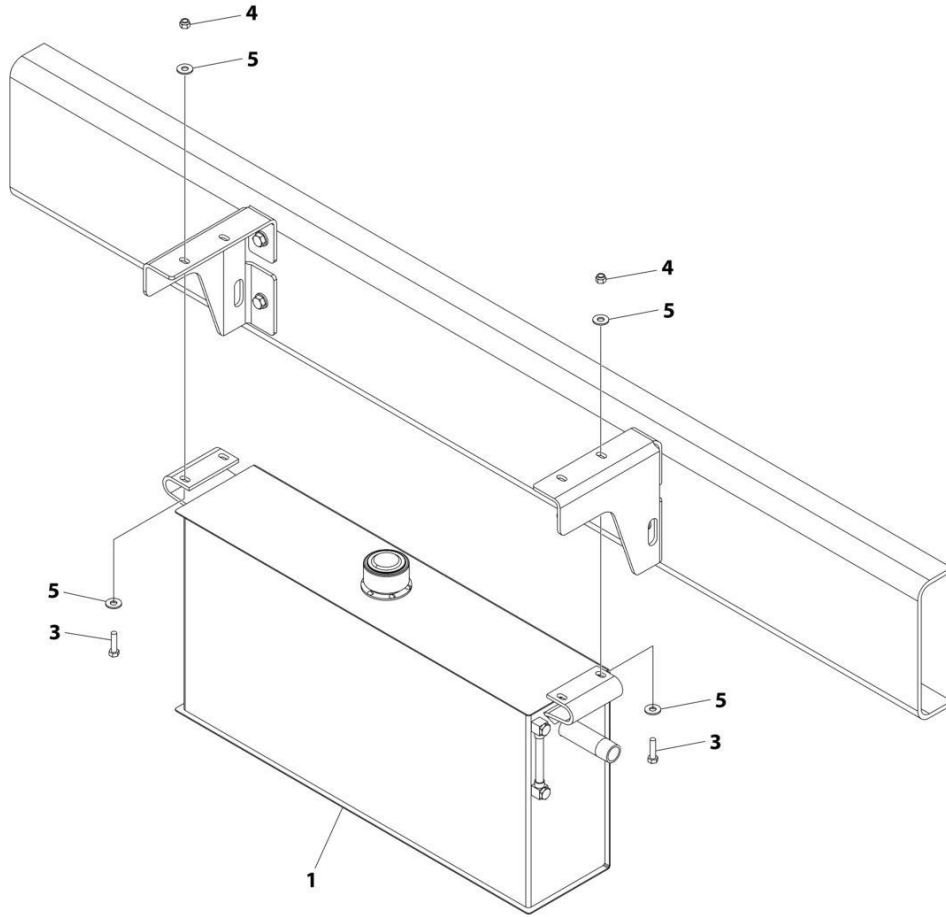
SECTION 5 - HYDRAULIC

FIGURE 5-19. HOSE INSTALLATION - WHEEL LIFT (4000 LBS)

ITEM	PART NUMBER	QTY	DESCRIPTION	REV
	1001130062	Ref	Wheel Lift Hydraulic Installation (IRL 4000LBS)	E
1	4567122038	1	Hose	
2	4567120042	1	Hose	
3	4567110034	2	Hose	
4	7445040843	2	Fitting, Straight	
5	7935000305	2	Valve Assembly	
5	900115	2	Valve, Counterbalance Cartridge (1 Per Assembly)	
5	960006	2	Seal Kit - 900115 Cartridge Valve (1 Per Cartridge)	
6	4567120010	2	Hose	
7	7443000129	2	Reducer	
8	7445060645	6	Fitting, 90	
9	7445060648	2	Fitting, Tee	
10	7445040446	2	Fitting, 45	
11	4567123048	1	Hose	
12	4567122043	1	Hose	
13	7443000030	2	Fitting, Tee	
14	5526000553	12	Tie-Strap (Not Shown)	

SECTION 5 - HYDRAULIC

FIGURE 5-20. TANK - (HYDRAULIC) AND BRACKET MOUNTING INSTALLATION (STANDARD MOUNTING)



ART_275000008

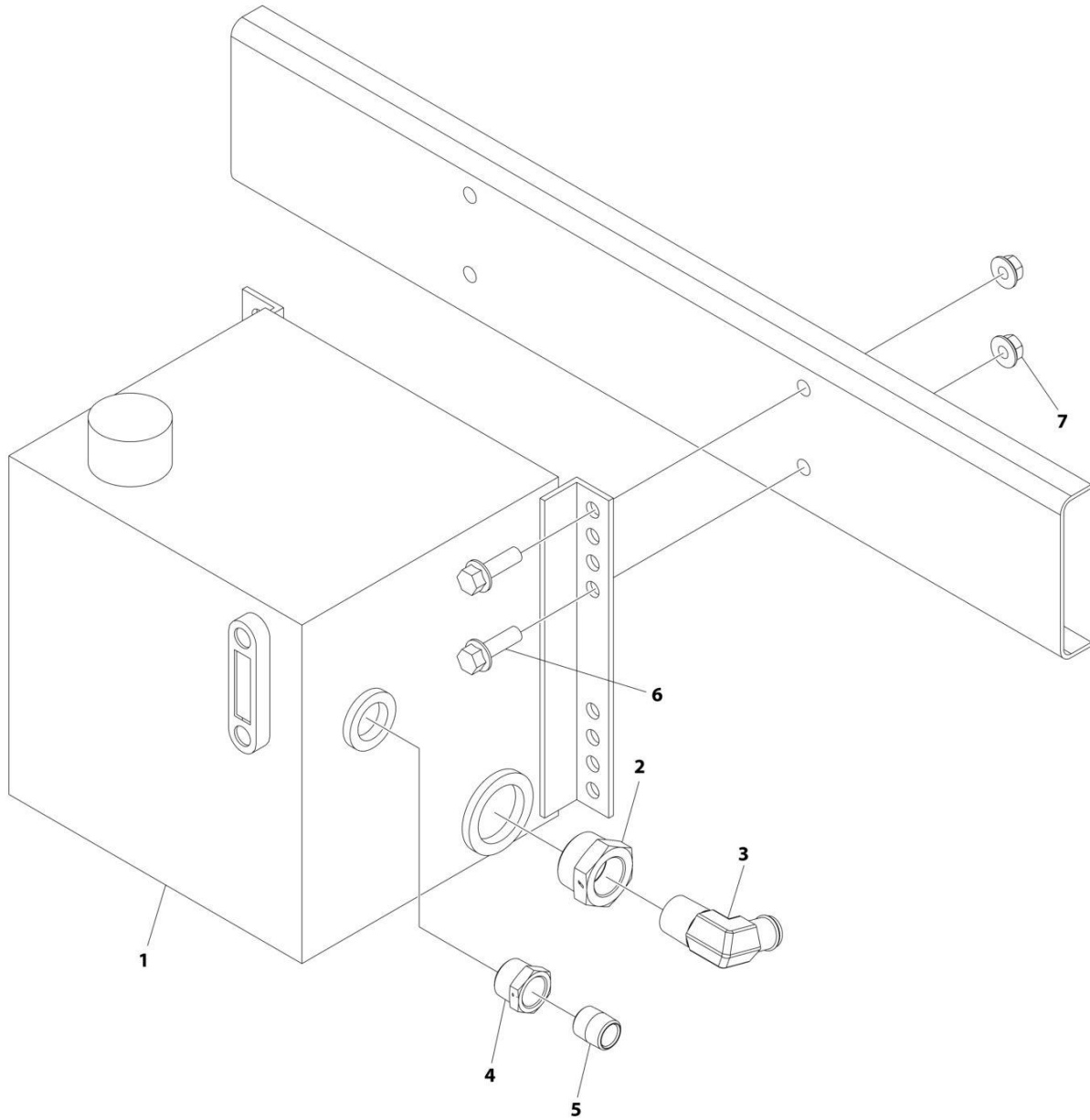
SECTION 5 - HYDRAULIC

FIGURE 5-20. TANK - (HYDRAULIC) AND BRACKET MOUNTING INSTALLATION (STANDARD MOUNTING)

ITEM	PART NUMBER	QTY	DESCRIPTION	REV
	2750000008	Ref	Hydraulic Reservoir and Bracket Mount	C
1	3750000018	1	Hydraulic Tank Assembly (See Seperate Breakdown in HYDRAULIC Section)	
3	7115151050	4	Capscrew 5/8 x 1-1/4	
4	7660152601	4	Nut 5/8	
5	7950150161	8	Washer 5/8	

SECTION 5 - HYDRAULIC

FIGURE 5-21. TANK - (HYDRAULIC) AND BRACKET MOUNTING INSTALLATION (ALTERNATE MOUNTING)



ART_1001284419

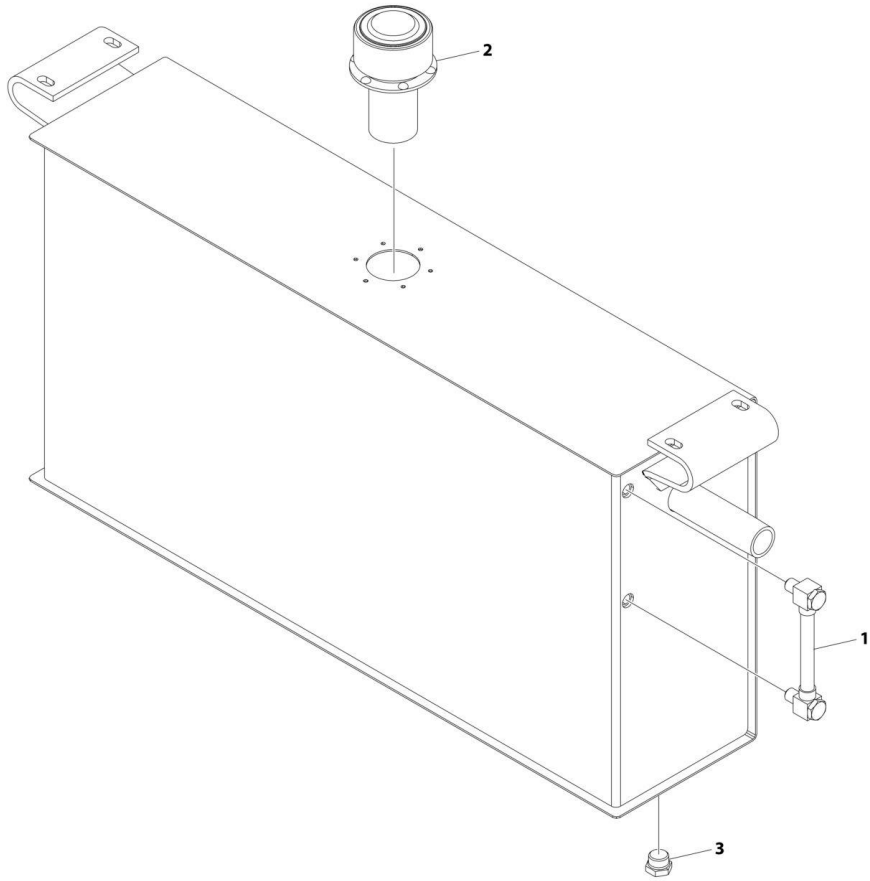
SECTION 5 - HYDRAULIC

FIGURE 5-21. TANK - (HYDRAULIC) AND BRACKET MOUNTING INSTALLATION (ALTERNATE MOUNTING)

ITEM	PART NUMBER	QTY	DESCRIPTION	REV
	1001284419	Ref	TANK INSTALLATION - HYDRAULIC	A
1	1001284178	1	Hydraulic Tank Assembly (See Separate Breakdown in this Section)	
2	1001284179	1	Filter	
3	7443000412	1	Fitting, 90	
4	7444100850	1	Bushing	
5	7650080125	1	Nipple	
6	7118201616	4	Capscrew 5/8 x 2	
7	7661000018	4	Nut 5/8	

SECTION 5 - HYDRAULIC

FIGURE 5-22. TANK - HYDRAULIC ASSEMBLY (STANDARD MOUNTING)



ART_375000018

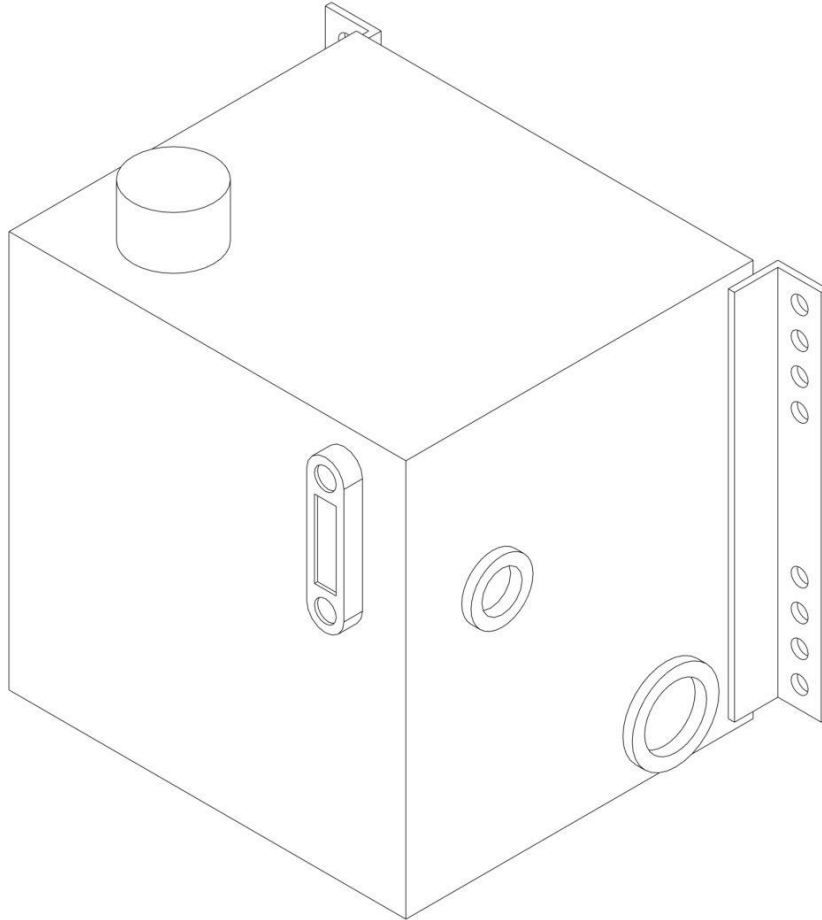
SECTION 5 - HYDRAULIC

FIGURE 5-22. TANK - HYDRAULIC ASSEMBLY (STANDARD MOUNTING)

ITEM	PART NUMBER	QTY	DESCRIPTION	REV
	375000018	1	Hydraulic Assembly - Tank	I
1	747000027	1	Oil Level Gauge	
2	718300004	1	Breather Filter	
3	770100031	1	Plug w/O-ring	

SECTION 5 - HYDRAULIC

FIGURE 5-23. TANK - HYDRAULIC ASSEMBLY (ALTERNATE MOUNTING)



ART_1001284178

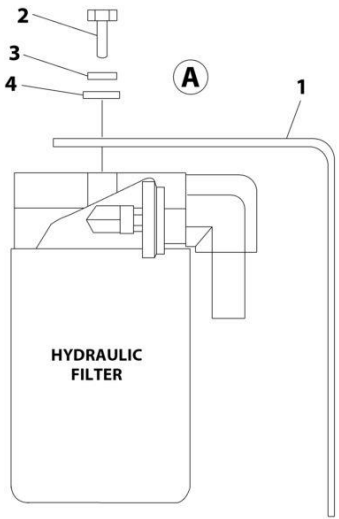
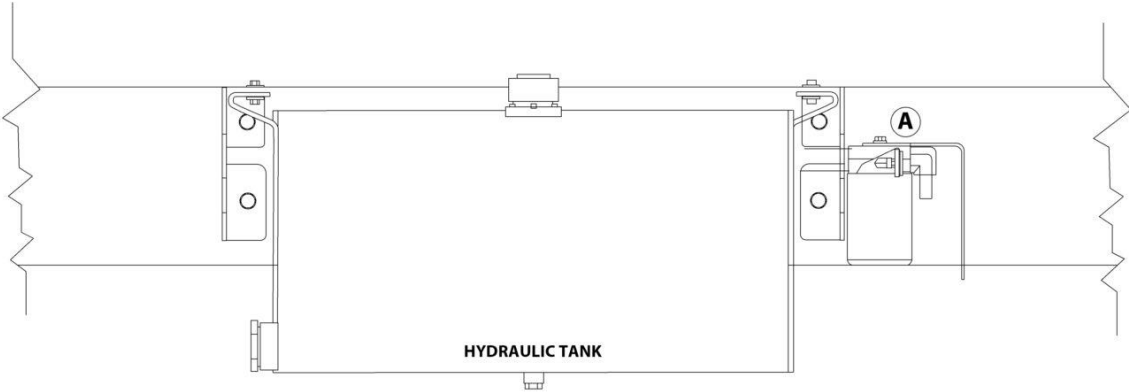
SECTION 5 - HYDRAULIC

FIGURE 5-23. TANK - HYDRAULIC ASSEMBLY (ALTERNATE MOUNTING)

ITEM	PART NUMBER	QTY	DESCRIPTION	REV
	1001284178	Ref Ref	HYDRAULIC TANK ASSEMBLY Note: No Service Parts Available at Time of Printing	A

SECTION 5 - HYDRAULIC

FIGURE 5-24. HYDRAULIC FILTER COVER PLATE INSTALLATION



ART_1001168319

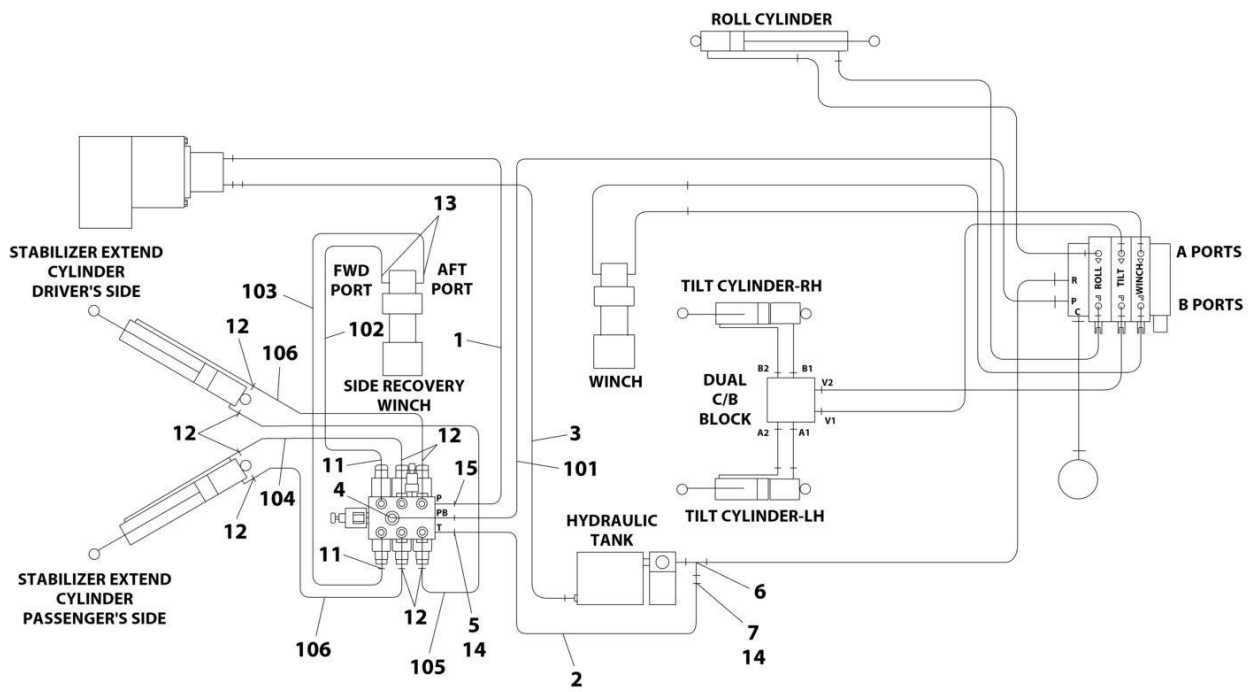
SECTION 5 - HYDRAULIC

FIGURE 5-24. HYDRAULIC FILTER COVER PLATE INSTALLATION

ITEM	PART NUMBER	QTY	DESCRIPTION	REV
	1001168319	Ref	Filter (Hydraulic) Cover Plate Installation	B
1	1001181417	1	Cover	
2	7115140450	2	Capscrew 1/4 x 1/2	
3	7950140000	2	Washer 1/4	
4	7950140141	2	Washer 1/4	

SECTION 5 - HYDRAULIC

FIGURE 5-25. WINCH HOSE INSTALLATION



ART_2570000152

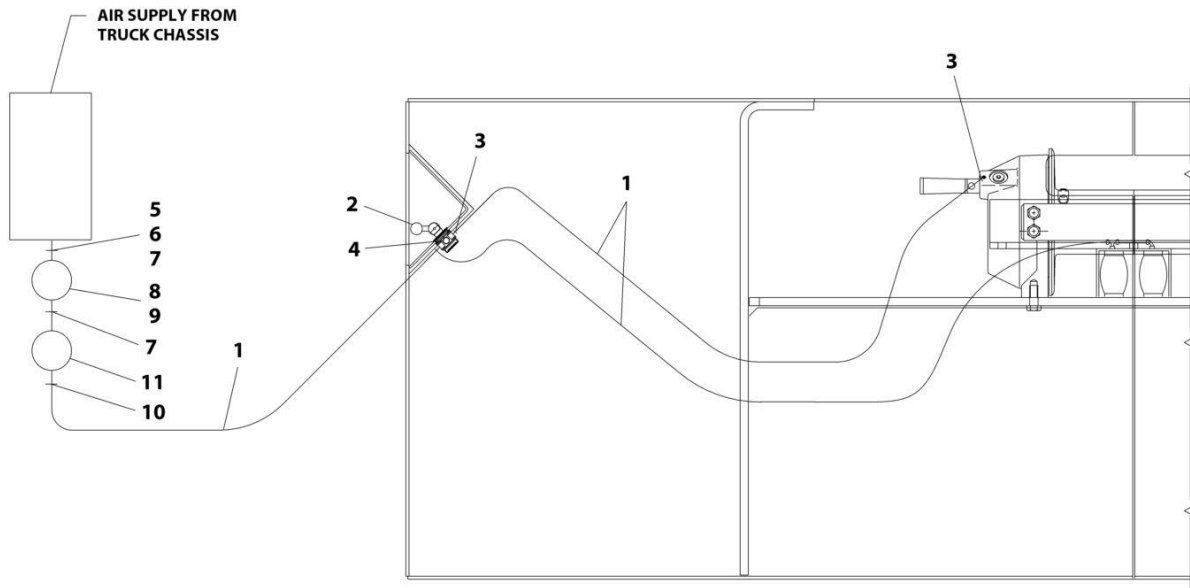
SECTION 5 - HYDRAULIC

FIGURE 5-25. WINCH HOSE INSTALLATION

ITEM	PART NUMBER	QTY	DESCRIPTION	REV
	2570000152	Ref	HOSE INSTALLATION SPR/HLF (SRS)	C
1	4567133058	1	Hose	
2	4570000104	1	Hose	
3	4570000099	1	Hose	
4	7445081043	1	Fitting, Straight	
5	7443000446	1	Fitting, Straight	
6	7443000445	1	Fitting, Tee	
7	7443000374	1	Fitting, Straight	
8	4577000006	1	Hose, Kit (Not Shown) (Includes Items 101-106)	
9	7819000005	1	Sleeve (Not Shown)	
10	7894000004	8	Tie-Strap (Not Shown)	
11	7445060643	2	Fitting, Straight	
12	7445060645	8	Fitting, 90	
13	7445061043	2	Fitting, Straight	
14	7274000080	2	Clamp	
15	7445081045	1	Fitting, 90	
16	7445080818	1	Nut #8 (Not Shown)	
101	4569142018	1	Hose	
102	4567123023	1	Hose	
103	4567122022	1	Hose	
104	4567122034	1	Hose	
105	4567122032	1	Hose	
106	4567122030	1	Hose	

SECTION 5 - HYDRAULIC

FIGURE 5-26. AIR SYSTEM INSTALLATION - FRONT BUMPER WINCH



ART_1001133649

SECTION 5 - HYDRAULIC

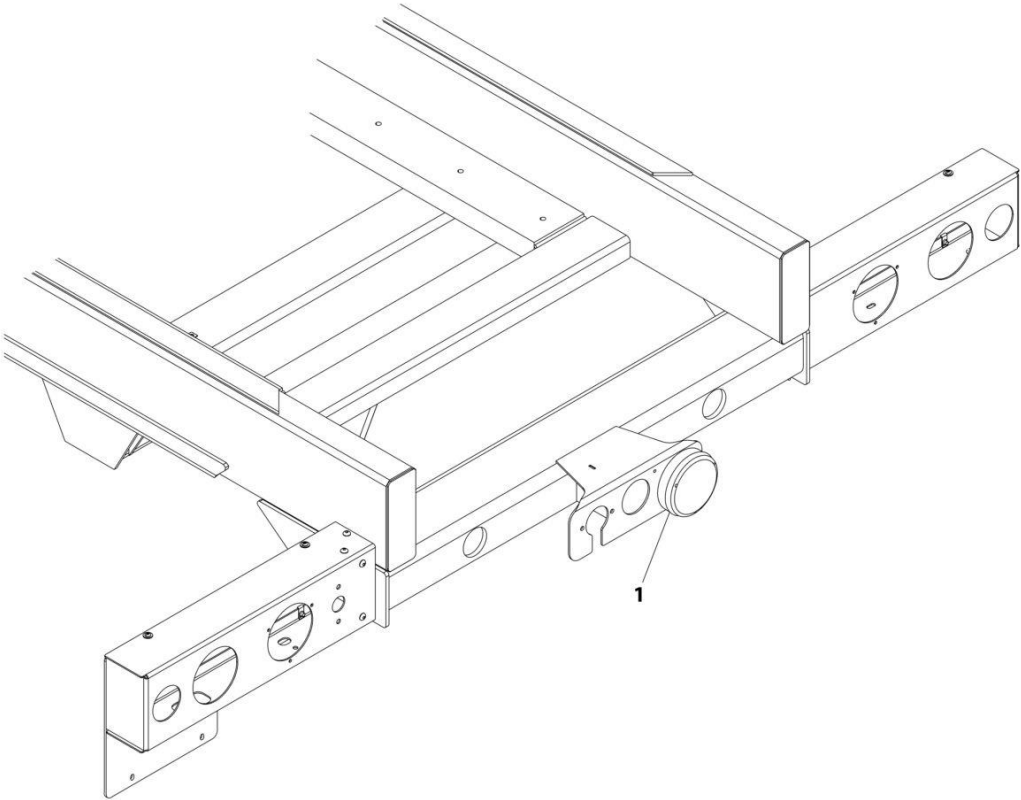
FIGURE 5-26. AIR SYSTEM INSTALLATION - FRONT BUMPER WINCH

ITEM	PART NUMBER	QTY	DESCRIPTION	REV
	1001133649	Ref	AIR SYSTEM INSTALLATION - FRONT BUMPER WINCH	B
1	7565000016	35 ft/11 m	Tube	
2	7935000182	1	Valve, Air 2-Way	
3	7443000177	2	Fitting NPTM	
4	7640000002	1	Muffler, Air Exhaust	
5	7443000154	1	Fitting NPTM x NPTF	
6	7443000155	1	Fitting, 90 NPTM x NPTF	
7	7443000156	2	Fitting Nipple NPTM x BRASS	
8	7935000120	1	Valve, Pressure Protection	
9	7443000152	1	Plug	
10	7446040435	1	Fitting Tube x NPTM	
11	7935000248	1	Valve, Air Regulator	
12	7443000174	1	Fitting, Tee Tube x NPTM	

SECTION 6 - ELECTRICAL

SECTION 6 - ELECTRICAL

FIGURE 6-1. ALARM INSTALLATION - BACK UP



ART_1001130143

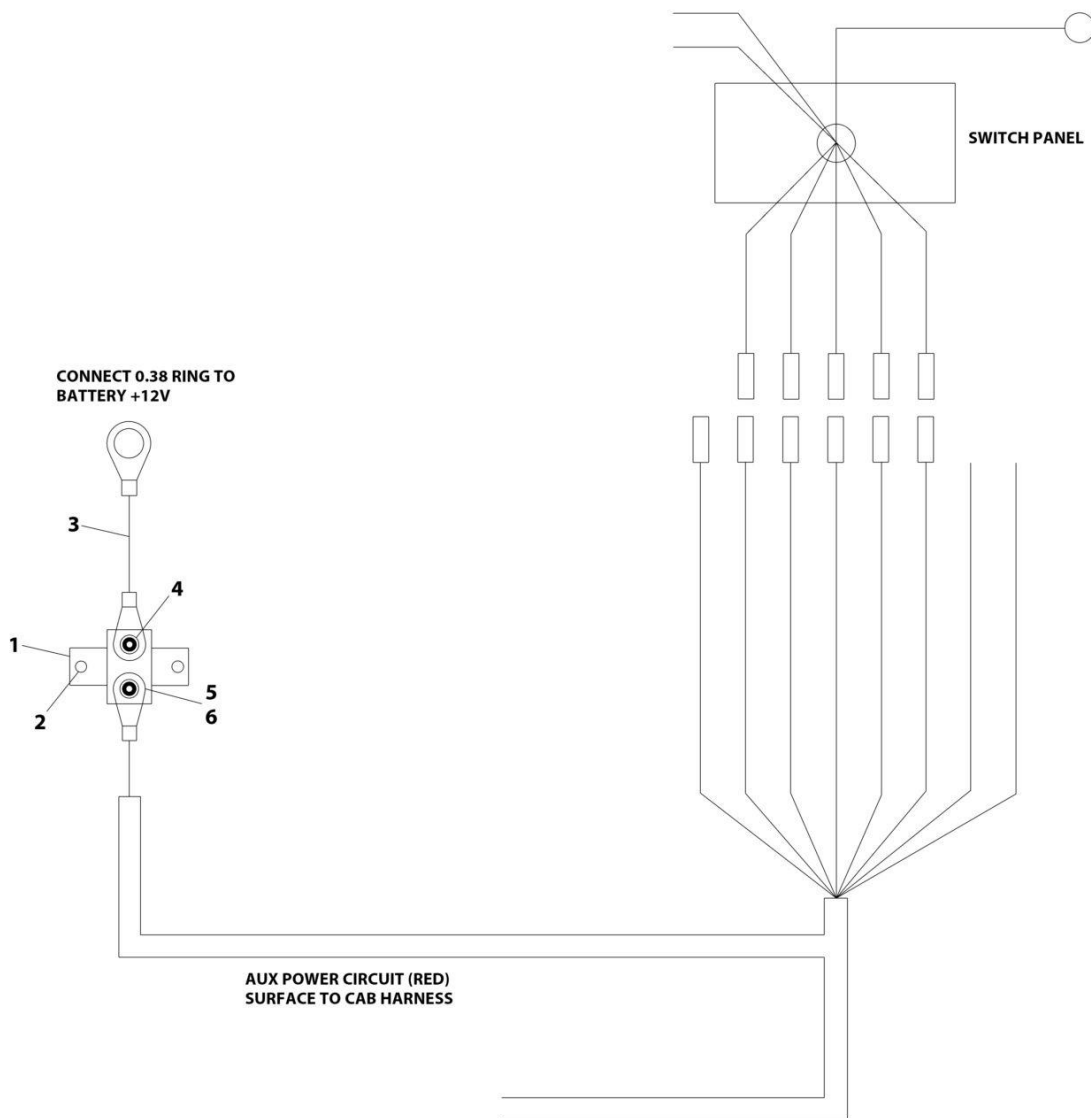
SECTION 6 - ELECTRICAL

FIGURE 6-1. ALARM INSTALLATION - BACK UP

ITEM	PART NUMBER	QTY	DESCRIPTION	REV
1	1001130143 1001129874	Ref 1	ALARM INSTALLATION - BACK UP Alarm	B

SECTION 6 - ELECTRICAL

FIGURE 6-2. BREAKER INSTALLATION - 50AMP



ART_1001129883

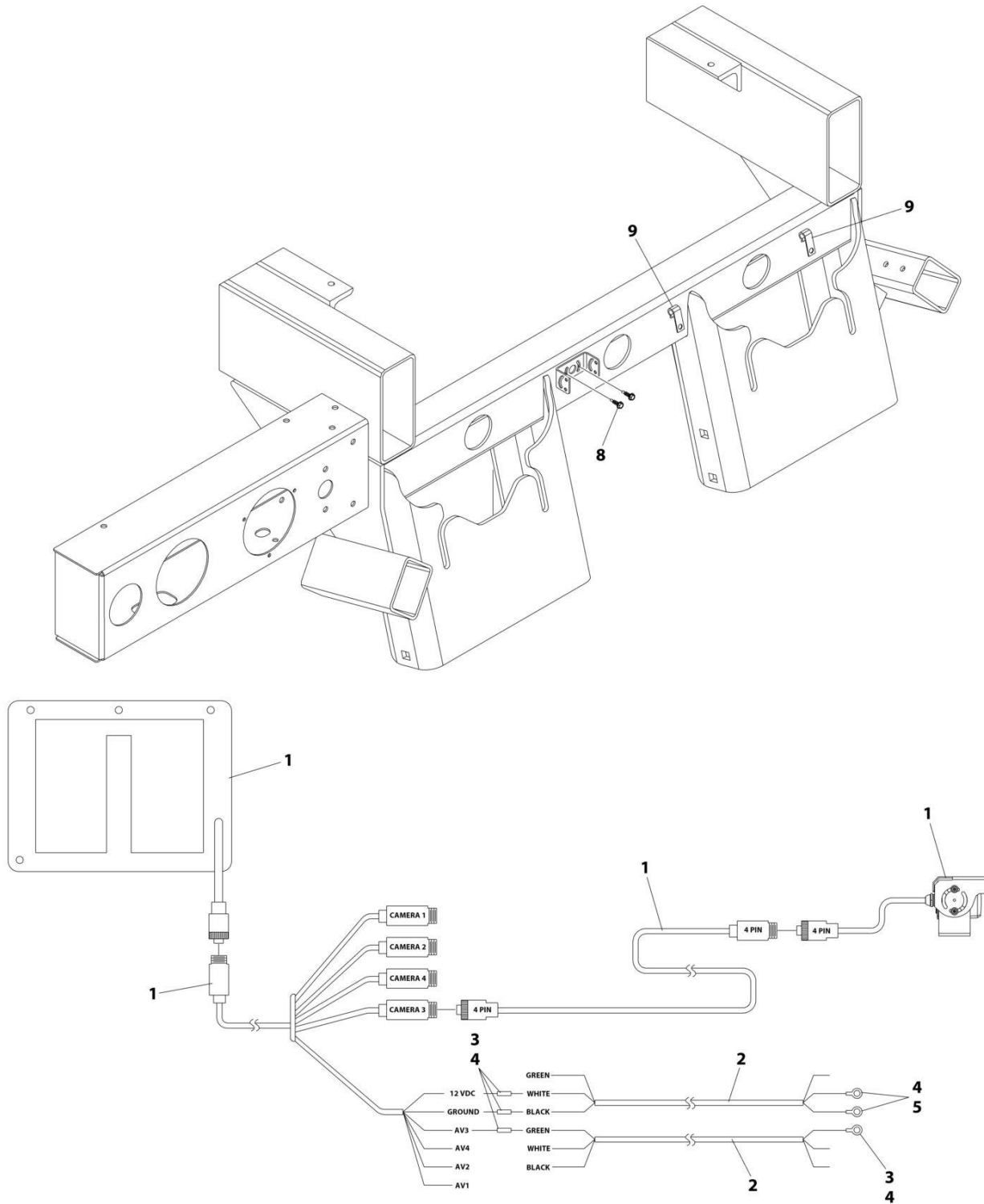
SECTION 6 - ELECTRICAL

FIGURE 6-2. BREAKER INSTALLATION - 50AMP

ITEM	PART NUMBER	QTY	DESCRIPTION	REV
	1001129883	Ref	50A BREAKER INSTALLATION	C
1	7457000004	1	Breaker, 50A	
2	7120000034	2	Screw #10 x 3/4	
3	1001129882	1	Harness	
4	7950100151	2	Washer 3/16	
5	7345221902	1	Terminal	
6	4346000005	1	Heat Shrink	

SECTION 6 - ELECTRICAL

FIGURE 6-3. CAMERA INSTALLATION - BACKUP (J-D SUPPLIED)



ART_1001219321

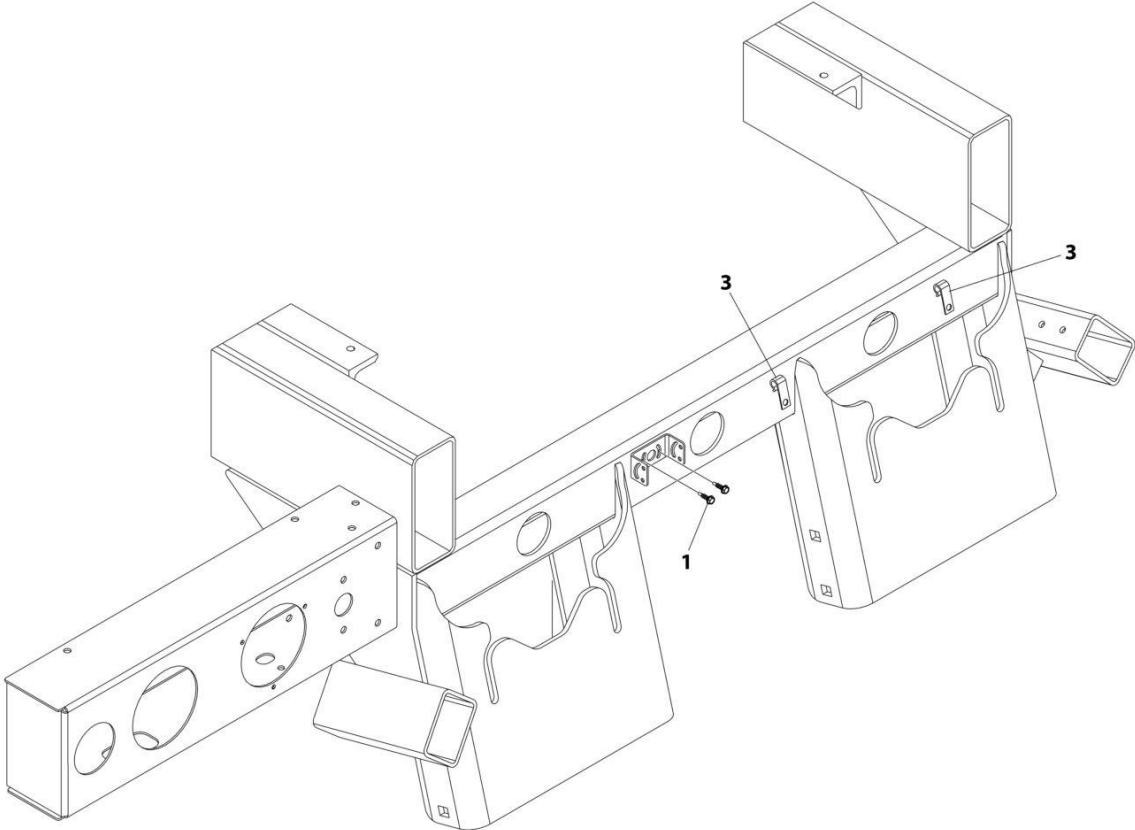
SECTION 6 - ELECTRICAL

FIGURE 6-3. CAMERA INSTALLATION - BACKUP (J-D SUPPLIED)

ITEM	PART NUMBER	QTY	DESCRIPTION	REV
	1001219321	Ref	Backup Camera Carrier Installation	E
1	1001219309	1	Camera	
2	5525000537	AR	Wire	
3	7345001714	4	Terminal	
4	7346000039	AR	Tubing	
5	7345211702	3	Terminal	
6	8597650002	AR	Wire (Not Shown)	
7	7894000010	40	Tie Strap (Not Shown)	
8	7120000034	2	Screw #10 x 3/4	
9	7280000018	2	Clip	

SECTION 6 - ELECTRICAL

FIGURE 6-4. CAMERA INSTALLATION - BACKUP (OEM CHASSIS SUPPLIED)



ART_1001220181

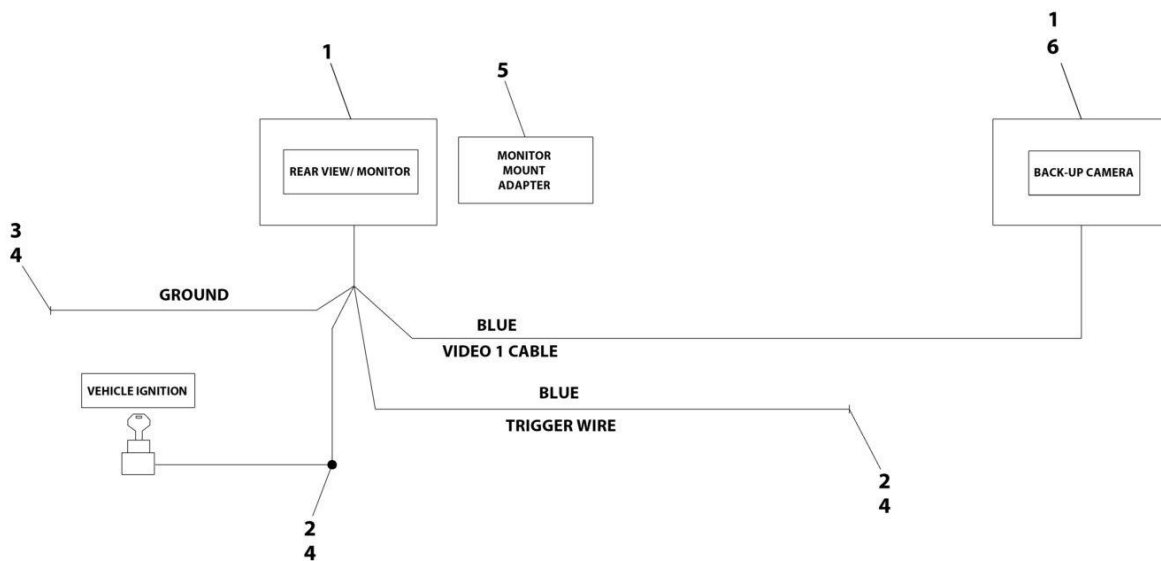
SECTION 6 - ELECTRICAL

FIGURE 6-4. CAMERA INSTALLATION - BACKUP (OEM CHASSIS SUPPLIED)

ITEM	PART NUMBER	QTY	DESCRIPTION	REV
	1001220181	Ref	Backup Camera Installation - Chassis (OEM Supplied)	C
1	7120000034	2	Screw #10 x 3/4	
2	5526000553	40	Tie Strap	
3	7280000018	2	Clip	

SECTION 6 - ELECTRICAL

FIGURE 6-5. CAMERA INSTALLATION - BACKUP (REAR VIEW MIRROR)



ART_1001142974_D

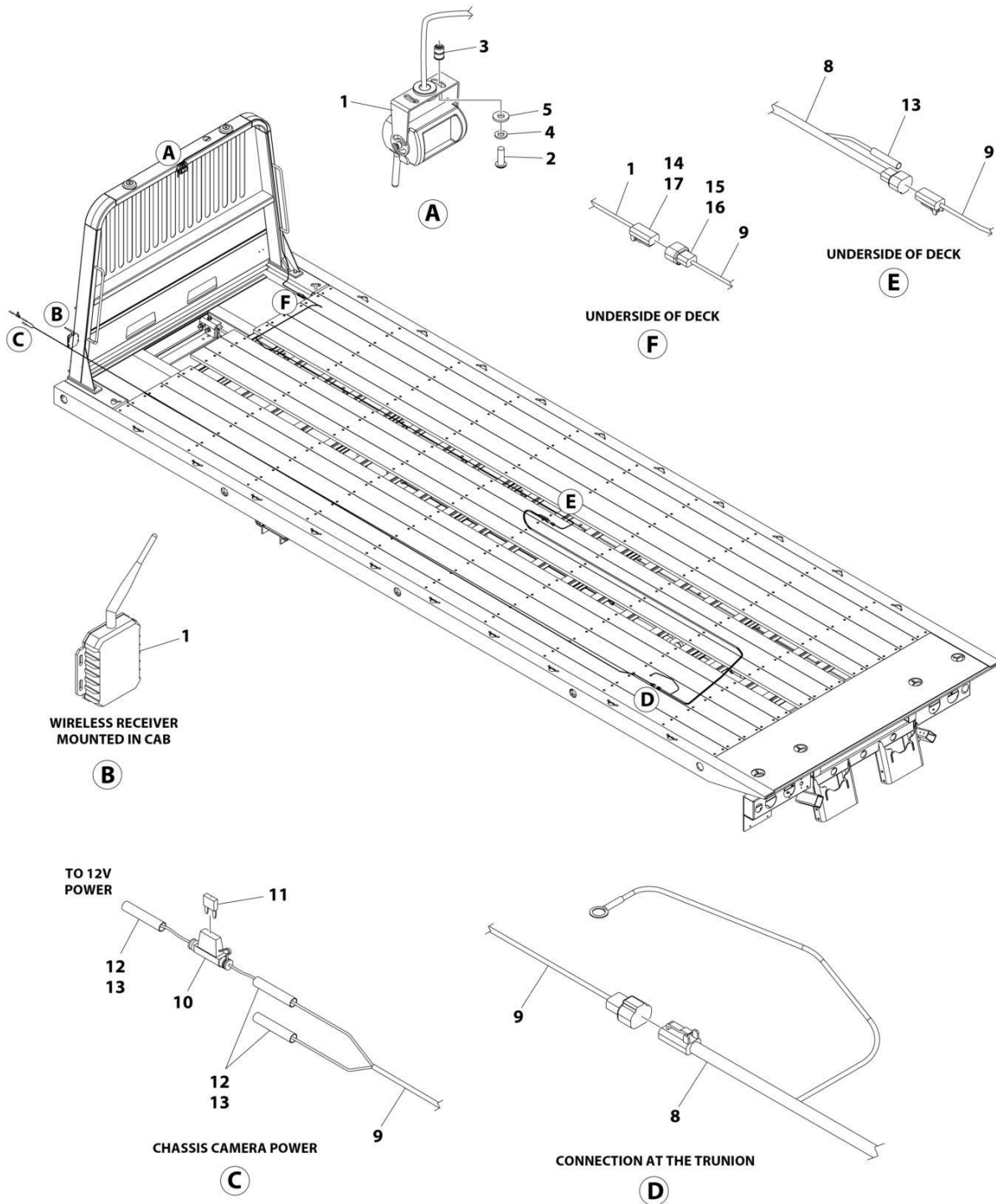
SECTION 6 - ELECTRICAL

FIGURE 6-5. CAMERA INSTALLATION - BACKUP (REAR VIEW MIRROR)

ITEM	PART NUMBER	QTY	DESCRIPTION	REV
	1001142974	Ref	BACKUP CAMERA IN REAR VIEW MIRROR INSTALLATION	D
1	1001273600	1	Camera System	
2	7345001914	2	Terminal	
3	7345221902	1	Terminal	
4	7346000039	AR	Tubing	
6	7120000034	1	SCREW #10 X .75" SELF DRILLING	
7	7280000018	AR	Clip (Not Shown)	
8	5525000537	AR	Wire (Not Shown)	
9	7894000010	AR	Strap, Tie (Not Shown)	

SECTION 6 - ELECTRICAL

FIGURE 6-6. CAMERA INSTALLATION - CARGO CAMERA, (WIRELESS HEADBOARD MOUNTED)



ART_1001257876

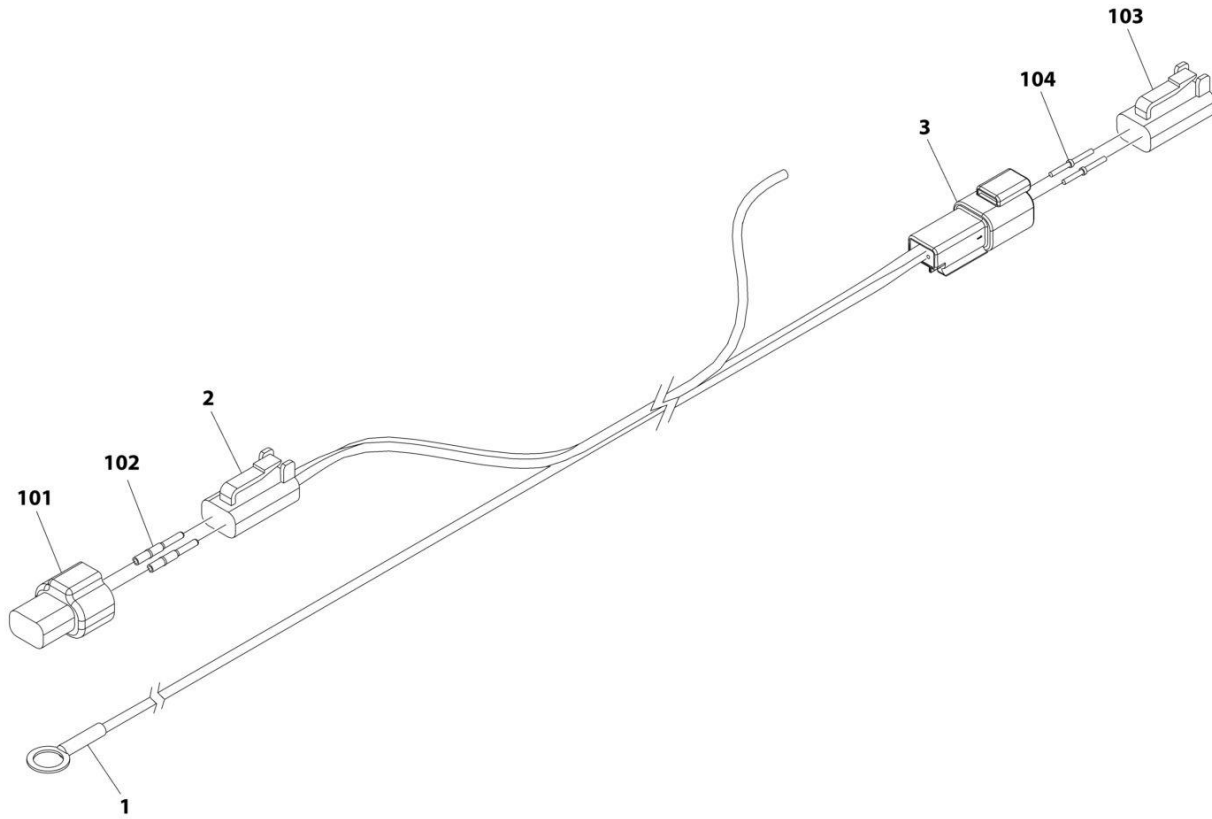
SECTION 6 - ELECTRICAL

FIGURE 6-6. CAMERA INSTALLATION - CARGO CAMERA, (WIRELESS HEADBOARD MOUNTED)

ITEM	PART NUMBER	QTY	DESCRIPTION	REV
	1001257876	Ref	CARGO CAMERA, WIRELESS HEADBOARD, INSTALLATION	B
1	1001237244	1	Kit, Wireless Backup Camera	
2	7114140618	2	Screw 1/4 x 3/4	
3	7413000002	2	Nut 1/4	
4	7950140003	2	Washer 1/4	
5	7950140143	2	Washer 1/4	
8	1001280899	1	Camera Harness (See Separate Breakdown in this Section)	
9	8977010103	1	Wire #16 GA 2-Conductor	
10	2400066	1	Fuse, Holder	
11	1001228388	1	Fuse, Lamp	
12	7345001714	3	Terminal	
13	4346000005	4	Heat Shrink	
14	4460891	1	Plug, 2 Position	
15	4460897	1	Receptacle, 2 Position	
16	4460464	2	Pin, Male	
17	4460465	2	Socket, Female	

SECTION 6 - ELECTRICAL

FIGURE 6-7. CAMERA HARNESS



ART_1001280899

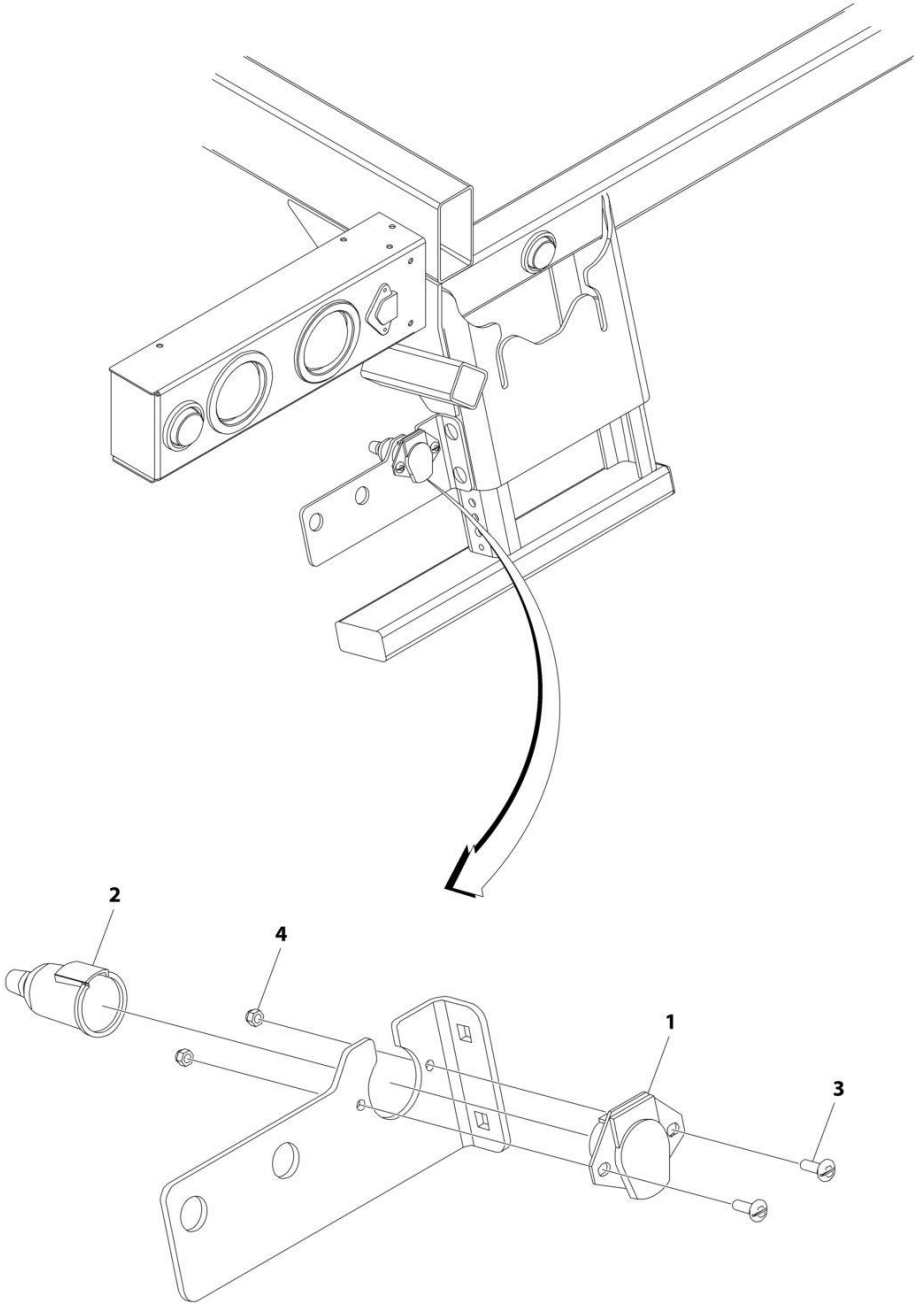
SECTION 6 - ELECTRICAL

FIGURE 6-7. CAMERA HARNESS

ITEM	PART NUMBER	QTY	DESCRIPTION	REV
	1001280899	Ref	CAMERA HARNESS	A
1	4460256	1	Terminal, Ring	
2	4460891	1	Plug, Male - 2 Position	
2	4460942	2	Socket, Female	
3	4460897	1	Receptacle, Female - 2 Position	
3	4460941	2	Pin, Male	
101	4460897	1	Receptacle, Female - 2 Position	
102	4460464	2	Pin, Male	
103	4460891	1	Plug, Male - 2 Position	
104	4460465	2	Socket, Female	

SECTION 6 - ELECTRICAL

FIGURE 6-8. CONNECTOR INSTALLATION - 7 WAY



ART_2346000008

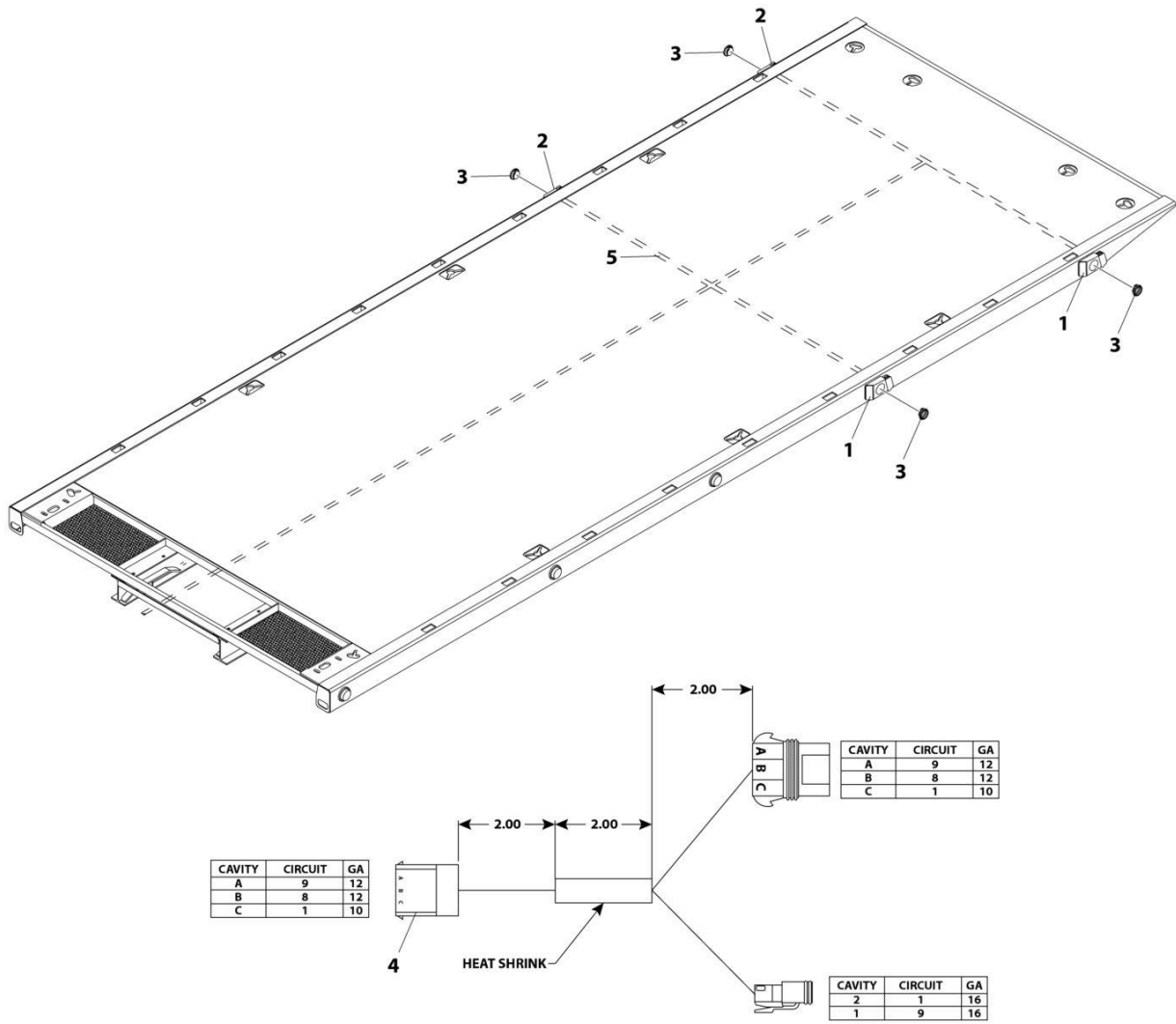
SECTION 6 - ELECTRICAL

FIGURE 6-8. CONNECTOR INSTALLATION - 7 WAY

ITEM	PART NUMBER	QTY	DESCRIPTION	REV
	2346000008	Ref	7-Way Electrical Connector	0
1	7346000055	1	Electrical Receptacle 7-way Connect	
2	7346000078	1	Electrical Boot	
3	7111150813	2	Screw 5/16 x 1	
4	7660152601	2	Nut 5/16	

SECTION 6 - ELECTRICAL

FIGURE 6-9. DECK FLASHER REAR ILLUMINATION



ART_1001145076

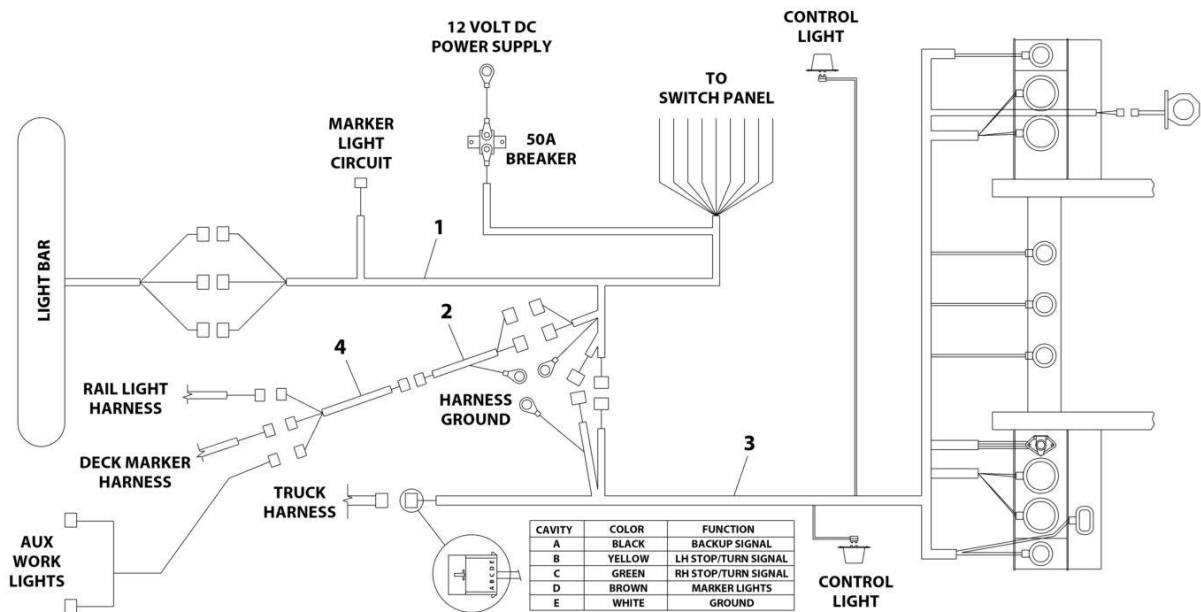
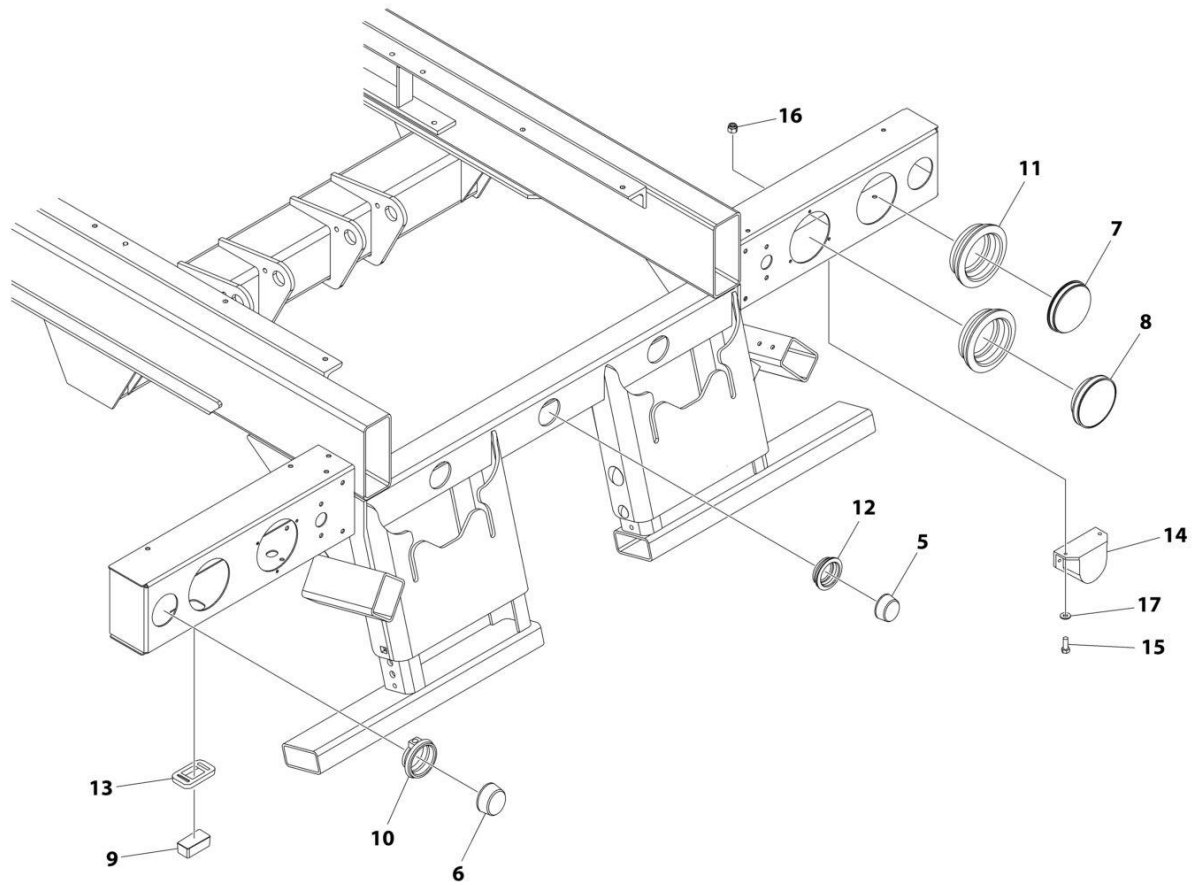
SECTION 6 - ELECTRICAL

FIGURE 6-9. DECK FLASHER REAR ILLUMINATION

ITEM	PART NUMBER	QTY	DESCRIPTION	REV
	1001145076	Ref	Deck Flasher Rear Illumination	B
1	1001145074	2	Bracket, LH Whelen Flash	
2	1001145075	2	Bracket, RH Whelen Flash	
3	7493000009	4	Grommet	
4	1001144986	1	Flashers Jumper Wire Harness	
4	8220934	1	Receptacle, Female - 3 Position	
4	8220936	1	Lock	
4	1001277282	3	Terminal	
4	1001277283	3	Seal	
4	4460891	1	Plug, Male - 2 Position	
4	4460465	2	Socket, Female	
4	8220935	1	Plug, Male - 3 Position	
4	8220936	1	Lock	
4	8220099	1	Terminal	
4	1001277283	1	Seal	
5	1001145077	Ref	Flasher Harness Installation	
5	1001143842	1	Flasher Harness	
5	4460897	5	Receptacle, Female - 2 Position	
5	4460464	10	Pin, Male	

SECTION 6 - ELECTRICAL

FIGURE 6-10. LIGHTS - HEADBOARD LIGHTS INSTALLATION - STATIONARY HEADBOARD (22-24FT)



ART_1001260278

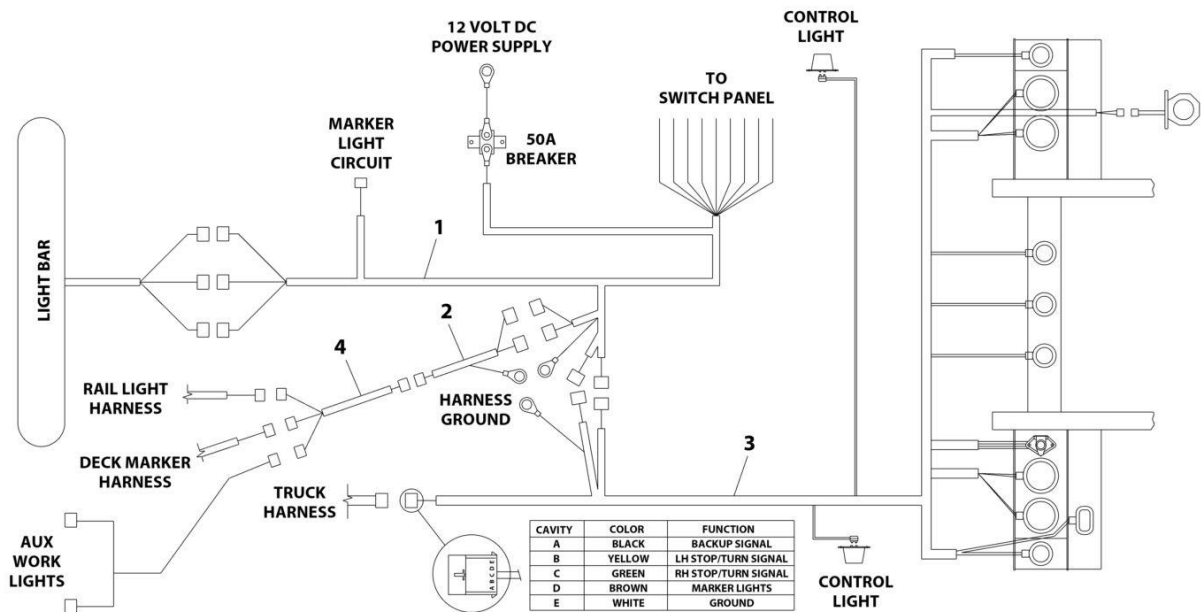
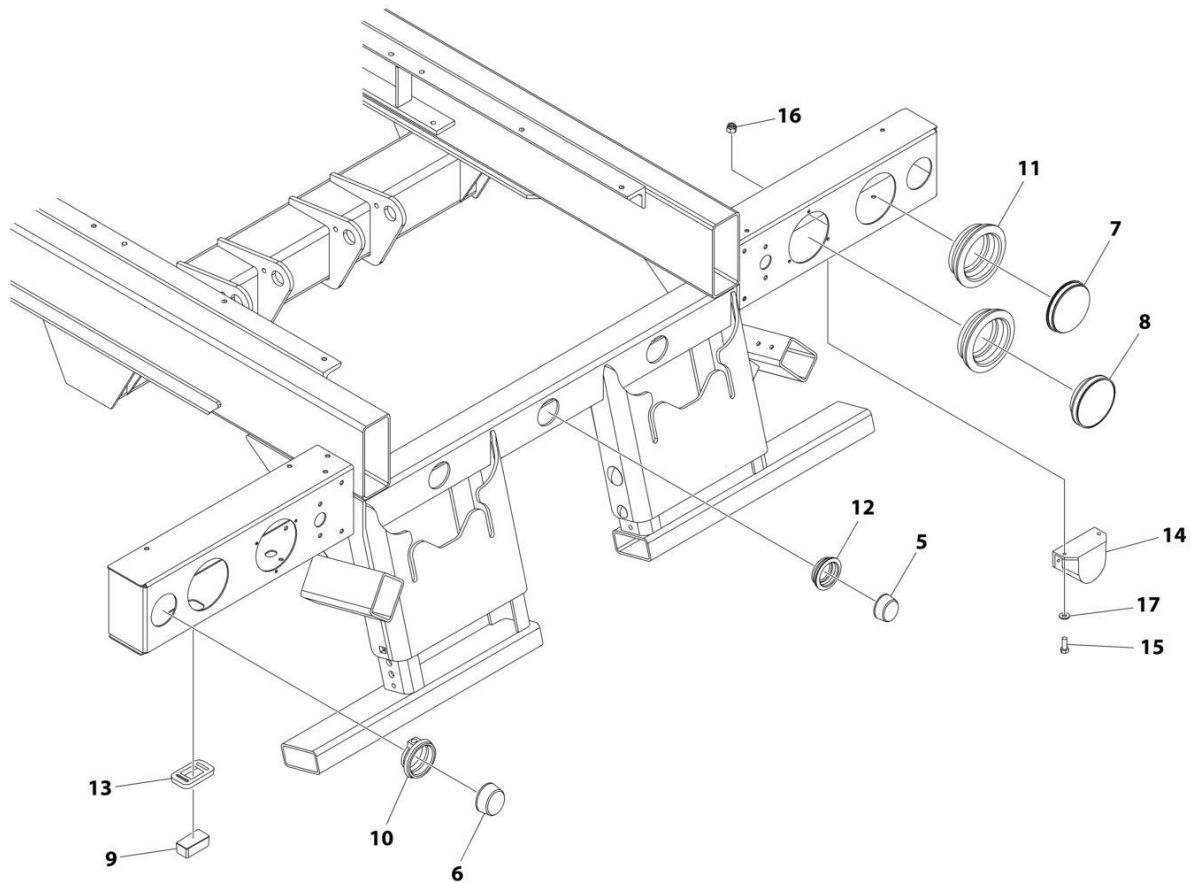
SECTION 6 - ELECTRICAL

FIGURE 6-10. LIGHTS - HEADBOARD LIGHTS INSTALLATION - STATIONARY HEADBOARD (22-24FT)

ITEM	PART NUMBER	QTY	DESCRIPTION	REV
	1001260278	Ref	LIGHTS - HEADBOARD LIGHTS INSTALLATION - STATIONARY HEADBOARD	A
1	1001260058	1	Cab to Subframe Harness (See Separate Breakdown in this Section)	
2	1001152349	1	Subframe to Deck Wiring Harness (See Separate Breakdown in this Section)	
3	1001173952	1	Subframe Harness (See Separate Breakdown in this Section)	
4	1001152348	1	Deck to Winch Harness (See Separate Breakdown in this Section)	
5	7590000340	3	Marker Light - Red (LED)	
6	7590000343	2	Marker Light - Red (LED)	
7	7590000341	2	Marker Light - Red (LED)	
8	1001142769	2	Backup Alarm	
9	1001142771	1	Lamp	
10	7493000009	2	Grommet	
11	7493000002	4	Grommet	
12	7493000023	3	Grommet	
13	7493000010	1	Grommet	
14	7011000006	1	Backup Alarm	
15	7114140528	2	Screw 1/4 x 5/8	
16	7660142601	2	Nut 1/4	
17	7949000023	2	Washer	
18	4346000005	5	Heat Shrink (Not Shown)	

SECTION 6 - ELECTRICAL

FIGURE 6-11. LIGHTS - HEADBOARD LIGHTS INSTALLATION - STATIONARY HEADBOARD (26-30FT)



ART_1001260279

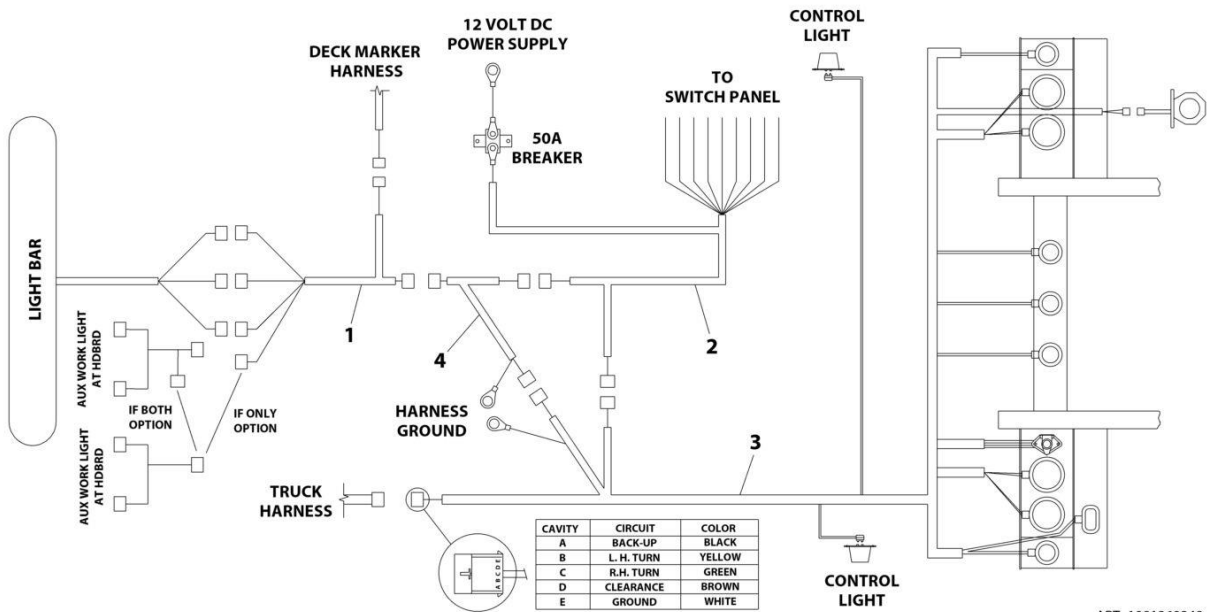
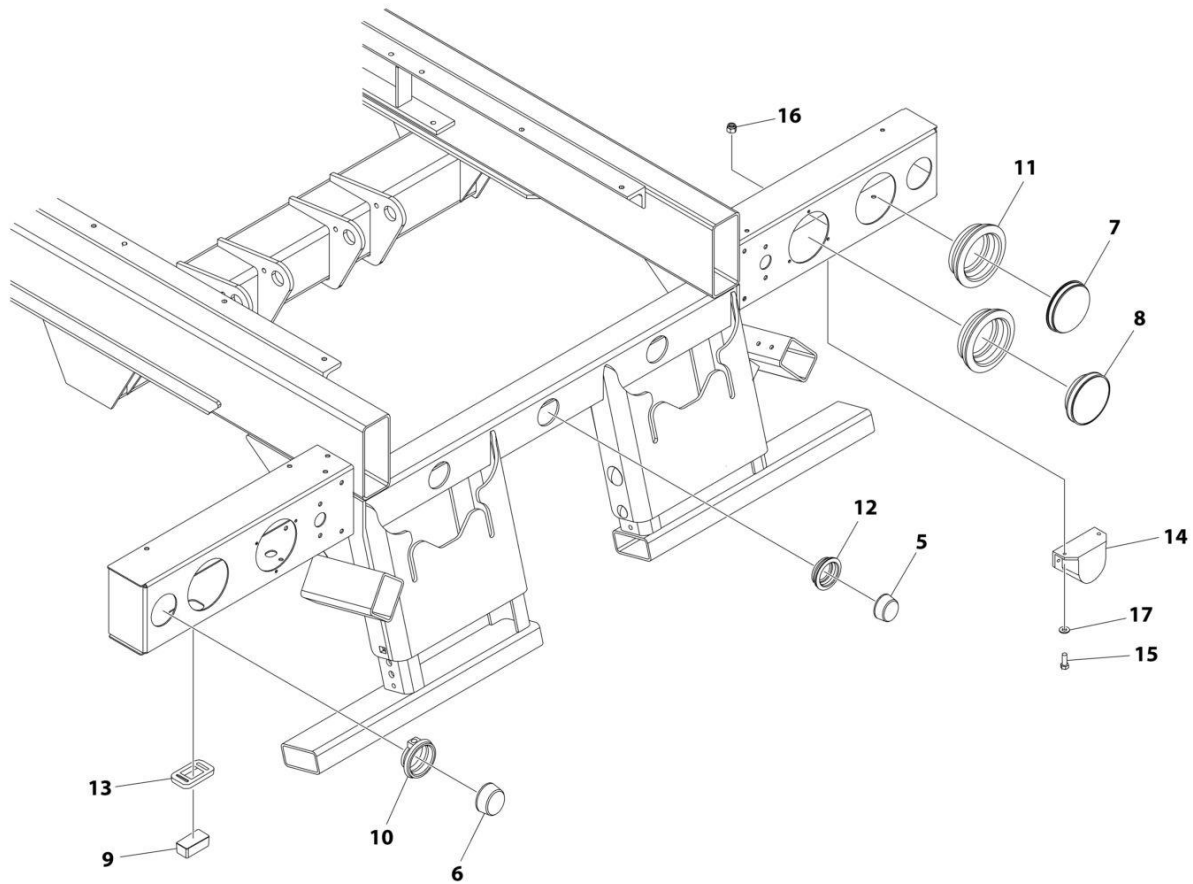
SECTION 6 - ELECTRICAL

FIGURE 6-11. LIGHTS - HEADBOARD LIGHTS INSTALLATION - STATIONARY HEADBOARD (26-30FT)

ITEM	PART NUMBER	QTY	DESCRIPTION	REV
	1001260279	Ref	LIGHTS - HEADBOARD LIGHTS INSTALLATION - STATIONARY HEADBOARD	A
1	1001260058	1	Subframe To Deck Harness (See Separate Breakdown in this Section)	
2	1001152349	1	Subframe to Deck Wiring Harness (See Separate Breakdown in this Section)	
3	1001173952	1	Subframe Harness (See Separate Breakdown in this Section)	
4	1001152347	1	Deck to Winch Harness (See Separate Breakdown in this Section)	
5	7590000340	3	Marker Light - Red (LED)	
6	7590000343	2	Marker Light - Red (LED)	
7	7590000341	2	Marker Light - Red (LED)	
8	1001142769	2	Backup Alarm	
9	1001142771	1	Lamp	
10	7493000009	2	Grommet	
11	7493000002	4	Grommet	
12	7493000023	3	Grommet	
13	7493000010	1	Grommet	
14	7011000006	1	Backup Alarm	
15	7114140528	2	Screw 1/4 x 5/8	
16	7660142601	2	Nut 1/4	
17	7949000023	2	Washer	
18	4346000005	5	Heat Shrink (Not Shown)	

SECTION 6 - ELECTRICAL

FIGURE 6-12. LIGHTS - HEADBOARD LIGHTS INSTALLATION - BOLT-ON HEADBOARD (24-30-FT)



ART_1001260348

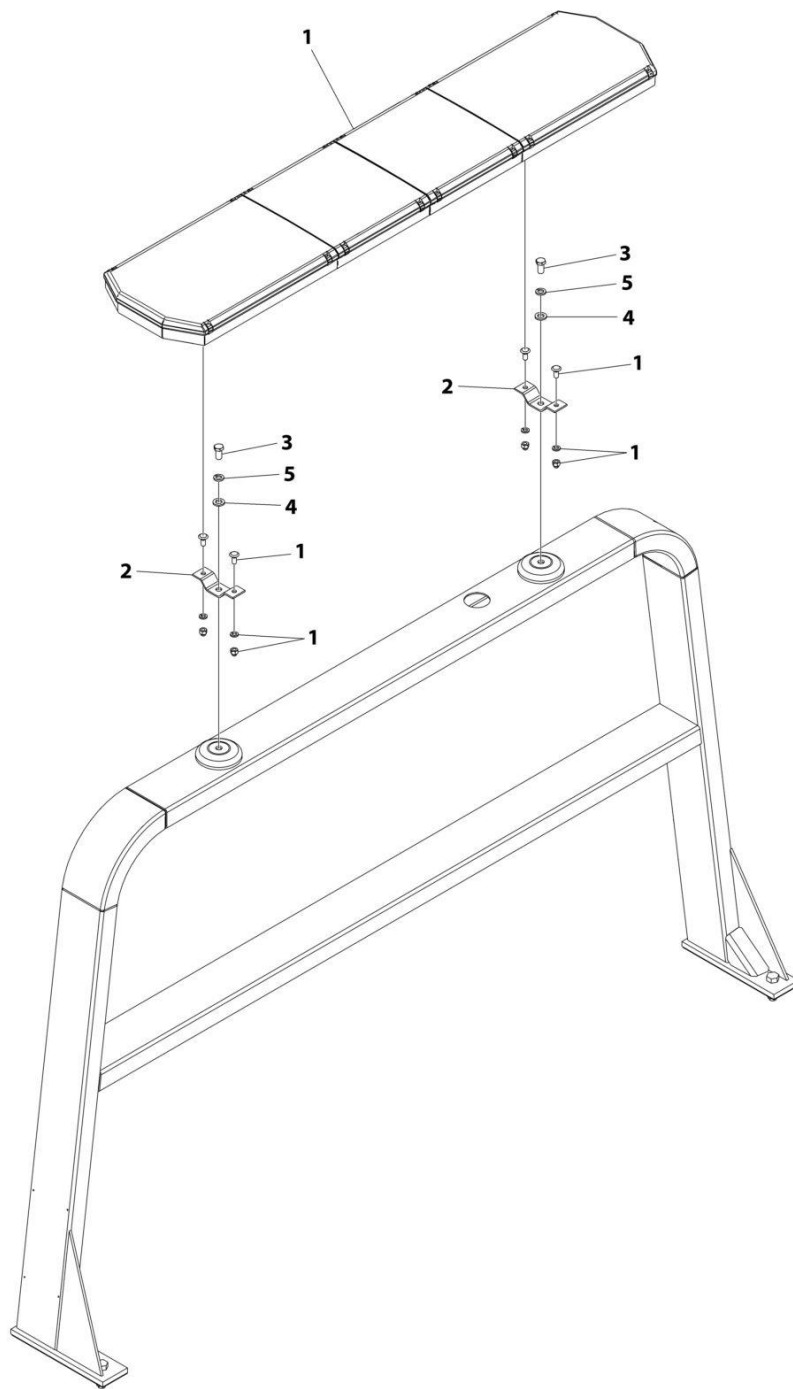
SECTION 6 - ELECTRICAL

FIGURE 6-12. LIGHTS - HEADBOARD LIGHTS INSTALLATION - BOLT-ON HEADBOARD (24-30-FT)

ITEM	PART NUMBER	QTY	DESCRIPTION	REV
	1001260348	Ref	LIGHTS - WORKLIGHTS INSTALLATION (ON HEADBOARD FOR 28-30FT DECK)	B
1	1001260351	1	Subframe to Winch Harness (See Separate Breakdown in this Section)	
2	7552000178	1	Subframe to Cab Harness (See Separate Breakdown in this Section)	
3	1001173952	1	Subframe Harness (See Separate Breakdown in this Section)	
4	7552000186	1	Subframe to Deck Harness (See Separate Breakdown in this Section)	
5	7590000340	3	Marker Light - Red (LED)	
6	7590000343	2	Marker Light - Red (LED)	
7	7590000341	2	Marker Light - Red (LED)	
8	1001142769	2	Lamp	
9	1001142771	1	Lamp	
10	7493000009	2	Grommet	
11	7493000002	4	Grommet	
12	7493000023	3	Grommet	
13	7493000010	1	Grommet	
14	7011000006	1	Backup Alarm	
15	7114140528	2	Screw 1/4 x 5/8	
16	7660142601	2	Nut 1/4	
17	7949000023	2	Washer	
18	4346000005	5	Heat Shrink (Not Shown)	

SECTION 6 - ELECTRICAL

FIGURE 6-13. LIGHTS - LIGHTBAR INSTALLATION - AMBER (WHELEN) (STD MOUNT)



ART_1001137524

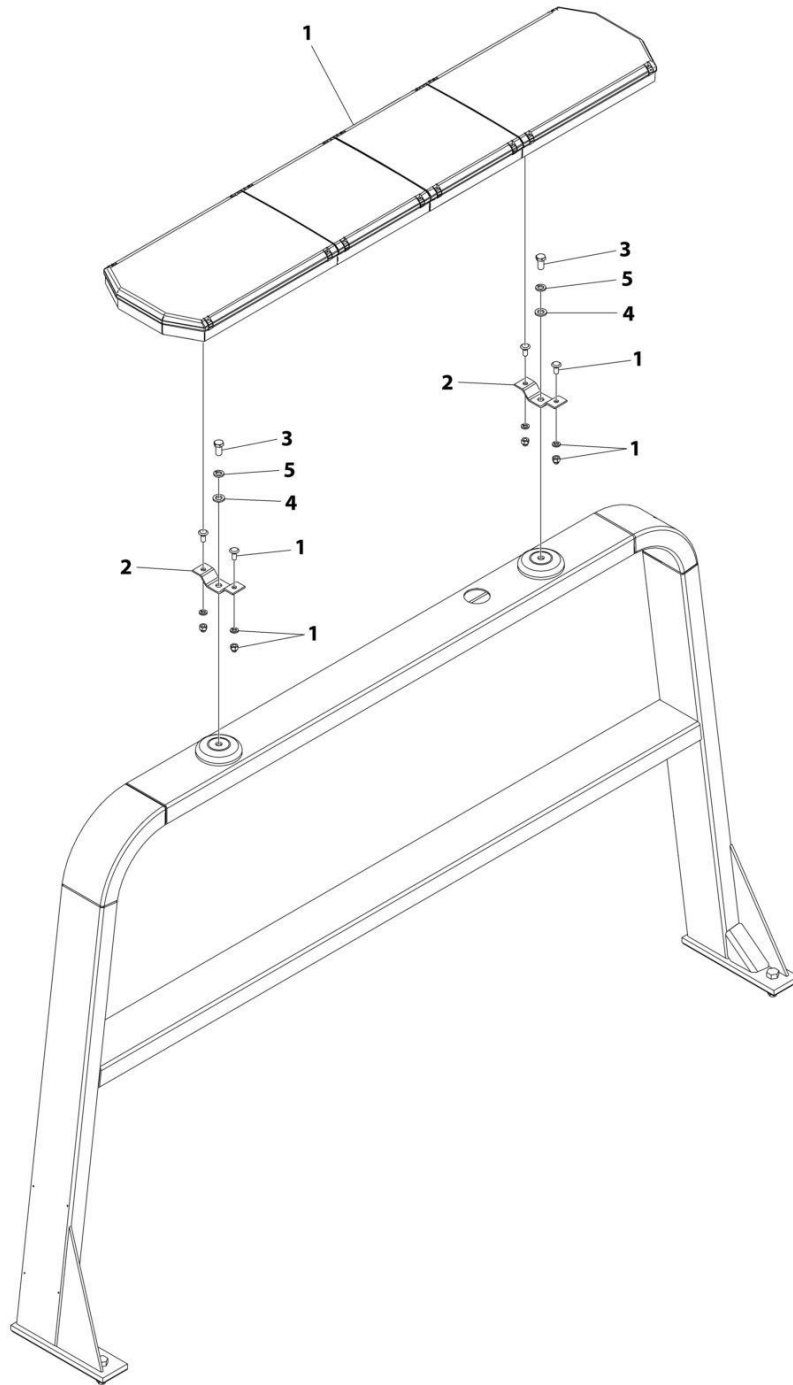
SECTION 6 - ELECTRICAL

FIGURE 6-13. LIGHTS - LIGHTBAR INSTALLATION - AMBER (WHELEN) (STD MOUNT)

ITEM	PART NUMBER	QTY	DESCRIPTION	REV
	1001137524	Ref	EMERGENCY LIGHTBAR, AMBER, WHELEN, STANDARD MOUNT	C
1	1001199476	1	Lightbar Assembly (See Separate Breakdown in this Section)	
2	4178000402	2	Bracket	
3	7115180850	2	Capscrew 1/2 x 1	
4	7950180252	2	Washer 1/2	
5	7950180000	2	Washer 19/32	

SECTION 6 - ELECTRICAL

FIGURE 6-14. LIGHTS - LIGHTBAR INSTALLATION - AMBER (WHELEN) (HIGH MOUNT)



ART_1001137525

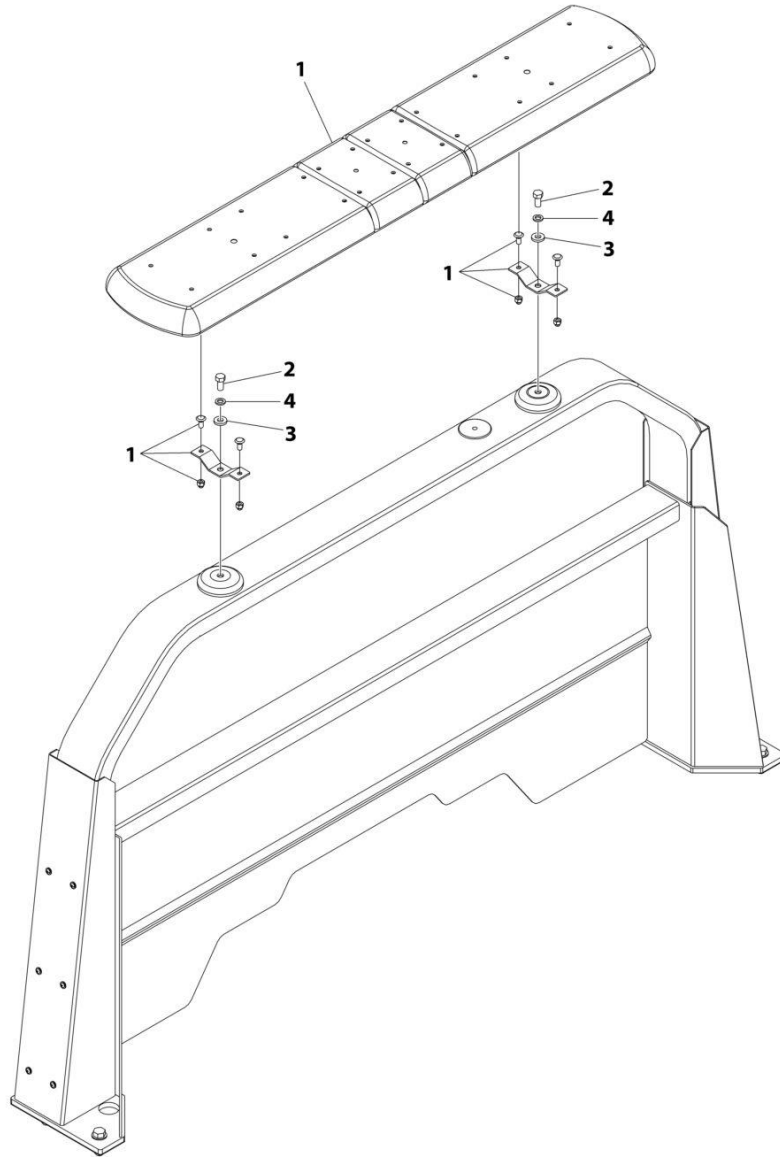
SECTION 6 - ELECTRICAL

FIGURE 6-14. LIGHTS - LIGHTBAR INSTALLATION - AMBER (WHELEN) (HIGH MOUNT)

ITEM	PART NUMBER	QTY	DESCRIPTION	REV
	1001137525	Ref	EMERGENCY LIGHTBAR, AMBER, WHELEN, HIGH MOUNT	C
1	1001199476	1	Lamp, Lightbar (See Separate Breakdown in this Section)	
2	4178000437	2	Bracket	
3	7115180850	2	Capscrew 1/2 x 1	
4	7950180252	2	Washer 1/2	
5	7950180000	2	Washer 19/32	

SECTION 6 - ELECTRICAL

FIGURE 6-15. LIGHTS - LIGHTBAR INSTALLATION - AMBER (ECCO) (STD MOUNT)



ART_1001259575

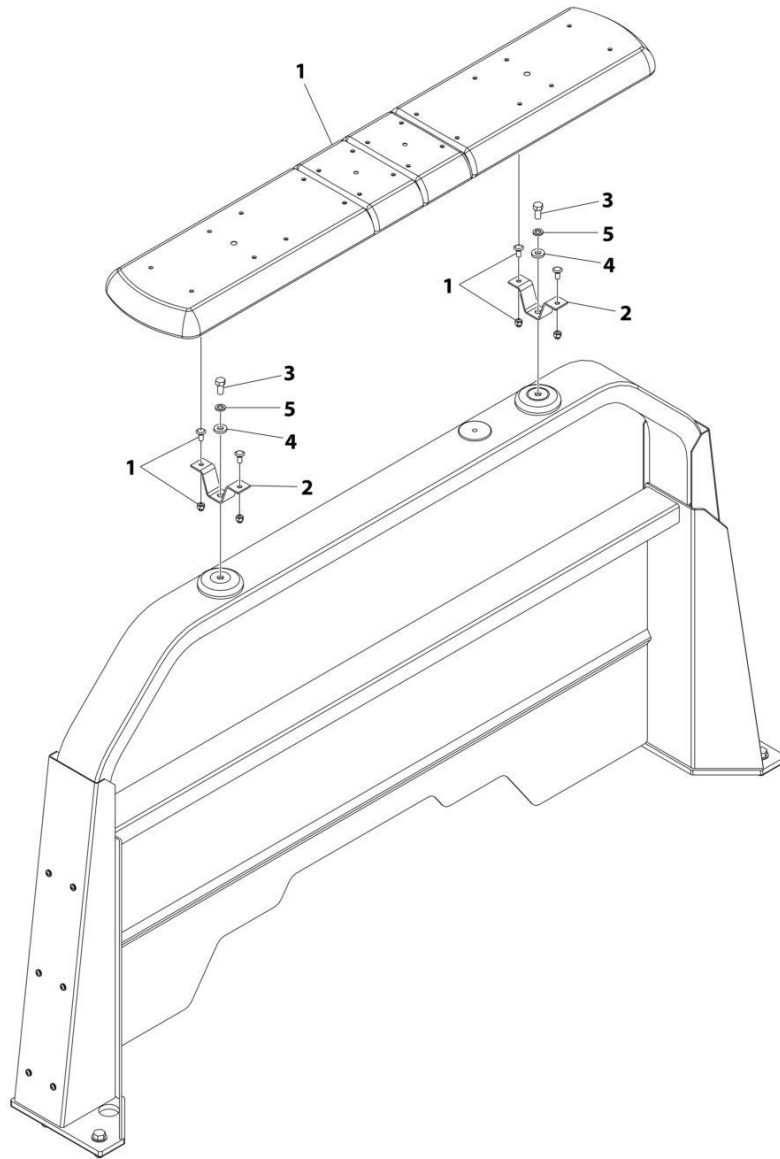
SECTION 6 - ELECTRICAL

FIGURE 6-15. LIGHTS - LIGHTBAR INSTALLATION - AMBER (ECCO) (STD MOUNT)

ITEM	PART NUMBER	QTY	DESCRIPTION	REV
	1001259575	Ref	EMERGENCY LIGHTBAR AMBER ECCO 12+ 60 STD MOUNT INSTALLATION	A
1	1001247138	1	Lightbar Assembly (See Separate Breakdown in this Section)	
2	0641808	2	Bolt 1/2 x 1	
3	4891800	2	Washer 1/2	
4	4761800	2	Washer 1/2	

SECTION 6 - ELECTRICAL

FIGURE 6-16. LIGHTS - LIGHTBAR INSTALLATION - AMBER (ECCO) (HIGH MOUNT)



ART_1001261039

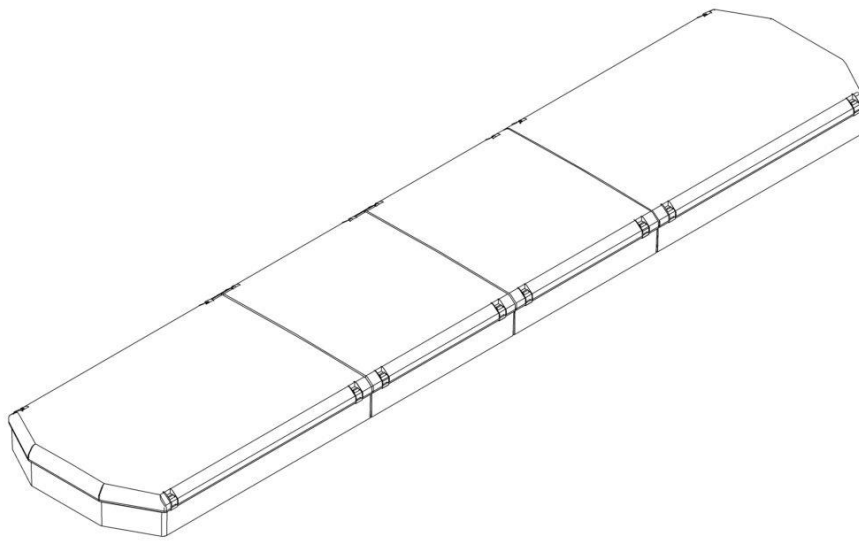
SECTION 6 - ELECTRICAL

FIGURE 6-16. LIGHTS - LIGHTBAR INSTALLATION - AMBER (ECCO) (HIGH MOUNT)

ITEM	PART NUMBER	QTY	DESCRIPTION	REV
	1001261039	Ref	EMERGENCY LIGHTBAR AMBER ECCO 12+ 60 HIGH MOUNT INSTALLATION	A
1	1001247138	1	Lightbar Assembly (See Separate Breakdown in this Section)	
2	1001262106	2	Bracket	
3	0641808	2	Bolt 1/2 x 1	
4	4891800	2	Washer 1/2	
5	4761800	2	Washer 1/2	

SECTION 6 - ELECTRICAL

FIGURE 6-17. LIGHTS - LIGHTBAR ASSEMBLY - AMBER (CODE 3 PRIZM BRAND)



ART_1001136989

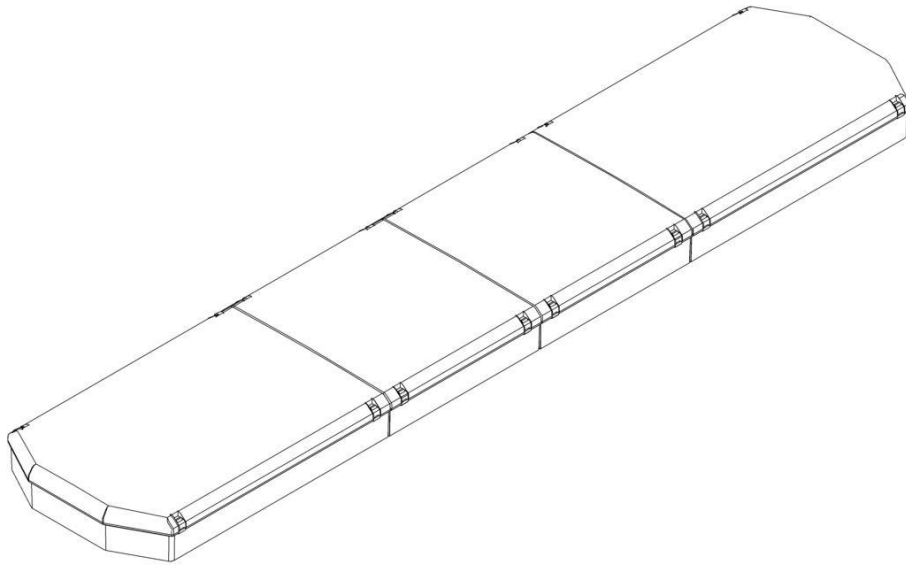
SECTION 6 - ELECTRICAL

FIGURE 6-17. LIGHTS - LIGHTBAR ASSEMBLY - AMBER (CODE 3 PRIZM BRAND)

ITEM	PART NUMBER	QTY	DESCRIPTION	REV
	1001136989	Ref	LIGHTS - LIGHTBAR ASSEMBLY – (CODE 3 PRIZM BRAND) (AMBER)	D
		Ref	Note: No Service Components Available at Time of Printing.	

SECTION 6 - ELECTRICAL

FIGURE 6-18. LIGHTS - LIGHTBAR ASSEMBLY – AMBER (CODE 3 STD BRAND)



ART_1001165614

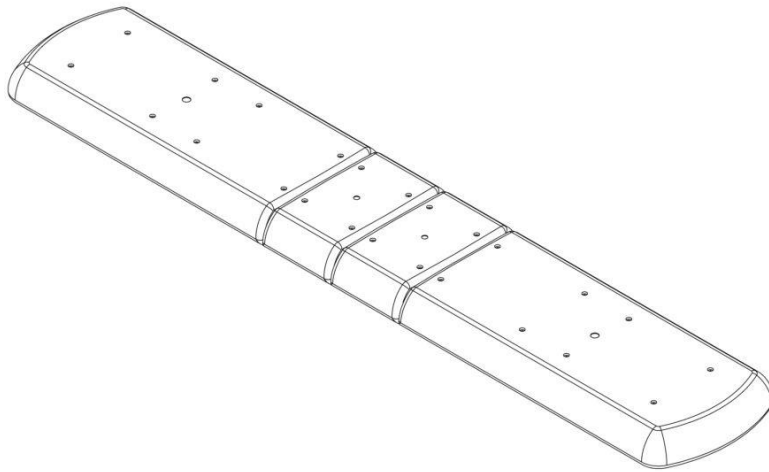
SECTION 6 - ELECTRICAL

FIGURE 6-18. LIGHTS - LIGHTBAR ASSEMBLY – AMBER (CODE 3 STD BRAND)

ITEM	PART NUMBER	QTY	DESCRIPTION	REV
	1001165614	Ref	LIGHTS - LIGHTBAR ASSEMBLY – (CODE 3 STD BRAND) (AMBER)	C
		Ref	Note: No Service Components Available at Time of Printing.	

SECTION 6 - ELECTRICAL

FIGURE 6-19. LIGHTS - LIGHTBAR ASSEMBLY - AMBER (ECCO)



ART_1001247138

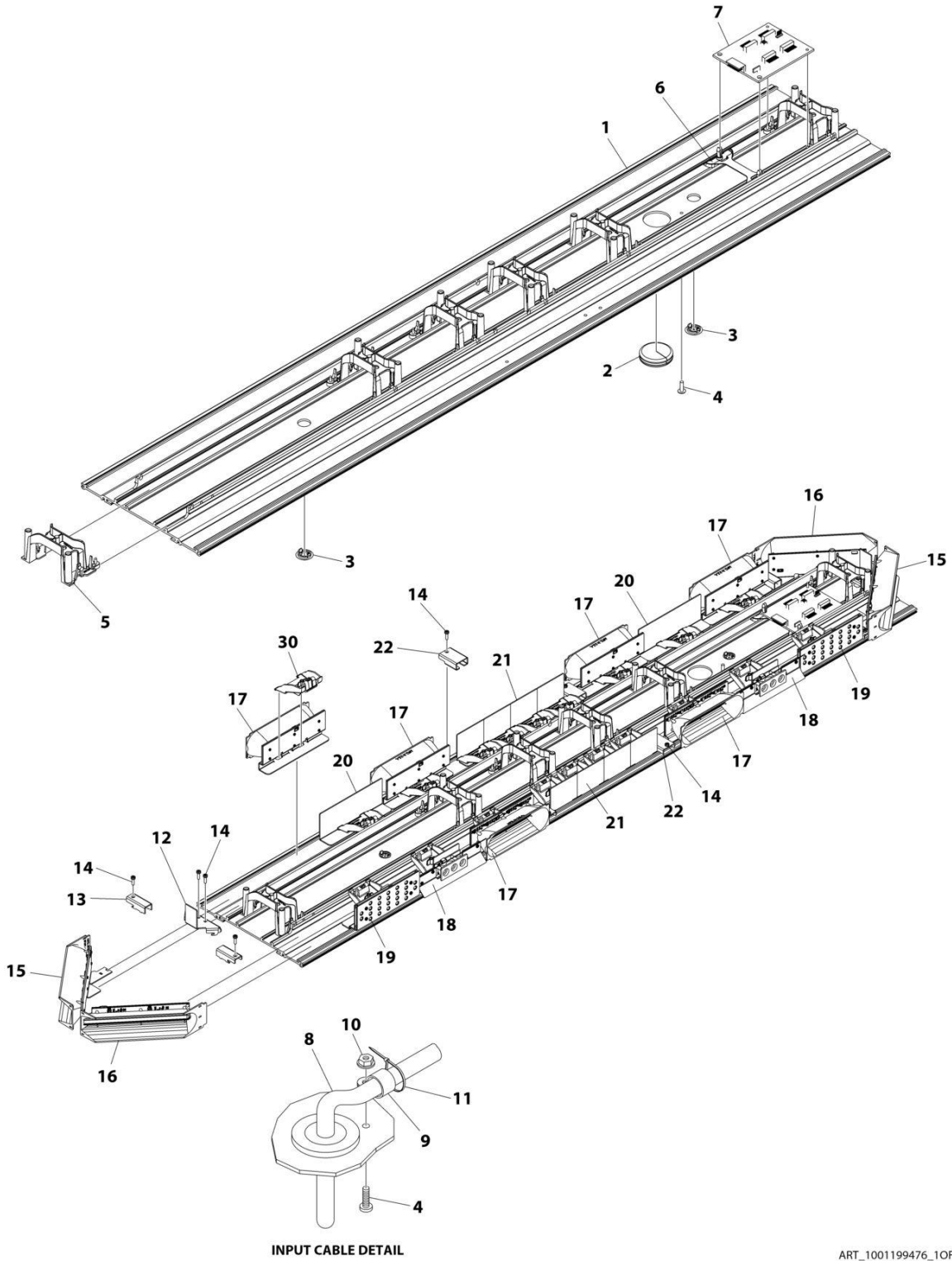
SECTION 6 - ELECTRICAL

FIGURE 6-19. LIGHTS - LIGHTBAR ASSEMBLY - AMBER (ECCO)

ITEM	PART NUMBER	QTY	DESCRIPTION	REV
	1001247138	Ref	LIGHTBAR ASSEMBLY (ECCO BRAND)	A
		Ref	Replacement Amber Module	
		Ref	Work/Alley Light (Pair)	
		Ref	Stop/Turn/Taillight Kit (Includes 2 Modules, Harness and STT Cable)	
		Ref	Replacement Driver Board	

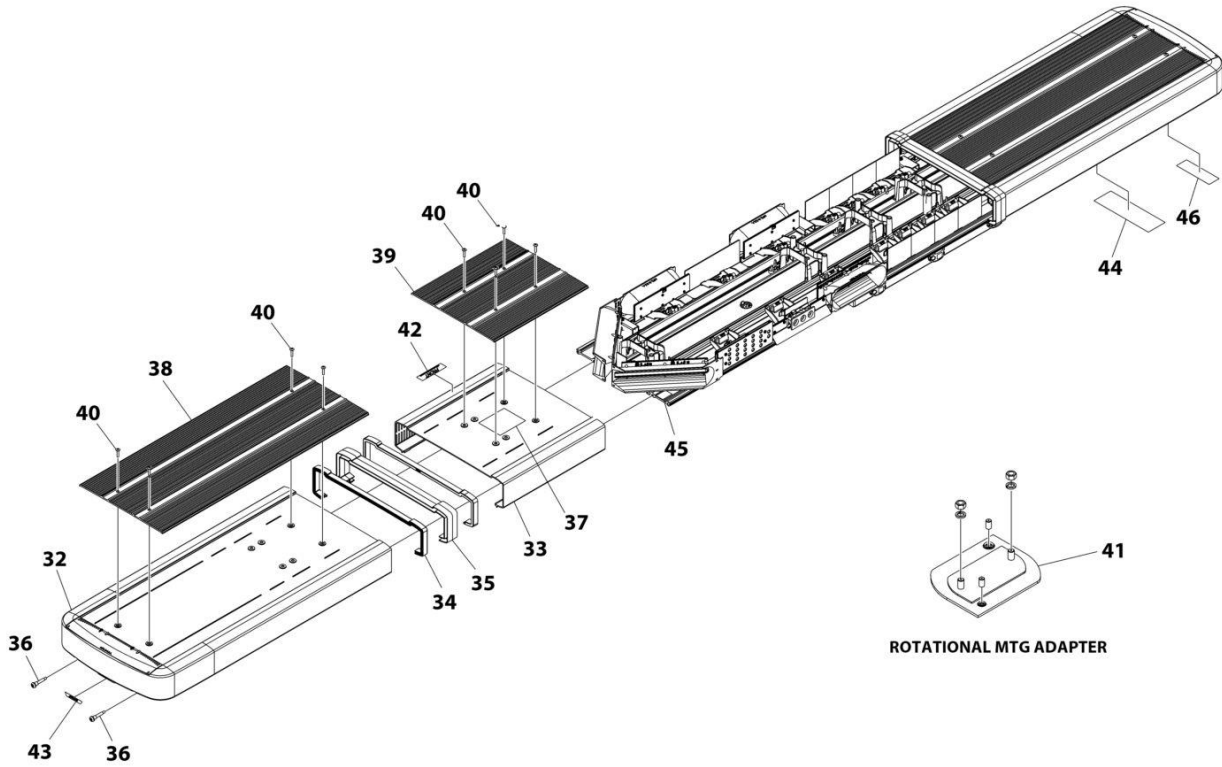
SECTION 6 - ELECTRICAL

FIGURE 6-20. LIGHTS - LIGHTBAR ASSEMBLY - AMBER (WHELEN)

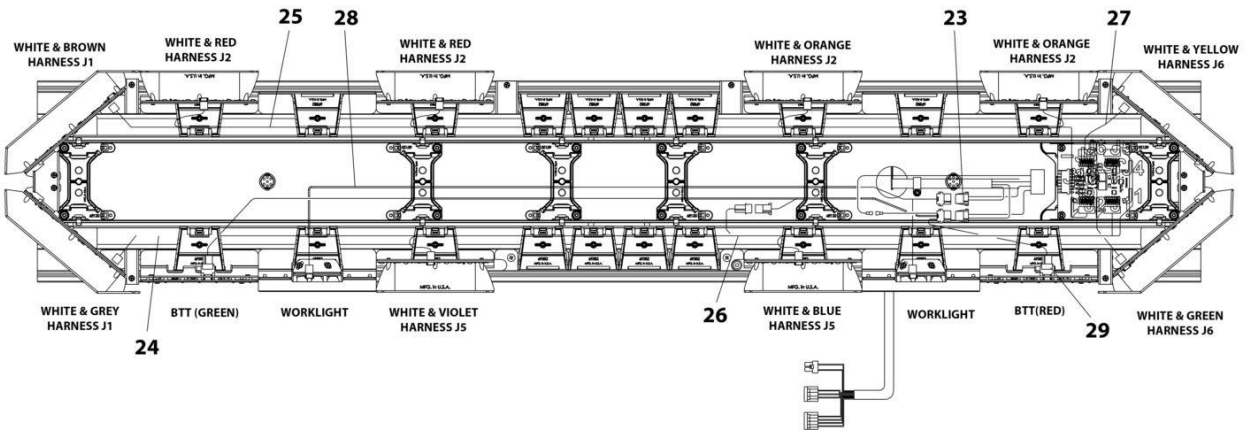


SECTION 6 - ELECTRICAL

FIGURE 6-21. LIGHTS - LIGHTBAR ASSEMBLY - AMBER (WHELEN)



ROTATIONAL MTG ADAPTER



ART_1001199476_20F2

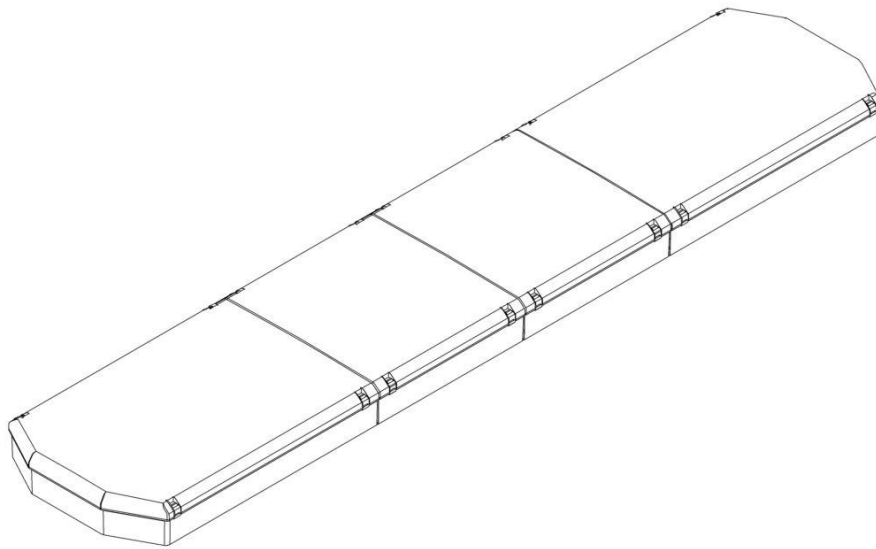
SECTION 6 - ELECTRICAL

FIGURE 6-21. LIGHTS - LIGHTBAR ASSEMBLY - AMBER (WHELEN)

ITEM	PART NUMBER	QTY	DESCRIPTION	REV
	1001199476	Ref	LAMP LIGHTBAR WHELEN LIB2 60 CARR	B
1		Ref	Base, Extruded	
2		Ref	Grommet	
3		Ref	Plug	
4		Ref	Screw 10 x 5/8	
5		Ref	Bracket	
6		Ref	Bracket	
7		Ref	Board Assembly	
8		Ref	Cable Assembly	
9		Ref	Clamp	
10		Ref	Nut 10	
11		Ref	Tie-Strap (Not Shown)	
12		Ref	Bracket	
13		Ref	Bracket	
14		Ref	Screw 6 x 1/2	
15		Ref	Corner Assembly, L-Front/R-Rear	
16		Ref	Corner Assembly, L-Rear/R-Front	
17		Ref	Sub Assembly, Full Directional Liberty	
18		Ref	Sub Assembly, Single 3 Led Full T-D Liberty	
19		Ref	Sub Assembly, 12V Stop/Turn, Tail LC Liberty	
20		Ref	Bracket	
21		Ref	Bracket	
22		Ref	Bracket	
23		Ref	Housing, 6-Position Socket Motor	
24		Ref	Harness, Driver Corner J1	
25		Ref	Harness, Front Inboard J2	
26		Ref	Harness, Rear In Boards J5	
27		Ref	Harness, Pass Corners J6	
28		Ref	Harness, Work Light	
29		Ref	Harness, B/T/T W/Dot LTS	
30		Ref	Bracket	
31		Ref	Tie-Strap (Not Shown)	
32		Ref	Sub Assembly, Full Lens	
33		Ref	Lens, Clear Optic Cut Center	
34		Ref	Seal, Lens Divider	
35		Ref	Divider, Lens Independence Lightbar	
36		Ref	Screw 10 x 1-1/4	
37		Ref	Label, Center Dome Removal Instructions	
38		Ref	Cover, Top Extruded	
39		Ref	Cover, Top Extruded	
40		Ref	Screw 10 x 7/8	
41		Ref	Kit, Rotational	
42		Ref	Label, "Front" Lightbar Assembly	
43		Ref	Label, Jerr-Dan Liberty	
44		Ref	Label, MN/SN	
45		Ref	Label, Serial Number	
46		Ref	Label, "Pre-Production"	

SECTION 6 - ELECTRICAL

FIGURE 6-22. LIGHTS - LIGHTBAR ASSEMBLY - RED (CODE 3 BRAND)



ART_1001136993

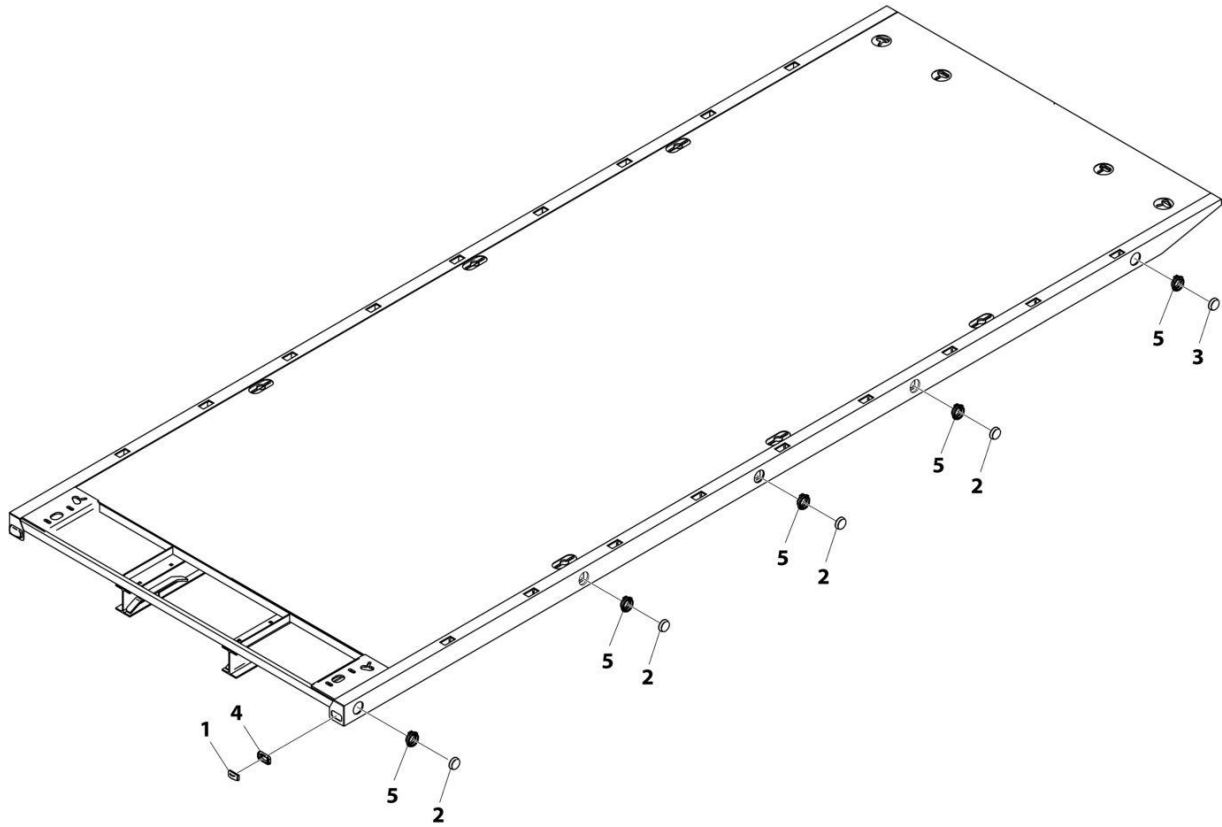
SECTION 6 - ELECTRICAL

FIGURE 6-22. LIGHTS - LIGHTBAR ASSEMBLY - RED (CODE 3 BRAND)

ITEM	PART NUMBER	QTY	DESCRIPTION	REV
	1001136993	Ref	LIGHTS - LIGHTBAR ASSEMBLY – (CODE 3 PRIZM BRAND) (RED)	B
		Ref	Note: No Service Components Available at Time of Printing.	

SECTION 6 - ELECTRICAL

FIGURE 6-23. LIGHTS - MARKER LIGHT INSTALLATION, CARRIER DECK



ART_2590000215

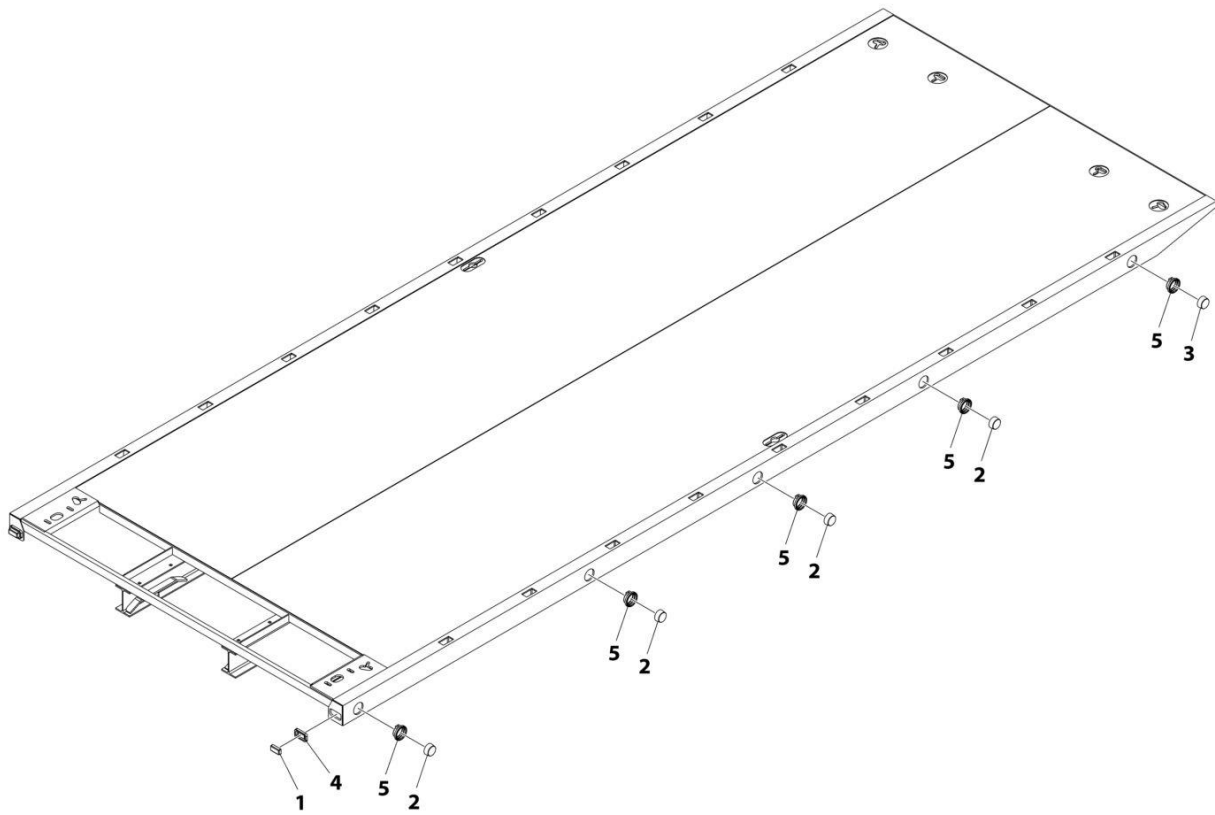
SECTION 6 - ELECTRICAL

FIGURE 6-23. LIGHTS - MARKER LIGHT INSTALLATION, CARRIER DECK

ITEM	PART NUMBER	QTY	DESCRIPTION	REV
	2590000215	Ref	LIGHTS INSTALLATION - STANDARD CARRIER DECK	B
1	7590000339	2	Marker Light - Amber (LED)	
2	7590000342	8	Marker Light - Amber (LED)	
3	7590000343	2	Marker Light - Red (LED)	
4	7493000010	2	Grommet	
5	7493000009	10	Grommet	

SECTION 6 - ELECTRICAL

FIGURE 6-24. LIGHTS - MARKER LIGHT INSTALLATION, CARRIER DECK - 24V



ART_1001131570

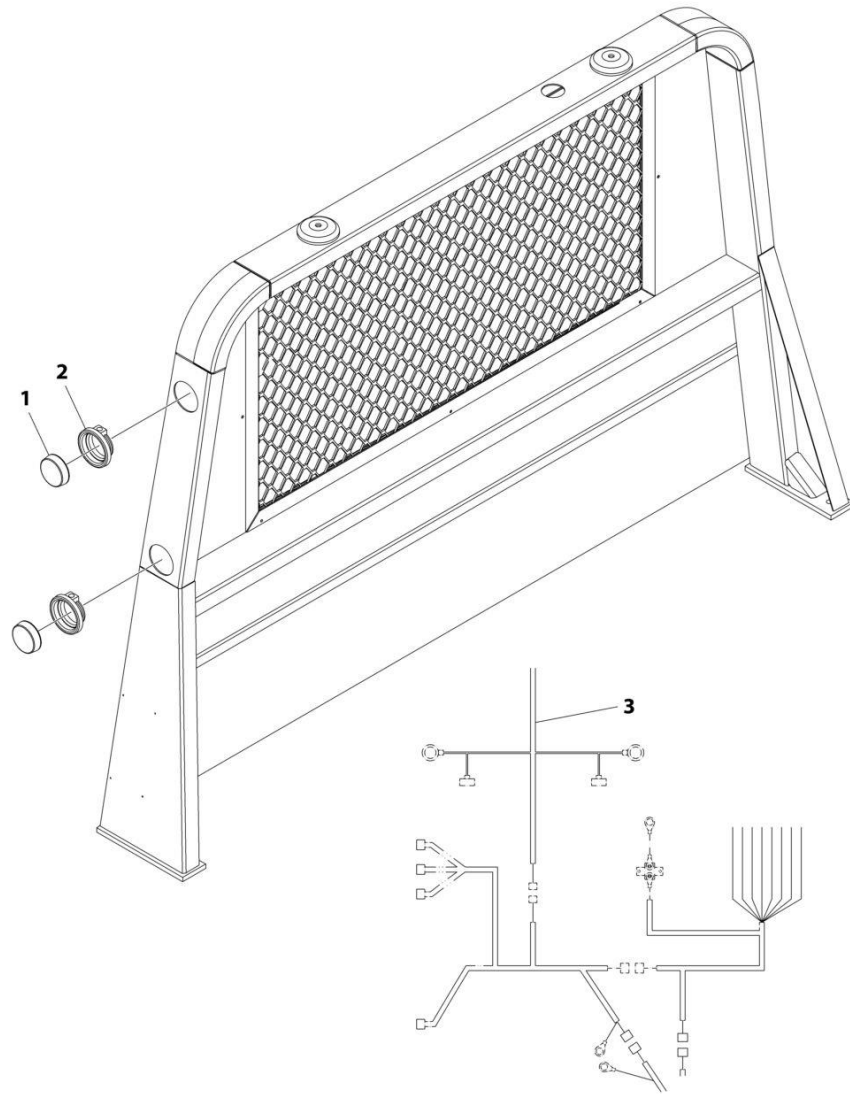
SECTION 6 - ELECTRICAL

FIGURE 6-24. LIGHTS - MARKER LIGHT INSTALLATION, CARRIER DECK - 24V

ITEM	PART NUMBER	QTY	DESCRIPTION	REV
	1001131570	Ref	DECK MARKER LIGHTS	B
1	7590000148	2	Marker Light - Amber	
2	7590000133	8	Light, Round - Amber - 24V	
3	7590000132	2	Light, Round - Red - 24V	
4	7493000010	2	Grommet	
5	7493000009	10	Grommet	

SECTION 6 - ELECTRICAL

FIGURE 6-25. LIGHTS - MARKER LIGHT INSTALLATION - HEADBOARD (ADDITIONAL)



ART_2590000232

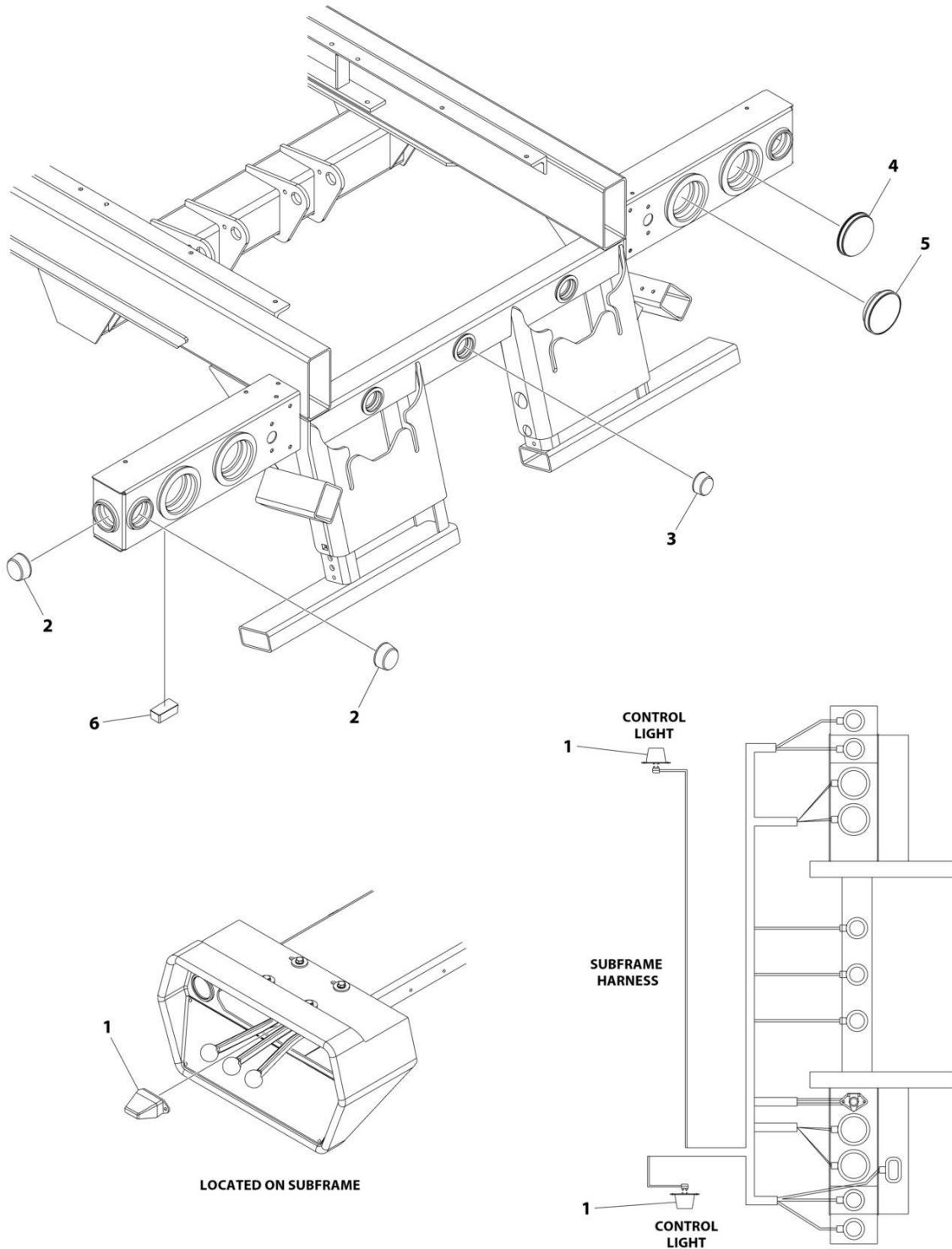
SECTION 6 - ELECTRICAL

FIGURE 6-25. LIGHTS - MARKER LIGHT INSTALLATION - HEADBOARD (ADDITIONAL)

ITEM	PART NUMBER	QTY	DESCRIPTION	REV
	2590000232	Ref	LIGHT - MARKER LIGHT INSTALLATION - HEADBOARD (ADDITIONAL)	0
1	7590000342	4	Marker Light - Amber (LED)	
2	7493000009	4	Grommet	
3	7552000409	1	Harness, Cab	
3	80963057	1	Connector	
3	80963068	1	Terminal	
3	91364009	2	Seal	
3	80963058	1	Connector	
3	4460475	1	Terminal	
3		Ref	Connector, Truck Light	

SECTION 6 - ELECTRICAL

FIGURE 6-26. LIGHTS - 24 VOLT CONVERSION



ART_1001161526

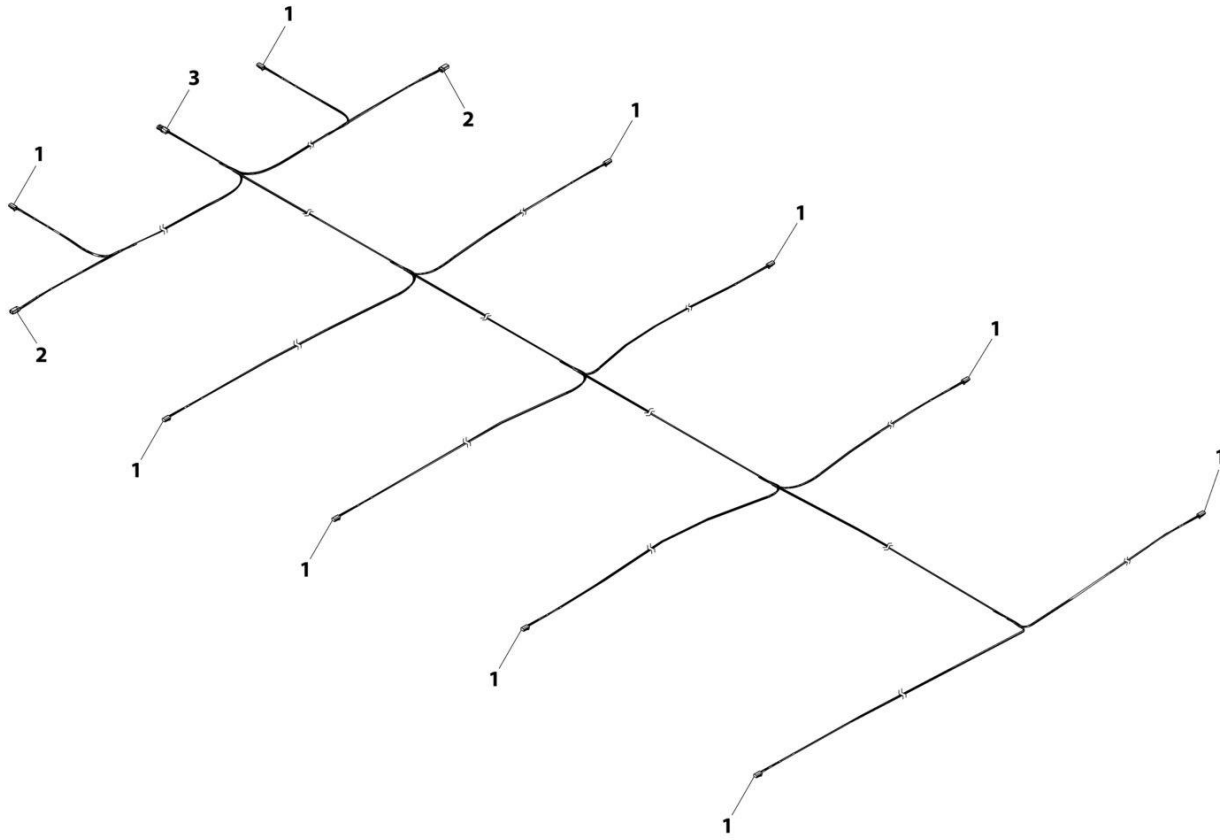
SECTION 6 - ELECTRICAL

FIGURE 6-26. LIGHTS - 24 VOLT CONVERSION

ITEM	PART NUMBER	QTY	DESCRIPTION	REV
	1001161526	Ref	LIGHT CONVERSION - 24 VOLT	A
1	7590000143	2	Light, Courtesy	
2	7590000132	4	Marker Light - Red (LED)	
3	7590000142	3	Marker Light with Grommet - Red (LED)	
4	7590000135	2	Stop Light	
5	7590000134	2	Backup Light	
6	7590000138	1	Lamp	

SECTION 6 - ELECTRICAL

FIGURE 6-27. LIGHTS - DECK LIGHTS HARNESS



ART_7552000212

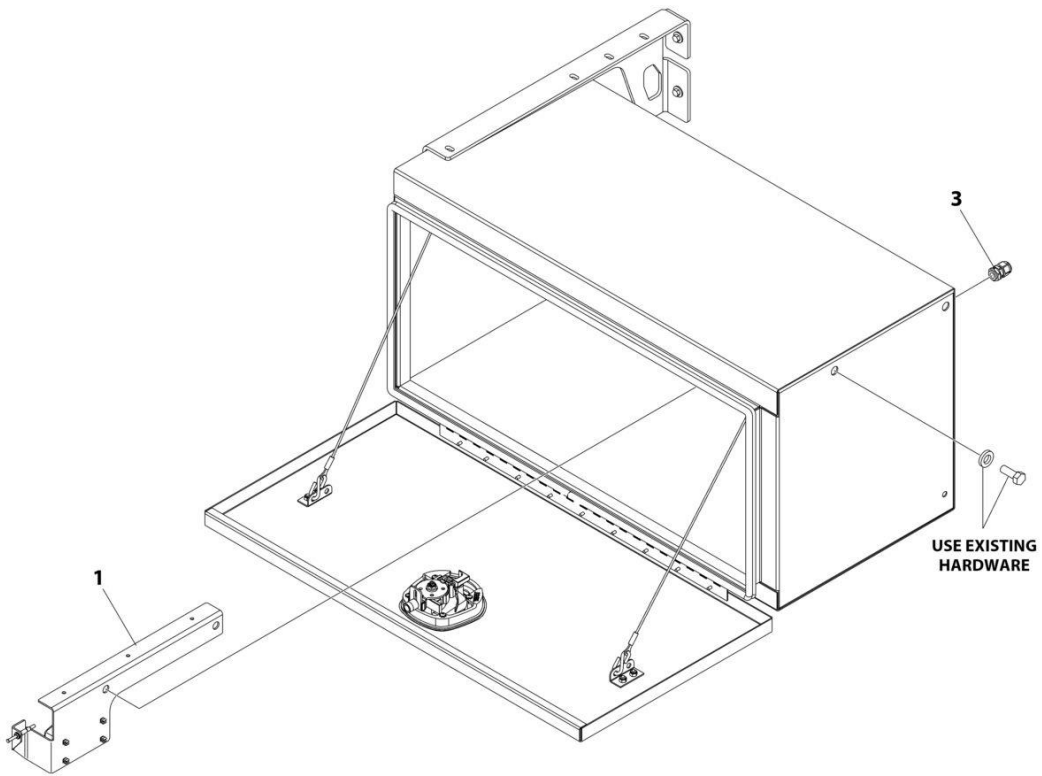
SECTION 6 - ELECTRICAL

FIGURE 6-27. LIGHTS - DECK LIGHTS HARNESS

ITEM	PART NUMBER	QTY	DESCRIPTION	REV
	7552000212	Ref	DECK LIGHTS HARNESS	D
1	1001275791	10	Connector (Marker Light)	
2	NPN	2	Connector (Clearance Light)	
3	4461157	1	Receptacle, Female - 2 Position (Power in)	
3	4460475	2	Terminal (Power in)	
3	NPN	2	Seal (Power in)	

SECTION 6 - ELECTRICAL

FIGURE 6-28. LIGHTS - TOOLBOX LIGHTS



ART_217800031

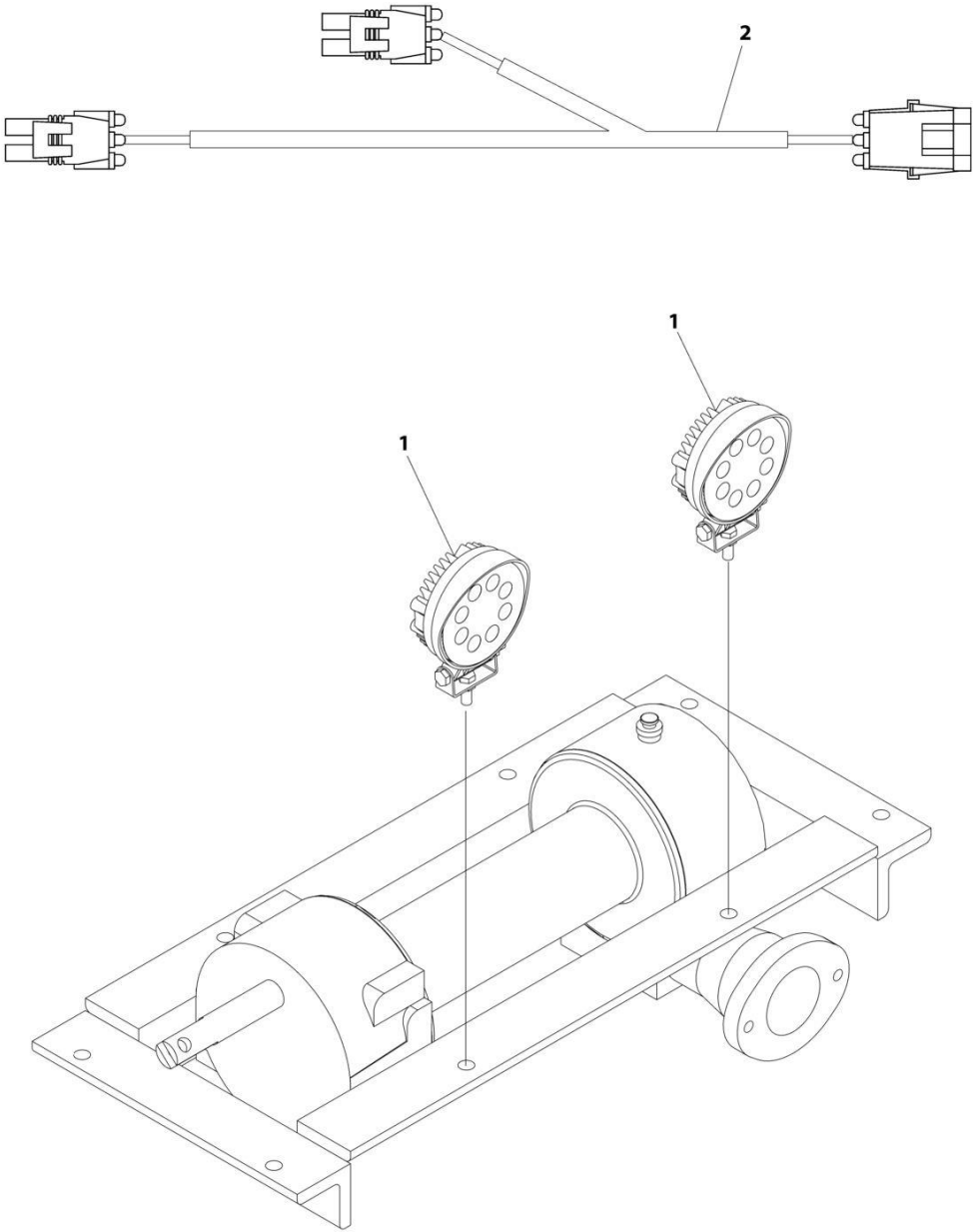
SECTION 6 - ELECTRICAL

FIGURE 6-28. LIGHTS - TOOLBOX LIGHTS

ITEM	PART NUMBER	QTY	DESCRIPTION	REV
	2178000031	Ref	Toolbox Light Installation	0
1	3178000437	1	Bracket Assembly (See Separate Breakdown in this Section)	
2	7552000297	1	Harness, Tool Box Light (Not Shown)	
2	4460742	1	Plug, Male - 2 Position	
2	4460457	2	Socket, Female	
3	7443000377	1	Fitting	

SECTION 6 - ELECTRICAL

FIGURE 6-29. LIGHTS - WORK LIGHTS AT WINCH, LED, 10V-30V



ART_1001176431

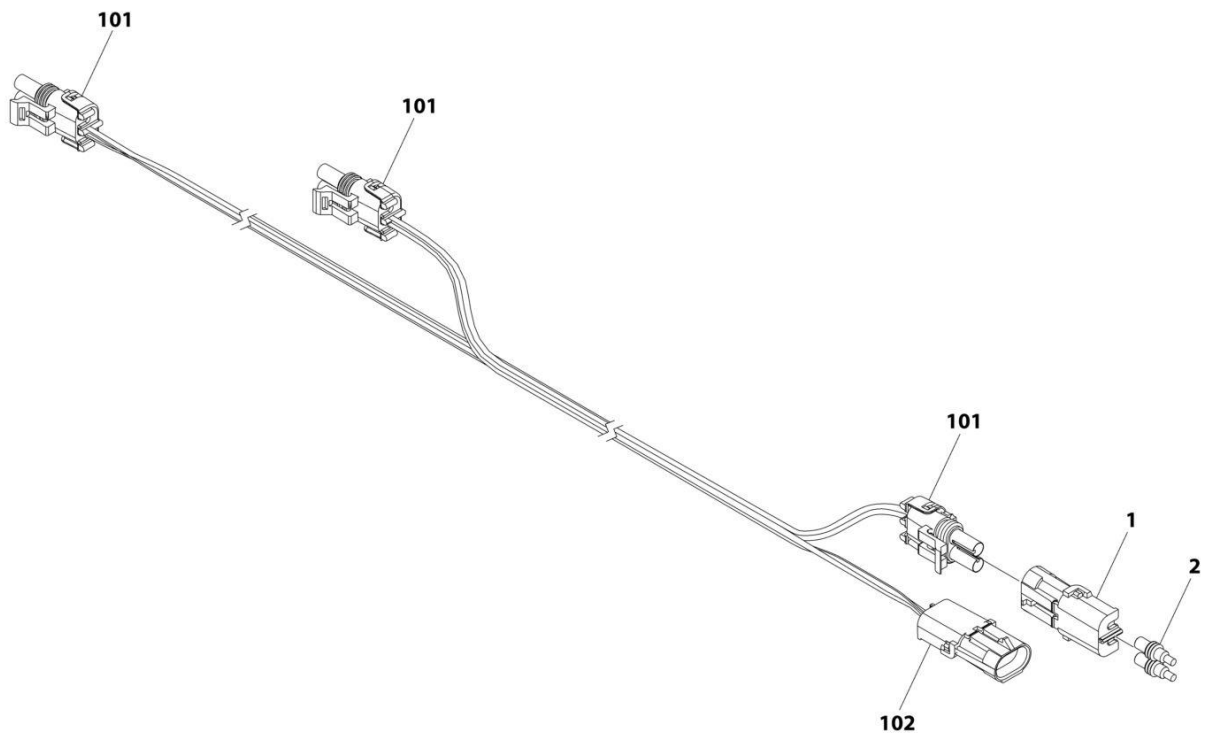
SECTION 6 - ELECTRICAL

FIGURE 6-29. LIGHTS - WORK LIGHTS AT WINCH, LED, 10V-30V

ITEM	PART NUMBER	QTY	DESCRIPTION	REV
	1001176431	Ref	LED WORK LIGHTS WINCH INSTALLATION	C
1	1001176337	2	Lamp, LED Work Light 10V-30V (Prior to SN 0220026465)	
1	1001273634	2	Lamp, LED Work Light 10V-30V (SN 0220026465 to Present)	
2	7552000166	1	Harness, Deck Work Light	
2	4460742	2	Plug, Male - 2 Position	
2	4461157	1	Receptacle, Female - 2 Position	
2	4460457	6	Terminal	
2	8220081	6	Seal	
3	5526000553	4	Tie-Strap (Not Shown)	

SECTION 6 - ELECTRICAL

FIGURE 6-30. LIGHTS - WORKLIGHT HARNESS (HEADBOARD)



ART_7552000222

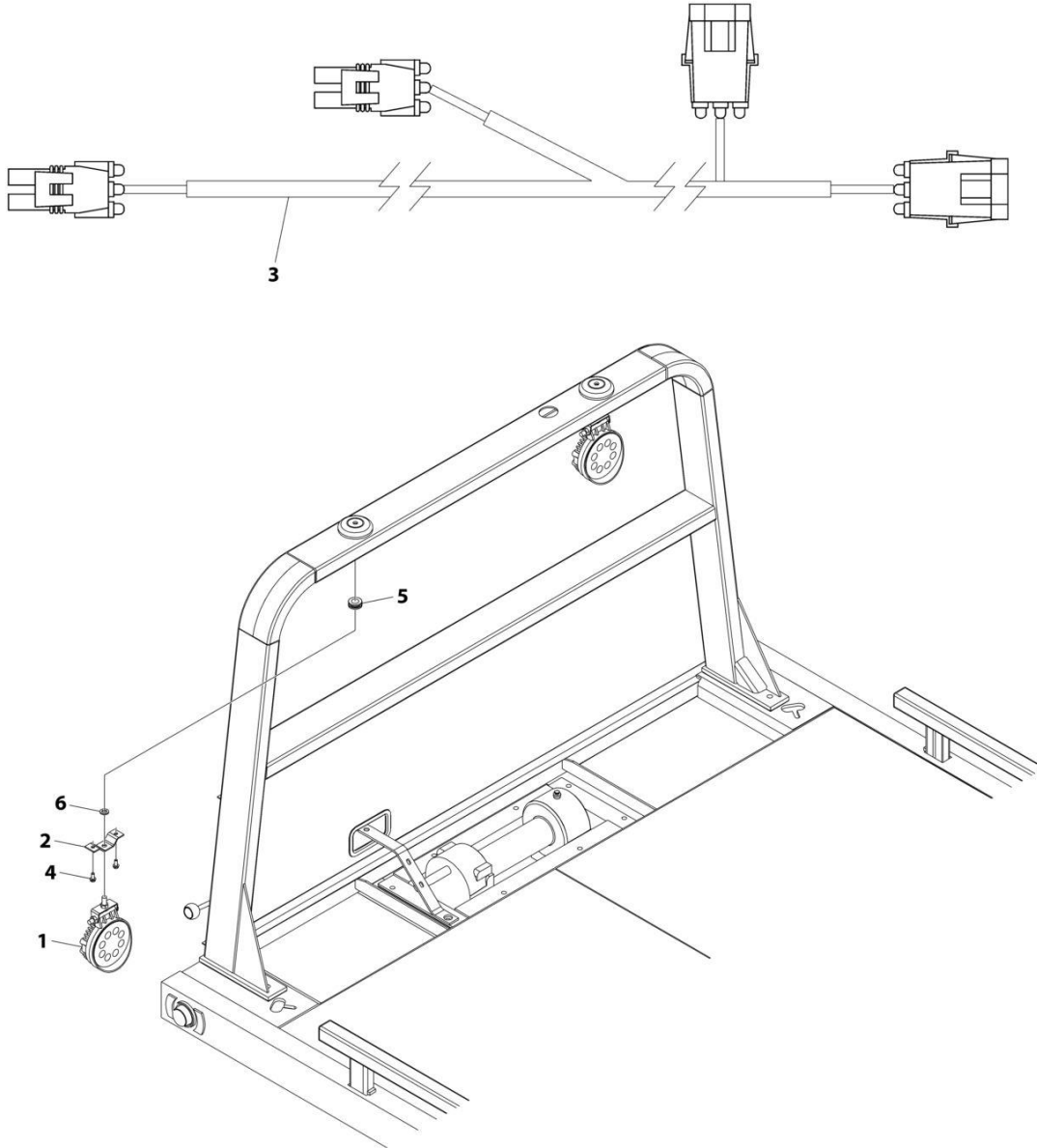
SECTION 6 - ELECTRICAL

FIGURE 6-30. LIGHTS - WORKLIGHT HARNESS (HEADBOARD)

ITEM	PART NUMBER	QTY	DESCRIPTION	REV
	7552000222	Ref	HEADBOARD WORK LIGHT HARNESS	B
1	4461157	1	Connector	
2	1001116727	2	Plug	
101	4460742	3	Connector	
101	4460457	6	Terminal	
101	8220081	6	Seal	
102	4461157	1	Connector	
102	4460475	2	Terminal	
102	8220081	2	Seal	

SECTION 6 - ELECTRICAL

FIGURE 6-31. LIGHTS - WORKLIGHT INSTALLATION - HEADBOARD



ART_1001176428

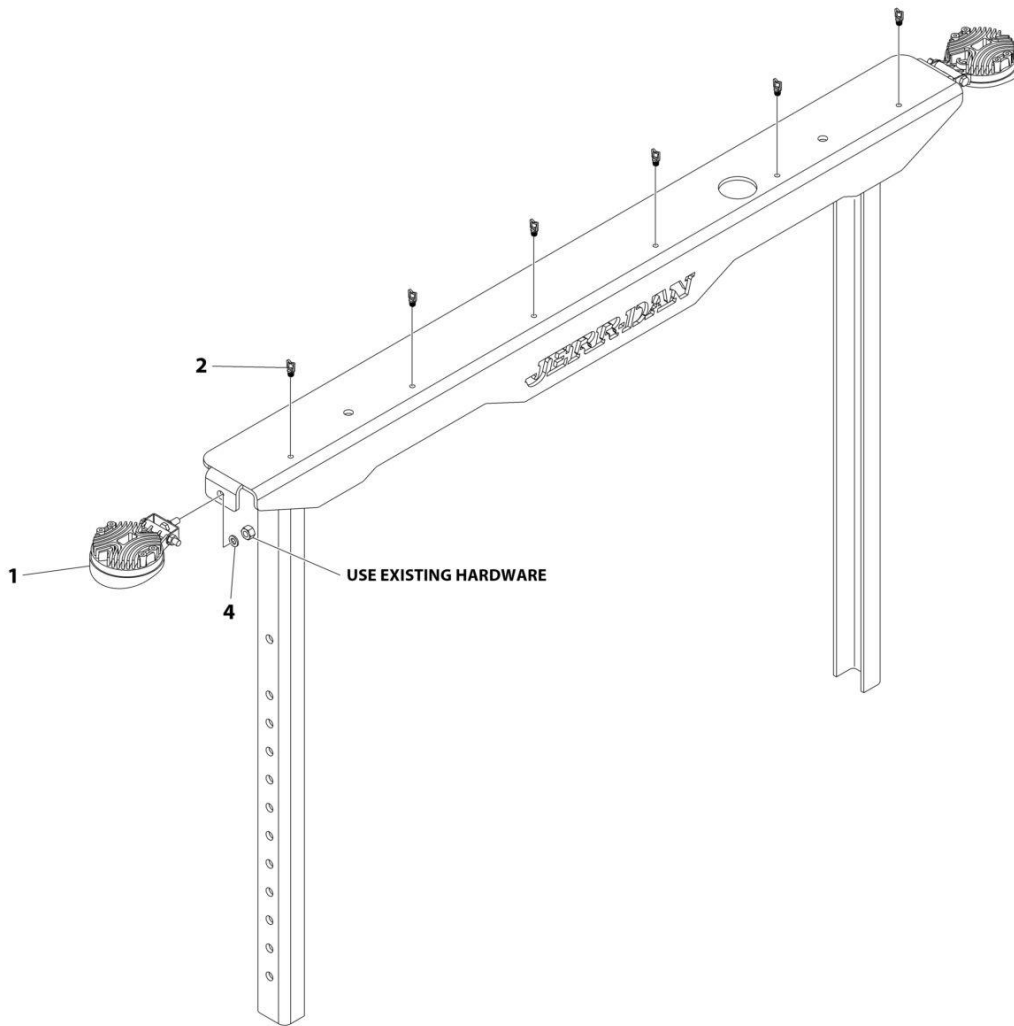
SECTION 6 - ELECTRICAL

FIGURE 6-31. LIGHTS - WORKLIGHT INSTALLATION - HEADBOARD

ITEM	PART NUMBER	QTY	DESCRIPTION	REV
	1001176428	Ref	LED WORK LIGHTS REAR HEADBOARD INSTALLATION	B
1	1001176337	2	Lamp, LED Work Light 10V-30V (Prior to SN 0220026465)	
1	1001273634	2	Lamp, LED Work Light 10V-30V (SN 0220026465 to Present)	
2	4178000402	2	Bracket	
3	7552000222	1	Harness, Headboard Work Light	
3	4460742	3	Plug, Male - 2 Position	
3	4461157	1	Receptacle, Female - 2 Position	
3	4460457	8	Terminal	
3	8220081	8	Seal	
4	7790151253	4	Screw 5/16 x 3/4	
5	7493000003	2	Grommet	
6	7950150161	2	Washer 5/16	
7	5526000553	4	Tie-Strap (Not Shown)	

SECTION 6 - ELECTRICAL

FIGURE 6-32. LIGHTS - WORKLIGHT INSTALLATION - HEADBOARD (SRS), LED, 10V-30V



ART_1001176429

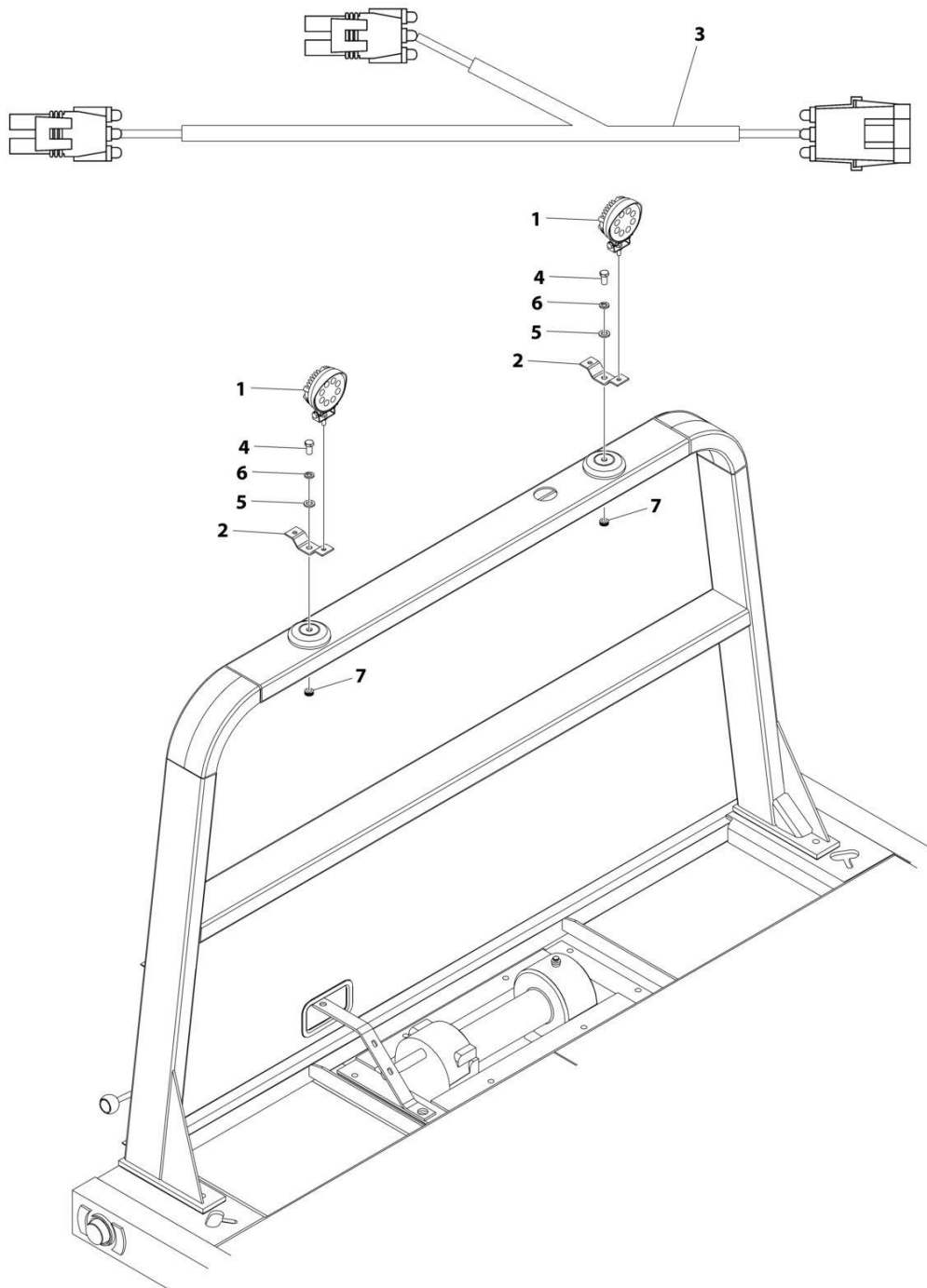
SECTION 6 - ELECTRICAL

FIGURE 6-32. LIGHTS - WORKLIGHT INSTALLATION - HEADBOARD (SRS), LED, 10V-30V

ITEM	PART NUMBER	QTY	DESCRIPTION	REV
	1001176429	Ref	LED WORK LIGHTS HEADBOARD INSTALLATION - SRS	B
1	1001176337	2	Lamp, LED Work Light 10V-30V (Prior to SN 0220026465)	
1	1001273634	2	Lamp, LED Work Light 10V-30V (SN 0220026465 to Present)	
2	7280000011	6	Clip	
3	7552000397	1	Harness, Deck Work Light (Not Shown)	
3	4460742	2	Plug, Male - 2 Position	
3	4460457	4	Terminal	
4	7950150161	2	Washer 5/16	

SECTION 6 - ELECTRICAL

FIGURE 6-33. LIGHTS - WORKLIGHT INSTALLATION - HEADBOARD (TOP MOUNTED)



ART_1001176432

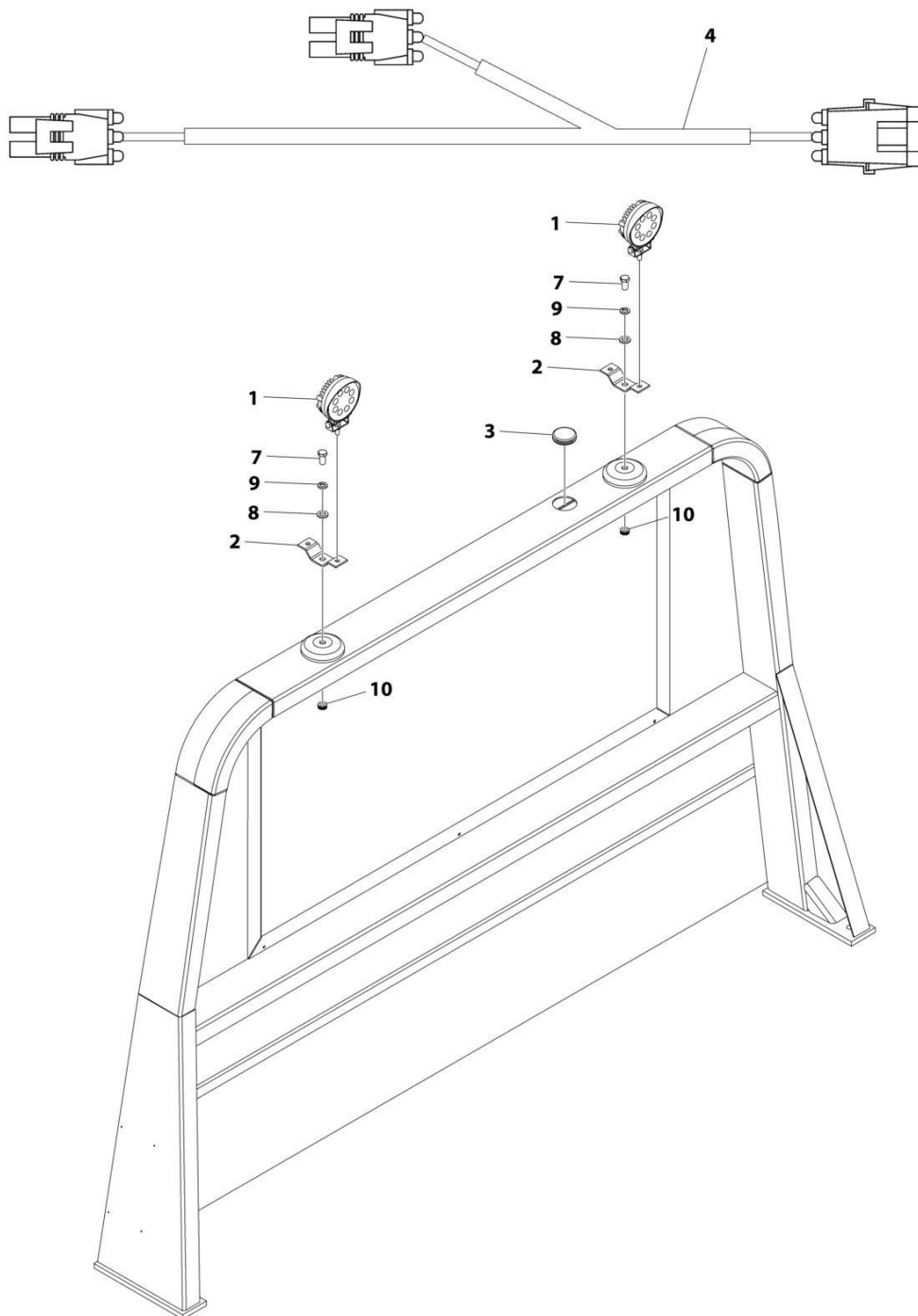
SECTION 6 - ELECTRICAL

FIGURE 6-33. LIGHTS - WORKLIGHT INSTALLATION - HEADBOARD (TOP MOUNTED)

ITEM	PART NUMBER	QTY	DESCRIPTION	REV
	1001176432	Ref	LIGHT - WORKLIGHT INSTALLATION - HEADBOARD (TOP MOUNTED)	B
1	1001273634	2	Lamp, LED Work Light 10V-30V	
2	4178000402	2	Bracket	
3	7552000222	1	Harness, Headboard Work Light (See Separate Breakdown in this Section)	
4	7115180850	2	Capscrew 1/2 x 1	
5	7950180252	2	Washer 1/2	
6	7950180000	2	Washer 19/32	
7	7493000003	2	Grommet	
8	5526000553	4	Tie-Strap (Not Shown)	

SECTION 6 - ELECTRICAL

FIGURE 6-34. LIGHTS - WORKLIGHT INSTALLATION - HEADBOARD (TOP MOUNTED, NO LIGHTBAR, LED, SPLIT SWITCH 10C-30V)



ART_1001176625

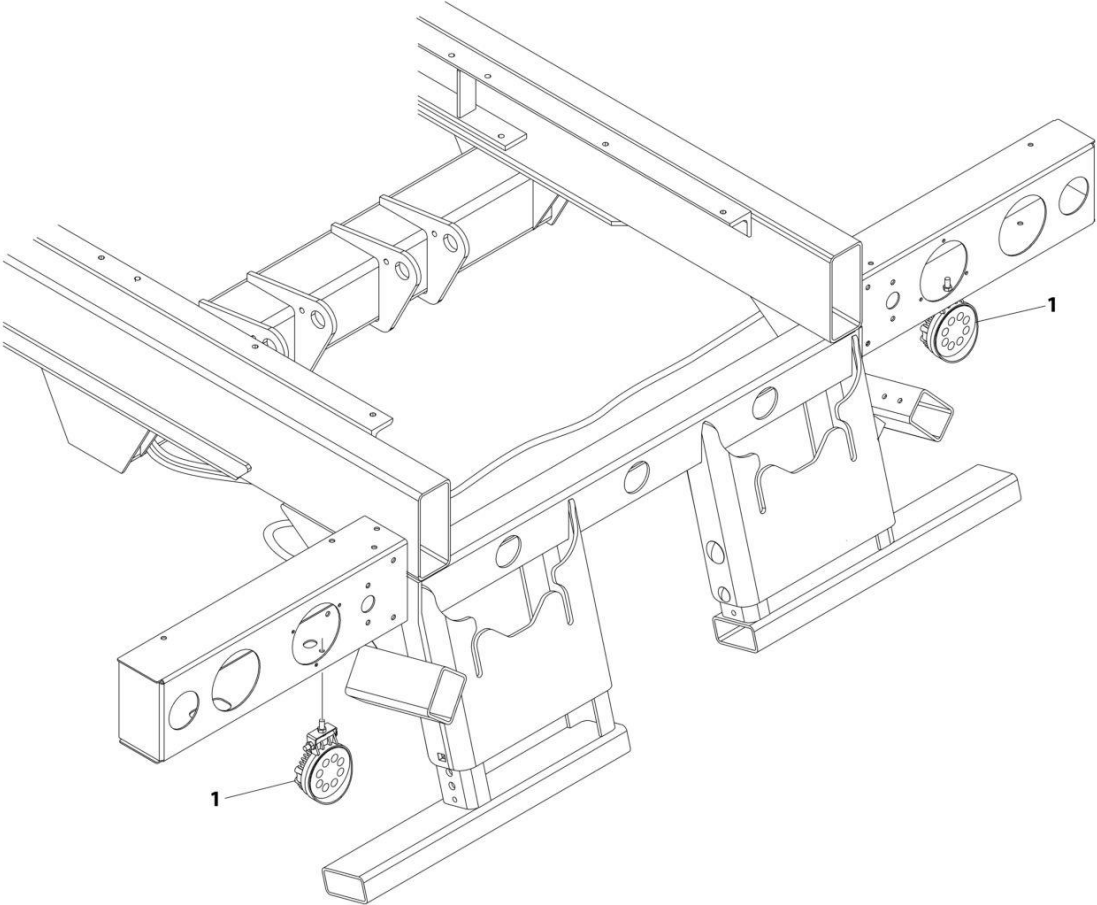
SECTION 6 - ELECTRICAL

FIGURE 6-34. LIGHTS - WORKLIGHT INSTALLATION - HEADBOARD (TOP MOUNTED, NO LIGHTBAR, LED, SPLIT SWITCH 10C-30V)

ITEM	PART NUMBER	QTY	DESCRIPTION	REV
	1001176625	Ref	LIGHT - WORKLIGHT INSTALLATION - HEADBOARD (TOP MOUNTED/SPLIT SWITCH)	B
1	1001273634	2	Lamp, LED Work Light 10V-30V	
2	4178000402	2	Bracket	
3	7493000015	1	Grommet	
4	7552000397	1	Harness, Headboard Work Light	
4	4460742	2	Connector	
4	4460457	4	Terminal	
5	7577000157	1	Connector (Not Shown)	
6	7346000167	6	Plug (Not Shown)	
7	7115180850	2	Capscrew 1/2 x 1	
8	7950180252	2	Washer 1/2	
9	7950180000	2	Washer 19/32	
10	7493000003	2	Grommet	
11	5526000553	4	Tie-Strap (Not Shown)	

SECTION 6 - ELECTRICAL

FIGURE 6-35. LIGHTS - WORKLIGHT INSTALLATION - REAR (10V-30V)



ART_1001176430

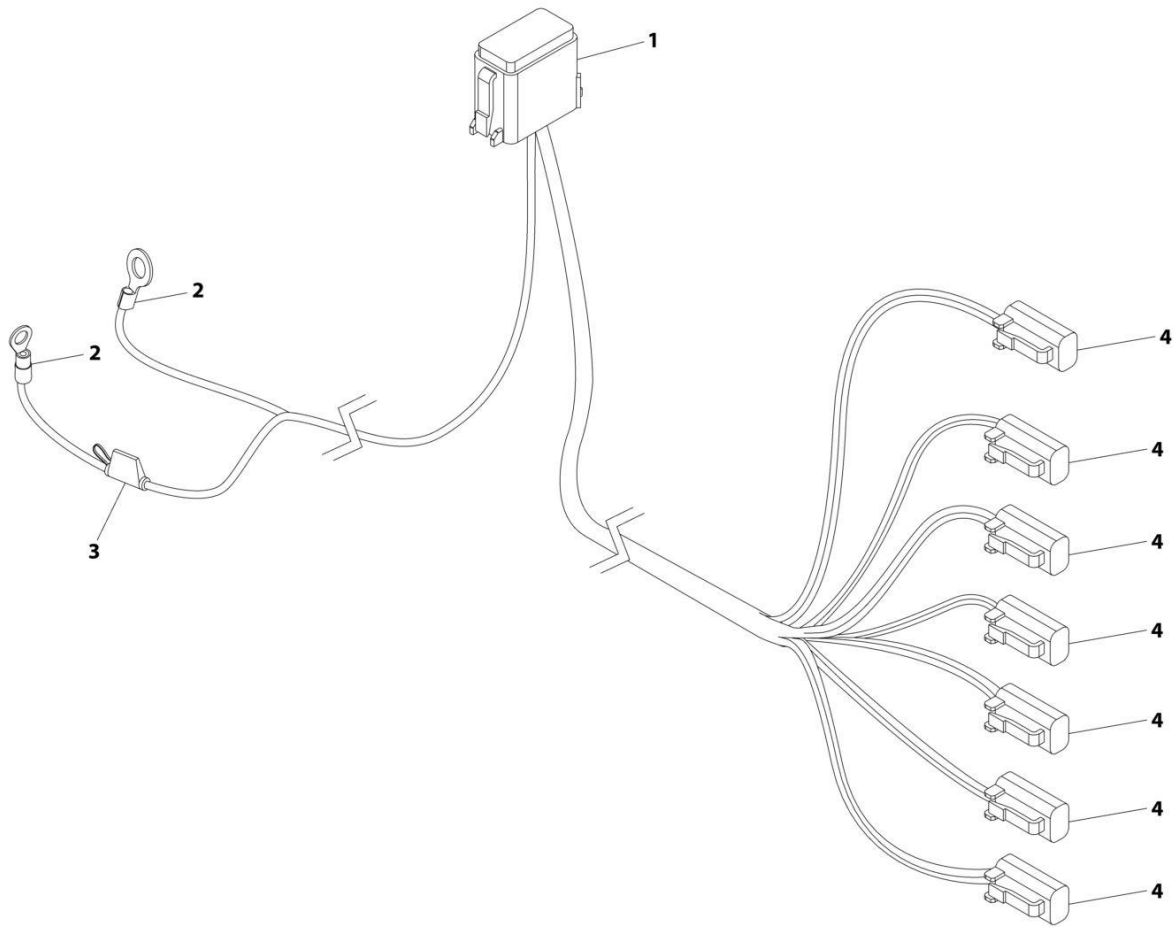
SECTION 6 - ELECTRICAL

FIGURE 6-35. LIGHTS - WORKLIGHT INSTALLATION - REAR (10V-30V)

ITEM	PART NUMBER	QTY	DESCRIPTION	REV
	1001176430	Ref	LED WORK LIGHTS REAR INSTALLATION	B
1	1001176337	2	Lamp, LED Work Light 10V-30V (Prior to SN 0220026465)	
1	1001273634	2	Lamp, LED Work Light 10V-30V (SN 0220026465 to Present)	

SECTION 6 - ELECTRICAL

FIGURE 6-36. SIDE RECOVERY SYSTEM HARNESS



ART_7552000385

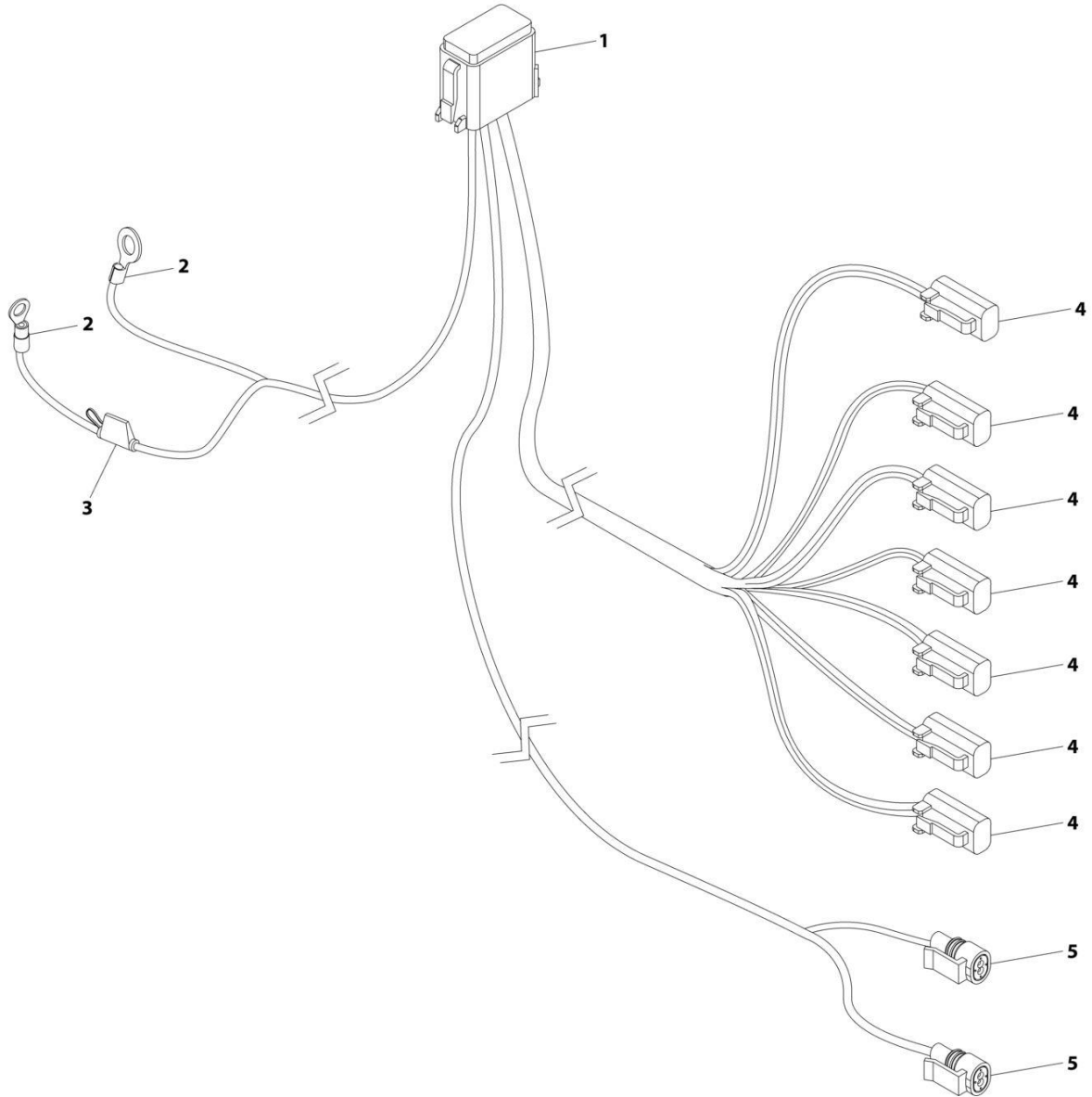
SECTION 6 - ELECTRICAL

FIGURE 6-36. SIDE RECOVERY SYSTEM HARNESS

ITEM	PART NUMBER	QTY	DESCRIPTION	REV
	7552000385	Ref	SIDE RECOVERY SYSTEM HARNESS (WITHOUT REMOTE CONTROL)	2
1	4460933	1	Plug, Male - 12 Position	
1	4460465	9	Socket, Female	
1	4460466	3	Plug, Terminal	
2		Ref	Terminal, Ring	
3		Ref	Fuseholder	
3		Ref	Fuse - 10Amp ATO	
4	4460891	7	Plug, Male - 2 Position	
4	4460465	14	Socket, Female	

SECTION 6 - ELECTRICAL

FIGURE 6-37. SIDE RECOVERY SYSTEM (SRS) HARNESS (WITH REMOTE CONTROL)



ART_7552000413

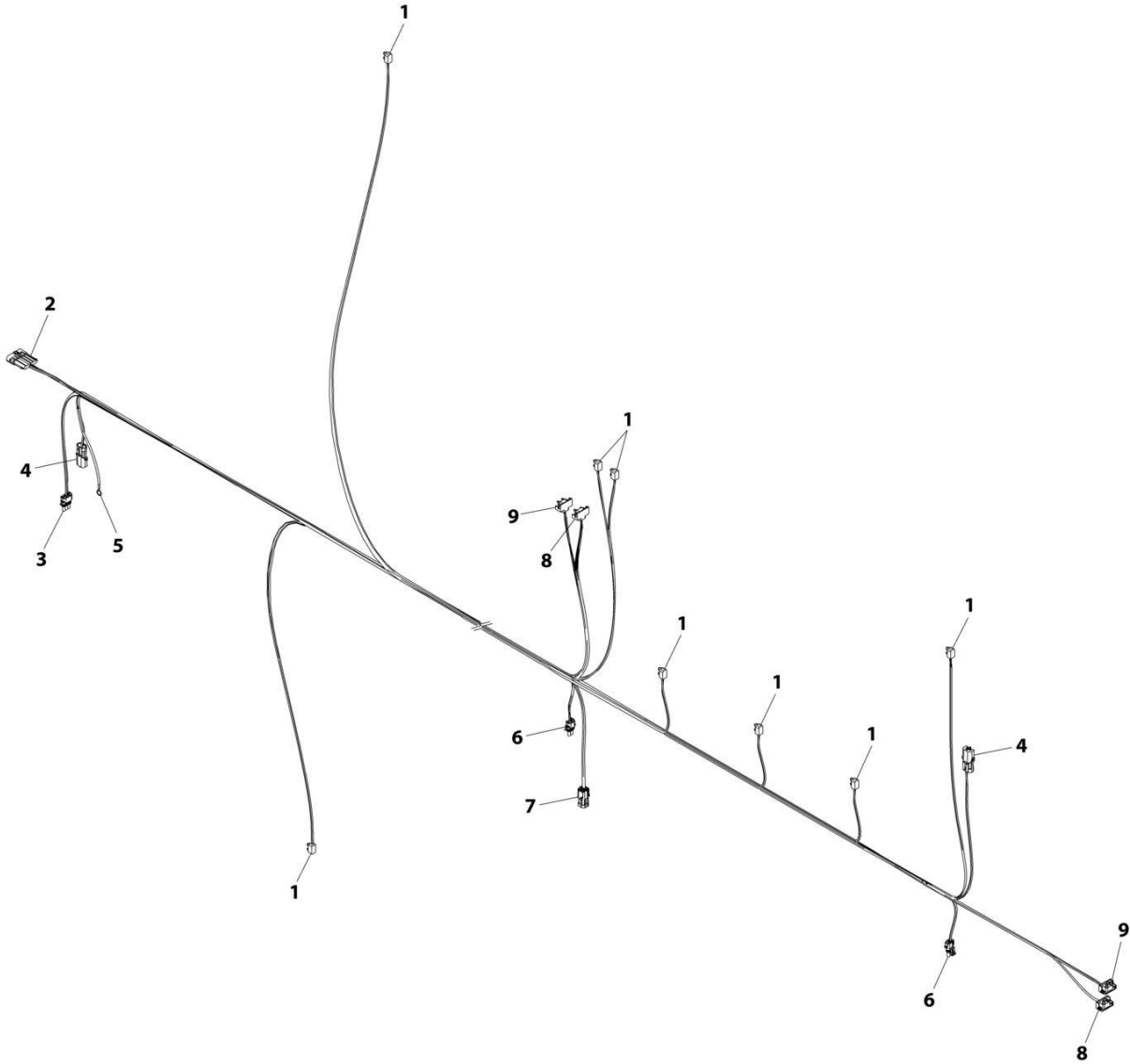
SECTION 6 - ELECTRICAL

FIGURE 6-37. SIDE RECOVERY SYSTEM (SRS) HARNESS (WITH REMOTE CONTROL)

ITEM	PART NUMBER	QTY	DESCRIPTION	REV
	7552000413	Ref	SIDE RECOVERY SYSTEM (SRS) HARNESS (WITH REMOTE CONTROL)	0
1	4460933	1	Plug, Male - 12 position	
1	4460465	11	Socket, Female	
1	4460466	1	Plug, Terminal	
2		Ref	Terminal, Ring	
3		Ref	Fuseholder	
3		Ref	Fuse - 10Amp ATO	
4	4460891	7	Plug, Male - 2 Position	
4	4460465	14	Socket, Female	
5	4460955	2	Plug, Male - 2 Position	
5	4460842	4	Socket, Female	

SECTION 6 - ELECTRICAL

FIGURE 6-38. SUBFRAME HARNESS



ART_1001173952

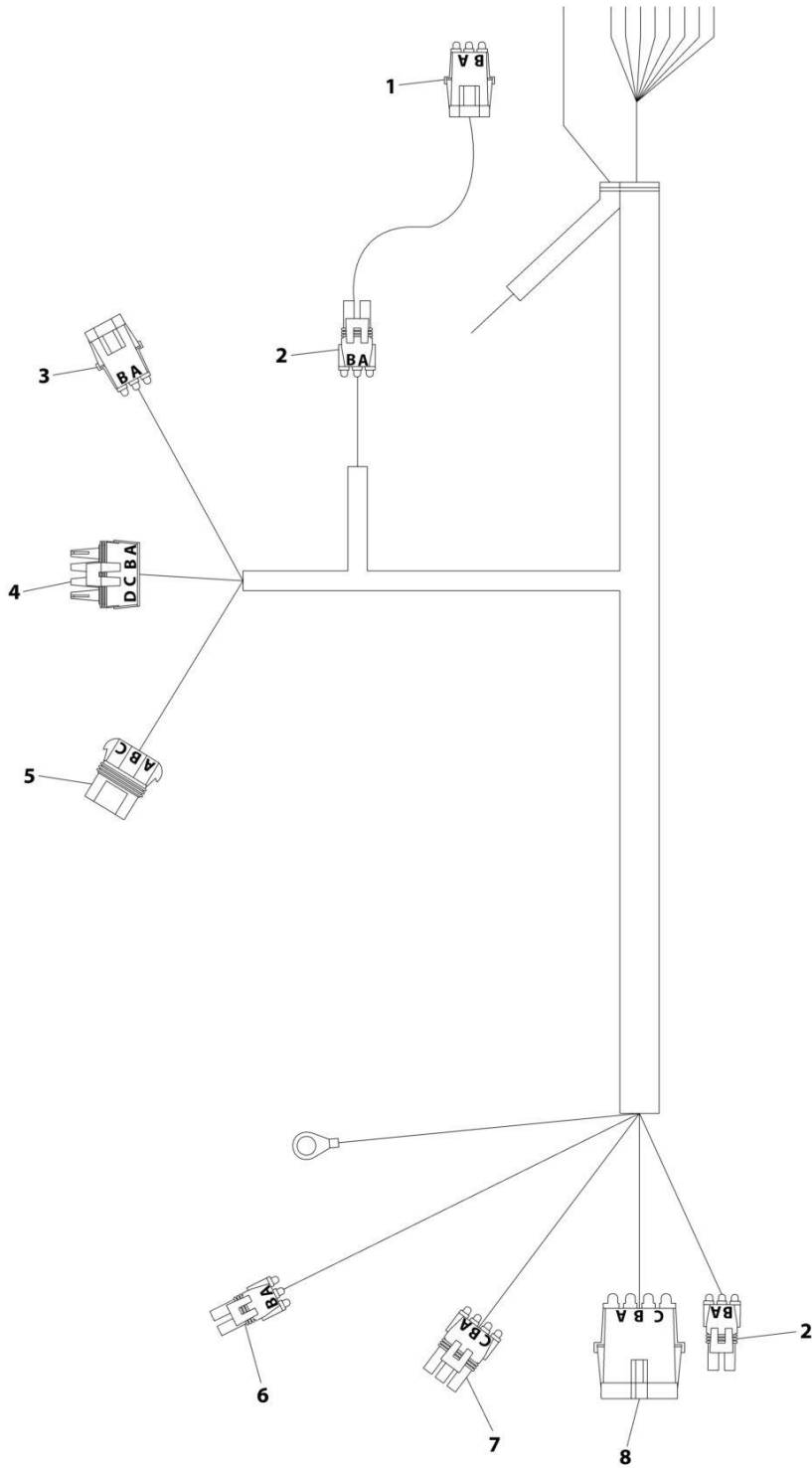
SECTION 6 - ELECTRICAL

FIGURE 6-38. SUBFRAME HARNESS

ITEM	PART NUMBER	QTY	DESCRIPTION	REV
	1001173952	Ref	SUBFRAME HARNESS	C
1	1001275791	8	Connector & Lead Wire - 2 Position (Marker Lights)	
2	1001121727	1	Connector - 5 Position	
2	1001116729	5	Terminal	
2	1001190037	5	Seal	
3	4460459	1	Plug, Male - 3 Position	
3	4460457	3	Terminal	
3	1001190037	3	Seal	
4	4461157	2	Plug, Male - 2 Position	
4	4460457	4	Terminal	
4	1001190037	4	Seal	
5	4460019	1	Terminal, Ring	
6	4460742	2	Plug, Male - 2 Position	
6	4460457	4	Terminal	
7	80963062	1	Plug, Male - 4 Position	
7	4460457	4	Terminal	
7	1001190037	4	Seal	
8	1001275792	2	Connector & Lead Wire - 2 Position (Stop/Turn/Taillights)	
9	1001275793	2	Connector & Lead Wire - 2 Position (Stop/Turn/Taillights)	

SECTION 6 - ELECTRICAL

FIGURE 6-39. SUBFRAME TO CAB HARNESS (WITH STATIONARY HEADBOARD)



ART_1001152345

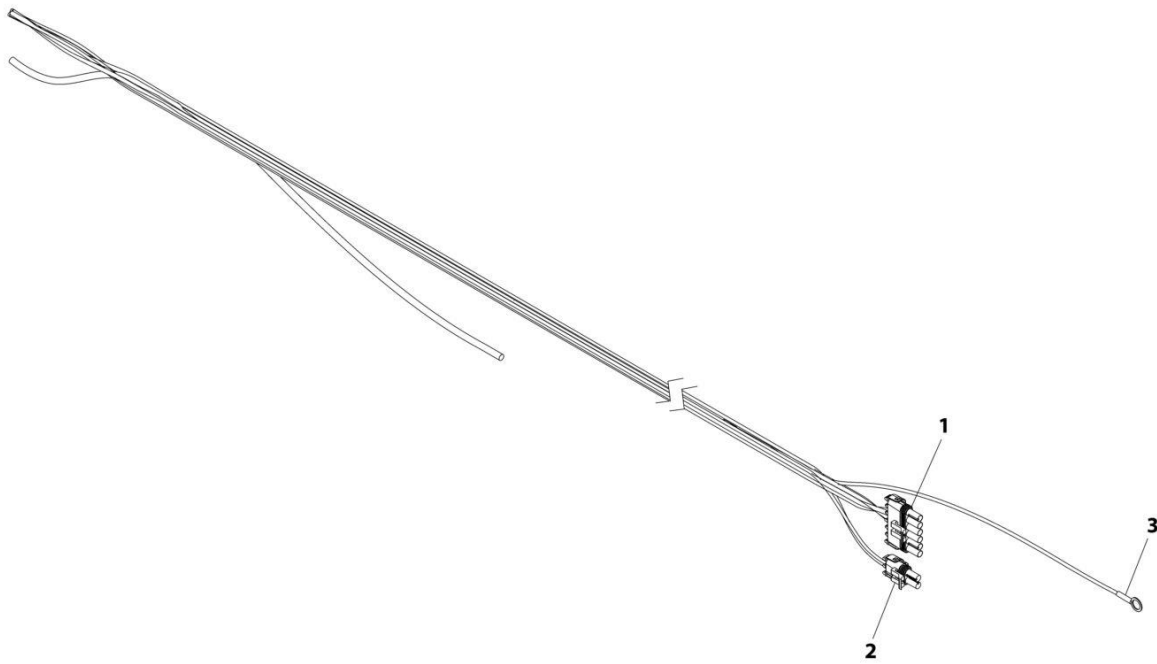
SECTION 6 - ELECTRICAL

FIGURE 6-39. SUBFRAME TO CAB HARNESS (WITH STATIONARY HEADBOARD)

ITEM	PART NUMBER	QTY	DESCRIPTION	REV
	1001152345	Ref	SUBFRAME TO CAB HARNESS	C
1	4460867	1	Receptacle, Female - 2 Position	
1	1001116727	2	Plug, Terminal	
2	4460742	2	Plug, Male - 2 Position	
2	4460457	4	Terminal	
2	NPN	4	Seal	
2	80963064	1	Connector - 6 Position	
2	4460850	5	Terminal	
2	NPN	3	Seal	
2	1001116727	1	Plug, Terminal	
3	4460867	1	Receptacle, Female - 2 Position	
3	4460850	2	Terminal	
3	NPN	2	Seal	
4	4460460	1	Receptacle, Female - 4 Position	
4	4460790	4	Terminal	
4	NPN	4	Seal	
5	8220935	1	Connector - 3 Position	
5	7346000108	1	Lock	
5	8220099	3	Terminal	
5	NPN	2	Seal	
5	NPN	1	Seal	
6	4460742	1	Plug, Male - 2 Position	
6	4460790	2	Terminal	
6	NPN	2	Seal	
7	4460459	1	Plug, Male - 3 Position	
7	4460457	2	Socket, Female	
7	1001116727	1	Plug, Terminal	
7	NPN	3	Seal	
8	4460476	1	Receptacle, Female - 3 Position	
8	4460850	3	Terminal	
8	NPN	3	Seal	

SECTION 6 - ELECTRICAL

FIGURE 6-40. SUBFRAME TO CAB HARNESS (WITH BOLT-ON HEADBOARD) (26-30FT DECK)



ART_7552000178

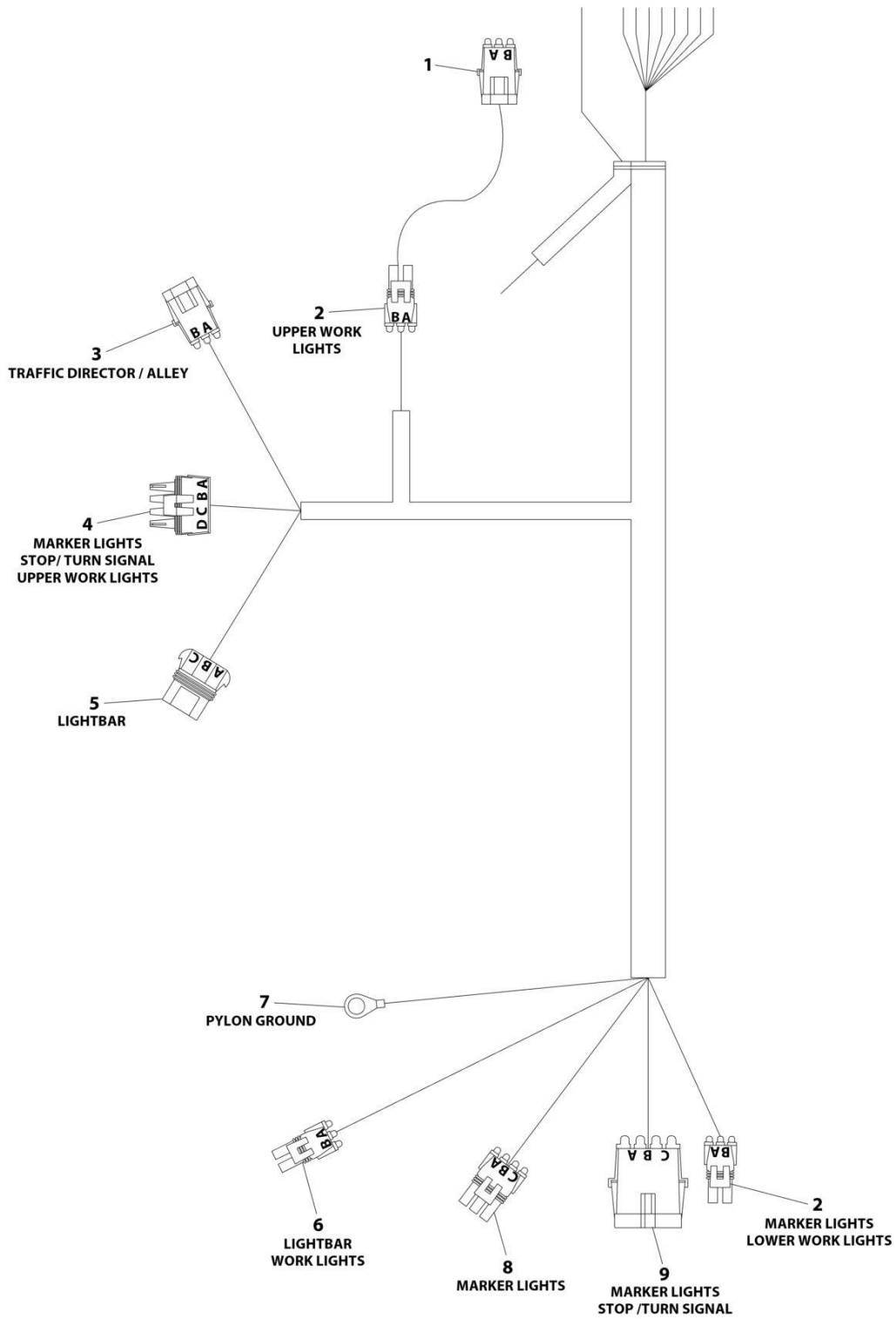
SECTION 6 - ELECTRICAL

FIGURE 6-40. SUBFRAME TO CAB HARNESS (WITH BOLT-ON HEADBOARD) (26-30FT DECK)

ITEM	PART NUMBER	QTY	DESCRIPTION	REV
	7552000178	Ref	SUBFRAME TO CAB HARNESS (WITH BOLT-ON HEADBOARD) (26-30FT DECK)	B
1	4460461	1	Connector	
1	4460790	5	Terminal	
1	8220089	5	Seal	
1	1001116727	1	Plug, Terminal	
2	4460742	1	Connector	
2	4460457	2	Terminal	
2	8220081	2	Seal	
3	4460256	1	Terminal, Ring	

SECTION 6 - ELECTRICAL

FIGURE 6-41. SUBFRAME TO DECK HARNESS (WITH STATIONARY HEADBOARD)



ART_1001260058

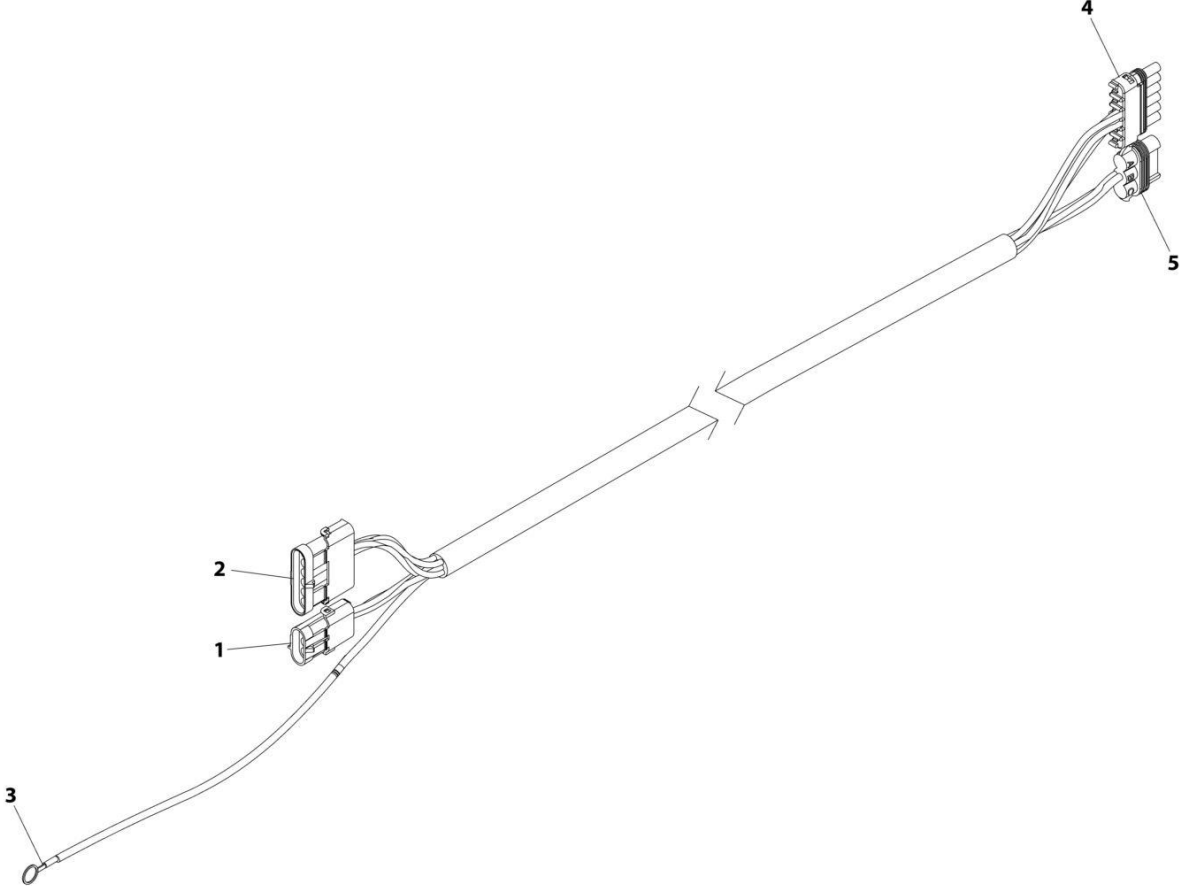
SECTION 6 - ELECTRICAL

FIGURE 6-41. SUBFRAME TO DECK HARNESS (WITH STATIONARY HEADBOARD)

ITEM	PART NUMBER	QTY	DESCRIPTION	REV
	1001260058	Ref	SUBFRAME TO DECK HARNESS (WITH STATIONARY HEADBOARD)	A
1	4460867	1	Receptacle, Female - 2 Position	
1	1001116727	2	Plug, Terminal	
2	4460742	3	Plug, Male - 2 Position	
2	4460457	4	Terminal	
2	4460458	6	Seal	
3	4461157	1	Connector - 2 Position	
3	4460850	2	Terminal	
3		Ref	Seal	
4	4460460	1	Plug, Male - 4 Position	
4	4460790	4	Terminal	
4		Ref	Seal	
5	8220935	1	Plug, Male - 3 Position	
5	7346000108	1	Lock	
5	8220099	3	Terminal	
5		Ref	Seal	
6	4460742	1	Plug, Male - 2 Position	
6	4460790	2	Terminal	
6		Ref	Seal	
7	4460256	1	Terminal, Ring	
8	4460459	1	Plug, Male - 3 Position	
8		Ref	Terminal	
8	1001116727	2	Plug, Terminal	
8	4460458	2	Seal	
9		Ref	Connector - 3 Position	
9		Ref	Terminal	
9		Ref	Seal	

SECTION 6 - ELECTRICAL

FIGURE 6-42. SUBFRAME TO DECK HARNESS (WITH BOLT-ON HEADBOARD) (26-30FT DECK)



ART_7552000186

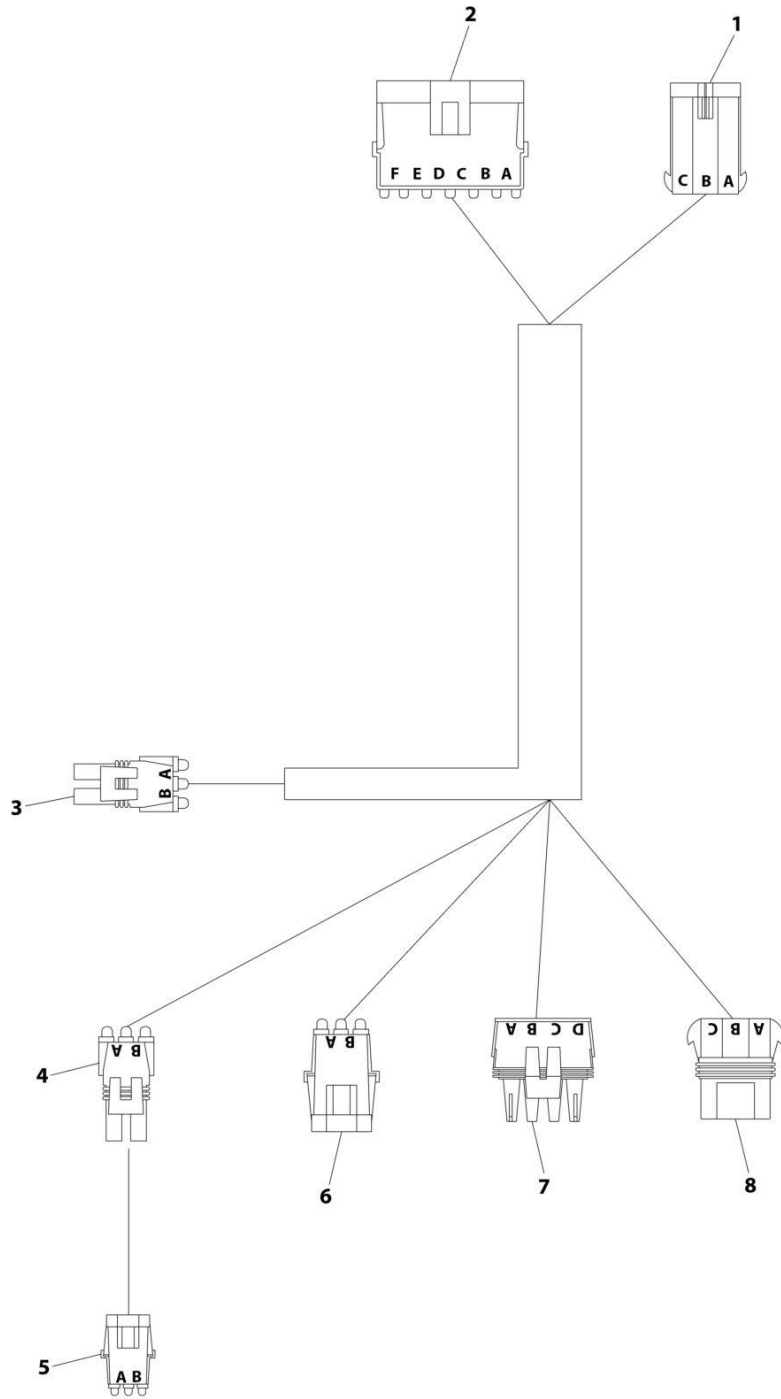
SECTION 6 - ELECTRICAL

FIGURE 6-42. SUBFRAME TO DECK HARNESS (WITH BOLT-ON HEADBOARD) (26-30FT DECK)

ITEM	PART NUMBER	QTY	DESCRIPTION	REV
	7552000186	Ref	SUBFRAME TO DECK HARNESS	B
1	4460476	1	Connector - 3 Position	
1	4460850	3	Terminal	
1	8220089	3	Seal	
2	80963064	1	Connector - 6 Position	
2	4460850	5	Terminal	
2	8220089	3	Seal	
2	1001116727	1	Plug, Terminal	
3	4460019	1	Terminal, Ring	
4	4460461	1	Plug, Male - 2 Position	
4	4460790	6	Terminal	
4	8220089	6	Seal	
5	8220935	1	Connector - 3 Position	
5	8220936	1	Lock	
5	8220099	3	Terminal	
5	1001277283	2	Seal	
5	1001277284	1	Seal	

SECTION 6 - ELECTRICAL

FIGURE 6-43. SUBFRAME TO WINCH HARNESS (WITH BOLT-ON HEADBOARD) (22-24FT DECK)



ART_7552000187

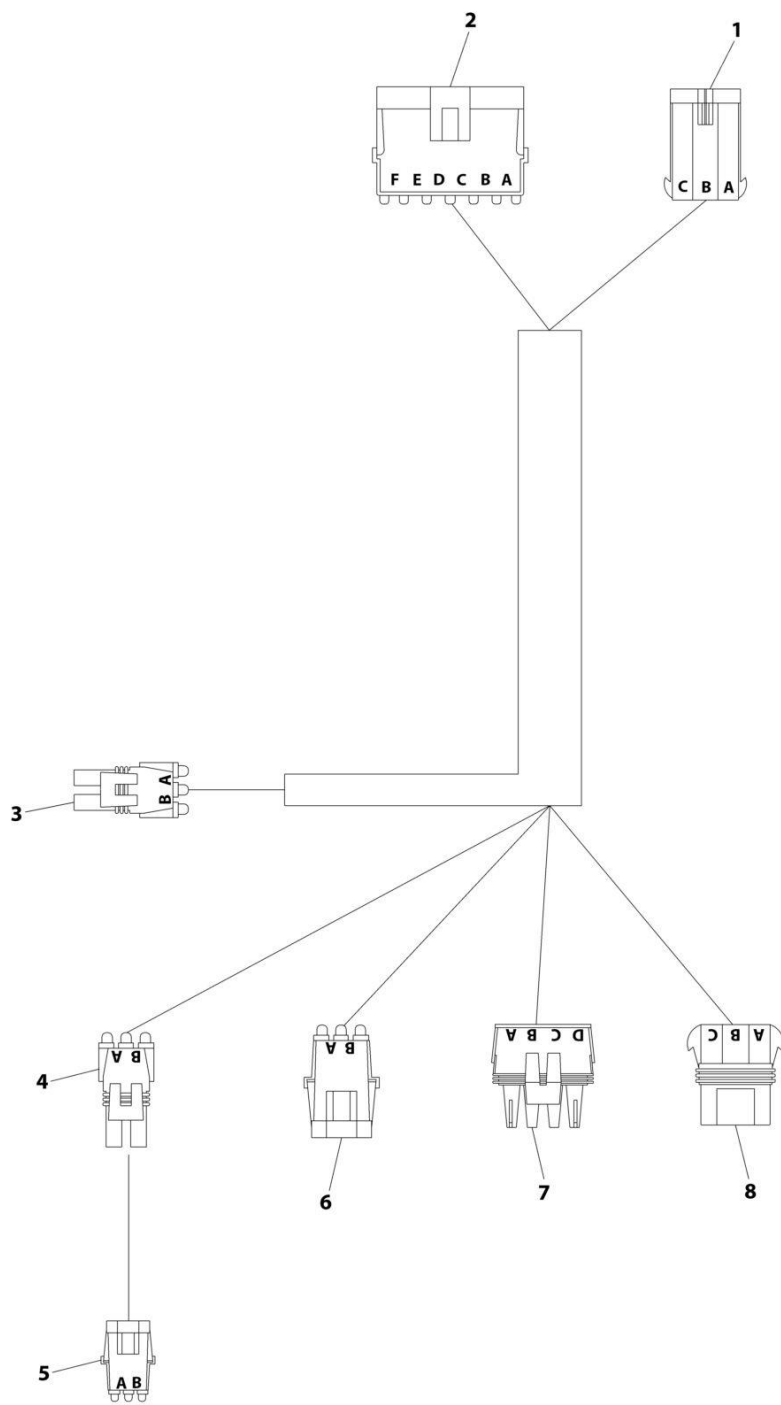
SECTION 6 - ELECTRICAL

FIGURE 6-43. SUBFRAME TO WINCH HARNESS (WITH BOLT-ON HEADBOARD) (22-24FT DECK)

ITEM	PART NUMBER	QTY	DESCRIPTION	REV
	7552000187	Ref	SUBFRAME TO WINCH HARNESS	B
1	8220934	1	Connector - 3 Position	
1	NPN	1	Lock	
1	8220100	2	Terminal	
1	NPN	3	Seal	
1	NPN	1	Terminal	
1	NPN	1	Seal	
2	80963064	1	Connector - 6 Position	
2	4460850	3	Terminal	
2	NPN	3	Seal	
2	4460475	3	Terminal	
2	NPN	3	Seal	
3	4460742	1	Plug, Male - 2 Position	
3	4460457	2	Terminal	
3	NPN	2	Seal	
4	4460742	1	Plug, Male - 2 Position	
4	4460790	2	Terminal	
4	NPN	2	Seal	
5	4460867	1	Receptacle, Female - 2 Position	
5	1001116727	2	Plug, Terminal	
6	4460867	1	Receptacle, Female - 2 Position	
6	4460850	2	Terminal	
6	NPN	2	Seal	
7	4460460	1	Plug, Male - 4 Position	
7	4460790	1	Terminal	
7	NPN	1	Seal	
7	4460457	4	Terminal	
7	NPN	4	Seal	
8	8220935	1	Connector - 3 Position	
8	7346000108	1	Lock	
8	8220099	3	Terminal	
8	NPN	2	Seal	
8	NPN	1	Seal	

SECTION 6 - ELECTRICAL

FIGURE 6-44. SUBFRAME TO WINCH HARNESS (WITH BOLT-ON HEADBOARD) (24-30FT DECK)



ART_1001260351

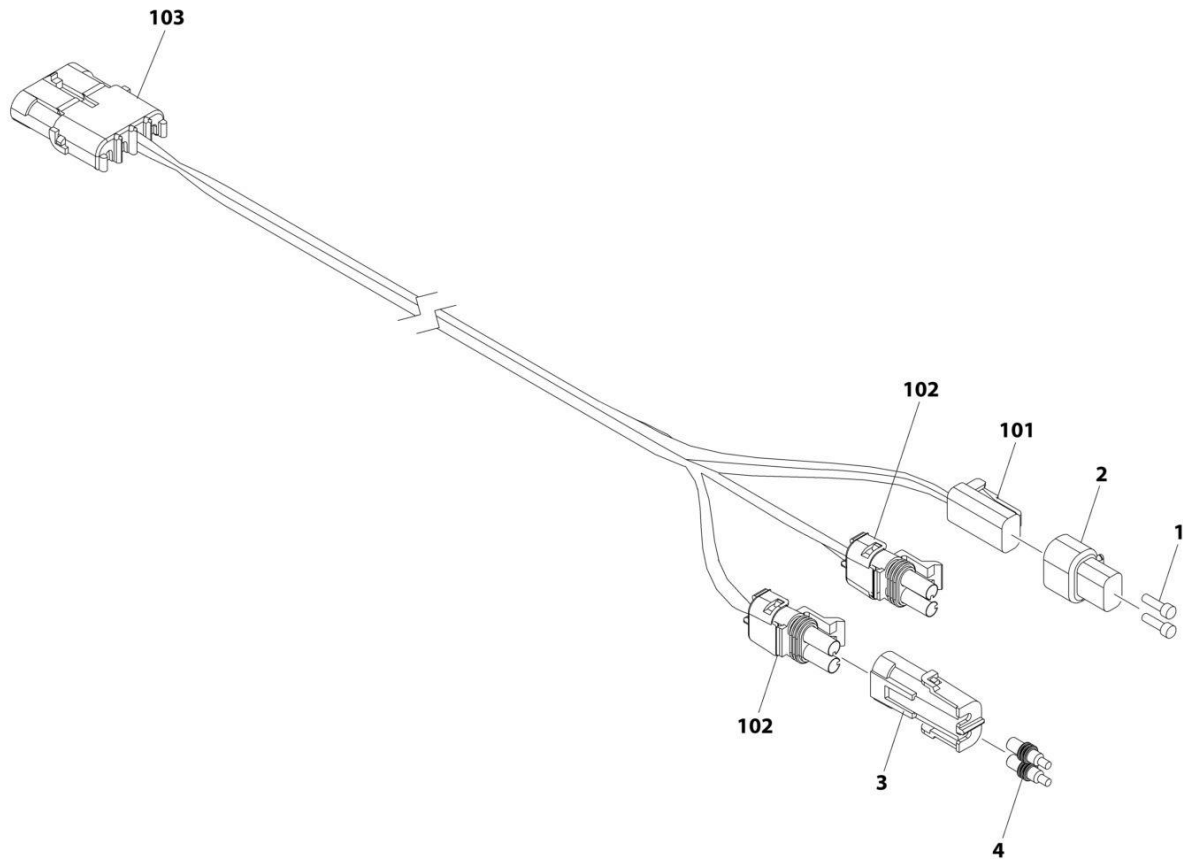
SECTION 6 - ELECTRICAL

FIGURE 6-44. SUBFRAME TO WINCH HARNESS (WITH BOLT-ON HEADBOARD) (24-30FT DECK)

ITEM	PART NUMBER	QTY	DESCRIPTION	REV
	1001260351	Ref	SUBFRAME TO WINCH HARNESS	B
1	8220934	1	Connector - 3 Position	
1	NPN	1	Lock	
1	8220100	2	Terminal	
1	NPN	3	Seal	
1	NPN	1	Terminal	
1	NPN	1	Seal	
2	80963064	1	Connector - 6 Position	
2	4460850	3	Terminal	
2	NPN	3	Seal	
2	4460475	3	Terminal	
2	NPN	3	Seal	
3	4460742	1	Plug, Male - 2 Position	
3	4460457	2	Terminal	
3	NPN	2	Seal	
4	4460742	1	Plug, Male - 2 Position	
4	4460790	2	Terminal	
4	NPN	2	Seal	
5	4460867	1	Receptacle, Female - 2 Position	
5	1001116727	2	Plug, Terminal	
6	4460867	1	Receptacle, Female - 2 Position	
6	4460850	2	Terminal	
6	NPN	2	Seal	
7	4460460	1	Plug, Male - 4 Position	
7	4460790	1	Terminal	
7	NPN	1	Seal	
7	4460457	4	Terminal	
7	NPN	4	Seal	
8	8220935	1	Connector - 3 Position	
8	7346000109	1	Lock	
8	8220099	3	Terminal	
8	NPN	2	Seal	
8	NPN	1	Seal	

SECTION 6 - ELECTRICAL

FIGURE 6-45. SUBFRAME TO WINCH HARNESS (WITH STATIONARY HEADBOARD) (22-24FT DECK)



ART_1001152348

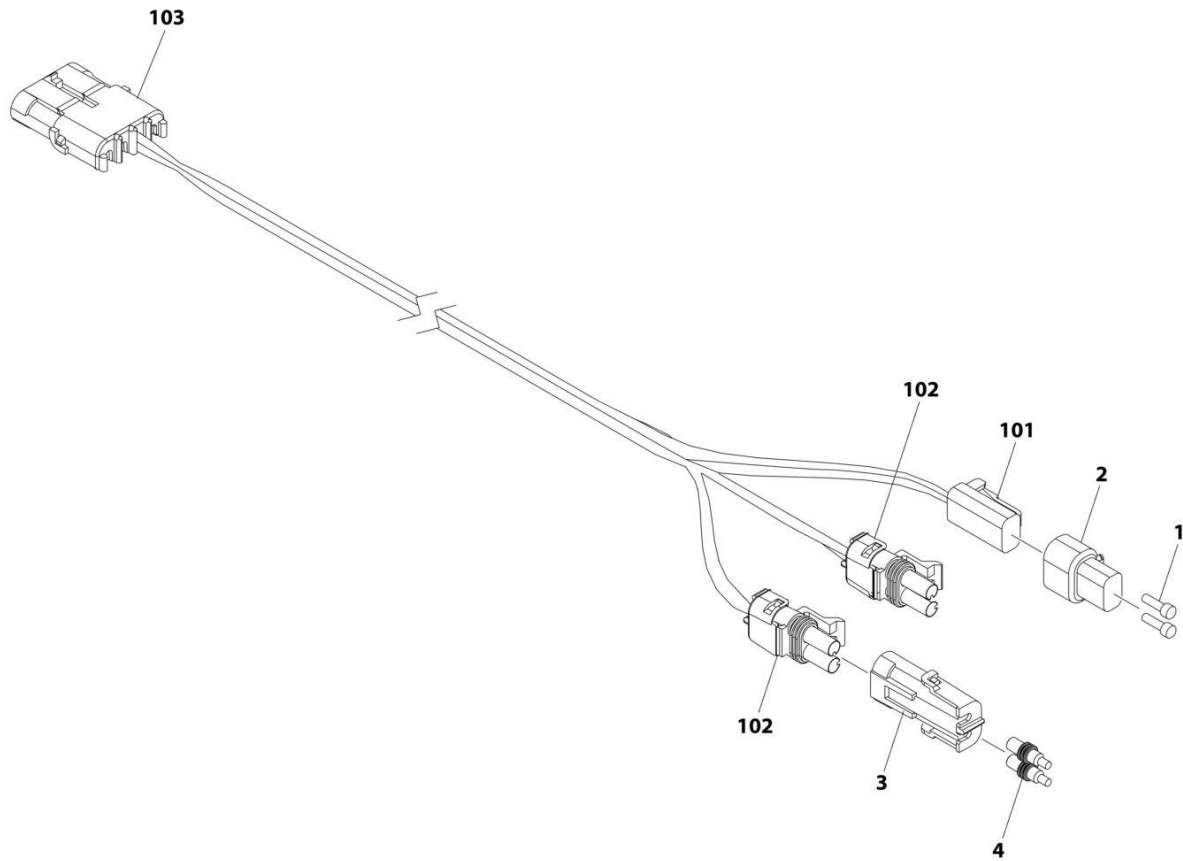
SECTION 6 - ELECTRICAL

FIGURE 6-45. SUBFRAME TO WINCH HARNESS (WITH STATIONARY HEADBOARD) (22-24FT DECK)

ITEM	PART NUMBER	QTY	DESCRIPTION	REV
	1001152348	Ref	SUBFRAME TO WINCH HARNESS	D
1	4460466	2	Plug, Terminal	
2	4460897	1	Receptacle, Female - 2 Position	
3	4461157	1	Receptacle, Female - 2 Position	
4	1001116727	2	Plug, Terminal	
101	4460891	1	Plug, Male - 2 Position	
101	4460942	2	Socket, Female	
102	4460742	2	Plug, Male - 2 Position	
102	4460457	4	Terminal	
103	4460844	1	Receptacle, Female - 4 Position	
103	4460475	4	Terminal	
103	8220089	4	Seal	

SECTION 6 - ELECTRICAL

FIGURE 6-46. SUBFRAME TO WINCH HARNESS (WITH STATIONARY HEADBOARD) (26-30FT DECK)



ART_1001152347

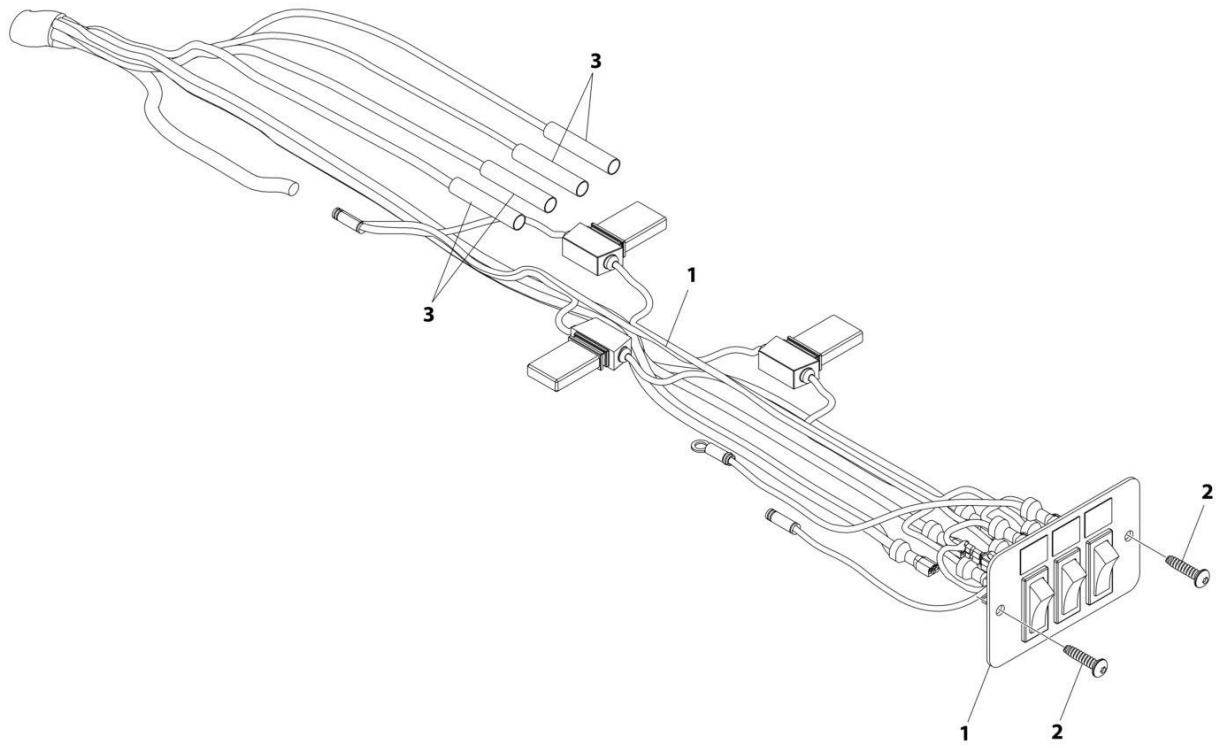
SECTION 6 - ELECTRICAL

FIGURE 6-46. SUBFRAME TO WINCH HARNESS (WITH STATIONARY HEADBOARD) (26-30FT DECK)

ITEM	PART NUMBER	QTY	DESCRIPTION	REV
	1001152347	Ref	SUBFRAME TO WINCH HARNESS	D
1	4460466	2	Plug, Terminal	
2	4460897	1	Receptacle, Female - 2 Position	
3	4461157	1	Receptacle, Female - 2 Position	
4	1001116727	2	Plug, Terminal	
101	4460891	1	Plug, Male - 2 Position	
101	4460942	2	Socket, Female	
102	4460742	2	Plug, Male - 2 Position	
102	4460457	4	Terminal	
103	4460844	1	Receptacle, Female - 4 Position	
103	4460475	4	Terminal	
103	8220089	4	Seal	

SECTION 6 - ELECTRICAL

FIGURE 6-47. SWITCH INSTALLATION - 3 FUNCTION IN-DASH MINI



ART_1001260898

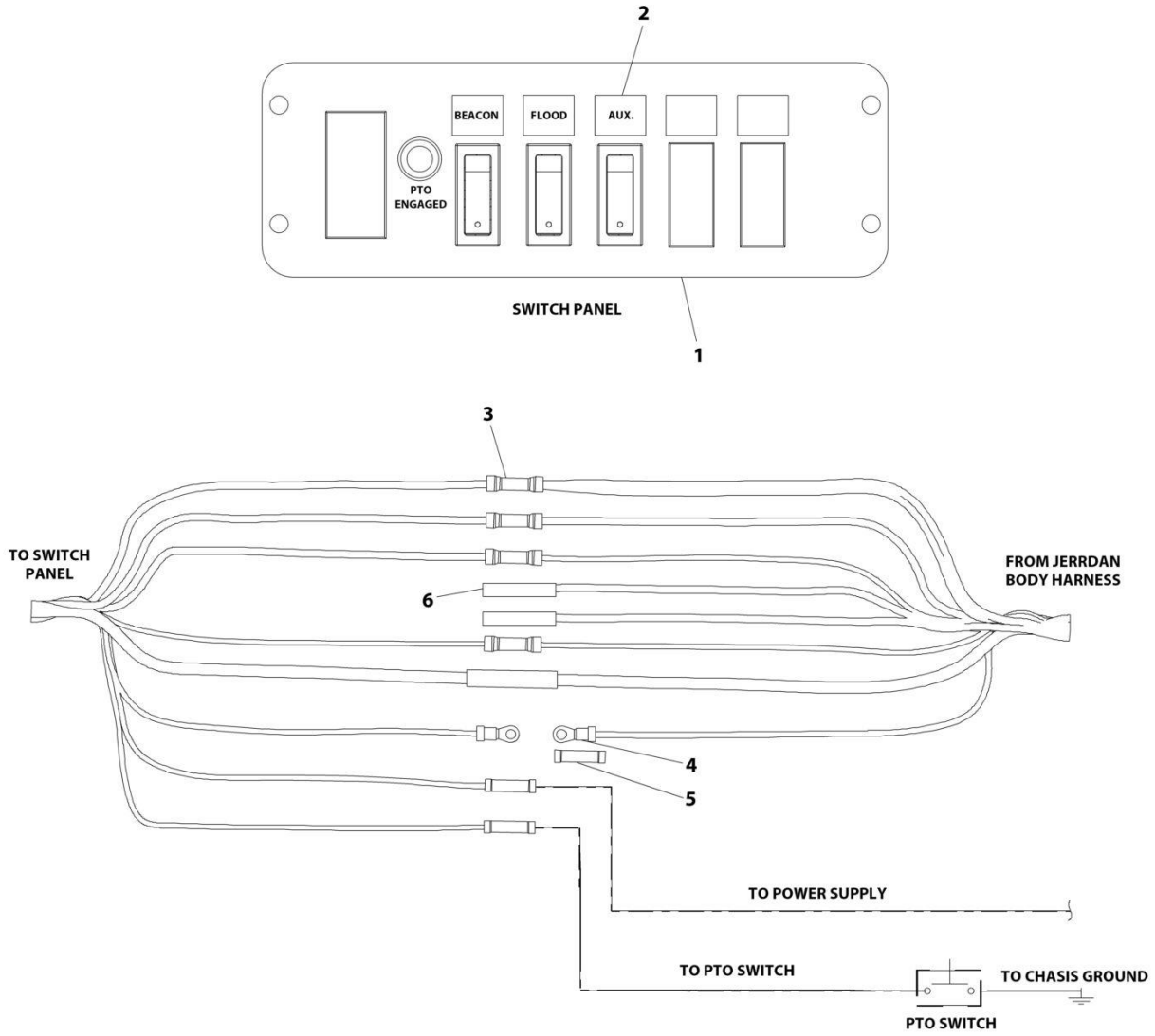
SECTION 6 - ELECTRICAL

FIGURE 6-47. SWITCH INSTALLATION - 3 FUNCTION IN-DASH MINI

ITEM	PART NUMBER	QTY	DESCRIPTION	REV
	1001260898	Ref	3 FUNCTION IN-DASH MINI SWITCH PANEL INSTALLATION	A
1	7870000113	1	Switch Panel (Sold as Assembly)	
2	1001196552	2	Screw #8 x 3/4	
3	4346000005	4	Heat Shrink	

SECTION 6 - ELECTRICAL

FIGURE 6-48. SWITCH INSTALLATION - 3 FUNCTION IN-DASH COMPACT



ART_1001261002

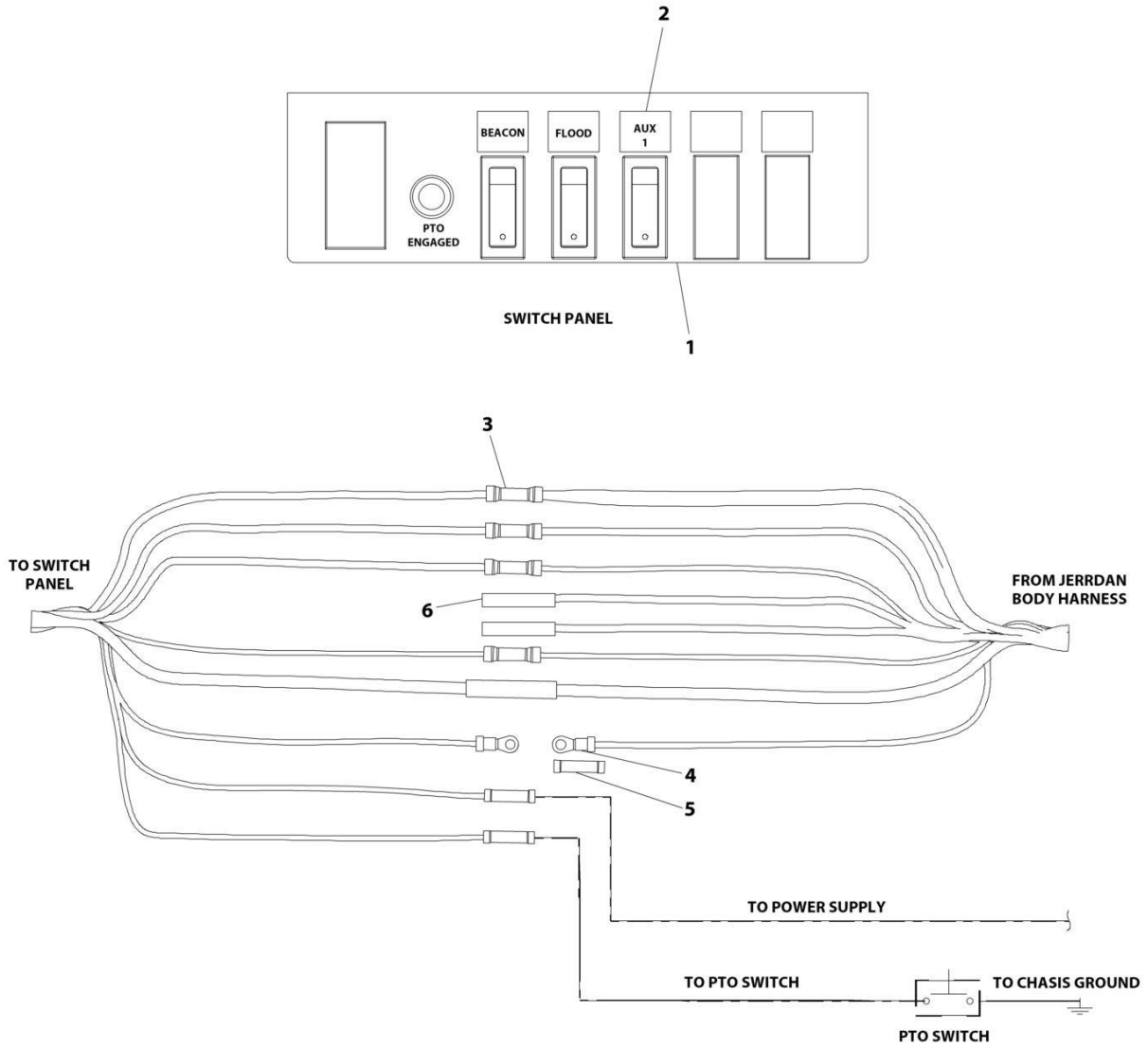
SECTION 6 - ELECTRICAL

FIGURE 6-48. SWITCH INSTALLATION - 3 FUNCTION IN-DASH COMPACT

ITEM	PART NUMBER	QTY	DESCRIPTION	REV
	1001261002	Ref	3 FUNCTION IN-DASH COMPACT SWITCH PANEL INSTALLATION	B
1	7870000100	1	Switch Panel	
2	7330000288	1	Decal	
3	4460018	4	Connector	
4	4460042	1	Terminal, Ring	
5	4460035	1	Connector	
6	4346000005	2	Heat Shrink	

SECTION 6 - ELECTRICAL

FIGURE 6-49. SWITCH INSTALLATION - 3 FUNCTION UNDER-DASH COMPACT



ART_1001261004

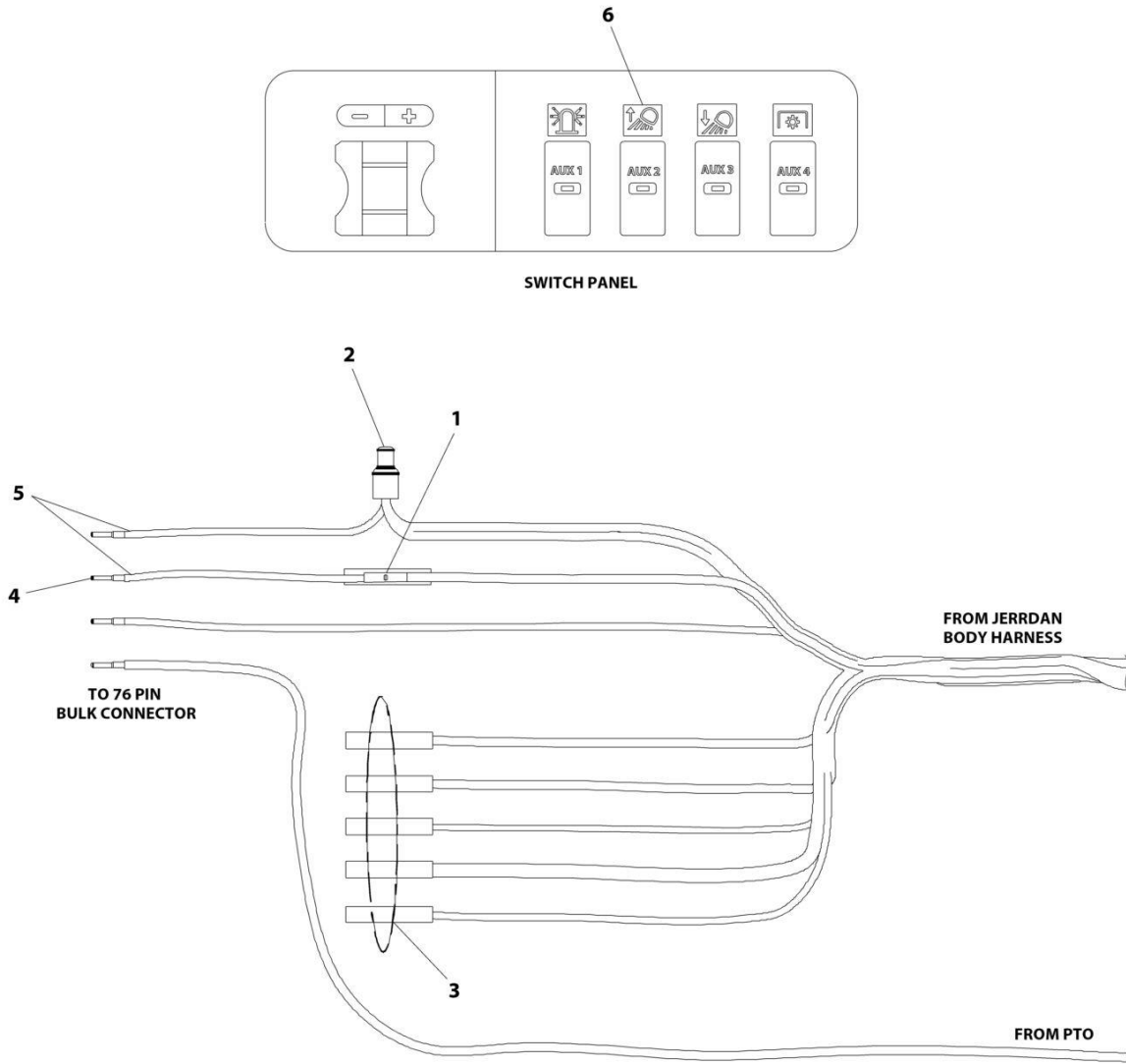
SECTION 6 - ELECTRICAL

FIGURE 6-49. SWITCH INSTALLATION - 3 FUNCTION UNDER-DASH COMPACT

ITEM	PART NUMBER	QTY	DESCRIPTION	REV
	1001261004	Ref	3 FUNCTION UNDER-DASH COMPACT INSTALLATION	B
1	7870000134	1	Switch Panel	
2	7330000288	1	Decal	
3	4460018	4	Connector	
4	4460042	1	Terminal, Ring	
5	4460035	1	Connector	
6	4346000005	2	Heat Shrink	

SECTION 6 - ELECTRICAL

FIGURE 6-50. SWITCH INSTALLATION - 4 FUNCTION IN-DASH



ART_1001261008

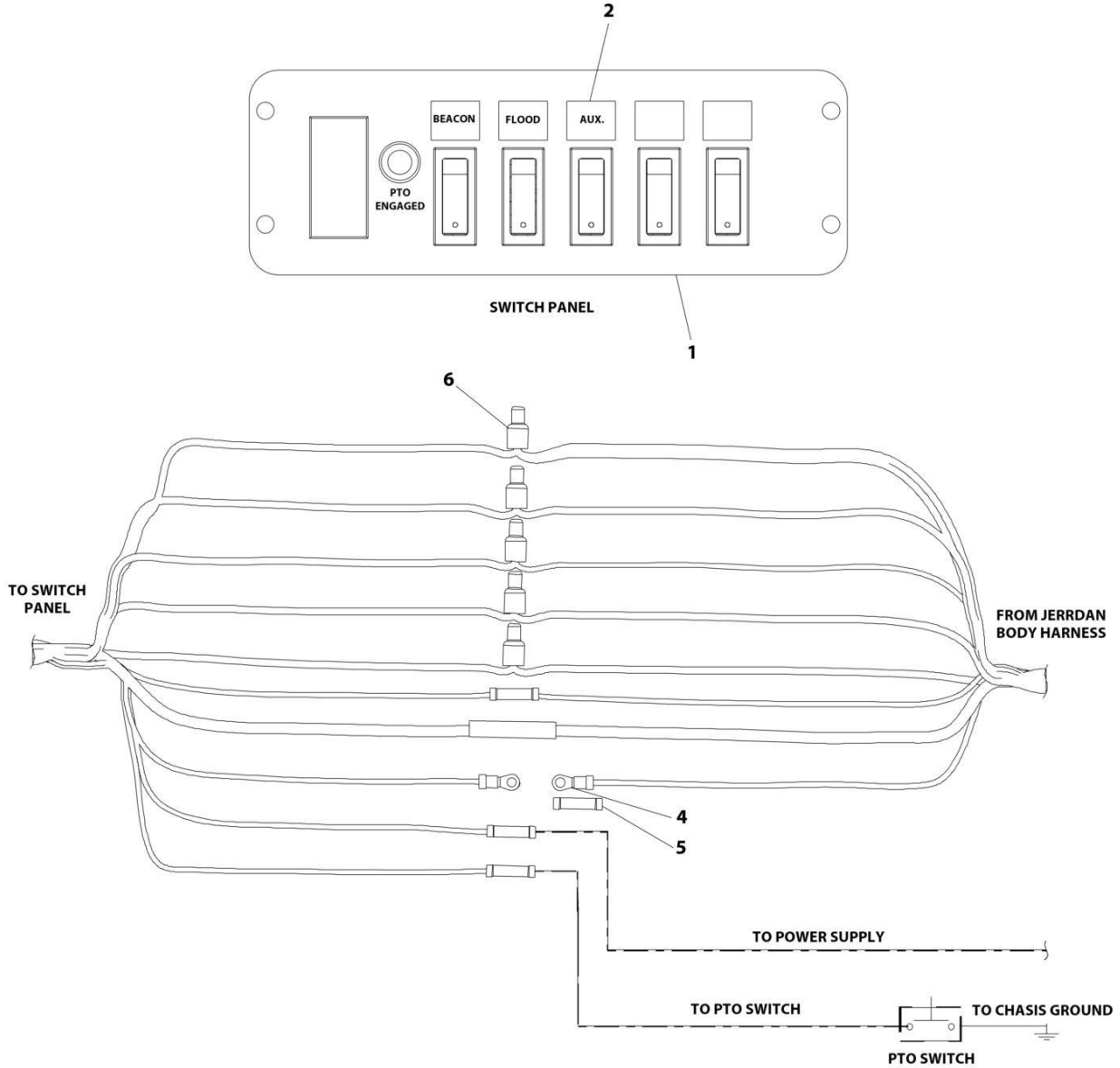
SECTION 6 - ELECTRICAL

FIGURE 6-50. SWITCH INSTALLATION - 4 FUNCTION IN-DASH

ITEM	PART NUMBER	QTY	DESCRIPTION	REV
	1001261008	Ref	4 FUNCTION IN-DASH SWITCH PANEL, FORD F650/750 OEM 2011+	A
1	7345001914	1	Terminal	
2	7346000242	1	Connector	
3	4346000005	7	Heat Shrink, Tubing	
4	1001129095	4	Terminal	
5	7978000020	AR	Wire	
6	1001221375	AR	Decal	

SECTION 6 - ELECTRICAL

FIGURE 6-51. SWITCH INSTALLATION - 5 FUNCTION IN-DASH COMPACT



ART_1001261005

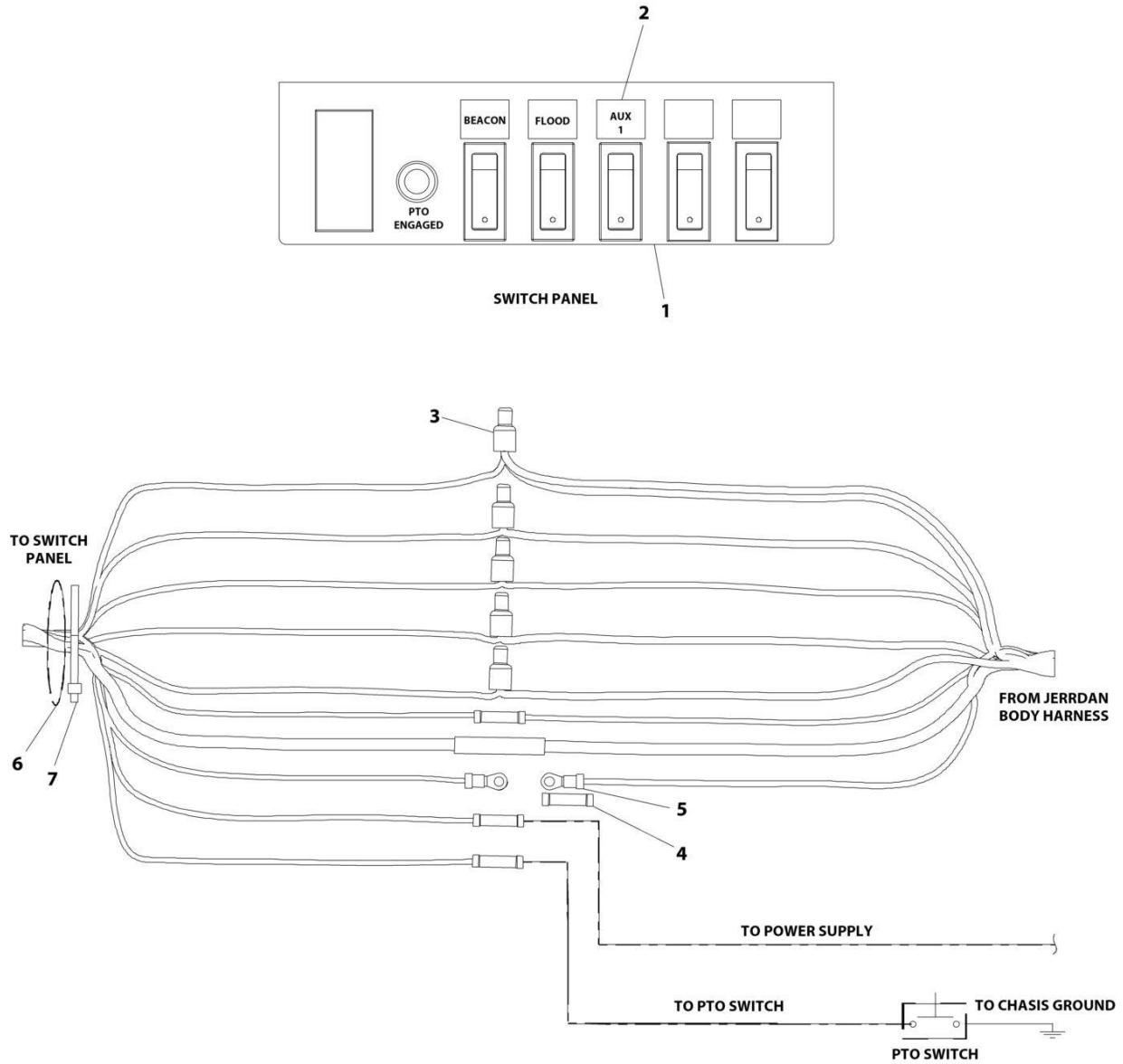
SECTION 6 - ELECTRICAL

FIGURE 6-51. SWITCH INSTALLATION - 5 FUNCTION IN-DASH COMPACT

ITEM	PART NUMBER	QTY	DESCRIPTION	REV
	1001261005	Ref	5 FUNCTION IN-DASH COMPACT SWITCH PANEL INSTALLATION	B
1	7870000106	1	Switch Panel	
2	7330000288	1	Decal	
4	4460042	1	Terminal, Ring	
5	4460035	2	Connector	
6	7346000242	5	Connector	

SECTION 6 - ELECTRICAL

FIGURE 6-52. SWITCH INSTALLATION - 5 FUNCTION UNDER-DASH COMPACT



ART_1001261006

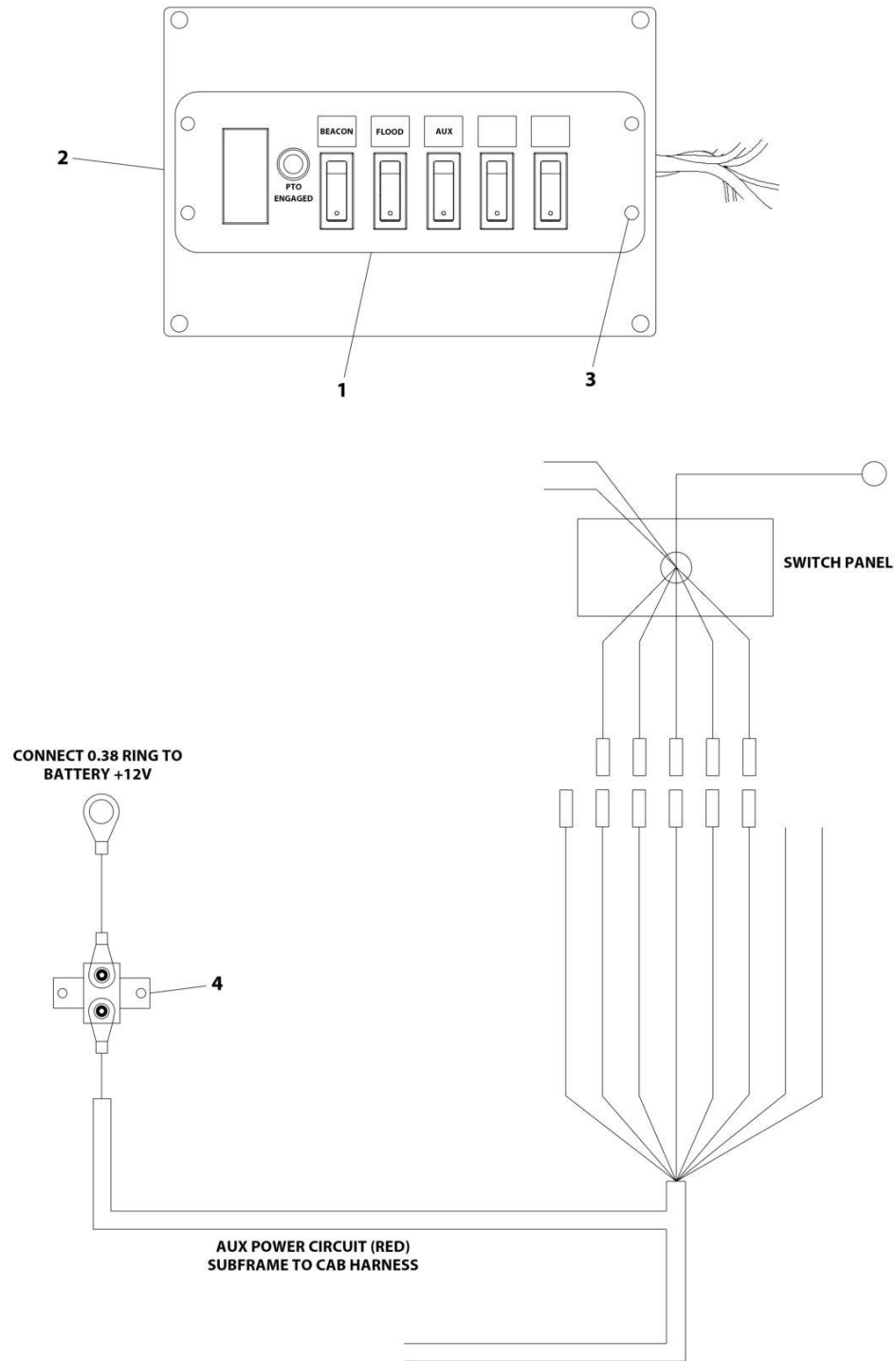
SECTION 6 - ELECTRICAL

FIGURE 6-52. SWITCH INSTALLATION - 5 FUNCTION UNDER-DASH COMPACT

ITEM	PART NUMBER	QTY	DESCRIPTION	REV
	1001261006	Ref	5 FUNCTION UNDER-DASH COMPACT SWITCH PANEL INSTALLATION	B
1	7870000137	1	Switch Panel	
2	7330000288	1	Decal	
3	7346000242	5	Connector	
4	4460035	2	Connector	
5	4460042	1	Terminal, Ring	
6	8597650003	2	Wire	
7	5526000553	6	Tie Strap	

SECTION 6 - ELECTRICAL

FIGURE 6-53. SWITCH INSTALLATION - 5 FUNCTION IN-DASH COMPACT (PETERBILT)



ART_1001262052

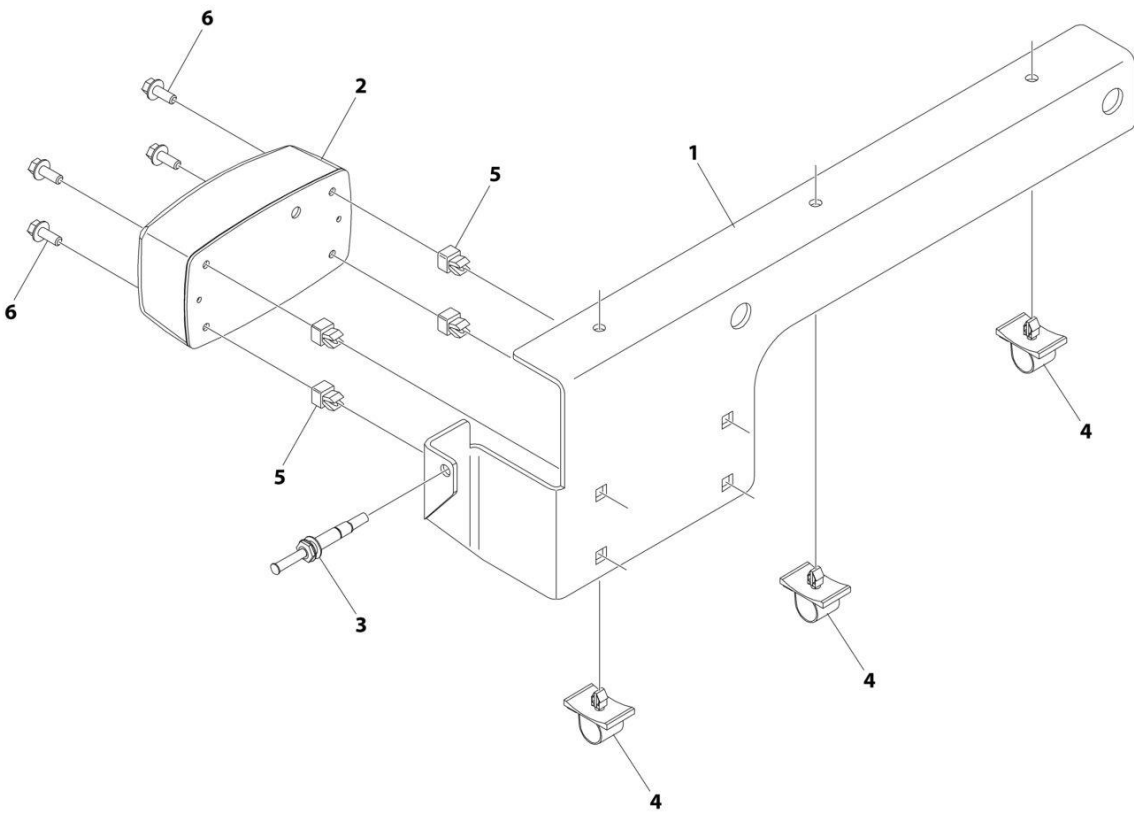
SECTION 6 - ELECTRICAL

FIGURE 6-53. SWITCH INSTALLATION - 5 FUNCTION IN-DASH COMPACT (PETERBILT)

ITEM	PART NUMBER	QTY	DESCRIPTION	REV
	1001262052	Ref	5 FUNCTION IN-DASH SWITCH PANEL, PETERBILT	A
1	1001261005	1	5 Function In-Dash Switch Panel Installation (See Separate Breakdown in this Section)	
2	1001135814	1	Switch Panel	
3	1001135815	1	Screw #8 x 3/8	
4	1001129883	1	Breaker Installation (See Separate Breakdown in this Section)	

SECTION 6 - ELECTRICAL

FIGURE 6-54. TOOLBOX LIGHT BRACKET ASSEMBLY



ART_3178000437

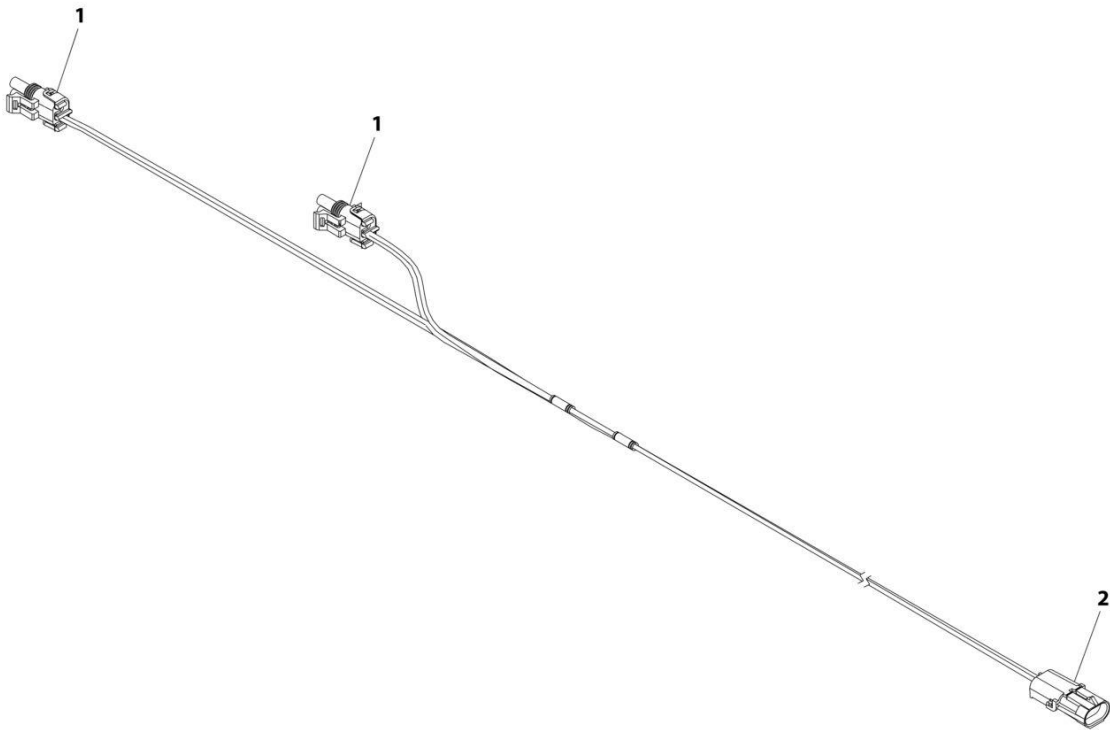
SECTION 6 - ELECTRICAL

FIGURE 6-54. TOOLBOX LIGHT BRACKET ASSEMBLY

ITEM	PART NUMBER	QTY	DESCRIPTION	REV
	3178000437	Ref	Toolbox Light Bracket Assembly	0
1	4178000578	1	Bracket	
2	7590000273	1	Light Dome Lamp	
3	7870000115	1	Switch	
4	7280000007	3	Clip	
5	7661000047	4	Nut #10 x 1/8	
6	7790100856	4	Screw #10 x 1/2	

SECTION 6 - ELECTRICAL

FIGURE 6-55. WINCH LIGHT HARNESS



ART_7552000166

SECTION 6 - ELECTRICAL

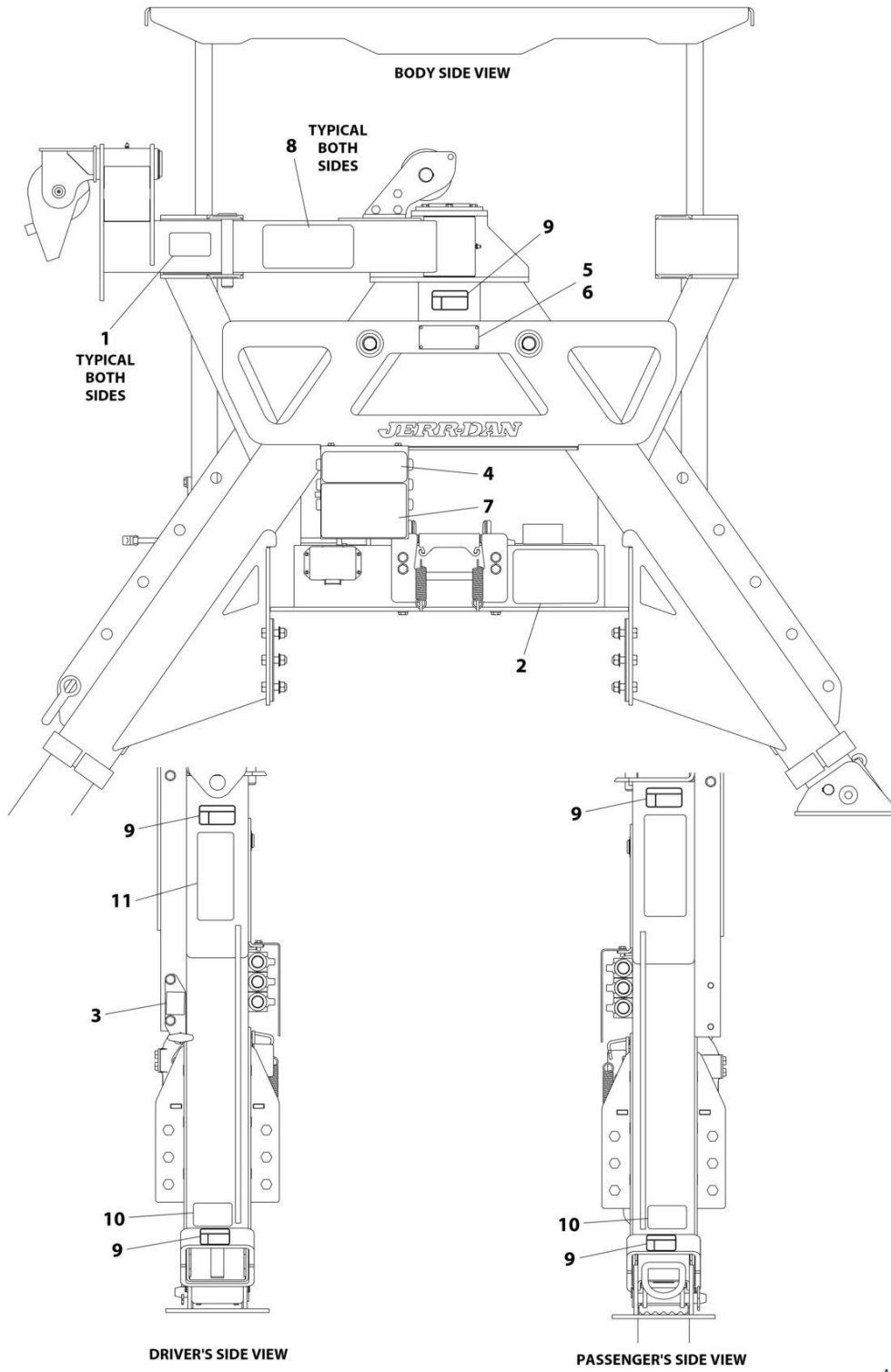
FIGURE 6-55. WINCH LIGHT HARNESS

ITEM	PART NUMBER	QTY	DESCRIPTION	REV
	7552000166	Ref	WINCH LIGHT HARNESS	B
1	4460742	2	Connector	
1	4460457	4	Terminal	
1	8220081	4	Seal	
2	4461157	1	Connector	
2	4460475	2	Terminal	
2	8220081	2	Seal	

SECTION 7 - DECALS

SECTION 7 - DECALS

FIGURE 7-1. DECAL INSTALLATION (SRS)



ART_233000068

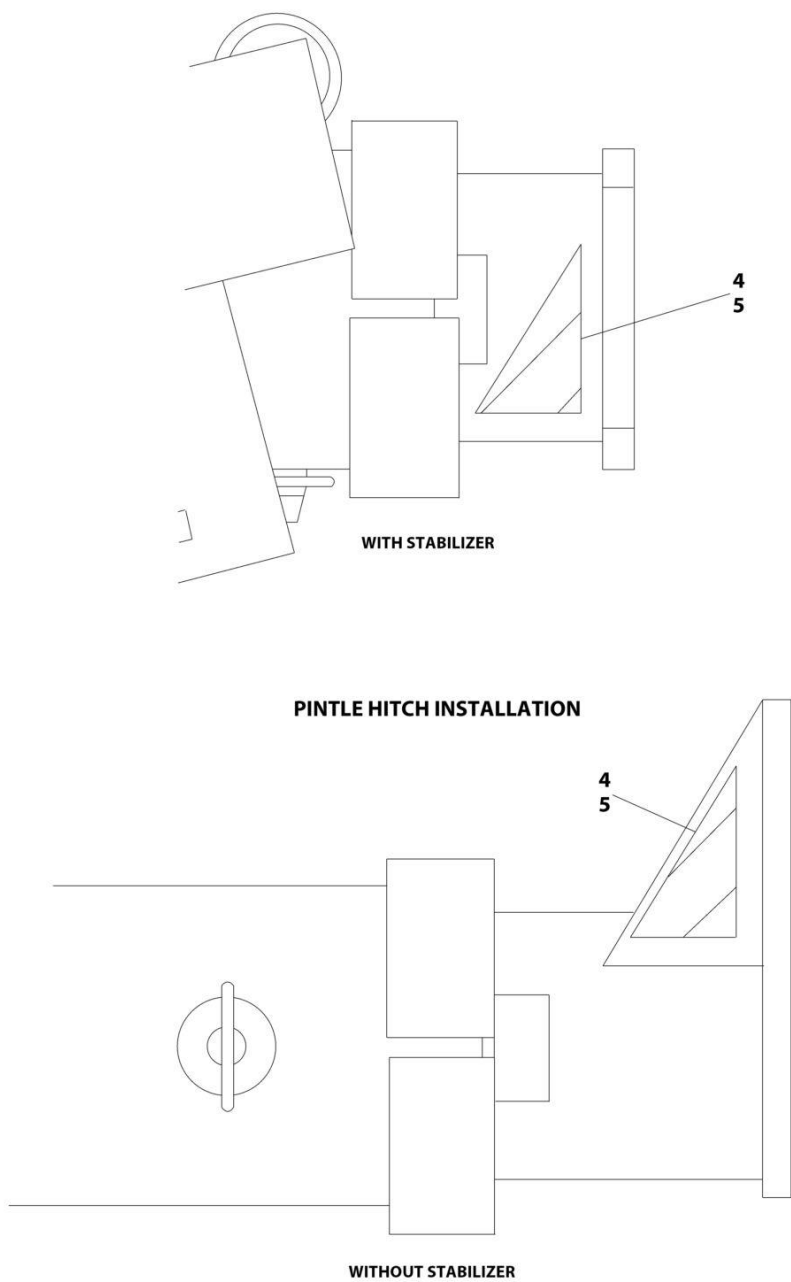
SECTION 7 - DECALS

FIGURE 7-1. DECAL INSTALLATION (SRS)

ITEM	PART NUMBER	QTY	DESCRIPTION	REV
	2330000068	Ref	DECAL INSTALLATION - SIDE RECOVERY SYSTEM	A
1	7330000708	2	Decal, Warning	
2	7330000709	1	Decal, Lubrication	
3	7330000707	1	Decal, Winch Free Spool	
4	7330000711	1	Decal, Valve Manual Override	
5	7330000710	1	Decal, Seal	
6	7759000004	4	Rivet	
7	7330000713	1	Decal, Winch Warning	
8	7330000714	2	Decal, SRS Logo	
9	7330000599	5	Decal, Pinch Point	
10	7330000580	2	Decal, Outrigger	
11	7330000723	1	Decal, Safety	

SECTION 7 - DECALS

FIGURE 7-2. DECAL INSTALLATION - CONSPICUITY PINTLE HITCH



ART_2330000041

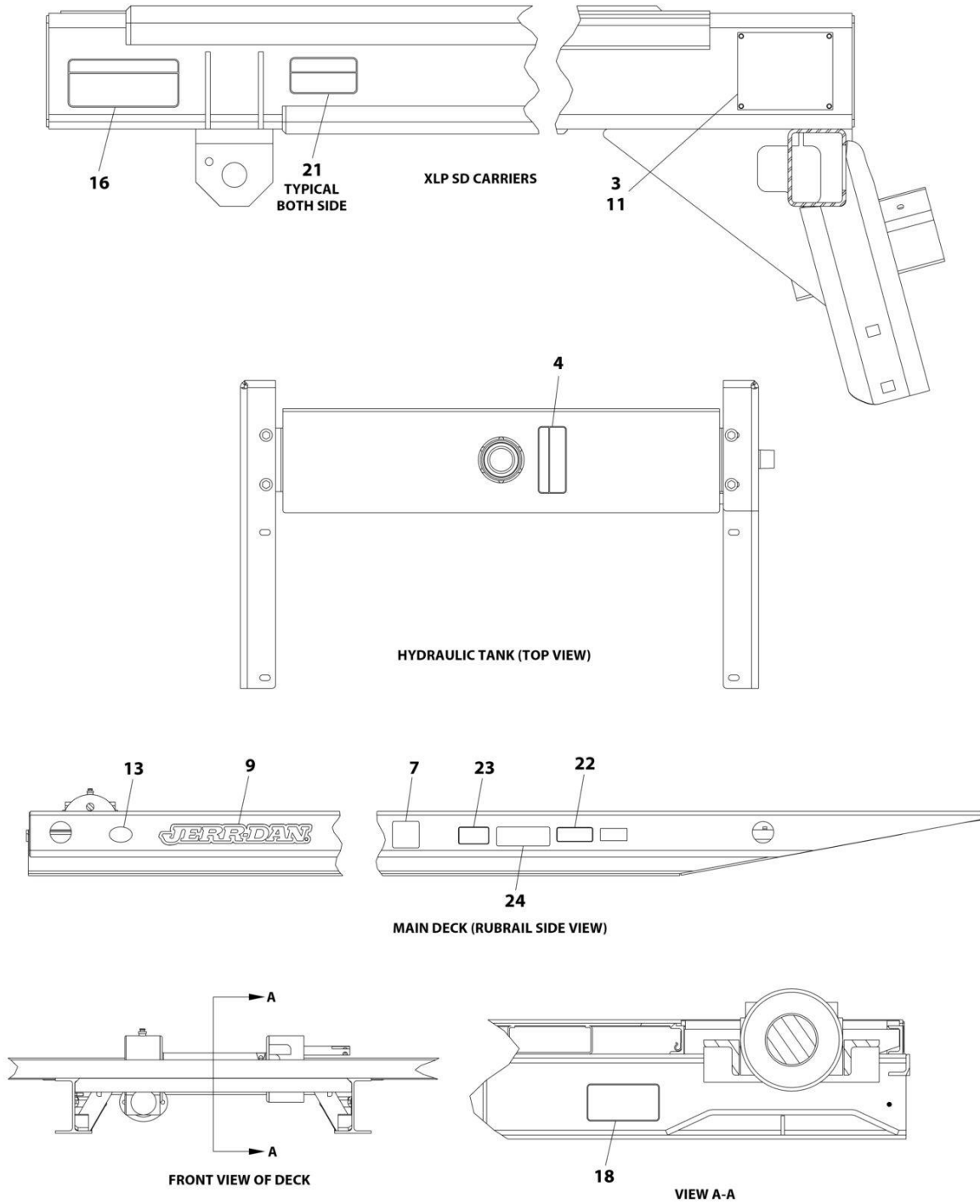
SECTION 7 - DECALS

FIGURE 7-2. DECAL INSTALLATION - CONSPICUITY PINTLE HITCH

ITEM	PART NUMBER	QTY	DESCRIPTION	REV
	2330000041	Ref	Reflective Tape Installation	B
4	7330000645	1	Decal - Red, Retro-reflective LH	
5	7330000646	1	Decal - Red, Retro-reflective RH	

SECTION 7 - DECALS

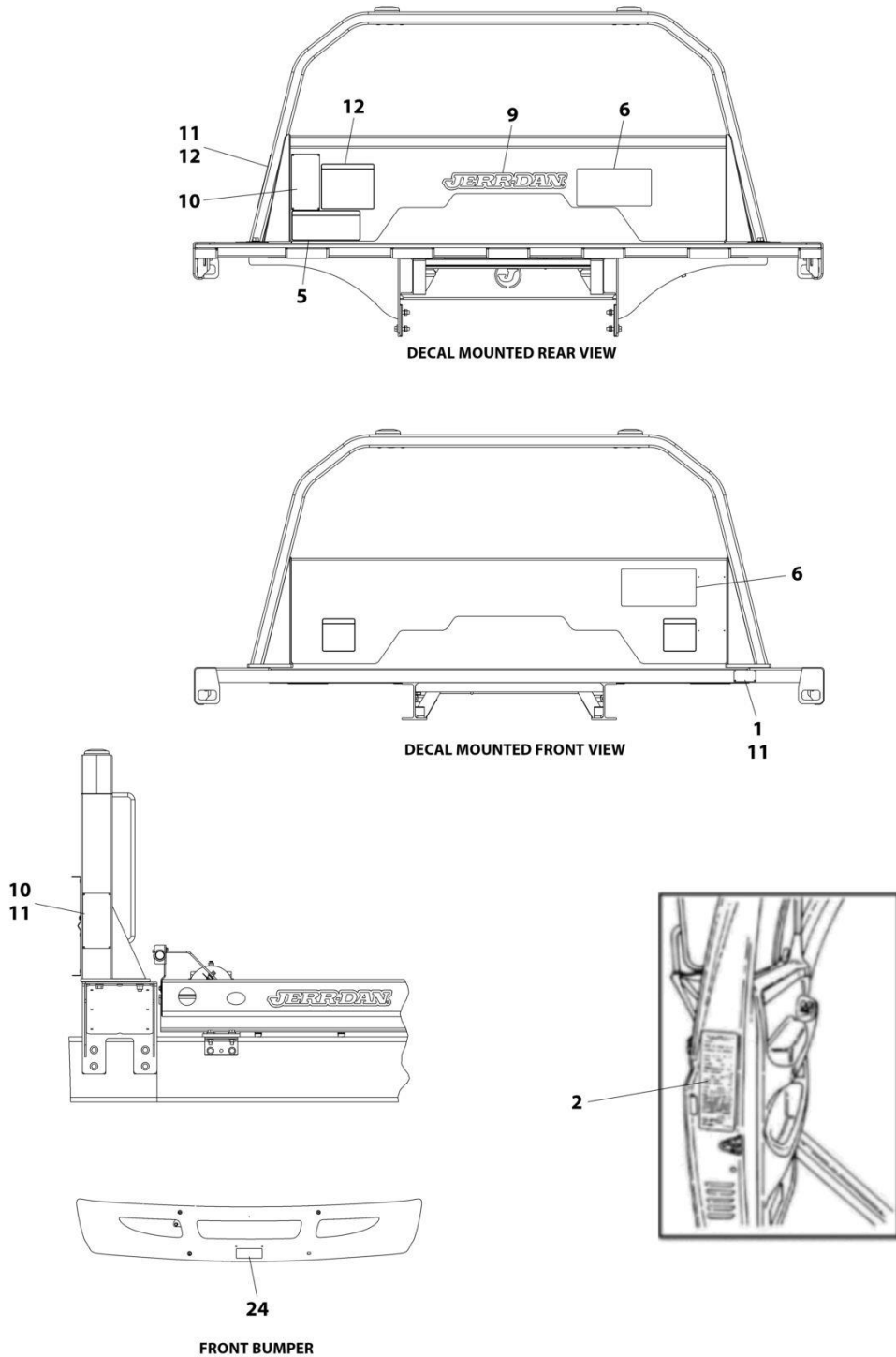
FIGURE 7-3. DECAL INSTALLATION - HEAVY DUTY CARRIER



ART_233000045_10F2

SECTION 7 - DECALS

FIGURE 7-4. DECAL INSTALLATION - HEAVY DUTY CARRIER



ART_233000045_2OF2

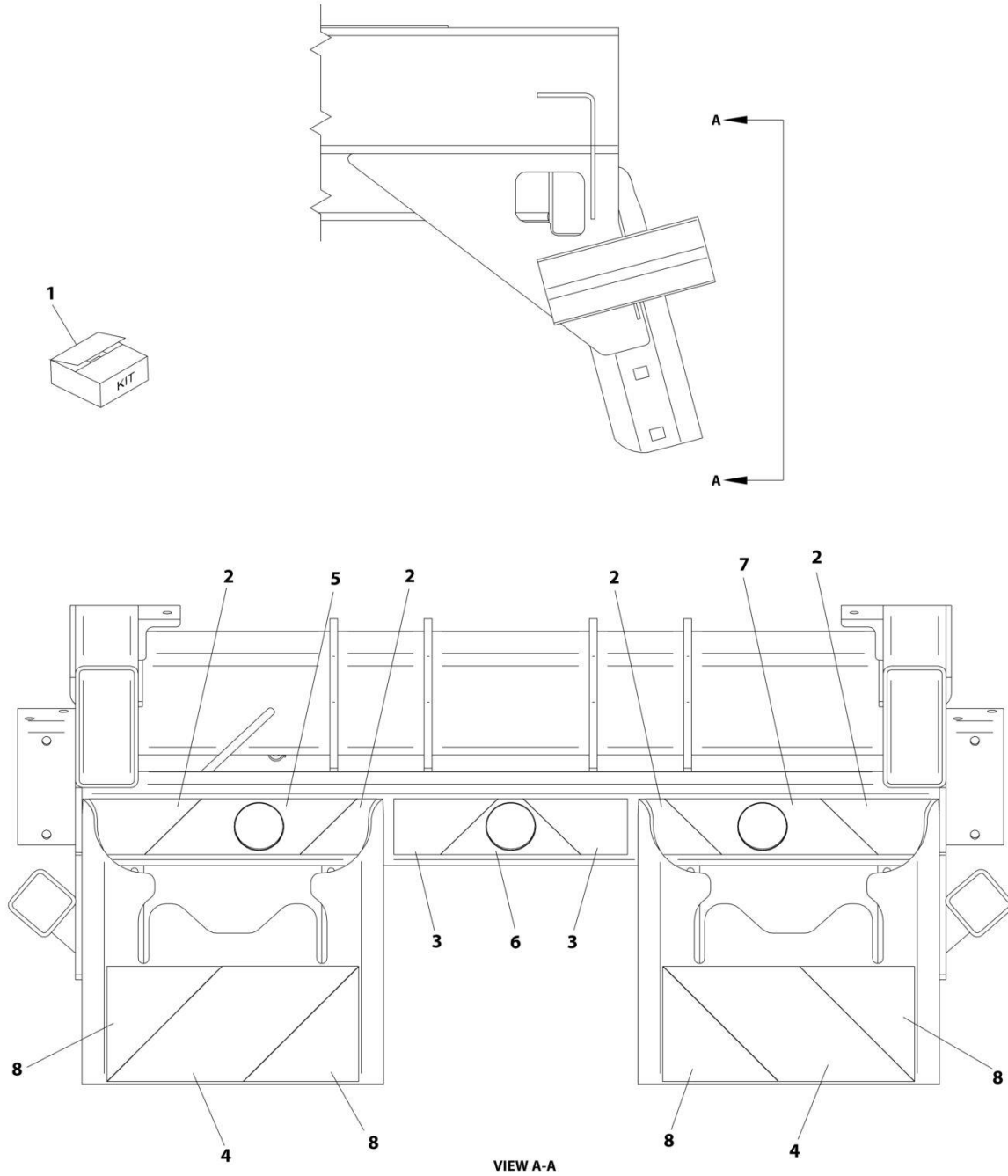
SECTION 7 - DECALS

FIGURE 7-4. DECAL INSTALLATION - HEAVY DUTY CARRIER

ITEM	PART NUMBER	QTY	DESCRIPTION	REV
	2330000045	Ref	HEAVY DUTY CARRIER DECAL INSTALLATION	N
1	1001127221	1	Decal - Ident Tag	
2	7330000689	1	Decal - Certification	
3	1001132766	1	Decal - Patent/Subframe	
4	7330000272	1	Decal - Oil Level	
5	1001190626	1	Decal - Winch Warning	
6	7330000478	1	Decal - Lub Chart Bic	
7	1001154689	2	Decal - Arrow Rollback Tilt	
9	1001153789	3	Decal - Amber Reflect	
10	1001132765	1	Decal - Structural Capacity	
11	7759000004	12	Pop Rivet	
12	1001190625	1	Decal - Checklist	
13	7330000143	1	Decal - Made in the USA	
14	7330000139	1	Decal - Wheel Lift (Not Shown)	
16	1001168591	1	Decal - Slide Pad Lubrication	
18	7330000330	1	Decal - Hose Track Carrier	
21	7330000599	2	Decal - Pinch Point	
22	7330000176	3	Decal - Air Suspension	
23	1001231801	2	Decal - Warning Prop 65 Diesel	
24	1001230968	3	Decal - Electrocutation Hazard	

SECTION 7 - DECALS

FIGURE 7-5. DECAL INSTALLATION - HIGH VISIBILITY



ART_1001203303

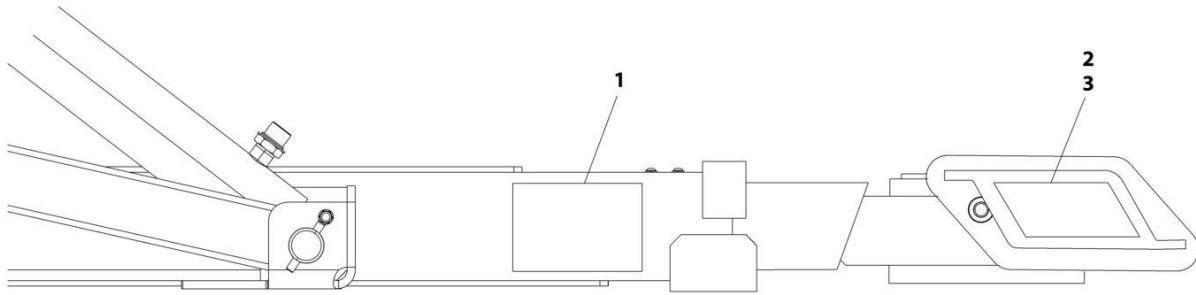
SECTION 7 - DECALS

FIGURE 7-5. DECAL INSTALLATION - HIGH VISIBILITY

ITEM	PART NUMBER	QTY	DESCRIPTION	REV
	1001203303	Ref	High Visibility Reflective Tape Intallation	A
1	1001203302	1	Decal - Conspicuity Tape Kit (Includes Items 2-8)	
2	1001203295	1	Tape, Yellow	
3	1001203296	1	Tape, Yellow	
4	1001203297	1	Tape, Yellow	
5	1001203298	1	Tape, Red	
6	1001203299	1	Tape, Red	
7	1001203300	1	Tape, Red	
8	1001203301	1	Tape, Red	

SECTION 7 - DECALS

FIGURE 7-6. DECAL INSTALLATION - MANUAL GRID



ART_2330000035

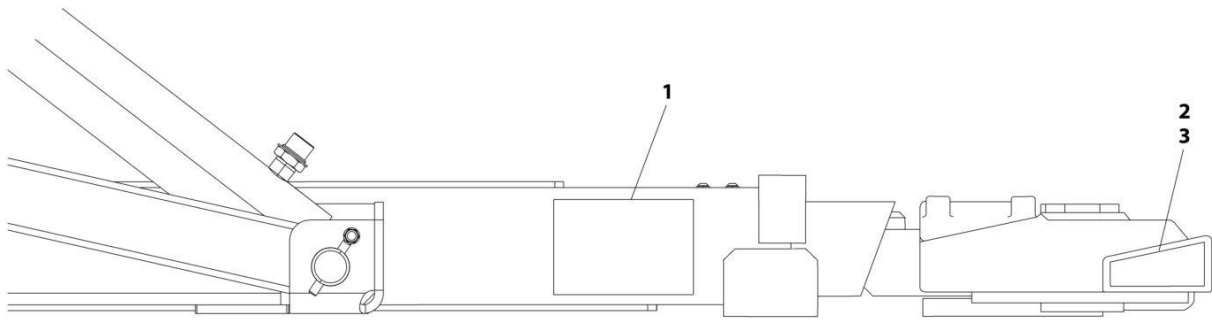
SECTION 7 - DECALS

FIGURE 7-6. DECAL INSTALLATION - MANUAL GRID

ITEM	PART NUMBER	QTY	DESCRIPTION	REV
	2330000035	Ref	Wheel Lift Decal Installation	0
1	7330000419	2	Decal - Red Reflective (Boom)	
2	7330000417	1	Decal - LH Red Reflective (Grid)	
3	7330000418	1	Decal - RH Red Reflective (Grid)	

SECTION 7 - DECALS

FIGURE 7-7. DECAL INSTALLATION - PIVOTING GRID



ART_2330000036

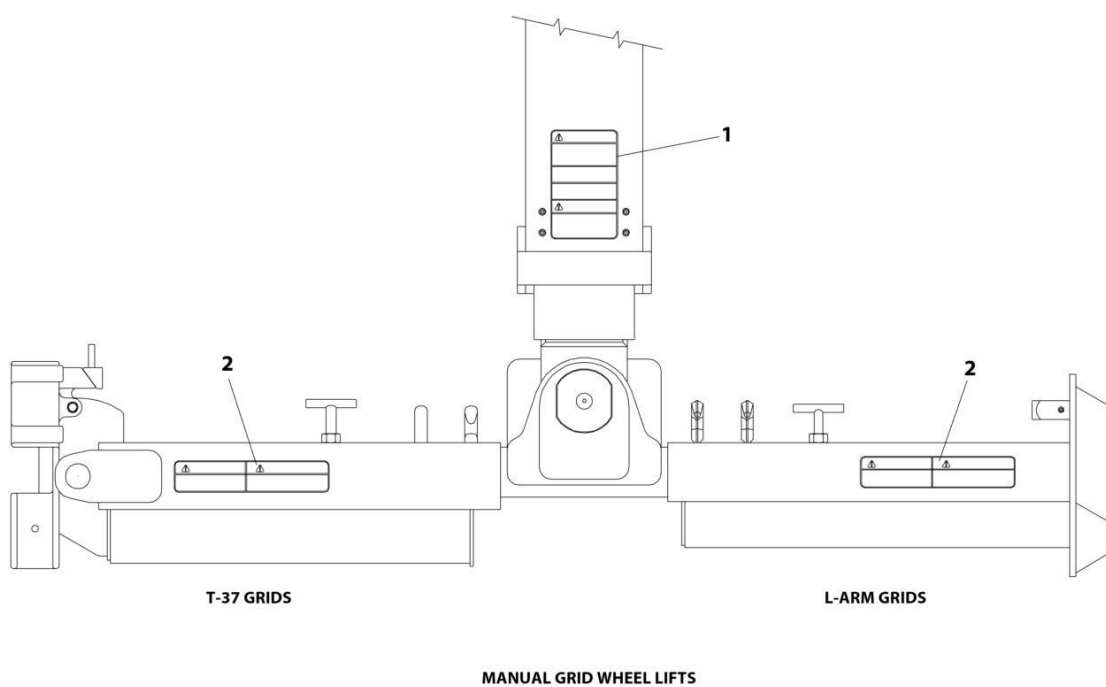
SECTION 7 - DECALS

FIGURE 7-7. DECAL INSTALLATION - PIVOTING GRID

ITEM	PART NUMBER	QTY	DESCRIPTION	REV
	2330000036	Ref	Wheel Lift Decal Installation, T37	0
1	7330000419	2	Decal - Red Reflective (Boom)	
2	7330000420	1	Decal - LH Red Reflective (T37 Grid)	
3	7330000432	1	Decal - RH Red Reflective (T37 Grid)	

SECTION 7 - DECALS

FIGURE 7-8. DECAL INSTALLATION - SAFETY



ART_2330000057

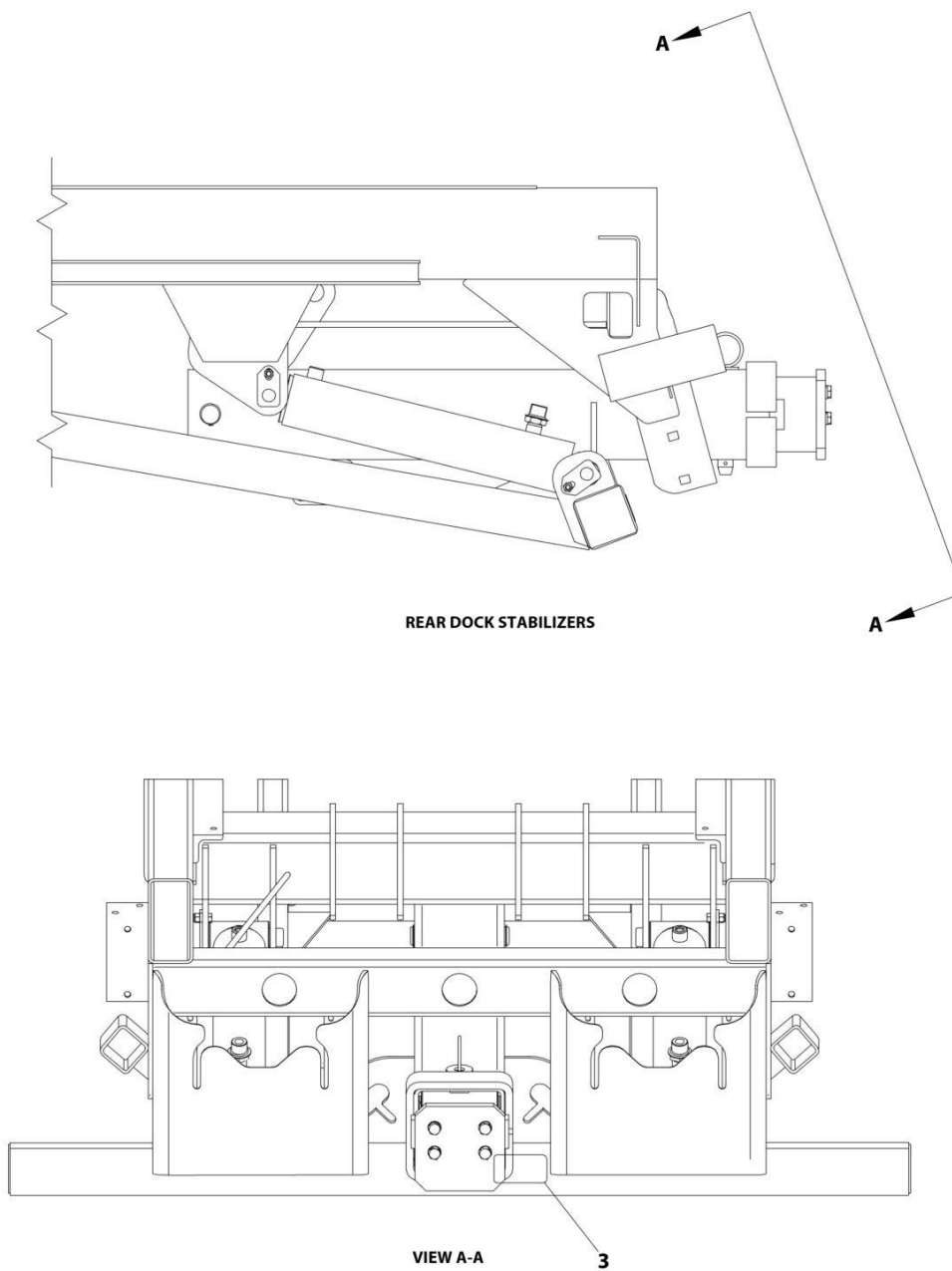
SECTION 7 - DECALS

FIGURE 7-8. DECAL INSTALLATION - SAFETY

ITEM	PART NUMBER	QTY	DESCRIPTION	REV
	2330000057	Ref	Decal Installation, Safety	0
1	7330000684	1	Decal - Safety	
2	7330000683	2	Decal - Safety	

SECTION 7 - DECALS

FIGURE 7-9. DECAL INSTALLATION - STABILIZER



ART_233000064

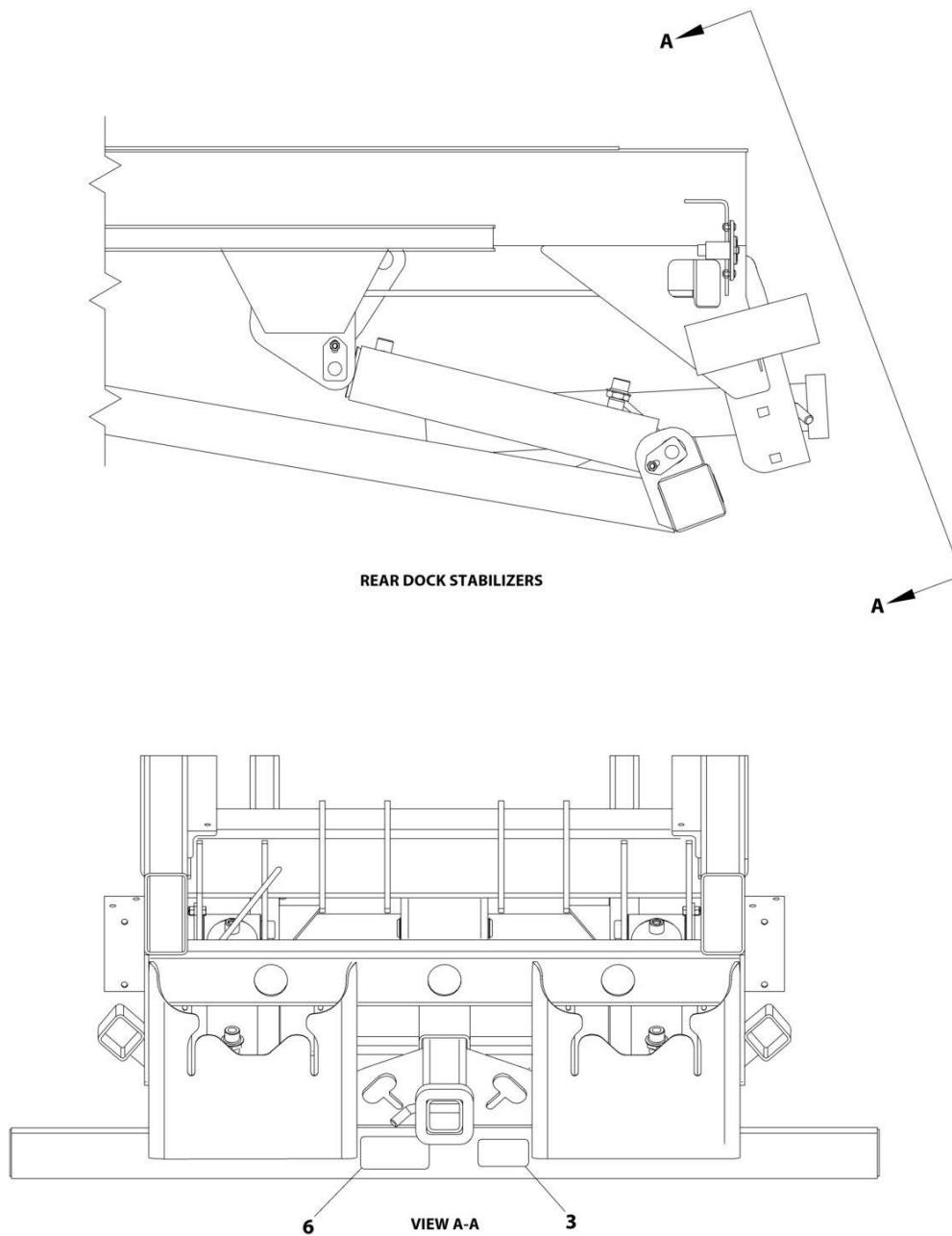
SECTION 7 - DECALS

FIGURE 7-9. DECAL INSTALLATION - STABILIZER

ITEM	PART NUMBER	QTY	DESCRIPTION	REV
3	2330000064	Ref	Decal Installation	B
	7330000599	1	Decal - Warning Pinch Point	

SECTION 7 - DECALS

FIGURE 7-10. DECAL INSTALLATION - STABILIZER WITH 2.5IN TOW HITCH



ART_2330000063

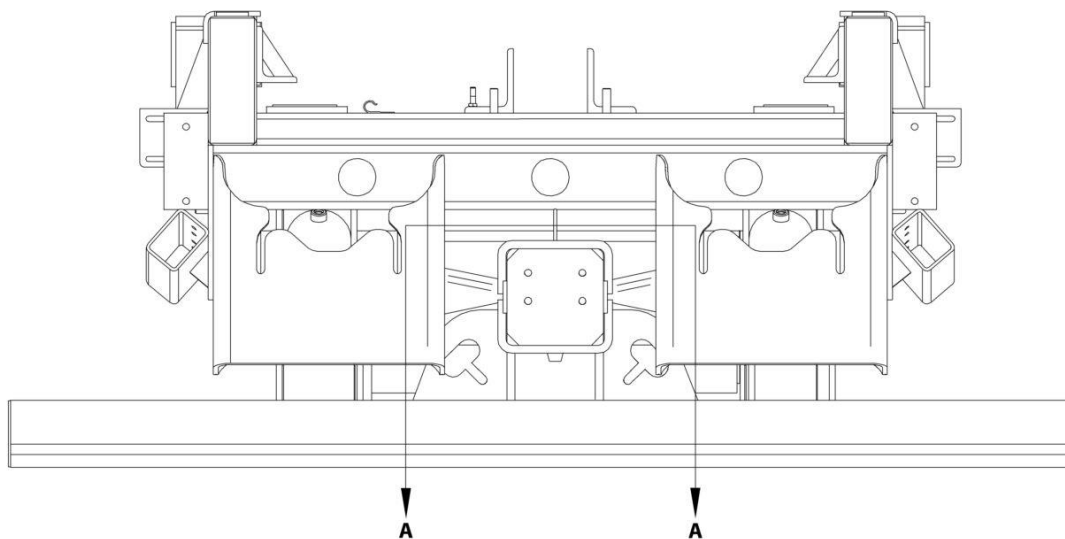
SECTION 7 - DECALS

FIGURE 7-10. DECAL INSTALLATION - STABILIZER WITH 2.5IN TOW HITCH

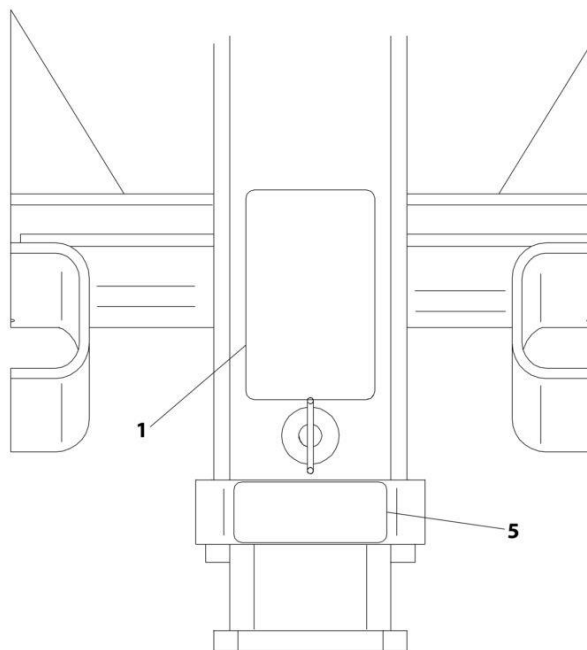
ITEM	PART NUMBER	QTY	DESCRIPTION	REV
	2330000063	Ref	Decal Installation - Tow Hitch	B
3	7330000599	1	Decal - Warning Pinch Point	
6	7330000274	1	Decal - Warning Overloading	

SECTION 7 - DECALS

FIGURE 7-11. DECAL INSTALLATION - STABILIZER WITH HYDRAULIC EXTEND



REAR DOCK STABILIZERS
WITH MANUAL AND HYDRAULIC EXTEND PINTLE



VIEW A-A

ART_233000061

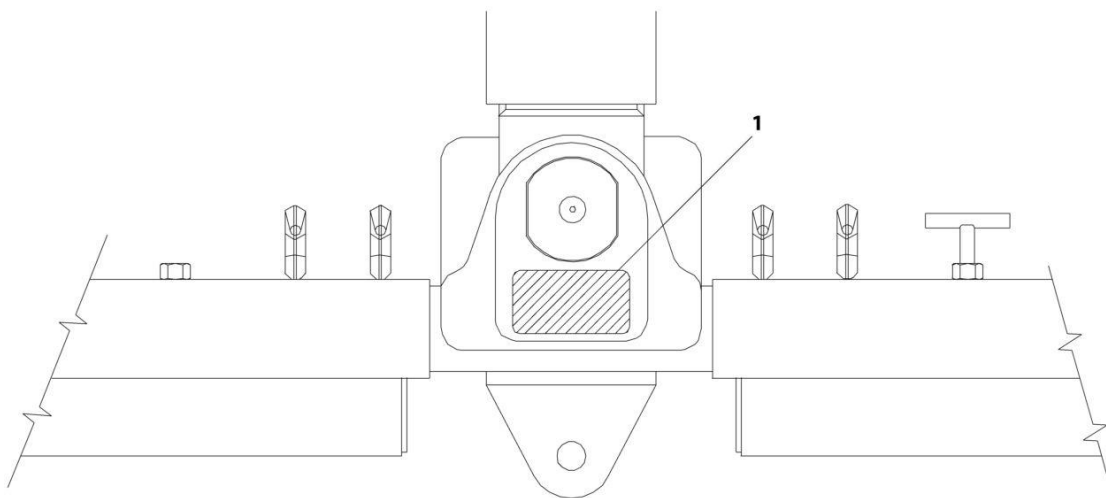
SECTION 7 - DECALS

FIGURE 7-11. DECAL INSTALLATION - STABILIZER WITH HYDRAULIC EXTEND

ITEM	PART NUMBER	QTY	DESCRIPTION	REV
	2330000061	Ref	Decal Installation - Stabilizer Hydraulics With Hydraulic Extend	B
1	7330000684	1	Decal - Safety	
5	7330000391	1	Decal - Warning, Tow Boom Configuration	

SECTION 7 - DECALS

FIGURE 7-12. DECAL INSTALLATION - TOW HITCH



MANUAL GRID WHEEL LIFTS

ART_2330000057

SECTION 7 - DECALS

FIGURE 7-12. DECAL INSTALLATION - TOW HITCH

ITEM	PART NUMBER	QTY	DESCRIPTION	REV
1	2330000065 7330000060	Ref 1	Tow Hitch Decal Installation Decal - Warning, Hitch on Wheel lift	0

SECTION 8 - ACCESSORIES

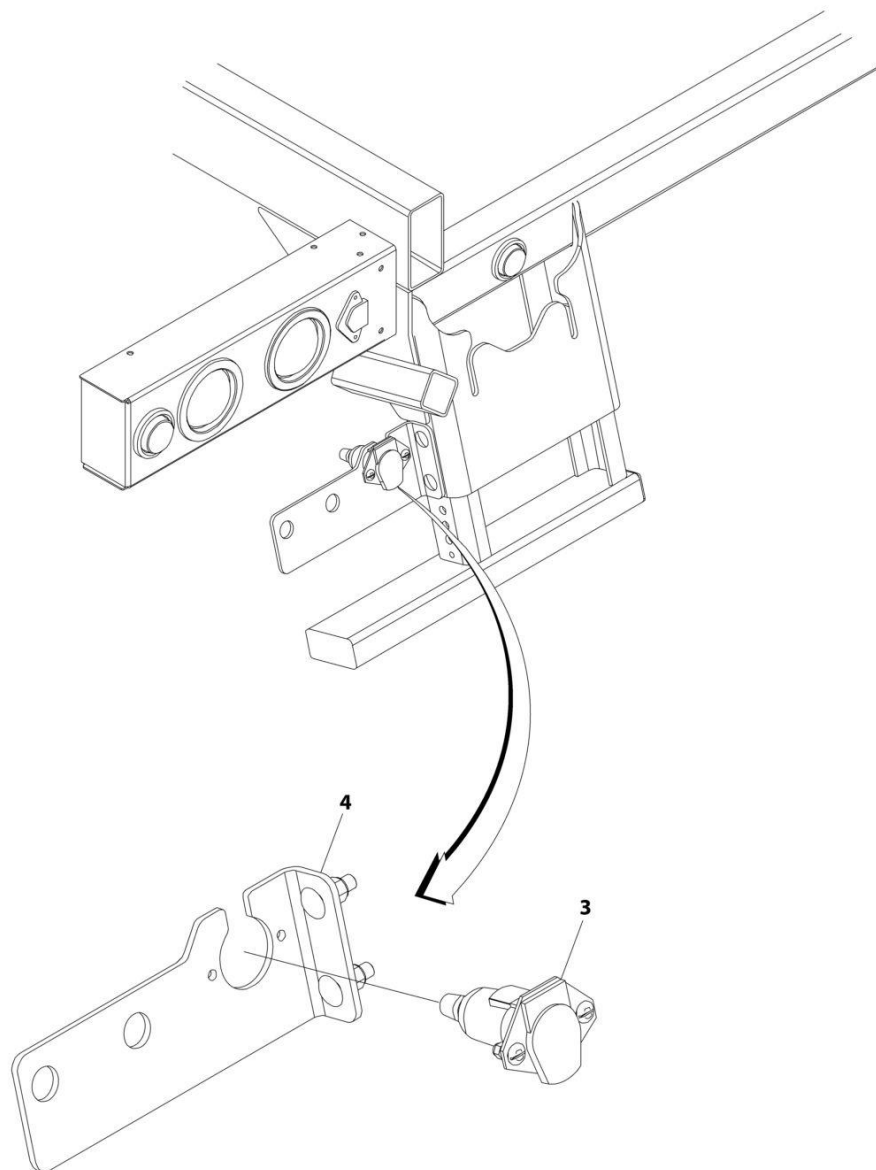
SECTION 8 - ACCESSORIES

FIGURE 8-1. KITS LIST

ITEM	PART NUMBER	QTY	DESCRIPTION	REV
	1001241870	Ref	KITS LIST	L
		Ref	Note: Contact JERR-DAN Parts Department for exact contents of kit:	
	1001262545	Ref	Chain Rack Kit - Non-Locking (Standard Headboard) (Includes Rack & Attaching Hardware)	
	1001262546	Ref	Chain Rack Kit - Non-Locking (Deluxe Headboard) (Includes Rack & Attaching Hardware)	
	1001265255	Ref	Chain Rack Kit - Locking (Standard Headboard) (Includes Rack & Attaching Hardware)	
	1001262544	Ref	Chain Rack Kit - Locking (Deluxe Headboard) (Includes Rack & Attaching Hardware)	
	1001265236	Ref	Decal Kit - Cargo Hauler	
	1001187663S	Ref	Free Spool Kit - Single Winch (8000-10000 LBS)	
	3570000008	Ref	Hose Kit - 28FT Deck sub-Frame Retrofit with Emergency Lights	
	3249000004S	Ref	Roller Cable Guide Kit	
	1001296940	Ref	Service Deck Kit (3015TRBLP)	
	1001297048	Ref	Service Deck Kit (815TRB)	

SECTION 8 - ACCESSORIES

FIGURE 8-2. 7-WAY ELECTRICAL CONNECTOR INSTALLATION



ART_A7WCON

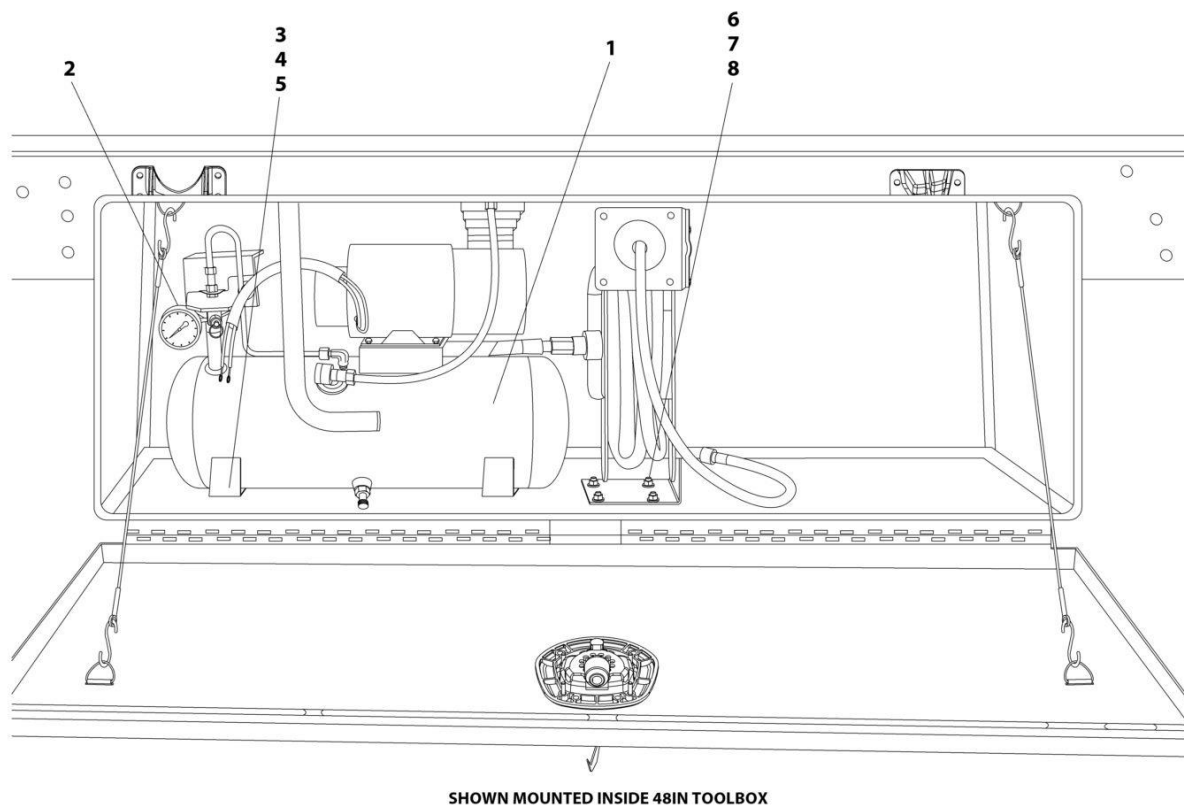
SECTION 8 - ACCESSORIES

FIGURE 8-2. 7-WAY ELECTRICAL CONNECTOR INSTALLATION

ITEM	PART NUMBER	QTY	DESCRIPTION	REV
	A7WCON	Ref	7 Way Electric Connector Installation	0
1	7346000132	1	Electrical Adapter 7 to 4 way (Not Shown)	
2	7346000157	1	Electrical Adapter 7 to 6 way (Not Shown)	
3	2346000008	1	7-Way Electrical Connector (See Separate Breakdown in this Section)	
4	2178000037	Ref	Glad Hands Bracket Installation	
4	4178000666	1	Bracket	
4	7115181464	2	Bolt 1/2 x 1-3/4	
4	7660182601	2	Nut 1/2	

SECTION 8 - ACCESSORIES

FIGURE 8-3. AIR COMPRESSOR/HOSE REEL (INSIDE TOOLBOX)



ART_2002000030

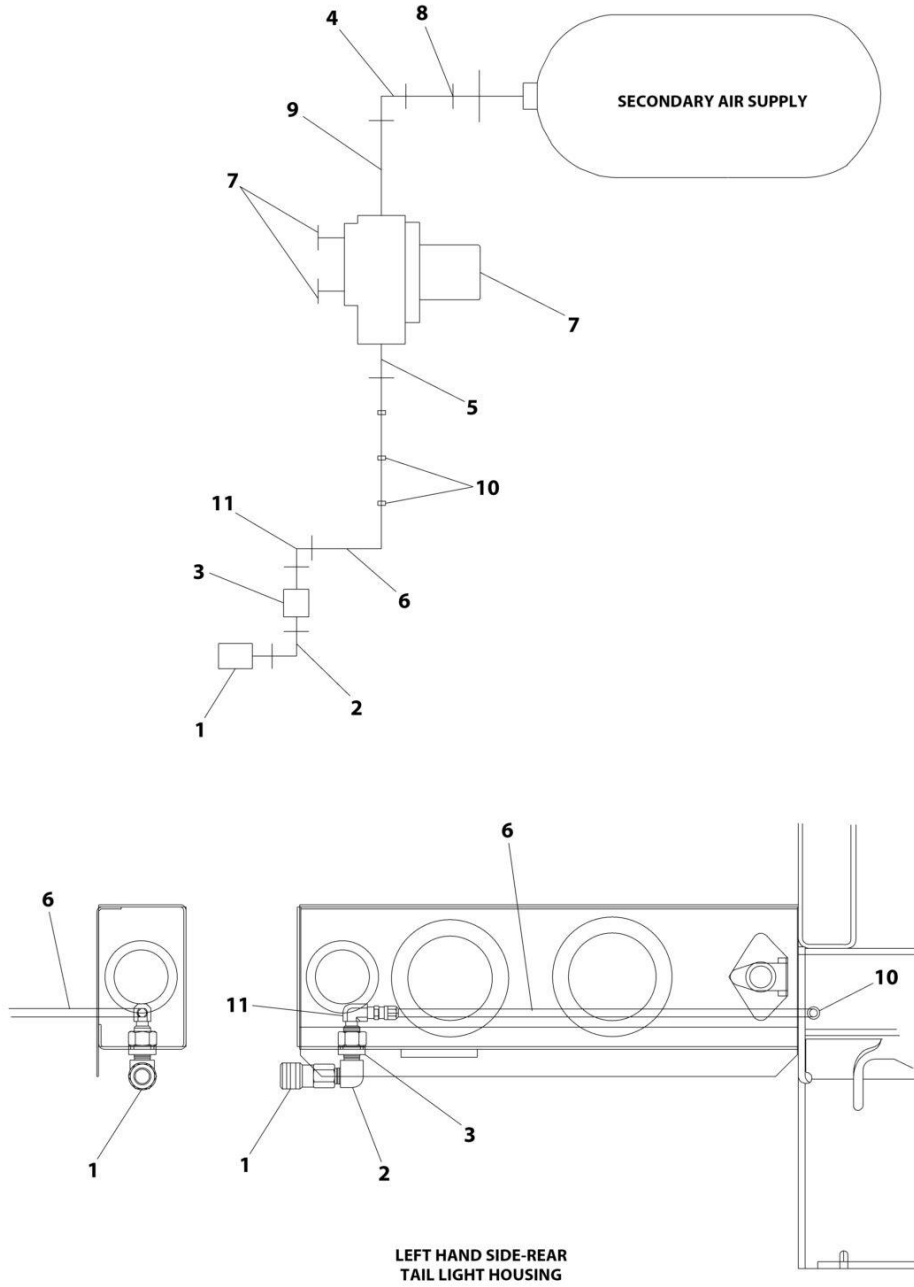
SECTION 8 - ACCESSORIES

FIGURE 8-3. AIR COMPRESSOR/HOSE REEL (INSIDE TOOLBOX)

ITEM	PART NUMBER	QTY	DESCRIPTION	REV
	2002000030	Ref	Toolbox Air Compressor/Hose Reel	B
1	7002000503	1	Air Compressor with Hose Reel	
2	7443000155	1	Fitting, 90	
3	7115161050	4	Capscrew 3/8 x 1-1/4	
4	7950150161	4	Washer 3/8	
5	7660162601	4	Nut 3/8	
6	7115181050	4	Capscrew 1/2 x 1-1/4	
7	7950180153	8	Washer 1/2	
8	7660182601	4	Nut 1/2	

SECTION 8 - ACCESSORIES

FIGURE 8-4. AIR SUPPLY DISCONNECT



ART_2002000009

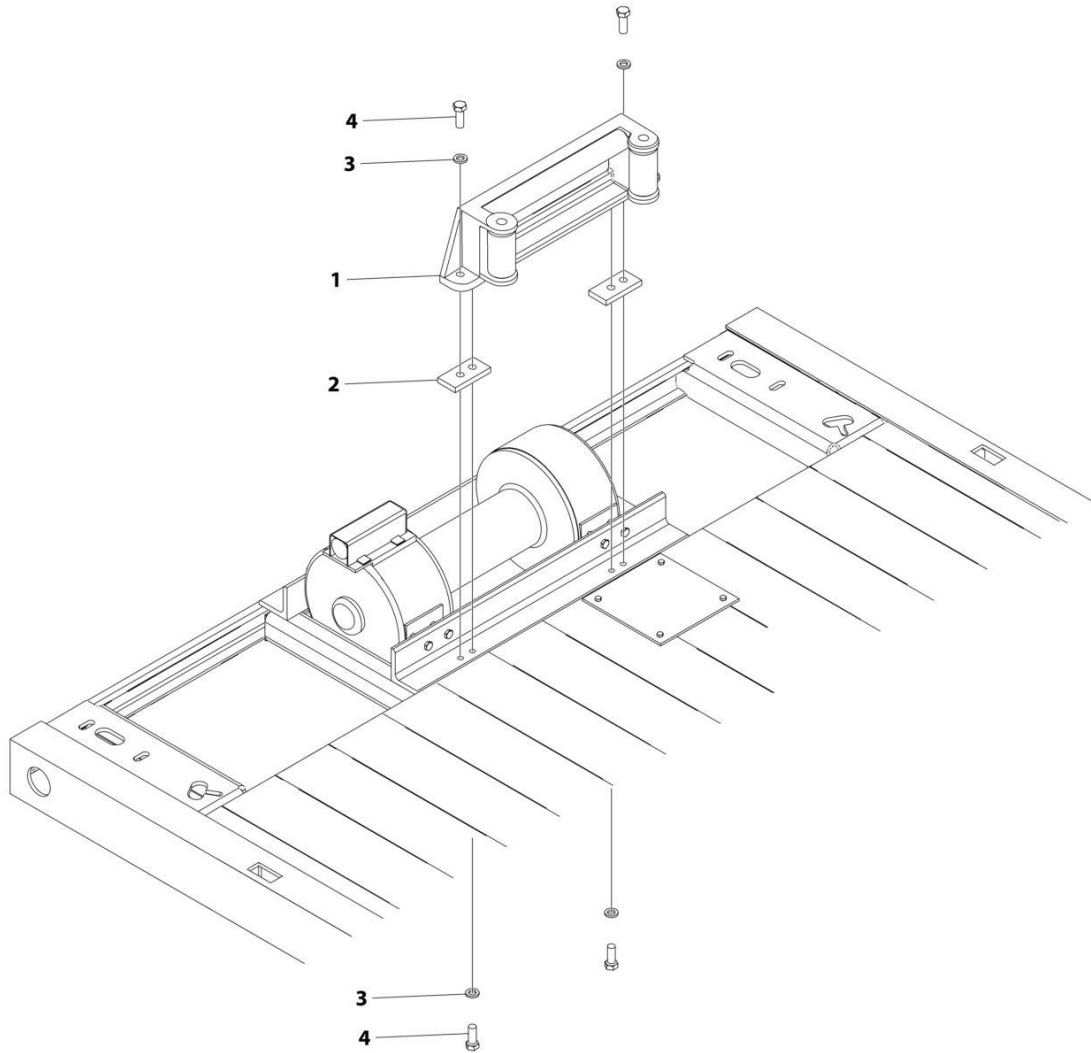
SECTION 8 - ACCESSORIES

FIGURE 8-4. AIR SUPPLY DISCONNECT

ITEM	PART NUMBER	QTY	DESCRIPTION	REV
	2002000009	Ref	AIR SUPPLY DISCONNECT	E
1	7312000017	1	Fitting, Coupling	
2	7445080853	1	Fitting, 90	
3	7446502518	1	Fitting	
4	7443000155	1	Fitting, 90	
5	7446060435	2	Tube	
6	7565000014	32	Tubing, Airline	
7	7935000120	1	Valve, Pressure Protection	
8	7443000154	1	Bushing	
9	7443000156	1	Fitting, Nipple	
10	7894000031	6	Tie-Strap	
11	7443000366	1	Fitting, Tube	

SECTION 8 - ACCESSORIES

FIGURE 8-5. CABLE ROLLER GUIDE INSTALLATION - DECK



ART_224900007

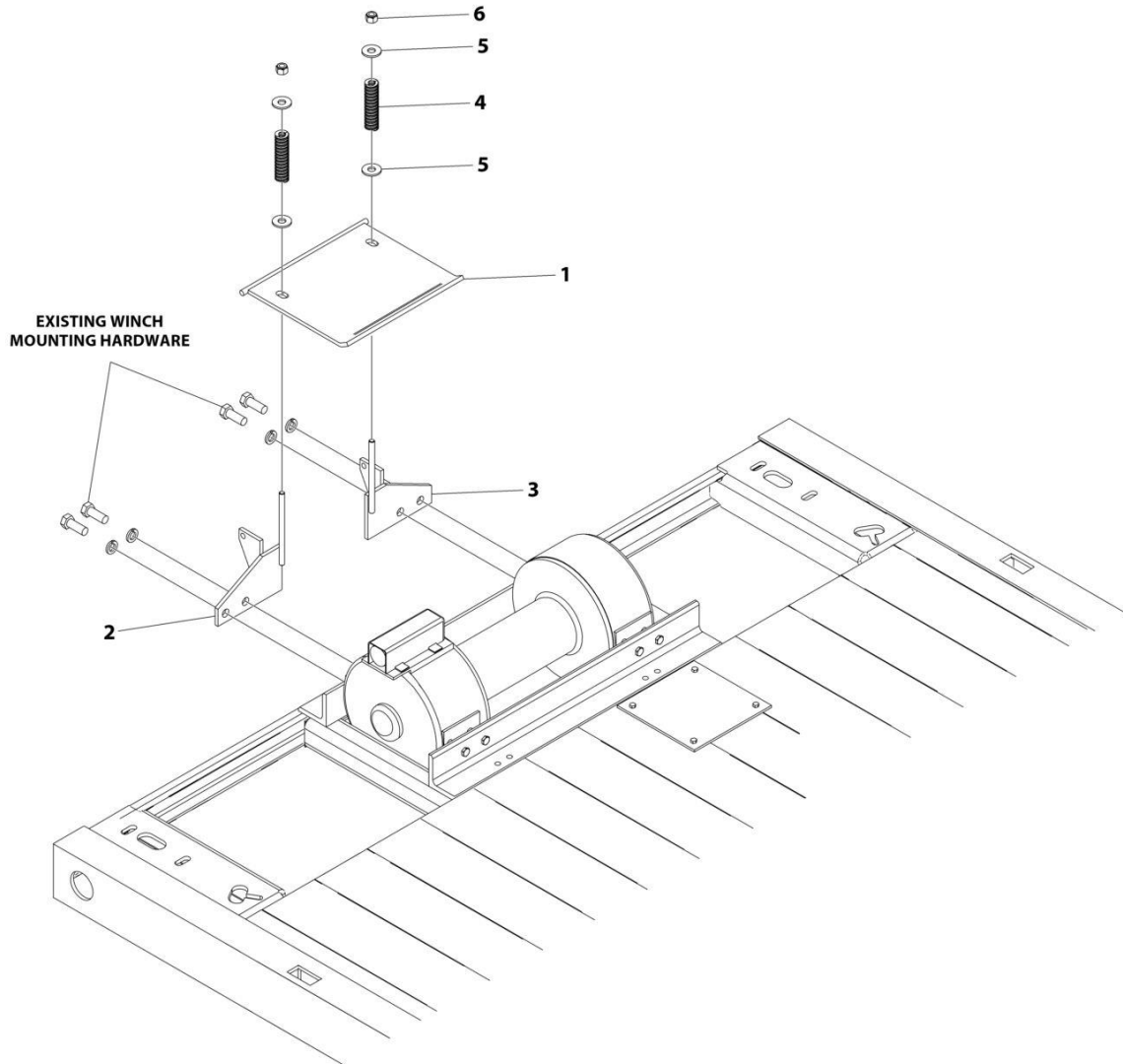
SECTION 8 - ACCESSORIES

FIGURE 8-5. CABLE ROLLER GUIDE INSTALLATION - DECK

ITEM	PART NUMBER	QTY	DESCRIPTION	REV
	2249000007	Ref	CABLE ROLLER GUIDE INSTALLATION - DECK	A
1	3527000075	1	Tensioner, Winch Cable	
2	4706001149	2	Plate	
3	7950200000	4	Washer 5/8	
4	7110201605	4	Bolt 5/8 x 2	

SECTION 8 - ACCESSORIES

FIGURE 8-6. CABLE TENSIONER PLATE INSTALLATION - DECK



ART_224900008

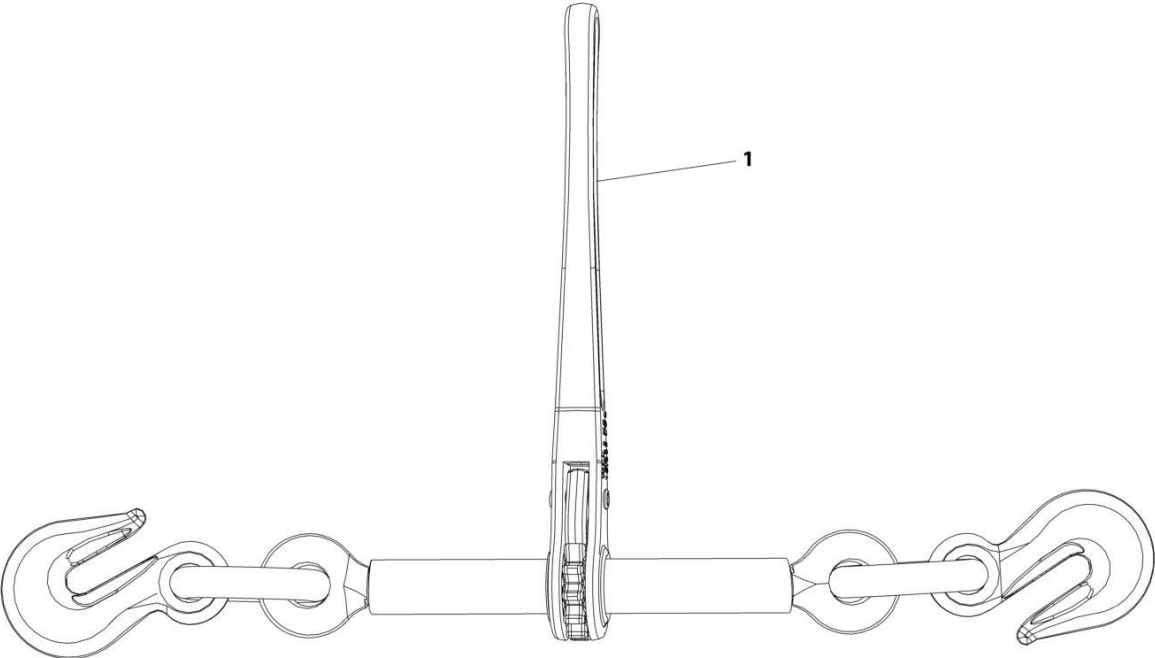
SECTION 8 - ACCESSORIES

FIGURE 8-6. CABLE TENSIONER PLATE INSTALLATION - DECK

ITEM	PART NUMBER	QTY	DESCRIPTION	REV
	2249000008	Ref	CABLE TENSIONER PLATE INSTALLATION - DECK	0
1	3706000192	1	Plate	
2	3178000307	1	Bracket Weld LH	
3	3178000308	1	Bracket Weld RH	
4	7843000004	2	Spring	
5	7950180161	4	Washer 1/2	
6	7660182601	2	Nut 1/2	

SECTION 8 - ACCESSORIES

FIGURE 8-7. CHAIN BINDER 3/8IN



ART_CHB38

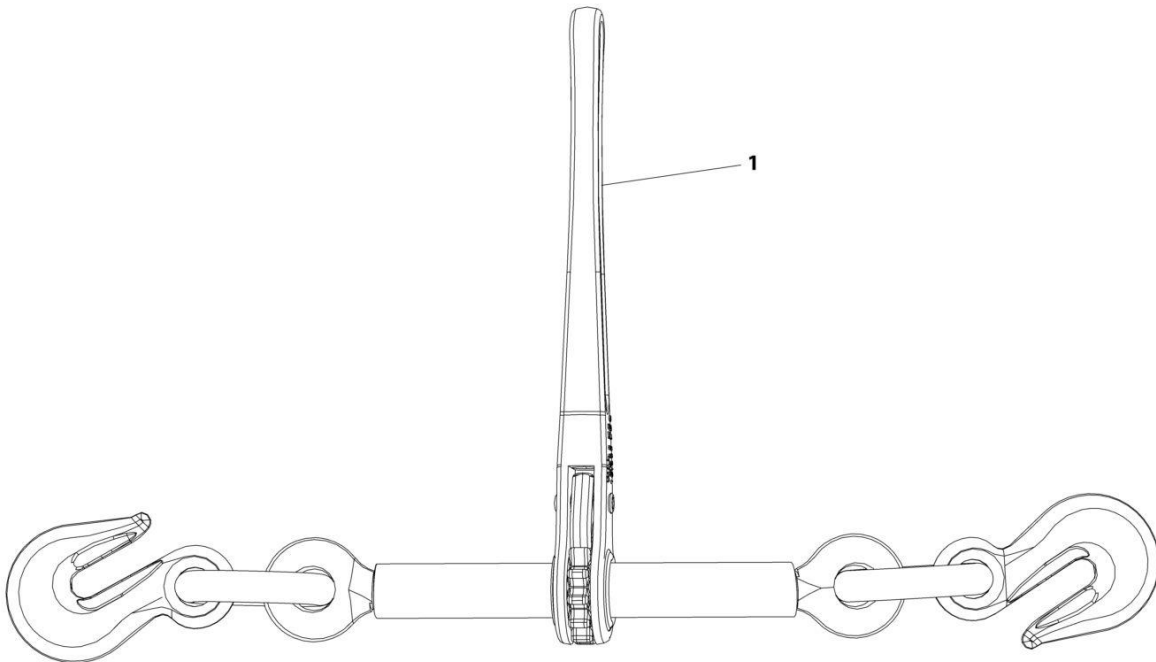
SECTION 8 - ACCESSORIES

FIGURE 8-7. CHAIN BINDER 3/8IN

ITEM	PART NUMBER	QTY	DESCRIPTION	REV
1	CHB38 7002000451	Ref 1	CHAIN BINDER 3/8IN Load Binder	0

SECTION 8 - ACCESSORIES

FIGURE 8-8. CHAIN BINDER 1/2IN



ART_CHB50

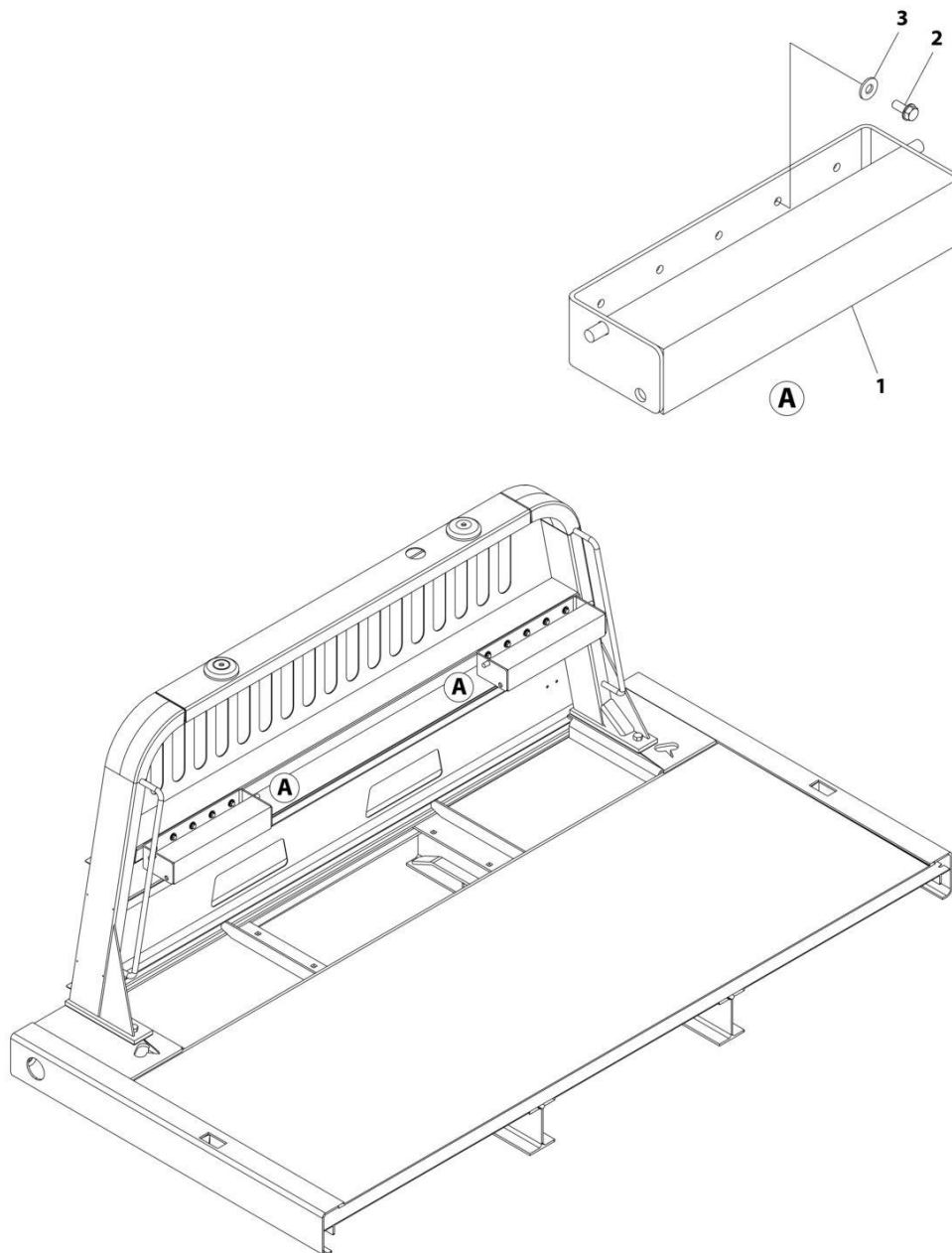
SECTION 8 - ACCESSORIES

FIGURE 8-8. CHAIN BINDER 1/2IN

ITEM	PART NUMBER	QTY	DESCRIPTION	REV
1	CHB50 7002000450	Ref 1	CHAIN BINDER 1/2IN Load Binder	0

SECTION 8 - ACCESSORIES

FIGURE 8-9. CHAIN RACKS (DELUXE HEADBOARD) (LOCKING)



ART_1001232620

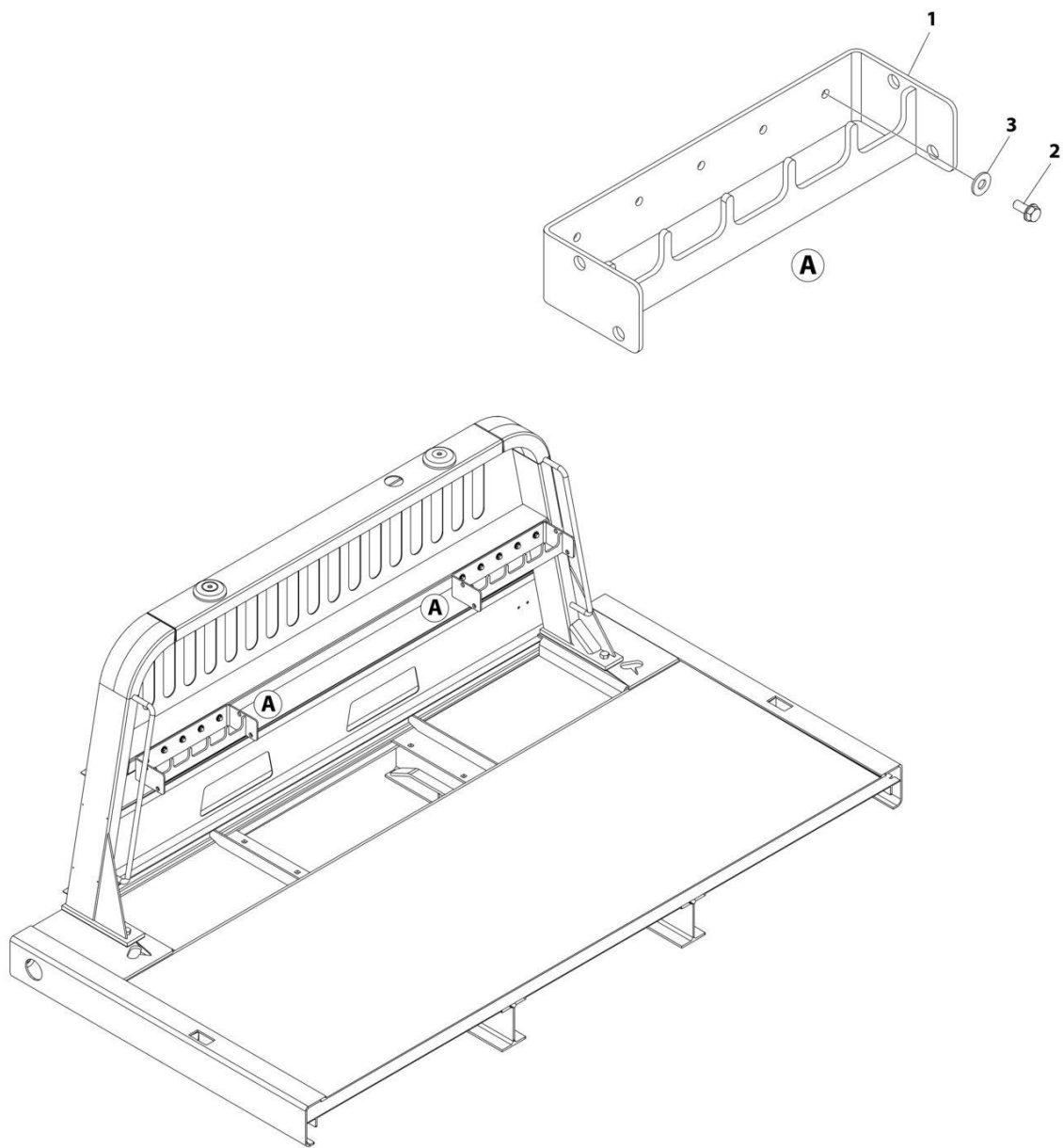
SECTION 8 - ACCESSORIES

FIGURE 8-9. CHAIN RACKS (DELUXE HEADBOARD) (LOCKING)

ITEM	PART NUMBER	QTY	DESCRIPTION	REV
	1001232620	Ref	LOCKING CHAIN RACKS, DELUXE HEADBOARD INSTALLATION	A
1	1001232525	2	Bracket	
2	7790151253	10	Screw 5/16 x 3/4	
3	4751500	10	Washer 5/16	

SECTION 8 - ACCESSORIES

FIGURE 8-10. CHAIN RACKS (DELUXE HEADBOARD)



ART_1001232621

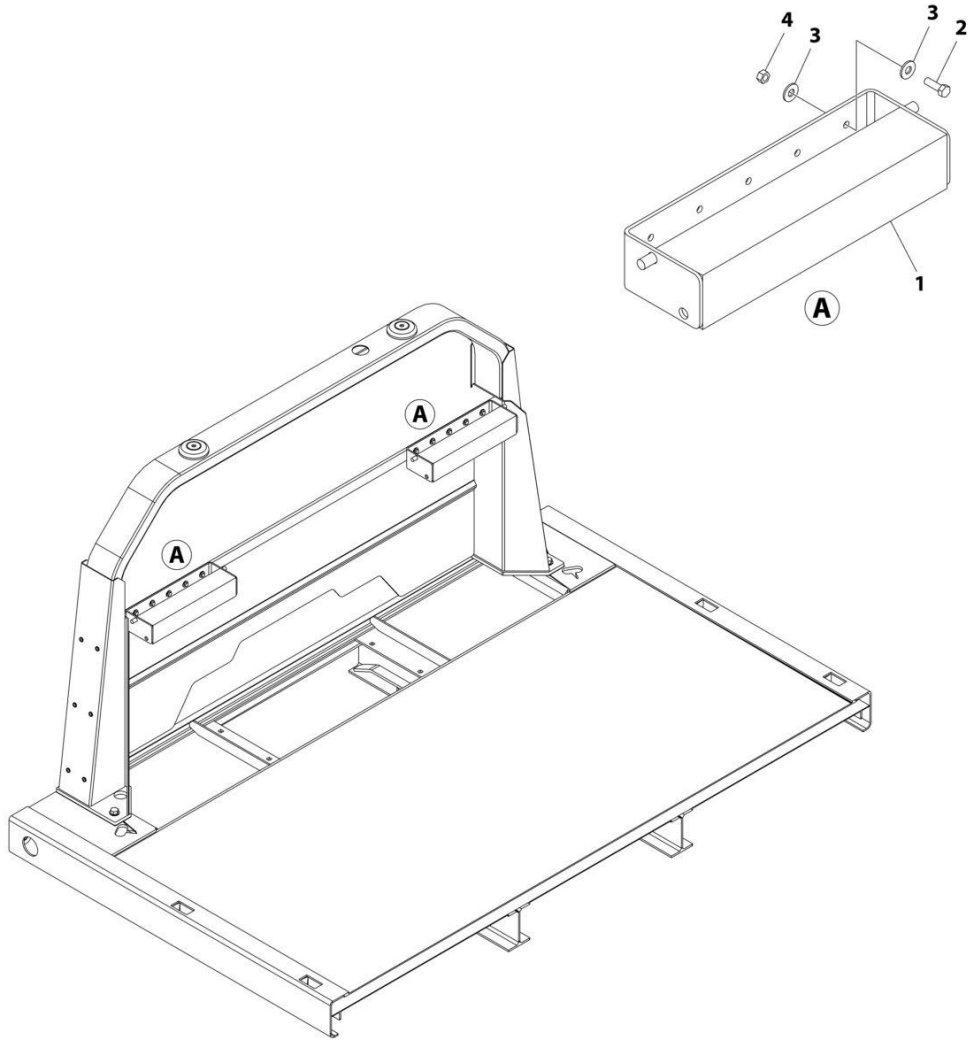
SECTION 8 - ACCESSORIES

FIGURE 8-10. CHAIN RACKS (DELUXE HEADBOARD)

ITEM	PART NUMBER	QTY	DESCRIPTION	REV
	1001232621	Ref	CHAIN RACKS, DELUXE HEADBOARD INSTALLATION	A
1	1001232524	2	Bracket	
2	7790151253	10	Screw 5/16 x 3/4	
3	4751500	10	Washer 5/16	

SECTION 8 - ACCESSORIES

FIGURE 8-11. CHAIN RACKS (ADJUSTABLE/FIXED HEADBOARD) (LOCKING)



ART_1001232527

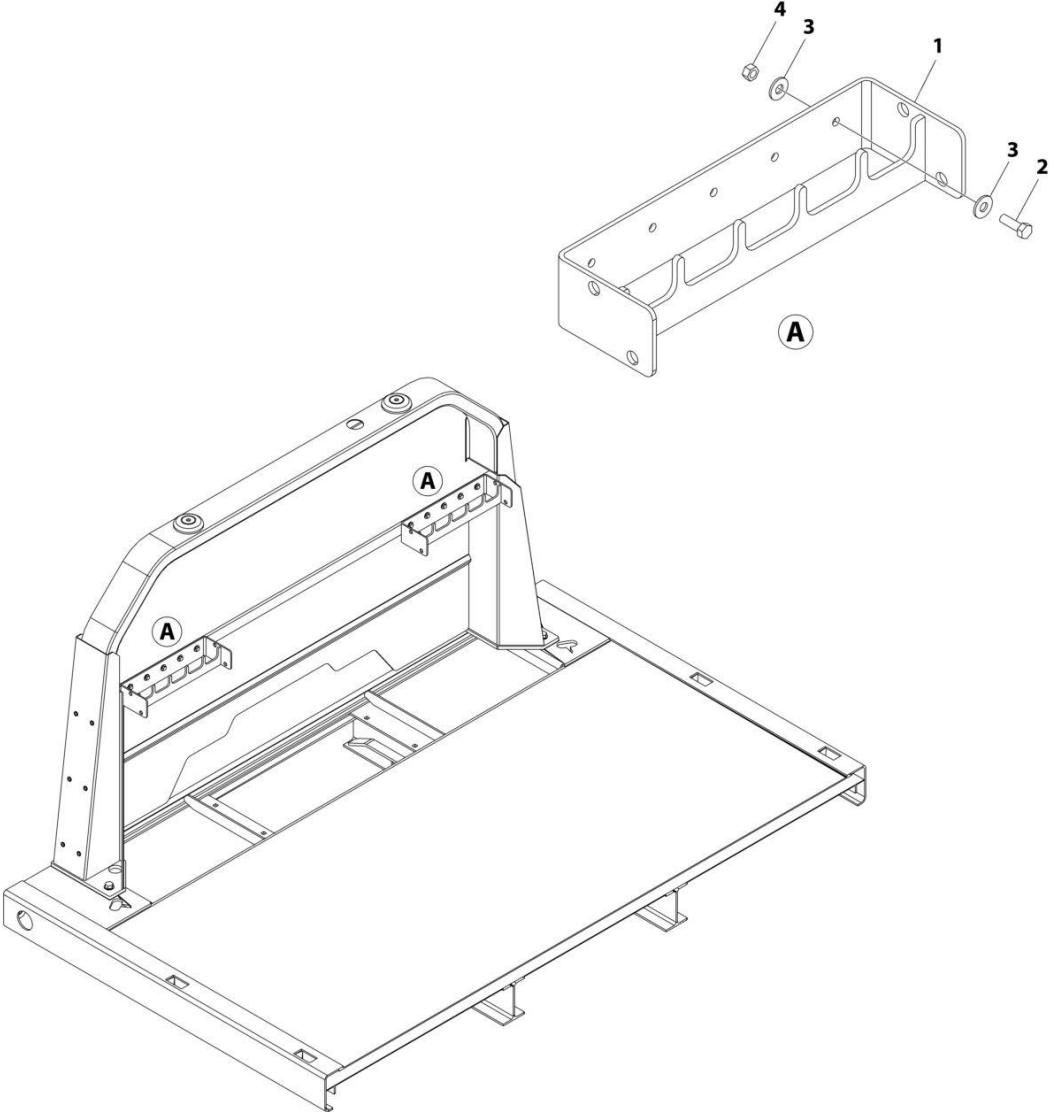
SECTION 8 - ACCESSORIES

FIGURE 8-11. CHAIN RACKS (ADJUSTABLE/FIXED HEADBOARD) (LOCKING)

ITEM	PART NUMBER	QTY	DESCRIPTION	REV
	1001232527	Ref	LOCKING CHAIN RACKS, ADJUSTABLE/FIXED HEIGHT, HEADBOARD INSTALLATION	A
1	1001232525	2	Bracket	
2	0641508	10	Bolt 5/16 x 1	
3	4751500	20	Washer 5/16	
4	3271505	10	Nut 5/16	

SECTION 8 - ACCESSORIES

FIGURE 8-12. CHAIN RACKS (ADJUSTABLE/FIXED HEADBOARD)



ART_1001232526

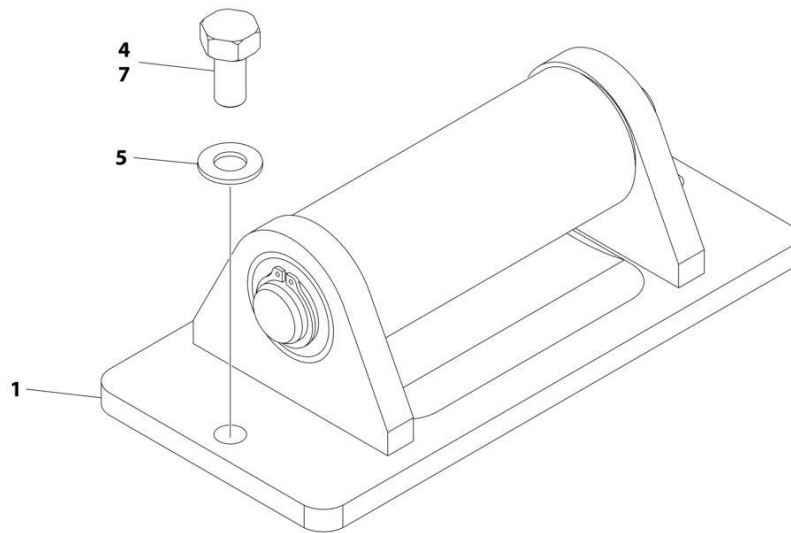
SECTION 8 - ACCESSORIES

FIGURE 8-12. CHAIN RACKS (ADJUSTABLE/FIXED HEADBOARD)

ITEM	PART NUMBER	QTY	DESCRIPTION	REV
	1001232526	Ref	CHAIN RACKS ADJUSTABLE/FIXED HEIGHT, HEADBOARD INSTALLATION	A
1	1001232524	2	Bracket	
2	0641508	10	Bolt 5/16 x 1	
3	4751500	20	Washer 5/16	
4	3271505	10	Nut 5/16	

SECTION 8 - ACCESSORIES

FIGURE 8-13. DECK ROLLERS INSTALLATION - STANDARD WIDTH DECK



ART_1001154805

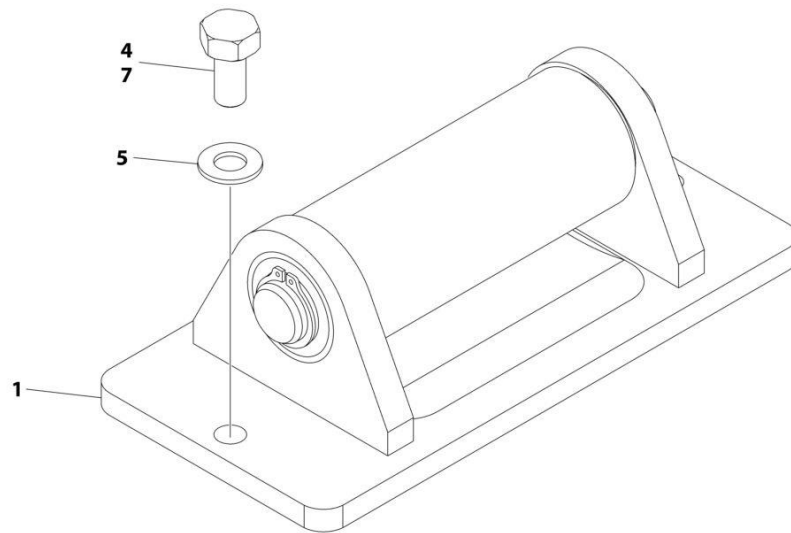
SECTION 8 - ACCESSORIES

FIGURE 8-13. DECK ROLLERS INSTALLATION - STANDARD WIDTH DECK

ITEM	PART NUMBER	QTY	DESCRIPTION	REV
	1001154805	Ref	DECK ROLLERS INSTALLATION - STANDARD WIDTH DECK	B
1	3550001913	4	Roller Bracket Assembly (See Separate Breakdown in this Section)	
4	0651806	8	Bolt 1/2 x 3/4	
5	4761800	8	Washer 1/2	
6	1001155037	1	Deck, Rework Closure Plate (Not Shown)	
7	0100011	AR	Loctite	

SECTION 8 - ACCESSORIES

FIGURE 8-14. DECK ROLLERS INSTALLATION - WIDE WIDTH DECK



ART_1001154809

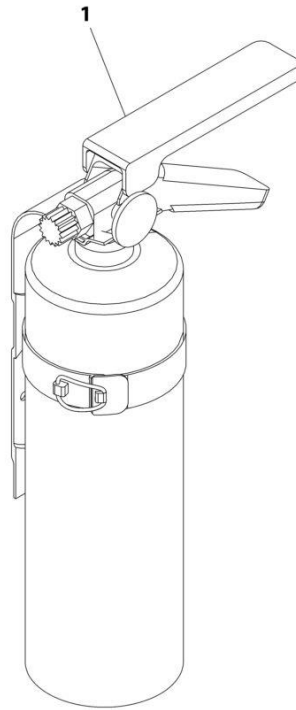
SECTION 8 - ACCESSORIES

FIGURE 8-14. DECK ROLLERS INSTALLATION - WIDE WIDTH DECK

ITEM	PART NUMBER	QTY	DESCRIPTION	REV
	1001154809	Ref	DECK ROLLERS INSTALLATION - WIDE WIDTH DECK	B
1	3550001913	4	Roller Bracket Assembly (See Separate Breakdown in this Section)	
4	0651806	8	Bolt 1/2 x 3/4	
5	4761800	8	Washer 1/2	
6	1001155038	1	Deck, Rework Closure Plate Wide (Not Shown)	
7	0100011	AR	Loctite	

SECTION 8 - ACCESSORIES

FIGURE 8-15. FIRE EXTINGUISHER



ART_2002000028

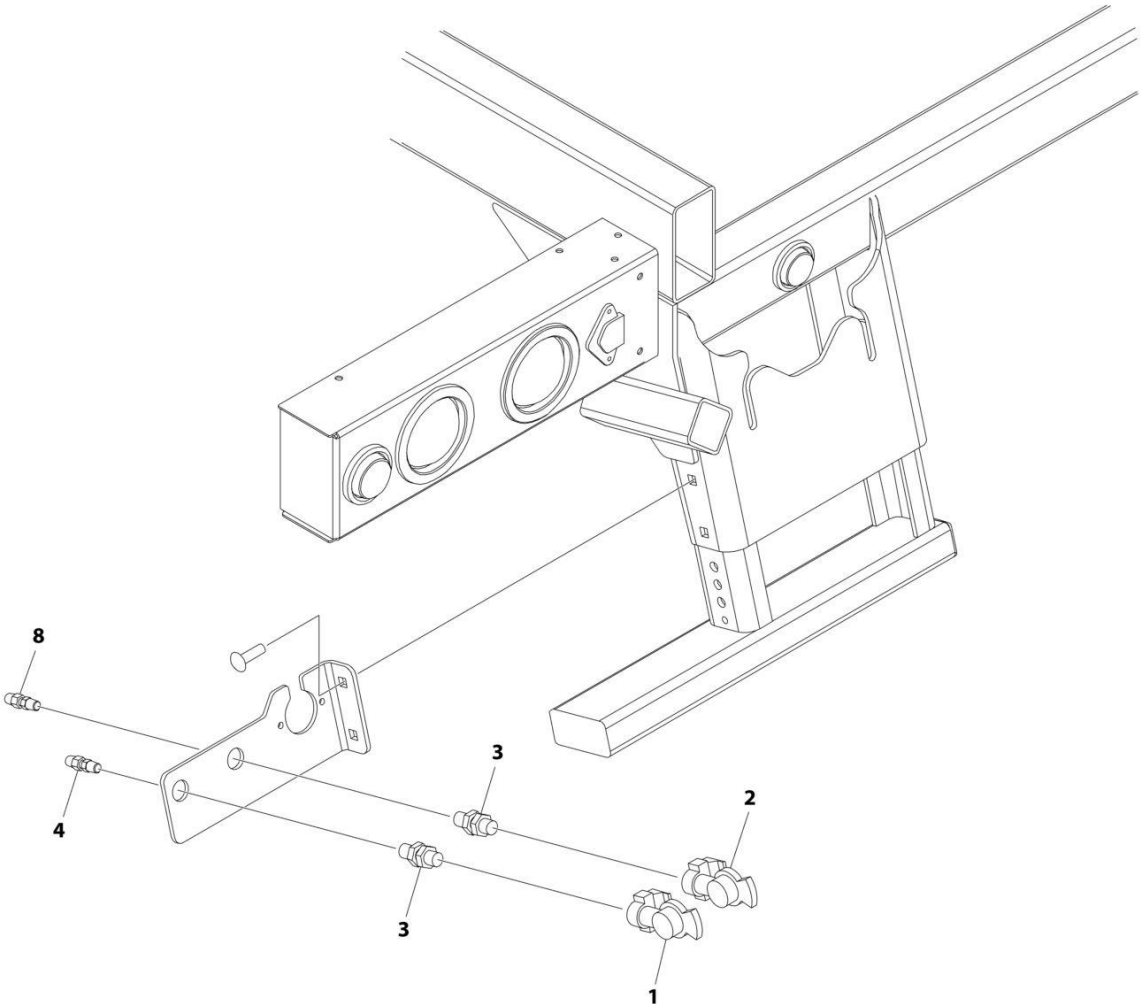
SECTION 8 - ACCESSORIES

FIGURE 8-15. FIRE EXTINGUISHER

ITEM	PART NUMBER	QTY	DESCRIPTION	REV
1	2002000028	Ref	Fire Extinguisher Accessory	0
	7002000404	1	Fire Extinguisher	

SECTION 8 - ACCESSORIES

FIGURE 8-16. GLAD HAND INSTALLATION WITHOUT MOUNTING BRACKET



ART_2002000016

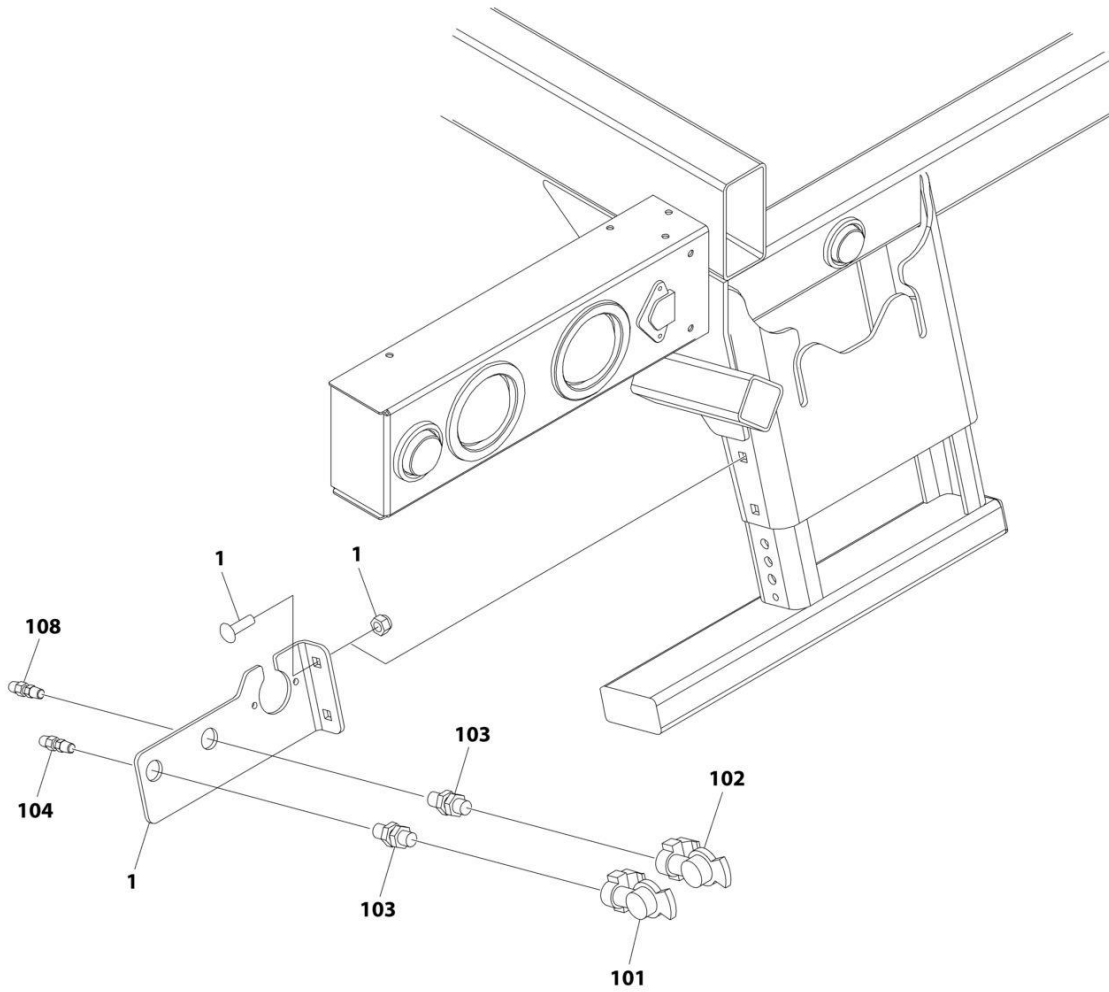
SECTION 8 - ACCESSORIES

FIGURE 8-16. GLAD HAND INSTALLATION WITHOUT MOUNTING BRACKET

ITEM	PART NUMBER	QTY	DESCRIPTION	REV
	2002000016	Ref	Glad Hands Installation	D
1	7312000016	1	Gladhand	
2	7312000015	1	Gladhand	
3	7446502518	2	Fitting, Straight	
4	7446060435	1	Fitting, Straight	
6	7565000014	50 ft	Tubing, Airline (Not Shown)	
7	7312000013	2	Fitting (Not Shown)	
8	7446502506	1	Connector, Tubing	

SECTION 8 - ACCESSORIES

FIGURE 8-17. GLAD HAND INSTALLATION WITH MOUNTING BRACKET



ART_1001270102

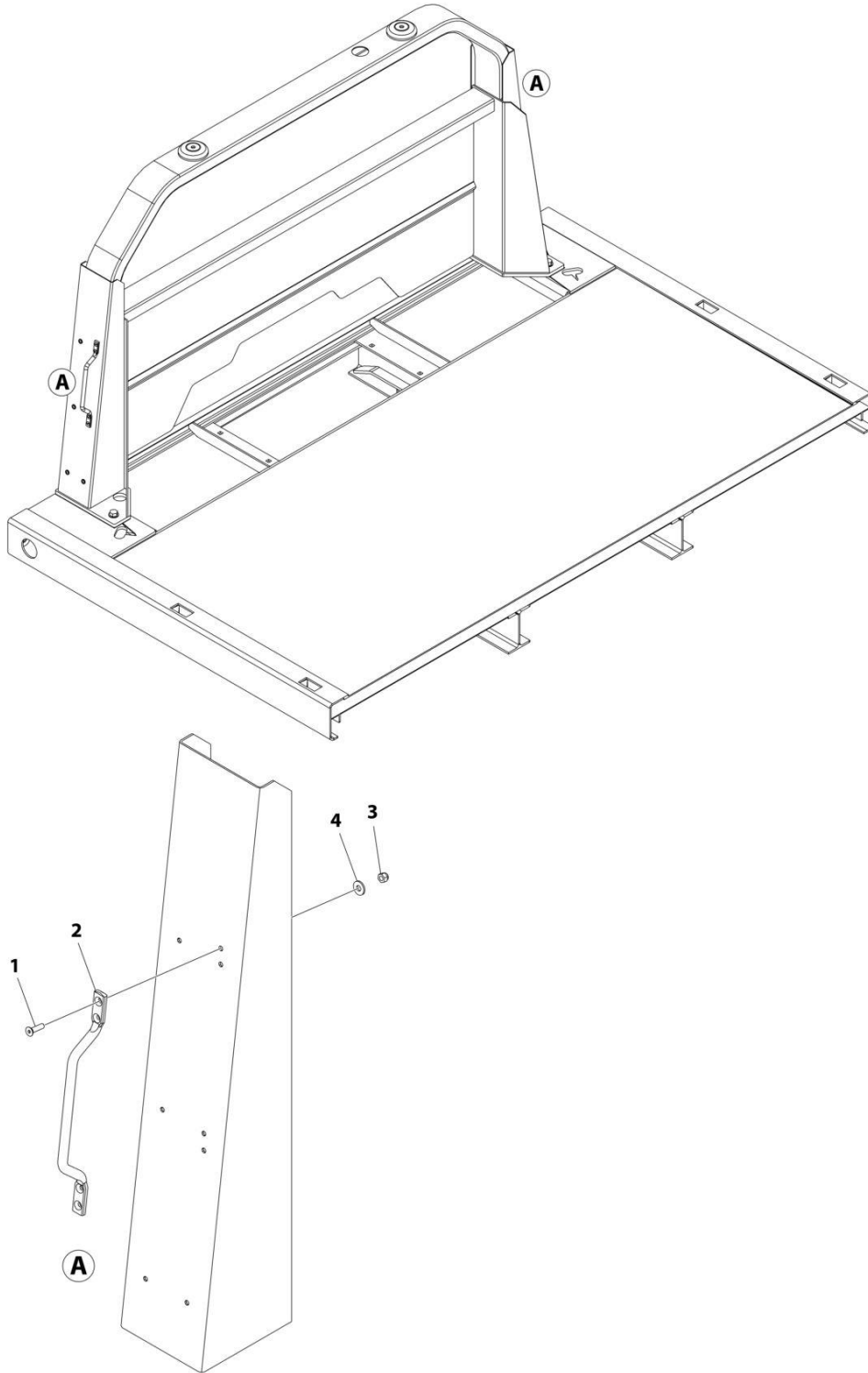
SECTION 8 - ACCESSORIES

FIGURE 8-17. GLAD HAND INSTALLATION WITH MOUNTING BRACKET

ITEM	PART NUMBER	QTY	DESCRIPTION	REV
	1001270102	Ref	GLAND HAND INSTALLATION WITH MOUNTING BRACKET	A
1	2178000037	Ref	Glad Hand Bracket Installation	
1	4178000666	1	Bracket	
1	7115181464	2	Bolt 1/2 x 1-3/4	
1	7660182601	2	Nut 1/2	
101	7312000016	1	Gladhand	
102	7312000015	1	Gladhand	
103	7446502518	2	Fitting, Straight	
104	7446060435	1	Fitting, Straight	
106	7565000014	50 ft	Airline Tubing (Not Shown)	
107	7312000013	2	Union (Not Shown)	
108	7446502506	1	Connector	

SECTION 8 - ACCESSORIES

FIGURE 8-18. GRAB HANDLE INSTALLATION - ADJUSTABLE HEADBOARD



ART_1001189548

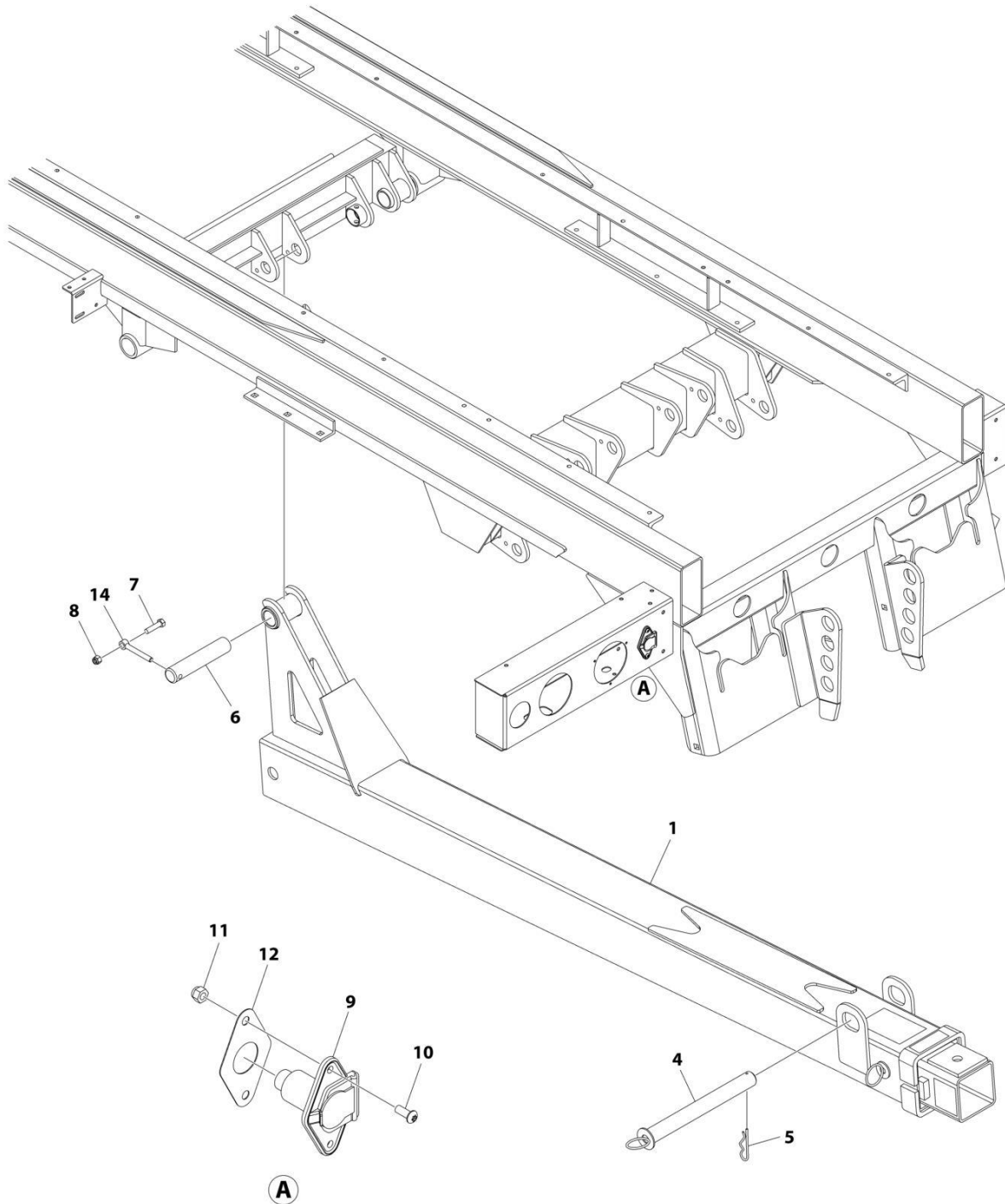
SECTION 8 - ACCESSORIES

FIGURE 8-18. GRAB HANDLE INSTALLATION - ADJUSTABLE HEADBOARD

ITEM	PART NUMBER	QTY	DESCRIPTION	REV
	1001189548	Ref	GRAB HANDLES ADJUSTABLE HEADBOARD INSTALLATION	A
1	7114140823	8	Capscrew 1/4 x 1	
2	7550000070	2	Handle	
3	7660142601	4	Nut 5/16	
4	7950140153	4	Washer 5/16	

SECTION 8 - ACCESSORIES

FIGURE 8-19. HITCH BOOM INSTALLATION - BALL HITCH (HYDRAULIC)



ART_217000087

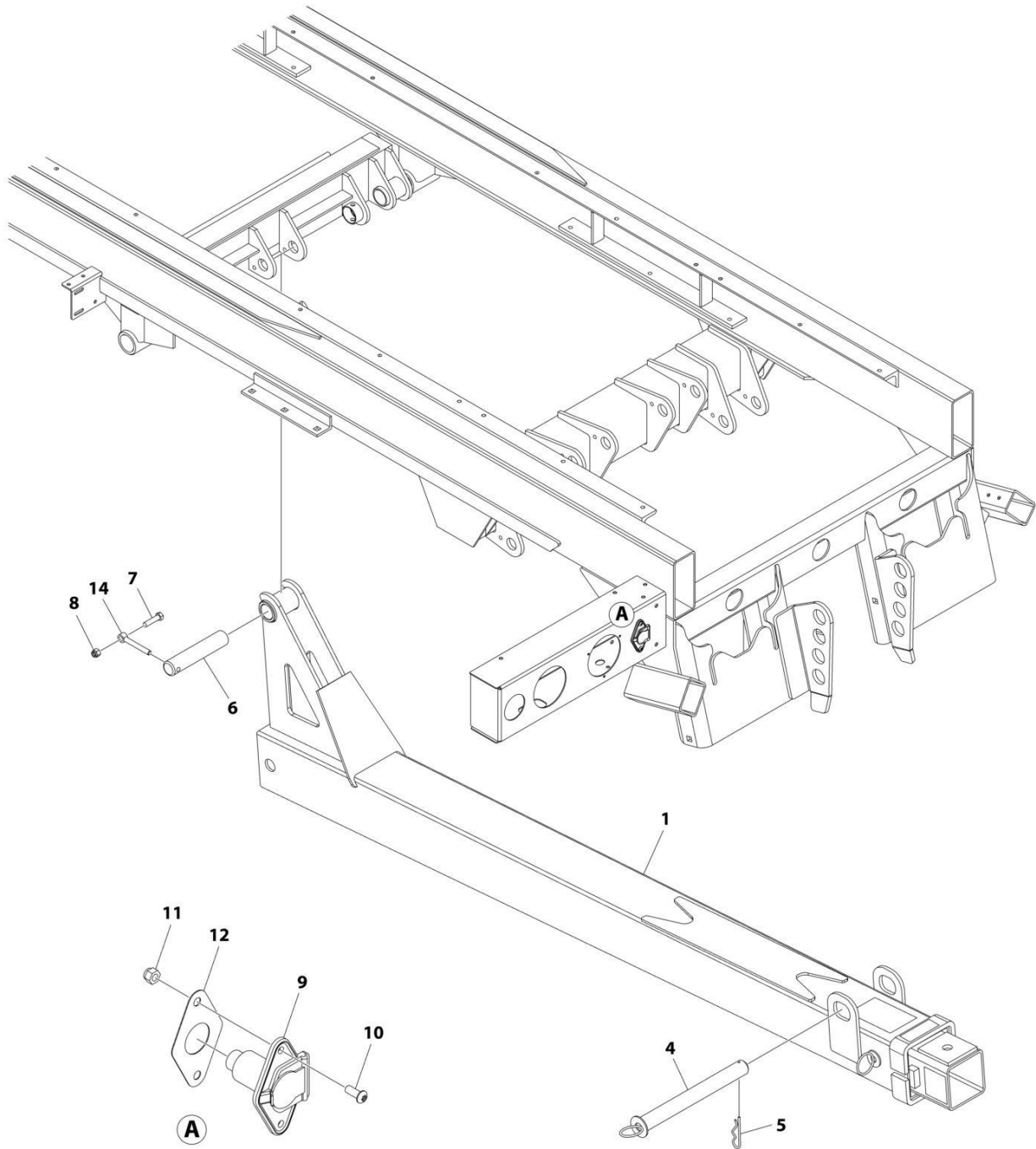
SECTION 8 - ACCESSORIES

FIGURE 8-19. HITCH BOOM INSTALLATION - BALL HITCH (HYDRAULIC)

ITEM	PART NUMBER	QTY	DESCRIPTION	REV
	2170000087	Ref	TOW HITCH BOOM INSTALLATION - BALL HITCH (HYDRAULIC)	D
1	3170000308	1	Boom Assembly (See Separate Breakdown in this Section)	
4	3691000097	1	Pin	
5	7691000001	1	Hairpin	
6	1001188129	1	Pin	
7	0641612	1	Bolt 3/8 x 1-1/2	
8	3300492	1	Nut 3/8	
9	7291000010	1	Female Receptacle	
10	7114140528	2	Screw 1/4 x 5/8	
11	7660142601	2	Nut 1/4	
12	7796000048	1	Gasket	
14	3841143	1	Keeper	

SECTION 8 - ACCESSORIES

FIGURE 8-20. HITCH BOOM INSTALLATION - BALL HITCH (MANUAL)



ART_217000088

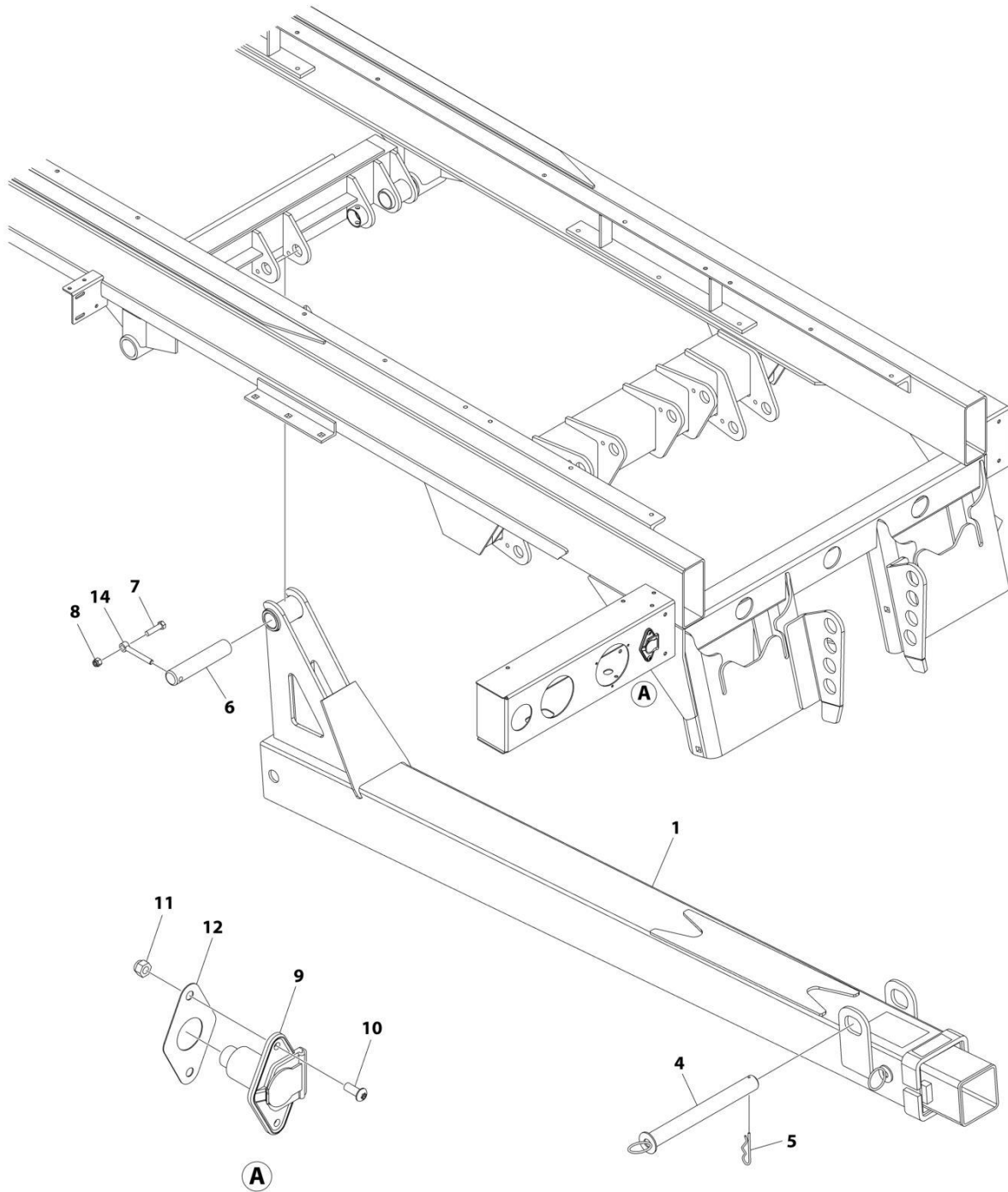
SECTION 8 - ACCESSORIES

FIGURE 8-20. HITCH BOOM INSTALLATION - BALL HITCH (MANUAL)

ITEM	PART NUMBER	QTY	DESCRIPTION	REV
	2170000088	Ref	TOW HITCH BOOM INSTALLATION - BALL HITCH (MANUAL)	D
1	3170000309	1	Boom Assembly (See Separate Breakdown in this Section)	
4	3691000097	1	Pin	
5	7691000001	1	Hairpin	
6	1001188129	1	Pin	
7	0641612	1	Bolt 3/8 x 1-1/2	
8	3300492	1	Nut 3/8	
9	7291000010	1	Female Receptacle	
10	7114140528	2	Screw 1/4 x 5/8	
11	7660142601	2	Nut 1/4	
12	7796000048	1	Gasket	
14	3841143	1	Keeper	

SECTION 8 - ACCESSORIES

FIGURE 8-21. HITCH BOOM INSTALLATION - PINTLE HITCH (MANUAL)



ART_217000090

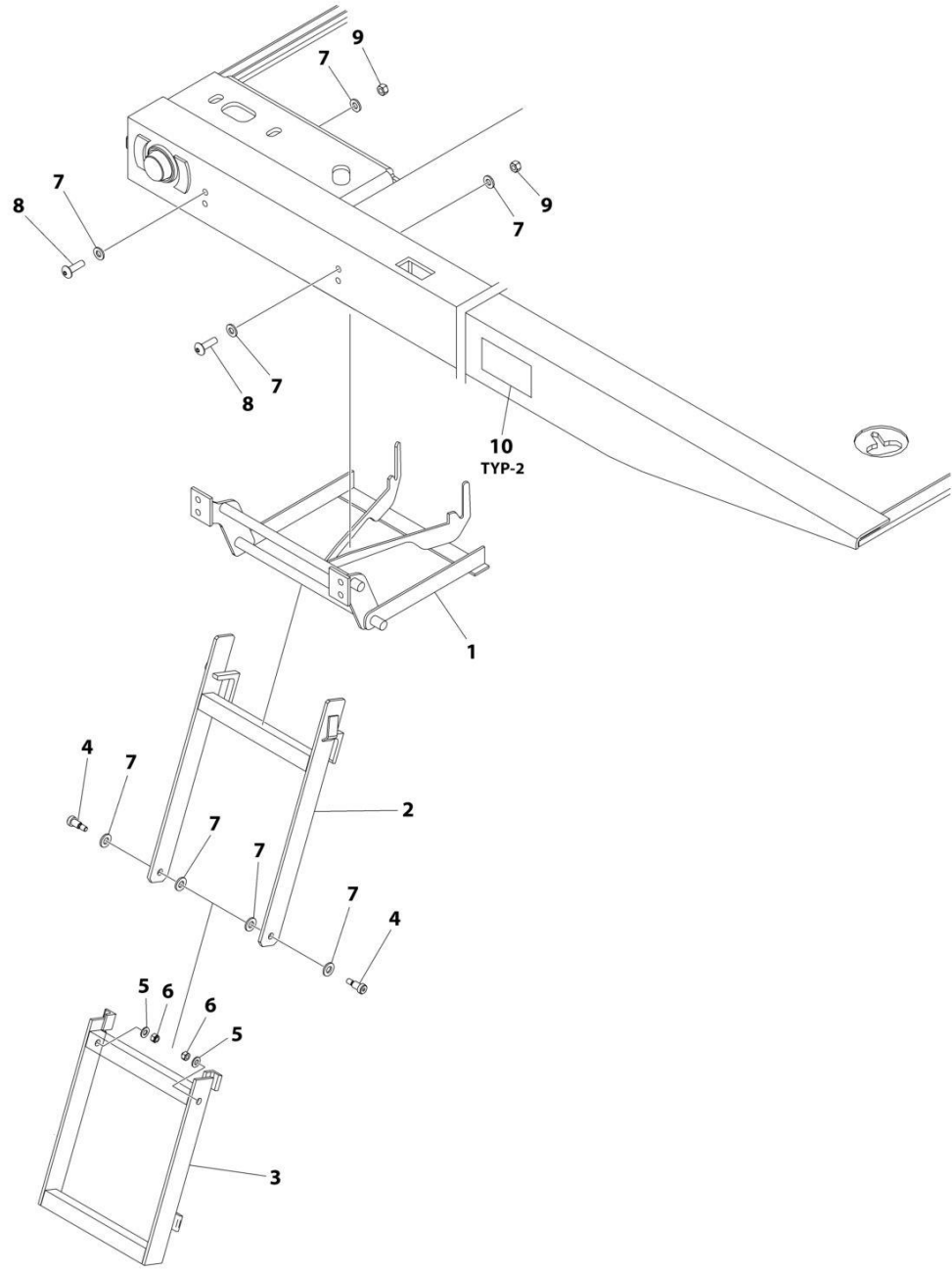
SECTION 8 - ACCESSORIES

FIGURE 8-21. HITCH BOOM INSTALLATION - PINTLE HITCH (MANUAL)

ITEM	PART NUMBER	QTY	DESCRIPTION	REV
	2170000090	Ref	TOW HITCH BOOM INSTALLATION - PINTLE HITCH (MANUAL)	D
1	3170000312	1	Boom Assembly (See Separate Breakdown in this Section)	
4	3691000097	1	Pin	
5	7691000001	1	Hairpin	
6	1001188129	1	Pin	
7	0641612	1	Bolt 3/8 x 1-1/2	
8	3300492	1	Nut 3/8	
9	7291000010	1	Female Receptacle	
10	7114140528	2	Screw 1/4 x 5/8	
11	7660142601	2	Nut 1/4	
12	7796000048	1	Gasket	
14	3841143	1	Keeper	

SECTION 8 - ACCESSORIES

FIGURE 8-22. LADDER INSTALLATION - FOLDING 3-STEP, FRONT/LEFT



ART_1001142329

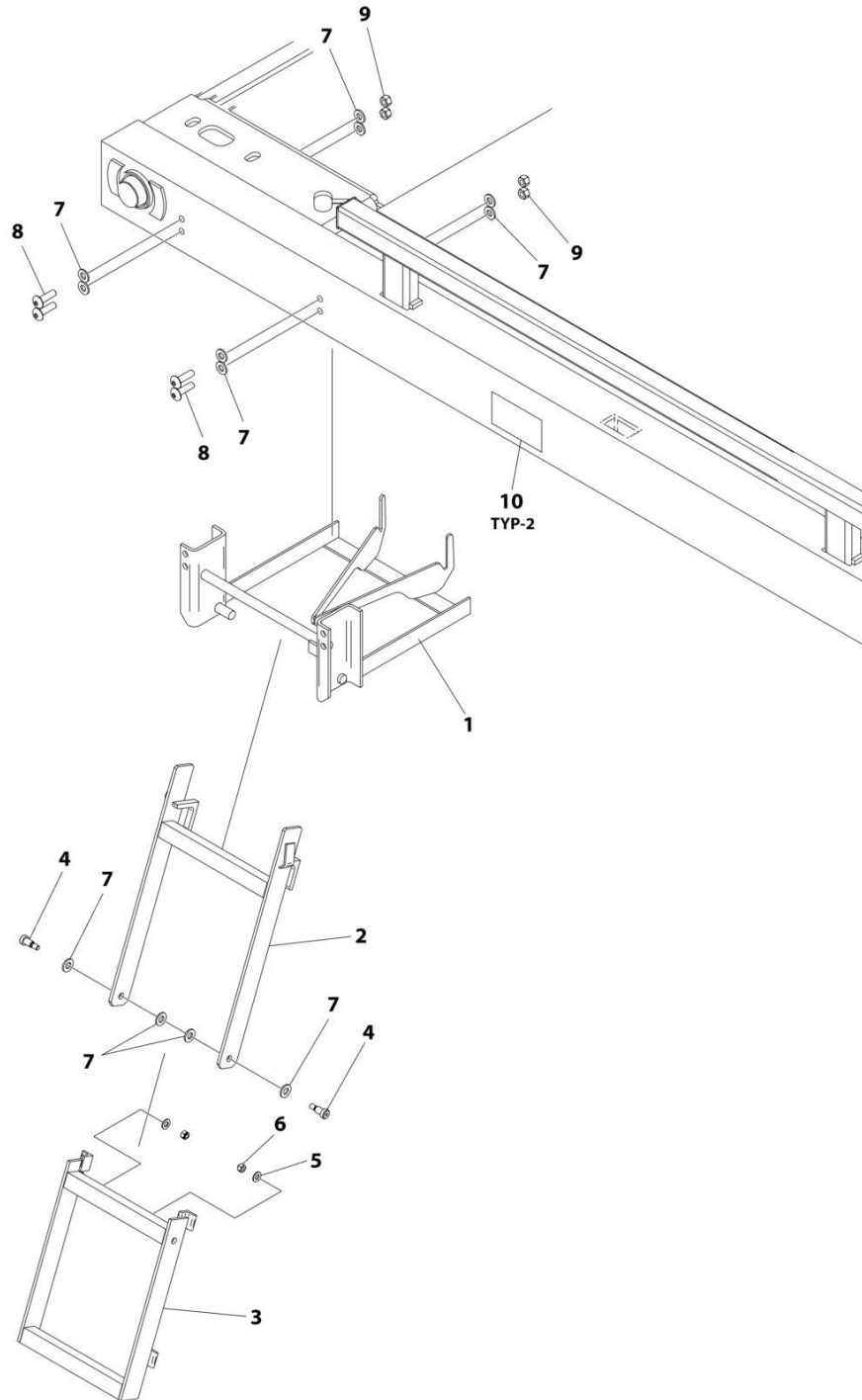
SECTION 8 - ACCESSORIES

FIGURE 8-22. LADDER INSTALLATION - FOLDING 3-STEP, FRONT/LEFT

ITEM	PART NUMBER	QTY	DESCRIPTION	REV
	1001142329	Ref	LADDER, FOLDING 3-STEP, FRONT LEFT INSTALLATION	B
1	3178000555	1	Bracket	
2	3002000009	1	Top Ladder Weld, Accessory	
3	3002000008	1	Bottom Ladder Weld, Accessory	
4	7115180606	2	Bolt 1/2 x 3/4	
5	7950160161	2	Washer	
6	7660162601	2	Nut	
7	7950180141	12	Washer 1/2	
8	7114181418	4	Capscrew 1/2 x 1- 3/4	
9	7660182601	4	Nut 1/2	
10	1001131998	2	Decal	
11	1001142333	1	Front Left Drill, Ladder, Specification (Not Shown)	

SECTION 8 - ACCESSORIES

FIGURE 8-23. LADDER INSTALLATION - FOLDING 3-STEP, FRONT/LEFT/RIGHT



ART_1001142330

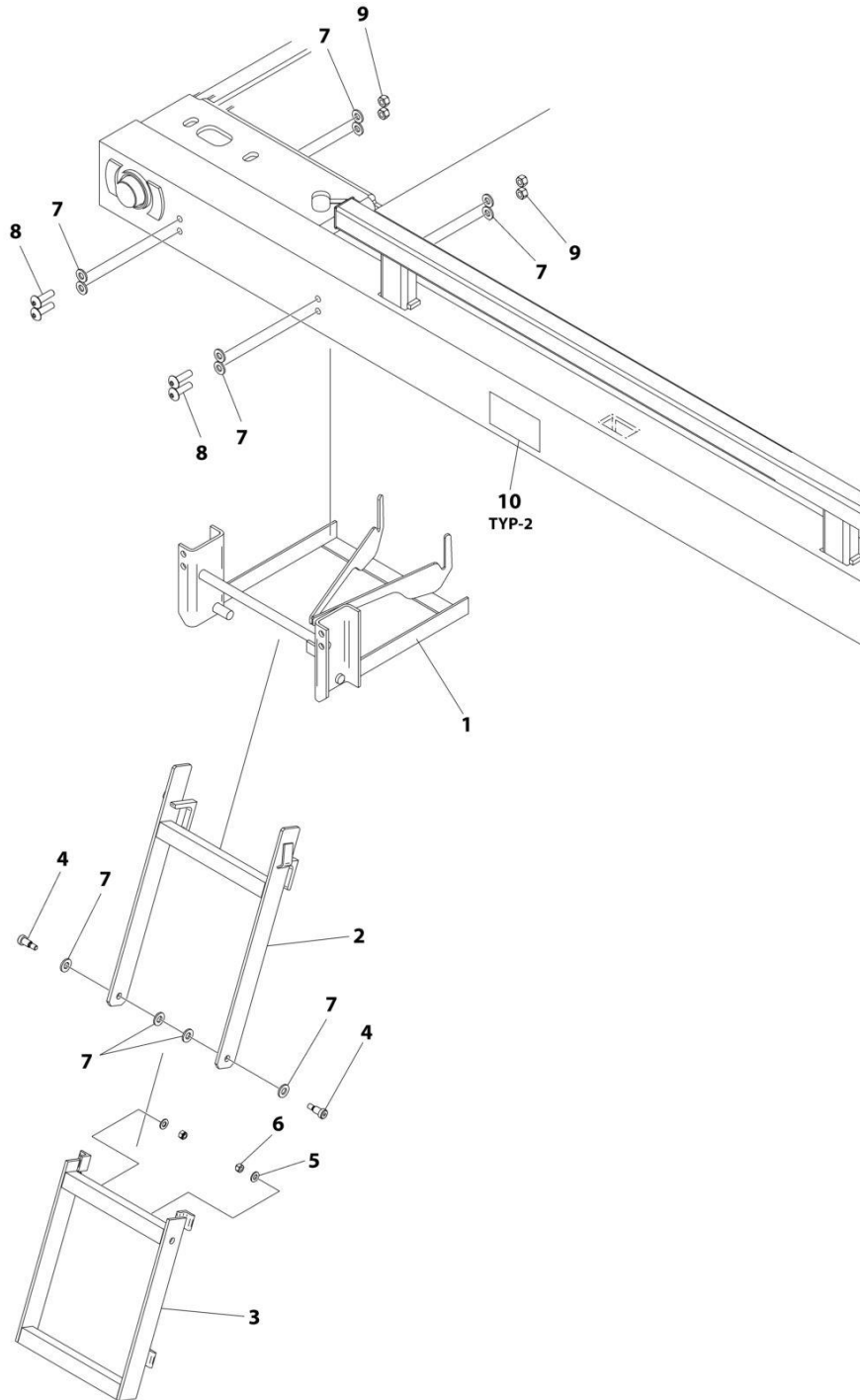
SECTION 8 - ACCESSORIES

FIGURE 8-23. LADDER INSTALLATION - FOLDING 3-STEP, FRONT/LEFT/RIGHT

ITEM	PART NUMBER	QTY	DESCRIPTION	REV
	1001142330	Ref	FOLDING DECK LADDER	B
1	3178000555	2	Bracket Weldment	
2	3002000009	2	Ladder Top Weldment	
3	3002000008	2	Ladder Bottom Weldment	
4	7115180606	4	Bolt 1/2 x 3/4	
5	7950160161	4	Washer 3/8	
6	7660162601	4	Nut	
7	7950180141	24	Washer 1/2	
8	7114181418	8	Capscrew 1/2 x 1- 3/4	
9	7660182601	8	Nut 1/2	
10	1001131998	2	Decal	
11	1001142334	1	Front Left/Right Drill, Ladder, Specification (Not Shown)	

SECTION 8 - ACCESSORIES

FIGURE 8-24. LADDER INSTALLATION - FOLDING 3-STEP, FRONT/REAR/LEFT



ART_1001142331

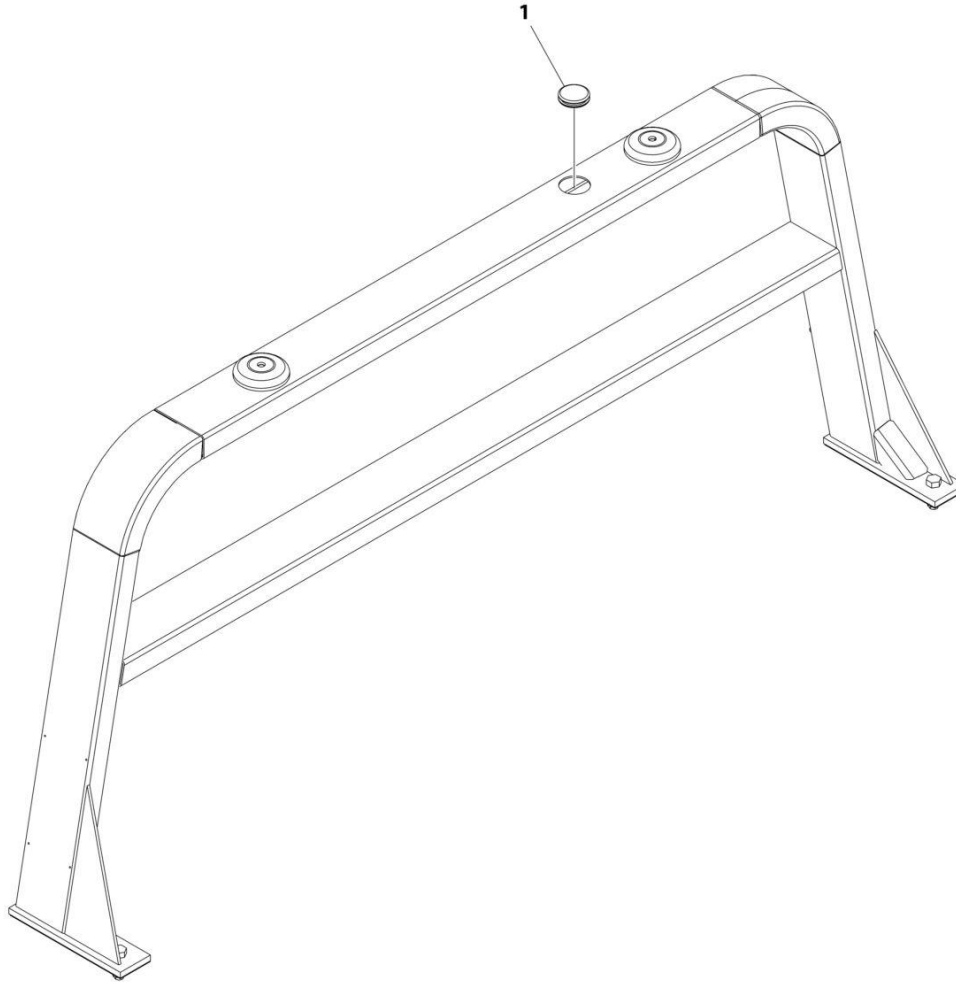
SECTION 8 - ACCESSORIES

FIGURE 8-24. LADDER INSTALLATION - FOLDING 3-STEP, FRONT/REAR/LEFT

ITEM	PART NUMBER	QTY	DESCRIPTION	REV
	1001142331	Ref	LADDER INSTALLATION	B
1	3178000555	2	Bracket Weldment	
2	3002000009	2	Ladder Top Weldment	
3	3002000008	2	Ladder Bottom Weldment	
4	7115180606	4	Bolt 1/2 x 3/4	
5	7950160161	4	Washer 3/8	
6	7660162601	4	Nut	
7	7950180141	24	Washer 1/2	
8	7114181418	8	Capscrew 1/2 x 1- 3/4	
9	7660182601	8	Nut 1/2	
10	1001131998	2	Decal	
11	1001142335	1	Front/Rear Left Drill, Ladder, Specification (Not Shown)	

SECTION 8 - ACCESSORIES

FIGURE 8-25. NO EMERGENCY LIGHTBAR INSTALLATION



ART_1001156677

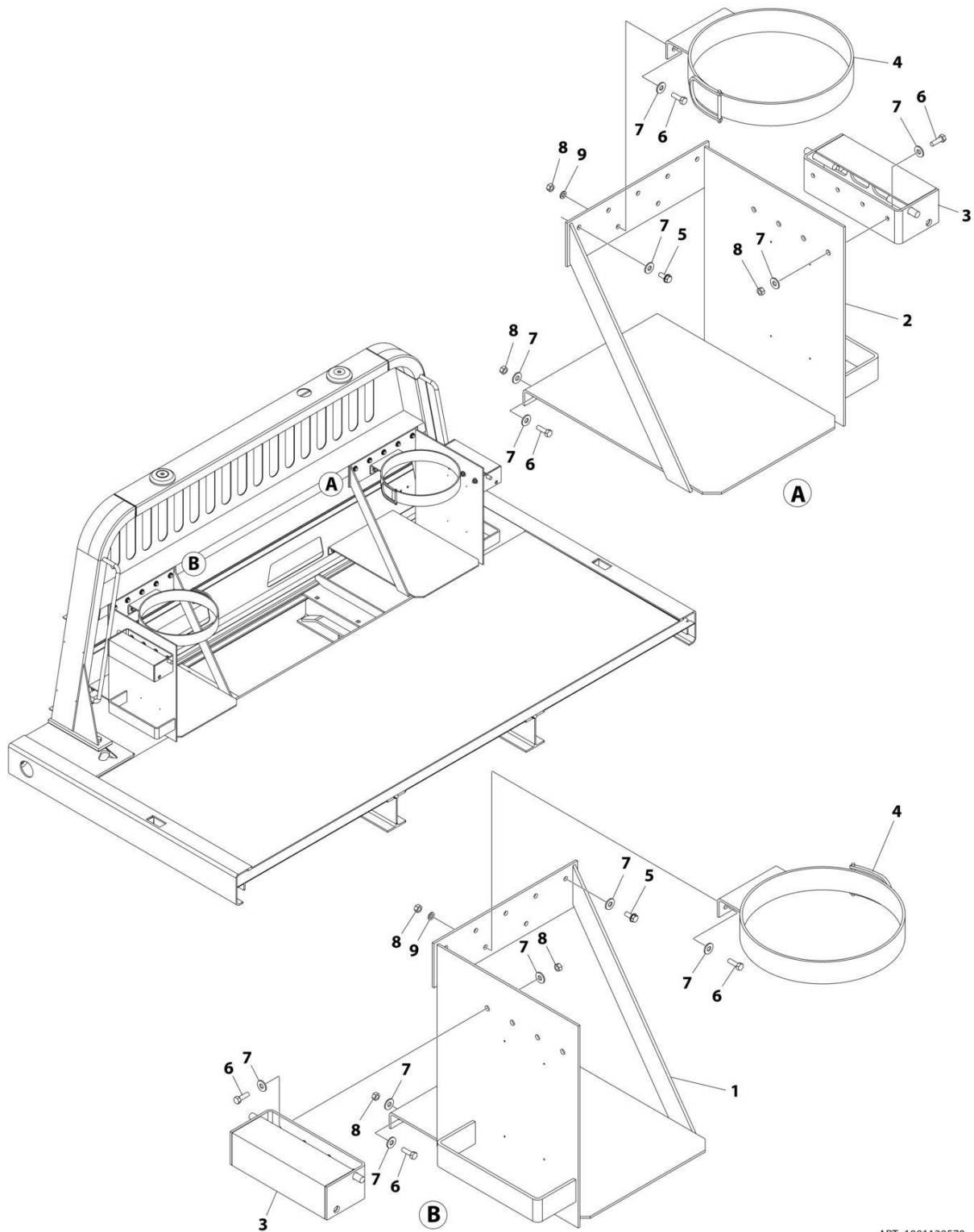
SECTION 8 - ACCESSORIES

FIGURE 8-25. NO EMERGENCY LIGHTBAR INSTALLATION

ITEM	PART NUMBER	QTY	DESCRIPTION	REV
1	1001156677 7493000015	Ref 1	NO EMERGENCY LIGHTBAR INSTALLATION GROMMET	A

SECTION 8 - ACCESSORIES

FIGURE 8-26. PROPANE TANK HOLDERS, HEADBOARD INSTALLATION



ART_1001129570

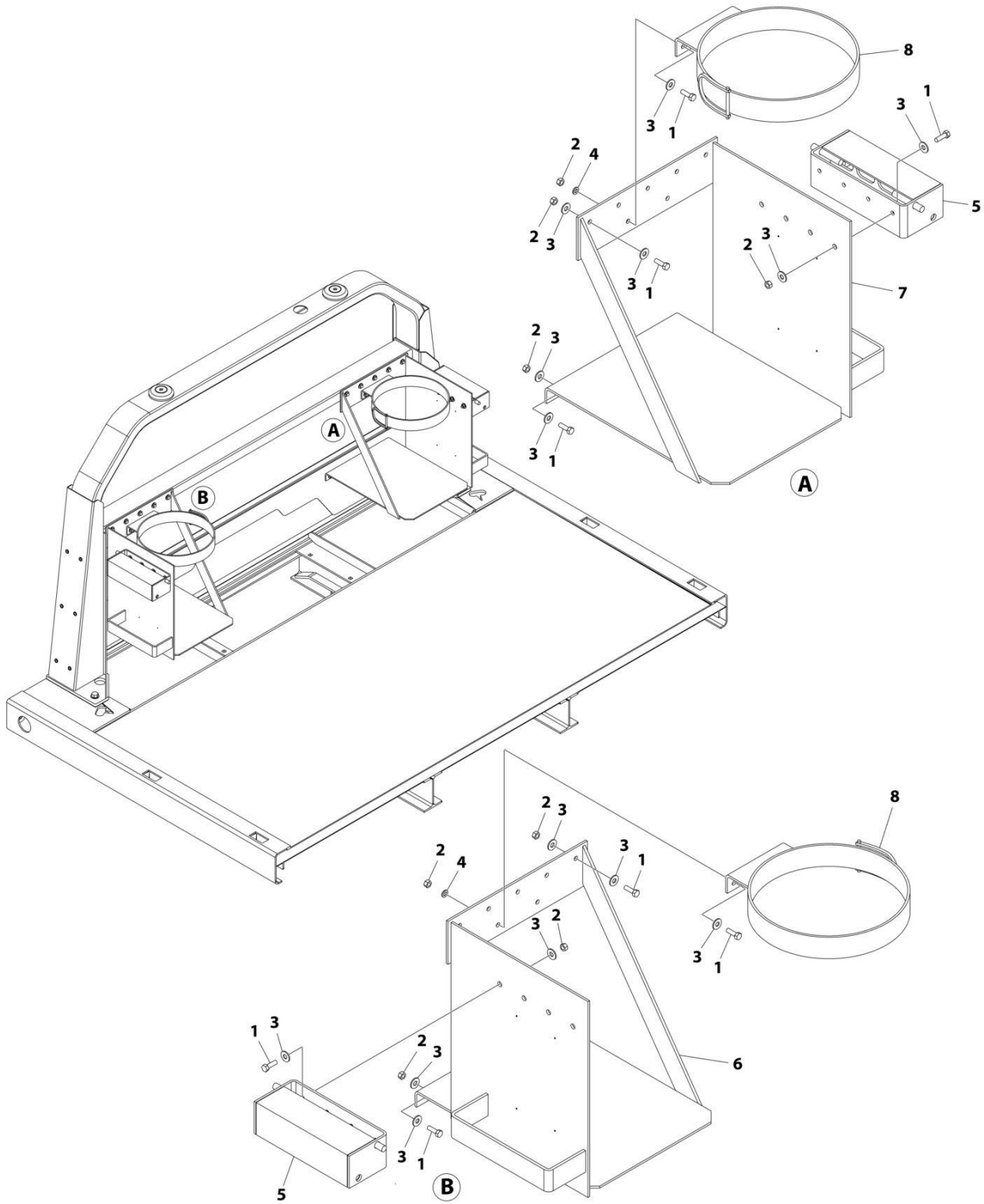
SECTION 8 - ACCESSORIES

FIGURE 8-26. PROPANE TANK HOLDERS, HEADBOARD INSTALLATION

ITEM	PART NUMBER	QTY	DESCRIPTION	REV
	1001129570	Ref	PROPANE TANK HOLDERS, HEADBOARD INSTALLATION	E
1	1001129573	1	Propane Tank Support Weld, LH	
2	1001129576	1	Propane Tank Support Weld, RH	
3	1001129537	2	Bracket	
4	7178000029	1	Bracket	
5	7790151253	10	Screw 5/16 x 3/4	
6	0641508	20	Bolt 5/16 x 1	
7	4751500	46	Washer 5/16	
8	3271505	20	Nut 5/16	
9	4761500	4	Washer 5/16	

SECTION 8 - ACCESSORIES

FIGURE 8-27. PROPANE TANK HOLDERS, ADJUSTABLE HEADBOARD INSTALLATION



ART_1001189550

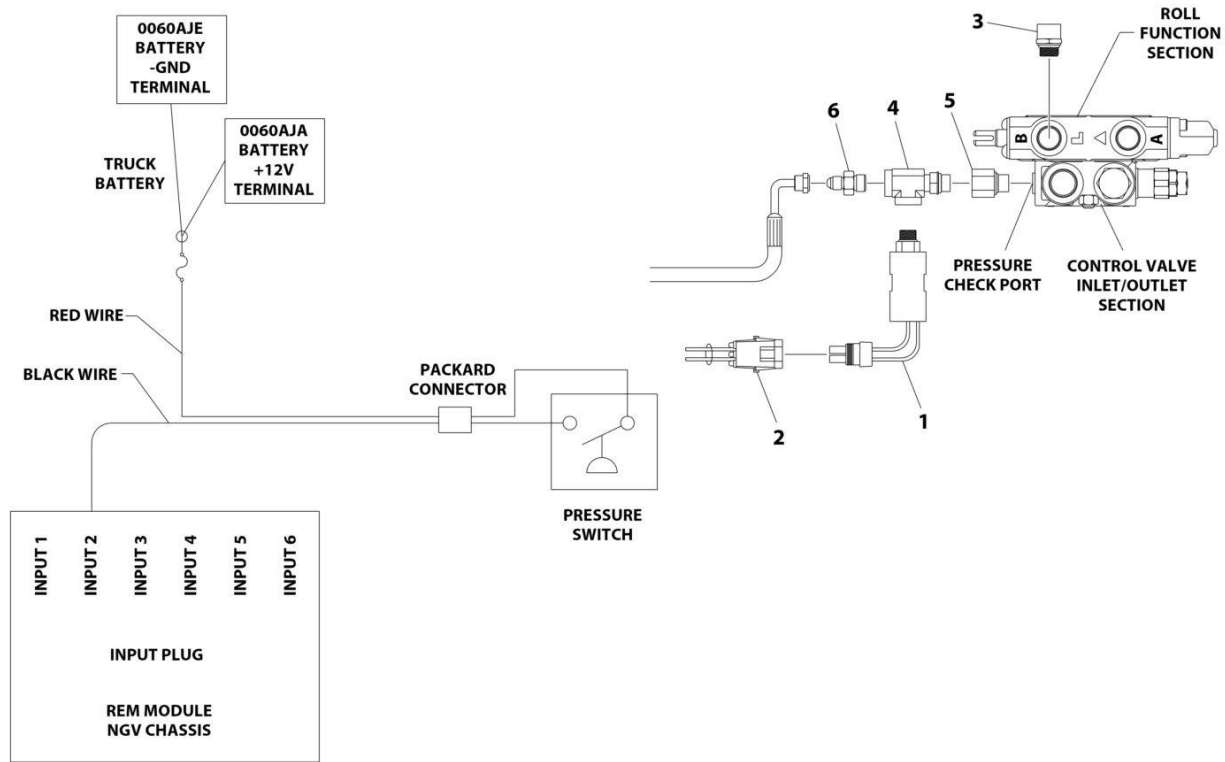
SECTION 8 - ACCESSORIES

FIGURE 8-27. PROPANE TANK HOLDERS, ADJUSTABLE HEADBOARD INSTALLATION

ITEM	PART NUMBER	QTY	DESCRIPTION	REV
	1001189550	Ref	PROPANE TANK HOLDERS, ADJUSTABLE HEADBOARD INSTALLATION	D
1	0641508	30	Bolt 5/16 x 1	
2	3271505	30	Nut 5/16	
3	4751500	56	Washer 5/16	
4	4761500	4	Washer 5/16	
5	1001129537	2	Bracket	
6	1001190131	1	Propane Tank Support Weld, LH	
7	1001190140	1	Propane Tank Support Weld, RH	
8	7178000029	1	Bracket	

SECTION 8 - ACCESSORIES

FIGURE 8-28. REMOTE THROTTLE CONTROL



ART_2870000013

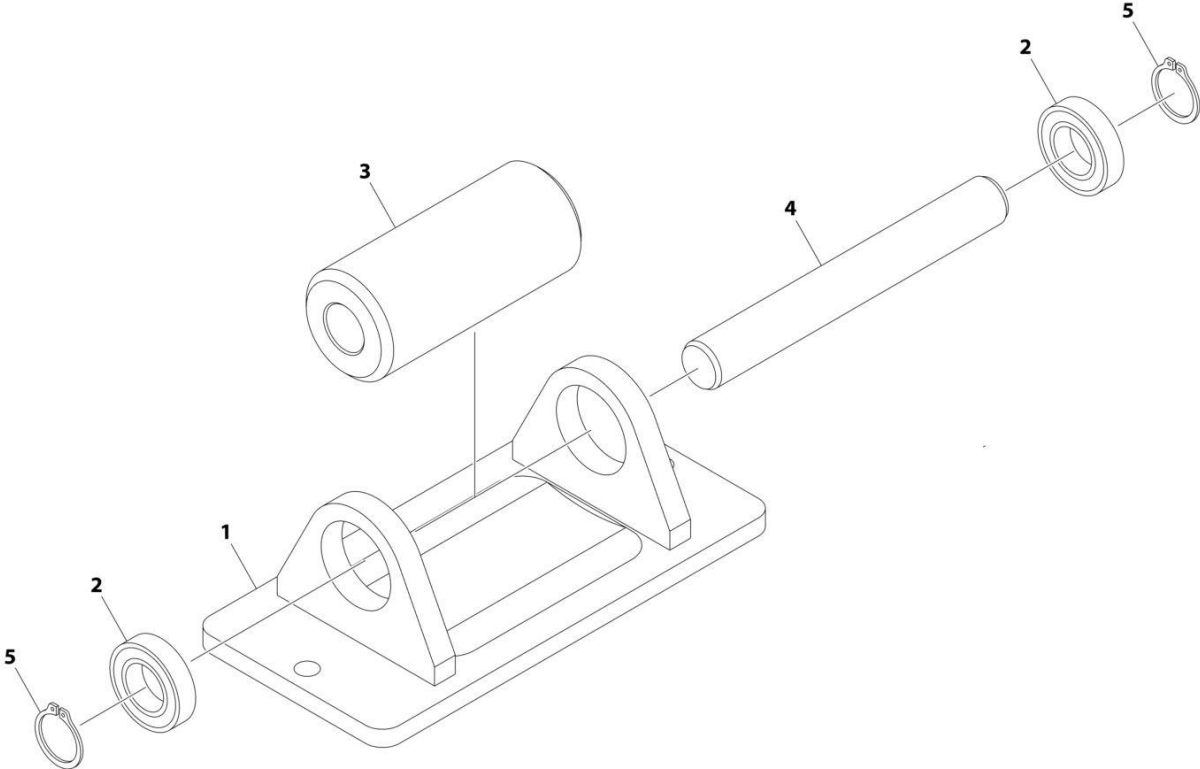
SECTION 8 - ACCESSORIES

FIGURE 8-28. REMOTE THROTTLE CONTROL

ITEM	PART NUMBER	QTY	DESCRIPTION	REV
	2870000013	Ref	REMOTE THROTTLE CONTROL	D
1	7346000208	1	Pressure Switch	
2	7552000241	1	Harness, Throttle Control	
2	4460867	1	Plug, Male - 2 Position	
2	4460850	2	Terminal	
2		Ref	Seal	
2		Ref	Fuse - 5 Amp ATO (Purchase Locally)	
3	7443000428	1	Valve, Check	
4	7443000432	1	Fitting, Tee	
5	7443000469	1	Fitting, Straight	
6	7445040643	1	Fitting, Straight	

SECTION 8 - ACCESSORIES

FIGURE 8-29. ROLLER BRACKET ASSEMBLY



ART_3550001913

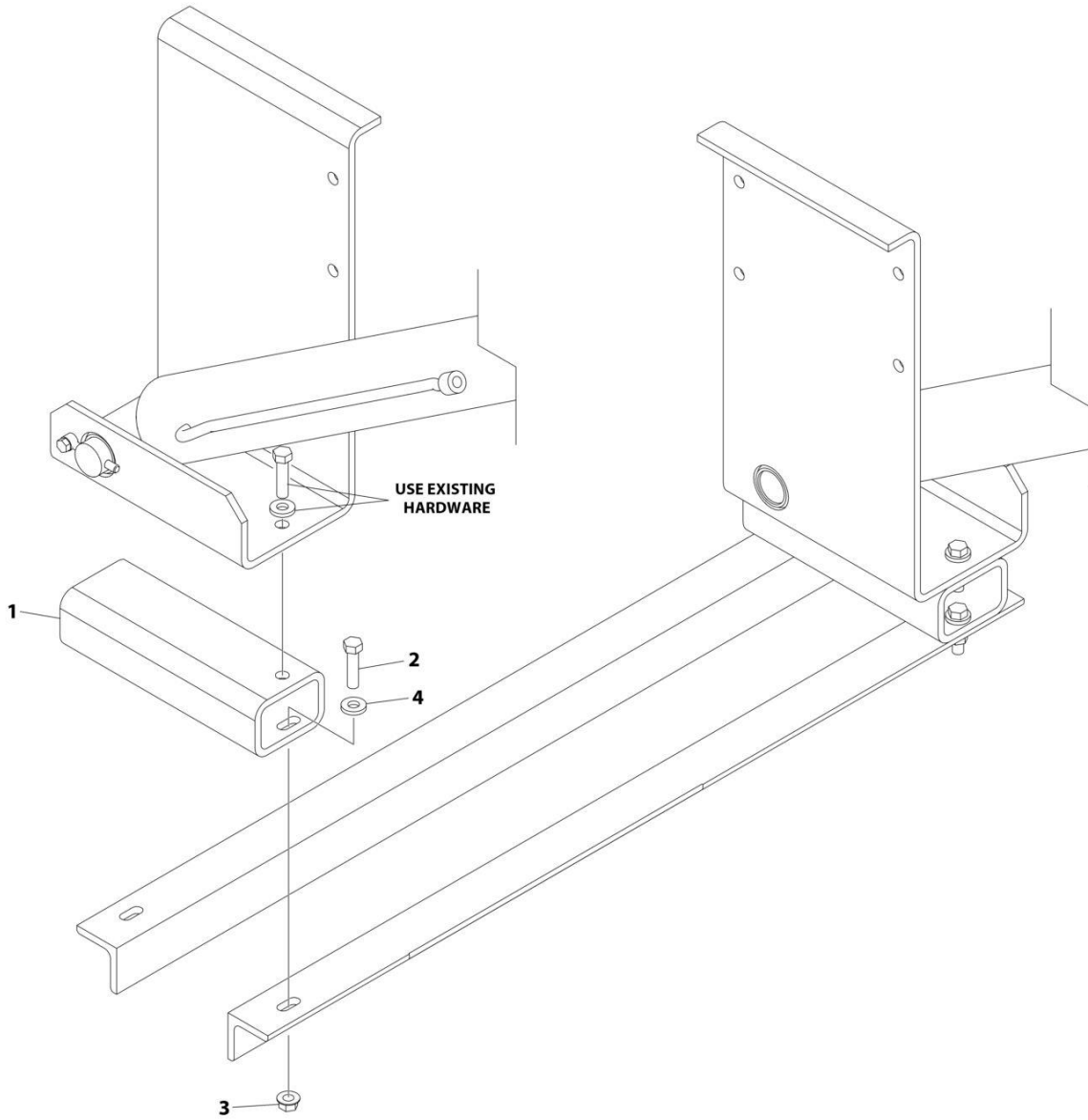
SECTION 8 - ACCESSORIES

FIGURE 8-29. ROLLER BRACKET ASSEMBLY

ITEM	PART NUMBER	QTY	DESCRIPTION	REV
	3550001913	Ref	Roller Bracket Assembly	B
1	3550001912	1	Bracket Weldment	
2	7550000074	2	Bearing	
3	7550000073	1	Roller	
4	4691000568	1	Pin	
5	7754000022	2	Retaining Ring	

SECTION 8 - ACCESSORIES

FIGURE 8-30. SADDLE CROSS-ANGLE SPACERS (4")



ART_1001175532

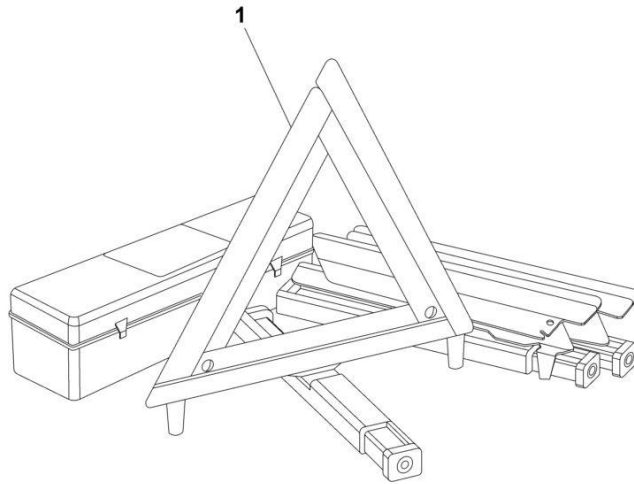
SECTION 8 - ACCESSORIES

FIGURE 8-30. SADDLE CROSS-ANGLE SPACERS (4")

ITEM	PART NUMBER	QTY	DESCRIPTION	REV
	1001175532	Ref	Saddle Spacer Installation	A
1	1001175531	2	Saddle Spacer	
2	7105181650	4	Capscrew 1/2 x 2	
3	7660182333	4	Nut 1/2	
4	7950180153	4	Washer 1/2	

SECTION 8 - ACCESSORIES

FIGURE 8-31. SAFETY TRIANGLE KIT



ART_STK

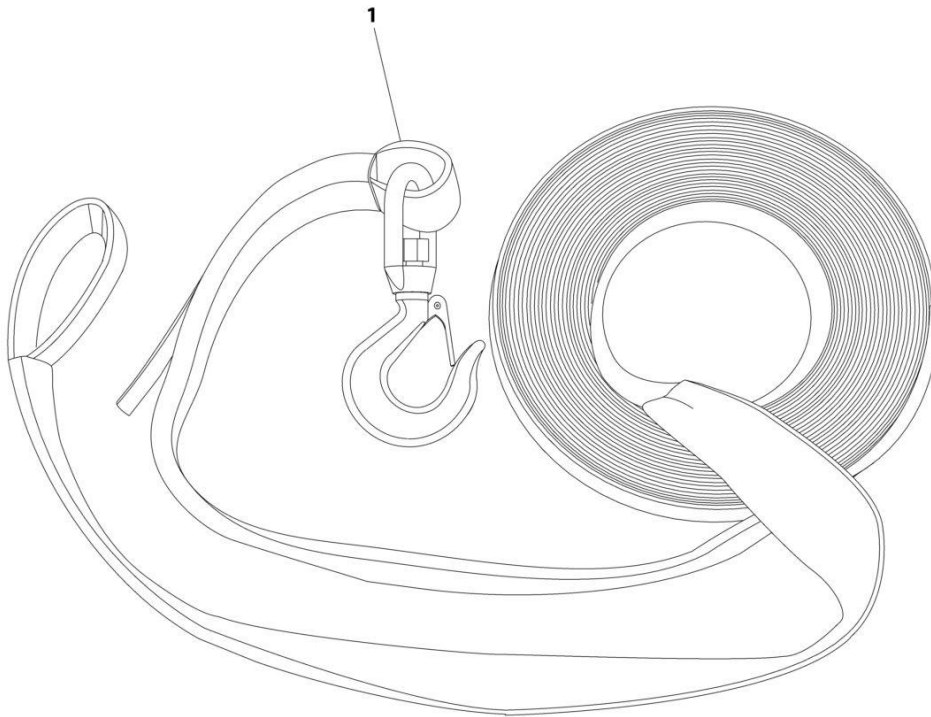
SECTION 8 - ACCESSORIES

FIGURE 8-31. SAFETY TRIANGLE KIT

ITEM	PART NUMBER	QTY	DESCRIPTION	REV
1	STK 7002000285	Ref 1	Safety Triangle Kit Reflective Triangles	0

SECTION 8 - ACCESSORIES

FIGURE 8-32. STRAP EXTENSION - 50FT NYLON



ART_STRAP50

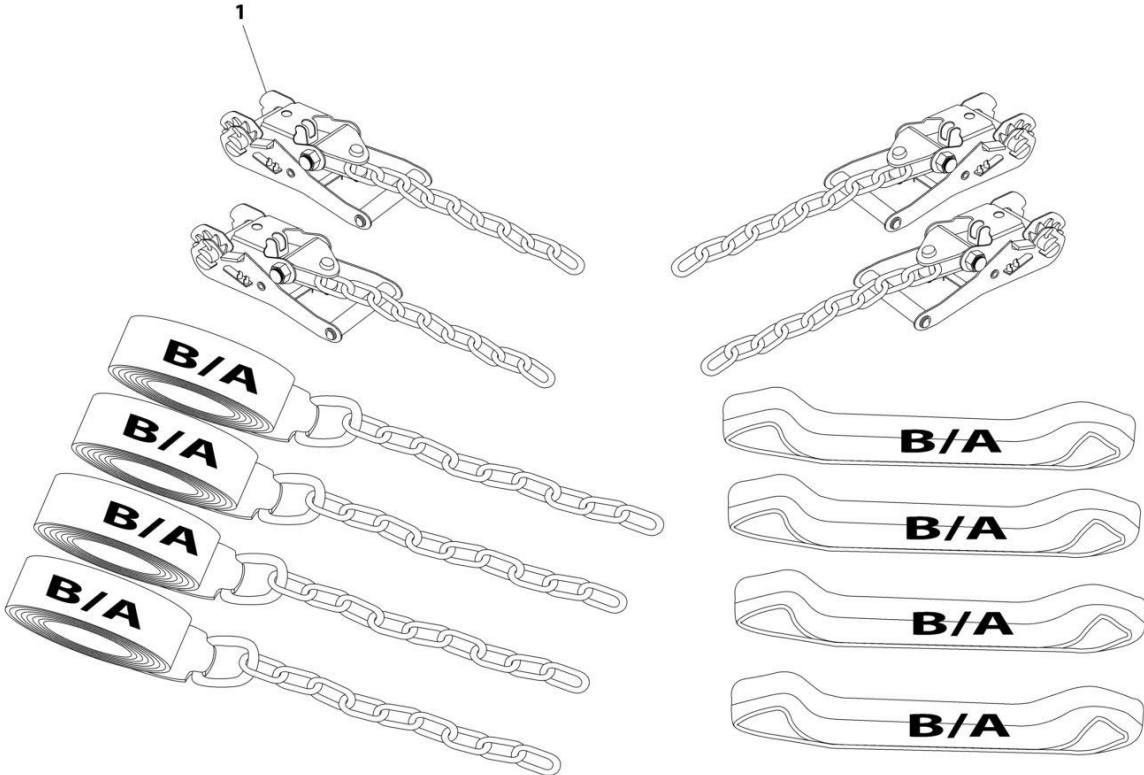
SECTION 8 - ACCESSORIES

FIGURE 8-32. STRAP EXTENSION - 50FT NYLON

ITEM	PART NUMBER	QTY	DESCRIPTION	REV
1	STRAP50 7894000071	Ref 1	50FT STRAP EXTENSION WITH SWIVEL HOOK Strap Extension with Swivel Hook	0

SECTION 8 - ACCESSORIES

FIGURE 8-33. STRAP TIE DOWN KIT - CARRIER 8 POINT TIRE



ART_CAR8PTTD

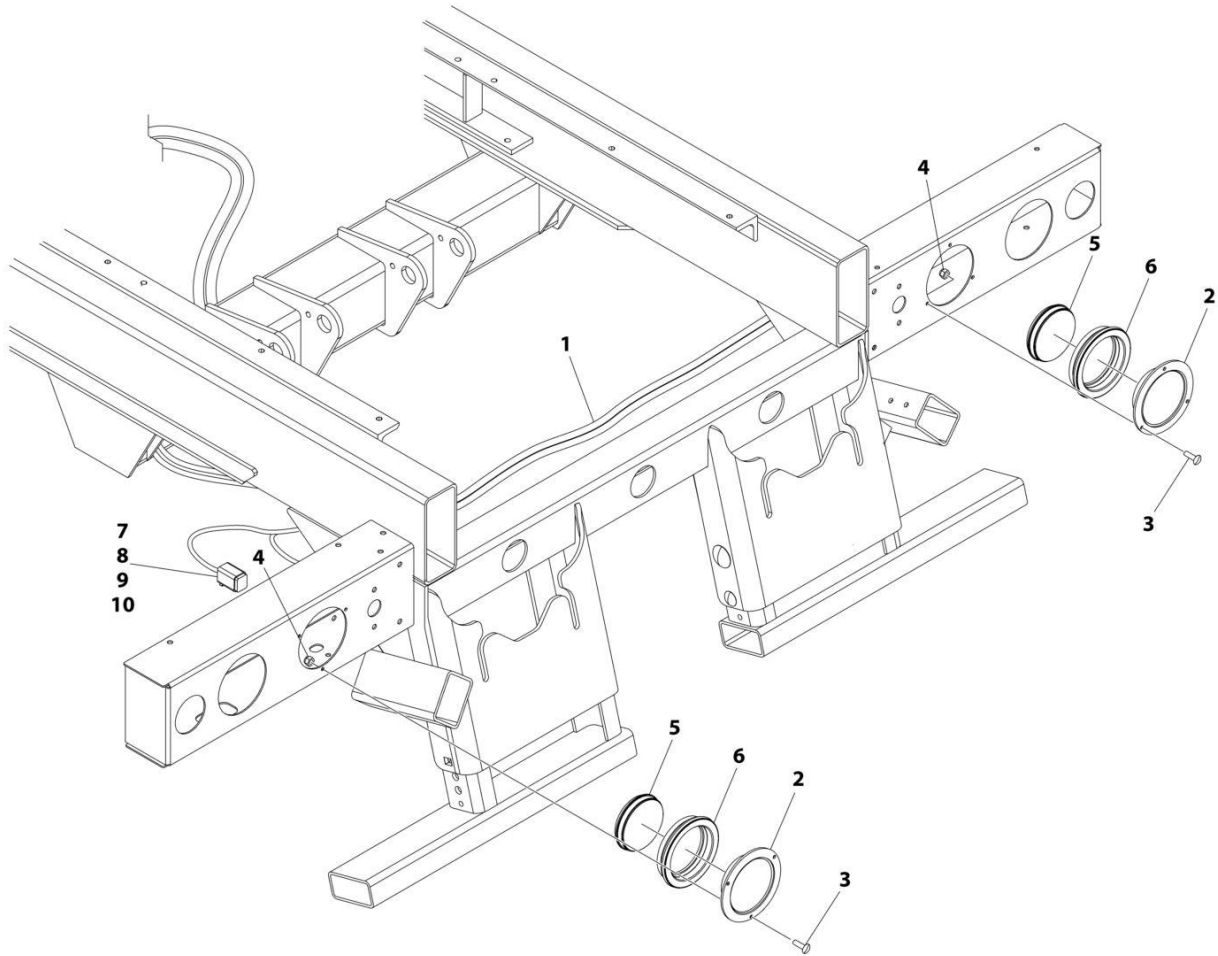
SECTION 8 - ACCESSORIES

FIGURE 8-33. STRAP TIE DOWN KIT - CARRIER 8 POINT TIRE

ITEM	PART NUMBER	QTY	DESCRIPTION	REV
1	CAR8PTTD 7894000073	Ref 1	STRAP/TIE DOWN KIT - 8-POINT TIRE STRAP Chain Strap and Chain Tyre Tie-Down	0

SECTION 8 - ACCESSORIES

FIGURE 8-34. TAIL LIGHT CONVERSION KIT, SPLIT STOP/TURN



ART_2590000292

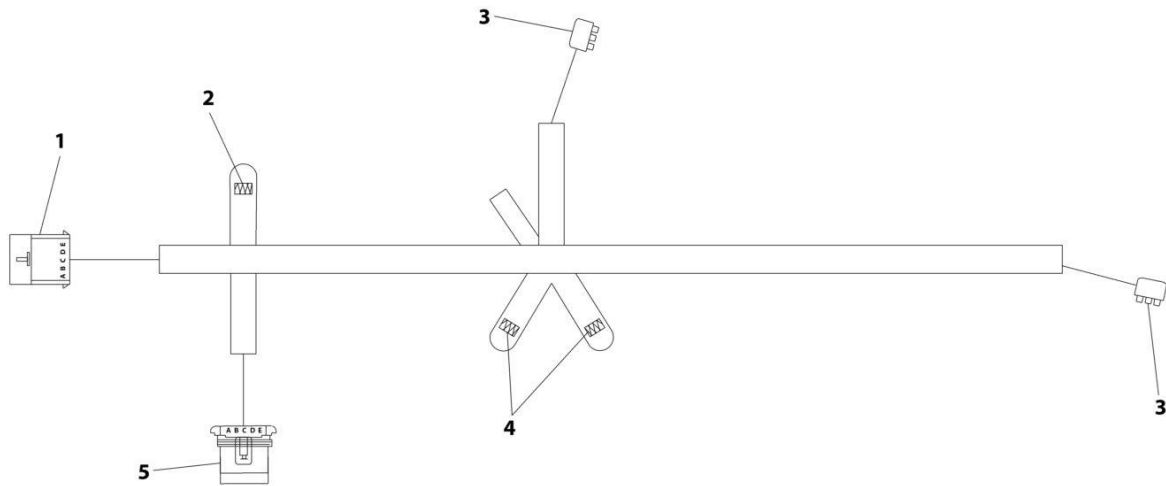
SECTION 8 - ACCESSORIES

FIGURE 8-34. TAIL LIGHT CONVERSION KIT, SPLIT STOP/TURN

ITEM	PART NUMBER	QTY	DESCRIPTION	REV
	2590000292	Ref	TAIL LIGHT CONVERSION KIT, SPLIT STOP/TURN	E
1	7552000472	1	Harness, Tail Light (See Separate Breakdown in this Section)	
2	7590000432	2	Light	
3	7114101018	6	Capscrew #10 x 1-1/4	
4	7660102604	6	Nut #10	
5	1001142769	2	Lamp	
6	7493000002	2	Grommet	
7	1001159336	1	Electrical Assembly, Tail Light Converter	
8	7345001714	6	Terminal	
9	7346000039	AR	Heat Shrink 1/4IN	
10	1001100949	1	Diode - IN5400, 50V, 3.0Amp	

SECTION 8 - ACCESSORIES

FIGURE 8-35. TAILLIGHT HARNESS



ART_7552000472

SECTION 8 - ACCESSORIES

FIGURE 8-35. TAILLIGHT HARNESS

ITEM	PART NUMBER	QTY	DESCRIPTION	REV
	7552000472	Ref	TAILLIGHT HARNESS	B
1		Ref	Connector - 5 Position	
1	1001116720	5	Terminal	
1		Ref	Seal	
2	7346000220	1	Resistor 100 Ohm/10 Watt	
3		Ref	Connector - 3 Position	
4	7346000231	2	Resistor 10 Ohm/50 Watt	
5	1001121726	1	Connector - 5 Position	
5	1001116747	5	Terminal	
5		Ref	Seal	

SECTION 8 - ACCESSORIES

FIGURE 8-36. TIE DOWN STRAP/RATCHET STRAP KIT

INFORMATION NOT AVAILABLE AT THE TIME OF PRINTING

ART_7577000242

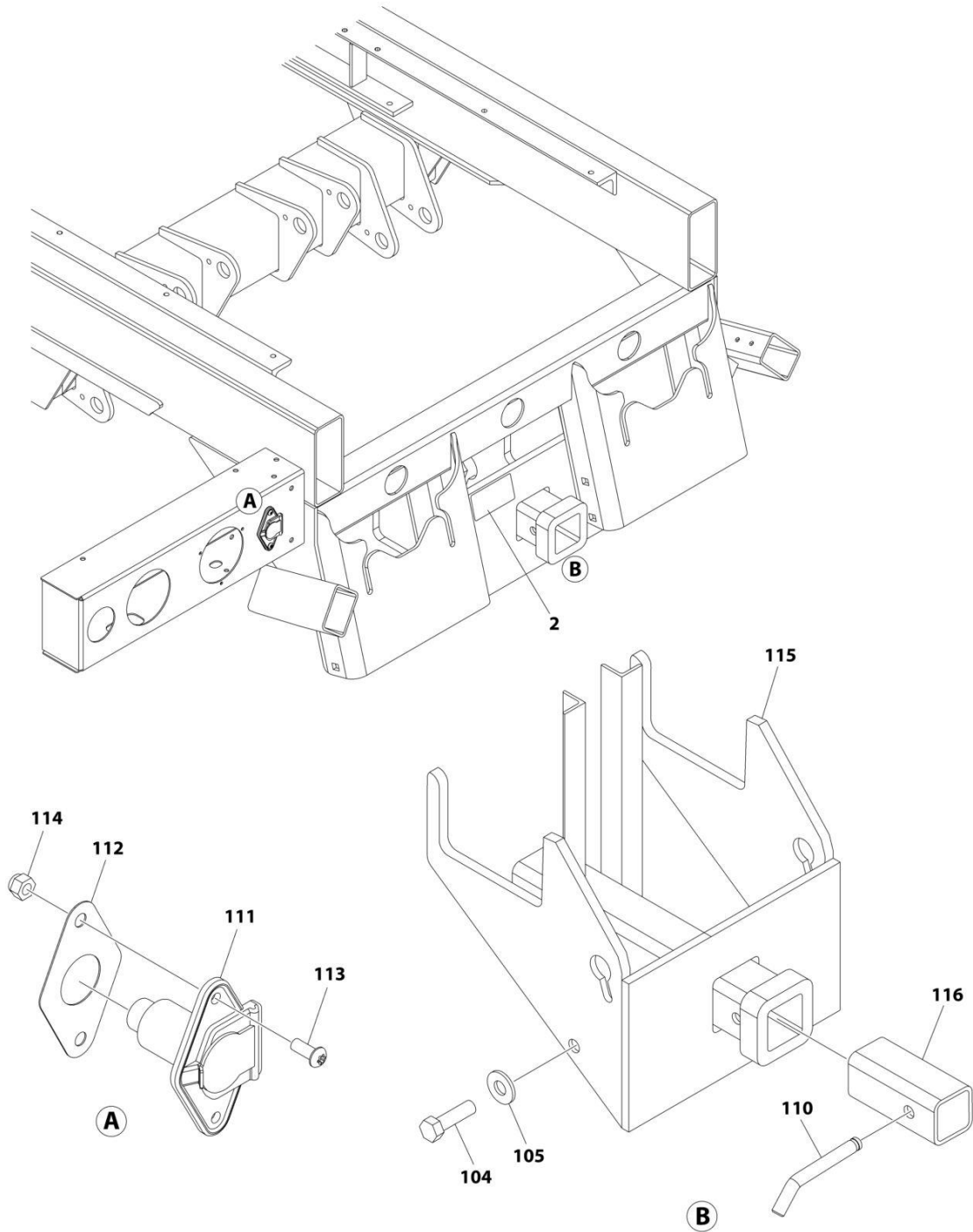
SECTION 8 - ACCESSORIES

FIGURE 8-36. TIE DOWN STRAP/RATCHET STRAP KIT

ITEM	PART NUMBER	QTY	DESCRIPTION	REV
	7577000242	Ref Ref	Tie Down Strap/Ratchet Strap Kit Note: No Service Parts Available at Time of Printing.	0

SECTION 8 - ACCESSORIES

FIGURE 8-37. TOW HITCH - 2-1/2IN RECEIVER



ART_RHS12-HD

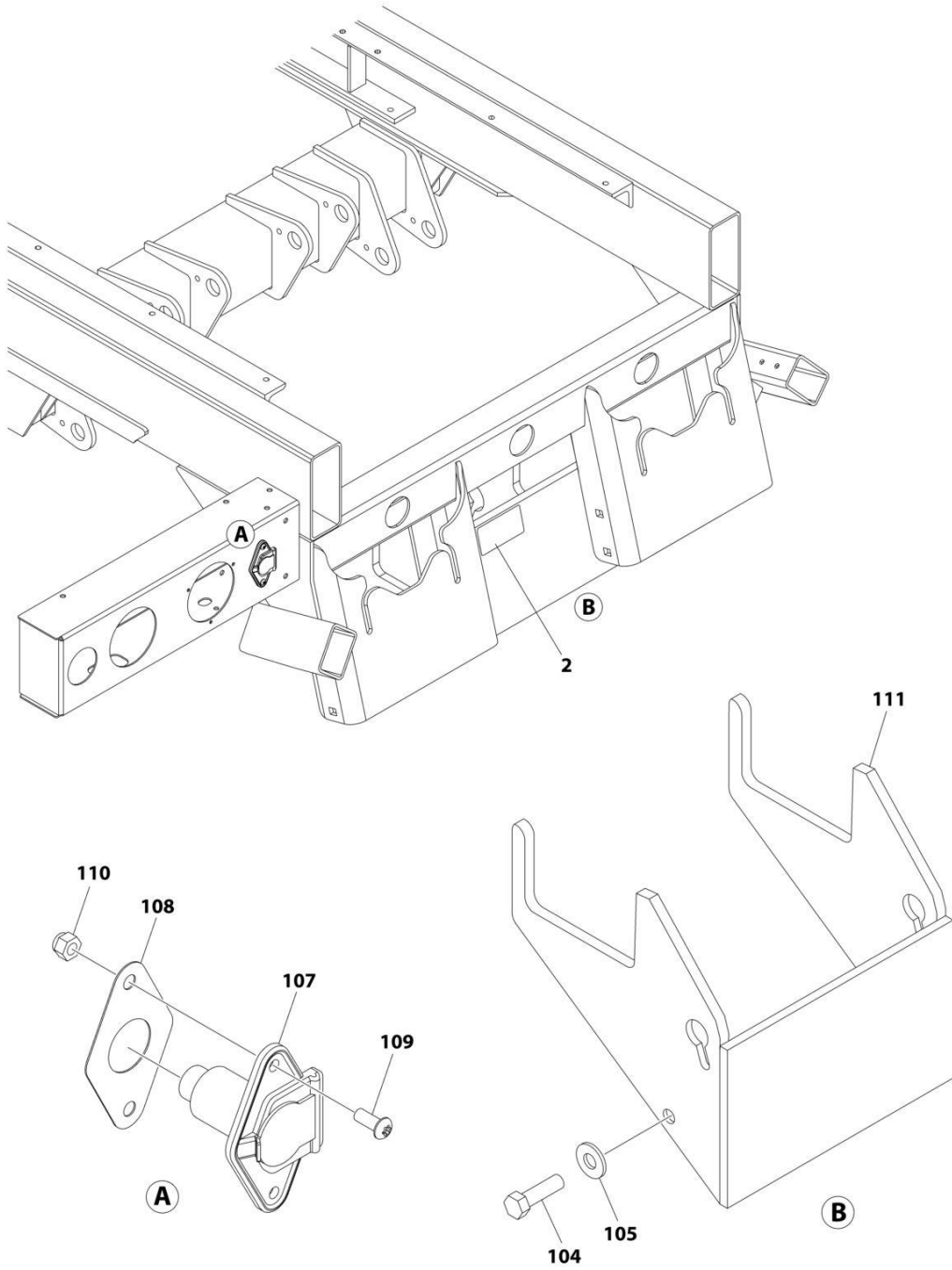
SECTION 8 - ACCESSORIES

FIGURE 8-37. TOW HITCH - 2-1/2IN RECEIVER

ITEM	PART NUMBER	QTY	DESCRIPTION	REV
	RHS12-HD	Ref	TOW HITCH - 2-1/2IN RECEIVER	0
1	A7WCON	1	7 Way Electrical Connector (Not Shown)	
2	2330000062	Ref	Decal Installation - Stationary Hitch	
2	7330000274	1	Decal - Warning Overloading	
3	3556000043	Ref	Hitch Installation (See Items 104-116 for Breakdown)	
104	7115181450	2	Bolt 1/2 x 1-3/4	
105	7950180150	2	Washer 1/2	
110	7691000033	1	Pin with Cotter Pin	
111	7291000010	1	Connector	
112	7796000048	1	Gasket	
113	7114140528	2	Screw 1/4 x 5/8	
114	7660142601	2	Nut 1/4	
115	1001180291	1	Hitch	
116	7913000006	1	Tube, Reducer	

SECTION 8 - ACCESSORIES

FIGURE 8-38. TOW HITCH - PINTLE (STATIONARY)



ART_PHS50-HD

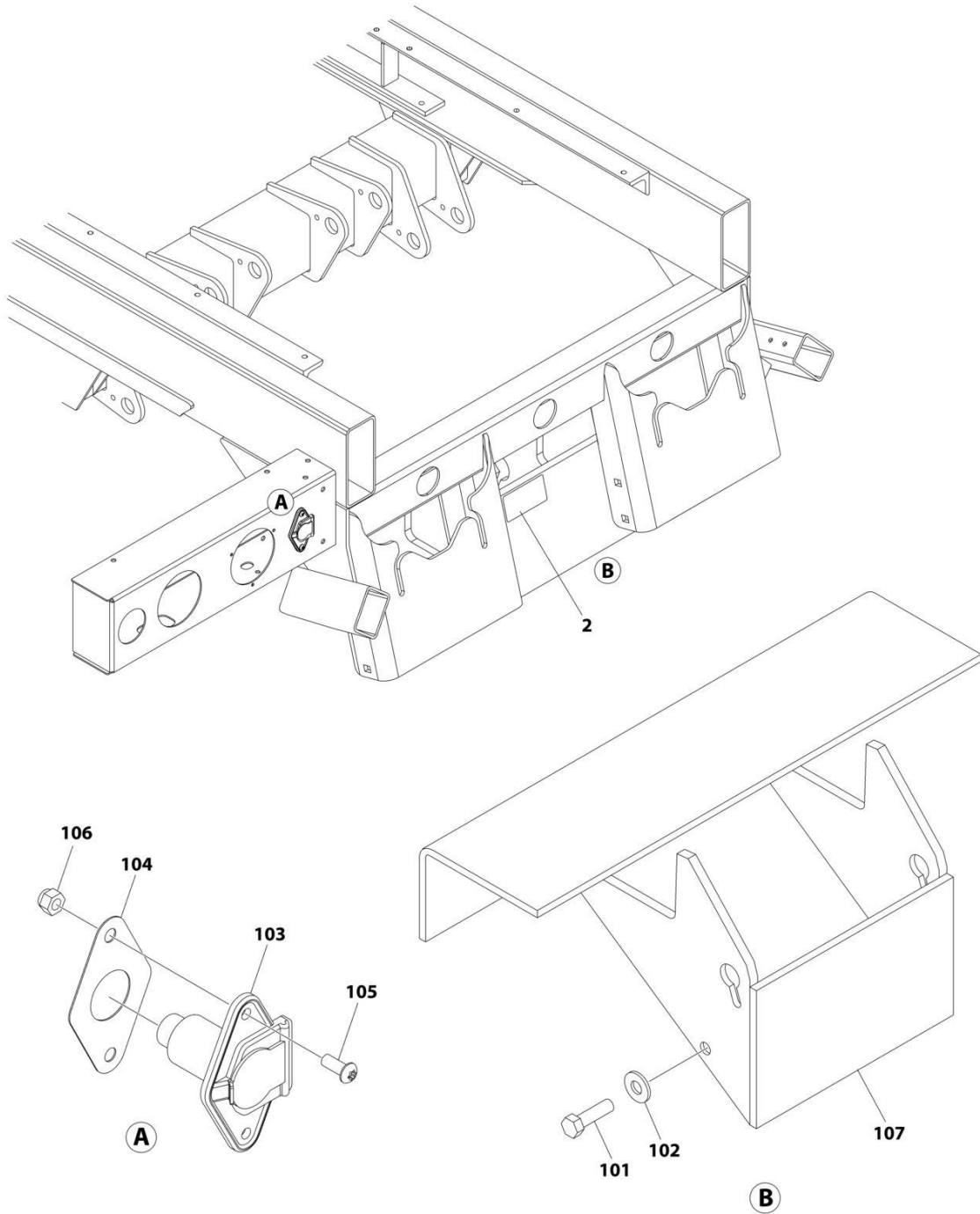
SECTION 8 - ACCESSORIES

FIGURE 8-38. TOW HITCH - PINTLE (STATIONARY)

ITEM	PART NUMBER	QTY	DESCRIPTION	REV
	PHS50-HD	Ref	TOW HITCH - PINTLE (STATIONARY)	0
1	A7WCON	1	7 Way Electrical Connector (Not Shown)	
2	2330000062	Ref	Decal Installation - Stationary Hitch	
2	7330000274	1	Decal - Warning Overloading	
3	3556000042	Ref	Hitch Installation (See Items 104-111 for Breakdown)	
104	7115181450	2	Bolt 1/2 x 1-3/4	
105	7950180150	2	Washer 1/2	
107	7291000010	1	Connector	
108	7796000048	1	Gasket	
109	7114140528	2	Screw 1/4 x 5/8	
110	7660142601	2	Nut 1/4	
111	1001180292	1	Hitch	

SECTION 8 - ACCESSORIES

FIGURE 8-39. TOW HITCH - PINTLE (STATIONARY - 30000LBS)



ART_1001136496

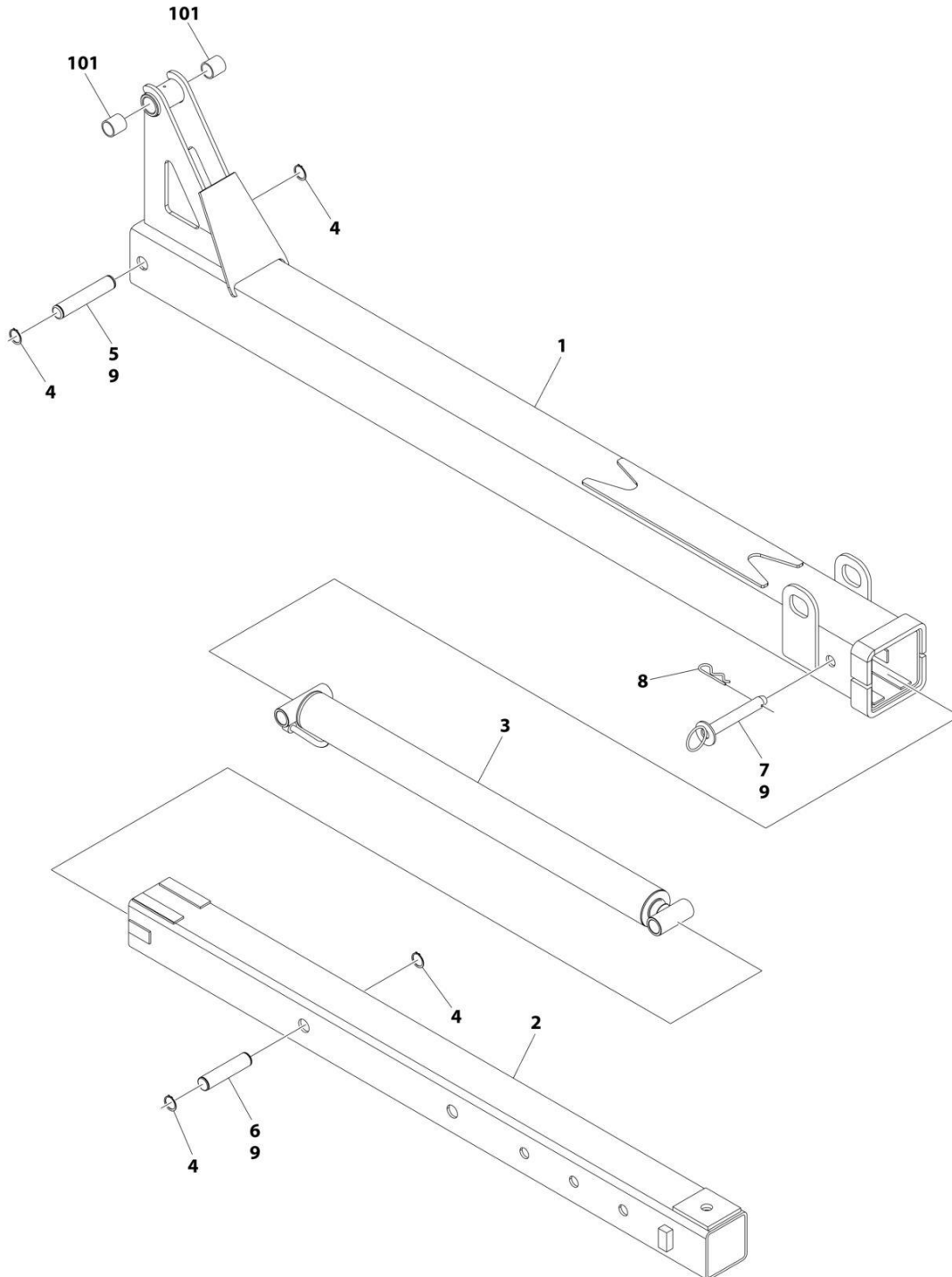
SECTION 8 - ACCESSORIES

FIGURE 8-39. TOW HITCH - PINTLE (STATIONARY - 30000LBS)

ITEM	PART NUMBER	QTY	DESCRIPTION	REV
	1001136496	Ref	TOW HITCH - PINTLE (STATIONARY - 30000LBS)	A
1	A7WCON	1	7 Way Electrical Connector (Not Shown)	
2	2330000062	Ref	Decal Installation - Stationary Hitch	
2	7330000274	1	Decal - Warning Overloading	
3	1001136497	Ref	Hitch Installation (See Items 101-107 for Breakdown)	
101	7115181450	2	Bolt 1/2 x 1-3/4	
102	7950180150	2	Washer 1/2	
103	7291000010	1	Connector	
104	7796000048	1	Gasket	
105	7114140528	2	Screw 1/4 x 5/8	
106	7660142601	2	Nut 1/4	
107	1001180293	1	Hitch	

SECTION 8 - ACCESSORIES

FIGURE 8-40. TOW HITCH BOOM ASSEMBLY - BALL HITCH PLATE (HYDRAULIC)



ART_3170000308

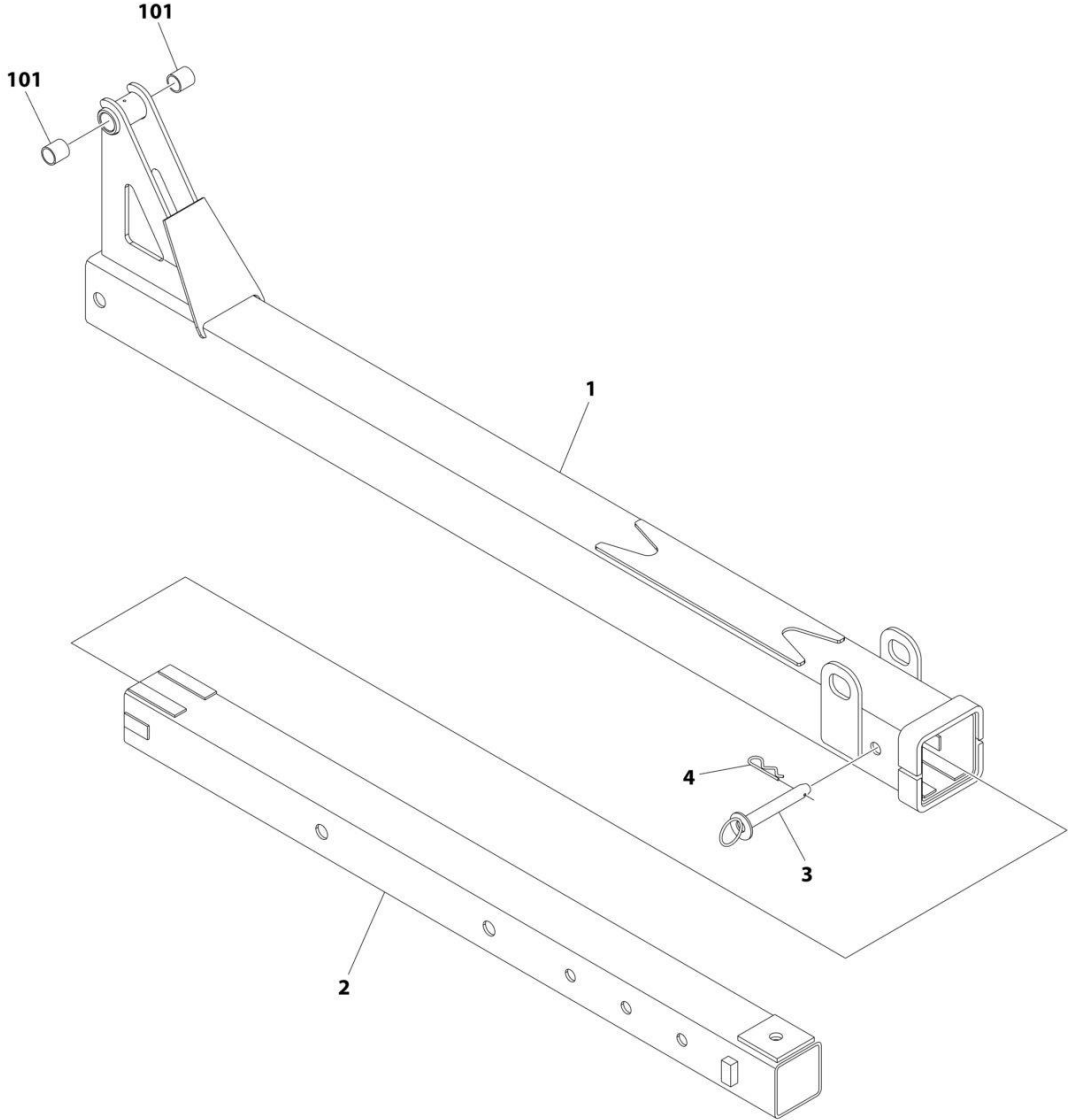
SECTION 8 - ACCESSORIES

FIGURE 8-40. TOW HITCH BOOM ASSEMBLY - BALL HITCH PLATE (HYDRAULIC)

ITEM	PART NUMBER	QTY	DESCRIPTION	REV
	3170000308	Ref	TOW HITCH BOOM ASSEMBLY - BALL HITCH PLATE (HYDRAULIC)	B
1	3170000314	1	Boom, Outer (Includes Item 101)	
2	3913000062	1	Boom, Inner	
3	1001183327	1	Cylinder Assembly (See Separate Breakdown in this Section)	
4	3760133	4	Ring, Retaining	
5	4691000430	1	Pin	
6	4691000429	1	Pin	
7	3691000064	1	Pin	
8	7691000001	1	Hair Pin	
9	3020039	AR	Lubricant	
101	7082000016	2	Bearing	

SECTION 8 - ACCESSORIES

FIGURE 8-41. TOW HITCH BOOM ASSEMBLY - BALL HITCH PLATE (MANUAL)



ART_3170000309

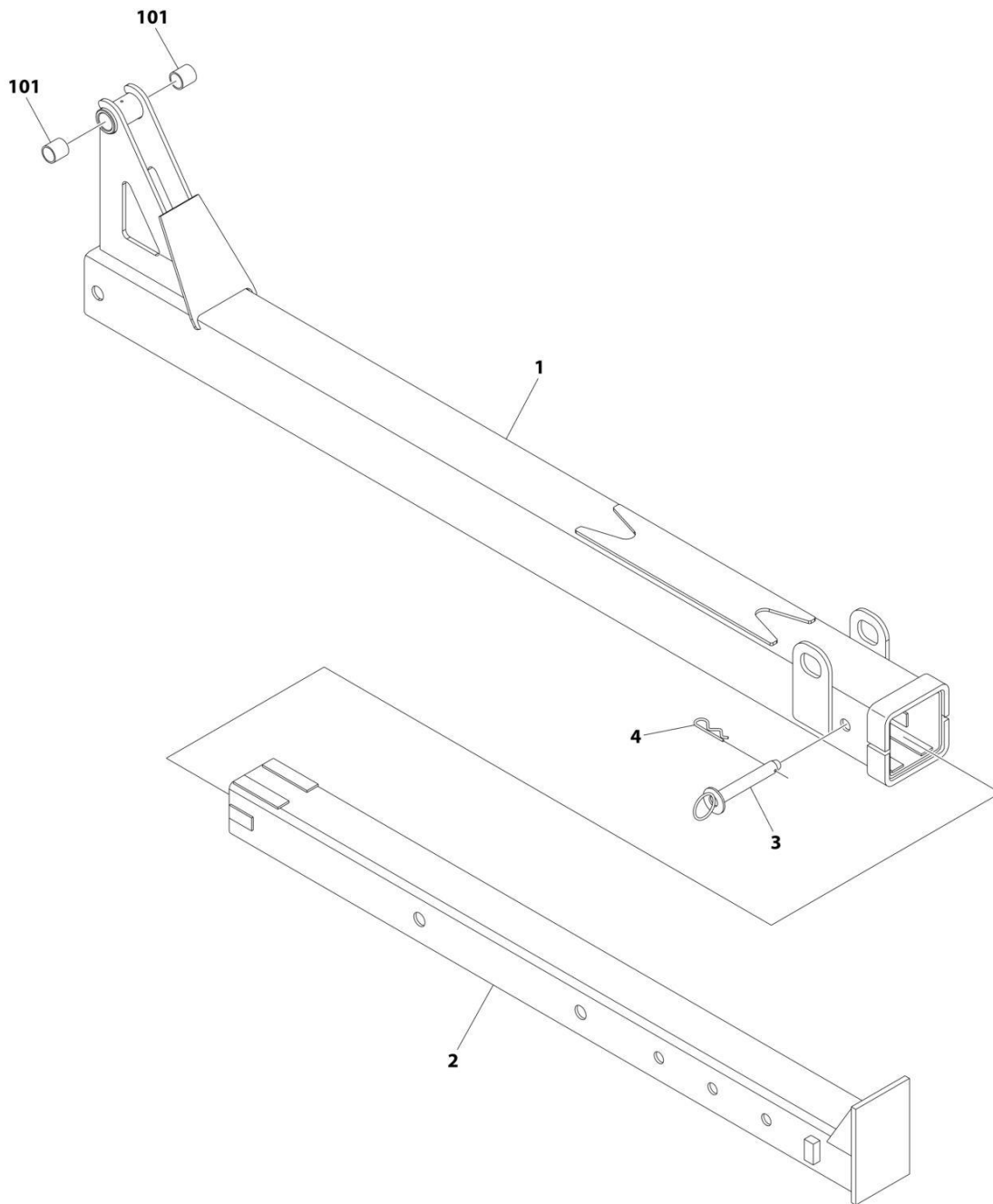
SECTION 8 - ACCESSORIES

FIGURE 8-41. TOW HITCH BOOM ASSEMBLY - BALL HITCH PLATE (MANUAL)

ITEM	PART NUMBER	QTY	DESCRIPTION	REV
	3170000309	Ref	TOW HITCH BOOM ASSEMBLY - BALL HITCH PLATE (MANUAL)	0
1	3170000314	1	Boom, Outer (Includes Item 101)	
2	3913000062	1	Boom, Inner	
3	3691000064	1	Pin	
4	7691000001	1	Hair Pin	
101	7082000016	2	Bearing	

SECTION 8 - ACCESSORIES

FIGURE 8-42. TOW HITCH BOOM ASSEMBLY - PINTLE HITCH PLATE (MANUAL)



ART_3170000312

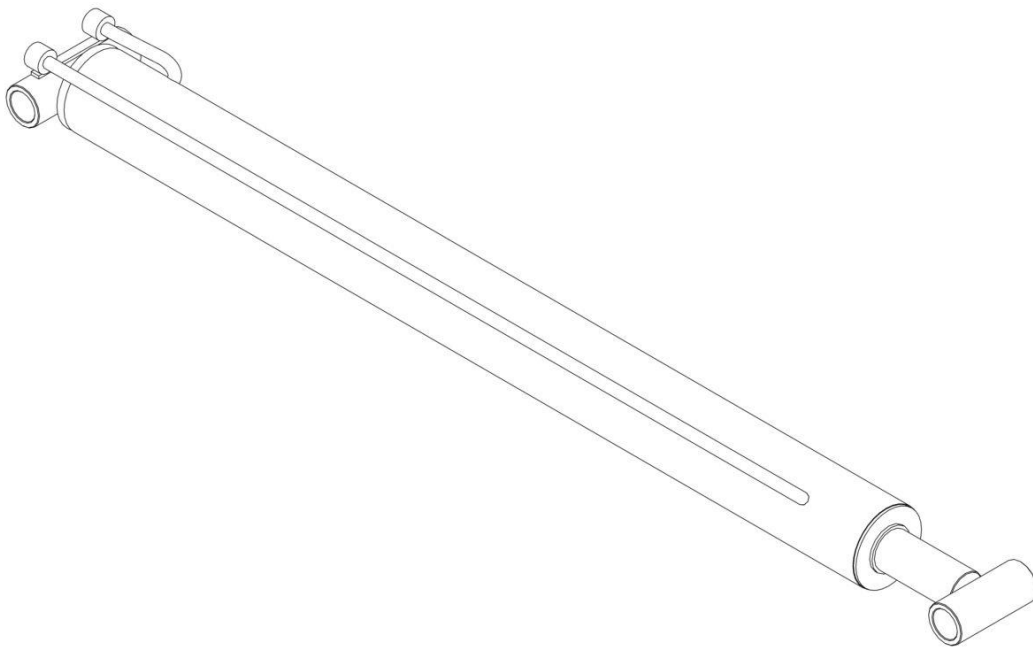
SECTION 8 - ACCESSORIES

FIGURE 8-42. TOW HITCH BOOM ASSEMBLY - PINTLE HITCH PLATE (MANUAL)

ITEM	PART NUMBER	QTY	DESCRIPTION	REV
	3170000312	Ref	TOW HITCH BOOM ASSEMBLY - PINTLE HITCH PLATE (MANUAL)	0
1	3170000314	1	Boom, Outer (Includes Item 101)	
2	3170000208	1	Boom, Inner	
3	3691000064	1	Pin	
4	7691000001	1	Hair Pin	
101	7082000016	2	Bearing	

SECTION 8 - ACCESSORIES

FIGURE 8-43. TOW HITCH CYLINDER ASSEMBLY – EXTEND/RETRACT



ART_1001183327

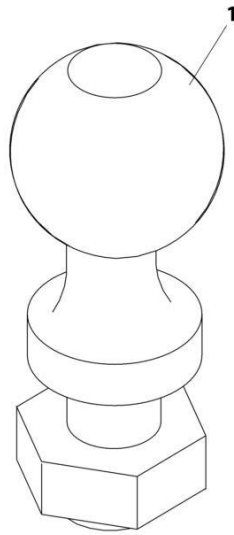
SECTION 8 - ACCESSORIES

FIGURE 8-43. TOW HITCH CYLINDER ASSEMBLY – EXTEND/RETRACT

ITEM	PART NUMBER	QTY	DESCRIPTION	REV
	1001183327	Ref Ref	TOW HITCH CYLINDER ASSEMBLY – EXTEND/RETRACT Note: No Service Components Available at Time of Printing.	D

SECTION 8 - ACCESSORIES

FIGURE 8-44. TRAILER ACC, 1-7/8" DIA BALL



ART_TB178

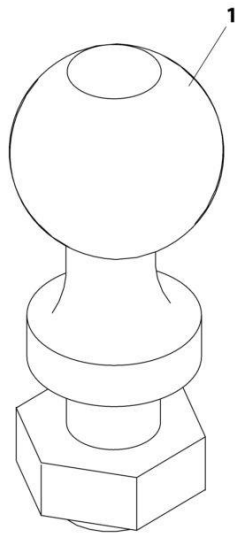
SECTION 8 - ACCESSORIES

FIGURE 8-44. TRAILER ACC, 1-7/8" DIA BALL

ITEM	PART NUMBER	QTY	DESCRIPTION	REV
1	TB178 7056000007	Ref 1	TRAILER BALL - 1.88IN DIA BALL Ball	0

SECTION 8 - ACCESSORIES

FIGURE 8-45. TRAILER ACC, 2" DIA BALL



ART_TB200

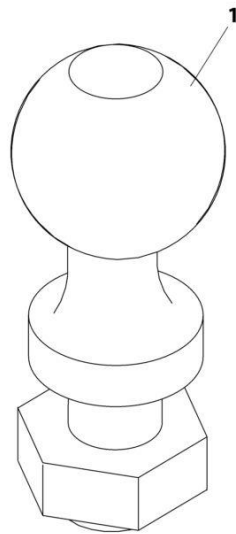
SECTION 8 - ACCESSORIES

FIGURE 8-45. TRAILER ACC, 2" DIA BALL

ITEM	PART NUMBER	QTY	DESCRIPTION	REV
1	TB200 7056000008	Ref 1	TRAILER BALL - 2IN DIA BALL Ball	0

SECTION 8 - ACCESSORIES

FIGURE 8-46. TRAILER ACC, 2-5/16" DIA BALL



ART_TB256

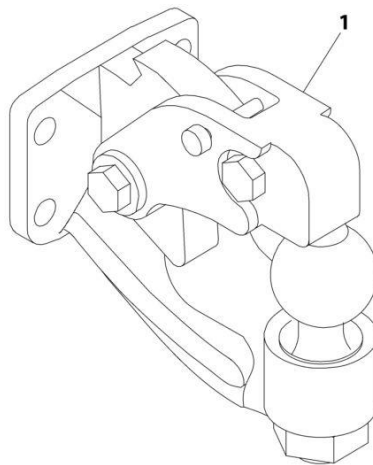
SECTION 8 - ACCESSORIES

FIGURE 8-46. TRAILER ACC, 2-5/16" DIA BALL

ITEM	PART NUMBER	QTY	DESCRIPTION	REV
1	TB256 7056000009	Ref 1	TRAILER BALL - 2-5/16IN DIA BALL Ball	0

SECTION 8 - ACCESSORIES

FIGURE 8-47. TRAILER ACC, DUPLEX PINTLE HITCH



ART_DPH-16B

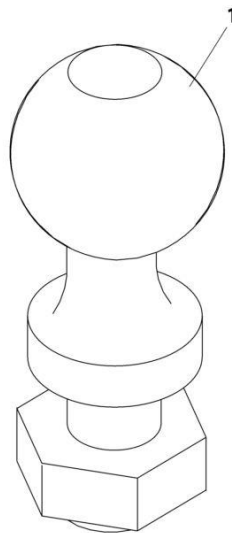
SECTION 8 - ACCESSORIES

FIGURE 8-47. TRAILER ACC, DUPLEX PINTLE HITCH

ITEM	PART NUMBER	QTY	DESCRIPTION	REV
1	DPH-16B 7556000003	Ref 1	TRAILER PINTLE WITH BALL Pintle Hitch	B

SECTION 8 - ACCESSORIES

FIGURE 8-48. TRAILER ACC, SS CONVERT-A-BALL KIT



ART_1001133675

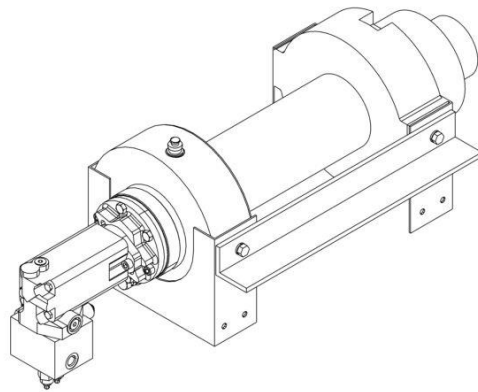
SECTION 8 - ACCESSORIES

FIGURE 8-48. TRAILER ACC, SS CONVERT-A-BALL KIT

ITEM	PART NUMBER	QTY	DESCRIPTION	REV
1	1001133675 7002000458	Ref 1	TRAILER BALL - SS CONVERT-A-BALL KIT Ball	A

SECTION 8 - ACCESSORIES

FIGURE 8-49. WINCH ASSEMBLY – 15K LBS (FRONT BUMPER MOUNTED)



ART_1001133342

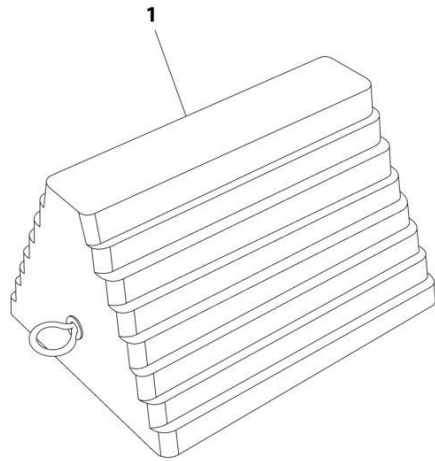
SECTION 8 - ACCESSORIES

FIGURE 8-49. WINCH ASSEMBLY – 15K LBS (FRONT BUMPER MOUNTED)

ITEM	PART NUMBER	QTY	DESCRIPTION	REV
	1001133342	Ref Ref	WINCH ASSEMBLY Note: No Service Part Available at the Time of Printing	0

SECTION 8 - ACCESSORIES

FIGURE 8-50. WHEEL CHUCKS (RUBBER)



ART_RWC

SECTION 8 - ACCESSORIES

FIGURE 8-50. WHEEL CHUCKS (RUBBER)

ITEM	PART NUMBER	QTY	DESCRIPTION	REV
1	RWC 7002000448	Ref 2	WHEEL CHOCKS Wheel Chock - Rubber	0

SECTION 9 - BUILD DOCUMENTS

SECTION 9 - BUILD DOCUMENTS

FIGURE 9-1. BUILD DOC_5376000318

ITEM	PART NUMBER	QTY	DESCRIPTION	REV
	Note	Ref	Note: This list is for build tracking purposes only. Parts in this list are not available at this inventory stocking level. Parts in this list may not be applicable to all models. For more specific parts information contact Jerr-Dan Parts Department	
	1001241870	Ref	SERVICE/AFTERMARKET KIT LIST	K
	2178000028	Ref	BRACKET KIT, SHORT MOUNTING	
	2178000027	Ref	BRACKET KIT, STD MOUNTING	
	2178000025	Ref	BRACKET KIT, LONG MOUNTING	
	2706000045	Ref	CENTER BEAM PLATES (24FT)	
	2706000008	Ref	CENTER BEAM PLATES (26FT)	
	2706000009	Ref	CENTER BEAM PLATES (28FT)	
	2706000047	Ref	CENTER BEAM PLATES (30FT)	
	CMKSTD-SD	Ref	Chassis Mounting Kit - Standard	
	1001220105	Ref	Chassis Mounting Kit - Ford 2016+ F650/F750	
	1001134108	Ref	Chassis Mounting Kit - IHC 2011+	
	2002000024	Ref	CLEATED DECK OPTION 26FT 15TON 96"	
	2002000025	Ref	CLEATED DECK OPTION 26FT 15 TON 102"	
	1001228185	Ref	DECK SEAM SEAL INSTALLATION	
	1001152801	Ref	DECKING - STEEL DIAMOND OVER WOOD 24X96 (OUTSIDE KEYSLOTS)	
	1001152802	Ref	DECKING - STEEL DIAMOND OVER WOOD 24X102 (OUTSIDE KEYSLOTS)	
	1001152803	Ref	DECKING - STEEL DIAMOND OVER WOOD 26X96 (OUTSIDE KEYSLOTS)	
	1001152804	Ref	DECKING - STEEL DIAMOND OVER WOOD 26X102 (OUTSIDE KEYSLOTS)	
	1001152805	Ref	DECKING - STEEL DIAMOND OVER WOOD 28X96 (OUTSIDE KEYSLOTS)	
	1001152806	Ref	DECKING - STEEL DIAMOND OVER WOOD 28X102 (OUTSIDE KEYSLOTS)	
	1001131335	Ref	DECKING - STEEL DIAMOND OVER WOOD 28FT CENTER DECK	
	1001152807	Ref	DECKING - STEEL DIAMOND OVER WOOD 30X96 (OUTSIDE KEYSLOTS)	
	1001152808	Ref	DECKING - STEEL DIAMOND OVER WOOD 30X102 (OUTSIDE KEYSLOTS)	
	1001153117	Ref	DECKING - STEEL DIAMOND OVER WOOD 24X96 (OUT & IN KEYSLOTS)	
	1001153118	Ref	DECKING - STEEL DIAMOND OVER WOOD 24X102 (OUT & IN KEYSLOTS)	
	1001153119	Ref	DECKING - STEEL DIAMOND OVER WOOD 26X96 (OUT & IN KEYSLOTS)	
	1001153120	Ref	DECKING - STEEL DIAMOND OVER WOOD 26X102 (OUT & IN KEYSLOTS)	
	1001153121	Ref	DECKING - STEEL DIAMOND OVER WOOD 28X96 (OUT & IN KEYSLOTS)	
	1001153122	Ref	DECKING - STEEL DIAMOND OVER WOOD 28X102 (OUT & IN KEYSLOTS)	
	1001153123	Ref	DECKING - STEEL DIAMOND OVER WOOD 30X96 (OUT & IN KEYSLOTS)	
	1001153124	Ref	DECKING - STEEL DIAMOND OVER WOOD 30X102 (OUT & IN KEYSLOTS)	
	1001157808	Ref	DECKING - MORTON STAR 28x96 IN KEYSLOTS	

SECTION 9 - BUILD DOCUMENTS

ITEM	PART NUMBER	QTY	DESCRIPTION	REV
	1001157809	Ref	DECKING - MORTON STAR 28x102 IN KEYSLOTS	
	1001157810	Ref	DECKING - MORTON STAR 30x96 IN KEYSLOTS	
	1001157811	Ref	DECKING - MORTON STAR 30x102 IN KEYSLOTS	
	1001157812	Ref	DECKING - MORTON STAR 28x96 OUT KEYSLOTS	
	1001157813	Ref	DECKING - MORTON STAR 28x102 OUT KEYSLOTS	
	1001157814	Ref	DECKING - MORTON STAR 30x96 OUT KEYSLOTS	
	1001157815	Ref	DECKING - MORTON STAR 30x102 OUT KEYSLOTS	
	1001157816	Ref	DECKING - MORTON STAR 28x96 OUT & IN KEYSLOTS	
	1001157817	Ref	DECKING - MORTON STAR 28x102 OUT & IN KEYSLOTS	
	1001157818	Ref	DECKING - MORTON STAR 30x96 OUT & IN KEYSLOTS	
	1001157819	Ref	DECKING - MORTON STAR 30x102 OUT & IN KEYSLOTS	
	1001171660	Ref	D-RINGS INSTALLATION - BOLT ON - 2 PAIR (STEEL DECK)	
	2754000001	Ref	D-RINGS INSTALLATION - WELD ON (0.63IN) - 1 PAIR (STEEL DECK)	
	DR063W-2	Ref	D-RINGS INSTALLATION - WELD ON (0.63IN) - 2 PAIR (STEEL DECK)	
	2754000002	Ref	D-RINGS INSTALLATION - WELD ON (1IN) - 1 PAIR (STEEL DECK)	
	1001131327	Ref	D-RINGS INSTALLATION - WELD ON AT FRONT OF DECK (1IN) - 1 PAIR (STEEL DECK)	
	1001130144	Ref	ELECTRIC BRAKE INSTALLATION	
	SSQF-24	Ref	Fender, Quarter 22.50IN Wheels (SS)	
	1001135446	Ref	ELECTRIC BRAKE INSTALLATION (FREIGHTLINER)	
	2002000012	Ref	FORK LIFT STOP INSTALLATION (WELDED ON)	
	1001211686	Ref	HEADBOARD LIGHT MOUNT CHANNEL - 96IN WIDE	
	1001133677	Ref	HEADBOARD LIGHT MOUNT CHANNEL - 102IN WIDE	
	2706000012	Ref	KEYSLOTS STRIPS - MID SECTION (DUAL 180 DEG) (24FT-28FT)	
	1001131162	Ref	KEYSLOTS STRIPS - MID SECTION (DUAL 180 DEG) WHEEL WELL (28FT)	
	2706000048	Ref	KEYSLOTS STRIPS - MID SECTION (DUAL 180 DEG) (30FT)	
	2706000015	Ref	KEYSLOTS STRIPS - RUBRAILS (DUAL 90 DEG) (24FT-28FT)	
	1001131101	Ref	KEYSLOTS STRIPS - RUBRAILS (DUAL 90 DEG) WHEEL WELL (28FT)	
	2706000049	Ref	KEYSLOTS STRIPS - RUBRAILS (DUAL 90 DEG) (30FT)	
	2590000261	Ref	LIGHT, MARKER FOR TOOLBOX STORAGE TRAY	
	ML-TBTST-2	Ref	LIGHT, MARKER FOR TOOLBOX STORAGE TRAY (QTY 2 of PN 2590000261)	
	1001181867	Ref	LIGHT, MARKER FOR TOOLBOX STORAGE TRAY (QTY 3 of PN 2590000261)	
	1001181868	Ref	LIGHT, MARKER FOR TOOLBOX STORAGE TRAY (QTY 4 of PN 2590000261)	
	2550000506	Ref	LADDER, PERMANENT INSTALLATION (WELDED ON)	
	NPN	Ref	PTO Installation and replacement is based on individual characteristics of the unit - Contact Jerr-Dan Parts Dept.)	
	NPN	Ref	Pump Installation and replacement is based on individual characteristics of the unit - Contact Jerr-Dan Parts Dept.)	
	2729000106	Ref	RAIL INSTALLATION - REMOVEABLE RAISED 24"	
	2729000107	Ref	RAIL INSTALLATION - REMOVEABLE RAISED 26"	
	2729000108	Ref	RAIL INSTALLATION - REMOVEABLE RAISED 28"	
	2729000109	Ref	RAIL INSTALLATION - REMOVEABLE RAISED 30"	
	STAB-HD	Ref	REAR STABILIZER - COMPLETE (WITHOUT TOW HITCH)	
	2330000064	Ref	DECAL INSTALLATION STABILIZER (See Separate Breakdown in DECAL Section)	

SECTION 9 - BUILD DOCUMENTS

ITEM	PART NUMBER	QTY	DESCRIPTION	REV
	2570000049	Ref	HOSE INSTALLATION - STABILIZER (REAR DECK) (See Separate Breakdown in HYDRAULIC Section)	
	2849000043	Ref	REAR STABILIZER INSTALLATION (See Separate Breakdown in SUBFRAME Section)	
	SRHS-HD	Ref	REAR STABILIZER - COMPLETE (WITH 2.5IN TOW HITCH)	
	2570000049	Ref	HOSE INSTALLATION - STABILIZER (REAR DECK) (See Separate Breakdown in HYDRAULIC Section)	
	2849000046	Ref	REAR STABILIZER INSTALLATION (See Separate Breakdown in SUBFRAME Section)	
	2330000063	Ref	DECAL INSTALLATION STABILIZER - WITH 2.5IN TOW HITCH (See Separate Breakdown in DECAL Section)	
	SPHH-HD	Ref	REAR STABILIZER - COMPLETE (WITH HYDRAULIC EXTEND)	
	2570000032	Ref	HOSE INSTALLATION - STABILIZER (WITH HYDRAULIC EXTEND) (See Separate Breakdown in HYDRAULIC Section)	
	2330000061	Ref	DECAL INSTALLATION STABILIZER - WITH PINTLE HITCH (See Separate Breakdown in DECAL Section)	
	2849000044	Ref	REAR STABILIZER INSTALLATION - WITH HYDRALIC EXTEND (See Separate Breakdown in SUBFRAME Section)	
	2330000041	Ref	DECAL INSTALLATION - CONSPICUITY HITCH (See Separate Breakdown in DECAL Section)	
	SPHM-HD	Ref	REAR STABILIZER - COMPLETE (WITH MANUAL EXTEND)	
	2570000049	Ref	HOSE INSTALLATION - STABILIZER (REAR DECK) (See Separate Breakdown in HYDRAULIC Section)	
	2330000061	Ref	DECAL INSTALLATION STABILIZER - WITH PINTLE HITCH (See Separate Breakdown in DECAL Section)	
	2849000045	Ref	REAR STABILIZER INSTALLATION - WITH MANUAL EXTEND (See Separate Breakdown in SUBFRAME Section)	
	2330000041	Ref	DECAL INSTALLATION - CONSPICUITY HITCH (See Separate Breakdown in DECAL Section)	
	1001163550	Ref	REAR STABILIZER - COMPLETE (WITH 5000 LBS WHEEL LIFT, MANUAL I-ARMS)	
	2262000011	Ref	CHAIN BOX INSTALLATION - REAR SUBFRAME (See Separate Breakdown in SUBFRAME Section)	
	2330000035	Ref	DECAL INSTALLATION - CONSPICUITY (See Separate Breakdown in DECAL Section)	
	2330000057	Ref	DECAL INSTALLATION - MANUAL WHEEL LIFT (See Separate Breakdown in DECAL Section)	
	2330000065	Ref	DECAL INSTALLATION - TOW HITCH WHEEL LIFT (See Separate Breakdown in DECAL Section)	
	2570000083	Ref	HYDRAULIC INSTALLATION (4000 LBS WHEEL LIFT) (See Separate Breakdown in HYDRAULIC Section)	
	1001163552	Ref	STABILIZER INSTALLATION (4000 LBS WHEEL LIFT) (See Separate Breakdown in SUBFRAME Section)	
	7577000242	Ref	TIE STRAP AND RACHET KIT (See Separate Breakdown in ACCESSORY Section)	
	1001134473	Ref	REAR STABILIZER - COMPLETE (MANUAL EXT PINTLE, 6 WAY CONN)	
	1001209295	Ref	CHAIN BOX INSTALLATION - 6 WAY CONNECTOR (NOT SHOWN)	
	2330000041	Ref	DECAL INSTALLATION - CONSPICUITY HITCH (See Separate Breakdown in DECAL Section)	
	2330000061	Ref	DECAL INSTALLATION STABILIZER - WITH PINTLE HITCH (See Separate Breakdown in DECAL Section)	
	2570000049	Ref	HOSE INSTALLATION - STABILIZER (REAR DECK) (See Separate Breakdown in HYDRAULIC Section)	
	1001134476	Ref	STABILIZER INSTALLATION (MANUAL PINTLE WITH 6 WAY CONNECTOR) (See Separate Breakdown in SUBFRAME	

SECTION 9 - BUILD DOCUMENTS

ITEM	PART NUMBER	QTY	DESCRIPTION	REV
			Section)	
	2346000008	Ref	ELECTRICAL INSTALLATION - 7 WAY CONNECTOR	
	7346000132	Ref	ELECTRICAL ADAPTR TRAILER 7 RN	
	7346000157	Ref	ELECTRICAL ADAPTR TRAILER 7 RN	
	1001139839	Ref	BOOM WELD PINTLE STABILIZER D RINGS (NOT SHOWN)	
	7754000068	Ref	D-RINGS	
	RC-1	Ref	REMOTE CONTROL INSTALLATION - ONE FUNCTION	
	2577000016	Ref	LINEAR ACTUATOR INSTALLATION KIT (See Separate Breakdown in CONTROLS Section)	
	2577000029	Ref	MIRATRON WIRELESS INSTALLATION - ONE FUNCTION (See Separate Breakdown in CONTROLS Section)	
	RC-2	Ref	REMOTE CONTROL INSTALLATION - TWO FUNCTION	
	2577000016	Ref	LINEAR ACTUATOR INSTALLATION KIT (See Separate Breakdown in CONTROLS Section)	
	2577000030	Ref	MIRATRON WIRELESS INSTALLATION - TWO FUNCTION (See Separate Breakdown in CONTROLS Section)	
	RC-3	Ref	REMOTE CONTROL INSTALLATION - THREE FUNCTION	
	2577000016	Ref	LINEAR ACTUATOR INSTALLATION KIT (See Separate Breakdown in CONTROLS Section)	
	2577000031	Ref	MIRATRON WIRELESS INSTALLATION - THREE FUNCTION (See Separate Breakdown in CONTROLS Section)	
	RC-4	Ref	REMOTE CONTROL INSTALLATION - FOUR FUNCTION	
	2577000016	Ref	LINEAR ACTUATOR INSTALLATION KIT (See Separate Breakdown in CONTROLS Section)	
	2577000034	Ref	MIRATRON WIRELESS INSTALLATION - FOUR FUNCTION (See Separate Breakdown in CONTROLS Section)	
	RC-5	Ref	REMOTE CONTROL INSTALLATION - FIVE FUNCTION	
	2577000016	Ref	LINEAR ACTUATOR INSTALLATION KIT (See Separate Breakdown in CONTROLS Section)	
	2577000035	Ref	MIRATRON WIRELESS INSTALLATION - FIVE FUNCTION (See Separate Breakdown in CONTROLS Section)	
	RCTH-2	Ref	Remote Control 6 Function U/L Transmitter Holder (Duplicate of PN 2002000031)	
	2706000037	Ref	RUBRAIL OVERLAY INSTALLATION - 0IN ABOUT RAIL (24FT STEEL DECK)	
	2706000038	Ref	RUBRAIL OVERLAY INSTALLATION - 0IN ABOUT RAIL (26/28FT STEEL DECK)	
	2706000040	Ref	RUBRAIL OVERLAY INSTALLATION - 2IN ABOUT RAIL (24FT STEEL DECK)	
	2706000041	Ref	RUBRAIL OVERLAY INSTALLATION - 2IN ABOUT RAIL (26/28FT STEEL DECK)	
	2706000043	Ref	RUBRAIL OVERLAY INSTALLATION - 4IN ABOUT RAIL (24FT STEEL DECK)	
	2706000044	Ref	RUBRAIL OVERLAY INSTALLATION - 4IN ABOUT RAIL (26/28FT STEEL DECK)	
	1001271987	Ref	Side Recovery System - 10 K Winch with 3 Function Remote Control (Manual)	
	1001271983	Ref	SIDE RECOVERY SYSTEM (SRS) INSTALLATION - 10000 LBS WINCH (3 FUNCTION REMOTE CONTROL) (See Separate Breakdown in SUBFRAME Section)	
	2570000152	Ref	WINCH HOSE INSTALLATION (See Separate Breakdown in HYDRAULIC Section)	
	2330000068	Ref	DECAL INSTALLATION (SRS) (See Separate Breakdown in DECAL Section)	
	1001271989	Ref	Side Recovery System - 10 K Winch with 4 Function Remote Control (Manual)	

SECTION 9 - BUILD DOCUMENTS

ITEM	PART NUMBER	QTY	DESCRIPTION	REV
	1001271985	Ref	SIDE RECOVERY SYSTEM (SRS) INSTALLATION - 10000 LBS WINCH (4 FUNCTION REMOTE CONTROL) (See Separate Breakdown in SUBFRAME Section)	
	2570000152	Ref	WINCH HOSE INSTALLATION (See Separate Breakdown in HYDRAULIC Section)	
	2330000068	Ref	DECAL INSTALLATION (SRS) (See Separate Breakdown in DECAL Section)	
	2577000017	Ref	LINEAR ACTUATOR INSTALLATION (See Separate Breakdown in CONTROL Section)	
	1001271988	Ref	Side Recovery System - 10 K Winch 3 Function Remote Control (Air Free Spool)	
	1001271984	Ref	SIDE RECOVERY SYSTEM (SRS) INSTALLATION - 10000 LBS WINCH WITH AIR FREE SPOOL (3 FUNCTION REMOTE CONTROL) (See Separate Breakdown in SUBFRAME Section)	
	2570000152	Ref	WINCH HOSE INSTALLATION (See Separate Breakdown in HYDRAULIC Section)	
	2330000068	Ref	DECAL INSTALLATION (SRS) (See Separate Breakdown in DECAL Section)	
	1001271990	Ref	Side Recovery System - 10 K Winch 4 Function Remote Control (Air Free Spool)	
	1001271986	Ref	SIDE RECOVERY SYSTEM (SRS) INSTALLATION - 10000 LBS WINCH WITH AIR FREE SPOOL (4 FUNCTION REMOTE CONTROL) (See Separate Breakdown in SUBFRAME Section)	
	2570000152	Ref	WINCH HOSE INSTALLATION (See Separate Breakdown in HYDRAULIC Section)	
	2330000068	Ref	DECAL INSTALLATION (SRS) (See Separate Breakdown in DECAL Section)	
	2577000017	Ref	LINEAR ACTUATOR INSTALLATION (See Separate Breakdown in CONTROL Section)	
	1001161142	Ref	SPECIFICATION, CARRIER LUBRICATION INSTALL	
	STAB-HIGH	Ref	STABILIZER MODIFICATION - HIGH FRAMES	
	1001136272	Ref	STAKES/RUBRAILS/PIPES INSTALLATION (24FT STEEL DECK)	
	1001136273	Ref	STAKES/RUBRAILS/PIPES INSTALLATION (26FT STEEL DECK)	
	1001136274	Ref	STAKES/RUBRAILS/PIPES INSTALLATION (28FT STEEL DECK)	
	1001145810	Ref	STAKES/RUBRAILS/PIPES INSTALLATION (30FT STEEL DECK)	
	1001132943	Ref	STEP COVER (SUNBELT)	
	1001262045	Ref	SWITCH - 3 FUNCTION IN-DASH MINI	
	1001260898	Ref	SWITCH INSTALLATION - 3 FUNCTION IN-DASH MINI (See Separate Breakdown in ELECTRICAL Section)	
	1001129883	Ref	BREAKER INSTALLATION - 50AMP (See Separate Breakdown in ELECTRICAL Section)	
	1001262046	Ref	SWITCH - 3 FUNCTION IN-DASH COMPACT	
	1001261002	Ref	SWITCH INSTALLATION - 3 FUNCTION IN-DASH COMPACT (See Separate Breakdown in ELECTRICAL Section)	
	1001129883	Ref	BREAKER INSTALLATION - 50AMP (See Separate Breakdown in ELECTRICAL Section)	
	1001262048	Ref	SWITCH - 3 FUNCTION UNDER-DASH COMPACT	
	1001261004	Ref	SWITCH INSTALLATION - 3 FUNCTION UNDER-DASH COMPACT (See Separate Breakdown in ELECTRICAL Section)	
	1001129883	Ref	BREAKER INSTALLATION - 50AMP (See Separate Breakdown in ELECTRICAL Section)	
	1001262049	Ref	SWITCH - 5 FUNCTION IN-DASH COMPACT	
	1001261005	Ref	SWITCH INSTALLATION - 5 FUNCTION IN-DASH COMPACT	

SECTION 9 - BUILD DOCUMENTS

ITEM	PART NUMBER	QTY	DESCRIPTION	REV
			(See Separate Breakdown in ELECTRICAL Section)	
	1001129883	Ref	BREAKER INSTALLATION - 50AMP (See Separate Breakdown in ELECTRICAL Section)	
	1001262050	Ref	SWITCH - 5 FUNCTION UNDER-DASH COMPACT	
	1001261006	Ref	SWITCH INSTALLATION - 5 FUNCTION UNDER-DASH COMPACT (See Separate Breakdown in ELECTRICAL Section)	
	1001129883	Ref	BREAKER INSTALLATION - 50AMP (See Separate Breakdown in ELECTRICAL Section)	
	1001261016	Ref	SWITCH - 6 FUNCTION (IHC)	
	TB36-2	Ref	TOOLBOX 36IN (QTY 2 of PN 2899000055)	
	TB36-3	Ref	TOOLBOX 36IN (QTY 3 of PN 2899000055)	
	TB36-4	Ref	TOOLBOX 36IN (QTY 4 of PN 2899000055)	
	TB48-2	Ref	TOOLBOX 48IN (QTY 2 OF PN 2899000057)	
	TB48-3	Ref	TOOLBOX 48IN (QTY 3 OF PN 2899000057)	
	TB48-4	Ref	TOOLBOX 48IN (QTY 4 OF PN 2899000057)	
	1001181841	Ref	TOOLBOX 48IN UNDERMOUNT BOX (QTY 2 of PN 1001137931)	
	TB60-2	Ref	TOOLBOX 60IN (QTY 2 of PN 2899000058)	
	1001181843	Ref	TOOLBOX 60IN UNDERMOUNT BOX (QTY 2 of PN 1001137566)	
	TBSA36-2	Ref	TOOL BOX SHELF, 36IN (QTY 2 OF PN 2899000059)	
	TBSA48-2	Ref	TOOL BOX SHELF, 48IN (QTY 2 OF PN 2899000060)	
	1001181855	Ref	TOOL BOX SHELF, 48IN (QTY 3 OF PN 2899000060)	
	TBSA48-4	Ref	TOOL BOX SHELF, 48IN (QTY 4 OF PN 2899000060)	
	TBSA60-2	Ref	TOOL BOX SHELF, 60IN (QTY 2 OF PN 2899000061)	
	TBSA36-3	Ref	TOOL BOX SHELF, 36IN (QTY 3 OF PN 2899000059)	
	TBSA36-4	Ref	TOOL BOX SHELF, 36IN (QTY 4 OF PN 2899000059)	
	TBL-2	Ref	TOOLBOX LIGHT (QTY 2 OF PN 2178000031)	
	TBL-3	Ref	TOOLBOX LIGHT (QTY 3 OF PN 2178000031)	
	TBL-4	Ref	TOOLBOX LIGHT (QTY 4 OF PN 2178000031)	
	TBTST36-2	Ref	TRAY, STORAGE - 36IN (TOP OF TOOLBOX) (QTY 2 OF PN 2002000048)	
	TBTST36-3	Ref	TRAY, STORAGE - 36IN (TOP OF TOOLBOX) (QTY 3 OF PN 2002000048)	
	TBTST36-4	Ref	TRAY, STORAGE - 36IN (TOP OF TOOLBOX) (QTY 4 OF PN 2002000048)	
	TBTST48-2	Ref	TRAY, STORAGE - 48IN (TOP OF TOOLBOX) (QTY 2 OF PN 2002000049)	
	1001181859	Ref	TRAY, STORAGE - 48IN (TOP OF TOOLBOX) (QTY 3 OF PN 2002000049)	
	1001181860	Ref	TRAY, STORAGE - 48IN (TOP OF TOOLBOX) (QTY 4 OF PN 2002000049)	
	TBTST60-2	Ref	TRAY, STORAGE - 60IN (TOP OF TOOLBOX) (QTY 2 OF PN 2002000050)	
	1001159083	Ref	WHEEL LIFT - COMPLETE (3000 LBS - MANUAL L-ARMS)	
	1001159079	Ref	WHEEL LIFT BOOM INSTALLATION 3000 LBS (See Separate Breakdown in WHEEL LIFT Section)	
	2262000011	Ref	CHAIN BOX INSTALLATION - REAR SUBFRAME (See Separate Breakdown in SUBFRAME Section)	
	2330000035	Ref	DECAL INSTALLATION - CONSPICUITY (See Separate Breakdown in DECAL Section)	
	2330000057	Ref	DECAL INSTALLATION - MANUAL WHEEL LIFT (See Separate Breakdown in DECAL Section)	
	2330000065	Ref	DECAL INSTALLATION - TOW HITCH WHEEL LIFT (See Separate Breakdown in DECAL Section)	
	2570000053	Ref	HYDRAULIC INSTALLTION (3000 LBS WHEEL LIFT) (See Separate Breakdown in HYDRAULIC Section)	

SECTION 9 - BUILD DOCUMENTS

ITEM	PART NUMBER	QTY	DESCRIPTION	REV
	7577000242	Ref	TIE STRAP AND RACHET KIT (See Separate Breakdown in ACCESSORY Section)	
	1001159085	Ref	WHEEL LIFT - COMPLETE (3000 LBS - MANUAL L-ARMS) GALVANIZED	
	2570000053	Ref	HYDRAULIC INSTALLTION (3000 LBS WHEEL LIFT) (See Separate Breakdown in HYDRAULIC Section)	
	2330000057	Ref	DECAL INSTALLATION - MANUAL WHEEL LIFT (See Separate Breakdown in DECAL Section)	
	7577000242	Ref	TIE STRAP AND RACHET KIT (See Separate Breakdown in ACCESSORY Section)	
	2330000035	Ref	DECAL INSTALLATION - CONSPICUITY (See Separate Breakdown in DECAL Section)	
	1001159080	Ref	WHEEL LIFT BOOM INSTALLATION 3000 LBS - GALVANIZED (See Separate Breakdown in WHEEL LIFT Section)	
	2330000065	Ref	DECAL INSTALLATION - TOW HITCH WHEEL LIFT (See Separate Breakdown in DECAL Section)	
	2262000011	Ref	CHAIN BOX INSTALLATION - REAR SUBFRAME - GALVANIZED (See Separate Breakdown in SUBFRAME Section)	
	1001159087	Ref	WHEEL LIFT - COMPLETE (4000 LBS - MANUAL L-ARMS)	
	1001130062	Ref	HYDRAULIC INSTALLTION (4000 LBS WHEEL LIFT) (See Separate Breakdown in HYDRAULIC Section)	
	1001159081	Ref	WHEEL LIFT BOOM INSTALLATION 4000 LBS (See Separate Breakdown in WHEEL LIFT Section)	
	2262000011	Ref	CHAIN BOX INSTALLATION - REAR SUBFRAME (See Separate Breakdown in SUBFRAME Section)	
	2330000035	Ref	DECAL INSTALLATION - CONSPICUITY (See Separate Breakdown in DECAL Section)	
	2330000057	Ref	DECAL INSTALLATION - MANUAL WHEEL LIFT (See Separate Breakdown in DECAL Section)	
	2330000065	Ref	DECAL INSTALLATION - TOW HITCH WHEEL LIFT (See Separate Breakdown in DECAL Section)	
	7577000242	Ref	TIE STRAP AND RACHET KIT (See Separate Breakdown in ACCESSORY Section)	
	1001159088	Ref	WHEEL LIFT - COMPLETE (4000 LBS - MANUAL L-ARMS) GALVANIZED	
	1001159082	Ref	WHEEL LIFT BOOM INSTALLATION 4000 LBS - GALVANIZED (See Separate Breakdown in WHEEL LIFT Section)	
	2262000011	Ref	CHAIN BOX INSTALLATION - REAR SUBFRAME (See Separate Breakdown in SUBFRAME Section)	
	2330000035	Ref	DECAL INSTALLATION - CONSPICUITY (See Separate Breakdown in DECAL Section)	
	2330000057	Ref	DECAL INSTALLATION - MANUAL WHEEL LIFT (See Separate Breakdown in DECAL Section)	
	2330000065	Ref	DECAL INSTALLATION - TOW HITCH WHEEL LIFT (See Separate Breakdown in DECAL Section)	
	1001130062	Ref	HYDRAULIC INSTALLTION (4000 LBS WHEEL LIFT) (See Separate Breakdown in HYDRAULIC Section)	
	7577000242	Ref	TIE STRAP AND RACHET KIT (See Separate Breakdown in ACCESSORY Section)	
	1001158891	Ref	WHEEL LIFT GRID INSTALLATION COMPLETE- WITH BALL (3000 LBS - GALVANIZED)	
	1001158672	Ref	PIVOT TUBE INSTALLATION - IRL (MANUAL & T37 L-ARMS WITH BALL) (See Separate Breakdown in WHEEL LIFT Section)	
	1001140504	Ref	GRID INSTALLATION (3000 LBS -MANUAL WITH BALL - GALVANIZED) (See Separate Breakdown in WHEEL LIFT Section)	
	1001158892	Ref	WHEEL LIFT GRID INSTALLATION COMPLETE - WITH 2IN	

SECTION 9 - BUILD DOCUMENTS

ITEM	PART NUMBER	QTY	DESCRIPTION	REV
	1001158675	Ref	TOW HITCH (3000 LBS - GALVANIZED) PIVOT TUBE INSTALLATION - IRL (MANUAL & T37 L-ARMS WITH 2IN HITCH) (See Separate Breakdown in WHEEL LIFT Section)	
	1001140504	Ref	GRID INSTALLATION (3000 LBS -MANUAL WITH 2IN TOW HITCH - GALVANIZED) (See Separate Breakdown in WHEEL LIFT Section)	
	1001158885	Ref	WHEEL LIFT GRID INSTALLATION COMPLETE- WITH BALL (4000 LBS -MANUAL)	
	2484000004	Ref	GRID INSTALLATION (4000 LBS -MANUAL FIXED ARMS) (See Separate Breakdown in WHEEL LIFT Section)	
	1001158674	Ref	PIVOT TUBE INSTALLATION - 4000 LBSI (MANUAL WITH BALL) (See Separate Breakdown in WHEEL LIFT Section)	
	1001158886	Ref	WHEEL LIFT GRID INSTALLATION COMPLETE- WITH 2IN TOW HITCH (4000 LBS -MANUAL)	
	2484000004	Ref	GRID INSTALLATION (4000 LBS -MANUAL FIXED ARMS) (See Separate Breakdown in WHEEL LIFT Section)	
	1001158677	Ref	PIVOT TUBE INSTALLATION - 4000 LBSI (MANUAL WITH 2IN TOW HITCH) (See Separate Breakdown in WHEEL LIFT Section)	
	2314000008	Ref	WHEEL WELL COVER INSTALLATION - 96IN WIDE DECK	
	2314000009	Ref	WHEEL WELL COVER INSTALLATION - 102IN WIDE DECK	
	2962000008	Ref	WHEEL WELL INSTALLATION - PAIR OF 8" DEEP -96IN WIDE DECK	
	2962000009	Ref	WHEEL WELL INSTALLATION - PAIR OF 8" DEEP -102N WIDE DECK	
	W12WTR-HD	Ref	WINCH 12000 LBS WORM GEAR WINCHES	
	2970000097	Ref	WINCH INSTALLTION - 12000 LBS WORM GEAR WINCHES, STEEL DECK (See Separate Breakdown in DECK Section)	
	2249000018	Ref	CABLE GUIDE TENSIONER INSTALLATION - 12000 LBS WORM GEAR WINCHES (See Separate Breakdown in DECK Section)	
	W20WTR-HD	Ref	WINCH 20000 LBS WORM GEAR WINCHES (AIR FREE SPOOL)	
	2970000102	Ref	WINCH INSTALLTION - 20000LBS WORM GEAR WINCHES (AIR FREE SPOOL) (See Separate Breakdown in DECK Section)	
	1001145983	Ref	WINCH 20000 LBS PLANETARY, AIR FREE SPOOL	
	1001145938	Ref	WINCH INSTALLTION - 20000 LBS PLANETARY, AIR FREE SPOOL (See Separate Breakdown in DECK Section)	
	1001146175	Ref	CABLE TENSIONER INSTALLATION - 20000 PLANETARY, AIR FREE SPOOL	
	1001129907	Ref	WINCH CAGE INSTALLATION (WELDED ON)	

PART NUMBER INDEX

SECTION 9 - BUILD DOCUMENTS

0100011.....167, 583, 585	1001131335..... 660	1001137931..... 125	1001153947.....167
0100071.....71, 75, 79, 83	1001131570..... 467	1001138710..... 387, 389, 391, 393	1001153950..... 167
0630448001.....249, 251	1001131724..... 91	1001138711..... 387, 389, 391, 393	1001153971.....167
0641508.....71, 75, 79, 83, 119, 123, 127, 245, 247, 579, 581, 609, 611	1001131998..... 601, 603, 605	1001139343 ... 70, 74, 78, 82	1001154689.....539
0641606.....70, 74, 78, 82	1001132310..... 233	1001139839..... 663	1001154805.....583
0641608.....269	1001132595..... 379, 381	1001140504..... 179, 666, 667	1001154809.....585
0641612.....15, 19, 23, 27, 31, 35, 39, 43, 47, 97, 99, 101, 103, 105, 107, 145, 147, 149, 151, 595, 597, 599	1001132601..... 371	1001142009..... 295	1001155037.....583
0641624.....15, 19, 23, 27, 31, 35, 39, 43, 47	1001132683..... 375	1001142329..... 601	1001155038.....585
0641808.....449, 451	1001132688..... 379, 381	1001142330..... 603	1001155975.....119, 137, 139, 141
0641812.....70, 74, 78, 82	1001132711..... 375	1001142331..... 605	1001156006.....119, 121, 125, 129
0641813.....269	1001132714..... 379	1001142333..... 605	1001156357.....119
0641820.....70, 74, 78, 82	1001132717..... 371	1001142334..... 603	1001156358.....121
0651606.....71, 75, 79, 83	1001132721..... 381	1001142335..... 605	1001156677.....607
0651806.....583, 585	1001132742..... 375	1001142769..... 439, 441, 443, 625	1001157808.....660
0651816.....15, 19, 23, 27, 31, 35, 39, 43, 47, 117, 119, 121, 123, 125, 127, 129	1001132745..... 379	1001142771..... 439, 441, 443	1001157809.....661
0652016.....15, 19, 23, 27, 31, 35, 39, 43, 47, 71, 75, 79, 83, 237, 239, 241, 249, 251	1001132751..... 381	1001142974..... 429	1001157810.....661
0691810.....101, 103, 107	1001132765..... 539	1001143764..... 311, 313, 315, 317, 319, 321, 323, 325	1001157811.....661
1001095650.....71, 75, 79, 83	1001132766..... 539	1001143842..... 437	1001157812.....661
1001100949.....625	1001132794..... 369, 371, 373, 375, 377, 379, 381, 383, 385	1001144986..... 437	1001157813.....661
1001116720.....627	1001132800..... 369, 371, 373, 375, 377, 379, 381, 383, 385	1001145074..... 437	1001157814.....661
1001116727.....479, 497, 499, 501, 503, 505, 507, 509, 511	1001132801..... 369, 371, 373, 375, 377, 379, 381, 383, 385	1001145075..... 437	1001157815.....661
1001116729.....495	1001132943..... 664	1001145076..... 437	1001157816.....661
1001116747.....627	1001133342..... 655	1001145077..... 437	1001157817.....661
1001121726.....627	1001133649..... 417	1001145810..... 664	1001157818.....661
1001121727.....495	1001133675..... 653	1001145938..... 269, 667	1001157819.....661
1001127221.....539	1001133677..... 661	1001145983..... 667	1001158298.....387, 389, 391, 393
1001127297.....101, 103, 107	1001133706... 15, 19, 23, 27, 31, 35, 39, 43, 47	1001145984..... 261	1001158626..... 153, 155
1001129095.....519	1001133719..... 107	1001146175..... 667	1001158672..... 193, 666
1001129114.....237	1001133740..... 331, 339	1001146603..... 315, 321, 331	1001158674..... 197, 667
1001129116.....239	1001133741..... 339	1001146869..... 263	1001158675..... 195, 667
1001129118.....241	1001134108..... 660	1001151904..... 105	1001158677..... 199, 667
1001129537.....609, 611	1001134473..... 662	1001151914..... 217	1001158678..... 165, 201
1001129570.....609	1001134476..... 107, 662	1001151915..... 219	1001158679..... 145, 153
1001129573.....609	1001135070..... 235	1001152345..... 497	1001158867..... 147, 155
1001129576.....609	1001135272..... 311, 313, 315, 317, 319, 321	1001152347..... 441, 511	1001158869..... 151, 161
1001129874.....421	1001135329..... 325	1001152348..... 439, 509	1001158870..... 149, 159
1001129882.....423	1001135446..... 661	1001152349..... 439, 441	1001158876..... 105, 159, 161
1001129883.....423, 525, 664, 665	1001135814..... 525	1001152801..... 660	1001158885.....667
1001129907.....667	1001135815..... 525	1001152802..... 660	1001158886.....667
1001130062.....403, 666	1001136147..... 151	1001152803..... 660	1001158887.....165
1001130143.....421	1001136272..... 664	1001152804..... 660	1001158891.....666
1001130144.....661	1001136273..... 664	1001152805..... 660	1001158892.....666
1001131080.....401	1001136274..... 664	1001152806..... 660	1001159079..... 145, 665
1001131084.....387, 389	1001136340..... 19	1001152807..... 660	1001159080..... 147, 666
1001131085.....391, 393	1001136378..... 43	1001152808..... 660	1001159081..... 149, 666
1001131101.....661	1001136408..... 31	1001153117..... 660	1001159082..... 151, 666
1001131162.....661	1001136427..... 147, 149	1001153118..... 660	1001159083.....665
1001131327.....661	1001136430..... 147, 149	1001153119..... 660	1001159085.....666
	1001136435..... 147	1001153120..... 660	1001159087.....666
	1001136496..... 635	1001153121..... 660	1001159088.....666
	1001136497..... 635	1001153122..... 660	1001159336..... 625
	1001136989..... 453	1001153123..... 660	1001160195.....167
	1001136993..... 463	1001153124..... 660	1001161142.....664
	1001137524..... 445	1001153789..... 539	1001161526..... 471
	1001137525..... 447	1001153944..... 167	1001163550.....662
	1001137566..... 129	1001153945..... 167	1001163552..... 105, 662
		1001153946..... 167	1001165614.....455
			1001166071.....181
			1001166858..... 105, 111, 153, 155, 159, 161
			1001167763... 15, 19, 23, 27, 31, 35, 51

SECTION 9 - BUILD DOCUMENTS

1001167764 ... 15, 19, 27, 31, 47, 55	1001180291.....631	1001208780.....127, 129	1001262049 664
1001167765 . 97, 99, 101, 103, 105, 107, 115	1001180292.....633	1001209295.....662	1001262050 665
1001167766 149, 151, 169	1001180293.....635	1001211686.....661	1001262052 525
1001167767 145, 147, 171	1001181417.....413	1001219309.....425	1001262106 451
1001167770 ... 39, 43, 47, 53	1001181841.....665	1001219321.....425	1001262544 558
1001167771 23, 35, 57	1001181843.....665	1001219737305, 307	1001262545 558
1001167772 39, 43, 59	1001181855.....665	1001220098.....259	1001262546 558
1001168319 413	1001181859.....665	1001220105.....660	1001265236 558
1001168591 539	1001181860.....665	1001220181.....427	1001265255 558
1001170187 311, 313, 315, 317, 319, 321, 323, 325	1001181867.....661	1001221375.....519	1001270102 591
1001170188 311, 313, 315, 317, 319, 321, 323, 325	1001181868.....661	1001223267.....237	1001271775 ... 70, 74, 78, 82
1001170189 311, 313, 315, 317, 319, 321	1001183326..... 101, 113	1001223268.....239	1001271842 ... 70, 74, 78, 82
1001170190 323	1001183327..... 157, 163, 173, 637, 643	1001223269.....241	1001271983 70, 663
1001170191 325	1001187663S 558	1001223814..... 117, 119, 121, 123, 125, 127, 129	1001271984 78, 664
1001170378 311	1001188129..... 145, 147, 149, 151, 595, 597, 599	1001223815..... 117, 119, 121	1001271985 74, 664
1001170391 313	1001188132..... 145, 147, 149, 151	1001223816..... 123, 125	1001271986 82, 664
1001170393 319	1001188133..... 145, 147, 149, 151	1001223817 127, 129	1001271987 663
1001170399 321	1001188141.... 15, 19, 23, 27, 31, 35, 39, 43, 47, 97, 99, 101, 103, 105, 107	1001223819..... 117, 119, 121	1001271988 664
1001170401 317	1001188206.... 15, 19, 23, 27, 31, 35, 39, 43, 47	1001223820..... 123, 125	1001271989 663
1001170407 325	1001188615..... 61, 63	1001223821 127, 129	1001271990 664
1001170409 323	1001188616..... 61, 63	1001225869 253	1001273600 429
1001170423 315	1001188647..... 303	1001225870..... 245, 247, 253	1001273634 477, 481, 483, 485, 487, 489
1001171652 301	1001188648..... 301	1001226004..... 245	1001275791 473, 495
1001171660 661	1001189544..... 245, 249	1001226005..... 247	1001275792 495
1001173944 61	1001189548..... 593	1001226847..... 253	1001275793 495
1001173945 61	1001189550..... 611	1001226848..... 253	1001277282 437
1001173946 63	1001190037..... 495	1001228185 660	1001277283 437, 503
1001173947 63	1001190131..... 611	1001228190 305	1001277284 503
1001173948 ... 16, 24, 28, 36, 40, 48, 61	1001190140..... 611	1001228388 431	1001280899 431, 433
1001173949 ... 20, 32, 44, 63	1001190625..... 539	1001230127 363	1001284178 407, 411
1001173952 439, 441, 443, 495	1001190626..... 539	1001230968 539	1001284179 407
1001175531 617	1001192132..... 249	1001231801 539	1001284419 407
1001175532 617	1001196552..... 513	1001232524 577, 581	1001291152 153, 155
1001176337 477, 481, 483, 489	1001198871..... 345, 347	1001232525 575, 579	1001296940 558
1001176428 481	1001199476..... 445, 447, 461	1001232526 581	1001297048 558
1001176429 483	1001203295..... 541	1001232527 579	1001300517 151
1001176430 489	1001203296..... 541	1001232620 575	2002000009 565
1001176431 477	1001203297..... 541	1001232621 577	2002000012 661
1001176432 485	1001203298..... 541	1001232622 577	2002000016 589
1001176625 487	1001203299..... 541	1001232775 307	2002000024 660
1001177459 249	1001203300..... 541	1001237244 431	2002000025 660
1001177601 109	1001203301..... 541	1001241870 558, 660	2002000028 587
1001177603 93	1001203302..... 541	1001247138 449, 451, 457	2002000030 563
1001177605 95	1001203303..... 541	1001257876 431	2002000031 363
1001177633 93	1001203829..... 251	1001259575 449	2002000048 137
1001177634 95	1001203833..... 251	1001260058 439, 441, 501	2002000049 139
1001178188 15, 27	1001203834..... 247, 251	1001260278 439	2002000050 141
1001178189 19, 31	1001206161.... 70, 74, 78, 82	1001260348 443	2170000087 595
1001178190 23, 35	1001206167.... 70, 74, 78, 82	1001260351 443, 507	2170000088 597
1001178191 39	1001206171.... 70, 74, 78, 82	1001260898 513, 664	2170000090 599
1001178192 43	1001206388.... 70, 74, 78, 82	1001261002 515, 664	2178000025 660
1001178193 47	1001208769..... 117, 121	1001261004 517, 664	2178000027 660
1001179025 341, 343	1001208772..... 119	1001261005 521, 525, 664	2178000028 660
	1001208776..... 123, 125	1001261006 523, 665	2178000030 255
		1001261008 519	2178000031 475
		1001261016 665	2178000037 561, 591
		1001261039 451	2241000142 243
		1001262045 664	2249000007 567
		1001262046 664	2249000008 569
		1001262048 664	2249000009 293
			2249000018 291, 667
			2262000011 109, 662, 665, 666
			2314000008 667

SECTION 9 - BUILD DOCUMENTS

2314000009.....667	2590000232.....469	3002000008.....601, 603, 605	3178000555.....601, 603, 605
2330000035.....543, 662, 665, 666	2590000261.....661	3002000009.....601, 603, 605	3241000208....70, 74, 78, 82
2330000036.....545	2590000292.....625	3020000029.....177, 183	3241000262.....243
2330000041.....535, 662	2638000017.....87	3020000030.....177, 183	3249000004S.....558
2330000045.....205, 207, 209, 211, 213, 215, 217, 219, 221, 223, 225, 227, 229, 231, 233, 235, 539	2638000019.....89	3020000037.....181	3249000036.....291
2330000055.....205, 207, 209, 211, 213, 215, 217, 219, 221, 223, 225, 227, 229, 231, 233, 235	267900000867, 213, 215, 217, 219, 229, 231, 233, 235	3020000038.....181	3271505....579, 581, 609, 611
2330000057.....547, 662, 665, 666	267900000965, 205, 207, 209, 211, 221, 223, 225, 227	3020000072.....175	3300455....15, 19, 23, 27, 31, 35, 39, 43, 47
2330000061.....553, 662	2706000008.....225, 227, 660	3020000091.....341	3300492....15, 19, 23, 27, 31, 35, 39, 43, 47, 97, 99, 101, 103, 105, 107, 145, 147, 149, 151, 595, 597, 599
2330000062.....631, 633, 635	2706000009.....229, 231, 660	3020000105.....145	3311505.....245, 247
2330000063.....551, 662	2706000012.....661	3020000106.....149	3311601.....269
2330000064.....549, 661	2706000015.....661	3020000123.....343	3314000055.....295
2330000065.....555, 662, 665, 666	2706000037.....663	3020000132.....179	3316000047.....145, 149, 151
2330000068.....533, 663, 664	2706000038.....663	3020029 ...71, 75, 79, 83, 193, 195, 197, 199, 201	3316000052.....147
2346000008.....435, 561, 663	2706000040.....663	3020039 ...16, 20, 24, 28, 32, 36, 40, 44, 48, 71, 75, 79, 83, 101, 105, 153, 155, 157, 159, 161, 163, 193, 195, 197, 199, 201, 637	3316000058..97, 99, 101, 103, 107
2400066.....431	2706000041.....663	3062000015 ...15, 19, 23, 27, 31, 35, 39, 43, 47	3316000059.....105
2484000003.....175	2706000043.....663	3071000213.....85	3320000229....70, 74, 78, 82, 85
2484000004.....165, 181, 667	2706000044.....663	3073000010.....105	3455000058....70, 74, 78, 82
2484000005.....177	2706000045.....221, 223, 660	3097000301.....213, 229	3484000016.....185
2484000006.....183	2706000047.....233, 235, 660	3097000302.....209, 225	3484000017.....187
2550000506.....661	2706000048.....661	3097000303.....205, 221	3484000030.....181
2570000032.....399, 662	2706000049.....661	3097000310.....215, 231	3484000031.....181
2570000049.....397, 662	2729000106.....661	3097000311.....211, 227	3484000034.....175, 179
2570000053.....401, 665, 666	2729000107.....661	3097000312.....207, 223	3484000035.....175, 179
2570000083.....395, 662	2729000108.....661	3097000358.....217, 233	3484000046.....183, 185
2570000097.....367	2729000109.....661	3097000361.....219, 235	3484000047.....183, 187
2570000098.....369	2750000008.....205, 207, 209, 211, 213, 215, 217, 219, 221, 223, 225, 227, 229, 231, 233, 235, 405	3170000048.....157	3484000050.....191
2570000100.....373	2754000001.....661	3170000078.....163	3484000052.....177, 189, 191
2570000101.....377	2754000002.....661	3170000162.....153	3484000053.....177, 189
2570000102.....383	2849000043.....97, 662	3170000163.....159	3527000075.....567
2570000103.....385	2849000044.....101, 662	3170000208.....641	3550001912.....615
2570000114.....205, 207, 221, 223, 387	2849000045.....103, 662	3170000305.....163	3550001913.....583, 585, 615
2570000115.....209, 211, 225, 227, 389	2849000046.....99, 662	3170000306.....157	3551000036.....175, 177, 179, 181, 185, 187
2570000116.....213, 215, 229, 231, 391	2868000121.....15	3170000308.....595, 637	3553000011.....85
2570000117.....217, 219, 233, 235, 393	2868000122.....27	3170000309.....597, 639	3556000042.....633
2570000152.....415, 663, 664	2868000123.....39	3170000312.....599, 641	3556000043.....631
2577000016..75, 83, 349, 663	2868000124.....23	3170000313.....163	3558000008....15, 19, 23, 27, 31, 35, 39, 43, 47
2577000017.....345, 664	2868000125.....35	3170000314157, 637, 639, 641	3560000010.....311, 313, 315, 317, 319, 321, 323, 325
2577000018.....347	2868000126.....47	3170000473 ...70, 74, 78, 82	3570000008.....558
2577000025.....361	2870000013.....613	3170000492.....161	3592000039.....145
2577000029.....351, 663	2870000019.....257	3170000504.....155	3592000041.....145
2577000030.....353, 663	2870000023.....79, 83	3178000288 ...15, 19, 23, 27, 31, 35, 39, 43, 47	3592000058.....145
2577000031.....355, 663	2899000055.....117	3178000289 ...15, 19, 23, 27, 31, 35, 39, 43, 47	3592000060.....147, 149
2577000034.....357, 663	2899000057.....123	3178000307.....569	3592000065.....151
2577000035.....359, 663	2899000058.....127	3178000308.....569	3592000066.....151
2590000215.....465	2899000059.....131	3178000429.....255	3619000010....70, 74, 78, 82
	2899000060.....133	3178000430.....255	
	2899000061.....135	3178000433.....291	
	2900733.....297	3178000437.....475, 527	
	2962000008.....667	3178000517 ...70, 74, 78, 82	
	2962000009.....667	3178000518 ...70, 74, 78, 82	
	2970000069.....341		
	2970000097.....263, 667		
	2970000102.....265, 267, 667		
	2970000105.....343		

SECTION 9 - BUILD DOCUMENTS

3691000064 ... 70, 74, 78, 82, 101, 103, 107, 637, 639, 641	4017001504.....343	4460466....491, 493, 509, 511	4567130244 367
3691000097 595, 597, 599	4017001742..... 87, 89, 91	4460475....469, 473, 479, 505, 507, 509, 511, 529	4567130248 369
3691000259 ... 70, 74, 78, 82	4017001743..... 87, 89, 91	4460476.....497, 503	4567130264 373
3691000260 ... 70, 74, 78, 82	4066000050.....267	4460742....475, 477, 479, 481, 483, 487, 495, 497, 499, 501, 505, 507, 509, 511, 529	4567130290 371, 377
3698000001 85	4090000001..... 387, 389, 391, 393	4460790....497, 499, 501, 503, 505, 507	4567130300 375
3706000192 569	410TRB-8205	4460842....351, 353, 355, 357, 359, 493	4567130316 383
3706000213 293	410TRB-8W.....207	4460844.....509, 511	4567130330 379, 381
3706000214 293	415TRBLP221	4460850....357, 359, 497, 501, 503, 505, 507, 613	4567130340 385
3706000215 293	415TRBLP-W223	4460867....497, 501, 505, 507, 613	4567130358 415
3706000363 ... 70, 74, 78, 82	4178000290..... 117, 123, 127	4460891....431, 433, 437, 491, 493, 509, 511	4567430153 387
3706000364 ... 70, 74, 78, 82	4178000291..... 117, 121, 123, 125, 127, 129	4460897....431, 433, 437, 509, 511	4567430177 389
3750000018 405, 409	4178000308.... 15, 19, 23, 27, 31, 35, 39, 43, 47	4460930.....351	4567430193 391
3760133 ... 15, 19, 23, 27, 31, 35, 39, 43, 47, 70, 74, 78, 82, 101, 105, 153, 155, 157, 159, 161, 163, 637	4178000330..... 123, 127	4460933....353, 355, 357, 359, 491, 493	4567430217 393
3763000187 85	4178000339..... 119	4460941.....433	4569142018 415
3763000188 70, 74	4178000402..... 445, 481, 485, 487	4460942....433, 509, 511	4570000044 375
3811000053 137	4178000437..... 447	4460955....351, 353, 355, 357, 359, 493	4570000046 373, 377, 383, 385
3811000054 139	4178000578.....527	4461157....473, 477, 479, 481, 495, 501, 509, 511, 529	4570000099 415
3811000055 141	4178000599..... 117, 119, 121, 123, 125, 127, 129	4497000368.... 15, 19, 23, 27, 31, 35, 39, 43, 47	4570000104 415
3841143 ... 16, 20, 24, 28, 32, 36, 40, 44, 48, 71, 75, 79, 83, 97, 99, 101, 103, 105, 107, 145, 147, 149, 151, 595, 597, 599	4178000664..... 349	4550003732.....269	4570000112 367, 369
3849000032 97	4178000665..... 349	4550003733.....269	4570000113 367
3849000033 101, 103, 107	4178000666..... 561, 591	4550003734.....269	4570000114 369
3849000034 99	4178000673..... 341, 343	4553000008.....85	4570000121 371
3849000035 105	4209000204.... 15, 19, 23, 27, 31, 35, 39, 43, 47	4567110034.....401, 403	4570000159 373
3899000125 117, 121	4209000212..... 341, 343	4567112042.....387, 389, 391, 393, 395	4570000160 377
3899000126 119	4209000336.... 70, 74, 78, 82	4567120010403	4570000161 383
3899000127 123, 125	4211000001..... 311, 313, 315, 323, 345, 347	4567120042403	4570000182 385
3899000128 127, 129	4254000005..... 185, 187, 189, 191	4567122016.....395, 397, 399, 401	4570000199 387, 389, 391, 393
3905000010 ... 15, 19, 23, 27, 31, 35, 39, 43, 47	4259000001..... 185, 191	4567122022415	4570000200 387, 389, 391, 393
3913000062 637, 639	4259000002..... 187, 189	4567122030415	4570000201 387, 389
3913000093 193	4263000464..... 323	4567122032415	4570000202 387, 389, 391, 393
3913000097 197	4263000661.....255	4567122034415	4570000203 391, 393
3913000098 195	4314000060..... 265, 267	4567122038403	4577000006 415
3913000100 199	4314000167.... 70, 74, 78, 82	4567122040.....387, 389, 391, 393	4606000217 311, 313, 315, 317, 319, 321, 323, 325
3913000101 201	4346000005..... 423, 431, 439, 441, 443, 513, 515, 517, 519	4567122043403	4632000004 263
3935000115 311, 327	4460018 515, 517	4567122045401	4632000030 341
3935000117 313, 317, 319, 329	4460019 495, 503	4567122050.....395, 397, 399	4679000046 105, 153, 155, 159, 161
3935000124 323, 335	4460035 ... 515, 517, 521, 523	4567122144..... 387, 389	4679000154 65
3935000224 325, 337	4460042 ... 515, 517, 521, 523	4567122186.....391, 393	4679000166 ... 15, 19, 23, 27, 31, 35, 39, 43, 47
3935000382 333	4460256 433, 499, 501	4567123023.....415	4679000192 65, 67
4017000739 105, 153, 155, 159, 161	4460457 ... 475, 477, 479, 481, 483, 487, 495, 497, 499, 501, 505, 507, 509, 511, 529	4567123036.....399	4679000193 65, 67
4017001093 ... 15, 19, 23, 27, 31, 35, 39, 43, 47	4460458 357, 359, 501	4567123047..... 387, 389	4679000194 ... 15, 19, 23, 27, 31, 35, 39, 43, 47
4017001194 341	4460459 495, 497, 501	4567123048..... 401, 403	4679000208 341
4017001271 ... 15, 19, 23, 27, 31, 35, 39, 43, 47	4460460 ... 497, 501, 505, 507	4567123051.....395, 397, 399	4679000211 105, 153, 155, 159, 161
4017001403 131, 133, 135	4460461 499, 503	4567123056.....391, 393	4679000221 175, 177, 179, 183
	4460464 431, 433, 437	4567123144..... 387, 389	4679000256 117, 121
	4460465 ... 351, 353, 355, 357, 359, 431, 433, 437, 491, 493	4567123186.....391, 393	4679000257 119
			4679000258 123, 125
			4679000259 127, 129
			4679000267 67
			4691000103 197, 199, 201
			4691000183 185, 187, 189, 191
			4691000186 185, 187, 189, 191

SECTION 9 - BUILD DOCUMENTS

4691000268.....15, 19, 23, 27, 31, 35, 39, 43, 47, 105, 153, 155, 159, 161	4763000253..... 341, 343	70050461 ..275, 279, 283	7105181650.....253, 617
4691000278..... 193, 195	4796000009..... 117, 119, 121	70050462 ..275, 279, 283	7105201250..... 15, 19, 23, 27, 31, 35, 39, 43, 47
4691000296.....70, 74, 78, 82, 105, 153, 155, 159, 161	4796000010..... 123, 125	70050463 ..275, 279, 283	7105201650.....243
4691000348..... 15, 19, 23, 27, 31, 35, 39, 43, 47	4796000011..... 127, 129	70050464 ..275, 279, 283	7105202050..... 15, 19, 23, 27, 31, 35, 39, 43, 47
4691000354.....185, 187, 189, 191	4796000037..... 237, 239, 241, 243, 249, 251	70050466 ..275, 279, 283	7105202250..... 15, 19, 23, 27, 31, 35, 39, 43, 47
4691000357.....185, 187, 189, 191	4806000011..... 291	70050612 ..275, 279, 283	7110201605..... 567
4691000429.....70, 74, 78, 82, 101, 157, 163, 637	4806000014..... 291	70050613 ..275, 279, 283	7111141407.....341, 343
4691000430.....101, 157, 163, 637	4811000841..... 131	70050614 ..275, 279, 283	7111150813.....435
4691000495.....70, 74, 78, 82	4811000868..... 133, 135	70050616 ..275, 279, 283	7111150864.....87, 89, 91
4691000568.....615	4831000069..... 311, 313, 315, 317, 319, 321, 323, 325	70050617 ..275, 279, 283	7111161050.....311, 313, 315, 317, 319, 321, 323, 325
4698000007.....85	4831000079... 15, 19, 23, 27, 31, 35, 39, 43, 47	70050619 ..275, 279, 283	7114080618..... 361
4706001149.....567	4831000083... 15, 19, 23, 27, 31, 35, 39, 43, 47	70050620..... 279, 283	7114100518.....363
4706002361.....119, 123, 127	4831000084... 15, 19, 23, 27, 31, 35, 39, 43, 47	70050621..... 279, 283	7114100810... 15, 19, 23, 27, 31, 35, 39, 43, 47, 351, 353, 355, 357, 359
4706003025... 15, 19, 23, 27, 31, 35, 39, 43, 47	4831000126... 71, 75, 79, 83	70050622 ..275, 279, 283	7114101018.....625
4706003026... 15, 19, 23, 27, 31, 35, 39, 43, 47	4831000127... 71, 75, 79, 83	70050625 ..275, 279, 283	7114101618.....387, 389, 391, 393
4706003027... 15, 19, 23, 27, 31, 35, 39, 43, 47	4891800... 15, 19, 23, 27, 31, 35, 39, 43, 47, 70, 74, 78, 82, 117, 119, 121, 123, 125, 127, 129, 449, 451	70050626 ..275, 279, 283	7114140465.....117, 119, 121, 123, 125, 127, 129
4706003033... 15, 19, 23, 27, 31, 35, 39, 43, 47	4892000... 15, 19, 23, 27, 31, 35, 39, 43, 47, 253	70050627 ..275, 279, 283	711414052899, 101, 103, 105, 107, 145, 147, 149, 151, 439, 441, 443, 595, 597, 599, 631, 633, 635
4706003038.....387, 389, 391, 393	4912000130..... 291	70050628 ..275, 279, 283	7114140529.....61, 63
4706003650.....361	4912000394..... 291	70050629 ..275, 279, 283	7114140618.....431
4706003844.....369, 371, 373, 375, 377, 379, 381, 383, 385	4949000047..... 193, 195, 197, 199, 201	70050628 ..275, 279, 283	7114140823.....593
4706003857.....291	4949000059... 70, 74, 78, 82	70050662..... 283	7114150818... 61, 63, 87, 89, 91, 175, 177, 179, 183
4706005396.....361	5525000537..... 425, 429	70050678..... 273	7114161218.....295
4706005595.....353, 355, 357, 359	5526000553..... 401, 403, 427, 477, 481, 485, 487, 523	70050679..... 273	7114181418.....601, 603, 605
4706005650... 70, 74, 78, 82	610TRB-8..... 209	70050682..... 273, 275	7115140450.....413
4706005672.....70, 74	610TRB-8W..... 211	70050694..... 273	7115140650.....311, 313, 315, 317, 319, 321, 323, 325, 361
4706005752... 71, 75, 79, 83	615TRBLP..... 225	70050701..... 284	7115140850.....109
4706006211.....78, 82	615TRBLP-W..... 227	70051167..... 55	7115150664.....311, 313, 315, 317, 319, 321, 323, 325, 345, 347
4706006216.....137, 139, 141	7002000285..... 619	70051168..... 171	7115150850..... 131, 133, 135, 311, 313, 315, 317, 319, 321, 323, 325, 341, 343
4706006427... 87, 89, 91	7002000404..... 587	70051169..... 111	7115150864..... 349
4711400001.....249, 251	7002000448..... 657	70051170..... 55	7115151050.....367, 369, 371, 373, 375, 377, 379, 381, 383, 385, 405
4711500.....245, 247	7002000450..... 573	70051171..... 55	7115151064.....369, 371, 373, 375, 377, 379, 381, 383, 385
4711600... 71, 75, 79, 83	7002000451..... 571	70051172..... 171	7115151250.....341
4712000... 237, 239, 241, 249, 251	7002000458..... 653	70051173..... 171	7115151650.....265, 267, 387, 389, 391, 393
4751300... 15, 19, 23, 27, 31, 35, 39, 43, 48, 105, 153, 155, 159, 161	7002000503..... 563	70051174..... 111	7115151850.....387, 389, 391, 393
4751500... 71, 75, 79, 83, 119, 123, 127, 575, 577, 579, 581, 609, 611	7002000519... 71, 75, 79, 83	70051175..... 111	7115160950.....137, 139, 141, 387, 389, 391, 393
4761500.....609, 611	7002000521..... 363	70051176..... 111	7115161050.....563
4761800... 101, 103, 107, 269, 449, 451, 583, 585	7002107..... 297	70051388..... 171	7115161250.....293
4763000184.....185, 187, 189, 191	7002110..... 297	70051389..... 171	
	7002111..... 297	70051390..... 171	
	7002117..... 297	70051391..... 55, 171	
	7002123..... 297	70051392..... 55	
	7005000003..... 349	70051393..... 55	
	70050100..... 283	70070028..... 297	
	70050456.. 275, 279, 283	70070030..... 297	
	70050457.. 275, 279, 283	70070031..... 297	
	70050458.. 275, 279, 283	70070032..... 297	
	70050459.. 275, 279, 283	7009974..... 297	
	70050460.. 275, 279, 283	7009975..... 297	
		7009992..... 297	
		7009997..... 297	
		7011000006..... 439, 441, 443	
		7056000007..... 645	
		7056000008..... 647	
		7056000009..... 649	
		7082000016..... 157, 163, 171, 637, 639, 641	
		708200001855, 145, 147, 149, 151, 171	
		7082000019.. 97, 99, 101, 103, 105, 107, 145, 147, 149, 151	
		7104100613... 70, 74, 78, 82, 361	
		7105181250..... 255	

SECTION 9 - BUILD DOCUMENTS

7115162650 293	379, 381, 383, 385,	7330000599 533, 539,	7440030000 167, 185,
7115180606 601, 603,	387, 389, 391, 393	549, 551	187, 189, 191, 193,
605	7274000046..... 15, 19, 23,	7330000609..... 193, 195,	195, 197, 199, 201
7115180850 445, 447,	28, 32, 36, 40, 44, 48	197, 199, 201	7440030200 163
485, 487	7274000053..... 71, 75, 79,	7330000612..... 361	7443000013 367, 369,
7115181050 563	83	7330000645..... 535	371, 373, 375, 377,
7115181064 . 93, 95, 311,	7274000063..... 245, 247,	7330000646..... 535	379, 381, 383, 385
313, 315, 317, 319,	311, 313, 315, 317,	7330000648..... 311, 319,	7443000030 397, 399,
321, 323, 325	319, 321, 323, 325	321	403
7115181250 263, 265,	7274000066..... 387, 389,	7330000649..... 311, 319,	7443000048 313, 315,
267	391, 393	321	323, 325
7115181450 631, 633,	7274000076..... 367, 369,	7330000650..... 313, 315,	7443000129 395, 401,
635	371, 373, 375, 377,	317	403
7115181464 263, 291,	379, 381, 383, 385	7330000651..... 313, 315,	7443000152 257, 261,
561, 591	7274000080..... 367, 369,	317	417
7115181664 93, 95	371, 373, 375, 377,	7330000675..... 257, 259,	7443000154 257, 261,
7115182250 301	379, 381, 383, 385, 415	261	417, 565
7118140418 105, 153,	7280000007..... 311, 313,	7330000676..... 257, 259,	7443000155 257, 261,
155, 159, 161	315, 317, 319, 321,	261	417, 563, 565
7118161026 65, 67	323, 325, 527	7330000683..... 547	7443000156 257, 261,
7118181216 117, 119,	7280000011..... 483	7330000684..... 547, 553	417, 565
121, 123, 125, 127, 129	7280000018..... 425, 427,	7330000689..... 539	7443000158 369, 371,
7118201616 407	429	7330000696..... 355, 357,	373, 375, 377, 379,
7120000034 423, 425,	729100001099, 101, 103,	359	381, 383, 385
427, 429	105, 145, 147, 149,	7330000707..... 533	7443000174 417
7178000029 609, 611	151, 595, 597, 599,	7330000708..... 533	7443000177 417
7183000004 409	631, 633, 635	7330000709..... 533	7443000270 261
7209000011 291	7295000102..... 361	7330000710..... 533	7443000319 367, 369,
7209000028 105, 159,	7295000106..... 351	7330000711..... 533	371, 373, 375, 377,
161	7295000108..... 353	7330000713..... 533	379, 381, 383, 385
7209000030 153, 155	7295000109..... 355	7330000714..... 533	7443000364 257, 259,
7248000064 263	7295000111..... 357, 359	7330000723..... 533	261
7248000067 265, 267,	7295000118..... 70, 78	7330000864..... 323	7443000365 257, 259,
269	7295000130..... 74, 82	7330000865..... 323	261
7248000077 ... 71, 75, 79,	7312000013..... 589, 591	7330000873..... 325	7443000366 257, 259,
83	7312000015..... 589, 591	7330000874..... 325	565
7248000114 117, 119,	7312000016..... 589, 591	7345001714..... 425, 431,	7443000371 257, 259,
121, 123, 125, 127, 129	7312000017..... 565	625	261
7253000002 ... 70, 74, 78,	7330000060..... 555	7345001914..... 429, 519	7443000374 415
82, 157, 163, 167, 193,	7330000139..... 539	7345211702..... 425	7443000377 475
195, 197, 199, 201	7330000143..... 539	7345221902..... 423, 429	7443000412 407
7254000016 341, 343	7330000176..... 539	7346000039..... 425, 429,	7443000428 613
7259000015 ... 15, 19, 23,	7330000242..... 341	625	7443000432 613
27, 31, 35, 39, 43, 47	7330000272..... 539	7346000055..... 435	7443000443 261
7259000016 ... 15, 19, 23,	7330000274..... 551, 631,	7346000078..... 435	7443000445 415
27, 31, 35, 39, 43, 47	633, 635	7346000108..... 497, 501,	7443000446 387, 389,
7262000040 109	7330000288..... 515, 517,	505	391, 393, 415
7274000002 367, 369,	521, 523	7346000109..... 507	7443000469 613
371, 373, 375, 377,	7330000330..... 539	7346000132..... 561, 663	7444100850 407
379, 381, 383, 385	7330000384..... 183	7346000157..... 561, 663	7445040443 387, 389,
7274000011 387, 389,	7330000385..... 177	7346000167..... 487	391, 393
391, 393	7330000390..... 105	7346000208..... 613	7445040445 395
7274000038 387, 389,	7330000391..... 553	7346000220..... 627	7445040446 401, 403
391, 393	7330000417..... 543	7346000231..... 627	7445040643 613
7274000039 387, 389,	7330000418..... 543	7346000242..... 519, 521,	7445040843 395, 401,
391, 393	7330000419..... 543, 545	523	403
7274000040 367, 369,	7330000420..... 545	7413000002..... 431	7445060643 387, 389,
371, 373, 375, 377,	7330000428..... 205, 207,	7413000013..... 237, 239,	391, 393, 415
379, 381, 383, 385,	209, 211, 213, 215,	241, 249, 251	7445060645 387, 389,
387, 389, 391, 393	217, 219, 221, 223,	7430000003..... 367, 369,	391, 393, 395, 397,
7274000041 367, 369,	225, 227, 229, 231,	371, 373, 375, 377,	399, 401, 403, 415
371, 373, 375, 377,	233, 235	379, 381, 383, 385	7445060646 399
379, 381, 383, 385,	7330000432..... 545	7431000001..... 367, 369,	7445060648 395, 397,
387, 389, 391, 393	7330000478..... 539	371, 373, 375, 377,	399, 401, 403
7274000042 367, 369,	7330000495..... 343	379, 381, 383, 385	7445060843 387, 389,
371, 373, 375, 377,	7330000580..... 533		391, 393, 399
			7445060845 397, 399

SECTION 9 - BUILD DOCUMENTS

7445061043.....415	7555000016..... 117, 119, 121, 127, 129	133, 135, 175, 177, 179, 183, 265, 267, 311, 313, 315, 317, 319, 321, 323, 325, 341, 343, 345, 347, 349, 367, 369, 371, 373, 375, 377, 379, 381, 383, 385, 387, 389, 391, 393, 405, 435	770100004997, 237, 239, 241, 249, 251, 295
7445080818.....387, 389, 391, 393, 415	7556000003..... 651	7660162601 . 65, 67, 137, 139, 141, 293, 295, 311, 313, 315, 317, 319, 321, 323, 325, 387, 389, 391, 393, 563, 601, 603, 605	7701000055..... 97
7445080843.....387, 389, 391, 393	7560000007..... 311, 313, 315, 317, 319, 321, 323, 325	7660180234 341, 343	7701000062.....175
7445080853.....565	7565000014..... 257, 259, 261, 565, 589, 591	7660182301 117, 119, 121, 123, 125, 127, 129, 263	7754000002.....85
7445081043.....415	7565000016..... 261, 417	7660182333 ... 15, 19, 23, 27, 31, 35, 39, 43, 47, 117, 119, 121, 123, 125, 127, 129, 253, 617	7754000003.....85
7445081045.....387, 389, 391, 393, 415	7577000157..... 487	7660182601 ... 15, 19, 23, 27, 31, 35, 39, 43, 47, 70, 74, 78, 82, 93, 95, 109, 291, 301, 311, 313, 315, 317, 319, 321, 323, 325, 561, 563, 569, 591, 601, 603, 605	7754000004.....85
7446040435.....417	7577000215..... 327	7660182631 255	7754000005.... 70, 74, 78, 82
7446060435.....565, 589, 591	7577000217..... 329, 331, 333	7660200035 237, 239, 241, 243	7754000019.... 70, 74, 78, 82
7446502506.....589, 591	7577000218..... 337, 339	7660202347 ... 15, 19, 23, 27, 31, 35, 39, 43, 47, 71, 75, 79, 83, 249, 251	7754000022.....291, 615
7446502518.....565, 589, 591	7577000239..... 335	7661000007 ... 70, 74, 78, 82, 361	7754000024.....193, 195, 197, 199, 201
7457000004.....423	7577000242..... 629, 662, 666	7661000018 407	7754000026..... 85
7470000002.....367, 369, 371, 373, 375, 377, 379, 381, 383, 385	7577000343..... 327, 329, 331	7661000034 85	7754000037.....185, 187, 189, 191
7470000027.....409	7577250024..... 85	7661000042 61, 63	7754000068.....303, 663
7493000002.....439, 441, 443, 625	7590000132..... 467, 471	7661000047 527	7755224000.....85
7493000003.....481, 485, 487	7590000133..... 467	7661000056 363	7755224609.....85
7493000009.....437, 439, 441, 443, 465, 467, 469	7590000134..... 471	7661000064 . 61, 63, 109, 249, 251	7755334000.....85
7493000010.....439, 441, 443, 465, 467	7590000135..... 471	7679000020 109	7755334609.....85
7493000015.....487, 607	7590000138..... 471	7690051274 341, 343	7759000004.....533, 539
7493000023.....439, 441, 443	7590000142..... 471	7690051641 71, 75	7759000006.....311, 313, 315, 317, 319, 321, 323, 325
7550000070.....593	7590000143..... 471	7690101200 311, 313, 315, 317, 319, 321, 323, 325	7759000020.....117, 119, 121, 123, 125, 127, 129
7550000073.....615	7590000148..... 467	7691000001 ... 70, 74, 78, 82, 101, 103, 107, 595, 597, 599, 637, 639, 641	7778514040.....275, 279, 283
7550000074.....615	7590000273..... 527	7691000033 99, 165, 631	7785150500.....341, 343
7551000018.....311, 313, 315, 317, 319, 321	7590000339..... 465	7691000055 255	7785152420..... 367, 369, 371, 373, 375, 377, 379, 381, 383, 385
7551000019.....323, 325	7590000340..... 439, 441, 443	7691000066 323	7786000006.....185, 187, 189, 191
7551000020.....311, 313, 315, 317, 319, 321, 323, 325	7590000341..... 439, 441, 443	7691000068 409	7790100856.....255, 527
7551000021.....311, 313, 315, 317, 319, 321, 323, 325	7590000342..... 465, 469	7701000018 409	7790142051..... 363
7552000166.....477, 529	7590000343..... 439, 441, 443, 465	770151253..... 311, 313, 315, 317, 319, 321, 323, 325, 481, 575, 577, 609	7790151253.....311, 313, 315, 317, 319, 321, 323, 325, 481, 575, 577, 609
7552000178.....443, 499	7590000432..... 625	7790152056.... 15, 19, 23, 27, 31, 35, 39, 43, 47	7790161253.... 71, 75, 78, 82
7552000186.....443, 503	7592000005..... 117, 119, 121, 123, 125, 127, 129	7790162056.... 15, 19, 23, 27, 31, 35, 39, 43, 47	7796000008.....85
7552000187.....505	7626000011..... 265, 267, 299	7796000024.....85	779600004899, 101, 103, 105, 107, 145, 147, 149, 151, 595, 597, 599, 631, 633, 635
7552000212.....205, 207, 209, 211, 213, 215, 217, 219, 221, 223, 225, 227, 229, 231, 233, 235, 473	7626000018..... 263, 297	7796000063.....85	7796000063.....85
7552000222.....479, 481, 485	7638000004..... 87	7804000007.... 71, 75, 79, 83	7809000001.... 70, 74, 78, 82
7552000241.....613	7638000013..... 89	7819000005.....415	7819000005.....415
7552000297.....475	7640000002..... 257, 259, 261, 417	7843000004.....569	7843000004.....569
7552000385....70, 78, 491	7650080125..... 407	7843000006.....185, 187, 189, 191	7843000006.....185, 187, 189, 191
7552000391.....351	7660082604..... 361	7843000007.....341, 343	7843000007.....341, 343
7552000392.....353	7660102604..... 117, 119, 121, 123, 125, 127, 129, 351, 353, 355, 357, 359, 387, 389, 391, 393, 625	7843000016.....185, 187, 189, 191	7843000016.....185, 187, 189, 191
7552000393.....355	766014260199, 101, 103, 105, 107, 145, 147, 149, 151, 311, 313, 315, 317, 319, 321, 323, 325, 341, 343, 439, 441, 443, 593, 595, 597, 599, 631, 633, 635	7843000034.....293	7843000034.....293
7552000397.....483, 487	7660142604..... 117, 119, 121, 123, 125, 127, 129	7843000035.... 70, 74, 78, 82, 291	7843000035.... 70, 74, 78, 82, 291
7552000409.....469	7660152601 ... 61, 63, 71, 75, 79, 83, 87, 89, 91, 119, 123, 127, 131,		
7552000413....74, 82, 493			
7552000426.....357, 359			
7552000472.....625, 627			
7555000015.....123, 125			

SECTION 9 - BUILD DOCUMENTS

<p>7870000100 515 7870000106 521 7870000113 513 7870000115 527 7870000134 517 7870000137 523 7894000004 257, 259, 261, 387, 389, 391, 393, 415 7894000010 425, 429 7894000031 565 7894000071 621 7894000073 623 7904000001 387, 389 7904000003 391, 393 7913000006 99, 165, 631 7935000120 257, 261, 417, 565 7935000170 327, 329, 331, 333, 335, 337, 339 7935000171 333, 337, 339 7935000173 327, 329, 331, 333, 335, 337, 339 7935000174 327, 329, 331, 333, 335, 337, 339 7935000182 257, 259, 261, 417 7935000227 327, 329, 331, 333, 335, 337, 339 7935000229 257, 259, 261 7935000248 257, 259, 261, 417 7935000305 395, 397, 399, 401, 403 7935000306 387, 389, 391, 393 7935000369 327, 329, 331, 333, 335, 337, 339 7935000388 327, 329, 331, 333, 335, 337, 339 7949000011 311, 313, 315, 317, 319, 321, 323, 325 7949000023 61, 63, 109, 439, 441, 443 7949000034 291 7949000054 311, 313, 315, 317, 319, 321, 323, 325 7950100143 117, 119, 121, 123, 125, 127, 129 7950100151 351, 353, 355, 357, 359, 423 7950140000 109, 413 7950140003 431 7950140141 311, 313, 315, 317, 319, 321, 323, 325, 341, 343, 361, 413 7950140143 431 7950140153 593 7950140161 265, 267 7950150000 319 7950150141 175, 177, 179, 183</p>	<p>7950150153..... 61, 63, 87, 89, 91 7950150161..... 131, 133, 135, 137, 139, 141, 295, 311, 313, 315, 317, 321, 323, 325, 341, 343, 345, 347, 367, 369, 371, 373, 375, 377, 379, 381, 383, 385, 387, 389, 391, 393, 405, 481, 483, 563 7950160000..... 70, 74, 78, 82 7950160141..... 293 7950160161..... 293, 311, 313, 315, 317, 319, 321, 323, 325, 601, 603, 605 7950180000..... 445, 447, 485, 487 7950180141..... 301, 601, 603, 605 7950180143..... 341, 343 7950180150..... 631, 633, 635 7950180153..... 255, 263, 291, 563, 617 7950180161..... 311, 313, 315, 317, 319, 321, 323, 325, 569 7950180252..... 445, 447, 485, 487 7950180400..... 263, 265, 267 7950200000..... 185, 187, 189, 191, 567 7950200152..... 243 7950220141..... 311, 313, 315, 317, 319, 321, 323, 325, 345, 347 7970000083..... 263, 271 7970000109..... 265, 267, 287 7970000110..... 269, 289 7970000121..... 273 7970000157..... 275 7970000158... 70, 74, 279 7970000166... 78, 82, 283 7978000020..... 519 7990000011..... 341, 343 80963057 469 80963058 469 80963062 495 80963064 . 497, 503, 505, 507 80963068 469 810TRB-8 213 810TRB-8W 215 815TRBLP 229 815TRBLP-W 231 8220081 ... 477, 479, 481, 499, 529 8220089 ... 499, 503, 509, 511 8220099 ... 437, 497, 501, 503, 505, 507</p>	<p>8220100..... 505, 507 8220934..... 437, 505, 507 8220935..... 437, 497, 501, 503, 505, 507 8220936..... 437, 503 8597650001 257, 259, 261 8597650002..... 425 8597650003..... 523 8632000012..... 311, 313, 315, 317, 319, 321, 323, 325 8632000022..... 255 88671008.. 70, 74, 78, 82, 157 8977010103..... 431 900115..... 395, 397, 399, 401, 403 9007960003..... 273 9120960025..... 275, 279, 283 9120960034..... 273 9120960059..... 273 9120960061..... 273 9120960081..... 275, 279, 283 91364009..... 469 9183960002..... 275, 279, 283 9209960023..... 275, 279, 283 9309960009..... 275 9314960024..... 273 9443960010..... 275, 279, 283 9472960042..... 275, 279 9472960043..... 275, 279, 283 9472960072..... 273 9551960018..... 275, 279 9560960011..... 273 9560960021..... 273 9575960014..... 273 9577930187..... 327, 329, 331 960006..... 395, 397, 399, 401, 403 9626960012..... 275 9626960027..... 279, 283 9691960001..... 273, 275, 279, 283 9691960035..... 273 9701960015..... 273 9701960016..... 275, 279, 283 9742960064..... 283 9754960039..... 275, 279, 283 9786960006..... 275, 279, 283 9786960015..... 273 9796960047..... 276, 279, 283 9796960049..... 275, 279, 283 9806960009..... 273</p>	<p>9812960005 275, 279, 283 9843930044 327, 329, 331 9912960035 275, 279, 283 9935960142 275, 279 9949960016 275 9949960017 275, 280, 283 9949960031 279, 283 9970300057 273 9970316083 273 9970330010 273 9970342027 273 9970402002 273 9970412003 273 9970412045 273 9970414045 273 9970418163 275, 279, 283 9970418177 273 9970431008 273 9970442184 273 9970442205 273 9970450006 273 9970456008 273 9970468011 273 9970472013 273 9970486009 273 9970486017 273 9970494002 273 9970494053 273 9970518014 273 9970518015 273 9970960027 275 9970960060 273 9970960062 273 9970960068 273 A7WCON . 561, 631, 633, 635 CAR8PTTD 623 CHB38 571 CHB50 573 CMKSTD-SD 660 DPH-16B 651 DR063W-2 661 ML-TBTST-2 661 PHS50-HD 633 RC-1 663 RC-2..... 663 RC-3..... 663 RC-4..... 663 RC-5..... 663 RCTH-2 663 RHS12-HD 631 RWC 657 SPHH-HD 662 SPHM-HD 662 SRHS-HD 662 SSQF-24 661 STAB-HD 661 STAB-HIGH..... 664 STK 619 STRAP50 621 TB178 645 TB200 647</p>
--	---	---	--

SECTION 9 - BUILD DOCUMENTS

TB256.....	649	TB60-2.....	665	TBSA48-2.....	665	TBTST60-2.....	665
TB36-2.....	665	TBL-2.....	665	TBSA48-4.....	665	W12WTR-HD.....	667
TB36-3.....	665	TBL-3.....	665	TBSA60-2.....	665	W20W-HD.....	267
TB36-4.....	665	TBL-4.....	665	TBTST36-2.....	665	W20WTR-HD.....	667
TB48-2.....	665	TBSA36-2.....	665	TBTST36-3.....	665		
TB48-3.....	665	TBSA36-3.....	665	TBTST36-4.....	665		
TB48-4.....	665	TBSA36-4.....	665	TBTST48-2.....	665		

JERR-DAN[®]

***Corporate Office
13224 Fountainhead Plaza
Hagerstown, MD 21742 USA***

***☎ (717) 597-7111 (Corporate)
☎ (800) 926-9666 (Customer Support)***

***Visit our website
www.jerrdan.com***



OSHKOSH™