

JERR-DAN[®]

Illustrated Parts Manual

Model JD MPL40 STANDARD DUTY WRECKER

SN 0230004217 to 0230015583

Excluding 0230010532,0230010924-0230010930,0230011032,
0230011121-0230011129,0230011301-0230011319,0230011491-0230011510

P/N

5376000245

November 1, 2023 - Rev C

JERR-DAN[®]

An Oshkosh Corporation Company

REVISION LOG

July 1, 2021 - A - Original Release of Manual (Edited to 1001142020 Rev I to N)

September 1, 2022 - B - Revised Manual (Edited to 1001142020 Rev I to P)

November 1, 2023 - C - Revised Manual (Edited to 1001142020 Rev I to P)

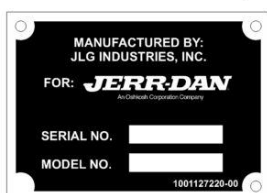
GENERAL INFORMATION

JerrDan, LLC (Jerr-Dan) strives to provide information that is accurate, complete and useful. Descriptions and illustrative material contained within this manual are as accurate as known at the time of publication and are subject to change, without notice, as a result of continuous product improvements. Jerr-Dan reserves the right to amend the information in this document at any time without prior notice.

Information contained in this manual reflects how this vehicle was built at the factory. Modifications or additions by the distributor or owner are not reflected in this manual.

This parts manual does not include service parts information for the commercial chassis (IHC, Ford, GM, etc.). That information is provided by the chassis manufacturer.

When ordering parts, please refer to your unit's Serial Number and Model Number. This information is be found on the aluminum tag riveted to the inside of the driver's side rear compartment of the main body.



Additional or replacement manuals can be ordered by calling Jerr-Dan Parts at 717-597-7111. Price and availability will be quoted at time of the request.

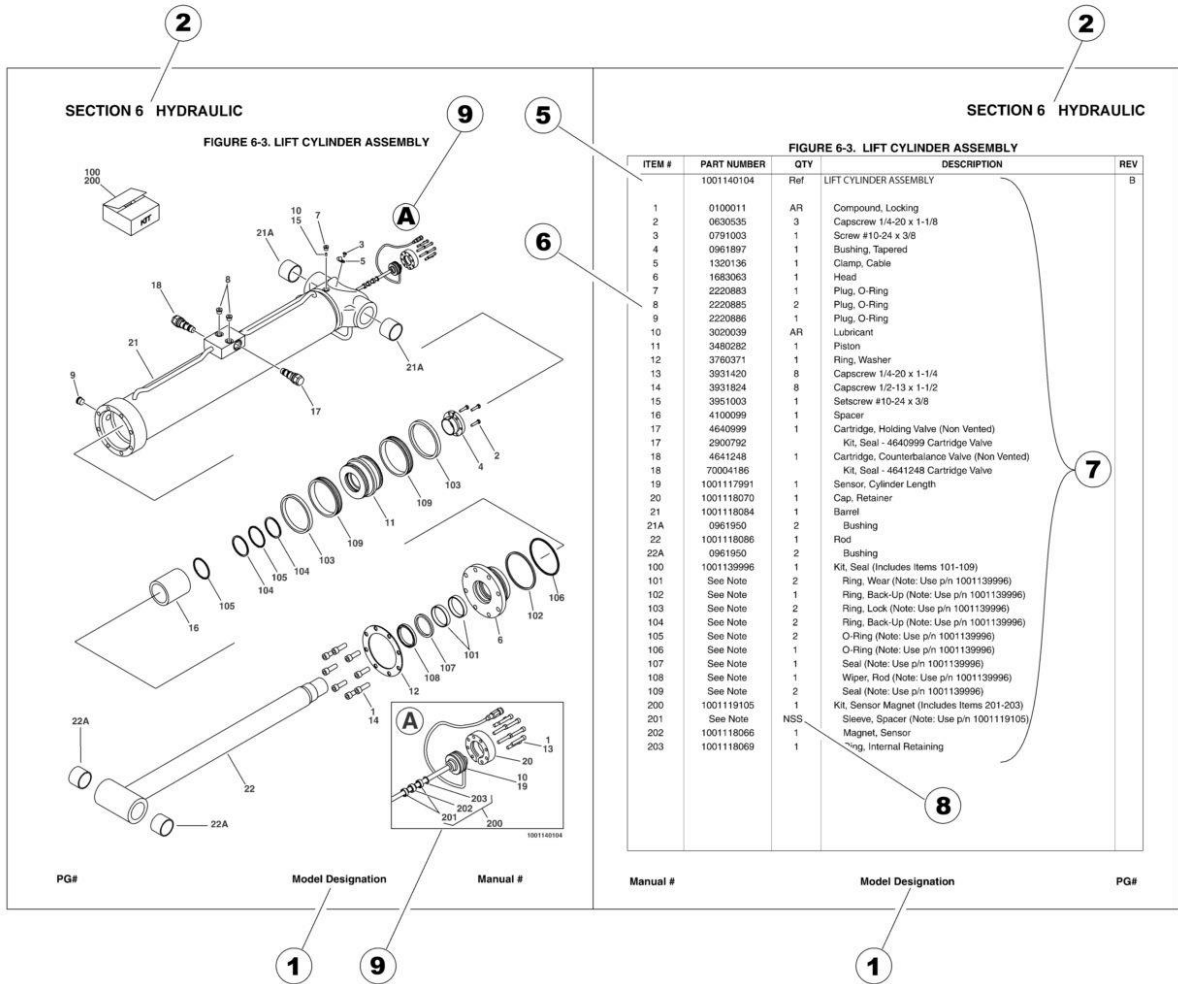
Please report comments and/or errors by contacting Jerr-Dan. Contact numbers are located on rear cover of Manual.

Manufactured under one or more of the following patents: 5,575,606; 5,672,042; 5,697,741; 5,713,714; 5,722,810; 5,782,596; 5,839,775 and 6,315,515 B1 with other Patents Pending.

Jerr-Dan and the Jerr-Dan logo are registered trademarks and Run Hard is a service mark of JerrDan, LLC, Hagerstown, MD USA.

The material in this document is confidential and the property of Jerr-Dan. No part of this document may be photocopied, reproduced or translated to another language without the express written consent of Jerr-Dan.

GENERAL INFORMATION



1) MACHINE IDENTIFICATION

Machines are identified by model and in some cases a combination of models, serial number (SN) or regional standard (i.e ANSI, CE, CSA). Components may also be identified by SN or manufacturer. Common components that may be identified by these characteristics are engines and hydraulic components.

2) PARTS MANUAL ORGANIZATION

Product information in this manual is organized under section titles. Subframe, Hydraulic and Electrical are a few examples. Each section is organized by figure and page number. The information within the Figure is then organized by item number, part number, description and corresponding illustration (s).

3) TABLE OF CONTENTS (NOT SHOWN)

A table of contents is found toward the beginning of the manual. Figure number, description and page number are provided for quick reference to the page containing the related information.

4) BUILD DOCUMENTS (NOT SHOWN)

The Build Documents, located near the end of the manual, reference components not available at the purchase level. These PN lists assembly instructions and assist in the maintenance of the parts manual.

GENERAL INFORMATION

5) NON-SERVICED PARTS

In some instances, it is necessary to display non-serviced parts, assemblies or installations. In the case of assemblies and installations there will be a Ref in the Qty. column. In case of parts that are not available for service within assemblies or components, there will be a NSS (Not Sold Separately) or NLA (No Longer Available) listed in the Qty. column of the manual.

6) PARTS LIST ITEM NUMBERS

Numbers shown in the item# column correspond to numbers used in the associated illustration (s). Item numbers which are missing from the sequence in the parts list are not used on that page.

7) INDENTED PARTS DESCRIPTION

An indented part description is included in the item under which it is indented.

8) ABBREVIATION AND SYMBOLS

AC.....	Alternating Current	L.....	Liter
ALUM.....	Aluminum	LD.....	Light Duty
AG.....	Agricultural	LB(LBS).....	Pounds
ANSI.....	American National Standards Institute	LCD.....	Liquid Crystal Display
AR.....	As Required	LED.....	Light Emitting Diodes
AUS.....	Australias	LH.....	Left Hand
ASSY.....	Assembly	M(m).....	Metric/Meter
AUX.....	Auxiliary	MD.....	Medium Duty
AWG.....	American Wire Gauge	MM (mm).....	Milimeter
CA.....	Cab To Axle	mA.....	Miliamps
CE.....	European Conformity	NLA.....	No Longer Available
CCW.....	Counter Clockwise	NPT.....	National Pipe Threads
CM.....	Centimeter	NSS.....	Not Sold Separately
CT.....	Cab To Tandem	OD.....	Outside Diameter
CW.....	Clockwise	ORB.....	O-Ring Boss
CSA.....	Canadian Standards Association	ORFS.....	O-Ring Face Seal
CYL.....	Cylinder	OZ (oz).....	Ounces
DIA.....	Diameter	PG.....	Page
DC.....	Direct Current	PN.....	Part Number
DOT.....	Department of Transportation	PTO.....	Power Take Off
EMS.....	Emergency Stop	QT(qt.).....	Quarts
ENG.....	Engine	QTY.....	Quantity
FT(ft).....	Feet	REF.....	Reference
GA(Ga).....	Gauge	REV.....	Revision Level
GAL.....	Gallons	RH.....	Right Hand
GVW.....	Gross Vehicle Weight	SAE.....	Society of Automotive Engineers
HD.....	Heavy Duty	SD.....	Standard Duty
HYD.....	Hydraulic	SN.....	Serial Number
Hz.....	Hertz	SPEC(S).....	Specifications
ID.....	Inside Diameter	SS.....	Stainless Steel
IN.....	inches	STD.....	Standards
IND.....	Independent	STL.....	Steel
IRL.....	Independent Reach/Lift	UGM.....	Universal Ground Module
INT.....	Integrated	V.....	Volts
ISO.....	International Organization for Standards	W.....	Watts
JIC.....	Joint Industry Council	WB.....	Wheel Base
KG.....	Kilogram	#.....	Number

9) ILLUSTRATION REFERENCE LETTERS

When necessary, illustrations may contain reference letters that are intended to track information (i. e. hoses, harnesses) from one point to another or to track visual enlargement of components to show details that may be located in another area on the illustration.

Note: Due to continuous product improvements, Jerr-Dan Corporation reserves the right to make specification changes without prior notification. Contact Jerr-Dan for updated information.

TABLE OF CONTENTS

SECTION 1 - SUBFRAME	13
FIGURE 1-1. SUBFRAME INSTALLATION.....	14
FIGURE 1-2. CHASSIS MOUNTING KIT - CHEVY/GMC 2011 DIESEL WITH 60IN CA	16
FIGURE 1-3. CHASSIS MOUNTING KIT - CHEVY/GMC 2011 GAS WITH 60IN CA	18
FIGURE 1-4. CHASSIS MOUNTING KIT - CV515 2019+ WITH 141IN WB.....	20
FIGURE 1-5. CHASSIS MOUNTING KIT - CV515 2019+ WITH 165IN WB.....	22
FIGURE 1-6. CHASSIS MOUNTING KIT - CV515 2019+ WITH 141IN WB WITH TIMBRENS	24
FIGURE 1-7. CHASSIS MOUNTING KIT - CV515 2019+ WITH 165IN WB WITH TIMBRENS	26
FIGURE 1-8. CHASSIS MOUNTING KIT - DODGE 2013+ WITH 60IN CA	28
FIGURE 1-9. CHASSIS MOUNTING KIT - DODGE 2013+ WITH 84IN CA	30
FIGURE 1-10. CHASSIS MOUNTING KIT - FORD DIESEL - 2010 WITH 60IN CA.....	32
FIGURE 1-11. CHASSIS MOUNTING KIT - FORD DIESEL 2011-2016 WITH 60IN CA.....	34
FIGURE 1-12. CHASSIS MOUNTING KIT - FORD DIESEL 2011-2016 WITH 84IN CA.....	38
FIGURE 1-13. CHASSIS MOUNTING KIT - FORD DIESEL 2017+ WITH 60IN CA.....	42
FIGURE 1-14. CHASSIS MOUNTING KIT - FORD DIESEL 2017+ WITH 84IN CA.....	46
FIGURE 1-15. CHASSIS MOUNTING KIT - FORD GAS 2017+ WITH 60IN CA.....	50
FIGURE 1-16. CHASSIS MOUNTING KIT - FORD GAS 2017+ WITH 84IN CA.....	54
SECTION 2 - BOOM	57
FIGURE 2-1. MAIN BOOM INSTALLATION (WITH FLY BOOM).....	58
FIGURE 2-2. MAIN BOOM INSTALLATION (WITHOUT FLY BOOM)	60
FIGURE 2-3. CYLINDER ASSEMBLY – LIFT (KNEE BOOM)	62
FIGURE 2-4. FLY BOOM INSTALLATION	64
FIGURE 2-5. CYLINDER ASSEMBLY - EXTEND/RETRACT (KNEE BOOM FLY).....	66
FIGURE 2-6. WINCH INSTALLATION - SINGLE (WITHOUT FLY BOOM).....	68
FIGURE 2-7. WINCH INSTALLATION - SINGLE (WITH FLY BOOM)	70
FIGURE 2-8. WINCH INSTALLATION - DUAL (WITH FLY BOOM).....	72
FIGURE 2-9. WINCH ASSEMBLY (WITH SINGLE WINCH).....	74
FIGURE 2-10. WINCH ASSEMBLY (LH) (WITH DUAL WINCHES).....	76
FIGURE 2-11. WINCH ASSEMBLY (RH) (WITH DUAL WINCHES)	78
FIGURE 2-12. WINCH MOTOR ASSEMBLY	80
FIGURE 2-13. WINCH HANDLE INSTALLATION - DUAL WINCH (WITH FLY BOOM)	82
FIGURE 2-14. FLAPPER PLATE CABLE TENSIONER - 8000 LBS BOOM WINCH.....	84
FIGURE 2-15. CABLE ASSEMBLY - NON-SWIVEL HOOK (SINGLE) (G&S AAA UNITS)	86
FIGURE 2-16. CABLE ASSEMBLY - NON-SWIVEL HOOK (SINGLE)	88
FIGURE 2-17. CABLE ASSEMBLY - SWIVEL HOOK (SINGLE)	90
FIGURE 2-18. CABLE ASSEMBLY - NON-SWIVEL HOOK (DUAL).....	92
FIGURE 2-19. CABLE ASSEMBLY - SWIVEL HOOK (DUAL).....	94
FIGURE 2-20. RECOVERY BOOM EXTENSION INSTALLATION	96
FIGURE 2-21. TOW SLING INSTALLATION	98
FIGURE 2-22. TOW SLING KIT	100
SECTION 3 - UNDERLIFT	103
FIGURE 3-1. UNDERLIFT INSTALLATION - MANUAL GRID (SN 0230004217 through 0230009854)	104
FIGURE 3-2. UNDERLIFT INSTALLATION - MANUAL GRID (SN 0230009855 through 0230015583, Except SN 0230010924 through 0230010930, Except SN 0230011121 through 0230011129, Except SN 0230011301 through 0230011319, Except SN 0230011491 through 0230011510, Excluding 0230010532, 0230011032 and 0230011078).....	106
FIGURE 3-3. UNDERLIFT INSTALLATION - HYDRAULIC GRID.....	108
FIGURE 3-4. UNDERLIFT BOOM ASSEMBLY - MANUAL GRID (SN 0230004217 through 0230009854).....	110
FIGURE 3-5. UNDERLIFT BOOM ASSEMBLY - MANUAL GRID (SN 0230009855 through 0230015583, Except SN 0230010924 through 0230010930, Except SN 0230011121 through 0230011129, Except SN 0230011301 through 0230011319, Except SN 0230011491 through 0230011510, Excluding 0230010532, 0230011032 and 0230011078).....	112
FIGURE 3-6. UNDERLIFT BOOM ASSMBLY - HYDRAULIC GRIDS	114
FIGURE 3-7. CYLINDER ASSEMBLY - TILT (UNDERLIFT).....	116
FIGURE 3-8. CYLINDER ASSEMBLY - EXTEND/RETRACT (UNDERLIFT).....	118
FIGURE 3-9. GRID SYSTEM INSTALLATION - MANUAL FIXED (SN 0230004217 through 0230009854)	120
FIGURE 3-10. GRID SYSTEM INSTALLATION - MANUAL FIXED (SN 0230009855 through 0230015583, Except SN 0230010924 through 0230010930, Except SN 0230011121 through 0230011129, Except SN 0230011301 through 0230011319, Except SN 0230011491 through 0230011510, Excluding 0230010532, 0230011032 and 0230011078).....	122
FIGURE 3-11. GRID SYSTEM INSTALLATION - MANUAL PIVOTING (SN 0230004217 through 0230009854).....	124
FIGURE 3-12. GRID SYSTEM INSTALLATION - MANUAL PIVOTING (SN 0230009855 through 0230015583, Except SN 0230010924 through 0230010930, Except SN 0230011121 through 0230011129, Except SN 0230011301 through 0230011319, Except SN 0230011491 through 0230011510, Excluding 0230010532, 0230011032 and 0230011078).....	126

TABLE OF CONTENTS

FIGURE 3-13. GRID ASSEMBLY - WHEEL LIFT (LH) (WITH MANUAL PIVOTING GRID SYSTEM) (SN 0230004217 through 0230009854)	128
FIGURE 3-14. GRID ASSEMBLY - WHEEL LIFT (RH) (WITH MANUAL PIVOTING GRID SYSTEM) (SN 0230009855 through 0230015583, Except SN 0230010924 through 0230010930, Except SN 0230011121 through 0230011129, Except SN 0230011301 through 0230011319, Except SN 0230011491 through 0230011510, Excluding 0230010532, 0230011032 and 0230011078)	130
FIGURE 3-15. GRID ASSEMBLY - WHEEL LIFT (RH) (WITH MANUAL PIVOTING GRID SYSTEM) (SN 0230004217 through 0230009854)	132
FIGURE 3-16. GRID ASSEMBLY - WHEEL LIFT (LH) (WITH MANUAL PIVOTING GRID SYSTEM) (SN 0230009855 through 0230015583, Except SN 0230010924 through 0230010930, Except SN 0230011121 through 0230011129, Except SN 0230011301 through 0230011319, Except SN 0230011491 through 0230011510, Excluding 0230010532, 0230011032 and 0230011078)	134
FIGURE 3-17. GRID SYSTEM INSTALLATION - HYDRAULIC	136
FIGURE 3-18. CYLINDER ASSEMBLY - EXTEND/RETRACT (GRID)	140
FIGURE 3-19. TOW BALL BRACKET INSTALLATION	142
FIGURE 3-20. WHEEL LIFT CROSSBAR CAM-LOCK	144
SECTION 4 - BODY	147
FIGURE 4-1. BODY INSTALLATION (WITH FUEL FILLER IN DRIVERS SIDE)	148
FIGURE 4-2. BODY INSTALLATION (WITHOUT FUEL FILLER IN BODY)	150
FIGURE 4-3. DECK/SIDE PANEL ASSEMBLY – LH (BODY WITH FUEL FILLER IN DRIV	152
FIGURE 4-4. DECK/SIDE PANEL ASSEMBLY – LH (BODY WITHOUT FUEL FILLER)	156
FIGURE 4-5. DECK/SIDE PANEL ASSEMBLY – RH (BODY WITH FUEL FILLER IN	160
FIGURE 4-6. DECK/SIDE PANEL ASSEMBLY – RH (BODY WITHOUT FUEL FILLER)	164
FIGURE 4-7. COVER INSTALLATION - BATTERY (USED WITH 22IN TUNNEL)	166
FIGURE 4-8. FENDER FLARE INSTALLATION (FORD F450-550/DODGE)	168
FIGURE 4-9. FENDER FLARE INSTALLATION (FORD F350/GM)	170
FIGURE 4-10. MID DECK COVER INSTALLATION	172
FIGURE 4-11. TUNNEL INSTALLATION - 22IN STANDARD	174
FIGURE 4-12. TUNNEL INSTALLATION - 24IN STANDARD	176
FIGURE 4-13. TUNNEL INSTALLATION - 24IN REINFORCED	178
FIGURE 4-14. TUNNEL ASSEMBLY - 22IN STANDARD	180
FIGURE 4-15. TUNNEL ASSEMBLY - 24IN STANDARD	182
FIGURE 4-16. TUNNEL ASSEMBLY - 24IN REINFORCED	184
FIGURE 4-17. PYLON INSTALLATION - 28IN TOOLBOX MOUNTED (1 MARKER LIGHT PER SIDE)	186
FIGURE 4-18. PYLON INSTALLATION - 28IN TOOLBOX MOUNTED (3 MARKER LIGHTS PER SIDE)	188
FIGURE 4-19. PYLON INSTALLATION - 33IN TOOLBOX MOUNTED (1 MARKER LIGHT PER SIDE)	190
FIGURE 4-20. PYLON INSTALLATION - 34IN BODY MOUNTED (1 MARKER LIGHT PER SIDE)	192
FIGURE 4-21. PYLON INSTALLATION - 34IN TOOLBOX MOUNTED (1 MARKER LIGHT PER SIDE)	194
FIGURE 4-22. PYLON INSTALLATION - 34IN TOOLBOX MOUNTED (3 MARKER LIGHTS PER SIDE)	196
FIGURE 4-23. PYLON INSTALLATION - 38IN BODY MOUNTED (1 MARKER LIGHT PER SIDE)	198
FIGURE 4-24. PYLON INSTALLATION - 38IN BODY MOUNTED (3 MARKER LIGHTS PER SIDE)	200
FIGURE 4-25. PYLON INSTALLATION - 42IN BODY MOUNTED (1 MARKER LIGHT PER SIDE)	202
FIGURE 4-26. PYLON INSTALLATION - 42IN BODY MOUNTED (3 MARKER LIGHT PER SIDE)	204
FIGURE 4-27. PYLON INSTALLATION - 42IN TOOLBOX MOUNTED (1 MARKER LIGHT PER SIDE)	206
FIGURE 4-28. PYLON INSTALLATION - 50IN BODY MOUNTED (1 MARKER LIGHTS PER SIDE)	208
FIGURE 4-29. STONE GUARD INSTALLATION (WITHOUT TUNNEL)	210
FIGURE 4-30. STONE GUARD INSTALLATION (WITH TUNNEL)	212
SECTION 5 - CONTROLS	215
FIGURE 5-1. CONTROLS INSTALLATION - STANDARD	216
FIGURE 5-2. CONTROLS INSTALLATION - FLY BOOM	218
FIGURE 5-3. CONTROLS INSTALLATION - GRIDS (HYDRAULIC)	220
FIGURE 5-4. CONTROLS INSTALLATION - WINCH (WITHOUT FLY BOOM)	222
FIGURE 5-5. CONTROLS INSTALLATION - WINCH (WITH FLY BOOM)	224
SECTION 6 - HYDRAULIC	227
FIGURE 6-1. HOSE INSTALLATION - ANTI-STALL (FORD V8)	228
FIGURE 6-2. HOSE INSTALLATION - ANTI-STALL (FORD V10)	230
FIGURE 6-3. HOSE INSTALLATION - HYDRAULIC GRIDS	232
FIGURE 6-4. HOSE INSTALLATION - LIFT AND TILT CYLINDER (HYDRAULIC GRIDS/NO SPADES)	234
FIGURE 6-5. HOSE INSTALLATION - LIFT AND TILT CYLINDER (HYDRAULIC GRIDS/WITH SPADES)	236
FIGURE 6-6. HOSE INSTALLATION - LIFT AND TILT CYLINDER (MANUAL GRIDS/NO SPADES)	238
FIGURE 6-7. HOSE INSTALLATION - LIFT AND TILT CYLINDER (MANUAL GRIDS/WITH SPADES)	240

TABLE OF CONTENTS

FIGURE 6-8. HOSE INSTALLATION - WINCH (SINGLE).....	242
FIGURE 6-9. HOSE INSTALLATION - WINCH (DUAL WITH NO FLY BOOM)	248
FIGURE 6-10. HOSE INSTALLATION - WINCH (DUAL SPECIAL)	254
FIGURE 6-11. HOSE AND CLAMP INSTALLATION (CHEVY-GMC – 137IN WB)	260
FIGURE 6-12. HOSE AND CLAMP INSTALLATION (CHEVY-GMC – 152IN WB)	262
FIGURE 6-13. HOSE AND CLAMP INSTALLATION (CHEVY-GMC – 162IN WB)	264
FIGURE 6-14. HOSE AND CLAMP INSTALLATION (CV515 D-CP – 141IN WB)	266
FIGURE 6-15. HOSE AND CLAMP INSTALLATION (CV515 D-CP – 165IN WB)	268
FIGURE 6-16. HOSE AND CLAMP INSTALLATION (CV515 D-CP – 175IN WB)	270
FIGURE 6-17. HOSE AND CLAMP INSTALLATION (CV515 D-CP – 199IN WB)	272
FIGURE 6-18. HOSE AND CLAMP INSTALLATION (DODGE D-CP – 144IN WB)	274
FIGURE 6-19. HOSE AND CLAMP INSTALLATION (DODGE D-CP – 173IN WB)	276
FIGURE 6-20. HOSE AND CLAMP INSTALLATION (FORD D-CP – 140IN WB)	278
FIGURE 6-21. HOSE AND CLAMP INSTALLATION (FORD D-PTO – 140IN WB)	280
FIGURE 6-22. HOSE AND CLAMP INSTALLATION (FORD G-CP – 140IN WB)	282
FIGURE 6-23. HOSE AND CLAMP INSTALLATION (FORD PTO – 145IN WB).....	284
FIGURE 6-24. HOSE AND CLAMP INSTALLATION (FORD D-CP – 164IN WB)	286
FIGURE 6-25. HOSE AND CLAMP INSTALLATION (FORD D-PTO – 164IN WB)	288
FIGURE 6-26. HOSE AND CLAMP INSTALLATION (FORD PTO – 167-169IN WB)	290
FIGURE 6-27. HOSE AND CLAMP INSTALLATION (FORD PTO – 179IN WB).....	292
FIGURE 6-28. HOSE AND CLAMP INSTALLATION (FORD PTO – 192IN WB).....	294
FIGURE 6-29. HOSE AND CLAMP INSTALLATION (FORD PTO – 203IN WB).....	296
FIGURE 6-30. TANK (HYDRAULIC) INSTALLATION	298
FIGURE 6-31. VALVE INSTALLATION – MAIN CONTROL (MANUAL - NO REMOTE).....	300
FIGURE 6-32. VALVE INSTALLATION – MAIN CONTROL (REMOTE - TOGGLE)	302
FIGURE 6-33. VALVE INSTALLATION – MAIN CONTROL (REMOTE - MEMBRANE)	304
FIGURE 6-34. VALVE ASSEMBLY - 7 BANK/NO SOLENOIDS	306
FIGURE 6-35. VALVE ASSEMBLY - 7 BANK/4 SOLENOIDS	308
FIGURE 6-36. VALVE ASSEMBLY - 7 BANK/7 SOLENOIDS	310
SECTION 7 - ELECTRICAL	313
FIGURE 7-1. ALARM INSTALLATION - BACK-UP (FIXED)	314
FIGURE 7-2. ALARM INSTALLATION - BACK-UP (VARIABLE)	316
FIGURE 7-3. ANTI-STALL INSTALLATION (FORD V8)	318
FIGURE 7-4. ANTI-STALL INSTALLATION (FORD V10)	320
FIGURE 7-5. ANTI-STALL CAB & SUBFRAME HARNESS.....	322
FIGURE 7-6. BACK UP CAMERA INSTALLATION - CHASSIS SUPPLIED	324
FIGURE 7-7. BACK UP CAMERA INSTALLATION - CHASSIS SUPPLIED (CV515 ONLY)	326
FIGURE 7-8. BACK UP CAMERA INSTALLATION (REAR VIEW MIRROR) (Prior to SN 0230010811)	328
FIGURE 7-9. BACK UP CAMERA INSTALLATION (REAR VIEW MIRROR) (SN 0230010811 through 0230015583).....	330
FIGURE 7-10. BACK UP CAMERA INSTALLATION (WITH DVR) (Prior to SN 0230010811, Except SN 0230010924 through 0230010930, Except SN 0230011121 through 0230011129, Except SN 0230011301 through 0230011319, Except SN 0230011491 through 0230011510, Excluding 0230011032 and 0230011078)	332
FIGURE 7-11. BODY ELECTRICAL INSTALLATION (SN 0230004217 through 0230009709)	334
FIGURE 7-12. BODY ELECTRICAL INSTALLATION (SN 0230009709 through 0230015583, Except SN 0230010924 through 0230010930, Except SN 0230011121 through 0230011129, Except SN 0230011301 through 0230011319, Except SN 0230011491 through 0230011510, Excluding 0230010532, 0230011032 and 0230011078).....	336
FIGURE 7-13. BODY HARNESS (LH) (SN 0230004217 through 0230009709)	338
FIGURE 7-14. BODY HARNESS (LH) (SN 0230009709 through 0230015583, Except SN 0230010924 through 0230010930, Except SN 0230011121 through 0230011129, Except SN 0230011301 through 0230011319, Except SN 0230011491 through 0230011510, Excluding 0230010532, 0230011032 and 0230011078).....	340
FIGURE 7-15. BODY HARNESS (RH) (SN 0230004217 through 0230009709).....	342
FIGURE 7-16. BODY HARNESS (RH) (SN 0230009709 through 0230015583, Except SN 0230010924 through 0230010930, Except SN 0230011121 through 0230011129, Except SN 0230011301 through 0230011319, Except SN 0230011491 through 0230011510, Excluding 0230010532, 0230011032 and 0230011078).....	344
FIGURE 7-17. BREAKER INSTALLATION - 50AMP.....	346
FIGURE 7-18. CAB AND SUBFRAME HARNESS (SN 0230004217 through 0230009709).....	348
FIGURE 7-19. CAB AND SUBFRAME HARNESS (SN 0230009709 through 0230015583, Except SN 0230010924 through 0230010930, Except SN 0230011121 through 0230011129, Except SN 0230011301 through 0230011319, Except SN 0230011491 through 0230011510, Excluding 0230010532, 0230011032 and 0230011078).....	350
FIGURE 7-20. LIGHTS - CABINET LIGHT AND FUSE INSTALLATION	352
FIGURE 7-21. LIGHTS - LIGHTBAR INSTALLATION - 58IN AMBER 10 LED CODE 3 (STANDARD MOUNT)	354
FIGURE 7-22. LIGHTS - LIGHTBAR INSTALLATION - 58IN AMBER 8 LED CODE 3 (HIGH MOUNT).....	356
FIGURE 7-23. LIGHTS - LIGHTBAR INSTALLATION - 58IN AMBER 8 LED CODE 3 ARROWSTICK.....	358
FIGURE 7-24. LIGHTS - LIGHTBAR INSTALLATION - 58IN AMBER 8 LED CODE 3 WITH AMBER TOPS	360
FIGURE 7-25. LIGHTS - LIGHTBAR INSTALLATION - 60IN AMBER ECCO (STANDARD MOUNT).....	362

TABLE OF CONTENTS

FIGURE 7-26. LIGHTS - LIGHTBAR ASSEMBLY - 60IN AMBER ECCO (HIGH MOUNT)	364
FIGURE 7-27. LIGHTS - LIGHTBAR INSTALLATION - 60IN AMBER 8 LED WHELEN (STANDARD MOUNT)	366
FIGURE 7-28. LIGHTS - LIGHTBAR INSTALLATION - 60IN AMBER 8 LED WHELEN (HIGH MOUNT)	368
FIGURE 7-29. LIGHTS - LIGHTBAR ASSEMBLY - 58IN AMBER 10 LED CODE 3 (STANDARD MOUNT).....	370
FIGURE 7-30. LIGHTS - LIGHTBAR ASSEMBLY - 58IN AMBER 8 LED ARROWSTICK CODE 3	372
FIGURE 7-31. LIGHTS - LIGHTBAR ASSEMBLY - 58IN AMBER 8 LED CODE 3 WITH AMBER TOPS	374
FIGURE 7-32. LIGHTS - LIGHTBAR ASSEMBLY - 60IN AMBER ECCO.....	376
FIGURE 7-33. LIGHTS - LIGHTBAR ASSEMBLY - 60IN AMBER 8 LED WHELEN.....	378
FIGURE 7-34. LIGHTS - LIGHTBAR BRACKET INSTALLATION (FOLDING)	382
FIGURE 7-35. LIGHTS - PYLON 3-LIGHT MARKER INSTALLATION	384
FIGURE 7-36. LIGHTS - PYLON MARKER LIGHT INSTALLATION - 1 MARKER LIGHT PER SIDE.....	386
FIGURE 7-37. LIGHTS - PYLON MARKER LIGHT INSTALLATION - 3 MARKER LIGHT PER SIDE.....	388
FIGURE 7-38. LIGHTS - 4 TAILLIGHTS (STOP/TURN/TAILLIGHT COMBINED) (2013+ DODGE)	390
FIGURE 7-39. LIGHTS - 4 TAILLIGHTS (STOP/TURN/TAILLIGHT COMBINED) (ALL EXCEPT 2013+ DODGE).....	392
FIGURE 7-40. LIGHTS - 6 TAILLIGHTS (STOP/TURN/TAILLIGHT SPLIT)	394
FIGURE 7-41. LIGHTS - WORKLIGHTS INSTALLATION (LOWER HOOK UP MOUNTED)	396
FIGURE 7-42. LIGHTS - WORKLIGHT INSTALLATION (PYLON MOUNTED)	398
FIGURE 7-43. MAIN CONTROL VALVE HARNESS INSTALLATION	400
FIGURE 7-44. MAIN CONTROL VALVE HARNESS INSTALLATION - REMOTE TOGGLE CONTROLS.....	402
FIGURE 7-45. MAIN CONTROL VALVE HARNESS INSTALLATION - REMOTE MEMBRANE CO	404
FIGURE 7-46. PTO ELECTRICAL ASSEMBLY - FORD PTO	406
FIGURE 7-47. PYLON ELECTRICAL INSTALLATION - BODY MOUNTED (1 MARKER LIGHT PER SIDE).....	408
FIGURE 7-48. PYLON ELECTRICAL INSTALLATION - BODY MOUNTED (3 MARKER LIGHT PER SIDE).....	410
FIGURE 7-49. PYLON ELECTRICAL INSTALLATION - TOOLBOX MOUNTED (1 MARKER LIGHT PER SIDE).....	412
FIGURE 7-50. PYLON ELECTRICAL INSTALLATION - TOOLBOX MOUNTED (3 MARKER LIGHT PER SIDE).....	414
FIGURE 7-51. PYLON HEADBOARD HARNESS - 1 MARKER LIGHT PER SIDE (SN 0230004211 through 0230009707).....	416
FIGURE 7-52. PYLON HEADBOARD HARNESS - 1 MARKER LIGHT PER SIDE (SN 0230009708 through 02330015583, Except SN 0230010924 through 0230010930, Except SN 0230011121 through 0230011129, Except SN 0230011301 through 0230011319, Except SN 0230011491 through 0230011510, Excluding 0230010532, 0230011032 and 0230011078)	418
FIGURE 7-53. PYLON HEADBOARD HARNESS - 3 MARKER LIGHTS PER SIDE (SN 0230004211 through 0230009707)	420
FIGURE 7-54. PYLON HEADBOARD HARNESS - 3 MARKER LIGHTS PER SIDE (SN 0230009708 through 02330015583, Except SN 0230010924 through 0230010930, Except SN 0230011121 through 0230011129, Except SN 0230011301 through 0230011319, Except SN 0230011491 through 0230011510, Excluding 0230010532, 0230011032 and 0230011078)	422
FIGURE 7-55. REMOTE CONTROL INSTALLATION - 4 FUNCTION TOGGLE	424
FIGURE 7-56. REMOTE CONTROL INSTALLATION - 4 FUNCTION MEMBRANE	426
FIGURE 7-57. REMOTE CONTROL HARNESS - 4 FUNCTION TOGGLE	428
FIGURE 7-58. REMOTE CONTROL HARNESS- 4 FUNCTION MEMBRANE	430
FIGURE 7-59. REMOTE CONTROL HOLDER INSTALLATION	432
FIGURE 7-60. REMOTE HARNESS (JERR-DAN SUPPLIED CONTROLS).....	434
FIGURE 7-61. REMOTE HARNESS (CUSTOMER SUPPLIED CONTROLS).....	436
FIGURE 7-62. SWITCH PANEL INSTALLATION - 2 FUNCTION.....	438
FIGURE 7-63. SWITCH PANEL INSTALLATION - 3 FUNCTION (IN DASH COMPACT) (SN 0230004217 through 0230009709)	440
FIGURE 7-64. SWITCH PANEL INSTALLATION - 3 FUNCTION (IN DASH COMPACT) (SN 0230009708 through 02330015583, Except SN 0230010924 through 0230010930, Except SN 0230011121 through 0230011129, Except SN 0230011301 through 0230011319, Except SN 0230011491 through 0230011510, Excluding 0230010532, 0230011032 and 0230011078)	442
FIGURE 7-65. SWITCH PANEL INSTALLATION - 3 FUNCTION (UNDER DASH COMPACT) (SN 0230004217 through 0230009709).....	444
FIGURE 7-66. SWITCH PANEL INSTALLATION - 3 FUNCTION (UNDER DASH COMPACT) (SN 0230009708 through 02330015583, Except SN 0230010924 through 0230010930, Except SN 0230011121 through 0230011129, Except SN 0230011301 through 0230011319, Except SN 0230011491 through 0230011510, Excluding 0230010532, 0230011032 and 0230011078).....	446
FIGURE 7-67. SWITCH PANEL INSTALLATION - 3 FUNCTION (CV515 OEM) (SN 0230004217 through 0230009709)	448
FIGURE 7-68. SWITCH PANEL INSTALLATION - 3 FUNCTION (CV515 OEM) (SN 0230009708 through 02330015583, Except SN 0230010924 through 0230010930, Except SN 0230011121 through 0230011129, Except SN 0230011301 through 0230011319, Except SN 0230011491 through 0230011510, Excluding 0230010532, 0230011032 and 0230011078)	450
FIGURE 7-69. SWITCH PANEL INSTALLATION - 4 FUNCTION (CV515 OEM) (SN 0230004217 through 0230009709)	452
FIGURE 7-70. SWITCH PANEL INSTALLATION - 4 FUNCTION (CV515 OEM) (SN 0230009708 through 02330015583, Except SN 0230010924 through 0230010930, Except SN 0230011121 through 0230011129, Except SN 0230011301 through 0230011319, Except SN 0230011491 through 0230011510, Excluding 0230010532, 0230011032 and 0230011078)	454
FIGURE 7-71. SWITCH PANEL INSTALLATION - 4 FUNCTION (DODGE OEM) (SN 0230004217 through 0230009709)	456
FIGURE 7-72. SWITCH PANEL INSTALLATION - 4 FUNCTION (DODGE OEM) (SN 0230009708 through 02330015583, Except SN 0230010924 through 0230010930, Except SN 0230011121 through 0230011129, Except SN 0230011301 through 0230011319, Except SN 0230011491 through 0230011510, Excluding 0230010532, 0230011032 and 0230011078)	458
FIGURE 7-73. SWITCH PANEL INSTALLATION - 4 FUNCTION (FORD F450/F550 2011-2016 OEM) (SN 0230004217 through 0230009709).....	460

TABLE OF CONTENTS

FIGURE 7-74. SWITCH PANEL INSTALLATION - 4 FUNCTION (FORD F450/F550 2011-2016 OEM) (SN 0230009708 through 02330015583, Except SN 0230010924 through 0230010930, Except SN 023001121 through 023001129, Except SN 0230011301 through 0230011319, Except SN 0230011491 through 0230011510, Excluding 0230010532, 0230011032 and 0230011078)	462
FIGURE 7-75. SWITCH PANEL INSTALLATION - 4 FUNCTION (FORD 2011-2016 AAA OEM) (SN 0230004217 through 0230009709)	464
FIGURE 7-76. SWITCH PANEL INSTALLATION - 4 FUNCTION (FORD 2011-2016 AAA OEM) (SN 0230009708 through 02330015583, Except SN 0230010924 through 0230010930, Except SN 023001121 through 023001129, Except SN 0230011301 through 0230011319, Except SN 0230011491 through 0230011510, Excluding 0230010532, 0230011032 and 0230011078)	466
FIGURE 7-77. SWITCH PANEL INSTALLATION - 4 FUNCTION (FORD F650/F750 2011+OEM) (SN 0230004217 through 0230009709)	468
FIGURE 7-78. SWITCH PANEL INSTALLATION - 4 FUNCTION (FORD F650/F750 2011+OEM) (SN 0230009708 through 02330015583, Except SN 0230010924 through 0230010930, Except SN 023001121 through 023001129, Except SN 0230011301 through 0230011319, Except SN 0230011491 through 0230011510, Excluding 0230010532, 0230011032 and 0230011078)	470
FIGURE 7-79. SWITCH PANEL INSTALLATION - 5 FUNCTION (IN DASH COMPACT) (SN 0230004217 through 0230009709)	472
FIGURE 7-80. SWITCH PANEL INSTALLATION - 5 FUNCTION (IN DASH COMPACT) (SN 0230009708 through 02330015583, Except SN 0230010924 through 0230010930, Except SN 023001121 through 023001129, Except SN 0230011301 through 0230011319, Except SN 0230011491 through 0230011510, Excluding 0230010532, 0230011032 and 0230011078)	474
FIGURE 7-81. SWITCH PANEL INSTALLATION - 5 FUNCTION (UNDER DASH COMPACT) (SN 0230004217 through 0230009709)	476
FIGURE 7-82. SWITCH PANEL INSTALLATION - 5 FUNCTION (UNDER DASH COMPACT) (SN 0230009708 through 02330015583, Except SN 0230010924 through 0230010930, Except SN 023001121 through 023001129, Except SN 0230011301 through 0230011319, Except SN 0230011491 through 0230011510, Excluding 0230010532, 0230011032 and 0230011078)	478
FIGURE 7-83. SWITCH PANEL INSTALLATION - 5 FUNCTION (DODGE OEM) (SN 0230004217 through 0230009709)	480
FIGURE 7-84. SWITCH PANEL INSTALLATION - 5 FUNCTION (DODGE OEM) (SN 0230009708 through 02330015583, Except SN 0230010924 through 0230010930, Except SN 023001121 through 023001129, Except SN 0230011301 through 0230011319, Except SN 0230011491 through 0230011510, Excluding 0230010532, 0230011032 and 0230011078)	482
FIGURE 7-85. SWITCH PANEL INSTALLATION - 6 FUNCTION (FORD F450/F550 2017+ OEM) (SN 0230004217 through 0230009709)	484
FIGURE 7-86. SWITCH PANEL INSTALLATION - 6 FUNCTION (FORD F450/F550 2017+ OEM) (SN 0230009708 through 02330015583, Except SN 0230010924 through 0230010930, Except SN 023001121 through 023001129, Except SN 0230011301 through 0230011319, Except SN 0230011491 through 0230011510, Excluding 0230010532, 0230011032 and 0230011078)	486
FIGURE 7-87. UNDERLIFT ELECTRICAL CONTROLS INSTALLATION	488
SECTION 8 - DECAL	491
FIGURE 8-1. DECAL INSTALLATION	492
FIGURE 8-2. LUBRICATION DECALS AND CAPS INSTALLATION	494
SECTION 9 - ACCESSORIES	497
FIGURE 9-1. KITS LIST	498
FIGURE 9-2. BUMPER INSTALLATION - PUSH (FRONT) (NO GRILLE GUARD) (CV515 4X2)	500
FIGURE 9-3. BUMPER INSTALLATION - PUSH (FRONT) (NO GRILLE GUARD) (CV515 4X4)	502
FIGURE 9-4. BUMPER INSTALLATION - PUSH (FRONT) (WITH GRILLE GUARD) (DODGE 2011+)	504
FIGURE 9-5. BUMPER INSTALLATION - PUSH (FRONT) (WITH GRILLE GUARD) (FORD 2011-2016)	506
FIGURE 9-6. BUMPER INSTALLATION - PUSH (FRONT) (NO GRILLE GUARD) (FORD 2011-2016)	508
FIGURE 9-7. BUMPER INSTALLATION - PUSH (FRONT) (WITH GRILLE GUARD) (FORD 2017+)	510
FIGURE 9-8. BUMPER INSTALLATION - PUSH (FRONT) (NO GRILLE GUARD) (FORD 2017+)	512
FIGURE 9-9. BUMPER INSTALLATION - PUSH (FRONT) (NO GRILLE GUARD) (FREIGHTLINER 2008+)	514
FIGURE 9-10. D-RING INSTALLATION - NO TOW SLING	516
FIGURE 9-11. D-RING INSTALLATION - WITH TOW SLING	518
FIGURE 9-12. DOLLIES INSTALLATION (SN 0230004217 through 0230007747)	520
FIGURE 9-13. DOLLIES INSTALLATION (SN 0230007748 through 0230015583, Except SN 0230010924 through 0230010930, Except SN 023001121 through 023001129, Except SN 0230011301 through 0230011319, Except SN 0230011491 through 0230011510, Excluding 0230010532, 0230011032 and 0230011078)	522
FIGURE 9-14. DOLLIES ASSEMBLY (SN 0230004217 through 0230007747)	524
FIGURE 9-15. DOLLIES ASSEMBLY (SN 0230007748 through 0230015583, Except SN 0230010924 through 0230010930, Except SN 023001121 through 023001129, Except SN 0230011301 through 0230011319, Except SN 0230011491 through 0230011510, Excluding 0230010532, 0230011032 and 0230011078)	526
FIGURE 9-16. FIRE EXTINGUISHER	528
FIGURE 9-17. FUEL CAN STORAGE TRAY INSTALLATION	530

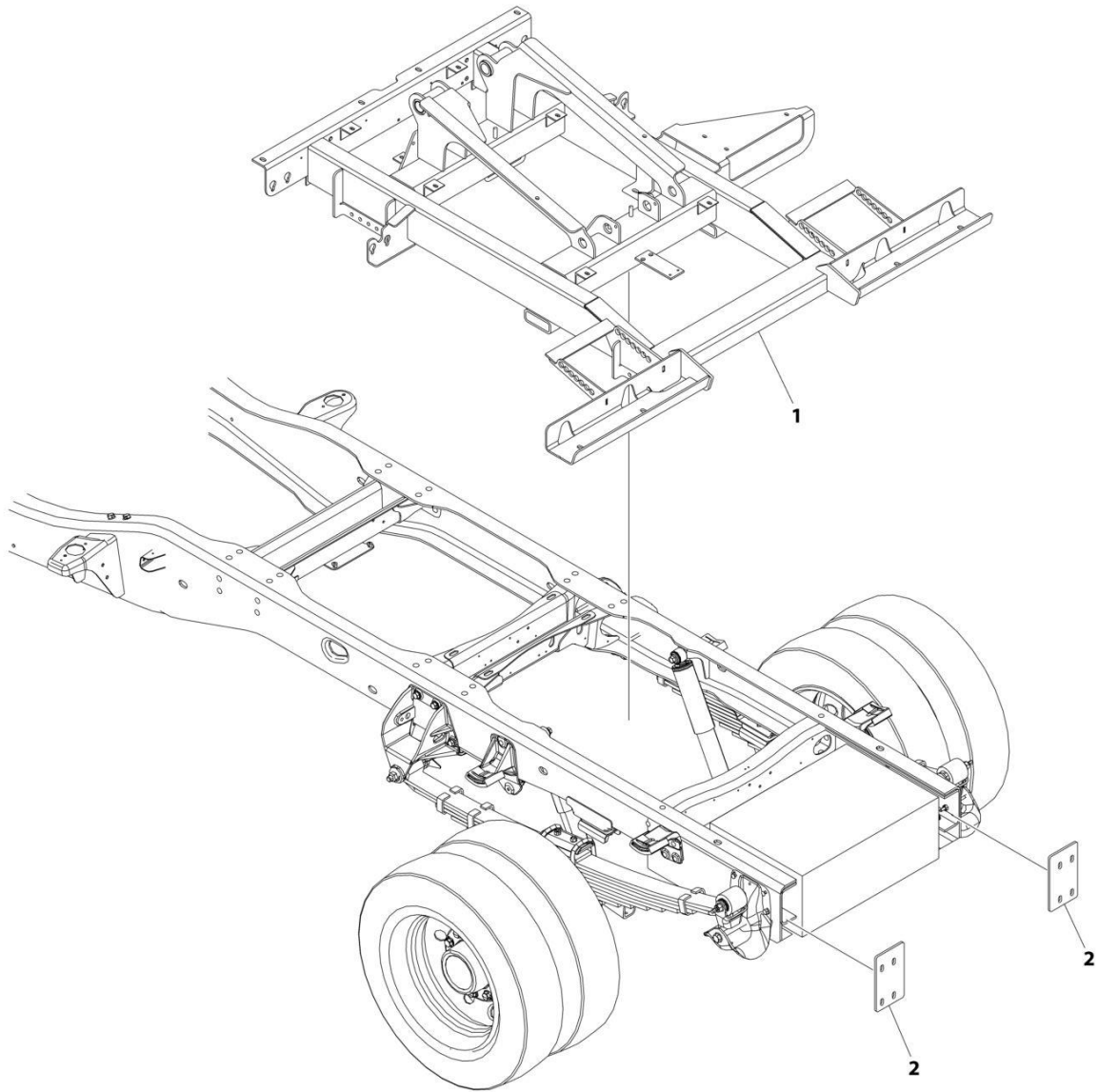
TABLE OF CONTENTS

FIGURE 9-18. MOTORCYCLE TOW ADAPTER INSTALLATION.....	532
FIGURE 9-19. MUDFLAPS INSTALLATION (CUSTOMER SUPPLIED)	534
FIGURE 9-20. MUDFLAPS INSTALLATION (FACTORY SUPPLIED).....	536
FIGURE 9-21. RECOVERY SHEAVE INSTALLATION (LOW ANGLE)	538
FIGURE 9-22. SAFETY TRIANGLE KIT	540
FIGURE 9-23. SPADE FOOT ATTACHMENT	542
FIGURE 9-24. TOW BALL - 1-7/8IN.....	544
FIGURE 9-25. TOW BALL - 2IN.....	546
FIGURE 9-26. TOW BALL - 2-5/16IN.....	548
FIGURE 9-27. TOW BALL INSTALLATION – FIFTH WHEEL/GOOSENECK COMBINATION	550
FIGURE 9-28. TOW BALL INSTALLATION - FIFTH WHEEL	552
FIGURE 9-29. TOW BALL INSTALLATION - GOOSENECK COMBINATION.....	554
FIGURE 9-30. TOW LIGHTS, MAGNETIC (Prior to SN 0230010811).....	556
FIGURE 9-31. TOW LIGHTS, MAGNETIC/SUCTION (Prior to SN 0230010811).....	558
FIGURE 9-32. VALVE STEM EXTENSION KIT	560
FIGURE 9-33. WHEEL CHOCKS.....	562
SECTION 10 - BUILD DOCUMENTS	565
FIGURE 10-1. BUILD DOC_5376000245	566
PART NUMBER INDEX.....	571

SECTION 1 - SUBFRAME

SECTION 1 - SUBFRAME

FIGURE 1-1. SUBFRAME INSTALLATION



ART_1001196295

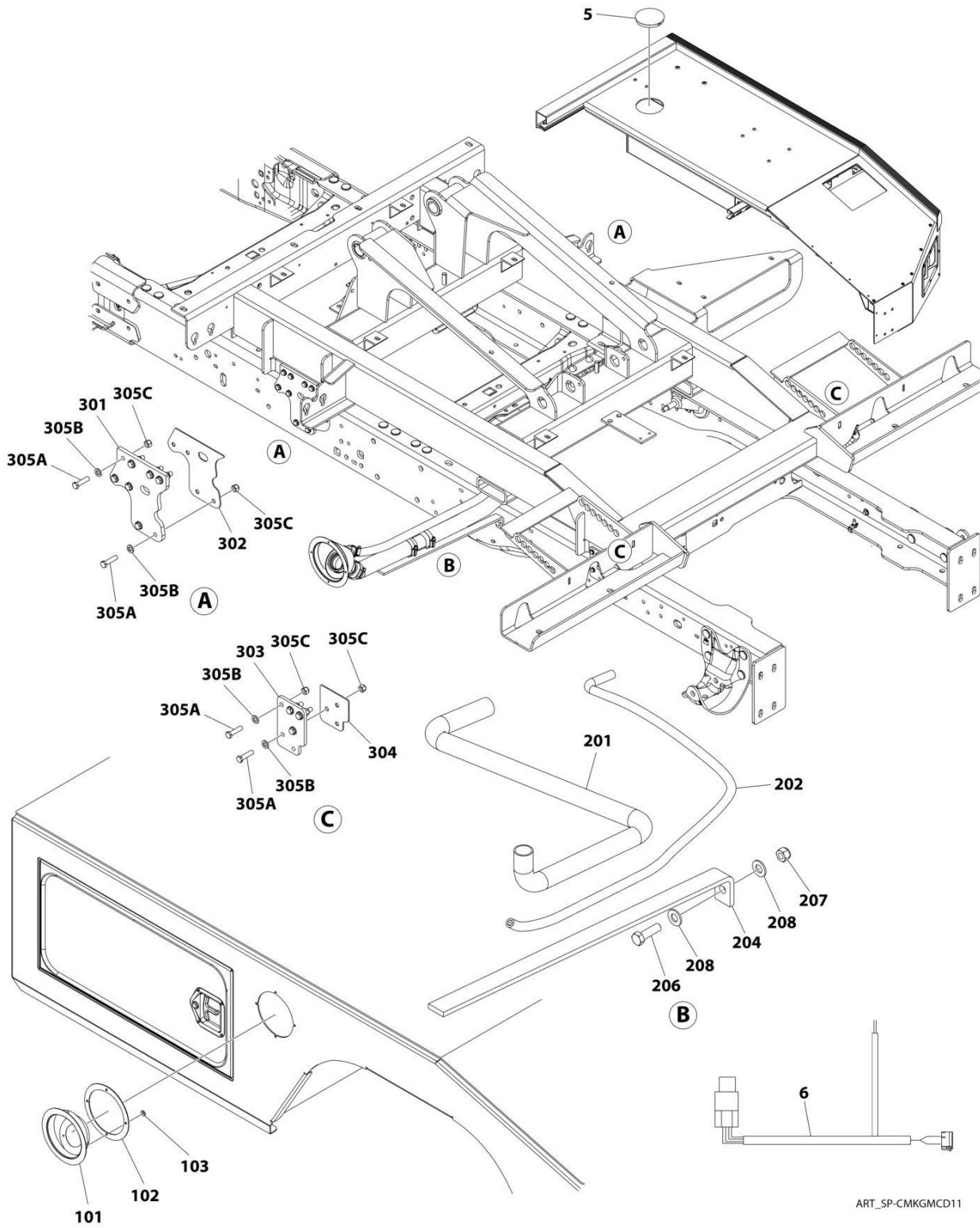
SECTION 1 - SUBFRAME

FIGURE 1-1. SUBFRAME INSTALLATION

ITEM	PART NUMBER	QTY	DESCRIPTION	REV
	1001196295	Ref	SUBFRAME INSTALLATION	B
1	1001196248	1	Subframe	
2	4706004919	2	Plate	

SECTION 1 - SUBFRAME

FIGURE 1-2. CHASSIS MOUNTING KIT - CHEVY/GMC 2011 DIESEL WITH 60IN CA



ART_SP-CMKGCD11

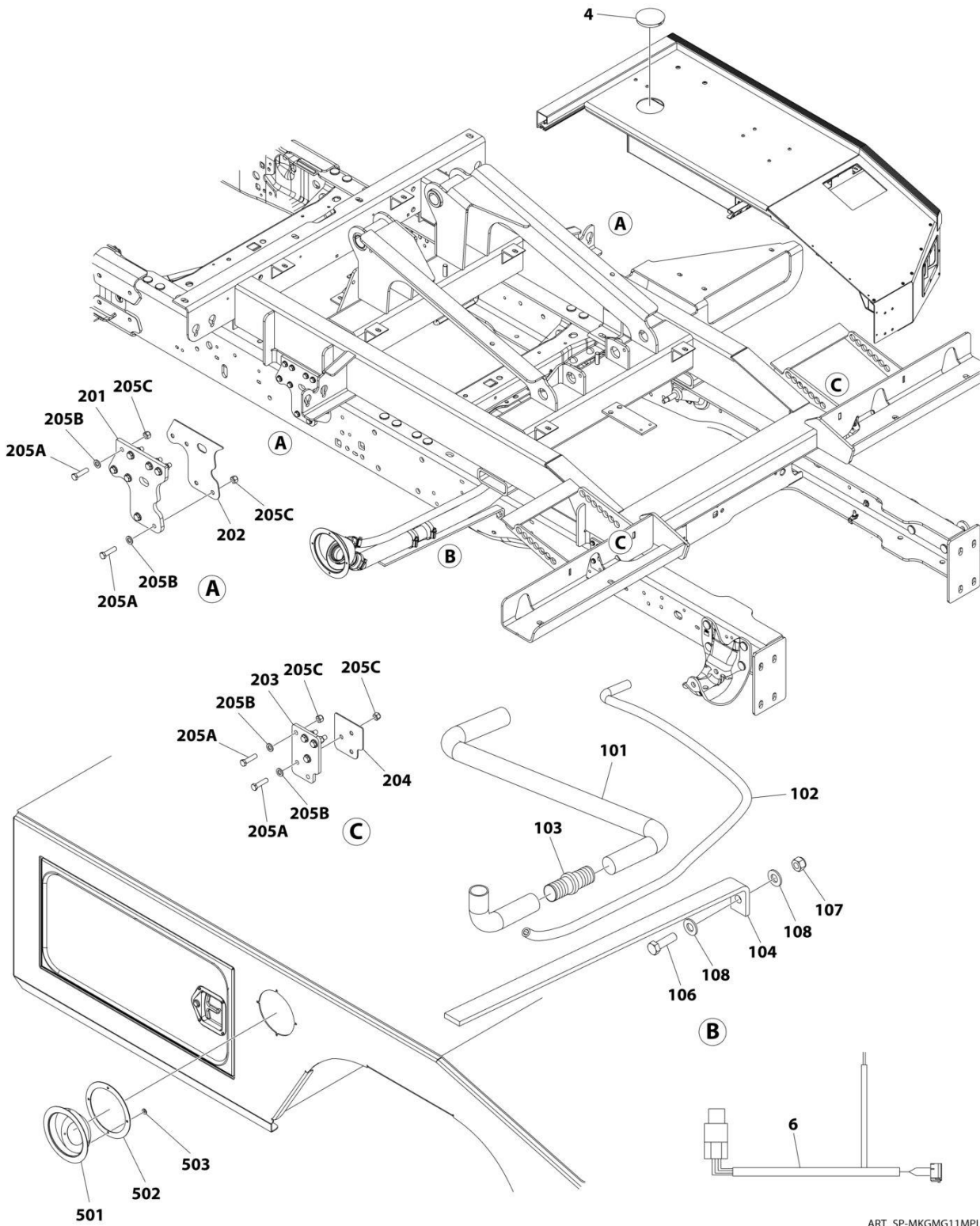
SECTION 1 - SUBFRAME

FIGURE 1-2. CHASSIS MOUNTING KIT - CHEVY/GMC 2011 DIESEL WITH 60IN CA

ITEM	PART NUMBER	QTY	DESCRIPTION	REV
	SP-CMKGMC11	Ref	CHASSIS MOUNTING KIT - CHEVY/GMC 2011 DIESEL WITH 60IN CA	C
1	2178000062	Ref	Bracket Installation (Not Shown) (See Items 101-103 for Breakdown)	
3	2570000174	Ref	Hose Installation (Not Shown) (See Items 201-208 for Breakdown)	
4	1001126235	Ref	Subframe Installation (Not Shown) (See Items 301-306 for Breakdown)	
5	7701000075	1	Plug	
6	3509330132	1	Electric Assembly	
6	4552000410	1	Harness, Back-up Alarm	
	2178000062	Ref	BRACKET INSTALLATION	0
101	7449000019	1	Flange	
102	7796000100	1	Gasket	
103	7950100151	4	Washer 3/16	
	2570000174	Ref	HOSE INSTALLATION	B
201	7570000037	1	Hose	
202	7570000021	1	Hose	
204	4533000415	1	Bracket	
205	5526000553	8	Tie-Strap (Not Shown)	
206	7115161050	1	Bolt 3/8 x 1-1/4	
207	7660162601	1	Nut 3/8	
208	7950160141	2	Washer 3/8	
	1001126235	Ref	SUBFRAME INSTALLATION	0
301	1001126236	2	Plate	
302	4812000141	2	Shim	
303	4706006442	2	Plate Rear	
304	4812000142	2	shim	
305	7577000693	1	Kit-Saddle (Not Shown)	
305A	7115181650	26	Bolt 1/2 x 2	
305B	7950180153	26	Washer 1/2	
305C	7660182601	26	Nut 1/2	
306	7115181250	8	Bolt 1/2 x 1-1/2 (Not Shown)	

SECTION 1 - SUBFRAME

FIGURE 1-3. CHASSIS MOUNTING KIT - CHEVY/GMC 2011 GAS WITH 60IN CA



ART_SP-MKGMG11MPL

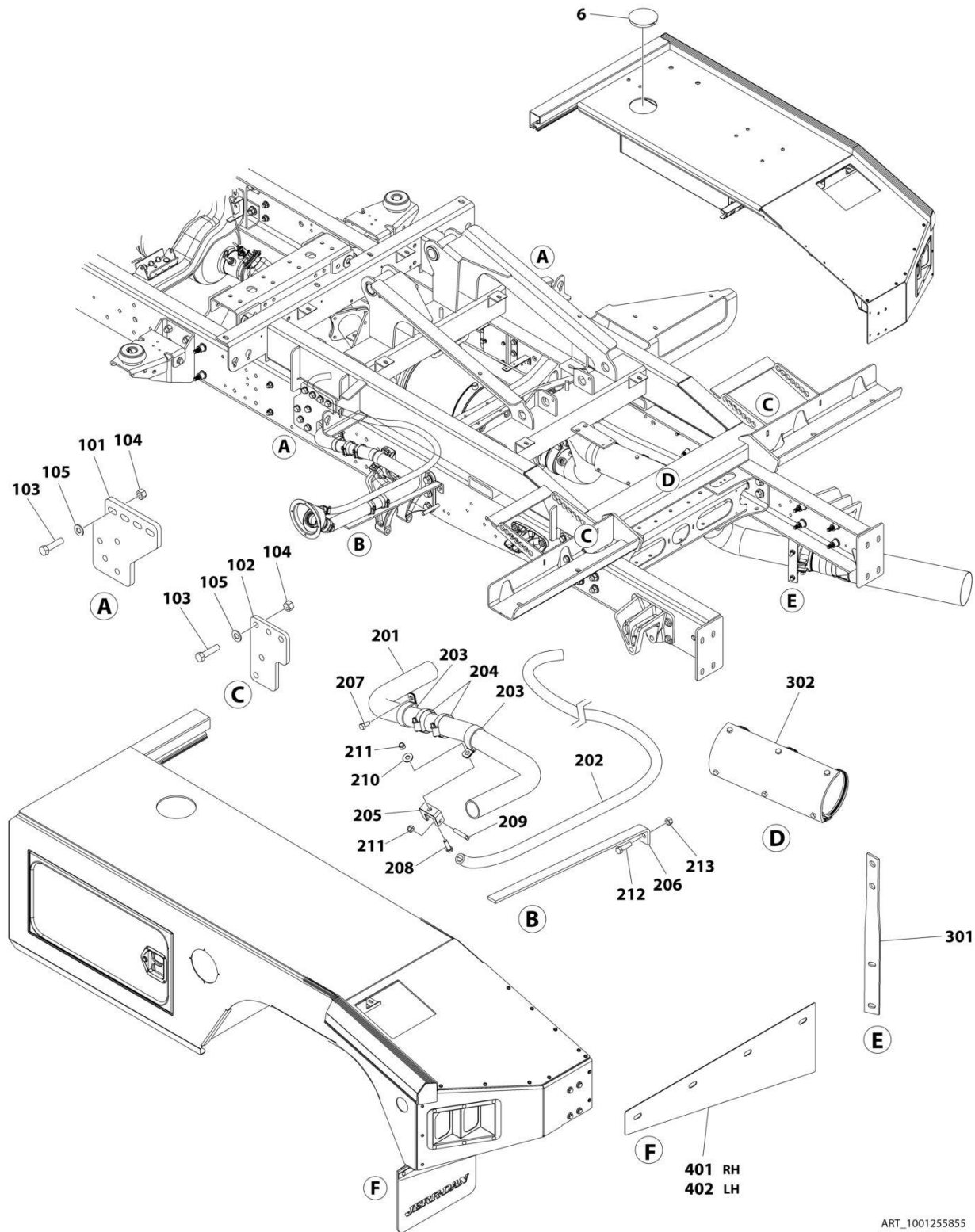
SECTION 1 - SUBFRAME

FIGURE 1-3. CHASSIS MOUNTING KIT - CHEVY/GMC 2011 GAS WITH 60IN CA

ITEM	PART NUMBER	QTY	DESCRIPTION	REV
	SP-MKGMG11MPL	Ref	CHASSIS MOUNTING KIT - CHEVY/GMC 2011 GAS WITH 60IN CA	C
1	2570000170	Ref	Hose Installation (Not Shown) (See Items 101-108 for Breakdown)	
2	1001126235	Ref	Subframe Installation (Not Shown) (See Items 201-206 for Breakdown)	
4	7701000075	1	Plug	
5	2178000062	Ref	Bracket Installation (Not Shown) (See Items 301-303 for Breakdown)	
6	3509330132	1	Electric Assembly	
6	4552000410	1	Harness, Back-up Alarm	
	2570000170	Ref	HOSE INSTALLATION	B
101	7570000028	1	Hose	
102	7570000021	1	Hose	
103	7443000354	1	Fitting	
104	4533000415	1	Bracket	
105	5526000553	1	Tie-Strap (Not Shown)	
106	7115161050	1	Bolt 3/8 x 1-1/4	
107	7660162601	1	Nut 3/8	
108	7950160141	1	Washer 3/8	
	1001126235	Ref	SUBFRAME INSTALLATION	0
201	1001126236	2	Plate	
202	4812000141	2	Shim	
203	4706006442	2	Plate Rear	
204	4812000142	2	shim	
205	7577000693	1	Kit-Saddle (Not Shown)	
205A	7115181650	26	Bolt 1/2 x 2	
205B	7950180153	26	Washer 1/2	
205C	7660182601	26	Nut 1/2	
206	7115181250	8	Bolt 1/2 x 1-1/2 (Not Shown)	
	2178000062	Ref	BRACKET INSTALLATION	0
301	7449000019	1	Flange	
302	7796000100	1	Gasket	
303	7950100151	4	Washer 3/16	

SECTION 1 - SUBFRAME

FIGURE 1-4. CHASSIS MOUNTING KIT - CV515 2019+ WITH 141IN WB



ART_1001255855

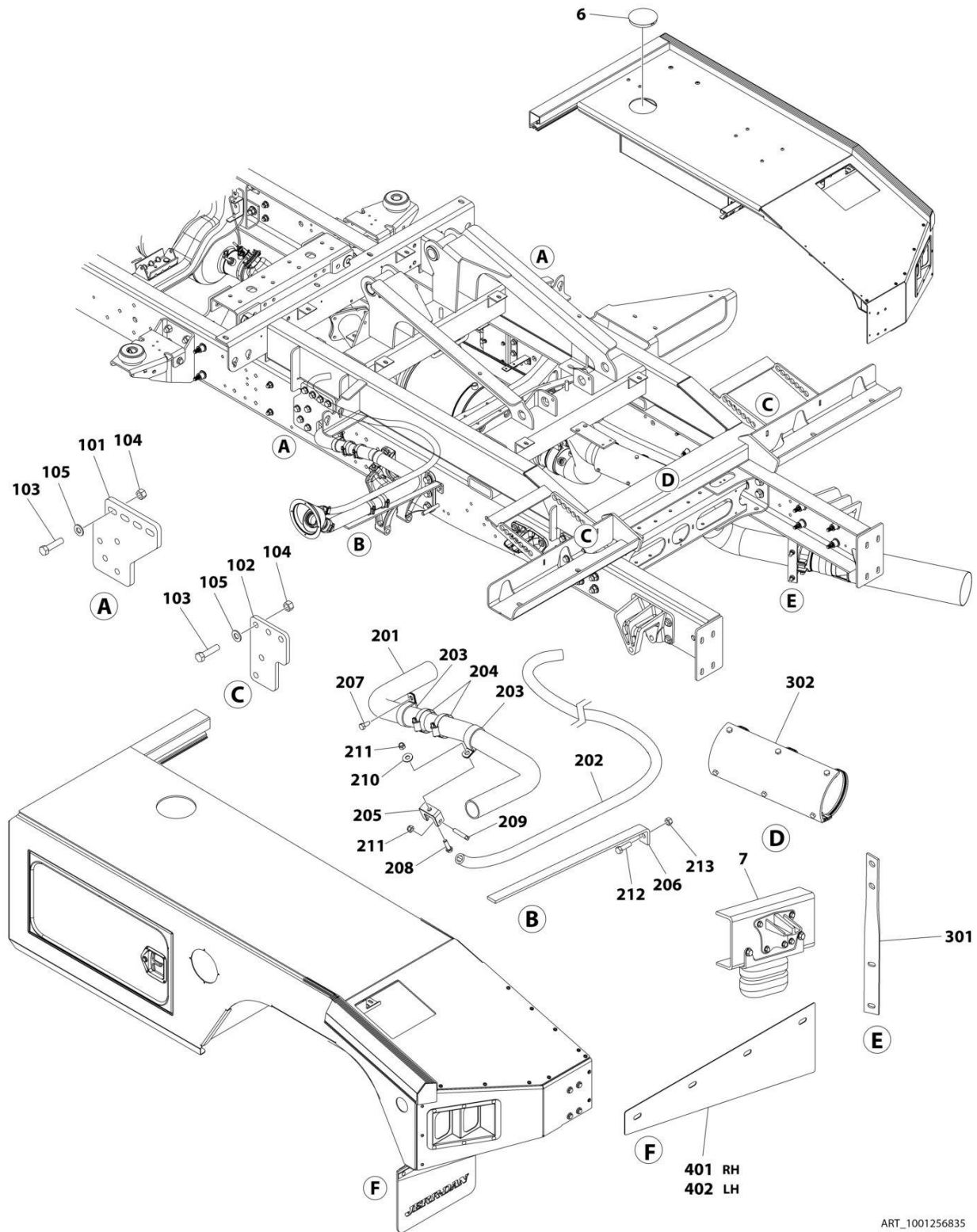
SECTION 1 - SUBFRAME

FIGURE 1-4. CHASSIS MOUNTING KIT - CV515 2019+ WITH 141IN WB

ITEM	PART NUMBER	QTY	DESCRIPTION	REV
1	1001255855	Ref	CHASSIS MOUNTING KIT - CV515 2019+ WITH 141IN WB	A
	1001255858	Ref	Subframe Installation (Not Shown) (See Items 101-106 for Breakdown)	
2	1001256226	Ref	Fuel Filler Installation (Not Shown) (See Items 201-214 for Breakdown)	
3	1001255482	1	Kit, Electrical Connection (Not Shown)	
4	1001255854	Ref	Exhaust Modification Installation (Not Shown) (See Items 301-302 for Breakdown)	
5	1001221651	Ref	Anti-Sail Brackets Installation (Not Shown) (Not Shown) (See Items 401-402 for Breakdown)	
6	7701000075	1	Plug	A
	1001255858	Ref	SUBFRAME INSTALLATION	
101	1001255942	2	Gusset (Not Shown)	
102	1001255943	2	Plate	
103	1001255944	2	Plate	
104	0681816	26	Bolt 1/2 x 2	
105	3271805	26	Nut 1/2	
106	4711800	26	Washer 1/2	
	1001256226	Ref	FUEL FILLER INSTALLATION	A
201	7570000037	1	Hose	
202	1001256269	1	Hose	
203	7274000042	2	Clamp	
204	7274000005	2	Clamp	
205	7274000076	1	Clamp	
206	4533000415	1	Bracket	
207	3941506	1	Tap-Screw	
208	7115151050	1	Bolt 5/16 x 1-1/4	
209	7785152420	1	Screw 5/16 x 1-1/2	
210	7950150161	1	Washer 5/16	
211	7660152601	2	Nut 5/16	
212	0641610	1	Bolt 3/8 x 1-1/4	
213	3271605	1	Nut 3/8	
214	7894000004	6	Tie-Strap (Not Shown)	
	1001255854	Ref	EXHAUST INSTALLATION	A
301	1001255844	1	Bracket	
302	1001256168	1	Exhaust Shield	
	1001221651	Ref	ANTI-SAIL BRACKETS INSTALLATION	A
401	1001221652	1	Bracket, RH	
402	1001221653	1	Bracket, LH	

SECTION 1 - SUBFRAME

FIGURE 1-5. CHASSIS MOUNTING KIT - CV515 2019+ WITH 165IN WB



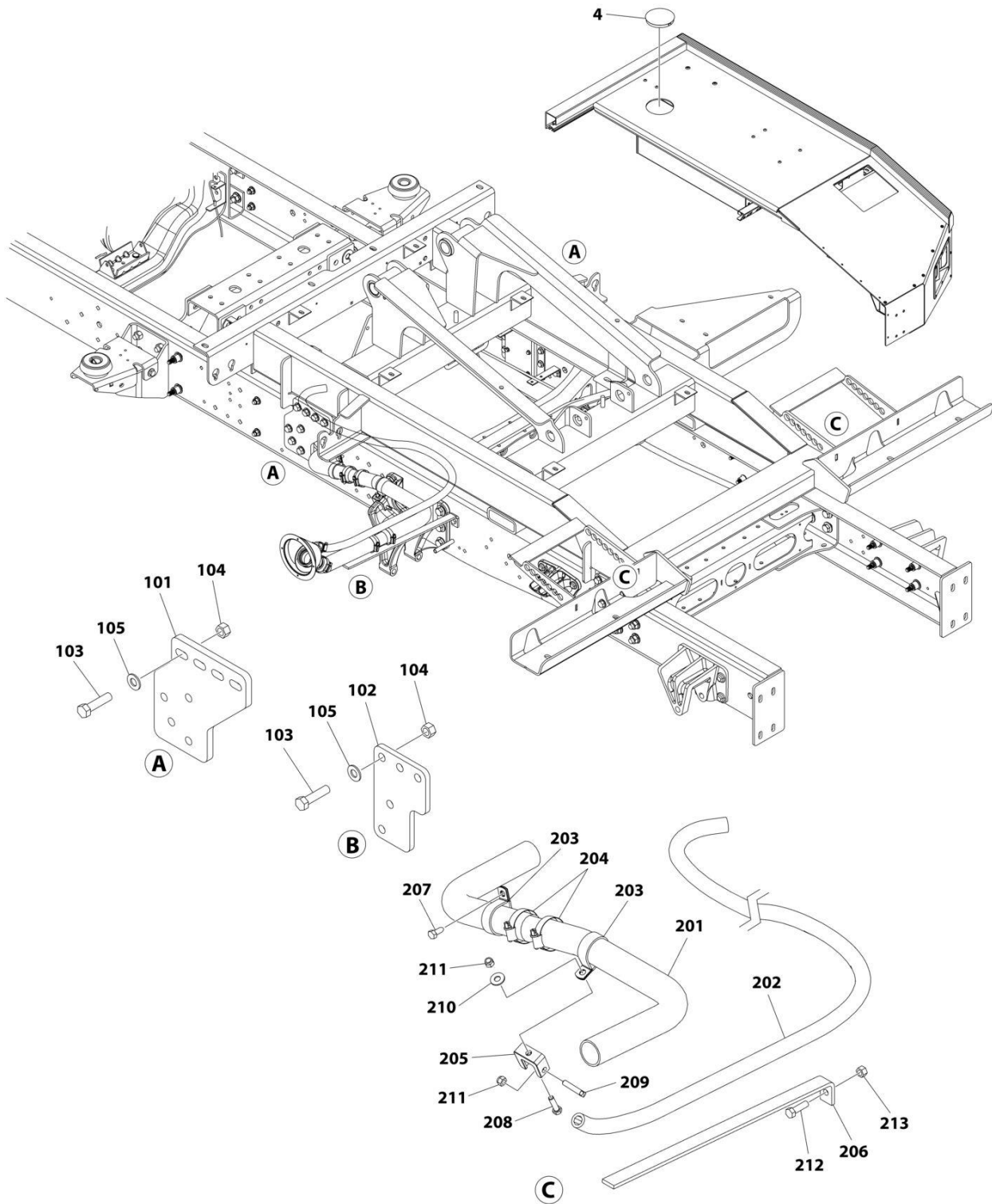
SECTION 1 - SUBFRAME

FIGURE 1-5. CHASSIS MOUNTING KIT - CV515 2019+ WITH 165IN WB

ITEM	PART NUMBER	QTY	DESCRIPTION	REV
	1001256835	Ref	CHASSIS MOUNTING KIT - CV515 2019+ WITH 141IN WB WITH TIMBRENS	A
1	1001255858	Ref	Subframe Installation (Not Shown) (See Items 101-106 for Breakdown)	
2	1001256226	Ref	Fuel Filler Installation (Not Shown) (See Items 201-214 for Breakdown)	
3	1001255482	1	Kit, Electrical Connection (Not Shown)	
4	1001255854	Ref	Exhaust Modification Installation (Not Shown) (See Items 301-302 for Breakdown)	
5	1001221651	Ref	Anti-Sail Brackets Installation (Not Shown) (Not Shown) (See Items 401-402 for Breakdown)	
6	7701000075	1	Plug	
7	1001256789	1	Rear Suspension	
	1001255858	Ref	SUBFRAME INSTALLATION	A
101	1001255942	2	Gusset (Not Shown)	
102	1001255943	2	Plate	
103	1001255944	2	Plate	
104	0681816	26	Bolt 1/2 x 2	
105	3271805	26	Nut 1/2	
106	4711800	26	Washer 1/2	
	1001256226	Ref	FUEL FILLER INSTALLATION	A
201	7570000037	1	Hose	
202	1001256269	1	Hose	
203	7274000042	2	Clamp	
204	7274000005	2	Clamp	
205	7274000076	1	Clamp	
206	4533000415	1	Bracket	
207	3941506	1	Tap-Screw	
208	7115151050	1	Bolt 5/16 x 1-1/4	
209	7785152420	1	Screw 5/16 x 1-1/2	
210	7950150161	1	Washer 5/16	
211	7660152601	2	Nut 5/16	
212	0641610	1	Bolt 3/8 x 1-1/4	
213	3271605	1	Nut 3/8	
214	7894000004	6	Tie-Strap (Not Shown)	
	1001255854	Ref	EXHAUST INSTALLATION	A
301	1001255844	1	Bracket	
302	1001256168	1	Exhaust Shield	
	1001221651	Ref	ANTI-SAIL BRACKETS INSTALLATION	A
401	1001221652	1	Bracket, RH	
402	1001221653	1	Bracket, LH	

SECTION 1 - SUBFRAME

FIGURE 1-6. CHASSIS MOUNTING KIT - CV515 2019+ WITH 141IN WB WITH TIMBRENS



ART_1001255856

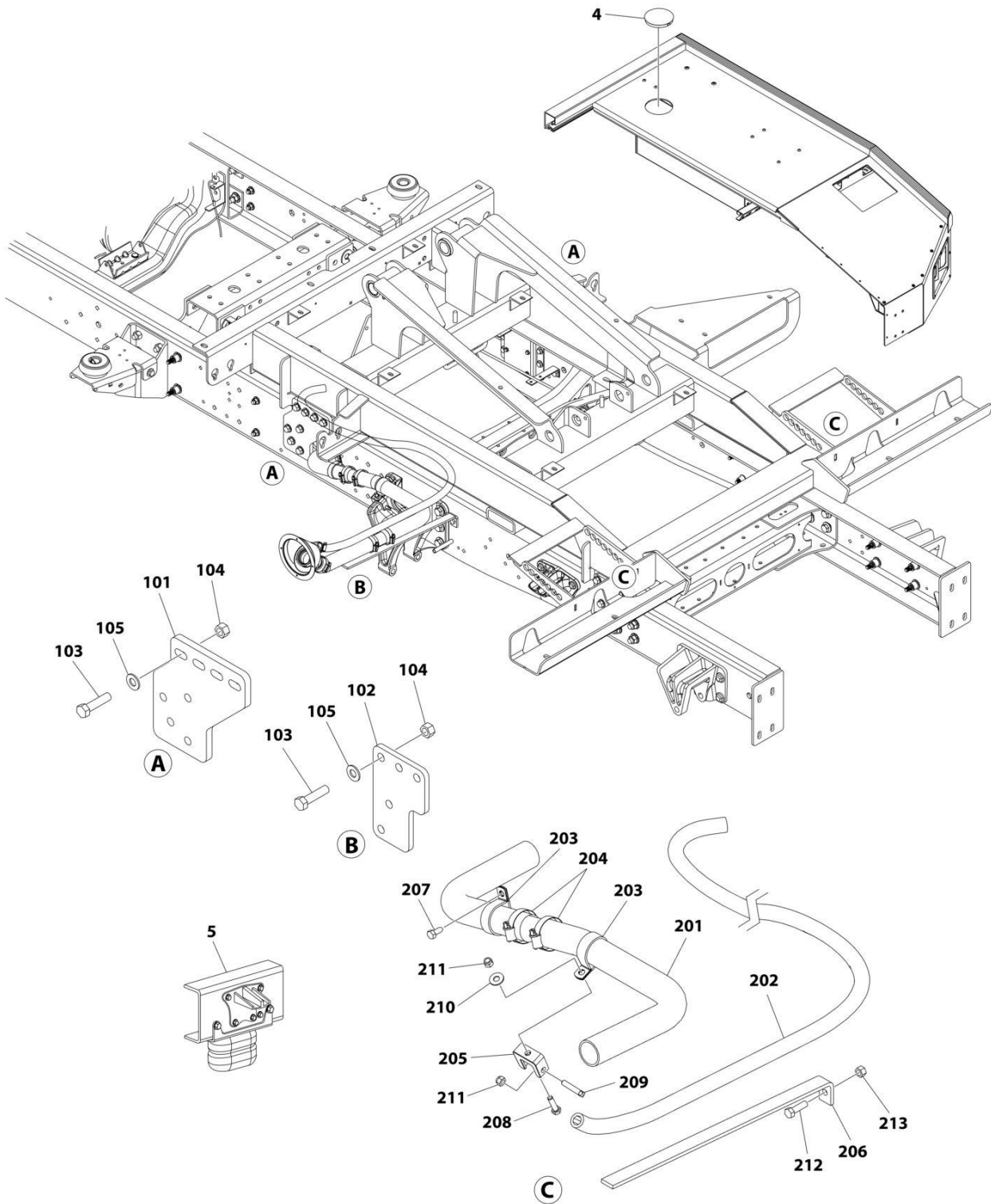
SECTION 1 - SUBFRAME

FIGURE 1-6. CHASSIS MOUNTING KIT - CV515 2019+ WITH 141IN WB WITH TIMBRENS

ITEM	PART NUMBER	QTY	DESCRIPTION	REV
1	1001255856	Ref	CHASSIS MOUNTING KIT - CV515 2019+ WITH 165IN WB	A
	1001255858	Ref	Subframe Installation (Not Shown) (See Items 101-106 for Breakdown)	
2	1001256226	Ref	Fuel Filler Installation (Not Shown) (See Items 201-214 for Breakdown)	
3	1001255482	1	Kit, Electrical Connection (Not Shown)	
6	7701000075	1	Plug	A
	1001255858	Ref	SUBFRAME INSTALLATION	
101	1001255942	2	Gusset (Not Shown)	
102	1001255943	2	Plate	
103	1001255944	2	Plate	
104	0681816	26	Bolt 1/2 x 2	
105	3271805	26	Nut 1/2	
106	4711800	26	Washer 1/2	A
	1001256226	Ref	FUEL FILLER INSTALLATION	
201	7570000037	1	Hose	
202	1001256269	1	Hose	
203	7274000042	2	Clamp	
204	7274000005	2	Clamp	
205	7274000076	1	Clamp	
206	4533000415	1	Bracket	
207	3941506	1	Tap-Screw	
208	7115151050	1	Bolt 5/16 x 1-1/4	
209	7785152420	1	Screw 5/16 x 1-1/2	
210	7950150161	1	Washer 5/16	
211	7660152601	2	Nut 5/16	
212	0641610	1	Bolt 3/8 x 1-1/4	
213	3271605	1	Nut 3/8	
214	7894000004	6	Tie-Strap (Not Shown)	

SECTION 1 - SUBFRAME

FIGURE 1-7. CHASSIS MOUNTING KIT - CV515 2019+ WITH 165IN WB WITH TIMBRENS



ART_1001256836

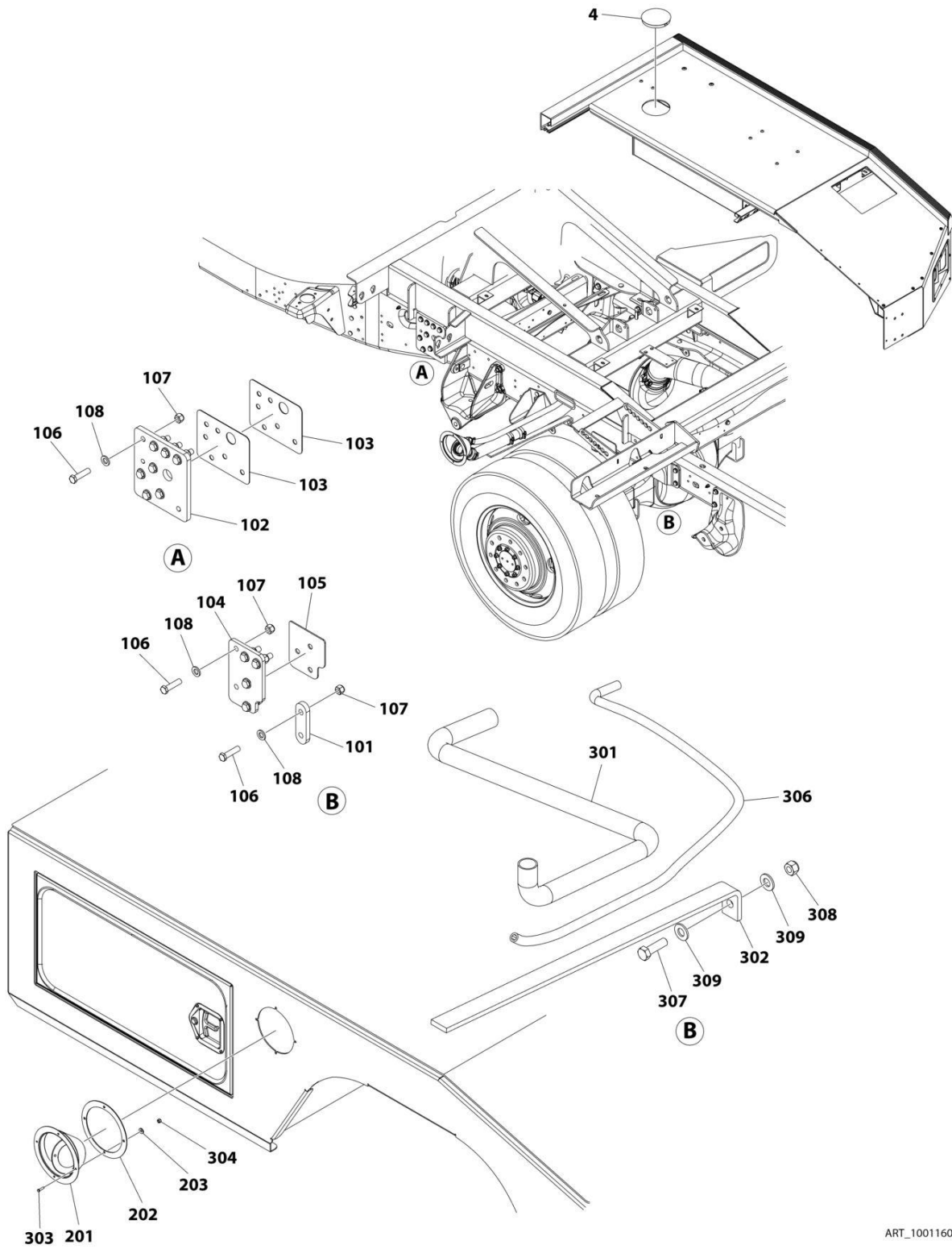
SECTION 1 - SUBFRAME

FIGURE 1-7. CHASSIS MOUNTING KIT - CV515 2019+ WITH 165IN WB WITH TIMBRENS

ITEM	PART NUMBER	QTY	DESCRIPTION	REV
	1001256836	Ref	CHASSIS MOUNTING KIT - CV515 2019 + WITH 165IN WB WITH TIMBRENS	A
1	1001255858	Ref	Subframe Installation (Not Shown) (See Items 101-106 for Breakdown)	
2	1001256226	Ref	Fuel Filler Installation (Not Shown) (See Items 201-214 for Breakdown)	
3	1001255482	1	Kit, Electrical Connection (Not Shown)	
6	7701000075	1	Plug	
7	1001256789	1	Rear Suspension Installation (Not Shown)	
7	1001256801	1	Spring, Timbren	
	1001255858	Ref	SUBFRAME INSTALLATION	A
101	1001255942	2	Gusset (Not Shown)	
102	1001255943	2	Plate	
103	1001255944	2	Plate	
104	0681816	26	Bolt 1/2 x 2	
105	3271805	26	Nut 1/2	
106	4711800	26	Washer 1/2	
	1001256226	Ref	FUEL FILLER INSTALLATION	A
201	7570000037	1	Hose	
202	1001256269	1	Hose	
203	7274000042	2	Clamp	
204	7274000005	2	Clamp	
205	7274000076	1	Clamp	
206	4533000415	1	Bracket	
207	3941506	1	Tap-Screw	
208	7115151050	1	Bolt 5/16 x 1-1/4	
209	7785152420	1	Screw 5/16 x 1-1/2	
210	7950150161	1	Washer 5/16	
211	7660152601	2	Nut 5/16	
212	0641610	1	Bolt 3/8 x 1-1/4	
213	3271605	1	Nut 3/8	
214	7894000004	6	Tie-Strap (Not Shown)	

SECTION 1 - SUBFRAME

FIGURE 1-8. CHASSIS MOUNTING KIT - DODGE 2013+ WITH 60IN CA



ART_1001160904

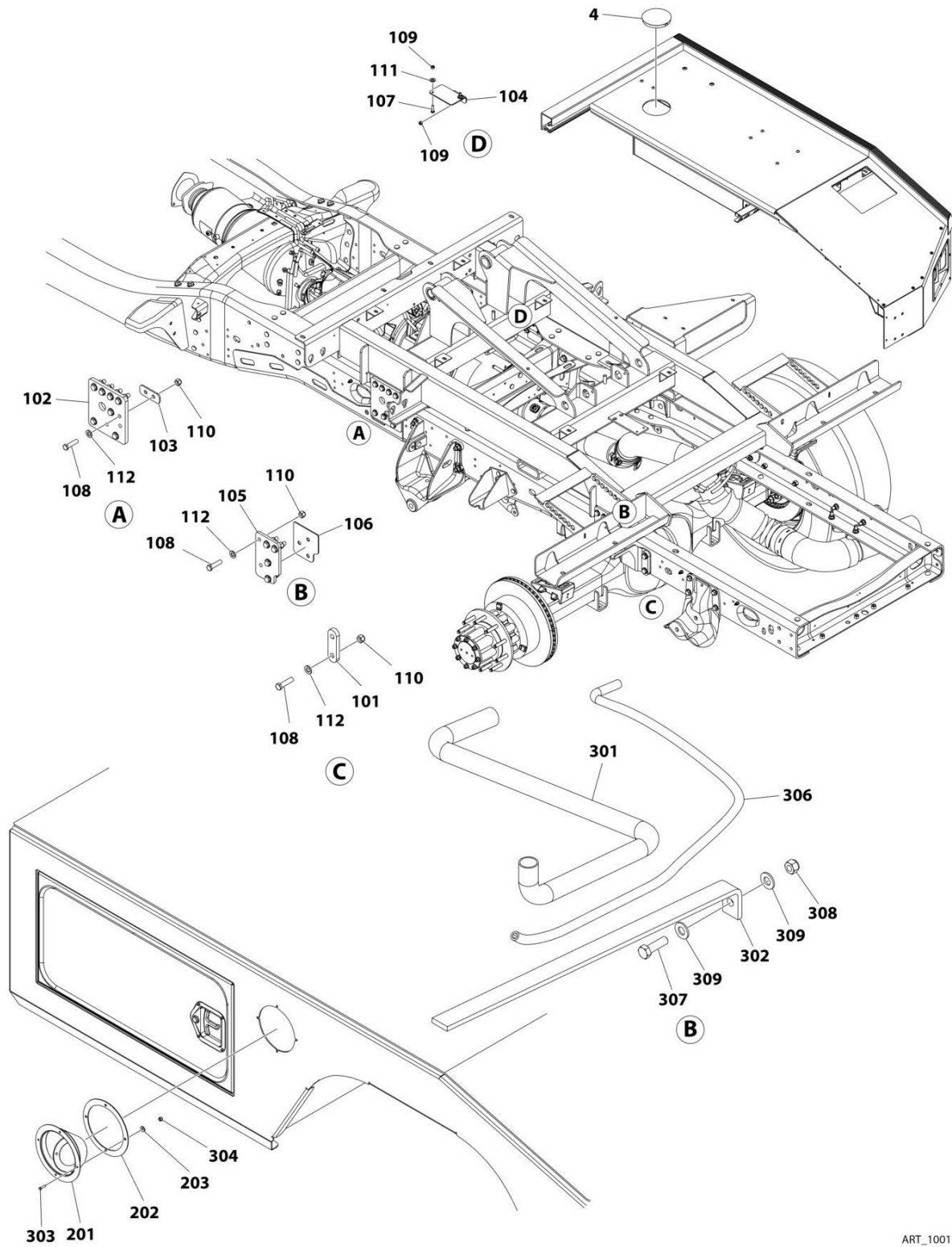
SECTION 1 - SUBFRAME

FIGURE 1-8. CHASSIS MOUNTING KIT - DODGE 2013+ WITH 60IN CA

ITEM	PART NUMBER	QTY	DESCRIPTION	REV
	1001160904	Ref	CHASSIS MOUNTING KIT - DODGE 2013+ WITH 60IN CA	A
1	1001160833	Ref	Dodge Subframe Installation (Not Shown) (See Items 101-108 for Breakdown)	
2	2178000062	Ref	Bracket Installation (Not Shown) (See Items 201-203 for Breakdown)	
3	2570000157	Ref	Hose Installation (Not Shown) (See Items 301-308 for Breakdown)	
4	7701000075	1	Plug	
	1001160833	Ref	DODGE SUBFRAME INSTALLATION	B
101	1001160779	2	Shim	
102	1001160831	2	Plate	
103	1001160988	4	Shim	
104	4706006442	2	Plate	
105	4812000142	2	Shim	
106	7115181650	30	Bolt 1/2 x 2	
107	7660182601	30	Nut 1/2	
108	7950180153	30	Washer 1/2	
	2178000062	Ref	BRACKET INSTALLATION	0
201	7449000019	1	Flange	
202	7796000100	1	Gasket	
203	7950100151	4	Washer 3/16	
	2570000157	Ref	HOSE INSTALLATION	A
301	7570000037	1	Hose	
302	4533000415	1	Gas Filler Bracket	
303	7114100610	4	Screw #10 x 1	
304	7660102604	4	Nut #10	
305	5526000553	8	Tie-Strap (Not Shown)	
306	7570000036	AR	Hose Fuel Vent	
307	7115161050	1	Bolt 3/8 x 1-1/4	
308	7660162601	1	Nut 3/8	
309	7950160141	2	Washer 3/8	

SECTION 1 - SUBFRAME

FIGURE 1-9. CHASSIS MOUNTING KIT - DODGE 2013+ WITH 84IN CA



ART_1001160905

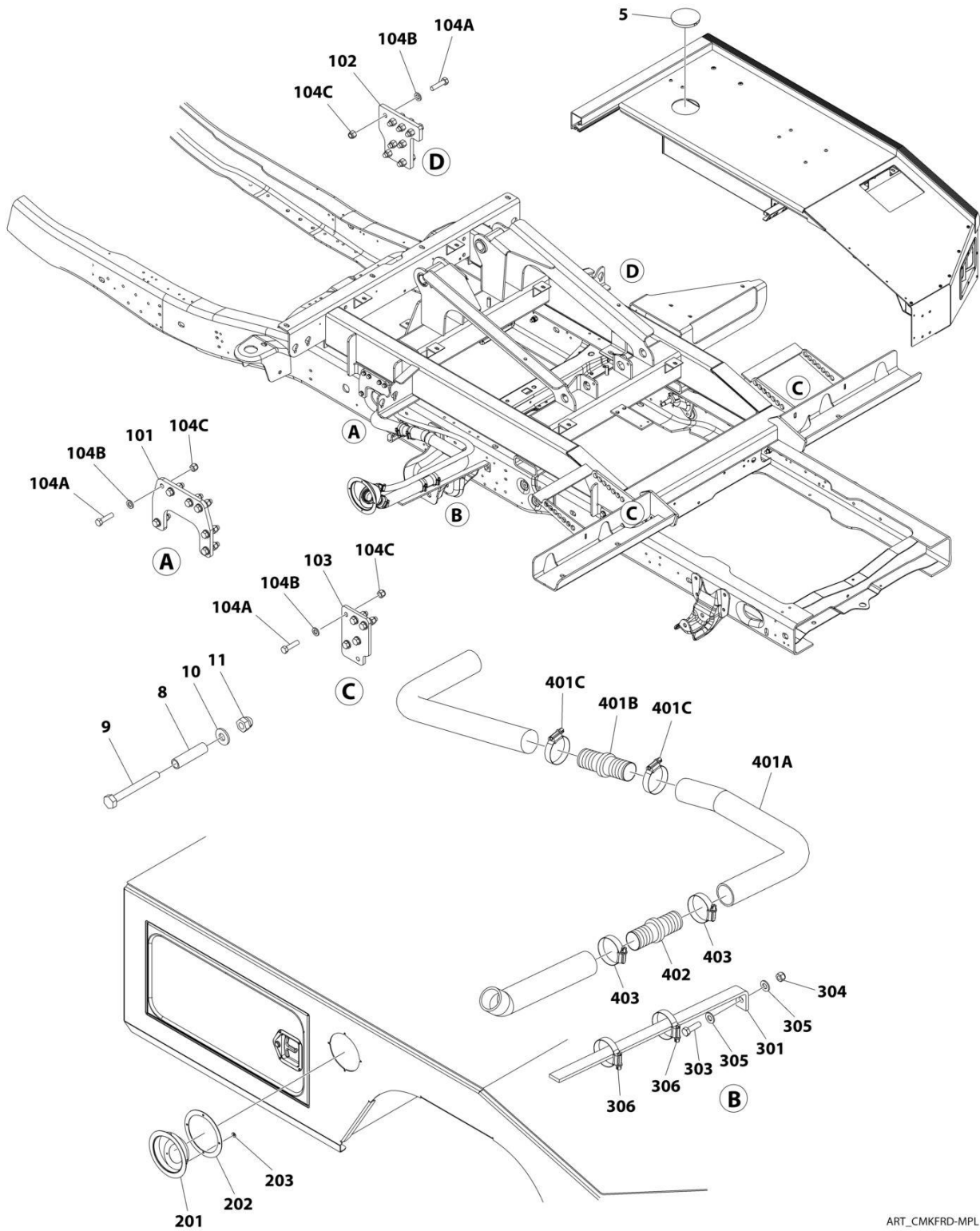
SECTION 1 - SUBFRAME

FIGURE 1-9. CHASSIS MOUNTING KIT - DODGE 2013+ WITH 84IN CA

ITEM	PART NUMBER	QTY	DESCRIPTION	REV
	1001160905	Ref	CHASSIS MOUNTING KIT - DODGE 2013+ WITH 84IN CA	A
1	1001160834	Ref	Dodge Subframe Installation (Not Shown) (See Items 101-112 for Breakdown)	
2	2178000062	Ref	Bracket Installation (Not Shown) (See Items 201-203 for Breakdown)	
3	2570000157	Ref	Hose Installation (Not Shown) (See Items 301-309 for Breakdown)	
4	7701000075	1	Plug	
	1001160834	Ref	DODGE SUBFRAME INSTALLATION	B
101	1001160779	2	Shim	
102	1001160831	2	Plate	
103	1001160835	2	Shim	
104	1001160919	1	Bracket	
105	4706006442	2	Plate	
106	4812000142	2	Shim	
107	7115140850	2	Bolt 1/4 x 1	
108	7115181650	30	Bolt 1/2 x 2	
109	7660142601	3	Nut 1/4	
110	7660182601	30	Nut 1/2	
111	7950140153	2	Washer 1/4	
112	7950180153	30	Washer 1/2	
	2178000062	Ref	BRACKET INSTALLATION	0
201	7449000019	1	Flange	
202	7796000100	1	Gasket	
203	7950100151	4	Washer 3/16	
	2570000157	Ref	HOSE INSTALLATION	A
301	7570000037	1	Hose	
302	4533000415	1	Gas Filler Bracket	
303	7114100610	4	Screw #10 x 1	
304	7660102604	4	Nut #10	
305	5526000553	8	Tie-Strap (Not Shown)	
306	7570000036	AR	Hose Fuel Vent	
307	7115161050	1	Bolt 3/8 x 1-1/4	
308	7660162601	1	Nut 3/8	
309	7950160141	2	Washer 3/8	

SECTION 1 - SUBFRAME

FIGURE 1-10. CHASSIS MOUNTING KIT - FORD DIESEL - 2010 WITH 60IN CA



ART_CMKFRD-MPL

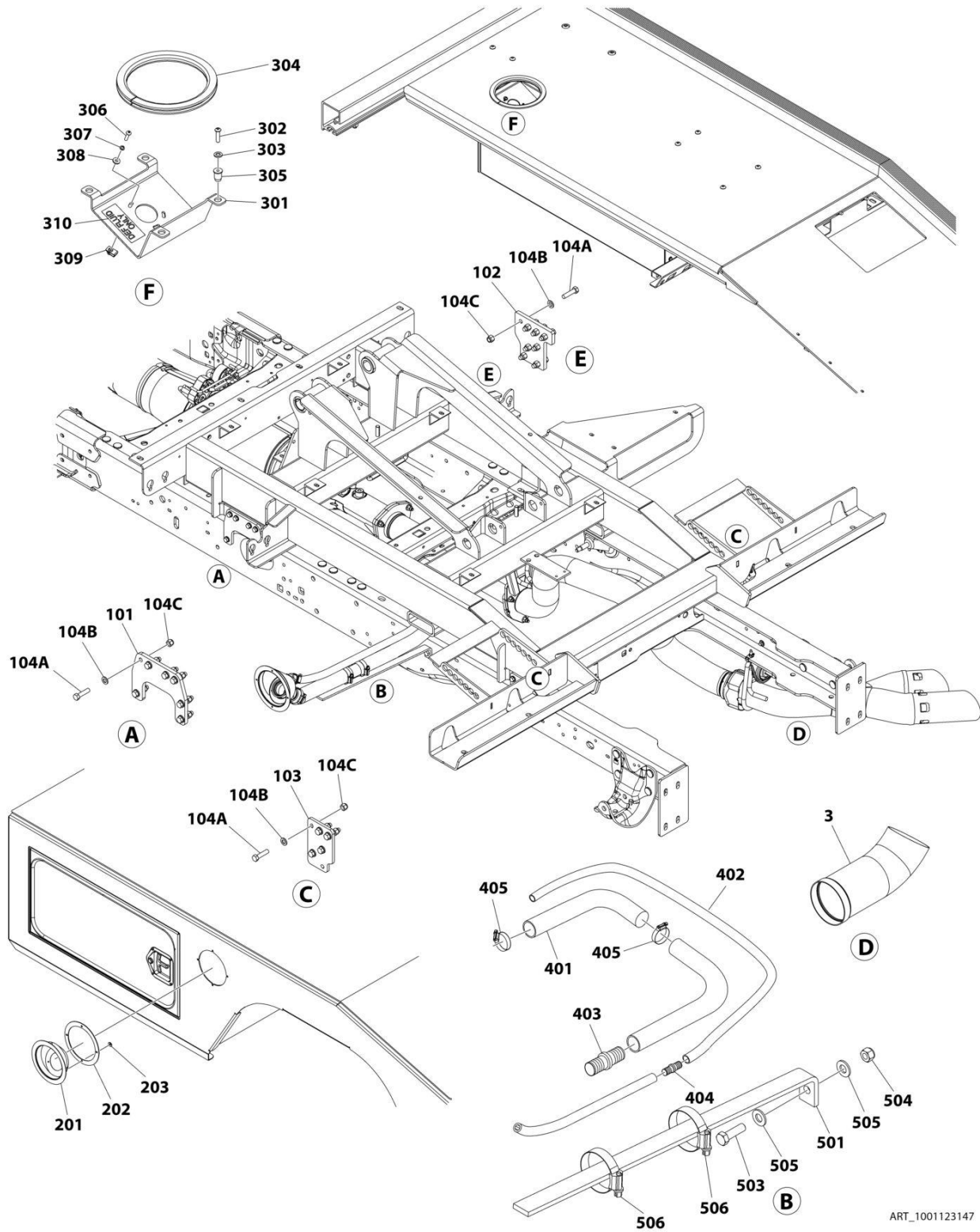
SECTION 1 - SUBFRAME

FIGURE 1-10. CHASSIS MOUNTING KIT - FORD DIESEL - 2010 WITH 60IN CA

ITEM	PART NUMBER	QTY	DESCRIPTION	REV
	CMKFRD-MPL	Ref	CHASSIS MOUNTING KIT - FORD DIESEL - 2010 WITH 60IN CA	E
1	1001137356	Ref	Ford Subframe Installation (Not Shown) (See Items 101-104 for Breakdown)	
3	2178000062	Ref	Bracket Installation (Not Shown) (See Items 201-203 for Breakdown)	
4	2570000171	Ref	Fuel Filler Support (Not Shown) (See Items 301-306 for Breakdown)	
5	7701000075	1	Plug	
7	1001141340	Ref	Hose Installation (Not Shown) (See Items 401-403 for Breakdown)	
8	1001175876	1	Tube	
9	7115152650	1	Capscrew 5-16 x 3-1/4	
10	7950150161	1	Washer 5/16	
11	7660152601	1	Nut 5/16	
	1001137356	Ref	FORD SUBFRAME INSTALLATION	A
101	4706005896	1	Plate	
102	4706006415	1	Plate	
103	4706006442	2	Plate	
104	7577000693	1	Kit, Saddle Bolts (Not Shown)	
104A	7115181650	26	Bolt 1/2 x 2	
104B	7950180153	26	Washer 1/2	
104C	7660182601	26	Nut 1/2	
	2178000062	Ref	BRACKET INSTALLATION	0
201	7449000019	1	Flange	
202	7796000100	1	Gasket	
203	7950100151	4	Washer 3/16	
	2570000171	Ref	FUEL FILLER SUPPORT	A
301	4533000415	1	Gas Filler Bracket	
302	5526000553	8	Tie-Strap (Not Shown)	
303	7115161050	1	Bolt 3/8 x 1-1/4	
304	7660162601	1	Nut 3/8	
305	7950160141	2	Washer 3/8	
306	7274000005	2	Clamp	
	1001141340	Ref	HOSE INSTALLATION	A
401	1001141411	1	Hose Fuel Fill (Not Shown)	
401A	7570000037	1	Hose	
401B	7443000482	1	Fitting	
401C	7274000005	2	Clamp	
402	7443000482	1	Fitting	
403	7274000005	2	Clamp	

SECTION 1 - SUBFRAME

FIGURE 1-11. CHASSIS MOUNTING KIT - FORD DIESEL 2011-2016 WITH 60IN CA



ART_1001123147

SECTION 1 - SUBFRAME

FIGURE 1-11. CHASSIS MOUNTING KIT - FORD DIESEL 2011-2016 WITH 60IN CA

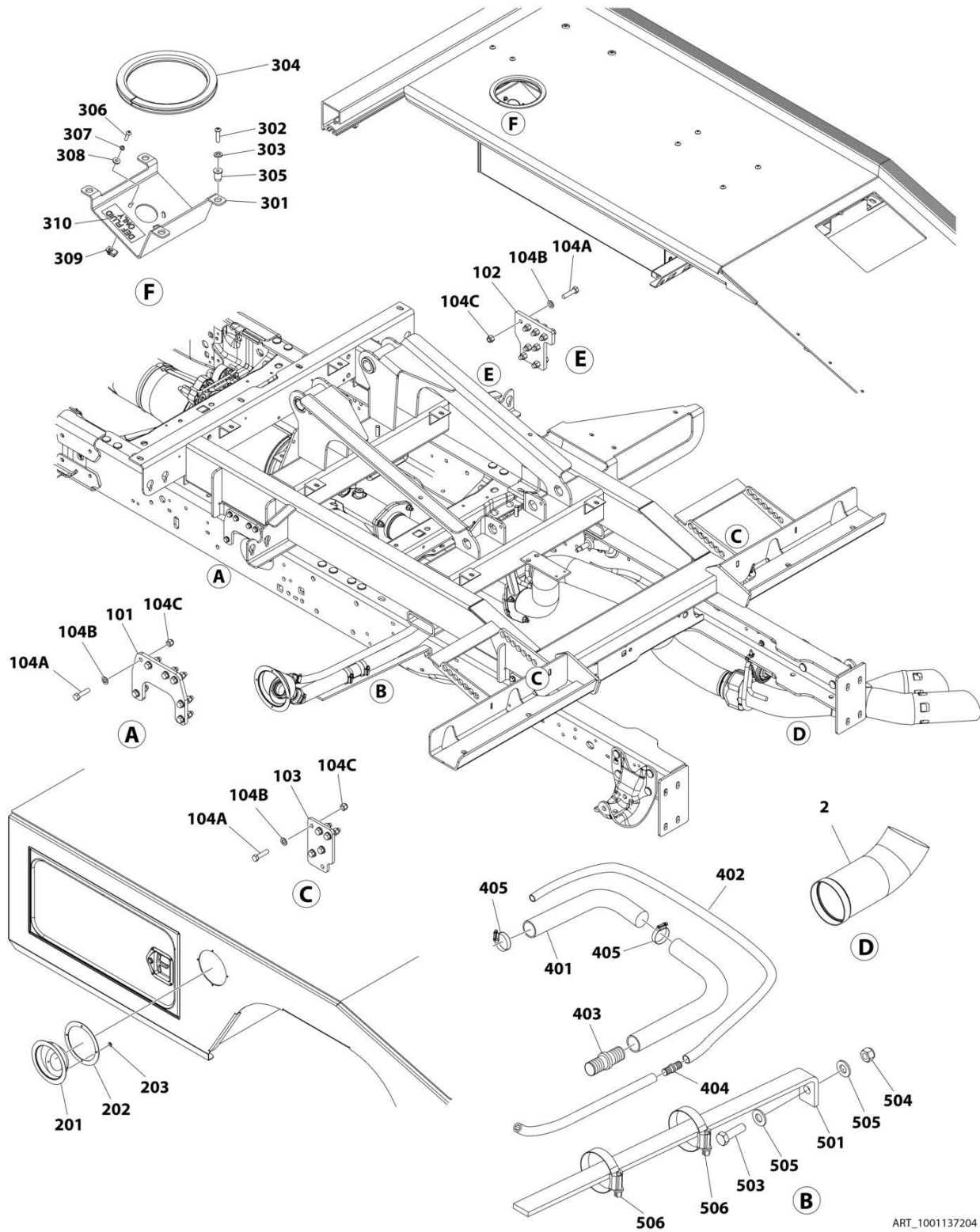
ITEM	PART NUMBER	QTY	DESCRIPTION	REV
	1001123147	Ref	CHASSIS MOUNTING KIT - FORD DIESEL 2011-2016 WITH 60IN CA	D
1	1001137356	Ref	Ford Subframe Installation (Not Shown) (See Items 101-104 for Breakdown)	
3	3509350118	1	Exhaust Alteration	
3	7696000069	1	Pipe	
5	2178000062	Ref	Bracket Installation (Not Shown) (See Items 201-203 for Breakdown)	
6	2509350151	Ref	Flange Installation (Not Shown) (See Items 301-310 for Breakdown)	
7	2570000173	Ref	Hose Installation (Not Shown) (See Items 401-405 for Breakdown)	
9	2570000171	Ref	Fuel Filler Support (Not Shown) (See Items 501-506 for Breakdown)	
	1001137356	Ref	FORD SUBFRAME INSTALLATION	A
101	4706005896	1	Plate	
102	4706006415	1	Plate	
103	4706006442	2	Plate	
104	7577000693	1	Kit, Saddle Bolts (Not Shown)	
104A	7115181650	26	Bolt 1/2 x 2	
104B	7950180153	26	Washer 1/2	
104C	7660182601	26	Nut 1/2	
	2178000062	Ref	BRACKET INSTALLATION	0
201	7449000019	1	Flange	
202	7796000100	1	Gasket	
203	7950100151	4	Washer 3/16	
	2509350151	Ref	FLANGE INSTALLATION	A
301	4811001399	1	Plate	
301	4178000920	1	Bracket	
302	7114140818	4	Bolt 1/4 x 1	
302	7114141018	4	Screw 1/4 x 1-1/4	
303	7950140003	4	Washer 1/4	
303	8632000002	1	Trim Lock	
304	7950140143	4	Washer 1/4	
305	7413000002	4	Nut 1/4	
305	7661000006	4	Nut 1/4	
306	7114100618	3	Screw #10 x 3/4	
307	7950100003	3	Washer 3/16	
308	7950100143	3	Washer 3/16	
309	7661000024	3	Nut #10	
310	7330000867	1	Decal	
	2570000173	Ref	HOSE INSTALLATION	0
401	7570000016	1	Hose	
402	7570000017	1	Hose	
403	7443000482	1	Fitting	
404	7443000483	1	Fitting	
405	7274000005	2	Clamp	
	2570000171	Ref	FUEL FILLER SUPPORT	A
501	4533000415	1	Gas Filler Bracket	
502	5526000553	8	Tie-Strap (Not Shown)	
503	7115161050	1	Bolt 3/8 x 1-1/4	
504	7660162601	1	Nut 3/8	

SECTION 1 - SUBFRAME

ITEM	PART NUMBER	QTY	DESCRIPTION	REV
505	7950160141	2	Washer 3/8	
506	7274000005	2	Clamp	

SECTION 1 - SUBFRAME

FIGURE 1-12. CHASSIS MOUNTING KIT - FORD DIESEL 2011-2016 WITH 84IN CA



ART_1001137204

SECTION 1 - SUBFRAME

FIGURE 1-12. CHASSIS MOUNTING KIT - FORD DIESEL 2011-2016 WITH 84IN CA

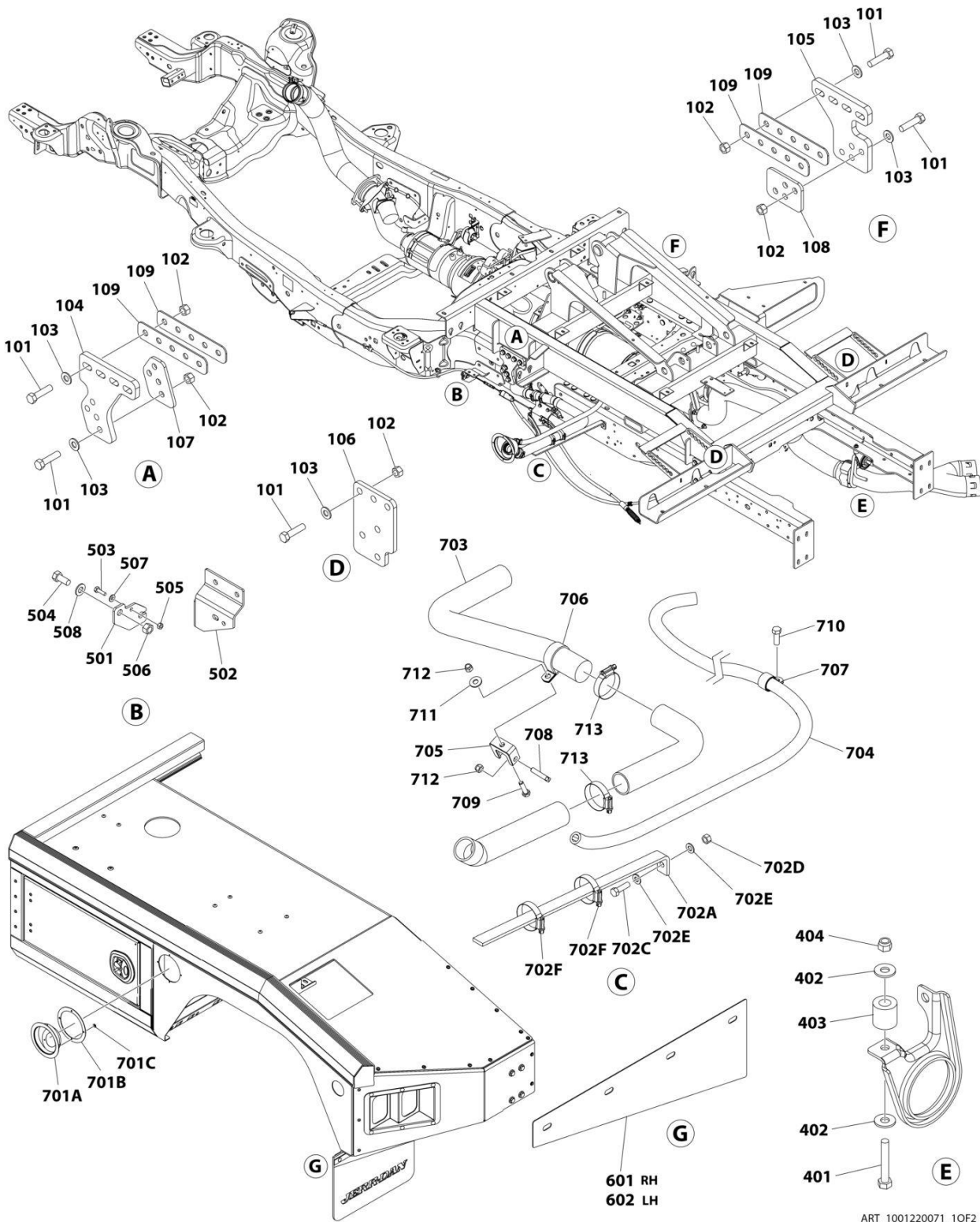
ITEM	PART NUMBER	QTY	DESCRIPTION	REV
	1001137204	Ref	CHASSIS MOUNTING KIT - FORD DIESEL 2011-2016 WITH 84IN CA	B
1	1001137356	Ref	Ford Subframe Installation (Not Shown) (See Items 101-104 for Breakdown)	
2	3509350118	1	Exhaust Alteration	
2	7696000069	1	Pipe	
3	2178000062	Ref	Bracket Installation (Not Shown) (See Items 201-203 for Breakdown)	
4	2509350151	Ref	Flange Installation (Not Shown) (See Items 301-310 for Breakdown)	
5	2570000173	Ref	Hose Installation (Not Shown) (See Items 401-405 for Breakdown)	
6	2570000171	Ref	Fuel Filler Support (Not Shown) (See Items 501-506 for Breakdown)	
7	4570000378	1	Hose (Urea Fill) (Not Shown)	
	1001137356	Ref	FORD SUBFRAME INSTALLATION	A
101	4706005896	1	Plate	
102	4706006415	1	Plate	
103	4706006442	2	Plate	
104	7577000693	1	Kit, Saddle Bolts (Not Shown)	
104A	7115181650	26	Bolt 1/2 x 2	
104B	7950180153	26	Washer 1/2	
104C	7660182601	26	Nut 1/2	
	2178000062	Ref	BRACKET INSTALLATION	0
201	7449000019	1	Flange	
202	7796000100	1	Gasket	
203	7950100151	4	Washer 3/16	
	2509350151	Ref	FLANGE INSTALLATION	A
301	4811001399	1	Plate	
301	4178000920	1	Bracket	
302	7114140818	4	Bolt 1/4 x 1	
302	7114141018	4	Screw 1/4 x 1-1/4	
303	7950140003	4	Washer 1/4	
303	8632000002	1	Trim Lock	
304	7950140143	4	Washer 1/4	
305	7413000002	4	Nut 1/4	
305	7661000006	4	Nut 1/4	
306	7114100618	3	Screw #10 x 3/4	
307	7950100003	3	Washer 3/16	
308	7950100143	3	Washer 3/16	
309	7661000024	3	Nut #10	
310	7330000867	1	Decal	
	2570000173	Ref	HOSE INSTALLATION	0
401	7570000016	1	Hose	
402	7570000017	1	Hose	
403	7443000482	1	Fitting	
404	7443000483	1	Fitting	
405	7274000005	2	Clamp	
	2570000171	Ref	FUEL FILLER SUPPORT	A
501	4533000415	1	Gas Filler Bracket	
502	5526000553	8	Tie-Strap (Not Shown)	
503	7115161050	1	Bolt 3/8 x 1-1/4	

SECTION 1 - SUBFRAME

ITEM	PART NUMBER	QTY	DESCRIPTION	REV
504	7660162601	1	Nut 3/8	
505	7950160141	2	Washer 3/8	
506	7274000005	2	Clamp	

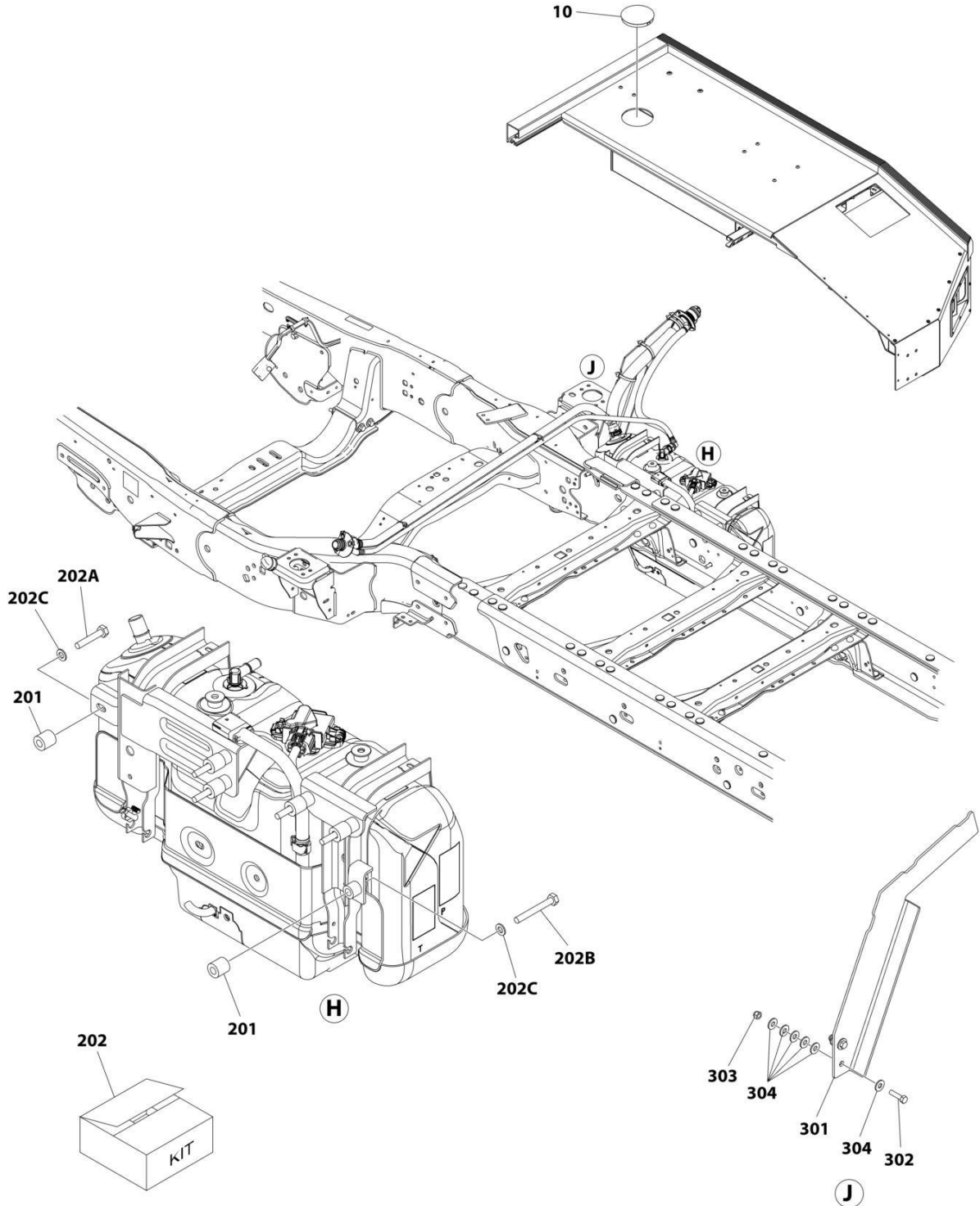
SECTION 1 - SUBFRAME

FIGURE 1-13. CHASSIS MOUNTING KIT - FORD DIESEL 2017+ WITH 60IN CA



ART_1001220071_10F2

SECTION 1 - SUBFRAME



ART_1001220071_2OF2

SECTION 1 - SUBFRAME

FIGURE 1-13. CHASSIS MOUNTING KIT - FORD DIESEL 2017+ WITH 60IN CA

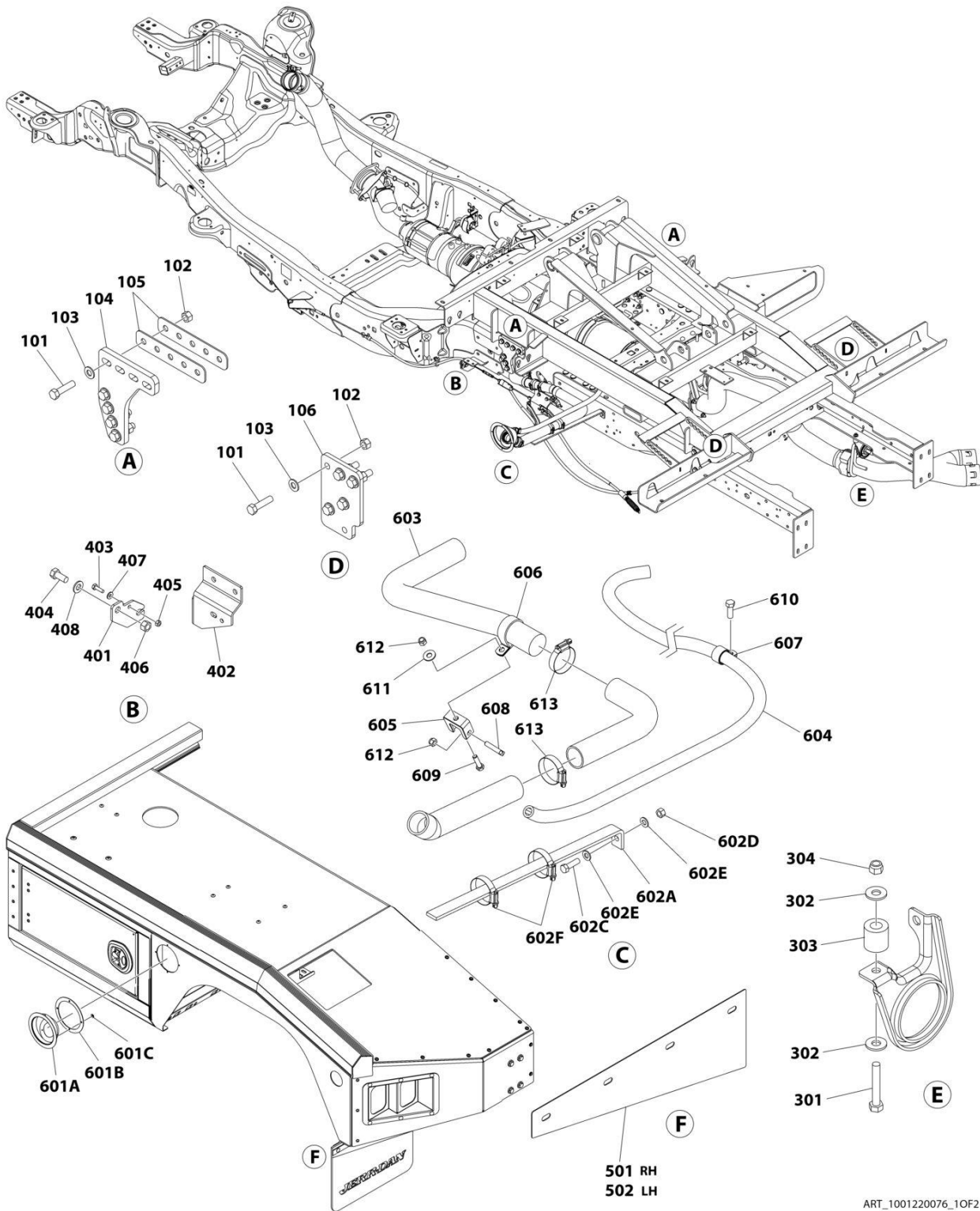
ITEM	PART NUMBER	QTY	DESCRIPTION	REV
	1001220071	Ref	CHASSIS MOUNTING KIT - FORD DIESEL 2017+ WITH 60IN CA	B
1	1001220072	Ref	Subframe Installation (Not Shown) (See Items 101-109 for Breakdown)	
2	1001220832	Ref	Rework DEF Tank Installation (Not Shown) (See Items 201-202 for Breakdown)	
3	1001220909	Ref	Tank Filler Installation (Not Shown) (See Items 301-305 for Breakdown)	
4	1001221001	Ref	Exhaust Rework Installation (Not Shown) (See Items 401-404 for Breakdown)	
5	1001221345	Ref	Brake Cable Installation (Not Shown) (See Items 501-508 for Breakdown)	
6	1001221651	Ref	Anti-Sail Brackets Installation (Not Shown) (See Items 601-602 for Breakdown)	
7	1001224068	Ref	Fuel Filler Installation (Not Shown) (See Items 701-714 for Breakdown)	
10	7701000075	1	Plug	
	1001220072	Ref	SUBFRAME INSTALLATION	B
101	0681816	26	Bolt 1/2 x 2	
102	3271805	26	Nut 1/2	
103	4711800	26	Washer 1/2	
104	1001220073	1	Plate, Saddle	
105	1001220074	1	Plate, Saddle	
106	4706006442	2	Plate, Rear Saddle	
107	1001282025	1	Plate, Saddle (LH)	
108	1001282026	1	Plate, Saddle (RH)	
109	4811001194	4	Plate	
	1001220832	Ref	REWORK DEF TANK INSTALLATION	A
201	1001220833	6	Shim	
202	1001221065	1	Tank Hardware Kit (Not Shown)	
202A	0701019	1	Bolt M10 x 55	
202B	0701024	5	Bolt M10 x 80	
202C	4812000	6	Washer M10	
	1001220909	Ref	TANK FILLER INSTALLATION	B
301	1001221232	1	Bracket	
302	0641510	2	Bolt 5/16 x 1-1/4	
303	7660152601	2	Nut 5/16	
304	4751500	12	Washer 5/16	
305	5526000553	4	Tie-Strap (Not Shown)	
	1001221001	Ref	EXHAUST REWORK INSTALLATION	C
401	0641516	1	Bolt 5/16 x 2	
402	4751500	1	Washer 5/16	
403	1001220833	1	Shim	
404	7660152601	1	Nut 5/16	
	1001221345	Ref	BRAKE CABLE INSTALLTION	A
501	1001221075	1	Plate	
502	1001221138	1	Bracket	
503	0641407	1	Bolt 1/4 x 7/8	
504	0641809	1	Bolt 1/2 x 1-1/8	
505	3311401	1	Nut 1/4	
506	3311801	1	Nut 1/2	
507	4711400	1	Washer 1/4	

SECTION 1 - SUBFRAME

ITEM	PART NUMBER	QTY	DESCRIPTION	REV
508	4711800	1	Washer 1/2	
	1001221651	Ref	ANTI-SAIL BRACKETS INSTALLATION	A
601	1001221652	1	Bracket, Anti-Sail RH	
602	1001221653	1	Bracket, Anti-Sail LH	
	1001224068	Ref	FUEL FILLER INSTALLATION	B
701	2178000062	1	Bracket Installation (Not Shown)	
701A	7449000019	1	Flange	
701B	7796000100	1	Gasket	
701C	7950100151	4	Washer 3/16	
702	2570000171	1	Fuel Filler Support (Not Shown)	
702A	4533000415	1	Gas Filler Bracket	
702B	5526000553	8	Tie-Strap (Not Shown)	
702C	7115161050	1	Bolt 3/8 x 1-1/4	
702D	7660162601	1	Nut 3/8	
702E	7950160141	2	Washer 3/8	
702F	7274000005	2	Clamp	
703	7570000037	1	Hose	
704	7570000017	1	Hose	
705	7274000076	1	Clamp	
706	7274000071	1	Clamp	
707	7274000105	1	Clamp	
708	7785152420	1	Screw 5/16 x 1-1/2	
709	7115151050	1	Bolt 5/16 x 1-1/4	
710	3941506	1	Tap Screw	
711	7950150161	1	Washer 5/16	
712	7660152601	2	Nut 5/16	
713	7274000005	2	Clamp	
714	7443000483	1	Fitting (Not Shown)	

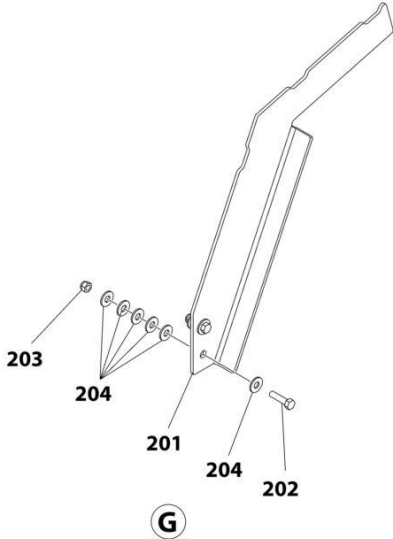
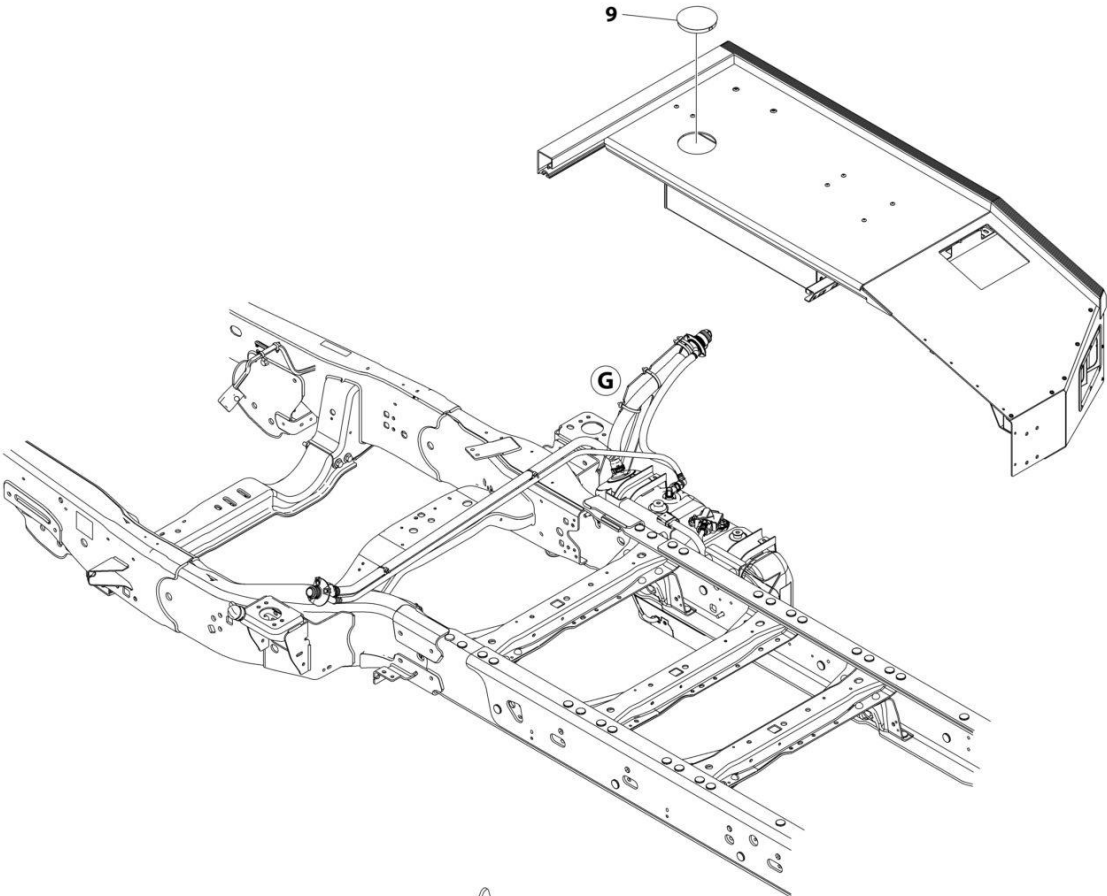
SECTION 1 - SUBFRAME

FIGURE 1-14. CHASSIS MOUNTING KIT - FORD DIESEL 2017+ WITH 84IN CA



ART_1001220076_10F2

SECTION 1 - SUBFRAME



ART_1001220076_20F2

SECTION 1 - SUBFRAME

FIGURE 1-14. CHASSIS MOUNTING KIT - FORD DIESEL 2017+ WITH 84IN CA

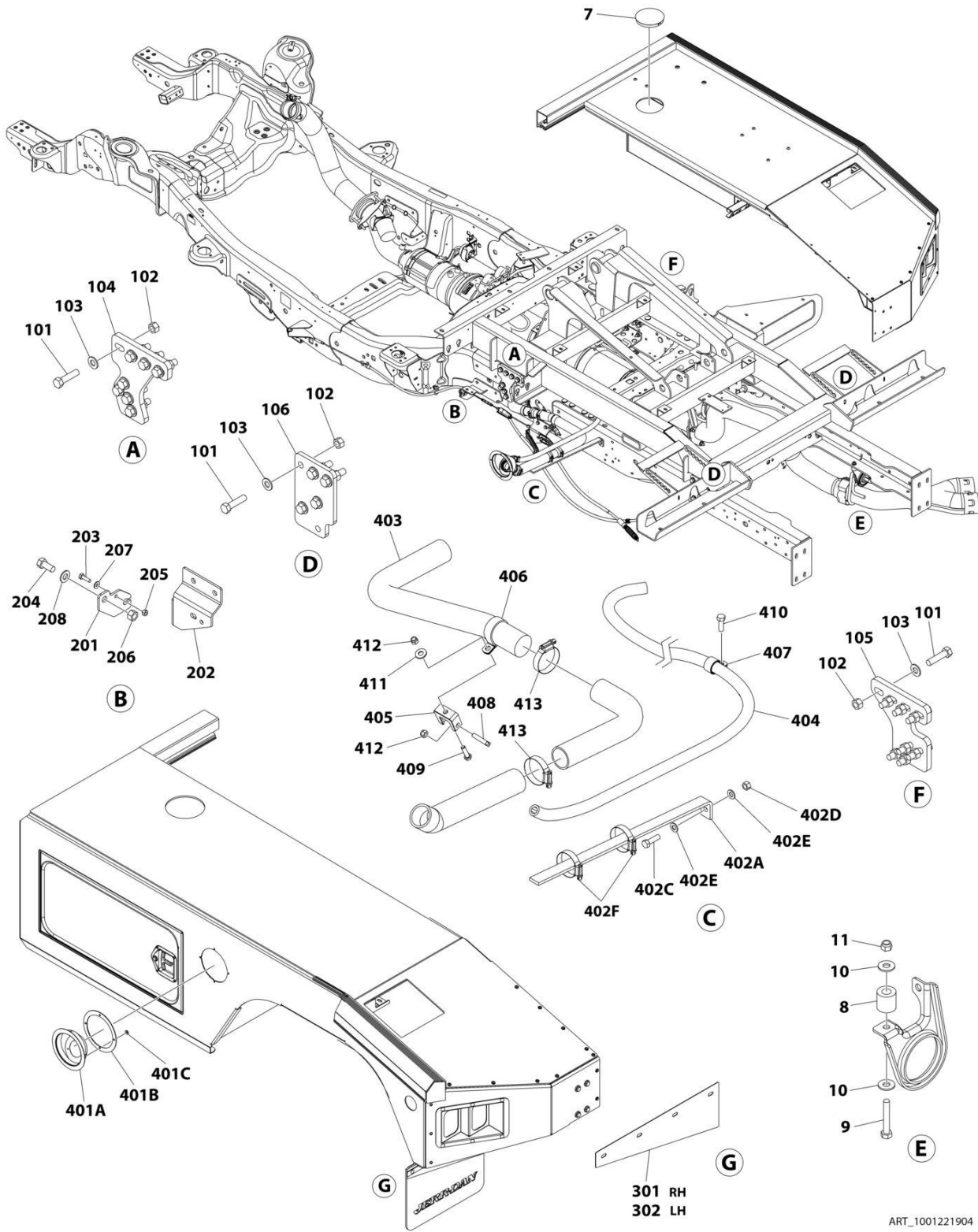
ITEM	PART NUMBER	QTY	DESCRIPTION	REV
	1001220076	Ref	CHASSIS MOUNTING KIT - FORD DIESEL 2017+ WITH 84IN CA	B
1	1001220077	Ref	Subframe Installation (Not Shown) (See Items 101-106 for Breakdown)	
2	1001220909	Ref	Tank Filler Installation (Not Shown) (See Items 201-205 for Breakdown)	
3	1001221001	Ref	Exhaust Rework Installation (Not Shown) (See Items 301-304 for Breakdown)	
4	1001221348	Ref	Brake Cable Installation (Not Shown) (See Items 401-409 for Breakdown)	
5	1001221651	Ref	Anti-Sail Brackets Installation (Not Shown) (See Items 501-502 for Breakdown)	
6	1001224068	Ref	Fuel Filler Installation (Not Shown) (See Items 601-614 for Breakdown)	
9	7701000075	1	Plug	
	1001220077	Ref	SUBFRAME INSTALLATION	A
101	0681816	26	Bolt 1/2 x 2	
102	3271805	26	Nut 1/2	
103	4711800	26	Washer 1/2	
104	1001220078	2	Plate, Saddle	
105	4811001194	4	Plate	
106	4706006442	2	Plate, Rear Saddle	
	1001220909	Ref	TANK FILLER INSTALLATION	B
201	1001221232	1	Bracket	
202	0641510	2	Bolt 5/16 x 1-1/4	
203	7660152601	2	Nut 5/16	
204	4751500	12	Washer 5/16	
205	5526000553	4	Tie-Strap (Not Shown)	
	1001221001	Ref	EXHAUST REWORK INSTALLATION	C
301	0641516	1	Bolt 5/16 x 2	
302	4751500	1	Washer 5/16	
303	1001220833	1	Shim	
304	7660152601	1	Nut 1/3	
	1001221348	Ref	BRAKE CABLE INSTALLATION	A
401	1001221075	1	Plate	
402	1001221138	1	Bracket	
403	0641407	1	Bolt 1/4 x 7/8	
404	0641809	1	Bolt 1/2 x 1-1/8	
405	3311401	1	Nut 1/4	
406	3311801	1	Nut 1/2	
407	4711400	1	Washer 1/4	
408	4711800	1	Washer 1/2	
409	5526000553	1	Tie-Strap (Not Shown)	
	1001221651	Ref	ANTI-SAIL BRACKETS INSTALLATION	A
501	1001221652	1	Bracket, Anti-Sail RH	
502	1001221653	1	Bracket, Anti-Sail LH	
	1001224068	Ref	FUEL FILLER INSTALLATION	B
601	2178000062	1	Bracket Installation (Not Shown)	
601A	7449000019	1	Flange	
601B	7796000100	1	Gasket	
601C	7950100151	4	Washer 3/16	
602	2570000171	1	Fuel Filler Support (Not Shown)	

SECTION 1 - SUBFRAME

ITEM	PART NUMBER	QTY	DESCRIPTION	REV
602A	4533000415	1	Gas Filler Bracket	
602B	5526000553	8	Tie-Strap (Not Shown)	
602C	7115161050	1	Bolt 3/8 x 1-1/4	
602D	7660162601	1	Nut 3/8	
602E	7950160141	2	Washer 3/8	
602F	7274000005	2	Clamp	
603	7570000037	1	Hose	
604	7570000017	1	Hose	
605	7274000076	1	Clamp	
606	7274000071	1	Clamp	
607	7274000105	1	Clamp	
608	7785152420	1	Screw 5/16 x 1-1/2	
609	7115151050	1	Bolt 5/16 x 1-1/4	
610	3941506	1	Tap Screw	
611	7950150161	1	Washer 5/16	
612	7660152601	2	Nut 5/16	
613	7274000005	2	Clamp	
614	7443000483	1	Fitting (Not Shown)	

SECTION 1 - SUBFRAME

FIGURE 1-15. CHASSIS MOUNTING KIT - FORD GAS 2017+ WITH 60IN CA



SECTION 1 - SUBFRAME

FIGURE 1-15. CHASSIS MOUNTING KIT - FORD GAS 2017+ WITH 60IN CA

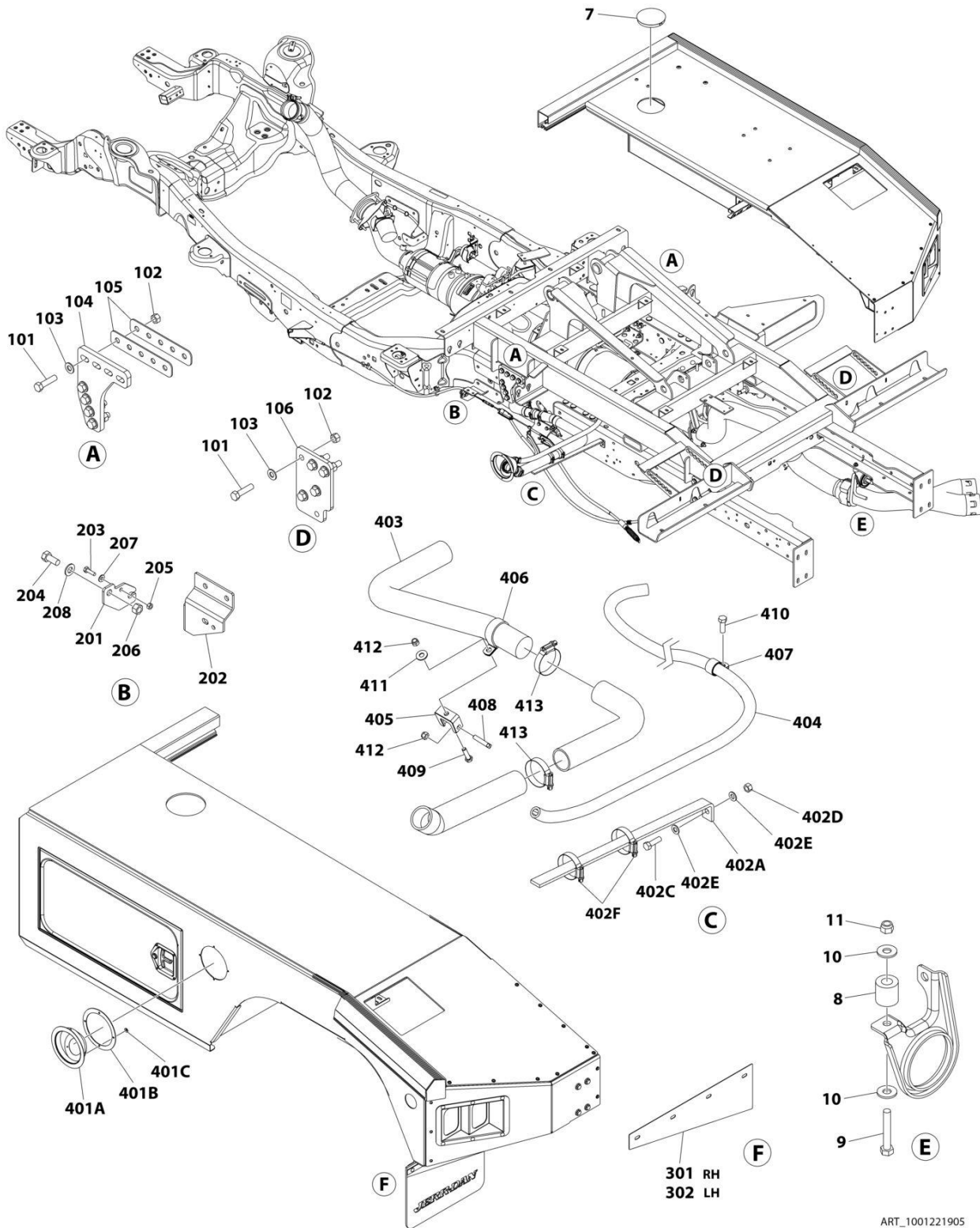
ITEM	PART NUMBER	QTY	DESCRIPTION	REV
	1001221904	Ref	CHASSIS MOUNTING KIT - FORD GAS 2017+ WITH 60IN CA	B
1	1001220072	Ref	Subframe Installation (Not Shown) (See Items 101-106 for Breakdown)	
2	1001221345	Ref	Brake Cable Installation (Not Shown) (See Items 201-208 for Breakdown)	
3	1001221651	Ref	Anti-Sail Brackets Installation (Not Shown) (See Items 301-302 for Breakdown)	
4	1001224068	Ref	Fuel Filler Installation (Not Shown) (See Items 401-414 for Breakdown)	
7	7701000075	1	Plug	
8	1001220833	1	Shim	
9	0641516	1	Bolt 5/16 x 2	
10	4751500	2	Washer 5/16	
11	7660152601	1	Nut 5/16	
	1001220072	Ref	SUBFRAME INSTALLATION	A
101	0681816	26	Bolt 1/2 x 2	
102	3271805	26	Nut 1/2	
103	4711800	26	Washer 1/2	
104	1001220073	1	Plate	
105	1001220074	1	Plate	
106	4706006442	2	Plate	
	1001221345	Ref	BRAKE CABLE INSTALLTION	A
201	1001221075	1	Plate	
202	1001221138	1	Bracket	
203	0641407	1	Bolt 1/4 x 7/8	
204	0641809	1	Bolt 1/2 x 1-1/8	
205	3311401	1	Nut 1/4	
206	3311801	1	Nut 1/2	
207	4711400	1	Washer 1/4	
208	4711800	1	Washer 1/2	
	1001221651	Ref	ANTI-SAIL BRACKETS INSTALLATION	A
301	1001221652	1	Bracket, RH	
302	1001221653	1	Bracket, LH	
	1001224068	Ref	FUEL FILLER INSTALLATION	B
401	2178000062	1	Bracket Installation (Not Shown)	
401A	7449000019	1	Flange	
401B	7796000100	1	Gasket	
401C	7950100151	4	Washer 3/16	
402	2570000171	1	Fuel Filler Support (Not Shown)	
402A	4533000415	1	Gas Filler Bracket	
402B	5526000553	8	Tie-Strap (Not Shown)	
402C	7115161050	1	Bolt 3/8 x 1-1/4	
402D	7660162601	1	Nut 3/8	
402E	7950160141	2	Washer 3/8	
402F	7274000005	2	Clamp	
403	7570000037	1	Hose	
404	7570000017	1	Hose	
405	7274000076	1	Clamp	
406	7274000071	1	Clamp	
407	7274000105	1	Clamp	

SECTION 1 - SUBFRAME

ITEM	PART NUMBER	QTY	DESCRIPTION	REV
408	7785152420	1	Screw 5/16 x 1-1/2	
409	7115151050	1	Bolt 5/16 x 1-1/4	
410	3941506	1	Tap Screw	
411	7950150161	1	Washer 5/16	
412	7660152601	2	Nut 5/16	
413	7274000005	2	Clamp	
414	7443000483	1	Fitting (Not Shown)	

SECTION 1 - SUBFRAME

FIGURE 1-16. CHASSIS MOUNTING KIT - FORD GAS 2017+ WITH 84IN CA



ART_1001221905

SECTION 1 - SUBFRAME

FIGURE 1-16. CHASSIS MOUNTING KIT - FORD GAS 2017+ WITH 84IN CA

ITEM	PART NUMBER	QTY	DESCRIPTION	REV
	1001221905	Ref	CHASSIS MOUNTING KIT - FORD GAS 2017+ WITH 84IN CA	B
1	1001220077	Ref	Subframe Installation (Not Shown) (See Items 101-106 for Breakdown)	
2	1001221348	Ref	Brake Cable Installation (Not Shown) (See Items 201-209 for Breakdown)	
3	1001221651	Ref	Anti-Sail Brackets Installation (Not Shown) (See Items 301-302 for Breakdown)	
4	1001224068	Ref	Fuel Filler Installation (Not Shown) (See Items 401-414 for Breakdown)	
7	7701000075	1	Plug	
8	1001220833	1	Shim	
9	0641516	1	Bolt 5/16 x 2	
10	4751500	2	Washer 5/16	
11	7660152601	1	Nut 5/16	
	1001220077	Ref	SUBFRAME INSTALLATION	A
101	0681816	26	Bolt 1/2 x 2	
102	3271805	26	Nut 1/2	
103	4711800	26	Washer 1/2	
104	1001220078	2	Plate, Saddle	
105	4811001194	4	Plate	
106	4706006442	2	Plate, Rear Saddle	
	1001221348	Ref	BRAKE CABLE INSTALLATION	A
201	1001221075	1	Plate	
202	1001221138	1	Bracket	
203	0641407	1	Bolt 1/4 x 7/8	
204	0641809	1	Bolt 1/2 x 1-1/8	
205	3311401	1	Nut 1/4	
206	3311801	1	Nut 1/2	
207	4711400	1	Washer 1/4	
208	4711800	1	Washer 1/2	
209	5526000553	1	Tie-Strap (Not Shown)	
	1001221651	Ref	ANTI-SAIL BRACKETS INSTALLATION	A
301	1001221652	1	Bracket, RH	
302	1001221653	1	Bracket, LH	
	1001224068	Ref	FUEL FILLER INSTALLATION	B
401	2178000062	1	Bracket Installation (Not Shown)	
401A	7449000019	1	Flange	
401B	7796000100	1	Gasket	
401C	7950100151	4	Washer 3/16	
402	2570000171	1	Fuel Filler Support (Not Shown)	
402A	4533000415	1	Gas Filler Bracket	
402B	5526000553	8	Tie-Strap (Not Shown)	
402C	7115161050	1	Bolt 3/8 x 1-1/4	
402D	7660162601	1	Nut 3/8	
402E	7950160141	2	Washer 3/8	
402F	7274000005	2	Clamp	
403	7570000037	1	Hose	
404	7570000017	1	Hose	
405	7274000076	1	Clamp	
406	7274000071	1	Clamp	

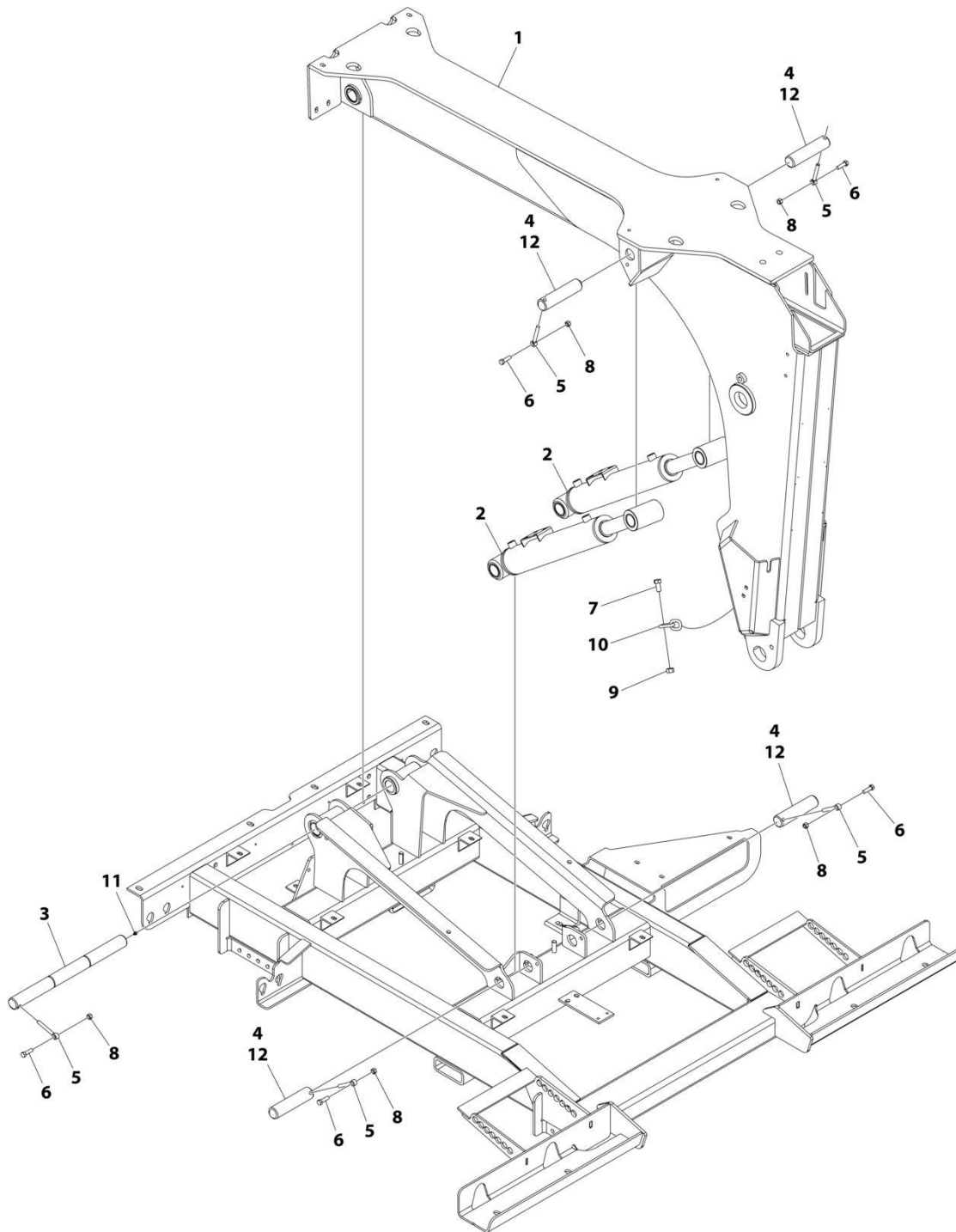
SECTION 1 - SUBFRAME

ITEM	PART NUMBER	QTY	DESCRIPTION	REV
407	7274000105	1	Clamp	
408	7785152420	1	Screw 5/16 x 1-1/2	
409	7115151050	1	Bolt 5/16 x 1-1/4	
410	3941506	1	Tap Screw	
411	7950150161	1	Washer 5/16	
412	7660152601	2	Nut 5/16	
413	7274000005	2	Clamp	
414	7443000483	1	Fitting	

SECTION 2 - BOOM

SECTION 2 - BOOM

FIGURE 2-1. MAIN BOOM INSTALLATION (WITH FLY BOOM)



ART_1001196323

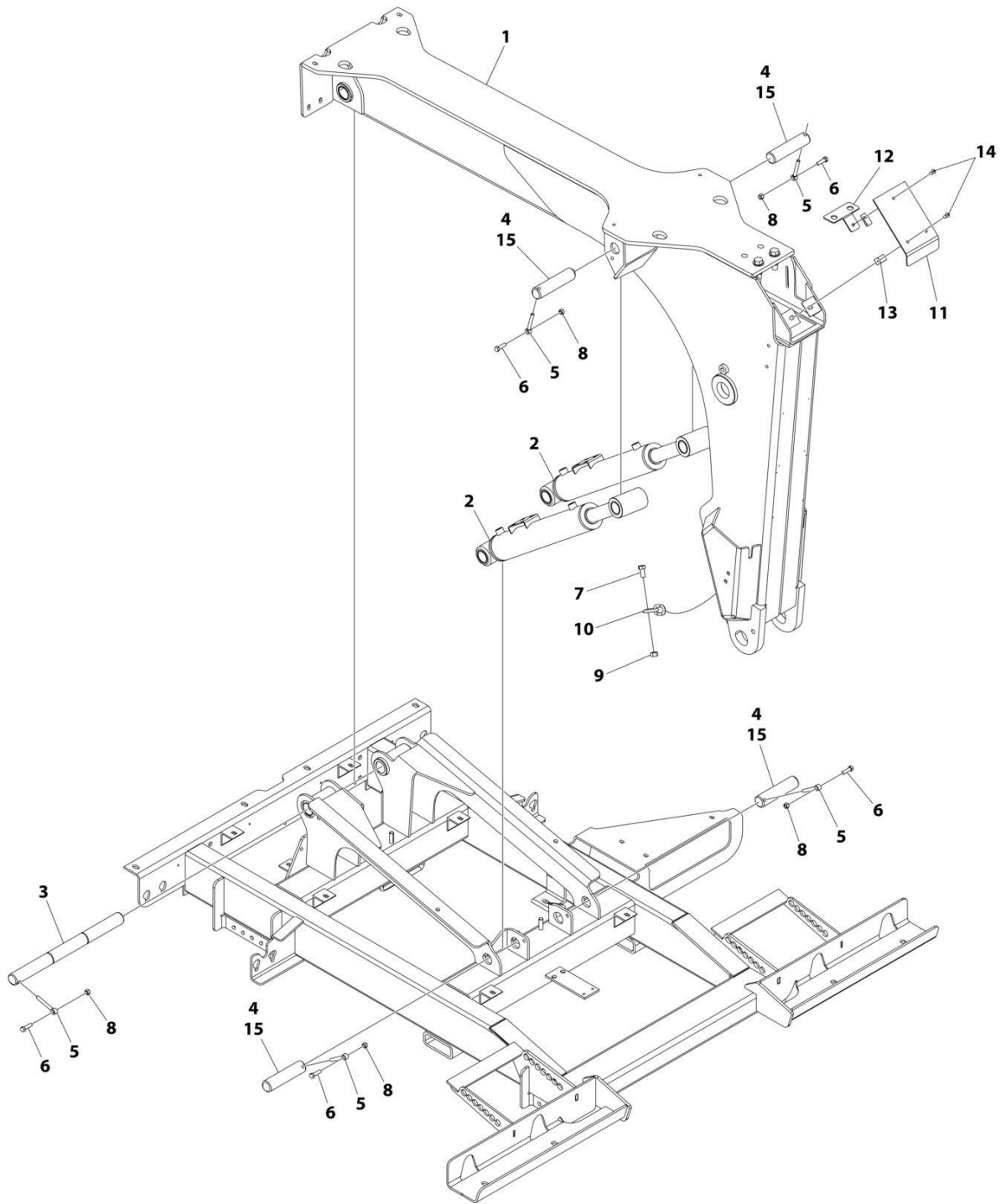
SECTION 2 - BOOM

FIGURE 2-1. MAIN BOOM INSTALLATION (WITH FLY BOOM)

ITEM	PART NUMBER	QTY	DESCRIPTION	REV
	1001196322	Ref	MAIN BOOM INSTALLATION (WITH FLY BOOM)	A
1	1001196264	1	Boom, Knee	
1	0962272	1	Bushing	
2	1001194362	2	Cylinder Assembly - Lift (See Separate Breakdown in this Section)	
3	1001191714	1	Pin	
4	1001191716	4	Pin	
5	3841143	5	Keeper	
6	0681610	5	Bolt 3/8 x 1-1/4 Grade 8	
7	0641808	2	Bolt 1/2 x 1	
8	3271605	5	Nut 3/8 Grade 8	
9	3271805	2	Nut 1/2	
10	7262000040	2	Chain	
11	1001204776	1	Plug	
12	3020039	AR	Lubricant	

SECTION 2 - BOOM

FIGURE 2-2. MAIN BOOM INSTALLATION (WITHOUT FLY BOOM)



ART_1001196323

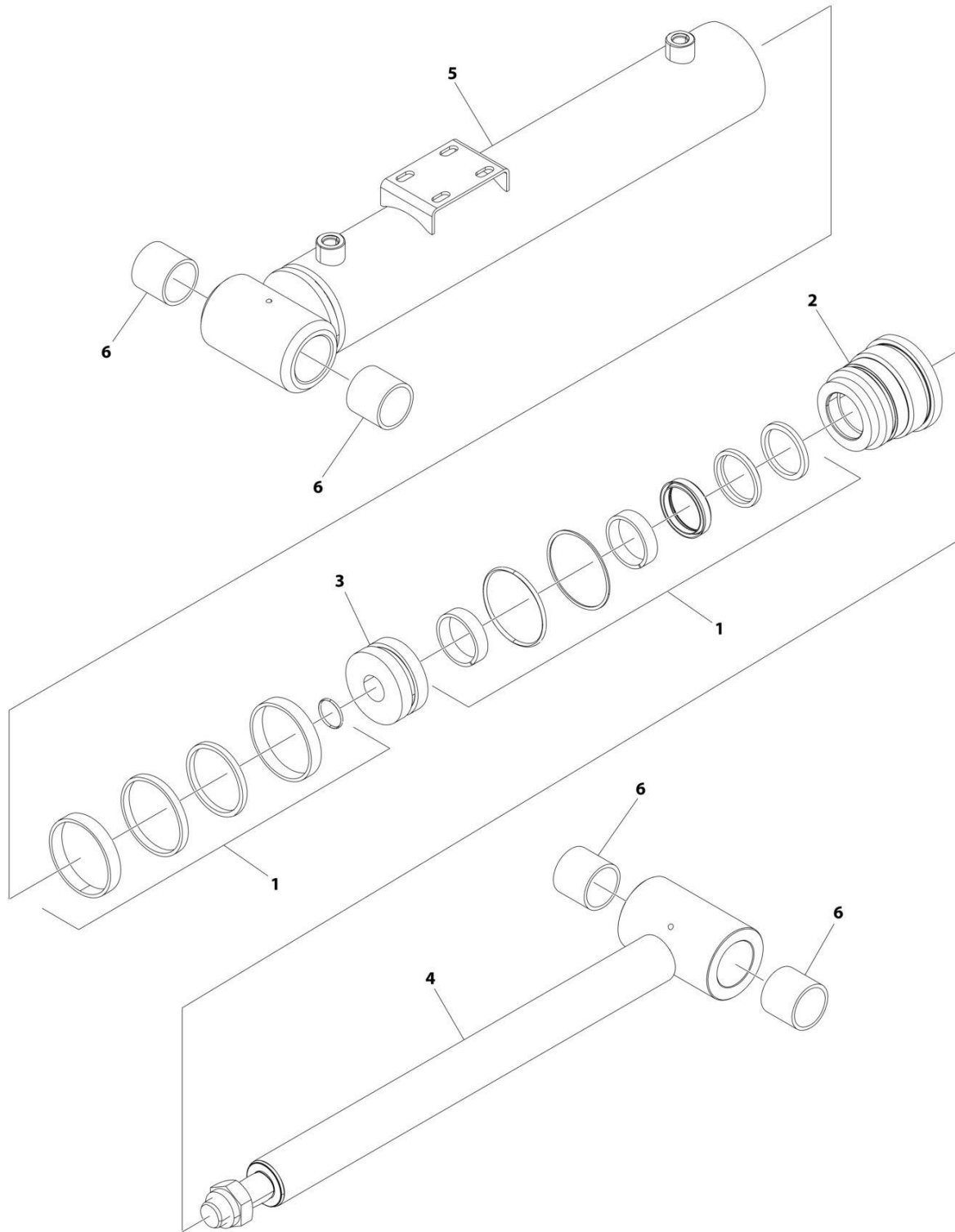
SECTION 2 - BOOM

FIGURE 2-2. MAIN BOOM INSTALLATION (WITHOUT FLY BOOM)

ITEM	PART NUMBER	QTY	DESCRIPTION	REV
	1001196323	Ref	MAIN BOOM INSTALLATION (WITHOUT FLY BOOM)	A
1	1001208926	1	Boom, Knee	
2	1001194362	2	Cylinder Assembly - Lift (See Separate Breakdown in this Section)	
3	1001191714	1	Pin	
4	1001191716	4	Pin	
5	3841143	5	Keeper	
6	0681610	5	Bolt 3/8 x 1-1/4 Grade 8	
7	0641808	2	Bolt 1/2 x 1	
8	3271605	5	Nut 3/8 Grade 8	
9	3271805	2	Nut 1/2	
10	7262000020	2	Chain	
11	4706005131	1	Plate	
12	4178000626	1	Bracket	
13	7661000029	3	Nut Clip	
14	7114150618	3	Capscrew 5/16 x 3/4	
15	3020039	AR	Lubricant	

SECTION 2 - BOOM

FIGURE 2-3. CYLINDER ASSEMBLY – LIFT (KNEE BOOM)



ART_1001194362

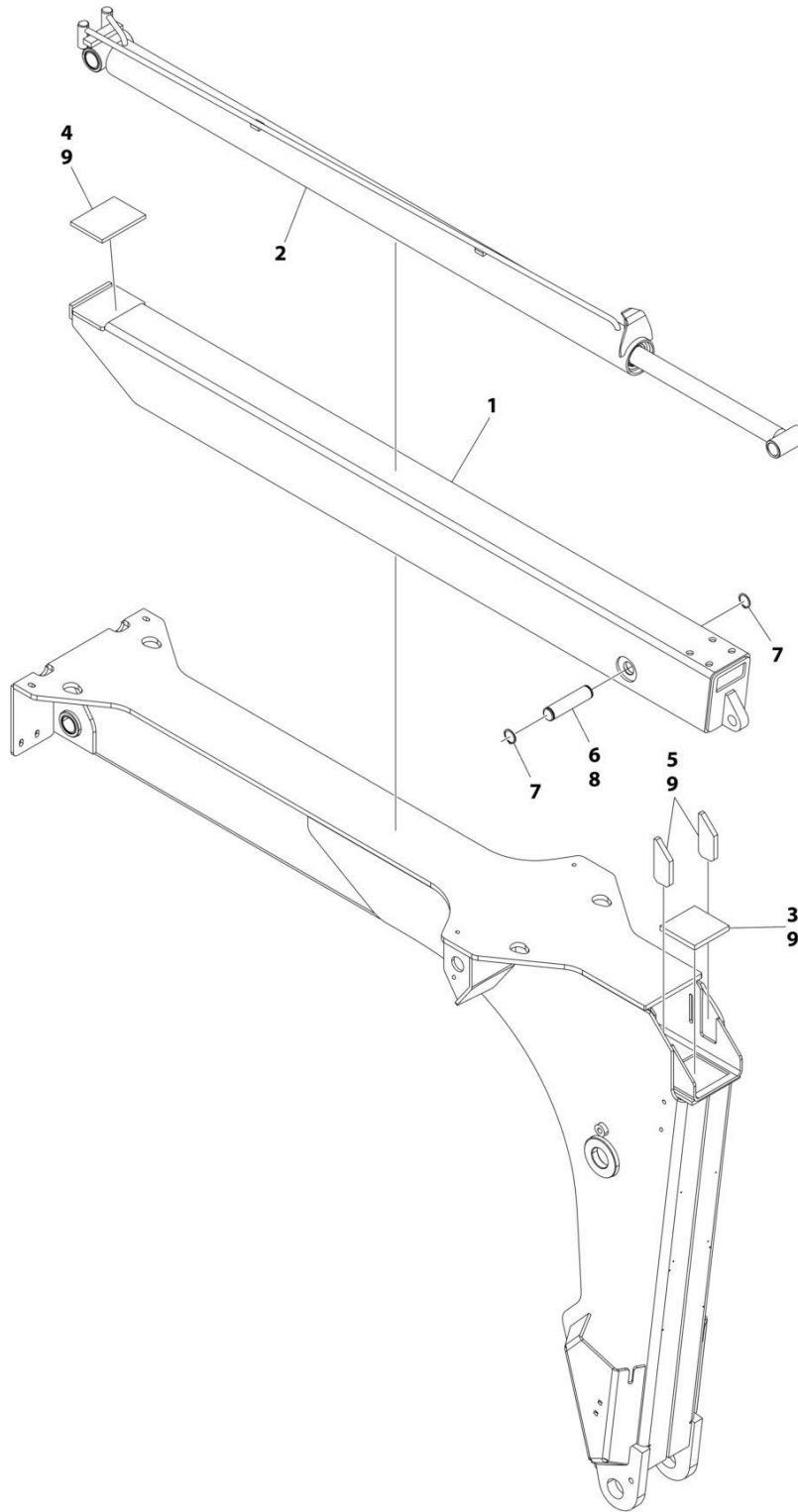
SECTION 2 - BOOM

FIGURE 2-3. CYLINDER ASSEMBLY – LIFT (KNEE BOOM)

ITEM	PART NUMBER	QTY	DESCRIPTION	REV
	1001194362	Ref	CYLINDER ASSEMBLY - LIFT (KNEE BOOM)	B
1	70051621	1	Seal Kit - Cylinder	
2	70051622	1	Head	
3	70051623	1	Piston	
4	70051624	1	Rod	
5	70051625	1	Barrel	
6	0962272	4	Bushing (Barrel & Rod)	

SECTION 2 - BOOM

FIGURE 2-4. FLY BOOM INSTALLATION



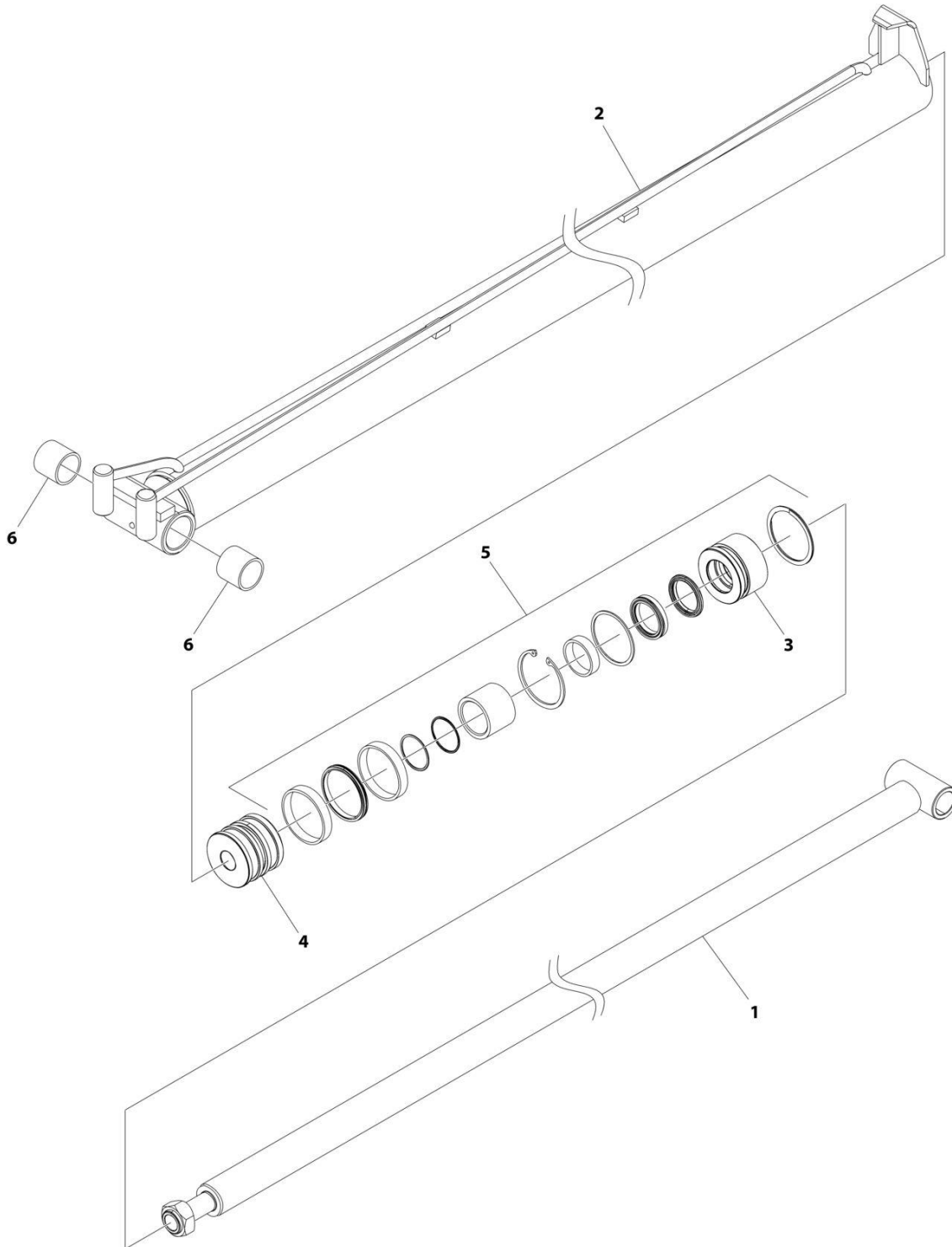
ART_1001196383

FIGURE 2-4. FLY BOOM INSTALLATION

ITEM	PART NUMBER	QTY	DESCRIPTION	REV
	1001196383	Ref	FLY BOOM INSTALLATION	B
1	3170000345	1	Boom, Fly	
2	1001194370	1	Cylinder Assembly - Extend/Retract (See Separate Breakdown in this Section)	
3	4679000278	1	Pad	
4	4679000237	1	Pad	
5	4679000238	2	Pad	
6	4691000027	1	Pin	
7	7754000006	2	Ring, Retaining	
8	3020039	AR	Adhesive	
9	1001152707	AR	Lubricant	

SECTION 2 - BOOM

FIGURE 2-5. CYLINDER ASSEMBLY - EXEND/RETRACT (KNEE BOOM FLY)



ART_1001194370

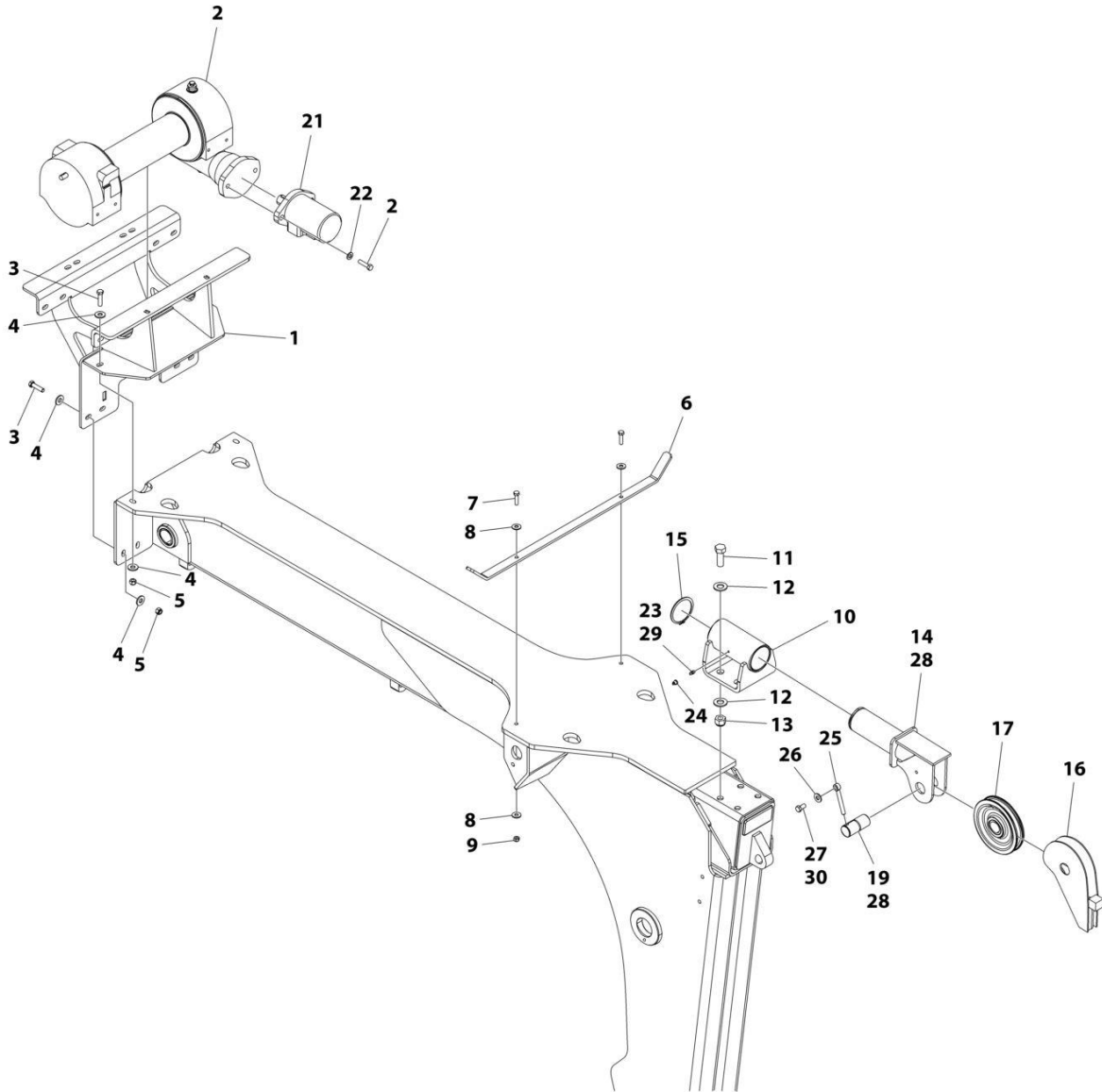
SECTION 2 - BOOM

FIGURE 2-5. CYLINDER ASSEMBLY - EXEND/RETRACT (KNEE BOOM FLY)

ITEM	PART NUMBER	QTY	DESCRIPTION	REV
	1001194370	Ref	CYLINDER ASSEMBLY - EXEND/RETRACT (KNEE BOOM FLY)	A
1	70051615	1	Rod	
2	70051617	1	Barrel	
3	70051618	1	Head	
4	70051619	1	Piston	
5	70051620	1	Seal Kit - Cylinder	
6	0962272	2	Bushing (Barrel End) (Note: No Bushings used in Rod End)	

SECTION 2 - BOOM

FIGURE 2-6. WINCH INSTALLATION - SINGLE (WITHOUT FLY BOOM)



ART_1001145641

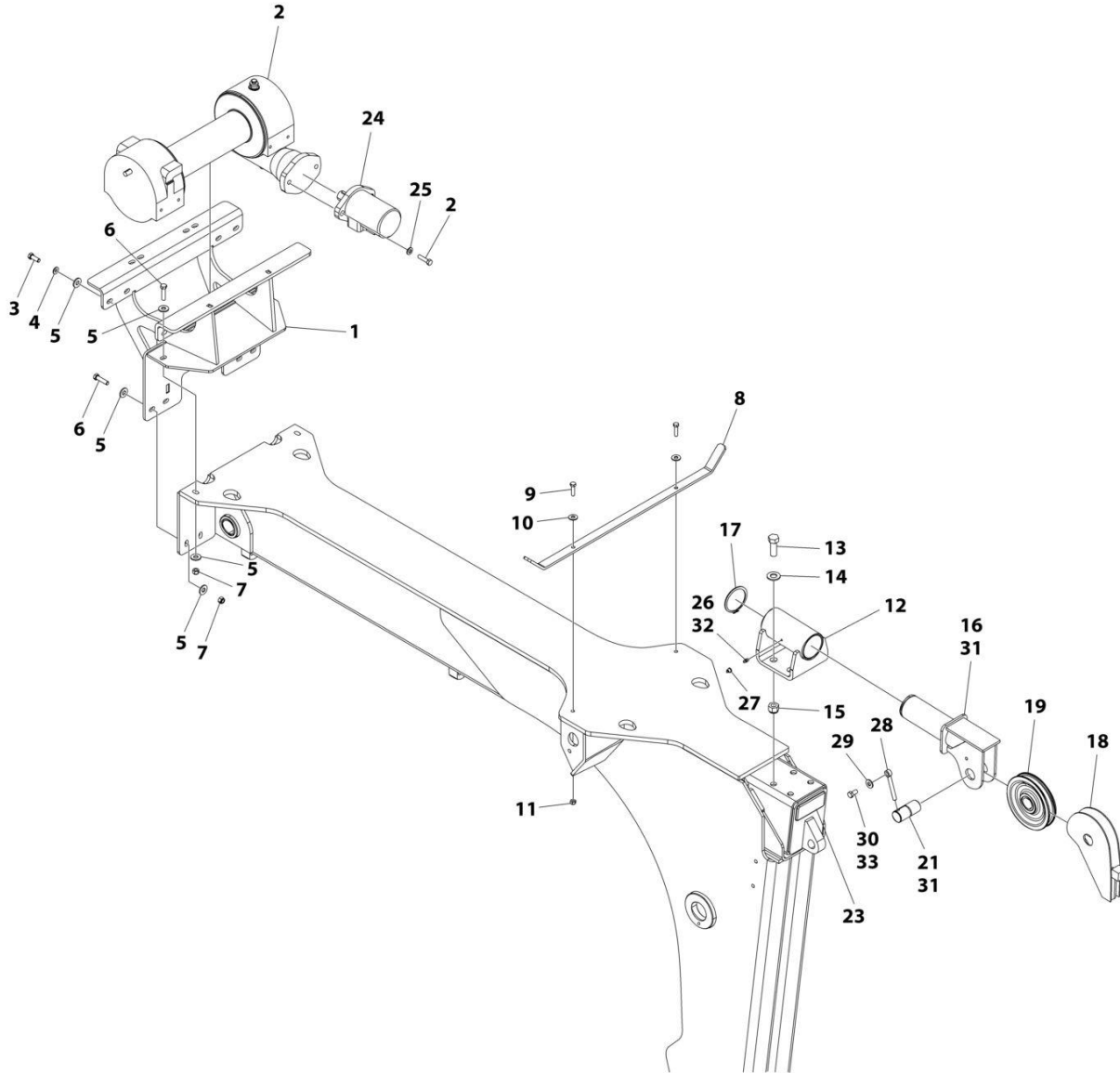
SECTION 2 - BOOM

FIGURE 2-6. WINCH INSTALLATION - SINGLE (WITHOUT FLY BOOM)

ITEM	PART NUMBER	QTY	DESCRIPTION	REV
	1001145641	Ref	WINCH INSTALLATION - SINGLE (WITHOUT FLY BOOM)	B
1	3178000552	1	Bracket	
2	7970000150	1	Winch Assembly, 8000 lbs (See Separate Breakdown in this Section)	
3	0641612	6	Bolt 3/8 x 1-1/2	
4	4891600	12	Washer 3/8	
5	7660162601	6	Nut 3/8	
6	4062000541	1	Bar	
7	0641510	2	Bolt 5/16 x 1-1/4	
8	4751500	4	Washer 5/16	
9	7660152601	2	Nut 5/16	
10	1001206157	1	Support, Boom Nose MPL Single	
11	0642018	4	Bolt 5/8 x 2-1/4	
12	4712000	8	Washer 5/8	
13	7660202601	4	Nut 5/8	
14	1001206161	1	Support, SD Wrecker Sheave	
15	7754000005	1	Ring	
16	1001206167	1	Support, SD Wrecker Cable Guide	
17	7809000001	1	Wire Rope	
19	1001206171	1	Pin	
21	7626000014	1	Orbit Motor (See Separate Breakdown in this Section)	
22	7950180400	2	Washer 1/2	
23	88671008	2	Fitting, Grease	
24	7253000002	2	Cap, Grease	
25	3841143	1	Keeper	
26	4711600	1	Washer 3/8	
27	0651606	1	Bolt 3/8 x 3/4	
28	3020039	AR	Lubricant	
29	3020029	AR	Lubricant	
30	1001095650	AR	Adhesive	

SECTION 2 - BOOM

FIGURE 2-7. WINCH INSTALLATION - SINGLE (WITH FLY BOOM)



ART_2509900135

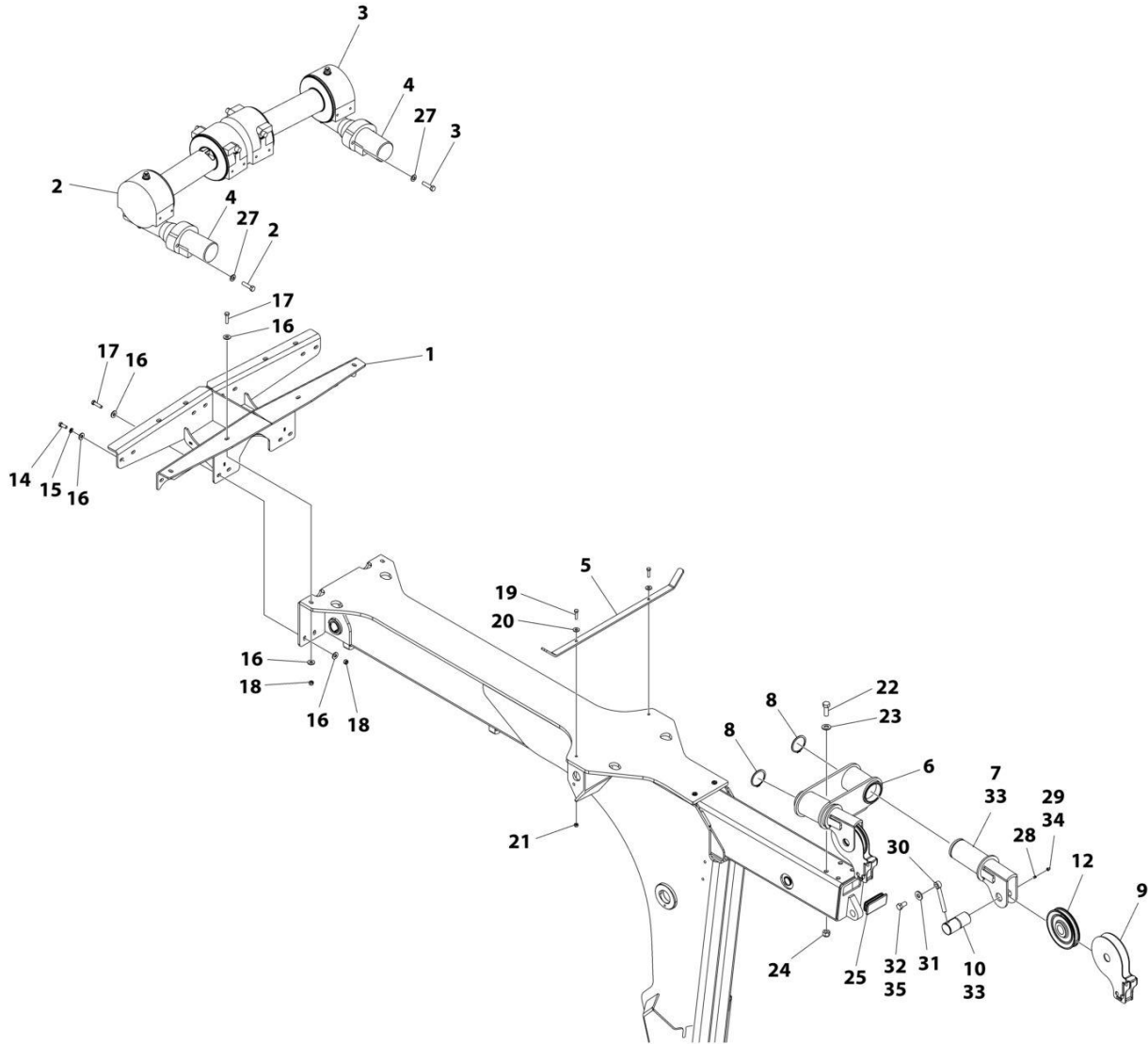
SECTION 2 - BOOM

FIGURE 2-7. WINCH INSTALLATION - SINGLE (WITH FLY BOOM)

ITEM	PART NUMBER	QTY	DESCRIPTION	REV
	2509900135	Ref	WINCH INSTALLATION - SINGLE (WITH FLY BOOM)	E
1	3178000552	1	Bracket	
2	7970000150	1	Winch Assembly, 8000 lbs (See Separate Breakdown in this Section)	
3	0641608	8	Bolt 3/8 x 1	
4	4761600	8	Washer 3/8	
5	4891600	20	Washer 3/8	
6	0641612	6	Bolt 3/8 x 1-1/2	
7	7660162601	6	Nut 3/8	
8	4062000541	1	Bar	
9	0641510	2	Bolt 5/16 x 1-1/4	
10	4751500	2	Washer 5/16	
11	7660152601	2	Nut 5/16	
12	1001206157	1	Support, Boom Nose MPL Single	
13	0642014	4	Bolt 5/8 x 1-3/4	
14	4712000	4	Washer 5/8	
15	7660202601	4	Nut 5/8	
16	1001206161	1	Support, SD Wrecker Sheave	
17	7754000005	1	Ring External Retaining	
18	1001206167	1	Support, SD Wrecker Cable Guide	
19	7809000001	1	Wire Rope	
21	1001206171	1	Pin	
23	7701000051	1	Plug	
24	7626000014	1	Orbit Motor (See Separate Breakdown in this Section)	
25	7950180400	2	Washer 1/2	
26	88671008	2	Fitting, Grease	
27	7253000002	2	Cap, Grease	
28	3841143	1	Keeper, Shaft	
29	4711600	1	Washer 3/8	
30	0651606	1	Bolt 3/8 x 3/4	
31	3020039	AR	Lubricant	
32	3020029	AR	Lubricant	
33	1001095650	AR	Adhesive	

SECTION 2 - BOOM

FIGURE 2-8. WINCH INSTALLATION - DUAL (WITH FLY BOOM)



ART_2509900044

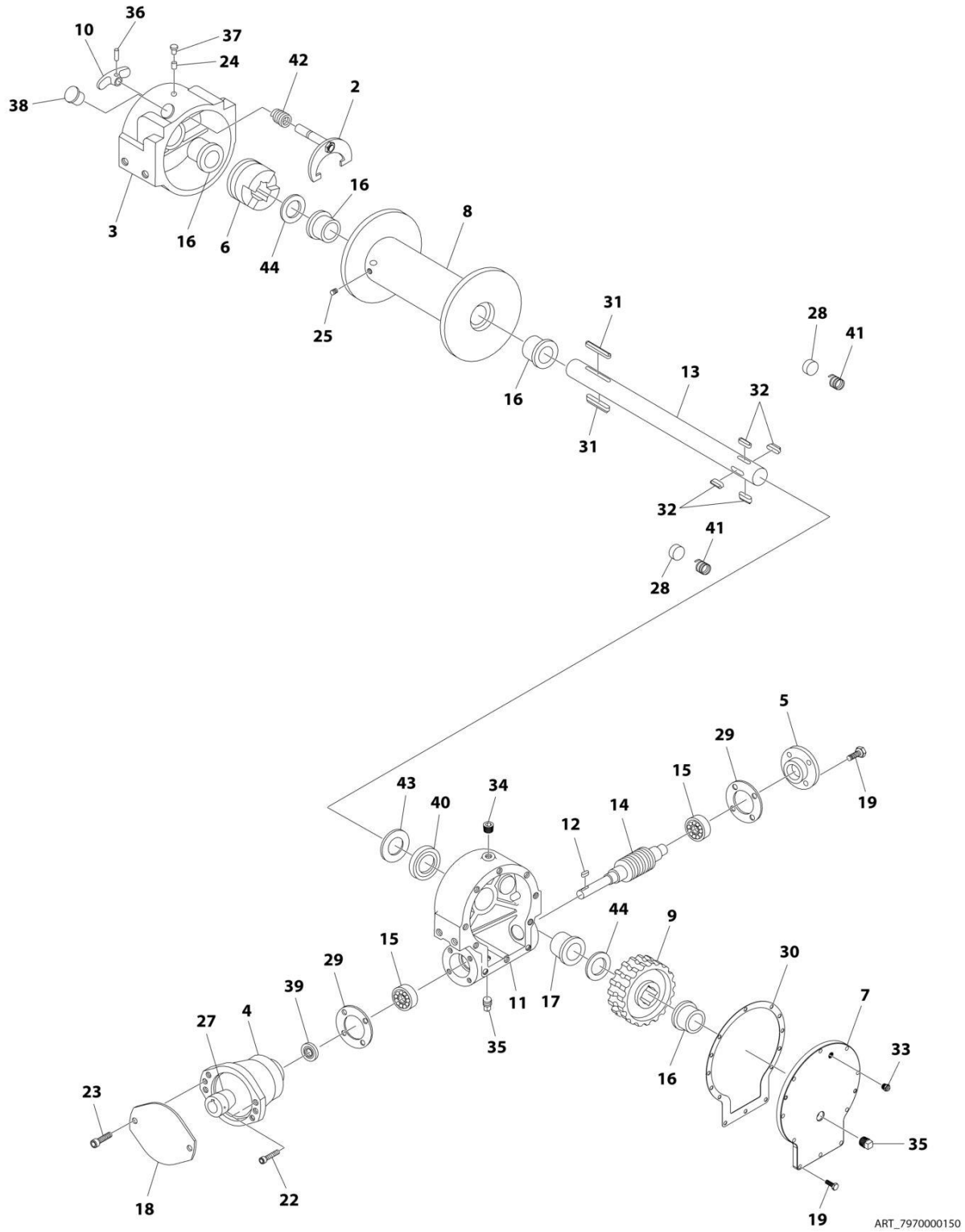
SECTION 2 - BOOM

FIGURE 2-8. WINCH INSTALLATION - DUAL (WITH FLY BOOM)

ITEM	PART NUMBER	QTY	DESCRIPTION	REV
	2509900044	Ref	WINCH INSTALLATION - DUAL (WITH FLY BOOM)	E
1	3178000419	1	Bracket	
2	7970000103	1	Winch (LH) (See Separate Breakdown in this Section)	
3	7970000104	1	Winch (RH) (See Separate Breakdown in this Section)	
4	7626000014	2	Orbit Motor (See Separate Breakdown in this Section)	
5	4062000541	1	Bar	
6	1001206159	1	Support	
7	1001206161	2	Support	
8	7754000005	2	Ring, Retaining	
9	1001206167	2	Support	
10	1001206171	2	Pin	
12	7809000001	2	Sheave	
14	0641608	16	Bolt 3/8 x 1	
15	4761600	16	Washer 3/8	
16	4891600	28	Washer 3/8	
17	0641612	6	Bolt 3/8 x 1-1/2	
18	7660162601	6	Nut 3/8	
19	0641510	2	Bolt 5/16 x 1-1/4	
20	4751500	2	Washer 5/16	
21	7660152601	2	Nut 5/16	
22	0642014	4	Bolt 5/8 x 1-3/4	
23	4712000	4	Washer 5/8	
24	7660202601	4	Nut 5/8	
25	7701000051	1	Plug	
26	8632000002	4	Trim-Lock (Not Shown)	
27	7950180400	4	Washer 1/2	
28	88671008	4	Fitting	
29	7253000002	2	Fitting	
30	3841143	2	Keeper	
31	4711600	2	Washer	
32	0651606	2	Bolt 3/8 x 3/4	
33	3020039	AR	Lubricant	
34	3020029	AR	Lube	
35	1001095650	AR	Adhesive	

SECTION 2 - BOOM

FIGURE 2-9. WINCH ASSEMBLY (WITH SINGLE WINCH)



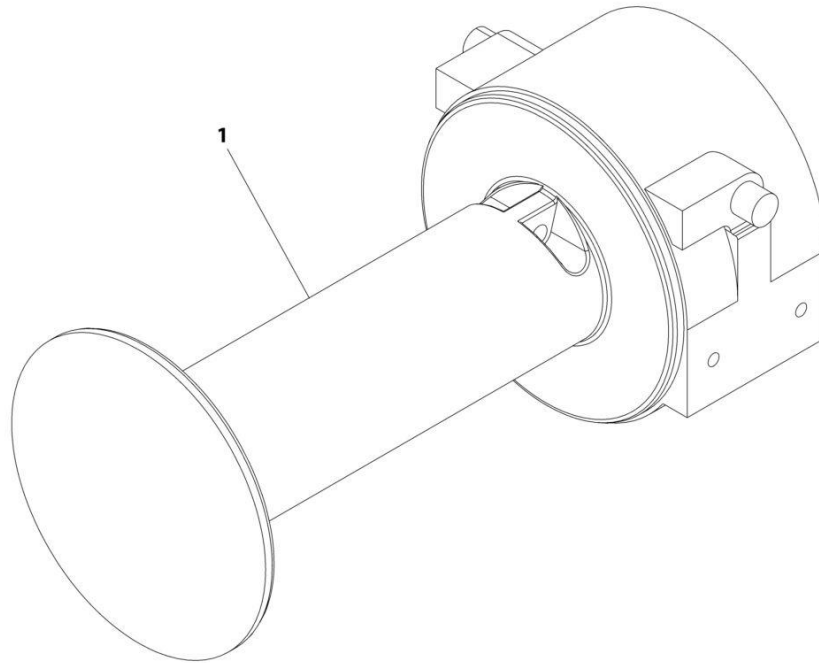
SECTION 2 - BOOM

FIGURE 2-9. WINCH ASSEMBLY (WITH SINGLE WINCH)

ITEM	PART NUMBER	QTY	DESCRIPTION	REV
	7970000150	Ref	WINCH ASSEMBLY	0
2	70051554	1	Shifter Assembly	
3	9560960022	1	Housing - Clutch	
4	9970300057	1	Adapter	
5	9970316083	1	Bearing Cap	
6	9970960060	1	Jaw Clutch	
7	9314960024	1	Cover	
8	9970960068	1	Drum - "Std"	
9	9472960072	1	Gear RH	
10	9970336010	1	Handle	
11	9560990011	1	Housing - Gear	
12	9970342027	1	Key	
13	9806960009	1	Shaft - Drum "Std"	
14	9970960062	1	Worm RH	
15	9970402002	2	Bearing - Ball	
16	9970412003	4	Bushing	
17	9970412045	4	Bushing	
18	70050679	1	Adapter Cover	
19	9970414045	14	Bolt 1/4 x 7/8	
20	9120960034	2	Bolt 3/8 x 1 (Not Shown)	
22	70050682	4	Bolt 1/4 x 1-3/4	
23	9120960061	2	Bolt 1/2 x 1-1/2	
24	70051555	1	Setscrew 1/4 x 3/8	
25	9786960015	1	Setscrew 3/8 x 1/2	
27	9970431008	1	Coupling	
28	9970438014	2	Disc Brake	
29	9970442184	2	Gasket	
30	9970442205	1	Gasket	
31	9970450006	2	Key Barth	
32	9575960014	4	Key Barth	
33	9970456008	1	Fitting - Relief	
34	9701960015	1	Pipe Plug	
35	9970468011	2	Pipe Plug	
36	9691960001	1	Spirol Pin	
37	9970472012	1	Rubber Plug	
38	9970472013	1	Plastic Plug	
39	9970486009	1	Oil Seal	
40	9970483017	1	Oil Seal	
41	9970494002	2	Spring	
42	9970494053	1	Spring	
43	9970518014	1	Washer	
44	9970518015	1	Washer	

SECTION 2 - BOOM

FIGURE 2-10. WINCH ASSEMBLY (LH) (WITH DUAL WINCHES)



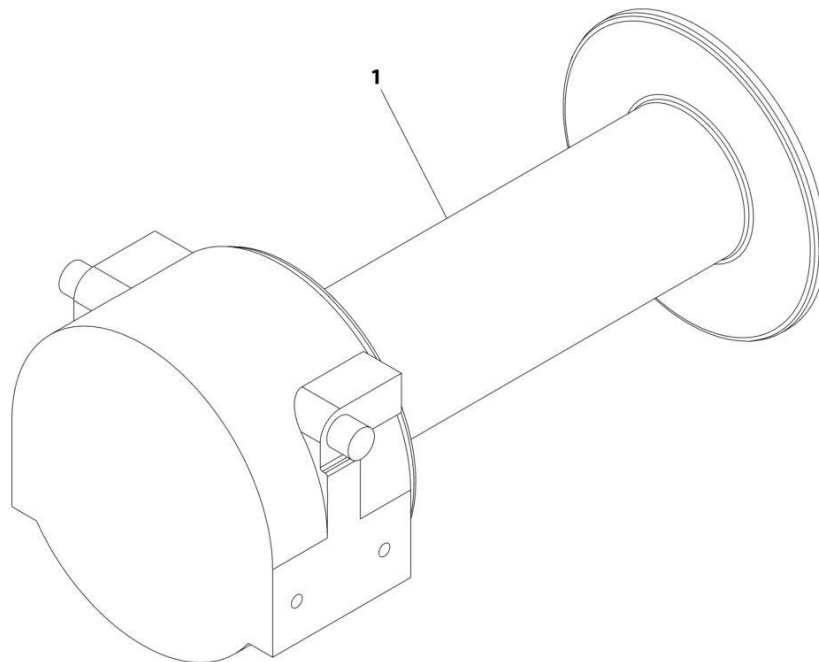
ART_7970000103

FIGURE 2-10. WINCH ASSEMBLY (LH) (WITH DUAL WINCHES)

ITEM	PART NUMBER	QTY	DESCRIPTION	REV
	7970000103	Ref Ref	WINCH ASSEMBLY Note: No Service Part Available at the Time of Printing	0

SECTION 2 - BOOM

FIGURE 2-11. WINCH ASSEMBLY (RH) (WITH DUAL WINCHES)



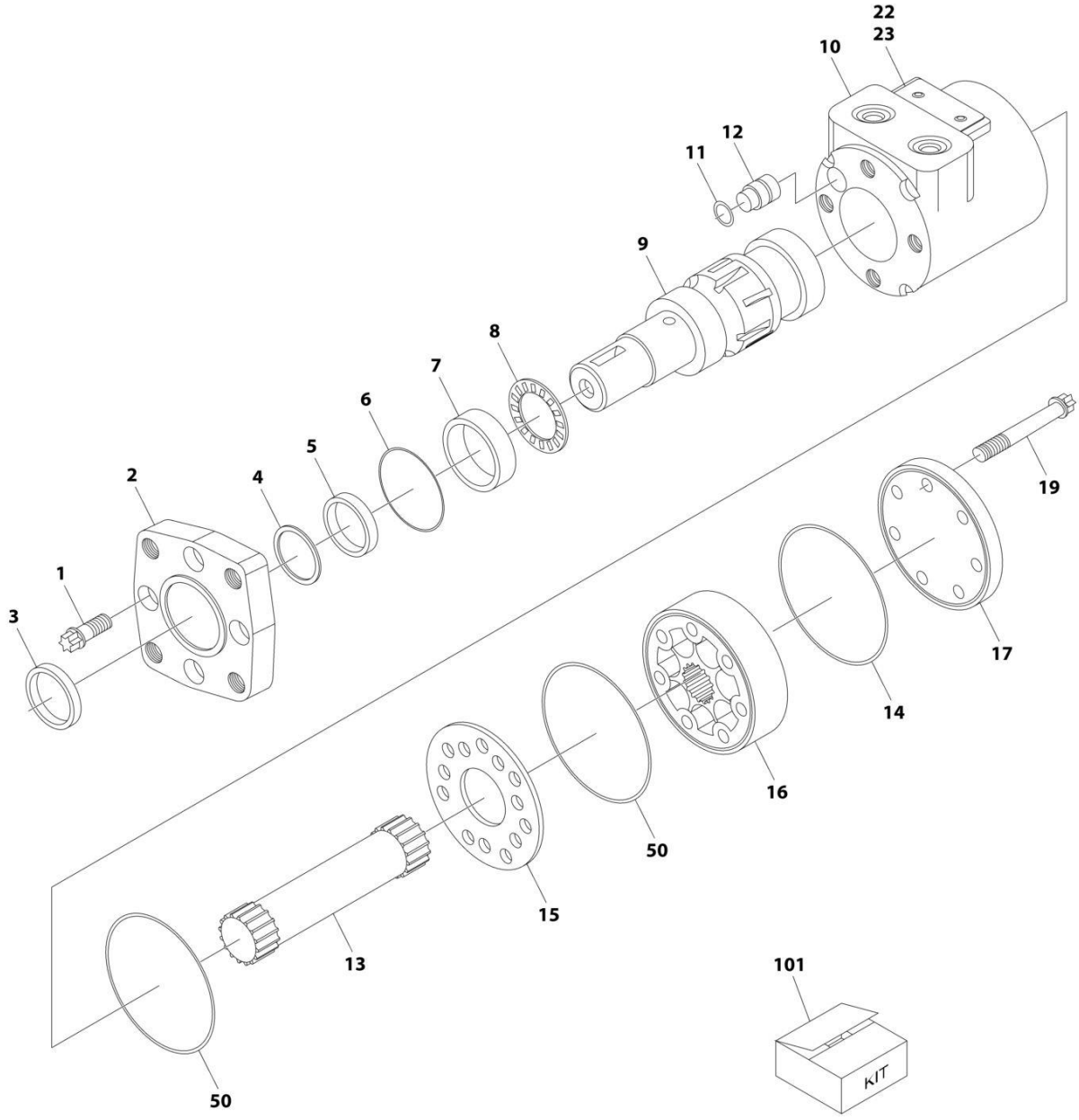
ART_7970000104

FIGURE 2-11. WINCH ASSEMBLY (RH) (WITH DUAL WINCHES)

ITEM	PART NUMBER	QTY	DESCRIPTION	REV
	7970000104	Ref Ref	WINCH ASSEMBLY Note: No Service Part Available at the Time of Printing	0

SECTION 2 - BOOM

FIGURE 2-12. WINCH MOTOR ASSEMBLY



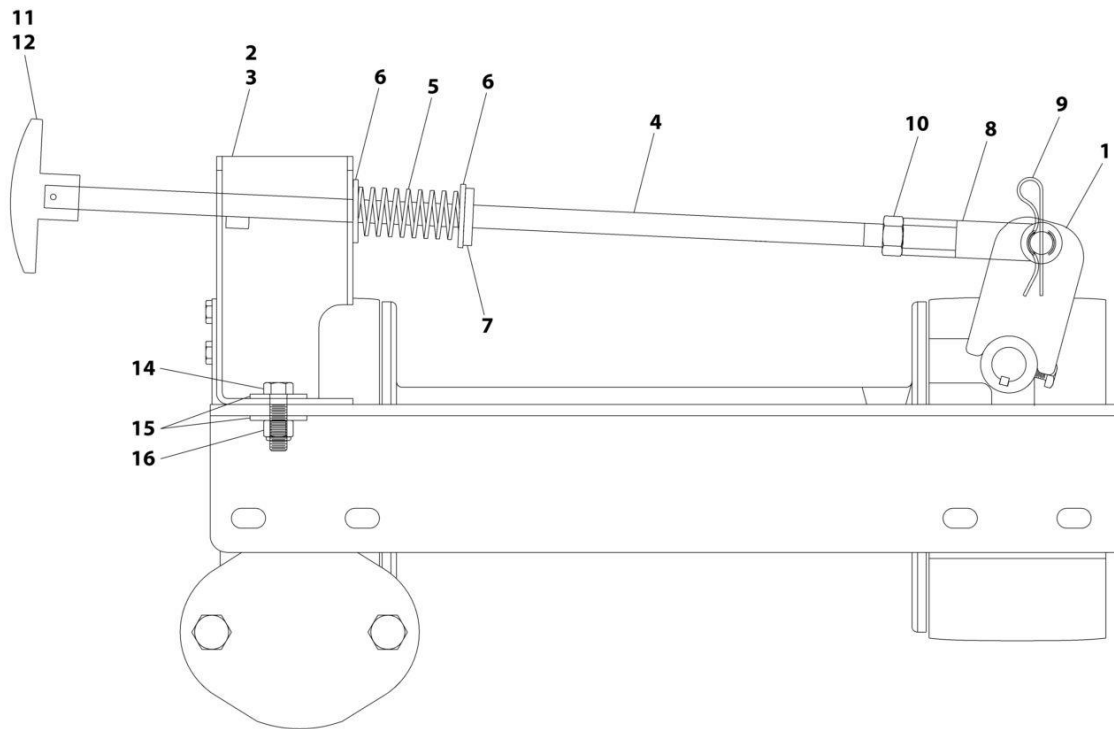
ART_7626000014

FIGURE 2-12. WINCH MOTOR ASSEMBLY

ITEM	PART NUMBER	QTY	DESCRIPTION	REV
	7626000014	Ref	ORBIT MOTOR	1
1	7002123	4	Capscrew	
2	7009974	1	Flange, Mounting	
3	See Note	NSS	Seal, Exclusion (Note: Use Item 101)	
4	7009975	1	Washer, Backup	
5	7009997	1	Pressure Seal	
6	See Note	NSS	Seal (Note: Use Item 101)	
7	7002117	1	Race, Bearing	
8	7002111	1	Bearing, Thrust Needle	
9	70070028	1	Output Shaft (STD)	
10	See Note	NSS	(Note: Not Available for Purchase)	
11	See Note	NSS	O-Ring (Note: Use Item 101)	
12	7009992	1	Plug, Housing	
13	80234009	1	Drive	
14	See Note	NSS	Seal (Note: Use Item 101)	
15	7002110	1	Plate, Spacer	
16	70070029	1	Gerotor Sub-Assembly	
17	7002107	1	Cap, End	
19	70070030	7	Capscrew	
22	See Note	NSS	(Note: Not Available for Purchase)	
23	See Note	NSS	(Note: Not Available for Purchase)	
50	See Note	NSS	Seal (Note: Use Item 101)	
100		Ref	Key (Not Shown)	
101	2900733	1	Seal Kit (Includes Items 3, 6, 11, 14 & 50)	

SECTION 2 - BOOM

FIGURE 2-13. WINCH HANDLE INSTALLATION - DUAL WINCH (WITH FLY BOOM)



ART_350990060

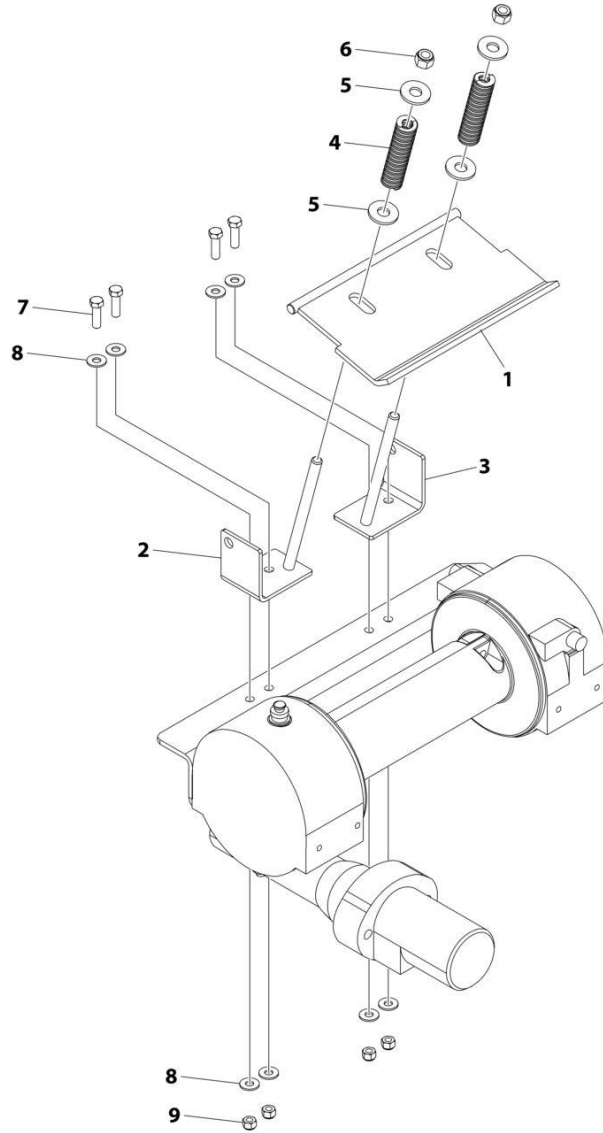
SECTION 2 - BOOM

FIGURE 2-13. WINCH HANDLE INSTALLATION - DUAL WINCH (WITH FLY BOOM)

ITEM	PART NUMBER	QTY	DESCRIPTION	REV
	3509900060	Ref	WINCH HANDLE INSTALLATION - DUAL WINCH (WITH FLY BOOM)	C
1	3587000007	2	Lever	
2	4178000166	1	Bracket	
3	4178000167	1	Bracket	
4	3587000008	2	Handle	
5	7843000010	2	Spring	
6	7950180161	4	Washer 1/2	
7	7690102041	2	Pin	
8	7990000011	2	Yoke	
9	1001179025	2	Pin, Clevis	
10	7660180030	2	Nut	
11	4551000005	2	T-Handle	
12	7690051641	2	Pin	
14	7115161050	2	Bolt 3/8 x 1-1/4	
15	7950160162	4	Washer 3/8	
16	7660162601	2	Nut 3/8	

SECTION 2 - BOOM

FIGURE 2-14. FLAPPER PLATE CABLE TENSIONER - 8000 LBS BOOM WINCH



ART_2500900643

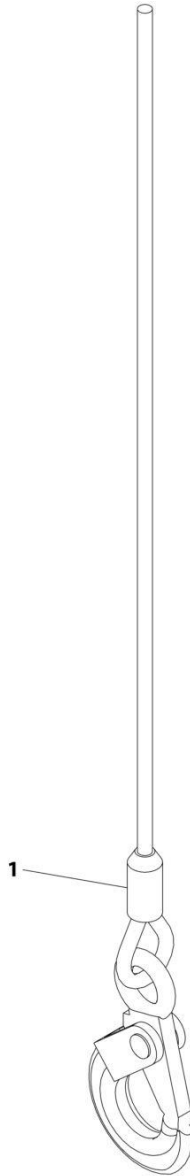
SECTION 2 - BOOM

FIGURE 2-14. FLAPPER PLATE CABLE TENSIONER - 8000 LBS BOOM WINCH

ITEM	PART NUMBER	QTY	DESCRIPTION	REV
	2500900643	Ref	CABLE TENSIONER INSTALLATION - WINCH	A
1	3706000099	1	Plate	
2	3017000003	1	Angle (LH)	
3	3017000002	1	Angle (RH)	
4	7843000004	2	Spring	
5	7950180161	4	Washer 1/2	
6	7660182601	2	Nut 1/2	
7	7115161050	4	Bolt 3/8 x 1-1/4	
8	7950150161	8	Washer 5/16	
9	7660162601	4	Nut 3/8	

SECTION 2 - BOOM

FIGURE 2-15. CABLE ASSEMBLY - NON-SWIVEL HOOK (SINGLE) (G&S AAA UNITS)



ART_C38D100-G5A971

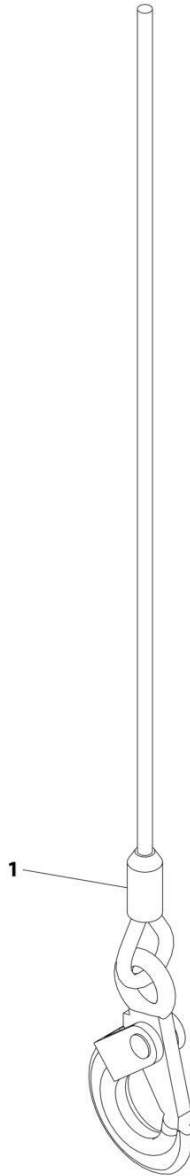
SECTION 2 - BOOM

FIGURE 2-15. CABLE ASSEMBLY - NON-SWIVEL HOOK (SINGLE) (G&S AAA UNITS)

ITEM	PART NUMBER	QTY	DESCRIPTION	REV
	C38D100-GSA971	Ref	CABLE ASSEMBLY - NON-SWIVEL HOOK (SINGLE) (G&S AAA UNITS)	0
1	7248000108	1	Cable Assembly	

SECTION 2 - BOOM

FIGURE 2-16. CABLE ASSEMBLY - NON-SWIVEL HOOK (SINGLE)



ART_C38D100

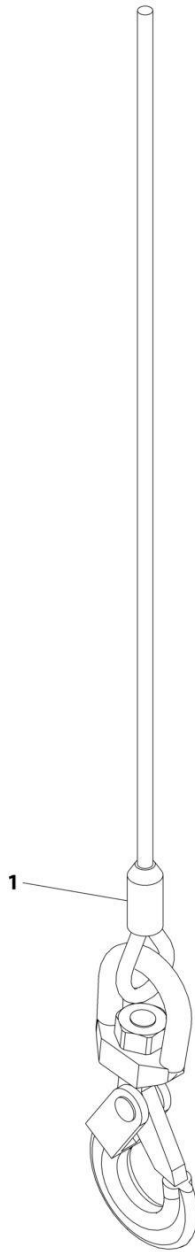
SECTION 2 - BOOM

FIGURE 2-16. CABLE ASSEMBLY - NON-SWIVEL HOOK (SINGLE)

ITEM	PART NUMBER	QTY	DESCRIPTION	REV
1	C38D100 7248000111	Ref 1	CABLE ASSEMBLY - NON-SWIVEL HOOK (SINGLE) Cable Assembly	A

SECTION 2 - BOOM

FIGURE 2-17. CABLE ASSEMBLY - SWIVEL HOOK (SINGLE)



ART_C38D100WSH

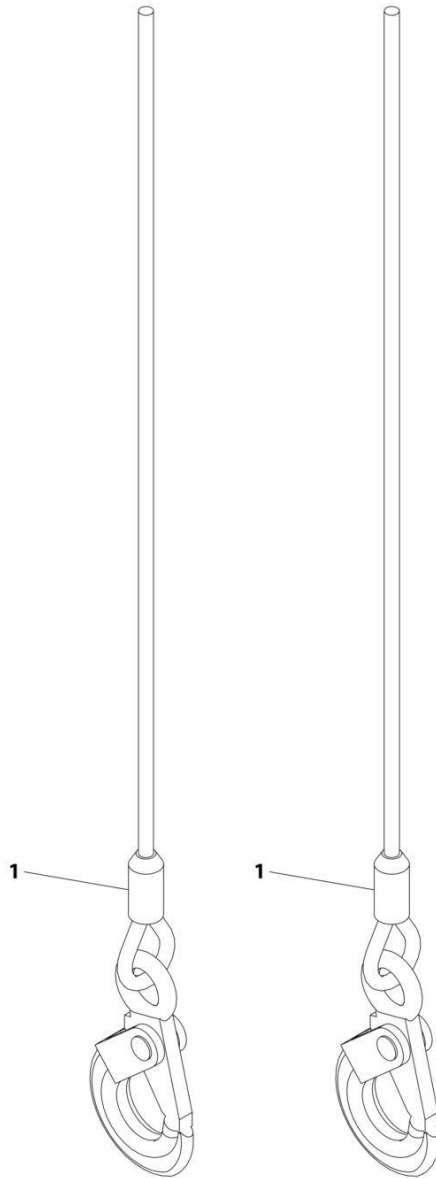
SECTION 2 - BOOM

FIGURE 2-17. CABLE ASSEMBLY - SWIVEL HOOK (SINGLE)

ITEM	PART NUMBER	QTY	DESCRIPTION	REV
1	C38D100WSH 1001228303	Ref 1	CABLE ASSEMBLY - SWIVEL HOOK (SINGLE) Cable Assembly	B

SECTION 2 - BOOM

FIGURE 2-18. CABLE ASSEMBLY - NON-SWIVEL HOOK (DUAL)



ART_1001181886

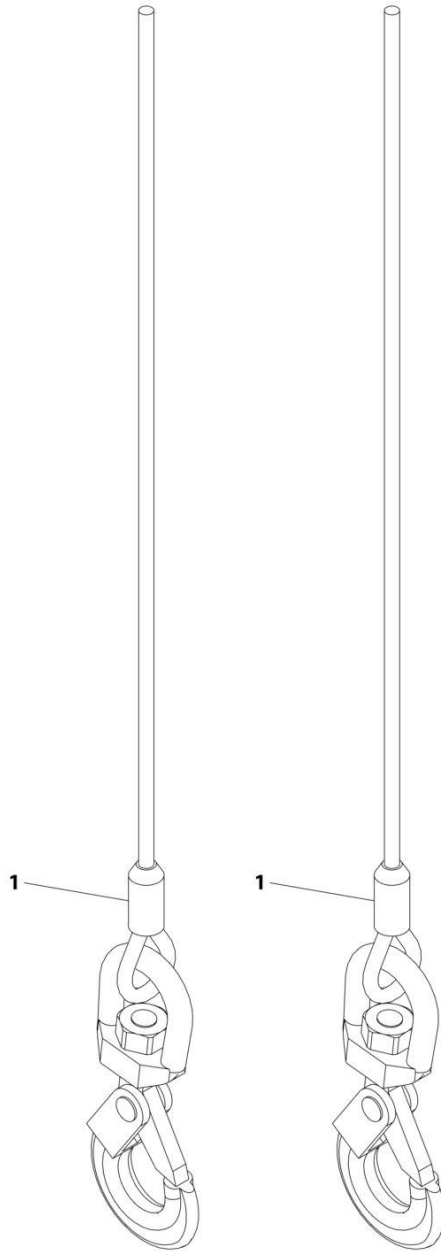
SECTION 2 - BOOM

FIGURE 2-18. CABLE ASSEMBLY - NON-SWIVEL HOOK (DUAL)

ITEM	PART NUMBER	QTY	DESCRIPTION	REV
1	1001181886 7248000111	Ref 2	CABLE ASSEMBLY - NON-SWIVEL HOOK Cable Assembly	A

SECTION 2 - BOOM

FIGURE 2-19. CABLE ASSEMBLY - SWIVEL HOOK (DUAL)



ART_1001181889

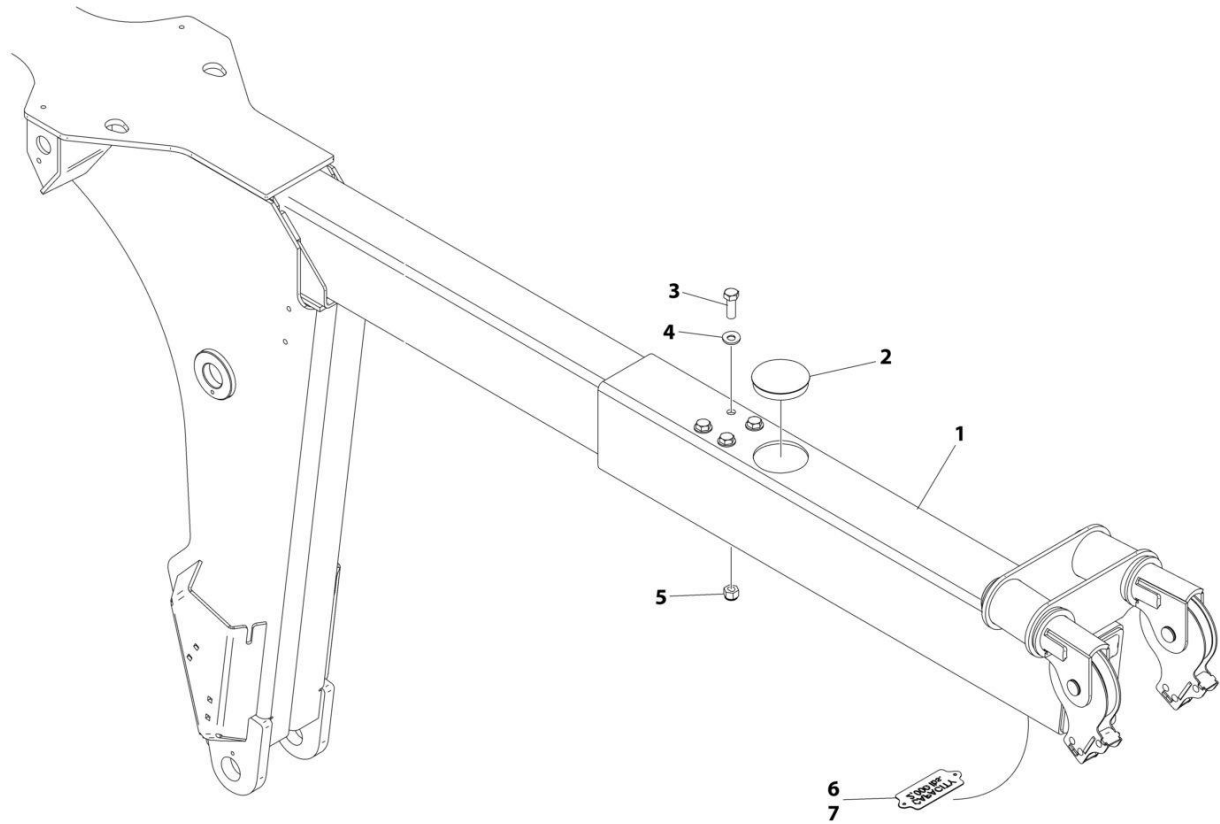
SECTION 2 - BOOM

FIGURE 2-19. CABLE ASSEMBLY - SWIVEL HOOK (DUAL)

ITEM	PART NUMBER	QTY	DESCRIPTION	REV
1	1001181889 7248000140	Ref 2	CABLE ASSEMBLY - SWIVEL HOOK (DUAL) Cable Assembly	A

SECTION 2 - BOOM

FIGURE 2-20. RECOVERY BOOM EXTENSION INSTALLATION



ART_1001178630

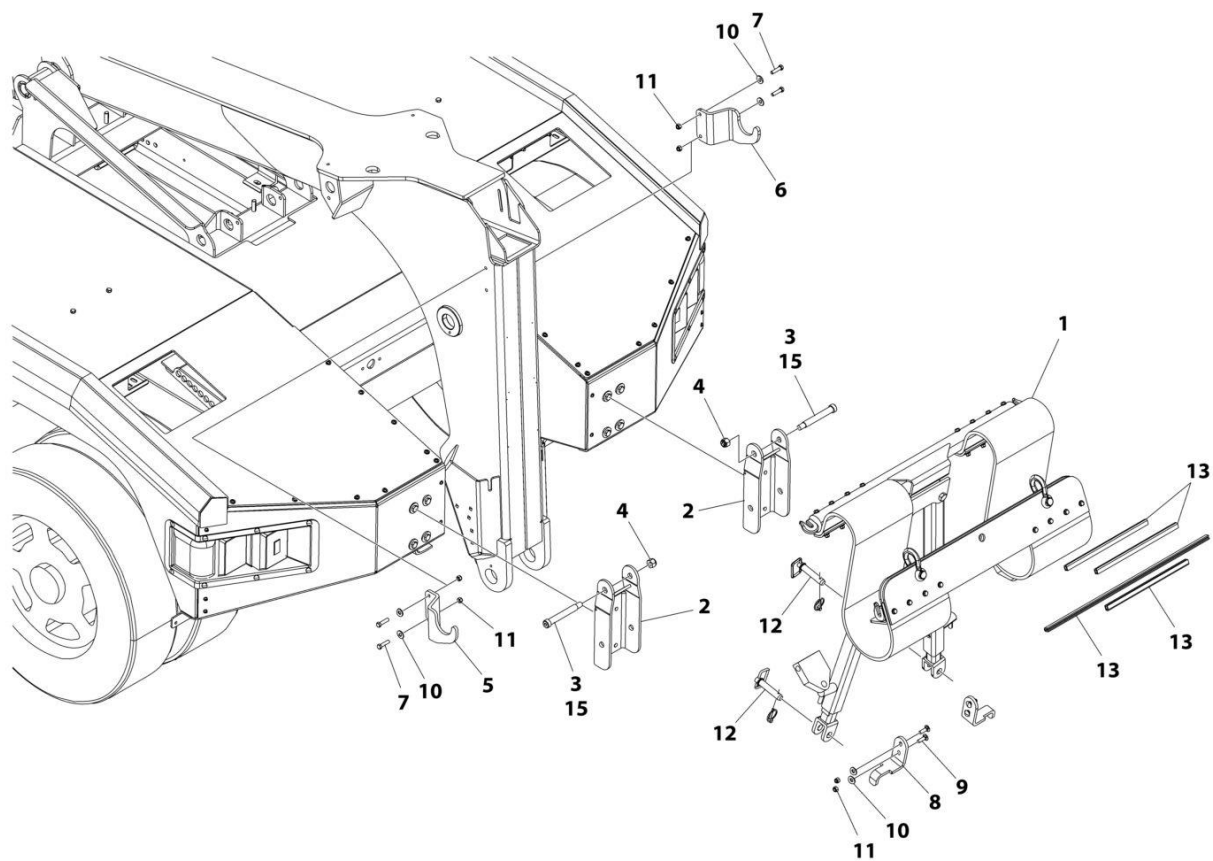
SECTION 2 - BOOM

FIGURE 2-20. RECOVERY BOOM EXTENSION INSTALLATION

ITEM	PART NUMBER	QTY	DESCRIPTION	REV
	1001178630	Ref	RECOVERY BOOM EXTENSION INSTALLATION	B
1	3170000493	1	Boom Extension	
2	7701000030	1	Plug	
3	7115201450	4	Bolt 5/8 x 1-3/4	
4	7950200141	4	Washer 5/8	
5	7660202601	4	Nut 5/8	
6	7330000866	1	Tag	
7	7759000018	2	Pop Rivet	

SECTION 2 - BOOM

FIGURE 2-21. TOW SLING INSTALLATION



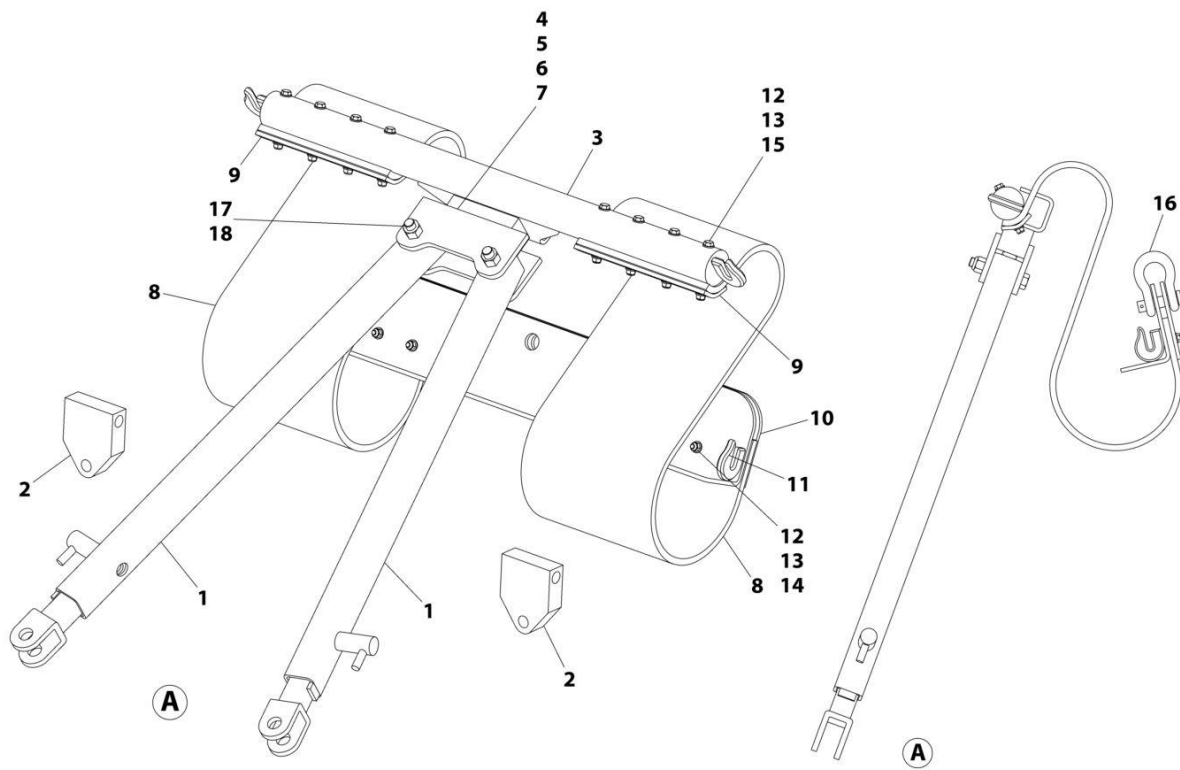
ART_1001208842

FIGURE 2-21. TOW SLING INSTALLATION

ITEM	PART NUMBER	QTY	DESCRIPTION	REV
	1001208842	Ref	TOW SLING INSTALLATION	A
1	1001183579	1	Tow Sling Kit (See Separate Breakdown in this Section)	
2	4178000621	2	Bracket	
3	7115223806	2	Bolt 5/8 x 4-3/4	
4	7660202601	2	Nut 5/8	
5	1001208612	1	Bracket, LH	
6	1001208611	1	Bracket, RH	
7	0641612	4	Bolt 3/8 x 1-1/2	
8	1001208613	2	Bracket	
9	7115161064	4	Bolt 3/8 x 1-1/4	
10	4751600	8	Washer 3/8	
11	7660162601	8	Nut 3/8	
12	7691000053	2	Pin	
13	8632000002	5.83 ft	Trim Lock	
14	7262000010	2	Chain (Not Shown)	
15	3020039	AR	Molly Paste	

SECTION 2 - BOOM

FIGURE 2-22. TOW SLING KIT



ART_1001183579

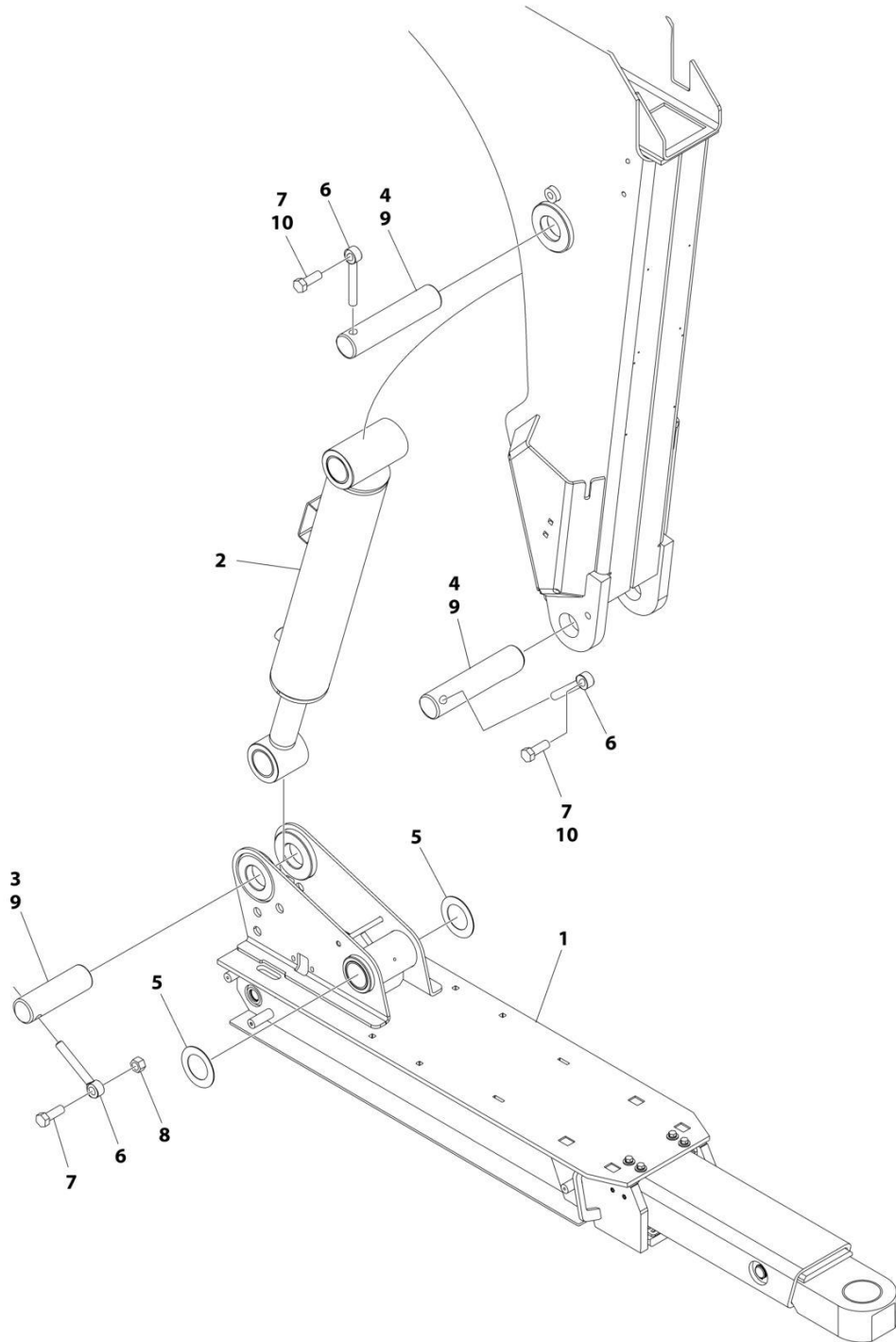
FIGURE 2-22. TOW SLING KIT

ITEM	PART NUMBER	QTY	DESCRIPTION	REV
	1001183579	Ref	TOW SLING KIT	C
1	70051576	2	Sling Arm Assembly	
2	70051577	2	Hinge	
3	70051578	1	Sling Crossbar	
4	70051579	1	Pivot	
5	70051580	1	Washer	
6	70051581	1	Nut	
7	70051582	1	Cotter Pin	
8	70051583	2	Sling Belt	
9	70051584	2	Sling Belting Clamp	
10	70051585	1	Front Sling Belting Plate	
11	70051586	1	Back Sling Belting Plate	
12	70051587	16	Washer 5/16	
13	70051588	16	Nut 5/16	
14	70051589	8	Bolt 5/16 x 1-1/2	
15	70051590	8	Bolt 5/16 x 3-1/2	
16	70051591	2	Anchor Shackle	
17	70051592	2	Bolt 5/8 x 3-3/4	
18	70051593	2	Nut 5/8	

SECTION 3 - UNDERLIFT

SECTION 3 - UNDERLIFT

FIGURE 3-1. UNDERLIFT INSTALLATION - MANUAL GRID (SN 0230004217 through 0230009854)



ART_1001207972

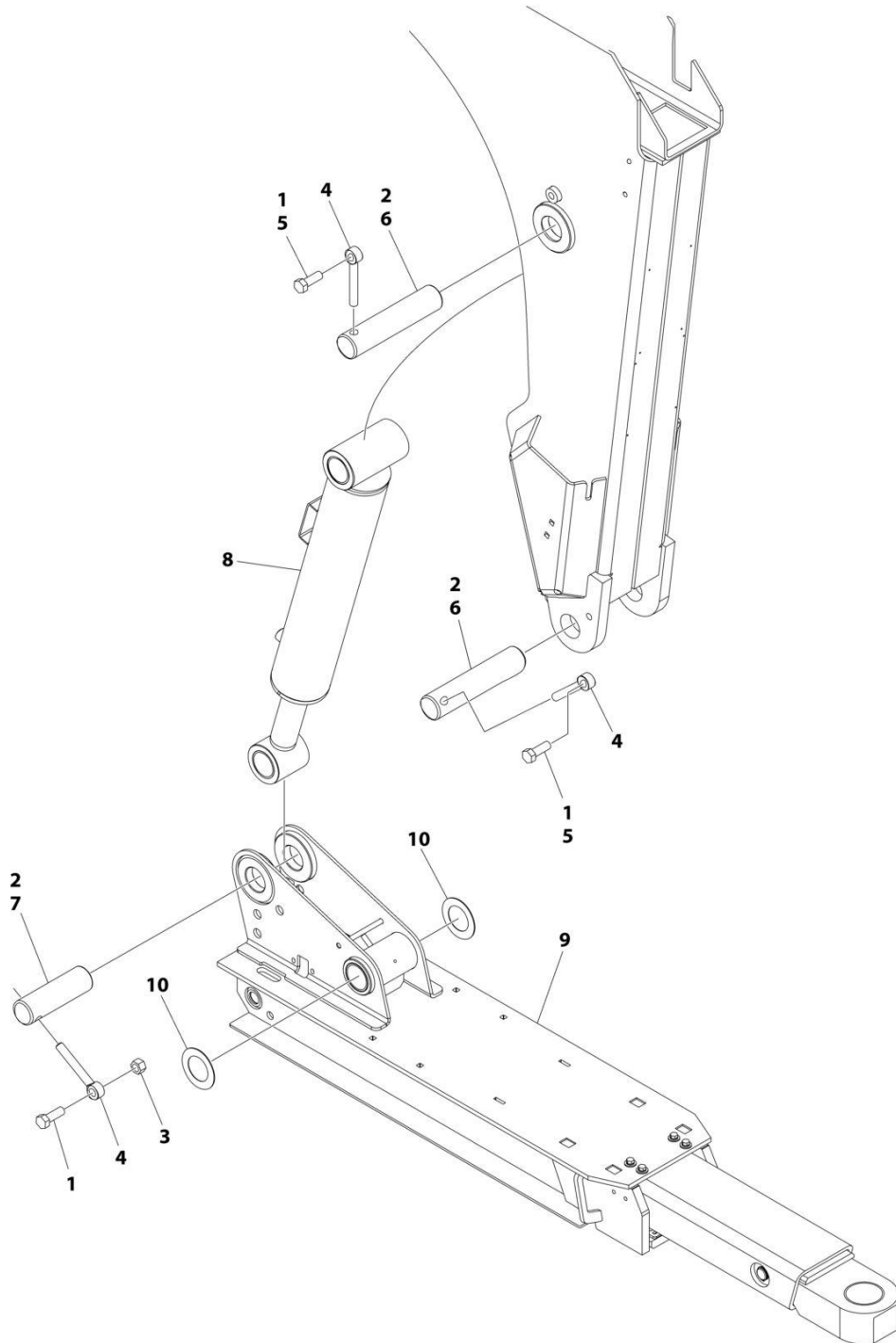
SECTION 3 - UNDERLIFT

FIGURE 3-1. UNDERLIFT INSTALLATION - MANUAL GRID (SN 0230004217 through 0230009854)

ITEM	PART NUMBER	QTY	DESCRIPTION	REV
	1001207972	Ref	UNDERLIFT INSTALLATION - MANUAL GRID	A
1	1001207975	1	Boom, Under lift - Manual Grids (See Separate Breakdown in this Section)	
2	1001194369	1	Cylinder Assembly - Tilt (See Separate Breakdown in this Section)	
3	1001191718	1	Pin	
4	1001191717	2	Pin	
5	4949000050	2	Washer	
6	3841258	3	Pin	
7	0682014	3	Bolt 5/8 x 1-3/4 Grade 8	
8	3272005	1	Nut 5/8	
9	3020039	AR	Lubricant	
10	1001095650	AR	Adhesive	

SECTION 3 - UNDERLIFT

FIGURE 3-2. UNDERLIFT INSTALLATION - MANUAL GRID (SN 0230009855 through 0230015583, Except SN 0230010924 through 0230010930, Except SN 0230011121 through 0230011129, Except SN 0230011301 through 0230011319, Except SN 0230011491 through 0230011510, Excluding 0230010532, 0230011032 and 0230011078)



ART_1001265468

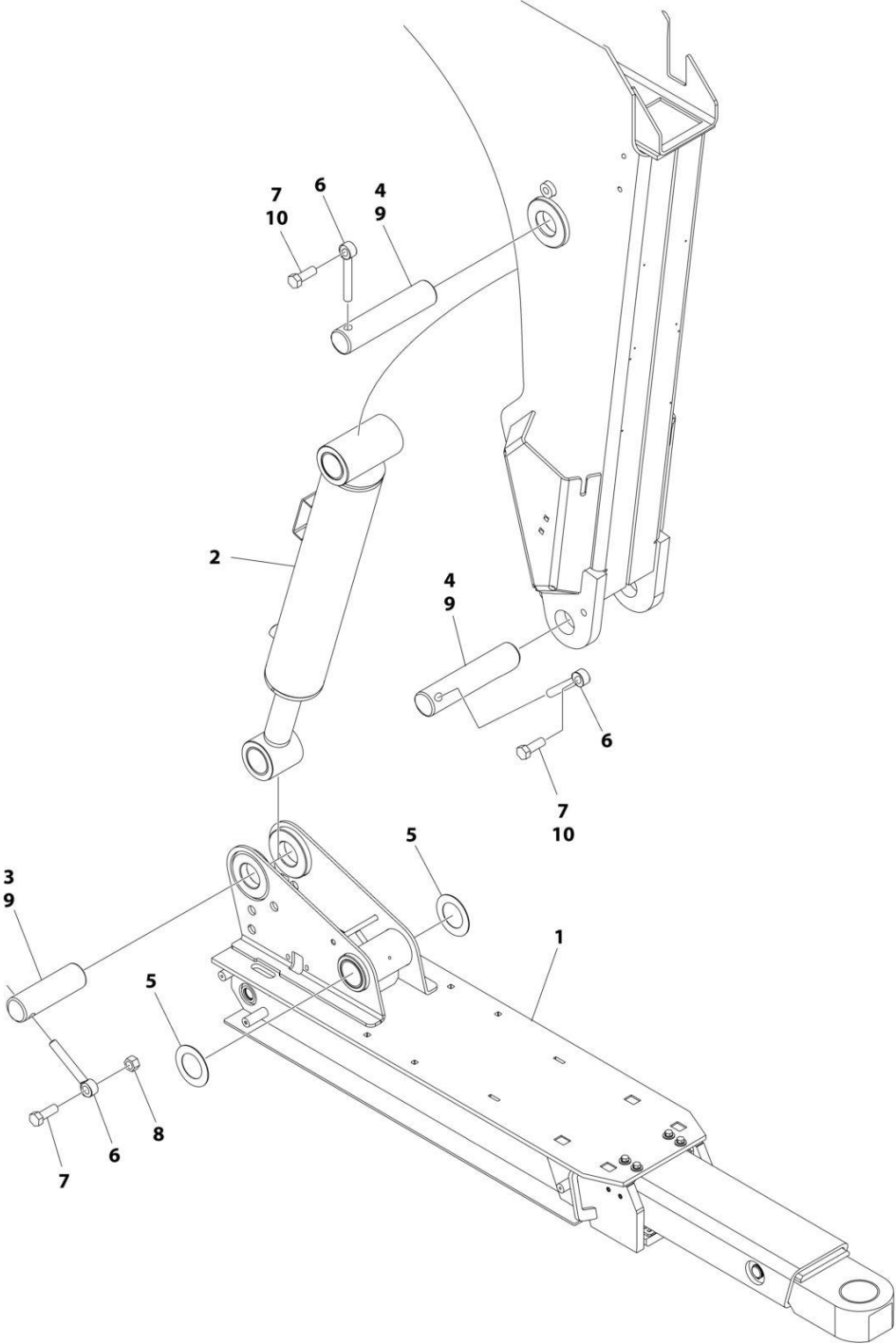
SECTION 3 - UNDERLIFT

FIGURE 3-2. UNDERLIFT INSTALLATION - MANUAL GRID (SN 0230009855 through 0230015583, Except SN 0230010924 through 0230010930, Except SN 0230011121 through 0230011129, Except SN 0230011301 through 0230011319, Except SN 0230011491 through 0230011510, Excluding 0230010532, 0230011032 and 0230011078)

ITEM	PART NUMBER	QTY	DESCRIPTION	REV
	1001265468	Ref	UNDERLIFT INSTALLATION - MANUAL GRID	A
1	0682014	3	Bolt 5/8 x 1-3/4 Grade 8	
2	3020039	AR	Lubricant	
3	3272005	1	Nut 5/8	
4	3841258	3	Pin	
5	1001095650	AR	Adhesive	
6	1001191717	2	Pin	
7	1001191718	1	Pin	
8	1001194369	1	Cylinder Assembly - Tilt (See Separate Breakdown in this Section)	
9	1001265470	1	Boom, Under lift - Manual Grids (See Separate Breakdown in this Section)	
10	4949000050	2	Washer	

SECTION 3 - UNDERLIFT

FIGURE 3-3. UNDERLIFT INSTALLATION - HYDRAULIC GRID



ART_1001196508

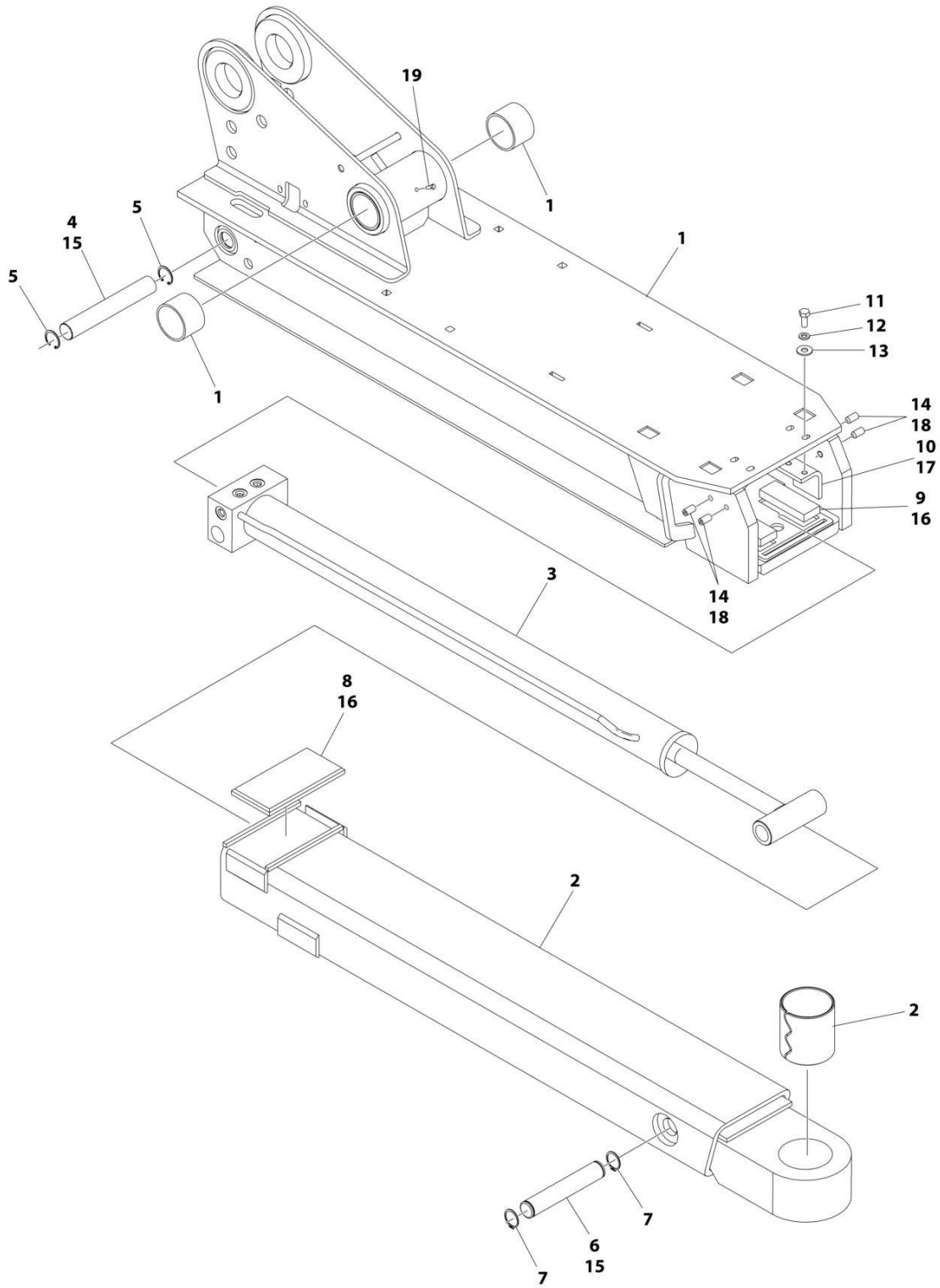
SECTION 3 - UNDERLIFT

FIGURE 3-3. UNDERLIFT INSTALLATION - HYDRAULIC GRID

ITEM	PART NUMBER	QTY	DESCRIPTION	REV
	1001196508	Ref	UNDERLIFT INSTALLATION - HYDRAULIC GRID	A
1	1001196509	1	Boom Assembly - Underlift with Hydraulic Grids (See Separate Breakdown in this Section)	
2	1001194369	1	Cylinder Assembly - Tilt (See Separate Breakdown in this Section)	
3	1001191718	1	Pin	
4	1001191717	2	Pin	
5	4949000050	2	Washer	
6	3841258	3	Pin	
7	0682014	3	Bolt 5/8 x 1-3/4 Grade 8	
8	3272005	1	Nut 5/8 Grade 8	
9	3020039	AR	Lubricant	
10	1001095650	AR	Adhesive	

SECTION 3 - UNDERLIFT

FIGURE 3-4. UNDERLIFT BOOM ASSEMBLY - MANUAL GRID (SN 0230004217 through 0230009854)



ART_1001207975

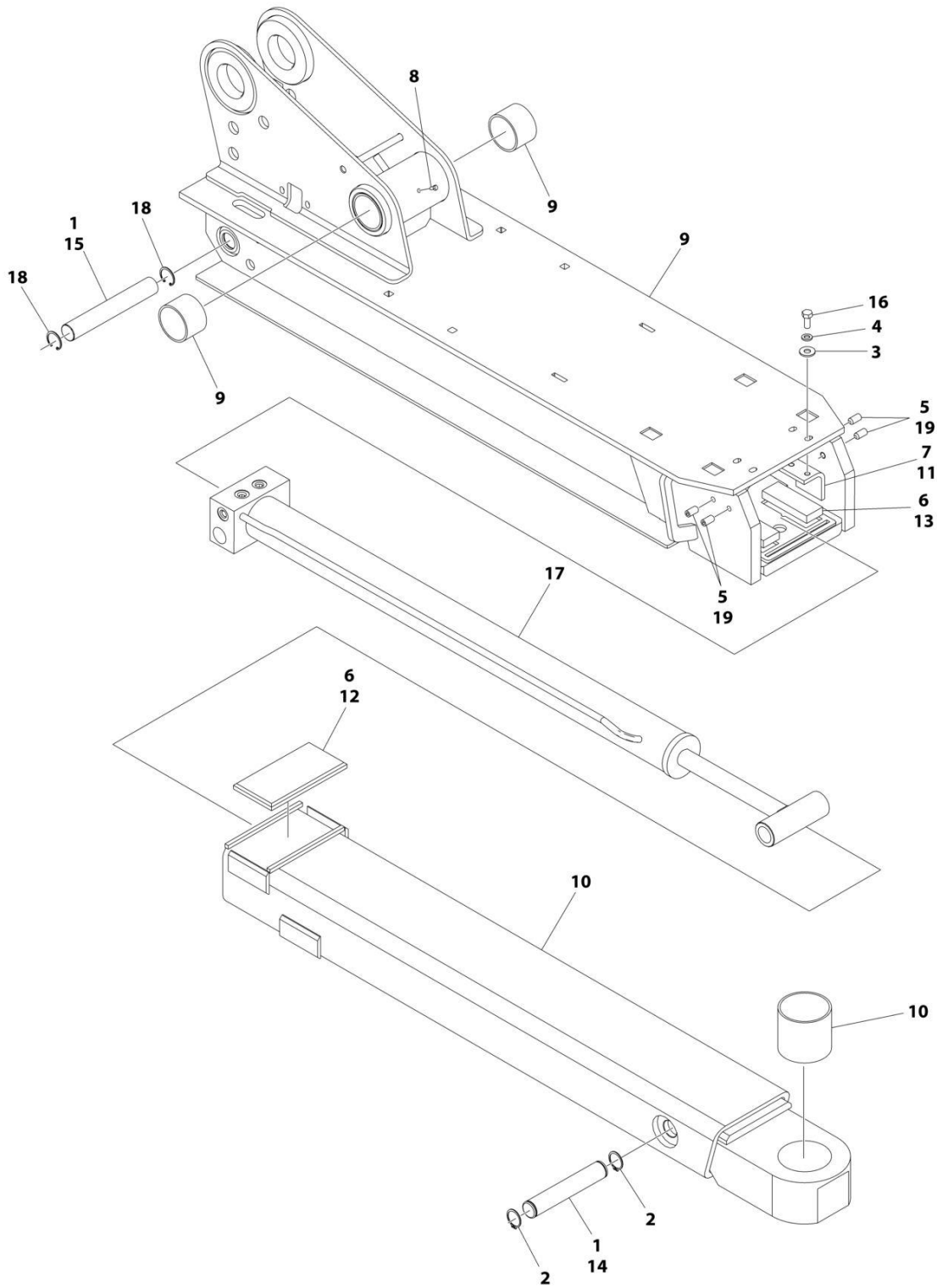
SECTION 3 - UNDERLIFT

FIGURE 3-4. UNDERLIFT BOOM ASSEMBLY - MANUAL GRID (SN 0230004217 through 0230009854)

ITEM	PART NUMBER	QTY	DESCRIPTION	REV
	1001207975	Ref	UNDERLIFT BOOM ASSEMBLY - MANUAL GRID	B
1	1001207976	1	Boom, Main	
1	7082000043	2	Bearing	
2	3170000393	1	Boom, Fly	
2	7209000028	1	Bearing	
3	7320000077	1	Cylinder Assembly - Extrend/Retract (See Separate Breakdown in this Section)	
4	4691000308	1	Pin	
5	7754000056	2	Ring, Retaining	
6	4691000307	1	Pin	
7	3760115	2	Ring, Retaining	
8	4679000046	1	Pad	
9	4679000213	2	Pad	
10	4017001502	2	Angle	
11	7104150624	4	Bolt 5/16 x 3/4	
12	4761500	4	Washer 5/16	
13	4751500	4	Washer 5/16	
14	7785161274	4	Setscrew 3/8 x 3/4	
15	3020039	AR	Lubricant	
16	1001152707	AR	Lubricant	
17	1001155141	AR	Lubricant	
18	1001095650	AR	Adhesive	
19	1001204776	1	Plug	

SECTION 3 - UNDERLIFT

FIGURE 3-5. UNDERLIFT BOOM ASSEMBLY - MANUAL GRID (SN 0230009855 through 0230015583, Except SN 0230010924 through 0230010930, Except SN 0230011121 through 0230011129, Except SN 0230011301 through 0230011319, Except SN 0230011491 through 0230011510, Excluding 0230010532, 0230011032 and 0230011078)



ART_1001265470

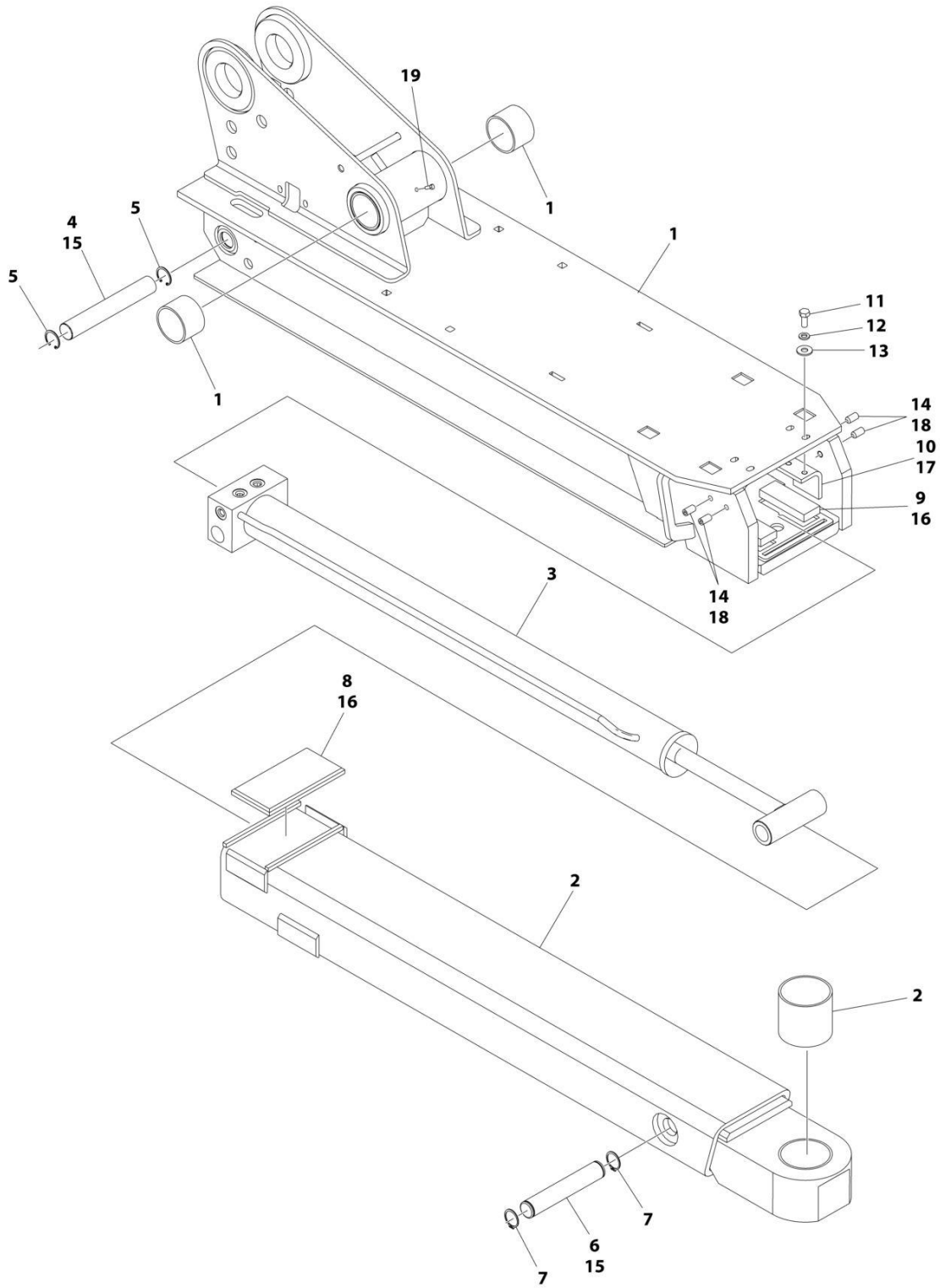
SECTION 3 - UNDERLIFT

FIGURE 3-5. UNDERLIFT BOOM ASSEMBLY - MANUAL GRID (SN 0230009855 through 0230015583, Except SN 0230010924 through 0230010930, Except SN 0230011121 through 0230011129, Except SN 0230011301 through 0230011319, Except SN 0230011491 through 0230011510, Excluding 0230010532, 0230011032 and 0230011078)

ITEM	PART NUMBER	QTY	DESCRIPTION	REV
	1001265470	Ref	UNDERLIFT BOOM ASSEMBLY - MANUAL GRID	A
1	3020039	AR	Lubricant	
2	3760115	2	Ring, Retaining	
3	4751500	4	Washer 5/16	
4	4761500	4	Washer 5/16	
5	1001095650	AR	Adhesive	
6	1001152707	AR	Lubricant	
7	1001155141	AR	Lubricant	
8	1001204776	1	Plug	
9	1001207976	1	Boom, Main	
9	7082000043	2	Bearing	
10	3170000346	1	Boom, Inner	
10	7209000030	2	Bearing	
11	4017001502	2	Angle	
12	4679000046	1	Pad	
13	4679000213	2	Pad	
14	4691000307	1	Pin	
15	4691000308	1	Pin	
16	7104150624	4	Bolt 5/16 x 3/4	
17	7320000077	1	Cylinder Assembly - Extrend/Retract (See Separate Breakdown in this Section)	
18	7754000056	2	Ring, Retaining	
19	7785161274	4	Setscrew 3/8 x 3/4	

SECTION 3 - UNDERLIFT

FIGURE 3-6. UNDERLIFT BOOM ASSEMBLY - HYDRAULIC GRIDS



ART_1001196509

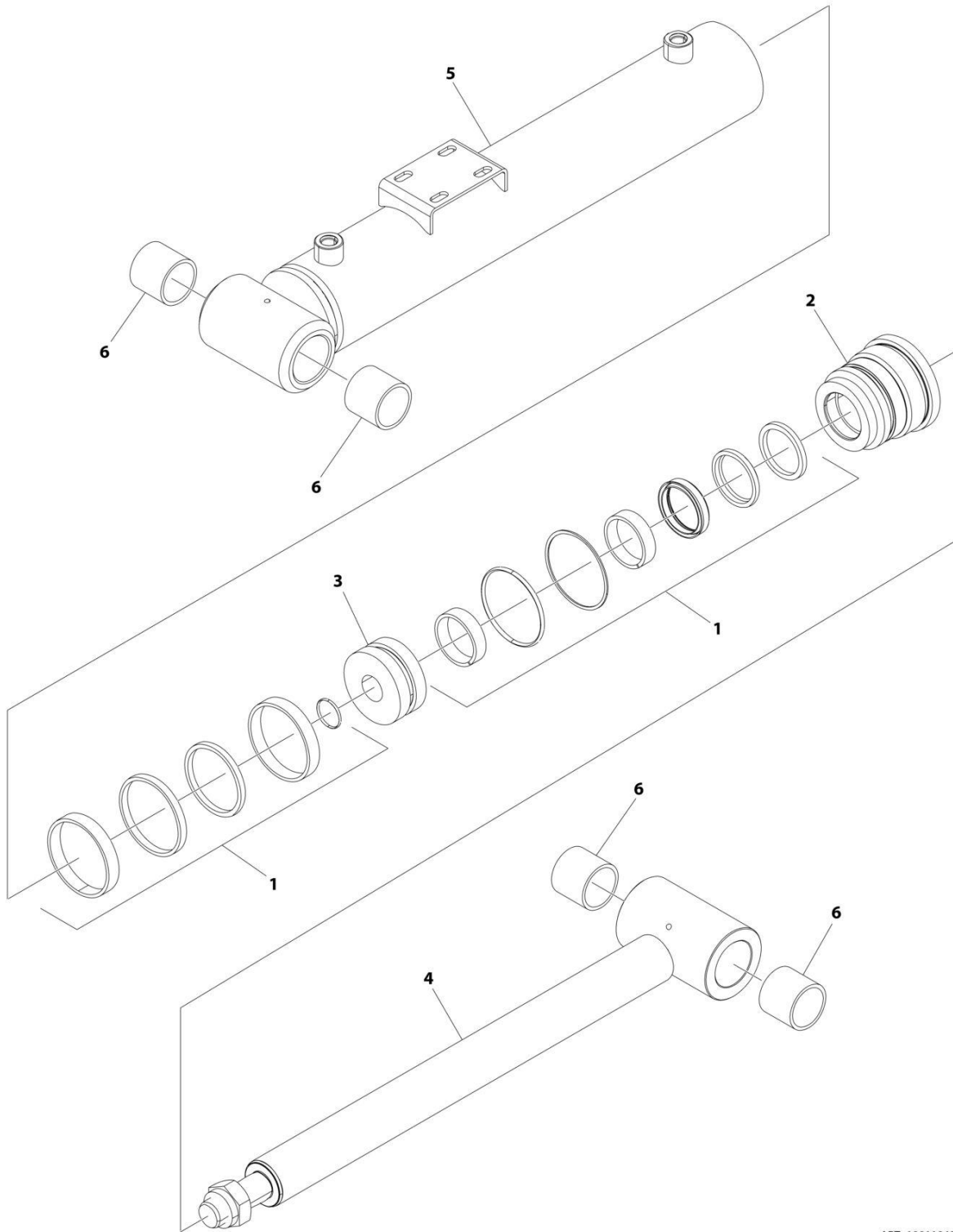
SECTION 3 - UNDERLIFT

FIGURE 3-6. UNDERLIFT BOOM ASSMBLY - HYDRAULIC GRIDS

ITEM	PART NUMBER	QTY	DESCRIPTION	REV
	1001196509	Ref	BOOM, UNDERLIFT - HYDRAULIC GRIDS	A
1	1001196510	1	Boom, Base	
1	7082000043	2	Bearing	
2	3170000346	1	Boom, Inner	
2	7209000030	1	Bearing	
3	7320000077	1	Cylinder Assembly (See Separate Breakdown in this Section)	
4	4691000308	1	Pin	
5	7754000056	2	Snap Ring	
6	4691000307	1	Pin	
7	3760115	2	Retaining Ring	
8	4679000046	1	Pad	
9	4679000213	2	Pad	
10	4017001502	2	Angle	
11	7104150624	4	Capscrew 5/16 x 3/4	
12	4761500	4	Washer 5/16	
13	4751500	4	Washer 5/16	
14	7785161274	4	Setscrew 3/8 x 3/4	
15	3020039	AR	Lubricant	
16	1001152707	AR	Lubricant	
17	1001155141	AR	Lubricant	
18	1001095650	AR	Adhesive	
19	1001204776	1	Plug	

SECTION 3 - UNDERLIFT

FIGURE 3-7. CYLINDER ASSEMBLY - TILT (UNDERLIFT)



ART_1001194369

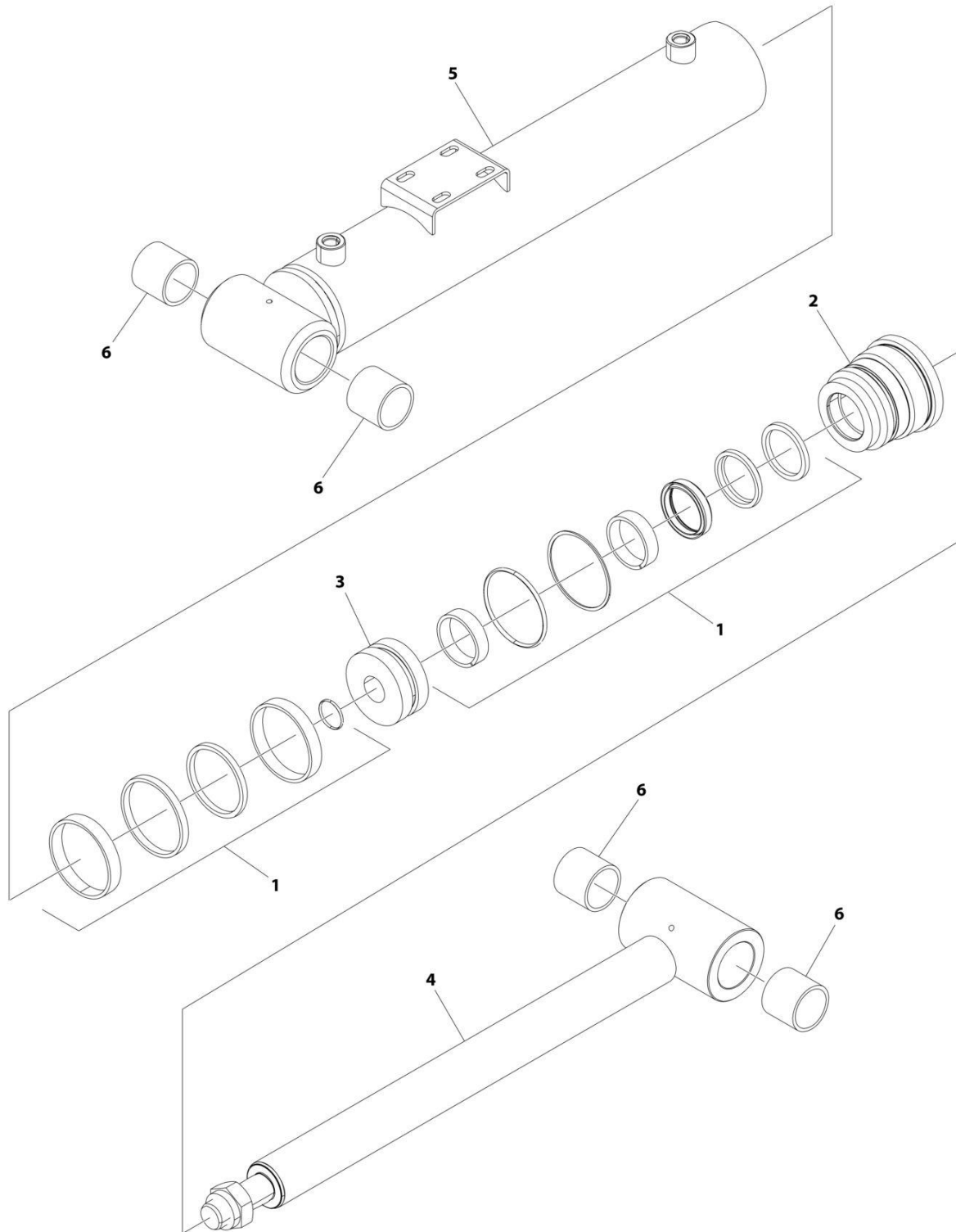
SECTION 3 - UNDERLIFT

FIGURE 3-7. CYLINDER ASSEMBLY - TILT (UNDERLIFT)

ITEM	PART NUMBER	QTY	DESCRIPTION	REV
	1001194369	Ref	CYLINDER ASSEMBLY - TILT (UNDERLIFT)	C
1	70051326	1	Seal Kit - Cylinder	
2	70051628	1	Head	
3	70051629	1	Piston	
4	70051630	1	Rod	
5	70051631	1	Barrel	
6	0962224	1	Bushing (Barrel & Rod Ends)	

SECTION 3 - UNDERLIFT

FIGURE 3-8. CYLINDER ASSEMBLY - EXTEND/RETRACT (UNDERLIFT)



ART_732000077

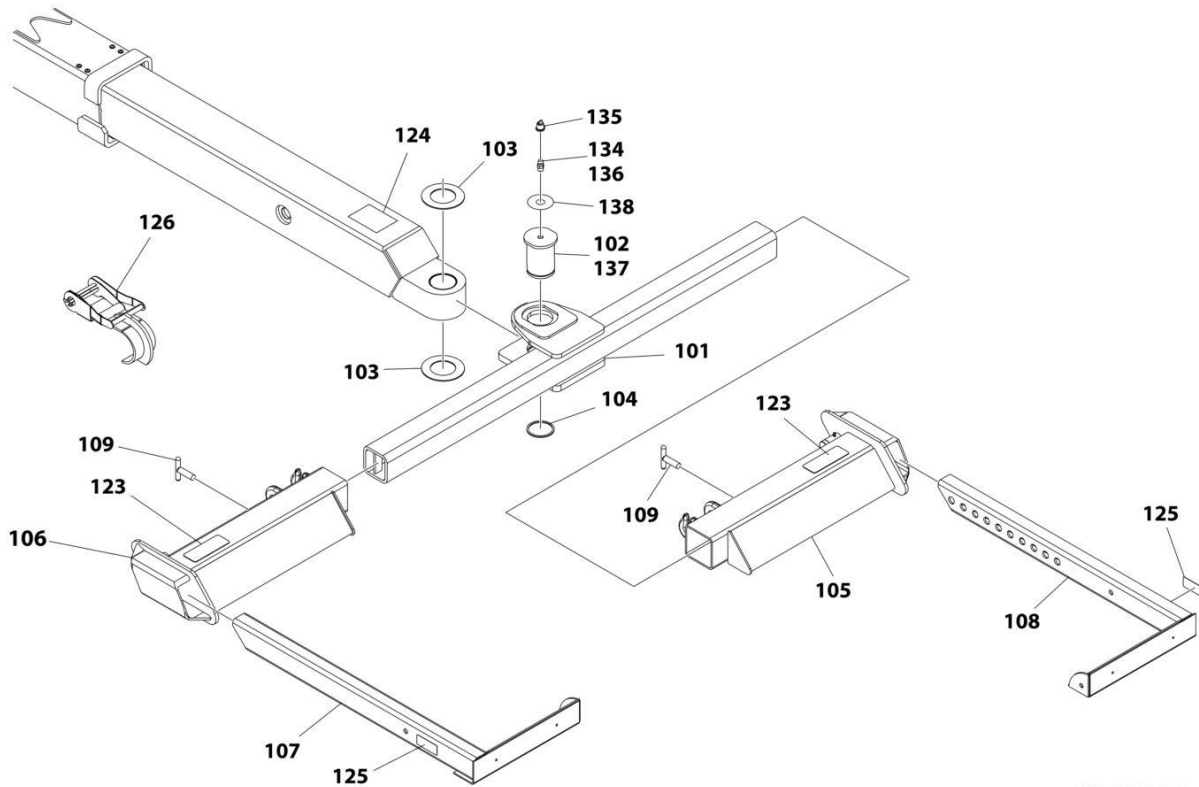
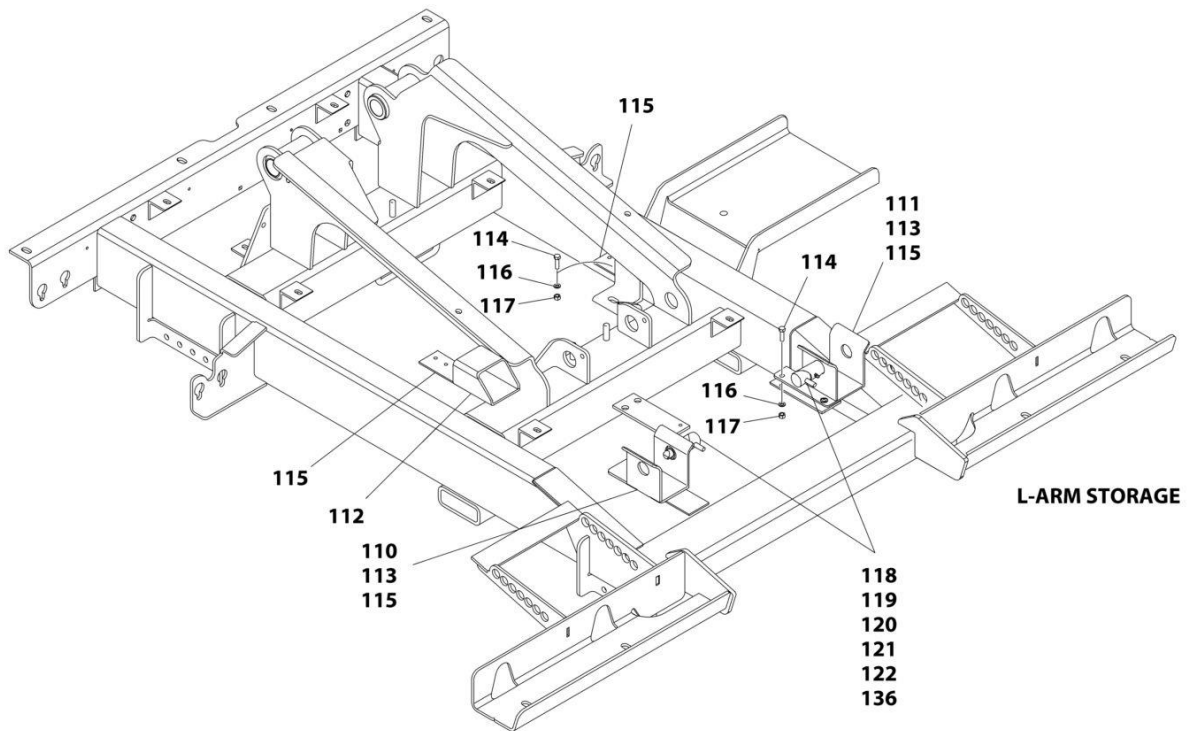
SECTION 3 - UNDERLIFT

FIGURE 3-8. CYLINDER ASSEMBLY - EXTEND/RETRACT (UNDERLIFT)

ITEM	PART NUMBER	QTY	DESCRIPTION	REV
	7320000077	Ref	CYLINDER ASSEMBLY	01
1	70051664	1	Seal Kit - Cylinder	
2	70051660	1	Head	
3	70051661	1	Piston	
4	70051662	1	Rod	
5	70051663	1	Barrel	

SECTION 3 - UNDERLIFT

FIGURE 3-9. GRID SYSTEM INSTALLATION - MANUAL FIXED (SN 0230004217 through 0230009854)



ART_1001204843

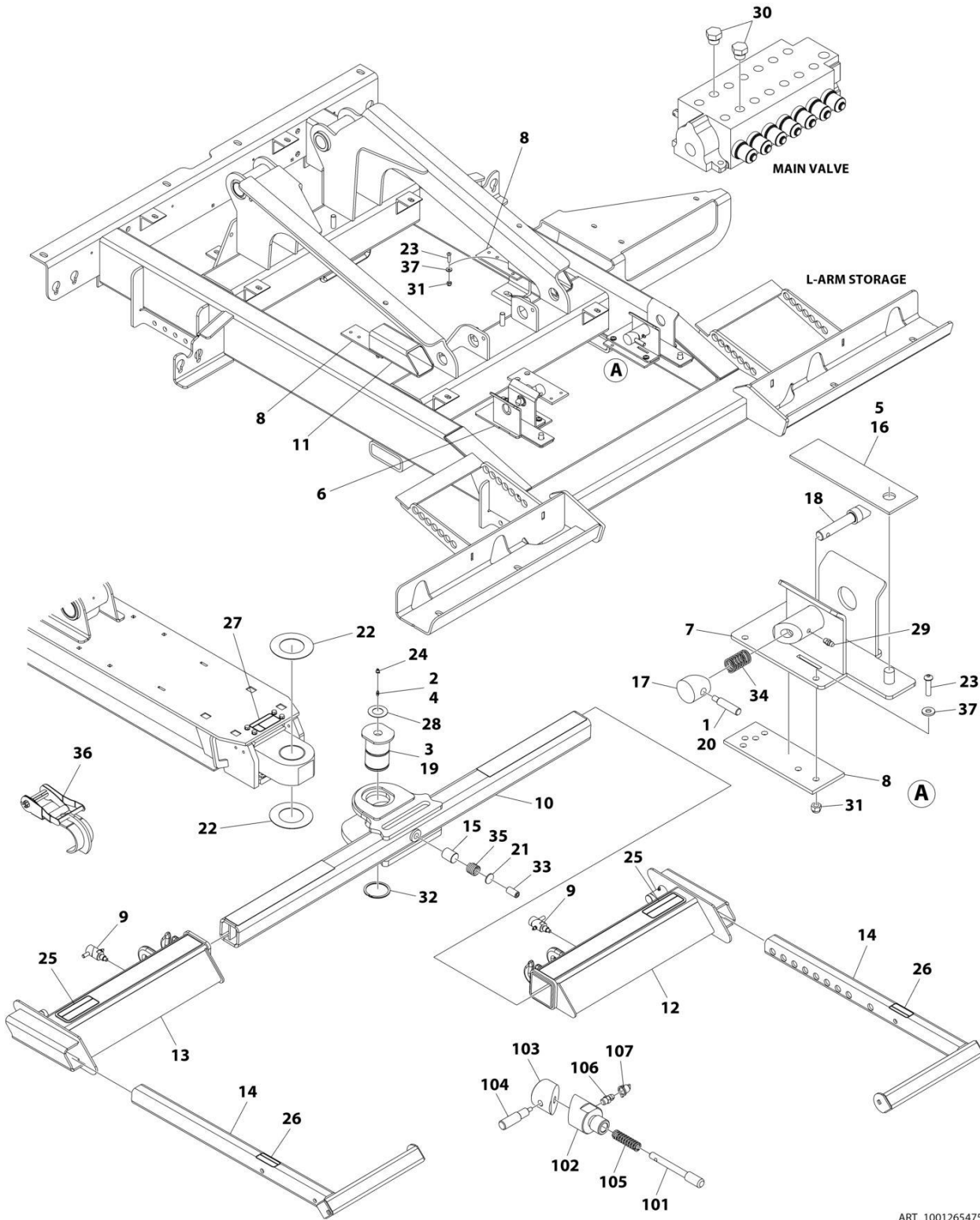
SECTION 3 - UNDERLIFT

FIGURE 3-9. GRID SYSTEM INSTALLATION - MANUAL FIXED (SN 0230004217 through 0230009854)

ITEM	PART NUMBER	QTY	DESCRIPTION	REV
	1001204843	Ref	GRID SYSTEM INSTALLATION - MANUAL FIXED	A
1	3484000076	Ref	Grid/Cross Tube Assembly (See Items 101-138 for Breakdown)	
2	1001137486	Ref	Plug Installation	
2	7443000048	Ref	Plug (Not Shown - Located on Main Valve)	
	3484000076	Ref	Grid/Cross Tube Assembly	B
101	3170000390	1	Crosstube	
102	4691000103	1	Pin	
103	4949000047	2	Thrust Washer	
104	7754000024	1	Ring, Retaining	
105	3484000030	1	Grid (RH)	
106	3484000031	1	Grid (LH)	
107	3020000037	1	L-Arm (LH)	
108	3020000038	1	L-Arm (RH)	
109	3551000036	2	T-Handle	
110	1001129410	1	Bracket, Storage (LH)	
111	1001129411	1	Bracket, Storage (RH)	
112	4911000454	2	Tube	
113	4090000013	2	Pad	
114	7114141018	8	Bolt 1/4 x 1-1/4	
115	1001129414	4	Plate, Backing	
116	7950140143	8	Washer 1/4	
117	7660142601	8	Nut 1/4	
118	7843000006	2	Spring	
119	4691000186	2	Pin	
120	4254000005	2	Cap	
121	4763000184	2	Rod	
122	7440030000	2	Fitting, Grease	
123	7330000036	2	Decal - Warning Secure Vehicle	
124	7330000599	1	Decal - Warning Pinch Point	
125	7330000553	2	Decal - L-Arm Storage	
126	7894000034	2	Strap and Ratchet Assembly	
134	88671008	1	Fitting, Grease	
135	7253000002	1	Cap, Grease	
136	3020029	AR	Lubricant	
137	3020039	AR	Lubricant	
138	7330000609	1	Decal - Grease Required	

SECTION 3 - UNDERLIFT

FIGURE 3-10. GRID SYSTEM INSTALLATION - MANUAL FIXED (SN 0230009855 through 0230015583, Except SN 0230010924 through 0230010930, Except SN 0230011121 through 0230011129, Except SN 0230011301 through 0230011319, Except SN 0230011491 through 0230011510, Excluding 0230010532, 0230011032 and 0230011078)



ART_1001265475

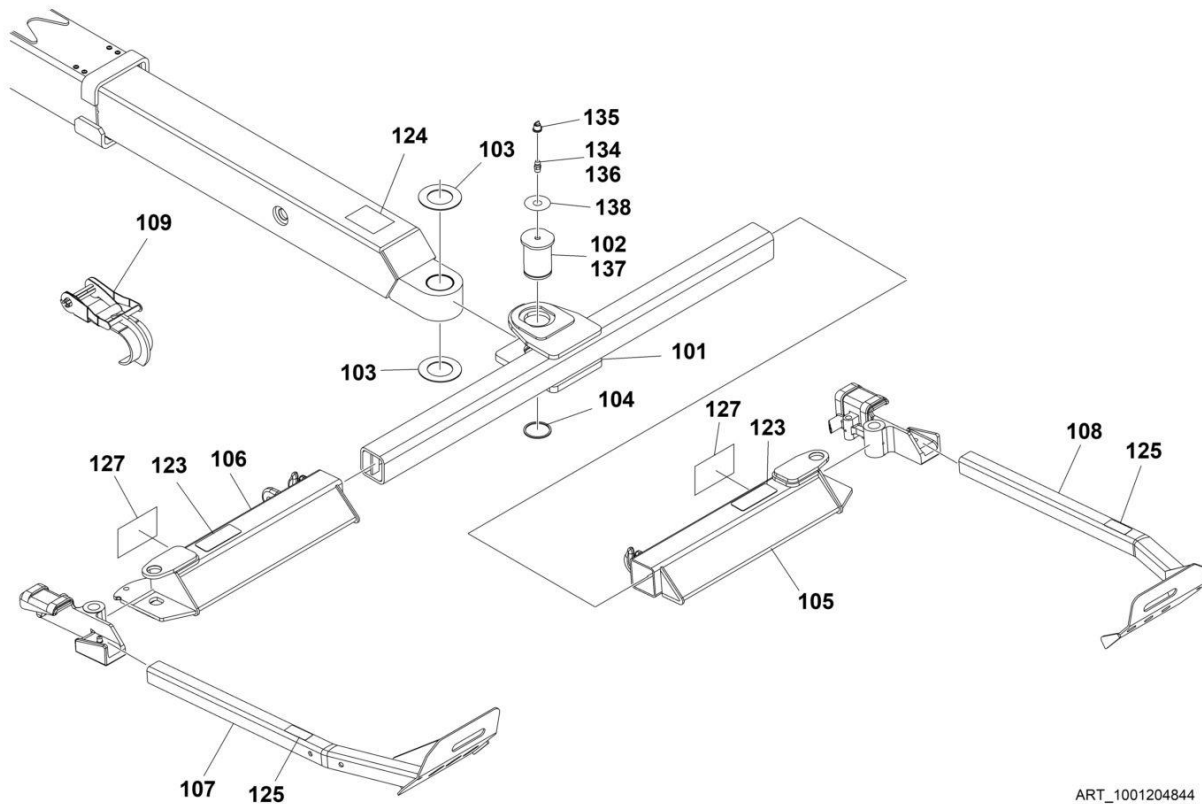
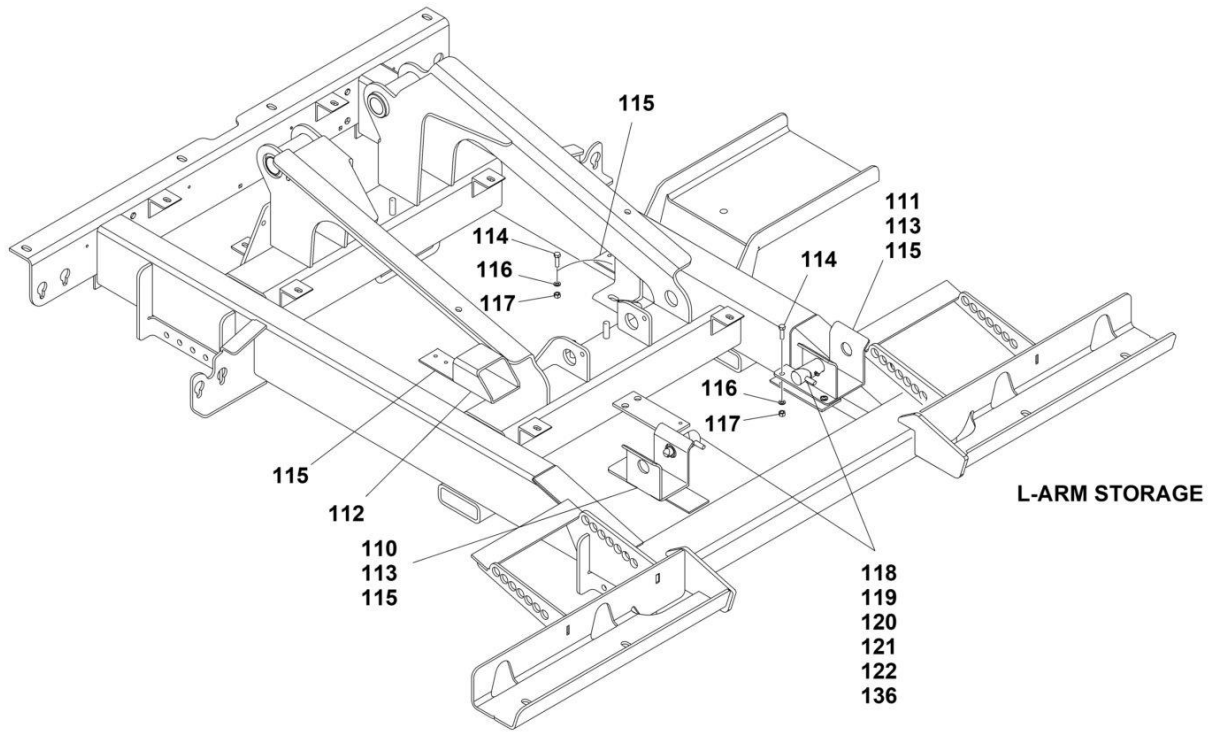
SECTION 3 - UNDERLIFT

FIGURE 3-10. GRID SYSTEM INSTALLATION - MANUAL FIXED (SN 0230009855 through 0230015583, Except SN 0230010924 through 0230010930, Except SN 0230011121 through 0230011129, Except SN 0230011301 through 0230011319, Except SN 0230011491 through 0230011510, Excluding 0230010532, 0230011032 and 0230011078)

ITEM	PART NUMBER	QTY	DESCRIPTION	REV
	1001265475	Ref	GRID SYSTEM INSTALLATION - MANUAL FIXED	A
1	0100011	AR	Compound Locking	
2	3020029	AR	Lubricant	
3	3020039	AR	Lubricant	
4	88671008	1	Fitting, Grease	
5	1001112058	AR	Adhesive Strip	
6	1001129412	1	Bracket, Storage (LH)	
7	1001129413	1	Bracket, Storage (RH)	
8	1001129414	4	Plate, Backing	
9	1001153950	2	Cam Lock (Includes Items 101-107)	
10	1001265479	1	Crosstube	
11	1001267714	2	Tube	
12	1001270927	1	Grid (RH)	
13	1001270928	1	Grid (LH)	
14	1001271130	2	L-Arm	
15	4064000052	1	Bar	
16	4090000013	2	Pad	
17	4254000005	2	Cap	
18	4691000186	2	Pin	
19	4691000198	1	Pin	
20	4763000184	2	Rod	
21	4831000095	1	Spacer	
22	4949000047	2	Thrust Washer	
23	7114141018	8	Bolt 1/4 x 1-1/4	
24	7253000002	1	Cap, Grease	
25	7330000036	2	Decal - Warning Secure Vehicle	
26	7330000553	2	Decal - L-Arm Storage	
27	7330000599	1	Decal - Warning Pinch Point	
28	7330000609	1	Decal - Grease Required	
29	7440030000	2	Fitting, Grease	
30	7443000048	2	Plug	
31	7660142601	8	Nut 1/4	
32	7754000024	1	Ring, Retaining	
33	7786000009	1	Setscrew 3/4 x 1-1/2	
34	7843000006	2	Spring	
35	7843000037	1	Spring	
36	7894000034	2	Strap and Ratchet Assembly	
37	7950140143	8	Washer 1/4	
101	1001153944	2	Pin	
102	1001153945	2	Cam-Lock Tube	
103	1001153946	2	Cam-Lock Cap	
104	1001153947	2	Handle	
105	1001153971	1	Spring	
106	7440030000	2	Fitting, Grease	
107	7253000002	2	Cap, Grease	

SECTION 3 - UNDERLIFT

FIGURE 3-11. GRID SYSTEM INSTALLATION - MANUAL PIVOTING (SN 0230004217 through 0230009854)



ART_1001204844

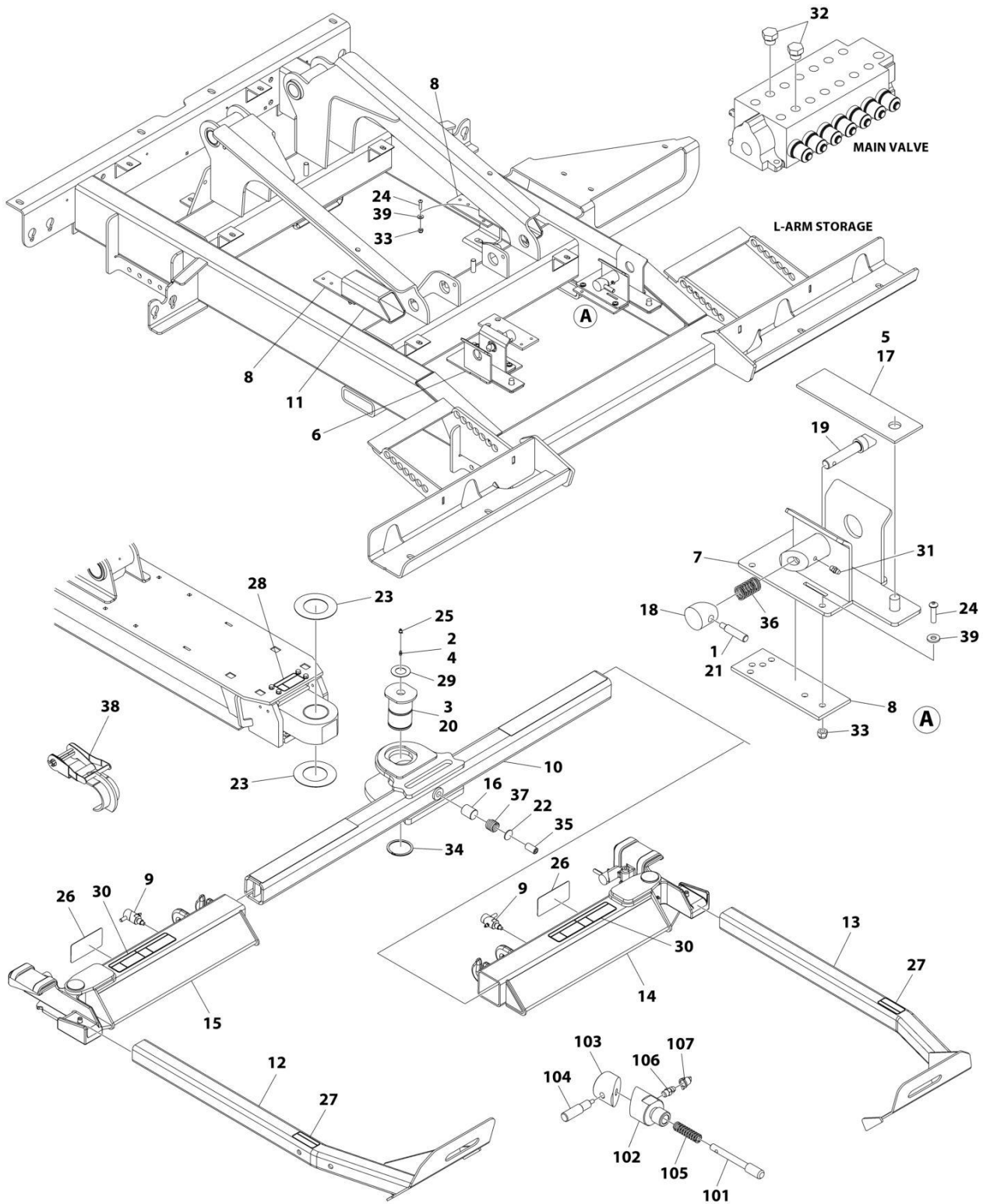
SECTION 3 - UNDERLIFT

FIGURE 3-11. GRID SYSTEM INSTALLATION - MANUAL PIVOTING (SN 0230004217 through 0230009854)

ITEM	PART NUMBER	QTY	DESCRIPTION	REV
	1001204844	Ref	GRID SYSTEM INSTALLATION - MANUAL PIVOTING	A
1	3484000077	Ref	Grid/Cross Tube Assembly (See Items 101-138 for Breakdown)	
2	1001137486	Ref	Plug Installation	
2	7443000048	Ref	Plug (Not Shown - Located on Main Valve)	
	3484000077	Ref	Grid/Cross Tube Assembly	C
101	3170000390	1	Crosstube	
102	4691000103	1	Pin	
103	4949000047	2	Thrust Washer	
104	7754000024	1	Ring, Retaining	
105	3484000046	1	Grid (RH) (See Separate Breakdown in this Section)	
106	3484000047	1	Grid (LH) (See Separate Breakdown in this Section)	
107	3020000029	1	L-Arm (LH)	
108	3020000030	1	L-Arm (RH)	
109	7894000034	2	Strap and Ratchet Assembly	
110	1001129412	1	Bracket Storage (LH)	
111	1001129413	1	Bracket Storage (RH)	
112	4913000503	1	Tube	
113	4090000013	2	Pad	
114	7114141018	8	Bolt 1/4 x 1-1/4	
115	1001129414	4	Plate, Backing	
116	7950140143	8	Washer 1/4	
117	7660142601	8	Nut 1/4	
118	7843000006	2	Spring	
119	4691000186	2	Pin	
120	4254000005	2	Cap	
121	4763000184	2	Rod	
122	7440030000	2	Fitting, Grease	
123	7330000683	2	Decal - Safety	
124	7330000599	1	Decal - Warning Pinch Point	
125	7330000553	2	Decal - L-Arm Storage	
127	7330000384	2	Decal - Grid	
134	88671008	1	Fitting, Grease	
135	7253000002	1	Cap, Grease	
136	3020029	AR	Lubricant	
137	3020039	AR	Lubricant	
138	7330000609	1	Decal - Grease Required	

SECTION 3 - UNDERLIFT

FIGURE 3-12. GRID SYSTEM INSTALLATION - MANUAL PIVOTING (SN 0230009855 through 0230015583, Except SN 0230010924 through 0230010930, Except SN 0230011121 through 0230011129, Except SN 0230011301 through 0230011319, Except SN 0230011491 through 0230011510, Excluding 0230010532, 0230011032 and 0230011078)



ART_1001265476

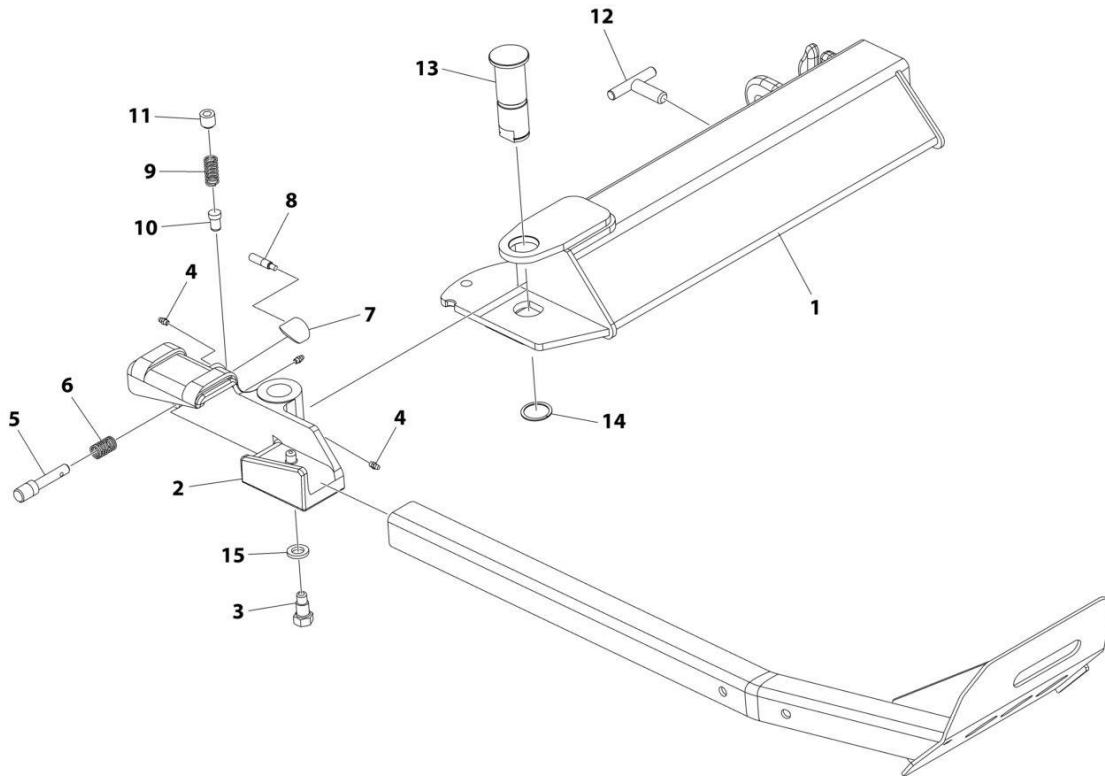
SECTION 3 - UNDERLIFT

FIGURE 3-12. GRID SYSTEM INSTALLATION - MANUAL PIVOTING (SN 0230009855 through 0230015583, Except SN 0230010924 through 0230010930, Except SN 0230011121 through 0230011129, Except SN 0230011301 through 0230011319, Except SN 0230011491 through 0230011510, Excluding 0230010532, 0230011032 and 0230011078)

ITEM	PART NUMBER	QTY	DESCRIPTION	REV
	1001265476	Ref	GRID SYSTEM INSTALLATION - MANUAL PIVOTING	A
1	0100011	AR	Compound Locking	
2	3020029	AR	Lubricant	
3	3020039	AR	Lubricant	
4	88671008	1	Fitting, Grease	
5	1001112058	AR	Adhesive Strip	
6	1001129412	1	Bracket Storage (LH)	
7	1001129413	1	Bracket Storage (RH)	
8	1001129414	4	Plate, Backing	
9	1001153950	2	Cam Lock (Includes Items 101-107)	
10	1001265479	1	Crosstube	
11	1001267714	2	Tube	
12	3020000029	1	L-Arm (LH)	
13	3020000030	1	L-Arm (RH)	
14	3484000052	1	Grid (RH) (See Separate Breakdown in this Section)	
15	3484000053	1	Grid (LH) (See Separate Breakdown in this Section)	
16	4064000052	1	Bar	
17	4090000013	2	Pad	
18	4254000005	2	Cap	
19	4691000186	2	Pin	
20	4691000198	1	Pin	
21	4763000184	2	Rod	
22	4831000095	1	Spacer	
23	4949000047	2	Thrust Washer	
24	7114141018	8	Bolt 1/4 x 1-1/4	
25	7253000002	1	Cap, Grease	
26	7330000384	2	Decal - Grid	
27	7330000553	2	Decal - L-Arm Storage	
28	7330000599	1	Decal - Warning Pinch Point	
29	7330000609	1	Decal - Grease Required	
30	7330000683	2	Decal - Safety	
31	7440030000	2	Fitting, Grease	
32	7443000048	2	Plug	
33	7660142601	8	Nut 1/4	
34	7754000024	1	Ring, Retaining	
35	7786000009	1	Setscrew 3/4 x 1-1/2	
36	7843000006	2	Spring	
37	7843000037	1	Spring	
38	7894000034	2	Strap and Ratchet Assembly	
39	7950140143	8	Washer 1/4	
101	1001153944	2	Pin	
102	1001153945	2	Cam-Lock Tube	
103	1001153946	2	Cam-Lock Cap	
104	1001153947	2	Handle	
105	1001153971	1	Spring	
106	7440030000	2	Fitting, Grease	
107	7253000002	2	Cap, Grease	

SECTION 3 - UNDERLIFT

FIGURE 3-13. GRID ASSEMBLY - WHEEL LIFT (LH) (WITH MANUAL PIVOTING GRID SYSTEM) (SN 0230004217 through 0230009854)



ART_3484000047

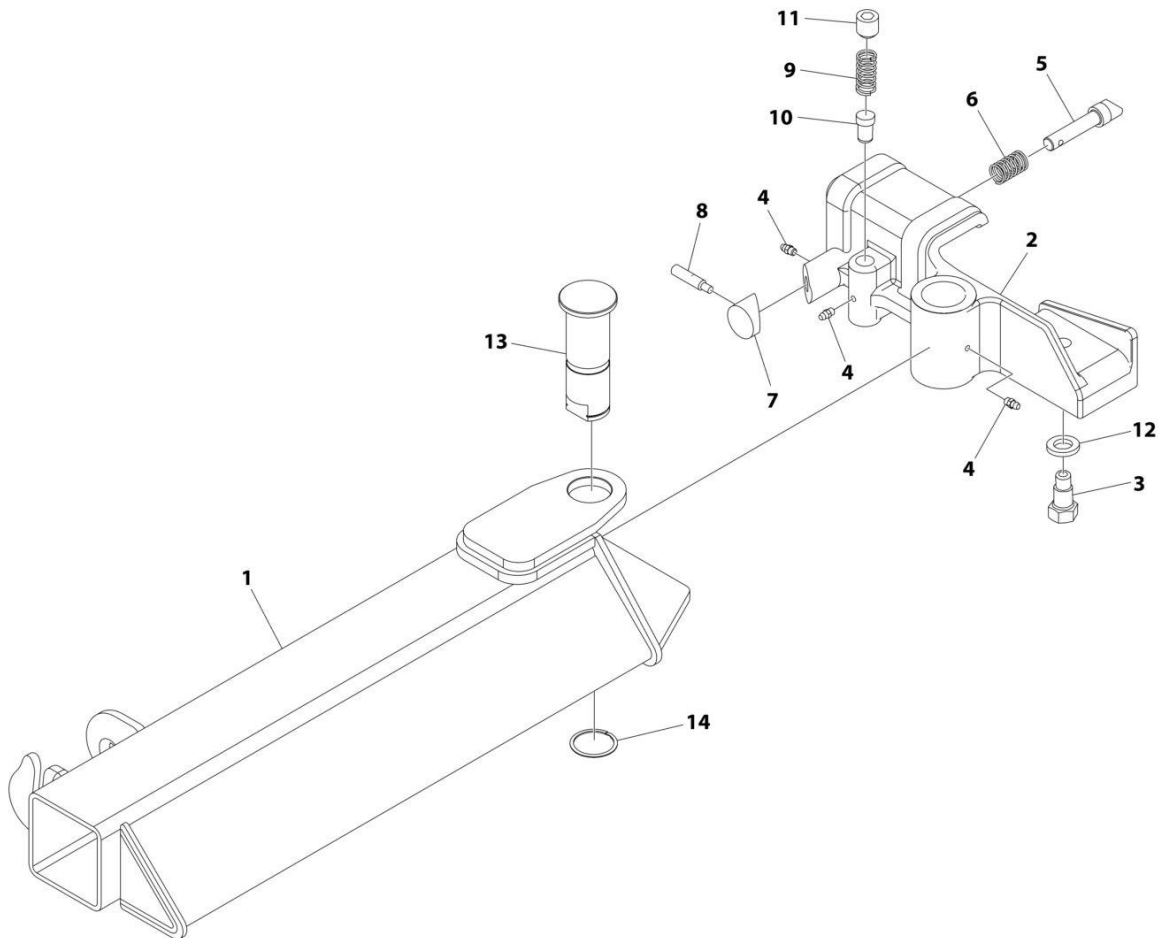
SECTION 3 - UNDERLIFT

FIGURE 3-13. GRID ASSEMBLY - WHEEL LIFT (LH) (WITH MANUAL PIVOTING GRID SYSTEM) (SN 0230004217 through 0230009854)

ITEM	PART NUMBER	QTY	DESCRIPTION	REV
	3484000047	Ref	WHEEL LIFT ASSEMBLY (GRID), LH	C
1	3484000017	1	Grid Weldment, LH	
2	4259000002	1	Pivot Weldment, LH	
3	4691000354	1	Pin	
4	7440030000	3	Fitting	
5	4691000186	1	Pin	
6	7843000006	1	Spring	
7	4254000005	1	Cap	
8	4763000184	1	Rod	
9	7843000016	1	Spring	
10	4691000183	1	Pin	
11	7786000006	1	Screw 3/4 x 5/8	
12	3551000036	1	T-Handle	
13	4691000357	1	Pin	
14	7754000037	1	Ring Retaining	
15	7950200000	1	Washer 5/8	

SECTION 3 - UNDERLIFT

FIGURE 3-14. GRID ASSEMBLY - WHEEL LIFT (RH) (WITH MANUAL PIVOTING GRID SYSTEM) (SN 0230009855 through 0230015583, Except SN 0230010924 through 0230010930, Except SN 0230011121 through 0230011129, Except SN 0230011301 through 0230011319, Except SN 0230011491 through 0230011510, Excluding 0230010532, 0230011032 and 0230011078)



ART_3484000052

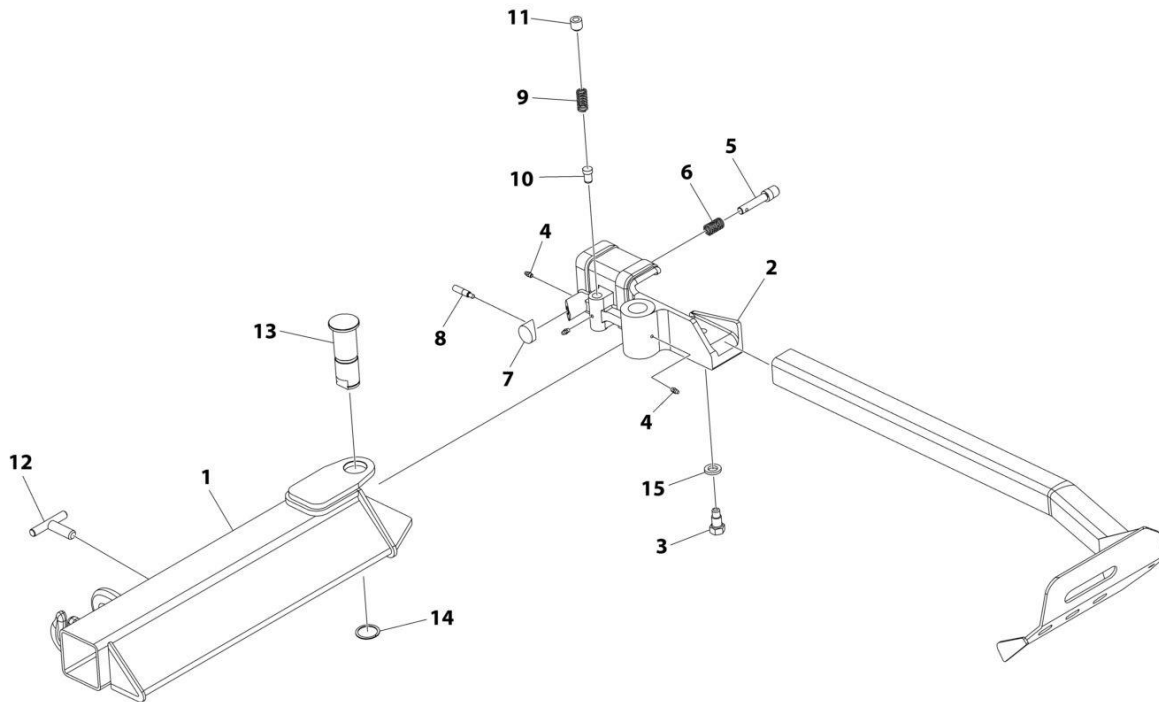
SECTION 3 - UNDERLIFT

FIGURE 3-14. GRID ASSEMBLY - WHEEL LIFT (RH) (WITH MANUAL PIVOTING GRID SYSTEM) (SN 0230009855 through 0230015583, Except SN 0230010924 through 0230010930, Except SN 0230011121 through 0230011129, Except SN 0230011301 through 0230011319, Except SN 0230011491 through 0230011510, Excluding 0230010532, 0230011032 and 0230011078)

ITEM	PART NUMBER	QTY	DESCRIPTION	REV
	3484000052	Ref	WHEEL LIFT ASSEMBLY (GRID), RH	0
1	3484000050	1	Grid Weldment, RH	
2	4259000001	1	Grid Pivot RH	
3	4691000354	1	Pin	
4	7440030000	3	Fitting	
5	4691000186	1	Pin	
6	7843000006	1	Spring	
7	4254000005	1	Cap	
8	4763000184	1	Rod	
9	7843000016	1	Spring	
10	4691000183	1	Pin	
11	7786000006	1	Screw 3/4 x 5/8	
12	7950200000	1	Washer 5/8	
13	4691000357	1	Pin	
14	7754000037	1	Ring Retaining	

SECTION 3 - UNDERLIFT

FIGURE 3-15. GRID ASSEMBLY - WHEEL LIFT (RH) (WITH MANUAL PIVOTING GRID SYSTEM) (SN 0230004217 through 0230009854)



ART_3484000046

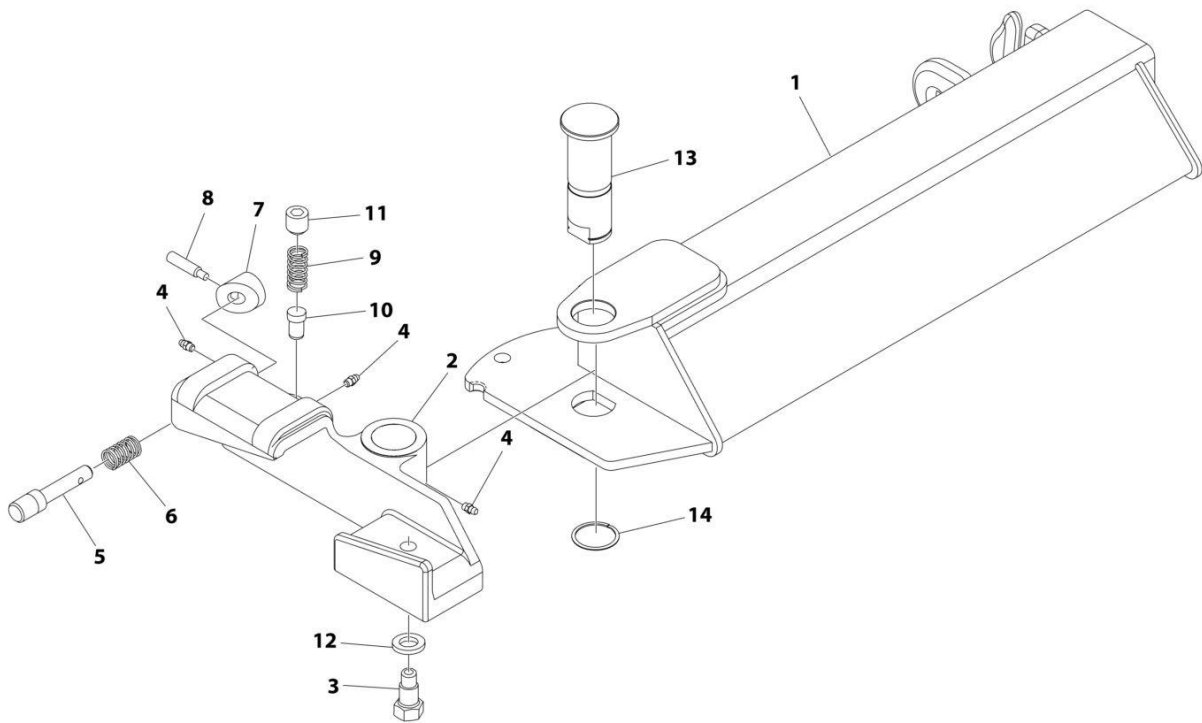
SECTION 3 - UNDERLIFT

FIGURE 3-15. GRID ASSEMBLY - WHEEL LIFT (RH) (WITH MANUAL PIVOTING GRID SYSTEM) (SN 0230004217 through 0230009854)

ITEM	PART NUMBER	QTY	DESCRIPTION	REV
	3484000046	Ref	WHEEL LIFT ASSEMBLY (GRID), RH	C
1	3484000016	1	Grid Weldment, RH	
2	4259000001	1	Pivot Weldment, RH	
3	4691000354	1	Pin	
4	7440030000	3	Fitting	
5	4691000186	1	Pin	
6	7843000006	1	Spring	
7	4254000005	1	Cap	
8	4763000184	1	Rod	
9	7843000016	1	Spring	
10	4691000183	1	Pin	
11	7786000006	1	Screw 3/4 x 5/8	
12	3551000036	1	T-Handle	
13	4691000357	1	Pin	
14	7754000037	1	Ring Retaining	
15	7950200000	1	Washer 5/8	

SECTION 3 - UNDERLIFT

FIGURE 3-16. GRID ASSEMBLY - WHEEL LIFT (LH) (WITH MANUAL PIVOTING GRID SYSTEM) (SN 0230009855 through 0230015583, Except SN 0230010924 through 0230010930, Except SN 0230011121 through 0230011129, Except SN 0230011301 through 0230011319, Except SN 0230011491 through 0230011510, Excluding 0230010532, 0230011032 and 0230011078)



ART_348400053

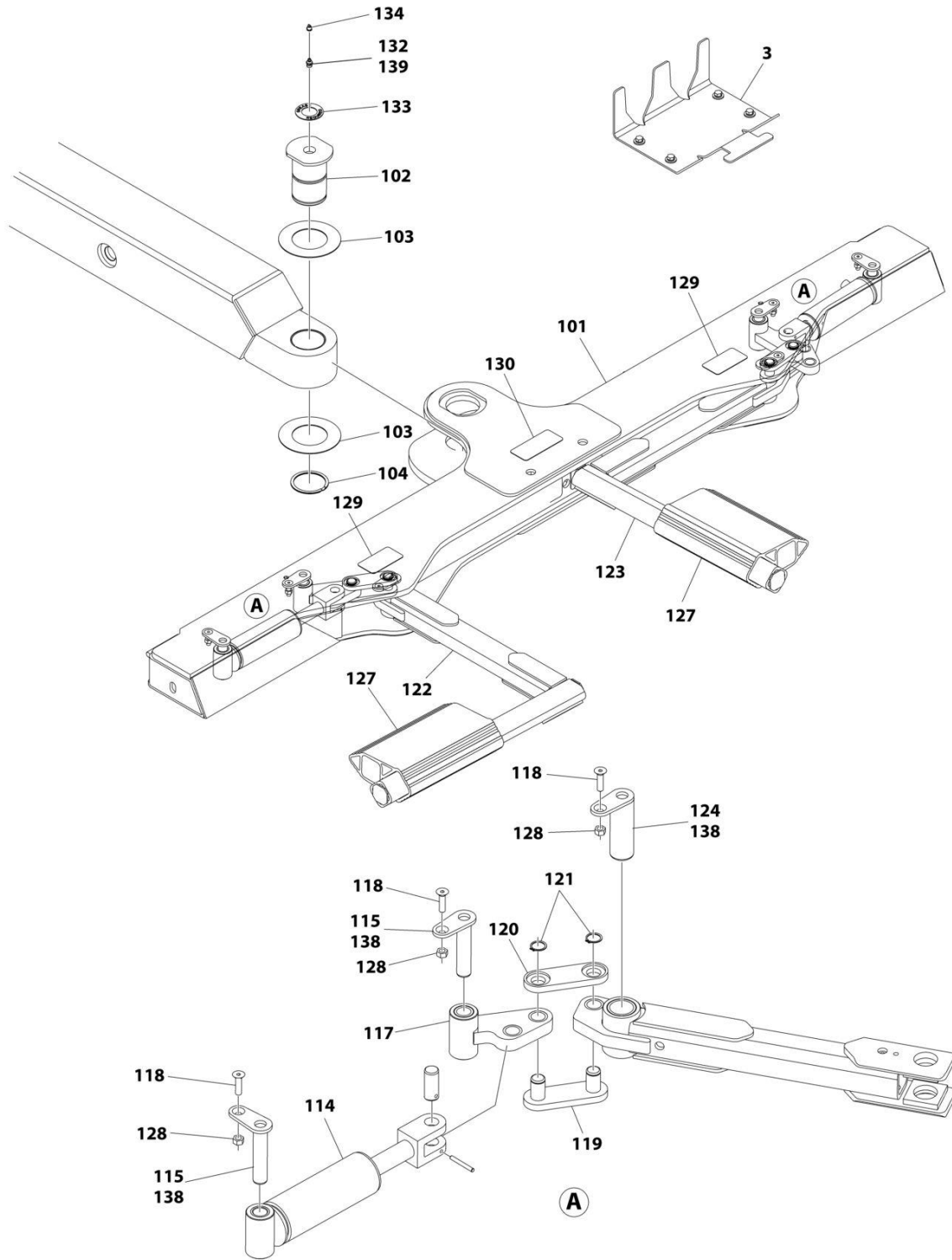
SECTION 3 - UNDERLIFT

FIGURE 3-16. GRID ASSEMBLY - WHEEL LIFT (LH) (WITH MANUAL PIVOTING GRID SYSTEM) (SN 0230009855 through 0230015583, Except SN 0230010924 through 0230010930, Except SN 0230011121 through 0230011129, Except SN 0230011301 through 0230011319, Except SN 0230011491 through 0230011510, Excluding 0230010532, 0230011032 and 0230011078)

ITEM	PART NUMBER	QTY	DESCRIPTION	REV
	3484000053	Ref	WHEEL LIFT ASSEMBLY (GRID), LH	0
1	3484000052	1	Grid Weldment, LH	
2	4259000002	1	Grid Pivot LH	
3	4691000354	1	Pin	
4	7440030000	3	Fitting	
5	4691000186	1	Pin	
6	7843000006	1	Spring	
7	4254000005	1	Cap	
8	4763000184	1	Rod	
9	7843000016	1	Spring	
10	4691000183	1	Pin	
11	7786000006	1	Screw 3/4 x 5/8	
12	7950200000	1	Washer 5/8	
13	4691000357	1	Pin	
14	7754000037	1	Ring Retaining	

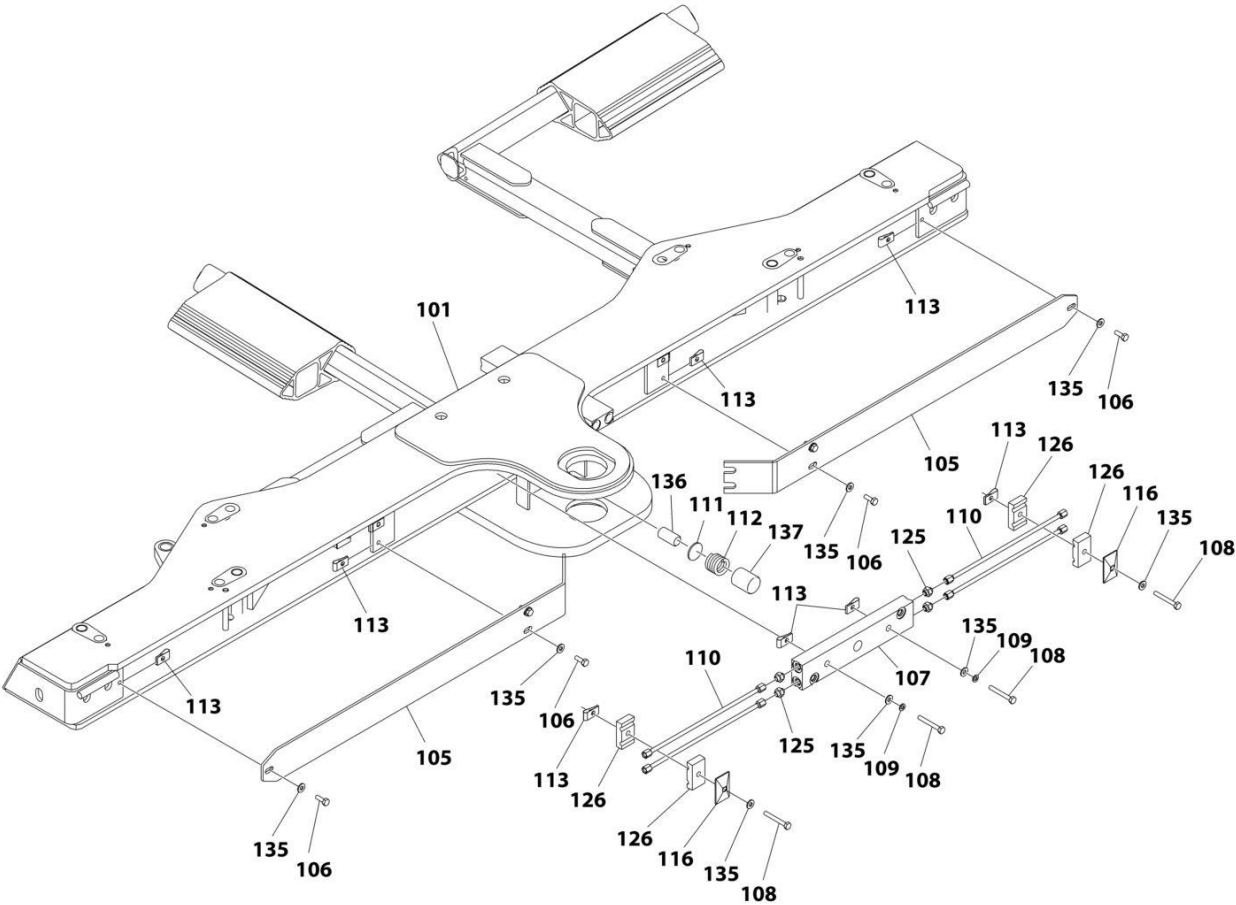
SECTION 3 - UNDERLIFT

FIGURE 3-17. GRID SYSTEM INSTALLATION - HYDRAULIC



ART_1001204845_10F2

SECTION 3 - UNDERLIFT



ART_1001204845_2OF2

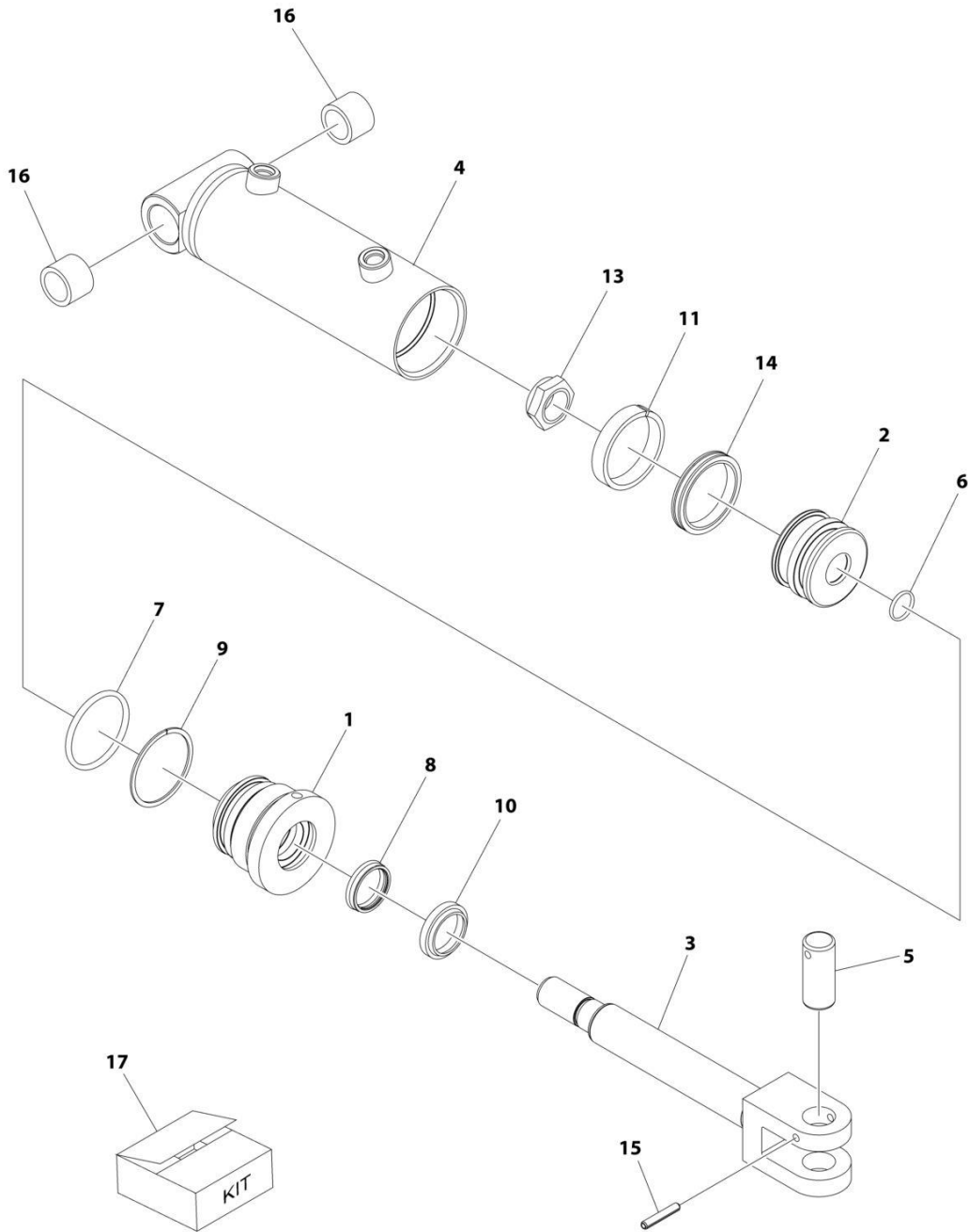
SECTION 3 - UNDERLIFT

FIGURE 3-17. GRID SYSTEM INSTALLATION - HYDRAULIC

ITEM	PART NUMBER	QTY	DESCRIPTION	REV
	1001204845	Ref	GRID SYSTEM INSTALLATION - HYDRAULIC	B
1	3509530098	1	Hose Installation - Hydraulic Grid (Not Shown - See Separate Breakdown in HYDRAULIC Section)	
2	1001205604	1	Grid Assembly - Hydraulic (See Items 101-139 for Breakdown)	
3	2178000053	1	Bracket, Storage	
4	1001137611	1	Control Installation - Hydraulic Grids (Not Shown - See Separate Breakdown in CONTROLS Section)	
	1001205604	Ref	Grid Assembly - Hydraulic	C
101	1001185808	1	Crosstube	
102	4691000198	1	Pin	
103	4949000047	2	Thrust Washer	
104	7754000024	1	Ring, Retaining	
105	1001220280	2	Plate, Cover	
106	0641406	6	Bolt 1/4 x 3/4	
107	4619000013	1	Manifold, Hydraulic	
108	0641416	4	Bolt 1/4 x 2	
109	4761400	2	Washer 1/4	
110	7912000184	4	Tube	
111	4831000095	1	Spacer	
112	7843000037	1	Spring	
113	7661000064	10	U-Nut	
114	7320000064	2	Cylinder Assembly - Hydraulic Grid (See Separate Breakdown in this Section)	
115	3691000229	4	Pin	
116	7274000039	2	Cover, Clamp	
117	3592000052	2	Link	
118	1001137904	6	Bolt 5/16 x 1-1/4	
119	3592000051	2	Link	
120	4706003497	2	Plate	
121	3760351	4	Ring Retaining	
122	3020000124	1	Arm (LH)	
123	3020000125	1	Arm (RH)	
124	3691000230	2	Pin	
125	2220415	4	Fitting, Straight JIC/ORB	
126	7274000086	4	Clamp	
127	8411080091	2	Extrusion, L-Arm	
128	3271505	6	Nut 5/16 Grade 8	
129	7330000599	4	Decal - Warning Pinch Point	
130	7330000036	1	Decal - Warning Secure Vehicle	
131	7577000367	1	Kit, Strap (Not Shown)	
132	7253000002	1	Cap, Grease Fitting	
133	7330000609	1	Decal - Grease Required	
134	88671008	1	Fitting, Grease	
135	4711400	10	Washer 1/4	
136	7786000009	1	Setscrew 3/4 x 1-1/2	
137	4064000052	1	Bar	
138	3020039	AR	Lubricant	
139	3020029	AR	Lubricant	

SECTION 3 - UNDERLIFT

FIGURE 3-18. CYLINDER ASSEMBLY - EXTEND/RETRACT (GRID)



ART_732000064

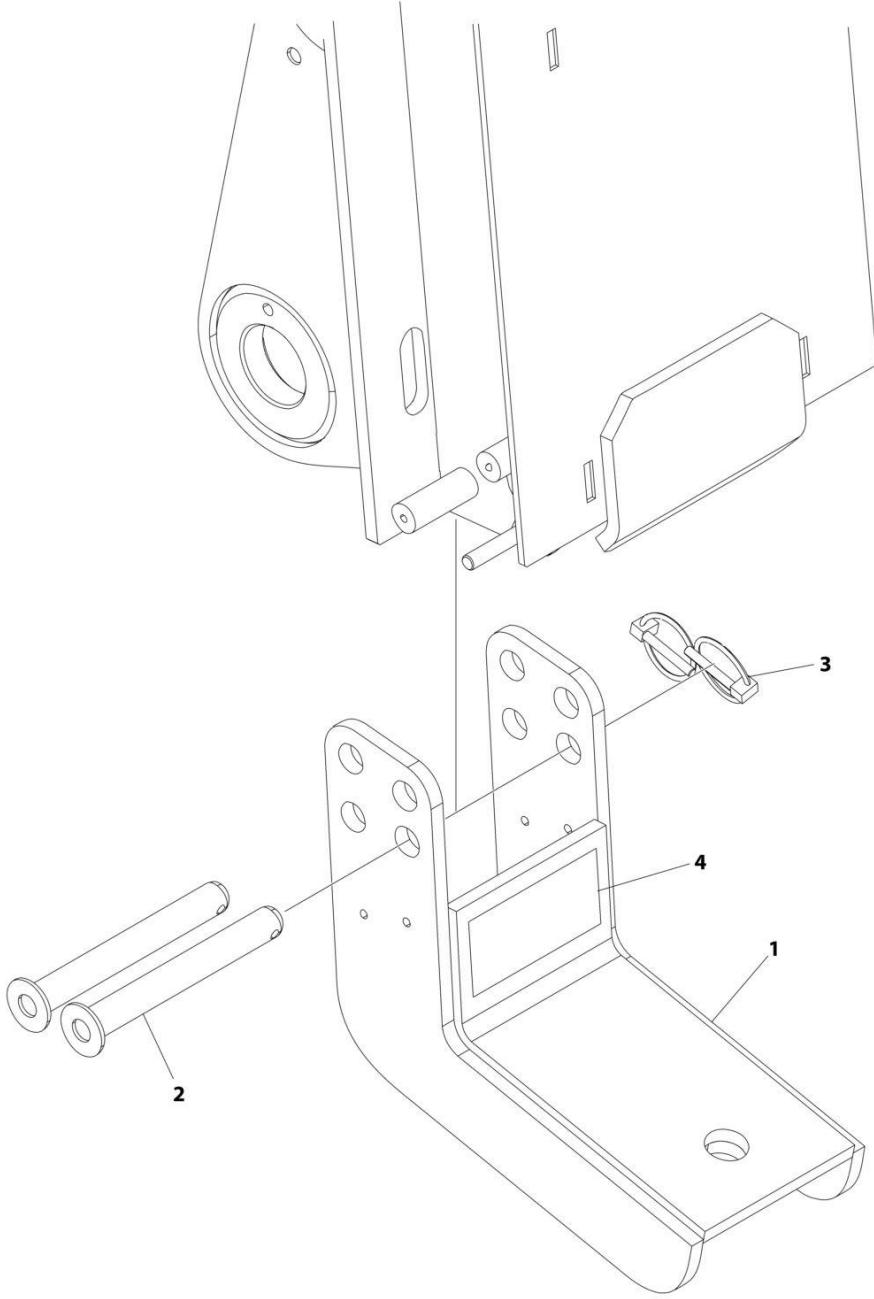
SECTION 3 - UNDERLIFT

FIGURE 3-18. CYLINDER ASSEMBLY - EXTEND/RETRACT (GRID)

ITEM	PART NUMBER	QTY	DESCRIPTION	REV
	732000064	Ref	CYLINDER ASSEMBLY	B
1	7027336	1	Gland	
2	7027338	1	Piston	
3	70050632	1	Rod Assembly	
4	70050633	1	Barrel Assembly	
5	70050634	1	Retention Pin	
6	70050635	1	O-Ring	
7	70050636	1	O-Ring	
8	70050637	1	Rod Seal	
9	70050638	1	Backup Ring	
10	70050639	1	Rod Wiper	
11	70050640	1	Wear Ring	
12	70050641	2	Plug	
13	70050642	1	Nut 3/4	
14	70050643	1	Piston Seal	
15	70050644	1	Roll Pin	
16	708200026	2	Bearing	
17	7027341	1	Seal Kit (includes items 6-11)	

SECTION 3 - UNDERLIFT

FIGURE 3-19. TOW BALL BRACKET INSTALLATION



ART_2178000048

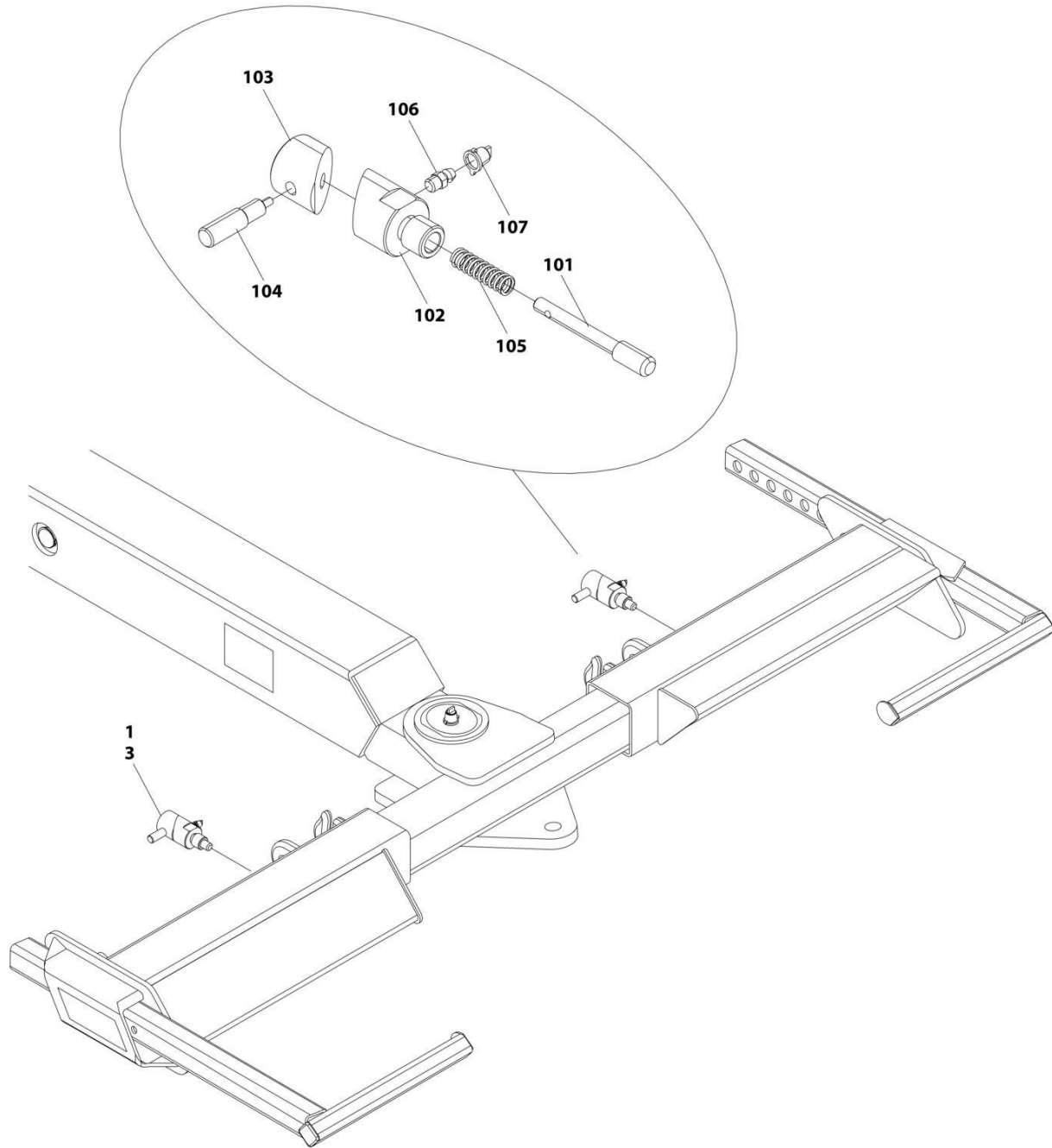
SECTION 3 - UNDERLIFT

FIGURE 3-19. TOW BALL BRACKET INSTALLATION

ITEM	PART NUMBER	QTY	DESCRIPTION	REV
	2178000048	Ref	TOW BALL BRACKET INSTALLATION	0
1	3178000507	1	Bracket, Tow Ball	
2	3691000195	2	Pin	
3	7691000027	2	Clip-Pin	
4	7330000424	1	Decal - Tow Bracket	

SECTION 3 - UNDERLIFT

FIGURE 3-20. WHEEL LIFT CROSSBAR CAM-LOCK



ART_1001160195

SECTION 3 - UNDERLIFT

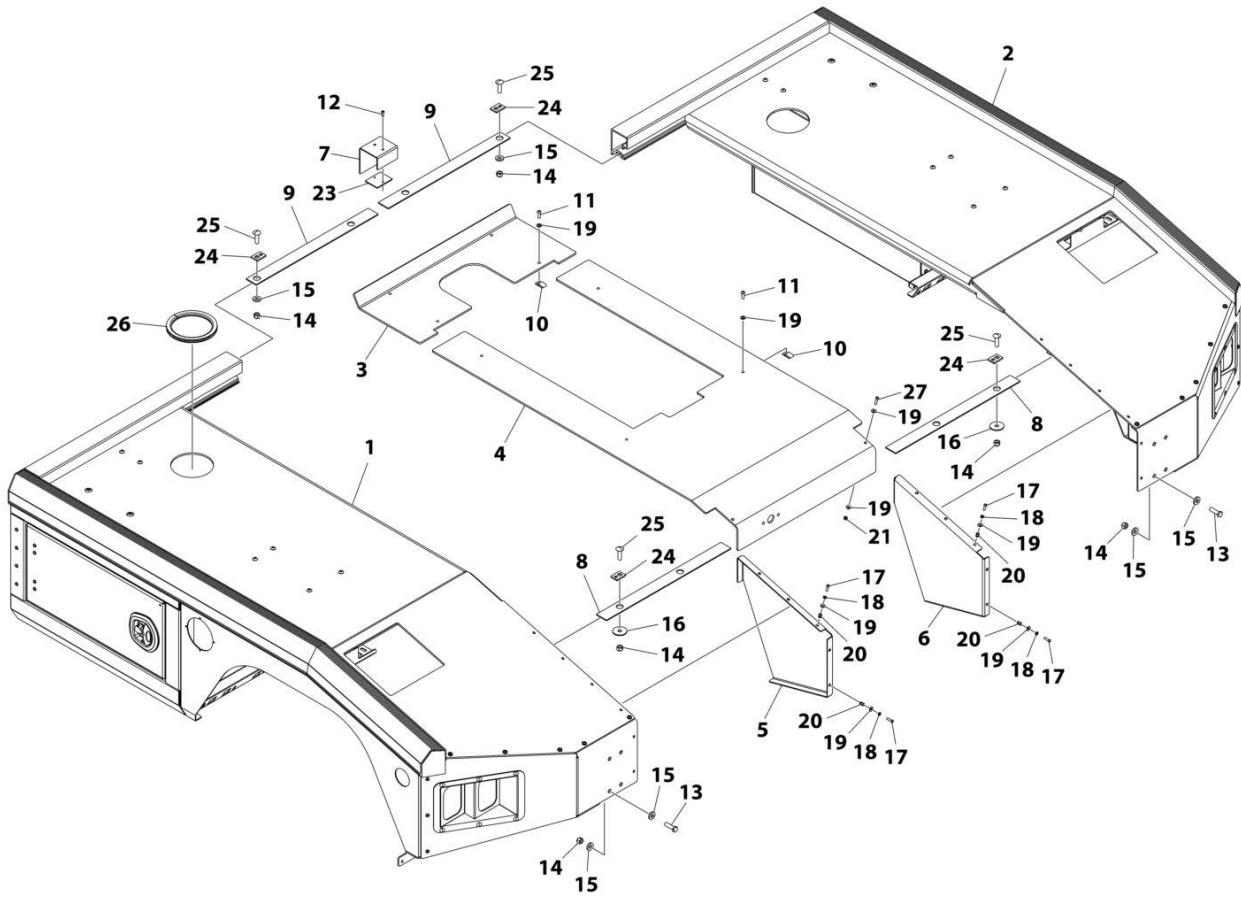
FIGURE 3-20. WHEEL LIFT CROSSBAR CAM-LOCK

ITEM	PART NUMBER	QTY	DESCRIPTION	REV
	1001160195	Ref	Wheel Lift Crossbar Cam-Lock	A
1	1001153950	2	Cam Lock (includes items 101 through 107)	
3	0100011	AR	Compound Locking	
101	1001153944	2	Pin	
102	1001153945	2	Cam-Lock Tube	
103	1001153946	2	Cam-Lock Cap	
104	1001153947	2	Handle	
105	1001153971	1	Spring	
106	7440030000	2	Fitting, Grease	
107	7253000002	2	Cap, Grease	

SECTION 4 - BODY

SECTION 4 - BODY

FIGURE 4-1. BODY INSTALLATION (WITH FUEL FILLER IN DRIVERS SIDE)



ART_1001208042

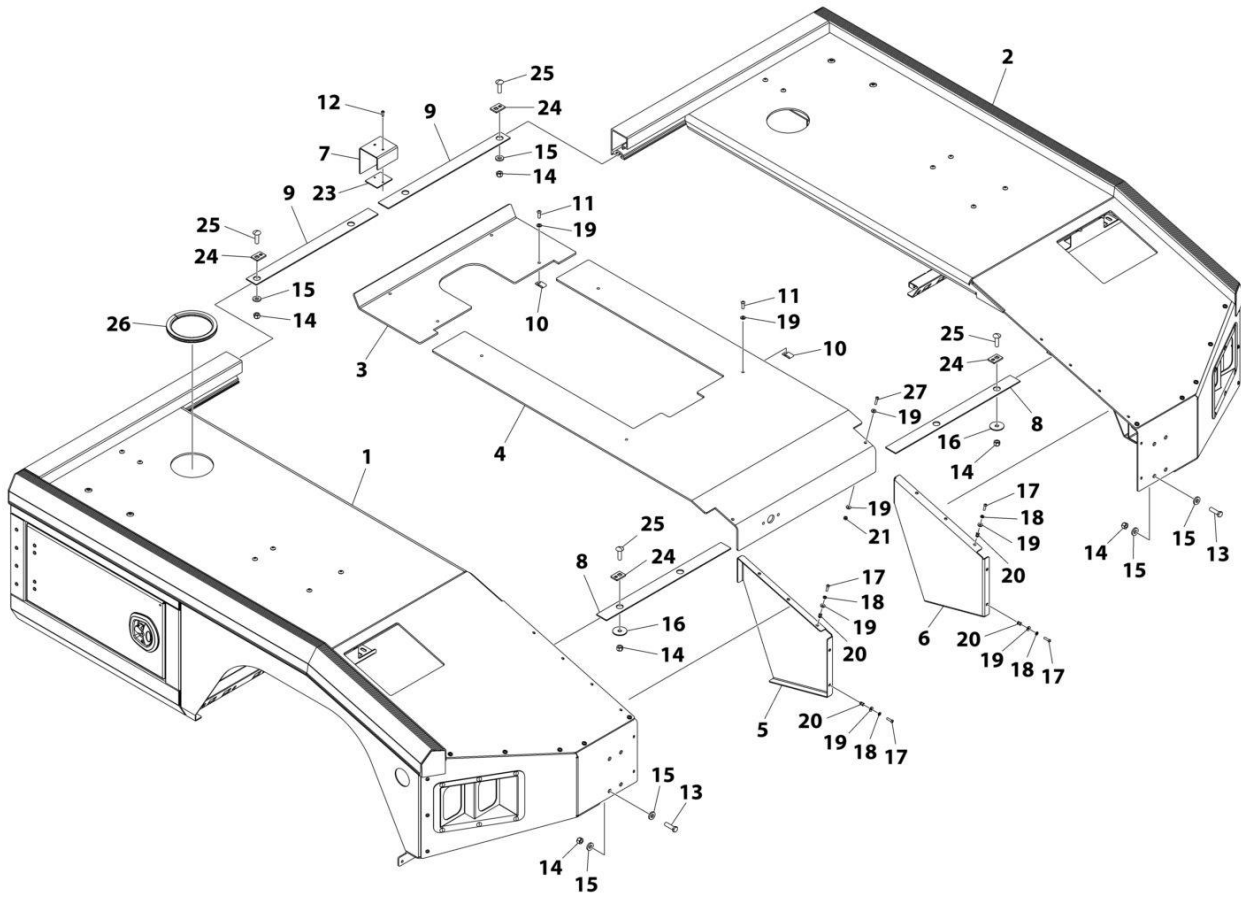
SECTION 4 - BODY

FIGURE 4-1. BODY INSTALLATION (WITH FUEL FILLER IN DRIVERS SIDE)

ITEM	PART NUMBER	QTY	DESCRIPTION	REV
	1001208042	Ref	BODY INSTALLATION (WITH FUEL FILLER IN DRIVERS SIDE)	B
1	1001224947	1	Deck/Side Panel Assembly - LH (See Separate Breakdown in this Section)	
2	1001224948	1	Deck/Side Panel Assembly - RH (See Separate Breakdown in this Section)	
3	4314000089	1	Coverplate	
4	4314000090	1	Coverplate	
5	4811001158	1	Coverplate	
6	4811001159	1	Coverplate	
7	4314000175	1	Coverplate	
8	4090000010	2	Belt	
9	4090000011	2	Belt	
10	7661000029	8	Nut	
11	7114150818	8	Capscrew 5/16 x 1	
12	7120000046	2	Bolt 1/4 x 3/4	
13	0641814	8	Bolt 1/2 x 1-3/4	
14	7660182601	16	Nut 1/2	
15	4891800	20	Washer 1/2	
16	7949000015	4	Washer	
17	7114140818	10	Capscrew 1/4 x 1	
18	7950140003	10	Washer 1/4	
19	7950140143	20	Washer 1/4	
20	7413000002	10	Nut 1/4	
21	7660142601	2	Nut 1/4	
22	7796000012	12.5 ft	Seal (Not Shown)	
23	4706005751	1	Plate	
24	4706005695	8	Plate	
25	7115181464	8	Bolt 1/2 x 1-3/4	
26	8632000002	AR	Trim Lock	
27	7114141018	2	Capscrew 1/4 x 1-3/4	

SECTION 4 - BODY

FIGURE 4-2. BODY INSTALLATION (WITHOUT FUEL FILLER IN BODY)



ART_1001208044

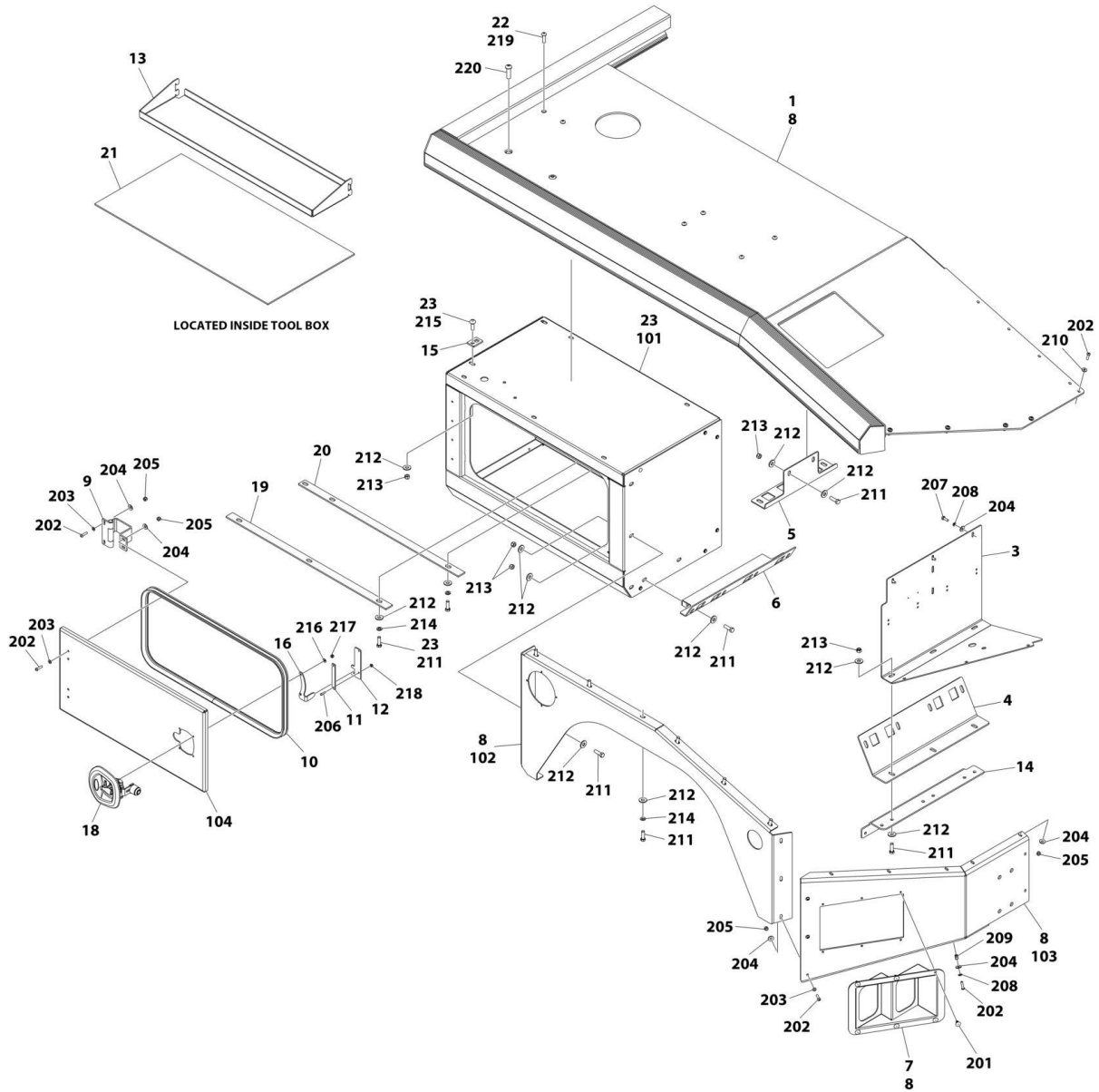
SECTION 4 - BODY

FIGURE 4-2. BODY INSTALLATION (WITHOUT FUEL FILLER IN BODY)

ITEM	PART NUMBER	QTY	DESCRIPTION	REV
	1001208044	Ref	BODY INSTALLATION (WITHOUT FUEL FILLER IN BODY)	B
1	1001224949	1	Deck/Side Panel Assembly - LH (See Separate Breakdown in this Section)	
2	1001224950	1	Deck/Side Panel Assembly - RH (See Separate Breakdown in this Section)	
3	4314000089	1	Coverplate	
4	4314000090	1	Coverplate	
5	4811001158	1	Coverplate	
6	4811001159	1	Coverplate	
7	4314000175	1	Coverplate	
8	4090000010	2	Belt	
9	4090000011	2	Belt	
10	7661000029	8	Nut	
11	7114150818	8	Capscrew 5/16 x 1	
12	7120000046	2	Bolt 1/4 x 3/4	
13	0641814	8	Bolt 1/2 x 1-3/4	
14	7660182601	16	Nut 1/2	
15	4891800	20	Washer 1/2	
16	7949000015	4	Washer	
17	7114140818	10	Capscrew 1/4 x 1	
18	7950140003	10	Washer 1/4	
19	7950140143	20	Washer 1/4	
20	7413000002	10	Nut 1/4	
21	7660142601	2	Nut 1/4	
22	7796000012	12.5 ft	Seal (Not Shown)	
23	4706005751	1	Plate	
24	4706005695	8	Plate	
25	7115181464	8	Bolt 1/2 x 1-3/4	
26	8632000002	AR	Trim Lock	
27	7114141018	2	Capscrew 1/4 x 1-3/4	

SECTION 4 - BODY

FIGURE 4-3. DECK/SIDE PANEL ASSEMBLY – LH (BODY WITH FUEL FILLER IN DRIV



ART_1001224947

SECTION 4 - BODY

FIGURE 4-3. DECK/SIDE PANEL ASSEMBLY – LH (BODY WITH FUEL FILLER IN DRIV

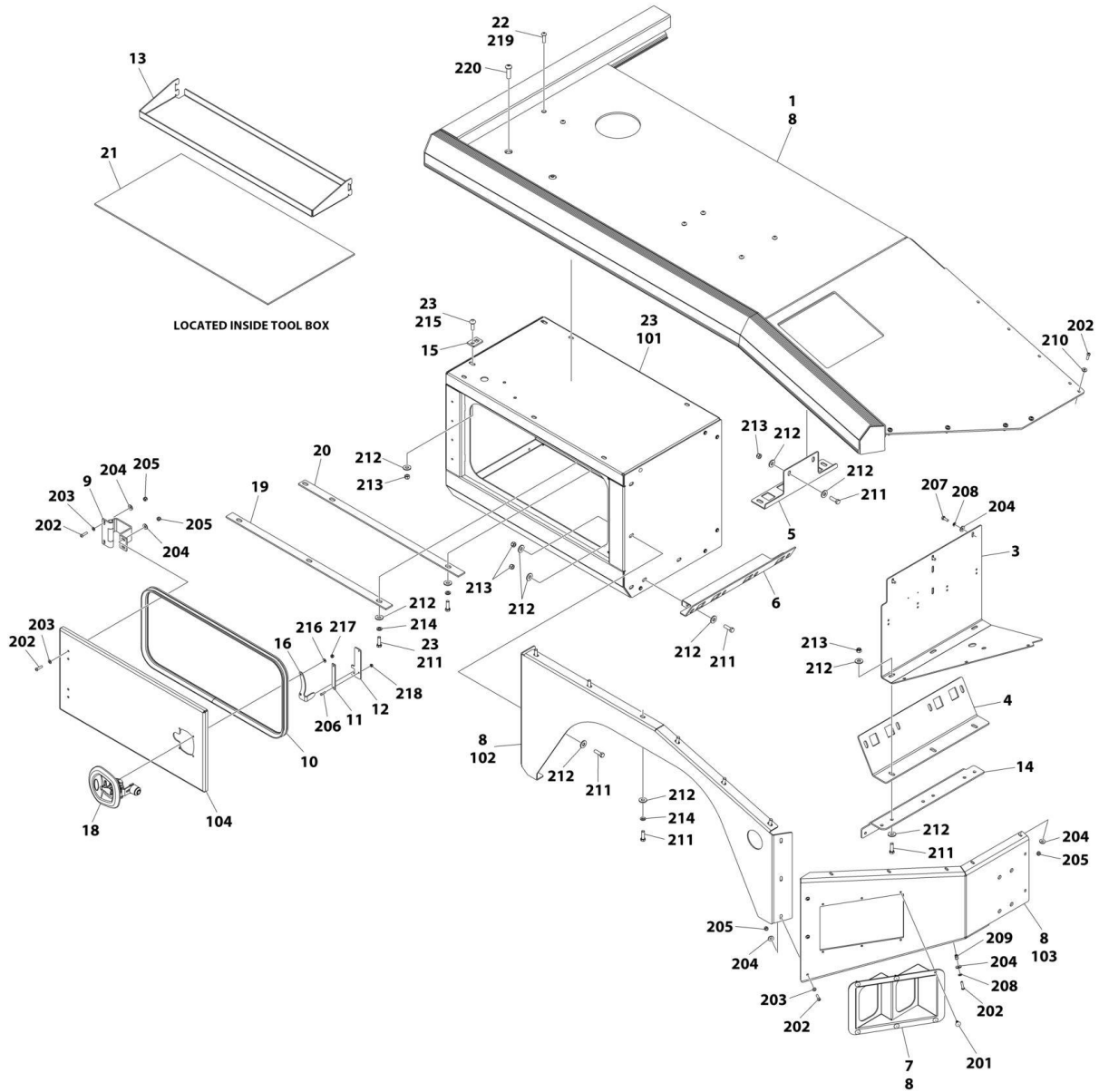
ITEM	PART NUMBER	QTY	DESCRIPTION	REV
	1001224947	Ref	DECK/SIDE PANEL ASSEMBLY - LH (BODY WITH FUEL FILLER IN DRIVERS SIDE)	A
1	1001136268	1	Deck Weldment LH	
2	1001225784	Ref	Body Panel Kit (Not Shown) (See Items 101-104 for Breakdown)	
3	4314000091	1	Cover Plate	
4	4178000744	1	Bracket	
5	4178000577	1	Bracket	
6	4811000840	1	Plate	
7	7571000002	1	Tail Light Housing	
8	7796000012	AR	Seal	
9	7555000012	2	Hinge	
10	4632000050	1	Seal	
11	4062000569	1	Bar	
12	1001224954	1	Plate	
13	4811000823	1	Plate	
14	4178000746	1	Bracket	
15	4706005695	2	Plate	
16	1001224955	1	Plate	
17	1001224968	Ref	Bolt Kit (Not Shown) (See Items 201-220 for Breakdown)	
18	1001223814	1	Latch	
19	1001130992	1	Plate	
20	1001130993	1	Plate	
21	4679000252	1	Pad	
22	3020039	AR	Moly Paste	
23	8798820001	AR	Sealant	
	1001225784	Ref	BODY PANEL KIT	A
101	3899000119	1	Toolbox LH	
102	1001190936	1	Panel, Wheel Opening	
103	1001190939	1	Panel,Tail Light	
104	1001224953	1	Door	
	1001224968	Ref	BOLT KIT	A
201	7413000013	6	Push Fastener	
202	7114140818	19	Capscrew 1/4 x 1	
203	7949000056	11	Washer 1/2	
204	4751400	22	Washer 1/4	
205	7660142601	16	Nut 1/4	
206	7114080618	2	Screw #8 x 3/4	
207	0641406	3	Bolt 1/4 x 3/4	
208	4761400	6	Washer 1/4	
209	7413000002	3	Nut 1/4	
210	7950140143	5	Washer 1/4	
211	0641610	21	Bolt 3/8 x 1-1/4	
212	4751600	33	Washer 3/8	
213	3300492	12	Nut 3/8	
214	4761600	11	Washer 3/8	
215	7115161064	12	Bolt 3/8 x 1-1/4	
216	7950100143	4	Washer 0.19	
217	3300455	4	Nut 10	
218	7660082604	2	Nut #8	
219	7114161018	6	Capscrew 3/8	

SECTION 4 - BODY

ITEM	PART NUMBER	QTY	DESCRIPTION	REV
220	7114181418	2	Capscrew 1/2 x 1-3/4	

SECTION 4 - BODY

FIGURE 4-4. DECK/SIDE PANEL ASSEMBLY – LH (BODY WITHOUT FUEL FILLER)



ART_1001224949

SECTION 4 - BODY

FIGURE 4-4. DECK/SIDE PANEL ASSEMBLY – LH (BODY WITHOUT FUEL FILLER)

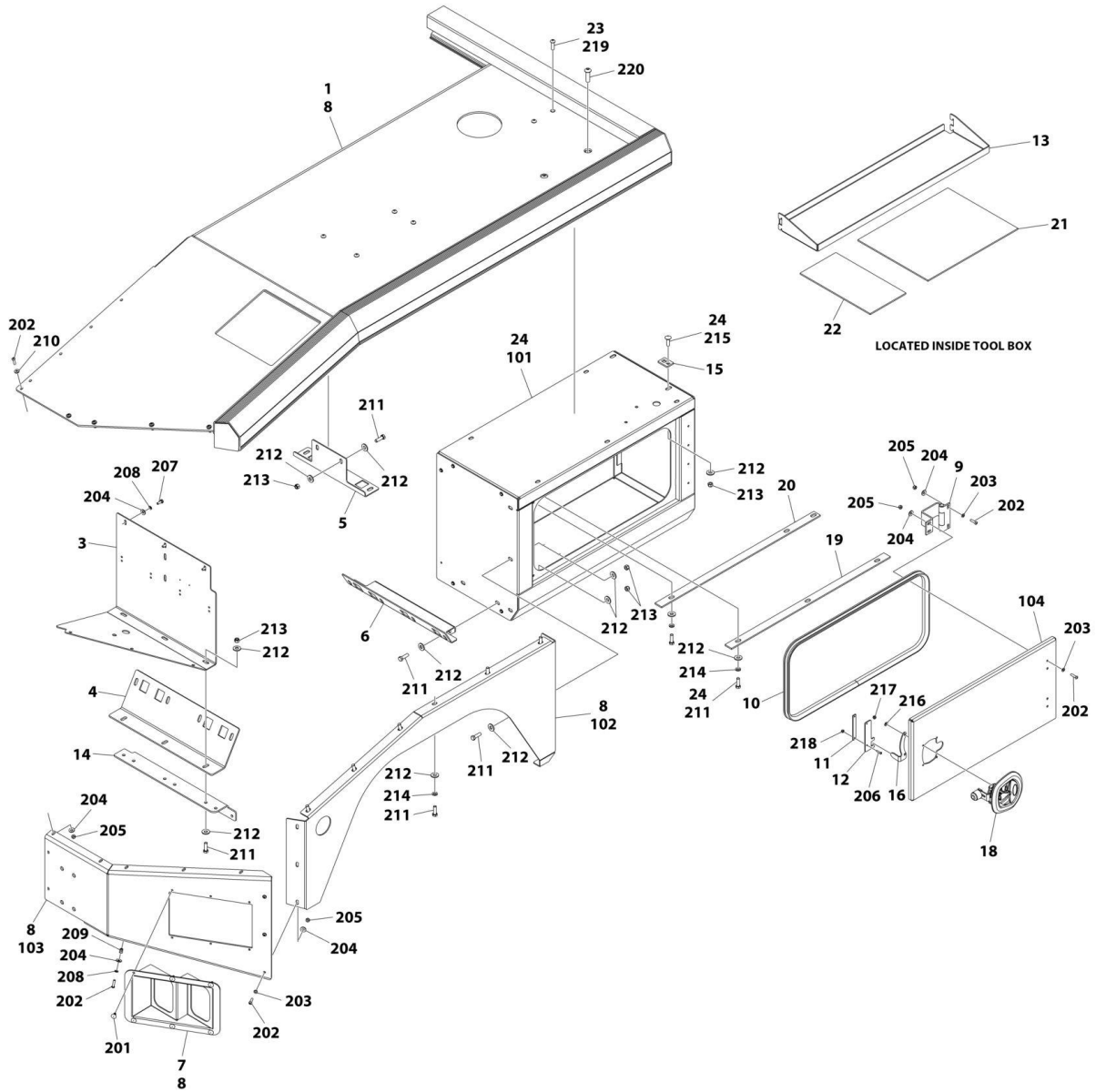
ITEM	PART NUMBER	QTY	DESCRIPTION	REV
	1001224949	Ref	DECK/SIDE PANEL ASSEMBLY - LH (BODY WITHOUT FUEL FILLER IN BODY)	A
1	1001136268	1	Deck Weldment LH	
2	1001225786	Ref	Body Panel Kit (Not Shown) (See Items 101-104 for Breakdown)	
3	4314000091	1	Cover Plate	
4	4178000744	1	Bracket	
5	4178000577	1	Bracket	
6	4811000840	1	Plate	
7	7571000002	1	Tail Light Housing	
8	7796000012	AR	Seal	
9	7555000012	2	Hinge	
10	4632000050	1	Seal	
11	4062000569	1	Bar	
12	1001224954	1	Plate	
13	4811000823	1	Plate	
14	4178000746	1	Bracket	
15	4706005695	2	Plate	
16	1001224955	1	Plate	
17	1001224968	Ref	Bolt Kit (Not Shown) (See Items 201-220 for Breakdown)	
18	1001223814	1	Latch	
19	1001130992	1	Plate	
20	1001130993	1	Plate	
21	4679000252	1	Pad	
22	3020039	AR	Moly Paste	
23	8798820001	AR	Sealant	
	1001225786	Ref	BODY PANEL KIT	A
101	3899000119	1	Toolbox LH	
102	1001207984	1	Panel, Wheel Opening	
103	1001190939	1	Panel,Tail Light	
104	1001224953	1	Door	
	1001224968	Ref	BOLT KIT	A
201	7413000013	6	Push Fastener	
202	7114140818	19	Capscrew 1/4 x 1	
203	7949000056	11	Washer 1/2	
204	4751400	22	Washer 1/4	
205	7660142601	16	Nut 1/4	
206	7114080618	2	Screw #8 x 3/4	
207	0641406	3	Bolt 1/4 x 3/4	
208	4761400	6	Washer 1/4	
209	7413000002	3	Nut 1/4	
210	7950140143	5	Washer 1/4	
211	0641610	21	Bolt 3/8 x 1-1/4	
212	4751600	33	Washer 3/8	
213	3300492	12	Nut 3/8	
214	4761600	11	Washer 3/8	
215	7115161064	2	Bolt 3/8 x 1-1/4	
216	7950100143	4	Washer 0.19	
217	3300455	4	Nut 10	
218	7660082604	2	Nut #8	
219	7114161018	6	Capscrew 3/8	

SECTION 4 - BODY

ITEM	PART NUMBER	QTY	DESCRIPTION	REV
220	7114181418	2	Capscrew 1/2 x 1-3/4	

SECTION 4 - BODY

FIGURE 4-5. DECK/SIDE PANEL ASSEMBLY – RH (BODY WITH FUEL FILLER IN



ART_1001224948

SECTION 4 - BODY

FIGURE 4-5. DECK/SIDE PANEL ASSEMBLY – RH (BODY WITH FUEL FILLER IN

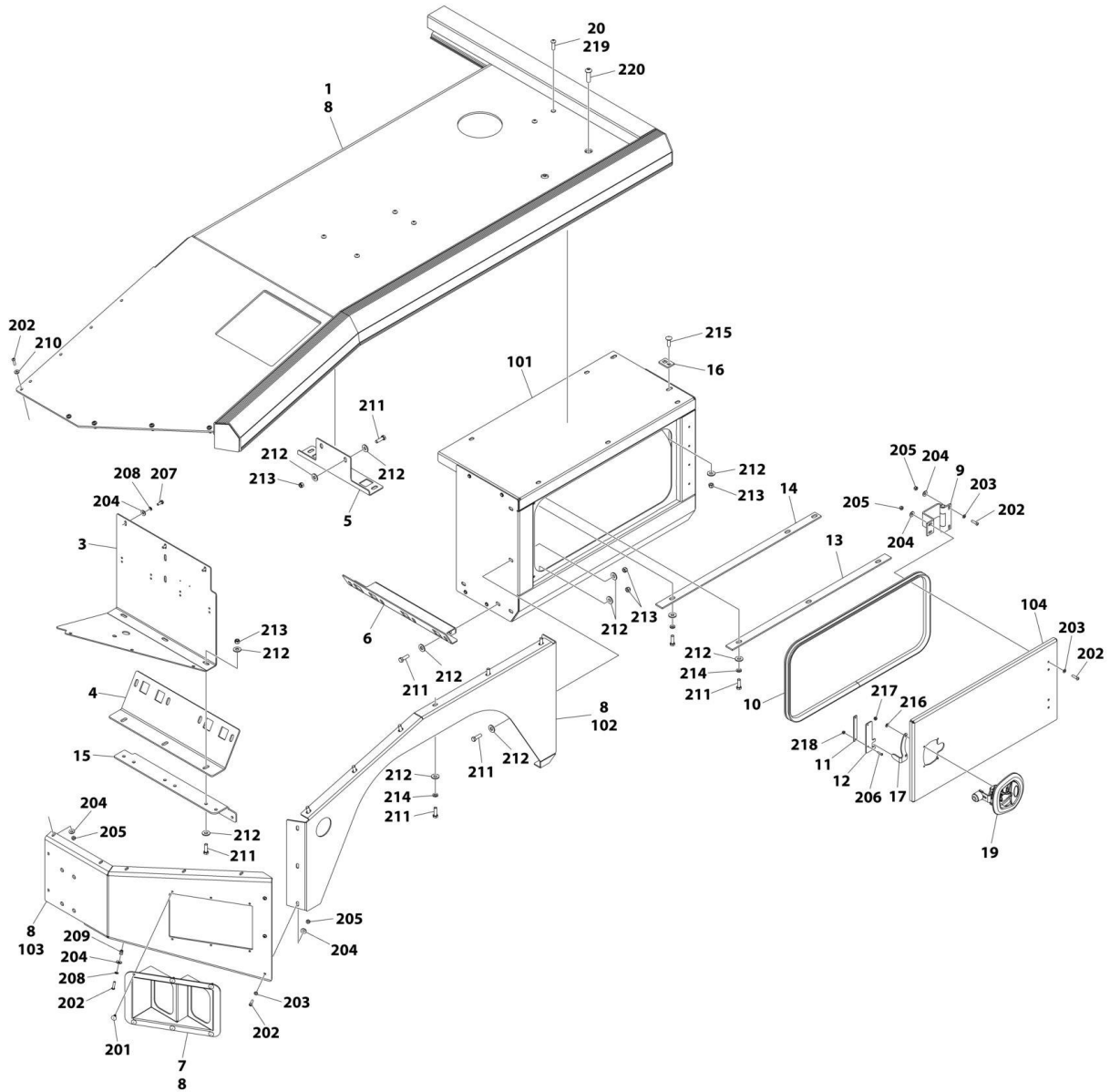
ITEM	PART NUMBER	QTY	DESCRIPTION	REV
	1001224948	Ref	DECK/SIDE PANEL ASSEMBLY - RH (BODY WITH FUEL FILLER IN DRIVERS SIDE)	A
1	1001136269	1	Deck Weldment RH	
2	1001225785	Ref	Body Panel Kit (Not Shown) (See Items 101-104 for Breakdown)	
3	4314000092	1	Cover Plate	
4	4178000744	1	Bracket	
5	4178000577	1	Bracket	
6	4811000840	1	Plate	
7	7571000002	1	Tail Light Housing	
8	7796000012	AR	Seal	
9	7555000012	2	Hinge	
10	4632000050	1	Seal	
11	4062000569	1	Bar	
12	1001224954	1	Plate	
13	4811000823	1	Plate	
14	4178000745	1	Bracket	
15	4706005695	2	Plate	
16	1001224956	1	Plate	
17	1001224968	Ref	Bolt Kit (Not Shown) (See Items 201-220 for Breakdown)	
18	1001223814	1	Latch	
19	1001130992	1	Plate	
20	1001130993	1	Plate	
21	4679000295	1	Pad	
22	4679000294	1	Pad	
23	3020039	AR	Moly Paste	
24	8798820001	AR	Sealant	
	1001225785	Ref	BODY PANEL KIT	A
101	3899000120	1	Toolbox RH	
102	1001190937	1	Panel, Wheel Opening	
103	1001190941	1	Panel, Tail Light	
104	1001224953	1	Door	
	1001224968	Ref	BOLT KIT	A
201	7413000013	6	Push Fastener	
202	7114140818	19	Capscrew 1/4 x 1	
203	7949000056	11	Washer 1/2	
204	4751400	22	Washer 1/4	
205	7660142601	16	Nut 1/4	
206	7114080618	2	Screw #8 x 3/4	
207	0641406	3	Bolt 1/4 x 3/4	
208	4761400	6	Washer 1/4	
209	7413000002	3	Nut 1/4	
210	7950140143	5	Washer 1/4	
211	0641610	21	Bolt 3/8 x 1-1/4	
212	4751600	33	Washer 3/8	
213	3300492	12	Nut 3/8	
214	4761600	11	Washer 3/8	
215	7115161064	2	Bolt 3/8 x 1-1/4	
216	7950100143	4	Washer 0.19	
217	3300455	4	Nut 10	
218	7660082604	2	Nut #8	

SECTION 4 - BODY

ITEM	PART NUMBER	QTY	DESCRIPTION	REV
219	7114161018	6	Capscrew 3/8	
220	7114181418	2	Capscrew 1/2 x 1-3/4	

SECTION 4 - BODY

FIGURE 4-6. DECK/SIDE PANEL ASSEMBLY – RH (BODY WITHOUT FUEL FILLER)



ART_1001224950

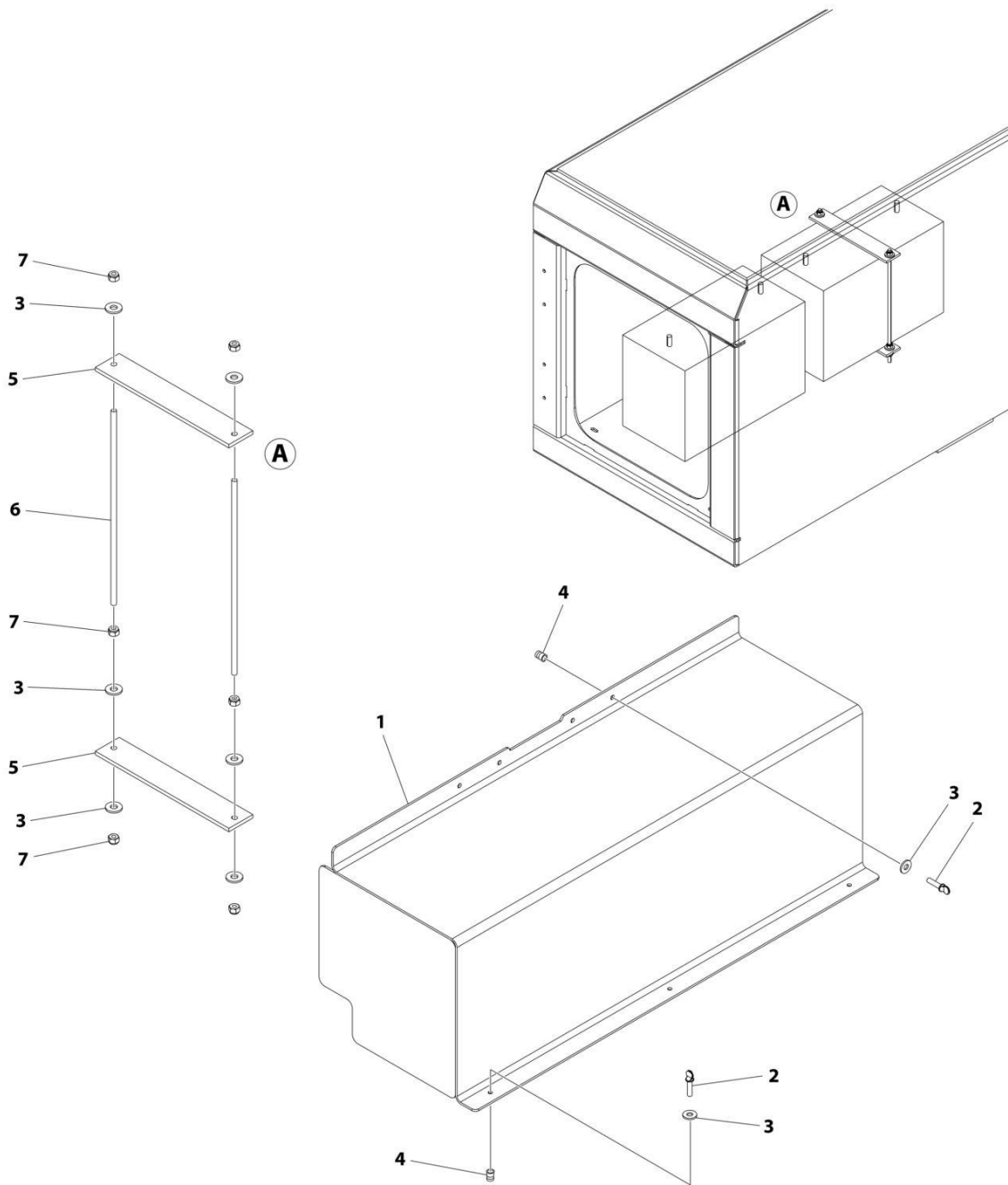
SECTION 4 - BODY

FIGURE 4-6. DECK/SIDE PANEL ASSEMBLY – RH (BODY WITHOUT FUEL FILLER)

ITEM	PART NUMBER	QTY	DESCRIPTION	REV
	1001224950	Ref	DECK/SIDE PANEL ASSEMBLY - RH (BODY WITHOUT FUEL FILLER IN BODY)	A
1	1001136269	1	Deck Weldment RH	
2	1001225787	Ref	Body Panel Kit (Not Shown) (See Items 101-104 for Breakdown)	
3	4314000092	1	Cover Plate	
4	4178000744	1	Bracket	
5	4178000577	1	Bracket	
6	4811000840	1	Plate	
7	7571000002	1	Tail Light Housing	
8	7796000012	AR	Seal	
9	7555000012	2	Hinge	
10	4632000050	1	Seal	
11	4062000569	1	Bar	
12	1001224954	1	Plate	
13	1001130992	1	Plate	
14	1001130993	1	Plate	
15	4178000745	1	Bracket	
16	4706005695	1	Plate	
17	1001224956	1	Plate	
18	1001224968	Ref	Bolt Kit (Not Shown) (See Items 201-220 for Breakdown)	
19	1001223814	1	Latch	
20	3020039	AR	Moly Paste	
	1001225787	Ref	BODY PANEL KIT	A
101	3686000052	1	Toolbox RH	
102	1001190937	1	Panel, Wheel Opening	
103	1001190941	1	Panel, Tail Light	
104	1001224953	1	Door	
	1001224968	Ref	BOLT KIT	A
201	7413000013	6	Push Fastener	
202	7114140818	19	Capscrew 1/4 x 1	
203	7949000056	11	Washer 1/2	
204	4751400	22	Washer 1/4	
205	7660142601	16	Nut 1/4	
206	7114080618	2	Screw #8 x 3/4	
207	0641406	3	Bolt 1/4 x 3/4	
208	4761400	6	Washer 1/4	
209	7413000002	3	Nut 1/4	
210	7950140143	5	Washer 1/4	
211	0641610	21	Bolt 3/8 x 1-1/4	
212	4751600	33	Washer 3/8	
213	3300492	12	Nut 3/8	
214	4761600	11	Washer 3/8	
215	7115161064	12	Bolt 3/8 x 1-1/4	
216	7950100143	4	Washer 0.19	
217	3300455	4	Nut 10	
218	7660082604	2	Nut #8	
219	7114161018	6	Capscrew 3/8	
220	7114181418	2	Capscrew 1/2 x 1-3/4	

SECTION 4 - BODY

FIGURE 4-7. COVER INSTALLATION - BATTERY (USED WITH 22IN TUNNEL)



ART_231400024

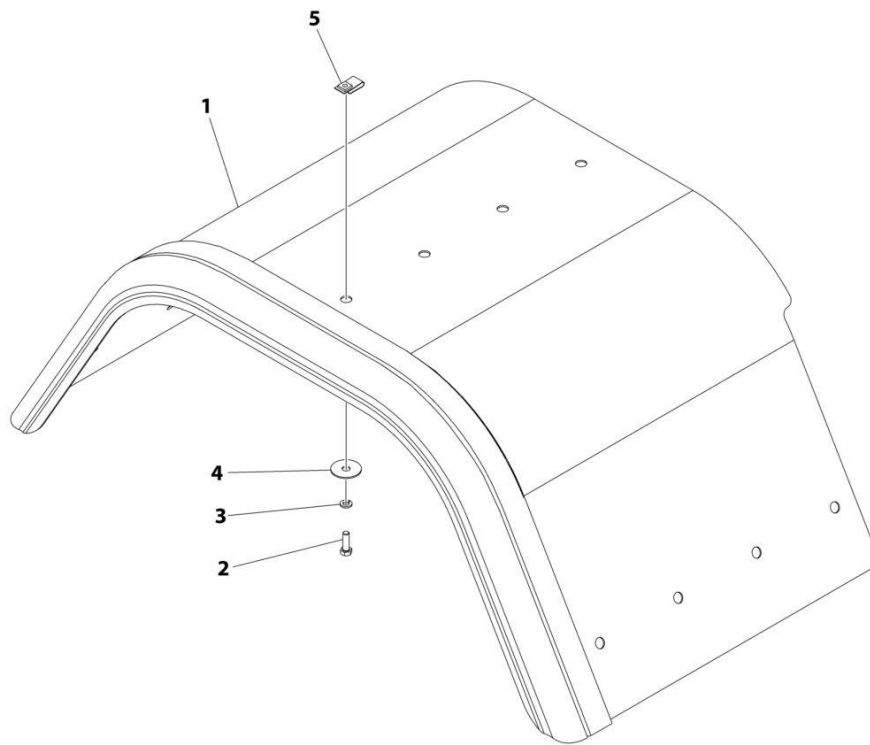
SECTION 4 - BODY

FIGURE 4-7. COVER INSTALLATION - BATTERY (USED WITH 22IN TUNNEL)

ITEM	PART NUMBER	QTY	DESCRIPTION	REV
	2314000024	Ref	COVER INSTALLATION - BATTERY (USED WITH 22IN TUNNEL)	0
1	3314000051	1	Coverplate	
2	7120000070	5	Screw 1/4 x 1	
3	7950140153	17	Washer 1/4	
4	7413000002	5	Nut 1/4	
5	4062000691	4	Bar	
6	4763000418	4	Rod, Threaded	
7	7660142604	12	Nut 1/4	
8	7493000022	2	Grommet	

SECTION 4 - BODY

FIGURE 4-8. FENDER FLARE INSTALLATION (FORD F450-550/DODGE)



ART_2415000020

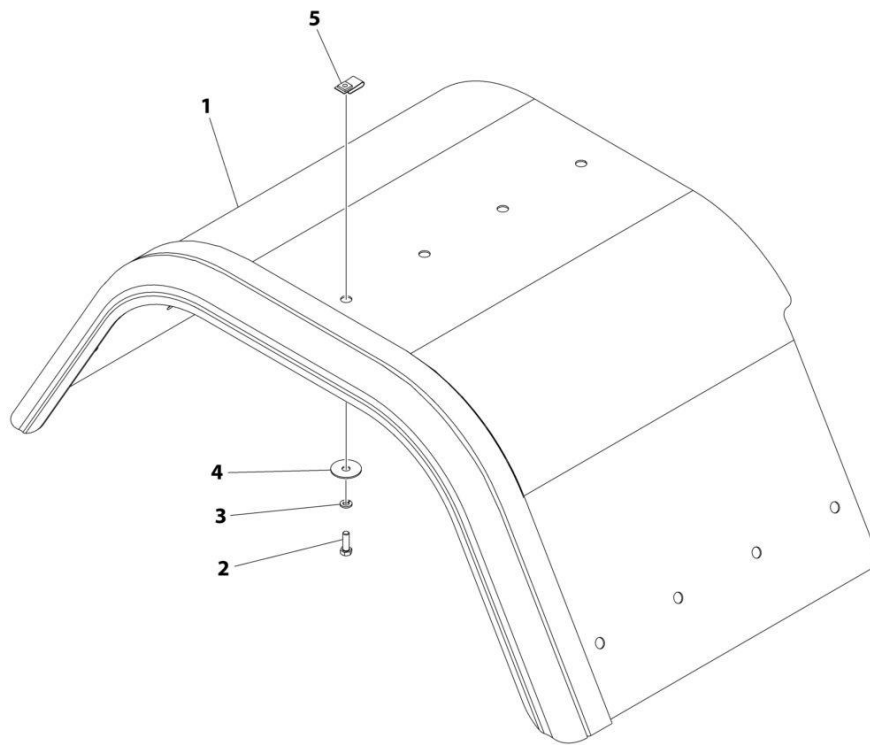
SECTION 4 - BODY

FIGURE 4-8. FENDER FLARE INSTALLATION (FORD F450-550/DODGE)

ITEM	PART NUMBER	QTY	DESCRIPTION	REV
	2415000020	Ref	FENDER FLARE INSTALLATION	A
1	7415000039	2	Fender	
2	7114150850	22	Bolt 5/16 x 1	
3	7950150000	22	Washer 5/16	
4	7949000055	22	Washer	
5	7661000029	22	Nut	

SECTION 4 - BODY

FIGURE 4-9. FENDER FLARE INSTALLATION (FORD F350/GM)



ART_2415000019

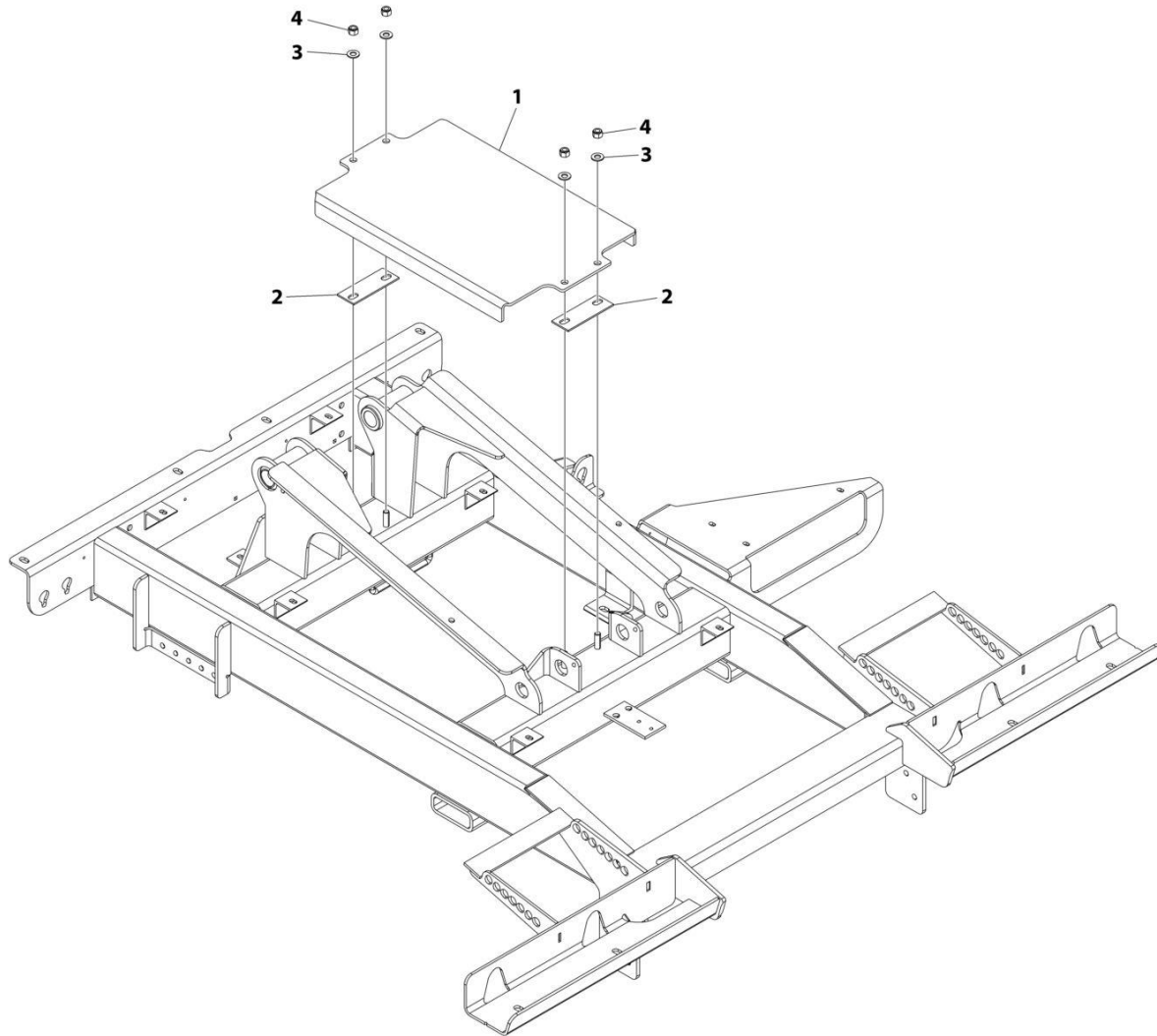
SECTION 4 - BODY

FIGURE 4-9. FENDER FLARE INSTALLATION (FORD F350/GM)

ITEM	PART NUMBER	QTY	DESCRIPTION	REV
	2415000019	Ref	FENDER FLARE INSTALLATION (FORD F350/GM)	A
1	7415000038	2	Fender	
2	7114150850	22	Bolt 5/16 x 1	
3	7950150000	22	Washer 5/16	
4	7949000055	22	Washer	
5	7661000029	22	Nut	

SECTION 4 - BODY

FIGURE 4-10. MID DECK COVER INSTALLATION



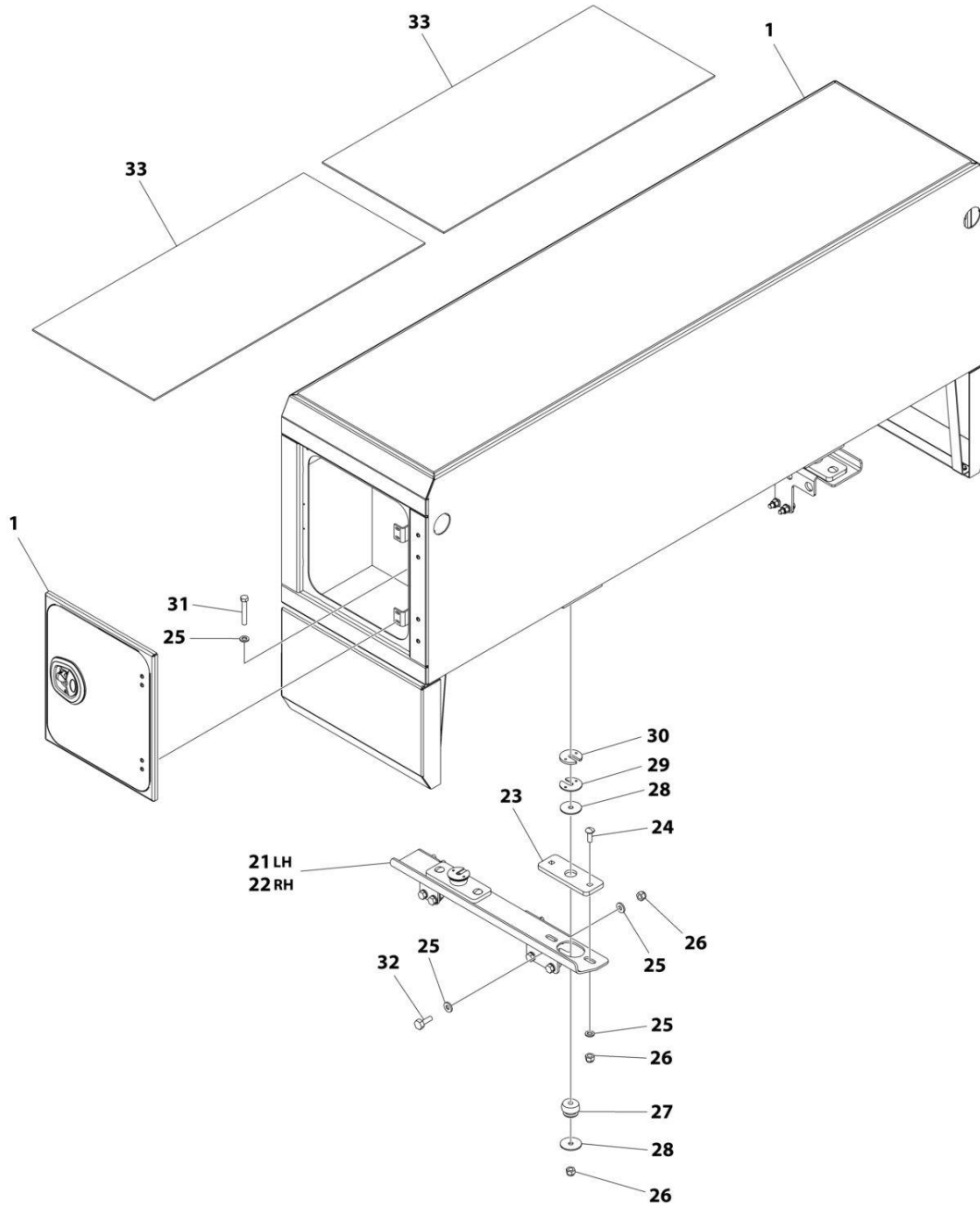
ART_2314000029

FIGURE 4-10. MID DECK COVER INSTALLATION

ITEM	PART NUMBER	QTY	DESCRIPTION	REV
	2314000029	Ref	MID DECK COVER INSTALLATION	0
1	4314000205	1	Coverplate	
2	4090000008	2	Belt, Poly	
3	7950180141	4	Washer 1/2	
4	7660182601	4	Nut 1/2	

SECTION 4 - BODY

FIGURE 4-11. TUNNEL INSTALLATION - 22IN STANDARD



ART_2509740122_C

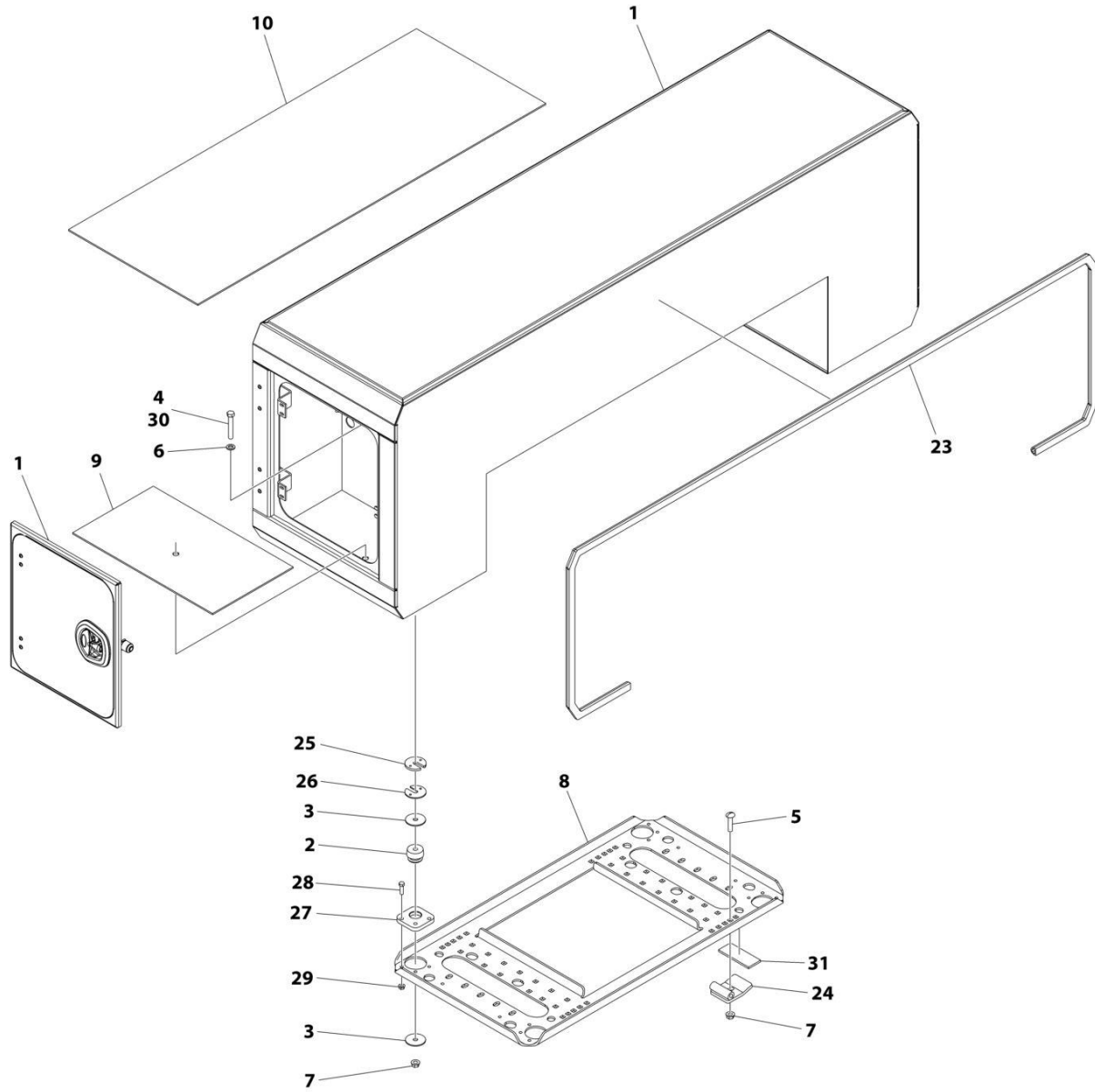
SECTION 4 - BODY

FIGURE 4-11. TUNNEL INSTALLATION - 22IN STANDARD

ITEM	PART NUMBER	QTY	DESCRIPTION	REV
	2509740122	Ref	TUNNEL BOX INSTALLATION - 22IN STANDARD	C
1	1001225086	1	Tunnel Assembly (See Separate Breakdown in this Section)	
21	3899000149	1	Toolbox Mount	
22	3899000150	1	Toolbox Mount	
23	4706005838	4	Plate	
24	7115181264	8	Bolt 1/2 x 1-1/2	
25	4891800	44	Washer 1/2	
26	7660182601	28	Nut 1/2	
27	7636000005	4	Mount	
28	7949000013	8	Washer 2-3/8	
29	4812000107	AR	Shim	
30	4812000108	AR	Shim	
31	0641828	4	Bolt 1/2 x 3-1/2	
32	0641814	16	Bolt 1/2 x 1-3/4	
33	4679000288	2	Pad	
34	7796000078	12	Gasket (Not Shown)	

SECTION 4 - BODY

FIGURE 4-12. TUNNEL INSTALLATION - 24IN STANDARD



ART_2899000081_F

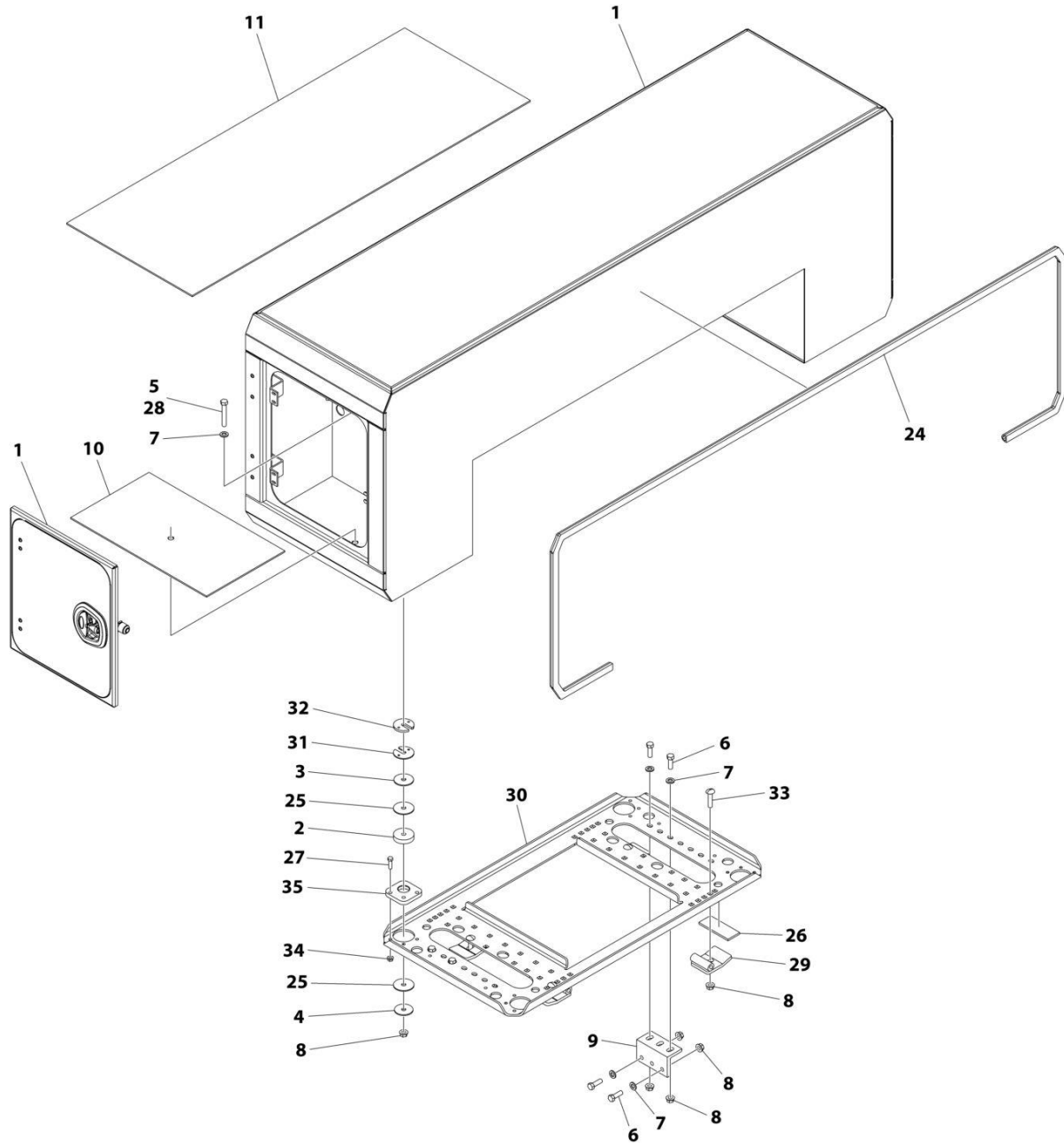
SECTION 4 - BODY

FIGURE 4-12. TUNNEL INSTALLATION - 24IN STANDARD

ITEM	PART NUMBER	QTY	DESCRIPTION	REV
	2899000081	Ref	TUNNEL INSTALLATION - 24IN STANDARD	F
1	1001225081	1	Tunnel Box Assembly (See Separate Breakdown in this Section)	
2	7636000005	4	Mount	
3	7949000013	8	Washer 2-3/8	
4	0641824	4	Bolt 1/2 x 3	
5	7115181864	4	Bolt 1/2 x 2-1/4	
6	7950180153	4	Washer 1/2	
7	7660182301	8	Nut 1/2	
8	4636000041	1	Plate	
9	4679000333	2	Pad	
10	4679000334	1	Pad	
23	7796000078	12.5 ft	Gasket	
24	1001220359	4	Clamp	
25	4812000108	4	Shim	
26	4812000107	4	Shim	
27	4706005869	4	Plate	
28	0641610	12	Bolt 3/8 x 1-1/4	
29	7660162301	12	Nut 3/8	
30	0641826	4	Bolt 1/2 x 3-1/4	
31	3340898	1	Pad	

SECTION 4 - BODY

FIGURE 4-13. TUNNEL INSTALLATION - 24IN REINFORCED



ART_2550000517_F

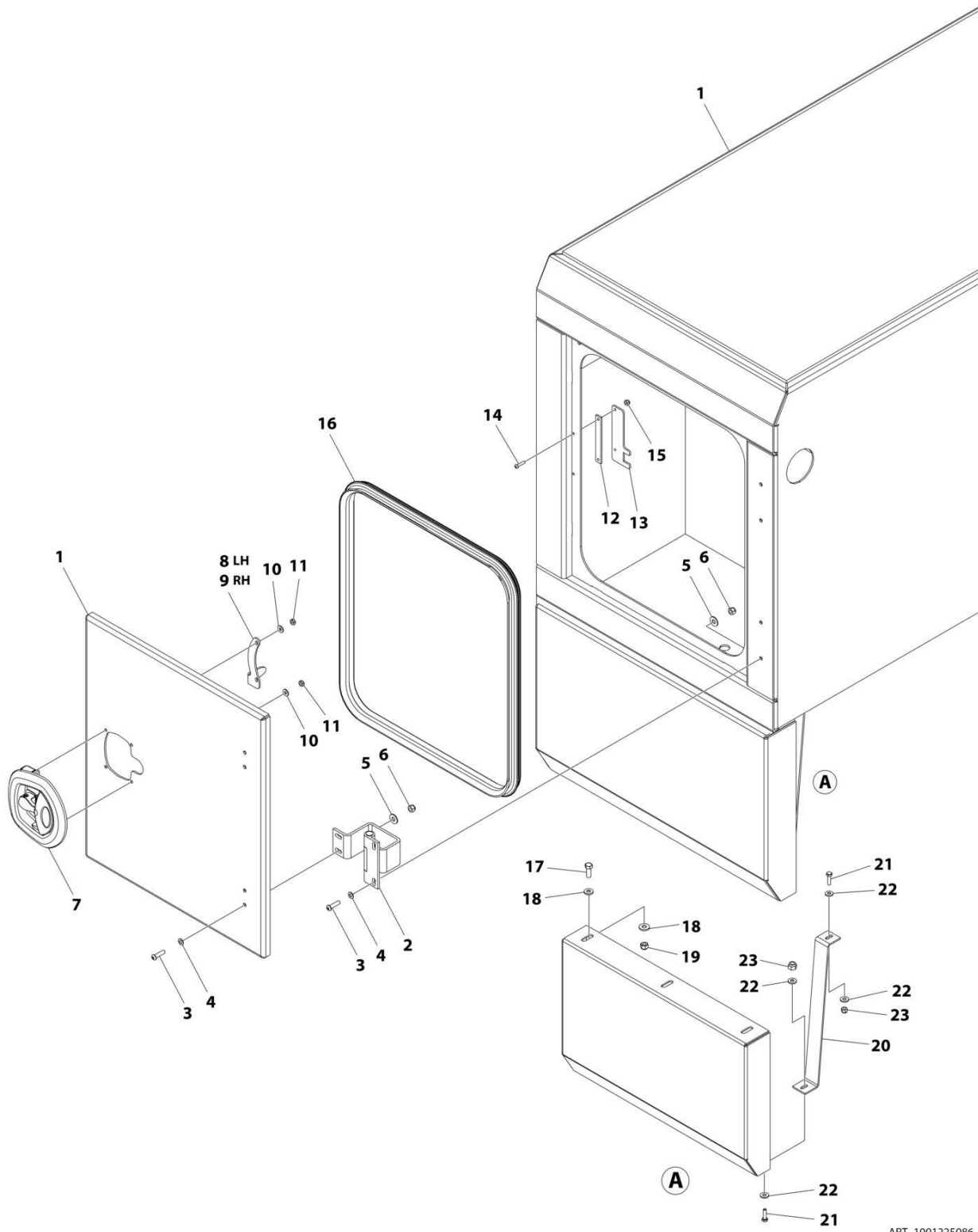
SECTION 4 - BODY

FIGURE 4-13. TUNNEL INSTALLATION - 24IN REINFORCED

ITEM	PART NUMBER	QTY	DESCRIPTION	REV
	2550000517	Ref	TUNNEL BOX INSTALLATION - 24IN REINFORCED	F
1	1001225084	1	Tunnel Assembly (See Separate Breakdown in this Section)	
2	1001135107	4	Support, Adapter Tunnel Mount	
3	7949000013	4	Washer 2-3/8	
4	7949000012	4	Washer 2-1/2	
5	0641826	AR	Bolt 1/2 x 3-1/4	
6	0641812	8	Bolt 1/2 x 1-3/4	
7	7950180153	12	Washer 1/2	
8	7660182301	16	Nut 1/2	
9	4017001271	2	Angle	
10	4679000333	2	Pad	
11	4679000334	1	Pad	
24	7796000078	12.5 ft	Gasket	
25	1001135108	8	Pad	
26	3340898	1	Pad, Rubber	
27	0641610	12	Bolt 3/8 x 1-1/4	
28	0641824	4	Bolt 1/2 x 3	
29	1001220359	4	Clamp	
30	4636000041	1	Mount	
31	4812000107	AR	Shim	
32	4812000108	AR	Shim	
33	7115181864	4	Bolt 1/2 x 2-1/4	
34	7660162301	12	Nut 3/8	
35	4706005869	4	Plate	

SECTION 4 - BODY

FIGURE 4-14. TUNNEL ASSEMBLY - 22IN STANDARD



ART_1001225086

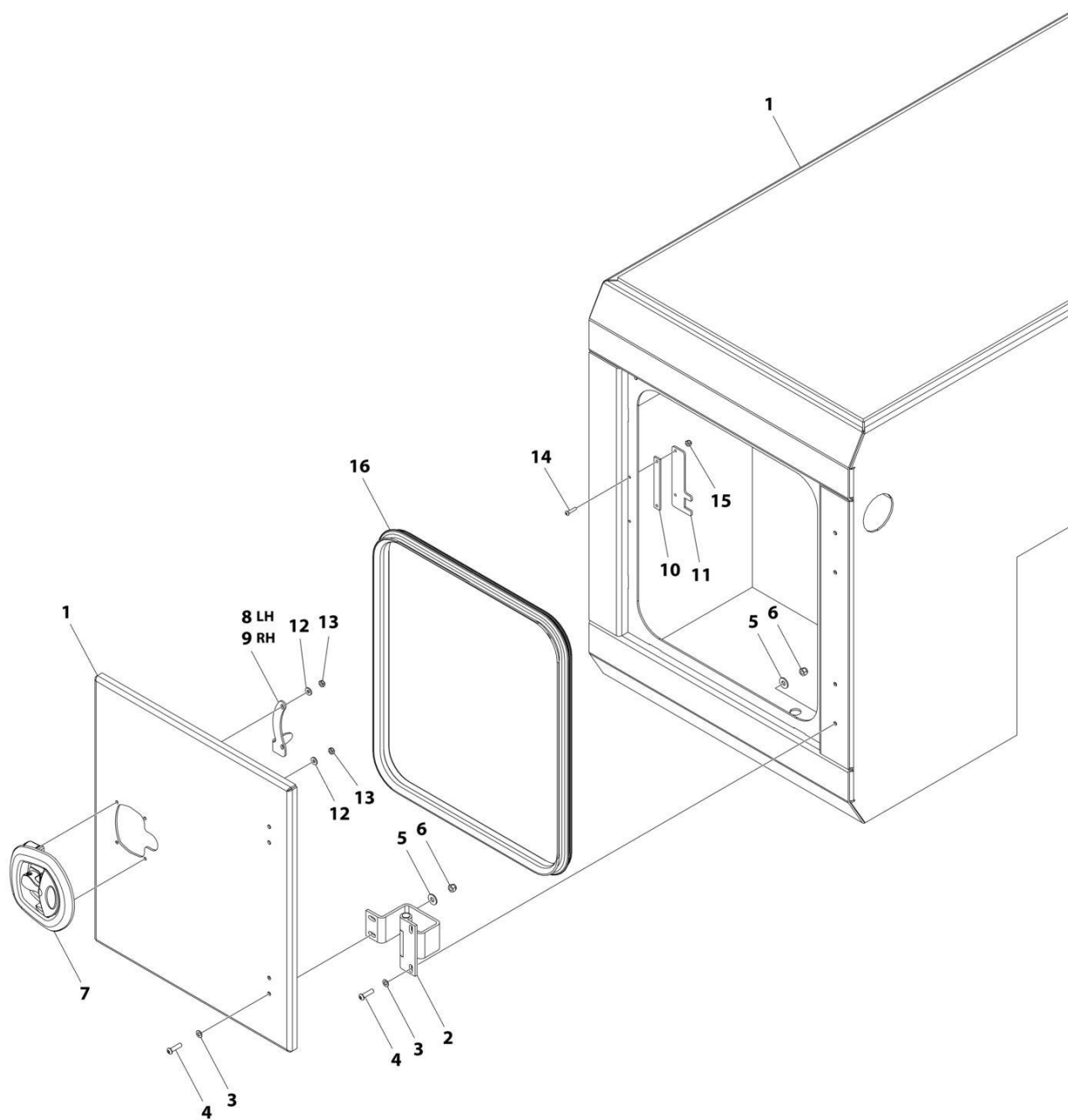
SECTION 4 - BODY

FIGURE 4-14. TUNNEL ASSEMBLY - 22IN STANDARD

ITEM	PART NUMBER	QTY	DESCRIPTION	REV
	1001225086	Ref	TUNNEL BOX ASSEMBLY - 22IN STANDARD	A
1	1001225087	1	Tunnel Tool Box	
2	7555000012	4	Hinge	
3	7114140818	16	Capscrew 1/4 x 1	
4	7949000056	16	Washer 1/4	
5	4751400	16	Washer 1/4	
6	7660142601	16	Nut 1/4	
7	1001223814	2	Latch	
8	1001224955	1	Plate, Door Alignment LH	
9	1001224956	1	Plate, Door Alignment RH	
10	7950100143	4	Washer 3/16	
11	3300455	4	Nut	
12	4062000569	2	Bar	
13	1001224954	2	Plate	
14	7114080618	4	Screw #8 x 3/4	
15	7660082604	4	Nut #8	
16	4632000053	2	Seal	
17	0641608	6	Bolt 3/8 x 1	
18	7950160153	12	Washer 3/8	
19	3300492	6	Nut 3/8	
20	4178000742	4	Bracket	
21	0641408	8	Bolt 1/4 - 1	
22	7950140143	16	Washer 1/4	
23	7660142601	8	Nut 1/4	

SECTION 4 - BODY

FIGURE 4-15. TUNNEL ASSEMBLY - 24IN STANDARD



ART_1001225081

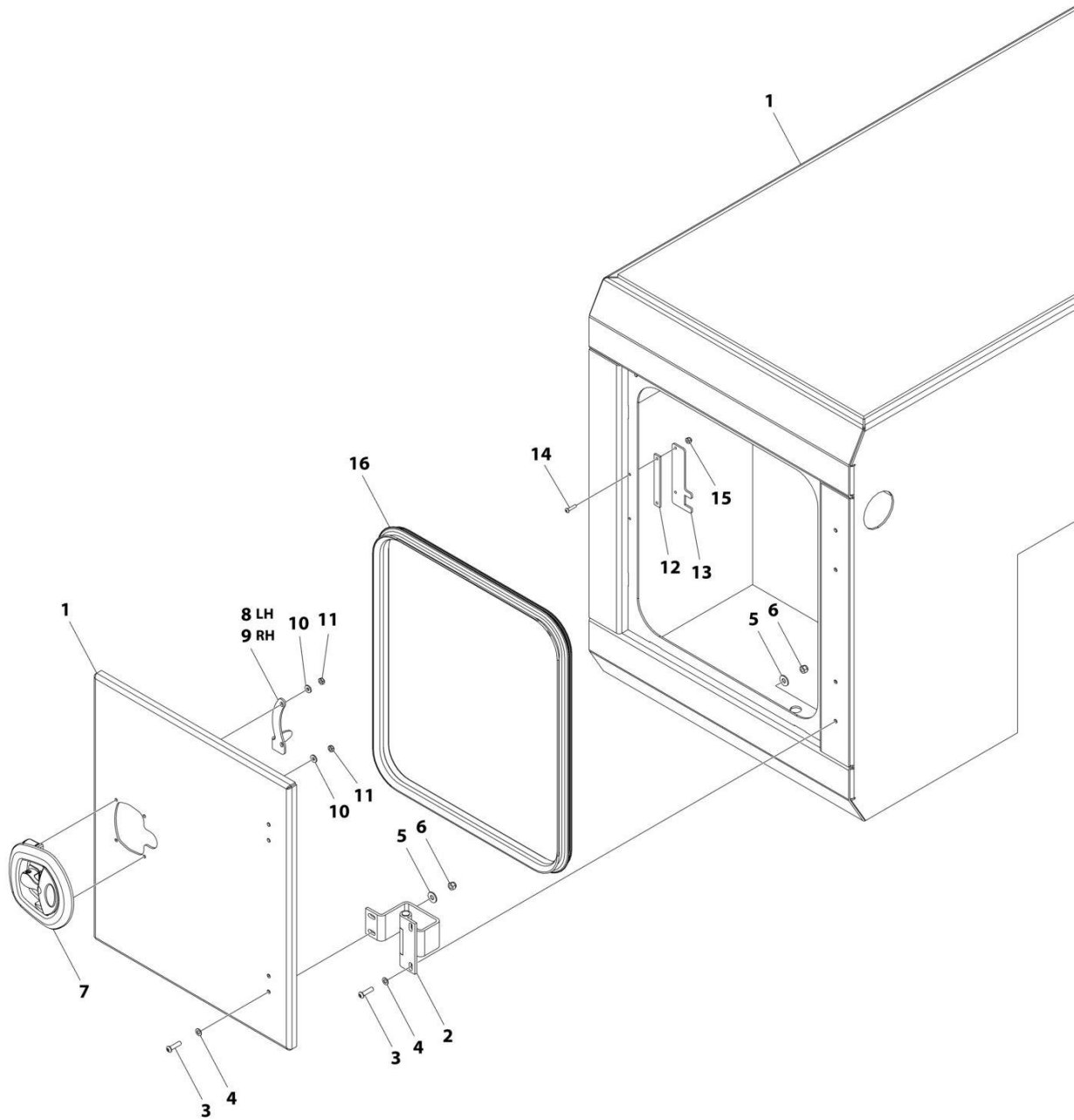
SECTION 4 - BODY

FIGURE 4-15. TUNNEL ASSEMBLY - 24IN STANDARD

ITEM	PART NUMBER	QTY	DESCRIPTION	REV
	1001225081	Ref	TUNNEL ASSEMBLY - 24IN STANDARD	A
1	1001225082	1	Tunnel Tool Box	
2	7555000012	4	Hinge	
3	7949000056	16	Washer 1/2	
4	7114140818	16	Capscrew 1/4 x 1	
5	4751400	16	Washer 1/4	
6	7660142601	16	Nut 1/4	
7	1001223814	2	Latch, T-Handle	
8	1001224955	1	Plate, Door Alignment LH	
9	1001224956	1	Plate, Door Alignment RH	
10	4062000569	2	Bar	
11	1001224954	2	Plate	
12	7950100143	8	Washer 3/16	
13	3300455	8	Nut	
14	7114080618	4	Screw #8 x 3/4	
15	7660082604	4	Nut #8	
16	4632000053	2	Seal	

SECTION 4 - BODY

FIGURE 4-16. TUNNEL ASSEMBLY - 24IN REINFORCED



ART_1001225084

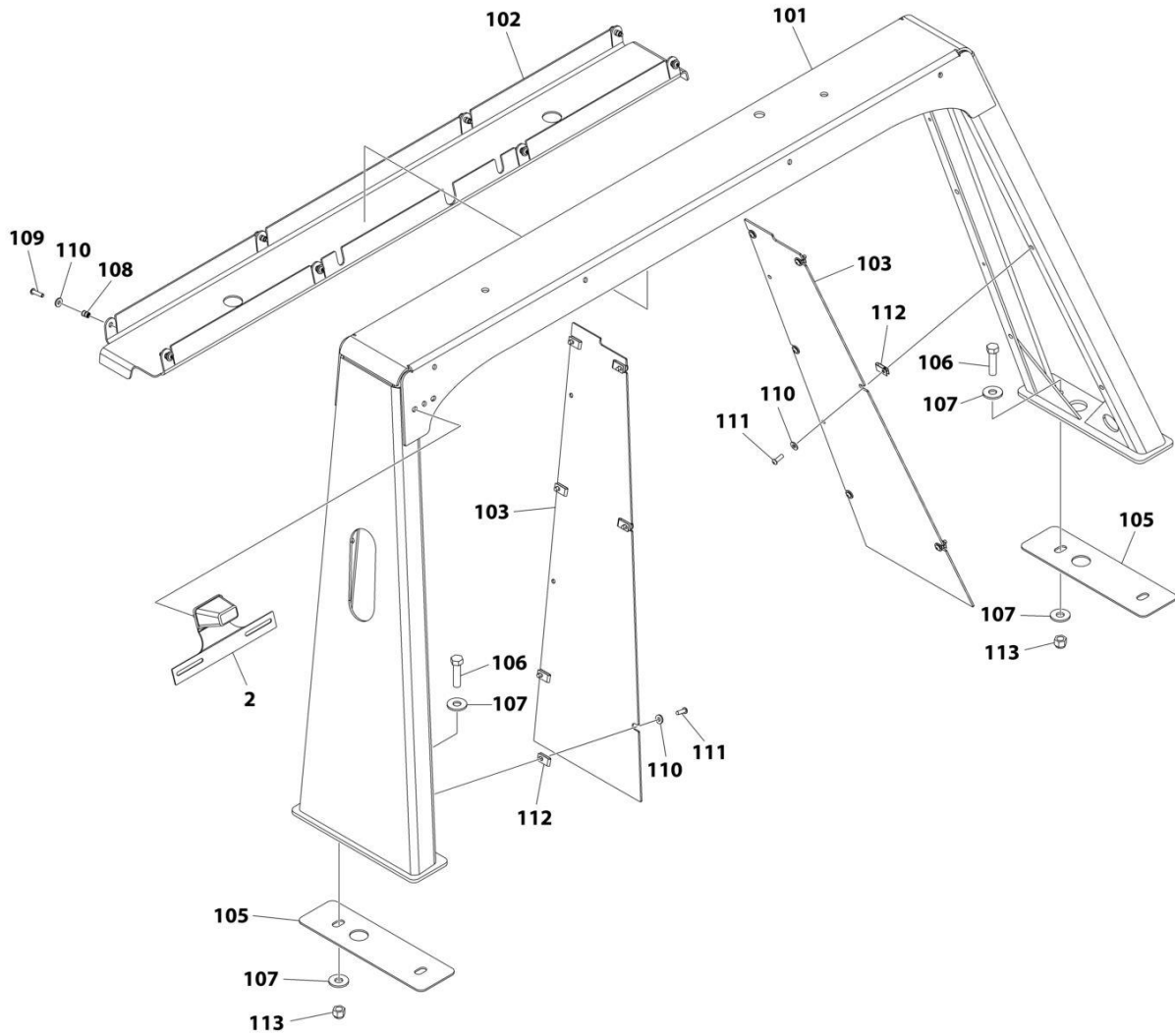
SECTION 4 - BODY

FIGURE 4-16. TUNNEL ASSEMBLY - 24IN REINFORCED

ITEM	PART NUMBER	QTY	DESCRIPTION	REV
	1001225084	Ref	TUNNEL ASSEMBLY - 24IN REINFORCED	B
1	1001225085	1	Tunnel Tool Box	
2	7555000012	4	Hinge	
3	7114140818	16	Capscrew 1/4 x 1	
4	7949000056	16	Washer 1/2	
5	4751400	16	Washer 1/4	
6	7660142601	16	Nut 1/4	
7	1001223814	2	Latch, T-Handle	
8	1001224955	1	Plate, Door Alignment LH	
9	1001224956	1	Plate, Door Alignment RH	
10	7950100143	8	Washer 3/16	
11	3300455	8	Nut	
12	4062000569	2	Bar	
13	1001224954	2	Plate	
14	7114080618	4	Screw #8 x 3/4	
15	7660082604	4	Nut #8	
16	4632000053	2	Seal	

SECTION 4 - BODY

FIGURE 4-17. PYLON INSTALLATION - 28IN TOOLBOX MOUNTED (1 MARKER LIGHT PER SIDE)



ART_1001211199

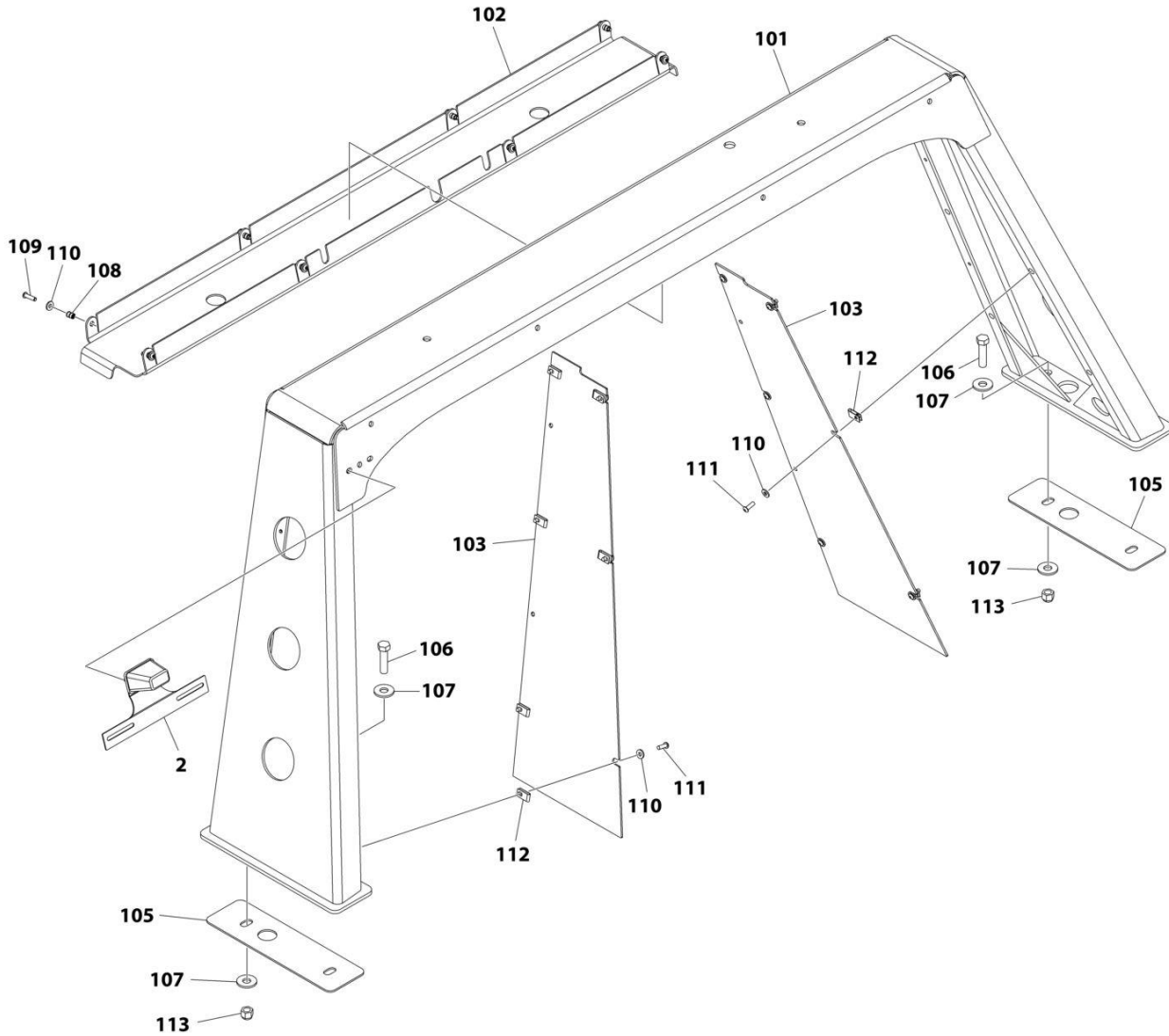
SECTION 4 - BODY

FIGURE 4-17. PYLON INSTALLATION - 28IN TOOLBOX MOUNTED (1 MARKER LIGHT PER SIDE)

ITEM	PART NUMBER	QTY	DESCRIPTION	REV
	1001211199	Ref	PYLON INSTALLATION - 28IN TOOLBOX MOUNTED (1 MARKER LIGHT PER SIDE)	A
1	2509570057	Ref	Light Pylon Installation (Not Shown) (See Item 101-113 for Breakdown)	
2	3509330109	1	Pylon Electrical Installation (See Separate Breakdown in ELECTRICAL Section)	
	2509570057	Ref	LIGHT PYLON INSTALLATION	A
101	3509570106	1	Light Pylon	
102	4263000689	1	Channel	
103	4314000102	2	Cover Plate	
105	7796000101	2	Gasket	
106	7115181650	4	Bolt 1/2 x 2	
107	7950180161	8	Washer 1/2	
108	7413000002	8	Nut 1/4	
109	7114140818	8	Capscrew 1/4 x 1	
110	7950140143	20	Washer 1/4	
111	7114140618	12	Capscrew 1/4 x 3/4	
112	7661000019	12	U Nut 1/4	
113	7660182601	4	Nut 1/2	

SECTION 4 - BODY

FIGURE 4-18. PYLON INSTALLATION - 28IN TOOLBOX MOUNTED (3 MARKER LIGHTS PER SIDE)



ART_1001137310

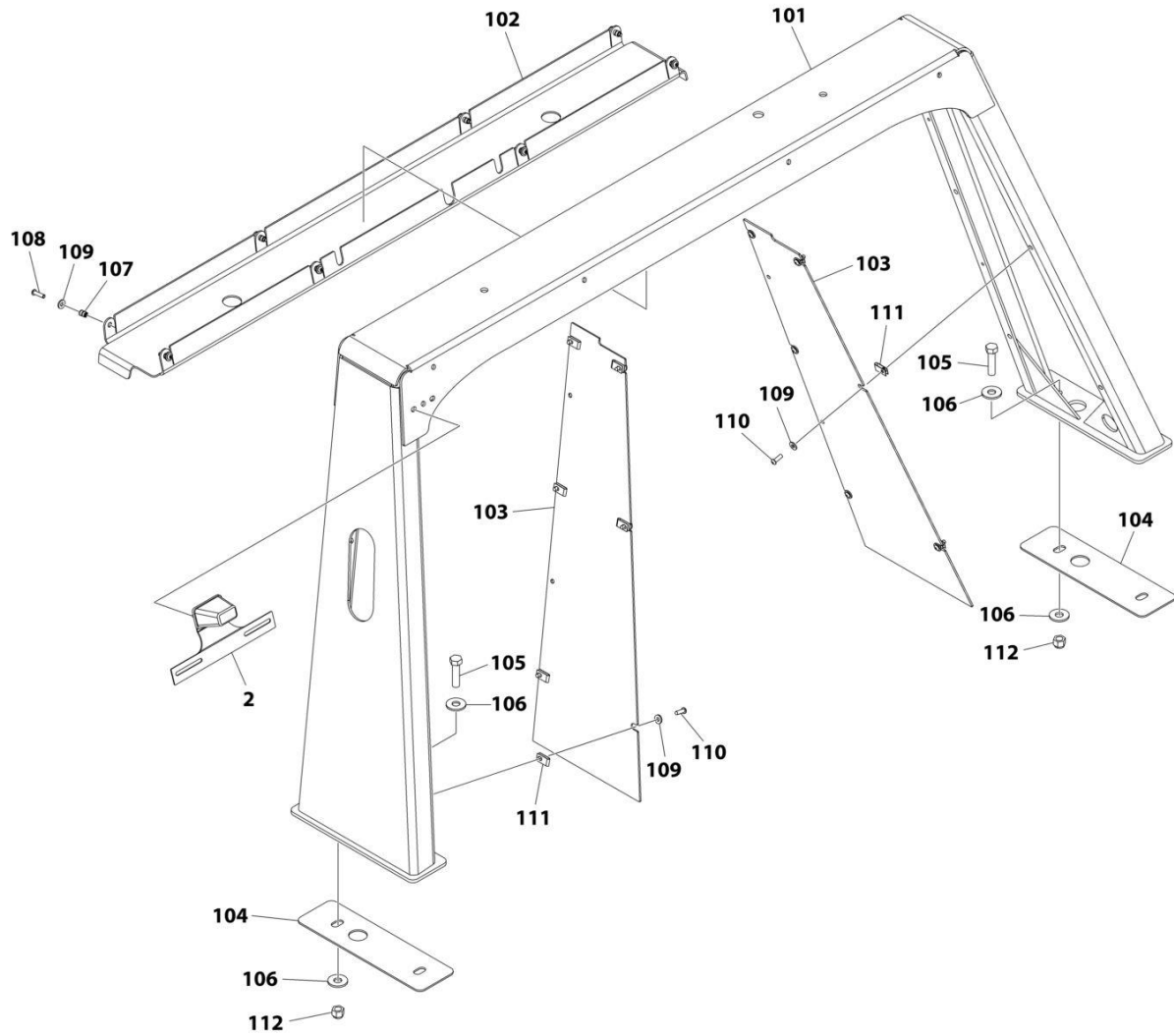
SECTION 4 - BODY

FIGURE 4-18. PYLON INSTALLATION - 28IN TOOLBOX MOUNTED (3 MARKER LIGHTS PER SIDE)

ITEM	PART NUMBER	QTY	DESCRIPTION	REV
	1001137310	Ref	PYLON INSTALLATION - 28IN TOOLBOX MOUNTED (3 MARKER LIGHTS PER SIDE)	A
1	2550000420	Ref	Light Pylon Installation (Not Shown) (See Item 101-113 for Breakdown)	
2	1001137306	1	Pylon Electrical Installation (See Separate Breakdown in ELECTRICAL Section)	
	2550000420	Ref	LIGHT PYLON INSTALLATION	0
101	3550001694	1	Light Pylon	
102	4263000689	1	Channel	
103	4314000102	2	Cover Plate	
105	7796000101	2	Gasket	
106	7115181650	4	Bolt 1/2 x 2	
107	7950180161	8	Washer 1/2	
108	7413000002	8	Nut 1/4	
109	7114140818	8	Capscrew 1/4 x 1	
110	7950140143	20	Washer 1/4	
111	7114140618	12	Capscrew 1/4 x 3/4	
112	7661000019	12	U Nut 1/4	
113	7660182601	4	Nut 1/2	

SECTION 4 - BODY

FIGURE 4-19. PYLON INSTALLATION - 33IN TOOLBOX MOUNTED (1 MARKER LIGHT PER SIDE)



ART_1001211200

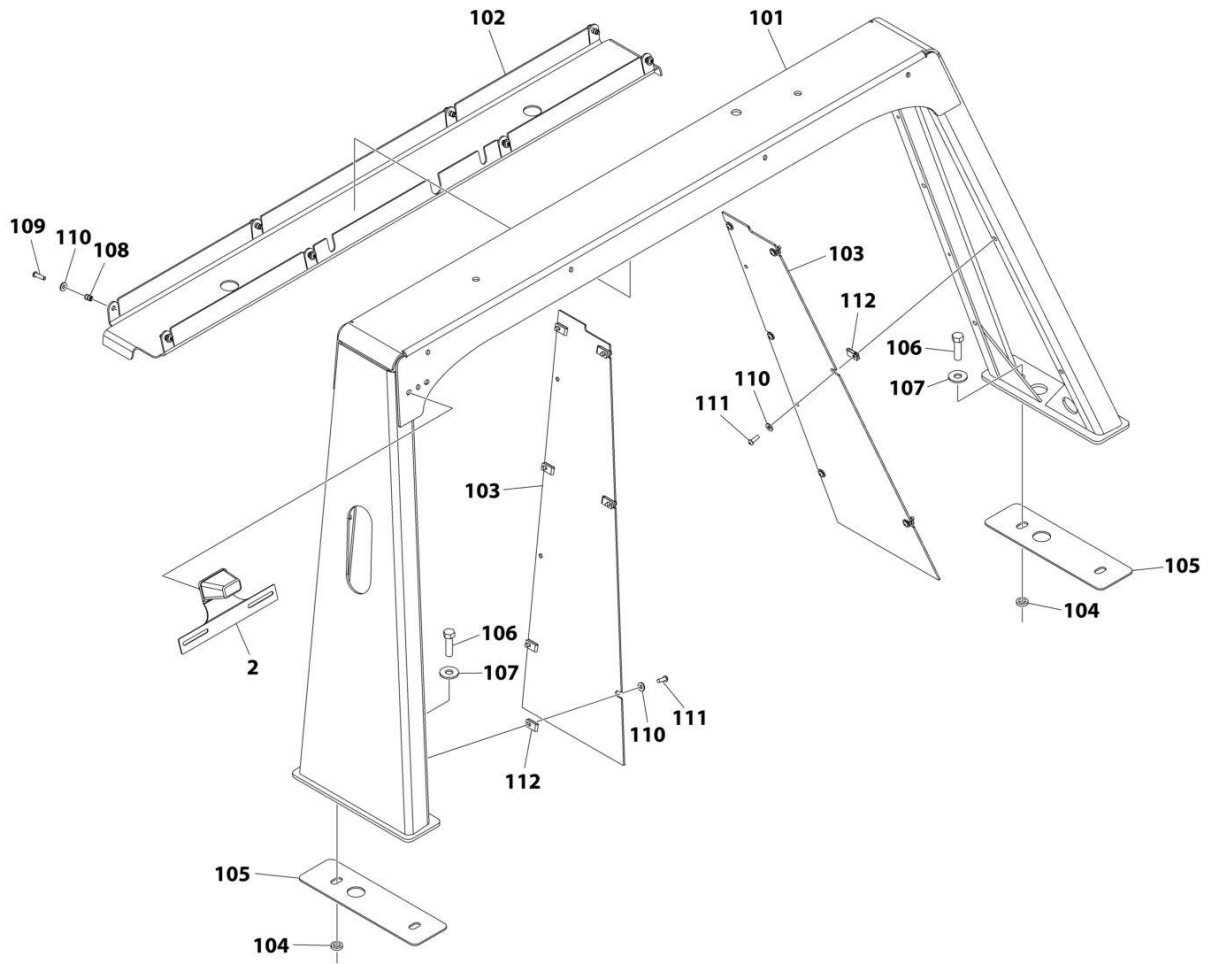
SECTION 4 - BODY

FIGURE 4-19. PYLON INSTALLATION - 33IN TOOLBOX MOUNTED (1 MARKER LIGHT PER SIDE)

ITEM	PART NUMBER	QTY	DESCRIPTION	REV
	1001211200	Ref	PYLON INSTALLATION - 33IN TOOLBOX MOUNTED (1 MARKER LIGHT PER SIDE)	A
1	2509570106	Ref	Light Pylon Installation (Not Shown) (See Item 101-112 for Breakdown)	
2	3509330109	1	Pylon Electrical Installation (See Separate Breakdown in ELECTRICAL Section)	
	2509570106	Ref	LIGHT PYLON INSTALLATION	A
101	3509570119	1	Light Pylon	
102	4263000689	1	Channel	
103	4314000169	2	Cover Plate	
104	7796000101	2	Gasket	
105	7115181650	4	Bolt 1/2 x 2	
106	7950180161	8	Washer 1/2	
107	7413000002	8	Nut 1/4	
108	7114140818	8	Capscrew 1/4 x 1	
109	7950140143	20	Washer 1/4	
110	7114140618	12	Capscrew 1/4 x 3/4	
111	7661000019	12	U Nut 1/4	
112	7660182601	4	Nut 1/2	

SECTION 4 - BODY

FIGURE 4-20. PYLON INSTALLATION - 34IN BODY MOUNTED (1 MARKER LIGHT PER SIDE)



ART_LPABM34-MPL

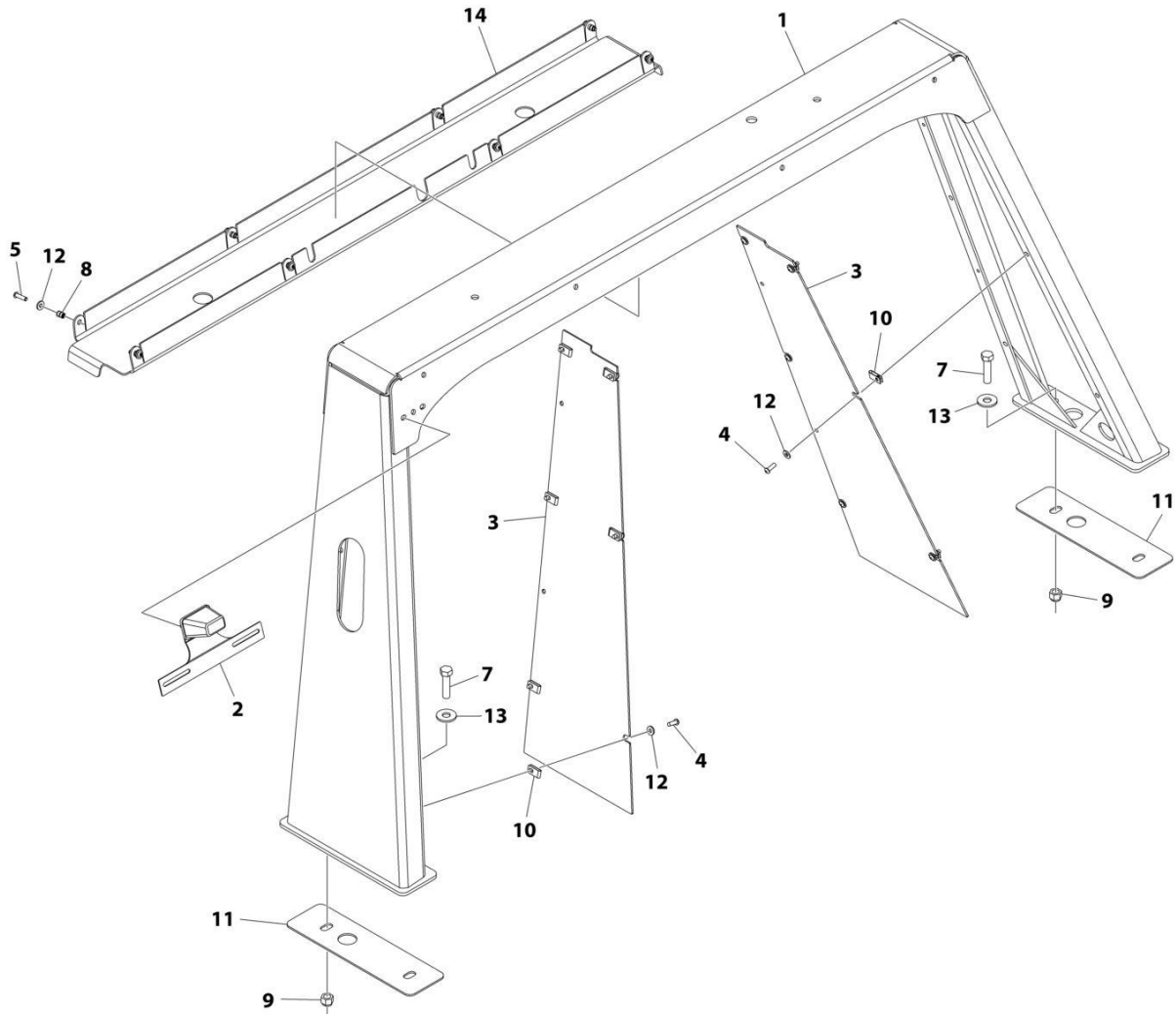
SECTION 4 - BODY

FIGURE 4-20. PYLON INSTALLATION - 34IN BODY MOUNTED (1 MARKER LIGHT PER SIDE)

ITEM	PART NUMBER	QTY	DESCRIPTION	REV
	LPABM34-MPL	Ref	PYLON INSTALLATION - 34IN BODY MOUNTED (1 MARKER LIGHT PER SIDE)	0
1	2509570147	Ref	Light Pylon Installation (Not Shown) (See Item 101-112 for Breakdown)	
2	3509330108	1	Pylon Electrical Installation (See Separate Breakdown in ELECTRICAL Section)	
	2509570147	Ref	LIGHT PYLON INSTALLATION	0
101	3509570137	1	Light Pylon	
102	4263000689	1	Channel	
103	4314000224	2	Cover Plate	
104	7949000058	4	Washer	
105	7796000101	2	Gasket	
106	7115181450	4	Bolt 1/2 x 1-3/4	
107	7950180161	4	Washer 1/2	
108	7413000002	8	Nut 1/2	
109	7114140818	8	Capscrew 1/4 x 1	
110	7950140143	20	Washer 1/4	
111	7114140618	12	Capscrew 1/4 x 3/4	
112	7661000019	12	U Nut 1/4	

SECTION 4 - BODY

FIGURE 4-21. PYLON INSTALLATION - 34IN TOOLBOX MOUNTED (1 MARKER LIGHT PER SIDE)



ART_1001255714

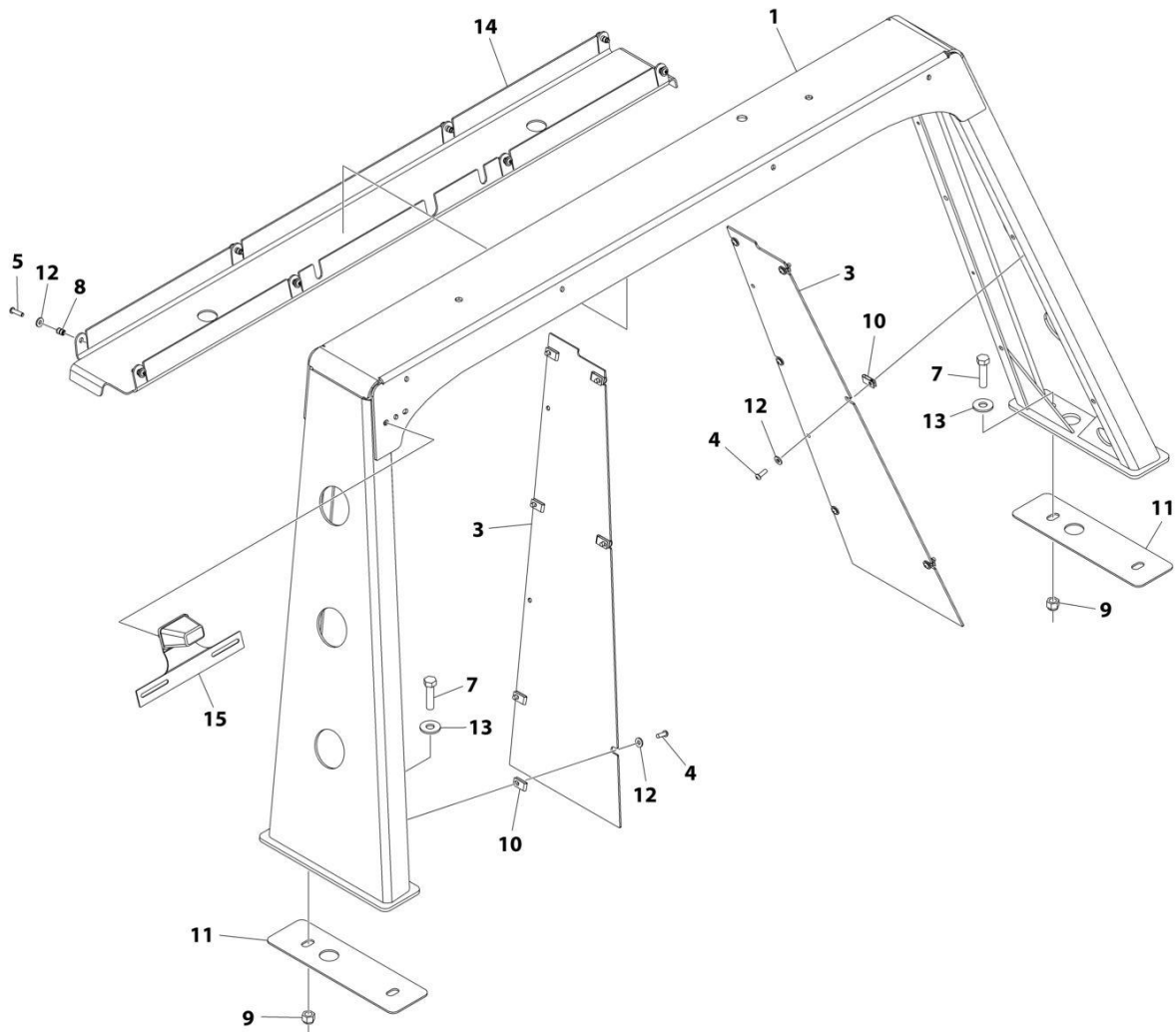
SECTION 4 - BODY

FIGURE 4-21. PYLON INSTALLATION - 34IN TOOLBOX MOUNTED (1 MARKER LIGHT PER SIDE)

ITEM	PART NUMBER	QTY	DESCRIPTION	REV
	1001255714	Ref	PYLON INSTALLATION - 34IN TOOLBOX MOUNTED (1 MARKER LIGHT PER SIDE)	A
1	3509570137	1	Light Pylon	
2	3509330108	1	Pylon Electrical Installation (See Separate Breakdown in ELECTRICAL Section)	
3	4314000224	2	Coverplate	
4	7114140618	12	Capscrew 1/4 x 3/4	
5	7114140818	8	Capscrew 1/4 x 1	
7	7115181650	4	Bolt 1/2 x 2	
8	7413000002	8	Nut 1/2	
9	7660182601	4	Nut 1/2	
10	7661000019	12	U Nut 1/4	
11	7796000101	2	Gasket	
12	7950140143	20	Washer 1/4	
13	7950180161	4	Washer 1/2	
14	4263000689	1	Channel	

SECTION 4 - BODY

FIGURE 4-22. PYLON INSTALLATION - 34IN TOOLBOX MOUNTED (3 MARKER LIGHTS PER SIDE)



ART_1001255716

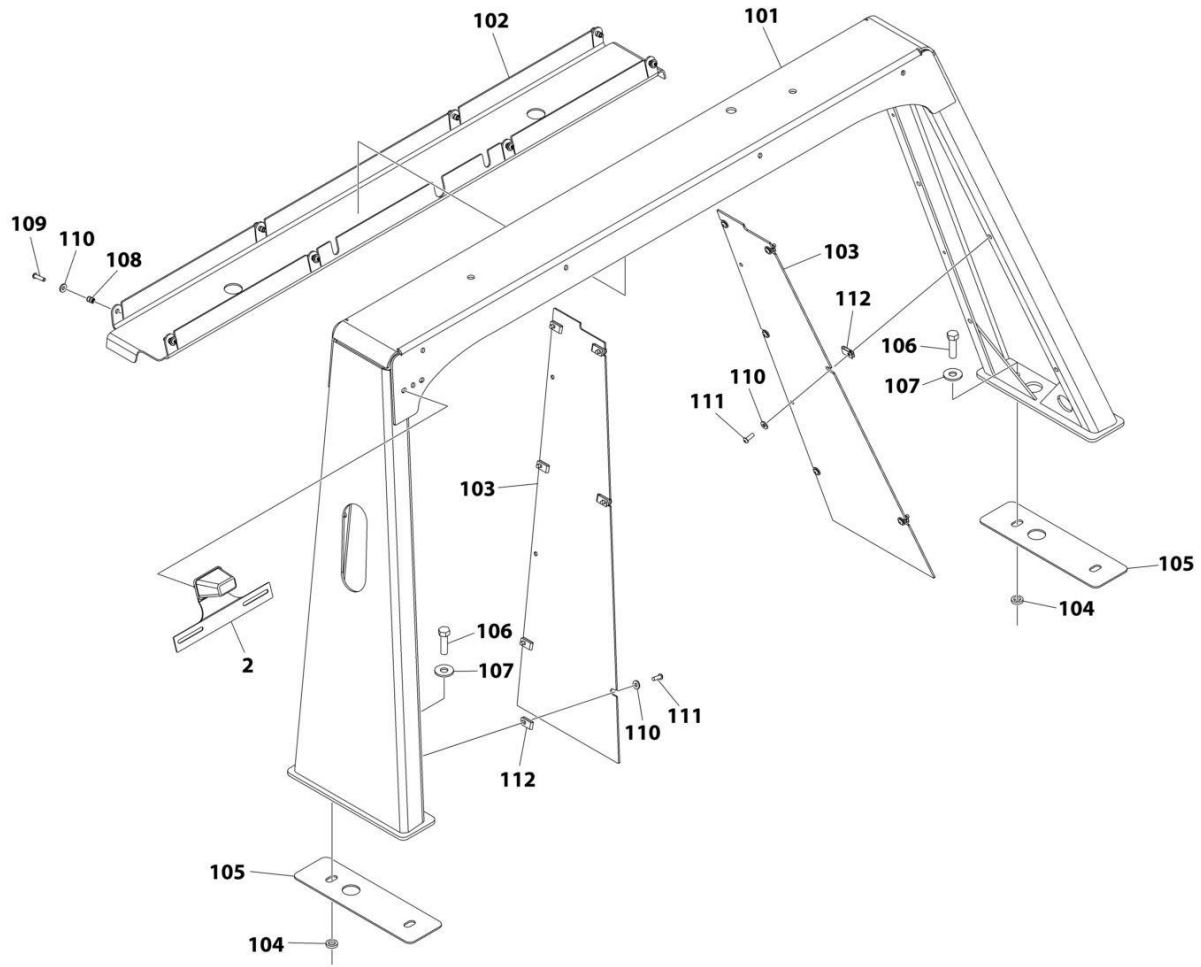
SECTION 4 - BODY

FIGURE 4-22. PYLON INSTALLATION - 34IN TOOLBOX MOUNTED (3 MARKER LIGHTS PER SIDE)

ITEM	PART NUMBER	QTY	DESCRIPTION	REV
	1001255716	Ref	PYLON INSTALLATION - 34IN TOOLBOX MOUNTED (3 MARKER LIGHTS PER SIDE)	A
1	1001255721	1	Light Pylon	
3	4314000224	2	Cover Plate	
4	7114140618	12	Capscrew 1/4 x 3/4	
5	7114140818	8	Capscrew 1/4 x 1	
7	7115181650	4	Bolt 1/2 x 2	
8	7413000002	8	Nut 1/2	
9	7660182601	4	Nut 1/2	
10	7661000019	12	U Nut 1/4	
11	7796000101	2	Gasket	
12	7950140143	20	Washer 1/4	
13	7950180161	4	Washer 1/2	
14	4263000689	1	Channel	
15	1001137306	1	Pylon Electrical Installation (See Separate Breakdown in ELECTRICAL Section)	

SECTION 4 - BODY

FIGURE 4-23. PYLON INSTALLATION - 38IN BODY MOUNTED (1 MARKER LIGHT PER SIDE)



ART_LPABM38-MPL

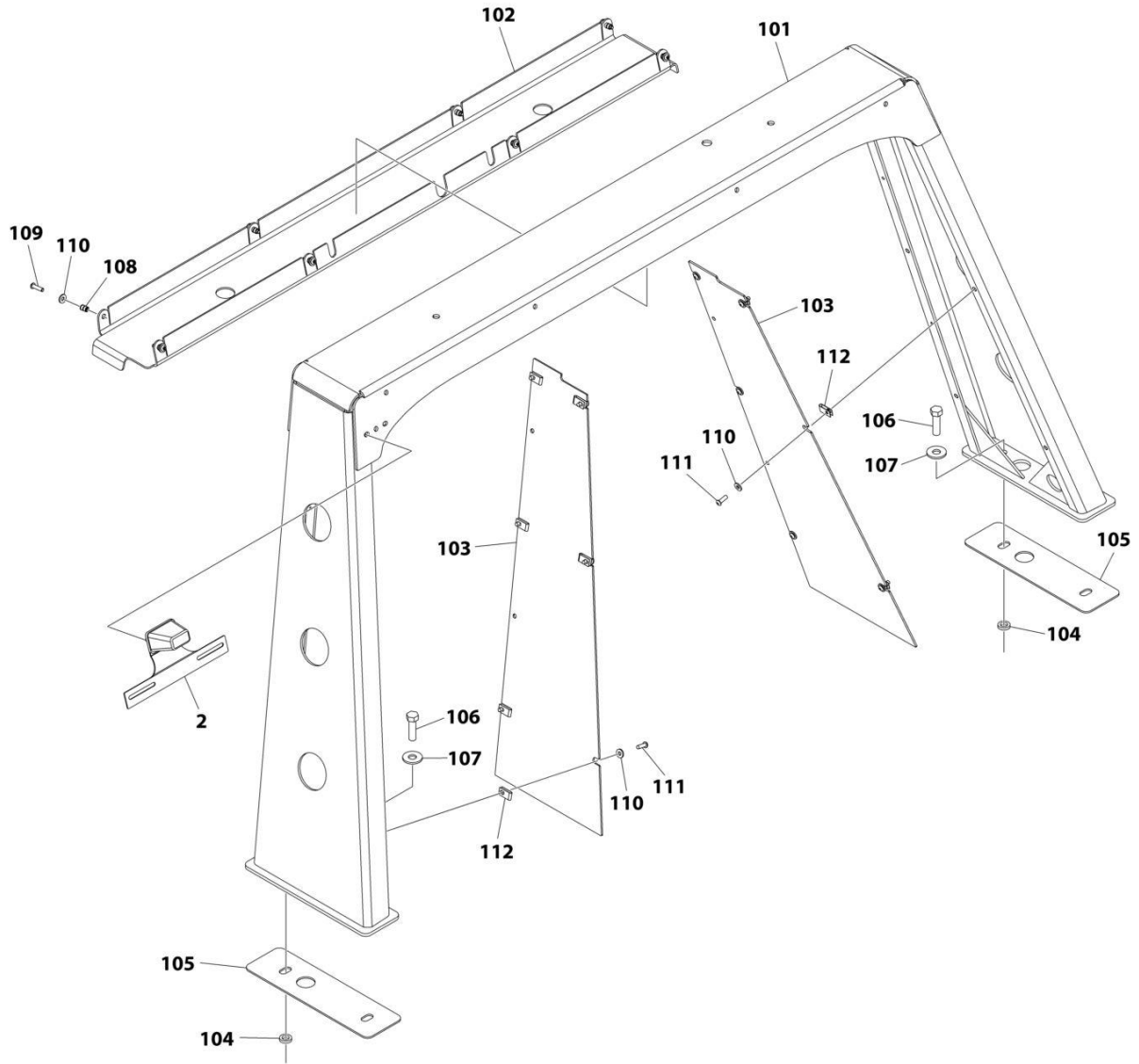
SECTION 4 - BODY

FIGURE 4-23. PYLON INSTALLATION - 38IN BODY MOUNTED (1 MARKER LIGHT PER SIDE)

ITEM	PART NUMBER	QTY	DESCRIPTION	REV
	LPABM38-MPL	Ref	PYLON INSTALLATION - 38IN BODY MOUNTED (1 MARKER LIGHT PER SIDE)	0
1	2509570054	Ref	Light Pylon Installation (Not Shown) (See Item 101-112 for Breakdown)	
2	3509330108	1	Pylon Electrical Installation (See Separate Breakdown in ELECTRICAL Section)	
	2509570054	Ref	LIGHT PYLON INSTALLATION	A
101	3509570103	1	Light Pylon	
102	4263000689	1	Channel	
103	4706005002	2	Cover Plate	
104	7949000058	4	Washer	
105	7796000101	2	Gasket	
106	7115181450	4	Bolt 1/2 x 1-3/4	
107	7950180161	4	Washer 1/2	
108	7413000002	8	Nut 1/2	
109	7114140818	8	Capscrew 1/4 x 1	
110	7950140143	20	Washer 1/4	
111	7114140618	12	Capscrew 1/4 x 3/4	
112	7661000019	12	U Nut 1/4	

SECTION 4 - BODY

FIGURE 4-24. PYLON INSTALLATION - 38IN BODY MOUNTED (3 MARKER LIGHTS PER SIDE)



ART_1001137311

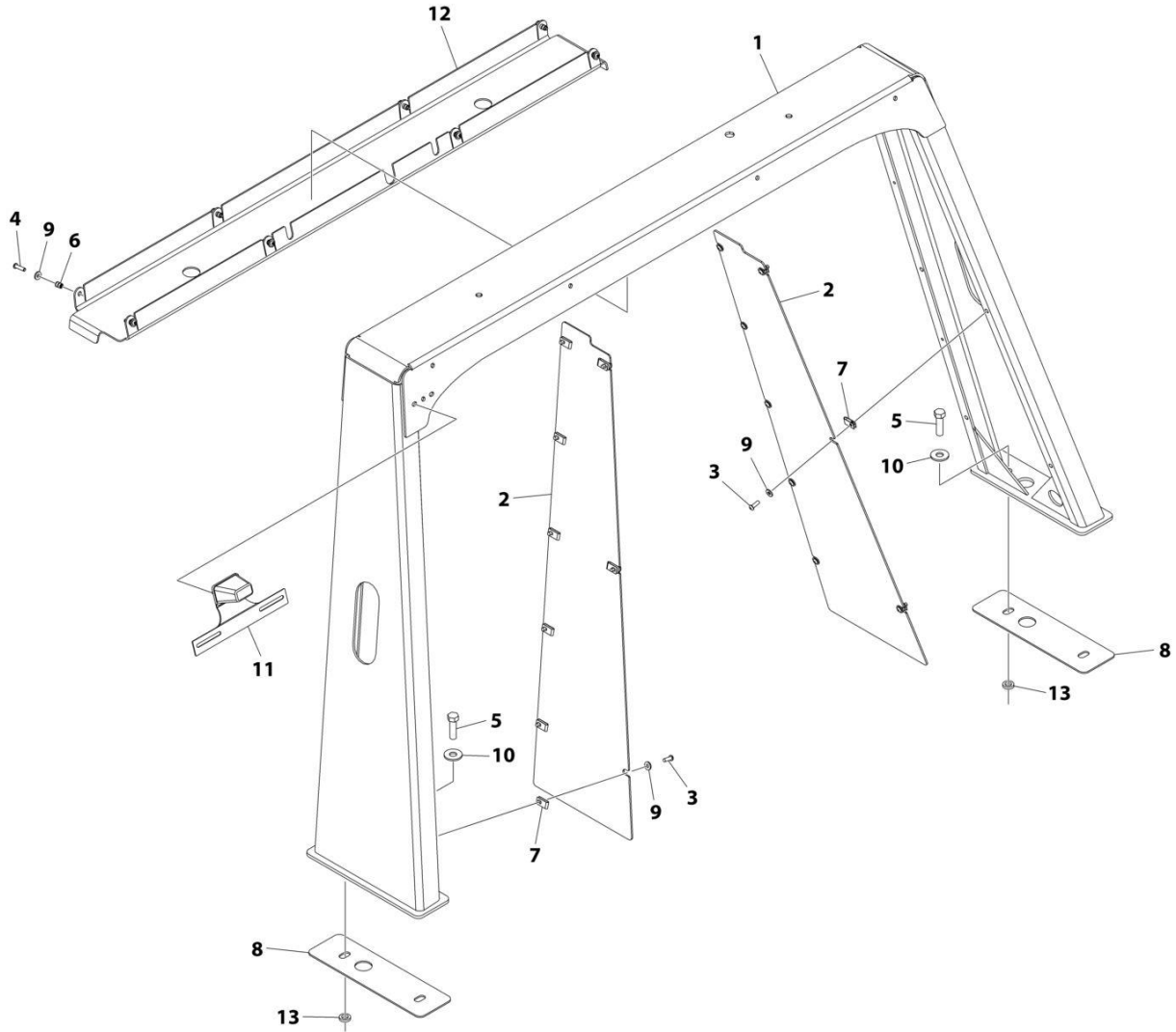
SECTION 4 - BODY

FIGURE 4-24. PYLON INSTALLATION - 38IN BODY MOUNTED (3 MARKER LIGHTS PER SIDE)

ITEM	PART NUMBER	QTY	DESCRIPTION	REV
	1001137311	Ref	PYLON INSTALLATION - 38IN BODY MOUNTED (3 MARKER LIGHTS PER SIDE)	A
1	2550000472	Ref	Light Pylon Installation (Not Shown) (See Items 101-112 for Breakdown)	
2	1001137307	1	Pylon Electrical Installation (See Separate Breakdown in ELECTRICAL Section)	
	2550000472	Ref	LIGHT PYLON INSTALLATION	A
101	3550001692	1	Light Pylon	
102	4263000689	1	Channel	
103	4706005002	2	Cover Plate	
104	7949000058	4	Washer	
105	7796000101	2	Gasket	
106	7115181450	4	Bolt 1/2 x 1-3/4	
107	7950180161	4	Washer 1/2	
108	7413000002	8	Nut 1/2	
109	7114140818	8	Capscrew 1/4 x 1	
110	7950140143	20	Washer 1/4	
111	7114140618	12	Capscrew 1/4 x 3/4	
112	7661000019	12	U Nut 1/4	

SECTION 4 - BODY

FIGURE 4-25. PYLON INSTALLATION - 42IN BODY MOUNTED (1 MARKER LIGHT PER SIDE)



ART_1001255713

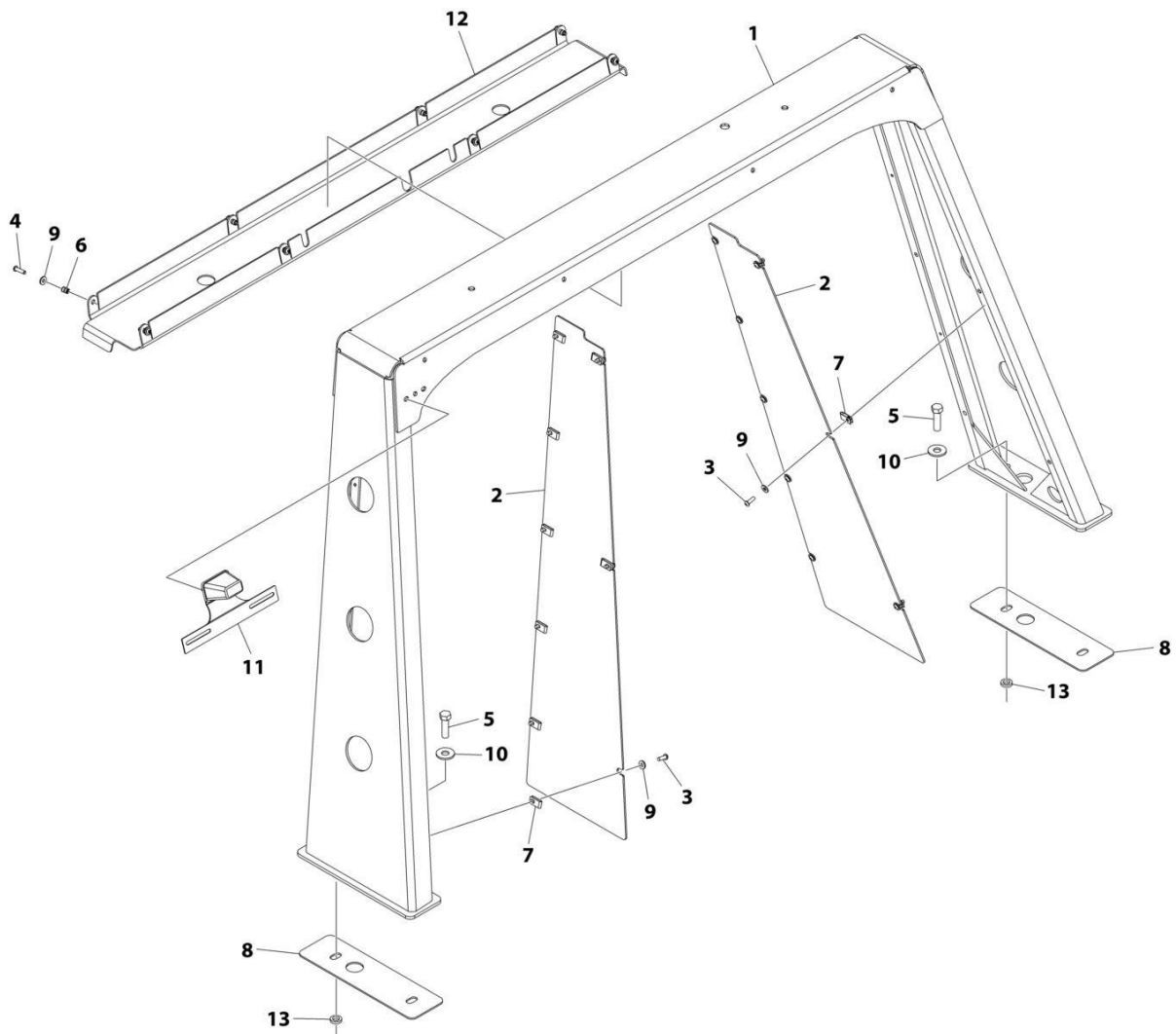
SECTION 4 - BODY

FIGURE 4-25. PYLON INSTALLATION - 42IN BODY MOUNTED (1 MARKER LIGHT PER SIDE)

ITEM	PART NUMBER	QTY	DESCRIPTION	REV
	1001255713	Ref	PYLON INSTALLATION - 42IN BODY MOUNTED (1 MARKER LIGHT PER SIDE)	A
1	3509570111	1	Light Pylon	
2	4314000103	2	Cover Plate	
3	7114140618	16	Capscrew 1/4 x 3/4	
4	7114140818	8	Capscrew 1/4 x 1	
5	7115181450	4	Bolt 1/2 x 1-3/4	
6	7413000002	8	Nut 1/4	
7	7661000019	16	U-Nut 1/4	
8	7796000101	2	Gasket	
9	7950140143	24	Washer 1/4	
10	7950180161	4	Washer 1/2	
11	3509330108	1	Pylon Electrical Installation (See Separate Breakdown in ELECTRICAL Section)	
12	4263000689	1	Channel	
13	7949000058	4	Washer	

SECTION 4 - BODY

FIGURE 4-26. PYLON INSTALLATION - 42IN BODY MOUNTED (3 MARKER LIGHT PER SIDE)



ART_1001255715

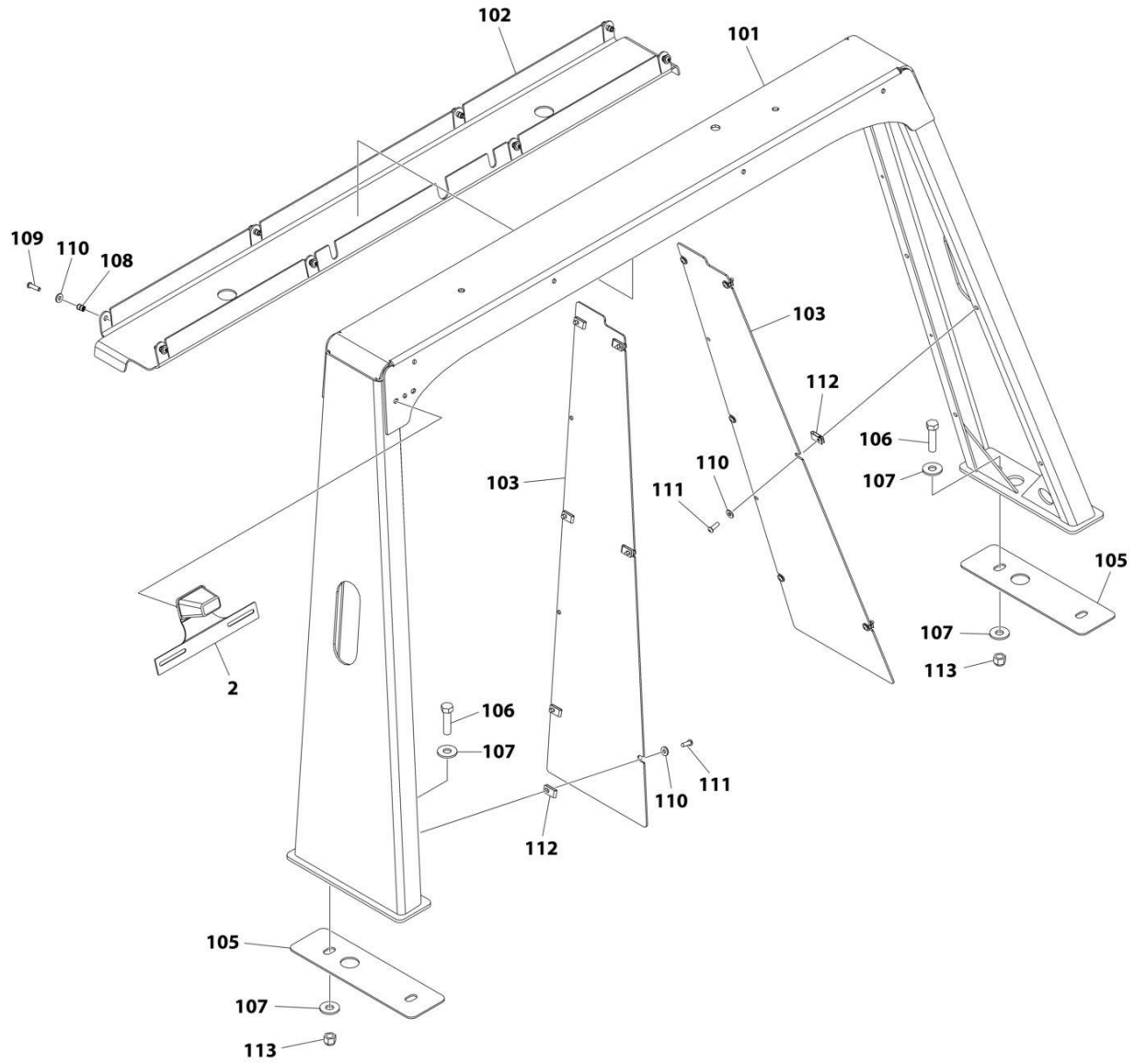
SECTION 4 - BODY

FIGURE 4-26. PYLON INSTALLATION - 42IN BODY MOUNTED (3 MARKER LIGHT PER SIDE)

ITEM	PART NUMBER	QTY	DESCRIPTION	REV
	1001255715	Ref	PYLON INSTALLATION - 42IN BODY MOUNTED (3 MARKER LIGHTS PER SIDE)	A
1	1001255722	1	Light Pylon	
2	4314000103	2	Cover Plate	
3	7114140618	16	Capscrew 1/4 x 3/4	
4	7114140818	8	Capscrew 1/4 x 1	
5	7115181450	4	Bolt 1/2 x 1-3/4	
6	7413000002	8	Nut 1/4	
7	7661000019	16	U-Nut 1/4	
8	7796000101	2	Gasket	
9	7950140143	24	Washer 1/4	
10	7950180161	4	Washer 1/2	
11	1001137307	1	Pylon Electrical Installation (See Separate Breakdown in ELECTRICAL Section)	
12	4263000689	1	Channel	
13	7949000058	4	Washer	

SECTION 4 - BODY

FIGURE 4-27. PYLON INSTALLATION - 42IN TOOLBOX MOUNTED (1 MARKER LIGHT PER SIDE)



ART_1001211201

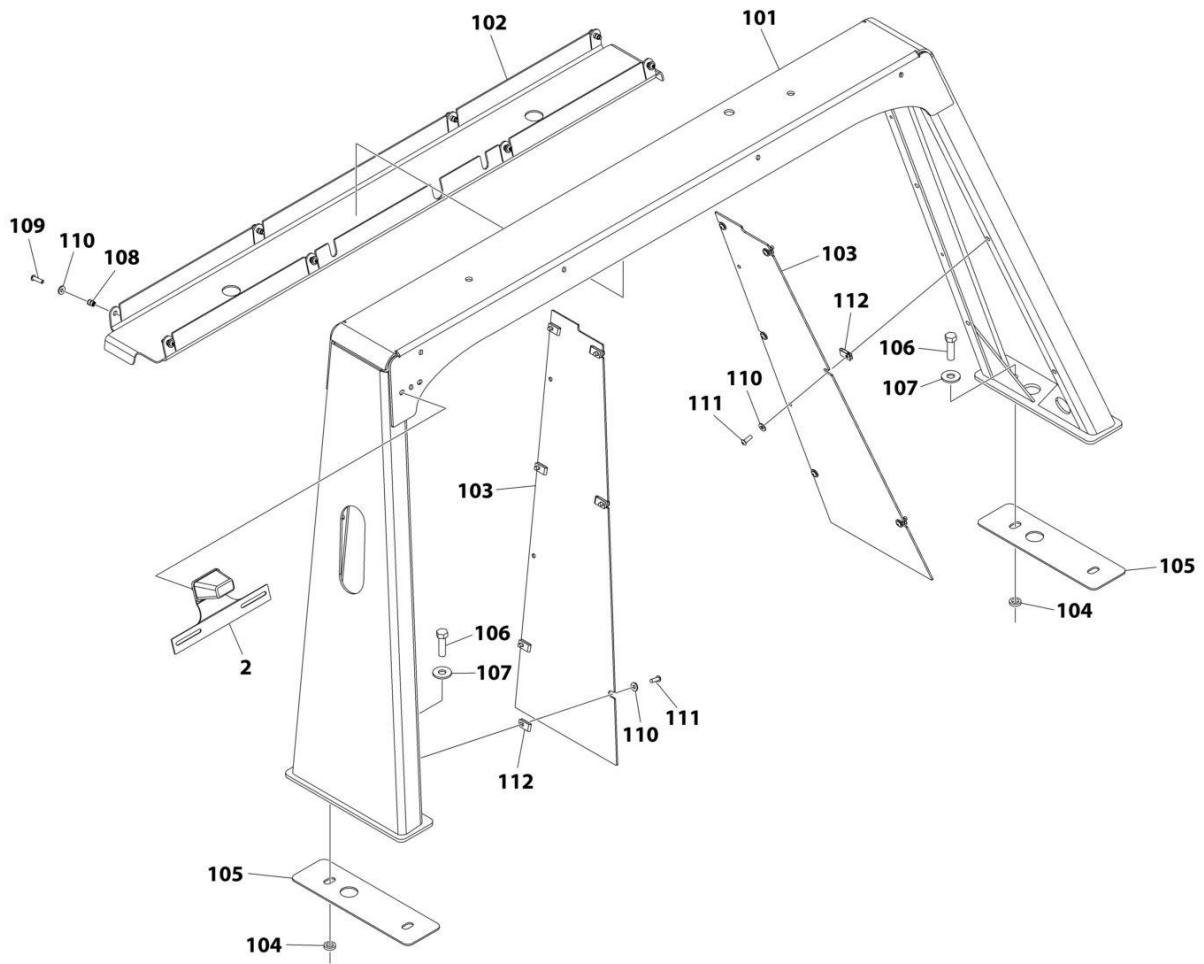
SECTION 4 - BODY

FIGURE 4-27. PYLON INSTALLATION - 42IN TOOLBOX MOUNTED (1 MARKER LIGHT PER SIDE)

ITEM	PART NUMBER	QTY	DESCRIPTION	REV
	1001211201	Ref	PYLON INSTALLATION - 42IN TOOLBOX MOUNTED (1 MARKER LIGHT PER SIDE)	A
1	2509570061	Ref	Light Pylon Installation (Not Shown) (See Item 101-113 for Breakdown)	
2	3509330109	1	Pylon Electrical Installation (See Separate Breakdown in ELECTRICAL Section)	
	2509570061	Ref	LIGHT PYLON INSTALLATION	A
101	3509570111	1	Light Pylon	
102	4263000689	1	Channel	
103	4314000103	2	Cover Plate	
105	7796000101	2	Gasket	
106	7115181650	4	Bolt 1/2 x 2	
107	7950180161	8	Washer 1/2	
108	7413000002	8	Nut 1/4	
109	7114140818	8	Capscrew 1/4 x 1	
110	7950140143	20	Washer 1/4	
111	7114140618	12	Capscrew 1/4 x 3/4	
112	7661000019	12	U Nut 1/4	
113	7660182601	4	Nut 1/2	

SECTION 4 - BODY

FIGURE 4-28. PYLON INSTALLATION - 50IN BODY MOUNTED (1 MARKER LIGHTS PER SIDE)



ART_LPABM50-MPL

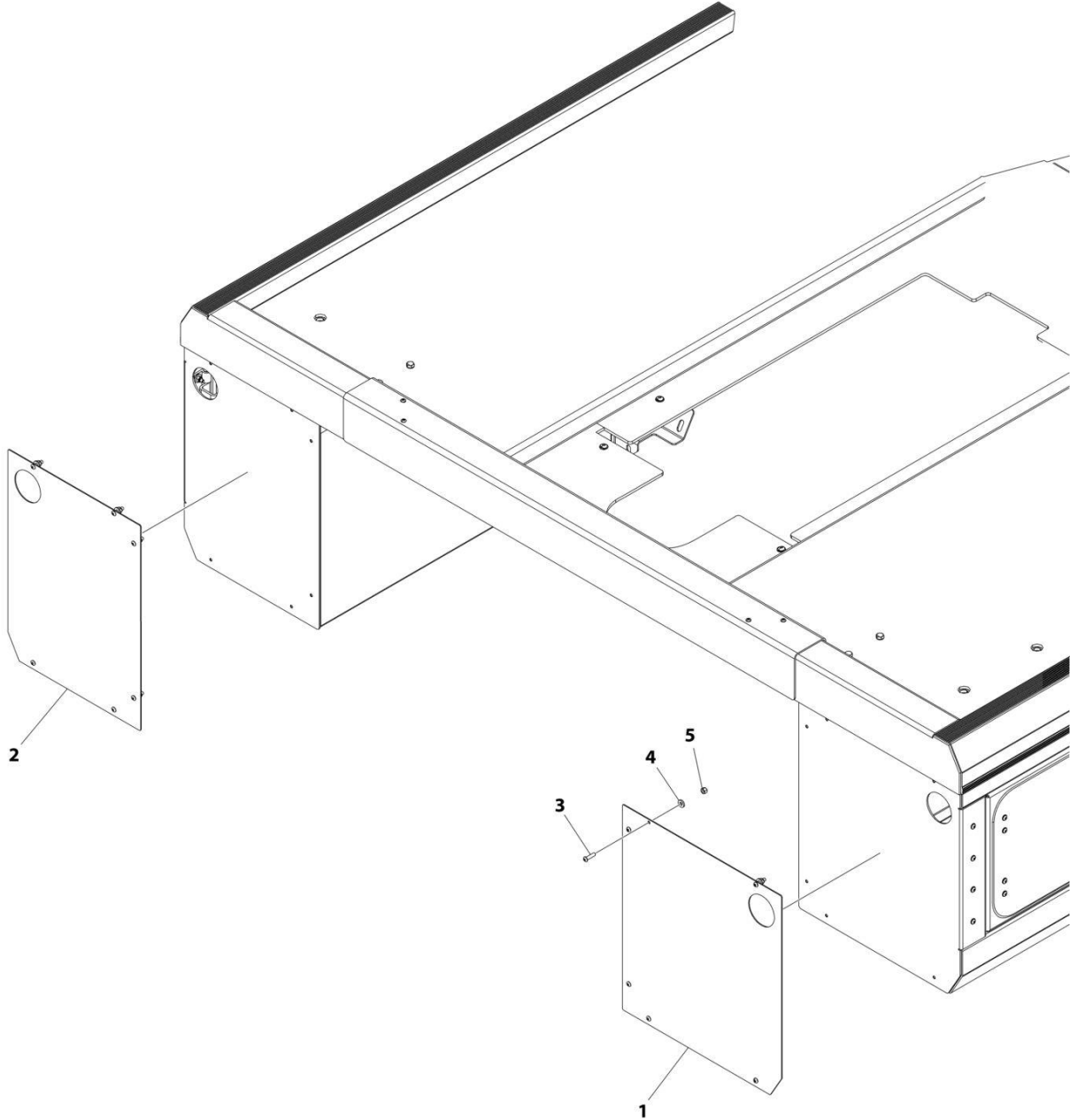
SECTION 4 - BODY

FIGURE 4-28. PYLON INSTALLATION - 50IN BODY MOUNTED (1 MARKER LIGHTS PER SIDE)

ITEM	PART NUMBER	QTY	DESCRIPTION	REV
	LPABM50-MPL	Ref	PYLON INSTALLATION - 50IN BODY MOUNTED (1 MARKER LIGHTS PER SIDE)	A
1	2509570069	Ref	Light Pylon Installation (Not Shown) (See Item 101-112 for Breakdown)	
2	3509330108	1	Pylon Electrical Installation (See Separate Breakdown in ELECTRICAL Section)	
	2509570069	Ref	LIGHT PYLON INSTALLATION	A
101	3509570113	1	Light Pylon	
102	4263000689	1	Channel	
103	4314000125	2	Cover Plate	
104	7949000058	4	Washer	
105	7796000101	2	Gasket	
106	7115181450	4	Bolt 1/2 x 1-3/4	
107	7950180161	4	Washer 1/2	
108	7413000002	8	Nut 1/2	
109	7114140818	8	Capscrew 1/4 x 1	
110	7950140143	20	Washer 1/4	
111	7114140618	12	Capscrew 1/4 x 3/4	
112	7661000019	12	U Nut 1/4	

SECTION 4 - BODY

FIGURE 4-29. STONE GUARD INSTALLATION (WITHOUT TUNNEL)



ART_2002000027

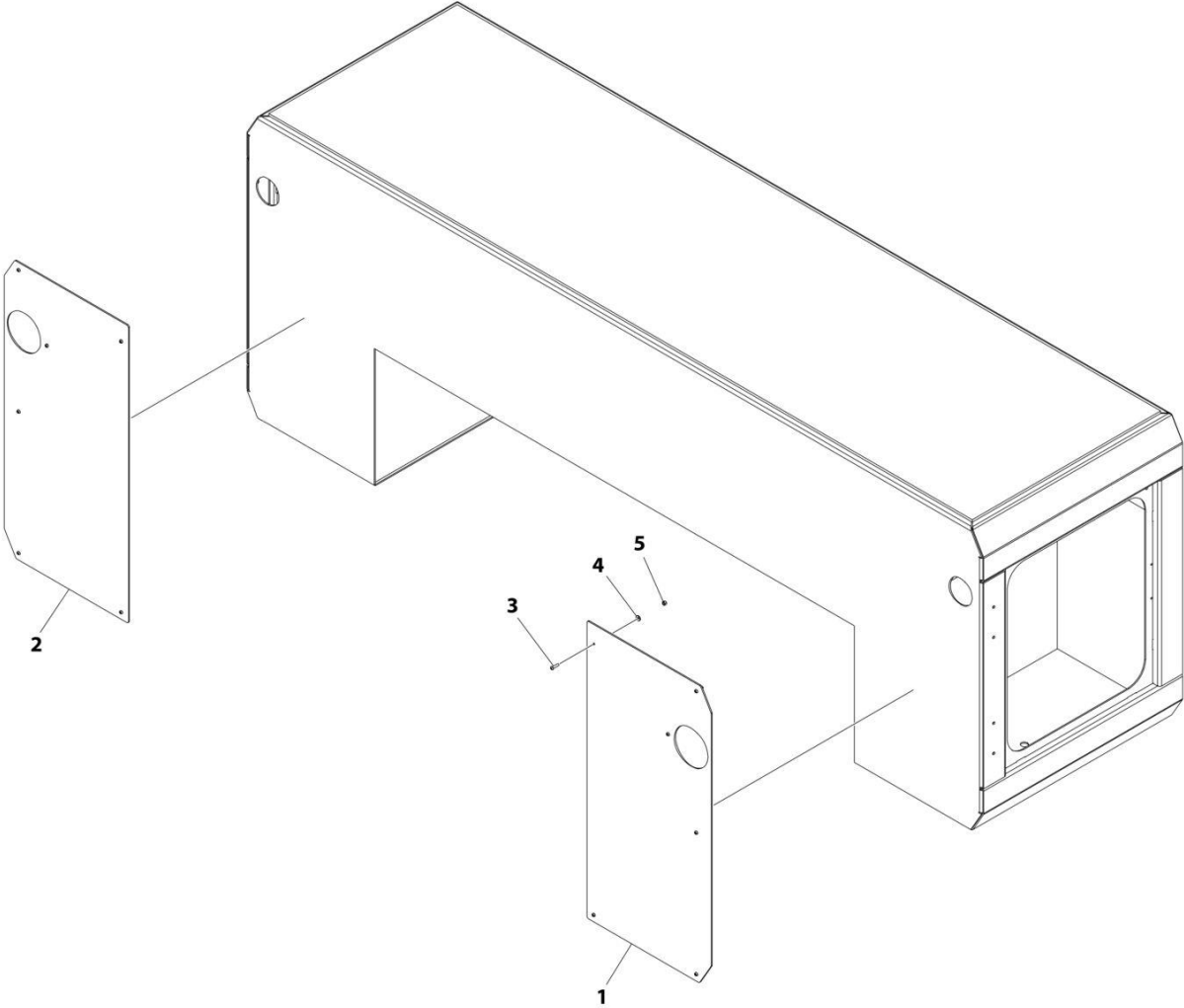
SECTION 4 - BODY

FIGURE 4-29. STONE GUARD INSTALLATION (WITHOUT TUNNEL)

ITEM	PART NUMBER	QTY	DESCRIPTION	REV
	2002000027	Ref	STONE GUARD INSTALLATION (WITHOUT TUNNEL)	0
1	4707000314	1	Plate, LH	
2	4707000315	1	Plate, RH	
3	7114140818	12	Capscrew 1/4 x 1	
4	7950140141	12	Washer 1/4	
5	7660142600	12	Nut 1/4	

SECTION 4 - BODY

FIGURE 4-30. STONE GUARD INSTALLATION (WITH TUNNEL)



ART_1001130410

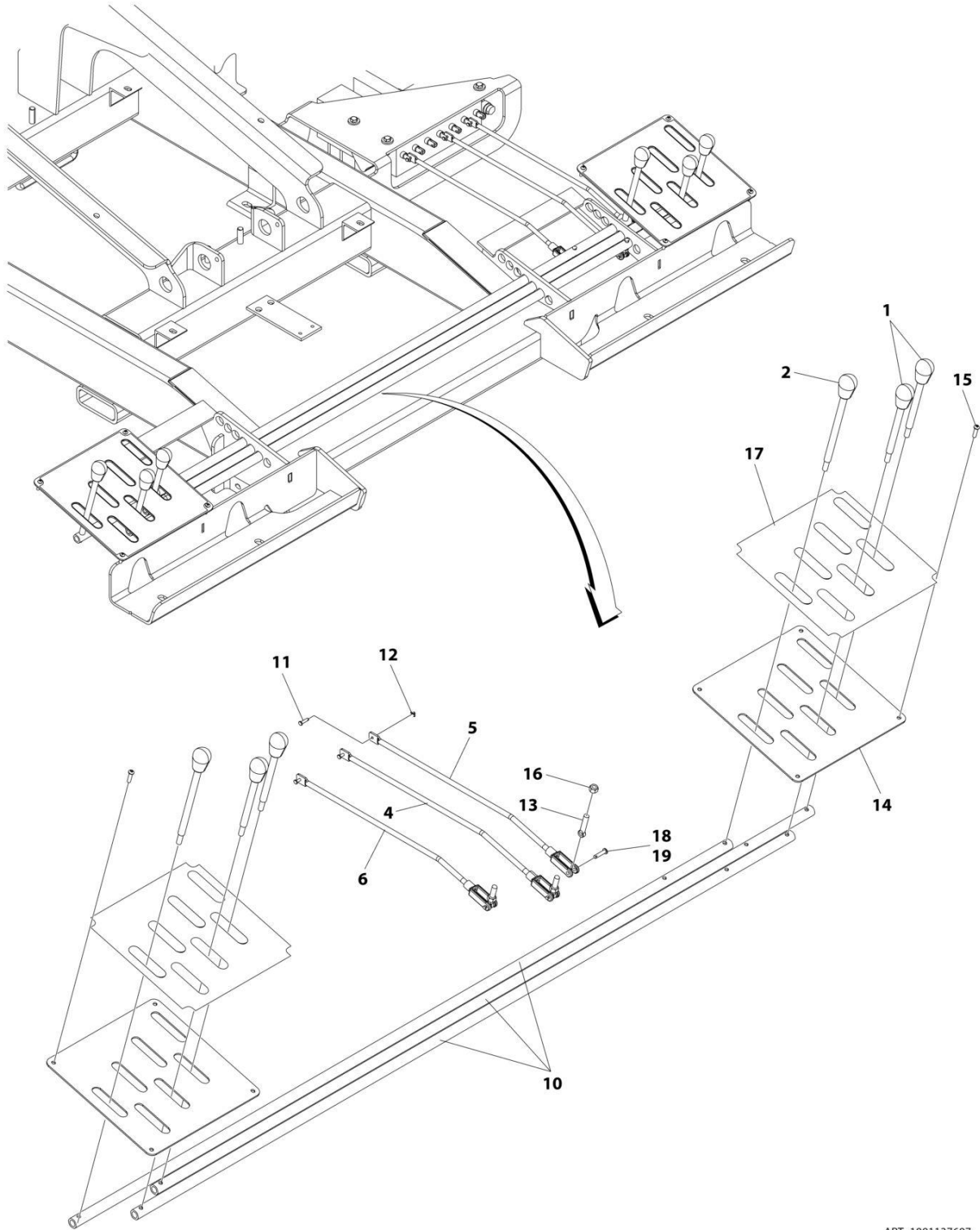
FIGURE 4-30. STONE GUARD INSTALLATION (WITH TUNNEL)

ITEM	PART NUMBER	QTY	DESCRIPTION	REV
	1001130410	Ref	STONE GUARD INSTALLATION (WITH TUNNEL)	B
1	1001130417	1	Panel, LH	
2	1001130418	1	Panel, RH	
3	7114100618	12	Capscrew #10 x 3/4	
4	7950100103	12	Washer #10	
5	7660102604	12	Nut #10	

SECTION 5 - CONTROLS

SECTION 5 - CONTROLS

FIGURE 5-1. CONTROLS INSTALLATION - STANDARD



ART_1001137607

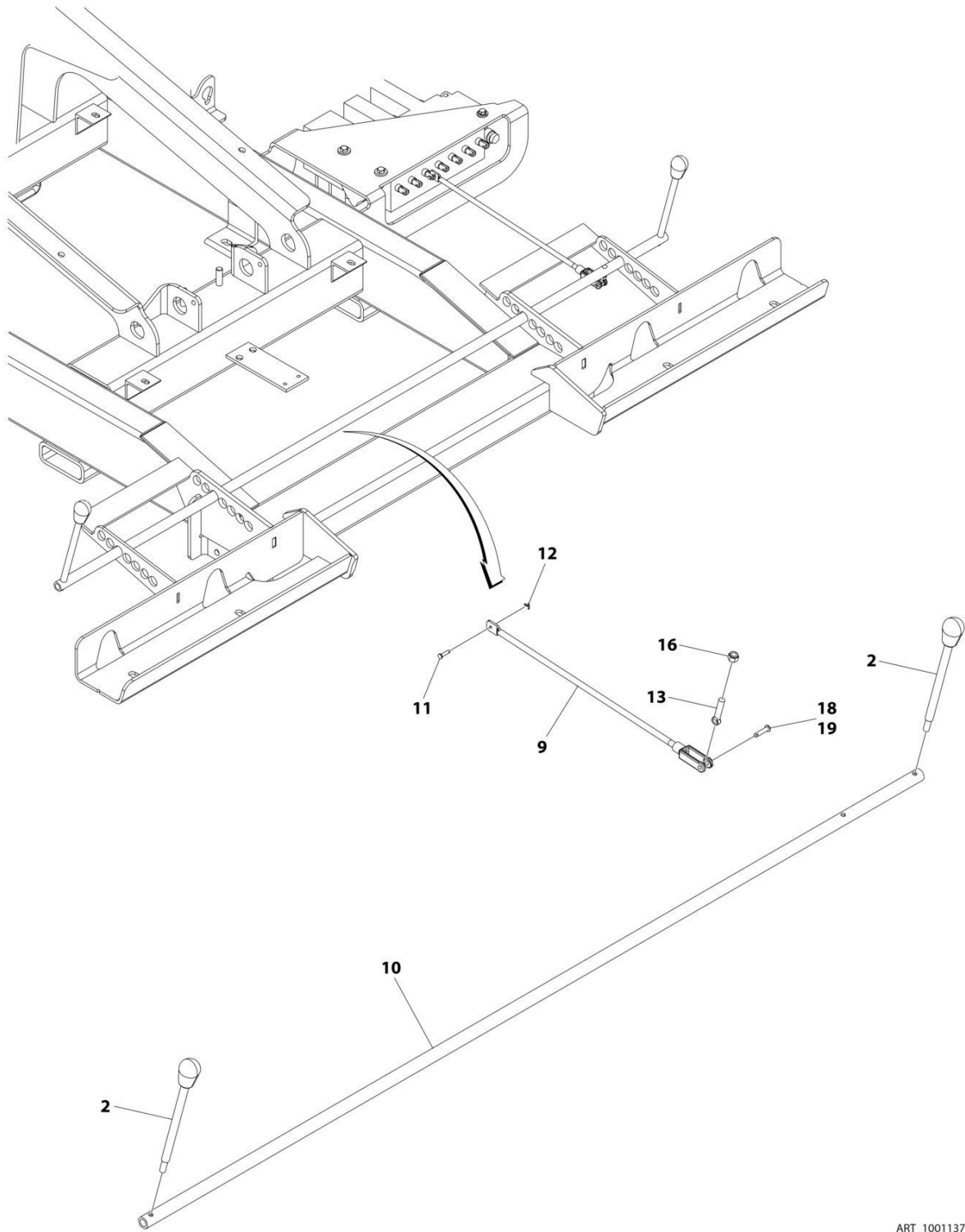
SECTION 5 - CONTROLS

FIGURE 5-1. CONTROLS INSTALLATION - STANDARD

ITEM	PART NUMBER	QTY	DESCRIPTION	REV
	1001137607	Ref	CONTROLS INSTALLATION - STANDARD WITHOUT FLY BOOM	B
1	3551000056	4	Handle Assembly	
2	3551000057	2	Handle Assembly	
4	4763000404	1	Rod, Control	
5	4763000403	1	Rod, Control	
6	4763000402	1	Rod, Control	
10	4763000154	3	Rod	
11	7690101200	3	Pin	
12	7690000810	3	Pin	
13	7765000006	3	Rod End	
14	4314000085	2	Coverplate	
15	7120000046	8	Bolt 1/4 x 3/4	
16	7660160000	3	Nut 3/8	
17	7330000538	2	Decal	
18	7690141600	3	Pin	
19	7691000075	3	Cotter, Pin	

SECTION 5 - CONTROLS

FIGURE 5-2. CONTROLS INSTALLATION - FLY BOOM



ART_1001137608

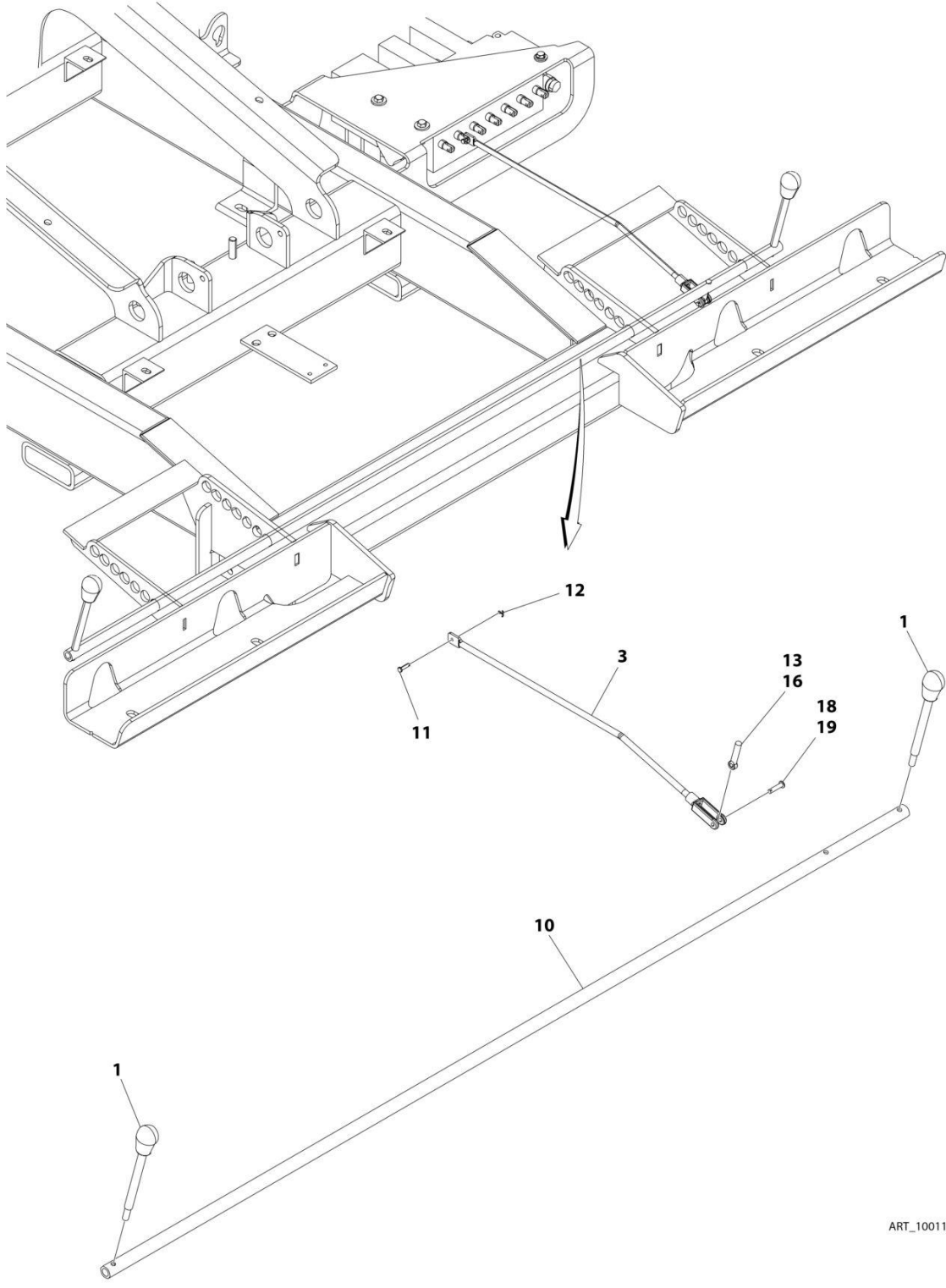
SECTION 5 - CONTROLS

FIGURE 5-2. CONTROLS INSTALLATION - FLY BOOM

ITEM	PART NUMBER	QTY	DESCRIPTION	REV
	1001137608	Ref	CONTROLS INSTALLATION - STANDARD WITH FLY BOOM	B
2	3551000057	2	Handle Assembly	
9	4763000401	1	Rod, Control	
10	4763000154	1	Rod	
11	7690101200	1	Pin	
12	7690000810	1	Pin	
13	7765000006	1	Rod End	
16	7660160000	1	Nut 3/8	
18	7690141600	1	Pin	
19	7691000075	1	Cotter, Pin	

SECTION 5 - CONTROLS

FIGURE 5-3. CONTROLS INSTALLATION - GRIDS (HYDRAULIC)



ART_1001137611

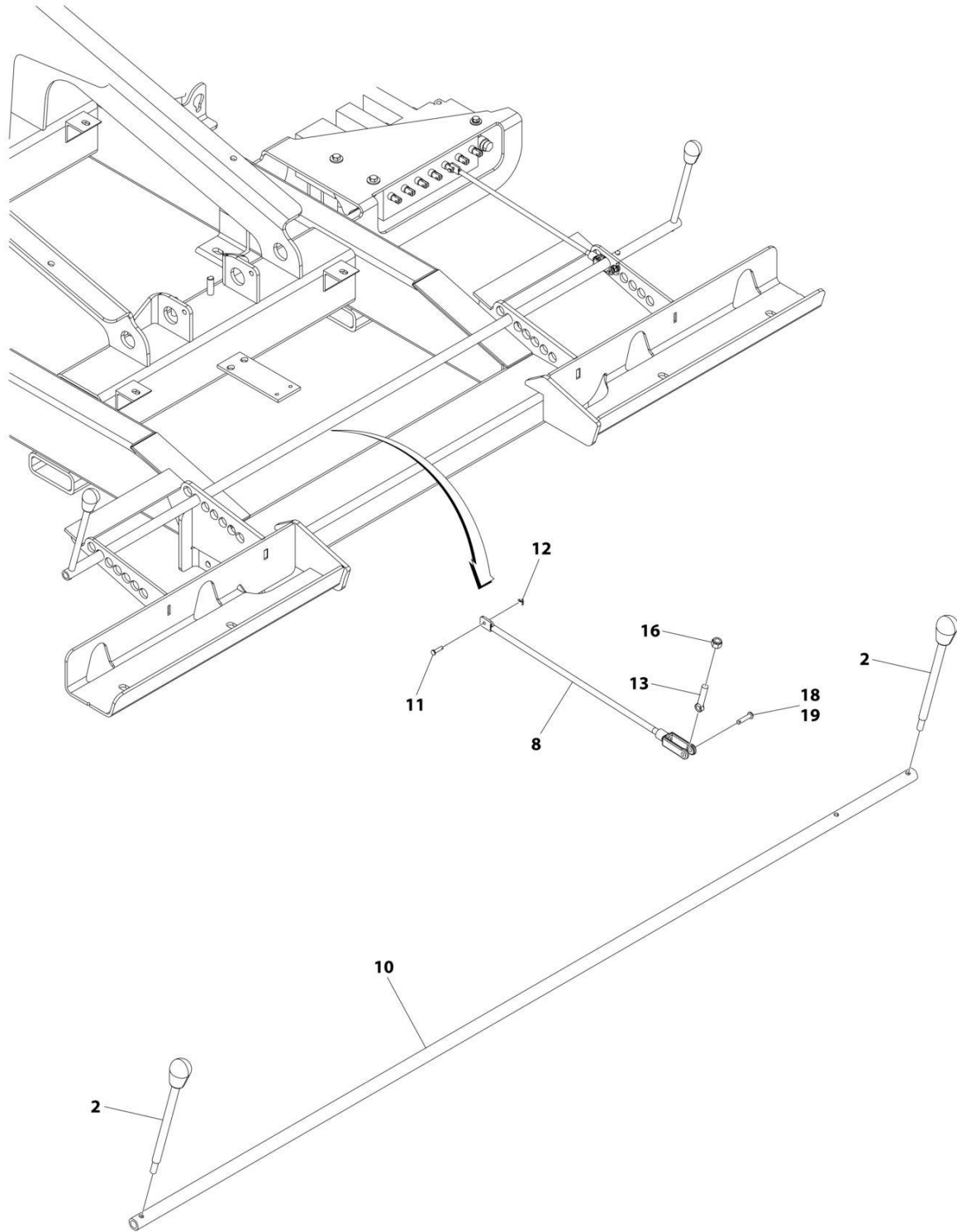
SECTION 5 - CONTROLS

FIGURE 5-3. CONTROLS INSTALLATION - GRIDS (HYDRAULIC)

ITEM	PART NUMBER	QTY	DESCRIPTION	REV
	1001137611	Ref	CONTROLS INSTALLATION - GRIDS (HYDRAULIC)	B
1	3551000056	2	Handle 8in	
1	7551000036	2	Knob (1 Per Handle)	
3	4763000405	1	Rod, Control	
10	4763000154	1	Rod	
11	7690101200	1	Pin	
12	7690000810	1	Pin, Cotter	
13	7765000006	1	End, Rod	
16	7660160000	1	Nut 3/8	
18	7690141600	1	Pin	
19	7691000075	1	Hairpin	

SECTION 5 - CONTROLS

FIGURE 5-4. CONTROLS INSTALLATION - WINCH (WITHOUT FLY BOOM)



ART_1001137609

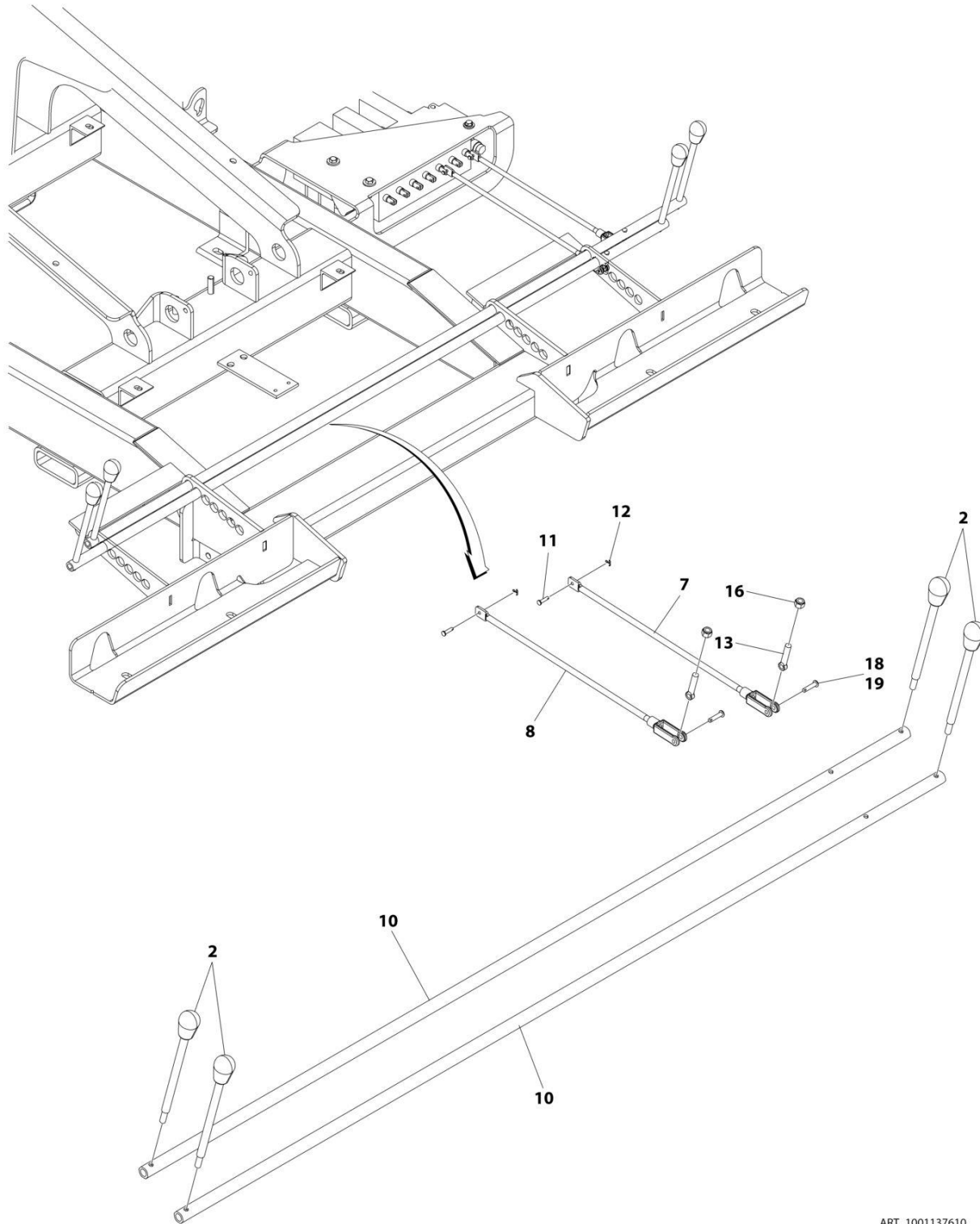
SECTION 5 - CONTROLS

FIGURE 5-4. CONTROLS INSTALLATION - WINCH (WITHOUT FLY BOOM)

ITEM	PART NUMBER	QTY	DESCRIPTION	REV
	1001137609	Ref	CONTROLS INSTALLATION - WINCH	B
2	3551000057	2	Handle Assembly	
8	4763000400	1	Rod	
10	4763000154	1	Rod	
11	7690101200	1	Pin	
12	7690000810	1	Pin	
13	7765000006	1	Rod End	
16	7660160000	1	Nut 3/8	
18	7690141600	1	Pin	
19	7691000075	1	Cotter, Pin	

SECTION 5 - CONTROLS

FIGURE 5-5. CONTROLS INSTALLATION - WINCH (WITH FLY BOOM)



ART_1001137610

SECTION 5 - CONTROLS

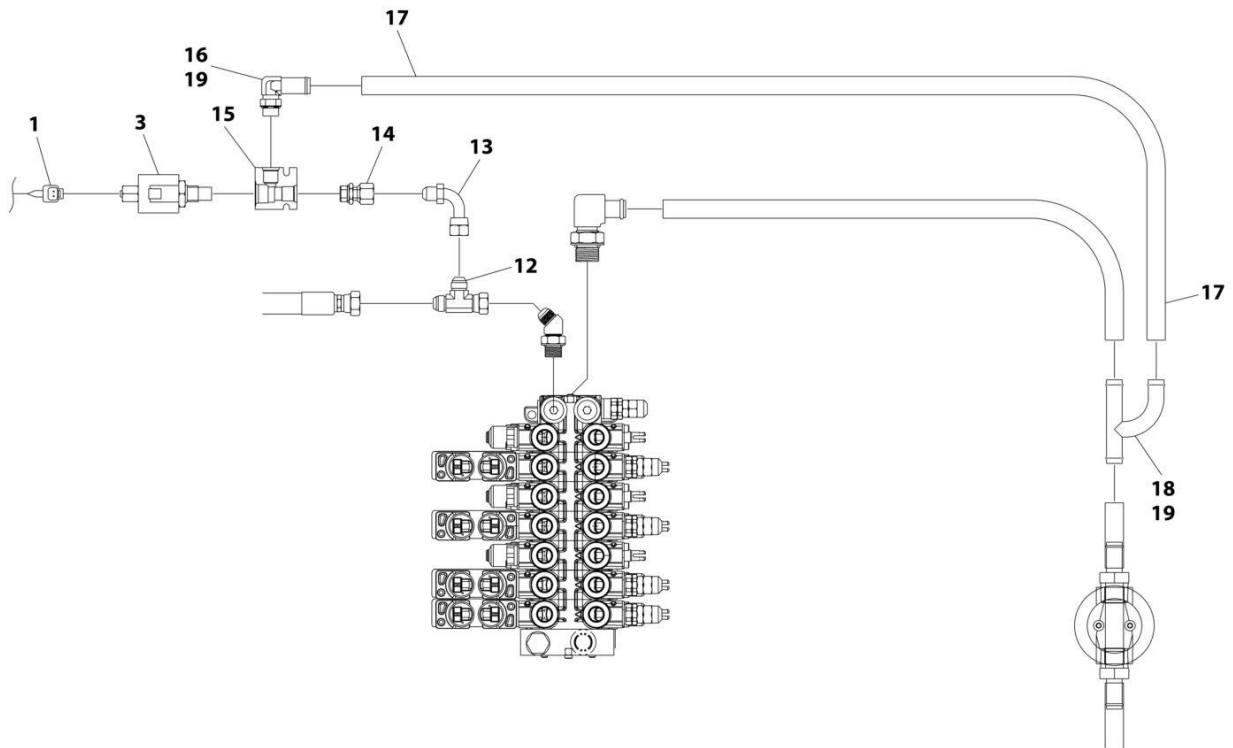
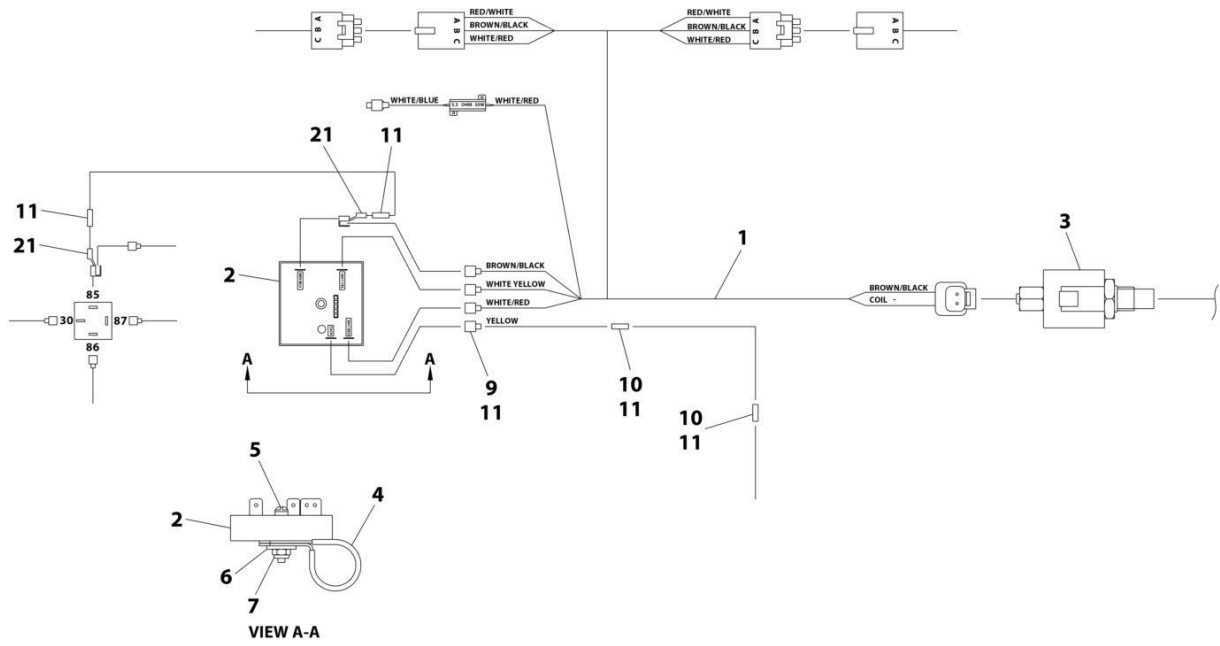
FIGURE 5-5. CONTROLS INSTALLATION - WINCH (WITH FLY BOOM)

ITEM	PART NUMBER	QTY	DESCRIPTION	REV
	1001137610	Ref	CONTROLS INSTALLATION - WINCH (WITH FLY BOOM)	B
2	3551000057	4	Handle Assembly	
7	4763000399	1	Rod	
8	4763000400	1	Rod	
10	4763000154	2	Rod	
11	7690101200	2	Pin	
12	7690000810	2	Pin	
13	7765000006	2	Rod End	
16	7660160000	2	Nut 3/8	
18	7690141600	2	Pin	
19	7691000075	2	Cotter, Pin	

SECTION 6 - HYDRAULIC

SECTION 6 - HYDRAULIC

FIGURE 6-1. HOSE INSTALLATION - ANTI-STALL (FORD V8)



ART_1001126961

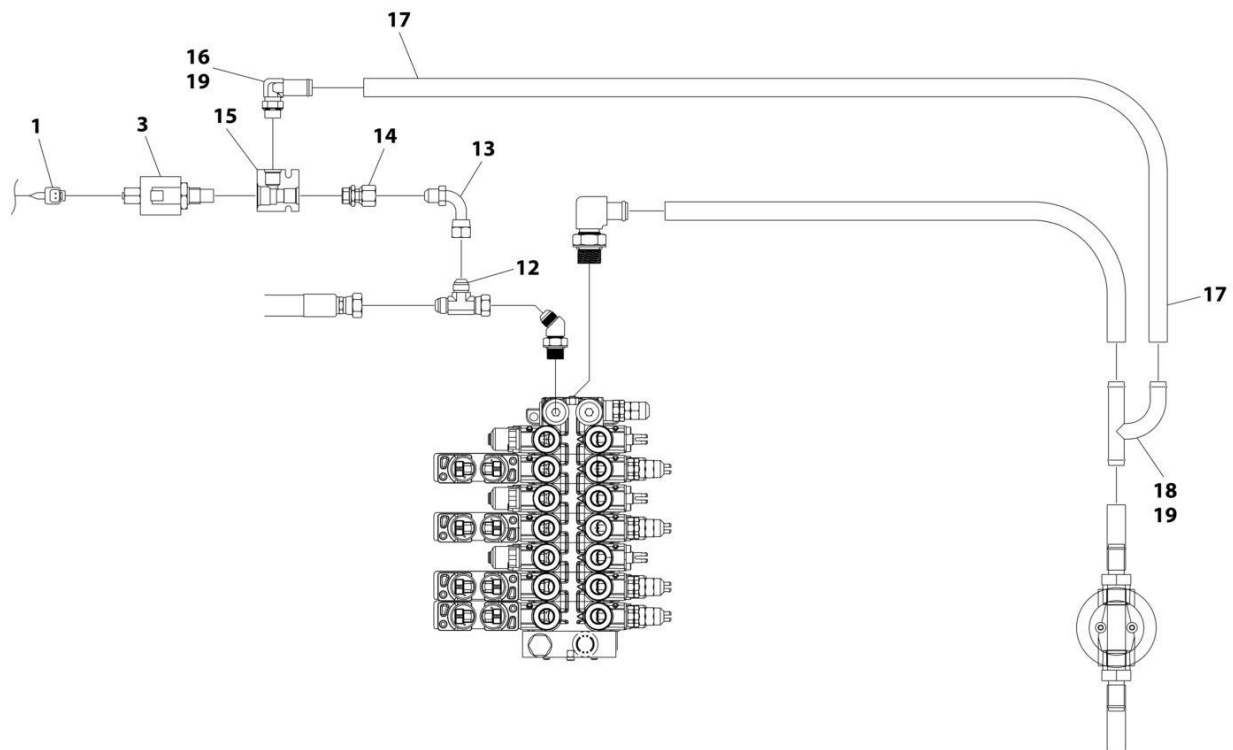
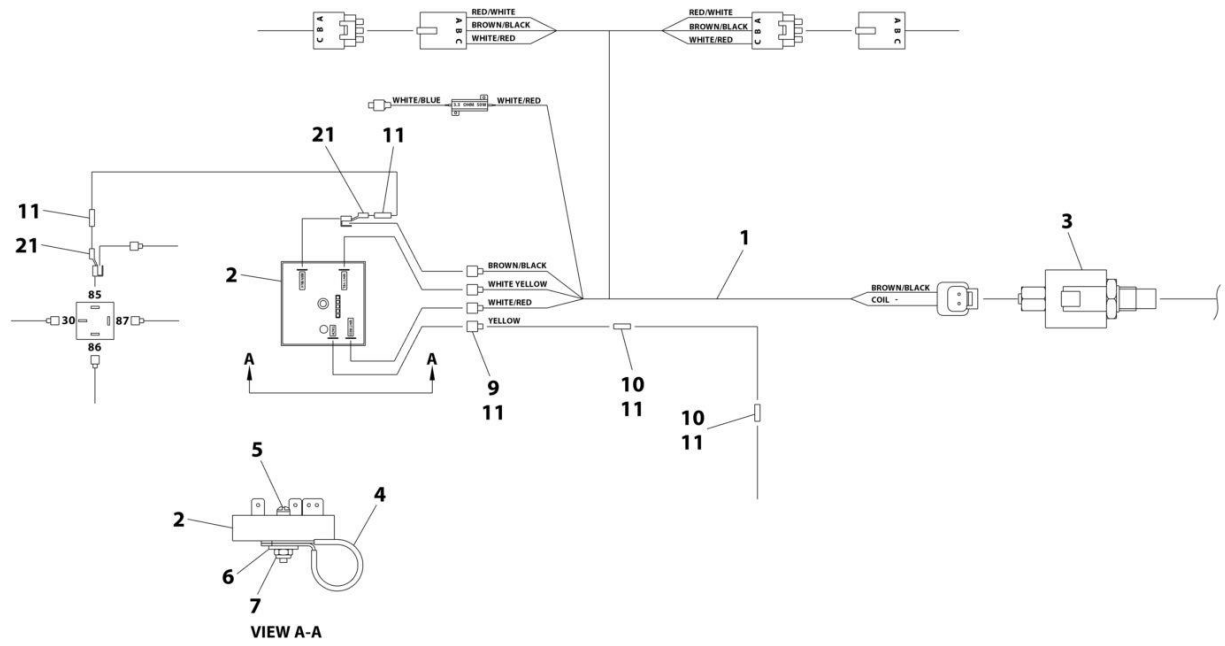
SECTION 6 - HYDRAULIC

FIGURE 6-1. HOSE INSTALLATION - ANTI-STALL (FORD V8)

ITEM	PART NUMBER	QTY	DESCRIPTION	REV
	1001126961	Ref	ANTI-STALL INSTALLATION (FORD V8)	0
1	7552000427	1	Anti-Stall Harness (See Separate Breakdown in ELECTRICAL Section)	
2	1001126957	1	Module, Control (Anti-Stall)	
3	7935000361	1	Valve, Solenoid Cartridge	
4	7274000040	1	Clamp	
5	7114060810	1	Capscrew #6 x 1	
6	7950100163	1	Washer #10	
7	7660062604	1	Nut #6	
9	7345001710	1	Tab	
10	7345001714	2	Terminal	
11	7346000039	AR	Tube	
12	7443000063	1	Fitting, Tee	
13	7443000023	1	Fitting, 90	
14	7445080898	1	Fitting, Straight	
15	7935000370	1	Valve	
16	7443000436	1	Fitting, 90	
17	4570000227	1	Hose	
18	7443000473	1	Fitting, 90	
19	7274000080	4	Clamp	
21	7345001747	2	Fasteners	

SECTION 6 - HYDRAULIC

FIGURE 6-2. HOSE INSTALLATION - ANTI-STALL (FORD V10)



ART_3509170134

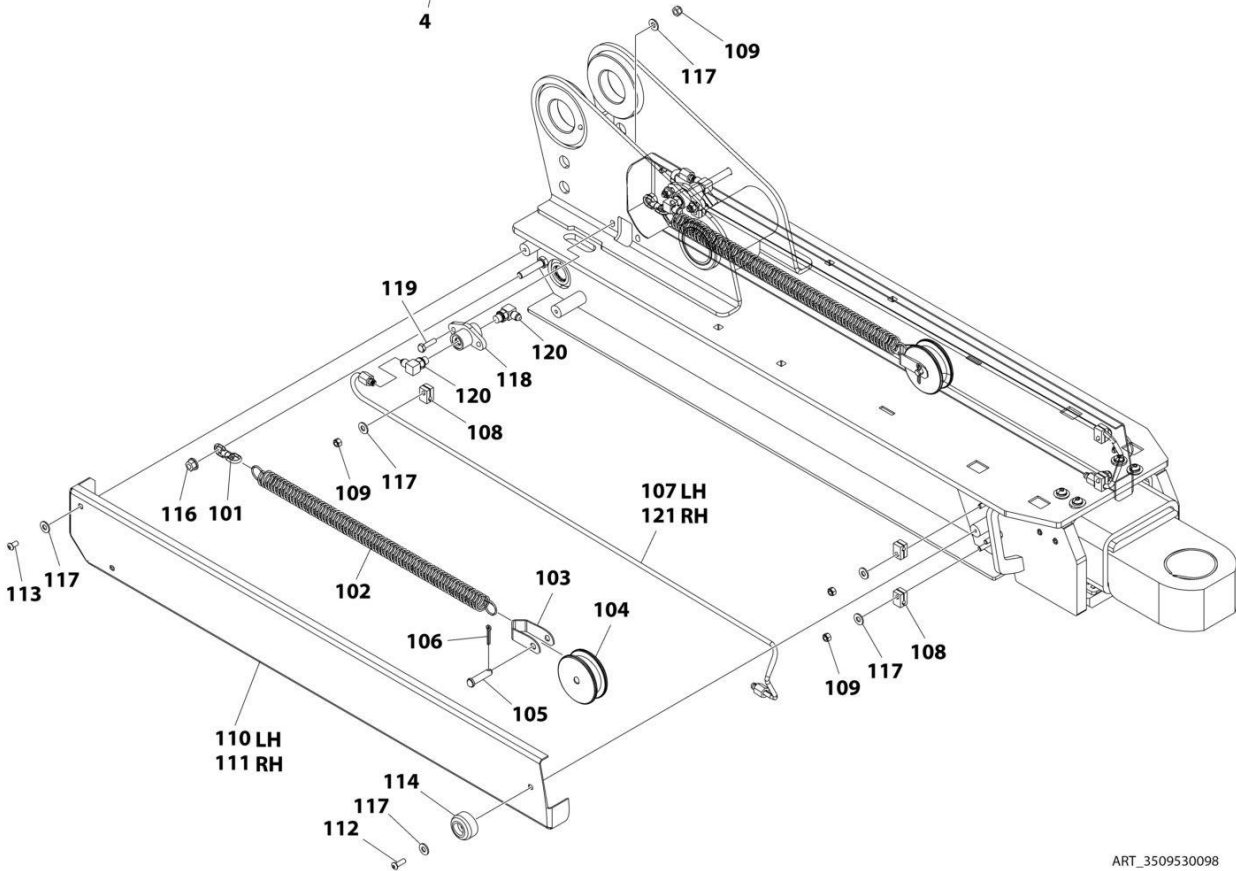
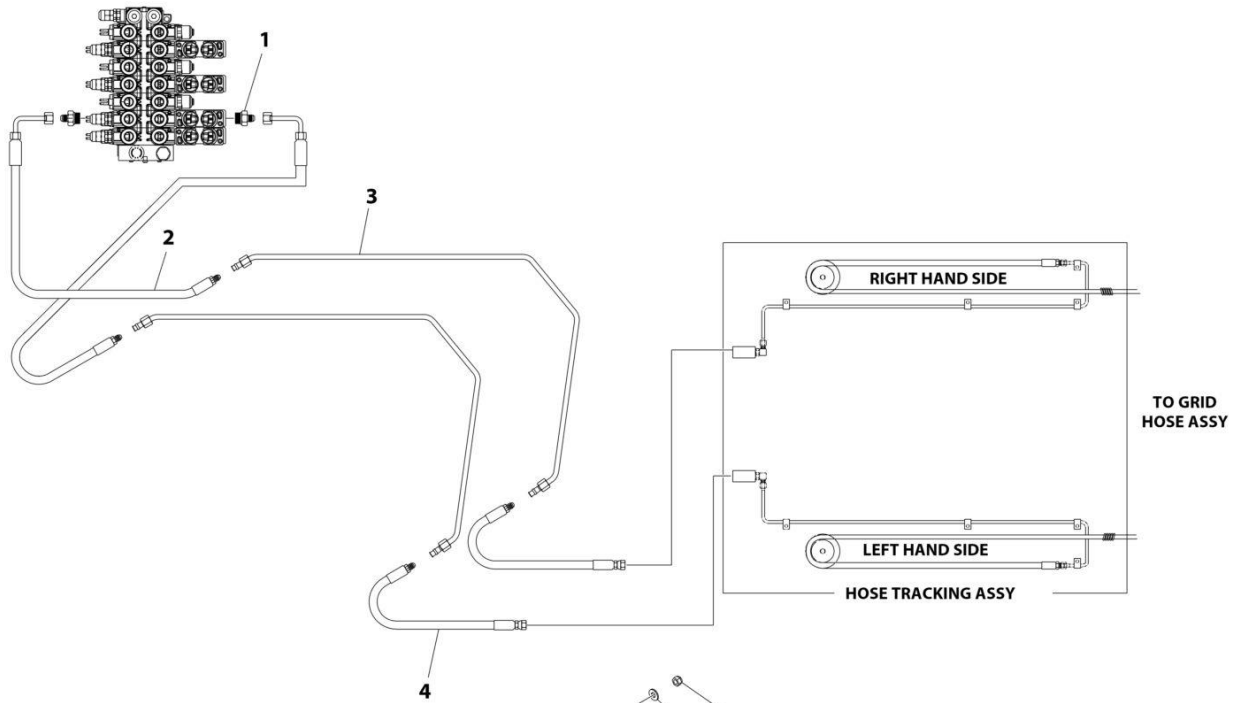
SECTION 6 - HYDRAULIC

FIGURE 6-2. HOSE INSTALLATION - ANTI-STALL (FORD V10)

ITEM	PART NUMBER	QTY	DESCRIPTION	REV
	3509170134	Ref	ANTI-STALL INSTALLATION (FORD V10)	A
1	7552000427	1	Anti-Stall Harness (See Separate Breakdown in ELECTRICAL Section)	
2	1001126957	1	Module, Control (Anti-Stall)	
3	7935000361	1	Valve, Solenoid Cartridge	
4	7274000040	1	Clamp	
5	7114060810	1	Capscrew #6 x 1	
6	7950100163	1	Washer #10	
7	7660062604	1	Nut #6	
9	7345001710	1	Tab	
10	7345001714	2	Terminal	
11	7346000039	AR	Tube	
12	7443000063	1	Fitting, Tee	
13	7443000023	1	Fitting, 90	
14	7445080898	1	Fitting, Straight	
15	7935000370	1	Valve	
16	7443000436	1	Fitting, 90	
17	4570000227	1	Hose	
18	7443000473	1	Fitting, 90	
19	7274000080	4	Clamp	
21	7345001747	2	Fasteners	

SECTION 6 - HYDRAULIC

FIGURE 6-3. HOSE INSTALLATION - HYDRAULIC GRIDS



ART_3509530098

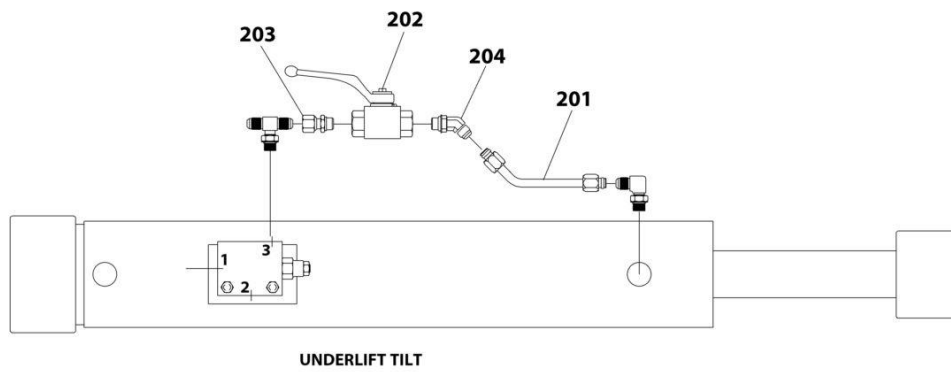
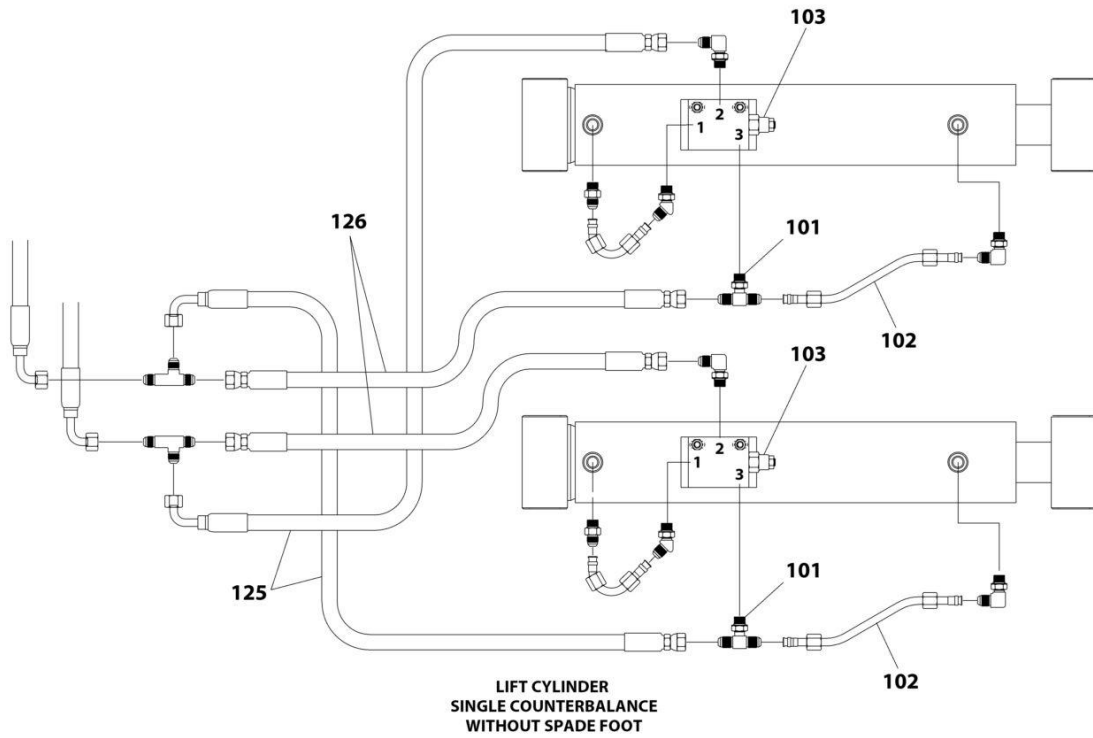
SECTION 6 - HYDRAULIC

FIGURE 6-3. HOSE INSTALLATION - HYDRAULIC GRIDS

ITEM	PART NUMBER	QTY	DESCRIPTION	REV
	3509530098	Ref	HOSE INSTALLATION - HYDRAULIC GRIDS	0
1	7445060843	2	Fitting, Straight	
2	4569123054	2	Hose	
3	7912000202	2	Tube	
4	4570000229	2	Hose	
5	3509870046	1	Track Assembly (Not Shown)	B
101	7592000004	2	Swivel	
102	7843000031	2	Spring	
103	4706003501	2	Plate	
104	7719000004	2	Roller	
105	7691000040	2	Clevis	
106	7691000042	2	Cotter Pin	
107	7912000346	1	Tube Assembly	
108	7274000073	6	Hose Clamp	
109	7660142604	10	Nut 1/4	
110	4706004066	1	Plate, LH	
111	4706004067	1	Plate, RH	
112	7114140618	2	Capscrew 1/4 x 3/4	
113	7114140427	4	Capscrew 1/4 x 1/2	
114	7189000019	2	Rubber Bumper	
116	7660162301	2	Nut 3/8	
117	7950140143	16	Washer 1/4	
118	3619000001	2	Manifold	
119	7115140850	4	Capscrew 1/4 x 1	
120	7445040445	4	Elbow	
121	7912000347	1	Tube Assembly	

SECTION 6 - HYDRAULIC

FIGURE 6-4. HOSE INSTALLATION - LIFT AND TILT CYLINDER (HYDRAULIC GRIDS/NO SPADES)



ART_HLFO1-MPL40

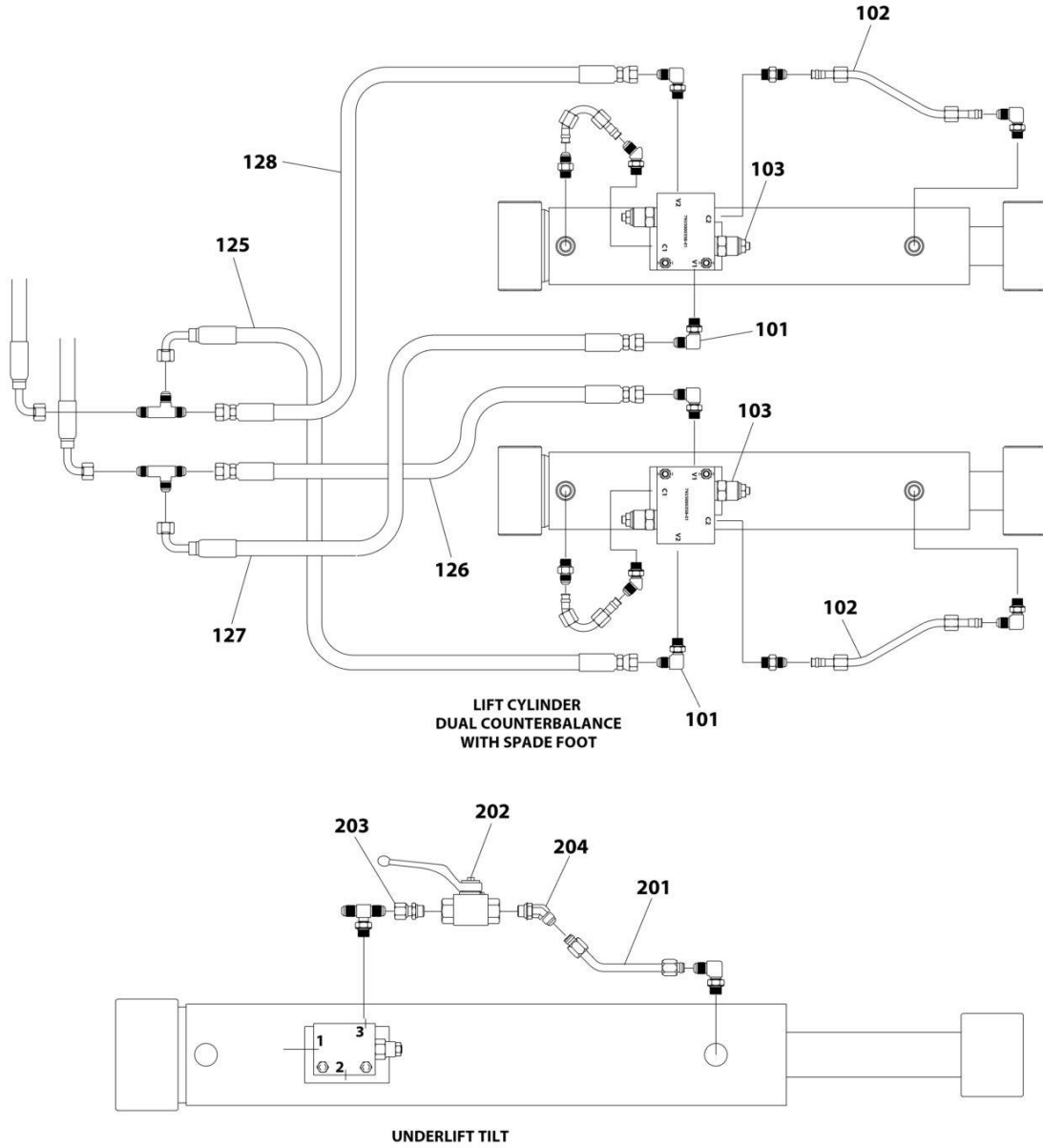
SECTION 6 - HYDRAULIC

FIGURE 6-4. HOSE INSTALLATION - LIFT AND TILT CYLINDER (HYDRAULIC GRIDS/NO SPADES)

ITEM	PART NUMBER	QTY	DESCRIPTION	REV
	HLFO1-MPL40	Ref	HOSE INSTALLATION - LIFT AND TILT CYLINDER (HYDRAULIC GRIDS/NO SPADES)	0
1	3509530142	Ref	Hose Installation - Lift Cylinder (Not Shown) (Includes Items 101-104)	
2	3509530143	1	Hose Installation - Tilt Cylinder (Not Shown) (Includes Items 201-204)	
	3509530142	Ref	HOSE INSTALLATION - LIFT CYLINDER	0
101	7445060647	2	Fitting, Tee	
102	7912000204	2	Tube	
103	7935000308	2	Valve Assembly	
103		Ref	Cartridge	
103	9935930102	1	Seal Kit - Cartridge	
104	7577000621	1	Hose Kit (Not Shown)	
125	4567122023	2	Hose	
126	4567120016	2	Hose	
	3509530143	Ref	HOSE INSTALLATION - TILT CYLINDER	0
201	7912000324	1	Tube	
202	7935000345	1	Valve	
203	7445060698	1	Fitting, Straight	
204	7445060646	1	Fitting, 45	

SECTION 6 - HYDRAULIC

FIGURE 6-5. HOSE INSTALLATION - LIFT AND TILT CYLINDER (HYDRAULIC GRIDS/WITH SPADES)



ART_HLFO3-MPL40

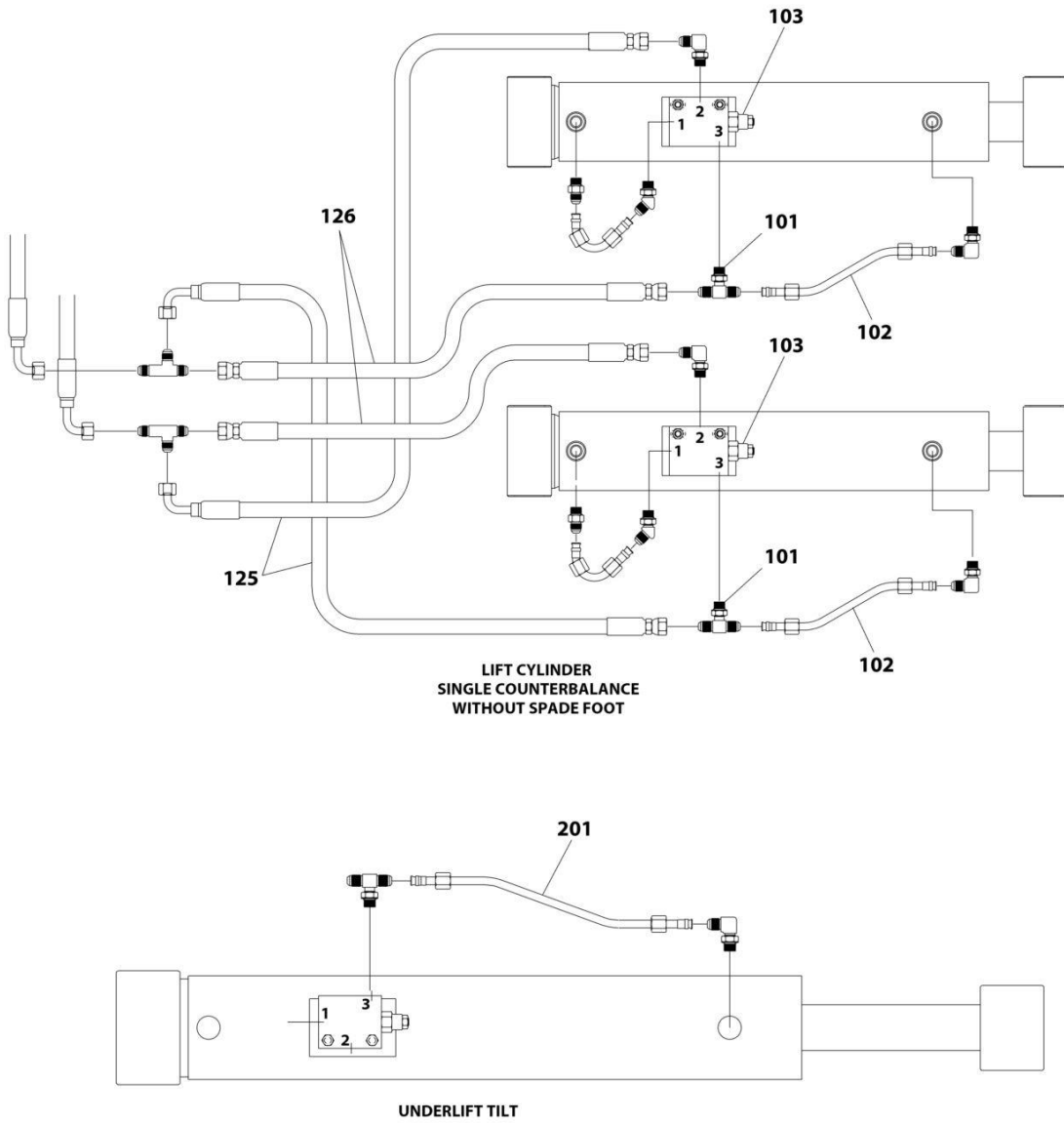
SECTION 6 - HYDRAULIC

FIGURE 6-5. HOSE INSTALLATION - LIFT AND TILT CYLINDER (HYDRAULIC GRIDS/WITH SPADES)

ITEM	PART NUMBER	QTY	DESCRIPTION	REV
	HLFO3-MPL40	Ref	HOSE INSTALLATION - LIFT AND TILT CYLINDER (HYDRAULIC GRIDS/NO SPADES)	0
1	3509530141	Ref	Hose Installation - Lift Cylinder (Not Shown) (Includes Items 101-104)	
2	3509530143	Ref	Hose Installation - Tilt Cylinder (Not Shown) (Includes Items 201-204)	
	3509530141	Ref	HOSE INSTALLATION - LIFT CYLINDER	0
101	7445060645	1	Fitting, 90	
102	7912000330	1	Tube	
103	7935000358	1	Valve Assembly	
103		Ref	Cartridge	
103	9935930102	1	Seal Kit - Cartridge	
104	7577000620	1	Hose Kit (Not Shown)	
125	4567122023	2	Hose	
126	4567120016	2	Hose	
127	4567011018	1	Hose	
128	4567120021	1	Hose	
	3509530143	Ref	HOSE INSTALLATION - TILT CYLINDER	0
201	7912000324	1	Tube	
202	7935000345	1	Valve	
203	7445060698	1	Fitting, Straight	
204	7445060646	1	Fitting, 45	

SECTION 6 - HYDRAULIC

FIGURE 6-6. HOSE INSTALLATION - LIFT AND TILT CYLINDER (MANUAL GRIDS/NO SPADES)



ART_HLFS-MPL40

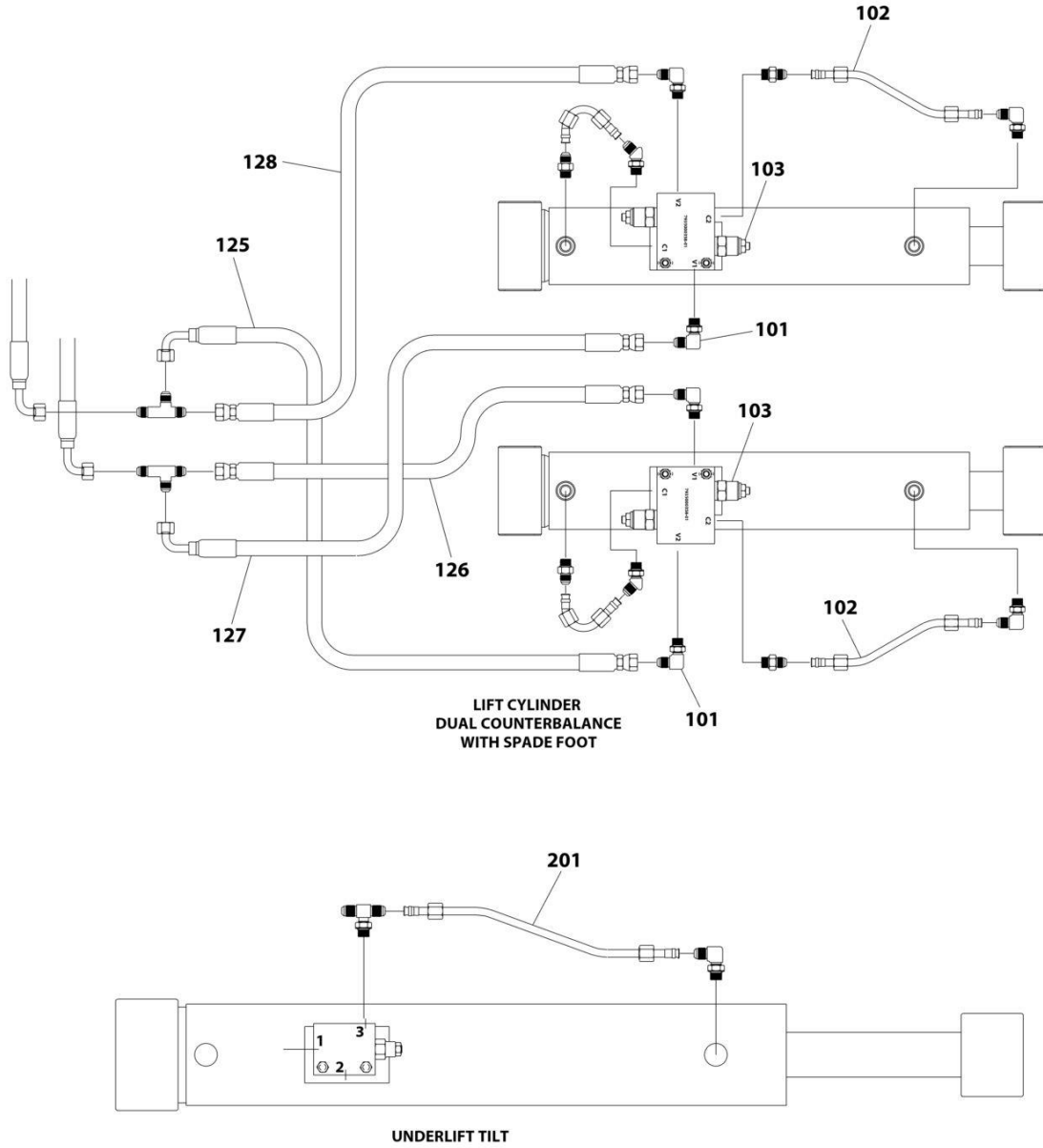
SECTION 6 - HYDRAULIC

FIGURE 6-6. HOSE INSTALLATION - LIFT AND TILT CYLINDER (MANUAL GRIDS/NO SPADES)

ITEM	PART NUMBER	QTY	DESCRIPTION	REV
	HLFS-MPL40	Ref	HOSE INSTALLATION - LIFT AND TILT CYLINDER (MANUAL GRIDS/NO SPADES)	0
1	3509530142	Ref	Hose Installation - Lift Cylinder (Not Shown) (Includes Items 101-104)	
2	3509530144	Ref	Hose Installation - Tilt Cylinder (Not Shown) (Includes Items 201)	
	3509530142	Ref	HOSE INSTALLATION - LIFT CYLINDER	0
101	7445060647	2	Fitting, Tee	
102	7912000204	2	Tube	
103	7935000308	2	Valve Assembly	
103		Ref	Cartridge	
103	9935930102	1	Seal Kit - Cartridge	
104	7577000621	1	Hose Kit (Not Shown)	
125	4567122023	2	Hose	
126	4567120016	2	Hose	
	3509530144	Ref	HOSE INSTALLATION - TILT CYLINDER	0
201	7912000205	1	Tube	

SECTION 6 - HYDRAULIC

FIGURE 6-7. HOSE INSTALLATION - LIFT AND TILT CYLINDER (MANUAL GRIDS/WITH SPADES)



ART_HLFO2-MPL40

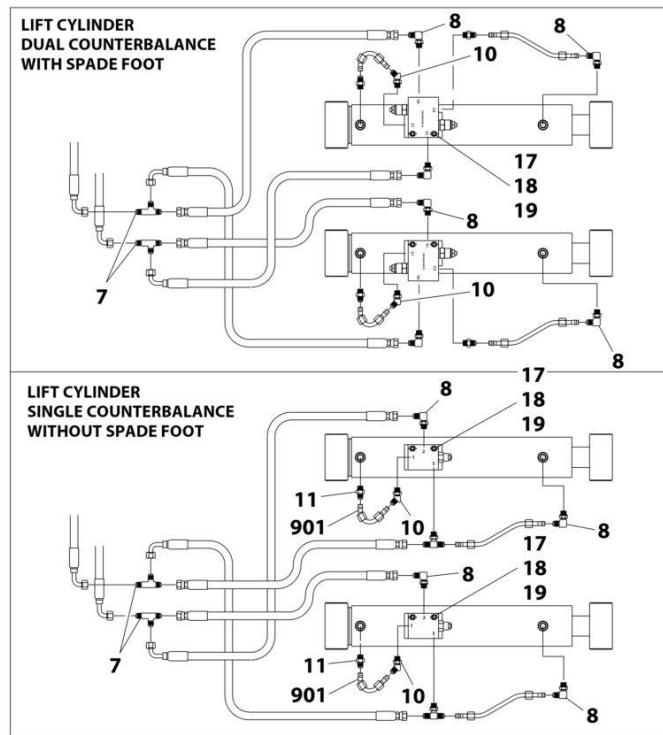
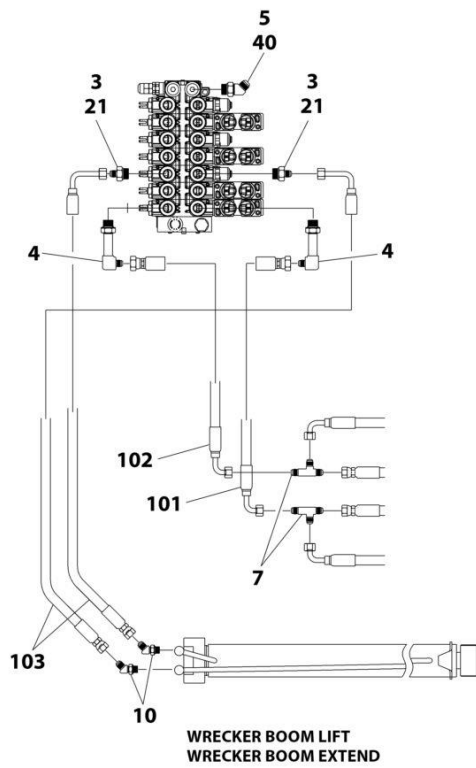
SECTION 6 - HYDRAULIC

FIGURE 6-7. HOSE INSTALLATION - LIFT AND TILT CYLINDER (MANUAL GRIDS/WITH SPADES)

ITEM	PART NUMBER	QTY	DESCRIPTION	REV
	HLFO2-MPL40	Ref	HOSE INSTALLATION - LIFT AND TILT CYLINDER (MANUAL GRIDS/NO SPADES)	0
1	3509530141	Ref	Hose Installation - Lift Cylinder (Not Shown) (Includes Items 101-104)	
2	3509530144	Ref	Hose Installation - Tilt Cylinder (Not Shown) (Includes Items 201)	
	3509530141	Ref	HOSE INSTALLATION - LIFT CYLINDER	0
101	7445060645	2	Fitting, 90	
102	7912000330	2	Tube	
103	7935000358	2	Valve Assembly	
103		Ref	Cartridge	
103	9935930102	1	Seal Kit - Cartridge	
104	7577000620	1	Hose Kit (Not Shown)	
125	4567122023	2	Hose	
126	4567120016	2	Hose	
127	4567011018	1	Hose	
128	4567120021	1	Hose	
	3509530144	Ref	HOSE INSTALLATION - TILT CYLINDER	0
201	7912000205	1	Tube	

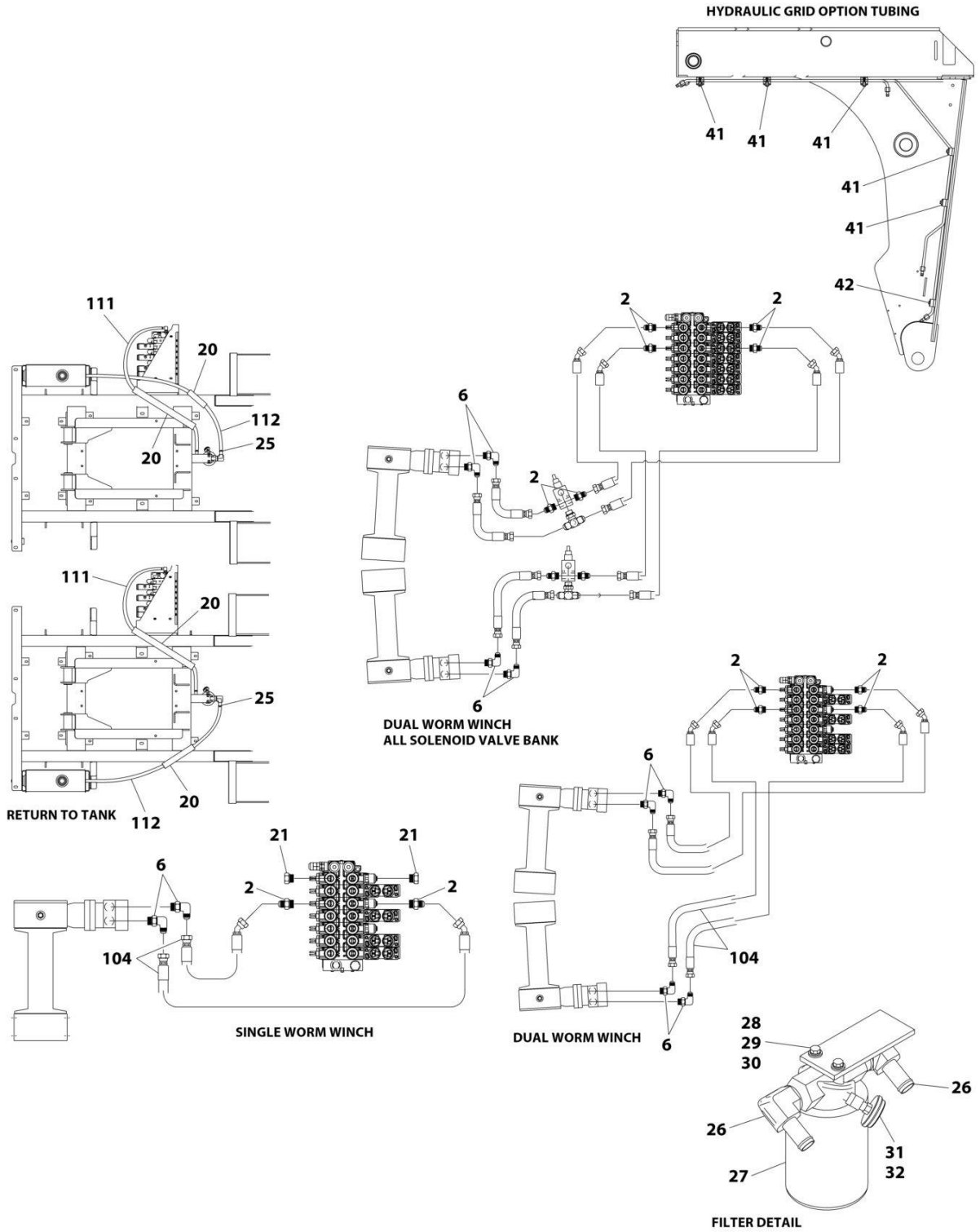
SECTION 6 - HYDRAULIC

FIGURE 6-8. HOSE INSTALLATION - WINCH (SINGLE)



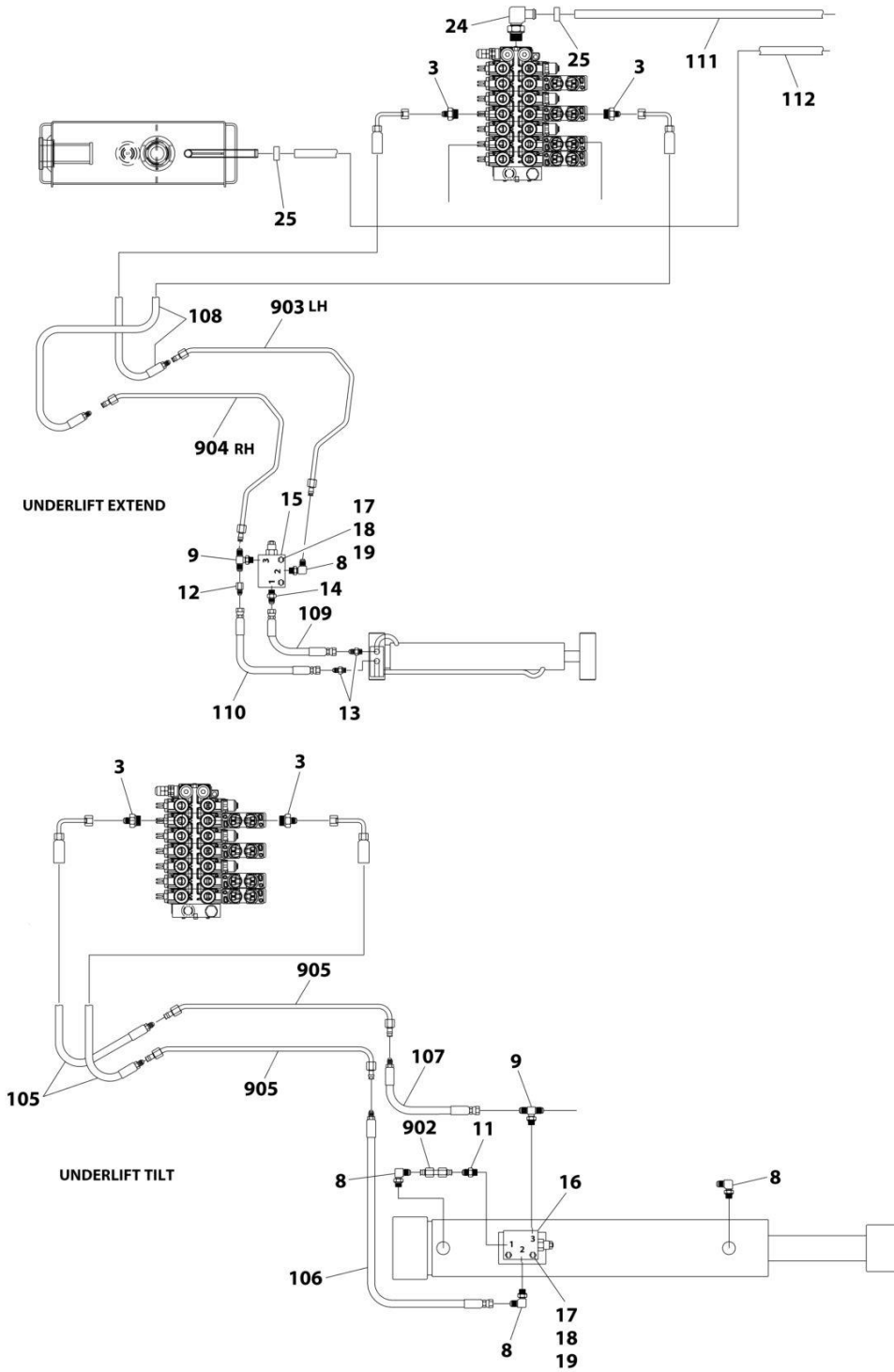
ART_3509530157_1OF3

SECTION 6 - HYDRAULIC



ART_3509530157_20F3

SECTION 6 - HYDRAULIC



ART_3509530157_3OF3

SECTION 6 - HYDRAULIC

FIGURE 6-8. HOSE INSTALLATION - WINCH (SINGLE)

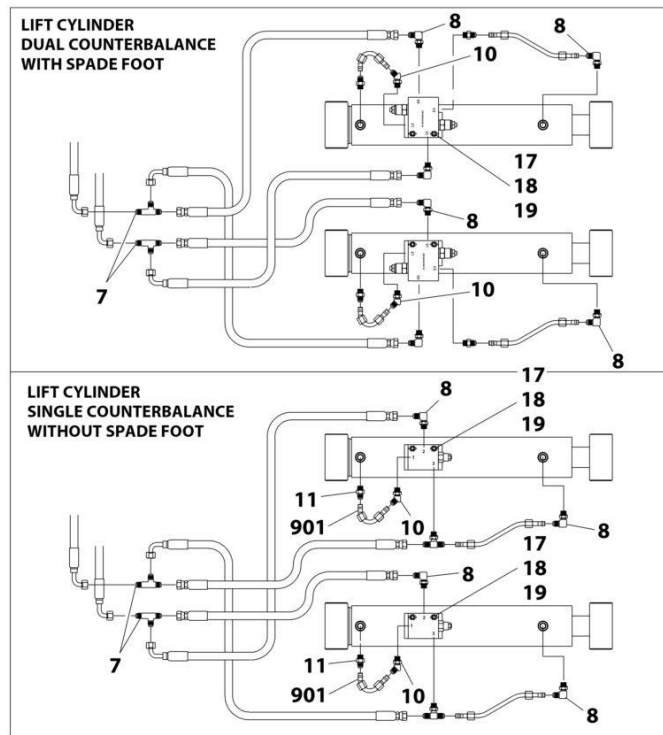
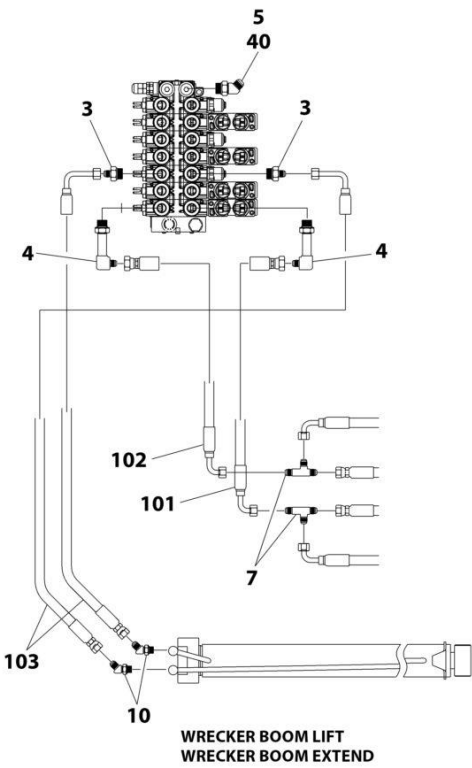
ITEM	PART NUMBER	QTY	DESCRIPTION	REV
	3509530157	Ref	HYDRAULIC INSTALLATION - SINGLE WINCH	G
1	7577000645	Ref	Hose, Kit (Not Shown) (Includes Items 101-112)	
2	7445080843	2	Fitting, Straight	
3	7445060843	6	Fitting, Straight	
4	7443000231	2	Fitting, 90	
5	7445081046	1	Fitting, 45	
6	7445081045	2	Fitting, 90	
7	7443000372	2	Fitting, Tee	
8	7445060645	8	Fitting, 90	
9	7445060647	2	Fitting, Tee	
10	7445060646	4	Fitting, 45	
11	7445060643	3	Fitting, Straight	
12	7443000105	1	Reducer	
13	7445040443	2	Fitting, Straight	
14	7445040643	1	Fitting, Straight	
15	7935000308	1	Valve Assembly	
15		Ref	Cartridge	
15	9935930102	1	Seal Kit - Cartridge	
16	1001173683	NLA	Valve, Counterbalance (Note: Use PN 1001274434) (Prior to SN 0230008927)	
16	1001274434	1	Valve, Counterbalance (SN 0230008927 to Present)	
17	7115151650	8	Bolt 5/16 x 2	
18	7950150161	8	Washer 5/16	
19	7660152601	8	Nut 5/16	
20	8565000007	10 ft /3m	Hose	
21	7443000048	2	Fitting, Plug	
24	7443000168	1	Fitting, Straight	
25	7274000080	4	Clamp	
26	7443000319	2	Fitting, 90	
27	7430000003	1	Filter Assembly	
28	7114140618	2	Capscrew 1/4 x 3/4	
29	7950140003	2	Washer 1/4	
30	7950140143	2	Washer 1/4	
31	7470000002	1	Gauge, Oil Filter Head	
32	7443000066	1	Fitting, 45	
34	7577000622	Ref	Tube, Kit (Not Shown) (Includes Items 901-905)	
40	7445080818	1	Nut #8	
41	1001131306	13	Clamp	
42	1001131323	2	Clamp	
	7577000645	Ref	HOSE, KIT	B
101	4567122026	1	Hose	
102	4567122024	1	Hose	
103	4567123056	2	Hose	
104	4567131080	2	Hose	
105	4569123061	2	Hose	
106	4569120017	1	Hose	
107	4569120018	1	Hose	
108	4569123054	2	Hose	
109	4567110024	1	Hose	
110	4567110025	1	Hose	

SECTION 6 - HYDRAULIC

ITEM	PART NUMBER	QTY	DESCRIPTION	REV
111	1001130043	1	Hose	0
112	4570000377	1	Hose	
	7577000622	Ref	TUBE, KIT	
901	7912000028	2	Tube	
902	7912000078	1	Tube	
903	7912000200	1	Tube	
904	7912000201	1	Tube	
905	7912000203	2	Tube	

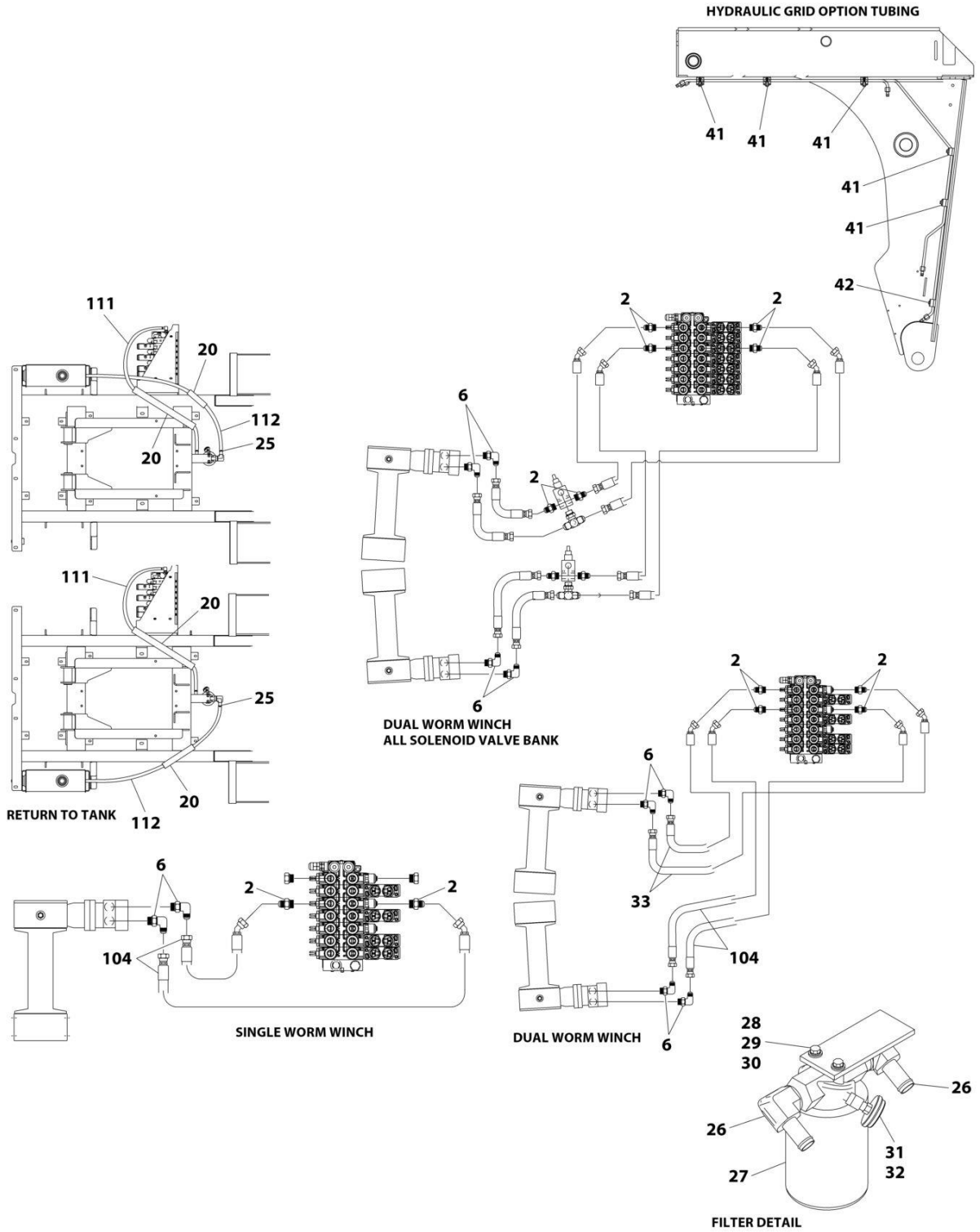
SECTION 6 - HYDRAULIC

FIGURE 6-9. HOSE INSTALLATION - WINCH (DUAL WITH NO FLY BOOM)



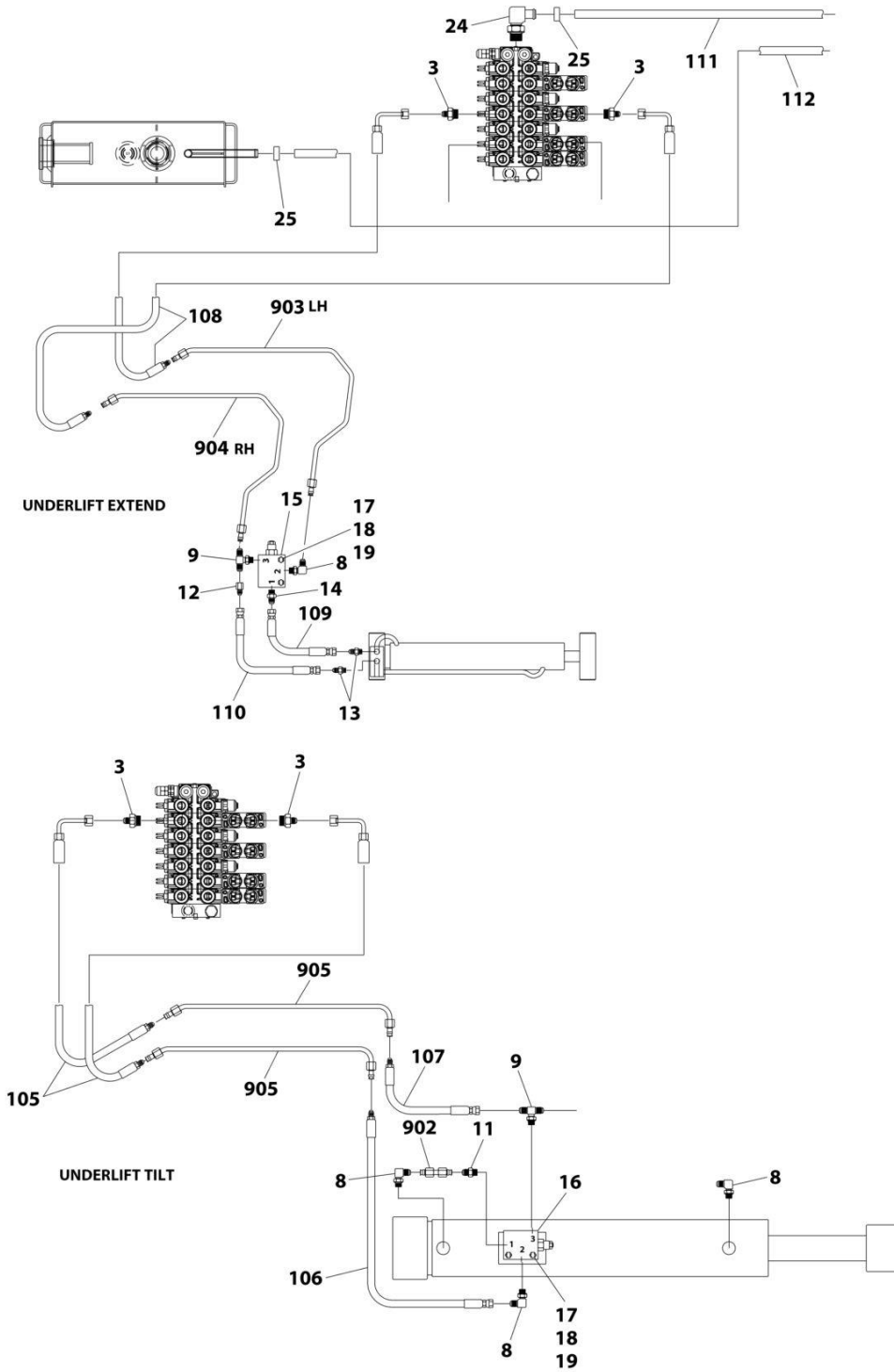
ART_3509530156_1OF3

SECTION 6 - HYDRAULIC



ART_3509530156_20F3

SECTION 6 - HYDRAULIC



ART_3509530156_3OF3

SECTION 6 - HYDRAULIC

FIGURE 6-9. HOSE INSTALLATION - WINCH (DUAL WITH NO FLY BOOM)

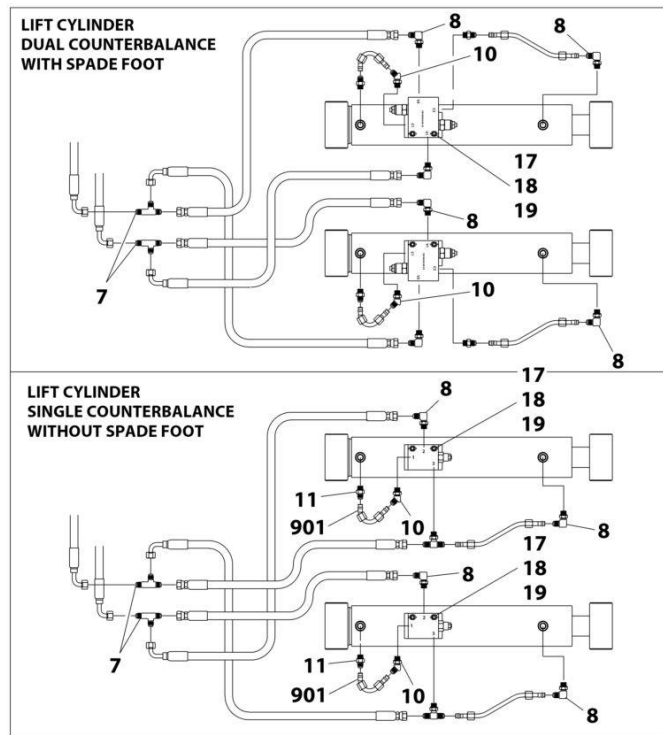
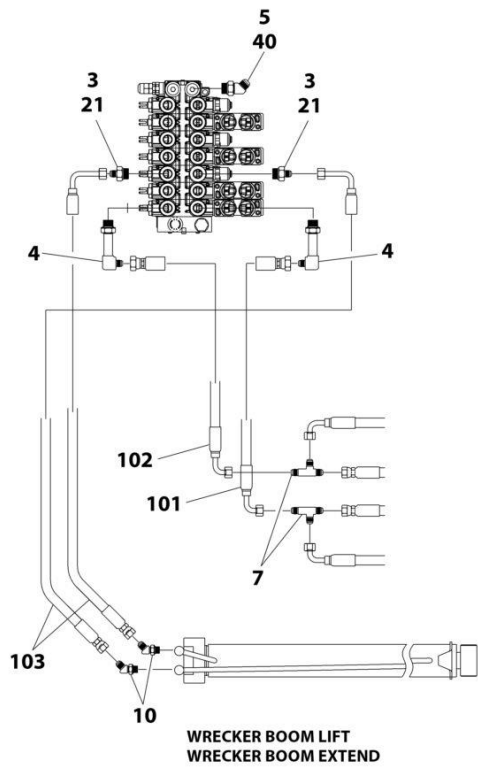
ITEM	PART NUMBER	QTY	DESCRIPTION	REV
	3509530156	Ref	HYDRAULIC INSTALLATION - DUAL WINCH (WITH FLY BOOM)	G
1	7577000645	Ref	Hose, Kit (Not Shown) (Includes Items 101-112)	
2	7445080843	4	Fitting, Straight	
3	7445060843	6	Fitting, Straight	
4	7443000231	2	Fitting, 90	
5	7445081046	1	Fitting, 45	
6	7445081045	4	Fitting, 90	
7	7443000372	2	Fitting, Tee	
8	7445060645	8	Fitting, 90	
9	7445060647	2	Fitting, Tee	
10	7445060646	4	Fitting, 45	
11	7445060643	3	Fitting, Straight	
12	7443000105	1	Reducer	
13	7445040443	2	Fitting, Straight	
14	7445040643	1	Fitting, Straight	
15	7935000308	1	Valve Assembly	
15		Ref	Cartridge	
15	9935930102	1	Seal Kit - Cartridge	
16	1001173683	NLA	Valve, Counterbalance (Note: Use PN 1001274434) (Prior to SN 0230008927)	
16	1001274434	1	Valve, Counterbalance (SN 0230008927 to Present)	
17	7115151650	8	Bolt 5/16 x 2	
18	7950150161	8	Washer 5/16	
19	7660152601	8	Nut 5/16	
20	8565000007	10 ft /3m	Hose	
24	7443000168	1	Fitting, Straight	
25	7274000080	4	Clamp	
26	7443000319	2	Fitting, 90	
27	7430000003	1	Filter Assembly	
28	7114140618	2	Capscrew 1/4 x 3/4	
29	7950140003	2	Washer 1/4	
30	7950140143	2	Washer 1/4	
31	7470000002	1	Gauge, Oil Filter Head	
32	7443000066	1	Fitting, 45	
33	4567131080	2	Hose	
34	7577000622	Ref	Tube, Kit (Not Shown) (Includes Items 901-905)	
40	7445080818	1	Nut #8	
41	1001131306	13	Clamp	
42	1001131323	2	Clamp	
	7577000645	Ref	HOSE, KIT	B
101	4567122026	1	Hose	
102	4567122024	1	Hose	
103	4567123056	2	Hose	
104	4567131080	2	Hose	
105	4569123061	2	Hose	
106	4569120017	1	Hose	
107	4569120018	1	Hose	
108	4569123054	2	Hose	
109	4567110024	1	Hose	
110	4567110025	1	Hose	

SECTION 6 - HYDRAULIC

ITEM	PART NUMBER	QTY	DESCRIPTION	REV
111	1001130043	1	Hose	0
112	4570000377	1	Hose	
	7577000622	Ref	TUBE, KIT	
901	7912000028	2	Tube	
902	7912000078	1	Tube	
903	7912000200	1	Tube	
904	7912000201	1	Tube	
905	7912000203	2	Tube	

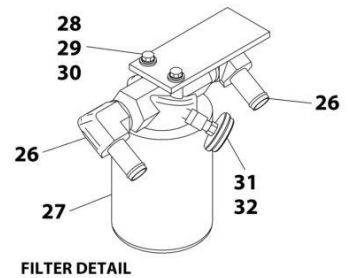
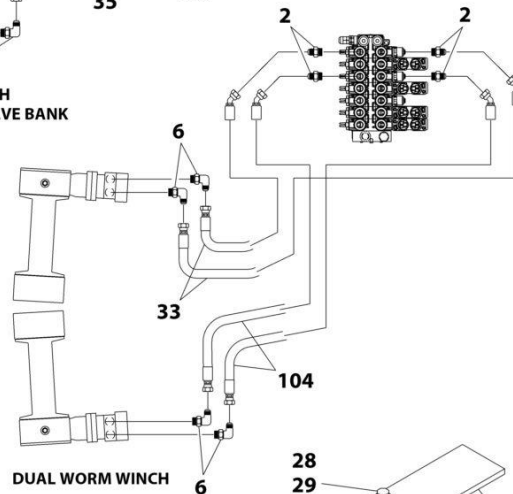
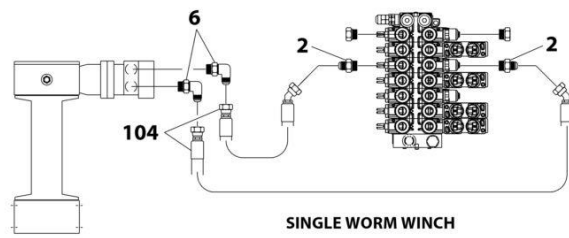
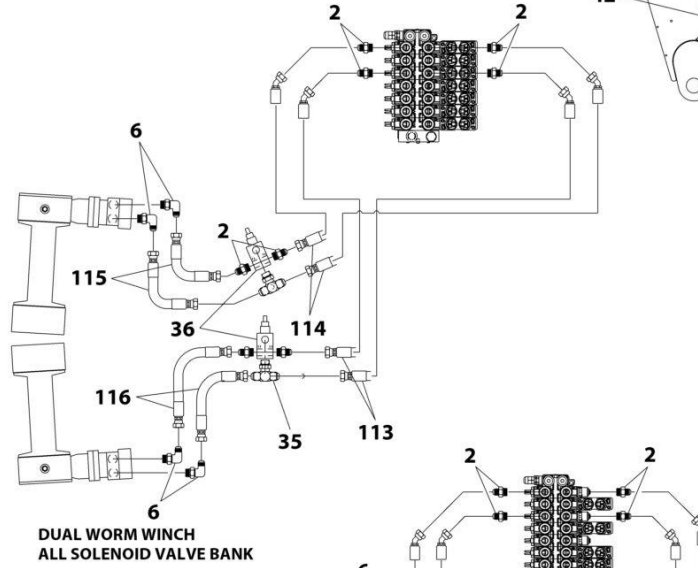
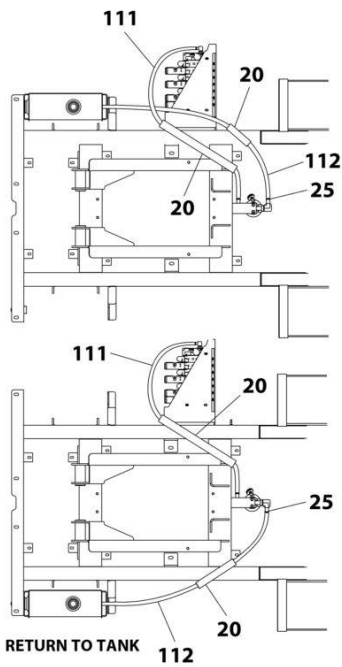
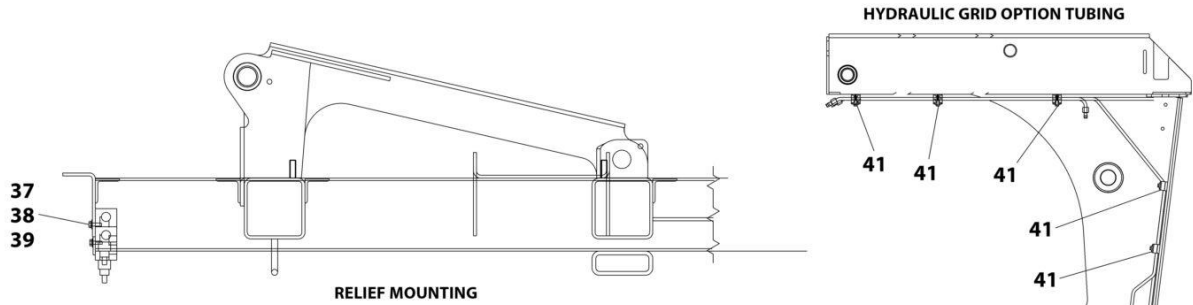
SECTION 6 - HYDRAULIC

FIGURE 6-10. HOSE INSTALLATION - WINCH (DUAL SPECIAL)



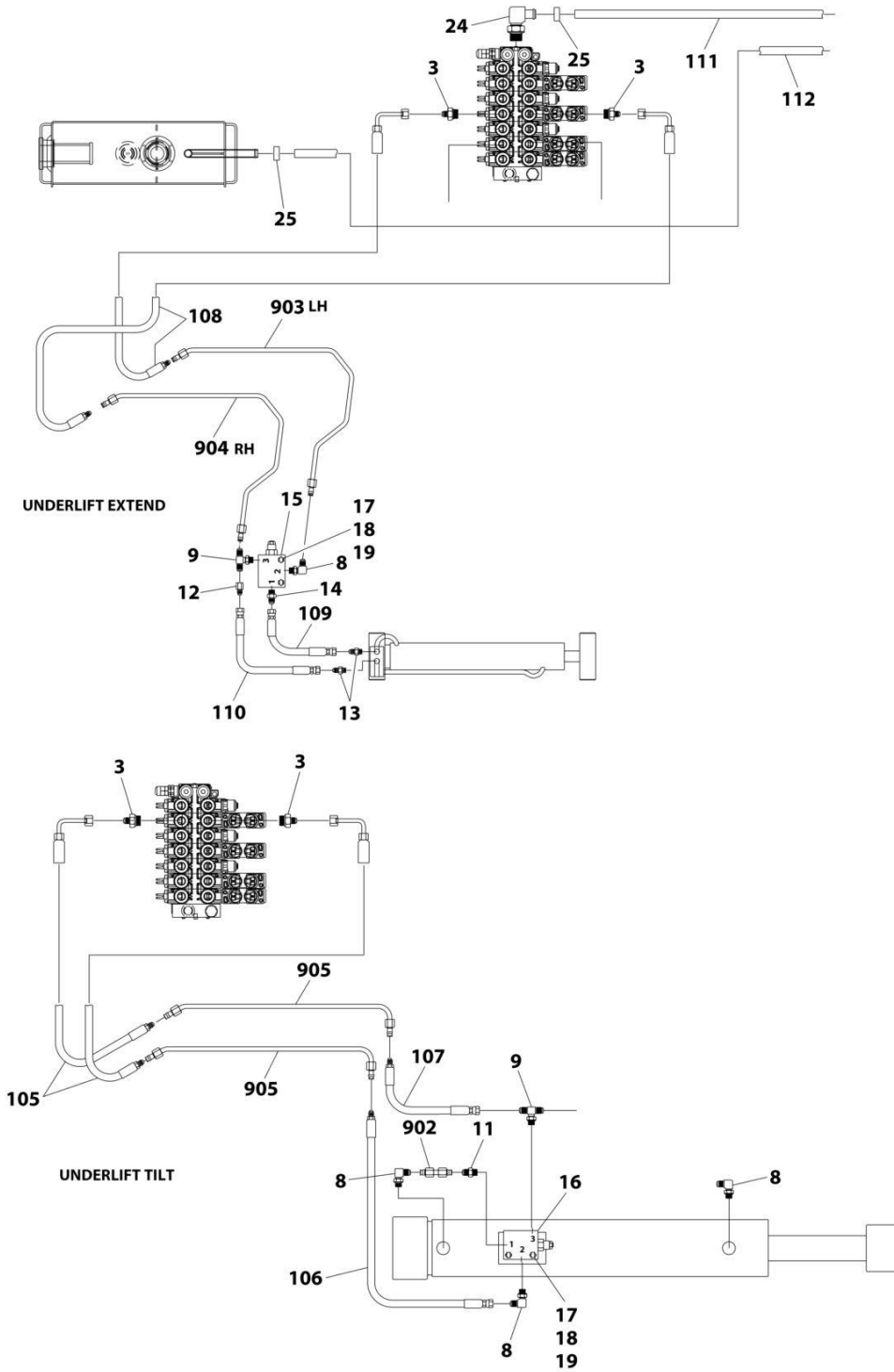
ART_1001133326_1OF3

SECTION 6 - HYDRAULIC



ART_1001133326_20F3

SECTION 6 - HYDRAULIC



ART_1001133326_3OF3

SECTION 6 - HYDRAULIC

FIGURE 6-10. HOSE INSTALLATION - WINCH (DUAL SPECIAL)

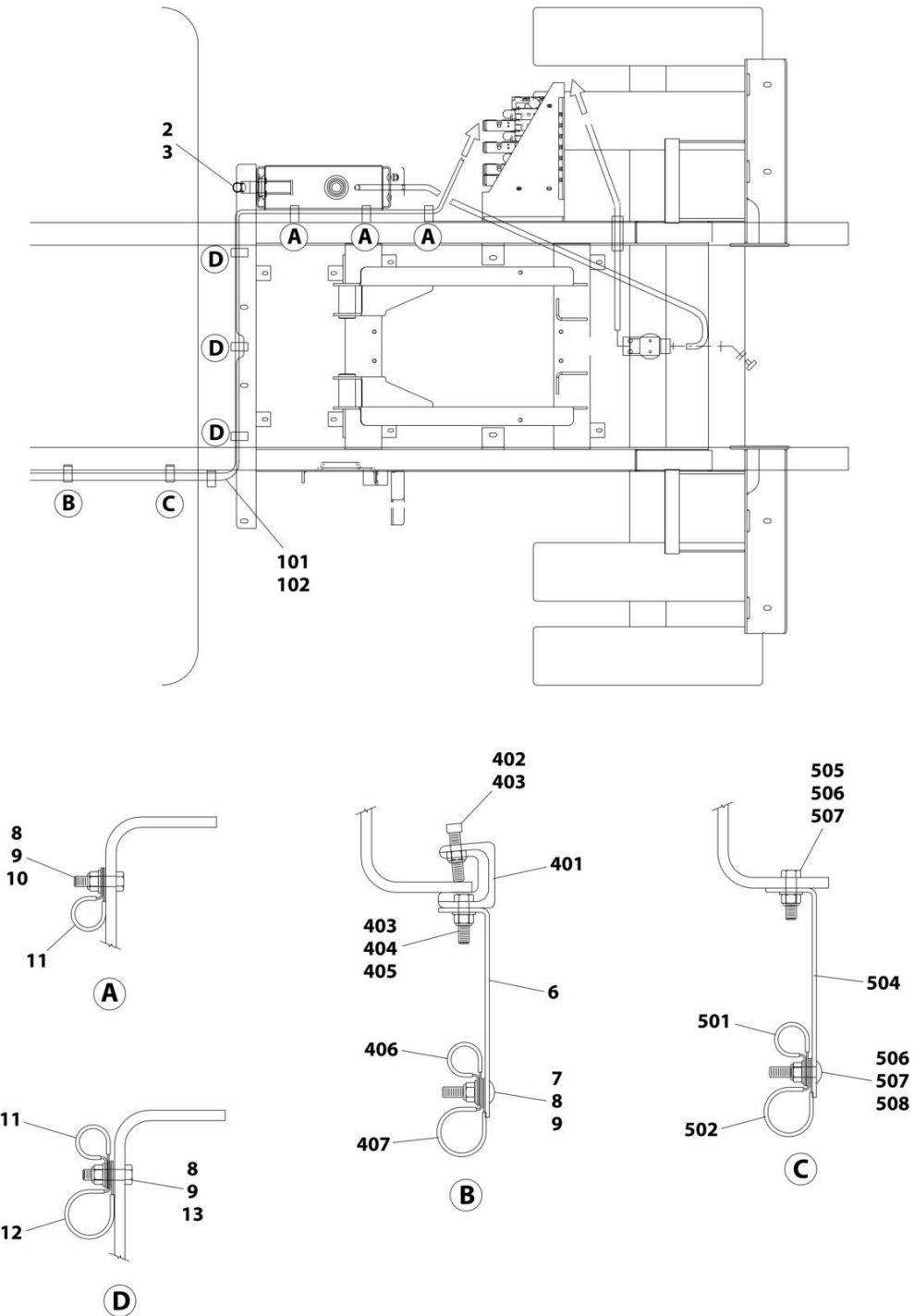
ITEM	PART NUMBER	QTY	DESCRIPTION	REV
	1001133326	Ref	HYDRAULIC INSTALLATION - DUAL WINCH (SPECIAL) (WITH FLY BOOM)	G
1	1001133325	Ref	Hose, Kit (Not Shown) (Includes Items 101-116)	
2	7445080843	8	Fitting, Straight	
3	7445060843	6	Fitting, Straight	
4	7443000231	2	Fitting, 90	
5	7445081046	1	Fitting, 45	
6	7445081045	4	Fitting, 90	
7	7443000372	2	Fitting, Tee	
8	7445060645	8	Fitting, 90	
9	7445060647	2	Fitting, Tee	
10	7445060646	4	Fitting, 45	
11	7445060643	3	Fitting, Straight	
12	7443000105	1	Reducer	
13	7445040443	2	Fitting, Straight	
14	7445040643	1	Fitting, Straight	
15	7935000308	1	Valve Assembly	
15		Ref	Cartridge	
15	9935930102	1	Seal Kit - Cartridge	
16	1001173683	1	Valve, Counterbalance (Note: Use PN 1001274434) (Prior to SN 0230008927)	
16	1001274434	1	Valve, Counterbalance (SN 0230008927 to Present)	
17	7115151650	8	Bolt 5/16 x 2	
18	7950150161	8	Washer 5/16	
19	7660152601	8	Nut 5/16	
20	8565000007	10 ft /3m	Hose	
21	7443000048	1	Fitting, Plug	
24	7443000168	1	Fitting, Straight	
25	7274000080	4	Clamp	
26	7443000319	2	Fitting, 90	
27	7430000003	1	Filter Assembly	
28	7114140618	2	Capscrew 1/4 x 3/4	
29	7950140003	2	Washer 1/4	
30	7950140143	2	Washer 1/4	
31	7470000002	1	Gauge, Oil Filter Head	
32	7443000066	1	Fitting, 45	
33	4567131080	2	Hose	
34	7577000622	Ref	Tube, Kit (Not Shown) (Includes Items 901-905)	
35	7445080847	2	Fitting, Tee	
36	7935000258	2	Valve	
37	7115140650	4	Bolt 1/4 x 3/4	
38	7950140141	4	Washer 1/4	
39	7950140003	4	Washer 1/4	
40	7445080818	1	Nut #8	
41	1001131306	13	Clamp	
42	1001131323	2	Clamp	
	1001133325	Ref	HOSE, KIT	A
101	4567122026	1	Hose	
102	4567122024	1	Hose	
103	4567123056	2	Hose	

SECTION 6 - HYDRAULIC

ITEM	PART NUMBER	QTY	DESCRIPTION	REV
105	4569123061	2	Hose	
106	4569120017	1	Hose	
107	4569120018	1	Hose	
108	4569123054	2	Hose	
109	4567110024	1	Hose	
110	4567110025	1	Hose	
111	1001130043	1	Hose	
112	4570000377	1	Hose	
113	4567131065	2	Hose	
114	4567131058	2	Hose	
115	4567132040	2	Hose	
116	4567132043	2	Hose	
	7577000622	Ref	TUBE, KIT	0
901	7912000028	2	Tube	
902	7912000078	1	Tube	
903	7912000200	1	Tube	
904	7912000201	1	Tube	
905	7912000203	2	Tube	

SECTION 6 - HYDRAULIC

FIGURE 6-11. HOSE AND CLAMP INSTALLATION (CHEVY-GMC – 137IN WB)



ART_1001132813

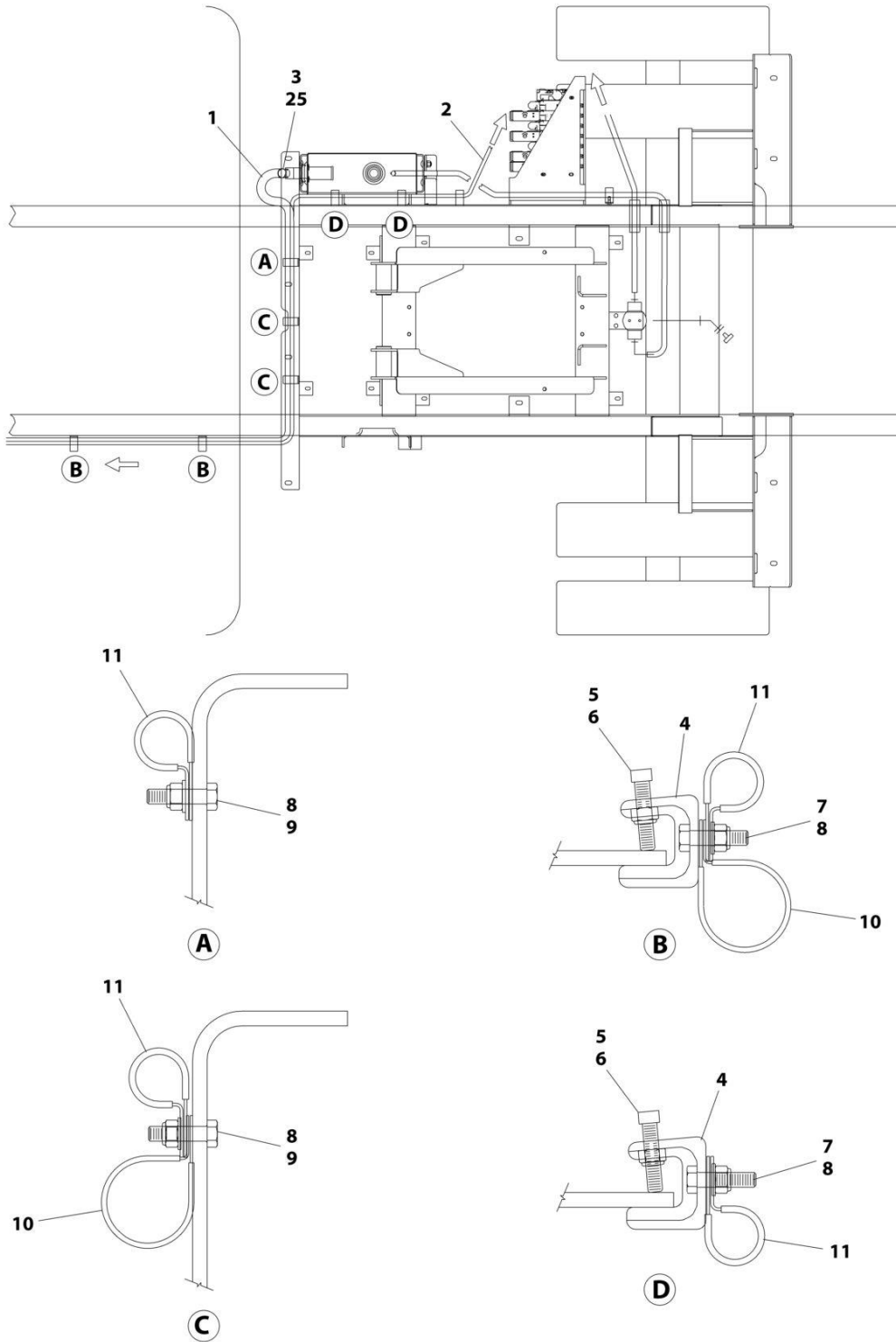
SECTION 6 - HYDRAULIC

FIGURE 6-11. HOSE AND CLAMP INSTALLATION (CHEVY-GMC – 137IN WB)

ITEM	PART NUMBER	QTY	DESCRIPTION	REV
	1001132813	Ref	HOSE AND CLAMP INSTALLATION (CHEVY-GMC - 137IN WB)	B
1	1001132838	Ref	Hose, Kit (Not Shown) (Includes Items 101-102)	
2	7443000412	1	Elbow	
3	7470000002	2	Gauge, Oil Filter Head	
4	1001132794	Ref	Clamp, Hose Kit (Not Shown) (Includes Items 401-408)	
5	1001132800	Ref	Clamp, Hose Kit (Not Shown) (Includes Items 501-508)	
6	4706003844	1	Plate	
7	7115151064	1	Bolt 5/16 x 1-1/4	
8	7950150161	7	Washer 5/16	
9	7660152601	7	Nut 5/16	
10	7115151050	3	Bolt 5/16 x 1-1/4	
11	7274000040	6	Clamp	
12	7274000041	3	Clamp	
13	7115150864	3	Bolt 5/16 x 1	
14	8632000002	AR	Flex-Trim (Not Shown)	
15	7819000013	2	Sleeve (Not Shown)	
	1001132838	Ref	HOSE, KIT	0
101	4567630206	1	Hose	
102	1001132633	1	Hose	
	1001132794	Ref	CLAMP, HOSE KIT	B
401	7274000076	1	Clamp	
402	7785152420	1	Screw 5/16 x 1-1/2	
403	7660152601	2	Nut 5/16	
404	7115151050	1	Bolt 5/16 x 1-1/4	
405	7950150161	1	Washer 5/16	
406	7274000040	1	Clamp	
407	7274000041	1	Clamp	
408	7274000042	1	Clamp (Not Shown)	
	1001132800	Ref	CLAMP, HOSE KIT	B
501	7274000040	1	Clamp	
502	7274000041	1	Clamp	
503	7274000042	1	Clamp (Not Shown)	
504	4706003844	1	Plate	
505	7115151050	1	Bolt 5/16 x 1-1/4	
506	7950150161	3	Washer 5/16	
507	7660152601	2	Nut 5/16	
508	7115151064	1	Bolt 5/16 x 1-1/4	

SECTION 6 - HYDRAULIC

FIGURE 6-12. HOSE AND CLAMP INSTALLATION (CHEVY-GMC – 152IN WB)



ART_2509530141

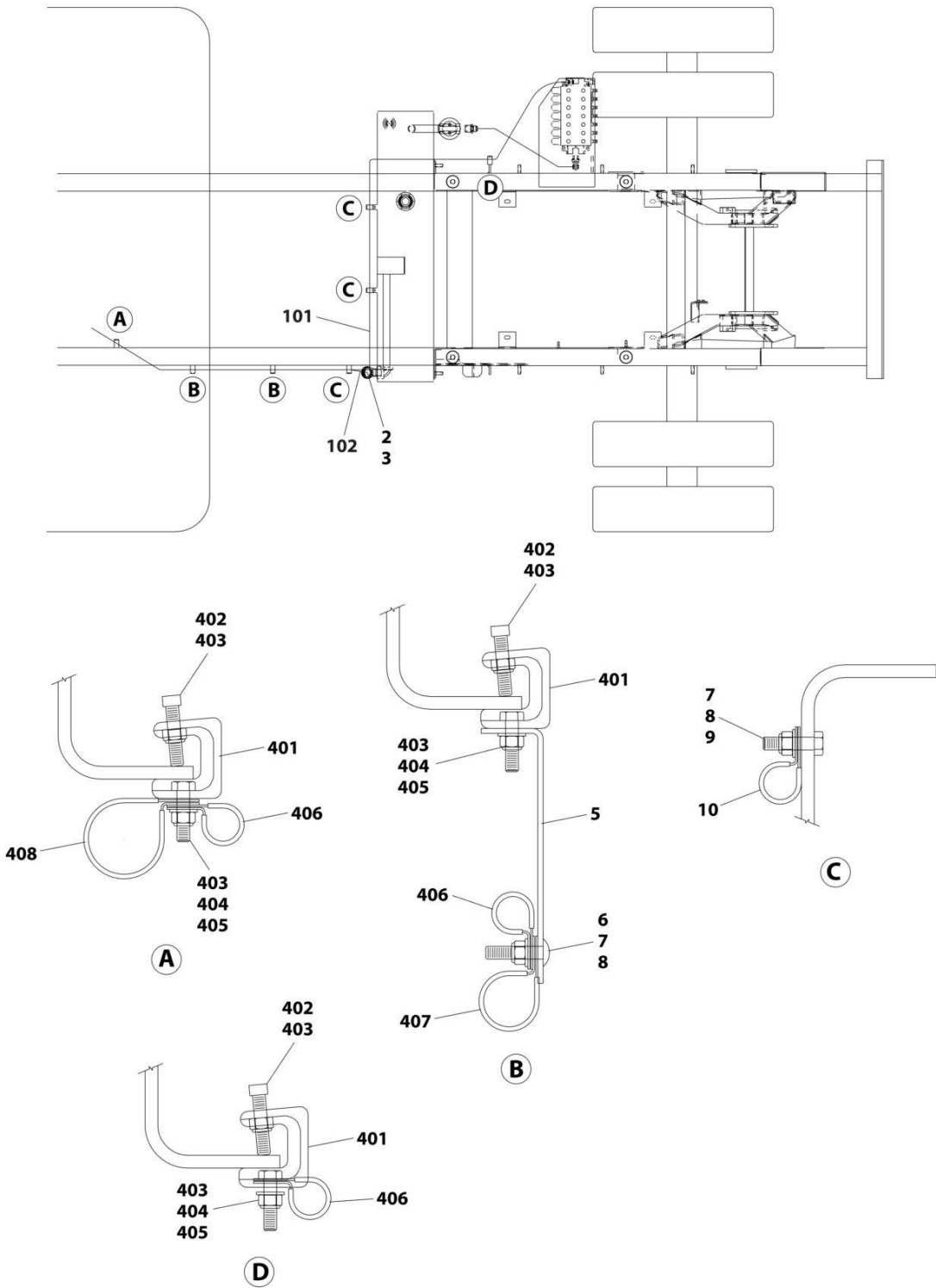
SECTION 6 - HYDRAULIC

FIGURE 6-12. HOSE AND CLAMP INSTALLATION (CHEVY-GMC – 152IN WB)

ITEM	PART NUMBER	QTY	DESCRIPTION	REV
	2509530141	Ref	HOSE AND CLAMP INSTALLATION (CHEVY-GMC - 152IN WB)	A
1	4570000334	1	Hose	
2	4567631214	1	Hose	
3	7274000002	2	Clamp	
4	7274000076	6	Clamp	
5	7785152420	6	Screw 5/16 x 1-1/2	
6	7660152601	14	Nut 5/16	
7	7115151050	6	Bolt 5/16 x 1-1/4	
8	7660150000	6	Nut 5/16	
9	7115150864	3	Bolt 5/16 x 1	
10	7274000042	5	Clamp	
11	7443000426	9	Fitting	
12	7274000105	1	Clamp (Not Shown)	
13	7445081643	1	Adapter (Not Shown)	
25	7443000013	1	Nipple	
28	8632000002	AR	Flex-Trim (Not Shown)	

SECTION 6 - HYDRAULIC

FIGURE 6-13. HOSE AND CLAMP INSTALLATION (CHEVY-GMC – 162IN WB)



ART_1001138315

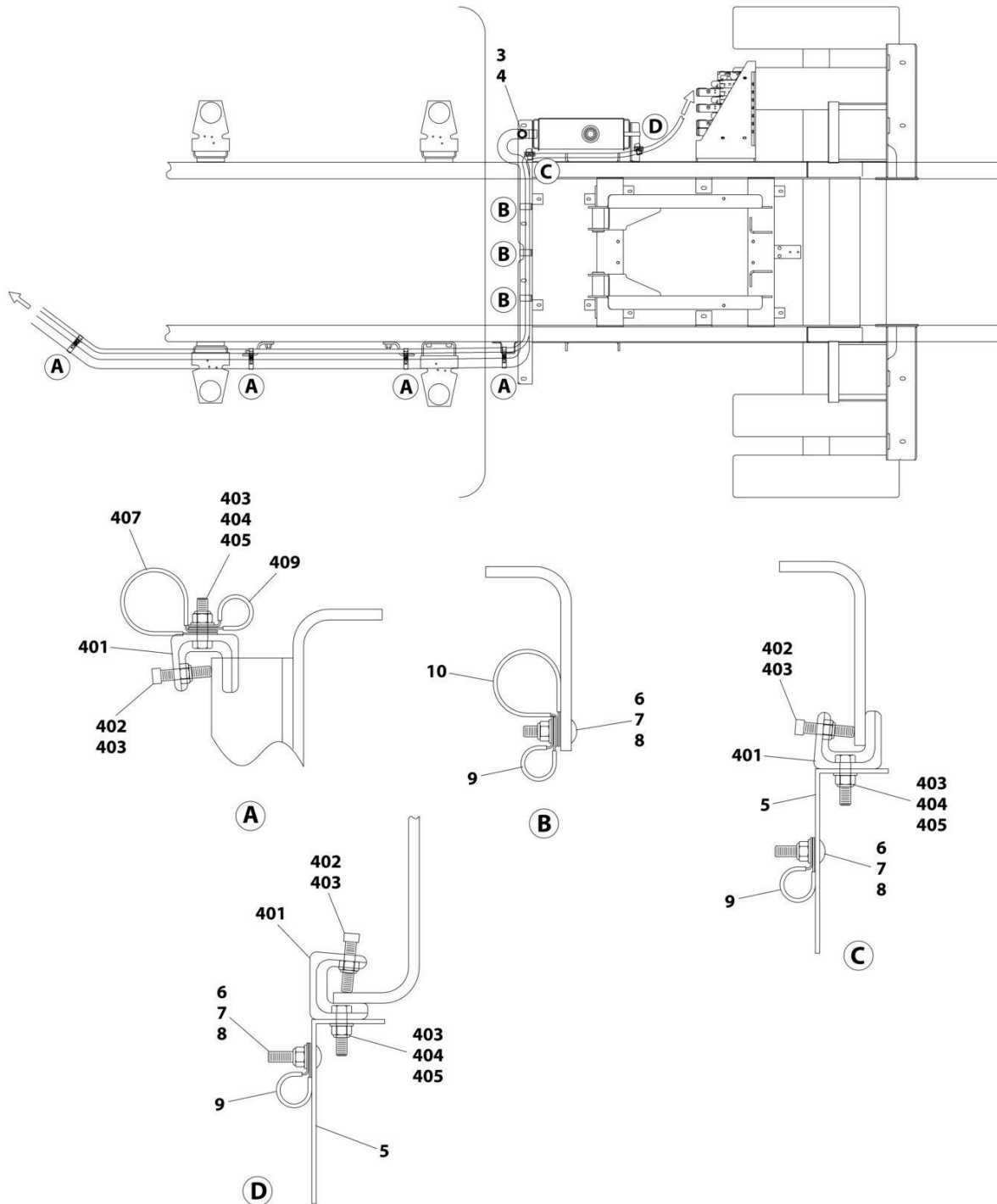
SECTION 6 - HYDRAULIC

FIGURE 6-13. HOSE AND CLAMP INSTALLATION (CHEVY-GMC – 162IN WB)

ITEM	PART NUMBER	QTY	DESCRIPTION	REV
	1001138315	Ref	HOSE AND CLAMP INSTALLATION (CHEVY-GMC - 152IN WB)	B
1	1001138316	Ref	Hose, Kit (Not Shown) (Includes Items 101-102)	
2	7443000013	1	Nipple	
3	7470000002	2	Gauge, Oil Filter Head	
4	1001132794	Ref	Clamp, Hose Kit (Not Shown) (Includes Items 401-408)	
5	4706003844	6	Plate	
6	7115151064	6	Bolt 5/16 x 1-1/4	
7	7950150161	10	Washer 5/16	
8	7660152601	10	Nut 5/16	
9	7115151050	4	Bolt 5/16 x 1-1/4	
10	7819000013	2	Sleeve	
	1001138316	Ref	HOSE, KIT	A
101	4567630219	1	Hose	
102	1001132624	1	Hose	
	1001132794	Ref	CLAMP, HOSE KIT	B
401	7274000076	1	Clamp	
402	7785152420	1	Screw 5/16 x 1-1/2	
403	7660152601	2	Nut 5/16	
404	7115151050	1	Bolt 5/16 x 1-1/4	
405	7950150161	1	Washer 5/16	
406	7274000040	1	Clamp	
407	7274000041	1	Clamp	
408	7274000042	1	Clamp (Not Shown)	

SECTION 6 - HYDRAULIC

FIGURE 6-14. HOSE AND CLAMP INSTALLATION (CV515 D-CP – 141IN WB)



ART_1001256462

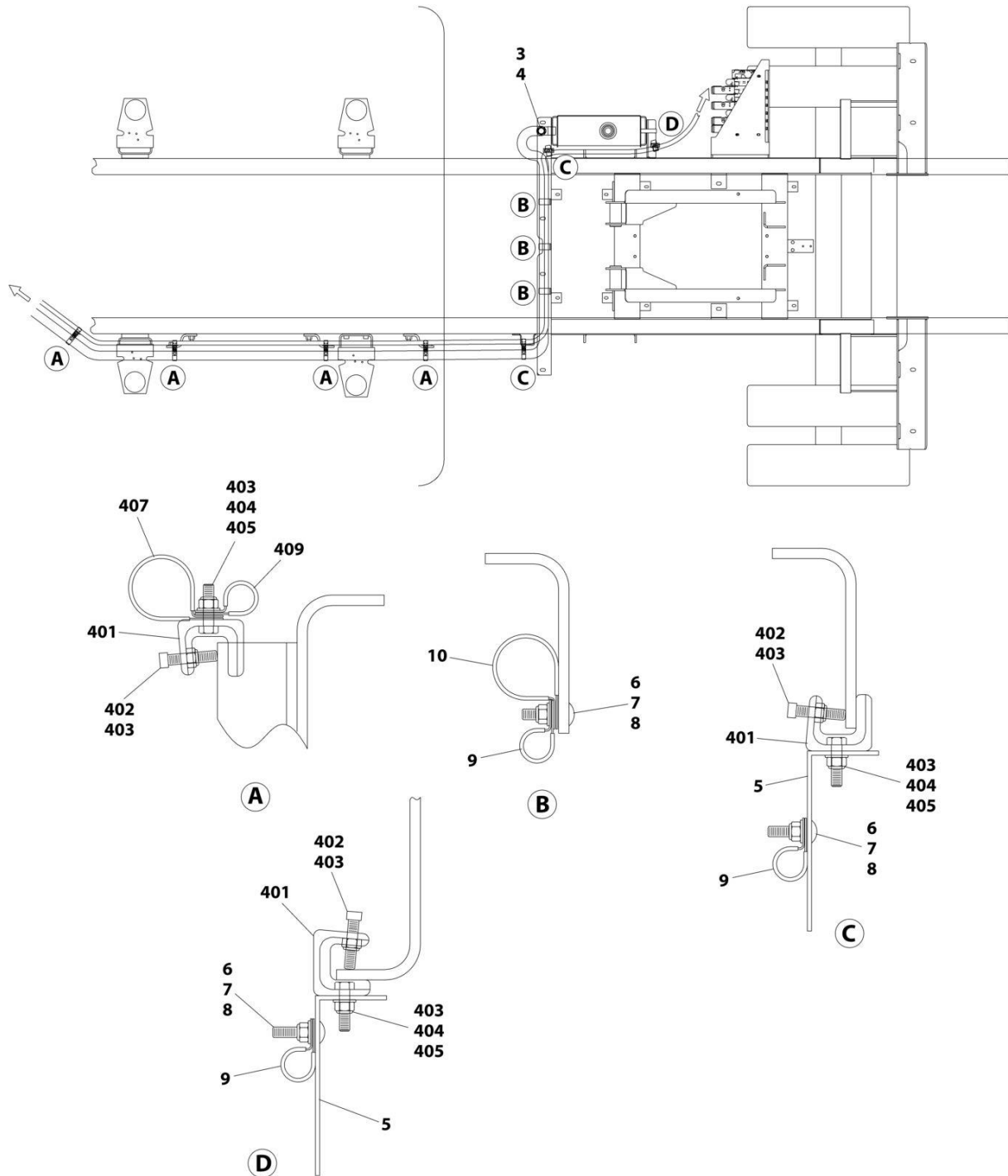
SECTION 6 - HYDRAULIC

FIGURE 6-14. HOSE AND CLAMP INSTALLATION (CV515 D-CP – 141IN WB)

ITEM	PART NUMBER	QTY	DESCRIPTION	REV
	1001256462	Ref	HOSE AND CLAMP INSTALLATION (CV515 D-CP - 141IN WB)	A
1	1001256827	1	Hose (Not Shown)	
2	1001132634	1	Hose (Not Shown)	
3	7443000013	1	Nipple	
4	7274000002	2	Clamp	
5	4706003844	2	Plate	
6	7115151064	5	Bolt 5/16 x 1-1/4	
7	7950150161	5	Washer 5/16	
8	7660152601	5	Nut 5/16	
9	7274000040	5	Clamp	
10	7274000042	3	Clamp	
11	7819000013	1	Sleeve (Not Shown)	
400	1001132794	7	Clamp, Hose Kit (Not Shown)	
401	7274000076	7	Clamp	
402	7785152420	7	Screw 5/16 x 1-1/2	
403	7660152601	14	Nut 5/16	
404	7115151050	7	Bolt 5/16 x 1-1/4	
405	7950150161	7	Washer 5/16	
406	7274000040	7	Clamp (Not Shown)	
407	7274000041	7	Clamp	
408	7274000042	7	Clamp (Not Shown)	
409	7274000105	7	Clamp	

SECTION 6 - HYDRAULIC

FIGURE 6-15. HOSE AND CLAMP INSTALLATION (CV515 D-CP – 165IN WB)



ART_1001256463

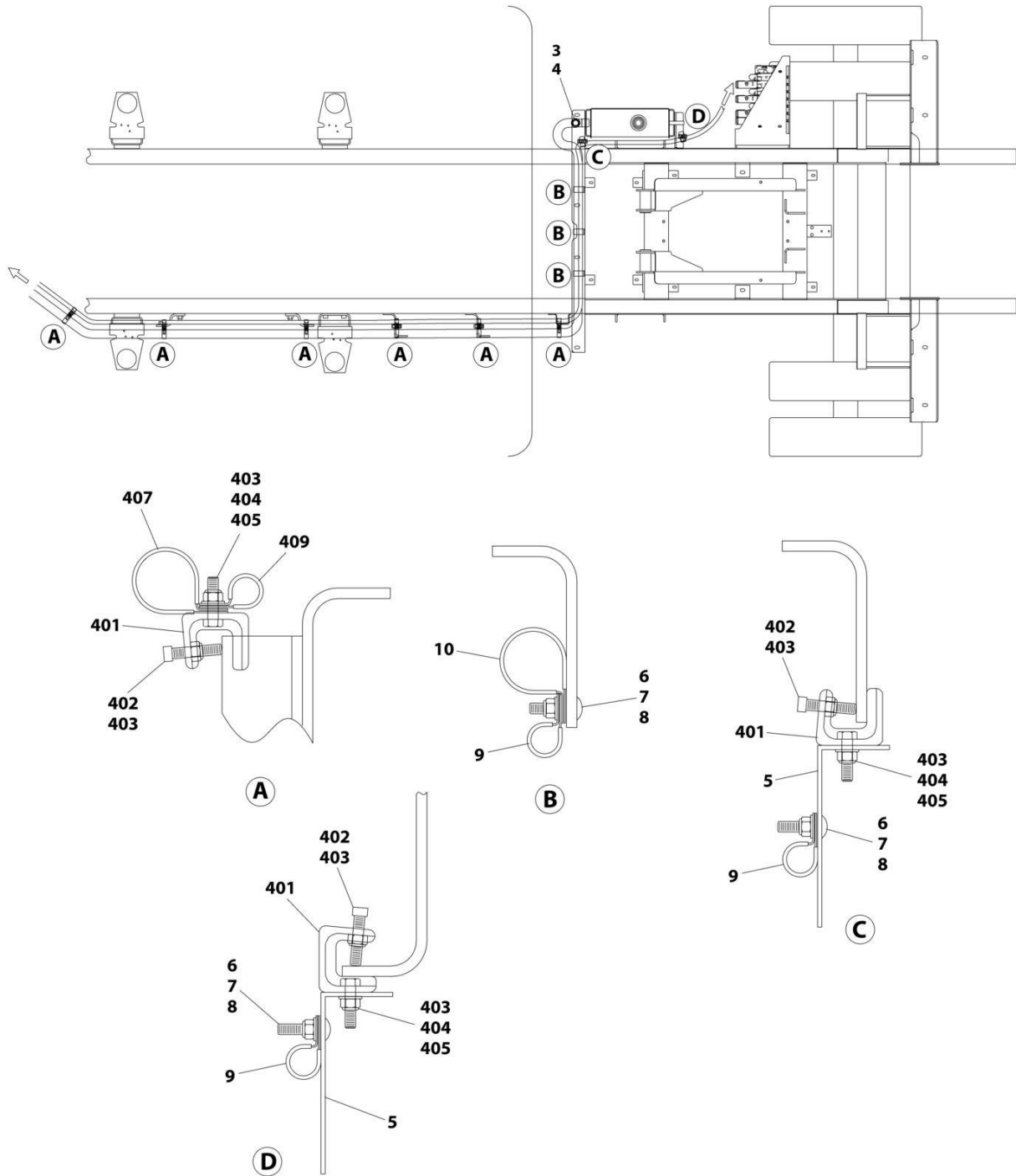
SECTION 6 - HYDRAULIC

FIGURE 6-15. HOSE AND CLAMP INSTALLATION (CV515 D-CP – 165IN WB)

ITEM	PART NUMBER	QTY	DESCRIPTION	REV
	1001256463	Ref	HOSE AND CLAMP INSTALLATION (CV515 D-CP - 165IN WB)	A
1	4567132228	1	Hose (Not Shown)	
2	1001132643	1	Hose (Not Shown)	
3	7443000013	1	Nipple	
4	7274000002	2	Clamp	
5	4706003844	3	Plate	
6	7115151064	6	Bolt 5/16 x 1-1/4	
7	7950150161	6	Washer 5/16	
8	7660152601	6	Nut 5/16	
9	7274000040	5	Clamp	
10	7274000042	3	Clamp	
11	7819000013	1	Sleeve (Not Shown)	
400	1001132794	8	Clamp, Hose Kit (Not Shown)	
401	7274000076	8	Clamp	
402	7785152420	8	Screw 5/16 x 1-1/2	
403	7660152601	16	Nut 5/16	
404	7115151050	8	Bolt 5/16 x 1-1/4	
405	7950150161	8	Washer 5/16	
406	7274000040	8	Clamp (Not Shown)	
407	7274000041	8	Clamp	
408	7274000042	8	Clamp (Not Shown)	
409	7274000105	8	Clamp	

SECTION 6 - HYDRAULIC

FIGURE 6-16. HOSE AND CLAMP INSTALLATION (CV515 D-CP – 175IN WB)



ART_1001256464

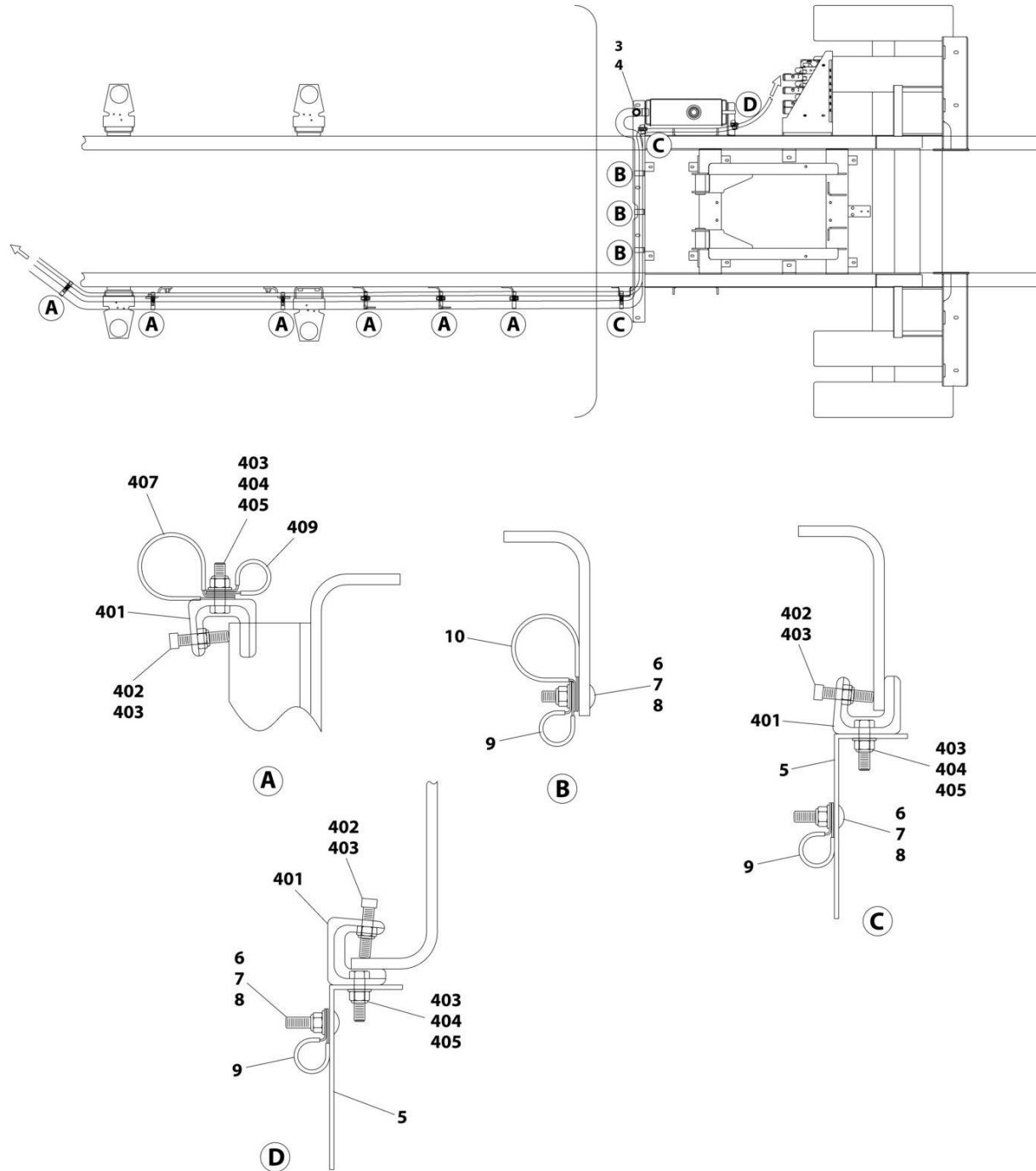
SECTION 6 - HYDRAULIC

FIGURE 6-16. HOSE AND CLAMP INSTALLATION (CV515 D-CP – 175IN WB)

ITEM	PART NUMBER	QTY	DESCRIPTION	REV
	1001256464	Ref	HOSE AND CLAMP INSTALLATION (CV515 D-CP - 175IN WB)	A
1	1001256828	1	Hose (Not Shown)	
2	1001132647	1	Hose (Not Shown)	
3	7443000013	1	Nipple	
4	7274000002	2	Clamp	
5	4706003844	2	Plate	
6	7115151064	5	Bolt 5/16 x 1-1/4	
7	7950150161	5	Washer 5/16	
8	7660152601	5	Nut 5/16	
9	7274000040	5	Clamp	
10	7274000042	3	Clamp	
11	7819000013	1	Sleeve (Not Shown)	
400	1001132794	9	Clamp, Hose Kit (Not Shown)	
401	7274000076	9	Clamp	
402	7785152420	9	Screw 5/16 x 1-1/2	
403	7660152601	18	Nut 5/16	
404	7115151050	9	Bolt 5/16 x 1-1/4	
405	7950150161	9	Washer 5/16	
406	7274000040	9	Clamp (Not Shown)	
407	7274000041	9	Clamp	
408	7274000042	9	Clamp (Not Shown)	
409	7274000105	9	Clamp	

SECTION 6 - HYDRAULIC

FIGURE 6-17. HOSE AND CLAMP INSTALLATION (CV515 D-CP – 199IN WB)



ART_1001256465

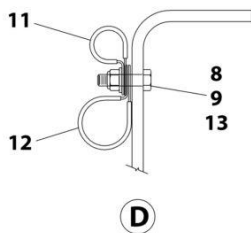
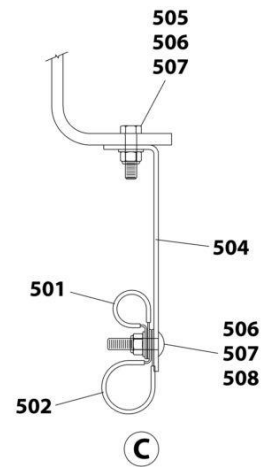
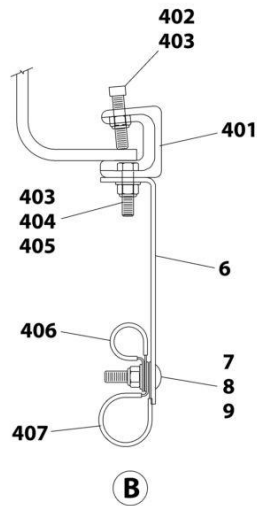
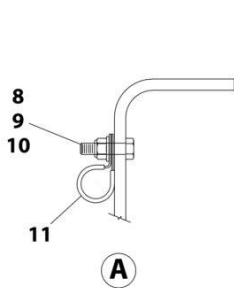
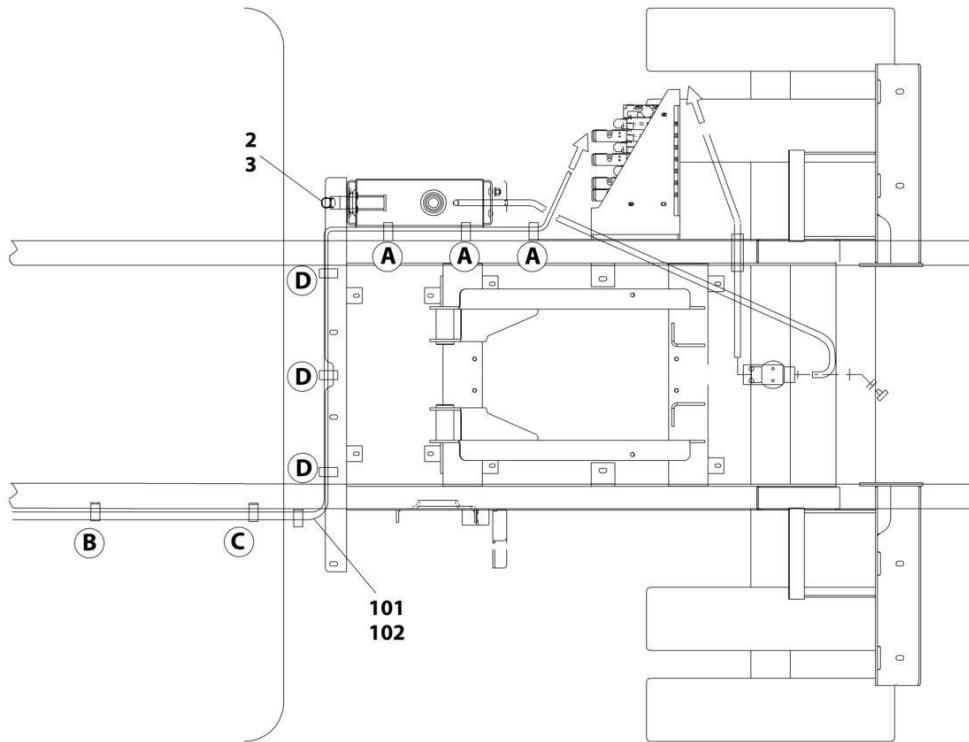
SECTION 6 - HYDRAULIC

FIGURE 6-17. HOSE AND CLAMP INSTALLATION (CV515 D-CP – 199IN WB)

ITEM	PART NUMBER	QTY	DESCRIPTION	REV
	1001256465	Ref	HOSE AND CLAMP INSTALLATION (CV515 D-CP - 199IN WB)	A
1	1001256829	1	Hose (Not Shown)	
2	1001256825	1	Hose (Not Shown)	
3	7443000013	1	Nipple	
4	7274000002	2	Clamp	
5	4706003844	3	Plate	
6	7115151064	6	Bolt 5/16 x 1-1/4	
7	7950150161	6	Washer 5/16	
8	7660152601	6	Nut 5/16	
9	7274000040	5	Clamp	
10	7274000042	3	Clamp	
11	7819000013	1	Sleeve (Not Shown)	
400	1001132794	10	Clamp, Hose Kit (Not Shown)	
401	7274000076	10	Clamp	
402	7785152420	10	Screw 5/16 x 1-1/2	
403	7660152601	20	Nut 5/16	
404	7115151050	10	Bolt 5/16 x 1-1/4	
405	7950150161	10	Washer 5/16	
406	7274000040	10	Clamp (Not Shown)	
407	7274000041	10	Clamp	
408	7274000042	10	Clamp (Not Shown)	
409	7274000105	10	Clamp	

SECTION 6 - HYDRAULIC

FIGURE 6-18. HOSE AND CLAMP INSTALLATION (DODGE D-CP – 144IN WB)



ART_1001132814

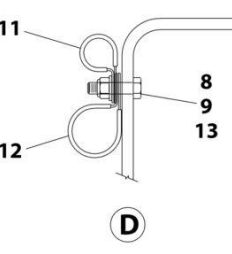
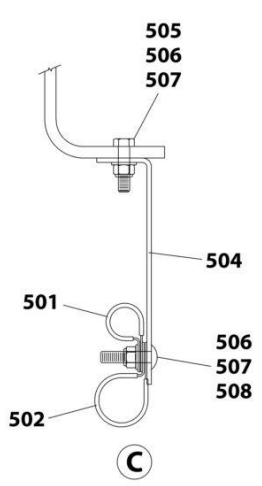
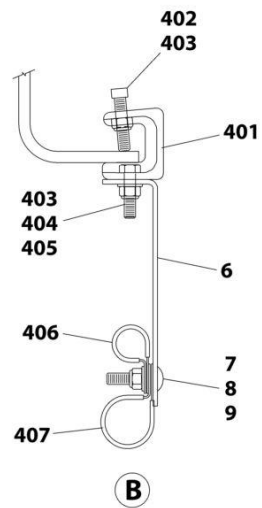
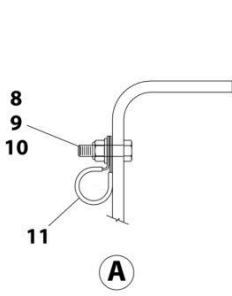
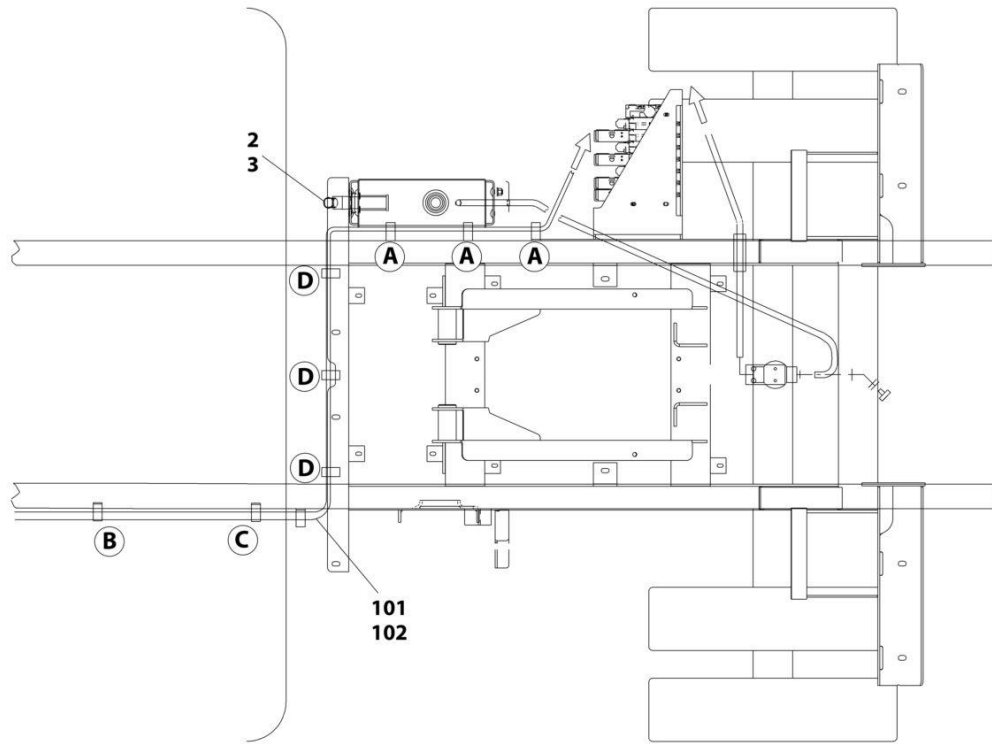
SECTION 6 - HYDRAULIC

FIGURE 6-18. HOSE AND CLAMP INSTALLATION (DODGE D-CP – 144IN WB)

ITEM	PART NUMBER	QTY	DESCRIPTION	REV
	1001132814	Ref	HOSE AND CLAMP INSTALLATION (DODGE D-CP - 144IN WB)	B
1	1001132839	Ref	Hose, Kit (Not Shown) (Includes Items 101-102)	
2	7443000412	1	Elbow	
3	7470000002	2	Gauge, Oil Filter Head	
4	1001132794	Ref	Clamp, Hose Kit (Not Shown) (Includes Items 401-408)	
5	1001132800	Ref	Clamp, Hose Kit (Not Shown) (Includes Items 501-508)	
6	4706003844	1	Plate	
7	7115151064	1	Bolt 5/16 x 1-1/4	
8	7950150161	7	Washer 5/16	
9	7660152601	7	Nut 5/16	
10	7115151050	3	Bolt 5/16 x 1-1/4	
11	7274000040	6	Clamp	
12	7274000041	3	Clamp	
13	7115150864	3	Bolt 5/16 x 1-1/4	
14	8632000002	AR	Flex-Trim (Not Shown)	
15	7819000013	4	Sleeve (Not Shown)	
	1001132839	Ref	HOSE, KIT	0
101	4567630219	1	Hose	
102	1001132642	1	Hose	
	1001132794	Ref	CLAMP, HOSE KIT	B
401	7274000076	1	Clamp	
402	7785152420	1	Screw 5/16 x 1-1/2	
403	7660152601	2	Nut 5/16	
404	7115151050	1	Bolt 5/16 x 1-1/4	
405	7950150161	1	Washer 5/16	
406	7274000040	1	Clamp	
407	7274000041	1	Clamp	
408	7274000042	1	Clamp	
	1001132800	Ref	CLAMP, HOSE KIT	B
501	7274000040	1	Clamp	
502	7274000041	1	Clamp	
503	7274000042	1	Clamp	
504	4706003844	1	Plate	
505	7115151050	1	Bolt 5/16 x 1-1/4	
506	7950150161	3	Washer 5/16	
507	7660152601	2	Nut 5/16	
508	7115151064	1	Bolt 5/16 x 1-1/4	

SECTION 6 - HYDRAULIC

FIGURE 6-19. HOSE AND CLAMP INSTALLATION (DODGE D-CP – 173IN WB)



ART_1001132816

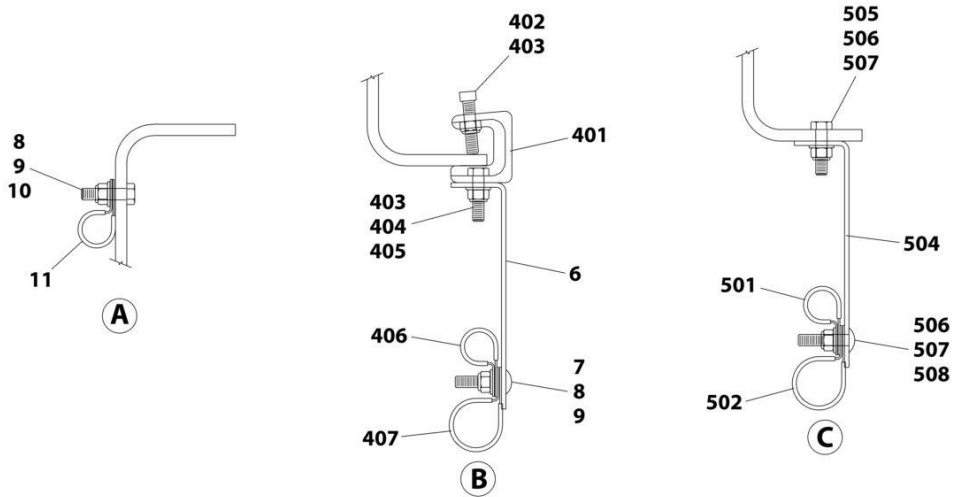
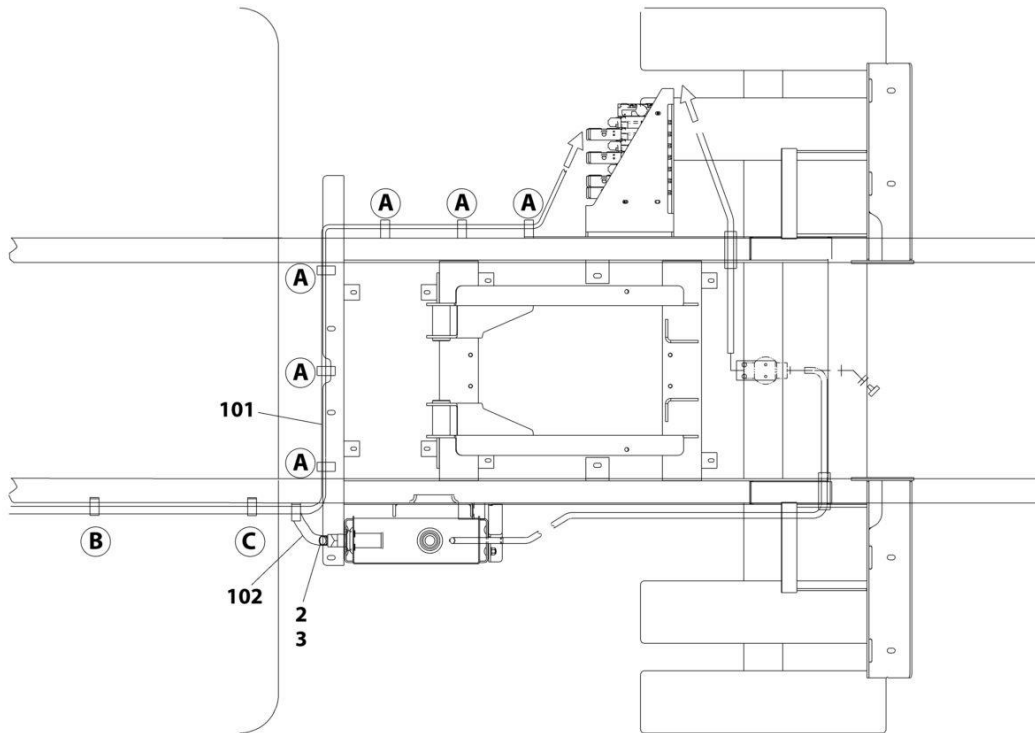
SECTION 6 - HYDRAULIC

FIGURE 6-19. HOSE AND CLAMP INSTALLATION (DODGE D-CP – 173IN WB)

ITEM	PART NUMBER	QTY	DESCRIPTION	REV
	1001132816	Ref	HOSE AND CLAMP INSTALLATION (DODGE D-CP - 173IN WB)	B
1	1001132841	Ref	Hose, Kit (Not Shown) (Includes Items 101-102)	
2	7443000412	1	Elbow	
3	7470000002	2	Gauge, Oil Filter Head	
4	1001132794	Ref	Clamp, Hose Kit (Not Shown) (Includes Items 401-408)	
5	1001132800	Ref	Clamp, Hose Kit (Not Shown) (Includes Items 501-508)	
6	4706003844	1	Plate	
7	7115151064	1	Bolt 5/16 x 1-1/4	
8	7950150161	7	Washer 5/16	
9	7660152601	7	Nut 5/16	
10	7115151050	3	Bolt 5/16 x 1-1/4	
11	7274000040	6	Clamp	
12	7274000041	3	Clamp	
13	7115150864	3	Bolt 5/16 x 1-1/4	
14	8632000002	AR	Flex-Trim (Not Shown)	
15	7819000013	4	Sleeve (Not Shown)	
	1001132841	Ref	HOSE, KIT	0
101	4567630250	1	Hose	
102	1001132848	1	Hose	
	1001132794	Ref	CLAMP, HOSE KIT	B
401	7274000076	1	Clamp	
402	7785152420	1	Screw 5/16 x 1-1/2	
403	7660152601	2	Nut 5/16	
404	7115151050	1	Bolt 5/16 x 1-1/4	
405	7950150161	1	Washer 5/16	
406	7274000040	1	Clamp	
407	7274000041	1	Clamp	
408	7274000042	1	Clamp	
	1001132800	Ref	CLAMP, HOSE KIT	B
501	7274000040	1	Clamp	
502	7274000041	1	Clamp	
503	7274000042	1	Clamp	
504	4706003844	1	Plate	
505	7115151050	1	Bolt 5/16 x 1-1/4	
506	7950150161	3	Washer 5/16	
507	7660152601	2	Nut 5/16	
508	7115151064	1	Bolt 5/16 x 1-1/4	

SECTION 6 - HYDRAULIC

FIGURE 6-20. HOSE AND CLAMP INSTALLATION (FORD D-CP – 140IN WB)



ART_1001132817

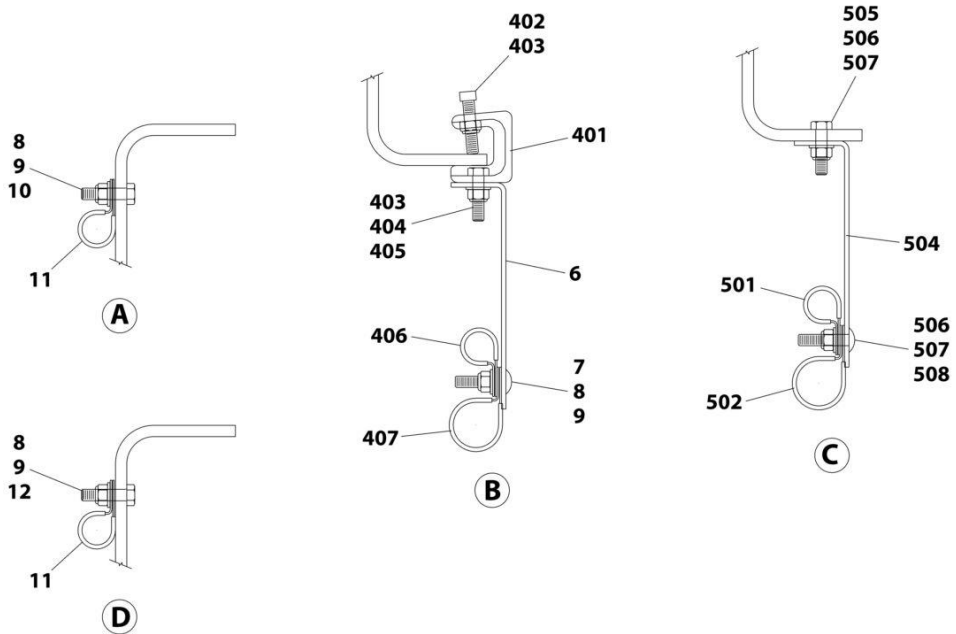
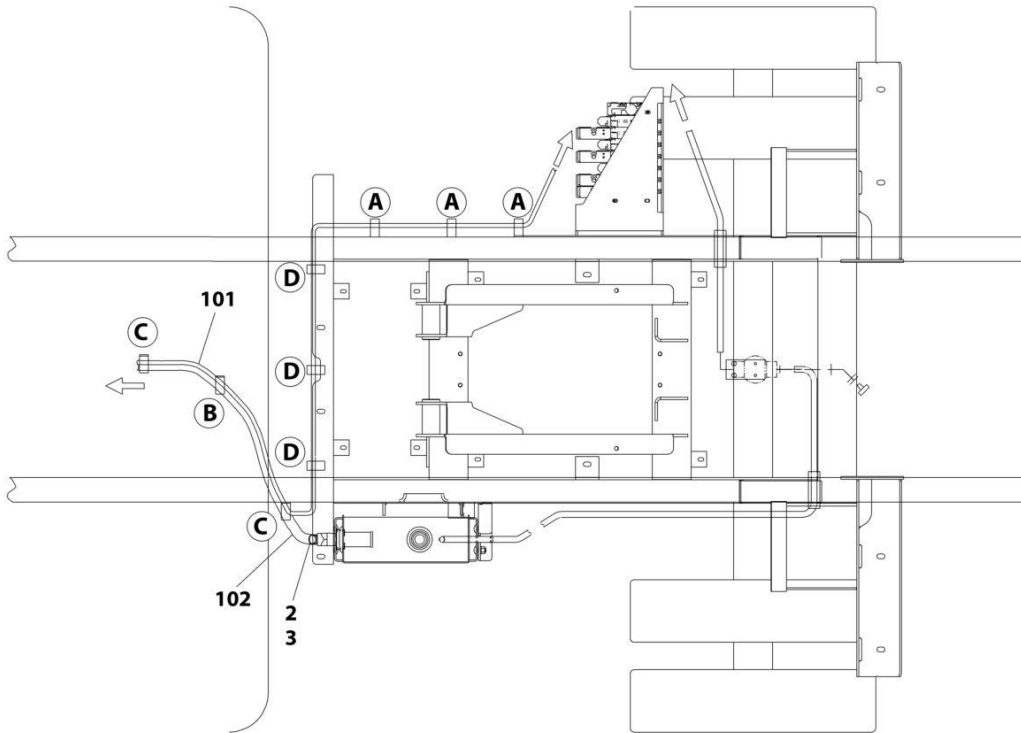
SECTION 6 - HYDRAULIC

FIGURE 6-20. HOSE AND CLAMP INSTALLATION (FORD D-CP – 140IN WB)

ITEM	PART NUMBER	QTY	DESCRIPTION	REV
	1001132817	Ref	HOSE AND CLAMP INSTALLATION (FORD D-CP - 140IN WB)	B
1	1001132842	Ref	Hose, Kit (Not Shown) (Includes Items 101-102)	
2	7443000013	1	Nipple	
3	7470000002	2	Gauge, Oil Filter Head	
4	1001132794	Ref	Clamp, Hose Kit (Not Shown) (Includes Items 401-408)	
5	1001132800	Ref	Clamp, Hose Kit (Not Shown) (Includes Items 501-508)	
6	4706003844	1	Plate	
7	7115151064	1	Bolt 5/16 x 1-1/4	
8	7950150161	7	Washer 5/16	
9	7660152601	7	Nut 5/16	
10	7115151050	6	Bolt 5/16 x 1-1/4	
11	7274000040	6	Clamp	
12	8632000002	AR	Flex-Trim (Not Shown)	
13	7819000013	4	Sleeve (Not Shown)	
	1001132845	Ref	HOSE, KIT	0
101	4567630225	1	Hose	
102	1001132638	1	Hose	
	1001132794	Ref	CLAMP, HOSE KIT	B
401	7274000076	1	Clamp	
402	7785152420	1	Screw 5/16 x 1-1/2	
403	7660152601	2	Nut 5/16	
404	7115151050	1	Bolt 5/16 x 1-1/4	
405	7950150161	1	Washer 5/16	
406	7274000040	1	Clamp	
407	7274000041	1	Clamp	
408	7274000042	1	Clamp (Not Shown)	
	1001132800	Ref	CLAMP, HOSE KIT	B
501	7274000040	1	Clamp	
502	7274000041	1	Clamp	
503	7274000042	1	Clamp (Not Shown)	
504	4706003844	1	Plate	
505	7115151050	1	Bolt 5/16 x 1-1/4	
506	7950150161	3	Washer 5/16	
507	7660152601	2	Nut 5/16	
508	7115151064	1	Bolt 5/16 x 1-1/4	

SECTION 6 - HYDRAULIC

FIGURE 6-21. HOSE AND CLAMP INSTALLATION (FORD D-PTO – 140IN WB)



ART_1001132818

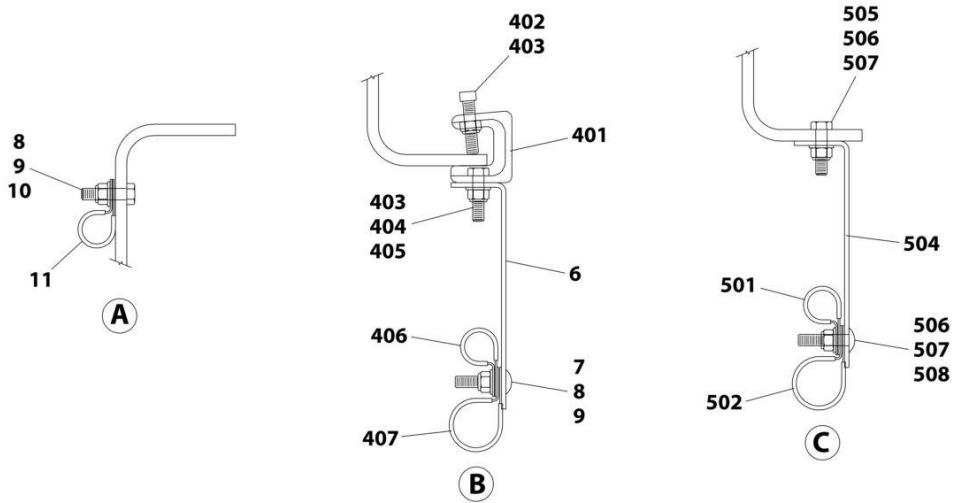
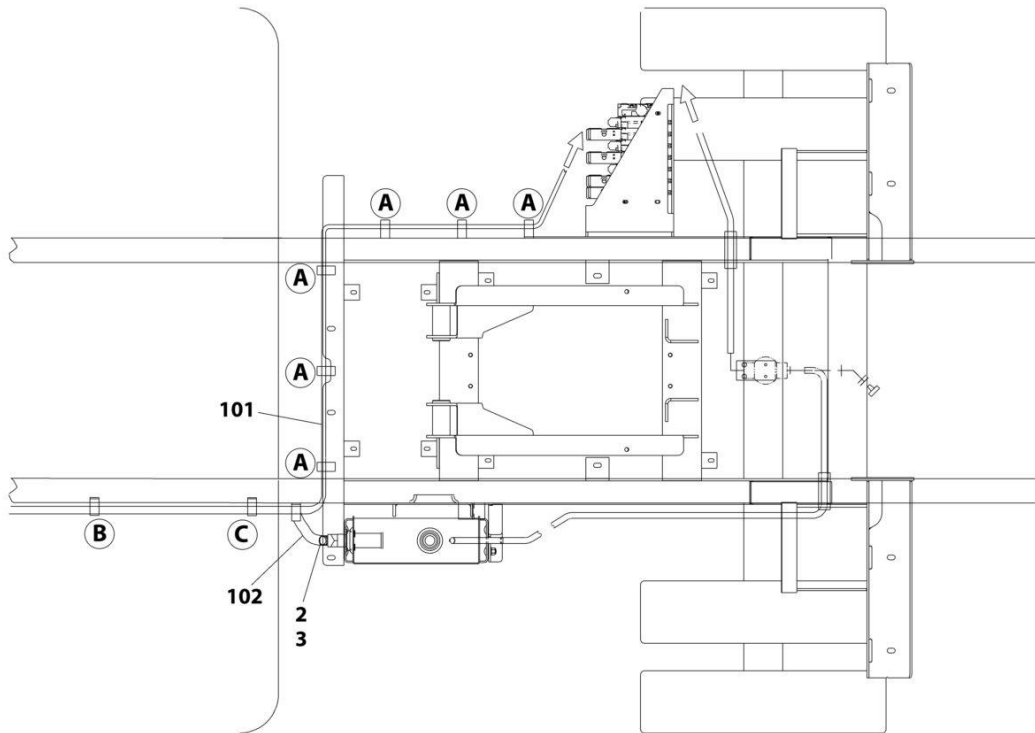
SECTION 6 - HYDRAULIC

FIGURE 6-21. HOSE AND CLAMP INSTALLATION (FORD D-PTO – 140IN WB)

ITEM	PART NUMBER	QTY	DESCRIPTION	REV
	1001132818	Ref	HOSE AND CLAMP INSTALLATION (FORD D-PTO - 140IN WB)	0
1	1001132843	Ref	Hose, Kit (Not Shown) (Includes Items 101-102)	
2	7443000013	1	Nipple	
3	7470000002	2	Gauge, Oil Filter Head	
4	1001132794	Ref	Clamp, Hose Kit (Not Shown) (Includes Items 401-408)	
5	1001132800	Ref	Clamp, Hose Kit (Not Shown) (Includes Items 501-508)	
6	4706003844	1	Plate	
7	7115151064	1	Bolt 5/16 x 1-1/4	
8	7950150161	7	Washer 5/16	
9	7660152601	7	Nut 5/16	
10	7115151050	3	Bolt 5/16 x 1-1/4	
11	7274000040	6	Clamp	
12	7115150864	3	Bolt 5/16 x 1	
13	8632000002	AR	Flex-Trim (Not Shown)	
	1001132843	Ref	HOSE, KIT	0
101	4567630162	1	Hose	
102	4570000099	1	Hose	
	1001132794	Ref	CLAMP, HOSE KIT	B
401	7274000076	1	Clamp	
402	7785152420	1	Screw 5/16 x 1-1/2	
403	7660152601	2	Nut 5/16	
404	7115151050	1	Bolt 5/16 x 1-1/4	
405	7950150161	1	Washer 5/16	
406	7274000040	1	Clamp	
407	7274000041	1	Clamp	
408	7274000042	1	Clamp (Not Shown)	
	1001132800	Ref	CLAMP, HOSE KIT	B
501	7274000040	1	Clamp	
502	7274000041	1	Clamp	
503	7274000042	1	Clamp (Not Shown)	
504	4706003844	1	Plate	
505	7115151050	1	Bolt 5/16 x 1-1/4	
506	7950150161	3	Washer 5/16	
507	7660152601	2	Nut 5/16	
508	7115151064	1	Bolt 5/16 x 1-1/4	

SECTION 6 - HYDRAULIC

FIGURE 6-22. HOSE AND CLAMP INSTALLATION (FORD G-CP – 140IN WB)



ART_1001132819

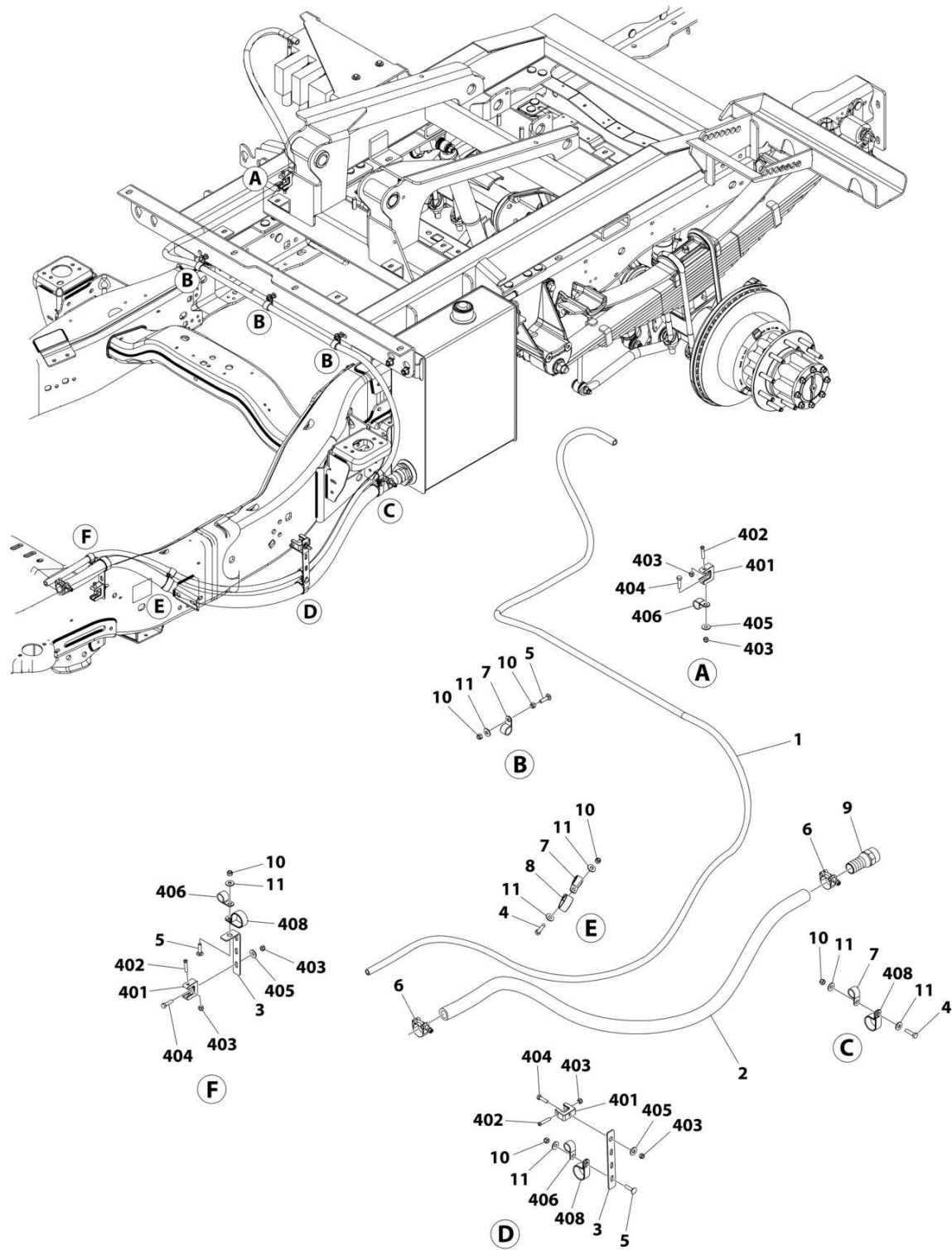
SECTION 6 - HYDRAULIC

FIGURE 6-22. HOSE AND CLAMP INSTALLATION (FORD G-CP – 140IN WB)

ITEM	PART NUMBER	QTY	DESCRIPTION	REV
	1001132819	Ref	HOSE AND CLAMP INSTALLATION (FORD G-CP - 140IN WB)	B
1	1001132844	Ref	Hose, Kit (Not Shown) (Includes Items 101-102)	
2	7443000013	1	Nipple	
3	7470000002	2	Gauge, Oil Filter Head	
4	1001132794	Ref	Clamp, Hose Kit (Not Shown) (Includes Items 401-408)	
5	1001132800	Ref	Clamp, Hose Kit (Not Shown) (Includes Items 501-508)	
6	4706003844	1	Plate	
7	7115151064	1	Bolt 5/16 x 1-1/4	
8	7950150161	7	Washer 5/16	
9	7660152601	7	Nut 5/16	
10	7115151050	6	Bolt 5/16 x 1-1/4	
11	7274000040	6	Clamp	
12	8632000002	AR	Flex-Trim (Not Shown)	
13	7819000013	4	Sleeve (Not Shown)	
	1001132844	Ref	HOSE, KIT	0
101	4567630182	1	Hose	
102	1001132617	1	Hose	
	1001132794	Ref	CLAMP, HOSE KIT	B
401	7274000076	1	Clamp	
402	7785152420	1	Screw 5/16 x 1-1/2	
403	7660152601	2	Nut 5/16	
404	7115151050	1	Bolt 5/16 x 1-1/4	
405	7950150161	1	Washer 5/16	
406	7274000040	1	Clamp	
407	7274000041	1	Clamp	
408	7274000042	1	Clamp (Not Shown)	
	1001132800	Ref	CLAMP, HOSE KIT	B
501	7274000040	1	Clamp	
502	7274000041	1	Clamp	
503	7274000042	1	Clamp (Not Shown)	
504	4706003844	1	Plate	
505	7115151050	1	Bolt 5/16 x 1-1/4	
506	7950150161	3	Washer 5/16	
507	7660152601	2	Nut 5/16	
508	7115151064	1	Bolt 5/16 x 1-1/4	

SECTION 6 - HYDRAULIC

FIGURE 6-23. HOSE AND CLAMP INSTALLATION (FORD PTO – 145IN WB)



ART_1001222675

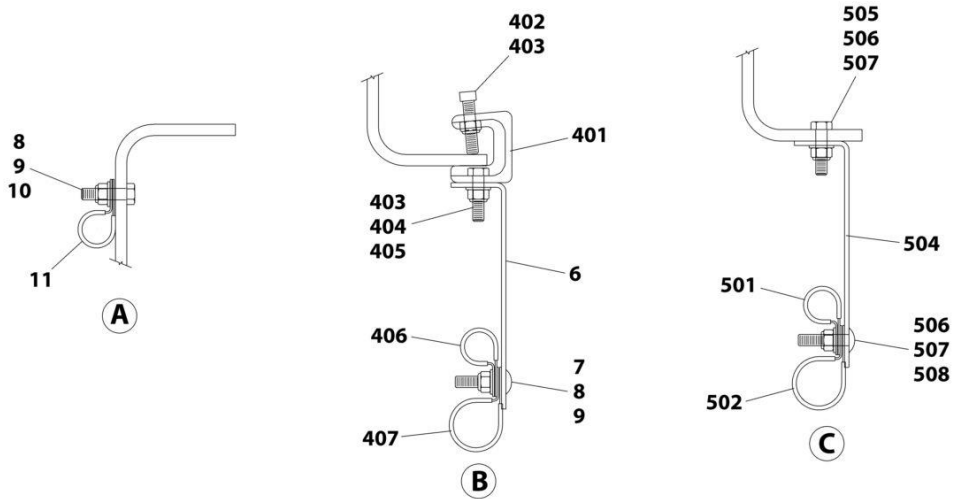
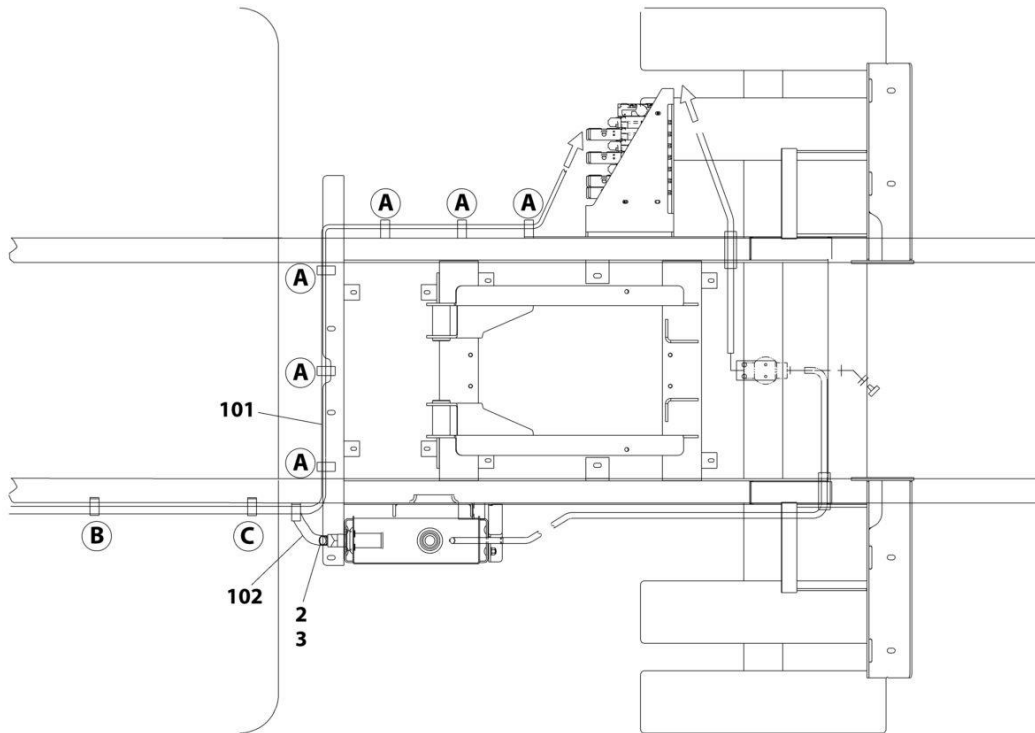
SECTION 6 - HYDRAULIC

FIGURE 6-23. HOSE AND CLAMP INSTALLATION (FORD PTO – 145IN WB)

ITEM	PART NUMBER	QTY	DESCRIPTION	REV
	1001222675	Ref	HOSE AND CLAMP INSTALLATION (FORD PTO - 145IN WB)	A
1	4567130168	1	Hose	
2	4570000373	1	Hose	
3	4706003844	2	Plate	
4	7115151050	2	Bolt 5/16 x 1-1/4	
5	7115151064	5	Bolt 5/16 x 1-1/4	
6	7274000002	2	Clamp	
7	7274000040	5	Clamp	
8	7274000042	1	Clamp	
9	7443000013	1	Sleeve	
10	7660152601	10	Nut 5/16	
11	7950150161	9	Washer 5/16	
400	1001132794	3	Clamp, Hose Kit (Not Shown)	
401	7274000076	3	Clamp	
402	7785152420	3	Screw 5/16 x 1-1/2	
403	7660152601	6	Nut 5/16	
404	7115151050	3	Bolt 5/16 x 1-1/4	
405	7950150161	3	Washer 5/16	
406	7274000040	3	Clamp	
408	7274000042	3	Clamp	

SECTION 6 - HYDRAULIC

FIGURE 6-24. HOSE AND CLAMP INSTALLATION (FORD D-CP – 164IN WB)



ART_1001132820

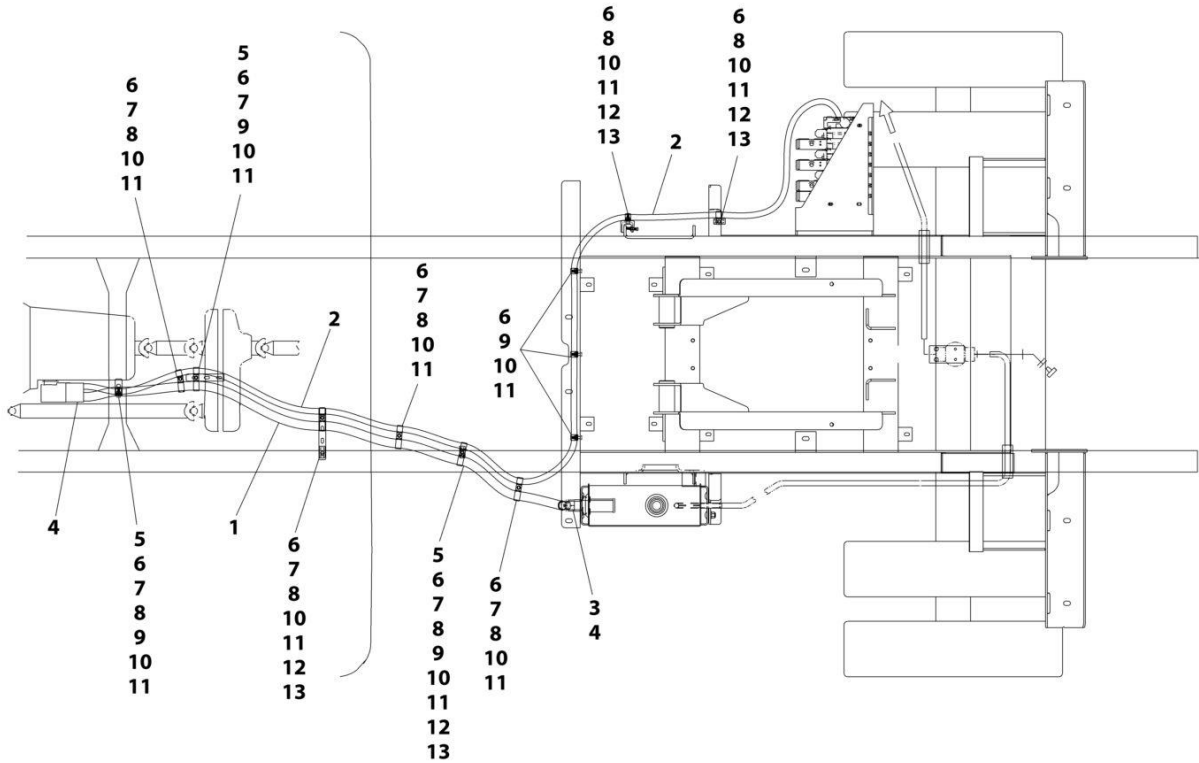
SECTION 6 - HYDRAULIC

FIGURE 6-24. HOSE AND CLAMP INSTALLATION (FORD D-CP – 164IN WB)

ITEM	PART NUMBER	QTY	DESCRIPTION	REV
	1001132820	Ref	HOSE AND CLAMP INSTALLATION (DODGE D-CP - 173IN WB)	B
1	1001132845	Ref	Hose, Kit (Not Shown) (Includes Items 101-102)	
2	7443000013	1	Nipple	
3	7470000002	2	Gauge, Oil Filter Head	
4	1001132794	Ref	Clamp, Hose Kit (Not Shown) (Includes Items 401-408)	
5	1001132800	Ref	Clamp, Hose Kit (Not Shown) (Includes Items 501-508)	
6	4706003844	1	Plate	
7	7115151064	1	Bolt 5/16 x 1-1/4	
8	7950150161	7	Washer 5/16	
9	7660152601	7	Nut 5/16	
10	7115151050	6	Bolt 5/16 x 1-1/4	
11	7274000040	6	Clamp	
12	8632000002	AR	Flex-Trim (Not Shown)	
13	7819000013	4	Sleeve (Not Shown)	
	1001132845	Ref	HOSE, KIT	0
101	4567630241	1	Hose	
102	1001132647	1	Hose	
	1001132794	Ref	CLAMP, HOSE KIT	B
401	7274000076	1	Clamp	
402	7785152420	1	Screw 5/16 x 1-1/2	
403	7660152601	2	Nut 5/16	
404	7115151050	1	Bolt 5/16 x 1-1/4	
405	7950150161	1	Washer 5/16	
406	7274000040	1	Clamp	
407	7274000041	1	Clamp	
408	7274000042	1	Clamp (Not Shown)	
	1001132800	Ref	CLAMP, HOSE KIT	B
501	7274000040	1	Clamp	
502	7274000041	1	Clamp	
503	7274000042	1	Clamp (Not Shown)	
504	4706003844	1	Plate	
505	7115151050	1	Bolt 5/16 x 1-1/4	
506	7950150161	3	Washer 5/16	
507	7660152601	2	Nut 5/16	
508	7115151064	1	Bolt 5/16 x 1-1/4	

SECTION 6 - HYDRAULIC

FIGURE 6-25. HOSE AND CLAMP INSTALLATION (FORD D-PTO – 164IN WB)



ART_1001152244

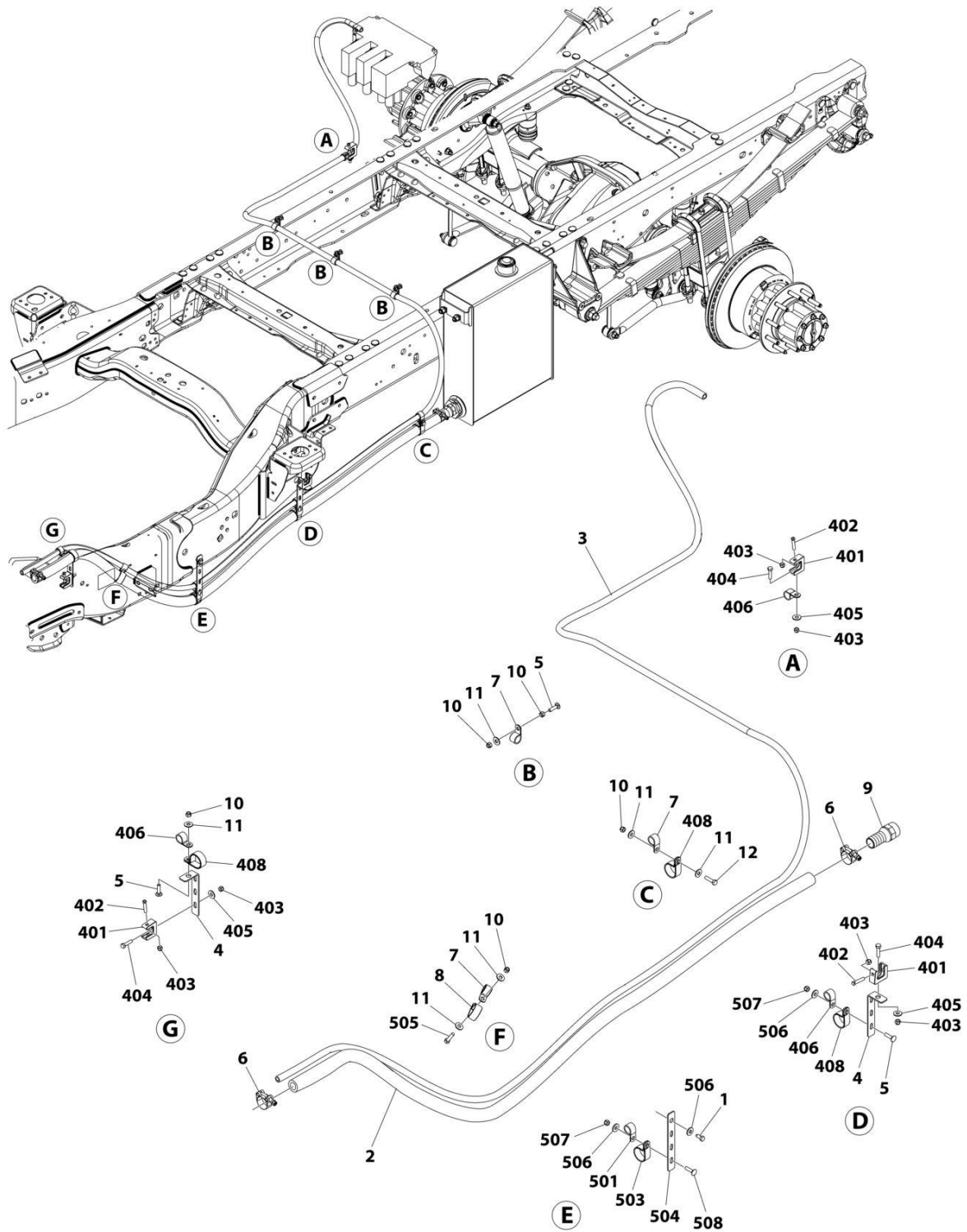
SECTION 6 - HYDRAULIC

FIGURE 6-25. HOSE AND CLAMP INSTALLATION (FORD D-PTO – 164IN WB)

ITEM	PART NUMBER	QTY	DESCRIPTION	REV
	1001152244	Ref	HOSE AND CLAMP INSTALLATION (FORD D-PTO - 164IN WB)	A
1	4570000352	1	Hose	
2	4567630186	1	Hose	
3	7443000013	1	Niplple	
4	7274000002	2	Clamp	
5	4706003844	3	Plate	
6	7274000040	12	Clamp	
7	7274000042	7	Clamp	
8	7115151050	8	Bolt 5/16 x 1-1/4	
9	7115151064	9	Bolt 5/16 x 1-1/4	
10	7950150161	18	Washer 5/16	
11	7660152601	18	Nut 5/16	
12	7274000076	4	Clamp	
13	7785152420	4	Screw 5/16 x 1-1/2	

SECTION 6 - HYDRAULIC

FIGURE 6-26. HOSE AND CLAMP INSTALLATION (FORD PTO – 167-169IN WB)



ART_1001222676

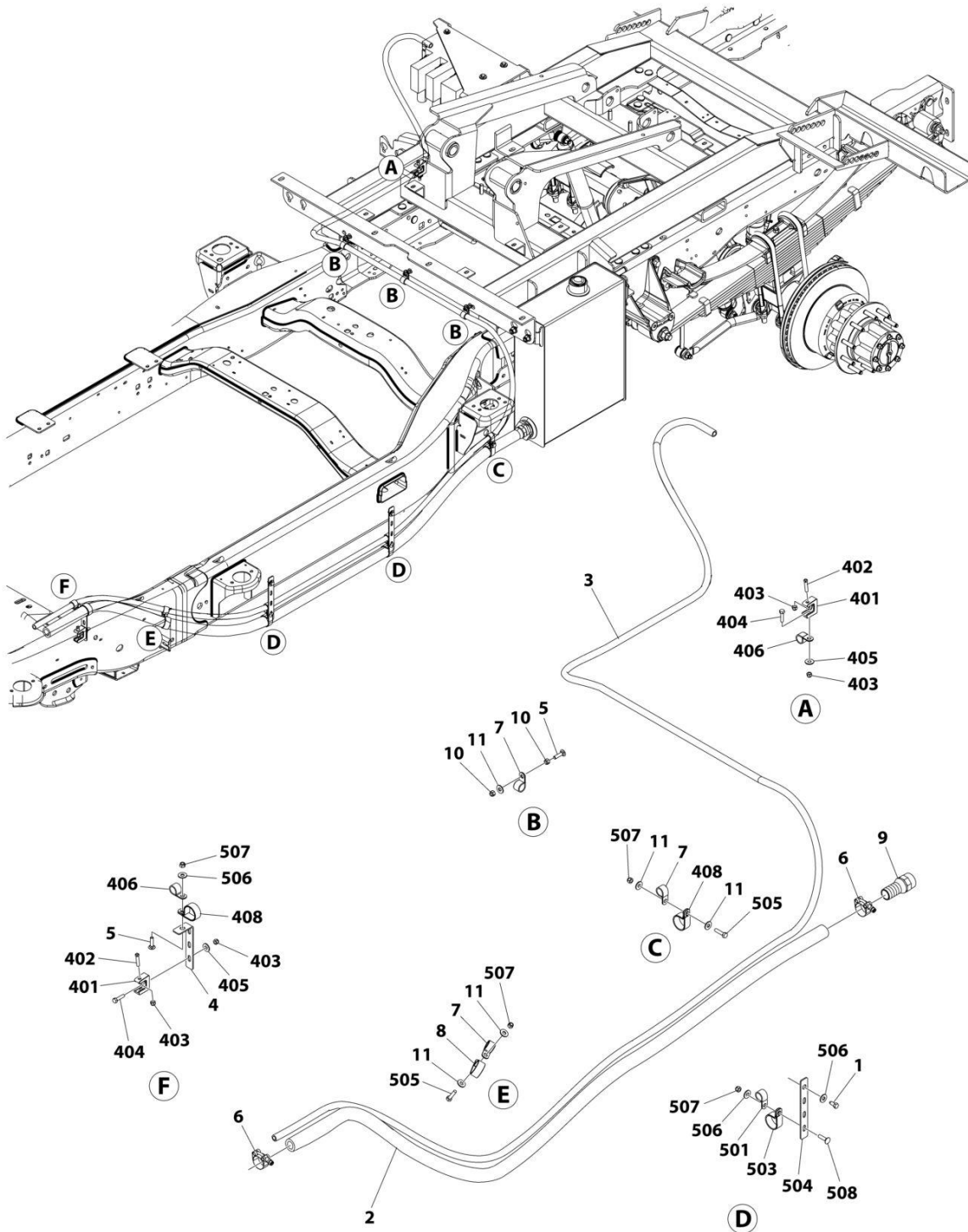
SECTION 6 - HYDRAULIC

FIGURE 6-26. HOSE AND CLAMP INSTALLATION (FORD PTO – 167-169IN WB)

ITEM	PART NUMBER	QTY	DESCRIPTION	REV
	1001222676	Ref	HOSE AND CLAMP INSTALLATION (FORD PTO - 167-169IN WB)	A
1	3941506	1	Tap Screw	
2	1001132605	1	Hose	
3	4567130190	1	Hose	
4	4706003844	2	Plate	
5	7115151064	5	Bolt 5/16 x 1-1/4	
6	7274000002	2	Clamp	
7	7274000040	5	Clamp	
8	7274000042	1	Clamp	
9	7819000013	1	Sleeve	
10	7660152601	9	Nut 5/16	
11	7950150161	8	Washer 5/16	
12	7115151050	1	Bolt 5/16 x 1-1/4	
400	1001132794	3	Clamp, Hose Kit (Not Shown)	
401	7274000076	3	Clamp	
402	7785152420	3	Screw 5/16 x 1-1/2	
403	7660152601	6	Nut 5/16	
404	7115151050	3	Bolt 5/16 x 1-1/4	
405	7950150161	3	Washer 5/16	
406	7274000040	3	Clamp	
408	7274000042	3	Clamp	
500	1001132800	1	Clamp, Hose Kit (Not Shown)	
501	7274000040	1	Clamp	
503	7274000042	1	Clamp	
504	4706003844	1	Plate	
505	7115151050	1	Bolt 5/16 x 1-1/4	
506	7950150161	3	Washer 5/16	
507	7660152601	2	Nut 5/16	
508	7115151064	1	Bolt 5/16 x 1-1/4	

SECTION 6 - HYDRAULIC

FIGURE 6-27. HOSE AND CLAMP INSTALLATION (FORD PTO – 179IN WB)



ART_1001222677

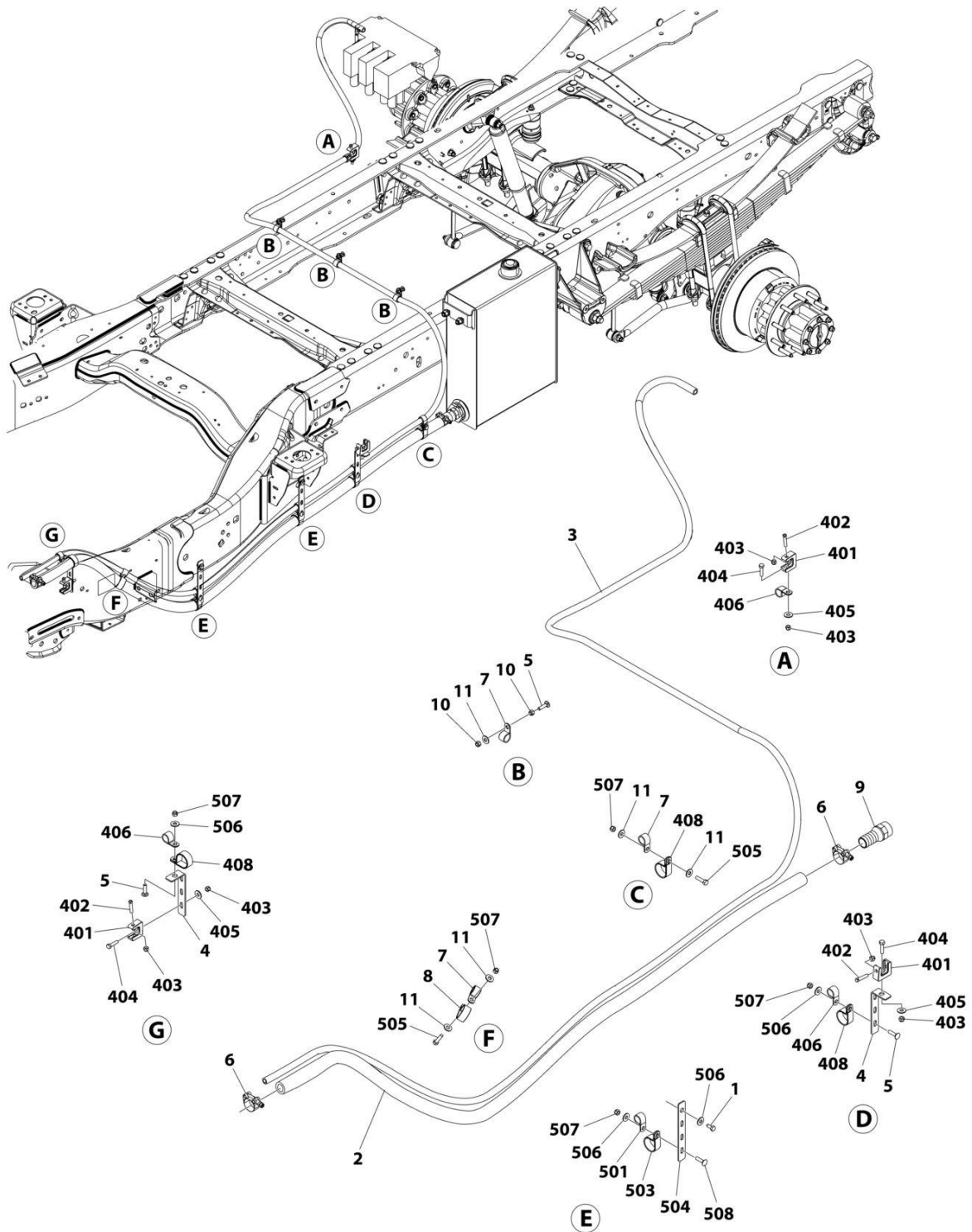
SECTION 6 - HYDRAULIC

FIGURE 6-27. HOSE AND CLAMP INSTALLATION (FORD PTO – 179IN WB)

ITEM	PART NUMBER	QTY	DESCRIPTION	REV
	1001222677	Ref	HOSE AND CLAMP INSTALLATION (FORD PTO - 179IN WB)	A
1	3941506	2	Tap Screw	
2	1001132608	1	Hose	
3	4567130195	1	Hose	
4	4706003844	2	Plate	
5	7115151064	4	Bolt 5/16 x 1-1/4	
6	7274000002	2	Clamp	
7	7274000040	5	Clamp	
8	7274000042	1	Clamp	
9	7819000013	1	Sleeve	
10	7660152601	6	Nut 5/16	
11	7950150161	7	Washer 5/16	
400	1001132794	2	Clamp, Hose Kit (Not Shown)	
401	7274000076	2	Clamp	
402	7785152420	2	Screw 5/16 x 1-1/2	
403	7660152601	4	Nut 5/16	
404	7115151050	2	Bolt 5/16 x 1-1/4	
405	7950150161	2	Washer 5/16	
406	7274000040	2	Clamp	
408	7274000042	2	Clamp	
500	1001132800	2	Clamp, Hose Kit (Not Shown)	
501	7274000040	2	Clamp	
503	7274000042	2	Clamp	
504	4706003844	2	Plate	
505	7115151050	2	Bolt 5/16 x 1-1/4	
506	7950150161	6	Washer 5/16	
507	7660152601	4	Nut 5/16	
508	7115151064	2	Bolt 5/16 x 1-1/4	

SECTION 6 - HYDRAULIC

FIGURE 6-28. HOSE AND CLAMP INSTALLATION (FORD PTO – 192IN WB)



ART_1001222678

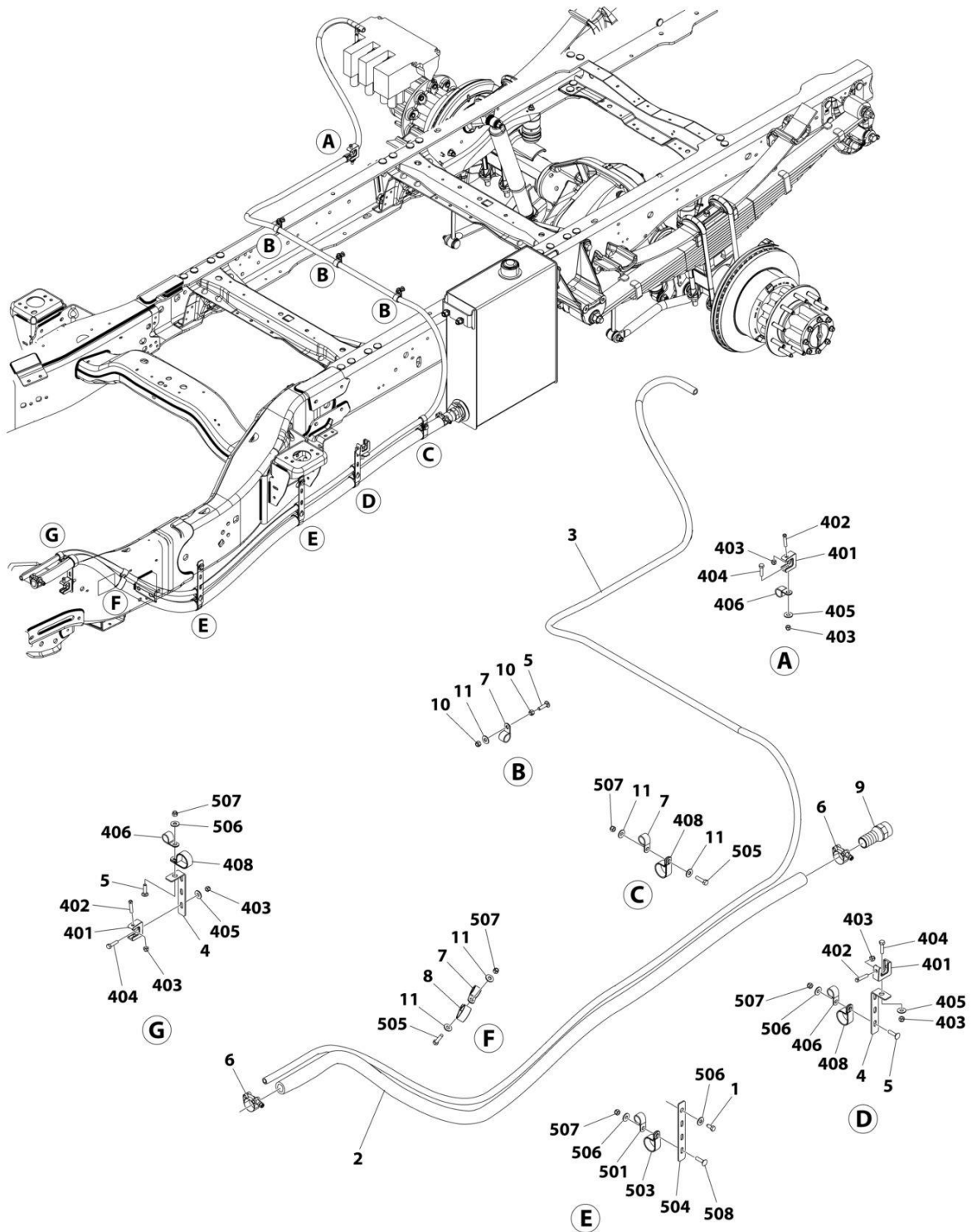
SECTION 6 - HYDRAULIC

FIGURE 6-28. HOSE AND CLAMP INSTALLATION (FORD PTO – 192IN WB)

ITEM	PART NUMBER	QTY	DESCRIPTION	REV
	1001222678	Ref	HOSE AND CLAMP INSTALLATION (FORD PTO - 192IN WB)	A
1	3941506	2	Tap Screw	
2	1001132613	1	Hose	
3	4567130216	1	Hose	
4	4706003844	2	Plate	
5	7115151064	5	Bolt 5/16 x 1-1/4	
6	7274000002	2	Clamp	
7	7274000040	5	Clamp	
8	7274000042	1	Clamp	
9	7819000013	1	Sleeve	
10	7660152601	6	Nut 5/16	
11	7950150161	7	Washer 5/16	
400	1001132794	3	Clamp, Hose Kit (Not Shown)	
401	7274000076	3	Clamp	
402	7785152420	3	Screw 5/16 x 1-1/2	
403	7660152601	6	Nut 5/16	
404	7115151050	3	Bolt 5/16 x 1-1/4	
405	7950150161	3	Washer 5/16	
406	7274000040	3	Clamp	
408	7274000042	3	Clamp	
500	1001132800	2	Clamp, Hose Kit (Not Shown)	
501	7274000040	2	Clamp	
503	7274000042	2	Clamp	
504	4706003844	2	Plate	
505	7115151050	2	Bolt 5/16 x 1-1/4	
506	7950150161	6	Washer 5/16	
507	7660152601	4	Nut 5/16	
508	7115151064	2	Bolt 5/16 x 1-1/4	

SECTION 6 - HYDRAULIC

FIGURE 6-29. HOSE AND CLAMP INSTALLATION (FORD PTO – 203IN WB)



ART_1001222679

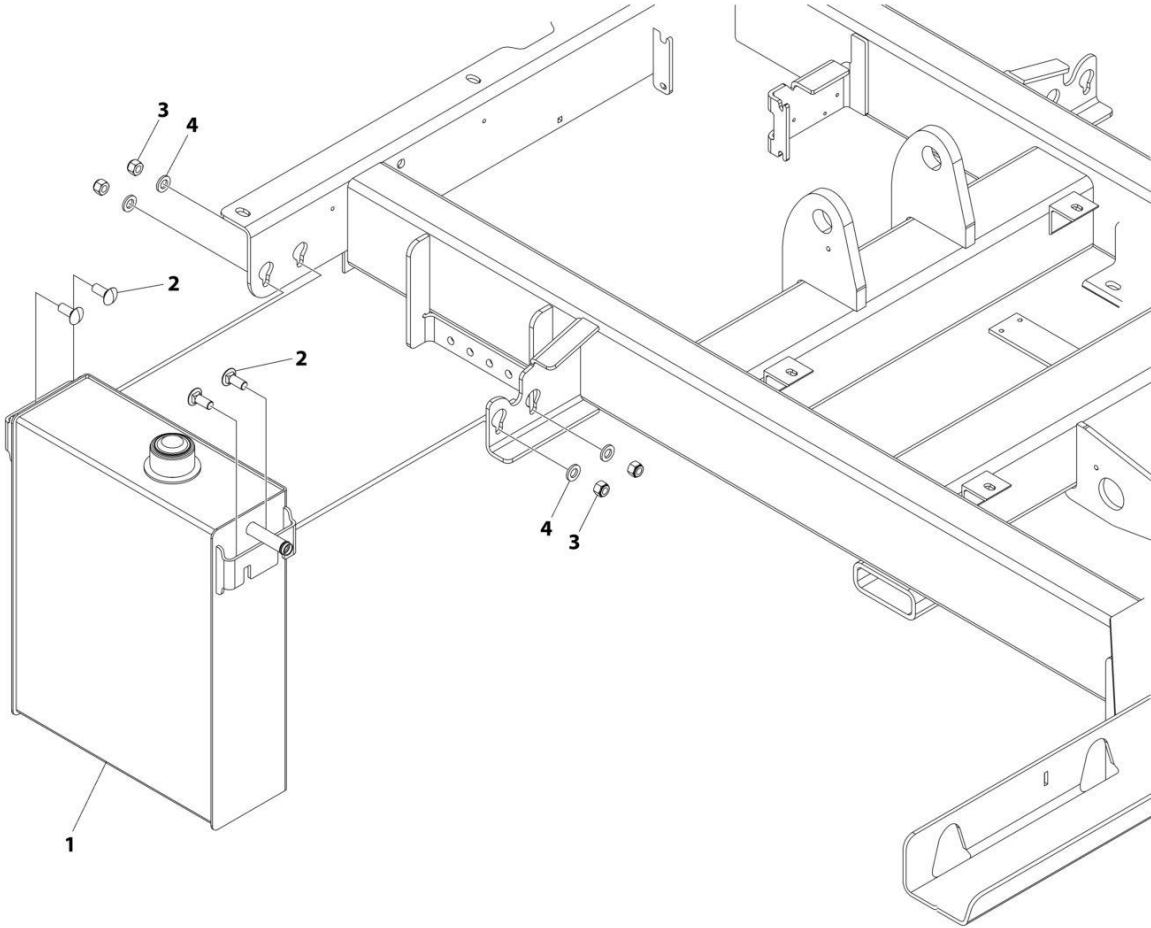
SECTION 6 - HYDRAULIC

FIGURE 6-29. HOSE AND CLAMP INSTALLATION (FORD PTO – 203IN WB)

ITEM	PART NUMBER	QTY	DESCRIPTION	REV
	1001222679	Ref	HOSE AND CLAMP INSTALLATION (FORD PTO - 203IN WB)	A
1	3941506	2	Tap Screw	
2	1001132617	1	Hose	
3	4567130223	1	Hose	
4	4706003844	2	Plate	
5	7115151064	5	Bolt 5/16 x 1-1/4	
6	7274000002	2	Clamp	
7	7274000040	5	Clamp	
8	7274000042	1	Clamp	
9	7819000013	1	Sleeve	
10	7660152601	6	Nut 5/16	
11	7950150161	7	Washer 5/16	
400	1001132794	3	Clamp, Hose Kit (Not Shown)	
401	7274000076	3	Clamp	
402	7785152420	3	Screw 5/16 x 1-1/2	
403	7660152601	6	Nut 5/16	
404	7115151050	3	Bolt 5/16 x 1-1/4	
405	7950150161	3	Washer 5/16	
406	7274000040	3	Clamp	
408	7274000042	3	Clamp	
500	1001132800	2	Clamp, Hose Kit (Not Shown)	
501	7274000040	2	Clamp	
503	7274000042	2	Clamp	
504	4706003844	2	Plate	
505	7115151050	2	Bolt 5/16 x 1-1/4	
506	7950150161	6	Washer 5/16	
507	7660152601	4	Nut 5/16	
508	7115151064	2	Bolt 5/16 x 1-1/4	

SECTION 6 - HYDRAULIC

FIGURE 6-30. TANK (HYDRAULIC) INSTALLATION



ART_2509650093

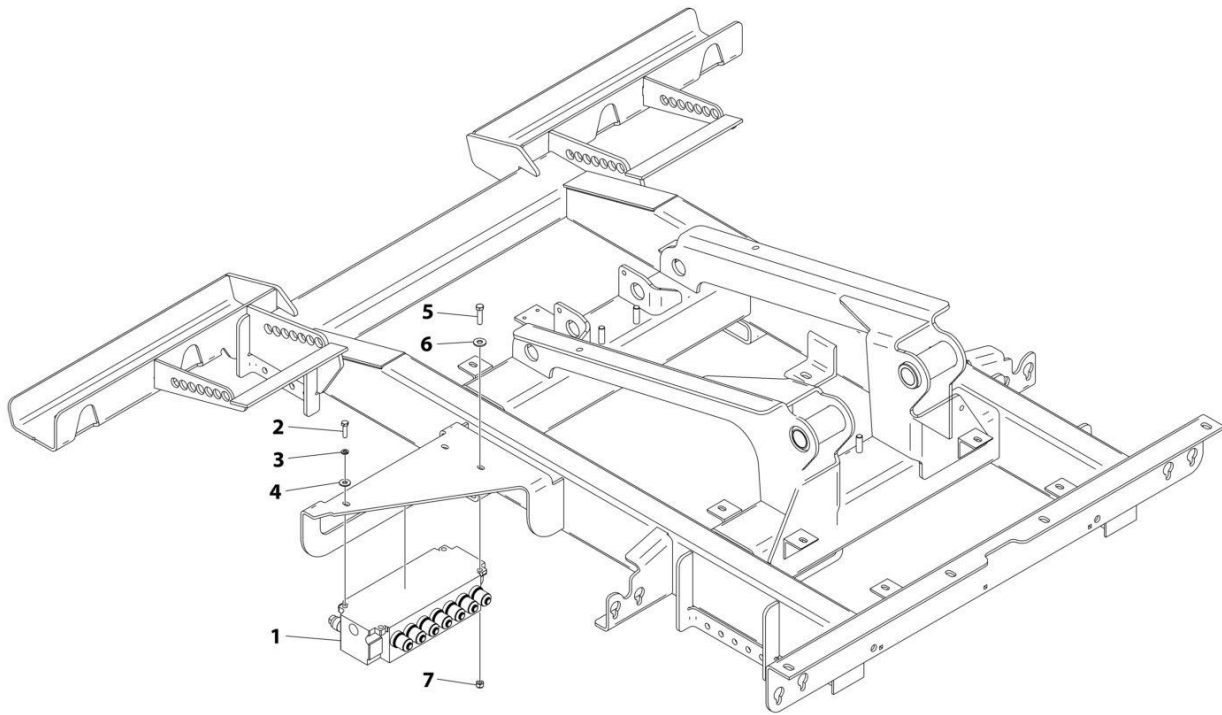
SECTION 6 - HYDRAULIC

FIGURE 6-30. TANK (HYDRAULIC) INSTALLATION

ITEM	PART NUMBER	QTY	DESCRIPTION	REV
	2509650093	Ref	TANK (HYDRAULIC) INSTALLATION	0
1	3750000061	1	Tank, Hydraulic	
2	7115181064	4	Bolt 1/2 x 1-1/4	
3	7660182601	4	Nut 1/2	
4	7950180153	4	Washer 1/2	

SECTION 6 - HYDRAULIC

FIGURE 6-31. VALVE INSTALLATION – MAIN CONTROL (MANUAL - NO REMOTE)



ART_1001137665

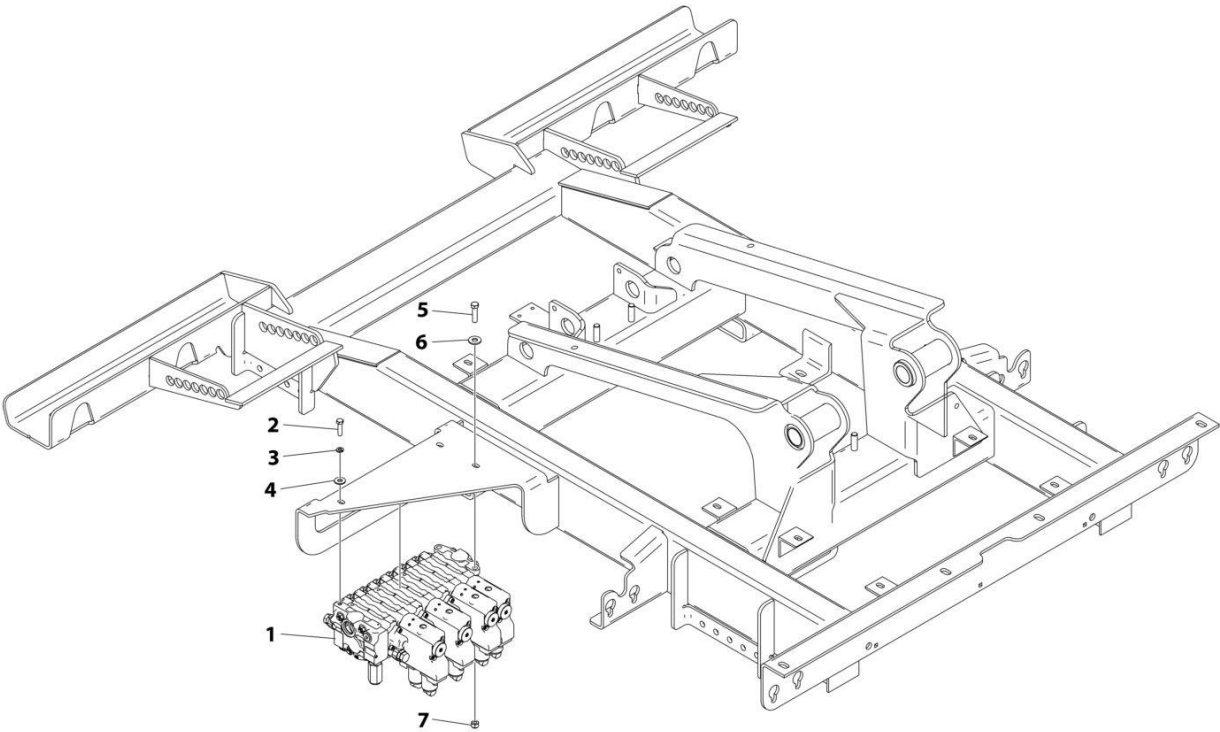
SECTION 6 - HYDRAULIC

FIGURE 6-31. VALVE INSTALLATION – MAIN CONTROL (MANUAL - NO REMOTE)

ITEM	PART NUMBER	QTY	DESCRIPTION	REV
	1001137665	Ref	MAIN CONTROL VALVE INSTALLATION - MANUAL CONTROLS	A
1	7935000261	1	Valve Assembly 7 Bank (See Separate Breakdown in this Section	
2	7115151050	1	Bolt 5/16 x 1-1/4	
3	7950150000	1	Washer 5/16	
4	7950150161	1	Washer 5/16	
5	7115161250	2	Bolt 3/8 x 1-1/2	
6	7950160161	2	Washer 3/8	
7	7660162601	2	Nut 3/8	

SECTION 6 - HYDRAULIC

FIGURE 6-32. VALVE INSTALLATION – MAIN CONTROL (REMOTE - TOGGLE)



ART_1001137666

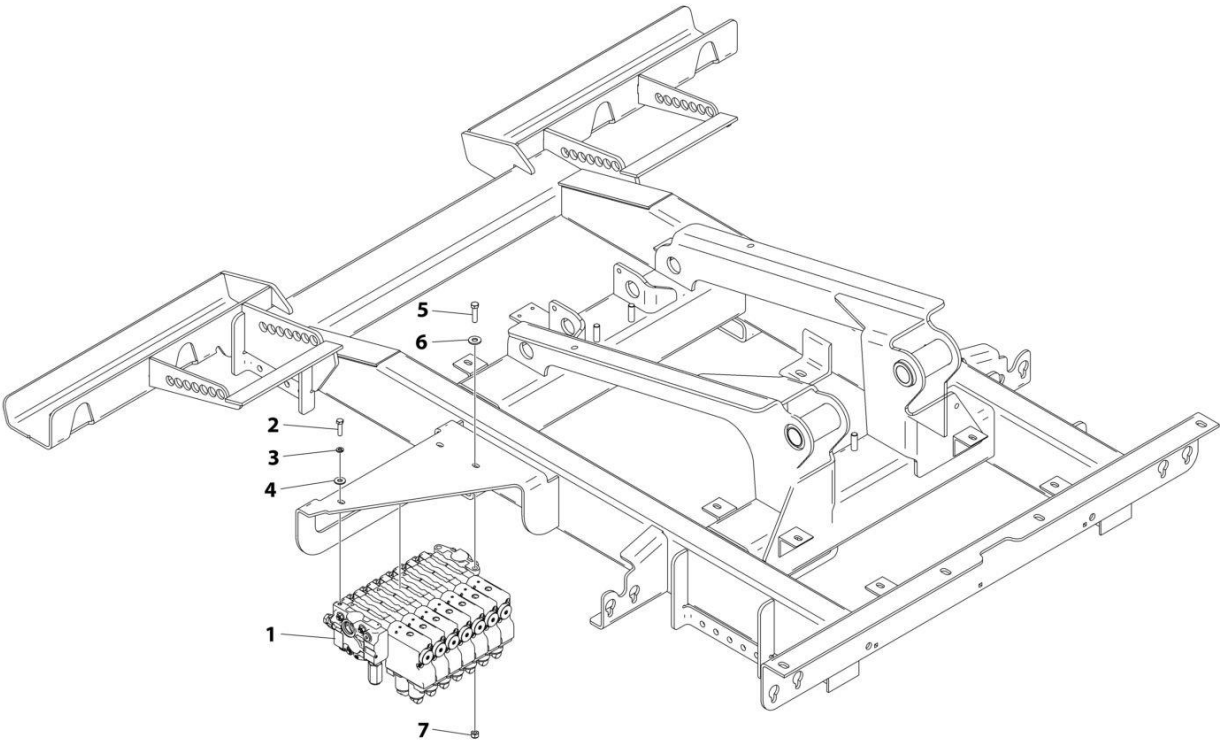
SECTION 6 - HYDRAULIC

FIGURE 6-32. VALVE INSTALLATION – MAIN CONTROL (REMOTE - TOGGLE)

ITEM	PART NUMBER	QTY	DESCRIPTION	REV
	1001137666	Ref	MAIN CONTROL VALVE INSTALLATION - 4 SOLENOID CONTROLS	A
1	3935000170	1	Valve Assembly 7 Bank (See Separate Breakdown in this Section	
2	7115151050	1	Bolt 5/16 x 1-1/4	
3	7950150000	1	Washer 5/16	
4	7950150161	1	Washer 5/16	
5	7115161250	2	Bolt 3/8 x 1-1/2	
6	7950160161	2	Washer 3/8	
7	7660162601	2	Nut 3/8	

SECTION 6 - HYDRAULIC

FIGURE 6-33. VALVE INSTALLATION – MAIN CONTROL (REMOTE - MEMBRANE)



ART_1001137667

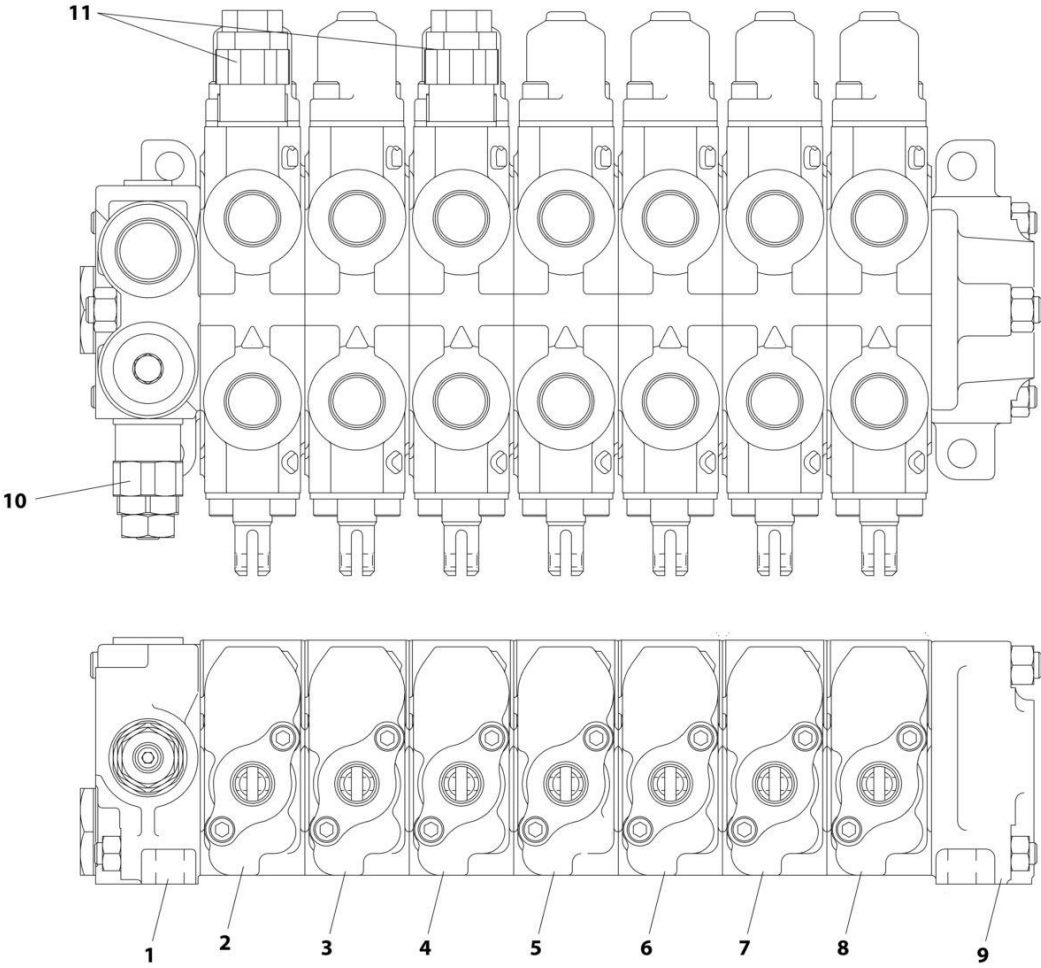
SECTION 6 - HYDRAULIC

FIGURE 6-33. VALVE INSTALLATION – MAIN CONTROL (REMOTE - MEMBRANE)

ITEM	PART NUMBER	QTY	DESCRIPTION	REV
	1001137667	Ref	MAIN CONTROL VALVE INSTALLATION - 7 SOLENOID CONTROLS	A
1	1001132189	1	Valve Assembly 7 Bank (See Separate Breakdown in this Section	
2	7115151050	1	Bolt 5/16 x 1-1/4	
3	7950150000	1	Washer 5/16	
4	7950150161	1	Washer 5/16	
5	7115161250	2	Bolt 3/8 x 1-1/2	
6	7950160161	2	Washer 3/8	
7	7660162601	2	Nut 3/8	

SECTION 6 - HYDRAULIC

FIGURE 6-34. VALVE ASSEMBLY - 7 BANK/NO SOLENOIDS



ART_7935000261

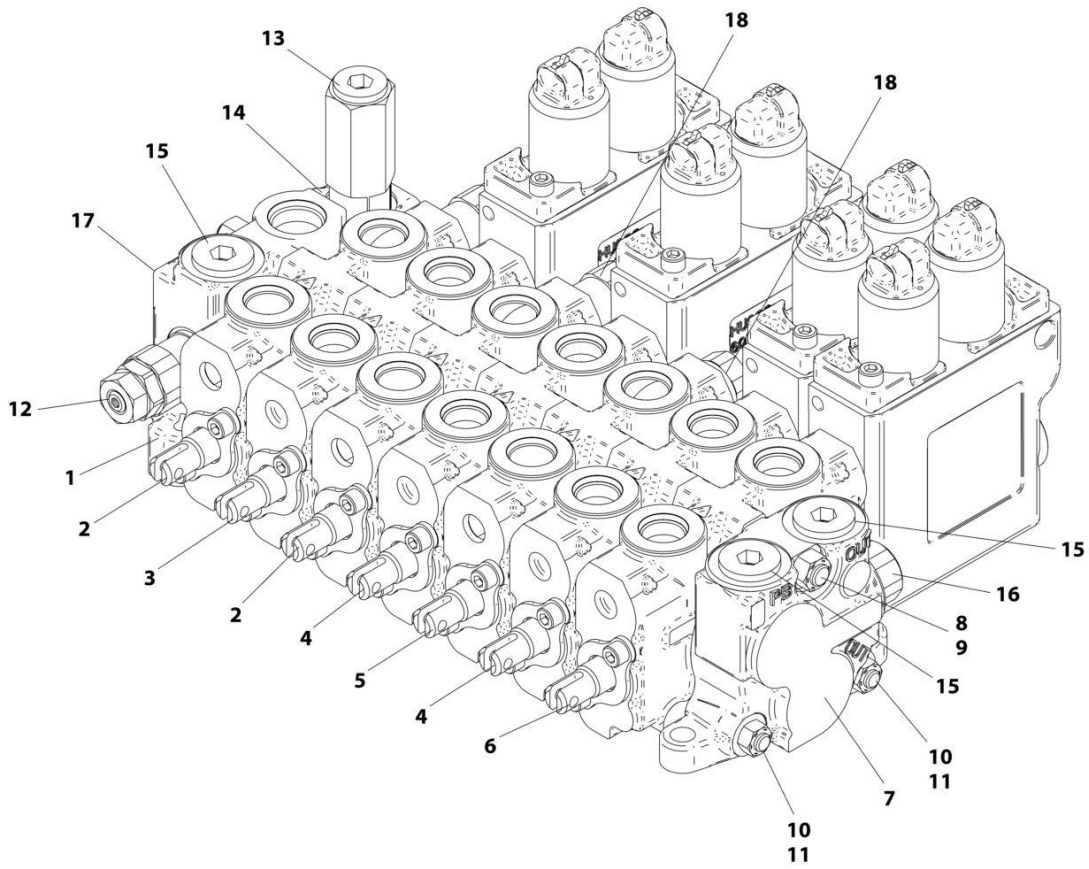
SECTION 6 - HYDRAULIC

FIGURE 6-34. VALVE ASSEMBLY - 7 BANK/NO SOLENOIDS

ITEM	PART NUMBER	QTY	DESCRIPTION	REV
	7935000261	Ref	VALVE ASSEMBLY - 7 SECTION	C
1	7935000169	1	Inlet	
2	70050079	1	Spool Section	
3	7935000266	1	Spool Section	
4	70050079	1	Spool Section	
5	7935000266	1	Spool Section	
6	7935000266	1	Spool Section	
7	7935000266	1	Spool Section	
8	7935000266	1	Spool Section	
9	70051665	1	Outlet Section	
10	9935930106	1	Relief Valve	
11	7935000174	1	Relief Valve	

SECTION 6 - HYDRAULIC

FIGURE 6-35. VALVE ASSEMBLY - 7 BANK/4 SOLENOIDS



ART_3935000170

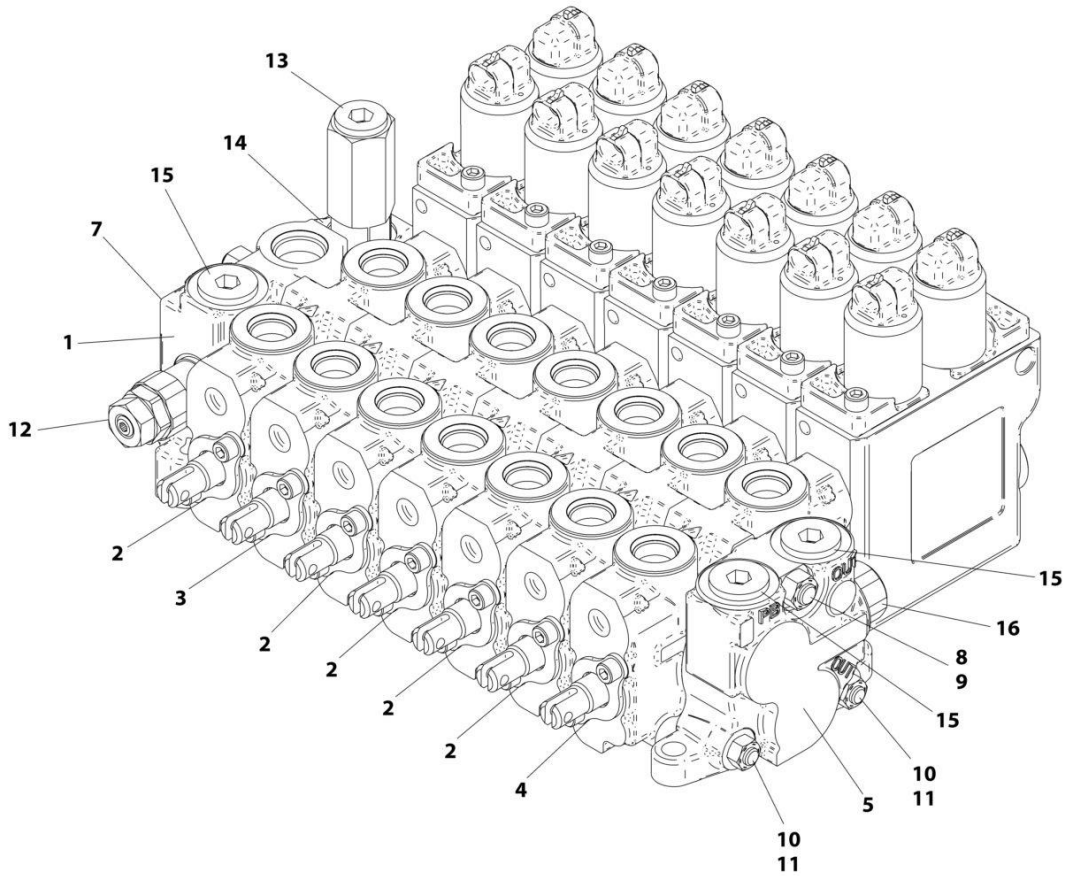
SECTION 6 - HYDRAULIC

FIGURE 6-35. VALVE ASSEMBLY - 7 BANK/4 SOLENOIDS

ITEM	PART NUMBER	QTY	DESCRIPTION	REV
	3935000170	Ref	VALVE ASSEMBLY - 7 SECTION - 4 SOLENOID	D
1	7935000297	1	Inlet Section	
2	7935000298	2	Spool Section	
3	9935930141	1	Spool Section	
4	9935930146	2	Spool Section	
5	7935000251	1	Spool Section	
6	1001126735	1	Spool Section	
7	7935000256	1	Outlet Section	
8	70051667	1	Tie Rod	
9	8035346	2	Nut	
10	70051666	2	Tie Rod	
11	7012926	4	Nut	
12	9935930106	1	Relief Valve	
13	7935000174	1	Relief Valve	
14		Ref	Plug	
15		Ref	Plug	
16	70051205	1	Relief Valve	
17		Ref	Plate	
18	7935000174	2	Relief Valve	

SECTION 6 - HYDRAULIC

FIGURE 6-36. VALVE ASSEMBLY - 7 BANK/7 SOLENOIDS



ART_1001132189

SECTION 6 - HYDRAULIC

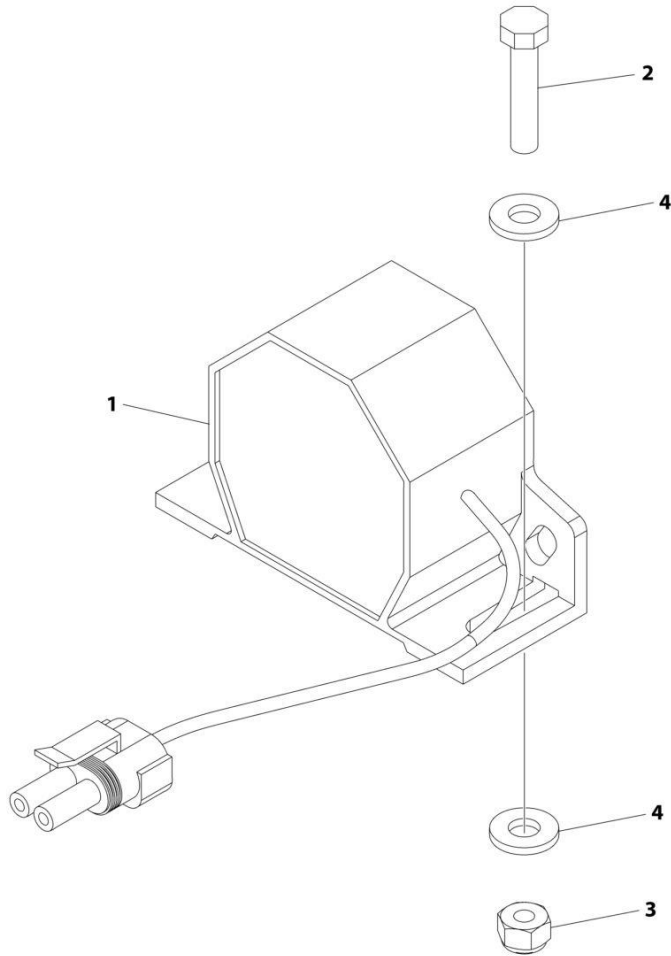
FIGURE 6-36. VALVE ASSEMBLY - 7 BANK/7 SOLENOIDS

ITEM	PART NUMBER	QTY	DESCRIPTION	REV
	1001132189	Ref	VALVE ASSEMBLY - 7 SECTION - 7 SOLENOID	B
1	7935000297	1	Inlet Section	
2	9935930146	5	Spool Section	
3	9935930141	1	Spool Section	
4	1001126735	1	Spool Section	
5	7935000256	1	Outlet Section	
6	70051205	1	Relief Valve	
7		Ref	Plate	
8	70051667	1	Tie Rod	
9	8035346	2	Nut	
10	70051666	2	Tie Rod	
11	7012926	4	Nut	
12	9935930106	1	Relief Valve	
13	7935000174	1	Relief Valve	
14		Ref	Plug	
15		Ref	Plug	

SECTION 7 - ELECTRICAL

SECTION 7 - ELECTRICAL

FIGURE 7-1. ALARM INSTALLATION - BACK-UP (FIXED)



ART_2011000002

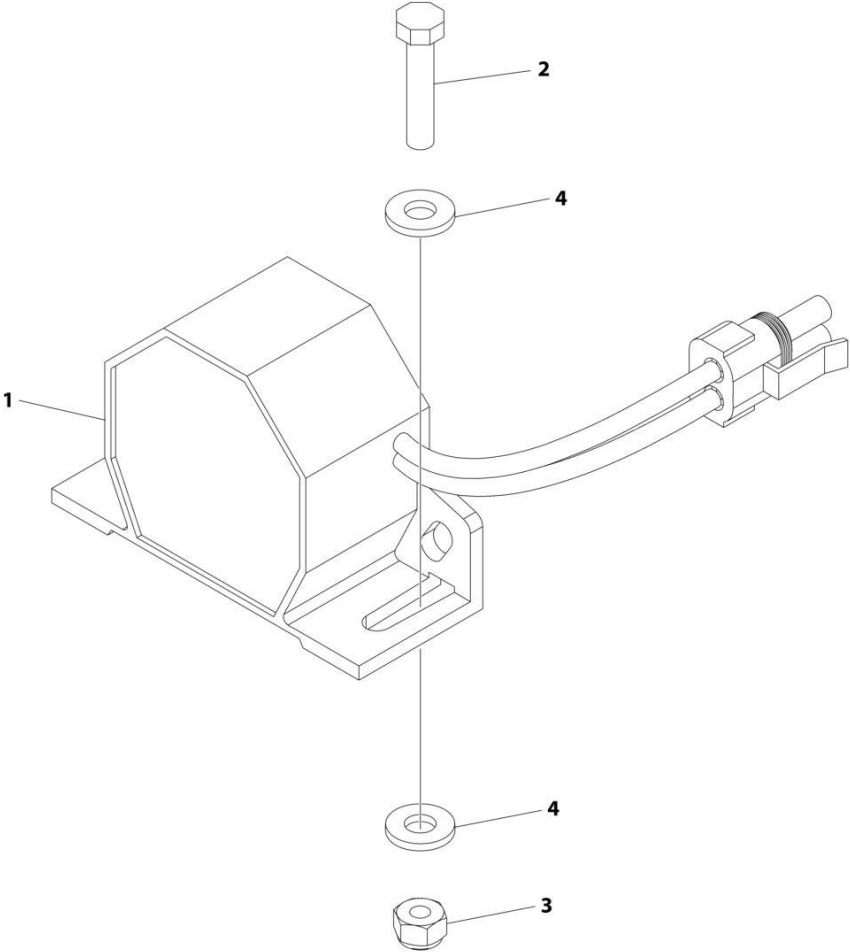
SECTION 7 - ELECTRICAL

FIGURE 7-1. ALARM INSTALLATION - BACK-UP (FIXED)

ITEM	PART NUMBER	QTY	DESCRIPTION	REV
	2011000002	Ref	ALARM INSTALLATION - BACK-UP (FIXED)	B
1	7011000006	1	Alarm	
2	7111141050	2	Bolt 1/4 x 1-1/4	
3	7660142600	2	Nut 1/4	
4	7950140141	4	Washer 1/4	

SECTION 7 - ELECTRICAL

FIGURE 7-2. ALARM INSTALLATION - BACK-UP (VARIABLE)



ART_2011000003

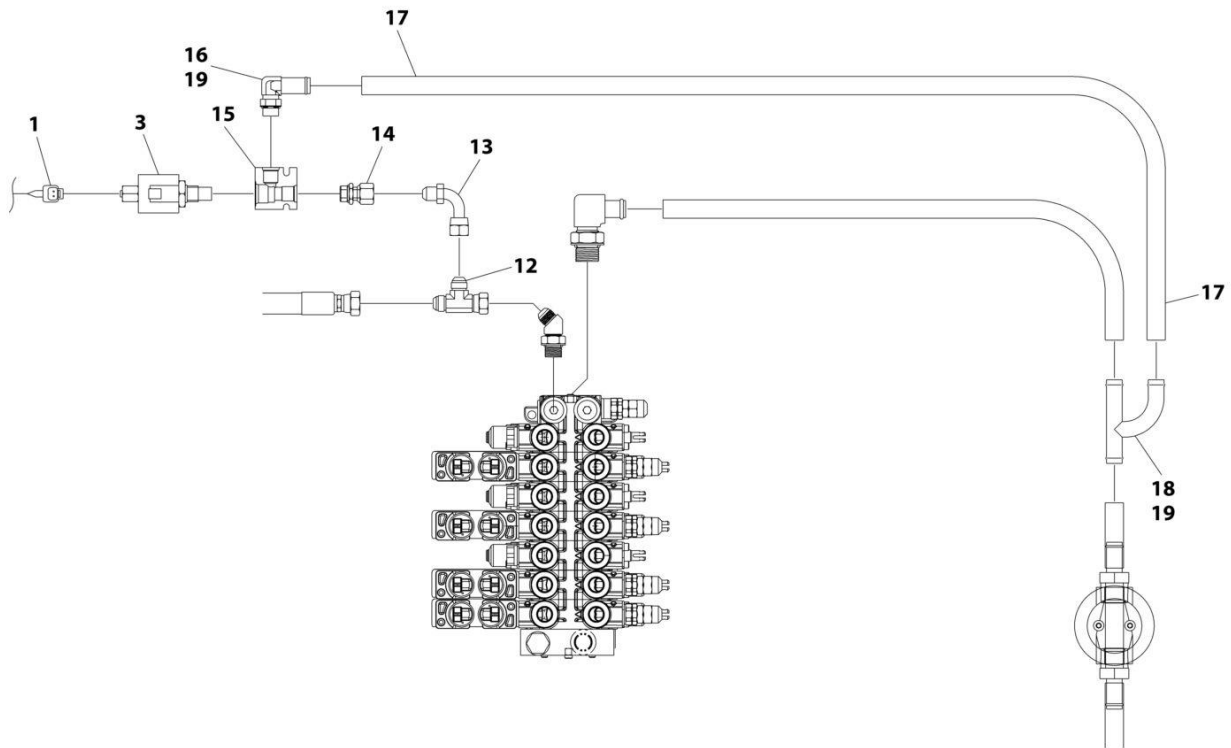
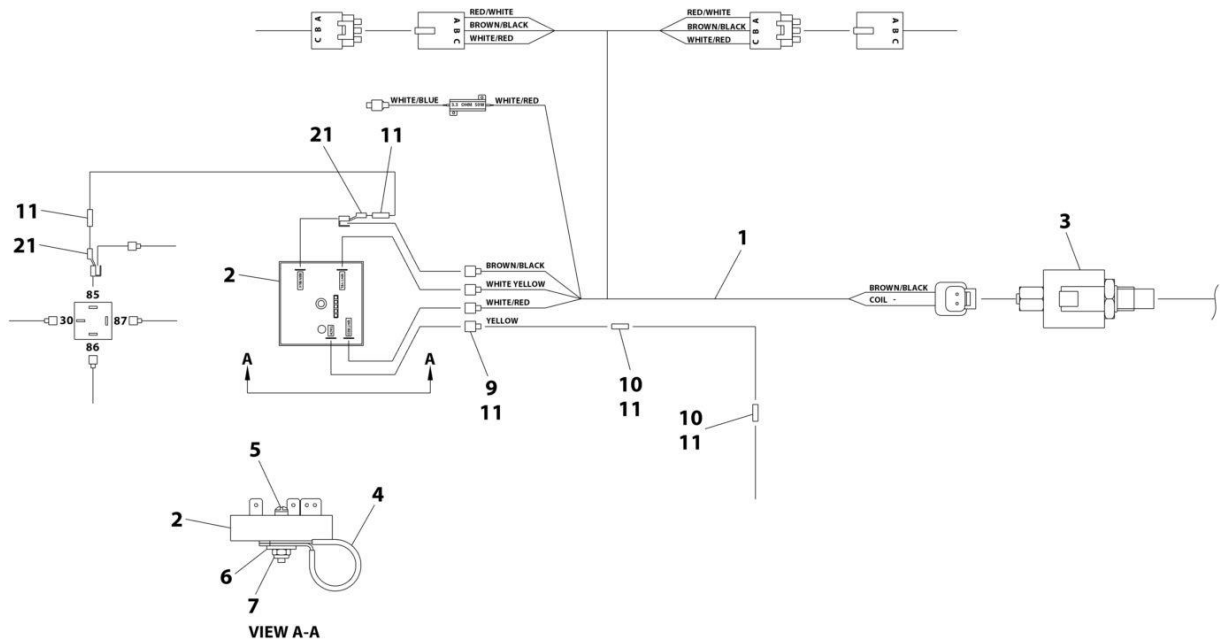
SECTION 7 - ELECTRICAL

FIGURE 7-2. ALARM INSTALLATION - BACK-UP (VARIABLE)

ITEM	PART NUMBER	QTY	DESCRIPTION	REV
	2011000003	Ref	ALARM INSTALLATION - BACK-UP (VARIABLE)	B
1	1001175061	1	Alarm	
2	7111141050	2	Bolt 1/4 x 1-1/4	
3	7660142600	2	Nut 1/4	
4	7950140141	4	Washer 1/4	

SECTION 7 - ELECTRICAL

FIGURE 7-3. ANTI-STALL INSTALLATION (FORD V8)



ART_1001126961

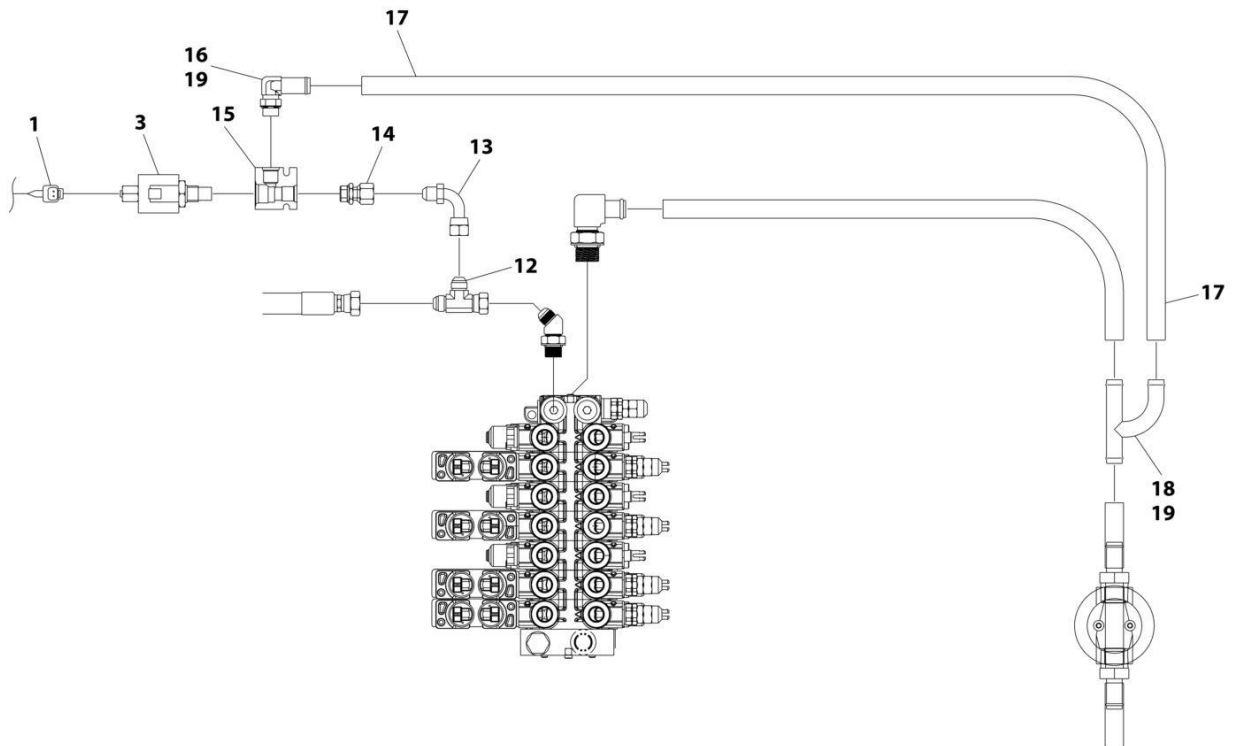
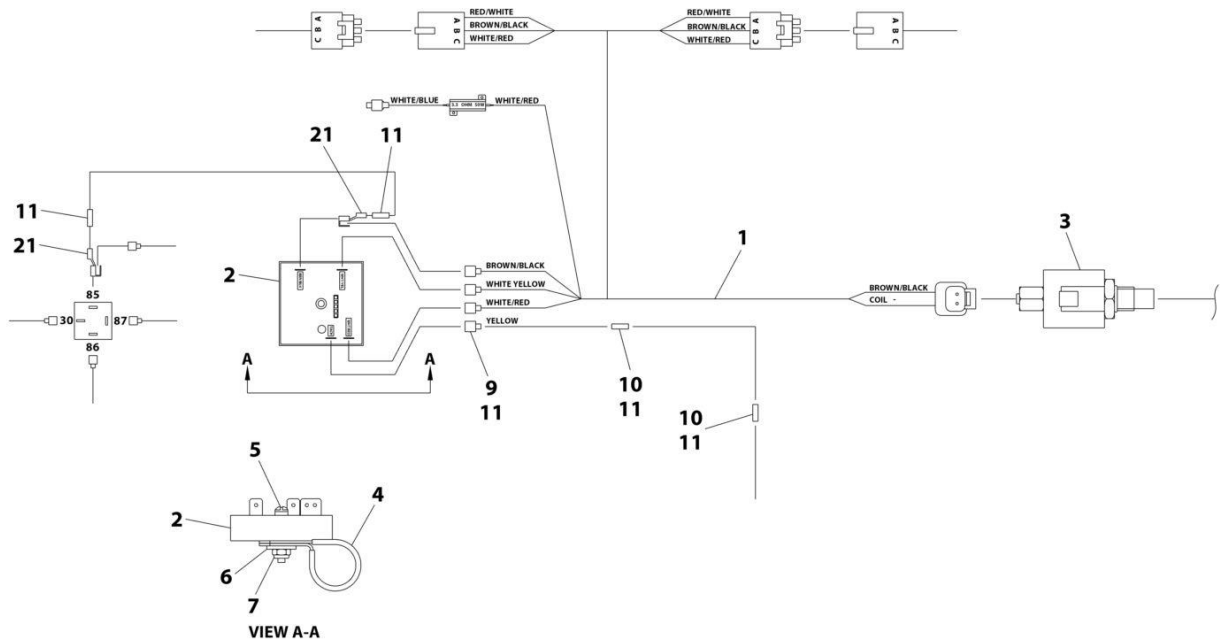
SECTION 7 - ELECTRICAL

FIGURE 7-3. ANTI-STALL INSTALLATION (FORD V8)

ITEM	PART NUMBER	QTY	DESCRIPTION	REV
	1001126961	Ref	ANTI-STALL INSTALLATION (FORD V8)	0
1	7552000427	1	Anti-Stall Harness (See Separate Breakdown in ELECTRICAL Section)	
2	1001126957	1	Module, Control (Anti-Stall)	
3	7935000361	1	Valve, Solenoid Cartridge	
4	7274000040	1	Clamp	
5	7114060810	1	Capscrew #6 x 1	
6	7950100163	1	Washer #10	
7	7660062604	1	Nut #6	
9	7345001710	1	Tab	
10	7345001714	2	Terminal	
11	7346000039	AR	Tube	
12	7443000063	1	Fitting, Tee	
13	7443000023	1	Fitting, 90	
14	7445080898	1	Fitting, Straight	
15	7935000370	1	Valve	
16	7443000436	1	Fitting, 90	
17	4570000227	1	Hose	
18	7443000473	1	Fitting, 90	
19	7274000080	4	Clamp	
21	7345001747	2	Fasteners	

SECTION 7 - ELECTRICAL

FIGURE 7-4. ANTI-STALL INSTALLATION (FORD V10)



ART_3509170134

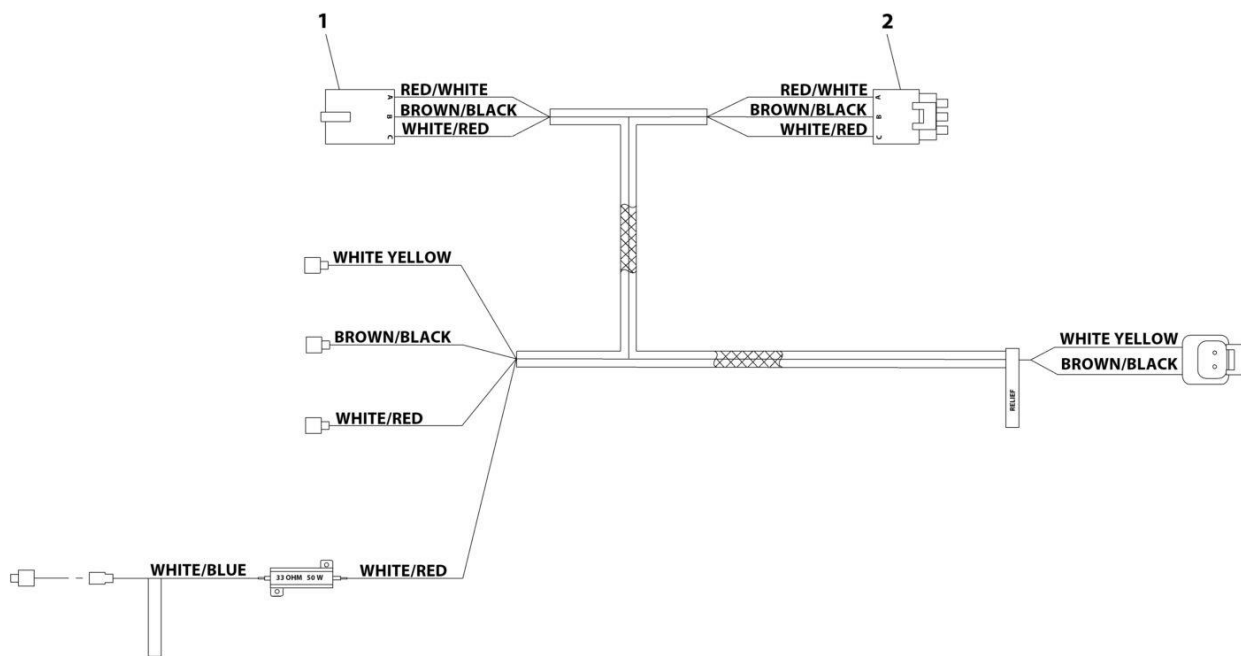
SECTION 7 - ELECTRICAL

FIGURE 7-4. ANTI-STALL INSTALLATION (FORD V10)

ITEM	PART NUMBER	QTY	DESCRIPTION	REV
	3509170134	Ref	ANTI-STALL INSTALLATION (FORD V10)	A
1	7552000427	1	Anti-Stall Harness (See Separate Breakdown in ELECTRICAL Section)	
2	1001126957	1	Module, Control (Anti-Stall)	
3	7935000361	1	Valve, Solenoid Cartridge	
4	7274000040	1	Clamp	
5	7114060810	1	Capscrew #6 x 1	
6	7950100163	1	Washer #10	
7	7660062604	1	Nut #6	
9	7345001710	1	Tab	
10	7345001714	2	Terminal	
11	7346000039	AR	Tube	
12	7443000063	1	Fitting, Tee	
13	7443000023	1	Fitting, 90	
14	7445080898	1	Fitting, Straight	
15	7935000370	1	Valve	
16	7443000436	1	Fitting, 90	
17	4570000227	1	Hose	
18	7443000473	1	Fitting, 90	
19	7274000080	4	Clamp	
21	7345001747	2	Fasteners	

SECTION 7 - ELECTRICAL

FIGURE 7-5. ANTI-STALL CAB & SUBFRAME HARNESS



ART_7552000427

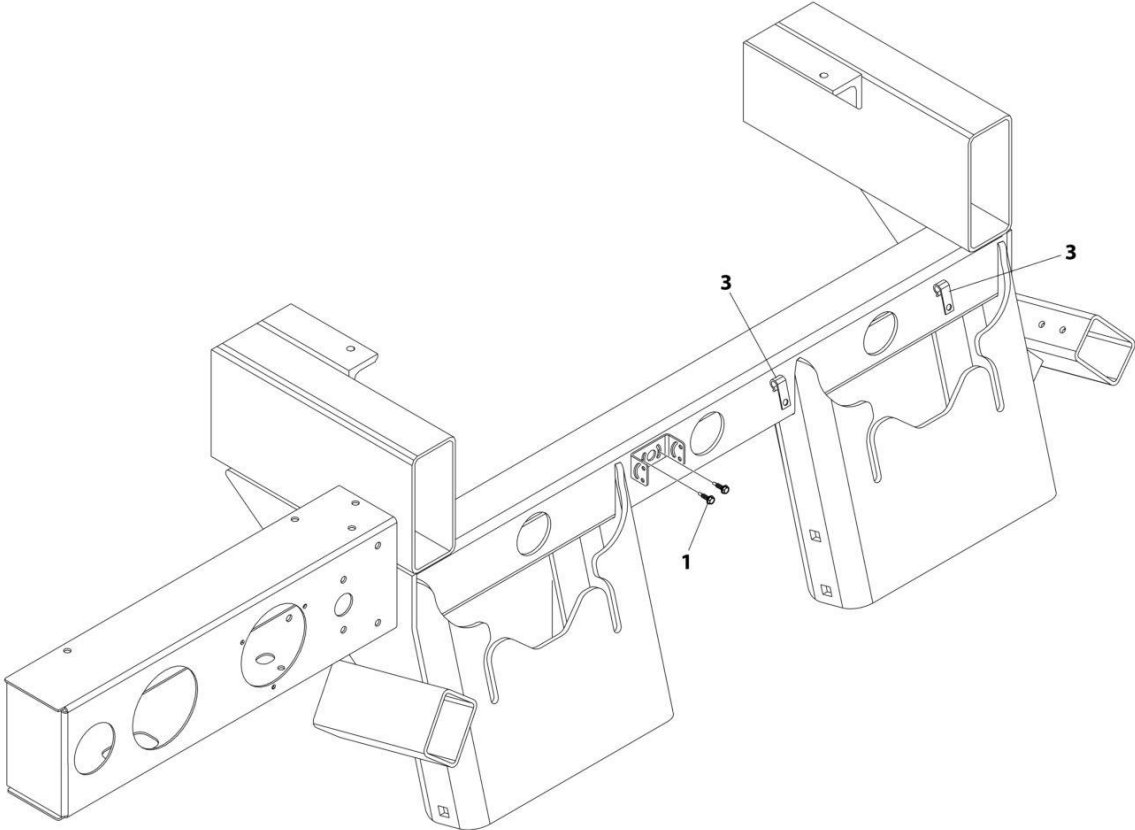
SECTION 7 - ELECTRICAL

FIGURE 7-5. ANTI-STALL CAB & SUBFRAME HARNESS

ITEM	PART NUMBER	QTY	DESCRIPTION	REV
	7552000427	Ref	ANTI-STALL CONTROL MODULE HARNESS	0
1		Ref	Connector	
1	4460475	1	Terminal	
1	4460458	1	Seal	
2	8220081	1	Connector	
2	4460457	1	Terminal	
2		Ref	Seal	

SECTION 7 - ELECTRICAL

FIGURE 7-6. BACK UP CAMERA INSTALLATION - CHASSIS SUPPLIED



ART_1001220181

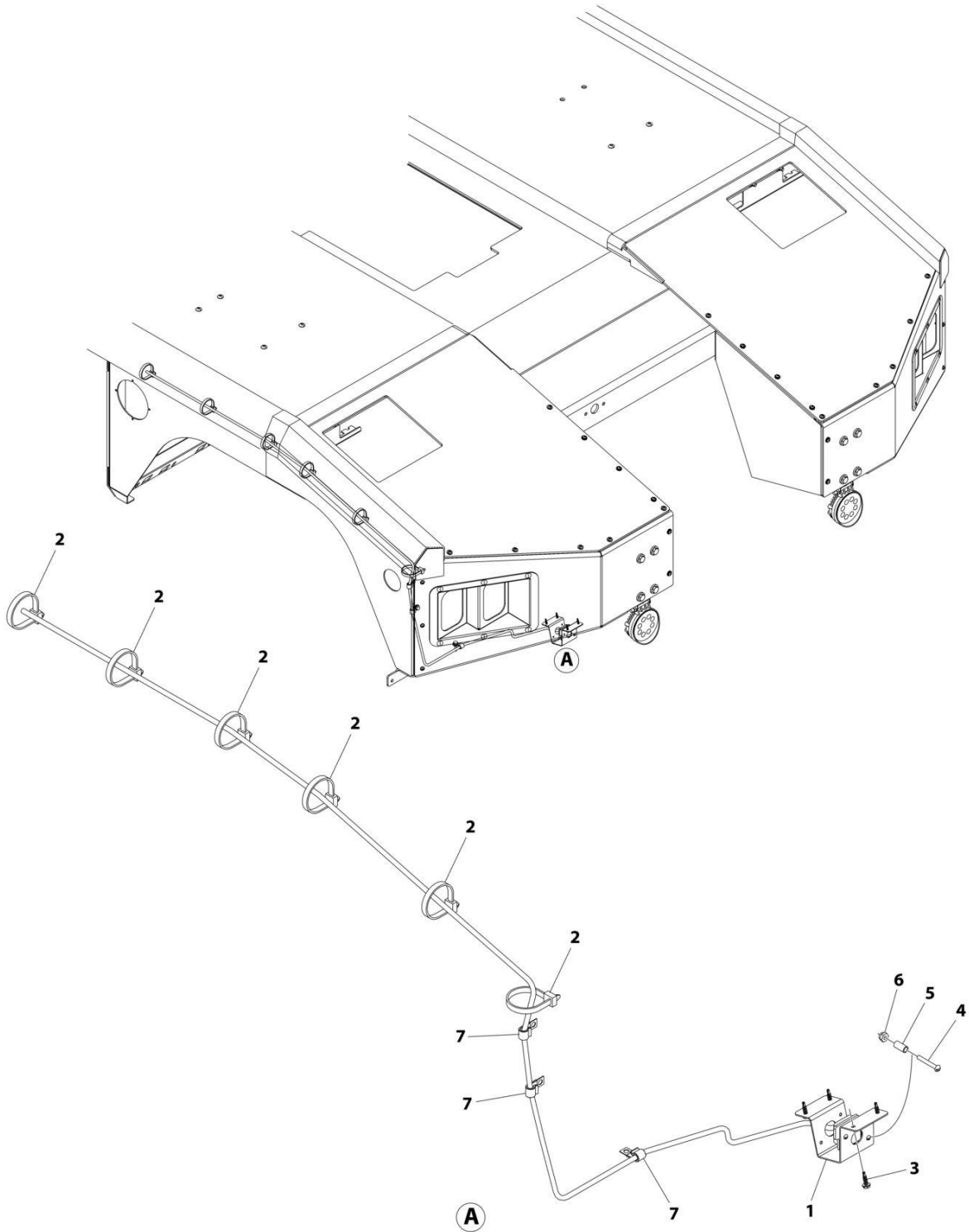
SECTION 7 - ELECTRICAL

FIGURE 7-6. BACK UP CAMERA INSTALLATION - CHASSIS SUPPLIED

ITEM	PART NUMBER	QTY	DESCRIPTION	REV
	1001220181	Ref	Backup Camera Installation - Chassis (OEM Supplied)	C
1	7120000034	2	Screw #10 x 3/4	
2	5526000553	40	Tie Strap	
3	7280000018	2	Clip	

SECTION 7 - ELECTRICAL

FIGURE 7-7. BACK UP CAMERA INSTALLATION - CHASSIS SUPPLIED (CV515 ONLY)



ART_1001255485

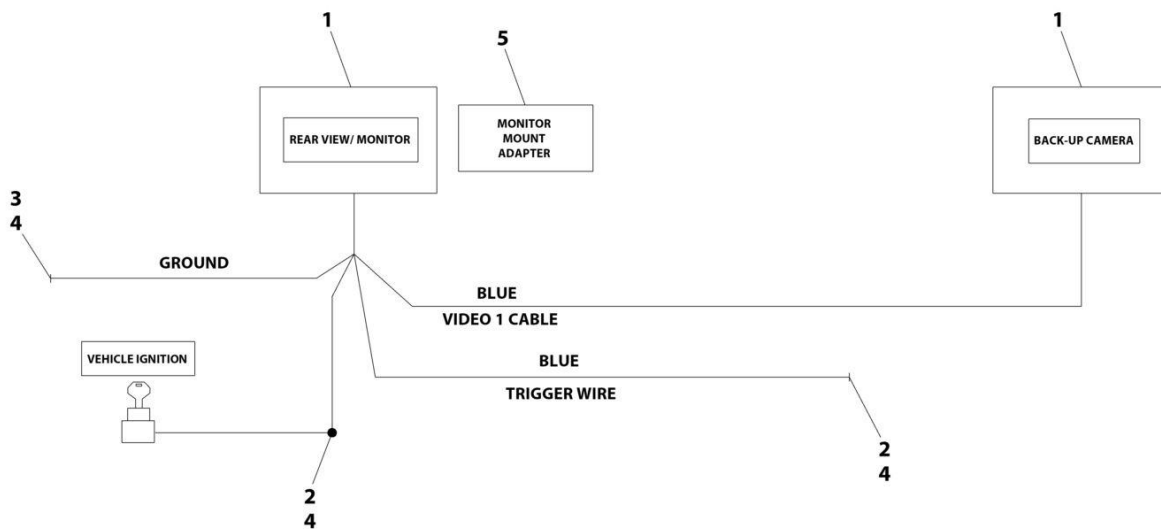
SECTION 7 - ELECTRICAL

FIGURE 7-7. BACK UP CAMERA INSTALLATION - CHASSIS SUPPLIED (CV515 ONLY)

ITEM	PART NUMBER	QTY	DESCRIPTION	REV
	1001255485	Ref	BACK UP CAMERA INSTALLATION - CHASSIS SUPPLIED (CV515 ONLY)	B
1	1001255484	1	Bracket	
2	5526000553	15	Tie Strap	
3	7120000034	4	Screw #10 x 3/4	
4	7114060810	2	Capscrew #6 x 1	
5	4564088	2	Spacer	
6	7660062604	2	Nut #6	
7	7280000018	5	Clip	

SECTION 7 - ELECTRICAL

FIGURE 7-8. BACK UP CAMERA INSTALLATION (REAR VIEW MIRROR) (Prior to SN 0230010811)



ART_1001142974

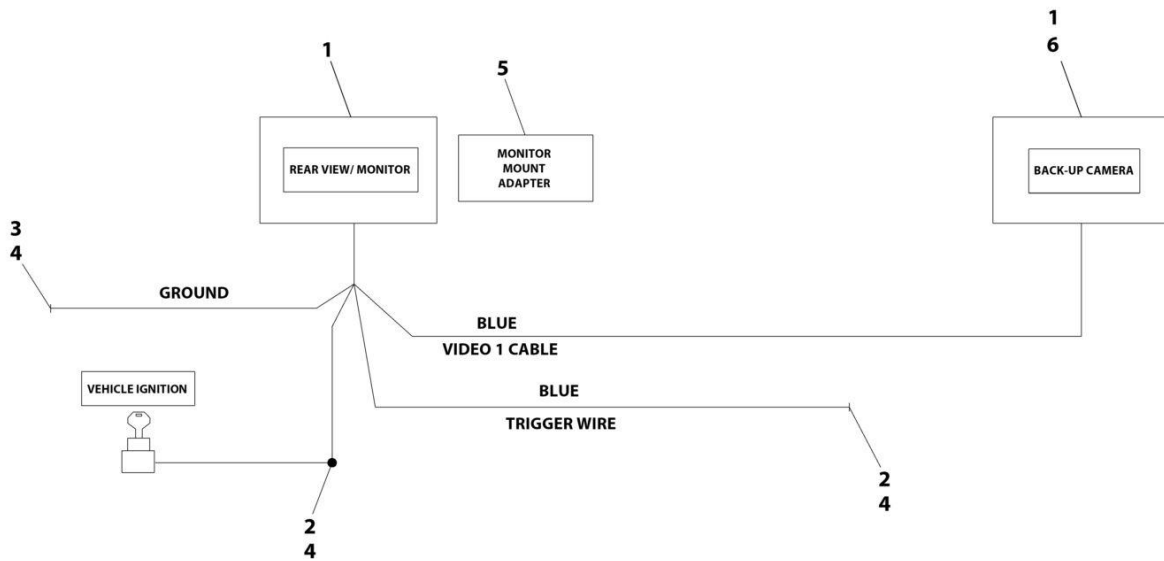
SECTION 7 - ELECTRICAL

FIGURE 7-8. BACK UP CAMERA INSTALLATION (REAR VIEW MIRROR) (Prior to SN 0230010811)

ITEM	PART NUMBER	QTY	DESCRIPTION	REV
	1001142974	Ref	BACKUP CAMERA IN REAR VIEW MIRROR INSTALLATION	B
1	1001139909	1	Camera System	
2	7345001914	2	Terminal	
3	7345221902	1	Terminal	
4	7346000039	AR	Tubing	
5	1001229606	1	Monitor Mount Adapter	

SECTION 7 - ELECTRICAL

FIGURE 7-9. BACK UP CAMERA INSTALLATION (REAR VIEW MIRROR) (SN 0230010811 through 0230015583)



ART_1001142974_D

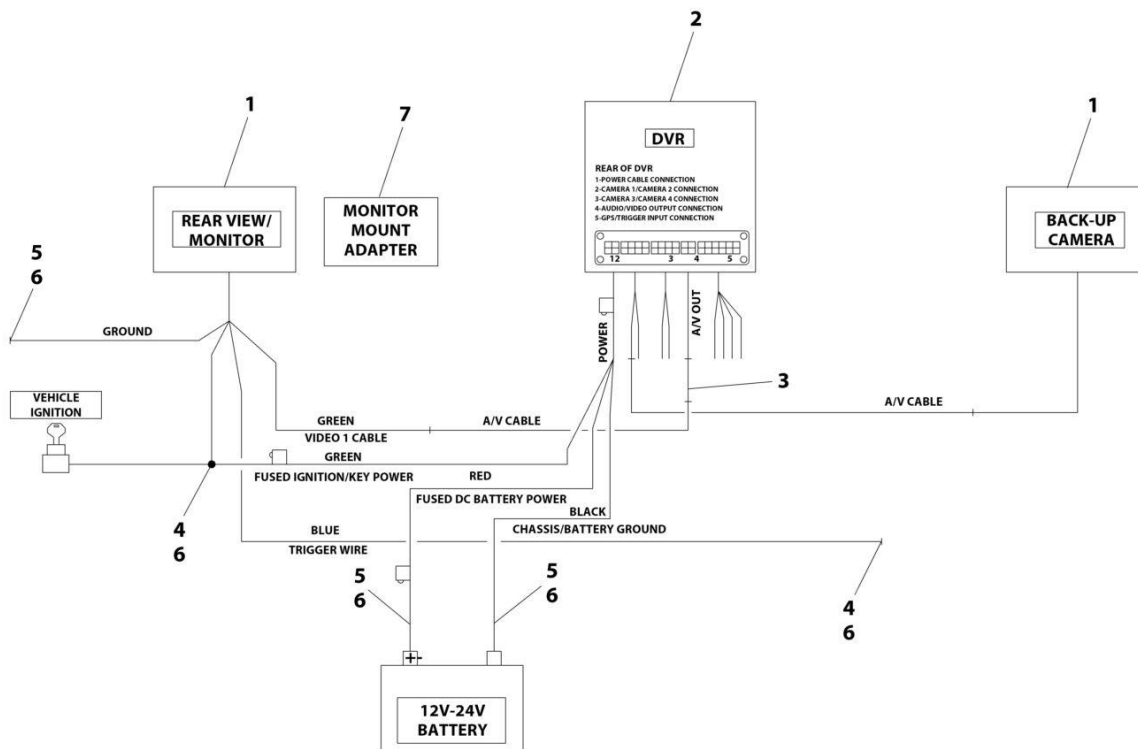
SECTION 7 - ELECTRICAL

FIGURE 7-9. BACK UP CAMERA INSTALLATION (REAR VIEW MIRROR) (SN 0230010811 through 0230015583)

ITEM	PART NUMBER	QTY	DESCRIPTION	REV
	1001142974	Ref	BACKUP CAMERA IN REAR VIEW MIRROR INSTALLATION	D
1	1001273600	1	Camera System	
2	7345001914	2	Terminal	
3	7345221902	1	Terminal	
4	7346000039	AR	Tubing	
6	7120000034	1	SCREW #10 X .75" SELF DRILLING	
7	7280000018	AR	Clip (Not Shown)	
8	5525000537	AR	Wire (Not Shown)	
9	7894000010	AR	Strap, Tie (Not Shown)	

SECTION 7 - ELECTRICAL

FIGURE 7-10. BACK UP CAMERA INSTALLATION (WITH DVR) (Prior to SN 0230010811, Except SN 0230010924 through 0230010930, Except SN 0230011121 through 0230011129, Except SN 0230011301 through 0230011319, Except SN 0230011491 through 0230011510, Excluding 0230011032 and 0230011078)



ART_1001142973

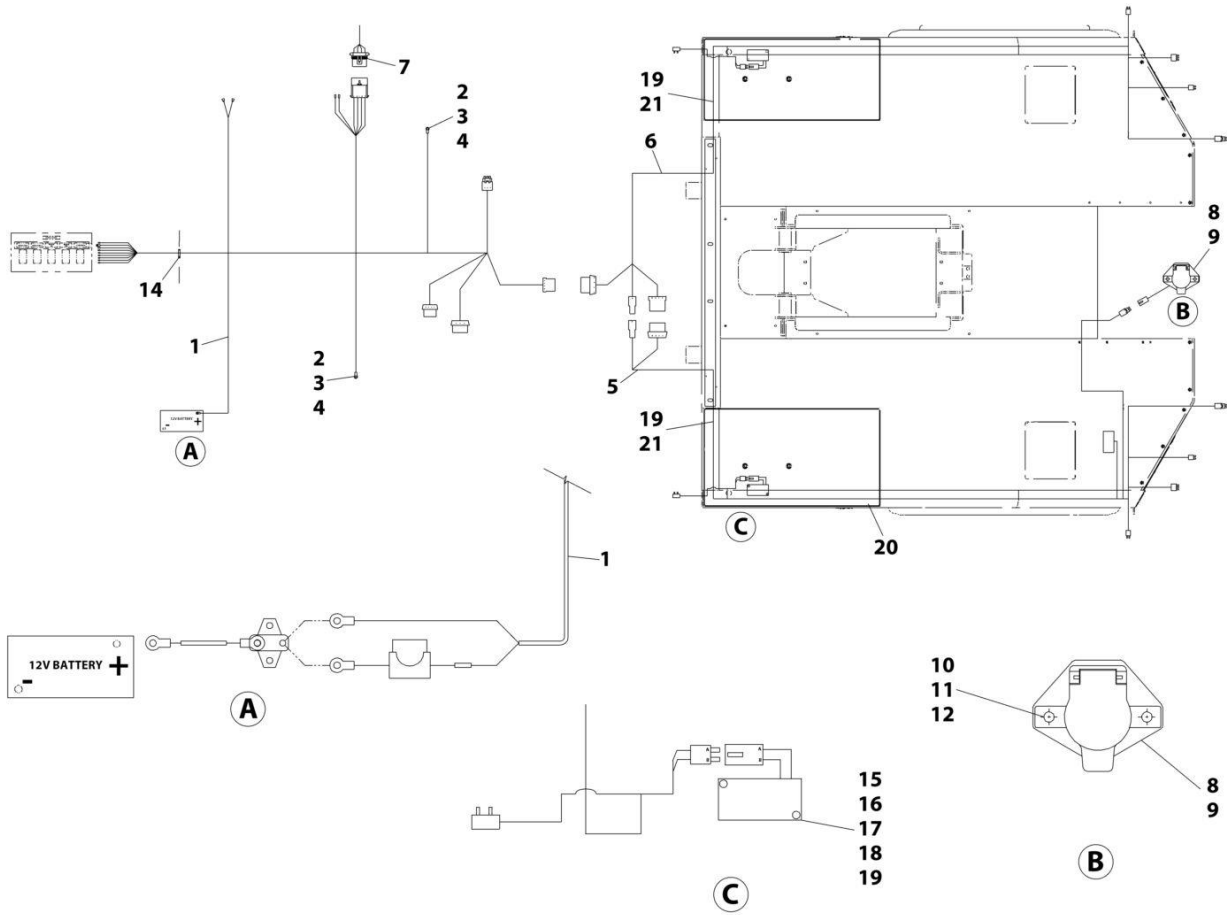
SECTION 7 - ELECTRICAL

FIGURE 7-10. BACK UP CAMERA INSTALLATION (WITH DVR) (Prior to SN 0230010811, Except SN 0230010924 through 0230010930, Except SN 0230011121 through 0230011129, Except SN 0230011301 through 0230011319, Except SN 0230011491 through 0230011510, Excluding 0230011032 and 0230011078)

ITEM	PART NUMBER	QTY	DESCRIPTION	REV
	1001142973	Ref	BACK UP CAMERA INSTALLATION (WITH DVR)	C
1	1001139909	1	Camera System	
2	1001139911	1	DVR	
3	1001142453	1	Cable	
4	7345001914	2	Terminal	
5	7345221902	3	Terminal	
6	7346000039	AR	Tubing	
7	1001229606	1	Adapter	

SECTION 7 - ELECTRICAL

FIGURE 7-11. BODY ELECTRICAL INSTALLATION (SN 0230004217 through 0230009709)



ART_1001208048

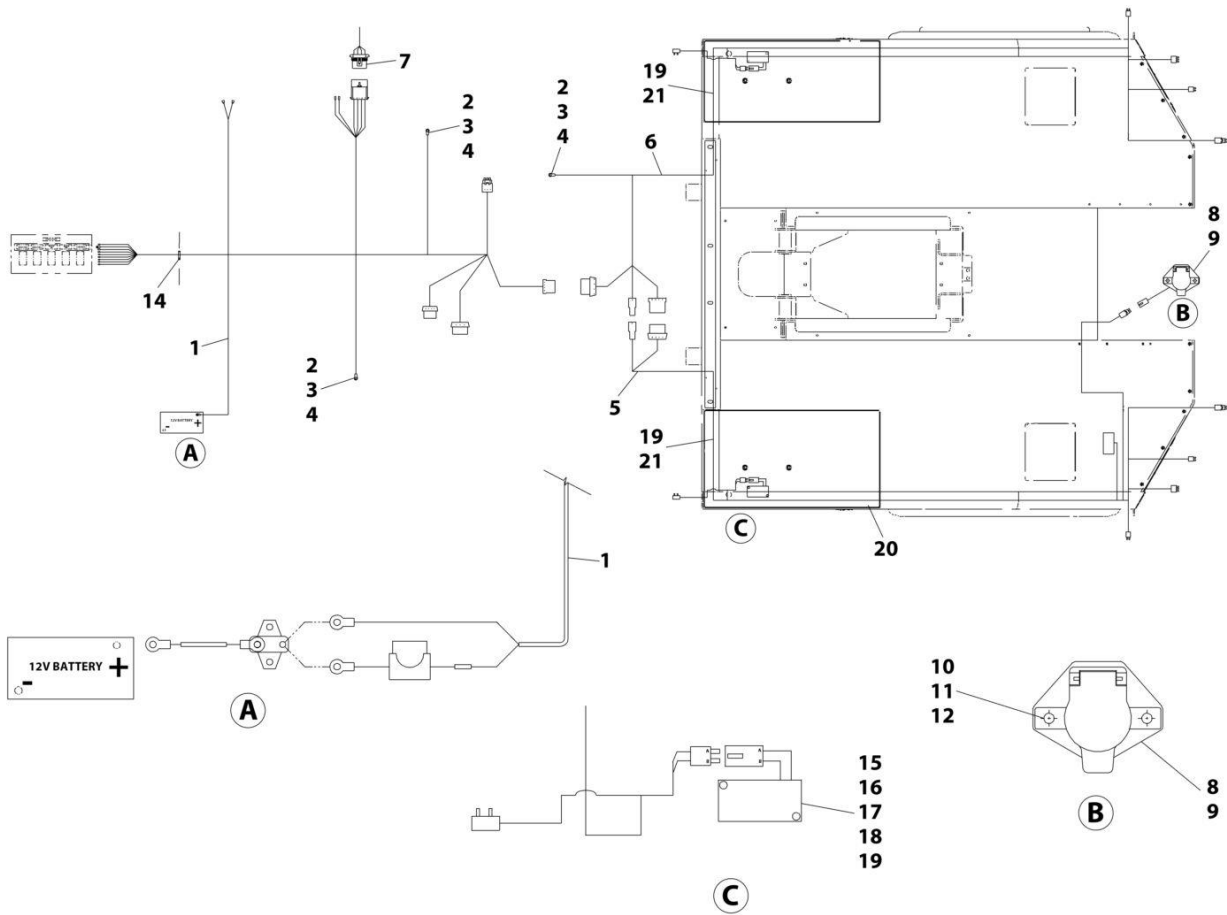
SECTION 7 - ELECTRICAL

FIGURE 7-11. BODY ELECTRICAL INSTALLATION (SN 0230004217 through 0230009709)

ITEM	PART NUMBER	QTY	DESCRIPTION	REV
	1001208048	Ref	BODY ELECTRICAL INSTALLATION	C
1	7552000292	2	Harness, Cab & Subframe (See Separate Breakdown in this Section)	
2	0641410	2	Bolt 1/4 x 1-1/4	
3	7660142600	2	Nut 1/4	
4	4711400	1	Washer 1/4	
5	1001190945	1	Harness, Body (LH) (See Separate Breakdown in this Section)	
6	1001190946	1	Harness, Body (RH) (See Separate Breakdown in this Section)	
7	7577000194	1	Connector Kit	
8	7291000010	1	Connector	
9	7796000048	1	Gasket	
10	7111140613	2	Screw 1/4	
11	4761400	2	Washer 1/4	
12	7413000002	2	Nut 1/4	
13	7894000042	29	Tie-Strap (Not Show)	
14	7493000003	1	Grommet	
15	7590000273	2	Light	
16	7120000081	4	Screw #10	
17	7661000007	4	Nut #10	
18	7831000040	4	Spacer	
19	8798820001	AR	Sealant	
20	7413000013	2	Push Fastener	
21	4420002	AR	Tape	

SECTION 7 - ELECTRICAL

FIGURE 7-12. BODY ELECTRICAL INSTALLATION (SN 0230009709 through 0230015583, Except SN 0230010924 through 0230010930, Except SN 0230011121 through 0230011129, Except SN 0230011301 through 0230011319, Except SN 0230011491 through 0230011510, Excluding 0230010532, 0230011032 and 0230011078)



ART_1001267675

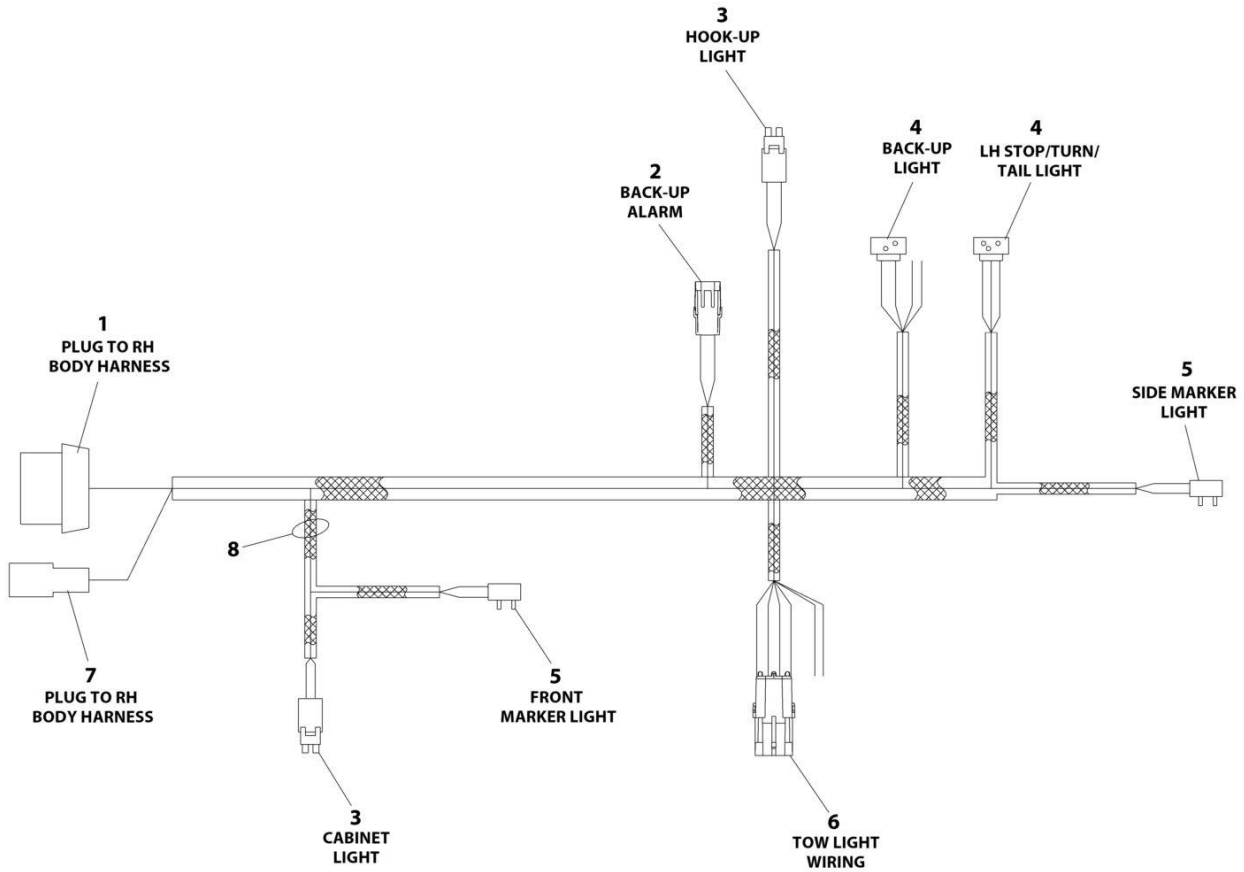
SECTION 7 - ELECTRICAL

FIGURE 7-12. BODY ELECTRICAL INSTALLATION (SN 0230009709 through 0230015583, Except SN 0230010924 through 0230010930, Except SN 0230011121 through 0230011129, Except SN 0230011301 through 0230011319, Except SN 0230011491 through 0230011510, Excluding 0230010532, 0230011032 and 0230011078)

ITEM	PART NUMBER	QTY	DESCRIPTION	REV
	1001267675	Ref	BODY ELECTRICAL INSTALLATION	A
1	1001263429	1	Harness, Cab & Subframe (See Separate Breakdown in this Section)	
2	0641410	3	Bolt 1/4 x 1-1/4	
3	7660142600	3	Nut 1/4	
4	4711400	3	Washer 1/4	
5	1001267670	1	Harness, Body (LH) (See Separate Breakdown in this Section)	
6	1001267671	1	Harness, Body (RH) (See Separate Breakdown in this Section)	
7	7577000194	1	Connector Kit	
8	7291000010	1	Connector	
9	7796000048	1	Gasket	
10	7111140613	2	Screw 1/4	
11	4761400	2	Washer 1/4	
12	7413000002	2	Nut 1/4	
13	7894000042	29	Tie-Strap (Not Show)	
14	7493000003	1	Grommet	
15	7590000273	2	Light	
16	7120000081	4	Screw #10	
17	7661000007	4	Nut #10	
18	7831000040	4	Spacer	
19	8798820001	AR	Sealant	
20	7413000013	2	Push Fastener	
21	4420002	AR	Tape	

SECTION 7 - ELECTRICAL

FIGURE 7-13. BODY HARNESS (LH) (SN 0230004217 through 0230009709)



ART_1001190945

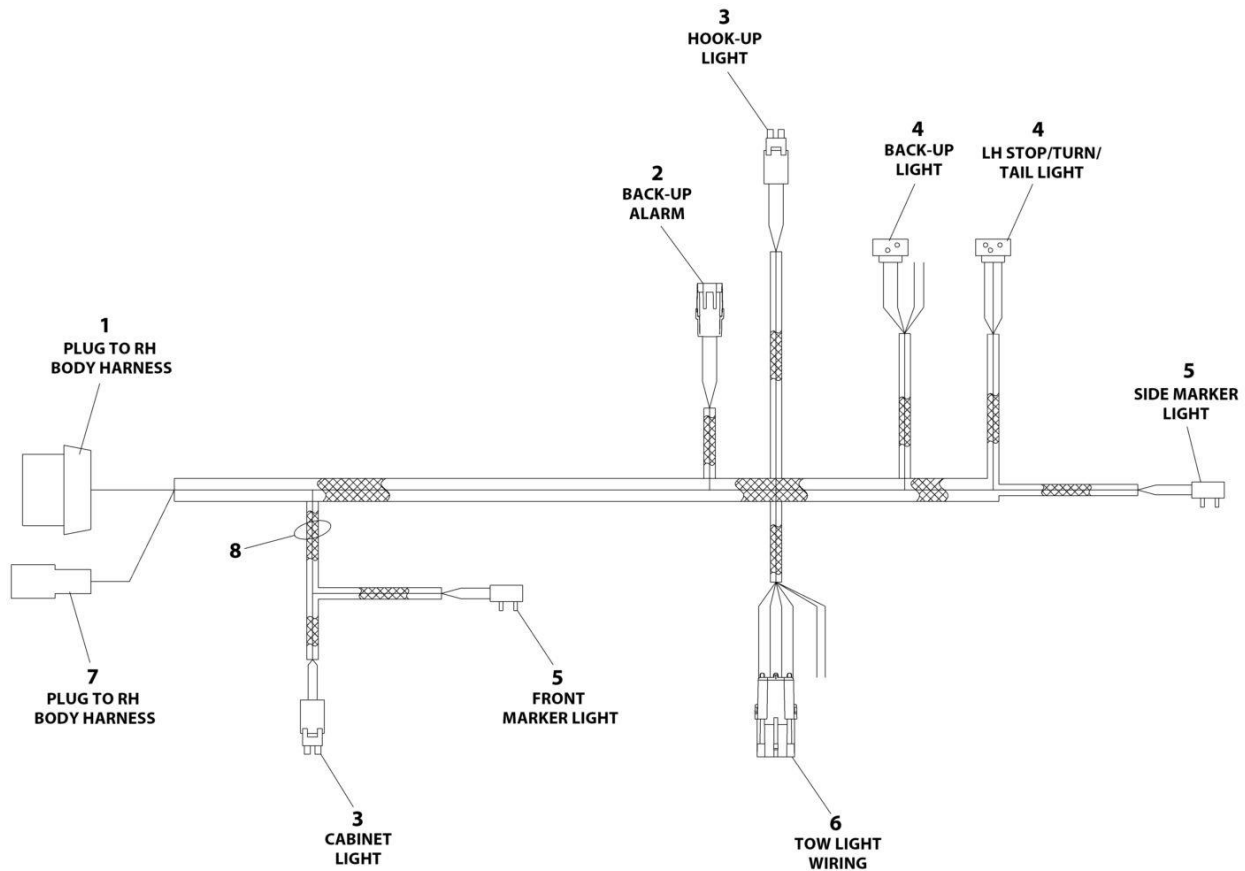
SECTION 7 - ELECTRICAL

FIGURE 7-13. BODY HARNESS (LH) (SN 0230004217 through 0230009709)

ITEM	PART NUMBER	QTY	DESCRIPTION	REV
	1001190945	Ref	BODY HARNESS (LH)	B
1	7346000144	1	Connector - 8 Position	
1	7346000147	7	Socket	
1		Ref	Seal	
1	7346000153	1	Plug, Terminal	
1	7346000145	1	Lock, Terminal	
2	4460867	1	Receptacle, Female - 2 Position	
2	7346000035	2	Pin, Male	
2		Ref	Seal	
3	4460742	2	Plug, Male - 2 Position	
3	7346000099	4	Socket, Female	
3		Ref	Seal	
4		Ref	Connector - 2 Position	
5		Ref	Connector- 2 Position	
6		Ref	Connector - 4 Position	
6	7346000035	4	Pin, Male	
6		Ref	Seal	
7	1001119004	1	Connector	
7	1001116729	1	Terminal	
7		Ref	Seal	
8	7493000030	1	Grommet	

SECTION 7 - ELECTRICAL

FIGURE 7-14. BODY HARNESS (LH) (SN 0230009709 through 0230015583, Except SN 0230010924 through 0230010930, Except SN 0230011121 through 0230011129, Except SN 0230011301 through 0230011319, Except SN 0230011491 through 0230011510, Excluding 0230010532, 0230011032 and 0230011078)



ART_1001267670

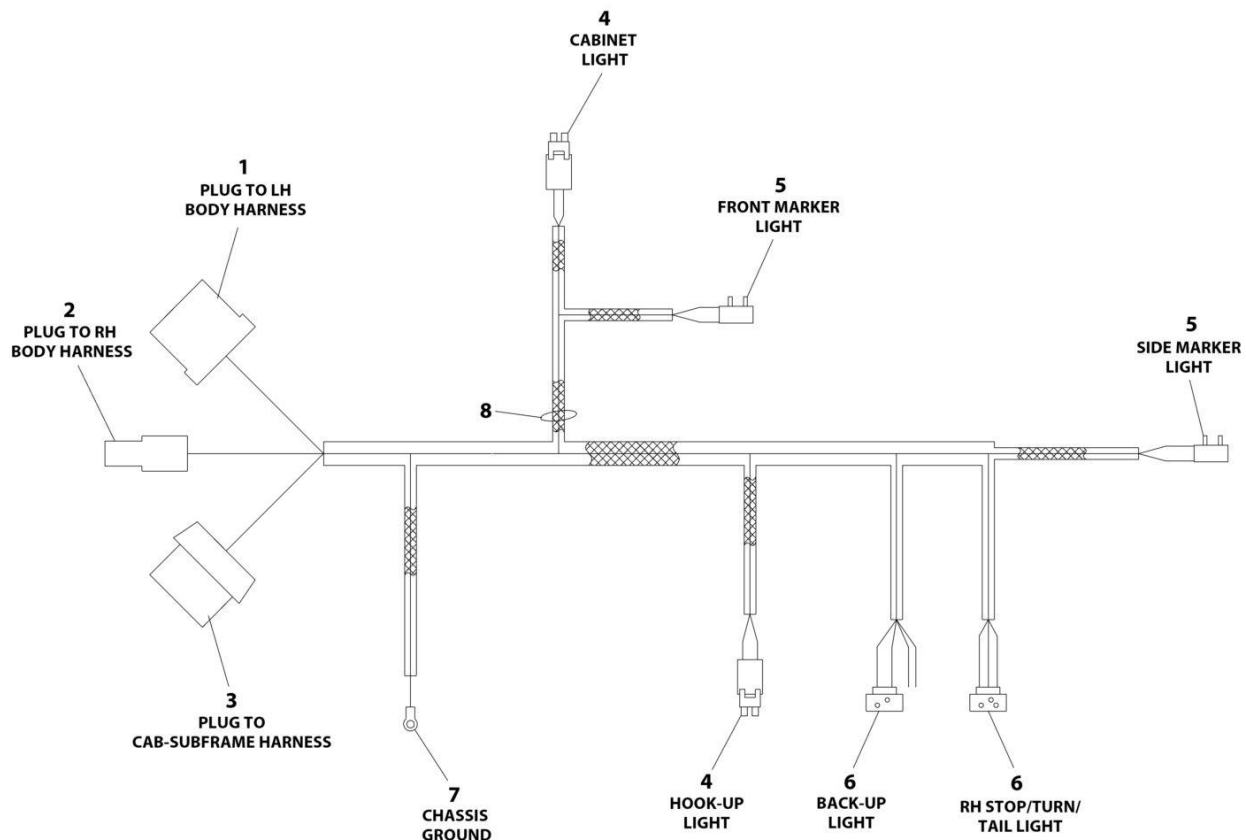
SECTION 7 - ELECTRICAL

FIGURE 7-14. BODY HARNESS (LH) (SN 0230009709 through 0230015583, Except SN 0230010924 through 0230010930, Except SN 0230011121 through 0230011129, Except SN 0230011301 through 0230011319, Except SN 0230011491 through 0230011510, Excluding 0230010532, 0230011032 and 0230011078)

ITEM	PART NUMBER	QTY	DESCRIPTION	REV
	1001267670	Ref	BODY HARNESS (LH)	A
1	7346000144	1	Connector - 8 Position	
1	7346000147	7	Socket	
1		Ref	Seal	
1	7346000153	1	Plug, Terminal	
1	7346000145	1	Lock, Terminal	
2	4460867	1	Receptacle, Female - 2 Position	
2	7346000035	2	Pin, Male	
2		Ref	Seal	
3	4460742	2	Plug, Male - 2 Position	
3	7346000099	4	Socket, Female	
3		Ref	Seal	
4		Ref	Connector - 2 Position	
5		Ref	Connector- 2 Position	
6		Ref	Connector - 4 Position	
6	7346000035	4	Pin, Male	
6		Ref	Seal	
7	1001119004	1	Connector	
7	1001116729	1	Terminal	
7		Ref	Seal	
8	7493000030	1	Grommet	

SECTION 7 - ELECTRICAL

FIGURE 7-15. BODY HARNESS (RH) (SN 0230004217 through 0230009709)



ART_1001190946

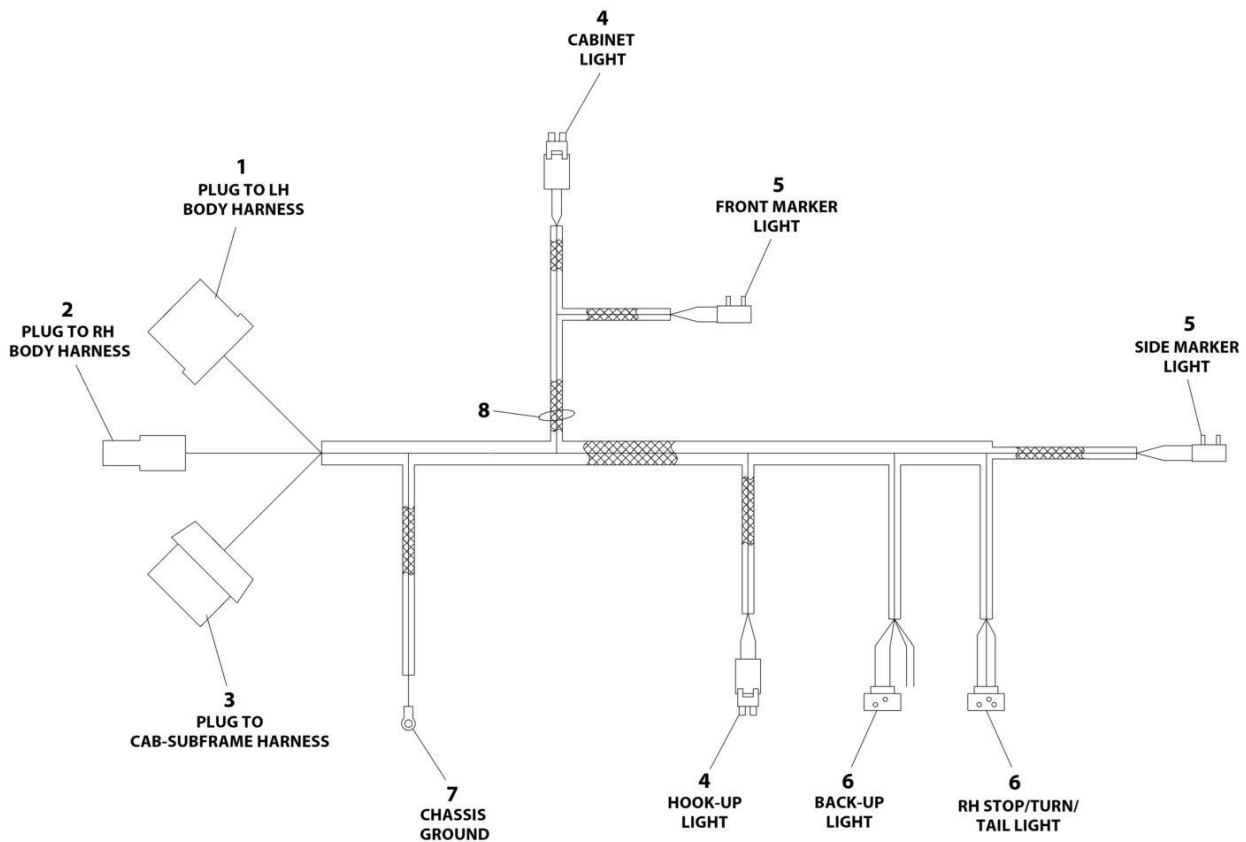
SECTION 7 - ELECTRICAL

FIGURE 7-15. BODY HARNESS (RH) (SN 0230004217 through 0230009709)

ITEM	PART NUMBER	QTY	DESCRIPTION	REV
	1001190946	Ref	BODY HARNESS (RH)	B
1	4460692	1	Receptacle, Female - 8 Position	
1	4460693	7	Pin, Male	
1		Ref	Seal	
1	7346000153	1	Plug, Terminal	
1	4460695	1	Lock, Terminal	
2	1001119004	1	Connector	
2	1001116747	2	Terminal	
2		Ref	Seal	
3	7346000144	1	Connector - 8 Position	
3	7346000147	7	Socket	
3		Ref	Seal	
3	7346000153	1	Plug, Terminal	
3	7346000145	1	Lock, Terminal	
4	4460742	2	Plug, Male - 2 Position	
4	7346000099	4	Socket, Female	
4		Ref	Seal	
5		Ref	Connector- 2 Position	
6		Ref	Connector - 2 Position	
7		Ref	Terminal, Ring	
8	7493000030	1	Grommet	

SECTION 7 - ELECTRICAL

FIGURE 7-16. BODY HARNESS (RH) (SN 0230009709 through 0230015583, Except SN 0230010924 through 0230010930, Except SN 0230011121 through 0230011129, Except SN 0230011301 through 0230011319, Except SN 0230011491 through 0230011510, Excluding 0230010532, 0230011032 and 0230011078)



ART_1001267671

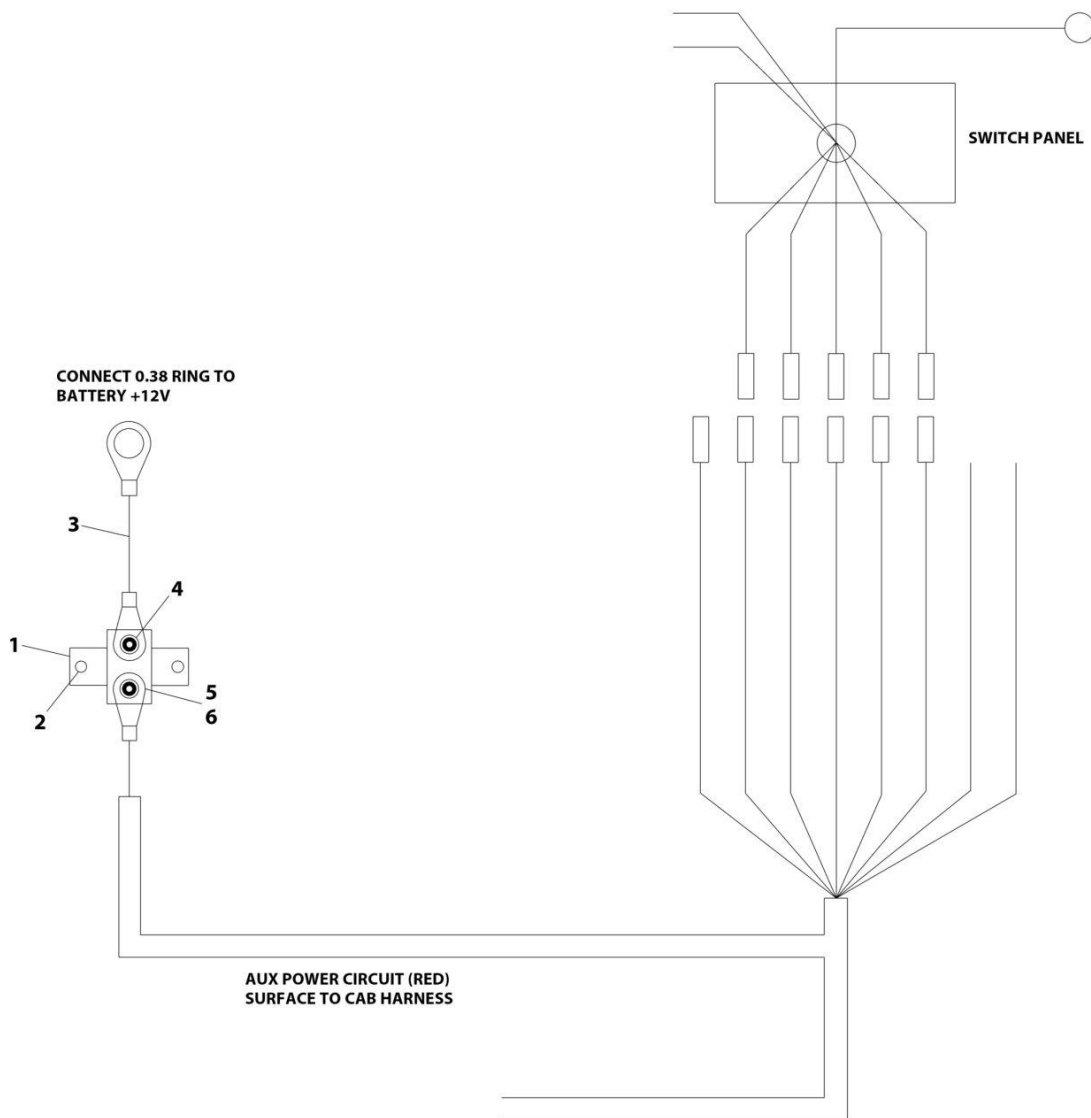
SECTION 7 - ELECTRICAL

FIGURE 7-16. BODY HARNESS (RH) (SN 0230009709 through 0230015583, Except SN 0230010924 through 0230010930, Except SN 0230011121 through 0230011129, Except SN 0230011301 through 0230011319, Except SN 0230011491 through 0230011510, Excluding 0230010532, 0230011032 and 0230011078)

ITEM	PART NUMBER	QTY	DESCRIPTION	REV
	1001267671	Ref	BODY HARNESS (RH)	B
1	4460692	1	Receptacle, Female - 8 Position	
1	4460693	7	Pin, Male	
1		Ref	Seal	
1	7346000153	1	Plug, Terminal	
1	4460695	1	Lock, Terminal	
2	1001119004	1	Connector	
2	1001116747	2	Terminal	
2		Ref	Seal	
3	7346000144	1	Connector - 8 Position	
3	7346000147	7	Socket	
3		Ref	Seal	
3	7346000153	1	Plug, Terminal	
3	7346000145	1	Lock, Terminal	
4	4460742	2	Plug, Male - 2 Position	
4	7346000099	4	Socket, Female	
4		Ref	Seal	
5		Ref	Connector- 2 Position	
6		Ref	Connector - 2 Position	
7		Ref	Terminal, Ring	
8	7493000030	1	Grommet	

SECTION 7 - ELECTRICAL

FIGURE 7-17. BREAKER INSTALLATION - 50AMP



ART_1001129883

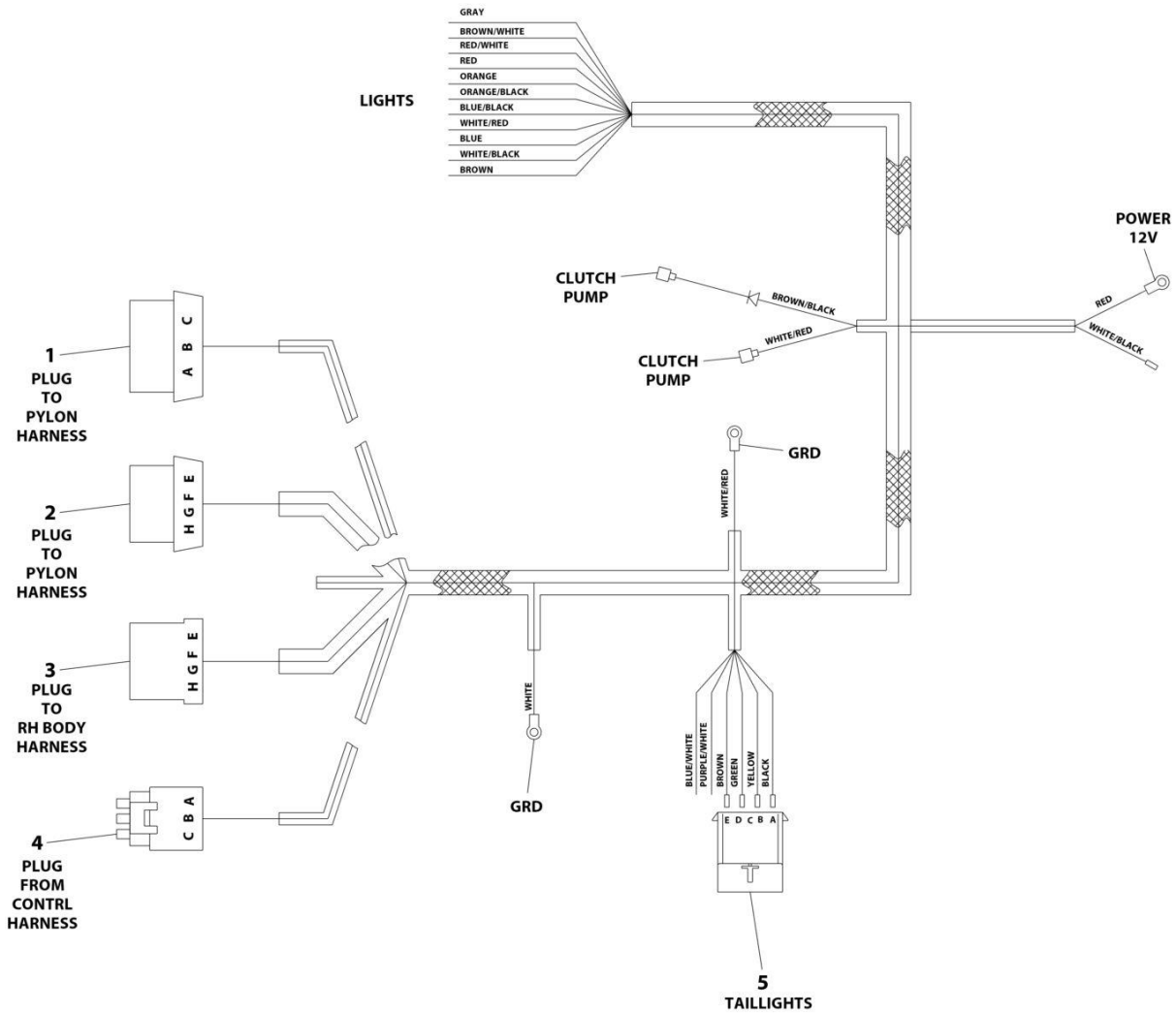
SECTION 7 - ELECTRICAL

FIGURE 7-17. BREAKER INSTALLATION - 50AMP

ITEM	PART NUMBER	QTY	DESCRIPTION	REV
	1001129883	Ref	50A BREAKER INSTALLATION	C
1	7457000004	1	Breaker, 50A	
2	7120000034	2	Screw #10 x 3/4	
3	1001129882	1	Harness	
4	7950100151	2	Washer 3/16	
5	7345221902	1	Terminal	
6	4346000005	1	Heat Shrink	

SECTION 7 - ELECTRICAL

FIGURE 7-18. CAB AND SUBFRAME HARNESS (SN 0230004217 through 0230009709)



ART_7552000292

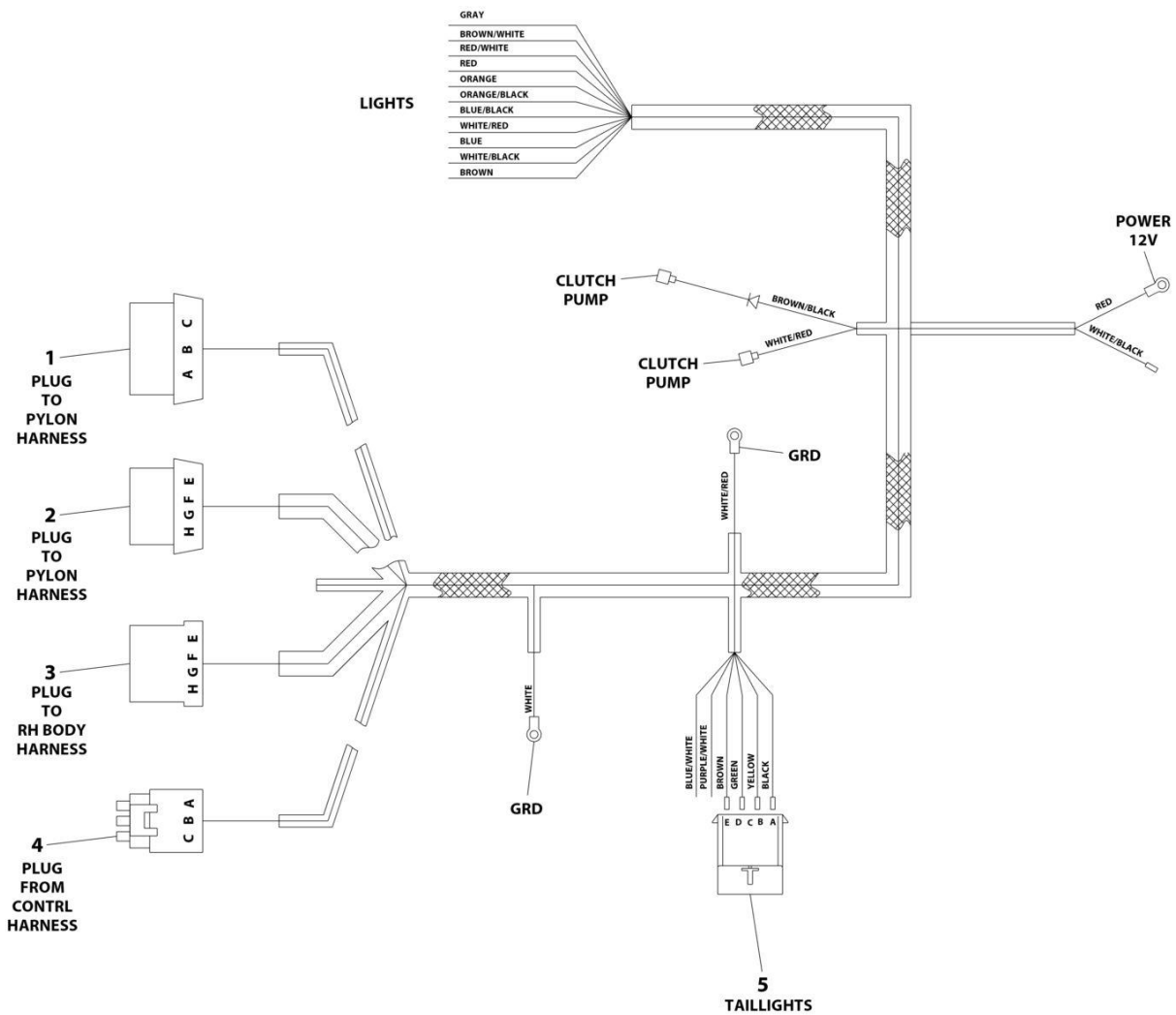
SECTION 7 - ELECTRICAL

FIGURE 7-18. CAB AND SUBFRAME HARNESS (SN 0230004217 through 0230009709)

ITEM	PART NUMBER	QTY	DESCRIPTION	REV
	7552000292	Ref	CAB AND SUBFRAME HARNESS	C
1	8220935	1	Connector	
1		Ref	Lock	
1		Ref	Seal	
1	8220099	1	Terminal	
2	4460587	1	Connector	
2	4460588	1	Lock	
2	4460608	1	Seal	
2	4460589	1	Terminal	
3	4460692	1	Connector	
3	4460588	1	Lock	
3	4460608	1	Seal	
3	4460693	1	Terminal	
4		Ref	Connector	
4	4460457	1	Terminal	
4	8220081	1	Seal	
5	1001121727	1	Connector	
5		Ref	Lock	
5	1001116729	1	Terminal	
5		Ref	Seal	
5	1001116727	1	Plug	

SECTION 7 - ELECTRICAL

FIGURE 7-19. CAB AND SUBFRAME HARNESS (SN 0230009709 through 0230015583, Except SN 0230010924 through 0230010930, Except SN 0230011121 through 0230011129, Except SN 0230011301 through 0230011319, Except SN 0230011491 through 0230011510, Excluding 0230010532, 0230011032 and 0230011078)



ART_1001263429

SECTION 7 - ELECTRICAL

FIGURE 7-19. CAB AND SUBFRAME HARNESS (SN 0230009709 through 0230015583, Except SN 0230010924 through 0230010930, Except SN 0230011121 through 0230011129, Except SN 0230011301 through 0230011319, Except SN 0230011491 through 0230011510, Excluding 0230010532, 0230011032 and 0230011078)

ITEM	PART NUMBER	QTY	DESCRIPTION	REV
	1001263429	Ref	CAB AND SUBFRAME HARNESS	A
1	8220935	1	Connector	
1		Ref	Lock	
1		Ref	Seal	
1	8220099	1	Terminal	
2	4460587	1	Connector	
2	4460588	1	Lock	
2	4460608	1	Seal	
2	4460589	1	Terminal	
3	4460692	1	Connector	
3	4460588	1	Lock	
3	4460608	1	Seal	
3	4460693	1	Terminal	
4		Ref	Connector	
4	4460457	1	Terminal	
4	8220081	1	Seal	
5	1001121727	1	Connector	
5		Ref	Lock	
5	1001116729	1	Terminal	
5		Ref	Seal	
5	1001116727	1	Plug	

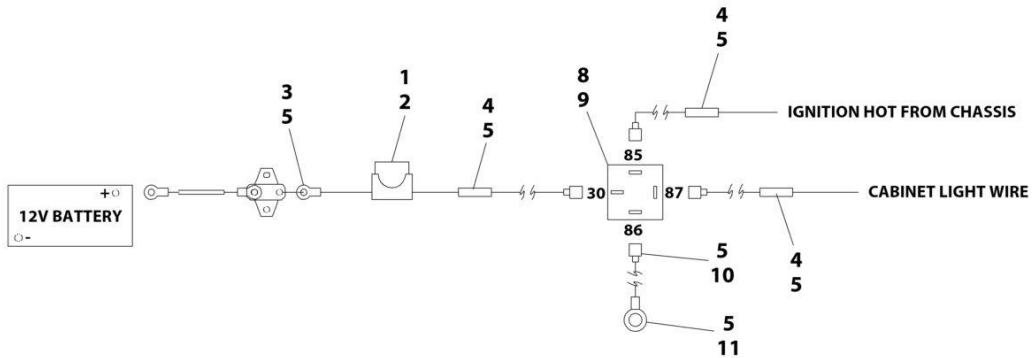
SECTION 7 - ELECTRICAL

FIGURE 7-20. LIGHTS - CABINET LIGHT AND FUSE INSTALLATION

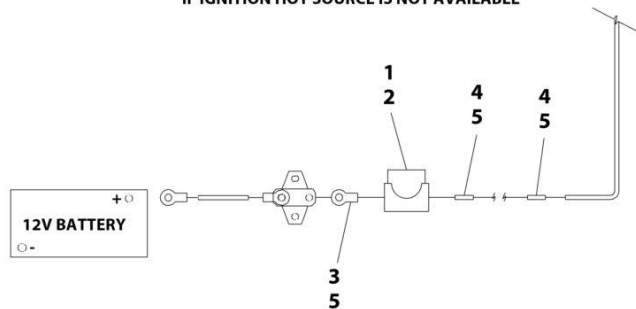
IF POSSIBLE, CONNECT THE CABINET LIGHT CIRCUIT TO AN IGNITION HOT SOURCE CAPABLE OF HANDLING A 10A DRAW



IF IGNITION HOT SOURCE IS NOT CAPABLE OF HANDLING AMP DRAW(10A)



IF IGNITION HOT SOURCE IS NOT AVAILABLE



ART_1001135689

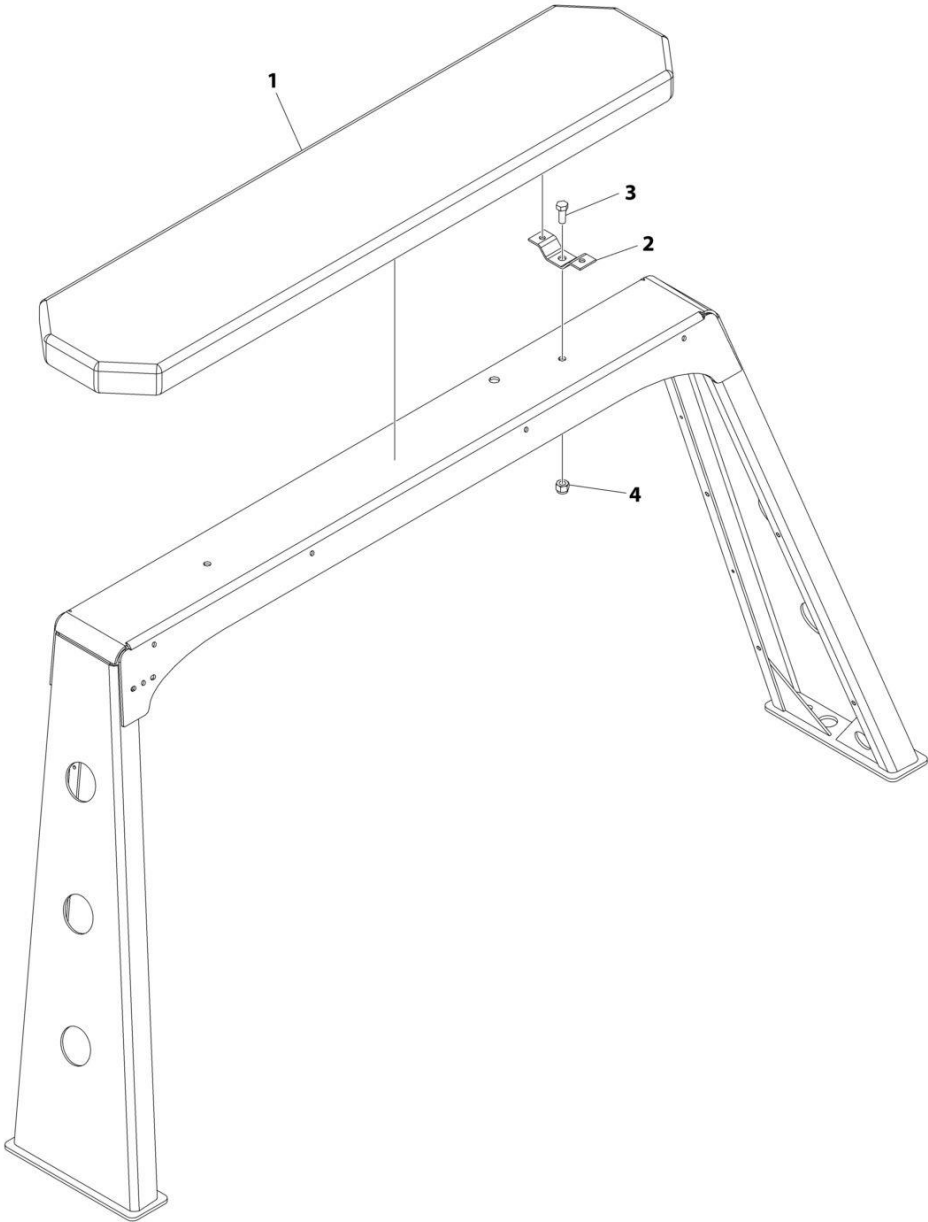
SECTION 7 - ELECTRICAL

FIGURE 7-20. LIGHTS - CABINET LIGHT AND FUSE INSTALLATION

ITEM	PART NUMBER	QTY	DESCRIPTION	REV
	1001135689	Ref	CABINET LIGHT AND FUSE INSTALLATION	C
1	7346000126	1	Fuse Holder	
2	7457000014	1	Fuse	
3	7345221902	1	Terminal	
4	7345001714	3	Terminal	
5	4346000005	8	Heat Shrink Tubing	
8	7740000003	1	Relay	
9	7120000034	1	Screw #10 x 3/4	
10	7345001710	4	Tab	
11	7345221702	1	Terminal	

SECTION 7 - ELECTRICAL

FIGURE 7-21. LIGHTS - LIGHTBAR INSTALLATION - 58IN AMBER 10 LED CODE 3 (STANDARD MOUNT)



ART_2590000179

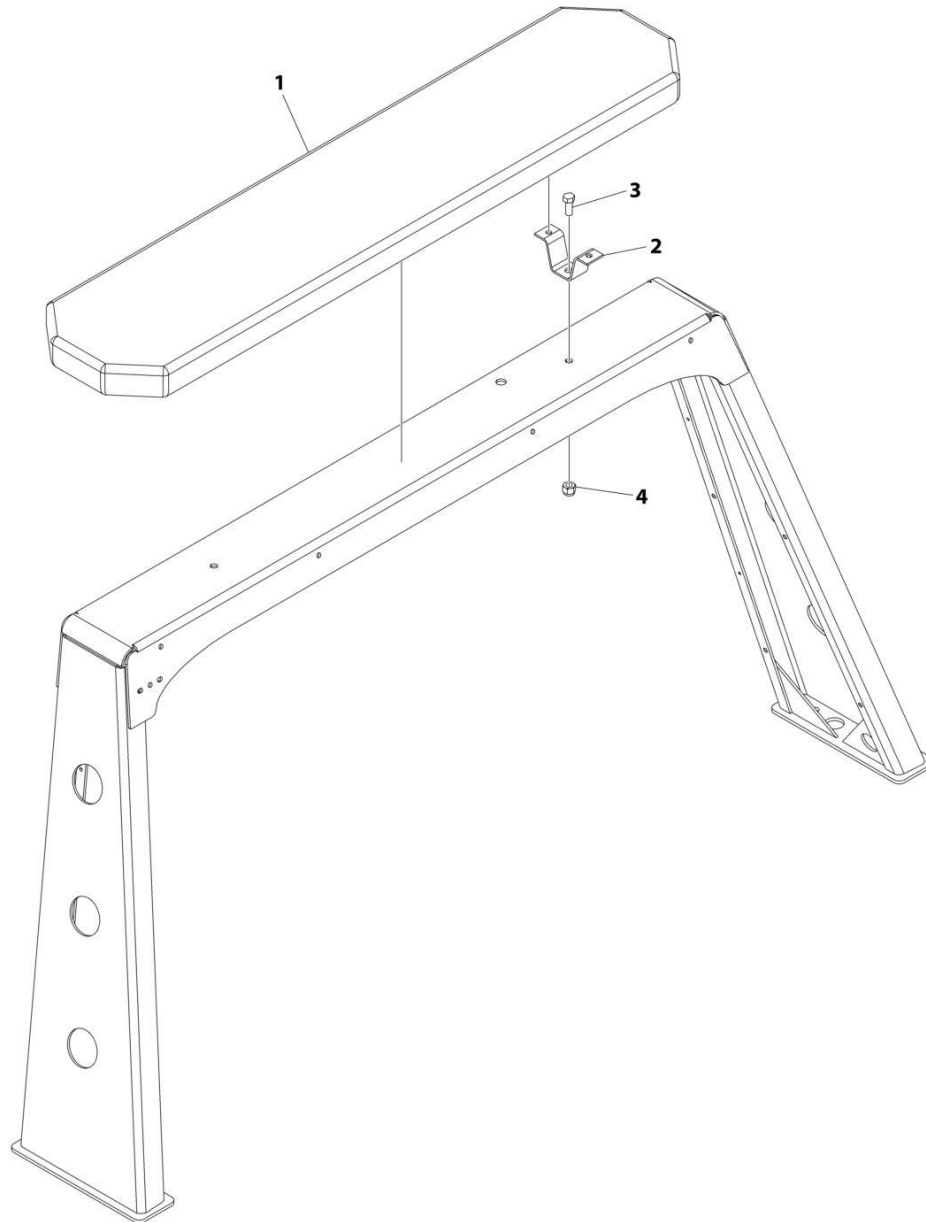
SECTION 7 - ELECTRICAL

FIGURE 7-21. LIGHTS - LIGHTBAR INSTALLATION - 58IN AMBER 10 LED CODE 3 (STANDARD MOUNT)

ITEM	PART NUMBER	QTY	DESCRIPTION	REV
	2590000179	Ref	LIGHTBAR INSTALLATION - 58IN AMBER 10 LED CODE 3 (STANDARD MOUNT)	E
1	1001136990	1	Lightbar Assembly (See Separate Breakdown in this Section)	
2	4178000402	2	Bracket	
3	7115181050	2	Bolt 1/2 x 1-1/4	
4	7660182601	2	Nut 1/2	

SECTION 7 - ELECTRICAL

FIGURE 7-22. LIGHTS - LIGHTBAR INSTALLATION - 58IN AMBER 8 LED CODE 3 (HIGH MOUNT)



ART_1001256173

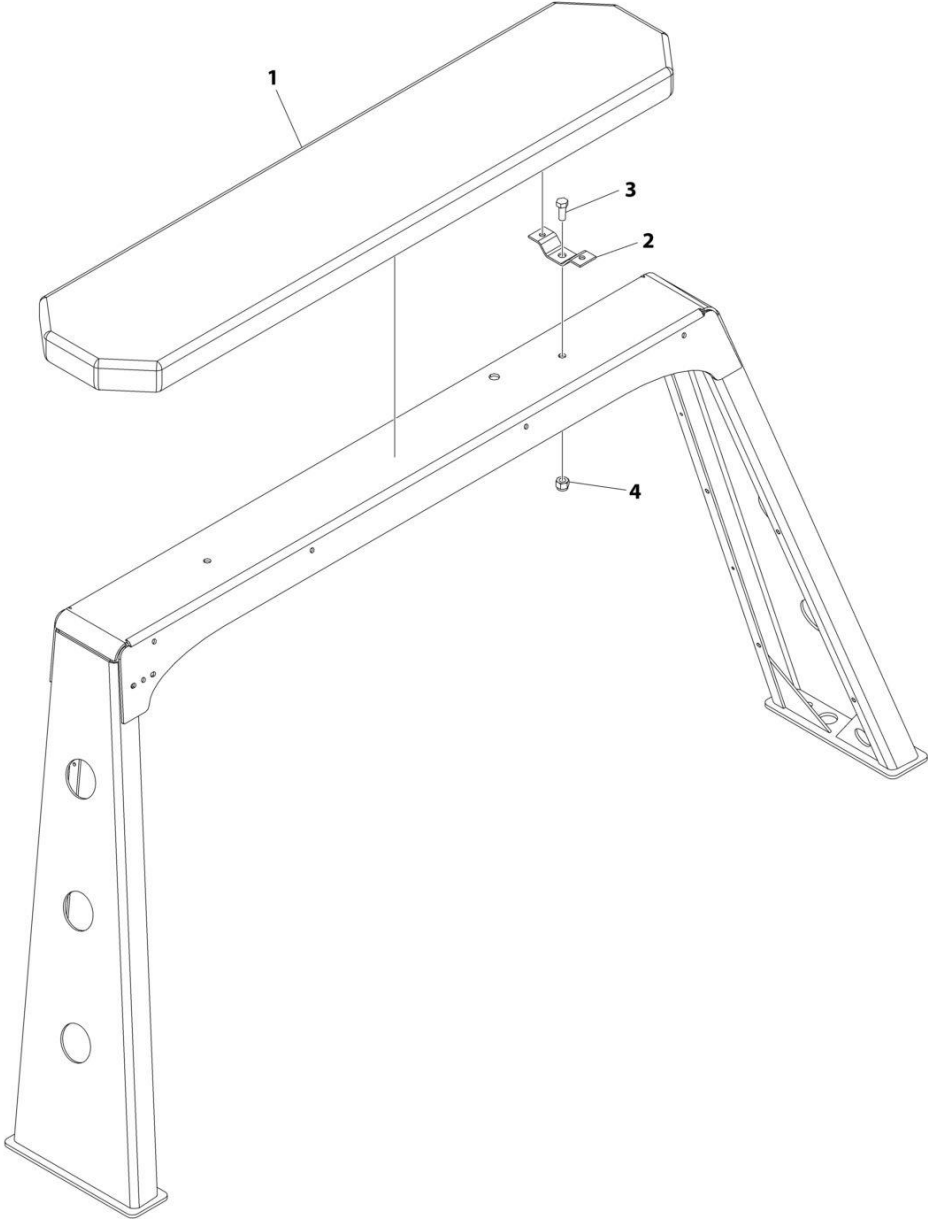
SECTION 7 - ELECTRICAL

FIGURE 7-22. LIGHTS - LIGHTBAR INSTALLATION - 58IN AMBER 8 LED CODE 3 (HIGH MOUNT)

ITEM	PART NUMBER	QTY	DESCRIPTION	REV
	1001256173	Ref	LIGHT - LIGHTBAR INSTALLATION - 58IN AMBER 8 LED CODE 3 (HIGH MOUNT)	B
1	1001136990	1	Lamp (See Separate Breakdown in this Section)	
2	4178000437	2	Bracket	
3	7115181050	2	Bolt 1/2 x 1-1/4	
4	7660182601	2	Nut 1/2	

SECTION 7 - ELECTRICAL

FIGURE 7-23. LIGHTS - LIGHTBAR INSTALLATION - 58IN AMBER 8 LED CODE 3 ARROWSTICK



ART_1001123370

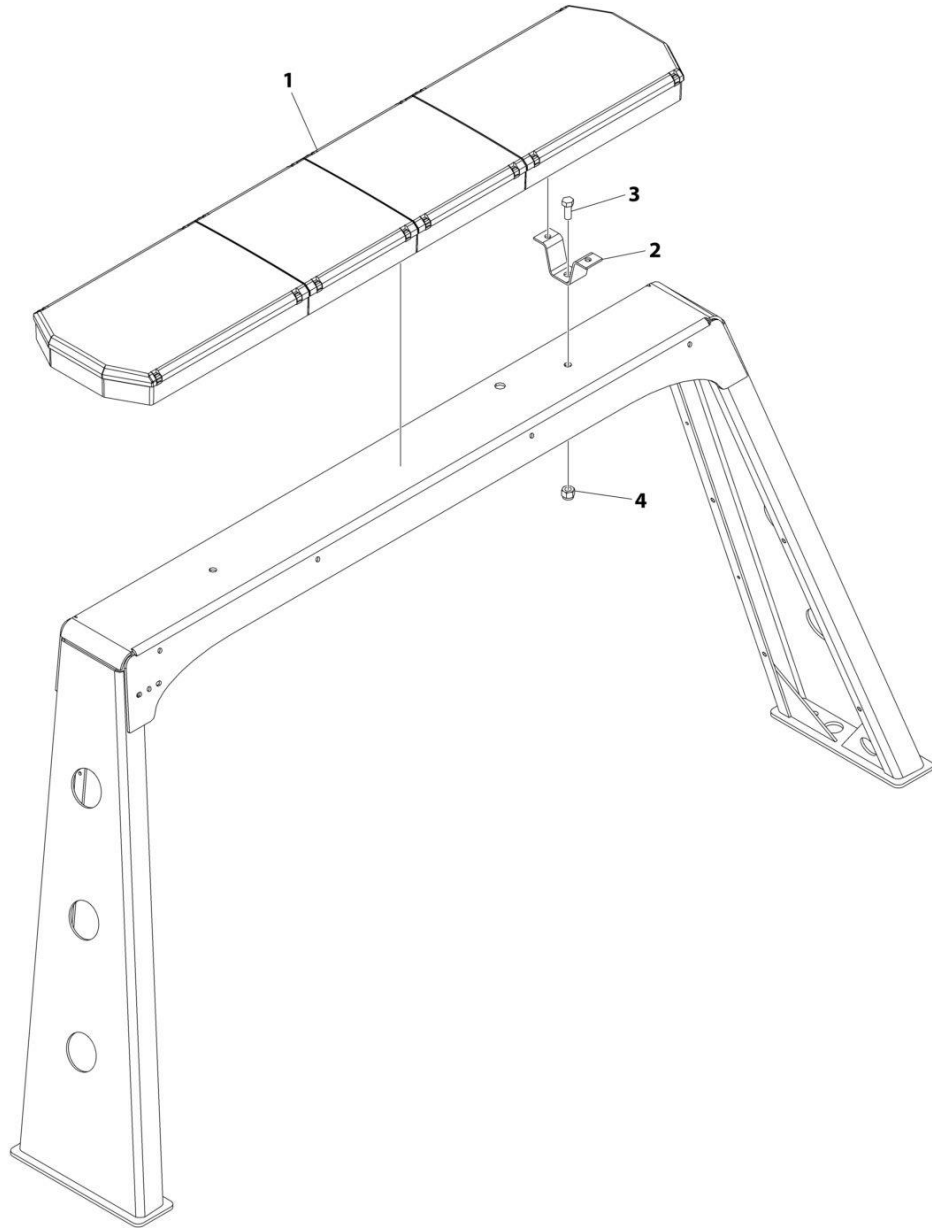
SECTION 7 - ELECTRICAL

FIGURE 7-23. LIGHTS - LIGHTBAR INSTALLATION - 58IN AMBER 8 LED CODE 3 ARROWSTICK

ITEM	PART NUMBER	QTY	DESCRIPTION	REV
	1001123370	Ref	LIGHT - LIGHTBAR INSTALLATION - 58IN AMBER 8 LED CODE 3 ARROWSTICK	B
1	7590000406	1	Lightbar (See Separate Breakdown in this Section)	
2	4178000402	2	Bracket	
3	7115181050	2	Bolt 1/2 x 1-1/4	
4	7660182601	2	Nut 1/2	

SECTION 7 - ELECTRICAL

FIGURE 7-24. LIGHTS - LIGHTBAR INSTALLATION - 58IN AMBER 8 LED CODE 3 WITH AMBER TOPS



ART_1001155871

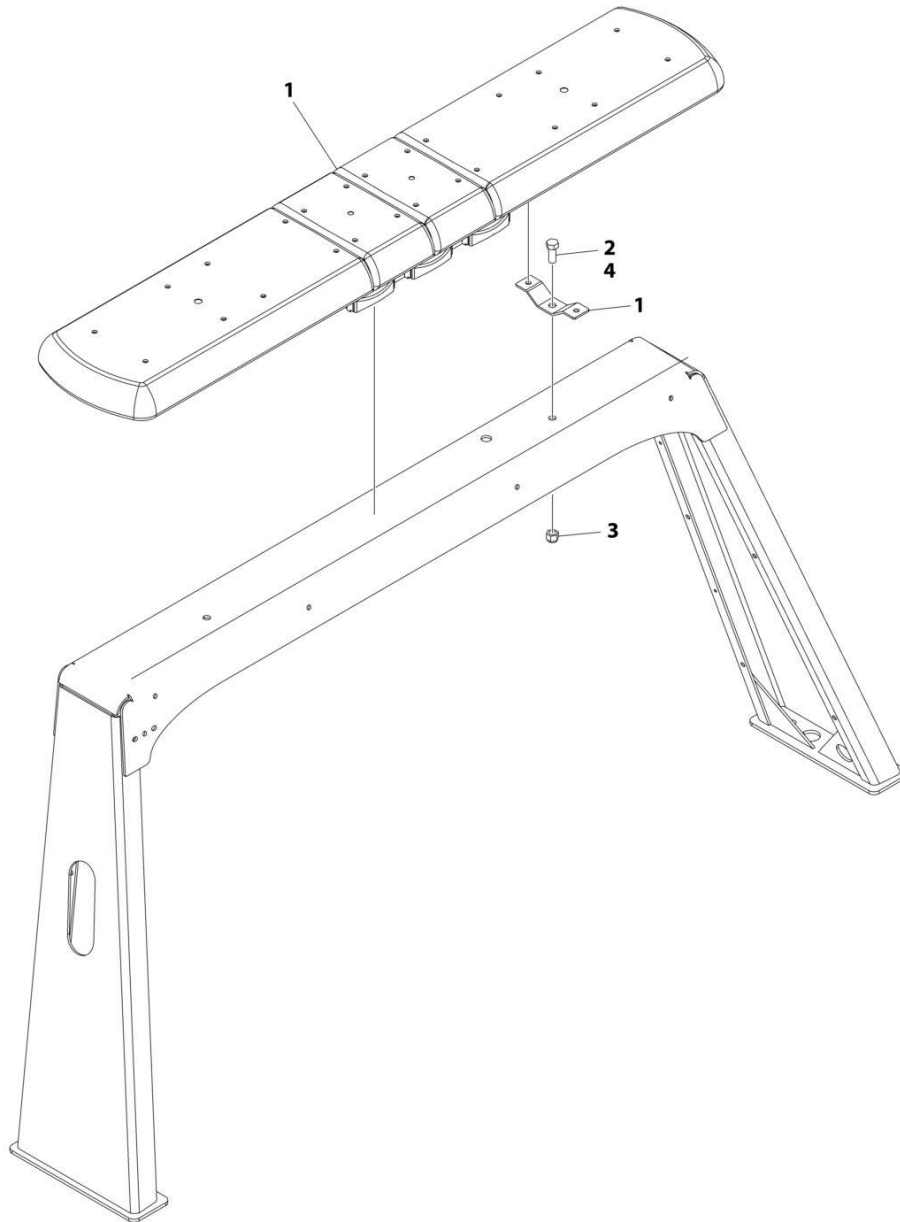
SECTION 7 - ELECTRICAL

FIGURE 7-24. LIGHTS - LIGHTBAR INSTALLATION - 58IN AMBER 8 LED CODE 3 WITH AMBER TOPS

ITEM	PART NUMBER	QTY	DESCRIPTION	REV
	1001155871	Ref	LIGHT - LIGHTBAR INSTALLATION - 58IN AMBER 8 LED CODE 3 WITH AMBER TOPS	C
1	1001155872	1	Lamp (See Separate Breakdown in this Section)	
2	4178000437	2	Bracket	
3	7115181050	2	Bolt 1/2 x 1-1/4	
4	7660182601	2	Nut 1/2	

SECTION 7 - ELECTRICAL

FIGURE 7-25. LIGHTS - LIGHTBAR INSTALLATION - 60IN AMBER ECCO (STANDARD MOUNT)



ART_1001259576

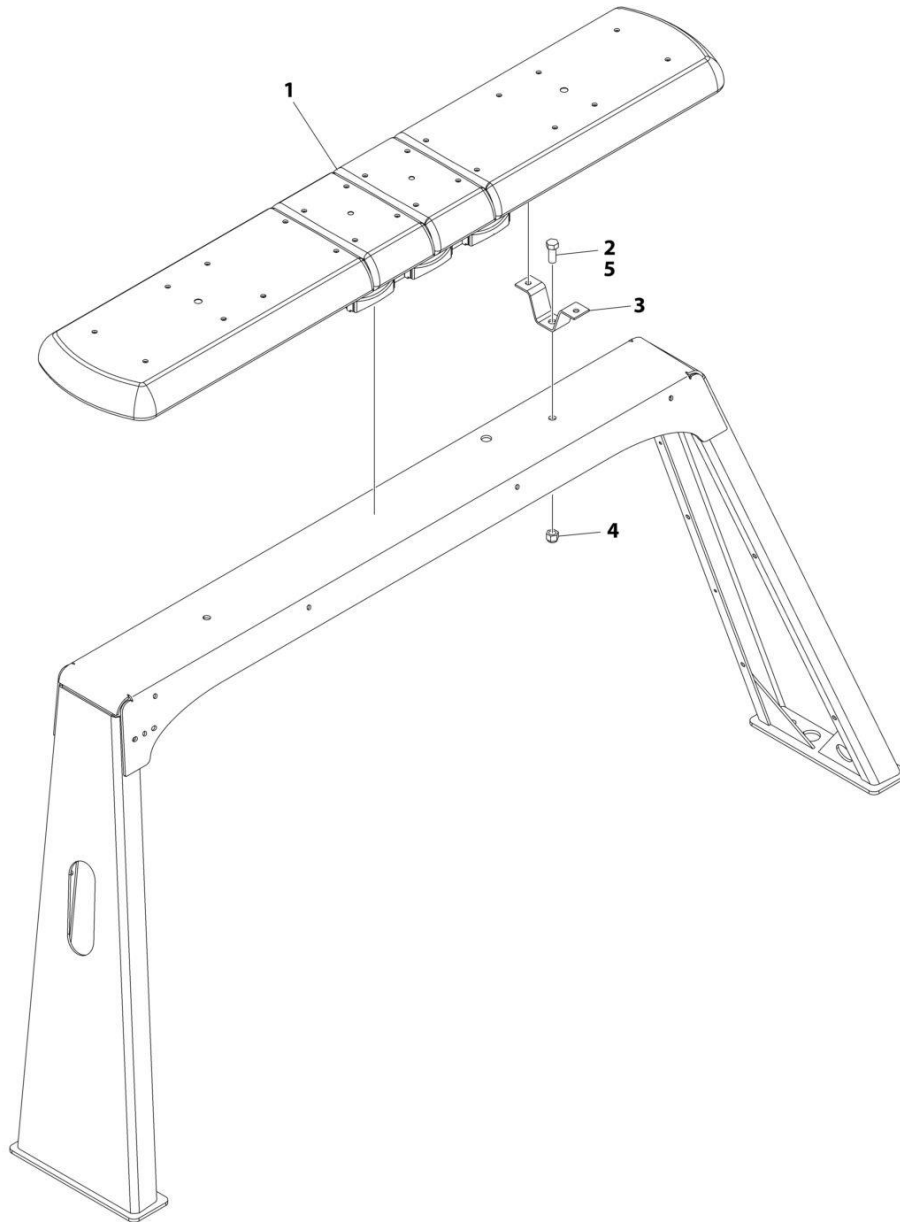
SECTION 7 - ELECTRICAL

FIGURE 7-25. LIGHTS - LIGHTBAR INSTALLATION - 60IN AMBER ECCO (STANDARD MOUNT)

ITEM	PART NUMBER	QTY	DESCRIPTION	REV
	1001259576	Ref	LIGHTBAR INSTALLATION - ECCO 60IN (STANDARD MOUNT)	B
1	1001247139	1	Lightbar Assembly (See Separate Breakdown in this Section)	
2	0641810	2	Bolt 1/2 x 1-1/4	
3	7660182601	2	Nut 1/2	
4	0100011	AR	Compound, Locking	

SECTION 7 - ELECTRICAL

FIGURE 7-26. LIGHTS - LIGHTBAR ASSEMBLY - 60IN AMBER ECCO (HIGH MOUNT)



ART_1001265004

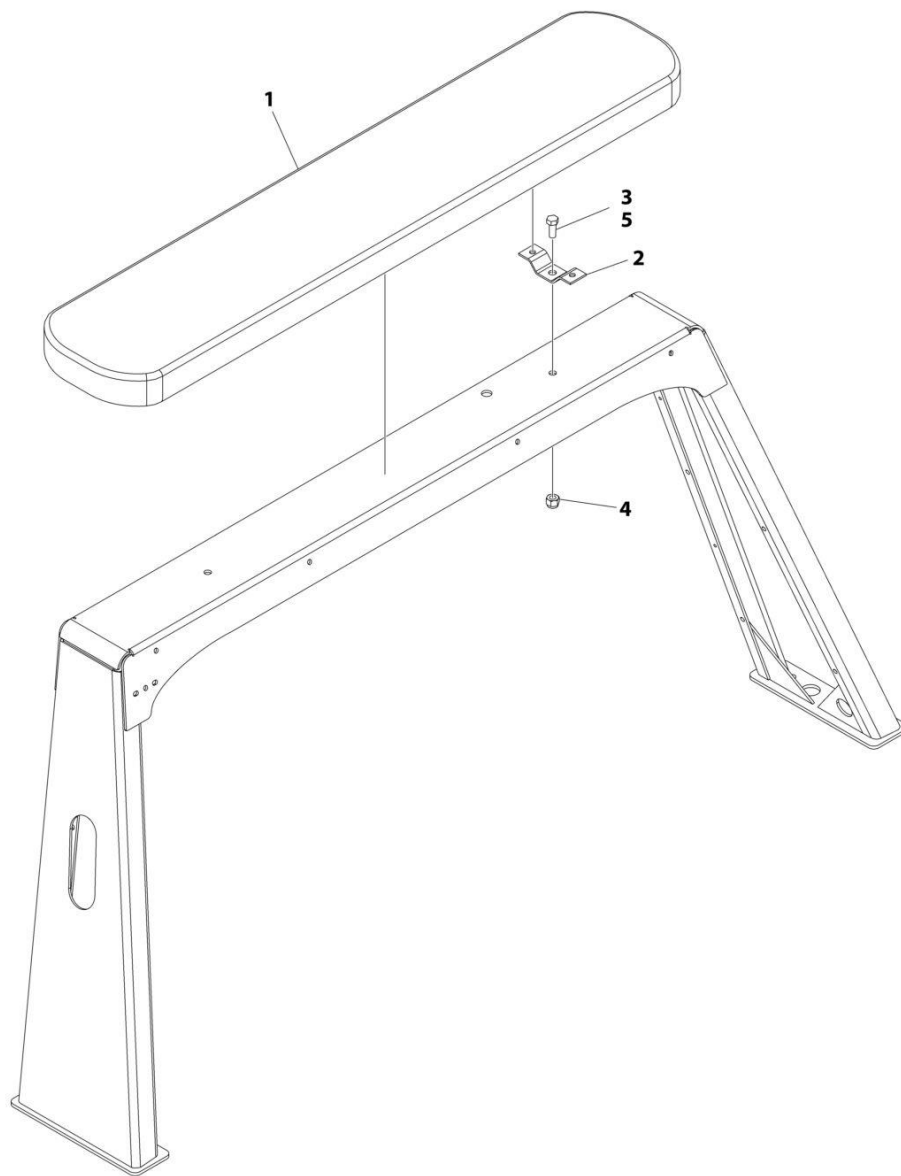
SECTION 7 - ELECTRICAL

FIGURE 7-26. LIGHTS - LIGHTBAR ASSEMBLY - 60IN AMBER ECCO (HIGH MOUNT)

ITEM	PART NUMBER	QTY	DESCRIPTION	REV
	1001265004	Ref	LIGHTBAR INSTALLATION - ECCO 60IN (HIGH MOUNT)	B
1	1001247139	1	Lightbar Assembly (See Separate Breakdown in this Section)	
2	0641810	2	Bolt 1/2 x 1-1/4	
3	1001262106	2	Bracket	
4	7660182601	2	Nut 1/2	
5	0100011	AR	Compound, Locking	

SECTION 7 - ELECTRICAL

FIGURE 7-27. LIGHTS - LIGHTBAR INSTALLATION - 60IN AMBER 8 LED WHELEN (STANDARD MOUNT)



ART_1001137519

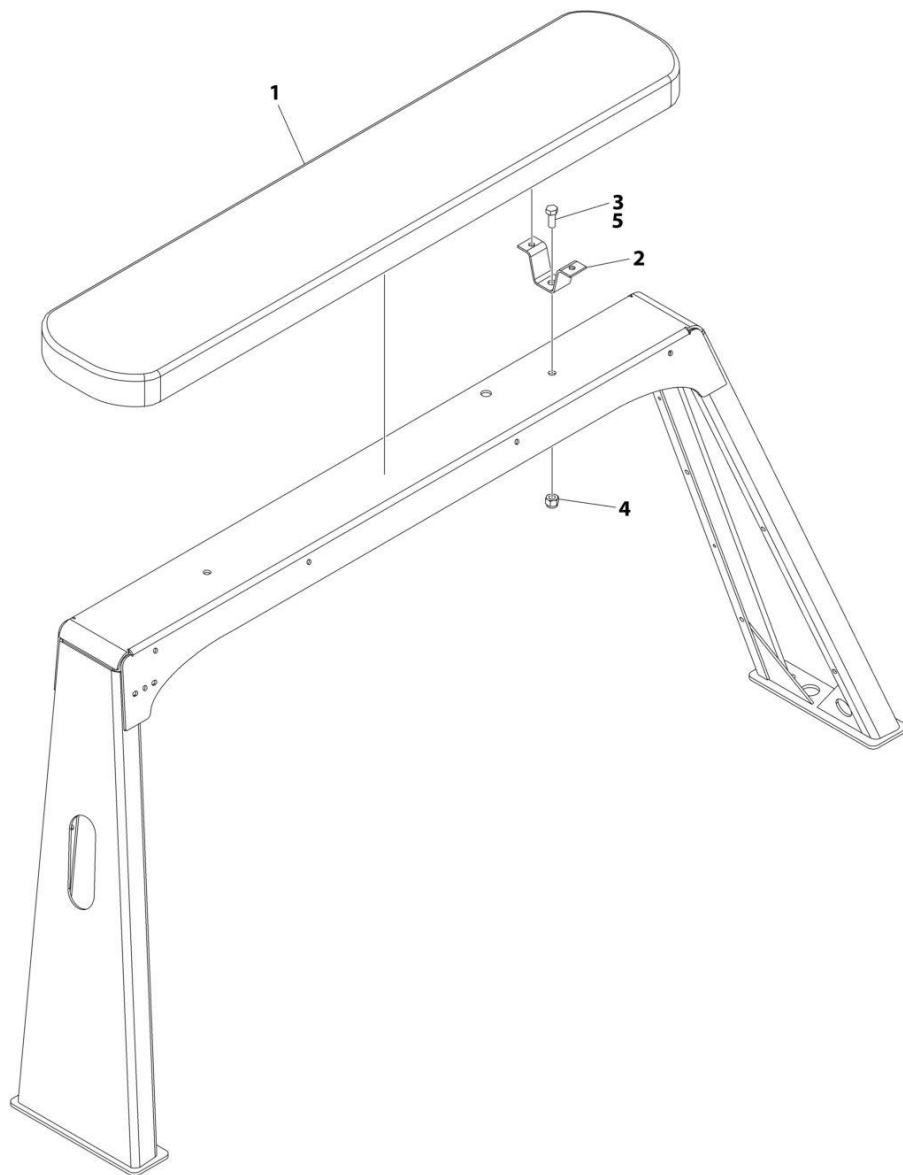
SECTION 7 - ELECTRICAL

FIGURE 7-27. LIGHTS - LIGHTBAR INSTALLATION - 60IN AMBER 8 LED WHELEN (STANDARD MOUNT)

ITEM	PART NUMBER	QTY	DESCRIPTION	REV
	1001137519	Ref	LIGHT - LIGHTBAR INSTALLATION - 60IN AMBER 8 LED WHELEN (STANDARD MOUNT)	C
1	1001199475	1	Lamp (See Separate Breakdown in this Section)	
2	4178000402	2	Bracket	
3	7115181050	2	Bolt 1/2 x 1-1/4	
4	7660182601	2	Nut 1/2	
5	0100011	AR	Compound, Locking	

SECTION 7 - ELECTRICAL

FIGURE 7-28. LIGHTS - LIGHTBAR INSTALLATION - 60IN AMBER 8 LED WHELEN (HIGH MOUNT)



ART_1001256172

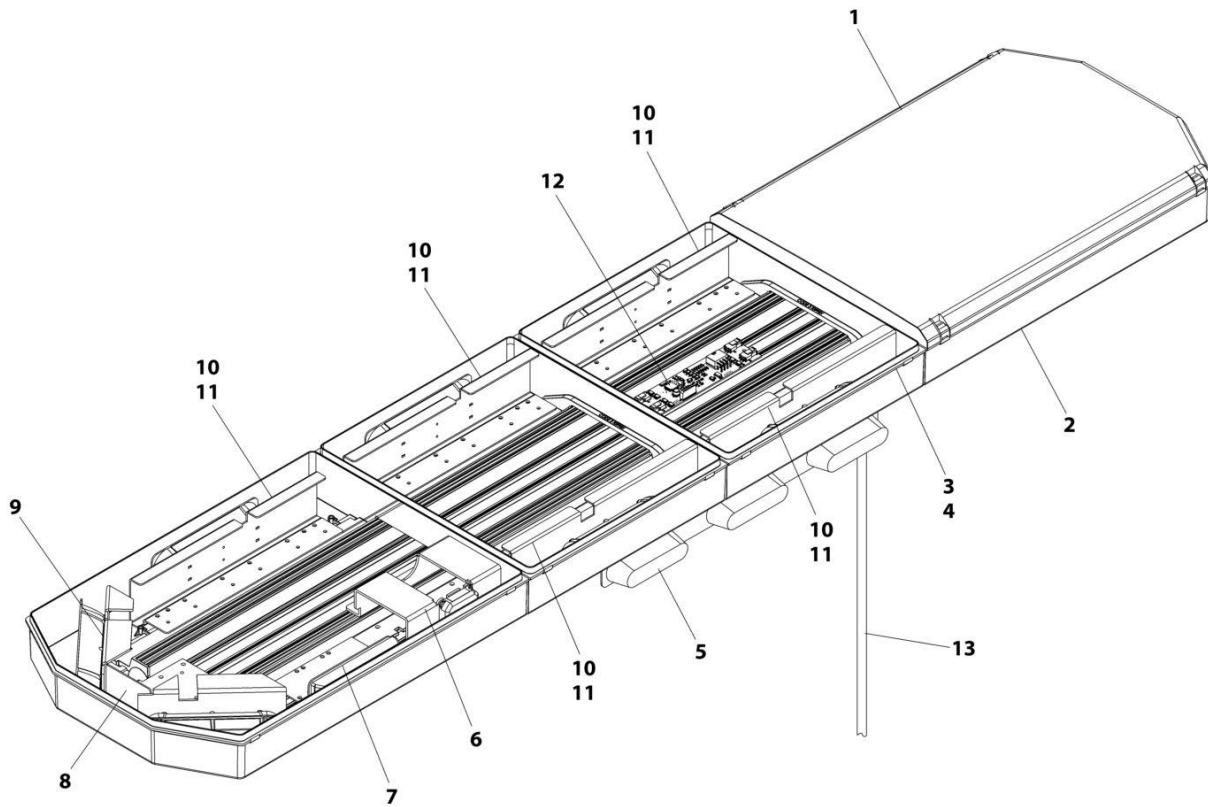
SECTION 7 - ELECTRICAL

FIGURE 7-28. LIGHTS - LIGHTBAR INSTALLATION - 60IN AMBER 8 LED WHELEN (HIGH MOUNT)

ITEM	PART NUMBER	QTY	DESCRIPTION	REV
	1001256172	Ref	LIGHT - LIGHTBAR INSTALLATION - 60IN AMBER 8 LED WHELEN (HIGH MOUNT)	B
1	1001199475	1	Lamp (See Separate Breakdown in this Section)	
2	4178000437	1	Bracket	
3	7115181050	2	Bolt 1/2 x 1-1/4	
4	7660182601	2	Nut 1/2	
5	0100011	AR	Compound, Locking	

SECTION 7 - ELECTRICAL

FIGURE 7-29. LIGHTS - LIGHTBAR ASSEMBLY - 58IN AMBER 10 LED CODE 3 (STANDARD MOUNT)



ART_1001136990

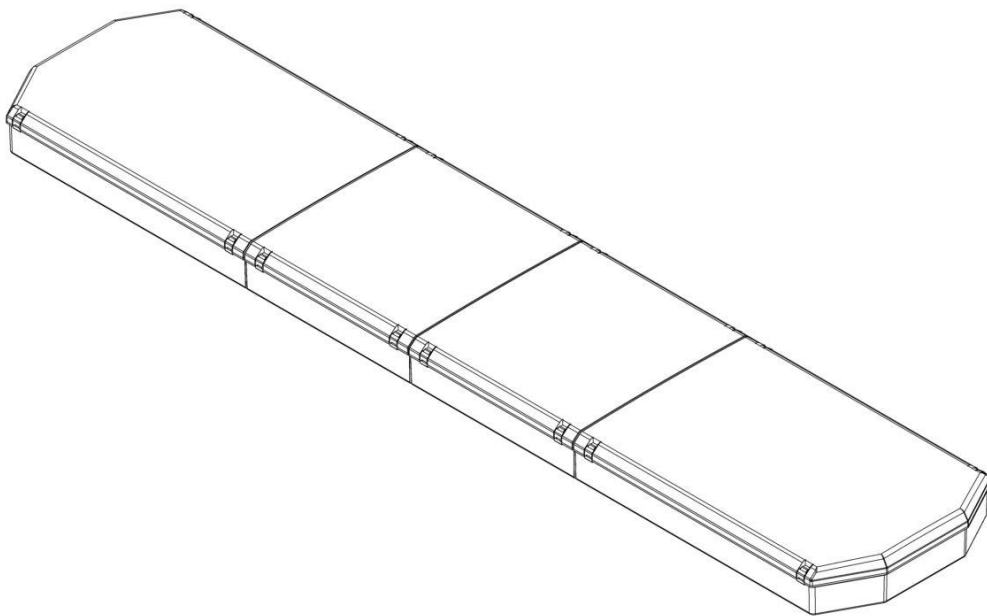
SECTION 7 - ELECTRICAL

FIGURE 7-29. LIGHTS - LIGHTBAR ASSEMBLY - 58IN AMBER 10 LED CODE 3 (STANDARD MOUNT)

ITEM	PART NUMBER	QTY	DESCRIPTION	REV
	1001136990	Ref	LIGHTS - LAMP ASSEMBLY - 58IN AMBER CODE3	D
1	9590310197	2	Lens, Clear Upper Outboard	
2	9590310200	2	Lens, Clear, Lower Outboard	
3	9590310203	2	Lens, Clear Lower Center	
4	9590310195	2	Lens, Clear Upper Center	
5	1001126269	1	3 Light D.O.T. Strip	
6	70050164	2	Worklight, LED	
7	1001130702	2	Module, LED Stop/Tail/Turn	
8	70050166	4	Bracket, Blank	
9	9590310206	4	Module, Bracket	
10	9590310205	6	Module, Led Amber	
11	9590310202	6	Bracket, Mounting	
12	70050167	1	Controller, General	
13	70050165	1	Cable, Jerr-Dan 9 Wire	
14	70050980	1	Harness, Internal Input (Not Shown)	
15	70050981	1	Harness, Internal Output (Not Shown)	

SECTION 7 - ELECTRICAL

FIGURE 7-30. LIGHTS - LIGHTBAR ASSEMBLY - 58IN AMBER 8 LED ARROWSTICK CODE 3



ART_7590000406

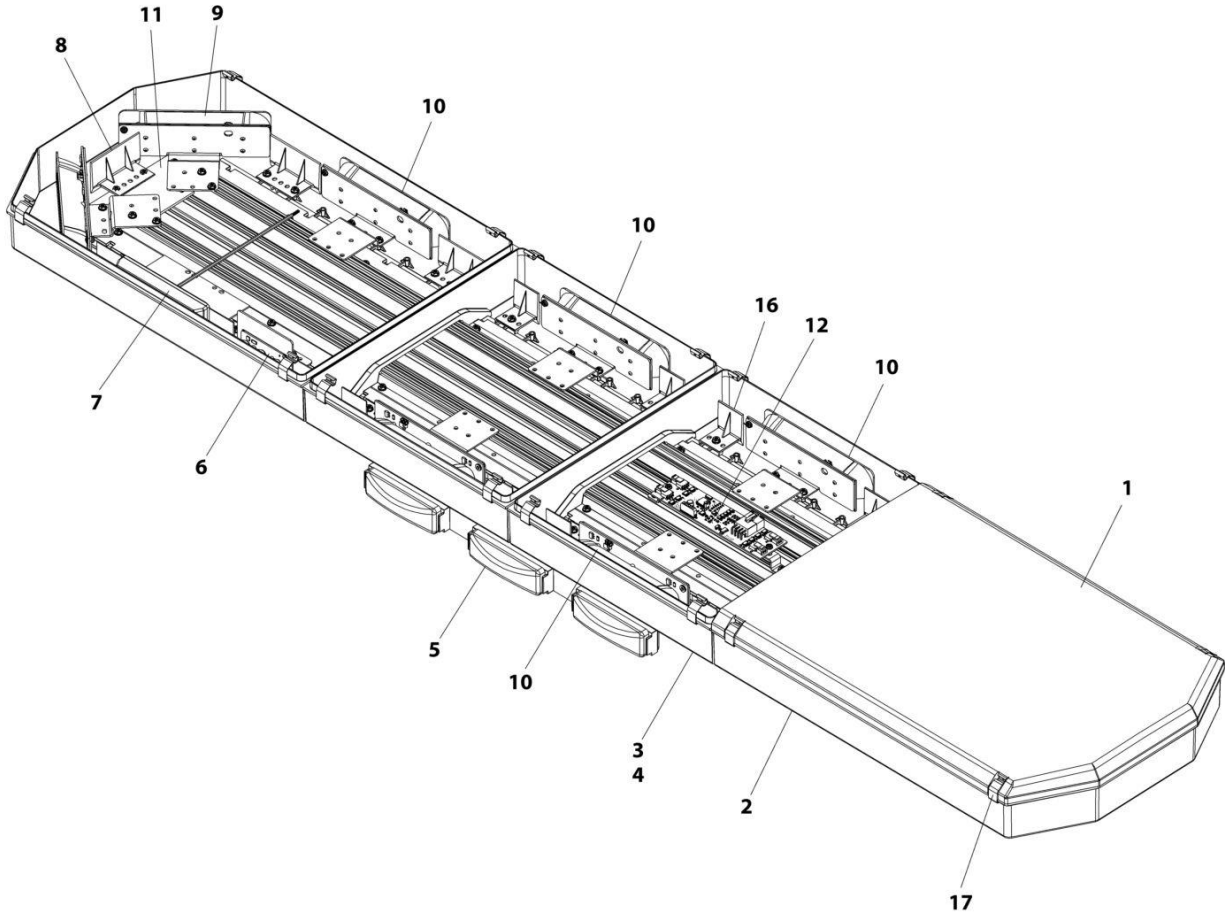
SECTION 7 - ELECTRICAL

FIGURE 7-30. LIGHTS - LIGHTBAR ASSEMBLY - 58IN AMBER 8 LED ARROWSTICK CODE 3

ITEM	PART NUMBER	QTY	DESCRIPTION	REV
	7590000406	Ref	LIGHTBAR ASSEMBLY - 58IN AMBER 8 LED ARROWSTICK CODE 3	B
		Ref	Note: No Service Parts Available at Time of Printing.	

SECTION 7 - ELECTRICAL

FIGURE 7-31. LIGHTS - LIGHTBAR ASSEMBLY - 58IN AMBER 8 LED CODE 3 WITH AMBER TOPS



ART_1001155872

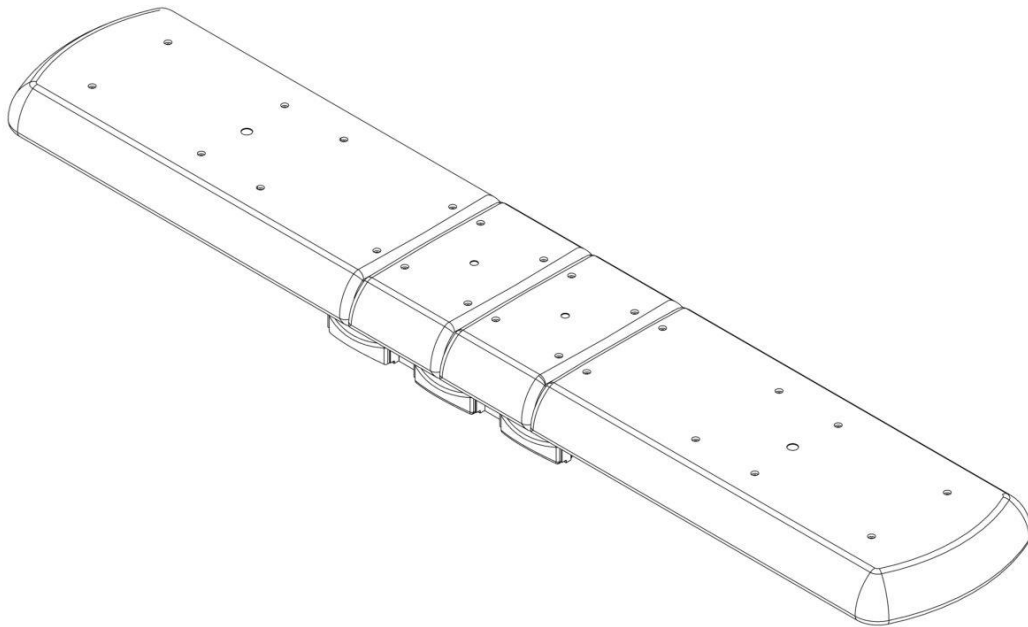
SECTION 7 - ELECTRICAL

FIGURE 7-31. LIGHTS - LIGHTBAR ASSEMBLY - 58IN AMBER 8 LED CODE 3 WITH AMBER TOPS

ITEM	PART NUMBER	QTY	DESCRIPTION	REV
	1001155872	Ref	LIGHT - LIGHTBAR ASSEMBLY - 58IN AMBER 8 LED CODE 3 WITH AMBER TOPS	D
1	9590310198	2	Amber Outboard Upper Lens	
2	70052803	2	Lens, Clear, Lower Outboard	
3	9590310203	2	Lens, Clear Lower Center	
4	70051594	2	Lens, Clear Upper Center	
5	1001126269	1	3 Light D.O.T. Strip	
6	70050164	2	Worklight, LED	
7	70052794	2	Module, LED Stop/Tail/Turn	
8	70052796	4	Bracket, Blank	
9	70052795	4	Module, Bracket	
10	70052798	6	Module, Led Amber	
11	70052797	1	Bracket, Mounting	
12	70052800	1	Controller, General	
13	70052801	1	Cable, Jerr-Dan 9 Wire (Not Shown)	
14	70050980	1	Harness, Internal Input (Not Shown)	
15	70050981	1	Harness, Internal Output (Not Shown)	
16	70052799	1	Bracket	
17	70052802	AR	Lens, Clip	

SECTION 7 - ELECTRICAL

FIGURE 7-32. LIGHTS - LIGHTBAR ASSEMBLY - 60IN AMBER ECCO



ART_1001247139

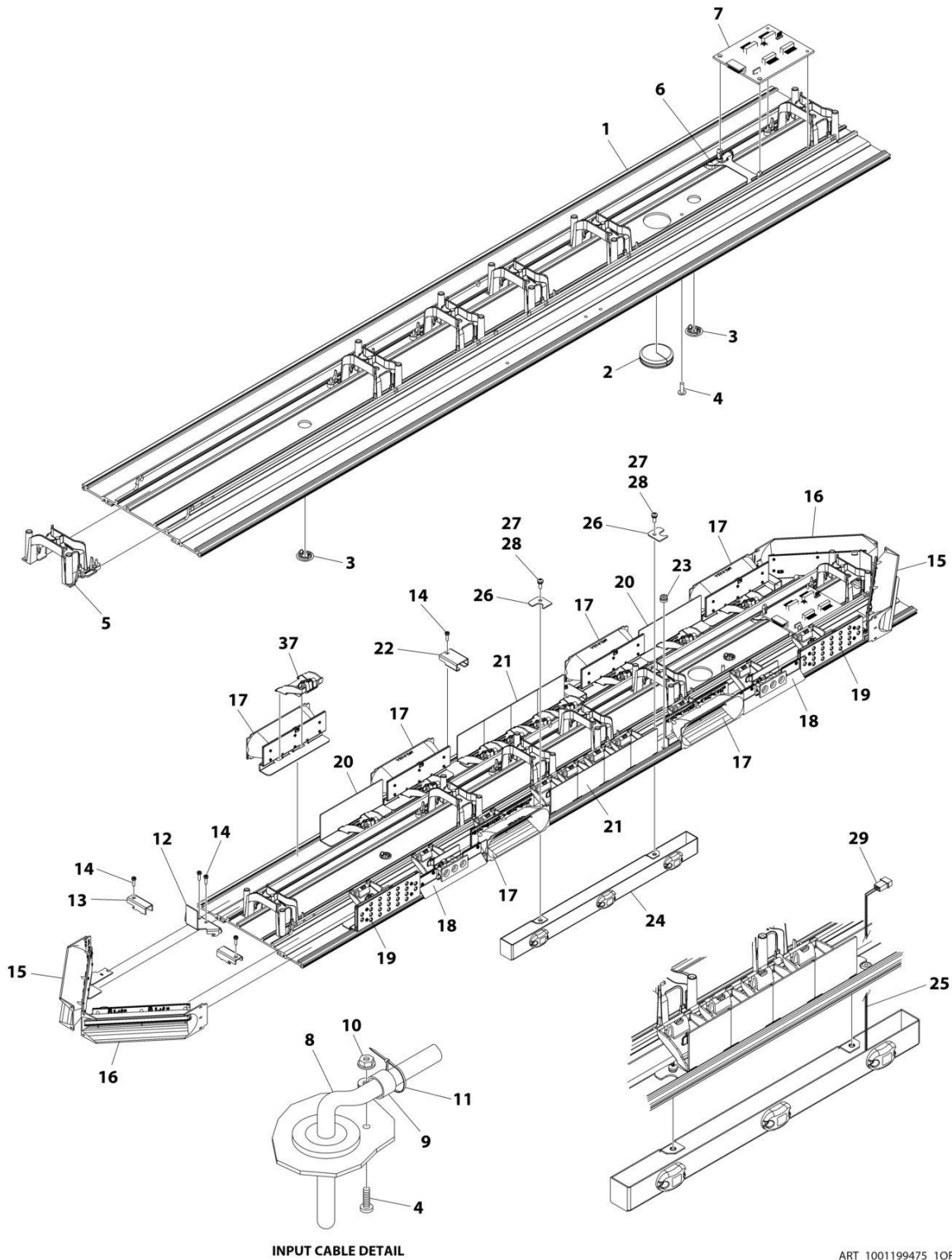
SECTION 7 - ELECTRICAL

FIGURE 7-32. LIGHTS - LIGHTBAR ASSEMBLY - 60IN AMBER ECCO

ITEM	PART NUMBER	QTY	DESCRIPTION	REV
	1001247139	Ref	LIGHTBAR ASSEMBLY - ECCO	A
	70070000	AR	Module, Amber	
	70070001	1 pr	Light, Work/Alley	
	70070002	1	Cable Kit (Includes 2 Modules, Harness & Stop/Turn/Taillight Cables)	
	70070003	1	PC Board, Driver	

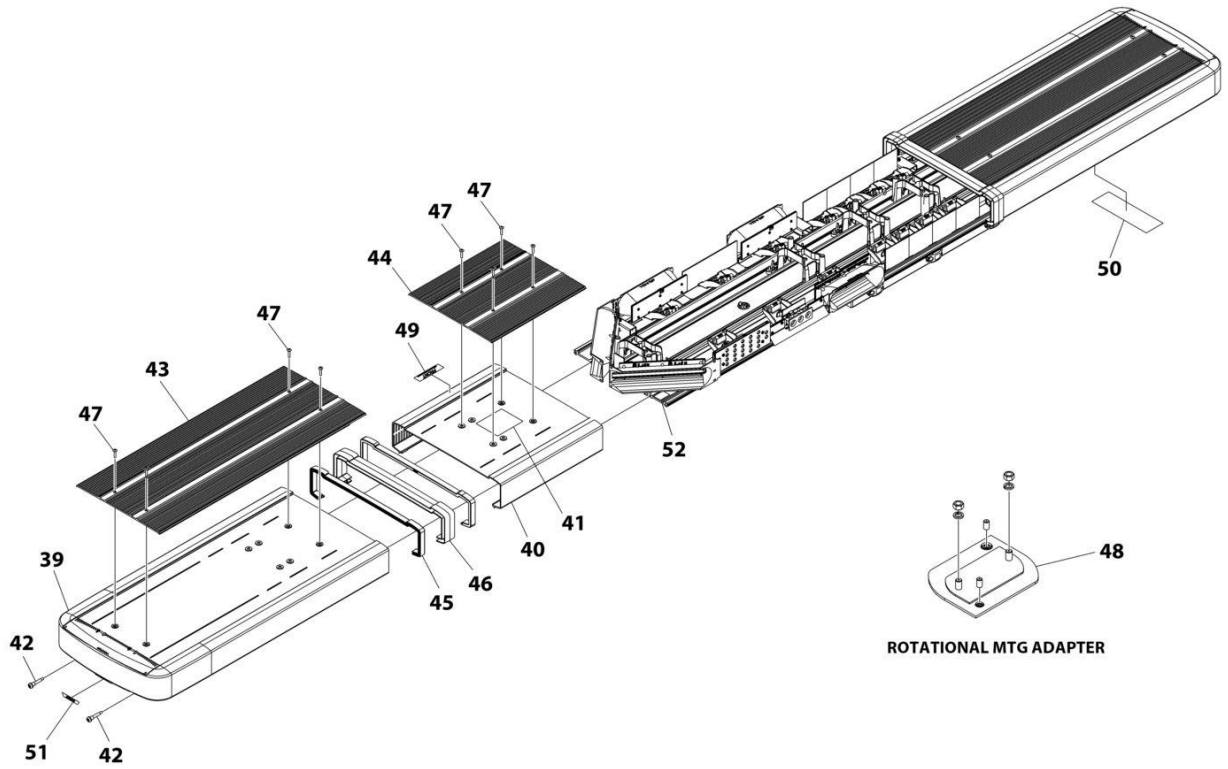
SECTION 7 - ELECTRICAL

FIGURE 7-33. LIGHTS - LIGHTBAR ASSEMBLY - 60IN AMBER 8 LED WHELEN

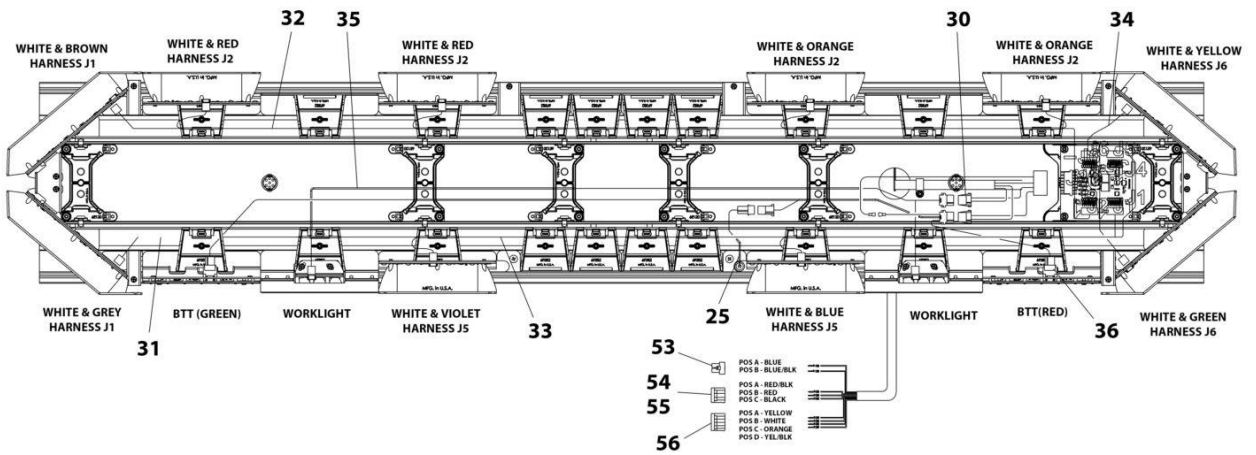


ART_1001199475_10F2

SECTION 7 - ELECTRICAL



ROTATIONAL MTG ADAPTER



ART_1001199475_20F2

SECTION 7 - ELECTRICAL

FIGURE 7-33. LIGHTS - LIGHTBAR ASSEMBLY - 60IN AMBER 8 LED WHELEN

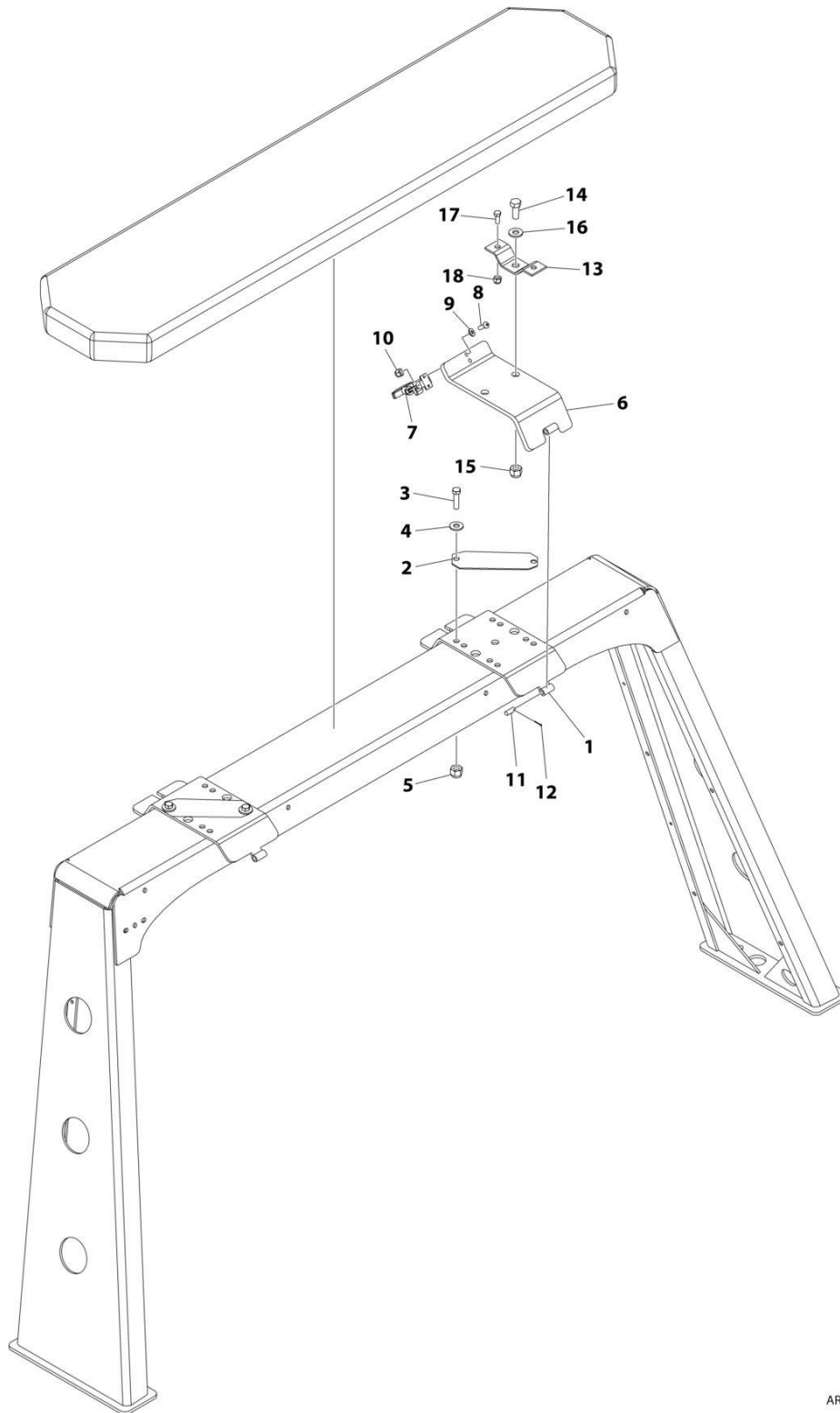
ITEM	PART NUMBER	QTY	DESCRIPTION	REV
	1001199475	Ref	LIGHTS - LAMP ASSEMBLY - 60IN AMBER WHELEN	B
1	70051058	1	Base	
2	70050169	1	Grommet	
3	70050170	2	Plug	
4	70051059	1	Screw #10 x 5/8	
5	70051021	6	Bracket	
6	70051022	1	Bracket	
7	70051023	1	Circuit Board	
8	70051060	1	Cable	
9	70050665	1	Clamp	
10	70050174	1	Nut #10	
11	70051026	AR	Tie Wrap	
12	70051027	2	Bracket	
13	70051035	4	Bracket	
14	70051028	10	Screw #6 x 1/2	
15	70051029	2	Lamp, Rear Amber	
16	70051030	2	Lamp, Front Amber	
17	70051063	6	Lamp, 6 LED	
18	70051064	2	Lamp, 3 LED	
19	70051065	2	Lamp	
20	70051066	2	Bracket	
21	70051036	8	Bracket	
22	70051039	2	Bracket	
23	70050176	1	Grommet	
24	70051068	1	Lamp	
25	70050178	1	Harness	
26	70051069	2	Bracket	
27	70050179	2	Screw #10 x 1/2	
28	70050180	2	Lockwasher #10	
29	70050181	1	Housing	
30	70050175	2	Housing	
31	70051070	1	Harness	
32	70051071	1	Harness	
33	70051072	1	Harness	
34	70051073	1	Harness	
35	70051074	1	Harness	
36	70051075	1	Harness	
37	70051044	20	Bracket	
38	70051045	AR	Tie Wrap (Not Shown)	
39	70051076	1	Lens	
40	70051077	1	Lens	
41	70051078	1	Label	
42	70050203	4	Screw #10 x 1-1/4	
43	70051062	2	Cover	
44	70051061	1	Cover	
45	70051048	4	Seal	
46	70051049	2	Lens	
47	70051053	12	Screw #10 x 7/8	
48	70050204	2	Adapter	
49	70051055	1	Label	

SECTION 7 - ELECTRICAL

ITEM	PART NUMBER	QTY	DESCRIPTION	REV
50	70050207	1	Label	
51	70051056	2	Label	
52	70051057	1	Label	
53	70050208	1	Housing	
54	70050209	1	Connector	
55	70050210	1	Housing	
56	70050211	1	Housing	

SECTION 7 - ELECTRICAL

FIGURE 7-34. LIGHTS - LIGHTBAR BRACKET INSTALLATION (FOLDING)



ART_2509570071

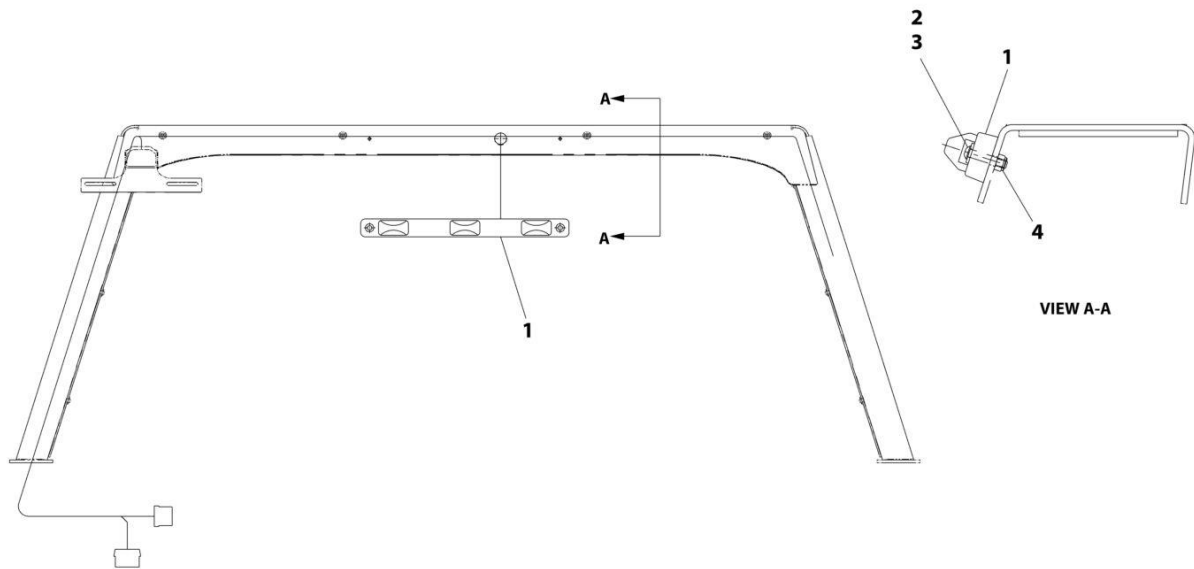
SECTION 7 - ELECTRICAL

FIGURE 7-34. LIGHTS - LIGHTBAR BRACKET INSTALLATION (FOLDING)

ITEM	PART NUMBER	QTY	DESCRIPTION	REV
	2509570071	Ref	LIGHT - LIGHTBAR BRACKET INSTALLATION(FOLDING)	0
1	3178000443	2	Bracket	
2	4090000012	2	Belt	
3	7115161250	8	Bolt 3/8 x 1-1/2	
4	7950160161	8	Washer 3/8	
5	7660162601	8	Nut 3/8	
6	3178000444	2	Bracket	
7	7585000001	2	Latch	
8	7114100518	4	Bolt #10 x 5/8	
9	7950100103	4	Washer #10	
10	7660102604	4	Nut #10	
11	7690144800	2	Pin	
12	7690000810	2	Pin, Cotter	
13	4178000402	4	Bracket	
14	7115190950	4	Bolt 1/2 x 1-1/8	
15	7660182601	4	Nut 1/2	
16	7950180150	4	Washer 1/2	
17	7115150664	4	Bolt 5/16 x 3/4	
18	7660152601	4	Nut 5/16	

SECTION 7 - ELECTRICAL

FIGURE 7-35. LIGHTS - PYLON 3-LIGHT MARKER INSTALLATION



ART_2590000177

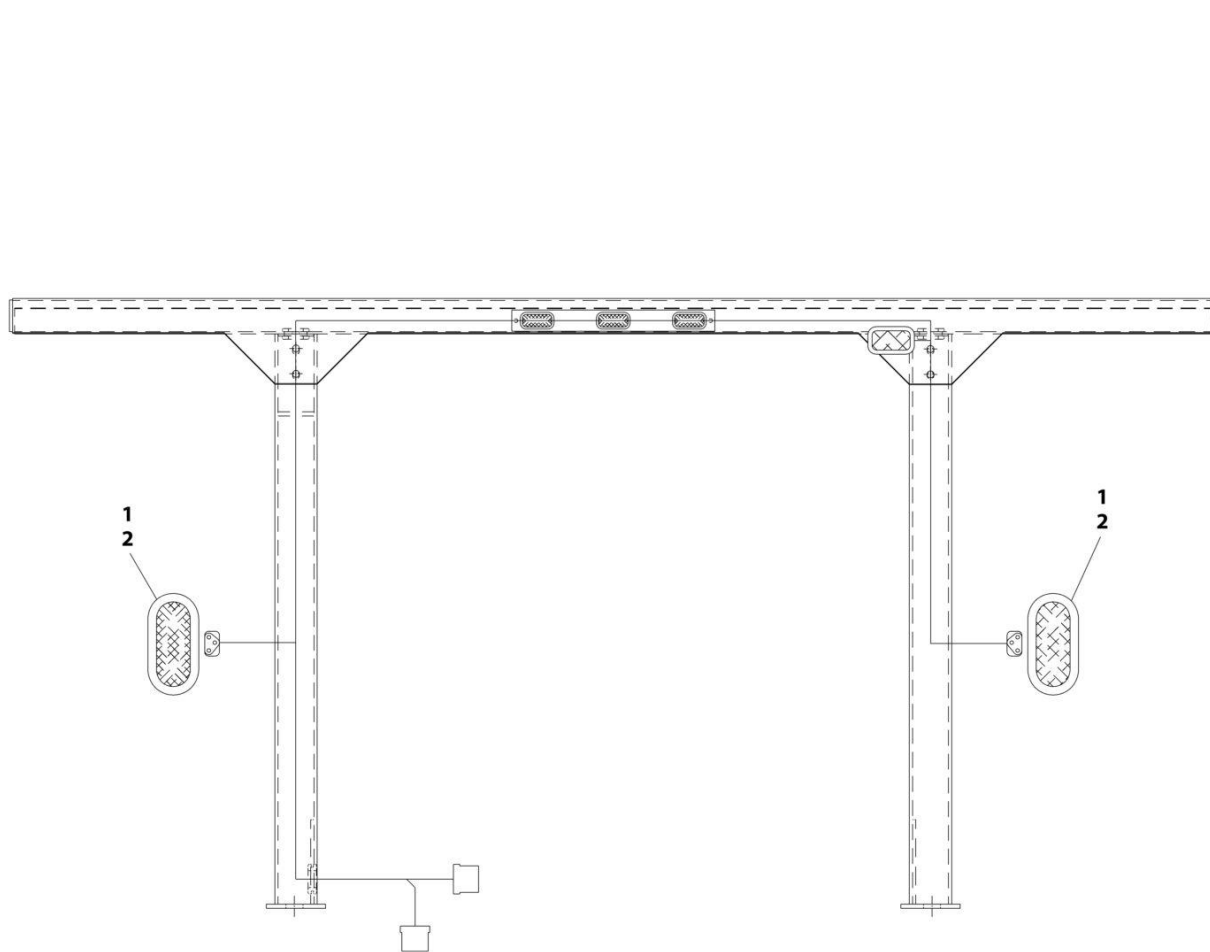
SECTION 7 - ELECTRICAL

FIGURE 7-35. LIGHTS - PYLON 3-LIGHT MARKER INSTALLATION

ITEM	PART NUMBER	QTY	DESCRIPTION	REV
	2590000177	Ref	LIGHT - PYLON 3-LIGHT MARKER INSTALLATION	0
1	7590000316	1	Light	
2	7114141018	2	Screw 1/4 x 1-1/4	
3	7950140143	2	Washer 1/4	
4	7660142601	2	Nut 1/4	

SECTION 7 - ELECTRICAL

FIGURE 7-36. LIGHTS - PYLON MARKER LIGHT INSTALLATION - 1 MARKER LIGHT PER SIDE



ART_2590000176

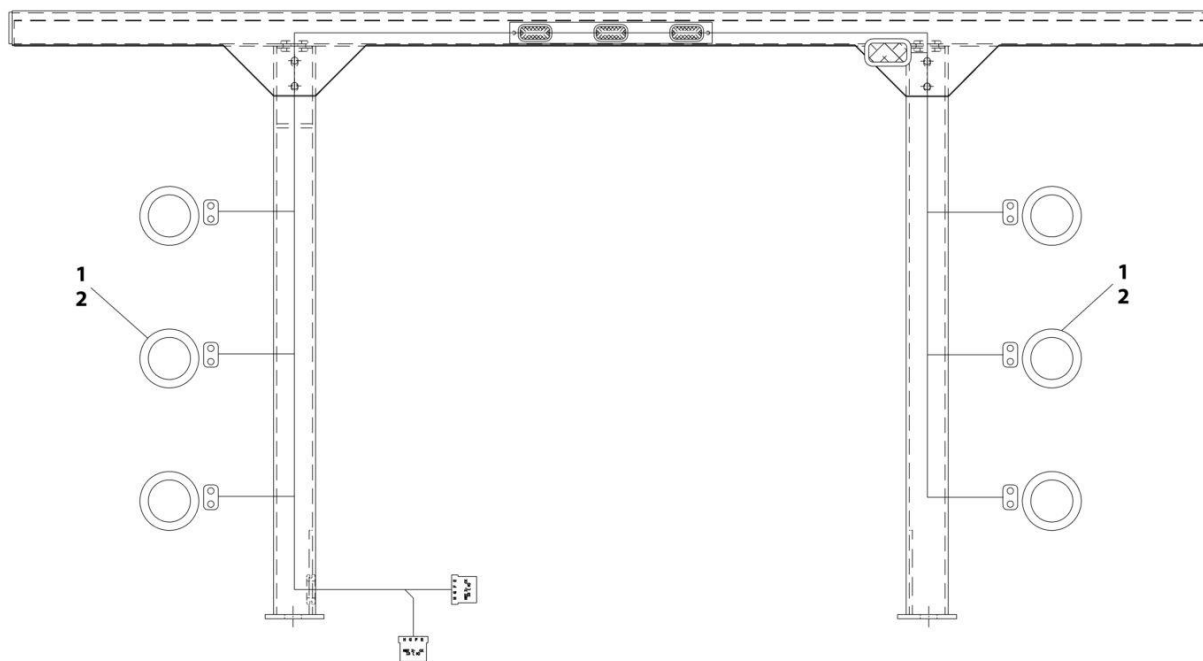
SECTION 7 - ELECTRICAL

FIGURE 7-36. LIGHTS - PYLON MARKER LIGHT INSTALLATION - 1 MARKER LIGHT PER SIDE

ITEM	PART NUMBER	QTY	DESCRIPTION	REV
	2590000176	Ref	PYLON MARKER LIGHT INSTALLATION - 1 MARKER LIGHT PER SIDE	B
1	1001174682	2	Lamp, Amber	
2	7493000026	2	Grommet	
3	7894000010	2	Tie-Strap (Not Shown)	

SECTION 7 - ELECTRICAL

FIGURE 7-37. LIGHTS - PYLON MARKER LIGHT INSTALLATION - 3 MARKER LIGHT PER SIDE



ART_1001137308

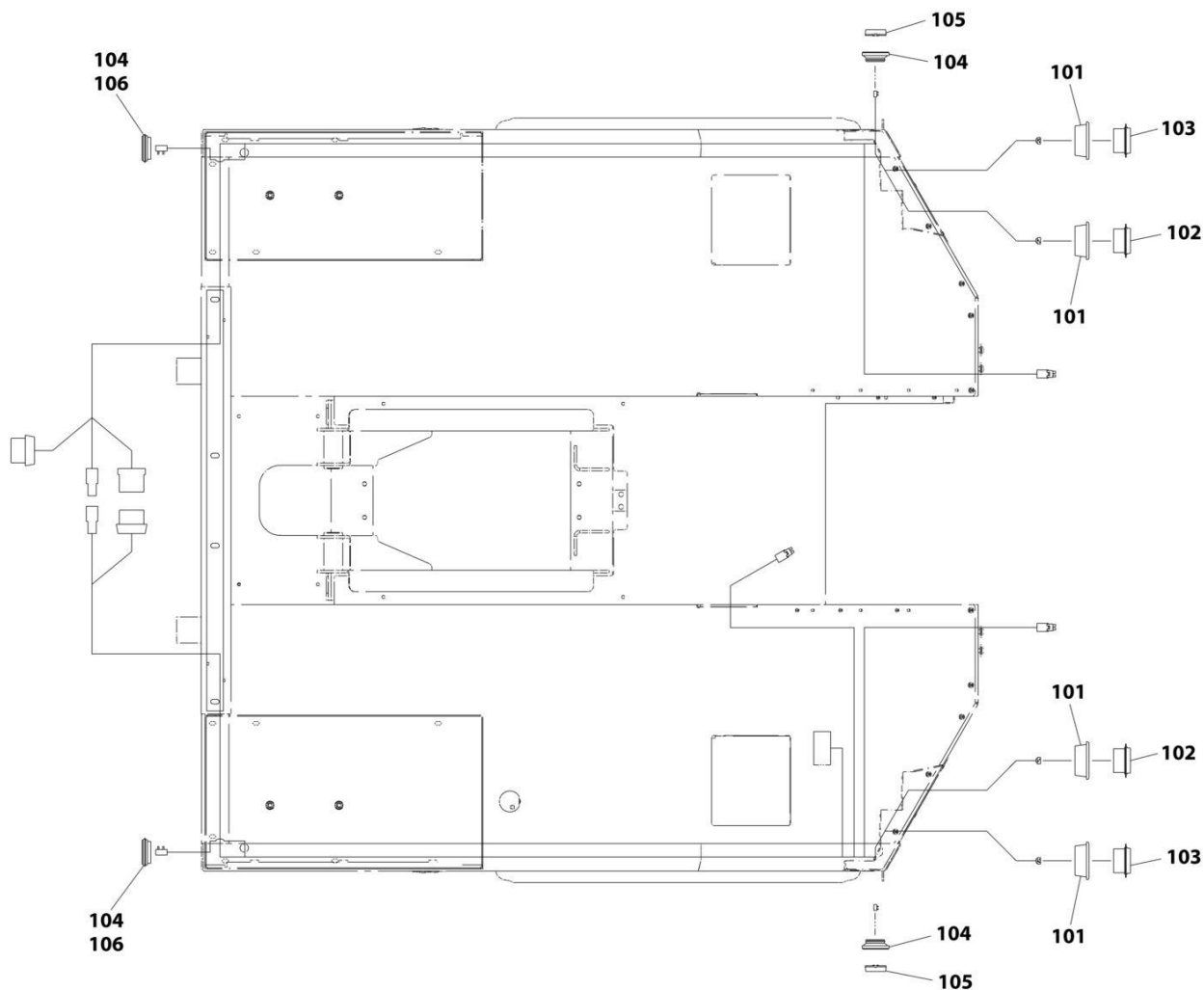
SECTION 7 - ELECTRICAL

FIGURE 7-37. LIGHTS - PYLON MARKER LIGHT INSTALLATION - 3 MARKER LIGHT PER SIDE

ITEM	PART NUMBER	QTY	DESCRIPTION	REV
	1001137308	Ref	PYLON MARKER LIGHT INSTALLATION - 3 MARKER LIGHTS PER SIDE	A
1	7590000342	6	Lamp, Amber	
2	7493000009	6	Grommet	
3	7894000010	6	Tie-Strap (Not Shown)	

SECTION 7 - ELECTRICAL

FIGURE 7-38. LIGHTS - 4 TAILLIGHTS (STOP/TURN/TAILLIGHT COMBINED) (2013+ DODGE)



ART_1001161520

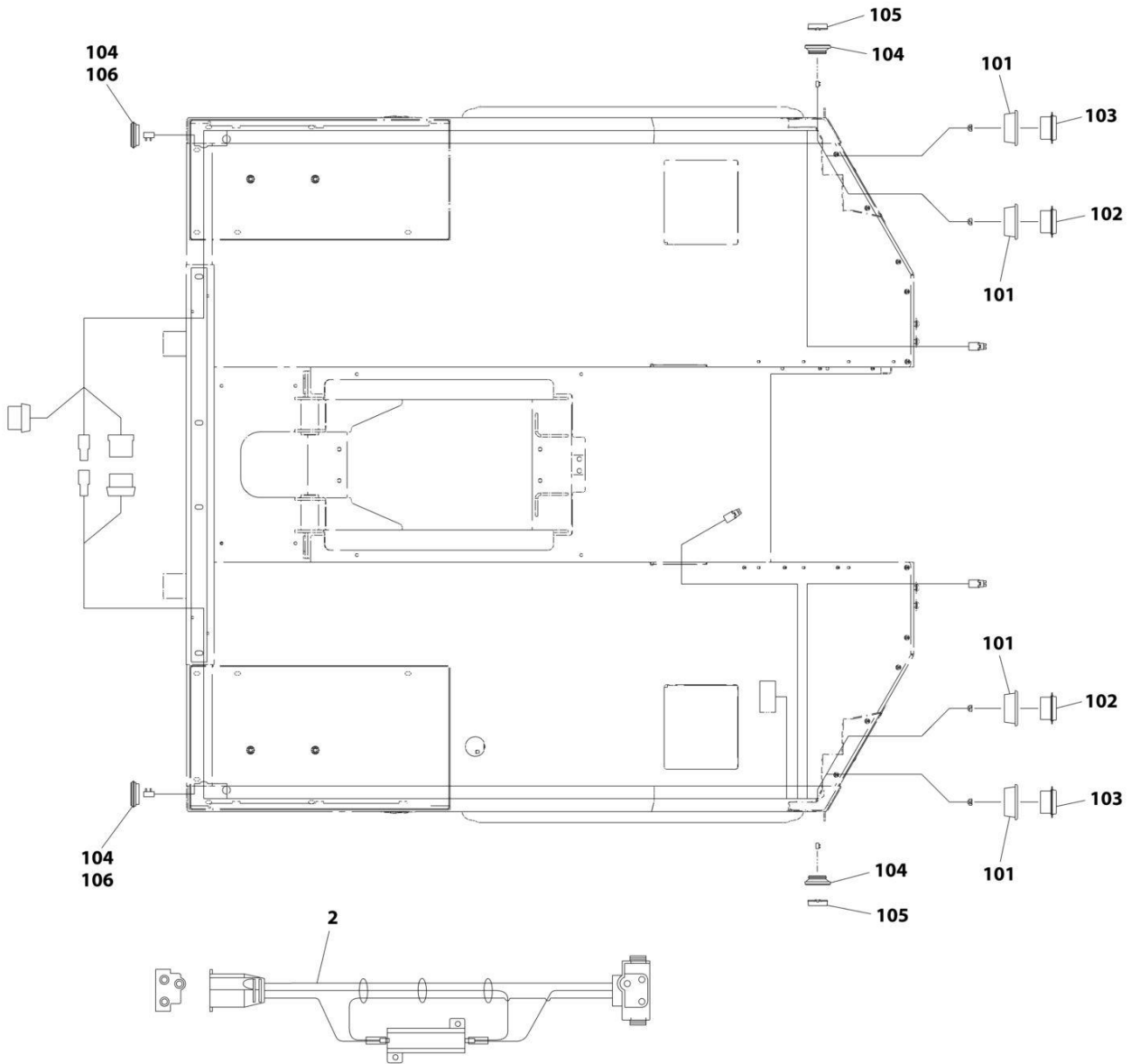
SECTION 7 - ELECTRICAL

FIGURE 7-38. LIGHTS - 4 TAILLIGHTS (STOP/TURN/TAILLIGHT COMBINED) (2013+ DODGE)

ITEM	PART NUMBER	QTY	DESCRIPTION	REV
	1001161520	Ref	LIGHTS INSTALLATION - 4 TAILLIGHTS (STOP/TURN/TAILLIGHT COMBINED) (2013+ DODGE)	B
1	1001208291	Ref	Taillight Installation (Not Shown)	A
101	7493000029	4	Grommet	
102	7590000379	2	Light	
103	7590000381	2	Light	
104	7493000009	4	Grommet	
105	7590000343	2	Light, Marker (Red)	
106	7590000342	2	Light, Marker (Amber)	

SECTION 7 - ELECTRICAL

FIGURE 7-39. LIGHTS - 4 TAILLIGHTS (STOP/TURN/TAILLIGHT COMBINED) (ALL EXCEPT 2013+ DODGE)



ART_1001138640

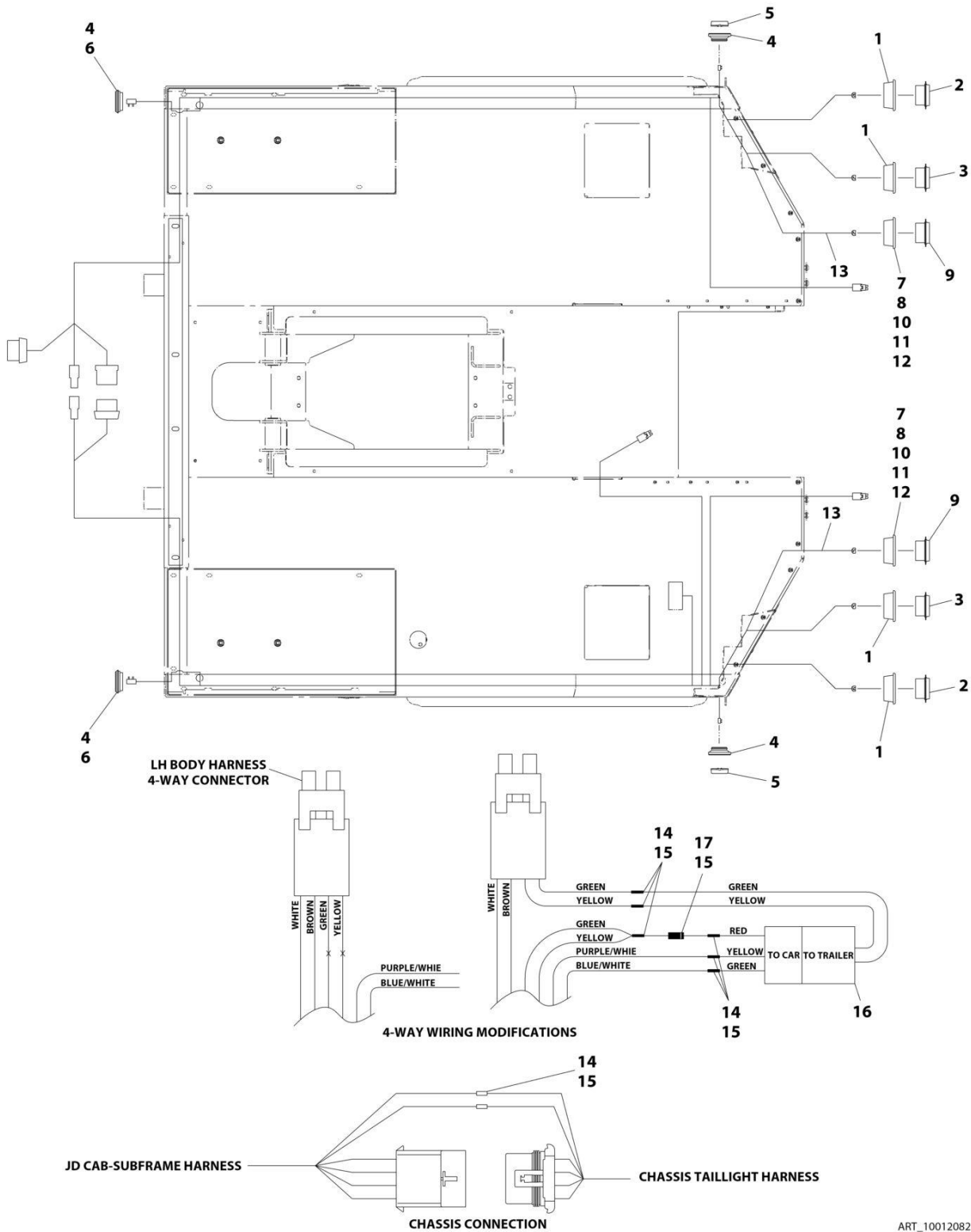
SECTION 7 - ELECTRICAL

FIGURE 7-39. LIGHTS - 4 TAILLIGHTS (STOP/TURN/TAILLIGHT COMBINED) (ALL EXCEPT 2013+ DODGE)

ITEM	PART NUMBER	QTY	DESCRIPTION	REV
	1001138640	Ref	LIGHTS INSTALLATION - 4 TAILLIGHTS (STOP/TURN/TAILLIGHT COMBINED) (ALL EXCEPT 2013+ DODGE)	B
1	1001208291	Ref	Taillight Installation (Not Shown) (See Items 101-106 for Breakdown)	
2	2577000033	1	Kit, Resistor (Sold as Assembly Only)	
	1001208291	Ref	TAILLIGHT INSTALLATION	A
101	7493000029	4	Grommet	
102	7590000379	2	Light	
103	7590000381	2	Light	
104	7493000009	4	Grommet	
105	7590000343	2	Light, Marker (Red)	
106	7590000342	2	Light, Marker (Amber)	

SECTION 7 - ELECTRICAL

FIGURE 7-40. LIGHTS - 6 TAILLIGHTS (STOP/TURN/TAILLIGHT SPLIT)



ART_1001208292

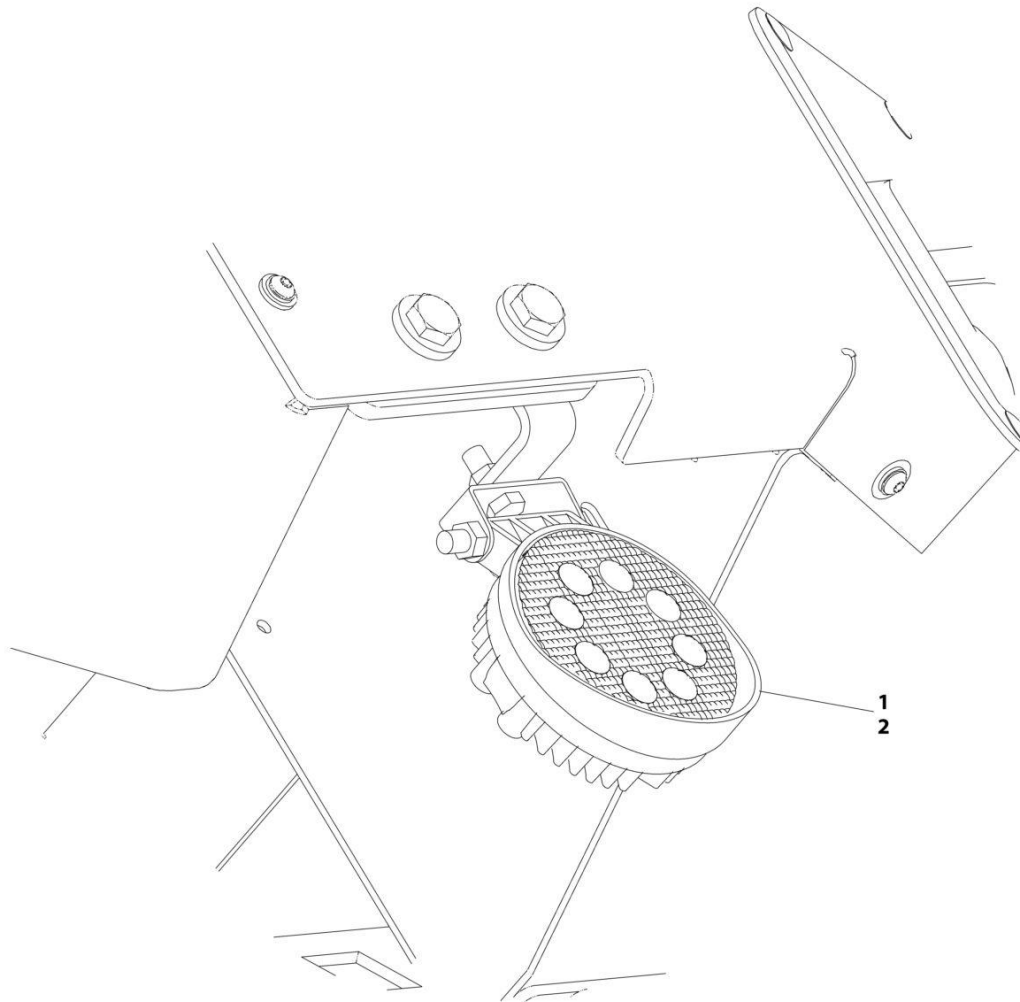
SECTION 7 - ELECTRICAL

FIGURE 7-40. LIGHTS - 6 TAILLIGHTS (STOP/TURN/TAILLIGHT SPLIT)

ITEM	PART NUMBER	QTY	DESCRIPTION	REV
	1001208292	Ref	LIGHTS INSTALLATION - 6 TAILLIGHTS (STOP/TURN/TAILLIGHT SPLIT)	C
1	7493000029	4	Grommet	
2	1001208290	2	Lamp Amber	
3	7590000381	2	Light Led	
4	7493000009	4	Grommet	
5	7590000343	2	Light, Marker - Red (LED)	
6	7590000342	2	Light, Marker - Amber (LED)	
7	7178000045	2	Bracket	
8	7493000026	2	Grommet	
9	1001174680	2	Lamp, Backup	
10	0641610	2	Bolt 3/8 x 1-1/4	
11	4751600	4	Washer 3/8	
12	3300492	2	Nut 3/8	
13	1001206078	2	Harness	
14	7345001714	16	Terminal	
15	7346000039	AR	Tubing	
16	1001159336	1	Converter	
17	1001100949	1	Diode	
18	5526000553	4	Tie-Strap (Not Shown)	

SECTION 7 - ELECTRICAL

FIGURE 7-41. LIGHTS - WORKLIGHTS INSTALLATION (LOWER HOOK UP MOUNTED)



ART_1001208300

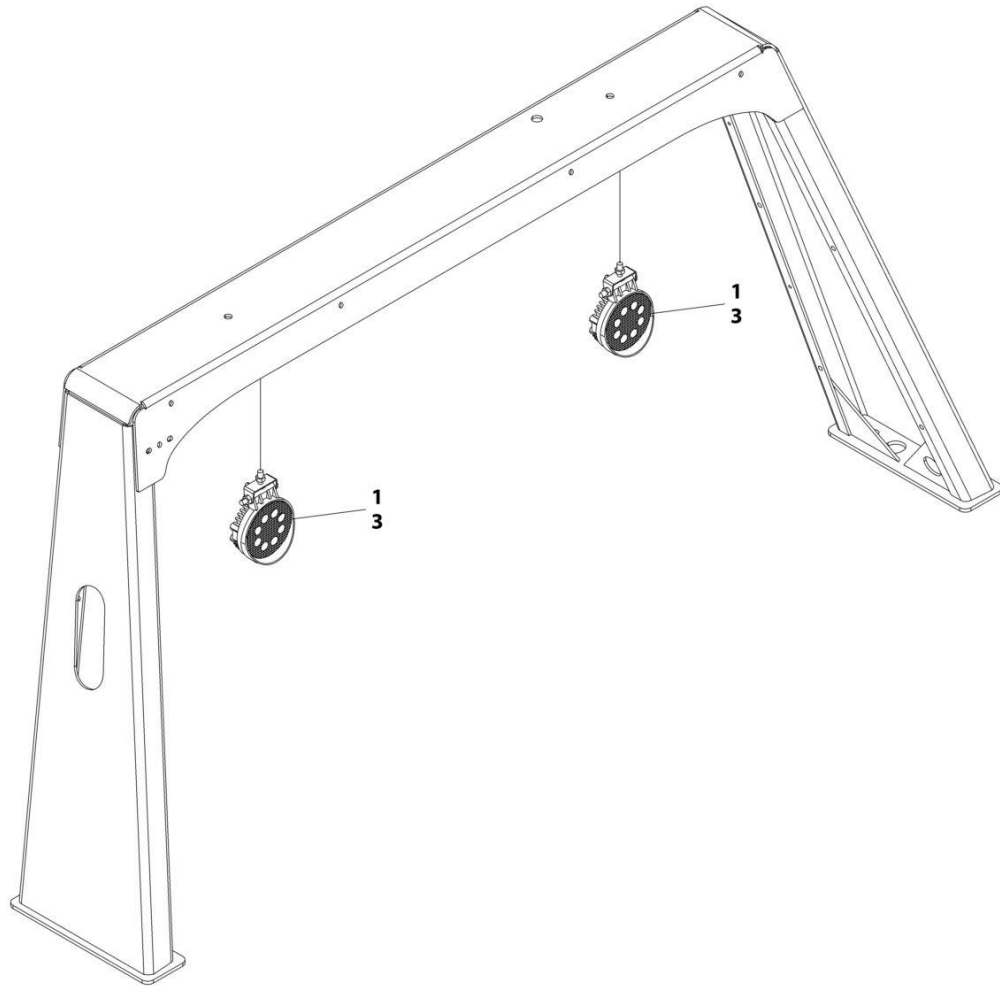
SECTION 7 - ELECTRICAL

FIGURE 7-41. LIGHTS - WORKLIGHTS INSTALLATION (LOWER HOOK UP MOUNTED)

ITEM	PART NUMBER	QTY	DESCRIPTION	REV
	1001208300	Ref	LIGHT - WORKLIGHTS INSTALLATION (LOWER HOOK UP MOUNTED)	B
1	1001176337	2	Lamp (Prior to SN 0230009717)	
1	1001273634	2	Lamp (SN 0230009717 to Present)	
2	4178000784	2	Bracket	

SECTION 7 - ELECTRICAL

FIGURE 7-42. LIGHTS - WORKLIGHT INSTALLATION (PYLON MOUNTED)



ART_2590000126

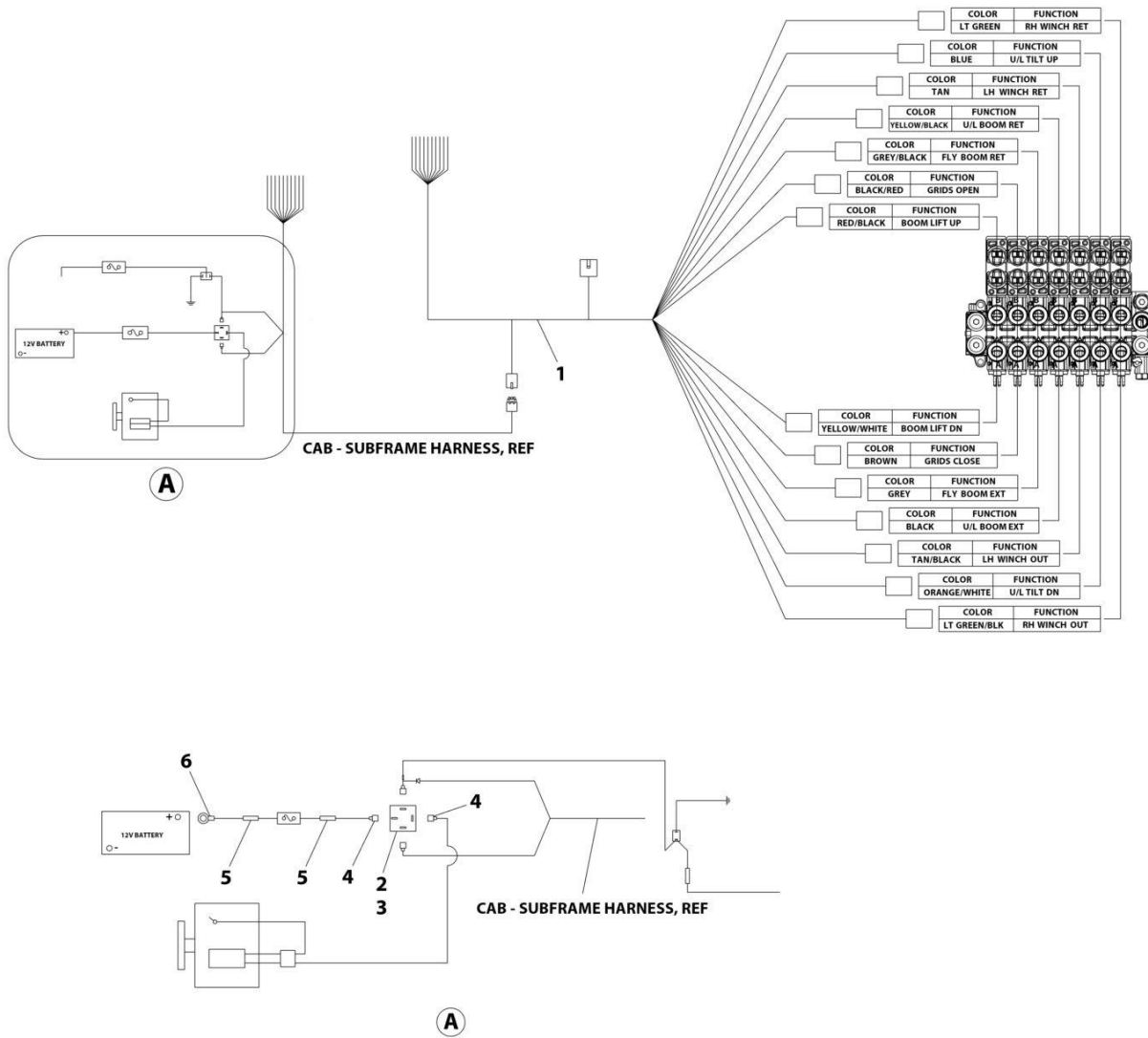
SECTION 7 - ELECTRICAL

FIGURE 7-42. LIGHTS - WORKLIGHT INSTALLATION (PYLON MOUNTED)

ITEM	PART NUMBER	QTY	DESCRIPTION	REV
	2590000126	Ref	LIGHT - WORKLIGHT INSTALLATION (PYLON MOUNTED)	D
1	1001176337	2	Lamp (Prior to SN 0230009717)	
1	1001273634	2	Lamp (SN 0230009717 to Present)	
3	7493000011	2	Grommet	

SECTION 7 - ELECTRICAL

FIGURE 7-43. MAIN CONTROL VALVE HARNESS INSTALLATION



ART_1001133443

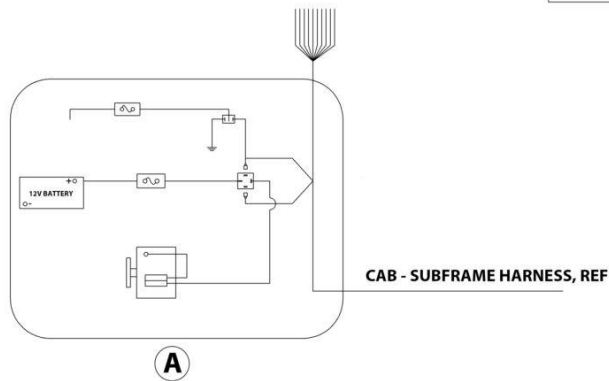
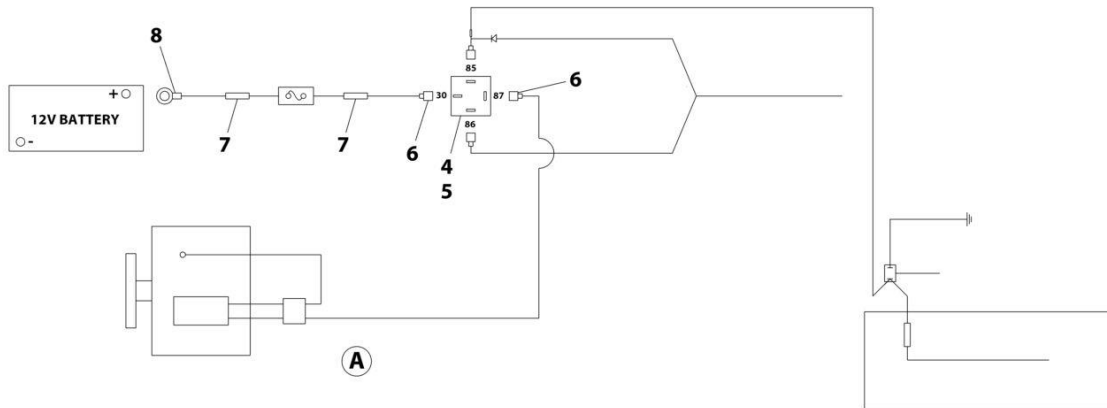
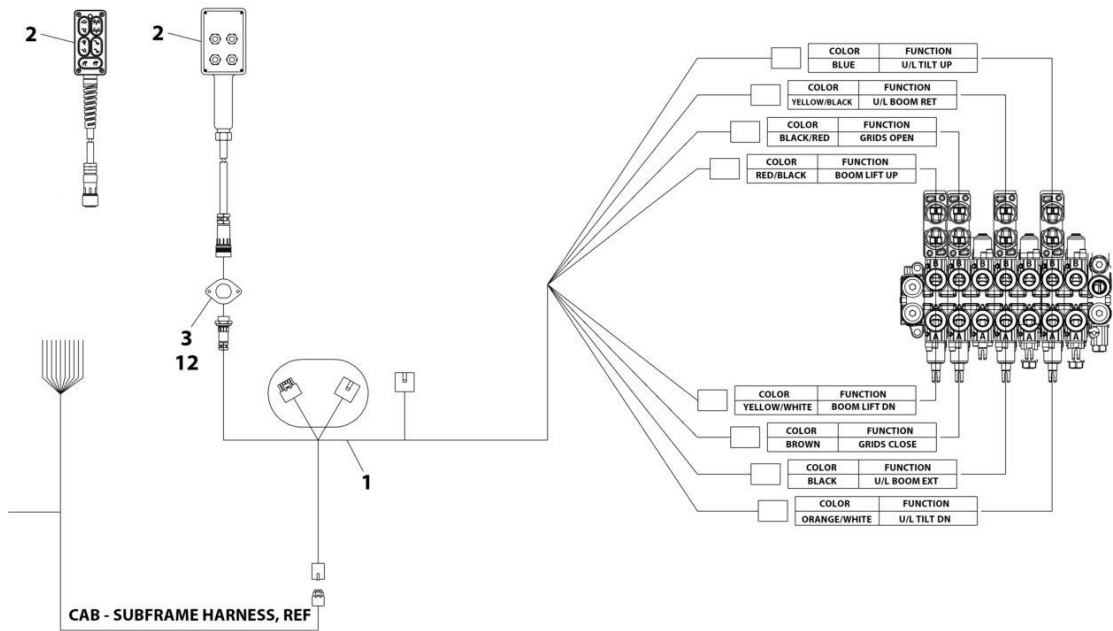
SECTION 7 - ELECTRICAL

FIGURE 7-43. MAIN CONTROL VALVE HARNESS INSTALLATION

ITEM	PART NUMBER	QTY	DESCRIPTION	REV
	1001133443	Ref	MAIN CONTROL VALVE HARNESS INSTALLATION - CUSTOMER SUPPLIED CONTROLS	B
1	1001133439	1	Harness, Wired Remote (See Separate Breakdown in this Section)	
2	7120000034	1	Screw #10 x 3/4	
3	7740000003	1	Relay	
4	7345001710	2	Tab	
5	7345001714	1	Terminal	
6	7345221702	1	Terminal	

SECTION 7 - ELECTRICAL

FIGURE 7-44. MAIN CONTROL VALVE HARNESS INSTALLATION - REMOTE TOGGLE CONTROLS



ART_3509330097

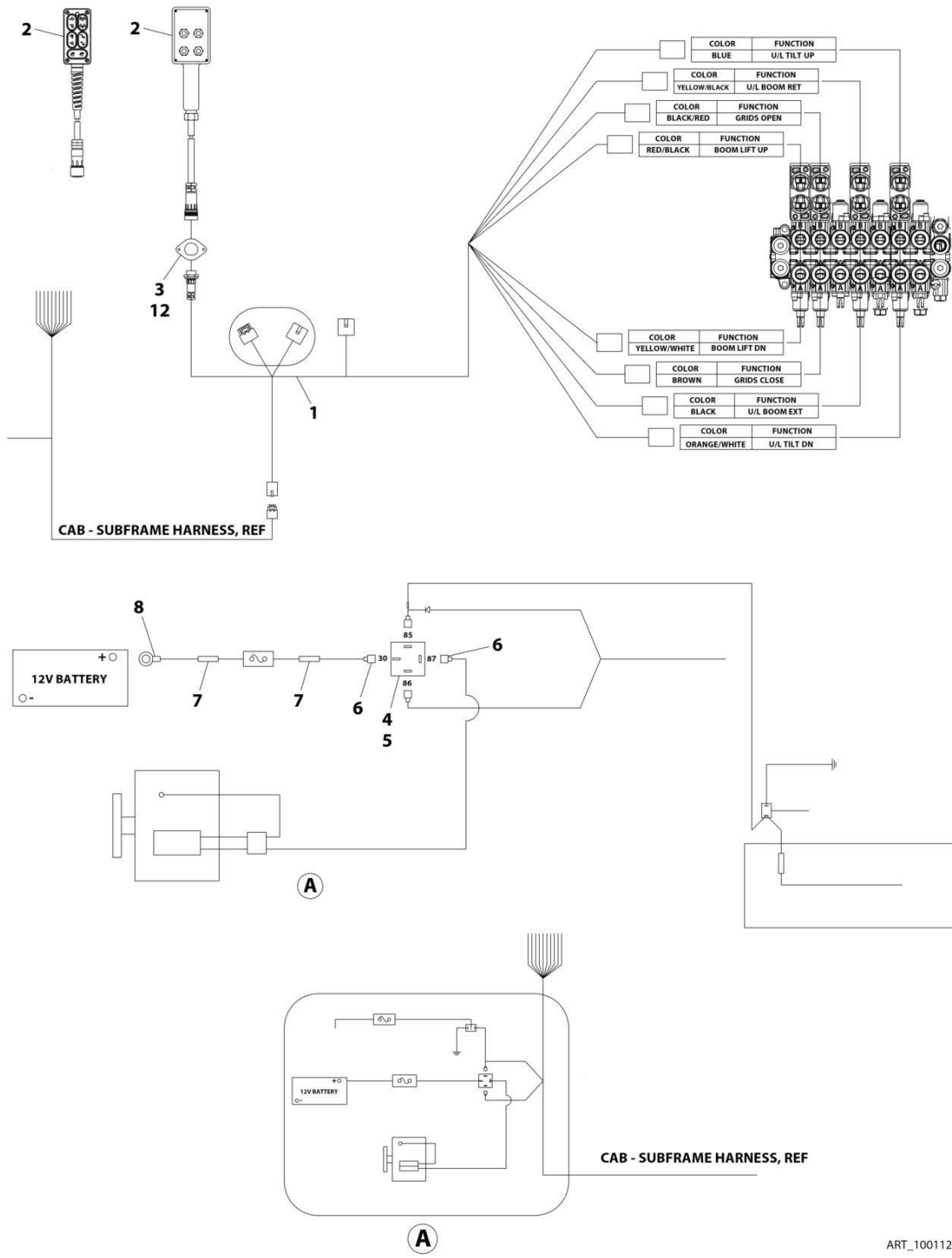
SECTION 7 - ELECTRICAL

FIGURE 7-44. MAIN CONTROL VALVE HARNESS INSTALLATION - REMOTE TOGGLE CONTROLS

ITEM	PART NUMBER	QTY	DESCRIPTION	REV
	3509330097	Ref	MAIN CONTROL VALVE HARNESS INSTALLATION - REMOTE TOGGLE CONTROLS	D
1	7552000366	1	Harness, Wired Remote (See Separate Breakdown in this Section)	
2	7295000062	1	Controller	
3	4706003402	1	Plate	
4	7120000034	1	Screw #10 x 3/4	
5	7740000003	1	Relay	
6	7345001710	2	Tab	
7	7345001714	1	Terminal	
8	7345221702	1	Terminal	
12	1001197476	2	Rivet	

SECTION 7 - ELECTRICAL

FIGURE 7-45. MAIN CONTROL VALVE HARNESS INSTALLATION - REMOTE MEMBRANE CO



ART_1001127426

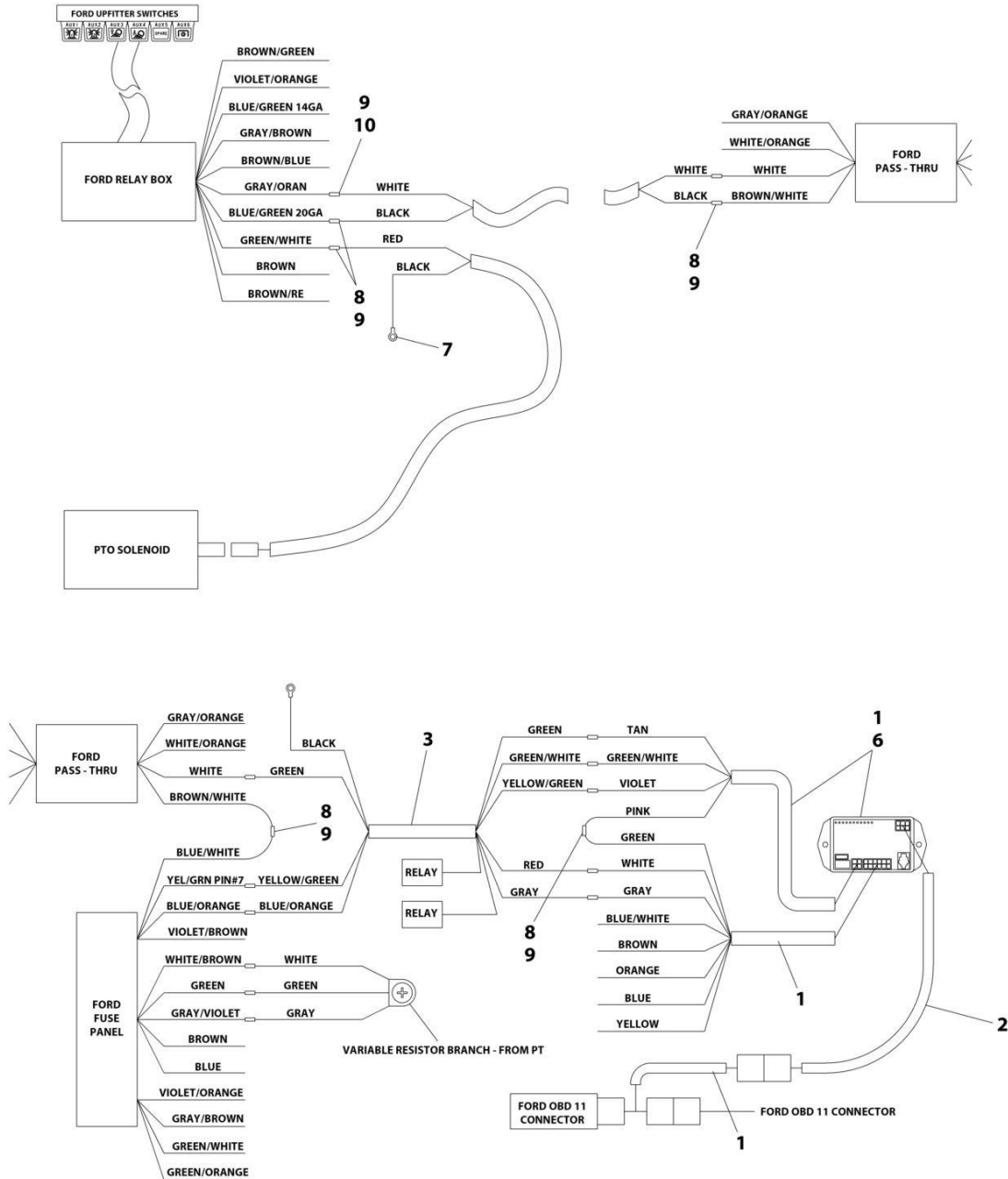
SECTION 7 - ELECTRICAL

FIGURE 7-45. MAIN CONTROL VALVE HARNESS INSTALLATION - REMOTE MEMBRANE CO

ITEM	PART NUMBER	QTY	DESCRIPTION	REV
	1001127426	Ref	MAIN CONTROL VALVE HARNESS INSTALLATION - REMOTE MEMBRANE CONTROLS	C
1	7552000366	1	Harness, Wired Remote (See Separate Breakdown in this Section)	
2	7295000062	1	Controller	
3	4706003402	1	Plate	
4	7120000034	1	Screw #10 x 3/4	
5	7740000003	1	Relay	
6	7345001710	2	Tab	
7	7345001714	1	Terminal	
8	7345221702	1	Terminal	
12	1001197476	2	Rivet	

SECTION 7 - ELECTRICAL

FIGURE 7-46. PTO ELECTRICAL ASSEMBLY - FORD PTO



ART_1001225217

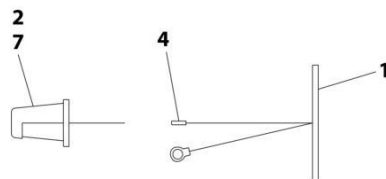
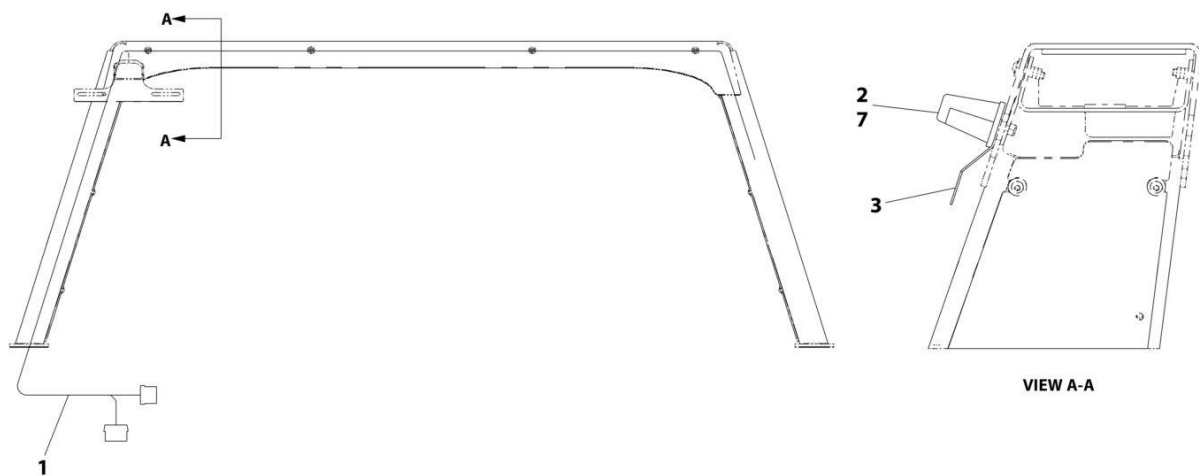
SECTION 7 - ELECTRICAL

FIGURE 7-46. PTO ELECTRICAL ASSEMBLY - FORD PTO

ITEM	PART NUMBER	QTY	DESCRIPTION	REV
	1001225217	Ref	ELECTRICAL ASSEMBLY - FORD PTO	D
1	1001225063	1	Control PTO	
2	1001226317	1	Harness, Data Link Extension	
3	1001225068	1	Harness, PTO Ford	
6	8892040001	0.5 ft	Tape	
7	7345221702	1	Terminal	
8	7345001714	6	Terminal	
9	7346000039	AR	Tubing	
10	7345001914	1	Terminal	
11	5376000192	1	Manual (Not Shown)	

SECTION 7 - ELECTRICAL

FIGURE 7-47. PYLON ELECTRICAL INSTALLATION - BODY MOUNTED (1 MARKER LIGHT PER SIDE)



ART_3509330108

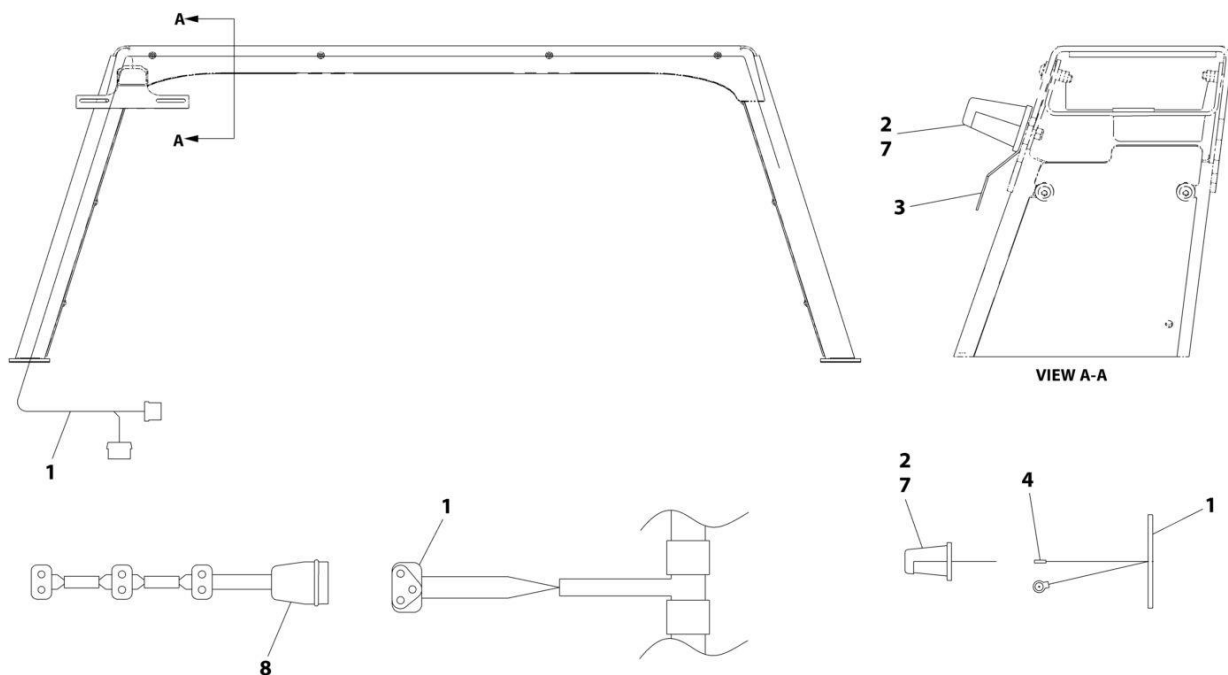
SECTION 7 - ELECTRICAL

FIGURE 7-47. PYLON ELECTRICAL INSTALLATION - BODY MOUNTED (1 MARKER LIGHT PER SIDE)

ITEM	PART NUMBER	QTY	DESCRIPTION	REV
	3509330108	Ref	PYLON ELECTRICAL INSTALLATION - BODY MOUNTED PYLON WITH 1 MARKER LIGHT PER SIDE	B
1	7552000293	1	Pylon Headboard Harness (See Separate Breakdown in ELECTRICAL Section)	
2	7590000105	1	Light	
3	7178000025	1	License Plate Bracket	
4	7346000039	AR	Tube	
5	7894000042	1	Tie-Strap (Not Shown)	
6	5526000553	1	Tie-Strap (Not Shown)	
7	7950100163	2	Washer #10	

SECTION 7 - ELECTRICAL

FIGURE 7-48. PYLON ELECTRICAL INSTALLATION - BODY MOUNTED (3 MARKER LIGHT PER SIDE)



ART_1001137307

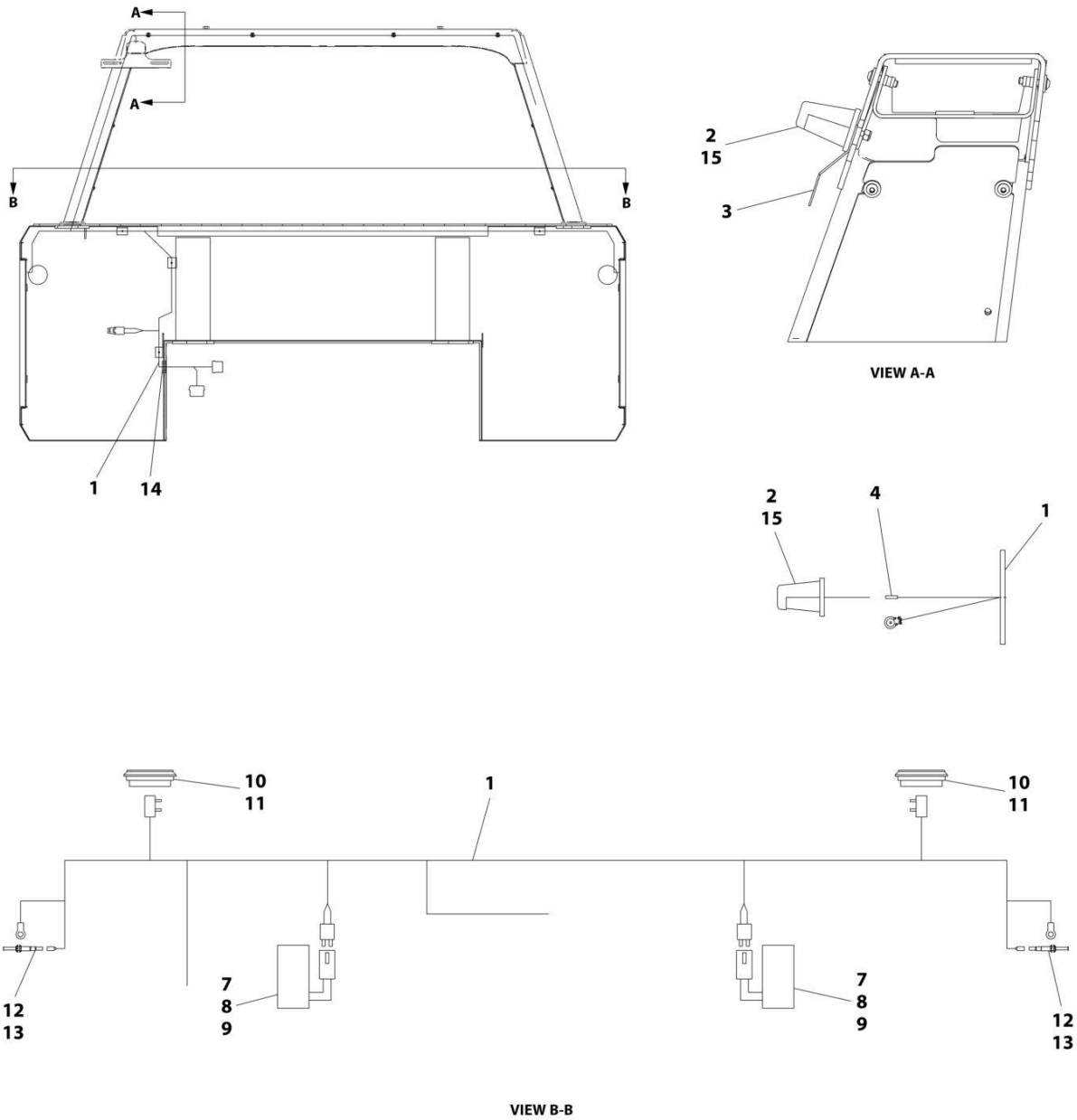
SECTION 7 - ELECTRICAL

FIGURE 7-48. PYLON ELECTRICAL INSTALLATION - BODY MOUNTED (3 MARKER LIGHT PER SIDE)

ITEM	PART NUMBER	QTY	DESCRIPTION	REV
	1001137307	Ref	PYLON ELECTRICAL INSTALLATION - TOOLBOX MOUNTED PYLON WITH 3 MARKER LIGHTS PER SIDE	D
1	7552000293	1	Pylon Headboard Harness (See Separate Breakdown in ELECTRICAL Section) (SN 0230004211 through 0230009707)	
1	1001266076	1	Pylon Headboard Harness (See Separate Breakdown in ELECTRICAL Section) (SN 0230009708 to Present)	
2	7590000105	1	Light	
3	7178000025	1	License Plate Bracket	
4	7346000039	AR	Tube	
5	7894000042	1	Tie-Strap (Not Shown)	
6	5526000553	1	Tie-Strap (Not Shown)	
7	7950100163	2	Washer #10	
8	1001214805	2	Harness, TL Jumper 3 Marker	

SECTION 7 - ELECTRICAL

FIGURE 7-49. PYLON ELECTRICAL INSTALLATION - TOOLBOX MOUNTED (1 MARKER LIGHT PER SIDE)



ART_3509330109

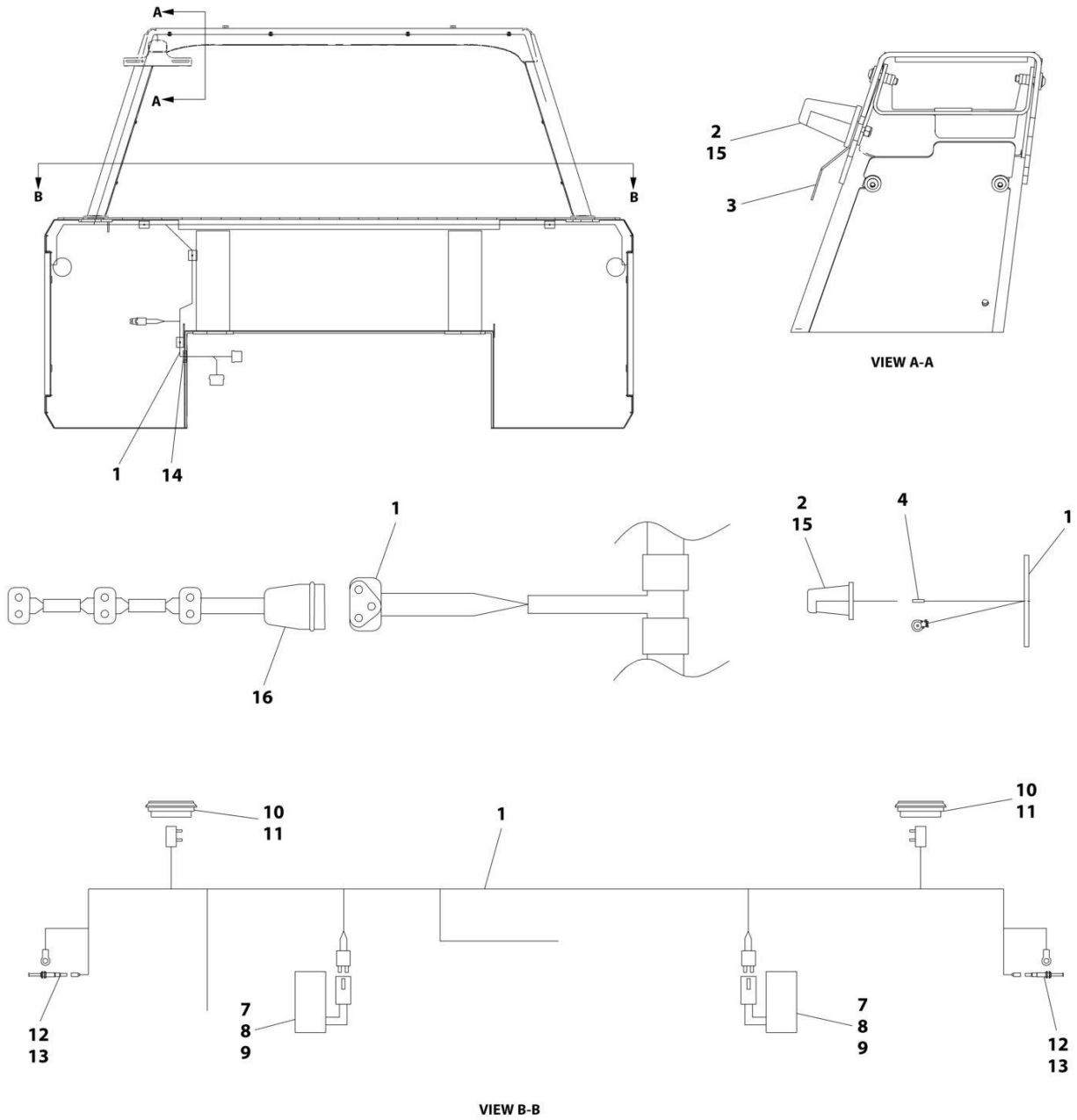
SECTION 7 - ELECTRICAL

FIGURE 7-49. PYLON ELECTRICAL INSTALLATION - TOOLBOX MOUNTED (1 MARKER LIGHT PER SIDE)

ITEM	PART NUMBER	QTY	DESCRIPTION	REV
	3509330109	Ref	PYLON ELECTRICAL INSTALLATION - TOOLBOX MOUNTED PYLON WITH 1 MARKER LIGHT PER SIDE	G
1	7552000295	1	Pylon Headboard Harness (See Separate Breakdown in ELECTRICAL Section)	
2	7590000105	1	Light	
3	7178000025	1	License Plate Bracket	
4	7346000039	AR	Tube	
5	7894000042	8	Tie-Strap (Not Shown)	
6	5526000553	8	Tie-Strap (Not Shown)	
7	7790100856	4	Screw #10 x 1/2	
8	7590000273	2	Light	
9	7661000047	4	Nut #8	
10	7493000009	2	Grommet	
11	7590000342	2	Light	
12	7870000115	2	Light	
13	7413000013	2	Push Fastener	
14	7493000011	1	Grommet	
15	7950100163	2	Washer #10	

SECTION 7 - ELECTRICAL

FIGURE 7-50. PYLON ELECTRICAL INSTALLATION - TOOLBOX MOUNTED (3 MARKER LIGHT PER SIDE)



ART_1001137306

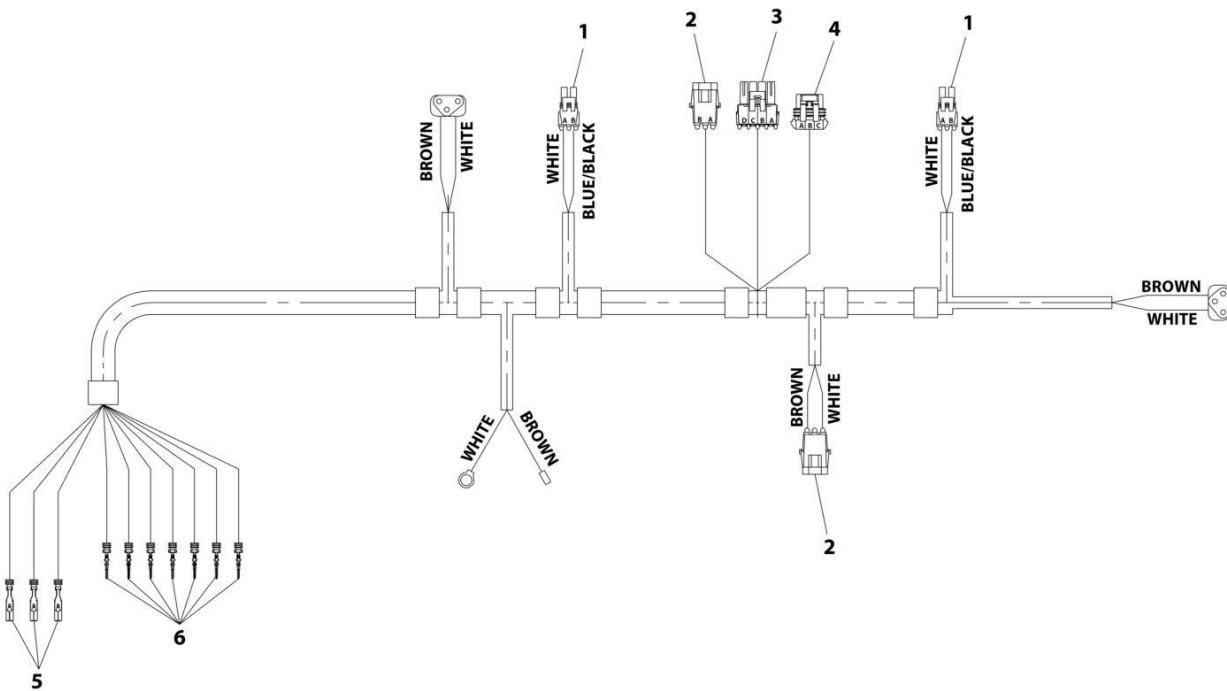
SECTION 7 - ELECTRICAL

FIGURE 7-50. PYLON ELECTRICAL INSTALLATION - TOOLBOX MOUNTED (3 MARKER LIGHT PER SIDE)

ITEM	PART NUMBER	QTY	DESCRIPTION	REV
	1001137306	Ref	PYLON ELECTRICAL INSTALLATION - BODY MOUNTED PYLON WITH 3 MARKER LIGHTS PER SIDE	D
1	7552000295	1	Pylon Headboard Harness (See Separate Breakdown in ELECTRICAL Section) (SN 0230004211 through 0230009707)	
1	1001266486	1	Pylon Headboard Harness (See Separate Breakdown in ELECTRICAL Section) (SN 0230009708 to Present)	
2	7590000105	1	Light	
3	7178000025	1	License Plate Bracket	
4	7346000039	AR	Tube	
5	7894000042	8	Tie-Strap (Not Shown)	
6	5526000553	8	Tie-Strap (Not Shown)	
7	7790100856	4	Screw #10 x 1/2	
8	7590000273	2	Light	
9	7661000047	4	Nut #8	
10	7493000009	2	Grommet	
11	7590000048	2	Light	
12	7870000115	2	Light	
13	7413000013	2	Push Fastener	
14	7493000011	1	Grommet	
15	7950100163	2	Washer #10	
16	1001214805	2	Harness, TL Jumper 3 Marker	

SECTION 7 - ELECTRICAL

FIGURE 7-51. PYLON HEADBOARD HARNESS - 1 MARKER LIGHT PER SIDE (SN 0230004211 through 0230009707)



ART_7552000293

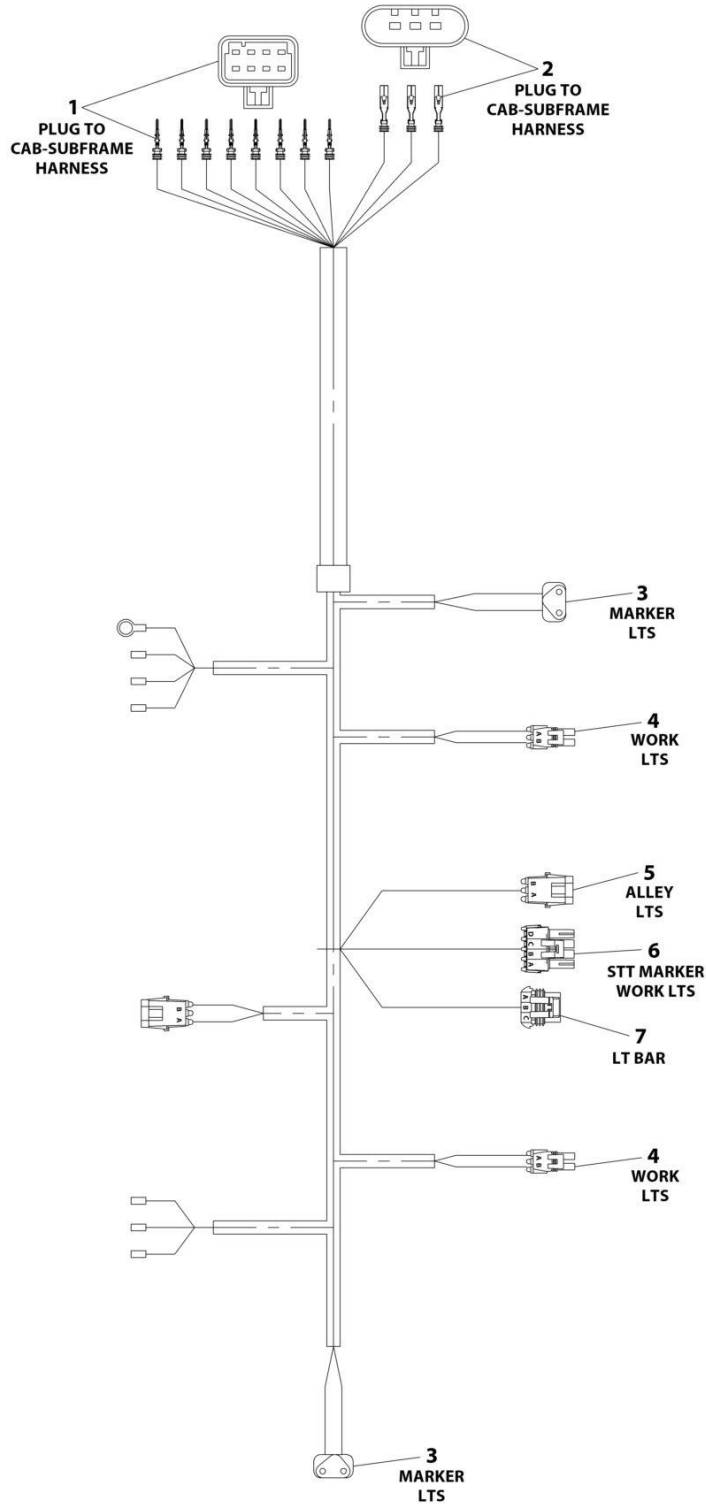
SECTION 7 - ELECTRICAL

FIGURE 7-51. PYLON HEADBOARD HARNESS - 1 MARKER LIGHT PER SIDE (SN 0230004211 through 0230009707)

ITEM	PART NUMBER	QTY	DESCRIPTION	REV
	7552000293	Ref	PYLON HEADBOARD HARNESS - 1 MARKER LIGHT PER SIDE	E
1	4460742	2	Connector	
1	4460457	2	Terminal	
1	4460458	2	Seal	
2	4460867	2	Connector	
2	4460475	2	Terminal	
2	4460458	2	Seal	
3		Ref	Connector	
3	4460457	1	Terminal	
3	4460458	1	Seal	
4		Ref	Connector	
4		Ref	Lock	
4	8220099	1	Terminal	
4		Ref	Seal	
4		Ref	Seal	
5	8220934	1	Connector	
5		Ref	Lock	
5	8220100	1	Terminal	
5		Ref	Terminal	
5		Ref	Seal	
5		Ref	Seal	
6	4460692	1	Connector	
6	8220400	1	Lock	
6		Ref	Terminal	
6	4460608	7	Seal	
6	4461215	1	Plug	

SECTION 7 - ELECTRICAL

FIGURE 7-52. PYLON HEADBOARD HARNESS - 1 MARKER LIGHT PER SIDE (SN 0230009708 through 02330015583, Except SN 0230010924 through 0230010930, Except SN 0230011121 through 0230011129, Except SN 0230011301 through 0230011319, Except SN 0230011491 through 0230011510, Excluding 0230010532, 0230011032 and 0230011078)



ART_1001266076

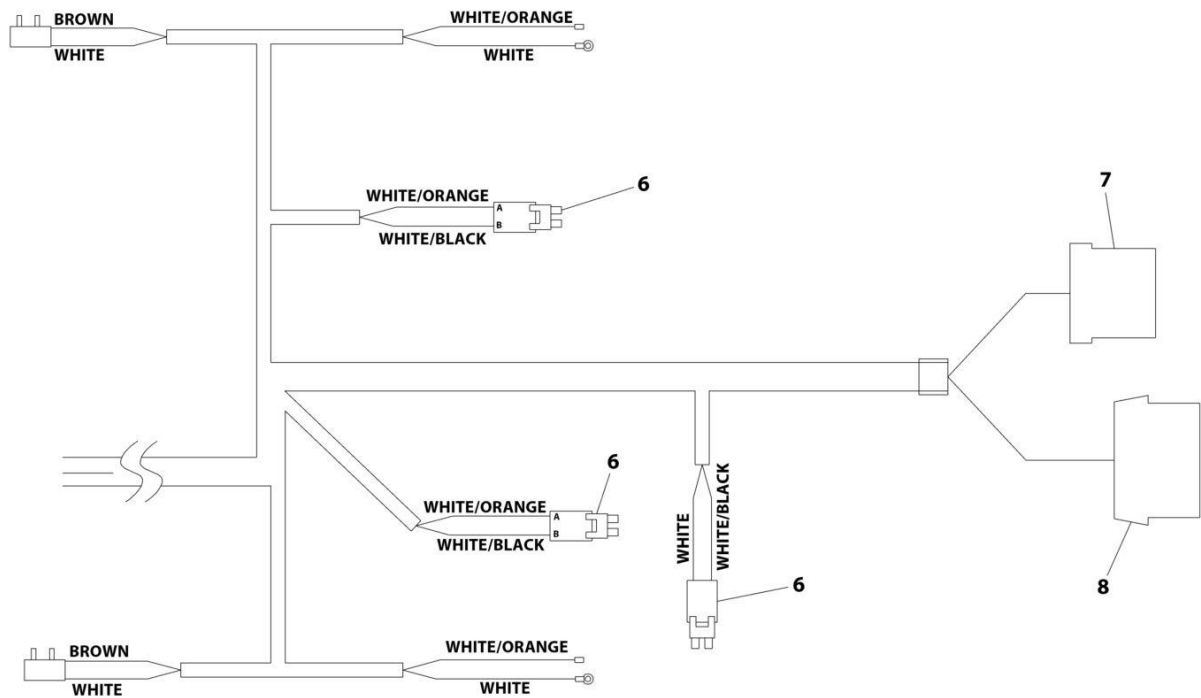
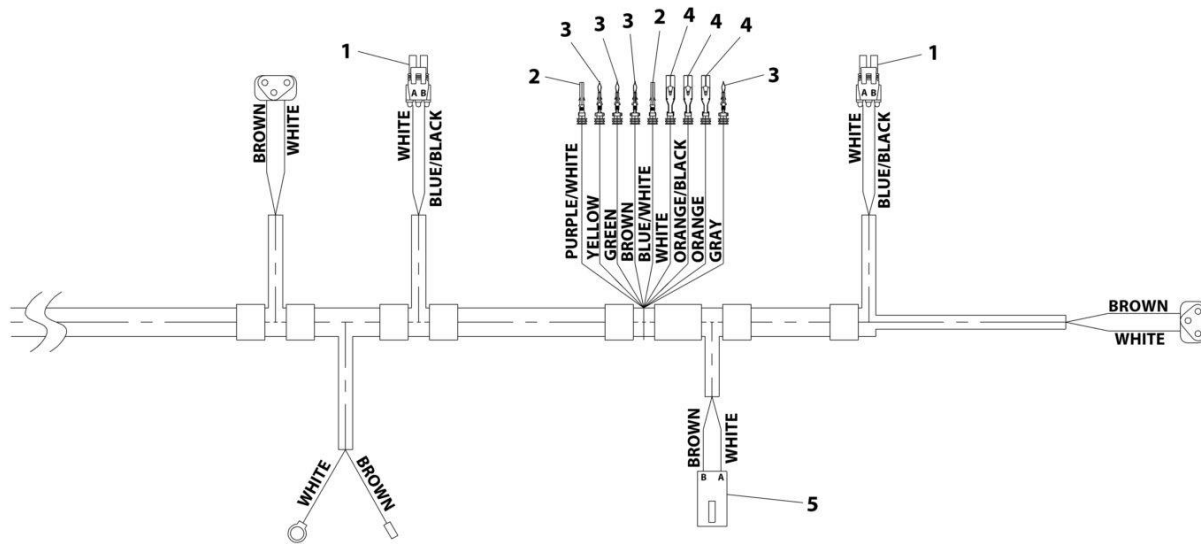
SECTION 7 - ELECTRICAL

FIGURE 7-52. PYLON HEADBOARD HARNESS - 1 MARKER LIGHT PER SIDE (SN 0230009708 through 02330015583, Except SN 0230010924 through 0230010930, Except SN 0230011121 through 0230011129, Except SN 0230011301 through 0230011319, Except SN 0230011491 through 0230011510, Excluding 0230010532, 0230011032 and 0230011078)

ITEM	PART NUMBER	QTY	DESCRIPTION	REV
	1001266076	Ref	PYLON LIGHTS HARNESS	A
1	4460692	1	Connector	
1	4460695	1	Lock	
1	NPN	7	Terminal	
1	4460608	7	Seal	
1	4461215	1	Plug, Terminal	
2	8220934	1	Connector	
2	7346000109	1	Lock	
2	8220100	1	Terminal	
2	NPN	2	Terminal	
2	NPN	1	Seal	
2	NPN	2	Seal	
3	NPN	2	Connector	
4	4460742	2	Connector	
4	4460457	4	Terminal	
4	4460458	4	Seal	
5	4461157	1	Connector	
5	4460475	2	Terminal	
5	NPN	2	Seal	
6	NPN	1	Connector	
6	4460457	4	Terminal	
6	4460458	4	Seal	
7	NPN	1	Connector	
7	7346000109	1	Lock	
7	8220099	3	Terminal	
7	NPN	3	Seal	

SECTION 7 - ELECTRICAL

FIGURE 7-53. PYLON HEADBOARD HARNESS - 3 MARKER LIGHTS PER SIDE (SN 0230004211 through 0230009707)



ART_7552000295

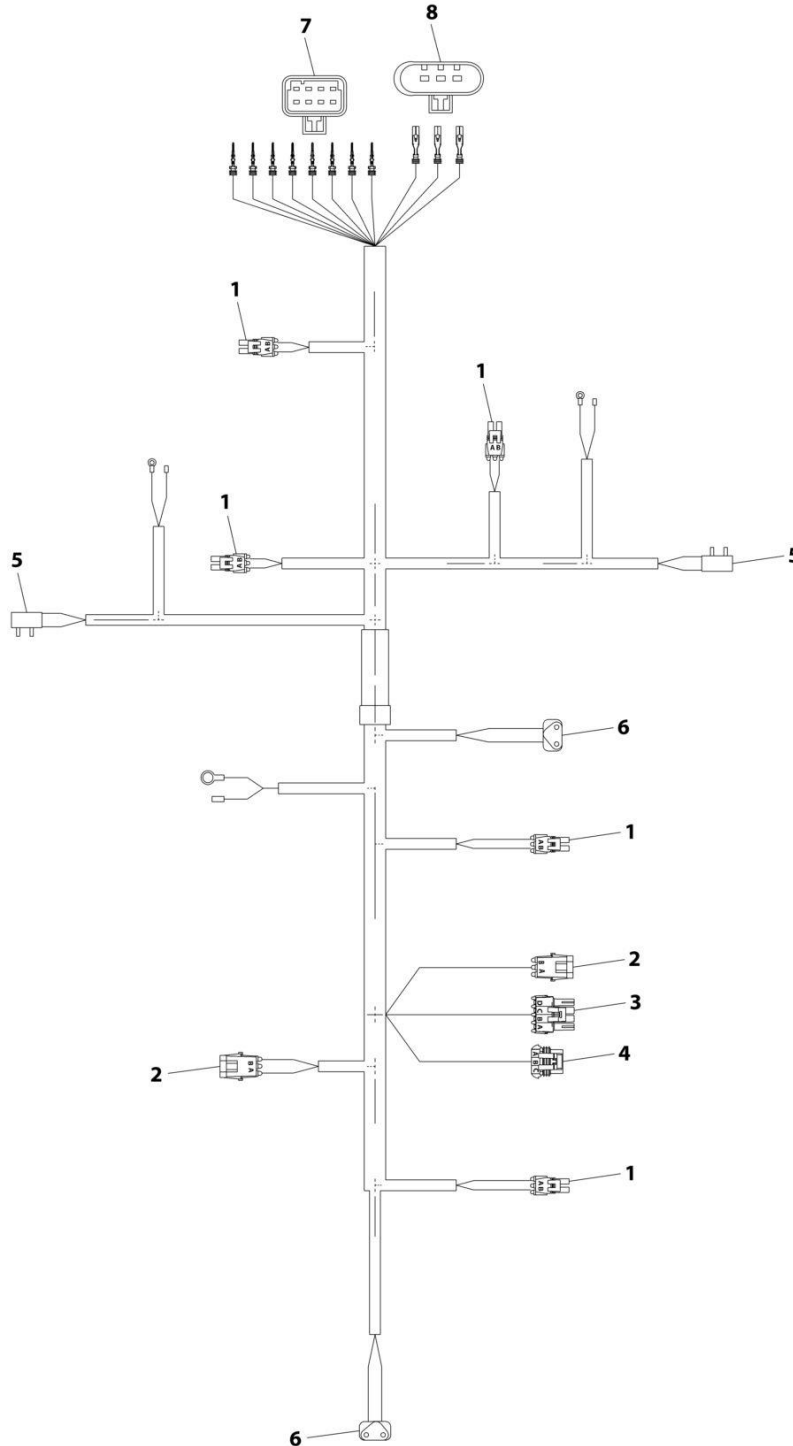
SECTION 7 - ELECTRICAL

FIGURE 7-53. PYLON HEADBOARD HARNESS - 3 MARKER LIGHTS PER SIDE (SN 0230004211 through 0230009707)

ITEM	PART NUMBER	QTY	DESCRIPTION	REV
	7552000295	Ref	PYLON HEADBOARD HARNESS - 3 MARKER LIGHTS PER SIDE	E
1	4460742	2	Connector	
1	4460457	2	Terminal	
1	4460458	2	Seal	
2	4460867	1	Connector	
2	4460475	2	Terminal	
2	4460458	2	Seal	
3		Ref	Connector	
3	4460457	4	Terminal	
3	4460458	4	Seal	
4		Ref	Connector	
4		Ref	Lock	
4		Ref	Terminal	
4		Ref	Seal	
4		Ref	Seal	
5	4460867	1	Connector	
5	4460475	1	Terminal	
5	4460458	1	Seal	
6	4460742	3	Connector	
6	4460458	6	Seal	
6	4460457	6	Terminal	
7	4460692	1	Connector	
7	4460695	1	Lock	
7	4460608	1	Seal	
7		Ref	Terminal	
7	4461215	1	Plug	
8	8220934	1	Connector	
8		Ref	Lock	
8		Ref	Seal	
8		Ref	Terminal	
8		Ref	Terminal	

SECTION 7 - ELECTRICAL

FIGURE 7-54. PYLON HEADBOARD HARNESS - 3 MARKER LIGHTS PER SIDE (SN 0230009708 through 02330015583, Except SN 0230010924 through 0230010930, Except SN 0230011121 through 0230011129, Except SN 0230011301 through 0230011319, Except SN 0230011491 through 0230011510, Excluding 0230010532, 0230011032 and 0230011078)



ART_1001266486

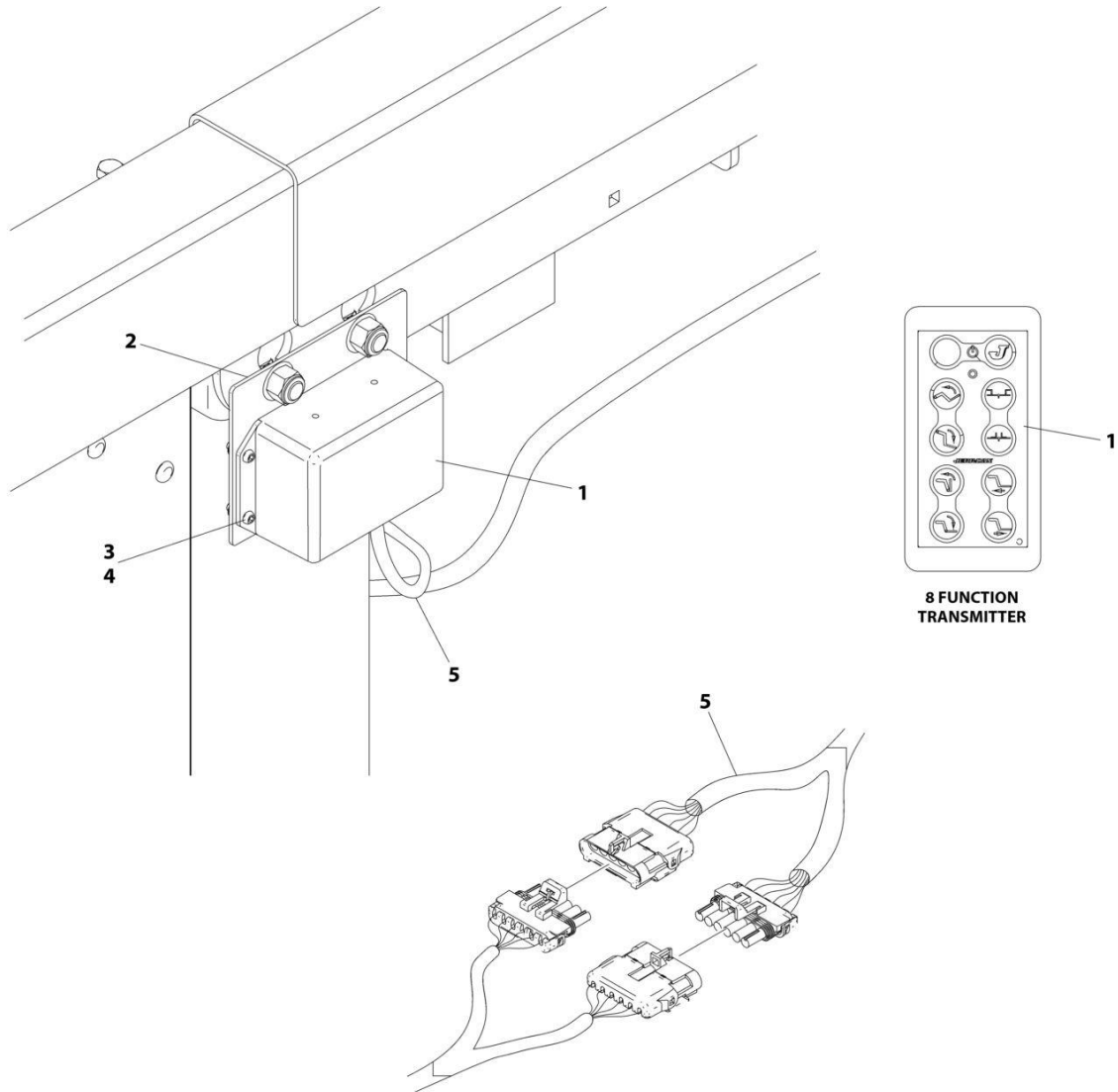
SECTION 7 - ELECTRICAL

FIGURE 7-54. PYLON HEADBOARD HARNESS - 3 MARKER LIGHTS PER SIDE (SN 0230009708 through 02330015583, Except SN 0230010924 through 0230010930, Except SN 0230011121 through 0230011129, Except SN 0230011301 through 0230011319, Except SN 0230011491 through 0230011510, Excluding 0230010532, 0230011032 and 0230011078)

ITEM	PART NUMBER	QTY	DESCRIPTION	REV
	1001266486	Ref	PYLON HEADBOARD HARNESS - 3 MARKER LIGHTS PER SIDE	B
1	4460742	5	Connector	
1	4460457	10	Terminal	
1	4460458	10	Seal	
2	4460867	2	Connector	
2	4460475	4	Terminal	
2	4460458	4	Seal	
3		Ref	Connector	
3	4460457	4	Terminal	
3	4460458	4	Seal	
4		Ref	Connector	
4	7346000108	3	Lock	
4	8220099	3	Terminal	
4		Ref	Seal	
4		Ref	Seal	
5		Ref	Connector	
6		Ref	Connector	
7	4460692	1	Connector	
7	4460695	1	Lock	
7	4460608	1	Seal	
7		Ref	Terminal	
7	4461215	1	Plug	
8	8220934	1	Connector	
8	7346000108	3	Lock	
8		Ref	Seal	
8		Ref	Terminal	
8		Ref	Terminal	

SECTION 7 - ELECTRICAL

FIGURE 7-55. REMOTE CONTROL INSTALLATION - 4 FUNCTION TOGGLE



ART_229500015

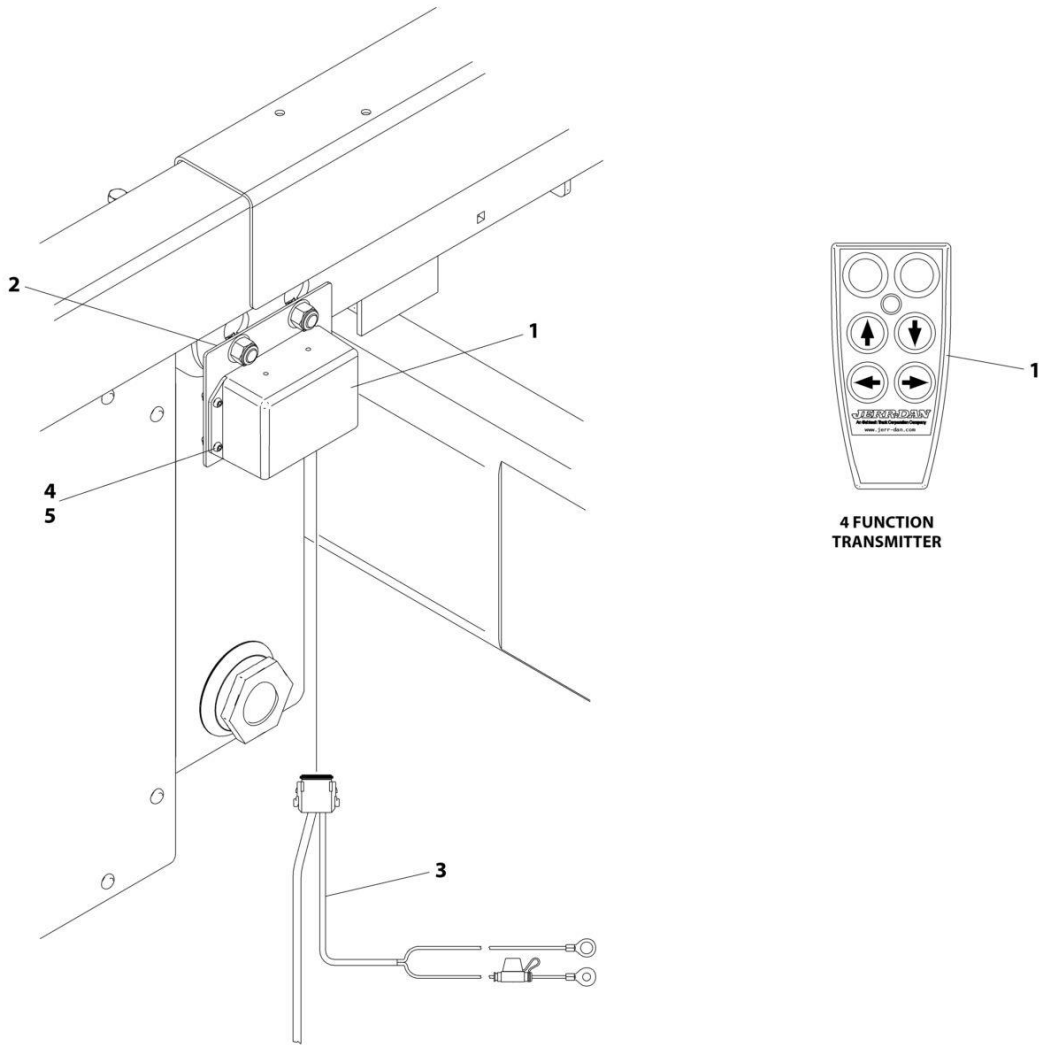
SECTION 7 - ELECTRICAL

FIGURE 7-55. REMOTE CONTROL INSTALLATION - 4 FUNCTION TOGGLE

ITEM	PART NUMBER	QTY	DESCRIPTION	REV
	2295000015	Ref	REMOTE CONTROL INSTALLATION	B
1	7295000116	1	Controller	
1	70051475	1	Transmitter	
1	70051465	1	Belt Clip	
1	70051466	1	Rubber Boot	
1	9295310049	1	Receiver	
2	4706005595	1	Plate	
3	7114100518	4	Screw #10 x 5/8	
4	7660102604	4	Nut #10	
5	7552000384	1	Remote Control Harness (See Separate Breakdown in this Section)	
6	5526000553	5	Tie-Strap (Not Shown)	
7	7075000003	1	Battery (Not Shown)	

SECTION 7 - ELECTRICAL

FIGURE 7-56. REMOTE CONTROL INSTALLATION - 4 FUNCTION MEMBRANE



ART_1001256340

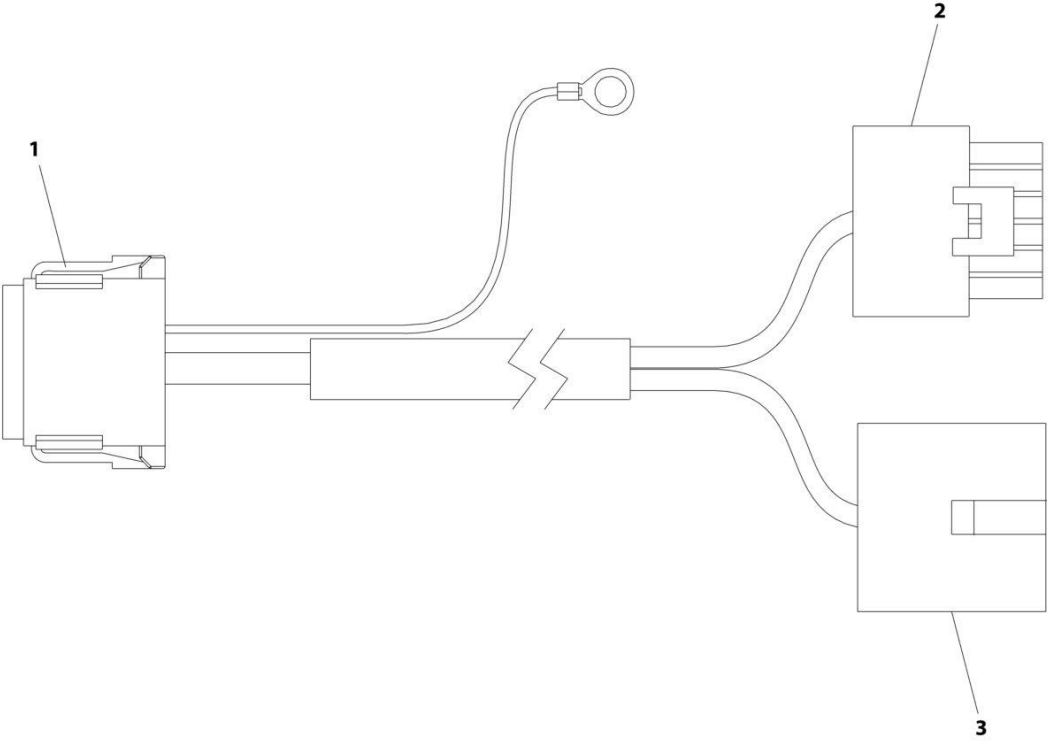
SECTION 7 - ELECTRICAL

FIGURE 7-56. REMOTE CONTROL INSTALLATION - 4 FUNCTION MEMBRANE

ITEM	PART NUMBER	QTY	DESCRIPTION	REV
	1001256340	Ref	REMOTE CONTROL INSTALLATION - 4 FUNCTION MEMBRANE	A
1	7295000108	1	Controller	
1	9295310033	1	Transmitter	
1	9295310030	1	Belt Clip	
1	9295310042	1	Rubber Boot	
1	9295310038	1	Receiver	
2	4706005595	1	Plate	
3	7552000392	1	Remote Control Harness - 4 Function Membrane (See Separate Breakdown in this Section)	
4	7114100518	4	Screw #10 x 5/8	
5	7660102604	4	Nut #10	

SECTION 7 - ELECTRICAL

FIGURE 7-57. REMOTE CONTROL HARNESS - 4 FUNCTION TOGGLE



ART_7552000384

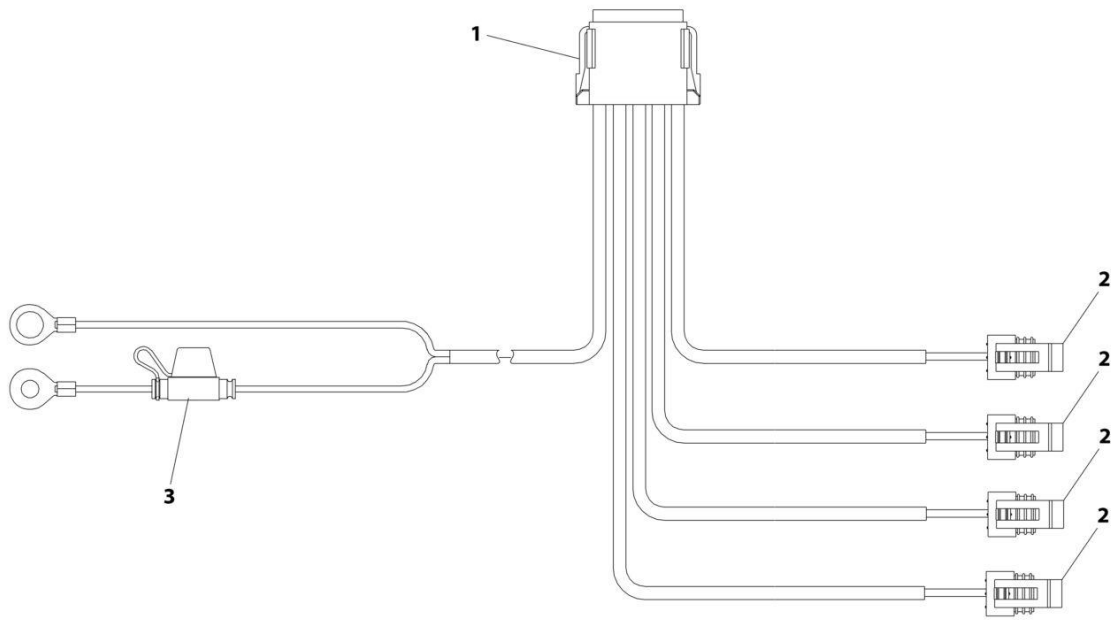
SECTION 7 - ELECTRICAL

FIGURE 7-57. REMOTE CONTROL HARNESS - 4 FUNCTION TOGGLE

ITEM	PART NUMBER	QTY	DESCRIPTION	REV
	7552000384	Ref	REMOTE CONTROL HARNESS - 4 FUNCTION TOGGLE	0
1	4460933	1	Plug Male - 12 Position	
1	4460465	11	Socket, Female	
1	4460466	1	Plug, Terminal	
2		Ref	Plug, Male - 6 Position	
2	4460457	4	Pin, Male	
2	4460458	6	Seal	
2	1001116727	2	Plug	
3		Ref	Receptacle, Female - 6 Position	
3	4460475	6	Pin, Male	
3	4460458	6	Seal	

SECTION 7 - ELECTRICAL

FIGURE 7-58. REMOTE CONTROL HARNESS- 4 FUNCTION MEMBRANE



ART_7552000392

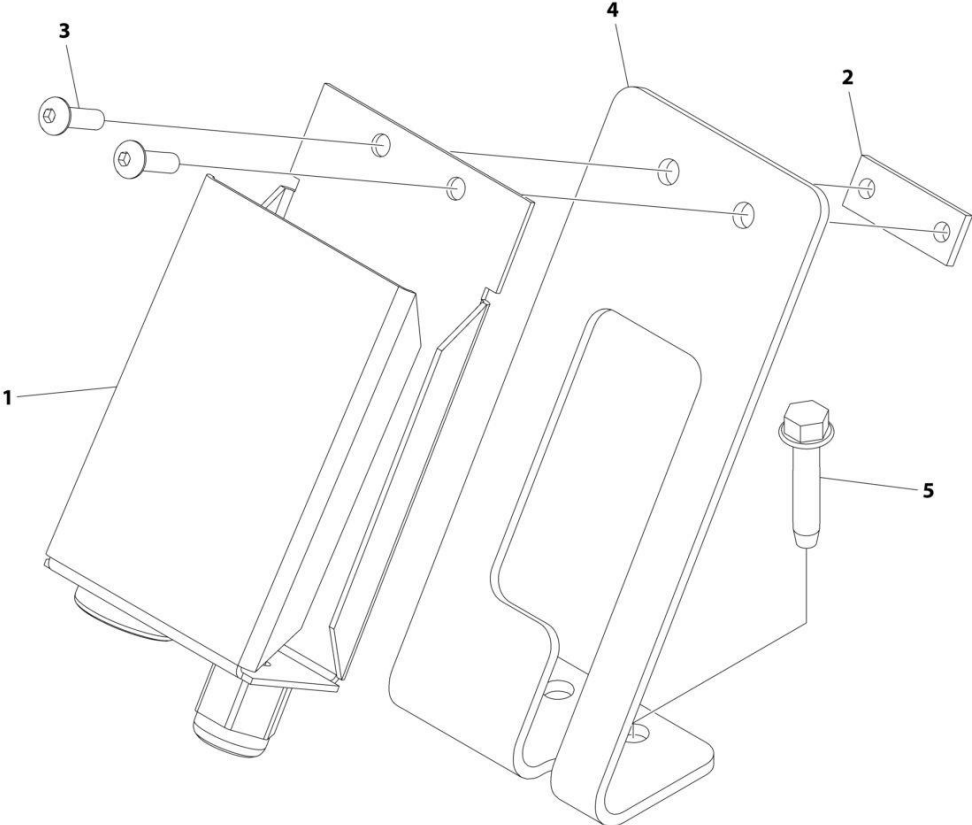
SECTION 7 - ELECTRICAL

FIGURE 7-58. REMOTE CONTROL HARNESS- 4 FUNCTION MEMBRANE

ITEM	PART NUMBER	QTY	DESCRIPTION	REV
	7552000392	Ref	REMOTE CONTROL HARNESS - 4 FUNCTION MEMBRANE	5
1	4460933	1	Plug, Male - 1 Position	
2	4460955	4	Plug, Male - 2 Position	
2	4460842	8	Socket, Female	
3		Ref	Fuseholder	
3		Ref	Fuse 10Amp (Purchase Locally)	

SECTION 7 - ELECTRICAL

FIGURE 7-59. REMOTE CONTROL HOLDER INSTALLATION



ART_2002000031

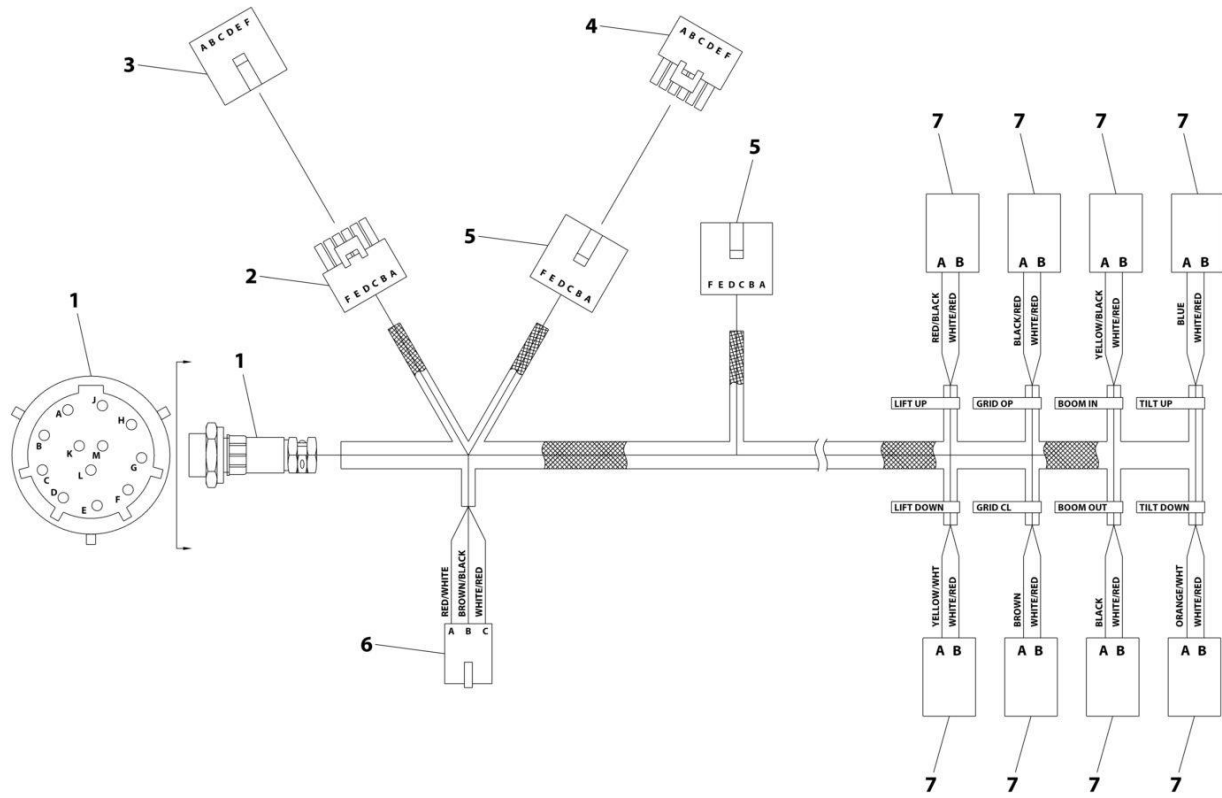
SECTION 7 - ELECTRICAL

FIGURE 7-59. REMOTE CONTROL HOLDER INSTALLATION

ITEM	PART NUMBER	QTY	DESCRIPTION	REV
	2002000031	Ref	Remote Control 6 Function U/L Transmitter Holder	D
1	7002000521	1	Accessory, Box	
2	7661000056	1	Nut #10	
3	7114100518	2	Screw #10 x 5/8	
4	1001230127	1	Mount	
5	7790142051	2	Screw 1/4 x 1-1/4	

SECTION 7 - ELECTRICAL

FIGURE 7-60. REMOTE HARNESS (JERR-DAN SUPPLIED CONTROLS)



ART_7552000366

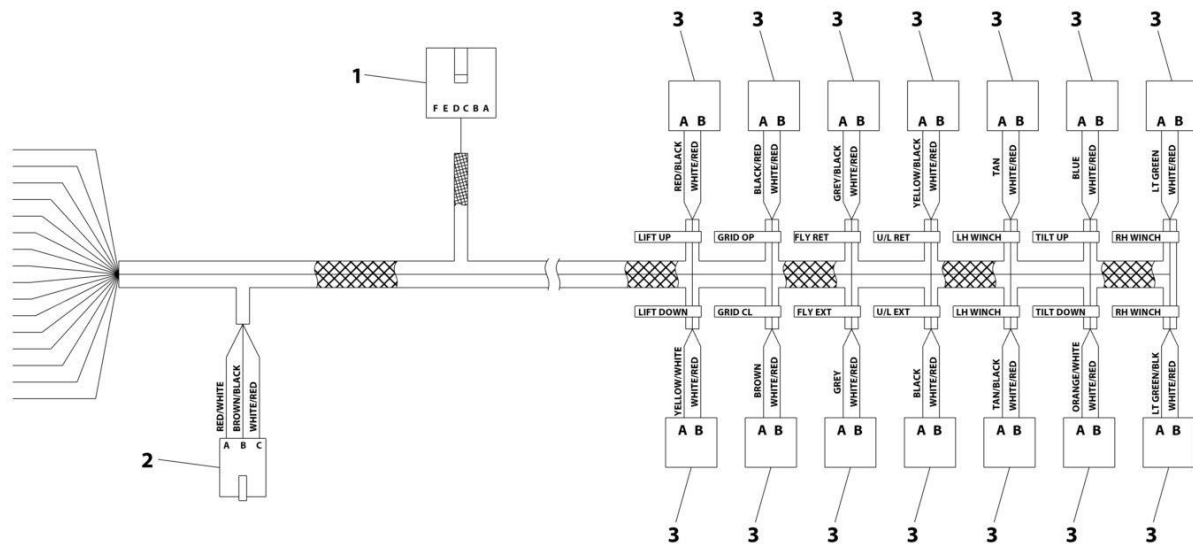
SECTION 7 - ELECTRICAL

FIGURE 7-60. REMOTE HARNESS (JERR-DAN SUPPLIED CONTROLS)

ITEM	PART NUMBER	QTY	DESCRIPTION	REV
	7552000366	Ref	REMOTE HARNESS (JERR-DAN SUPPLIED CONTROLS)	4
1		Ref	Plug	
1		Ref	Terminal	
1		Ref	Connector, Strain Relief	
2		Ref	Plug	
2	4460743	6	Terminal	
2	4460458	6	Seal	
3		Ref	Receptacle	
3	1001116727	6	Seal	
4		Ref	Plug	
4	1001116727	6	Seal	
5		Ref	Receptacle	
5	4460979	6	Terminal	
5	4460475	4	Terminal	
5	4460458	10	Seal	
6		Ref	Receptacle	
6	4460475	3	Terminal	
6	4460979	AR	Terminal	
6	4460458	3	Seal	
7	4460955	8	Connector	
7	4460842	16	Terminal	

SECTION 7 - ELECTRICAL

FIGURE 7-61. REMOTE HARNESS (CUSTOMER SUPPLIED CONTROLS)



ART_1001133439

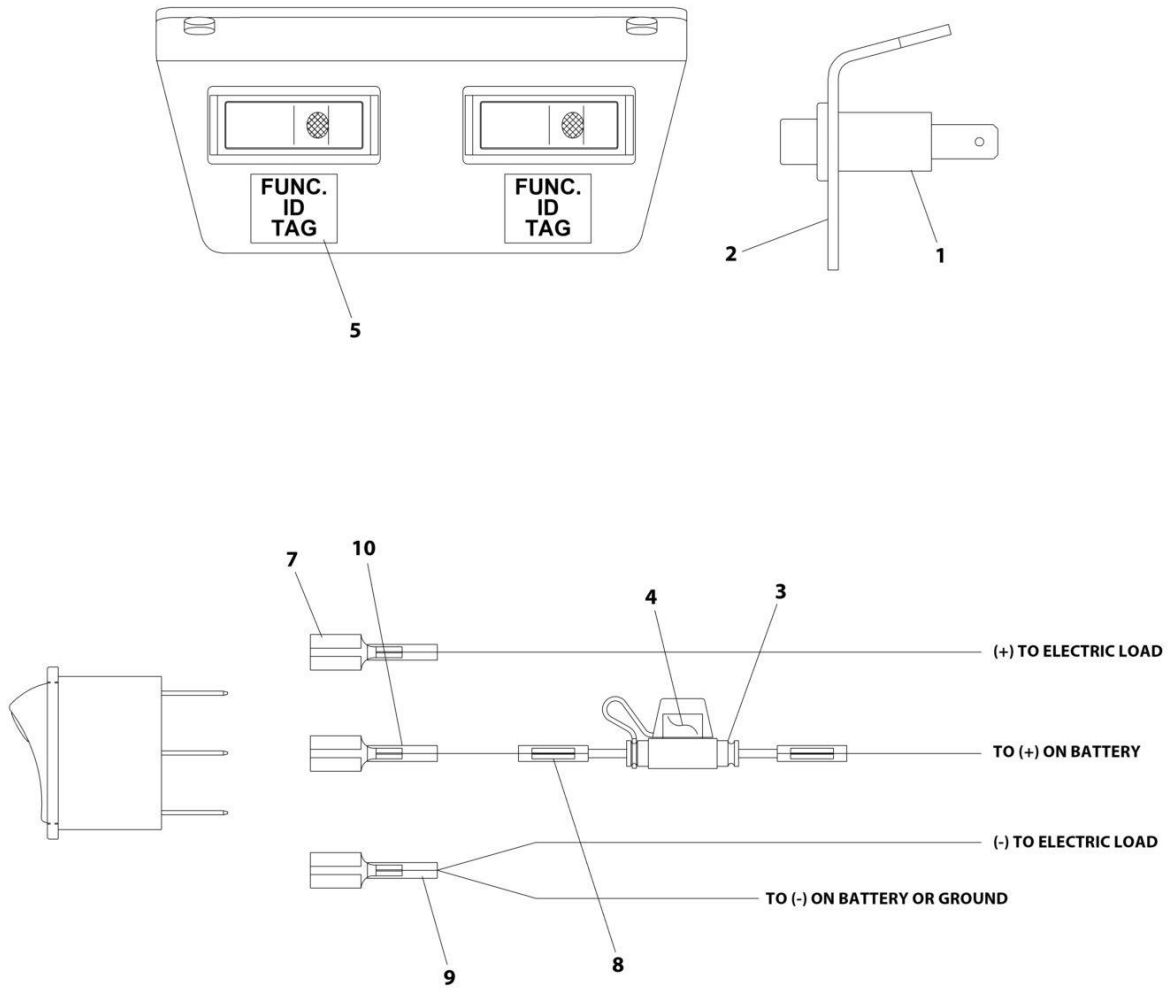
SECTION 7 - ELECTRICAL

FIGURE 7-61. REMOTE HARNESS (CUSTOMER SUPPLIED CONTROLS)

ITEM	PART NUMBER	QTY	DESCRIPTION	REV
	1001133439	Ref	REMOTE HARNESS (CUSTOMER SUPPLIED CONTROLS)	A
1		Ref	Connector	
1	4460979	4	Terminal	
1	4460475	2	Terminal	
1	4460458	6	Seal	
2		Ref	Connector	
2	4460475	3	Terminal	
2	4460979	AR	Terminal	
2	4460458	3	Seal	
3	4460955	14	Connector	
3	4460842	28	Terminal	

SECTION 7 - ELECTRICAL

FIGURE 7-62. SWITCH PANEL INSTALLATION - 2 FUNCTION



ART_2870000012

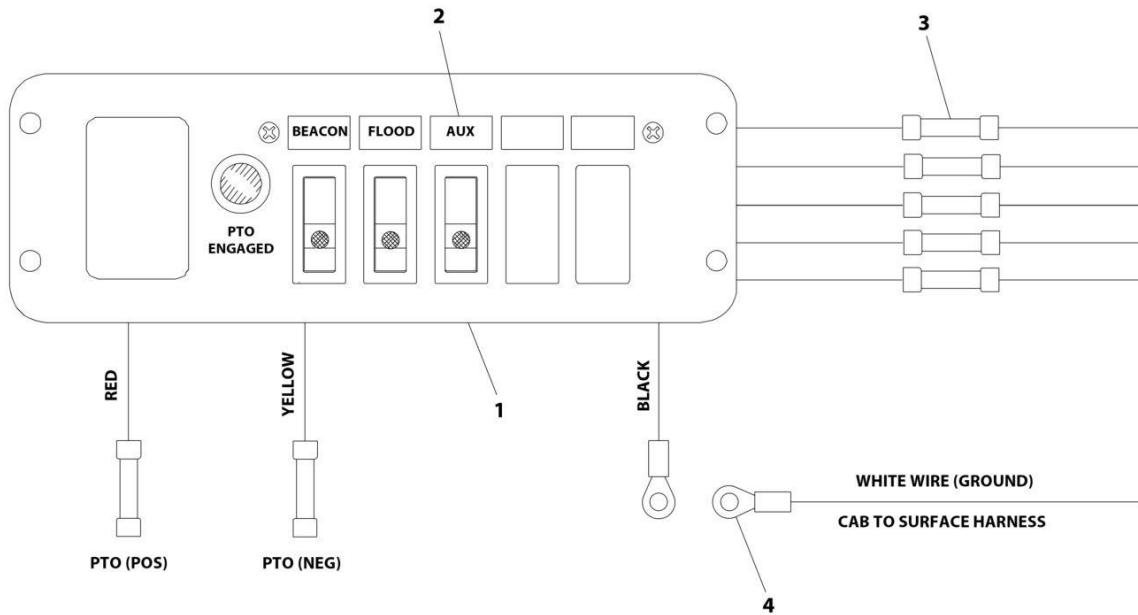
SECTION 7 - ELECTRICAL

FIGURE 7-62. SWITCH PANEL INSTALLATION - 2 FUNCTION

ITEM	PART NUMBER	QTY	DESCRIPTION	REV
	2870000012	Ref	SWITCH PANEL INSTALLATION - 2 FUNCTION	B
1	7870000083	2	Switch	
2	4178000427	1	Bracket	
3	7346000126	2	Fuse Holder	
4	7457000015	2	Fuse	
5	7330000288	1	Decal	
6	7120000034	2	Screw #10 x 3/4 (Not Shown)	
7	7345001710	4	Tab	
8	7345001914	4	Terminal	
9	4346000005	10	Heat Shrink Tubing	
10	7345001910	2	Tab	

SECTION 7 - ELECTRICAL

FIGURE 7-63. SWITCH PANEL INSTALLATION - 3 FUNCTION (IN DASH COMPACT) (SN 0230004217 through 0230009709)



ART_1001135700

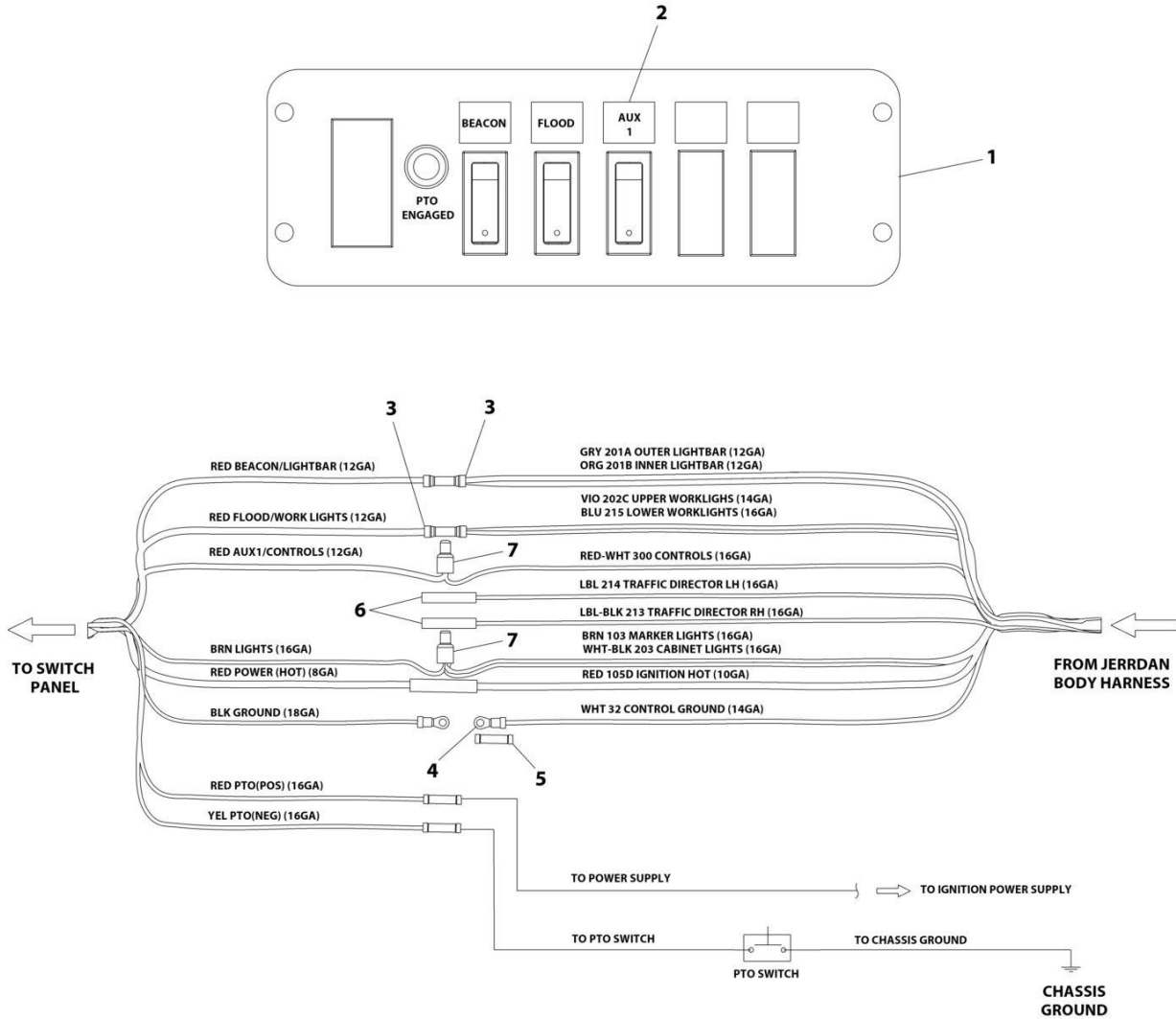
SECTION 7 - ELECTRICAL

FIGURE 7-63. SWITCH PANEL INSTALLATION - 3 FUNCTION (IN DASH COMPACT) (SN 0230004217 through 0230009709)

ITEM	PART NUMBER	QTY	DESCRIPTION	REV
	1001135700	Ref	3 Function In-Dash Compact Installation	B
1	7870000100	1	Switch Panel	
2	7330000288	1	Decal	
3	7345001913	4	Connector	
4	7345211701	1	Terminal	
4	7345001713	1	Connector	
5	4346000005	1	Heat Shrink (Not Shown)	

SECTION 7 - ELECTRICAL

FIGURE 7-64. SWITCH PANEL INSTALLATION - 3 FUNCTION (IN DASH COMPACT) (SN 0230009708 through 02330015583, Except SN 0230010924 through 0230010930, Except SN 0230011121 through 0230011129, Except SN 0230011301 through 0230011319, Except SN 0230011491 through 0230011510, Excluding 0230010532, 0230011032 and 0230011078)



ART_1001266075

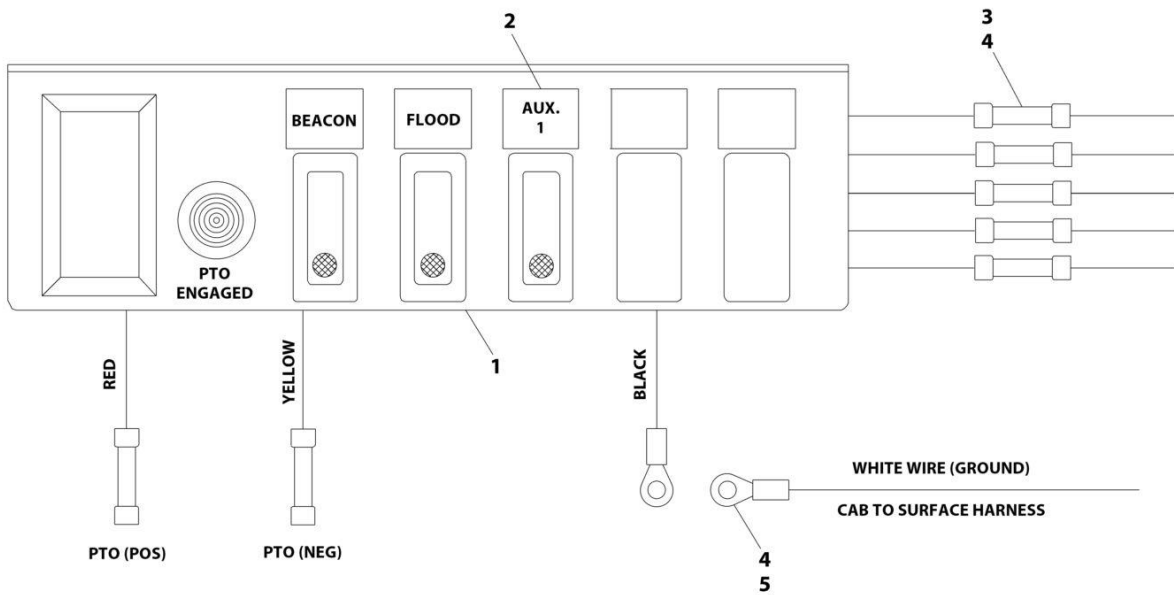
SECTION 7 - ELECTRICAL

FIGURE 7-64. SWITCH PANEL INSTALLATION - 3 FUNCTION (IN DASH COMPACT) (SN 0230009708 through 02330015583, Except SN 0230010924 through 0230010930, Except SN 0230011121 through 0230011129, Except SN 0230011301 through 0230011319, Except SN 0230011491 through 0230011510, Excluding 0230010532, 0230011032 and 0230011078)

ITEM	PART NUMBER	QTY	DESCRIPTION	REV
	1001266075	Ref	3 FUNCTION IN-DASH COMPACT INSTALLATION	A
1	7870000100	1	Switch Panel	
2	7330000288	1	Decal	
3	4460018	2	Terminal	
4	4460042	1	Terminal	
5	4460035	1	Terminal	
6	4346000005	2	Heat Shrink	
7	7346000242	2	Connector	

SECTION 7 - ELECTRICAL

FIGURE 7-65. SWITCH PANEL INSTALLATION - 3 FUNCTION (UNDER DASH COMPACT) (SN 0230004217 through 0230009709)



ART_1001135756

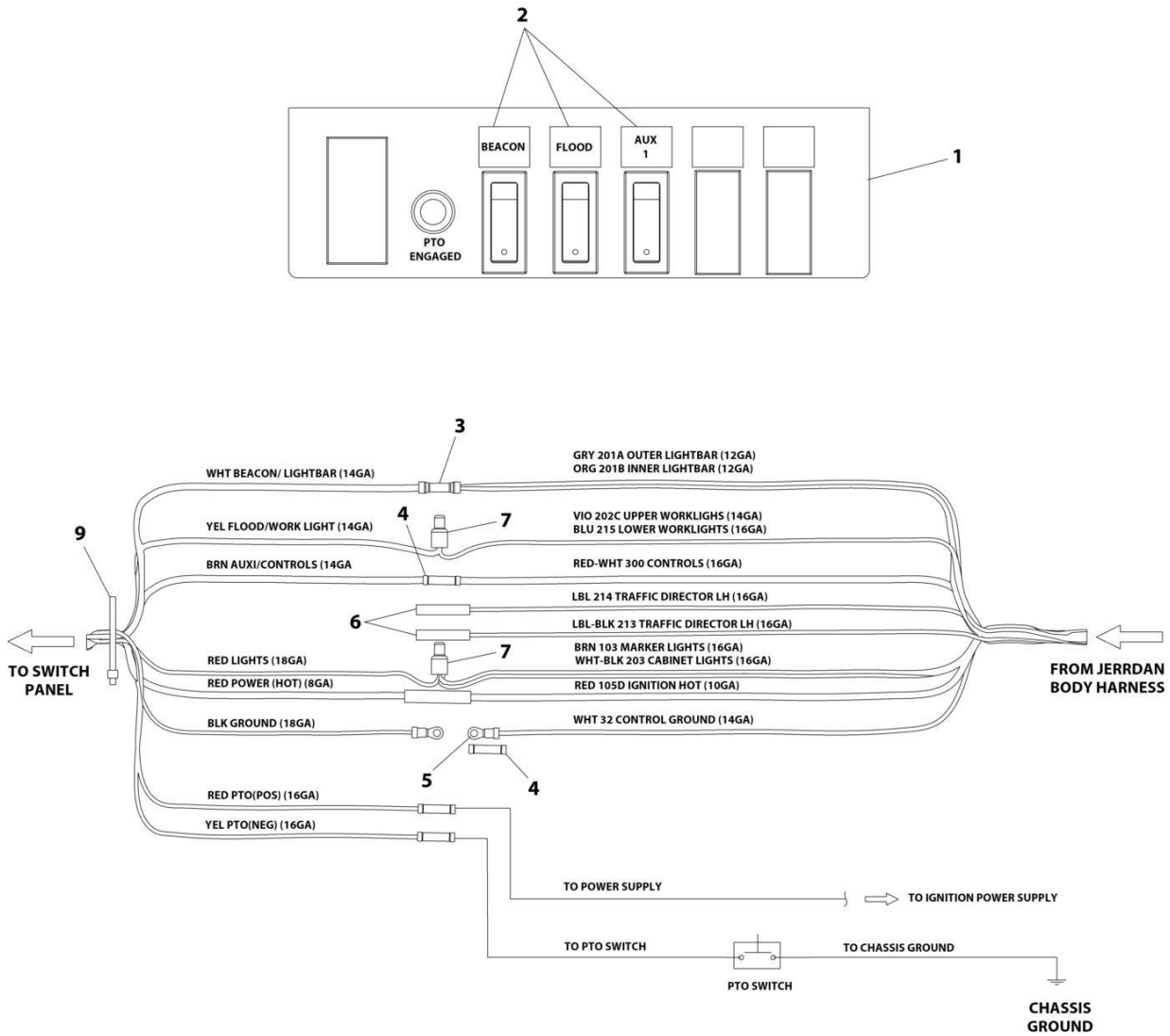
SECTION 7 - ELECTRICAL

FIGURE 7-65. SWITCH PANEL INSTALLATION - 3 FUNCTION (UNDER DASH COMPACT) (SN 0230004217 through 0230009709)

ITEM	PART NUMBER	QTY	DESCRIPTION	REV
	1001135756	1	3 Function Under-Dash Compact Assembly	B
1	7870000134	1	Switch Panel	
2	7330000288	1	Decal	
3	7346000242	2	Connector	
4	7345001713	4	Connector	
5	7345211701	1	Terminal	
6	4346000005	1	Heat Shrink (Not Shown)	
7	8597650003	2	Wire (Not Shown)	
8	5526000553	6	Tie Strap (Not Shown)	

SECTION 7 - ELECTRICAL

FIGURE 7-66. SWITCH PANEL INSTALLATION - 3 FUNCTION (UNDER DASH COMPACT) (SN 0230009708 through 02330015583, Except SN 0230010924 through 0230010930, Except SN 0230011121 through 0230011129, Except SN 0230011301 through 0230011319, Except SN 0230011491 through 0230011510, Excluding 0230010532, 0230011032 and 0230011078)



ART_1001266355

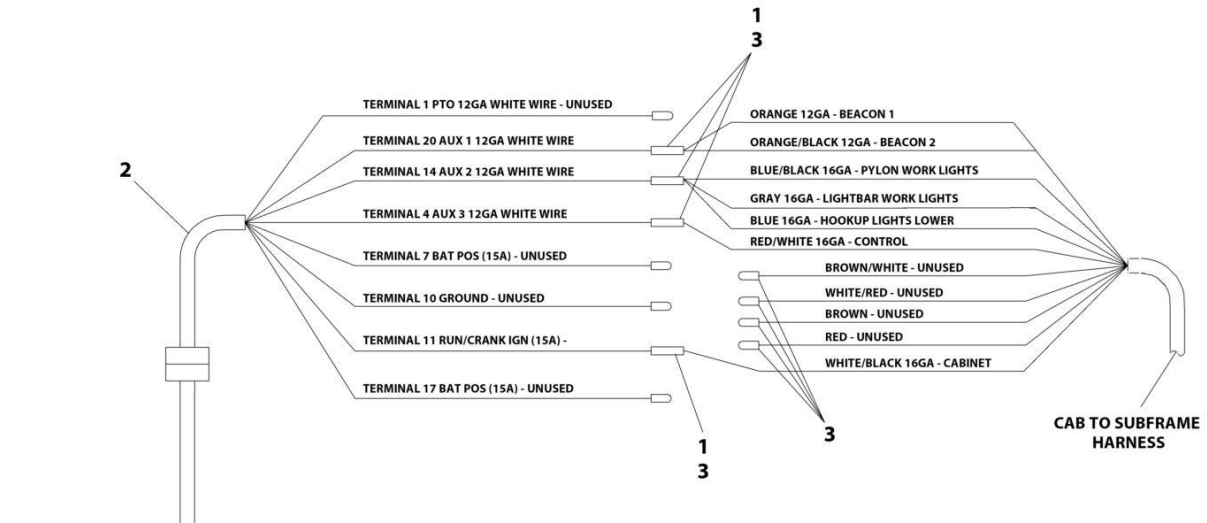
SECTION 7 - ELECTRICAL

FIGURE 7-66. SWITCH PANEL INSTALLATION - 3 FUNCTION (UNDER DASH COMPACT) (SN 0230009708 through 02330015583, Except SN 0230010924 through 0230010930, Except SN 0230011121 through 0230011129, Except SN 0230011301 through 0230011319, Except SN 0230011491 through 0230011510, Excluding 0230010532, 0230011032 and 0230011078)

ITEM	PART NUMBER	QTY	DESCRIPTION	REV
	1001266355	Ref	3 FUNCTION UNDER-DASH COMPACT INSTALLATION	A
1	7870000134	1	Switch Panel	
2	7330000288	1	Decal	
3	4460018	1	Terminal	
4	4460035	2	Terminal	
5	4460042	1	Terminal	
6	4346000005	2	Heat Shrink	
7	7346000242	2	Connector	
8	8597650003	2 ft	Wire (Not Shown)	
9	5526000553	6	Tie Strap	

SECTION 7 - ELECTRICAL

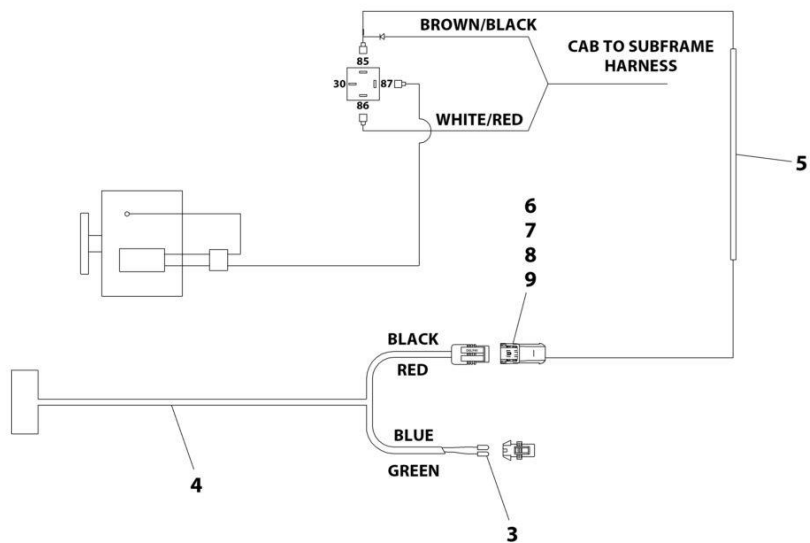
FIGURE 7-67. SWITCH PANEL INSTALLATION - 3 FUNCTION (CV515 OEM) (SN 0230004217 through 0230009709)



BUTTON 1	BUTTON 2	BUTTON 3	BUTTON 4	BUTTON 5	BUTTON 6	BUTTON 7
				AUX1	AUX2	AUX3
VIBR MONITORING W/O INDICATOR	CARGO LAMP MONITORING W/O INDICATOR	DIESEL VCL MONITORING W/O INDICATOR	PTO MONITORING W/O INDICATOR	AUX1 LATCHING W/ INDICATOR	AUX2 LATCHING W/ INDICATOR	AUX3 LATCHING W/ INDICATOR

OEM UPFITTER SWITCHES

BUTTON 1	BUTTON 2	BUTTON 3	BUTTON 4	BUTTON 5	BUTTON 6	BUTTON 7
				AUX1	AUX2	AUX3
VIBR MONITORING W/O INDICATOR	CARGO LAMP MONITORING W/O INDICATOR	DIESEL VCL MONITORING W/O INDICATOR	PTO MONITORING W/O INDICATOR	AUX1 LATCHING W/ INDICATOR	AUX2 LATCHING W/ INDICATOR	AUX3 LATCHING W/ INDICATOR



ART_1001254906

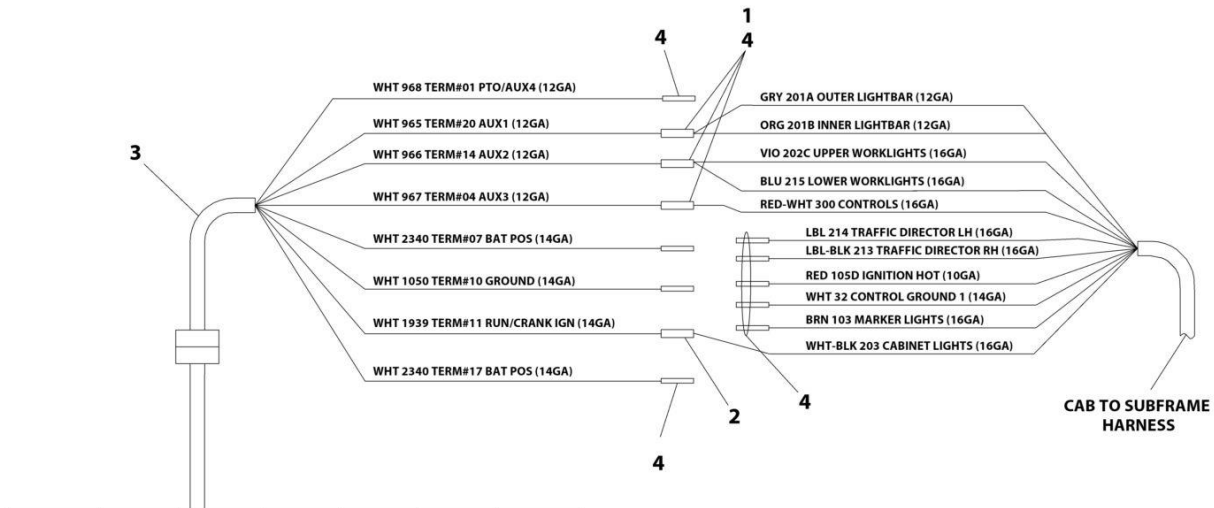
SECTION 7 - ELECTRICAL

FIGURE 7-67. SWITCH PANEL INSTALLATION - 3 FUNCTION (CV515 OEM) (SN 0230004217 through 0230009709)

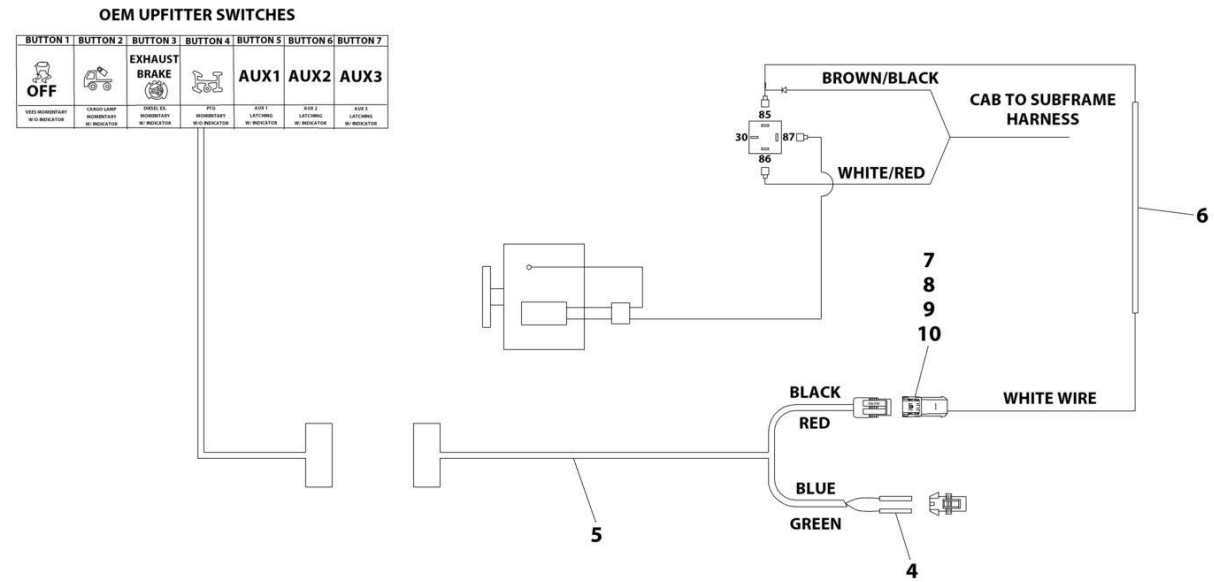
ITEM	PART NUMBER	QTY	DESCRIPTION	REV
	1001254906	Ref	SWITCH PANEL INSTALLATION - 3 FUNCTION (CV515 OEM)	C
1	7345001914	4	Switch	
2	1001254044	1	Harness	
3	7346000039	AR	Heat Shrink Tubing	
4	1001250685	1	Wiring Harness Kit	
5	8977010103	10 ft	Conductor	
6	1001117026	1	Connector	
7	4460789	1	Terminal	
8	1001116727	1	Pluag	
9	1001116729	1	Terminal	

SECTION 7 - ELECTRICAL

FIGURE 7-68. SWITCH PANEL INSTALLATION - 3 FUNCTION (CV515 OEM) (SN 0230009708 through 02330015583, Except SN 0230010924 through 0230010930, Except SN 0230011121 through 0230011129, Except SN 0230011301 through 0230011319, Except SN 0230011491 through 0230011510, Excluding 0230010532, 0230011032 and 0230011078)



BUTTON 1	BUTTON 2	BUTTON 3	BUTTON 4	BUTTON 5	BUTTON 6	BUTTON 7
VEES MOMENTARY W/O INDICATOR	CARGO LAMP MOMENTARY W/INDICATOR	DIESEL EX. MOMENTARY W/INDICATOR	PTO MOMENTARY W/O INDICATOR	AUX 1 LATCHING W/INDICATOR	AUX 2 LATCHING W/INDICATOR	AUX 3 LATCHING W/INDICATOR



OEM UPFITTER SWITCHES

BUTTON 1	BUTTON 2	BUTTON 3	BUTTON 4	BUTTON 5	BUTTON 6	BUTTON 7
OFF	CARGO LAMP MOMENTARY W/INDICATOR	DIESEL EX. MOMENTARY W/INDICATOR	PTO MOMENTARY W/INDICATOR	AUX 1 LATCHING W/INDICATOR	AUX 2 LATCHING W/INDICATOR	AUX 3 LATCHING W/INDICATOR

ART_1001267332

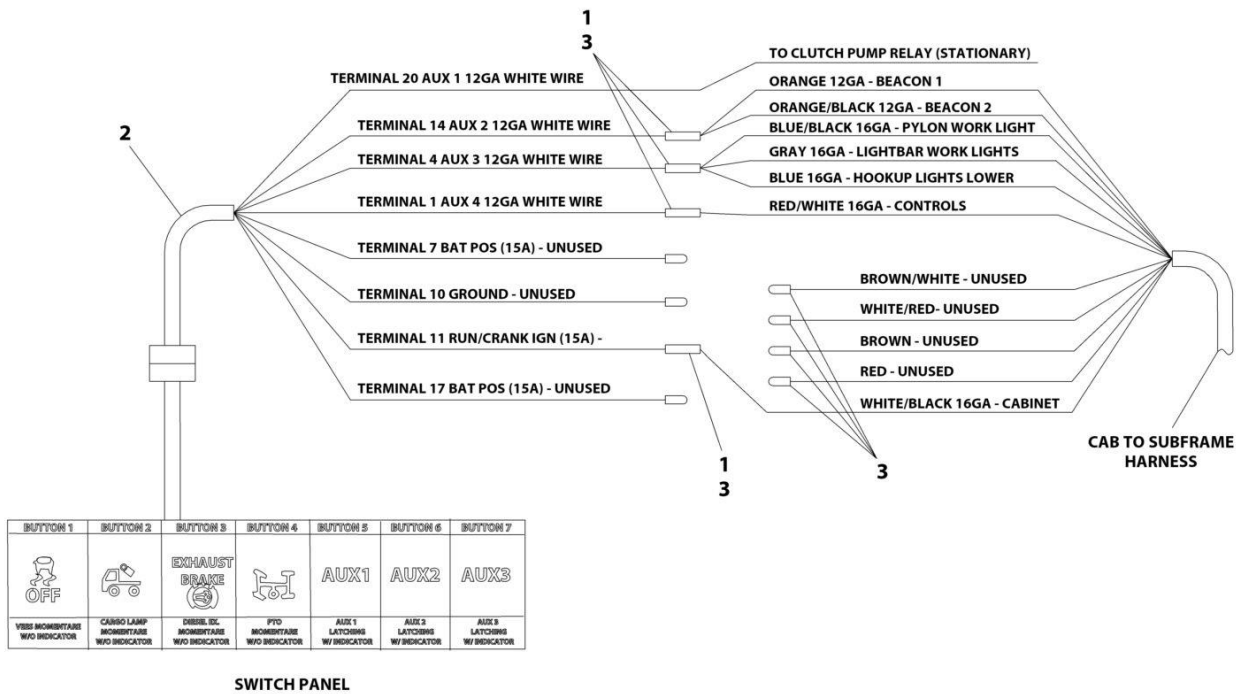
SECTION 7 - ELECTRICAL

FIGURE 7-68. SWITCH PANEL INSTALLATION - 3 FUNCTION (CV515 OEM) (SN 0230009708 through 02330015583, Except SN 0230010924 through 0230010930, Except SN 0230011121 through 0230011129, Except SN 0230011301 through 0230011319, Except SN 0230011491 through 0230011510, Excluding 0230010532, 0230011032 and 0230011078)

ITEM	PART NUMBER	QTY	DESCRIPTION	REV
	1001267332	Ref	SWITCH PANEL INSTALLATION - 3 FUNCTION (CV515 OEM)	A
1	7345001914	3	Terminal	
2	7345001714	1	Terminal	
3	1001254044	1	Harness	
4	4346000005	AR	Heat Shrink Tubing	
5	1001250685	1	Wiring Harness Kit	
6	8977010103	10 ft	Conductor	
7	1001117026	1	Connector	
8	4460789	1	Terminal	
9	1001116727	1	Pluag	
10	1001116729	1	Terminal	

SECTION 7 - ELECTRICAL

FIGURE 7-69. SWITCH PANEL INSTALLATION - 4 FUNCTION (CV515 OEM) (SN 0230004217 through 0230009709)



ART_1001256091

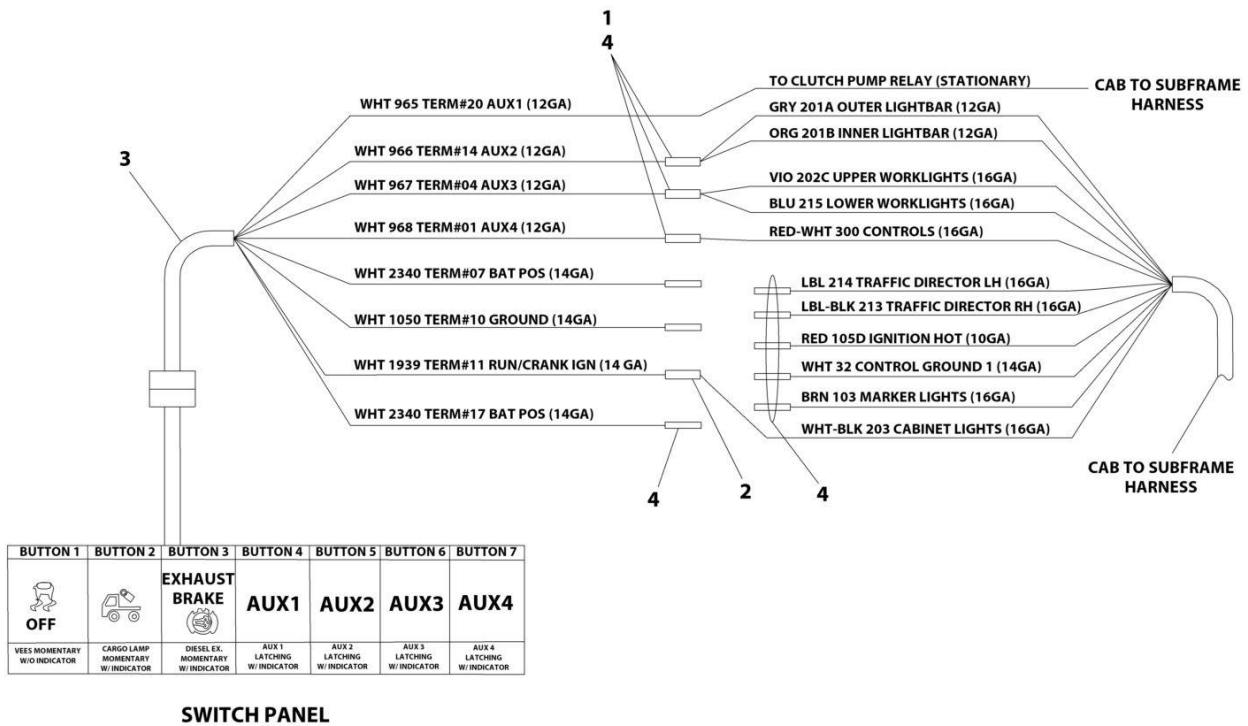
SECTION 7 - ELECTRICAL

FIGURE 7-69. SWITCH PANEL INSTALLATION - 4 FUNCTION (CV515 OEM) (SN 0230004217 through 0230009709)

ITEM	PART NUMBER	QTY	DESCRIPTION	REV
	1001256091	Ref	SWITCH PANEL INSTALLATION - 4 FUNCTION (CV515 OEM)	C
1	7345001914	4	Terminal	
2	1001254044	1	Harness	
3	7346000039	AR	Tubing	

SECTION 7 - ELECTRICAL

FIGURE 7-70. SWITCH PANEL INSTALLATION - 4 FUNCTION (CV515 OEM) (SN 0230009708 through 02330015583, Except SN 0230010924 through 0230010930, Except SN 0230011121 through 0230011129, Except SN 0230011301 through 0230011319, Except SN 0230011491 through 0230011510, Excluding 0230010532, 0230011032 and 0230011078)



ART_1001267981

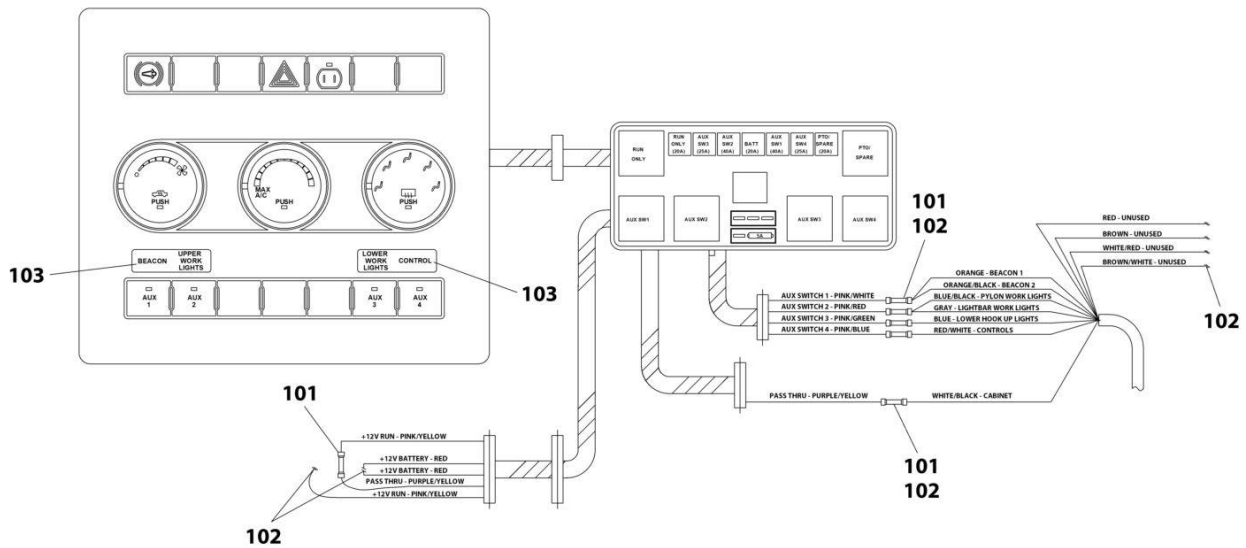
SECTION 7 - ELECTRICAL

FIGURE 7-70. SWITCH PANEL INSTALLATION - 4 FUNCTION (CV515 OEM) (SN 0230009708 through 02330015583, Except SN 0230010924 through 0230010930, Except SN 0230011121 through 0230011129, Except SN 0230011301 through 0230011319, Except SN 0230011491 through 0230011510, Excluding 0230010532, 0230011032 and 0230011078)

ITEM	PART NUMBER	QTY	DESCRIPTION	REV
	1001267981	Ref	SWITCH PANEL INSTALLATION - 4 FUNCTION (CV515 OEM)	A
1	7345001914	3	Terminal	
2	7345001714	1	Terminal	
3	1001254044	1	Harness	
4	4346000005	AR	Heat Shrink Tubing	

SECTION 7 - ELECTRICAL

FIGURE 7-71. SWITCH PANEL INSTALLATION - 4 FUNCTION (DODGE OEM) (SN 0230004217 through 0230009709)



ART_1001123375

SECTION 7 - ELECTRICAL

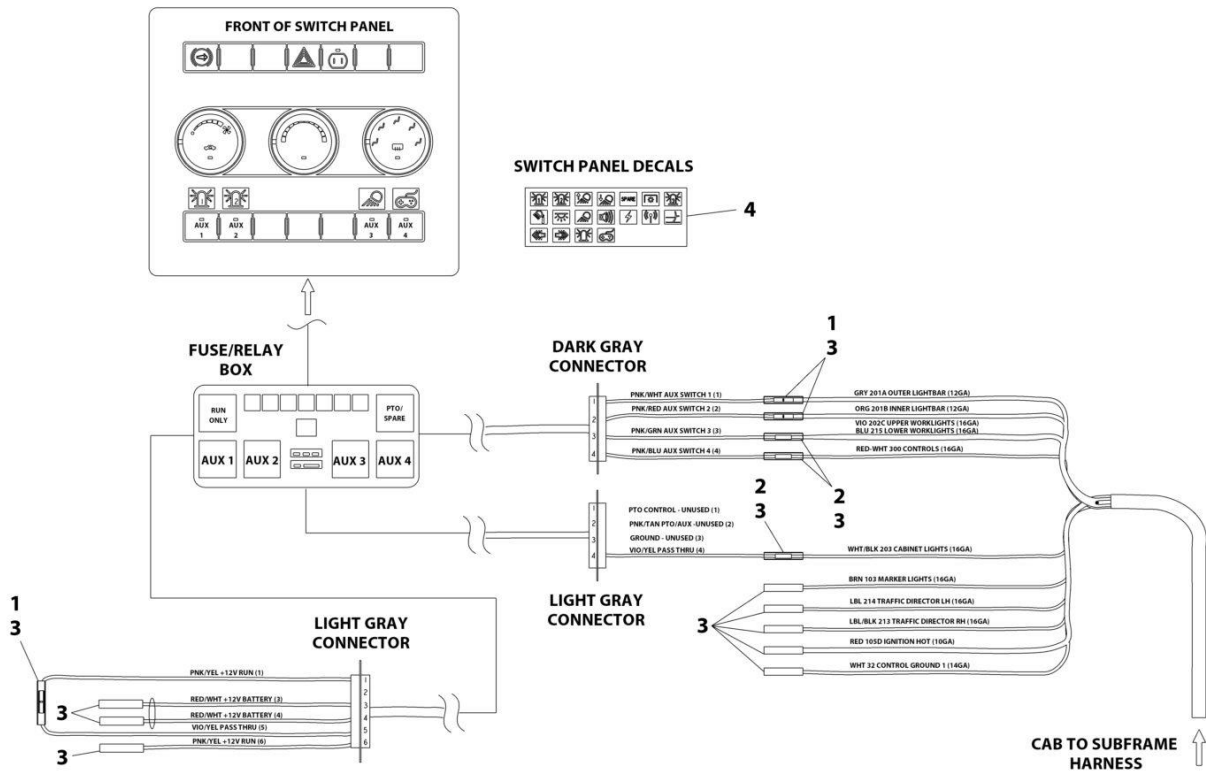
FIGURE 7-71. SWITCH PANEL INSTALLATION - 4 FUNCTION (DODGE OEM) (SN 0230004217 through 0230009709)

ITEM	PART NUMBER	QTY	DESCRIPTION	REV
	1001123375	Ref	SWITCH PANEL INSTALLATION - 4 FUNCTION (DODGE OEM)	B
1	2870000030	Ref	Switch Installation (Includes Item 101-103) (Not Shown)	
101	7345001914	8	Terminal	
102	7346000039	AR	Tubing	
103	7330000872	1	Decal	

SECTION 7 - ELECTRICAL

FIGURE 7-72. SWITCH PANEL INSTALLATION - 4 FUNCTION (DODGE OEM) (SN 0230009708 through 02330015583, Except SN 0230010924 through 0230010930, Except SN 0230011121 through 0230011129, Except SN 0230011301 through 0230011319, Except SN 0230011491 through 0230011510, Excluding 0230010532, 0230011032 and 0230011078)

2011 - 2012 DODGE



ART_1001267964

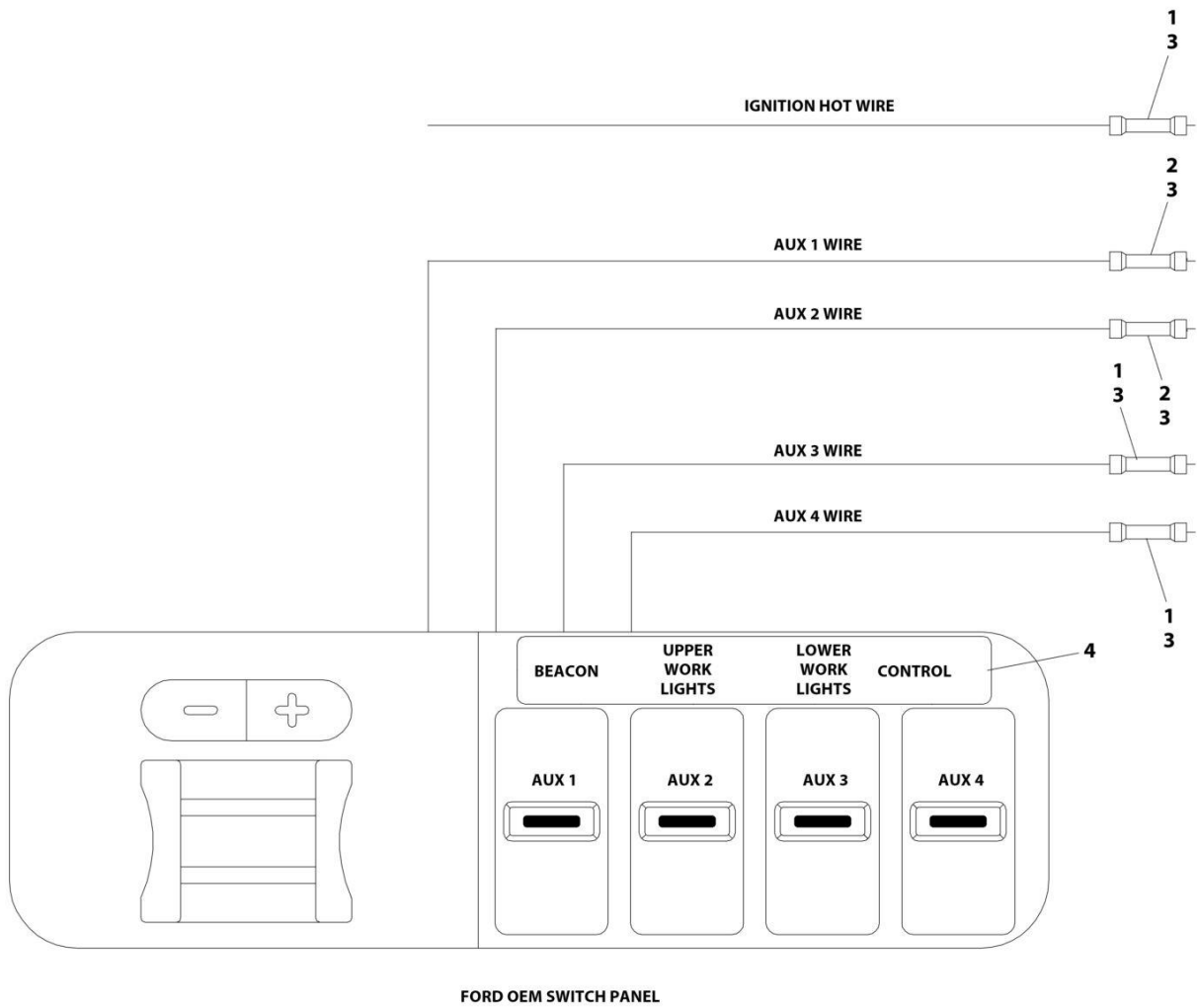
SECTION 7 - ELECTRICAL

FIGURE 7-72. SWITCH PANEL INSTALLATION - 4 FUNCTION (DODGE OEM) (SN 0230009708 through 02330015583, Except SN 0230010924 through 0230010930, Except SN 0230011121 through 0230011129, Except SN 0230011301 through 0230011319, Except SN 0230011491 through 0230011510, Excluding 0230010532, 0230011032 and 0230011078)

ITEM	PART NUMBER	QTY	DESCRIPTION	REV
	1001267964	Ref	SWITCH PANEL INSTALLATION - 4 FUNCTION (DODGE 2011)	A
1	7345001914	3	Terminal	
2	7345001714	3	Terminal	
3	4346000005	14	Heat Shrink Tubing	
4	1001221375	1	Decal	

SECTION 7 - ELECTRICAL

FIGURE 7-73. SWITCH PANEL INSTALLATION - 4 FUNCTION (FORD F450/F550 2011-2016 OEM) (SN 0230004217 through 0230009709)



ART_1001135519

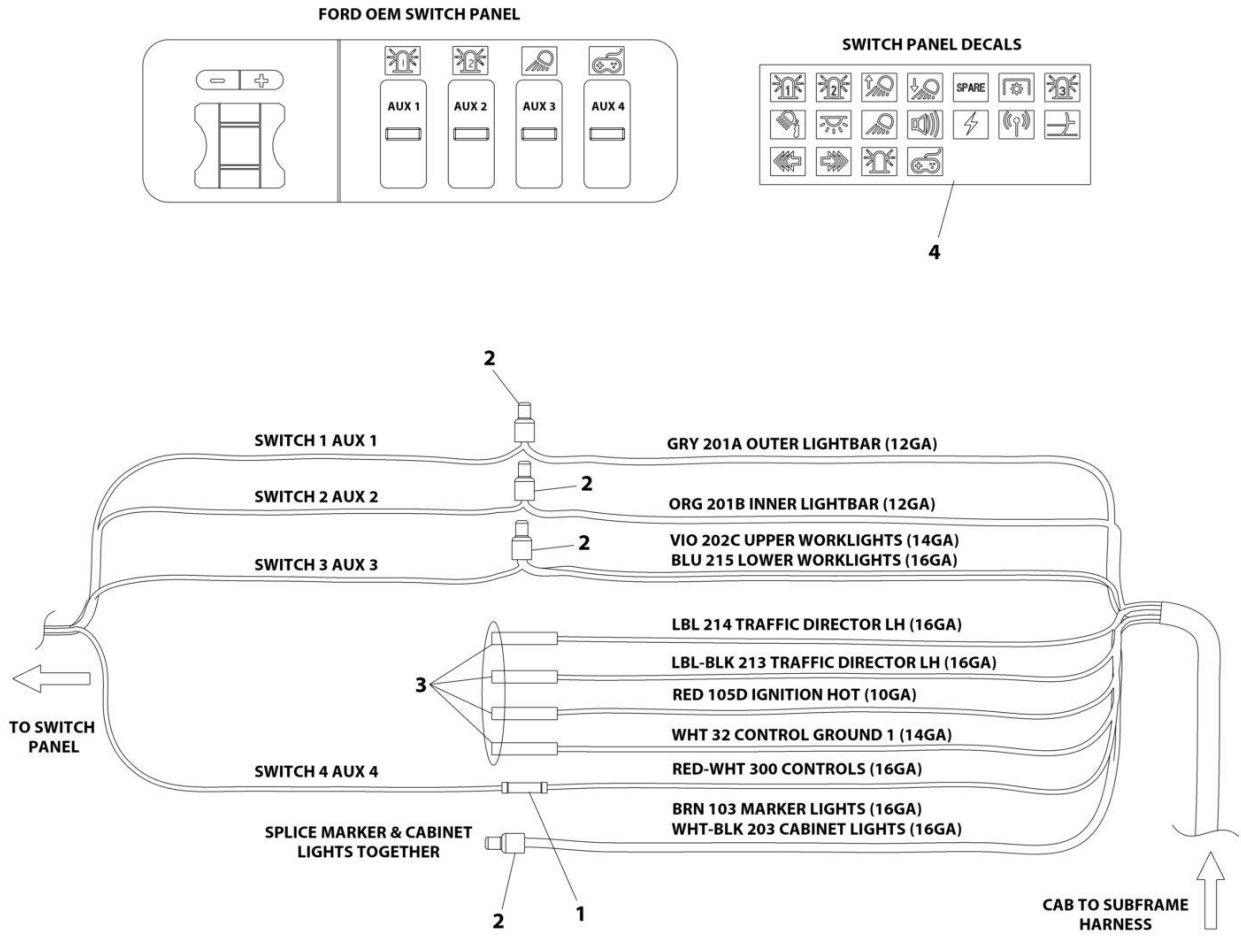
SECTION 7 - ELECTRICAL

FIGURE 7-73. SWITCH PANEL INSTALLATION - 4 FUNCTION (FORD F450/F550 2011-2016 OEM) (SN 0230004217 through 0230009709)

ITEM	PART NUMBER	QTY	DESCRIPTION	REV
	1001135519	Ref	SWITCH PANEL INSTALLATION - 4 FUNCTION (FORD F450/F550 2011-2016 OEM)	B
1	7345001713	3	Connector	
2	7346000242	2	Connector	
3	4346000005	4	Heat Shrink Tubing	
4	7330000630	1	Decal	

SECTION 7 - ELECTRICAL

FIGURE 7-74. SWITCH PANEL INSTALLATION - 4 FUNCTION (FORD F450/F550 2011-2016 OEM) (SN 0230009708 through 02330015583, Except SN 0230010924 through 0230010930, Except SN 0230011121 through 0230011129, Except SN 0230011301 through 0230011319, Except SN 0230011491 through 0230011510, Excluding 0230010532, 0230011032 and 0230011078)



ART_1001265657

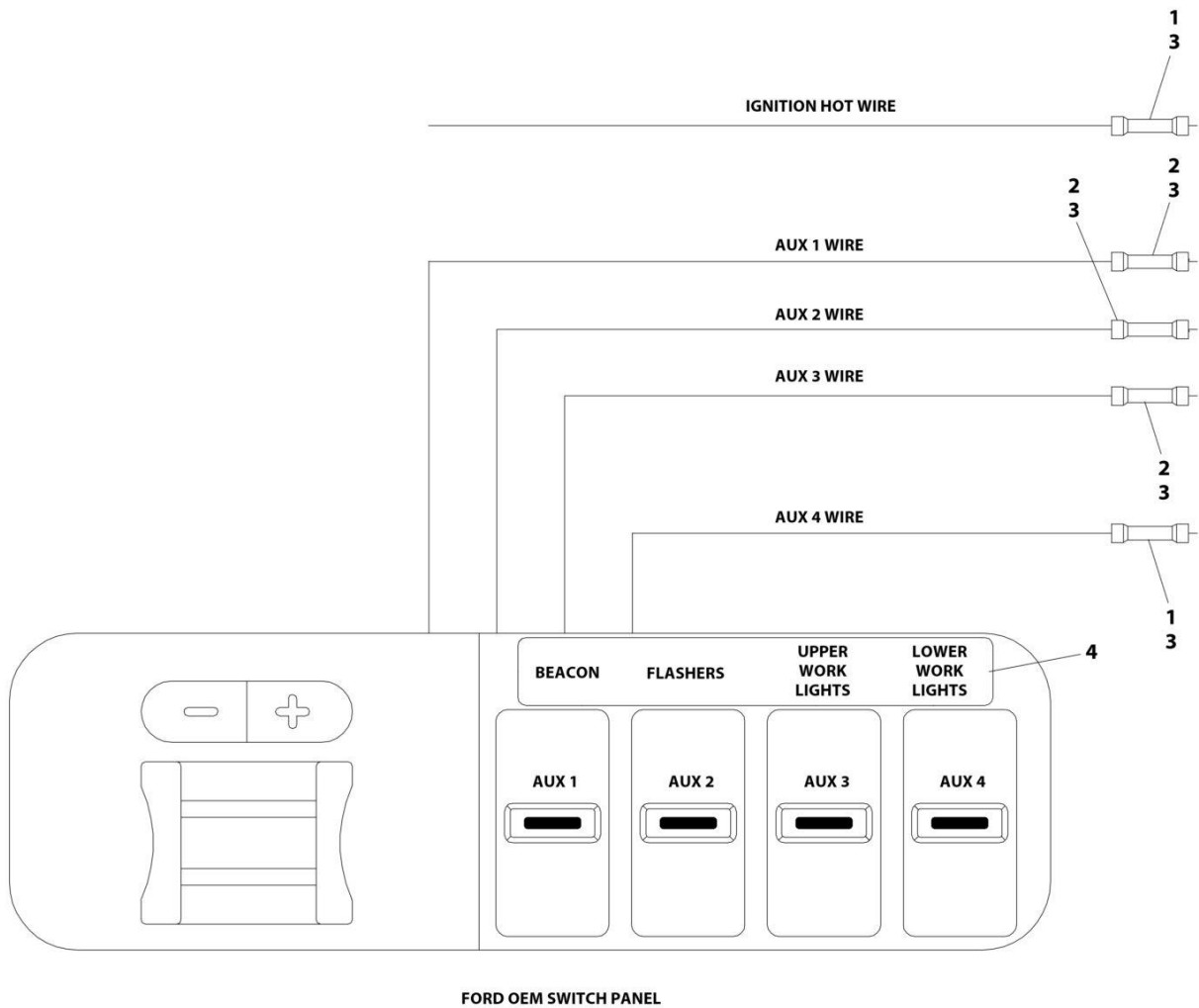
SECTION 7 - ELECTRICAL

FIGURE 7-74. SWITCH PANEL INSTALLATION - 4 FUNCTION (FORD F450/F550 2011-2016 OEM) (SN 0230009708 through 02330015583, Except SN 0230010924 through 0230010930, Except SN 0230011121 through 0230011129, Except SN 0230011301 through 0230011319, Except SN 0230011491 through 0230011510, Excluding 0230010532, 0230011032 and 0230011078)

ITEM	PART NUMBER	QTY	DESCRIPTION	REV
	1001265657	Ref	SWITCH PANEL INSTALLATION - 4 FUNCTION (FORD 2011-2016)	A
1	4460035	1	Connector	
2	7346000242	4	Connector	
3	4346000005	4	Heat Shrink Tubing	
4	1001221375	1	Decal	

SECTION 7 - ELECTRICAL

FIGURE 7-75. SWITCH PANEL INSTALLATION - 4 FUNCTION (FORD 2011-2016 AAA OEM) (SN 0230004217 through 0230009709)



ART_1001129474

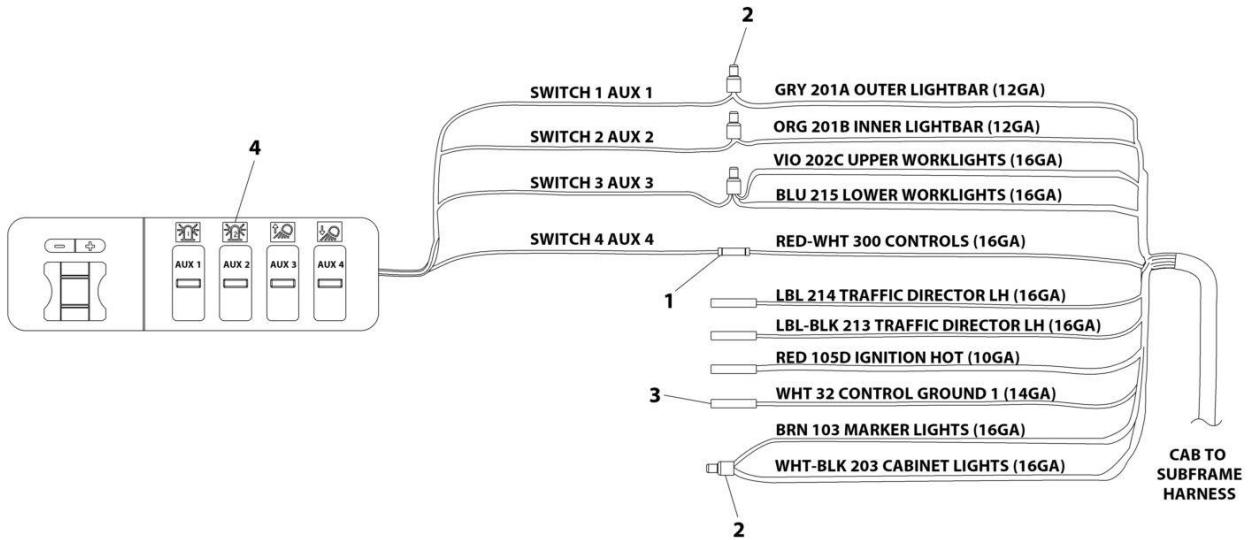
SECTION 7 - ELECTRICAL

FIGURE 7-75. SWITCH PANEL INSTALLATION - 4 FUNCTION (FORD 2011-2016 AAA OEM) (SN 0230004217 through 0230009709)

ITEM	PART NUMBER	QTY	DESCRIPTION	REV
	1001129474	Ref	SWITCH PANEL INSTALLATION - 4 FUNCTION (FORD 2011-2016 AAA OEM)	B
1	7345001714	2	Connector	
2	7345001914	3	Connector	
3	7346000039	1	Heat Shrink Tubing	
4	1001129461	1	Decal	

SECTION 7 - ELECTRICAL

FIGURE 7-76. SWITCH PANEL INSTALLATION - 4 FUNCTION (FORD 2011-2016 AAA OEM) (SN 0230009708 through 02330015583, Except SN 0230010924 through 0230010930, Except SN 0230011121 through 0230011129, Except SN 0230011301 through 0230011319, Except SN 0230011491 through 0230011510, Excluding 0230010532, 0230011032 and 0230011078)



ART_1001267677

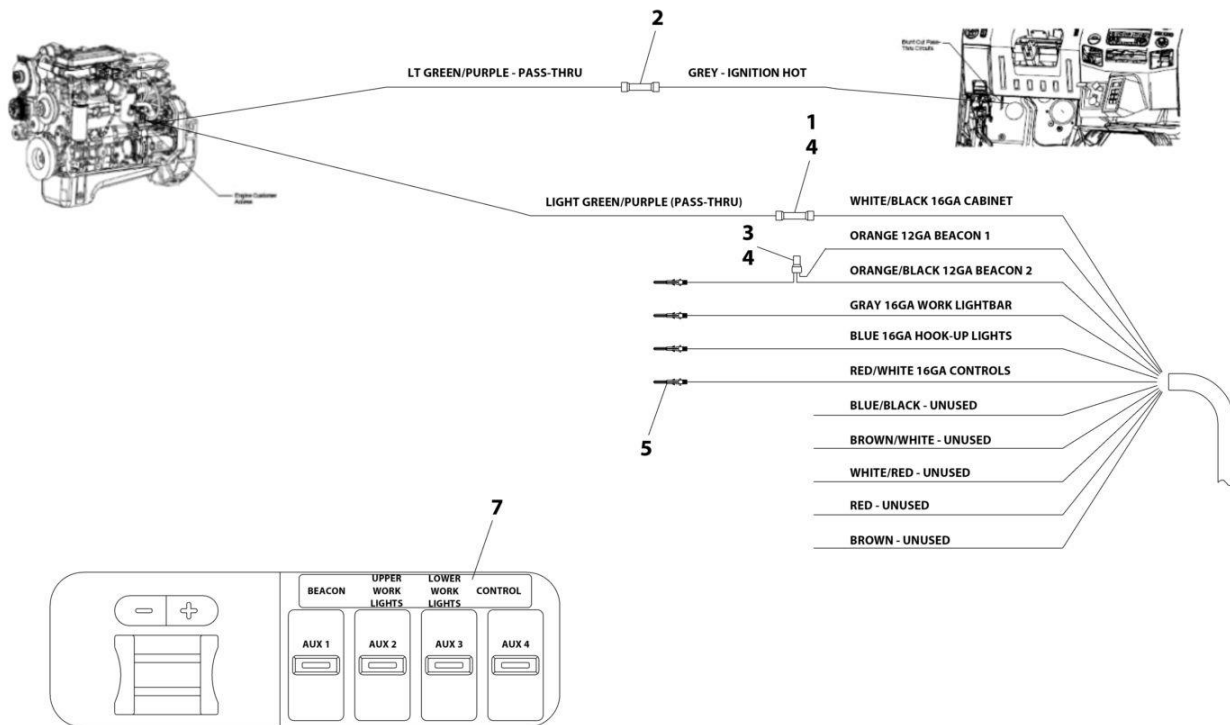
SECTION 7 - ELECTRICAL

FIGURE 7-76. SWITCH PANEL INSTALLATION - 4 FUNCTION (FORD 2011-2016 AAA OEM) (SN 0230009708 through 02330015583, Except SN 0230010924 through 0230010930, Except SN 0230011121 through 0230011129, Except SN 0230011301 through 0230011319, Except SN 0230011491 through 0230011510, Excluding 0230010532, 0230011032 and 0230011078)

ITEM	PART NUMBER	QTY	DESCRIPTION	REV
	1001267677	Ref	SWITCH PANEL INSTALLATION - 4 FUNCTION (FORD 2011-2016 AAA OEM)	A
1	4460035	1	Terminal	
2	7346000242	4	Connector	
3	4346000005	4	Heat Shrink	
4	1001221375	1	Decal	

SECTION 7 - ELECTRICAL

FIGURE 7-77. SWITCH PANEL INSTALLATION - 4 FUNCTION (FORD F650/F750 2011+OEM) (SN 0230004217 through 0230009709)



ART_1001135521

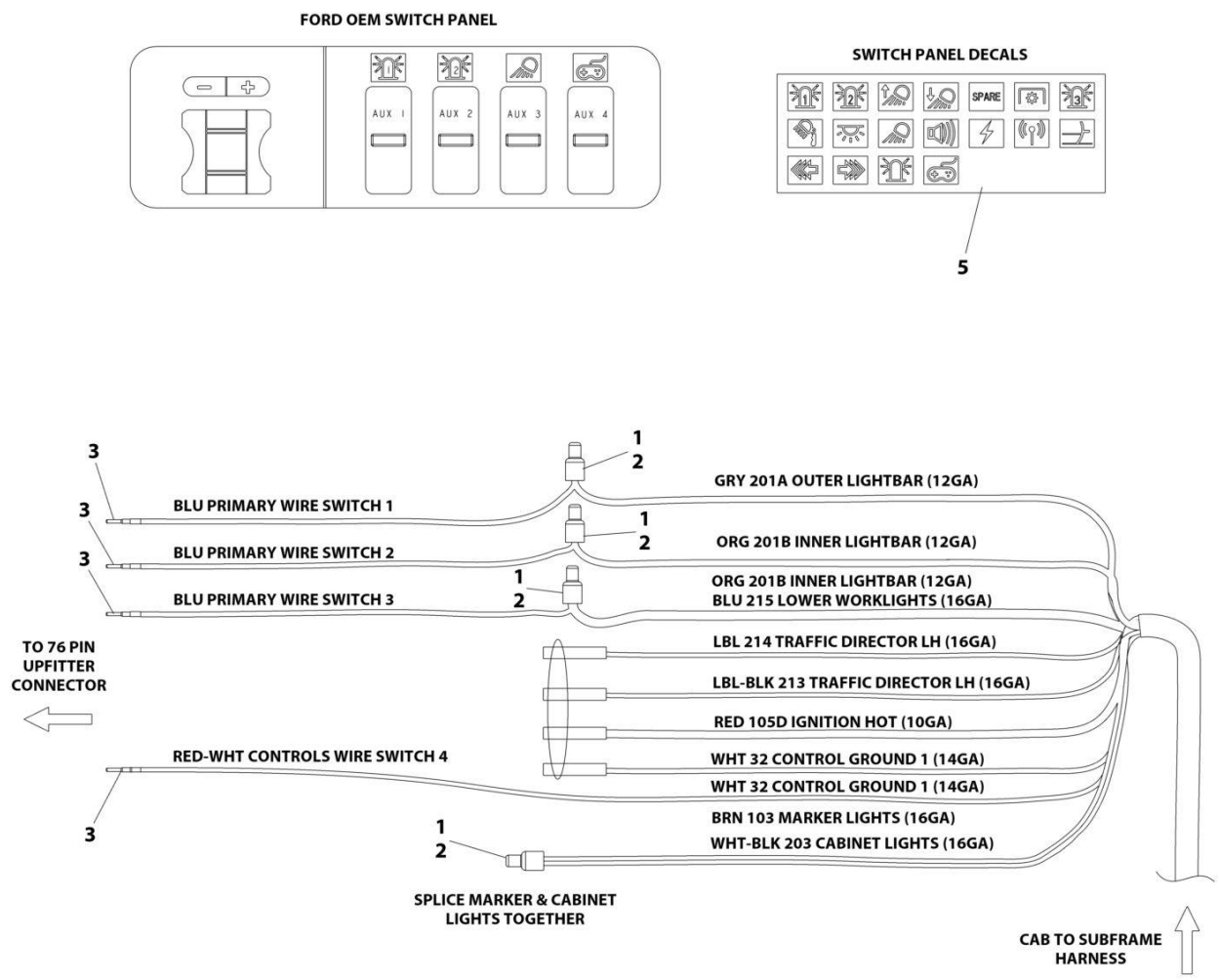
SECTION 7 - ELECTRICAL

FIGURE 7-77. SWITCH PANEL INSTALLATION - 4 FUNCTION (FORD F650/F750 2011+OEM) (SN 0230004217 through 0230009709)

ITEM	PART NUMBER	QTY	DESCRIPTION	REV
	1001135521	Ref	SWITCH PANEL INSTALLATION - 4 FUNCTION (FORD F650/F750 2011+OEM)	B
1	7345001714	1	Terminal	
2	7345001713	1	Connector	
3	7346000242	1	Connector	
4	4346000005	7	Heat Shrink Tubing	
5	1001129095	4	Terminal	
7	7330000630	1	Decal	

SECTION 7 - ELECTRICAL

FIGURE 7-78. SWITCH PANEL INSTALLATION - 4 FUNCTION (FORD F650/F750 2011+OEM) (SN 0230009708 through 02330015583, Except SN 0230010924 through 0230010930, Except SN 0230011121 through 0230011129, Except SN 0230011301 through 0230011319, Except SN 0230011491 through 0230011510, Excluding 0230010532, 0230011032 and 0230011078)



ART_1001265877

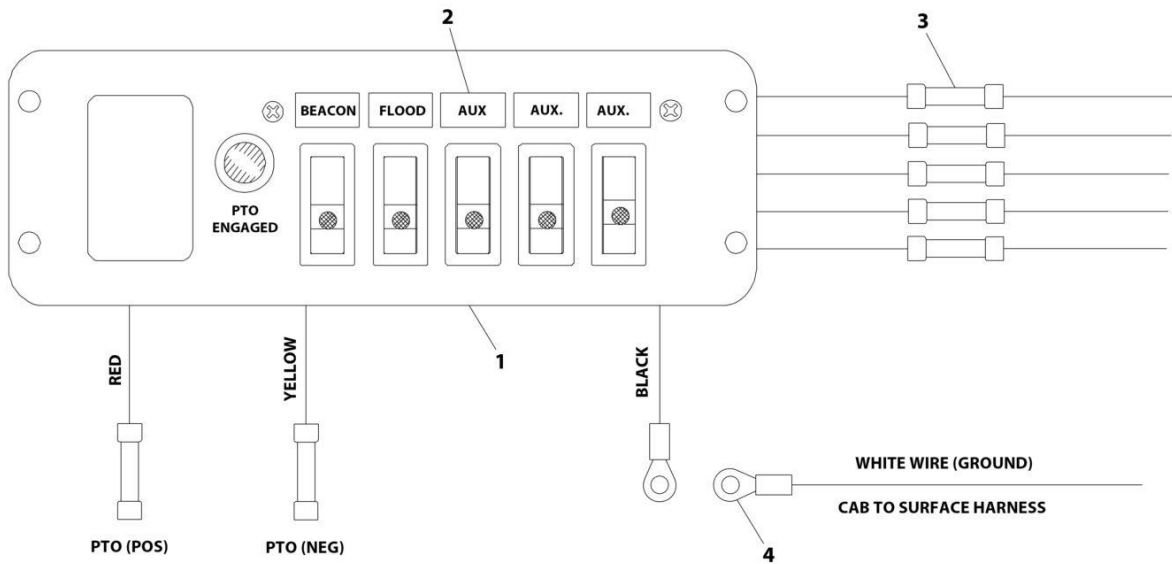
SECTION 7 - ELECTRICAL

FIGURE 7-78. SWITCH PANEL INSTALLATION - 4 FUNCTION (FORD F650/F750 2011+OEM) (SN 0230009708 through 02330015583, Except SN 0230010924 through 0230010930, Except SN 0230011121 through 0230011129, Except SN 0230011301 through 0230011319, Except SN 0230011491 through 0230011510, Excluding 0230010532, 0230011032 and 0230011078)

ITEM	PART NUMBER	QTY	DESCRIPTION	REV
	1001265877	Ref	SWITCH PANEL INSTALLATION - 4 FUNCTION (FORD F650/750 OEM)	A
1	7346000242	4	Connector	
2	4346000005	8	Heat Shrink Tubing	
3	1001129095	4	Terminal	
5	1001221375	1	Decal	

SECTION 7 - ELECTRICAL

FIGURE 7-79. SWITCH PANEL INSTALLATION - 5 FUNCTION (IN DASH COMPACT) (SN 0230004217 through 0230009709)



ART_1001135701

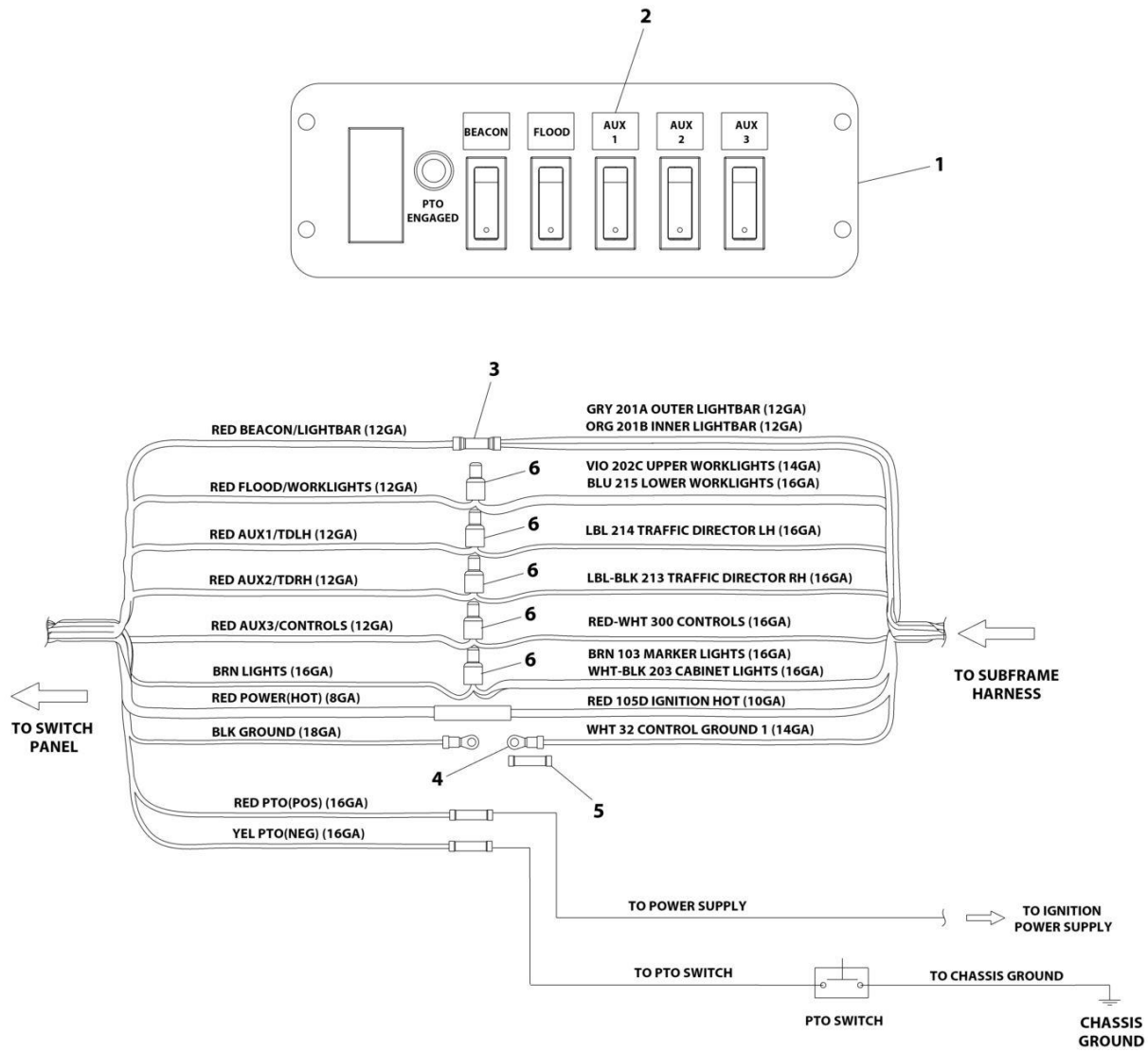
SECTION 7 - ELECTRICAL

FIGURE 7-79. SWITCH PANEL INSTALLATION - 5 FUNCTION (IN DASH COMPACT) (SN 0230004217 through 0230009709)

ITEM	PART NUMBER	QTY	DESCRIPTION	REV
	1001135701	Ref	5 FUNCTION IN-DASH COMPACT SWITCH PANEL ASSEMBLY	B
1	7870000106	1	Switch Panel	
2	7330000288	1	Decal	
3	7345001913	6	Connector	
4	7345211701	1	Terminal	
4	7345001713	1	Connector	

SECTION 7 - ELECTRICAL

FIGURE 7-80. SWITCH PANEL INSTALLATION - 5 FUNCTION (IN DASH COMPACT) (SN 0230009708 through 02330015583, Except SN 0230010924 through 0230010930, Except SN 0230011121 through 0230011129, Except SN 0230011301 through 0230011319, Except SN 0230011491 through 0230011510, Excluding 0230010532, 0230011032 and 0230011078)



ART_1001266357

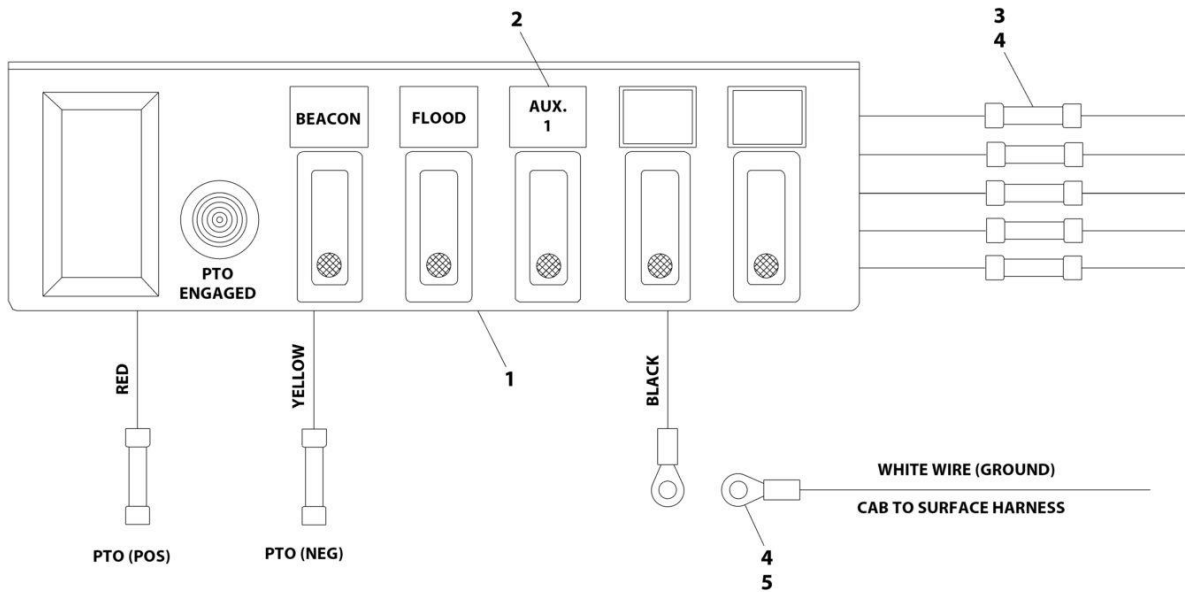
SECTION 7 - ELECTRICAL

FIGURE 7-80. SWITCH PANEL INSTALLATION - 5 FUNCTION (IN DASH COMPACT) (SN 0230009708 through 02330015583, Except SN 0230010924 through 0230010930, Except SN 0230011121 through 0230011129, Except SN 0230011301 through 0230011319, Except SN 0230011491 through 0230011510, Excluding 0230010532, 0230011032 and 0230011078)

ITEM	PART NUMBER	QTY	DESCRIPTION	REV
	1001266357	Ref	5 FUNCTION IN-DASH COMPACT SWITCH PANEL ASSEMBLY	A
1	7870000106	1	Switch Panel	
2	7330000288	1	Decal	
3	4460018	1	Terminal	
4	4460042	1	Terminal	
5	4460035	1	Terminal	
6	7346000242	5	Connector	

SECTION 7 - ELECTRICAL

FIGURE 7-81. SWITCH PANEL INSTALLATION - 5 FUNCTION (UNDER DASH COMPACT) (SN 0230004217 through 0230009709)



ART_1001135757

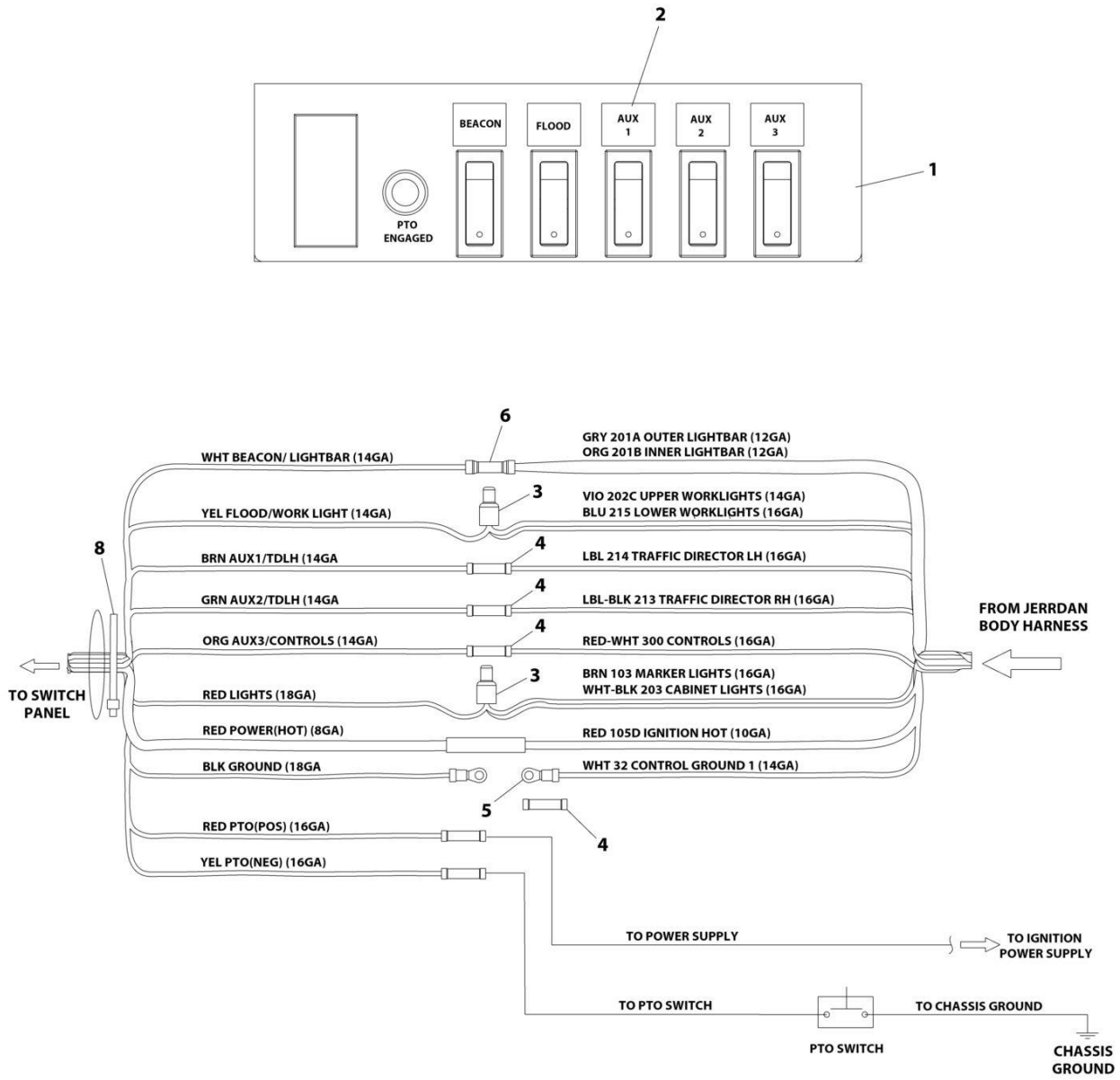
SECTION 7 - ELECTRICAL

FIGURE 7-81. SWITCH PANEL INSTALLATION - 5 FUNCTION (UNDER DASH COMPACT) (SN 0230004217 through 0230009709)

ITEM	PART NUMBER	QTY	DESCRIPTION	REV
	1001135757	1	5 FUNCTION UNDER-DASH SWITCH PANEL ASSEMBLY	A
1	7870000137	1	Switch Panel	
2	7330000288	1	Decal	
3	7346000242	2	Connector	
4	7345001713	5	Connector	
5	7345211701	1	Terminal	
6	8597650003	2	Wire (Not Shown)	
7	5526000553	6	Tie Strap (Not Shown)	

SECTION 7 - ELECTRICAL

FIGURE 7-82. SWITCH PANEL INSTALLATION - 5 FUNCTION (UNDER DASH COMPACT) (SN 0230009708 through 02330015583, Except SN 0230010924 through 0230010930, Except SN 0230011121 through 0230011129, Except SN 0230011301 through 0230011319, Except SN 0230011491 through 0230011510, Excluding 0230010532, 0230011032 and 0230011078)



ART_1001266359

SECTION 7 - ELECTRICAL

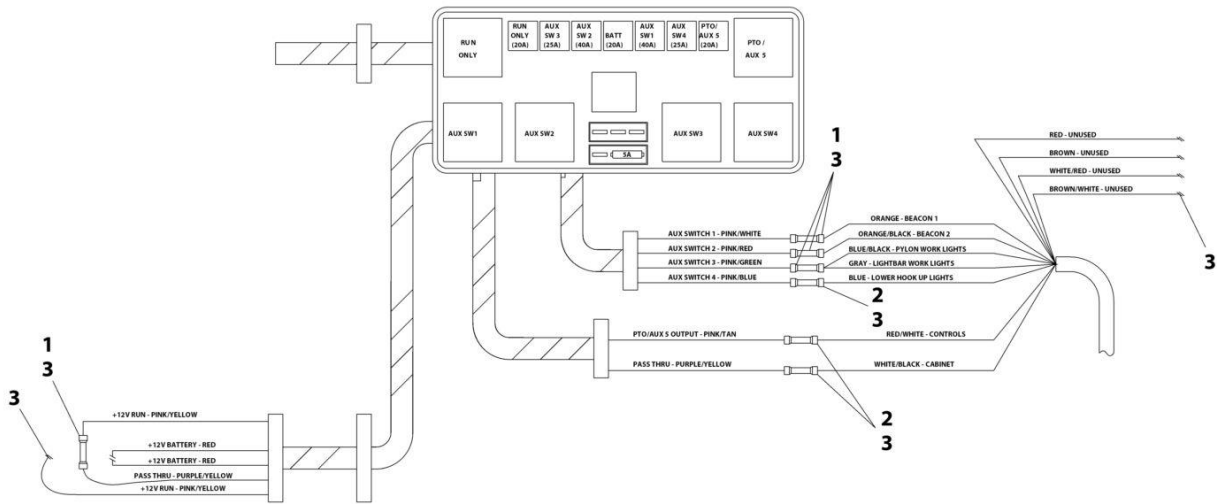
FIGURE 7-82. SWITCH PANEL INSTALLATION - 5 FUNCTION (UNDER DASH COMPACT) (SN 0230009708 through 02330015583, Except SN 0230010924 through 0230010930, Except SN 0230011121 through 0230011129, Except SN 0230011301 through 0230011319, Except SN 0230011491 through 0230011510, Excluding 0230010532, 0230011032 and 0230011078)

ITEM	PART NUMBER	QTY	DESCRIPTION	REV
	1001266359	Ref	5 FUNCTION UNDER-DASH SWITCH PANEL ASSEMBLY	A
1	7870000137	1	Switch Panel	
2	7330000288	1	Decal	
3	7346000242	2	Connector	
4	4460035	1	Terminal	
5	4460042	1	Terminal	
6	4460018	1	Terminal	
7	8597650003	2 ft	Wire (Not Shown)	
8	5526000553	6	Tie Strap	

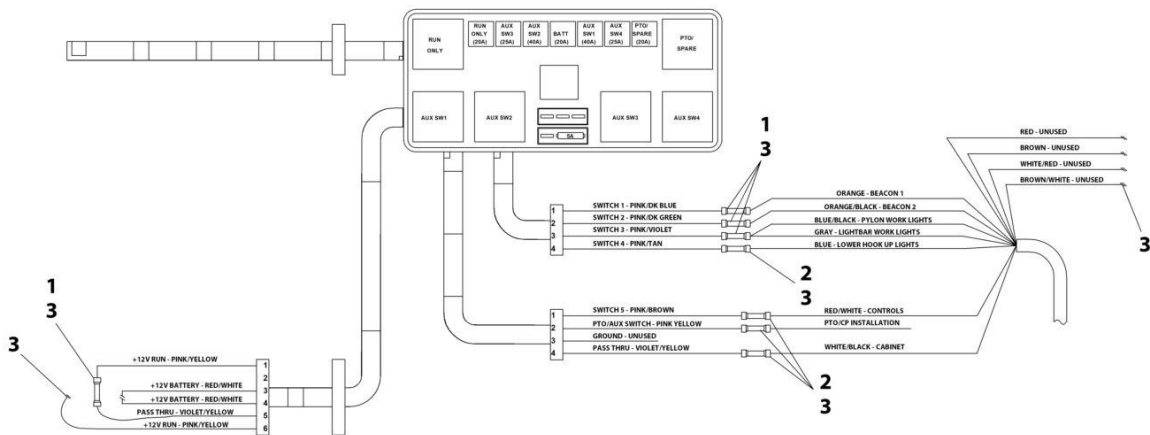
SECTION 7 - ELECTRICAL

FIGURE 7-83. SWITCH PANEL INSTALLATION - 5 FUNCTION (DODGE OEM) (SN 0230004217 through 0230009709)

MODEL YEARS 2013-2018



MODEL YEARS 2019+



ART_1001161481

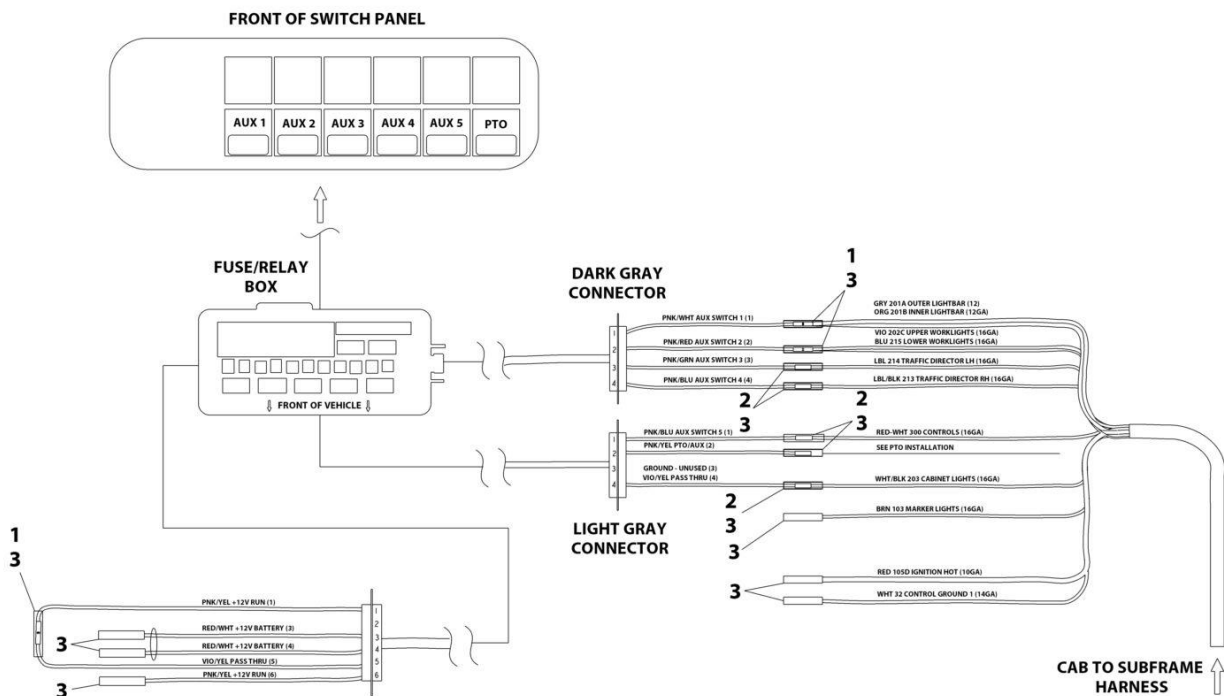
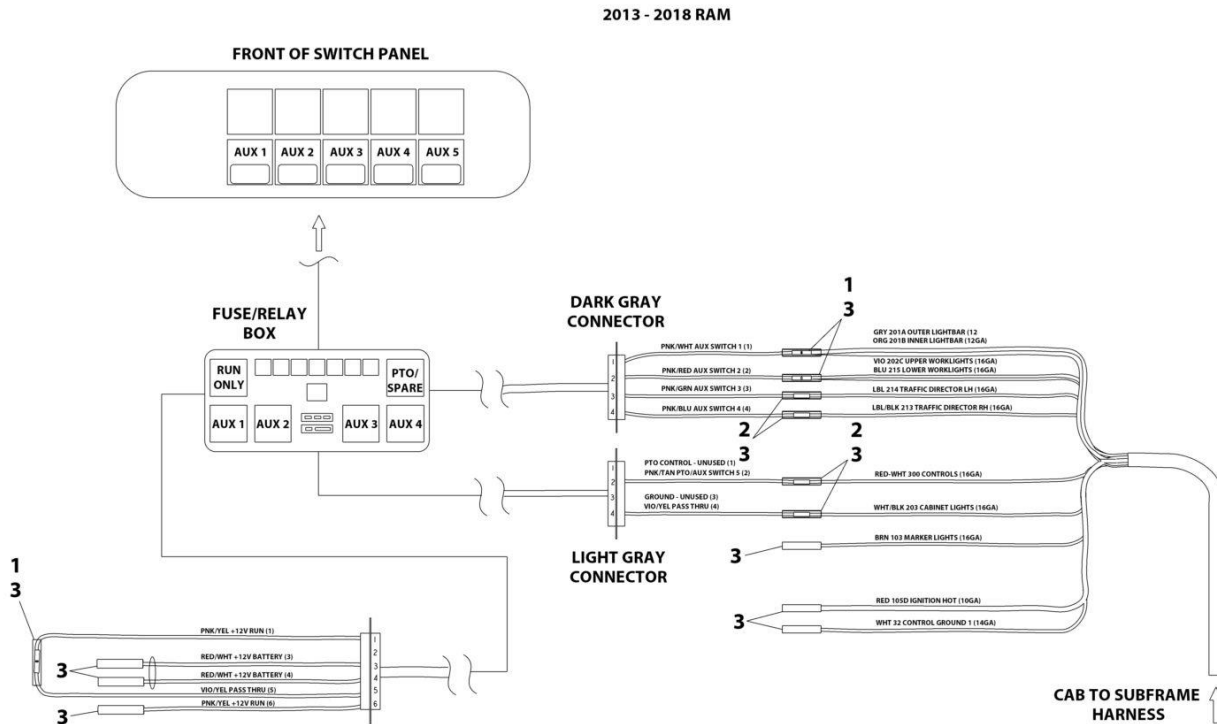
SECTION 7 - ELECTRICAL

FIGURE 7-83. SWITCH PANEL INSTALLATION - 5 FUNCTION (DODGE OEM) (SN 0230004217 through 0230009709)

ITEM	PART NUMBER	QTY	DESCRIPTION	REV
	1001161481	Ref	SWITCH PANEL INSTALLATION - 5 FUNCTION (DODGE OEM)	C
1	7345001914	4	Terminal	
2	7345001714	4	Terminal	
3	7346000039	AR	Tubing	

SECTION 7 - ELECTRICAL

FIGURE 7-84. SWITCH PANEL INSTALLATION - 5 FUNCTION (DODGE OEM) (SN 0230009708 through 02330015583, Except SN 0230010924 through 0230010930, Except SN 0230011121 through 0230011129, Except SN 0230011301 through 0230011319, Except SN 0230011491 through 0230011510, Excluding 0230010532, 0230011032 and 0230011078)



ART_1001267711

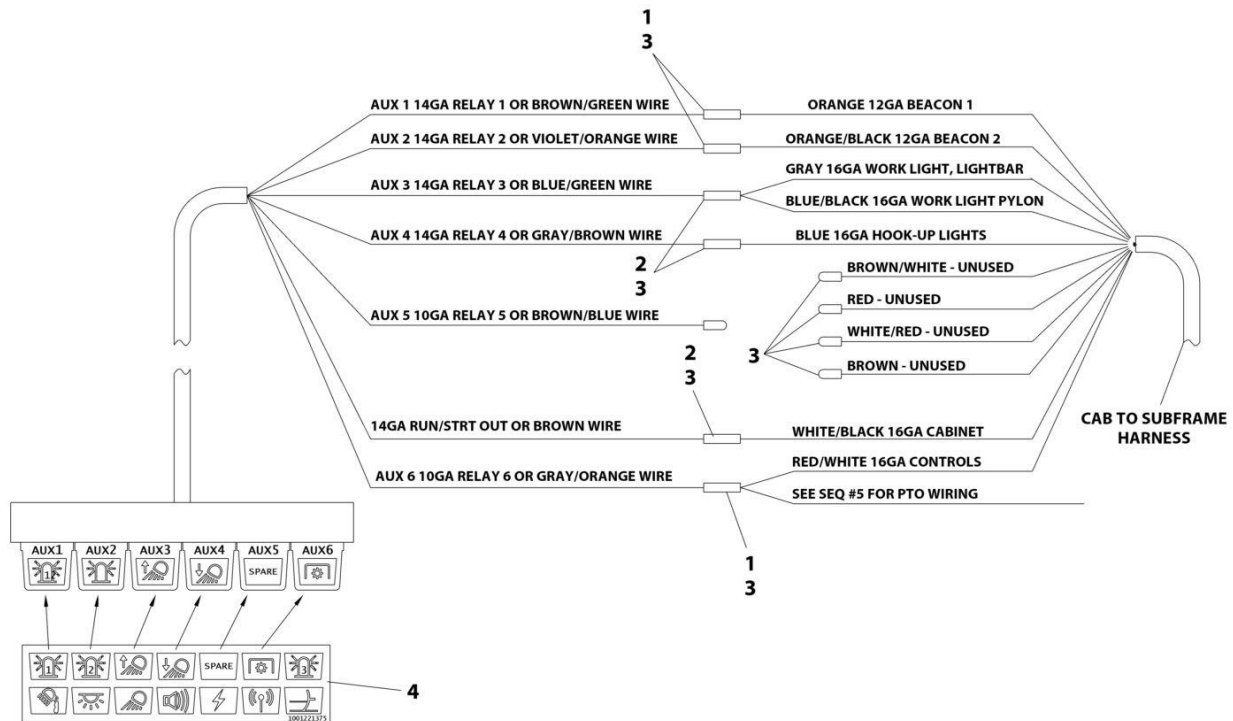
SECTION 7 - ELECTRICAL

FIGURE 7-84. SWITCH PANEL INSTALLATION - 5 FUNCTION (DODGE OEM) (SN 0230009708 through 02330015583, Except SN 0230010924 through 0230010930, Except SN 0230011121 through 0230011129, Except SN 0230011301 through 0230011319, Except SN 0230011491 through 0230011510, Excluding 0230010532, 0230011032 and 0230011078)

ITEM	PART NUMBER	QTY	DESCRIPTION	REV
	1001267711	Ref	SWITCH PANEL INSTALLATION - 5 FUNCTION (DODGE 2013)	A
1	7345001914	3	Terminal	
2	7345001714	5	Terminal	
3	4346000005	14	Tubing	

SECTION 7 - ELECTRICAL

FIGURE 7-85. SWITCH PANEL INSTALLATION - 6 FUNCTION (FORD F450/F550 2017+ OEM) (SN 0230004217 through 0230009709)



ART_1001221395

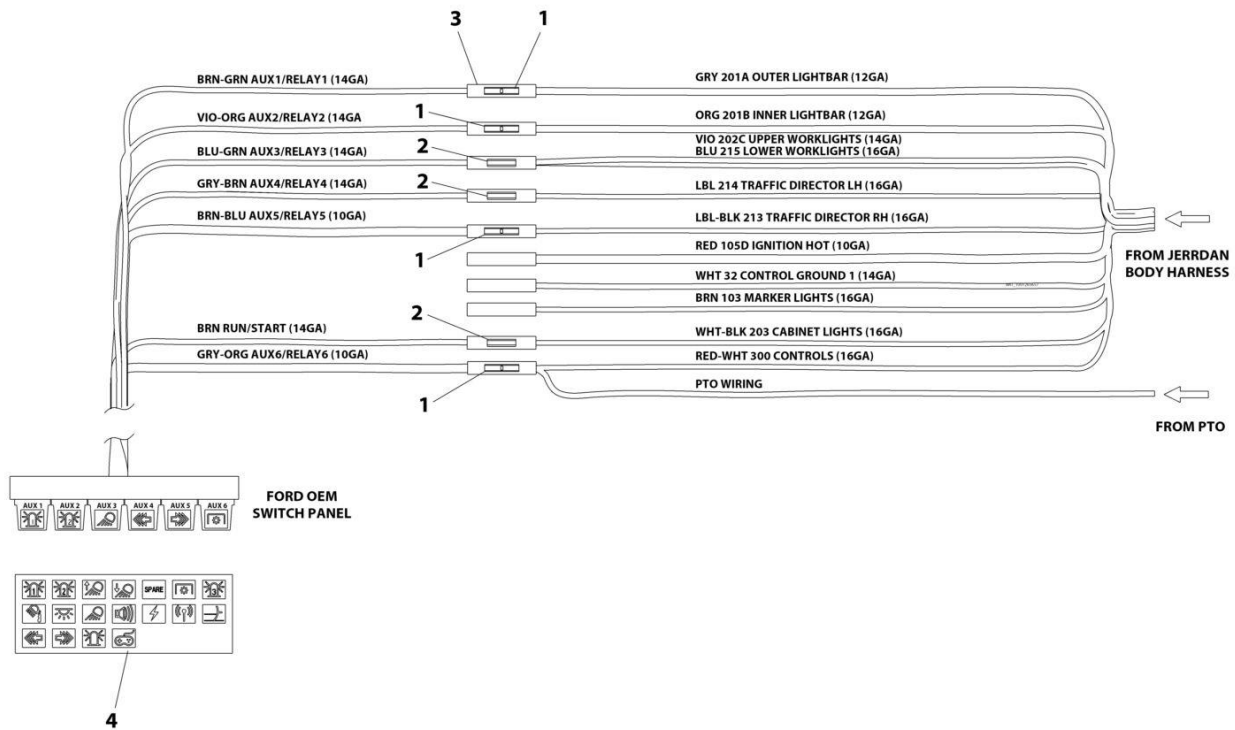
SECTION 7 - ELECTRICAL

FIGURE 7-85. SWITCH PANEL INSTALLATION - 6 FUNCTION (FORD F450/F550 2017+ OEM) (SN 0230004217 through 0230009709)

ITEM	PART NUMBER	QTY	DESCRIPTION	REV
	1001221395	Ref	SWITCH PANEL INSTALLATION - 6 FUNCTION (FORD F450/F550 2017+ OEM)	D
1	7345001914	3	Terminal	
2	7345001714	3	Terminal	
3	7346000039	AR	Tubing	
4	1001221375	1	Decal	
5	1001225217	1	Electrical Assembly - Ford PTO (Not Shown) (See Separate Breakdown in this Section)	

SECTION 7 - ELECTRICAL

FIGURE 7-86. SWITCH PANEL INSTALLATION - 6 FUNCTION (FORD F450/F550 2017+ OEM) (SN 0230009708 through 02330015583, Except SN 0230010924 through 0230010930, Except SN 0230011121 through 0230011129, Except SN 0230011301 through 0230011319, Except SN 0230011491 through 0230011510, Excluding 0230010532, 0230011032 and 0230011078)



ART_1001266884

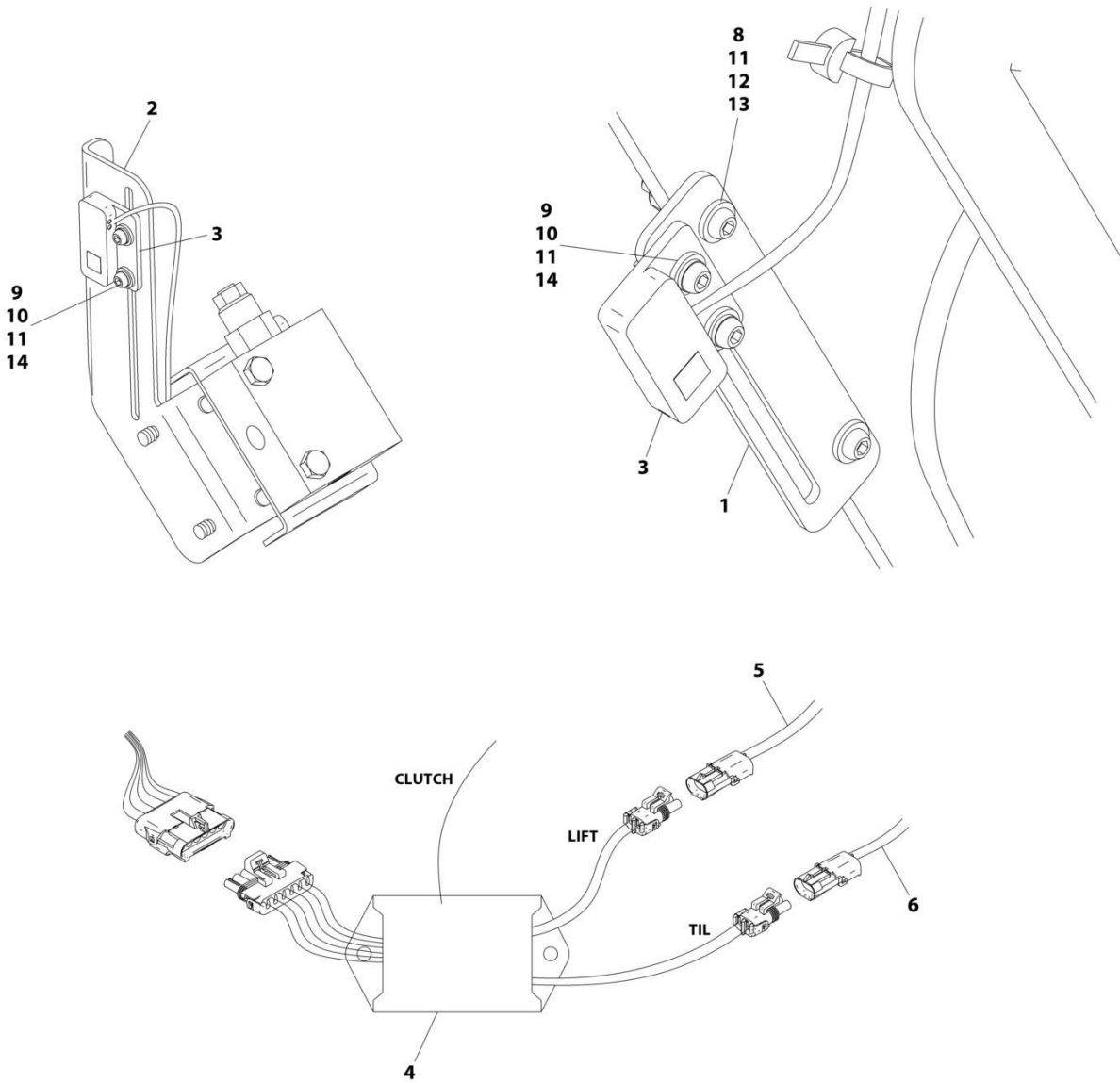
SECTION 7 - ELECTRICAL

FIGURE 7-86. SWITCH PANEL INSTALLATION - 6 FUNCTION (FORD F450/F550 2017+ OEM) (SN 0230009708 through 02330015583, Except SN 0230010924 through 0230010930, Except SN 0230011121 through 0230011129, Except SN 0230011301 through 0230011319, Except SN 0230011491 through 0230011510, Excluding 0230010532, 0230011032 and 0230011078)

ITEM	PART NUMBER	QTY	DESCRIPTION	REV
	1001266884	Ref	SWITCH PANEL INSTALLATION - 6 FUNCTION (FORD 2017)	A
1	7345001914	4	Terminal	
2	7345001714	3	Terminal	
3	4346000005	10	Tubing	
4	1001221375	1	Decal	
5	1001225217	1	Electrical Assembly - Ford PTO (Not Shown) (See Separate Breakdown in this Section)	

SECTION 7 - ELECTRICAL

FIGURE 7-87. UNDERLIFT ELECTRICAL CONTROLS INSTALLATION



SECTION 7 - ELECTRICAL

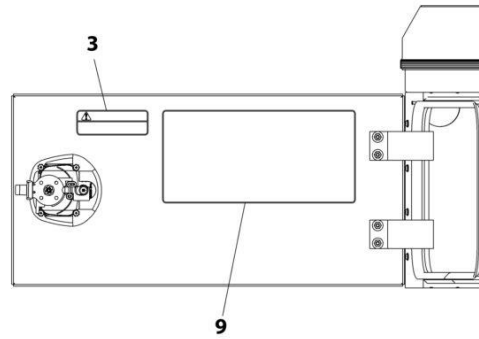
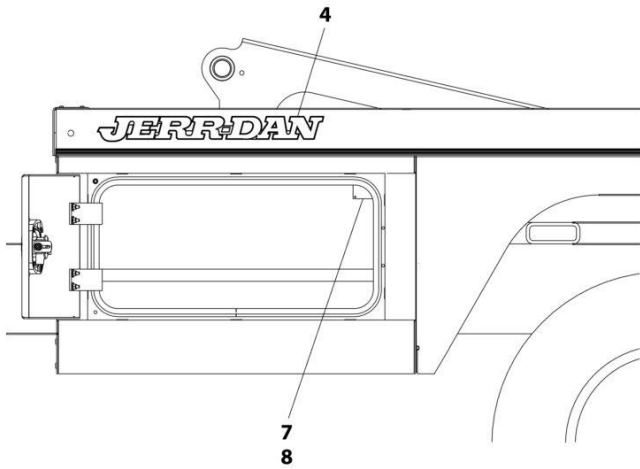
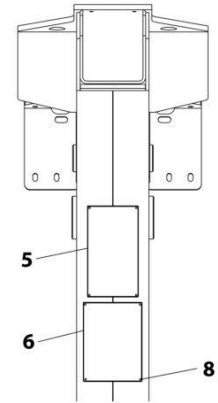
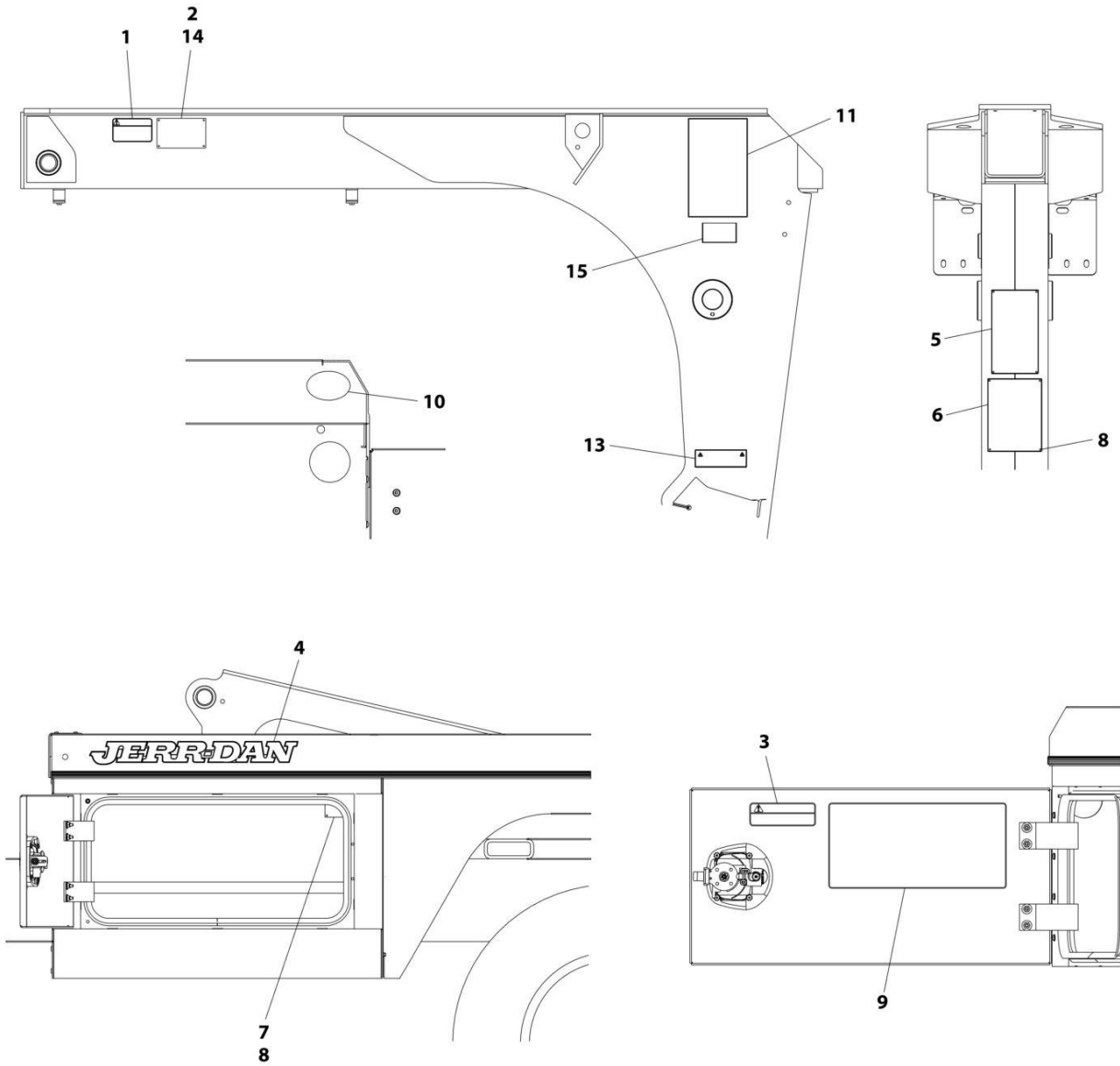
FIGURE 7-87. UNDERLIFT ELECTRICAL CONTROLS INSTALLATION

ITEM	PART NUMBER	QTY	DESCRIPTION	REV
	2509170076	Ref	UNDERLIFT ELECTRICAL CONTROLS INSTALLATION	D
1	4178000709	1	Bracket	
2	4178000707	1	Bracket	
3	7870000126	2	Switch	
4	7346000261	1	Electrical Relay	
5	7552000367	1	Harness	
6	7552000368	1	Harness	
7	7114100618	2	Capscrew #10 x 3/4	
8	7114100818	2	Capscrew #10 x 1	
9	7114100518	4	Bolt #10 x 5/8	
10	7950100003	4	Washer 3/16	
11	7950100103	8	Washer #10	
12	7950100163	8	Washer #10	
13	7661000056	2	Nut	
14	7660102604	4	Nut #10	
15	7894000042	4	Tie-Strap (Not Shown)	
16	5526000553	10	Tie-Strap (Not Shown)	

SECTION 8 - DECAL

SECTION 8 - DECAL

FIGURE 8-1. DECAL INSTALLATION



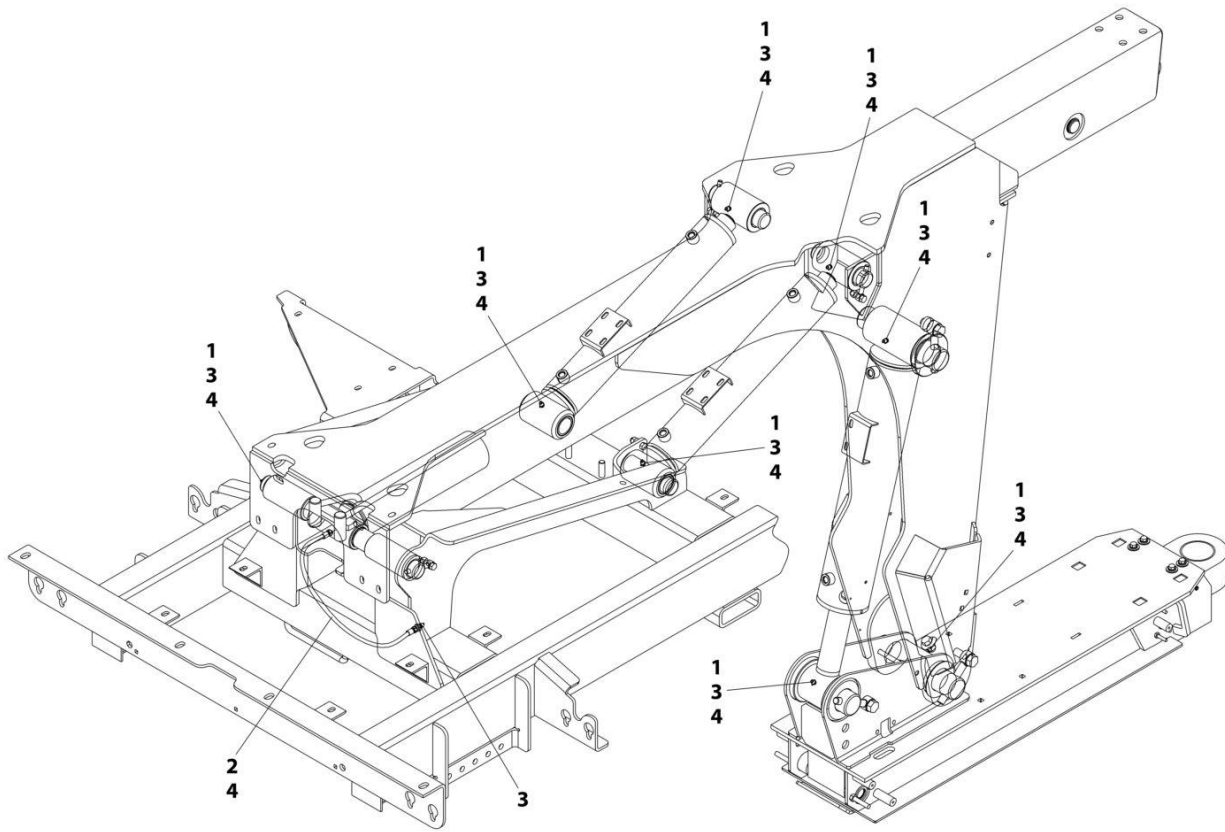
ART_2509290058

FIGURE 8-1. DECAL INSTALLATION

ITEM	PART NUMBER	QTY	DESCRIPTION	REV
	2509290058	Ref	DECAL INSTALLATION	D
1	7330000546	1	Decal, Winch Cable Warning	
2	1001132346	1	Decal, Patent Placard	
3	7330000034	1	Decal, Caution	
4	7330000433	2	Decal, "JERR-DAN"	
5	See Note	NSS	Nameplate - Manufacturers SN (Note: Not Available for Purchase)	
6	7330000307	1	Decal, STAR Placard	
7	1001127220	1	Decal, ID Tag	
8	7759000004	12	Pop Rivet	
9	1001207921	1	Decal, Lubrication	
10	7330000143	1	Decal, Made in the USA	
11	7330000138	1	Decal, Checklist	
12	7330000139	1	Decal, Checklist	
13	7330000122	2	Decal, Warning	
14	4892000007	2	Tape	
15	1001231801	2	Decal, Warning	

SECTION 8 - DECAL

FIGURE 8-2. LUBRICATION DECALS AND CAPS INSTALLATION



ART_1001209026

FIGURE 8-2. LUBRICATION DECALS AND CAPS INSTALLATION

ITEM	PART NUMBER	QTY	DESCRIPTION	REV
	1001209026	Ref	LUBRICATION DECALS AND CAPS INSTALLATION	A
1	88671008	8	Grease Fitting	
2	1001205239	1	Hose Assembly	
3	7253000002	9	Fitting, Cap	
4	3020029	AR	Lube Grease	
5	1001209218	1	Decal (Not Shown)	
6	1001207921	1	Decal (Not Shown)	

SECTION 9 - ACCESSORIES

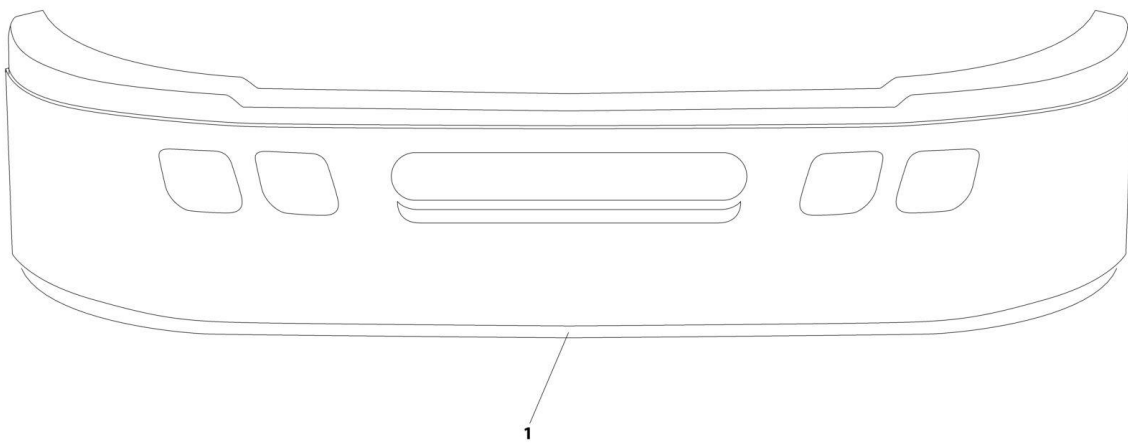
SECTION 9 - ACCESSORIES

FIGURE 9-1. KITS LIST

ITEM	PART NUMBER	QTY	DESCRIPTION	REV
	1001241869	Ref	KITS LIST	
		Ref	Note: Contact JERR-DAN Parts Department for exact contents of kit:	
	1001290326	Ref	Cylinder Boot Kit (for Underlift Tilt Cylinder)	

SECTION 9 - ACCESSORIES

FIGURE 9-2. BUMPER INSTALLATION - PUSH (FRONT) (NO GRILLE GUARD) (CV515 4X2)



ART_1001256227

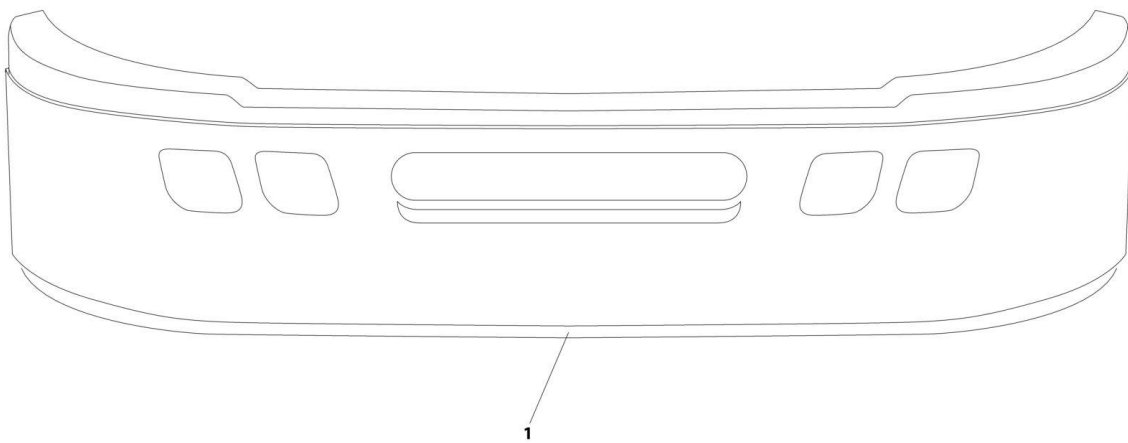
SECTION 9 - ACCESSORIES

FIGURE 9-2. BUMPER INSTALLATION - PUSH (FRONT) (NO GRILLE GUARD) (CV515 4X2)

ITEM	PART NUMBER	QTY	DESCRIPTION	REV
	1001256227	Ref	BUMPER INSTALLATION - PUSH (FRONT) (NO GRILLE GUARD) (CV515 4X2)	A
1	1001256220	1	Bumper	

SECTION 9 - ACCESSORIES

FIGURE 9-3. BUMPER INSTALLATION - PUSH (FRONT) (NO GRILLE GUARD) (CV515 4X4)



ART_1001256228

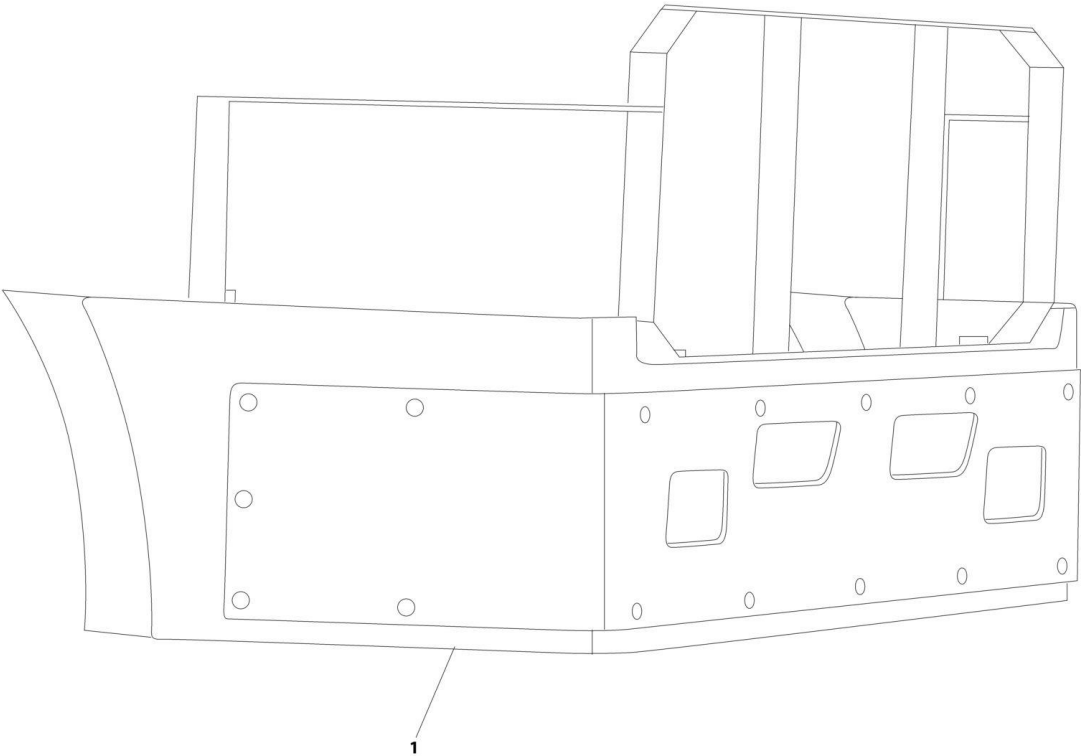
SECTION 9 - ACCESSORIES

FIGURE 9-3. BUMPER INSTALLATION - PUSH (FRONT) (NO GRILLE GUARD) (CV515 4X4)

ITEM	PART NUMBER	QTY	DESCRIPTION	REV
	1001256228	Ref	BUMPER INSTALLATION - PUSH (FRONT) (NO GRILLE GUARD) (CV515 4X4)	A
1	1001256221	1	Bumper	

SECTION 9 - ACCESSORIES

FIGURE 9-4. BUMPER INSTALLATION - PUSH (FRONT) (WITH GRILLE GUARD (DODGE 2011+))



ART_1001154361

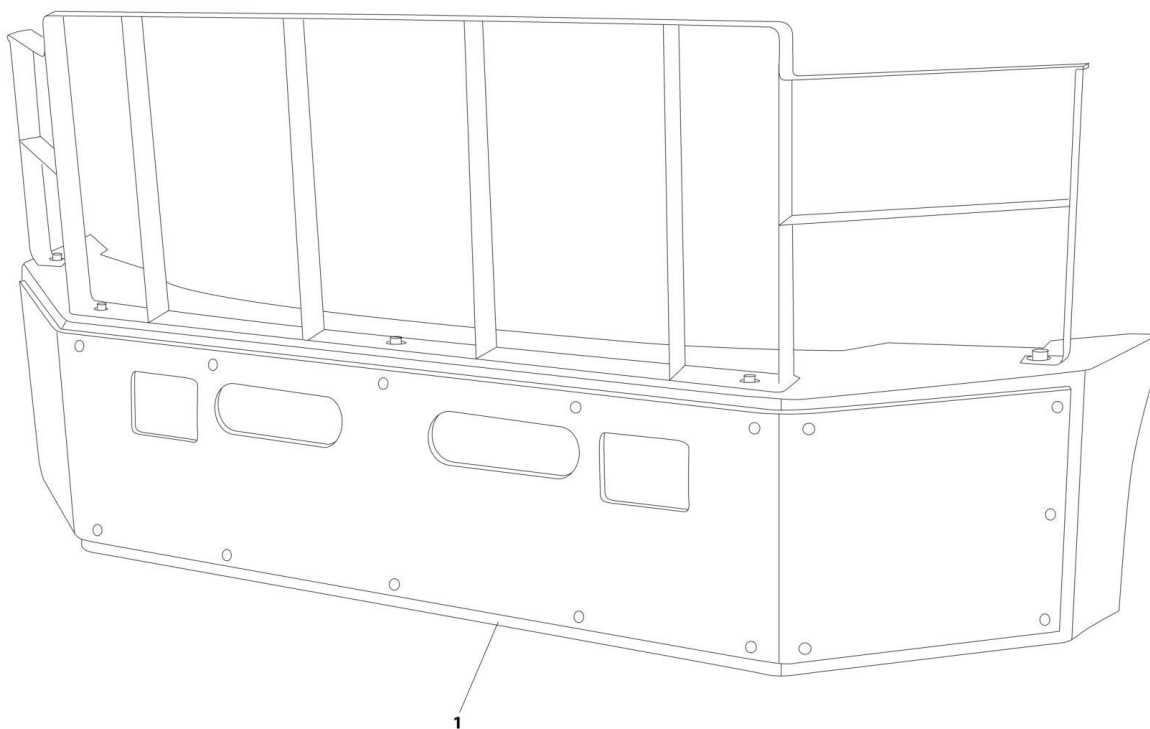
SECTION 9 - ACCESSORIES

FIGURE 9-4. BUMPER INSTALLATION - PUSH (FRONT) (WITH GRILLE GUARD (DODGE 2011+))

ITEM	PART NUMBER	QTY	DESCRIPTION	REV
	1001154361	Ref	BUMPER INSTALLATION - PUSH (FRONT) (WITH GRILLE GUARD (DODGE 2011+))	A
1	1001154382	1	Bumper	

SECTION 9 - ACCESSORIES

FIGURE 9-5. BUMPER INSTALLATION - PUSH (FRONT) (WITH GRILLE GUARD) (FORD 2011-2016)



ART_1001123179

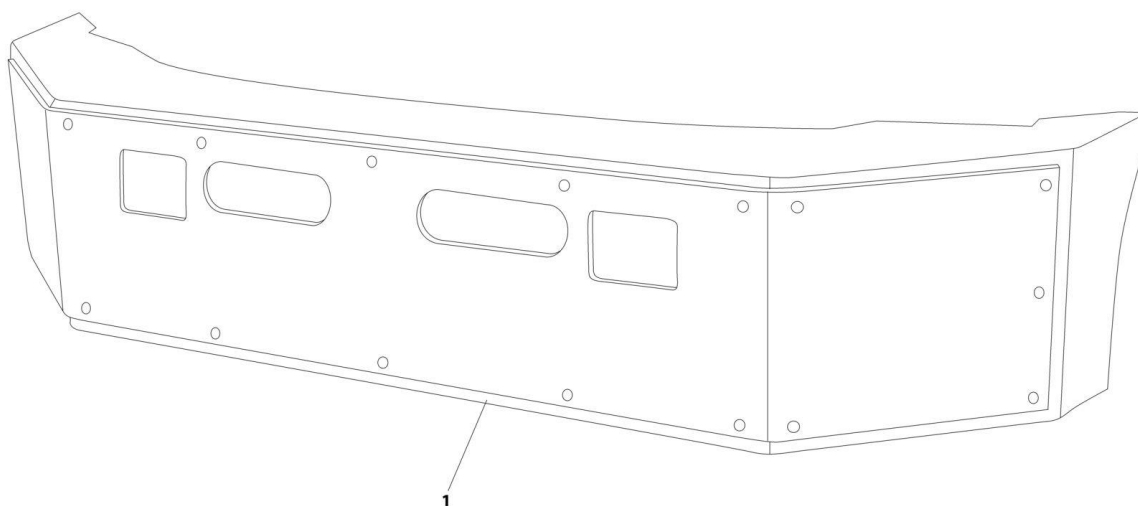
SECTION 9 - ACCESSORIES

FIGURE 9-5. BUMPER INSTALLATION - PUSH (FRONT) (WITH GRILLE GUARD) (FORD 2011-2016)

ITEM	PART NUMBER	QTY	DESCRIPTION	REV
	1001123179	Ref	BUMPER INSTALLATION - PUSH (FRONT) (WITH GRILLE GUARD) (FORD 2011-2016)	B
1	7190000066	1	Bumper	

SECTION 9 - ACCESSORIES

FIGURE 9-6. BUMPER INSTALLATION - PUSH (FRONT) (NO GRILLE GUARD) (FORD 2011-2016)



ART_1001134181

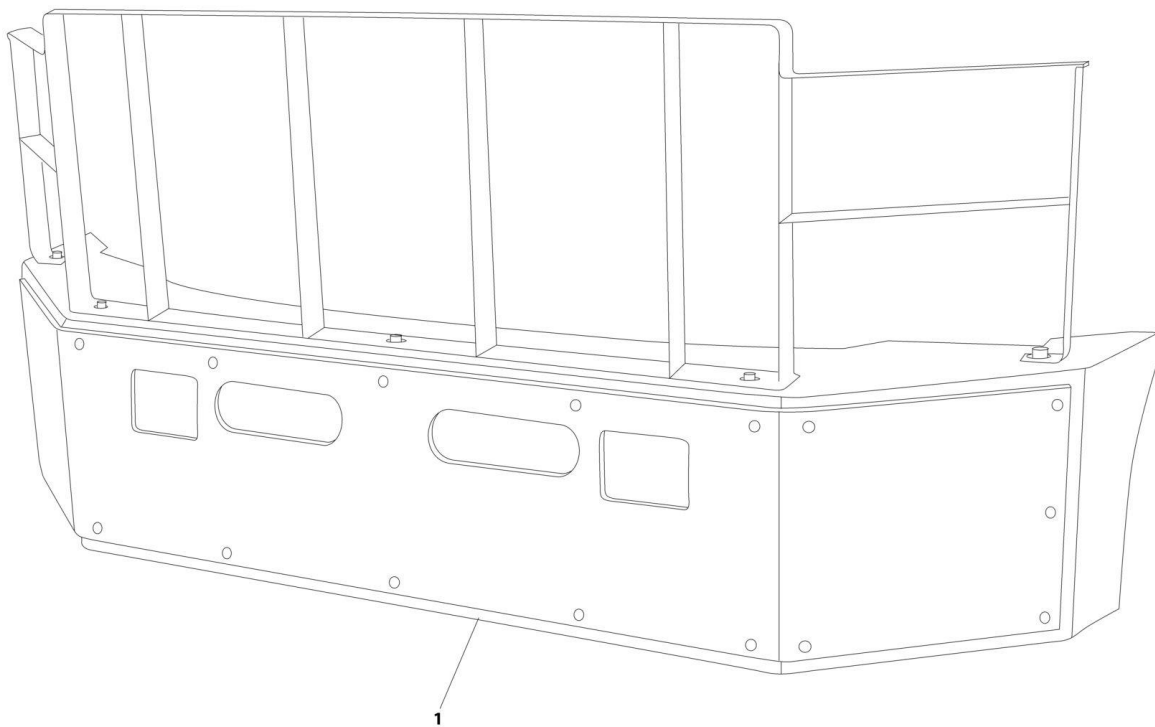
SECTION 9 - ACCESSORIES

FIGURE 9-6. BUMPER INSTALLATION - PUSH (FRONT) (NO GRILLE GUARD) (FORD 2011-2016)

ITEM	PART NUMBER	QTY	DESCRIPTION	REV
	1001134181	Ref	BUMPER INSTALLATION - PUSH (FRONT) (NO GRILLE GUARD) (FORD 2011-2016)	B
1	1001134178	1	Bumper	

SECTION 9 - ACCESSORIES

FIGURE 9-7. BUMPER INSTALLATION - PUSH (FRONT) (WITH GRILLE GUARD) (FORD 2017+)



ART_1001221467

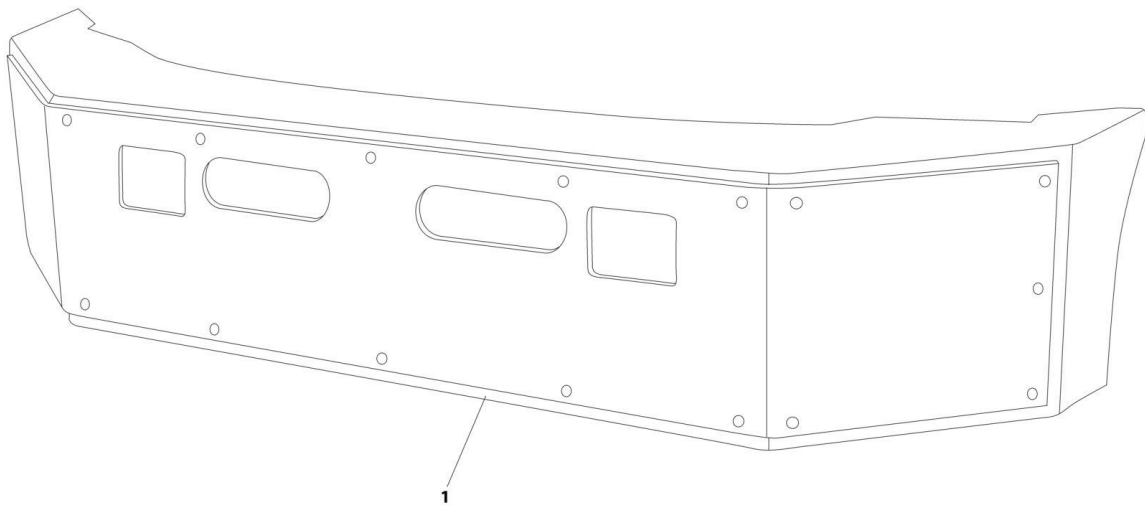
SECTION 9 - ACCESSORIES

FIGURE 9-7. BUMPER INSTALLATION - PUSH (FRONT) (WITH GRILLE GUARD) (FORD 2017+)

ITEM	PART NUMBER	QTY	DESCRIPTION	REV
	1001221467	Ref	BUMPER INSTALLATION - PUSH (FRONT) (WITH GRILLE GUARD) (FORD 2017+)	A
1	1001226915	1	Bumper	

SECTION 9 - ACCESSORIES

FIGURE 9-8. BUMPER INSTALLATION - PUSH (FRONT) (NO GRILLE GUARD) (FORD 2017+)



ART_1001221466

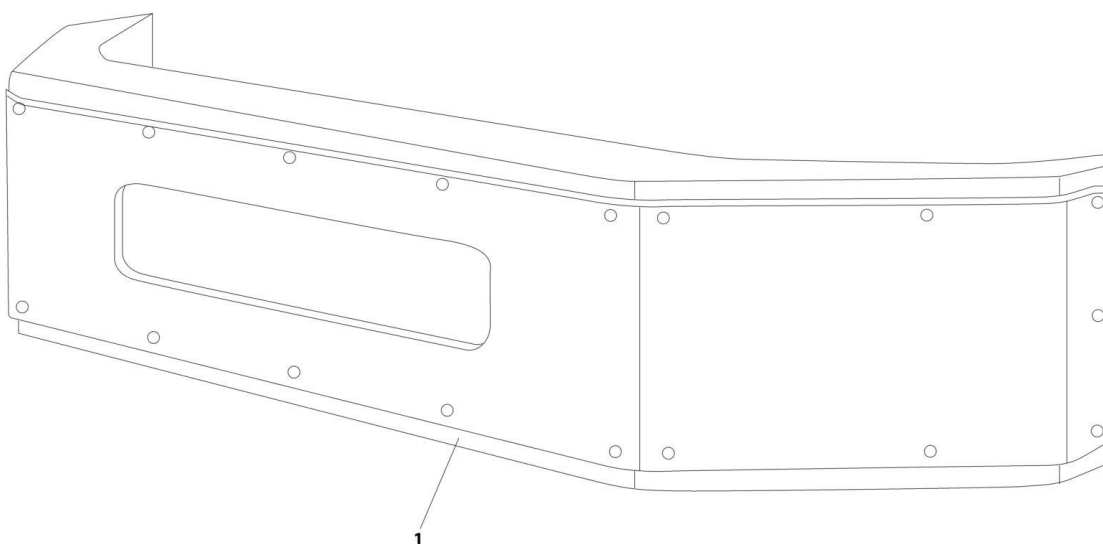
SECTION 9 - ACCESSORIES

FIGURE 9-8. BUMPER INSTALLATION - PUSH (FRONT) (NO GRILLE GUARD) (FORD 2017+)

ITEM	PART NUMBER	QTY	DESCRIPTION	REV
	1001221466	Ref	BUMPER INSTALLATION - PUSH (FRONT) (NO GRILLE GUARD) (FORD 2017+)	A
1	1001226914	1	Bumper	

SECTION 9 - ACCESSORIES

FIGURE 9-9. BUMPER INSTALLATION - PUSH (FRONT) (NO GRILLE GUARD) (FREIGHTLINER 2008+)



ART_1001146879

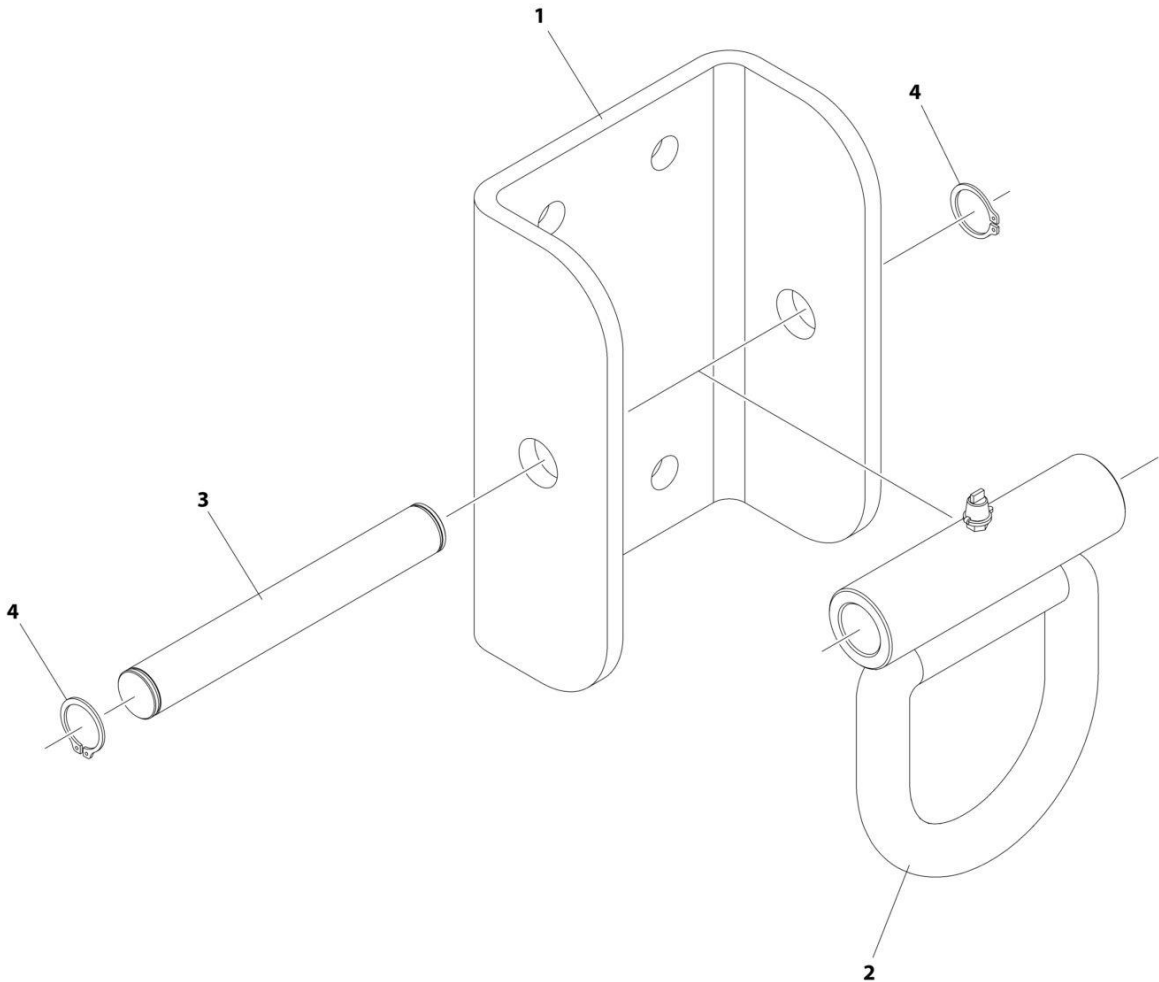
SECTION 9 - ACCESSORIES

FIGURE 9-9. BUMPER INSTALLATION - PUSH (FRONT) (NO GRILLE GUARD) (FREIGHTLINER 2008+)

ITEM	PART NUMBER	QTY	DESCRIPTION	REV
	1001146879	Ref	BUMPER INSTALLATION - PUSH (FRONT) (NO GRILLE GUARD) (FREIGHTLINER 2008+)	A
1	1001146878	1	Bumper	

SECTION 9 - ACCESSORIES

FIGURE 9-10. D-RING INSTALLATION - NO TOW SLING



ART_275400007

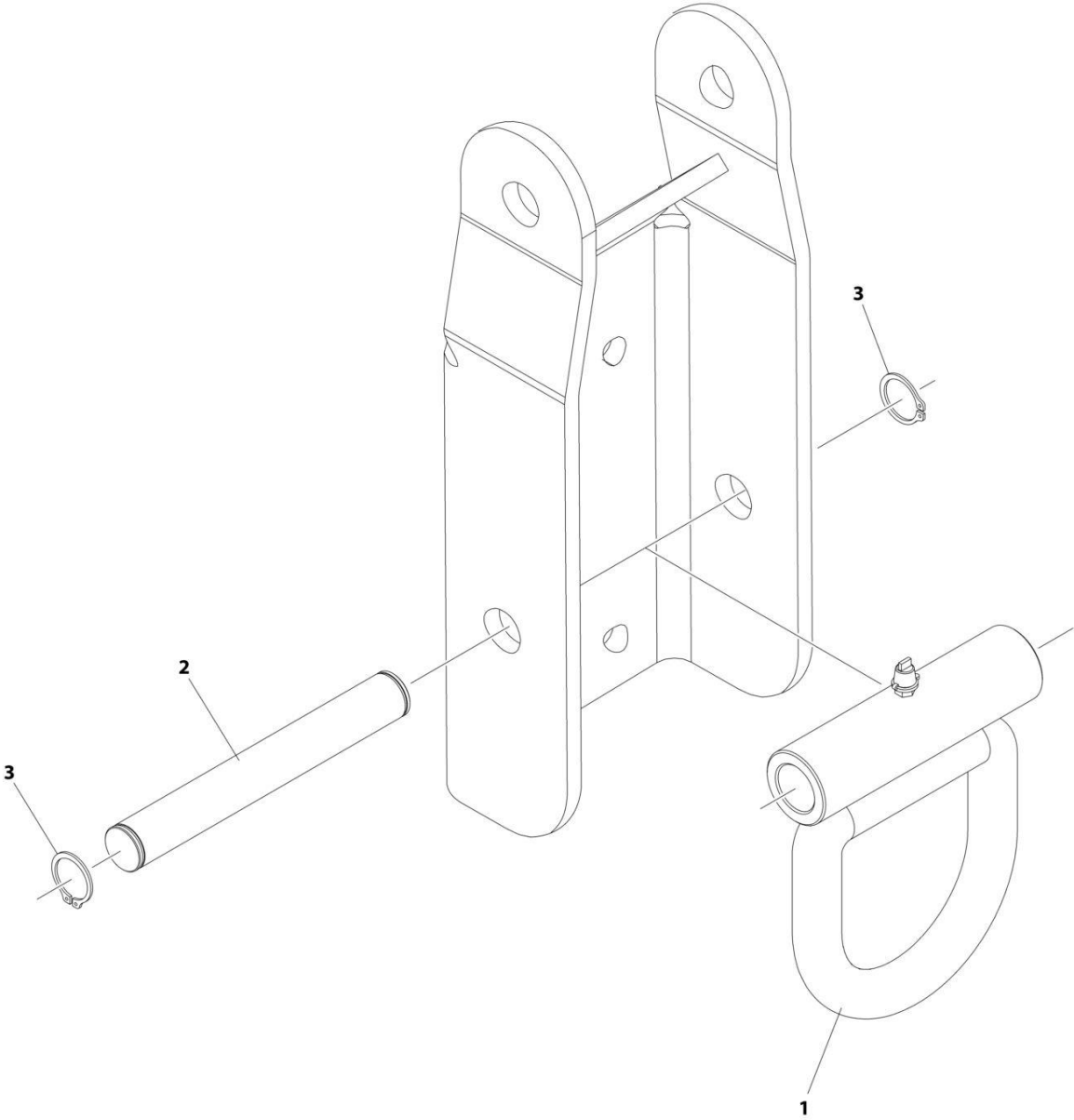
SECTION 9 - ACCESSORIES

FIGURE 9-10. D-RING INSTALLATION - NO TOW SLING

ITEM	PART NUMBER	QTY	DESCRIPTION	REV
	2754000007	Ref	D-RING INSTALLATION - NO TOW SLING	0
1	4263000705	2	Channel	
2	3754000004	2	Ring	
3	4691000541	2	Pin	
4	7754000022	4	Ring, Retaining	

SECTION 9 - ACCESSORIES

FIGURE 9-11. D-RING INSTALLATION - WITH TOW SLING



ART_275400008

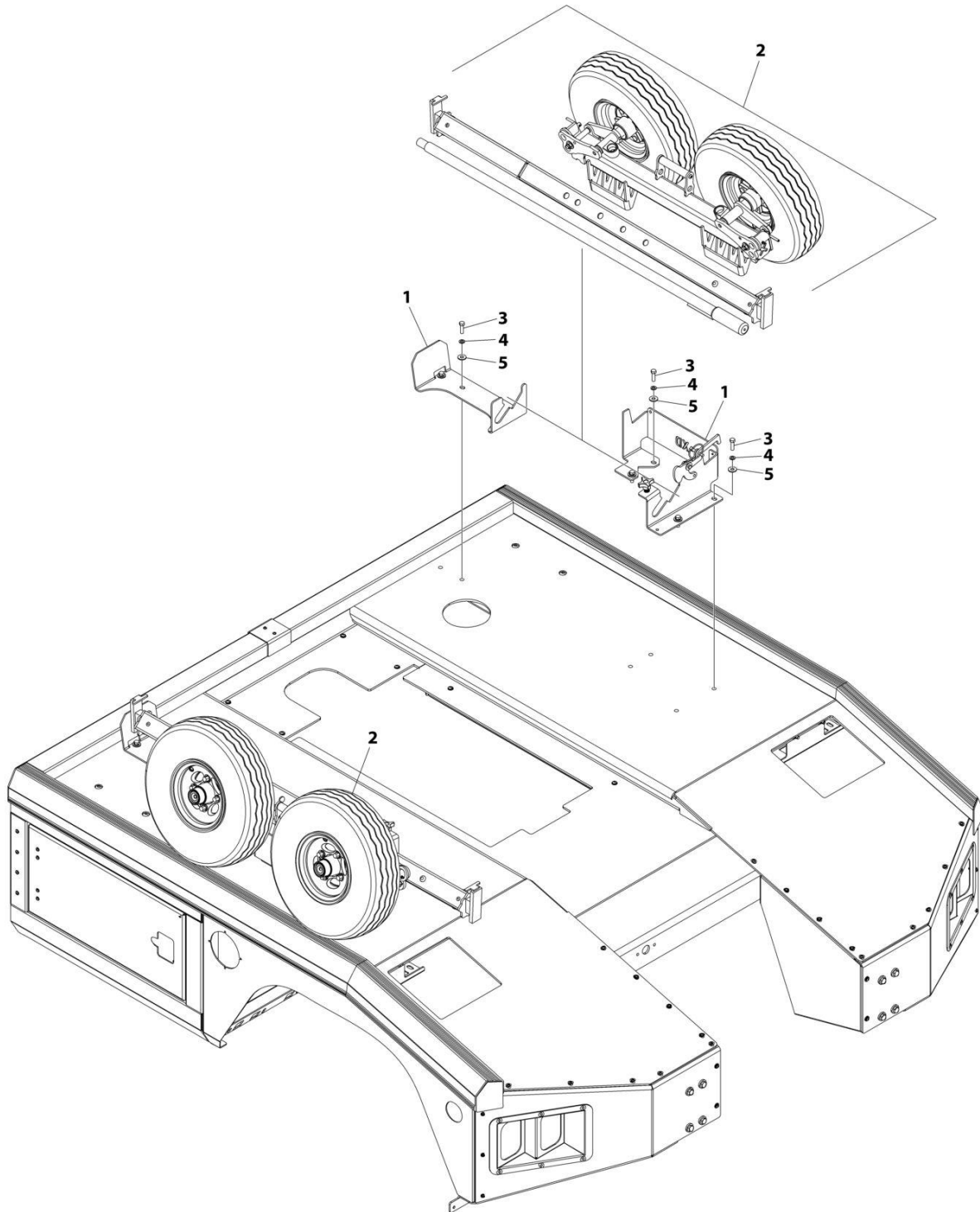
SECTION 9 - ACCESSORIES

FIGURE 9-11. D-RING INSTALLATION - WITH TOW SLING

ITEM	PART NUMBER	QTY	DESCRIPTION	REV
	2754000008	Ref	D-RING INSTALLATION - WITH TOW SLING	0
1	3754000004	2	Ring	
2	4691000541	2	Pin	
3	7754000022	4	Ring, Retaining	

SECTION 9 - ACCESSORIES

FIGURE 9-12. DOLLIES INSTALLATION (SN 0230004217 through 0230007747)



ART_1001223284

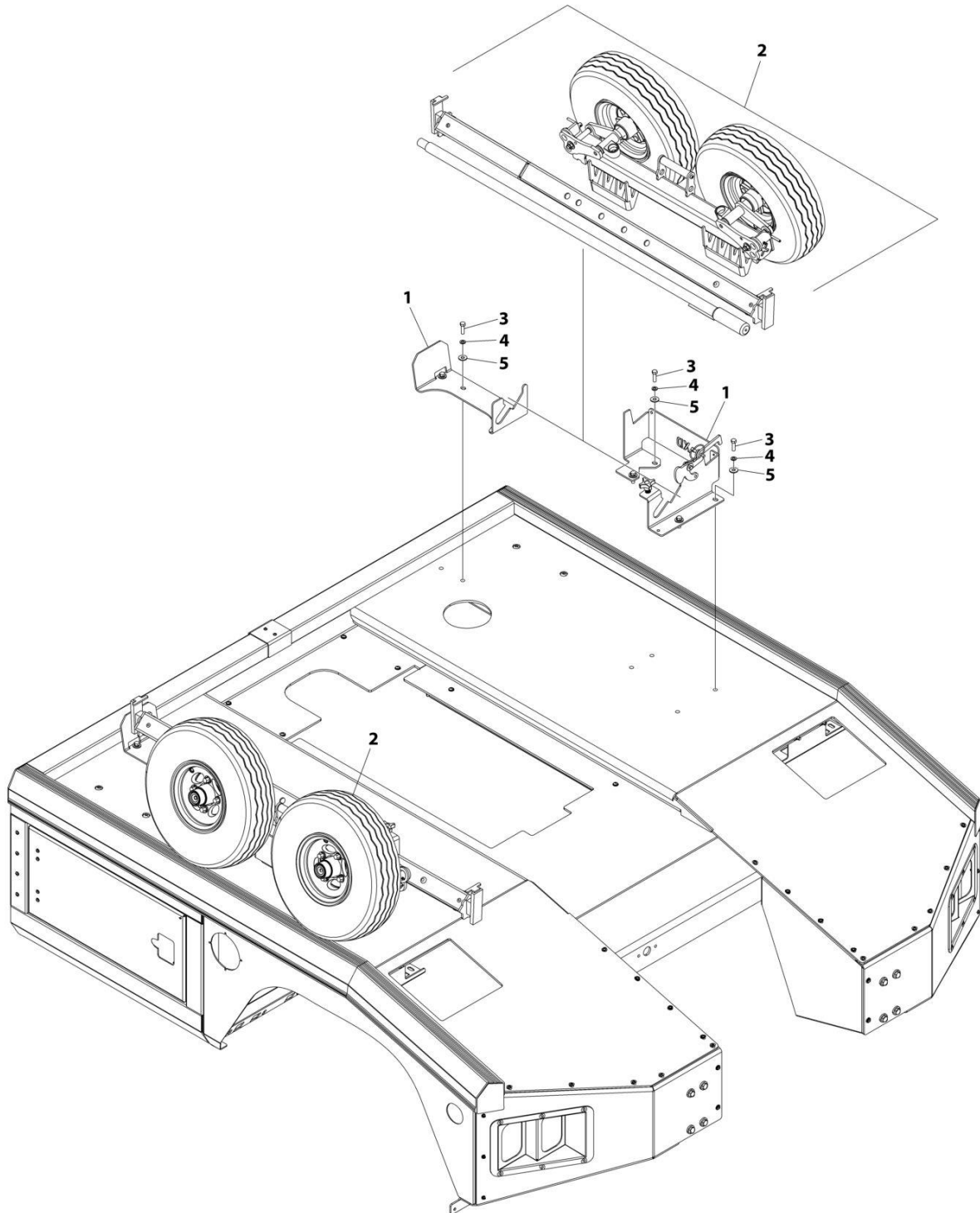
SECTION 9 - ACCESSORIES

FIGURE 9-12. DOLLIES INSTALLATION (SN 0230004217 through 0230007747)

ITEM	PART NUMBER	QTY	DESCRIPTION	REV
	1001223284	Ref	DOLLIES INSTALLATION	B
1	1001223286	1	Tow Dolly Mount	
2	1001223285	1	Dollies Assembly (See Separate Breakdown in this Section)	
3	7114161050	12	Screw 3/8 x 1-1/4	
4	4761600	12	Washer 3/8	
5	7950160163	12	Flatwasher 3/8	

SECTION 9 - ACCESSORIES

FIGURE 9-13. DOLLIES INSTALLATION (SN 0230007748 through 0230015583, Except SN 0230010924 through 0230010930, Except SN 0230011121 through 0230011129, Except SN 0230011301 through 0230011319, Except SN 0230011491 through 0230011510, Excluding 0230010532, 0230011032 and 0230011078)



ART_1001258797

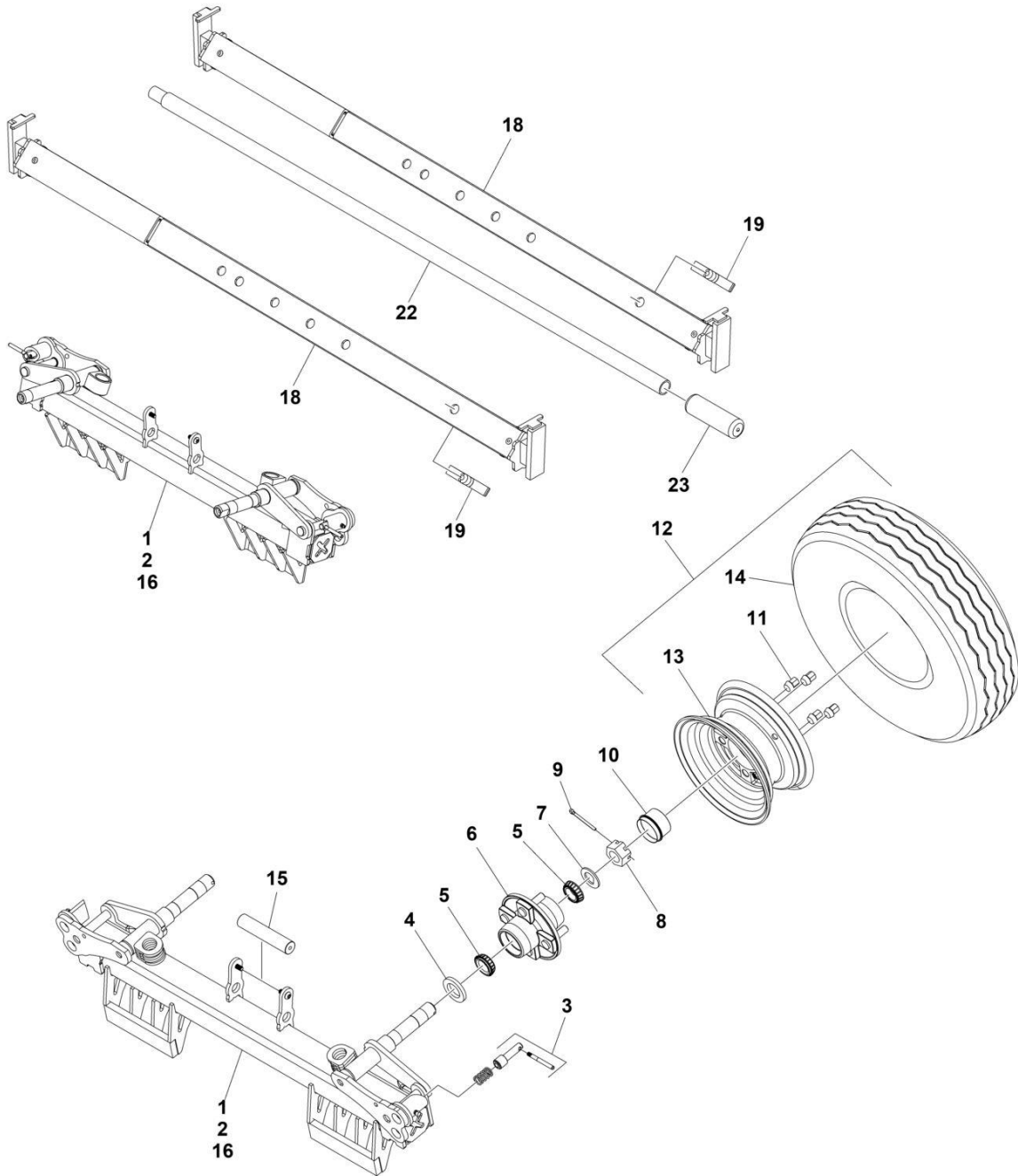
SECTION 9 - ACCESSORIES

FIGURE 9-13. DOLLIES INSTALLATION (SN 0230007748 through 0230015583, Except SN 0230010924 through 0230010930, Except SN 0230011121 through 0230011129, Except SN 0230011301 through 0230011319, Except SN 0230011491 through 0230011510, Excluding 0230010532, 0230011032 and 0230011078)

ITEM	PART NUMBER	QTY	DESCRIPTION	REV
	1001258797	Ref	DOLLIES INSTALLATION	A
1	1001223286	1	Tow Dolly Mount	
2	1001258796	1	Dollies Assembly (See Separate Breakdown in this Section)	
3	7114161050	12	Screw 3/8 x 1-1/4	
4	4761600	12	Washer 3/8	
5	7950160163	12	Flatwasher 3/8	

SECTION 9 - ACCESSORIES

FIGURE 9-14. DOLLIES ASSEMBLY (SN 0230004217 through 0230007747)



ART_1001223285

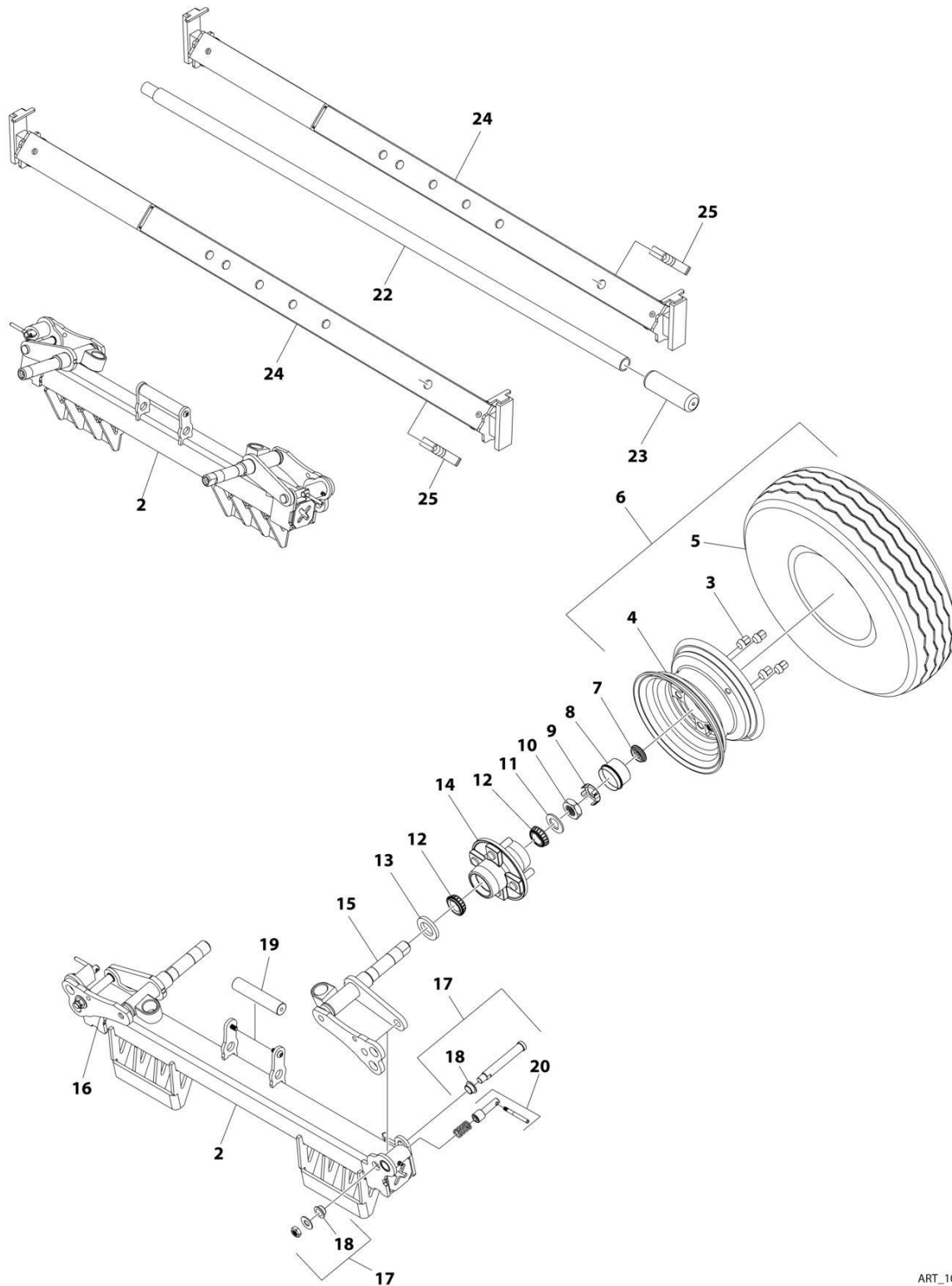
SECTION 9 - ACCESSORIES

FIGURE 9-14. DOLLIES ASSEMBLY (SN 0230004217 through 0230007747)

ITEM	PART NUMBER	QTY	DESCRIPTION	REV
	1001223285	Ref	DOLLIES ASSEMBLY	B
1	70051636	1	Frame with Hubs and Spindles	
2	70051635	1	Frame Complete	
3	70051650	4	Cam Lock	
4	70051638	4	Seal	
5	70051639	8	Bearing	
6	70051940	4	Hub Only	
7	70051641	4	Washer	
8	70051642	4	Nut Jam	
9	70051643	4	Pin, Cotter	
10	76051644	2	Cap, Dust	
11	70051645	16	Lug Nut	
12	70051646	4	Tire and Wheel Assembly (Includes Items 13&14)	
13	70051647	4	Rim	
14	70051648	4	Tire 5.7x8	
15	70051649	2	Handle, Dolly	
16	70051637	2	Frame Only (No Hubs or Tires)	
17	70051651	1	Strap, Ratchet (Not Shown)	
18	70051652	2	Axle, Telescope	
19	70051653	2	Button, Snap	
22	NPN	1	Bar, Brake	
23	NPN	1	Grip	

SECTION 9 - ACCESSORIES

FIGURE 9-15. DOLLIES ASSEMBLY (SN 0230007748 through 0230015583, Except SN 0230010924 through 0230010930, Except SN 0230011121 through 0230011129, Except SN 0230011301 through 0230011319, Except SN 0230011491 through 0230011510, Excluding 0230010532, 0230011032 and 0230011078)



ART_1001258796

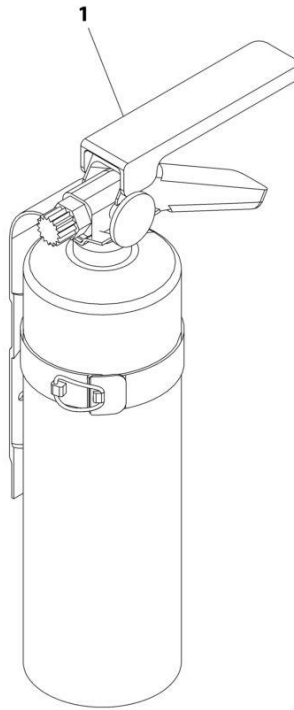
SECTION 9 - ACCESSORIES

FIGURE 9-15. DOLLIES ASSEMBLY (SN 0230007748 through 0230015583, Except SN 0230010924 through 0230010930, Except SN 0230011121 through 0230011129, Except SN 0230011301 through 0230011319, Except SN 0230011491 through 0230011510, Excluding 0230010532, 0230011032 and 0230011078)

ITEM	PART NUMBER	QTY	DESCRIPTION	REV
	1001258796	Ref	DOLLIES ASSEMBLY	A
2	70051947	2	Frame Only (No Hubs or Tires)	
3	70051645	16	Lug Nut	
4	70051647	4	Rim	
5	70051648	4	Tire 5.7x8	
6	70051920	4	Tire and Wheel Assembly (Includes Items 4&5)	
7	See Note	NSS	Insert, Rubber Cap (Note: Use Item 14)	
8	76051644	2	Cap, Dust	
9	See Note	NSS	Retainer Nut (Note: Use Item 14)	
10	See Note	NSS	Nut Jam (Note: Use Item 14)	
11	See Note	NSS	Washer (Note: Use Item 14)	
12	See Note	NSS	Bearing (Note: Use Item 14)	
13	See Note	NSS	Seal (Note: Use Item 14)	
14	70051929	4	Hub Assembly (Includes Items 7, 9-13)	
15	70051950	4	Spindle-Left	
16	70051951	4	Spindle-Right	
17	70052572	4	Dolly Pin Kit (Includes Item 18)	
18	See Note	NSS	Bushing (Note: Use Item 17)	
19	70051649	2	Handle, Dolly	
20	70051650	4	Cam Lock	
21	NPN	1	Decal Kit (Not Shown)	
22	70052448	1	Bar, Brake	
23	NPN	1	Grip	
24	70052606	2	Axle, Telescope	
25	70051653	2	Button, Snap	
		Ref	Options:	
101	70051953	1	Mount, Universal (Not Shown)	
102	70052426	1	Mount, Axle Slide Tunnel Box (Not Shown)	
103	70052450	1	Box, Drop Down (Not Shown)	
104	70052449	1	Mount, Integrated (Not Shown)	
105	70054727	1	Mount, Simply Locking (Not Shown)	
106	70052164	1	Bunk Kit - 1023 (Not Shown)	
107	70052169	1	Mount, 1242W (Not Shown)	
108	70052600	1	Storage, Tilt-N-Slide (Not Shown)	
109	70052605	1	Carrier, Motorcycle Caddy (Not Shown)	
110	70052165	1	Bunk Kit - 4452 (LH) (Not Shown)	
111	70052166	1	Bunk Kit - 4453 (RH) (Not Shown)	
112	70052167	1	Bunk Kit - Latch (Centre) (Not Shown)	
113	70052168	1	Chain, Bunk (Not Shown)	

SECTION 9 - ACCESSORIES

FIGURE 9-16. FIRE EXTINGUISHER



ART_2002000028

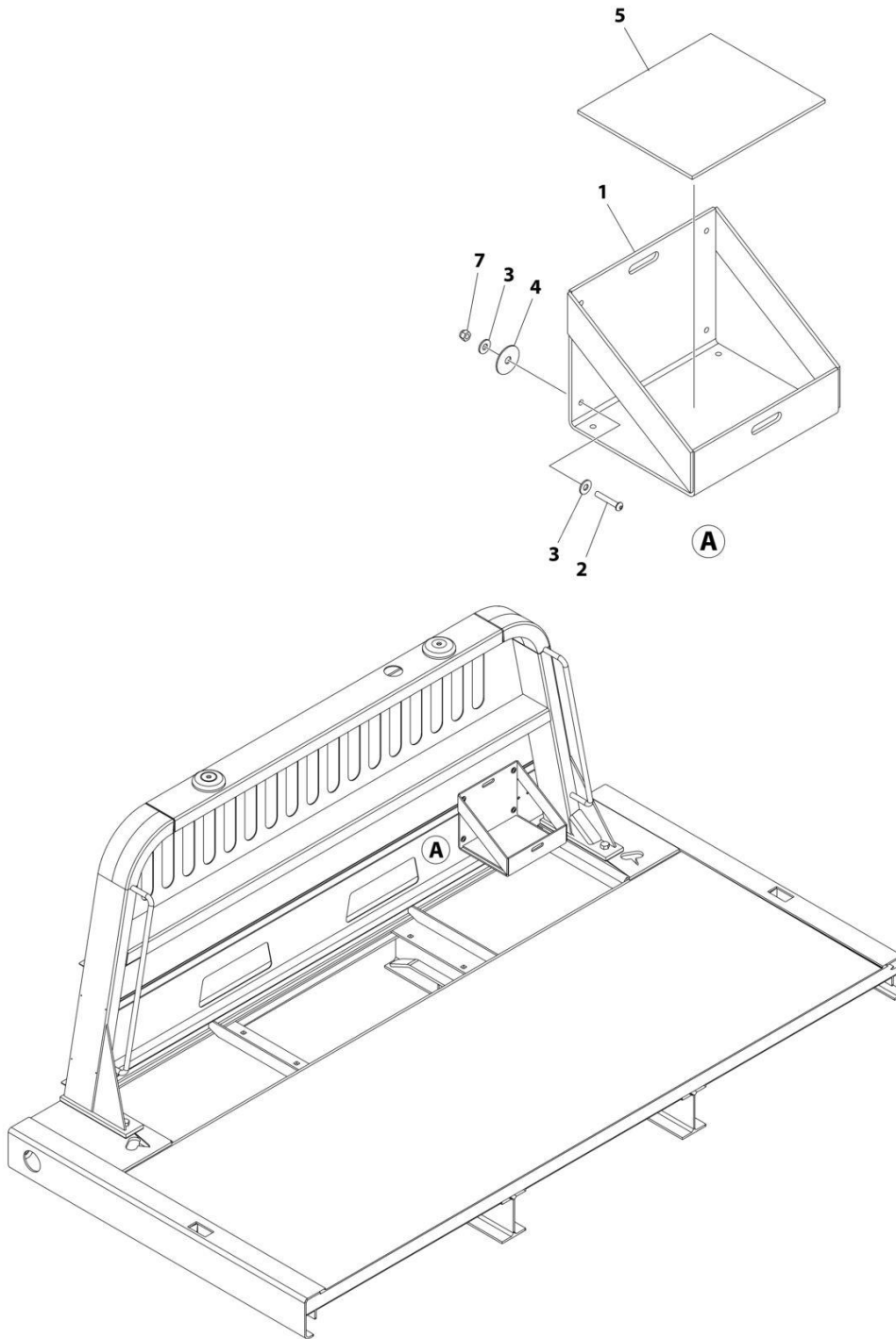
SECTION 9 - ACCESSORIES

FIGURE 9-16. FIRE EXTINGUISHER

ITEM	PART NUMBER	QTY	DESCRIPTION	REV
1	2002000028	Ref	Fire Extinguisher Accessory	0
	7002000404	1	Fire Extinguisher	

SECTION 9 - ACCESSORIES

FIGURE 9-17. FUEL CAN STORAGE TRAY INSTALLATION



ART_1001211866

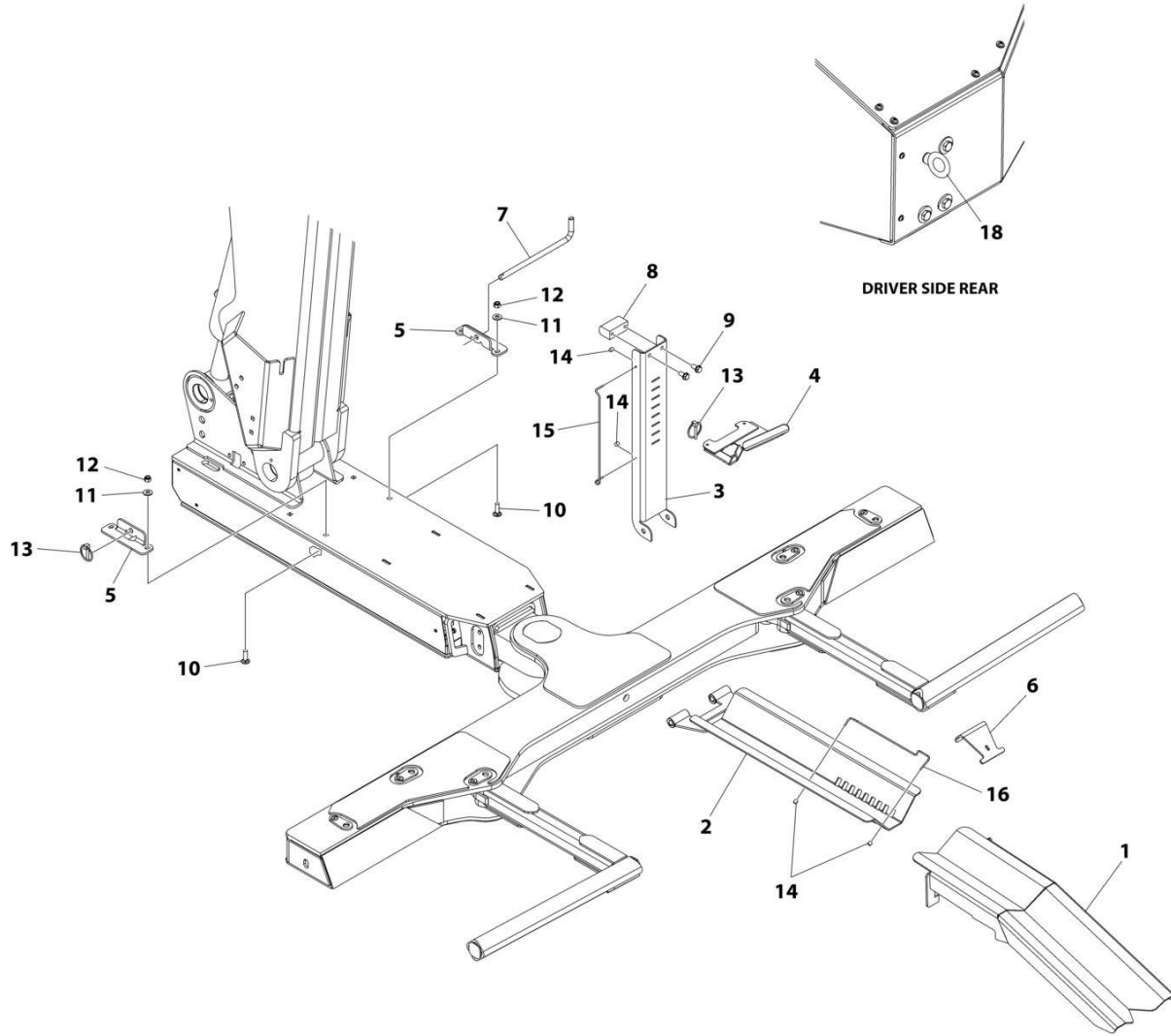
SECTION 9 - ACCESSORIES

FIGURE 9-17. FUEL CAN STORAGE TRAY INSTALLATION

ITEM	PART NUMBER	QTY	DESCRIPTION	REV
	1001211866	Ref	FUEL CAN STORAGE TRAY INSTALLATION	A
1	3178000471	1	Bracket	
2	7114141218	4	Capscrew 1/4 x 1-1/2	
3	7950140153	8	Washer 1/4	
4	7949000055	4	Washer	
5	4679000274	1	Pad	
6	7894000063	1	Tie-Strap (Not Shown)	
7	7660142604	4	Nut 1/4	

SECTION 9 - ACCESSORIES

FIGURE 9-18. MOTORCYCLE TOW ADAPTER INSTALLATION



ART_2178000036

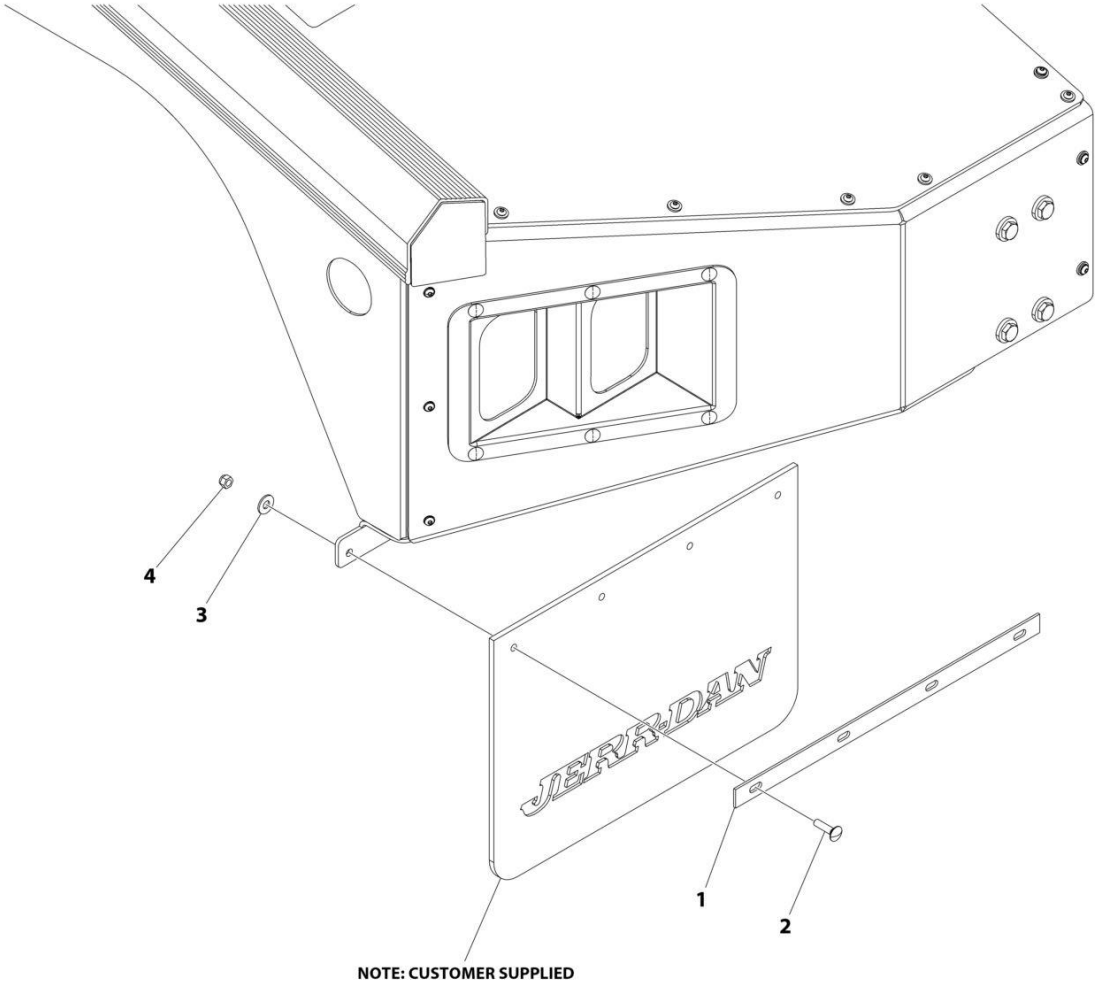
SECTION 9 - ACCESSORIES

FIGURE 9-18. MOTORCYCLE TOW ADAPTER INSTALLATION

ITEM	PART NUMBER	QTY	DESCRIPTION	REV
	2178000036	Ref	MOTORCYCLE TOW ADAPTER INSTALLATION	B
1	3178000470	1	Bracket	
2	3178000468	1	Bracket	
3	4263000710	1	Channel	
4	3178000469	1	Bracket	
5	4178000636	2	Bracket	
6	4178000639	1	Bracket	
7	4691000547	1	Pin	
8	4679000275	1	Pad	
9	7790161253	2	Screw 3/8 x 3/4	
10	7115161064	4	Bolt 3/8 x 1-1/4	
11	7950150161	4	Washer 3/9	
12	7660162601	4	Nut 3/8	
13	7691000047	2	Pin	
14	7819000012	4	Sleeve	
15	4248000002	1	Wire Rope	
16	4248000003	1	Wire Rope	
17	7577000375	1	Tiedown Kit (Not Shown)	
18	7120000052	2	Eye Bolt	

SECTION 9 - ACCESSORIES

FIGURE 9-19. MUDFLAPS INSTALLATION (CUSTOMER SUPPLIED)



ART_1001139332

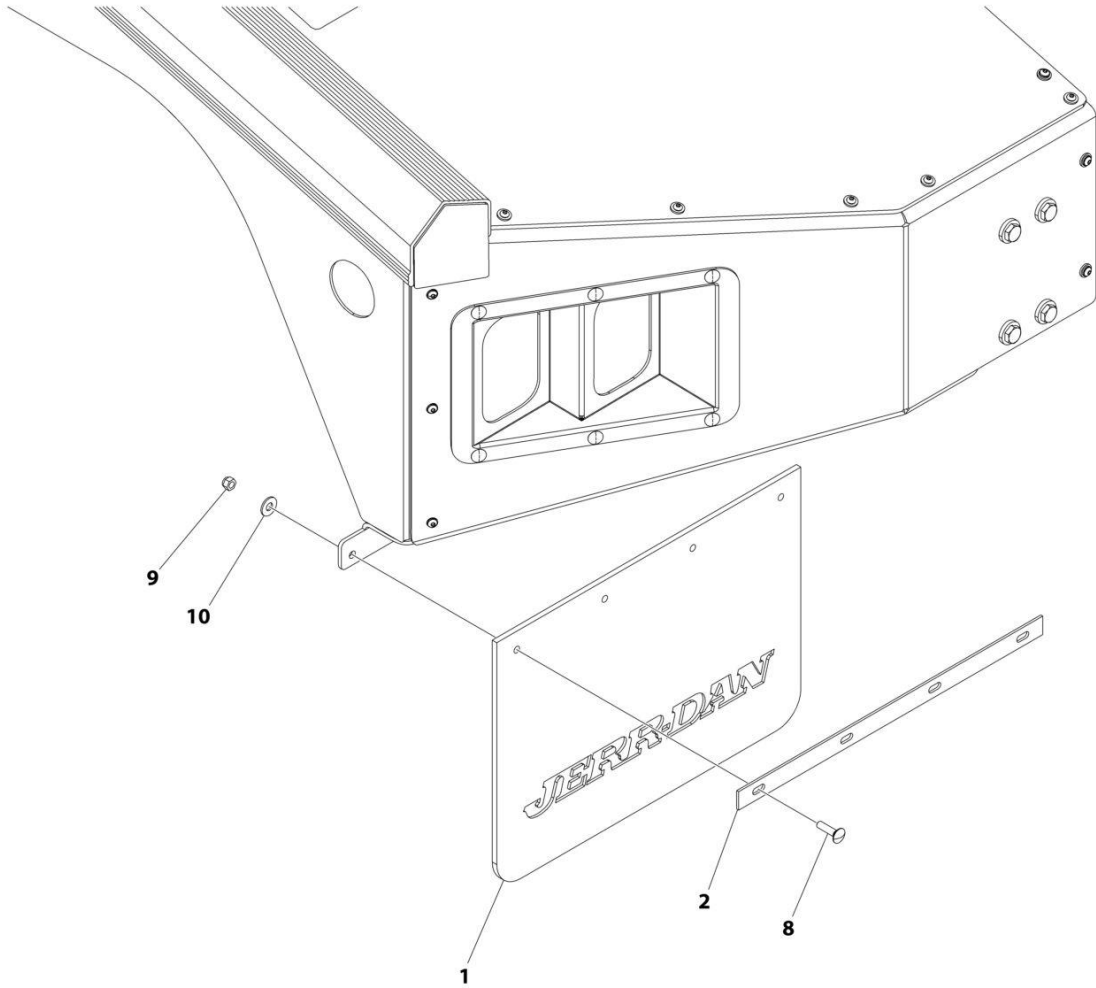
SECTION 9 - ACCESSORIES

FIGURE 9-19. MUDFLAPS INSTALLATION (CUSTOMER SUPPLIED)

ITEM	PART NUMBER	QTY	DESCRIPTION	REV
	1001139332	Ref	MUDFLAPS INSTALLATION (CUSTOMER SUPPLIED)	A
1	4706001123	2	Plate	
2	7111150864	8	Bolt 5/16 x 1	
3	7950150161	8	Washer 5/16	
4	7660152601	8	Nut 5/16	

SECTION 9 - ACCESSORIES

FIGURE 9-20. MUDFLAPS INSTALLATION (FACTORY SUPPLIED)



ART_263800006

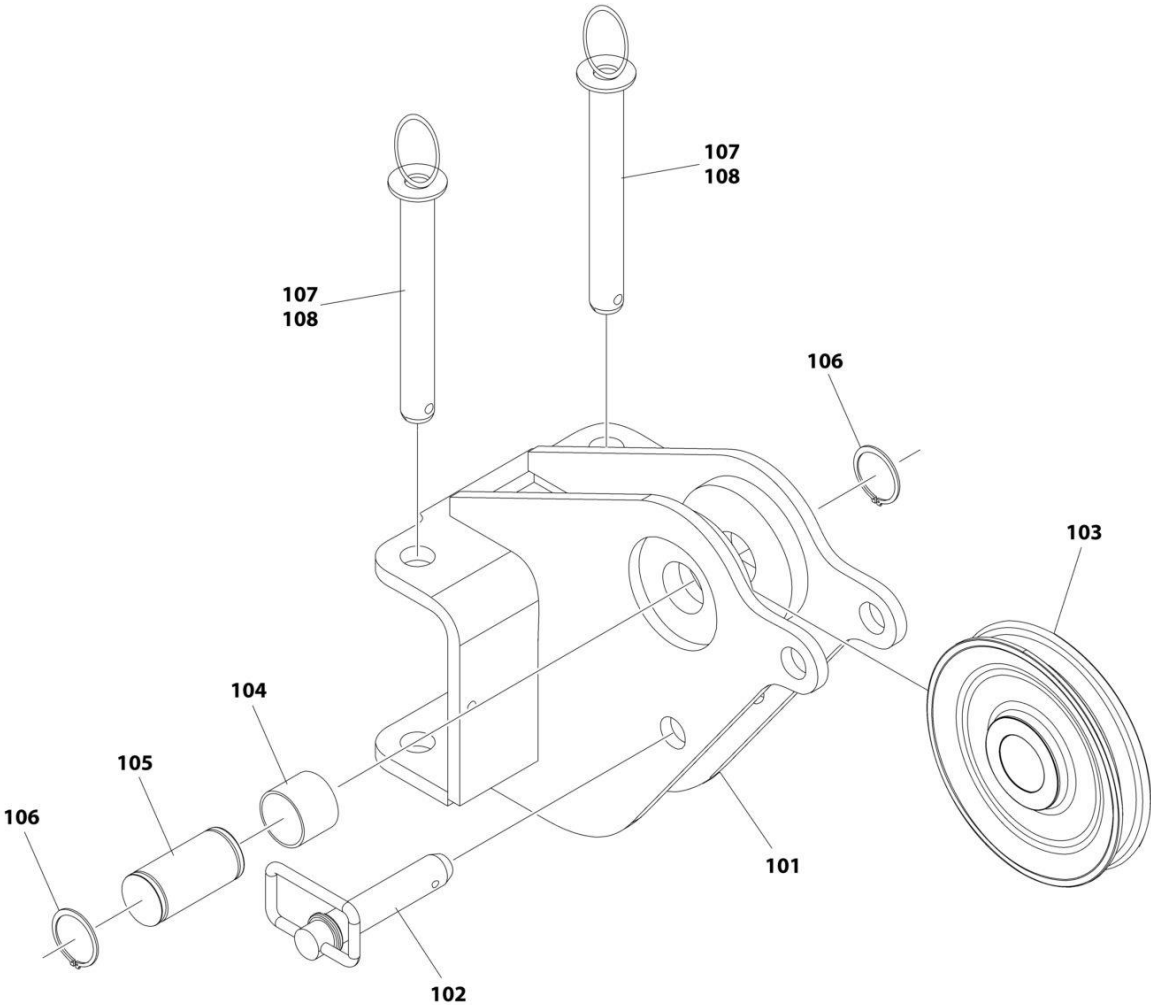
SECTION 9 - ACCESSORIES

FIGURE 9-20. MUDFLAPS INSTALLATION (FACTORY SUPPLIED)

ITEM	PART NUMBER	QTY	DESCRIPTION	REV
	2638000006	Ref	MUDFLAPS INSTALLATION (FACTORY SUPPLIED)	C
1	7638000003	2	Mud Flap	
2	4706001123	2	Plate	
8	7115151064	8	Bolt 5/16 x 1-1/4	
9	7660152601	8	Nut 5/16	
10	7950150161	8	Washer 5/16	

SECTION 9 - ACCESSORIES

FIGURE 9-21. RECOVERY SHEAVE INSTALLATION (LOW ANGLE)



ART_2509610119

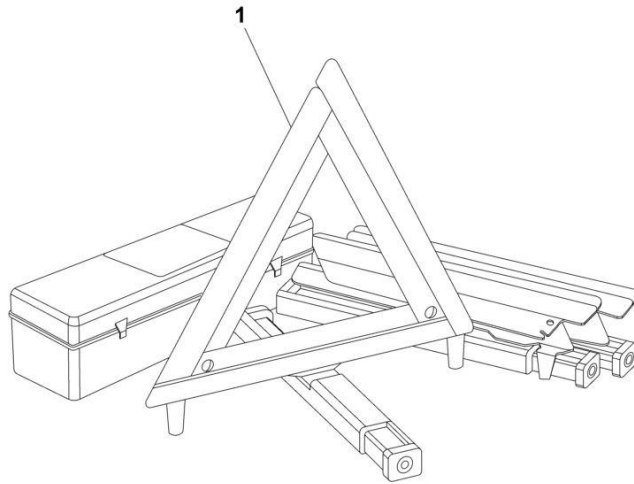
SECTION 9 - ACCESSORIES

FIGURE 9-21. RECOVERY SHEAVE INSTALLATION (LOW ANGLE)

ITEM	PART NUMBER	QTY	DESCRIPTION	REV
	2509610119	Ref	RECOVERY SHEAVE INSTALLATION (LOW ANGLE)	A
1	3249000041	Ref	Sheave Assembly (Not Shown) (Includes Items 101-108)	
6	7330000725	1	Decal - Caution Lock-Out Valve (Not Shown)	
	3249000041	Ref	SHEAVE ASSEMBLY	B
101	3249000040	1	Sheave Weldment	
102	7691000053	1	Pin	
103	7809000013	1	Sheave	
104	7082000032	1	Bearing	
105	4691000572	1	Pin	
106	7754000006	2	Retaining Ring	
107	3691000195	2	Pin	
108	7691000027	2	Pin	

SECTION 9 - ACCESSORIES

FIGURE 9-22. SAFETY TRIANGLE KIT



ART_STK

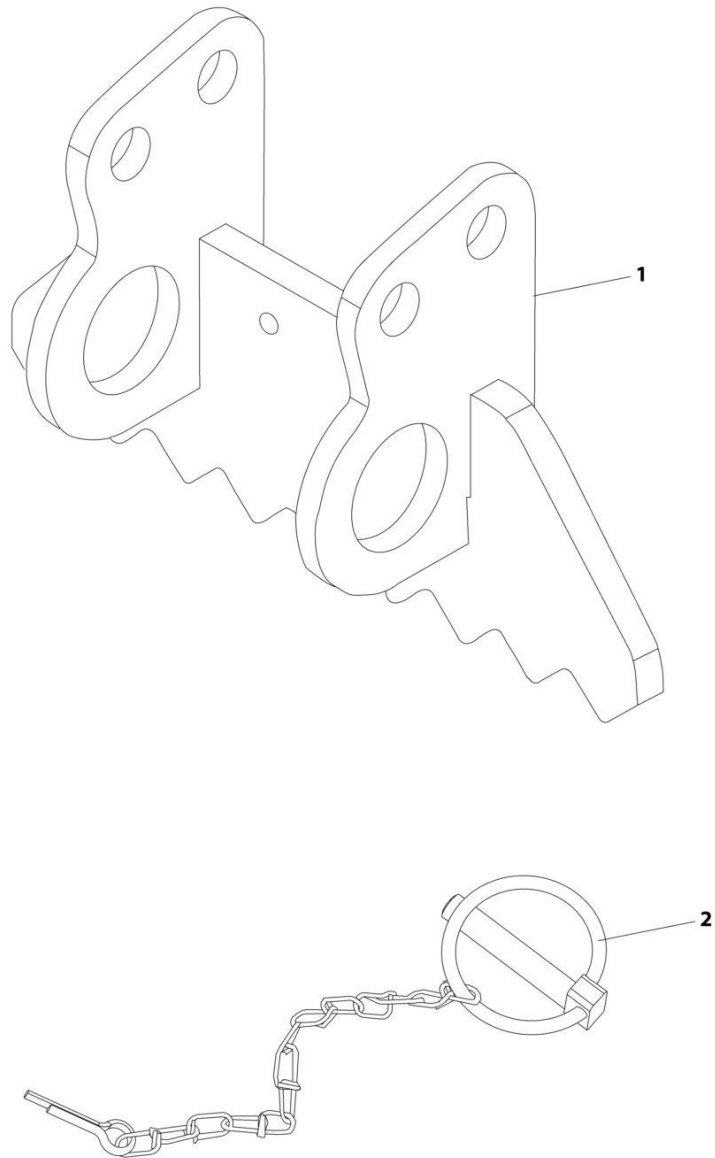
SECTION 9 - ACCESSORIES

FIGURE 9-22. SAFETY TRIANGLE KIT

ITEM	PART NUMBER	QTY	DESCRIPTION	REV
1	STK 7002000285	Ref 1	Safety Triangle Kit Reflective Triangles	0

SECTION 9 - ACCESSORIES

FIGURE 9-23. SPADE FOOT ATTACHMENT



ART_2577000038

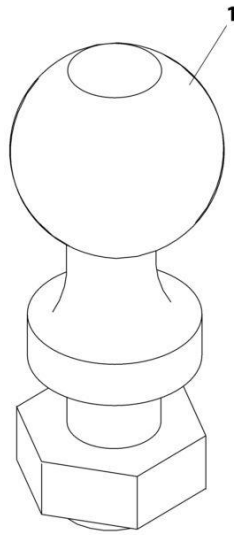
SECTION 9 - ACCESSORIES

FIGURE 9-23. SPADE FOOT ATTACHMENT

ITEM	PART NUMBER	QTY	DESCRIPTION	REV
	2577000038	Ref	SPADE FOOT ATTACHMENT	0
1	3706000380	1	Plate	
2	7691000027	2	Pin	

SECTION 9 - ACCESSORIES

FIGURE 9-24. TOW BALL - 1-7/8IN



ART_TB178

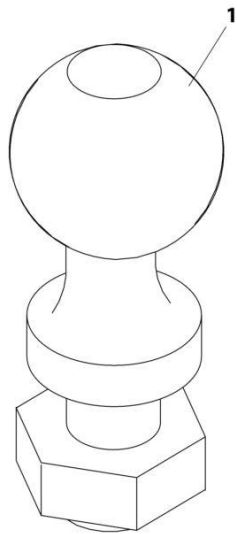
SECTION 9 - ACCESSORIES

FIGURE 9-24. TOW BALL - 1-7/8IN

ITEM	PART NUMBER	QTY	DESCRIPTION	REV
1	TB178 7056000007	Ref 1	TRAILER BALL - 1.88IN DIA BALL Ball	0

SECTION 9 - ACCESSORIES

FIGURE 9-25. TOW BALL - 2IN



ART_TB200

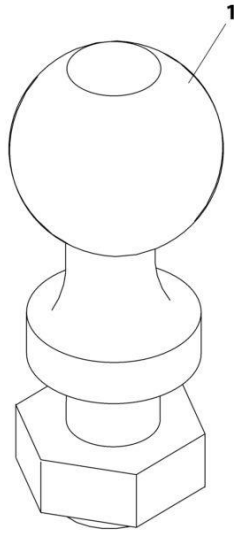
SECTION 9 - ACCESSORIES

FIGURE 9-25. TOW BALL - 2IN

ITEM	PART NUMBER	QTY	DESCRIPTION	REV
1	TB200 7056000008	Ref 1	TRAILER BALL - 2IN DIA BALL Ball	0

SECTION 9 - ACCESSORIES

FIGURE 9-26. TOW BALL - 2-5/16IN



ART_TB256

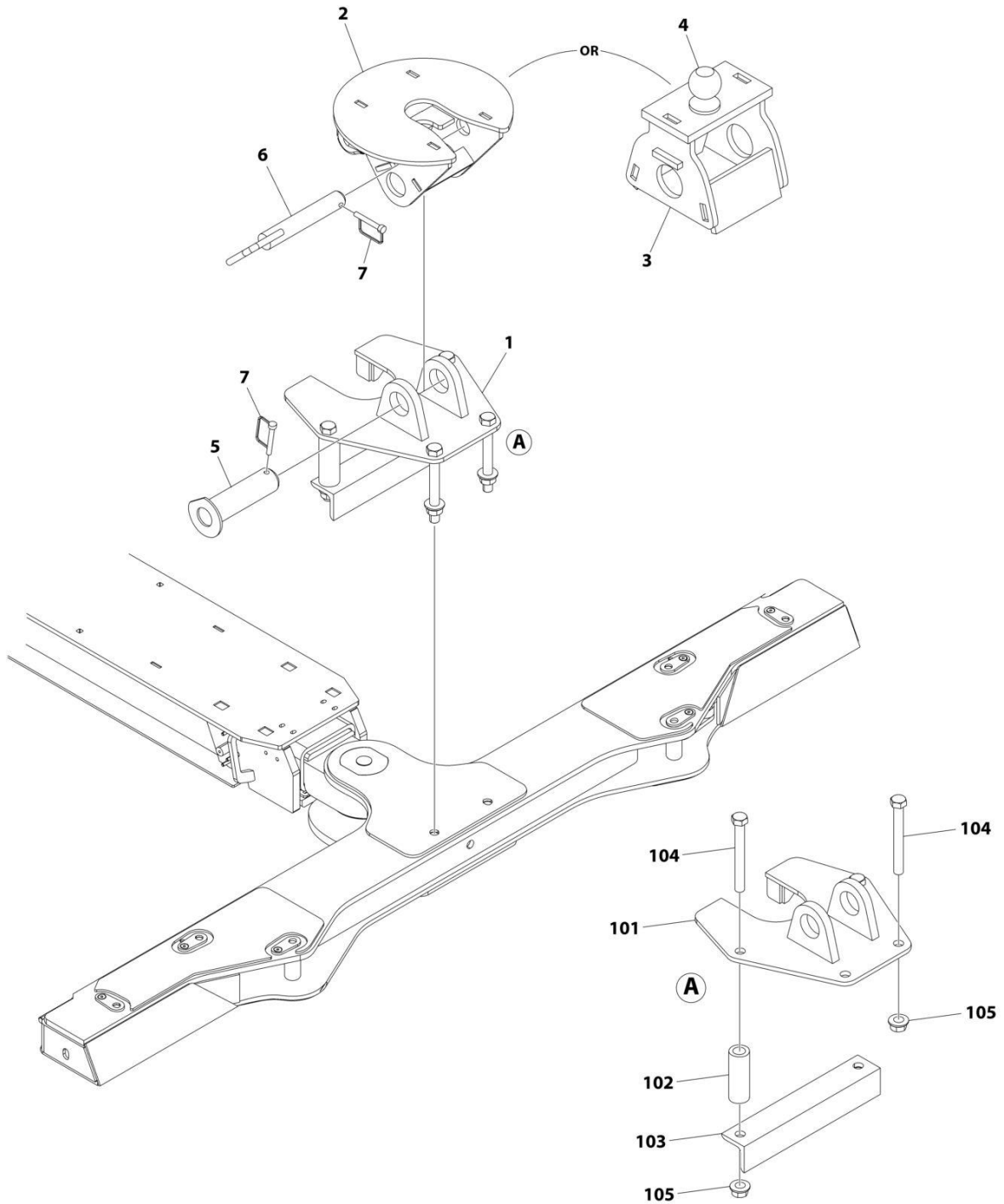
SECTION 9 - ACCESSORIES

FIGURE 9-26. TOW BALL - 2-5/16IN

ITEM	PART NUMBER	QTY	DESCRIPTION	REV
1	TB256 7056000009	Ref 1	TRAILER BALL - 2-5/16IN DIA BALL Ball	0

SECTION 9 - ACCESSORIES

FIGURE 9-27. TOW BALL INSTALLATION – FIFTH WHEEL/GOOSENECK COMBINATION



ART_255600012

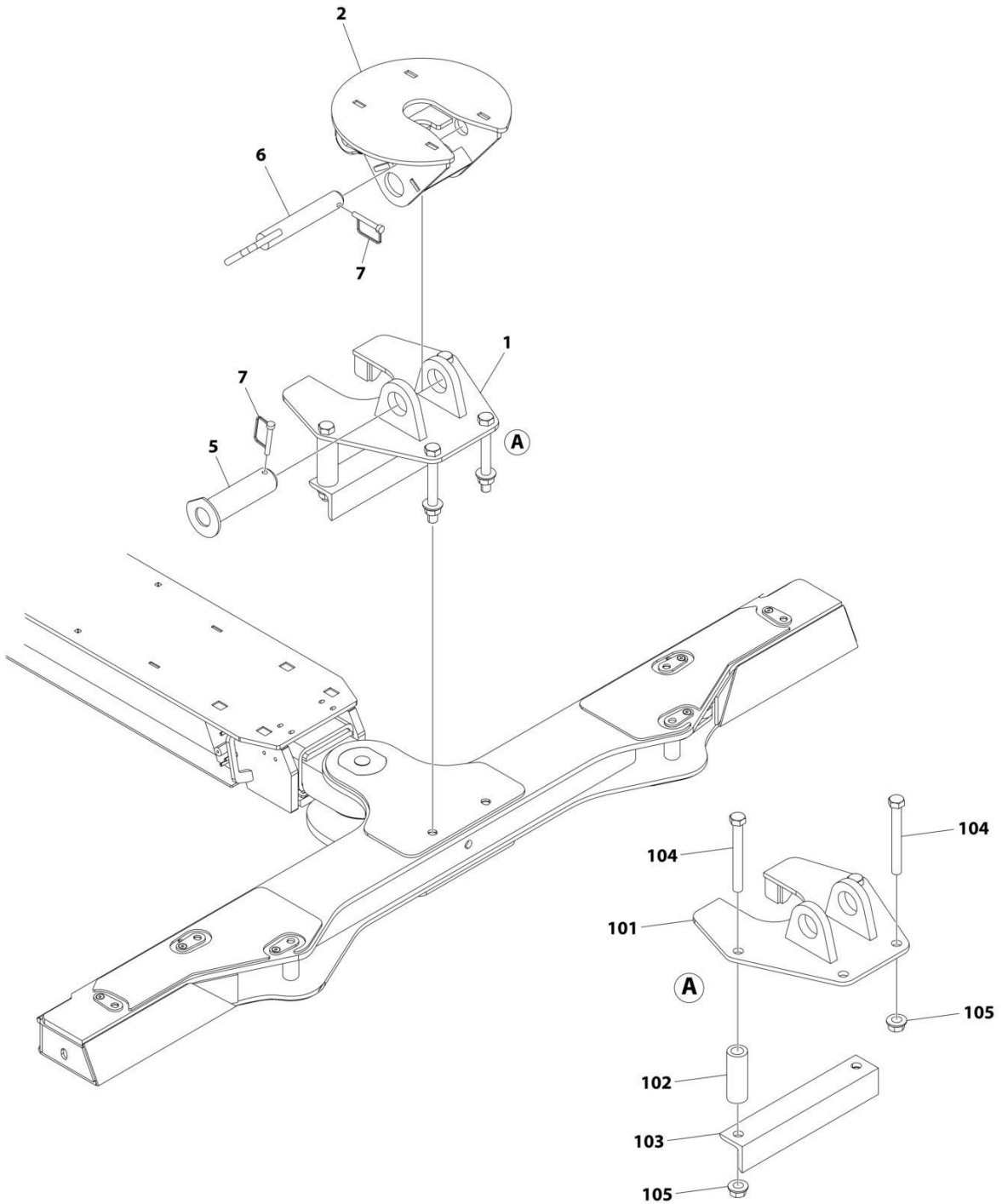
SECTION 9 - ACCESSORIES

FIGURE 9-27. TOW BALL INSTALLATION – FIFTH WHEEL/GOOSENECK COMBINATION

ITEM	PART NUMBER	QTY	DESCRIPTION	REV
	2556000012	Ref	TOW BALL INSTALLATION - FIFTH WHEEL/GOOSENECK COMBINATION	0
1	2178000065	Ref	Bracket Installation (Includes Items 101-105)	
2	3178000562	1	Bracket	
3	3178000560	1	Bracket	
4	7056000011	1	Ball, Chrome	
5	3691000144	1	Pin	
6	3691000145	1	Pin	
7	7691000025	2	Pin	
	2178000065	Ref	BRACKET INSTALLATION	0
101	3178000543	1	Bracket	
102	4912000432	2	Tube	
103	4017001612	1	Angle	
104	7118225250	4	Bolt 3/4 x 6-1/2	
105	7661000069	4	Nut 3/4	

SECTION 9 - ACCESSORIES

FIGURE 9-28. TOW BALL INSTALLATION - FIFTH WHEEL



ART_255600013

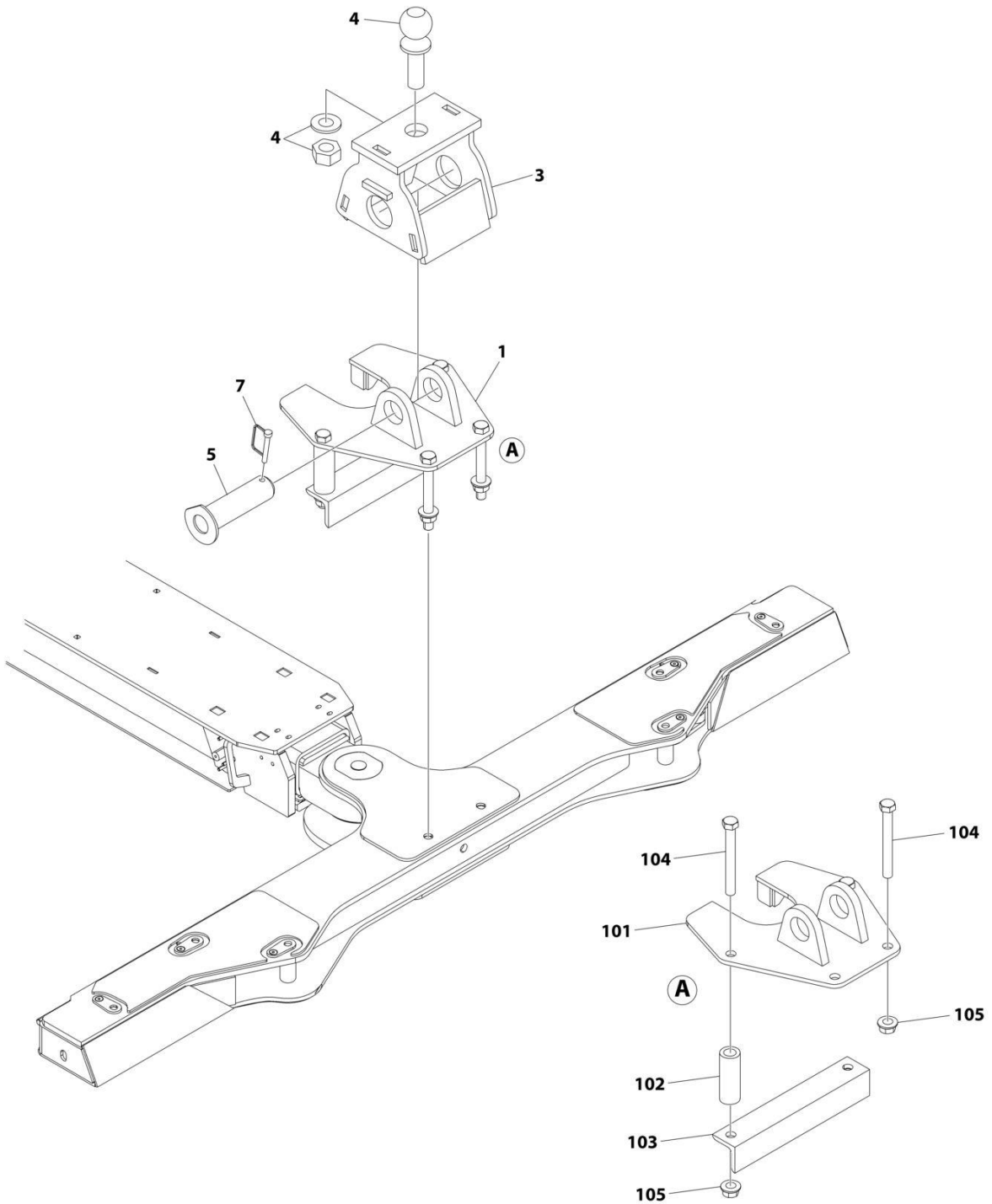
SECTION 9 - ACCESSORIES

FIGURE 9-28. TOW BALL INSTALLATION - FIFTH WHEEL

ITEM	PART NUMBER	QTY	DESCRIPTION	REV
	2556000013	Ref	TOW BALL INSTALLATION - FIFTH WHEEL	0
1	2178000065	Ref	Bracket Installation (Includes Items 101-105)	
2	3178000562	1	Bracket	
5	3691000144	1	Pin	
6	3691000145	1	Pin	
7	7691000025	2	Pin	
	2178000065	Ref	BRACKET INSTALLATION	0
101	3178000543	1	Bracket	
102	4912000432	2	Tube	
103	4017001612	1	Angle	
104	7118225250	4	Bolt 3/4 x 6-1/2	
105	7661000069	4	Nut 3/4	

SECTION 9 - ACCESSORIES

FIGURE 9-29. TOW BALL INSTALLATION - GOOSENECK COMBINATION



ART_2556000014

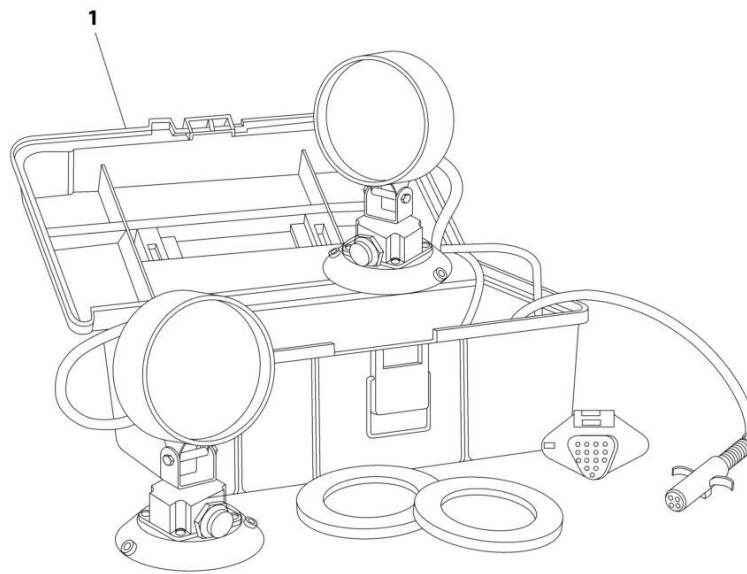
SECTION 9 - ACCESSORIES

FIGURE 9-29. TOW BALL INSTALLATION - GOOSENECK COMBINATION

ITEM	PART NUMBER	QTY	DESCRIPTION	REV
	2556000014	Ref	TOW BALL INSTALLATION - GOOSENECK COMBINATION	0
1	2178000065	Ref	Bracket Installation (Includes Items 101-105)	
3	3178000560	1	Bracket	
4	7056000011	1	Ball, Chrome	
5	3691000144	1	Pin	
7	7691000025	1	Pin	
	2178000065	Ref	BRACKET INSTALLATION	0
101	3178000543	1	Bracket	
102	4912000432	2	Tube	
103	4017001612	1	Angle	
104	7118225250	4	Bolt 3/4 x 6-1/2	
105	7661000069	4	Nut 3/4	

SECTION 9 - ACCESSORIES

FIGURE 9-30. TOW LIGHTS, MAGNETIC (Prior to SN 0230010811)



ART_LMT

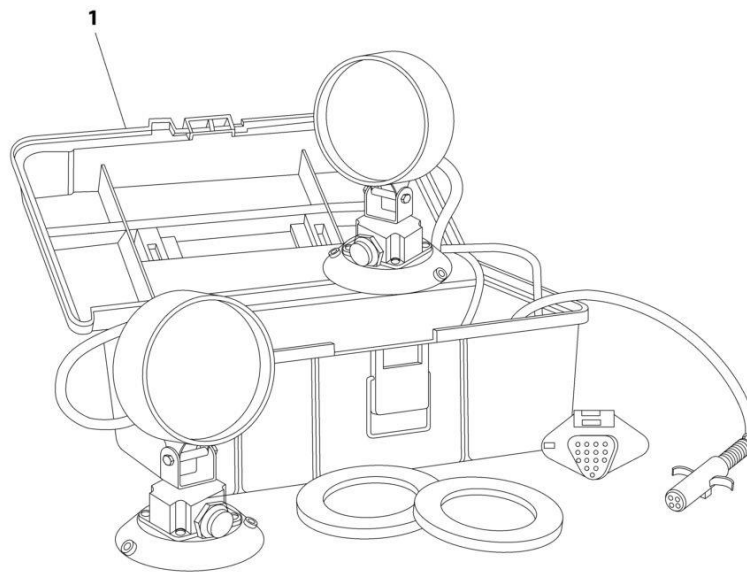
SECTION 9 - ACCESSORIES

FIGURE 9-30. TOW LIGHTS, MAGNETIC (Prior to SN 0230010811)

ITEM	PART NUMBER	QTY	DESCRIPTION	REV
1	LMT 5525000752	Ref 1	TOW LIGHT KIT - MAGNETIC MOUNTED Magnetic Light Kit Towing - with Case	0

SECTION 9 - ACCESSORIES

FIGURE 9-31. TOW LIGHTS, MAGNETIC/SUCTION (Prior to SN 0230010811)



ART_LST

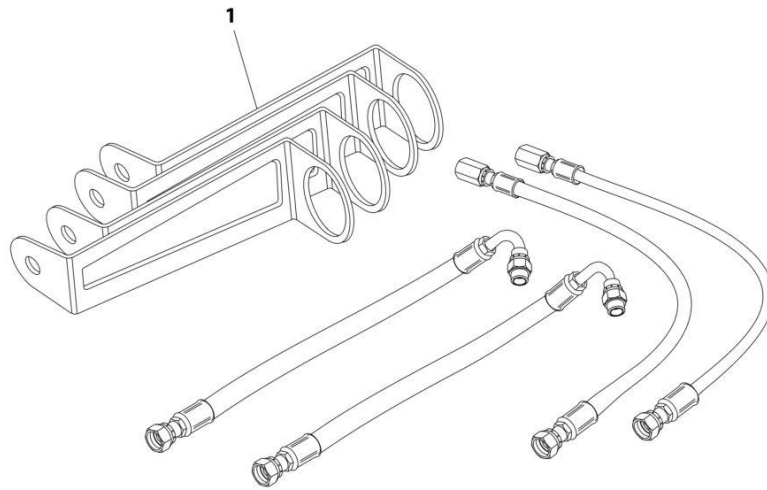
SECTION 9 - ACCESSORIES

FIGURE 9-31. TOW LIGHTS, MAGNETIC/SUCTION (Prior to SN 0230010811)

ITEM	PART NUMBER	QTY	DESCRIPTION	REV
1	LST 7002000449	Ref 1	SUCTION MOUNTED TOW LIGHT KIT Tow Lights Suction	0

SECTION 9 - ACCESSORIES

FIGURE 9-32. VALVE STEM EXTENSION KIT



ART_2002000029

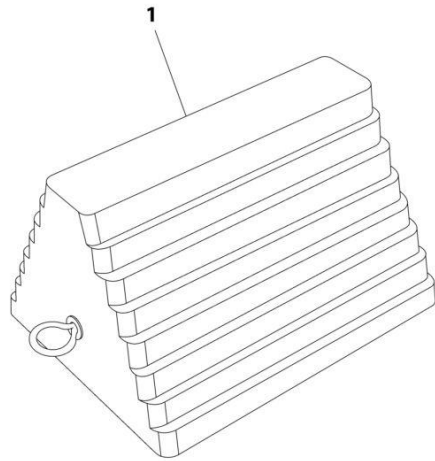
SECTION 9 - ACCESSORIES

FIGURE 9-32. VALVE STEM EXTENSION KIT

ITEM	PART NUMBER	QTY	DESCRIPTION	REV
1	2002000029 7002000447	Ref 1	Valve System Extension Kit Valve Stem	0

SECTION 9 - ACCESSORIES

FIGURE 9-33. WHEEL CHOCKS



ART_RWC

SECTION 9 - ACCESSORIES

FIGURE 9-33. WHEEL CHOCKS

ITEM	PART NUMBER	QTY	DESCRIPTION	REV
1	RWC 7002000448	Ref 2	WHEEL CHOCKS Wheel Chock - Rubber	0

SECTION 10 - BUILD DOCUMENTS

SECTION 10 - BUILD DOCUMENTS

FIGURE 10-1. BUILD DOC_5376000245

ITEM	PART NUMBER	QTY	DESCRIPTION	REV
	Note	Ref	Note: This list is for build tracking purposes only. Parts in this list are not available at this inventory stocking level. Parts in this list may not be applicable to all models. For more specific parts information contact Jerr-Dan Parts Department	
	1001138636	Ref	Body & Wiring Installation (WITH FUEL FILLER IN DRIVERS SIDE) (SN 0230004217 through 0230009709)	
	1001208042	Ref	Body Installation (WITH FUEL FILLER IN DRIVERS SIDE) (See Separate Breakdown in BODY Section) (SN 0230004217 through 0230009709)	
	1001208048	Ref	Body Wiring Installation (WITH FUEL FILLER IN DRIVERS SIDE) (See Separate Breakdown in ELECTRICAL Section) (SN 0230004217 through 0230009709)	
	1001268365	Ref	Body & Wiring Installation (WITH FUEL FILLER IN DRIVERS SIDE) (SN 0230009709 through 0230015583, Except SN 0230010924 through 0230010930, Except SN 0230011121 through 0230011129, Except SN 0230011301 through 0230011319, Except SN 0230011491 through 0230011510, Excluding 0230010532, 0230011032 and 0230011078)	
	1001208042	Ref	Body Installation (WITH FUEL FILLER IN DRIVERS SIDE) (See Separate Breakdown in BODY Section) (SN 0230009709 through 0230015583, Except SN 0230010924 through 0230010930, Except SN 0230011121 through 0230011129, Except SN 0230011301 through 0230011319, Except SN 0230011491 through 0230011510, Excluding 0230010532, 0230011032 and 0230011078)	
	1001267675	Ref	Body Wiring Installation (WITH FUEL FILLER IN DRIVERS SIDE) (See Separate Breakdown in ELECTRICAL Section) (SN 0230009709 through 0230015583, Except SN 0230010924 through 0230010930, Except SN 0230011121 through 0230011129, Except SN 0230011301 through 0230011319, Except SN 0230011491 through 0230011510, Excluding 0230010532, 0230011032 and 0230011078)	
	1001136483	Ref	Body & Wiring Installation (WITHOUT FUEL FILLER IN BODY) (SN 0230004217 through 0230009709)	
	1001208048	Ref	Body Installation (WITHOUT FUEL FILLER IN BODY) (See Separate Breakdown in BODY Section) (SN 0230004217 through 0230009709)	
	1001208044	Ref	Wiring Installation (WITHOUT FUEL FILLER IN BODY) (See Separate Breakdown in ELECTRICAL Section) (SN 0230004217 through 0230009709)	
	1001268366	Ref	Body & Wiring Installation (WITHOUT FUEL FILLER IN BODY) (SN 0230009709 through 0230015583, Except SN 0230010924 through 0230010930, Except SN 0230011121 through 0230011129, Except SN 0230011301 through 0230011319, Except SN 0230011491 through 0230011510, Excluding 0230010532, 0230011032 and 0230011078)	
	1001208044	Ref	Body Installation (WITHOUT FUEL FILLER IN BODY) (See Separate Breakdown in BODY Section) (SN 0230009709 through 0230015583, Except SN 0230010924 through 0230010930, Except SN 0230011121 through 0230011129, Except SN 0230011301 through 0230011319, Except SN 0230011491 through 0230011510, Excluding 0230010532, 0230011032 and 0230011078)	
	1001267675	Ref	Wiring Installation (WITHOUT FUEL FILLER IN BODY) (See Separate Breakdown in ELECTRICAL Section) (SN 0230009709 through 0230015583, Except SN 0230010924 through 0230010930, Except SN 0230011121 through 0230011129, Except SN 0230011301 through 0230011319, Except SN 0230011491 through 0230011510, Excluding 0230010532, 0230011032 and 0230011078)	

SECTION 10 - BUILD DOCUMENTS

ITEM	PART NUMBER	QTY	DESCRIPTION	REV
			0230011491 through 0230011510, Excluding 0230010532, 0230011032 and 0230011078)	
	1001137614	Ref	Controls Installation - 4 Solenoid Valve & Underlift Electrical Components	
	1001137666	Ref	Main Control Valve installation (See Separate Breakdown in HYDRAULIC Section)	
	2509170076	Ref	Underlift Electrical Controls Installation (See Separate Breakdown in ELECTRICAL Section)	
	1001137616	Ref	Controls Installation - 7 Solenoid Valve & Underlift Electrical Components	
	1001137667	Ref	Main Control Valve installation (See Separate Breakdown in HYDRAULIC Section)	
	2509170076	Ref	Underlift Electrical Controls Installation (See Separate Breakdown in ELECTRICAL Section)	
		Ref	PTO (Installation & replacement is based on individual characteristics of the unit - Contact Jerr-Dan Parts Dept.)	
		Ref	Pump (Installation & replacement is based on individual characteristics of the unit - Contact Jerr-Dan Parts Dept.)	
	2636000021	Ref	Ship-Out Stand for Kits Models	
	1001135754	Ref	Switch Panel - 3 Function (In Dash Compact) (SN 0230004217 through 0230009709)	
	1001135700	Ref	Switch Panel Assembly - 3 Function (See Separate Breakdown in ELECTRICAL Section) (SN 0230004217 through 0230009709)	
	1001129883	Ref	Breaker Installation - 50Amp (See Separate Breakdown in ELECTRICAL Section) (SN 0230004217 through 0230009709)	
	1001135689	Ref	Cabinet Light & Fuse Installation (See Separate Breakdown in ELECTRICAL Section) (SN 0230004217 through 0230009709)	
	1001268204	Ref	Switch Panel - 3 Function (In Dash Compact) (SN 0230009709 through 0230015583, Except SN 0230010924 through 0230010930, Except SN 0230011121 through 0230011129, Except SN 0230011301 through 0230011319, Except SN 0230011491 through 0230011510, Excluding 0230010532, 0230011032 and 0230011078)	
	1001266075	Ref	Switch Panel Assembly - 3 Function (See Separate Breakdown in ELECTRICAL Section) (SN 0230009709 through 0230015583, Except SN 0230010924 through 0230010930, Except SN 0230011121 through 0230011129, Except SN 0230011301 through 0230011319, Except SN 0230011491 through 0230011510, Excluding 0230010532, 0230011032 and 0230011078)	
	1001129883	Ref	Breaker Installation - 50Amp (See Separate Breakdown in ELECTRICAL Section) (SN 0230009709 through 0230015583, Except SN 0230010924 through 0230010930, Except SN 0230011121 through 0230011129, Except SN 0230011301 through 0230011319, Except SN 0230011491 through 0230011510, Excluding 0230010532, 0230011032 and 0230011078)	
	1001135790	Ref	Switch Panel - 3 Function (Under Dash Compact) (SN 0230004217 through 0230009709)	
	1001135756	Ref	Switch Panel Assembly - 3 Function (See Separate Breakdown in ELECTRICAL Section) (SN 0230004217 through 0230009709)	
	1001129883	Ref	Breaker Installation - 50Amp (See Separate Breakdown in ELECTRICAL Section) (SN 0230004217 through 0230009709)	
	1001135689	Ref	Cabinet Light & Fuse Installation (See Separate Breakdown in ELECTRICAL Section) (SN 0230004217 through 0230009709)	
	1001268202	Ref	Switch Panel - 3 Function (Under Dash Compact) (SN 0230009709 through 0230015583, Except SN 0230010924 through 0230010930, Except SN 0230011121 through	

SECTION 10 - BUILD DOCUMENTS

ITEM	PART NUMBER	QTY	DESCRIPTION	REV
			023001129, Except SN 023001301 through 0230011319, Except SN 0230011491 through 0230011510, Excluding 0230010532, 0230011032 and 0230011078)	
	1001266355	Ref	Switch Panel Assembly - 3 Function (See Separate Breakdown in ELECTRICAL Section) (SN 0230009709 through 0230015583, Except SN 0230010924 through 0230010930, Except SN 023001121 through 023001129, Except SN 0230011301 through 0230011319, Except SN 0230011491 through 0230011510, Excluding 0230010532, 0230011032 and 0230011078)	
	1001129883	Ref	Breaker Installation - 50Amp (See Separate Breakdown in ELECTRICAL Section) (SN 0230009709 through 0230015583, Except SN 0230010924 through 0230010930, Except SN 023001121 through 023001129, Except SN 0230011301 through 0230011319, Except SN 0230011491 through 0230011510, Excluding 0230010532, 0230011032 and 0230011078)	
	1001135755	Ref	Switch Panel - 5 Function (In Dash Compact) (SN 0230004217 through 0230009709)	
	1001135701	Ref	Switch Panel Assembly - 5 Function (See Separate Breakdown in ELECTRICAL Section) (SN 0230004217 through 0230009709)	
	1001129883	Ref	Breaker Installation - 50Amp (See Separate Breakdown in ELECTRICAL Section) (SN 0230004217 through 0230009709)	
	1001268208	Ref	Switch Panel - 5 Function (In Dash Compact) (SN 0230009709 through 0230015583, Except SN 0230010924 through 0230010930, Except SN 023001121 through 023001129, Except SN 0230011301 through 0230011319, Except SN 0230011491 through 0230011510, Excluding 0230010532, 0230011032 and 0230011078)	
	1001266357	Ref	Switch Panel Assembly - 5 Function (See Separate Breakdown in ELECTRICAL Section) (SN 0230009709 through 0230015583, Except SN 0230010924 through 0230010930, Except SN 023001121 through 023001129, Except SN 0230011301 through 0230011319, Except SN 0230011491 through 0230011510, Excluding 0230010532, 0230011032 and 0230011078)	
	1001129883	Ref	Breaker Installation - 50Amp (See Separate Breakdown in ELECTRICAL Section) (SN 0230009709 through 0230015583, Except SN 0230010924 through 0230010930, Except SN 023001121 through 023001129, Except SN 0230011301 through 0230011319, Except SN 0230011491 through 0230011510, Excluding 0230010532, 0230011032 and 0230011078)	
	1001135791	Ref	Switch Panel - 5 Function (Under Dash Compact) (SN 0230004217 through 0230009709)	
	1001135757	Ref	Switch Panel Assembly - 5 Function (See Separate Breakdown in ELECTRICAL Section) (SN 0230004217 through 0230009709)	
	1001129883	Ref	Breaker Installation - 50Amp (See Separate Breakdown in ELECTRICAL Section) (SN 0230004217 through 0230009709)	
	1001268206	Ref	Switch Panel - 5 Function (Under Dash Compact) (SN 0230009709 through 0230015583, Except SN 0230010924 through 0230010930, Except SN 023001121 through 023001129, Except SN 0230011301 through 0230011319, Except SN 0230011491 through 0230011510, Excluding 0230010532, 0230011032 and 0230011078)	
	1001266359	Ref	Switch Panel Assembly - 5 Function (See Separate Breakdown in ELECTRICAL Section) (SN 0230009709 through 0230015583, Except SN 0230010924 through 0230010930, Except SN 023001121 through 023001129, Except SN 0230011301 through 0230011319, Except SN 0230011491	

SECTION 10 - BUILD DOCUMENTS

ITEM	PART NUMBER	QTY	DESCRIPTION	REV
	1001129883	Ref	through 0230011510, Excluding 0230010532, 0230011032 and 0230011078) Breaker Installation - 50Amp (See Separate Breakdown in ELECTRICAL Section) (SN 0230009709 through 0230015583, Except SN 0230010924 through 0230010930, Except SN 0230011121 through 0230011129, Except SN 0230011301 through 0230011319, Except SN 0230011491 through 0230011510, Excluding 0230010532, 0230011032 and 0230011078)	
	1001182229	Ref	TUNNEL COMPARTMENT - 22IN	
	1001145675	Ref	Winch Installations - 8K Single (Without Fly Boom)	
	WS8SW	Ref	Winch Installations - 8K Single (With Fly Boom)	
	WO8DW	Ref	Winch Installations - 8K Dual (With Fly Boom)	
	1001133400	Ref	Winch Installations - 8K Dual (Special) (With Fly Boom)	

PART NUMBER INDEX

SECTION 10 - BUILD DOCUMENTS

0100011.....123, 127, 145, 363, 365, 367, 369	1001129412..... 123, 125, 127	1001134178 509	1001153946..... 123, 127, 145
0641406..... 138, 153, 157, 161, 165	1001129413..... 123, 125, 127	1001134181 509	1001153947..... 123, 127, 145
0641407..... 44, 48, 51, 55	1001129414..... 121, 123, 125, 127	1001135107 179	1001153950..... 123, 127, 145
0641408..... 181	1001129461 465	1001135108 179	1001153971..... 123, 127, 145
0641410..... 335, 337	1001129474 465	1001135519 461	1001154361..... 505
0641416..... 138	1001129882 347	1001135521 469	1001154382..... 505
0641510..... 44, 48, 69, 71, 73	1001129883 347, 567, 568, 569	1001135689 353, 567	1001155141..... 111, 113, 115
0641516..... 44, 48, 51, 55	1001130043 246, 252, 258	1001135700 441, 567	1001155871..... 361
0641608..... 71, 73, 181	1001130410 213	1001135701 473, 568	1001155872..... 361, 375
0641610..... 21, 23, 25, 27, 153, 157, 161, 165, 177, 179, 395	1001130417 213	1001135754 567	1001159336..... 395
0641612..... 69, 71, 73, 99	1001130418 213	1001135755 568	1001160195..... 145
0641808..... 59, 61	1001130702 371	1001135756 445, 567	1001160779..... 29, 31
0641809..... 44, 48, 51, 55	1001130992 153, 157, 161, 165	1001135757 477, 568	1001160831..... 29, 31
0641810..... 363, 365	1001130993 153, 157, 161, 165	1001135790 567	1001160833..... 29
0641812..... 179	1001131306 245, 251, 257	1001135791 568	1001160834..... 31
0641814..... 149, 151, 175	1001131323 245, 251, 257	1001136268 153, 157	1001160835..... 31
0641824..... 177, 179	1001132189 305, 311	1001136269 161, 165	1001160904..... 29
0641826..... 177, 179	1001132346 493	1001136483 566	1001160905..... 31
0641828..... 175	1001132605 291	1001136990 355, 357, 371	1001160919..... 31
0642014..... 71, 73	1001132608 293	1001137204 39	1001160988..... 29
0642018..... 69	1001132613 295	1001137306 189, 197, 415	1001161481..... 481
0651606..... 69, 71, 73	1001132617 283, 297	1001137307 201, 205, 411	1001161520..... 391
0681610..... 59, 61	1001132624 265	1001137308 389	1001173683..... 245, 251, 257
0681816..... 21, 23, 25, 27, 44, 48, 51, 55	1001132633 261	1001137310 189	1001174680..... 395
0682014..... 105, 107, 109	1001132634 267	1001137311 201	1001174682..... 387
0701019..... 44	1001132638 279	1001137356 33, 35, 39	1001175061..... 317
0701024..... 44	1001132642 275	1001137486 121, 125	1001175876..... 33
0962224..... 117	1001132643 269	1001137519 367	1001176337..... 397, 399
0962272..... 59, 63, 67	1001132647 271, 287	1001137607 217	1001178630..... 97
1001095650..... 69, 71, 73, 105, 107, 109, 111, 113, 115	1001132794 261, 265, 267, 269, 271, 273, 275, 277, 279, 281, 283, 285, 287, 291, 293, 295, 297	1001137608 219	1001179025..... 83
1001100949..... 395	1001132800 261, 275, 277, 279, 281, 283, 287, 291, 293, 295, 297	1001137609 223	1001181886..... 93
1001112058..... 123, 127	1001132813 261	1001137610 225	1001181889..... 95
1001116727..... 349, 351, 429, 435, 449, 451	1001132814 275	1001137611 138, 221	1001182229..... 569
1001116729..... 339, 341, 349, 351, 449, 451	1001132816 277	1001137614 567	1001183579..... 99, 101
1001116747..... 343, 345	1001132817 279	1001137616 567	1001185808..... 138
1001117026..... 449, 451	1001132818 281	1001137665 301	1001190936..... 153
1001119004..... 339, 341, 343, 345	1001132819 283	1001137666 303, 567	1001190937..... 161, 165
1001121727..... 349, 351	1001132820 287	1001137667 305, 567	1001190939..... 153, 157
1001123147..... 35	1001132838 261	1001137904 138	1001190941..... 161, 165
1001123179..... 507	1001132839 275	1001138315 265	1001190945..... 335, 339
1001123370..... 359	1001132841 277	1001138316 265	1001190946..... 335, 343
1001123375..... 457	1001132842 279	1001138636 566	1001191714..... 59, 61
1001126235..... 17, 19	1001132843 281	1001138640 393	1001191716..... 59, 61
1001126236..... 17, 19	1001132844 283	1001139332 535	1001191717..... 105, 107, 109
1001126269..... 371, 375	1001132845 279, 287	1001139909 329, 333	1001191718..... 105, 107, 109
1001126735..... 309, 311	1001132848 277	1001141340 33	1001194362..... 59, 61, 63
1001126957..... 229, 231, 319, 321	1001133325 257	1001141411 33	1001194369..... 105, 107, 109, 117
1001126961..... 229, 319	1001133326 257	1001142453 333	1001194370..... 65, 67
1001127220..... 493	1001133400 569	1001142973 333	1001196248..... 15
1001127426..... 405	1001133439 401, 437	1001142974 329, 331	1001196264..... 59
1001129095..... 469, 471	1001133443 401	1001145641 69	1001196295..... 15
1001129410..... 121		1001145675 569	1001196322..... 59
1001129411..... 121		1001146878 515	1001196323..... 61
		1001146879 515	1001196383..... 65
		1001152244 289	1001196508..... 109
		1001152707 65, 111, 113, 115	1001196509..... 109, 115
		1001153944 123, 127, 145	1001196510..... 115
		1001153945 123, 127, 145	

SECTION 10 - BUILD DOCUMENTS

1001197476 403, 405	1001221467.....511	1001255713.....203	1001267677 467
1001199475 367, 369, 380	1001221651....21, 23, 44, 45, 48, 51, 55	1001255714.....195	1001267711 483
1001204776 59, 111, 113, 115	1001221652....21, 23, 45, 48, 51, 55	1001255715.....205	1001267714 123, 127
1001204843 121	1001221653....21, 23, 45, 48, 51, 55	1001255716.....197	1001267964 459
1001204844 125	1001221904.....51	1001255721.....197	1001267981 455
1001204845 138	1001221905.....55	1001255722.....205	1001268202 567
1001205239 495	1001222675.....285	1001255844.....21, 23	1001268204 567
1001205604 138	1001222676.....291	1001255854.....21, 23	1001268206 568
1001206078 395	1001222677.....293	1001255855.....21	1001268208 568
1001206157 69, 71	1001222678.....295	1001255856.....25	1001268365 566
1001206159 73	1001222679.....297	1001255858....21, 23, 25, 27	1001268366 566
1001206161 69, 71, 73	1001223284.....521	1001255942....21, 23, 25, 27	1001270927 123
1001206167 69, 71, 73	1001223285.....521, 525	1001255943....21, 23, 25, 27	1001270928 123
1001206171 69, 71, 73	1001223286.....521, 523	1001255944....21, 23, 25, 27	1001271130 123
1001207921 493, 495	1001223814.....153, 157, 161, 165, 181, 183, 185	1001256091.....453	1001273600 331
1001207972 105	1001224068....44, 45, 48, 51, 55	1001256168.....21, 23	1001273634 397, 399
1001207975 105, 111	1001224947.....149, 153	1001256172.....369	1001274434 245, 251, 257
1001207976 111, 113	1001224948.....149, 161	1001256173.....357	1001282025 44
1001207984 157	1001224949.....151, 157	1001256220.....501	1001282026 44
1001208042 149, 566	1001224950.....151, 165	1001256221.....503	1001290326 498
1001208044 151, 566	1001224953.....153, 157, 161, 165	1001256226....21, 23, 25, 27	2002000027 211
1001208048 335, 566	1001224954.....153, 157, 161, 165, 181, 183, 185	1001256227501	2002000028 529
1001208290 395	1001224955.....153, 157, 181, 183, 185	1001256228.....503	2002000029 561
1001208291 391, 393	1001224956.....161, 165, 181, 183, 185	1001256269....21, 23, 25, 27	2002000031 433
1001208292 395	1001224968.....153, 157, 161, 165	1001256340.....427	2011000002 315
1001208300 397	1001225063.....407	1001256462.....267	2011000003 317
1001208611 99	1001225068.....407	1001256463.....269	20110000062 ... 17, 19, 29, 31, 33, 35, 39, 45, 48, 51, 55
1001208612 99	1001225081.....177, 183	1001256464.....271	2178000036 533
1001208613 99	1001225082.....183	1001256465.....273	2178000048 143
1001208842 99	1001225084.....179, 185	1001256789.....23, 27	2178000053 138
1001208926 61	1001225085.....185	1001256801.....27	2178000062 ... 17, 19, 29, 31, 33, 35, 39, 45, 48, 51, 55
1001209026 495	1001225086.....175, 181	1001256825.....273	2178000065 551, 553, 555
1001209218 495	1001225087.....181	1001256827267	2220415 138
1001211199 187	1001225217.....407, 485, 487	1001256828.....271	2295000015 425
1001211200 191	1001225784.....153	1001256829.....273	2314000024 167
1001211201 207	1001225785.....161	1001256835.....23	2314000029 173
1001211866 531	1001225786.....157	1001256836.....27	2415000019 171
1001214805 411, 415	1001225787.....165	1001256879.....523, 527	2415000020 169
1001220071 44	1001226317.....407	1001257976.....523, 527	2500900643 85
1001220072 44, 51	1001226914.....513	1001258797.....523	2509170076 489, 567
1001220073 44, 51	1001226915.....511	1001259576.....363	2509290058 493
1001220074 44, 51	1001228303.....91	1001262106.....365	2509350151 35, 39
1001220076 48	1001229606.....329, 333	1001263429.....337, 351	2509530141 263
1001220077 48, 55	1001230127.....433	1001265004.....365	2509570054 199
1001220078 48, 55	1001231801.....493	1001265468.....107	2509570057 187
1001220181 325	1001241869.....498	1001265470.....107, 113	2509570061 207
1001220280 138	1001247139.....363, 365, 377	1001265475.....123	2509570069 209
1001220359 177, 179	1001250685.....449, 451	1001265476.....127	2509570071 383
1001220832 44	1001254044.....449, 451, 453, 455	1001265479.....123, 127	2509570106 191
1001220833 ... 44, 48, 51, 55	1001254906.....449	1001265657.....463	2509570147 193
1001220909 44, 48	1001255482....21, 23, 25, 27	1001265877.....471	2509610119 539
1001221001 44, 48	1001255484.....327	1001266075.....443, 567	2509650093 299
1001221065 44	1001255485.....327	1001266076.....411, 419	2509740122 175
1001221075 ... 44, 48, 51, 55		1001266355.....447, 568	2509900044 73
1001221138 ... 44, 48, 51, 55		1001266357.....475, 568	2509900135 71
1001221232 44, 48		1001266359.....479, 568	2550000420 189
1001221345 44, 51		1001266486.....415, 423	2550000472 201
1001221348 48, 55		1001266884.....487	2550000517 179
1001221375 459, 463, 467, 471, 485, 487		1001267332.....451	2556000012 551
1001221395 485		1001267670.....337, 341	2556000013 553
1001221466 513		1001267671.....337, 345	2556000014 555
		1001267675.....337, 566	2570000157 29, 31
			2570000170 19

SECTION 10 - BUILD DOCUMENTS

2570000171.....33, 35, 39, 45, 48, 51, 55	3484000016..... 133	3935000170 303, 309	4314000205.....173
2570000173.....35, 39	3484000017..... 129	3941506 ... 21, 23, 25, 27, 45, 49, 52, 56, 291, 293, 295, 297	4314000224..... 193, 195, 197
2570000174..... 17	3484000030..... 121	4017001271 179	4346000005..... 347, 353, 439, 441, 443, 445, 447, 451, 455, 459, 461, 463, 467, 469, 471, 483, 487
2577000033.....393	3484000046..... 125, 133	4017001502 111, 113, 115	4420002.....335, 337
2577000038.....543	3484000047..... 125, 129	4017001612 551, 553, 555	4460018.....443, 447, 475, 479
2590000126.....399	3484000050..... 131	4062000541 69, 71, 73	4460035.....443, 447, 463, 467, 475, 479
2590000176.....387	3484000052 127, 131, 135	4062000569 153, 157, 161, 165, 181, 183, 185	4460042.....443, 447, 475, 479
2590000177.....385	3484000053..... 127, 135	4062000691 167	4460457.... 323, 349, 351, 417, 419, 421, 423, 429
2590000179.....355	3484000076..... 121	4064000052 123, 127, 138	4460458.... 323, 417, 419, 421, 423, 429, 435, 437
2636000021.....567	3484000077 125	4090000008 173	4460465.....429
2638000006.....537	3509170134 231, 321	4090000010 149, 151	4460466.....429
2754000007.....517	3509330097 403	4090000011 149, 151	4460475.... 323, 417, 419, 421, 423, 429, 435, 437
2754000008.....519	3509330108 193, 195, 199, 203, 209, 409	4090000012 383	4460587.....349, 351
2870000012.....439	3509330109 187, 191, 207, 413	4090000013 121, 123, 125, 127	4460588.....349, 351
2870000030.....457	3509330132 17, 19	4178000166 83	4460589.....349, 351
2899000081.....177	3509350118 35, 39	4178000167 83	4460608.... 349, 351, 417, 419, 421, 423
2900733.....81	3509530098 138, 233	4178000402 355, 359, 367, 383	4460692.... 343, 345, 349, 351, 417, 419, 421, 423
3017000002.....85	3509530141 237, 241	4178000427 439	4460693.... 343, 345, 349, 351
3017000003.....85	3509530142 235, 239	4178000437 357, 361, 369	4460695.... 343, 345, 419, 421, 423
3020000029..... 125, 127	3509530143 235, 237	4178000577 153, 157, 161, 165	4460742.... 339, 341, 343, 345, 417, 419, 421, 423
3020000030..... 125, 127	3509530144 239, 241	4178000621 99	4460743.....435
3020000037..... 121	3509530156 251	4178000626 61	4460789.....449, 451
3020000038..... 121	3509530157 245	4178000636 533	4460842....431, 435, 437
3020000124..... 138	3509570103 199	4178000639 533	4460867.... 339, 341, 417, 421, 423
3020000125..... 138	3509570106 187	4178000707 489	4460933.....429, 431
3020029..69, 71, 73, 121, 123, 125, 127, 138, 495	3509570111 203, 207	4178000709 489	4460955.... 431, 435, 437
3020039....59, 61, 65, 69, 71, 73, 99, 105, 107, 109, 111, 113, 115, 121, 123, 125, 127, 138, 153, 157, 161, 165	3509570113 209	4178000742 181	4461157.....419
3170000345.....65	3509570119 191	4178000744 153, 157, 161, 165	4461215.... 417, 419, 421, 423
3170000346..... 113, 115	3509570137 193, 195	4178000745 161, 165	4533000415.... 17, 19, 21, 23, 25, 27, 29, 31, 33, 35, 39, 45, 49, 51, 55
3170000390..... 121, 125	3509870046 233	4178000746 153, 157	4551000005.....83
3170000393..... 111	3509900060 83	4178000784 397	4552000410..... 17, 19
3170000493.....97	3550001692 201	4178000920 35, 39	4564088.....327
3178000419.....73	3550001694 189	4248000002 533	4567011018.....237, 241
3178000443.....383	3551000036 121, 129, 133	4248000003 533	4567110024.....245, 251, 258
3178000444.....383	3551000056 217, 221	4254000005 121, 123, 125, 127, 129, 131, 133, 135	4567110025.....245, 251, 258
3178000468.....533	3551000057 217, 219, 223, 225	4259000001 131, 133	4567120016.....235, 237, 239, 241
3178000469.....533	3587000007 83	4259000002 129, 135	4567120021.....237, 241
3178000470.....533	3587000008 83	4263000689 187, 189, 191, 193, 195, 197, 199, 201, 203, 205, 207, 209	4567122023.....235, 237, 239, 241
3178000471.....531	3592000051 138	4263000705 517	4567122024.....245, 251, 257
3178000507..... 143	3592000052 138	4263000710 533	4567122026.....245, 251, 257
3178000543.....551, 553, 555	3619000001 233	4314000085 217	
3178000552.....69, 71	3686000052 165	4314000089 149, 151	
3178000560.....551, 555	3691000144 551, 553, 555	4314000090 149, 151	
3178000562.....551, 553	3691000145 551, 553	4314000091 153, 157	
3249000040.....539	3691000195 143, 539	4314000092 161, 165	
3249000041.....539	3691000229 138	4314000102 187, 189	
3271505..... 138	3691000230 138	4314000103 203, 205, 207	
3271605.... 21, 23, 25, 27, 59, 61	3706000099 85	4314000125 209	
3271805.... 21, 23, 25, 27, 44, 48, 51, 55, 59, 61	3706000380 543	4314000169 191	
3272005.... 105, 107, 109	3750000061 299	4314000175 149, 151	
3300455.... 153, 157, 161, 165, 181, 183, 185	3754000004 517, 519		
3300492.... 153, 157, 161, 165, 181, 395	3760115 111, 113, 115		
3311401....44, 48, 51, 55	3760351 138		
3311801....44, 48, 51, 55	3841143 ... 59, 61, 69, 71, 73		
3314000051 167	3841258 105, 107, 109		
3340898..... 177, 179	3899000119 153, 157		
	3899000120 161		
	3899000149 175		
	3899000150 175		

SECTION 10 - BUILD DOCUMENTS

4567123056 245, 251, 257	4691000186..... 121, 123, 125, 127, 129, 131, 133, 135	4763000400.....223, 225	70050179..... 380
4567130168 285	4691000198..... 123, 127, 138	4763000401219	70050180 380
4567130190 291	4691000307..... 111, 113, 115	4763000402217	70050181 380
4567130195 293	4691000308..... 111, 113, 115	4763000403217	70050203 380
4567130216 295	4691000354..... 129, 131, 133, 135	4763000404217	70050204 380
4567130223 297	4691000357..... 129, 131, 133, 135	4763000405221	70050207 381
4567131058 258	4691000541..... 517, 519	4763000418167	70050208 381
4567131065 258	4691000547..... 533	4811000823..... 153, 157, 161	70050209 381
4567131080 245, 251, 257	4691000572..... 539	4811000840..... 153, 157, 161, 165	70050210 381
4567132040 258	4706001123..... 535, 537	4811001158..... 149, 151	70050211 381
4567132043 258	4706003402..... 403, 405	4811001159..... 149, 151	70050632 141
4567132228 269	4706003497..... 138	4811001194..... 44, 48, 55	70050633 141
4567630162 281	4706003501..... 233	4811001399..... 35, 39	70050634 141
4567630182 283	4706003844..... 261, 265, 267, 269, 271, 273, 275, 277, 279, 281, 283, 285, 287, 289, 291, 293, 295, 297	4812000.....44	70050635 141
4567630186 289	4706004066..... 233	4812000107..... 175, 177, 179	70050636 141
4567630206 261	4706004067..... 233	4812000108..... 175, 177, 179	70050637 141
4567630219 265, 275	4706004919..... 15	4812000141..... 17, 19	70050638 141
4567630225 279	4706005002..... 199, 201	4812000142..... 17, 19, 29, 31	70050640 141
4567630241 287	4706005131..... 61	4831000095..... 123, 127, 138	70050641 141
4567630250 277	4706005595..... 425, 427	4891600.....69, 71, 73	70050642 141
4567631214 263	4706005695..... 149, 151, 153, 157, 161, 165	4891800..... 149, 151, 175	70050643 141
4569120017 245, 251, 258	4706005751..... 149, 151	4892000007.....493	70050644 141
4569120018 245, 251, 258	4706005838..... 175	4911000454..... 121	70050665 380
4569123054 233, 245, 251, 258	4706005869..... 177, 179	4912000432..... 551, 553, 555	70050679 75
4569123061 245, 251, 258	4706005896..... 33, 35, 39	4949000047..... 121, 123, 125, 127, 138	70050682 75
4570000099 281	4706006415..... 33, 35, 39	4949000050..... 105, 107, 109	70050980 371, 375
4570000227 229, 231, 319, 321	4706006442..... 17, 19, 29, 31, 33, 35, 39, 44, 48, 51, 55	5376000192.....407	70050981 371, 375
4570000229 233	4707000314.....211	5525000537.....331	70051021 380
4570000334 263	4707000315.....211	5525000752.....557	70051022 380
4570000352 289	4711400 ... 44, 48, 51, 55, 138, 335, 337	5526000553..... 17, 19, 29, 31, 33, 35, 39, 44, 45, 48, 49, 51, 55, 325, 327, 395, 409, 411, 413, 415, 425, 445, 447, 477, 479, 489	70051023 380
4570000373 285	4711600 69, 71, 73	7002000285541	70051026 380
4570000377 246, 252, 258	4711800 ... 21, 23, 25, 27, 44, 45, 48, 51, 55	7002000404529	70051027 380
4570000378 39	4712000 69, 71, 73	7002000447561	70051028 380
4619000013 138	4751400 ... 153, 157, 161, 165, 181, 183, 185	7002000448563	70051029 380
4632000050 153, 157, 161, 165	4751500 ... 44, 48, 51, 55, 69, 71, 73, 111, 113, 115	7002000449559	70051030 380
4632000053 181, 183, 185	4751600 99, 153, 157, 161, 165, 395	7002000521433	70051035 380
4636000041 177, 179	4761400 ... 138, 153, 157, 161, 165, 335, 337	7002107.....81	70051036 380
4679000046 111, 113, 115	4761500 111, 113, 115	7002110.....81	70051039 380
4679000213 111, 113, 115	476160071, 73, 153, 157, 161, 165, 521, 523	7002111.....81	70051044 380
4679000237 65	4763000154.....217, 219, 221, 223, 225	7002117.....81	70051045 380
4679000238 65	4763000184..... 121, 123, 125, 127, 129, 131, 133, 135	7002123.....81	70051048 380
4679000252 153, 157	4763000399.....225	70050079.....307	70051049 380
4679000274 531		70050164.....371, 375	70051053 380
4679000275 533		70050165.....371	70051055 380
4679000278 65		70050166.....371	70051056 381
4679000288 175		70050167.....371	70051057 381
4679000294 161		70050169.....380	70051058 380
4679000295 161		70050170.....380	70051059 380
4679000333 177, 179		70050174.....380	70051060 380
4679000334 177, 179		70050175.....380	70051061 380
4691000027 65		70050176.....380	70051062 380
4691000103 121, 125		70050178.....380	70051063 380
4691000183 129, 131, 133, 135			70051064 380

SECTION 10 - BUILD DOCUMENTS

70051205.....	309, 311	70051940.....	525	7114100618 .	35, 39, 213, 489	7115201450.....	97
70051326.....	117	70051947.....	527	7114100818	489	7115223806.....	99
70051465.....	425	70051950.....	527	7114140427	233	7118225250.....	551, 553, 555
70051466.....	425	70051951.....	527	7114140618	187, 189, 191, 193, 195, 197, 199, 201, 203, 205, 207, 209, 233, 245, 251, 257	7120000034.....	325, 327, 331, 347, 353, 401, 403, 405, 439
70051475.....	425	70051953.....	527	7114140818 .	35, 39, 149, 151, 153, 157, 161, 165, 181, 183, 185, 187, 189, 191, 193, 195, 197, 199, 201, 203, 205, 207, 209, 211	7120000046.....	149, 151, 217
70051554.....	75	70052164.....	527	7114141018 .	35, 39, 121, 123, 125, 127, 149, 151, 385	7120000052.....	533
70051555.....	75	70052165.....	527	7114141218	531	7120000070.....	167
70051576.....	101	70052166.....	527	7114150618	61	7120000081.....	335, 337
70051577.....	101	70052167.....	527	7114150818	149, 151	7178000025.....	409, 411, 413, 415
70051578.....	101	70052168.....	527	7114150850	169, 171	7178000045.....	395
70051579.....	101	70052169.....	527	7114161018	153, 157, 162, 165	7189000019.....	233
70051580.....	101	70052426.....	527	7114161050	521, 523	7190000066.....	507
70051581.....	101	70052448.....	527	7114181418	154, 158, 162, 165	7209000028.....	111
70051582.....	101	70052449.....	527	7115140650	257	7209000030.....	113, 115
70051583.....	101	70052450.....	527	7115140850	31, 233	7248000108.....	87
70051584.....	101	70052572.....	527	7115150664	383	7248000111.....	89, 93
70051585.....	101	70052600.....	527	7115150864	261, 263, 275, 277, 281	7248000140.....	95
70051586.....	101	70052605.....	527	7115151064	261, 265, 267, 269, 271, 273, 275, 277, 279, 281, 283, 285, 287, 289, 291, 293, 295, 297, 303, 305	7253000002.....	69, 71, 73, 121, 123, 125, 127, 138, 145, 495
70051587.....	101	70052606.....	527	7115151050 ...	21, 23, 25, 27, 45, 49, 52, 56, 261, 263, 265, 267, 269, 271, 273, 275, 277, 279, 281, 283, 285, 287, 289, 291, 293, 295, 297, 301, 303, 305	7262000010.....	99
70051588.....	101	70052794.....	375	7115151064	261, 265, 267, 269, 271, 273, 275, 277, 279, 281, 283, 285, 287, 289, 291, 293, 295, 297, 537	7262000020.....	61
70051589.....	101	70052795.....	375	7115151650	245, 251, 257	7262000040.....	59
70051590.....	101	70052796.....	375	7115152650	33	7274000002.....	263, 267, 269, 271, 273, 285, 289, 291, 293, 295, 297
70051591.....	101	70052797.....	375	7115161050 ...	17, 19, 29, 31, 33, 35, 39, 45, 49, 51, 55, 83, 85	7274000005.....	21, 23, 25, 27, 33, 35, 36, 39, 40, 45, 49, 51, 52, 55, 56
70051592.....	101	70052798.....	375	7115161064 99,	153, 157, 161, 165, 533	7274000039.....	138
70051593.....	101	70052799.....	375	7115161250	301, 303, 305, 383	7274000040.....	229, 231, 261, 265, 267, 269, 271, 273, 275, 277, 279, 281, 283, 285, 287, 289, 291, 293, 295, 297, 319, 321
70051594.....	375	70052800.....	375	7115181050	355, 357, 359, 361, 367, 369	7274000041.....	261, 265, 267, 269, 271, 273, 275, 277, 279, 281, 283, 287
70051615.....	67	70052801.....	375	7115181064	299	7274000042.....	21, 23, 25, 27, 261, 263, 265, 267, 269, 271, 273, 275, 277, 279, 281, 283, 285, 287, 289, 291, 293, 295, 297
70051617.....	67	70052802.....	375	7115181250	17, 19	7274000071.....	45, 49, 51, 55
70051618.....	67	70052803.....	375	7115181050	355, 357, 359, 361, 367, 369	7274000073.....	233
70051619.....	67	70054727.....	527	7115181250	17, 19	7274000076.....	21, 23, 25, 27, 45, 49, 51, 55, 261, 263, 265, 267, 269, 271, 273, 275, 277, 279, 281, 283, 285, 287, 289, 291, 293, 295, 297
70051620.....	67	70070000.....	377	7115181264	175	7274000080.....	229, 231, 245, 251, 257, 319, 321
70051621.....	63	70070001.....	377	7115181450	193, 199, 201, 203, 205, 209	7274000086.....	138
70051622.....	63	70070002.....	377	7115181464	149, 151	7274000105.....	45, 49, 51, 56, 263, 267, 269, 271, 273
70051623.....	63	70070003.....	377	7115181650 ...	17, 19, 29, 31, 33, 35, 39, 187, 189, 191, 195, 197, 207		
70051624.....	63	70070028.....	81	7115190950	383		
70051625.....	63	70070029.....	81				
70051628.....	117	70070030.....	81				
70051629.....	117	7009974.....	81				
70051630.....	117	7009975.....	81				
70051631.....	117	7009992.....	81				
70051635.....	525	7009997.....	81				
70051636.....	525	7011000006.....	315				
70051637.....	525	7012926.....	309, 311				
70051638.....	525	7027336.....	141				
70051639.....	525	7027338.....	141				
70051641.....	525	7027341.....	141				
70051642.....	525	7056000007.....	545				
70051643.....	525	7056000008.....	547				
70051645.....	525, 527	7056000009.....	549				
70051646.....	525	7056000011.....	551, 555				
70051647.....	525, 527	7075000003.....	425				
70051648.....	525, 527	7082000026.....	141				
70051649.....	525, 527	7082000032.....	539				
70051650.....	525, 527	7082000043.....	111, 113, 115				
70051651.....	525	7104150624.....	111, 113, 115				
70051652.....	525	7111140613.....	335, 337				
70051653.....	525, 527	7111141050.....	315, 317				
70051660.....	119	7111150864.....	535				
70051661.....	119	7114060810.....	229, 231, 319, 321, 327				
70051662.....	119	7114080618.....	153, 157, 161, 165, 181, 183, 185				
70051663.....	119	7114100518.....	383, 425, 427, 433, 489				
70051664.....	119	7114100610.....	29, 31				
70051665.....	307						
70051666.....	309, 311						
70051667.....	309, 311						
70051920.....	527						
70051929.....	527						

SECTION 10 - BUILD DOCUMENTS

<p>7280000018 325, 327, 331</p> <p>7291000010 335, 337</p> <p>7295000062 403, 405</p> <p>7295000108 427</p> <p>7295000116 425</p> <p>7320000064 138, 141</p> <p>7320000077 111, 113, 115, 119</p> <p>7330000034 493</p> <p>7330000036 121, 123, 138</p> <p>7330000122 493</p> <p>7330000138 493</p> <p>7330000139 493</p> <p>7330000143 493</p> <p>7330000288 439, 441, 443, 445, 447, 473, 475, 477, 479</p> <p>7330000307 493</p> <p>7330000384 125, 127</p> <p>7330000424 143</p> <p>7330000433 493</p> <p>7330000538 217</p> <p>7330000546 493</p> <p>7330000553 121, 123, 125, 127</p> <p>7330000599 121, 123, 125, 127, 138</p> <p>7330000609 121, 123, 125, 127, 138</p> <p>7330000630 461, 469</p> <p>7330000683 125, 127</p> <p>7330000725 539</p> <p>7330000866 97</p> <p>7330000867 35, 39</p> <p>7330000872 457</p> <p>7345001710 229, 231, 319, 321, 353, 401, 403, 405, 439</p> <p>7345001713 441, 445, 461, 469, 473, 477</p> <p>7345001714 229, 231, 319, 321, 353, 395, 401, 403, 405, 407, 451, 455, 459, 465, 469, 481, 483, 485, 487</p> <p>7345001747 229, 231, 319, 321</p> <p>7345001910 439</p> <p>7345001913 441, 473</p> <p>7345001914 329, 331, 333, 407, 439, 449, 451, 453, 455, 457, 459, 465, 481, 483, 485, 487</p> <p>7345211701 441, 445, 473, 477</p> <p>7345221702 353, 401, 403, 405, 407</p> <p>7345221902 329, 331, 333, 347, 353</p> <p>7346000035 339, 341</p> <p>7346000039 229, 231, 319, 321, 329, 331, 333, 395, 407, 409,</p>	<p>411, 413, 415, 449, 453, 457, 465, 481, 485</p> <p>7346000099 339, 341, 343, 345</p> <p>7346000108 423</p> <p>7346000109 419</p> <p>7346000126 353, 439</p> <p>7346000144 339, 341, 343, 345</p> <p>7346000145 339, 341, 343, 345</p> <p>7346000147 339, 341, 343, 345</p> <p>7346000153 339, 341, 343, 345</p> <p>7346000242 443, 445, 447, 461, 463, 467, 469, 471, 475, 477, 479</p> <p>7346000261 489</p> <p>7413000002 35, 39, 149, 151, 153, 157, 161, 165, 167, 187, 189, 191, 193, 195, 197, 199, 201, 203, 205, 207, 209, 335, 337</p> <p>7413000013 153, 157, 161, 165, 335, 337, 413, 415</p> <p>7415000038 171</p> <p>7415000039 169</p> <p>7430000003 245, 251, 257</p> <p>7440030000 121, 123, 125, 127, 129, 131, 133, 135, 145</p> <p>7443000013 263, 265, 267, 269, 271, 273, 279, 281, 283, 285, 287, 289</p> <p>7443000023 229, 231, 319, 321</p> <p>7443000048 121, 123, 125, 127, 245, 257</p> <p>7443000063 229, 231, 319, 321</p> <p>7443000066 245, 251, 257</p> <p>7443000105 245, 251, 257</p> <p>7443000168 245, 251, 257</p> <p>7443000231 245, 251, 257</p> <p>7443000319 245, 251, 257</p> <p>7443000354 19</p> <p>7443000372 245, 251, 257</p> <p>7443000412 261, 275, 277</p> <p>7443000426 263</p> <p>7443000436 229, 231, 319, 321</p> <p>7443000473 229, 231, 319, 321</p> <p>7443000482 33, 35, 39</p>	<p>7443000483 35, 39, 45, 49, 52, 56</p> <p>7445040443 245, 251, 257</p> <p>7445040445 233</p> <p>7445040643 245, 251, 257</p> <p>7445060643 245, 251, 257</p> <p>7445060645 237, 241, 245, 251, 257</p> <p>7445060646 235, 237, 245, 251, 257</p> <p>7445060647 235, 239, 245, 251, 257</p> <p>7445060698 235, 237</p> <p>7445060843 233, 245, 251, 257</p> <p>7445080818 245, 251, 257</p> <p>7445080843 245, 251, 257</p> <p>7445080847 257</p> <p>7445080898 229, 231, 319, 321</p> <p>7445081045 245, 251, 257</p> <p>7445081046 245, 251, 257</p> <p>7445081643 263</p> <p>7449000019 17, 19, 29, 31, 33, 35, 39, 45, 48, 51, 55</p> <p>7457000004 347</p> <p>7457000014 353</p> <p>7457000015 439</p> <p>7470000002 245, 251, 257, 261, 265, 275, 277, 279, 281, 283, 287</p> <p>7493000003 335, 337</p> <p>7493000009 389, 391, 393, 395, 413, 415</p> <p>7493000011 399, 413, 415</p> <p>7493000022 167</p> <p>7493000026 387, 395</p> <p>7493000029 391, 393, 395</p> <p>7493000030 339, 341, 343, 345</p> <p>7551000036 221</p> <p>7552000292 335, 349</p> <p>7552000293 409, 411, 417</p> <p>7552000295 413, 415, 421</p> <p>7552000366 403, 405, 435</p> <p>7552000367 489</p> <p>7552000368 489</p> <p>7552000384 425, 429</p> <p>7552000392 427, 431</p> <p>7552000427 229, 231, 319, 321, 323</p> <p>7555000012 153, 157, 161, 165, 181, 183, 185</p> <p>7570000016 35, 39</p>	<p>7570000017 35, 39, 45, 49, 51, 55</p> <p>7570000021 17, 19</p> <p>7570000028 19</p> <p>7570000036 29, 31</p> <p>7570000037 17, 21, 23, 25, 27, 29, 31, 33, 45, 49, 51, 55</p> <p>7571000002 153, 157, 161, 165</p> <p>7577000194 335, 337</p> <p>7577000367 138</p> <p>7577000375 533</p> <p>7577000620 237, 241</p> <p>7577000621 235, 239</p> <p>7577000622 245, 246, 251, 252, 257, 258</p> <p>7577000645 245, 251</p> <p>7577000693 17, 19, 33, 35, 39</p> <p>7585000001 383</p> <p>7590000048 415</p> <p>7590000105 409, 411, 413, 415</p> <p>7590000273 335, 337, 413, 415</p> <p>7590000316 385</p> <p>7590000342 389, 391, 393, 395, 413</p> <p>7590000343 391, 393, 395</p> <p>7590000379 391, 393</p> <p>7590000381 391, 393, 395</p> <p>7590000406 359, 373</p> <p>7592000004 233</p> <p>76051644 525, 527</p> <p>7626000014 69, 71, 73, 81</p> <p>7636000005 175, 177</p> <p>7638000003 537</p> <p>7660062604 229, 231, 319, 321, 327</p> <p>7660082604 153, 157, 161, 165, 181, 183, 185</p> <p>7660102604 29, 31, 213, 383, 425, 427, 489</p> <p>7660142600 211, 315, 317, 335, 337</p> <p>7660142601 31, 121, 123, 125, 127, 149, 151, 153, 157, 161, 165, 181, 183, 185, 385</p> <p>7660142604 167, 233, 531</p> <p>7660150000 263</p> <p>7660152601 21, 23, 25, 27, 33, 44, 45, 48, 49, 51, 52, 55, 56, 69, 71, 73, 245, 251, 257, 261, 263, 265, 267, 269, 271, 273, 275, 277, 279, 281, 283, 285, 287, 289, 291, 293, 295, 297, 383, 535, 537</p> <p>7660160000 217, 219, 221, 223, 225</p>
---	---	--	---

SECTION 10 - BUILD DOCUMENTS

7660162301.....177, 179, 233	7754000056 111, 113, 115	7894000063 531	191, 193, 195, 197, 199, 201, 203, 205, 207, 209, 233, 245, 251, 257, 385
766016260117, 19, 29, 31, 33, 35, 40, 45, 49, 51, 55, 69, 71, 73, 83, 85, 99, 301, 303, 305, 383, 533	7759000004 493	7912000028 246, 252, 258	7950140153.31, 167, 531
7660180030.....83	7759000018 97	7912000078 246, 252, 258	7950150000.....169, 171, 301, 303, 305
7660182301.....177, 179	7765000006 217, 219, 221, 223, 225	7912000184 138	7950150161....21, 23, 25, 27, 33, 45, 49, 52, 56, 85, 245, 251, 257, 261, 265, 267, 269, 271, 273, 275, 277, 279, 281, 283, 285, 287, 289, 291, 293, 295, 297, 301, 303, 305, 533, 535, 537
766018260117, 19, 29, 31, 33, 35, 39, 85, 149, 151, 173, 175, 187, 189, 191, 195, 197, 207, 299, 355, 357, 359, 361, 363, 365, 367, 369, 383	7785152420 ... 21, 23, 25, 27, 45, 49, 52, 56, 261, 263, 265, 267, 269, 271, 273, 275, 277, 279, 281, 283, 285, 287, 289, 291, 293, 295, 297	7912000200 246, 252, 258	7950160141....17, 19, 29, 31, 33, 36, 40, 45, 49, 51, 55
766020260169, 71, 73, 97, 99	7785161274 111, 113, 115	7912000201 246, 252, 258	7950160153.....181
766100000635, 39	7786000006 129, 131, 133, 135	7912000202 233	7950160161.....301, 303, 305, 383
7661000007335, 337	7786000009 123, 127, 138	7912000203 246, 252, 258	7950160162.....83
7661000019187, 189, 191, 193, 195, 197, 199, 201, 203, 205, 207, 209	7790100856 413, 415	7912000204 235, 239	7950160163.....521, 523
766100002435, 39	7790142051 433	7912000205 239, 241	7950180141.....173
766100002961, 149, 151, 169, 171	7790161253 533	7912000324 235, 237	7950180150.....383
7661000047413, 415	7796000012 149, 151, 153, 157, 161, 165	7912000330 237, 241	7950180153....17, 19, 29, 31, 33, 35, 39, 177, 179, 299
7661000056433, 489	7796000048 335, 337	7912000346 233	7950180161..83, 85, 187, 189, 191, 193, 195, 197, 199, 201, 203, 205, 207, 209
7661000064138	7796000078 175, 177, 179	7912000347 233	7950180400.....69, 71, 73
7661000069551, 553, 555	7796000100 ... 17, 19, 29, 31, 33, 35, 39, 45, 48, 51, 55	7935000169 307	7950200000.....129, 131, 133, 135
7690000810.....217, 219, 221, 223, 225, 383	7796000101 187, 189, 191, 193, 195, 197, 199, 201, 203, 205, 207, 209	7935000174 307, 309, 311	7950200141.....97
7690051641.....83	7809000001 69, 71, 73	7935000251 309	7970000103.....73, 77
7690101200.....217, 219, 221, 223, 225	7809000013 539	7935000256 309, 311	7970000104.....73, 79
7690102041.....83	7819000012 533	7935000258 257	7970000150.....69, 71, 75
7690141600.....217, 219, 221, 223, 225	7819000013 261, 265, 267, 269, 271, 273, 275, 277, 279, 283, 287, 291, 293, 295, 297	7935000261 301, 307	7990000011.....83
7690144800383	7831000040 335, 337	7935000266 307	80234009.....81
7691000025551, 553, 555	7843000004 85	7935000297 309, 311	8035346.....309, 311
7691000027143, 539, 543	7843000006 121, 123, 125, 127, 129, 131, 133, 135	7935000298 309	8220081.....323, 349, 351
7691000040.....233	7843000010 83	7935000308 235, 239, 245, 251, 257	8220099.....349, 351, 417, 419, 423
7691000042233	7843000016 129, 131, 133, 135	7935000345 235, 237	8220100.....417, 419
7691000047533	7843000031 233	7935000358 237, 241	8220400.....417
769100005399, 539	7843000037 123, 127, 138	7935000361 229, 231, 319, 321	8220934....417, 419, 421, 423
7691000075217, 219, 221, 223, 225	7870000083 439	7935000370 229, 231, 319, 321	8220935.....349, 351
769600006935, 39	7870000100 441, 443	7949000012 179	8411080091.....138
770100003097	7870000106 473, 475	7949000013 175, 177, 179	8565000007.....245, 251, 257
770100005171, 73	7870000115 413, 415	7949000015 149, 151	8597650003.....445, 447, 477, 479
770100007517, 19, 21, 23, 25, 27, 29, 31, 33, 44, 48, 51, 55	7870000126 489	7949000055 169, 171, 531	8632000002....35, 39, 73, 99, 149, 151, 261, 263, 275, 277, 279, 281, 283, 287
7719000004233	7870000134 445, 447	7949000056 153, 157, 161, 165, 181, 183, 185	8798820001.....153, 157, 161, 335, 337
7740000003353, 401, 403, 405	7870000137 477, 479	7949000058 193, 199, 201, 203, 205, 209	8867100869, 71, 73, 121, 123, 125, 127, 138, 495
775400000569, 71, 73	7894000004 ... 21, 23, 25, 27	7950100003 .. 35, 39, 489	8892040001.....407
775400000665, 539	7894000010 331, 387, 389	7950100103 213, 383, 489	8977010103.....449, 451
7754000022517, 519	7894000034 121, 123, 125, 127	7950100143 .35, 39, 153, 157, 161, 165, 181, 183, 185	9120960034.....75
7754000024121, 123, 125, 127, 138	7894000042 335, 337, 409, 411, 413, 415, 489	7950100151 ... 17, 19, 29, 31, 33, 35, 39, 45, 48, 51, 55, 347	
7754000037129, 131, 133, 135		7950100163 229, 231, 319, 321, 409, 411, 413, 415, 489	
		7950140003 .35, 39, 149, 151, 245, 251, 257	
		7950140141 211, 257, 315, 317	
		7950140143 .35, 39, 121, 123, 125, 127, 149, 151, 153, 157, 161, 165, 181, 187, 189,	

SECTION 10 - BUILD DOCUMENTS

9120960061	75	9701960015.....	75	9970442205.....	75	HLFO2-MPL40	241
9295310030	427	9786960015.....	75	9970450006.....	75	HLFO3-MPL40	237
9295310033	427	9806960009.....	75	9970456008.....	75	HLFS-MPL40	239
9295310038	427	9935930102.....	235, 237,	9970468011.....	75	LMT	557
9295310042	427		239, 241, 245, 251, 257	9970472012.....	75	LPABM34-MPL	193
9295310049	425	9935930106.....	307, 309,	9970472013.....	75	LPABM38-MPL	199
9314960024	75		311	9970483017.....	75	LPABM50-MPL	209
9472960072	75	9935930141.....	309, 311	9970486009.....	75	LST	559
9560960022	75	9935930146.....	309, 311	9970494002.....	75	RWC	563
9560990011	75	9970300057.....	75	9970494053.....	75	SP-CMKGMCD11	17
9575960014	75	9970316083.....	75	9970518014.....	75	SP-MKGMG11MPL.....	19
9590310195	371	9970336010.....	75	9970518015.....	75	STK	541
9590310197	371	9970342027.....	75	9970960060.....	75	TB178	545
9590310198	375	9970402002.....	75	9970960062.....	75	TB200	547
9590310200	371	9970412003.....	75	9970960068.....	75	TB256	549
9590310202	371	9970412045.....	75	C38D100.....	89	WO8DW	569
9590310203	371, 375	9970414045.....	75	C38D100-GSA971	87	WS8SW	569
9590310205	371	9970431008.....	75	C38D100WSH	91		
9590310206	371	9970438014.....	75	CMKFRD-MPL.....	33		
9691960001	75	9970442184.....	75	HLFO1-MPL40.....	235		

JERR-DAN[®]

***Corporate Office
13224 Fountainhead Plaza
Hagerstown, MD 21742 USA***

***☎ (717) 597-7111 (Corporate)
☎ (800) 926-9666 (Customer Support)***

***Visit our website
www.jerrdan.com***



OSHKOSH™