

JERR-DAN[®]

Illustrated Parts Manual

Models
JD NG
JD NGS
STANDARD DUTY
WRECKER

SN 0230011755 to Present

**Including 0230009801,0230010717,0230011072-0230011326,
0230011488-0230011512,0230011597-0230011611**

P/N

5376000282

December 1, 2023 - Rev A

JERR-DAN[®]

An Oshkosh Corporation Company

REVISION LOG

December 1, 2023 - A - Original Issue of Manual (Edited to 1001137570 Rev S+)

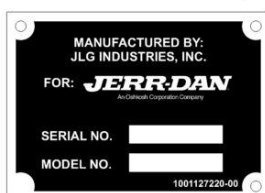
GENERAL INFORMATION

JerrDan, LLC (Jerr-Dan) strives to provide information that is accurate, complete and useful. Descriptions and illustrative material contained within this manual are as accurate as known at the time of publication and are subject to change, without notice, as a result of continuous product improvements. Jerr-Dan reserves the right to amend the information in this document at any time without prior notice.

Information contained in this manual reflects how this vehicle was built at the factory. Modifications or additions by the distributor or owner are not reflected in this manual.

This parts manual does not include service parts information for the commercial chassis (IHC, Ford, GM, etc.). That information is provided by the chassis manufacturer.

When ordering parts, please refer to your unit's Serial Number and Model Number. This information is be found on the aluminum tag riveted to the inside of the driver's side rear compartment of the main body.



Additional or replacement manuals can be ordered by calling Jerr-Dan Parts at 717-597-7111. Price and availability will be quoted at time of the request.

Please report comments and/or errors by contacting Jerr-Dan. Contact numbers are located on rear cover of Manual.

Manufactured under one or more of the following patents: 5,575,606; 5,672,042; 5,697,741; 5,713,714; 5,722,810; 5,782,596; 5,839,775 and 6,315,515 B1 with other Patents Pending.

Jerr-Dan and the Jerr-Dan logo are registered trademarks and Run Hard is a service mark of JerrDan, LLC, Hagerstown, MD USA.

The material in this document is confidential and the property of Jerr-Dan. No part of this document may be photocopied, reproduced or translated to another language without the express written consent of Jerr-Dan.

GENERAL INFORMATION

5) NON-SERVICED PARTS

In some instances, it is necessary to display non-serviced parts, assemblies or installations. In the case of assemblies and installations there will be a Ref in the Qty. column. In case of parts that are not available for service within assemblies or components, there will be a NSS (Not Sold Separately) or NLA (No Longer Available) listed in the Qty. column of the manual.

6) PARTS LIST ITEM NUMBERS

Numbers shown in the item# column correspond to numbers used in the associated illustration (s). Item numbers which are missing from the sequence in the parts list are not used on that page.

7) INDENTED PARTS DESCRIPTION

An indented part description is included in the item under which it is indented.

8) ABBREVIATION AND SYMBOLS

| | | | |
|-------------|--|--------------|---------------------------------|
| AC..... | Alternating Current | L..... | Liter |
| ALUM..... | Aluminum | LD..... | Light Duty |
| AG..... | Agricultural | LB(LBS)..... | Pounds |
| ANSI..... | American National Standards Institute | LCD..... | Liquid Crystal Display |
| AR..... | As Required | LED..... | Light Emitting Diodes |
| AUS..... | Australias | LH..... | Left Hand |
| ASSY..... | Assembly | M(m)..... | Metric/Meter |
| AUX..... | Auxiliary | MD..... | Medium Duty |
| AWG..... | American Wire Gauge | MM (mm)..... | Milimeter |
| CA..... | Cab To Axle | mA..... | Miliamps |
| CE..... | European Conformity | NLA..... | No Longer Available |
| CCW..... | Counter Clockwise | NPT..... | National Pipe Threads |
| CM..... | Centimeter | NSS..... | Not Sold Separately |
| CT..... | Cab To Tandem | OD..... | Outside Diameter |
| CW..... | Clockwise | ORB..... | O-Ring Boss |
| CSA..... | Canadian Standards Association | ORFS..... | O-Ring Face Seal |
| CYL..... | Cylinder | OZ (oz)..... | Ounces |
| DIA..... | Diameter | PG..... | Page |
| DC..... | Direct Current | PN..... | Part Number |
| DOT..... | Department of Transportation | PTO..... | Power Take Off |
| EMS..... | Emergency Stop | QT(qt.)..... | Quarts |
| ENG..... | Engine | QTY..... | Quantity |
| FT(ft)..... | Feet | REF..... | Reference |
| GA(Ga)..... | Gauge | REV..... | Revision Level |
| GAL..... | Gallons | RH..... | Right Hand |
| GVW..... | Gross Vehicle Weight | SAE..... | Society of Automotive Engineers |
| HD..... | Heavy Duty | SD..... | Standard Duty |
| HYD..... | Hydraulic | SN..... | Serial Number |
| Hz..... | Hertz | SPEC(S)..... | Specifications |
| ID..... | Inside Diameter | SS..... | Stainless Steel |
| IN..... | inches | STD..... | Standards |
| IND..... | Independent | STL..... | Steel |
| IRL..... | Independent Reach/Lift | UGM..... | Universal Ground Module |
| INT..... | Integrated | V..... | Volts |
| ISO..... | International Organization for Standards | W..... | Watts |
| JIC..... | Joint Industry Council | WB..... | Wheel Base |
| KG..... | Kilogram | #..... | Number |

9) ILLUSTRATION REFERENCE LETTERS

When necessary, illustrations may contain reference letters that are intended to track information (i. e. hoses, harnesses) from one point to another or to track visual enlargement of components to show details that may be located in another area on the illustration.

Note: Due to continuous product improvements, Jerr-Dan Corporation reserves the right to make specification changes without prior notification. Contact Jerr-Dan for updated information.

TABLE OF CONTENTS

| | |
|--|-----|
| SECTION 1 - SUBFRAME | 11 |
| FIGURE 1-1. CHASSIS MOUNTING KIT - GENERIC (NG) | 12 |
| FIGURE 1-2. CHASSIS MOUNTING KIT - CV515 2019+ WITH 141IN WB (NGS) | 14 |
| FIGURE 1-3. CHASSIS MOUNTING KIT - CV515 2019+ WITH 165IN WB (NGS) | 16 |
| FIGURE 1-4. CHASSIS MOUNTING KIT - CV515 2019+ WITH 141IN WB (NGS) | 18 |
| FIGURE 1-5. CHASSIS MOUNTING KIT - CV515 2019+ WITH 141IN WB (NG) | 20 |
| FIGURE 1-6. CHASSIS MOUNTING KIT - CV515 2019+ WITH 165IN WB (NG) | 22 |
| FIGURE 1-7. CHASSIS MOUNTING KIT - CV515 2019+ WITH 141IN WB (NG) | 24 |
| FIGURE 1-8. CHASSIS MOUNTING KIT - CV515 2019+ WITH 165IN WB (NG) | 26 |
| FIGURE 1-9. CHASSIS MOUNTING KIT - CV515 2019+ WITH 165IN WB (NGS) | 28 |
| FIGURE 1-10. CHASSIS MOUNTING KIT - DODGE 2013+ WITH 60IN CA (NGS) | 30 |
| FIGURE 1-11. CHASSIS MOUNTING KIT - DODGE 2013+ WITH 84IN CA (NGS) | 32 |
| FIGURE 1-12. CHASSIS MOUNTING KIT - DODGE 2013+ WITH 60IN CA (NG) | 34 |
| FIGURE 1-13. CHASSIS MOUNTING KIT - DODGE 2013+ WITH 84IN CA (NG) | 36 |
| FIGURE 1-14. CHASSIS MOUNTING KIT - FORD DIESEL 2017+ WITH 60IN CA (NGS) | 38 |
| FIGURE 1-15. CHASSIS MOUNTING KIT - FORD DIESEL 2017+ WITH 60IN CA (NGS) | 40 |
| FIGURE 1-16. CHASSIS MOUNTING KIT - FORD DIESEL 2017+ WITH 84IN CA (NGS) | 44 |
| FIGURE 1-17. CHASSIS MOUNTING KIT - FORD DIESEL 2017+ WITH 84IN CA (NGS) | 46 |
| FIGURE 1-18. CHASSIS MOUNTING KIT - FORD GAS 2017+ WITH 60IN CA (NGS) | 50 |
| FIGURE 1-19. CHASSIS MOUNTING KIT - FORD GAS 2017+ WITH 84IN CA (NGS) | 54 |
| FIGURE 1-20. CHASSIS MOUNTING KIT - FORD DIESEL 2017+ WITH 60IN CA (NG) | 58 |
| FIGURE 1-21. CHASSIS MOUNTING KIT - FORD DIESEL 2017+ WITH 60IN CA (NG) | 60 |
| FIGURE 1-22. CHASSIS MOUNTING KIT - FORD DIESEL 2017+ WITH 84IN CA (NG) | 64 |
| FIGURE 1-23. CHASSIS MOUNTING KIT - FORD GAS 2017+ WITH 60IN CA (NG) | 68 |
| FIGURE 1-24. CHASSIS MOUNTING KIT - FORD GAS 2017+ WITH 84IN CA (NG) | 72 |
| FIGURE 1-25. SUBFRAME INSTALLATION - NGS | 76 |
| FIGURE 1-26. SUBFRAME INSTALLATION - NG | 78 |
| SECTION 2 - BOOM | 81 |
| FIGURE 2-1. CYLINDER ASSEMBLY - BOOM LIFT | 82 |
| FIGURE 2-2. CABLE ASSEMBLY - 3/8X75FT | 84 |
| FIGURE 2-3. CABLE ASSEMBLY - 3/8X100FT | 86 |
| FIGURE 2-4. CABLE TENSIONER INSTALLATION | 88 |
| FIGURE 2-5. KNEE BOOM INSTALLATION | 90 |
| FIGURE 2-6. WINCH INSTALLATION - RAMSEY | 92 |
| FIGURE 2-7. WINCH ASSEMBLY | 94 |
| FIGURE 2-8. WINCH MOTOR ASSEMBLY | 96 |
| SECTION 3 - UNDERLIFT | 99 |
| FIGURE 3-1. CYLINDER ASSEMBLY - GRID EXTEND/RETRACT | 100 |
| FIGURE 3-2. CYLINDER ASSEMBLY - UNDERLIFT TILT | 102 |
| FIGURE 3-3. CYLINDER ASSEMBLY - UNDERLIFT EXTEND/RETRACT | 104 |
| FIGURE 3-4. GRID SYSTEM INSTALLATION - MANUAL FIXED (NGS) | 106 |
| FIGURE 3-5. GRID SYSTEM INSTALLATION - MANUAL FIXED (NG) | 108 |
| FIGURE 3-6. GRID SYSTEM INSTALLATION - HYDRAULIC | 110 |
| FIGURE 3-7. GRID SYSTEM INSTALLATION - HYDRAULIC | 112 |
| FIGURE 3-8. RECOVERY SHEAVE INSTALLATION (LOW ANGLE) | 114 |
| FIGURE 3-9. TOW BALL BRACKET INSTALLATION | 116 |
| FIGURE 3-10. UNDERLIFT INSTALLATION - HYDRAULIC GRIDS | 118 |
| FIGURE 3-11. UNDERLIFT INSTALLATION - MANUAL GRID | 120 |
| FIGURE 3-12. UNDERLIFT ASSEMBLY - HYDRAULIC GRIDS | 122 |
| FIGURE 3-13. UNDERLIFT ASSEMBLY - MANUAL GRID | 124 |
| FIGURE 3-14. UNDERLIFT TRACK ASSEMBLY (WITH HYDRAULIC GRID) | 126 |
| SECTION 4 - BODY | 129 |
| FIGURE 4-1. BODY INSTALLATION (STEEL) - NGS | 130 |
| FIGURE 4-2. BODY INSTALLATION (ALUMINUM) - NG | 132 |
| FIGURE 4-3. BODY COVERS RAIL INSTALLATION (BODY MOUNTED PYLON) | 134 |
| FIGURE 4-4. BODY COVERS RAILS INSTALLATION (TUNNEL MOUNTED PYLON) | 136 |
| FIGURE 4-5. BODY COVERS NO RAIL INSTALLATION (BODY MOUNTED PYLON) | 138 |
| FIGURE 4-6. BODY COVERS NO RAILS INSTALLATION (TUNNEL MOUNTED PYLON) | 140 |
| FIGURE 4-7. DECK SIDE PANEL ASSEMBLY - LH (NG) | 142 |

TABLE OF CONTENTS

| | |
|--|-----|
| FIGURE 4-8. DECK SIDE PANEL ASSEMBLY - RH (NG) | 144 |
| FIGURE 4-9. DECK RAILS INSTALLATION - COVERS (NG)..... | 146 |
| FIGURE 4-10. DECK RAILS INSTALLATION - NO COVERS (NG)..... | 148 |
| FIGURE 4-11. FENDER FLARE INSTALLATION - FORD F450-550/DODGE (NG) | 150 |
| FIGURE 4-12. FENDER FLARE INSTALLATION - FORD 450-550/DODGE (NGS) | 152 |
| FIGURE 4-13. FENDER FLARE INSTALLATION - FORD 350..... | 154 |
| FIGURE 4-14. FENDER FLARE INSTALLATION - GMC | 156 |
| FIGURE 4-15. PYLON INSTALLATION - ADJUSTABLE (NG)..... | 158 |
| FIGURE 4-16. PYLON INSTALLATION - LOW CAB (NG)..... | 160 |
| FIGURE 4-17. PYLON INSTALLATION - 34IN TOOLBOX MOUNTED (NGS)..... | 162 |
| FIGURE 4-18. PYLON INSTALLATION - 38IN TOOLBOX MOUNTED (NGS)..... | 164 |
| FIGURE 4-19. PYLON INSTALLATION - 42IN TOOLBOX MOUNTED (NGS)..... | 166 |
| FIGURE 4-20. STONE GUARD INSTALLATION (WITHOUT TUNNEL) (NGS) | 168 |
| FIGURE 4-21. TOOL BOX FLOOR MAT INSTALLATION (L-ARM SPACER) - NG | 170 |
| FIGURE 4-22. TOOL BOX FLOOR MAT INSTALLATION - NG | 172 |
| FIGURE 4-23. TUNNEL INSTALLATION - SINGLE..... | 174 |
| FIGURE 4-24. TUNNEL ASSEMBLY - 24IN | 176 |
| | |
| SECTION 5 - CONTROLS..... | 179 |
| | |
| FIGURE 5-1. MAIN CONTROL VALVE HARNESS INSTALLATION - REMOTE MEMBRANE (NG) | 180 |
| FIGURE 5-2. MAIN CONTROL VALVE HARNESS INSTALLATION - REMOTE MEMBRANE (NGS)..... | 182 |
| FIGURE 5-3. UNDERLIFT LEVEL STOP CONTROLLER INSTALLATION..... | 184 |
| | |
| SECTION 6 - HYDRAULIC | 187 |
| | |
| FIGURE 6-1. HOSE INSTALLATION - LIFT AND TILT CYLINDER | 188 |
| FIGURE 6-2. HOSE INSTALLATION - HYDRAULIC CONTROLS | 190 |
| FIGURE 6-3. HOSE INSTALLATION - UNDERLIFT WITH HYDRAULIC GRIDS..... | 192 |
| FIGURE 6-4. HOSE INSTALLATION TILT CYLINDER WITHOUT BALL VALVE..... | 194 |
| FIGURE 6-5. HOSE INSTALLATION TILT CYLINDER WITH BALL VALVE | 196 |
| FIGURE 6-6. HOSE INSTALLATION - WINCH..... | 198 |
| FIGURE 6-7. HOSE AND CLAMP INSTALLATION (2019 CV515 - 141IN WB) | 200 |
| FIGURE 6-8. HOSE AND CLAMP INSTALLATION (2019 CV515 - 165IN WB) | 202 |
| FIGURE 6-9. HOSE AND CLAMP INSTALLATION (2019 CV515 - 175IN WB) | 204 |
| FIGURE 6-10. HOSE AND CLAMP INSTALLATION (2019 CV515 - 199IN WB) | 206 |
| FIGURE 6-11. HOSE AND CLAMP INSTALLATION (DODGE - 144IN WB) | 208 |
| FIGURE 6-12. HOSE AND CLAMP INSTALLATION (FORD 2017 - 145IN WB) | 210 |
| FIGURE 6-13. HOSE AND CLAMP INSTALLATION (FORD 2017 - 167-169IN WB) | 212 |
| FIGURE 6-14. HOSE AND CLAMP INSTALLATION (FORD 2017 - 179IN WB) | 214 |
| FIGURE 6-15. HOSE AND CLAMP INSTALLATION (FORD 2017 - 203IN WB) | 216 |
| FIGURE 6-16. TANK (HYDRAULIC) INSTALLATION..... | 218 |
| FIGURE 6-17. VALVE ASSEMBLY..... | 220 |
| | |
| SECTION 7 - ELECTRICAL..... | 223 |
| | |
| FIGURE 7-1. ALARM INSTALLATION - BACK-UP (FIXED)..... | 224 |
| FIGURE 7-2. BACKUP CAMERA, CHASSIS SUPPLIED | 226 |
| FIGURE 7-3. BACK UP CAMERA INSTALLATION - CHASSIS SUPPLIED (CV515 ONLY)..... | 228 |
| FIGURE 7-4. BACKUP CAMERA, REAR VIEW MIRROR | 230 |
| FIGURE 7-5. BODY WIRING INSTALLATION - NG | 232 |
| FIGURE 7-6. BODY HARNESS - LH (NG)..... | 234 |
| FIGURE 7-7. BODY HARNESS - RH (NG)..... | 236 |
| FIGURE 7-8. CAB SUBFRAME HARNESS -NG | 238 |
| FIGURE 7-9. BODY WIRING INSTALLATION - NGS..... | 240 |
| FIGURE 7-10. BODY HARNESS - LH (NGS) | 242 |
| FIGURE 7-11. BODY HARNESS - RH (NGS)..... | 244 |
| FIGURE 7-12. BREAKER INSTALLATION - 50A | 246 |
| FIGURE 7-13. CAB SUBFRAME HARNESS -NGS | 248 |
| FIGURE 7-14. LIGHTBAR INSTALLATION - ECCO 60IN (STANDARD MOUNT) | 250 |
| FIGURE 7-15. LIGHTBAR INSTALLATION - ECCO 60IN (HIGH MOUNT) | 252 |
| FIGURE 7-16. LIGHTBAR INSTALLATION - WHEELEN 60IN (STANDARD MOUNT)..... | 254 |
| FIGURE 7-17. LIGHTBAR INSTALLATION - WHEELEN 60IN (HIGH MOUNT) | 256 |
| FIGURE 7-18. LIGHTBAR ASSEMBLY - ECCO..... | 258 |
| FIGURE 7-19. LIGHTBAR ASSEMBLY - WHELEN 60IN | 260 |
| FIGURE 7-20. LIGHTBAR ASSEMBLY - WHELEN 60IN | 262 |
| FIGURE 7-21. LIGHTBAR MARKER LIGHTS ONLY INSTALLATION (NGS) | 266 |

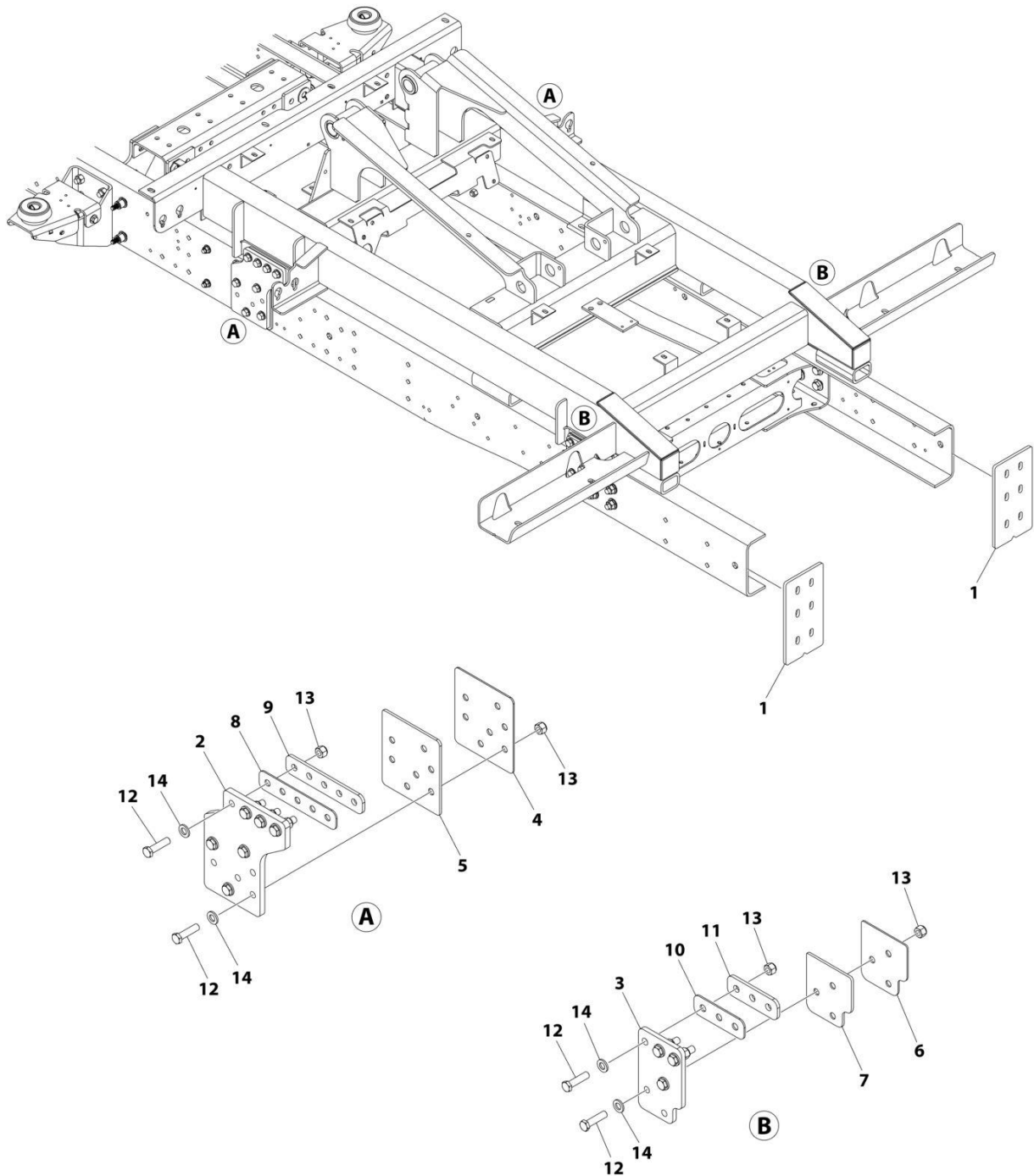
TABLE OF CONTENTS

| | |
|--|------------|
| FIGURE 7-22. LIGHTBAR MARKER LIGHTS ONLY INSTALLATION (NG) | 268 |
| FIGURE 7-23. LIGHTBAR BRACKET INSTALLATION - FOLDING (NGS) | 270 |
| FIGURE 7-24. LIGHTBAR BRACKET INSTALLATION - FOLDING (NG) | 272 |
| FIGURE 7-25. LIGHTS - 4 TAILLIGHTS (STOP/TURN/TAILLIGHT COMBINED) (ALL NGS EXCEPT 2013+ DODGE) | 274 |
| FIGURE 7-26. LIGHTS - 4 TAILLIGHTS (STOP/TURN/TAILLIGHT COMBINED) (NGS 2013+ DODGE) | 276 |
| FIGURE 7-27. LIGHTS - 4 TAILLIGHTS (STOP/TURN/TAILLIGHT COMBINED) (NG) | 278 |
| FIGURE 7-28. LIGHT - WORKLIGHT INSTALLATION (PYLON MOUNTED) (NGS)..... | 280 |
| FIGURE 7-29. LIGHT - WORKLIGHT INSTALLATION (PYLON MOUNTED) (NG)..... | 282 |
| FIGURE 7-30. LIGHT - WORKLIGHTS INSTALLATION (LOWER HOOK UP MOUNTED) (NGS)..... | 284 |
| FIGURE 7-31. LIGHT - WORKLIGHTS INSTALLATION (LOWER HOOK UP MOUNTED) (NG)..... | 286 |
| FIGURE 7-32. PYLON ELECTRICAL INSTALLATION - BODY MOUNTED (1 MARKER LIGHT PER SIDE) | 288 |
| FIGURE 7-33. PYLON HEADBOARD HARNESS (LOW CAB)..... | 290 |
| FIGURE 7-34. PYLON HEADBOARD HARNESS - BODY MOUNT..... | 292 |
| FIGURE 7-35. PYLON HEADBOARD HARNESS - 1 MARKER SIDE | 294 |
| FIGURE 7-36. PYLON HOOPS & MOUNTS INSTALLATION..... | 296 |
| FIGURE 7-37. PTO ELECTRICAL ASSEMBLY - FORD PTO..... | 298 |
| FIGURE 7-38. REMOTE CONTROL INSTALLATION - 8 FUNCTION | 300 |
| FIGURE 7-39. REMOTE CONTROL HARNESS - 4 FUNCTION TOGGLE | 302 |
| FIGURE 7-40. SWITCH PANEL INSTALLATION - 2 FUNCTION | 304 |
| FIGURE 7-41. SWITCH PANEL INSTALLATION - 3 FUNCTION (IN DASH COMPACT) | 306 |
| FIGURE 7-42. SWITCH PANEL INSTALLATION - 3 FUNCTION (UNDER DASH COMPACT) | 308 |
| FIGURE 7-43. SWITCH PANEL INSTALLATION - 5 FUNCTION (IN DASH COMPACT) | 310 |
| FIGURE 7-44. SWITCH PANEL INSTALLATION - 5 FUNCTION (UNDER DASH COMPACT) | 312 |
| FIGURE 7-45. SWITCH PANEL INSTALLATION - 5 FUNCTION (DODGE 2013)..... | 314 |
| FIGURE 7-46. SWITCH PANEL INSTALLATION - 6 FUNCTION (FORD 2017)..... | 316 |
| FIGURE 7-47. SWITCH PANEL INSTALLATION - 3/4 FUNCTION (CHEVY 2019)..... | 318 |
| FIGURE 7-48. VALVE HARNESS - NG..... | 320 |
| FIGURE 7-49. VALVE HARNESS - NGS | 322 |
| FIGURE 7-50. TRAILER PLUG INSTALLATION..... | 324 |
| FIGURE 7-51. TUNNEL HARNESS | 326 |
| SECTION 8 - DECAL | 329 |
| FIGURE 8-1. DECAL INSTALLATION - NG | 330 |
| FIGURE 8-2. DECAL INSTALLATION - NGS..... | 332 |
| FIGURE 8-3. DECAL INSTALLATION - RED LOGO (NGS) | 334 |
| FIGURE 8-4. DECAL INSTALLATION - WHITE LOGO (NGS) | 336 |
| FIGURE 8-5. LUBRICATION DECALS AND CAPS INSTALLATION | 338 |
| SECTION 9 - ACCESSORIES | 341 |
| FIGURE 9-1. KITS LIST | 342 |
| FIGURE 9-2. MUDFLAPS INSTALLATION (CUSTOMER SUPPLIED) (NGS) | 344 |
| FIGURE 9-3. MUDFLAPS INSTALLATION (FACTORY SUPPLIED) (NGS)..... | 346 |
| FIGURE 9-4. MUDFLAPS INSTALLATION (CUSTOMER SUPPLIED) (NG)..... | 348 |
| FIGURE 9-5. MUDFLAPS INSTALLATION (FACTORY SUPPLIED) (NG) | 350 |
| FIGURE 9-6. SAFETY TRIANGLE KIT..... | 352 |
| FIGURE 9-7. WHEEL CHOCKS - RUBBER..... | 354 |
| SECTION 10 - BUILD DOCUMENTS..... | 357 |
| FIGURE 10-1. BUILD DOC_5376000282..... | 358 |
| PART NUMBER INDEX | 361 |

SECTION 1 - SUBFRAME

SECTION 1 - SUBFRAME

FIGURE 1-1. CHASSIS MOUNTING KIT - GENERIC (NG)



ART_1001298068

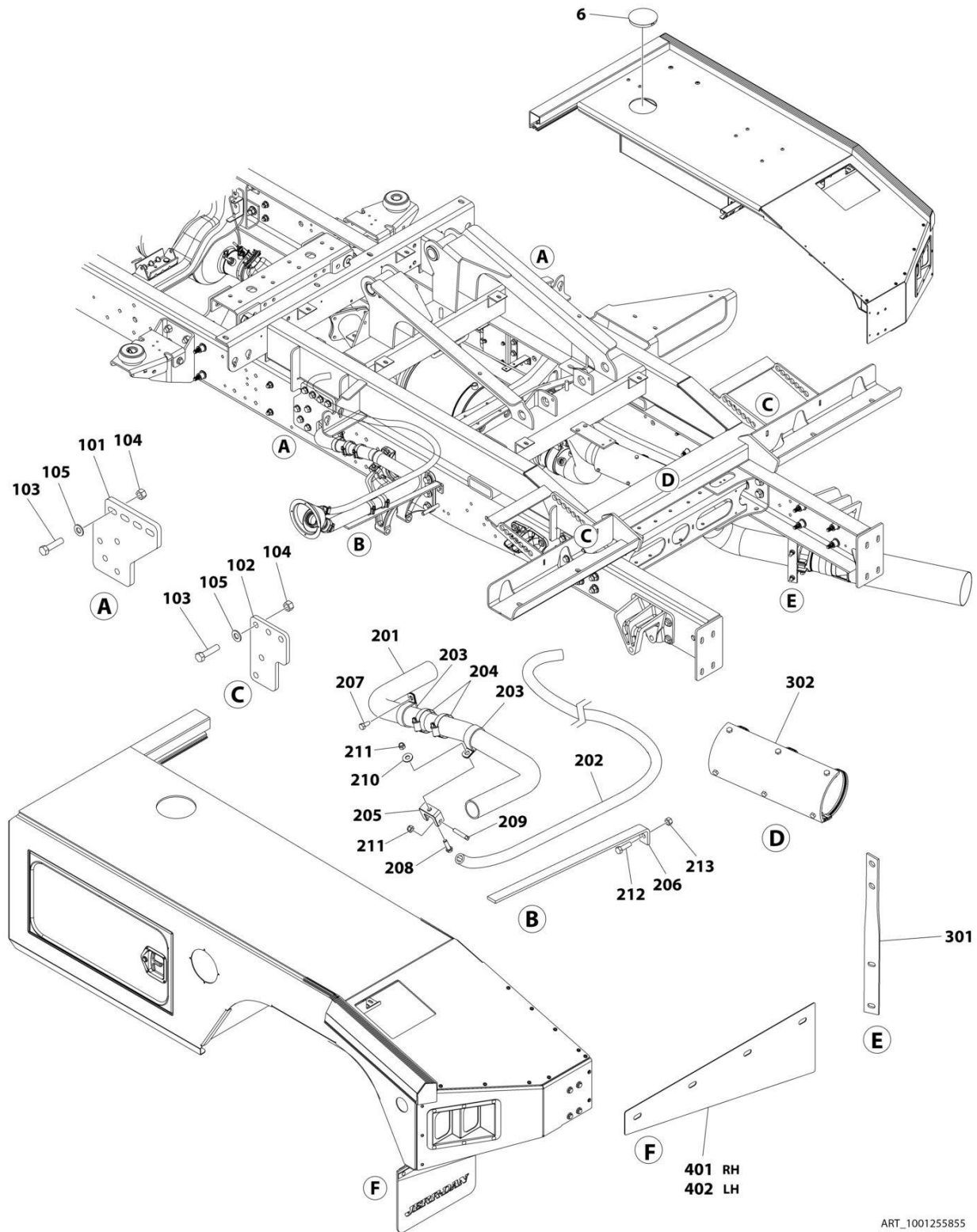
SECTION 1 - SUBFRAME

FIGURE 1-1. CHASSIS MOUNTING KIT - GENERIC (NG)

| ITEM | PART NUMBER | QTY | DESCRIPTION | REV |
|------|-------------|-----|--------------------------------|-----|
| | 1001298068 | Ref | CHASSIS MOUNTING KIT - GENERIC | B |
| 1 | 1001296069 | 2 | Plate | |
| 2 | 4706005904 | 2 | Plate | |
| 3 | 4706006442 | 2 | Plate (Rear) | |
| 4 | 1001127340 | 2 | Shim | |
| 5 | 1001127341 | 2 | Shim | |
| 6 | 4812000142 | 2 | Shim | |
| 7 | 1001127342 | 2 | Shim | |
| 8 | 4811001194 | 2 | Plate | |
| 9 | 4706005906 | 2 | Plate | |
| 10 | 1001127387 | 2 | Shim | |
| 11 | 1001127388 | 2 | Shim | |
| 12 | 0681816 | 26 | Bolt 1/2 x 2 | |
| 13 | 3271805 | 26 | Nut 1/2 | |
| 14 | 4711800 | 26 | Washer 1/2 | |

SECTION 1 - SUBFRAME

FIGURE 1-2. CHASSIS MOUNTING KIT - CV515 2019+ WITH 141IN WB (NGS)



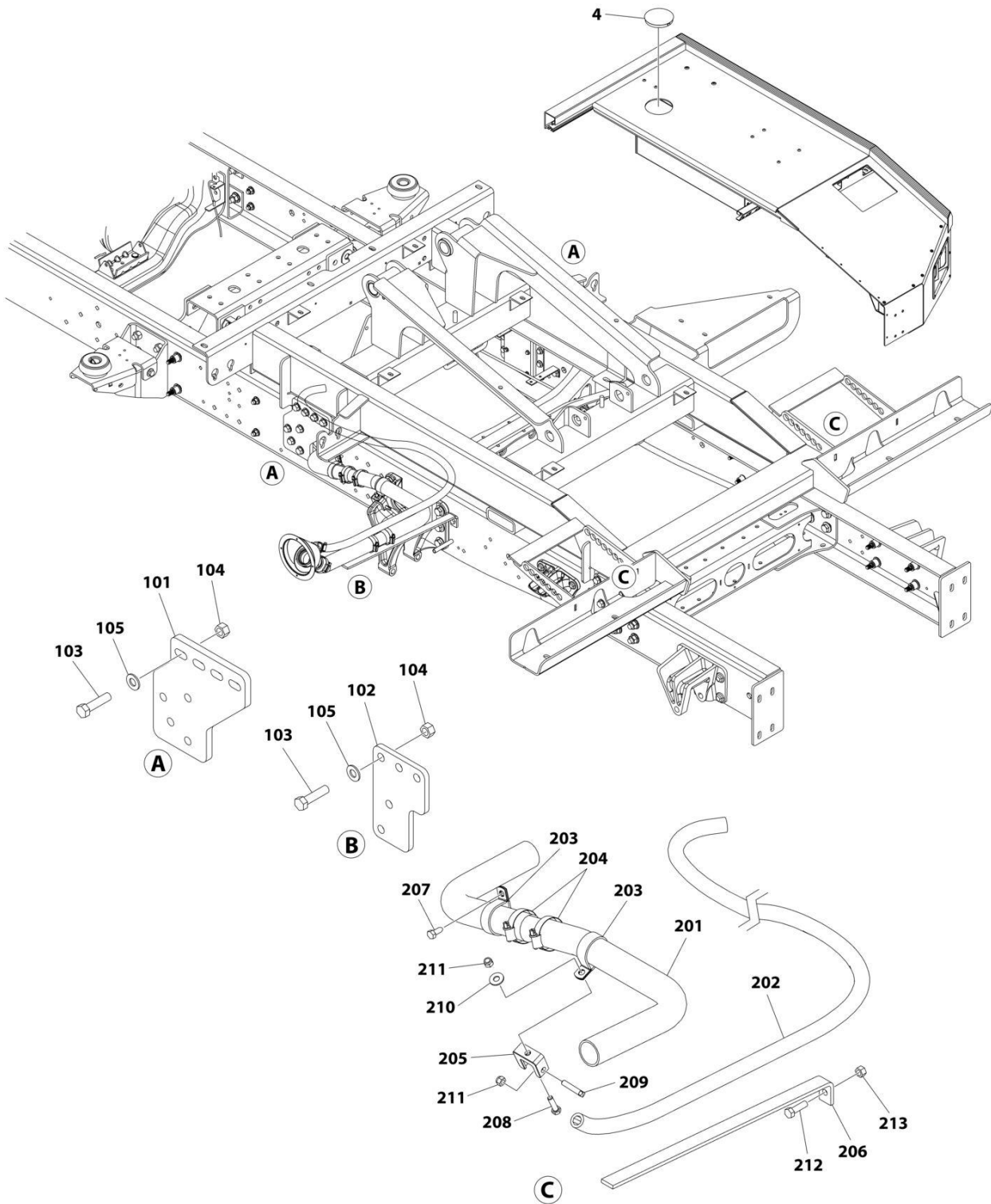
SECTION 1 - SUBFRAME

FIGURE 1-2. CHASSIS MOUNTING KIT - CV515 2019+ WITH 141IN WB (NGS)

| ITEM | PART NUMBER | QTY | DESCRIPTION | REV |
|------|-------------|-----|---|-----|
| 1 | 1001255855 | Ref | CHASSIS MOUNTING KIT - CV515 2019+ WITH 141IN WB | A |
| | 1001255858 | Ref | Subframe Installation (Not Shown) (See Items 101-106 for Breakdown) | |
| 2 | 1001256226 | Ref | Fuel Filler Installation (Not Shown) (See Items 201-214 for Breakdown) | |
| 3 | 1001255482 | 1 | Kit, Electrical Connection (Not Shown) | |
| 4 | 1001255854 | Ref | Exhaust Modification Installation (Not Shown) (See Items 301-302 for Breakdown) | |
| 5 | 1001221651 | Ref | Anti-Sail Brackets Installation (Not Shown) (Not Shown) (See Items 401-402 for Breakdown) | |
| 6 | 7701000075 | 1 | Plug | A |
| | 1001255858 | Ref | SUBFRAME INSTALLATION | |
| 101 | 1001255942 | 2 | Gusset (Not Shown) | |
| 102 | 1001255943 | 2 | Plate | |
| 103 | 1001255944 | 2 | Plate | |
| 104 | 0681816 | 26 | Bolt 1/2 x 2 | |
| 105 | 3271805 | 26 | Nut 1/2 | |
| 106 | 4711800 | 26 | Washer 1/2 | A |
| | 1001256226 | Ref | FUEL FILLER INSTALLATION | |
| 201 | 7570000037 | 1 | Hose | |
| 202 | 1001256269 | 1 | Hose | |
| 203 | 7274000042 | 2 | Clamp | |
| 204 | 7274000005 | 2 | Clamp | |
| 205 | 7274000076 | 1 | Clamp | |
| 206 | 4533000415 | 1 | Bracket | |
| 207 | 3941506 | 1 | Tap-Screw | |
| 208 | 7115151050 | 1 | Bolt 5/16 x 1-1/4 | |
| 209 | 7785152420 | 1 | Screw 5/16 x 1-1/2 | |
| 210 | 7950150161 | 1 | Washer 5/16 | |
| 211 | 7660152601 | 2 | Nut 5/16 | |
| 212 | 0641610 | 1 | Bolt 3/8 x 1-1/4 | |
| 213 | 3271605 | 1 | Nut 3/8 | |
| 214 | 7894000004 | 6 | Tie-Strap (Not Shown) | A |
| | 1001255854 | Ref | EXHAUST INSTALLATION | |
| 301 | 1001255844 | 1 | Bracket | |
| 302 | 1001256168 | 1 | Exhaust Shield | A |
| | 1001221651 | Ref | ANTI-SAIL BRACKETS INSTALLATION | |
| 401 | 1001221652 | 1 | Bracket, RH | |
| 402 | 1001221653 | 1 | Bracket, LH | |

SECTION 1 - SUBFRAME

FIGURE 1-3. CHASSIS MOUNTING KIT - CV515 2019+ WITH 165IN WB (NGS)



ART_1001255856

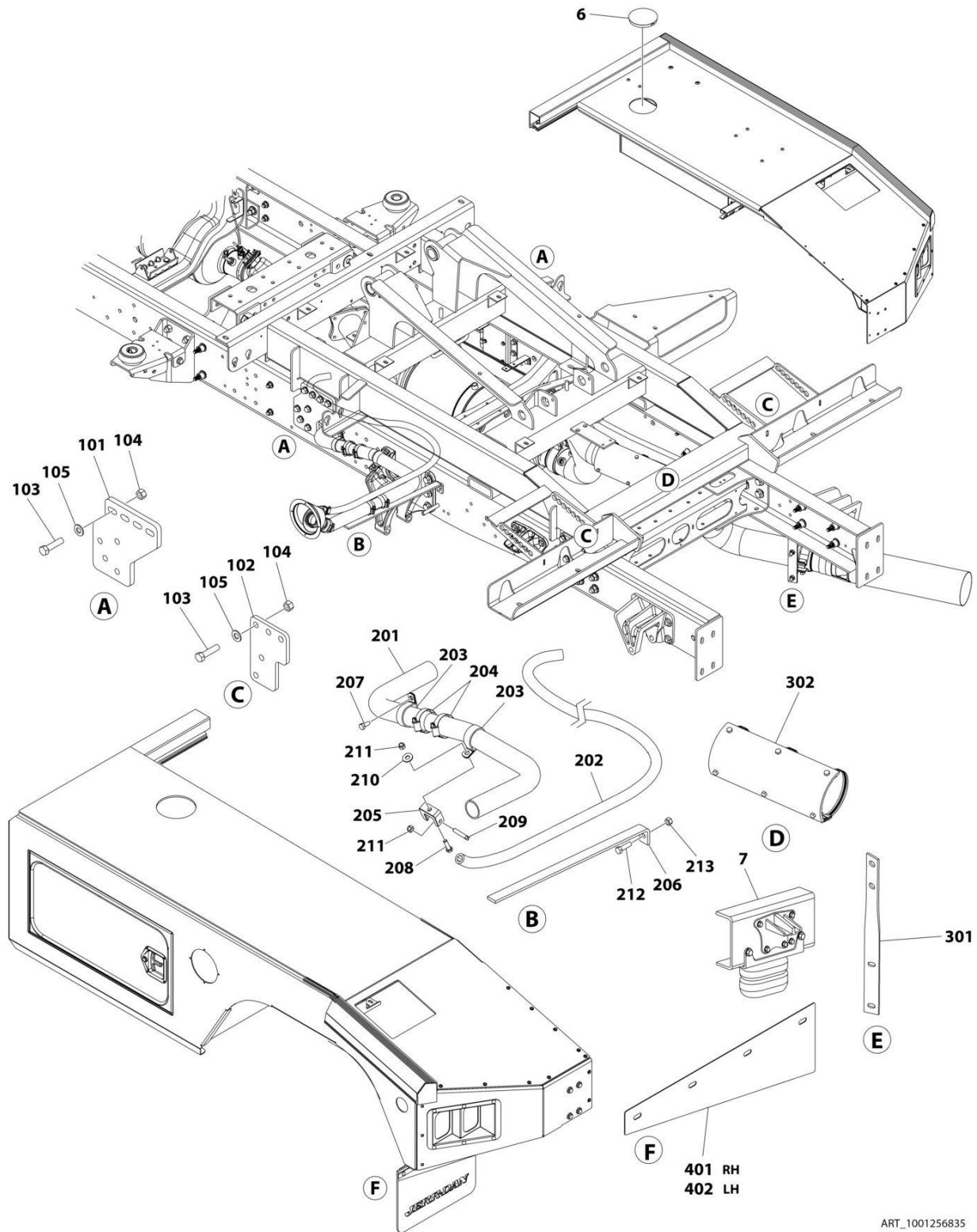
SECTION 1 - SUBFRAME

FIGURE 1-3. CHASSIS MOUNTING KIT - CV515 2019+ WITH 165IN WB (NGS)

| ITEM | PART NUMBER | QTY | DESCRIPTION | REV |
|------|-------------|-----|--|-----|
| 1 | 1001255856 | Ref | CHASSIS MOUNTING KIT - CV515 2019+ WITH 165IN WB | A |
| | 1001255858 | Ref | Subframe Installation (Not Shown) (See Items 101-106 for Breakdown) | |
| 2 | 1001256226 | Ref | Fuel Filler Installation (Not Shown) (See Items 201-214 for Breakdown) | |
| 3 | 1001255482 | 1 | Kit, Electrical Connection (Not Shown) | |
| 6 | 7701000075 | 1 | Plug | A |
| | 1001255858 | Ref | SUBFRAME INSTALLATION | |
| 101 | 1001255942 | 2 | Gusset (Not Shown) | |
| 102 | 1001255943 | 2 | Plate | |
| 103 | 1001255944 | 2 | Plate | |
| 104 | 0681816 | 26 | Bolt 1/2 x 2 | |
| 105 | 3271805 | 26 | Nut 1/2 | |
| 106 | 4711800 | 26 | Washer 1/2 | A |
| | 1001256226 | Ref | FUEL FILLER INSTALLATION | |
| 201 | 7570000037 | 1 | Hose | |
| 202 | 1001256269 | 1 | Hose | |
| 203 | 7274000042 | 2 | Clamp | |
| 204 | 7274000005 | 2 | Clamp | |
| 205 | 7274000076 | 1 | Clamp | |
| 206 | 4533000415 | 1 | Bracket | |
| 207 | 3941506 | 1 | Tap-Screw | |
| 208 | 7115151050 | 1 | Bolt 5/16 x 1-1/4 | |
| 209 | 7785152420 | 1 | Screw 5/16 x 1-1/2 | |
| 210 | 7950150161 | 1 | Washer 5/16 | |
| 211 | 7660152601 | 2 | Nut 5/16 | |
| 212 | 0641610 | 1 | Bolt 3/8 x 1-1/4 | |
| 213 | 3271605 | 1 | Nut 3/8 | |
| 214 | 7894000004 | 6 | Tie-Strap (Not Shown) | |

SECTION 1 - SUBFRAME

FIGURE 1-4. CHASSIS MOUNTING KIT - CV515 2019+ WITH 141IN WB (NGS)



ART_1001256835

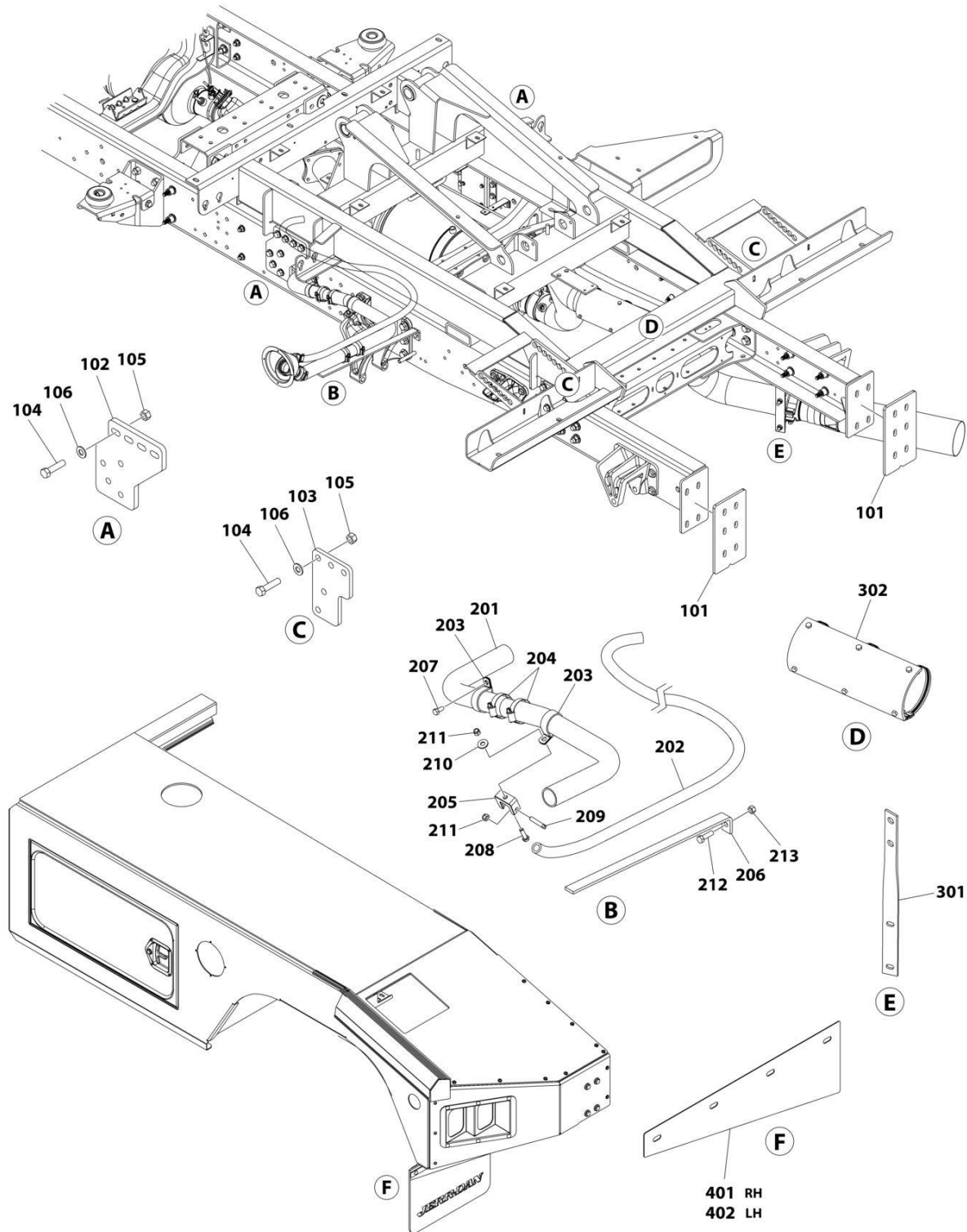
SECTION 1 - SUBFRAME

FIGURE 1-4. CHASSIS MOUNTING KIT - CV515 2019+ WITH 141IN WB (NGS)

| ITEM | PART NUMBER | QTY | DESCRIPTION | REV |
|------|-------------|-----|---|-----|
| | 1001256835 | Ref | CHASSIS MOUNTING KIT - CV515 2019+ WITH 141IN WB WITH TIMBRENS | A |
| 1 | 1001255858 | Ref | Subframe Installation (Not Shown) (See Items 101-106 for Breakdown) | |
| 2 | 1001256226 | Ref | Fuel Filler Installation (Not Shown) (See Items 201-214 for Breakdown) | |
| 3 | 1001255482 | 1 | Kit, Electrical Connection (Not Shown) | |
| 4 | 1001255854 | Ref | Exhaust Modification Installation (Not Shown) (See Items 301-302 for Breakdown) | |
| 5 | 1001221651 | Ref | Anti-Sail Brackets Installation (Not Shown) (Not Shown) (See Items 401-402 for Breakdown) | |
| 6 | 7701000075 | 1 | Plug | |
| 7 | 1001256789 | 1 | Rear Suspension | |
| | 1001255858 | Ref | SUBFRAME INSTALLATION | A |
| 101 | 1001255942 | 2 | Gusset (Not Shown) | |
| 102 | 1001255943 | 2 | Plate | |
| 103 | 1001255944 | 2 | Plate | |
| 104 | 0681816 | 26 | Bolt 1/2 x 2 | |
| 105 | 3271805 | 26 | Nut 1/2 | |
| 106 | 4711800 | 26 | Washer 1/2 | |
| | 1001256226 | Ref | FUEL FILLER INSTALLATION | A |
| 201 | 7570000037 | 1 | Hose | |
| 202 | 1001256269 | 1 | Hose | |
| 203 | 7274000042 | 2 | Clamp | |
| 204 | 7274000005 | 2 | Clamp | |
| 205 | 7274000076 | 1 | Clamp | |
| 206 | 4533000415 | 1 | Bracket | |
| 207 | 3941506 | 1 | Tap-Screw | |
| 208 | 7115151050 | 1 | Bolt 5/16 x 1-1/4 | |
| 209 | 7785152420 | 1 | Screw 5/16 x 1-1/2 | |
| 210 | 7950150161 | 1 | Washer 5/16 | |
| 211 | 7660152601 | 2 | Nut 5/16 | |
| 212 | 0641610 | 1 | Bolt 3/8 x 1-1/4 | |
| 213 | 3271605 | 1 | Nut 3/8 | |
| 214 | 7894000004 | 6 | Tie-Strap (Not Shown) | |
| | 1001255854 | Ref | EXHAUST INSTALLATION | A |
| 301 | 1001255844 | 1 | Bracket | |
| 302 | 1001256168 | 1 | Exhaust Shield | |
| | 1001221651 | Ref | ANTI-SAIL BRACKETS INSTALLATION | A |
| 401 | 1001221652 | 1 | Bracket, RH | |
| 402 | 1001221653 | 1 | Bracket, LH | |

SECTION 1 - SUBFRAME

FIGURE 1-5. CHASSIS MOUNTING KIT - CV515 2019+ WITH 141IN WB (NG)



ART_1001297540

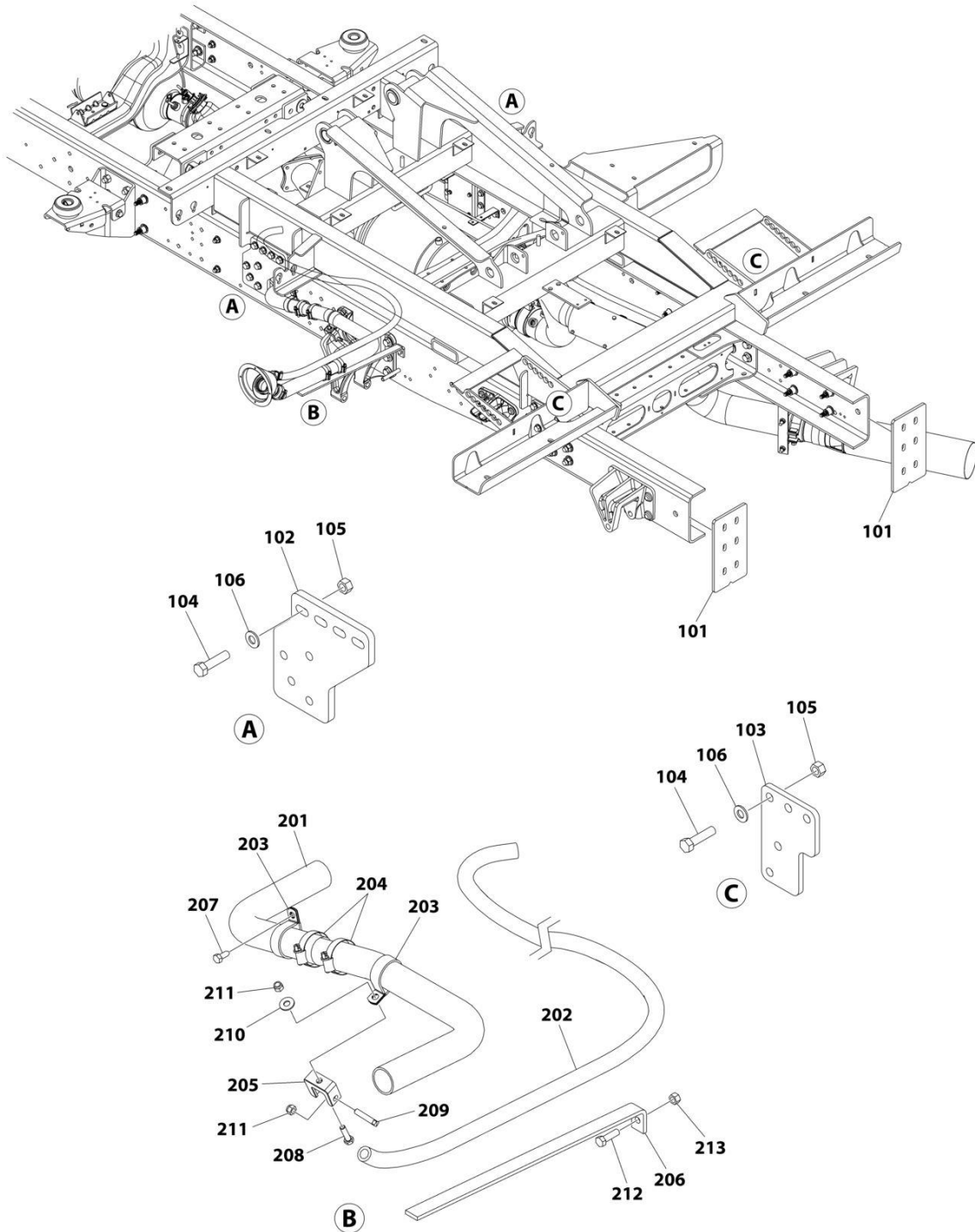
SECTION 1 - SUBFRAME

FIGURE 1-5. CHASSIS MOUNTING KIT - CV515 2019+ WITH 141IN WB (NG)

| ITEM | PART NUMBER | QTY | DESCRIPTION | REV | | |
|---------|-------------|------------|---|-----|---------------------------------|---|
| 1 | 1001297540 | Ref | CHASSIS MOUNTING KIT - CV515 2019+ WITH 141IN WB | A | | |
| | 1001297529 | Ref | Subframe Installation (Not Shown) (See Items 101-106 for Breakdown) | | | |
| 2 | 1001256226 | Ref | Fuel Filler Installation (Not Shown) (See Items 201-214 for Breakdown) | | | |
| 3 | 1001255482 | 1 | Kit, Electrical Connection (Not Shown) | | | |
| 4 | 1001255854 | Ref | Exhaust Modification Installation (Not Shown) (See Items 301-302 for Breakdown) | | | |
| 5 | 1001221651 | Ref | Anti-Sail Brackets Installation (Not Shown) (See Items 401-402 for Breakdown) | B | | |
| | 1001297529 | Ref | SUBFRAME INSTALLATION | | | |
| 101 | 1001296069 | 2 | Plate | | | |
| 102 | 1001255943 | 2 | Plate | | | |
| 103 | 1001255944 | 2 | Plate | | | |
| 104 | 0681816 | 26 | Bolt 1/2 x 2 | | | |
| 105 | 3271805 | 26 | Nut 1/2 | | | |
| 106 | 4711800 | 26 | Washer 1/2 | | | |
| 201-214 | 1001256226 | Ref | FUEL FILLER INSTALLATION | A | | |
| | 7570000037 | 1 | Hose | | | |
| | 1001256269 | 1 | Hose | | | |
| | 7274000042 | 2 | Clamp | | | |
| | 7274000005 | 2 | Clamp | | | |
| | 7274000076 | 1 | Clamp | | | |
| | 4533000415 | 1 | Bracket | | | |
| | 3941506 | 1 | Tap-Screw | | | |
| | 7115151050 | 1 | Bolt 5/16 x 1-1/4 | | | |
| | 7785152420 | 1 | Screw 5/16 x 1-1/2 | | | |
| | 7950150161 | 1 | Washer 5/16 | | | |
| | 7660152601 | 2 | Nut 5/16 | | | |
| | 0641610 | 1 | Bolt 3/8 x 1-1/4 | | | |
| | 3271605 | 1 | Nut 3/8 | | | |
| | 7894000004 | 6 | Tie-Strap (Not Shown) | | | |
| | 1001255854 | Ref | EXHAUST INSTALLATION | | | |
| | 301 | 1001255844 | 1 | | Bracket | |
| | 302 | 1001256168 | 1 | | Exhaust Shield | |
| | 401-402 | 1001221651 | Ref | | ANTI-SAIL BRACKETS INSTALLATION | A |
| | | 1001221652 | 1 | | Bracket, RH | |
| | | 1001221653 | 1 | | Bracket, LH | |

SECTION 1 - SUBFRAME

FIGURE 1-6. CHASSIS MOUNTING KIT - CV515 2019+ WITH 165IN WB (NG)



ART_1001297541

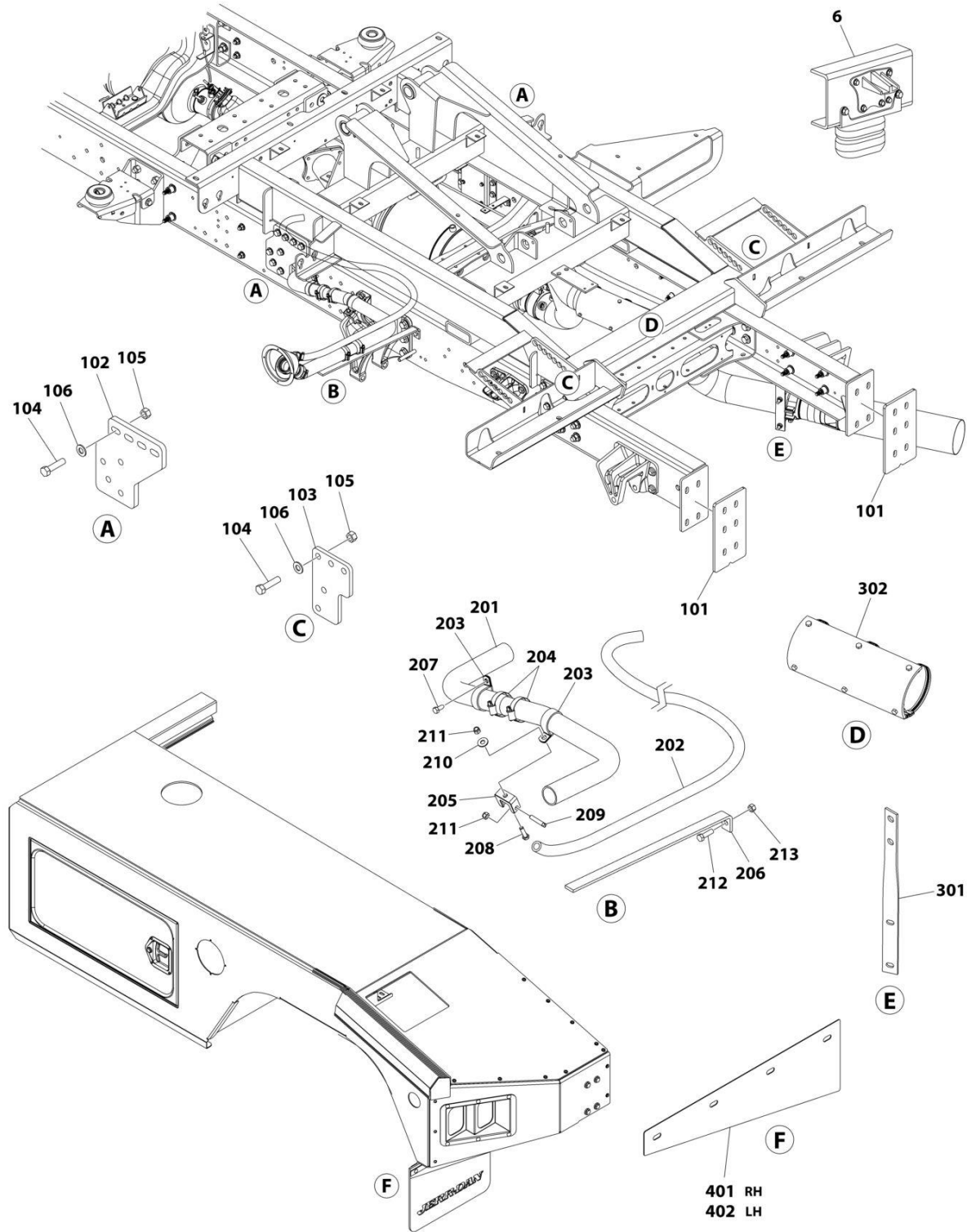
SECTION 1 - SUBFRAME

FIGURE 1-6. CHASSIS MOUNTING KIT - CV515 2019+ WITH 165IN WB (NG)

| ITEM | PART NUMBER | QTY | DESCRIPTION | REV |
|------|-------------|-----|--|-----|
| 1 | 1001297541 | Ref | CHASSIS MOUNTING KIT - CV515 2019+ WITH 165IN WB | A |
| | 1001297529 | Ref | Subframe Installation (Not Shown) (See Items 101-106 for Breakdown) | |
| 2 | 1001256226 | Ref | Fuel Filler Installation (Not Shown) (See Items 201-214 for Breakdown) | |
| 3 | 1001255482 | 1 | Kit, Electrical Connection (Not Shown) | B |
| | 1001297529 | Ref | SUBFRAME INSTALLATION | |
| 101 | 1001296069 | 2 | Plate | |
| 102 | 1001255943 | 2 | Plate | |
| 103 | 1001255944 | 2 | Plate | |
| 104 | 0681816 | 26 | Bolt 1/2 x 2 | |
| 105 | 3271805 | 26 | Nut 1/2 | |
| 106 | 4711800 | 26 | Washer 1/2 | |
| | 1001256226 | Ref | FUEL FILLER INSTALLATION | A |
| 201 | 7570000037 | 1 | Hose | |
| 202 | 1001256269 | 1 | Hose | |
| 203 | 7274000042 | 2 | Clamp | |
| 204 | 7274000005 | 2 | Clamp | |
| 205 | 7274000076 | 1 | Clamp | |
| 206 | 4533000415 | 1 | Bracket | |
| 207 | 3941506 | 1 | Tap-Screw | |
| 208 | 7115151050 | 1 | Bolt 5/16 x 1-1/4 | |
| 209 | 7785152420 | 1 | Screw 5/16 x 1-1/2 | |
| 210 | 7950150161 | 1 | Washer 5/16 | |
| 211 | 7660152601 | 2 | Nut 5/16 | |
| 212 | 0641610 | 1 | Bolt 3/8 x 1-1/4 | |
| 213 | 3271605 | 1 | Nut 3/8 | |
| 214 | 7894000004 | 6 | Tie-Strap (Not Shown) | |

SECTION 1 - SUBFRAME

FIGURE 1-7. CHASSIS MOUNTING KIT - CV515 2019+ WITH 141IN WB (NG)



ART_1001297542

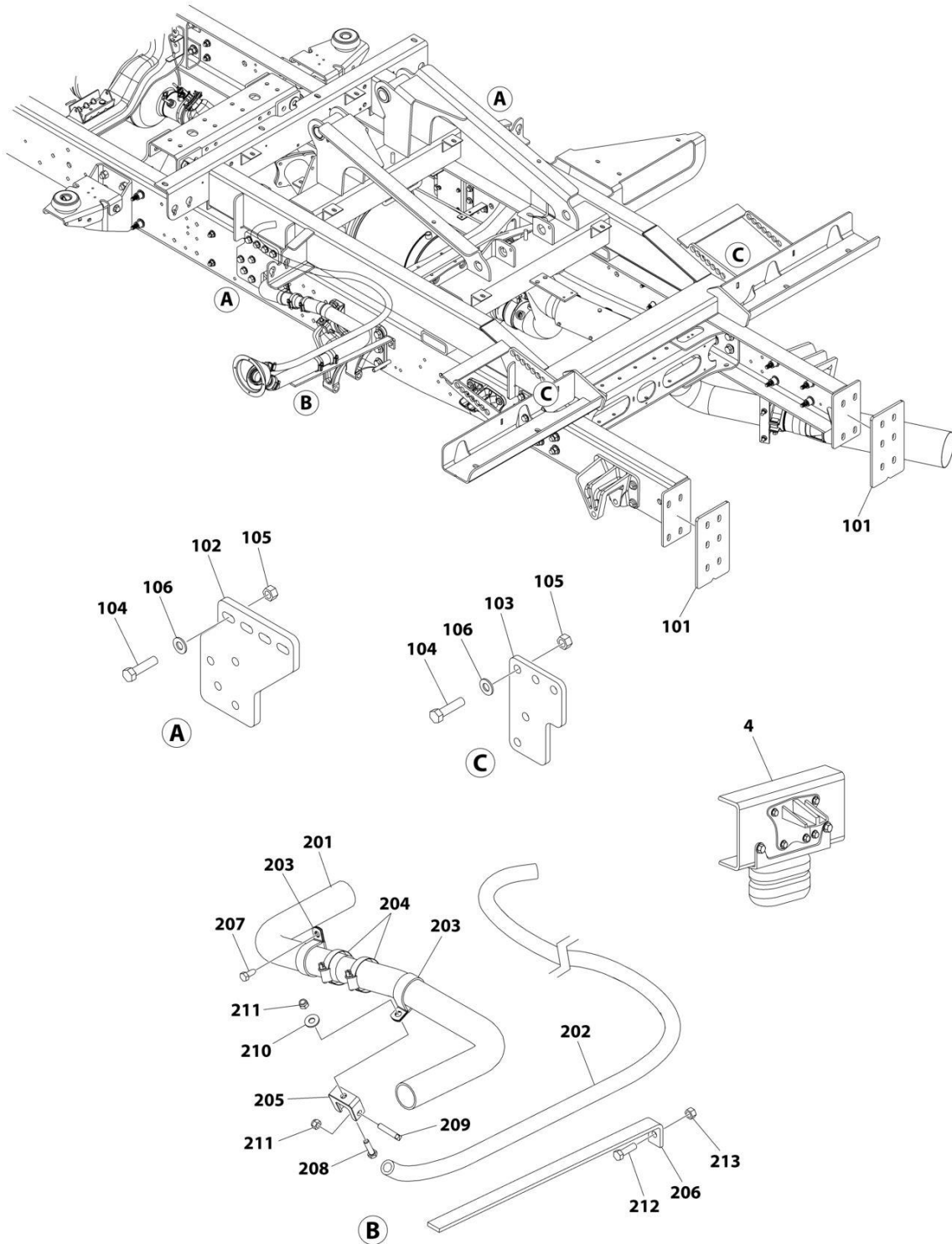
SECTION 1 - SUBFRAME

FIGURE 1-7. CHASSIS MOUNTING KIT - CV515 2019+ WITH 141IN WB (NG)

| ITEM | PART NUMBER | QTY | DESCRIPTION | REV |
|------|-------------|-----|---|-----|
| | 1001297542 | Ref | CHASSIS MOUNTING KIT - CV515 2019+ WITH 141IN WB WITH TIMBRENS | A |
| 1 | 1001297529 | Ref | Subframe Installation (Not Shown) (See Items 101-106 for Breakdown) | |
| 2 | 1001256226 | Ref | Fuel Filler Installation (Not Shown) (See Items 201-214 for Breakdown) | |
| 3 | 1001255482 | 1 | Kit, Electrical Connection (Not Shown) | |
| 4 | 1001255854 | Ref | Exhaust Modification Installation (Not Shown) (See Items 301-302 for Breakdown) | |
| 5 | 1001221651 | Ref | Anti-Sail Brackets Installation (Not Shown) (See Items 401-402 for Breakdown) | |
| 6 | 1001256789 | 1 | Rear Suspension | |
| | 1001297529 | Ref | SUBFRAME INSTALLATION | B |
| 101 | 1001296069 | 2 | Plate | |
| 102 | 1001255943 | 2 | Plate | |
| 103 | 1001255944 | 2 | Plate | |
| 104 | 0681816 | 26 | Bolt 1/2 x 2 | |
| 105 | 3271805 | 26 | Nut 1/2 | |
| 106 | 4711800 | 26 | Washer 1/2 | |
| | 1001256226 | Ref | FUEL FILLER INSTALLATION | A |
| 201 | 7570000037 | 1 | Hose | |
| 202 | 1001256269 | 1 | Hose | |
| 203 | 7274000042 | 2 | Clamp | |
| 204 | 7274000005 | 2 | Clamp | |
| 205 | 7274000076 | 1 | Clamp | |
| 206 | 4533000415 | 1 | Bracket | |
| 207 | 3941506 | 1 | Tap-Screw | |
| 208 | 7115151050 | 1 | Bolt 5/16 x 1-1/4 | |
| 209 | 7785152420 | 1 | Screw 5/16 x 1-1/2 | |
| 210 | 7950150161 | 1 | Washer 5/16 | |
| 211 | 7660152601 | 2 | Nut 5/16 | |
| 212 | 0641610 | 1 | Bolt 3/8 x 1-1/4 | |
| 213 | 3271605 | 1 | Nut 3/8 | |
| 214 | 7894000004 | 6 | Tie-Strap (Not Shown) | |
| | 1001255854 | Ref | EXHAUST INSTALLATION | A |
| 301 | 1001255844 | 1 | Bracket | |
| 302 | 1001256168 | 1 | Exhaust Shield | |
| | 1001221651 | Ref | ANTI-SAIL BRACKETS INSTALLATION | A |
| 401 | 1001221652 | 1 | Bracket, RH | |
| 402 | 1001221653 | 1 | Bracket, LH | |

SECTION 1 - SUBFRAME

FIGURE 1-8. CHASSIS MOUNTING KIT - CV515 2019+ WITH 165IN WB (NG)



ART_1001297543

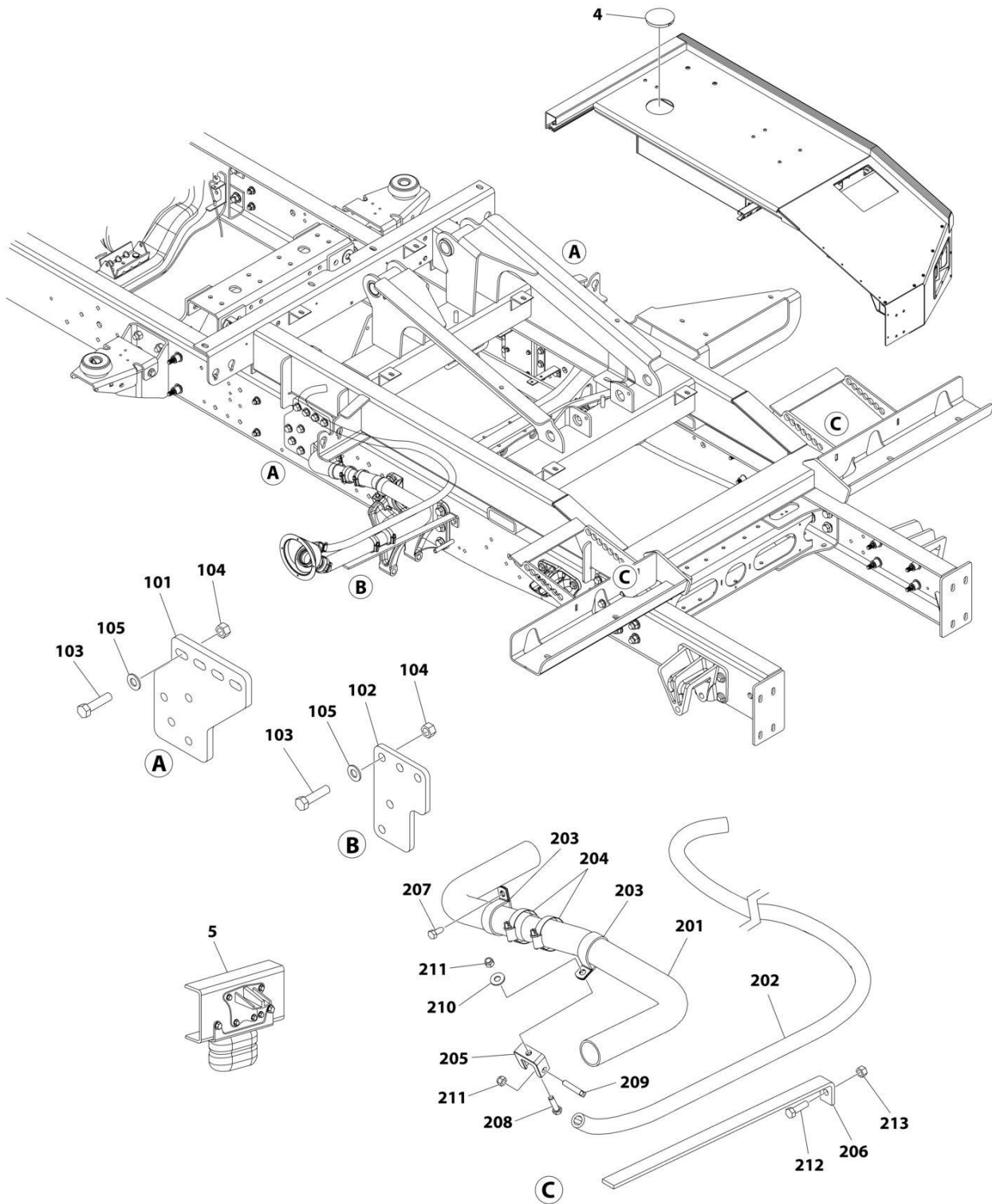
SECTION 1 - SUBFRAME

FIGURE 1-8. CHASSIS MOUNTING KIT - CV515 2019+ WITH 165IN WB (NG)

| ITEM | PART NUMBER | QTY | DESCRIPTION | REV |
|------|-------------|-----|--|-----|
| | 1001297543 | Ref | CHASSIS MOUNTING KIT - CV515 2019+ WITH 165IN WB WITH TIMBRENS | A |
| 1 | 1001297529 | Ref | Subframe Installation (Not Shown) (See Items 101-106 for Breakdown) | |
| 2 | 1001256226 | Ref | Fuel Filler Installation (Not Shown) (See Items 201-214 for Breakdown) | |
| 3 | 1001255482 | 1 | Kit, Electrical Connection (Not Shown) | |
| 4 | 1001256789 | 1 | Rear Suspension Installation | |
| | 1001297529 | Ref | SUBFRAME INSTALLATION | B |
| 101 | 1001296069 | 2 | Plate | |
| 102 | 1001255943 | 2 | Plate | |
| 103 | 1001255944 | 2 | Plate | |
| 104 | 0681816 | 26 | Bolt 1/2 x 2 | |
| 105 | 3271805 | 26 | Nut 1/2 | |
| 106 | 4711800 | 26 | Washer 1/2 | |
| | 1001256226 | Ref | FUEL FILLER INSTALLATION | A |
| 201 | 7570000037 | 1 | Hose | |
| 202 | 1001256269 | 1 | Hose | |
| 203 | 7274000042 | 2 | Clamp | |
| 204 | 7274000005 | 2 | Clamp | |
| 205 | 7274000076 | 1 | Clamp | |
| 206 | 4533000415 | 1 | Bracket | |
| 207 | 3941506 | 1 | Tap-Screw | |
| 208 | 7115151050 | 1 | Bolt 5/16 x 1-1/4 | |
| 209 | 7785152420 | 1 | Screw 5/16 x 1-1/2 | |
| 210 | 7950150161 | 1 | Washer 5/16 | |
| 211 | 7660152601 | 2 | Nut 5/16 | |
| 212 | 0641610 | 1 | Bolt 3/8 x 1-1/4 | |
| 213 | 3271605 | 1 | Nut 3/8 | |
| 214 | 7894000004 | 6 | Tie-Strap (Not Shown) | |

SECTION 1 - SUBFRAME

FIGURE 1-9. CHASSIS MOUNTING KIT - CV515 2019+ WITH 165IN WB (NGS)



ART_1001256836

SECTION 1 - SUBFRAME

FIGURE 1-9. CHASSIS MOUNTING KIT - CV515 2019+ WITH 165IN WB (NGS)

| ITEM | PART NUMBER | QTY | DESCRIPTION | REV |
|------|-------------|-----|--|-----|
| | 1001256836 | Ref | CHASSIS MOUNTING KIT - CV515 2019 + WITH 165IN WB WITH TIMBRENS | A |
| 1 | 1001255858 | Ref | Subframe Installation (Not Shown) (See Items 101-106 for Breakdown) | |
| 2 | 1001256226 | Ref | Fuel Filler Installation (Not Shown) (See Items 201-214 for Breakdown) | |
| 3 | 1001255482 | 1 | Kit, Electrical Connection (Not Shown) | |
| 6 | 7701000075 | 1 | Plug | |
| 7 | 1001256789 | 1 | Rear Suspension Installation (Not Shown) | |
| 7 | 1001256801 | 1 | Spring, Timbren | |
| | 1001255858 | Ref | SUBFRAME INSTALLATION | A |
| 101 | 1001255942 | 2 | Gusset (Not Shown) | |
| 102 | 1001255943 | 2 | Plate | |
| 103 | 1001255944 | 2 | Plate | |
| 104 | 0681816 | 26 | Bolt 1/2 x 2 | |
| 105 | 3271805 | 26 | Nut 1/2 | |
| 106 | 4711800 | 26 | Washer 1/2 | |
| | 1001256226 | Ref | FUEL FILLER INSTALLATION | A |
| 201 | 7570000037 | 1 | Hose | |
| 202 | 1001256269 | 1 | Hose | |
| 203 | 7274000042 | 2 | Clamp | |
| 204 | 7274000005 | 2 | Clamp | |
| 205 | 7274000076 | 1 | Clamp | |
| 206 | 4533000415 | 1 | Bracket | |
| 207 | 3941506 | 1 | Tap-Screw | |
| 208 | 7115151050 | 1 | Bolt 5/16 x 1-1/4 | |
| 209 | 7785152420 | 1 | Screw 5/16 x 1-1/2 | |
| 210 | 7950150161 | 1 | Washer 5/16 | |
| 211 | 7660152601 | 2 | Nut 5/16 | |
| 212 | 0641610 | 1 | Bolt 3/8 x 1-1/4 | |
| 213 | 3271605 | 1 | Nut 3/8 | |
| 214 | 7894000004 | 6 | Tie-Strap (Not Shown) | |

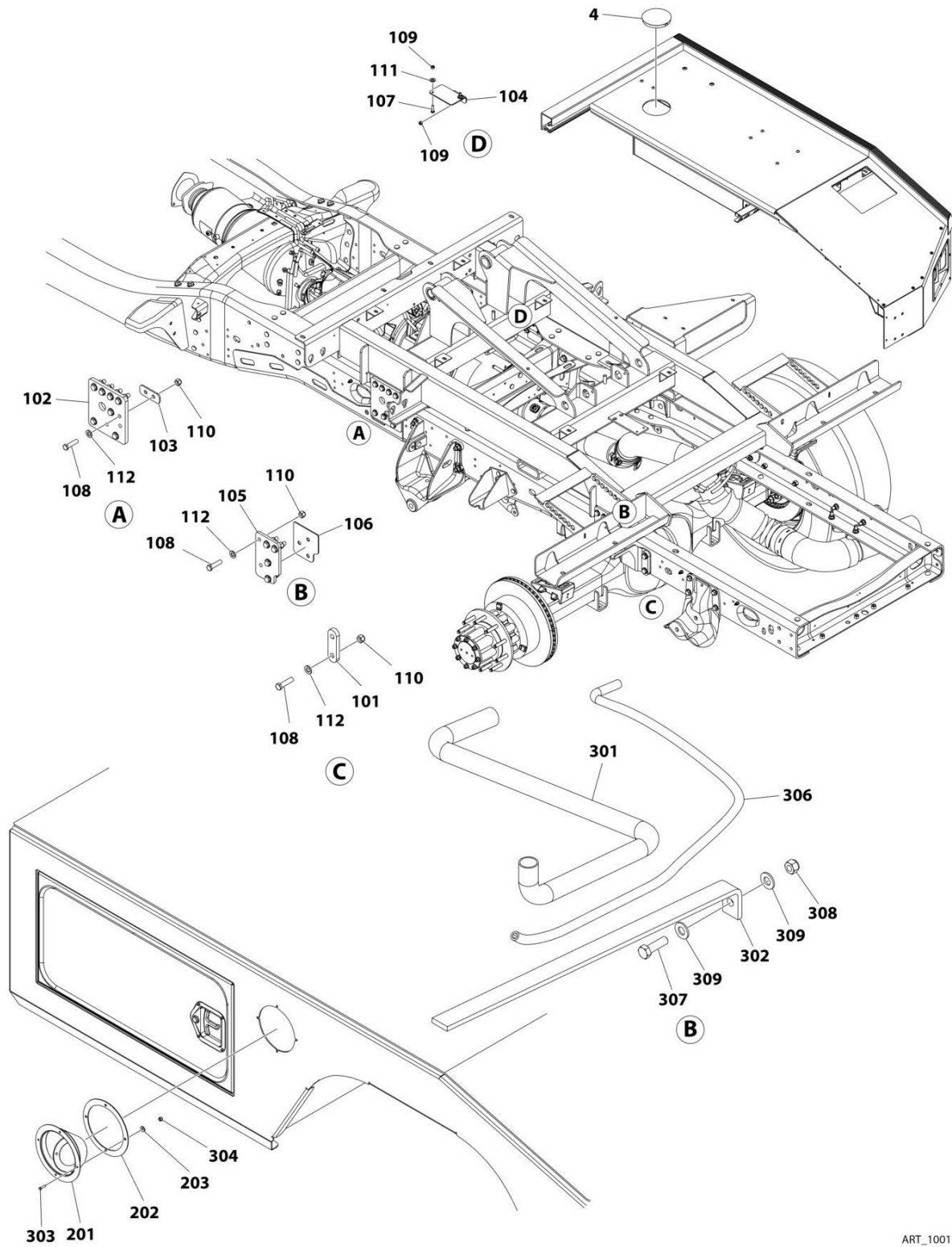
SECTION 1 - SUBFRAME

FIGURE 1-10. CHASSIS MOUNTING KIT - DODGE 2013+ WITH 60IN CA (NGS)

| ITEM | PART NUMBER | QTY | DESCRIPTION | REV |
|------|-------------|-----|---|-----|
| | 1001160904 | Ref | CHASSIS MOUNTING KIT - DODGE 2013+ WITH 60IN CA | A |
| 1 | 1001160833 | Ref | Dodge Subframe Installation (Not Shown) (See Items 101-108 for Breakdown) | |
| 2 | 2178000062 | Ref | Bracket Installation (Not Shown) (See Items 201-203 for Breakdown) | |
| 3 | 2570000157 | Ref | Hose Installation (Not Shown) (See Items 301-308 for Breakdown) | |
| 4 | 7701000075 | 1 | Plug | |
| | 1001160833 | Ref | DODGE SUBFRAME INSTALLATION | B |
| 101 | 1001160779 | 2 | Shim | |
| 102 | 1001160831 | 2 | Plate | |
| 103 | 1001160988 | 4 | Shim | |
| 104 | 4706006442 | 2 | Plate | |
| 105 | 4812000142 | 2 | Shim | |
| 106 | 7115181650 | 30 | Bolt 1/2 x 2 | |
| 107 | 7660182601 | 30 | Nut 1/2 | |
| 108 | 7950180153 | 30 | Washer 1/2 | |
| | 2178000062 | Ref | BRACKET INSTALLATION | 0 |
| 201 | 7449000019 | 1 | Flange | |
| 202 | 7796000100 | 1 | Gasket | |
| 203 | 7950100151 | 4 | Washer 3/16 | |
| | 2570000157 | Ref | HOSE INSTALLATION | A |
| 301 | 7570000037 | 1 | Hose | |
| 302 | 4533000415 | 1 | Gas Filler Bracket | |
| 303 | 7114100610 | 4 | Screw #10 x 1 | |
| 304 | 7660102604 | 4 | Nut #10 | |
| 305 | 5526000553 | 8 | Tie-Strap (Not Shown) | |
| 306 | 7570000036 | AR | Hose Fuel Vent | |
| 307 | 7115161050 | 1 | Bolt 3/8 x 1-1/4 | |
| 308 | 7660162601 | 1 | Nut 3/8 | |
| 309 | 7950160141 | 2 | Washer 3/8 | |

SECTION 1 - SUBFRAME

FIGURE 1-11. CHASSIS MOUNTING KIT - DODGE 2013+ WITH 84IN CA (NGS)



ART_1001160905

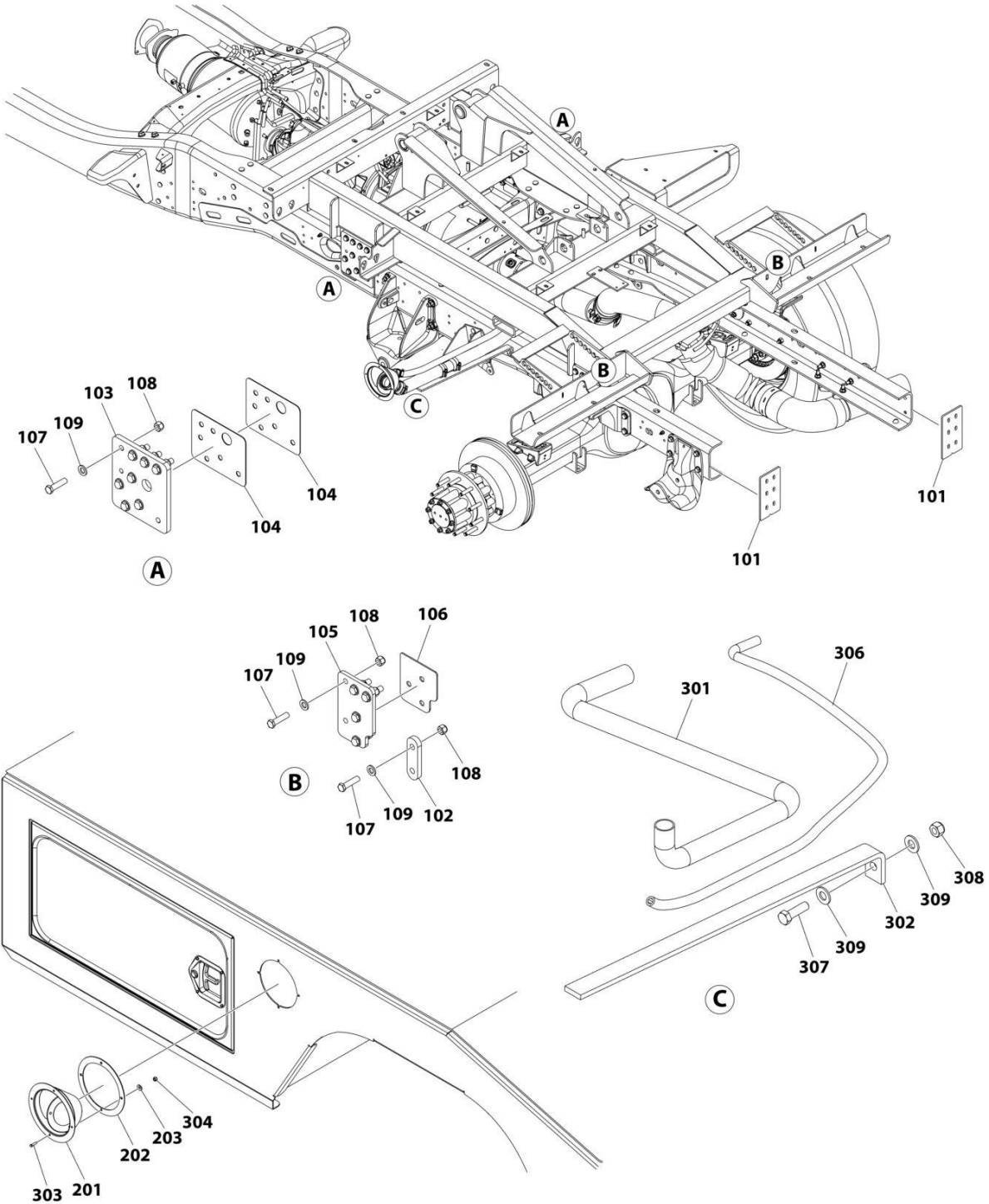
SECTION 1 - SUBFRAME

FIGURE 1-11. CHASSIS MOUNTING KIT - DODGE 2013+ WITH 84IN CA (NGS)

| ITEM | PART NUMBER | QTY | DESCRIPTION | REV |
|------|-------------|-----|---|-----|
| | 1001160905 | Ref | CHASSIS MOUNTING KIT - DODGE 2013+ WITH 84IN CA | A |
| 1 | 1001160834 | Ref | Dodge Subframe Installation (Not Shown) (See Items 101-112 for Breakdown) | |
| 2 | 2178000062 | Ref | Bracket Installation (Not Shown) (See Items 201-203 for Breakdown) | |
| 3 | 2570000157 | Ref | Hose Installation (Not Shown) (See Items 301-309 for Breakdown) | |
| 4 | 7701000075 | 1 | Plug | |
| | 1001160834 | Ref | DODGE SUBFRAME INSTALLATION | B |
| 101 | 1001160779 | 2 | Shim | |
| 102 | 1001160831 | 2 | Plate | |
| 103 | 1001160835 | 2 | Shim | |
| 104 | 1001160919 | 1 | Bracket | |
| 105 | 4706006442 | 2 | Plate | |
| 106 | 4812000142 | 2 | Shim | |
| 107 | 7115140850 | 2 | Bolt 1/4 x 1 | |
| 108 | 7115181650 | 30 | Bolt 1/2 x 2 | |
| 109 | 7660142601 | 3 | Nut 1/4 | |
| 110 | 7660182601 | 30 | Nut 1/2 | |
| 111 | 7950140153 | 2 | Washer 1/4 | |
| 112 | 7950180153 | 30 | Washer 1/2 | |
| | 2178000062 | Ref | BRACKET INSTALLATION | 0 |
| 201 | 7449000019 | 1 | Flange | |
| 202 | 7796000100 | 1 | Gasket | |
| 203 | 7950100151 | 4 | Washer 3/16 | |
| | 2570000157 | Ref | HOSE INSTALLATION | A |
| 301 | 7570000037 | 1 | Hose | |
| 302 | 4533000415 | 1 | Gas Filler Bracket | |
| 303 | 7114100610 | 4 | Screw #10 x 1 | |
| 304 | 7660102604 | 4 | Nut #10 | |
| 305 | 5526000553 | 8 | Tie-Strap (Not Shown) | |
| 306 | 7570000036 | AR | Hose Fuel Vent | |
| 307 | 7115161050 | 1 | Bolt 3/8 x 1-1/4 | |
| 308 | 7660162601 | 1 | Nut 3/8 | |
| 309 | 7950160141 | 2 | Washer 3/8 | |

SECTION 1 - SUBFRAME

FIGURE 1-12. CHASSIS MOUNTING KIT - DODGE 2013+ WITH 60IN CA (NG)



ART_1001297530

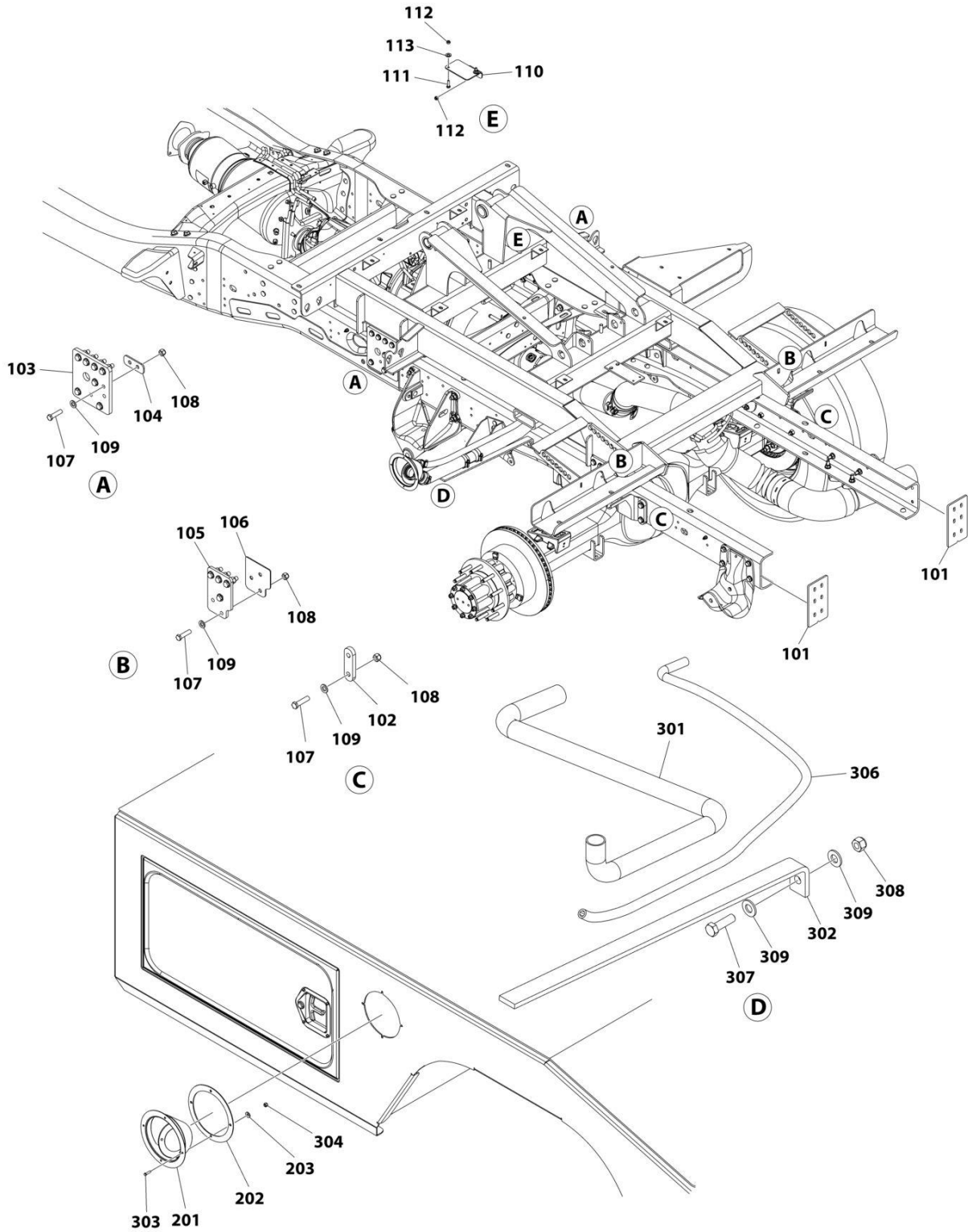
SECTION 1 - SUBFRAME

FIGURE 1-12. CHASSIS MOUNTING KIT - DODGE 2013+ WITH 60IN CA (NG)

| ITEM | PART NUMBER | QTY | DESCRIPTION | REV |
|------|-------------|-----|---|-----|
| 1 | 1001297530 | Ref | CHASSIS MOUNTING KIT - DODGE 2013+ WITH 60IN CA | A |
| | 1001297527 | Ref | Dodge Subframe Installation (Not Shown) (See Items 101-109 for Breakdown) | |
| 2 | 2178000062 | Ref | Bracket Installation (Not Shown) (See Items 201-203 for Breakdown) | |
| 3 | 2570000157 | Ref | Hose Installation (Not Shown) (See Items 301-309 for Breakdown) | B |
| | 1001297527 | Ref | DODGE SUBFRAME INSTALLATION | |
| 101 | 1001296069 | 2 | Plate | |
| 102 | 1001160779 | 2 | Shim | |
| 103 | 1001160831 | 2 | Plate | |
| 104 | 1001160988 | 4 | Shim | |
| 105 | 4706006442 | 2 | Plate | |
| 106 | 4812000142 | 2 | Shim | |
| 107 | 0681816 | 30 | Bolt 1/2 x 2 | |
| 108 | 3271805 | 30 | Nut 1/2 | |
| 109 | 4711800 | 30 | Washer 1/2 | 0 |
| | 2178000062 | Ref | BRACKET INSTALLATION | |
| 201 | 7449000019 | 1 | Flange | |
| 202 | 7796000100 | 1 | Gasket | |
| 203 | 7950100151 | 4 | Washer 3/16 | A |
| | 2570000157 | Ref | HOSE INSTALLATION | |
| 301 | 7570000037 | 1 | Hose | |
| 302 | 4533000415 | 1 | Gas Filler Bracket | |
| 303 | 7114100810 | 4 | Screw #10 x 1 | |
| 304 | 7660102604 | 4 | Nut #10 | |
| 305 | 5526000553 | 8 | Tie-Strap (Not Shown) | |
| 306 | 7570000036 | AR | Hose Fuel Vent | |
| 307 | 7115161050 | 1 | Bolt 3/8 x 1-1/4 | |
| 308 | 7660162601 | 1 | Nut 3/8 | |
| 309 | 7950160141 | 2 | Washer 3/8 | |

SECTION 1 - SUBFRAME

FIGURE 1-13. CHASSIS MOUNTING KIT - DODGE 2013+ WITH 84IN CA (NG)



ART_1001297531

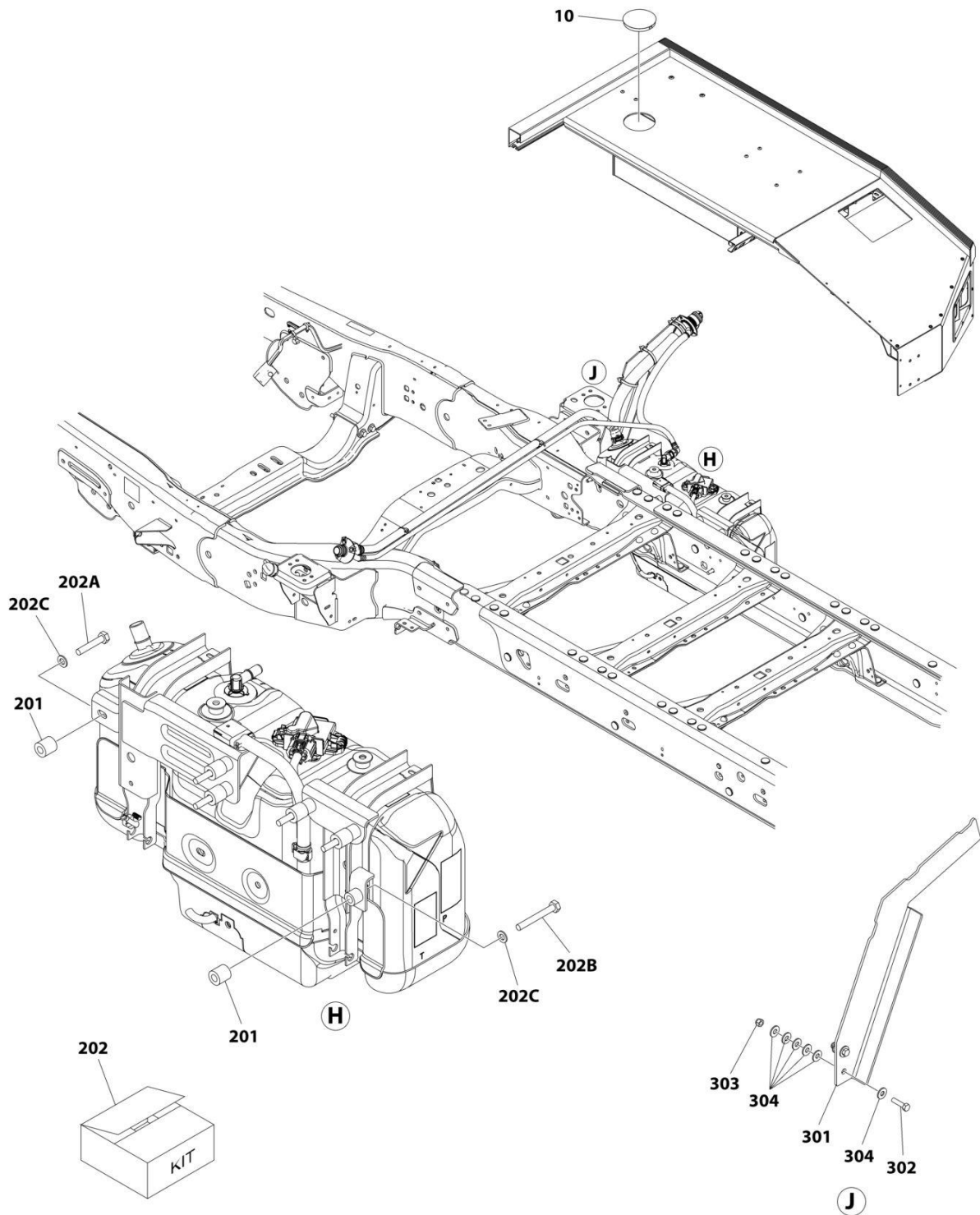
SECTION 1 - SUBFRAME

FIGURE 1-13. CHASSIS MOUNTING KIT - DODGE 2013+ WITH 84IN CA (NG)

| ITEM | PART NUMBER | QTY | DESCRIPTION | REV |
|------|-------------|-----|---|-----|
| | 1001297531 | Ref | CHASSIS MOUNTING KIT - DODGE 2013+ WITH 84IN CA | A |
| 1 | 1001297528 | Ref | Dodge Subframe Installation (Not Shown) (See Items 101-113 for Breakdown) | |
| 2 | 2178000062 | Ref | Bracket Installation (Not Shown) (See Items 201-203 for Breakdown) | |
| 3 | 2570000157 | Ref | Hose Installation (Not Shown) (See Items 301-309 for Breakdown) | |
| | 1001297528 | Ref | DODGE SUBFRAME INSTALLATION | B |
| 101 | 1001296069 | 2 | Plate | |
| 102 | 1001160779 | 2 | Shim | |
| 103 | 1001160831 | 2 | Plate | |
| 104 | 1001160835 | 2 | Shim | |
| 105 | 4706006442 | 2 | Plate | |
| 106 | 4812000142 | 2 | Shim | |
| 107 | 0681816 | 30 | Bolt 1/2 x 2 | |
| 108 | 3271805 | 30 | Nut 1/2 | |
| 109 | 4711800 | 30 | Washer 1/2 | |
| 110 | 1001160919 | 1 | Bracket | |
| 111 | 0641408 | 2 | Bolt 1/4 x 1 | |
| 112 | 3271405 | 3 | Nut 1/4 | |
| 113 | 4711400 | 2 | Washer 1/4 | |
| | 2178000062 | Ref | BRACKET INSTALLATION | 0 |
| 201 | 7449000019 | 1 | Flange | |
| 202 | 7796000100 | 1 | Gasket | |
| 203 | 7950100151 | 4 | Washer 3/16 | |
| | 2570000157 | Ref | HOSE INSTALLATION | A |
| 301 | 7570000037 | 1 | Hose | |
| 302 | 4533000415 | 1 | Gas Filler Bracket | |
| 303 | 7114100810 | 4 | Screw #10 x 1 | |
| 304 | 7660102604 | 4 | Nut #10 | |
| 305 | 5526000553 | 8 | Tie-Strap (Not Shown) | |
| 306 | 7570000036 | AR | Hose Fuel Vent | |
| 307 | 7115161050 | 1 | Bolt 3/8 x 1-1/4 | |
| 308 | 7660162601 | 1 | Nut 3/8 | |
| 309 | 7950160141 | 2 | Washer 3/8 | |

SECTION 1 - SUBFRAME

FIGURE 1-15. CHASSIS MOUNTING KIT - FORD DIESEL 2017+ WITH 60IN CA (NGS)



ART_1001220071_20F2

SECTION 1 - SUBFRAME

FIGURE 1-15. CHASSIS MOUNTING KIT - FORD DIESEL 2017+ WITH 60IN CA (NGS)

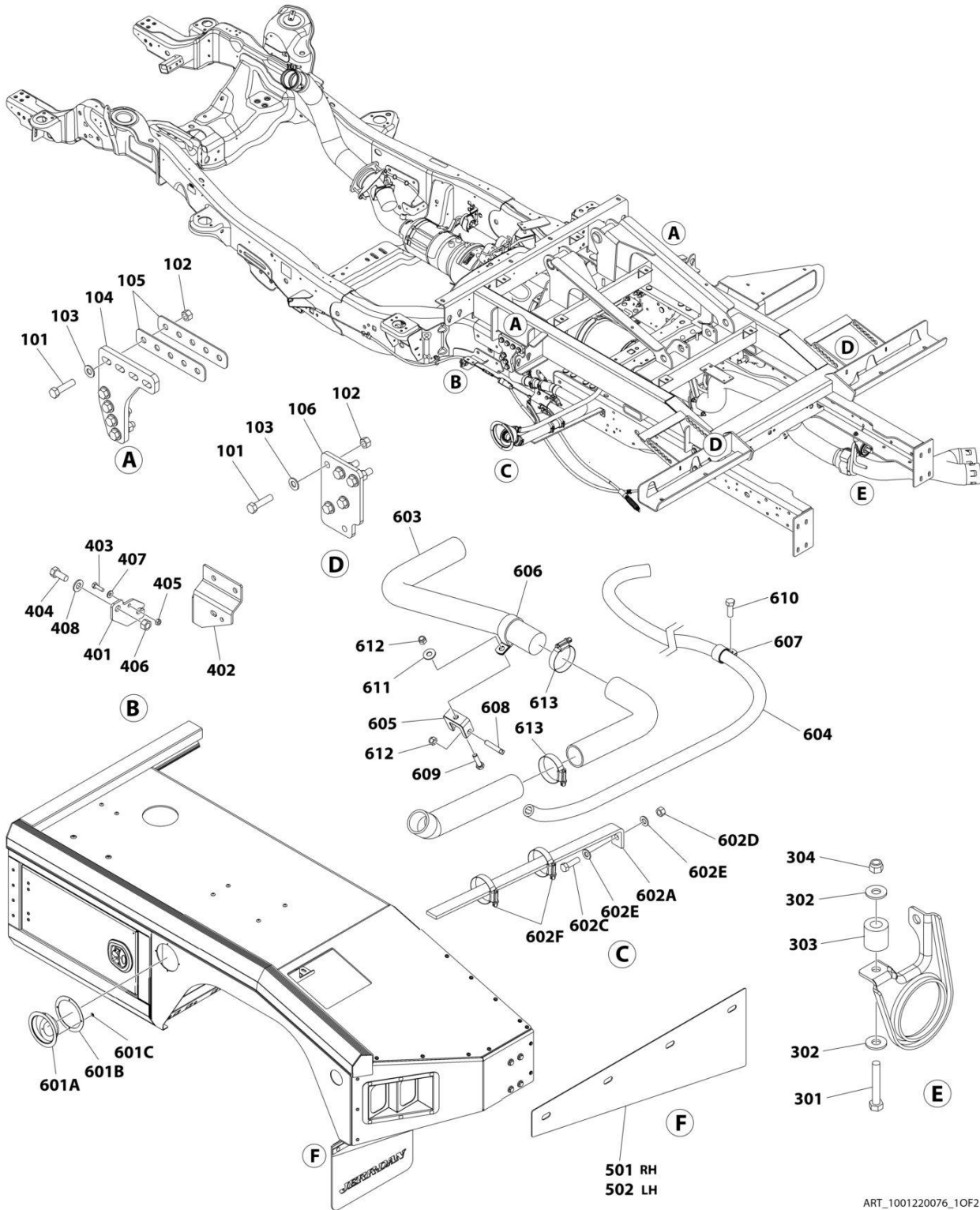
| ITEM | PART NUMBER | QTY | DESCRIPTION | REV |
|------|-------------|-----|---|-----|
| | 1001220071 | Ref | CHASSIS MOUNTING KIT - FORD DIESEL 2017+ WITH 60IN CA | B |
| 1 | 1001220072 | Ref | Subframe Installation (Not Shown) (See Items 101-109 for Breakdown) | |
| 2 | 1001220832 | Ref | Rework DEF Tank Installation (Not Shown) (See Items 201-202 for Breakdown) | |
| 3 | 1001220909 | Ref | Tank Filler Installation (Not Shown) (See Items 301-305 for Breakdown) | |
| 4 | 1001221001 | Ref | Exhaust Rework Installation (Not Shown) (See Items 401-404 for Breakdown) | |
| 5 | 1001221345 | Ref | Brake Cable Installation (Not Shown) (See Items 501-508 for Breakdown) | |
| 6 | 1001221651 | Ref | Anti-Sail Brackets Installation (Not Shown) (See Items 601-602 for Breakdown) | |
| 7 | 1001224068 | Ref | Fuel Filler Installation (Not Shown) (See Items 701-714 for Breakdown) | |
| 10 | 7701000075 | 1 | Plug | |
| | 1001220072 | Ref | SUBFRAME INSTALLATION | B |
| 101 | 0681816 | 26 | Bolt 1/2 x 2 | |
| 102 | 3271805 | 26 | Nut 1/2 | |
| 103 | 4711800 | 26 | Washer 1/2 | |
| 104 | 1001220073 | 1 | Plate, Saddle | |
| 105 | 1001220074 | 1 | Plate, Saddle | |
| 106 | 4706006442 | 2 | Plate, Rear Saddle | |
| 107 | 1001282025 | 1 | Plate, Saddle (LH) | |
| 108 | 1001282026 | 1 | Plate, Saddle (RH) | |
| 109 | 4811001194 | 4 | Plate | |
| | 1001220832 | Ref | REWORK DEF TANK INSTALLATION | A |
| 201 | 1001220833 | 6 | Shim | |
| 202 | 1001221065 | 1 | Tank Hardware Kit (Not Shown) | |
| 202A | 0701019 | 1 | Bolt M10 x 55 | |
| 202B | 0701024 | 5 | Bolt M10 x 80 | |
| 202C | 4812000 | 6 | Washer M10 | |
| | 1001220909 | Ref | TANK FILLER INSTALLATION | B |
| 301 | 1001221232 | 1 | Bracket | |
| 302 | 0641510 | 2 | Bolt 5/16 x 1-1/4 | |
| 303 | 7660152601 | 2 | Nut 5/16 | |
| 304 | 4751500 | 12 | Washer 5/16 | |
| 305 | 5526000553 | 4 | Tie-Strap (Not Shown) | |
| | 1001221001 | Ref | EXHAUST REWORK INSTALLATION | C |
| 401 | 0641516 | 1 | Bolt 5/16 x 2 | |
| 402 | 4751500 | 1 | Washer 5/16 | |
| 403 | 1001220833 | 1 | Shim | |
| 404 | 7660152601 | 1 | Nut 5/16 | |
| | 1001221345 | Ref | BRAKE CABLE INSTALLTION | A |
| 501 | 1001221075 | 1 | Plate | |
| 502 | 1001221138 | 1 | Bracket | |
| 503 | 0641407 | 1 | Bolt 1/4 x 7/8 | |
| 504 | 0641809 | 1 | Bolt 1/2 x 1-1/8 | |
| 505 | 3311401 | 1 | Nut 1/4 | |
| 506 | 3311801 | 1 | Nut 1/2 | |
| 507 | 4711400 | 1 | Washer 1/4 | |

SECTION 1 - SUBFRAME

| ITEM | PART NUMBER | QTY | DESCRIPTION | REV |
|------|-------------|-----|----------------------------------|-----|
| 508 | 4711800 | 1 | Washer 1/2 | |
| | 1001221651 | Ref | ANTI-SAIL BRACKETS INSTALLATION | A |
| 601 | 1001221652 | 1 | Bracket, Anti-Sail RH | |
| 602 | 1001221653 | 1 | Bracket, Anti-Sail LH | |
| | 1001224068 | Ref | FUEL FILLER INSTALLATION | B |
| 701 | 2178000062 | 1 | Bracket Installation (Not Shown) | |
| 701A | 7449000019 | 1 | Flange | |
| 701B | 7796000100 | 1 | Gasket | |
| 701C | 7950100151 | 4 | Washer 3/16 | |
| 702 | 2570000171 | 1 | Fuel Filler Support (Not Shown) | |
| 702A | 4533000415 | 1 | Gas Filler Bracket | |
| 702B | 5526000553 | 8 | Tie-Strap (Not Shown) | |
| 702C | 7115161050 | 1 | Bolt 3/8 x 1-1/4 | |
| 702D | 7660162601 | 1 | Nut 3/8 | |
| 702E | 7950160141 | 2 | Washer 3/8 | |
| 702F | 7274000005 | 2 | Clamp | |
| 703 | 7570000037 | 1 | Hose | |
| 704 | 7570000017 | 1 | Hose | |
| 705 | 7274000076 | 1 | Clamp | |
| 706 | 7274000071 | 1 | Clamp | |
| 707 | 7274000105 | 1 | Clamp | |
| 708 | 7785152420 | 1 | Screw 5/16 x 1-1/2 | |
| 709 | 7115151050 | 1 | Bolt 5/16 x 1-1/4 | |
| 710 | 3941506 | 1 | Tap Screw | |
| 711 | 7950150161 | 1 | Washer 5/16 | |
| 712 | 7660152601 | 2 | Nut 5/16 | |
| 713 | 7274000005 | 2 | Clamp | |
| 714 | 7443000483 | 1 | Fitting (Not Shown) | |

SECTION 1 - SUBFRAME

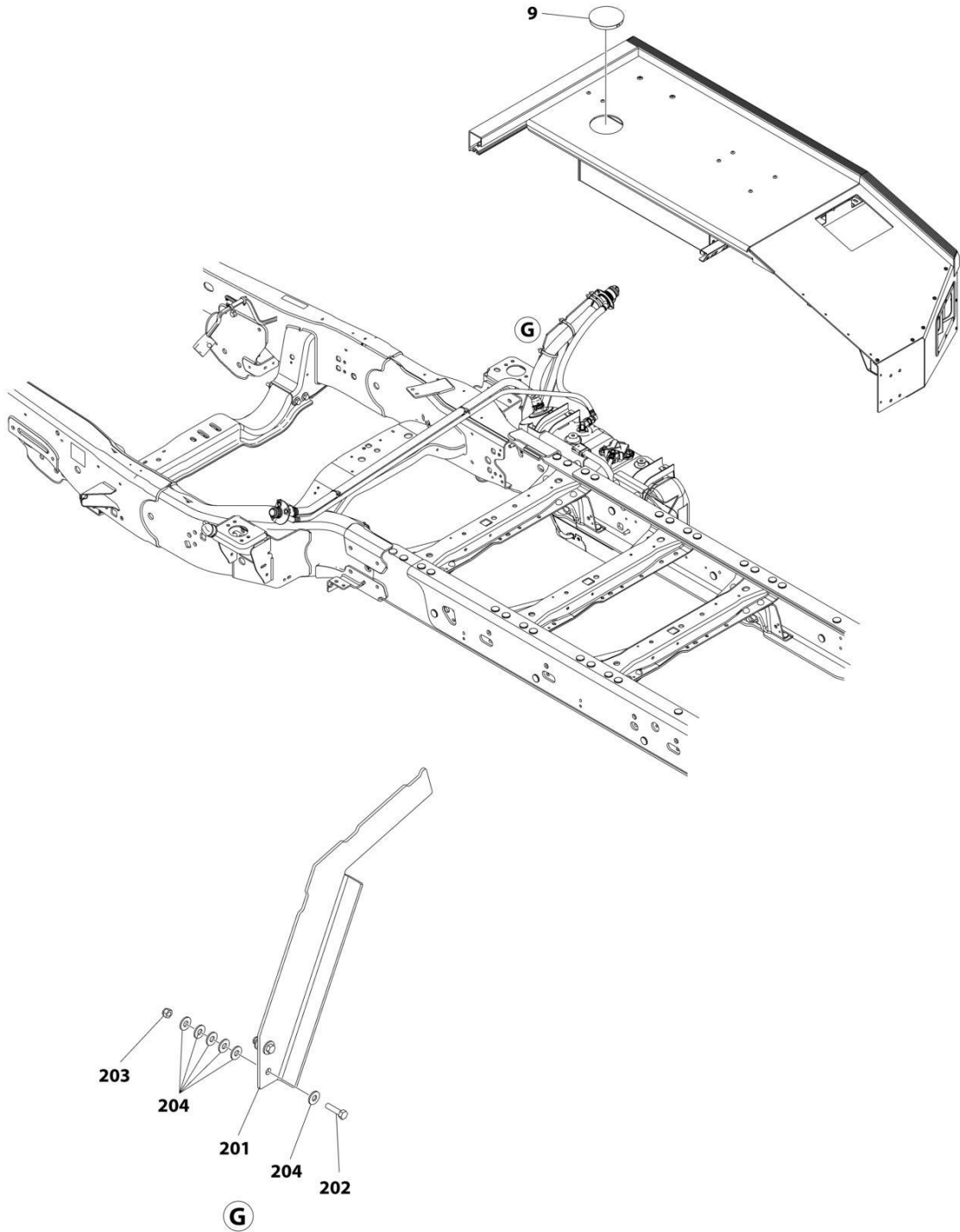
FIGURE 1-16. CHASSIS MOUNTING KIT - FORD DIESEL 2017+ WITH 84IN CA (NGS)



ART_1001220076_10F2

SECTION 1 - SUBFRAME

FIGURE 1-17. CHASSIS MOUNTING KIT - FORD DIESEL 2017+ WITH 84IN CA (NGS)



ART_1001220076_2OF2

SECTION 1 - SUBFRAME

FIGURE 1-17. CHASSIS MOUNTING KIT - FORD DIESEL 2017+ WITH 84IN CA (NGS)

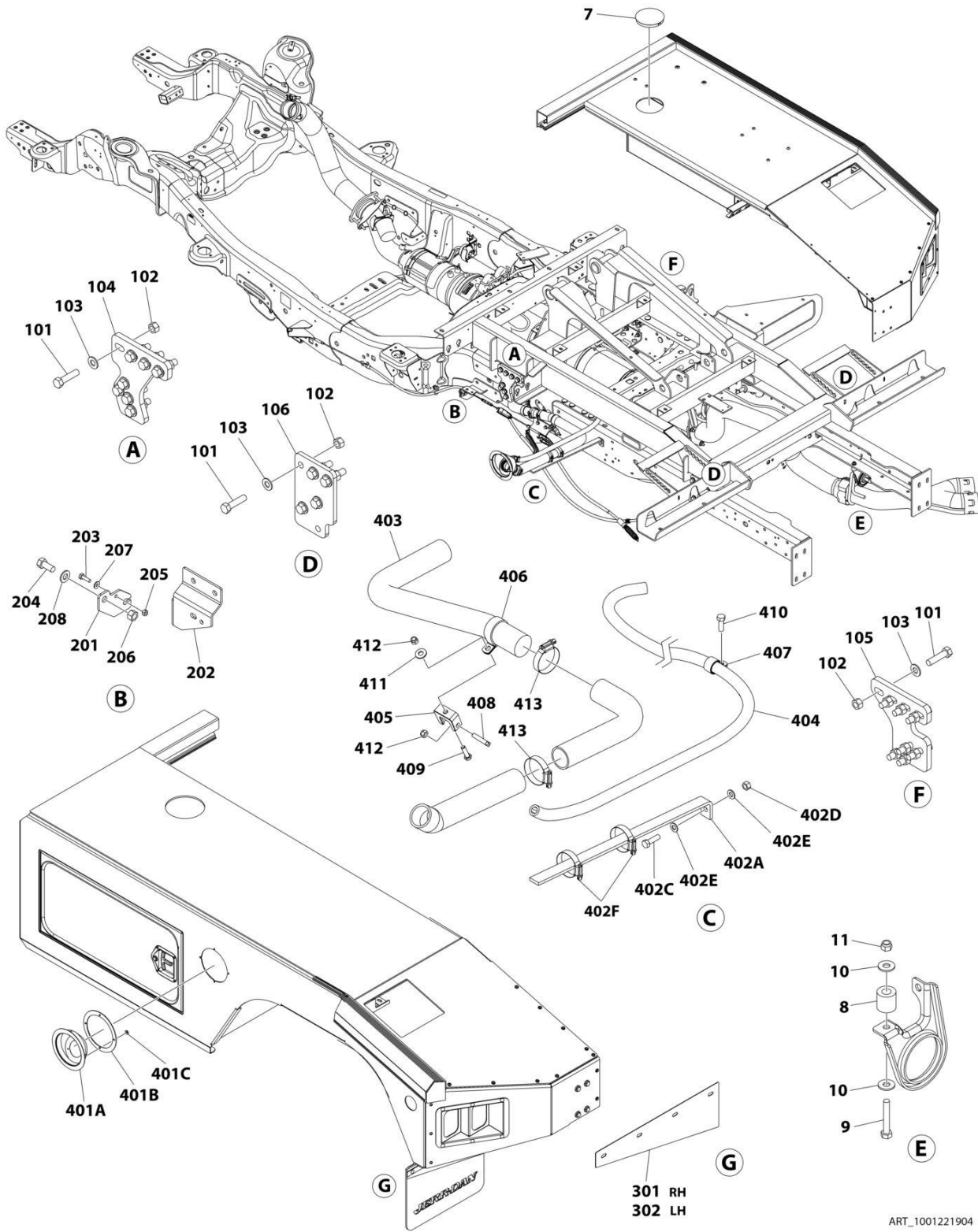
| ITEM | PART NUMBER | QTY | DESCRIPTION | REV |
|------|-------------|-----|---|-----|
| | 1001220076 | Ref | CHASSIS MOUNTING KIT - FORD DIESEL 2017+ WITH 84IN CA | B |
| 1 | 1001220077 | Ref | Subframe Installation (Not Shown) (See Items 101-106 for Breakdown) | |
| 2 | 1001220909 | Ref | Tank Filler Installation (Not Shown) (See Items 201-205 for Breakdown) | |
| 3 | 1001221001 | Ref | Exhaust Rework Installation (Not Shown) (See Items 301-304 for Breakdown) | |
| 4 | 1001221348 | Ref | Brake Cable Installation (Not Shown) (See Items 401-409 for Breakdown) | |
| 5 | 1001221651 | Ref | Anti-Sail Brackets Installation (Not Shown) (See Items 501-502 for Breakdown) | |
| 6 | 1001224068 | Ref | Fuel Filler Installation (Not Shown) (See Items 601-614 for Breakdown) | |
| 9 | 7701000075 | 1 | Plug | |
| | 1001220077 | Ref | SUBFRAME INSTALLATION | A |
| 101 | 0681816 | 26 | Bolt 1/2 x 2 | |
| 102 | 3271805 | 26 | Nut 1/2 | |
| 103 | 4711800 | 26 | Washer 1/2 | |
| 104 | 1001220078 | 2 | Plate, Saddle | |
| 105 | 4811001194 | 4 | Plate | |
| 106 | 4706006442 | 2 | Plate, Rear Saddle | |
| | 1001220909 | Ref | TANK FILLER INSTALLATION | B |
| 201 | 1001221232 | 1 | Bracket | |
| 202 | 0641510 | 2 | Bolt 5/16 x 1-1/4 | |
| 203 | 7660152601 | 2 | Nut 5/16 | |
| 204 | 4751500 | 12 | Washer 5/16 | |
| 205 | 5526000553 | 4 | Tie-Strap (Not Shown) | |
| | 1001221001 | Ref | EXHAUST REWORK INSTALLATION | C |
| 301 | 0641516 | 1 | Bolt 5/16 x 2 | |
| 302 | 4751500 | 1 | Washer 5/16 | |
| 303 | 1001220833 | 1 | Shim | |
| 304 | 7660152601 | 1 | Nut 1/3 | |
| | 1001221348 | Ref | BRAKE CABLE INSTALLATION | A |
| 401 | 1001221075 | 1 | Plate | |
| 402 | 1001221138 | 1 | Bracket | |
| 403 | 0641407 | 1 | Bolt 1/4 x 7/8 | |
| 404 | 0641809 | 1 | Bolt 1/2 x 1-1/8 | |
| 405 | 3311401 | 1 | Nut 1/4 | |
| 406 | 3311801 | 1 | Nut 1/2 | |
| 407 | 4711400 | 1 | Washer 1/4 | |
| 408 | 4711800 | 1 | Washer 1/2 | |
| 409 | 5526000553 | 1 | Tie-Strap (Not Shown) | |
| | 1001221651 | Ref | ANTI-SAIL BRACKETS INSTALLATION | A |
| 501 | 1001221652 | 1 | Bracket, Anti-Sail RH | |
| 502 | 1001221653 | 1 | Bracket, Anti-Sail LH | |
| | 1001224068 | Ref | FUEL FILLER INSTALLATION | B |
| 601 | 2178000062 | 1 | Bracket Installation (Not Shown) | |
| 601A | 7449000019 | 1 | Flange | |
| 601B | 7796000100 | 1 | Gasket | |
| 601C | 7950100151 | 4 | Washer 3/16 | |
| 602 | 2570000171 | 1 | Fuel Filler Support (Not Shown) | |

SECTION 1 - SUBFRAME

| ITEM | PART NUMBER | QTY | DESCRIPTION | REV |
|------|-------------|-----|-----------------------|-----|
| 602A | 4533000415 | 1 | Gas Filler Bracket | |
| 602B | 5526000553 | 8 | Tie-Strap (Not Shown) | |
| 602C | 7115161050 | 1 | Bolt 3/8 x 1-1/4 | |
| 602D | 7660162601 | 1 | Nut 3/8 | |
| 602E | 7950160141 | 2 | Washer 3/8 | |
| 602F | 7274000005 | 2 | Clamp | |
| 603 | 7570000037 | 1 | Hose | |
| 604 | 7570000017 | 1 | Hose | |
| 605 | 7274000076 | 1 | Clamp | |
| 606 | 7274000071 | 1 | Clamp | |
| 607 | 7274000105 | 1 | Clamp | |
| 608 | 7785152420 | 1 | Screw 5/16 x 1-1/2 | |
| 609 | 7115151050 | 1 | Bolt 5/16 x 1-1/4 | |
| 610 | 3941506 | 1 | Tap Screw | |
| 611 | 7950150161 | 1 | Washer 5/16 | |
| 612 | 7660152601 | 2 | Nut 5/16 | |
| 613 | 7274000005 | 2 | Clamp | |
| 614 | 7443000483 | 1 | Fitting (Not Shown) | |

SECTION 1 - SUBFRAME

FIGURE 1-18. CHASSIS MOUNTING KIT - FORD GAS 2017+ WITH 60IN CA (NGS)



ART_1001221904

SECTION 1 - SUBFRAME

FIGURE 1-18. CHASSIS MOUNTING KIT - FORD GAS 2017+ WITH 60IN CA (NGS)

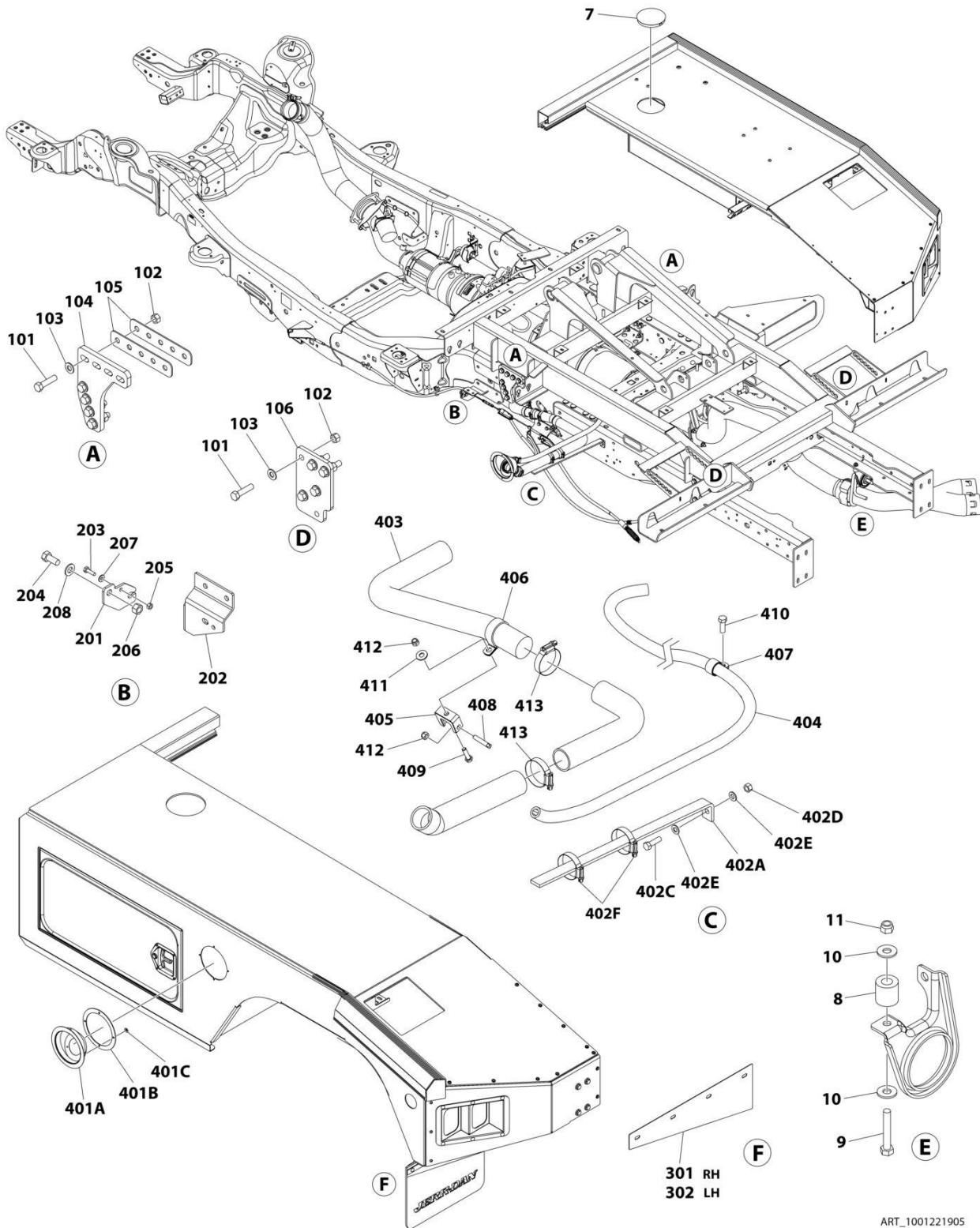
| ITEM | PART NUMBER | QTY | DESCRIPTION | REV |
|------|-------------|-----|---|-----|
| | 1001221904 | Ref | CHASSIS MOUNTING KIT - FORD GAS 2017+ WITH 60IN CA | B |
| 1 | 1001220072 | Ref | Subframe Installation (Not Shown) (See Items 101-106 for Breakdown) | |
| 2 | 1001221345 | Ref | Brake Cable Installation (Not Shown) (See Items 201-208 for Breakdown) | |
| 3 | 1001221651 | Ref | Anti-Sail Brackets Installation (Not Shown) (See Items 301-302 for Breakdown) | |
| 4 | 1001224068 | Ref | Fuel Filler Installation (Not Shown) (See Items 401-414 for Breakdown) | |
| 7 | 7701000075 | 1 | Plug | |
| 8 | 1001220833 | 1 | Shim | |
| 9 | 0641516 | 1 | Bolt 5/16 x 2 | |
| 10 | 4751500 | 2 | Washer 5/16 | |
| 11 | 7660152601 | 1 | Nut 5/16 | |
| | 1001220072 | Ref | SUBFRAME INSTALLATION | A |
| 101 | 0681816 | 26 | Bolt 1/2 x 2 | |
| 102 | 3271805 | 26 | Nut 1/2 | |
| 103 | 4711800 | 26 | Washer 1/2 | |
| 104 | 1001220073 | 1 | Plate | |
| 105 | 1001220074 | 1 | Plate | |
| 106 | 4706006442 | 2 | Plate | |
| | 1001221345 | Ref | BRAKE CABLE INSTALLTION | A |
| 201 | 1001221075 | 1 | Plate | |
| 202 | 1001221138 | 1 | Bracket | |
| 203 | 0641407 | 1 | Bolt 1/4 x 7/8 | |
| 204 | 0641809 | 1 | Bolt 1/2 x 1-1/8 | |
| 205 | 3311401 | 1 | Nut 1/4 | |
| 206 | 3311801 | 1 | Nut 1/2 | |
| 207 | 4711400 | 1 | Washer 1/4 | |
| 208 | 4711800 | 1 | Washer 1/2 | |
| | 1001221651 | Ref | ANTI-SAIL BRACKETS INSTALLATION | A |
| 301 | 1001221652 | 1 | Bracket, RH | |
| 302 | 1001221653 | 1 | Bracket, LH | |
| | 1001224068 | Ref | FUEL FILLER INSTALLATION | B |
| 401 | 2178000062 | 1 | Bracket Installation (Not Shown) | |
| 401A | 7449000019 | 1 | Flange | |
| 401B | 7796000100 | 1 | Gasket | |
| 401C | 7950100151 | 4 | Washer 3/16 | |
| 402 | 2570000171 | 1 | Fuel Filler Support (Not Shown) | |
| 402A | 4533000415 | 1 | Gas Filler Bracket | |
| 402B | 5526000553 | 8 | Tie-Strap (Not Shown) | |
| 402C | 7115161050 | 1 | Bolt 3/8 x 1-1/4 | |
| 402D | 7660162601 | 1 | Nut 3/8 | |
| 402E | 7950160141 | 2 | Washer 3/8 | |
| 402F | 7274000005 | 2 | Clamp | |
| 403 | 7570000037 | 1 | Hose | |
| 404 | 7570000017 | 1 | Hose | |
| 405 | 7274000076 | 1 | Clamp | |
| 406 | 7274000071 | 1 | Clamp | |
| 407 | 7274000105 | 1 | Clamp | |

SECTION 1 - SUBFRAME

| ITEM | PART NUMBER | QTY | DESCRIPTION | REV |
|------|-------------|-----|---------------------|-----|
| 408 | 7785152420 | 1 | Screw 5/16 x 1-1/2 | |
| 409 | 7115151050 | 1 | Bolt 5/16 x 1-1/4 | |
| 410 | 3941506 | 1 | Tap Screw | |
| 411 | 7950150161 | 1 | Washer 5/16 | |
| 412 | 7660152601 | 2 | Nut 5/16 | |
| 413 | 7274000005 | 2 | Clamp | |
| 414 | 7443000483 | 1 | Fitting (Not Shown) | |

SECTION 1 - SUBFRAME

FIGURE 1-19. CHASSIS MOUNTING KIT - FORD GAS 2017+ WITH 84IN CA (NGS)



ART_1001221905

SECTION 1 - SUBFRAME

FIGURE 1-19. CHASSIS MOUNTING KIT - FORD GAS 2017+ WITH 84IN CA (NGS)

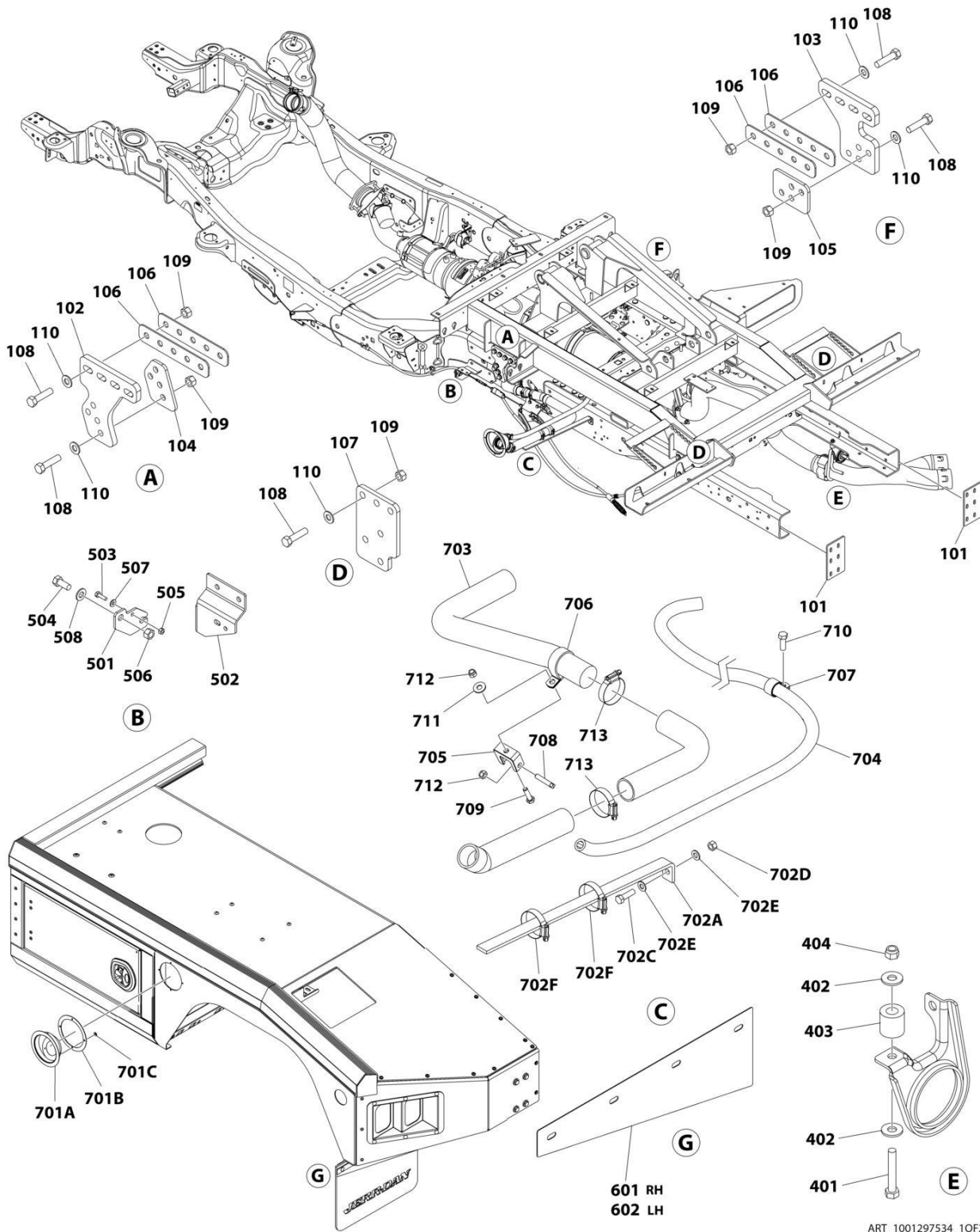
| ITEM | PART NUMBER | QTY | DESCRIPTION | REV |
|------|-------------|-----|---|-----|
| | 1001221905 | Ref | CHASSIS MOUNTING KIT - FORD GAS 2017+ WITH 84IN CA | B |
| 1 | 1001220077 | Ref | Subframe Installation (Not Shown) (See Items 101-106 for Breakdown) | |
| 2 | 1001221348 | Ref | Brake Cable Installation (Not Shown) (See Items 201-209 for Breakdown) | |
| 3 | 1001221651 | Ref | Anti-Sail Brackets Installation (Not Shown) (See Items 301-302 for Breakdown) | |
| 4 | 1001224068 | Ref | Fuel Filler Installation (Not Shown) (See Items 401-414 for Breakdown) | |
| 7 | 7701000075 | 1 | Plug | |
| 8 | 1001220833 | 1 | Shim | |
| 9 | 0641516 | 1 | Bolt 5/16 x 2 | |
| 10 | 4751500 | 2 | Washer 5/16 | |
| 11 | 7660152601 | 1 | Nut 5/16 | |
| | 1001220077 | Ref | SUBFRAME INSTALLATION | A |
| 101 | 0681816 | 26 | Bolt 1/2 x 2 | |
| 102 | 3271805 | 26 | Nut 1/2 | |
| 103 | 4711800 | 26 | Washer 1/2 | |
| 104 | 1001220078 | 2 | Plate, Saddle | |
| 105 | 4811001194 | 4 | Plate | |
| 106 | 4706006442 | 2 | Plate, Rear Saddle | |
| | 1001221348 | Ref | BRAKE CABLE INSTALLATION | A |
| 201 | 1001221075 | 1 | Plate | |
| 202 | 1001221138 | 1 | Bracket | |
| 203 | 0641407 | 1 | Bolt 1/4 x 7/8 | |
| 204 | 0641809 | 1 | Bolt 1/2 x 1-1/8 | |
| 205 | 3311401 | 1 | Nut 1/4 | |
| 206 | 3311801 | 1 | Nut 1/2 | |
| 207 | 4711400 | 1 | Washer 1/4 | |
| 208 | 4711800 | 1 | Washer 1/2 | |
| 209 | 5526000553 | 1 | Tie-Strap (Not Shown) | |
| | 1001221651 | Ref | ANTI-SAIL BRACKETS INSTALLATION | A |
| 301 | 1001221652 | 1 | Bracket, RH | |
| 302 | 1001221653 | 1 | Bracket, LH | |
| | 1001224068 | Ref | FUEL FILLER INSTALLATION | B |
| 401 | 2178000062 | 1 | Bracket Installation (Not Shown) | |
| 401A | 7449000019 | 1 | Flange | |
| 401B | 7796000100 | 1 | Gasket | |
| 401C | 7950100151 | 4 | Washer 3/16 | |
| 402 | 2570000171 | 1 | Fuel Filler Support (Not Shown) | |
| 402A | 4533000415 | 1 | Gas Filler Bracket | |
| 402B | 5526000553 | 8 | Tie-Strap (Not Shown) | |
| 402C | 7115161050 | 1 | Bolt 3/8 x 1-1/4 | |
| 402D | 7660162601 | 1 | Nut 3/8 | |
| 402E | 7950160141 | 2 | Washer 3/8 | |
| 402F | 7274000005 | 2 | Clamp | |
| 403 | 7570000037 | 1 | Hose | |
| 404 | 7570000017 | 1 | Hose | |
| 405 | 7274000076 | 1 | Clamp | |
| 406 | 7274000071 | 1 | Clamp | |

SECTION 1 - SUBFRAME

| ITEM | PART NUMBER | QTY | DESCRIPTION | REV |
|------|-------------|-----|--------------------|-----|
| 407 | 7274000105 | 1 | Clamp | |
| 408 | 7785152420 | 1 | Screw 5/16 x 1-1/2 | |
| 409 | 7115151050 | 1 | Bolt 5/16 x 1-1/4 | |
| 410 | 3941506 | 1 | Tap Screw | |
| 411 | 7950150161 | 1 | Washer 5/16 | |
| 412 | 7660152601 | 2 | Nut 5/16 | |
| 413 | 7274000005 | 2 | Clamp | |
| 414 | 7443000483 | 1 | Fitting | |

SECTION 1 - SUBFRAME

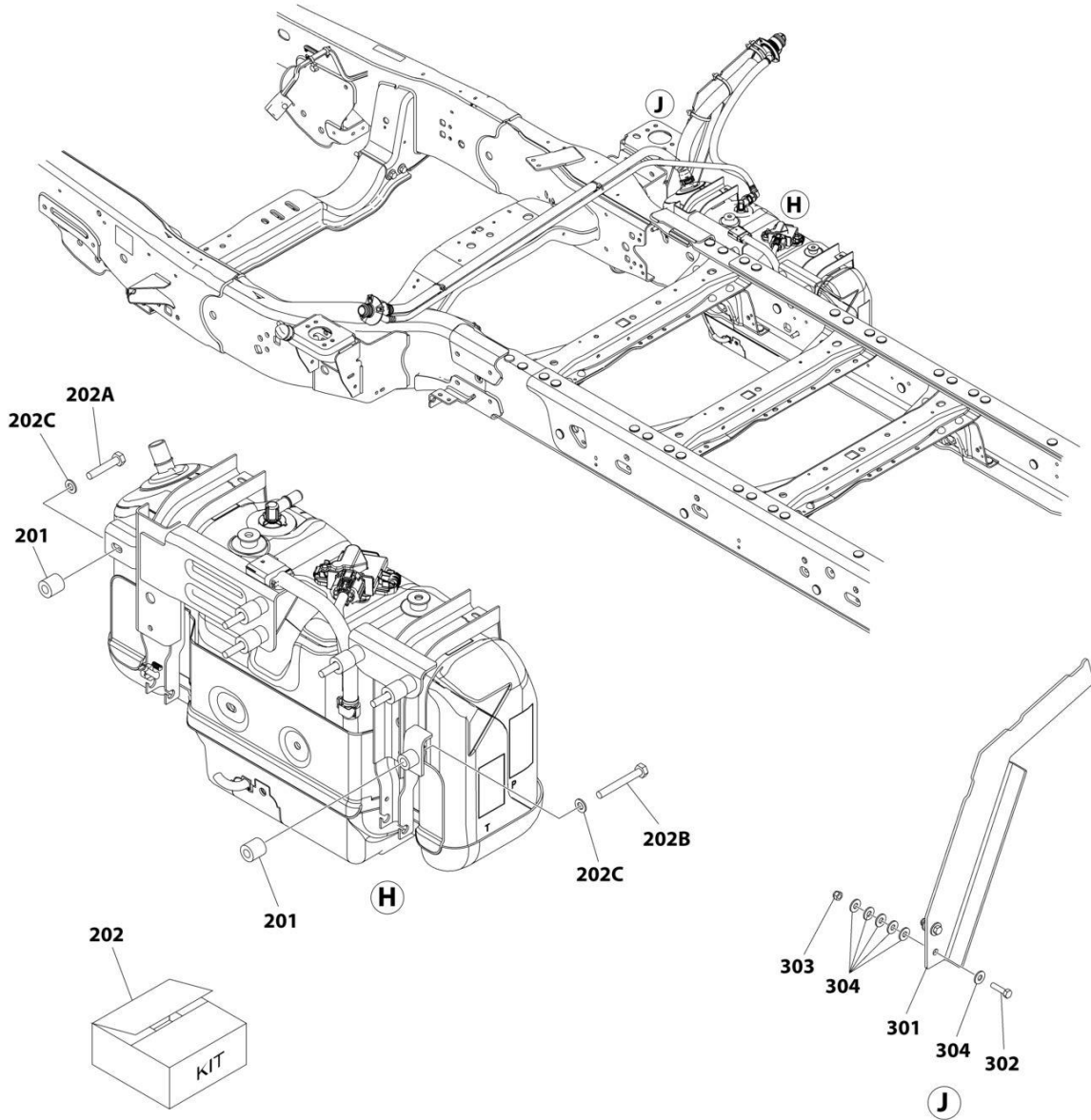
FIGURE 1-20. CHASSIS MOUNTING KIT - FORD DIESEL 2017+ WITH 60IN CA (NG)



ART_1001297534_10F2

SECTION 1 - SUBFRAME

FIGURE 1-21. CHASSIS MOUNTING KIT - FORD DIESEL 2017+ WITH 60IN CA (NG)



ART_1001297534_2OF2

SECTION 1 - SUBFRAME

FIGURE 1-21. CHASSIS MOUNTING KIT - FORD DIESEL 2017+ WITH 60IN CA (NG)

| ITEM | PART NUMBER | QTY | DESCRIPTION | REV |
|------|-------------|-----|---|-----|
| | 1001297534 | Ref | CHASSIS MOUNTING KIT - FORD DIESEL 2017+ WITH 60IN CA | A |
| 1 | 1001297465 | Ref | Subframe Installation (Not Shown) (See Items 101-110 for Breakdown) | |
| 2 | 1001220832 | Ref | Rework DEF Tank Installation (Not Shown) (See Items 201-202 for Breakdown) | |
| 3 | 1001220909 | Ref | Tank Filler Installation (Not Shown) (See Items 301-305 for Breakdown) | |
| 4 | 1001221001 | Ref | Exhaust Rework Installation (Not Shown) (See Items 401-404 for Breakdown) | |
| 5 | 1001221345 | Ref | Brake Cable Installation (Not Shown) (See Items 501-508 for Breakdown) | |
| 6 | 1001221651 | Ref | Anti-Sail Brackets Installation (Not Shown) (See Items 601-602 for Breakdown) | |
| 7 | 1001224068 | Ref | Fuel Filler Installation (Not Shown) (See Items 701-714 for Breakdown) | |
| | 1001297465 | Ref | SUBFRAME INSTALLATION | B |
| 101 | 1001296069 | 2 | Plate | |
| 102 | 1001220073 | 1 | Plate, Saddle | |
| 103 | 1001220074 | 1 | Plate, Saddle | |
| 104 | 1001282025 | 1 | Plate, Saddle (LH) | |
| 105 | 1001282026 | 1 | Plate, Saddle (RH) | |
| 106 | 4811001194 | 4 | Plate | |
| 107 | 4706006442 | 2 | Plate, Rear Saddle | |
| 108 | 0681816 | 26 | Bolt 1/2 x 2 | |
| 109 | 3271805 | 26 | Nut 1/2 | |
| 110 | 4711800 | 26 | Washer 1/2 | |
| | 1001220832 | Ref | REWORK DEF TANK INSTALLATION | A |
| 201 | 1001220833 | 6 | Shim | |
| 202 | 1001221065 | 1 | Tank Hardware Kit | |
| 202A | 0701019 | 1 | Bolt M10 x 55 | |
| 202B | 0701024 | 5 | Bolt M10 x 80 | |
| 202C | 4812000 | 6 | Washer M10 | |
| | 1001220909 | Ref | TANK FILLER INSTALLATION | B |
| 301 | 1001221232 | 1 | Bracket | |
| 302 | 0641510 | 2 | Bolt 5/16 x 1-1/4 | |
| 303 | 7660152601 | 2 | Nut 5/16 | |
| 304 | 4751500 | 12 | Washer 5/16 | |
| 305 | 5526000553 | 4 | Tie-Strap (Not Shown) | |
| | 1001221001 | Ref | EXHAUST REWORK INSTALLATION | C |
| 401 | 0641516 | 1 | Bolt 5/16 x 2 | |
| 402 | 4751500 | 2 | Washer 5/16 | |
| 403 | 1001220833 | 1 | Shim | |
| 404 | 7660152601 | 1 | Nut 5/16 | |
| | 1001221345 | Ref | BRAKE CABLE INSTALLTION | A |
| 501 | 1001221075 | 1 | Plate | |
| 502 | 1001221138 | 1 | Bracket | |
| 503 | 0641407 | 1 | Bolt 1/4 x 7/8 | |
| 504 | 0641809 | 1 | Bolt 1/2 x 1-1/8 | |
| 505 | 3311401 | 1 | Nut 1/4 | |
| 506 | 3311801 | 1 | Nut 1/2 | |
| 507 | 4711400 | 1 | Washer 1/4 | |

SECTION 1 - SUBFRAME

| ITEM | PART NUMBER | QTY | DESCRIPTION | REV |
|------|-------------|-----|----------------------------------|-----|
| 508 | 4711800 | 1 | Washer 1/2 | |
| | 1001221651 | Ref | ANTI-SAIL BRACKETS INSTALLATION | A |
| 601 | 1001221652 | 1 | Bracket, Anti-Sail RH | |
| 602 | 1001221653 | 1 | Bracket, Anti-Sail LH | |
| | 1001224068 | Ref | FUEL FILLER INSTALLATION | B |
| 701 | 2178000062 | 1 | Bracket Installation (Not Shown) | |
| 701A | 7449000019 | 1 | Flange | |
| 701B | 7796000100 | 1 | Gasket | |
| 701C | 7950100151 | 4 | Washer 3/16 | |
| 702 | 2570000171 | 1 | Fuel Filler Support (Not Shown) | |
| 702A | 4533000415 | 1 | Gas Filler Bracket | |
| 702B | 5526000553 | 8 | Tie-Strap (Not Shown) | |
| 702C | 7115161050 | 1 | Bolt 3/8 x 1-1/4 | |
| 702D | 7660162601 | 1 | Nut 3/8 | |
| 702E | 7950160141 | 2 | Washer 3/8 | |
| 702F | 7274000005 | 2 | Clamp | |
| 703 | 7570000037 | 1 | Hose | |
| 704 | 7570000017 | 1 | Hose | |
| 705 | 7274000076 | 1 | Clamp | |
| 706 | 7274000071 | 1 | Clamp | |
| 707 | 7274000105 | 1 | Clamp | |
| 708 | 7785152420 | 1 | Screw 5/16 x 1-1/2 | |
| 709 | 7115151050 | 1 | Bolt 5/16 x 1-1/4 | |
| 710 | 3941506 | 1 | Tap Screw | |
| 711 | 7950150161 | 1 | Washer 5/16 | |
| 712 | 7660152601 | 2 | Nut 5/16 | |
| 713 | 7274000005 | 2 | Clamp | |
| 714 | 7443000483 | 1 | Fitting (Not Shown) | |

SECTION 1 - SUBFRAME

FIGURE 1-22. CHASSIS MOUNTING KIT - FORD DIESEL 2017+ WITH 84IN CA (NG)

| ITEM | PART NUMBER | QTY | DESCRIPTION | REV |
|------|-------------|-----|---|-----|
| | 1001297535 | Ref | CHASSIS MOUNTING KIT - FORD DIESEL 2017+ WITH 84IN CA | A |
| 1 | 1001297526 | Ref | Subframe Installation (Not Shown) (See Items 101-107 for Breakdown) | |
| 2 | 1001220909 | Ref | Tank Filler Installation (Not Shown) (See Items 201-205 for Breakdown) | |
| 3 | 1001221001 | Ref | Exhaust Rework Installation (Not Shown) (See Items 301-304 for Breakdown) | |
| 4 | 1001221348 | Ref | Brake Cable Installation (Not Shown) (See Items 401-409 for Breakdown) | |
| 5 | 1001221651 | Ref | Anti-Sail Brackets Installation (Not Shown) (See Items 501-502 for Breakdown) | |
| 6 | 1001224068 | Ref | Fuel Filler Installation (Not Shown) (See Items 601-614 for Breakdown) | |
| | 1001297526 | Ref | SUBFRAME INSTALLATION | B |
| 101 | 1001296069 | 2 | Plate | |
| 102 | 1001220078 | 2 | Plate, Saddle | |
| 103 | 4811001194 | 4 | Plate | |
| 104 | 4706006442 | 2 | Plate, Rear Saddle | |
| 105 | 0681816 | 26 | Bolt 1/2 x 2 | |
| 106 | 3271805 | 26 | Nut 1/2 | |
| 107 | 4711800 | 26 | Washer 1/2 | |
| | 1001220909 | Ref | TANK FILLER INSTALLATION | B |
| 201 | 1001221232 | 1 | Bracket | |
| 202 | 0641510 | 2 | Bolt 5/16 x 1-1/4 | |
| 203 | 7660152601 | 2 | Nut 5/16 | |
| 204 | 4751500 | 12 | Washer 5/16 | |
| 205 | 5526000553 | 4 | Tie-Strap (Not Shown) | |
| | 1001221001 | Ref | EXHAUST REWORK INSTALLATION | C |
| 301 | 0641516 | 1 | Bolt 5/16 x 2 | |
| 302 | 4751500 | 2 | Washer 5/16 | |
| 303 | 1001220833 | 1 | Shim | |
| 304 | 7660152601 | 1 | Nut 1/3 | |
| | 1001221348 | Ref | BRAKE CABLE INSTALLATION | A |
| 401 | 1001221075 | 1 | Plate | |
| 402 | 1001221138 | 1 | Bracket | |
| 403 | 0641407 | 1 | Bolt 1/4 x 7/8 | |
| 404 | 0641809 | 1 | Bolt 1/2 x 1-1/8 | |
| 405 | 3311401 | 1 | Nut 1/4 | |
| 406 | 3311801 | 1 | Nut 1/2 | |
| 407 | 4711400 | 1 | Washer 1/4 | |
| 408 | 4711800 | 1 | Washer 1/2 | |
| 409 | 5526000553 | 1 | Tie-Strap (Not Shown) | |
| | 1001221651 | Ref | ANTI-SAIL BRACKETS INSTALLATION | A |
| 501 | 1001221652 | 1 | Bracket, Anti-Sail RH | |
| 502 | 1001221653 | 1 | Bracket, Anti-Sail LH | |
| | 1001224068 | Ref | FUEL FILLER INSTALLATION | B |
| 601 | 2178000062 | 1 | Bracket Installation (Not Shown) | |
| 601A | 7449000019 | 1 | Flange | |
| 601B | 7796000100 | 1 | Gasket | |
| 601C | 7950100151 | 4 | Washer 3/16 | |
| 602 | 2570000171 | 1 | Fuel Filler Support (Not Shown) | |

SECTION 1 - SUBFRAME

| ITEM | PART NUMBER | QTY | DESCRIPTION | REV |
|------|-------------|-----|-----------------------|-----|
| 602A | 4533000415 | 1 | Gas Filler Bracket | |
| 602B | 5526000553 | 8 | Tie-Strap (Not Shown) | |
| 602C | 7115161050 | 1 | Bolt 3/8 x 1-1/4 | |
| 602D | 7660162601 | 1 | Nut 3/8 | |
| 602E | 7950160141 | 2 | Washer 3/8 | |
| 602F | 7274000005 | 2 | Clamp | |
| 603 | 7570000037 | 1 | Hose | |
| 604 | 7570000017 | 1 | Hose | |
| 605 | 7274000076 | 1 | Clamp | |
| 606 | 7274000071 | 1 | Clamp | |
| 607 | 7274000105 | 1 | Clamp | |
| 608 | 7785152420 | 1 | Screw 5/16 x 1-1/2 | |
| 609 | 7115151050 | 1 | Bolt 5/16 x 1-1/4 | |
| 610 | 3941506 | 1 | Tap Screw | |
| 611 | 7950150161 | 1 | Washer 5/16 | |
| 612 | 7660152601 | 2 | Nut 5/16 | |
| 613 | 7274000005 | 2 | Clamp | |
| 614 | 7443000483 | 1 | Fitting (Not Shown) | |

SECTION 1 - SUBFRAME

FIGURE 1-23. CHASSIS MOUNTING KIT - FORD GAS 2017+ WITH 60IN CA (NG)

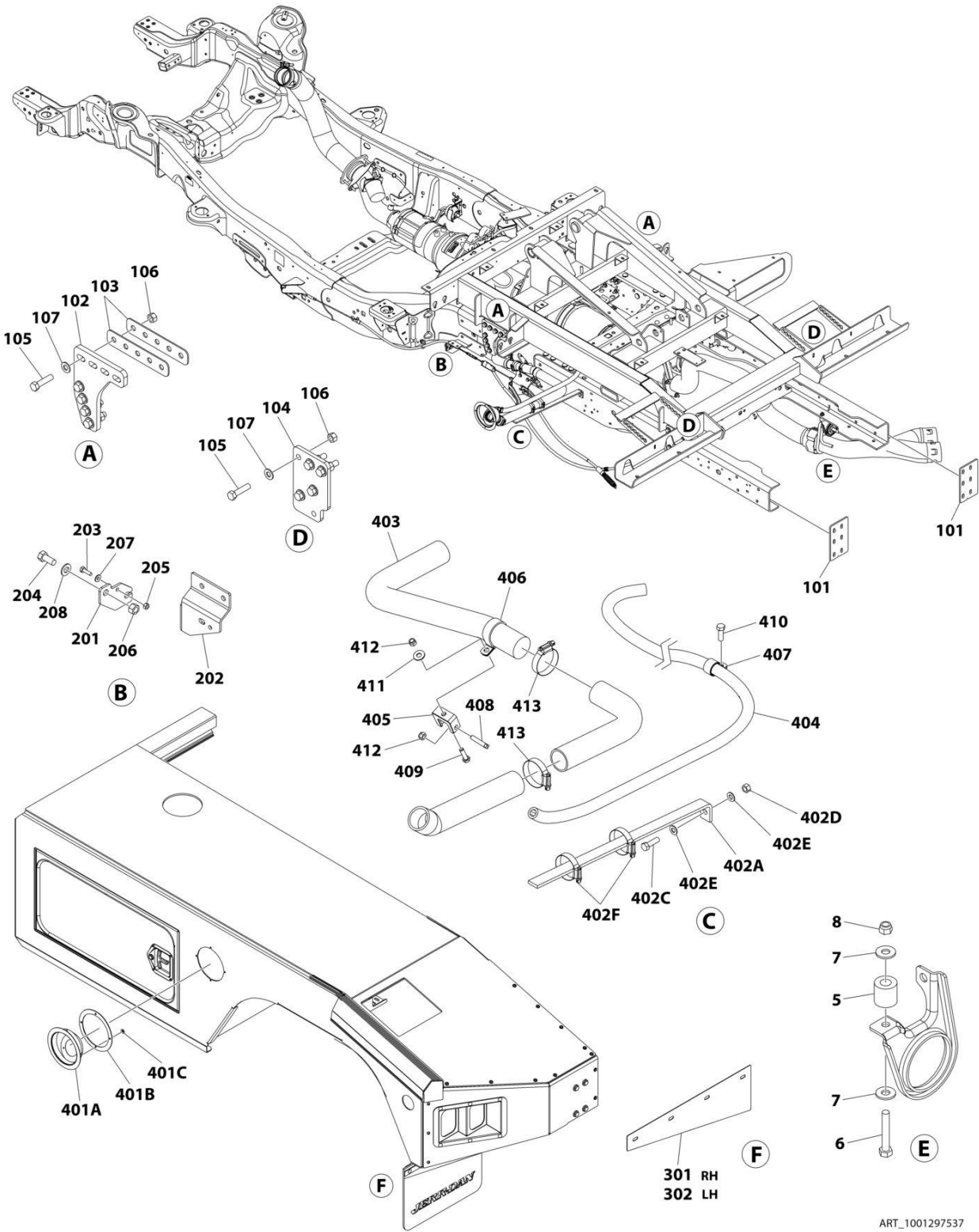
| ITEM | PART NUMBER | QTY | DESCRIPTION | REV |
|------|-------------|-----|---|-----|
| | 1001297536 | Ref | CHASSIS MOUNTING KIT - FORD GAS 2017+ WITH 60IN CA | A |
| 1 | 1001297465 | Ref | Subframe Installation (Not Shown) (See Items 101-110 for Breakdown) | |
| 2 | 1001221345 | Ref | Brake Cable Installation (Not Shown) (See Items 201-208 for Breakdown) | |
| 3 | 1001221651 | Ref | Anti-Sail Brackets Installation (Not Shown) (See Items 301-302 for Breakdown) | |
| 4 | 1001224068 | Ref | Fuel Filler Installation (Not Shown) (See Items 401-414 for Breakdown) | |
| 5 | 1001220833 | 1 | Shim | |
| 6 | 0641516 | 1 | Bolt 5/16 x 2 | |
| 7 | 4751500 | 2 | Washer 5/16 | |
| 8 | 7660152601 | 1 | Nut 5/16 | |
| | 1001297465 | Ref | SUBFRAME INSTALLATION | B |
| 101 | 1001296069 | 2 | Plate | |
| 102 | 1001220073 | 1 | Plate | |
| 103 | 1001220074 | 1 | Plate | |
| 104 | 1001282025 | 1 | Plate, Spacer (LH) | |
| 105 | 1001282026 | 1 | Plate, Spacer (RH) | |
| 106 | 4811001194 | 4 | Plate | |
| 107 | 4706006442 | 2 | Plate | |
| 108 | 0681816 | 26 | Bolt 1/2 x 2 | |
| 109 | 3271805 | 26 | Nut 1/2 | |
| 110 | 4711800 | 26 | Washer 1/2 | |
| | 1001221345 | Ref | BRAKE CABLE INSTALLTION | A |
| 201 | 1001221075 | 1 | Plate | |
| 202 | 1001221138 | 1 | Bracket | |
| 203 | 0641407 | 1 | Bolt 1/4 x 7/8 | |
| 204 | 0641809 | 1 | Bolt 1/2 x 1-1/8 | |
| 205 | 3311401 | 1 | Nut 1/4 | |
| 206 | 3311801 | 1 | Nut 1/2 | |
| 207 | 4711400 | 1 | Washer 1/4 | |
| 208 | 4711800 | 1 | Washer 1/2 | |
| | 1001221651 | Ref | ANTI-SAIL BRACKETS INSTALLATION | A |
| 301 | 1001221652 | 1 | Bracket, RH | |
| 302 | 1001221653 | 1 | Bracket, LH | |
| | 1001224068 | Ref | FUEL FILLER INSTALLATION | B |
| 401 | 2178000062 | 1 | Bracket Installation (Not Shown) | |
| 401A | 7449000019 | 1 | Flange | |
| 401B | 7796000100 | 1 | Gasket | |
| 401C | 7950100151 | 4 | Washer 3/16 | |
| 402 | 2570000171 | 1 | Fuel Filler Support (Not Shown) | |
| 402A | 4533000415 | 1 | Gas Filler Bracket | |
| 402B | 5526000553 | 8 | Tie-Strap (Not Shown) | |
| 402C | 7115161050 | 1 | Bolt 3/8 x 1-1/4 | |
| 402D | 7660162601 | 1 | Nut 3/8 | |
| 402E | 7950160141 | 2 | Washer 3/8 | |
| 402F | 7274000005 | 2 | Clamp | |
| 403 | 7570000037 | 1 | Hose | |
| 404 | 7570000017 | 1 | Hose | |

SECTION 1 - SUBFRAME

| ITEM | PART NUMBER | QTY | DESCRIPTION | REV |
|------|-------------|-----|---------------------|-----|
| 405 | 7274000076 | 1 | Clamp | |
| 406 | 7274000071 | 1 | Clamp | |
| 407 | 7274000105 | 1 | Clamp | |
| 408 | 7785152420 | 1 | Screw 5/16 x 1-1/2 | |
| 409 | 7115151050 | 1 | Bolt 5/16 x 1-1/4 | |
| 410 | 3941506 | 1 | Tap Screw | |
| 411 | 7950150161 | 1 | Washer 5/16 | |
| 412 | 7660152601 | 2 | Nut 5/16 | |
| 413 | 7274000005 | 2 | Clamp | |
| 414 | 7443000483 | 1 | Fitting (Not Shown) | |

SECTION 1 - SUBFRAME

FIGURE 1-24. CHASSIS MOUNTING KIT - FORD GAS 2017+ WITH 84IN CA (NG)



ART_1001297537

SECTION 1 - SUBFRAME

FIGURE 1-24. CHASSIS MOUNTING KIT - FORD GAS 2017+ WITH 84IN CA (NG)

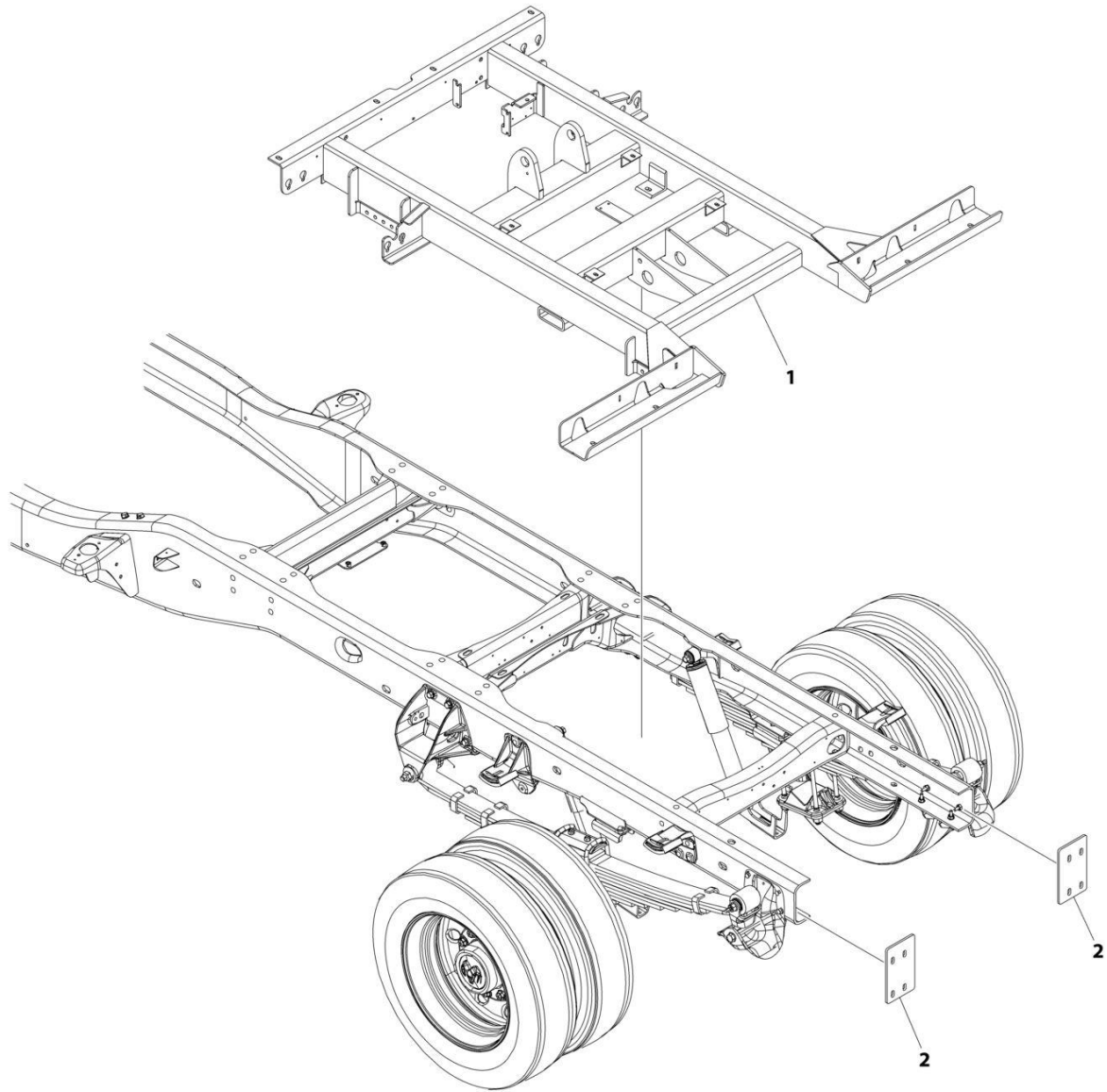
| ITEM | PART NUMBER | QTY | DESCRIPTION | REV |
|---------|-------------|------------|---|-----|
| 1 | 1001297537 | Ref | CHASSIS MOUNTING KIT - FORD GAS 2017+ WITH 84IN CA | A |
| | 1001297526 | Ref | Subframe Installation (Not Shown) (See Items 101-107 for Breakdown) | |
| | 1001221348 | Ref | Brake Cable Installation (Not Shown) (See Items 201-209 for Breakdown) | |
| | 1001221651 | Ref | Anti-Sail Brackets Installation (Not Shown) (See Items 301-302 for Breakdown) | |
| | 1001224068 | Ref | Fuel Filler Installation (Not Shown) (See Items 401-414 for Breakdown) | |
| | 1001220833 | 1 | Shim | |
| | 0641516 | 1 | Bolt 5/16 x 2 | |
| | 4751500 | 2 | Washer 5/16 | |
| 101 | 7660152601 | 1 | Nut 5/16 | B |
| | 1001297526 | Ref | SUBFRAME INSTALLATION | |
| | 1001296069 | 2 | Plate | |
| | 1001220078 | 2 | Plate, Saddle | |
| | 4811001194 | 4 | Plate | |
| | 4706006442 | 2 | Plate, Rear Saddle | |
| | 0681816 | 26 | Bolt 1/2 x 2 | |
| | 3271805 | 26 | Nut 1/2 | |
| | 4711800 | 26 | Washer 1/2 | |
| | 1001221348 | Ref | BRAKE CABLE INSTALLATION | |
| | 1001221075 | 1 | Plate | |
| | 1001221138 | 1 | Bracket | |
| | 0641407 | 1 | Bolt 1/4 x 7/8 | |
| | 0641809 | 1 | Bolt 1/2 x 1-1/8 | |
| | 3311401 | 1 | Nut 1/4 | |
| | 3311801 | 1 | Nut 1/2 | |
| | 4711400 | 1 | Washer 1/4 | |
| 4711800 | 1 | Washer 1/2 | | |
| 201 | 5526000553 | 1 | Tie-Strap (Not Shown) | A |
| | 1001221651 | Ref | ANTI-SAIL BRACKETS INSTALLATION | |
| | 1001221652 | 1 | Bracket, RH | |
| | 1001221653 | 1 | Bracket, LH | |
| | 1001224068 | Ref | FUEL FILLER INSTALLATION | |
| | 2178000062 | 1 | Bracket Installation (Not Shown) | |
| | 7449000019 | 1 | Flange | |
| | 7796000100 | 1 | Gasket | |
| | 7950100151 | 4 | Washer 3/16 | |
| | 2570000171 | 1 | Fuel Filler Support (Not Shown) | |
| 401 | 4533000415 | 1 | Gas Filler Bracket | B |
| | 5526000553 | 8 | Tie-Strap (Not Shown) | |
| | 7115161050 | 1 | Bolt 3/8 x 1-1/4 | |
| | 7660162601 | 1 | Nut 3/8 | |
| | 7950160141 | 2 | Washer 3/8 | |
| | 7274000005 | 2 | Clamp | |
| | 7570000037 | 1 | Hose | |
| | 7570000017 | 1 | Hose | |
| | 7274000076 | 1 | Clamp | |
| | 7274000071 | 1 | Clamp | |

SECTION 1 - SUBFRAME

| ITEM | PART NUMBER | QTY | DESCRIPTION | REV |
|------|-------------|-----|--------------------|-----|
| 407 | 7274000105 | 1 | Clamp | |
| 408 | 7785152420 | 1 | Screw 5/16 x 1-1/2 | |
| 409 | 7115151050 | 1 | Bolt 5/16 x 1-1/4 | |
| 410 | 3941506 | 1 | Tap Screw | |
| 411 | 7950150161 | 1 | Washer 5/16 | |
| 412 | 7660152601 | 2 | Nut 5/16 | |
| 413 | 7274000005 | 2 | Clamp | |
| 414 | 7443000483 | 1 | Fitting | |

SECTION 1 - SUBFRAME

FIGURE 1-25. SUBFRAME INSTALLATION - NGS



ART_1001196791

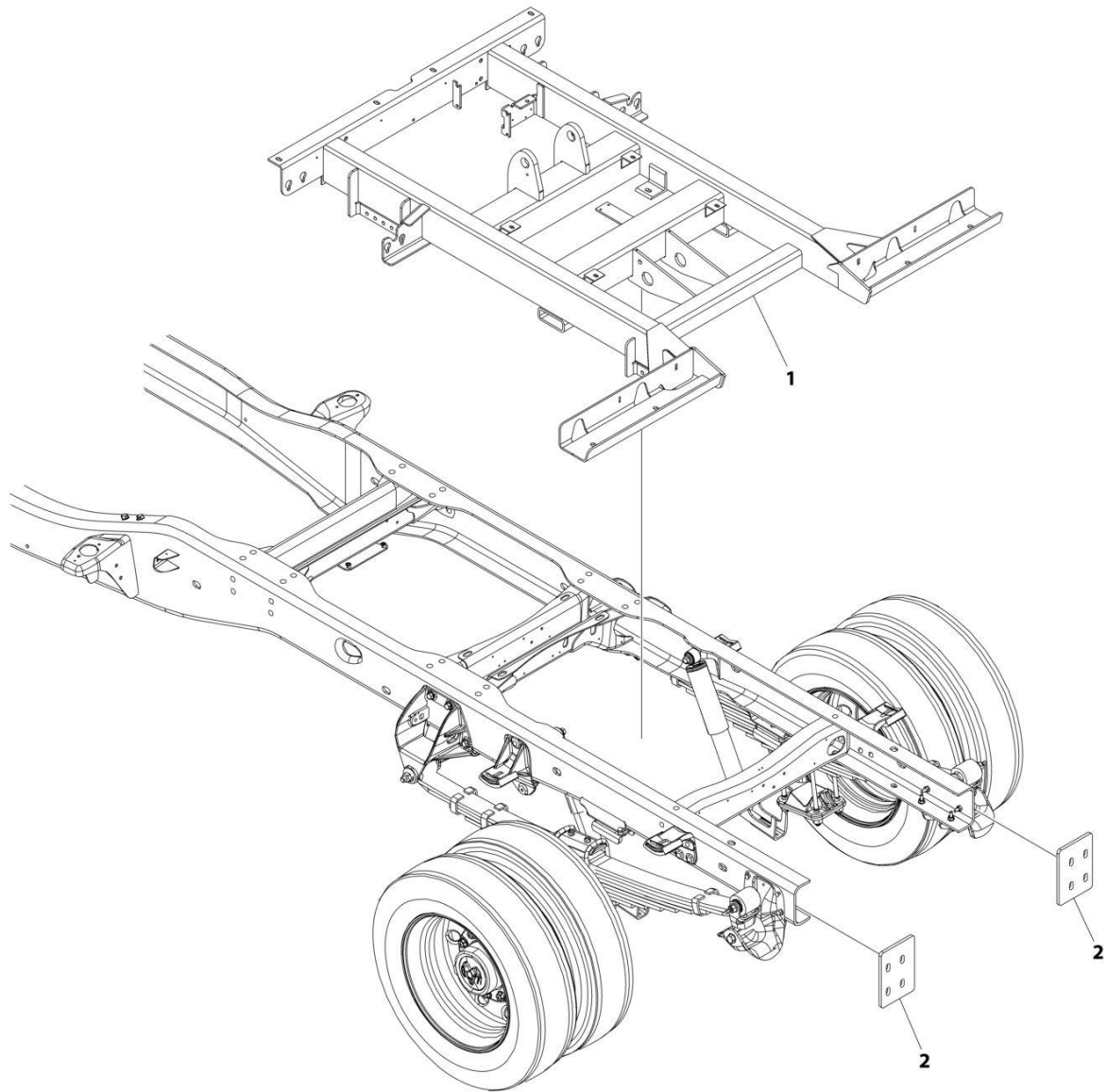
SECTION 1 - SUBFRAME

FIGURE 1-25. SUBFRAME INSTALLATION - NGS

| ITEM | PART NUMBER | QTY | DESCRIPTION | REV |
|-------------|--------------------|------------|-----------------------|------------|
| | 1001196791 | Ref | SUBFRAME INSTALLATION | B |
| 1 | 1001196792 | 1 | Subframe | |
| 2 | 4706004919 | 2 | Plate | |

SECTION 1 - SUBFRAME

FIGURE 1-26. SUBFRAME INSTALLATION - NG



ART_1001295782

SECTION 1 - SUBFRAME

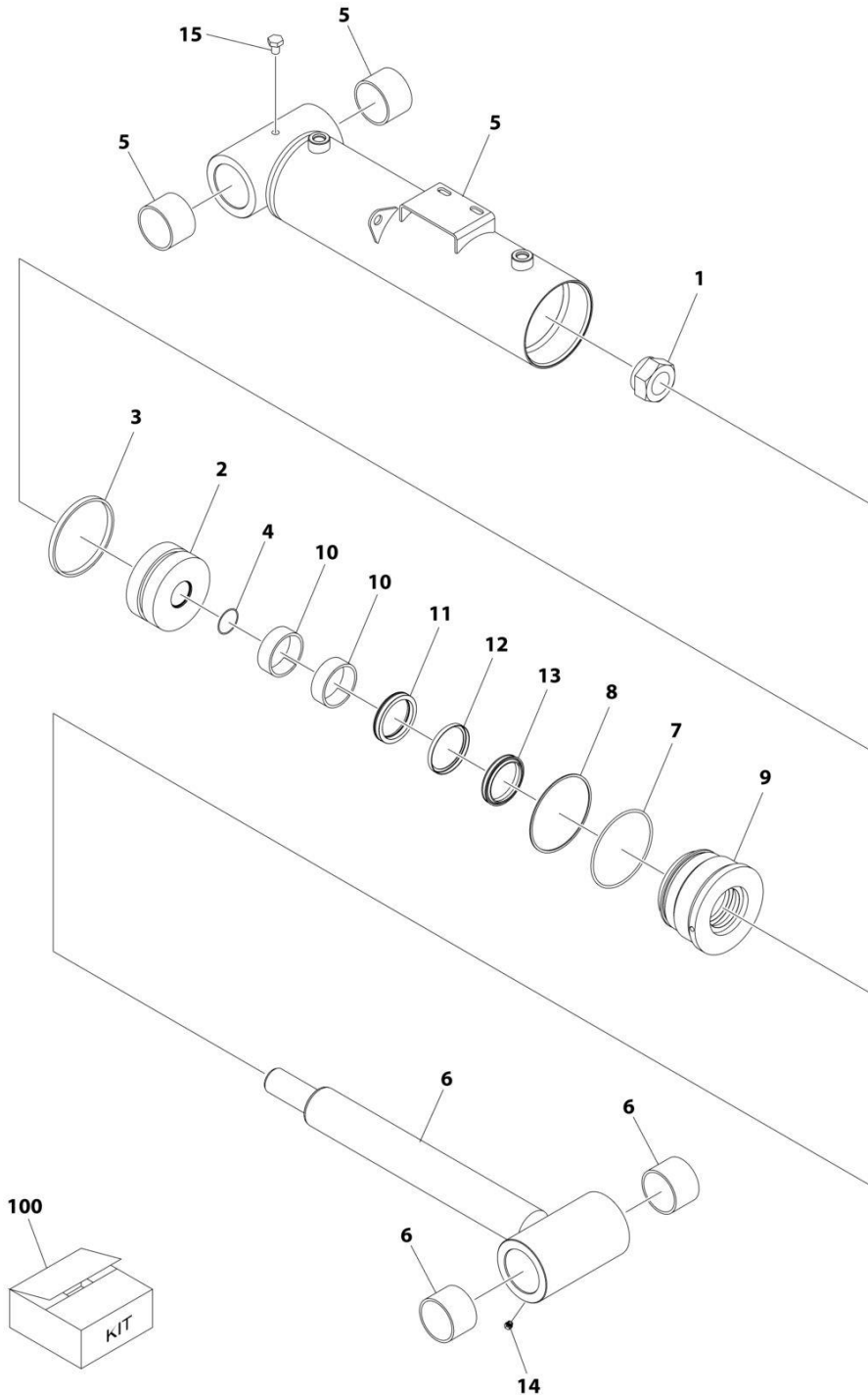
FIGURE 1-26. SUBFRAME INSTALLATION - NG

| ITEM | PART NUMBER | QTY | DESCRIPTION | REV |
|------|-------------|-----|-----------------------|-----|
| | 1001295782 | Ref | SUBFRAME INSTALLATION | A |
| 1 | 1001196792 | 1 | Subframe | |
| 2 | 1001290224 | 2 | Plate | |

SECTION 2 - BOOM

SECTION 2 - BOOM

FIGURE 2-1. CYLINDER ASSEMBLY - BOOM LIFT



ART_1001194371

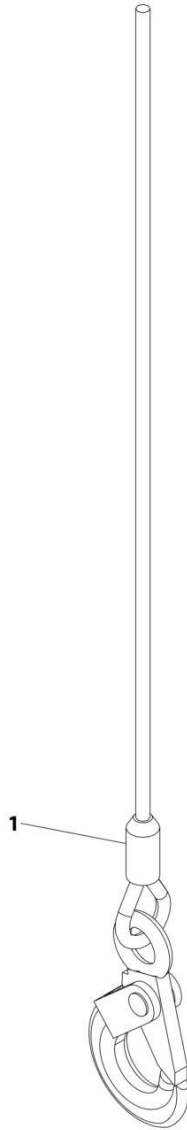
SECTION 2 - BOOM

FIGURE 2-1. CYLINDER ASSEMBLY - BOOM LIFT

| ITEM | PART NUMBER | QTY | DESCRIPTION | REV |
|------|-------------|-----|---|-----|
| | 1001194371 | Ref | BOOM LIFT CYLINDER ASSEMBLY | B |
| | | Ref | Note: Original Cylinder May Have Been Replaced with Service Replacement. Identify PN Stamped on Cylinder Before Ordering Parts. | |
| 1 | 7029140 | 1 | Nut | |
| 2 | 70051629 | 1 | Piston | |
| 3 | See Note | NSS | Piston Seal (Note: Use Item 100) | |
| 4 | See Note | NSS | O-Ring (Note: Use Item 100) | |
| 5 | See Note | NSS | Barrel (Note: Use PN 1001194371) | |
| 5 | 0962224 | 2 | Bearing | |
| 6 | 70052121 | 1 | Rod | |
| 6 | 0962224 | 2 | Bearing | |
| 7 | See Note | NSS | O-Ring (Note: Use Item 100) | |
| 8 | See Note | NSS | Ring, Back-up (Note: Use Item 100) | |
| 9 | 70051628 | 1 | Head | |
| 10 | See Note | NSS | Ring, Wear (Note: Use Item 100) | |
| 11 | See Note | NSS | Seal (Note: Use Item 100) | |
| 12 | See Note | NSS | Wiper (Note: Use Item 100) | |
| 13 | | Ref | O-Ring | |
| 14 | 1001204776 | 1 | Plug | |
| 15 | 1001204780 | 1 | Plug | |
| 100 | 70051326 | 1 | Seal Kit (Includes Items 3, 4, 7, 8, 10, 11 & 12) | |

SECTION 2 - BOOM

FIGURE 2-2. CABLE ASSEMBLY - 3/8X75FT



ART_C38D75

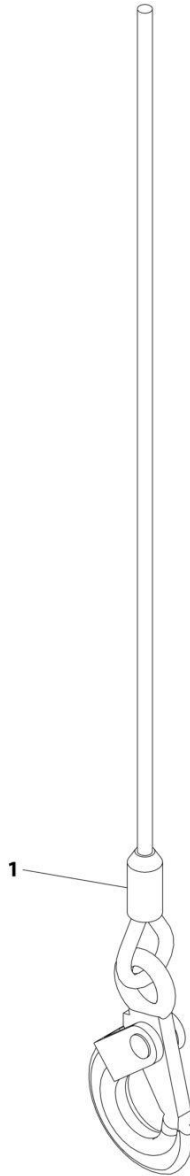
SECTION 2 - BOOM

FIGURE 2-2. CABLE ASSEMBLY - 3/8X75FT

| ITEM | PART NUMBER | QTY | DESCRIPTION | REV |
|------|----------------------|----------|---|-----|
| 1 | C38D75 7248000092 | Ref 1 | CABLE ASSEMBLY - NON-SWIVEL HOOK (SINGLE) Cable Assembly | A |

SECTION 2 - BOOM

FIGURE 2-3. CABLE ASSEMBLY - 3/8X100FT



ART_C38D100

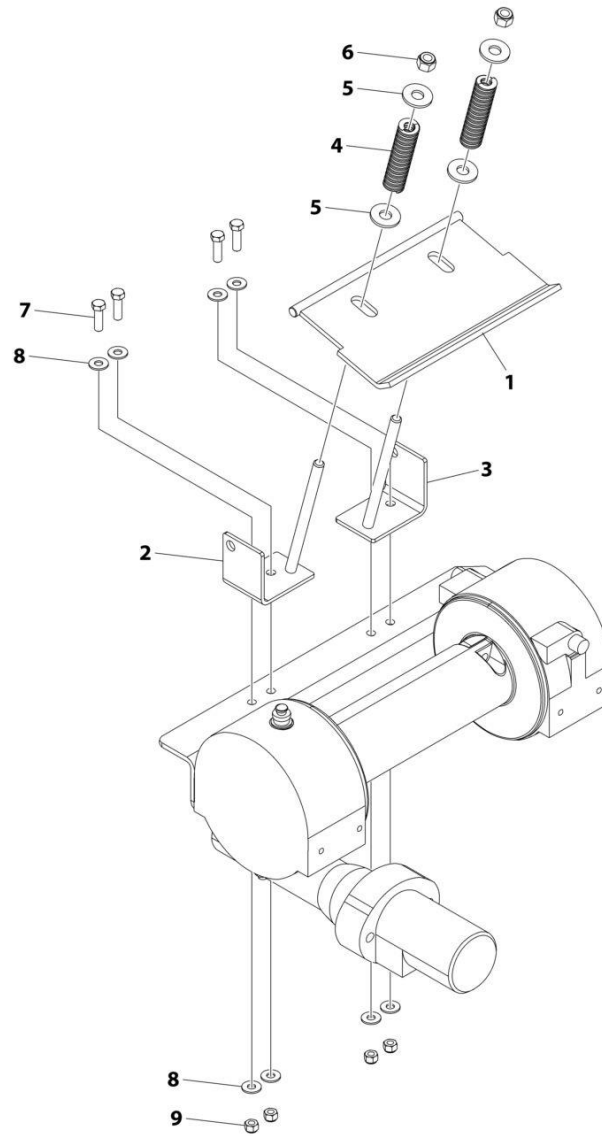
SECTION 2 - BOOM

FIGURE 2-3. CABLE ASSEMBLY - 3/8X100FT

| ITEM | PART NUMBER | QTY | DESCRIPTION | REV |
|------|-----------------------|----------|---|-----|
| 1 | C38D100 7248000111 | Ref 1 | CABLE ASSEMBLY - NON-SWIVEL HOOK (SINGLE) Cable Assembly | A |

SECTION 2 - BOOM

FIGURE 2-4. CABLE TENSIONER INSTALLATION



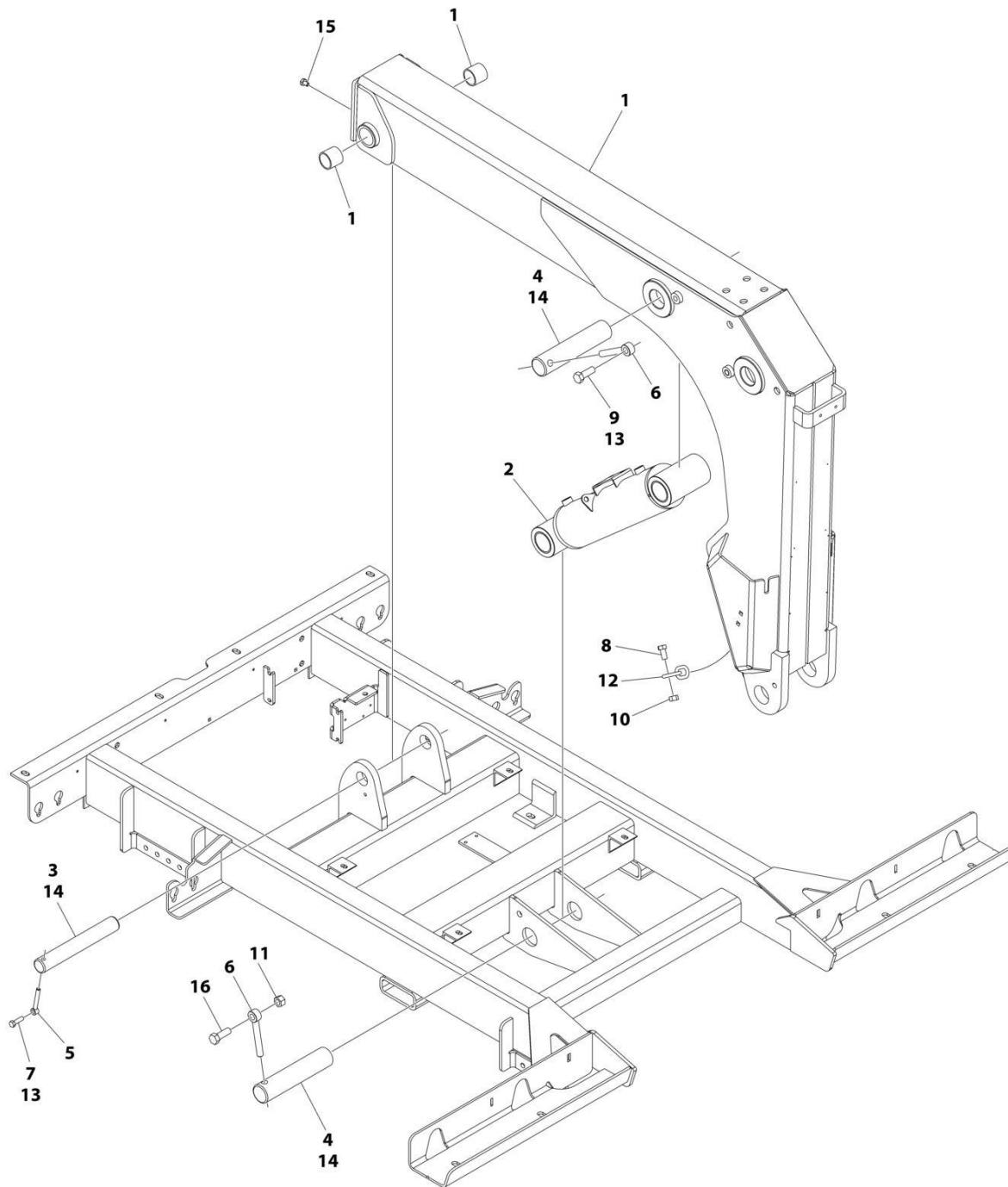
ART_2500900643

FIGURE 2-4. CABLE TENSIONER INSTALLATION

| ITEM | PART NUMBER | QTY | DESCRIPTION | REV |
|------|-------------|-----|--------------------------------------|-----|
| | 2500900643 | Ref | CABLE TENSIONER INSTALLATION - WINCH | A |
| 1 | 3706000099 | 1 | Plate | |
| 2 | 3017000003 | 1 | Angle (LH) | |
| 3 | 3017000002 | 1 | Angle (RH) | |
| 4 | 7843000004 | 2 | Spring | |
| 5 | 7950180161 | 4 | Washer 1/2 | |
| 6 | 7660182601 | 2 | Nut 1/2 | |
| 7 | 7115161050 | 4 | Bolt 3/8 x 1-1/4 | |
| 8 | 7950150161 | 8 | Washer 5/16 | |
| 9 | 7660162601 | 4 | Nut 3/8 | |

SECTION 2 - BOOM

FIGURE 2-5. KNEE BOOM INSTALLATION



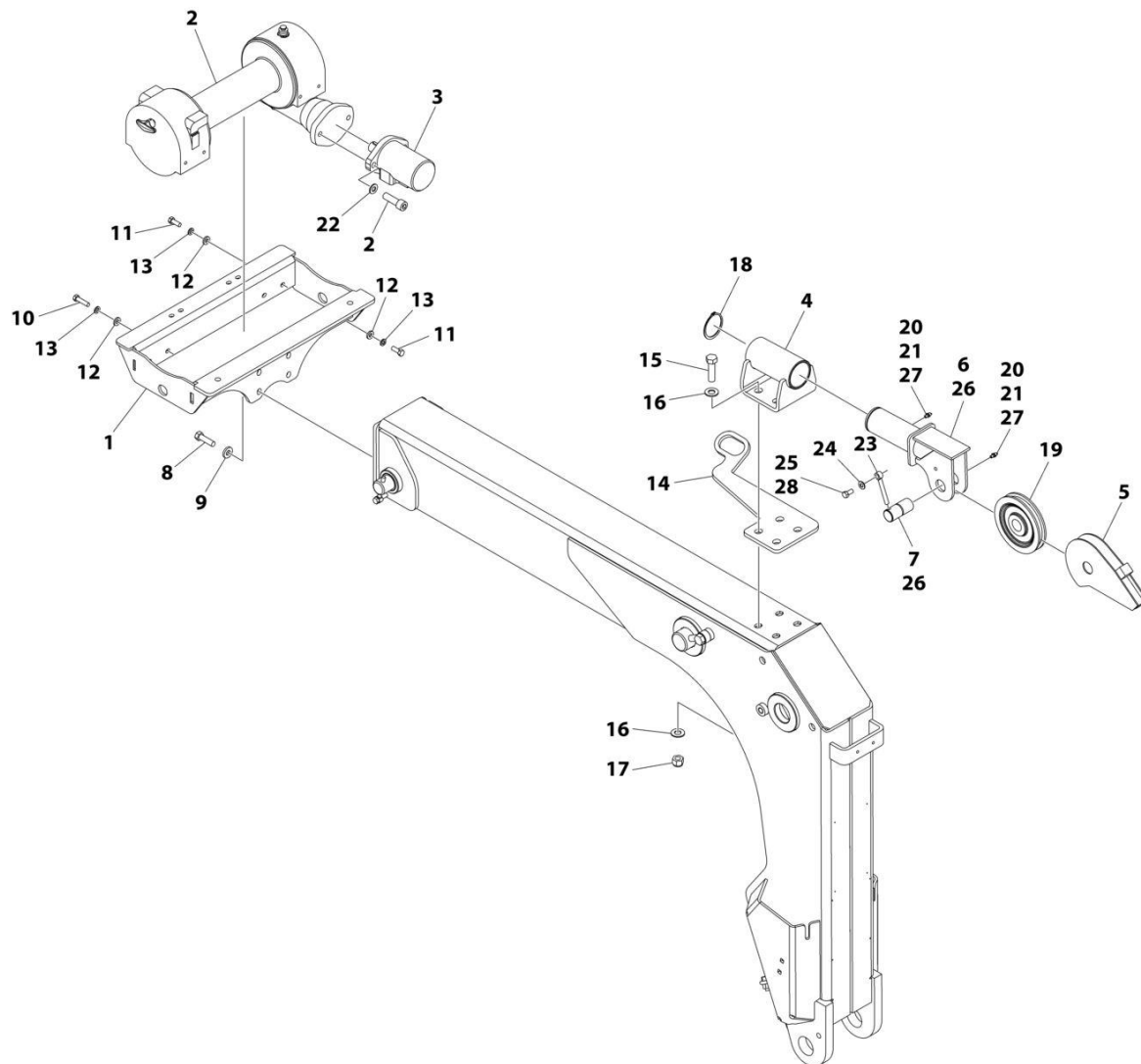
ART_1001196813

FIGURE 2-5. KNEE BOOM INSTALLATION

| ITEM | PART NUMBER | QTY | DESCRIPTION | REV |
|------|-------------|-----|---|-----|
| | 1001196813 | Ref | KNEE BOOM INSTALLATION | B |
| 1 | 1001196814 | 1 | Boom, Knee | |
| 1 | 0962272 | 2 | Bearing | |
| 2 | 1001194371 | 1 | Cylinder Assembly - Lift (See Separate Breakdown in this Section) | |
| 3 | 1001191715 | 1 | Pin | |
| 4 | 1001191717 | 2 | Pin | |
| 5 | 3841143 | 1 | Keeper | |
| 6 | 3841258 | 2 | Rod | |
| 7 | 0681612 | 1 | Bolt 3/8 x 1-1/2 Grade 8 | |
| 8 | 0641808 | 2 | Bolt 1/2 x 1 | |
| 9 | 0682014 | 1 | Bolt 5/8 x 1-3/4 Grade 8 | |
| 10 | 3271805 | 2 | Nut 1/2 | |
| 11 | 3300240 | 1 | Nut 5/8 | |
| 12 | 7262000040 | 2 | Chain | |
| 13 | 1001095650 | AR | Adhesive | |
| 14 | 3020039 | AR | Lubricant | |
| 15 | 1001204780 | 1 | Plug | |
| 16 | 0682016 | 1 | Bolt 5/8 x 2 Grade 8 | |

SECTION 2 - BOOM

FIGURE 2-6. WINCH INSTALLATION - RAMSEY



ART_1001208910

SECTION 2 - BOOM

FIGURE 2-6. WINCH INSTALLATION - RAMSEY

| ITEM | PART NUMBER | QTY | DESCRIPTION | REV |
|------|-------------|-----|---|-----|
| | 1001208910 | Ref | WINCH INSTALLATION | A |
| 1 | 3178000508 | 1 | Bracket | |
| 2 | 7970000150 | 1 | Winch Assembly, 8000 lbs (See Separate Breakdown in this Section) | |
| 3 | 7626000014 | 1 | Winch Motor Assembly (See Separate Breakdown in this Section) | |
| 4 | 1001206157 | 1 | Support, Boom Nose MPL Single | |
| 5 | 1001206167 | 1 | Support, SD Wrecker Cable Guide | |
| 6 | 1001206161 | 1 | Support, SD Wrecker Sheave | |
| 7 | 1001206171 | 1 | Pin | |
| 8 | 0641814 | 4 | Bolt 1/2 x 1-3/4 | |
| 9 | 4891800 | 4 | Washer 1/2 | |
| 10 | 0641612 | 6 | Bolt 3/8 x 1-1/2 | |
| 11 | 0641608 | 2 | Bolt 3/8 x 1 | |
| 12 | 4891600 | 8 | Washer 3/8 | |
| 13 | 4711600 | 8 | Washer 3/8 | |
| 14 | 1001206185 | 1 | Plate | |
| 15 | 0642018 | 4 | Bolt 5/8 x 2-1/4 | |
| 16 | 4712000 | 8 | Washer 5/8 | |
| 17 | 7660152601 | 4 | Nut 5/16 | |
| 18 | 7754000005 | 1 | Ring External Retaining | |
| 19 | 7809000001 | 1 | Wire Rope | |
| 20 | 88671008 | 2 | Fitting, Grease | |
| 21 | 7253000002 | 2 | Cap, Grease | |
| 22 | 7950180400 | 2 | Washer 1/2 | |
| 23 | 3841143 | 1 | Keeper, Shaft | |
| 24 | 4761600 | 1 | Washer 3/8 | |
| 25 | 0651606 | 1 | Bolt 3/8 x 3/4 | |
| 26 | 3020039 | AR | Lubricant | |
| 27 | 3020029 | AR | Lubricant | |
| 28 | 1001095650 | AR | Adhesive | |

SECTION 2 - BOOM

FIGURE 2-7. WINCH ASSEMBLY

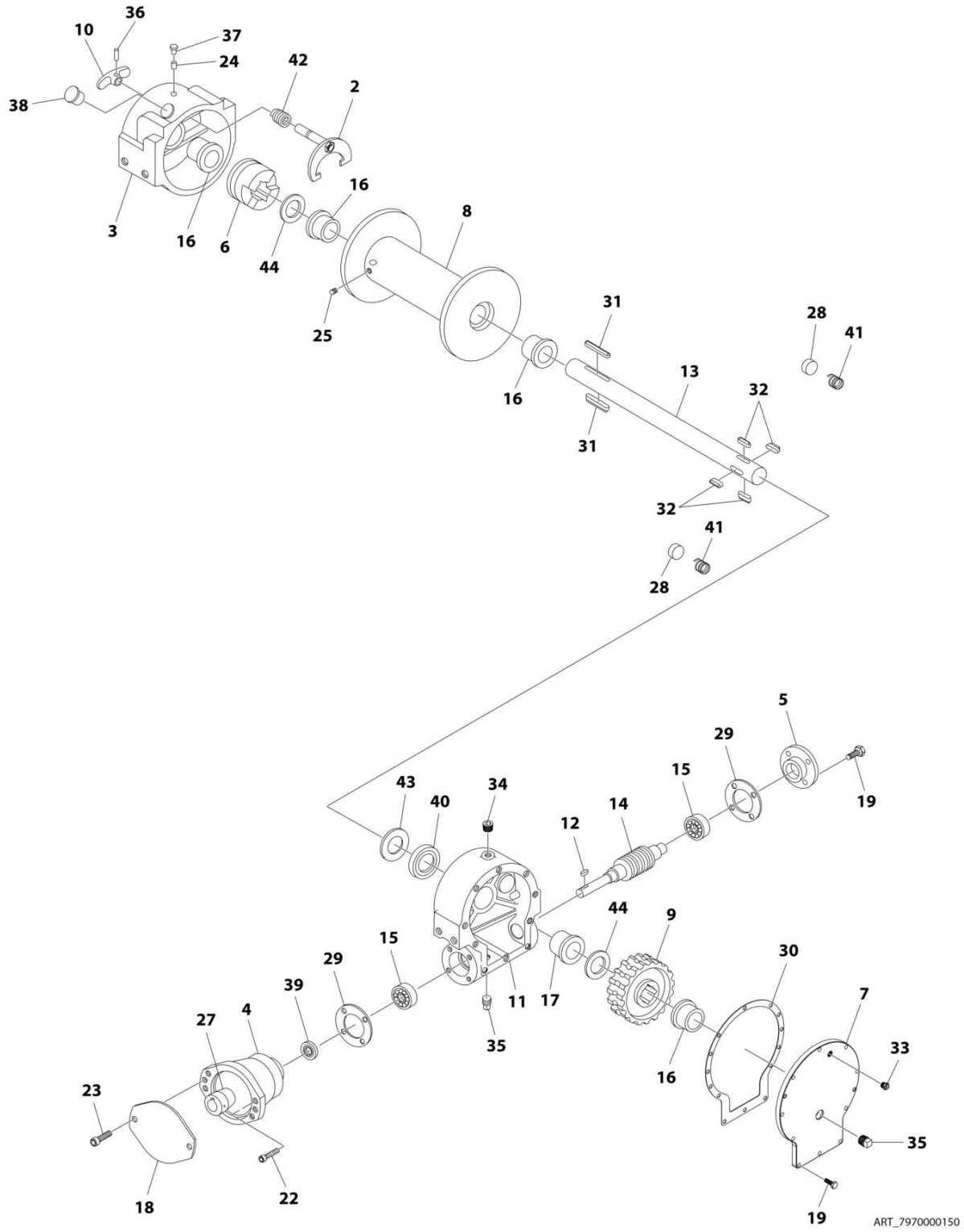
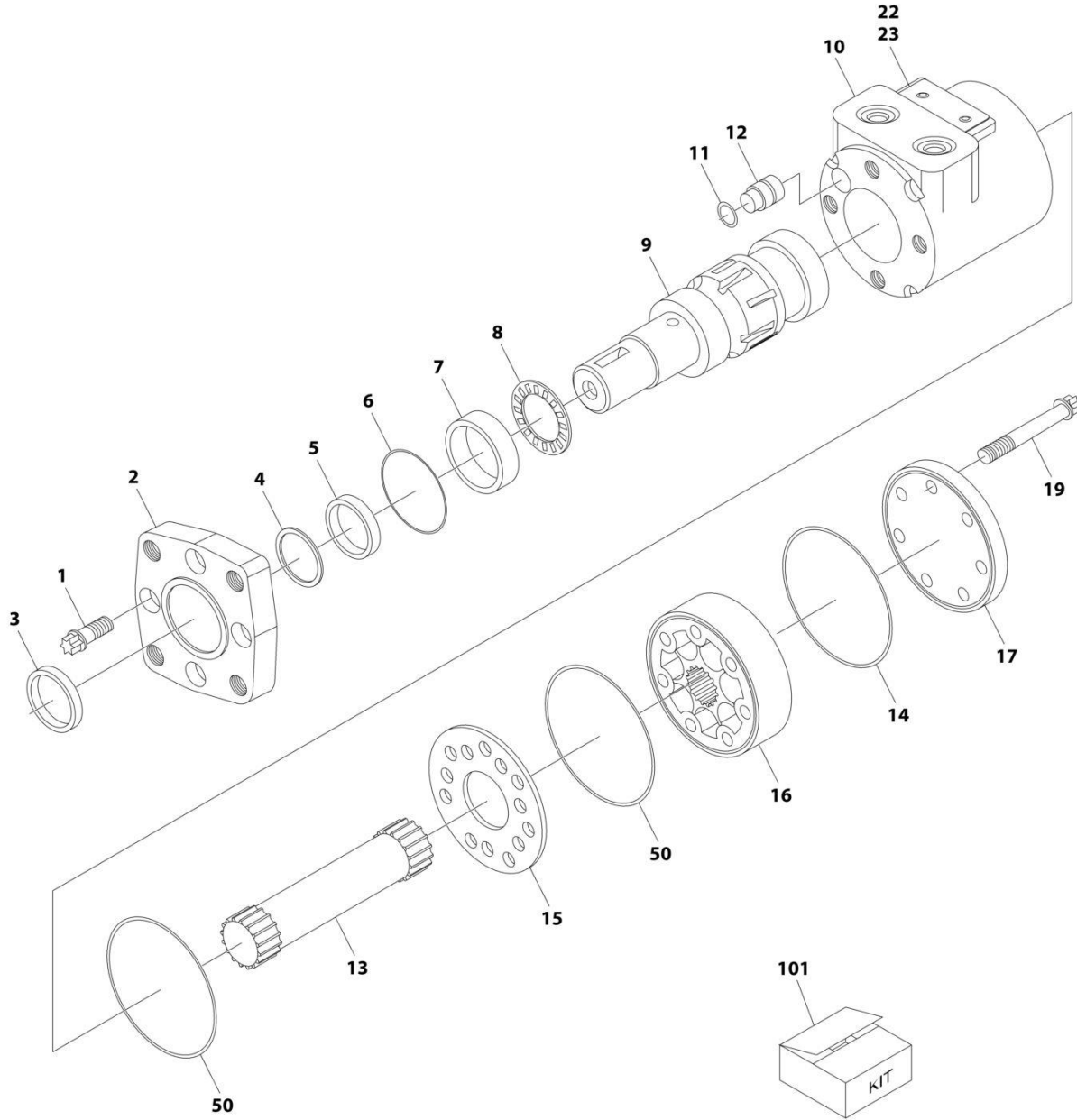


FIGURE 2-7. WINCH ASSEMBLY

| ITEM | PART NUMBER | QTY | DESCRIPTION | REV |
|------|-------------|-----|--------------------------|-----|
| | 7970000150 | Ref | WINCH ASSEMBLY | 0 |
| 2 | 70051554 | 1 | Shifter Assembly | |
| 3 | 9560960022 | 1 | Housing - Clutch | |
| 4 | 9970300057 | 1 | Adapter | |
| 5 | 9970316083 | 1 | Bearing Cap | |
| 6 | 9970960060 | 1 | Jaw Clutch | |
| 7 | 9314960024 | 1 | Cover | |
| 8 | 9970960068 | 1 | Drum - "Std" | |
| 9 | 9472960072 | 1 | Gear RH | |
| 10 | 9970336010 | 1 | Handle | |
| 11 | 9560990011 | 1 | Housing - Gear | |
| 12 | 9970342027 | 1 | Key | |
| 13 | 9806960009 | 1 | Shaft - Drum "Std" | |
| 14 | 9970960062 | 1 | Worm RH | |
| 15 | 9970402002 | 2 | Bearing - Ball | |
| 16 | 9970412003 | 4 | Bushing | |
| 17 | 9970412045 | 4 | Bushing | |
| 18 | 70050679 | 1 | Adapter Cover | |
| 19 | 9970414045 | 14 | Bolt 1/4 x 7/8 | |
| 20 | 9120960034 | 2 | Bolt 3/8 x 1 (Not Shown) | |
| 22 | 70050682 | 4 | Bolt 1/4 x 1-3/4 | |
| 23 | 9120960061 | 2 | Bolt 1/2 x 1-1/2 | |
| 24 | 70051555 | 1 | Setscrew 1/4 x 3/8 | |
| 25 | 9786960015 | 1 | Setscrew 3/8 x 1/2 | |
| 27 | 9970431008 | 1 | Coupling | |
| 28 | 9970438014 | 2 | Disc Brake | |
| 29 | 9970442184 | 2 | Gasket | |
| 30 | 9970442205 | 1 | Gasket | |
| 31 | 9970450006 | 2 | Key Barth | |
| 32 | 9575960014 | 4 | Key Barth | |
| 33 | 9970456008 | 1 | Fitting - Relief | |
| 34 | 9701960015 | 1 | Pipe Plug | |
| 35 | 9970468011 | 2 | Pipe Plug | |
| 36 | 9691960001 | 1 | Spirol Pin | |
| 37 | 9970472012 | 1 | Rubber Plug | |
| 38 | 9970472013 | 1 | Plastic Plug | |
| 39 | 9970486009 | 1 | Oil Seal | |
| 40 | 9970483017 | 1 | Oil Seal | |
| 41 | 9970494002 | 2 | Spring | |
| 42 | 9970494053 | 1 | Spring | |
| 43 | 9970518014 | 1 | Washer | |
| 44 | 9970518015 | 1 | Washer | |

SECTION 2 - BOOM

FIGURE 2-8. WINCH MOTOR ASSEMBLY



ART_7626000014

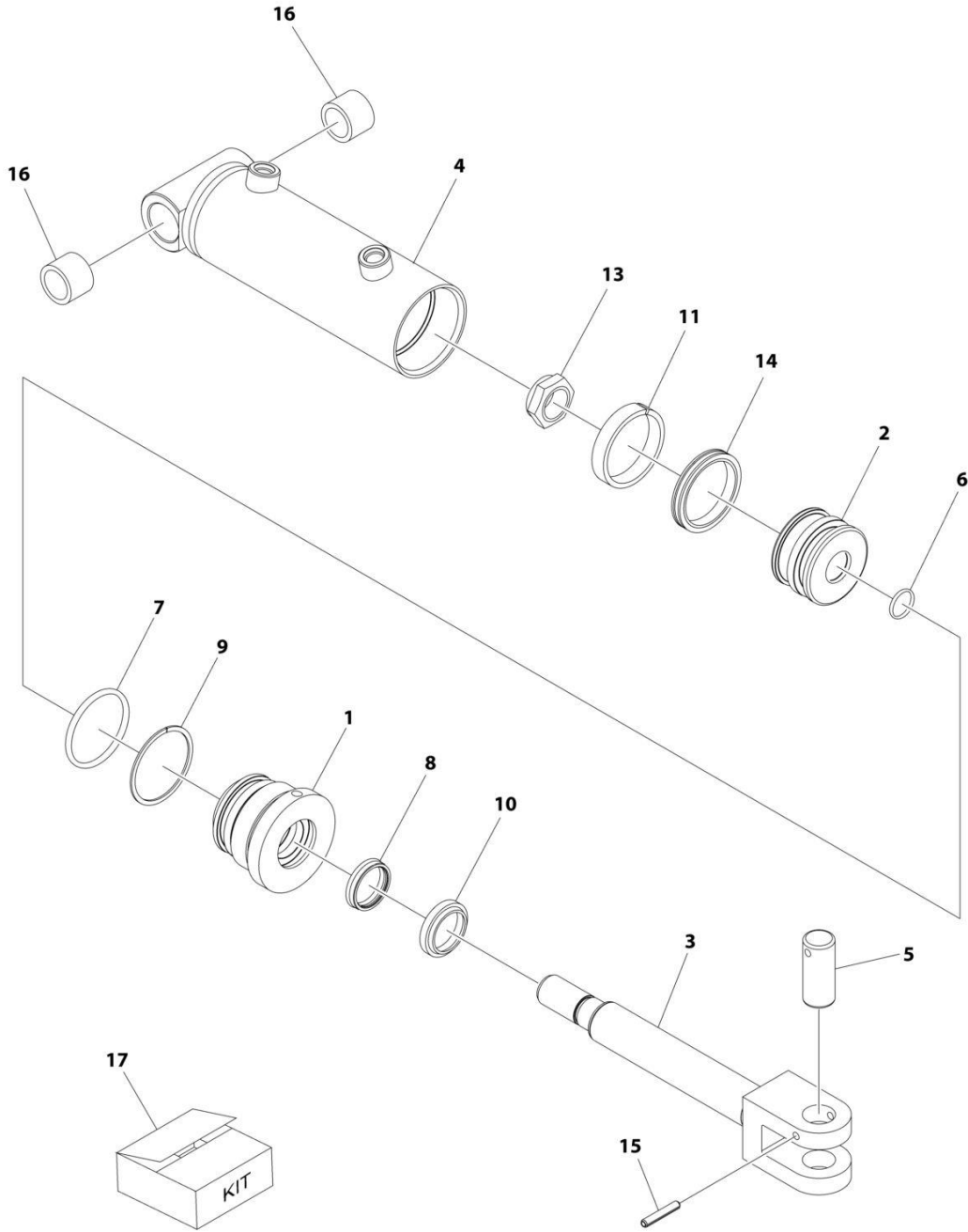
FIGURE 2-8. WINCH MOTOR ASSEMBLY

| ITEM | PART NUMBER | QTY | DESCRIPTION | REV |
|------|-------------|-----|---|-----|
| | 7626000014 | Ref | ORBIT MOTOR | 1 |
| 1 | 7002123 | 4 | Capscrew | |
| 2 | 7009974 | 1 | Flange, Mounting | |
| 3 | See Note | NSS | Seal, Exclusion (Note: Use Item 101) | |
| 4 | 7009975 | 1 | Washer, Backup | |
| 5 | 7009997 | 1 | Pressure Seal | |
| 6 | See Note | NSS | Seal (Note: Use Item 101) | |
| 7 | 7002117 | 1 | Race, Bearing | |
| 8 | 7002111 | 1 | Bearing, Thrust Needle | |
| 9 | 70070028 | 1 | Output Shaft (STD) | |
| 10 | See Note | NSS | (Note: Not Available for Purchase) | |
| 11 | See Note | NSS | O-Ring (Note: Use Item 101) | |
| 12 | 7009992 | 1 | Plug, Housing | |
| 13 | 80234009 | 1 | Drive | |
| 14 | See Note | NSS | Seal (Note: Use Item 101) | |
| 15 | 7002110 | 1 | Plate, Spacer | |
| 16 | 70070029 | 1 | Gerotor Sub-Assembly | |
| 17 | 7002107 | 1 | Cap, End | |
| 19 | 70070030 | 7 | Capscrew | |
| 22 | See Note | NSS | (Note: Not Available for Purchase) | |
| 23 | See Note | NSS | (Note: Not Available for Purchase) | |
| 50 | See Note | NSS | Seal (Note: Use Item 101) | |
| 100 | | Ref | Key (Not Shown) | |
| 101 | 2900733 | 1 | Seal Kit (Includes Items 3, 6, 11, 14 & 50) | |

SECTION 3 - UNDERLIFT

SECTION 3 - UNDERLIFT

FIGURE 3-1. CYLINDER ASSEMBLY - GRID EXTEND/RETRACT



ART_732000064

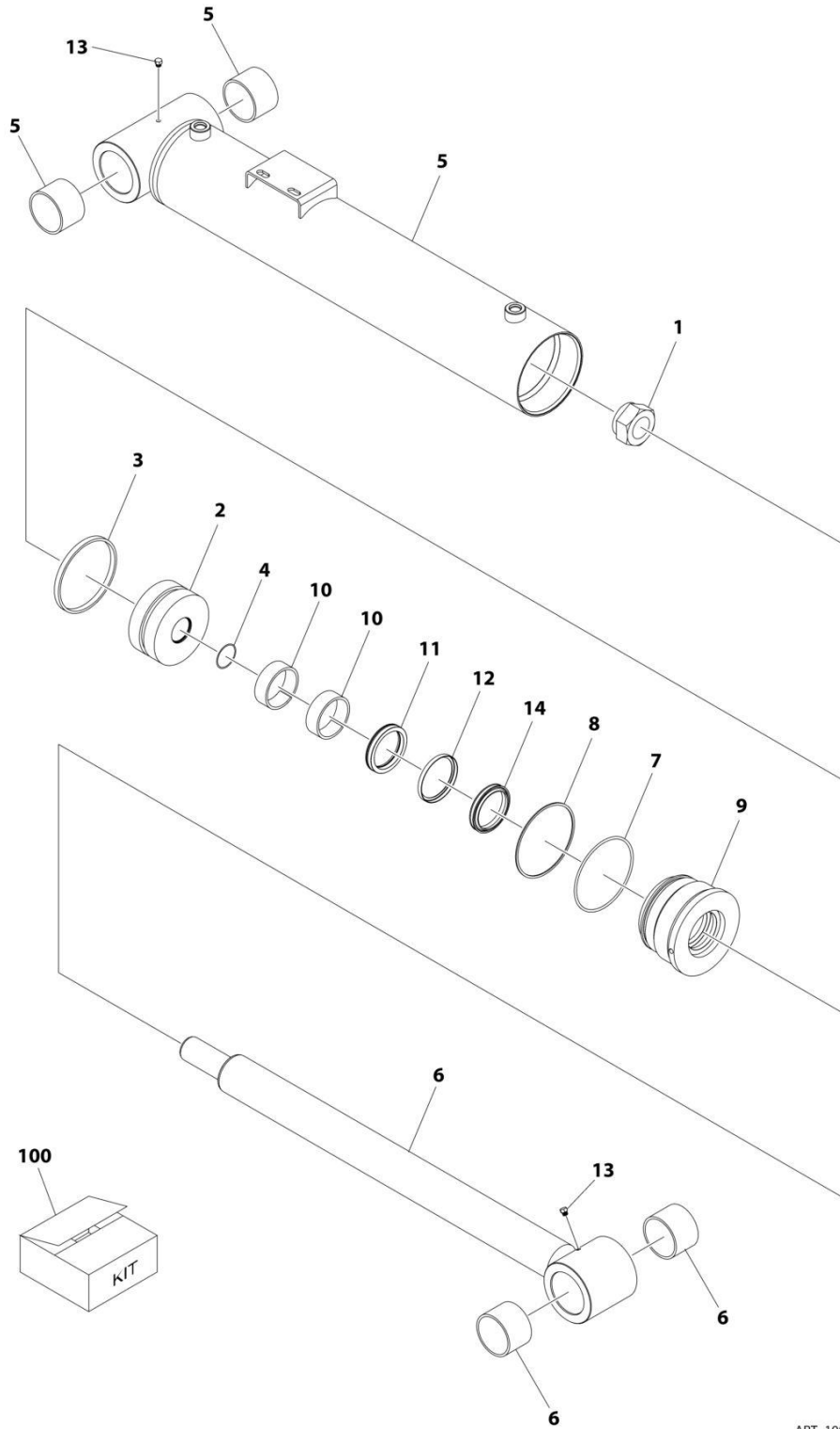
SECTION 3 - UNDERLIFT

FIGURE 3-1. CYLINDER ASSEMBLY - GRID EXTEND/RETRACT

| ITEM | PART NUMBER | QTY | DESCRIPTION | REV |
|-------------|--------------------|------------|--------------------------------|------------|
| | 732000064 | Ref | CYLINDER ASSEMBLY | B |
| 1 | 7027336 | 1 | Gland | |
| 2 | 7027338 | 1 | Piston | |
| 3 | 70050632 | 1 | Rod Assembly | |
| 4 | 70050633 | 1 | Barrel Assembly | |
| 5 | 70050634 | 1 | Retention Pin | |
| 6 | 70050635 | 1 | O-Ring | |
| 7 | 70050636 | 1 | O-Ring | |
| 8 | 70050637 | 1 | Rod Seal | |
| 9 | 70050638 | 1 | Backup Ring | |
| 10 | 70050639 | 1 | Rod Wiper | |
| 11 | 70050640 | 1 | Wear Ring | |
| 12 | 70050641 | 2 | Plug | |
| 13 | 70050642 | 1 | Nut 3/4 | |
| 14 | 70050643 | 1 | Piston Seal | |
| 15 | 70050644 | 1 | Roll Pin | |
| 16 | 7082000026 | 2 | Bearing | |
| 17 | 7027341 | 1 | Seal Kit (includes items 6-11) | |

SECTION 3 - UNDERLIFT

FIGURE 3-2. CYLINDER ASSEMBLY - UNDERLIFT TILT



ART_1001194372

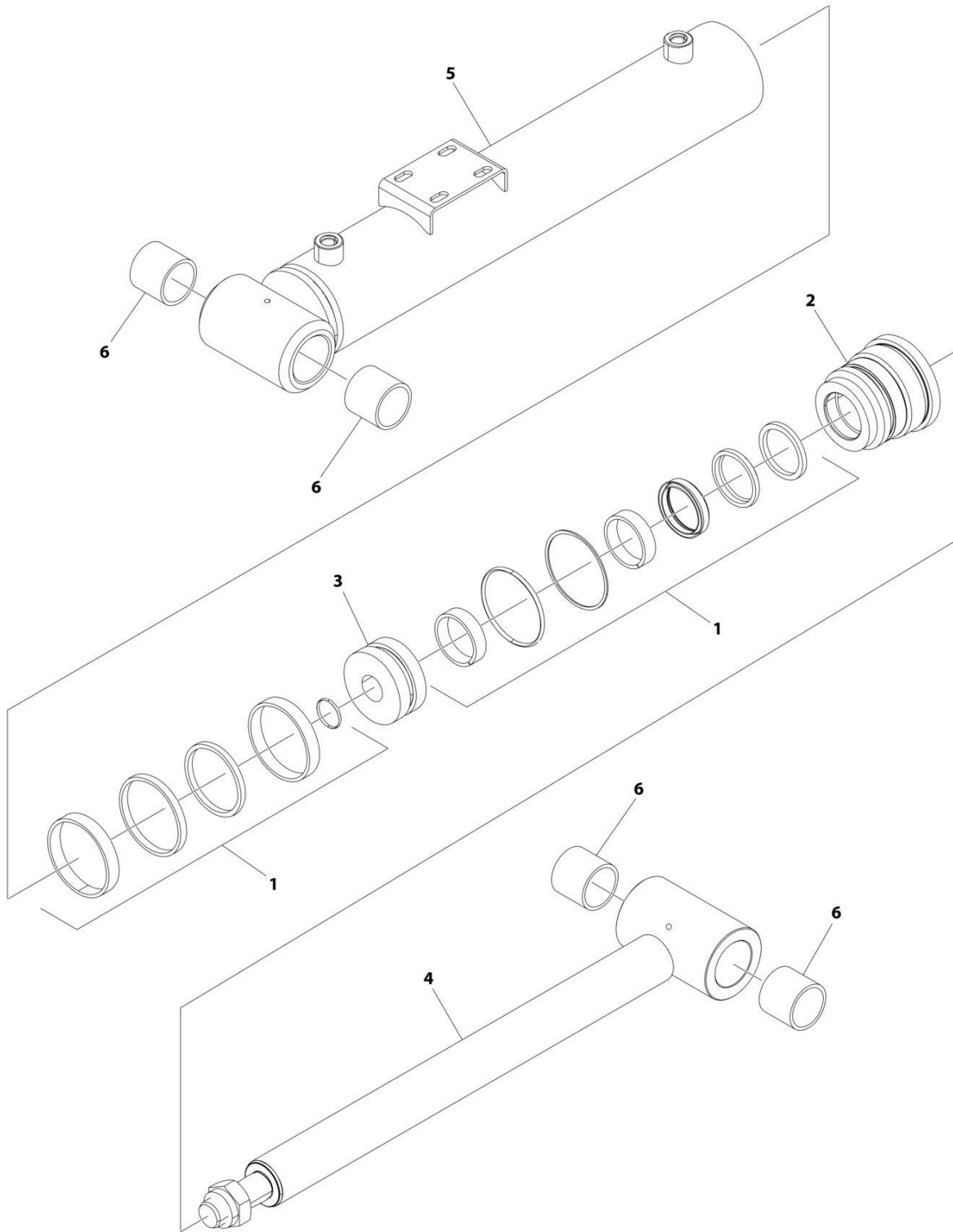
SECTION 3 - UNDERLIFT

FIGURE 3-2. CYLINDER ASSEMBLY - UNDERLIFT TILT

| ITEM | PART NUMBER | QTY | DESCRIPTION | REV |
|------|-------------|-----|--|-----|
| | 1001194372 | Ref | UNDERLIFT TILT CYLINDER ASSEMBLY | B |
| | | Ref | Note: Original Cylinder May Have Been Replaced with Service Replacement. Identify PN Stamped on Cylinder Before Ordering Parts. | |
| 1 | 7029140 | 1 | Nut | |
| 2 | 70051629 | 1 | Piston | |
| 3 | See Note | NSS | Piston Seal (Note: Use Item 100) | |
| 4 | See Note | NSS | O-Ring (Note: Use Item 100) | |
| 5 | See Note | NSS | Barrel (Note: Use PN 1001194372) | |
| 5 | 0962224 | 2 | Bearing | |
| 6 | 70052122 | 1 | Rod | |
| 6 | 0962224 | 2 | Bearing | |
| 7 | See Note | NSS | O-Ring (Note: Use Item 100) | |
| 8 | See Note | NSS | Ring, Back-up (Note: Use Item 100) | |
| 9 | 70051628 | 1 | Head | |
| 10 | See Note | NSS | Ring, Wear (Note: Use Item 100) | |
| 11 | See Note | NSS | Seal (Note: Use Item 100) | |
| 12 | See Note | NSS | Wiper (Note: Use Item 100) | |
| 13 | 1001204776 | 2 | Plug | |
| 14 | | Ref | O-Ring | |
| 100 | 70051326 | 1 | Seal Kit (Includes Items 3, 4, 7, 8, 10, 11 & 12) | |

SECTION 3 - UNDERLIFT

FIGURE 3-3. CYLINDER ASSEMBLY - UNDERLIFT EXTEND/RETRACT



ART_732000077

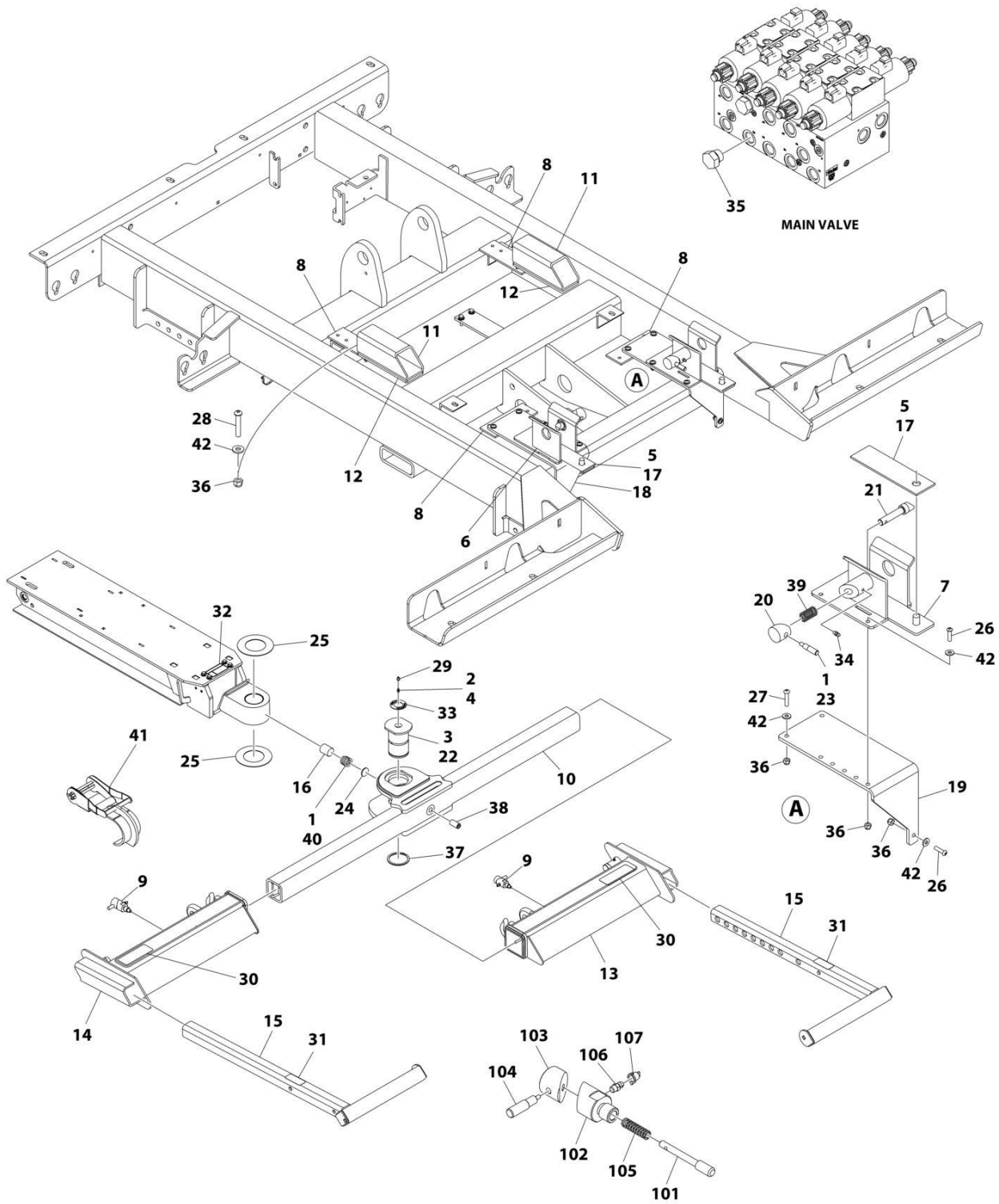
SECTION 3 - UNDERLIFT

FIGURE 3-3. CYLINDER ASSEMBLY - UNDERLIFT EXTEND/RETRACT

| ITEM | PART NUMBER | QTY | DESCRIPTION | REV |
|------|-------------|-----|---------------------|-----|
| | 7320000077 | Ref | CYLINDER ASSEMBLY | 01 |
| 1 | 70051664 | 1 | Seal Kit - Cylinder | |
| 2 | 70051660 | 1 | Head | |
| 3 | 70051661 | 1 | Piston | |
| 4 | 70051662 | 1 | Rod | |
| 5 | 70051663 | 1 | Barrel | |

SECTION 3 - UNDERLIFT

FIGURE 3-4. GRID SYSTEM INSTALLATION - MANUAL FIXED (NGS)



ART_1001265477

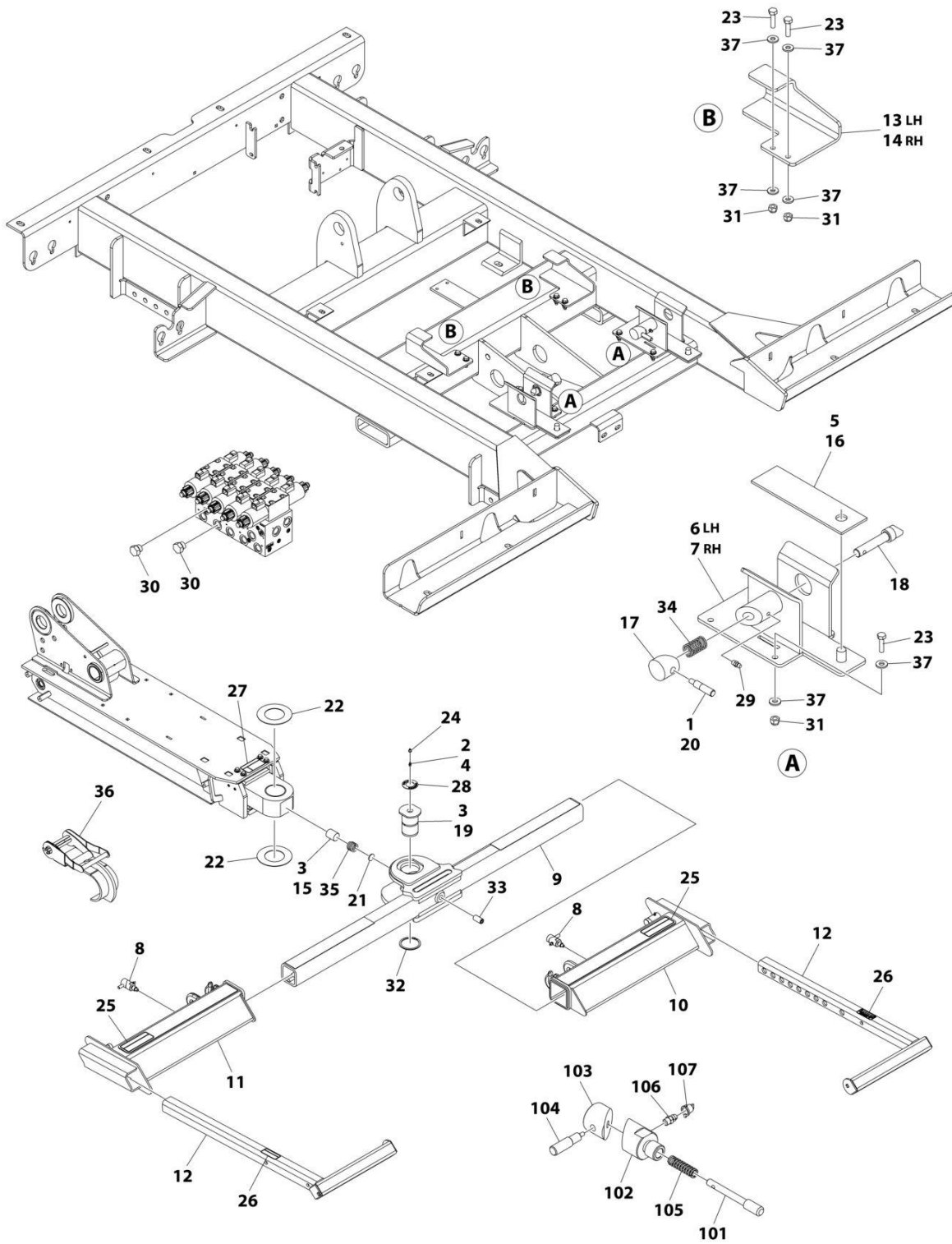
SECTION 3 - UNDERLIFT

FIGURE 3-4. GRID SYSTEM INSTALLATION - MANUAL FIXED (NGS)

| ITEM | PART NUMBER | QTY | DESCRIPTION | REV |
|------|-------------|-----|---|-----|
| | 1001265477 | Ref | GRID SYSTEM INSTALLATION - MANUAL FIXED | A |
| 1 | 0100011 | AR | Compound Locking | |
| 2 | 3020029 | AR | Lubricant | |
| 3 | 3020039 | AR | Lubricant | |
| 4 | 88671008 | 1 | Fitting, Grease | |
| 5 | 1001112058 | AR | Adhesive Strip | |
| 6 | 1001129412 | 1 | Bracket, Storage (LH) | |
| 7 | 1001129413 | 1 | Bracket, Storage (RH) | |
| 8 | 1001129414 | 4 | Plate, Backing | |
| 9 | 1001153950 | 2 | Cam Lock (Includes Items 101-107) | |
| 10 | 1001265479 | 1 | Crosstube | |
| 11 | 1001267714 | 2 | Tube | |
| 12 | 1001268759 | 2 | Plate | |
| 13 | 1001270927 | 1 | Grid (RH) | |
| 14 | 1001270928 | 1 | Grid (LH) | |
| 15 | 1001271130 | 2 | L-Arm | |
| 16 | 4064000052 | 1 | Bar | |
| 17 | 4090000013 | 2 | Pad | |
| 18 | 4178000826 | 1 | Bracket | |
| 19 | 4178000827 | 1 | Bracket | |
| 20 | 4254000005 | 2 | Cap | |
| 21 | 4691000186 | 2 | Pin | |
| 22 | 4691000198 | 1 | Pin | |
| 23 | 4763000184 | 2 | Rod | |
| 24 | 4831000095 | 1 | Spacer | |
| 25 | 4949000047 | 2 | Thrust Washer | |
| 26 | 7114140818 | 6 | Capscrew 1/4 x 1 | |
| 27 | 7114141018 | 4 | Bolt 1/4 x 1-1/4 | |
| 28 | 7114141218 | 4 | Capscrew 1/4 x 1-1/2 | |
| 29 | 7253000002 | 1 | Cap, Grease | |
| 30 | 7330000036 | 2 | Decal - Warning Secure Vehicle | |
| 31 | 7330000553 | 2 | Decal - L-Arm Storage | |
| 32 | 7330000599 | 1 | Decal - Warning Pinch Point | |
| 33 | 7330000609 | 1 | Decal - Grease Required | |
| 34 | 7440030000 | 2 | Fitting, Grease | |
| 35 | 7443000048 | 2 | Plug | |
| 36 | 7660142601 | 14 | Nut 1/4 | |
| 37 | 7754000024 | 1 | Ring, Retaining | |
| 38 | 7786000009 | 1 | Setscrew 3/4 x 1-1/2 | |
| 39 | 7843000006 | 2 | Spring | |
| 40 | 7843000037 | 1 | Spring | |
| 41 | 7894000034 | 2 | Strap and Ratchet Assembly | |
| 42 | 7950140143 | 14 | Washer 1/4 | |
| 101 | 1001153944 | 2 | Pin | |
| 102 | 1001153945 | 2 | Cam-Lock Tube | |
| 103 | 1001153946 | 2 | Cam-Lock Cap | |
| 104 | 1001153947 | 2 | Handle | |
| 105 | 1001153971 | 1 | Spring | |
| 106 | 7440030000 | 2 | Fitting, Grease | |
| 107 | 7253000002 | 2 | Cap, Grease | |

SECTION 3 - UNDERLIFT

FIGURE 3-5. GRID SYSTEM INSTALLATION - MANUAL FIXED (NG)



ART_1001302727

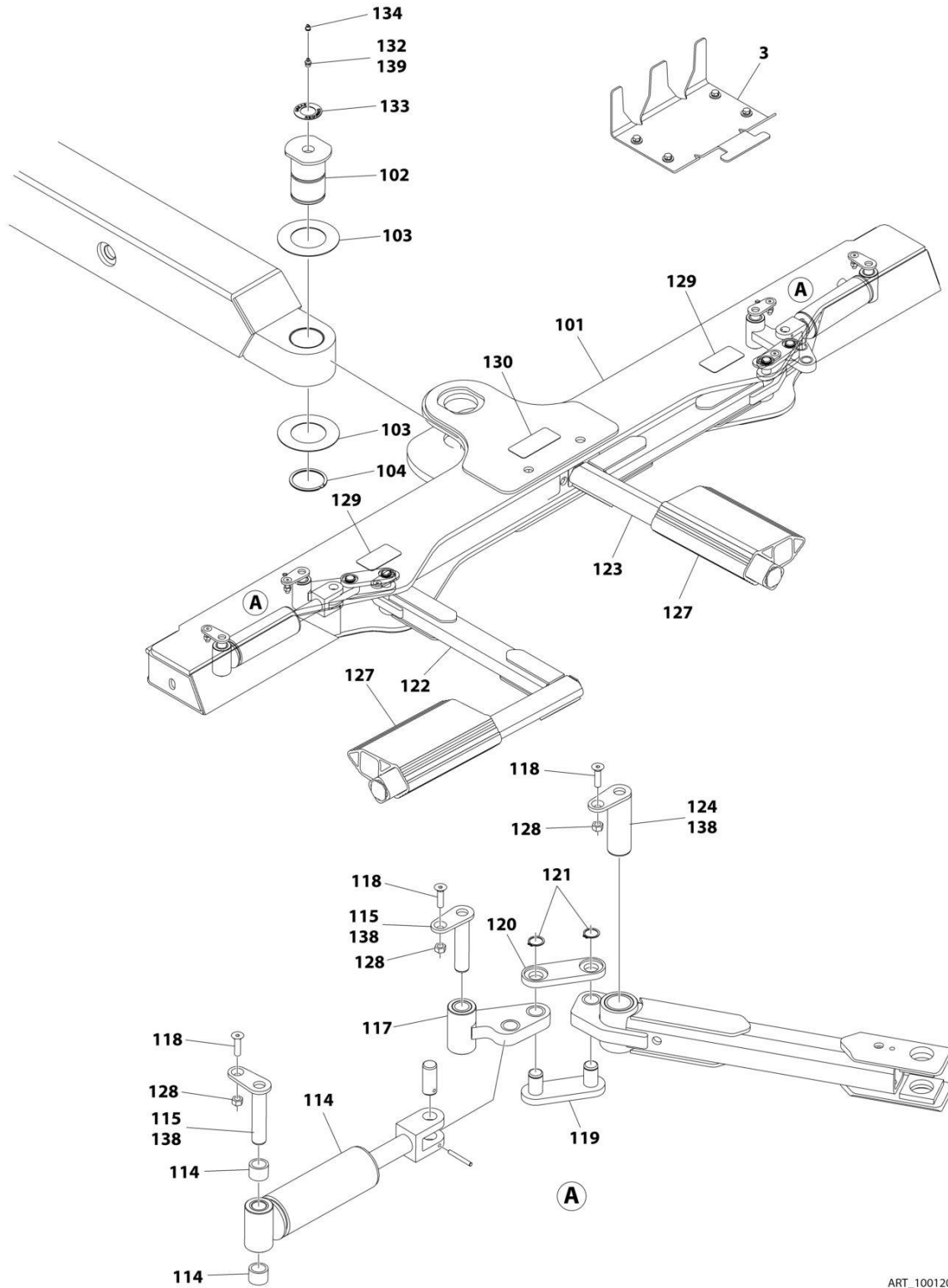
SECTION 3 - UNDERLIFT

FIGURE 3-5. GRID SYSTEM INSTALLATION - MANUAL FIXED (NG)

| ITEM | PART NUMBER | QTY | DESCRIPTION | REV |
|------|-------------|-----|-----------------------------------|-----|
| | 1001302727 | Ref | GRID SYSTEM INSTALLATION - MANUAL | A |
| 1 | 0100011 | AR | Compound Locking | |
| 2 | 3020029 | AR | Lubricant | |
| 3 | 3020039 | AR | Lubricant | |
| 4 | 88671008 | 1 | Fitting, Grease | |
| 5 | 1001112058 | AR | Adhesive Strip | |
| 6 | 1001129412 | 1 | Bracket, Storage (LH) | |
| 7 | 1001129413 | 1 | Bracket, Storage (RH) | |
| 8 | 1001153950 | 2 | Cam Lock (Includes Items 101-107) | |
| 9 | 1001265479 | 1 | Crosstube | |
| 10 | 1001270927 | 1 | Grid - RH | |
| 11 | 1001270928 | 1 | Grid - LH | |
| 12 | 1001271130 | 2 | L-Arm | |
| 13 | 1001302047 | 1 | Bracket, Storage (LH) | |
| 14 | 1001302048 | 1 | Bracket, Storage (RH) | |
| 15 | 4064000052 | 1 | Bar | |
| 16 | 4090000013 | 2 | Pad | |
| 17 | 4254000005 | 2 | Cap | |
| 18 | 4691000186 | 2 | Pin | |
| 19 | 4691000198 | 1 | Pin | |
| 20 | 4763000184 | 2 | Rod | |
| 21 | 4831000095 | 1 | Spacer | |
| 22 | 4949000047 | 2 | Washer, 5 OD | |
| 23 | 7114140850 | 8 | Capscrew 1/4 x 1 | |
| 24 | 7253000002 | 1 | Cap, Grease Fitting | |
| 25 | 7330000036 | 2 | Decal - Warning Secure Vehicle | |
| 26 | 7330000553 | 2 | Decal - L-Arm Storage | |
| 27 | 7330000599 | 1 | Decal - Warning Pinch Point | |
| 28 | 7330000609 | 1 | Decal - Grease Required | |
| 29 | 7440030000 | 2 | Fitting, Grease | |
| 30 | 7443000048 | 2 | Plug | |
| 31 | 7660142601 | 8 | Nut 1/4 | |
| 32 | 7754000024 | 1 | Ring, Retaining | |
| 33 | 7786000009 | 1 | Setscrew 3/4 x 1-1/2 | |
| 34 | 7843000006 | 2 | Spring | |
| 35 | 7843000037 | 1 | Spring | |
| 36 | 7894000034 | 2 | Strap and Ratchet Assembly | |
| 37 | 7950140143 | 16 | Washer 1/4 | |
| 101 | 1001153944 | 2 | Pin | |
| 102 | 1001153945 | 2 | Cam-Lock Tube | |
| 103 | 1001153946 | 2 | Cam-Lock Cap | |
| 104 | 1001153947 | 2 | Handle | |
| 105 | 1001153971 | 2 | Spring | |
| 106 | 7440030000 | 2 | Fitting, Grease | |
| 107 | 7253000002 | 2 | Cap, Grease Fitting | |

SECTION 3 - UNDERLIFT

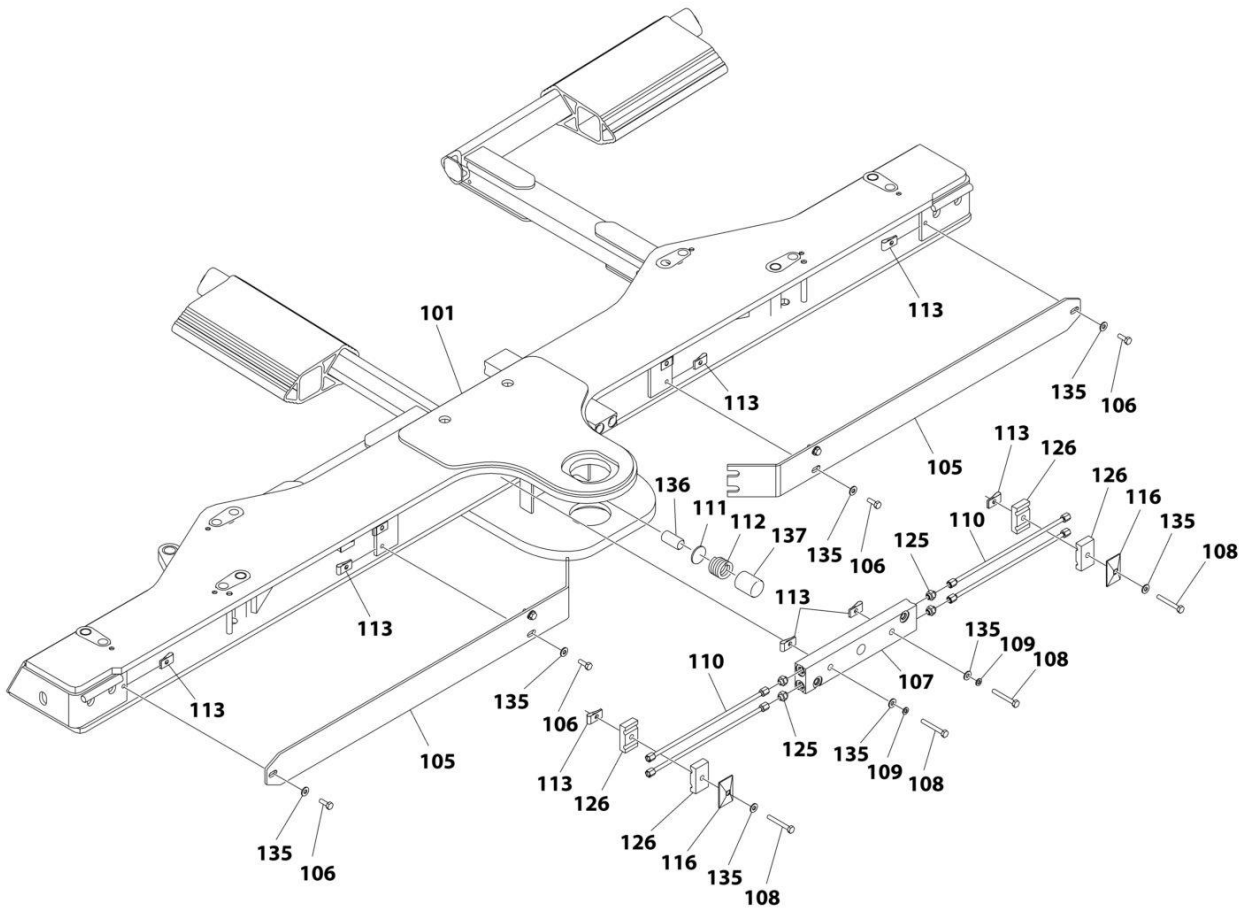
FIGURE 3-6. GRID SYSTEM INSTALLATION - HYDRAULIC



ART_1001206326_10F2

SECTION 3 - UNDERLIFT

FIGURE 3-7. GRID SYSTEM INSTALLATION - HYDRAULIC



ART_1001206326_20F2

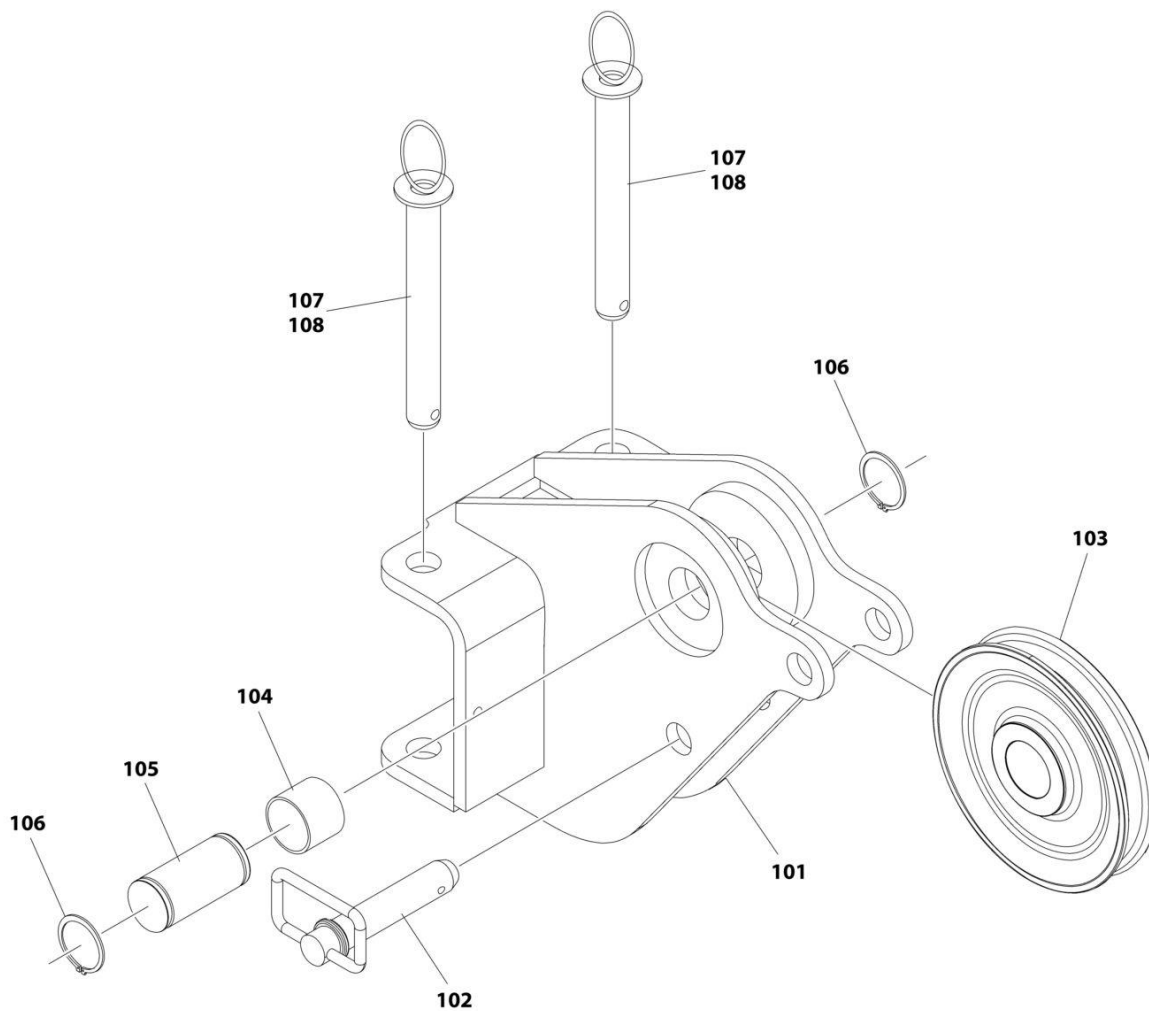
SECTION 3 - UNDERLIFT

FIGURE 3-7. GRID SYSTEM INSTALLATION - HYDRAULIC

| ITEM | PART NUMBER | QTY | DESCRIPTION | REV |
|------|-------------|-----|--|-----|
| | 1001206326 | Ref | GRID SYSTEM INSTALLATION - HYDRAULIC | B |
| 1 | 1001205604 | Ref | Grid Assembly - Hydraulic (Not Shown - See Items 101-139 for Breakdown) | |
| 2 | 1001137494 | Ref | Hose Installation - Hydraulic Grid (Not Shown - See Separate Breakdown in HYDRAULIC Section) | |
| 3 | 2178000053 | 1 | Bracket, Storage | |
| | 1001205604 | Ref | GRID ASSEMBLY - HYDRAULIC | C |
| 101 | 1001185808 | 1 | Crosstube | |
| 102 | 4691000198 | 1 | Pin | |
| 103 | 4949000047 | 2 | Thrust Washer | |
| 104 | 7754000024 | 1 | Ring, Retaining | |
| 105 | 1001220280 | 2 | Plate, Cover | |
| 106 | 0641406 | 6 | Bolt 1/4 x 3/4 | |
| 107 | 4619000013 | 1 | Manifold, Hydraulic | |
| 108 | 0641416 | 4 | Bolt 1/4 x 2 | |
| 109 | 4761400 | 2 | Washer 1/4 | |
| 110 | 7912000184 | 4 | Tube | |
| 111 | 4831000095 | 1 | Spacer | |
| 112 | 7843000037 | 1 | Spring | |
| 113 | 7661000064 | 10 | U-Nut | |
| 114 | 7320000064 | 2 | Cylinder Assembly - Hydraulic Grid (See Separate Breakdown in this Section) | |
| 114 | 7082000026 | 2 | Bearing | |
| 115 | 3691000229 | 4 | Pin | |
| 116 | 7274000039 | 2 | Cover, Clamp | |
| 117 | 3592000052 | 2 | Link | |
| 118 | 1001137904 | 6 | Bolt 5/16 x 1-1/4 | |
| 119 | 3592000051 | 2 | Link | |
| 120 | 4706003497 | 2 | Plate | |
| 121 | 3760351 | 4 | Ring Retaining | |
| 122 | 3020000124 | 1 | Arm (LH) | |
| 123 | 3020000125 | 1 | Arm (RH) | |
| 124 | 3691000230 | 2 | Pin | |
| 125 | 2220415 | 4 | Fitting, Straight JIC/ORB | |
| 126 | 7274000086 | 4 | Clamp | |
| 127 | 8411080091 | 2 | Extrusion, L-Arm | |
| 128 | 3271505 | 6 | Nut 5/16 Grade 8 | |
| 129 | 7330000599 | 4 | Decal - Warning Pinch Point | |
| 130 | 7330000036 | 1 | Decal - Warning Secure Vehicle | |
| 131 | 7577000367 | 1 | Kit, Strap (Not Shown) | |
| 132 | 7253000002 | 1 | Cap, Grease Fitting | |
| 133 | 7330000609 | 1 | Decal - Grease Required | |
| 134 | 88671008 | 1 | Fitting, Grease | |
| 135 | 4711400 | 10 | Washer 1/4 | |
| 136 | 7786000009 | 1 | Setscrew 3/4 x 1-1/2 | |
| 137 | 4064000052 | 1 | Bar | |
| 138 | 3020039 | AR | Lubricant | |
| 139 | 3020029 | AR | Lubricant | |

SECTION 3 - UNDERLIFT

FIGURE 3-8. RECOVERY SHEAVE INSTALLATION (LOW ANGLE)



ART_2509610148

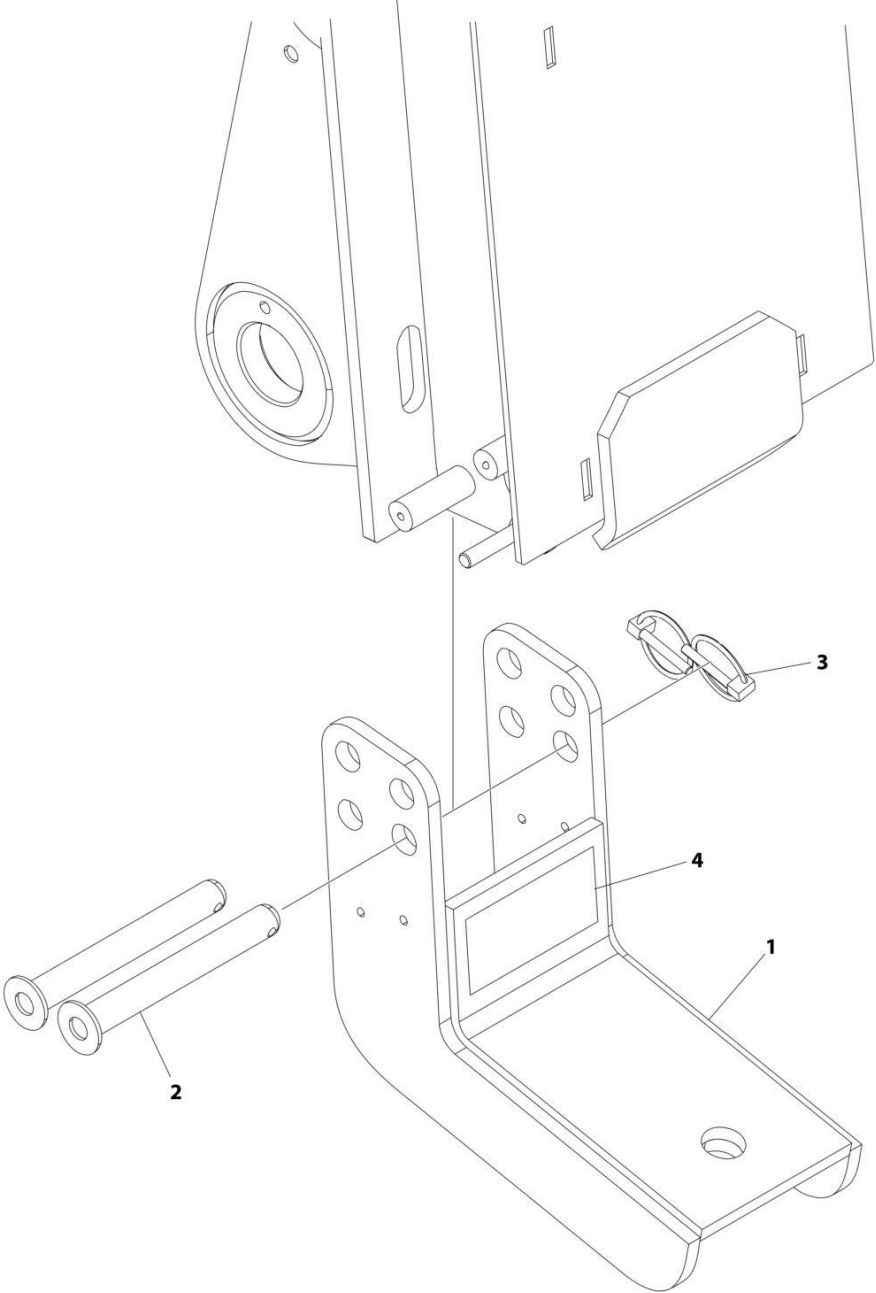
SECTION 3 - UNDERLIFT

FIGURE 3-8. RECOVERY SHEAVE INSTALLATION (LOW ANGLE)

| ITEM | PART NUMBER | QTY | DESCRIPTION | REV |
|-------------|--------------------|------------|--|------------|
| | 2509610148 | Ref | RECOVERY SHEAVE INSTALLATION (LOW ANGLE) | 0 |
| 1 | 3249000041 | Ref | Sheave Assembly (Not Shown) (Includes Items 101-108) | |
| 2 | 7330000716 | 1 | Decal - Caution Lock-Out Valve (Not Shown) | |
| | 3249000041 | Ref | SHEAVE ASSEMBLY | B |
| 101 | 3249000040 | 1 | Sheave Weldment | |
| 102 | 7691000053 | 1 | Pin | |
| 103 | 7809000013 | 1 | Sheave | |
| 104 | 7082000032 | 1 | Bearing | |
| 105 | 4691000572 | 1 | Pin | |
| 106 | 7754000006 | 2 | Retaining Ring | |
| 107 | 3691000195 | 2 | Pin | |
| 108 | 7691000027 | 2 | Pin | |

SECTION 3 - UNDERLIFT

FIGURE 3-9. TOW BALL BRACKET INSTALLATION



ART_2178000048

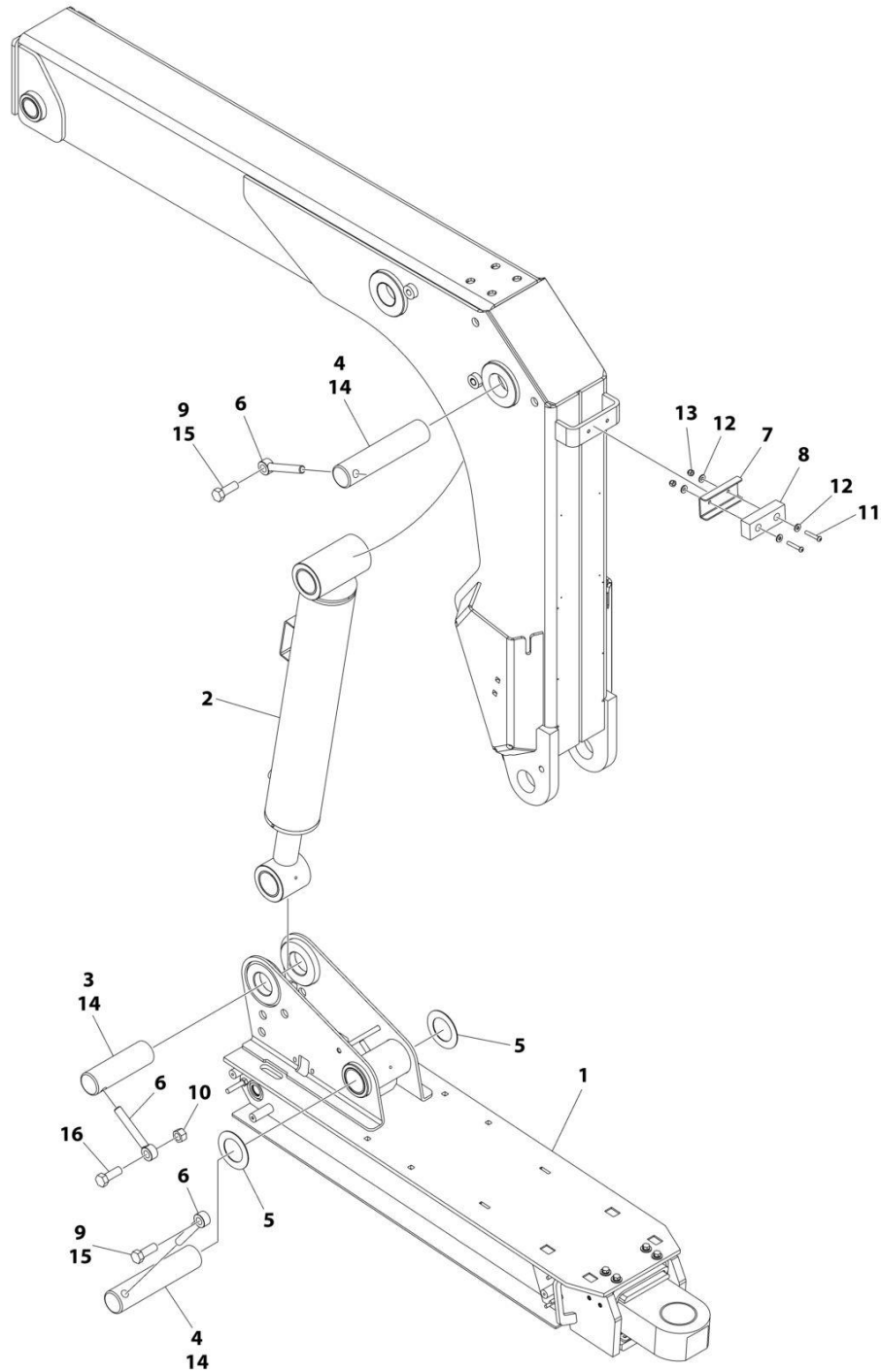
SECTION 3 - UNDERLIFT

FIGURE 3-9. TOW BALL BRACKET INSTALLATION

| ITEM | PART NUMBER | QTY | DESCRIPTION | REV |
|-------------|--------------------|------------|-------------------------------|------------|
| | 2178000048 | Ref | TOW BALL BRACKET INSTALLATION | 0 |
| 1 | 3178000507 | 1 | Bracket, Tow Ball | |
| 2 | 3691000195 | 2 | Pin | |
| 3 | 7691000027 | 2 | Clip-Pin | |
| 4 | 7330000424 | 1 | Decal - Tow Bracket | |

SECTION 3 - UNDERLIFT

FIGURE 3-10. UNDERLIFT INSTALLATION - HYDRAULIC GRIDS



ART_1001196913

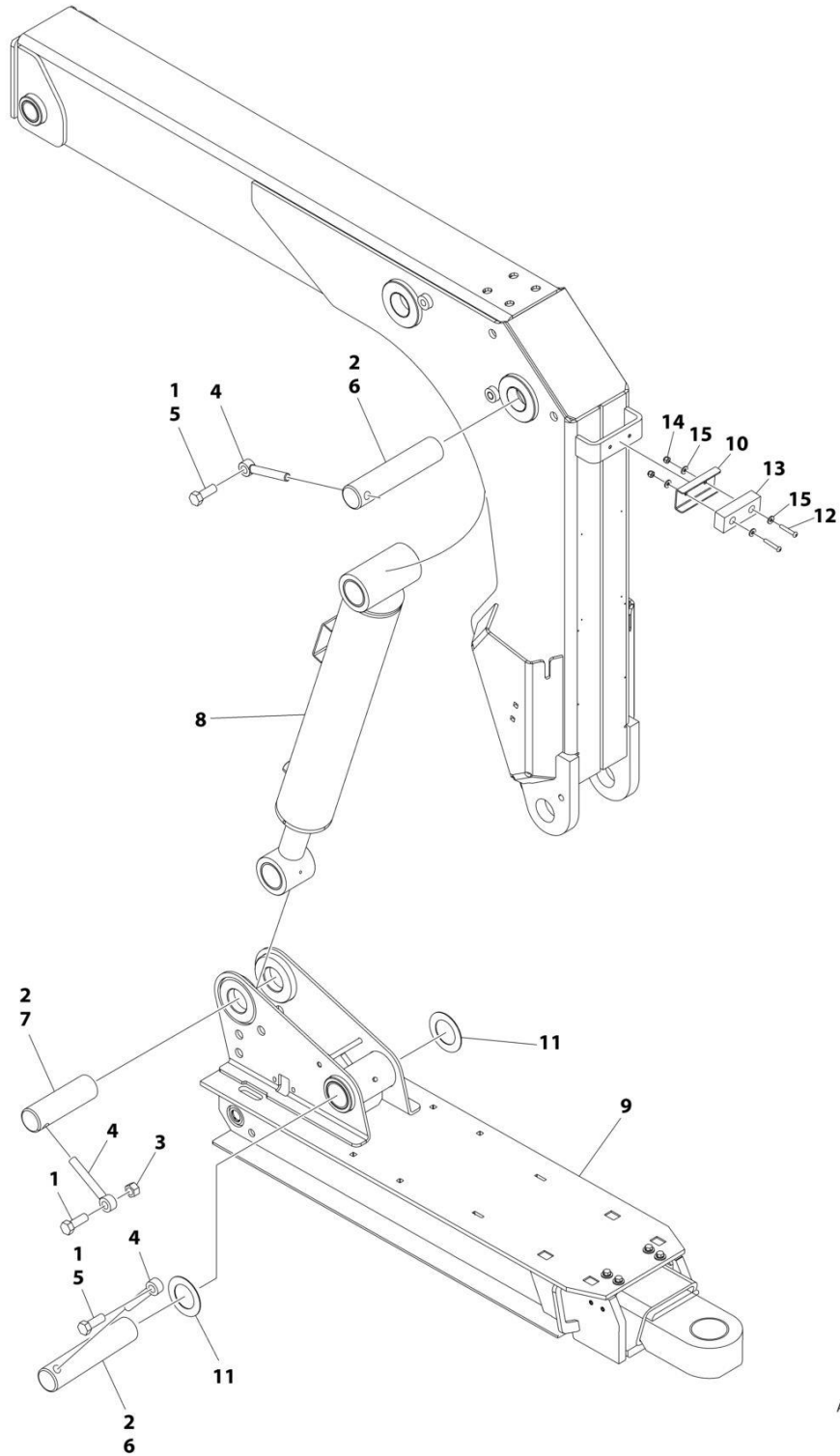
SECTION 3 - UNDERLIFT

FIGURE 3-10. UNDERLIFT INSTALLATION - HYDRAULIC GRIDS

| ITEM | PART NUMBER | QTY | DESCRIPTION | REV |
|------|-------------|-----|---|-----|
| | 1001196913 | Ref | UNDERLIFT BOOM INSTALLATION HYDRAULIC FIXED GRID | B |
| 1 | 1001196509 | 1 | Underlift Boom Assembly Hydraulic Grid (See Separate Breakdown in this Section) | |
| 2 | 1001194372 | 1 | Underlift Tilt Cylinder (See Separate Breakdown in this Section) | |
| 3 | 1001191718 | 1 | Pin | |
| 4 | 1001191717 | 2 | Pin | |
| 5 | 4949000050 | 2 | Washer | |
| 6 | 3841258 | 3 | Rod | |
| 7 | 4263000814 | 1 | Channel | |
| 8 | 7189000023 | 1 | Bumper | |
| 9 | 0682014 | 2 | Bolt 5/8 x 1-3/4 Grade 8 | |
| 10 | 3300240 | 1 | Nut 5/8 | |
| 11 | 7114141218 | 2 | Capscrew 1/4 x 1-1/2 | |
| 12 | 7950140143 | 4 | Washer 1/4 | |
| 13 | 7660142604 | 2 | Nut 1/4 | |
| 14 | 3020039 | AR | Lubricant | |
| 15 | 1001095650 | AR | Adhesive | |
| 16 | 0682015 | 1 | Bolt 5/8 x 1-7/8 Grade 8 | |

SECTION 3 - UNDERLIFT

FIGURE 3-11. UNDERLIFT INSTALLATION - MANUAL GRID



ART_1001265469

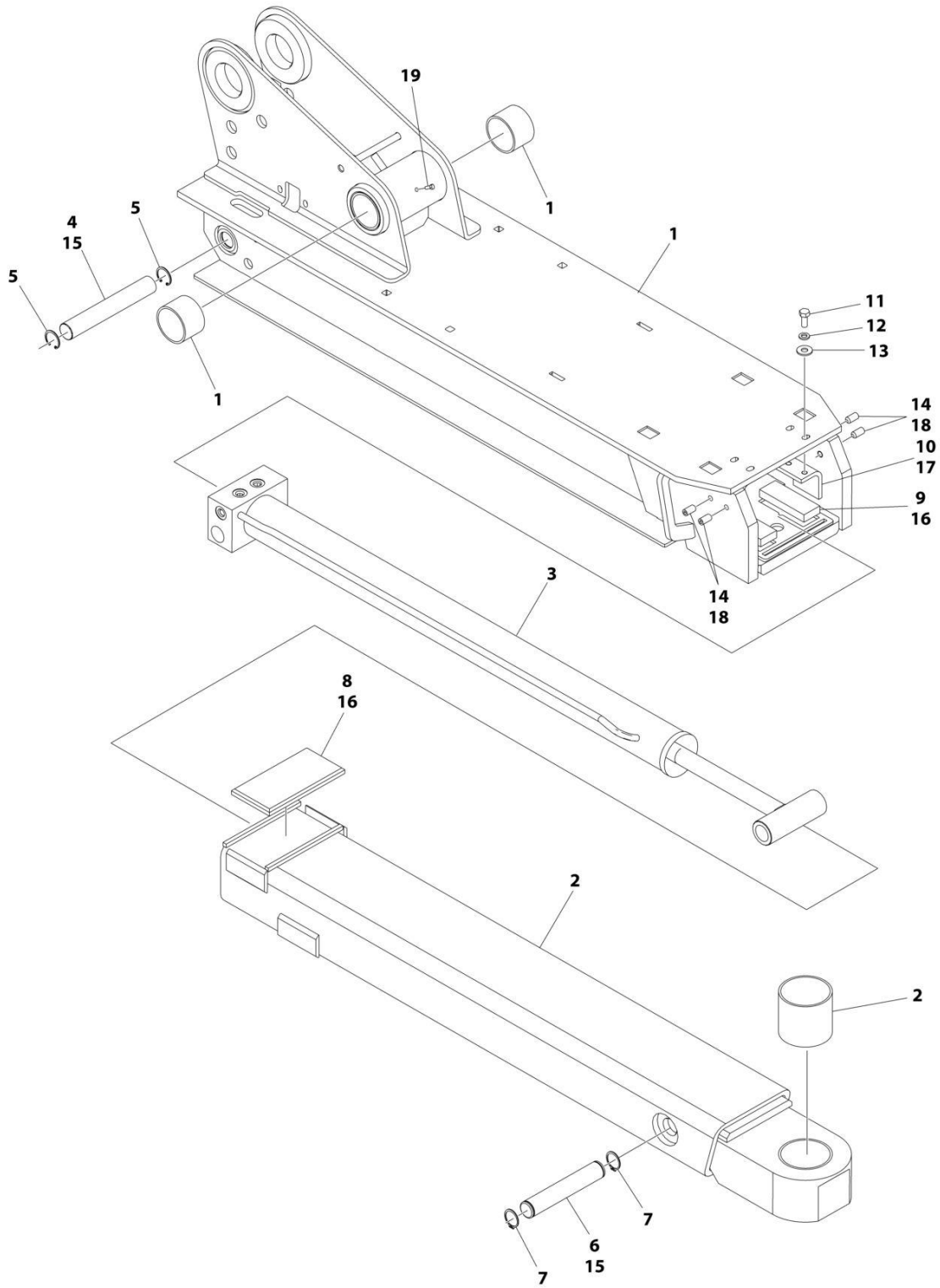
SECTION 3 - UNDERLIFT

FIGURE 3-11. UNDERLIFT INSTALLATION - MANUAL GRID

| ITEM | PART NUMBER | QTY | DESCRIPTION | REV |
|------|-------------|-----|--|-----|
| | 1001265469 | Ref | UNDERLIFT BOOM INSTALLATION MANUAL GRID | A |
| 1 | 0682014 | 3 | Bolt 5/8 x 1-3/4 Grade 8 | |
| 2 | 3020039 | AR | Lubricant | |
| 3 | 3272005 | 1 | Nut 5/8 | |
| 4 | 3841258 | 3 | Rod | |
| 5 | 1001095650 | AR | Adhesive | |
| 6 | 1001191717 | 2 | Pin | |
| 7 | 1001191718 | 1 | Pin | |
| 8 | 1001194372 | 1 | Underlift Tilt Cylinder (See Separate Breakdown in this Section) | |
| 9 | 1001265470 | 1 | Underlift Boom Assembly Main Grid (See Separate Breakdown in this Section) | |
| 10 | 4263000814 | 1 | Channel | |
| 11 | 4949000050 | 2 | Washer | |
| 12 | 7114141218 | 2 | Capscrew 1/4 x 1-1/2 | |
| 13 | 7189000023 | 1 | Bumper | |
| 14 | 7660142604 | 2 | Nut 1/4 | |
| 15 | 7950140143 | 4 | Washer 1/4 | |

SECTION 3 - UNDERLIFT

FIGURE 3-12. UNDERLIFT ASSEMBLY - HYDRAULIC GRIDS



ART_1001196509

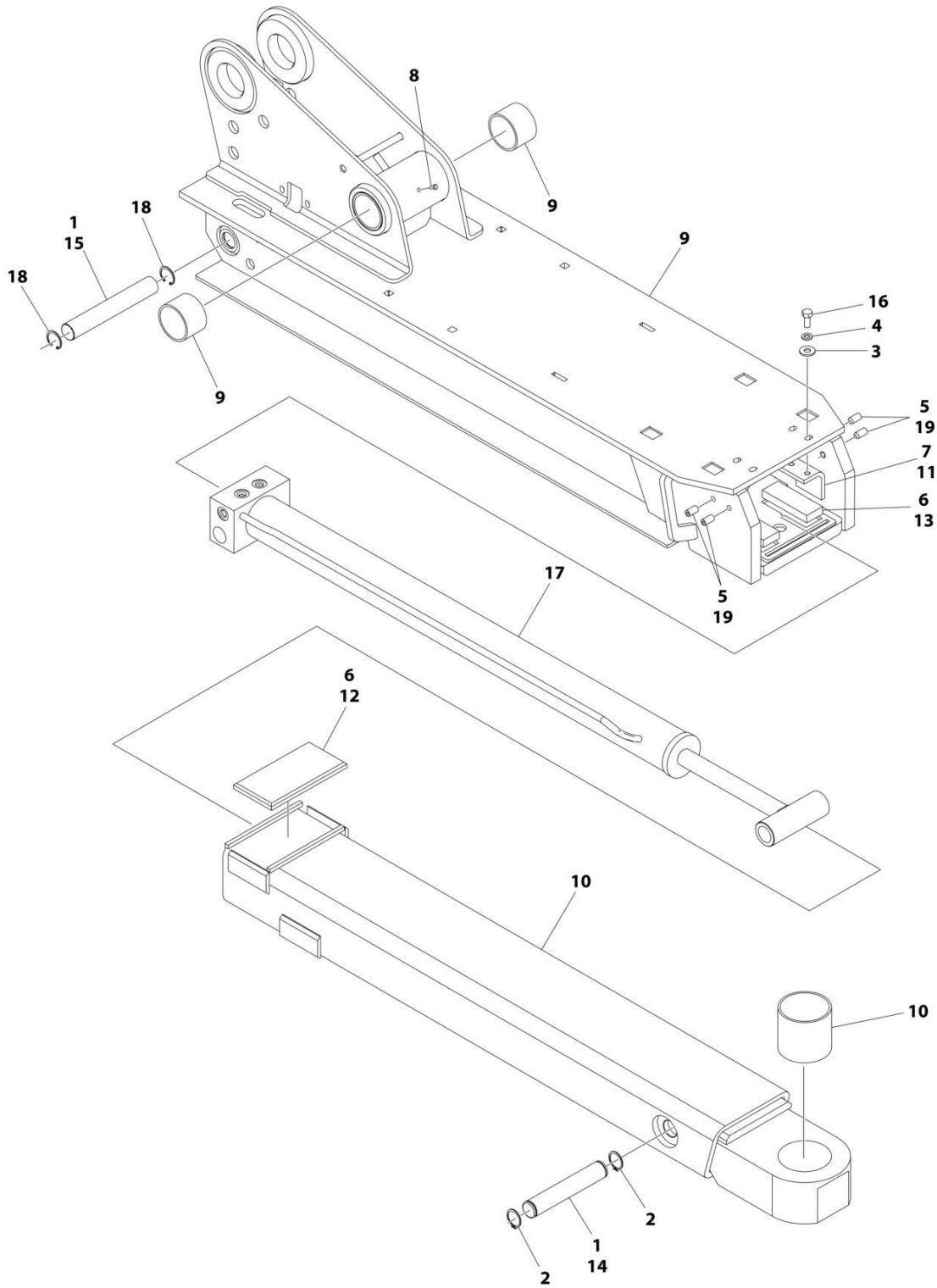
SECTION 3 - UNDERLIFT

FIGURE 3-12. UNDERLIFT ASSEMBLY - HYDRAULIC GRIDS

| ITEM | PART NUMBER | QTY | DESCRIPTION | REV |
|------|-------------|-----|--|-----|
| | 1001196509 | Ref | BOOM, UNDERLIFT - HYDRAULIC GRIDS | A |
| 1 | 1001196510 | 1 | Boom, Base | |
| 1 | 7082000043 | 2 | Bearing | |
| 2 | 3170000346 | 1 | Boom, Inner | |
| 2 | 7209000030 | 1 | Bearing | |
| 3 | 7320000077 | 1 | Cylinder Assembly (See Separate Breakdown in this Section) | |
| 4 | 4691000308 | 1 | Pin | |
| 5 | 7754000056 | 2 | Snap Ring | |
| 6 | 4691000307 | 1 | Pin | |
| 7 | 3760115 | 2 | Retaining Ring | |
| 8 | 4679000046 | 1 | Pad | |
| 9 | 4679000213 | 2 | Pad | |
| 10 | 4017001502 | 2 | Angle | |
| 11 | 7104150624 | 4 | Capscrew 5/16 x 3/4 | |
| 12 | 4761500 | 4 | Washer 5/16 | |
| 13 | 4751500 | 4 | Washer 5/16 | |
| 14 | 7785161274 | 4 | Setscrew 3/8 x 3/4 | |
| 15 | 3020039 | AR | Lubricant | |
| 16 | 1001152707 | AR | Lubricant | |
| 17 | 1001155141 | AR | Lubricant | |
| 18 | 1001095650 | AR | Adhesive | |
| 19 | 1001204776 | 1 | Plug | |

SECTION 3 - UNDERLIFT

FIGURE 3-13. UNDERLIFT ASSEMBLY - MANUAL GRID



ART_1001265470

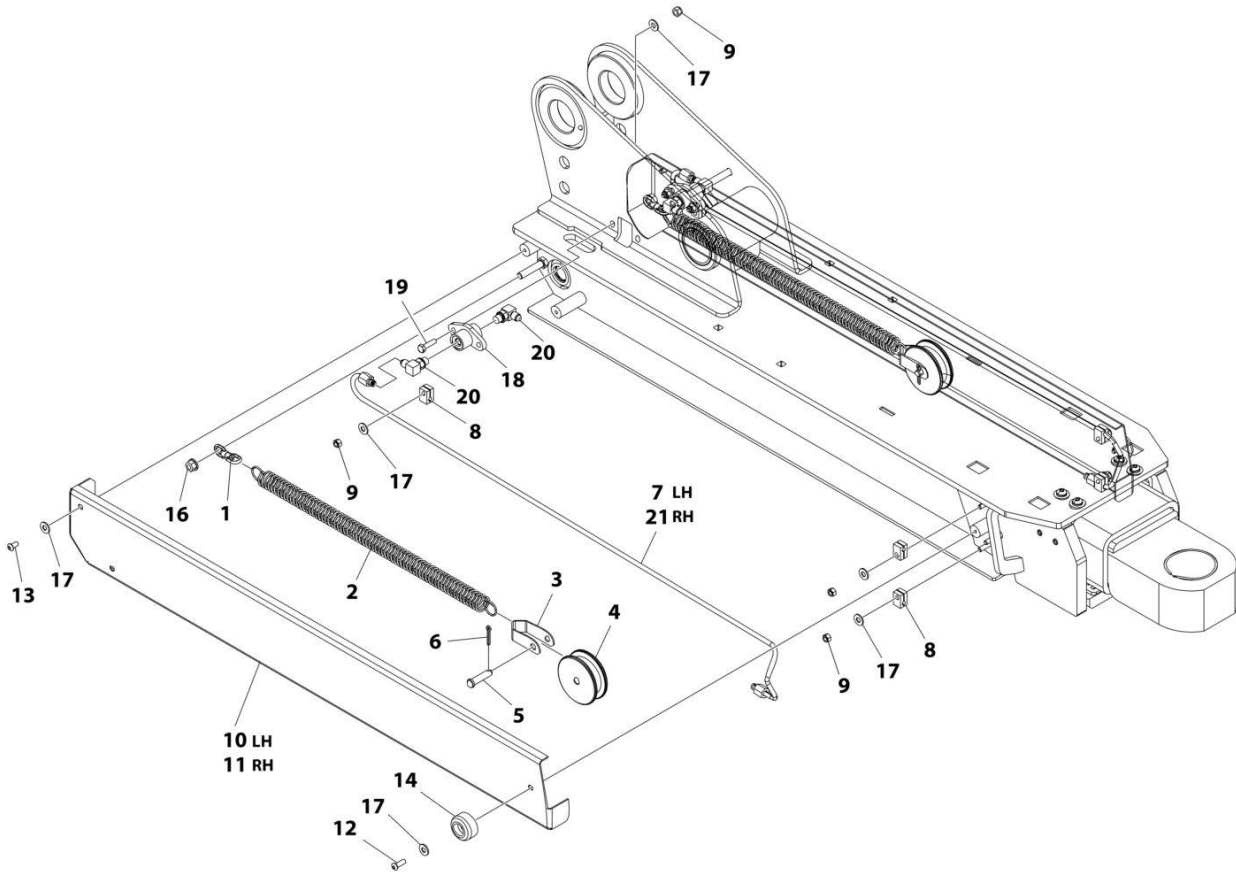
SECTION 3 - UNDERLIFT

FIGURE 3-13. UNDERLIFT ASSEMBLY - MANUAL GRID

| ITEM | PART NUMBER | QTY | DESCRIPTION | REV |
|------|-------------|-----|--|-----|
| | 1001265470 | Ref | UNDERLIFT BOOM ASSEMBLY - MANUAL GRID | A |
| 1 | 3020039 | AR | Lubricant | |
| 2 | 3760115 | 2 | Ring, Retaining | |
| 3 | 4751500 | 4 | Washer 5/16 | |
| 4 | 4761500 | 4 | Washer 5/16 | |
| 5 | 1001095650 | AR | Adhesive | |
| 6 | 1001152707 | AR | Lubricant | |
| 7 | 1001155141 | AR | Lubricant | |
| 8 | 1001204776 | 1 | Plug | |
| 9 | 1001207976 | 1 | Boom, Main | |
| 9 | 7082000043 | 2 | Bearing | |
| 10 | 3170000346 | 1 | Boom, Inner | |
| 10 | 7209000030 | 2 | Bearing | |
| 11 | 4017001502 | 2 | Angle | |
| 12 | 4679000046 | 1 | Pad | |
| 13 | 4679000213 | 2 | Pad | |
| 14 | 4691000307 | 1 | Pin | |
| 15 | 4691000308 | 1 | Pin | |
| 16 | 7104150624 | 4 | Bolt 5/16 x 3/4 | |
| 17 | 7320000077 | 1 | Cylinder Assembly - Extrend/Retract (See Separate Breakdown in this Section) | |
| 18 | 7754000056 | 2 | Ring, Retaining | |
| 19 | 7785161274 | 4 | Setscrew 3/8 x 3/4 | |

SECTION 3 - UNDERLIFT

FIGURE 3-14. UNDERLIFT TRACK ASSEMBLY (WITH HYDRAULIC GRID)



ART_3509870046

SECTION 3 - UNDERLIFT

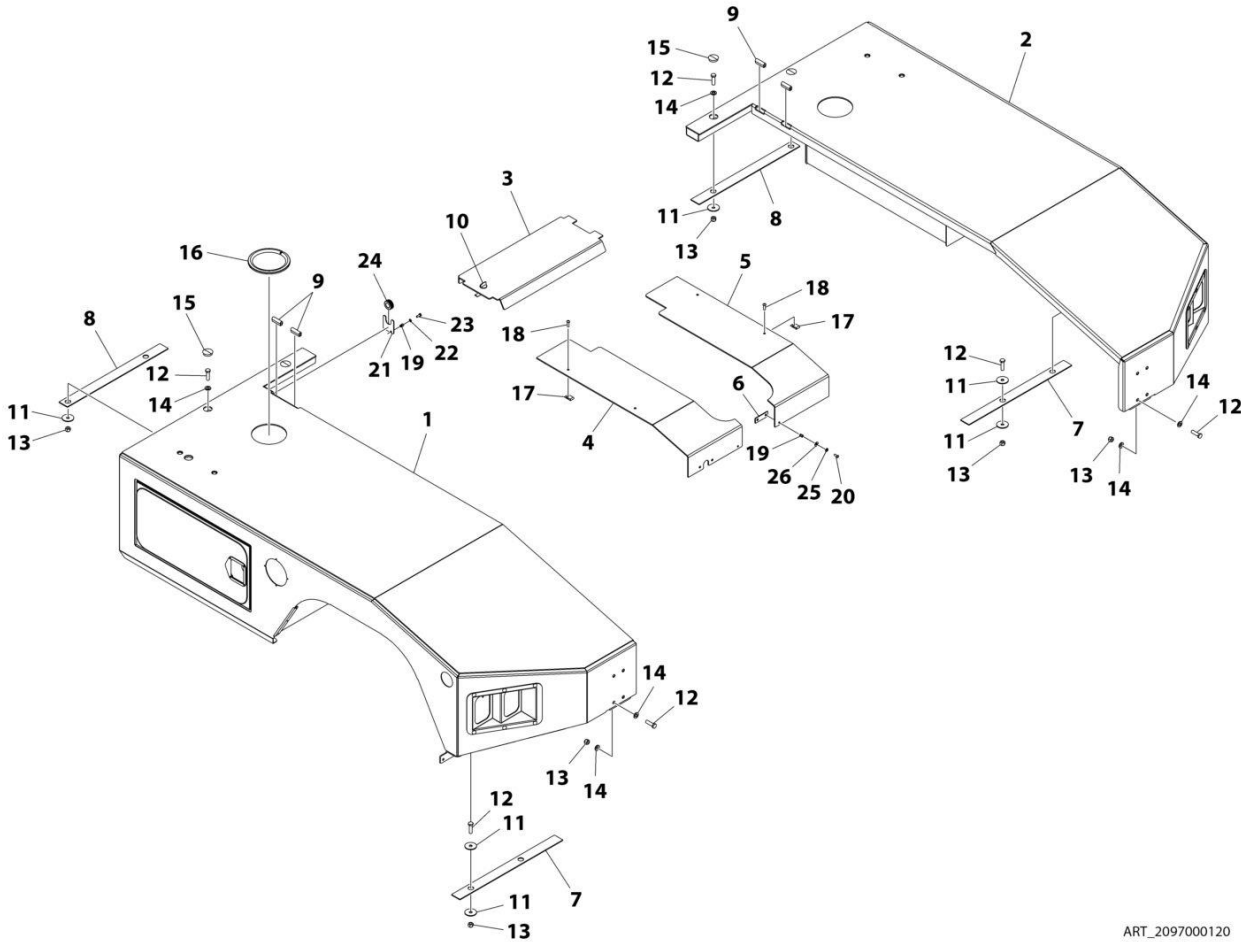
FIGURE 3-14. UNDERLIFT TRACK ASSEMBLY (WITH HYDRAULIC GRID)

| ITEM | PART NUMBER | QTY | DESCRIPTION | REV |
|------|-------------|-----|--------------------------|-----|
| | 3509870046 | Ref | UNDERLIFT TRACK ASSEMBLY | B |
| 1 | 7592000004 | 2 | Swivel | |
| 2 | 7843000031 | 2 | Spring | |
| 3 | 4706003501 | 2 | Plate | |
| 4 | 7719000004 | 2 | Roller | |
| 5 | 7691000040 | 2 | Clevis | |
| 6 | 7691000042 | 2 | Cotter Pin | |
| 7 | 7912000346 | 1 | Tube | |
| 8 | 7274000073 | 6 | Hose Clamp | |
| 9 | 7660142604 | 10 | Nut 1/4 | |
| 10 | 4706004066 | 1 | Plate, LH | |
| 11 | 4706004067 | 1 | Plate, RH | |
| 12 | 7114140618 | 2 | Capscrew 1/4 x 3/4 | |
| 13 | 7114140427 | 4 | Capscrew 1/4 x 1/2 | |
| 14 | 7189000019 | 2 | Rubber Bumper | |
| 16 | 7660162301 | 2 | Nut 3/8 | |
| 17 | 7950140143 | 16 | Washer 1/4 | |
| 18 | 3619000001 | 2 | Manifold | |
| 19 | 7115140850 | 4 | Bolt 1/4 x 1 | |
| 20 | 7445040445 | 4 | Fitting, 90 | |
| 21 | 7912000347 | 1 | Tube | |

SECTION 4 - BODY

SECTION 4 - BODY

FIGURE 4-1. BODY INSTALLATION (STEEL) - NGS



ART_2097000120

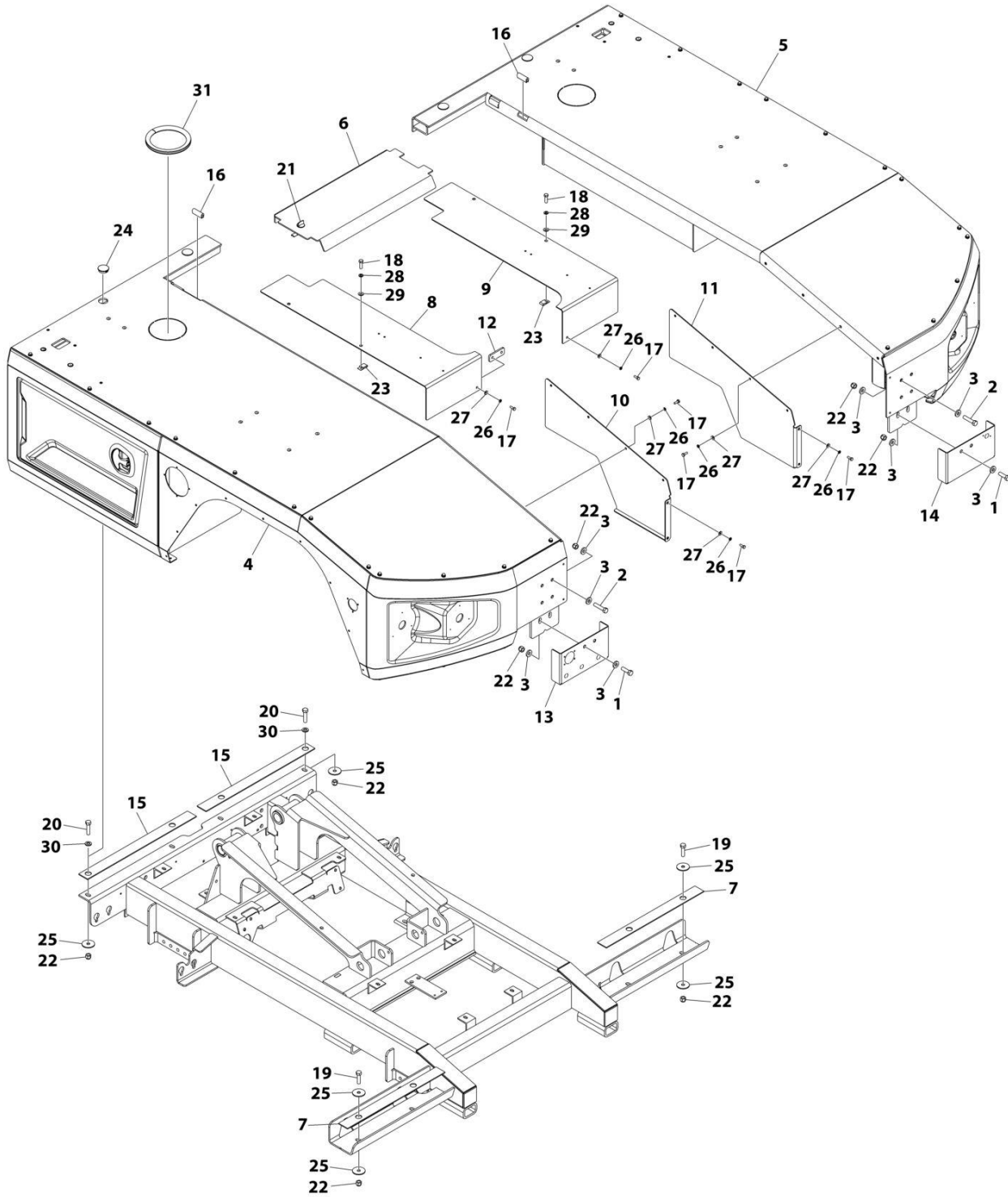
SECTION 4 - BODY

FIGURE 4-1. BODY INSTALLATION (STEEL) - NGS

| ITEM | PART NUMBER | QTY | DESCRIPTION | REV |
|------|-------------|-----|--|-----|
| | 2097000120 | Ref | BODY INSTALLATION MPL-NGS BS OIL RESERVOIR | D |
| 1 | 3097000767 | 1 | Body Assembly (LH) | |
| 2 | 3097000769 | 1 | Body Assembly (RH) | |
| 3 | 4707000343 | 1 | Plate | |
| 4 | 4707000344 | 1 | Plate | |
| 5 | 4707000345 | 1 | Plate | |
| 6 | 4062000695 | 1 | Bar | |
| 7 | 4090000010 | 2 | Belt | |
| 8 | 4090000011 | 2 | Belt | |
| 9 | 4632000058 | 4 | Moulding Grip | |
| 10 | 7585000023 | 1 | Latch | |
| 11 | 7949000015 | 12 | Washer | |
| 12 | 7115181450 | 16 | Bolt 1/2 x 1-3/4 | |
| 13 | 7660182601 | 16 | Nut 1/2 | |
| 14 | 7950180153 | 20 | Washer 1/2 | |
| 15 | 7701000063 | 4 | Plug | |
| 16 | 8632760025 | AR | Trim Lock | |
| 17 | 7661000029 | 4 | Nut | |
| 18 | 7114150818 | 4 | Screw 5/16 x 1 | |
| 19 | 7413000002 | 4 | Nut 1/4 | |
| 20 | 7114140618 | 2 | Screw 1/4 x 3/4 | |
| 21 | 4811001177 | 1 | Coverplate | |
| 22 | 7950140000 | 2 | Washer 1/4 | |
| 23 | 7115140650 | 2 | Screw 1/4 x 3/4 | |
| 24 | 7493000003 | 1 | Grommet | |
| 25 | 7950140003 | 2 | Washer 1/4 | |
| 26 | 7950140143 | 2 | Washer 1/4 | |

SECTION 4 - BODY

FIGURE 4-2. BODY INSTALLATION (ALUMINUM) - NG



ART_1001291502

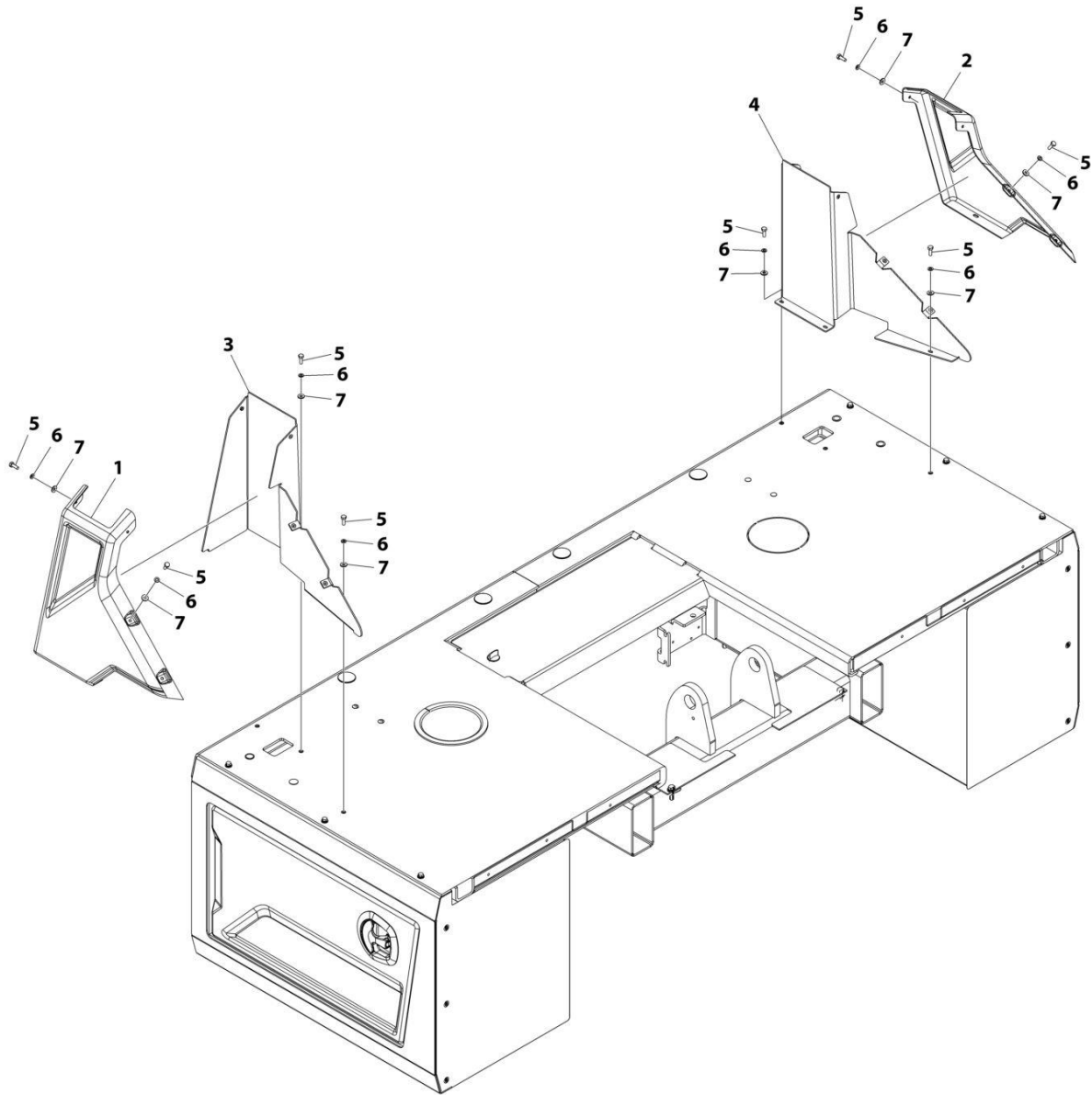
SECTION 4 - BODY

FIGURE 4-2. BODY INSTALLATION (ALUMINUM) - NG

| ITEM | PART NUMBER | QTY | DESCRIPTION | REV |
|------|-------------|-----|--|-----|
| | 1001291502 | Ref | BODY INSTALLATION | A |
| 1 | 0641813 | 4 | Bolt 1/2 x 1-5/8 | |
| 2 | 0641818 | 8 | Bolt 1/2 x 2-1/4 | |
| 3 | 4891800 | 24 | Washer 1/2 | |
| 4 | 1001291503 | 1 | Deck Side Panel Assembly - LH (See Separate Breakdown in this Section) | |
| 5 | 1001291511 | 1 | Deck Side Panel Assembly - RH (See Separate Breakdown in this Section) | |
| 6 | 1001294465 | 1 | Plate | |
| 7 | 1001299045 | 2 | Pad | |
| 8 | 1001300749 | 1 | Plate | |
| 9 | 1001300750 | 1 | Plate | |
| 10 | 1001300876 | 1 | Coverplate | |
| 11 | 1001300877 | 1 | Coverplate | |
| 12 | 1001300878 | 1 | Bar | |
| 13 | 1001300989 | 1 | Panel, LH | |
| 14 | 1001300990 | 1 | Panel, RH | |
| 15 | 4090000011 | 2 | Belt | |
| 16 | 4632000058 | 4 | Moulding Grip | |
| 17 | 7114140650 | 14 | Bolt 1/4 x 3/4 | |
| 18 | 7115161050 | 4 | Bolt 3/8 x 1-1/4 | |
| 19 | 7115181450 | 4 | Bolt 1/2 x 1-3/4 | |
| 20 | 7115181650 | 4 | Bolt 1/2 x 2 | |
| 21 | 7585000023 | 1 | Latch | |
| 22 | 7660182601 | 20 | Nut 1/2 | |
| 23 | 7661000029 | 4 | Nut | |
| 24 | 7701000063 | 4 | Plug | |
| 25 | 7949000015 | 12 | Washer | |
| 26 | 7950140003 | 14 | Washer 1/4 | |
| 27 | 7950140143 | 14 | Washer 1/4 | |
| 28 | 7950160000 | 4 | Washer 3/8 | |
| 29 | 7950160143 | 4 | Washer 3/8 | |
| 30 | 7950180153 | 4 | Washer 1/2 | |
| 31 | 8632000002 | AR | Trim | |

SECTION 4 - BODY

FIGURE 4-3. BODY COVERS RAIL INSTALLATION (BODY MOUNTED PYLON)



ART_1001301573

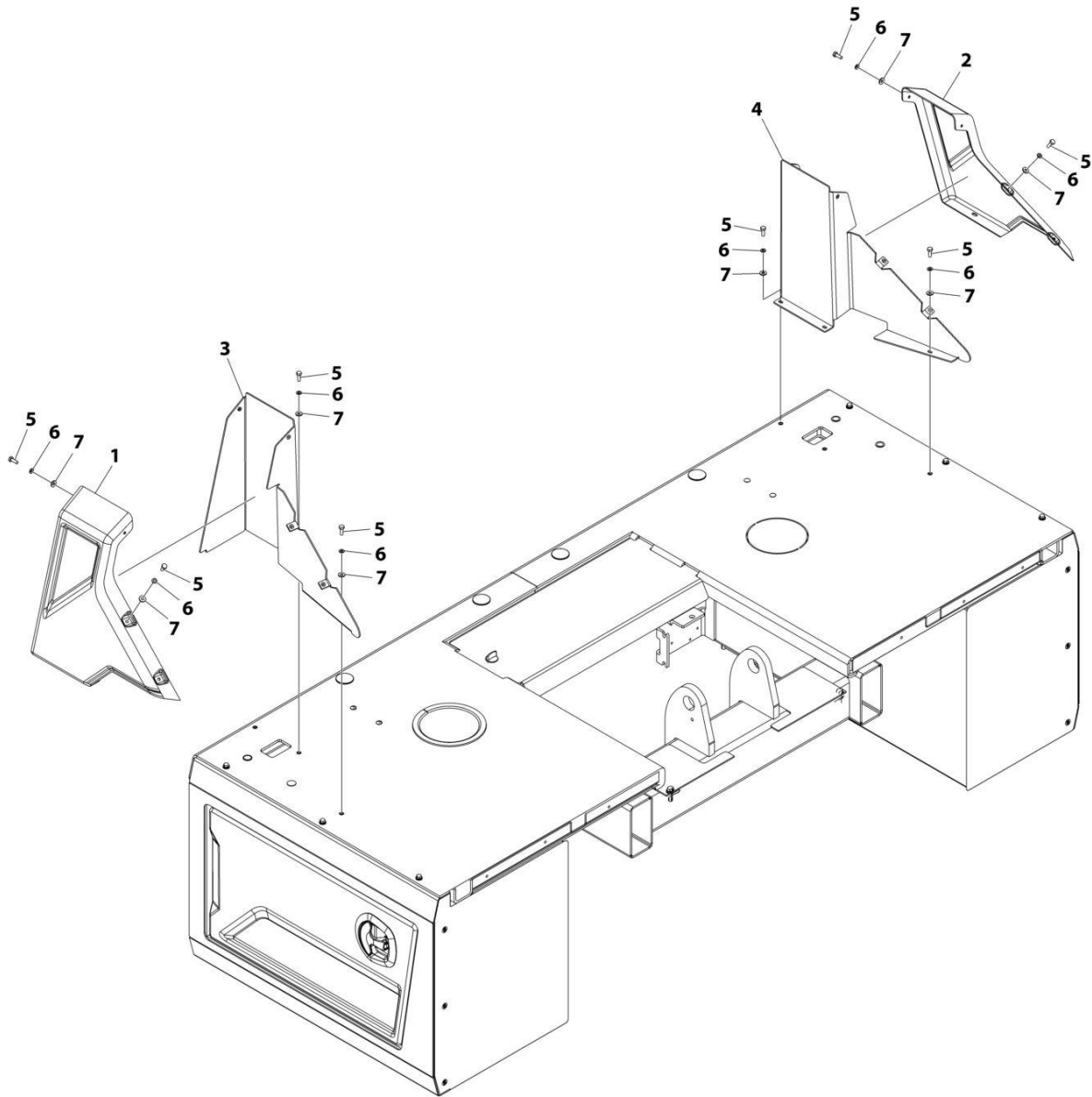
SECTION 4 - BODY

FIGURE 4-3. BODY COVERS RAIL INSTALLATION (BODY MOUNTED PYLON)

| ITEM | PART NUMBER | QTY | DESCRIPTION | REV |
|------|-------------|-----|-------------------------------|-----|
| | 1001301573 | Ref | BODY COVERS RAIL INSTALLATION | A |
| 1 | 1001294154 | 1 | Cover, LH | |
| 2 | 1001294155 | 1 | Cover, RH | |
| 3 | 1001295697 | 1 | Panel, LH | |
| 4 | 1001295699 | 1 | Panel, RH | |
| 5 | 7114140650 | 14 | Bolt 1/4 x 3/4 | |
| 6 | 7950140003 | 14 | Washer 1/4 | |
| 7 | 7950140143 | 14 | Washer 1/4 | |

SECTION 4 - BODY

FIGURE 4-4. BODY COVERS RAILS INSTALLATION (TUNNEL MOUNTED PYLON)



ART_1001301574

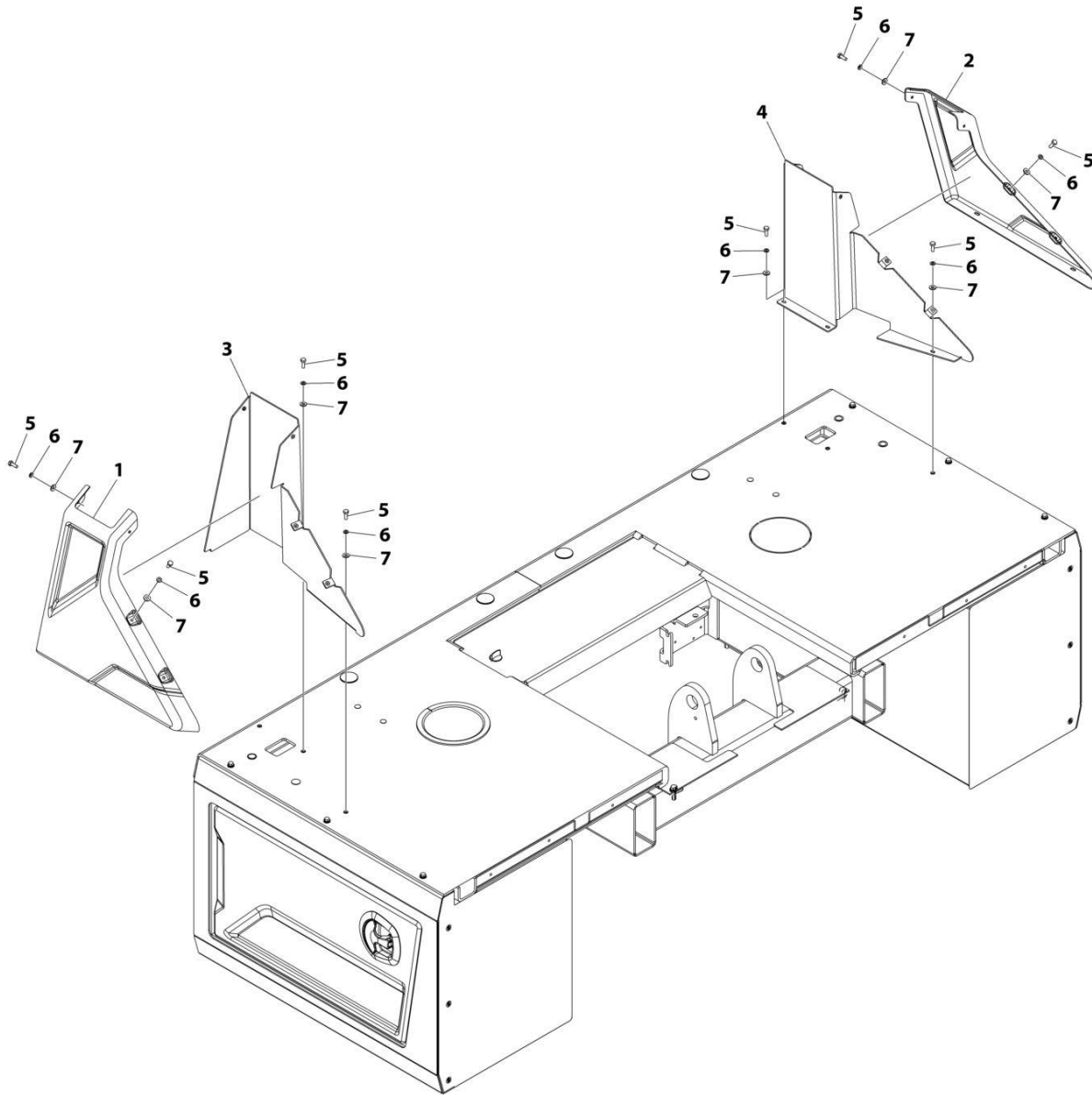
SECTION 4 - BODY

FIGURE 4-4. BODY COVERS RAILS INSTALLATION (TUNNEL MOUNTED PYLON)

| ITEM | PART NUMBER | QTY | DESCRIPTION | REV |
|------|-------------|-----|--------------------------------|-----|
| | 1001301574 | Ref | BODY COVERS RAILS INSTALLATION | A |
| 1 | 1001294150 | 1 | Cover, LH | |
| 2 | 1001294151 | 1 | Cover, RH | |
| 3 | 1001295697 | 1 | Panel, LH | |
| 4 | 1001295699 | 1 | Panel, RH | |
| 5 | 7114140650 | 14 | Bolt 1/4 x 3/4 | |
| 6 | 7950140003 | 14 | Washer 1/4 | |
| 7 | 7950140143 | 14 | Washer 1/4 | |

SECTION 4 - BODY

FIGURE 4-5. BODY COVERS NO RAIL INSTALLATION (BODY MOUNTED PYLON)



ART_1001301575

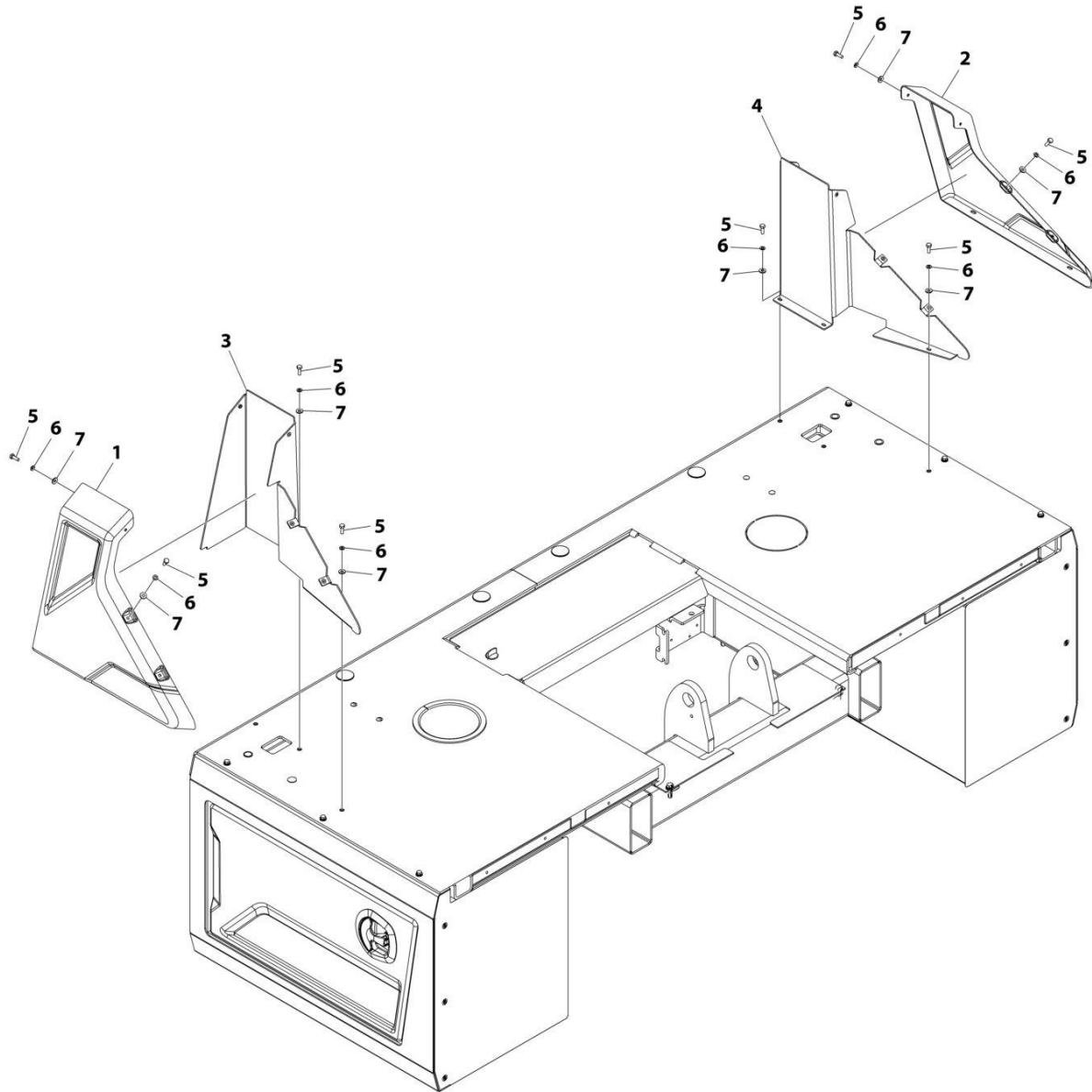
SECTION 4 - BODY

FIGURE 4-5. BODY COVERS NO RAIL INSTALLATION (BODY MOUNTED PYLON)

| ITEM | PART NUMBER | QTY | DESCRIPTION | REV |
|------|-------------|-----|----------------------------------|-----|
| | 1001301575 | Ref | BODY COVERS NO RAIL INSTALLATION | A |
| 1 | 1001294152 | 1 | Cover, LH | |
| 2 | 1001294153 | 1 | Cover, RH | |
| 3 | 1001295697 | 1 | Panel, LH | |
| 4 | 1001295699 | 1 | Panel, RH | |
| 5 | 7114140650 | 14 | Bolt 1/4 x 3/4 | |
| 6 | 7950140003 | 14 | Washer 1/4 | |
| 7 | 7950140143 | 14 | Washer 1/4 | |

SECTION 4 - BODY

FIGURE 4-6. BODY COVERS NO RAILS INSTALLATION (TUNNEL MOUNTED PYLON)



ART_1001301576

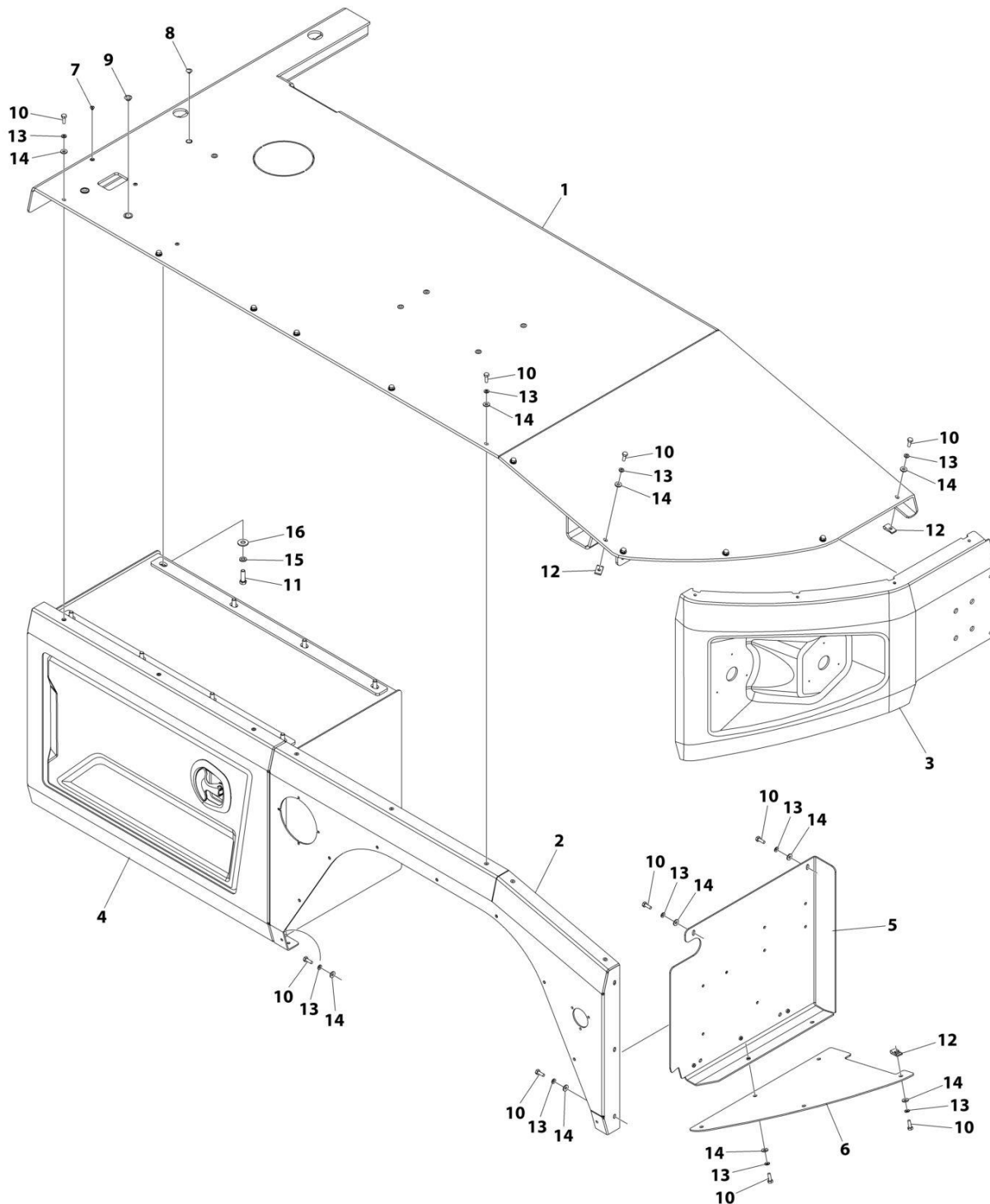
SECTION 4 - BODY

FIGURE 4-6. BODY COVERS NO RAILS INSTALLATION (TUNNEL MOUNTED PYLON)

| ITEM | PART NUMBER | QTY | DESCRIPTION | REV |
|------|-------------|-----|-----------------------------------|-----|
| | 1001301576 | Ref | BODY COVERS NO RAILS INSTALLATION | A |
| 1 | 1001294148 | 1 | Cover, LH | |
| 2 | 1001294149 | 1 | Cover, RH | |
| 3 | 1001295697 | 1 | Panel, LH | |
| 4 | 1001295699 | 1 | Panel, RH | |
| 5 | 7114140650 | 14 | Bolt 1/4 x 3/4 | |
| 6 | 7950140003 | 14 | Washer 1/4 | |
| 7 | 7950140143 | 14 | Washer 1/4 | |

SECTION 4 - BODY

FIGURE 4-7. DECK SIDE PANEL ASSEMBLY - LH (NG)



ART_1001291503

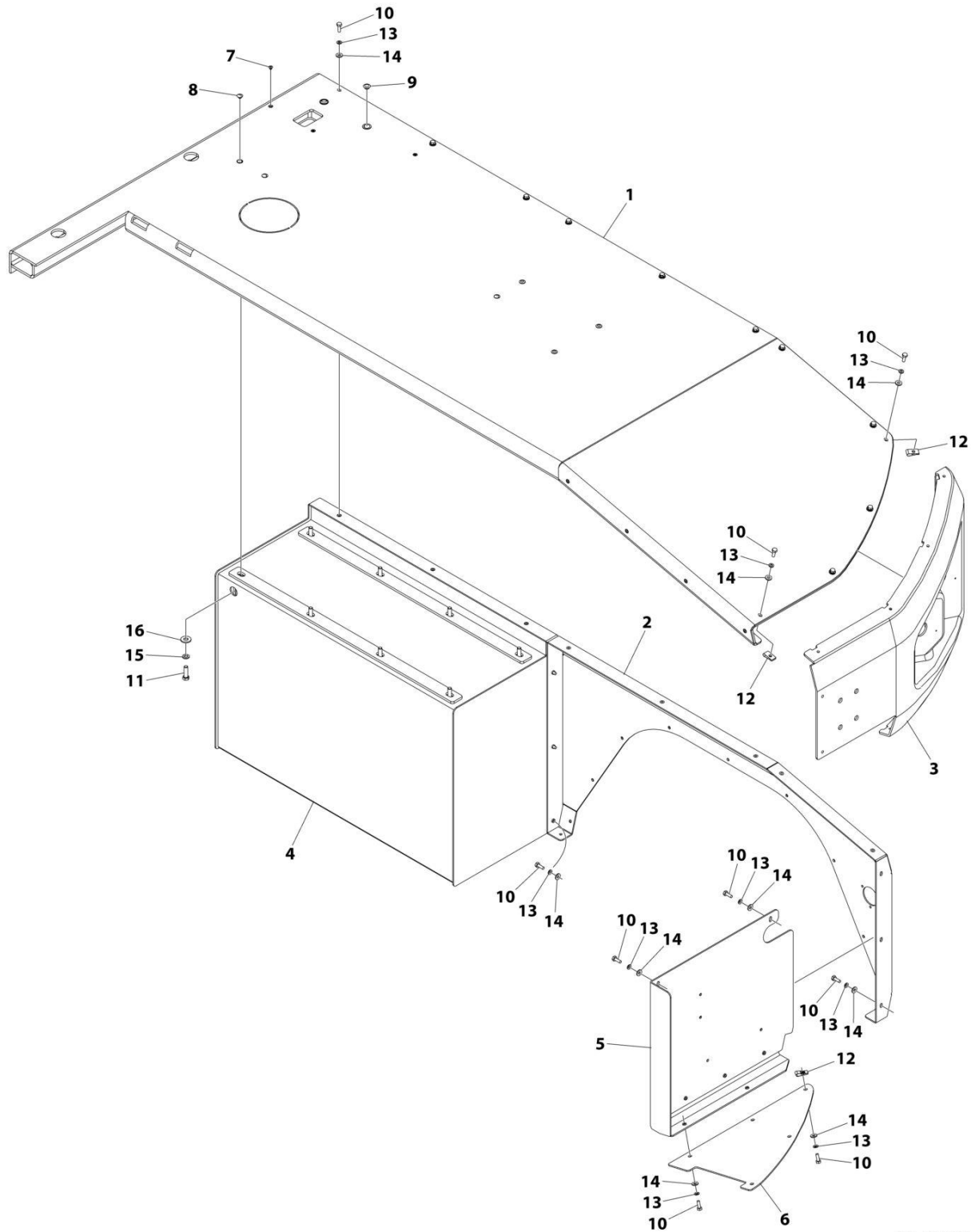
SECTION 4 - BODY

FIGURE 4-7. DECK SIDE PANEL ASSEMBLY - LH (NG)

| ITEM | PART NUMBER | QTY | DESCRIPTION | REV |
|------|-------------|-----|-------------------------------|-----|
| | 1001291503 | Ref | DECK SIDE PANEL ASSEMBLY - LH | A |
| 1 | 1001291504 | 1 | Deck, LH | |
| 2 | 1001291505 | 1 | Panel, LH | |
| 3 | 1001291506 | 1 | Panel, LH | |
| 4 | 1001291507 | 1 | Box, LH | |
| 5 | 1001298346 | 1 | Mount, LH | |
| 6 | 1001298350 | 1 | Plate | |
| 7 | 1001301604 | 3 | Plug 1/4 | |
| 8 | 1001301605 | 6 | Plug 3/8 | |
| 9 | 1001301606 | 2 | Plug 1/2 | |
| 10 | 7114140650 | 25 | Bolt 1/4 x 3/4 | |
| 11 | 7115161050 | 8 | Bolt 3/8 x 1-1/4 | |
| 12 | 7661000064 | 7 | U-Nut 1/4 | |
| 13 | 7950140003 | 25 | Washer 1/4 | |
| 14 | 7950140143 | 25 | Washer 1/4 | |
| 15 | 7950160000 | 8 | Washer 3/8 | |
| 16 | 7950160161 | 8 | Washer 3/8 | |

SECTION 4 - BODY

FIGURE 4-8. DECK SIDE PANEL ASSEMBLY - RH (NG)



ART_1001291511

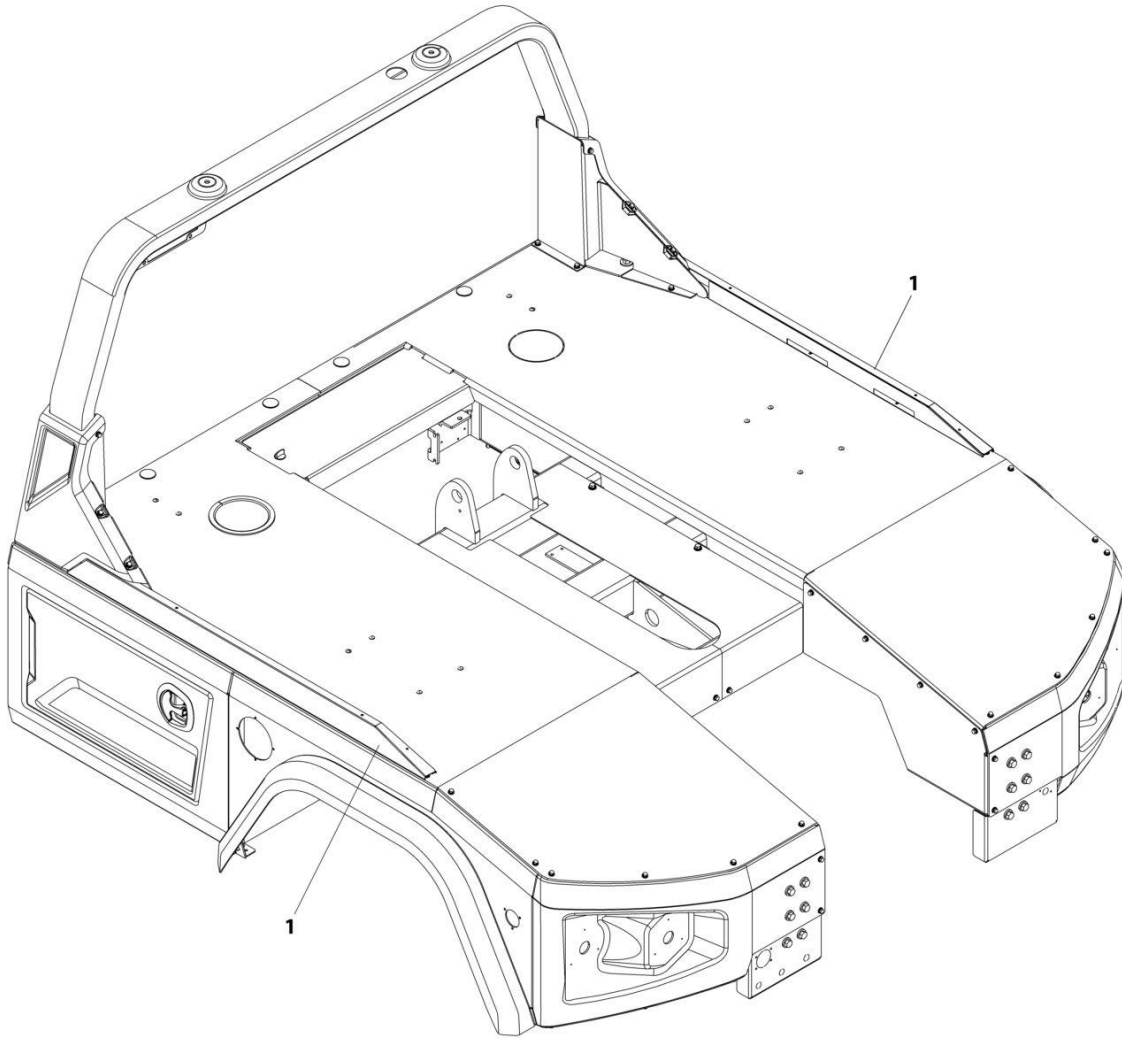
SECTION 4 - BODY

FIGURE 4-8. DECK SIDE PANEL ASSEMBLY - RH (NG)

| ITEM | PART NUMBER | QTY | DESCRIPTION | REV |
|------|-------------|-----|-------------------------------|-----|
| | 1001291511 | Ref | DECK SIDE PANEL ASSEMBLY - RH | A |
| 1 | 1001291512 | 1 | Deck, RH | |
| 2 | 1001291513 | 1 | Panel, RH | |
| 3 | 1001291514 | 1 | Panel, RH | |
| 4 | 1001291515 | 1 | Box, RH | |
| 5 | 1001298348 | 1 | Mount, RH | |
| 6 | 1001298350 | 1 | Plate | |
| 7 | 1001301604 | 3 | Plug 1/4 | |
| 8 | 1001301605 | 6 | Plug 3/8 | |
| 9 | 1001301606 | 2 | Plug 1/2 | |
| 10 | 7114140650 | 25 | Bolt 1/4 x 3/4 | |
| 11 | 7115161050 | 8 | Bolt 3/8 x 1-1/4 | |
| 12 | 7661000064 | 7 | U-Nut 1/4 | |
| 13 | 7950140003 | 25 | Washer 1/4 | |
| 14 | 7950140143 | 25 | Washer 1/4 | |
| 15 | 7950160000 | 8 | Washer 3/8 | |
| 16 | 7950160161 | 8 | Washer 3/8 | |

SECTION 4 - BODY

FIGURE 4-9. DECK RAILS INSTALLATION - COVERS (NG)



ART_1001301578

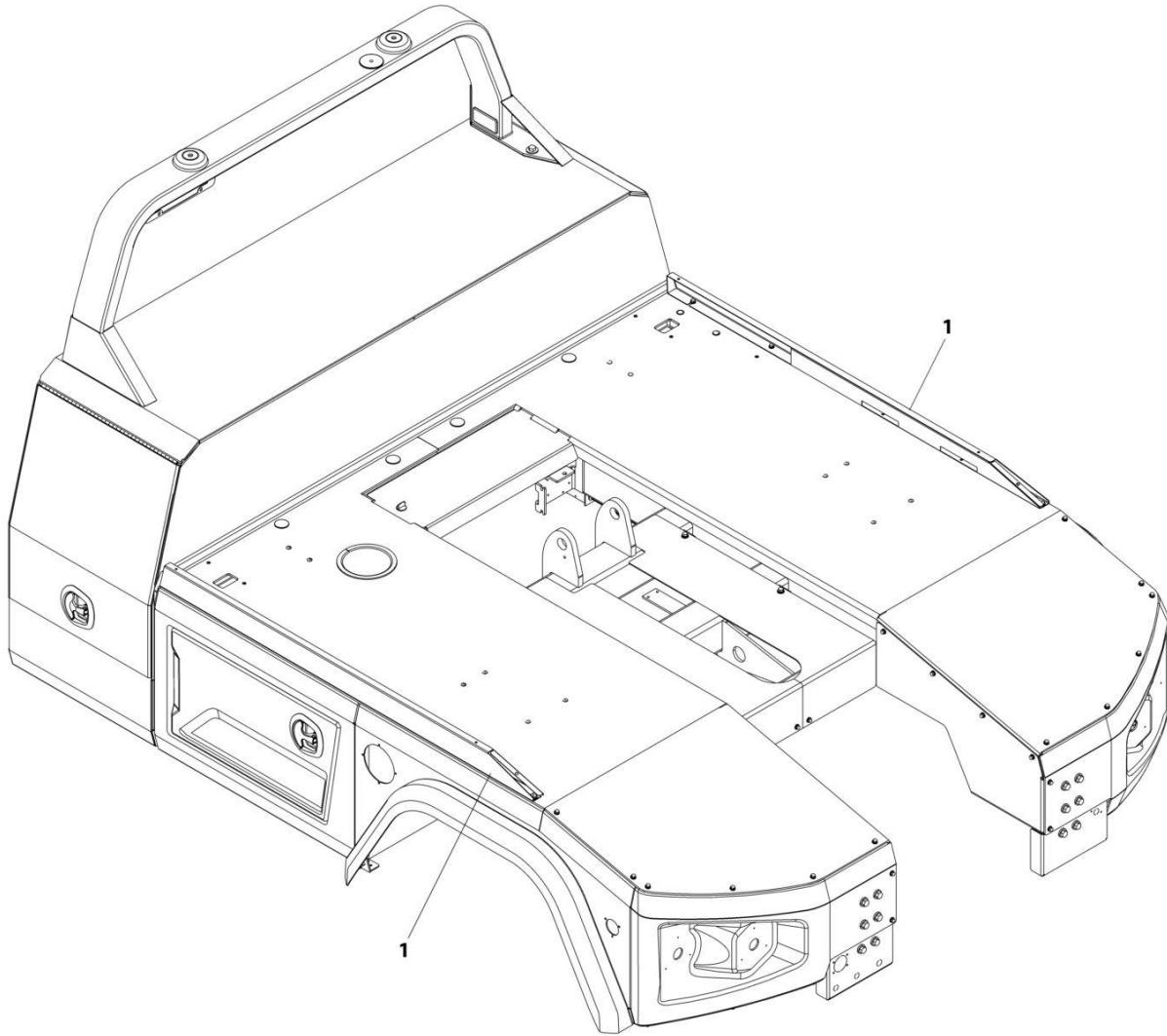
SECTION 4 - BODY

FIGURE 4-9. DECK RAILS INSTALLATION - COVERS (NG)

| ITEM | PART NUMBER | QTY | DESCRIPTION | REV |
|------|--------------------------|----------|---------------------------------------|-----|
| 1 | 1001301578 1001302054 | Ref 1 | DECK RAILS INSTALLATION Rail, Deck | A |

SECTION 4 - BODY

FIGURE 4-10. DECK RAILS INSTALLATION - NO COVERS (NG)



ART_1001301579

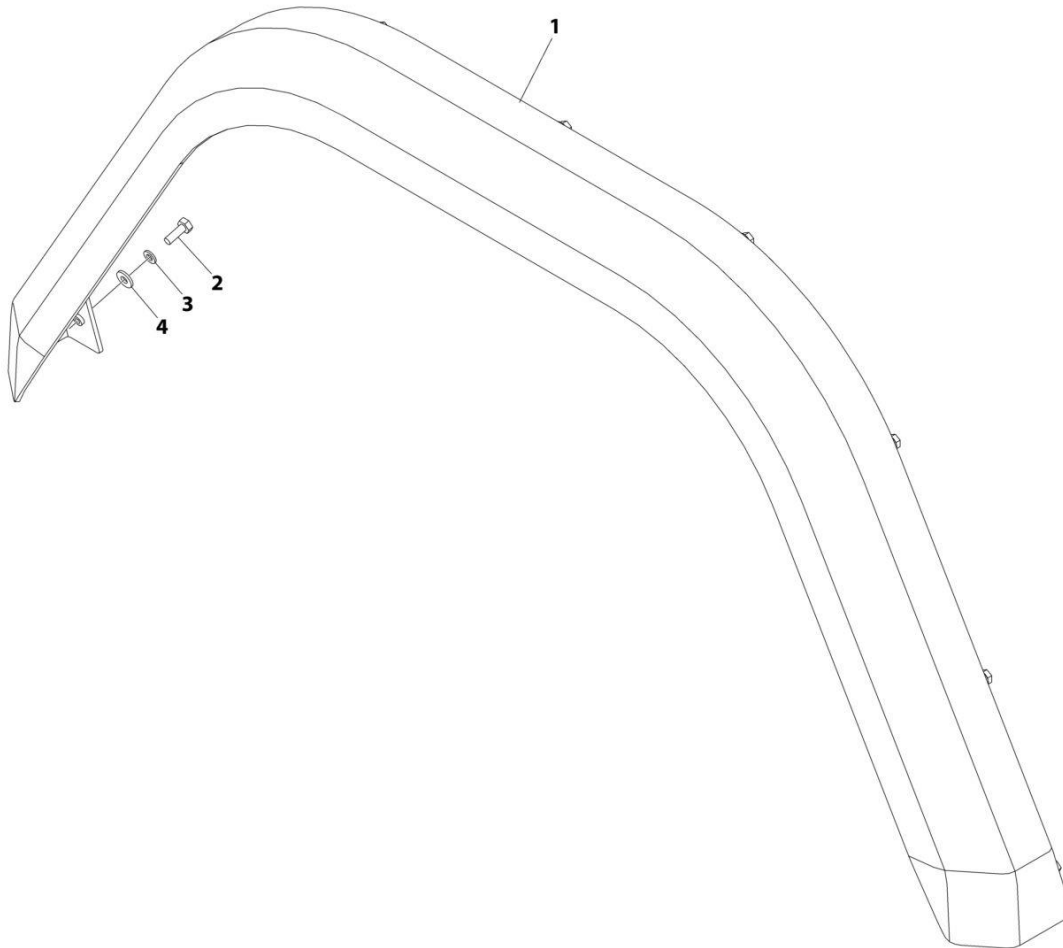
SECTION 4 - BODY

FIGURE 4-10. DECK RAILS INSTALLATION - NO COVERS (NG)

| ITEM | PART NUMBER | QTY | DESCRIPTION | REV |
|------|--------------------------|----------|---------------------------------------|-----|
| 1 | 1001301579 1001302055 | Ref 1 | DECK RAILS INSTALLATION Rail, Deck | A |

SECTION 4 - BODY

FIGURE 4-11. FENDER FLARE INSTALLATION - FORD F450-550/DODGE (NG)



ART_1001291641

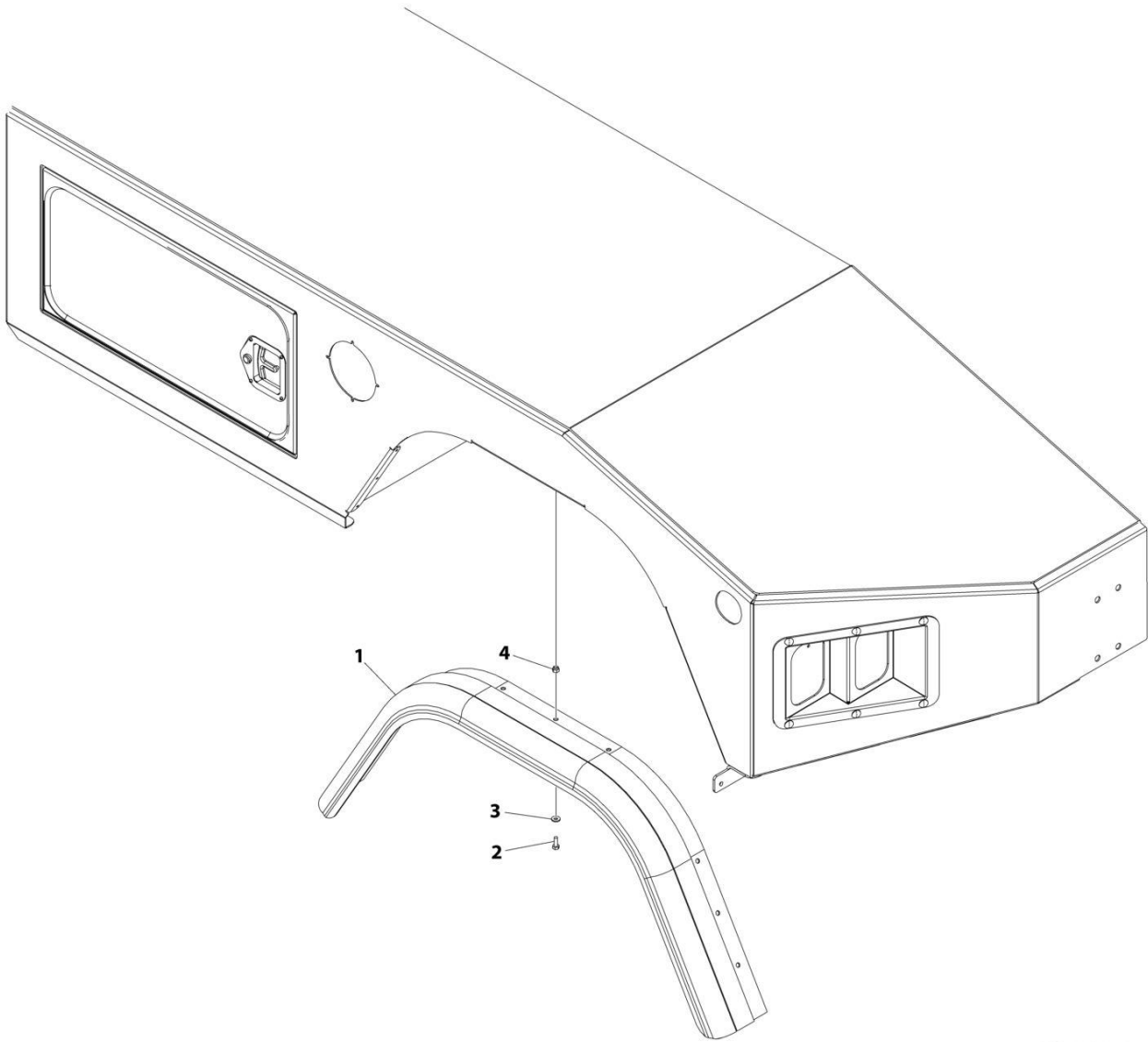
SECTION 4 - BODY

FIGURE 4-11. FENDER FLARE INSTALLATION - FORD F450-550/DODGE (NG)

| ITEM | PART NUMBER | QTY | DESCRIPTION | REV |
|------|-------------|-----|---------------------------|-----|
| | 1001291641 | Ref | FENDER FLARE INSTALLATION | A |
| 1 | 1001291680 | 2 | Fender | |
| 2 | 7115140650 | 18 | Bolt 1/4 x 3/4 | |
| 3 | 7950140003 | 18 | Washer 1/4 | |
| 4 | 7950140143 | 18 | Washer 1/4 | |

SECTION 4 - BODY

FIGURE 4-12. FENDER FLARE INSTALLATION - FORD 450-550/DODGE (NGS)



ART_241500031

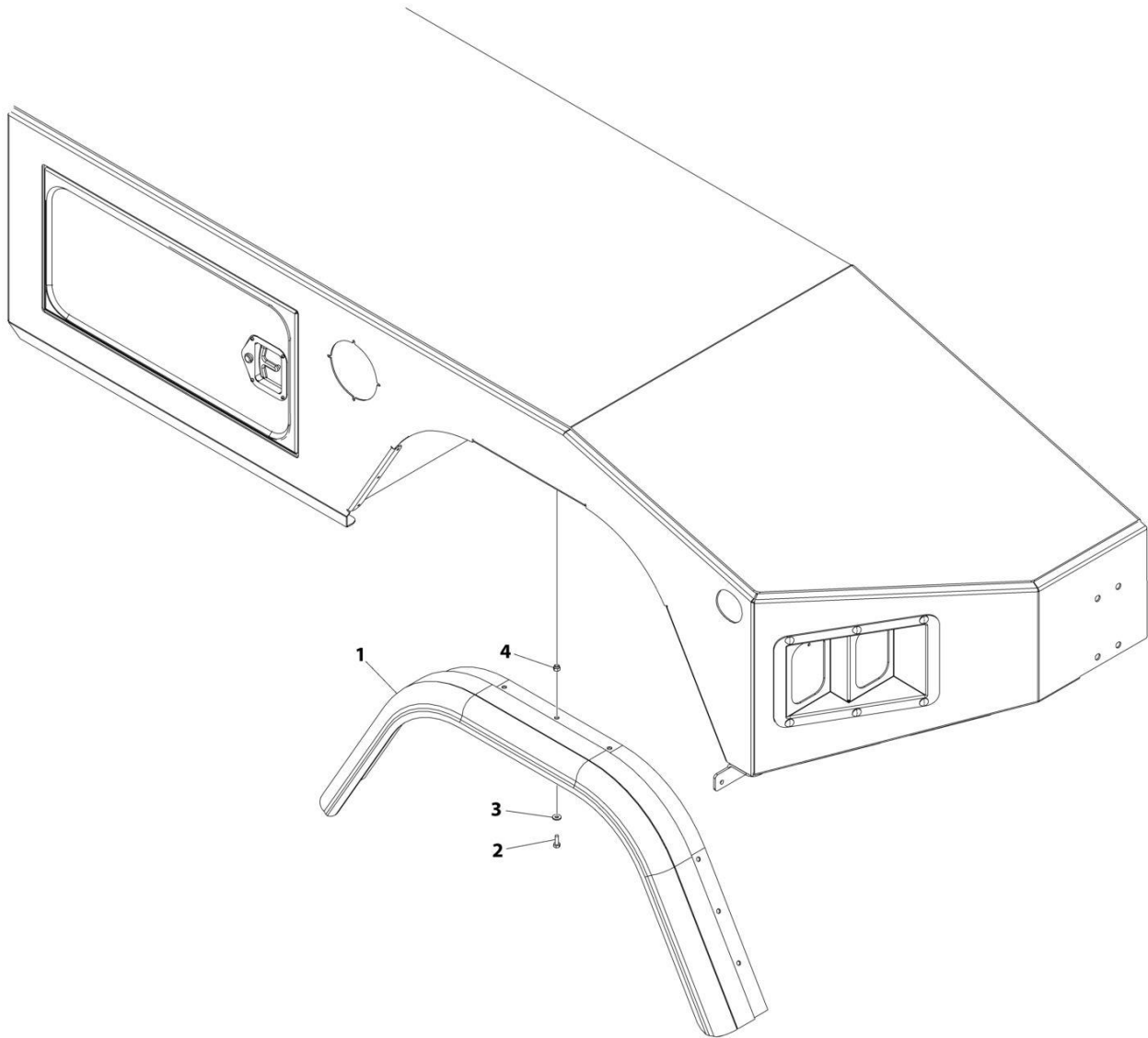
SECTION 4 - BODY

FIGURE 4-12. FENDER FLARE INSTALLATION - FORD 450-550/DODGE (NGS)

| ITEM | PART NUMBER | QTY | DESCRIPTION | REV |
|------|-------------|-----|--|-----|
| | 2415000031 | Ref | FENDER FLARE INSTALLATION (FORD 450-550/DODGE) | 0 |
| 1 | 7415000036 | 2 | Fender | |
| 2 | 7115140650 | 18 | Bolt 1/4 x 3/4 | |
| 3 | 7950140143 | 18 | Washer 1/4 | |
| 4 | 7660142601 | 18 | Nut 1/4 | |

SECTION 4 - BODY

FIGURE 4-13. FENDER FLARE INSTALLATION - FORD 350



ART_241500030

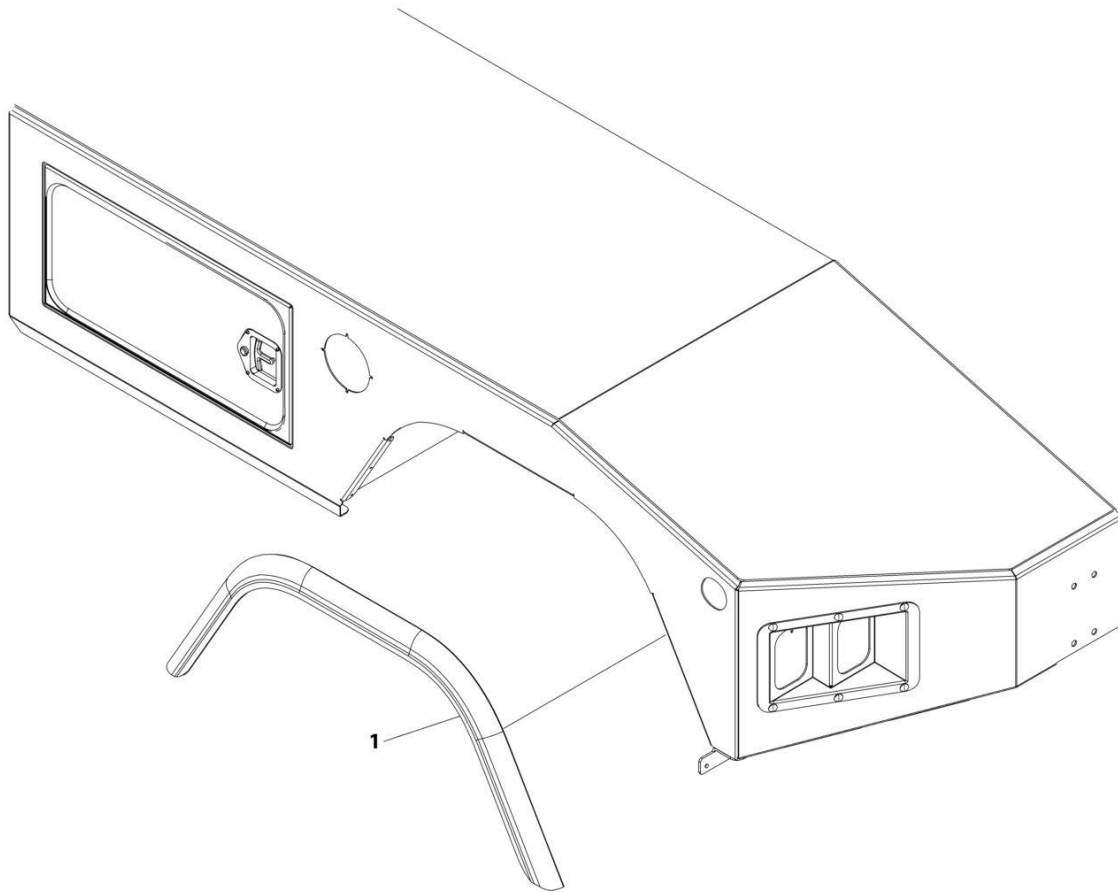
SECTION 4 - BODY

FIGURE 4-13. FENDER FLARE INSTALLATION - FORD 350

| ITEM | PART NUMBER | QTY | DESCRIPTION | REV |
|------|-------------|-----|--------------------------------------|-----|
| | 2415000030 | Ref | FENDER FLARE INSTALLATION (FORD 350) | 0 |
| 1 | 7415000035 | 2 | Fender | |
| 2 | 7115140650 | 18 | Bolt 1/4 x 3/4 | |
| 3 | 7950140143 | 18 | Washer 1/4 | |
| 4 | 7660142601 | 18 | Nut 1/4 | |

SECTION 4 - BODY

FIGURE 4-14. FENDER FLARE INSTALLATION - GMC



ART_241500032

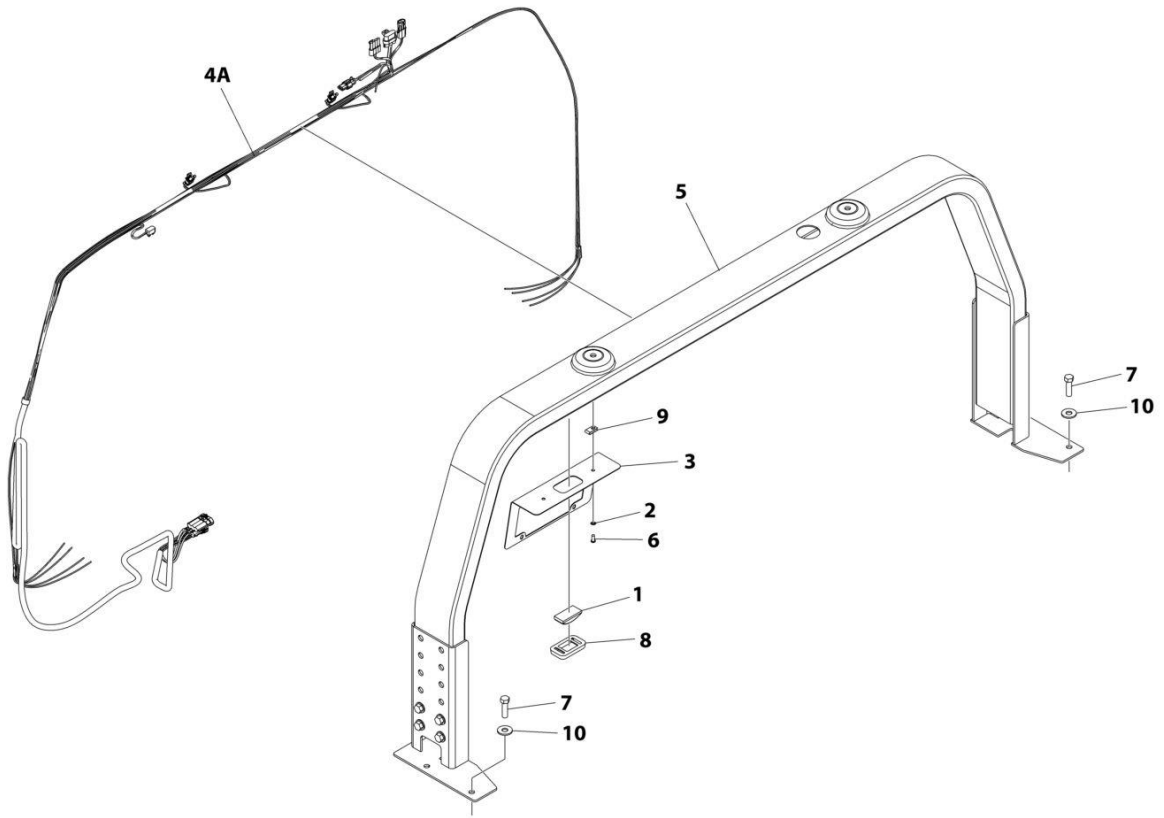
SECTION 4 - BODY

FIGURE 4-14. FENDER FLARE INSTALLATION - GMC

| ITEM | PART NUMBER | QTY | DESCRIPTION | REV |
|------|-------------|-------|---------------------------|-----|
| | 2415000032 | Ref | FENDER FLARE INSTALLATION | 0 |
| 1 | 8495000001 | 10 ft | Guard, Lip | |
| 5 | 8830600004 | 2 | Alcohol Wipes (Not Shown) | |

SECTION 4 - BODY

FIGURE 4-15. PYLON INSTALLATION - ADJUSTABLE (NG)



ART_1001291650

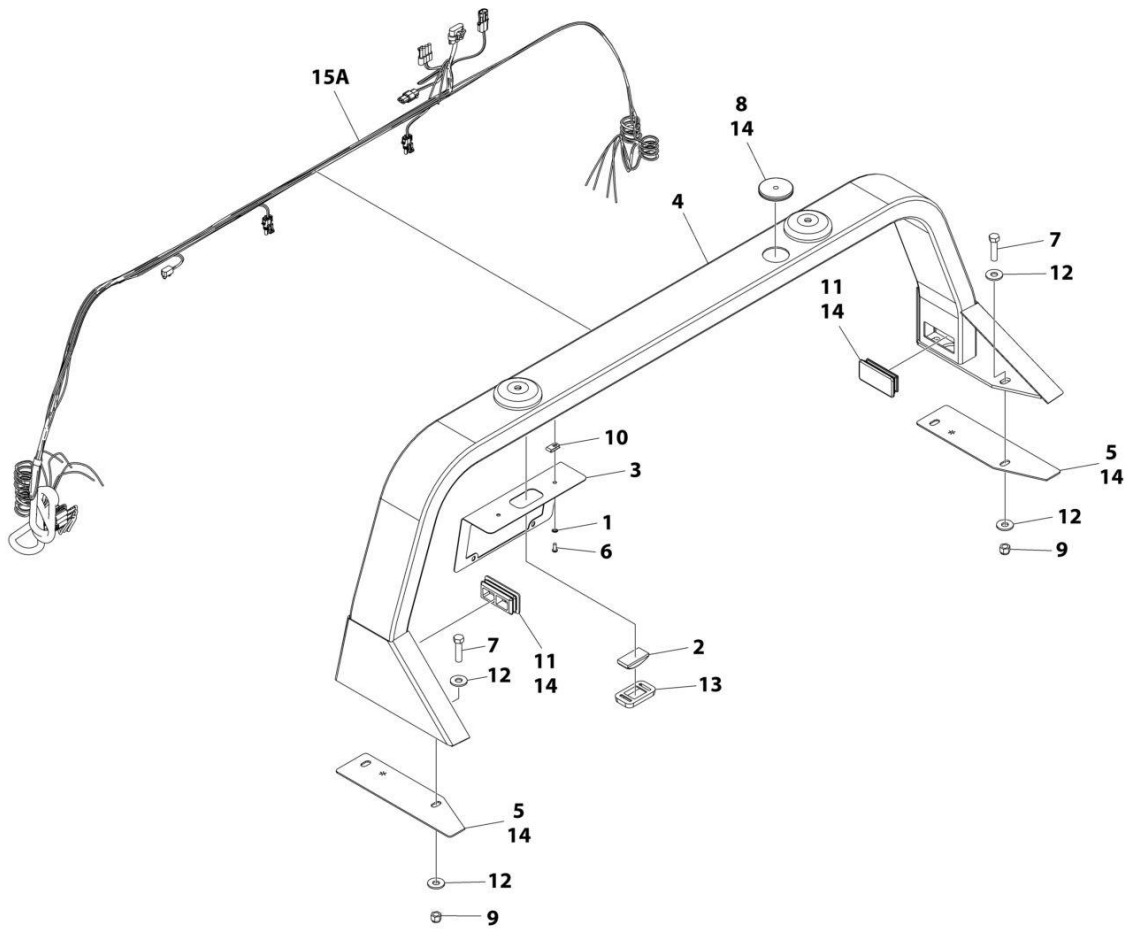
SECTION 4 - BODY

FIGURE 4-15. PYLON INSTALLATION - ADJUSTABLE (NG)

| ITEM | PART NUMBER | QTY | DESCRIPTION | REV |
|------|-------------|-----|--|-----|
| | 1001291650 | Ref | PYLON INSTALLATION - ADJUSTABLE | A |
| 1 | 1001142771 | 1 | Light, Clear LED | |
| 2 | 1001143686 | 2 | Washer 1/4 | |
| 3 | 1001249938 | 1 | Bracket, License Plate | |
| 4 | 1001291368 | 1 | Pylon Electrical Installation (Not Shown) | |
| 4A | 1001291067 | 1 | Headboard Harness (See Separate Breakdown in ELECTRICAL Section) | |
| 4B | 7894000004 | 3 | Tie-Strap (Not Shown) | |
| 4C | 0100048 | AR | Compound, Locking (Not Shown) | |
| 5 | 1001297109 | 1 | Pylon Hoops & Mounts Installation (See Separate Breakdown in this Section) | |
| 6 | 7114140518 | 2 | Capscrew 1/4 x 5/8 | |
| 7 | 7115181450 | 4 | Bolt 1/2 x 1-3/4 | |
| 8 | 7493000010 | 1 | Grommet | |
| 9 | 7661000019 | 2 | U-Nut 1/4 | |
| 10 | 7950180161 | 4 | Washer 1/2 | |

SECTION 4 - BODY

FIGURE 4-16. PYLON INSTALLATION - LOW CAB (NG)



ART_1001294077

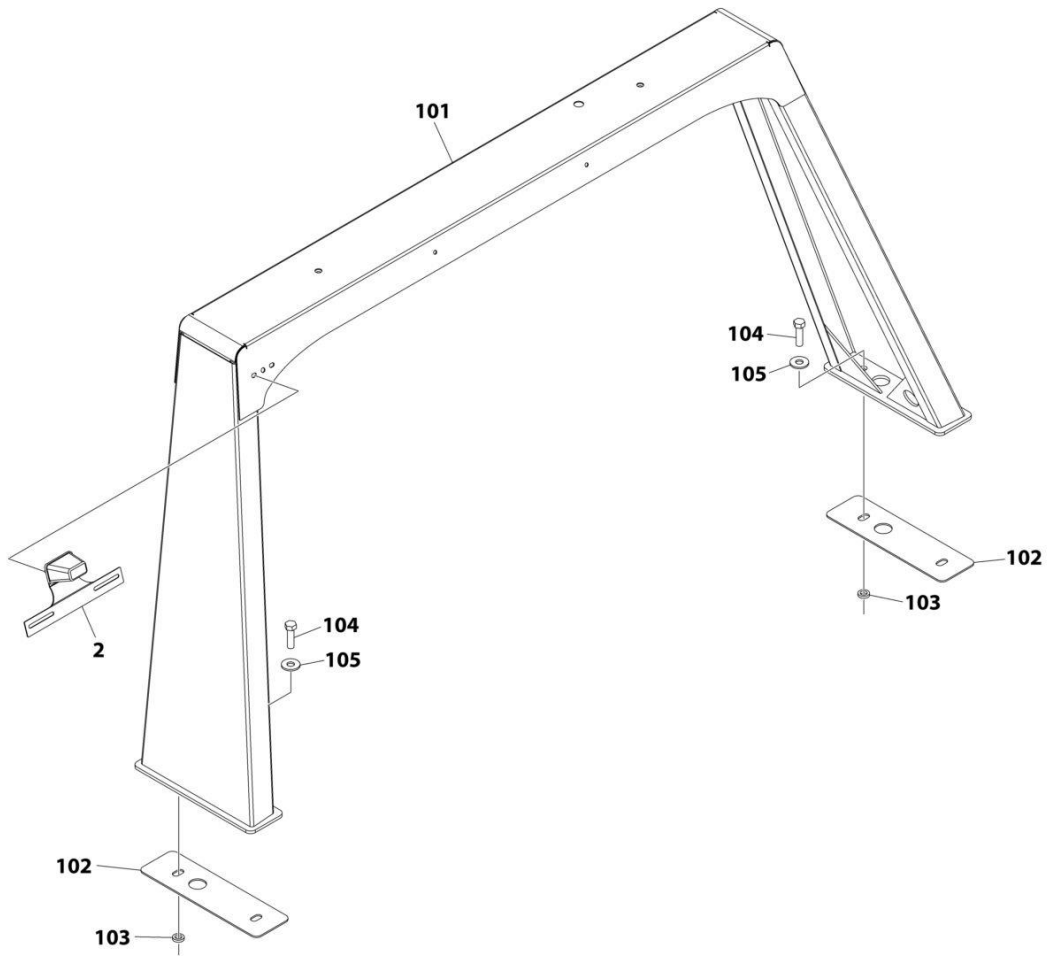
SECTION 4 - BODY

FIGURE 4-16. PYLON INSTALLATION - LOW CAB (NG)

| ITEM | PART NUMBER | QTY | DESCRIPTION | REV |
|------|-------------|-----|--|-----|
| | 1001294077 | Ref | PYLON INSTALLATION - LOW CAB | B |
| 1 | 1001143686 | 2 | Washer 1/4 | |
| 2 | 1001142771 | 1 | Light, Clear LED | |
| 3 | 1001249938 | 1 | Bracket, License Plate | |
| 4 | 1001294075 | 1 | Support | |
| 5 | 1001294282 | 1 | Seal | |
| 6 | 7114140518 | 2 | Capscrew 1/4 x 5/8 | |
| 7 | 7115181650 | 4 | Bolt 1/2 x 2 | |
| 8 | 7493000016 | 1 | Grommet | |
| 9 | 7660182601 | 4 | Nut 1/2 | |
| 10 | 7661000019 | 2 | U-Nut 1/4 | |
| 11 | 7701000051 | 2 | Plug | |
| 12 | 7950180161 | 8 | Washer 1/2 | |
| 13 | 7493000010 | 1 | Grommet | |
| 14 | 8798820001 | AR | Sealant | |
| 15 | 1001299584 | 1 | Pylon Electrical Installation (Not Shown) | |
| 15A | 1001299519 | 1 | Pylon Harness (See Separate Breakdown in ELECTRICAL Section) | |
| 15B | 7894000004 | 4 | Tie-Strap (Not Shown) | |

SECTION 4 - BODY

FIGURE 4-17. PYLON INSTALLATION - 34IN TOOLBOX MOUNTED (NGS)



ART_1001211205

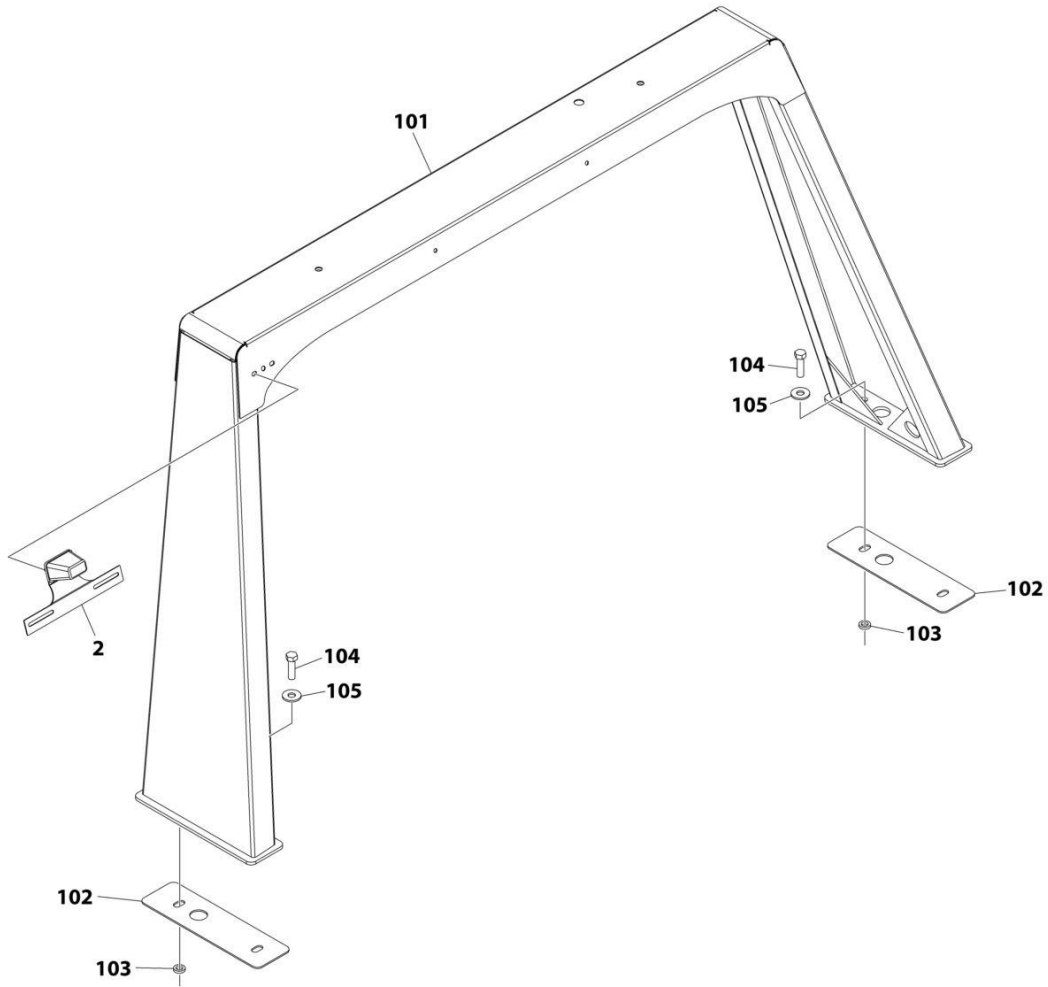
SECTION 4 - BODY

FIGURE 4-17. PYLON INSTALLATION - 34IN TOOLBOX MOUNTED (NGS)

| ITEM | PART NUMBER | QTY | DESCRIPTION | REV |
|------|-------------|-----|--|-----|
| | 1001211205 | Ref | PYLON INSTALLATION - 34IN TOOLBOX MOUNTED (1 MARKER LIGHT PER SIDE) | A |
| 1 | 2509570126 | Ref | Light Pylon Installation (Not Shown) (See Item 101-105 for Breakdown) | |
| 2 | 3509330108 | 1 | Pylon Electrical Installation (See Separate Breakdown in ELECTRICAL Section) | |
| | 2509570126 | Ref | LIGHT PYLON INSTALLATION | A |
| 101 | 3509570127 | 1 | Light Pylon | |
| 102 | 7796000101 | 2 | Gasket | |
| 103 | 7949000058 | 4 | Washer | |
| 104 | 7115181450 | 4 | Bolt 1/2 x 1-3/4 | |
| 105 | 7950170161 | 4 | Washer 7/16 | |

SECTION 4 - BODY

FIGURE 4-18. PYLON INSTALLATION - 38IN TOOLBOX MOUNTED (NGS)



ART_1001211206

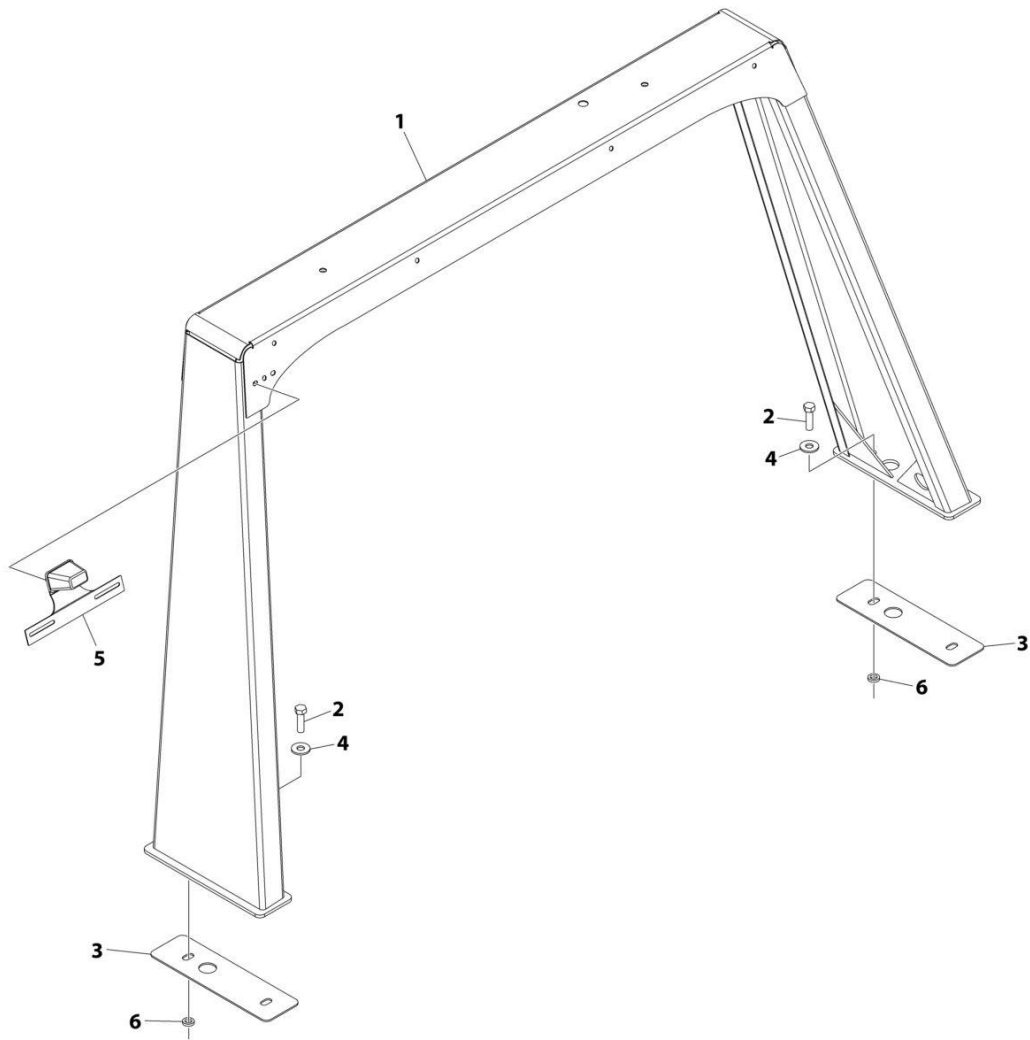
SECTION 4 - BODY

FIGURE 4-18. PYLON INSTALLATION - 38IN TOOLBOX MOUNTED (NGS)

| ITEM | PART NUMBER | QTY | DESCRIPTION | REV |
|------|-------------|-----|--|-----|
| | 1001211206 | Ref | PYLON INSTALLATION - 38IN TOOLBOX MOUNTED (1 MARKER LIGHT PER SIDE) | A |
| 1 | 2509570121 | Ref | Light Pylon Installation (Not Shown) (See Item 101-105 for Breakdown) | |
| 2 | 3509330108 | 1 | Pylon Electrical Installation (See Separate Breakdown in ELECTRICAL Section) | |
| | 2509570121 | Ref | LIGHT PYLON INSTALLATION | A |
| 101 | 3509570121 | 1 | Light Pylon | |
| 102 | 7796000101 | 2 | Gasket | |
| 103 | 7949000058 | 4 | Washer | |
| 104 | 7115181450 | 4 | Bolt 1/2 x 1-3/4 | |
| 105 | 7950170161 | 4 | Washer 7/16 | |

SECTION 4 - BODY

FIGURE 4-19. PYLON INSTALLATION - 42IN TOOLBOX MOUNTED (NGS)



ART_1001256399

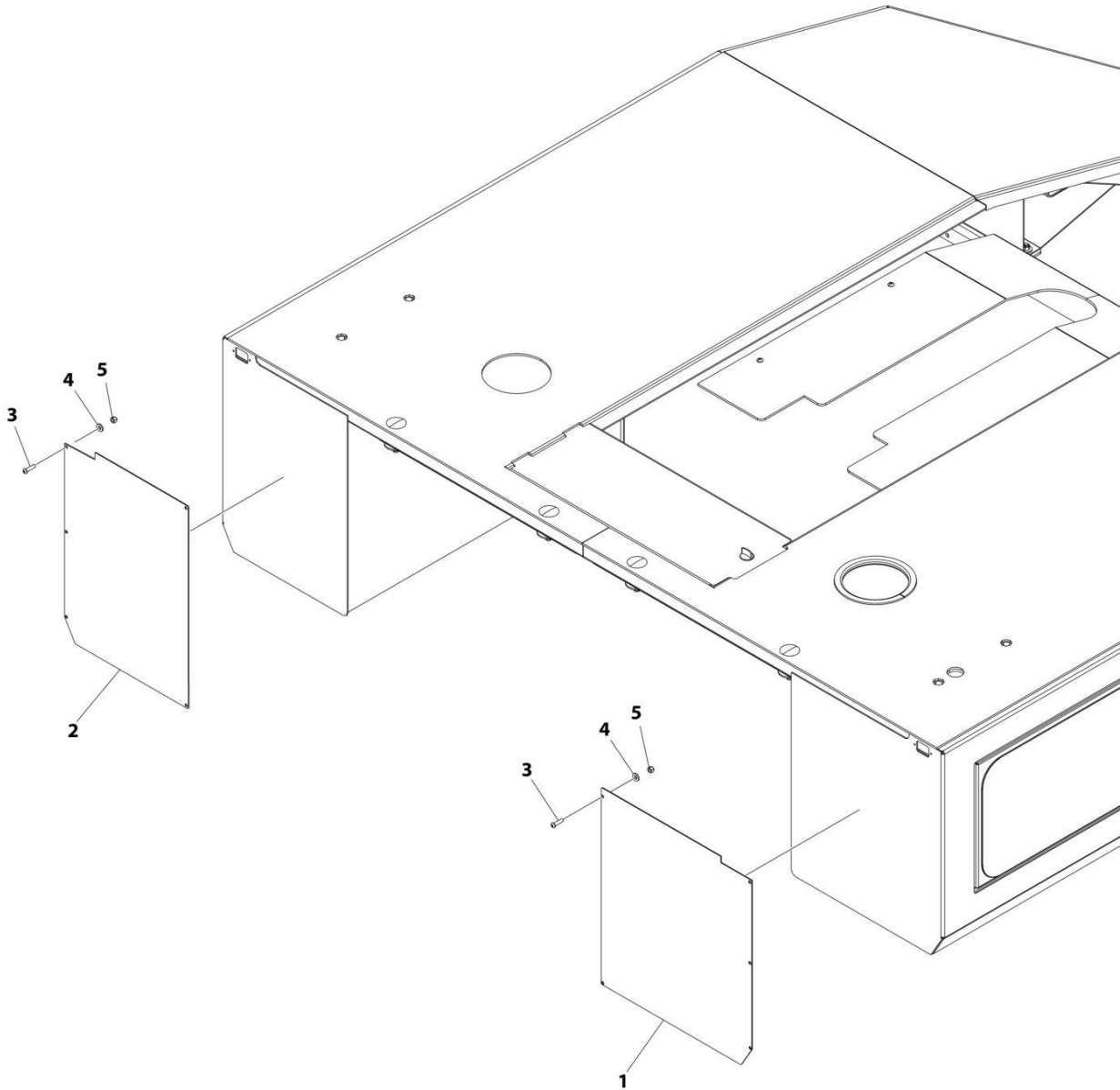
SECTION 4 - BODY

FIGURE 4-19. PYLON INSTALLATION - 42IN TOOLBOX MOUNTED (NGS)

| ITEM | PART NUMBER | QTY | DESCRIPTION | REV |
|------|-------------|-----|--|-----|
| | 1001256399 | Ref | PYLON INSTALLATION - 42IN TOOLBOX MOUNTED (1 MARKER LIGHT PER SIDE) | A |
| 1 | 1001256400 | 1 | Support | |
| 2 | 7115181450 | 4 | Bolt 1/2 x 1-3/4 | |
| 3 | 7796000101 | 2 | Gasket | |
| 4 | 7950180161 | 4 | Washer 9/16 | |
| 5 | 3509330108 | 1 | Pylon Electrical Installation (See Separate Breakdown in ELECTRICAL Section) | |
| 6 | 7949000058 | 4 | Washer | |

SECTION 4 - BODY

FIGURE 4-20. STONE GUARD INSTALLATION (WITHOUT TUNNEL) (NGS)



ART_1001127828

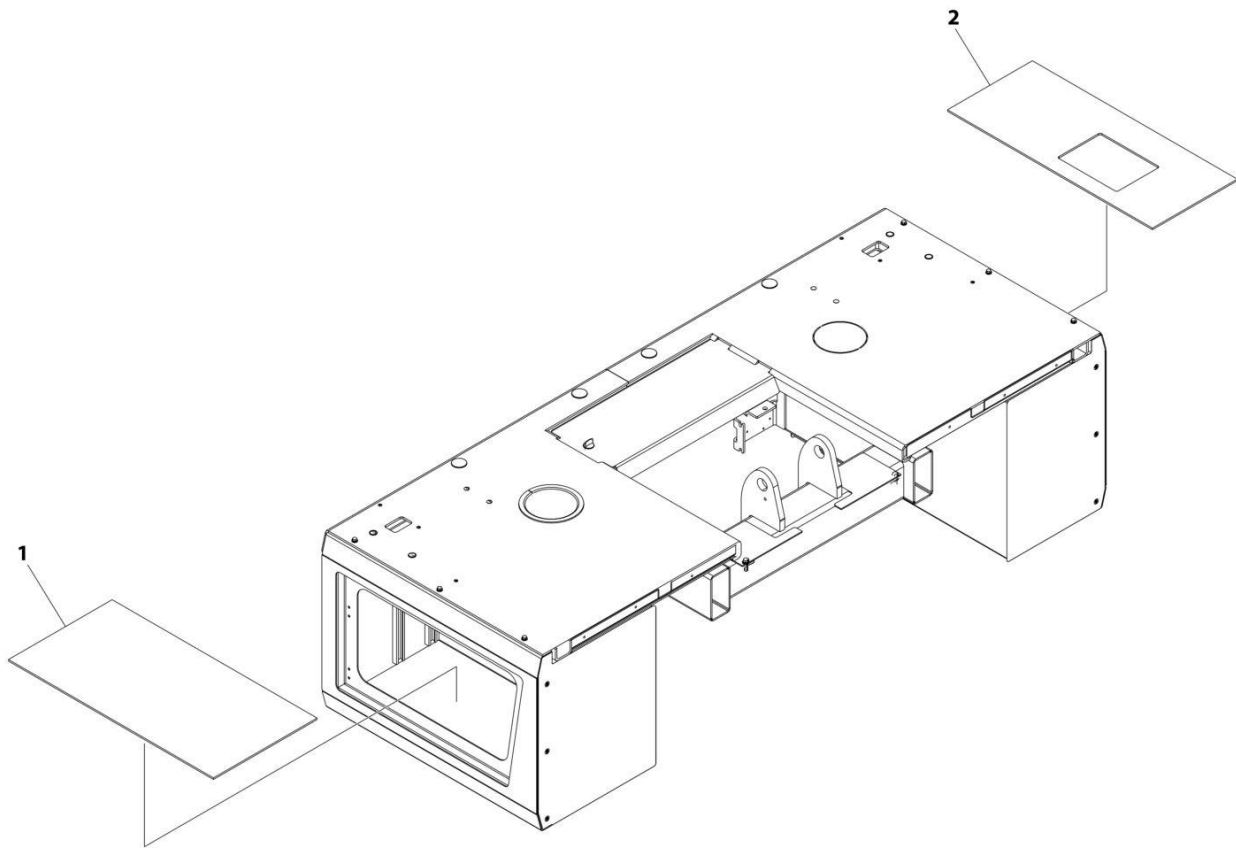
SECTION 4 - BODY

FIGURE 4-20. STONE GUARD INSTALLATION (WITHOUT TUNNEL) (NGS)

| ITEM | PART NUMBER | QTY | DESCRIPTION | REV |
|------|-------------|-----|---|-----|
| | 1001127828 | Ref | STONE GUARD INSTALLATION (WITHOUT TUNNEL) | 0 |
| 1 | 4707000367 | 1 | Plate, LH | |
| 2 | 1001127820 | 1 | Plate, RH | |
| 3 | 7114140818 | 10 | Bolt 1/4 x 1 | |
| 4 | 7950140143 | 20 | Washer 1/4 | |
| 5 | 7660142600 | 10 | Nut 1/4 | |

SECTION 4 - BODY

FIGURE 4-21. TOOL BOX FLOOR MAT INSTALLATION (L-ARM SPACER) - NG



ART_1001303183

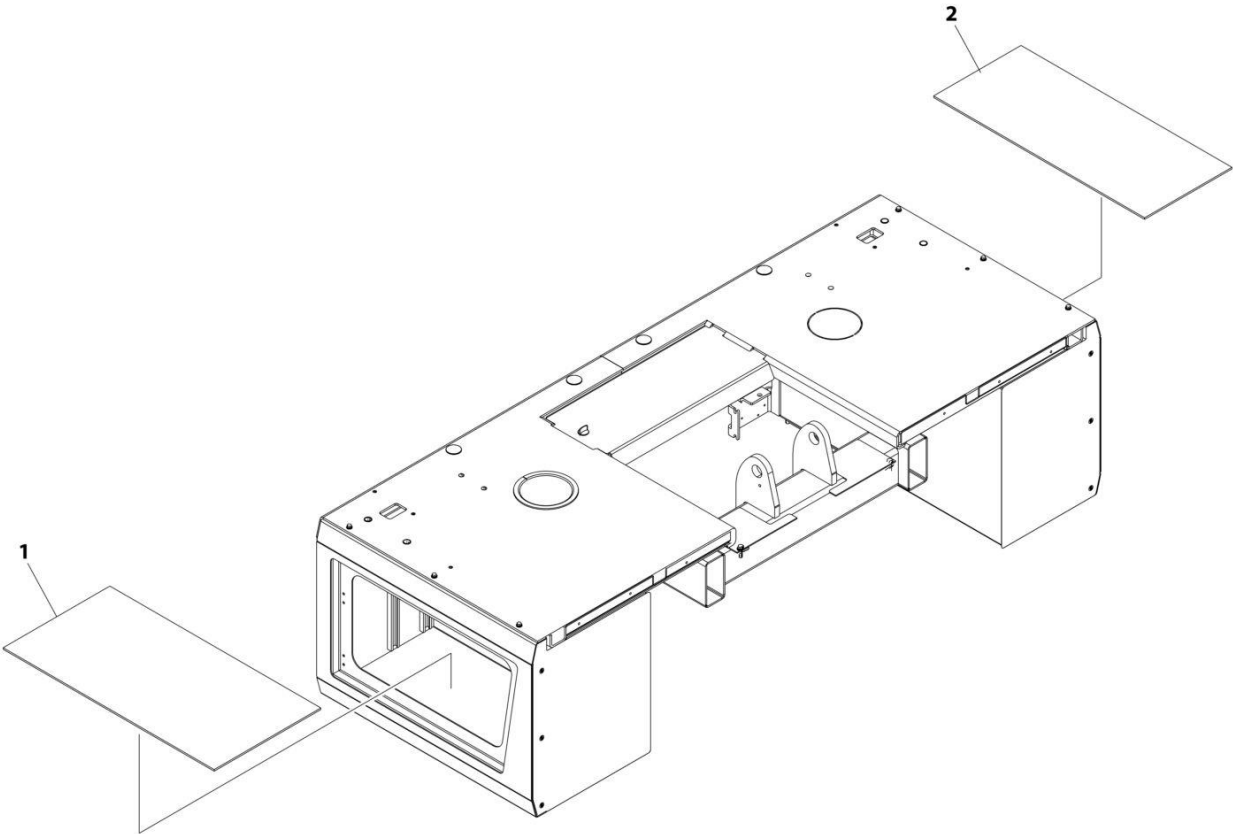
SECTION 4 - BODY

FIGURE 4-21. TOOL BOX FLOOR MAT INSTALLATION (L-ARM SPACER) - NG

| ITEM | PART NUMBER | QTY | DESCRIPTION | REV |
|------|-------------|-----|---------------------------------|-----|
| | 1001303183 | Ref | TOOL BOX FLOOR MAT INSTALLATION | A |
| 1 | 1001296519 | 1 | Pad, LH | |
| 2 | 1001296521 | 1 | Pad, RH | |

SECTION 4 - BODY

FIGURE 4-22. TOOL BOX FLOOR MAT INSTALLATION - NG



ART_1001297237

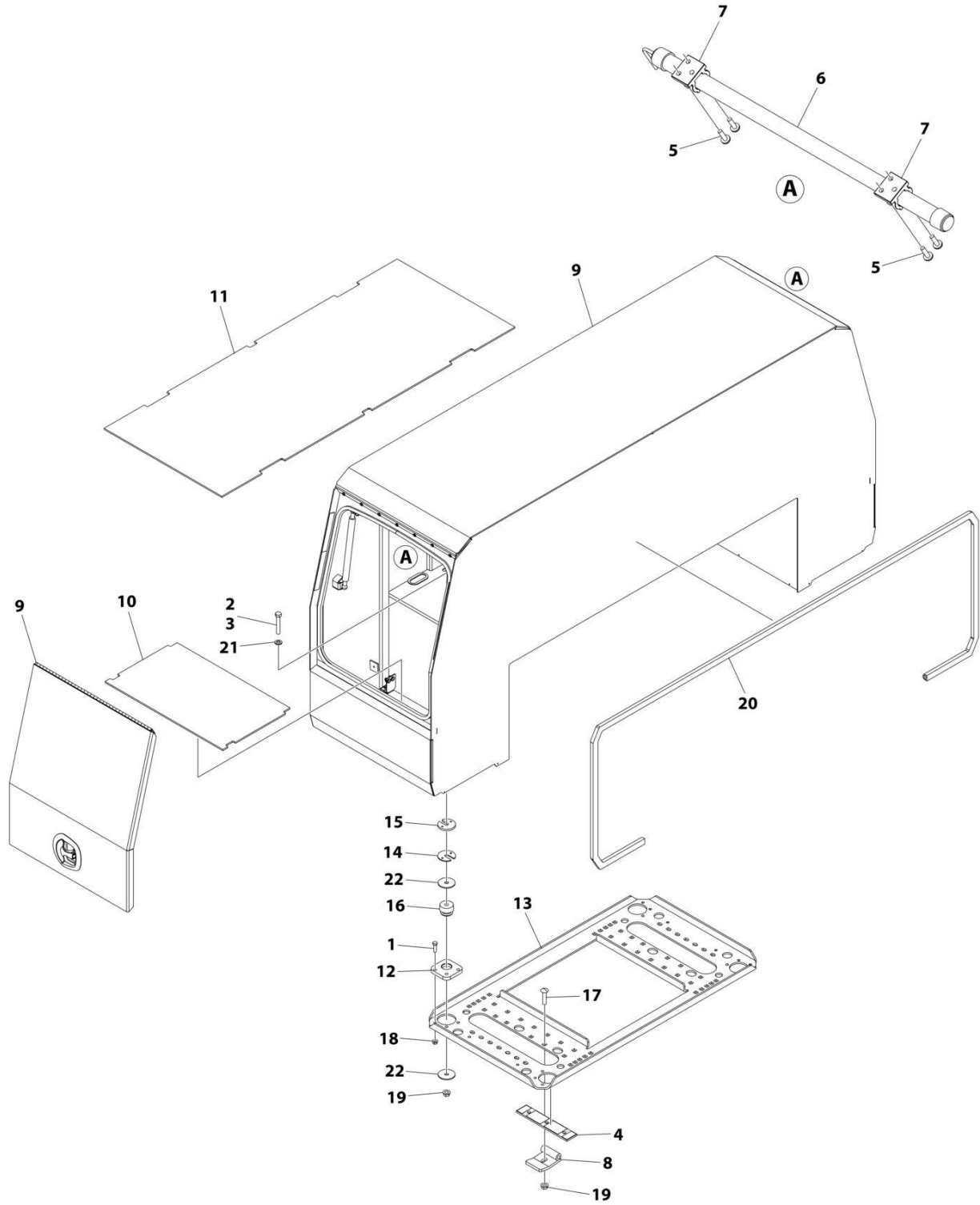
SECTION 4 - BODY

FIGURE 4-22. TOOL BOX FLOOR MAT INSTALLATION - NG

| ITEM | PART NUMBER | QTY | DESCRIPTION | REV |
|------|-------------|-----|------------------------------------|-----|
| | 1001297237 | Ref | TOOL BOX - FLOOR MATS INSTALLATION | A |
| 1 | 1001296519 | 1 | Pad, LH | |
| 2 | 1001296520 | 1 | Pad, RH | |

SECTION 4 - BODY

FIGURE 4-23. TUNNEL INSTALLATION - SINGLE



ART_1001293172

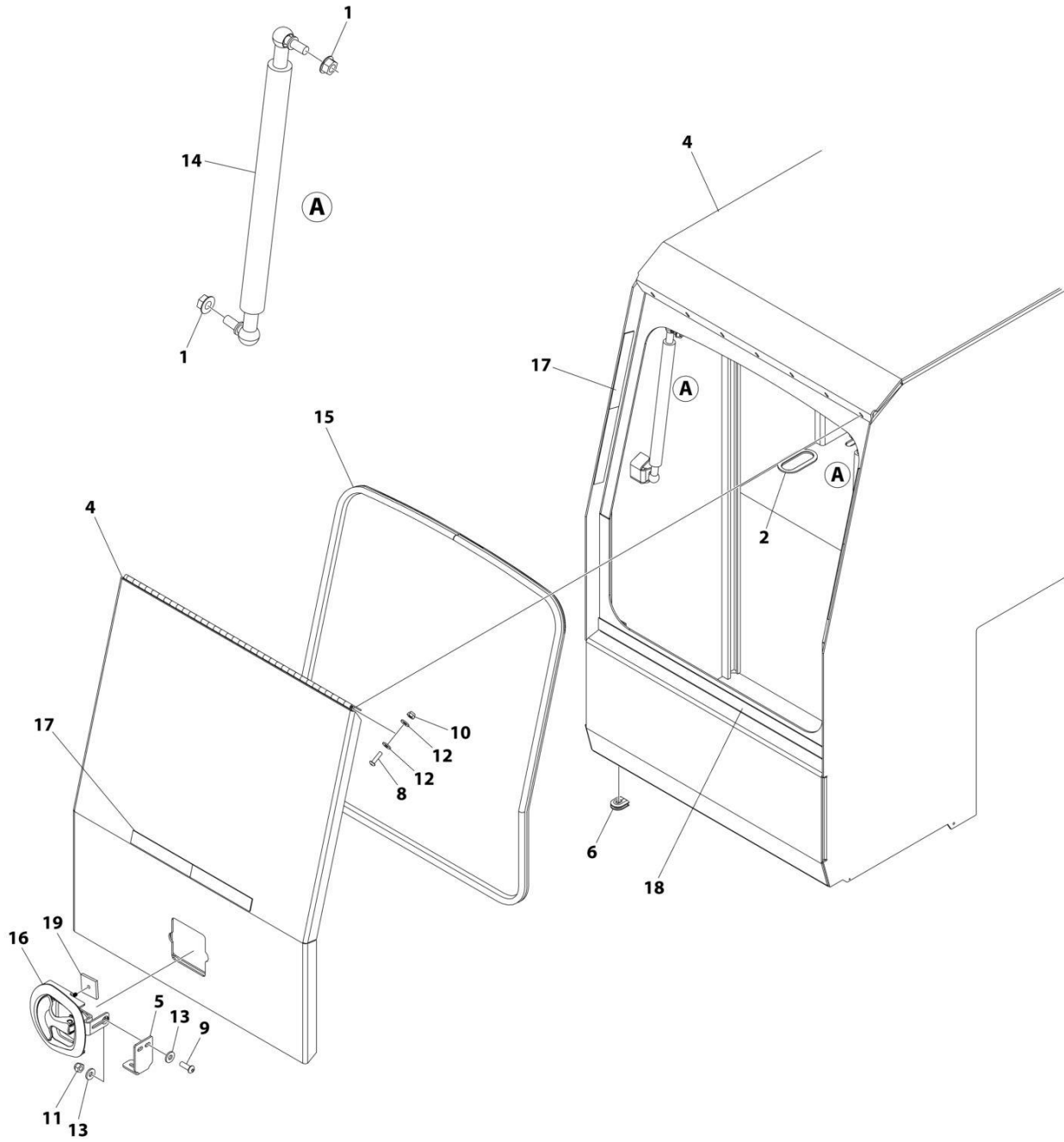
SECTION 4 - BODY

FIGURE 4-23. TUNNEL INSTALLATION - SINGLE

| ITEM | PART NUMBER | QTY | DESCRIPTION | REV |
|------|-------------|-----------|--|-----|
| | 1001293172 | Ref | TUNNEL INSTALLATION - SINGLE | B |
| 1 | 0641610 | 12 | Bolt 3/8 x 1-1/4 | |
| 2 | 0641824 | 4 | Bolt 1/2 x 3 | |
| 3 | 0641826 | 4 | Bolt 1/2 x 3-1/4 | |
| 4 | 3340898 | 1 | Pad | |
| 5 | 1001154530 | 8 | Screw #8 x 5/8 | |
| 6 | 1001189906 | 2 | Lamp | |
| 7 | 1001199081 | 4 | Mount | |
| 8 | 1001220359 | 4 | Clamp | |
| 9 | 1001293173 | 1 | Tunnel Assembly (See Separate Breakdown in this Section) | |
| 10 | 1001300166 | 2 | Pad | |
| 11 | 1001300167 | 1 | Pad | |
| 12 | 4706005869 | 4 | Plate | |
| 13 | 4636000041 | 1 | Mount | |
| 14 | 4812000107 | 4 | Shim | |
| 15 | 4812000108 | 4 | Shim | |
| 16 | 7636000005 | 4 | Mount, Rubber | |
| 17 | 7115181864 | 4 | Bolt 1/2 x 2-14 | |
| 18 | 7660162301 | 12 | Nut 3/8 | |
| 19 | 7660182301 | 8 | Nut 1/2 | |
| 20 | 7796000078 | 12 ft/4 m | Gasket | |
| 21 | 7950180153 | 4 | Washer 1/2 | |
| 22 | 7949000013 | 8 | Washer 2-3/8 | |

SECTION 4 - BODY

FIGURE 4-24. TUNNEL ASSEMBLY - 24IN



ART_1001293173

SECTION 4 - BODY

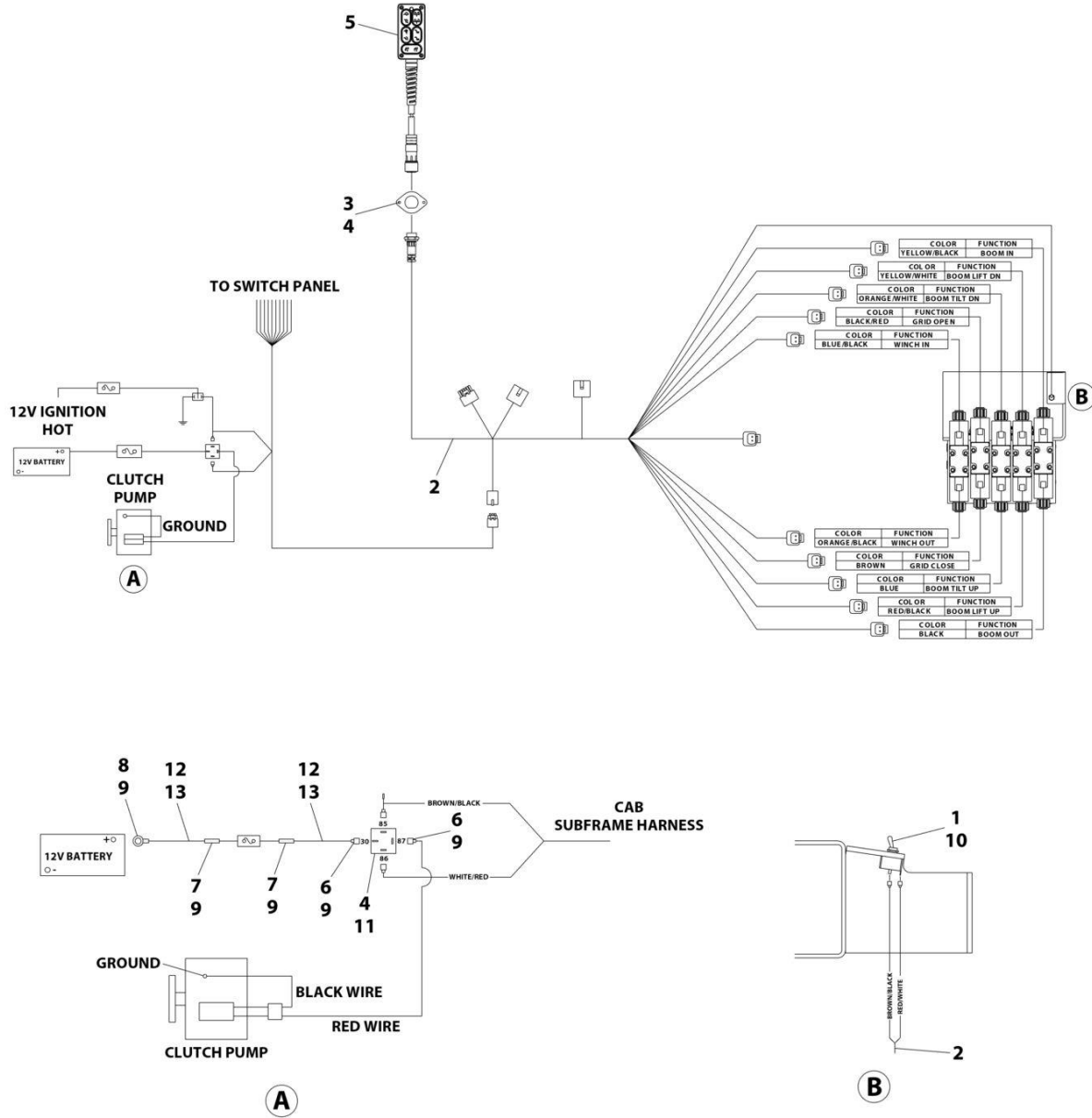
FIGURE 4-24. TUNNEL ASSEMBLY - 24IN

| ITEM | PART NUMBER | QTY | DESCRIPTION | REV |
|------|-------------|-----|------------------------------|-----|
| | 1001293173 | Ref | TUNNEL ASSEMBLY - 24IN | B |
| 1 | 3311508 | 8 | Nut 5/16 | |
| 2 | 1001298632 | 1 | Grommet | |
| 4 | 1001293174 | 1 | Tunnel Box | |
| 5 | 1001293707 | 2 | Support | |
| 6 | 1001188590 | 2 | Grommet | |
| 8 | 7114100618 | 14 | Capscrew #10 x 3/4 | |
| 9 | 7114140618 | 4 | Capscrew 1/4 x 3/4 | |
| 10 | 7660102604 | 14 | Nut #10 | |
| 11 | 7660142604 | 4 | Nut 1/4 | |
| 12 | 7950100103 | 28 | Washer #10 | |
| 13 | 7950140143 | 8 | Washer 1/4 | |
| 14 | 1001297994 | 4 | Spring, Gas | |
| 15 | 1001293218 | 2 | Seal | |
| 16 | 1001294381 | 2 | Latch, T-Handle | |
| 17 | 4330000001 | 6 | Decal - Red/White Reflective | |
| 18 | 7330000428 | 2 | Decal - Red/White Reflective | |
| 19 | 4706005792 | 2 | Bar | |

SECTION 5 - CONTROLS

SECTION 5 - CONTROLS

FIGURE 5-1. MAIN CONTROL VALVE HARNESS INSTALLATION - REMOTE MEMBRANE (NG)



ART_1001297538

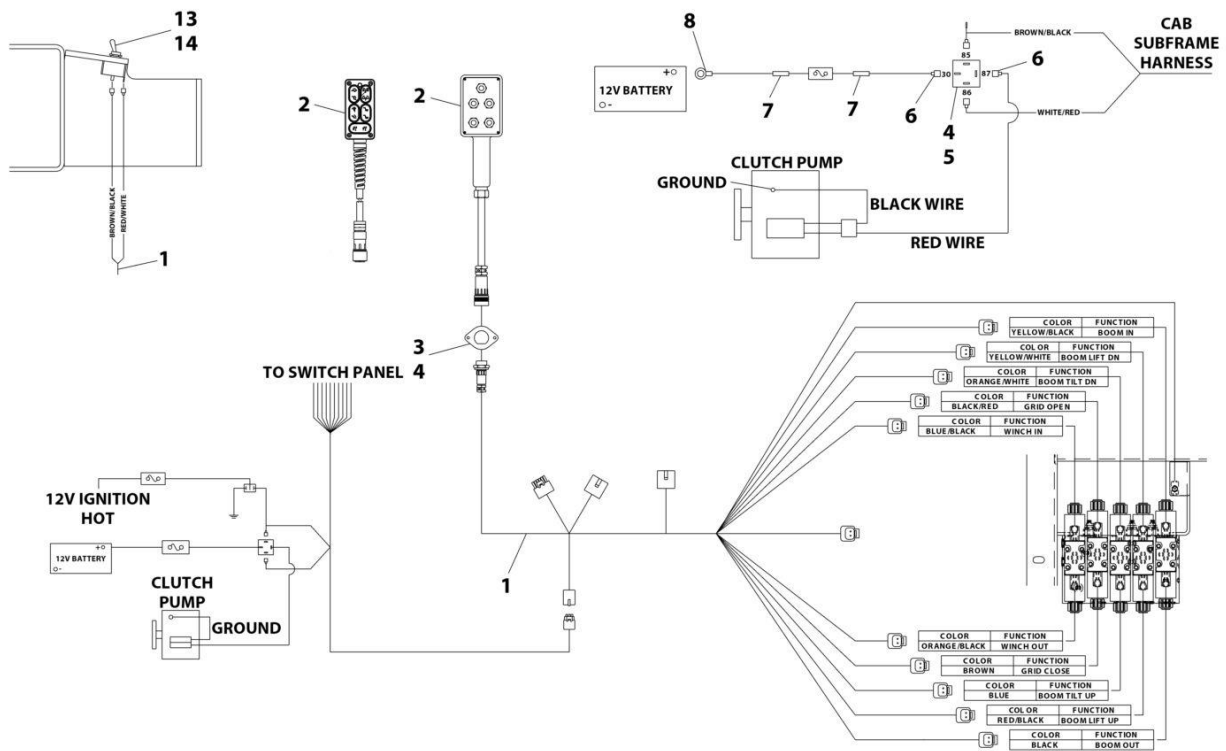
SECTION 5 - CONTROLS

FIGURE 5-1. MAIN CONTROL VALVE HARNESS INSTALLATION - REMOTE MEMBRANE (NG)

| ITEM | PART NUMBER | QTY | DESCRIPTION | REV |
|------|-------------|-----|---|-----|
| | 1001297538 | Ref | MAIN CONTROL VALVE HARNESS INSTALLATION | A |
| 1 | 1001174496 | 1 | Switch, Toggle | |
| 2 | 1001291598 | 1 | Harness, Valve (See Separate Breakdown in ELECTRICAL Section) | |
| 3 | 4706003402 | 1 | Plate | |
| 4 | 7120000034 | 3 | Screw #10 x 3/4 | |
| 5 | 7295000131 | 1 | Controller | |
| 6 | 7345001710 | 2 | Tab | |
| 7 | 7345001714 | 2 | Terminal | |
| 8 | 7345221702 | 1 | Terminal | |
| 9 | 7346000039 | AR | Tubing | |
| 10 | 7560000004 | 1 | Boot, Toggle Switch | |
| 11 | 7740000003 | 1 | Relay | |
| 12 | 8597650002 | 3 | Wire | |
| 13 | 8977500100 | 3 | Wire | |

SECTION 5 - CONTROLS

FIGURE 5-2. MAIN CONTROL VALVE HARNESS INSTALLATION - REMOTE MEMBRANE (NGS)



ART_1001127427

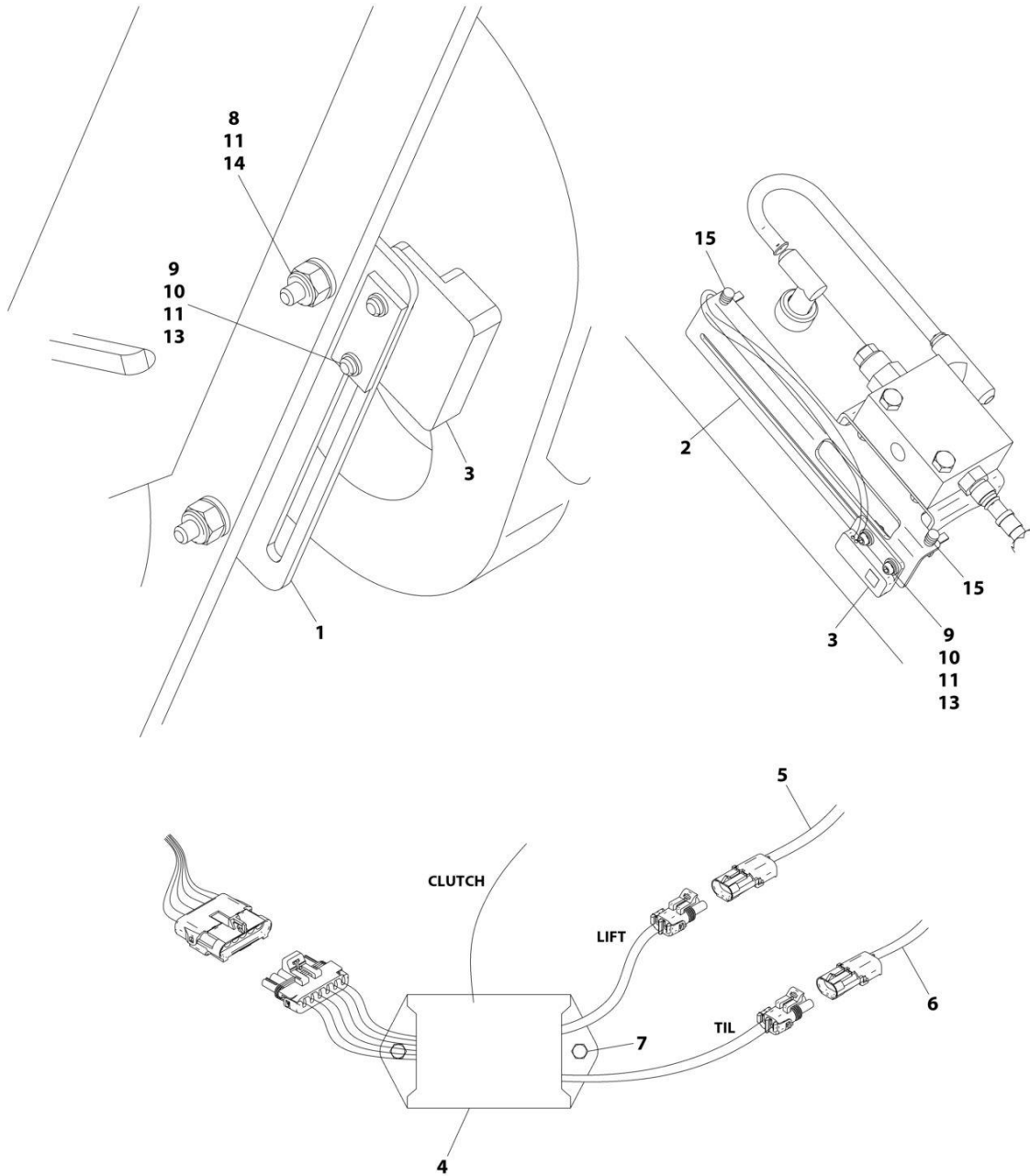
SECTION 5 - CONTROLS

FIGURE 5-2. MAIN CONTROL VALVE HARNESS INSTALLATION - REMOTE MEMBRANE (NGS)

| ITEM | PART NUMBER | QTY | DESCRIPTION | REV |
|------|-------------|-----|---|-----|
| | 1001127427 | Ref | CONTRLLER INSTALLATION (MEMBRANE CONTROLS) | C |
| 1 | 7552000365 | 1 | Harness, Valve (See Separate Breakdown in ELECTRICAL Section) | |
| 2 | 7295000131 | 1 | Controller | |
| 3 | 4706003402 | 1 | Plate | |
| 4 | 7120000034 | 3 | Screw #10 x 3/4 | |
| 5 | 7740000003 | 1 | Relay | |
| 6 | 7345001710 | 2 | Tab | |
| 7 | 7345001714 | 2 | Terminal | |
| 8 | 7345221702 | 1 | Terminal | |
| 13 | 1001174496 | 1 | Switch, Toggle | |
| 14 | 7560000004 | 1 | Boot, Toggle Switch | |

SECTION 5 - CONTROLS

FIGURE 5-3. UNDERLIFT LEVEL STOP CONTROLLER INSTALLATION



ART_2509170077

SECTION 5 - CONTROLS

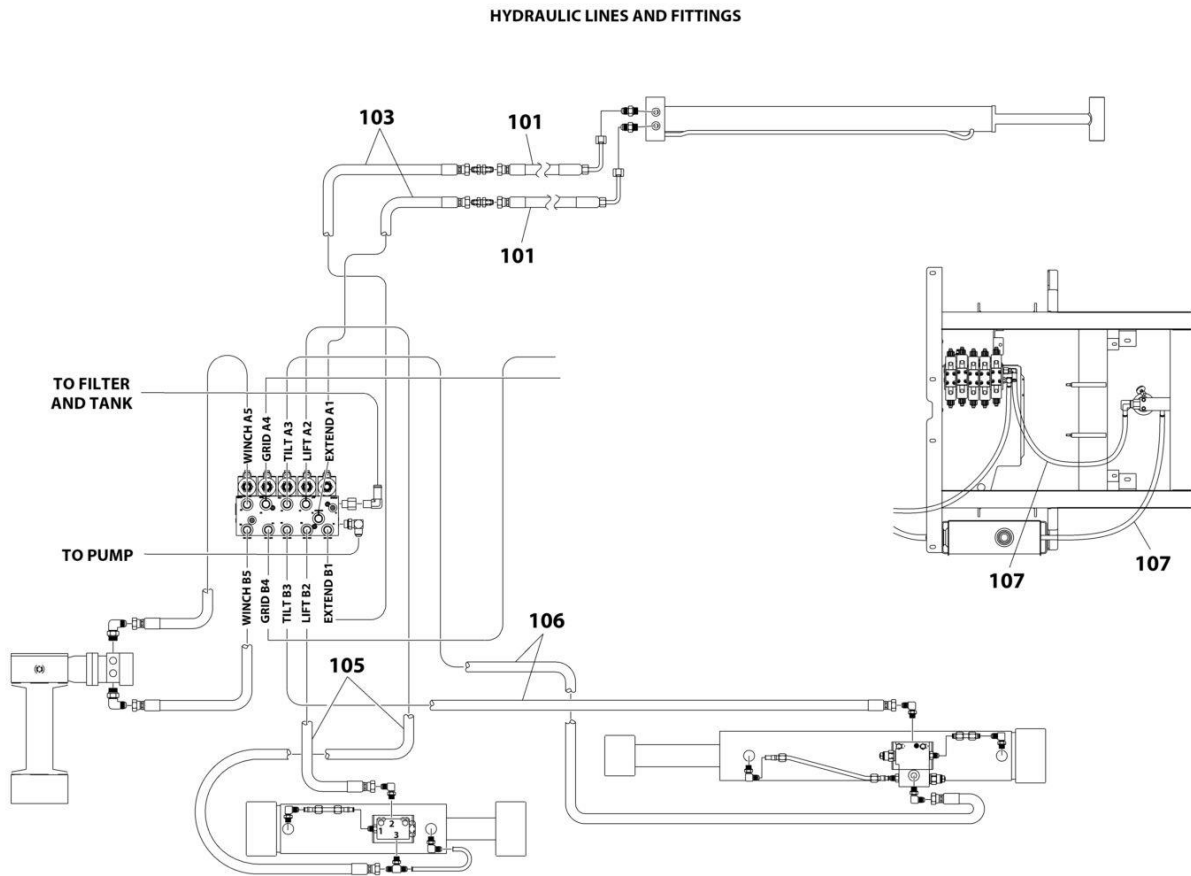
FIGURE 5-3. UNDERLIFT LEVEL STOP CONTROLLER INSTALLATION

| ITEM | PART NUMBER | QTY | DESCRIPTION | REV |
|------|-------------|-----|--|-----|
| | 2509170077 | Ref | UNDERLIFT LEVEL STOP CONTROLLER INSTALLATION | C |
| 1 | 4178000709 | 1 | Bracket | |
| 2 | 4178000705 | 1 | Bracket | |
| 3 | 7870000126 | 2 | Switch | |
| 4 | 7346000261 | 1 | Relay | |
| 4 | 4460742 | 2 | Connector, Male - 2 Postion | |
| 4 | | Ref | Connector, Male - 6 Postion | |
| 4 | 4460743 | 10 | Socket | |
| 4 | 4460458 | 10 | Seal | |
| 5 | 7552000367 | 1 | Harness, Level Switch | |
| 5 | 4461157 | 2 | Connector - 2 Postion | |
| 5 | 7346000035 | 4 | Terminal | |
| 6 | 7552000368 | 1 | Harness, Level Switch | |
| 6 | 4461157 | 2 | Connector - 2 Postion | |
| 6 | 7346000035 | 4 | Terminal | |
| 7 | 7114100618 | 2 | Bolt #10 x 3/4 | |
| 8 | 7114100818 | 2 | Bolt #10 x 1 | |
| 9 | 7114100518 | 4 | Bolt #10 x 5/8 | |
| 10 | 7950100003 | 4 | Washer 3/16 | |
| 11 | 7950100103 | 8 | Washer #10 | |
| 12 | 7950100163 | 8 | Washer #10 (Not Shown) | |
| 13 | 7661000056 | 2 | Nut | |
| 14 | 7660102604 | 4 | Nut #10 | |
| 15 | 7894000042 | 4 | Tie-Strap | |
| 16 | 5526000553 | 10 | Tie-Strap (Not Shown) | |
| 17 | 7894000004 | 3 | Tie-Strap (Not Shown) | |

SECTION 6 - HYDRAULIC

SECTION 6 - HYDRAULIC

FIGURE 6-1. HOSE INSTALLATION - LIFT AND TILT CYLINDER



ART_1001137496

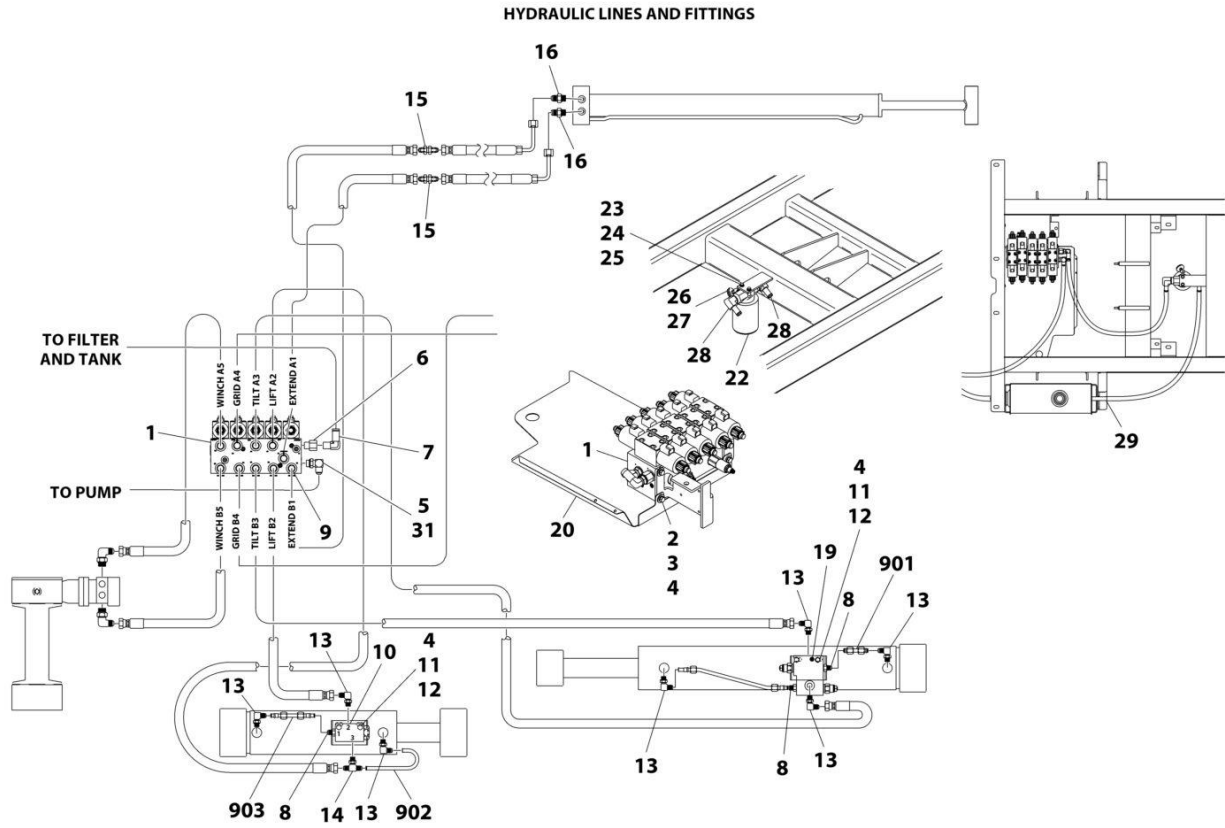
SECTION 6 - HYDRAULIC

FIGURE 6-1. HOSE INSTALLATION - LIFT AND TILT CYLINDER

| ITEM | PART NUMBER | QTY | DESCRIPTION | REV |
|------|-------------|-----|--------------------------|-----|
| | 1001137496 | Ref | HOSE, KIT HLF AND RETURN | A |
| 101 | 4570000304 | 2 | Hose | |
| 103 | 4567120112 | 2 | Hose | |
| 105 | 4567120056 | 2 | Hose | |
| 106 | 4567120087 | 2 | Hose | |
| 107 | 4570000370 | 2 | Hose | |

SECTION 6 - HYDRAULIC

FIGURE 6-2. HOSE INSTALLATION - HYDRAULIC CONTROLS



ART_3509530154

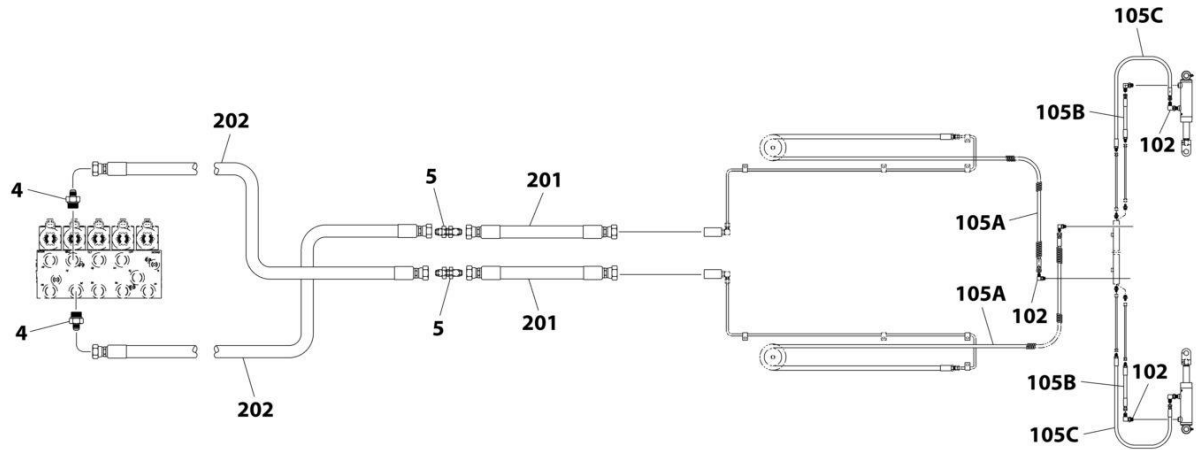
SECTION 6 - HYDRAULIC

FIGURE 6-2. HOSE INSTALLATION - HYDRAULIC CONTROLS

| ITEM | PART NUMBER | QTY | DESCRIPTION | REV |
|------|-------------|--------|---|-----|
| | 3509530154 | Ref | HOSE INSTALLATION, HLF WITHOUT ANTI-STALL | E |
| 1 | 7935000311 | 1 | Solenoid Valve Assembly (See Separate Breakdown in this Section) | |
| 2 | 7115150850 | 4 | Bolt 5/16 x 1 | |
| 3 | 7950150000 | 4 | Washer 5/16 | |
| 4 | 7950150161 | 8 | Washer 5/16 | |
| 5 | 7445080845 | 1 | Fitting, 90 | |
| 6 | 7443000435 | 1 | Fitting | |
| 7 | 7443000436 | 1 | Fitting | |
| 8 | 7445060643 | 2 | Fitting, Straight | |
| 9 | 7445060843 | 6 | Fitting, Straight | |
| 10 | 7935000308 | 1 | Valve Assembly | |
| 10 | | Ref | Cartridge | |
| 10 | 9935930102 | 1 | Seal Kit - Cartridge | |
| 11 | 7114151650 | 4 | Bolt 5/16 x 2 | |
| 12 | 7660152601 | 4 | Nut 5/16 | |
| 13 | 7445060645 | 6 | Fitting, 90 | |
| 14 | 7445060647 | 2 | Fitting, Tee | |
| 15 | 7445060625 | 2 | Fitting, Union Bulkhead | |
| 16 | 7445040443 | 2 | Fitting | |
| 17 | 4819000008 | 1 | Sleeve (Not Shown) | |
| 18 | 7819000005 | 0.5 in | Sleeve (Not Shown) | |
| 19 | 1001173683 | NLA | Counterbalance Valve Assembly (Use PN 1001274434) (Prior to SN 0230008937) | |
| 19 | 1001274434 | 1 | Counterbalance Valve Assembly (SN 0230008937 to Present) | |
| 20 | 4495000011 | 1 | Guard | |
| 21 | 5526000553 | 3 | Tie-Strap (Not Shown) | |
| 22 | 7430000003 | 1 | Filter, Oil | |
| 23 | 7114140650 | 2 | Bolt 1/4 x 3/4 | |
| 24 | 7950140003 | 2 | Washer 1/4 | |
| 25 | 7950140143 | 2 | Washer 1/4 | |
| 26 | 7443000066 | 1 | Fitting, 45 | |
| 27 | 7470000002 | 1 | Gauge, Oil Filter Head | |
| 28 | 7443000319 | 2 | Fitting, 90 | |
| 29 | 7274000080 | 4 | Clamp | |
| 30 | 7577000623 | 1 | Steel Tube Kit (Not Shown) (Includes Items 901-903) | |
| 31 | 7445080818 | 1 | Nut #8 | |
| 901 | 7912000078 | 1 | Tube | |
| 902 | 7912000348 | 1 | Tube | |
| 903 | 7912000291 | 1 | Tube | |

SECTION 6 - HYDRAULIC

FIGURE 6-3. HOSE INSTALLATION - UNDERLIFT WITH HYDRAULIC GRIDS



ART_1001137494

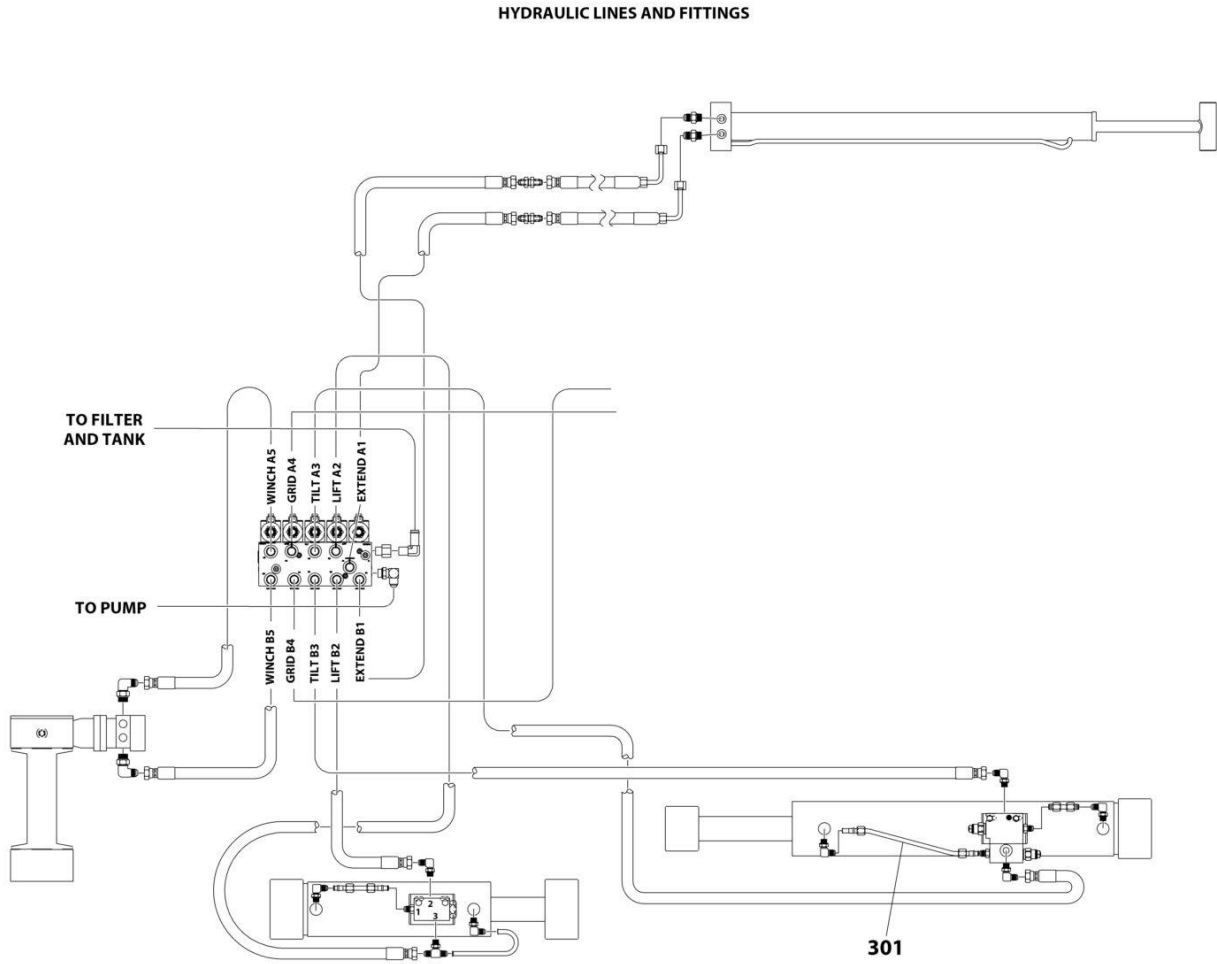
SECTION 6 - HYDRAULIC

FIGURE 6-3. HOSE INSTALLATION - UNDERLIFT WITH HYDRAULIC GRIDS

| ITEM | PART NUMBER | QTY | DESCRIPTION | REV |
|------|-------------|-----|---|-----|
| 1 | 1001137494 | Ref | HOSE INSTALLATION - HYDRAULIC GRIDS | B |
| | 3509530061 | Ref | Hydraulic Componets - Grid (Not Shown) (Includes Items 102-105C) | |
| 2 | 3509870046 | Ref | Hose Track Assembly (Not Shown) (See Separate Breakdown in UNDERLIFT Section) | |
| 3 | 1001137495 | Ref | Hydraulic Hose, Kit (Not Shown) (Includes Items 201-202) | |
| 4 | 7445060843 | 2 | Fitting, Straight | |
| 5 | 7445060625 | 2 | Fitting Union Bulkhead | |
| | 3509530061 | Ref | HYDRAULIC COMPONENTS - GRID | B |
| 102 | 7445040445 | 6 | Fitting, 90 | |
| 105 | 7577000629 | 1 | Hose, Kit | |
| 105A | 4570000210 | 2 | Hose | |
| 105B | 4570000211 | 2 | Hose | |
| 105C | 4570000212 | 2 | Hose | |
| | 1001137495 | Ref | HYDRAULIC HOSE, KIT | |
| 201 | 4570000305 | 2 | Hose | A |
| 202 | 4567820118 | 2 | Hose | |

SECTION 6 - HYDRAULIC

FIGURE 6-4. HOSE INSTALLATION TILT CYLINDER WITHOUT BALL VALVE



ART_3509530150

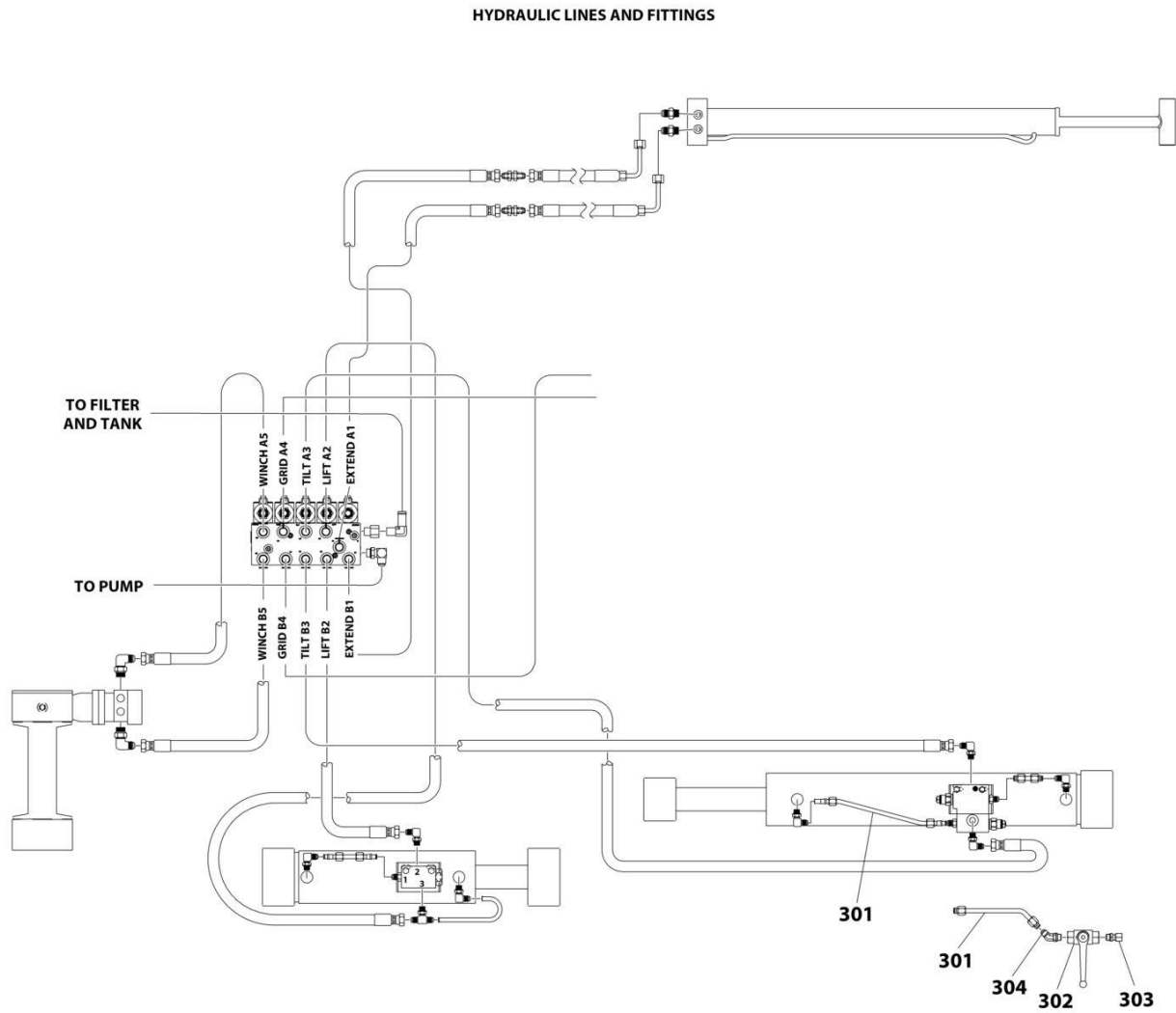
SECTION 6 - HYDRAULIC

FIGURE 6-4. HOSE INSTALLATION TILT CYLINDER WITHOUT BALL VALVE

| ITEM | PART NUMBER | QTY | DESCRIPTION | REV |
|------|--------------------------|----------|--|-----|
| 301 | 3509530150 7912000292 | Ref 1 | HOSE INSTALLATION TILT CYLINDER WITHOUT BALL VALVE Tube | 0 |

SECTION 6 - HYDRAULIC

FIGURE 6-5. HOSE INSTALLATION TILT CYLINDER WITH BALL VALVE



ART_3509530151

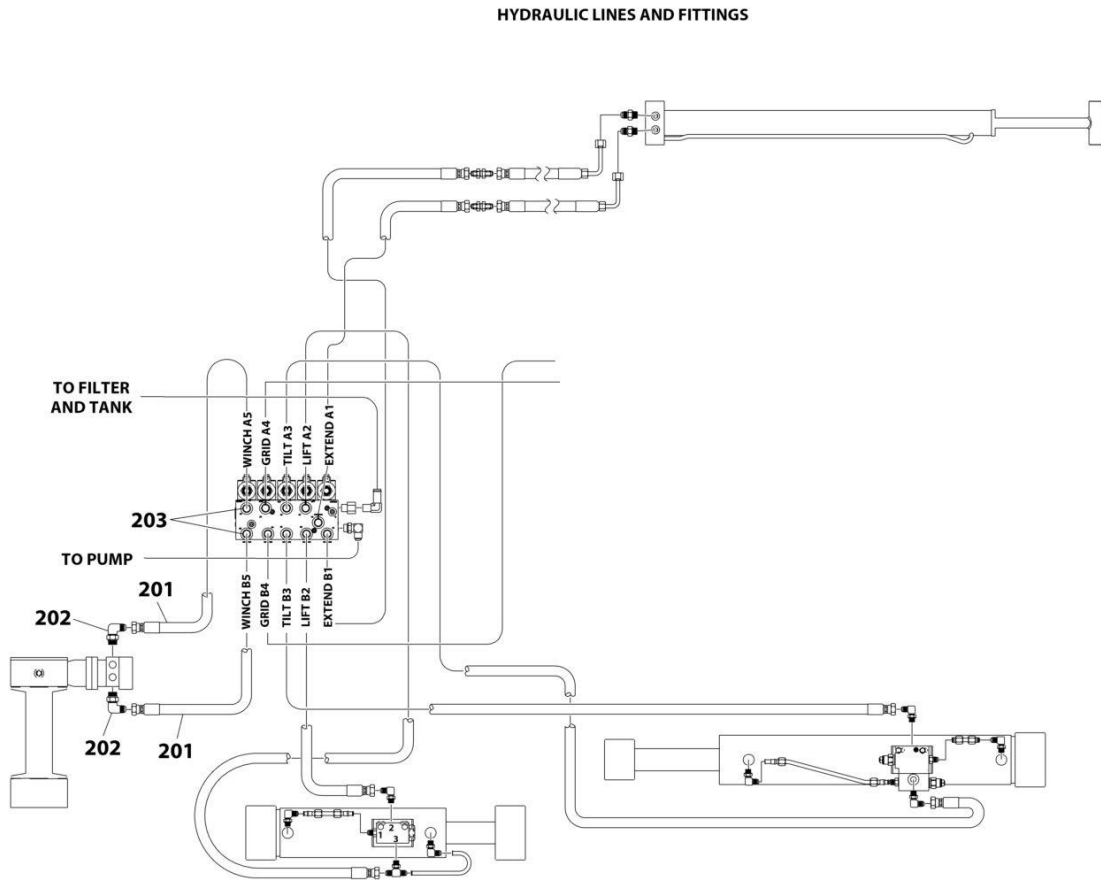
SECTION 6 - HYDRAULIC

FIGURE 6-5. HOSE INSTALLATION TILT CYLINDER WITH BALL VALVE

| ITEM | PART NUMBER | QTY | DESCRIPTION | REV |
|------|-------------|-----|---|-----|
| | 3509530151 | Ref | HOSE INSTALLATION TILT CYLINDER WITH BALL VALVE | 0 |
| 301 | 7912000315 | 1 | Tube | |
| 302 | 7935000345 | 1 | Valve, High Pressure Ball | |
| 303 | 7445060698 | 1 | Fitting, Straight | |
| 304 | 7445060646 | 1 | Fitting, 45 | |

SECTION 6 - HYDRAULIC

FIGURE 6-6. HOSE INSTALLATION - WINCH



ART_3509530147

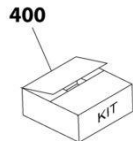
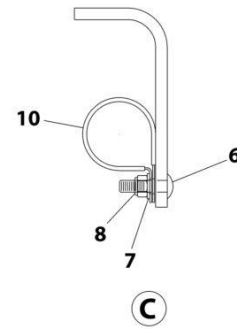
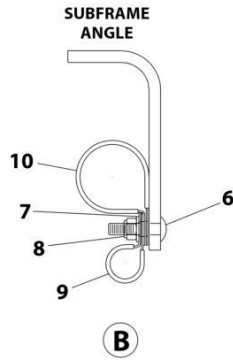
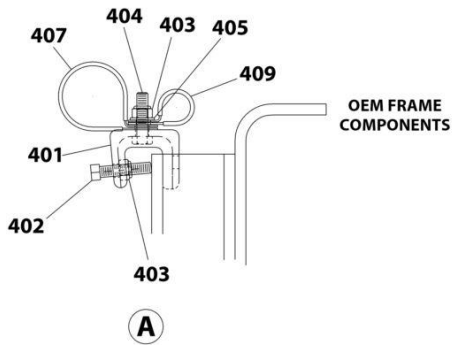
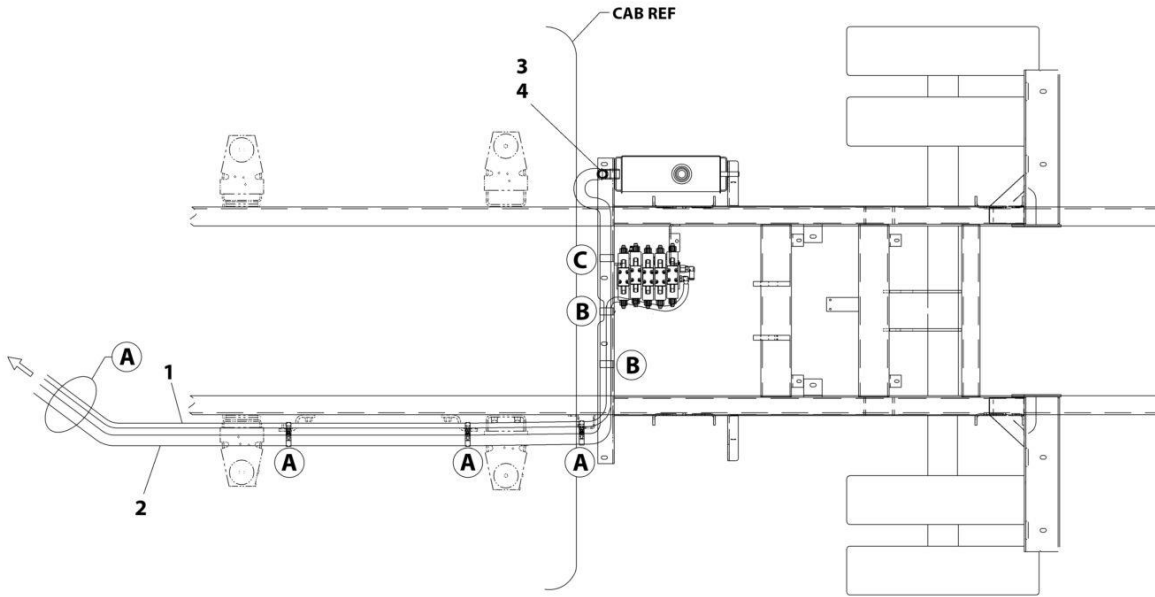
SECTION 6 - HYDRAULIC

FIGURE 6-6. HOSE INSTALLATION - WINCH

| ITEM | PART NUMBER | QTY | DESCRIPTION | REV |
|------|-------------|-----|---------------------------|-----|
| | 3509530147 | Ref | HOSE INSTALLATION - WINCH | 0 |
| 201 | 4570000303 | 2 | Hose | |
| 202 | 7445081045 | 2 | Fitting, 90 | |
| 203 | 7445060843 | 2 | Fitting, Straight | |

SECTION 6 - HYDRAULIC

FIGURE 6-7. HOSE AND CLAMP INSTALLATION (2019 CV515 - 141IN WB)



ART_1001256466

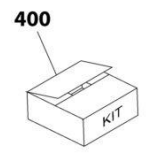
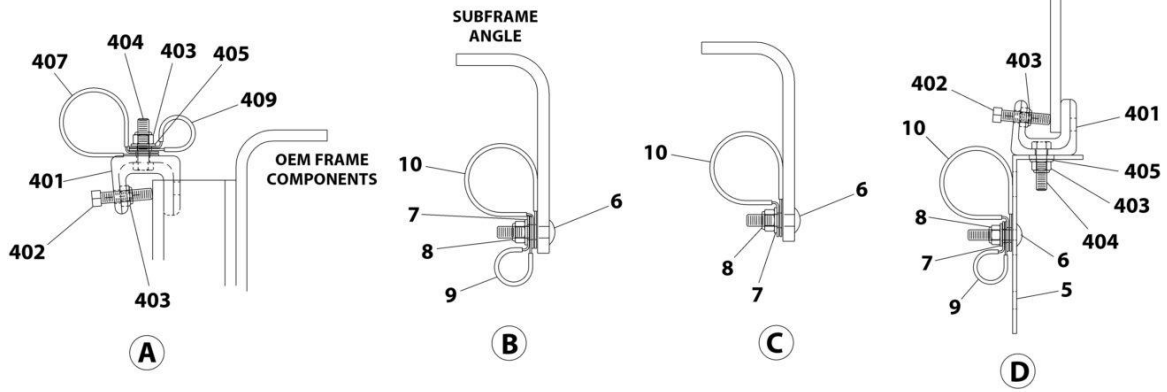
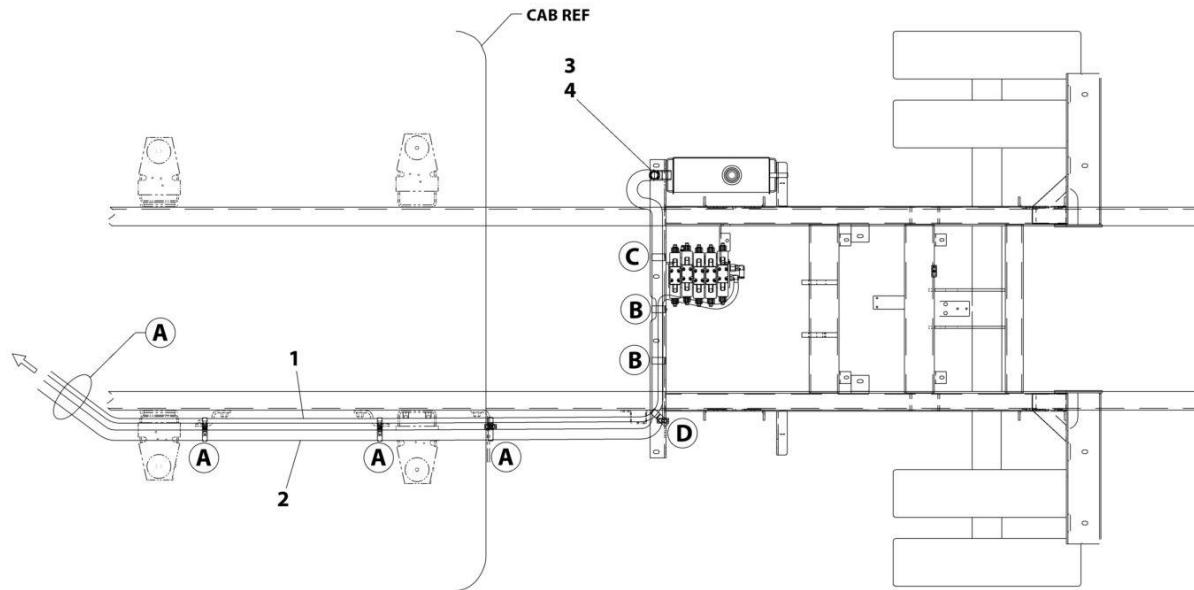
SECTION 6 - HYDRAULIC

FIGURE 6-7. HOSE AND CLAMP INSTALLATION (2019 CV515 - 141IN WB)

| ITEM | PART NUMBER | QTY | DESCRIPTION | REV |
|------|-------------|-----|--|-----|
| | 1001256466 | Ref | HOSE AND CLAMP INSTALLATION (2019 CV515 D-CP - 141IN WB) | A |
| 1 | 4567132152 | 1 | Hose | |
| 2 | 1001132634 | 1 | Hose | |
| 3 | 7443000013 | 1 | Fitting | |
| 4 | 7274000002 | 2 | Clamp | |
| 6 | 7115151064 | 3 | Bolt 5/16 x 1-1/4 | |
| 7 | 7950150161 | 3 | Washer 5/16 | |
| 8 | 7660152601 | 3 | Nut 5/16 | |
| 9 | 7274000040 | 4 | Clamp | |
| 10 | 7274000042 | 3 | Clamp | |
| 11 | 7819000013 | 1 | Sleeve (Not Shown) | |
| 400 | 1001132794 | 5 | Clamp, Hose Kit | |
| 401 | 7274000076 | 1 | Clamp | |
| 402 | 7785152420 | 1 | Screw 5/16 x 1-1/2 | |
| 403 | 7660152601 | 2 | Nut 5/16 | |
| 404 | 7115151050 | 1 | Bolt 5/16 x 1-1/4 | |
| 405 | 7950150161 | 1 | Washer 5/16 | |
| 406 | 7274000040 | 1 | Clamp (Not Shown) | |
| 407 | 7274000041 | 1 | Clamp | |
| 408 | 7274000042 | 1 | Clamp (Not Shown) | |
| 409 | 7274000105 | 1 | Clamp | |

SECTION 6 - HYDRAULIC

FIGURE 6-8. HOSE AND CLAMP INSTALLATION (2019 CV515 - 165IN WB)



ART_1001256467

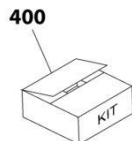
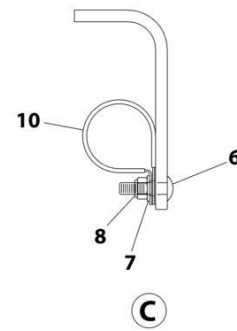
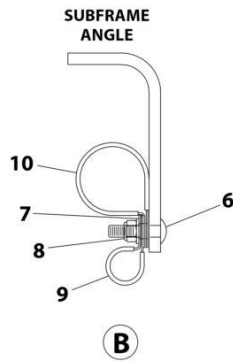
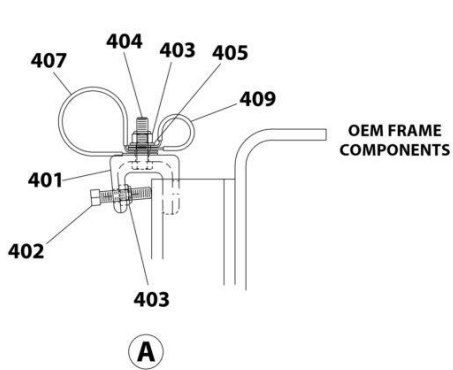
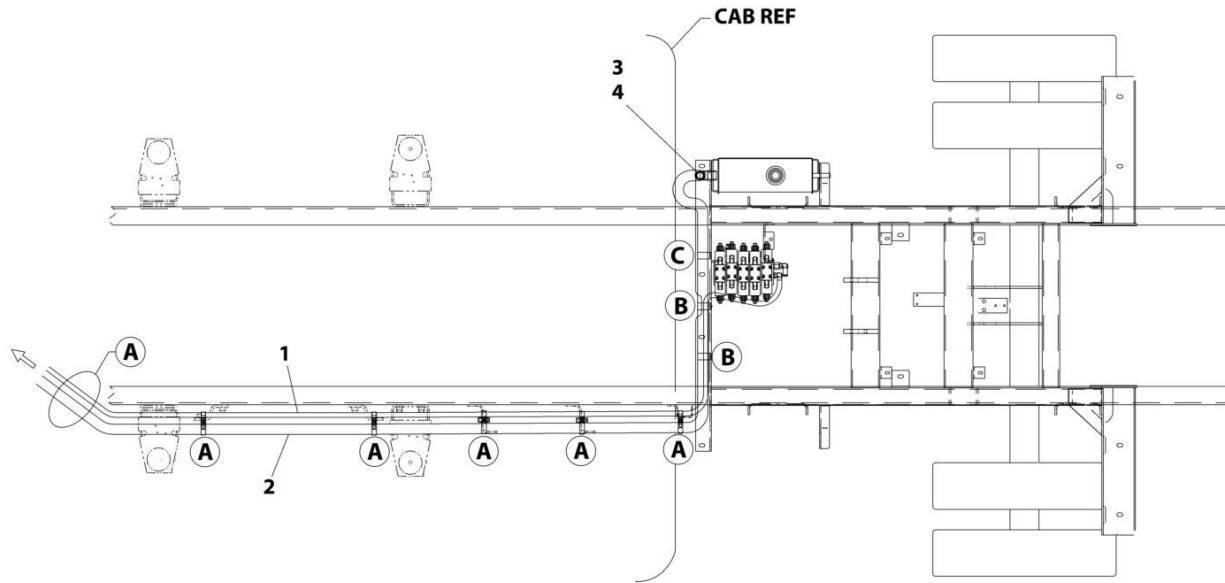
SECTION 6 - HYDRAULIC

FIGURE 6-8. HOSE AND CLAMP INSTALLATION (2019 CV515 - 165IN WB)

| ITEM | PART NUMBER | QTY | DESCRIPTION | REV |
|------|-------------|-----|--|-----|
| | 1001256467 | Ref | HOSE AND CLAMP INSTALLATION (2019 CV515 D-CP - 165IN WB) | A |
| 1 | 4567132178 | 1 | Hose | |
| 2 | 1001132643 | 1 | Hose | |
| 3 | 7443000013 | 1 | Fitting | |
| 4 | 7274000002 | 2 | Clamp | |
| 5 | 4706003844 | 1 | Plate | |
| 6 | 7115151064 | 4 | Bolt 5/16 x 1-1/4 | |
| 7 | 7950150161 | 4 | Washer 5/16 | |
| 8 | 7660152601 | 4 | Nut 5/16 | |
| 9 | 7274000040 | 4 | Clamp | |
| 10 | 7274000042 | 3 | Clamp | |
| 11 | 7819000013 | 1 | Sleeve (Not Shown) | |
| 400 | 1001132794 | 6 | Clamp, Hose Kit | |
| 401 | 7274000076 | 1 | Clamp | |
| 402 | 7785152420 | 1 | Screw 5/16 x 1-1/2 | |
| 403 | 7660152601 | 2 | Nut 5/16 | |
| 404 | 7115151050 | 1 | Bolt 5/16 x 1-1/4 | |
| 405 | 7950150161 | 1 | Washer 5/16 | |
| 406 | 7274000040 | 1 | Clamp (Not Shown) | |
| 407 | 7274000041 | 1 | Clamp | |
| 408 | 7274000042 | 1 | Clamp (Not Shown) | |
| 409 | 7274000105 | 1 | Clamp | |

SECTION 6 - HYDRAULIC

FIGURE 6-9. HOSE AND CLAMP INSTALLATION (2019 CV515 - 175IN WB)



ART_1001256468

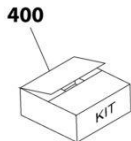
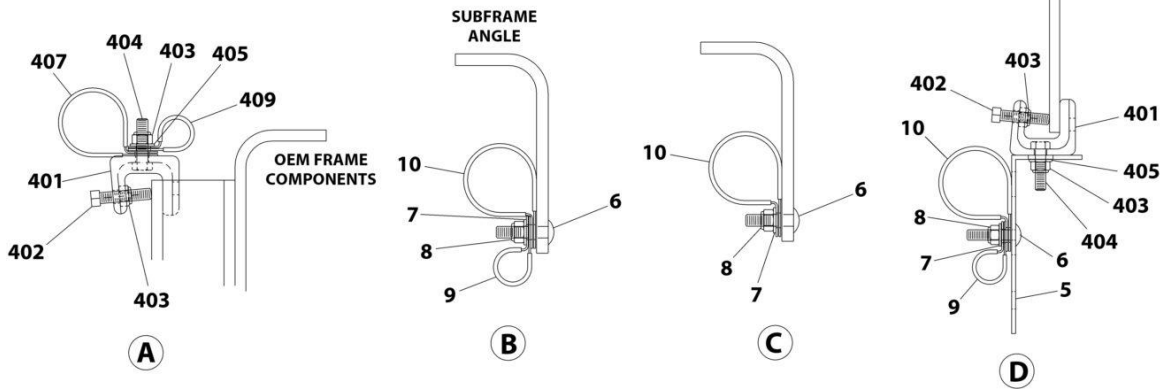
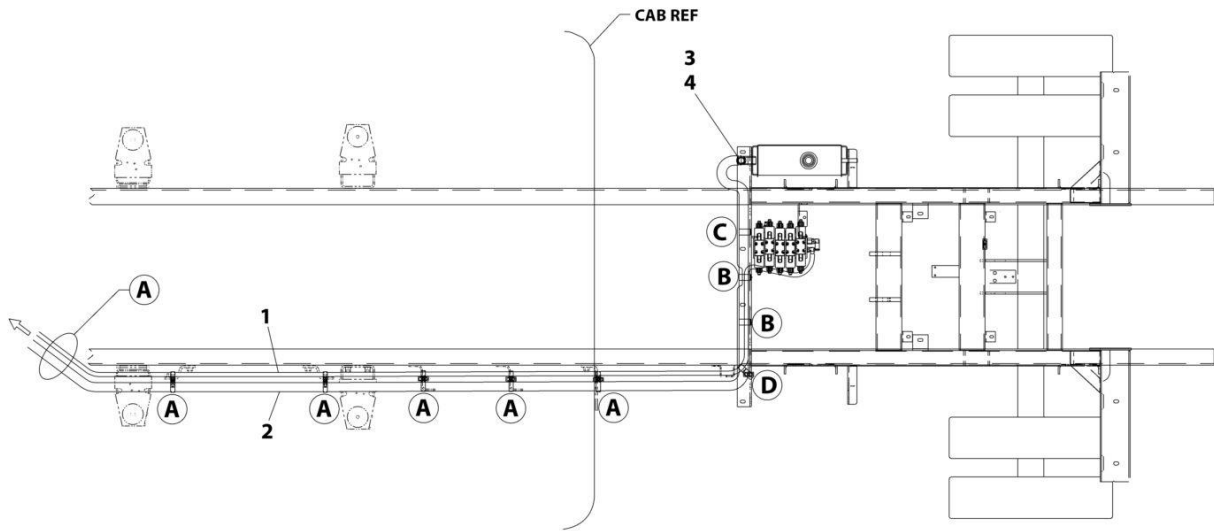
SECTION 6 - HYDRAULIC

FIGURE 6-9. HOSE AND CLAMP INSTALLATION (2019 CV515 - 175IN WB)

| ITEM | PART NUMBER | QTY | DESCRIPTION | REV |
|------|-------------|-----|--|-----|
| | 1001256468 | Ref | HOSE AND CLAMP INSTALLATION (2019 CV515 D-CP - 175IN WB) | A |
| 1 | 4567132188 | 1 | Hose | |
| 2 | 1001132647 | 1 | Hose | |
| 3 | 7443000013 | 1 | Fitting | |
| 4 | 7274000002 | 2 | Clamp | |
| 6 | 7115151064 | 3 | Bolt 5/16 x 1-1/4 | |
| 7 | 7950150161 | 3 | Washer 5/16 | |
| 8 | 7660152601 | 3 | Nut 5/16 | |
| 9 | 7274000040 | 2 | Clamp | |
| 10 | 7274000042 | 3 | Clamp | |
| 11 | 7819000013 | 1 | Sleeve (Not Shown) | |
| 400 | 1001132794 | 7 | Clamp, Hose Kit | |
| 401 | 7274000076 | 1 | Clamp | |
| 402 | 7785152420 | 1 | Screw 5/16 x 1-1/2 | |
| 403 | 7660152601 | 2 | Nut 5/16 | |
| 404 | 7115151050 | 1 | Bolt 5/16 x 1-1/4 | |
| 405 | 7950150161 | 1 | Washer 5/16 | |
| 406 | 7274000040 | 1 | Clamp (Not Shown) | |
| 407 | 7274000041 | 1 | Clamp | |
| 408 | 7274000042 | 1 | Clamp (Not Shown) | |
| 409 | 7274000105 | 1 | Clamp | |

SECTION 6 - HYDRAULIC

FIGURE 6-10. HOSE AND CLAMP INSTALLATION (2019 CV515 - 199IN WB)



ART_1001256469

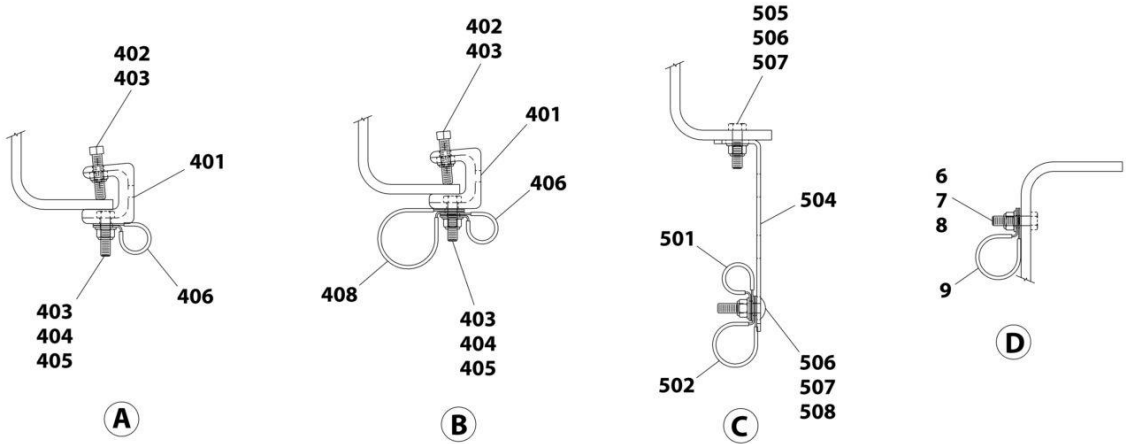
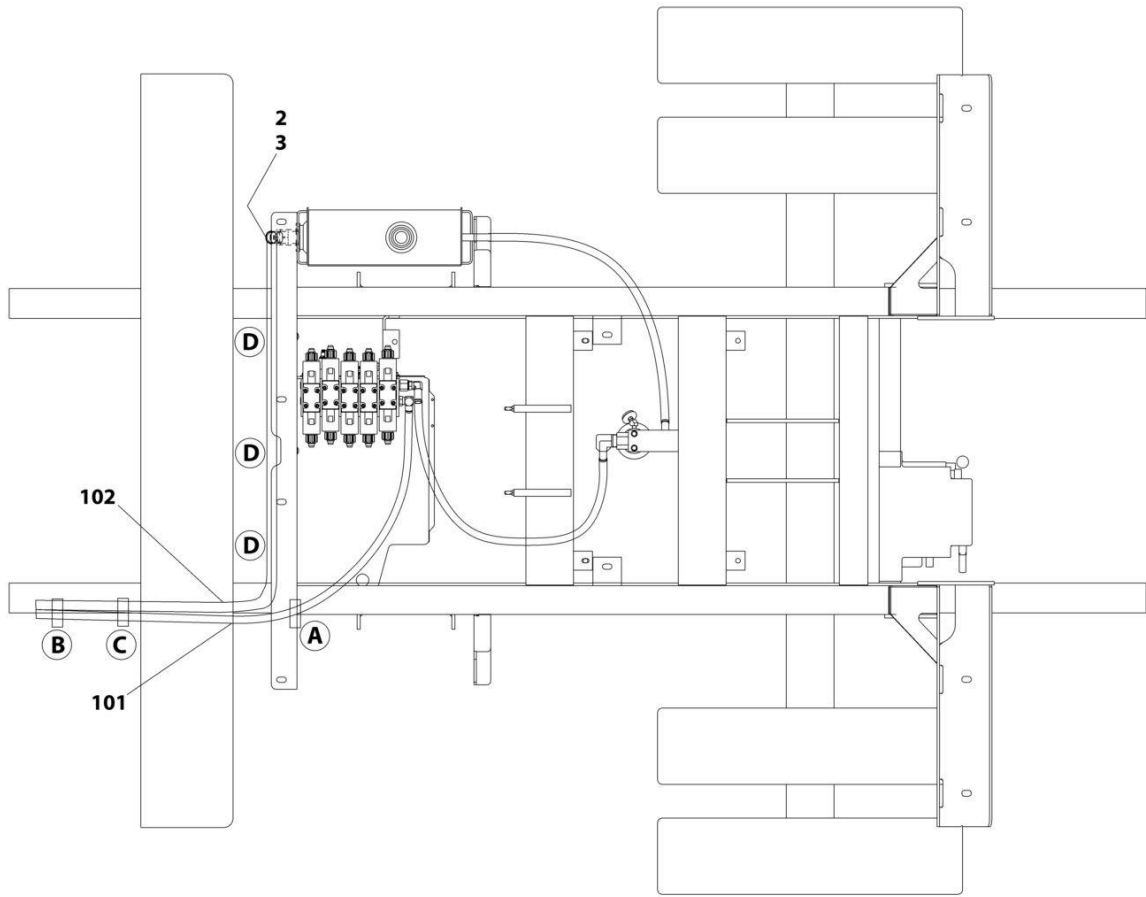
SECTION 6 - HYDRAULIC

FIGURE 6-10. HOSE AND CLAMP INSTALLATION (2019 CV515 - 199IN WB)

| ITEM | PART NUMBER | QTY | DESCRIPTION | REV |
|------|-------------|-----|--|-----|
| | 1001256469 | Ref | HOSE AND CLAMP INSTALLATION (2019 CV515 D-CP - 199IN WB) | A |
| 1 | 1001257070 | 1 | Hose | |
| 2 | 1001256825 | 1 | Hose | |
| 3 | 7443000013 | 1 | Fitting | |
| 4 | 7274000002 | 2 | Clamp | |
| 5 | 4706003844 | 1 | Plate | |
| 6 | 7115151064 | 4 | Bolt 5/16 x 1-1/4 | |
| 7 | 7950150161 | 4 | Washer 5/16 | |
| 8 | 7660152601 | 4 | Nut 5/16 | |
| 9 | 7274000040 | 4 | Clamp | |
| 10 | 7274000042 | 3 | Clamp | |
| 11 | 7819000013 | 1 | Sleeve (Not Shown) | |
| 400 | 1001132794 | 8 | Clamp, Hose Kit | |
| 401 | 7274000076 | 1 | Clamp | |
| 402 | 7785152420 | 1 | Screw 5/16 x 1-1/2 | |
| 403 | 7660152601 | 2 | Nut 5/16 | |
| 404 | 7115151050 | 1 | Bolt 5/16 x 1-1/4 | |
| 405 | 7950150161 | 1 | Washer 5/16 | |
| 406 | 7274000040 | 1 | Clamp (Not Shown) | |
| 407 | 7274000041 | 1 | Clamp | |
| 408 | 7274000042 | 1 | Clamp (Not Shown) | |
| 409 | 7274000105 | 1 | Clamp | |

SECTION 6 - HYDRAULIC

FIGURE 6-11. HOSE AND CLAMP INSTALLATION (DODGE - 144IN WB)



ART_1001132809

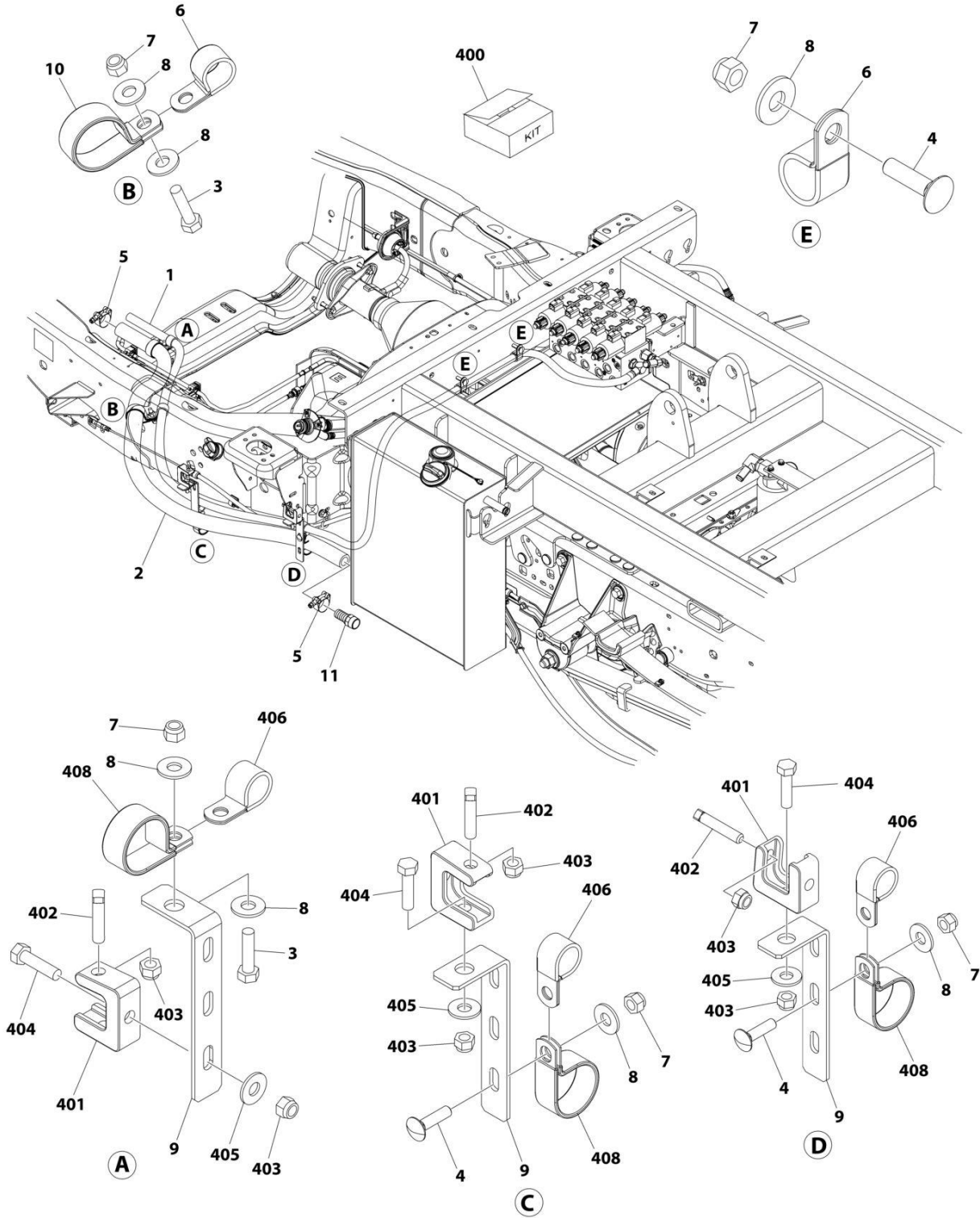
SECTION 6 - HYDRAULIC

FIGURE 6-11. HOSE AND CLAMP INSTALLATION (DODGE - 144IN WB)

| ITEM | PART NUMBER | QTY | DESCRIPTION | REV |
|------|-------------|-----|--|-----|
| | 1001132809 | Ref | HOSE AND CLAMP INSTALLATION (DODGE 2011, D-CPB - 144IN WB) | B |
| 1 | 1001132834 | Ref | Hose, Kit (Not Shown) (Includes Items 101-102) | |
| 2 | 7443000412 | 1 | Fitting, 90 | |
| 3 | 7274000002 | 2 | Clamp | |
| 4 | 1001132794 | Ref | Clamp, Hose Kit (Not Shown) (Includes Items 401-408) | |
| 5 | 1001132800 | Ref | Clamp, Hose Kit (Not Shown) (Includes Items 501-508) | |
| 6 | 7115150864 | 3 | Bolt 5/16 x 1 | |
| 7 | 7274000040 | 3 | Clamp | |
| 8 | 7950150161 | 3 | Washer 5/16 | |
| 9 | 7660162601 | 3 | Nut 3/8 | |
| 10 | 7819000013 | 4 | Sleeve (Not Shown) | |
| | 1001132834 | Ref | HOSE, KIT | 0 |
| 101 | 4567630182 | 1 | Hose | |
| 102 | 1001132846 | 1 | Hose | |
| | 1001132794 | Ref | CLAMP, HOSE KIT | B |
| 401 | 7274000076 | 1 | Clamp | |
| 402 | 7785152420 | 1 | Screw 5/16 x 1-1/2 | |
| 403 | 7660152601 | 2 | Nut 5/16 | |
| 404 | 7115151050 | 1 | Bolt 5/16 x 1-1/4 | |
| 405 | 7950150161 | 1 | Washer 5/16 | |
| 406 | 7274000040 | 1 | Clamp | |
| 407 | 7274000041 | 1 | Clamp (Not Shown) | |
| 408 | 7274000042 | 1 | Clamp | |
| | 1001132800 | Ref | CLAMP, HOSE KIT | B |
| 501 | 7274000040 | 1 | Clamp | |
| 502 | 7274000041 | 1 | Clamp | |
| 503 | 7274000042 | 1 | Clamp (Not Shown) | |
| 504 | 4706003844 | 1 | Plate | |
| 505 | 7115151050 | 1 | Bolt 5/16 x 1-1/4 | |
| 506 | 7950150161 | 3 | Washer 5/16 | |
| 507 | 7660152601 | 2 | Nut 5/16 | |
| 508 | 7115151064 | 1 | Bolt 5/16 x 1-1/4 | |

SECTION 6 - HYDRAULIC

FIGURE 6-12. HOSE AND CLAMP INSTALLATION (FORD 2017 - 145IN WB)



ART_1001223730

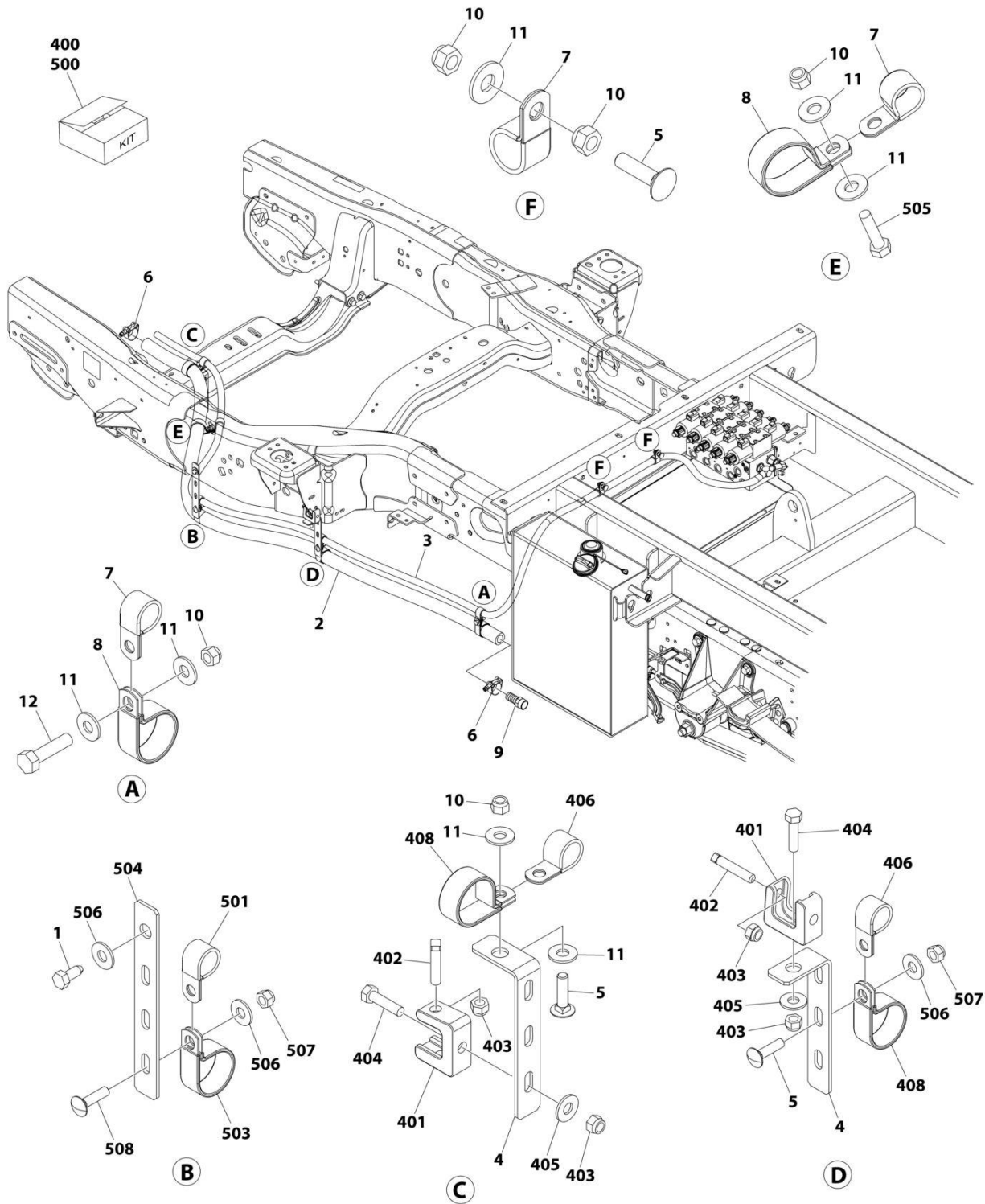
SECTION 6 - HYDRAULIC

FIGURE 6-12. HOSE AND CLAMP INSTALLATION (FORD 2017 - 145IN WB)

| ITEM | PART NUMBER | QTY | DESCRIPTION | REV |
|------|-------------|-----|---|-----|
| | 1001223730 | Ref | HOSE AND CLAMP INSTALLATION (FORD 2017+ PTO - 145IN WB) | A |
| 1 | 1001136821 | 1 | Hose | |
| 2 | 4570000373 | 1 | Hose | |
| 3 | 7115151050 | 2 | Bolt 5/16 x 1-1/4 | |
| 4 | 7115151064 | 4 | Bolt 5/16 x 1-1/4 | |
| 5 | 7274000002 | 2 | Clamp | |
| 6 | 7274000040 | 3 | Clamp | |
| 7 | 7660152601 | 6 | Nut 5/16 | |
| 8 | 7950150161 | 8 | Washer 5/16 | |
| 9 | 4706003844 | 3 | Plate | |
| 10 | 7274000042 | 1 | Clamp | |
| 11 | 7443000013 | 1 | Fitting | |
| 400 | 1001132794 | 3 | Clamp, Hose Kit | |
| 401 | 7274000076 | 1 | Clamp | |
| 402 | 7785152420 | 1 | Screw 5/16 x 1-1/2 | |
| 403 | 7660152601 | 2 | Nut 5/16 | |
| 404 | 7115151050 | 1 | Bolt 5/16 x 1-1/4 | |
| 405 | 7950150161 | 1 | Washer 5/16 | |
| 406 | 7274000040 | 1 | Clamp | |
| 408 | 7274000042 | 1 | Clamp | |

SECTION 6 - HYDRAULIC

FIGURE 6-13. HOSE AND CLAMP INSTALLATION (FORD 2017 - 167-169IN WB)



ART_1001223731

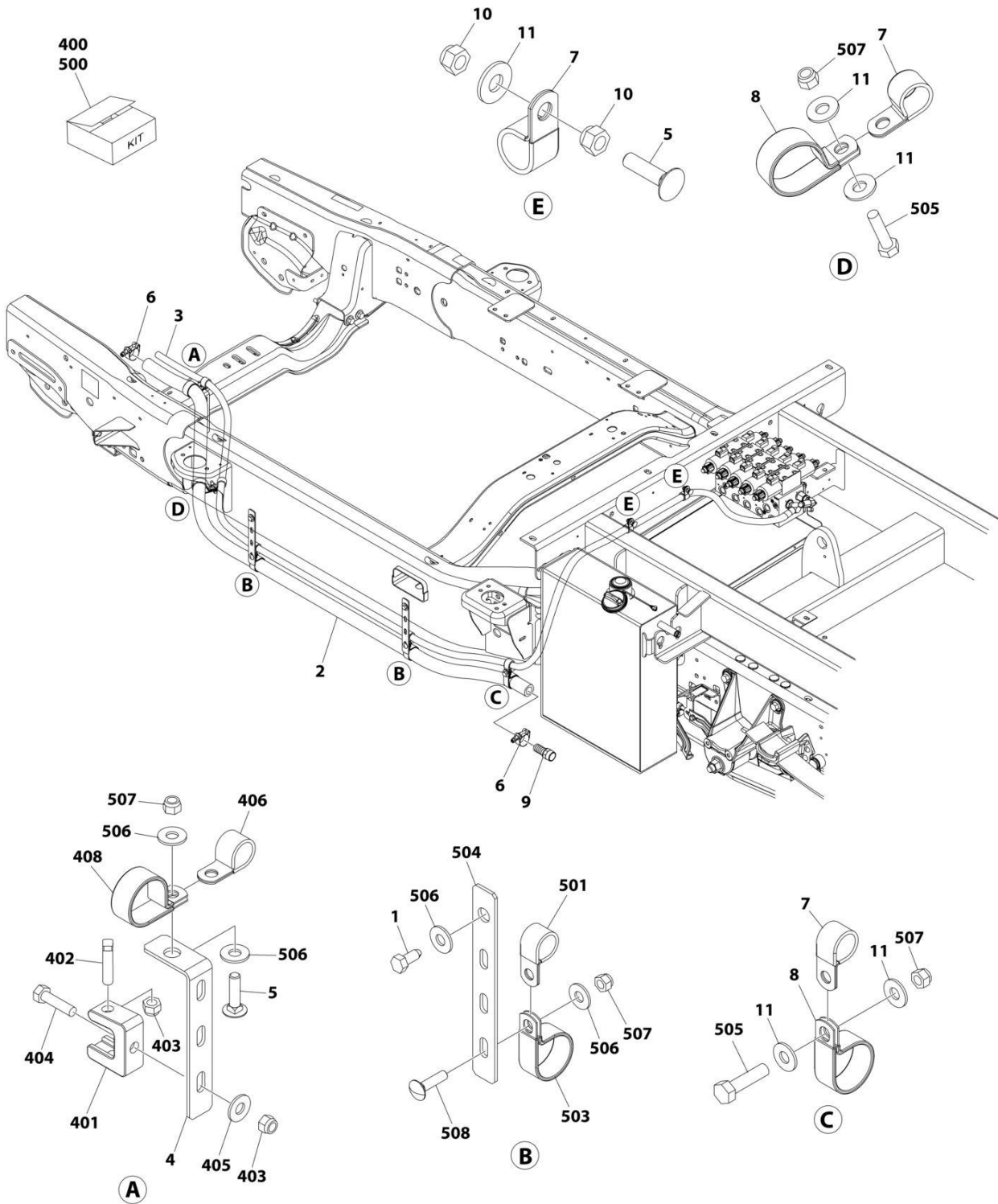
SECTION 6 - HYDRAULIC

FIGURE 6-13. HOSE AND CLAMP INSTALLATION (FORD 2017 - 167-169IN WB)

| ITEM | PART NUMBER | QTY | DESCRIPTION | REV |
|------|-------------|-----|---|-----|
| | 1001223731 | Ref | HOSE AND CLAMP INSTALLATION (FORD 2017+ PTO - 167-169IN WB) | A |
| 1 | 3941506 | 1 | Tap Screw | |
| 2 | 1001132605 | 1 | Hose | |
| 3 | 4567130135 | 1 | Hose | |
| 4 | 4706003844 | 2 | Plate | |
| 5 | 7115151064 | 4 | Bolt 5/16 x 1-1/4 | |
| 6 | 7274000002 | 2 | Clamp | |
| 7 | 7274000040 | 4 | Clamp | |
| 8 | 7274000042 | 2 | Clamp | |
| 9 | 7443000013 | 1 | Fitting | |
| 10 | 7660152601 | 7 | Nut 5/16 | |
| 11 | 7950150161 | 7 | Washer 5/16 | |
| 12 | 7115151050 | 1 | Bolt 5/16 x 1-1/4 | |
| 400 | 1001132794 | 2 | Clamp, Hose Kit | |
| 401 | 7274000076 | 1 | Clamp | |
| 402 | 7785152420 | 1 | Screw 5/16 x 1-1/2 | |
| 403 | 7660152601 | 2 | Nut 5/16 | |
| 404 | 7115151050 | 1 | Bolt 5/16 x 1-1/4 | |
| 405 | 7950150161 | 1 | Washer 5/16 | |
| 406 | 7274000040 | 1 | Clamp | |
| 408 | 7274000042 | 1 | Clamp | |
| 500 | 1001132800 | 1 | Clamp, Hose Kit | |
| 501 | 7274000040 | 1 | Clamp | |
| 503 | 7274000042 | 1 | Clamp | |
| 504 | 4706003844 | 1 | Plate | |
| 505 | 7115151050 | 1 | Bolt 5/16 x 1-1/4 | |
| 506 | 7950150161 | 3 | Washer 5/16 | |
| 507 | 7660152601 | 2 | Nut 5/16 | |
| 508 | 7115151064 | 1 | Bolt 5/16 x 1-1/4 | |

SECTION 6 - HYDRAULIC

FIGURE 6-14. HOSE AND CLAMP INSTALLATION (FORD 2017 - 179IN WB)



ART_1001223732

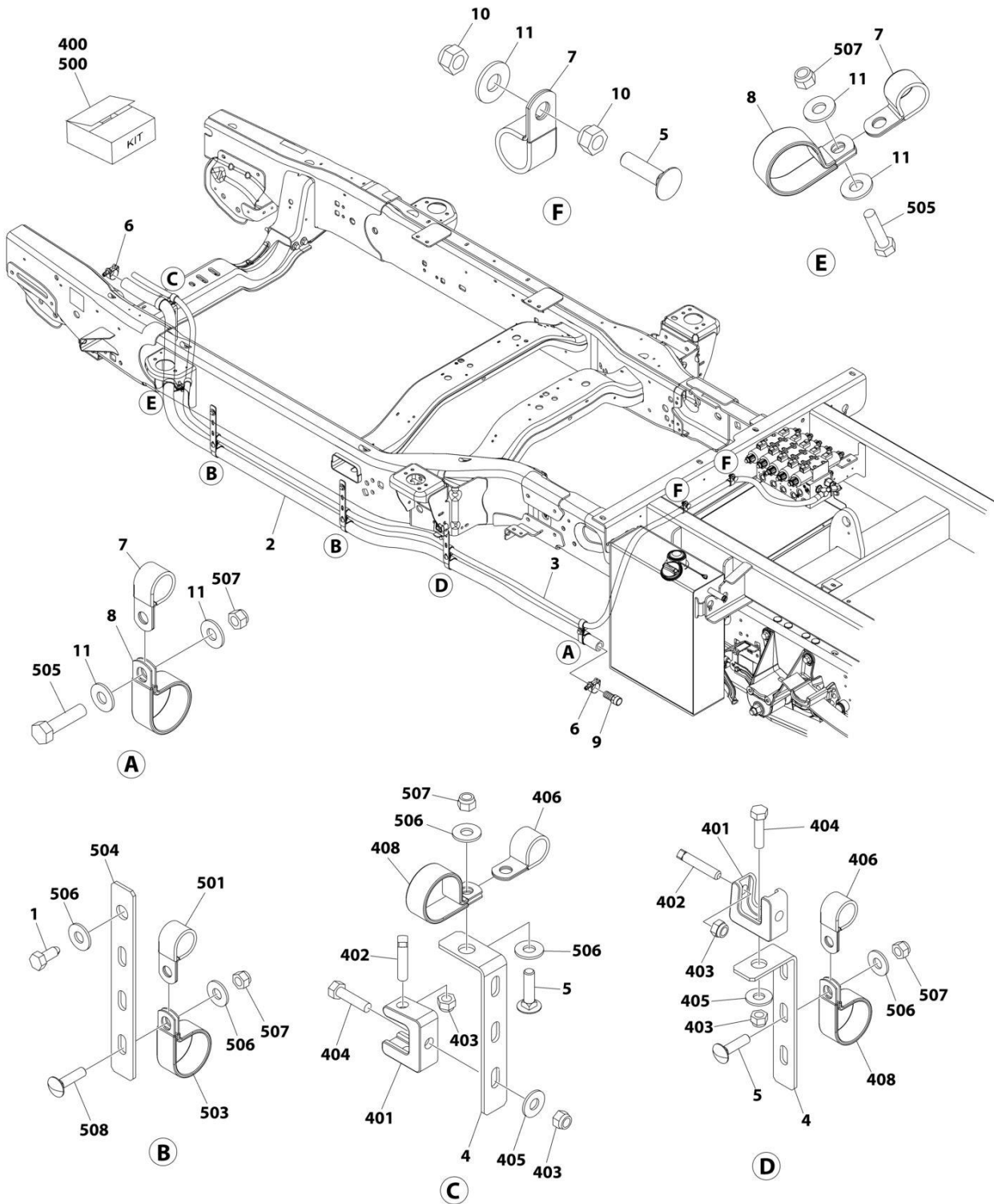
SECTION 6 - HYDRAULIC

FIGURE 6-14. HOSE AND CLAMP INSTALLATION (FORD 2017 - 179IN WB)

| ITEM | PART NUMBER | QTY | DESCRIPTION | REV |
|------|-------------|-----|---|-----|
| | 1001223732 | Ref | HOSE AND CLAMP INSTALLATION (FORD 2017+ PTO - 179IN WB) | A |
| 1 | 3941506 | 2 | Tap Screw | |
| 2 | 1001132610 | 1 | Hose | |
| 3 | 4567130140 | 1 | Hose | |
| 4 | 4706003844 | 1 | Plate | |
| 5 | 7115151064 | 3 | Bolt 5/16 x 1-1/4 | |
| 6 | 7274000002 | 2 | Clamp | |
| 7 | 7274000040 | 4 | Clamp | |
| 8 | 7274000042 | 2 | Clamp | |
| 9 | 7443000013 | 1 | Fitting | |
| 10 | 7660152601 | 4 | Nut 5/16 | |
| 11 | 7950150161 | 6 | Washer 5/16 | |
| 400 | 1001132794 | 1 | Clamp, Hose Kit | |
| 401 | 7274000076 | 1 | Clamp | |
| 402 | 7785152420 | 1 | Screw 5/16 x 1-1/2 | |
| 403 | 7660152601 | 2 | Nut 5/16 | |
| 404 | 7115151050 | 1 | Bolt 5/16 x 1-1/4 | |
| 405 | 7950150161 | 1 | Washer 5/16 | |
| 406 | 7274000040 | 1 | Clamp | |
| 408 | 7274000042 | 1 | Clamp | |
| 500 | 1001132800 | 2 | Clamp, Hose Kit | |
| 501 | 7274000040 | 1 | Clamp | |
| 503 | 7274000042 | 1 | Clamp | |
| 504 | 4706003844 | 1 | Plate | |
| 505 | 7115151050 | 1 | Bolt 5/16 x 1-1/4 | |
| 506 | 7950150161 | 3 | Washer 5/16 | |
| 507 | 7660152601 | 2 | Nut 5/16 | |
| 508 | 7115151064 | 1 | Bolt 5/16 x 1-1/4 | |

SECTION 6 - HYDRAULIC

FIGURE 6-15. HOSE AND CLAMP INSTALLATION (FORD 2017 - 203IN WB)



ART_1001223734

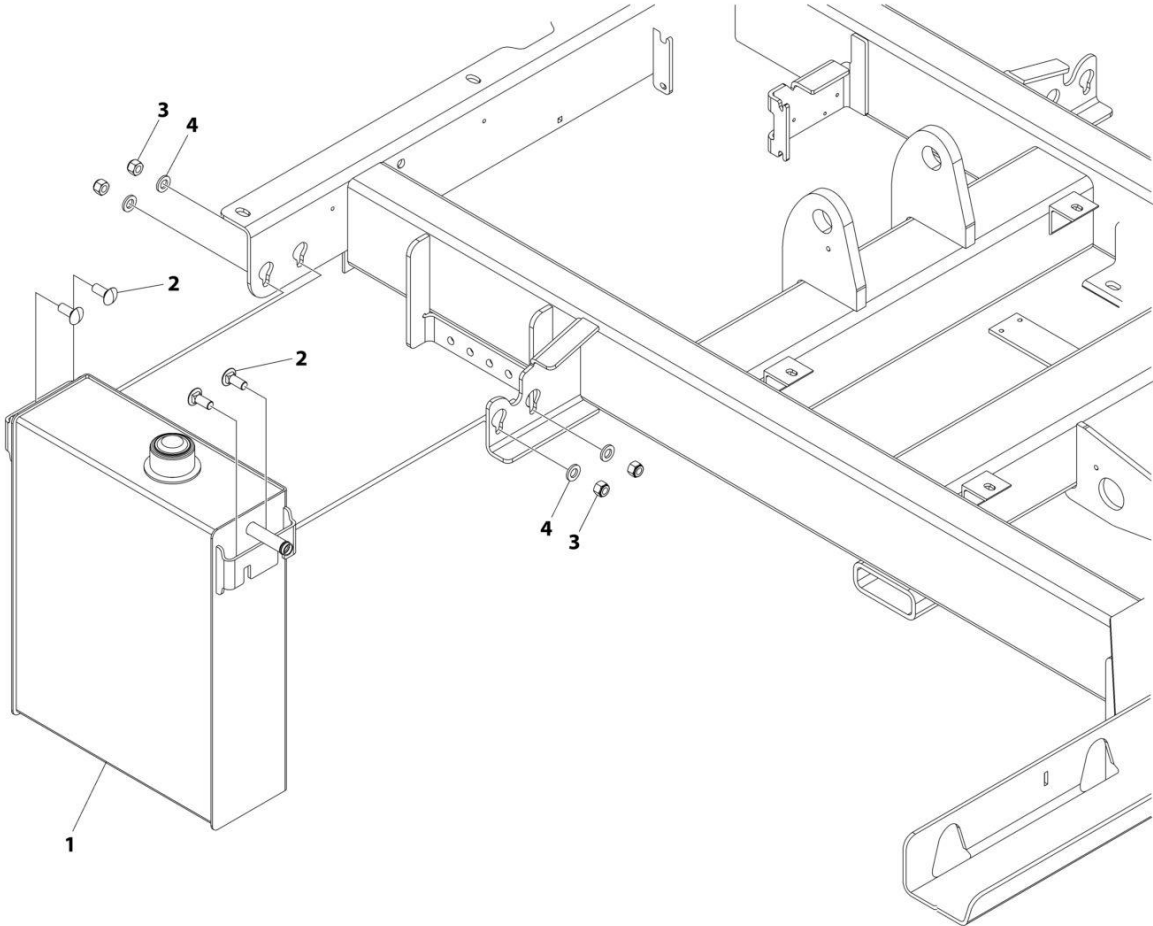
SECTION 6 - HYDRAULIC

FIGURE 6-15. HOSE AND CLAMP INSTALLATION (FORD 2017 - 203IN WB)

| ITEM | PART NUMBER | QTY | DESCRIPTION | REV |
|------|-------------|-----|---|-----|
| | 1001223734 | Ref | HOSE AND CLAMP INSTALLATION (FORD 2017+ PTO - 203IN WB) | A |
| 1 | 3941506 | 2 | Tap Screw | |
| 2 | 1001132618 | 1 | Hose | |
| 3 | 4567130165 | 1 | Hose | |
| 4 | 4706003844 | 2 | Plate | |
| 5 | 7115151064 | 4 | Bolt 5/16 x 1-1/4 | |
| 6 | 7274000002 | 2 | Clamp | |
| 7 | 7274000040 | 4 | Clamp | |
| 8 | 7274000042 | 2 | Clamp | |
| 9 | 7443000013 | 1 | Fitting | |
| 10 | 7660152601 | 4 | Nut 5/16 | |
| 11 | 7950150161 | 6 | Washer 5/16 | |
| 400 | 1001132794 | 2 | Clamp, Hose Kit | |
| 401 | 7274000076 | 1 | Clamp | |
| 402 | 7785152420 | 1 | Screw 5/16 x 1-1/2 | |
| 403 | 7660152601 | 2 | Nut 5/16 | |
| 404 | 7115151050 | 1 | Bolt 5/16 x 1-1/4 | |
| 405 | 7950150161 | 1 | Washer 5/16 | |
| 406 | 7274000040 | 1 | Clamp | |
| 408 | 7274000042 | 1 | Clamp | |
| 500 | 1001132800 | 2 | Clamp, Hose Kit | |
| 501 | 7274000040 | 1 | Clamp | |
| 503 | 7274000042 | 1 | Clamp | |
| 504 | 4706003844 | 1 | Plate | |
| 505 | 7115151050 | 1 | Bolt 5/16 x 1-1/4 | |
| 506 | 7950150161 | 3 | Washer 5/16 | |
| 507 | 7660152601 | 2 | Nut 5/16 | |
| 508 | 7115151064 | 1 | Bolt 5/16 x 1-1/4 | |

SECTION 6 - HYDRAULIC

FIGURE 6-16. TANK (HYDRAULIC) INSTALLATION



ART_2509650093

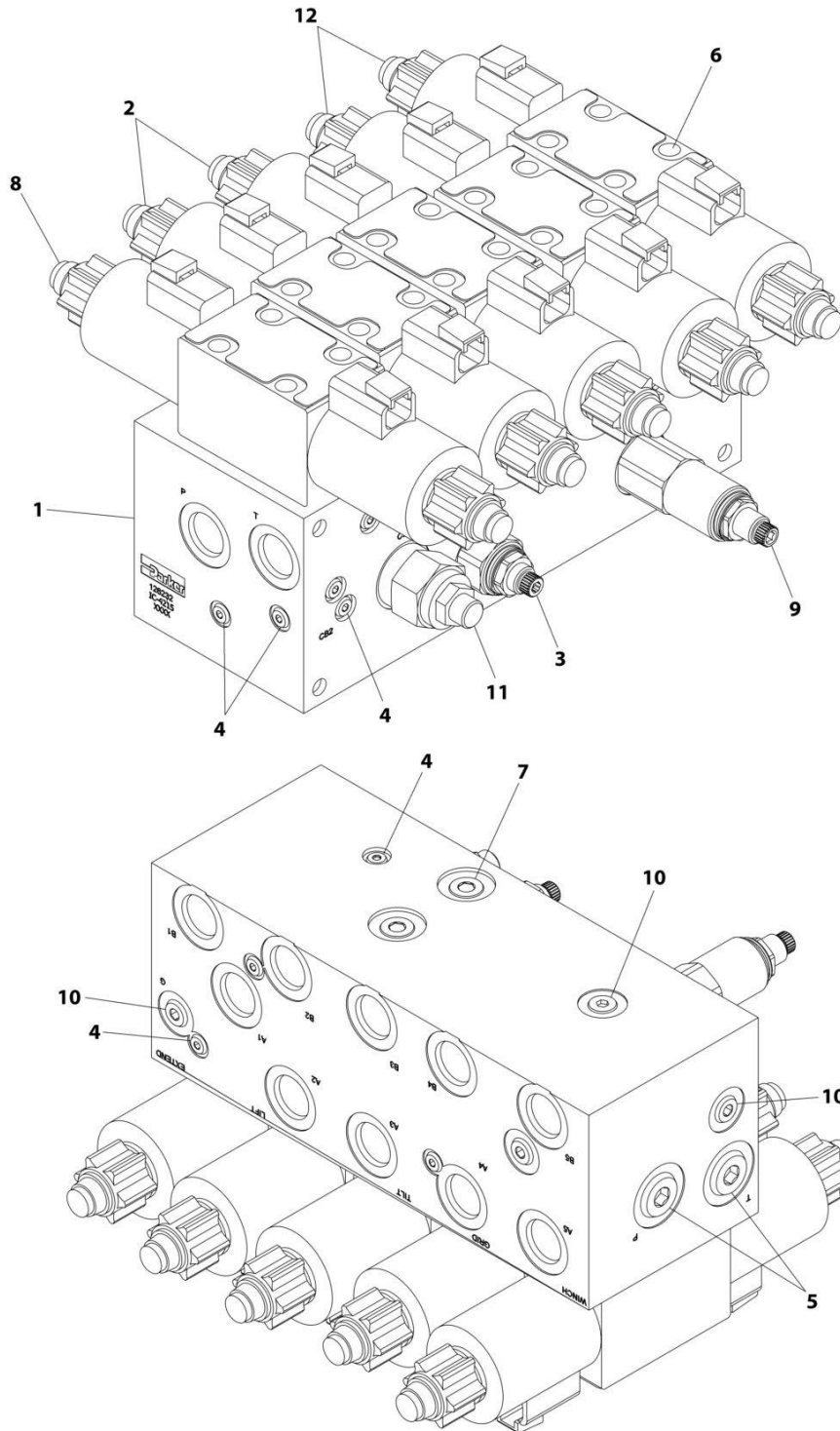
SECTION 6 - HYDRAULIC

FIGURE 6-16. TANK (HYDRAULIC) INSTALLATION

| ITEM | PART NUMBER | QTY | DESCRIPTION | REV |
|------|-------------|-----|-------------------------------|-----|
| | 2509650093 | Ref | TANK (HYDRAULIC) INSTALLATION | 0 |
| 1 | 3750000061 | 1 | Tank, Hydraulic | |
| 2 | 7115181064 | 4 | Bolt 1/2 x 1-1/4 | |
| 3 | 7660182601 | 4 | Nut 1/2 | |
| 4 | 7950180153 | 4 | Washer 1/2 | |

SECTION 6 - HYDRAULIC

FIGURE 6-17. VALVE ASSEMBLY



ART_7935000311

SECTION 6 - HYDRAULIC

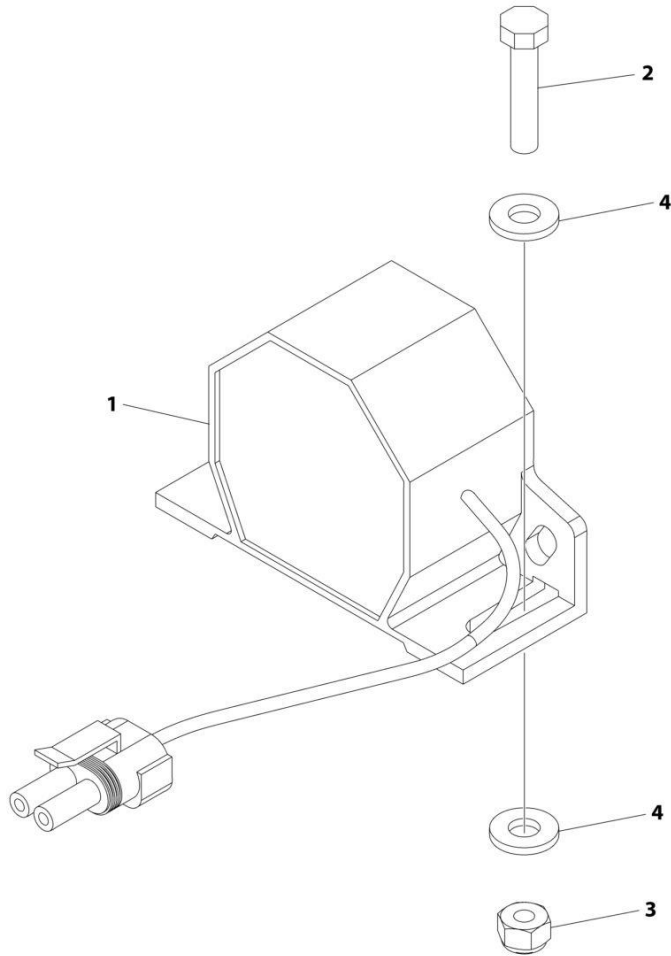
FIGURE 6-17. VALVE ASSEMBLY

| ITEM | PART NUMBER | QTY | DESCRIPTION | REV |
|------|-------------|-----|--|-----|
| | 7935000311 | Ref | VALVE ASSEMBLY | C |
| | | Ref | Note: No Information Available at Time of Printing. | |
| 1 | | Ref | Valve Body | |
| 2 | | Ref | Directional Valve | |
| 3 | | Ref | Relief Valve | |
| 4 | | Ref | Plug | |
| 5 | | Ref | Plug | |
| 6 | | Ref | Bolt 5/16 | |
| 7 | | Ref | Plug | |
| 8 | | Ref | Directional Valve | |
| 9 | | Ref | Relief Valve | |
| 10 | | Ref | Plug | |
| 11 | | Ref | Counterbalance Valve | |
| 12 | | Ref | Directional Valve | |

SECTION 7 - ELECTRICAL

SECTION 7 - ELECTRICAL

FIGURE 7-1. ALARM INSTALLATION - BACK-UP (FIXED)



ART_2011000002

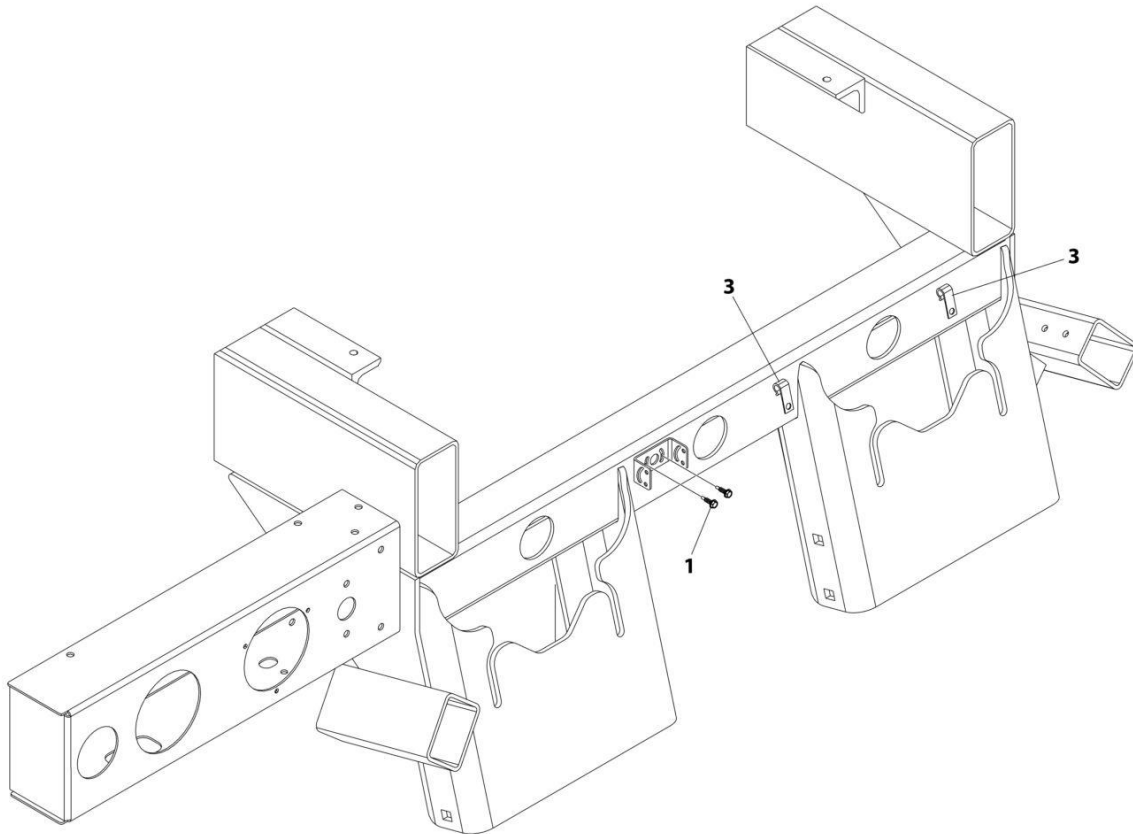
SECTION 7 - ELECTRICAL

FIGURE 7-1. ALARM INSTALLATION - BACK-UP (FIXED)

| ITEM | PART NUMBER | QTY | DESCRIPTION | REV |
|------|-------------|-----|--------------------------------------|-----|
| | 2011000002 | Ref | ALARM INSTALLATION - BACK-UP (FIXED) | B |
| 1 | 7011000006 | 1 | Alarm | |
| 2 | 7111141050 | 2 | Bolt 1/4 x 1-1/4 | |
| 3 | 7660142600 | 2 | Nut 1/4 | |
| 4 | 7950140141 | 4 | Washer 1/4 | |

SECTION 7 - ELECTRICAL

FIGURE 7-2. BACKUP CAMERA, CHASSIS SUPPLIED



ART_1001220181

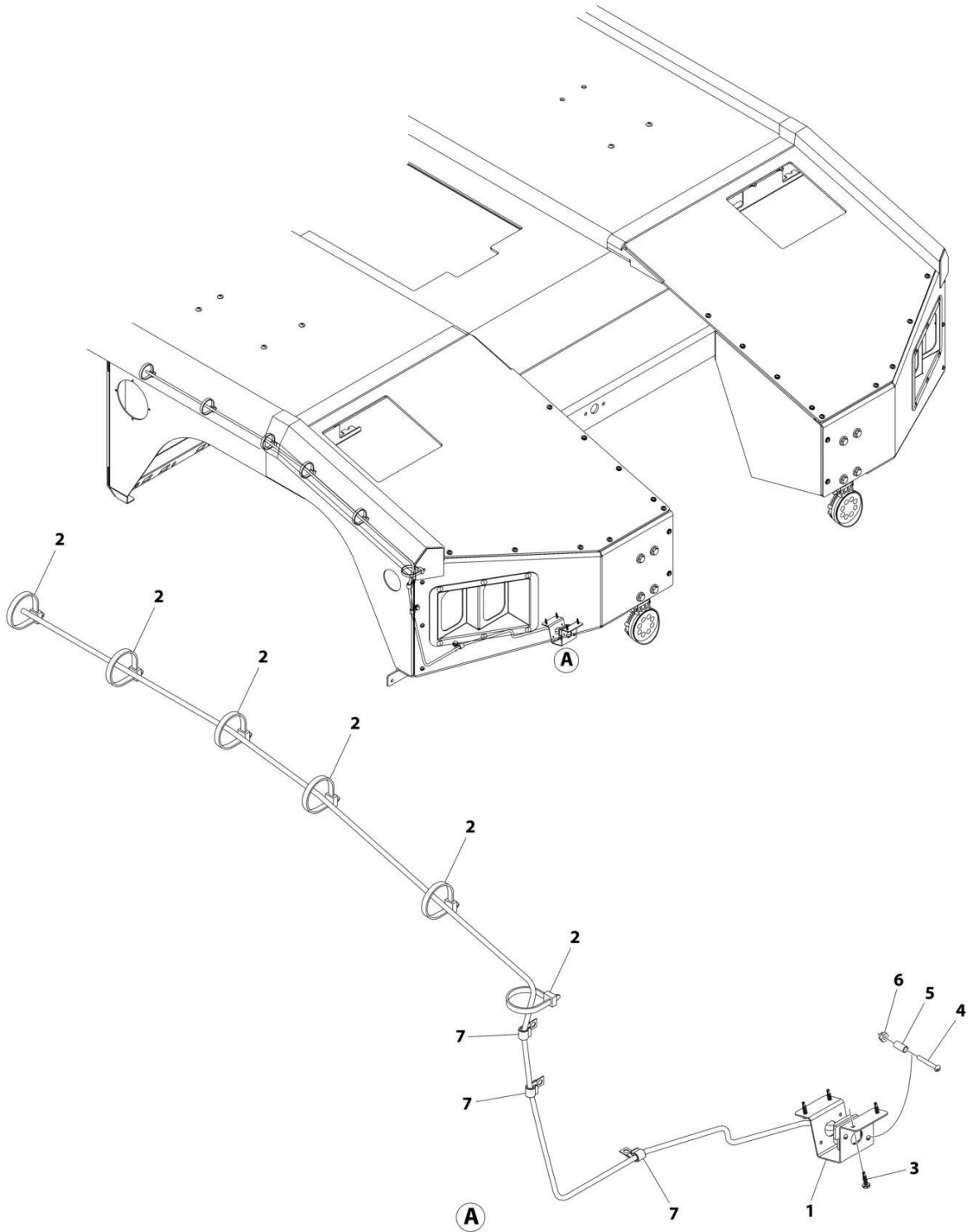
SECTION 7 - ELECTRICAL

FIGURE 7-2. BACKUP CAMERA, CHASSIS SUPPLIED

| ITEM | PART NUMBER | QTY | DESCRIPTION | REV |
|------|-------------|-----|---|-----|
| | 1001220181 | Ref | Backup Camera Installation - Chassis (OEM Supplied) | C |
| 1 | 7120000034 | 2 | Screw #10 x 3/4 | |
| 2 | 5526000553 | 40 | Tie Strap | |
| 3 | 7280000018 | 2 | Clip | |

SECTION 7 - ELECTRICAL

FIGURE 7-3. BACK UP CAMERA INSTALLATION - CHASSIS SUPPLIED (CV515 ONLY)



ART_1001255485

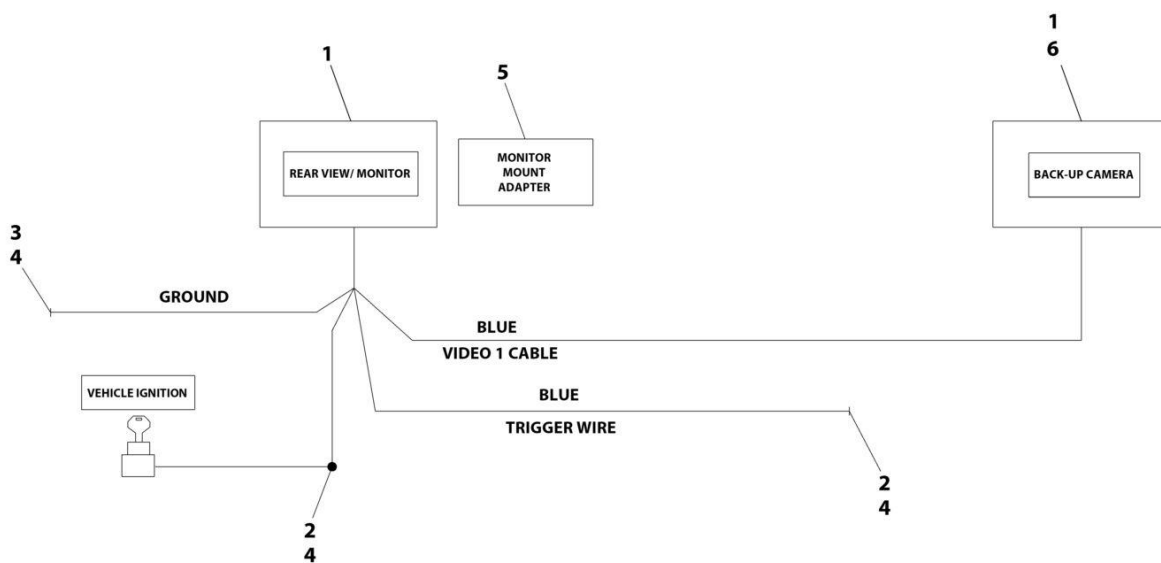
SECTION 7 - ELECTRICAL

FIGURE 7-3. BACK UP CAMERA INSTALLATION - CHASSIS SUPPLIED (CV515 ONLY)

| ITEM | PART NUMBER | QTY | DESCRIPTION | REV |
|------|-------------|-----|--|-----|
| | 1001255485 | Ref | BACK UP CAMERA INSTALLATION - CHASSIS SUPPLIED (CV515 ONLY) | B |
| 1 | 1001255484 | 1 | Bracket | |
| 2 | 5526000553 | 15 | Tie Strap | |
| 3 | 7120000034 | 4 | Screw #10 x 3/4 | |
| 4 | 7114060810 | 2 | Capscrew #6 x 1 | |
| 5 | 4564088 | 2 | Spacer | |
| 6 | 7660062604 | 2 | Nut #6 | |
| 7 | 7280000018 | 5 | Clip | |

SECTION 7 - ELECTRICAL

FIGURE 7-4. BACKUP CAMERA, REAR VIEW MIRROR



ART_1001142974_D

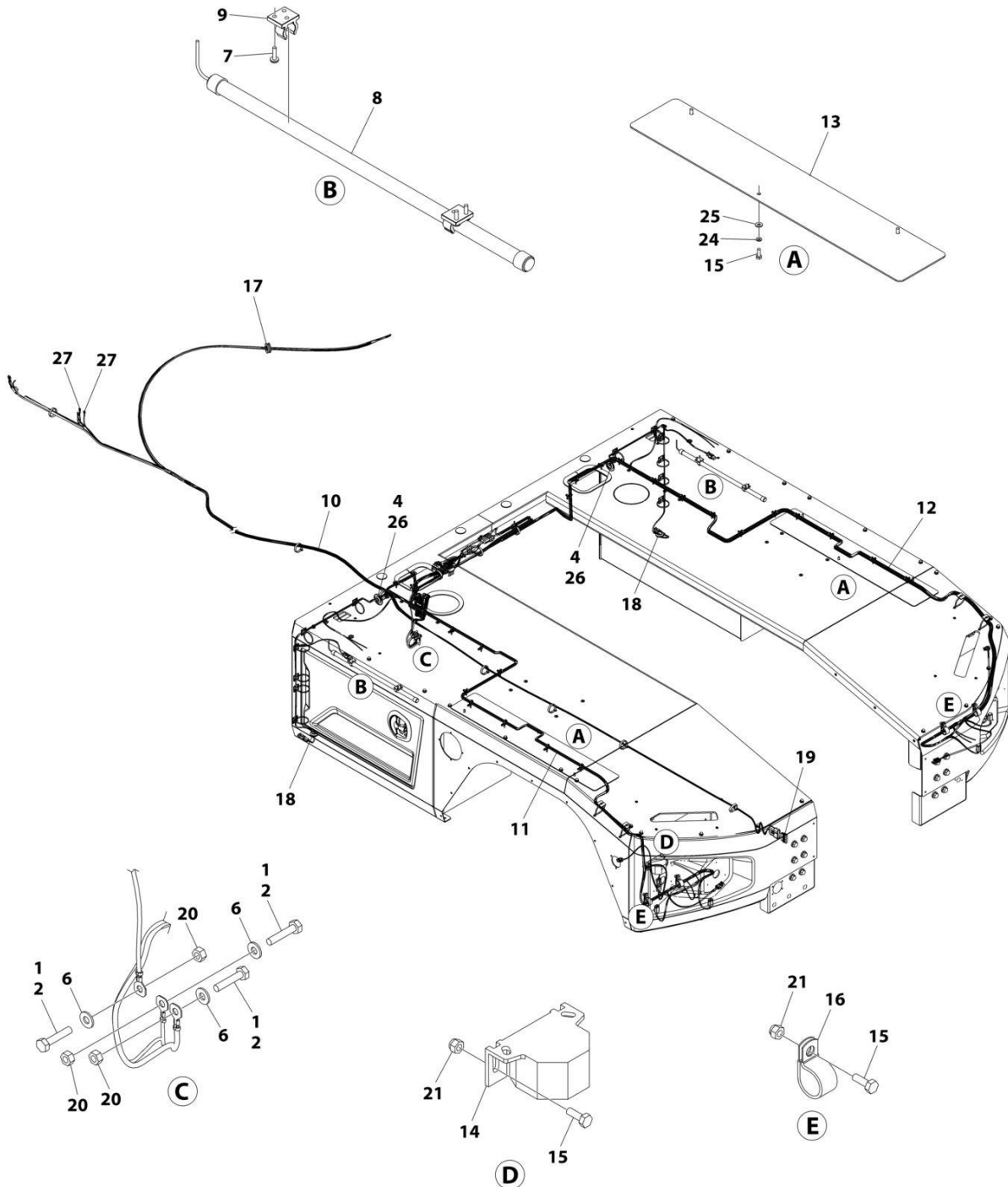
SECTION 7 - ELECTRICAL

FIGURE 7-4. BACKUP CAMERA, REAR VIEW MIRROR

| ITEM | PART NUMBER | QTY | DESCRIPTION | REV |
|------|-------------|-----|--|-----|
| | 1001142974 | Ref | BACKUP CAMERA IN REAR VIEW MIRROR INSTALLATION | D |
| 1 | 1001273600 | 1 | Camera System | |
| 2 | 7345001914 | 2 | Terminal | |
| 3 | 7345221902 | 1 | Terminal | |
| 4 | 7346000039 | AR | Tubing | |
| 6 | 7120000034 | 1 | SCREW #10 X .75" SELF DRILLING | |
| 7 | 7280000018 | AR | Clip (Not Shown) | |
| 8 | 5525000537 | AR | Wire (Not Shown) | |
| 9 | 7894000010 | AR | Strap, Tie (Not Shown) | |

SECTION 7 - ELECTRICAL

FIGURE 7-5. BODY WIRING INSTALLATION - NG



ART_1001291366

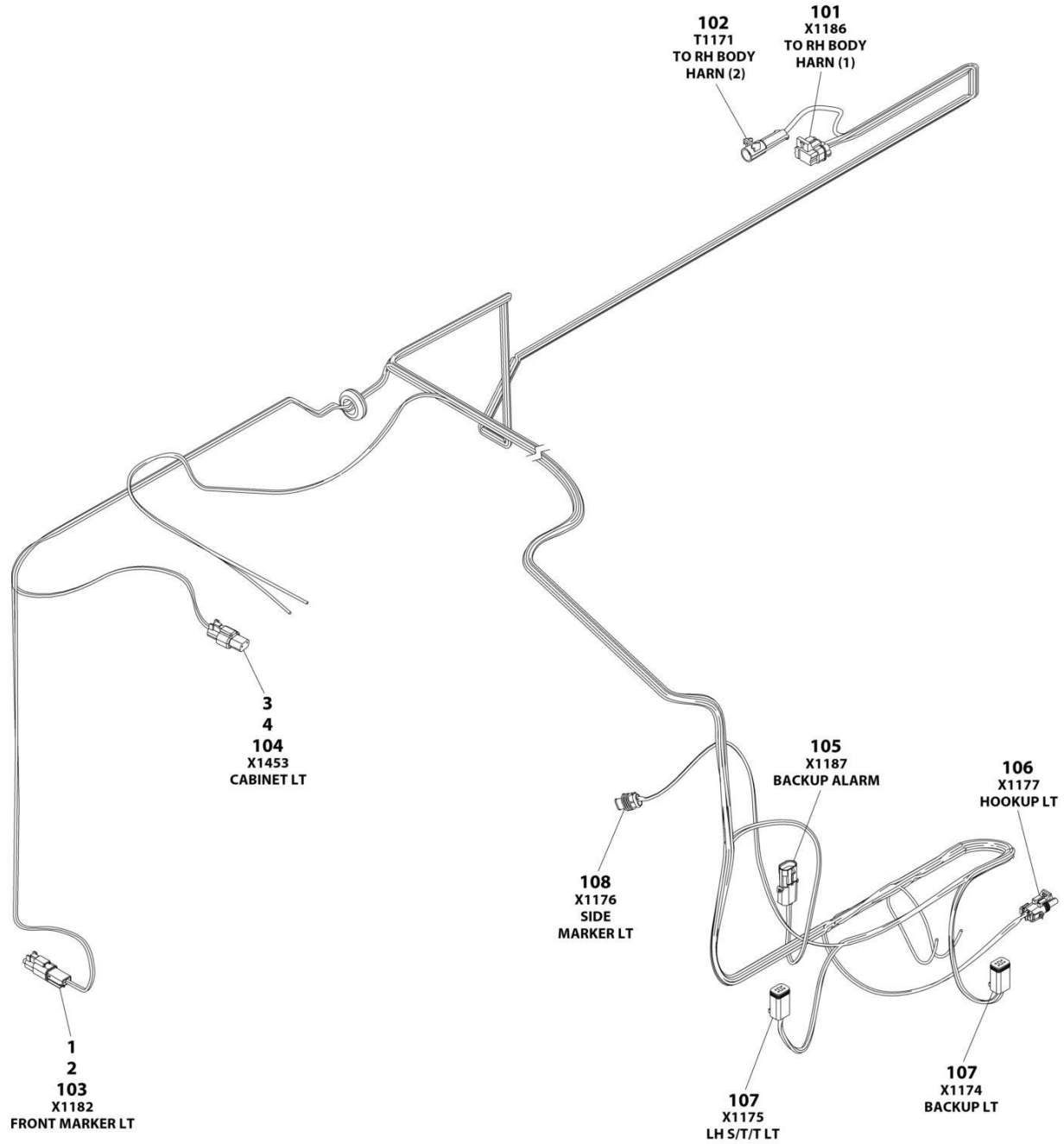
SECTION 7 - ELECTRICAL

FIGURE 7-5. BODY WIRING INSTALLATION - NG

| ITEM | PART NUMBER | QTY | DESCRIPTION | REV |
|------|-------------|-----|--|-----|
| | 1001291366 | Ref | BODY WIRING INSTALLATION - NO FUEL FILLER | A |
| 1 | 0100011 | AR | Compound Locking | |
| 2 | 0641410 | 3 | Bolt 1/4 x 1-1/4 | |
| 3 | 4240033 | 16 | Tie-Strap (Not Shown) | |
| 4 | 4420002 | AR | Tape | |
| 5 | 4460234 | 16 | Mount, Cable-Tie (Not Shown) | |
| 6 | 4711400 | 3 | Washer 1/4 | |
| 7 | 1001154530 | 8 | Screw #8 x 5/8 | |
| 8 | 1001189906 | 2 | Lamp | |
| 9 | 1001199081 | 4 | Mount | |
| 10 | 1001291050 | 1 | Harness, Cab Subframe (See Separate Breakdown in this Section) | |
| 11 | 1001291064 | 1 | Harness, Body LH (See Separate Breakdown in this Section) | |
| 12 | 1001291065 | 1 | Harness, Body RH (See Separate Breakdown in this Section) | |
| 13 | 1001298621 | 2 | Plate | |
| 14 | 7011000006 | 1 | Alarm | |
| 15 | 7114140650 | 12 | Bolt 1/4 x 3/4 | |
| 16 | 7274000105 | 4 | Clamp | |
| 17 | 7493000003 | 1 | Grommet | |
| 18 | 7493000030 | 2 | Grommet | |
| 19 | 7577000194 | 1 | Connector Kit | |
| 20 | 7660140001 | 3 | Nut 1/4 | |
| 21 | 7660142604 | 6 | Nut 1/4 | |
| 22 | 7894000004 | 16 | Tie-Strap (Not Shown) | |
| 23 | 7894000042 | 28 | Tie-Strap (Not Shown) | |
| 24 | 7950140003 | 6 | Washer 1/4 | |
| 25 | 7950140143 | 6 | Washer 1/4 | |
| 26 | 8798820001 | AR | Sealant | |
| 27 | 0100048 | AR | Grease, Dielectric | |

SECTION 7 - ELECTRICAL

FIGURE 7-6. BODY HARNESS - LH (NG)



ART_1001291064

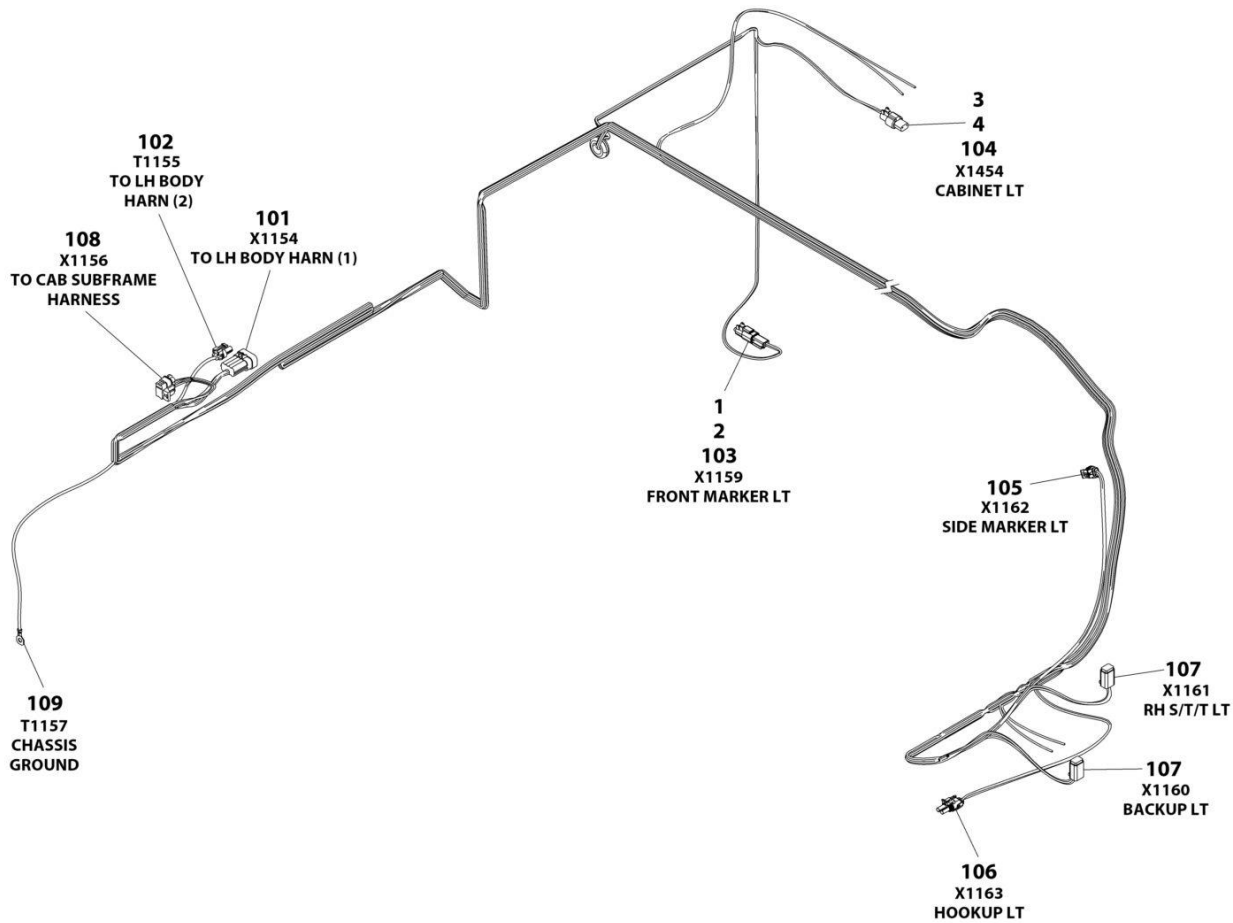
SECTION 7 - ELECTRICAL

FIGURE 7-6. BODY HARNESS - LH (NG)

| ITEM | PART NUMBER | QTY | DESCRIPTION | REV |
|------|-------------|-----|-------------------|-----|
| | 1001291064 | Ref | BODY HARNESS - LH | C |
| 1 | 4460891 | 1 | Connector | |
| 2 | 4460466 | 2 | Plug | |
| 3 | 4460897 | 1 | Connector | |
| 4 | 4460464 | 2 | Pin | |
| 101 | 1001288566 | 1 | Connector | |
| 101 | 8220124 | 6 | Socket | |
| 101 | 1001116751 | 2 | Plug | |
| 101 | 4460458 | 6 | Seal | |
| 102 | 1001119106 | 1 | Connector | |
| 102 | 1001119755 | 1 | Socket | |
| 102 | 80963067 | 1 | Seal | |
| 103 | 4460897 | 1 | Connector | |
| 103 | 4460464 | 2 | Pin | |
| 104 | 4460891 | 4 | Connector | |
| 104 | 4460465 | 2 | Socket | |
| 105 | 4461157 | 1 | Connector | |
| 105 | 4460475 | 2 | Pin | |
| 105 | 4460789 | 2 | Seal | |
| 106 | 4460742 | 1 | Connector | |
| 106 | 4460457 | 2 | Pin | |
| 106 | 4460789 | 2 | Seal | |
| 107 | 4460884 | 2 | Connector | |
| 107 | 4460465 | 8 | Socket | |
| 108 | 4461118 | 1 | Connector | |
| 108 | 1001107854 | 2 | Socket | |
| 108 | 1001104498 | 2 | Seal | |

SECTION 7 - ELECTRICAL

FIGURE 7-7. BODY HARNESS - RH (NG)



ART_1001291065

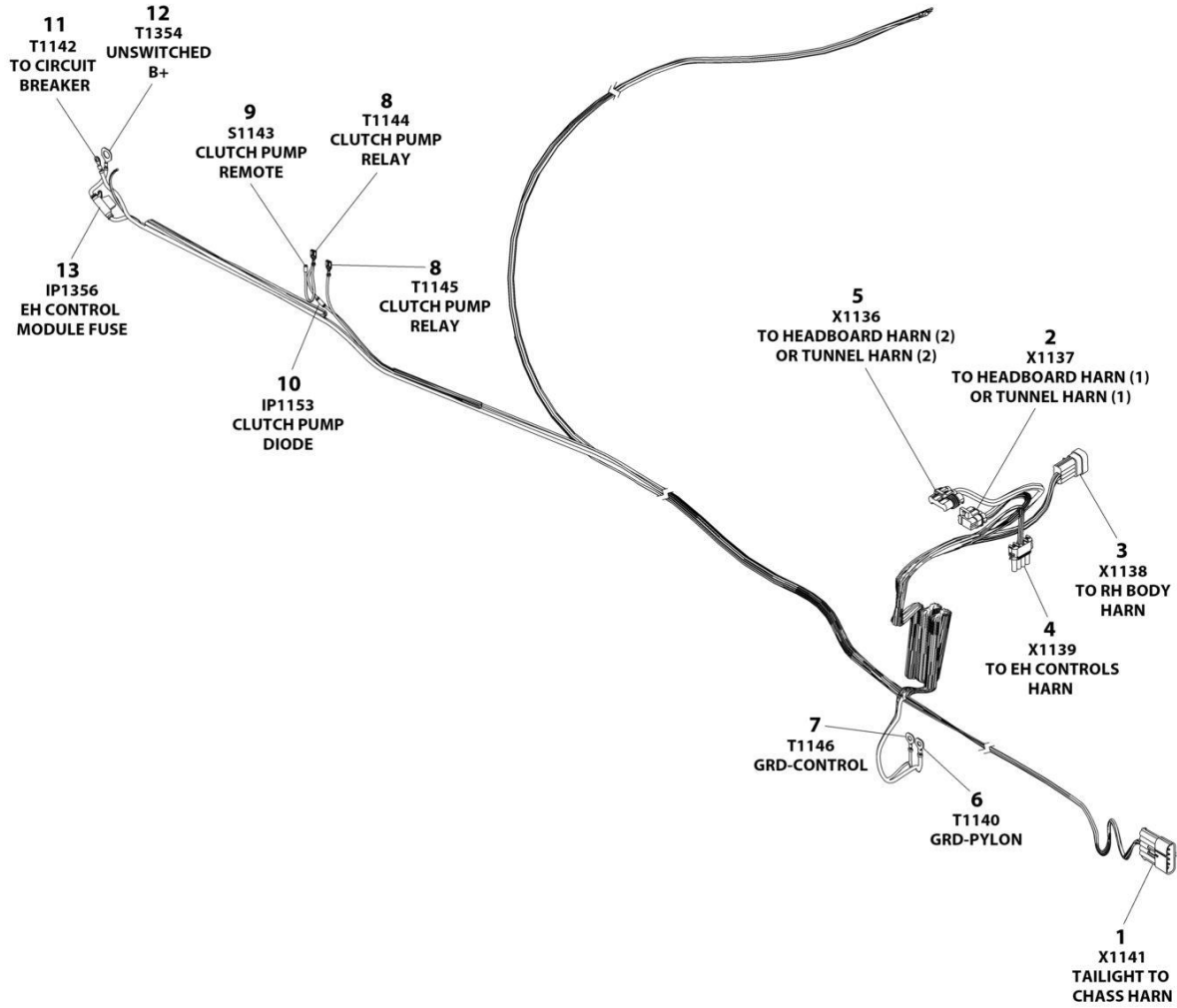
SECTION 7 - ELECTRICAL

FIGURE 7-7. BODY HARNESS - RH (NG)

| ITEM | PART NUMBER | QTY | DESCRIPTION | REV |
|------|-------------|-----|-------------------|-----|
| | 1001291065 | Ref | BODY HARNESS - RH | C |
| 1 | 4460891 | 1 | Connector | |
| 2 | 4460466 | 2 | Plug | |
| 3 | 4460897 | 1 | Connector | |
| 4 | 4460464 | 2 | Pin | |
| 101 | 1001288454 | 1 | Connector | |
| 101 | 1001116749 | 6 | Socket | |
| 101 | 1001116751 | 2 | Plug | |
| 101 | 4460458 | 6 | Seal | |
| 102 | 1001119004 | 1 | Connector | |
| 102 | 1001119754 | 1 | Socket | |
| 102 | 80963067 | 1 | Seal | |
| 103 | 4460897 | 1 | Connector | |
| 103 | 4460464 | 2 | Pin | |
| 104 | 4460891 | 1 | Connector | |
| 104 | 4460465 | 2 | Socket | |
| 105 | 4461118 | 1 | Connector | |
| 105 | 1001255628 | 2 | Socket | |
| 105 | 1001116763 | 2 | Seal | |
| 106 | 4460742 | 1 | Connector | |
| 106 | 4460457 | 2 | Pin | |
| 106 | 4460789 | 2 | Seal | |
| 107 | 4460884 | 2 | Connector | |
| 107 | 4460465 | 8 | Socket | |
| 108 | 1001288566 | 1 | Connector | |
| 108 | 8220124 | 7 | Socket | |
| 108 | 1001116751 | 1 | Plug | |
| 108 | 4460608 | 7 | Seal | |
| 109 | 1001189077 | 1 | Terminal, Ring | |

SECTION 7 - ELECTRICAL

FIGURE 7-8. CAB SUBFRAME HARNESS -NG



ART_1001291050

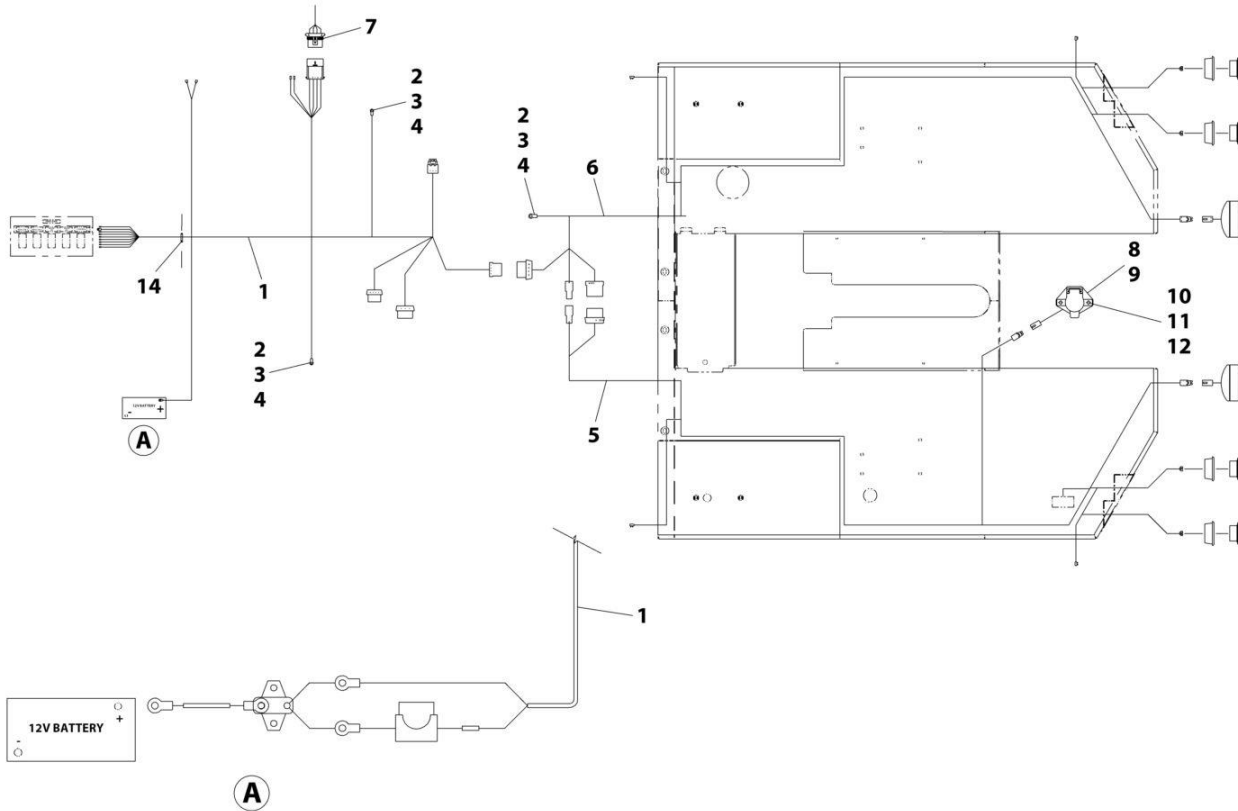
SECTION 7 - ELECTRICAL

FIGURE 7-8. CAB SUBFRAME HARNESS -NG

| ITEM | PART NUMBER | QTY | DESCRIPTION | REV |
|------|-------------|-----|----------------------|-----|
| | 1001291050 | Ref | CAB SUBFRAME HARNESS | C |
| 1 | 1001121727 | 1 | Connector | |
| 1 | 1001116729 | 4 | Socket | |
| 1 | 1001116727 | 1 | Plug | |
| 1 | 4460789 | 4 | Seal | |
| 2 | 1001288566 | 1 | Connector | |
| 2 | 8220124 | 8 | Socket | |
| 2 | 4460608 | 8 | Seal | |
| 3 | 1001288454 | 1 | Connector | |
| 3 | 1001116749 | 8 | Socket | |
| 3 | 1001116751 | 1 | Plug | |
| 3 | 4460608 | 8 | Seal | |
| 4 | 4460460 | 1 | Connector | |
| 4 | 4460457 | 4 | Socket | |
| 4 | 4460789 | 4 | Seal | |
| 5 | 8220935 | 1 | Connector | |
| 5 | 8220099 | 3 | Socket | |
| 5 | 8220159 | 3 | Seal | |
| 6 | 1001189077 | 1 | Terminal, Ring | |
| 7 | 1001207171 | 1 | Terminal, Ring | |
| 8 | 1001116723 | 2 | Terminal | |
| 9 | 1001201994 | 1 | Connector | |
| 10 | 1001100949 | 1 | Diode, 3Amp | |
| 11 | 1001197407 | 1 | Terminal, Ring | |
| 12 | 1001187078 | 1 | Terminal, Ring | |
| 13 | 1001255901 | 1 | Fuse Holder | |
| 13 | 80983191 | 1 | Fuse, 10Amp | |

SECTION 7 - ELECTRICAL

FIGURE 7-9. BODY WIRING INSTALLATION - NGS



ART_1001267676

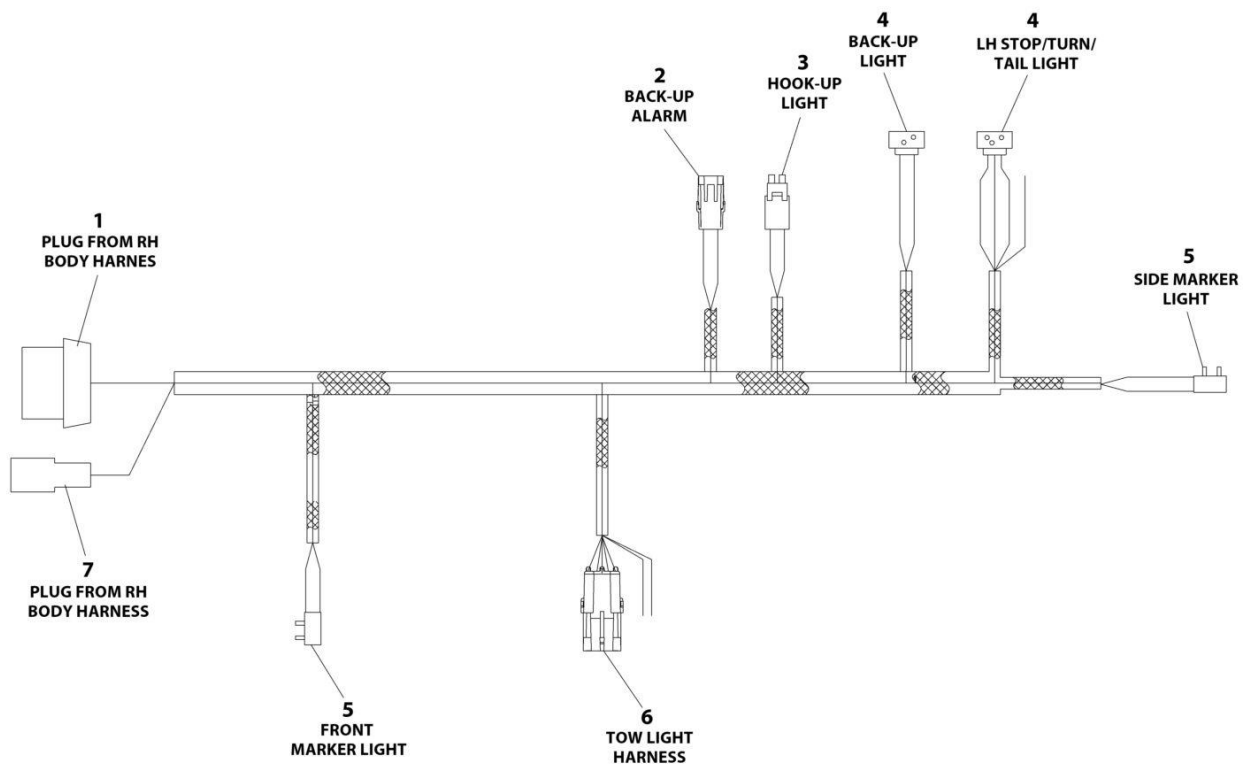
SECTION 7 - ELECTRICAL

FIGURE 7-9. BODY WIRING INSTALLATION - NGS

| ITEM | PART NUMBER | QTY | DESCRIPTION | REV |
|------|-------------|-----|--|-----|
| | 1001267676 | Ref | BODY ELECTRICAL INSTALLATION | A |
| 1 | 1001263429 | 1 | Harness, Cab-subframe (See Separate Breakdown in this Section) | |
| 2 | 0641410 | 3 | Bolt 1/4 x 1-1/4 | |
| 3 | 7660142600 | 3 | Nut 1/4 | |
| 4 | 4711400 | 3 | Washer 1/4 | |
| 5 | 1001267672 | 1 | Harness, Body (LH) (See Separate Breakdown in this Section) | |
| 6 | 1001267673 | 1 | Harness, Body (RH) (See Separate Breakdown in this Section) | |
| 7 | 7577000194 | 1 | Connector - Kit | |
| 8 | 7291000010 | 1 | Connector | |
| 9 | 7796000048 | 1 | Gasket | |
| 10 | 7111140613 | 2 | Screw 1/4 x 3/4 | |
| 11 | 4761400 | 2 | Washer 1/4 | |
| 12 | 7413000002 | 2 | Nut 1/4 | |
| 13 | 7894000042 | 29 | Tie Strap (Not Shown) | |
| 14 | 7493000003 | 1 | Grommet | |

SECTION 7 - ELECTRICAL

FIGURE 7-10. BODY HARNESS - LH (NGS)



ART_1001267672

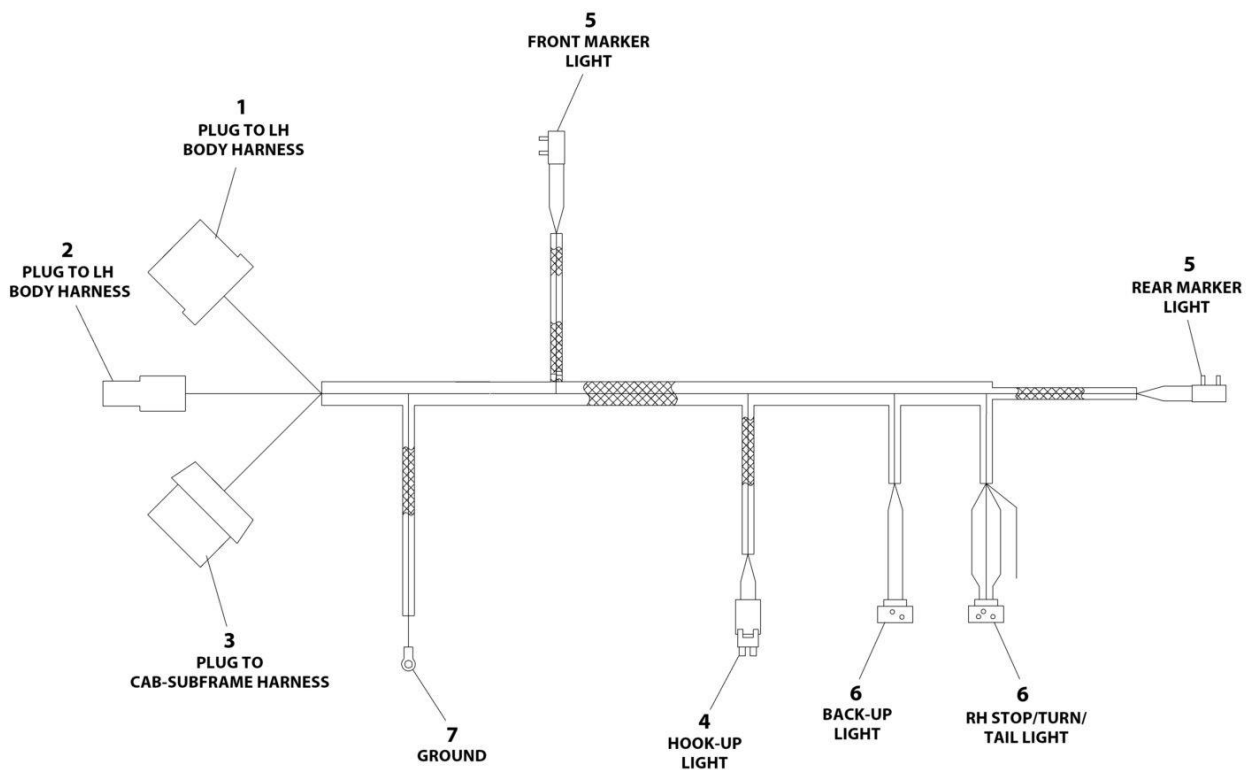
SECTION 7 - ELECTRICAL

FIGURE 7-10. BODY HARNESS - LH (NGS)

| ITEM | PART NUMBER | QTY | DESCRIPTION | REV |
|------|-------------|-----|---------------------------------|-----|
| | 1001267672 | Ref | BODY HARNESS (LH) | A |
| 1 | 7346000144 | 1 | Connector - 8 Position | |
| 1 | 7346000147 | 7 | Socket | |
| 1 | 7346000146 | 8 | Seal | |
| 1 | 7346000153 | 1 | Plug, Terminal | |
| 1 | 7346000145 | 1 | Lock, Terminal | |
| 2 | 4460867 | 1 | Receptacle, Female - 2 Position | |
| 2 | 7346000035 | 2 | Pin, Male | |
| 2 | 7346000140 | 2 | Seal | |
| 3 | 4460742 | 1 | Plug, Male - 2 Position | |
| 3 | 7346000099 | 2 | Socket, Female | |
| 3 | | Ref | Seal | |
| 4 | | Ref | Connector - 2 Position | |
| 5 | | Ref | Connector- 2 Position | |
| 6 | | Ref | Connector - 4 Position | |
| 6 | 7346000035 | 4 | Pin, Male | |
| 6 | | Ref | Seal | |
| 7 | 1001119004 | 1 | Connector | |
| 7 | 1001116729 | 1 | Terminal | |
| 7 | 8220089 | 1 | Seal | |

SECTION 7 - ELECTRICAL

FIGURE 7-11. BODY HARNESS - RH (NGS)



ART_1001267673

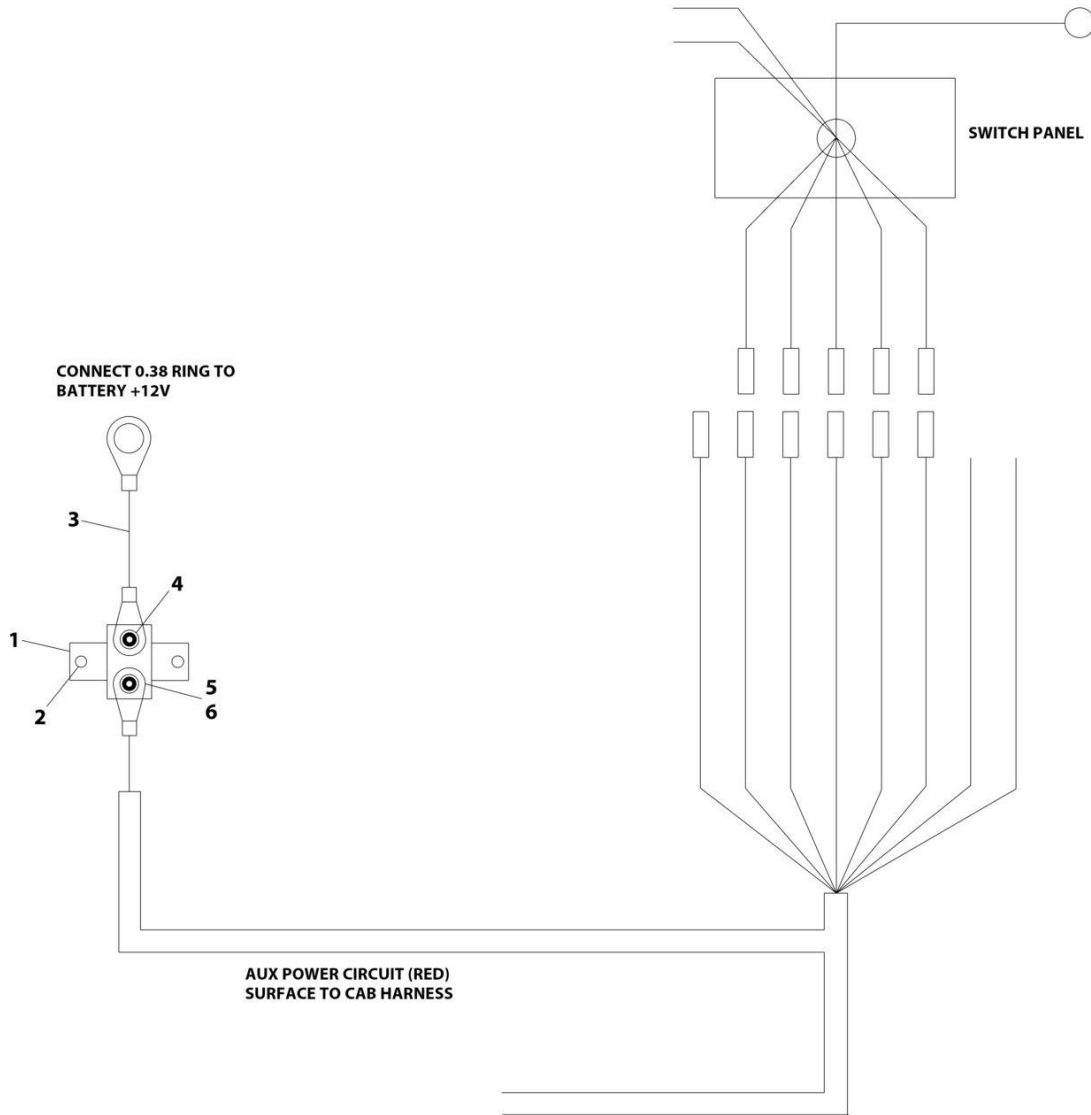
SECTION 7 - ELECTRICAL

FIGURE 7-11. BODY HARNESS - RH (NGS)

| ITEM | PART NUMBER | QTY | DESCRIPTION | REV |
|------|-------------|-----|---------------------------------|-----|
| | 1001267673 | Ref | BODY HARNESS (RH) | B |
| 1 | 4460692 | 1 | Receptacle, Female - 8 Position | |
| 1 | 4460693 | 7 | Pin, Male | |
| 1 | 7346000146 | 8 | Seal | |
| 1 | 4460695 | 1 | Lock, Terminal | |
| 2 | 1001119004 | 1 | Connector | |
| 2 | 1001116747 | 2 | Terminal | |
| 2 | 8220089 | 2 | Seal | |
| 3 | 7346000144 | 1 | Connector - 8 Position | |
| 3 | 7346000147 | 7 | Socket | |
| 3 | 7346000146 | 8 | Seal | |
| 3 | 7346000145 | 1 | Lock, Terminal | |
| 4 | 4460742 | 1 | Plug, Male - 2 Position | |
| 4 | 7346000099 | 2 | Socket, Female | |
| 4 | 7346000140 | 2 | Seal | |
| 5 | | Ref | Connector- 2 Position | |
| 6 | | Ref | Connector - 2 Position | |
| 7 | | Ref | Terminal, Ring | |

SECTION 7 - ELECTRICAL

FIGURE 7-12. BREAKER INSTALLATION - 50A



ART_1001129883

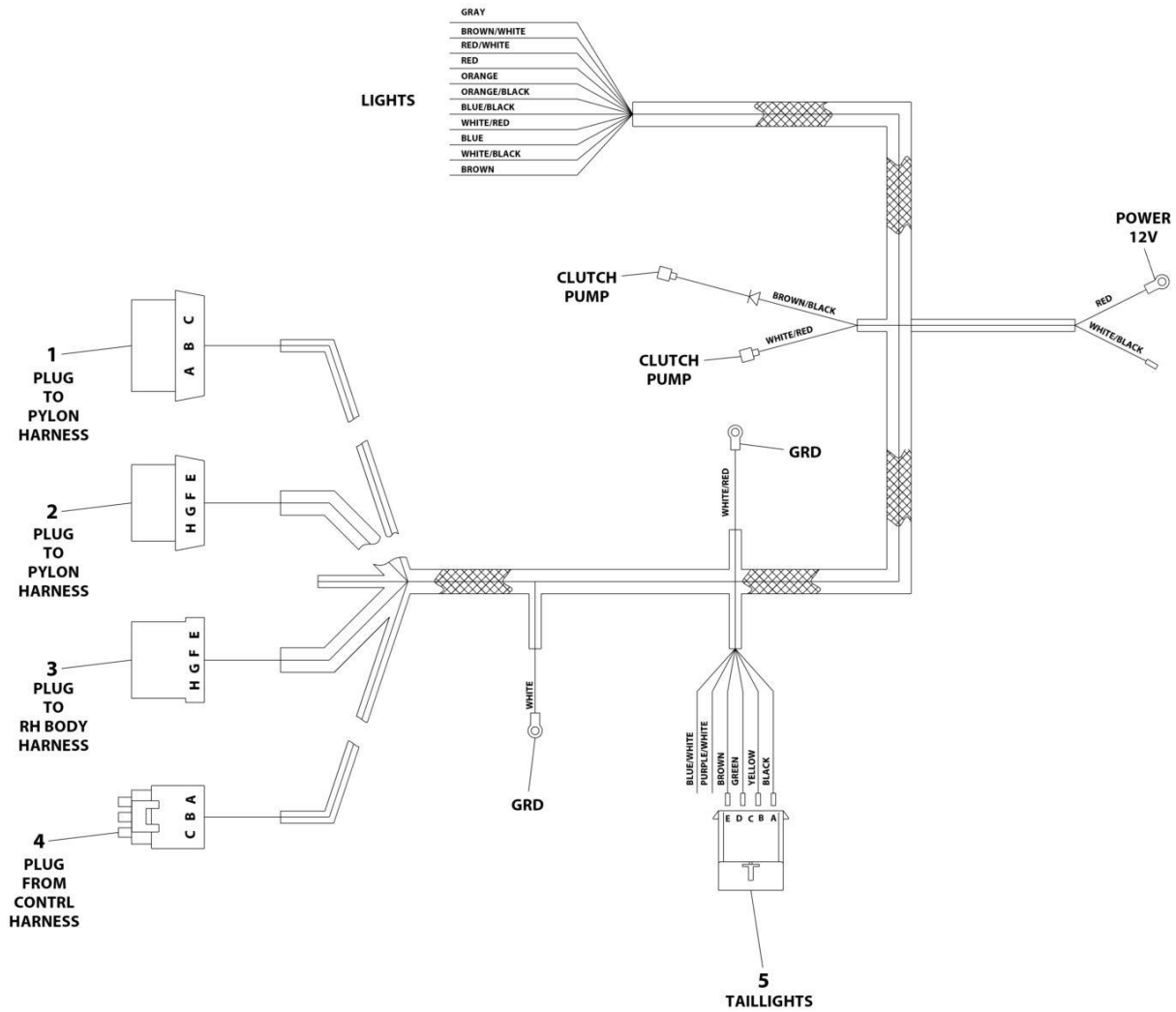
SECTION 7 - ELECTRICAL

FIGURE 7-12. BREAKER INSTALLATION - 50A

| ITEM | PART NUMBER | QTY | DESCRIPTION | REV |
|------|-------------|-----|--------------------------|-----|
| | 1001129883 | Ref | 50A BREAKER INSTALLATION | C |
| 1 | 7457000004 | 1 | Breaker, 50A | |
| 2 | 7120000034 | 2 | Screw #10 x 3/4 | |
| 3 | 1001129882 | 1 | Harness | |
| 4 | 7950100151 | 2 | Washer 3/16 | |
| 5 | 7345221902 | 1 | Terminal | |
| 6 | 4346000005 | 1 | Heat Shrink | |

SECTION 7 - ELECTRICAL

FIGURE 7-13. CAB SUBFRAME HARNESS -NGS



ART_1001263429

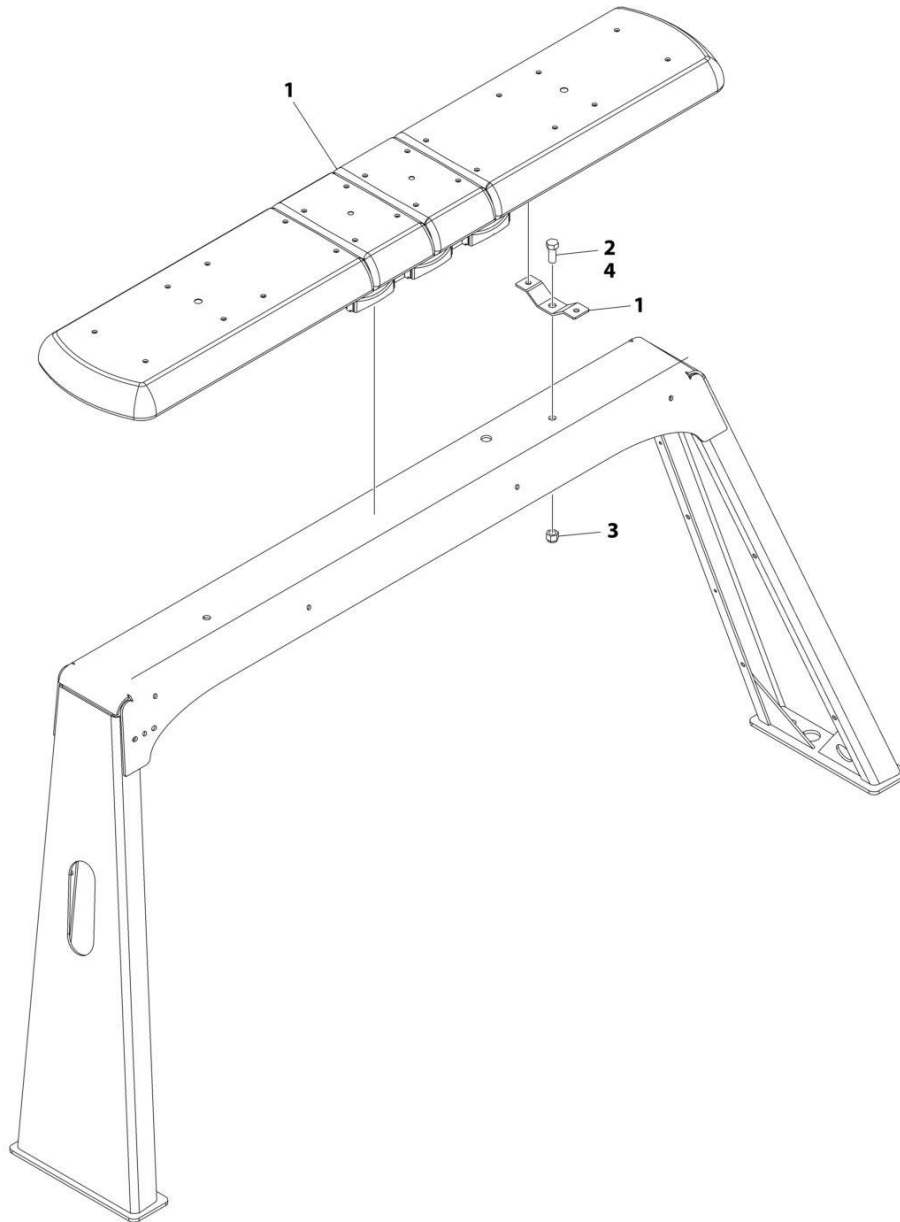
SECTION 7 - ELECTRICAL

FIGURE 7-13. CAB SUBFRAME HARNESS -NGS

| ITEM | PART NUMBER | QTY | DESCRIPTION | REV |
|------|-------------|-----|--------------------------|-----|
| | 1001263429 | Ref | CAB AND SUBFRAME HARNESS | A |
| 1 | 8220935 | 1 | Connector | |
| 1 | | Ref | Lock | |
| 1 | | Ref | Seal | |
| 1 | 8220099 | 1 | Terminal | |
| 2 | 4460587 | 1 | Connector | |
| 2 | 4460588 | 1 | Lock | |
| 2 | 4460608 | 1 | Seal | |
| 2 | 4460589 | 1 | Terminal | |
| 3 | 4460692 | 1 | Connector | |
| 3 | 4460588 | 1 | Lock | |
| 3 | 4460608 | 1 | Seal | |
| 3 | 4460693 | 1 | Terminal | |
| 4 | | Ref | Connector | |
| 4 | 4460457 | 1 | Terminal | |
| 4 | 8220081 | 1 | Seal | |
| 5 | 1001121727 | 1 | Connector | |
| 5 | | Ref | Lock | |
| 5 | 1001116729 | 1 | Terminal | |
| 5 | | Ref | Seal | |
| 5 | 1001116727 | 1 | Plug | |

SECTION 7 - ELECTRICAL

FIGURE 7-14. LIGHTBAR INSTALLATION - ECCO 60IN (STANDARD MOUNT)



ART_1001259576

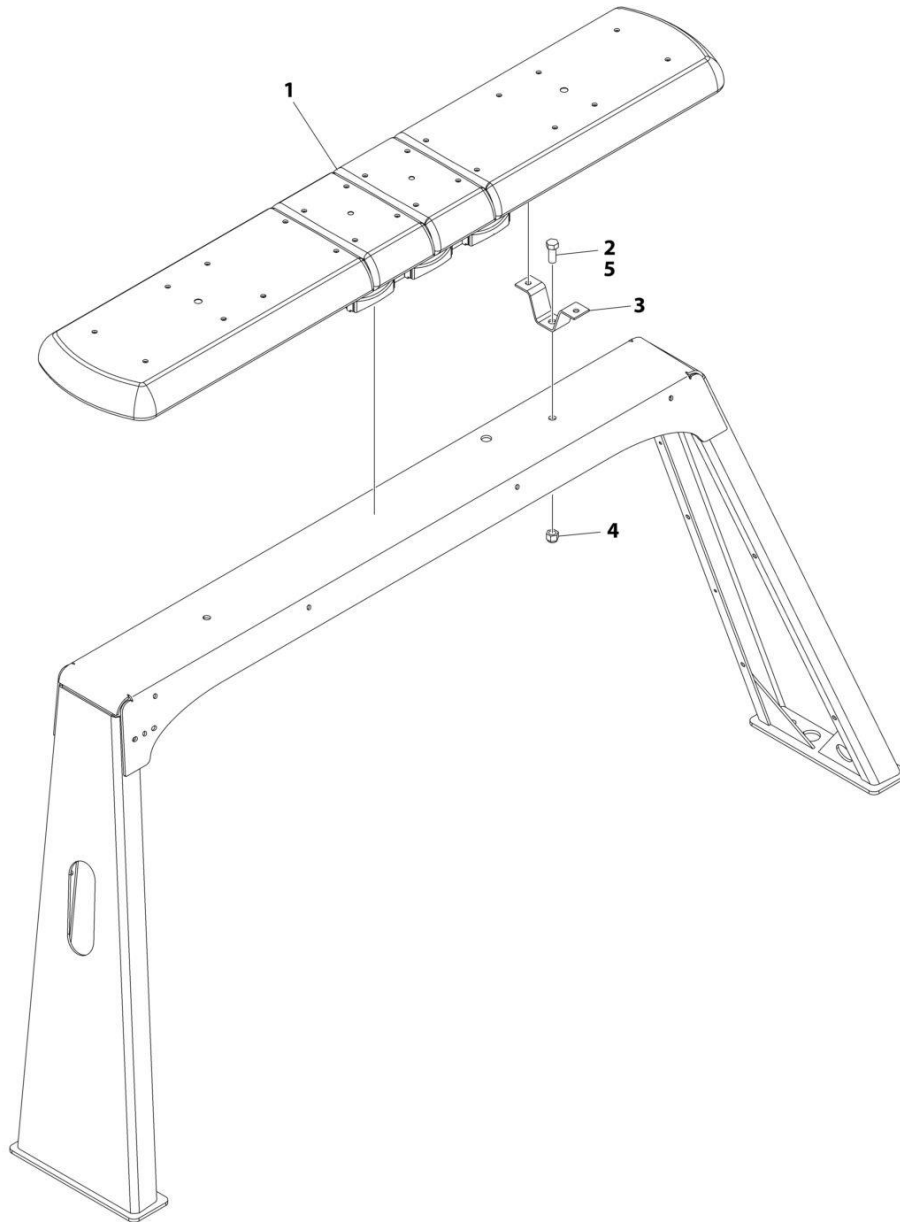
SECTION 7 - ELECTRICAL

FIGURE 7-14. LIGHTBAR INSTALLATION - ECCO 60IN (STANDARD MOUNT)

| ITEM | PART NUMBER | QTY | DESCRIPTION | REV |
|------|-------------|-----|--|-----|
| | 1001259576 | Ref | LIGHTBAR INSTALLATION - ECCO 60IN (STANDARD MOUNT) | B |
| 1 | 1001247139 | 1 | Lightbar Assembly (See Separate Breakdown in this Section) | |
| 2 | 0641810 | 2 | Bolt 1/2 x 1-1/4 | |
| 3 | 7660182601 | 2 | Nut 1/2 | |
| 4 | 0100011 | AR | Compound, Locking | |

SECTION 7 - ELECTRICAL

FIGURE 7-15. LIGHTBAR INSTALLATION - ECCO 60IN (HIGH MOUNT)



ART_1001265004

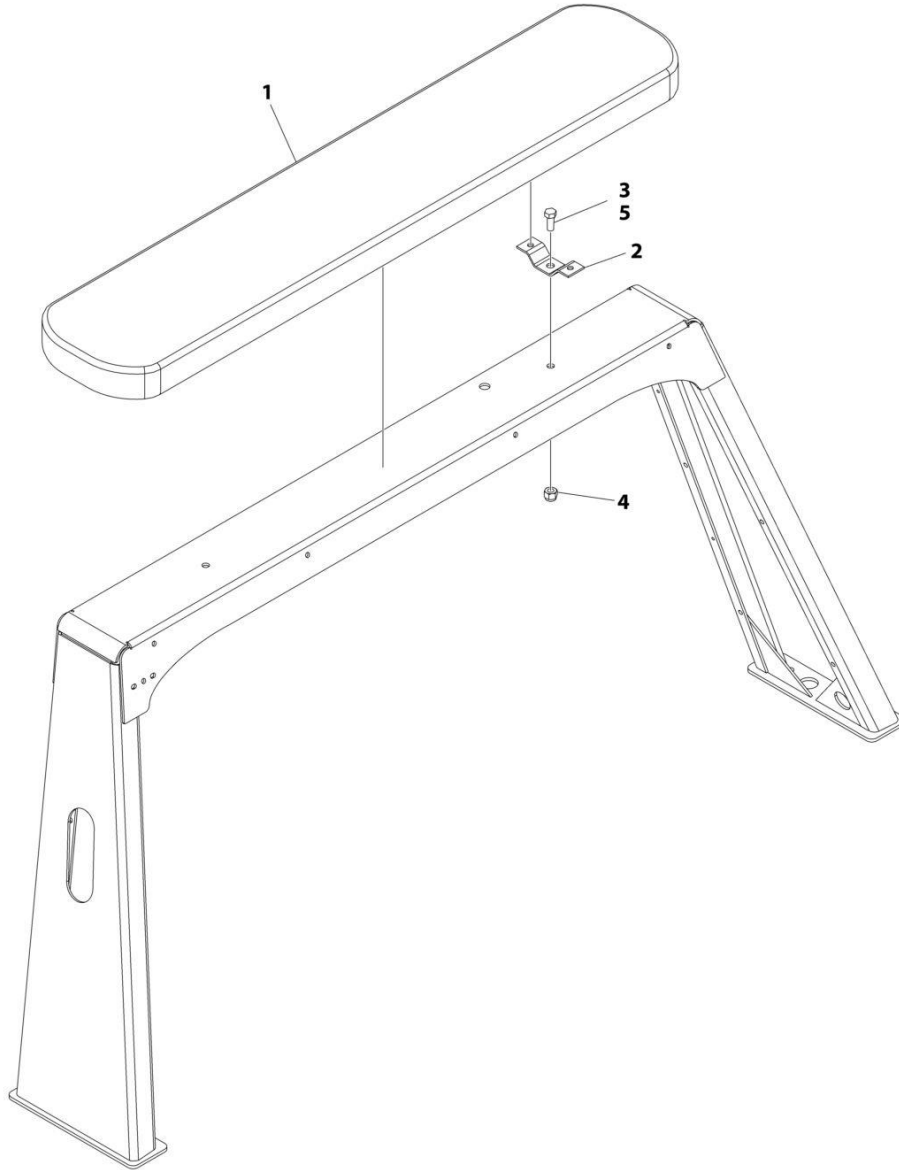
SECTION 7 - ELECTRICAL

FIGURE 7-15. LIGHTBAR INSTALLATION - ECCO 60IN (HIGH MOUNT)

| ITEM | PART NUMBER | QTY | DESCRIPTION | REV |
|------|-------------|-----|--|-----|
| | 1001265004 | Ref | LIGHTBAR INSTALLATION - ECCO 60IN (HIGH MOUNT) | B |
| 1 | 1001247139 | 1 | Lightbar Assembly (See Separate Breakdown in this Section) | |
| 2 | 0641810 | 2 | Bolt 1/2 x 1-1/4 | |
| 3 | 1001262106 | 2 | Bracket | |
| 4 | 7660182601 | 2 | Nut 1/2 | |
| 5 | 0100011 | AR | Compound, Locking | |

SECTION 7 - ELECTRICAL

FIGURE 7-16. LIGHTBAR INSTALLATION - WHEELEN 60IN (STANDARD MOUNT)



ART_1001137519

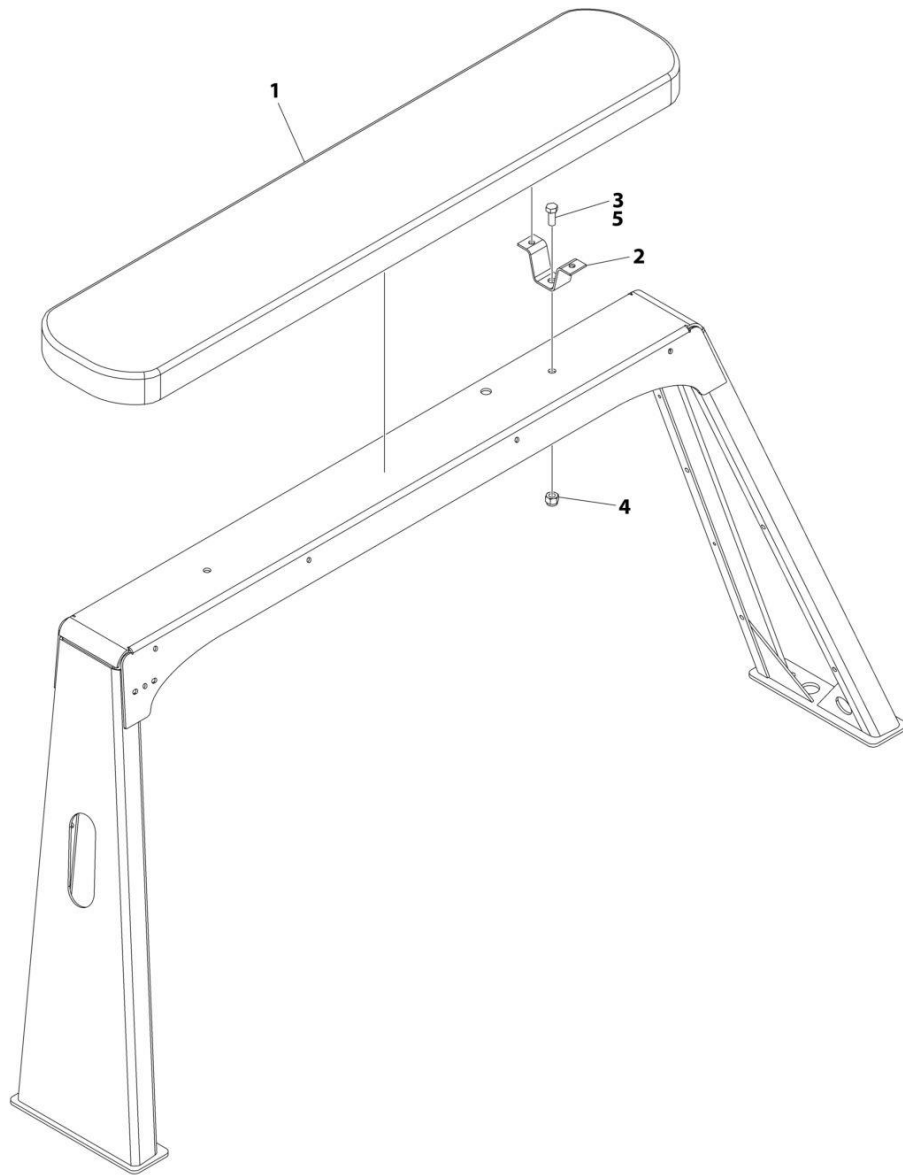
SECTION 7 - ELECTRICAL

FIGURE 7-16. LIGHTBAR INSTALLATION - WHELEN 60IN (STANDARD MOUNT)

| ITEM | PART NUMBER | QTY | DESCRIPTION | REV |
|------|-------------|-----|---|-----|
| | 1001137519 | Ref | LIGHT - LIGHTBAR INSTALLATION - 60IN AMBER 8 LED WHELEN (STANDARD MOUNT) | C |
| 1 | 1001199475 | 1 | Lamp (See Separate Breakdown in this Section) | |
| 2 | 4178000402 | 2 | Bracket | |
| 3 | 7115181050 | 2 | Bolt 1/2 x 1-1/4 | |
| 4 | 7660182601 | 2 | Nut 1/2 | |
| 5 | 0100011 | AR | Compound, Locking | |

SECTION 7 - ELECTRICAL

FIGURE 7-17. LIGHTBAR INSTALLATION - WHEELEN 60IN (HIGH MOUNT)



ART_1001256172

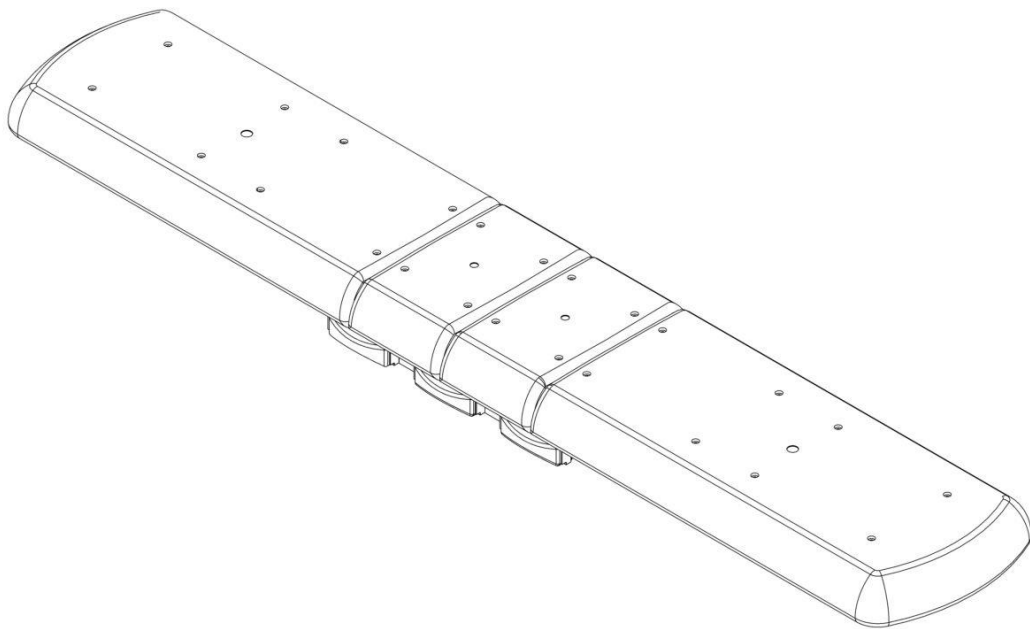
SECTION 7 - ELECTRICAL

FIGURE 7-17. LIGHTBAR INSTALLATION - WHELEN 60IN (HIGH MOUNT)

| ITEM | PART NUMBER | QTY | DESCRIPTION | REV |
|------|-------------|-----|---|-----|
| | 1001256172 | Ref | LIGHT - LIGHTBAR INSTALLATION - 60IN AMBER 8 LED WHELEN (HIGH MOUNT) | B |
| 1 | 1001199475 | 1 | Lamp (See Separate Breakdown in this Section) | |
| 2 | 4178000437 | 1 | Bracket | |
| 3 | 7115181050 | 2 | Bolt 1/2 x 1-1/4 | |
| 4 | 7660182601 | 2 | Nut 1/2 | |
| 5 | 0100011 | AR | Compound, Locking | |

SECTION 7 - ELECTRICAL

FIGURE 7-18. LIGHTBAR ASSEMBLY - ECCO



ART_1001247139

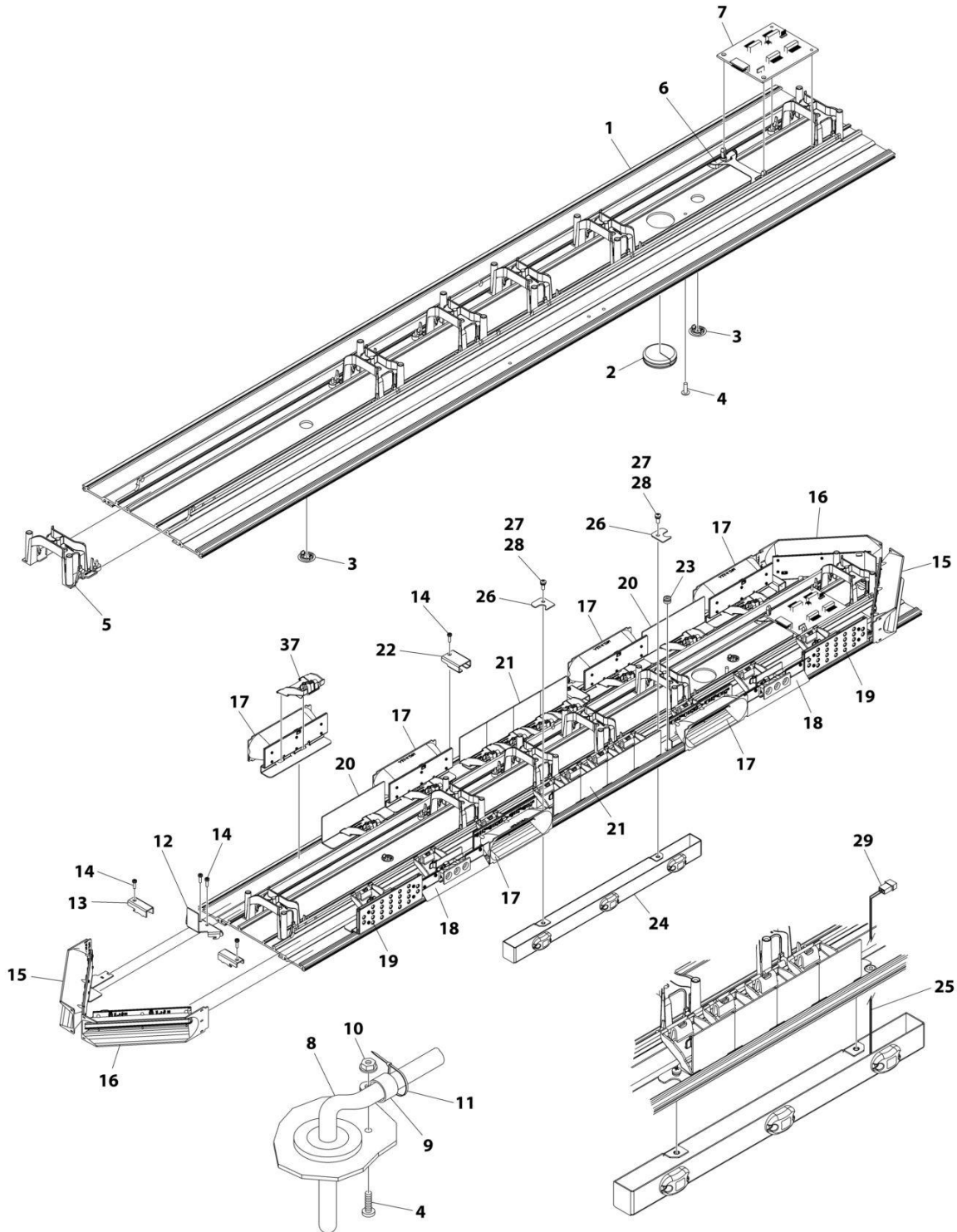
SECTION 7 - ELECTRICAL

FIGURE 7-18. LIGHTBAR ASSEMBLY - ECCO

| ITEM | PART NUMBER | QTY | DESCRIPTION | REV |
|------|-------------|------|--|-----|
| | 1001247139 | Ref | LIGHTBAR ASSEMBLY - ECCO | A |
| | 70070000 | AR | Module, Amber | |
| | 70070001 | 1 pr | Light, Work/Alley | |
| | 70070002 | 1 | Cable Kit (Includes 2 Modules, Harness & Stop/Turn/Taillight Cables) | |
| | 70070003 | 1 | PC Board, Driver | |

SECTION 7 - ELECTRICAL

FIGURE 7-19. LIGHTBAR ASSEMBLY - WHELEN 60IN

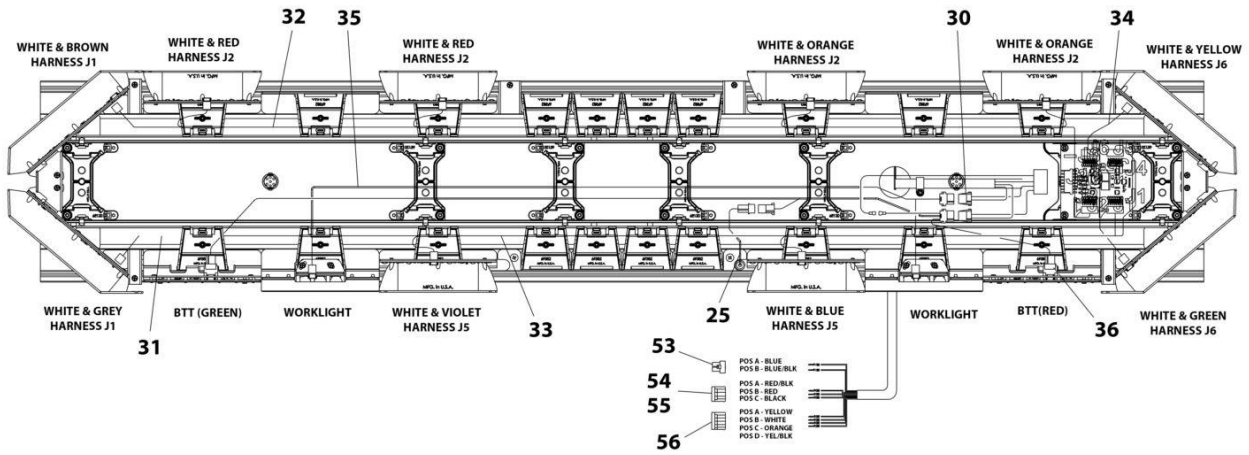
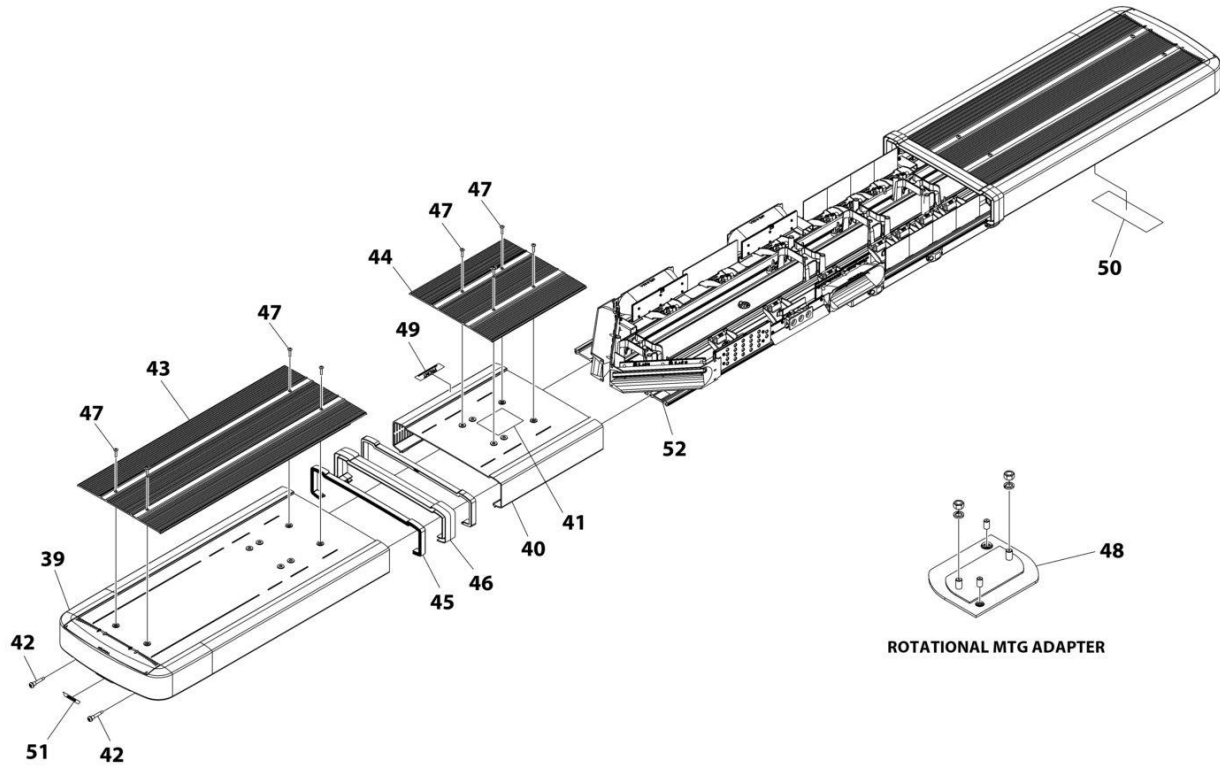


INPUT CABLE DETAIL

ART_1001199475_10F2

SECTION 7 - ELECTRICAL

FIGURE 7-20. LIGHTBAR ASSEMBLY - WHELEN 60IN



ART_1001199475_20F2

SECTION 7 - ELECTRICAL

FIGURE 7-20. LIGHTBAR ASSEMBLY - WHELEN 60IN

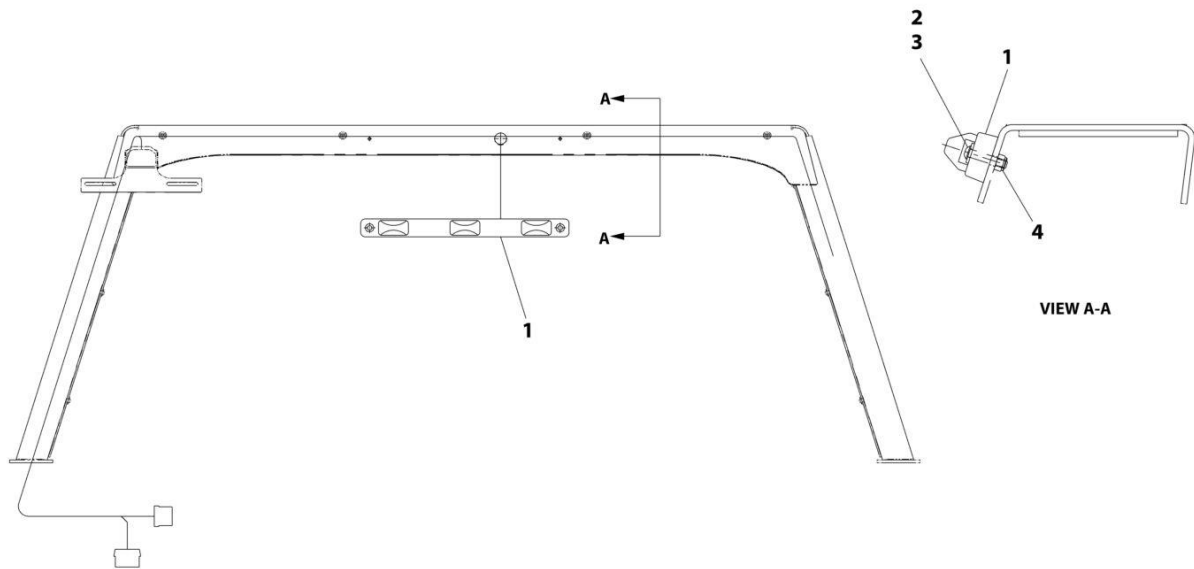
| ITEM | PART NUMBER | QTY | DESCRIPTION | REV |
|------|-------------|-----|--|-----|
| | 1001199475 | Ref | LIGHTS - LAMP ASSEMBLY - 60IN AMBER WHELEN | B |
| 1 | 70051058 | 1 | Base | |
| 2 | 70050169 | 1 | Grommet | |
| 3 | 70050170 | 2 | Plug | |
| 4 | 70051059 | 1 | Screw #10 x 5/8 | |
| 5 | 70051021 | 6 | Bracket | |
| 6 | 70051022 | 1 | Bracket | |
| 7 | 70051023 | 1 | Circuit Board | |
| 8 | 70051060 | 1 | Cable | |
| 9 | 70050665 | 1 | Clamp | |
| 10 | 70050174 | 1 | Nut #10 | |
| 11 | 70051026 | AR | Tie Wrap | |
| 12 | 70051027 | 2 | Bracket | |
| 13 | 70051035 | 4 | Bracket | |
| 14 | 70051028 | 10 | Screw #6 x 1/2 | |
| 15 | 70051029 | 2 | Lamp, Rear Amber | |
| 16 | 70051030 | 2 | Lamp, Front Amber | |
| 17 | 70051063 | 6 | Lamp, 6 LED | |
| 18 | 70051064 | 2 | Lamp, 3 LED | |
| 19 | 70051065 | 2 | Lamp | |
| 20 | 70051066 | 2 | Bracket | |
| 21 | 70051036 | 8 | Bracket | |
| 22 | 70051039 | 2 | Bracket | |
| 23 | 70050176 | 1 | Grommet | |
| 24 | 70051068 | 1 | Lamp | |
| 25 | 70050178 | 1 | Harness | |
| 26 | 70051069 | 2 | Bracket | |
| 27 | 70050179 | 2 | Screw #10 x 1/2 | |
| 28 | 70050180 | 2 | Lockwasher #10 | |
| 29 | 70050181 | 1 | Housing | |
| 30 | 70050175 | 2 | Housing | |
| 31 | 70051070 | 1 | Harness | |
| 32 | 70051071 | 1 | Harness | |
| 33 | 70051072 | 1 | Harness | |
| 34 | 70051073 | 1 | Harness | |
| 35 | 70051074 | 1 | Harness | |
| 36 | 70051075 | 1 | Harness | |
| 37 | 70051044 | 20 | Bracket | |
| 38 | 70051045 | AR | Tie Wrap (Not Shown) | |
| 39 | 70051076 | 1 | Lens | |
| 40 | 70051077 | 1 | Lens | |
| 41 | 70051078 | 1 | Label | |
| 42 | 70050203 | 4 | Screw #10 x 1-1/4 | |
| 43 | 70051062 | 2 | Cover | |
| 44 | 70051061 | 1 | Cover | |
| 45 | 70051048 | 4 | Seal | |
| 46 | 70051049 | 2 | Lens | |
| 47 | 70051053 | 12 | Screw #10 x 7/8 | |
| 48 | 70050204 | 2 | Adapter | |
| 49 | 70051055 | 1 | Label | |

SECTION 7 - ELECTRICAL

| ITEM | PART NUMBER | QTY | DESCRIPTION | REV |
|------|-------------|-----|-------------|-----|
| 50 | 70050207 | 1 | Label | |
| 51 | 70051056 | 2 | Label | |
| 52 | 70051057 | 1 | Label | |
| 53 | 70050208 | 1 | Housing | |
| 54 | 70050209 | 1 | Connector | |
| 55 | 70050210 | 1 | Housing | |
| 56 | 70050211 | 1 | Housing | |

SECTION 7 - ELECTRICAL

FIGURE 7-21. LIGHTBAR MARKER LIGHTS ONLY INSTALLATION (NGS)



ART_2590000177

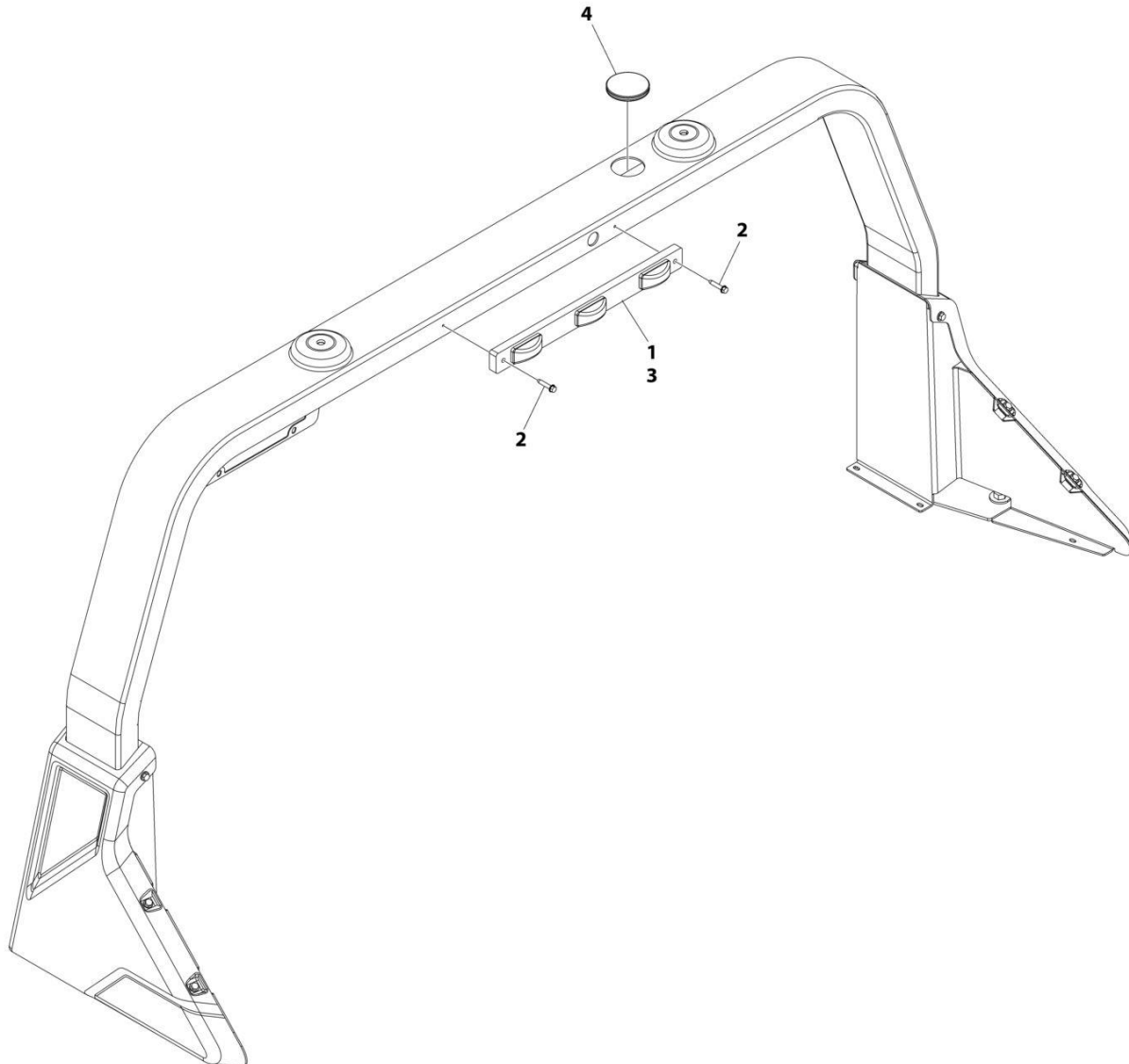
SECTION 7 - ELECTRICAL

FIGURE 7-21. LIGHTBAR MARKER LIGHTS ONLY INSTALLATION (NGS)

| ITEM | PART NUMBER | QTY | DESCRIPTION | REV |
|------|-------------|-----|---|-----|
| | 2590000177 | Ref | LIGHT - PYLON 3-LIGHT MARKER INSTALLATION | 0 |
| 1 | 7590000316 | 1 | Light | |
| 2 | 7114141018 | 2 | Screw 1/4 x 1-1/4 | |
| 3 | 7950140143 | 2 | Washer 1/4 | |
| 4 | 7660142601 | 2 | Nut 1/4 | |

SECTION 7 - ELECTRICAL

FIGURE 7-22. LIGHTBAR MARKER LIGHTS ONLY INSTALLATION (NG)



ART_1001301812

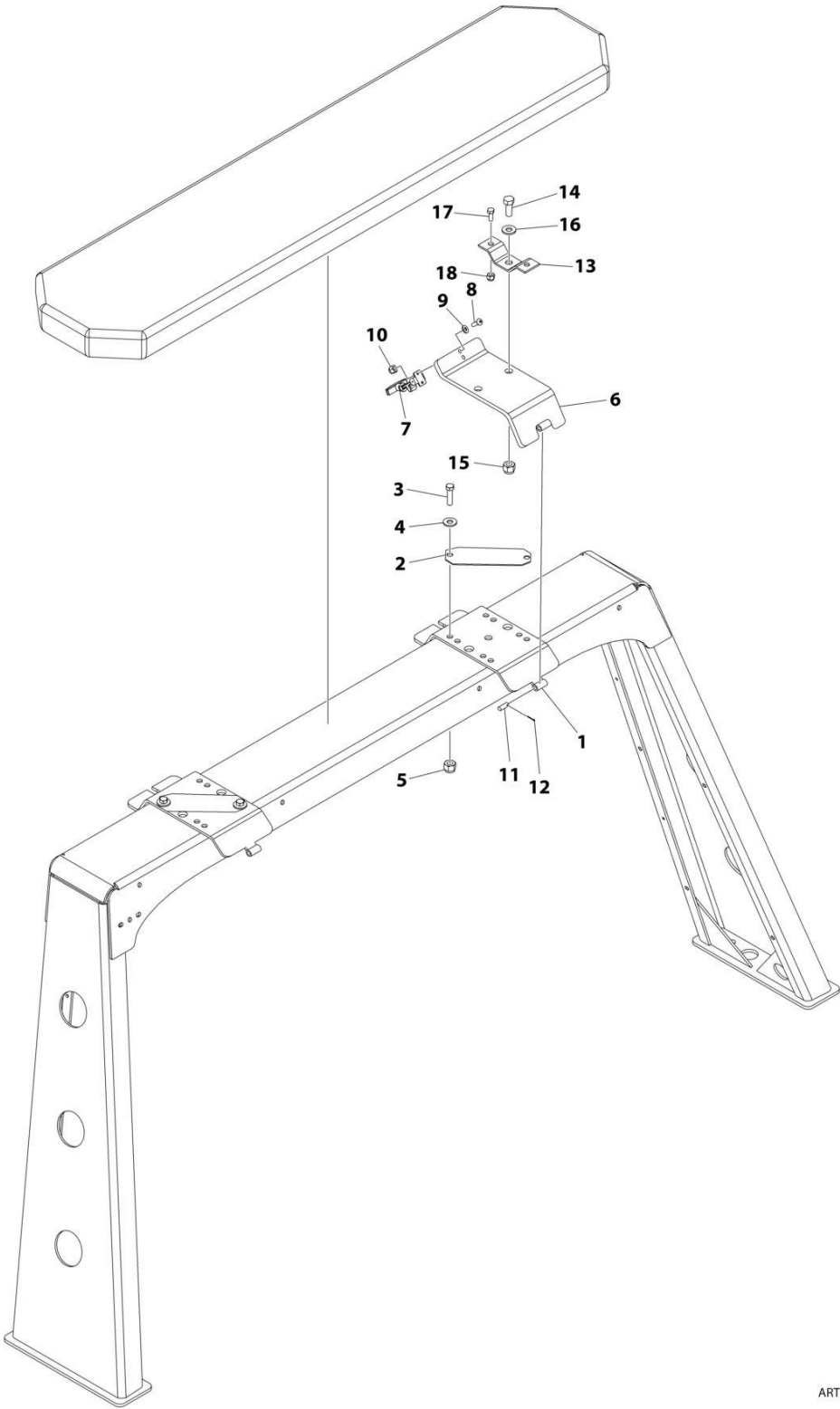
SECTION 7 - ELECTRICAL

FIGURE 7-22. LIGHTBAR MARKER LIGHTS ONLY INSTALLATION (NG)

| ITEM | PART NUMBER | QTY | DESCRIPTION | REV |
|------|-------------|-----|-----------------------------------|-----|
| | 1001301812 | Ref | PYLON 3-LIGHT MARKER INSTALLATION | A |
| 1 | 7590000316 | 1 | Light | |
| 2 | 7790142051 | 2 | Screw 1/4 x 1-1/4 | |
| 3 | 4460464 | 2 | Terminal | |
| 4 | 7493000015 | 1 | Grommet | |

SECTION 7 - ELECTRICAL

FIGURE 7-23. LIGHTBAR BRACKET INSTALLATION - FOLDING (NGS)



ART_2509570071

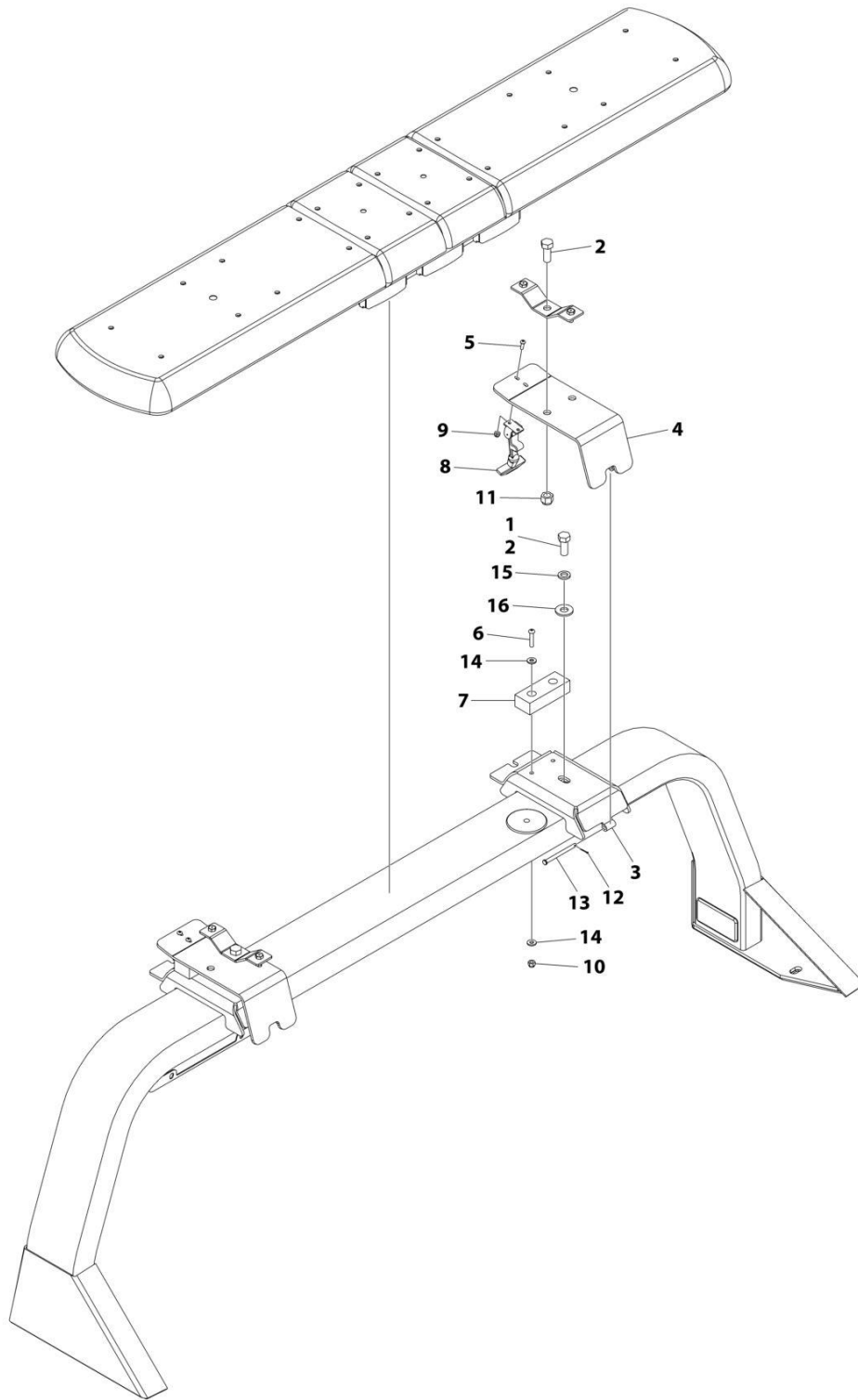
SECTION 7 - ELECTRICAL

FIGURE 7-23. LIGHTBAR BRACKET INSTALLATION - FOLDING (NGS)

| ITEM | PART NUMBER | QTY | DESCRIPTION | REV |
|------|-------------|-----|--|-----|
| | 2509570071 | Ref | LIGHT - LIGHTBAR BRACKET INSTALLATION(FOLDING) | 0 |
| 1 | 3178000443 | 2 | Bracket | |
| 2 | 4090000012 | 2 | Belt | |
| 3 | 7115161250 | 8 | Bolt 3/8 x 1-1/2 | |
| 4 | 7950160161 | 8 | Washer 3/8 | |
| 5 | 7660162601 | 8 | Nut 3/8 | |
| 6 | 3178000444 | 2 | Bracket | |
| 7 | 7585000001 | 2 | Latch | |
| 8 | 7114100518 | 4 | Bolt #10 x 5/8 | |
| 9 | 7950100103 | 4 | Washer #10 | |
| 10 | 7660102604 | 4 | Nut #10 | |
| 11 | 7690144800 | 2 | Pin | |
| 12 | 7690000810 | 2 | Pin, Cotter | |
| 13 | 4178000402 | 4 | Bracket | |
| 14 | 7115190950 | 4 | Bolt 1/2 x 1-1/8 | |
| 15 | 7660182601 | 4 | Nut 1/2 | |
| 16 | 7950180150 | 4 | Washer 1/2 | |
| 17 | 7115150664 | 4 | Bolt 5/16 x 3/4 | |
| 18 | 7660152601 | 4 | Nut 5/16 | |

SECTION 7 - ELECTRICAL

FIGURE 7-24. LIGHTBAR BRACKET INSTALLATION - FOLDING (NG)



ART_1001301353

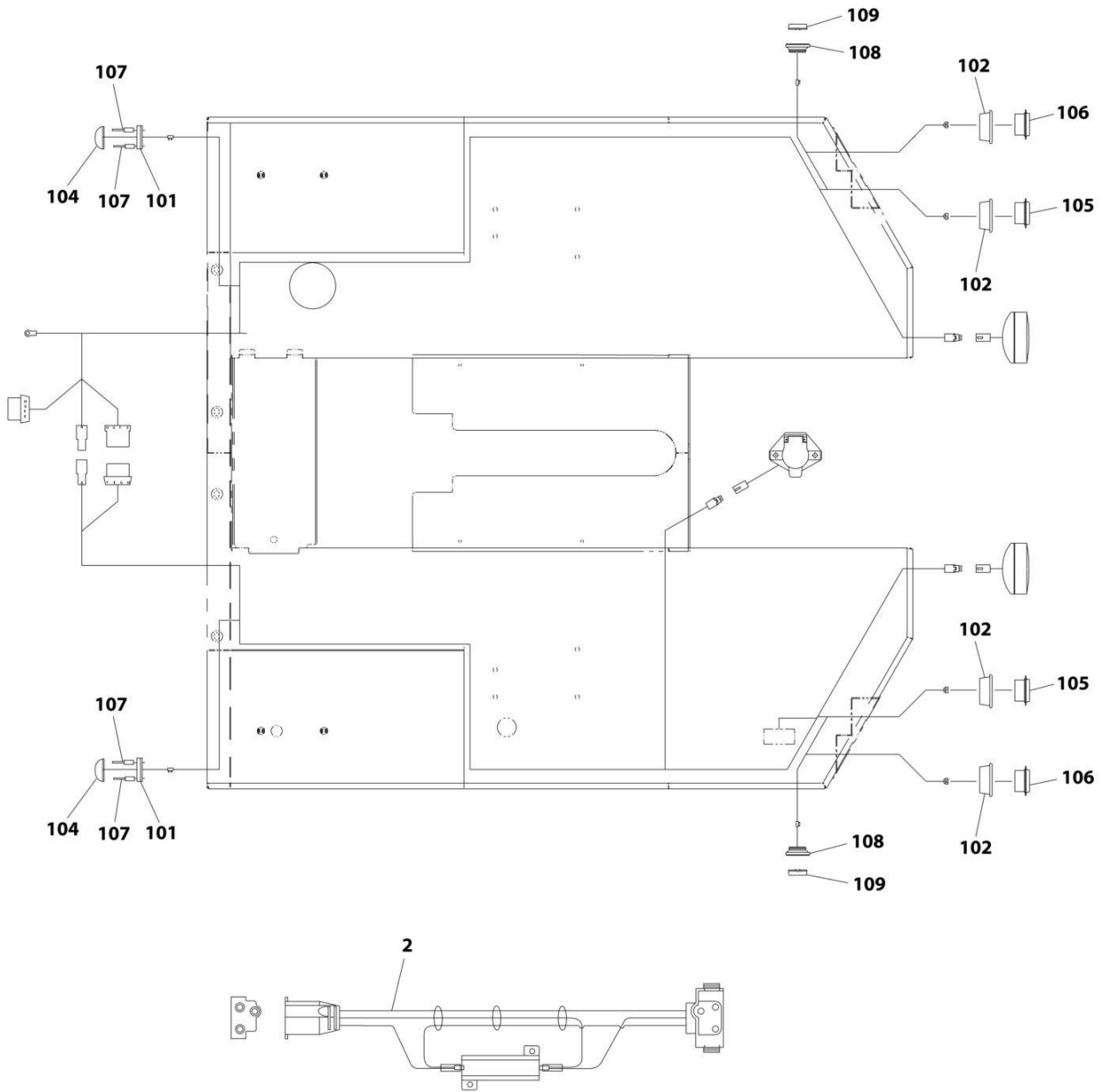
SECTION 7 - ELECTRICAL

FIGURE 7-24. LIGHTBAR BRACKET INSTALLATION - FOLDING (NG)

| ITEM | PART NUMBER | QTY | DESCRIPTION | REV |
|------|-------------|-----|---|-----|
| | 1001301353 | Ref | LIGHTBAR BRACKET INSTALLATION (FOLDING) | A |
| 1 | 0100011 | AR | Compound Locking | |
| 2 | 0641810 | 4 | Bolt 1/2 x 1-1/4 | |
| 3 | 1001301354 | 2 | Bracket | |
| 4 | 1001301355 | 2 | Bracket | |
| 5 | 7114100518 | 4 | Screw #10 x 5/8 | |
| 6 | 7114141018 | 4 | Screw 1/4 x 1-1/4 | |
| 7 | 7189000023 | 2 | Bumper | |
| 8 | 7585000001 | 2 | Latch | |
| 9 | 7660102604 | 4 | Nut #10 | |
| 10 | 7660142604 | 4 | Nut 1/4 | |
| 11 | 7660182601 | 2 | Nut 1/2 | |
| 12 | 7690000810 | 2 | Pin, Cotter | |
| 13 | 7690144800 | 2 | Pin | |
| 14 | 7950140143 | 8 | Washer 1/4 | |
| 15 | 7950180000 | 2 | Washer 19/32 | |
| 16 | 7950180150 | 2 | Washer 1/2 | |

SECTION 7 - ELECTRICAL

FIGURE 7-25. LIGHTS - 4 TAILLIGHTS (STOP/TURN/TAILLIGHT COMBINED) (ALL NGS EXCEPT 2013+ DODGE)



ART_LED-MPL-NGS

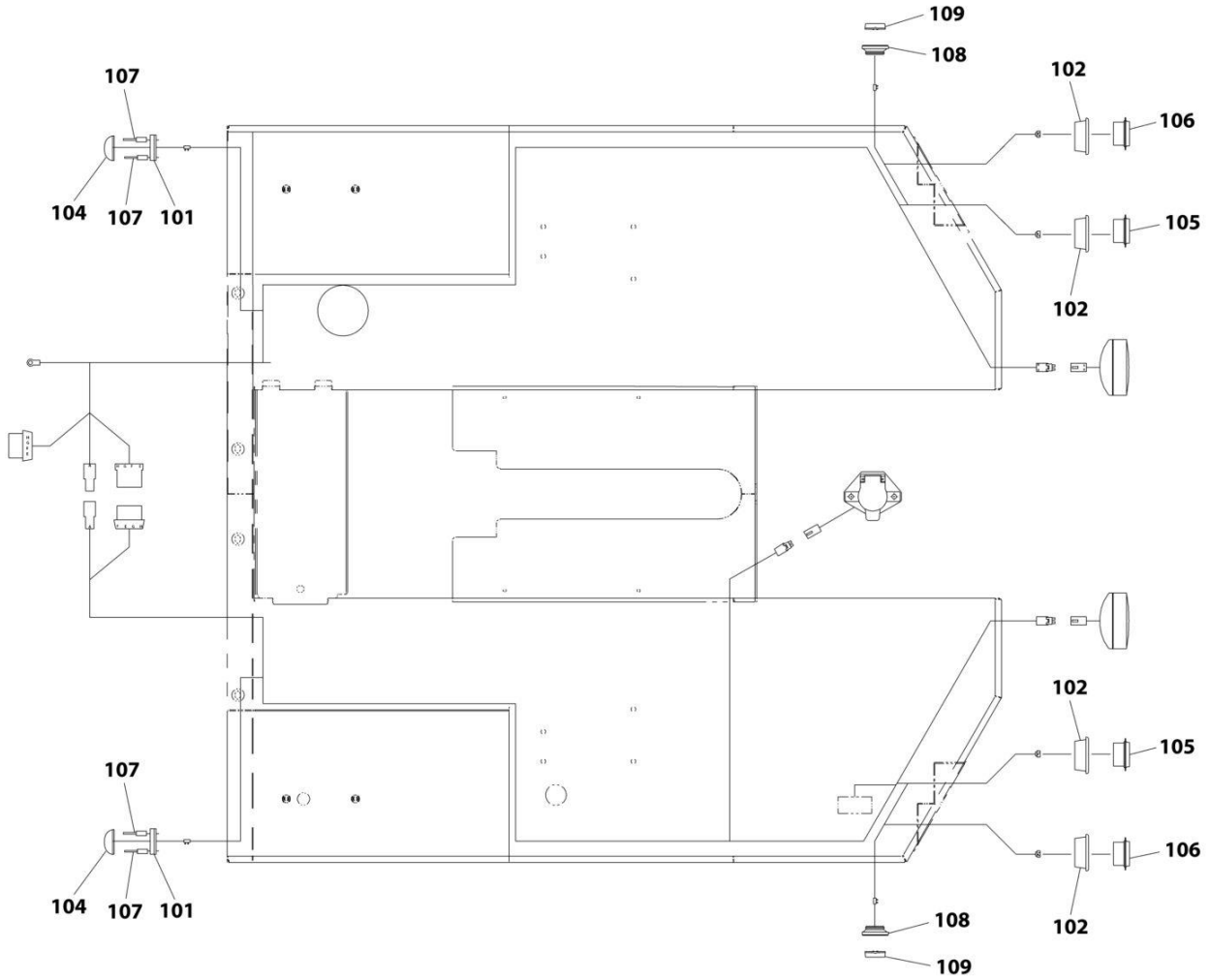
SECTION 7 - ELECTRICAL

FIGURE 7-25. LIGHTS - 4 TAILLIGHTS (STOP/TURN/TAILLIGHT COMBINED) (ALL NGS EXCEPT 2013+ DODGE)

| ITEM | PART NUMBER | QTY | DESCRIPTION | REV |
|------|-------------|-----|--|-----|
| 1 | LED-MPL-NGS | Ref | LIGHTS - 4 TAILLIGHTS (STOP/TURN/TAILLIGHT COMBINED) | 0 |
| | 2590000236 | Ref | Light Installation Marker and Tail LED (Not Shown) (See Items 101-109 for Breakdown) | |
| 2 | 2577000033 | 1 | Kit, Resistor (Sold as Assembly Only) | B |
| | 2590000236 | Ref | LIGHT INSTALLATION MARKER AND TAIL LED | |
| 101 | 7590000207 | 2 | Light Adapter Mount | |
| 102 | 7493000029 | 4 | Grommet | |
| 104 | 7590000339 | 2 | Marker Light - Amber (LED) | |
| 105 | 7590000379 | 2 | Light | |
| 106 | 7590000381 | 2 | Light | |
| 107 | 7759000018 | 4 | Pop Rivet | |
| 108 | 7493000009 | 2 | Grommet | |
| 109 | 7590000343 | 2 | Light, Marker (Red) | |

SECTION 7 - ELECTRICAL

FIGURE 7-26. LIGHTS - 4 TAILLIGHTS (STOP/TURN/TAILLIGHT COMBINED) (NGS 2013+ DODGE)



ART_1001161504

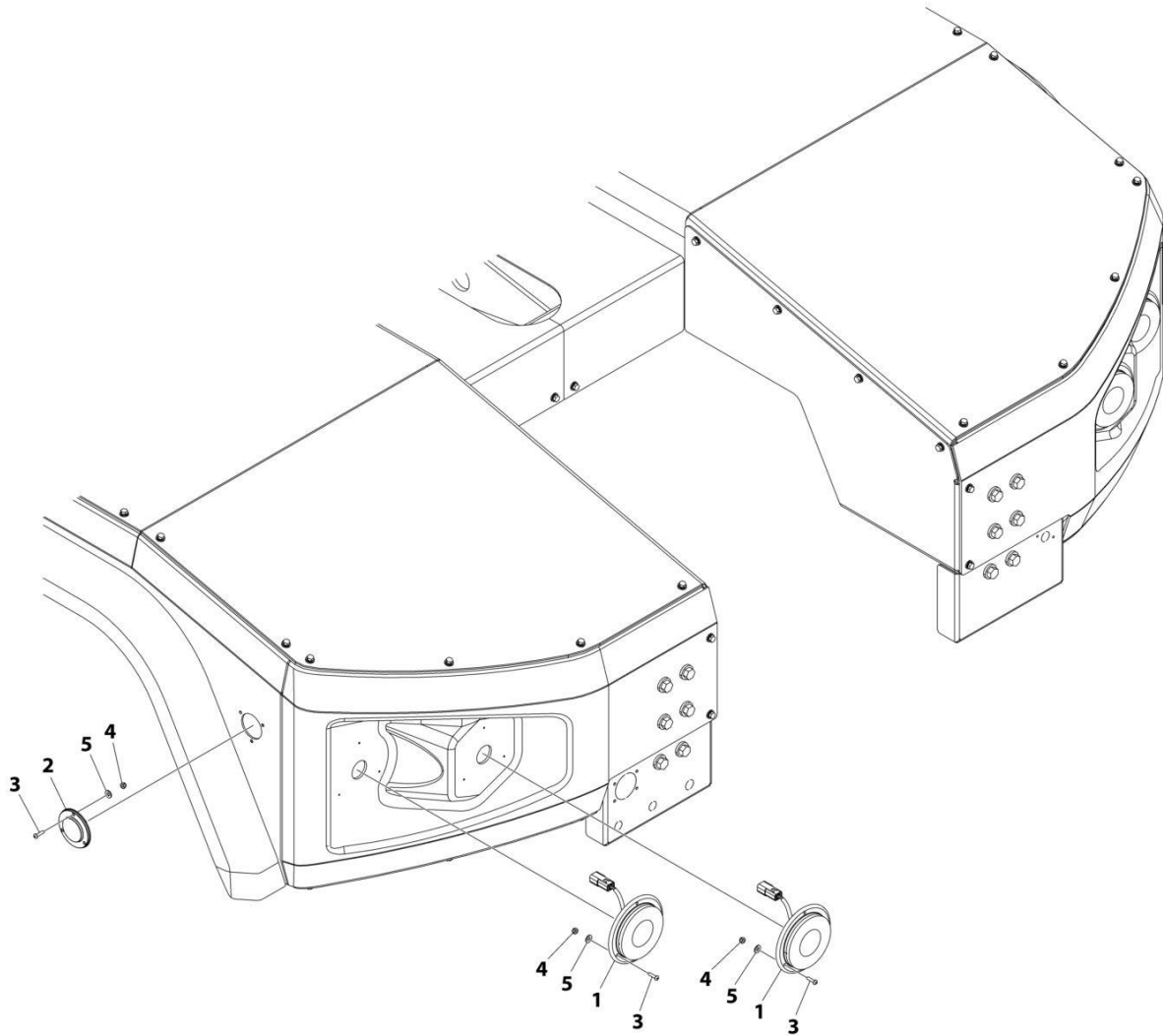
SECTION 7 - ELECTRICAL

FIGURE 7-26. LIGHTS - 4 TAILLIGHTS (STOP/TURN/TAILLIGHT COMBINED) (NGS 2013+ DODGE)

| ITEM | PART NUMBER | QTY | DESCRIPTION | REV |
|------|-------------|-----|--|-----|
| | 1001161504 | Ref | LIGHTS - 4 TAILLIGHTS (STOP/TURN/TAILLIGHT COMBINED) (2013+ DODGE) | A |
| 1 | 2590000236 | Ref | Light Installation Marker and Tail LED (Not Shown) (See Items 101-109 for Breakdown) | |
| 2 | 1001161328 | 1 | LED Wiring Installation, 2013 Dodge (Not Shown) | |
| | 2590000236 | Ref | LIGHT INSTALLATION MARKER AND TAIL LED | B |
| 101 | 7590000207 | 2 | Light Adapter Mount | |
| 102 | 7493000029 | 4 | Grommet | |
| 104 | 7590000339 | 2 | Marker Light - Amber (LED) | |
| 105 | 7590000379 | 2 | Light | |
| 106 | 7590000381 | 2 | Light | |
| 107 | 7759000018 | 4 | Pop Rivet | |
| 108 | 7493000009 | 2 | Grommet | |
| 109 | 7590000343 | 2 | Light, Marker (Red) | |

SECTION 7 - ELECTRICAL

FIGURE 7-27. LIGHTS - 4 TAILLIGHTS (STOP/TURN/TAILLIGHT COMBINED) (NG)



ART_1001295047

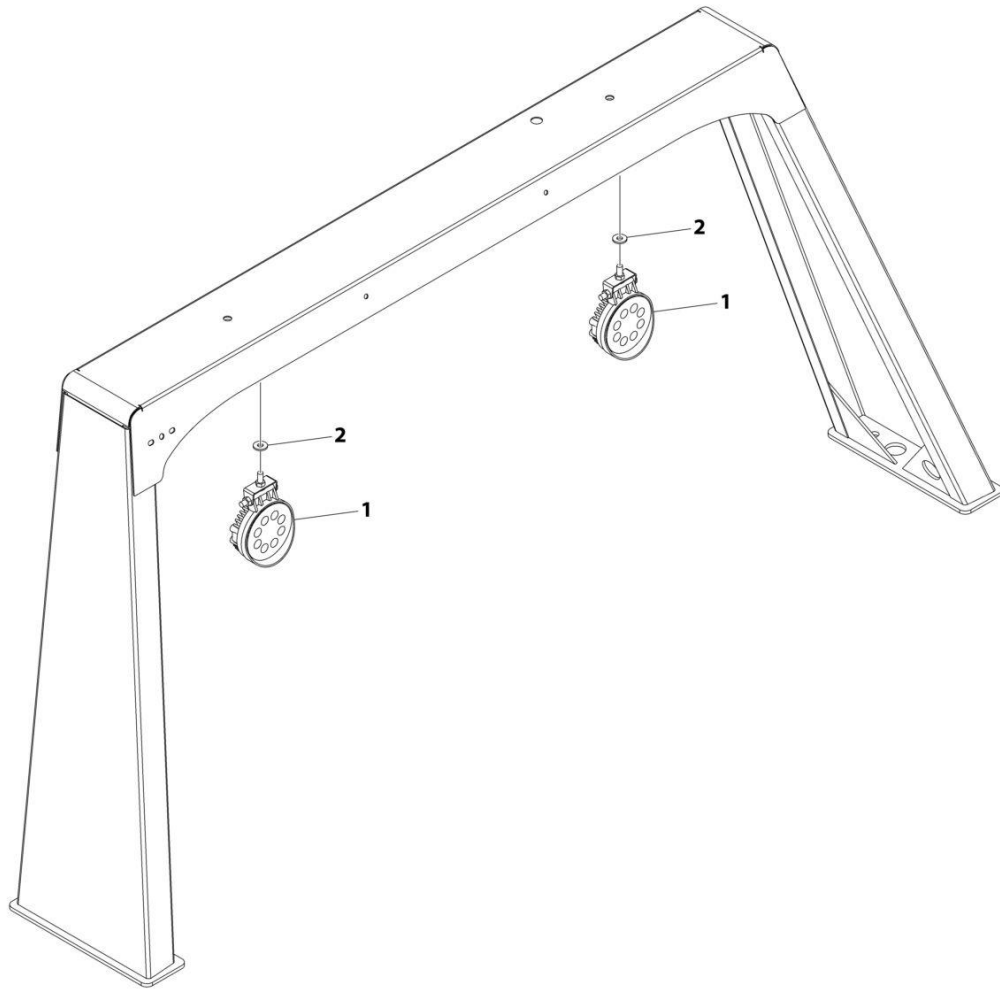
SECTION 7 - ELECTRICAL

FIGURE 7-27. LIGHTS - 4 TAILLIGHTS (STOP/TURN/TAILLIGHT COMBINED) (NG)

| ITEM | PART NUMBER | QTY | DESCRIPTION | REV |
|------|-------------|-----|---|-----|
| | 1001295047 | Ref | LIGHTS INSTALLATION - 4 TAILLIGHTS (STOP/TURN/TAILLIGHT COMBINED) | A |
| 1 | 1001295009 | 4 | Lamp (Stop/Turn/Taillight) | |
| 2 | 1001295294 | 2 | Lamp (Marker) | |
| 3 | 7114100618 | 18 | Capscrew #10 x 3/4 | |
| 4 | 7660102604 | 18 | Nut #10 | |
| 5 | 7950100151 | 18 | Washer 3/16 | |

SECTION 7 - ELECTRICAL

FIGURE 7-28. LIGHT - WORKLIGHT INSTALLATION (PYLON MOUNTED) (NGS)



ART_2590000238

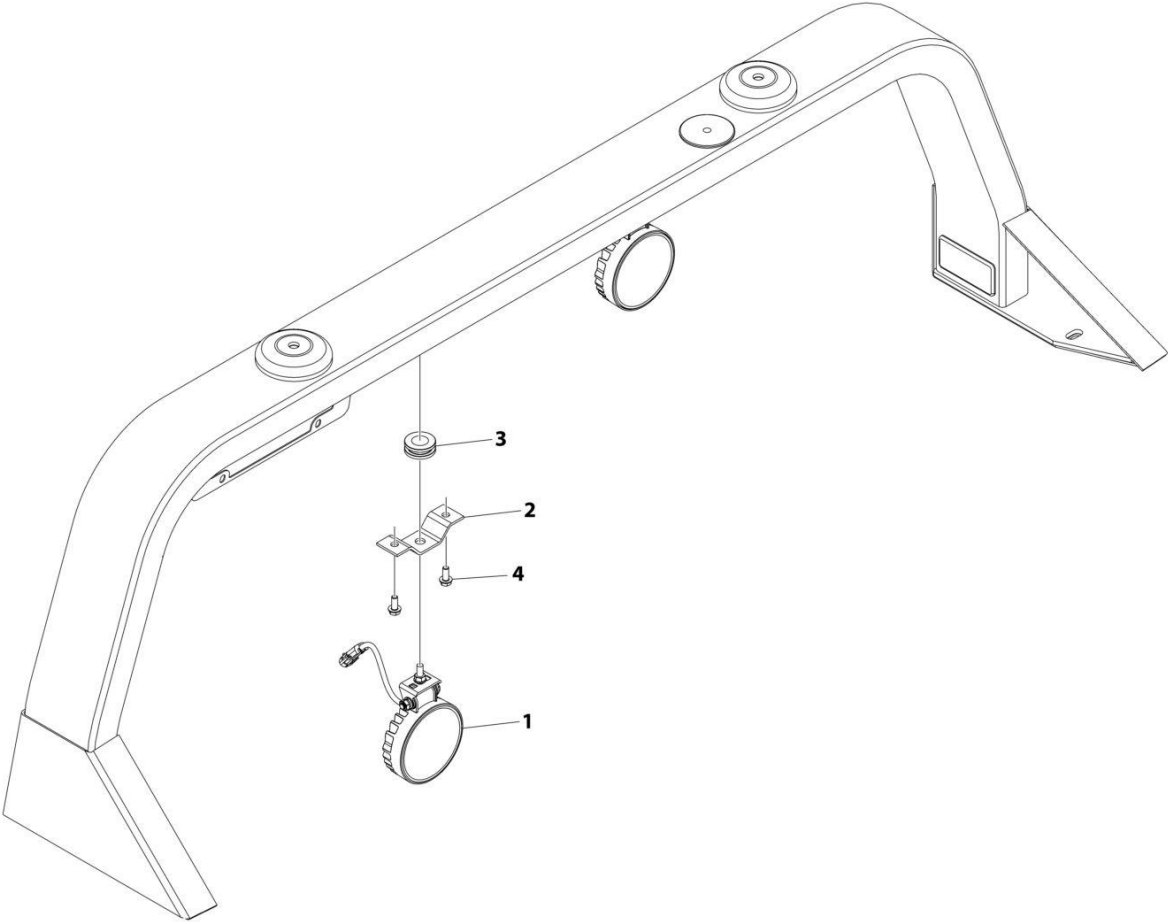
SECTION 7 - ELECTRICAL

FIGURE 7-28. LIGHT - WORKLIGHT INSTALLATION (PYLON MOUNTED) (NGS)

| ITEM | PART NUMBER | QTY | DESCRIPTION | REV |
|------|-------------|-----|--|-----|
| | 2590000238 | Ref | LIGHT INSTALLATION PYLON WORK | C |
| 1 | 1001176337 | 2 | Lamp (Prior to SN 0230009717) | |
| 1 | 1001273634 | 2 | Lamp (SN 0230009717 to Present) | |
| 2 | 7950150153 | 2 | Washer 5/16 | |

SECTION 7 - ELECTRICAL

FIGURE 7-29. LIGHT - WORKLIGHT INSTALLATION (PYLON MOUNTED) (NG)



ART_1001294914

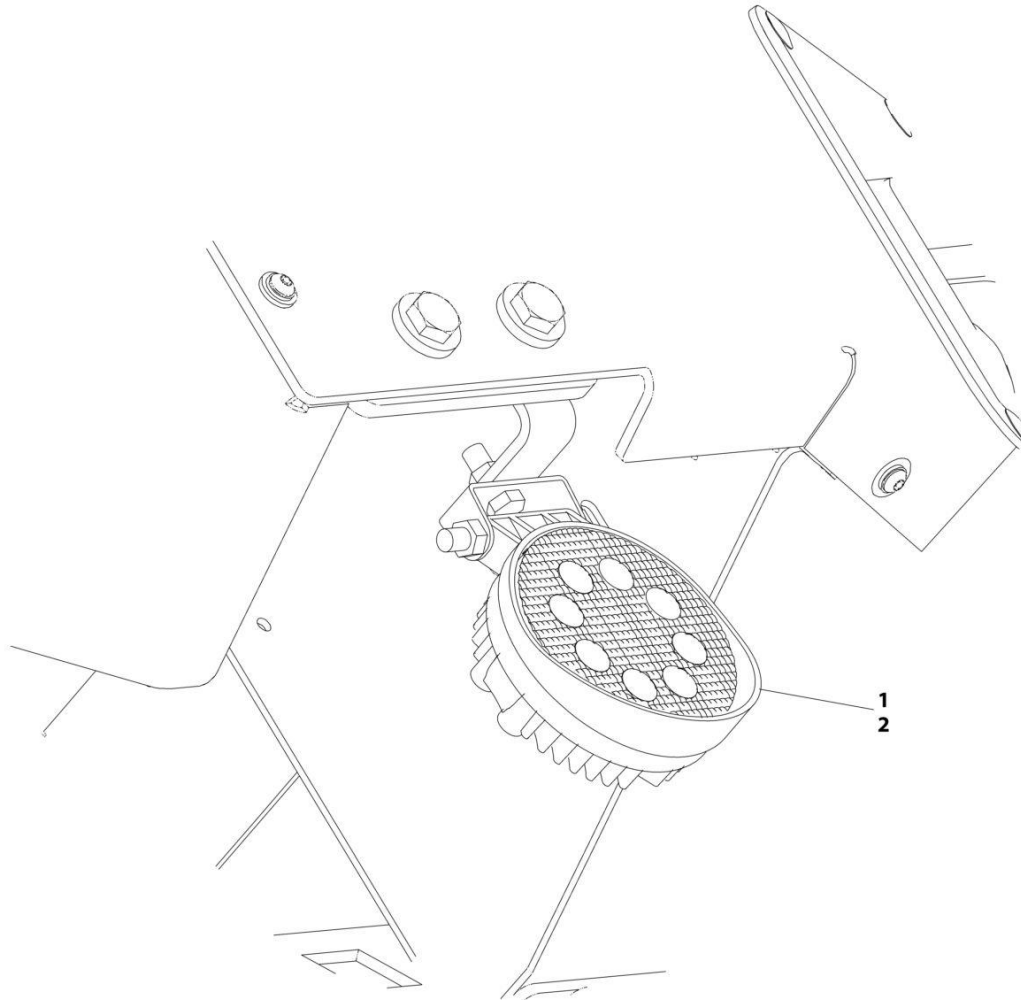
SECTION 7 - ELECTRICAL

FIGURE 7-29. LIGHT - WORKLIGHT INSTALLATION (PYLON MOUNTED) (NG)

| ITEM | PART NUMBER | QTY | DESCRIPTION | REV |
|------|-------------|-----|--------------------------------|-----|
| | 1001294914 | Ref | LIGHT - WORKLIGHT INSTALLATION | B |
| 1 | 1001273634 | 2 | Lamp | |
| 2 | 4178000402 | 2 | Bracket | |
| 3 | 7493000003 | 2 | Grommet | |
| 4 | 7790151253 | 4 | Bolt 5/16 x 3/4 | |

SECTION 7 - ELECTRICAL

FIGURE 7-30. LIGHT - WORKLIGHTS INSTALLATION (LOWER HOOK UP MOUNTED) (NGS)



ART_1001208300

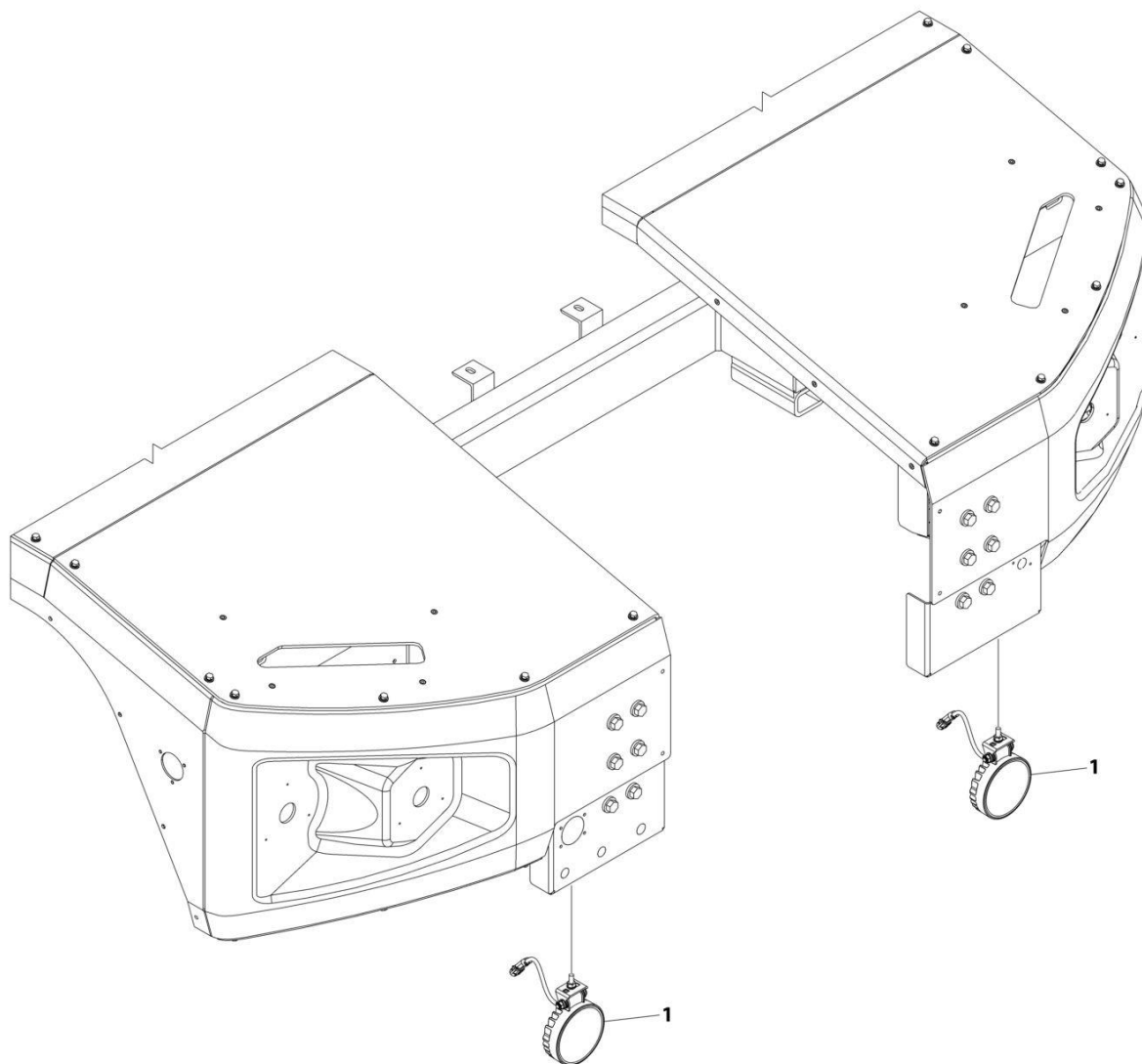
SECTION 7 - ELECTRICAL

FIGURE 7-30. LIGHT - WORKLIGHTS INSTALLATION (LOWER HOOK UP MOUNTED) (NGS)

| ITEM | PART NUMBER | QTY | DESCRIPTION | REV |
|------|-------------|-----|---|-----|
| | 1001208300 | Ref | LIGHT - WORKLIGHTS INSTALLATION (LOWER HOOK UP MOUNTED) | B |
| 1 | 1001176337 | 2 | Lamp (Prior to SN 0230009717) | |
| 1 | 1001273634 | 2 | Lamp (SN 0230009717 to Present) | |
| 2 | 4178000784 | 2 | Bracket | |

SECTION 7 - ELECTRICAL

FIGURE 7-31. LIGHT - WORKLIGHTS INSTALLATION (LOWER HOOK UP MOUNTED) (NG)



ART_1001296066

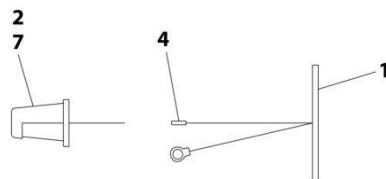
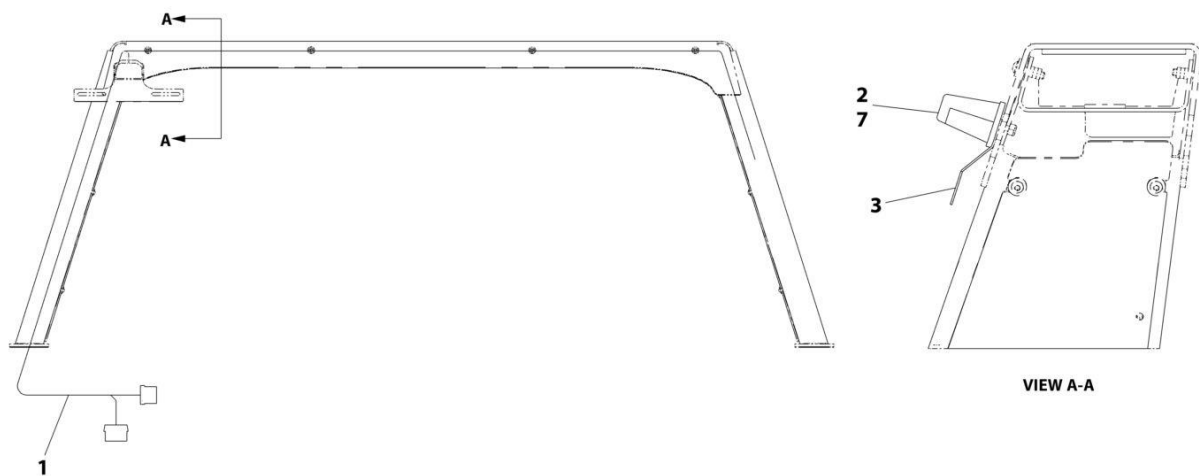
SECTION 7 - ELECTRICAL

FIGURE 7-31. LIGHT - WORKLIGHTS INSTALLATION (LOWER HOOK UP MOUNTED) (NG)

| ITEM | PART NUMBER | QTY | DESCRIPTION | REV |
|------|--------------------------|----------|---|-----|
| 1 | 1001296066 1001273634 | Ref 2 | LIGHT - WORKLIGHTS INSTALLATION Lamp | B |

SECTION 7 - ELECTRICAL

FIGURE 7-32. PYLON ELECTRICAL INSTALLATION - BODY MOUNTED (1 MARKER LIGHT PER SIDE)



ART_3509330108

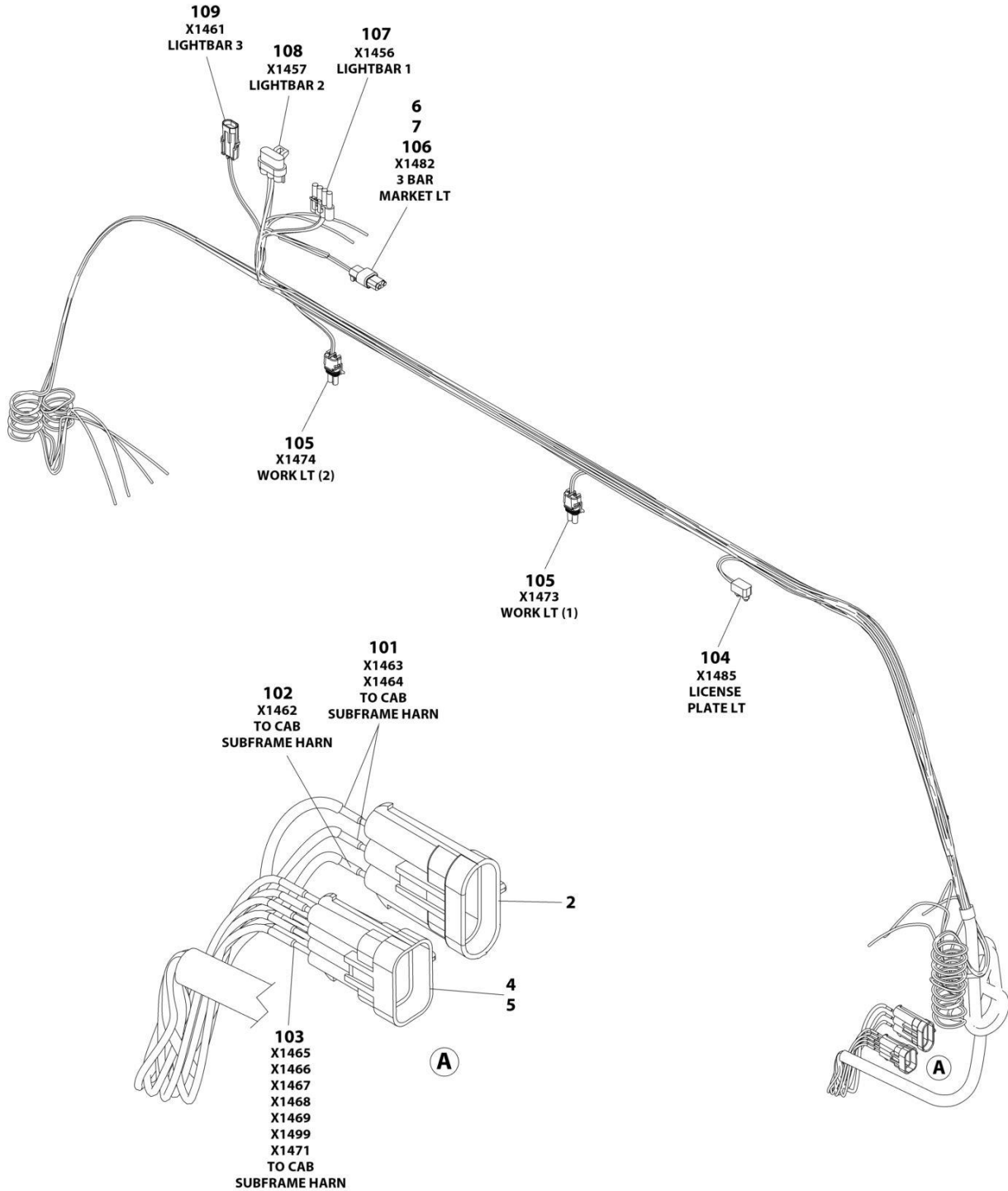
SECTION 7 - ELECTRICAL

FIGURE 7-32. PYLON ELECTRICAL INSTALLATION - BODY MOUNTED (1 MARKER LIGHT PER SIDE)

| ITEM | PART NUMBER | QTY | DESCRIPTION | REV |
|------|-------------|-----|---|-----|
| | 3509330108 | Ref | PYLON ELECTRICAL INSTALLATION - BODY MOUNTED PYLON WITH 1 MARKER LIGHT PER SIDE | B |
| 1 | 7552000293 | 1 | Pylon Headboard Harness (See Separate Breakdown in ELECTRICAL Section) | |
| 2 | 7590000105 | 1 | Light | |
| 3 | 7178000025 | 1 | License Plate Bracket | |
| 4 | 7346000039 | AR | Tube | |
| 5 | 7894000042 | 1 | Tie-Strap (Not Shown) | |
| 6 | 5526000553 | 1 | Tie-Strap (Not Shown) | |
| 7 | 7950100163 | 2 | Washer #10 | |

SECTION 7 - ELECTRICAL

FIGURE 7-33. PYLON HEADBOARD HARNESS (LOW CAB)



ART_1001299519

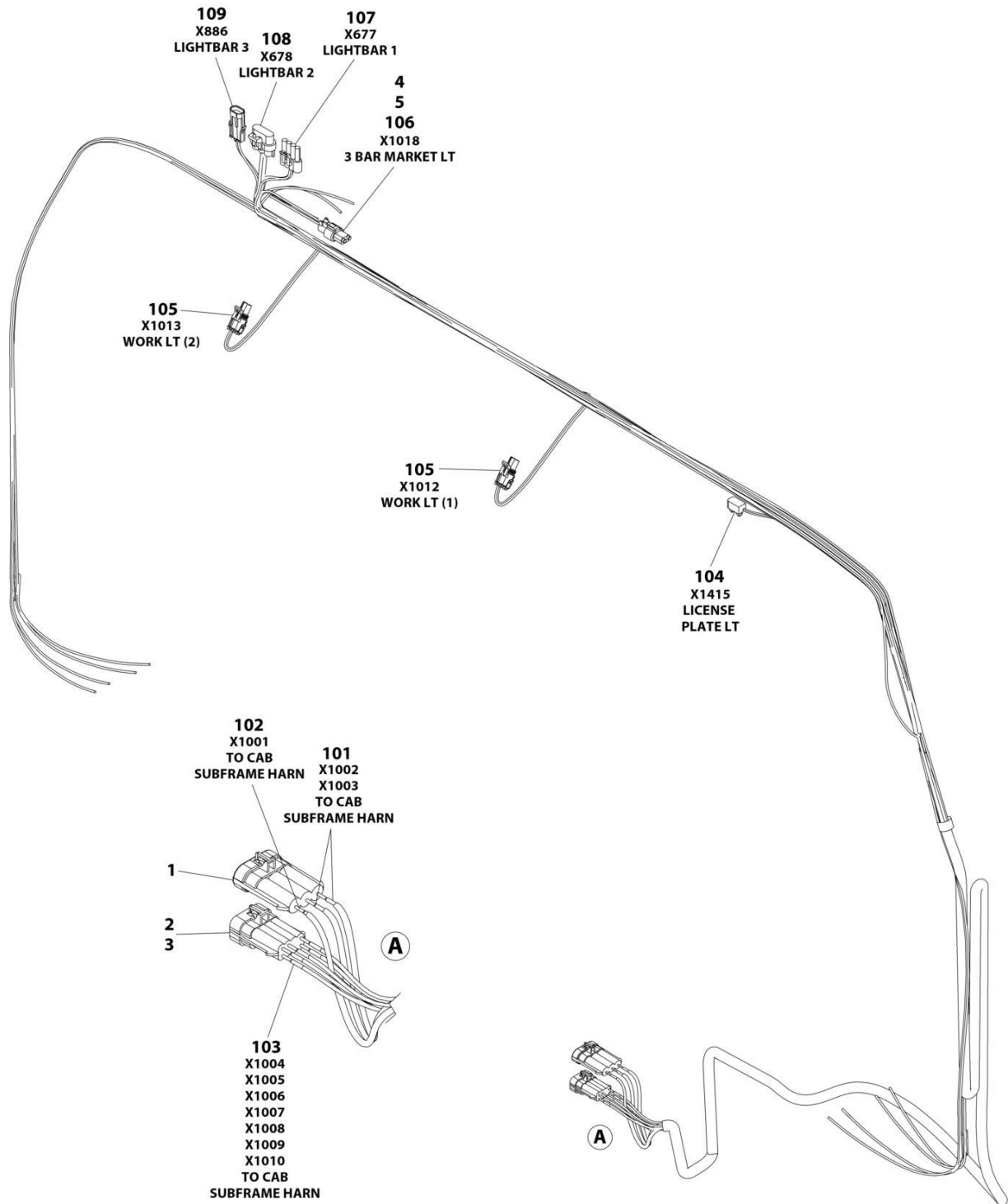
SECTION 7 - ELECTRICAL

FIGURE 7-33. PYLON HEADBOARD HARNESS (LOW CAB)

| ITEM | PART NUMBER | QTY | DESCRIPTION | REV |
|------|-------------|-----|-------------------------|-----|
| | 1001299519 | Ref | PYLON HEADBOARD HARNESS | B |
| 2 | 8220934 | 1 | Connector | |
| 4 | 1001116751 | 1 | Plug | |
| 5 | 1001288454 | 1 | Connector | |
| 6 | 4460466 | 2 | Terminal | |
| 7 | 4460897 | 1 | Terminal | |
| 101 | 1001277282 | 2 | Terminal | |
| 101 | 1001288450 | 2 | Seal | |
| 102 | 8220100 | 1 | Terminal | |
| 102 | 1001288449 | 1 | Seal | |
| 103 | 1001288456 | 7 | Terminal | |
| 103 | 1001288455 | 7 | Seal | |
| 104 | 1001275791 | 1 | Connector | |
| 105 | 4460742 | 2 | Connector | |
| 105 | 4460457 | 2 | Terminal | |
| 105 | 4460458 | 2 | Seal | |
| 106 | 4460891 | 1 | Connector | |
| 106 | 4460465 | 2 | Socket | |
| 107 | 1001288453 | 1 | Connector | |
| 107 | 4460457 | 4 | Terminal | |
| 107 | 4460458 | 4 | Seal | |
| 108 | 1001288457 | 1 | Connector | |
| 108 | 8220099 | 3 | Terminal | |
| 108 | 1001288450 | 2 | Seal | |
| 108 | 1001288449 | 1 | Seal | |
| 109 | 4461157 | 1 | Connector | |
| 109 | 4460475 | 2 | Terminal | |
| 109 | 4460458 | 2 | Seal | |

SECTION 7 - ELECTRICAL

FIGURE 7-34. PYLON HEADBOARD HARNESS - BODY MOUNT



ART_1001291067

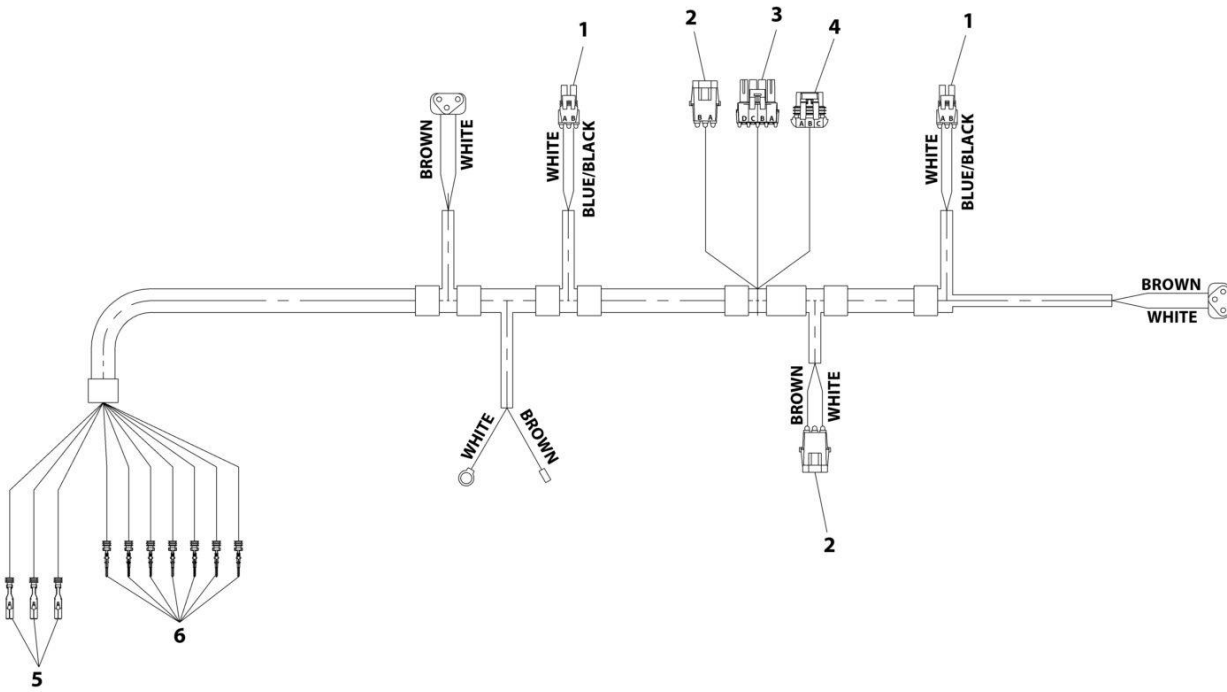
SECTION 7 - ELECTRICAL

FIGURE 7-34. PYLON HEADBOARD HARNESS - BODY MOUNT

| ITEM | PART NUMBER | QTY | DESCRIPTION | REV |
|------|-------------|-----|-------------------|-----|
| | 1001291067 | Ref | HEADBOARD HARNESS | C |
| 1 | 8220934 | 1 | Connector | |
| 2 | 1001288454 | 1 | Connector | |
| 3 | 1001116751 | 1 | Plug | |
| 4 | 4460897 | 1 | Terminal | |
| 5 | 4460466 | 2 | Terminal | |
| 101 | 1001277282 | 2 | Terminal | |
| 101 | 1001288450 | 2 | Seal | |
| 102 | 8220100 | 1 | Terminal | |
| 102 | 1001288449 | 1 | Seal | |
| 103 | 1001288456 | 7 | Terminal | |
| 103 | 1001288455 | 7 | Seal | |
| 104 | 1001275791 | 1 | Connector | |
| 105 | 4460742 | 2 | Connector | |
| 105 | 4460457 | 2 | Terminal | |
| 105 | 4460458 | 2 | Seal | |
| 106 | 4460891 | 1 | Connector | |
| 106 | 4460465 | 2 | Socket | |
| 107 | 1001288453 | 1 | Connector | |
| 107 | 4460457 | 4 | Terminal | |
| 107 | 4460458 | 4 | Seal | |
| 108 | 1001288457 | 1 | Connector | |
| 108 | 8220099 | 3 | Terminal | |
| 108 | 1001288450 | 2 | Seal | |
| 108 | 1001288449 | 1 | Seal | |
| 109 | 4461157 | 1 | Connector | |
| 109 | 4460475 | 2 | Terminal | |
| 109 | 4460458 | 2 | Seal | |

SECTION 7 - ELECTRICAL

FIGURE 7-35. PYLON HEADBOARD HARNESS - 1 MARKER SIDE



ART_7552000293

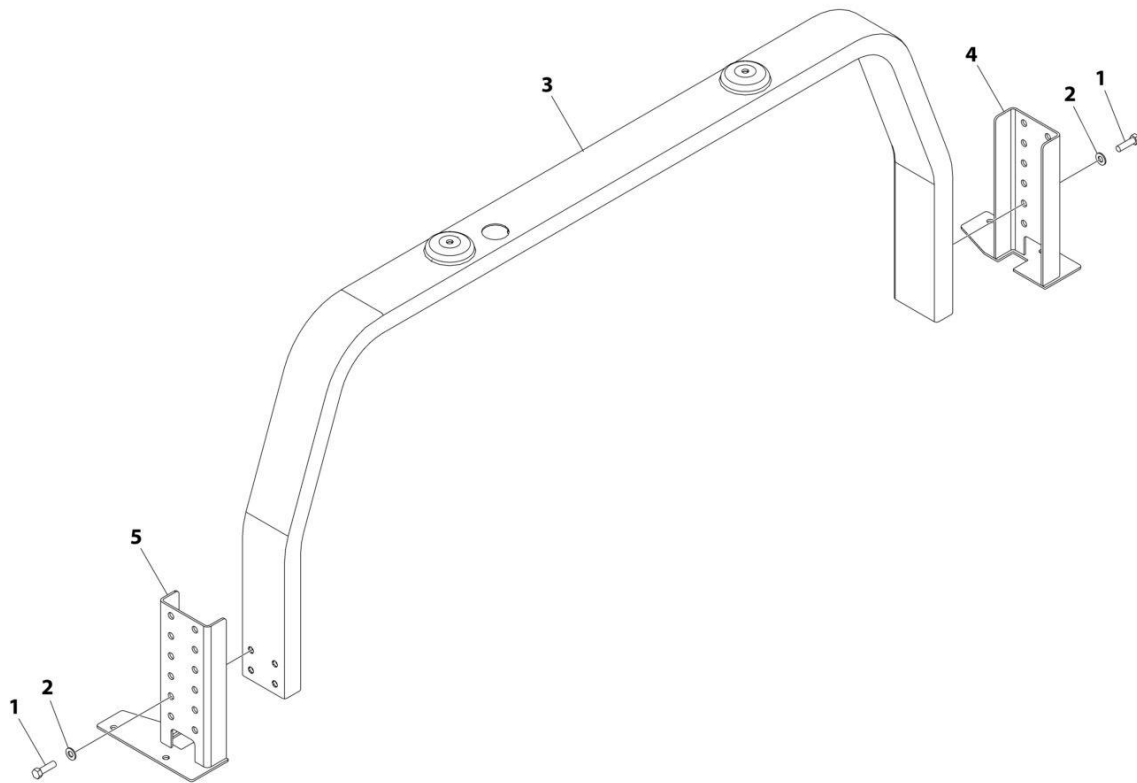
SECTION 7 - ELECTRICAL

FIGURE 7-35. PYLON HEADBOARD HARNESS - 1 MARKER SIDE

| ITEM | PART NUMBER | QTY | DESCRIPTION | REV |
|------|-------------|-----|---|-----|
| | 7552000293 | Ref | PYLON HEADBOARD HARNESS - 1 MARKER LIGHT PER SIDE | E |
| 1 | 4460742 | 2 | Connector | |
| 1 | 4460457 | 2 | Terminal | |
| 1 | 4460458 | 2 | Seal | |
| 2 | 4460867 | 2 | Connector | |
| 2 | 4460475 | 2 | Terminal | |
| 2 | 4460458 | 2 | Seal | |
| 3 | | Ref | Connector | |
| 3 | 4460457 | 1 | Terminal | |
| 3 | 4460458 | 1 | Seal | |
| 4 | | Ref | Connector | |
| 4 | | Ref | Lock | |
| 4 | 8220099 | 1 | Terminal | |
| 4 | | Ref | Seal | |
| 4 | | Ref | Seal | |
| 5 | 8220934 | 1 | Connector | |
| 5 | | Ref | Lock | |
| 5 | 8220100 | 1 | Terminal | |
| 5 | | Ref | Terminal | |
| 5 | | Ref | Seal | |
| 5 | | Ref | Seal | |
| 6 | 4460692 | 1 | Connector | |
| 6 | 8220400 | 1 | Lock | |
| 6 | | Ref | Terminal | |
| 6 | 4460608 | 7 | Seal | |
| 6 | 4461215 | 1 | Plug | |

SECTION 7 - ELECTRICAL

FIGURE 7-36. PYLON HOOPS & MOUNTS INSTALLATION



ART_1001297109

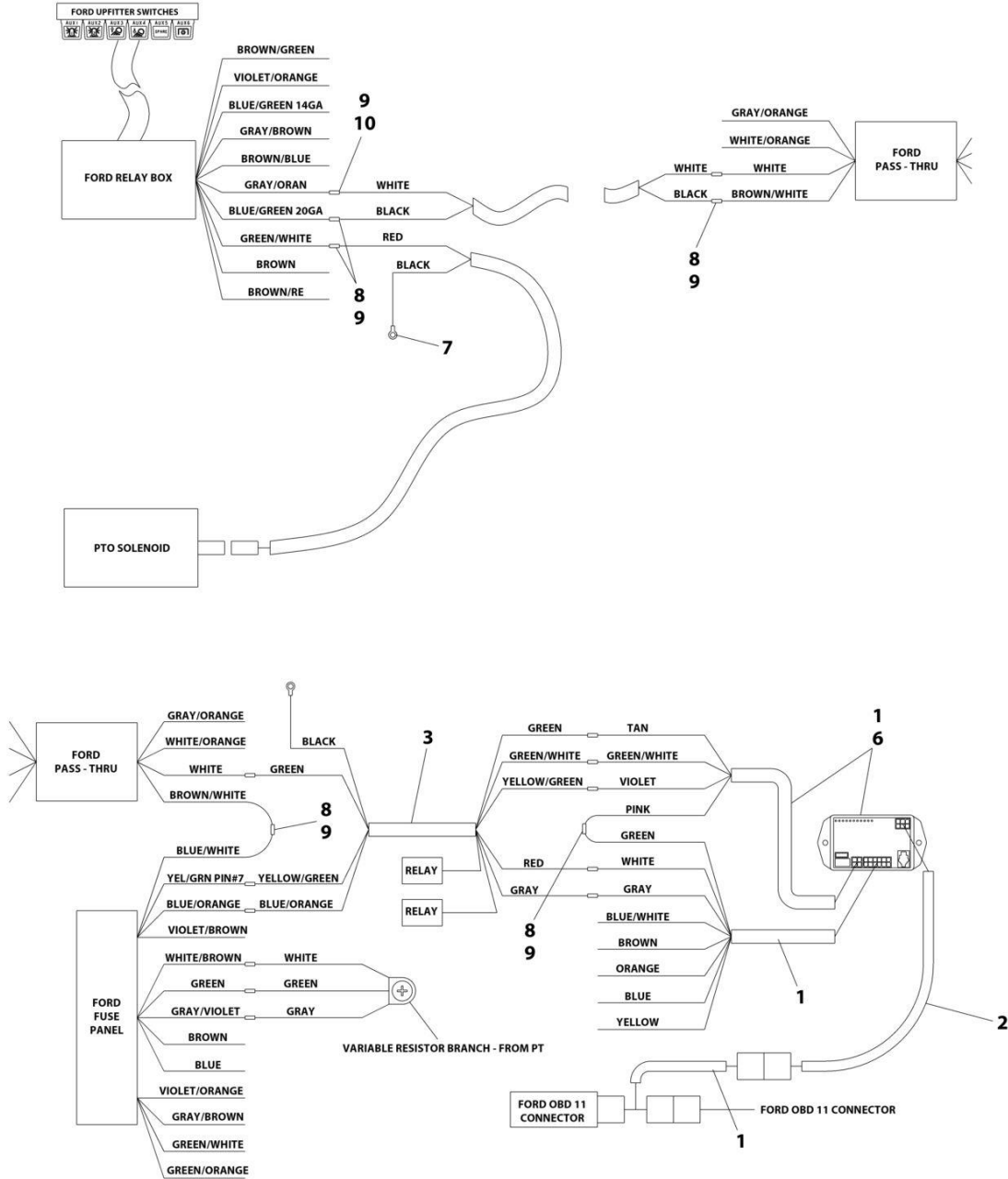
SECTION 7 - ELECTRICAL

FIGURE 7-36. PYLON HOOPS & MOUNTS INSTALLATION

| ITEM | PART NUMBER | QTY | DESCRIPTION | REV |
|------|-------------|-----|-----------------------------------|-----|
| | 1001297109 | Ref | PYLON HOOPS & MOUNTS INSTALLATION | A |
| 1 | 0641814 | 8 | Bolt 1/2 x 1-3/4 | |
| 2 | 4711800 | 8 | Washer 1/2 | |
| 3 | 1001293466 | 1 | Tube, Pylon | |
| 4 | 1001295120 | 1 | Mount, LH | |
| 5 | 1001295121 | 1 | Mount, RH | |

SECTION 7 - ELECTRICAL

FIGURE 7-37. PTO ELECTRICAL ASSEMBLY - FORD PTO



ART_1001225217

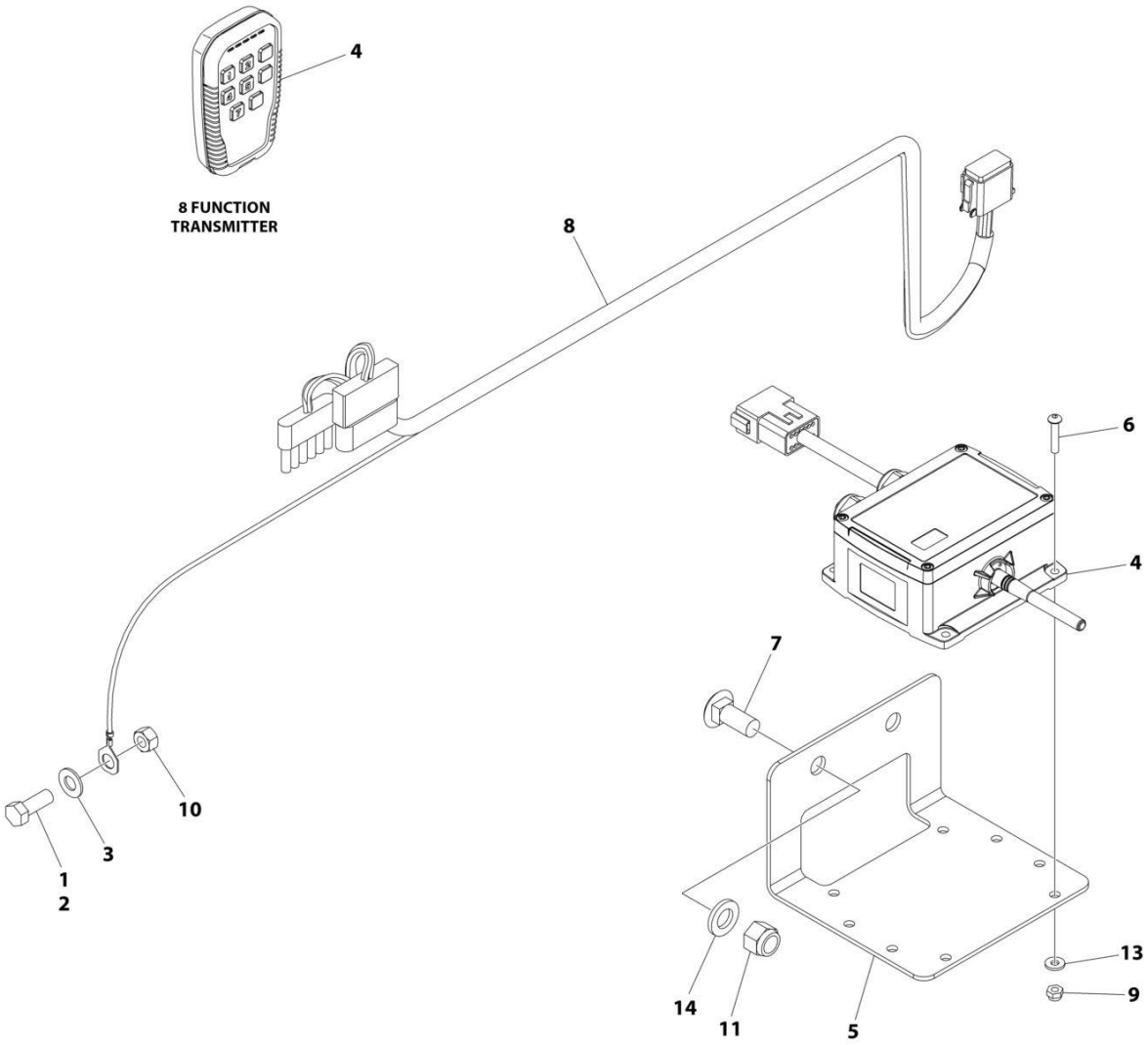
SECTION 7 - ELECTRICAL

FIGURE 7-37. PTO ELECTRICAL ASSEMBLY - FORD PTO

| ITEM | PART NUMBER | QTY | DESCRIPTION | REV |
|------|-------------|--------|--------------------------------|-----|
| | 1001225217 | Ref | ELECTRICAL ASSEMBLY - FORD PTO | D |
| 1 | 1001225063 | 1 | Control PTO | |
| 2 | 1001226317 | 1 | Harness, Data Link Extension | |
| 3 | 1001225068 | 1 | Harness, PTO Ford | |
| 6 | 8892040001 | 0.5 ft | Tape | |
| 7 | 7345221702 | 1 | Terminal | |
| 8 | 7345001714 | 6 | Terminal | |
| 9 | 7346000039 | AR | Tubing | |
| 10 | 7345001914 | 1 | Terminal | |
| 11 | 5376000192 | 1 | Manual (Not Shown) | |

SECTION 7 - ELECTRICAL

FIGURE 7-38. REMOTE CONTROL INSTALLATION - 8 FUNCTION



ART_1001297225

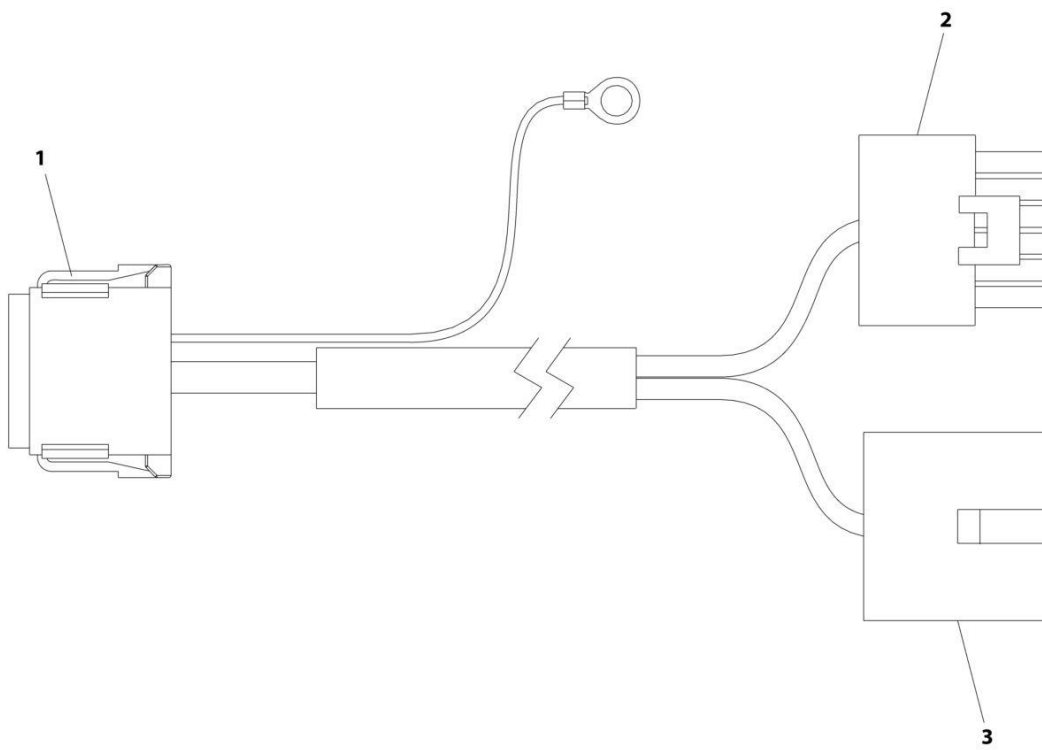
SECTION 7 - ELECTRICAL

FIGURE 7-38. REMOTE CONTROL INSTALLATION - 8 FUNCTION

| ITEM | PART NUMBER | QTY | DESCRIPTION | REV |
|------|-------------|-----|---|-----|
| | 1001297225 | Ref | REMOTE CONTROL INSTALLATION | A |
| 1 | 0100011 | AR | Compound Locking | |
| 2 | 0681608 | 1 | Bolt 3/8 x 1 | |
| 3 | 4711600 | 1 | Washer 3/8 | |
| 4 | 1001297178 | 1 | Controller | |
| 5 | 1001300459 | 1 | Bracket | |
| 6 | 7114100818 | 4 | Capscrew #10 x 1 | |
| 7 | 7115181064 | 2 | Bolt 1/2 x 1-1/4 | |
| 8 | 7552000384 | 1 | Remote Control Harness (See Separate Breakdown in this Section) | |
| 9 | 7660102604 | 4 | Nut #10 | |
| 10 | 7660160001 | 1 | Nut 3/8 | |
| 11 | 7660182601 | 2 | Nut 1/2 | |
| 12 | 7894000004 | 3 | Tie-Strap (Not Shown) | |
| 13 | 7950100143 | 4 | Washer 3/16 | |
| 14 | 7950180153 | 2 | Washer 1/2 | |

SECTION 7 - ELECTRICAL

FIGURE 7-39. REMOTE CONTROL HARNESS - 4 FUNCTION TOGGLE



ART_7552000384

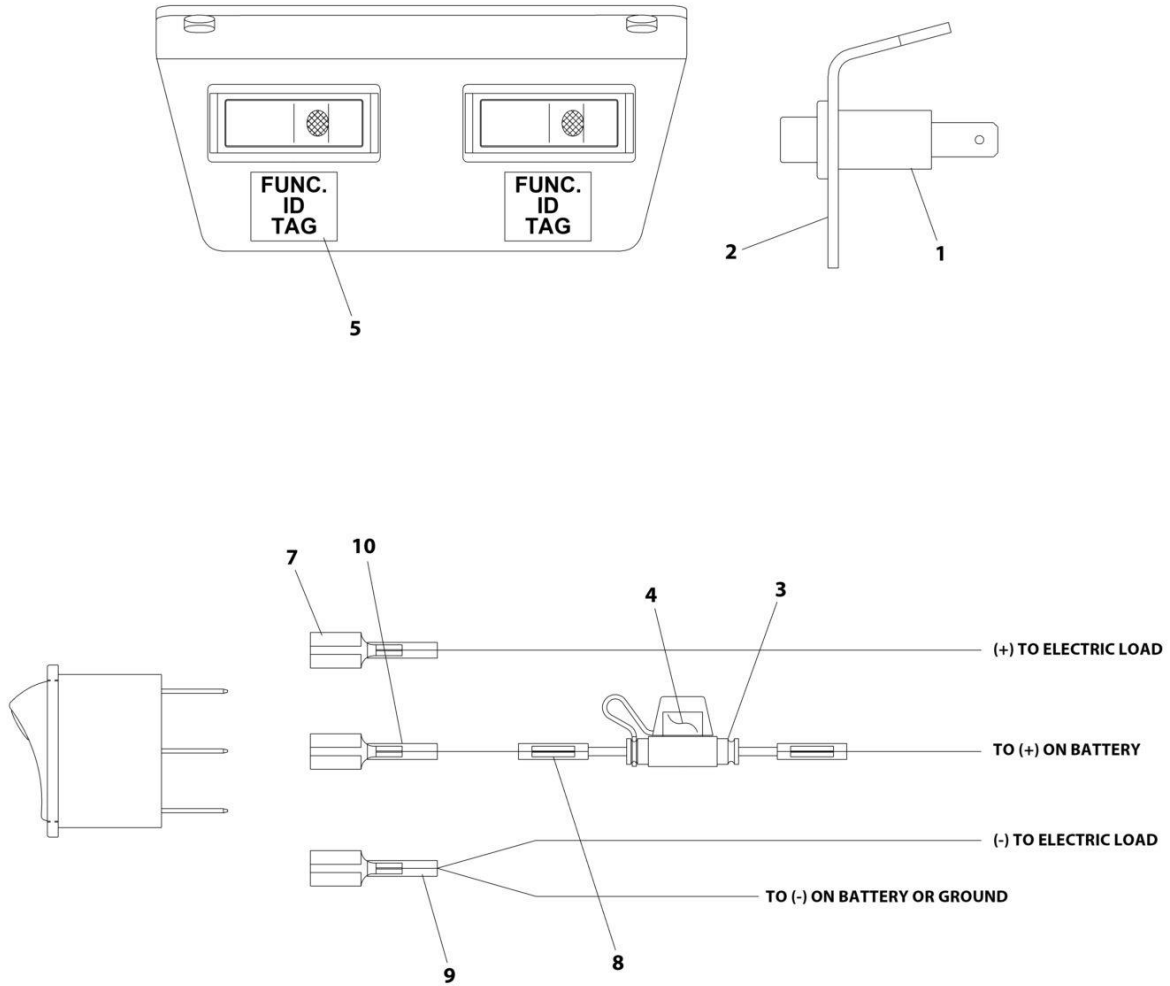
SECTION 7 - ELECTRICAL

FIGURE 7-39. REMOTE CONTROL HARNESS - 4 FUNCTION TOGGLE

| ITEM | PART NUMBER | QTY | DESCRIPTION | REV |
|------|-------------|-----|--|-----|
| | 7552000384 | Ref | REMOTE CONTROL HARNESS - 4 FUNCTION TOGGLE | 0 |
| 1 | 4460933 | 1 | Plug Male - 12 Position | |
| 1 | 4460465 | 11 | Socket, Female | |
| 1 | 4460466 | 1 | Plug, Terminal | |
| 2 | | Ref | Plug, Male - 6 Position | |
| 2 | 4460457 | 4 | Pin, Male | |
| 2 | 4460458 | 6 | Seal | |
| 2 | 1001116727 | 2 | Plug | |
| 3 | | Ref | Receptacle, Female - 6 Position | |
| 3 | 4460475 | 6 | Pin, Male | |
| 3 | 4460458 | 6 | Seal | |

SECTION 7 - ELECTRICAL

FIGURE 7-40. SWITCH PANEL INSTALLATION - 2 FUNCTION



ART_2870000012

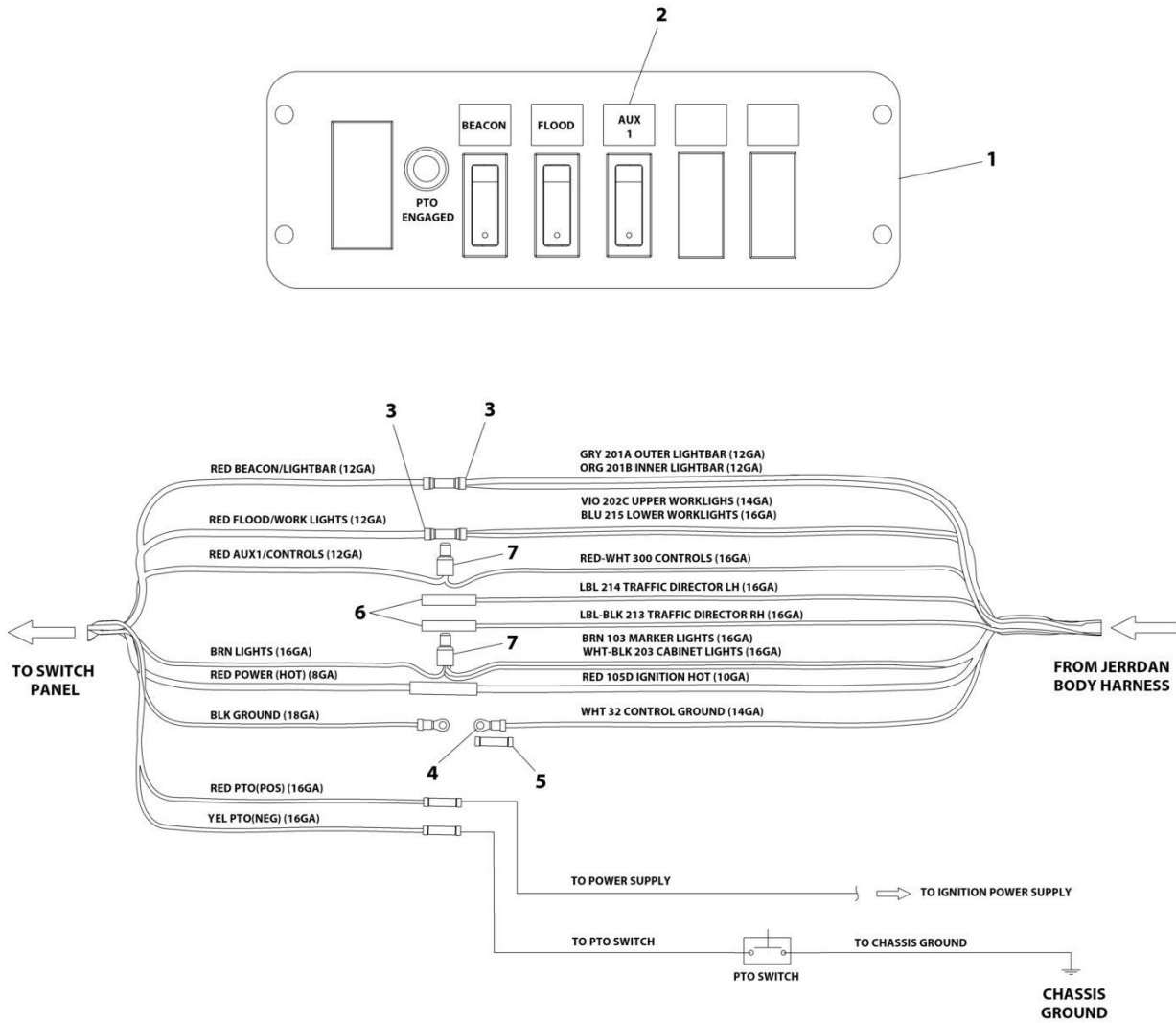
SECTION 7 - ELECTRICAL

FIGURE 7-40. SWITCH PANEL INSTALLATION - 2 FUNCTION

| ITEM | PART NUMBER | QTY | DESCRIPTION | REV |
|------|-------------|-----|--|-----|
| | 2870000012 | Ref | SWITCH PANEL INSTALLATION - 2 FUNCTION | B |
| 1 | 7870000083 | 2 | Switch | |
| 2 | 4178000427 | 1 | Bracket | |
| 3 | 7346000126 | 2 | Fuse Holder | |
| 4 | 7457000015 | 2 | Fuse | |
| 5 | 7330000288 | 1 | Decal | |
| 6 | 7120000034 | 2 | Screw #10 x 3/4 (Not Shown) | |
| 7 | 7345001710 | 4 | Tab | |
| 8 | 7345001914 | 4 | Terminal | |
| 9 | 4346000005 | 10 | Heat Shrink Tubing | |
| 10 | 7345001910 | 2 | Tab | |

SECTION 7 - ELECTRICAL

FIGURE 7-41. SWITCH PANEL INSTALLATION - 3 FUNCTION (IN DASH COMPACT)



ART_1001266075

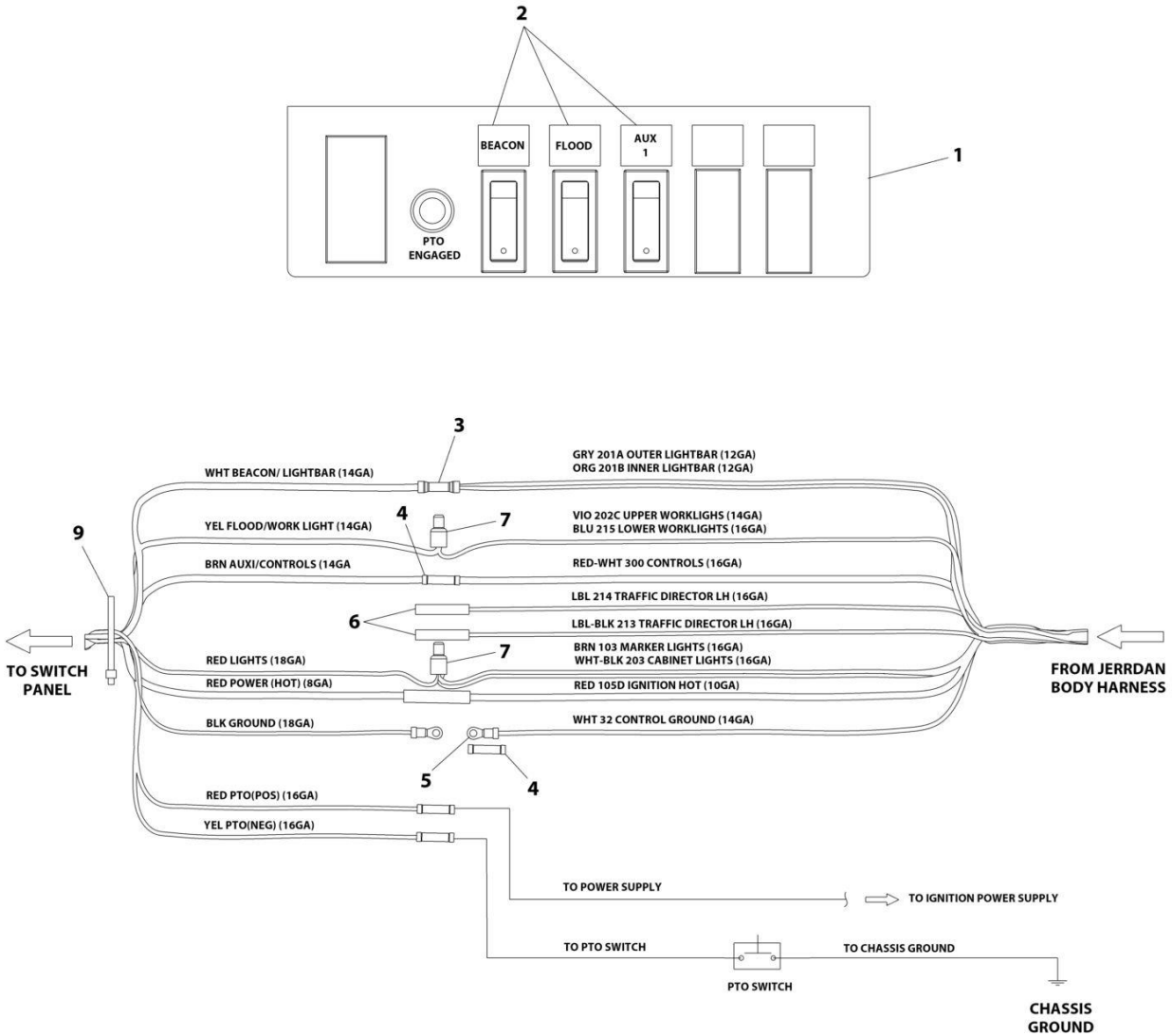
SECTION 7 - ELECTRICAL

FIGURE 7-41. SWITCH PANEL INSTALLATION - 3 FUNCTION (IN DASH COMPACT)

| ITEM | PART NUMBER | QTY | DESCRIPTION | REV |
|------|-------------|-----|---|-----|
| | 1001266075 | Ref | 3 FUNCTION IN-DASH COMPACT INSTALLATION | A |
| 1 | 7870000100 | 1 | Switch Panel | |
| 2 | 7330000288 | 1 | Decal | |
| 3 | 4460018 | 2 | Terminal | |
| 4 | 4460042 | 1 | Terminal | |
| 5 | 4460035 | 1 | Terminal | |
| 6 | 4346000005 | 2 | Heat Shrink | |
| 7 | 7346000242 | 2 | Connector | |

SECTION 7 - ELECTRICAL

FIGURE 7-42. SWITCH PANEL INSTALLATION - 3 FUNCTION (UNDER DASH COMPACT)



ART_1001266355

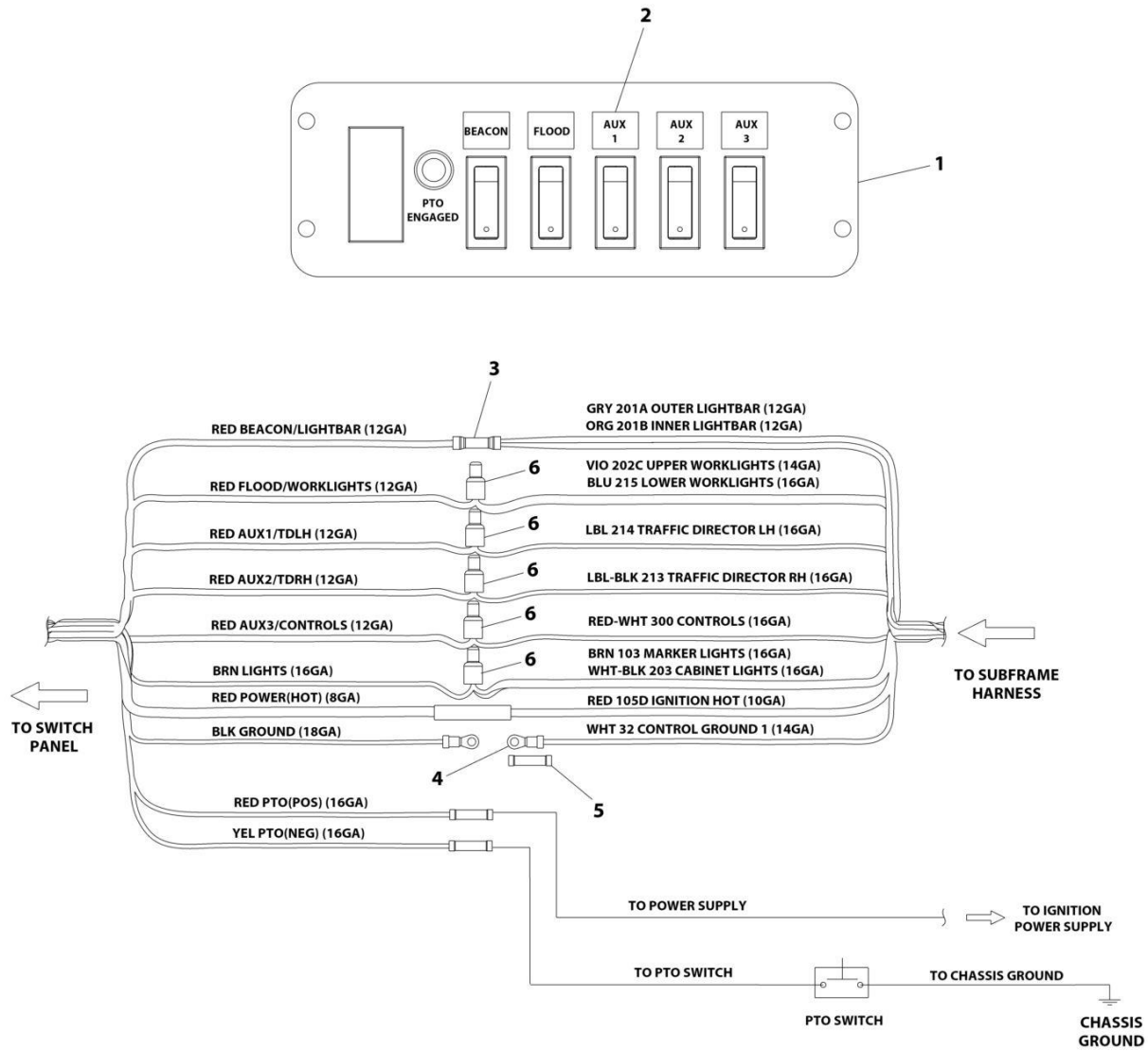
SECTION 7 - ELECTRICAL

FIGURE 7-42. SWITCH PANEL INSTALLATION - 3 FUNCTION (UNDER DASH COMPACT)

| ITEM | PART NUMBER | QTY | DESCRIPTION | REV |
|------|-------------|------|--|-----|
| | 1001266355 | Ref | 3 FUNCTION UNDER-DASH COMPACT INSTALLATION | A |
| 1 | 7870000134 | 1 | Switch Panel | |
| 2 | 7330000288 | 1 | Decal | |
| 3 | 4460018 | 1 | Terminal | |
| 4 | 4460035 | 2 | Terminal | |
| 5 | 4460042 | 1 | Terminal | |
| 6 | 4346000005 | 2 | Heat Shrink | |
| 7 | 7346000242 | 2 | Connector | |
| 8 | 8597650003 | 2 ft | Wire (Not Shown) | |
| 9 | 5526000553 | 6 | Tie Strap | |

SECTION 7 - ELECTRICAL

FIGURE 7-43. SWITCH PANEL INSTALLATION - 5 FUNCTION (IN DASH COMPACT)



ART_1001266357

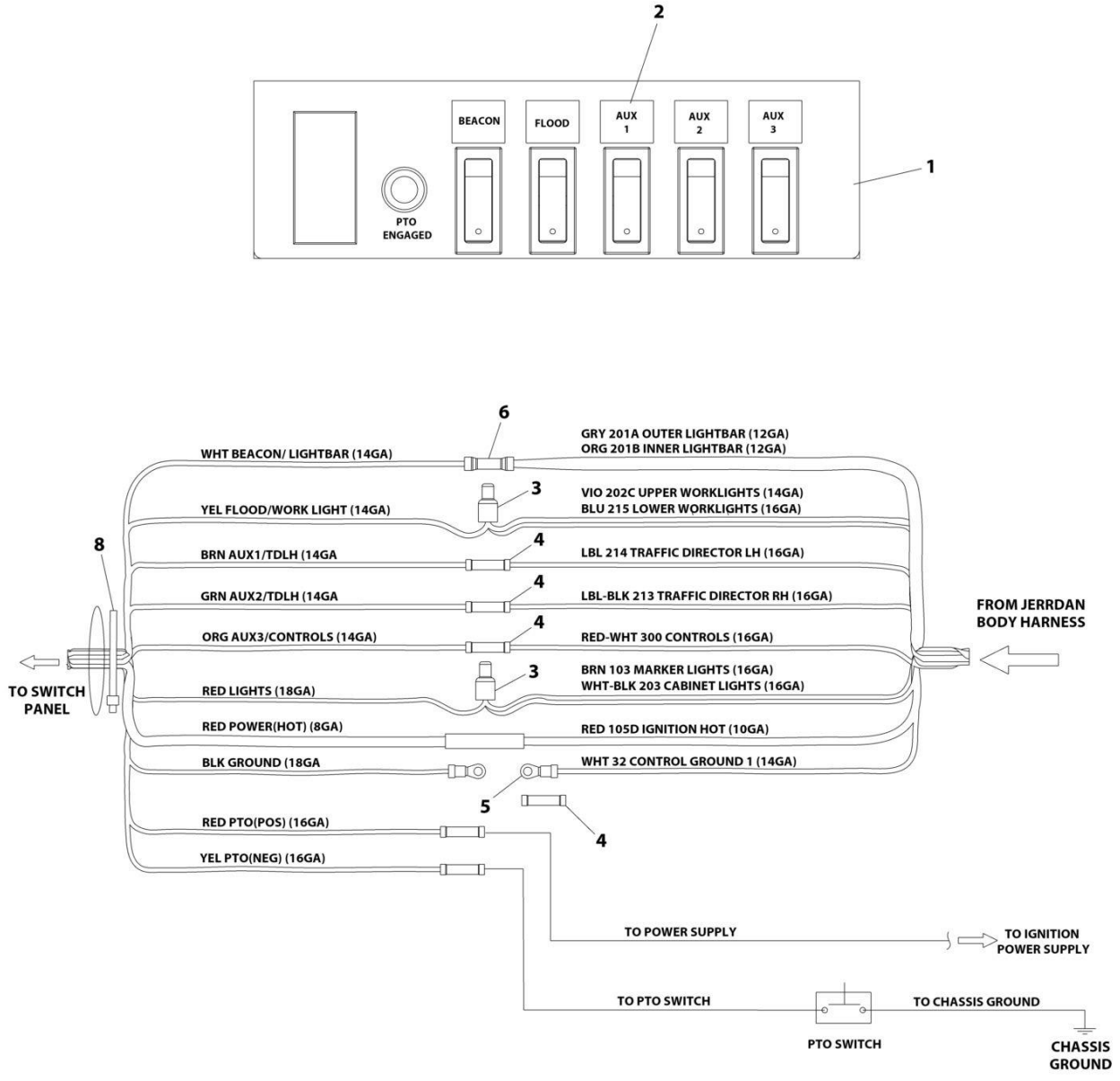
SECTION 7 - ELECTRICAL

FIGURE 7-43. SWITCH PANEL INSTALLATION - 5 FUNCTION (IN DASH COMPACT)

| ITEM | PART NUMBER | QTY | DESCRIPTION | REV |
|------|-------------|-----|--|-----|
| | 1001266357 | Ref | 5 FUNCTION IN-DASH COMPACT SWITCH PANEL ASSEMBLY | A |
| 1 | 7870000106 | 1 | Switch Panel | |
| 2 | 7330000288 | 1 | Decal | |
| 3 | 4460018 | 1 | Terminal | |
| 4 | 4460042 | 1 | Terminal | |
| 5 | 4460035 | 1 | Terminal | |
| 6 | 7346000242 | 5 | Connector | |

SECTION 7 - ELECTRICAL

FIGURE 7-44. SWITCH PANEL INSTALLATION - 5 FUNCTION (UNDER DASH COMPACT)



ART_1001266359

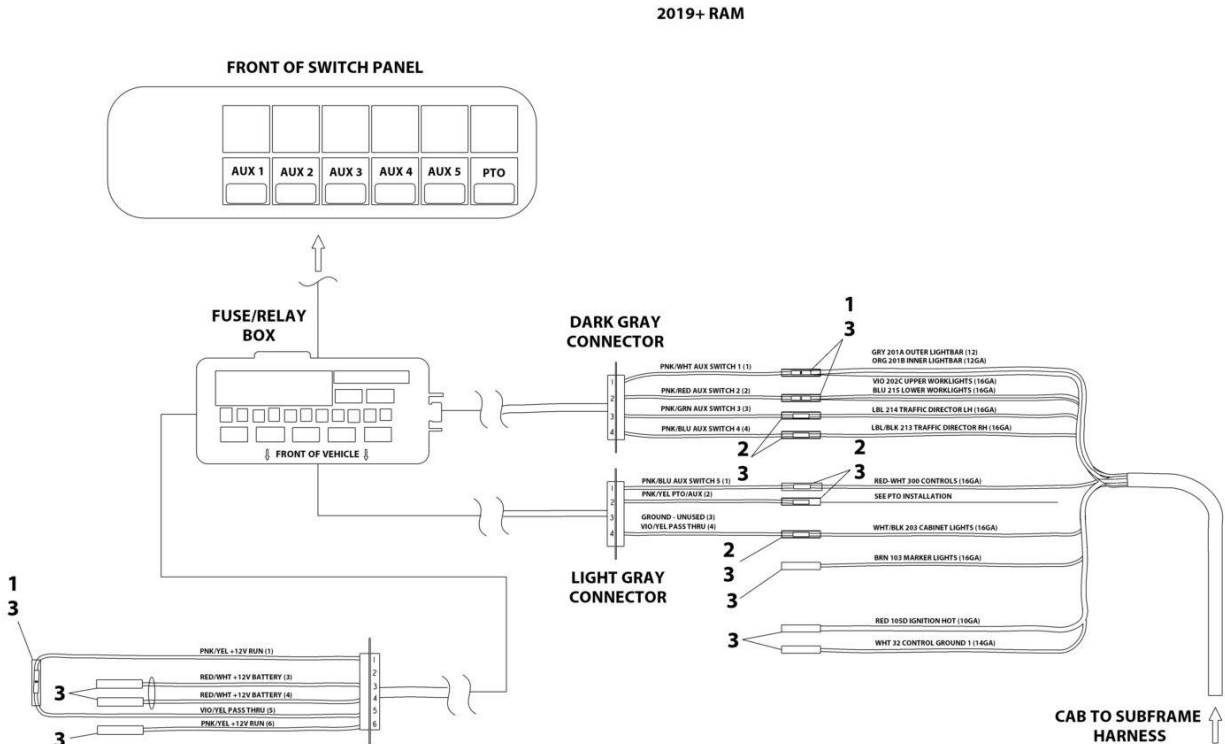
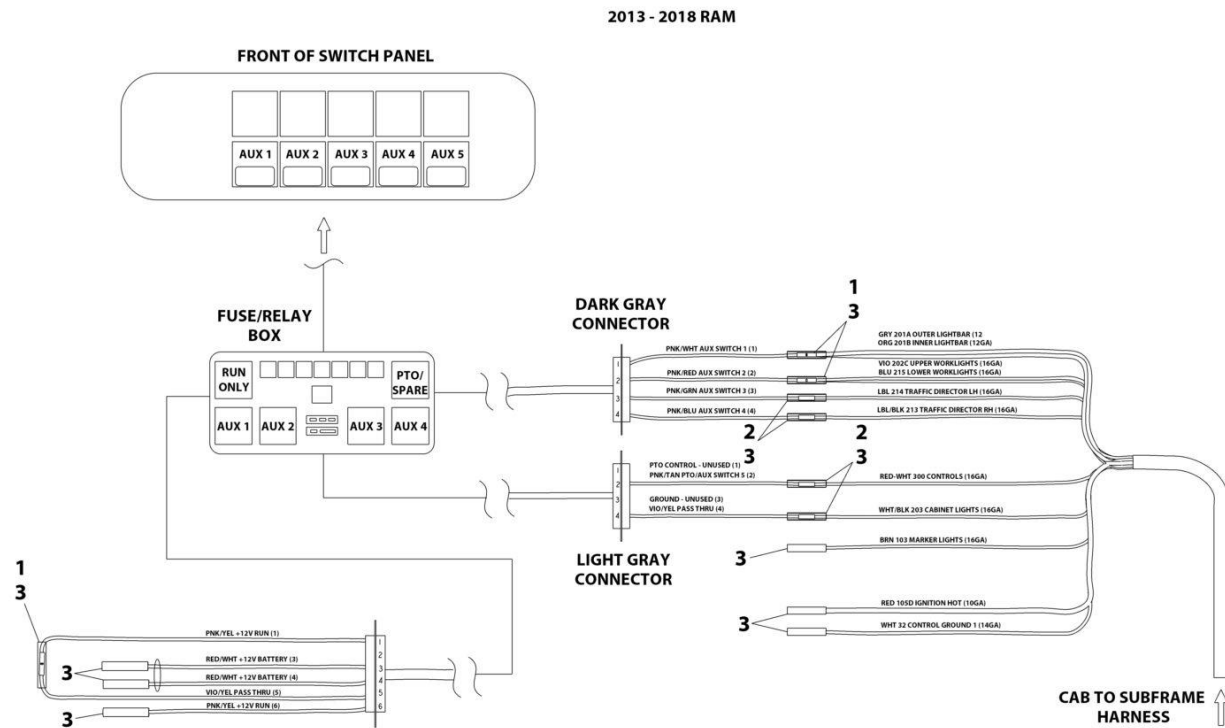
SECTION 7 - ELECTRICAL

FIGURE 7-44. SWITCH PANEL INSTALLATION - 5 FUNCTION (UNDER DASH COMPACT)

| ITEM | PART NUMBER | QTY | DESCRIPTION | REV |
|------|-------------|------|---|-----|
| | 1001266359 | Ref | 5 FUNCTION UNDER-DASH SWITCH PANEL ASSEMBLY | A |
| 1 | 7870000137 | 1 | Switch Panel | |
| 2 | 7330000288 | 1 | Decal | |
| 3 | 7346000242 | 2 | Connector | |
| 4 | 4460035 | 1 | Terminal | |
| 5 | 4460042 | 1 | Terminal | |
| 6 | 4460018 | 1 | Terminal | |
| 7 | 8597650003 | 2 ft | Wire (Not Shown) | |
| 8 | 5526000553 | 6 | Tie Strap | |

SECTION 7 - ELECTRICAL

FIGURE 7-45. SWITCH PANEL INSTALLATION - 5 FUNCTION (DODGE 2013)



ART_1001267711

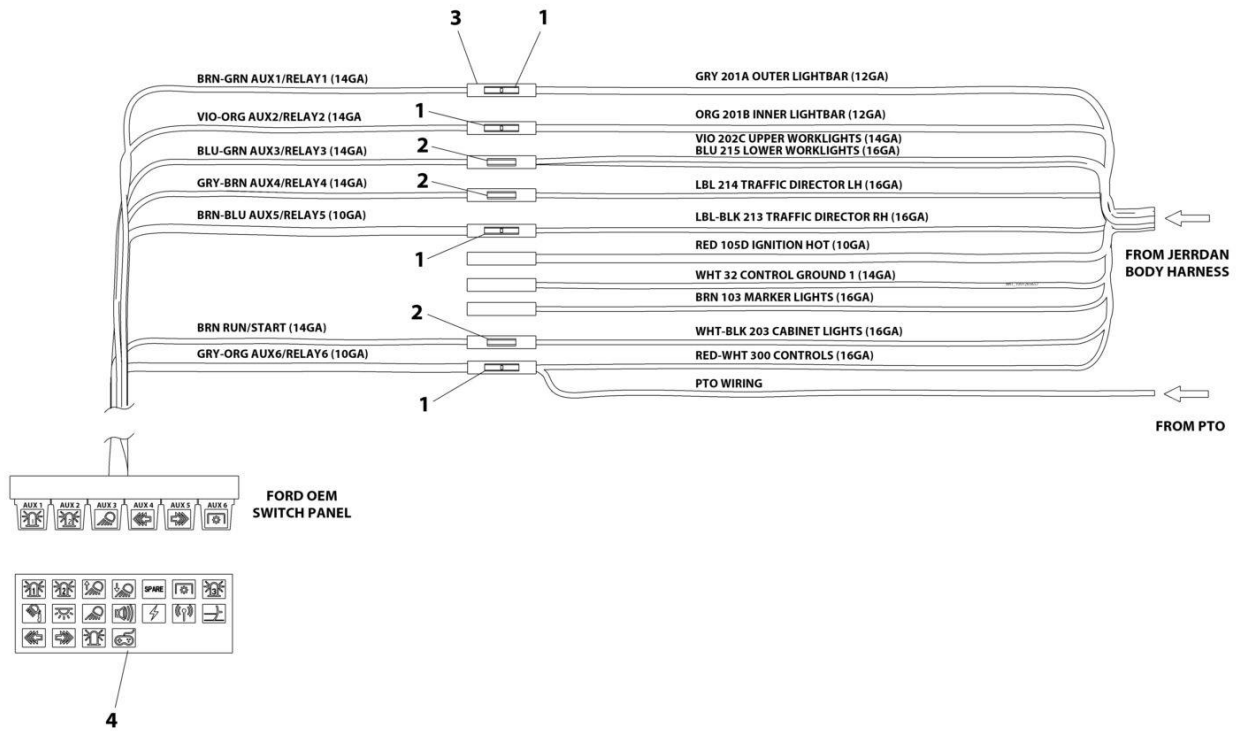
SECTION 7 - ELECTRICAL

FIGURE 7-45. SWITCH PANEL INSTALLATION - 5 FUNCTION (DODGE 2013)

| ITEM | PART NUMBER | QTY | DESCRIPTION | REV |
|------|-------------|-----|---|-----|
| | 1001267711 | Ref | SWITCH PANEL INSTALLATION - 5 FUNCTION (DODGE 2013) | A |
| 1 | 7345001914 | 3 | Terminal | |
| 2 | 7345001714 | 5 | Terminal | |
| 3 | 4346000005 | 14 | Tubing | |

SECTION 7 - ELECTRICAL

FIGURE 7-46. SWITCH PANEL INSTALLATION - 6 FUNCTION (FORD 2017)



ART_1001266884

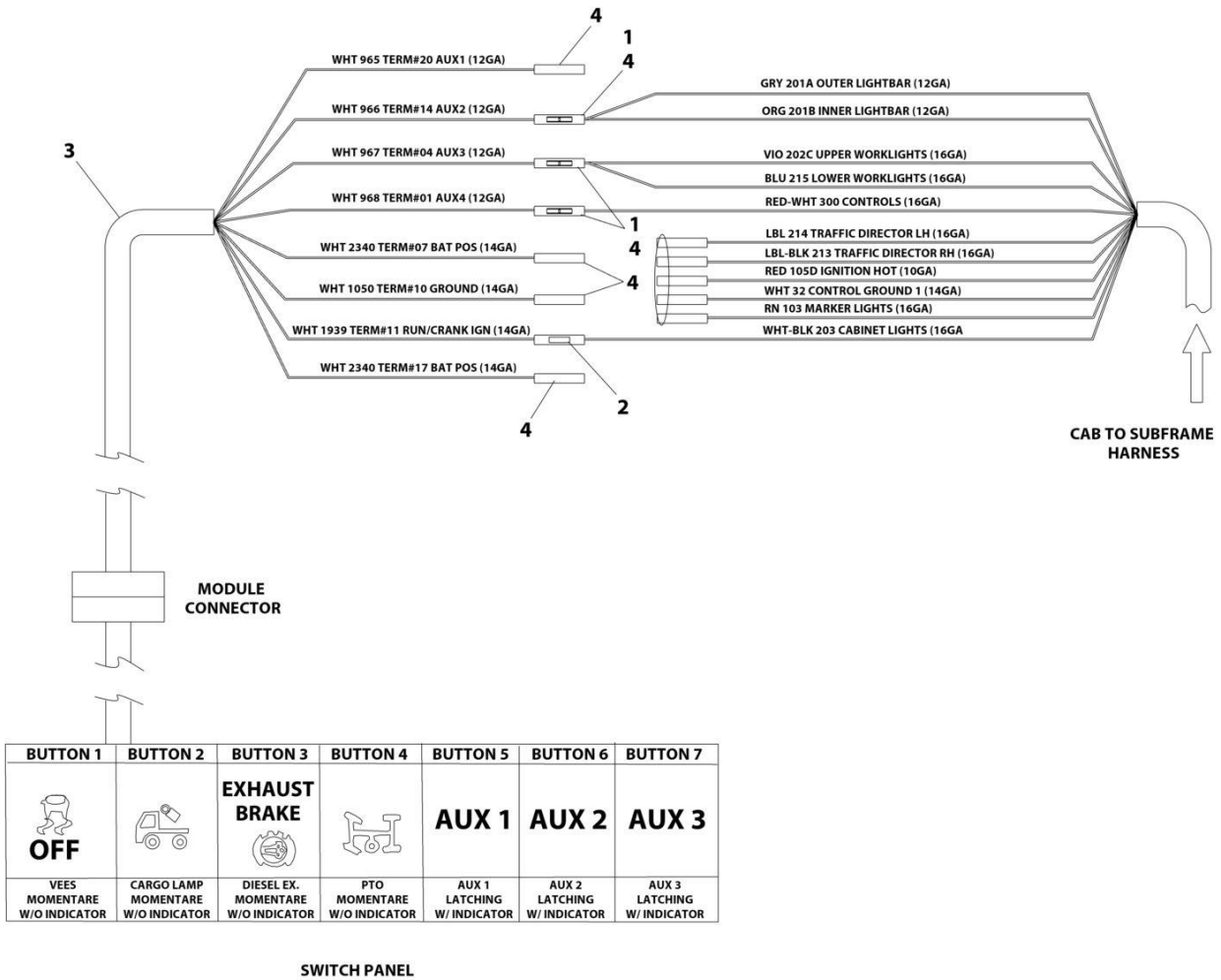
SECTION 7 - ELECTRICAL

FIGURE 7-46. SWITCH PANEL INSTALLATION - 6 FUNCTION (FORD 2017)

| ITEM | PART NUMBER | QTY | DESCRIPTION | REV |
|------|-------------|-----|---|-----|
| | 1001266884 | Ref | SWITCH PANEL INSTALLATION - 6 FUNCTION (FORD 2017) | A |
| 1 | 7345001914 | 4 | Terminal | |
| 2 | 7345001714 | 3 | Terminal | |
| 3 | 4346000005 | 10 | Tubing | |
| 4 | 1001221375 | 1 | Decal | |
| 5 | 1001225217 | 1 | Electrical Assembly - Ford PTO (Not Shown) (See Separate Breakdown in this Section) | |

SECTION 7 - ELECTRICAL

FIGURE 7-47. SWITCH PANEL INSTALLATION - 3/4 FUNCTION (CHEVY 2019)



ART_1001267982

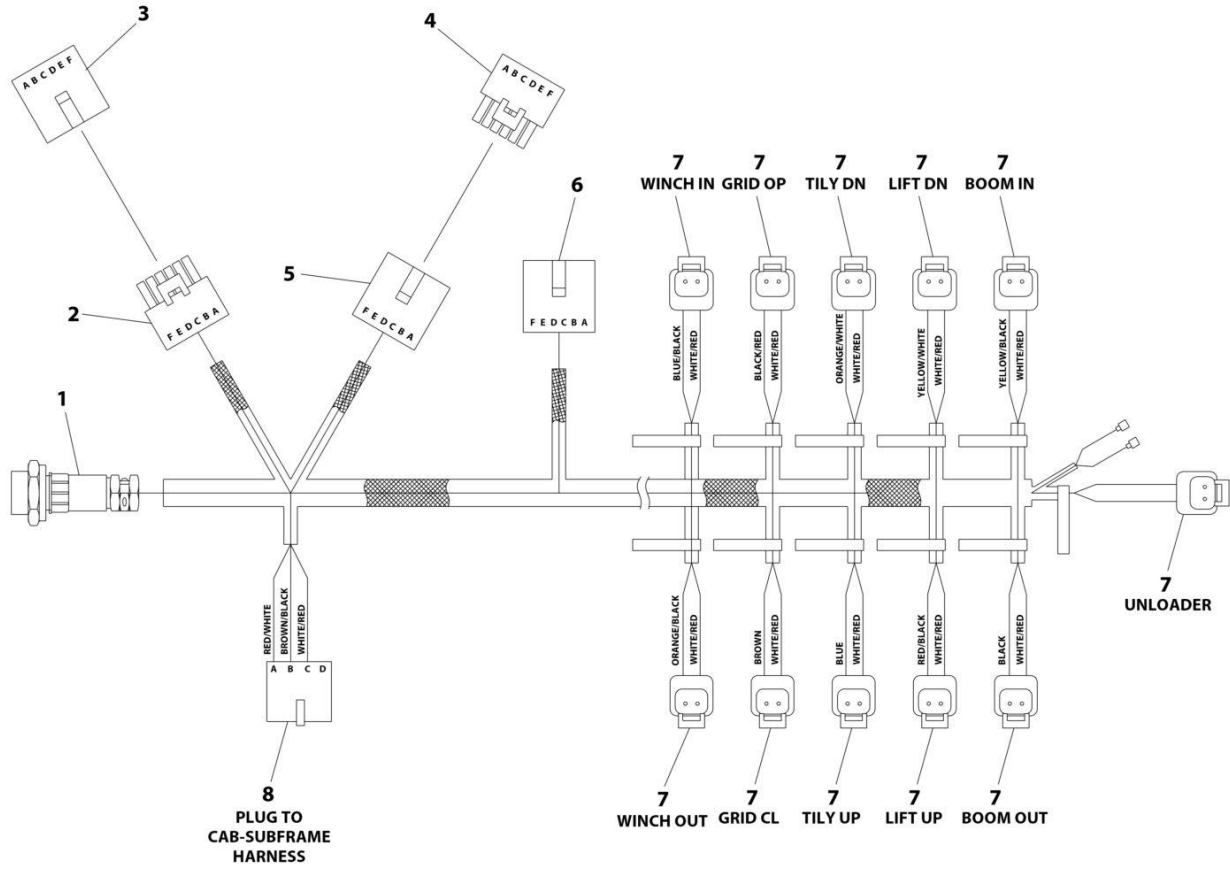
SECTION 7 - ELECTRICAL

FIGURE 7-47. SWITCH PANEL INSTALLATION - 3/4 FUNCTION (CHEVY 2019)

| ITEM | PART NUMBER | QTY | DESCRIPTION | REV |
|------|-------------|-----|--|-----|
| | 1001267982 | Ref | SWITCH PANEL INSTALLATION - 3/4 FUNCTION, 2019 CV C-PUMP | A |
| 1 | 7345001914 | 4 | Terminal | |
| 2 | 7345001714 | 1 | Terminal | |
| 3 | 1001254044 | 1 | Harness | |
| 4 | 4346000005 | 10 | Heat Shrink, Tubing | |

SECTION 7 - ELECTRICAL

FIGURE 7-48. VALVE HARNESS - NG



ART_1001291598

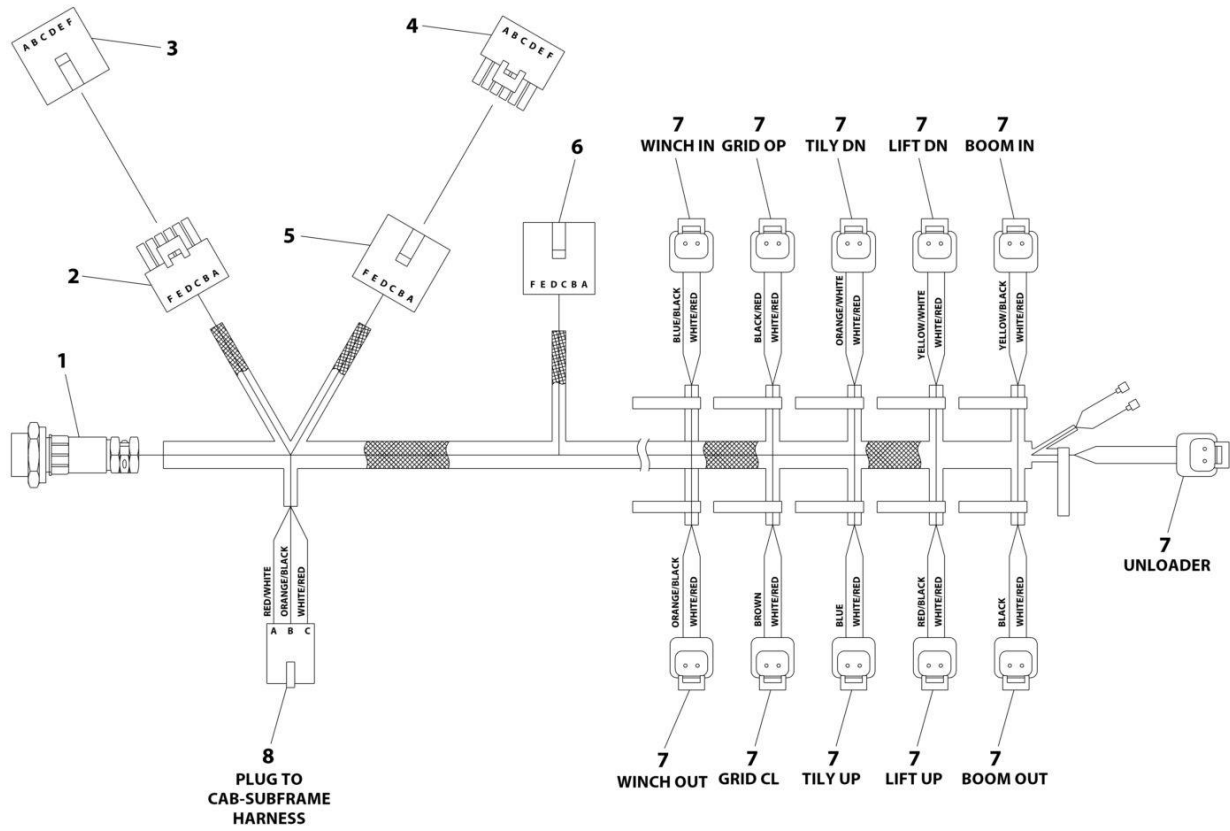
SECTION 7 - ELECTRICAL

FIGURE 7-48. VALVE HARNESS - NG

| ITEM | PART NUMBER | QTY | DESCRIPTION | REV |
|------|-------------|-----|---------------|-----|
| | 1001291598 | Ref | VALVE HARNESS | A |
| 1 | 1001271968 | 1 | Connector | |
| 1 | 1001271970 | 1 | Terminal | |
| 1 | | Ref | Strain Relief | |
| 2 | | Ref | Connector | |
| 2 | 4460743 | 6 | Terminal | |
| 2 | 4460458 | 6 | Seal | |
| 3 | | Ref | Connector | |
| 3 | 1001116727 | 6 | Plug | |
| 4 | | Ref | Connector | |
| 4 | 1001116727 | 6 | Plug | |
| 5 | | Ref | Connector | |
| 5 | 4460979 | 4 | Terminal | |
| 5 | 4460475 | 2 | Terminal | |
| 5 | 4460458 | 6 | Seal | |
| 6 | | Ref | Connector | |
| 6 | 4460979 | 4 | Terminal | |
| 6 | 4460475 | 2 | Terminal | |
| 6 | 4460458 | 6 | Seal | |
| 7 | 4460891 | 11 | Connector | |
| 7 | 4460465 | 22 | Terminal | |
| 8 | 4460844 | 1 | Connector | |
| 8 | 4460475 | 3 | Terminal | |
| 8 | 4460458 | 6 | Seal | |
| 8 | 1001116727 | 1 | Plug | |

SECTION 7 - ELECTRICAL

FIGURE 7-49. VALVE HARNESS - NGS



ART_7552000365

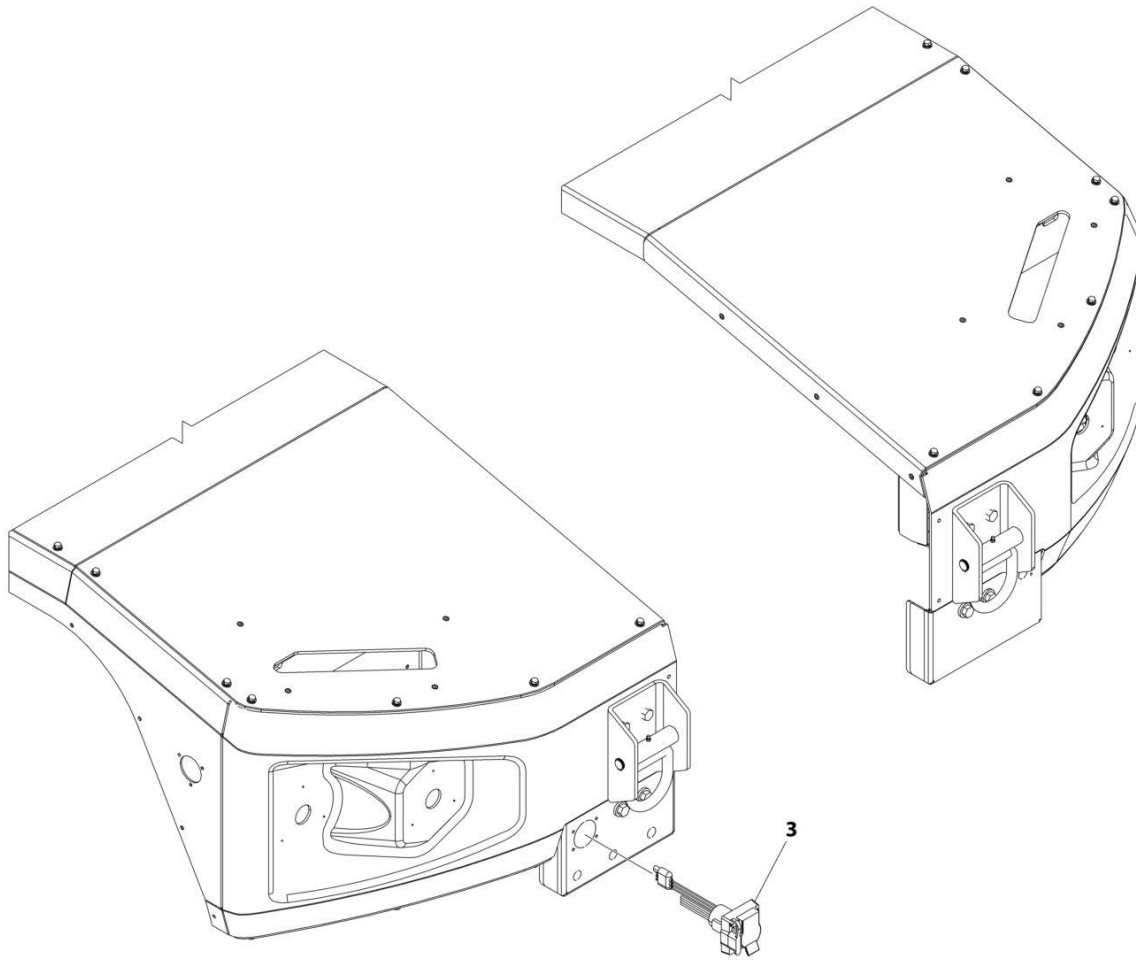
SECTION 7 - ELECTRICAL

FIGURE 7-49. VALVE HARNESS - NGS

| ITEM | PART NUMBER | QTY | DESCRIPTION | REV |
|------|-------------|-----|--------------------------------|-----|
| | 7552000365 | Ref | VALVE HARNESS | 3 |
| 1 | | Ref | Connector - 12 Position | |
| 1 | | Ref | Terminal | |
| 1 | | Ref | Connector, Strain Relief | |
| 2 | | Ref | Connector, Plug - 6 Position | |
| 2 | 4460743 | 6 | Terminal | |
| 2 | 4460458 | 6 | Seal | |
| 3 | | Ref | Connector, Female - 6 Position | |
| 3 | | Ref | Terminal | |
| 4 | | Ref | Connector, Plug - 6 Position | |
| 4 | | Ref | Terminal | |
| 5 | | Ref | Connector, Female - 6 Position | |
| 5 | 4460979 | 4 | Terminal (18 Ga) | |
| 5 | 4460457 | 2 | Terminal (16 Ga) | |
| 5 | 4460458 | 6 | Seal | |
| 6 | | Ref | Connector, Female - 6 Position | |
| 6 | 4460979 | 4 | Terminal (18 Ga) | |
| 6 | 4460475 | 2 | Terminal (16 Ga) | |
| 6 | 4460458 | 6 | Seal | |
| 7 | 4460891 | 11 | Plug, Male - 2 Position | |
| 7 | 4460465 | 22 | Socket, Female | |
| 8 | | Ref | Connector, Female - 3 Position | |
| 8 | 4460475 | 3 | Terminal (16 Ga) | |
| 8 | 4460458 | 6 | Seal | |

SECTION 7 - ELECTRICAL

FIGURE 7-50. TRAILER PLUG INSTALLATION



ART_1001301373

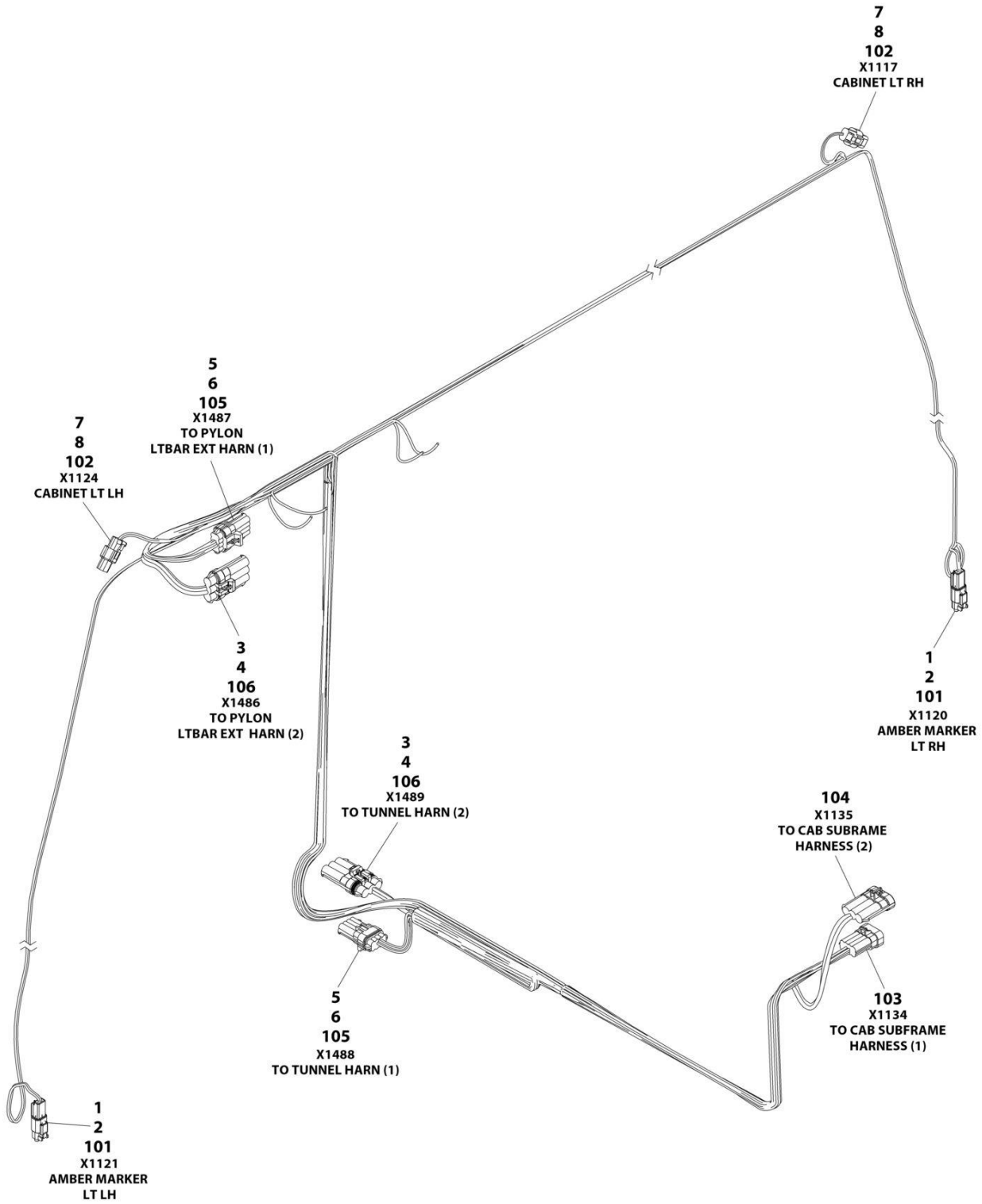
SECTION 7 - ELECTRICAL

FIGURE 7-50. TRAILER PLUG INSTALLATION

| ITEM | PART NUMBER | QTY | DESCRIPTION | REV |
|------|-------------|-----|--------------------------------|-----|
| | 1001301373 | Ref | TRAILER PLUG INSTALLATION | A |
| 1 | 1001201994 | 3 | Connector (Not Shown) | |
| 2 | 1001274244 | 4 | Connector (Not Shown) | |
| 3 | 1001301375 | 1 | Plug | |
| 4 | 4346000005 | 7 | Heat Shrink Tubing (Not Shown) | |

SECTION 7 - ELECTRICAL

FIGURE 7-51. TUNNEL HARNESS



ART_1001291066

SECTION 7 - ELECTRICAL

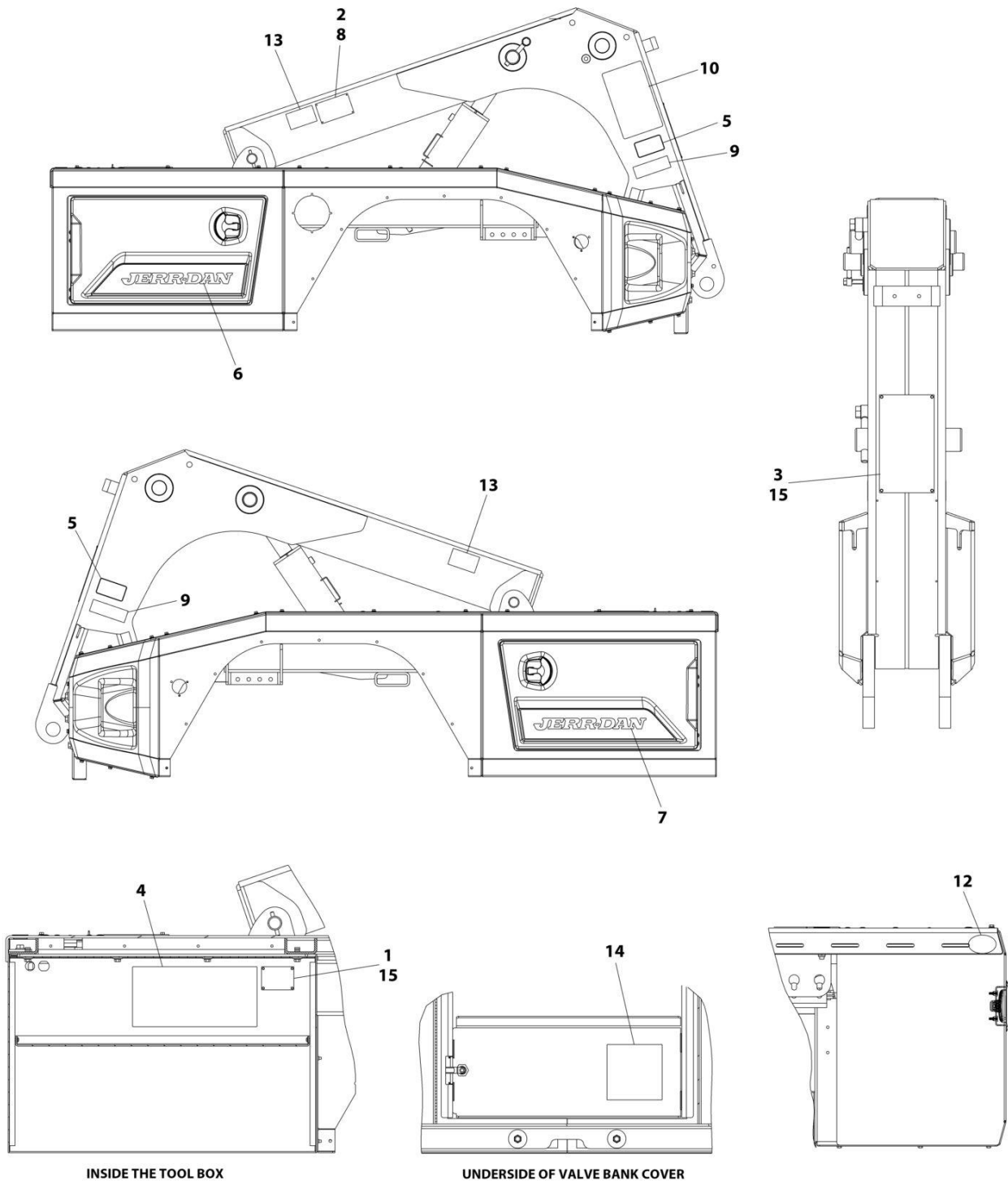
FIGURE 7-51. TUNNEL HARNESS

| ITEM | PART NUMBER | QTY | DESCRIPTION | REV |
|------|-------------|-----|----------------|-----|
| | 1001291066 | Ref | TUNNEL HARNESS | C |
| 1 | 4460466 | 4 | Plug | |
| 2 | 4460891 | 2 | Connector | |
| 3 | 8220101 | 6 | Plug | |
| 4 | 8220934 | 2 | Connector | |
| 5 | 1001116751 | 16 | Plug | |
| 6 | 1001288454 | 2 | Connector | |
| 7 | 4460897 | 2 | Connector | |
| 8 | 4460464 | 4 | Pin | |
| 101 | 4460897 | 2 | Connector | |
| 101 | 4460464 | 4 | Pin | |
| 102 | 4460891 | 2 | Connector | |
| 102 | 4460465 | 4 | Socket | |
| 103 | 1001288454 | 1 | Connector | |
| 103 | 1001288456 | 8 | Socket | |
| 104 | 8220934 | 1 | Connector | |
| 104 | 8220100 | 1 | Socket | |
| 104 | 1001277282 | 4 | Socket | |
| 105 | 1001288566 | 2 | Connector | |
| 105 | 8220124 | 15 | Socket | |
| 105 | 4460608 | 15 | Seal | |
| 106 | 8220935 | 1 | Connector | |
| 106 | 8220099 | 1 | Socket | |
| 106 | 1001288450 | 1 | Seal | |
| 106 | 1001288449 | 2 | Seal | |

SECTION 8 - DECAL

SECTION 8 - DECAL

FIGURE 8-1. DECAL INSTALLATION - NG



INSIDE THE TOOL BOX

UNDERSIDE OF VALVE BANK COVER

ART_1001300633

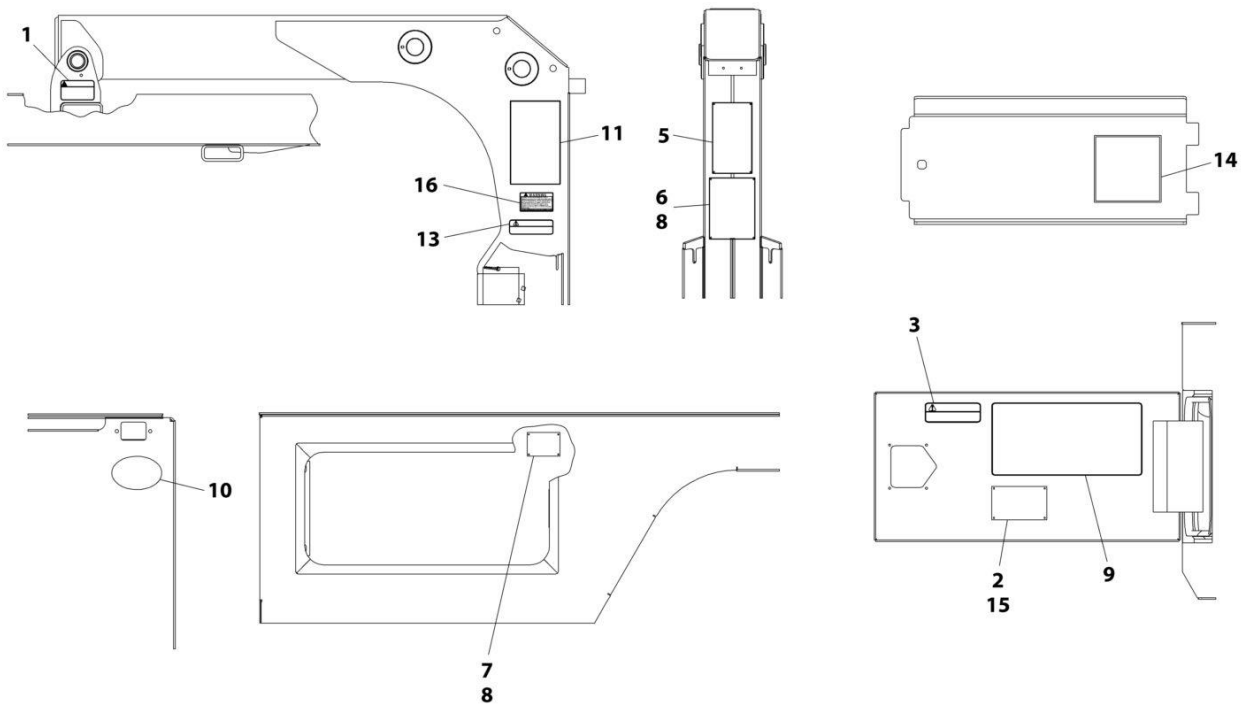
SECTION 8 - DECAL

FIGURE 8-1. DECAL INSTALLATION - NG

| ITEM | PART NUMBER | QTY | DESCRIPTION | REV |
|------|-------------|-----|-------------------------------|-----|
| | 1001300633 | Ref | DECAL INSTALLATION - NG | A |
| 1 | 1001127220 | 1 | Decal - Indent Tag | |
| 2 | 1001132346 | 1 | Decal - Patent Placard | |
| 3 | 1001132509 | 1 | Decal - Serial Number | |
| 4 | 1001207920 | 1 | Decal - Lubrication | |
| 5 | 1001231801 | 2 | Decal - Warning | |
| 6 | 1001299532 | 1 | Decal - Jerrdan DS | |
| 7 | 1001299533 | 1 | Decal - Jerrdan PS | |
| 8 | 4892000007 | 2 | Tape | |
| 9 | 7330000122 | 2 | Decal - Warning | |
| 10 | 7330000138 | 1 | Decal - Checklist | |
| 11 | 7330000139 | 1 | Decal - Checklist (Not Shown) | |
| 12 | 7330000143 | 1 | Decal - Made in the USA | |
| 13 | 7330000546 | 2 | Decal - Winch Cable Warning | |
| 14 | 7330000699 | 1 | Decal - Manual Valve | |
| 15 | 7759000004 | 8 | Pop Rivet | |

SECTION 8 - DECAL

FIGURE 8-2. DECAL INSTALLATION - NGS



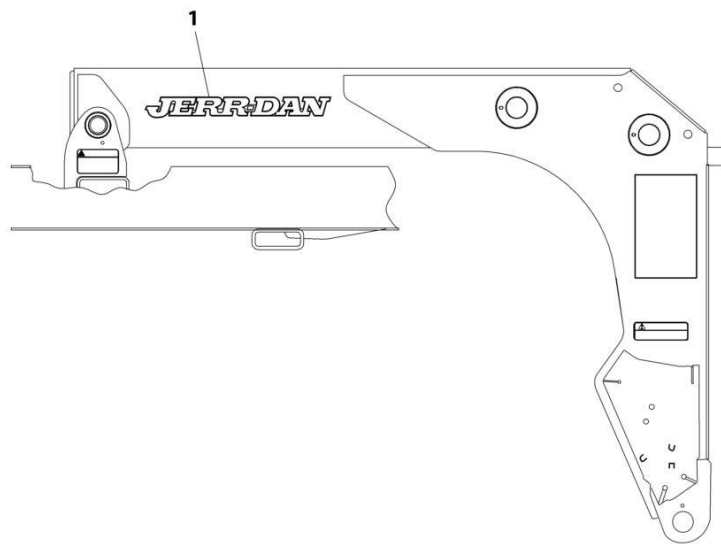
ART_2509290124

FIGURE 8-2. DECAL INSTALLATION - NGS

| ITEM | PART NUMBER | QTY | DESCRIPTION | REV |
|------|-------------|-----|---|-----|
| | 2509290124 | Ref | DECAL INSTALLATION - NGS | D |
| 1 | 7330000546 | 1 | Decal, Winch Cable Warning | |
| 2 | 1001132346 | 1 | Decal, Patent Placard | |
| 3 | 7330000034 | 1 | Decal, Caution | |
| 5 | SEE NOTE | NSS | Nameplate - Manufacturers SN (Note: Not Available for Purchase) | |
| 6 | 7330000307 | 1 | Decal, STAR Placard | |
| 7 | See Note | NSS | Nameplate - Manufacturers SN (Note: Not Available for Purchase) | |
| 8 | 7759000004 | 12 | Pop Rivet | |
| 9 | 1001207920 | 1 | Decal, Lubrication | |
| 10 | 7330000143 | 1 | Decal, Made in the USA | |
| 11 | 7330000138 | 1 | Decal, Checklist | |
| 12 | 7330000139 | 1 | Decal, Checklist (Not Shown) | |
| 13 | 7330000122 | 2 | Decal, Warning | |
| 14 | 7330000699 | 1 | Decal, Manual Valve | |
| 15 | 4892000007 | 2 | Tape | |
| 16 | 1001231801 | 2 | Decal, Warning | |

SECTION 8 - DECAL

FIGURE 8-3. DECAL INSTALLATION - RED LOGO (NGS)



ART_1001132559

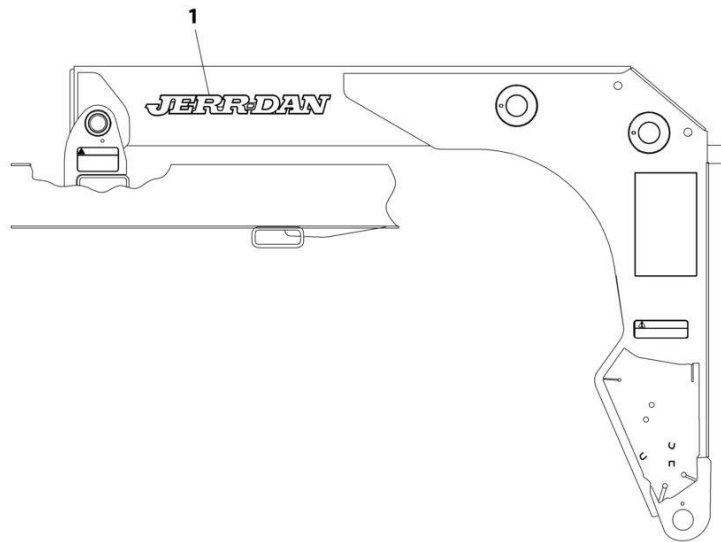
SECTION 8 - DECAL

FIGURE 8-3. DECAL INSTALLATION - RED LOGO (NGS)

| ITEM | PART NUMBER | QTY | DESCRIPTION | REV |
|------|--------------------------|----------|---|-----|
| 1 | 1001132559 7330000286 | Ref 2 | DECAL INSTALLATION - RED LOGO Decal - Logo | A |

SECTION 8 - DECAL

FIGURE 8-4. DECAL INSTALLATION - WHITE LOGO (NGS)



ART_1001132560

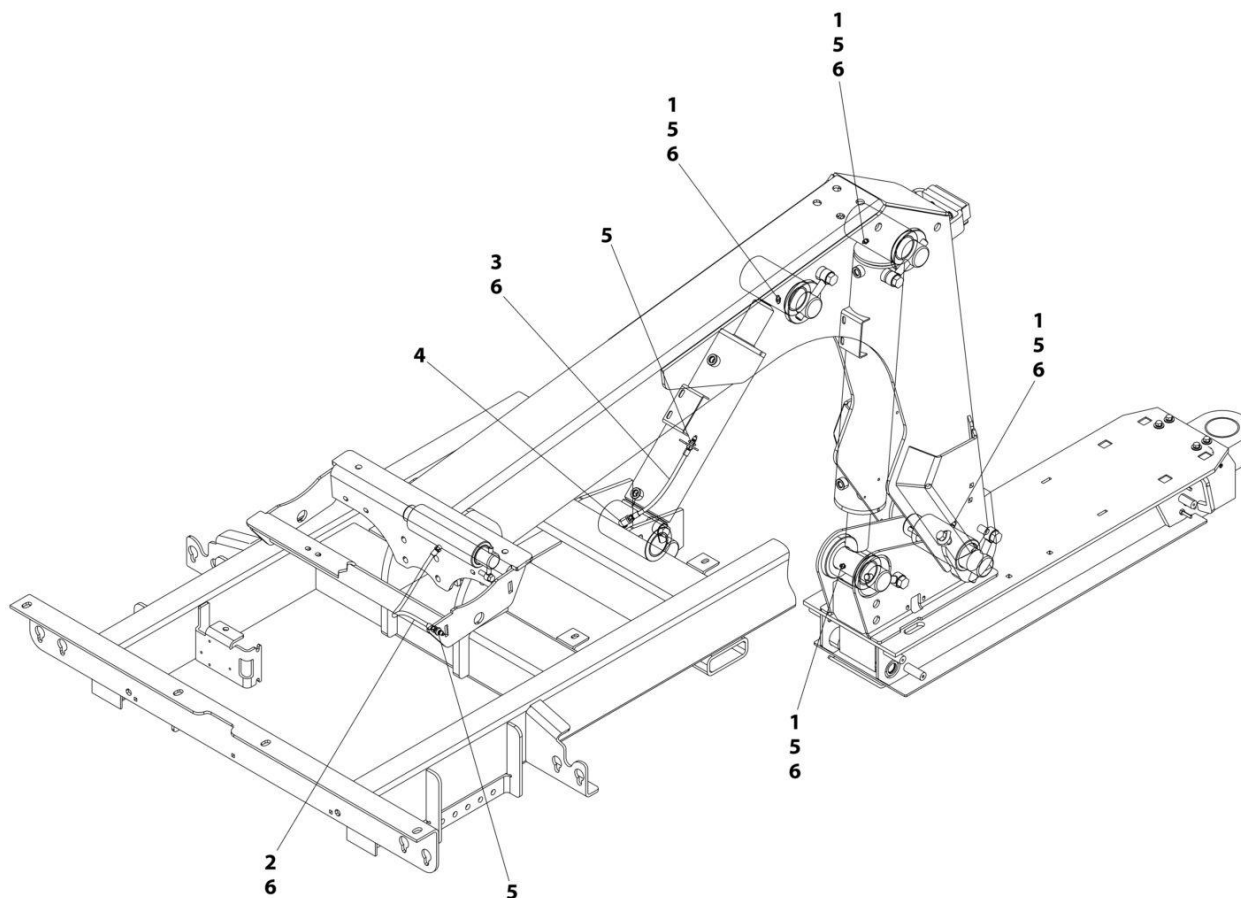
SECTION 8 - DECAL

FIGURE 8-4. DECAL INSTALLATION - WHITE LOGO (NGS)

| ITEM | PART NUMBER | QTY | DESCRIPTION | REV |
|------|--------------------------|----------|---|-----|
| 1 | 1001132560 7330000534 | Ref 2 | DECAL INSTALLATION - WHITE LOGO Decal - Logo | A |

SECTION 8 - DECAL

FIGURE 8-5. LUBRICATION DECALS AND CAPS INSTALLATION



ART_1001209027

SECTION 8 - DECAL

FIGURE 8-5. LUBRICATION DECALS AND CAPS INSTALLATION

| ITEM | PART NUMBER | QTY | DESCRIPTION | REV |
|------|-------------|-----|--|-----|
| | 1001209027 | Ref | LUBRICATION DECALS AND CAPS INSTALLATION | A |
| 1 | 88671008 | 4 | Grease Fitting | |
| 2 | 1001205239 | 1 | Hose Assembly | |
| 3 | 1001205256 | 1 | Hose Assembly | |
| 4 | 8540246 | 1 | Fitting | |
| 5 | 7253000002 | 6 | Fitting - Cap | |
| 6 | 3020029 | AR | Lube Grease | |
| 7 | 1001209219 | 1 | Decal (Not Shown) | |

SECTION 9 - ACCESSORIES

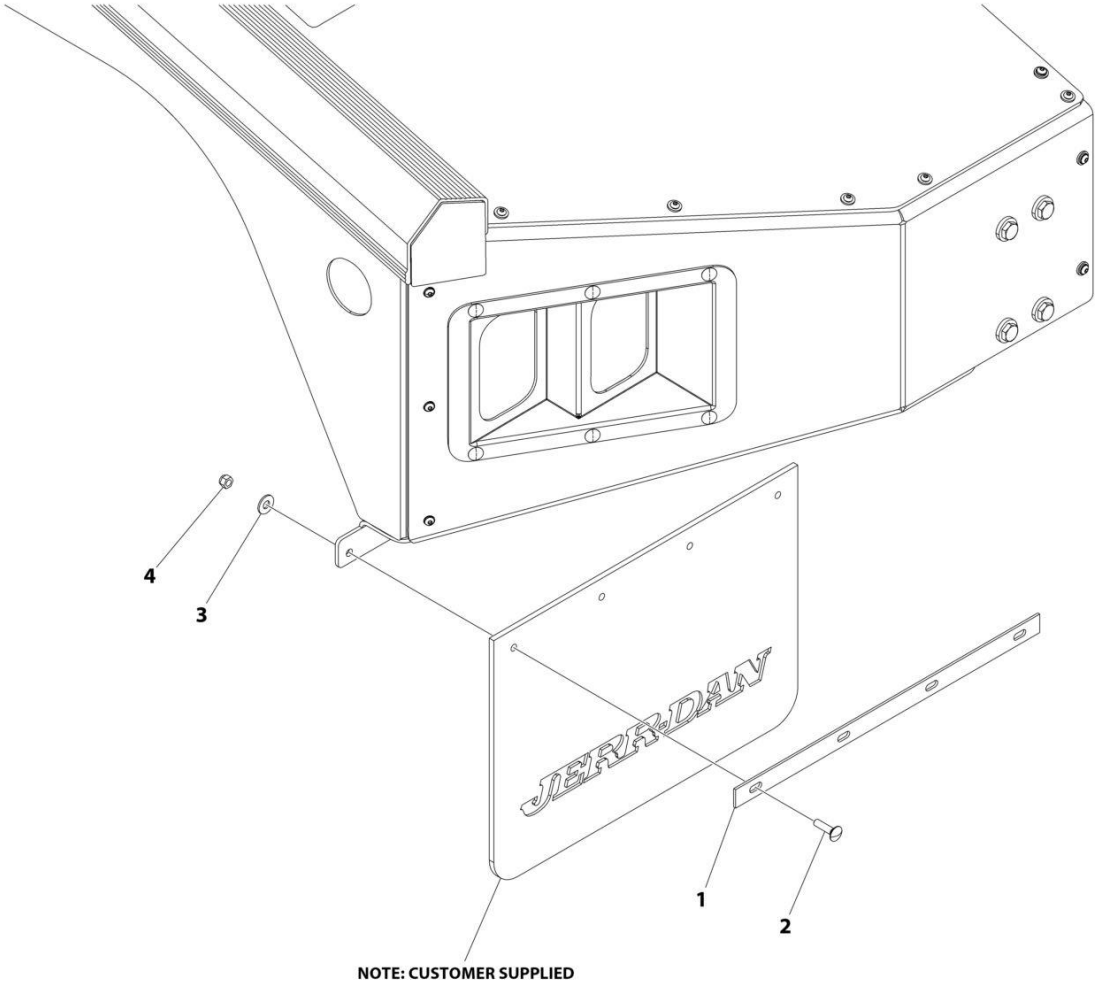
SECTION 9 - ACCESSORIES

FIGURE 9-1. KITS LIST

| ITEM | PART NUMBER | QTY | DESCRIPTION | REV |
|------|-------------|-----|--|-----|
| | 1001241869 | Ref | KITS LIST | H |
| | | Ref | Note: Contact JERR-DAN Parts Department for exact contents of kit: | |
| | 1001290326 | Ref | Cylinder Boot Kit (for Underlift Tilt Cylinder) | |

SECTION 9 - ACCESSORIES

FIGURE 9-2. MUDFLAPS INSTALLATION (CUSTOMER SUPPLIED) (NGS)



ART_1001139332

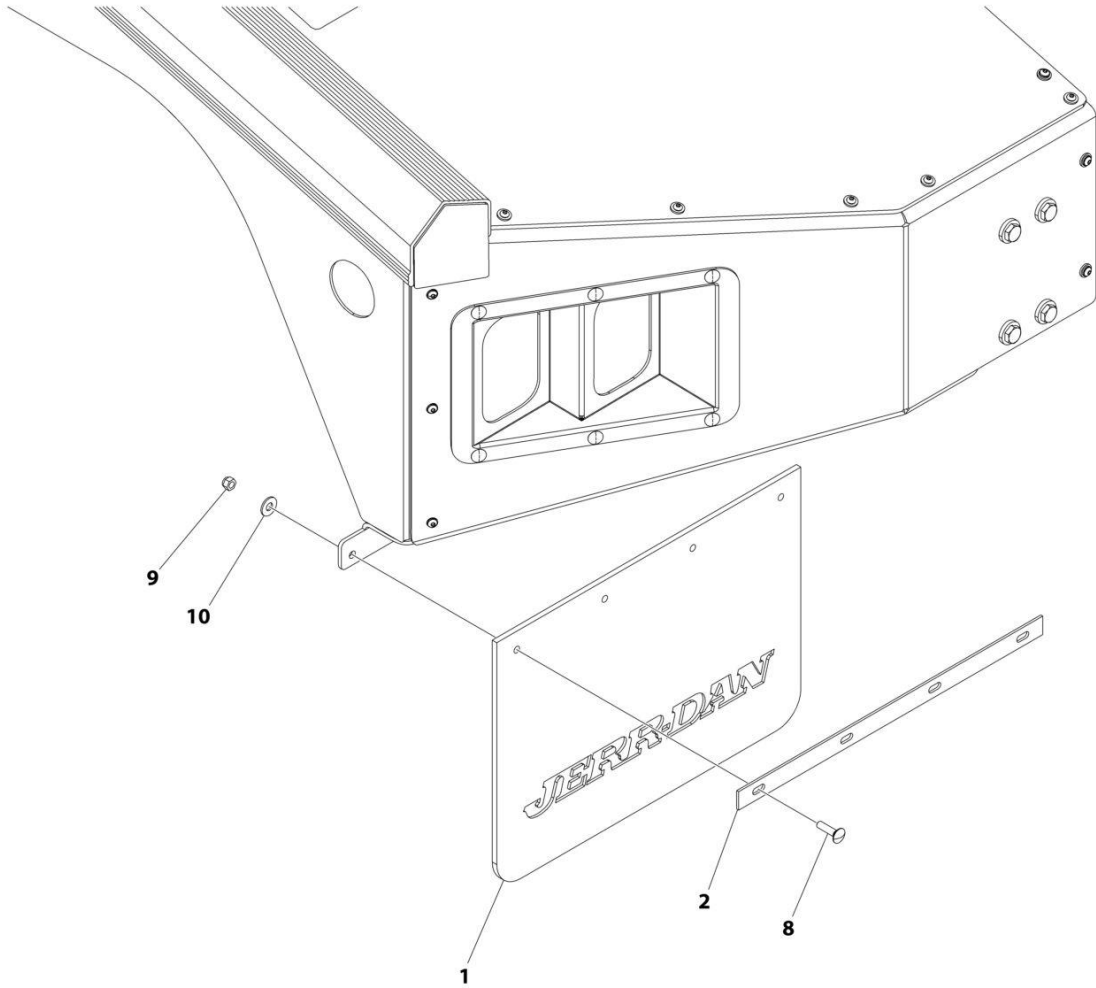
SECTION 9 - ACCESSORIES

FIGURE 9-2. MUDFLAPS INSTALLATION (CUSTOMER SUPPLIED) (NGS)

| ITEM | PART NUMBER | QTY | DESCRIPTION | REV |
|------|-------------|-----|---|-----|
| | 1001139332 | Ref | MUDFLAPS INSTALLATION (CUSTOMER SUPPLIED) | A |
| 1 | 4706001123 | 2 | Plate | |
| 2 | 7111150864 | 8 | Bolt 5/16 x 1 | |
| 3 | 7950150161 | 8 | Washer 5/16 | |
| 4 | 7660152601 | 8 | Nut 5/16 | |

SECTION 9 - ACCESSORIES

FIGURE 9-3. MUDFLAPS INSTALLATION (FACTORY SUPPLIED) (NGS)



ART_263800006

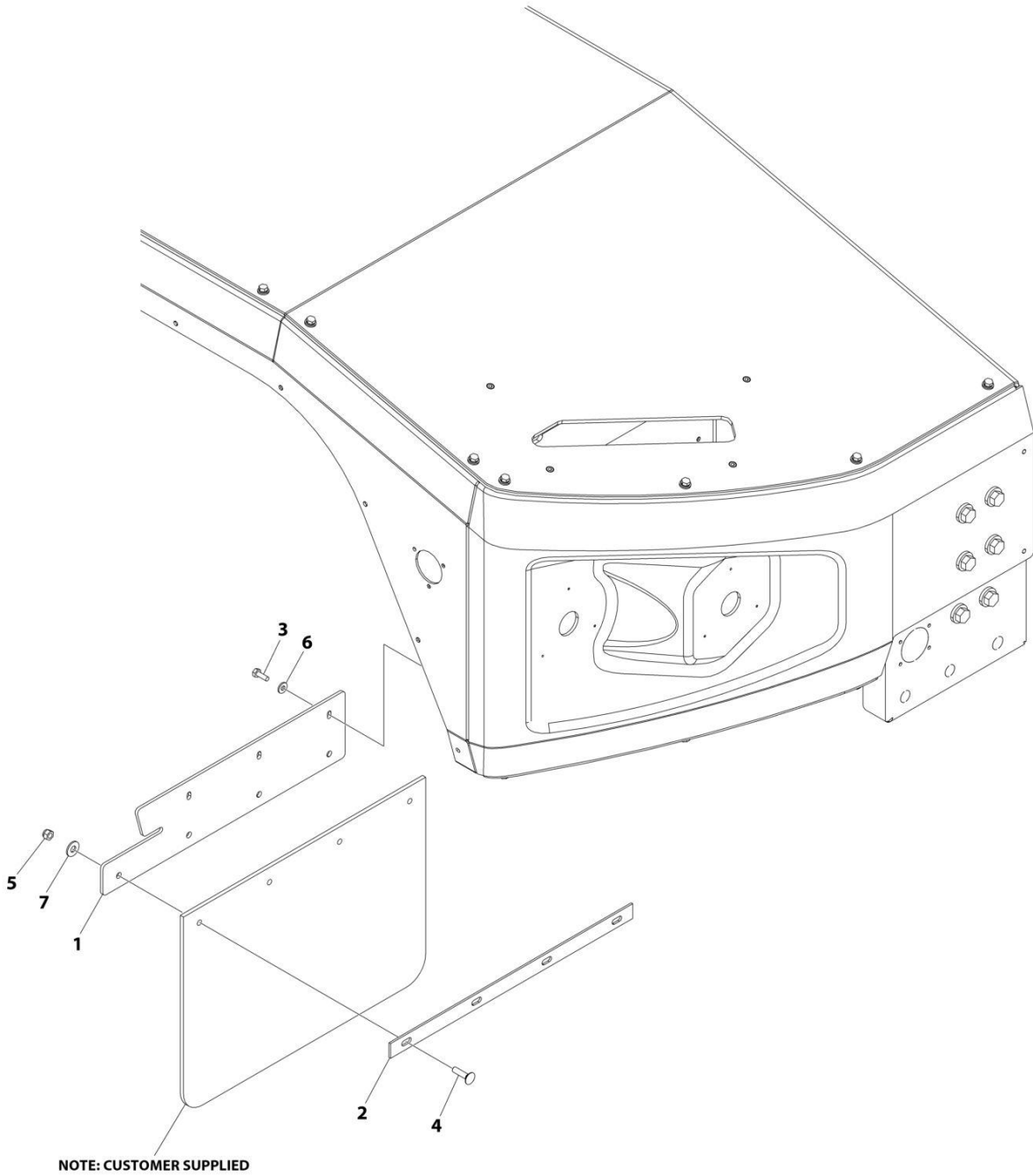
SECTION 9 - ACCESSORIES

FIGURE 9-3. MUDFLAPS INSTALLATION (FACTORY SUPPLIED) (NGS)

| ITEM | PART NUMBER | QTY | DESCRIPTION | REV |
|------|-------------|-----|--|-----|
| | 2638000006 | Ref | MUDFLAPS INSTALLATION (FACTORY SUPPLIED) | C |
| 1 | 7638000003 | 2 | Mud Flap | |
| 2 | 4706001123 | 2 | Plate | |
| 8 | 7115151064 | 8 | Bolt 5/16 x 1-1/4 | |
| 9 | 7660152601 | 8 | Nut 5/16 | |
| 10 | 7950150161 | 8 | Washer 5/16 | |

SECTION 9 - ACCESSORIES

FIGURE 9-4. MUDFLAPS INSTALLATION (CUSTOMER SUPPLIED) (NG)



ART_1001296064

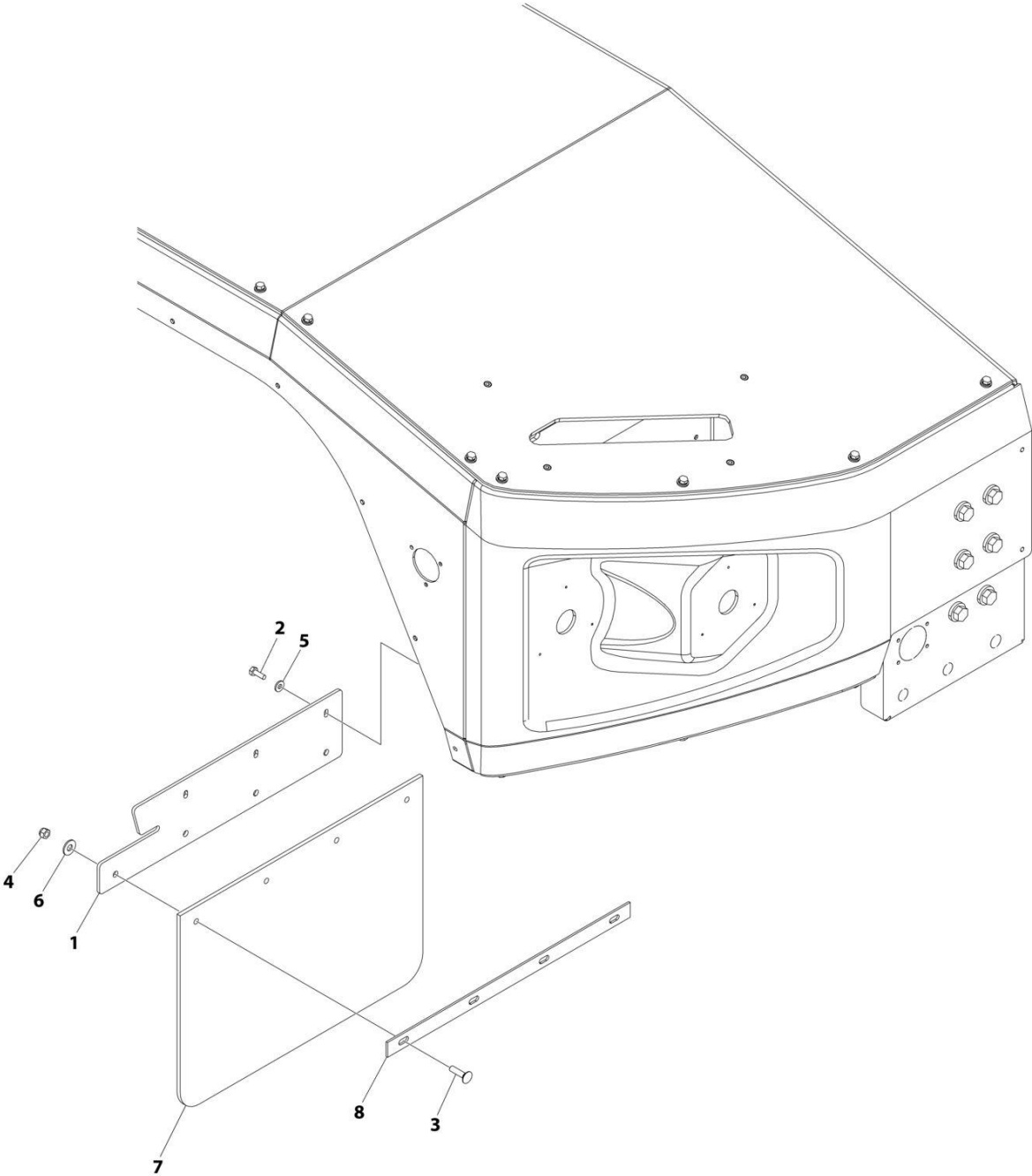
SECTION 9 - ACCESSORIES

FIGURE 9-4. MUDFLAPS INSTALLATION (CUSTOMER SUPPLIED) (NG)

| ITEM | PART NUMBER | QTY | DESCRIPTION | REV |
|------|-------------|-----|-----------------------|-----|
| | 1001296064 | Ref | MUDFLAPS INSTALLATION | A |
| 1 | 1001294772 | 2 | Bracket | |
| 2 | 4706001123 | 2 | Plate | |
| 3 | 7115140650 | 6 | Bolt 1/4 x 3/4 | |
| 4 | 7115151064 | 8 | Bolt 5/16 x 1-1/4 | |
| 5 | 7660152601 | 8 | Nut 5/16 | |
| 6 | 7950140143 | 6 | Washer 1/4 | |
| 7 | 7950150161 | 8 | Washer 5/16 | |

SECTION 9 - ACCESSORIES

FIGURE 9-5. MUDFLAPS INSTALLATION (FACTORY SUPPLIED) (NG)



ART_1001294771

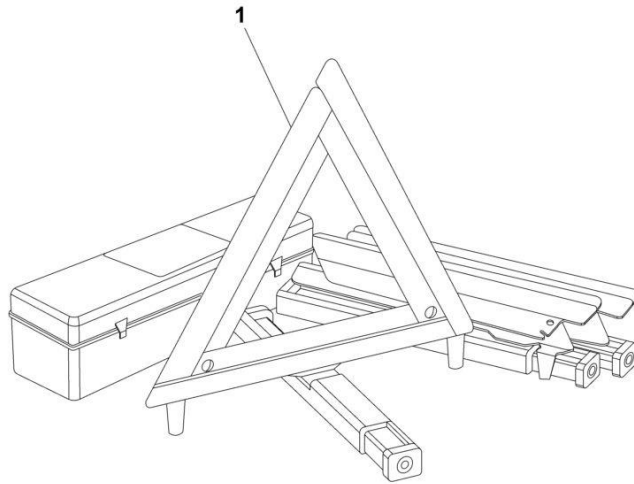
SECTION 9 - ACCESSORIES

FIGURE 9-5. MUDFLAPS INSTALLATION (FACTORY SUPPLIED) (NG)

| ITEM | PART NUMBER | QTY | DESCRIPTION | REV |
|------|-------------|-----|-----------------------|-----|
| | 1001294771 | Ref | MUDFLAPS INSTALLATION | B |
| 1 | 1001294772 | 2 | Bracket | |
| 2 | 7115140650 | 6 | Bolt 1/4 x 3/4 | |
| 3 | 7115151064 | 8 | Bolt 5/16 x 1-1/4 | |
| 4 | 7660152601 | 8 | Nut 5/16 | |
| 5 | 7950140143 | 6 | Washer 1/4 | |
| 6 | 7950150161 | 8 | Washer 5/16 | |
| 7 | 7638000003 | 2 | Mud Flap | |
| 8 | 4706001123 | 2 | Plate | |

SECTION 9 - ACCESSORIES

FIGURE 9-6. SAFETY TRIANGLE KIT



ART_STK

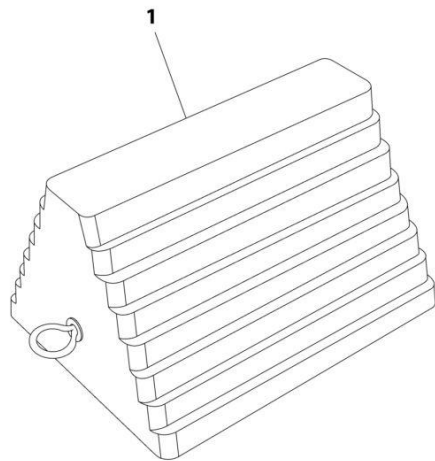
SECTION 9 - ACCESSORIES

FIGURE 9-6. SAFETY TRIANGLE KIT

| ITEM | PART NUMBER | QTY | DESCRIPTION | REV |
|------|-------------------|----------|---|-----|
| 1 | STK 7002000285 | Ref 1 | Safety Triangle Kit Reflective Triangles | 0 |

SECTION 9 - ACCESSORIES

FIGURE 9-7. WHEEL CHOCKS - RUBBER



ART_RWC

SECTION 9 - ACCESSORIES

FIGURE 9-7. WHEEL CHOCKS - RUBBER

| ITEM | PART NUMBER | QTY | DESCRIPTION | REV |
|------|-------------------|----------|--------------------------------------|-----|
| 1 | RWC 7002000448 | Ref 2 | WHEEL CHOCKS Wheel Chock - Rubber | 0 |

SECTION 10 - BUILD DOCUMENTS

SECTION 10 - BUILD DOCUMENTS

FIGURE 10-1. BUILD DOC_5376000282

| ITEM | PART NUMBER | QTY | DESCRIPTION | REV |
|------|-------------|-----|--|-----|
| | Note | Ref | Note: This list is for build tracking purposes only. Parts in this list are not available at this inventory stocking level. Parts in this list may not be applicable to all models. For more specific parts information contact Jerr-Dan Parts Department | |
| | 1001291500 | Ref | Body & Wiring Installation - Aluminum (NG) | |
| | 1001291502 | Ref | Body Installation - Aluminum (NG) (See Separate Breakdown in BODY Section) | |
| | 1001291366 | Ref | Body Wiring Installation - Aluminum (NG) (See Separate Breakdown in ELECTRICAL Section) | |
| | 1001268368 | Ref | Body & Wiring Installation - Steel (NGS) | |
| | 2097000120 | Ref | Body Installation - Steel (NG) (See Separate Breakdown in BODY Section) | |
| | 1001267676 | Ref | Body Wiring Installation - Steel (NG) (See Separate Breakdown in ELECTRICAL Section) | |
| | | Ref | PTO (Installation & replacement is based on individual characteristics of the unit - Contact Jerr-Dan Parts Dept.) | |
| | TP_REF | Ref | Pump (Installation & replacement is based on individual characteristics of the unit - Contact Jerr-Dan Parts Dept.) | |
| | 1001127569 | Ref | Controls Installation | |
| | 3509530154 | Ref | Controls Hose Installation (See Separate Breakdown in HYDRAULIC Section) | |
| | 2509170077 | Ref | Underlift Level Stop Installation (See Separate Breakdown in CONTROLS Section) | |
| | 1001299370 | Ref | Ship-Out Stand for Kits Models | |
| | 1001268204 | Ref | SWITCH PANEL - 3 FUNCTION PANEL (IN DASH COMPACT) | |
| | 1001266075 | Ref | SWITCH PANEL ASSEMBLY - 3 FUNCTION (IN DASH COMPACT) (See Separate Breakdown in ELECTRICAL Section) | |
| | 1001129883 | Ref | Breaker Installation - 50 Amp (See Separate Breakdown in ELECTRICAL Section) | |
| | 1001268202 | Ref | SWITCH PANEL - 3 FUNCTION PANEL (UNDER DASH COMPACT) | |
| | 1001266355 | Ref | SWITCH PANEL ASSEMBLY - 3 FUNCTION (UNDER DASH COMPACT) (See Separate Breakdown in ELECTRICAL Section) | |
| | 1001129883 | Ref | Breaker Installation - 50 Amp (See Separate Breakdown in ELECTRICAL Section) | |
| | 1001268208 | Ref | SWITCH PANEL - 5 FUNCTION PANEL (IN DASH COMPACT) | |
| | 1001266357 | Ref | SWITCH PANEL ASSEMBLY - 5 FUNCTION (IN DASH COMPACT) (See Separate Breakdown in ELECTRICAL Section) | |
| | 1001129883 | Ref | Breaker Installation - 50 Amp (See Separate Breakdown in ELECTRICAL Section) | |
| | 1001268206 | Ref | SWITCH PANEL - 5 FUNCTION PANEL (UNDER DASH COMPACT) | |
| | 1001266359 | Ref | SWITCH PANEL ASSEMBLY - 5 FUNCTION (UNDER DASH COMPACT) (See Separate Breakdown in ELECTRICAL Section) | |
| | 1001129883 | Ref | Breaker Installation - 50 Amp (See Separate Breakdown in ELECTRICAL Section) | |
| | 1001299582 | Ref | TUNNEL & ELECTRICAL INSTALLATION - Single | |
| | 1001291367 | Ref | TUNNEL ELECTRICAL INSTALLATION - SINGLE | |
| | 1001291066 | Ref | TUNNEL HARNESS (See Separate Breakdown in ELECTRICAL Section) | |
| | 1001293172 | Ref | TUNNEL INSTALLATION (See Separate Breakdown in BODY Section) | |
| | 3509530149 | Ref | Winch Installation - Units with Winch not Supplied by JERR-DAN | |

SECTION 10 - BUILD DOCUMENTS

| ITEM | PART NUMBER | QTY | DESCRIPTION | REV |
|------|-------------|-----|---|-----|
| | 1001208911 | Ref | Winch Installation - 8K LBS | |
| | 1001208910 | Ref | Winch Installation (See Separate Breakdown in BOOM Section) | |
| | 2500900643 | Ref | Cable Tensioner Installation (See Separate Breakdown in BOOM Section) | |
| | 3509530147 | Ref | Hose Installation - Winch (See Separate Breakdown in HYDRAULIC Section) | |

PART NUMBER INDEX

SECTION 10 - BUILD DOCUMENTS

| | | | |
|--|--|--|--|
| 0100011....107, 109, 233, 251, 253, 255, 257, 273, 301 | 1001127342 13 | 1001187078 239 | 1001221075....41, 47, 51, 55, 61, 65, 69, 73 |
| 0100048.....159, 233 | 1001127387 13 | 1001188590 177 | 1001221138....41, 47, 51, 55, 61, 65, 69, 73 |
| 0641406.....113 | 1001127388 13 | 1001189077 237, 239 | 1001221232....41, 47, 61, 65 |
| 0641407....41, 47, 51, 55, 61, 65, 69, 73 | 1001127427 183 | 1001189906 175, 233 | 1001221345....41, 51, 61, 69 |
| 0641408.....37 | 1001127569 358 | 1001191715 91 | 1001221348....47, 55, 65, 73 |
| 0641410.....233, 241 | 1001127820 169 | 1001191717 91, 119, 121 | 1001221375.....317 |
| 0641416.....113 | 1001127828 169 | 1001191718 119, 121 | 1001221651....15, 19, 21, 25, 41, 42, 47, 51, 55, 61, 62, 65, 69, 73 |
| 0641510....41, 47, 61, 65 | 1001129412 107, 109 | 1001194371 83, 91 | 1001221652....15, 19, 21, 25, 42, 47, 51, 55, 62, 65, 69, 73 |
| 0641516....41, 47, 51, 55, 61, 65, 69, 73 | 1001129413 107, 109 | 1001194372 103, 119, 121 | 1001221653....15, 19, 21, 25, 42, 47, 51, 55, 62, 65, 69, 73 |
| 0641608.....93 | 1001129414 107 | 1001196509 119, 123 | 1001221904.....51 |
| 0641610....15, 17, 19, 21, 23, 25, 27, 29, 175 | 1001129882 247 | 1001196510 123 | 1001221905.....55 |
| 0641612.....93 | 1001129883 247, 358 | 1001196791 77 | 1001223730.....211 |
| 0641808.....91 | 1001132346 331, 333 | 1001196792 77, 79 | 1001223731.....213 |
| 0641809....41, 47, 51, 55, 61, 65, 69, 73 | 1001132509 331 | 1001196813 91 | 1001223732.....215 |
| 0641810....251, 253, 273 | 1001132559 335 | 1001196814 91 | 1001223734.....217 |
| 0641813.....133 | 1001132560 337 | 1001196913 119 | 1001224068....41, 42, 47, 51, 55, 61, 62, 65, 69, 73 |
| 0641814.....93, 297 | 1001132605 213 | 1001197407 239 | 1001225063.....299 |
| 0641818.....133 | 1001132610 215 | 1001199081 175, 233 | 1001225068.....299 |
| 0641824.....175 | 1001132618 217 | 1001199475 255, 257, 263 | 1001225217.....299, 317 |
| 0641826.....175 | 1001132634 201 | 1001201994 239, 325 | 1001226317.....299 |
| 0642018.....93 | 1001132643 203 | 1001204776 83, 103, 123, 125 | 1001231801.....331, 333 |
| 0651606.....93 | 1001132647 205 | 1001204780 83, 91 | 1001241869.....342 |
| 0681608.....301 | 1001132794 201, 203, 205, 207, 209, 211, 213, 215, 217 | 1001205239 339 | 1001247139.....251, 253, 259 |
| 0681612.....91 | 1001132800 209, 213, 215, 217 | 1001205256 339 | 1001249938.....159, 161 |
| 0681816....13, 15, 17, 19, 21, 23, 25, 27, 29, 35, 37, 41, 47, 51, 55, 61, 65, 69, 73 | 1001132809 209 | 1001205604 113 | 1001254044.....319 |
| 0682014.....91, 119, 121 | 1001132834 209 | 1001206157 93 | 1001255482....15, 17, 19, 21, 23, 25, 27, 29 |
| 0682015.....119 | 1001132846 209 | 1001206161 93 | 1001255484.....229 |
| 0682016.....91 | 1001136821 211 | 1001206167 93 | 1001255485.....229 |
| 0701019.....41, 61 | 1001137494 113, 193 | 1001206171 93 | 1001255628.....237 |
| 0701024.....41, 61 | 1001137495 193 | 1001206185 93 | 1001255844....15, 19, 21, 25 |
| 0962224.....83, 103 | 1001137496 189 | 1001206326 113 | 1001255854....15, 19, 21, 25 |
| 0962272.....91 | 1001137519 255 | 1001207171 239 | 1001255855.....15 |
| 1001095650..91, 93, 119, 121, 123, 125 | 1001137904 113 | 1001207920 331, 333 | 1001255856.....17 |
| 1001100949.....239 | 1001139332 345 | 1001207976 125 | 1001255858....15, 17, 19, 29 |
| 1001104498.....235 | 1001142771 159, 161 | 1001208300 285 | 1001255901.....239 |
| 1001107854.....235 | 1001142974 231 | 1001208910 93, 359 | 1001255942....15, 17, 19, 29 |
| 1001112058 107, 109 | 1001143686 159, 161 | 1001208911 359 | 1001255943....15, 17, 19, 21, 23, 25, 27, 29 |
| 1001116723.....239 | 1001152707 123, 125 | 1001209027 339 | 1001255944....15, 17, 19, 21, 23, 25, 27, 29 |
| 1001116727239, 249, 303, 321 | 1001153944 107, 109 | 1001209219 339 | 1001256168....15, 19, 21, 25 |
| 1001116729.....239, 243, 249 | 1001153945 107, 109 | 1001211205 163 | 1001256172.....257 |
| 1001116747245 | 1001153946 107, 109 | 1001211206 165 | 1001256226....15, 17, 19, 21, 23, 25, 27, 29 |
| 1001116749.....237, 239 | 1001153947 107, 109 | 1001220071 41 | 1001256269....15, 17, 19, 21, 23, 25, 27, 29 |
| 1001116751235, 237, 239, 291, 293, 327 | 1001153950 107, 109 | 1001220072 41, 51 | |
| 1001116763.....237 | 1001153971 107, 109 | 1001220073 ... 41, 51, 61, 69 | |
| 1001119004.....237, 243, 245 | 1001154530 175, 233 | 1001220074 ... 41, 51, 61, 69 | |
| 1001119106.....235 | 1001155141 123, 125 | 1001220076 47 | |
| 1001119754.....237 | 1001160779 ... 31, 33, 35, 37 | 1001220077 47, 55 | |
| 1001119755.....235 | 1001160831 ... 31, 33, 35, 37 | 1001220078 ... 47, 55, 65, 73 | |
| 1001121727239, 249 | 1001160833 31 | 1001220181 227 | |
| 1001127220.....331 | 1001160834 33 | 1001220280 113 | |
| 1001127340.....13 | 1001160835 33, 37 | 1001220359 175 | |
| 1001127341.....13 | 1001160904 31 | 1001220832 41, 61 | |
| | 1001160905 33 | 1001220833 ... 41, 47, 51, 55, 61, 65, 69, 73 | |
| | 1001160919 33, 37 | 1001220909 ... 41, 47, 61, 65 | |
| | 1001160988 31, 35 | 1001221001 ... 41, 47, 61, 65 | |
| | 1001161328 277 | 1001221065 41, 61 | |
| | 1001161504 277 | | |
| | 1001173683 191 | | |
| | 1001174496 181, 183 | | |
| | 1001176337 281, 285 | | |
| | 1001185808 113 | | |

SECTION 10 - BUILD DOCUMENTS

| | | | | | | | |
|------------------|-------------|-------------------------|-------------|------------------|-------------|--------------------------|-----------------|
| 1001256399 | 167 | 1001290326..... | 342 | 1001297225..... | 301 | 2178000048 | 117 |
| 1001256400 | 167 | 1001291050..... | 233, 239 | 1001297237 | 173 | 2178000053 | 113 |
| 1001256466 | 201 | 1001291064..... | 233, 235 | 1001297465..... | 61, 69 | 2178000062 ... | 31, 33, 35, |
| 1001256467 | 203 | 1001291065..... | 233, 237 | 1001297526..... | 65, 73 | 37, 42, 47, 51, 55, 62, | |
| 1001256468 | 205 | 1001291066..... | 327, 358 | 1001297527 | 35 | 65, 69, 73 | |
| 1001256469 | 207 | 1001291067..... | 159, 293 | 1001297528..... | 37 | 2220415 | 113 |
| 1001256789 ... | 19, 25, 27, | 1001291366..... | 233, 358 | 1001297529.... | 21, 23, 25, | 2415000030 | 155 |
| 29 | | 1001291367..... | 358 | 27 | | 2415000031 | 153 |
| 1001256801 | 29 | 1001291368..... | 159 | 1001297530..... | 35 | 2415000032 | 157 |
| 1001256825 | 207 | 1001291500..... | 358 | 1001297531..... | 37 | 2500900643 | 89, 359 |
| 1001256835 | 19 | 1001291502..... | 133, 358 | 1001297534..... | 61 | 2509170077 | 185, 358 |
| 1001256836 | 29 | 1001291503..... | 133, 143 | 1001297535..... | 65 | 2509290124 | 333 |
| 1001257070 | 207 | 1001291504..... | 143 | 1001297536..... | 69 | 2509570071 | 271 |
| 1001259576 | 251 | 1001291505..... | 143 | 1001297537..... | 73 | 2509570121 | 165 |
| 1001262106 | 253 | 1001291506..... | 143 | 1001297538..... | 181 | 2509570126 | 163 |
| 1001263429 | 241, 249 | 1001291507..... | 143 | 1001297540..... | 21 | 2509610148 | 115 |
| 1001265004 | 253 | 1001291511..... | 133, 145 | 1001297541..... | 23 | 2509650093 | 219 |
| 1001265469 | 121 | 1001291512..... | 145 | 1001297542..... | 25 | 2570000157 ... | 31, 33, 35, |
| 1001265470 | 121, 125 | 1001291513..... | 145 | 1001297543..... | 27 | 37 | |
| 1001265477 | 107 | 1001291514..... | 145 | 1001297994..... | 177 | 2570000171 ... | 42, 47, 51, |
| 1001265479 | 107, 109 | 1001291515..... | 145 | 1001298068..... | 13 | 55, 62, 65, 69, 73 | |
| 1001266075 | 307, 358 | 1001291598..... | 181, 321 | 1001298346..... | 143 | 2577000033 | 275 |
| 1001266355 | 309, 358 | 1001291641..... | 151 | 1001298348..... | 145 | 2590000177 | 267 |
| 1001266357 | 311, 358 | 1001291650..... | 159 | 1001298350..... | 143, 145 | 2590000236 | 275, 277 |
| 1001266359 | 313, 358 | 1001291680..... | 151 | 1001298621..... | 233 | 2590000238 | 281 |
| 1001266884 | 317 | 1001293172..... | 175, 358 | 1001298632..... | 177 | 2638000006 | 347 |
| 1001267672 | 241, 243 | 1001293173..... | 175, 177 | 1001299045..... | 133 | 2870000012 | 305 |
| 1001267673 | 241, 245 | 1001293174..... | 177 | 1001299370..... | 358 | 2900733 | 97 |
| 1001267676 | 241, 358 | 1001293218..... | 177 | 1001299519..... | 161, 291 | 3017000002 | 89 |
| 1001267711 | 315 | 1001293466..... | 297 | 1001299532..... | 331 | 3017000003 | 89 |
| 1001267714 | 107 | 1001293707..... | 177 | 1001299533..... | 331 | 3020000124 | 113 |
| 1001267982 | 319 | 1001294075..... | 161 | 1001299582..... | 358 | 3020000125 | 113 |
| 1001268202 | 358 | 1001294077..... | 161 | 1001299584..... | 161 | 3020029 | 93, 107, 109, |
| 1001268204 | 358 | 1001294148..... | 141 | 1001300166..... | 175 | 113, 339 | |
| 1001268206 | 358 | 1001294149..... | 141 | 1001300167 | 175 | 302003991, 93, 107, 109, | |
| 1001268208 | 358 | 1001294150..... | 137 | 1001300459..... | 301 | 113, 119, 121, 123, 125 | |
| 1001268368 | 358 | 1001294151..... | 137 | 1001300633..... | 331 | 3097000767 | 131 |
| 1001268759 | 107 | 1001294152..... | 139 | 1001300749..... | 133 | 3097000769 | 131 |
| 1001270927 | 107, 109 | 1001294153..... | 139 | 1001300750..... | 133 | 3170000346 | 123, 125 |
| 1001270928 | 107, 109 | 1001294154..... | 135 | 1001300876..... | 133 | 3178000443 | 271 |
| 1001271130 | 107, 109 | 1001294155..... | 135 | 1001300877..... | 133 | 3178000444 | 271 |
| 1001271968 | 321 | 1001294282..... | 161 | 1001300878..... | 133 | 3178000507 | 117 |
| 1001271970 | 321 | 1001294381..... | 177 | 1001300989..... | 133 | 3178000508 | 93 |
| 1001273600 | 231 | 1001294465..... | 133 | 1001300990..... | 133 | 3249000040 | 115 |
| 1001273634 | 281, 283, | 1001294771..... | 351 | 1001301353..... | 273 | 3249000041 | 115 |
| 285, 287 | | 1001294772..... | 349, 351 | 1001301354..... | 273 | 3271405 | 37 |
| 1001274244 | 325 | 1001294914..... | 283 | 1001301355..... | 273 | 3271505 | 113 |
| 1001274434 | 191 | 1001295009..... | 279 | 1001301373..... | 325 | 3271605 ... | 15, 17, 19, 21, |
| 1001275791 | 291, 293 | 1001295047..... | 279 | 1001301375..... | 325 | 23, 25, 27, 29 | |
| 1001277282 | 291, 293, | 1001295120..... | 297 | 1001301573..... | 135 | 3271805 ... | 13, 15, 17, 19, |
| 327 | | 1001295121..... | 297 | 1001301574..... | 137 | 21, 23, 25, 27, 29, 35, | |
| 1001282025 | 41, 61, 69 | 1001295294..... | 279 | 1001301575..... | 139 | 37, 41, 47, 51, 55, 61, | |
| 1001282026 | 41, 61, 69 | 1001295697..... | 135, 137, | 1001301576..... | 141 | 65, 69, 73, 91 | |
| 1001288449 | 291, 293, | 139, 141 | | 1001301578..... | 147 | 3272005 | 121 |
| 327 | | 1001295699..... | 135, 137, | 1001301579..... | 149 | 3300240 | 91, 119 |
| 1001288450 | 291, 293, | 139, 141 | | 1001301604..... | 143, 145 | 3311401 ... | 41, 47, 51, 55, |
| 327 | | 1001295782..... | 79 | 1001301605..... | 143, 145 | 61, 65, 69, 73 | |
| 1001288453 | 291, 293 | 1001296064..... | 349 | 1001301606..... | 143, 145 | 3311508 | 177 |
| 1001288454 | 237, 239, | 1001296066..... | 287 | 1001301812..... | 269 | 3311801 ... | 41, 47, 51, 55, |
| 291, 293, 327 | | 1001296069..... | 13, 21, 23, | 1001302047..... | 109 | 61, 65, 69, 73 | |
| 1001288455 | 291, 293 | 25, 27, 35, 37, 61, 65, | | 1001302048..... | 109 | 3340898 | 175 |
| 1001288456 | 291, 293, | 69, 73 | | 1001302054..... | 147 | 3509330108 | 163, 165, |
| 327 | | 1001296519..... | 171, 173 | 1001302055..... | 149 | 167, 289 | |
| 1001288457 | 291, 293 | 1001296520..... | 173 | 1001302727 | 109 | 3509530061 | 193 |
| 1001288566 | 235, 237, | 1001296521..... | 171 | 1001303183..... | 171 | 3509530147 | 199, 359 |
| 239, 327 | | 1001297109..... | 159, 297 | 2011000002..... | 225 | 3509530149 | 358 |
| 1001290224 | 79 | 1001297178..... | 301 | 2097000120..... | 131, 358 | 3509530150 | 195 |

SECTION 10 - BUILD DOCUMENTS

| | | | | | | | |
|------------------|--|------------------|---|------------------|---|---------------|-----|
| 3509530151..... | 197 | 4460475 ... | 235, 291, 293, 295, 303, 321, 323 | 4706003501 | 127 | 70050176..... | 263 |
| 3509530154..... | 191, 358 | 4460587 | 249 | 4706003844 | 203, 207, 209, 211, 213, 215, 217 | 70050178..... | 263 |
| 3509570121 | 165 | 4460588 | 249 | 4706004066 | 127 | 70050179..... | 263 |
| 3509570127 | 163 | 4460589 | 249 | 4706004067 | 127 | 70050180..... | 263 |
| 3509870046..... | 127, 193 | 4460608 ... | 237, 239, 249, 295, 327 | 4706004919 | 77 | 70050181..... | 263 |
| 3592000051 | 113 | 4460692 ... | 245, 249, 295 | 4706005792 | 177 | 70050203..... | 263 |
| 3592000052 | 113 | 4460693 | 245, 249 | 4706005869 | 175 | 70050204..... | 263 |
| 3619000001 | 127 | 4460695 | 245 | 4706005904 | 13 | 70050207..... | 264 |
| 3691000195..... | 115, 117 | 4460742 ... | 185, 235, 237, 243, 245, 291, 293, 295 | 4706005906 | 13 | 70050208..... | 264 |
| 3691000229 | 113 | 4460743 ... | 185, 321, 323 | 4706006442 ... | 13, 31, 33, 35, 37, 41, 47, 51, 55, 61, 65, 69, 73 | 70050209..... | 264 |
| 3691000230 | 113 | 4460789 ... | 235, 237, 239 | 4707000343 | 131 | 70050210..... | 264 |
| 3706000099..... | 89 | 4460844 | 321 | 4707000344 | 131 | 70050211..... | 264 |
| 3750000061 | 219 | 4460867 | 243, 295 | 4707000345 | 131 | 70050632..... | 101 |
| 3760115..... | 123, 125 | 4460884 | 235, 237 | 4707000367 | 169 | 70050633..... | 101 |
| 3760351 | 113 | 4460891 ... | 235, 237, 291, 293, 321, 323, 327 | 4711400 ... | 37, 41, 47, 51, 55, 61, 65, 69, 73, 113, 233, 241 | 70050634..... | 101 |
| 3841143..... | 91, 93 | 4460897 ... | 235, 237, 291, 293, 327 | 4711600 | 93, 301 | 70050635..... | 101 |
| 3841258..... | 91, 119, 121 | 4460933 | 303 | 4711800 ... | 13, 15, 17, 19, 21, 23, 25, 27, 29, 35, 37, 41, 42, 47, 51, 55, 61, 62, 65, 69, 73, 297 | 70050636..... | 101 |
| 3941506..... | 15, 17, 19, 21, 23, 25, 27, 29, 42, 48, 52, 56, 62, 66, 70, 74, 213, 215, 217 | 4460979 | 321, 323 | 4712000 | 93 | 70050637..... | 101 |
| 4017001502..... | 123, 125 | 4461118 | 235, 237 | 4751500 ... | 41, 47, 51, 55, 61, 65, 69, 73, 123, 125 | 70050638..... | 101 |
| 4062000695..... | 131 | 4461157 ... | 185, 235, 291, 293 | 4761400 | 113, 241 | 70050639..... | 101 |
| 4064000052..... | 107, 109, 113 | 4461215 | 295 | 4761500 | 123, 125 | 70050640..... | 101 |
| 4090000010..... | 131 | 4495000011 | 191 | 4761600 | 93 | 70050641..... | 101 |
| 4090000011..... | 131, 133 | 4533000415 ... | 15, 17, 19, 21, 23, 25, 27, 29, 31, 33, 35, 37, 42, 48, 51, 55, 62, 66, 69, 73 | 4763000184 | 107, 109 | 70050642..... | 101 |
| 4090000012..... | 271 | 4564088 | 229 | 4811001177 | 131 | 70050643..... | 101 |
| 4090000013..... | 107, 109 | 4567120056 | 189 | 4811001194 ... | 13, 41, 47, 55, 61, 65, 69, 73 | 70050644..... | 101 |
| 4178000402..... | 255, 271, 283 | 4567120087 | 189 | 4812000 | 41, 61 | 70050665..... | 263 |
| 4178000427 | 305 | 4567120112 | 189 | 4812000107 | 175 | 70050679..... | 95 |
| 4178000437 | 257 | 4567130135 | 213 | 4812000108 | 175 | 70050682..... | 95 |
| 4178000705..... | 185 | 4567130140 | 215 | 4812000142 ... | 13, 31, 33, 35, 37 | 70051021..... | 263 |
| 4178000709..... | 185 | 4567130165 | 217 | 4819000008 | 191 | 70051022..... | 263 |
| 4178000784..... | 285 | 4567132152 | 201 | 4831000095 | 107, 109, 113 | 70051023..... | 263 |
| 4178000826..... | 107 | 4567132178 | 203 | 4891600 | 93 | 70051026..... | 263 |
| 4178000827..... | 107 | 4567132188 | 205 | 4891800 | 93, 133 | 70051027..... | 263 |
| 4240033..... | 233 | 4567630182 | 209 | 4892000007 | 331, 333 | 70051028..... | 263 |
| 4254000005..... | 107, 109 | 4567820118 | 193 | 4949000047 | 107, 109, 113 | 70051029..... | 263 |
| 4263000814..... | 119, 121 | 4570000210 | 193 | 4949000050 | 119, 121 | 70051030..... | 263 |
| 4330000001 | 177 | 4570000211 | 193 | 5376000192 | 299 | 70051035..... | 263 |
| 4346000005..... | 247, 305, 307, 309, 315, 317, 319, 325 | 4570000212 | 193 | 5525000537 | 231 | 70051036..... | 263 |
| 4420002..... | 233 | 4570000303 | 199 | 5526000553 ... | 31, 33, 35, 37, 41, 42, 47, 48, 51, 55, 61, 62, 65, 66, 69, 73, 185, 191, 227, 229, 289, 309, 313 | 70051039..... | 263 |
| 4460018..... | 307, 309, 311, 313 | 4570000304 | 189 | 7002000285 | 353 | 70051044..... | 263 |
| 4460035..... | 307, 309, 311, 313 | 4570000305 | 193 | 7002000448 | 355 | 70051045..... | 263 |
| 4460042..... | 307, 309, 311, 313 | 4570000370 | 189 | 7002107 | 97 | 70051048..... | 263 |
| 4460234..... | 233 | 4570000373 | 211 | 7002110 | 97 | 70051049..... | 263 |
| 4460457..... | 235, 237, 239, 249, 291, 293, 295, 303, 323 | 4619000013 | 113 | 7002111 | 97 | 70051053..... | 263 |
| 4460458..... | 185, 235, 237, 291, 293, 295, 303, 321, 323 | 4632000058 | 131, 133 | 7002117 | 97 | 70051055..... | 263 |
| 4460460..... | 239 | 4636000041 | 175 | 7002123 | 97 | 70051056..... | 264 |
| 4460464..... | 235, 237, 269, 327 | 4679000046 | 123, 125 | 70050169 | 263 | 70051057..... | 264 |
| 4460465..... | 235, 237, 291, 293, 303, 321, 323, 327 | 4679000213 | 123, 125 | 70050170 | 263 | 70051058..... | 263 |
| 4460466..... | 235, 237, 291, 293, 303, 327 | 4691000186 | 107, 109 | 70050174 | 263 | 70051059..... | 263 |
| | | 4691000198 | 107, 109, 113 | 70050175 | 263 | 70051060..... | 263 |
| | | 4691000307 | 123, 125 | | | 70051061..... | 263 |
| | | 4691000308 | 123, 125 | | | 70051062..... | 263 |
| | | 4691000572 | 115 | | | 70051063..... | 263 |
| | | 4706001123 | 345, 347, 349, 351 | | | 70051064..... | 263 |
| | | 4706003402 | 181, 183 | | | 70051065..... | 263 |
| | | 4706003497 | 113 | | | 70051066..... | 263 |
| | | | | | | 70051068..... | 263 |
| | | | | | | 70051069..... | 263 |
| | | | | | | 70051070..... | 263 |
| | | | | | | 70051071..... | 263 |
| | | | | | | 70051072..... | 263 |
| | | | | | | 70051073..... | 263 |
| | | | | | | 70051074..... | 263 |
| | | | | | | 70051075..... | 263 |
| | | | | | | 70051076..... | 263 |
| | | | | | | 70051077..... | 263 |
| | | | | | | 70051078..... | 263 |

SECTION 10 - BUILD DOCUMENTS

| | | | | | | |
|-------------------------|-------------|--------------------------|---------------------|-------------|-------------------------|-------------|
| 70051326 | 83, 103 | 74, 201, 203, 205, 207, | 7320000077 | 105, 123, | 7445060643 | 191 |
| 70051554 | 95 | 209, 211, 213, 215, 217 | 125 | | 7445060645 | 191 |
| 70051555 | 95 | 7115151064..... | 7330000034..... | 333 | 7445060646 | 197 |
| 70051628 | 83, 103 | 205, 207, 209, 211, | 7330000036..... | 107, 109, | 7445060647 | 191 |
| 70051629 | 83, 103 | 213, 215, 217, 347, | 113 | | 7445060698 | 197 |
| 70051660 | 105 | 349, 351 | 7330000122..... | 331, 333 | 7445060843 | 191, 193, |
| 70051661 | 105 | 7115161050.... | 7330000138..... | 331, 333 | 199 | |
| 70051662 | 105 | 31, 33, 35, | 7330000139..... | 331, 333 | 7445080818 | 191 |
| 70051663 | 105 | 37, 42, 48, 51, 55, 62, | 7330000143..... | 331, 333 | 7445080845 | 191 |
| 70051664 | 105 | 66, 69, 73, 89, 133, | 7330000286..... | 335 | 7445081045 | 199 |
| 70052121 | 83 | 143, 145 | 7330000288..... | 305, 307, | 7449000019 ... | 31, 33, 35, |
| 70052122 | 103 | 7115161250..... | 309, 311, 313 | | 37, 42, 47, 51, 55, 62, | |
| 70070000 | 259 | 7115181050..... | 7330000307 | 333 | 65, 69, 73 | |
| 70070001 | 259 | 255, 257 | 7330000424..... | 117 | 7457000004 | 247 |
| 70070002 | 259 | 7115181064..... | 7330000428..... | 177 | 7457000015 | 305 |
| 70070003 | 259 | 219, 301 | 7330000534..... | 337 | 7470000002 | 191 |
| 70070028 | 97 | 7115181450..... | 7330000546..... | 331, 333 | 7493000003 | 131, 233, |
| 70070029 | 97 | 131, 133, | 7330000553..... | 107, 109 | 241, 283 | |
| 70070030 | 97 | 159, 163, 165, 167 | 7330000599..... | 107, 109, | 7493000009 | 275, 277 |
| 7009974 | 97 | 7115181864..... | 113 | | 7493000010 | 159, 161 |
| 7009975 | 97 | 7115190950..... | 7330000609..... | 107, 109, | 7493000015 | 269 |
| 7009992 | 97 | 7120000034..... | 113 | | 7493000016 | 161 |
| 7009997 | 97 | 181, 183, | 7330000699..... | 331, 333 | 7493000029 | 275, 277 |
| 7011000006 | 225, 233 | 227, 229, 231, 247, 305 | 7330000716..... | 115 | 7493000030 | 233 |
| 7027336 | 101 | 7178000025..... | 7345001710..... | 181, 183, | 7552000293 | 289, 295 |
| 7027338 | 101 | 289 | 305 | | 7552000365 | 183, 323 |
| 7027341 | 101 | 7189000019..... | 7345001714..... | 181, 183, | 7552000367 | 185 |
| 7029140 | 83, 103 | 7189000023..... | 299, 315, 317, 319 | | 7552000368 | 185 |
| 7082000026 | 101, 113 | 119, 121, | 7345001910..... | 305 | 7552000384 | 301, 303 |
| 7082000032 | 115 | 273 | 7345001914..... | 231, 299, | 7560000004 | 181, 183 |
| 7082000043 | 123, 125 | 7209000030..... | 305, 315, 317, 319 | | 7570000017 ... | 42, 48, 51, |
| 7104150624 | 123, 125 | 7248000092..... | 7345221702..... | 181, 183, | 55, 62, 66, 69, 73 | |
| 7111140613 | 241 | 7248000111..... | 299 | | 7570000036 ... | 31, 33, 35, |
| 7111141050 | 225 | 7253000002..... | 7345221902..... | 231, 247 | 37 | |
| 7111150864 | 345 | 113, 339 | 7346000035..... | 185, 243 | 7570000037 ... | 15, 17, 19, |
| 7114060810 | 229 | 7262000040..... | 7346000039..... | 181, 231, | 21, 23, 25, 27, 29, 31, | |
| 7114100518 | 185, 271, | 7274000002..... | 7346000099..... | 289, 299 | 33, 35, 37, 42, 48, 51, | |
| 273 | | 201, 203, | 7346000009..... | 243, 245 | 55, 62, 66, 69, 73 | |
| 7114100610 | 31, 33 | 205, 207, 209, 211, | 7346000126..... | 305 | 7577000194 | 233, 241 |
| 7114100618 | 177, 185, | 213, 215, 217 | 7346000140..... | 243, 245 | 7577000367 | 113 |
| 279 | | 7274000005..... | 7346000144..... | 243, 245 | 7577000623 | 191 |
| 7114100810 | 35, 37 | 15, 17, 19, | 7346000145..... | 243, 245 | 7577000629 | 193 |
| 7114100818 | 185, 301 | 21, 23, 25, 27, 29, 42, | 7346000146..... | 243, 245 | 7585000001 | 271, 273 |
| 7114140427 | 127 | 48, 51, 52, 55, 56, 62, | 7346000147..... | 243, 245 | 7585000023 | 131, 133 |
| 7114140518 | 159, 161 | 66, 69, 70, 73, 74 | 7346000153..... | 243 | 7590000105 | 289 |
| 7114140618 | 127, 131, | 7274000039..... | 7346000242..... | 307, 309, | 7590000207 | 275, 277 |
| 177 | | 113 | 311, 313 | | 7590000316 | 267, 269 |
| 7114140650 | 133, 135, | 7274000041..... | 7346000261..... | 185 | 7590000339 | 275, 277 |
| 137, 139, 141, 143, | | 201, 203, | 7413000002..... | 131, 241 | 7590000343 | 275, 277 |
| 145, 191, 233 | | 205, 207, 209, 211, | 7415000035..... | 155 | 7590000379 | 275, 277 |
| 7114140818 | 107, 169 | 213, 215, 217 | 7415000036..... | 153 | 7590000381 | 275, 277 |
| 7114140850 | 109 | 7274000041..... | 7430000003..... | 191 | 7592000004 | 127 |
| 7114141018 | 107, 267, | 201, 203, | 7440030000..... | 107, 109 | 7626000014 | 93, 97 |
| 273 | | 205, 207, 209, | 7443000013..... | 201, 203, | 7636000005 | 175 |
| 7114141218 | 107, 119, | 211, 213, 215, 217 | 205, 207, 211, 213, | | 7638000003 | 347, 351 |
| 121 | | 7274000080..... | 215, 217 | | 7660062604 | 229 |
| 7114150818 | 131 | 191 | 7443000048..... | 107, 109 | 7660102604 ... | 31, 33, 35, |
| 7114151650 | 191 | 7274000086..... | 191 | | 37, 177, 185, 271, 273, | |
| 7115140650 | 131, 151, | 113 | 7443000319..... | 191 | 279, 301 | |
| 153, 155, 349, 351 | | 7274000105..... | 7443000412..... | 209 | 7660140001 | 233 |
| 7115140850 | 33, 127 | 42, 48, 51, | 7443000435..... | 191 | 7660142600 | 169, 225, |
| 7115150664 | 271 | 56, 62, 66, 70, 74, 201, | 7443000436..... | 191 | 241 | |
| 7115150850 | 191 | 203, 205, 207, 233 | 7443000483..... | 42, 48, 52, | 7660142601 33, | 107, 109, |
| 7115150864 | 209 | 7280000018..... | 56, 62, 66, 70, 74 | | 153, 155, 267 | |
| 7115151050 ... | 15, 17, 19, | 231 | 7445040443..... | 191 | 7660142604 | 119, 121, |
| 21, 23, 25, 27, 29, 42, | | 7291000010..... | 7445040445..... | 127, 193 | 127, 177, 233, 273 | |
| 48, 52, 56, 62, 66, 70, | | 241 | 7445060625..... | 191, 193 | | |
| | | 7295000131..... | | | | |
| | | 181, 183 | | | | |
| | | 7320000064..... | | | | |
| | | 101, 113 | | | | |

SECTION 10 - BUILD DOCUMENTS

| | | | |
|---|--|--|--|
| 7660152601 15, 17, 19, 21, 23, 25, 27, 29, 41, 42, 47, 48, 51, 52, 55, 56, 61, 62, 65, 66, 69, 70, 73, 74, 93, 191, 201, 203, 205, 207, 209, 211, 213, 215, 217, 271, 345, 347, 349, 351 | 7796000100 ... 31, 33, 35, 37, 42, 47, 51, 55, 62, 65, 69, 73 7796000101 163, 165, 167 7809000001 93 7809000013 115 7819000005 191 7819000013 201, 203, 205, 207, 209 7843000004 89 7843000006 107, 109 7843000031 127 7843000037 107, 109, 113 7870000083 305 7870000100 307 7870000106 311 7870000126 185 7870000134 309 7870000137 313 7894000004 ... 15, 17, 19, 21, 23, 25, 27, 29, 159, 161, 185, 233, 301 7894000010 231 7894000034 107, 109 7894000042 185, 233, 241, 289 7912000078 191 7912000184 113 7912000291 191 7912000292 195 7912000315 197 7912000346 127 7912000347 127 7912000348 191 7935000308 191 7935000311 191, 221 7935000345 197 7949000013 175 7949000015 131, 133 7949000058 163, 165, 167 7950100003 185 7950100103 177, 185, 271 7950100143 301 7950100151 ... 31, 33, 35, 37, 42, 47, 51, 55, 62, 65, 69, 73, 247, 279 7950100163 185, 289 7950140000 131 7950140003 131, 133, 135, 137, 139, 141, 143, 145, 151, 191, 233 7950140141 225 | 7950140143 107, 109, 119, 121, 127, 131, 133, 135, 137, 139, 141, 143, 145, 151, 153, 155, 169, 177, 191, 233, 267, 273, 349, 351 7950140153 33 7950150000 191 7950150153 281 7950150161 ... 15, 17, 19, 21, 23, 25, 27, 29, 42, 48, 52, 56, 62, 66, 70, 74, 89, 191, 201, 203, 205, 207, 209, 211, 213, 215, 217, 345, 347, 349, 351 7950160000 133, 143, 145 7950160141 ... 31, 33, 35, 37, 42, 48, 51, 55, 62, 66, 69, 73 7950160143 133 7950160161 143, 145, 271 7950170161 163, 165 7950180000 273 7950180150 271, 273 7950180153 . 31, 33, 131, 133, 175, 219, 301 7950180161 89, 159, 161, 167 7950180400 93 7970000150 93, 95 80234009 97 80963067 235, 237 80983191 239 8220081 249 8220089 243, 245 8220099 ... 239, 249, 291, 293, 295, 327 8220100 ... 291, 293, 295, 327 8220101 327 8220124 ... 235, 237, 239, 327 8220159 239 8220400 295 8220934 ... 291, 293, 295, 327 8220935 239, 249, 327 8411080091 113 8495000001 157 8540246 339 8597650002 181 8597650003 309, 313 | 8632000002 133 8632760025 131 8798820001 161, 233 8830600004 157 88671008 93, 107, 109, 113, 339 8892040001 299 8977500100 181 9120960034 95 9120960061 95 9314960024 95 9472960072 95 9560960022 95 9560990011 95 9575960014 95 9691960001 95 9703420015 95 9786960015 95 9806960009 95 9935930102 191 9970300057 95 9970316083 95 9970336010 95 9970342027 95 9970402002 95 9970412003 95 9970412045 95 9970414045 95 9970431008 95 9970438014 95 9970442184 95 9970442205 95 9970450006 95 9970456008 95 9970468011 95 9970472012 95 9970472013 95 9970483017 95 9970486009 95 9970494002 95 9970494053 95 9970518014 95 9970518015 95 9970960060 95 9970960062 95 9970960068 95 C38D100 87 C38D75 85 LED-MPL-NGS 275 RWC 355 SEE NOTE 333 STK 353 TP_REF 358 |
|---|--|--|--|

JERR-DAN[®]

***Corporate Office
13224 Fountainhead Plaza
Hagerstown, MD 21742 USA***

***☎ (717) 597-7111 (Corporate)
☎ (800) 926-9666 (Customer Support)***

***Visit our website
www.jerrdan.com***



OSHKOSH™