

JERR-DAN[®]

Illustrated Parts Manual

Models
JD NG
JD NGS
STANDARD DUTY
WRECKER

SN 0230011755 to 0230011754

Excluding 0230009801,0230010717,0230011072-0230011326,
0230011488-0230011512,0230011597-0230011611

P/N

5376000251

December 1, 2023 - Rev C

JERR-DAN[®]

An Oshkosh Corporation Company

REVISION LOG

April 2, 2022 - A - Original Release of Manual (Edited to 1001137570 Rev J to P)

September 1, 2022 - B - Revised Manual (Edited to 1001137570 Rev J to Q)

December 1, 2023 - C- Revised Manual (Edited to 1001137570 Rev J to Q)

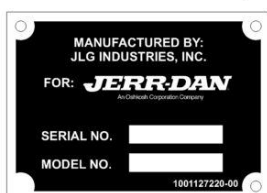
GENERAL INFORMATION

JerrDan, LLC (Jerr-Dan) strives to provide information that is accurate, complete and useful. Descriptions and illustrative material contained within this manual are as accurate as known at the time of publication and are subject to change, without notice, as a result of continuous product improvements. Jerr-Dan reserves the right to amend the information in this document at any time without prior notice.

Information contained in this manual reflects how this vehicle was built at the factory. Modifications or additions by the distributor or owner are not reflected in this manual.

This parts manual does not include service parts information for the commercial chassis (IHC, Ford, GM, etc.). That information is provided by the chassis manufacturer.

When ordering parts, please refer to your unit's Serial Number and Model Number. This information is be found on the aluminum tag riveted to the inside of the driver's side rear compartment of the main body.



Additional or replacement manuals can be ordered by calling Jerr-Dan Parts at 717-597-7111. Price and availability will be quoted at time of the request.

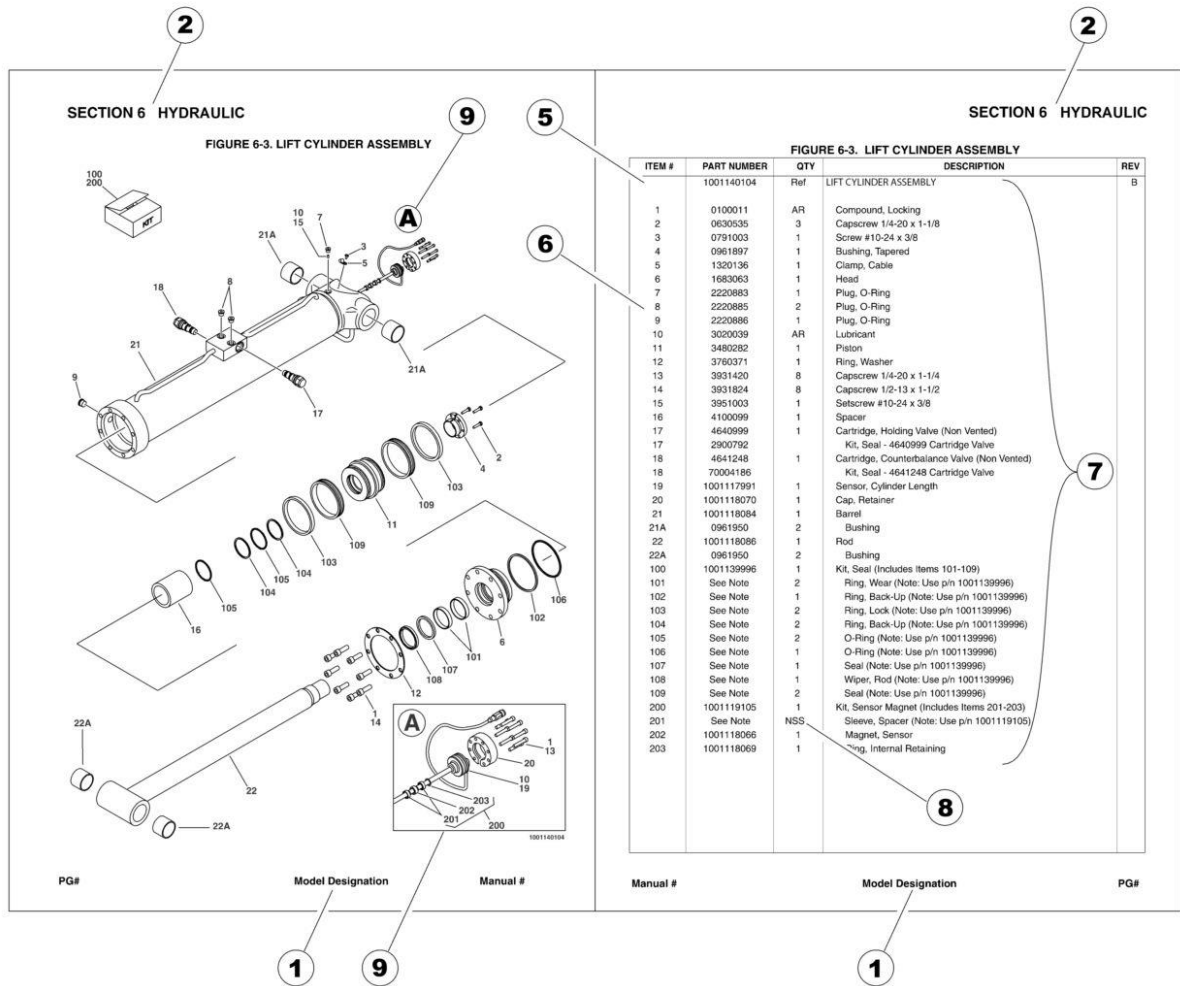
Please report comments and/or errors by contacting Jerr-Dan. Contact numbers are located on rear cover of Manual.

Manufactured under one or more of the following patents: 5,575,606; 5,672,042; 5,697,741; 5,713,714; 5,722,810; 5,782,596; 5,839,775 and 6,315,515 B1 with other Patents Pending.

Jerr-Dan and the Jerr-Dan logo are registered trademarks and Run Hard is a service mark of JerrDan, LLC, Hagerstown, MD USA.

The material in this document is confidential and the property of Jerr-Dan. No part of this document may be photocopied, reproduced or translated to another language without the express written consent of Jerr-Dan.

GENERAL INFORMATION



1) MACHINE IDENTIFICATION

Machines are identified by model and in some cases a combination of models, serial number (SN) or regional standard (i.e ANSI, CE, CSA). Components may also be identified by SN or manufacturer. Common components that may be identified by these characteristics are engines and hydraulic components.

2) PARTS MANUAL ORGANIZATION

Product information in this manual is organized under section titles. Subframe, Hydraulic and Electrical are a few examples. Each section is organized by figure and page number. The information within the Figure is then organized by item number, part number, description and corresponding illustration (s).

3) TABLE OF CONTENTS (NOT SHOWN)

A table of contents is found toward the beginning of the manual. Figure number, description and page number are provided for quick reference to the page containing the related information.

4) BUILD DOCUMENTS (NOT SHOWN)

The Build Documents, located near the end of the manual, reference components not available at the purchase level. These PN lists assembly instructions and assist in the maintenance of the parts manual.

GENERAL INFORMATION

5) NON-SERVICED PARTS

In some instances, it is necessary to display non-serviced parts, assemblies or installations. In the case of assemblies and installations there will be a Ref in the Qty. column. In case of parts that are not available for service within assemblies or components, there will be a NSS (Not Sold Separately) or NLA (No Longer Available) listed in the Qty. column of the manual.

6) PARTS LIST ITEM NUMBERS

Numbers shown in the item# column correspond to numbers used in the associated illustration (s). Item numbers which are missing from the sequence in the parts list are not used on that page.

7) INDENTED PARTS DESCRIPTION

An indented part description is included in the item under which it is indented.

8) ABBREVIATION AND SYMBOLS

AC.....	Alternating Current	L.....	Liter
ALUM.....	Aluminum	LD.....	Light Duty
AG.....	Agricultural	LB(LBS).....	Pounds
ANSI.....	American National Standards Institute	LCD.....	Liquid Crystal Display
AR.....	As Required	LED.....	Light Emitting Diodes
AUS.....	Australias	LH.....	Left Hand
ASSY.....	Assembly	M(m).....	Metric/Meter
AUX.....	Auxiliary	MD.....	Medium Duty
AWG.....	American Wire Gauge	MM (mm).....	Milimeter
CA.....	Cab To Axle	mA.....	Miliamps
CE.....	European Conformity	NLA.....	No Longer Available
CCW.....	Counter Clockwise	NPT.....	National Pipe Threads
CM.....	Centimeter	NSS.....	Not Sold Separately
CT.....	Cab To Tandem	OD.....	Outside Diameter
CW.....	Clockwise	ORB.....	O-Ring Boss
CSA.....	Canadian Standards Association	ORFS.....	O-Ring Face Seal
CYL.....	Cylinder	OZ (oz).....	Ounces
DIA.....	Diameter	PG.....	Page
DC.....	Direct Current	PN.....	Part Number
DOT.....	Department of Transportation	PTO.....	Power Take Off
EMS.....	Emergency Stop	QT(qt.).....	Quarts
ENG.....	Engine	QTY.....	Quantity
FT(ft).....	Feet	REF.....	Reference
GA(Ga).....	Gauge	REV.....	Revision Level
GAL.....	Gallons	RH.....	Right Hand
GVW.....	Gross Vehicle Weight	SAE.....	Society of Automotive Engineers
HD.....	Heavy Duty	SD.....	Standard Duty
HYD.....	Hydraulic	SN.....	Serial Number
Hz.....	Hertz	SPEC(S).....	Specifications
ID.....	Inside Diameter	SS.....	Stainless Steel
IN.....	inches	STD.....	Standards
IND.....	Independent	STL.....	Steel
IRL.....	Independent Reach/Lift	UGM.....	Universal Ground Module
INT.....	Integrated	V.....	Volts
ISO.....	International Organization for Standards	W.....	Watts
JIC.....	Joint Industry Council	WB.....	Wheel Base
KG.....	Kilogram	#.....	Number

9) ILLUSTRATION REFERENCE LETTERS

When necessary, illustrations may contain reference letters that are intended to track information (i. e. hoses, harnesses) from one point to another or to track visual enlargement of components to show details that may be located in another area on the illustration.

Note: Due to continuous product improvements, Jerr-Dan Corporation reserves the right to make specification changes without prior notification. Contact Jerr-Dan for updated information.

TABLE OF CONTENTS

SECTION 1 - SUBFRAME	13
FIGURE 1-1. SUBFRAME INSTALLATION.....	14
FIGURE 1-2. CHASSIS MOUNTING KIT - CHEVY/GMC DIESEL WITH 60IN CA	16
FIGURE 1-3. CHASSIS MOUNTING KIT - CHEVY/GMC GAS WITH 60IN CA	18
FIGURE 1-4. CHASSIS MOUNTING KIT - CV515 2019+ WITH 141IN WHEELBASE	20
FIGURE 1-5. CHASSIS MOUNTING KIT - CV515 2019+ WITH 141IN WHEELBASE & TIMBREN.....	22
FIGURE 1-6. CHASSIS MOUNTING KIT - CV515 2019+ WITH 165IN+ WHEELBASE	24
FIGURE 1-7. CHASSIS MOUNTING KIT - CV515 2019+ WITH 165IN+ WHEELBASE & TIMBREN.....	26
FIGURE 1-8. CHASSIS MOUNTING KIT - DODGE 2013+ 4500/5000 WITH 60IN CA	28
FIGURE 1-9. CHASSIS MOUNTING KIT - DODGE 2013+ 4500/5000 WITH 84IN CA	30
FIGURE 1-10. CHASSIS MOUNTING KIT - FORD 2010 & EARLIER WITH 60IN CA.....	32
FIGURE 1-11. CHASSIS MOUNTING KIT - FORD 2011-2016 WITH 60IN CA	34
FIGURE 1-12. CHASSIS MOUNTING KIT - FORD 2011-2016 WITH 84IN CA	38
FIGURE 1-13. CHASSIS MOUNTING KIT - FORD 2017+ DIESEL WITH 60IN CA.....	42
FIGURE 1-14. CHASSIS MOUNTING KIT - FORD 2017+ DIESEL WITH 84IN CA.....	46
FIGURE 1-15. CHASSIS MOUNTING KIT - FORD 2017+ GAS WITH 60IN CA.....	50
FIGURE 1-16. CHASSIS MOUNTING KIT - FORD 2017+ GAS WITH 84IN CA.....	54
SECTION 2 - BOOM	57
FIGURE 2-1. KNEE BOOM INSTALLATION.....	58
FIGURE 2-2. CYLINDER ASSEMBLY - BOOM LIFT	60
FIGURE 2-3. WINCH INSTALLATION	62
FIGURE 2-4. WINCH ASSEMBLY.....	64
FIGURE 2-5. WINCH MOTOR ASSEMBLY	66
FIGURE 2-6. CABLE TENSIONER INSTALLATION.....	68
FIGURE 2-7. CABLE ASSEMBLY - 3/8X75FT	70
FIGURE 2-8. CABLE ASSEMBLY - 3/8X100FT	72
SECTION 3 - UNDERLIFT	75
FIGURE 3-1. UNDERLIFT INSTALLATION - HYDRAULIC GRIDS	76
FIGURE 3-2. UNDERLIFT INSTALLATION - MANUAL GRIDS (Including 0230004211 to 0230009853).....	78
FIGURE 3-3. UNDERLIFT INSTALLATION - MANUAL GRID (SN 0230009854 through 0230011754, Except SN 0230011072 through 0230011326, Except SN 0230011488 through 0230011512, Except SN 0230011597 through 0230011611, Excluding 0230010717)	80
FIGURE 3-4. UNDERLIFT ASSEMBLY - HYDRAULIC GRIDS	82
FIGURE 3-5. UNDERLIFT ASSEMBLY - MANUAL GRIDS (Including 0230004211 to 0230009853).....	84
FIGURE 3-6. UNDERLIFT BOOM ASSEMBLY - MANUAL GRID (SN 0230009854 through 0230011754, Except SN 0230011072 through 0230011326, Except SN 0230011488 through 0230011512, Except SN 0230011597 through 0230011611, Excluding 0230010717)	86
FIGURE 3-7. CYLINDER ASSEMBLY - UNDERLIFT TILT	88
FIGURE 3-8. CYLINDER ASSEMBLY - UNDERLIFT EXTEND/RETRACT	90
FIGURE 3-9. UNDERLIFT TRACK ASSEMBLY (WITH HYDRAULIC GRID)	92
FIGURE 3-10. GRID SYSTEM INSTALLATION - MANUAL FIXED (Including 0230004211 to 0230009853).....	94
FIGURE 3-11. GRID SYSTEM INSTALLATION - MANUAL FIXED (SN 0230009854 through 0230011754, Except SN 0230011072 through 0230011326, Except SN 0230011488 through 0230011512, Except SN 0230011597 through 0230011611, Excluding 0230010717).....	96
FIGURE 3-12. GRID SYSTEM INSTALLATION - MANUAL PIVOTING (Including 0230004211 to 0230009853)	100
FIGURE 3-13. GRID SYSTEM INSTALLATION - MANUAL PIVOTING (SN 0230009854 through 0230011754, Except SN 0230011072 through 0230011326, Except SN 0230011488 through 0230011512, Except SN 0230011597 through 0230011611, Excluding 0230010717).....	102
FIGURE 3-14. GRID ASSEMBLY - WHEEL LIFT (LH) (WITH MANUAL PIVOTING GRID SYSTEM) (Including 0230004211 to 0230009853)	106
FIGURE 3-15. GRID ASSEMBLY - WHEEL LIFT (LH) (WITH MANUAL PIVOTING GRID SYSTEM) (SN 0230009854 through 0230011754, Except SN 0230011072 through 0230011326, Except SN 0230011488 through 0230011512, Except SN 0230011597 through 0230011611, Excluding 0230010717)	108
FIGURE 3-16. GRID ASSEMBLY - WHEEL LIFT (RH) (WITH MANUAL PIVOTING GRID SYSTEM) (Including 0230004211 to 0230009853)	110
FIGURE 3-17. GRID ASSEMBLY - WHEEL LIFT (RH) (WITH MANUAL PIVOTING GRID SYSTEM) (SN 0230009854 through 0230011754, Except SN 0230011072 through 0230011326, Except SN 0230011488 through 0230011512, Except SN 0230011597 through 0230011611, Excluding 0230010717)	112
FIGURE 3-18. GRID SYSTEM INSTALLATION - HYDRAULIC	114
FIGURE 3-19. CYLINDER ASSEMBLY - GRID EXTEND/RETRACT	118
FIGURE 3-20. TOW BALL BRACKET INSTALLATION.....	120

TABLE OF CONTENTS

FIGURE 3-21. WHEEL LIFT CROSSBAR CAM-LOCK ASSEMBLY	122
FIGURE 3-22. RECOVERY SHEAVE INSTALLATION (LOW ANGLE)	124
SECTION 4 - BODY	127
FIGURE 4-1. BODY INSTALLATION - ALUMINUM (NG)	128
FIGURE 4-2. BODY INSTALLATION - STEEL (NGS)	130
FIGURE 4-3. BATTERY COVER INSTALLATION (FOR 22IN TUNNEL BOX) (ISUZU)	132
FIGURE 4-4. FENDER FLARE INSTALLATION - NO LIP (NGS) (GMC)	134
FIGURE 4-5. FENDER FLARE INSTALLATION - 1.62IN LIP WITHOUT TUB (NGS) (FORD 350)	136
FIGURE 4-6. FENDER FLARE INSTALLATION - 1.62IN LIP WITH TUB (NG) (FORD 350/GMC)	138
FIGURE 4-7. FENDER FLARE INSTALLATION - 3.50IN LIP WITHOUT TUB (NGS) (FORD 450-550/DODGE)	140
FIGURE 4-8. FENDER FLARE INSTALLATION - 3.50IN LIP WITH TUB (NG) (FORD 450-550/DODGE)	142
FIGURE 4-9. PYLON INSTALLATION - 28IN TOOLBOX MOUNTED (1 MARKER LIGHT PER SIDE) (NG & NGS)	144
FIGURE 4-10. PYLON INSTALLATION - 28IN TOOLBOX MOUNTED (3 MARKER LIGHTS PER SIDE) (NG & NGS)	146
FIGURE 4-11. PYLON INSTALLATION - 33IN TOOLBOX MOUNTED (1 MARKER LIGHT PER SIDE) (NG & NGS)	148
FIGURE 4-12. PYLON INSTALLATION - 34IN BODY MOUNTED (1 MARKER LIGHT PER SIDE) (NG)	150
FIGURE 4-13. PYLON INSTALLATION - 34IN BODY MOUNTED (1 MARKER LIGHT PER SIDE) (NGS)	152
FIGURE 4-14. PYLON INSTALLATION - 34IN TOOLBOX MOUNTED (1 MARKER LIGHT PER SIDE) (NG & NGS)	154
FIGURE 4-15. PYLON INSTALLATION - 34IN TOOLBOX MOUNTED (3 MARKER LIGHT PER SIDE) (NG & NGS)	156
FIGURE 4-16. PYLON INSTALLATION - 38IN BODY MOUNTED (1 MARKER LIGHT PER SIDE) (NG)	158
FIGURE 4-17. PYLON INSTALLATION - 38IN BODY MOUNTED (1 MARKER LIGHT PER SIDE) (NGS)	160
FIGURE 4-18. PYLON INSTALLATION - 38IN BODY MOUNTED (3 MARKER LIGHT PER SIDE) (NG)	162
FIGURE 4-19. PYLON INSTALLATION - 42IN BODY MOUNTED (NO MARKER LIGHTS PER SIDE) (NGS)	164
FIGURE 4-20. PYLON INSTALLATION - 42IN BODY MOUNTED (1 MARKER LIGHTS PER SIDE) (NG)	166
FIGURE 4-21. PYLON INSTALLATION - 42IN BODY MOUNTED (3 MARKER LIGHTS PER SIDE) (NG)	168
FIGURE 4-22. PYLON INSTALLATION - 42IN TOOLBOX MOUNTED (1 MARKER LIGHTS PER SIDE) (NG & NGS)	170
FIGURE 4-23. PYLON INSTALLATION - 50IN BODY MOUNTED (1 MARKER LIGHTS PER SIDE) (NG)	172
FIGURE 4-24. STONE GUARD INSTALLATION (WITHOUT TUNNEL BOX) (NG)	174
FIGURE 4-25. STONE GUARD INSTALLATION (WITHOUT TUNNEL BOX) (NGS)	176
FIGURE 4-26. STONE GUARD INSTALLATION (WITH TUNNEL BOX)	178
FIGURE 4-27. TUNNEL BOX INSTALLATION - 22IN (ISUZU) (SN 0230004211 through 0230005285)	180
FIGURE 4-28. TUNNEL BOX INSTALLATION - 22IN (ISUZU) (SN 0230007546 through 0230011754, Except SN 0230011072 through 0230011326, Except SN 0230011488 through 0230011512, Except SN 0230011597 through 0230011611, Excluding 0230009801 and 0230010717)	182
FIGURE 4-29. TUNNEL BOX INSTALLATION - 24IN STANDARD (SN 0230004211 through 0230005285)	184
FIGURE 4-30. TUNNEL BOX INSTALLATION - 24IN STANDARD (SN 0230007546 through 0230011754, Except SN 0230011072 through 0230011326, Except SN 0230011488 through 0230011512, Except SN 0230011597 through 0230011611, Excluding 0230009801 and 0230010717)	186
FIGURE 4-31. TUNNEL BOX INSTALLATION - 24IN REINFORCED (SN 0230004211 through 0230005285)	188
FIGURE 4-32. TUNNEL BOX INSTALLATION - 24IN REINFORCED (SN 0230007546 through 0230011754, Except SN 0230011072 through 0230011326, Except SN 0230011488 through 0230011512, Except SN 0230011597 through 0230011611, Excluding 0230009801 and 0230010717)	190
FIGURE 4-33. TUNNEL BOX ASSEMBLY - 22IN (ISUZU) (SN 0230007546 through 0230011754, Except SN 0230011072 through 0230011326, Except SN 0230011488 through 0230011512, Except SN 0230011597 through 0230011611, Excluding 0230009801 and 0230010717)	192
FIGURE 4-34. TUNNEL BOX ASSEMBLY - 24IN STANDARD (SN 0230004211 through 0230005285)	194
FIGURE 4-35. TUNNEL BOX ASSEMBLY - 24IN STANDARD (SN 0230007546 through 0230011754, Except SN 0230011072 through 0230011326, Except SN 0230011488 through 0230011512, Except SN 0230011597 through 0230011611, Excluding 0230009801 and 0230010717)	196
FIGURE 4-36. TUNNEL BOX ASSEMBLY - 24IN REINFORCED (SN 0230004211 through 0230005285)	198
FIGURE 4-37. TUNNEL BOX ASSEMBLY - 24IN REINFORCED (SN 0230007546 through 0230011754, Except SN 0230011072 through 0230011326, Except SN 0230011488 through 0230011512, Except SN 0230011597 through 0230011611, Excluding 0230009801 and 0230010717)	200
SECTION 5 - CONTROLS	203
FIGURE 5-1. CONTROLLER INSTALLATION (TOGGLE SWITCH CONTROLS)	204
FIGURE 5-2. CONTROLLER INSTALLATION (MEMBRANE CONTROLS)	206
FIGURE 5-3. UNDERLIFT LEVEL STOP CONTROLLER INSTALLATION	208
SECTION 6 - HYDRAULIC	211
FIGURE 6-1. HOSE INSTALLATION - LIFT AND TILT CYLINDER	212
FIGURE 6-2. HOSE INSTALLATION - LIFT AND TILT CYLINDER (HYDRAULIC CONTROLS WITHOUT ANTI-STALL)	214
FIGURE 6-3. HOSE INSTALLATION - LIFT AND TILT CYLINDER (HYDRAULIC CONTROLS WITH ANTI-STALL)	216
FIGURE 6-4. HOSE INSTALLATION - LIFT AND TILT CYLINDER WITHOUT BALL VALVE	218

TABLE OF CONTENTS

FIGURE 6-5. HOSE INSTALLATION - LIFT AND TILT CYLINDER WITH BALL VALVE.....	220
FIGURE 6-6. HOSE INSTALLATION - UNDERLIFT WITH HYDRAULIC GRIDS	222
FIGURE 6-7. HOSE INSTALLATION - WINCH.....	224
FIGURE 6-8. HOSE AND CLAMP INSTALLATION (CHEVY-GMC – 137IN WB).....	226
FIGURE 6-9. HOSE AND CLAMP INSTALLATION (CV515 - 141IN WB).....	228
FIGURE 6-10. HOSE AND CLAMP INSTALLATION (CV515 - 165IN WB).....	230
FIGURE 6-11. HOSE AND CLAMP INSTALLATION (CV515 - 175IN WB).....	232
FIGURE 6-12. HOSE AND CLAMP INSTALLATION (CV515 – 199IN WB).....	234
FIGURE 6-13. HOSE AND CLAMP INSTALLATION (DODGE – 144IN WB).....	236
FIGURE 6-14. HOSE AND CLAMP INSTALLATION (FORD 2010 & EARLIER – 140IN WB)	238
FIGURE 6-15. HOSE AND CLAMP INSTALLATION (FORD 2011-2016 GAS – 140IN WB)	240
FIGURE 6-16. HOSE AND CLAMP INSTALLATION (FORD 2011-2016 DIESEL – 140IN WB).....	242
FIGURE 6-17. HOSE AND CLAMP INSTALLATION (FORD 2011-2016 DIESEL – 164IN WB).....	244
FIGURE 6-18. HOSE AND CLAMP INSTALLATION (FORD 2017+ 145IN WB).....	246
FIGURE 6-19. HOSE AND CLAMP INSTALLATION (FORD 2017+ 167-169IN WB).....	248
FIGURE 6-20. HOSE AND CLAMP INSTALLATION (FORD 2017+ 179IN WB).....	250
FIGURE 6-21. HOSE AND CLAMP INSTALLATION (FORD 2017+ 192IN WB).....	252
FIGURE 6-22. HOSE AND CLAMP INSTALLATION (FORD 2017+ 203IN WB).....	254
FIGURE 6-23. TANK (HYDRAULIC) INSTALLATION.....	256
FIGURE 6-24. VALVE ASSEMBLY (WITHOUT ANTI-STALL).....	258
FIGURE 6-25. VALVE ASSEMBLY (WITH ANTI-STALL)	260
SECTION 7 - ELECTRICAL.....	263
FIGURE 7-1. ALARM INSTALLATION - BACK-UP (FIXED)	264
FIGURE 7-2. ALARM INSTALLATION - BACK-UP (VARIABLE)	266
FIGURE 7-3. ANTI-STALL INSTALLATION - FORD 2011-2016 GAS V8.....	268
FIGURE 7-4. ANTI-STALL INSTALLATION - FORD 2008 GAS V10.....	270
FIGURE 7-5. ANTI-STALL HARNESS	272
FIGURE 7-6. BACK UP CAMERA INSTALLATION - CHASSIS SUPPLIED.....	274
FIGURE 7-7. BACK UP CAMERA INSTALLATION - CHASSIS SUPPLIED (CV515 ONLY).....	276
FIGURE 7-8. BACK UP CAMERA INSTALLATION (REAR VIEW MIRROR) (Prior to SN 0230010803).....	278
FIGURE 7-9. BACK UP CAMERA INSTALLATION (REAR VIEW MIRROR) (SN 020010803 through 0230011754, Except SN 0230011072 through 0230011326, Except SN 0230011488 through 0230011512, Except SN 0230011597 through 0230011611).....	280
FIGURE 7-10. BACK UP CAMERA INSTALLATION (WITH DVR) (Prior to SN 0230010803).....	282
FIGURE 7-11. BODY ELECTRICAL INSTALLATION (NG) (SN 0230004211 through 0230009707).....	284
FIGURE 7-12. BODY ELECTRICAL INSTALLATION (NG) (SN 0230009708 through 0230011754, Except SN 0230011072 through 0230011326, Except SN 0230011488 through 0230011512, Except SN 0230011597 through 0230011611, Excluding 0230009801 and 0230010717).....	286
FIGURE 7-13. BODY ELECTRICAL INSTALLATION (NGS) (SN 0230004211 through 0230009707)	288
FIGURE 7-14. BODY ELECTRICAL INSTALLATION (NGS) (SN 0230009708 through 0230011754, Except SN 0230011072 through 0230011326, Except SN 0230011488 through 0230011512, Except SN 0230011597 through 0230011611, Excluding 0230009801 and 0230010717).....	290
FIGURE 7-15. BODY HARNESS (LH) (NG) (SN 0230004211 through 0230009707).....	292
FIGURE 7-16. BODY HARNESS (LH) (NG) (SN 0230009708 through 0230011754, Except SN 0230011072 through 0230011326, Except SN 0230011488 through 0230011512, Except SN 0230011597 through 0230011611, Excluding 0230009801 and 0230010717).....	294
FIGURE 7-17. BODY HARNESS (LH) (NGS) (SN 0230004211 through 0230009707)	296
FIGURE 7-18. BODY HARNESS (LH) (NGS) (SN 0230009708 through 0230011754, Except SN 0230011072 through 0230011326, Except SN 0230011488 through 0230011512, Except SN 0230011597 through 0230011611, Excluding 0230009801 and 0230010717).....	298
FIGURE 7-19. BODY HARNESS (RH) (NG) (SN 0230004211 through 0230009707)	300
FIGURE 7-20. BODY HARNESS (RH) (NG) (SN 0230009708 through 0230011754, Except SN 0230011072 through 0230011326, Except SN 0230011488 through 0230011512, Except SN 0230011597 through 0230011611, Excluding 0230009801 and 0230010717).....	302
FIGURE 7-21. BODY HARNESS (RH) (NGS) (SN 0230004211 through 0230009707).....	304
FIGURE 7-22. BODY HARNESS (RH) (NGS) (SN 0230009708 through 0230011754, Except SN 0230011072 through 0230011326, Except SN 0230011488 through 0230011512, Except SN 0230011597 through 0230011611, Excluding 0230009801 and 0230010717).....	306
FIGURE 7-23. BREAKER INSTALLATION - 50AMP (SN 0230004211 through 0230009707)	308
FIGURE 7-24. CAB AND SUBFRAME HARNESS (SN 0230004211 through 0230009707).....	310
FIGURE 7-25. CAB AND SUBFRAME HARNESS (SN 0230009708 through 0230011754, Except SN 0230011072 through 0230011326, Except SN 0230011488 through 0230011512, Except SN 0230011597 through 0230011611, Excluding 0230009801 and 0230010717).....	312
FIGURE 7-26. CABINET LIGHT AND FUSE INSTALLATION (SN 0230004211 through 0230009707)	314
FIGURE 7-27. LIGHTBAR INSTALLATION - CODE 3 BRAND (58IN 8LED) (SN 0230004211 through 0230009707).....	316

TABLE OF CONTENTS

FIGURE 7-28. LIGHTBAR INSTALLATION - CODE 3 BRAND (58IN 10LED) (SN 0230004211 through 0230009707)	318
FIGURE 7-29. LIGHTBAR INSTALLATION - ECCO 60IN (STANDARD MOUNT) (SN 0230004211 through 0230009707)	320
FIGURE 7-30. LIGHTBAR INSTALLATION - ECCO 60IN (STANDARD MOUNT) (SN 0230009708 through 0230011754, Except SN 0230011072 through 0230011326, Except SN 0230011488 through 0230011512, Except SN 0230011597 through 0230011611, Excluding 0230009801 and 0230010717)	322
FIGURE 7-31. LIGHTBAR INSTALLATION - ECCO 60IN (HIGH MOUNT) (SN 0230004211 through 0230009707)	324
FIGURE 7-32. LIGHTBAR INSTALLATION - ECCO 60IN (HIGH MOUNT) (SN 0230009708 through 0230011754, Except SN 0230011072 through 0230011326, Except SN 0230011488 through 0230011512, Except SN 0230011597 through 0230011611, Excluding 0230009801 and 0230010717)	326
FIGURE 7-33. LIGHTBAR INSTALLATION - WHELEN 60IN (STANDARD MOUNT)	328
FIGURE 7-34. LIGHTBAR INSTALLATION - WHELEN 60IN (HIGH MOUNT)	330
FIGURE 7-35. LIGHTBAR ASSEMBLY - CODE 3 BRAND (58IN 8LED)	332
FIGURE 7-36. LIGHTBAR ASSEMBLY - CODE 3 BRAND (58IN 10LED)	334
FIGURE 7-37. LIGHTBAR ASSEMBLY - ECCO (SN 0230004211 through 0230009707)	336
FIGURE 7-38. LIGHTBAR ASSEMBLY - ECCO (SN 0230009708 through 0230011754, Except SN 0230011072 through 0230011326, Except SN 0230011488 through 0230011512, Except SN 0230011597 through 0230011611, Excluding 0230009801 and 0230010717)	338
FIGURE 7-39. LIGHTBAR ASSEMBLY - WHELEN	340
FIGURE 7-40. LIGHTBAR MARKER LIGHTS ONLY INSTALLATION	344
FIGURE 7-41. LIGHTBAR MARKER LIGHT ASSEMBLY - TRUCK-LITE	346
FIGURE 7-42. LIGHTBAR BRACKET INSTALLATION (FOLDING)	348
FIGURE 7-43. LIGHTS - PYLON MARKER LIGHT INSTALLATION - 1 MARKER LIGHT PER SIDE	350
FIGURE 7-44. LIGHTS - PYLON MARKER LIGHT INSTALLATION - 3 MARKER LIGHTS PER SIDE	352
FIGURE 7-45. LIGHTS - 4 TAILLIGHTS (STOP/TURN/TAILLIGHT COMBINED) (ALL NG EXCEPT 2013+ DODGE)	354
FIGURE 7-46. LIGHTS - 4 TAILLIGHTS (STOP/TURN/TAILLIGHT COMBINED) (NG 2013+ DODGE)	356
FIGURE 7-47. LIGHTS - 4 TAILLIGHTS (STOP/TURN/TAILLIGHT COMBINED) (ALL NGS EXCEPT 2013+ DODGE)	358
FIGURE 7-48. LIGHTS - 4 TAILLIGHTS (STOP/TURN/TAILLIGHT COMBINED) (NGS 2013+ DODGE)	360
FIGURE 7-49. LIGHTS - 6 TAILLIGHTS (STOP/TURN/TAILLIGHT SPLIT) (NG)	362
FIGURE 7-50. LIGHTS - WORKLIGHTS INSTALLATION (LOWER HOOK UP MOUNTED)	364
FIGURE 7-51. LIGHTS - WORKLIGHT INSTALLATION (PYLON MOUNTED) (NG)	366
FIGURE 7-52. LIGHTS - WORKLIGHT INSTALLATION (PYLON MOUNTED) (NGS)	368
FIGURE 7-53. PYLON ELECTRICAL INSTALLATION - BODY MOUNTED (1 MARKER LIGHT PER SIDE)	370
FIGURE 7-54. PYLON ELECTRICAL INSTALLATION - BODY MOUNTED (3 MARKER LIGHT PER SIDE)	372
FIGURE 7-55. PYLON ELECTRICAL INSTALLATION - TOOLBOX MOUNTED (1 MARKER LIGHT PER SIDE)	374
FIGURE 7-56. PYLON ELECTRICAL INSTALLATION - TOOLBOX MOUNTED (3 MARKER LIGHT PER SIDE)	376
FIGURE 7-57. PYLON HEADBOARD HARNESS - 1 MARKER LIGHT PER SIDE (SN 0230004211 through 0230009707)	378
FIGURE 7-58. PYLON HEADBOARD HARNESS - 1 MARKER LIGHTS PER SIDE (SN 0230009708 to Present)	380
FIGURE 7-59. PYLON HEADBOARD HARNESS - 3 MARKER LIGHTS PER SIDE (SN 0230004211 through 0230009707)	382
FIGURE 7-60. PYLON HEADBOARD HARNESS - 3 MARKER LIGHTS PER SIDE (SN 0230009708 to Present)	384
FIGURE 7-61. PTO ELECTRICAL ASSEMBLY - FORD PTO	386
FIGURE 7-62. REMOTE CONTROL INSTALLATION - 4 FUNCTION TOGGLE	388
FIGURE 7-63. REMOTE CONTROL INSTALLATION - 5 FUNCTION TOGGLE	390
FIGURE 7-64. REMOTE CONTROL HARNESS - 4 FUNCTION TOGGLE	392
FIGURE 7-65. REMOTE CONTROL HARNESS - 5 FUNCTION TOGGLE	394
FIGURE 7-66. REMOTE CONTROL HOLDER INSTALLATION	396
FIGURE 7-67. SWITCH PANEL INSTALLATION - 2 FUNCTION	398
FIGURE 7-68. SWITCH PANEL INSTALLATION - 3 FUNCTION (IN DASH COMPACT) (SN 0230004211 through 0230009707)	400
FIGURE 7-69. SWITCH PANEL INSTALLATION - 3 FUNCTION (IN DASH COMPACT) (SN 0230009708 to Present)	402
FIGURE 7-70. SWITCH PANEL INSTALLATION - 3 FUNCTION (UNDER DASH COMPACT) (SN 0230004211 through 0230009707)	404
FIGURE 7-71. SWITCH PANEL INSTALLATION - 3 FUNCTION (UNDER DASH COMPACT) (SN 0230009708 to Present)	406
FIGURE 7-72. SWITCH PANEL INSTALLATION - 3/4 FUNCTION (CV515 2019+ OEM) (SN 0230004211 through 0230009707)	408
FIGURE 7-73. SWITCH PANEL INSTALLATION - 3/4 FUNCTION (CV515 2019+ OEM) (SN 0230009708 to Present)	410
FIGURE 7-74. SWITCH PANEL INSTALLATION - 4 FUNCTION (DODGE 2011+ OEM) (SN 0230004211 through 0230009707)	412
FIGURE 7-75. SWITCH PANEL INSTALLATION - 4 FUNCTION (DODGE 2011+ OEM) (SN 0230009708 to Present)	414
FIGURE 7-76. SWITCH PANEL INSTALLATION - 4 FUNCTION (FORD F45-F550 2011-2016) (SN 0230004211 through 0230009707)	416
FIGURE 7-77. SWITCH PANEL INSTALLATION - 4 FUNCTION (FORD F45-F550 2011-2016) (SN 0230009708 to Present)	418
FIGURE 7-78. SWITCH PANEL INSTALLATION - 4 FUNCTION (FORD F650-F750 OEM) (SN 0230004211 through 0230009707)	420
FIGURE 7-79. SWITCH PANEL INSTALLATION - 4 FUNCTION (FORD F650-F750 OEM) (SN 0230009708 to Present)	422
FIGURE 7-80. SWITCH PANEL INSTALLATION - 5 FUNCTION (IN DASH COMPACT) (SN 0230004211 through 0230009707)	424
FIGURE 7-81. SWITCH PANEL INSTALLATION - 5 FUNCTION (IN DASH COMPACT) (SN 0230009708 to Present)	426

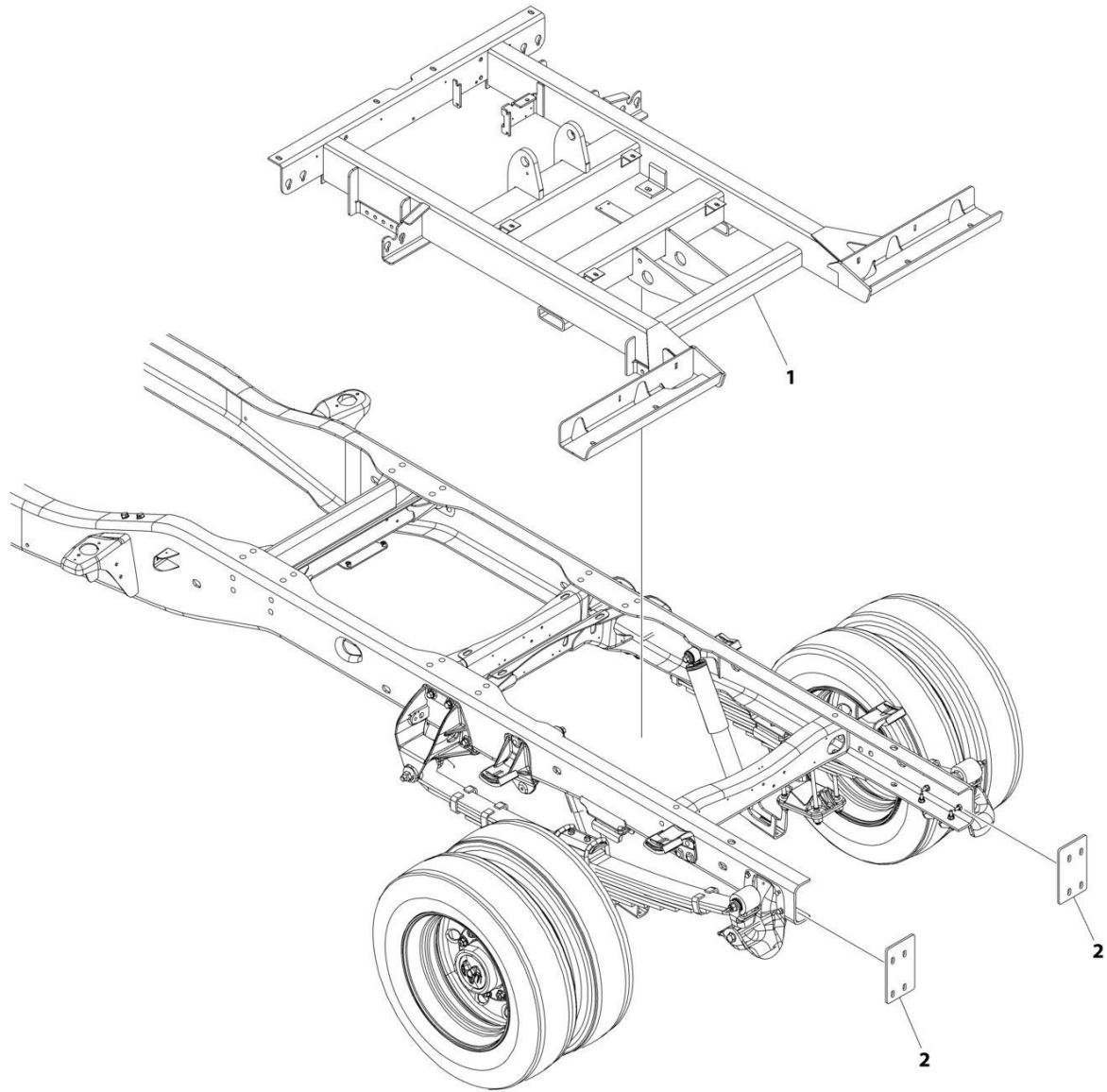
TABLE OF CONTENTS

FIGURE 7-82. SWITCH PANEL INSTALLATION - 5 FUNCTION (IN DASH - DODGE 2013+) (SN 0230004211 through 0230009707)	428
FIGURE 7-83. SWITCH PANEL INSTALLATION - 5 FUNCTION (IN DASH - DODGE 2013+) (SN 0230009708 to Present)	430
FIGURE 7-84. SWITCH PANEL INSTALLATION - 5 FUNCTION (UNDER DASH COMPACT) (SN 0230004211 through 0230009707)	432
FIGURE 7-85. SWITCH PANEL INSTALLATION - 5 FUNCTION (UNDER DASH COMPACT) (SN 0230009708 to Present)	434
FIGURE 7-86. SWITCH PANEL INSTALLATION - 6 FUNCTION (FORD 2017) (SN 0230004211 through 0230009707).....	436
FIGURE 7-87. SWITCH PANEL INSTALLATION - 6 FUNCTION (FORD 2017) (SN 0230009708 to Present)	438
FIGURE 7-88. VALVE HARNESS	440
SECTION 8 - DECAL	443
FIGURE 8-1. DECAL INSTALLATION - NG	444
FIGURE 8-2. DECAL INSTALLATION - NGS.....	446
FIGURE 8-3. DECAL INSTALLATION - LOGO (RED)	448
FIGURE 8-4. DECAL INSTALLATION - LOGO (WHITE)	450
FIGURE 8-5. LUBRICATION DECALS AND CAPS INSTALLATION	452
SECTION 9 - ACCESSORIES	455
FIGURE 9-1. KITS LIST	456
FIGURE 9-2. BUMPER INSTALLATION - PUSH (FRONT) (NO GRILLE GUARD) (CV515 4X2)	458
FIGURE 9-3. BUMPER INSTALLATION - PUSH (FRONT) (NO GRILLE GUARD) (CV515 4X4)	460
FIGURE 9-4. BUMPER INSTALLATION - PUSH (FRONT) (WITH GRILLE GUARD (DODGE 2011+))	462
FIGURE 9-5. BUMPER INSTALLATION - PUSH (FRONT) (NO GRILLE GUARD) (FORD 2011-2016).....	464
FIGURE 9-6. BUMPER INSTALLATION - PUSH (FRONT) (WITH GRILLE GUARD) (FORD 2011-2016).....	466
FIGURE 9-7. BUMPER INSTALLATION - PUSH (FRONT) (NO GRILLE GUARD) (FORD 2017+).....	468
FIGURE 9-8. BUMPER INSTALLATION - PUSH (FRONT) (WITH GRILLE GUARD) (FORD 2017+).....	470
FIGURE 9-9. BUMPER INSTALLATION - PUSH (FRONT) (NO GRILLE GUARD) (FREIGHTLINER 2008+).....	472
FIGURE 9-10. D-RING INSTALLATION - NO TOW SLING	474
FIGURE 9-11. DOLLIES INSTALLATION (NG).....	476
FIGURE 9-12. DOLLIES INSTALLATION (NGS)	478
FIGURE 9-13. DOLLIES ASSEMBLY.....	480
FIGURE 9-14. FIRE EXTINGUISHER	482
FIGURE 9-15. FUEL CAN STORAGE TRAY INSTALLATION	484
FIGURE 9-16. MOTORCYCLE TOW ADAPTER INSTALLATION	486
FIGURE 9-17. MUDFLAPS INSTALLATION (CUSTOMER SUPPLIED).....	488
FIGURE 9-18. MUDFLAPS INSTALLATION (FACTORY SUPPLIED)	490
FIGURE 9-19. SAFETY TRIANGLE KIT	492
FIGURE 9-20. TOW INSTALLATION - FIFTH WHEEL	494
FIGURE 9-21. TOW INSTALLATION - FIFTH WHEEL/GOOSENECK COMBINATION	496
FIGURE 9-22. TOW INSTALLATION - GOOSENECK COMBINATION	498
FIGURE 9-23. TOW BALL - 1-7/8IN	500
FIGURE 9-24. TOW BALL - 2IN	502
FIGURE 9-25. TOW BALL - 2-5/16IN	504
FIGURE 9-26. TOW LIGHTS (MAGNETIC) (Prior to SN 0230010803).....	506
FIGURE 9-27. TOW LIGHTS (MAGNETIC/SUCTION) (Prior to SN 0230010803).....	508
FIGURE 9-28. VALVE STEM EXTENSION KIT	510
FIGURE 9-29. WHEEL CHOCKS	512
SECTION 10 - BUILD DOCUMENTS.....	515
FIGURE 10-1. BUILD DOCUMENT.....	516
PART NUMBER INDEX	519

SECTION 1 - SUBFRAME

SECTION 1 - SUBFRAME

FIGURE 1-1. SUBFRAME INSTALLATION



ART_1001196791

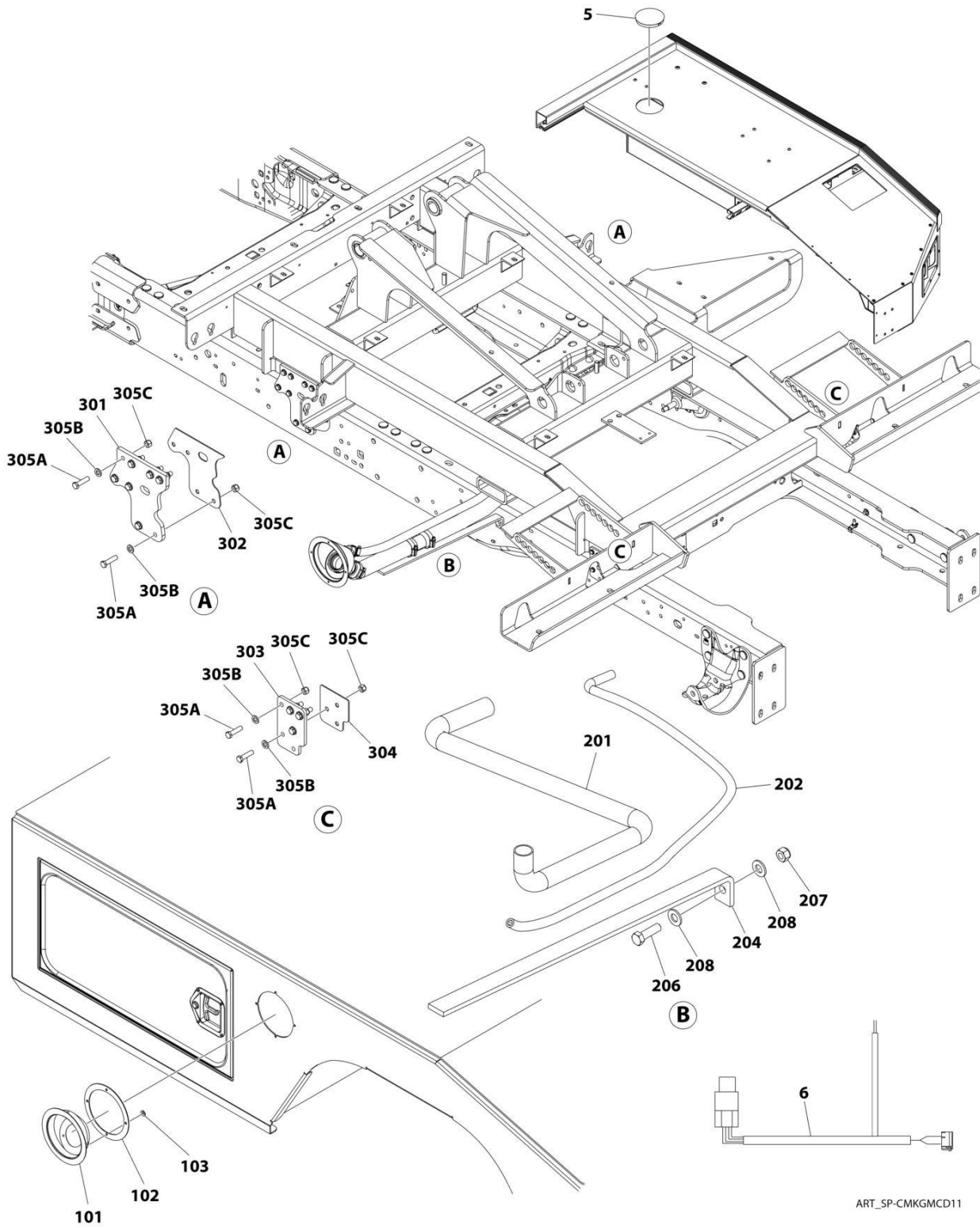
SECTION 1 - SUBFRAME

FIGURE 1-1. SUBFRAME INSTALLATION

ITEM	PART NUMBER	QTY	DESCRIPTION	REV
	1001196791	Ref	SUBFRAME INSTALLATION	B
1	1001196792	1	Subframe	
2	4706004919	2	Plate	

SECTION 1 - SUBFRAME

FIGURE 1-2. CHASSIS MOUNTING KIT - CHEVY/GMC DIESEL WITH 60IN CA



ART_SP-CMKGCD11

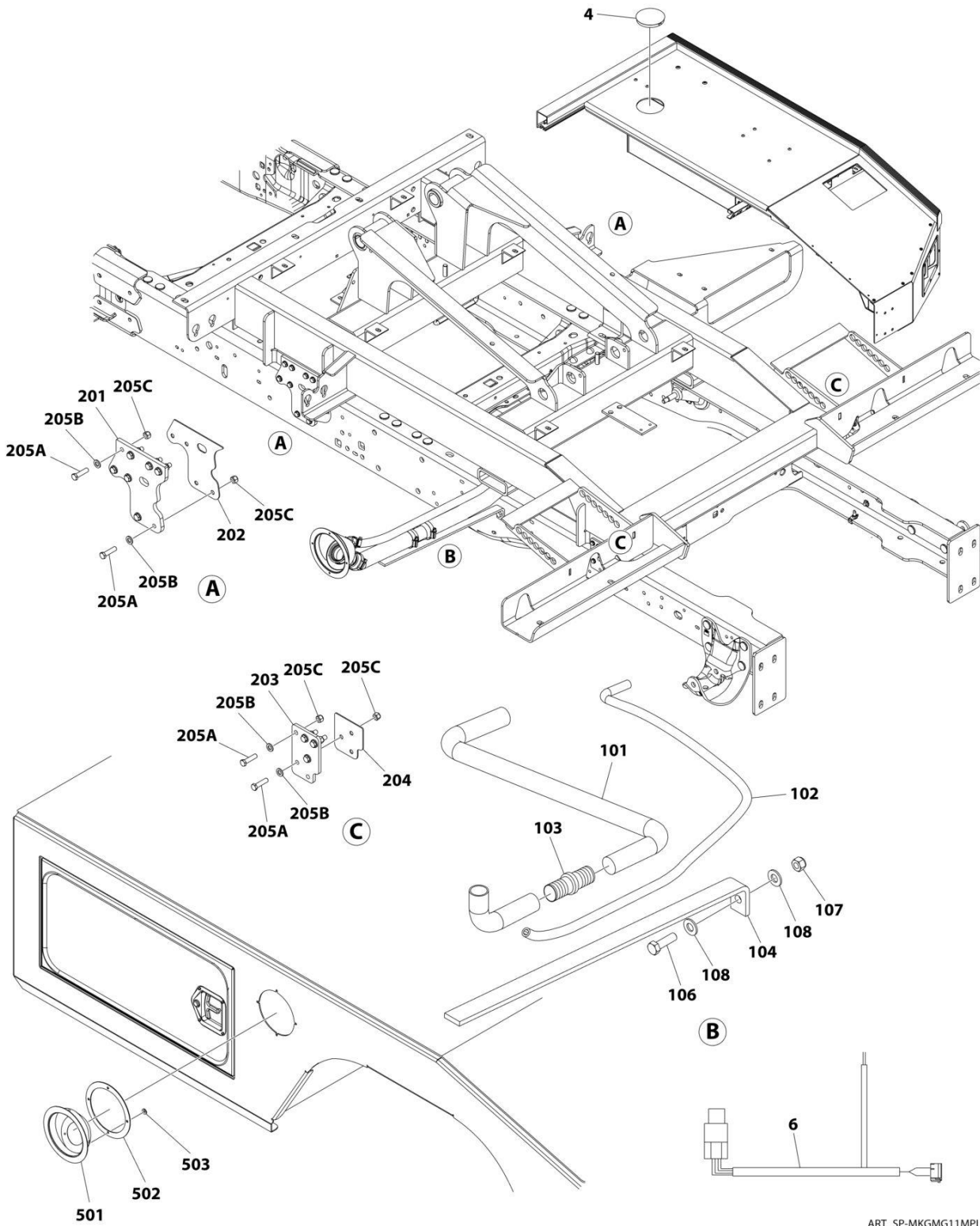
SECTION 1 - SUBFRAME

FIGURE 1-2. CHASSIS MOUNTING KIT - CHEVY/GMC DIESEL WITH 60IN CA

ITEM	PART NUMBER	QTY	DESCRIPTION	REV
	SP-CMKGMC11	Ref	CHASSIS MOUNTING KIT - CHEVY/GMC 2011 DIESEL WITH 60IN CA	C
1	2178000062	Ref	Bracket Installation (Not Shown) (See Items 101-103 for Breakdown)	
3	2570000174	Ref	Hose Installation (Not Shown) (See Items 201-208 for Breakdown)	
4	1001126235	Ref	Subframe Installation (Not Shown) (See Items 301-306 for Breakdown)	
5	7701000075	1	Plug	
6	3509330132	1	Electric Assembly	
6	4552000410	1	Harness, Back-up Alarm	
	2178000062	Ref	BRACKET INSTALLATION	0
101	7449000019	1	Flange	
102	7796000100	1	Gasket	
103	7950100151	4	Washer 3/16	
	2570000174	Ref	HOSE INSTALLATION	B
201	7570000037	1	Hose	
202	7570000021	1	Hose	
204	4533000415	1	Bracket	
205	5526000553	8	Tie-Strap (Not Shown)	
206	7115161050	1	Bolt 3/8 x 1-1/4	
207	7660162601	1	Nut 3/8	
208	7950160141	2	Washer 3/8	
	1001126235	Ref	SUBFRAME INSTALLATION	0
301	1001126236	2	Plate	
302	4812000141	2	Shim	
303	4706006442	2	Plate Rear	
304	4812000142	2	shim	
305	7577000693	1	Kit-Saddle (Not Shown)	
305A	7115181650	26	Bolt 1/2 x 2	
305B	7950180153	26	Washer 1/2	
305C	7660182601	26	Nut 1/2	
306	7115181250	8	Bolt 1/2 x 1-1/2 (Not Shown)	

SECTION 1 - SUBFRAME

FIGURE 1-3. CHASSIS MOUNTING KIT - CHEVY/GMC GAS WITH 60IN CA



ART_SP-MKGMG11MPL

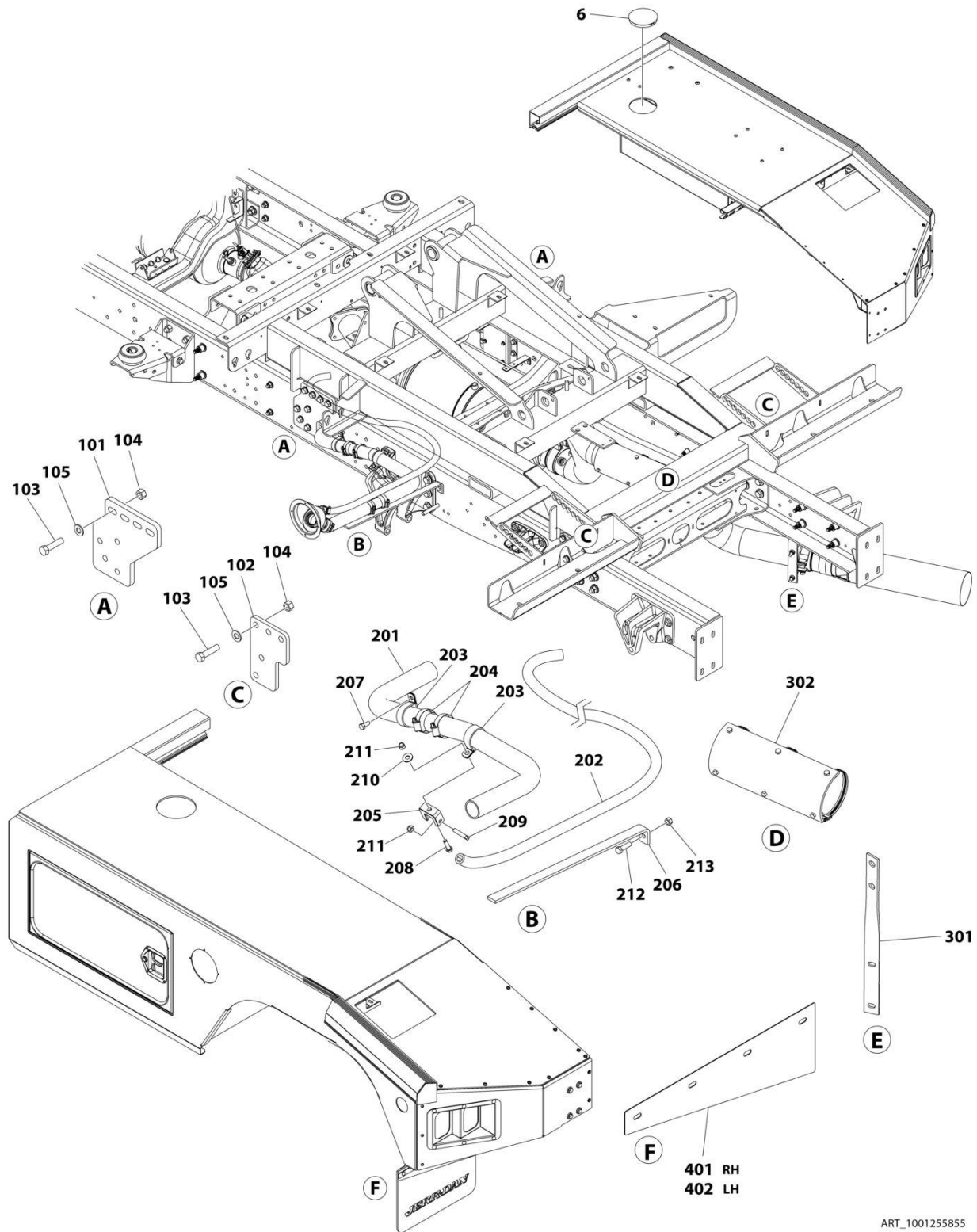
SECTION 1 - SUBFRAME

FIGURE 1-3. CHASSIS MOUNTING KIT - CHEVY/GMC GAS WITH 60IN CA

ITEM	PART NUMBER	QTY	DESCRIPTION	REV
	SP-MKGMG11MPL	Ref	CHASSIS MOUNTING KIT - CHEVY/GMC 2011 GAS WITH 60IN CA	C
1	2570000170	Ref	Hose Installation (Not Shown) (See Items 101-108 for Breakdown)	
2	1001126235	Ref	Subframe Installation (Not Shown) (See Items 201-206 for Breakdown)	
4	7701000075	1	Plug	
5	2178000062	Ref	Bracket Installation (Not Shown) (See Items 301-303 for Breakdown)	
6	3509330132	1	Electric Assembly	
6	4552000410	1	Harness, Back-up Alarm	
	2570000170	Ref	HOSE INSTALLATION	B
101	7570000028	1	Hose	
102	7570000021	1	Hose	
103	7443000354	1	Fitting	
104	4533000415	1	Bracket	
105	5526000553	1	Tie-Strap (Not Shown)	
106	7115161050	1	Bolt 3/8 x 1-1/4	
107	7660162601	1	Nut 3/8	
108	7950160141	1	Washer 3/8	
	1001126235	Ref	SUBFRAME INSTALLATION	0
201	1001126236	2	Plate	
202	4812000141	2	Shim	
203	4706006442	2	Plate Rear	
204	4812000142	2	shim	
205	7577000693	1	Kit-Saddle (Not Shown)	
205A	7115181650	26	Bolt 1/2 x 2	
205B	7950180153	26	Washer 1/2	
205C	7660182601	26	Nut 1/2	
206	7115181250	8	Bolt 1/2 x 1-1/2 (Not Shown)	
	2178000062	Ref	BRACKET INSTALLATION	0
301	7449000019	1	Flange	
302	7796000100	1	Gasket	
303	7950100151	4	Washer 3/16	

SECTION 1 - SUBFRAME

FIGURE 1-4. CHASSIS MOUNTING KIT - CV515 2019+ WITH 141IN WHEELBASE



ART_1001255855

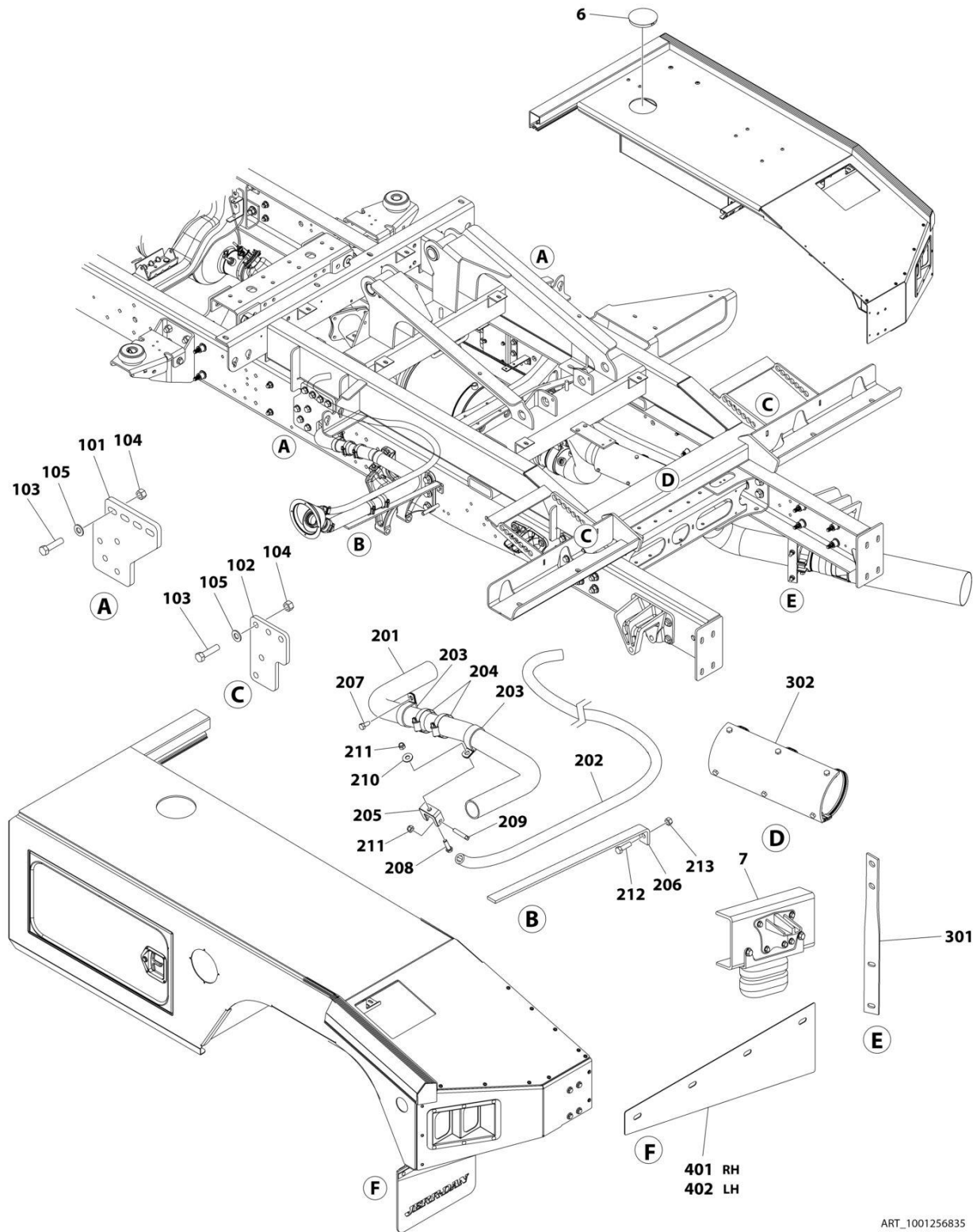
SECTION 1 - SUBFRAME

FIGURE 1-4. CHASSIS MOUNTING KIT - CV515 2019+ WITH 141IN WHEELBASE

ITEM	PART NUMBER	QTY	DESCRIPTION	REV
1	1001255855	Ref	CHASSIS MOUNTING KIT - CV515 2019+ WITH 141IN WB	A
	1001255858	Ref	Subframe Installation (Not Shown) (See Items 101-106 for Breakdown)	
2	1001256226	Ref	Fuel Filler Installation (Not Shown) (See Items 201-214 for Breakdown)	
3	1001255482	1	Kit, Electrical Connection (Not Shown)	
4	1001255854	Ref	Exhaust Modification Installation (Not Shown) (See Items 301-302 for Breakdown)	
5	1001221651	Ref	Anti-Sail Brackets Installation (Not Shown) (Not Shown) (See Items 401-402 for Breakdown)	
6	7701000075	1	Plug	A
	1001255858	Ref	SUBFRAME INSTALLATION	
101	1001255942	2	Gusset (Not Shown)	
102	1001255943	2	Plate	
103	1001255944	2	Plate	
104	0681816	26	Bolt 1/2 x 2	
105	3271805	26	Nut 1/2	
106	4711800	26	Washer 1/2	
	1001256226	Ref	FUEL FILLER INSTALLATION	A
201	7570000037	1	Hose	
202	1001256269	1	Hose	
203	7274000042	2	Clamp	
204	7274000005	2	Clamp	
205	7274000076	1	Clamp	
206	4533000415	1	Bracket	
207	3941506	1	Tap-Screw	
208	7115151050	1	Bolt 5/16 x 1-1/4	
209	7785152420	1	Screw 5/16 x 1-1/2	
210	7950150161	1	Washer 5/16	
211	7660152601	2	Nut 5/16	
212	0641610	1	Bolt 3/8 x 1-1/4	
213	3271605	1	Nut 3/8	
214	7894000004	6	Tie-Strap (Not Shown)	
	1001255854	Ref	EXHAUST INSTALLATION	A
301	1001255844	1	Bracket	
302	1001256168	1	Exhaust Shield	
	1001221651	Ref	ANTI-SAIL BRACKETS INSTALLATION	A
401	1001221652	1	Bracket, RH	
402	1001221653	1	Bracket, LH	

SECTION 1 - SUBFRAME

FIGURE 1-5. CHASSIS MOUNTING KIT - CV515 2019+ WITH 141IN WHEELBASE & TIMBREN



ART_1001256835

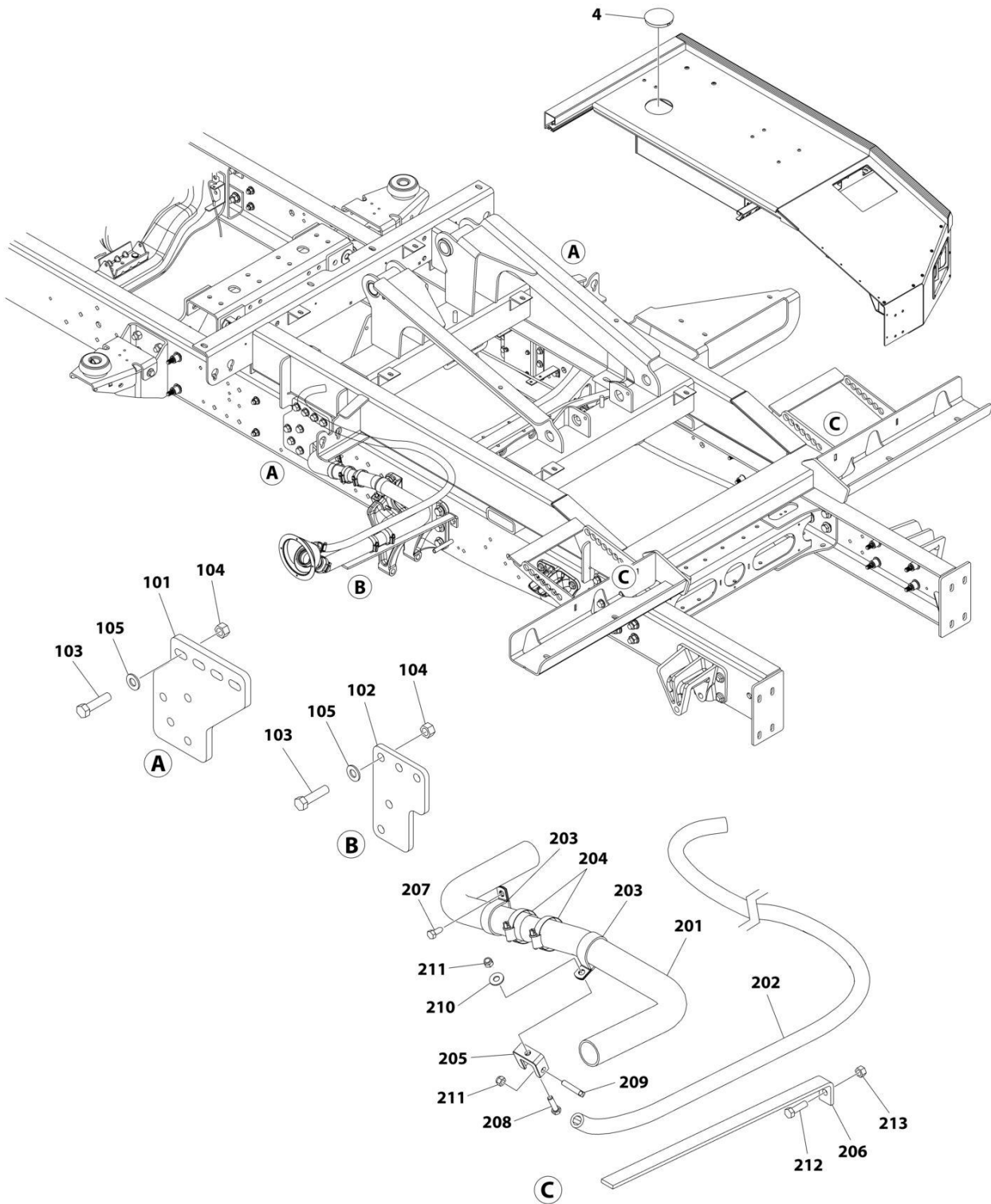
SECTION 1 - SUBFRAME

FIGURE 1-5. CHASSIS MOUNTING KIT - CV515 2019+ WITH 141IN WHEELBASE & TIMBREN

ITEM	PART NUMBER	QTY	DESCRIPTION	REV
	1001256835	Ref	CHASSIS MOUNTING KIT - CV515 2019+ WITH 141IN WB WITH TIMBRENS	A
1	1001255858	Ref	Subframe Installation (Not Shown) (See Items 101-106 for Breakdown)	
2	1001256226	Ref	Fuel Filler Installation (Not Shown) (See Items 201-214 for Breakdown)	
3	1001255482	1	Kit, Electrical Connection (Not Shown)	
4	1001255854	Ref	Exhaust Modification Installation (Not Shown) (See Items 301-302 for Breakdown)	
5	1001221651	Ref	Anti-Sail Brackets Installation (Not Shown) (Not Shown) (See Items 401-402 for Breakdown)	
6	7701000075	1	Plug	
7	1001256789	1	Rear Suspension	
	1001255858	Ref	SUBFRAME INSTALLATION	A
101	1001255942	2	Gusset (Not Shown)	
102	1001255943	2	Plate	
103	1001255944	2	Plate	
104	0681816	26	Bolt 1/2 x 2	
105	3271805	26	Nut 1/2	
106	4711800	26	Washer 1/2	
	1001256226	Ref	FUEL FILLER INSTALLATION	A
201	7570000037	1	Hose	
202	1001256269	1	Hose	
203	7274000042	2	Clamp	
204	7274000005	2	Clamp	
205	7274000076	1	Clamp	
206	4533000415	1	Bracket	
207	3941506	1	Tap-Screw	
208	7115151050	1	Bolt 5/16 x 1-1/4	
209	7785152420	1	Screw 5/16 x 1-1/2	
210	7950150161	1	Washer 5/16	
211	7660152601	2	Nut 5/16	
212	0641610	1	Bolt 3/8 x 1-1/4	
213	3271605	1	Nut 3/8	
214	7894000004	6	Tie-Strap (Not Shown)	
	1001255854	Ref	EXHAUST INSTALLATION	A
301	1001255844	1	Bracket	
302	1001256168	1	Exhaust Shield	
	1001221651	Ref	ANTI-SAIL BRACKETS INSTALLATION	A
401	1001221652	1	Bracket, RH	
402	1001221653	1	Bracket, LH	

SECTION 1 - SUBFRAME

FIGURE 1-6. CHASSIS MOUNTING KIT - CV515 2019+ WITH 165IN+ WHEELBASE



ART_1001255856

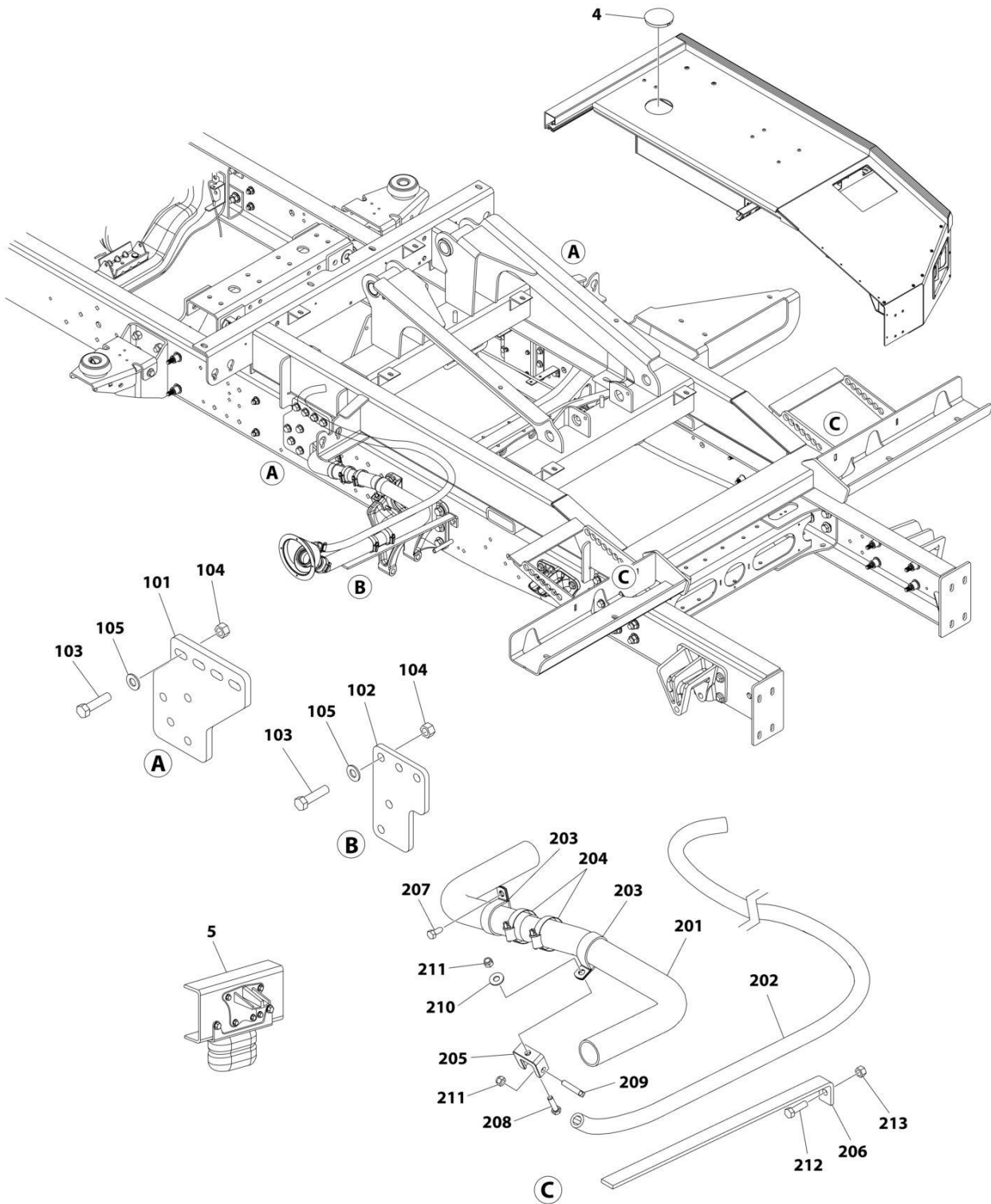
SECTION 1 - SUBFRAME

FIGURE 1-6. CHASSIS MOUNTING KIT - CV515 2019+ WITH 165IN+ WHEELBASE

ITEM	PART NUMBER	QTY	DESCRIPTION	REV
1	1001255856	Ref	CHASSIS MOUNTING KIT - CV515 2019+ WITH 165IN WB	A
	1001255858	Ref	Subframe Installation (Not Shown) (See Items 101-106 for Breakdown)	
2	1001256226	Ref	Fuel Filler Installation (Not Shown) (See Items 201-214 for Breakdown)	
3	1001255482	1	Kit, Electrical Connection (Not Shown)	
6	7701000075	1	Plug	A
	1001255858	Ref	SUBFRAME INSTALLATION	
101	1001255942	2	Gusset (Not Shown)	
102	1001255943	2	Plate	
103	1001255944	2	Plate	
104	0681816	26	Bolt 1/2 x 2	
105	3271805	26	Nut 1/2	
106	4711800	26	Washer 1/2	A
	1001256226	Ref	FUEL FILLER INSTALLATION	
201	7570000037	1	Hose	
202	1001256269	1	Hose	
203	7274000042	2	Clamp	
204	7274000005	2	Clamp	
205	7274000076	1	Clamp	
206	4533000415	1	Bracket	
207	3941506	1	Tap-Screw	
208	7115151050	1	Bolt 5/16 x 1-1/4	
209	7785152420	1	Screw 5/16 x 1-1/2	
210	7950150161	1	Washer 5/16	
211	7660152601	2	Nut 5/16	
212	0641610	1	Bolt 3/8 x 1-1/4	
213	3271605	1	Nut 3/8	
214	7894000004	6	Tie-Strap (Not Shown)	

SECTION 1 - SUBFRAME

FIGURE 1-7. CHASSIS MOUNTING KIT - CV515 2019+ WITH 165IN+ WHEELBASE & TIMBREN



ART_1001256836

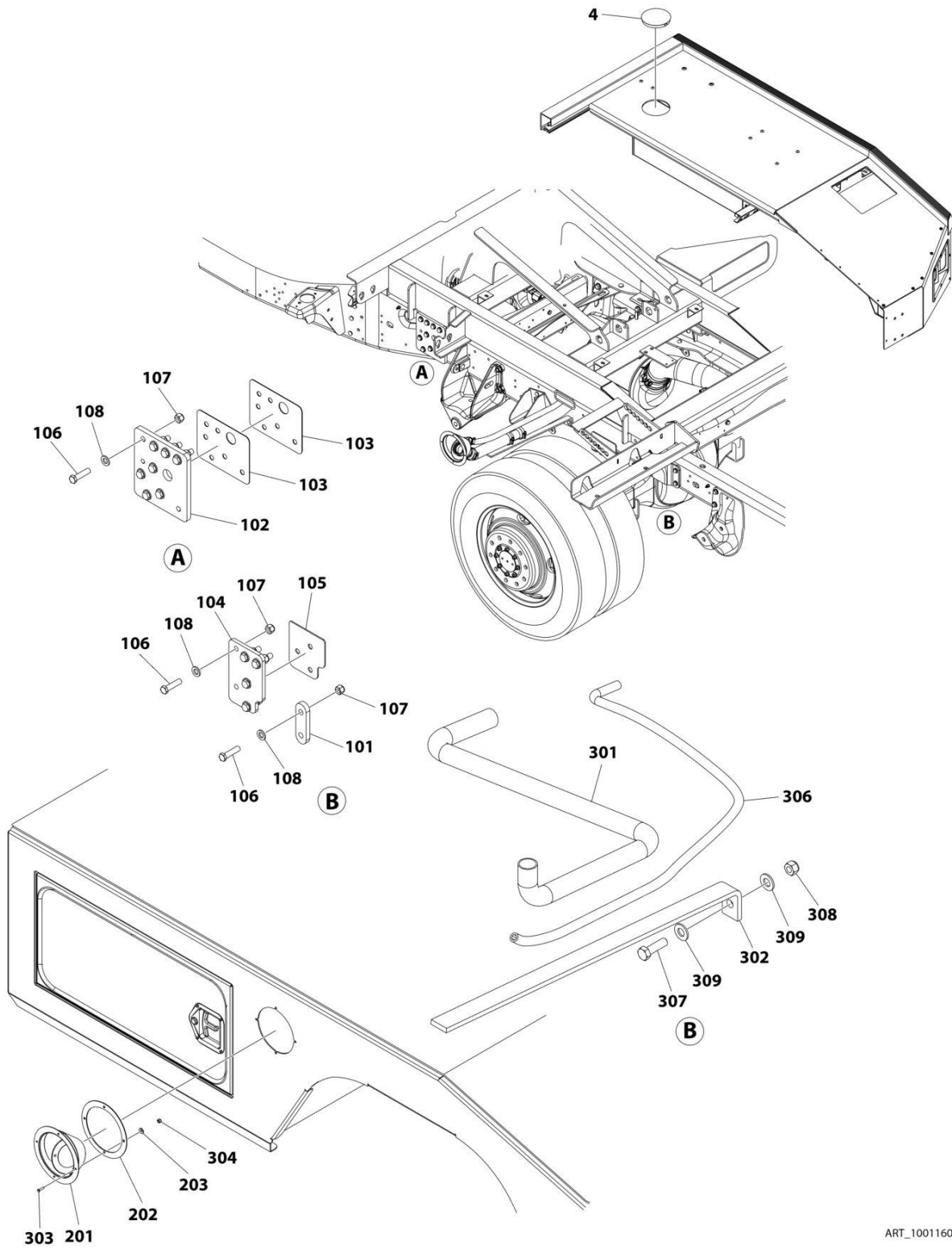
SECTION 1 - SUBFRAME

FIGURE 1-7. CHASSIS MOUNTING KIT - CV515 2019+ WITH 165IN+ WHEELBASE & TIMBREN

ITEM	PART NUMBER	QTY	DESCRIPTION	REV
	1001256836	Ref	CHASSIS MOUNTING KIT - CV515 2019 + WITH 165IN WB WITH TIMBRENS	A
1	1001255858	Ref	Subframe Installation (Not Shown) (See Items 101-106 for Breakdown)	
2	1001256226	Ref	Fuel Filler Installation (Not Shown) (See Items 201-214 for Breakdown)	
3	1001255482	1	Kit, Electrical Connection (Not Shown)	
6	7701000075	1	Plug	
7	1001256789	1	Rear Suspension Installation (Not Shown)	
7	1001256801	1	Spring, Timbren	
	1001255858	Ref	SUBFRAME INSTALLATION	A
101	1001255942	2	Gusset (Not Shown)	
102	1001255943	2	Plate	
103	1001255944	2	Plate	
104	0681816	26	Bolt 1/2 x 2	
105	3271805	26	Nut 1/2	
106	4711800	26	Washer 1/2	
	1001256226	Ref	FUEL FILLER INSTALLATION	A
201	7570000037	1	Hose	
202	1001256269	1	Hose	
203	7274000042	2	Clamp	
204	7274000005	2	Clamp	
205	7274000076	1	Clamp	
206	4533000415	1	Bracket	
207	3941506	1	Tap-Screw	
208	7115151050	1	Bolt 5/16 x 1-1/4	
209	7785152420	1	Screw 5/16 x 1-1/2	
210	7950150161	1	Washer 5/16	
211	7660152601	2	Nut 5/16	
212	0641610	1	Bolt 3/8 x 1-1/4	
213	3271605	1	Nut 3/8	
214	7894000004	6	Tie-Strap (Not Shown)	

SECTION 1 - SUBFRAME

FIGURE 1-8. CHASSIS MOUNTING KIT - DODGE 2013+ 4500/5000 WITH 60IN CA



ART_1001160904

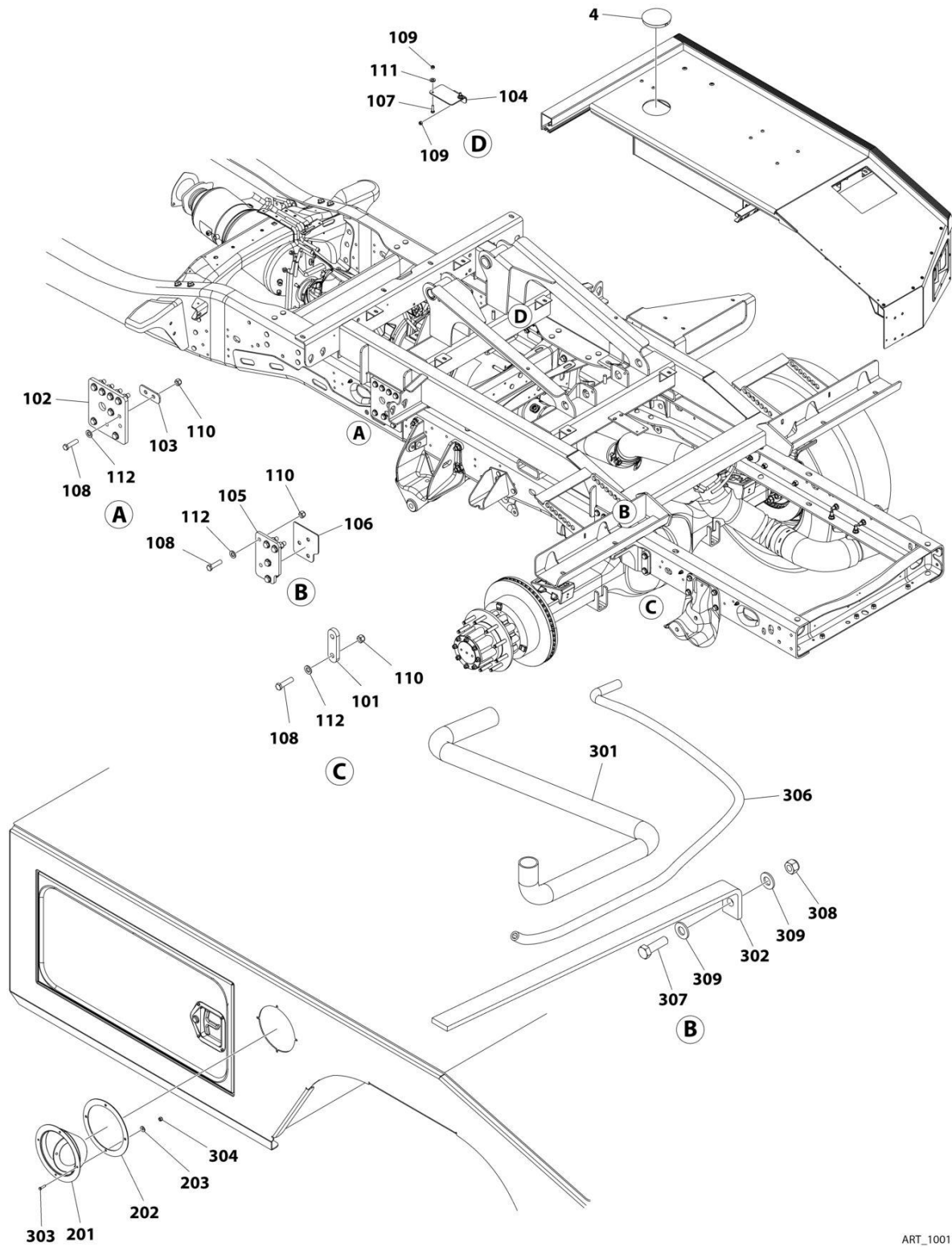
SECTION 1 - SUBFRAME

FIGURE 1-8. CHASSIS MOUNTING KIT - DODGE 2013+ 4500/5000 WITH 60IN CA

ITEM	PART NUMBER	QTY	DESCRIPTION	REV
	1001160904	Ref	CHASSIS MOUNTING KIT - DODGE 2013+ WITH 60IN CA	A
1	1001160833	Ref	Dodge Subframe Installation (Not Shown) (See Items 101-108 for Breakdown)	
2	2178000062	Ref	Bracket Installation (Not Shown) (See Items 201-203 for Breakdown)	
3	2570000157	Ref	Hose Installation (Not Shown) (See Items 301-308 for Breakdown)	
4	7701000075	1	Plug	
	1001160833	Ref	DODGE SUBFRAME INSTALLATION	B
101	1001160779	2	Shim	
102	1001160831	2	Plate	
103	1001160988	4	Shim	
104	4706006442	2	Plate	
105	4812000142	2	Shim	
106	7115181650	30	Bolt 1/2 x 2	
107	7660182601	30	Nut 1/2	
108	7950180153	30	Washer 1/2	
	2178000062	Ref	BRACKET INSTALLATION	0
201	7449000019	1	Flange	
202	7796000100	1	Gasket	
203	7950100151	4	Washer 3/16	
	2570000157	Ref	HOSE INSTALLATION	A
301	7570000037	1	Hose	
302	4533000415	1	Gas Filler Bracket	
303	7114100610	4	Screw #10 x 1	
304	7660102604	4	Nut #10	
305	5526000553	8	Tie-Strap (Not Shown)	
306	7570000036	AR	Hose Fuel Vent	
307	7115161050	1	Bolt 3/8 x 1-1/4	
308	7660162601	1	Nut 3/8	
309	7950160141	2	Washer 3/8	

SECTION 1 - SUBFRAME

FIGURE 1-9. CHASSIS MOUNTING KIT - DODGE 2013+ 4500/5000 WITH 84IN CA



ART_1001160905

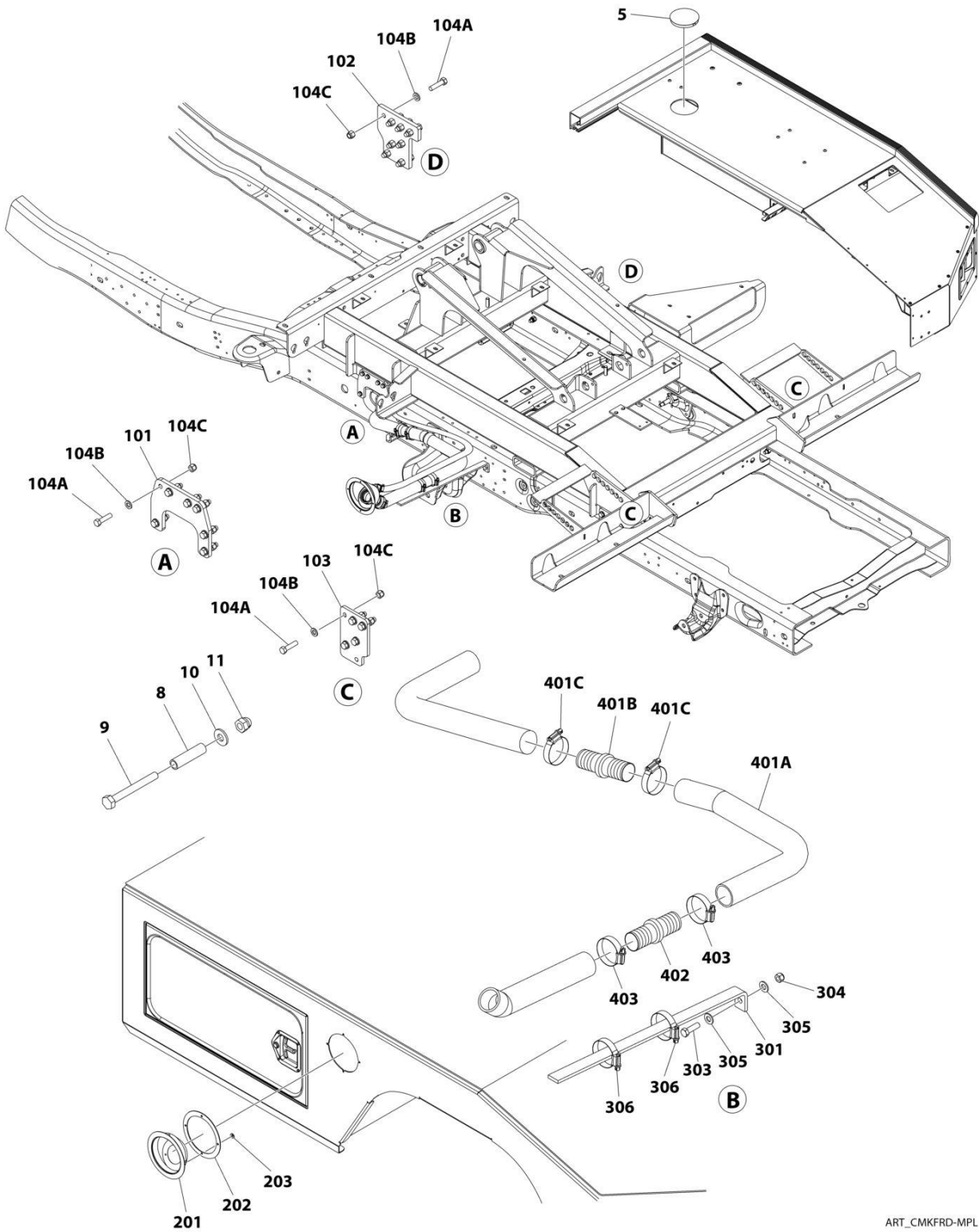
SECTION 1 - SUBFRAME

FIGURE 1-9. CHASSIS MOUNTING KIT - DODGE 2013+ 4500/5000 WITH 84IN CA

ITEM	PART NUMBER	QTY	DESCRIPTION	REV
	1001160905	Ref	CHASSIS MOUNTING KIT - DODGE 2013+ WITH 84IN CA	A
1	1001160834	Ref	Dodge Subframe Installation (Not Shown) (See Items 101-112 for Breakdown)	
2	2178000062	Ref	Bracket Installation (Not Shown) (See Items 201-203 for Breakdown)	
3	2570000157	Ref	Hose Installation (Not Shown) (See Items 301-309 for Breakdown)	
4	7701000075	1	Plug	
	1001160834	Ref	DODGE SUBFRAME INSTALLATION	B
101	1001160779	2	Shim	
102	1001160831	2	Plate	
103	1001160835	2	Shim	
104	1001160919	1	Bracket	
105	4706006442	2	Plate	
106	4812000142	2	Shim	
107	7115140850	2	Bolt 1/4 x 1	
108	7115181650	30	Bolt 1/2 x 2	
109	7660142601	3	Nut 1/4	
110	7660182601	30	Nut 1/2	
111	7950140153	2	Washer 1/4	
112	7950180153	30	Washer 1/2	
	2178000062	Ref	BRACKET INSTALLATION	0
201	7449000019	1	Flange	
202	7796000100	1	Gasket	
203	7950100151	4	Washer 3/16	
	2570000157	Ref	HOSE INSTALLATION	A
301	7570000037	1	Hose	
302	4533000415	1	Gas Filler Bracket	
303	7114100610	4	Screw #10 x 1	
304	7660102604	4	Nut #10	
305	5526000553	8	Tie-Strap (Not Shown)	
306	7570000036	AR	Hose Fuel Vent	
307	7115161050	1	Bolt 3/8 x 1-1/4	
308	7660162601	1	Nut 3/8	
309	7950160141	2	Washer 3/8	

SECTION 1 - SUBFRAME

FIGURE 1-10. CHASSIS MOUNTING KIT - FORD 2010 & EARLIER WITH 60IN CA



ART_CMKFRD-MPL

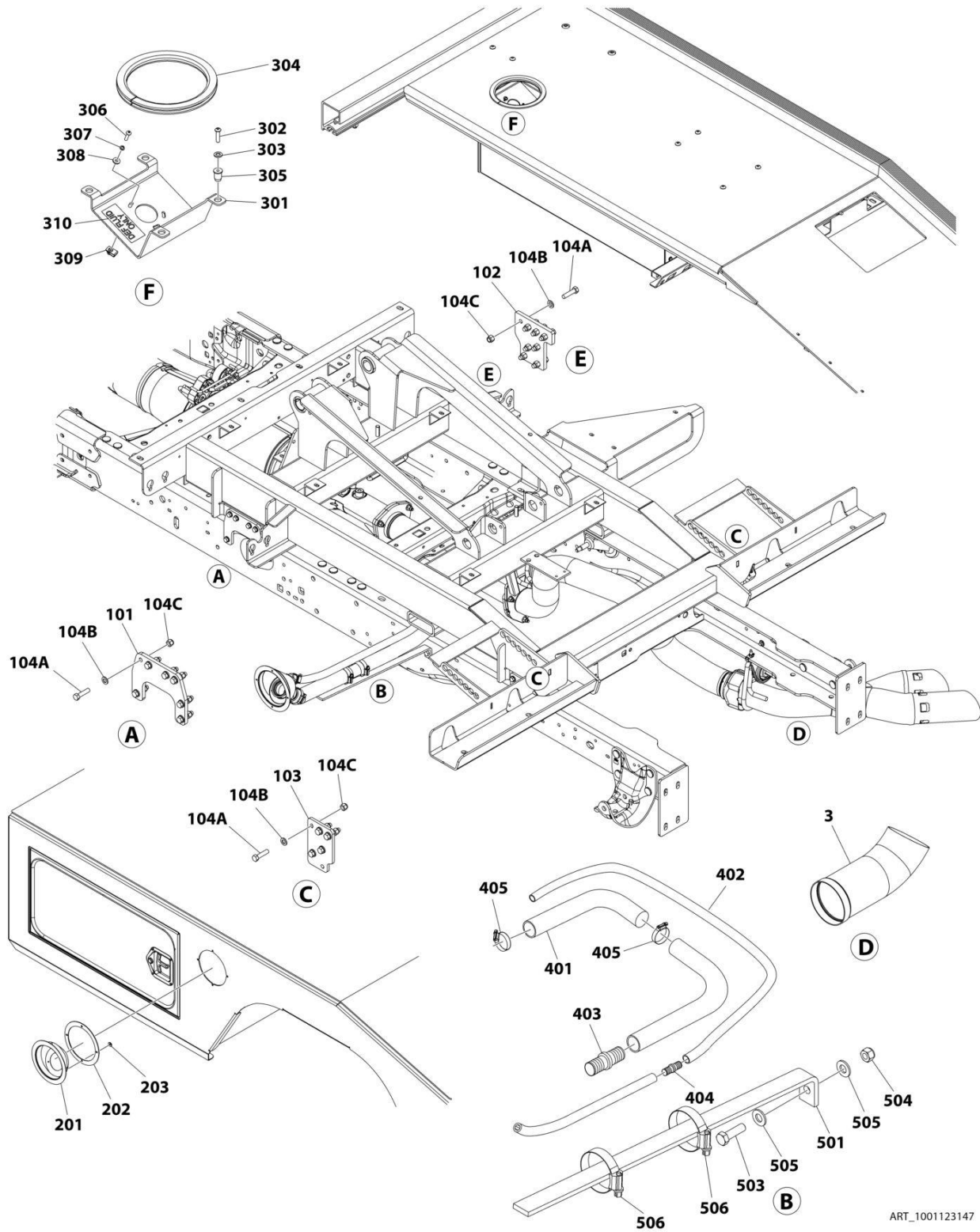
SECTION 1 - SUBFRAME

FIGURE 1-10. CHASSIS MOUNTING KIT - FORD 2010 & EARLIER WITH 60IN CA

ITEM	PART NUMBER	QTY	DESCRIPTION	REV
	CMKFRD-MPL	Ref	CHASSIS MOUNTING KIT - FORD DIESEL - 2010 WITH 60IN CA	E
1	1001137356	Ref	Ford Subframe Installation (Not Shown) (See Items 101-104 for Breakdown)	
3	2178000062	Ref	Bracket Installation (Not Shown) (See Items 201-203 for Breakdown)	
4	2570000171	Ref	Fuel Filler Support (Not Shown) (See Items 301-306 for Breakdown)	
5	7701000075	1	Plug	
7	1001141340	Ref	Hose Installation (Not Shown) (See Items 401-403 for Breakdown)	
8	1001175876	1	Tube	
9	7115152650	1	Capscrew 5-16 x 3-1/4	
10	7950150161	1	Washer 5/16	
11	7660152601	1	Nut 5/16	
	1001137356	Ref	FORD SUBFRAME INSTALLATION	A
101	4706005896	1	Plate	
102	4706006415	1	Plate	
103	4706006442	2	Plate	
104	7577000693	1	Kit, Saddle Bolts (Not Shown)	
104A	7115181650	26	Bolt 1/2 x 2	
104B	7950180153	26	Washer 1/2	
104C	7660182601	26	Nut 1/2	
	2178000062	Ref	BRACKET INSTALLATION	0
201	7449000019	1	Flange	
202	7796000100	1	Gasket	
203	7950100151	4	Washer 3/16	
	2570000171	Ref	FUEL FILLER SUPPORT	A
301	4533000415	1	Gas Filler Bracket	
302	5526000553	8	Tie-Strap (Not Shown)	
303	7115161050	1	Bolt 3/8 x 1-1/4	
304	7660162601	1	Nut 3/8	
305	7950160141	2	Washer 3/8	
306	7274000005	2	Clamp	
	1001141340	Ref	HOSE INSTALLATION	A
401	1001141411	1	Hose Fuel Fill (Not Shown)	
401A	7570000037	1	Hose	
401B	7443000482	1	Fitting	
401C	7274000005	2	Clamp	
402	7443000482	1	Fitting	
403	7274000005	2	Clamp	

SECTION 1 - SUBFRAME

FIGURE 1-11. CHASSIS MOUNTING KIT - FORD 2011-2016 WITH 60IN CA



ART_1001123147

SECTION 1 - SUBFRAME

FIGURE 1-11. CHASSIS MOUNTING KIT - FORD 2011-2016 WITH 60IN CA

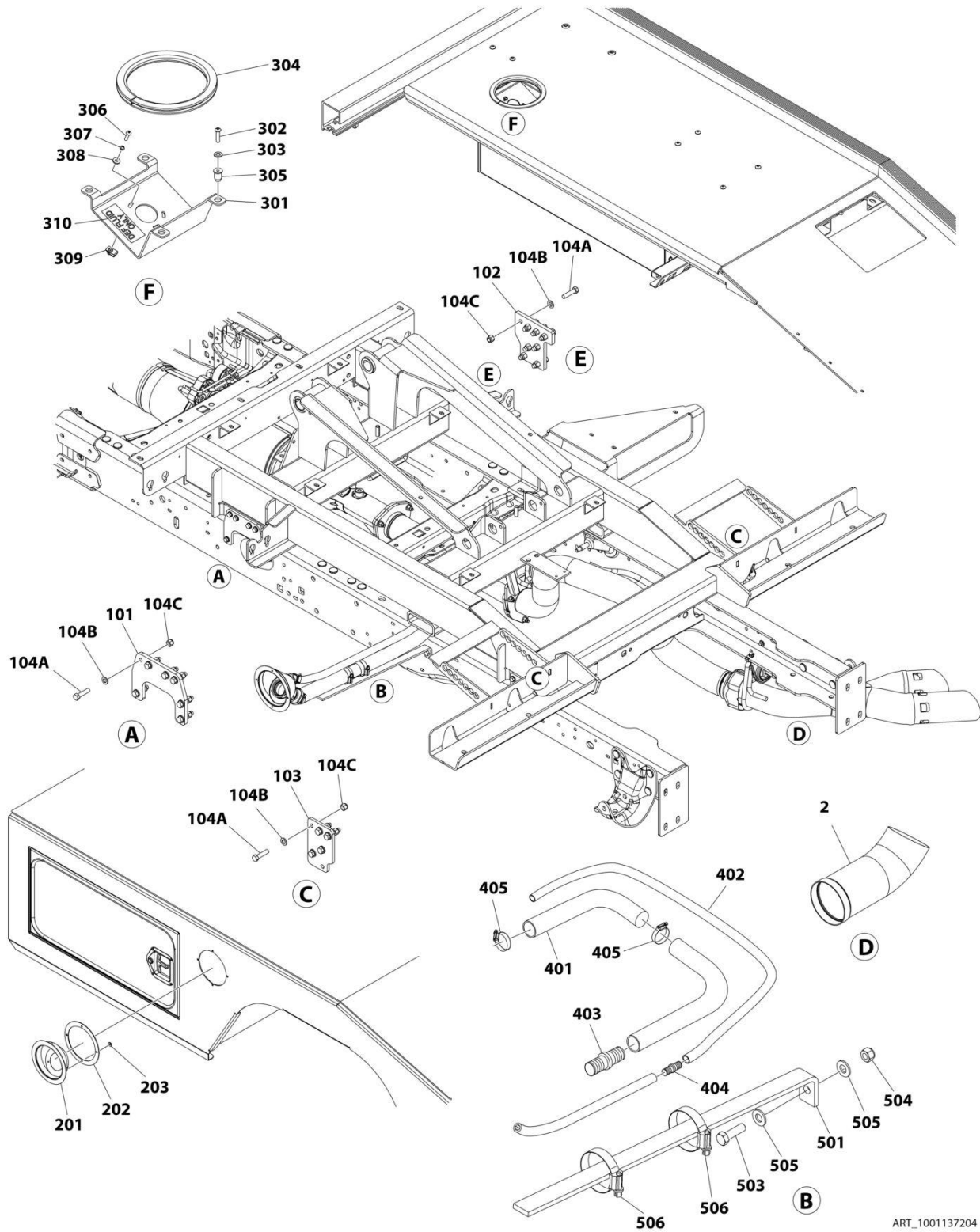
ITEM	PART NUMBER	QTY	DESCRIPTION	REV
	1001123147	Ref	CHASSIS MOUNTING KIT - FORD DIESEL 2011-2016 WITH 60IN CA	D
1	1001137356	Ref	Ford Subframe Installation (Not Shown) (See Items 101-104 for Breakdown)	
3	3509350118	1	Exhaust Alteration	
3	7696000069	1	Pipe	
5	2178000062	Ref	Bracket Installation (Not Shown) (See Items 201-203 for Breakdown)	
6	2509350151	Ref	Flange Installation (Not Shown) (See Items 301-310 for Breakdown)	
7	2570000173	Ref	Hose Installation (Not Shown) (See Items 401-405 for Breakdown)	
9	2570000171	Ref	Fuel Filler Support (Not Shown) (See Items 501-506 for Breakdown)	
	1001137356	Ref	FORD SUBFRAME INSTALLATION	A
101	4706005896	1	Plate	
102	4706006415	1	Plate	
103	4706006442	2	Plate	
104	7577000693	1	Kit, Saddle Bolts (Not Shown)	
104A	7115181650	26	Bolt 1/2 x 2	
104B	7950180153	26	Washer 1/2	
104C	7660182601	26	Nut 1/2	
	2178000062	Ref	BRACKET INSTALLATION	0
201	7449000019	1	Flange	
202	7796000100	1	Gasket	
203	7950100151	4	Washer 3/16	
	2509350151	Ref	FLANGE INSTALLATION	A
301	4811001399	1	Plate	
301	4178000920	1	Bracket	
302	7114140818	4	Bolt 1/4 x 1	
302	7114141018	4	Screw 1/4 x 1-1/4	
303	7950140003	4	Washer 1/4	
303	8632000002	1	Trim Lock	
304	7950140143	4	Washer 1/4	
305	7413000002	4	Nut 1/4	
305	7661000006	4	Nut 1/4	
306	7114100618	3	Screw #10 x 3/4	
307	7950100003	3	Washer 3/16	
308	7950100143	3	Washer 3/16	
309	7661000024	3	Nut #10	
310	7330000867	1	Decal	
	2570000173	Ref	HOSE INSTALLATION	0
401	7570000016	1	Hose	
402	7570000017	1	Hose	
403	7443000482	1	Fitting	
404	7443000483	1	Fitting	
405	7274000005	2	Clamp	
	2570000171	Ref	FUEL FILLER SUPPORT	A
501	4533000415	1	Gas Filler Bracket	
502	5526000553	8	Tie-Strap (Not Shown)	
503	7115161050	1	Bolt 3/8 x 1-1/4	
504	7660162601	1	Nut 3/8	

SECTION 1 - SUBFRAME

ITEM	PART NUMBER	QTY	DESCRIPTION	REV
505	7950160141	2	Washer 3/8	
506	7274000005	2	Clamp	

SECTION 1 - SUBFRAME

FIGURE 1-12. CHASSIS MOUNTING KIT - FORD 2011-2016 WITH 84IN CA



ART_1001137204

SECTION 1 - SUBFRAME

FIGURE 1-12. CHASSIS MOUNTING KIT - FORD 2011-2016 WITH 84IN CA

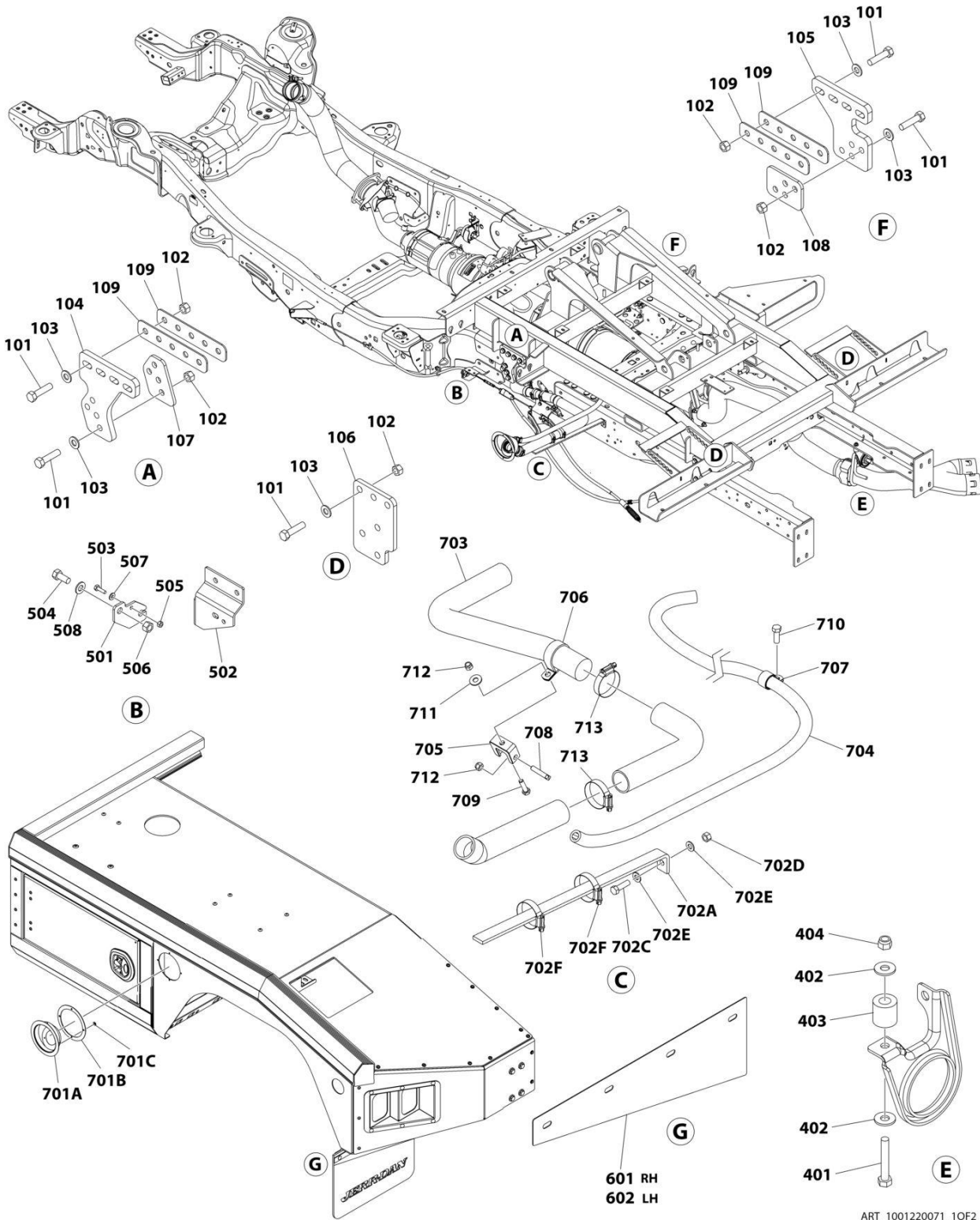
ITEM	PART NUMBER	QTY	DESCRIPTION	REV
	1001137204	Ref	CHASSIS MOUNTING KIT - FORD DIESEL 2011-2016 WITH 84IN CA	B
1	1001137356	Ref	Ford Subframe Installation (Not Shown) (See Items 101-104 for Breakdown)	
2	3509350118	1	Exhaust Alteration	
2	7696000069	1	Pipe	
3	2178000062	Ref	Bracket Installation (Not Shown) (See Items 201-203 for Breakdown)	
4	2509350151	Ref	Flange Installation (Not Shown) (See Items 301-310 for Breakdown)	
5	2570000173	Ref	Hose Installation (Not Shown) (See Items 401-405 for Breakdown)	
6	2570000171	Ref	Fuel Filler Support (Not Shown) (See Items 501-506 for Breakdown)	
7	4570000378	1	Hose (Urea Fill) (Not Shown)	
	1001137356	Ref	FORD SUBFRAME INSTALLATION	A
101	4706005896	1	Plate	
102	4706006415	1	Plate	
103	4706006442	2	Plate	
104	7577000693	1	Kit, Saddle Bolts (Not Shown)	
104A	7115181650	26	Bolt 1/2 x 2	
104B	7950180153	26	Washer 1/2	
104C	7660182601	26	Nut 1/2	
	2178000062	Ref	BRACKET INSTALLATION	0
201	7449000019	1	Flange	
202	7796000100	1	Gasket	
203	7950100151	4	Washer 3/16	
	2509350151	Ref	FLANGE INSTALLATION	A
301	4811001399	1	Plate	
301	4178000920	1	Bracket	
302	7114140818	4	Bolt 1/4 x 1	
302	7114141018	4	Screw 1/4 x 1-1/4	
303	7950140003	4	Washer 1/4	
303	8632000002	1	Trim Lock	
304	7950140143	4	Washer 1/4	
305	7413000002	4	Nut 1/4	
305	7661000006	4	Nut 1/4	
306	7114100618	3	Screw #10 x 3/4	
307	7950100003	3	Washer 3/16	
308	7950100143	3	Washer 3/16	
309	7661000024	3	Nut #10	
310	7330000867	1	Decal	
	2570000173	Ref	HOSE INSTALLATION	0
401	7570000016	1	Hose	
402	7570000017	1	Hose	
403	7443000482	1	Fitting	
404	7443000483	1	Fitting	
405	7274000005	2	Clamp	
	2570000171	Ref	FUEL FILLER SUPPORT	A
501	4533000415	1	Gas Filler Bracket	
502	5526000553	8	Tie-Strap (Not Shown)	
503	7115161050	1	Bolt 3/8 x 1-1/4	

SECTION 1 - SUBFRAME

ITEM	PART NUMBER	QTY	DESCRIPTION	REV
504	7660162601	1	Nut 3/8	
505	7950160141	2	Washer 3/8	
506	7274000005	2	Clamp	

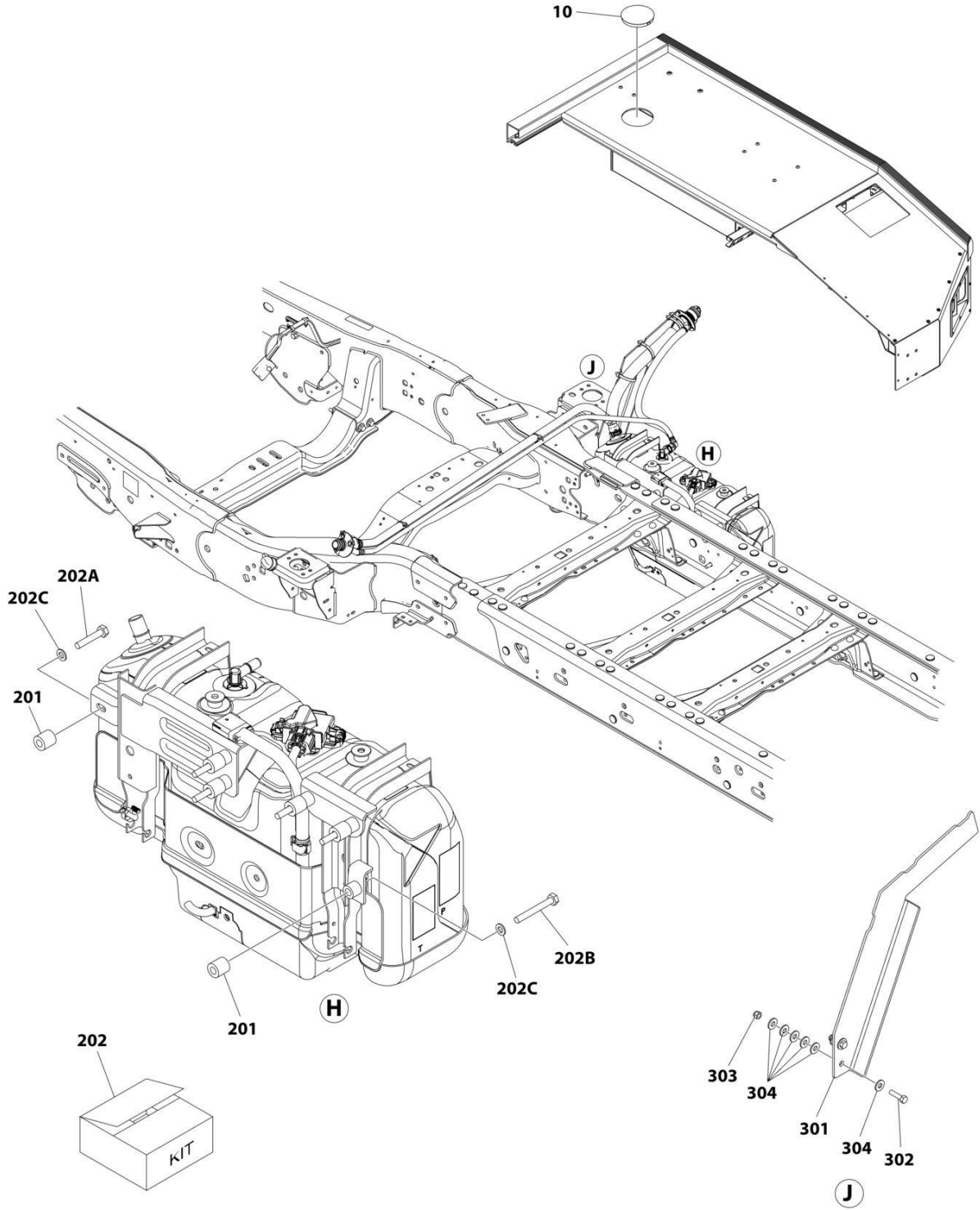
SECTION 1 - SUBFRAME

FIGURE 1-13. CHASSIS MOUNTING KIT - FORD 2017+ DIESEL WITH 60IN CA



ART_1001220071_10F2

SECTION 1 - SUBFRAME



ART_1001220071_2OF2

SECTION 1 - SUBFRAME

FIGURE 1-13. CHASSIS MOUNTING KIT - FORD 2017+DIESEL WITH 60IN CA

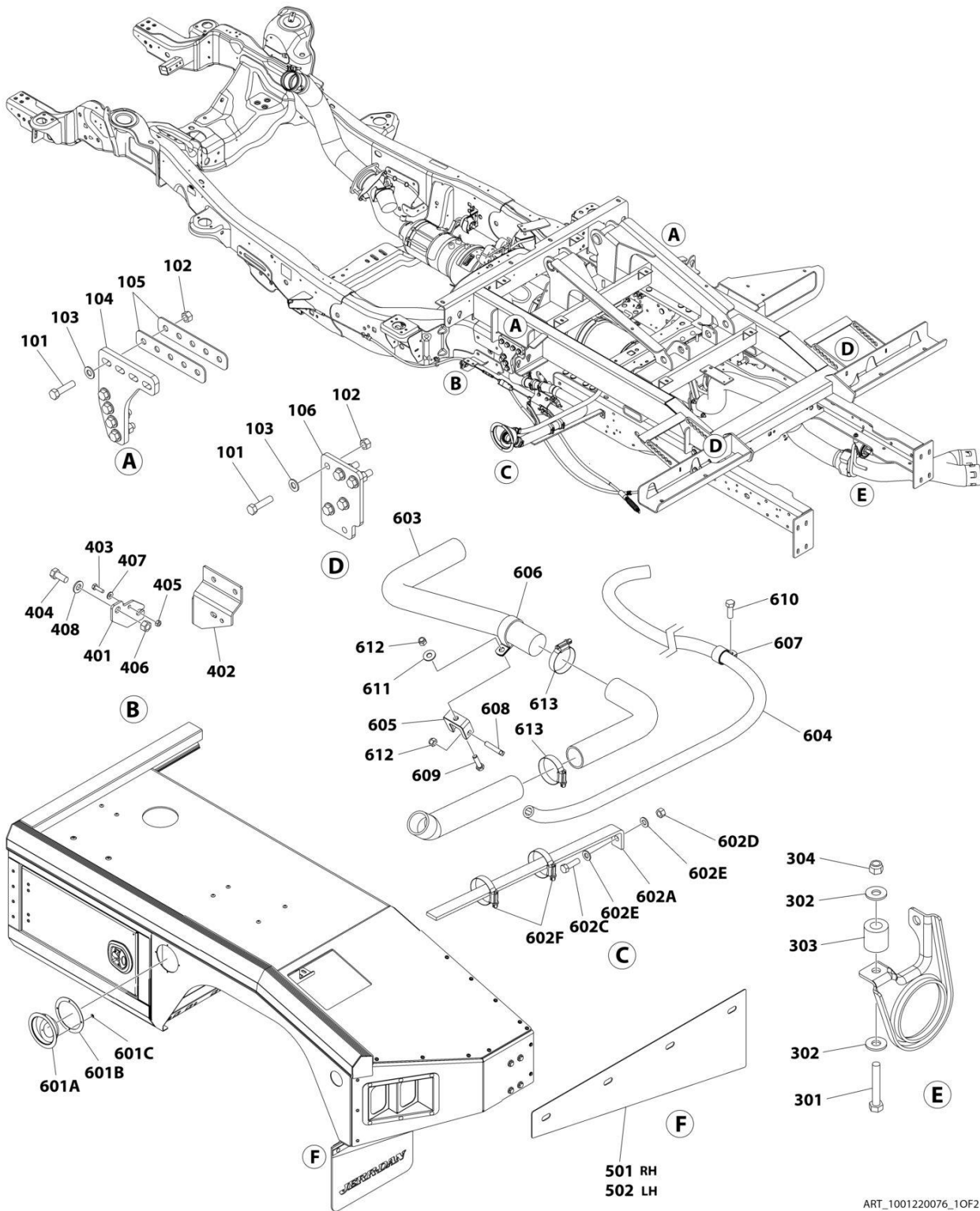
ITEM	PART NUMBER	QTY	DESCRIPTION	REV
	1001220071	Ref	CHASSIS MOUNTING KIT - FORD DIESEL 2017+ WITH 60IN CA	B
1	1001220072	Ref	Subframe Installation (Not Shown) (See Items 101-109 for Breakdown)	
2	1001220832	Ref	Rework DEF Tank Installation (Not Shown) (See Items 201-202 for Breakdown)	
3	1001220909	Ref	Tank Filler Installation (Not Shown) (See Items 301-305 for Breakdown)	
4	1001221001	Ref	Exhaust Rework Installation (Not Shown) (See Items 401-404 for Breakdown)	
5	1001221345	Ref	Brake Cable Installation (Not Shown) (See Items 501-508 for Breakdown)	
6	1001221651	Ref	Anti-Sail Brackets Installation (Not Shown) (See Items 601-602 for Breakdown)	
7	1001224068	Ref	Fuel Filler Installation (Not Shown) (See Items 701-714 for Breakdown)	
10	7701000075	1	Plug	
	1001220072	Ref	SUBFRAME INSTALLATION	B
101	0681816	26	Bolt 1/2 x 2	
102	3271805	26	Nut 1/2	
103	4711800	26	Washer 1/2	
104	1001220073	1	Plate, Saddle	
105	1001220074	1	Plate, Saddle	
106	4706006442	2	Plate, Rear Saddle	
107	1001282025	1	Plate, Saddle (LH)	
108	1001282026	1	Plate, Saddle (RH)	
109	4811001194	4	Plate	
	1001220832	Ref	REWORK DEF TANK INSTALLATION	A
201	1001220833	6	Shim	
202	1001221065	1	Tank Hardware Kit (Not Shown)	
202A	0701019	1	Bolt M10 x 55	
202B	0701024	5	Bolt M10 x 80	
202C	4812000	6	Washer M10	
	1001220909	Ref	TANK FILLER INSTALLATION	B
301	1001221232	1	Bracket	
302	0641510	2	Bolt 5/16 x 1-1/4	
303	7660152601	2	Nut 5/16	
304	4751500	12	Washer 5/16	
305	5526000553	4	Tie-Strap (Not Shown)	
	1001221001	Ref	EXHAUST REWORK INSTALLATION	C
401	0641516	1	Bolt 5/16 x 2	
402	4751500	1	Washer 5/16	
403	1001220833	1	Shim	
404	7660152601	1	Nut 5/16	
	1001221345	Ref	BRAKE CABLE INSTALLTION	A
501	1001221075	1	Plate	
502	1001221138	1	Bracket	
503	0641407	1	Bolt 1/4 x 7/8	
504	0641809	1	Bolt 1/2 x 1-1/8	
505	3311401	1	Nut 1/4	
506	3311801	1	Nut 1/2	
507	4711400	1	Washer 1/4	

SECTION 1 - SUBFRAME

ITEM	PART NUMBER	QTY	DESCRIPTION	REV
508	4711800	1	Washer 1/2	
	1001221651	Ref	ANTI-SAIL BRACKETS INSTALLATION	A
601	1001221652	1	Bracket, Anti-Sail RH	
602	1001221653	1	Bracket, Anti-Sail LH	
	1001224068	Ref	FUEL FILLER INSTALLATION	B
701	2178000062	1	Bracket Installation (Not Shown)	
701A	7449000019	1	Flange	
701B	7796000100	1	Gasket	
701C	7950100151	4	Washer 3/16	
702	2570000171	1	Fuel Filler Support (Not Shown)	
702A	4533000415	1	Gas Filler Bracket	
702B	5526000553	8	Tie-Strap (Not Shown)	
702C	7115161050	1	Bolt 3/8 x 1-1/4	
702D	7660162601	1	Nut 3/8	
702E	7950160141	2	Washer 3/8	
702F	7274000005	2	Clamp	
703	7570000037	1	Hose	
704	7570000017	1	Hose	
705	7274000076	1	Clamp	
706	7274000071	1	Clamp	
707	7274000105	1	Clamp	
708	7785152420	1	Screw 5/16 x 1-1/2	
709	7115151050	1	Bolt 5/16 x 1-1/4	
710	3941506	1	Tap Screw	
711	7950150161	1	Washer 5/16	
712	7660152601	2	Nut 5/16	
713	7274000005	2	Clamp	
714	7443000483	1	Fitting (Not Shown)	

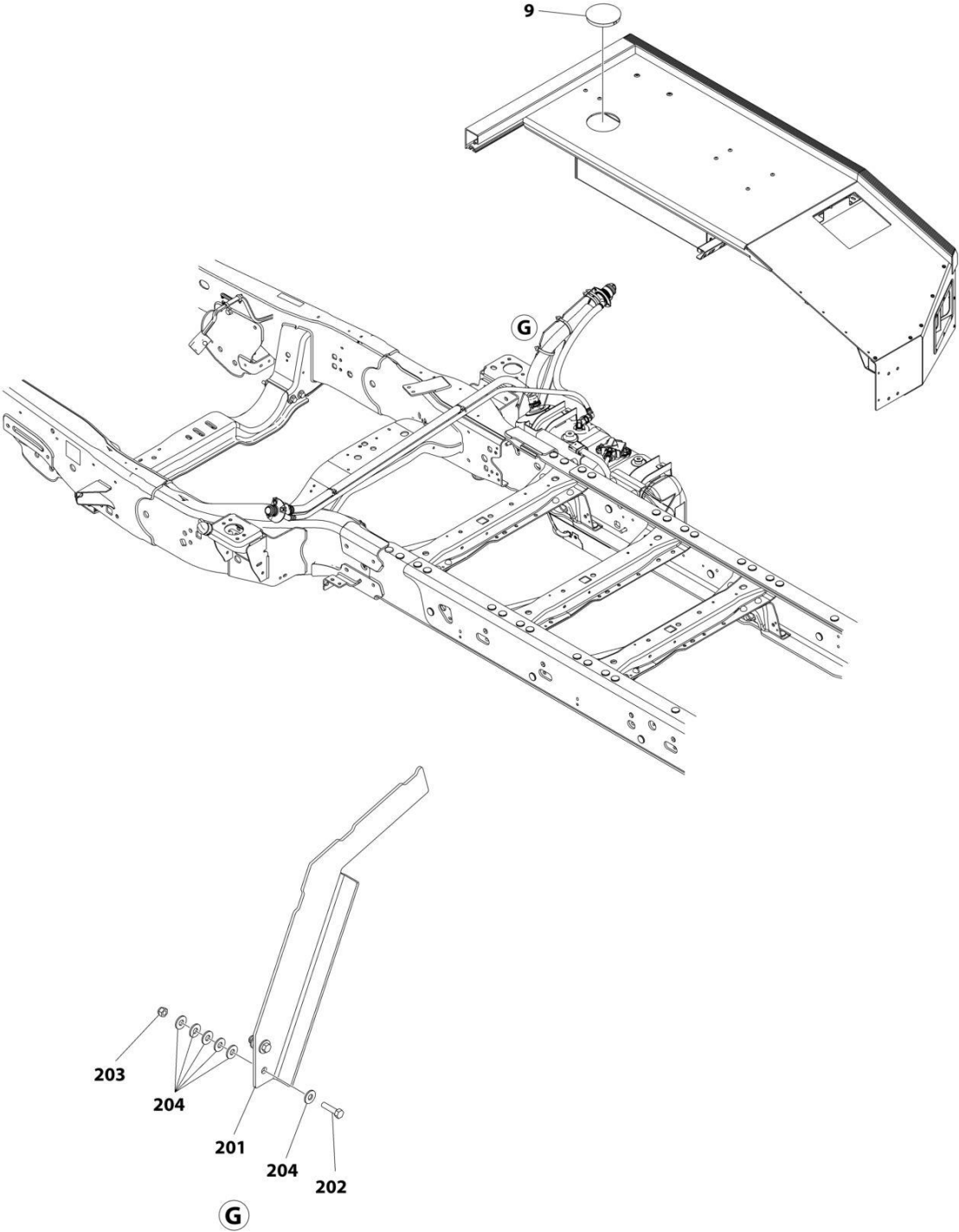
SECTION 1 - SUBFRAME

FIGURE 1-14. CHASSIS MOUNTING KIT - FORD 2017+ DIESEL WITH 84IN CA



ART_1001220076_10F2

SECTION 1 - SUBFRAME



ART_1001220076_20F2

SECTION 1 - SUBFRAME

FIGURE 1-14. CHASSIS MOUNTING KIT - FORD 2017+ DIESEL WITH 84IN CA

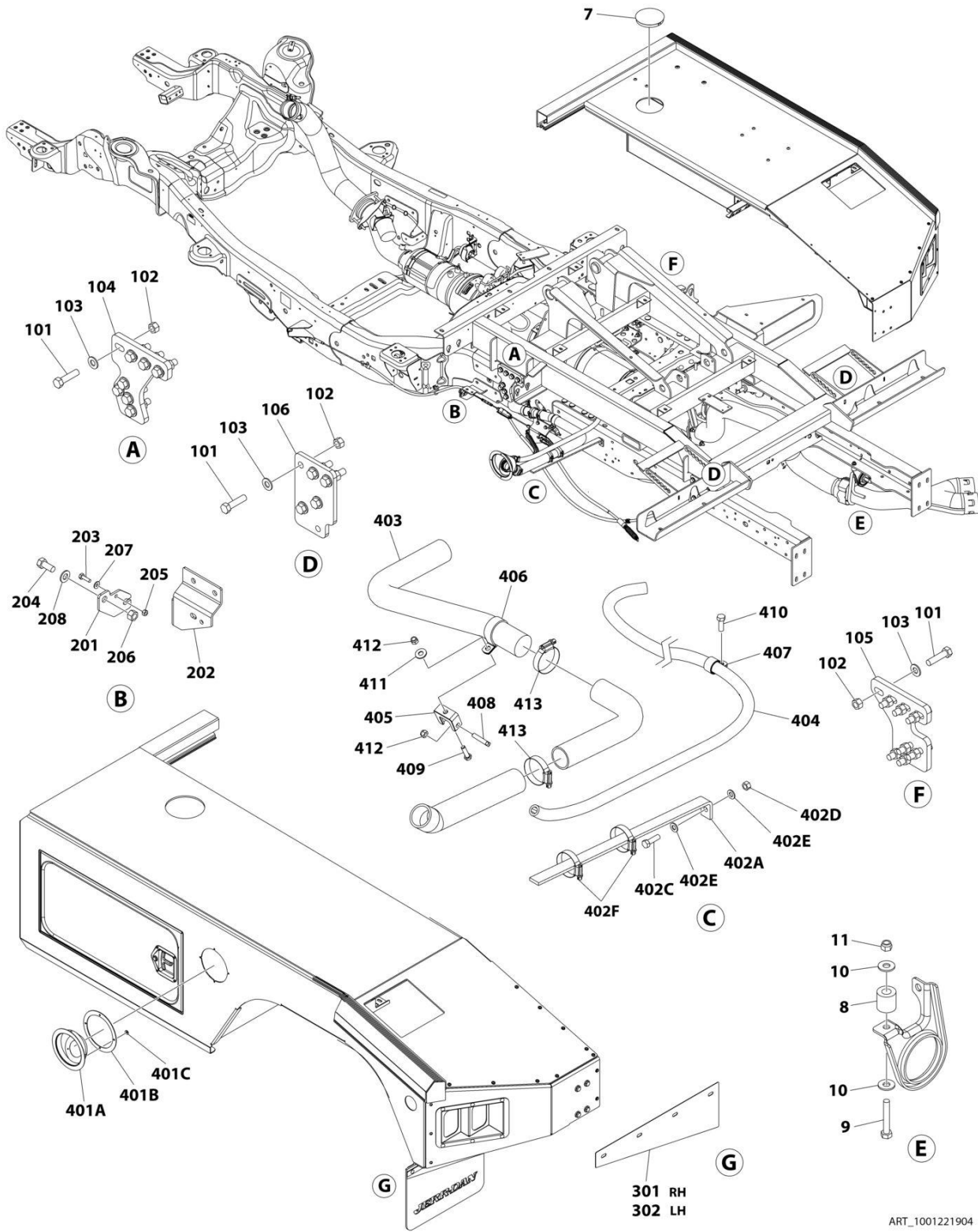
ITEM	PART NUMBER	QTY	DESCRIPTION	REV
	1001220076	Ref	CHASSIS MOUNTING KIT - FORD DIESEL 2017+ WITH 84IN CA	B
1	1001220077	Ref	Subframe Installation (Not Shown) (See Items 101-106 for Breakdown)	
2	1001220909	Ref	Tank Filler Installation (Not Shown) (See Items 201-205 for Breakdown)	
3	1001221001	Ref	Exhaust Rework Installation (Not Shown) (See Items 301-304 for Breakdown)	
4	1001221348	Ref	Brake Cable Installation (Not Shown) (See Items 401-409 for Breakdown)	
5	1001221651	Ref	Anti-Sail Brackets Installation (Not Shown) (See Items 501-502 for Breakdown)	
6	1001224068	Ref	Fuel Filler Installation (Not Shown) (See Items 601-614 for Breakdown)	
9	7701000075	1	Plug	
	1001220077	Ref	SUBFRAME INSTALLATION	A
101	0681816	26	Bolt 1/2 x 2	
102	3271805	26	Nut 1/2	
103	4711800	26	Washer 1/2	
104	1001220078	2	Plate, Saddle	
105	4811001194	4	Plate	
106	4706006442	2	Plate, Rear Saddle	
	1001220909	Ref	TANK FILLER INSTALLATION	B
201	1001221232	1	Bracket	
202	0641510	2	Bolt 5/16 x 1-1/4	
203	7660152601	2	Nut 5/16	
204	4751500	12	Washer 5/16	
205	5526000553	4	Tie-Strap (Not Shown)	
	1001221001	Ref	EXHAUST REWORK INSTALLATION	C
301	0641516	1	Bolt 5/16 x 2	
302	4751500	1	Washer 5/16	
303	1001220833	1	Shim	
304	7660152601	1	Nut 1/3	
	1001221348	Ref	BRAKE CABLE INSTALLATION	A
401	1001221075	1	Plate	
402	1001221138	1	Bracket	
403	0641407	1	Bolt 1/4 x 7/8	
404	0641809	1	Bolt 1/2 x 1-1/8	
405	3311401	1	Nut 1/4	
406	3311801	1	Nut 1/2	
407	4711400	1	Washer 1/4	
408	4711800	1	Washer 1/2	
409	5526000553	1	Tie-Strap (Not Shown)	
	1001221651	Ref	ANTI-SAIL BRACKETS INSTALLATION	A
501	1001221652	1	Bracket, Anti-Sail RH	
502	1001221653	1	Bracket, Anti-Sail LH	
	1001224068	Ref	FUEL FILLER INSTALLATION	B
601	2178000062	1	Bracket Installation (Not Shown)	
601A	7449000019	1	Flange	
601B	7796000100	1	Gasket	
601C	7950100151	4	Washer 3/16	
602	2570000171	1	Fuel Filler Support (Not Shown)	

SECTION 1 - SUBFRAME

ITEM	PART NUMBER	QTY	DESCRIPTION	REV
602A	4533000415	1	Gas Filler Bracket	
602B	5526000553	8	Tie-Strap (Not Shown)	
602C	7115161050	1	Bolt 3/8 x 1-1/4	
602D	7660162601	1	Nut 3/8	
602E	7950160141	2	Washer 3/8	
602F	7274000005	2	Clamp	
603	7570000037	1	Hose	
604	7570000017	1	Hose	
605	7274000076	1	Clamp	
606	7274000071	1	Clamp	
607	7274000105	1	Clamp	
608	7785152420	1	Screw 5/16 x 1-1/2	
609	7115151050	1	Bolt 5/16 x 1-1/4	
610	3941506	1	Tap Screw	
611	7950150161	1	Washer 5/16	
612	7660152601	2	Nut 5/16	
613	7274000005	2	Clamp	
614	7443000483	1	Fitting (Not Shown)	

SECTION 1 - SUBFRAME

FIGURE 1-15. CHASSIS MOUNTING KIT - FORD 2017+ GAS WITH 60IN CA



ART_1001221904

SECTION 1 - SUBFRAME

FIGURE 1-15. CHASSIS MOUNTING KIT - FORD 2017+ GAS WITH 60IN CA

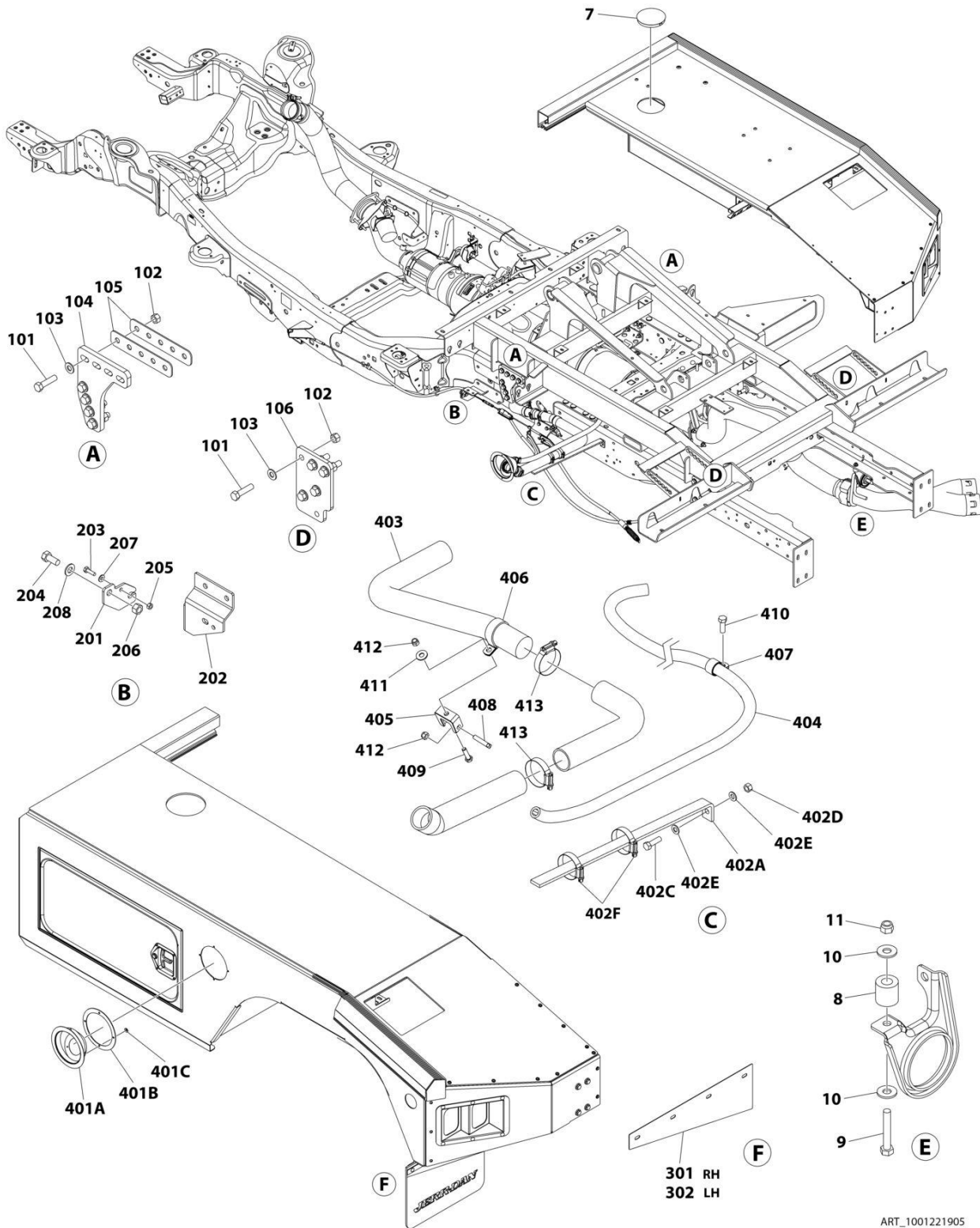
ITEM	PART NUMBER	QTY	DESCRIPTION	REV
	1001221904	Ref	CHASSIS MOUNTING KIT - FORD GAS 2017+ WITH 60IN CA	B
1	1001220072	Ref	Subframe Installation (Not Shown) (See Items 101-106 for Breakdown)	
2	1001221345	Ref	Brake Cable Installation (Not Shown) (See Items 201-208 for Breakdown)	
3	1001221651	Ref	Anti-Sail Brackets Installation (Not Shown) (See Items 301-302 for Breakdown)	
4	1001224068	Ref	Fuel Filler Installation (Not Shown) (See Items 401-414 for Breakdown)	
7	7701000075	1	Plug	
8	1001220833	1	Shim	
9	0641516	1	Bolt 5/16 x 2	
10	4751500	2	Washer 5/16	
11	7660152601	1	Nut 5/16	
	1001220072	Ref	SUBFRAME INSTALLATION	A
101	0681816	26	Bolt 1/2 x 2	
102	3271805	26	Nut 1/2	
103	4711800	26	Washer 1/2	
104	1001220073	1	Plate	
105	1001220074	1	Plate	
106	4706006442	2	Plate	
	1001221345	Ref	BRAKE CABLE INSTALLTION	A
201	1001221075	1	Plate	
202	1001221138	1	Bracket	
203	0641407	1	Bolt 1/4 x 7/8	
204	0641809	1	Bolt 1/2 x 1-1/8	
205	3311401	1	Nut 1/4	
206	3311801	1	Nut 1/2	
207	4711400	1	Washer 1/4	
208	4711800	1	Washer 1/2	
	1001221651	Ref	ANTI-SAIL BRACKETS INSTALLATION	A
301	1001221652	1	Bracket, RH	
302	1001221653	1	Bracket, LH	
	1001224068	Ref	FUEL FILLER INSTALLATION	B
401	2178000062	1	Bracket Installation (Not Shown)	
401A	7449000019	1	Flange	
401B	7796000100	1	Gasket	
401C	7950100151	4	Washer 3/16	
402	2570000171	1	Fuel Filler Support (Not Shown)	
402A	4533000415	1	Gas Filler Bracket	
402B	5526000553	8	Tie-Strap (Not Shown)	
402C	7115161050	1	Bolt 3/8 x 1-1/4	
402D	7660162601	1	Nut 3/8	
402E	7950160141	2	Washer 3/8	
402F	7274000005	2	Clamp	
403	7570000037	1	Hose	
404	7570000017	1	Hose	
405	7274000076	1	Clamp	
406	7274000071	1	Clamp	
407	7274000105	1	Clamp	

SECTION 1 - SUBFRAME

ITEM	PART NUMBER	QTY	DESCRIPTION	REV
408	7785152420	1	Screw 5/16 x 1-1/2	
409	7115151050	1	Bolt 5/16 x 1-1/4	
410	3941506	1	Tap Screw	
411	7950150161	1	Washer 5/16	
412	7660152601	2	Nut 5/16	
413	7274000005	2	Clamp	
414	7443000483	1	Fitting (Not Shown)	

SECTION 1 - SUBFRAME

FIGURE 1-16. CHASSIS MOUNTING KIT - FORD 2017+ GAS WITH 84IN CA



SECTION 1 - SUBFRAME

FIGURE 1-16. CHASSIS MOUNTING KIT - FORD 2017+ GAS WITH 84IN CA

ITEM	PART NUMBER	QTY	DESCRIPTION	REV
	1001221905	Ref	CHASSIS MOUNTING KIT - FORD GAS 2017+ WITH 84IN CA	B
1	1001220077	Ref	Subframe Installation (Not Shown) (See Items 101-106 for Breakdown)	
2	1001221348	Ref	Brake Cable Installation (Not Shown) (See Items 201-209 for Breakdown)	
3	1001221651	Ref	Anti-Sail Brackets Installation (Not Shown) (See Items 301-302 for Breakdown)	
4	1001224068	Ref	Fuel Filler Installation (Not Shown) (See Items 401-414 for Breakdown)	
7	7701000075	1	Plug	
8	1001220833	1	Shim	
9	0641516	1	Bolt 5/16 x 2	
10	4751500	2	Washer 5/16	
11	7660152601	1	Nut 5/16	
	1001220077	Ref	SUBFRAME INSTALLATION	A
101	0681816	26	Bolt 1/2 x 2	
102	3271805	26	Nut 1/2	
103	4711800	26	Washer 1/2	
104	1001220078	2	Plate, Saddle	
105	4811001194	4	Plate	
106	4706006442	2	Plate, Rear Saddle	
	1001221348	Ref	BRAKE CABLE INSTALLATION	A
201	1001221075	1	Plate	
202	1001221138	1	Bracket	
203	0641407	1	Bolt 1/4 x 7/8	
204	0641809	1	Bolt 1/2 x 1-1/8	
205	3311401	1	Nut 1/4	
206	3311801	1	Nut 1/2	
207	4711400	1	Washer 1/4	
208	4711800	1	Washer 1/2	
209	5526000553	1	Tie-Strap (Not Shown)	
	1001221651	Ref	ANTI-SAIL BRACKETS INSTALLATION	A
301	1001221652	1	Bracket, RH	
302	1001221653	1	Bracket, LH	
	1001224068	Ref	FUEL FILLER INSTALLATION	B
401	2178000062	1	Bracket Installation (Not Shown)	
401A	7449000019	1	Flange	
401B	7796000100	1	Gasket	
401C	7950100151	4	Washer 3/16	
402	2570000171	1	Fuel Filler Support (Not Shown)	
402A	4533000415	1	Gas Filler Bracket	
402B	5526000553	8	Tie-Strap (Not Shown)	
402C	7115161050	1	Bolt 3/8 x 1-1/4	
402D	7660162601	1	Nut 3/8	
402E	7950160141	2	Washer 3/8	
402F	7274000005	2	Clamp	
403	7570000037	1	Hose	
404	7570000017	1	Hose	
405	7274000076	1	Clamp	
406	7274000071	1	Clamp	

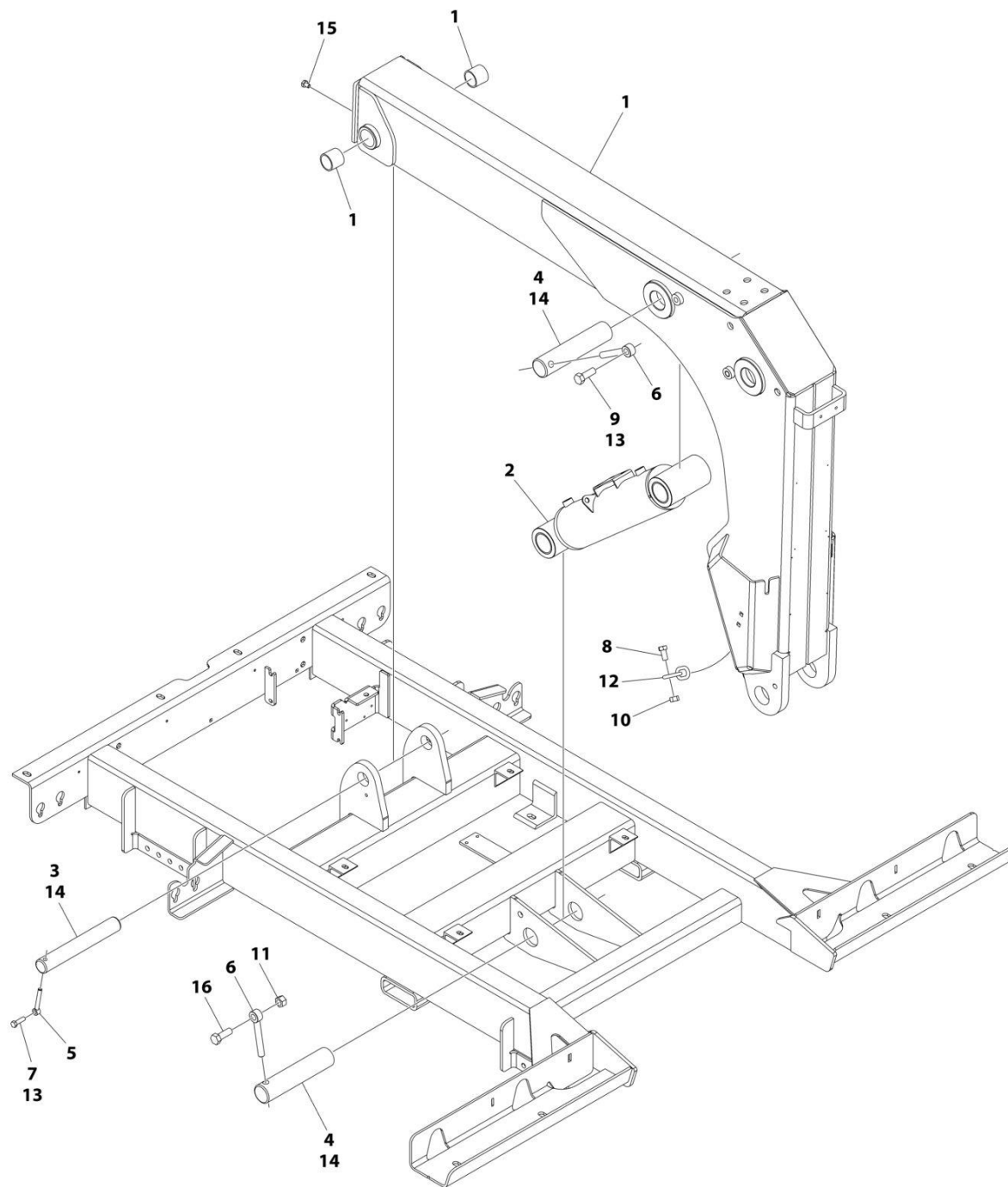
SECTION 1 - SUBFRAME

ITEM	PART NUMBER	QTY	DESCRIPTION	REV
407	7274000105	1	Clamp	
408	7785152420	1	Screw 5/16 x 1-1/2	
409	7115151050	1	Bolt 5/16 x 1-1/4	
410	3941506	1	Tap Screw	
411	7950150161	1	Washer 5/16	
412	7660152601	2	Nut 5/16	
413	7274000005	2	Clamp	
414	7443000483	1	Fitting	

SECTION 2 - BOOM

SECTION 2 - BOOM

FIGURE 2-1. KNEE BOOM INSTALLATION



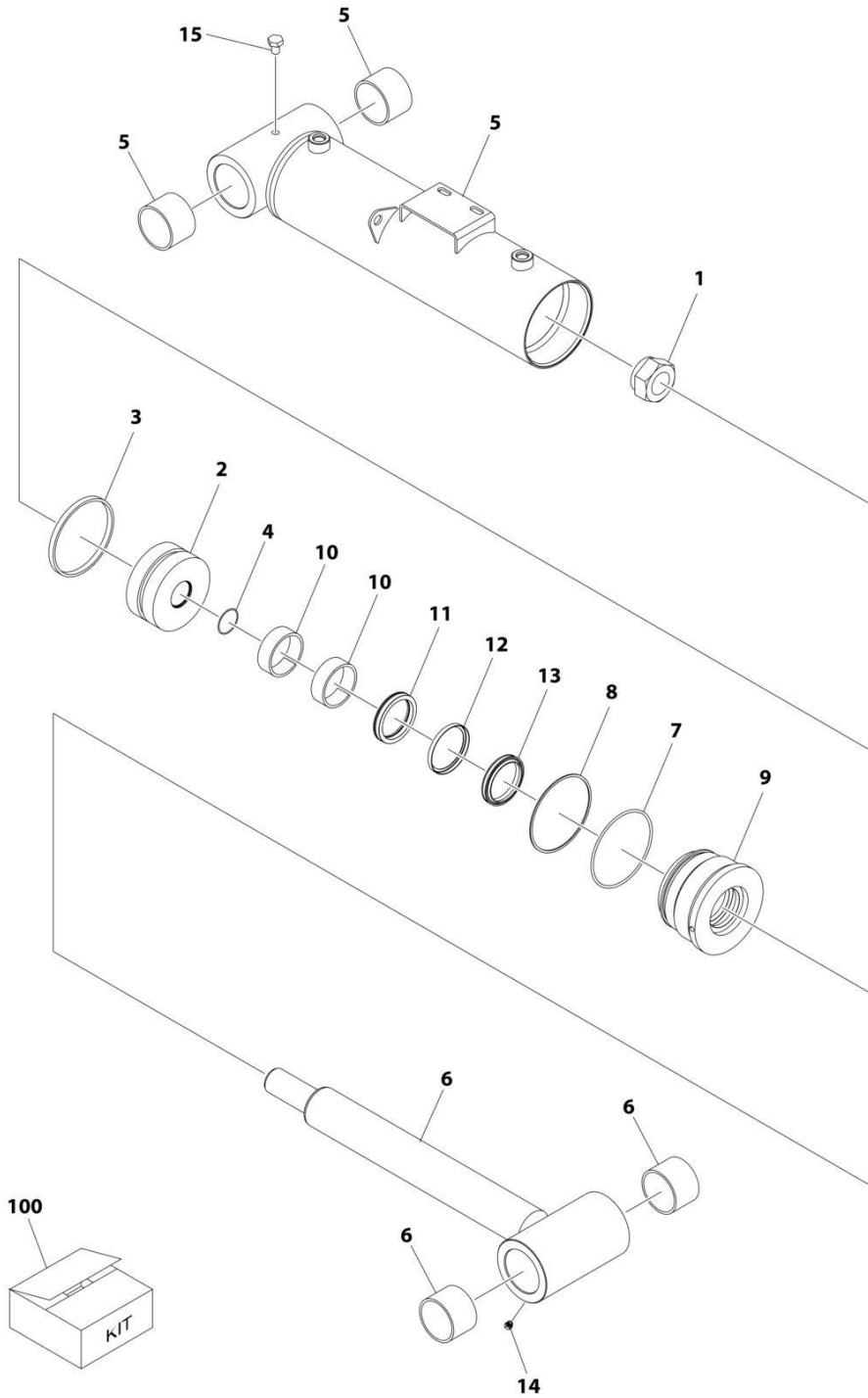
ART_1001196813

FIGURE 2-1. KNEE BOOM INSTALLATION

ITEM	PART NUMBER	QTY	DESCRIPTION	REV
	1001196813	Ref	KNEE BOOM INSTALLATION	B
1	1001196814	1	Boom, Knee	
1	0962272	2	Bearing	
2	1001194371	1	Cylinder Assembly - Lift (See Separate Breakdown in this Section)	
3	1001191715	1	Pin	
4	1001191717	2	Pin	
5	3841143	1	Keeper	
6	3841258	2	Rod	
7	0681612	1	Bolt 3/8 x 1-1/2 Grade 8	
8	0641808	2	Bolt 1/2 x 1	
9	0682014	1	Bolt 5/8 x 1-3/4 Grade 8	
10	3271805	2	Nut 1/2	
11	3300240	1	Nut 5/8	
12	7262000040	2	Chain	
13	1001095650	AR	Adhesive	
14	3020039	AR	Lubricant	
15	1001204780	1	Plug	
16	0682016	1	Bolt 5/8 x 2 Grade 8	

SECTION 2 - BOOM

FIGURE 2-2. CYLINDER ASSEMBLY - BOOM LIFT



ART_1001194371

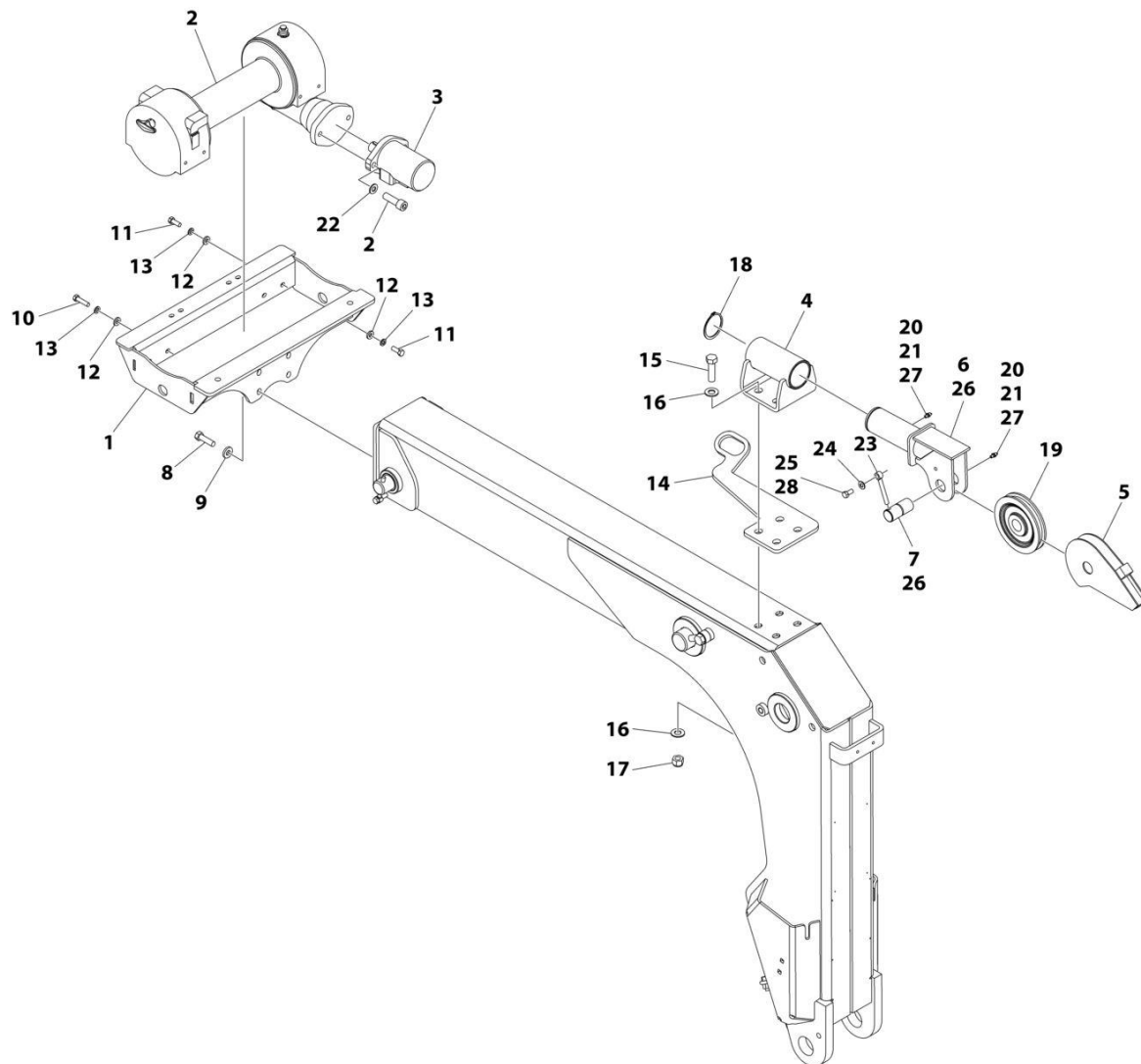
SECTION 2 - BOOM

FIGURE 2-2. CYLINDER ASSEMBLY - BOOM LIFT

ITEM	PART NUMBER	QTY	DESCRIPTION	REV
	1001194371	Ref	BOOM LIFT CYLINDER ASSEMBLY	B
		Ref	Note: Original Cylinder May Have Been Replaced with Service Replacement. Identify PN Stamped on Cylinder Before Ordering Parts.	
1	7029140	1	Nut	
2	70051629	1	Piston	
3	See Note	NSS	Piston Seal (Note: Use Item 100)	
4	See Note	NSS	O-Ring (Note: Use Item 100)	
5	See Note	NSS	Barrel (Note: Use PN 1001194371)	
5	0962224	2	Bearing	
6	70052121	1	Rod	
6	0962224	2	Bearing	
7	See Note	NSS	O-Ring (Note: Use Item 100)	
8	See Note	NSS	Ring, Back-up (Note: Use Item 100)	
9	70051628	1	Head	
10	See Note	NSS	Ring, Wear (Note: Use Item 100)	
11	See Note	NSS	Seal (Note: Use Item 100)	
12	See Note	NSS	Wiper (Note: Use Item 100)	
13		Ref	O-Ring	
14	1001204776	1	Plug	
15	1001204780	1	Plug	
100	70051326	1	Seal Kit (Includes Items 3, 4, 7, 8, 10, 11 & 12)	

SECTION 2 - BOOM

FIGURE 2-3. WINCH INSTALLATION



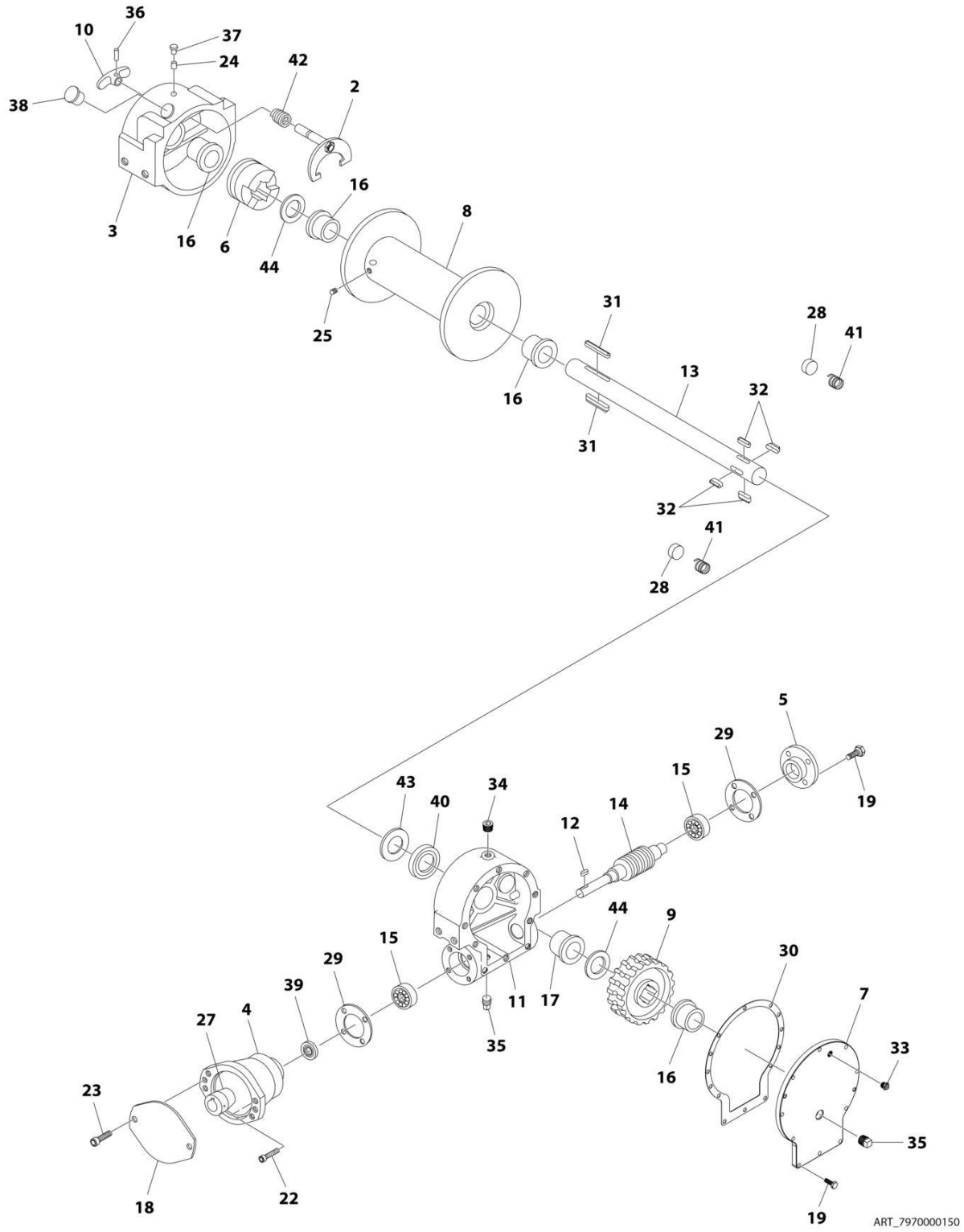
ART_1001208910

FIGURE 2-3. WINCH INSTALLATION

ITEM	PART NUMBER	QTY	DESCRIPTION	REV
	1001208910	Ref	WINCH INSTALLATION	A
1	3178000508	1	Bracket	
2	7970000150	1	Winch Assembly, 8000 lbs (See Separate Breakdown in this Section)	
3	7626000014	1	Winch Motor Assembly (See Separate Breakdown in this Section)	
4	1001206157	1	Support, Boom Nose MPL Single	
5	1001206167	1	Support, SD Wrecker Cable Guide	
6	1001206161	1	Support, SD Wrecker Sheave	
7	1001206171	1	Pin	
8	0641814	4	Bolt 1/2 x 1-3/4	
9	4891800	4	Washer 1/2	
10	0641612	6	Bolt 3/8 x 1-1/2	
11	0641608	2	Bolt 3/8 x 1	
12	4891600	8	Washer 3/8	
13	4711600	8	Washer 3/8	
14	1001206185	1	Plate	
15	0642018	4	Bolt 5/8 x 2-1/4	
16	4712000	8	Washer 5/8	
17	7660152601	4	Nut 5/16	
18	7754000005	1	Ring External Retaining	
19	7809000001	1	Wire Rope	
20	88671008	2	Fitting, Grease	
21	7253000002	2	Cap, Grease	
22	7950180400	2	Washer 1/2	
23	3841143	1	Keeper, Shaft	
24	4761600	1	Washer 3/8	
25	0651606	1	Bolt 3/8 x 3/4	
26	3020039	AR	Lubricant	
27	3020029	AR	Lubricant	
28	1001095650	AR	Adhesive	

SECTION 2 - BOOM

FIGURE 2-4. WINCH ASSEMBLY



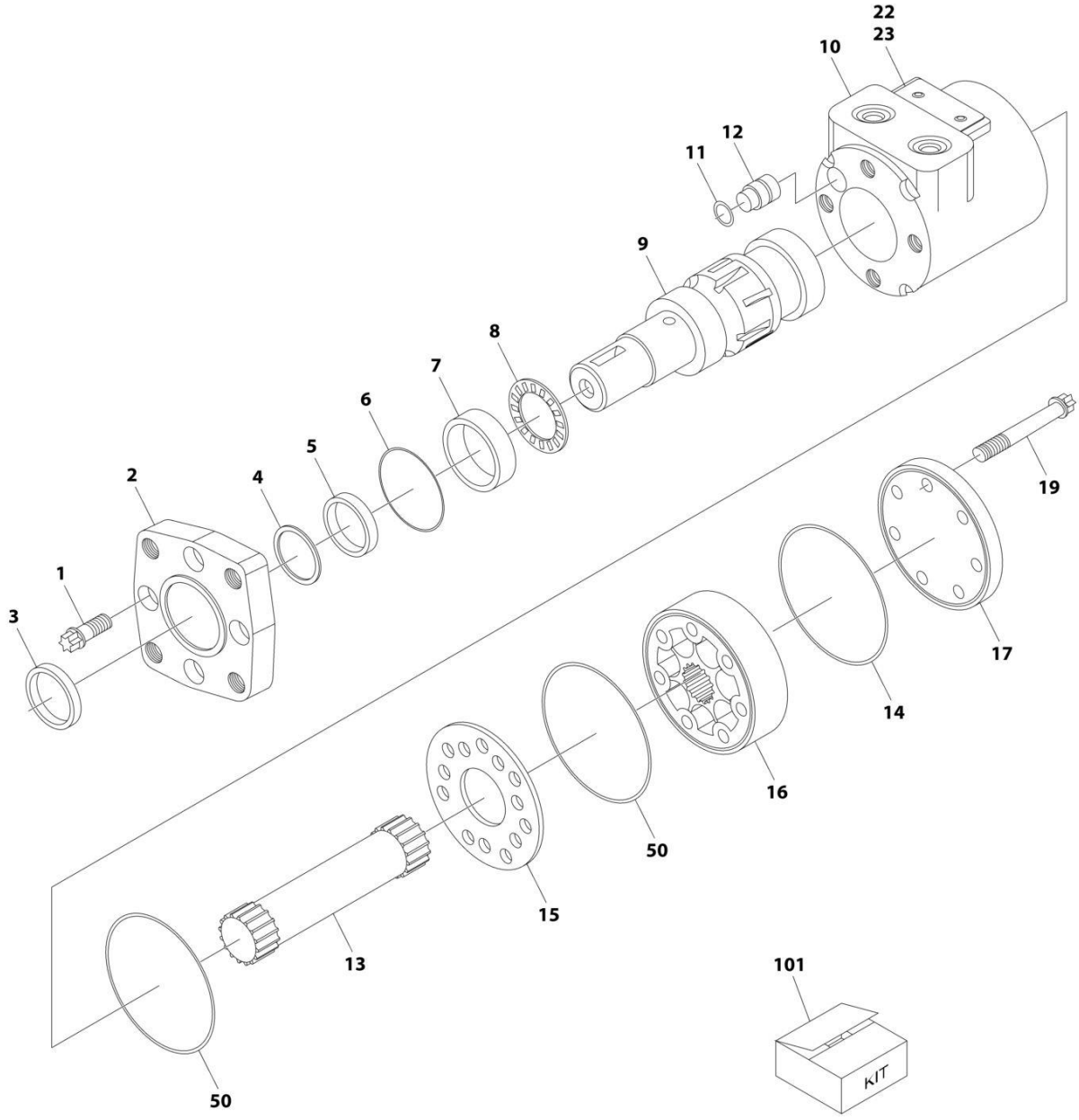
SECTION 2 - BOOM

FIGURE 2-4. WINCH ASSEMBLY

ITEM	PART NUMBER	QTY	DESCRIPTION	REV
	7970000150	Ref	WINCH ASSEMBLY	0
2	70051554	1	Shifter Assembly	
3	9560960022	1	Housing - Clutch	
4	9970300057	1	Adapter	
5	9970316083	1	Bearing Cap	
6	9970960060	1	Jaw Clutch	
7	9314960024	1	Cover	
8	9970960068	1	Drum - "Std"	
9	9472960072	1	Gear RH	
10	9970336010	1	Handle	
11	9560990011	1	Housing - Gear	
12	9970342027	1	Key	
13	9806960009	1	Shaft - Drum "Std"	
14	9970960062	1	Worm RH	
15	9970402002	2	Bearing - Ball	
16	9970412003	4	Bushing	
17	9970412045	4	Bushing	
18	70050679	1	Adapter Cover	
19	9970414045	14	Bolt 1/4 x 7/8	
20	9120960034	2	Bolt 3/8 x 1 (Not Shown)	
22	70050682	4	Bolt 1/4 x 1-3/4	
23	9120960061	2	Bolt 1/2 x 1-1/2	
24	70051555	1	Setscrew 1/4 x 3/8	
25	9786960015	1	Setscrew 3/8 x 1/2	
27	9970431008	1	Coupling	
28	9970438014	2	Disc Brake	
29	9970442184	2	Gasket	
30	9970442205	1	Gasket	
31	9970450006	2	Key Barth	
32	9575960014	4	Key Barth	
33	9970456008	1	Fitting - Relief	
34	9701960015	1	Pipe Plug	
35	9970468011	2	Pipe Plug	
36	9691960001	1	Spirol Pin	
37	9970472012	1	Rubber Plug	
38	9970472013	1	Plastic Plug	
39	9970486009	1	Oil Seal	
40	9970483017	1	Oil Seal	
41	9970494002	2	Spring	
42	9970494053	1	Spring	
43	9970518014	1	Washer	
44	9970518015	1	Washer	

SECTION 2 - BOOM

FIGURE 2-5. WINCH MOTOR ASSEMBLY



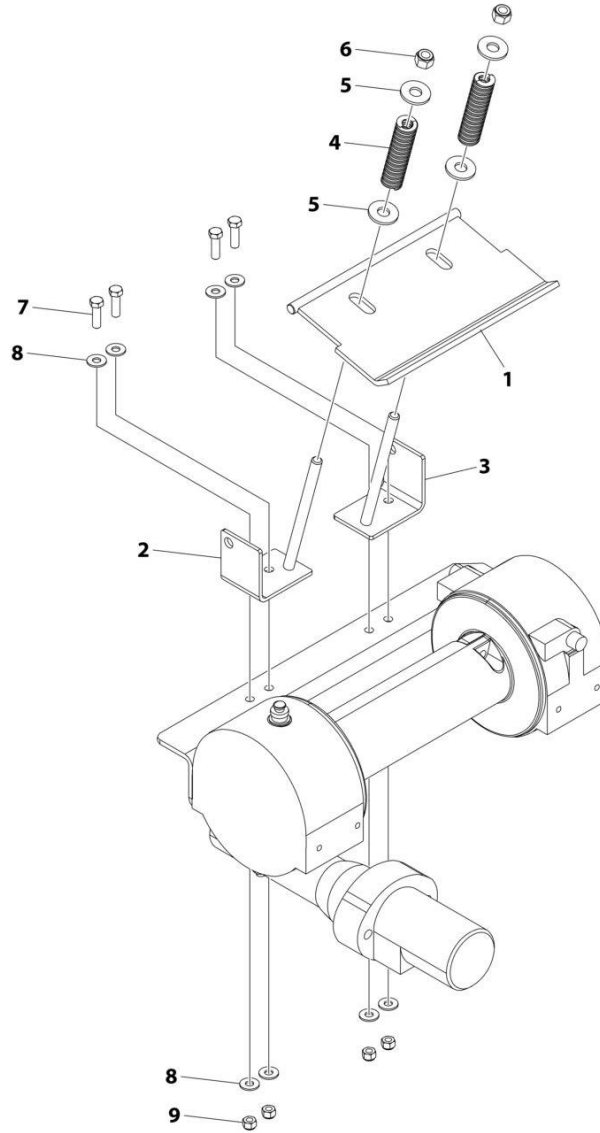
ART_7626000014

FIGURE 2-5. WINCH MOTOR ASSEMBLY

ITEM	PART NUMBER	QTY	DESCRIPTION	REV
	7626000014	Ref	ORBIT MOTOR	1
1	7002123	4	Capscrew	
2	7009974	1	Flange, Mounting	
3	See Note	NSS	Seal, Exclusion (Note: Use Item 101)	
4	7009975	1	Washer, Backup	
5	7009997	1	Pressure Seal	
6	See Note	NSS	Seal (Note: Use Item 101)	
7	7002117	1	Race, Bearing	
8	7002111	1	Bearing, Thrust Needle	
9	70070028	1	Output Shaft (STD)	
10	See Note	NSS	(Note: Not Available for Purchase)	
11	See Note	NSS	O-Ring (Note: Use Item 101)	
12	7009992	1	Plug, Housing	
13	80234009	1	Drive	
14	See Note	NSS	Seal (Note: Use Item 101)	
15	7002110	1	Plate, Spacer	
16	70070029	1	Gerotor Sub-Assembly	
17	7002107	1	Cap, End	
19	70070030	7	Capscrew	
22	See Note	NSS	(Note: Not Available for Purchase)	
23	See Note	NSS	(Note: Not Available for Purchase)	
50	See Note	NSS	Seal (Note: Use Item 101)	
100		Ref	Key (Not Shown)	
101	2900733	1	Seal Kit (Includes Items 3, 6, 11, 14 & 50)	

SECTION 2 - BOOM

FIGURE 2-6. CABLE TENSIONER INSTALLATION



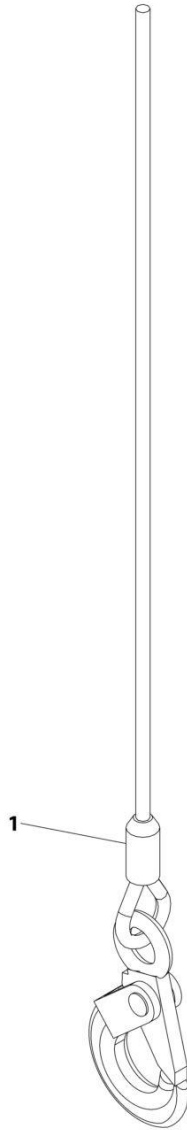
ART_2500900643

FIGURE 2-6. CABLE TENSIONER INSTALLATION

ITEM	PART NUMBER	QTY	DESCRIPTION	REV
	2500900643	Ref	CABLE TENSIONER INSTALLATION - WINCH	A
1	3706000099	1	Plate	
2	3017000003	1	Angle (LH)	
3	3017000002	1	Angle (RH)	
4	7843000004	2	Spring	
5	7950180161	4	Washer 1/2	
6	7660182601	2	Nut 1/2	
7	7115161050	4	Bolt 3/8 x 1-1/4	
8	7950150161	8	Washer 5/16	
9	7660162601	4	Nut 3/8	

SECTION 2 - BOOM

FIGURE 2-7. CABLE ASSEMBLY - 3/8X75FT



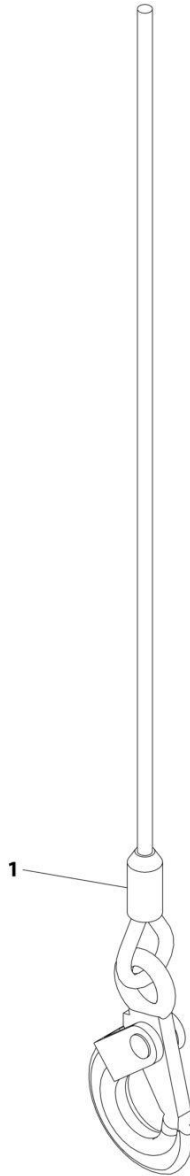
ART_C38D75

FIGURE 2-7. CABLE ASSEMBLY - 3/8X75FT

ITEM	PART NUMBER	QTY	DESCRIPTION	REV
1	C38D75 7248000092	Ref 1	CABLE ASSEMBLY - NON-SWIVEL HOOK (SINGLE) Cable Assembly	A

SECTION 2 - BOOM

FIGURE 2-8. CABLE ASSEMBLY - 3/8X100FT



ART_C38D100

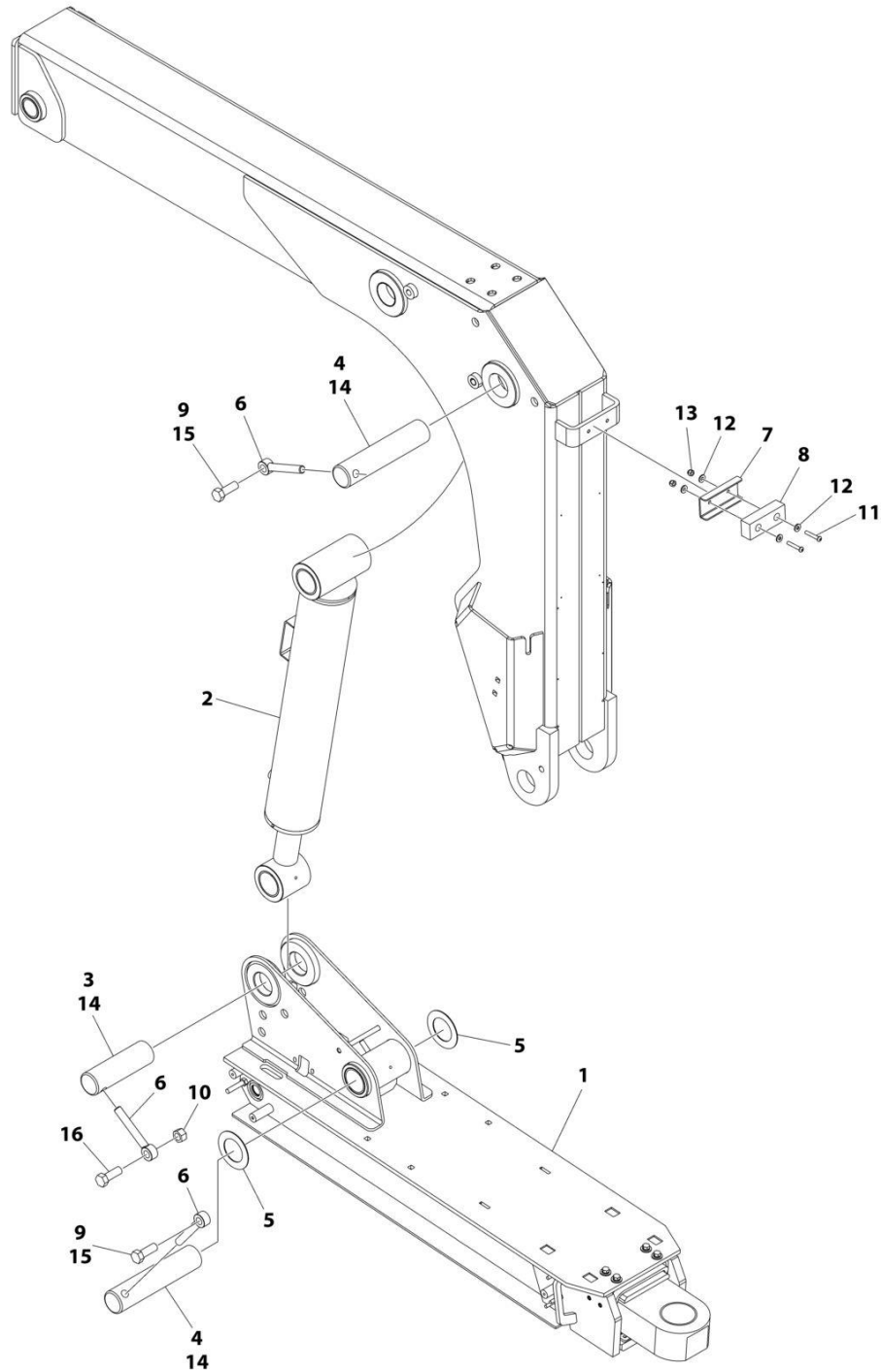
FIGURE 2-8. CABLE ASSEMBLY - 3/8X100FT

ITEM	PART NUMBER	QTY	DESCRIPTION	REV
1	C38D100 7248000111	Ref 1	CABLE ASSEMBLY - NON-SWIVEL HOOK (SINGLE) Cable Assembly	A

SECTION 3 - UNDERLIFT

SECTION 3 - UNDERLIFT

FIGURE 3-1. UNDERLIFT INSTALLATION - HYDRAULIC GRIDS



ART_1001196913

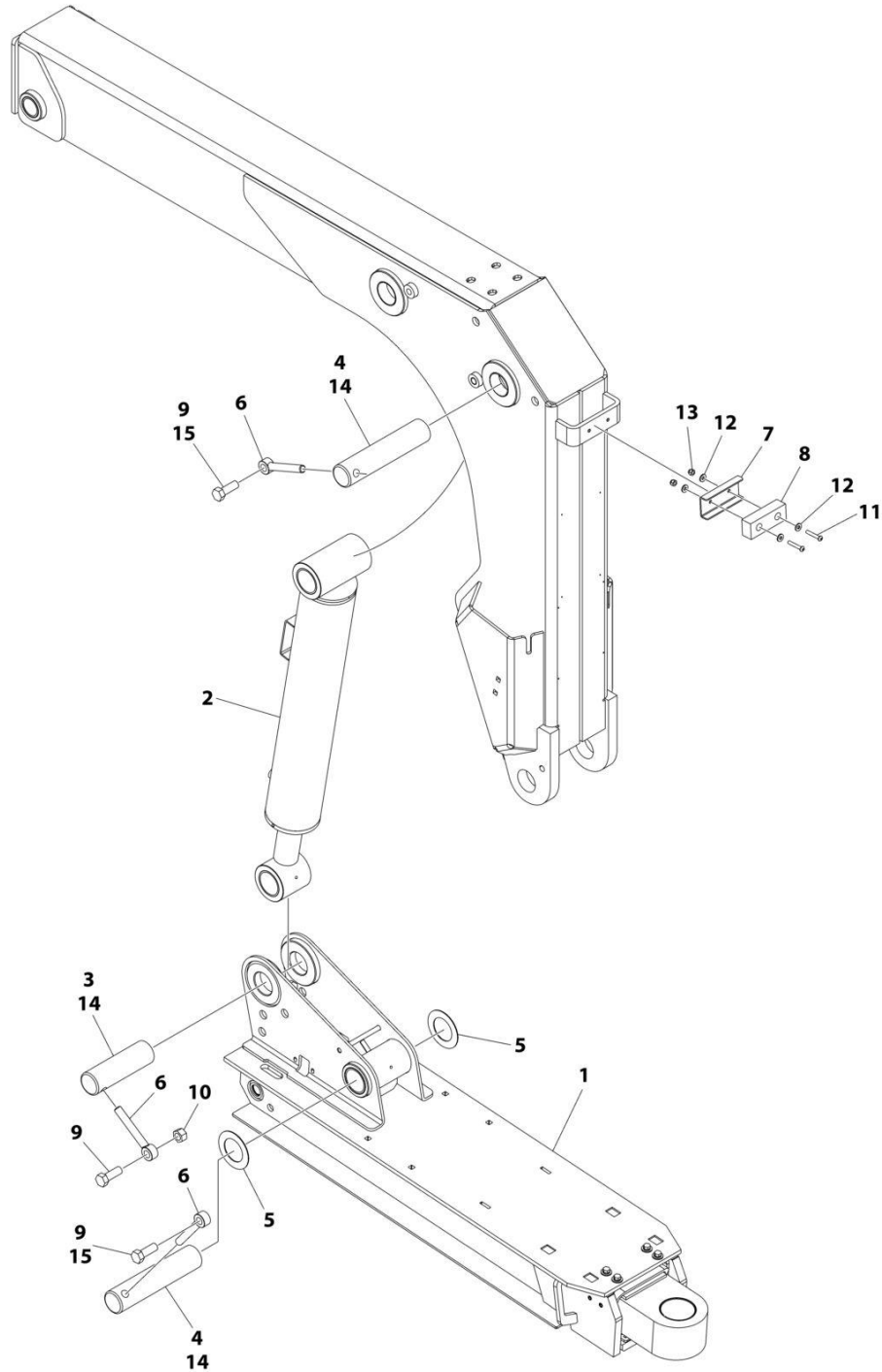
SECTION 3 - UNDERLIFT

FIGURE 3-1. UNDERLIFT INSTALLATION - HYDRAULIC GRIDS

ITEM	PART NUMBER	QTY	DESCRIPTION	REV
	1001196913	Ref	UNDERLIFT BOOM INSTALLATION HYDRAULIC FIXED GRID	B
1	1001196509	1	Underlift Boom Assembly Hydraulic Grid (See Separate Breakdown in this Section)	
2	1001194372	1	Underlift Tilt Cylinder (See Separate Breakdown in this Section)	
3	1001191718	1	Pin	
4	1001191717	2	Pin	
5	4949000050	2	Washer	
6	3841258	3	Rod	
7	4263000814	1	Channel	
8	7189000023	1	Bumper	
9	0682014	2	Bolt 5/8 x 1-3/4 Grade 8	
10	3300240	1	Nut 5/8	
11	7114141218	2	Capscrew 1/4 x 1-1/2	
12	7950140143	4	Washer 1/4	
13	7660142604	2	Nut 1/4	
14	3020039	AR	Lubricant	
15	1001095650	AR	Adhesive	
16	0682015	1	Bolt 5/8 x 1-7/8 Grade 8	

SECTION 3 - UNDERLIFT

FIGURE 3-2. UNDERLIFT INSTALLATION - MANUAL GRIDS (Including 0230004211 to 0230009853)



ART_1001208065

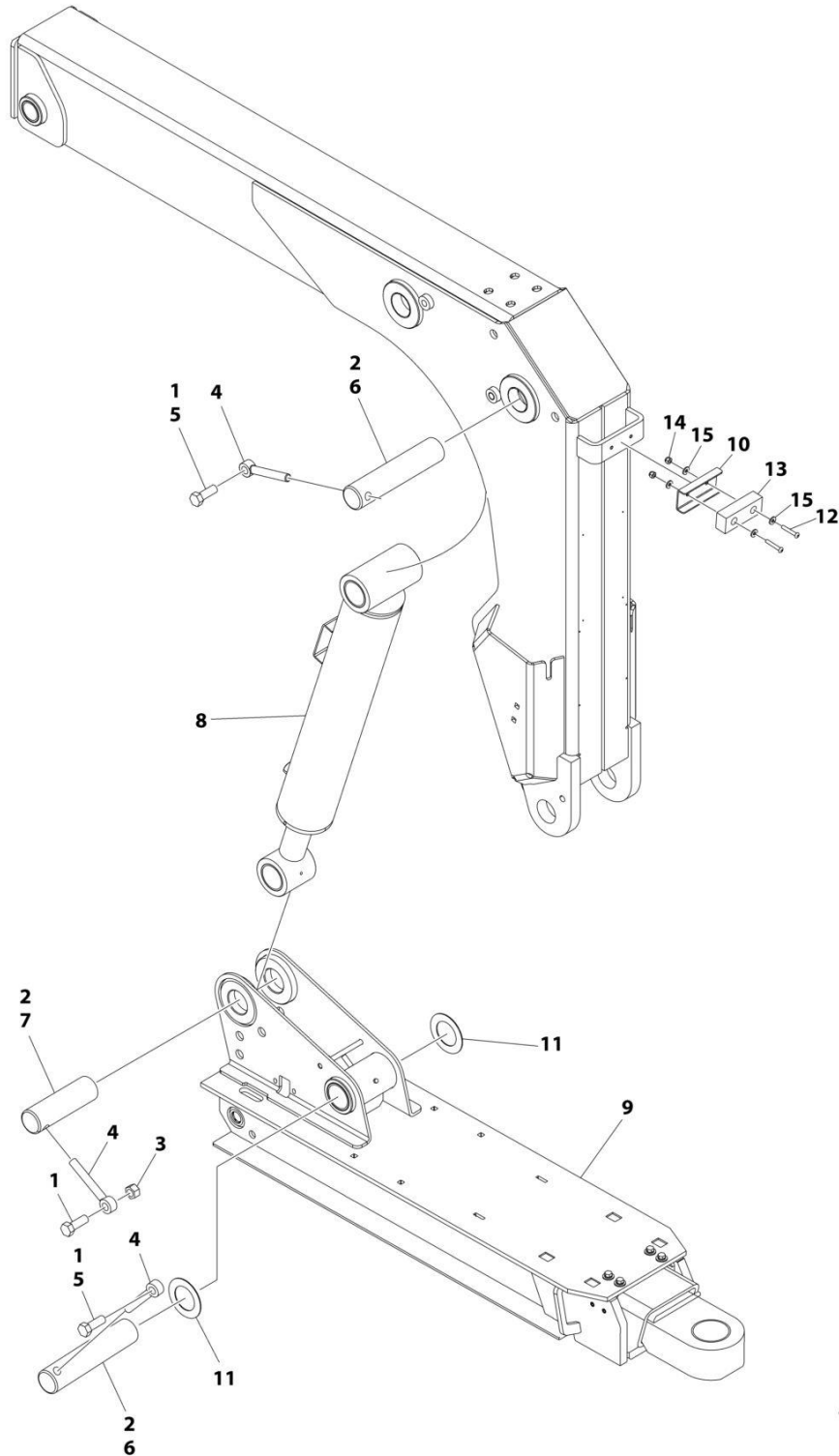
SECTION 3 - UNDERLIFT

FIGURE 3-2. UNDERLIFT INSTALLATION - MANUAL GRIDS (Including 0230004211 to 0230009853)

ITEM	PART NUMBER	QTY	DESCRIPTION	REV
	1001208065	Ref	UNDERLIFT BOOM INSTALLATION MANUAL GRID	A
1	1001207975	1	Underlift Boom Assembly Main Grid (See Separate Breakdown in this Section)	
2	1001194372	1	Underlift Tilt Cylinder (See Separate Breakdown in this Section)	
3	1001191718	1	Pin	
4	1001191717	2	Pin	
5	4949000050	2	Washer	
6	3841258	3	Rod	
7	4263000814	1	Channel	
8	7189000023	1	Bumper	
9	0682014	3	Bolt 5/8 x 1-3/4 Grade 8	
10	3272005	1	Nut 5/8	
11	7114141218	2	Capscrew 1/4 x 1-1/2	
12	7950140143	4	Washer 1/4	
13	7660142604	2	Nut 1/4	
14	3020039	AR	Lubricant	
15	1001095650	AR	Adhesive	

SECTION 3 - UNDERLIFT

FIGURE 3-3. UNDERLIFT INSTALLATION - MANUAL GRID (SN 0230009854 through 0230011754, Except SN 0230011072 through 0230011326, Except SN 0230011488 through 0230011512, Except SN 0230011597 through 0230011611, Excluding 0230010717)



ART_1001265469

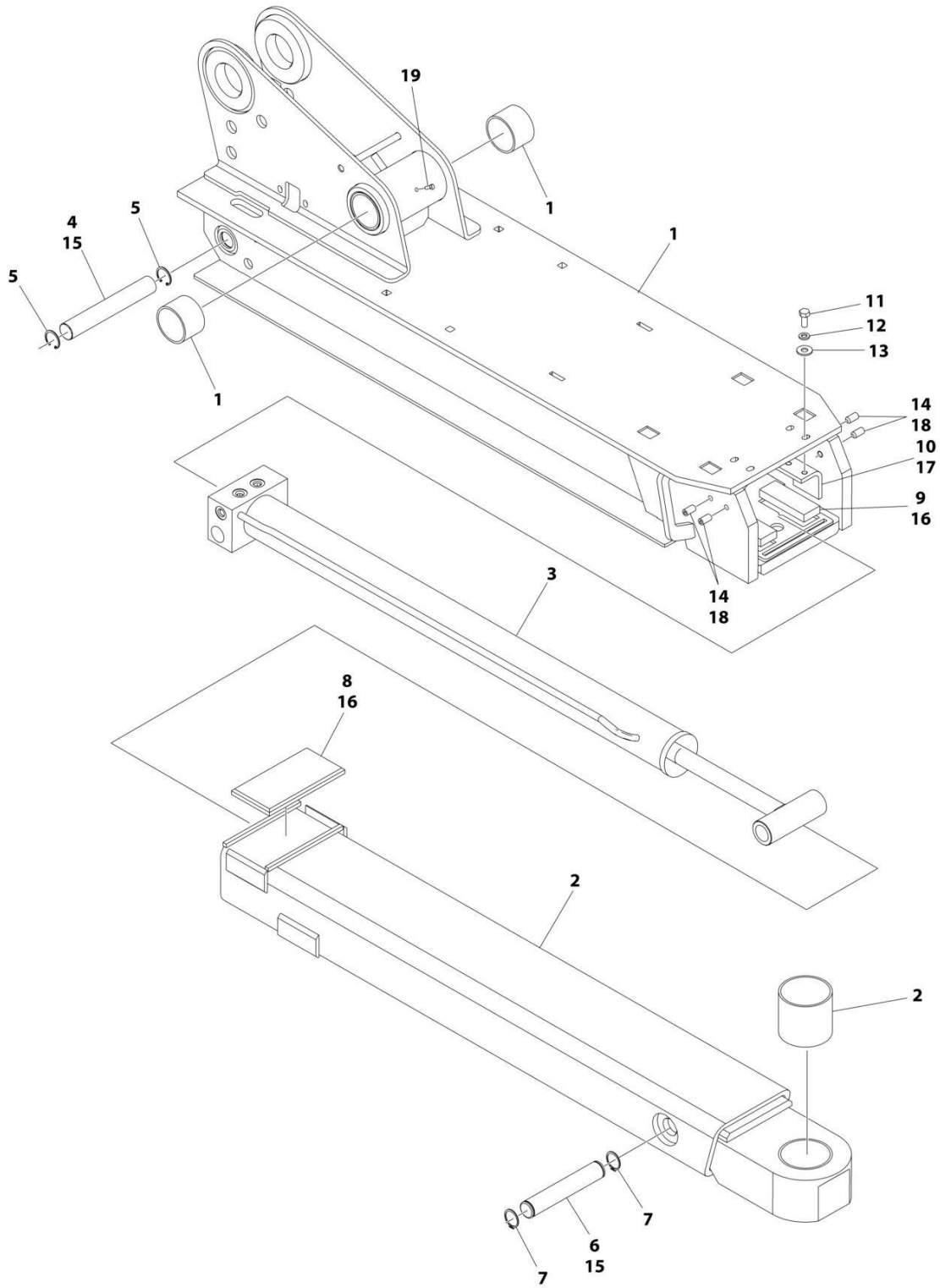
SECTION 3 - UNDERLIFT

FIGURE 3-3. UNDERLIFT INSTALLATION - MANUAL GRID (SN 0230009854 through 0230011754, Except SN 0230011072 through 0230011326, Except SN 0230011488 through 0230011512, Except SN 0230011597 through 0230011611, Excluding 0230010717)

ITEM	PART NUMBER	QTY	DESCRIPTION	REV
	1001265469	Ref	UNDERLIFT BOOM INSTALLATION MANUAL GRID	A
1	0682014	3	Bolt 5/8 x 1-3/4 Grade 8	
2	3020039	AR	Lubricant	
3	3272005	1	Nut 5/8	
4	3841258	3	Rod	
5	1001095650	AR	Adhesive	
6	1001191717	2	Pin	
7	1001191718	1	Pin	
8	1001194372	1	Underlift Tilt Cylinder (See Separate Breakdown in this Section)	
9	1001265470	1	Underlift Boom Assembly Main Grid (See Separate Breakdown in this Section)	
10	4263000814	1	Channel	
11	4949000050	2	Washer	
12	7114141218	2	Capscrew 1/4 x 1-1/2	
13	7189000023	1	Bumper	
14	7660142604	2	Nut 1/4	
15	7950140143	4	Washer 1/4	

SECTION 3 - UNDERLIFT

FIGURE 3-4. UNDERLIFT ASSEMBLY - HYDRAULIC GRIDS



ART_1001196509

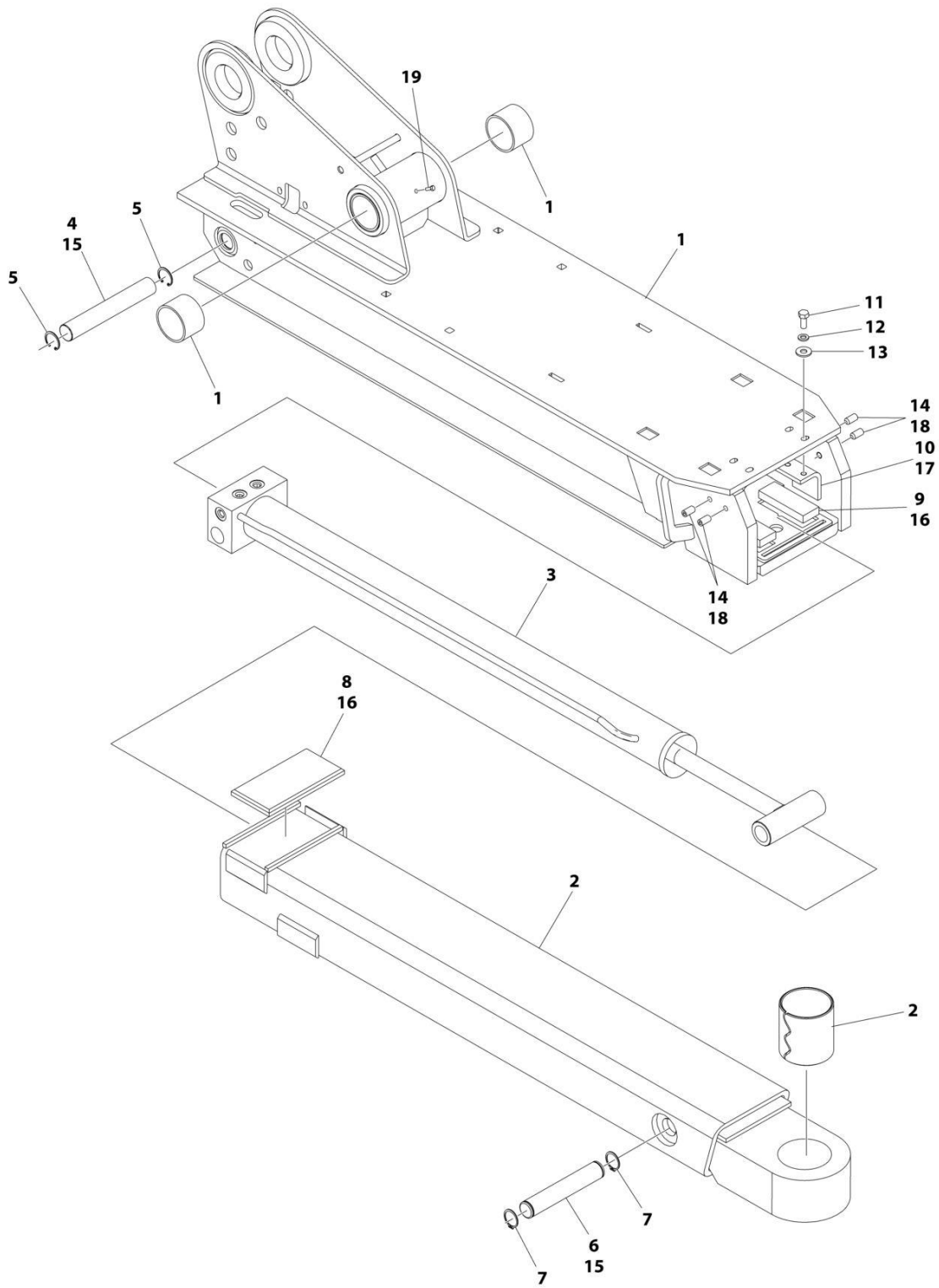
SECTION 3 - UNDERLIFT

FIGURE 3-4. UNDERLIFT ASSEMBLY - HYDRAULIC GRIDS

ITEM	PART NUMBER	QTY	DESCRIPTION	REV
	1001196509	Ref	BOOM, UNDERLIFT - HYDRAULIC GRIDS	A
1	1001196510	1	Boom, Base	
1	7082000043	2	Bearing	
2	3170000346	1	Boom, Inner	
2	7209000030	1	Bearing	
3	7320000077	1	Cylinder Assembly (See Separate Breakdown in this Section)	
4	4691000308	1	Pin	
5	7754000056	2	Snap Ring	
6	4691000307	1	Pin	
7	3760115	2	Retaining Ring	
8	4679000046	1	Pad	
9	4679000213	2	Pad	
10	4017001502	2	Angle	
11	7104150624	4	Capscrew 5/16 x 3/4	
12	4761500	4	Washer 5/16	
13	4751500	4	Washer 5/16	
14	7785161274	4	Setscrew 3/8 x 3/4	
15	3020039	AR	Lubricant	
16	1001152707	AR	Lubricant	
17	1001155141	AR	Lubricant	
18	1001095650	AR	Adhesive	
19	1001204776	1	Plug	

SECTION 3 - UNDERLIFT

FIGURE 3-5. UNDERLIFT ASSEMBLY - MANUAL GRIDS (Including 0230004211 to 0230009853)



ART_1001207975

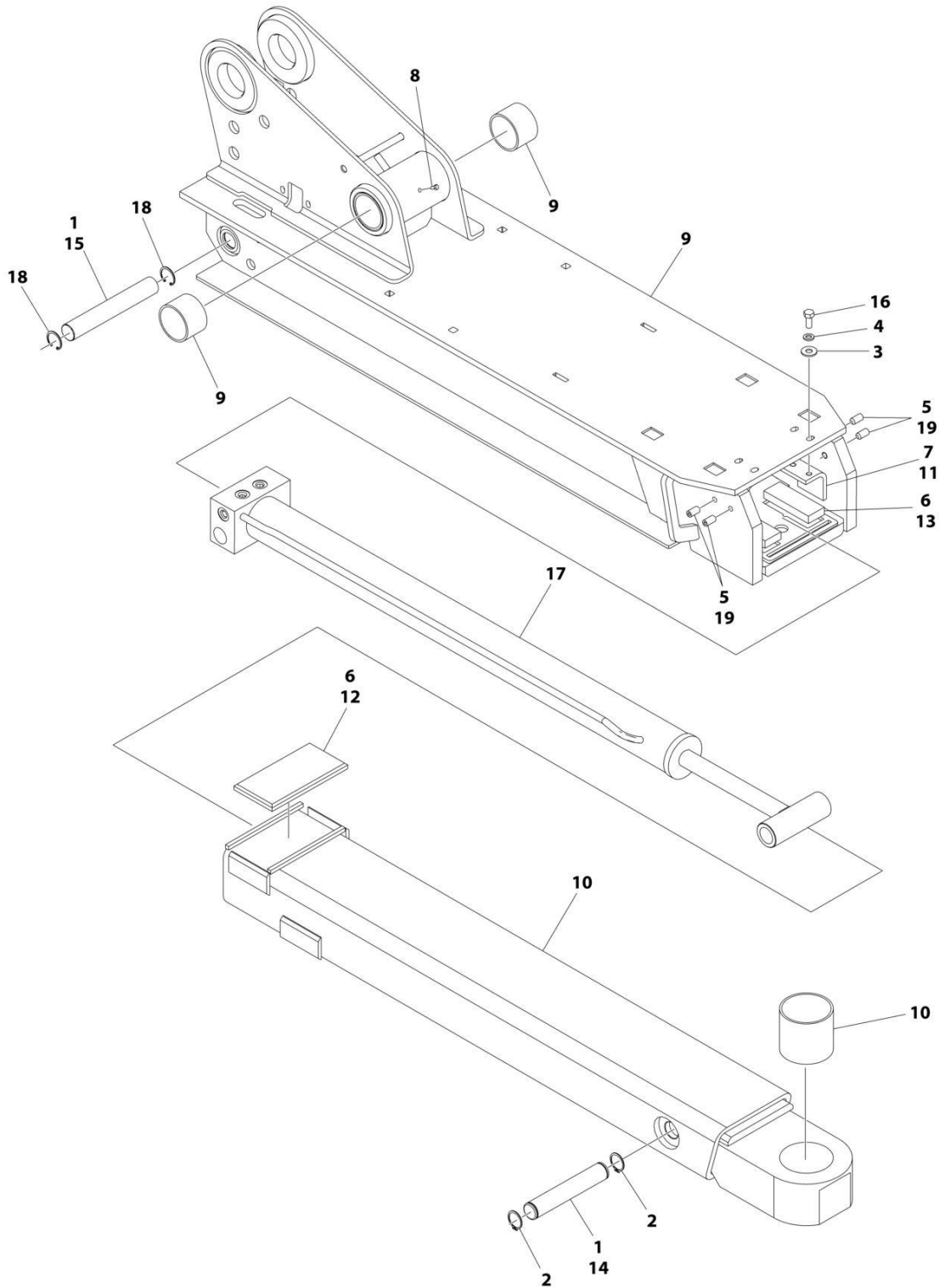
SECTION 3 - UNDERLIFT

FIGURE 3-5. UNDERLIFT ASSEMBLY - MANUAL GRIDS (Including 0230004211 to 0230009853)

ITEM	PART NUMBER	QTY	DESCRIPTION	REV
	1001207975	Ref	UNDERLIFT BOOM ASSEMBLY - MANUAL GRID	B
1	1001207976	1	Boom, Main	
1	7082000043	2	Bearing	
2	3170000393	1	Boom, Fly	
2	7209000028	1	Bearing	
3	7320000077	1	Cylinder Assembly - Extrend/Retract (See Separate Breakdown in this Section)	
4	4691000308	1	Pin	
5	7754000056	2	Ring, Retaining	
6	4691000307	1	Pin	
7	3760115	2	Ring, Retaining	
8	4679000046	1	Pad	
9	4679000213	2	Pad	
10	4017001502	2	Angle	
11	7104150624	4	Bolt 5/16 x 3/4	
12	4761500	4	Washer 5/16	
13	4751500	4	Washer 5/16	
14	7785161274	4	Setscrew 3/8 x 3/4	
15	3020039	AR	Lubricant	
16	1001152707	AR	Lubricant	
17	1001155141	AR	Lubricant	
18	1001095650	AR	Adhesive	
19	1001204776	1	Plug	

SECTION 3 - UNDERLIFT

FIGURE 3-6. UNDERLIFT BOOM ASSEMBLY - MANUAL GRID (SN 0230009854 through 0230011754, Except SN 0230011072 through 0230011326, Except SN 0230011488 through 0230011512, Except SN 0230011597 through 0230011611, Excluding 0230010717)



ART_1001265470

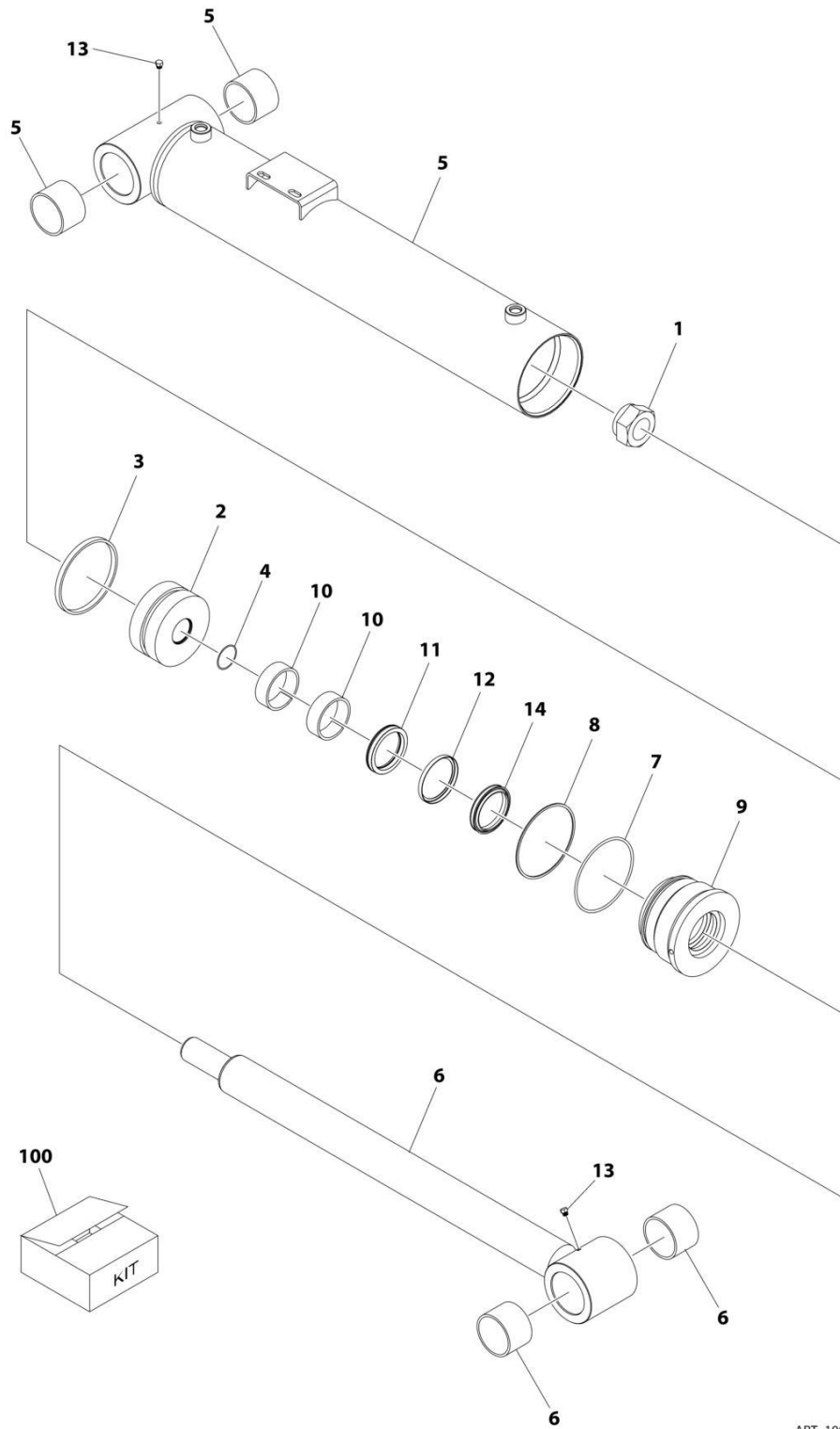
SECTION 3 - UNDERLIFT

FIGURE 3-6. UNDERLIFT BOOM ASSEMBLY - MANUAL GRID (SN 0230009854 through 0230011754, Except SN 0230011072 through 0230011326, Except SN 0230011488 through 0230011512, Except SN 0230011597 through 0230011611, Excluding 0230010717)

ITEM	PART NUMBER	QTY	DESCRIPTION	REV
	1001265470	Ref	UNDERLIFT BOOM ASSEMBLY - MANUAL GRID	A
1	3020039	AR	Lubricant	
2	3760115	2	Ring, Retaining	
3	4751500	4	Washer 5/16	
4	4761500	4	Washer 5/16	
5	1001095650	AR	Adhesive	
6	1001152707	AR	Lubricant	
7	1001155141	AR	Lubricant	
8	1001204776	1	Plug	
9	1001207976	1	Boom, Main	
9	7082000043	2	Bearing	
10	3170000346	1	Boom, Inner	
10	7209000030	2	Bearing	
11	4017001502	2	Angle	
12	4679000046	1	Pad	
13	4679000213	2	Pad	
14	4691000307	1	Pin	
15	4691000308	1	Pin	
16	7104150624	4	Bolt 5/16 x 3/4	
17	7320000077	1	Cylinder Assembly - Extrend/Retract (See Separate Breakdown in this Section)	
18	7754000056	2	Ring, Retaining	
19	7785161274	4	Setscrew 3/8 x 3/4	

SECTION 3 - UNDERLIFT

FIGURE 3-7. CYLINDER ASSEMBLY - UNDERLIFT TILT



ART_1001194372

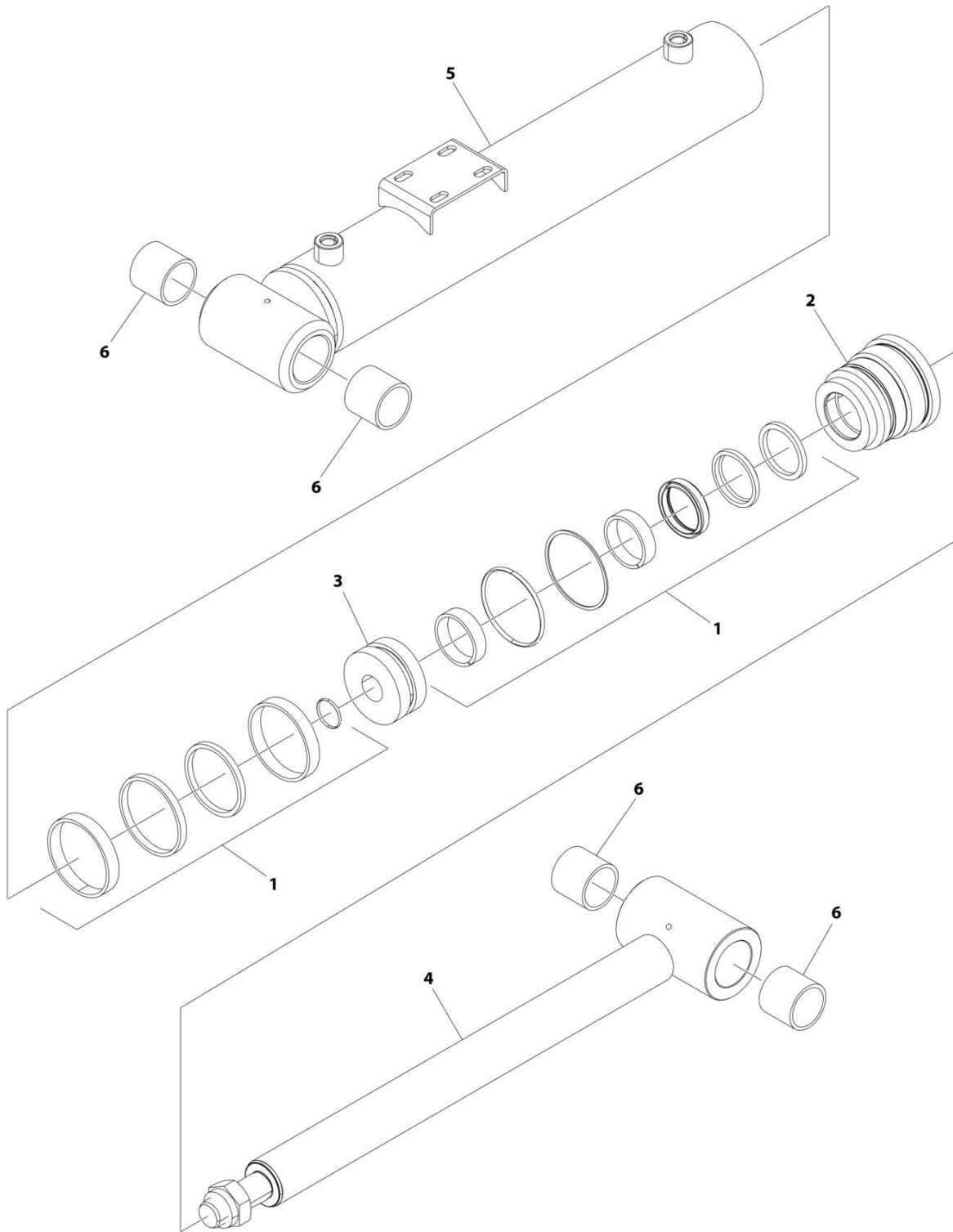
SECTION 3 - UNDERLIFT

FIGURE 3-7. CYLINDER ASSEMBLY - UNDERLIFT TILT

ITEM	PART NUMBER	QTY	DESCRIPTION	REV
	1001194372	Ref	UNDERLIFT TILT CYLINDER ASSEMBLY	B
		Ref	Note: Original Cylinder May Have Been Replaced with Service Replacement. Identify PN Stamped on Cylinder Before Ordering Parts.	
1	7029140	1	Nut	
2	70051629	1	Piston	
3	See Note	NSS	Piston Seal (Note: Use Item 100)	
4	See Note	NSS	O-Ring (Note: Use Item 100)	
5	See Note	NSS	Barrel (Note: Use PN 1001194372)	
5	0962224	2	Bearing	
6	70052122	1	Rod	
6	0962224	2	Bearing	
7	See Note	NSS	O-Ring (Note: Use Item 100)	
8	See Note	NSS	Ring, Back-up (Note: Use Item 100)	
9	70051628	1	Head	
10	See Note	NSS	Ring, Wear (Note: Use Item 100)	
11	See Note	NSS	Seal (Note: Use Item 100)	
12	See Note	NSS	Wiper (Note: Use Item 100)	
13	1001204776	2	Plug	
14		Ref	O-Ring	
100	70051326	1	Seal Kit (Includes Items 3, 4, 7, 8, 10, 11 & 12)	

SECTION 3 - UNDERLIFT

FIGURE 3-8. CYLINDER ASSEMBLY - UNDERLIFT EXTEND/RETRACT



ART_732000077

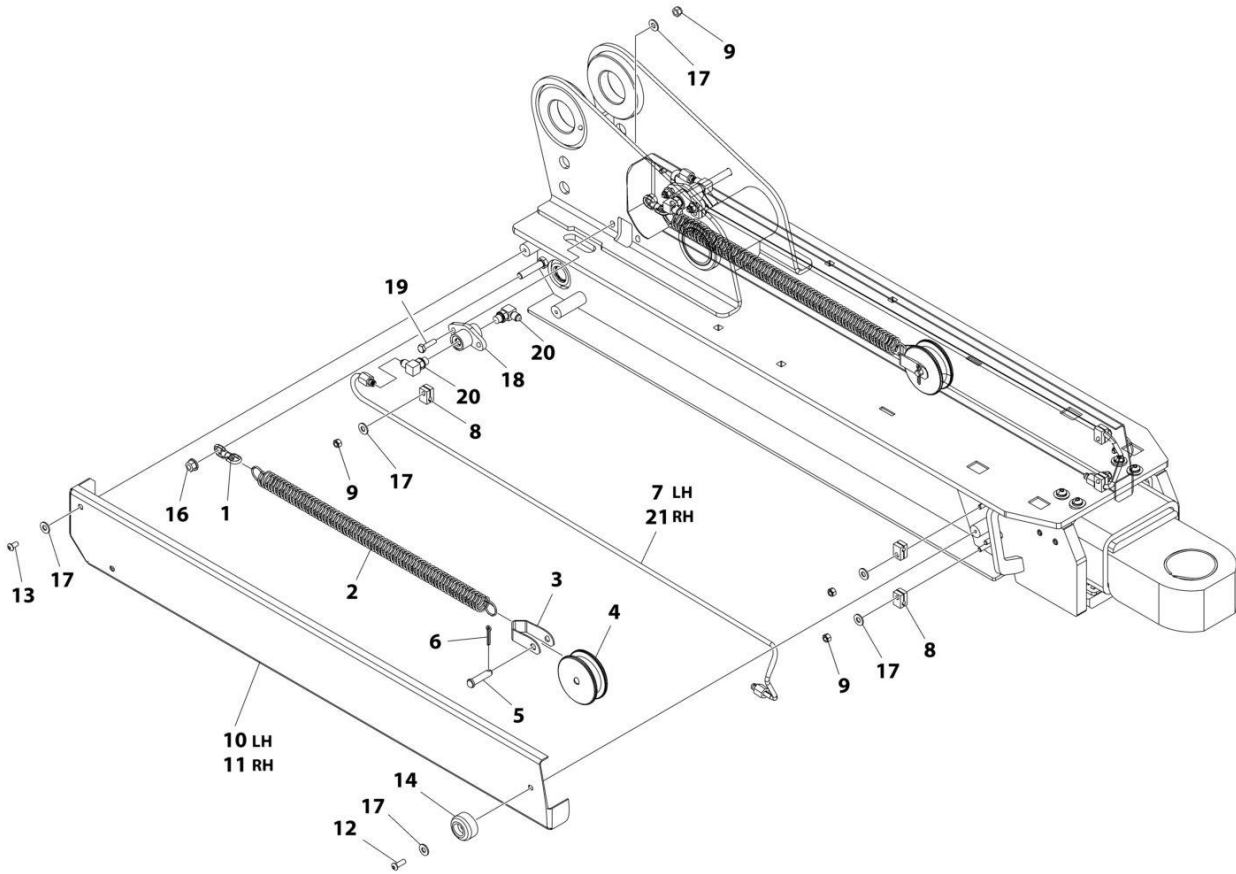
SECTION 3 - UNDERLIFT

FIGURE 3-8. CYLINDER ASSEMBLY - UNDERLIFT EXTEND/RETRACT

ITEM	PART NUMBER	QTY	DESCRIPTION	REV
	732000077	Ref	CYLINDER ASSEMBLY	01
1	70051664	1	Seal Kit - Cylinder	
2	70051660	1	Head	
3	70051661	1	Piston	
4	70051662	1	Rod	
5	70051663	1	Barrel	

SECTION 3 - UNDERLIFT

FIGURE 3-9. UNDERLIFT TRACK ASSEMBLY (WITH HYDRAULIC GRID)



ART_3509870046

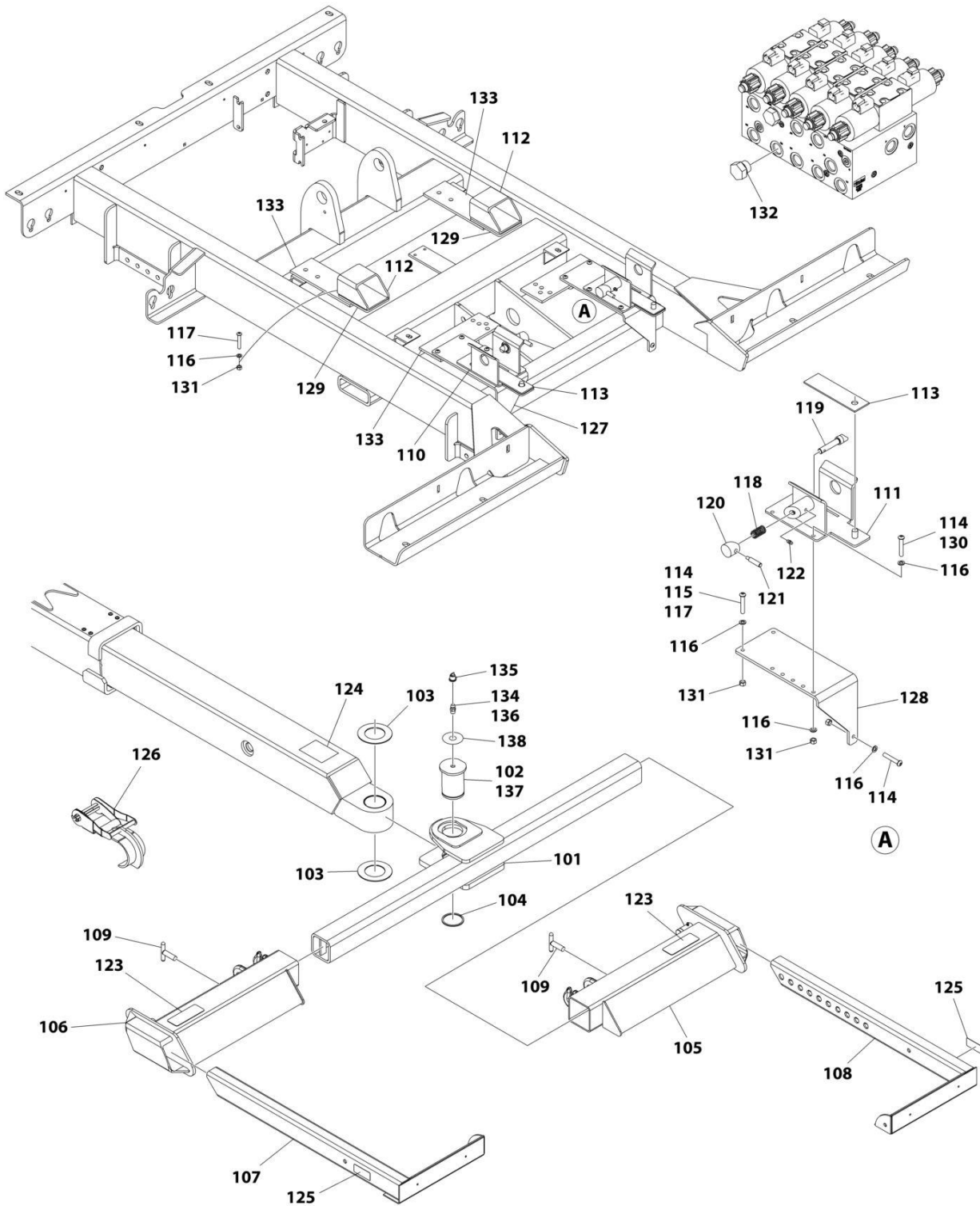
SECTION 3 - UNDERLIFT

FIGURE 3-9. UNDERLIFT TRACK ASSEMBLY (WITH HYDRAULIC GRID)

ITEM	PART NUMBER	QTY	DESCRIPTION	REV
	3509870046	Ref	UNDERLIFT TRACK ASSEMBLY	B
1	7592000004	2	Swivel	
2	7843000031	2	Spring	
3	4706003501	2	Plate	
4	7719000004	2	Roller	
5	7691000040	2	Clevis	
6	7691000042	2	Cotter Pin	
7	7912000346	1	Tube	
8	7274000073	6	Hose Clamp	
9	7660142604	10	Nut 1/4	
10	4706004066	1	Plate, LH	
11	4706004067	1	Plate, RH	
12	7114140618	2	Capscrew 1/4 x 3/4	
13	7114140427	4	Capscrew 1/4 x 1/2	
14	7189000019	2	Rubber Bumper	
16	7660162301	2	Nut 3/8	
17	7950140143	16	Washer 1/4	
18	3619000001	2	Manifold	
19	7115140850	4	Bolt 1/4 x 1	
20	7445040445	4	Fitting, 90	
21	7912000347	1	Tube	

SECTION 3 - UNDERLIFT

FIGURE 3-10. GRID SYSTEM INSTALLATION - MANUAL FIXED (Including 0230004211 to 0230009853)



ART_1001206324

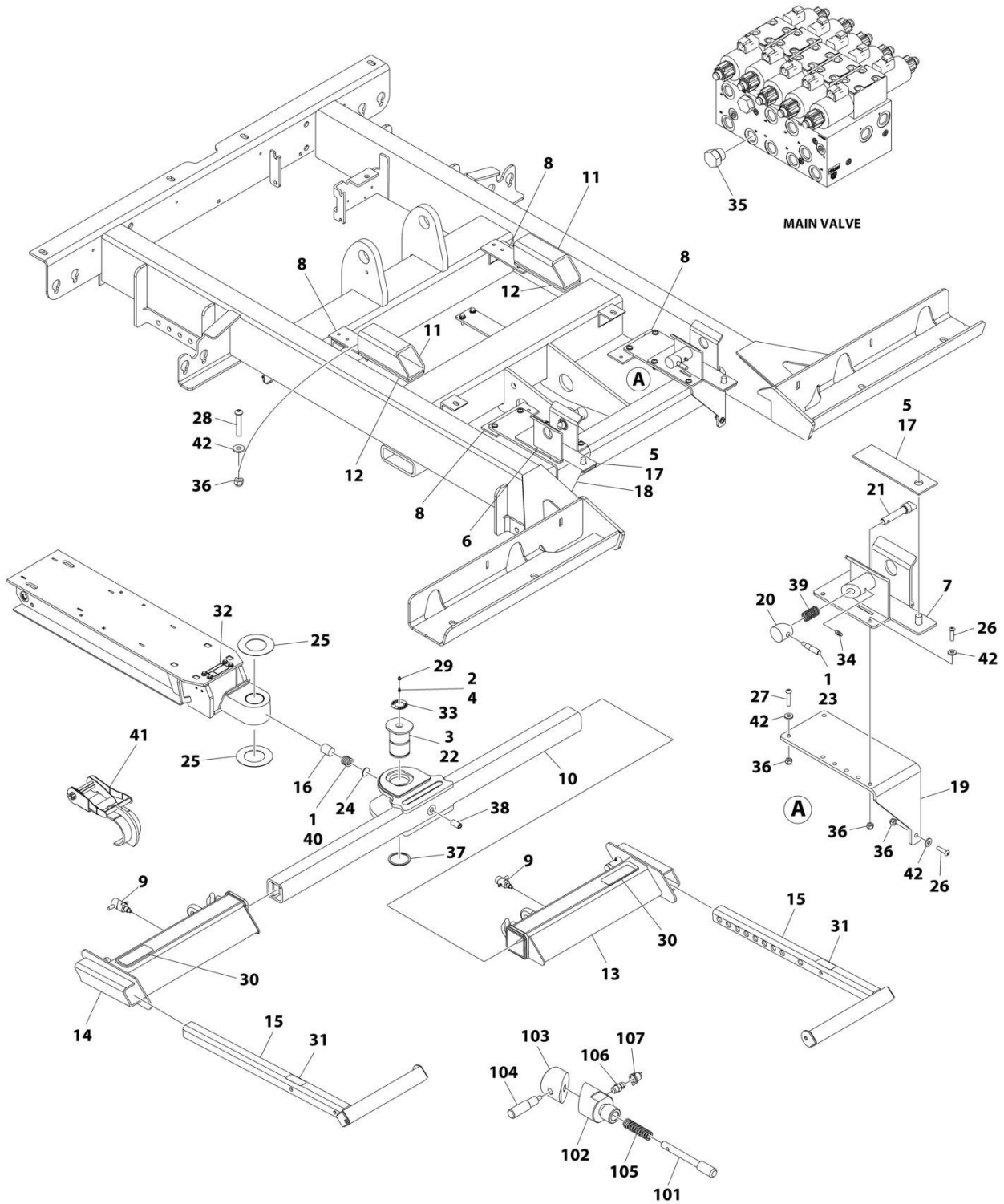
SECTION 3 - UNDERLIFT

FIGURE 3-10. GRID SYSTEM INSTALLATION - MANUAL FIXED (Including 0230004211 to 0230009853)

ITEM	PART NUMBER	QTY	DESCRIPTION	REV
	1001206324	Ref	GRID SYSTEM INSTALLATION - MANUAL	A
1	3484000083	Ref	Grid/Cross Tube Assembly (Not Shown) (See Items 101-138 for Breakdown)	
2	1001137486	1	Plug Installation (Not Shown)	
2	7443000048	2	Plug (Not Shown - Located on Main Valve)	
	3484000083	Ref	GRID ASSEMBLY	B
101	3170000390	1	Crosstube	
102	4691000103	1	Pin	
103	4949000047	2	Thrust Washer	
104	7754000024	1	Ring, Retaining	
105	3484000030	1	Grid (RH)	
106	3484000031	1	Grid (LH)	
107	3020000037	1	L-Arm (LH)	
108	3020000038	1	L-Arm (RH)	
109	3551000036	2	T-Handle	
110	1001129410	1	Bracket, Storage (LH)	
111	1001129411	1	Bracket, Storage (RH)	
112	4911000454	2	Tube	
113	4090000013	2	Pad	
114	7114140818	6	Capscrew 1/4 x 1	
115	7114141018	4	Bolt 1/4 x 1-1/4	
116	7950140143	18	Washer 1/4	
117	7114141218	4	Capscrew 1/4 x 1-1/2	
118	7843000006	2	Spring	
119	4691000186	2	Pin	
120	4254000005	2	Cap	
121	4763000184	2	Rod	
122	7440030000	2	Fitting, Grease	
123	7330000036	2	Decal - Warning Secure Vehicle	
124	7330000599	1	Decal - Warning Pinch Point	
125	7330000553	2	Decal - L-Arm Storage	
126	7894000034	2	Strap and Ratchet Assembly	
127	4178000826	1	Bracket	
128	4178000827	1	Bracket	
129	4706006094	2	Plate	
130	7114140818	4	Capscrew 1/4 x 1	
131	7660142601	14	Nut 1/4	
132	7443000048	2	Fitting, Plug	
133	1001129414	4	Plate, Backing	
134	88671008	1	Fitting, Grease	
135	7253000002	1	Cap, Grease	
136	3020029	AR	Lubricant	
137	3020039	AR	Lubricant	
138	7330000609	1	Decal - Grease Required	

SECTION 3 - UNDERLIFT

FIGURE 3-11. GRID SYSTEM INSTALLATION - MANUAL FIXED (SN 0230009854 through 0230011754, Except SN 0230011072 through 0230011326, Except SN 0230011488 through 0230011512, Except SN 0230011597 through 0230011611, Excluding 0230010717)



ART_1001265477

SECTION 3 - UNDERLIFT

FIGURE 3-11. GRID SYSTEM INSTALLATION - MANUAL FIXED (SN 0230009854 through 0230011754, Except SN 0230011072 through 0230011326, Except SN 0230011488 through 0230011512, Except SN 0230011597 through 0230011611, Excluding 0230010717)

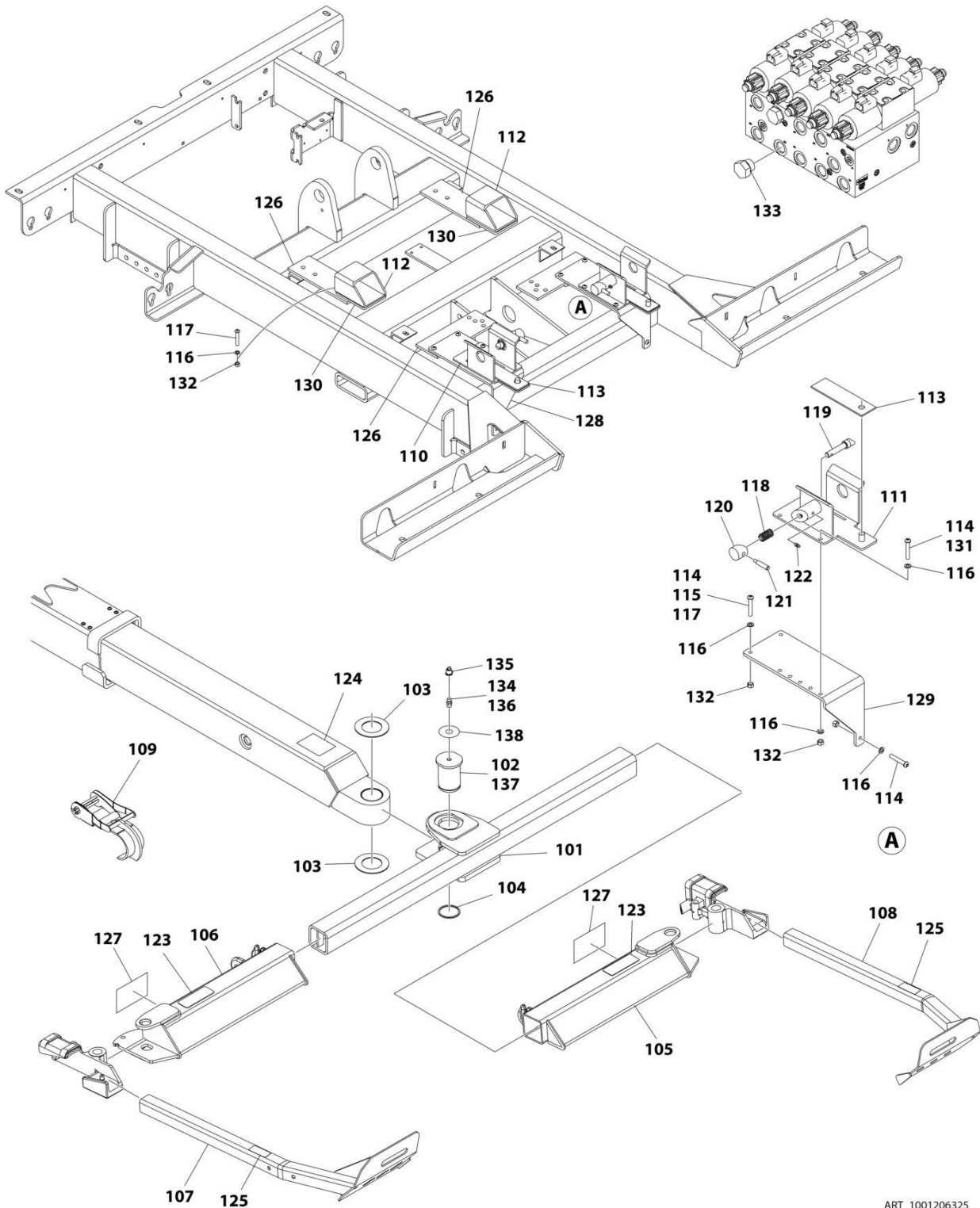
ITEM	PART NUMBER	QTY	DESCRIPTION	REV
	1001265477	Ref	GRID SYSTEM INSTALLATION - MANUAL FIXED	A
1	0100011	AR	Compound Locking	
2	3020029	AR	Lubricant	
3	3020039	AR	Lubricant	
4	88671008	1	Fitting, Grease	
5	1001112058	AR	Adhesive Strip	
6	1001129412	1	Bracket, Storage (LH)	
7	1001129413	1	Bracket, Storage (RH)	
8	1001129414	4	Plate, Backing	
9	1001153950	2	Cam Lock (Includes Items 101-107)	
10	1001265479	1	Crosstube	
11	1001267714	2	Tube	
12	1001268759	2	Plate	
13	1001270927	1	Grid (RH)	
14	1001270928	1	Grid (LH)	
15	1001271130	2	L-Arm	
16	4064000052	1	Bar	
17	4090000013	2	Pad	
18	4178000826	1	Bracket	
19	4178000827	1	Bracket	
20	4254000005	2	Cap	
21	4691000186	2	Pin	
22	4691000198	1	Pin	
23	4763000184	2	Rod	
24	4831000095	1	Spacer	
25	4949000047	2	Thrust Washer	
26	7114140818	6	Capscrew 1/4 x 1	
27	7114141018	4	Bolt 1/4 x 1-1/4	
28	7114141218	4	Capscrew 1/4 x 1-1/2	
29	7253000002	1	Cap, Grease	
30	7330000036	2	Decal - Warning Secure Vehicle	
31	7330000553	2	Decal - L-Arm Storage	
32	7330000599	1	Decal - Warning Pinch Point	
33	7330000609	1	Decal - Grease Required	
34	7440030000	2	Fitting, Grease	
35	7443000048	2	Plug	
36	7660142601	14	Nut 1/4	
37	7754000024	1	Ring, Retaining	
38	7786000009	1	Setscrew 3/4 x 1-1/2	
39	7843000006	2	Spring	
40	7843000037	1	Spring	
41	7894000034	2	Strap and Ratchet Assembly	
42	7950140143	14	Washer 1/4	
101	1001153944	2	Pin	
102	1001153945	2	Cam-Lock Tube	
103	1001153946	2	Cam-Lock Cap	
104	1001153947	2	Handle	
105	1001153971	1	Spring	

SECTION 3 - UNDERLIFT

ITEM	PART NUMBER	QTY	DESCRIPTION	REV
106	7440030000	2	Fitting, Grease	
107	7253000002	2	Cap, Grease	

SECTION 3 - UNDERLIFT

FIGURE 3-12. GRID SYSTEM INSTALLATION - MANUAL PIVOTING (Including 0230004211 to 0230009853)



ART_1001206325

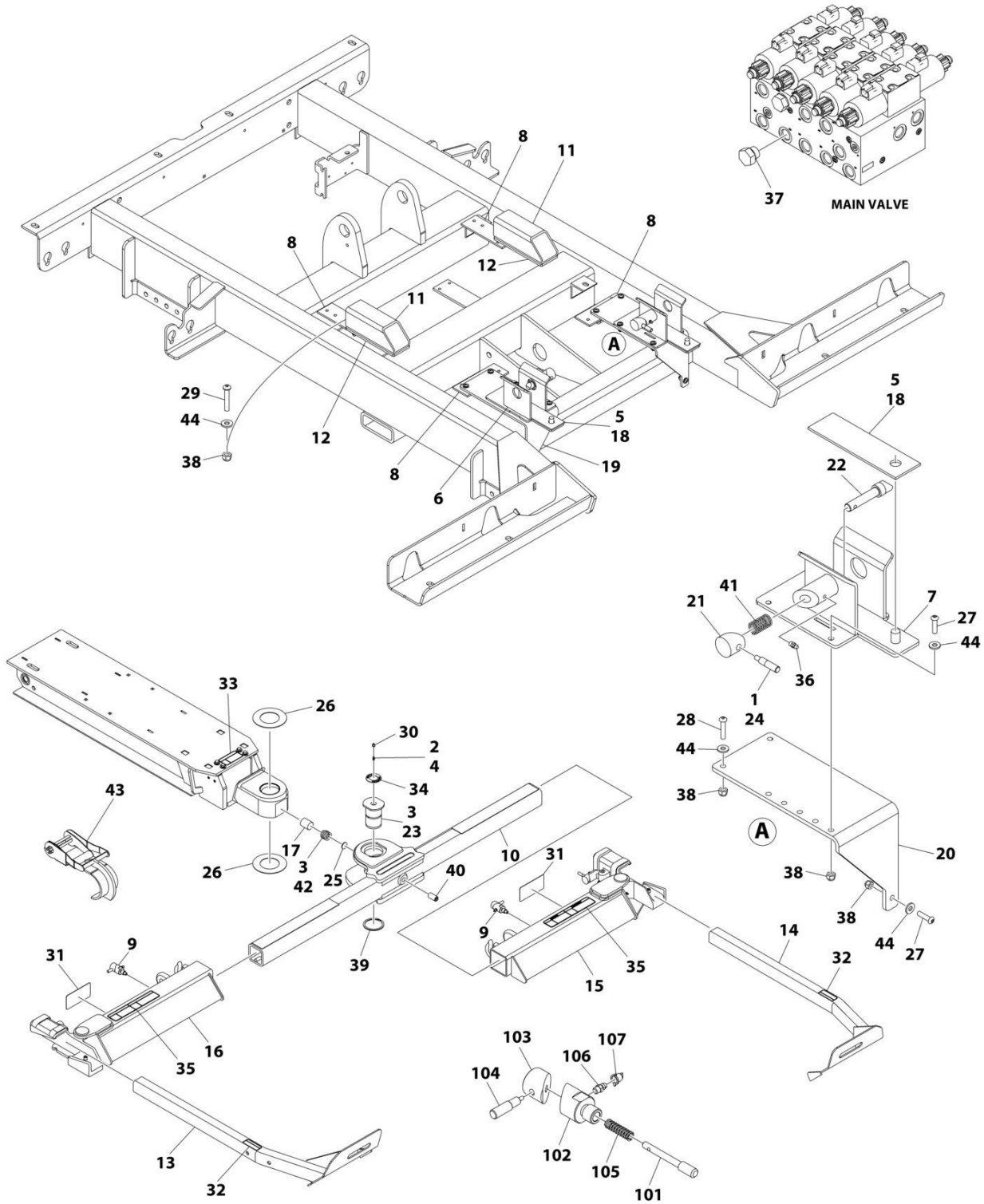
SECTION 3 - UNDERLIFT

FIGURE 3-12. GRID SYSTEM INSTALLATION - MANUAL PIVOTING (Including 0230004211 to 0230009853)

ITEM	PART NUMBER	QTY	DESCRIPTION	REV
	1001206325	Ref	GRID SYSTEM INSTALLATION - PIVOTING	A
1	3484000082	Ref	Grid/Cross Tube Assembly (Not Shown) (See Items 101-138 for Breakdown)	
2	1001137486	1	Plug Installation (Not Shown)	
2	7443000048	2	Plug (Not Shown - Located on Main Valve)	
	3484000082	Ref	GRID ASSEMBLY	B
101	3170000390	1	Crosstube	
102	4691000103	1	Pin	
103	4949000047	2	Thrust Washer	
104	7754000024	1	Ring, Retaining	
105	3484000046	1	Grid (RH) (See Separate Breakdown in this Section)	
106	3484000047	1	Grid (LH) (See Separate Breakdown in this Section)	
107	3020000029	1	L-Arm (LH)	
108	3020000030	1	L-Arm (RH)	
109	7894000034	2	Strap and Ratchet Assembly	
110	1001129410	1	Bracket, Storage (LH)	
111	1001129411	1	Bracket, Storage (RH)	
112	4913000503	2	Tube	
113	4090000013	2	Belt	
114	7114140818	6	Capscrew 1/4 x 1	
115	7114141018	4	Bolt 1/4 x 1-1/4	
116	7950140143	18	Washer 1/4	
117	7114141218	4	Capscrew 1/4 x 1-1/2	
118	7843000006	2	Spring	
119	4691000186	2	Pin	
120	4254000005	2	Cap	
121	4763000184	2	Rod	
122	7440030000	2	Fitting, Grease	
123	7330000683	2	Decal- Safety	
124	7330000599	1	Decal - Warning Pinch Point	
125	7330000553	2	Decal - L-Arm Storage	
126	1001129414	4	Plate, Backing	
127	7330000384	2	Decal, T-37	
128	4178000826	1	Bracket, LH	
129	4178000827	1	Bracket, RH	
130	4706006093	2	Plate	
131	7114140818	4	Capscrew 1/4 x 1	
132	7660142601	14	Nut 1/4	
133	7443000048	2	Fitting, Plug	
134	88671008	1	Fitting, Grease	
135	7253000002	1	Cap, Grease	
136	3020029	AR	Lubricant	
137	3020039	AR	Lubricant	
138	7330000609	1	Decal - Grease Required	

SECTION 3 - UNDERLIFT

FIGURE 3-13. GRID SYSTEM INSTALLATION - MANUAL PIVOTING (SN 0230009854 through 0230011754, Except SN 0230011072 through 0230011326, Except SN 0230011488 through 0230011512, Except SN 0230011597 through 0230011611, Excluding 0230010717)



ART_1001265478

SECTION 3 - UNDERLIFT

FIGURE 3-13. GRID SYSTEM INSTALLATION - MANUAL PIVOTING (SN 0230009854 through 0230011754, Except SN 0230011072 through 0230011326, Except SN 0230011488 through 0230011512, Except SN 0230011597 through 0230011611, Excluding 0230010717)

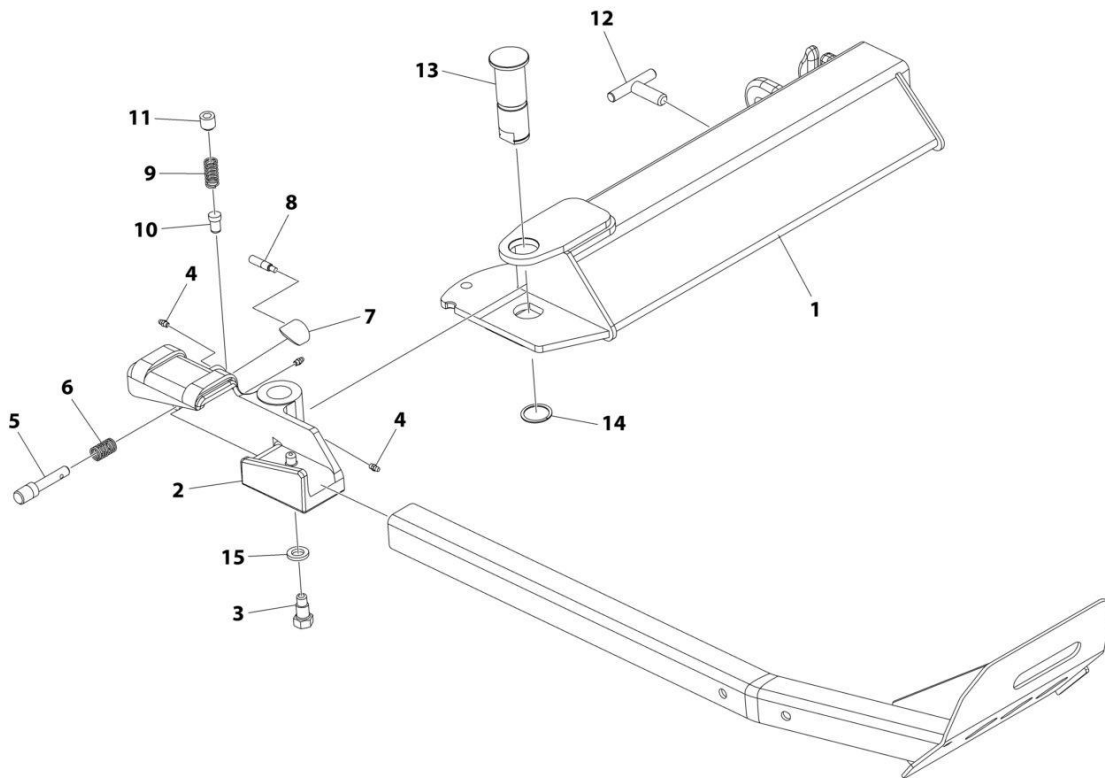
ITEM	PART NUMBER	QTY	DESCRIPTION	REV
	1001265478	Ref	GRID SYSTEM INSTALLATION - MANUAL PIVOTING	A
1	0100011	AR	Compound Locking	
2	3020029	AR	Lubricant	
3	3020039	AR	Lubricant	
4	88671008	1	Fitting, Grease	
5	1001112058	AR	Adhesive Strip	
6	1001129412	1	Bracket, Storage (LH)	
7	1001129413	1	Bracket, Storage (RH)	
8	1001129414	4	Plate, Backing	
9	1001153950	2	Cam Lock (Includes Items 101-107)	
10	1001265479	1	Crosstube	
11	1001267714	2	Tube	
12	1001268759	2	Plate	
13	3020000029	1	L-Arm (LH)	
14	3020000030	1	L-Arm (RH)	
15	3484000052	1	Grid (RH) (See Separate Breakdown in this Section)	
16	3484000053	1	Grid (LH) (See Separate Breakdown in this Section)	
17	4064000052	1	Bar	
18	4090000013	2	Pad	
19	4178000826	1	Bracket	
20	4178000827	1	Bracket	
21	4254000005	2	Cap	
22	4691000186	2	Pin	
23	4691000198	1	Pin	
24	4763000184	2	Rod	
25	4831000095	1	Spacer	
26	4949000047	2	Thrust Washer	
27	7114140818	6	Capscrew 1/4 x 1	
28	7114141018	4	Bolt 1/4 x 1-1/4	
29	7114141218	4	Capscrew 1/4 x 1-1/2	
30	7253000002	1	Cap, Grease	
31	7330000384	2	Decal, T-37	
32	7330000553	2	Decal - L-Arm Storage	
33	7330000599	1	Decal - Warning Pinch Point	
34	7330000609	1	Decal - Grease Required	
35	7330000683	2	Decal- Safety	
36	7440030000	2	Fitting, Grease	
37	7443000048	2	Plug	
38	7660142601	14	Nut 1/4	
39	7754000024	1	Ring, Retaining	
40	7786000009	1	Setscrew 3/4 x 1-1/2	
41	7843000006	2	Spring	
42	7843000037	1	Spring	
43	7894000034	2	Strap and Ratchet Assembly	
44	7950140143	14	Washer 1/4	
101	1001153944	2	Pin	
102	1001153945	2	Cam-Lock Tube	
103	1001153946	2	Cam-Lock Cap	

SECTION 3 - UNDERLIFT

ITEM	PART NUMBER	QTY	DESCRIPTION	REV
104	1001153947	2	Handle	
105	1001153971	1	Spring	
106	7440030000	2	Fitting, Grease	
107	7253000002	2	Cap, Grease	

SECTION 3 - UNDERLIFT

FIGURE 3-14. GRID ASSEMBLY - WHEEL LIFT (LH) (WITH MANUAL PIVOTING GRID SYSTEM)
(Including 0230004211 to 0230009853)



ART_3484000047

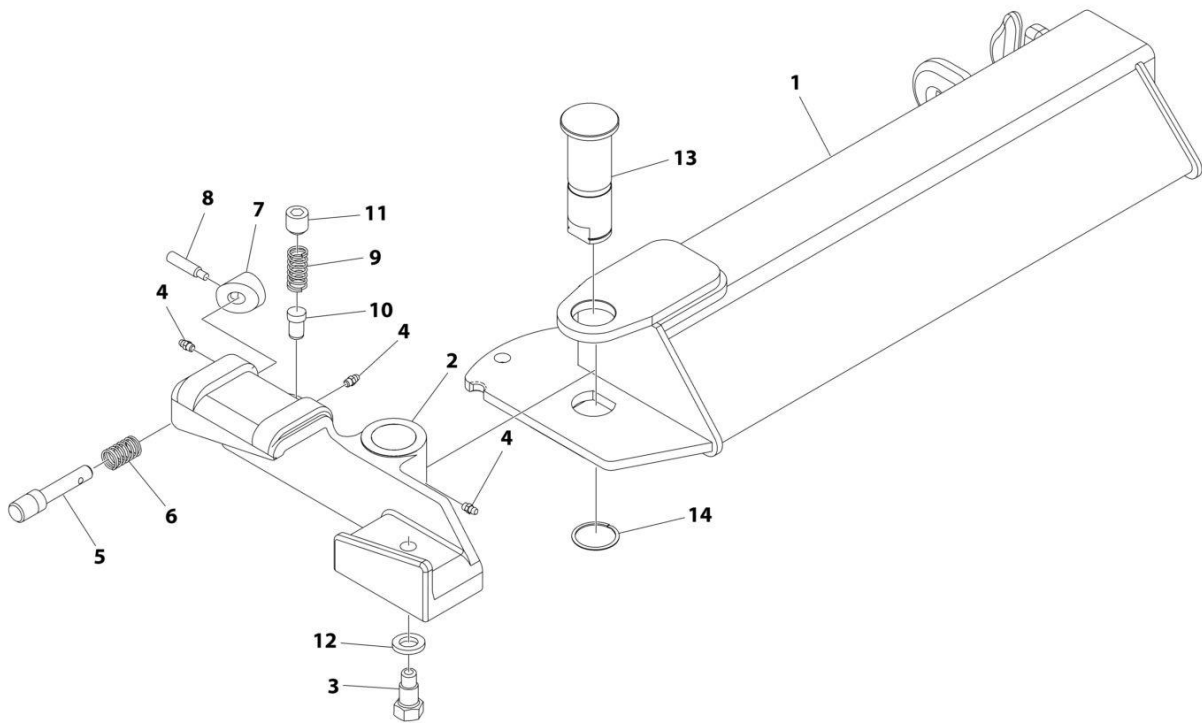
SECTION 3 - UNDERLIFT

**FIGURE 3-14. GRID ASSEMBLY - WHEEL LIFT (LH) (WITH MANUAL PIVOTING GRID SYSTEM)
(Including 0230004211 to 0230009853)**

ITEM	PART NUMBER	QTY	DESCRIPTION	REV
	3484000047	Ref	WHEEL LIFT ASSEMBLY (GRID), LH	C
1	3484000017	1	Grid Weldment, LH	
2	4259000002	1	Pivot Weldment, LH	
3	4691000354	1	Pin	
4	7440030000	3	Fitting	
5	4691000186	1	Pin	
6	7843000006	1	Spring	
7	4254000005	1	Cap	
8	4763000184	1	Rod	
9	7843000016	1	Spring	
10	4691000183	1	Pin	
11	7786000006	1	Screw 3/4 x 5/8	
12	3551000036	1	T-Handle	
13	4691000357	1	Pin	
14	7754000037	1	Ring Retaining	
15	7950200000	1	Washer 5/8	

SECTION 3 - UNDERLIFT

FIGURE 3-15. GRID ASSEMBLY - WHEEL LIFT (LH) (WITH MANUAL PIVOTING GRID SYSTEM) (SN 0230009854 through 0230011754, Except SN 0230011072 through 0230011326, Except SN 0230011488 through 0230011512, Except SN 0230011597 through 0230011611, Excluding 0230010717)



ART_348400053

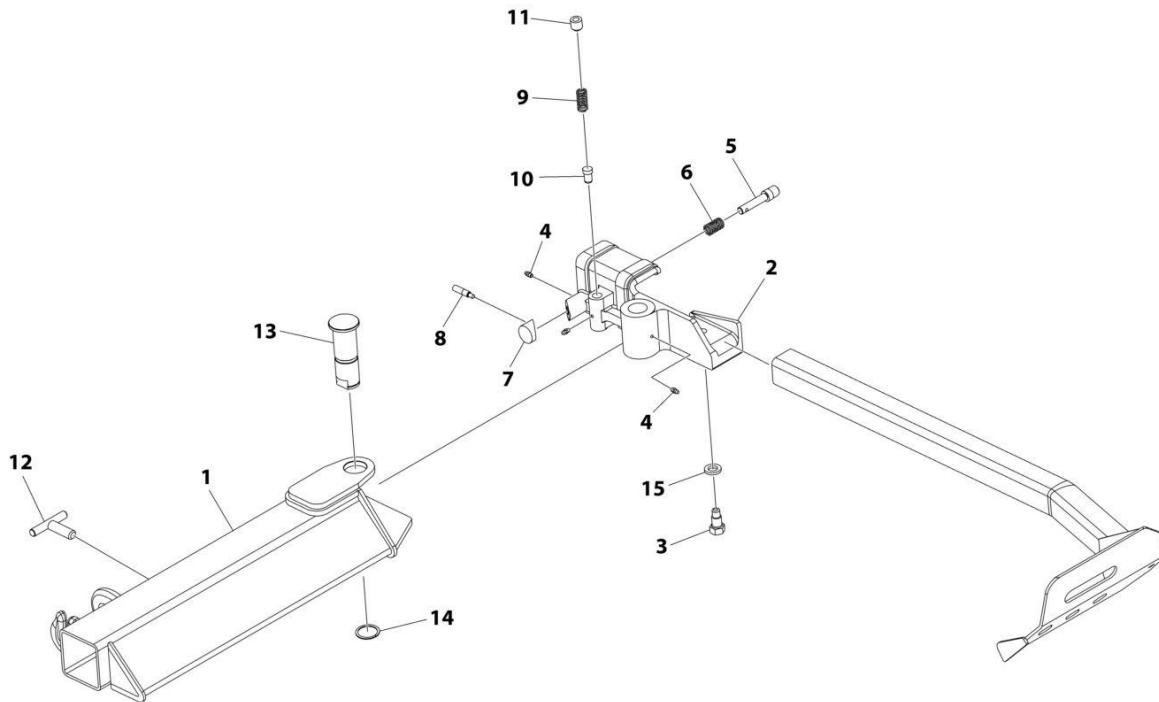
SECTION 3 - UNDERLIFT

FIGURE 3-15. GRID ASSEMBLY - WHEEL LIFT (LH) (WITH MANUAL PIVOTING GRID SYSTEM) (SN 0230009854 through 0230011754, Except SN 0230011072 through 0230011326, Except SN 0230011488 through 0230011512, Except SN 0230011597 through 0230011611, Excluding 0230010717)

ITEM	PART NUMBER	QTY	DESCRIPTION	REV
	3484000053	Ref	WHEEL LIFT ASSEMBLY (GRID), LH	0
1	3484000052	1	Grid Weldment, LH	
2	4259000002	1	Grid Pivot LH	
3	4691000354	1	Pin	
4	7440030000	3	Fitting	
5	4691000186	1	Pin	
6	7843000006	1	Spring	
7	4254000005	1	Cap	
8	4763000184	1	Rod	
9	7843000016	1	Spring	
10	4691000183	1	Pin	
11	7786000006	1	Screw 3/4 x 5/8	
12	7950200000	1	Washer 5/8	
13	4691000357	1	Pin	
14	7754000037	1	Ring Retaining	

SECTION 3 - UNDERLIFT

FIGURE 3-16. GRID ASSEMBLY - WHEEL LIFT (RH) (WITH MANUAL PIVOTING GRID SYSTEM)
(Including 0230004211 to 0230009853)



ART_3484000046

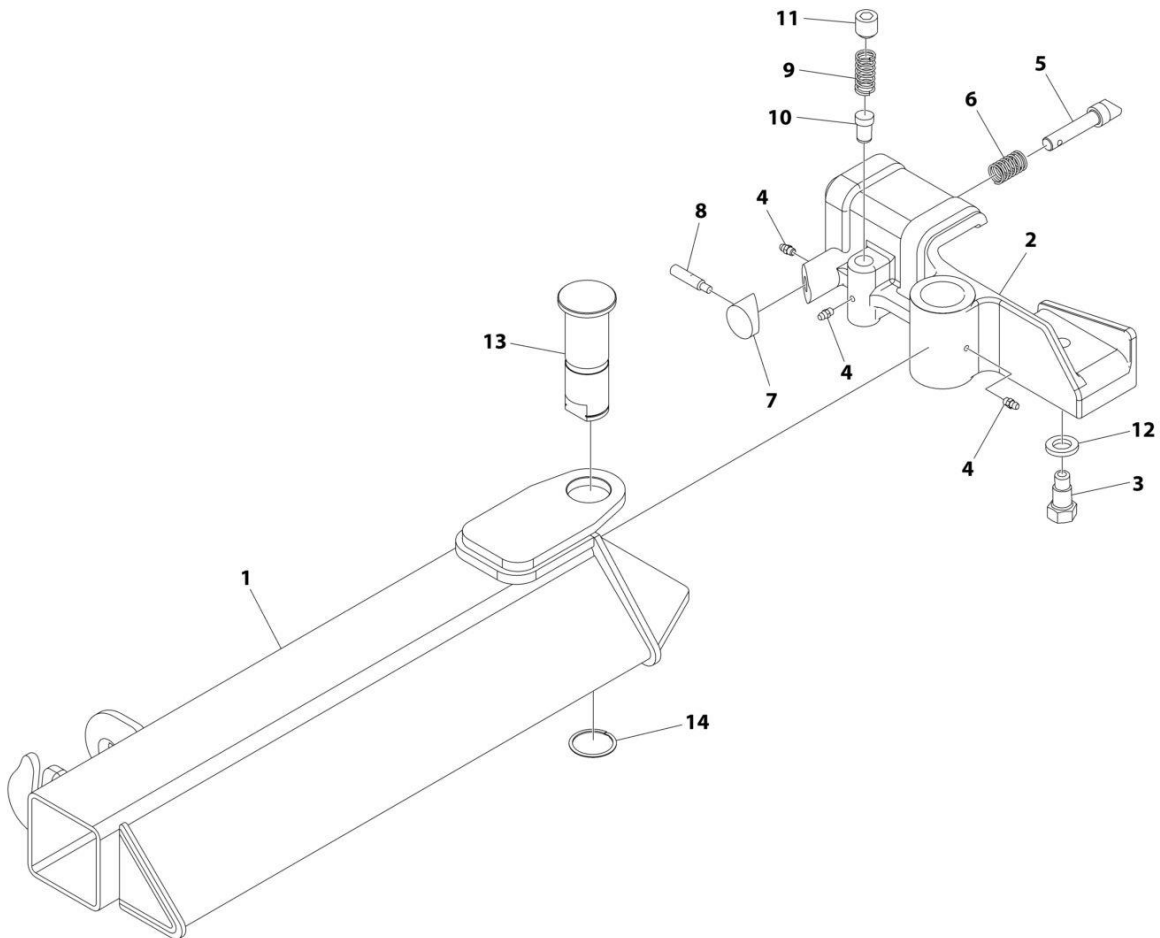
SECTION 3 - UNDERLIFT

**FIGURE 3-16. GRID ASSEMBLY - WHEEL LIFT (RH) (WITH MANUAL PIVOTING GRID SYSTEM)
(Including 0230004211 to 0230009853)**

ITEM	PART NUMBER	QTY	DESCRIPTION	REV
	3484000046	Ref	WHEEL LIFT ASSEMBLY (GRID), RH	C
1	3484000016	1	Grid Weldment, RH	
2	4259000001	1	Pivot Weldment, RH	
3	4691000354	1	Pin	
4	7440030000	3	Fitting	
5	4691000186	1	Pin	
6	7843000006	1	Spring	
7	4254000005	1	Cap	
8	4763000184	1	Rod	
9	7843000016	1	Spring	
10	4691000183	1	Pin	
11	7786000006	1	Screw 3/4 x 5/8	
12	3551000036	1	T-Handle	
13	4691000357	1	Pin	
14	7754000037	1	Ring Retaining	
15	7950200000	1	Washer 5/8	

SECTION 3 - UNDERLIFT

FIGURE 3-17. GRID ASSEMBLY - WHEEL LIFT (RH) (WITH MANUAL PIVOTING GRID SYSTEM) (SN 0230009854 through 0230011754, Except SN 0230011072 through 0230011326, Except SN 0230011488 through 0230011512, Except SN 0230011597 through 0230011611, Excluding 0230010717)



ART_3484000052

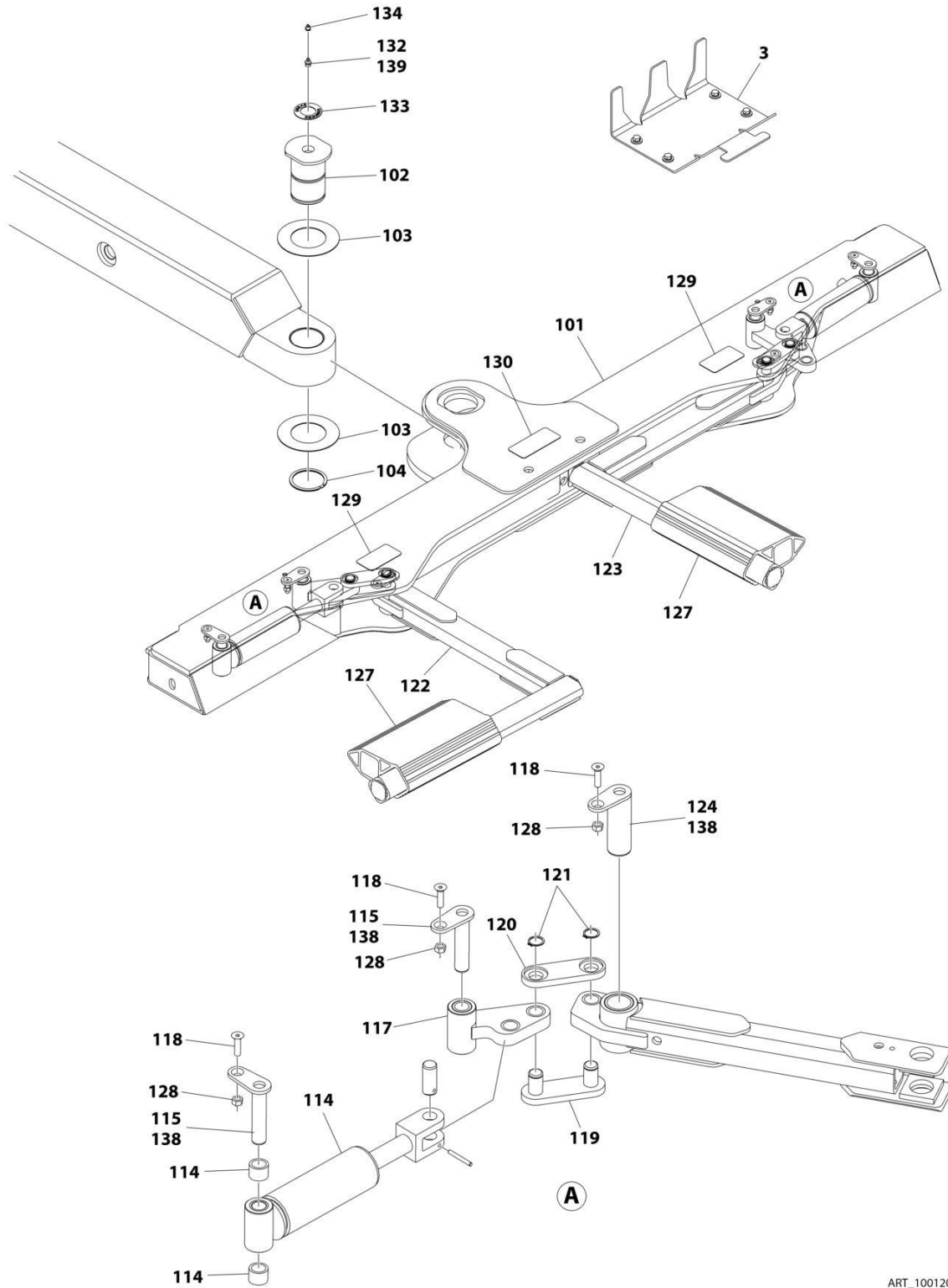
SECTION 3 - UNDERLIFT

FIGURE 3-17. GRID ASSEMBLY - WHEEL LIFT (RH) (WITH MANUAL PIVOTING GRID SYSTEM) (SN 0230009854 through 0230011754, Except SN 0230011072 through 0230011326, Except SN 0230011488 through 0230011512, Except SN 0230011597 through 0230011611, Excluding 0230010717)

ITEM	PART NUMBER	QTY	DESCRIPTION	REV
	3484000052	Ref	WHEEL LIFT ASSEMBLY (GRID), RH	0
1	3484000050	1	Grid Weldment, RH	
2	4259000001	1	Grid Pivot RH	
3	4691000354	1	Pin	
4	7440030000	3	Fitting	
5	4691000186	1	Pin	
6	7843000006	1	Spring	
7	4254000005	1	Cap	
8	4763000184	1	Rod	
9	7843000016	1	Spring	
10	4691000183	1	Pin	
11	7786000006	1	Screw 3/4 x 5/8	
12	7950200000	1	Washer 5/8	
13	4691000357	1	Pin	
14	7754000037	1	Ring Retaining	

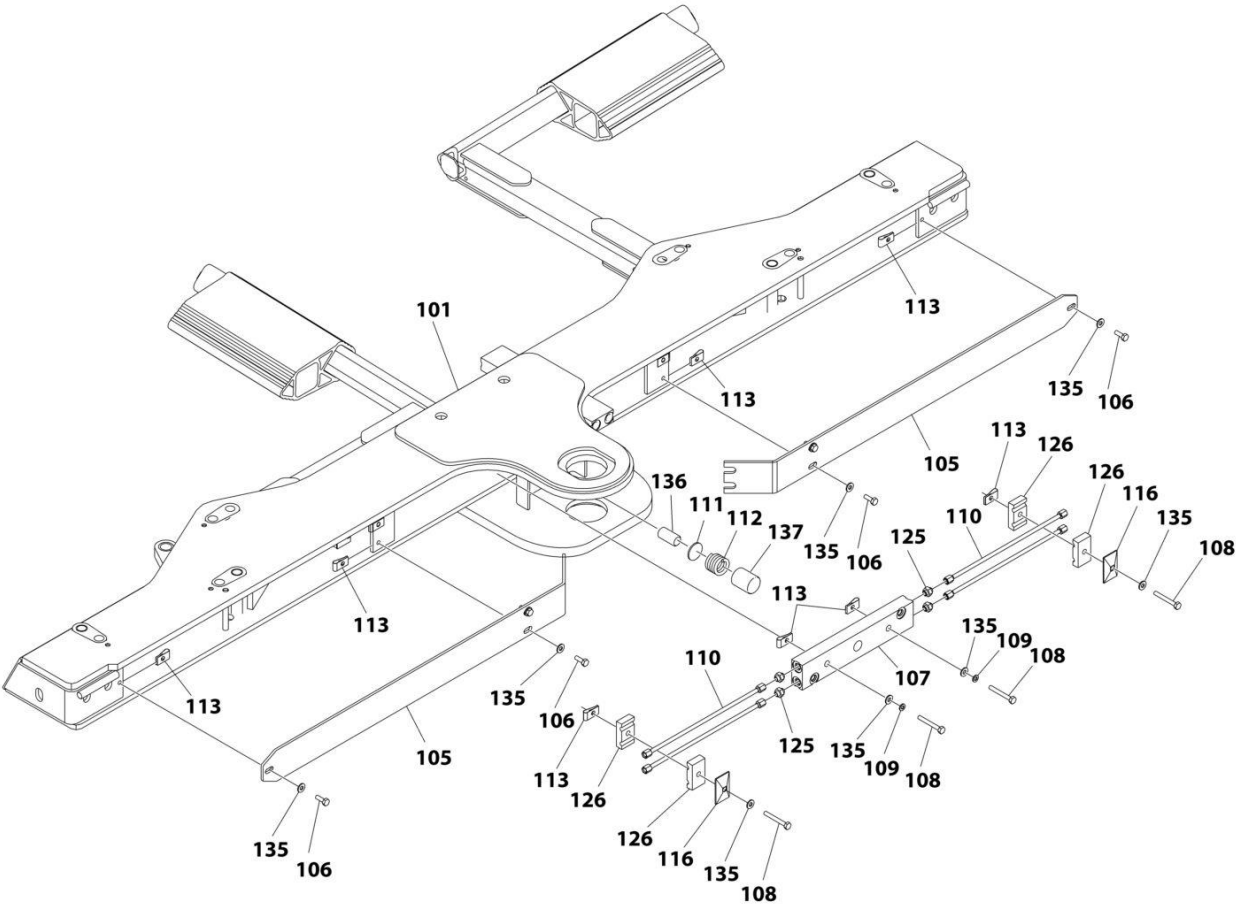
SECTION 3 - UNDERLIFT

FIGURE 3-18. GRID SYSTEM INSTALLATION - HYDRAULIC



ART_1001206326_10F2

SECTION 3 - UNDERLIFT



ART_1001206326_2OF2

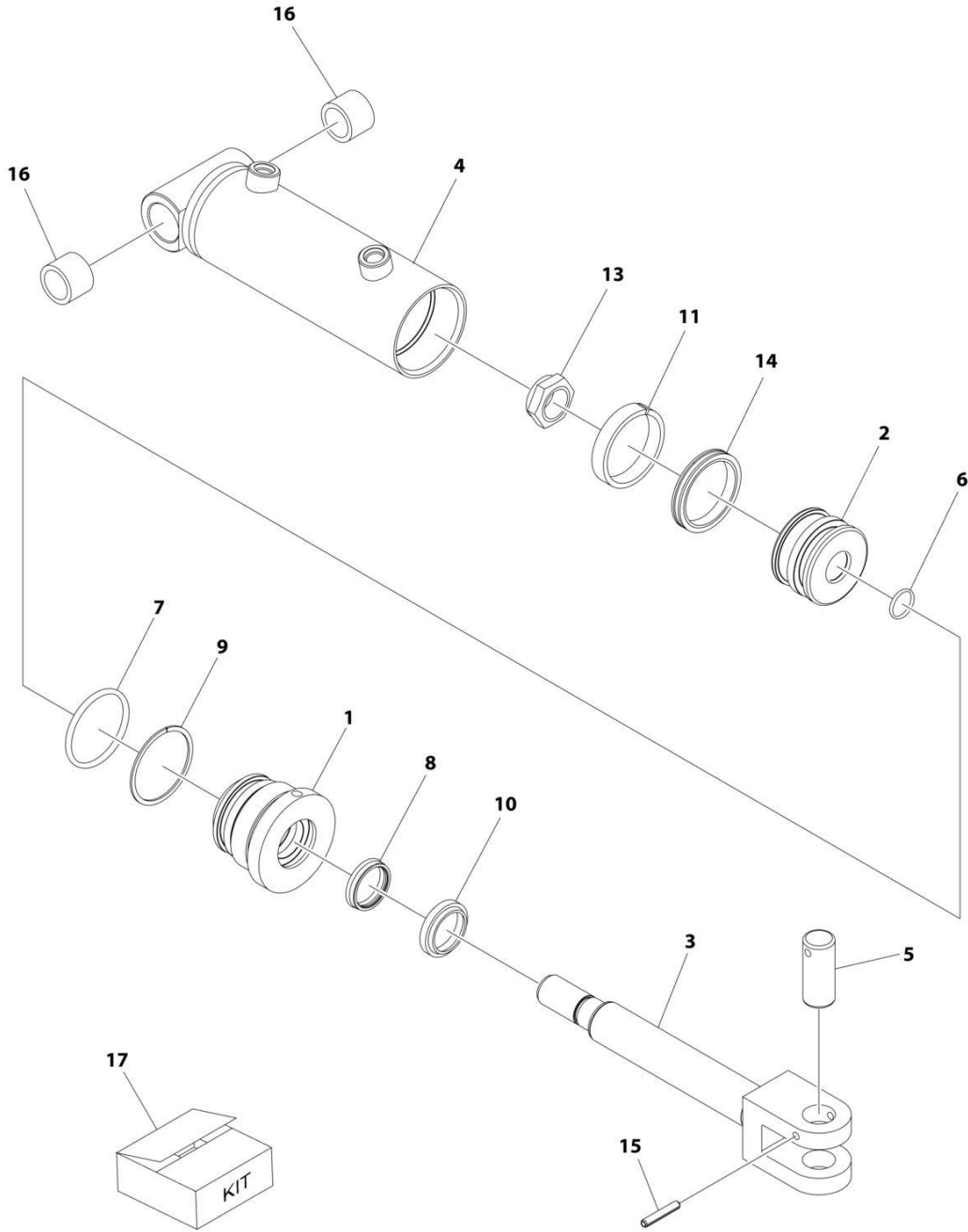
SECTION 3 - UNDERLIFT

FIGURE 3-18. GRID SYSTEM INSTALLATION - HYDRAULIC

ITEM	PART NUMBER	QTY	DESCRIPTION	REV
	1001206326	Ref	GRID SYSTEM INSTALLATION - HYDRAULIC	B
1	1001205604	Ref	Grid Assembly - Hydraulic (Not Shown - See Items 101-139 for Breakdown)	
2	1001137494	Ref	Hose Installation - Hydraulic Grid (Not Shown - See Separate Breakdown in HYDRAULIC Section)	
3	2178000053	1	Bracket, Storage	
	1001205604	Ref	GRID ASSEMBLY - HYDRAULIC	C
101	1001185808	1	Crosstube	
102	4691000198	1	Pin	
103	4949000047	2	Thrust Washer	
104	7754000024	1	Ring, Retaining	
105	1001220280	2	Plate, Cover	
106	0641406	6	Bolt 1/4 x 3/4	
107	4619000013	1	Manifold, Hydraulic	
108	0641416	4	Bolt 1/4 x 2	
109	4761400	2	Washer 1/4	
110	7912000184	4	Tube	
111	4831000095	1	Spacer	
112	7843000037	1	Spring	
113	7661000064	10	U-Nut	
114	7320000064	2	Cylinder Assembly - Hydraulic Grid (See Separate Breakdown in this Section)	
114	7082000026	2	Bearing	
115	3691000229	4	Pin	
116	7274000039	2	Cover, Clamp	
117	3592000052	2	Link	
118	1001137904	6	Bolt 5/16 x 1-1/4	
119	3592000051	2	Link	
120	4706003497	2	Plate	
121	3760351	4	Ring Retaining	
122	3020000124	1	Arm (LH)	
123	3020000125	1	Arm (RH)	
124	3691000230	2	Pin	
125	2220415	4	Fitting, Straight JIC/ORB	
126	7274000086	4	Clamp	
127	8411080091	2	Extrusion, L-Arm	
128	3271505	6	Nut 5/16 Grade 8	
129	7330000599	4	Decal - Warning Pinch Point	
130	7330000036	1	Decal - Warning Secure Vehicle	
131	7577000367	1	Kit, Strap (Not Shown)	
132	7253000002	1	Cap, Grease Fitting	
133	7330000609	1	Decal - Grease Required	
134	88671008	1	Fitting, Grease	
135	4711400	10	Washer 1/4	
136	7786000009	1	Setscrew 3/4 x 1-1/2	
137	4064000052	1	Bar	
138	3020039	AR	Lubricant	
139	3020029	AR	Lubricant	

SECTION 3 - UNDERLIFT

FIGURE 3-19. CYLINDER ASSEMBLY - GRID EXTEND/RETRACT



ART_732000064

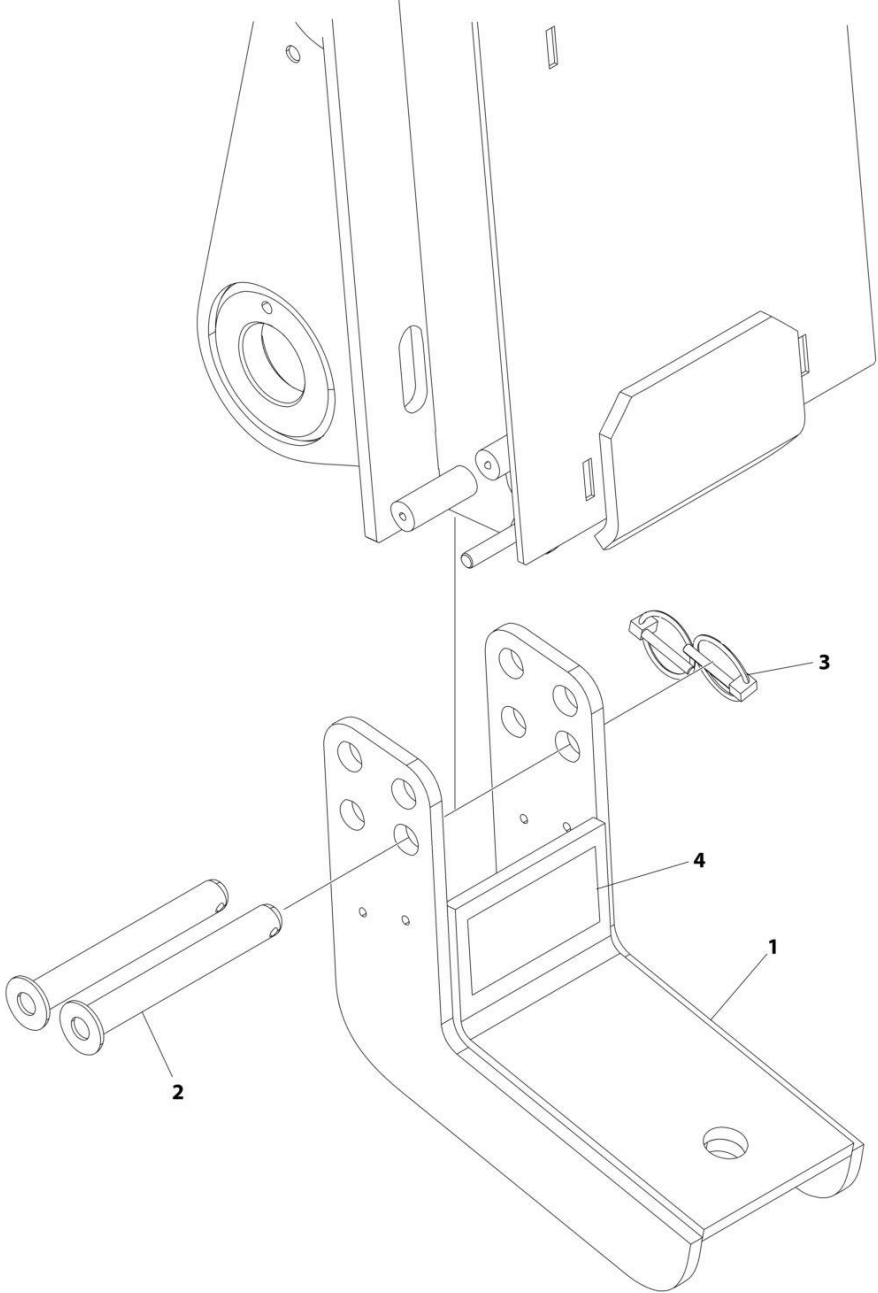
SECTION 3 - UNDERLIFT

FIGURE 3-19. CYLINDER ASSEMBLY - GRID EXTEND/RETRACT

ITEM	PART NUMBER	QTY	DESCRIPTION	REV
	732000064	Ref	CYLINDER ASSEMBLY	B
1	7027336	1	Gland	
2	7027338	1	Piston	
3	70050632	1	Rod Assembly	
4	70050633	1	Barrel Assembly	
5	70050634	1	Retention Pin	
6	70050635	1	O-Ring	
7	70050636	1	O-Ring	
8	70050637	1	Rod Seal	
9	70050638	1	Backup Ring	
10	70050639	1	Rod Wiper	
11	70050640	1	Wear Ring	
12	70050641	2	Plug	
13	70050642	1	Nut 3/4	
14	70050643	1	Piston Seal	
15	70050644	1	Roll Pin	
16	708200026	2	Bearing	
17	7027341	1	Seal Kit (includes items 6-11)	

SECTION 3 - UNDERLIFT

FIGURE 3-20. TOW BALL BRACKET INSTALLATION



ART_2178000048

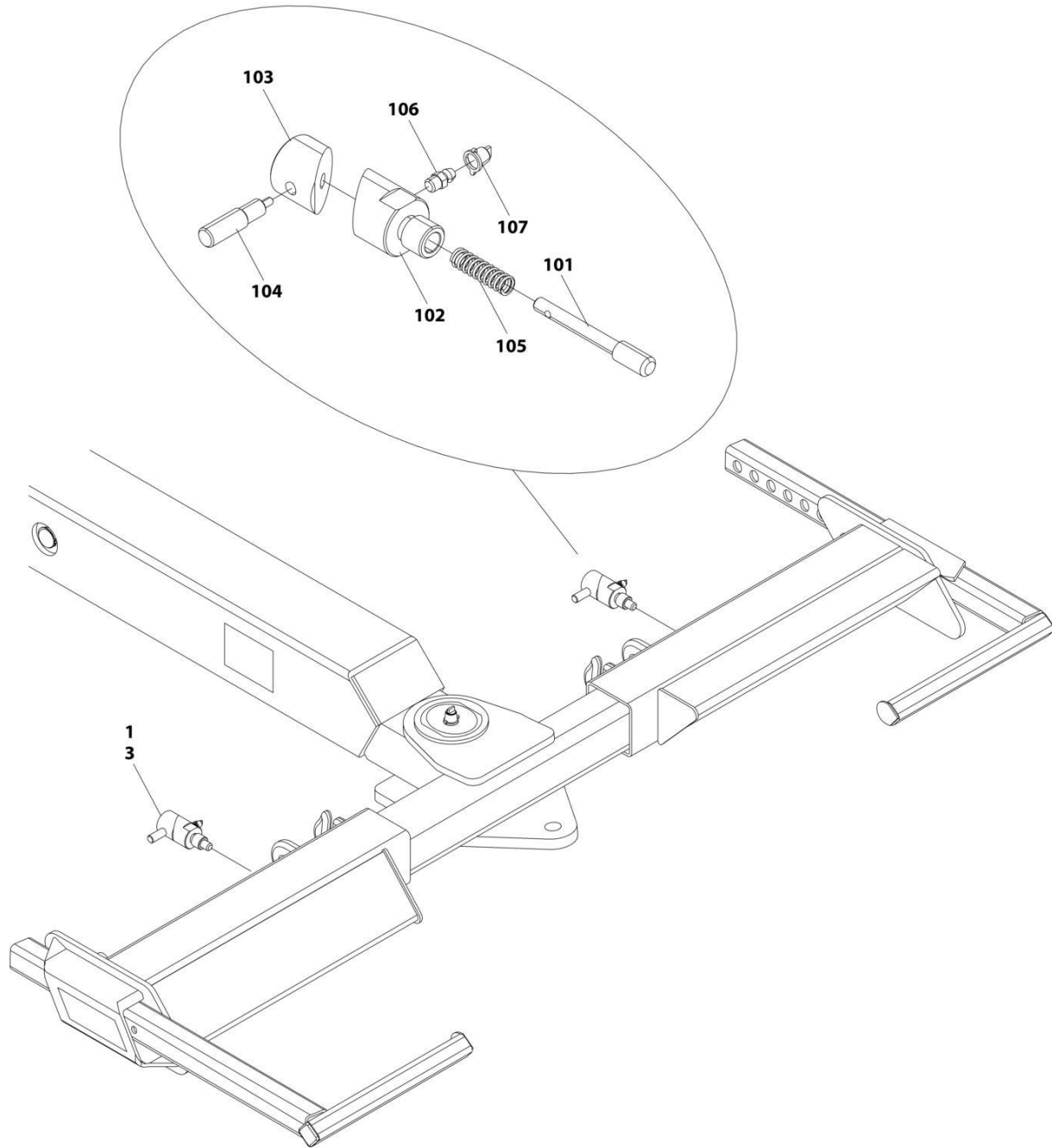
SECTION 3 - UNDERLIFT

FIGURE 3-20. TOW BALL BRACKET INSTALLATION

ITEM	PART NUMBER	QTY	DESCRIPTION	REV
	2178000048	Ref	TOW BALL BRACKET INSTALLATION	0
1	3178000507	1	Bracket, Tow Ball	
2	3691000195	2	Pin	
3	7691000027	2	Clip-Pin	
4	7330000424	1	Decal - Tow Bracket	

SECTION 3 - UNDERLIFT

FIGURE 3-21. WHEEL LIFT CROSSBAR CAM-LOCK ASSEMBLY



ART_1001160195

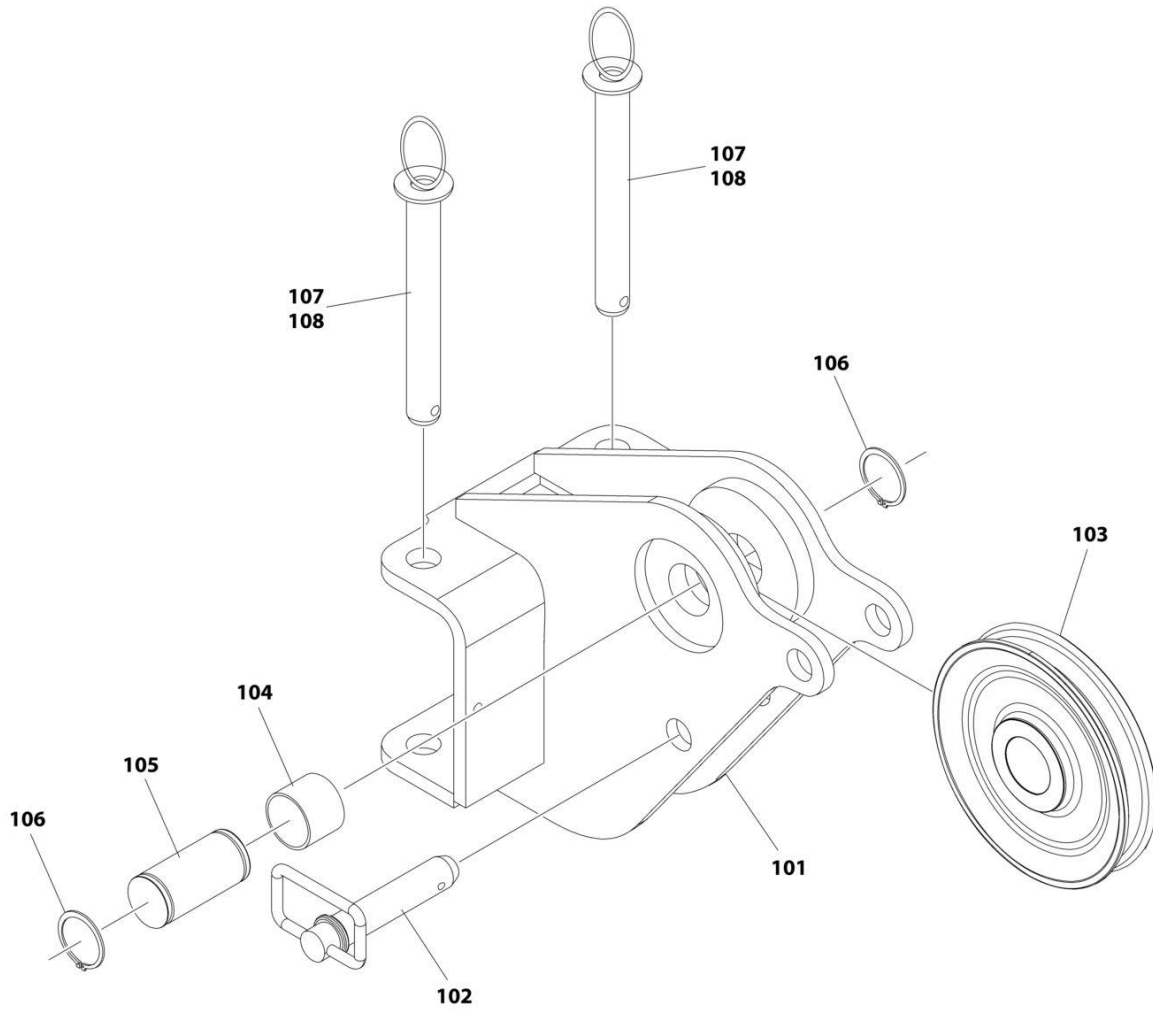
SECTION 3 - UNDERLIFT

FIGURE 3-21. WHEEL LIFT CROSSBAR CAM-LOCK ASSEMBLY

ITEM	PART NUMBER	QTY	DESCRIPTION	REV
	1001160195	Ref	Wheel Lift Crossbar Cam-Lock	A
1	1001153950	2	Cam Lock (includes items 101 through 107)	
3	0100011	AR	Compound Locking	
101	1001153944	2	Pin	
102	1001153945	2	Cam-Lock Tube	
103	1001153946	2	Cam-Lock Cap	
104	1001153947	2	Handle	
105	1001153971	1	Spring	
106	7440030000	2	Fitting, Grease	
107	7253000002	2	Cap, Grease	

SECTION 3 - UNDERLIFT

FIGURE 3-22. RECOVERY SHEAVE INSTALLATION (LOW ANGLE)



ART_2509610148

SECTION 3 - UNDERLIFT

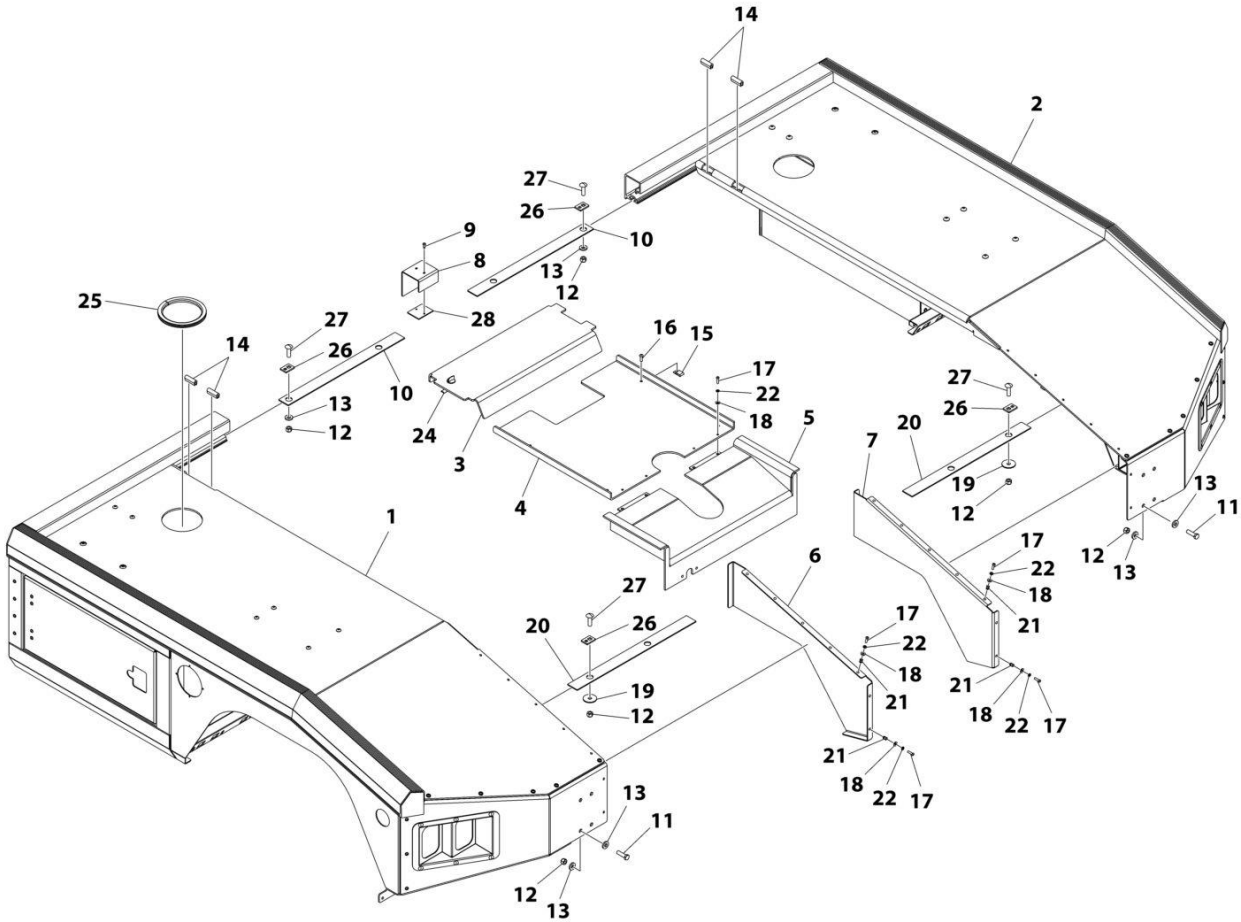
FIGURE 3-22. RECOVERY SHEAVE INSTALLATION (LOW ANGLE)

ITEM	PART NUMBER	QTY	DESCRIPTION	REV
	2509610148	Ref	RECOVERY SHEAVE INSTALLATION (LOW ANGLE)	0
1	3249000041	Ref	Sheave Assembly (Not Shown) (Includes Items 101-108)	
2	7330000716	1	Decal - Caution Lock-Out Valve (Not Shown)	
	3249000041	Ref	SHEAVE ASSEMBLY	B
101	3249000040	1	Sheave Weldment	
102	7691000053	1	Pin	
103	7809000013	1	Sheave	
104	7082000032	1	Bearing	
105	4691000572	1	Pin	
106	7754000006	2	Retaining Ring	
107	3691000195	2	Pin	
108	7691000027	2	Pin	

SECTION 4 - BODY

SECTION 4 - BODY

FIGURE 4-1. BODY INSTALLATION - ALUMINUM (NG)



ART_1001208045

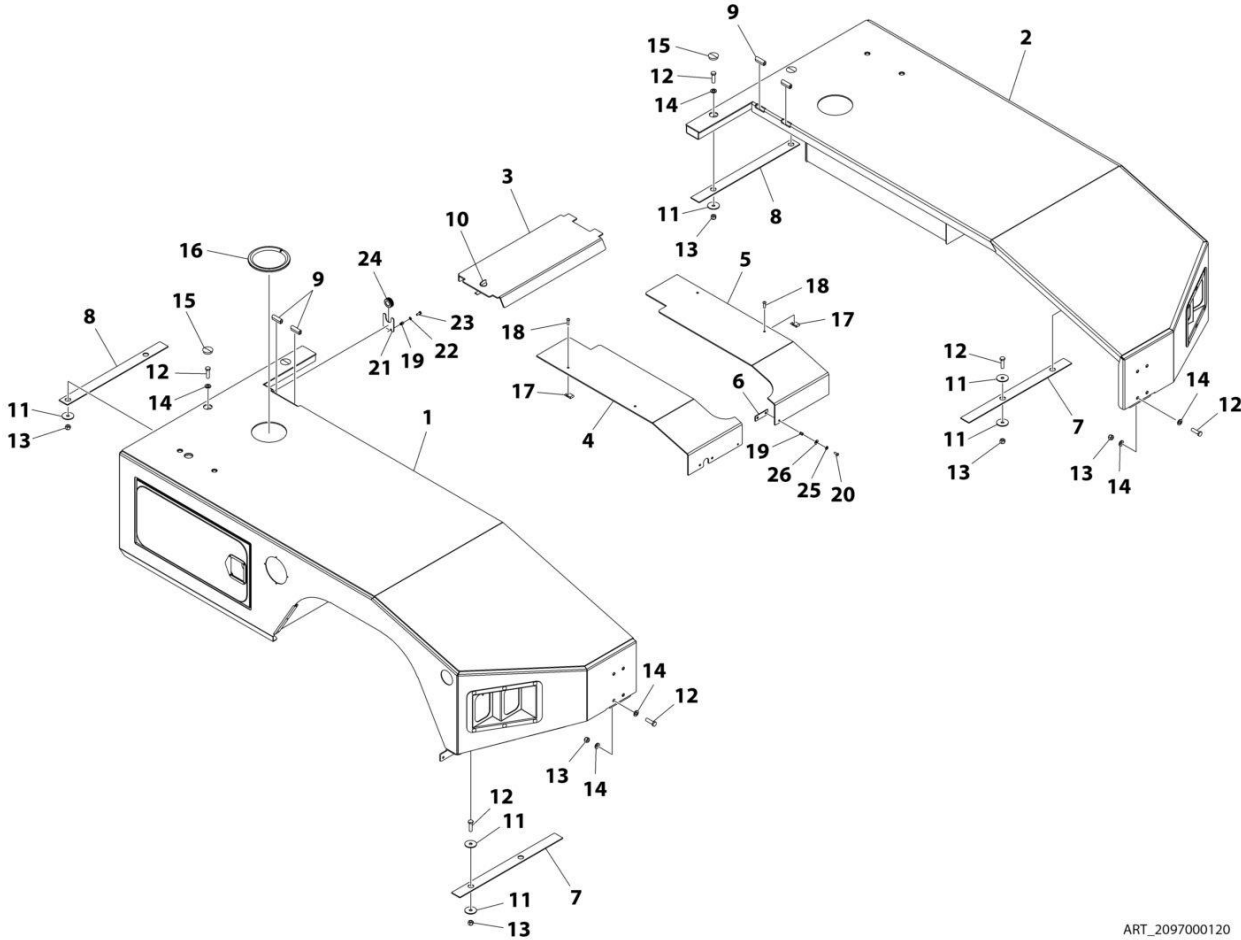
SECTION 4 - BODY

FIGURE 4-1. BODY INSTALLATION - ALUMINUM (NG)

ITEM	PART NUMBER	QTY	DESCRIPTION	REV
	1001208045	Ref	BODY INSTALLATION MPL-NG BS OIL RESERVOIR	B
1	1001224951	1	Deck Assembly (LH)	
2	1001224952	1	Deck Assembly (RH)	
3	4314000158	1	Plate	
4	4314000159	1	Plate	
5	3097000600	1	Deck Mid Rear	
6	4811001160	1	Coverplate	
7	4811001161	1	Coverplate	
8	4314000175	1	Coverplate	
9	7120000046	2	Bolt 1/4 x 3/4	
10	4090000011	2	Belt	
11	0641814	8	Bolt 1/2 x 1-3/4	
12	7660182601	16	Nut 1/2	
13	4891800	16	Washer 1/2	
14	4632000058	4	Moulding Grip	
15	7661000029	4	Nut	
16	7114150818	4	Screw 5/16 x 1	
17	7114140818	18	Screw 1/4	
18	7950140143	18	Washer 1/4	
19	7949000015	8	Washer	
20	4090000010	2	Belt	
21	7413000002	14	Nut 1/4	
22	7950140003	18	Washer 1/4	
23	7796000012	AR	Seal (Not Shown)	
24	7585000023	1	Latch	
25	8632000002	AR	Trim-Lock	
26	4706005695	8	Plate	
27	7115181464	8	Bolt 1/5 x 1-3/4	
28	4706005751	1	Plate	

SECTION 4 - BODY

FIGURE 4-2. BODY INSTALLATION - STEEL (NGS)



ART_2097000120

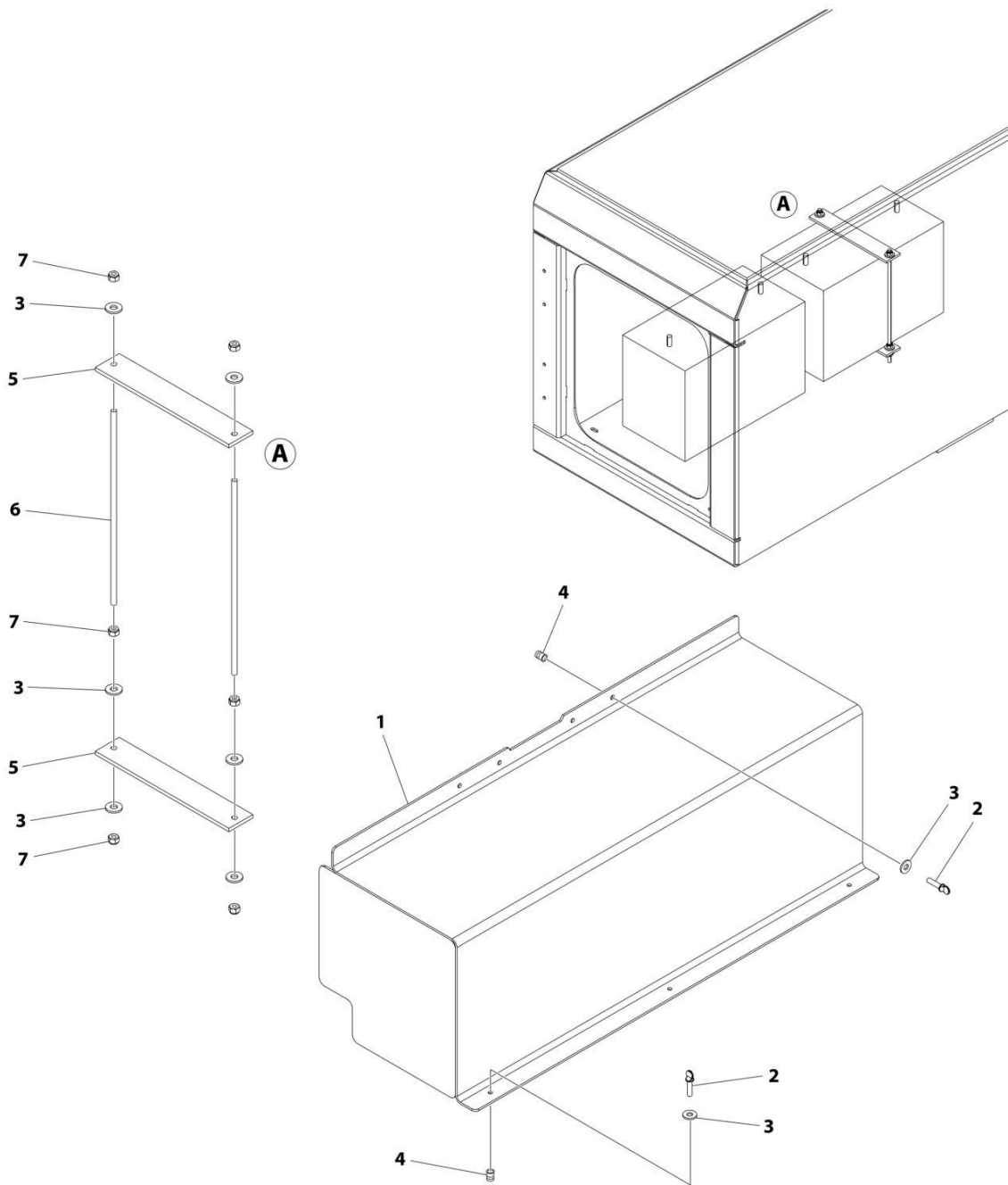
SECTION 4 - BODY

FIGURE 4-2. BODY INSTALLATION - STEEL (NGS)

ITEM	PART NUMBER	QTY	DESCRIPTION	REV
	2097000120	Ref	BODY INSTALLATION MPL-NGS BS OIL RESERVOIR	D
1	3097000767	1	Body Assembly (LH)	
2	3097000769	1	Body Assembly (RH)	
3	4707000343	1	Plate	
4	4707000344	1	Plate	
5	4707000345	1	Plate	
6	4062000695	1	Bar	
7	4090000010	2	Belt	
8	4090000011	2	Belt	
9	4632000058	4	Moulding Grip	
10	7585000023	1	Latch	
11	7949000015	12	Washer	
12	7115181450	16	Bolt 1/2 x 1-3/4	
13	7660182601	16	Nut 1/2	
14	7950180153	20	Washer 1/2	
15	7701000063	4	Plug	
16	8632760025	AR	Trim Lock	
17	7661000029	4	Nut	
18	7114150818	4	Screw 5/16 x 1	
19	7413000002	4	Nut 1/4	
20	7114140618	2	Screw 1/4 x 3/4	
21	4811001177	1	Coverplate	
22	7950140000	2	Washer 1/4	
23	7115140650	2	Screw 1/4 x 3/4	
24	7493000003	1	Grommet	
25	7950140003	2	Washer 1/4	
26	7950140143	2	Washer 1/4	

SECTION 4 - BODY

FIGURE 4-3. BATTERY COVER INSTALLATION (FOR 22IN TUNNEL BOX) (ISUZU)



ART_2314000024

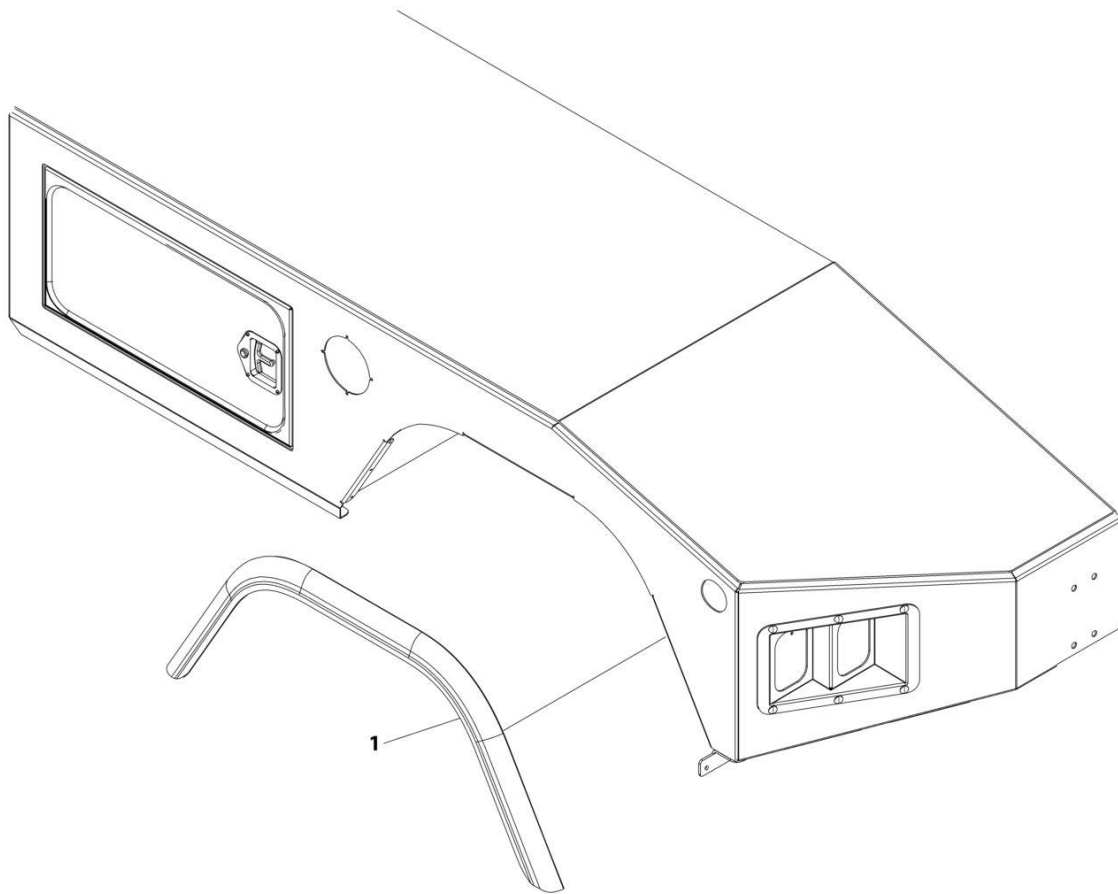
SECTION 4 - BODY

FIGURE 4-3. BATTERY COVER INSTALLATION (FOR 22IN TUNNEL BOX) (ISUZU)

ITEM	PART NUMBER	QTY	DESCRIPTION	REV
	2314000024	Ref	COVER INSTALLATION - BATTERY (USED WITH 22IN TUNNEL)	0
1	3314000051	1	Coverplate	
2	7120000070	5	Screw 1/4 x 1	
3	7950140153	17	Washer 1/4	
4	7413000002	5	Nut 1/4	
5	4062000691	4	Bar	
6	4763000418	4	Rod, Threaded	
7	7660142604	12	Nut 1/4	
8	7493000022	2	Grommet	

SECTION 4 - BODY

FIGURE 4-4. FENDER FLARE INSTALLATION - NO LIP (NGS) (GMC)



ART_241500032

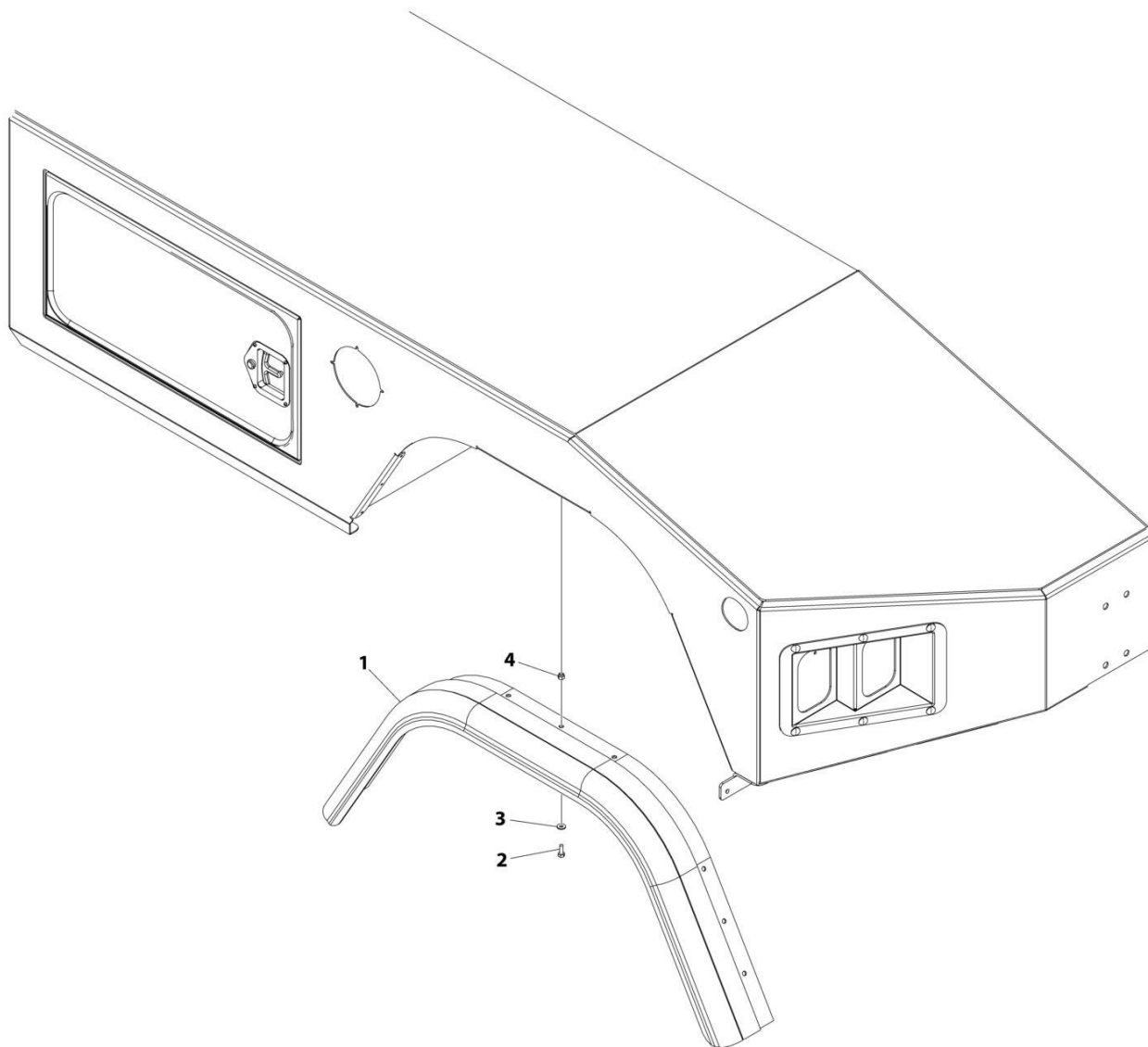
SECTION 4 - BODY

FIGURE 4-4. FENDER FLARE INSTALLATION - NO LIP (NGS) (GMC)

ITEM	PART NUMBER	QTY	DESCRIPTION	REV
	2415000032	Ref	FENDER FLARE INSTALLATION	0
1	8495000001	10 ft	Guard, Lip	
5	8830600004	2	Alcohol Wipes (Not Shown)	

SECTION 4 - BODY

FIGURE 4-5. FENDER FLARE INSTALLATION - 1.62IN LIP WITHOUT TUB (NGS) (FORD 350)



ART_241500030

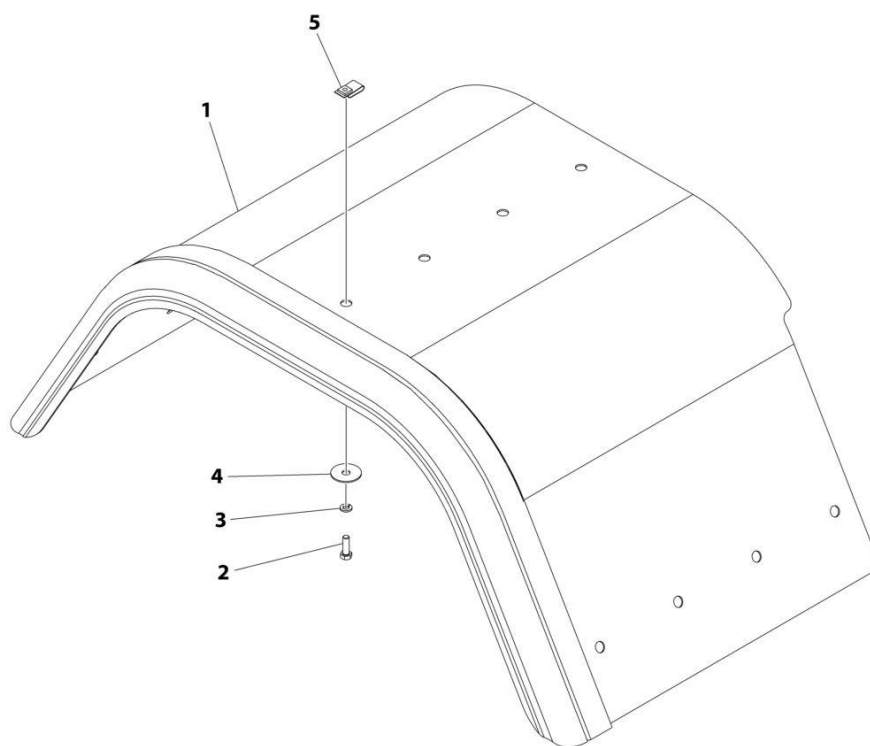
SECTION 4 - BODY

FIGURE 4-5. FENDER FLARE INSTALLATION - 1.62IN LIP WITHOUT TUB (NGS) (FORD 350)

ITEM	PART NUMBER	QTY	DESCRIPTION	REV
	2415000030	Ref	FENDER FLARE INSTALLATION (FORD 350)	0
1	7415000035	2	Fender	
2	7115140650	18	Bolt 1/4 x 3/4	
3	7950140143	18	Washer 1/4	
4	7660142601	18	Nut 1/4	

SECTION 4 - BODY

FIGURE 4-6. FENDER FLARE INSTALLATION - 1.62IN LIP WITH TUB (NG) (FORD 350/GMC)



ART_2415000019

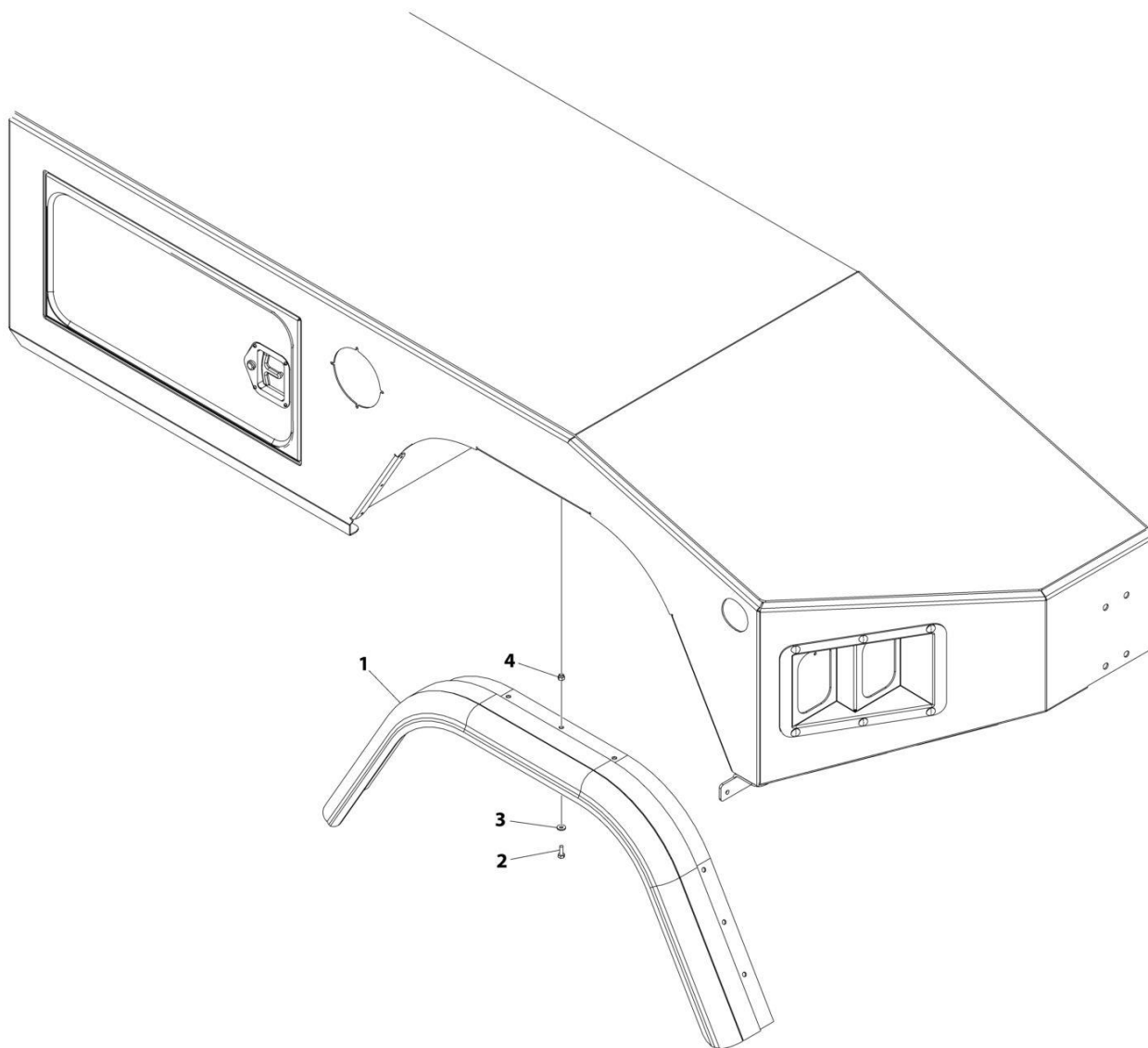
SECTION 4 - BODY

FIGURE 4-6. FENDER FLARE INSTALLATION - 1.62IN LIP WITH TUB (NG) (FORD 350/GMC)

ITEM	PART NUMBER	QTY	DESCRIPTION	REV
	2415000019	Ref	FENDER FLARE INSTALLATION (FORD F350/GM)	A
1	7415000038	2	Fender	
2	7114150850	22	Bolt 5/16 x 1	
3	7950150000	22	Washer 5/16	
4	7949000055	22	Washer	
5	7661000029	22	Nut	

SECTION 4 - BODY

FIGURE 4-7. FENDER FLARE INSTALLATION - 3.50IN LIP WITHOUT TUB (NGS) (FORD 450-550/DODGE)



ART_2415000031

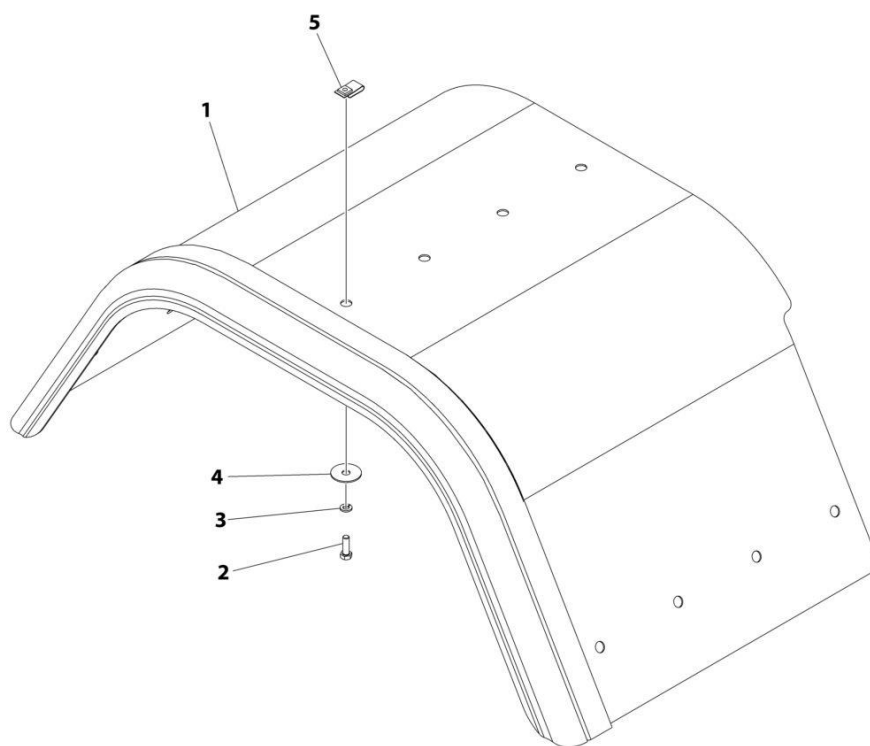
SECTION 4 - BODY

FIGURE 4-7. FENDER FLARE INSTALLATION - 3.50IN LIP WITHOUT TUB (NGS) (FORD 450-550/DODGE)

ITEM	PART NUMBER	QTY	DESCRIPTION	REV
	2415000031	Ref	FENDER FLARE INSTALLATION (FORD 450-550/DODGE)	0
1	7415000036	2	Fender	
2	7115140650	18	Bolt 1/4 x 3/4	
3	7950140143	18	Washer 1/4	
4	7660142601	18	Nut 1/4	

SECTION 4 - BODY

FIGURE 4-8. FENDER FLARE INSTALLATION - 3.50IN LIP WITH TUB (NG) (FORD 450-550/DODGE)



ART_2415000020

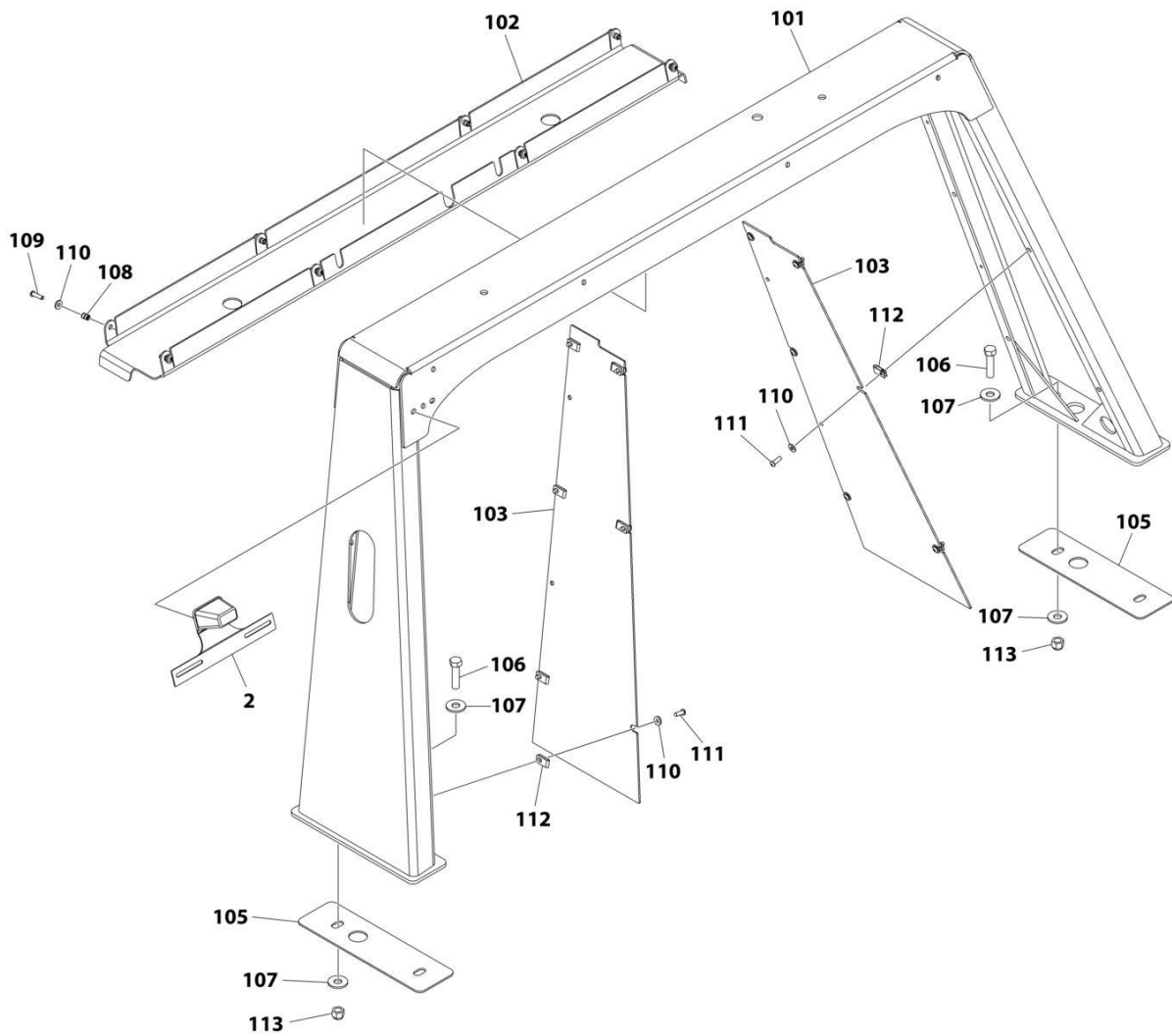
SECTION 4 - BODY

FIGURE 4-8. FENDER FLARE INSTALLATION - 3.50IN LIP WITH TUB (NG) (FORD 450-550/DODGE)

ITEM	PART NUMBER	QTY	DESCRIPTION	REV
	2415000020	Ref	FENDER FLARE INSTALLATION	A
1	7415000039	2	Fender	
2	7114150850	22	Bolt 5/16 x 1	
3	7950150000	22	Washer 5/16	
4	7949000055	22	Washer	
5	7661000029	22	Nut	

SECTION 4 - BODY

FIGURE 4-9. PYLON INSTALLATION - 28IN TOOLBOX MOUNTED (1 MARKER LIGHT PER SIDE) (NG & NGS)



ART_1001211199

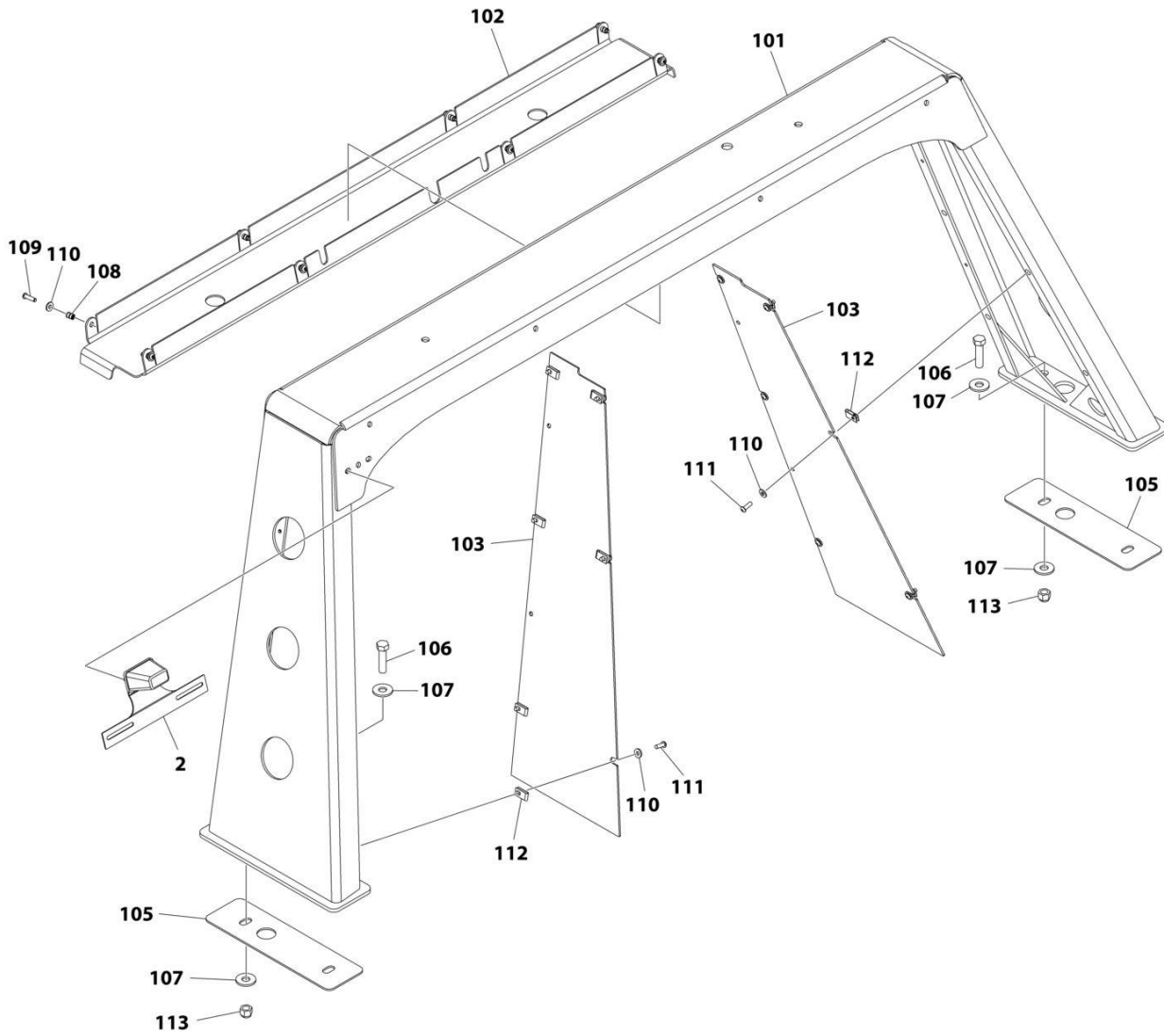
SECTION 4 - BODY

FIGURE 4-9. PYLON INSTALLATION - 28IN TOOLBOX MOUNTED (1 MARKER LIGHT PER SIDE) (NG & NGS)

ITEM	PART NUMBER	QTY	DESCRIPTION	REV
	1001211199	Ref	PYLON INSTALLATION - 28IN TOOLBOX MOUNTED (1 MARKER LIGHT PER SIDE)	A
1	2509570057	Ref	Light Pylon Installation (Not Shown) (See Item 101-113 for Breakdown)	
2	3509330109	1	Pylon Electrical Installation (See Separate Breakdown in ELECTRICAL Section)	
	2509570057	Ref	LIGHT PYLON INSTALLATION	A
101	3509570106	1	Light Pylon	
102	4263000689	1	Channel	
103	4314000102	2	Cover Plate	
105	7796000101	2	Gasket	
106	7115181650	4	Bolt 1/2 x 2	
107	7950180161	8	Washer 1/2	
108	7413000002	8	Nut 1/4	
109	7114140818	8	Capscrew 1/4 x 1	
110	7950140143	20	Washer 1/4	
111	7114140618	12	Capscrew 1/4 x 3/4	
112	7661000019	12	U Nut 1/4	
113	7660182601	4	Nut 1/2	

SECTION 4 - BODY

FIGURE 4-10. PYLON INSTALLATION - 28IN TOOLBOX MOUNTED (3 MARKER LIGHTS PER SIDE)
(NG & NGS)



ART_1001137310

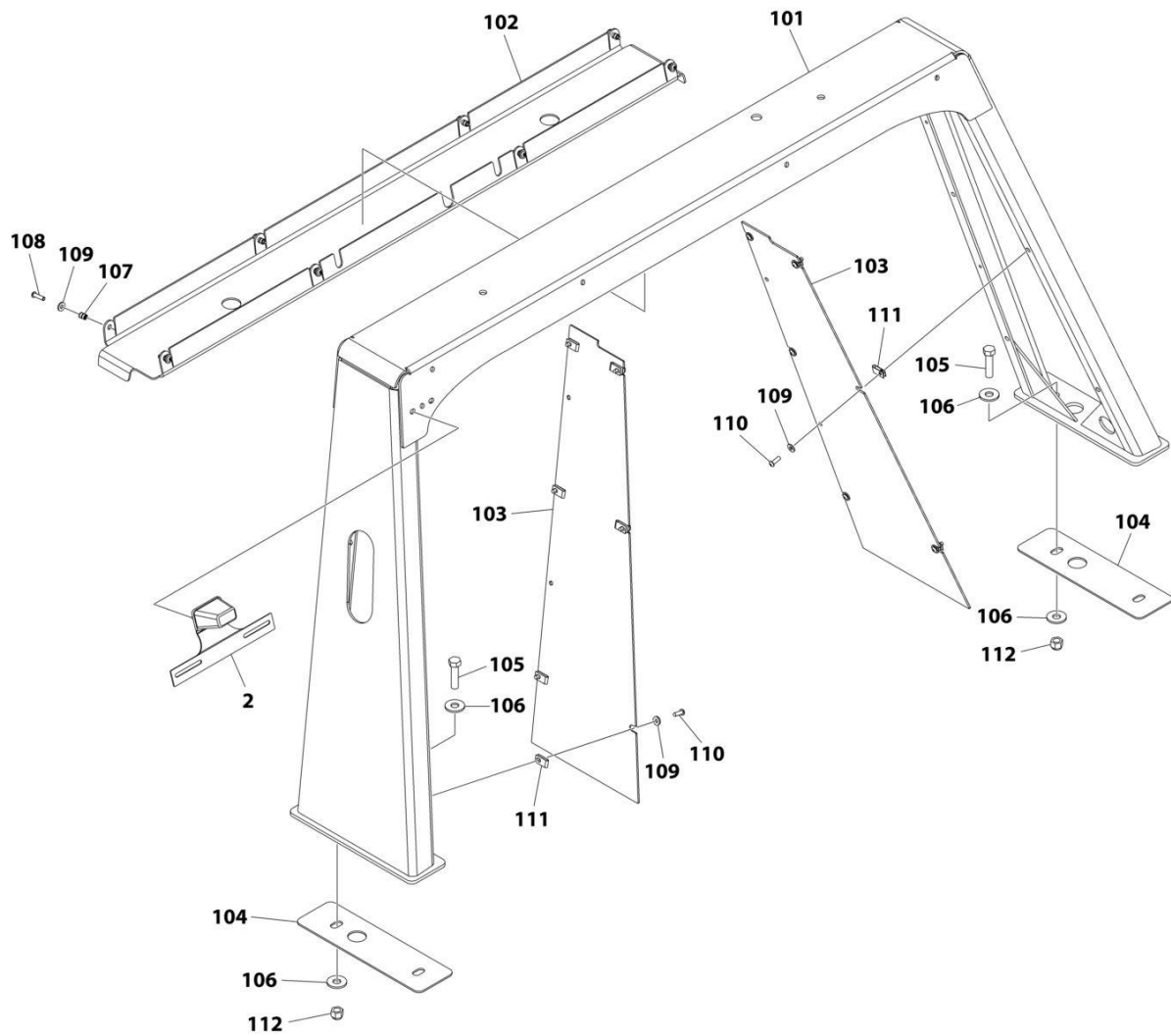
SECTION 4 - BODY

**FIGURE 4-10. PYLON INSTALLATION - 28IN TOOLBOX MOUNTED (3 MARKER LIGHTS PER SIDE)
(NG & NGS)**

ITEM	PART NUMBER	QTY	DESCRIPTION	REV
	1001137310	Ref	PYLON INSTALLATION - 28IN TOOLBOX MOUNTED (3 MARKER LIGHTS PER SIDE)	A
1	2550000420	Ref	Light Pylon Installation (Not Shown) (See Item 101-113 for Breakdown)	
2	1001137306	1	Pylon Electrical Installation (See Separate Breakdown in ELECTRICAL Section)	
	2550000420	Ref	LIGHT PYLON INSTALLATION	0
101	3550001694	1	Light Pylon	
102	4263000689	1	Channel	
103	4314000102	2	Cover Plate	
105	7796000101	2	Gasket	
106	7115181650	4	Bolt 1/2 x 2	
107	7950180161	8	Washer 1/2	
108	7413000002	8	Nut 1/4	
109	7114140818	8	Capscrew 1/4 x 1	
110	7950140143	20	Washer 1/4	
111	7114140618	12	Capscrew 1/4 x 3/4	
112	7661000019	12	U Nut 1/4	
113	7660182601	4	Nut 1/2	

SECTION 4 - BODY

FIGURE 4-11. PYLON INSTALLATION - 33IN TOOLBOX MOUNTED (1 MARKER LIGHT PER SIDE) (NG & NGS)



ART_1001211200

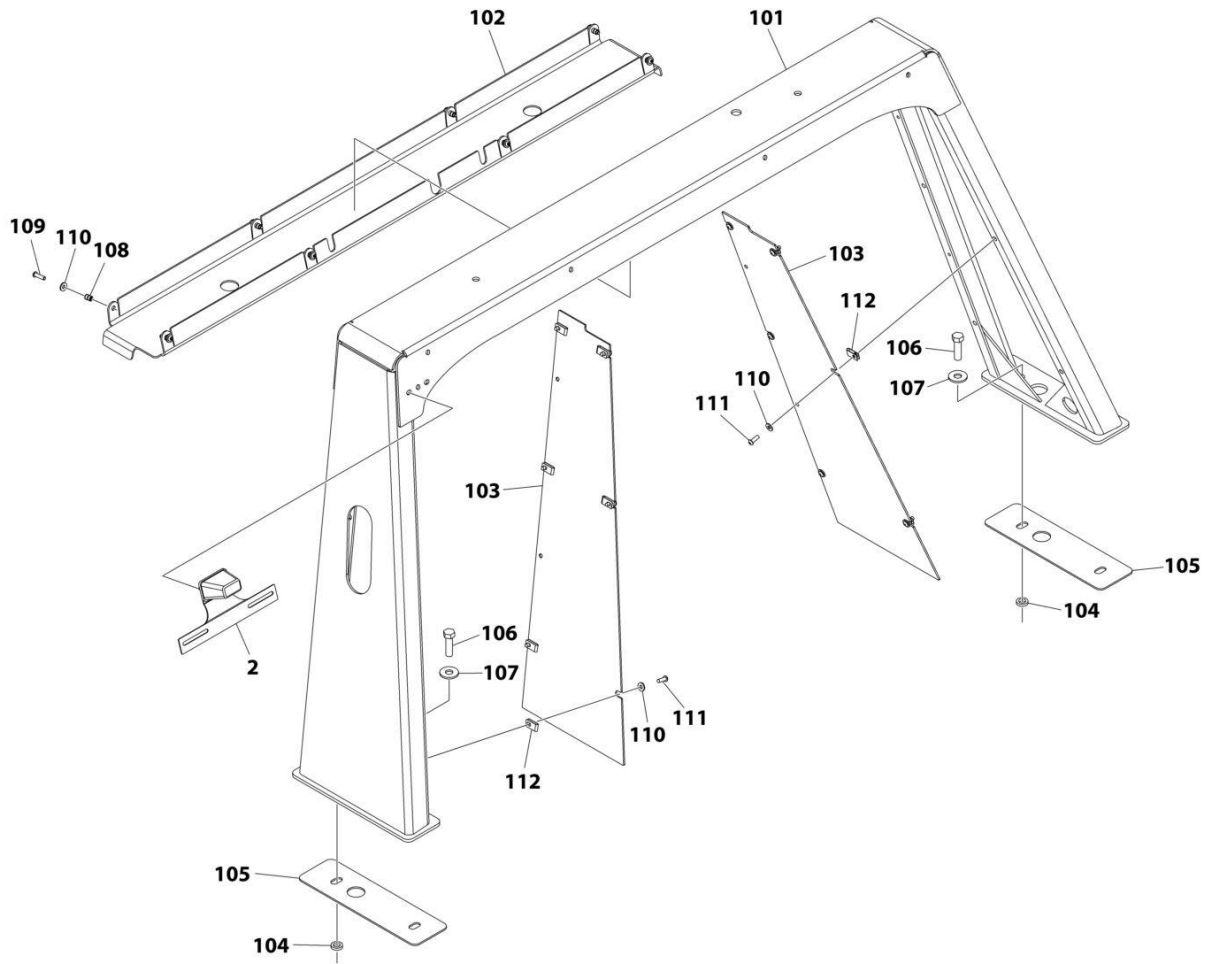
SECTION 4 - BODY

FIGURE 4-11. PYLON INSTALLATION - 33IN TOOLBOX MOUNTED (1 MARKER LIGHT PER SIDE) (NG & NGS)

ITEM	PART NUMBER	QTY	DESCRIPTION	REV
	1001211200	Ref	PYLON INSTALLATION - 33IN TOOLBOX MOUNTED (1 MARKER LIGHT PER SIDE)	A
1	2509570106	Ref	Light Pylon Installation (Not Shown) (See Item 101-112 for Breakdown)	
2	3509330109	1	Pylon Electrical Installation (See Separate Breakdown in ELECTRICAL Section)	
	2509570106	Ref	LIGHT PYLON INSTALLATION	A
101	3509570119	1	Light Pylon	
102	4263000689	1	Channel	
103	4314000169	2	Cover Plate	
104	7796000101	2	Gasket	
105	7115181650	4	Bolt 1/2 x 2	
106	7950180161	8	Washer 1/2	
107	7413000002	8	Nut 1/4	
108	7114140818	8	Capscrew 1/4 x 1	
109	7950140143	20	Washer 1/4	
110	7114140618	12	Capscrew 1/4 x 3/4	
111	7661000019	12	U Nut 1/4	
112	7660182601	4	Nut 1/2	

SECTION 4 - BODY

FIGURE 4-12. PYLON INSTALLATION - 34IN BODY MOUNTED (1 MARKER LIGHT PER SIDE) (NG)



ART_LPABM34-MPL

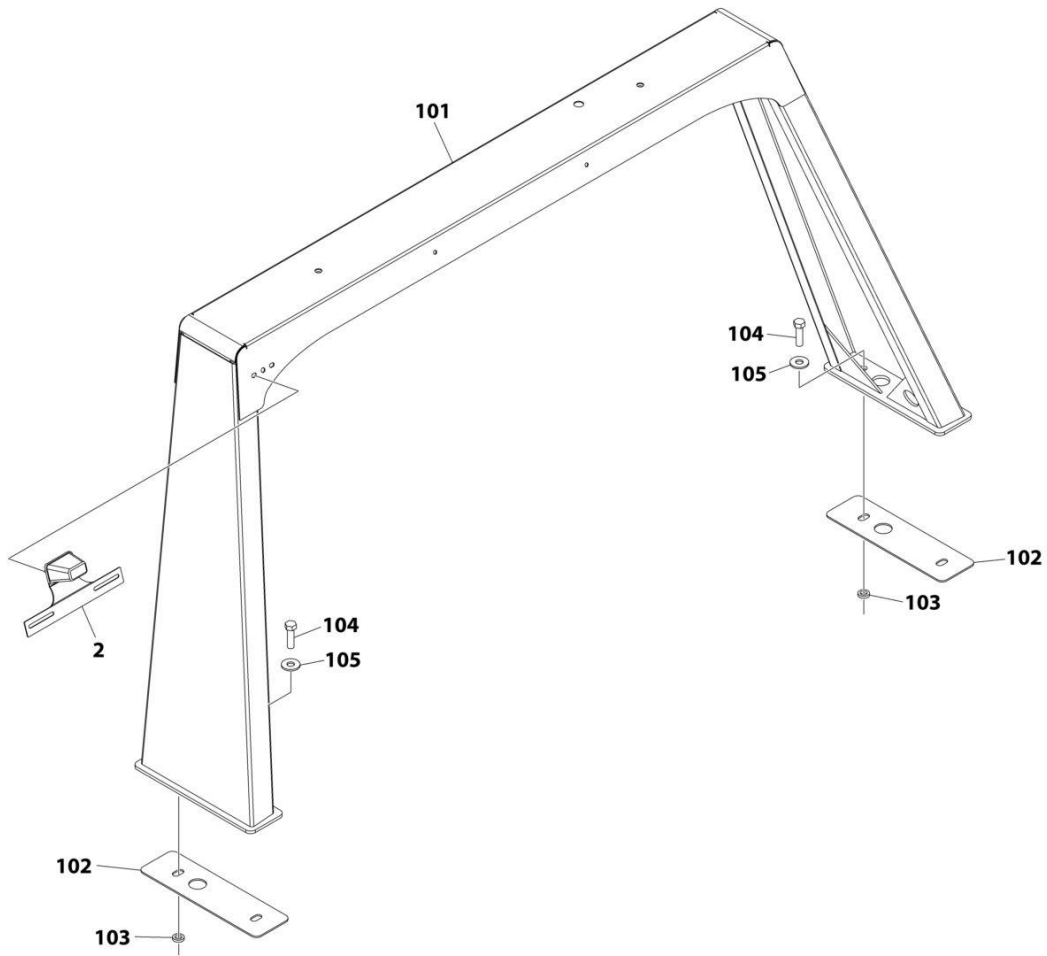
SECTION 4 - BODY

FIGURE 4-12. PYLON INSTALLATION - 34IN BODY MOUNTED (1 MARKER LIGHT PER SIDE) (NG)

ITEM	PART NUMBER	QTY	DESCRIPTION	REV
	LPABM34-MPL	Ref	PYLON INSTALLATION - 34IN BODY MOUNTED (1 MARKER LIGHT PER SIDE)	0
1	2509570147	Ref	Light Pylon Installation (Not Shown) (See Item 101-112 for Breakdown)	
2	3509330108	1	Pylon Electrical Installation (See Separate Breakdown in ELECTRICAL Section)	
	2509570147	Ref	LIGHT PYLON INSTALLATION	0
101	3509570137	1	Light Pylon	
102	4263000689	1	Channel	
103	4314000224	2	Cover Plate	
104	7949000058	4	Washer	
105	7796000101	2	Gasket	
106	7115181450	4	Bolt 1/2 x 1-3/4	
107	7950180161	4	Washer 1/2	
108	7413000002	8	Nut 1/2	
109	7114140818	8	Capscrew 1/4 x 1	
110	7950140143	20	Washer 1/4	
111	7114140618	12	Capscrew 1/4 x 3/4	
112	7661000019	12	U Nut 1/4	

SECTION 4 - BODY

FIGURE 4-13. PYLON INSTALLATION - 34IN BODY MOUNTED (1 MARKER LIGHT PER SIDE) (NGS)



ART_1001211205

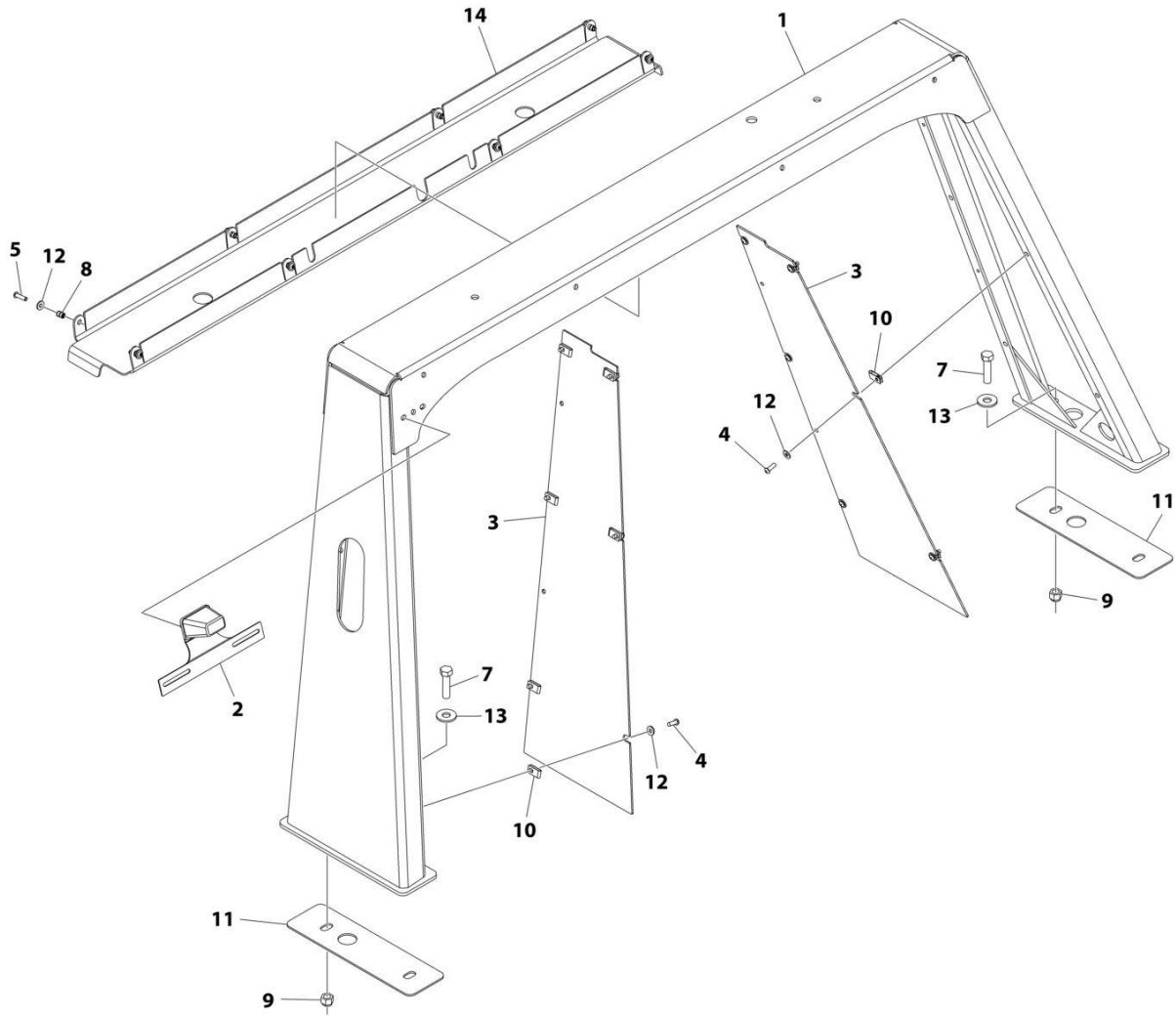
SECTION 4 - BODY

FIGURE 4-13. PYLON INSTALLATION - 34IN BODY MOUNTED (1 MARKER LIGHT PER SIDE) (NGS)

ITEM	PART NUMBER	QTY	DESCRIPTION	REV
	1001211205	Ref	PYLON INSTALLATION - 34IN TOOLBOX MOUNTED (1 MARKER LIGHT PER SIDE)	A
1	2509570126	Ref	Light Pylon Installation (Not Shown) (See Item 101-105 for Breakdown)	
2	3509330108	1	Pylon Electrical Installation (See Separate Breakdown in ELECTRICAL Section)	
	2509570126	Ref	LIGHT PYLON INSTALLATION	A
101	3509570127	1	Light Pylon	
102	7796000101	2	Gasket	
103	7949000058	4	Washer	
104	7115181450	4	Bolt 1/2 x 1-3/4	
105	7950170161	4	Washer 7/16	

SECTION 4 - BODY

FIGURE 4-14. PYLON INSTALLATION - 34IN TOOLBOX MOUNTED (1 MARKER LIGHT PER SIDE)
(NG & NGS)



ART_1001255714

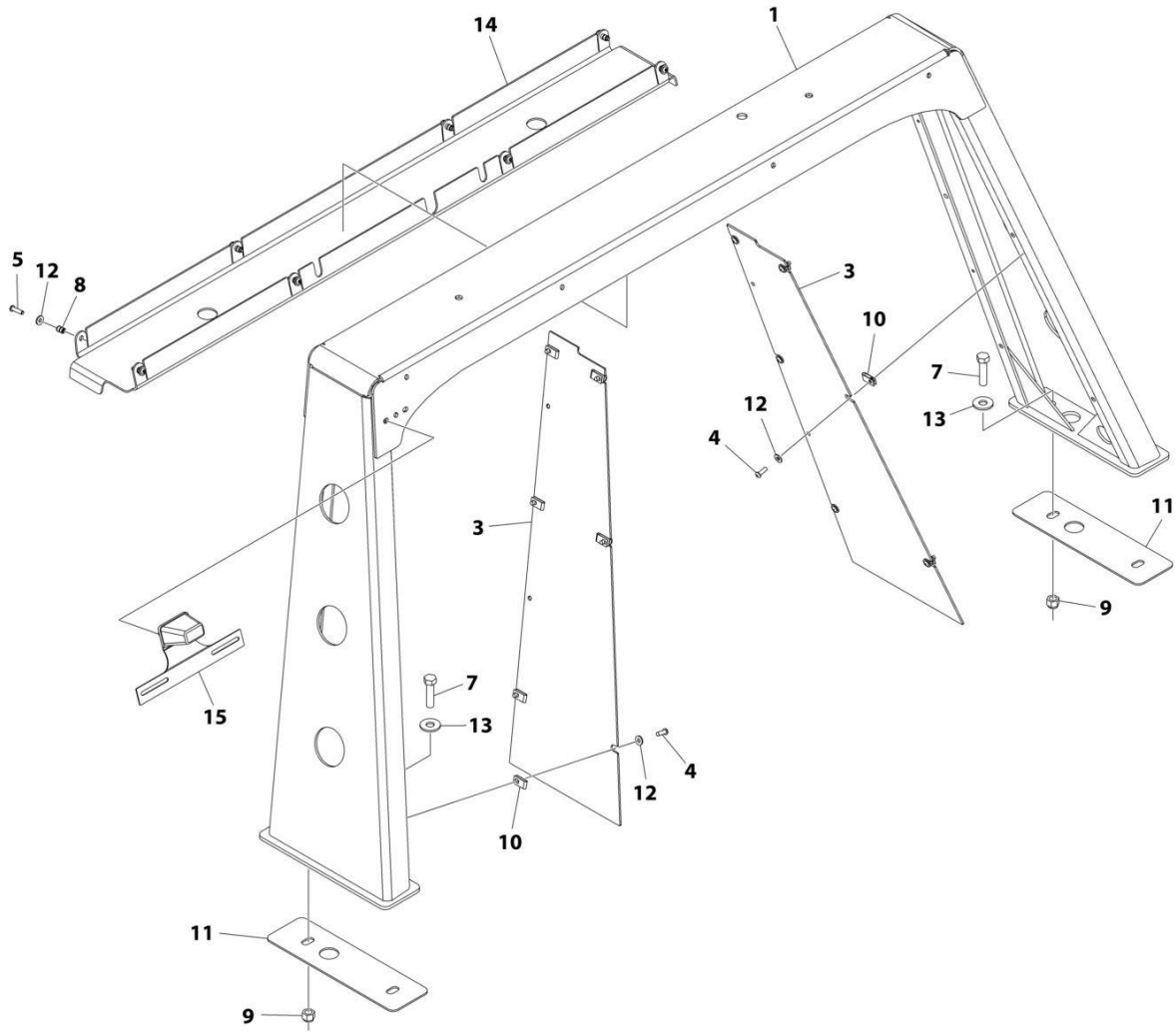
SECTION 4 - BODY

**FIGURE 4-14. PYLON INSTALLATION - 34IN TOOLBOX MOUNTED (1 MARKER LIGHT PER SIDE)
(NG & NGS)**

ITEM	PART NUMBER	QTY	DESCRIPTION	REV
	1001255714	Ref	PYLON INSTALLATION - 34IN TOOLBOX MOUNTED (1 MARKER LIGHT PER SIDE)	A
1	3509570137	1	Light Pylon	
2	3509330108	1	Pylon Electrical Installation (See Separate Breakdown in ELECTRICAL Section)	
3	4314000224	2	Coverplate	
4	7114140618	12	Capscrew 1/4 x 3/4	
5	7114140818	8	Capscrew 1/4 x 1	
7	7115181650	4	Bolt 1/2 x 2	
8	7413000002	8	Nut 1/2	
9	7660182601	4	Nut 1/2	
10	7661000019	12	U Nut 1/4	
11	7796000101	2	Gasket	
12	7950140143	20	Washer 1/4	
13	7950180161	4	Washer 1/2	
14	4263000689	1	Channel	

SECTION 4 - BODY

FIGURE 4-15. PYLON INSTALLATION - 34IN TOOLBOX MOUNTED (3 MARKER LIGHT PER SIDE)
(NG & NGS)



ART_1001255716

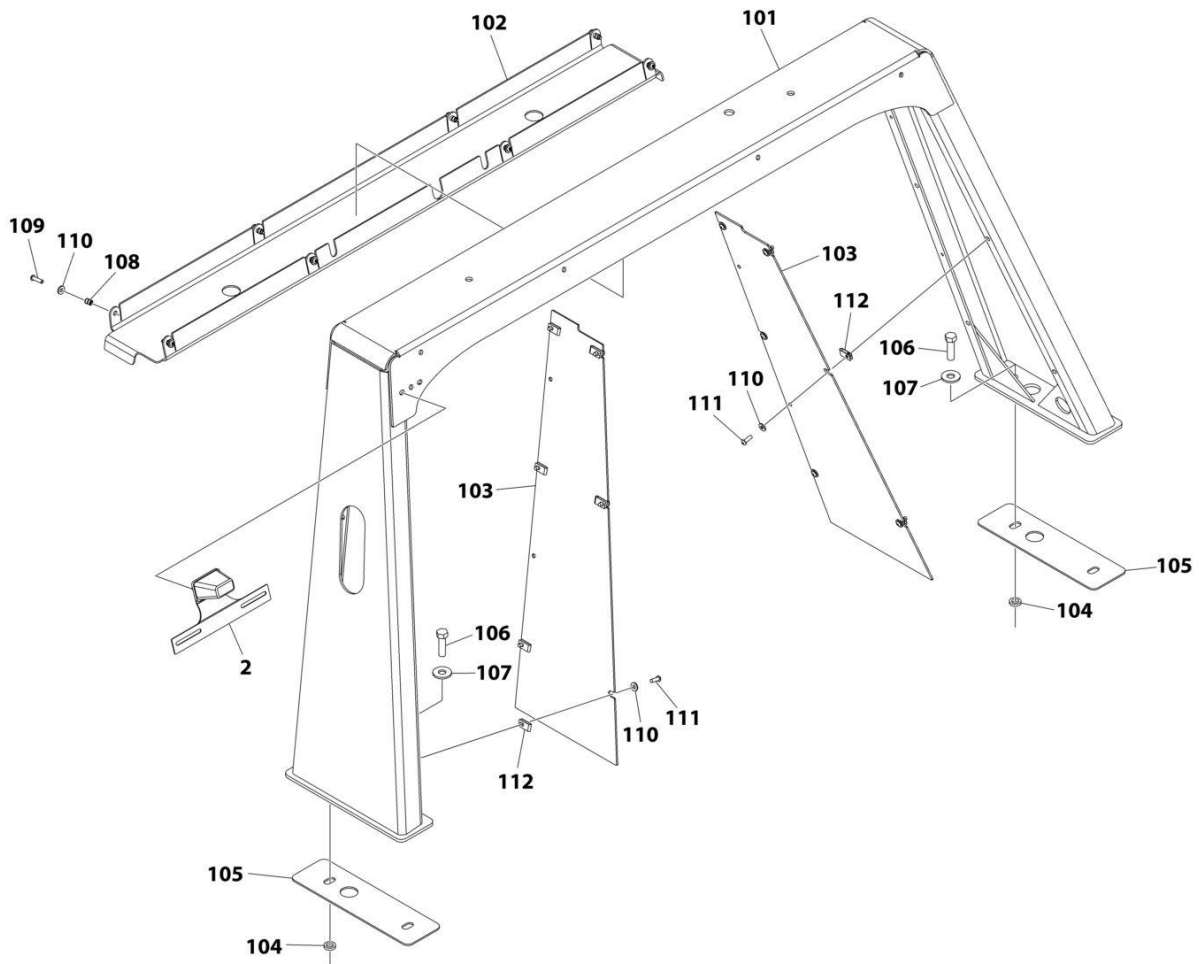
SECTION 4 - BODY

**FIGURE 4-15. PYLON INSTALLATION - 34IN TOOLBOX MOUNTED (3 MARKER LIGHT PER SIDE)
(NG & NGS)**

ITEM	PART NUMBER	QTY	DESCRIPTION	REV
	1001255716	Ref	PYLON INSTALLATION - 34IN TOOLBOX MOUNTED (3 MARKER LIGHTS PER SIDE)	A
1	1001255721	1	Light Pylon	
3	4314000224	2	Cover Plate	
4	7114140618	12	Capscrew 1/4 x 3/4	
5	7114140818	8	Capscrew 1/4 x 1	
7	7115181650	4	Bolt 1/2 x 2	
8	7413000002	8	Nut 1/2	
9	7660182601	4	Nut 1/2	
10	7661000019	12	U Nut 1/4	
11	7796000101	2	Gasket	
12	7950140143	20	Washer 1/4	
13	7950180161	4	Washer 1/2	
14	4263000689	1	Channel	
15	1001137306	1	Pylon Electrical Installation (See Separate Breakdown in ELECTRICAL Section)	

SECTION 4 - BODY

FIGURE 4-16. PYLON INSTALLATION - 38IN BODY MOUNTED (1 MARKER LIGHT PER SIDE) (NG)



ART_LPABM38-MPL

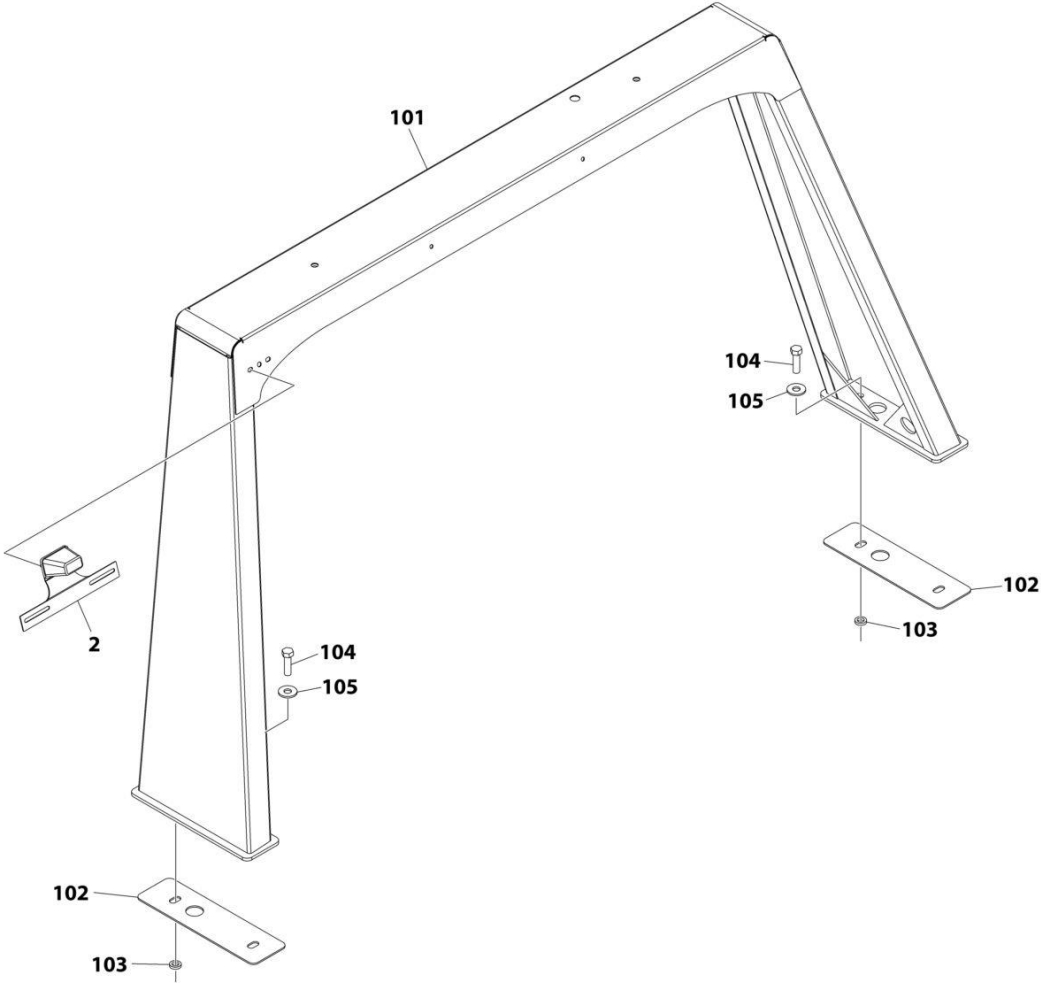
SECTION 4 - BODY

FIGURE 4-16. PYLON INSTALLATION - 38IN BODY MOUNTED (1 MARKER LIGHT PER SIDE) (NG)

ITEM	PART NUMBER	QTY	DESCRIPTION	REV
	LPABM38-MPL	Ref	PYLON INSTALLATION - 38IN BODY MOUNTED (1 MARKER LIGHT PER SIDE)	0
1	2509570054	Ref	Light Pylon Installation (Not Shown) (See Item 101-112 for Breakdown)	
2	3509330108	1	Pylon Electrical Installation (See Separate Breakdown in ELECTRICAL Section)	
	2509570054	Ref	LIGHT PYLON INSTALLATION	A
101	3509570103	1	Light Pylon	
102	4263000689	1	Channel	
103	4706005002	2	Cover Plate	
104	7949000058	4	Washer	
105	7796000101	2	Gasket	
106	7115181450	4	Bolt 1/2 x 1-3/4	
107	7950180161	4	Washer 1/2	
108	7413000002	8	Nut 1/2	
109	7114140818	8	Capscrew 1/4 x 1	
110	7950140143	20	Washer 1/4	
111	7114140618	12	Capscrew 1/4 x 3/4	
112	7661000019	12	U Nut 1/4	

SECTION 4 - BODY

FIGURE 4-17. PYLON INSTALLATION - 38IN BODY MOUNTED (1 MARKER LIGHT PER SIDE) (NGS)



ART_1001211206

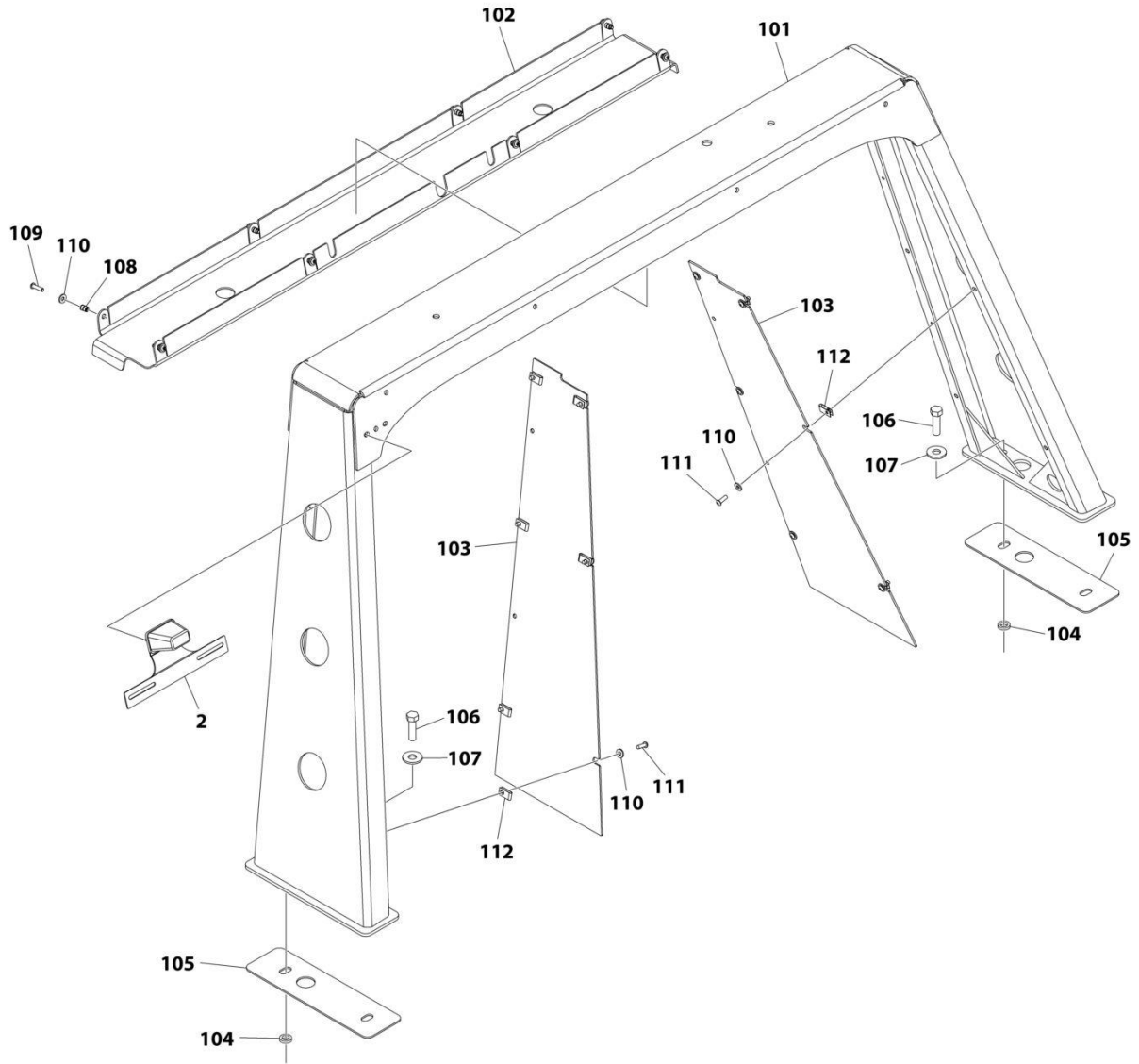
SECTION 4 - BODY

FIGURE 4-17. PYLON INSTALLATION - 38IN BODY MOUNTED (1 MARKER LIGHT PER SIDE) (NGS)

ITEM	PART NUMBER	QTY	DESCRIPTION	REV
	1001211206	Ref	PYLON INSTALLATION - 38IN TOOLBOX MOUNTED (1 MARKER LIGHT PER SIDE)	A
1	2509570121	Ref	Light Pylon Installation (Not Shown) (See Item 101-105 for Breakdown)	
2	3509330108	1	Pylon Electrical Installation (See Separate Breakdown in ELECTRICAL Section)	
	2509570121	Ref	LIGHT PYLON INSTALLATION	A
101	3509570121	1	Light Pylon	
102	7796000101	2	Gasket	
103	7949000058	4	Washer	
104	7115181450	4	Bolt 1/2 x 1-3/4	
105	7950170161	4	Washer 7/16	

SECTION 4 - BODY

FIGURE 4-18. PYLON INSTALLATION - 38IN BODY MOUNTED (3 MARKER LIGHT PER SIDE) (NG)



ART_1001137311

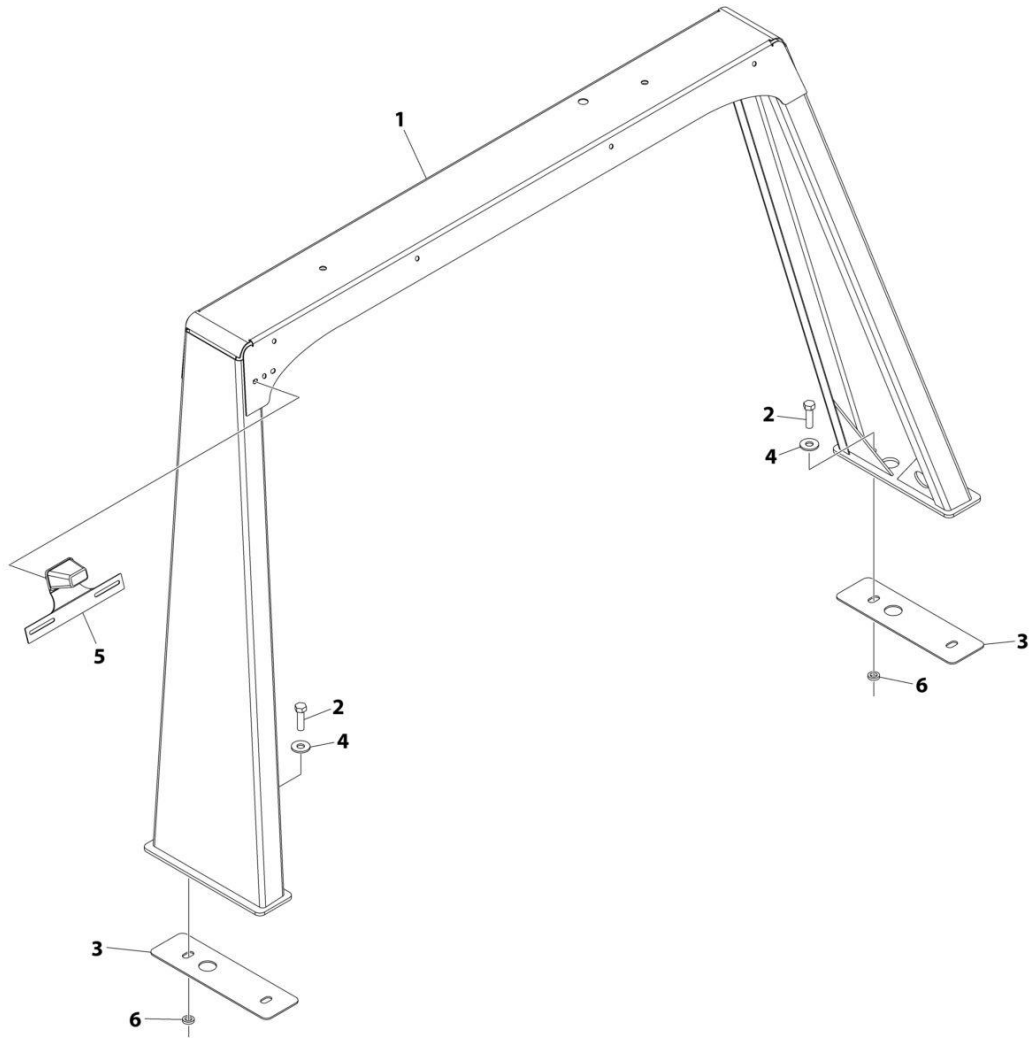
SECTION 4 - BODY

FIGURE 4-18. PYLON INSTALLATION - 38IN BODY MOUNTED (3 MARKER LIGHT PER SIDE) (NG)

ITEM	PART NUMBER	QTY	DESCRIPTION	REV
	1001137311	Ref	PYLON INSTALLATION - 38IN BODY MOUNTED (3 MARKER LIGHTS PER SIDE)	A
1	2550000472	Ref	Light Pylon Installation (Not Shown) (See Items 101-112 for Breakdown)	
2	1001137307	1	Pylon Electrical Installation (See Separate Breakdown in ELECTRICAL Section)	
	2550000472	Ref	LIGHT PYLON INSTALLATION	A
101	3550001692	1	Light Pylon	
102	4263000689	1	Channel	
103	4706005002	2	Cover Plate	
104	7949000058	4	Washer	
105	7796000101	2	Gasket	
106	7115181450	4	Bolt 1/2 x 1-3/4	
107	7950180161	4	Washer 1/2	
108	7413000002	8	Nut 1/2	
109	7114140818	8	Capscrew 1/4 x 1	
110	7950140143	20	Washer 1/4	
111	7114140618	12	Capscrew 1/4 x 3/4	
112	7661000019	12	U Nut 1/4	

SECTION 4 - BODY

FIGURE 4-19. PYLON INSTALLATION - 42IN BODY MOUNTED (NO MARKER LIGHTS PER SIDE) (NGS)



ART_1001256399

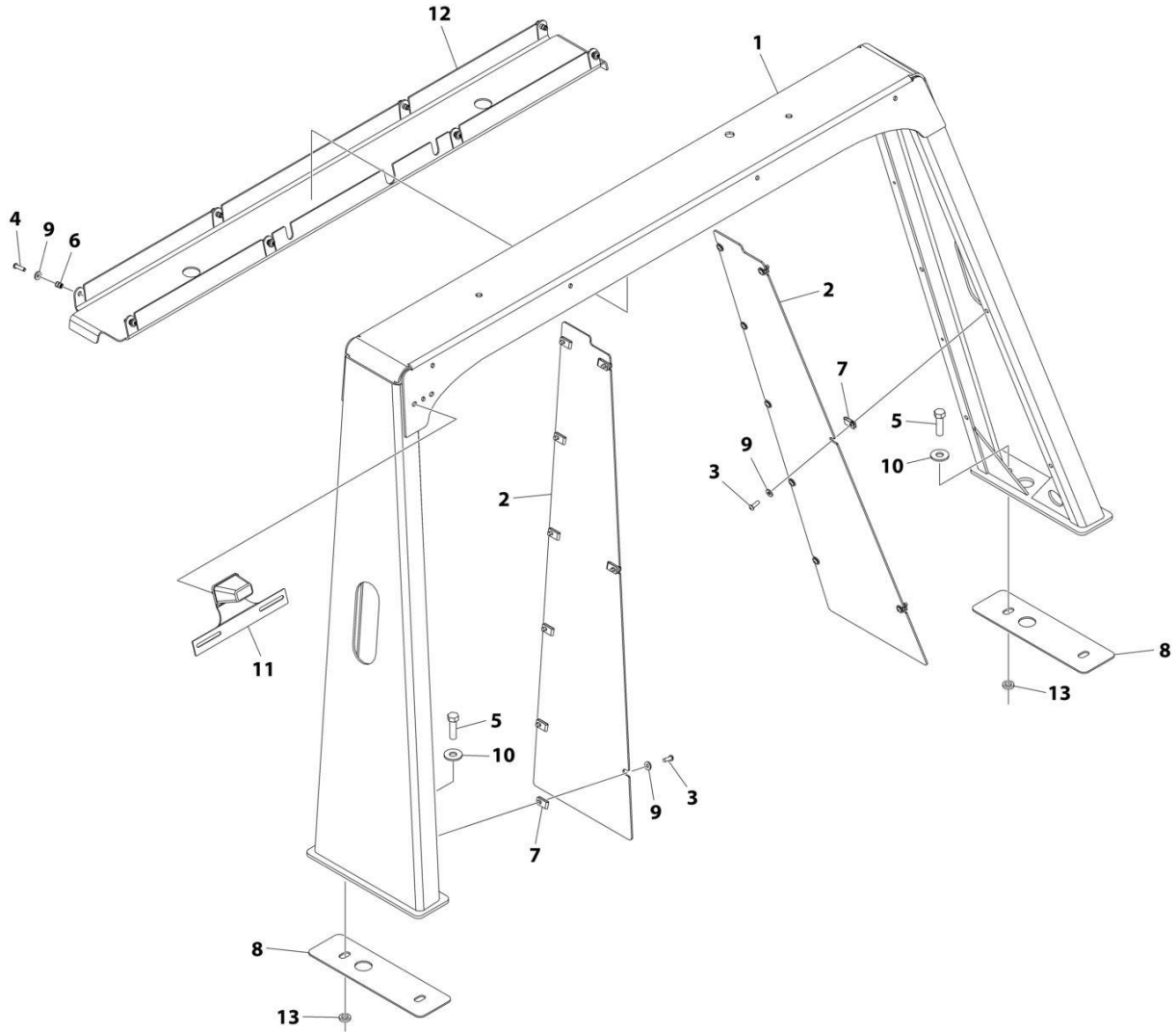
SECTION 4 - BODY

**FIGURE 4-19. PYLON INSTALLATION - 42IN BODY MOUNTED (NO MARKER LIGHTS PER SIDE)
(NGS)**

ITEM	PART NUMBER	QTY	DESCRIPTION	REV
	1001256399	Ref	PYLON INSTALLATION - 42IN TOOLBOX MOUNTED (1 MARKER LIGHT PER SIDE)	A
1	1001256400	1	Support	
2	7115181450	4	Bolt 1/2 x 1-3/4	
3	7796000101	2	Gasket	
4	7950180161	4	Washer 9/16	
5	3509330108	1	Pylon Electrical Installation (See Separate Breakdown in ELECTRICAL Section)	
6	7949000058	4	Washer	

SECTION 4 - BODY

FIGURE 4-20. PYLON INSTALLATION - 42IN BODY MOUNTED (1 MARKER LIGHTS PER SIDE) (NG)



ART_1001255713

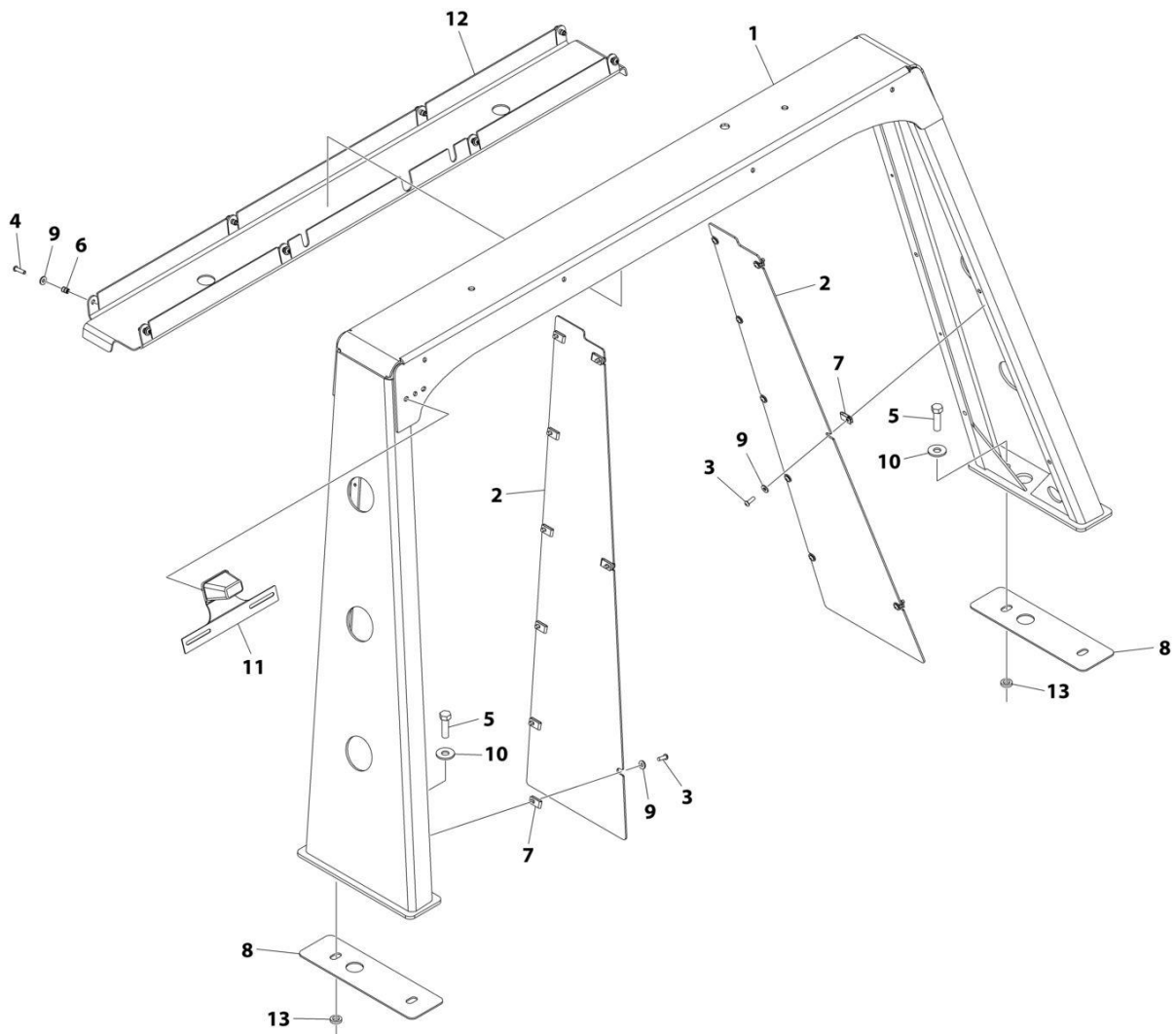
SECTION 4 - BODY

FIGURE 4-20. PYLON INSTALLATION - 42IN BODY MOUNTED (1 MARKER LIGHTS PER SIDE) (NG)

ITEM	PART NUMBER	QTY	DESCRIPTION	REV
	1001255713	Ref	PYLON INSTALLATION - 42IN BODY MOUNTED (1 MARKER LIGHT PER SIDE)	A
1	3509570111	1	Light Pylon	
2	4314000103	2	Cover Plate	
3	7114140618	16	Capscrew 1/4 x 3/4	
4	7114140818	8	Capscrew 1/4 x 1	
5	7115181450	4	Bolt 1/2 x 1-3/4	
6	7413000002	8	Nut 1/4	
7	7661000019	16	U-Nut 1/4	
8	7796000101	2	Gasket	
9	7950140143	24	Washer 1/4	
10	7950180161	4	Washer 1/2	
11	3509330108	1	Pylon Electrical Installation (See Separate Breakdown in ELECTRICAL Section)	
12	4263000689	1	Channel	
13	7949000058	4	Washer	

SECTION 4 - BODY

FIGURE 4-21. PYLON INSTALLATION - 42IN BODY MOUNTED (3 MARKER LIGHTS PER SIDE) (NG)



ART_1001255715

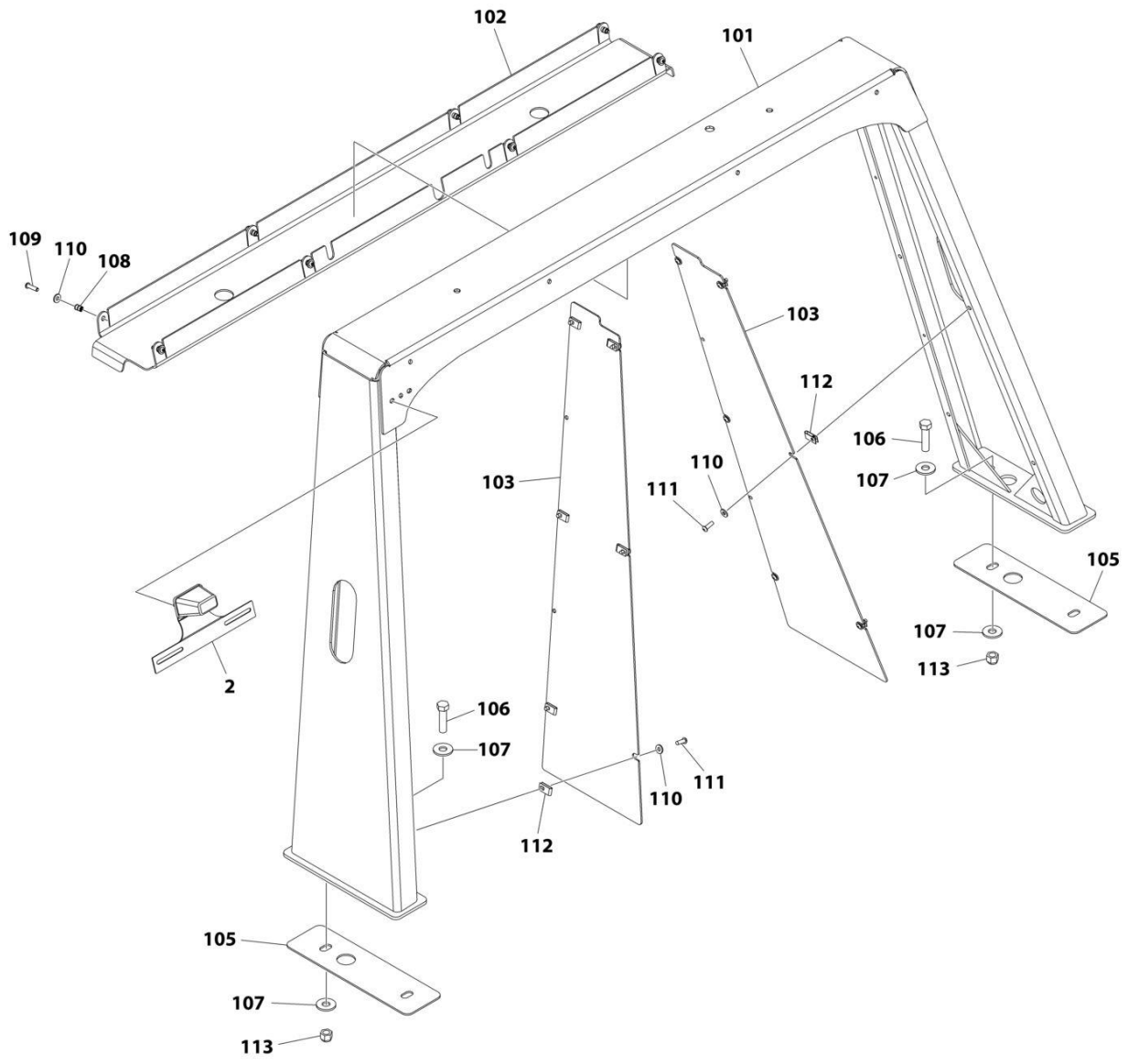
SECTION 4 - BODY

FIGURE 4-21. PYLON INSTALLATION - 42IN BODY MOUNTED (3 MARKER LIGHTS PER SIDE) (NG)

ITEM	PART NUMBER	QTY	DESCRIPTION	REV
	1001255715	Ref	PYLON INSTALLATION - 42IN BODY MOUNTED (3 MARKER LIGHTS PER SIDE)	A
1	1001255722	1	Light Pylon	
2	4314000103	2	Cover Plate	
3	7114140618	16	Capscrew 1/4 x 3/4	
4	7114140818	8	Capscrew 1/4 x 1	
5	7115181450	4	Bolt 1/2 x 1-3/4	
6	7413000002	8	Nut 1/4	
7	7661000019	16	U-Nut 1/4	
8	7796000101	2	Gasket	
9	7950140143	24	Washer 1/4	
10	7950180161	4	Washer 1/2	
11	1001137307	1	Pylon Electrical Installation (See Separate Breakdown in ELECTRICAL Section)	
12	4263000689	1	Channel	
13	7949000058	4	Washer	

SECTION 4 - BODY

FIGURE 4-22. PYLON INSTALLATION - 42IN TOOLBOX MOUNTED (1 MARKER LIGHTS PER SIDE)
(NG & NGS)



ART_1001211201

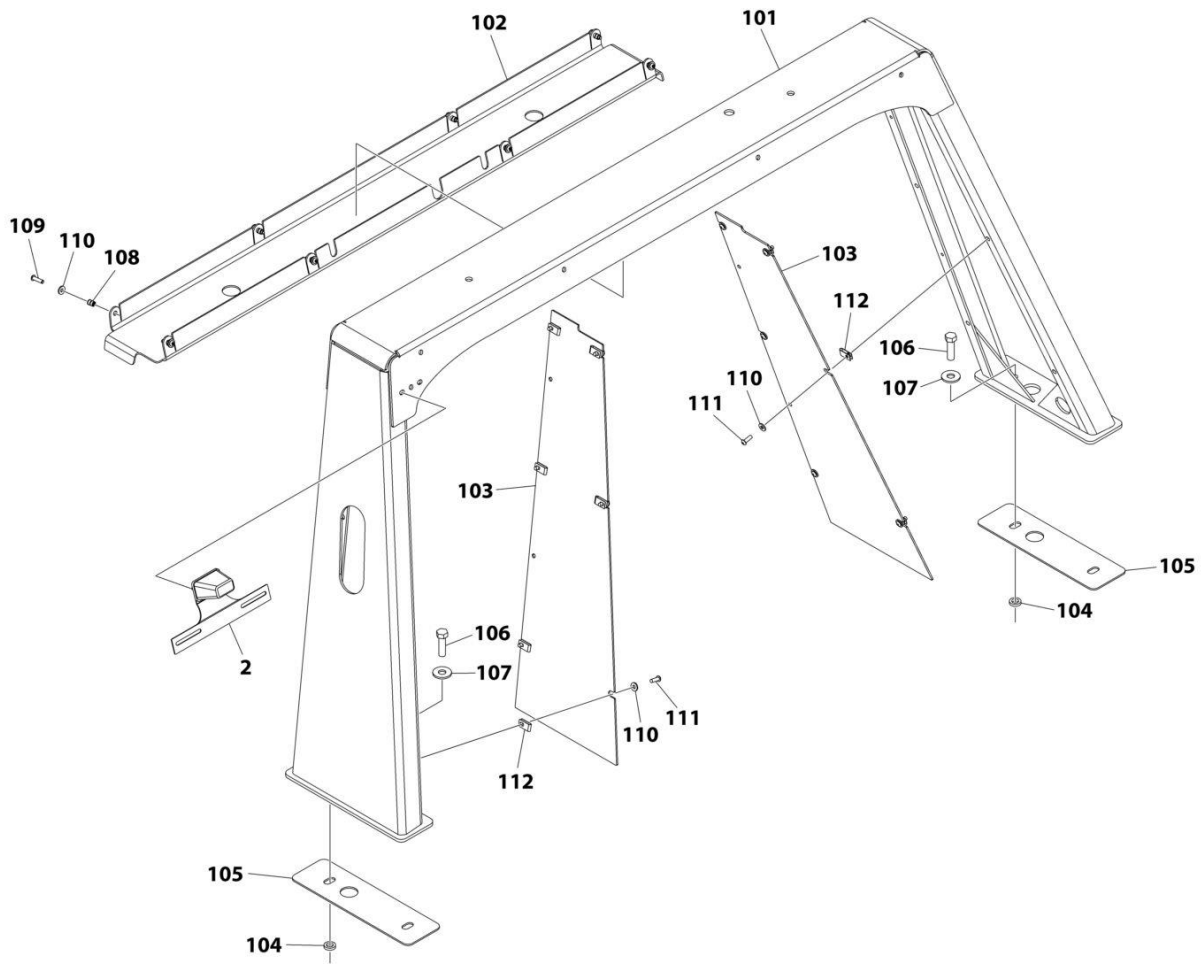
SECTION 4 - BODY

**FIGURE 4-22. PYLON INSTALLATION - 42IN TOOLBOX MOUNTED (1 MARKER LIGHTS PER SIDE)
(NG & NGS)**

ITEM	PART NUMBER	QTY	DESCRIPTION	REV
	1001211201	Ref	PYLON INSTALLATION - 42IN TOOLBOX MOUNTED (1 MARKER LIGHT PER SIDE)	A
1	2509570061	Ref	Light Pylon Installation (Not Shown) (See Item 101-113 for Breakdown)	
2	3509330109	1	Pylon Electrical Installation (See Separate Breakdown in ELECTRICAL Section)	
	2509570061	Ref	LIGHT PYLON INSTALLATION	A
101	3509570111	1	Light Pylon	
102	4263000689	1	Channel	
103	4314000103	2	Cover Plate	
105	7796000101	2	Gasket	
106	7115181650	4	Bolt 1/2 x 2	
107	7950180161	8	Washer 1/2	
108	7413000002	8	Nut 1/4	
109	7114140818	8	Capscrew 1/4 x 1	
110	7950140143	20	Washer 1/4	
111	7114140618	12	Capscrew 1/4 x 3/4	
112	7661000019	12	U Nut 1/4	
113	7660182601	4	Nut 1/2	

SECTION 4 - BODY

FIGURE 4-23. PYLON INSTALLATION - 50IN BODY MOUNTED (1 MARKER LIGHTS PER SIDE) (NG)



ART_LPABM50-MPL

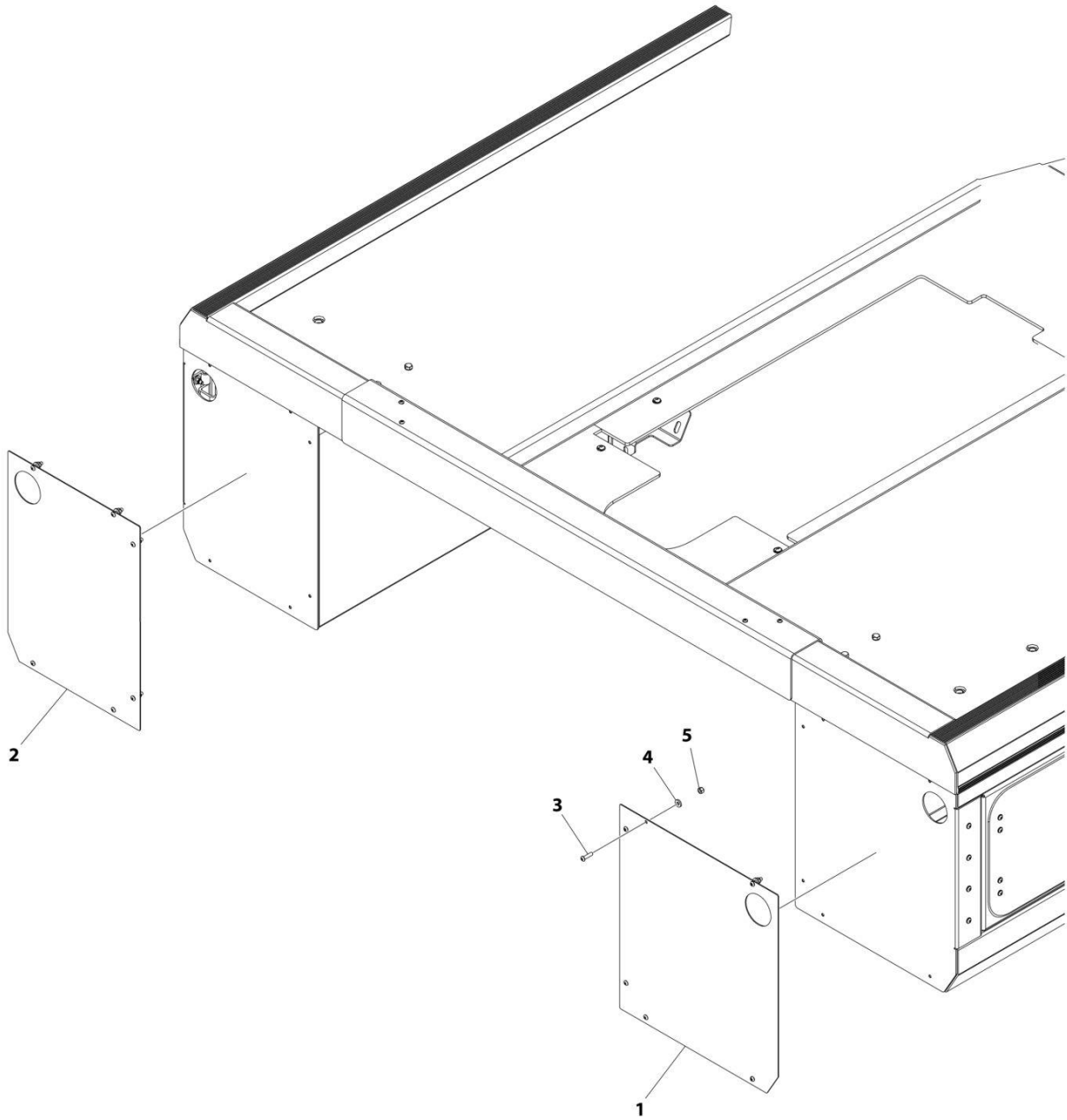
SECTION 4 - BODY

FIGURE 4-23. PYLON INSTALLATION - 50IN BODY MOUNTED (1 MARKER LIGHTS PER SIDE) (NG)

ITEM	PART NUMBER	QTY	DESCRIPTION	REV
	LPABM50-MPL	Ref	PYLON INSTALLATION - 50IN BODY MOUNTED (1 MARKER LIGHTS PER SIDE)	A
1	2509570069	Ref	Light Pylon Installation (Not Shown) (See Item 101-112 for Breakdown)	
2	3509330108	1	Pylon Electrical Installation (See Separate Breakdown in ELECTRICAL Section)	
	2509570069	Ref	LIGHT PYLON INSTALLATION	A
101	3509570113	1	Light Pylon	
102	4263000689	1	Channel	
103	4314000125	2	Cover Plate	
104	7949000058	4	Washer	
105	7796000101	2	Gasket	
106	7115181450	4	Bolt 1/2 x 1-3/4	
107	7950180161	4	Washer 1/2	
108	7413000002	8	Nut 1/2	
109	7114140818	8	Capscrew 1/4 x 1	
110	7950140143	20	Washer 1/4	
111	7114140618	12	Capscrew 1/4 x 3/4	
112	7661000019	12	U Nut 1/4	

SECTION 4 - BODY

FIGURE 4-24. STONE GUARD INSTALLATION (WITHOUT TUNNEL BOX) (NG)



ART_2002000027

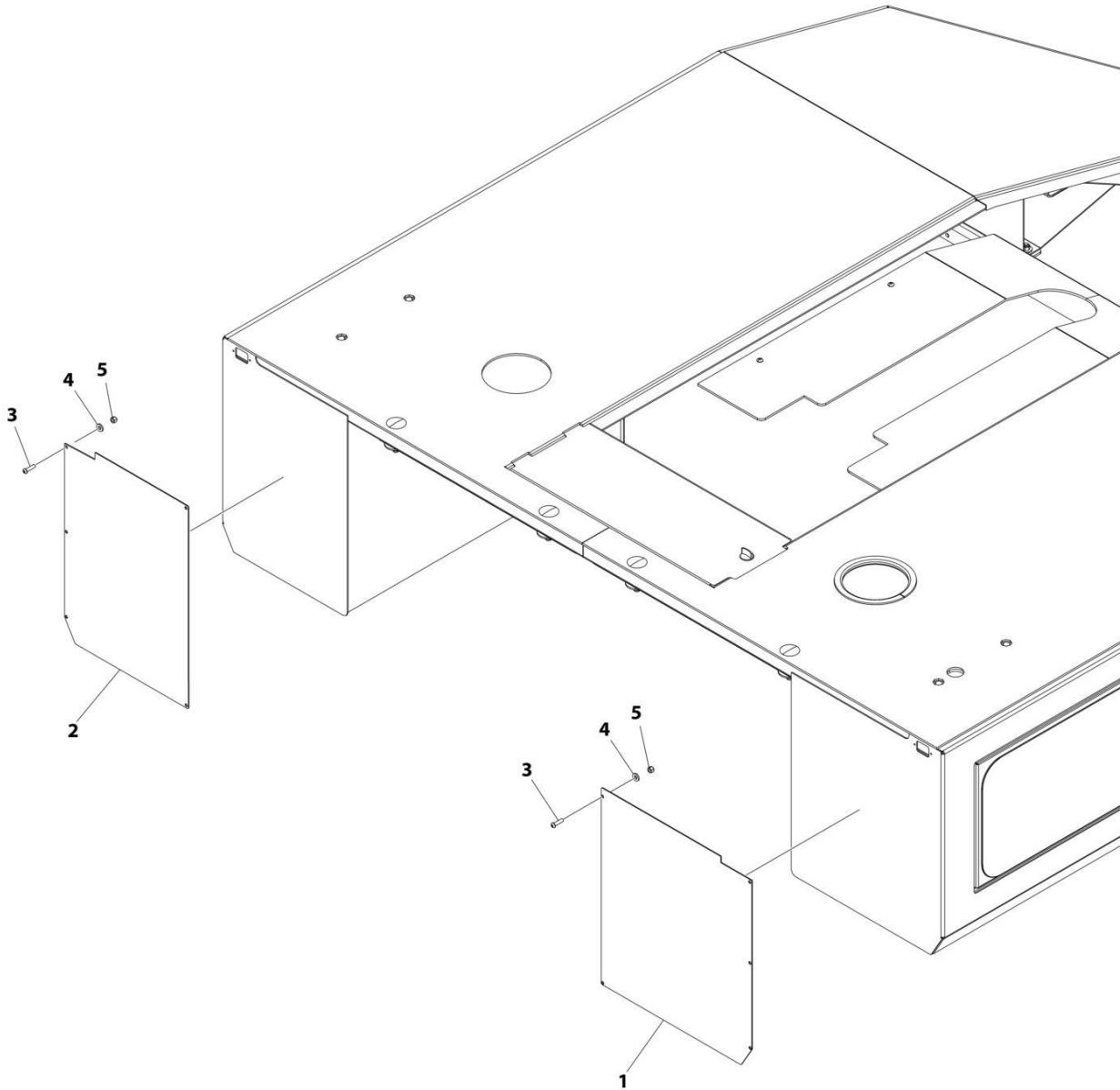
SECTION 4 - BODY

FIGURE 4-24. STONE GUARD INSTALLATION (WITHOUT TUNNEL BOX) (NG)

ITEM	PART NUMBER	QTY	DESCRIPTION	REV
	2002000027	Ref	STONE GUARD INSTALLATION (WITHOUT TUNNEL)	0
1	4707000314	1	Plate, LH	
2	4707000315	1	Plate, RH	
3	7114140818	12	Capscrew 1/4 x 1	
4	7950140141	12	Washer 1/4	
5	7660142600	12	Nut 1/4	

SECTION 4 - BODY

FIGURE 4-25. STONE GUARD INSTALLATION (WITHOUT TUNNEL BOX) (NGS)



ART_1001127828

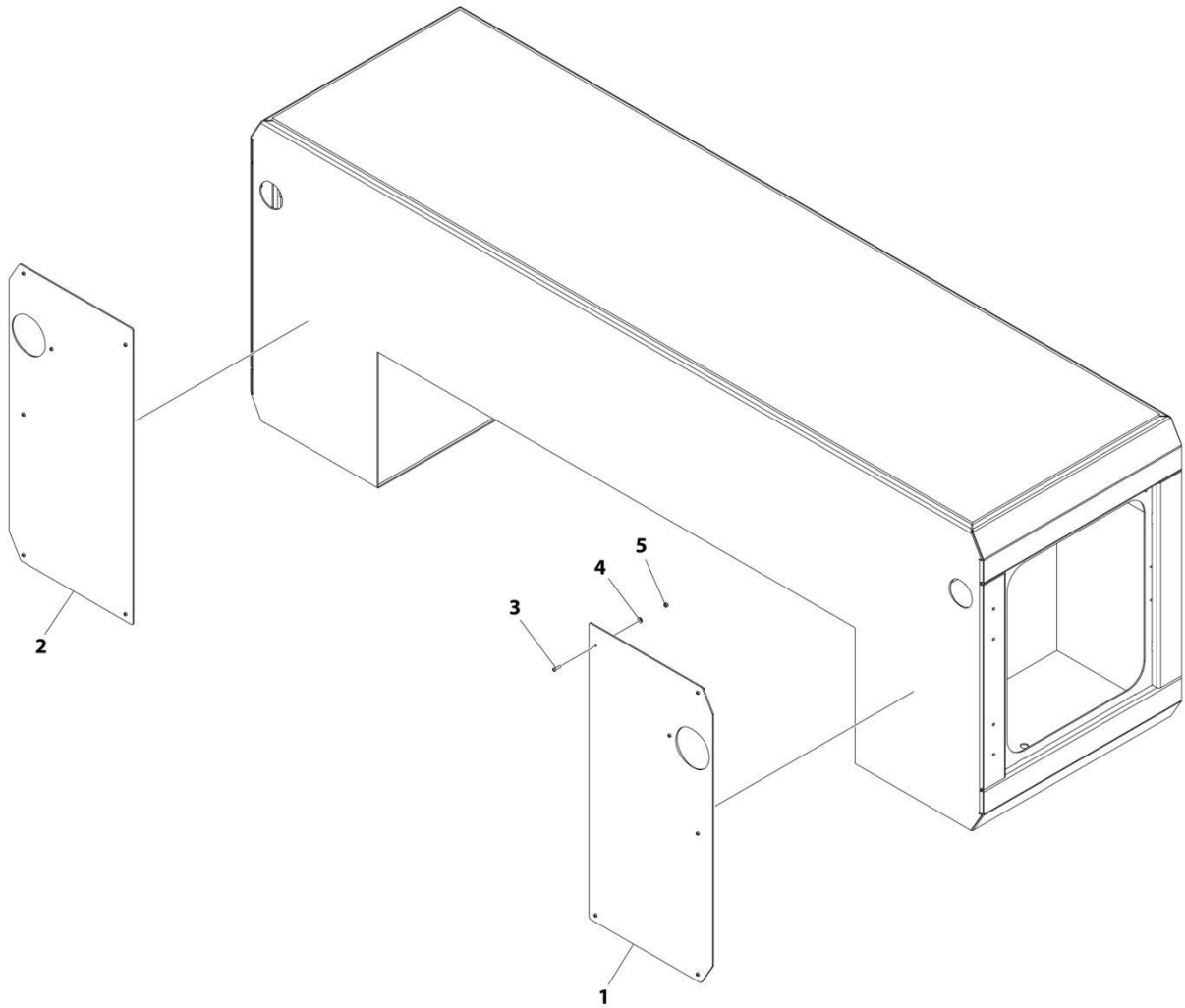
SECTION 4 - BODY

FIGURE 4-25. STONE GUARD INSTALLATION (WITHOUT TUNNEL BOX) (NGS)

ITEM	PART NUMBER	QTY	DESCRIPTION	REV
	1001127828	Ref	STONE GUARD INSTALLATION (WITHOUT TUNNEL)	0
1	4707000367	1	Plate, LH	
2	1001127820	1	Plate, RH	
3	7114140818	10	Bolt 1/4 x 1	
4	7950140143	20	Washer 1/4	
5	7660142600	10	Nut 1/4	

SECTION 4 - BODY

FIGURE 4-26. STONE GUARD INSTALLATION (WITH TUNNEL BOX)



ART_1001130410

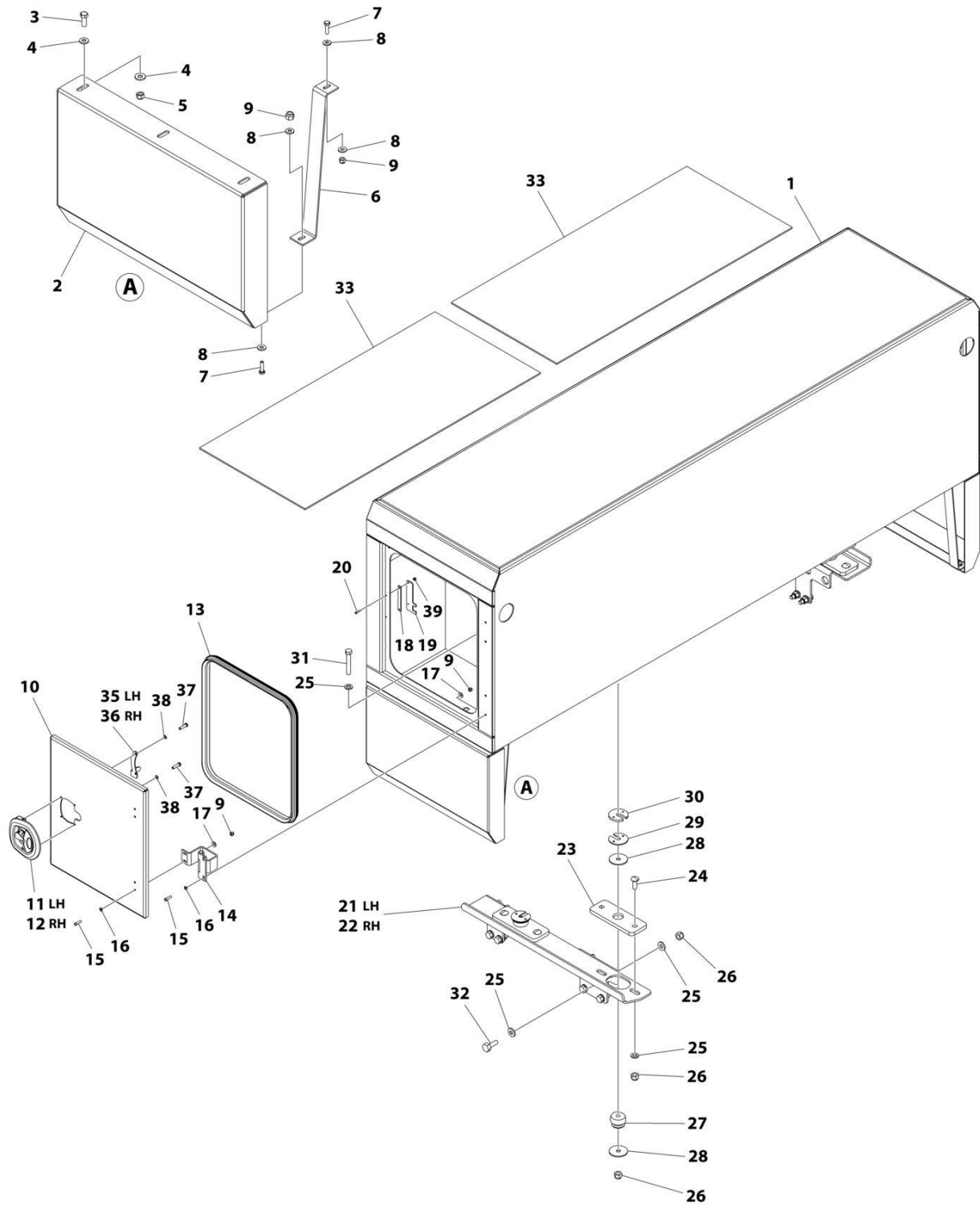
SECTION 4 - BODY

FIGURE 4-26. STONE GUARD INSTALLATION (WITH TUNNEL BOX)

ITEM	PART NUMBER	QTY	DESCRIPTION	REV
	1001130410	Ref	STONE GUARD INSTALLATION (WITH TUNNEL)	B
1	1001130417	1	Panel, LH	
2	1001130418	1	Panel, RH	
3	7114100618	12	Capscrew #10 x 3/4	
4	7950100103	12	Washer #10	
5	7660102604	12	Nut #10	

SECTION 4 - BODY

FIGURE 4-27. TUNNEL BOX INSTALLATION - 22IN (ISUZU) (SN 0230004211 through 0230005285)



ART_2509740122_B

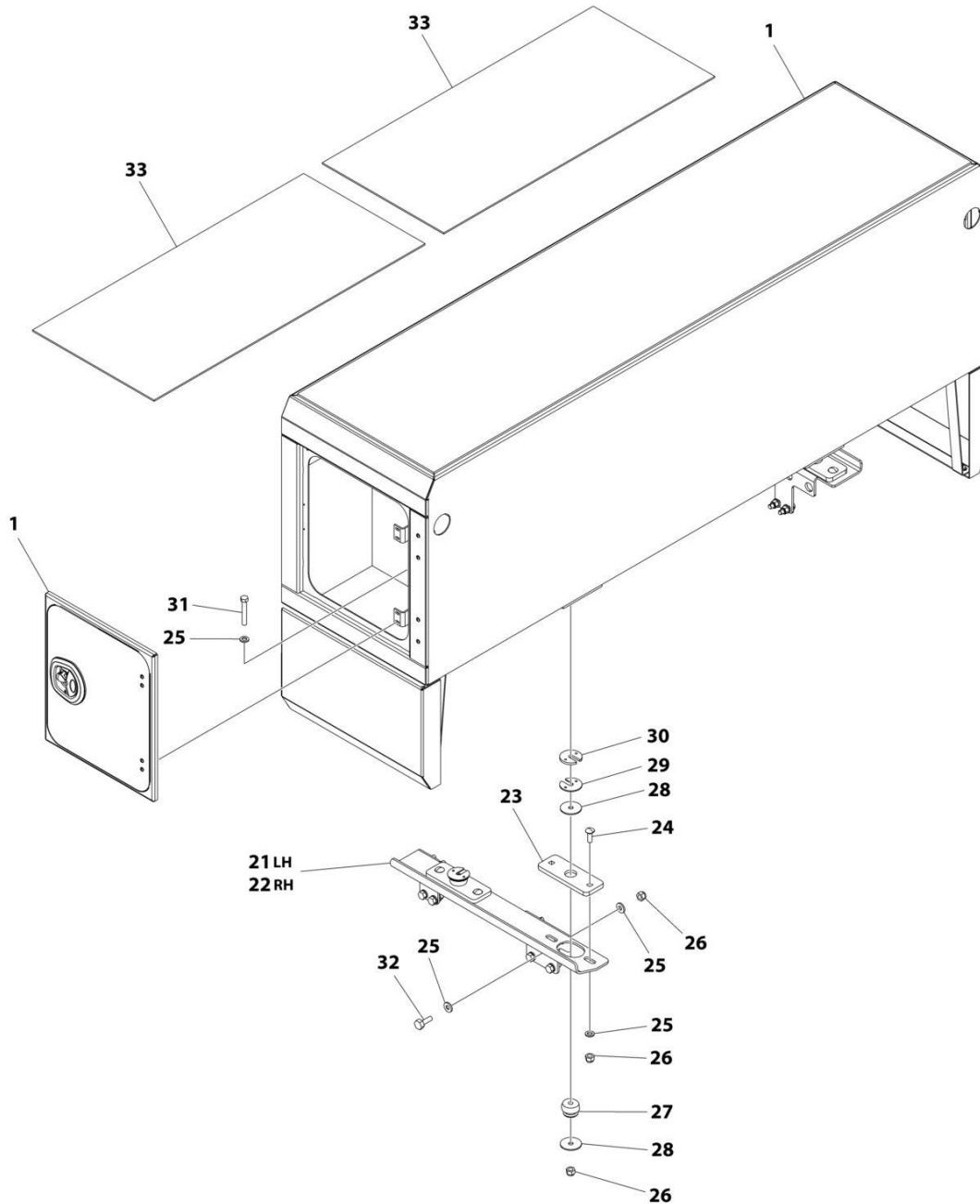
SECTION 4 - BODY

FIGURE 4-27. TUNNEL BOX INSTALLATION - 22IN (ISUZU) (SN 0230004211 through 0230005285)

ITEM	PART NUMBER	QTY	DESCRIPTION	REV
	2509740122	Ref	TUNNEL BOX INSTALLATION - 22IN STANDARD	B
1	3899000148	1	Tunnel Tool Box	
2	4811001095	2	Panel	
3	7115160850	6	Bolt 3/8 x 1	
4	7950160153	12	Washer 3/8	
5	7660162601	6	Nut 3/8	
6	4178000742	4	Bracket	
7	7115140850	8	Bolt 1/4 x 1	
8	7950140143	16	Washer 1/4	
9	7660142601	24	Nut 1/4	
10	4686000242	2	Panel	
11	7585000019	1	Latch (LH)	
12	7585000020	1	Latch (RH)	
13	4632000059	2	Seal	
14	7555000012	4	Hinge	
15	7114140818	16	Capscrew 1/4 x 1	
16	7949000056	16	Washer	
17	7950140161	16	Washer 1/4	
18	4062000569	2	Bar	
19	4178000848	2	Bracket	
20	7114080618	4	Screw #8 x 3/4	
21	3899000149	1	Toolbox Mount	
22	3899000150	1	Toolbox Mount	
23	4706005838	4	Plate	
24	7115181264	8	Bolt 1/2 x 1-1/2	
25	4891800	44	Washer 1/2	
26	7660182601	28	Nut 1/2	
27	7636000005	4	Mount	
28	7949000013	8	Washer 2-3/8	
29	4812000107	AR	Shim	
30	4812000108	AR	Shim	
31	0641828	4	Bolt 1/2 x 3-1/2	
32	0641814	16	Bolt 1/2 x 1-3/4	
33	4679000288	2	Pad	
34	7796000078	12	Gasket (Not Shown)	
35	4178000849	1	Bracket (LH)	
36	4178000850	1	Bracket (RH)	
37	7114100618	4	Capscrew #10 x 3/4	
38	7950100003	4	Washer #10	
38	7660082604	4	Nur #8	

SECTION 4 - BODY

FIGURE 4-28. TUNNEL BOX INSTALLATION - 22IN (ISUZU) (SN 0230007546 through 0230011754, Except SN 0230011072 through 0230011326, Except SN 0230011488 through 0230011512, Except SN 0230011597 through 0230011611, Excluding 0230009801 and 0230010717)



ART_2509740122_C

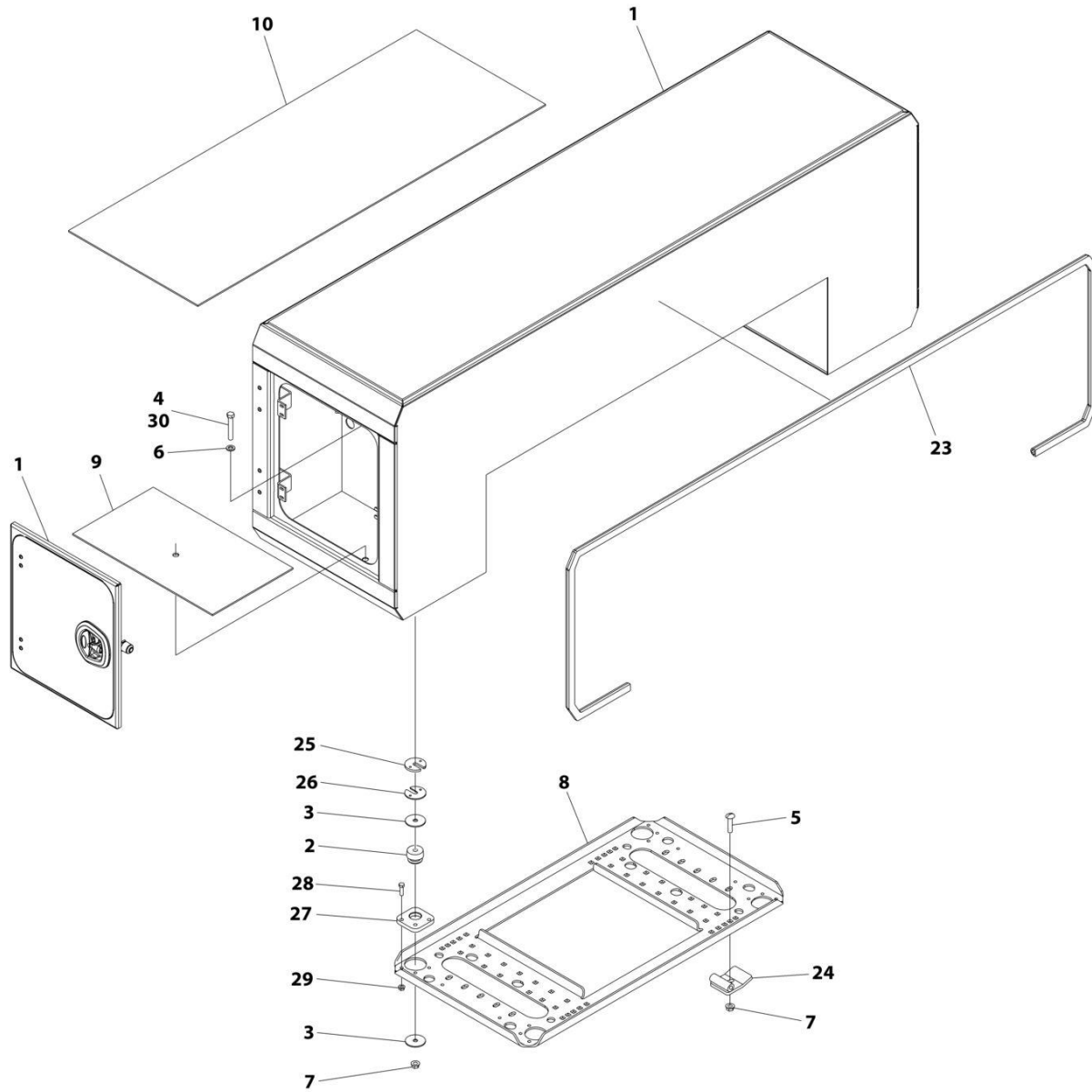
SECTION 4 - BODY

FIGURE 4-28. TUNNEL BOX INSTALLATION - 22IN (ISUZU) (SN 0230007546 through 0230011754, Except SN 0230011072 through 0230011326, Except SN 0230011488 through 0230011512, Except SN 0230011597 through 0230011611, Excluding 0230009801 and 0230010717)

ITEM	PART NUMBER	QTY	DESCRIPTION	REV
	2509740122	Ref	TUNNEL BOX INSTALLATION - 22IN STANDARD	C
1	1001225086	1	Tunnel Assembly (See Separate Breakdown in this Section)	
21	3899000149	1	Toolbox Mount	
22	3899000150	1	Toolbox Mount	
23	4706005838	4	Plate	
24	7115181264	8	Bolt 1/2 x 1-1/2	
25	4891800	44	Washer 1/2	
26	7660182601	28	Nut 1/2	
27	7636000005	4	Mount	
28	7949000013	8	Washer 2-3/8	
29	4812000107	AR	Shim	
30	4812000108	AR	Shim	
31	0641828	4	Bolt 1/2 x 3-1/2	
32	0641814	16	Bolt 1/2 x 1-3/4	
33	4679000288	2	Pad	
34	7796000078	12	Gasket (Not Shown)	

SECTION 4 - BODY

FIGURE 4-29. TUNNEL BOX INSTALLATION - 24IN STANDARD (SN 0230004211 through 0230005285)



ART_2899000081_E

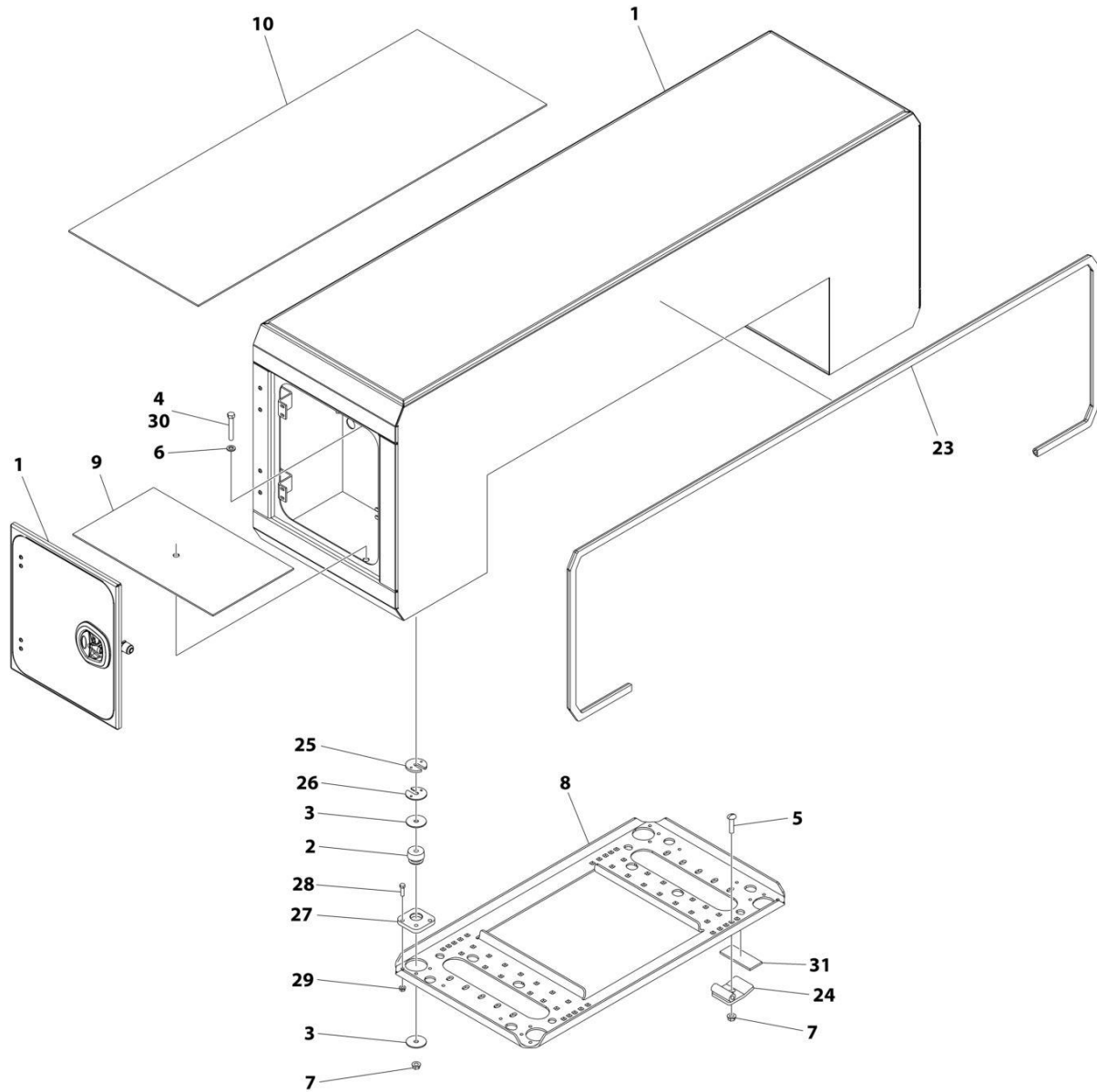
SECTION 4 - BODY

FIGURE 4-29. TUNNEL BOX INSTALLATION - 24IN STANDARD (SN 0230004211 through 0230005285)

ITEM	PART NUMBER	QTY	DESCRIPTION	REV
	2899000081	Ref	TUNNEL INSTALLATION - 24IN STANDARD	E
1	1001135953	1	Tunnel Box Assembly (See Separate Breakdown in this Section)	
2	7636000005	4	Mount	
3	7949000013	8	Washer 2-3/8	
4	0641824	4	Bolt 1/2 x 3	
5	7115181864	4	Bolt 1/2 x 2-1/4	
6	7950180153	4	Washer 1/2	
7	7660182301	8	Nut 1/2	
8	4636000041	1	Plate	
9	4679000333	2	Pad	
10	4679000334	1	Pad	
23	7796000078	12.5 ft	Gasket	
24	1001220359	4	Clamp	
25	4812000108	4	Shim	
26	4812000107	4	Shim	
27	4706005869	4	Plate	
28	0641610	12	Bolt 3/8 x 1-1/4	
29	7660162301	12	Nut 3/8	
30	0641826	4	Bolt 1/2 x 3-1/4	

SECTION 4 - BODY

FIGURE 4-30. TUNNEL BOX INSTALLATION - 24IN STANDARD (SN 0230007546 through 0230011754, Except SN 0230011072 through 0230011326, Except SN 0230011488 through 0230011512, Except SN 0230011597 through 0230011611, Excluding 0230009801 and 0230010717)



ART_2899000081_F

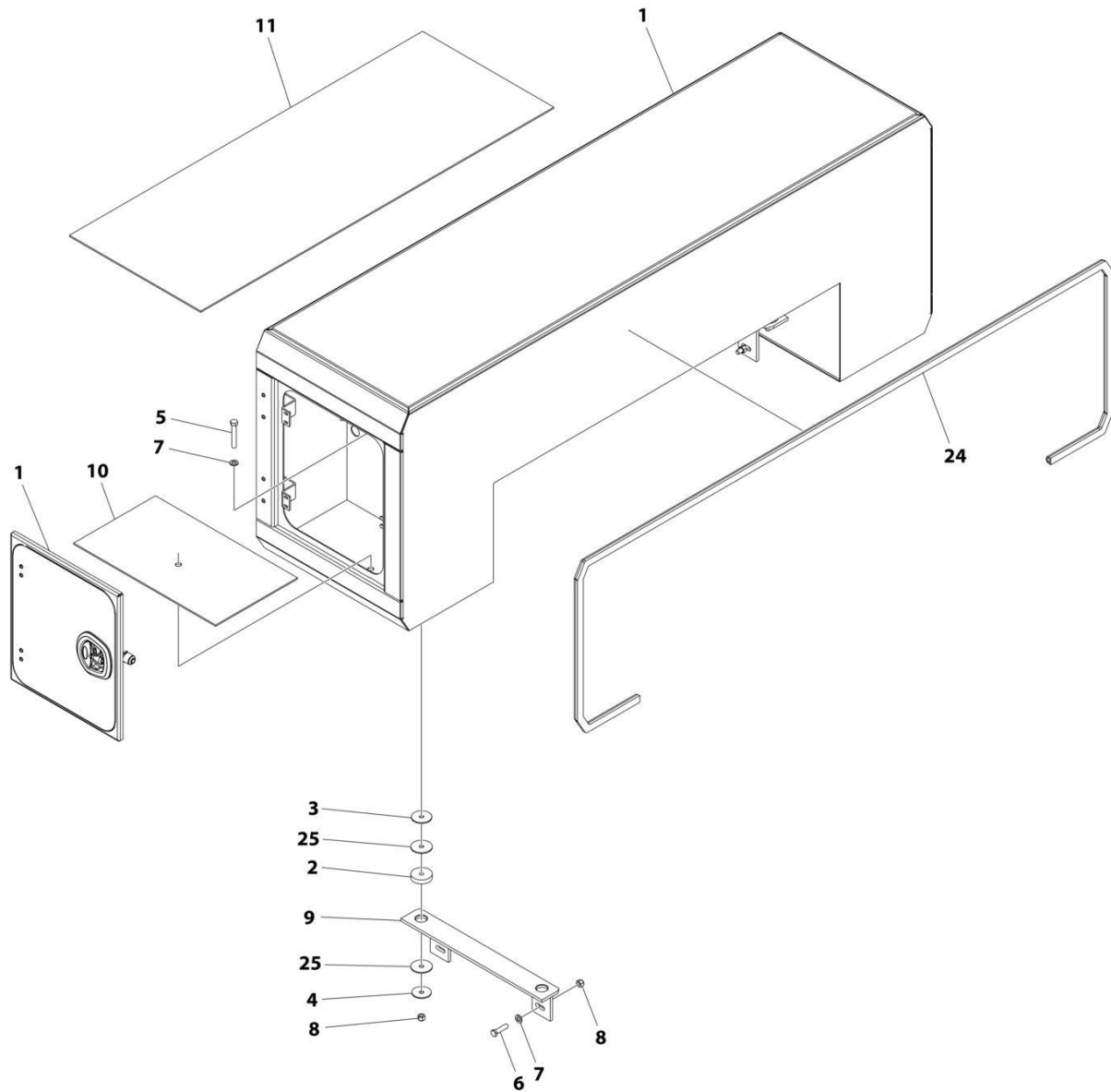
SECTION 4 - BODY

FIGURE 4-30. TUNNEL BOX INSTALLATION - 24IN STANDARD (SN 0230007546 through 0230011754, Except SN 0230011072 through 0230011326, Except SN 0230011488 through 0230011512, Except SN 0230011597 through 0230011611, Excluding 0230009801 and 0230010717)

ITEM	PART NUMBER	QTY	DESCRIPTION	REV
	2899000081	Ref	TUNNEL INSTALLATION - 24IN STANDARD	F
1	1001225081	1	Tunnel Box Assembly (See Separate Breakdown in this Section)	
2	7636000005	4	Mount	
3	7949000013	8	Washer 2-3/8	
4	0641824	4	Bolt 1/2 x 3	
5	7115181864	4	Bolt 1/2 x 2-1/4	
6	7950180153	4	Washer 1/2	
7	7660182301	8	Nut 1/2	
8	4636000041	1	Plate	
9	4679000333	2	Pad	
10	4679000334	1	Pad	
23	7796000078	12.5 ft	Gasket	
24	1001220359	4	Clamp	
25	4812000108	4	Shim	
26	4812000107	4	Shim	
27	4706005869	4	Plate	
28	0641610	12	Bolt 3/8 x 1-1/4	
29	7660162301	12	Nut 3/8	
30	0641826	4	Bolt 1/2 x 3-1/4	
31	3340898	1	Pad	

SECTION 4 - BODY

FIGURE 4-31. TUNNEL BOX INSTALLATION - 24IN REINFORCED (SN 0230004211 through 0230005285)



ART_2550000517_E

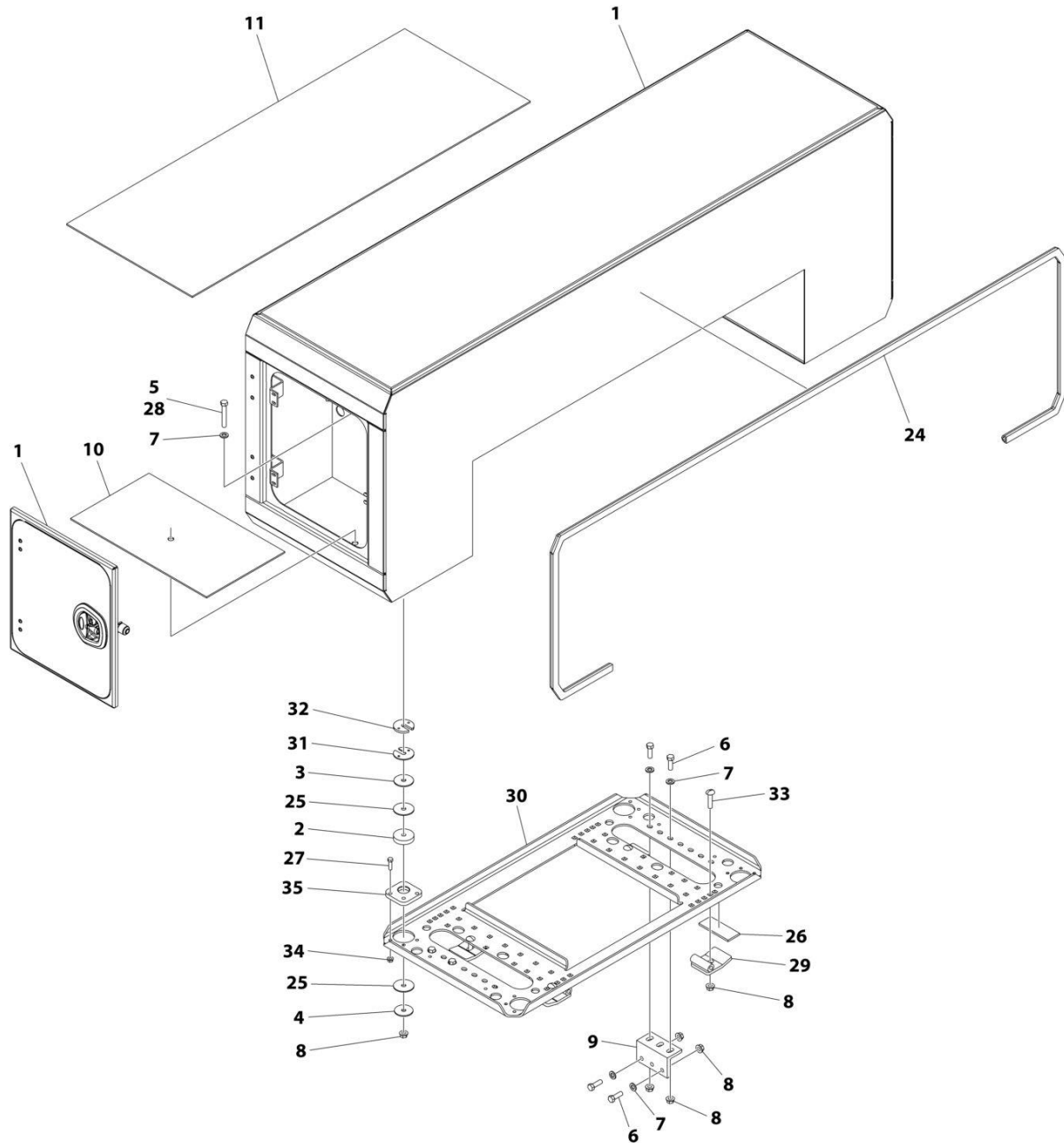
SECTION 4 - BODY

FIGURE 4-31. TUNNEL BOX INSTALLATION - 24IN REINFORCED (SN 0230004211 through 0230005285)

ITEM	PART NUMBER	QTY	DESCRIPTION	REV
	2550000517	Ref	TUNNEL BOX INSTALLATION - 24IN REINFORCED	E
1	1001225084	1	Tunnel Assembly (See Separate Breakdown in this Section)	
2	1001135107	4	Support, Adapter Tunnel Mount	
3	7949000013	4	Washer 2-3/8	
4	7949000012	4	Washer 2-1/4	
5	0641826	AR	Bolt 1/2 x 3-1/4	
6	0641816	4	Bolt 1/2 x 2	
7	4891800	8	Washer 1/2	
8	7660182601	8	Nut 1/2	
9	4017000674	2	Anglr	
10	4679000333	2	Pad	
11	4679000334	1	Pad	
24	7796000078	12.5 ft	Gasket	
25	1001135108	8	Pad	

SECTION 4 - BODY

FIGURE 4-32. TUNNEL BOX INSTALLATION - 24IN REINFORCED (SN 0230007546 through 0230011754, Except SN 0230011072 through 0230011326, Except SN 0230011488 through 0230011512, Except SN 0230011597 through 0230011611, Excluding 0230009801 and 0230010717)



ART_2550000517_F

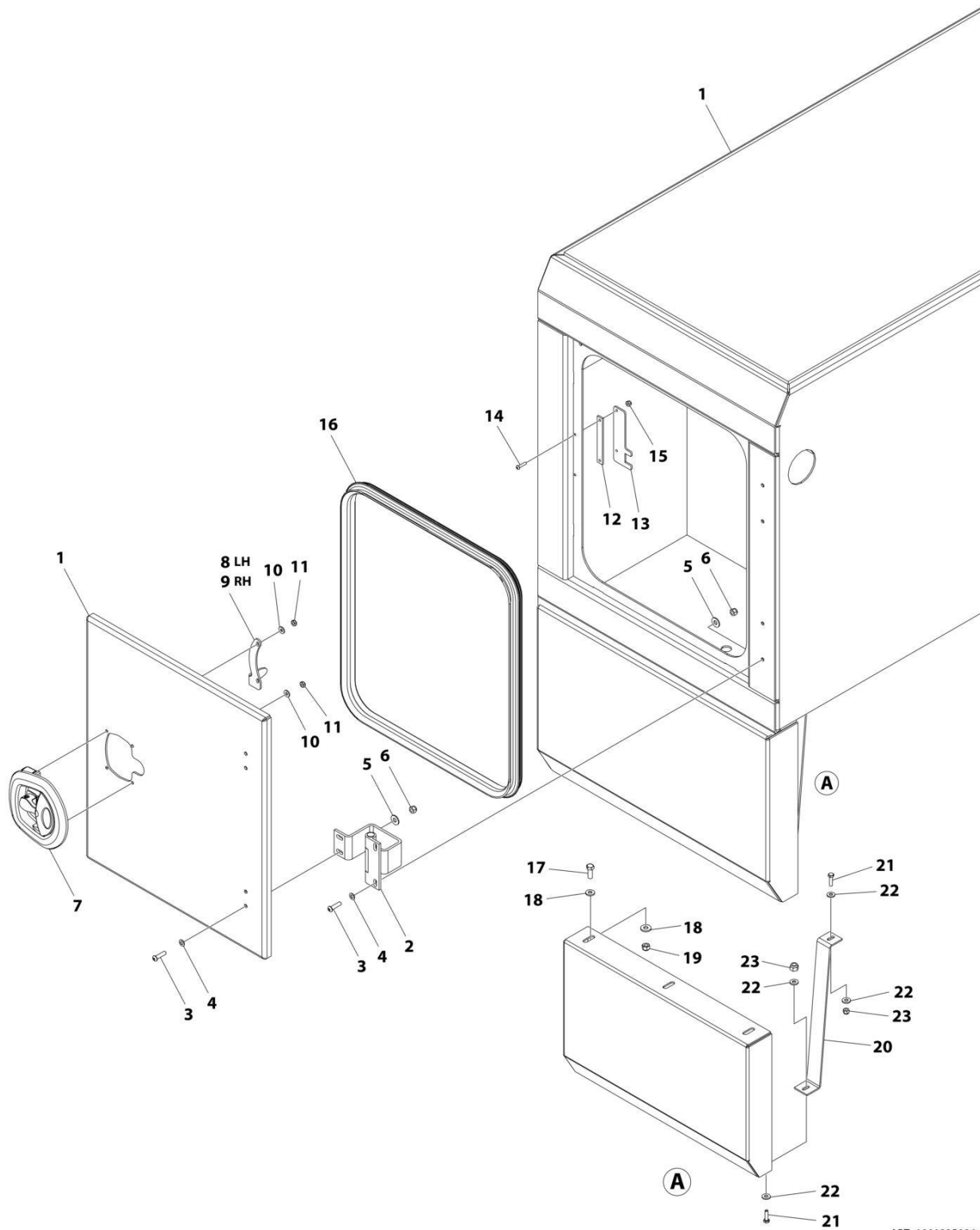
SECTION 4 - BODY

FIGURE 4-32. TUNNEL BOX INSTALLATION - 24IN REINFORCED (SN 0230007546 through 0230011754, Except SN 0230011072 through 0230011326, Except SN 0230011488 through 0230011512, Except SN 0230011597 through 0230011611, Excluding 0230009801 and 0230010717)

ITEM	PART NUMBER	QTY	DESCRIPTION	REV
	2550000517	Ref	TUNNEL BOX INSTALLATION - 24IN REINFORCED	F
1	1001225084	1	Tunnel Assembly (See Separate Breakdown in this Section)	
2	1001135107	4	Support, Adapter Tunnel Mount	
3	7949000013	4	Washer 2-3/8	
4	7949000012	4	Washer 2-1/2	
5	0641826	AR	Bolt 1/2 x 3-1/4	
6	0641812	8	Bolt 1/2 x 1-3/4	
7	7950180153	12	Washer 1/2	
8	7660182301	16	Nut 1/2	
9	4017001271	2	Angle	
10	4679000333	2	Pad	
11	4679000334	1	Pad	
24	7796000078	12.5 ft	Gasket	
25	1001135108	8	Pad	
26	3340898	1	Pad, Rubber	
27	0641610	12	Bolt 3/8 x 1-1/4	
28	0641824	4	Bolt 1/2 x 3	
29	1001220359	4	Clamp	
30	4636000041	1	Mount	
31	4812000107	AR	Shim	
32	4812000108	AR	Shim	
33	7115181864	4	Bolt 1/2 x 2-1/4	
34	7660162301	12	Nut 3/8	
35	4706005869	4	Plate	

SECTION 4 - BODY

FIGURE 4-33. TUNNEL BOX ASSEMBLY - 22IN (ISUZU) (SN 0230007546 through 0230011754, Except SN 0230011072 through 0230011326, Except SN 0230011488 through 0230011512, Except SN 0230011597 through 0230011611, Excluding 0230009801 and 0230010717)



ART_1001225086

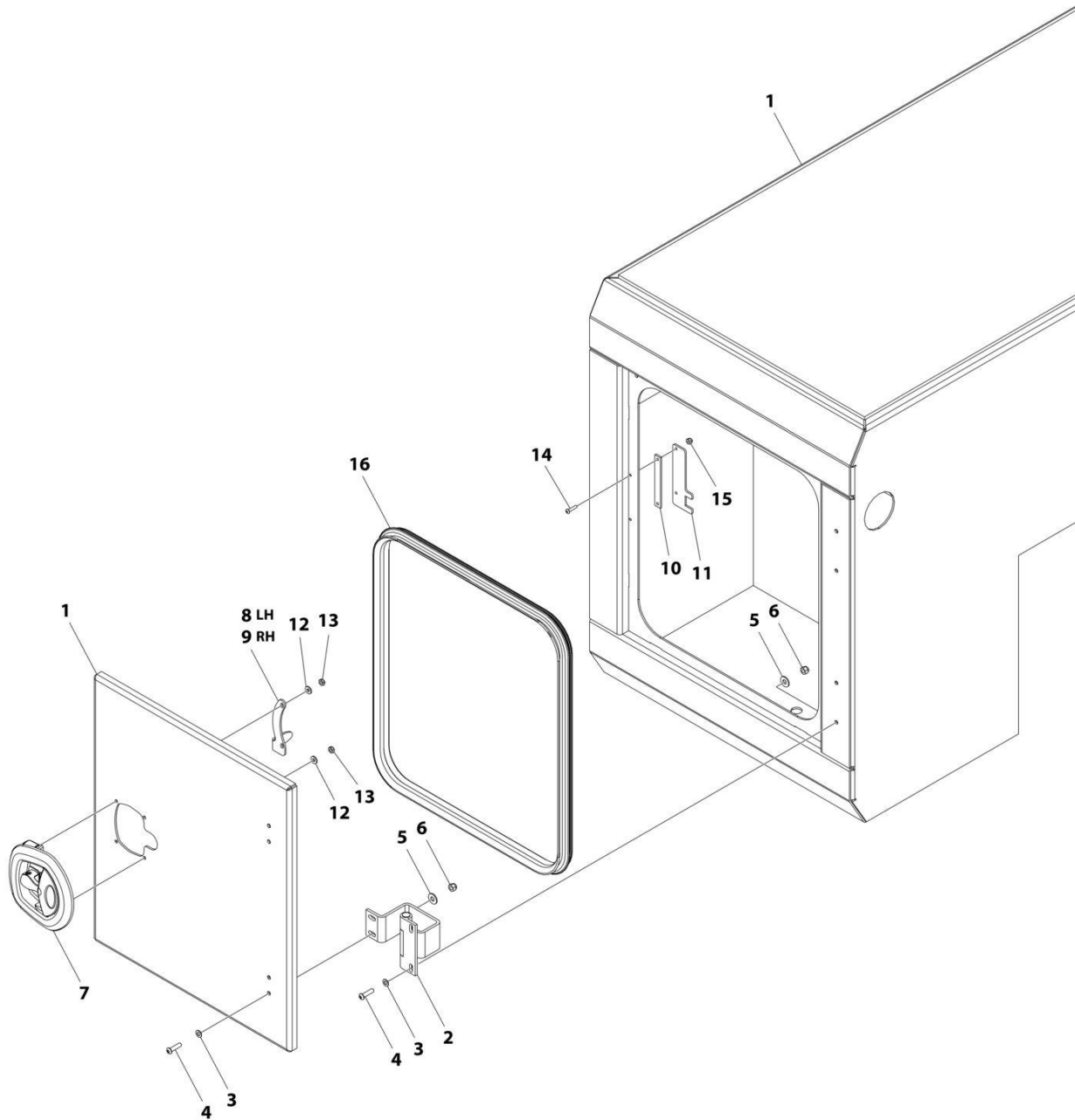
SECTION 4 - BODY

FIGURE 4-33. TUNNEL BOX ASSEMBLY - 22IN (ISUZU) (SN 0230007546 through 0230011754, Except SN 0230011072 through 0230011326, Except SN 0230011488 through 0230011512, Except SN 0230011597 through 0230011611, Excluding 0230009801 and 0230010717)

ITEM	PART NUMBER	QTY	DESCRIPTION	REV
	1001225086	Ref	TUNNEL BOX ASSEMBLY - 22IN STANDARD	A
1	1001225087	1	Tunnel Tool Box	
2	7555000012	4	Hinge	
3	7114140818	16	Capscrew 1/4 x 1	
4	7949000056	16	Washer 1/4	
5	4751400	16	Washer 1/4	
6	7660142601	16	Nut 1/4	
7	1001223814	2	Latch	
8	1001224955	1	Plate, Door Alignment LH	
9	1001224956	1	Plate, Door Alignment RH	
10	7950100143	4	Washer 3/16	
11	3300455	4	Nut	
12	4062000569	2	Bar	
13	1001224954	2	Plate	
14	7114080618	4	Screw #8 x 3/4	
15	7660082604	4	Nut #8	
16	4632000053	2	Seal	
17	0641608	6	Bolt 3/8 x 1	
18	7950160153	12	Washer 3/8	
19	3300492	6	Nut 3/8	
20	4178000742	4	Bracket	
21	0641408	8	Bolt 1/4 - 1	
22	7950140143	16	Washer 1/4	
23	7660142601	8	Nut 1/4	

SECTION 4 - BODY

FIGURE 4-34. TUNNEL BOX ASSEMBLY - 24IN STANDARD (SN 0230004211 through 0230005285)



ART_1001225081

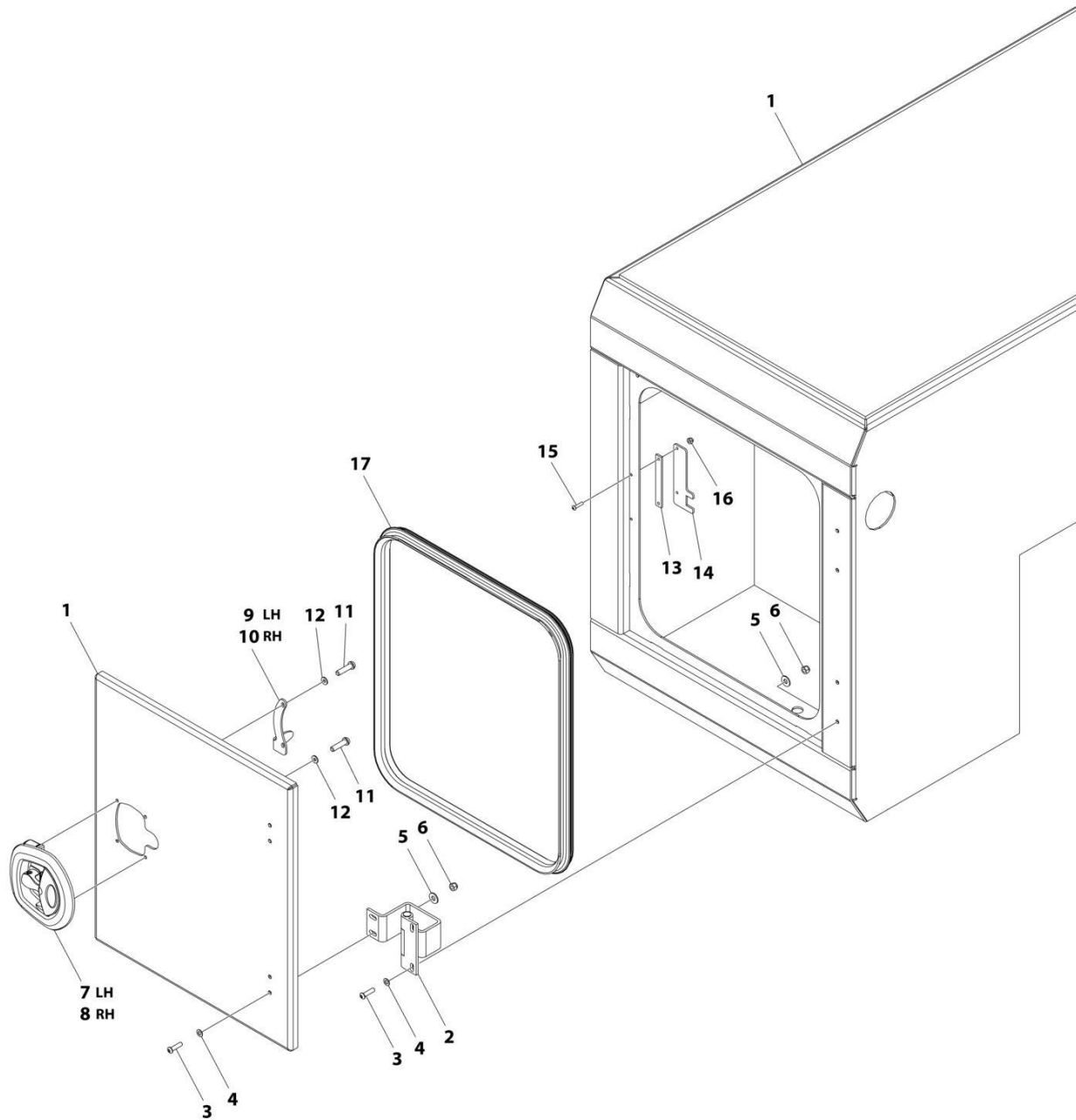
SECTION 4 - BODY

FIGURE 4-34. TUNNEL BOX ASSEMBLY - 24IN STANDARD (SN 0230004211 through 0230005285)

ITEM	PART NUMBER	QTY	DESCRIPTION	REV
	1001225081	Ref	TUNNEL ASSEMBLY - 24IN STANDARD	A
1	1001225082	1	Tunnel Tool Box	
2	7555000012	4	Hinge	
3	7949000056	16	Washer 1/2	
4	7114140818	16	Capscrew 1/4 x 1	
5	4751400	16	Washer 1/4	
6	7660142601	16	Nut 1/4	
7	1001223814	2	Latch, T-Handle	
8	1001224955	1	Plate, Door Alignment LH	
9	1001224956	1	Plate, Door Alignment RH	
10	4062000569	2	Bar	
11	1001224954	2	Plate	
12	7950100143	8	Washer 3/16	
13	3300455	8	Nut	
14	7114080618	4	Screw #8 x 3/4	
15	7660082604	4	Nut #8	
16	4632000053	2	Seal	

SECTION 4 - BODY

FIGURE 4-35. TUNNEL BOX ASSEMBLY - 24IN STANDARD (SN 0230007546 through 0230011754, Except SN 0230011072 through 0230011326, Except SN 0230011488 through 0230011512, Except SN 0230011597 through 0230011611, Excluding 0230009801 and 0230010717)



ART_1001135953

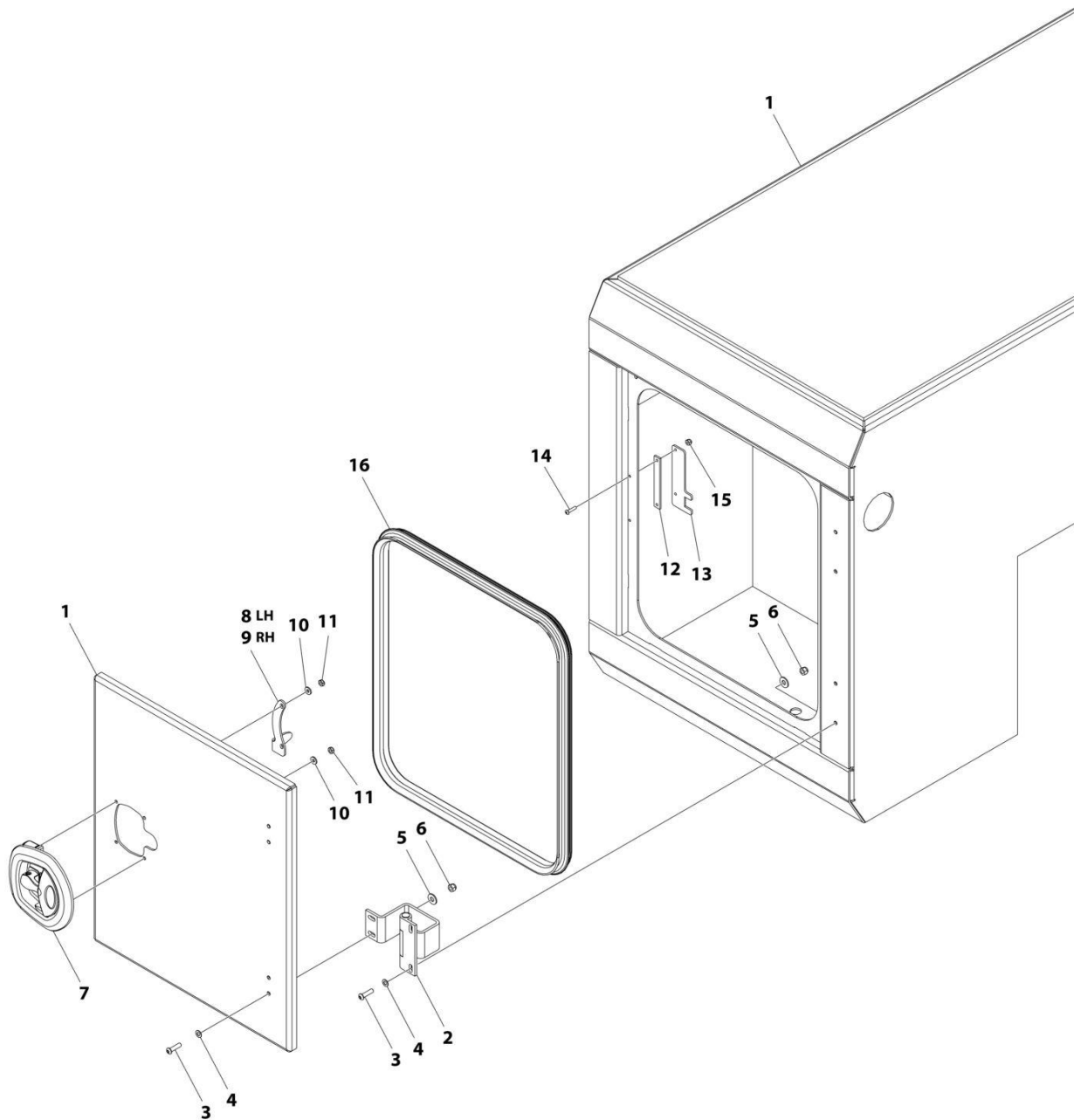
SECTION 4 - BODY

FIGURE 4-35. TUNNEL BOX ASSEMBLY - 24IN STANDARD (SN 0230007546 through 0230011754, Except SN 0230011072 through 0230011326, Except SN 0230011488 through 0230011512, Except SN 0230011597 through 0230011611, Excluding 0230009801 and 0230010717)

ITEM	PART NUMBER	QTY	DESCRIPTION	REV
	1001135953	Ref	TUNNEL ASSEMBLY - 24IN STANDARD	B
1	1001135958	1	Tunnel Tool Box	
2	7555000012	4	Hinge	
3	7114140818	16	Capscrew 1/4 x 1	
4	7949000056	16	Washer 1/2	
5	7950140161	16	Washer 1/4	
6	7660142601	16	Nut 1/4	
7	7585000019	1	Latch, T-Handle (LH)	
8	7585000020	1	Latch, T-Handle (RH)	
9	4178000849	1	Bracket (LH)	
10	4178000850	1	Bracket (RH)	
11	7114100618	4	Capscrew #10 x 3/4	
12	7950100003	4	Washer #10	
13	4062000569	2	Bar	
14	4178000848	2	Bracket	
15	7114080618	4	Screw #8 x 3/4	
16	7660082604	4	Nut #8	
17	4632000053	2	Seal	

SECTION 4 - BODY

FIGURE 4-36. TUNNEL BOX ASSEMBLY - 24IN REINFORCED (SN 0230004211 through 0230005285)



ART_1001225084

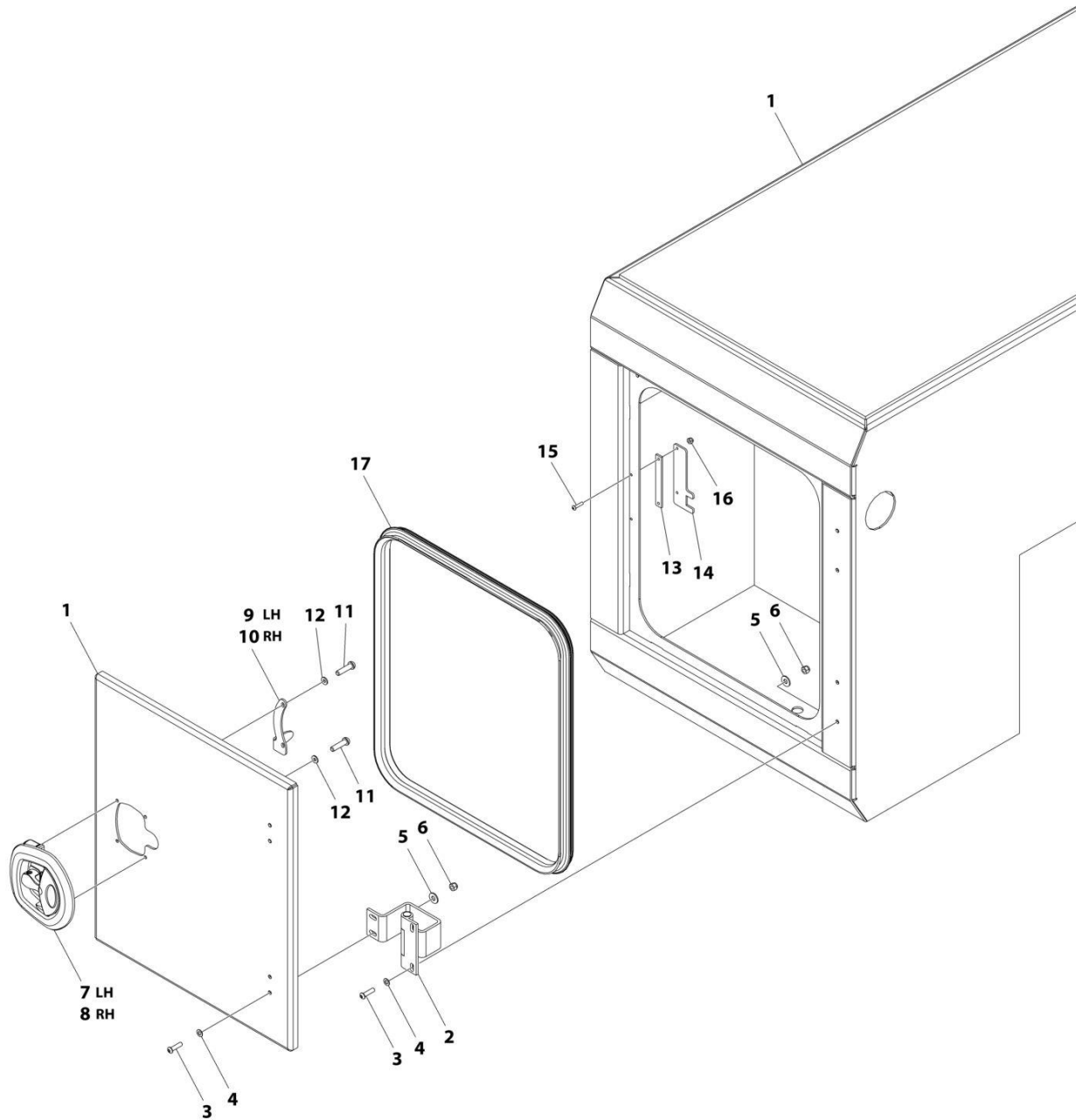
SECTION 4 - BODY

FIGURE 4-36. TUNNEL BOX ASSEMBLY - 24IN REINFORCED (SN 0230004211 through 0230005285)

ITEM	PART NUMBER	QTY	DESCRIPTION	REV
	1001225084	Ref	TUNNEL ASSEMBLY - 24IN REINFORCED	B
1	1001225085	1	Tunnel Tool Box	
2	7555000012	4	Hinge	
3	7114140818	16	Capscrew 1/4 x 1	
4	7949000056	16	Washer 1/2	
5	4751400	16	Washer 1/4	
6	7660142601	16	Nut 1/4	
7	1001223814	2	Latch, T-Handle	
8	1001224955	1	Plate, Door Alignment LH	
9	1001224956	1	Plate, Door Alignment RH	
10	7950100143	8	Washer 3/16	
11	3300455	8	Nut	
12	4062000569	2	Bar	
13	1001224954	2	Plate	
14	7114080618	4	Screw #8 x 3/4	
15	7660082604	4	Nut #8	
16	4632000053	2	Seal	

SECTION 4 - BODY

FIGURE 4-37. TUNNEL BOX ASSEMBLY - 24IN REINFORCED (SN 0230007546 through 0230011754, Except SN 0230011072 through 0230011326, Except SN 0230011488 through 0230011512, Except SN 0230011597 through 0230011611, Excluding 0230009801 and 0230010717)



ART_1001135955

SECTION 4 - BODY

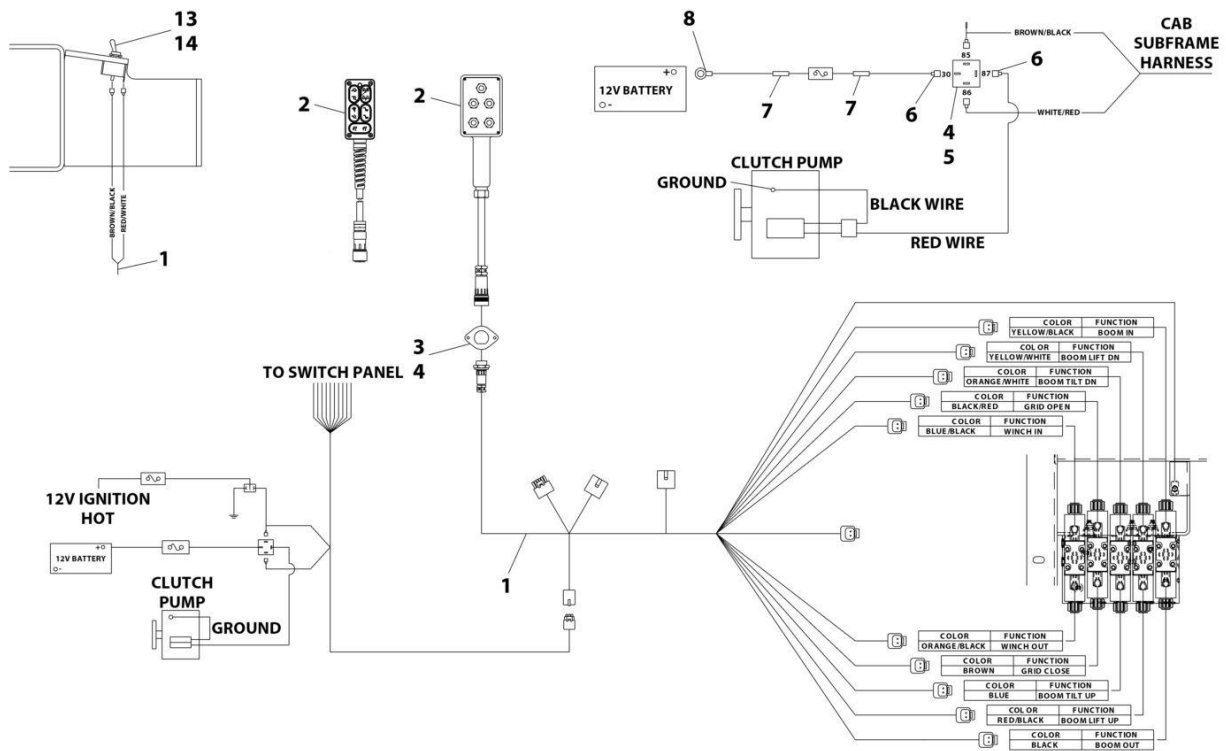
FIGURE 4-37. TUNNEL BOX ASSEMBLY - 24IN REINFORCED (SN 0230007546 through 0230011754, Except SN 0230011072 through 0230011326, Except SN 0230011488 through 0230011512, Except SN 0230011597 through 0230011611, Excluding 0230009801 and 0230010717)

ITEM	PART NUMBER	QTY	DESCRIPTION	REV
	1001135955	Ref	TUNNEL ASSEMBLY - 24IN REINFORCED	B
1	1001135960	1	Tunnel Tool Box	
2	7555000012	4	Hinge	
3	7114140818	16	Capscrew 1/4 x 1	
4	7949000056	16	Washer 1/2	
5	7950140161	16	Washer 1/4	
6	7660142601	16	Nut 1/4	
7	7585000019	1	Latch, T-Handle (LH)	
8	7585000020	1	Latch, T-Handle (RH)	
9	4178000849	1	Bracket (LH)	
10	4178000850	1	Bracket (RH)	
11	7114100618	4	Capscrew #10 x 3/4	
12	7950100003	4	Washer #10	
13	4062000569	2	Bar	
14	4178000848	2	Bracket	
15	7114080618	4	Screw #8 x 3/4	
16	7660082604	4	Nut #8	
17	4632000053	2	Seal	

SECTION 5 - CONTROLS

SECTION 5 - CONTROLS

FIGURE 5-1. CONTROLLER INSTALLATION (TOGGLE SWITCH CONTROLS)



ART_3509330126

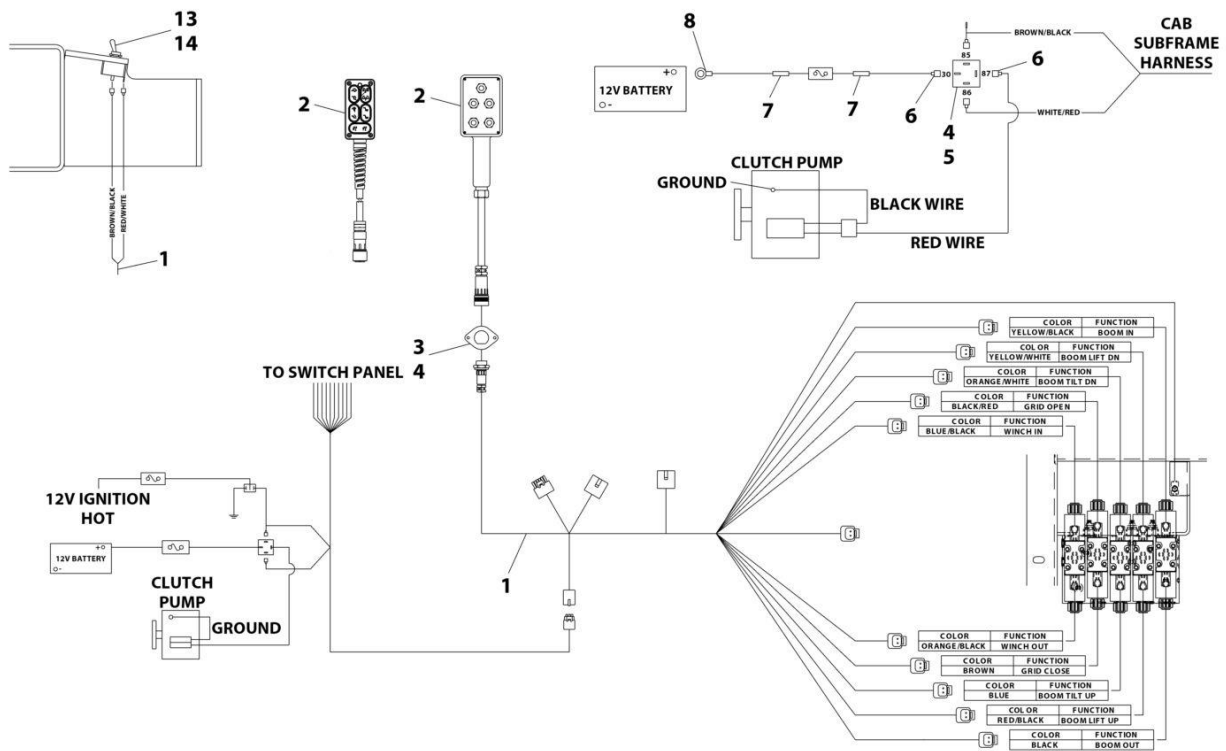
SECTION 5 - CONTROLS

FIGURE 5-1. CONTROLLER INSTALLATION (TOGGLE SWITCH CONTROLS)

ITEM	PART NUMBER	QTY	DESCRIPTION	REV
	3509330126	Ref	CONTROLLER INSTALLATION (TOGGLE SWITCH CONTROLS)	C
1	7552000365	1	Harness, Valve (See Separate Breakdown in ELECTRICAL Section)	
2	7295000062	1	Controller	
3	4706003402	1	Plate	
4	7120000034	3	Screw #10 x 3/4	
5	7740000003	1	Relay	
6	7345001710	2	Tab	
7	7345001714	1	Terminal	
8	7345221702	1	Terminal	
13	1001174496	1	Switch, Toggle	
14	7560000004	1	Boot, Toggle Switch	

SECTION 5 - CONTROLS

FIGURE 5-2. CONTROLLER INSTALLATION (MEMBRANE CONTROLS)



ART_1001127427

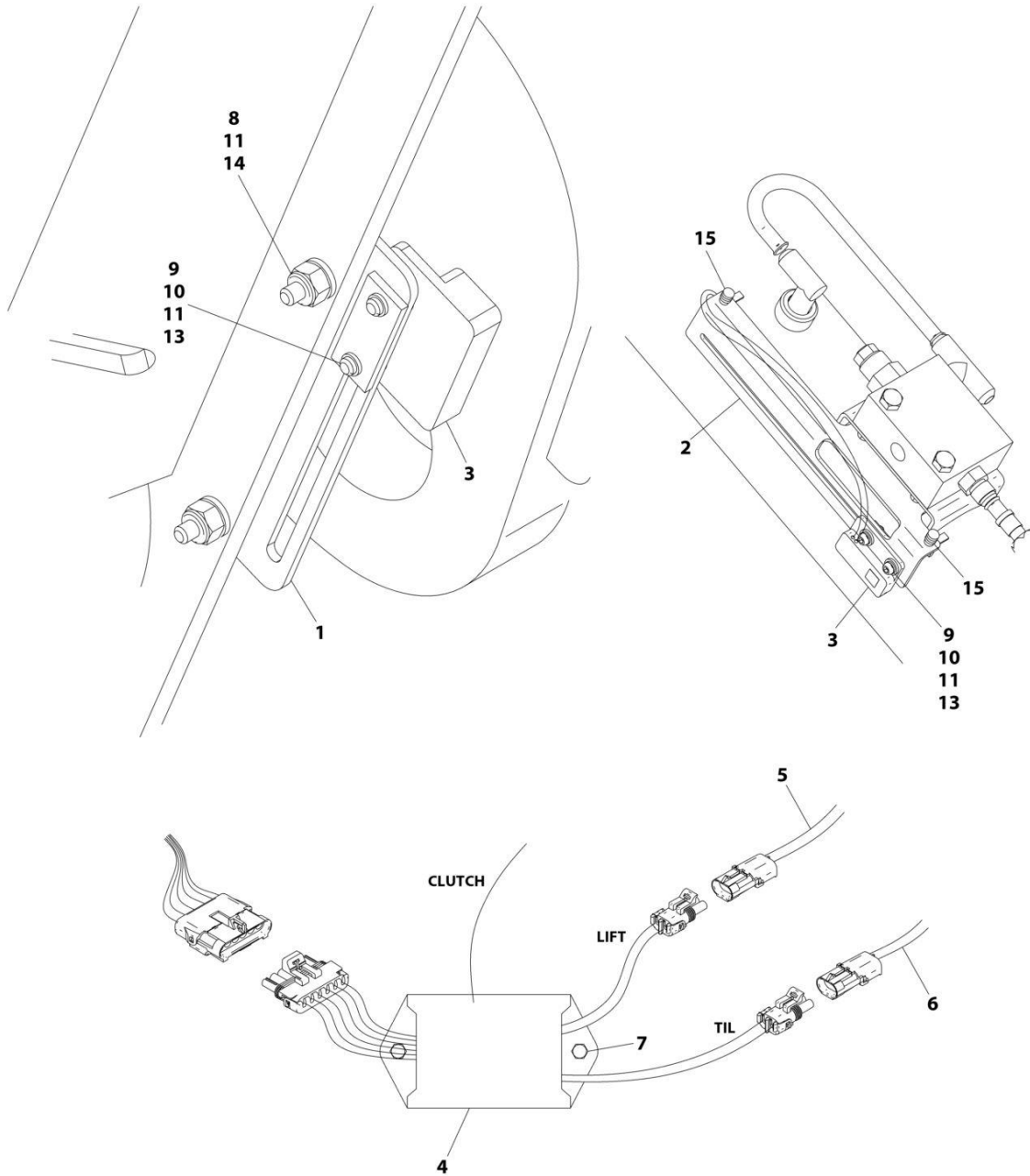
SECTION 5 - CONTROLS

FIGURE 5-2. CONTROLLER INSTALLATION (MEMBRANE CONTROLS)

ITEM	PART NUMBER	QTY	DESCRIPTION	REV
	1001127427	Ref	CONTRLLER INSTALLATION (MEMBRANE CONTROLS)	C
1	7552000365	1	Harness, Valve (See Separate Breakdown in ELECTRICAL Section)	
2	7295000131	1	Controller	
3	4706003402	1	Plate	
4	7120000034	3	Screw #10 x 3/4	
5	7740000003	1	Relay	
6	7345001710	2	Tab	
7	7345001714	2	Terminal	
8	7345221702	1	Terminal	
13	1001174496	1	Switch, Toggle	
14	7560000004	1	Boot, Toggle Switch	

SECTION 5 - CONTROLS

FIGURE 5-3. UNDERLIFT LEVEL STOP CONTROLLER INSTALLATION



ART_2509170077

SECTION 5 - CONTROLS

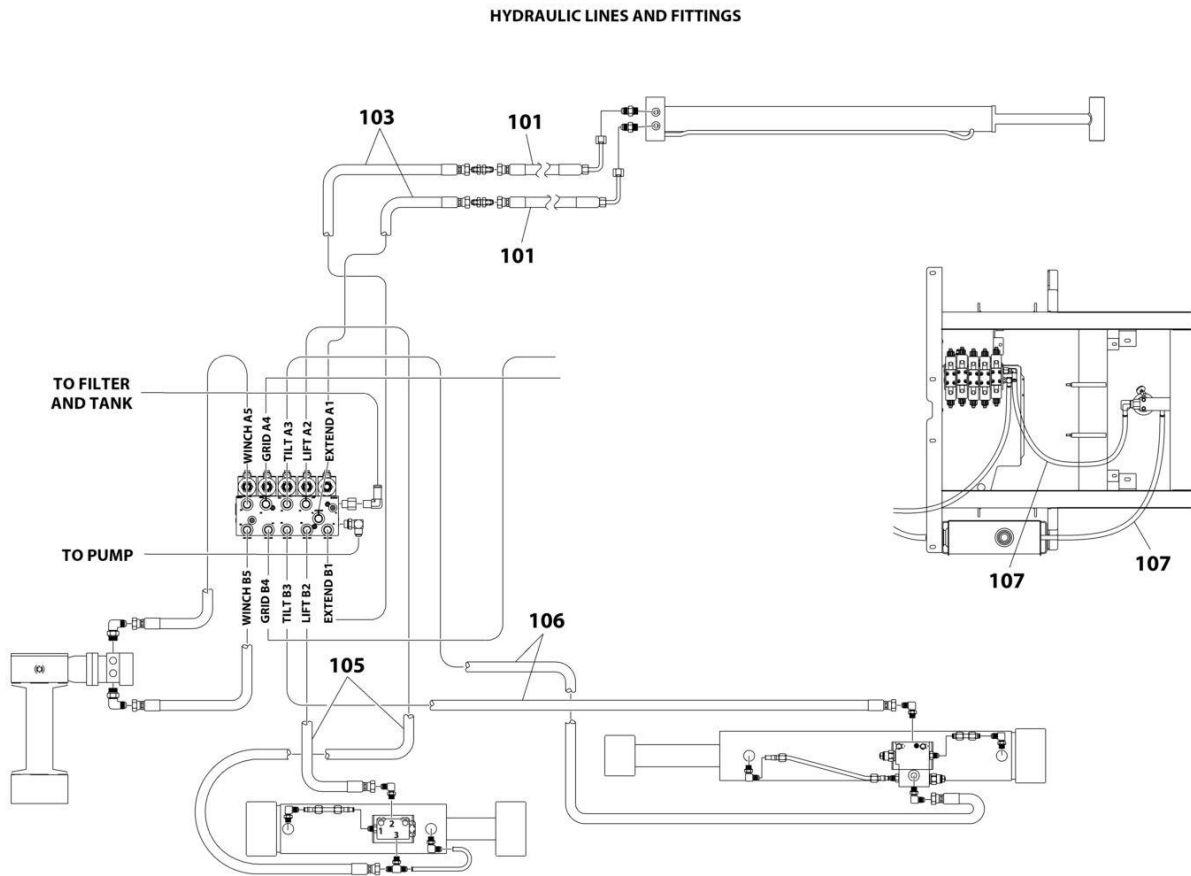
FIGURE 5-3. UNDERLIFT LEVEL STOP CONTROLLER INSTALLATION

ITEM	PART NUMBER	QTY	DESCRIPTION	REV
	2509170077	Ref	UNDERLIFT LEVEL STOP CONTROLLER INSTALLATION	C
1	4178000709	1	Bracket	
2	4178000705	1	Bracket	
3	7870000126	2	Switch	
4	7346000261	1	Relay	
4	4460742	2	Connector, Male - 2 Postion	
4		Ref	Connector, Male - 6 Postion	
4	4460743	10	Socket	
4	4460458	10	Seal	
5	7552000367	1	Harness, Level Switch	
5	4461157	2	Connector - 2 Postion	
5	7346000035	4	Terminal	
6	7552000368	1	Harness, Level Switch	
6	4461157	2	Connector - 2 Postion	
6	7346000035	4	Terminal	
7	7114100618	2	Bolt #10 x 3/4	
8	7114100818	2	Bolt #10 x 1	
9	7114100518	4	Bolt #10 x 5/8	
10	7950100003	4	Washer 3/16	
11	7950100103	8	Washer #10	
12	7950100163	8	Washer #10 (Not Shown)	
13	7661000056	2	Nut	
14	7660102604	4	Nut #10	
15	7894000042	4	Tie-Strap	
16	5526000553	10	Tie-Strap (Not Shown)	
17	7894000004	3	Tie-Strap (Not Shown)	

SECTION 6 - HYDRAULIC

SECTION 6 - HYDRAULIC

FIGURE 6-1. HOSE INSTALLATION - LIFT AND TILT CYLINDER



ART_1001137496

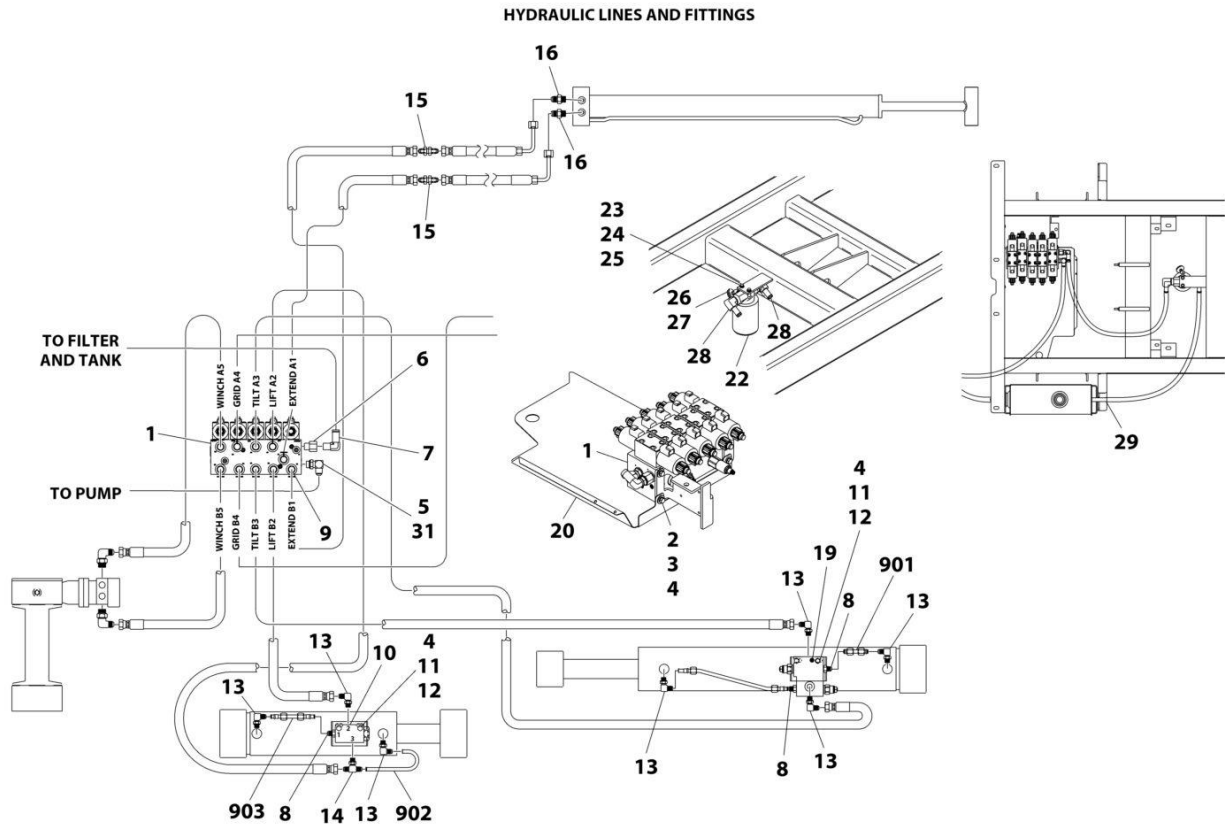
SECTION 6 - HYDRAULIC

FIGURE 6-1. HOSE INSTALLATION - LIFT AND TILT CYLINDER

ITEM	PART NUMBER	QTY	DESCRIPTION	REV
	1001137496	Ref	HOSE, KIT HLF AND RETURN	A
101	4570000304	2	Hose	
103	4567120112	2	Hose	
105	4567120056	2	Hose	
106	4567120087	2	Hose	
107	4570000370	2	Hose	

SECTION 6 - HYDRAULIC

FIGURE 6-2. HOSE INSTALLATION - LIFT AND TILT CYLINDER (HYDRAULIC CONTROLS WITHOUT ANTI-STALL)



ART_3509530154

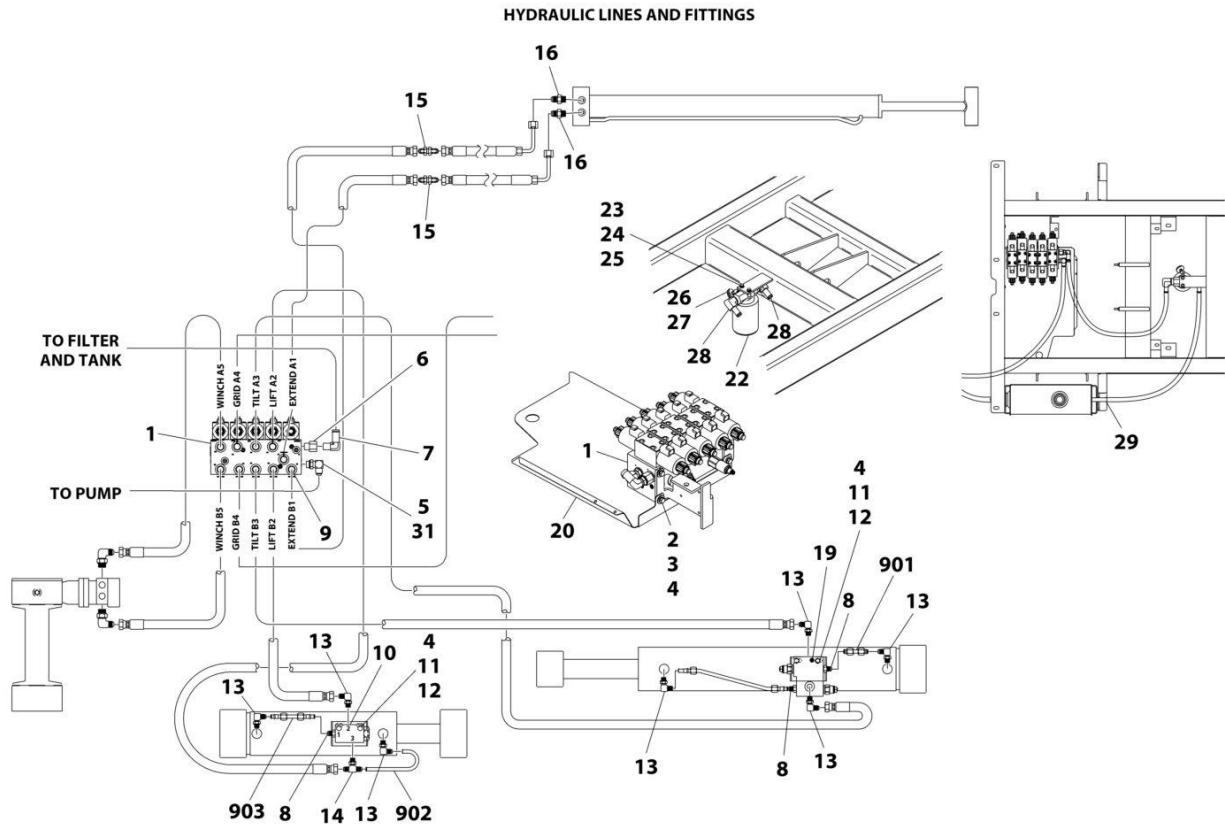
SECTION 6 - HYDRAULIC

FIGURE 6-2. HOSE INSTALLATION - LIFT AND TILT CYLINDER (HYDRAULIC CONTROLS WITHOUT ANTI-STALL)

ITEM	PART NUMBER	QTY	DESCRIPTION	REV
	3509530154	Ref	HOSE INSTALLATION, HLF WITHOUT ANTI-STALL	E
1	7935000311	1	Solenoid Valve Assembly (See Separate Breakdown in this Section)	
2	7115150850	4	Bolt 5/16 x 1	
3	7950150000	4	Washer 5/16	
4	7950150161	8	Washer 5/16	
5	7445080845	1	Fitting, 90	
6	7443000435	1	Fitting	
7	7443000436	1	Fitting	
8	7445060643	2	Fitting, Straight	
9	7445060843	6	Fitting, Straight	
10	7935000308	1	Valve Assembly	
10		Ref	Cartridge	
10	9935930102	1	Seal Kit - Cartridge	
11	7114151650	4	Bolt 5/16 x 2	
12	7660152601	4	Nut 5/16	
13	7445060645	6	Fitting, 90	
14	7445060647	2	Fitting, Tee	
15	7445060625	2	Fitting, Union Bulkhead	
16	7445040443	2	Fitting	
17	4819000008	1	Sleeve (Not Shown)	
18	7819000005	0.5 in	Sleeve (Not Shown)	
19	1001173683	NLA	Counterbalance Valve Assembly (Use PN 1001274434) (Prior to SN 0230008937)	
19	1001274434	1	Counterbalance Valve Assembly (SN 0230008937 to Present)	
20	4495000011	1	Guard	
21	5526000553	3	Tie-Strap (Not Shown)	
22	7430000003	1	Filter, Oil	
23	7114140650	2	Bolt 1/4 x 3/4	
24	7950140003	2	Washer 1/4	
25	7950140143	2	Washer 1/4	
26	7443000066	1	Fitting, 45	
27	7470000002	1	Gauge, Oil Filter Head	
28	7443000319	2	Fitting, 90	
29	7274000080	4	Clamp	
30	7577000623	1	Steel Tube Kit (Not Shown) (Includes Items 901-903)	
31	7445080818	1	Nut #8	
901	7912000078	1	Tube	
902	7912000348	1	Tube	
903	7912000291	1	Tube	

SECTION 6 - HYDRAULIC

FIGURE 6-3. HOSE INSTALLATION - LIFT AND TILT CYLINDER (HYDRAULIC CONTROLS WITH ANTI-STALL)



ART_3509530155

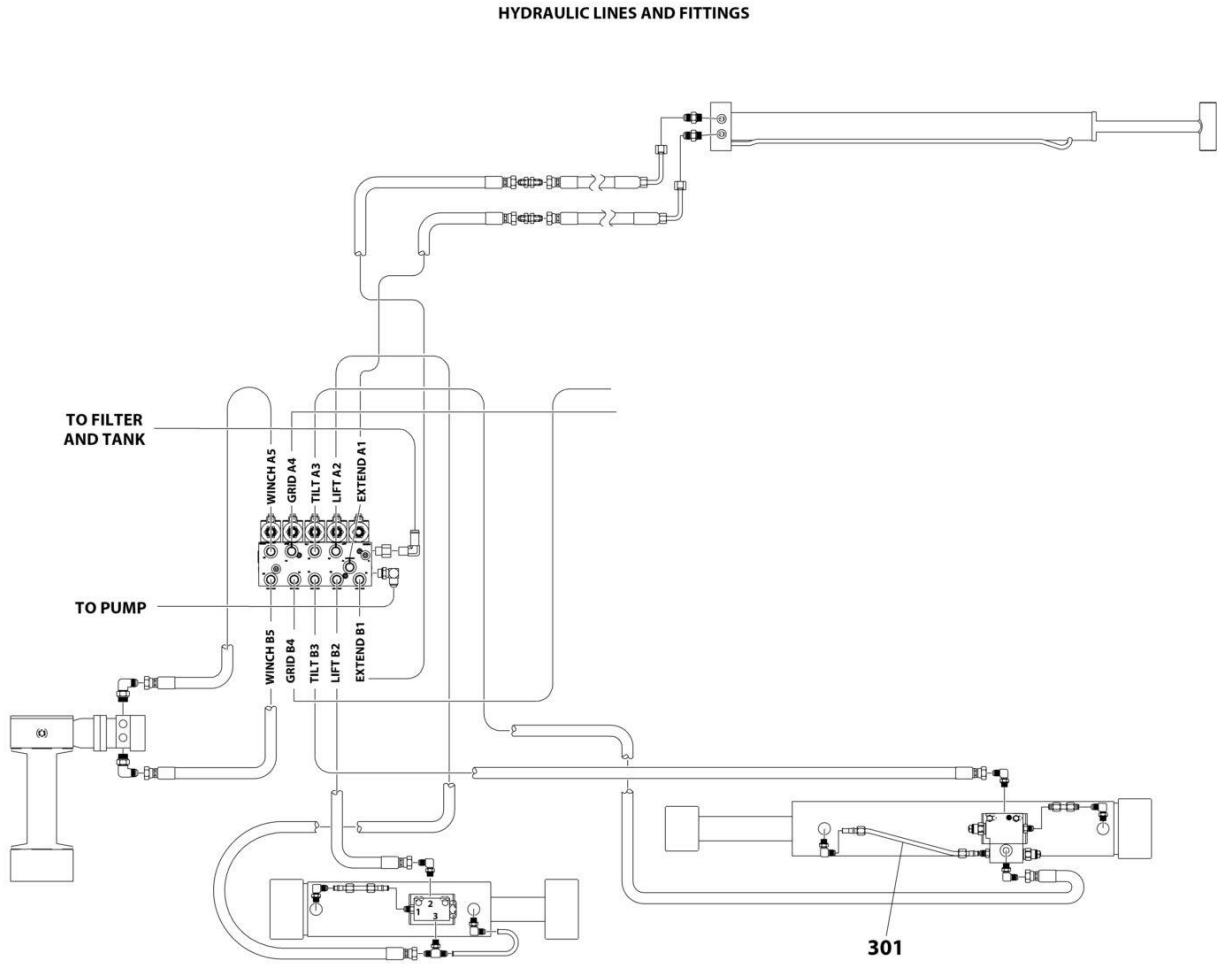
SECTION 6 - HYDRAULIC

FIGURE 6-3. HOSE INSTALLATION - LIFT AND TILT CYLINDER (HYDRAULIC CONTROLS WITH ANTI-STALL)

ITEM	PART NUMBER	QTY	DESCRIPTION	REV
	3509530155	Ref	HOSE INSTALLATION, HLF WITH ANTI-STALL	D
1	7935000363	1	Solenoid Valve Assembly (See Separate Breakdown in this Section)	
2	7115150850	4	Bolt 5/16 x 1	
3	7950150000	4	Washer 5/16	
4	7950150161	8	Washer 5/16	
5	7445080845	1	Fitting, 90	
6	7443000435	1	Fitting	
7	7443000436	1	Fitting	
8	7445060643	2	Fitting, Straight	
9	7445060843	6	Fitting, Straight	
10	7935000308	1	Valve Assembly	
10		Ref	Cartridge	
10	9935930102	1	Seal Kit - Cartridge	
11	7114151650	4	Bolt 5/16 x 2	
12	7660152601	4	Nut 5/16	
13	7445060645	6	Fitting, 90	
14	7445060647	2	Fitting, Tee	
15	7445060625	2	Fitting, Union Bulkhead	
16	7445040443	2	Fitting	
17	4819000008	1	Sleeve (Not Shown)	
18	7819000005	0.5 in	Sleeve (Not Shown)	
19	1001173683	NLA	Counterbalance Valve Assembly (Use PN 1001274434) (Prior to SN 02300008937)	
19	1001274434	1	Counterbalance Valve Assembly (SN 02300008937 to Present)	
20	4495000011	1	Guard	
21	5526000553	3	Tie-Strap (Not Shown)	
22	7430000003	1	Filter, Oil	
23	7114140650	2	Bolt 1/4 x 3/4	
24	7950140003	2	Washer 1/4	
25	7950140143	2	Washer 1/4	
26	7443000066	1	Fitting, 45	
27	7470000002	1	Gauge, Oil Filter Head	
28	7443000319	2	Fitting, 90	
29	7274000122	4	Clamp	
30	7577000623	1	Steel Tube Kit (Not Shown) (Includes Items 901-903)	
31	7445080818	1	Nut #8	
901	7912000078	1	Tube	
902	7912000348	1	Tube	
903	7912000291	1	Tube	

SECTION 6 - HYDRAULIC

FIGURE 6-4. HOSE INSTALLATION -LIFT AND TILT CYLINDER WITHOUT BALL VALVE



ART_3509530150

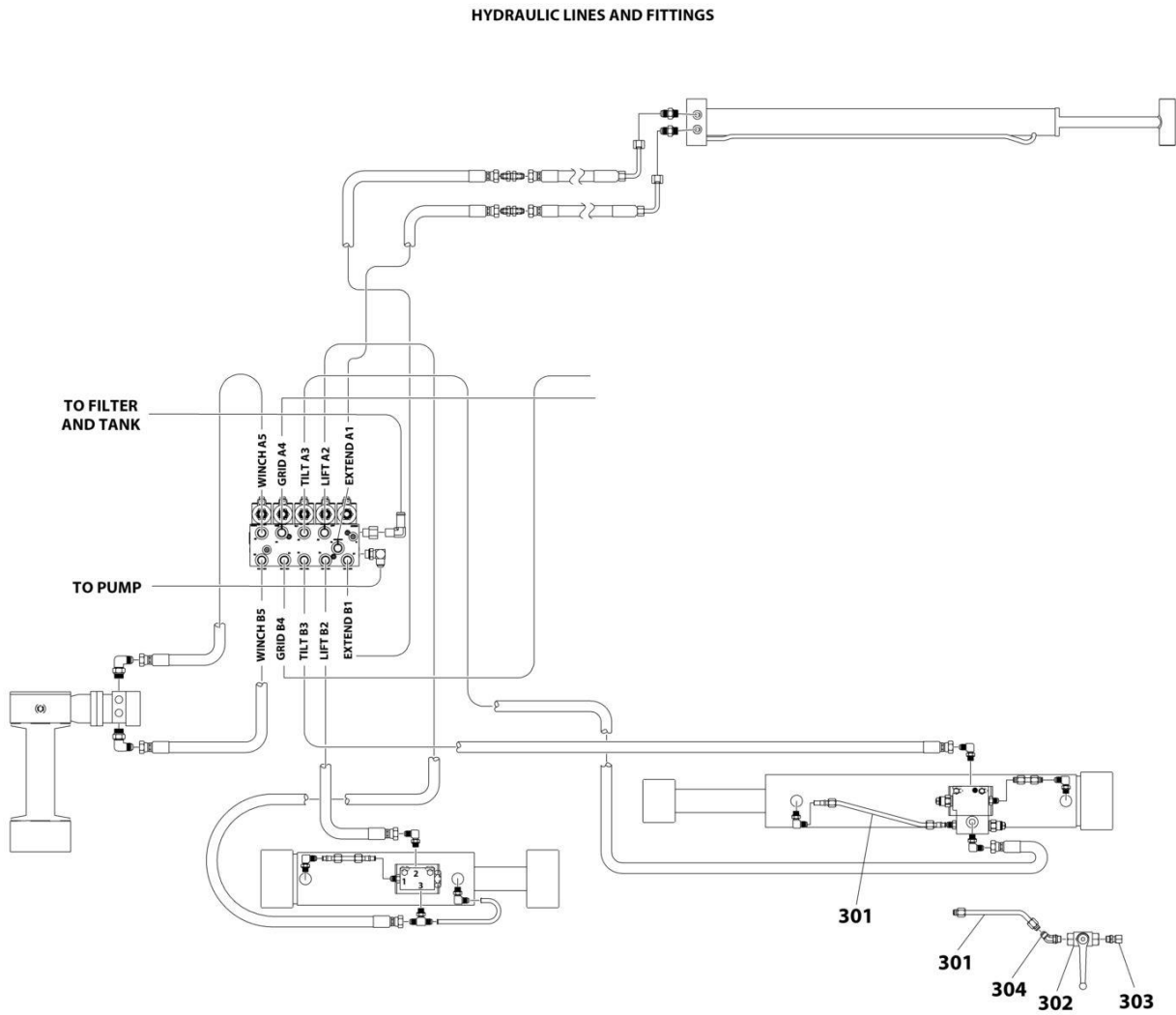
SECTION 6 - HYDRAULIC

FIGURE 6-4. HOSE INSTALLATION -LIFT AND TILT CYLINDER WITHOUT BALL VALVE

ITEM	PART NUMBER	QTY	DESCRIPTION	REV
301	3509530150 7912000292	Ref 1	HOSE INSTALLATION TILT CYLINDER WITHOUT BALL VALVE Tube	0

SECTION 6 - HYDRAULIC

FIGURE 6-5. HOSE INSTALLATION - LIFT AND TILT CYLINDER WITH BALL VALVE



ART_3509530151

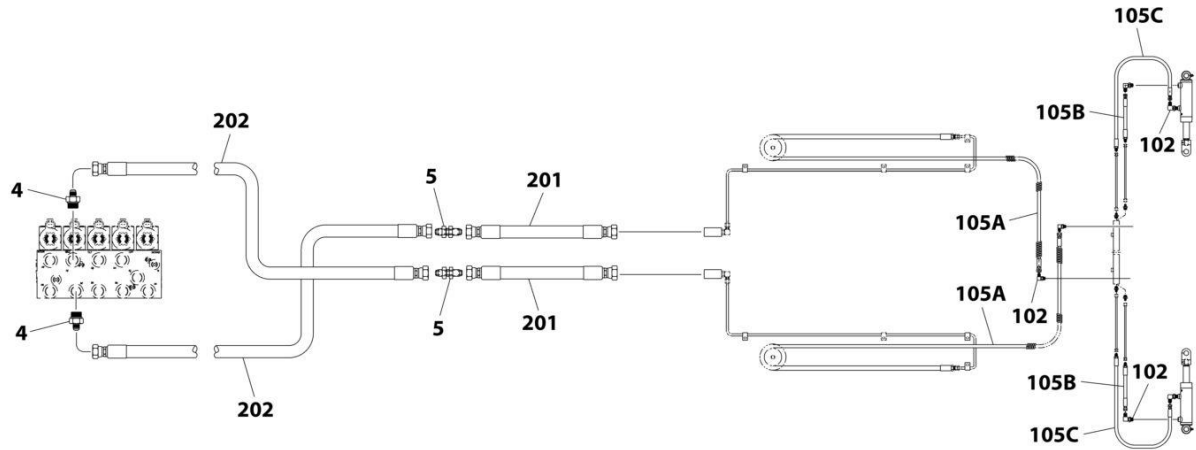
SECTION 6 - HYDRAULIC

FIGURE 6-5. HOSE INSTALLATION - LIFT AND TILT CYLINDER WITH BALL VALVE

ITEM	PART NUMBER	QTY	DESCRIPTION	REV
	3509530151	Ref	HOSE INSTALLATION TILT CYLINDER WITH BALL VALVE	0
301	7912000315	1	Tube	
302	7935000345	1	Valve, High Pressure Ball	
303	7445060698	1	Fitting, Straight	
304	7445060646	1	Fitting, 45	

SECTION 6 - HYDRAULIC

FIGURE 6-6. HOSE INSTALLATION - UNDERLIFT WITH HYDRAULIC GRIDS



ART_1001137494

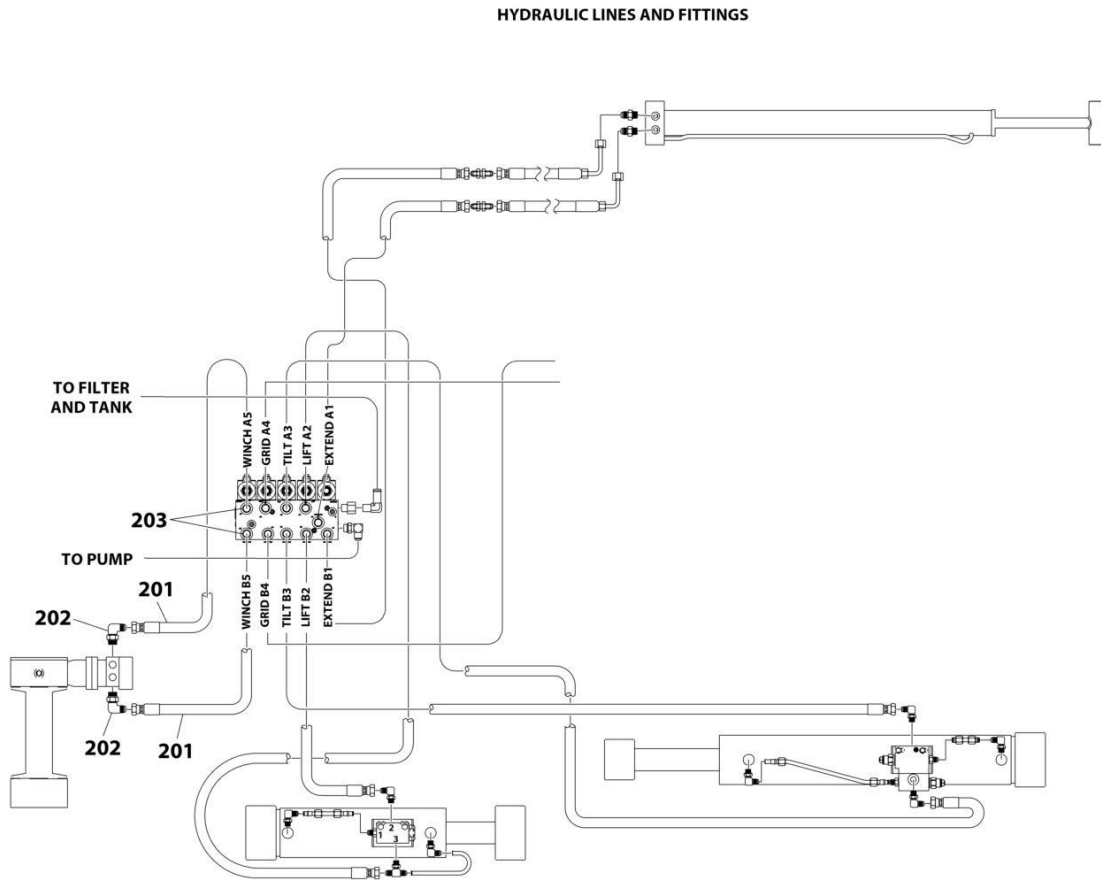
SECTION 6 - HYDRAULIC

FIGURE 6-6. HOSE INSTALLATION - UNDERLIFT WITH HYDRAULIC GRIDS

ITEM	PART NUMBER	QTY	DESCRIPTION	REV
1	1001137494	Ref	HOSE INSTALLATION - HYDRAULIC GRIDS	B
	3509530061	Ref	Hydraulic Componets - Grid (Not Shown) (Includes Items 102-105C)	
2	3509870046	Ref	Hose Track Assembly (Not Shown) (See Separate Breakdown in UNDERLIFT Section)	
3	1001137495	Ref	Hydraulic Hose, Kit (Not Shown) (Includes Items 201-202)	
4	7445060843	2	Fitting, Straight	
5	7445060625	2	Fitting Union Bulkhead	
	3509530061	Ref	HYDRAULIC COMPONENTS - GRID	B
102	7445040445	6	Fitting, 90	
105	7577000629	1	Hose, Kit	
105A	4570000210	2	Hose	
105B	4570000211	2	Hose	
105C	4570000212	2	Hose	
	1001137495	Ref	HYDRAULIC HOSE, KIT	A
201	4570000305	2	Hose	
202	4567820118	2	Hose	

SECTION 6 - HYDRAULIC

FIGURE 6-7. HOSE INSTALLATION - WINCH



ART_3509530147

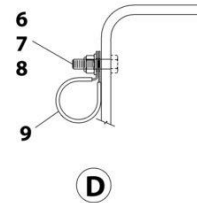
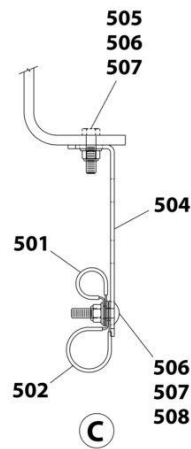
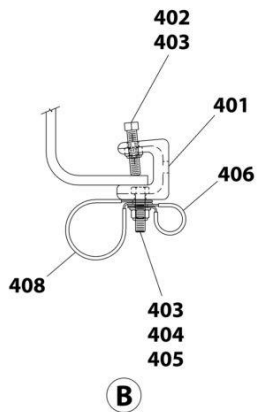
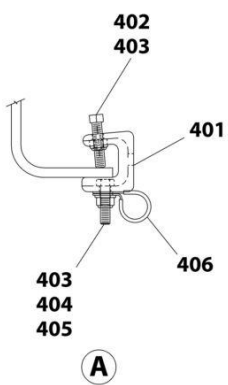
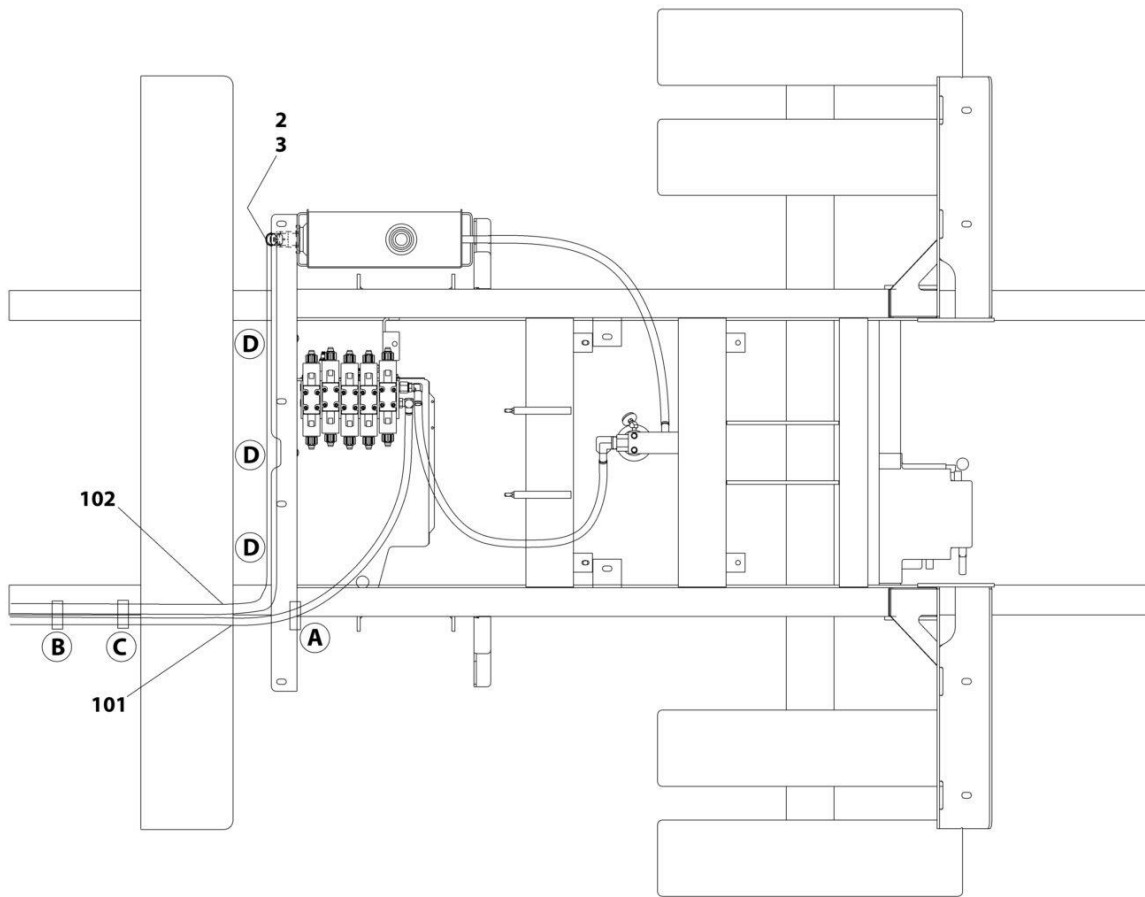
SECTION 6 - HYDRAULIC

FIGURE 6-7. HOSE INSTALLATION - WINCH

ITEM	PART NUMBER	QTY	DESCRIPTION	REV
	3509530147	Ref	HOSE INSTALLATION - WINCH	0
201	4570000303	2	Hose	
202	7445081045	2	Fitting, 90	
203	7445060843	2	Fitting, Straight	

SECTION 6 - HYDRAULIC

FIGURE 6-8. HOSE AND CLAMP INSTALLATION (CHEVY-GMC – 137IN WB)



ART_1001132808

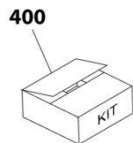
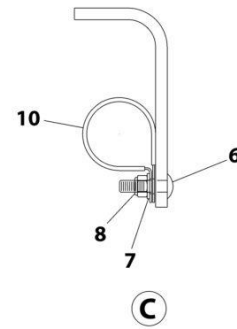
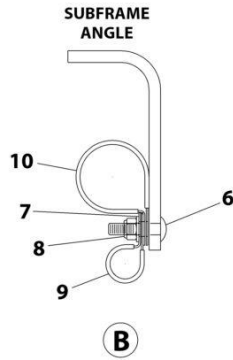
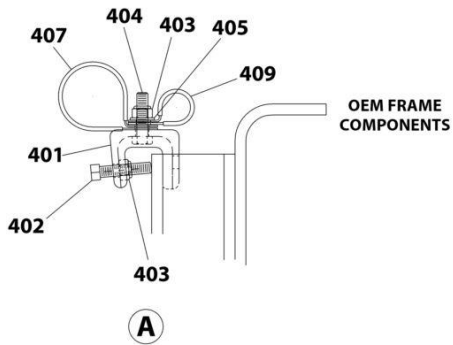
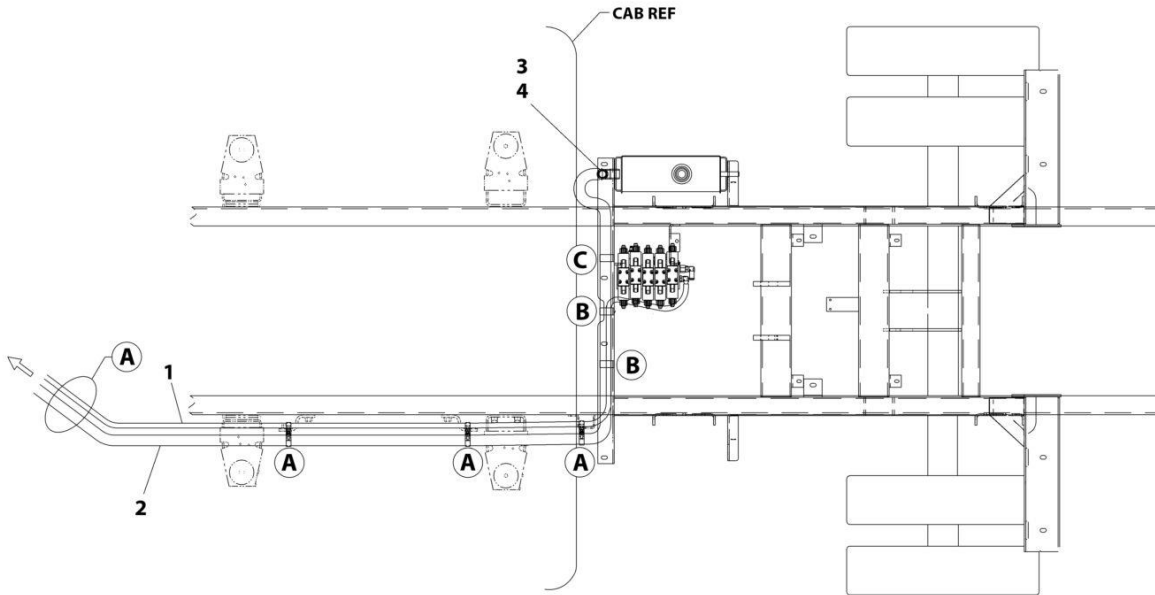
SECTION 6 - HYDRAULIC

FIGURE 6-8. HOSE AND CLAMP INSTALLATION (CHEVY-GMC – 137IN WB)

ITEM	PART NUMBER	QTY	DESCRIPTION	REV
	1001132808	Ref	HOSE AND CLAMP INSTALLATION (CHEVY-GMC - 137IN WB)	B
1	1001132833	Ref	Hose, Kit (Not Shown) (Includes Items 101-102)	
2	7443000412	1	Fitting, 90	
3	7274000002	2	Clamp	
4	1001132794	Ref	Clamp, Hose Kit (Not Shown) (Includes Items 401-408)	
5	1001132800	Ref	Clamp, Hose Kit (Not Shown) (Includes Items 501-508)	
6	7115150864	3	Bolt 5/16 x 1	
7	7274000040	3	Clamp	
8	7950150161	3	Washer 5/16	
9	7660162601	3	Nut 3/8	
10	7819000013	2	Sleeve (Not Shown)	
	1001132833	Ref	HOSE, KIT	0
101	4567630151	1	Hose	
102	1001132633	1	Hose	
	1001132794	Ref	CLAMP, HOSE KIT	B
401	7274000076	1	Clamp	
402	7785152420	1	Screw 5/16 x 1-1/2	
403	7660152601	2	Nut 5/16	
404	7115151050	1	Bolt 5/16 x 1-1/4	
405	7950150161	1	Washer 5/16	
406	7274000040	1	Clamp	
407	7274000041	1	Clamp (Not Shown)	
408	7274000042	1	Clamp	
	1001132800	Ref	CLAMP, HOSE KIT	B
501	7274000040	1	Clamp	
502	7274000041	1	Clamp	
503	7274000042	1	Clamp (Not Shown)	
504	4706003844	1	Plate	
505	7115151050	1	Bolt 5/16 x 1-1/4	
506	7950150161	3	Washer 5/16	
507	7660152601	2	Nut 5/16	
508	7115151064	1	Bolt 5/16 x 1-1/4	

SECTION 6 - HYDRAULIC

FIGURE 6-9. HOSE AND CLAMP INSTALLATION (CV515 - 141IN WB)



ART_1001256466

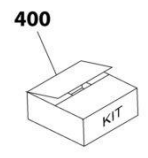
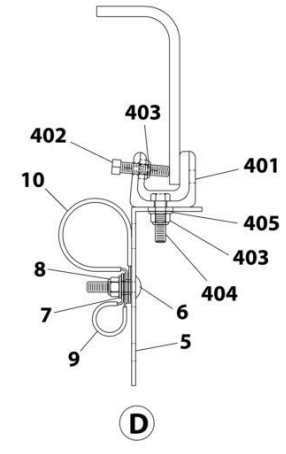
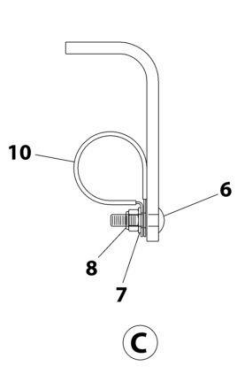
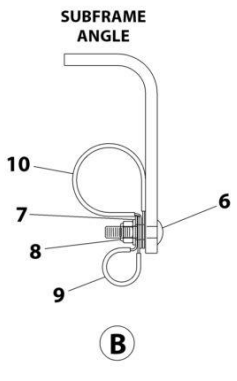
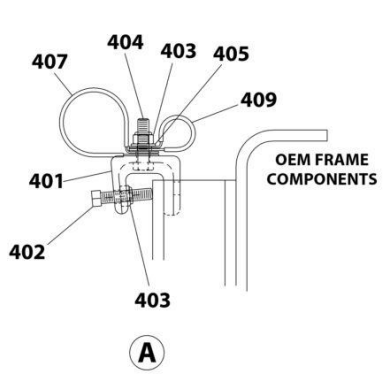
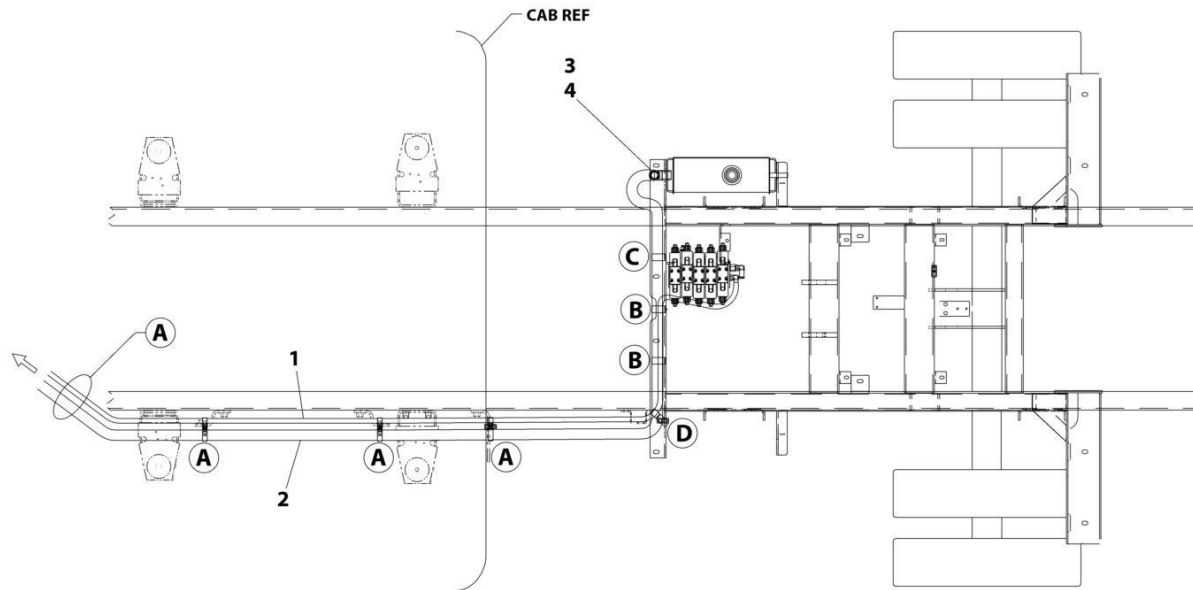
SECTION 6 - HYDRAULIC

FIGURE 6-9. HOSE AND CLAMP INSTALLATION (CV515 - 141IN WB)

ITEM	PART NUMBER	QTY	DESCRIPTION	REV
	1001256466	Ref	HOSE AND CLAMP INSTALLATION (2019 CV515 D-CP - 141IN WB)	A
1	4567132152	1	Hose	
2	1001132634	1	Hose	
3	7443000013	1	Fitting	
4	7274000002	2	Clamp	
6	7115151064	3	Bolt 5/16 x 1-1/4	
7	7950150161	3	Washer 5/16	
8	7660152601	3	Nut 5/16	
9	7274000040	4	Clamp	
10	7274000042	3	Clamp	
11	7819000013	1	Sleeve (Not Shown)	
400	1001132794	5	Clamp, Hose Kit	
401	7274000076	1	Clamp	
402	7785152420	1	Screw 5/16 x 1-1/2	
403	7660152601	2	Nut 5/16	
404	7115151050	1	Bolt 5/16 x 1-1/4	
405	7950150161	1	Washer 5/16	
406	7274000040	1	Clamp (Not Shown)	
407	7274000041	1	Clamp	
408	7274000042	1	Clamp (Not Shown)	
409	7274000105	1	Clamp	

SECTION 6 - HYDRAULIC

FIGURE 6-10. HOSE AND CLAMP INSTALLATION (CV515 - 165IN WB)



ART_1001256467

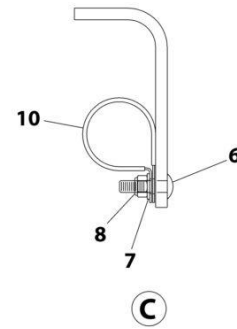
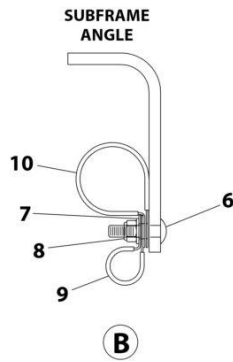
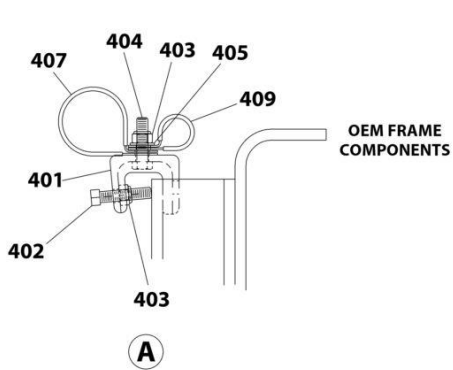
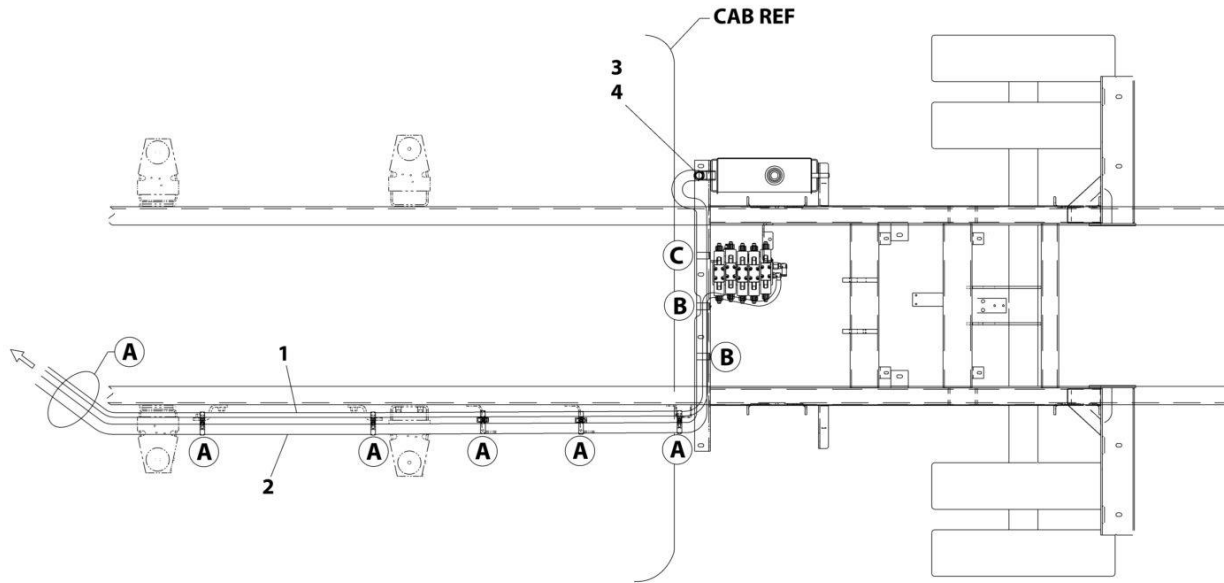
SECTION 6 - HYDRAULIC

FIGURE 6-10. HOSE AND CLAMP INSTALLATION (CV515 - 165IN WB)

ITEM	PART NUMBER	QTY	DESCRIPTION	REV
	1001256467	Ref	HOSE AND CLAMP INSTALLATION (2019 CV515 D-CP - 165IN WB)	A
1	4567132178	1	Hose	
2	1001132643	1	Hose	
3	7443000013	1	Fitting	
4	7274000002	2	Clamp	
5	4706003844	1	Plate	
6	7115151064	4	Bolt 5/16 x 1-1/4	
7	7950150161	4	Washer 5/16	
8	7660152601	4	Nut 5/16	
9	7274000040	4	Clamp	
10	7274000042	3	Clamp	
11	7819000013	1	Sleeve (Not Shown)	
400	1001132794	6	Clamp, Hose Kit	
401	7274000076	1	Clamp	
402	7785152420	1	Screw 5/16 x 1-1/2	
403	7660152601	2	Nut 5/16	
404	7115151050	1	Bolt 5/16 x 1-1/4	
405	7950150161	1	Washer 5/16	
406	7274000040	1	Clamp (Not Shown)	
407	7274000041	1	Clamp	
408	7274000042	1	Clamp (Not Shown)	
409	7274000105	1	Clamp	

SECTION 6 - HYDRAULIC

FIGURE 6-11. HOSE AND CLAMP INSTALLATION (CV515 - 175IN WB)



ART_1001256468

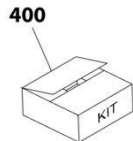
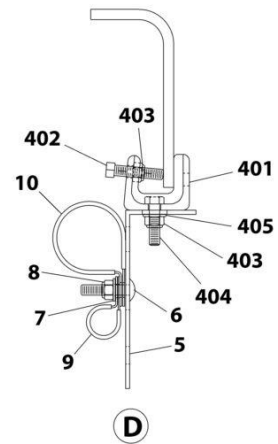
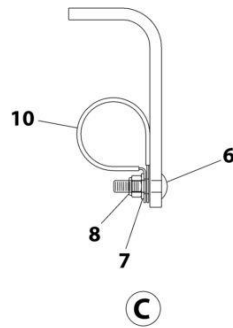
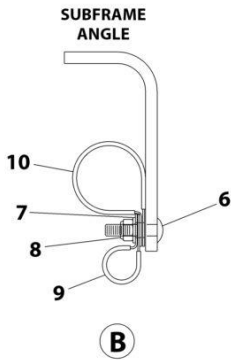
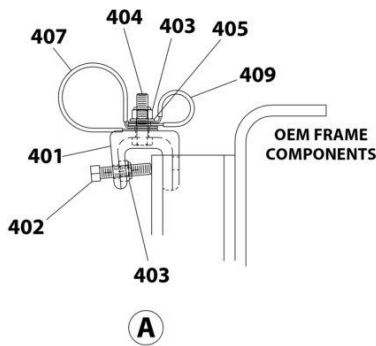
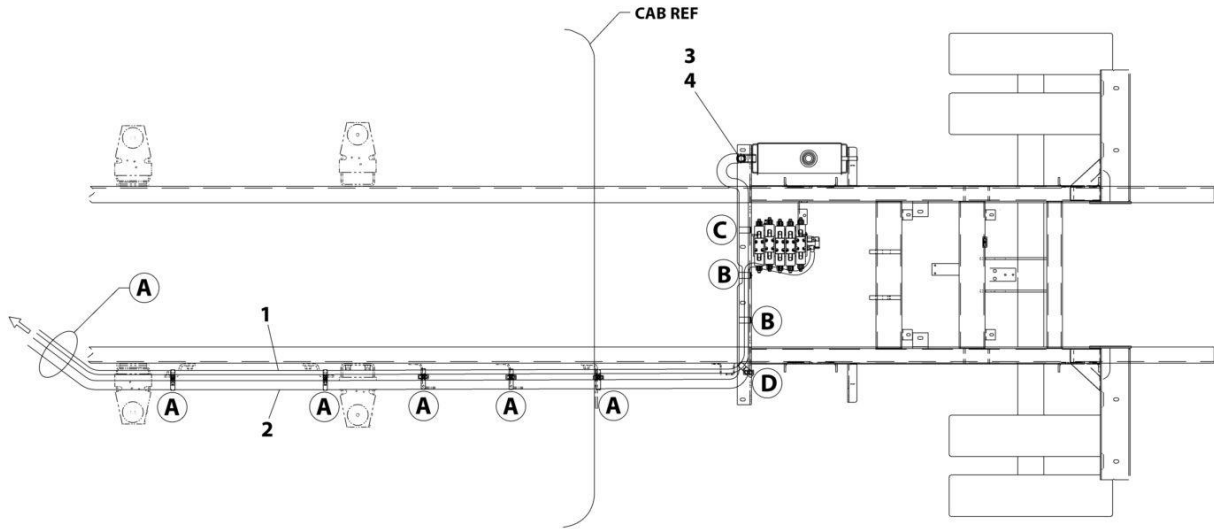
SECTION 6 - HYDRAULIC

FIGURE 6-11. HOSE AND CLAMP INSTALLATION (CV515 - 175IN WB)

ITEM	PART NUMBER	QTY	DESCRIPTION	REV
	1001256468	Ref	HOSE AND CLAMP INSTALLATION (2019 CV515 D-CP - 175IN WB)	A
1	4567132188	1	Hose	
2	1001132647	1	Hose	
3	7443000013	1	Fitting	
4	7274000002	2	Clamp	
6	7115151064	3	Bolt 5/16 x 1-1/4	
7	7950150161	3	Washer 5/16	
8	7660152601	3	Nut 5/16	
9	7274000040	2	Clamp	
10	7274000042	3	Clamp	
11	7819000013	1	Sleeve (Not Shown)	
400	1001132794	7	Clamp, Hose Kit	
401	7274000076	1	Clamp	
402	7785152420	1	Screw 5/16 x 1-1/2	
403	7660152601	2	Nut 5/16	
404	7115151050	1	Bolt 5/16 x 1-1/4	
405	7950150161	1	Washer 5/16	
406	7274000040	1	Clamp (Not Shown)	
407	7274000041	1	Clamp	
408	7274000042	1	Clamp (Not Shown)	
409	7274000105	1	Clamp	

SECTION 6 - HYDRAULIC

FIGURE 6-12. HOSE AND CLAMP INSTALLATION (CV515 – 199IN WB)



ART_1001256469

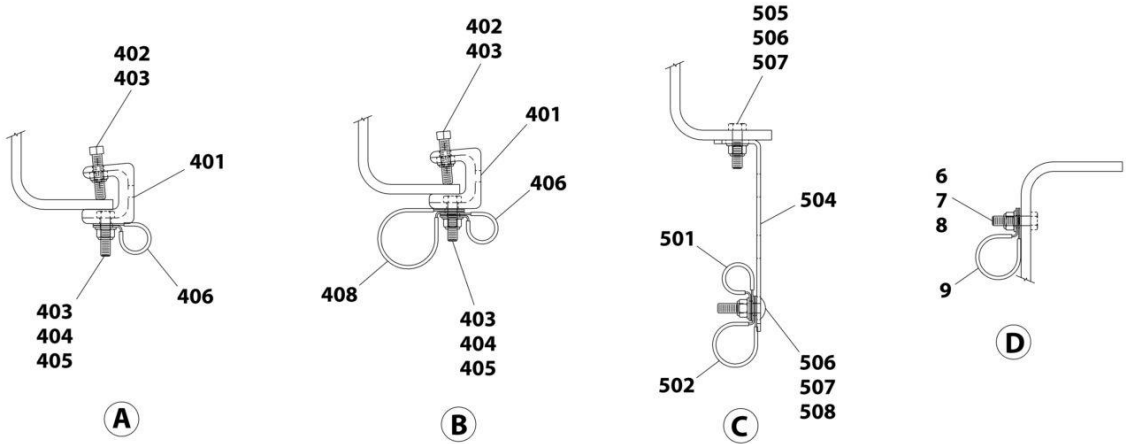
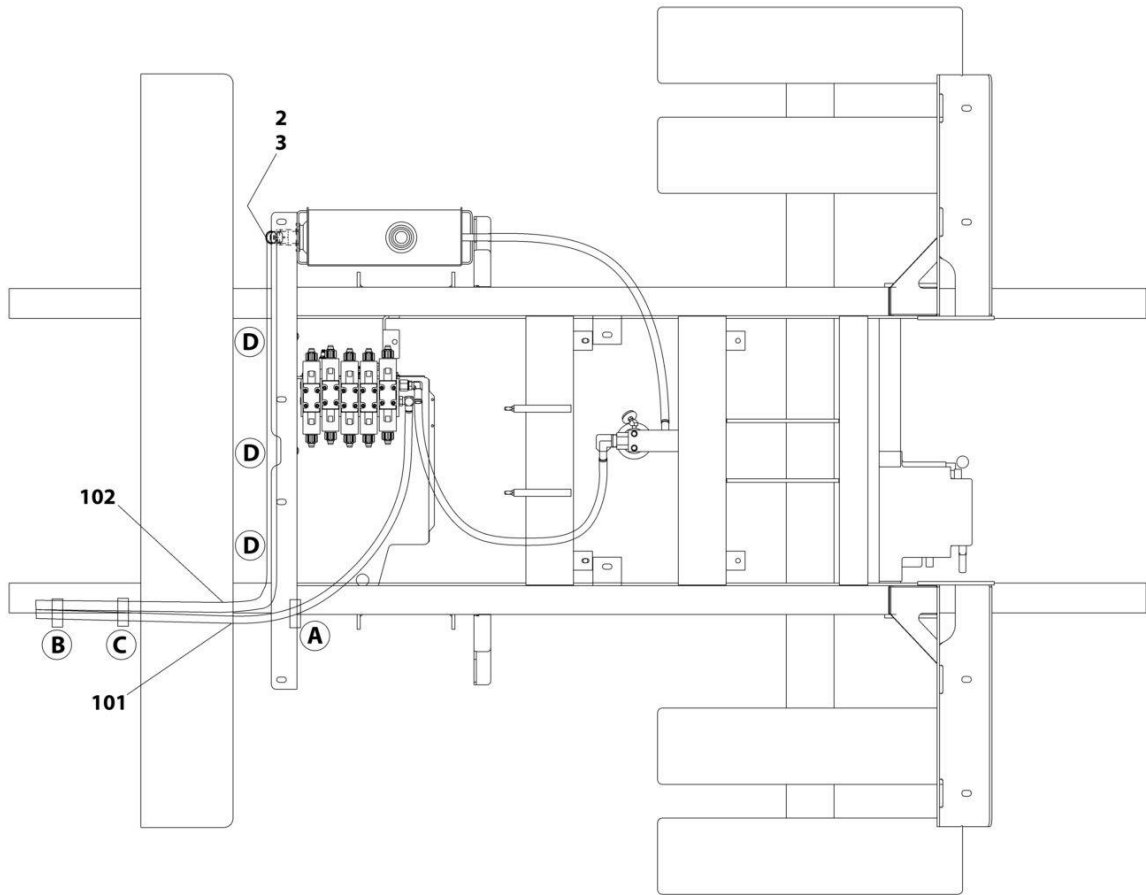
SECTION 6 - HYDRAULIC

FIGURE 6-12. HOSE AND CLAMP INSTALLATION (CV515 – 199IN WB)

ITEM	PART NUMBER	QTY	DESCRIPTION	REV
	1001256469	Ref	HOSE AND CLAMP INSTALLATION (2019 CV515 D-CP - 199IN WB)	A
1	1001257070	1	Hose	
2	1001256825	1	Hose	
3	7443000013	1	Fitting	
4	7274000002	2	Clamp	
5	4706003844	1	Plate	
6	7115151064	4	Bolt 5/16 x 1-1/4	
7	7950150161	4	Washer 5/16	
8	7660152601	4	Nut 5/16	
9	7274000040	4	Clamp	
10	7274000042	3	Clamp	
11	7819000013	1	Sleeve (Not Shown)	
400	1001132794	8	Clamp, Hose Kit	
401	7274000076	1	Clamp	
402	7785152420	1	Screw 5/16 x 1-1/2	
403	7660152601	2	Nut 5/16	
404	7115151050	1	Bolt 5/16 x 1-1/4	
405	7950150161	1	Washer 5/16	
406	7274000040	1	Clamp (Not Shown)	
407	7274000041	1	Clamp	
408	7274000042	1	Clamp (Not Shown)	
409	7274000105	1	Clamp	

SECTION 6 - HYDRAULIC

FIGURE 6-13. HOSE AND CLAMP INSTALLATION (DODGE – 144IN WB)



ART_1001132809

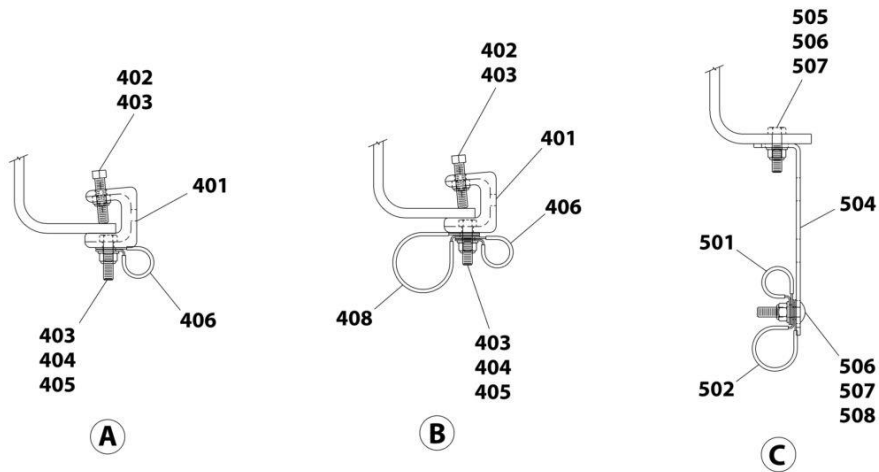
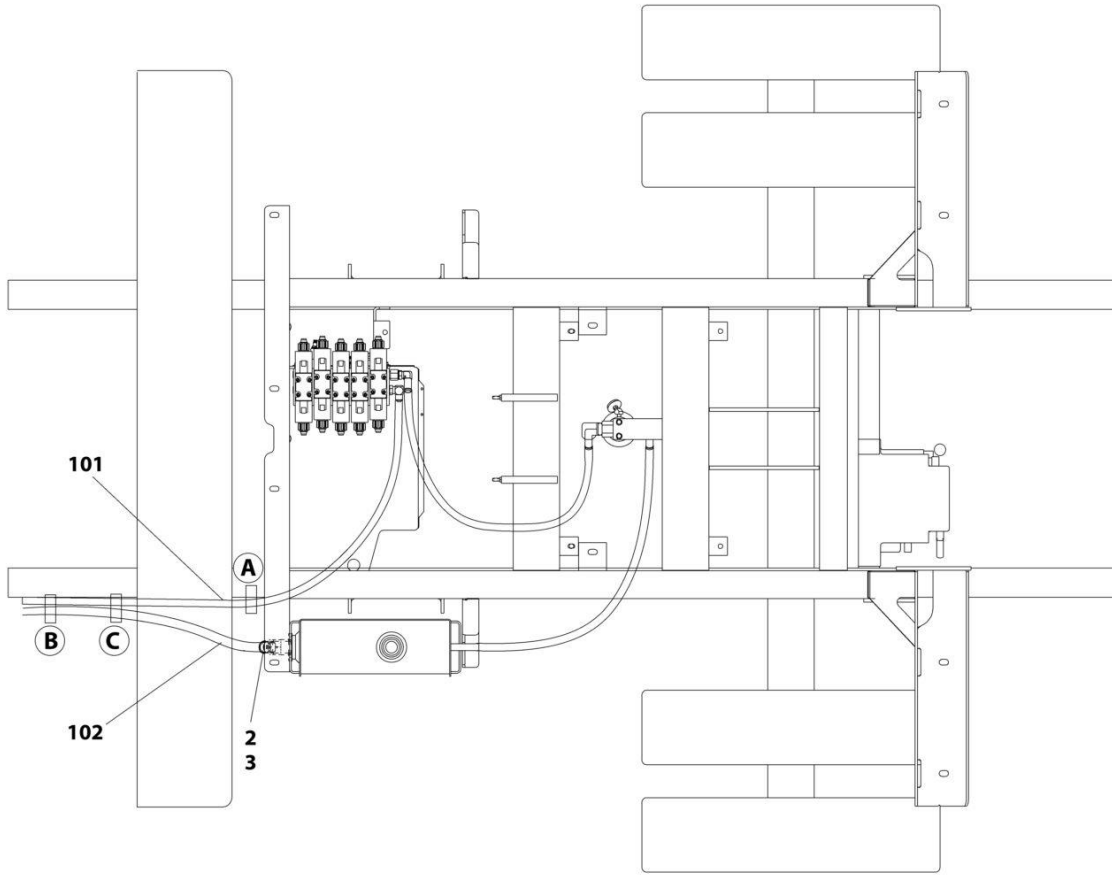
SECTION 6 - HYDRAULIC

FIGURE 6-13. HOSE AND CLAMP INSTALLATION (DODGE – 144IN WB)

ITEM	PART NUMBER	QTY	DESCRIPTION	REV
	1001132809	Ref	HOSE AND CLAMP INSTALLATION (DODGE 2011, D-CPB - 144IN WB)	B
1	1001132834	Ref	Hose, Kit (Not Shown) (Includes Items 101-102)	
2	7443000412	1	Fitting, 90	
3	7274000002	2	Clamp	
4	1001132794	Ref	Clamp, Hose Kit (Not Shown) (Includes Items 401-408)	
5	1001132800	Ref	Clamp, Hose Kit (Not Shown) (Includes Items 501-508)	
6	7115150864	3	Bolt 5/16 x 1	
7	7274000040	3	Clamp	
8	7950150161	3	Washer 5/16	
9	7660162601	3	Nut 3/8	
10	7819000013	4	Sleeve (Not Shown)	
	1001132834	Ref	HOSE, KIT	0
101	4567630182	1	Hose	
102	1001132846	1	Hose	
	1001132794	Ref	CLAMP, HOSE KIT	B
401	7274000076	1	Clamp	
402	7785152420	1	Screw 5/16 x 1-1/2	
403	7660152601	2	Nut 5/16	
404	7115151050	1	Bolt 5/16 x 1-1/4	
405	7950150161	1	Washer 5/16	
406	7274000040	1	Clamp	
407	7274000041	1	Clamp (Not Shown)	
408	7274000042	1	Clamp	
	1001132800	Ref	CLAMP, HOSE KIT	B
501	7274000040	1	Clamp	
502	7274000041	1	Clamp	
503	7274000042	1	Clamp (Not Shown)	
504	4706003844	1	Plate	
505	7115151050	1	Bolt 5/16 x 1-1/4	
506	7950150161	3	Washer 5/16	
507	7660152601	2	Nut 5/16	
508	7115151064	1	Bolt 5/16 x 1-1/4	

SECTION 6 - HYDRAULIC

FIGURE 6-14. HOSE AND CLAMP INSTALLATION (FORD 2010 & EARLIER – 140IN WB)



ART_1001132810

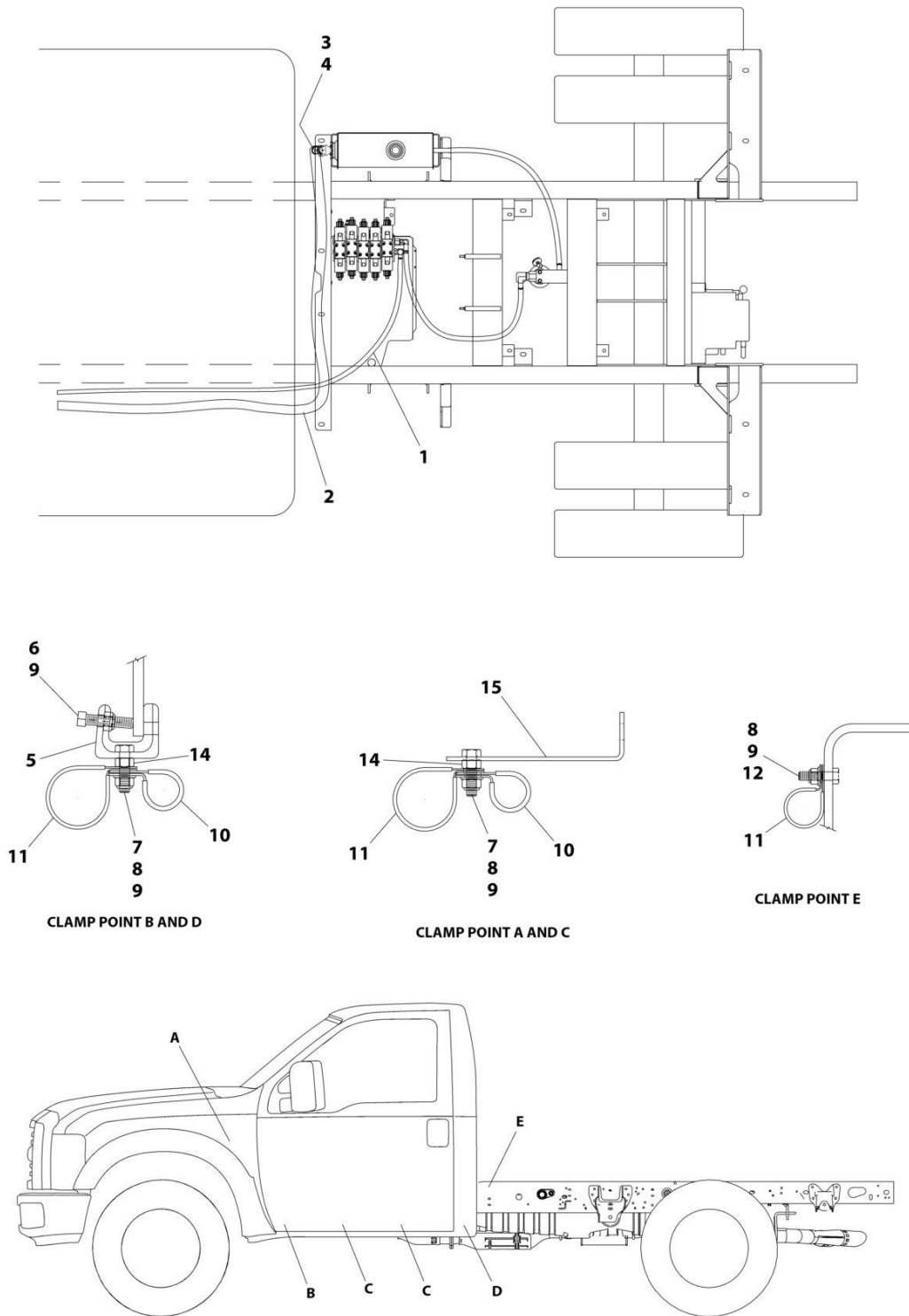
SECTION 6 - HYDRAULIC

FIGURE 6-14. HOSE AND CLAMP INSTALLATION (FORD 2010 & EARLIER – 140IN WB)

ITEM	PART NUMBER	QTY	DESCRIPTION	REV
	1001132810	Ref	HOSE AND CLAMP INSTALLATION (FORD, D-PT - 140IN WB)	00
1	1001132835	1	Hose, Kit (Not Shown) (Includes Items 101-102)	
2	7443000013	1	Fitting	
3	7274000002	2	Clamp	
4	1001132794	Ref	Clamp, Hose Kit (Not Shown) (Includes Items 401-408)	
5	1001132800	Ref	Clamp, Hose Kit (Not Shown) (Includes Items 501-508)	
	1001132835	Ref	HOSE, KIT	0
101	4567630109	1	Hose	
102	4570000099	1	Hose	
	1001132794	Ref	CLAMP, HOSE KIT	B
401	7274000076	1	Clamp	
402	7785152420	1	Screw 5/16 x 1-1/2	
403	7660152601	2	Nut 5/16	
404	7115151050	1	Bolt 5/16 x 1-1/4	
405	7950150161	1	Washer 5/16	
406	7274000040	1	Clamp	
407	7274000041	1	Clamp (Not Shown)	
408	7274000042	1	Clamp	
	1001132800	Ref	CLAMP, HOSE KIT	B
501	7274000040	1	Clamp	
502	7274000041	1	Clamp	
503	7274000042	1	Clamp (Not Shown)	
504	4706003844	1	Plate	
505	7115151050	1	Bolt 5/16 x 1-1/4	
506	7950150161	3	Washer 5/16	
507	7660152601	2	Nut 5/16	
508	7115151064	1	Bolt 5/16 x 1-1/4	

SECTION 6 - HYDRAULIC

FIGURE 6-15. HOSE AND CLAMP INSTALLATION (FORD 2011-2016 GAS – 140IN WB)



ART_1001127001

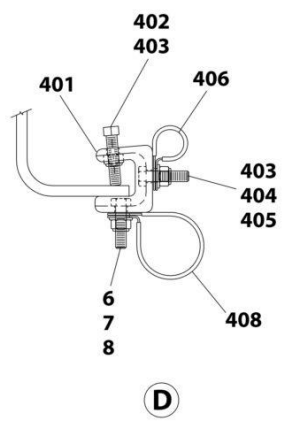
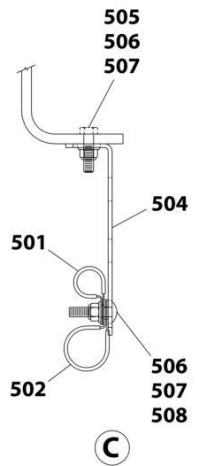
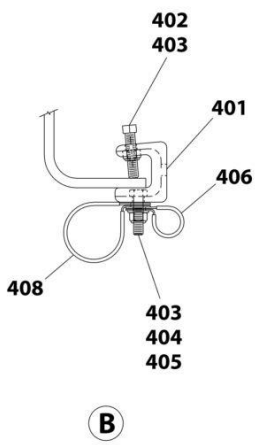
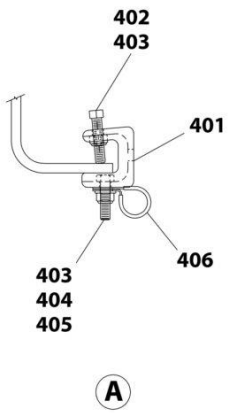
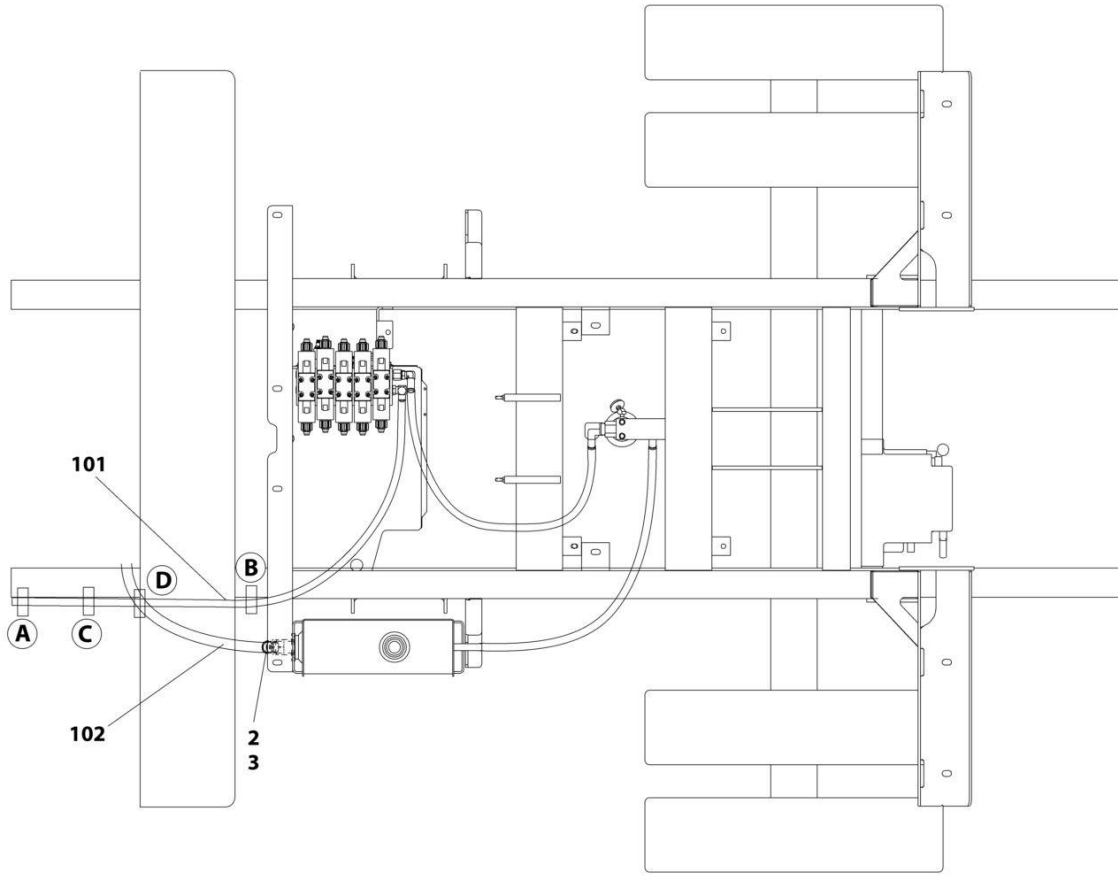
SECTION 6 - HYDRAULIC

FIGURE 6-15. HOSE AND CLAMP INSTALLATION (FORD 2011-2016 GAS – 140IN WB)

ITEM	PART NUMBER	QTY	DESCRIPTION	REV
	1001127001	Ref	HOSE AND CLAMP INSTALLATION (2011-16 FORD V8 G-CP - 140IN WB)	B
1	4567630163	1	Hose	
2	4570000323	1	Hose	
3	7443000412	1	Fitting, 90	
4	7274000002	2	Clamp	
5	7274000076	2	Clamp	
6	7785152420	2	Screw 5/16 x 1-1/2	
7	7115151050	5	Bolt 5/16 x 1-1/4	
8	7950150161	14	Washer 5/16	
9	7660152601	10	Nut 5/16	
10	7274000105	5	Clamp	
11	7274000042	7	Clamp	
12	7115150864	2	Bolt 5/16 x 1	
13	7819000013	4	Sleeve (Not Shown)	
14	7660150000	5	Nut 5/16	
15	4706003844	3	Plate	

SECTION 6 - HYDRAULIC

FIGURE 6-16. HOSE AND CLAMP INSTALLATION (FORD 2011-2016 DIESEL – 140IN WB)



ART_1001132811

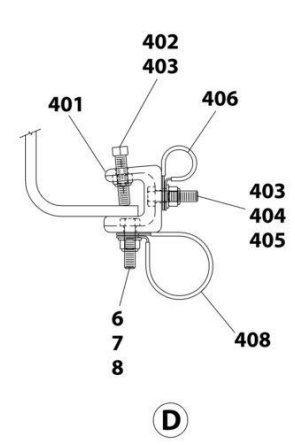
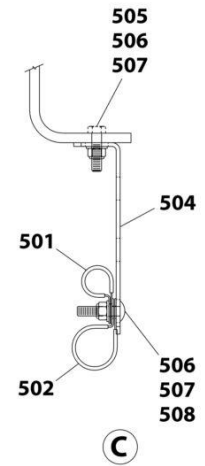
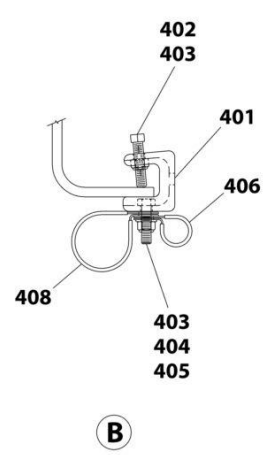
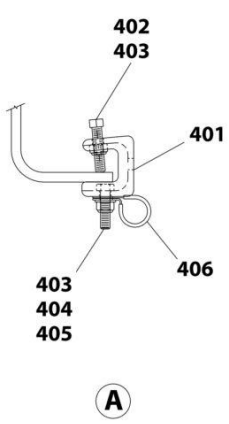
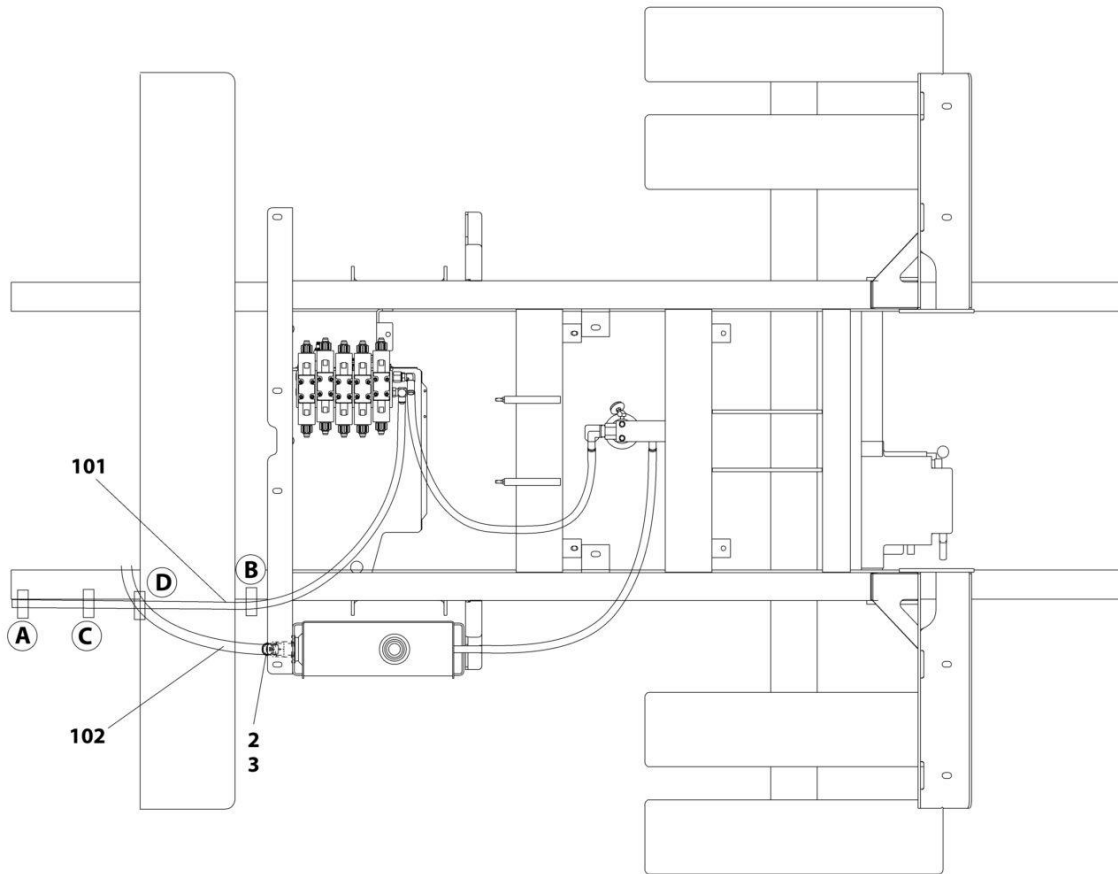
SECTION 6 - HYDRAULIC

FIGURE 6-16. HOSE AND CLAMP INSTALLATION (FORD 2011-2016 DIESEL – 140IN WB)

ITEM	PART NUMBER	QTY	DESCRIPTION	REV
	1001132811	Ref	HOSE AND CLAMP INSTALLATION (FORD, D-CP 2011-16 - 140IN WB)	B
1	1001132836	Ref	Hose, Kit (Not Shown) (Includes Items 101-102)	
2	7443000013	1	Fitting	
3	7274000002	2	Clamp	
4	1001132794	Ref	Clamp, Hose Kit (Not Shown) (Includes Items 401-408)	
5	1001132800	Ref	Clamp, Hose Kit (Not Shown) (Includes Items 501-508)	
6	7115151050	1	Bolt 5/16 x 1-1/4	
7	7950150161	1	Washer 5/16	
8	7660162601	1	Nut 3/8	
9	7819000013	4	Sleeve (Not Shown)	
	1001132836	Ref	HOSE, KIT	0
101	4567630177	1	Hose	
102	1001132635	1	Hose	
	1001132794	Ref	CLAMP, HOSE KIT	B
401	7274000076	1	Clamp	
402	7785152420	1	Screw 5/16 x 1-1/2	
403	7660152601	2	Nut 5/16	
404	7115151050	1	Bolt 5/16 x 1-1/4	
405	7950150161	1	Washer 5/16	
406	7274000040	1	Clamp	
407	7274000041	1	Clamp (Not Shown)	
408	7274000042	1	Clamp	
	1001132800	Ref	CLAMP, HOSE KIT	B
501	7274000040	1	Clamp	
502	7274000041	1	Clamp	
503	7274000042	1	Clamp (Not Shown)	
504	4706003844	1	Plate	
505	7115151050	1	Bolt 5/16 x 1-1/4	
506	7950150161	3	Washer 5/16	
507	7660152601	2	Nut 5/16	
508	7115151064	1	Bolt 5/16 x 1-1/4	

SECTION 6 - HYDRAULIC

FIGURE 6-17. HOSE AND CLAMP INSTALLATION (FORD 2011-2016 DIESEL – 164IN WB)



ART_1001132812

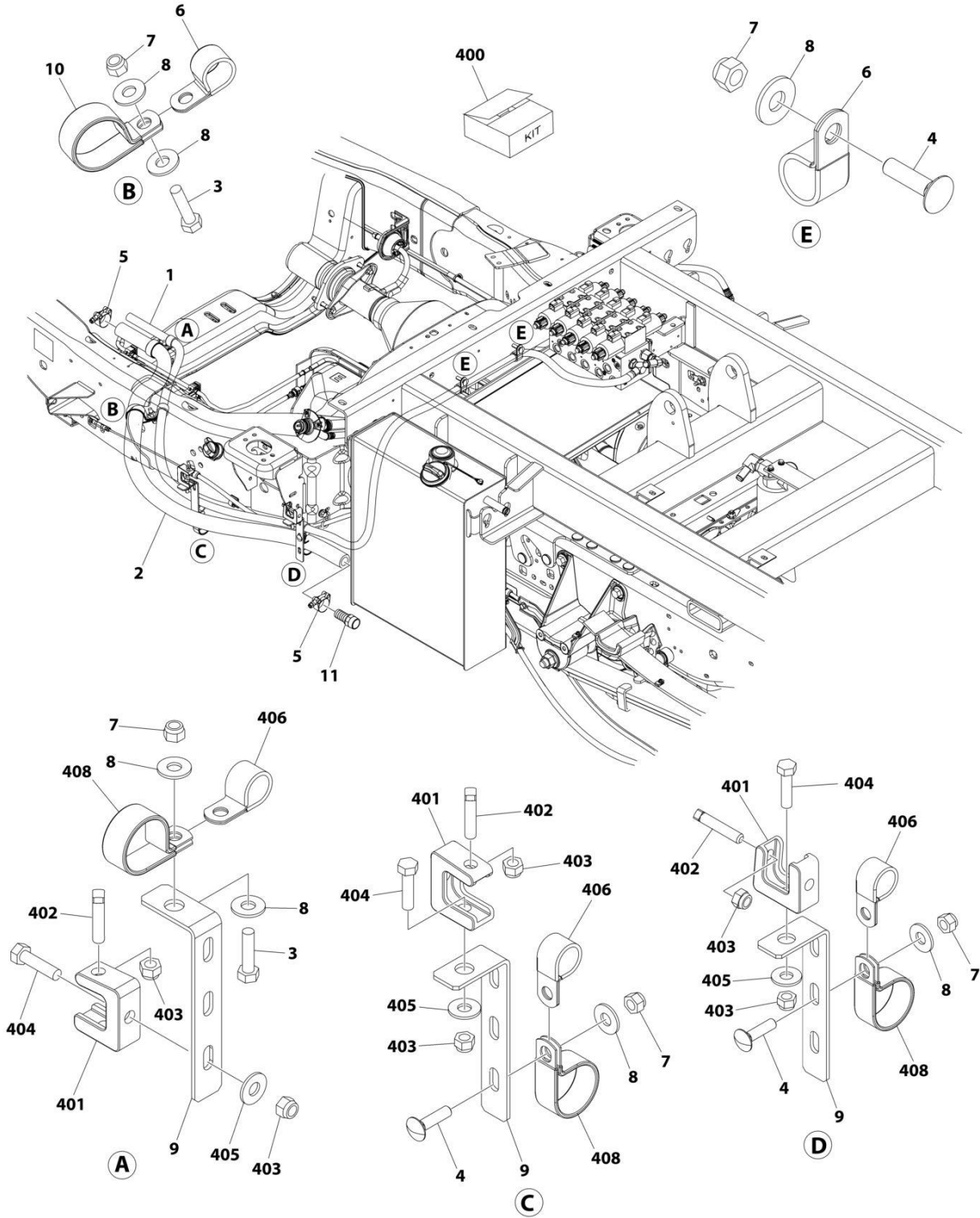
SECTION 6 - HYDRAULIC

FIGURE 6-17. HOSE AND CLAMP INSTALLATION (FORD 2011-2016 DIESEL – 164IN WB)

ITEM	PART NUMBER	QTY	DESCRIPTION	REV
	1001132812	Ref	HOSE AND CLAMP INSTALLATION (FORD, D-CP 2011-16 - 164IN WB)	B
1	1001132837	Ref	Hose, Kit (Not Shown) (Includes Items 101-102)	
2	7443000013	1	Fitting	
3	7274000002	2	Clamp	
4	1001132794	Ref	Clamp, Hose Kit (Not Shown) (Includes Items 401-408)	
5	1001132800	Ref	Clamp, Hose Kit (Not Shown) (Includes Items 501-508)	
6	7115151050	1	Bolt 5/16 x 1-1/4	
7	7950150161	1	Washer 5/16	
8	7660162601	1	Nut 3/8	
9	7819000013	4	Sleeve (Not Shown)	
	1001132837	Ref	HOSE, KIT	0
101	4567630195	1	Hose	
102	1001132647	1	Hose	
	1001132794	Ref	CLAMP, HOSE KIT	B
401	7274000076	1	Clamp	
402	7785152420	1	Screw 5/16 x 1-1/2	
403	7660152601	2	Nut 5/16	
404	7115151050	1	Bolt 5/16 x 1-1/4	
405	7950150161	1	Washer 5/16	
406	7274000040	1	Clamp	
407	7274000041	1	Clamp (Not Shown)	
408	7274000042	1	Clamp	
	1001132800	Ref	CLAMP, HOSE KIT	B
501	7274000040	1	Clamp	
502	7274000041	1	Clamp	
503	7274000042	1	Clamp (Not Shown)	
504	4706003844	1	Plate	
505	7115151050	1	Bolt 5/16 x 1-1/4	
506	7950150161	3	Washer 5/16	
507	7660152601	2	Nut 5/16	
508	7115151064	1	Bolt 5/16 x 1-1/4	

SECTION 6 - HYDRAULIC

FIGURE 6-18. HOSE AND CLAMP INSTALLATION (FORD 2017+ 145IN WB)



ART_1001223730

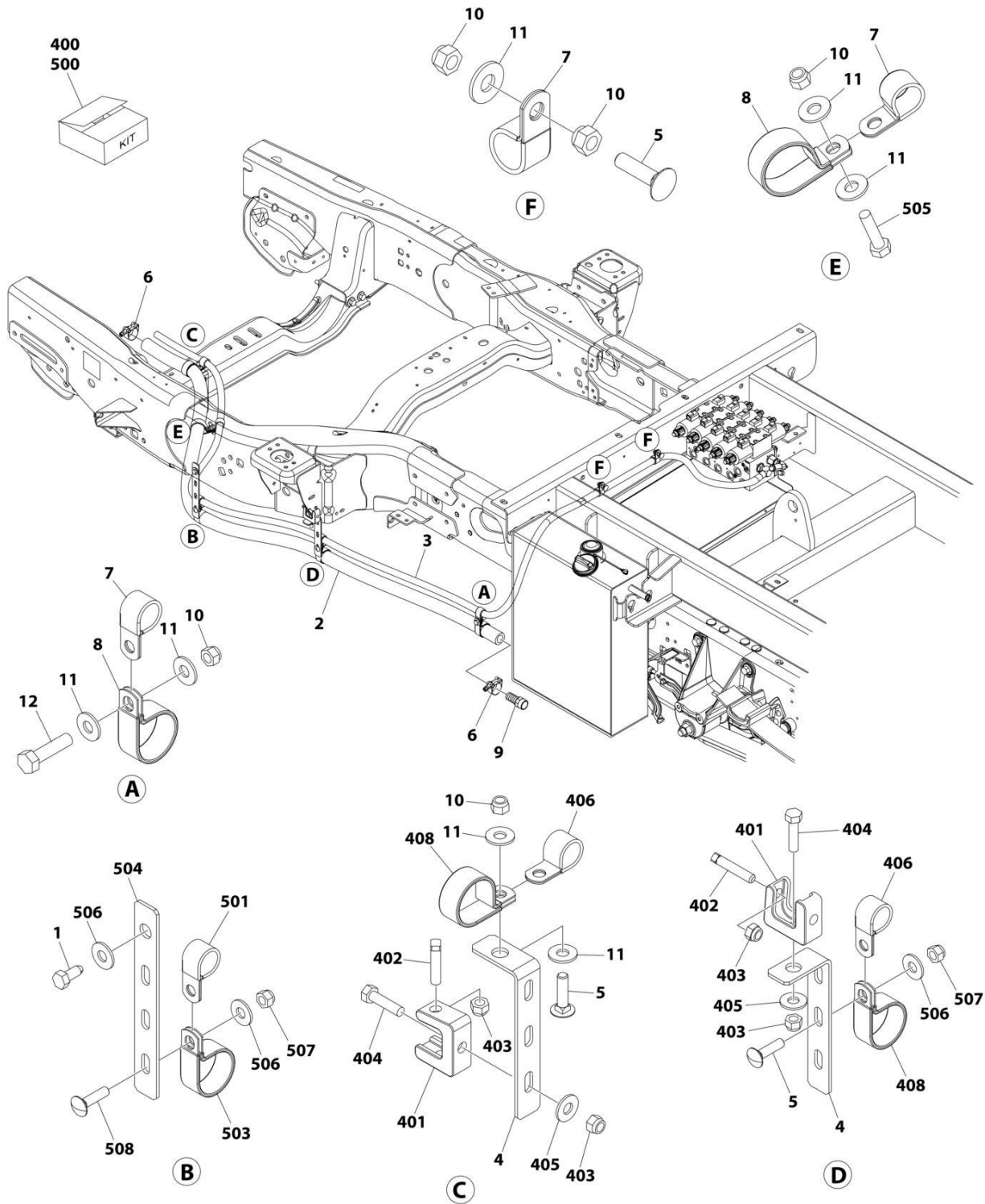
SECTION 6 - HYDRAULIC

FIGURE 6-18. HOSE AND CLAMP INSTALLATION (FORD 2017+ 145IN WB)

ITEM	PART NUMBER	QTY	DESCRIPTION	REV
	1001223730	Ref	HOSE AND CLAMP INSTALLATION (FORD 2017+ PTO - 145IN WB)	A
1	1001136821	1	Hose	
2	4570000373	1	Hose	
3	7115151050	2	Bolt 5/16 x 1-1/4	
4	7115151064	4	Bolt 5/16 x 1-1/4	
5	7274000002	2	Clamp	
6	7274000040	3	Clamp	
7	7660152601	6	Nut 5/16	
8	7950150161	8	Washer 5/16	
9	4706003844	3	Plate	
10	7274000042	1	Clamp	
11	7443000013	1	Fitting	
400	1001132794	3	Clamp, Hose Kit	
401	7274000076	1	Clamp	
402	7785152420	1	Screw 5/16 x 1-1/2	
403	7660152601	2	Nut 5/16	
404	7115151050	1	Bolt 5/16 x 1-1/4	
405	7950150161	1	Washer 5/16	
406	7274000040	1	Clamp	
408	7274000042	1	Clamp	

SECTION 6 - HYDRAULIC

FIGURE 6-19. HOSE AND CLAMP INSTALLATION (FORD 2017+ 167-169IN WB)



ART_1001223731

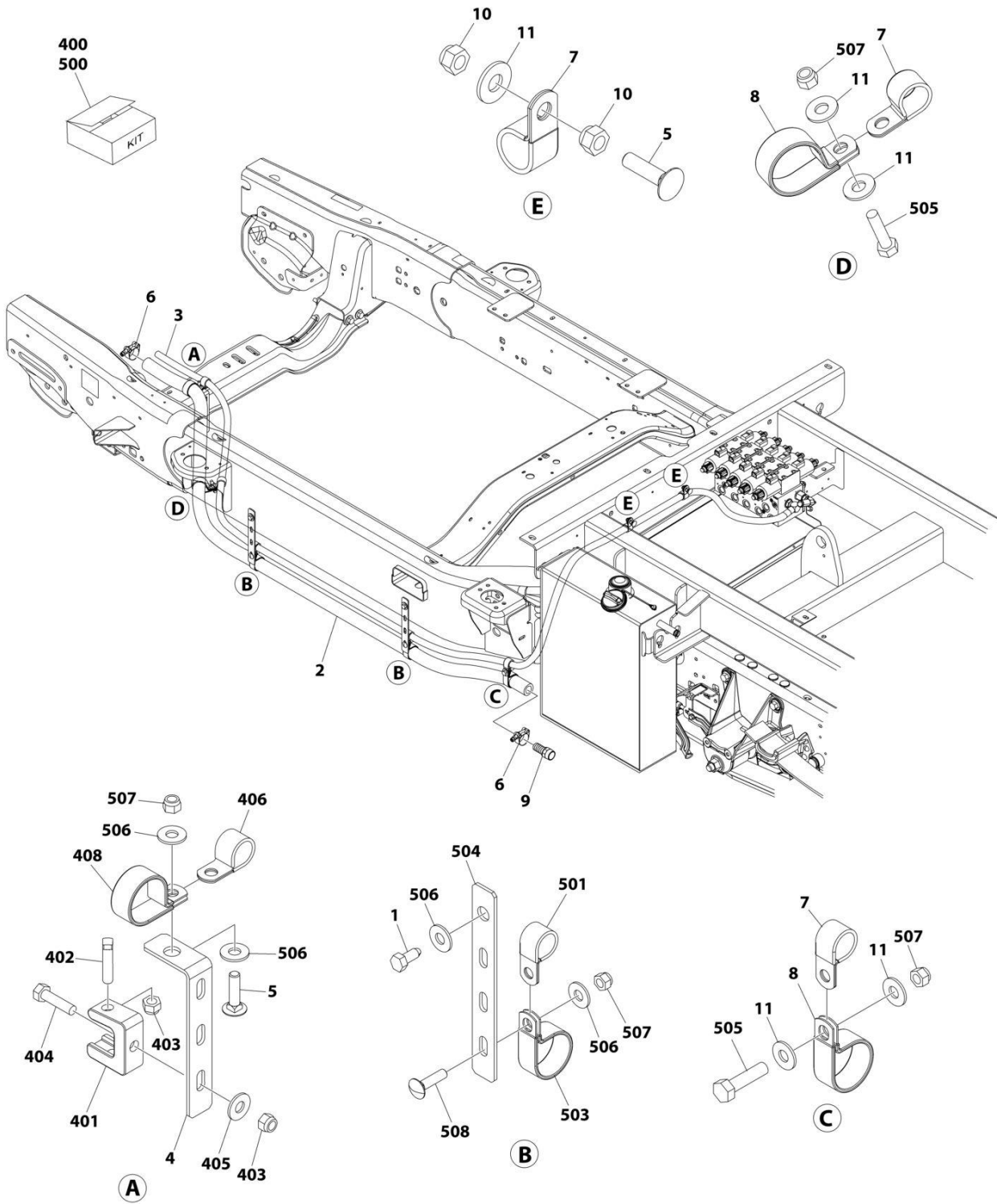
SECTION 6 - HYDRAULIC

FIGURE 6-19. HOSE AND CLAMP INSTALLATION (FORD 2017+ 167-169IN WB)

ITEM	PART NUMBER	QTY	DESCRIPTION	REV
	1001223731	Ref	HOSE AND CLAMP INSTALLATION (FORD 2017+ PTO - 167-169IN WB)	A
1	3941506	1	Tap Screw	
2	1001132605	1	Hose	
3	4567130135	1	Hose	
4	4706003844	2	Plate	
5	7115151064	4	Bolt 5/16 x 1-1/4	
6	7274000002	2	Clamp	
7	7274000040	4	Clamp	
8	7274000042	2	Clamp	
9	7443000013	1	Fitting	
10	7660152601	7	Nut 5/16	
11	7950150161	7	Washer 5/16	
12	7115151050	1	Bolt 5/16 x 1-1/4	
400	1001132794	2	Clamp, Hose Kit	
401	7274000076	1	Clamp	
402	7785152420	1	Screw 5/16 x 1-1/2	
403	7660152601	2	Nut 5/16	
404	7115151050	1	Bolt 5/16 x 1-1/4	
405	7950150161	1	Washer 5/16	
406	7274000040	1	Clamp	
408	7274000042	1	Clamp	
500	1001132800	1	Clamp, Hose Kit	
501	7274000040	1	Clamp	
503	7274000042	1	Clamp	
504	4706003844	1	Plate	
505	7115151050	1	Bolt 5/16 x 1-1/4	
506	7950150161	3	Washer 5/16	
507	7660152601	2	Nut 5/16	
508	7115151064	1	Bolt 5/16 x 1-1/4	

SECTION 6 - HYDRAULIC

FIGURE 6-20. HOSE AND CLAMP INSTALLATION (FORD 2017+ 179IN WB)



ART_1001223732

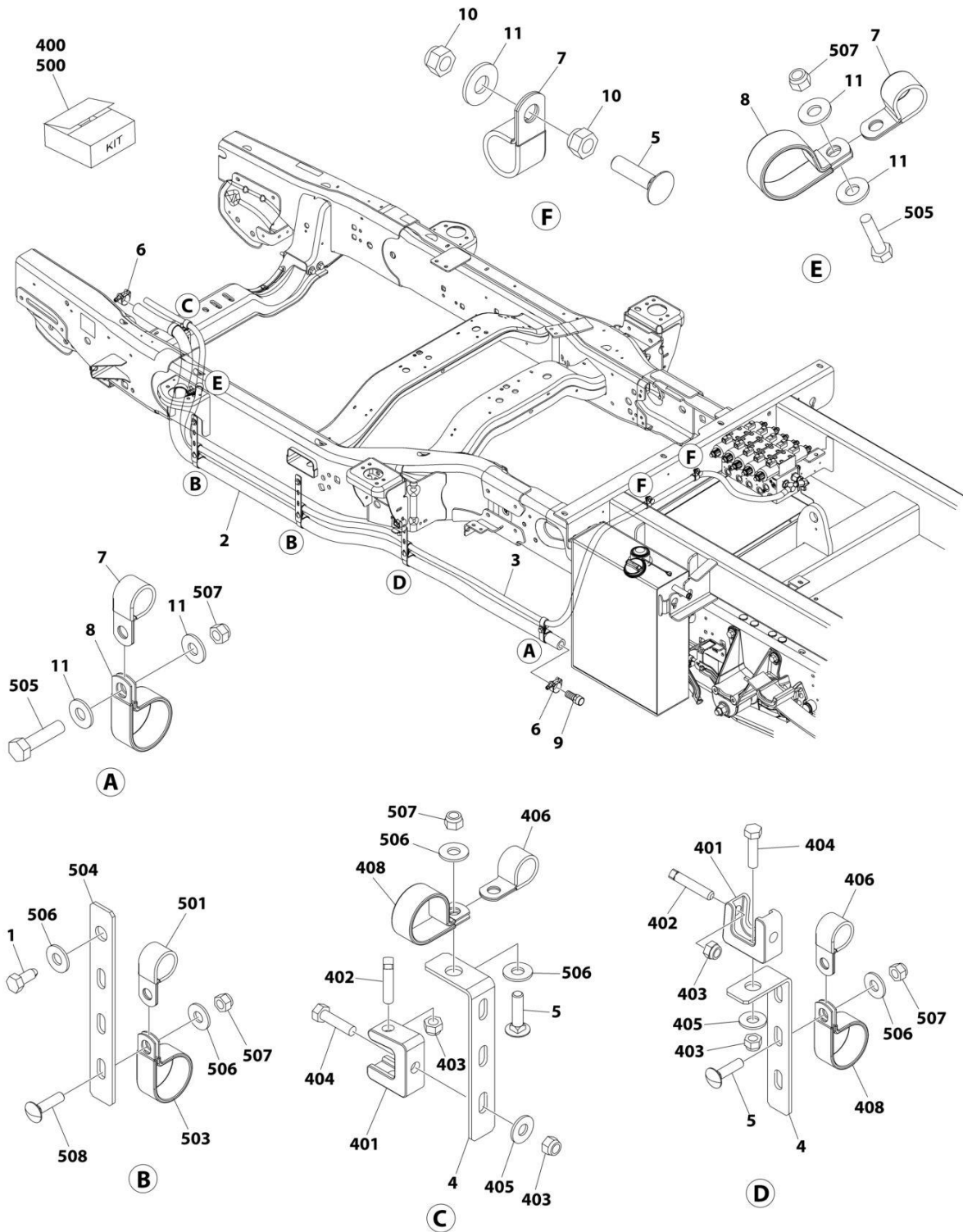
SECTION 6 - HYDRAULIC

FIGURE 6-20. HOSE AND CLAMP INSTALLATION (FORD 2017+ 179IN WB)

ITEM	PART NUMBER	QTY	DESCRIPTION	REV
	1001223732	Ref	HOSE AND CLAMP INSTALLATION (FORD 2017+ PTO - 179IN WB)	A
1	3941506	2	Tap Screw	
2	1001132610	1	Hose	
3	4567130140	1	Hose	
4	4706003844	1	Plate	
5	7115151064	3	Bolt 5/16 x 1-1/4	
6	7274000002	2	Clamp	
7	7274000040	4	Clamp	
8	7274000042	2	Clamp	
9	7443000013	1	Fitting	
10	7660152601	4	Nut 5/16	
11	7950150161	6	Washer 5/16	
400	1001132794	1	Clamp, Hose Kit	
401	7274000076	1	Clamp	
402	7785152420	1	Screw 5/16 x 1-1/2	
403	7660152601	2	Nut 5/16	
404	7115151050	1	Bolt 5/16 x 1-1/4	
405	7950150161	1	Washer 5/16	
406	7274000040	1	Clamp	
408	7274000042	1	Clamp	
500	1001132800	2	Clamp, Hose Kit	
501	7274000040	1	Clamp	
503	7274000042	1	Clamp	
504	4706003844	1	Plate	
505	7115151050	1	Bolt 5/16 x 1-1/4	
506	7950150161	3	Washer 5/16	
507	7660152601	2	Nut 5/16	
508	7115151064	1	Bolt 5/16 x 1-1/4	

SECTION 6 - HYDRAULIC

FIGURE 6-21. HOSE AND CLAMP INSTALLATION (FORD 2017+ 192IN WB)



ART_1001223733

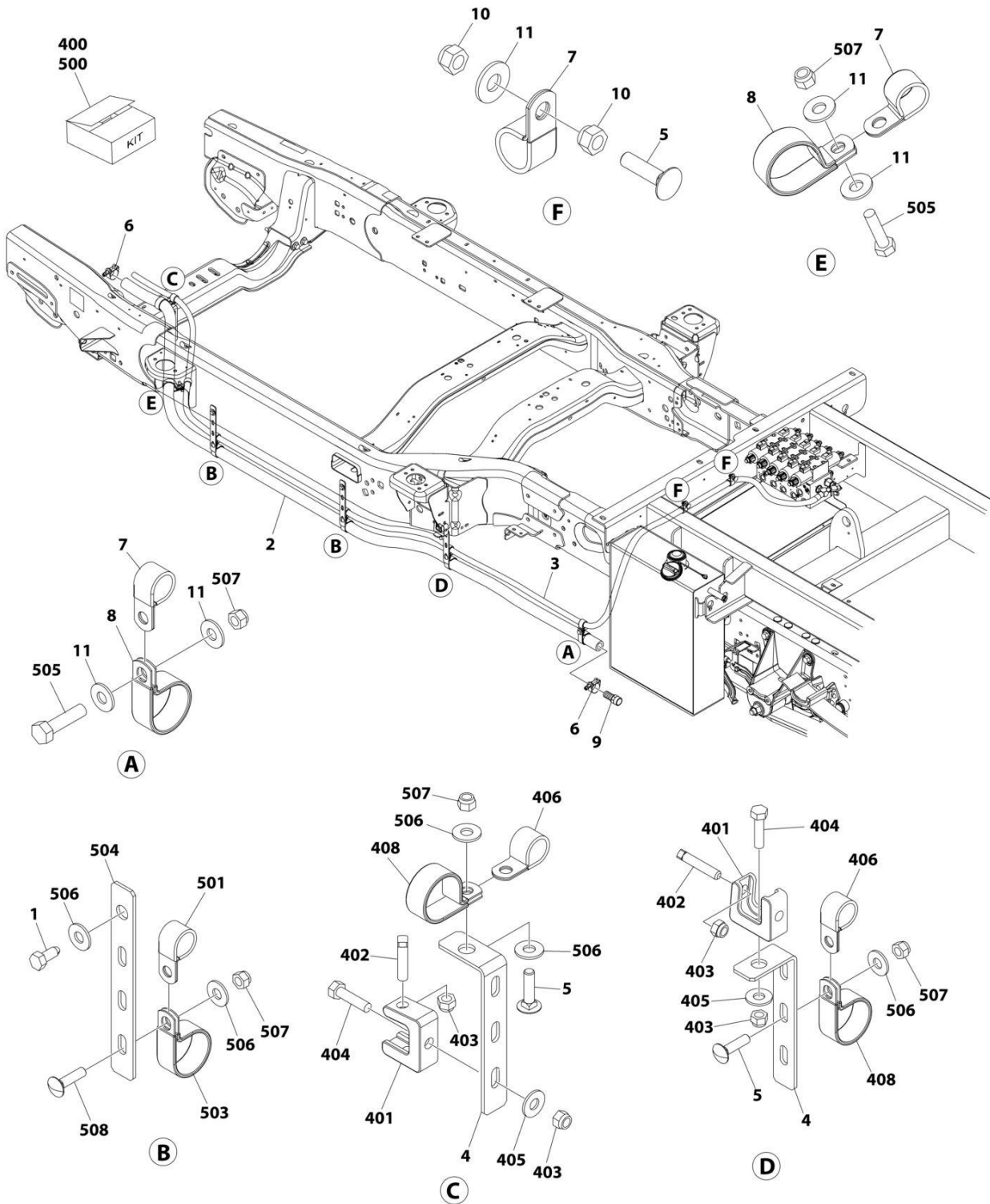
SECTION 6 - HYDRAULIC

FIGURE 6-21. HOSE AND CLAMP INSTALLATION (FORD 2017+ 192IN WB)

ITEM	PART NUMBER	QTY	DESCRIPTION	REV
	1001223733	Ref	HOSE AND CLAMP INSTALLATION (FORD 2017+ PTO - 192IN WB)	A
1	3941506	2	Tap Screw	
2	1001132614	1	Hose	
3	4567130155	1	Hose	
4	4706003844	2	Plate	
5	7115151064	4	Bolt 5/16 x 1-1/4	
6	7274000002	2	Clamp	
7	7274000040	4	Clamp	
8	7274000042	2	Clamp	
9	7443000013	1	Fitting	
10	7660152601	4	Nut 5/16	
11	7950150161	6	Washer 5/16	
400	1001132794	2	Clamp, Hose Kit	
401	7274000076	1	Clamp	
402	7785152420	1	Screw 5/16 x 1-1/2	
403	7660152601	2	Nut 5/16	
404	7115151050	1	Bolt 5/16 x 1-1/4	
405	7950150161	1	Washer 5/16	
406	7274000040	1	Clamp	
408	7274000042	1	Clamp	
500	1001132800	2	Clamp, Hose Kit	
501	7274000040	1	Clamp	
503	7274000042	1	Clamp	
504	4706003844	1	Plate	
505	7115151050	1	Bolt 5/16 x 1-1/4	
506	7950150161	3	Washer 5/16	
507	7660152601	2	Nut 5/16	
508	7115151064	1	Bolt 5/16 x 1-1/4	

SECTION 6 - HYDRAULIC

FIGURE 6-22. HOSE AND CLAMP INSTALLATION (FORD 2017+ 203IN WB)



ART_1001223734

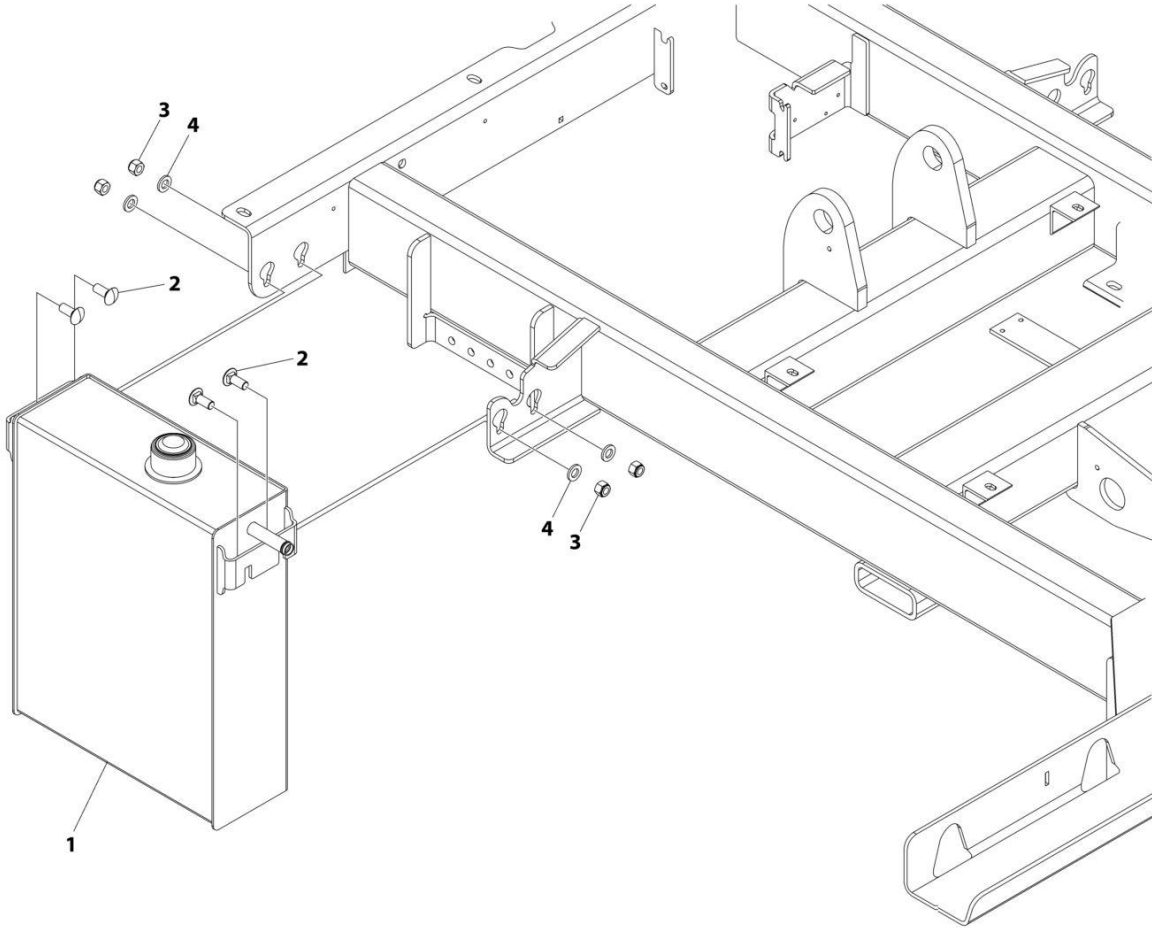
SECTION 6 - HYDRAULIC

FIGURE 6-22. HOSE AND CLAMP INSTALLATION (FORD 2017+ 203IN WB)

ITEM	PART NUMBER	QTY	DESCRIPTION	REV
	1001223734	Ref	HOSE AND CLAMP INSTALLATION (FORD 2017+ PTO - 203IN WB)	A
1	3941506	2	Tap Screw	
2	1001132618	1	Hose	
3	4567130165	1	Hose	
4	4706003844	2	Plate	
5	7115151064	4	Bolt 5/16 x 1-1/4	
6	7274000002	2	Clamp	
7	7274000040	4	Clamp	
8	7274000042	2	Clamp	
9	7443000013	1	Fitting	
10	7660152601	4	Nut 5/16	
11	7950150161	6	Washer 5/16	
400	1001132794	2	Clamp, Hose Kit	
401	7274000076	1	Clamp	
402	7785152420	1	Screw 5/16 x 1-1/2	
403	7660152601	2	Nut 5/16	
404	7115151050	1	Bolt 5/16 x 1-1/4	
405	7950150161	1	Washer 5/16	
406	7274000040	1	Clamp	
408	7274000042	1	Clamp	
500	1001132800	2	Clamp, Hose Kit	
501	7274000040	1	Clamp	
503	7274000042	1	Clamp	
504	4706003844	1	Plate	
505	7115151050	1	Bolt 5/16 x 1-1/4	
506	7950150161	3	Washer 5/16	
507	7660152601	2	Nut 5/16	
508	7115151064	1	Bolt 5/16 x 1-1/4	

SECTION 6 - HYDRAULIC

FIGURE 6-23. TANK (HYDRAULIC) INSTALLATION



ART_2509650093

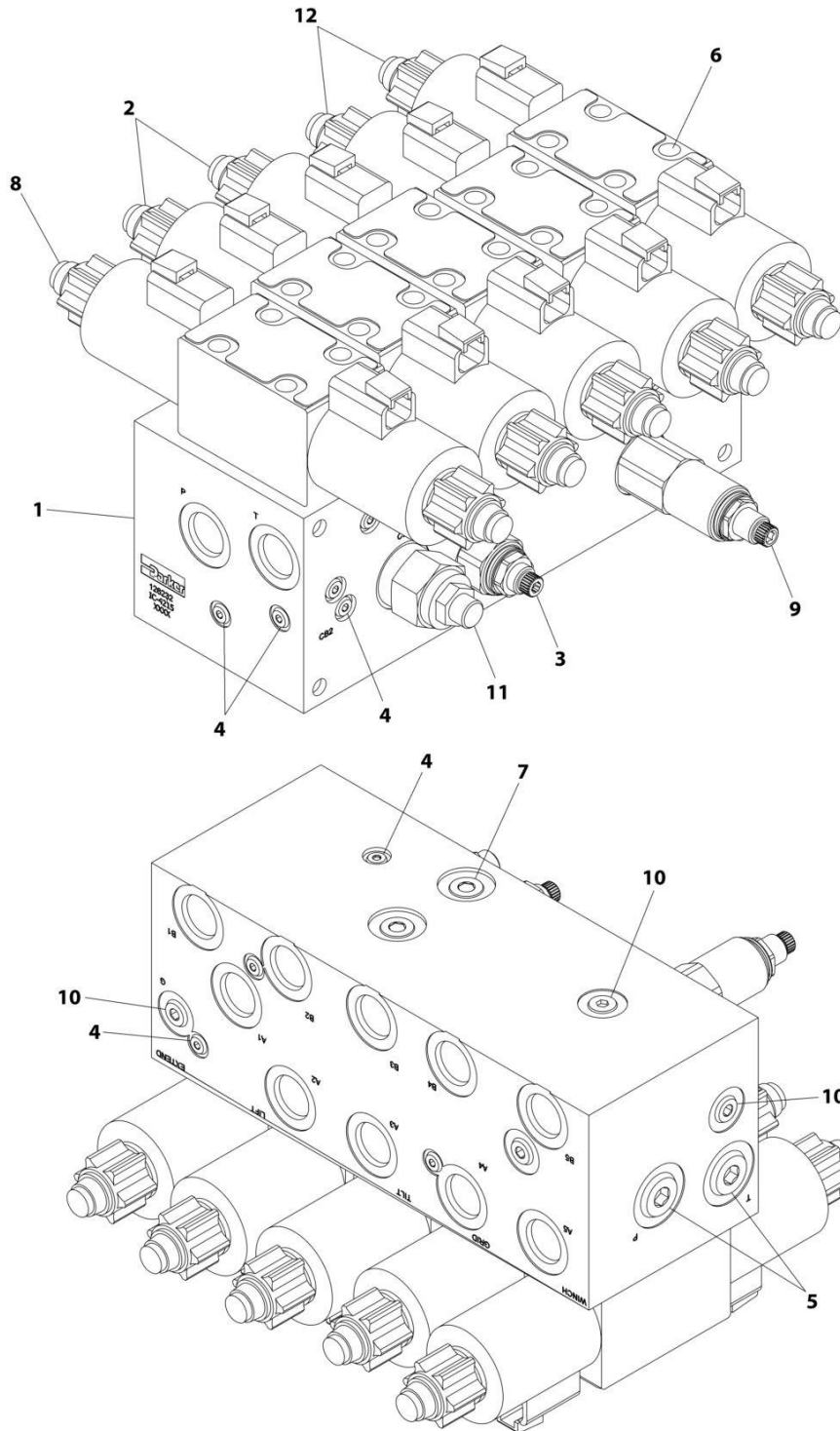
SECTION 6 - HYDRAULIC

FIGURE 6-23. TANK (HYDRAULIC) INSTALLATION

ITEM	PART NUMBER	QTY	DESCRIPTION	REV
	2509650093	Ref	TANK (HYDRAULIC) INSTALLATION	0
1	3750000061	1	Tank, Hydraulic	
2	7115181064	4	Bolt 1/2 x 1-1/4	
3	7660182601	4	Nut 1/2	
4	7950180153	4	Washer 1/2	

SECTION 6 - HYDRAULIC

FIGURE 6-24. VALVE ASSEMBLY (WITHOUT ANTI-STALL)



ART_7935000311

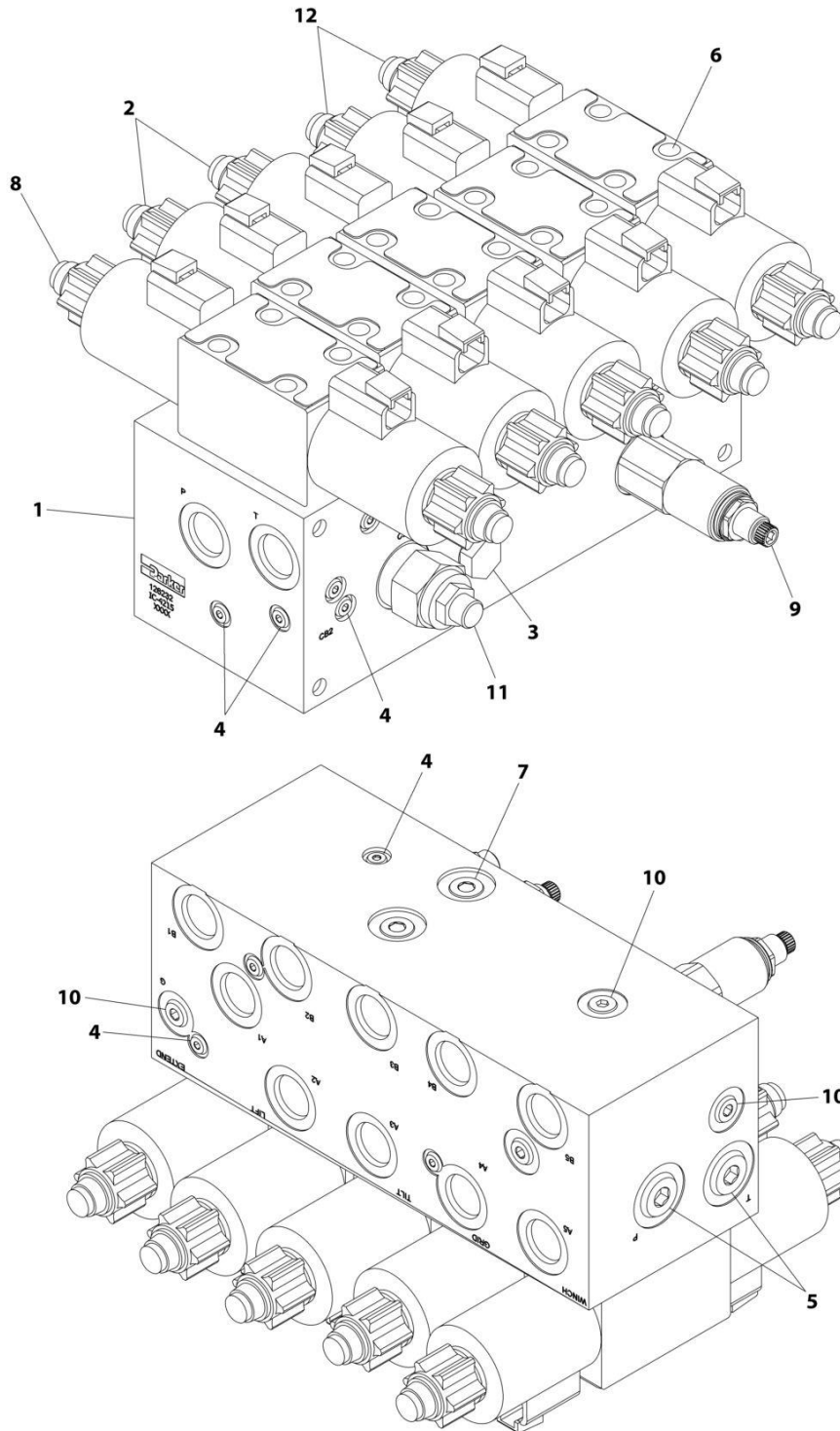
SECTION 6 - HYDRAULIC

FIGURE 6-24. VALVE ASSEMBLY (WITHOUT ANTI-STALL)

ITEM	PART NUMBER	QTY	DESCRIPTION	REV
	7935000311	Ref	VALVE ASSEMBLY	C
		Ref	Note: No Information Available at Time of Printing.	
1		Ref	Valve Body	
2		Ref	Directional Valve	
3		Ref	Relief Valve	
4		Ref	Plug	
5		Ref	Plug	
6		Ref	Bolt 5/16	
7		Ref	Plug	
8		Ref	Directional Valve	
9		Ref	Relief Valve	
10		Ref	Plug	
11		Ref	Counterbalance Valve	
12		Ref	Directional Valve	

SECTION 6 - HYDRAULIC

FIGURE 6-25. VALVE ASSEMBLY (WITH ANTI-STALL)



ART_7935000363

SECTION 6 - HYDRAULIC

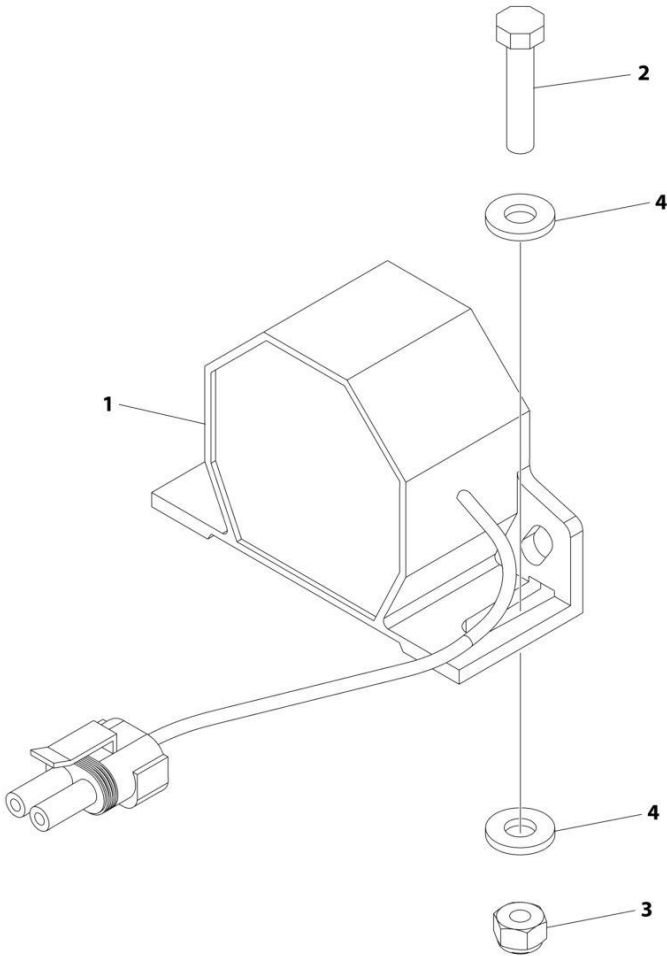
FIGURE 6-25. VALVE ASSEMBLY (WITH ANTI-STALL)

ITEM	PART NUMBER	QTY	DESCRIPTION	REV
	7935000363	Ref	VALVE ASSEMBLY PARKER	C
		Ref	Note: No Information Available at Time of Printing.	
1		Ref	Valve Body	
2		Ref	Directional Valve	
3		Ref	Plug	
4		Ref	Plug	
5		Ref	Plug	
6		Ref	Bolt 5/16	
7		Ref	Plug	
8		Ref	Directional Valve	
9		Ref	Relief Valve	
10		Ref	Plug	
11		Ref	Counterbalance Valve	
12		Ref	Directional Valve	

SECTION 7 - ELECTRICAL

SECTION 7 - ELECTRICAL

FIGURE 7-1. ALARM INSTALLATION - BACK-UP (FIXED)



ART_2011000002

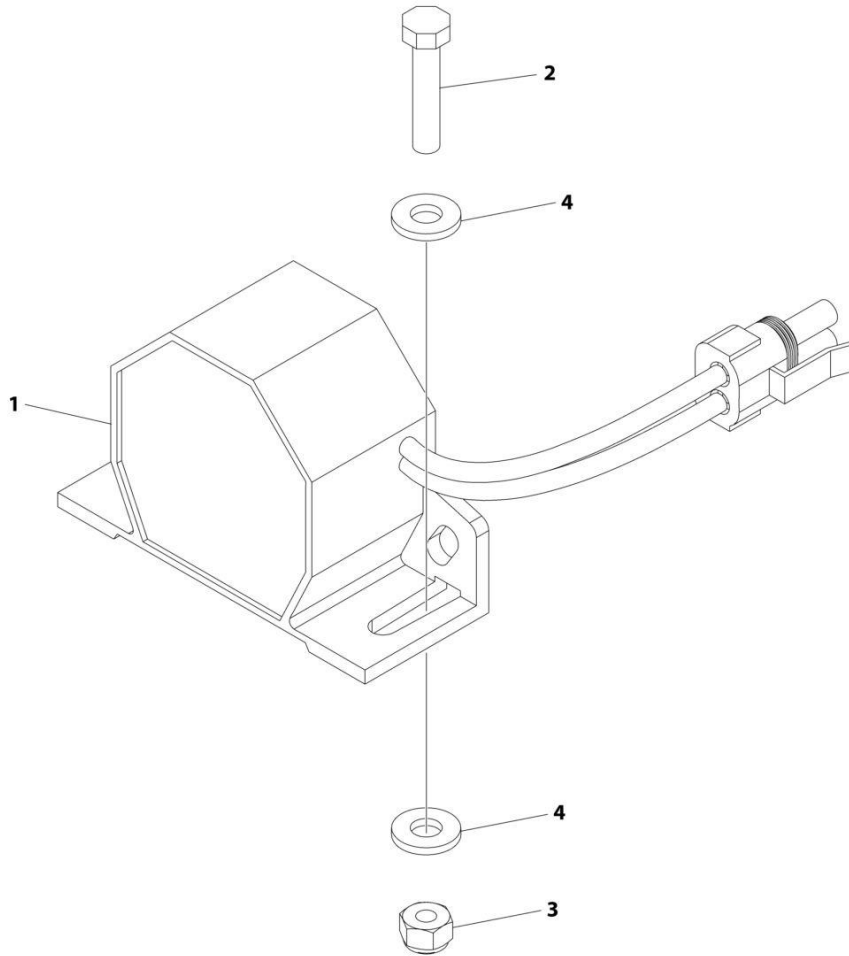
SECTION 7 - ELECTRICAL

FIGURE 7-1. ALARM INSTALLATION - BACK-UP (FIXED)

ITEM	PART NUMBER	QTY	DESCRIPTION	REV
	2011000002	Ref	ALARM INSTALLATION - BACK-UP (FIXED)	B
1	7011000006	1	Alarm	
2	7111141050	2	Bolt 1/4 x 1-1/4	
3	7660142600	2	Nut 1/4	
4	7950140141	4	Washer 1/4	

SECTION 7 - ELECTRICAL

FIGURE 7-2. ALARM INSTALLATION - BACK-UP (VARIABLE)



ART_2011000003

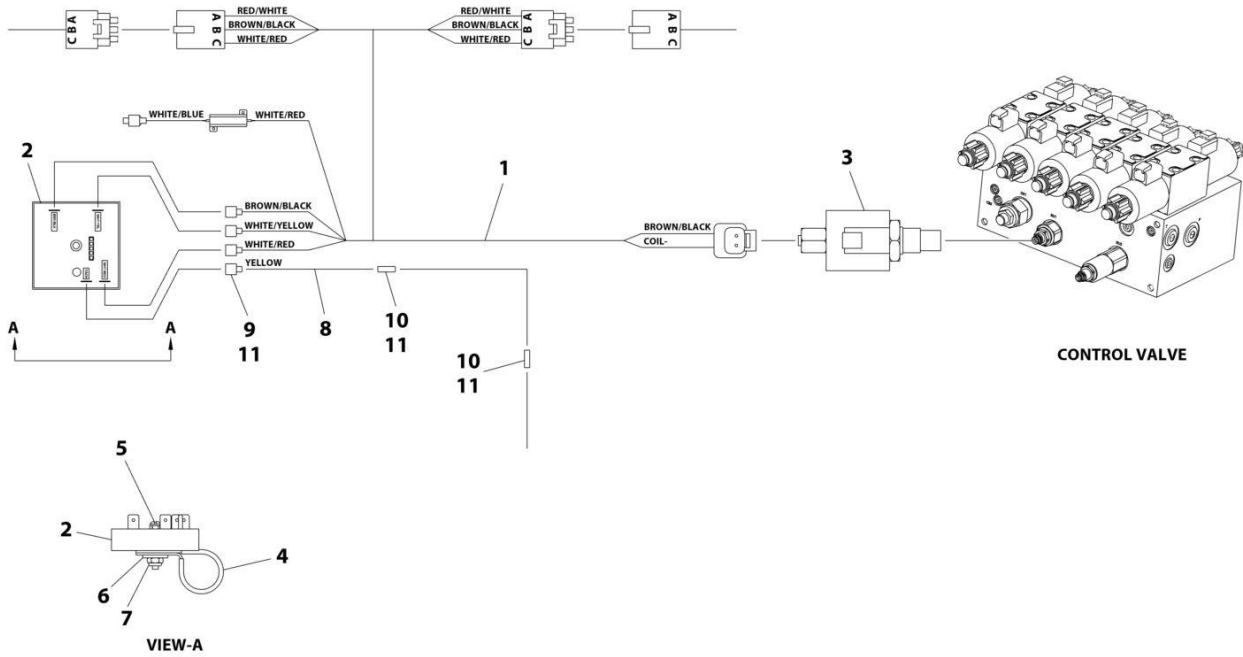
SECTION 7 - ELECTRICAL

FIGURE 7-2. ALARM INSTALLATION - BACK-UP (VARIABLE)

ITEM	PART NUMBER	QTY	DESCRIPTION	REV
	2011000003	Ref	ALARM INSTALLATION - BACK-UP (VARIABLE)	B
1	1001175061	1	Alarm	
2	7111141050	2	Bolt 1/4 x 1-1/4	
3	7660142600	2	Nut 1/4	
4	7950140141	4	Washer 1/4	

SECTION 7 - ELECTRICAL

FIGURE 7-3. ANTI-STALL INSTALLATION - FORD 2011-2016 GAS V8



ART_1001126958

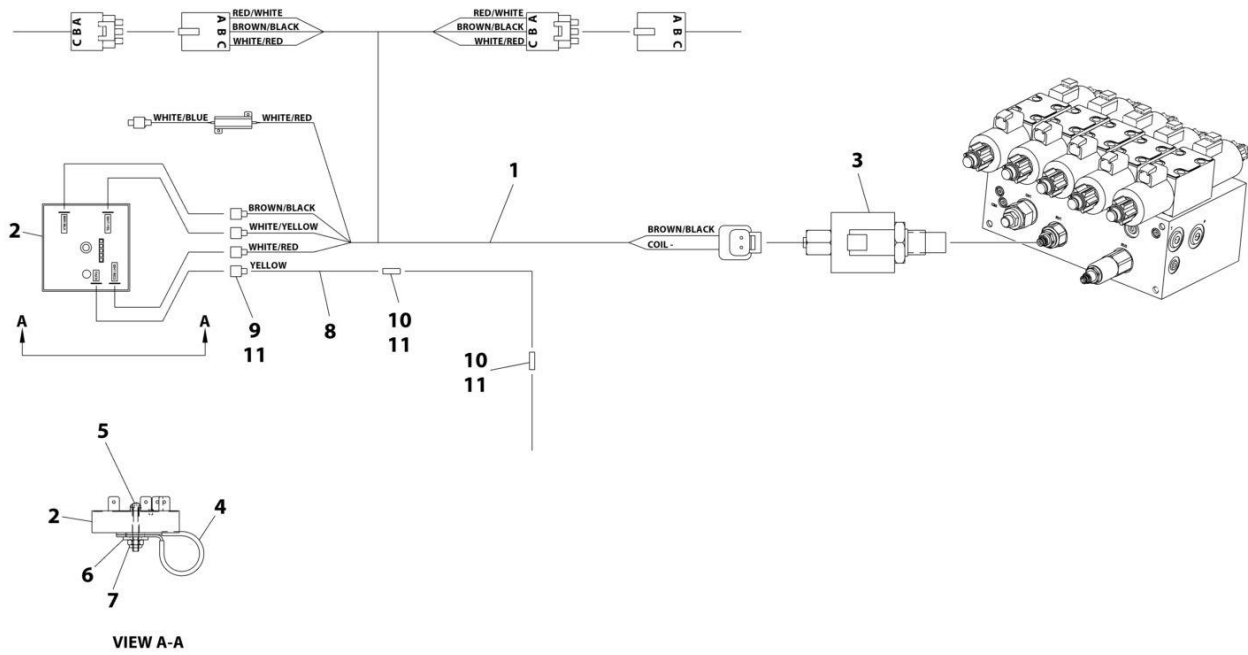
SECTION 7 - ELECTRICAL

FIGURE 7-3. ANTI-STALL INSTALLATION - FORD 2011-2016 GAS V8

ITEM	PART NUMBER	QTY	DESCRIPTION	REV
	1001126958	Ref	ANTI-STALL INSTALLATION 2011 (FORD V-8)	0
1	7552000427	1	Anti-Stall Harness (See Separate Breakdown in this Section)	
2	1001126957	1	Module, Control (Anti-Stall)	
3	7935000361	1	Valve, Solenoid Cartridge	
4	7274000040	1	Clamp	
5	7114060810	1	Screw #6 x 1	
6	7950100163	1	Washer #10	
7	7660062604	2	Nut #6	
9	7345001710	1	Tab	
10	7345001714	2	Terminal	
11	7346000039	AR	Tube	

SECTION 7 - ELECTRICAL

FIGURE 7-4. ANTI-STALL INSTALLATION - FORD 2008 GAS V10



ART_3509330128

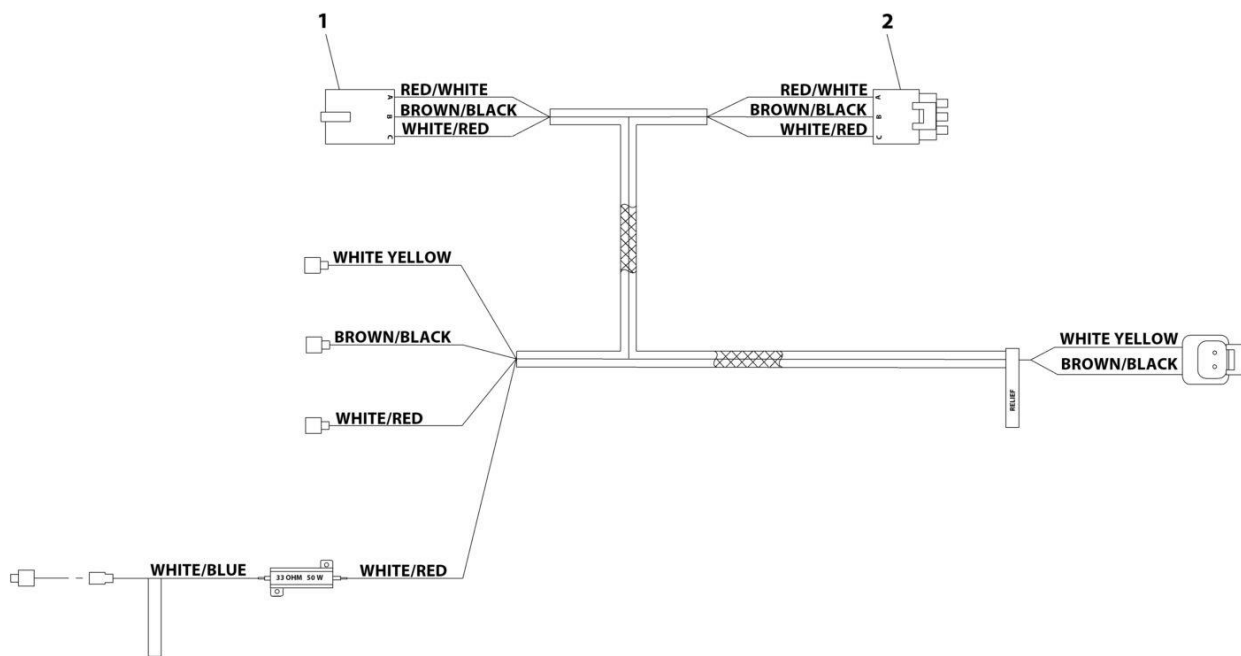
SECTION 7 - ELECTRICAL

FIGURE 7-4. ANTI-STALL INSTALLATION - FORD 2008 GAS V10

ITEM	PART NUMBER	QTY	DESCRIPTION	REV
	3509330128	Ref	ANTI-STALL INSTALLATION 2008 (FORD V-10)	0
1	7552000427	1	Anti-Stall Harness (See Separate Breakdown in this Section)	
2	3295000003	1	Module, Control (Anti-Stall)	
3	7935000361	1	Valve, Solenoid Cartridge	
4	7274000040	1	Clamp	
5	7114060810	1	Screw #6 x 1	
6	7950100163	1	Washer #10	
7	7660062604	2	Nut #6	
9	7345001710	1	Tab	
10	7345001714	2	Terminal	
11	7346000039	AR	Tube	

SECTION 7 - ELECTRICAL

FIGURE 7-5. ANTI-STALL HARNESS



ART_7552000427

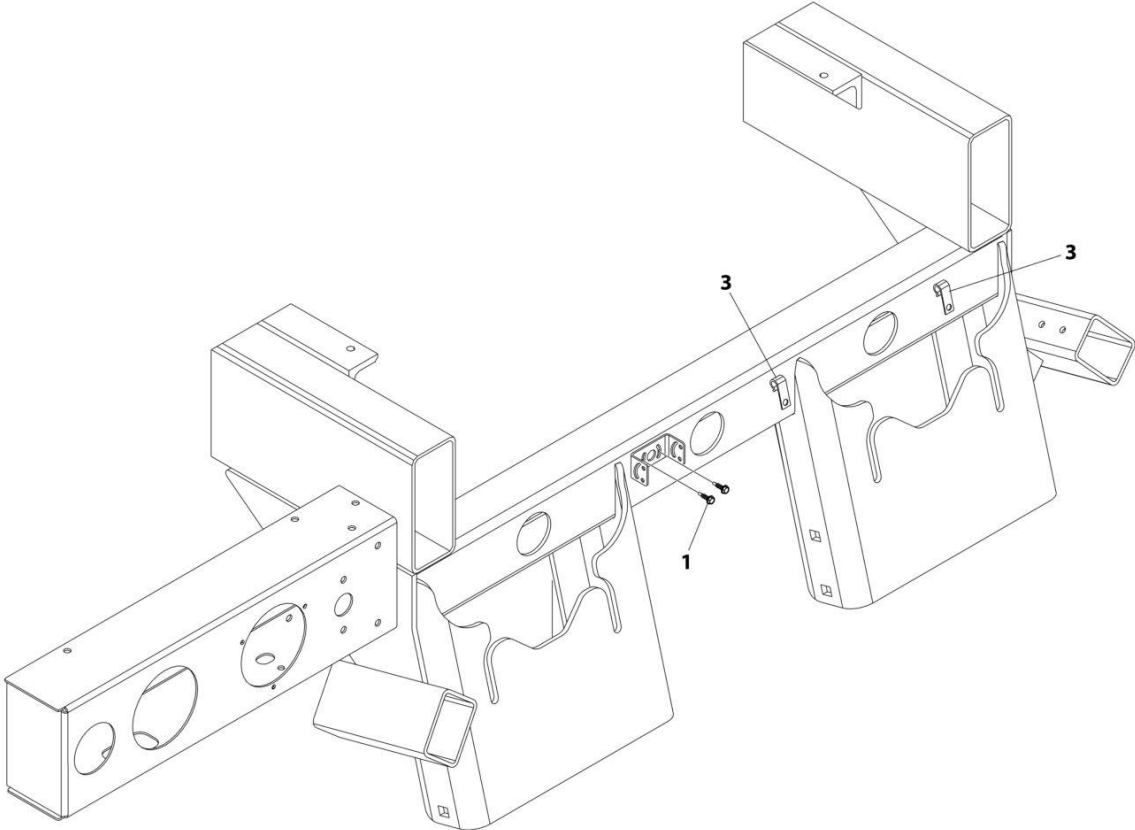
SECTION 7 - ELECTRICAL

FIGURE 7-5. ANTI-STALL HARNESS

ITEM	PART NUMBER	QTY	DESCRIPTION	REV
	7552000427	Ref	ANTI-STALL CONTROL MODULE HARNESS	0
1		Ref	Connector	
1	4460475	1	Terminal	
1	4460458	1	Seal	
2	8220081	1	Connector	
2	4460457	1	Terminal	
2		Ref	Seal	

SECTION 7 - ELECTRICAL

FIGURE 7-6. BACK UP CAMERA INSTALLATION - CHASSIS SUPPLIED



ART_1001220181

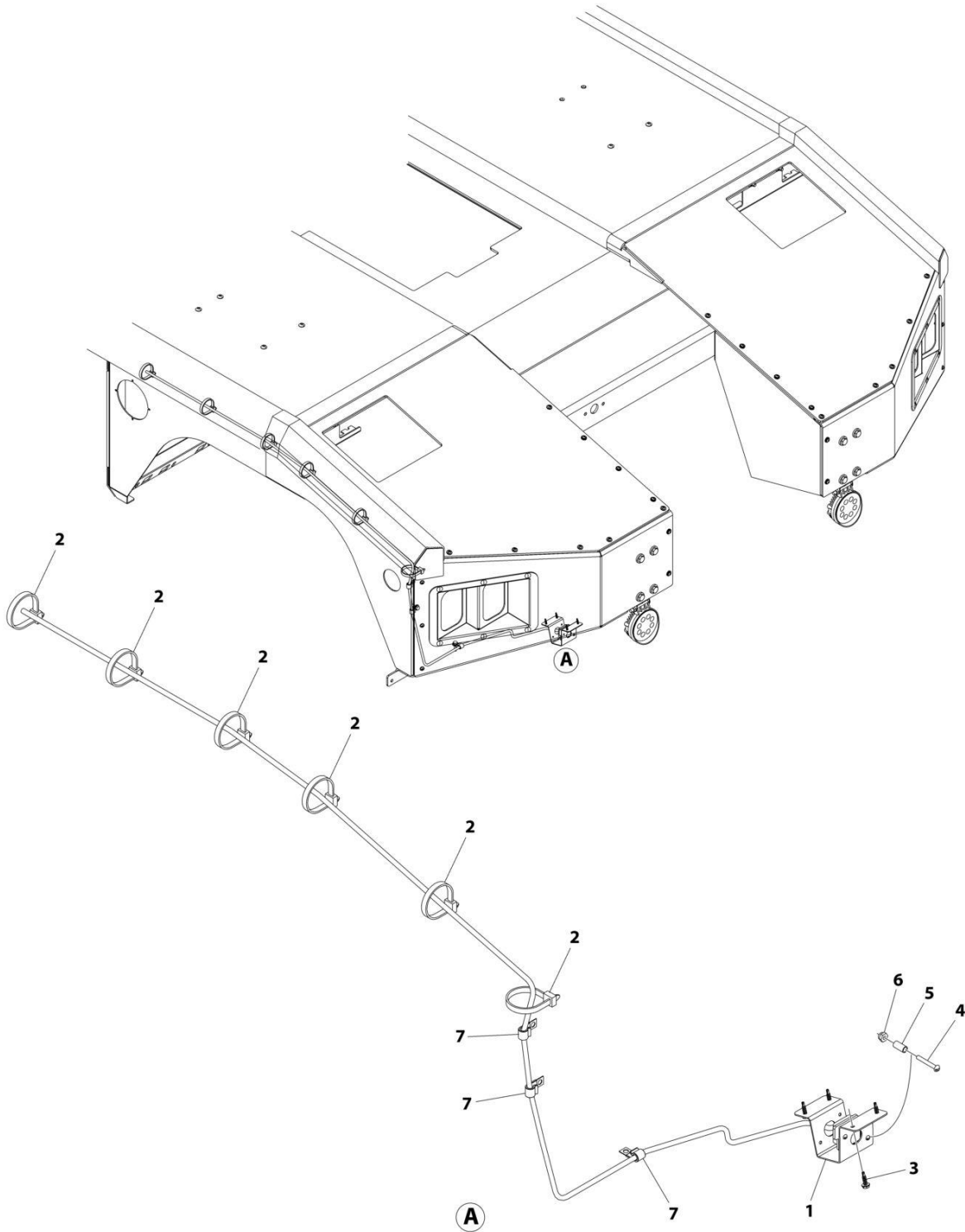
SECTION 7 - ELECTRICAL

FIGURE 7-6. BACK UP CAMERA INSTALLATION - CHASSIS SUPPLIED

ITEM	PART NUMBER	QTY	DESCRIPTION	REV
	1001220181	Ref	Backup Camera Installation - Chassis (OEM Supplied)	C
1	7120000034	2	Screw #10 x 3/4	
2	5526000553	40	Tie Strap	
3	7280000018	2	Clip	

SECTION 7 - ELECTRICAL

FIGURE 7-7. BACK UP CAMERA INSTALLATION - CHASSIS SUPPLIED (CV515 ONLY)



ART_1001255485

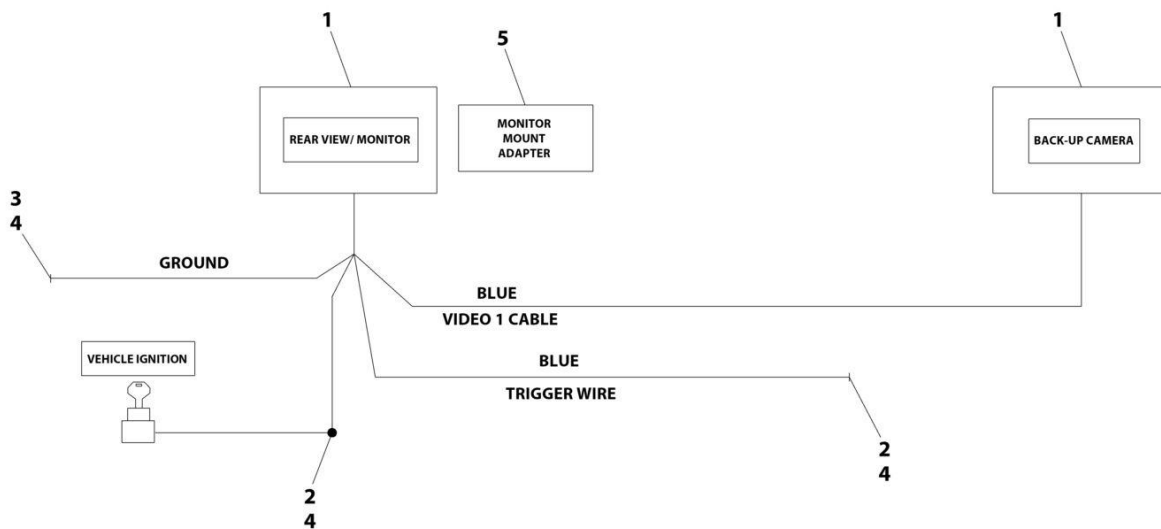
SECTION 7 - ELECTRICAL

FIGURE 7-7. BACK UP CAMERA INSTALLATION - CHASSIS SUPPLIED (CV515 ONLY)

ITEM	PART NUMBER	QTY	DESCRIPTION	REV
	1001255485	Ref	BACK UP CAMERA INSTALLATION - CHASSIS SUPPLIED (CV515 ONLY)	B
1	1001255484	1	Bracket	
2	5526000553	15	Tie Strap	
3	7120000034	4	Screw #10 x 3/4	
4	7114060810	2	Capscrew #6 x 1	
5	4564088	2	Spacer	
6	7660062604	2	Nut #6	
7	7280000018	5	Clip	

SECTION 7 - ELECTRICAL

FIGURE 7-8. BACK UP CAMERA INSTALLATION (REAR VIEW MIRROR) (Prior to SN 0230010803)



ART_1001142974

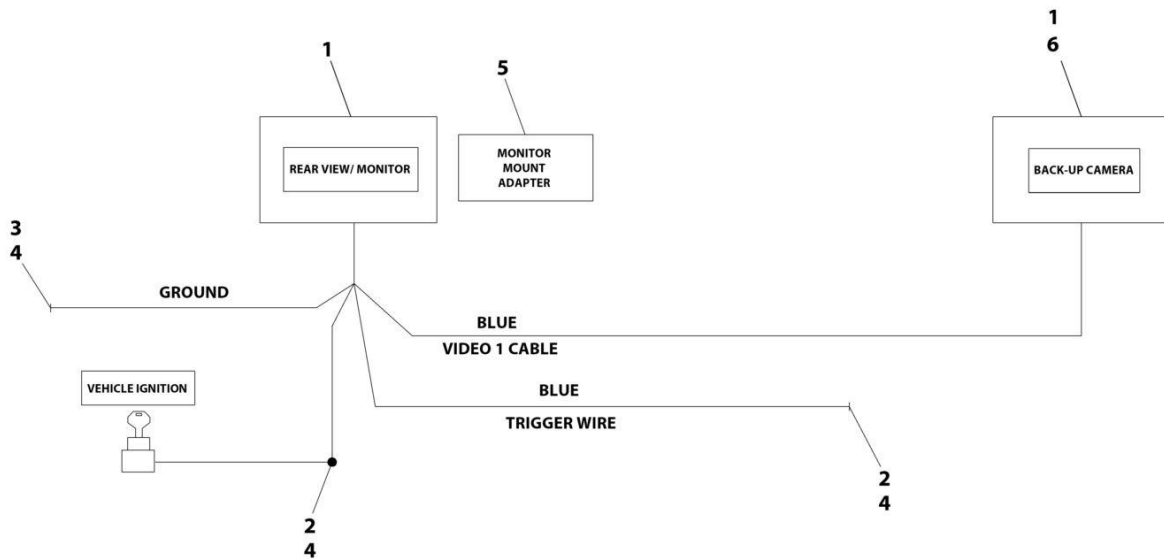
SECTION 7 - ELECTRICAL

FIGURE 7-8. BACK UP CAMERA INSTALLATION (REAR VIEW MIRROR) (Prior to SN 0230010803)

ITEM	PART NUMBER	QTY	DESCRIPTION	REV
	1001142974	Ref	BACKUP CAMERA IN REAR VIEW MIRROR INSTALLATION	B
1	1001139909	1	Camera System	
2	7345001914	2	Terminal	
3	7345221902	1	Terminal	
4	7346000039	AR	Tubing	
5	1001229606	1	Monitor Mount Adapter	

SECTION 7 - ELECTRICAL

FIGURE 7-9. BACK UP CAMERA INSTALLATION (REAR VIEW MIRROR) (SN 020010803 through 0230011754, Except SN 0230011072 through 0230011326, Except SN 0230011488 through 0230011512, Except SN 0230011597 through 0230011611)



ART_1001142974_D

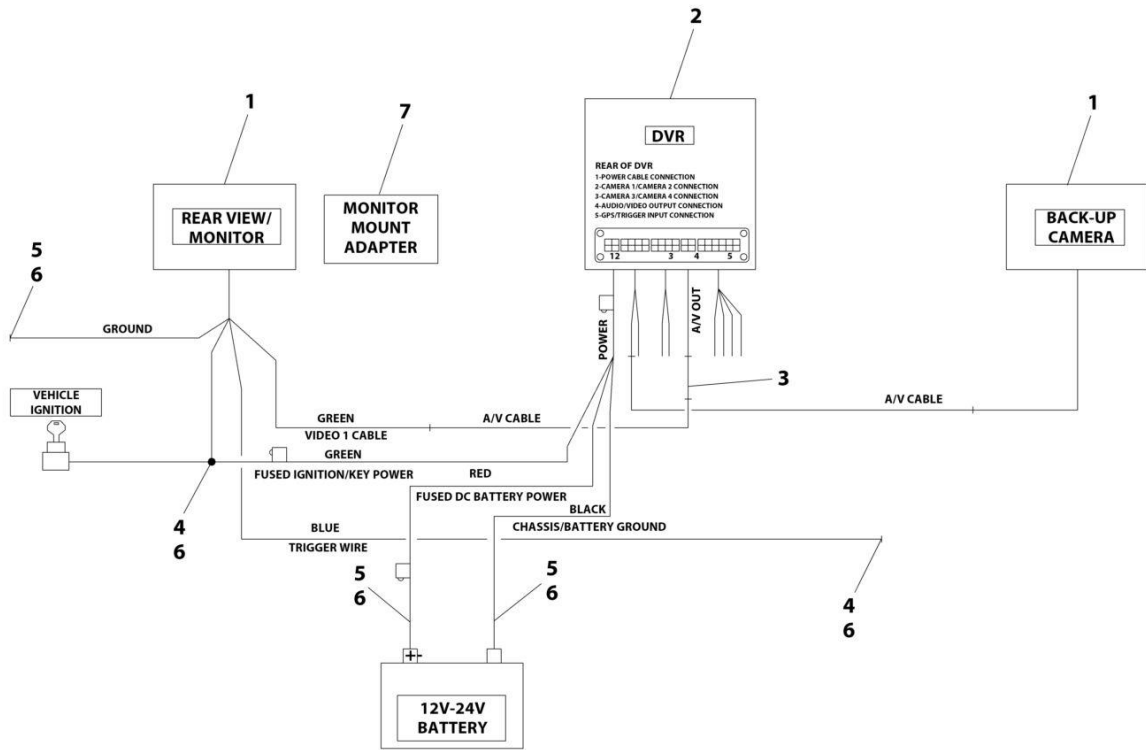
SECTION 7 - ELECTRICAL

FIGURE 7-9. BACK UP CAMERA INSTALLATION (REAR VIEW MIRROR) (SN 020010803 through 0230011754, Except SN 0230011072 through 0230011326, Except SN 0230011488 through 0230011512, Except SN 0230011597 through 0230011611)

ITEM	PART NUMBER	QTY	DESCRIPTION	REV
	1001142974	Ref	BACKUP CAMERA IN REAR VIEW MIRROR INSTALLATION	D
1	1001273600	1	Camera System	
2	7345001914	2	Terminal	
3	7345221902	1	Terminal	
4	7346000039	AR	Tubing	
6	7120000034	1	SCREW #10 X .75" SELF DRILLING	
7	7280000018	AR	Clip (Not Shown)	
8	5525000537	AR	Wire (Not Shown)	
9	7894000010	AR	Strap, Tie (Not Shown)	

SECTION 7 - ELECTRICAL

FIGURE 7-10. BACK UP CAMERA INSTALLATION (WITH DVR) (Prior to SN 0230010803)



ART_1001142973

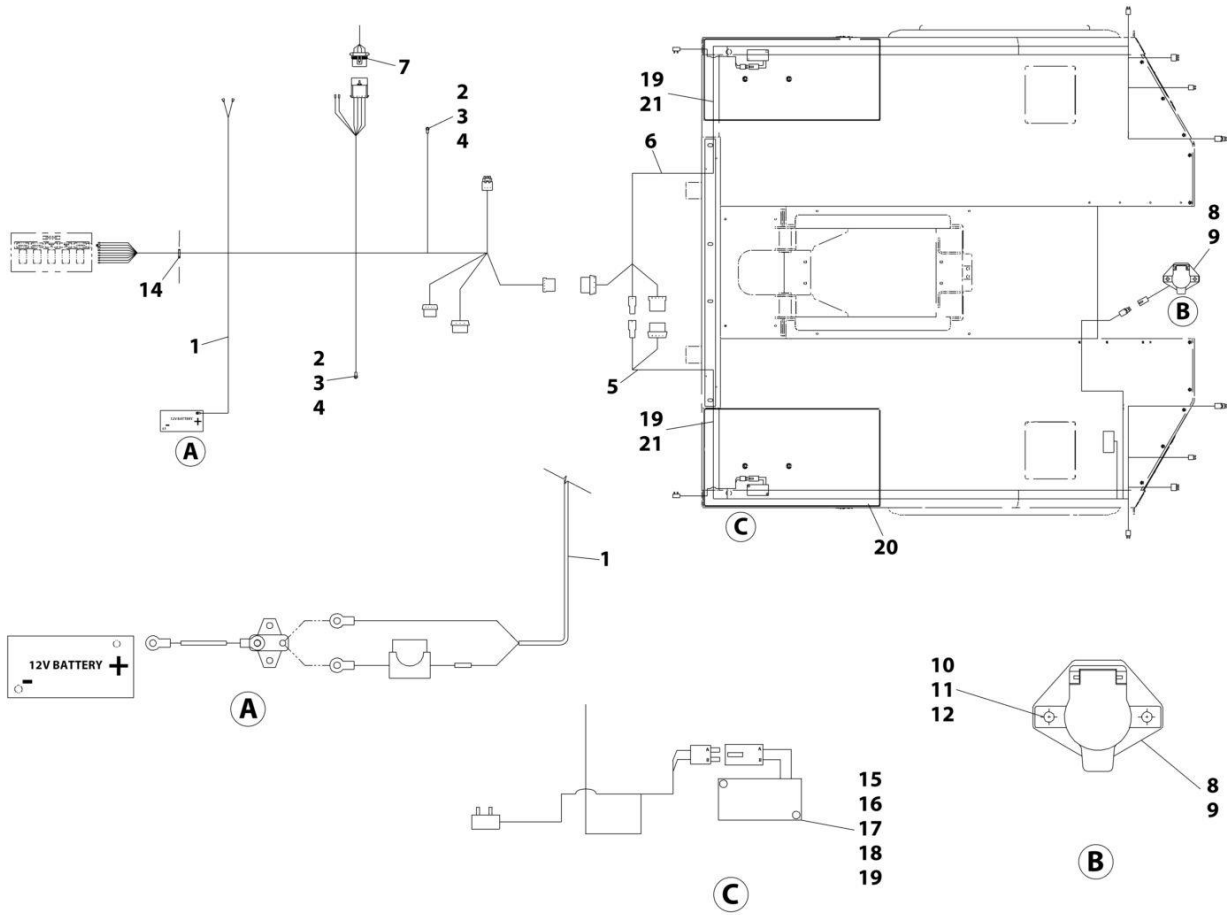
SECTION 7 - ELECTRICAL

FIGURE 7-10. BACK UP CAMERA INSTALLATION (WITH DVR) (Prior to SN 0230010803)

ITEM	PART NUMBER	QTY	DESCRIPTION	REV
	1001142973	Ref	BACK UP CAMERA INSTALLATION (WITH DVR)	C
1	1001139909	1	Camera System	
2	1001139911	1	DVR	
3	1001142453	1	Cable	
4	7345001914	2	Terminal	
5	7345221902	3	Terminal	
6	7346000039	AR	Tubing	
7	1001229606	1	Adapter	

SECTION 7 - ELECTRICAL

FIGURE 7-11. BODY ELECTRICAL INSTALLATION (NG) (SN 0230004211 through 0230009707)



ART_1001208048

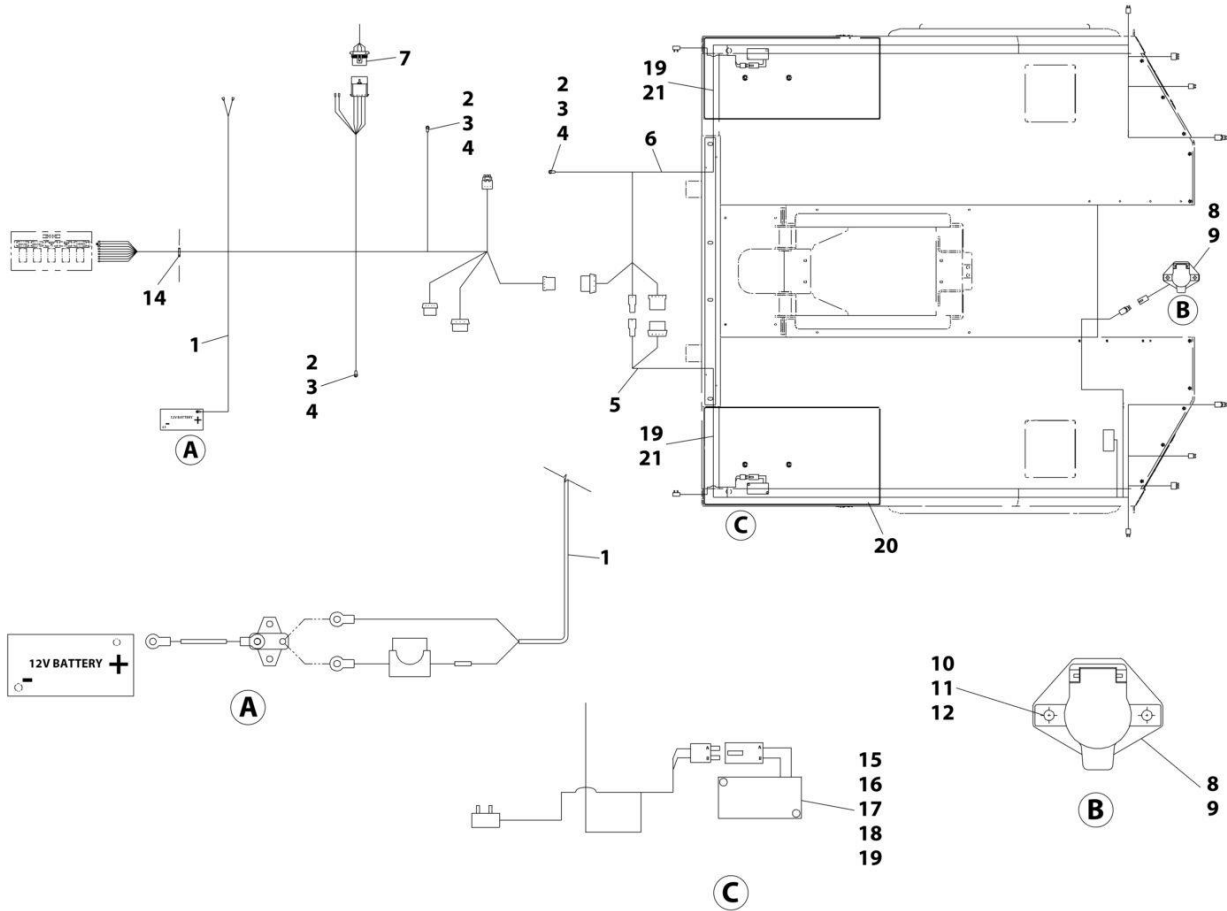
SECTION 7 - ELECTRICAL

FIGURE 7-11. BODY ELECTRICAL INSTALLATION (NG) (SN 0230004211 through 0230009707)

ITEM	PART NUMBER	QTY	DESCRIPTION	REV
	1001208048	Ref	BODY ELECTRICAL INSTALLATION	C
1	7552000292	2	Harness, Cab & Subframe (See Separate Breakdown in this Section)	
2	0641410	2	Bolt 1/4 x 1-1/4	
3	7660142600	2	Nut 1/4	
4	4711400	1	Washer 1/4	
5	1001190945	1	Harness, Body (LH) (See Separate Breakdown in this Section)	
6	1001190946	1	Harness, Body (RH) (See Separate Breakdown in this Section)	
7	7577000194	1	Connector Kit	
8	7291000010	1	Connector	
9	7796000048	1	Gasket	
10	7111140613	2	Screw 1/4	
11	4761400	2	Washer 1/4	
12	7413000002	2	Nut 1/4	
13	7894000042	29	Tie-Strap (Not Show)	
14	7493000003	1	Grommet	
15	7590000273	2	Light	
16	7120000081	4	Screw #10	
17	7661000007	4	Nut #10	
18	7831000040	4	Spacer	
19	8798820001	AR	Sealant	
20	7413000013	2	Push Fastener	
21	4420002	AR	Tape	

SECTION 7 - ELECTRICAL

FIGURE 7-12. BODY ELECTRICAL INSTALLATION (NG) (SN 0230009708 through 0230011754, Except SN 0230011072 through 0230011326, Except SN 0230011488 through 0230011512, Except SN 0230011597 through 0230011611, Excluding 0230009801 and 0230010717)



ART_1001267675

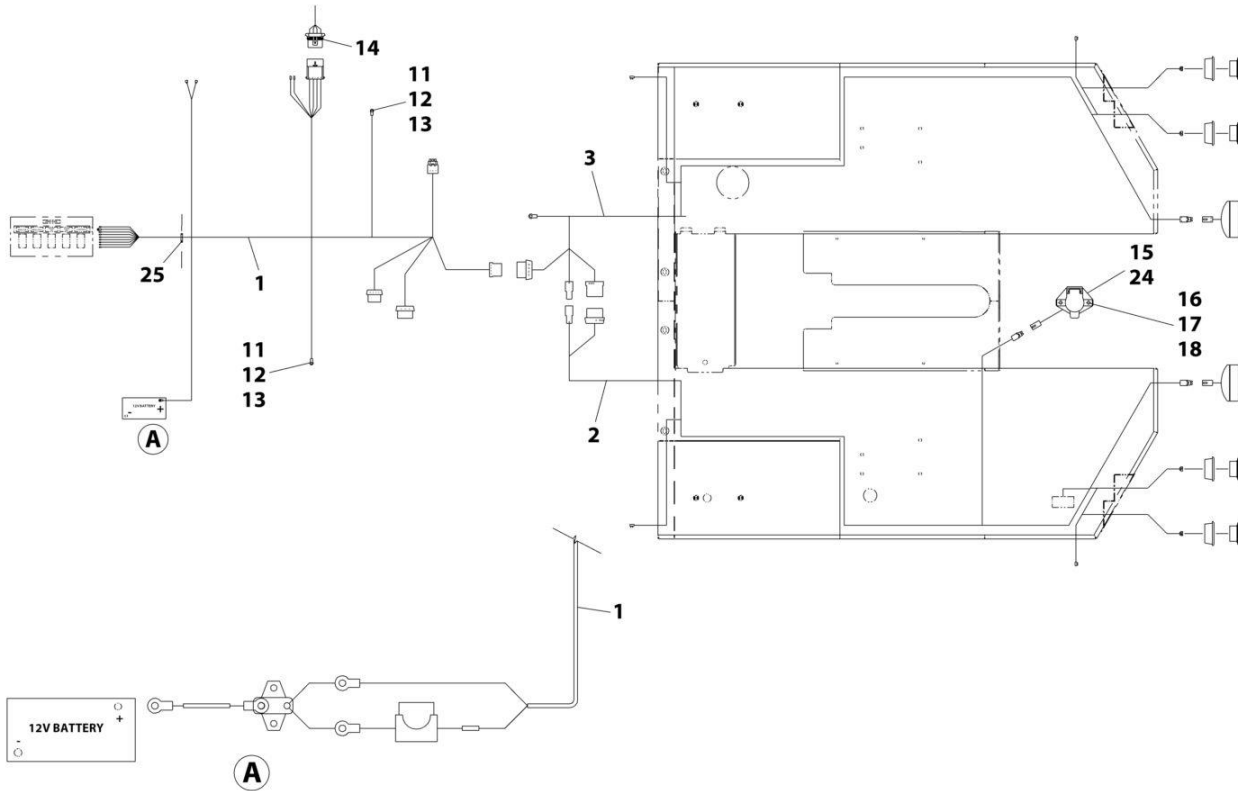
SECTION 7 - ELECTRICAL

FIGURE 7-12. BODY ELECTRICAL INSTALLATION (NG) (SN 0230009708 through 0230011754, Except SN 0230011072 through 0230011326, Except SN 0230011488 through 0230011512, Except SN 0230011597 through 0230011611, Excluding 0230009801 and 0230010717)

ITEM	PART NUMBER	QTY	DESCRIPTION	REV
	1001267675	Ref	BODY ELECTRICAL INSTALLATION	A
1	1001263429	1	Harness, Cab & Subframe (See Separate Breakdown in this Section)	
2	0641410	3	Bolt 1/4 x 1-1/4	
3	7660142600	3	Nut 1/4	
4	4711400	3	Washer 1/4	
5	1001267670	1	Harness, Body (LH) (See Separate Breakdown in this Section)	
6	1001267671	1	Harness, Body (RH) (See Separate Breakdown in this Section)	
7	7577000194	1	Connector Kit	
8	7291000010	1	Connector	
9	7796000048	1	Gasket	
10	7111140613	2	Screw 1/4	
11	4761400	2	Washer 1/4	
12	7413000002	2	Nut 1/4	
13	7894000042	29	Tie-Strap (Not Show)	
14	7493000003	1	Grommet	
15	7590000273	2	Light	
16	7120000081	4	Screw #10	
17	7661000007	4	Nut #10	
18	7831000040	4	Spacer	
19	8798820001	AR	Sealant	
20	7413000013	2	Push Fastener	
21	4420002	AR	Tape	

SECTION 7 - ELECTRICAL

FIGURE 7-13. BODY ELECTRICAL INSTALLATION (NGS) (SN 0230004211 through 0230009707)



ART_3509330123

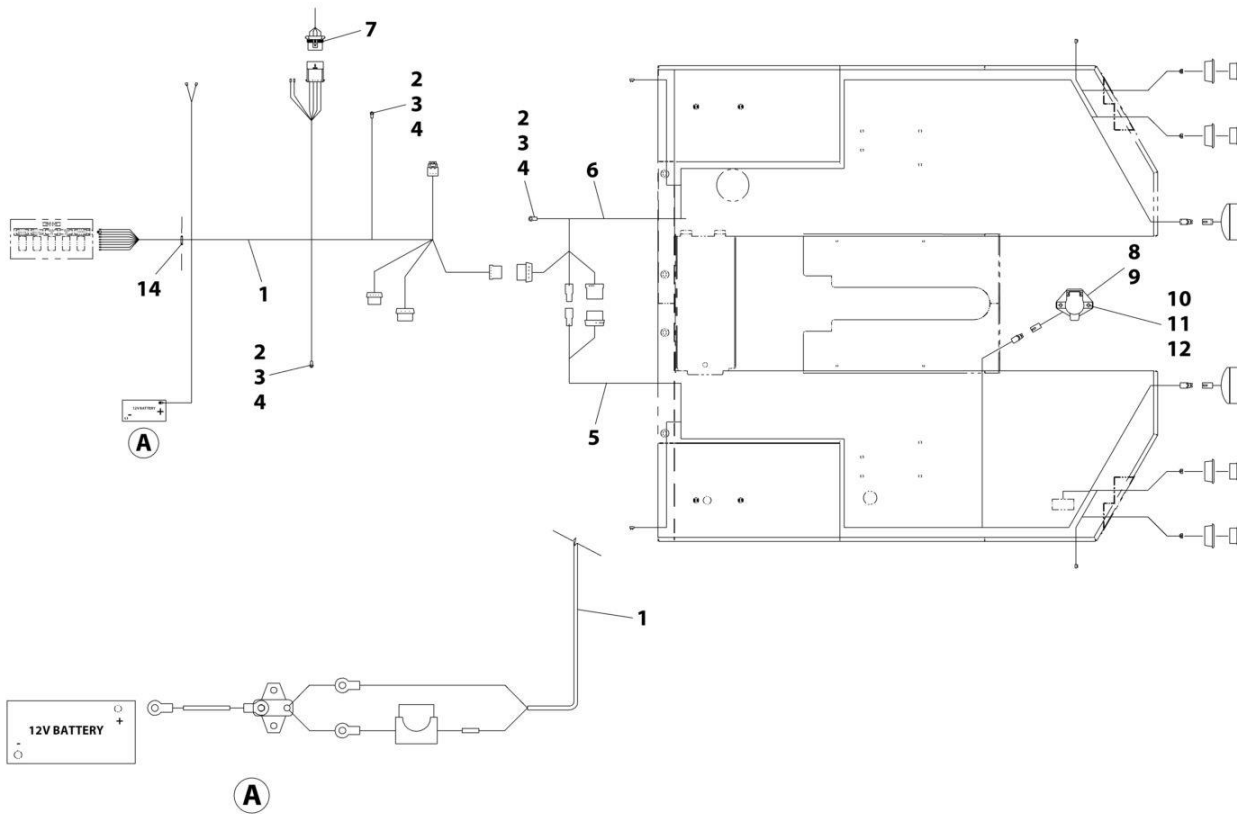
SECTION 7 - ELECTRICAL

FIGURE 7-13. BODY ELECTRICAL INSTALLATION (NGS) (SN 0230004211 through 0230009707)

ITEM	PART NUMBER	QTY	DESCRIPTION	REV
	3509330123	Ref	BODY ELECTRICAL INSTALLATION	F
1	7552000292	1	Harness, Cab-subframe (See Separate Breakdown in this Section)	
2	7552000469	1	Harness, Body (LH) (See Separate Breakdown in this Section)	
3	7552000417	1	Harness, Body (RH) (See Separate Breakdown in this Section)	
11	7111141050	2	Bolt 1/4 x 1-1/4	
12	7660142600	2	Nut 1/4	
13	7577000194	1	Connector - Kit	
14	7950140141	2	Washer 1/4	
15	7291000010	1	Connector	
16	7111140613	2	Screw 1/4 x 3/4	
17	7950140000	2	Washer 1/4	
18	7413000002	2	Nut 1/4	
19	7894000042	32	Tie Strap (Not Shown)	
24	7796000048	1	Gasket	
25	7493000003	1	Grommet	

SECTION 7 - ELECTRICAL

FIGURE 7-14. BODY ELECTRICAL INSTALLATION (NGS) (SN 0230009708 through 0230011754, Except SN 0230011072 through 0230011326, Except SN 0230011488 through 0230011512, Except SN 0230011597 through 0230011611, Excluding 0230009801 and 0230010717)



ART_1001267676

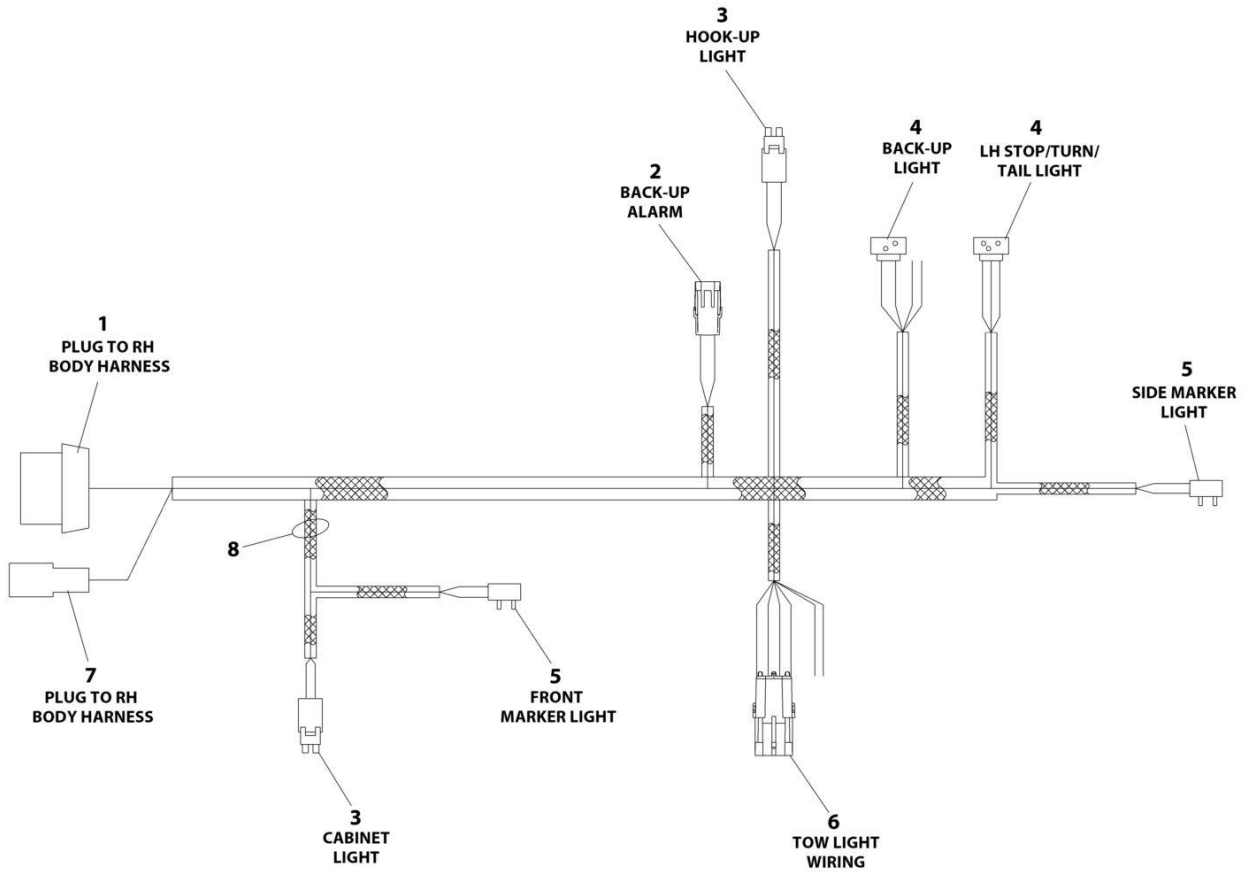
SECTION 7 - ELECTRICAL

FIGURE 7-14. BODY ELECTRICAL INSTALLATION (NGS) (SN 0230009708 through 0230011754, Except SN 0230011072 through 0230011326, Except SN 0230011488 through 0230011512, Except SN 0230011597 through 0230011611, Excluding 0230009801 and 0230010717)

ITEM	PART NUMBER	QTY	DESCRIPTION	REV
	1001267676	Ref	BODY ELECTRICAL INSTALLATION	A
1	1001263429	1	Harness, Cab-subframe (See Separate Breakdown in this Section)	
2	0641410	3	Bolt 1/4 x 1-1/4	
3	7660142600	3	Nut 1/4	
4	4711400	3	Washer 1/4	
5	1001267672	1	Harness, Body (LH) (See Separate Breakdown in this Section)	
6	1001267673	1	Harness, Body (RH) (See Separate Breakdown in this Section)	
7	7577000194	1	Connector - Kit	
8	7291000010	1	Connector	
9	7796000048	1	Gasket	
10	7111140613	2	Screw 1/4 x 3/4	
11	4761400	2	Washer 1/4	
12	7413000002	2	Nut 1/4	
13	7894000042	29	Tie Strap (Not Shown)	
14	7493000003	1	Grommet	

SECTION 7 - ELECTRICAL

FIGURE 7-15. BODY HARNESS (LH) (NG) (SN 0230004211 through 0230009707)



ART_1001190945

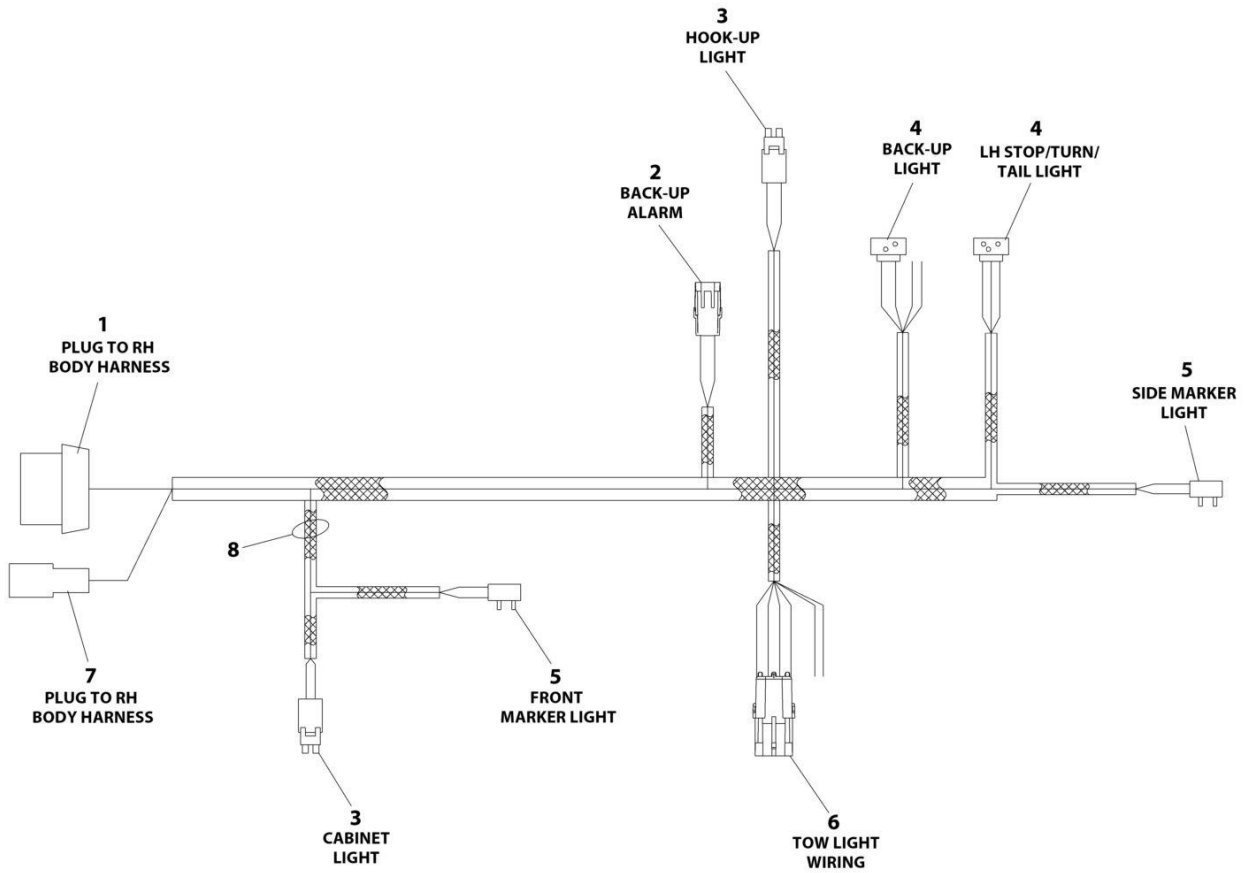
SECTION 7 - ELECTRICAL

FIGURE 7-15. BODY HARNESS (LH) (NG) (SN 0230004211 through 0230009707)

ITEM	PART NUMBER	QTY	DESCRIPTION	REV
	1001190945	Ref	BODY HARNESS (LH)	B
1	7346000144	1	Connector - 8 Position	
1	7346000147	7	Socket	
1		Ref	Seal	
1	7346000153	1	Plug, Terminal	
1	7346000145	1	Lock, Terminal	
2	4460867	1	Receptacle, Female - 2 Position	
2	7346000035	2	Pin, Male	
2		Ref	Seal	
3	4460742	2	Plug, Male - 2 Position	
3	7346000099	4	Socket, Female	
3		Ref	Seal	
4		Ref	Connector - 2 Position	
5		Ref	Connector- 2 Position	
6		Ref	Connector - 4 Position	
6	7346000035	4	Pin, Male	
6		Ref	Seal	
7	1001119004	1	Connector	
7	1001116729	1	Terminal	
7		Ref	Seal	
8	7493000030	1	Grommet	

SECTION 7 - ELECTRICAL

FIGURE 7-16. BODY HARNESS (LH) (NG) (SN 0230009708 through 0230011754, Except SN 0230011072 through 0230011326, Except SN 0230011488 through 0230011512, Except SN 0230011597 through 0230011611, Excluding 0230009801 and 0230010717)



ART_1001267670

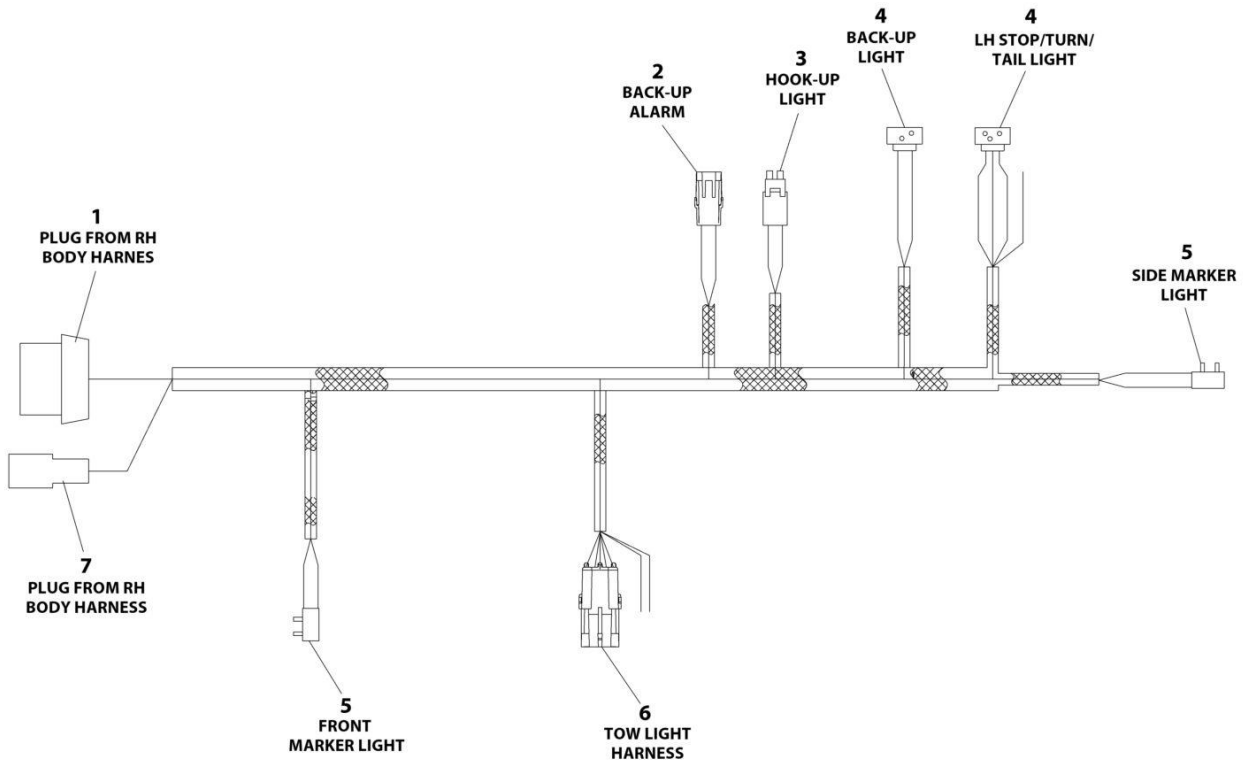
SECTION 7 - ELECTRICAL

FIGURE 7-16. BODY HARNESS (LH) (NG) (SN 0230009708 through 0230011754, Except SN 0230011072 through 0230011326, Except SN 0230011488 through 0230011512, Except SN 0230011597 through 0230011611, Excluding 0230009801 and 0230010717)

ITEM	PART NUMBER	QTY	DESCRIPTION	REV
	1001267670	Ref	BODY HARNESS (LH)	A
1	7346000144	1	Connector - 8 Position	
1	7346000147	7	Socket	
1		Ref	Seal	
1	7346000153	1	Plug, Terminal	
1	7346000145	1	Lock, Terminal	
2	4460867	1	Receptacle, Female - 2 Position	
2	7346000035	2	Pin, Male	
2		Ref	Seal	
3	4460742	2	Plug, Male - 2 Position	
3	7346000099	4	Socket, Female	
3		Ref	Seal	
4		Ref	Connector - 2 Position	
5		Ref	Connector- 2 Position	
6		Ref	Connector - 4 Position	
6	7346000035	4	Pin, Male	
6		Ref	Seal	
7	1001119004	1	Connector	
7	1001116729	1	Terminal	
7		Ref	Seal	
8	7493000030	1	Grommet	

SECTION 7 - ELECTRICAL

FIGURE 7-17. BODY HARNESS (LH) (NGS) (SN 0230004211 through 0230009707)



ART_7552000469

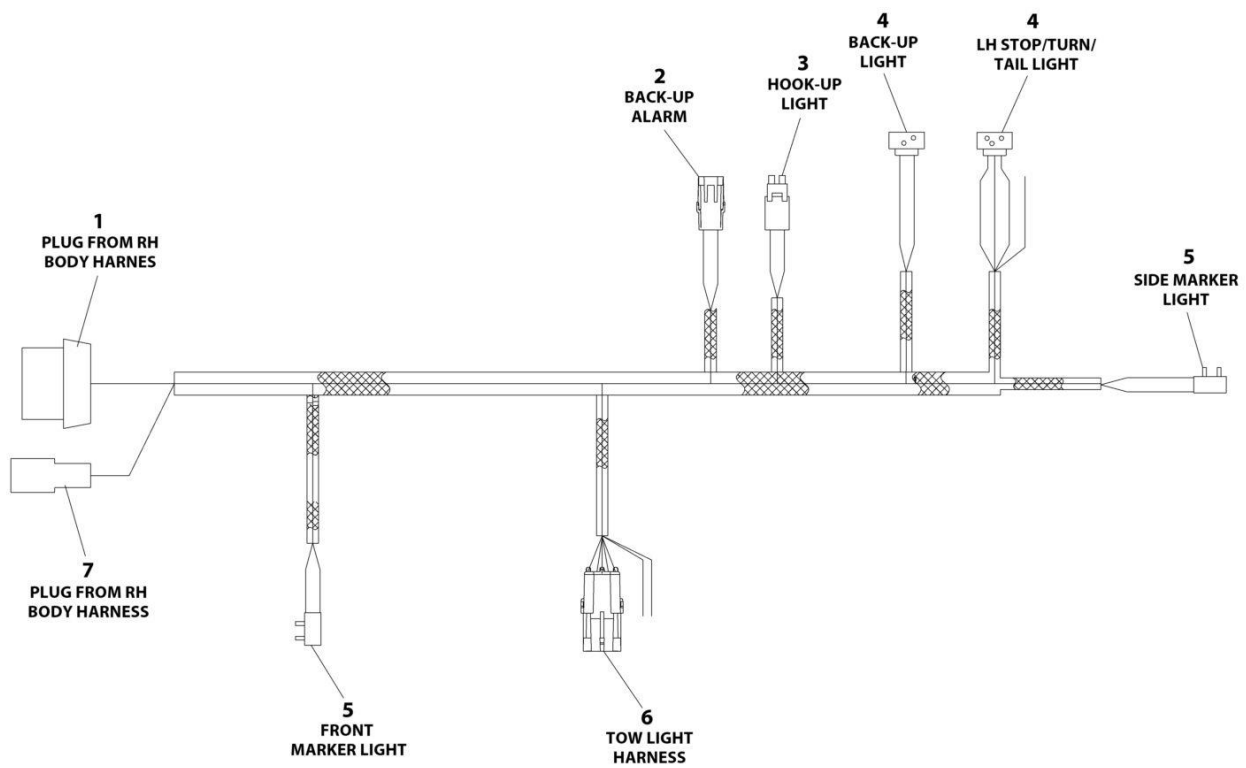
SECTION 7 - ELECTRICAL

FIGURE 7-17. BODY HARNESS (LH) (NGS) (SN 0230004211 through 0230009707)

ITEM	PART NUMBER	QTY	DESCRIPTION	REV
	7552000469	Ref	BODY HARNESS (LH)	B
1	7346000144	1	Connector - 8 Position	
1	7346000147	7	Socket	
1	7346000146	8	Seal	
1	7346000153	1	Plug, Terminal	
1	7346000145	1	Lock, Terminal	
2	4460867	1	Receptacle, Female - 2 Position	
2	7346000035	2	Pin, Male	
2	7346000140	2	Seal	
3	4460742	1	Plug, Male - 2 Position	
3	7346000099	2	Socket, Female	
3	7346000140	2	Seal	
4		Ref	Connector - 2 Position	
5		Ref	Connector- 2 Position	
6		Ref	Connector - 4 Position	
6	7346000035	4	Pin, Male	
6		Ref	Seal	
7	1001119004	1	Connector	
7	1001116729	1	Terminal	
7	8220089	1	Seal	

SECTION 7 - ELECTRICAL

FIGURE 7-18. BODY HARNESS (LH) (NGS) (SN 0230009708 through 0230011754, Except SN 0230011072 through 0230011326, Except SN 0230011488 through 0230011512, Except SN 0230011597 through 0230011611, Excluding 0230009801 and 0230010717)



ART_1001267672

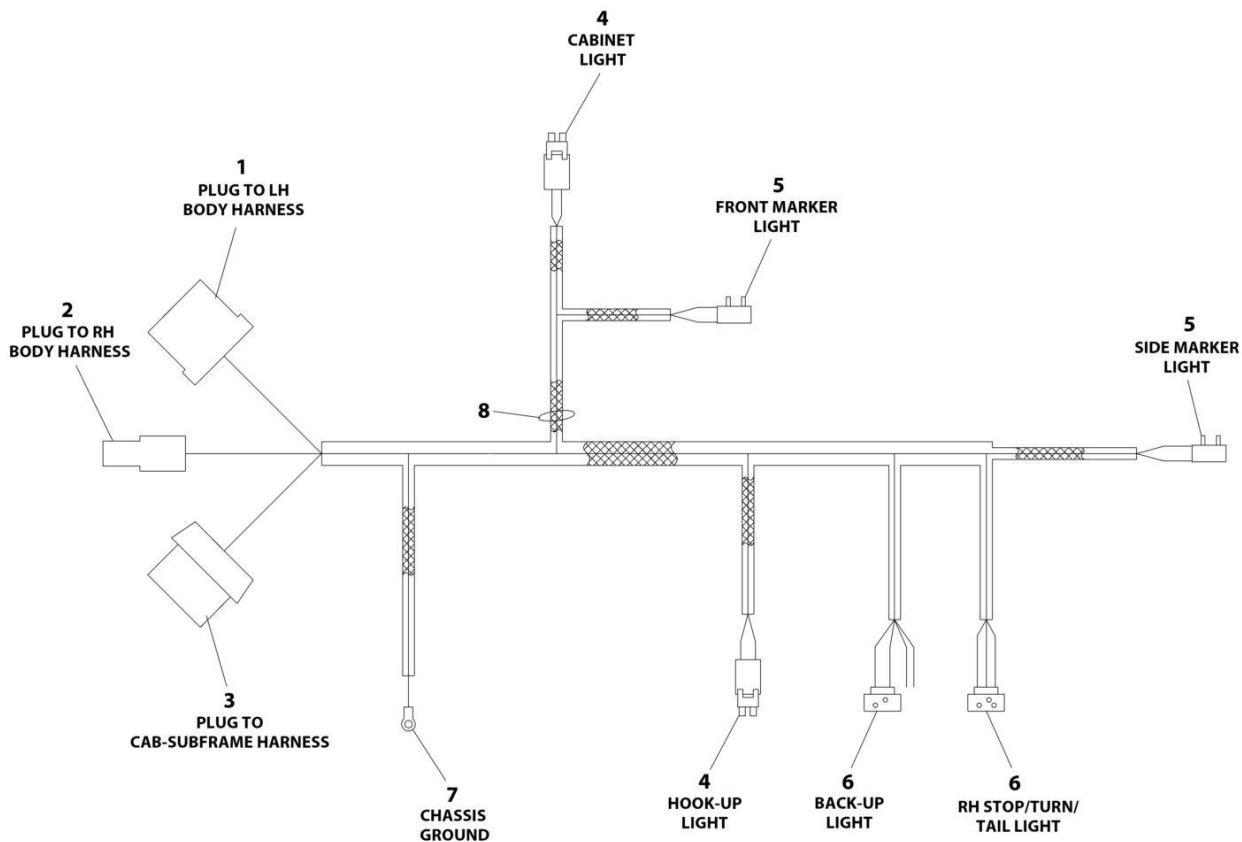
SECTION 7 - ELECTRICAL

FIGURE 7-18. BODY HARNESS (LH) (NGS) (SN 0230009708 through 0230011754, Except SN 0230011072 through 0230011326, Except SN 0230011488 through 0230011512, Except SN 0230011597 through 0230011611, Excluding 0230009801 and 0230010717)

ITEM	PART NUMBER	QTY	DESCRIPTION	REV
	1001267672	Ref	BODY HARNESS (LH)	A
1	7346000144	1	Connector - 8 Position	
1	7346000147	7	Socket	
1	7346000146	8	Seal	
1	7346000153	1	Plug, Terminal	
1	7346000145	1	Lock, Terminal	
2	4460867	1	Receptacle, Female - 2 Position	
2	7346000035	2	Pin, Male	
2	7346000140	2	Seal	
3	4460742	1	Plug, Male - 2 Position	
3	7346000099	2	Socket, Female	
3		Ref	Seal	
4		Ref	Connector - 2 Position	
5		Ref	Connector- 2 Position	
6		Ref	Connector - 4 Position	
6	7346000035	4	Pin, Male	
6		Ref	Seal	
7	1001119004	1	Connector	
7	1001116729	1	Terminal	
7	8220089	1	Seal	

SECTION 7 - ELECTRICAL

FIGURE 7-19. BODY HARNESS (RH) (NG) (SN 0230004211 through 0230009707)



ART_1001190946

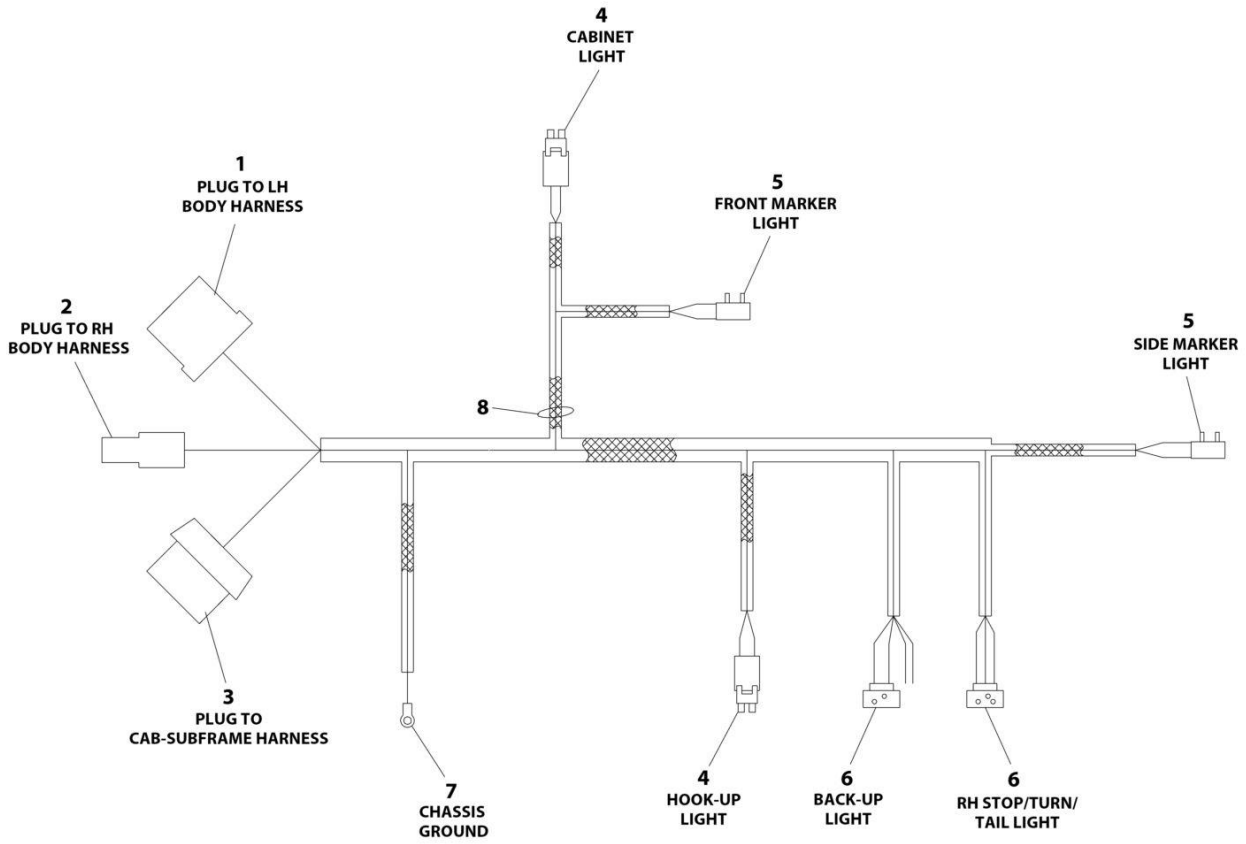
SECTION 7 - ELECTRICAL

FIGURE 7-19. BODY HARNESS (RH) (NG) (SN 0230004211 through 0230009707)

ITEM	PART NUMBER	QTY	DESCRIPTION	REV
	1001190946	Ref	BODY HARNESS (RH)	B
1	4460692	1	Receptacle, Female - 8 Position	
1	4460693	7	Pin, Male	
1		Ref	Seal	
1	7346000153	1	Plug, Terminal	
1	4460695	1	Lock, Terminal	
2	1001119004	1	Connector	
2	1001116747	2	Terminal	
2		Ref	Seal	
3	7346000144	1	Connector - 8 Position	
3	7346000147	7	Socket	
3		Ref	Seal	
3	7346000153	1	Plug, Terminal	
3	7346000145	1	Lock, Terminal	
4	4460742	2	Plug, Male - 2 Position	
4	7346000099	4	Socket, Female	
4		Ref	Seal	
5		Ref	Connector- 2 Position	
6		Ref	Connector - 2 Position	
7		Ref	Terminal, Ring	
8	7493000030	1	Grommet	

SECTION 7 - ELECTRICAL

FIGURE 7-20. BODY HARNESS (RH) (NG) (SN 0230009708 through 0230011754, Except SN 0230011072 through 0230011326, Except SN 0230011488 through 0230011512, Except SN 0230011597 through 0230011611, Excluding 0230009801 and 0230010717)



ART_1001267671

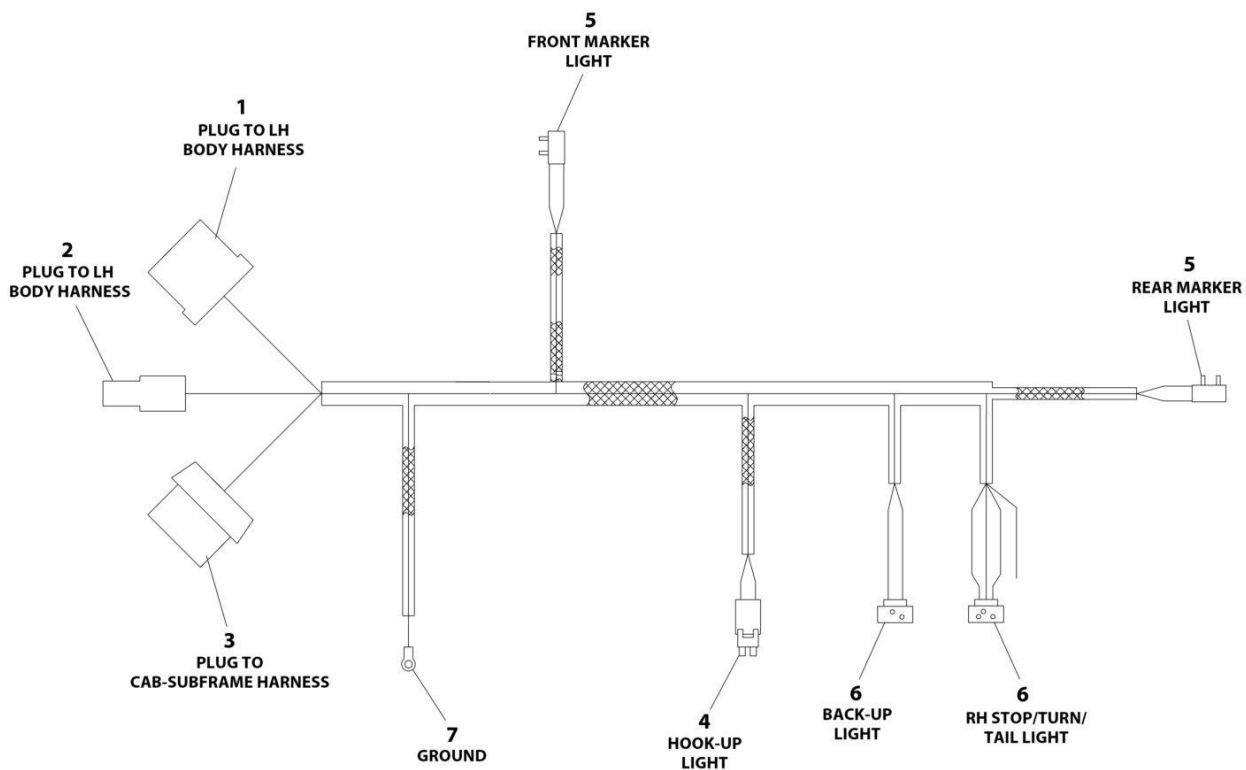
SECTION 7 - ELECTRICAL

FIGURE 7-20. BODY HARNESS (RH) (NG) (SN 0230009708 through 0230011754, Except SN 0230011072 through 0230011326, Except SN 0230011488 through 0230011512, Except SN 0230011597 through 0230011611, Excluding 0230009801 and 0230010717)

ITEM	PART NUMBER	QTY	DESCRIPTION	REV
	1001267671	Ref	BODY HARNESS (RH)	B
1	4460692	1	Receptacle, Female - 8 Position	
1	4460693	7	Pin, Male	
1		Ref	Seal	
1	7346000153	1	Plug, Terminal	
1	4460695	1	Lock, Terminal	
2	1001119004	1	Connector	
2	1001116747	2	Terminal	
2		Ref	Seal	
3	7346000144	1	Connector - 8 Position	
3	7346000147	7	Socket	
3		Ref	Seal	
3	7346000153	1	Plug, Terminal	
3	7346000145	1	Lock, Terminal	
4	4460742	2	Plug, Male - 2 Position	
4	7346000099	4	Socket, Female	
4		Ref	Seal	
5		Ref	Connector- 2 Position	
6		Ref	Connector - 2 Position	
7		Ref	Terminal, Ring	
8	7493000030	1	Grommet	

SECTION 7 - ELECTRICAL

FIGURE 7-21. BODY HARNESS (RH) (NGS) (SN 0230004211 through 0230009707)



ART_7552000417

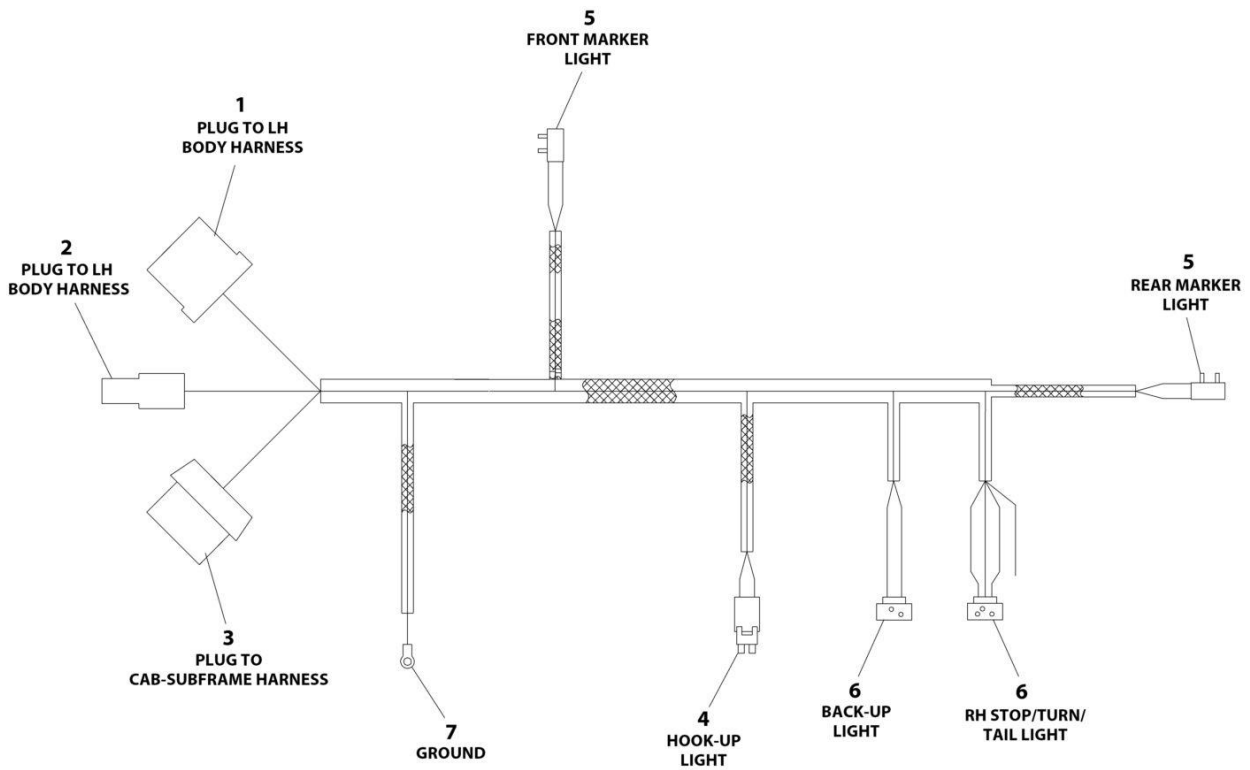
SECTION 7 - ELECTRICAL

FIGURE 7-21. BODY HARNESS (RH) (NGS) (SN 0230004211 through 0230009707)

ITEM	PART NUMBER	QTY	DESCRIPTION	REV
	7552000417	Ref	BODY HARNESS (RH)	B
1	4460692	1	Receptacle, Female - 8 Position	
1	4460693	7	Pin, Male	
1	7346000146	8	Seal	
1	4460695	1	Lock, Terminal	
2	1001119004	1	Connector	
2	1001116747	2	Terminal	
2	8220089	2	Seal	
3	7346000144	1	Connector - 8 Position	
3	7346000147	7	Socket	
3	7346000146	8	Seal	
3	7346000145	1	Lock, Terminal	
4	4460742	1	Plug, Male - 2 Position	
4	7346000099	2	Socket, Female	
4	7346000140	2	Seal	
5		Ref	Connector- 2 Position	
6		Ref	Connector - 2 Position	
7		Ref	Terminal, Ring	

SECTION 7 - ELECTRICAL

FIGURE 7-22. BODY HARNESS (RH) (NGS) (SN 0230009708 through 0230011754, Except SN 0230011072 through 0230011326, Except SN 0230011488 through 0230011512, Except SN 0230011597 through 0230011611, Excluding 0230009801 and 0230010717)



ART_1001267673

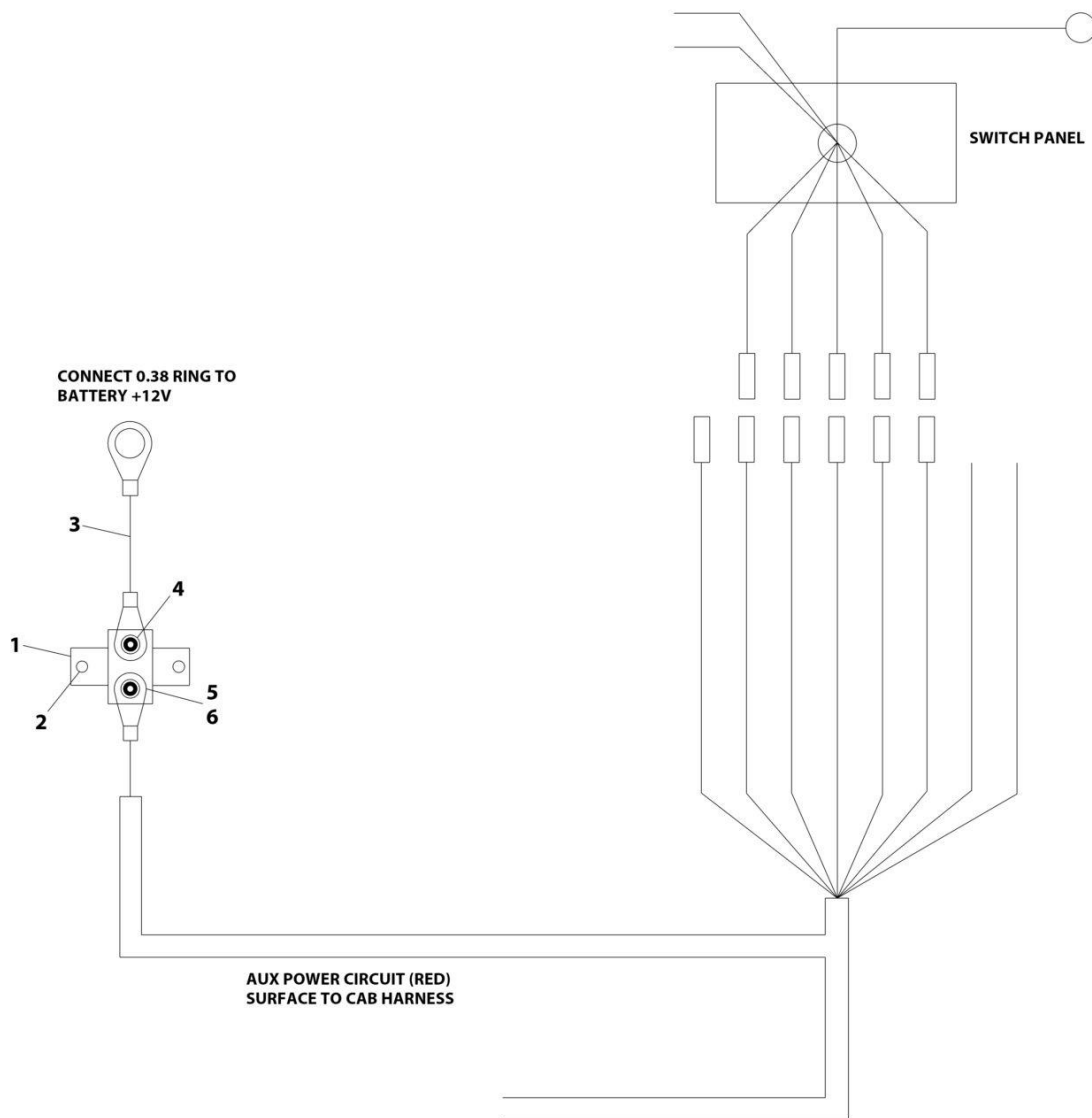
SECTION 7 - ELECTRICAL

FIGURE 7-22. BODY HARNESS (RH) (NGS) (SN 0230009708 through 0230011754, Except SN 0230011072 through 0230011326, Except SN 0230011488 through 0230011512, Except SN 0230011597 through 0230011611, Excluding 0230009801 and 0230010717)

ITEM	PART NUMBER	QTY	DESCRIPTION	REV
	1001267673	Ref	BODY HARNESS (RH)	B
1	4460692	1	Receptacle, Female - 8 Position	
1	4460693	7	Pin, Male	
1	7346000146	8	Seal	
1	4460695	1	Lock, Terminal	
2	1001119004	1	Connector	
2	1001116747	2	Terminal	
2	8220089	2	Seal	
3	7346000144	1	Connector - 8 Position	
3	7346000147	7	Socket	
3	7346000146	8	Seal	
3	7346000145	1	Lock, Terminal	
4	4460742	1	Plug, Male - 2 Position	
4	7346000099	2	Socket, Female	
4	7346000140	2	Seal	
5		Ref	Connector- 2 Position	
6		Ref	Connector - 2 Position	
7		Ref	Terminal, Ring	

SECTION 7 - ELECTRICAL

FIGURE 7-23. BREAKER INSTALLATION - 50AMP (SN 0230004211 through 0230009707)



ART_1001129883

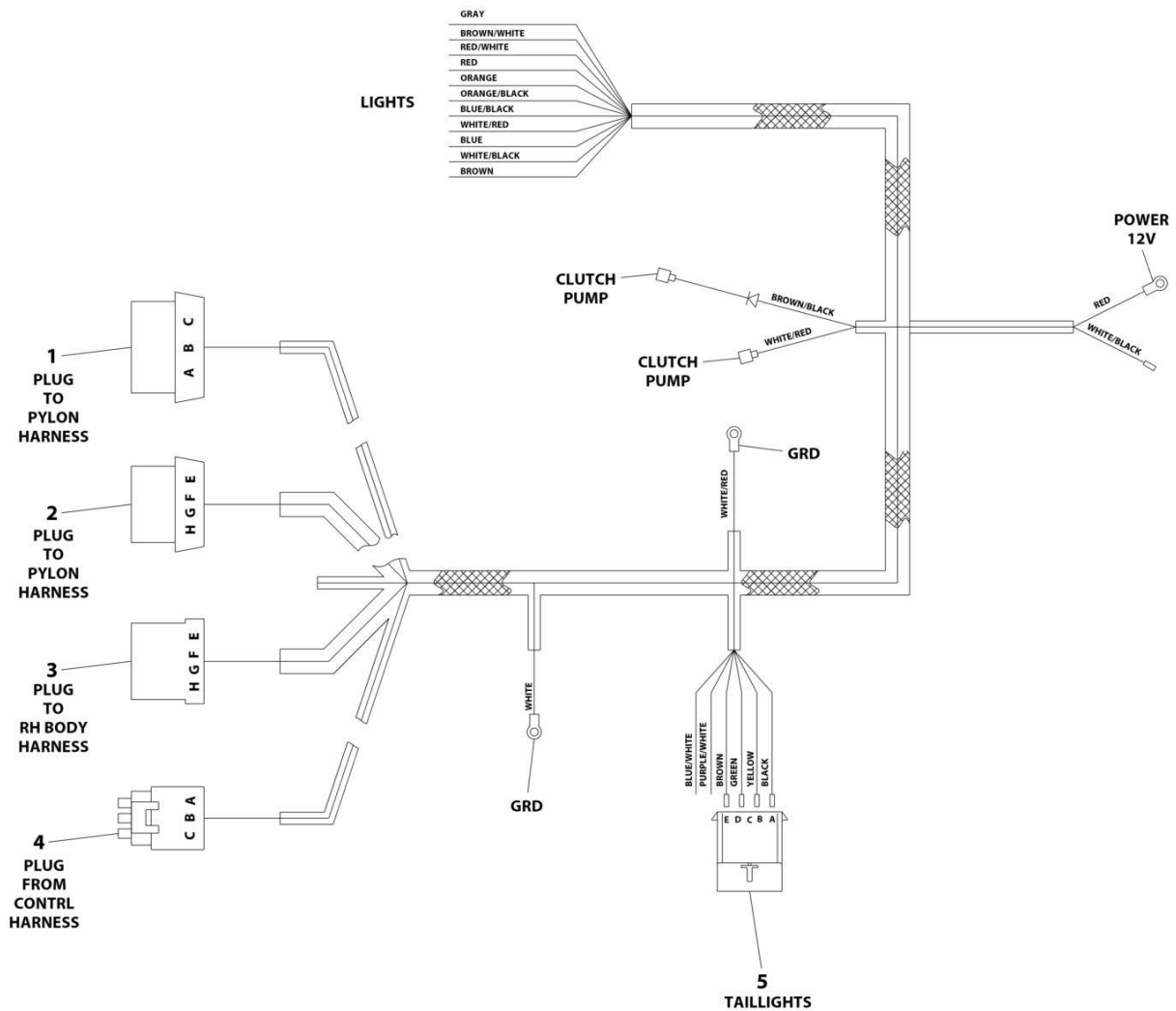
SECTION 7 - ELECTRICAL

FIGURE 7-23. BREAKER INSTALLATION - 50AMP (SN 0230004211 through 0230009707)

ITEM	PART NUMBER	QTY	DESCRIPTION	REV
	1001129883	Ref	50A BREAKER INSTALLATION	C
1	7457000004	1	Breaker, 50A	
2	7120000034	2	Screw #10 x 3/4	
3	1001129882	1	Harness	
4	7950100151	2	Washer 3/16	
5	7345221902	1	Terminal	
6	4346000005	1	Heat Shrink	

SECTION 7 - ELECTRICAL

FIGURE 7-24. CAB AND SUBFRAME HARNESS (SN 0230004211 through 0230009707)



ART_7552000292

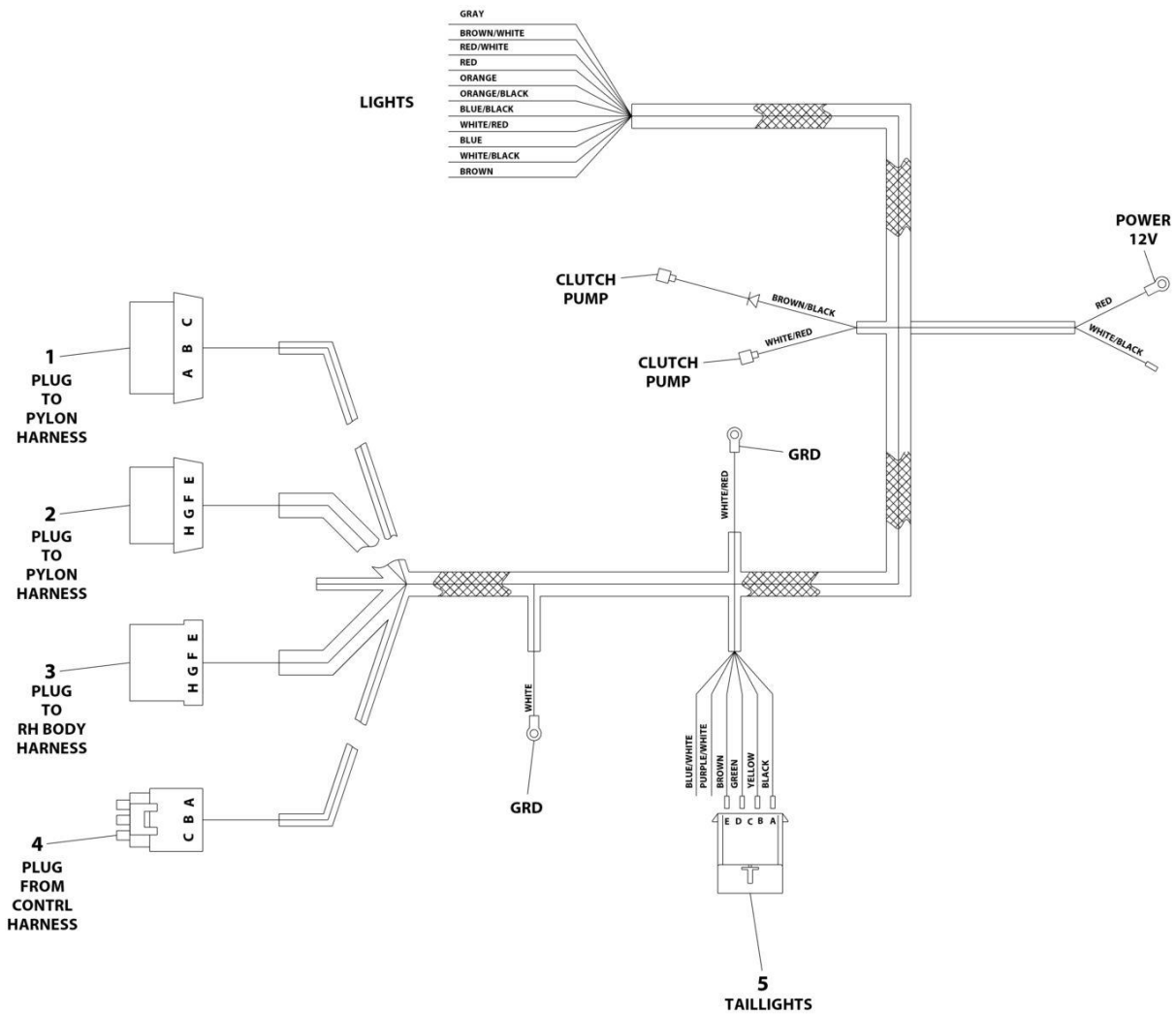
SECTION 7 - ELECTRICAL

FIGURE 7-24. CAB AND SUBFRAME HARNESS (SN 0230004211 through 0230009707)

ITEM	PART NUMBER	QTY	DESCRIPTION	REV
	7552000292	Ref	CAB AND SUBFRAME HARNESS	C
1	8220935	1	Connector	
1		Ref	Lock	
1		Ref	Seal	
1	8220099	1	Terminal	
2	4460587	1	Connector	
2	4460588	1	Lock	
2	4460608	1	Seal	
2	4460589	1	Terminal	
3	4460692	1	Connector	
3	4460588	1	Lock	
3	4460608	1	Seal	
3	4460693	1	Terminal	
4		Ref	Connector	
4	4460457	1	Terminal	
4	8220081	1	Seal	
5	1001121727	1	Connector	
5		Ref	Lock	
5	1001116729	1	Terminal	
5		Ref	Seal	
5	1001116727	1	Plug	

SECTION 7 - ELECTRICAL

FIGURE 7-25. CAB AND SUBFRAME HARNESS (SN 0230009708 through 0230011754, Except SN 0230011072 through 0230011326, Except SN 0230011488 through 0230011512, Except SN 0230011597 through 0230011611, Excluding 0230009801 and 0230010717)



ART_1001263429

SECTION 7 - ELECTRICAL

FIGURE 7-25. CAB AND SUBFRAME HARNESS (SN 0230009708 through 0230011754, Except SN 0230011072 through 0230011326, Except SN 0230011488 through 0230011512, Except SN 0230011597 through 0230011611, Excluding 0230009801 and 0230010717)

ITEM	PART NUMBER	QTY	DESCRIPTION	REV
	1001263429	Ref	CAB AND SUBFRAME HARNESS	A
1	8220935	1	Connector	
1		Ref	Lock	
1		Ref	Seal	
1	8220099	1	Terminal	
2	4460587	1	Connector	
2	4460588	1	Lock	
2	4460608	1	Seal	
2	4460589	1	Terminal	
3	4460692	1	Connector	
3	4460588	1	Lock	
3	4460608	1	Seal	
3	4460693	1	Terminal	
4		Ref	Connector	
4	4460457	1	Terminal	
4	8220081	1	Seal	
5	1001121727	1	Connector	
5		Ref	Lock	
5	1001116729	1	Terminal	
5		Ref	Seal	
5	1001116727	1	Plug	

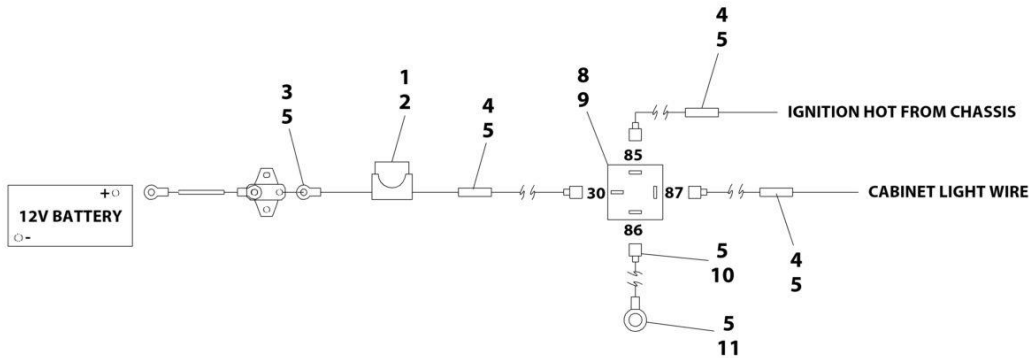
SECTION 7 - ELECTRICAL

FIGURE 7-26. CABINET LIGHT AND FUSE INSTALLATION (SN 0230004211 through 0230009707)

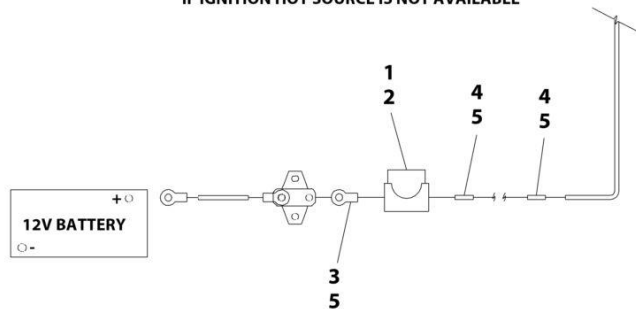
IF POSSIBLE, CONNECT THE CABINET LIGHT CIRCUIT TO AN IGNITION HOT SOURCE CAPABLE OF HANDLING A 10A DRAW



IF IGNITION HOT SOURCE IS NOT CAPABLE OF HANDLING AMP DRAW(10A)



IF IGNITION HOT SOURCE IS NOT AVAILABLE



ART_1001135689

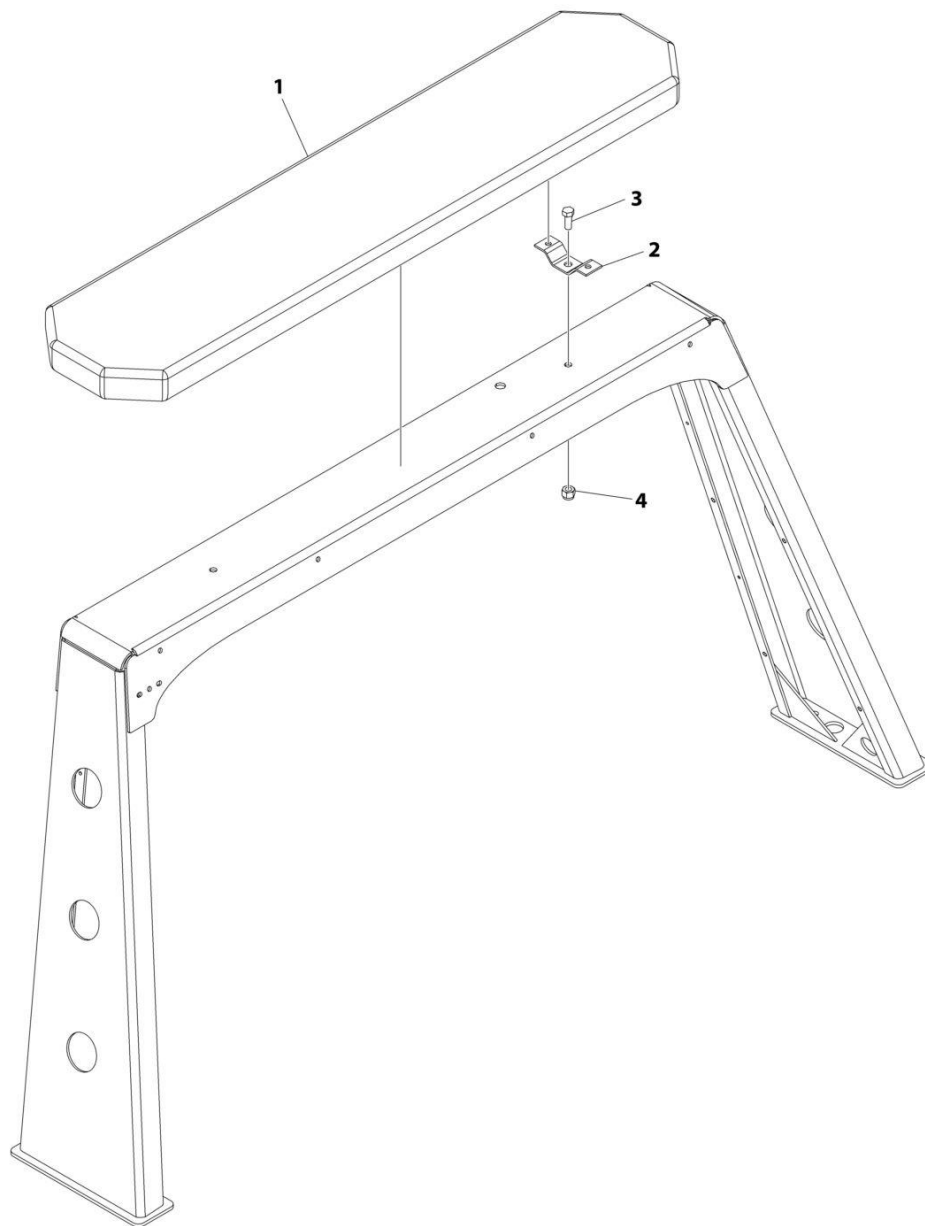
SECTION 7 - ELECTRICAL

FIGURE 7-26. CABINET LIGHT AND FUSE INSTALLATION (SN 0230004211 through 0230009707)

ITEM	PART NUMBER	QTY	DESCRIPTION	REV
	1001135689	Ref	CABINET LIGHT AND FUSE INSTALLATION	C
1	7346000126	1	Fuse Holder	
2	7457000014	1	Fuse	
3	7345221902	1	Terminal	
4	7345001714	3	Terminal	
5	4346000005	8	Heat Shrink Tubing	
8	7740000003	1	Relay	
9	7120000034	1	Screw #10 x 3/4	
10	7345001710	4	Tab	
11	7345221702	1	Terminal	

SECTION 7 - ELECTRICAL

FIGURE 7-27. LIGHTBAR INSTALLATION - CODE 3 BRAND (58IN 8LED) (SN 0230004211 through 0230009707)



ART_1001123370

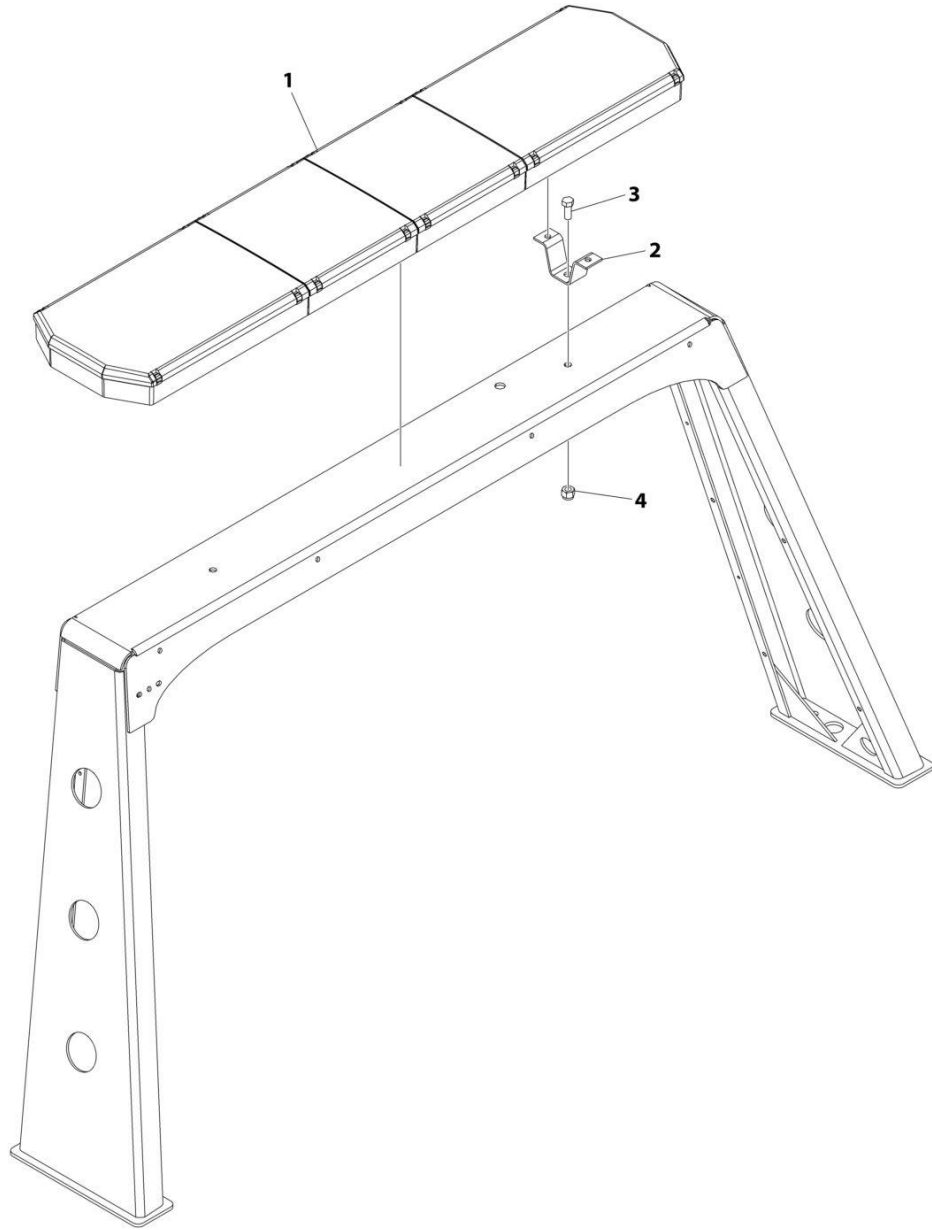
SECTION 7 - ELECTRICAL

FIGURE 7-27. LIGHTBAR INSTALLATION - CODE 3 BRAND (58IN 8LED) (SN 0230004211 through 0230009707)

ITEM	PART NUMBER	QTY	DESCRIPTION	REV
	1001123370	Ref	LIGHT - LIGHTBAR INSTALLATION - 58IN AMBER 8 LED CODE 3 ARROWSTICK	B
1	7590000406	1	Lightbar (See Separate Breakdown in this Section)	
2	4178000402	2	Bracket	
3	7115181050	2	Bolt 1/2 x 1-1/4	
4	7660182601	2	Nut 1/2	

SECTION 7 - ELECTRICAL

FIGURE 7-28. LIGHTBAR INSTALLATION - CODE 3 BRAND (58IN 10LED) (SN 0230004211 through 0230009707)



ART_1001155871

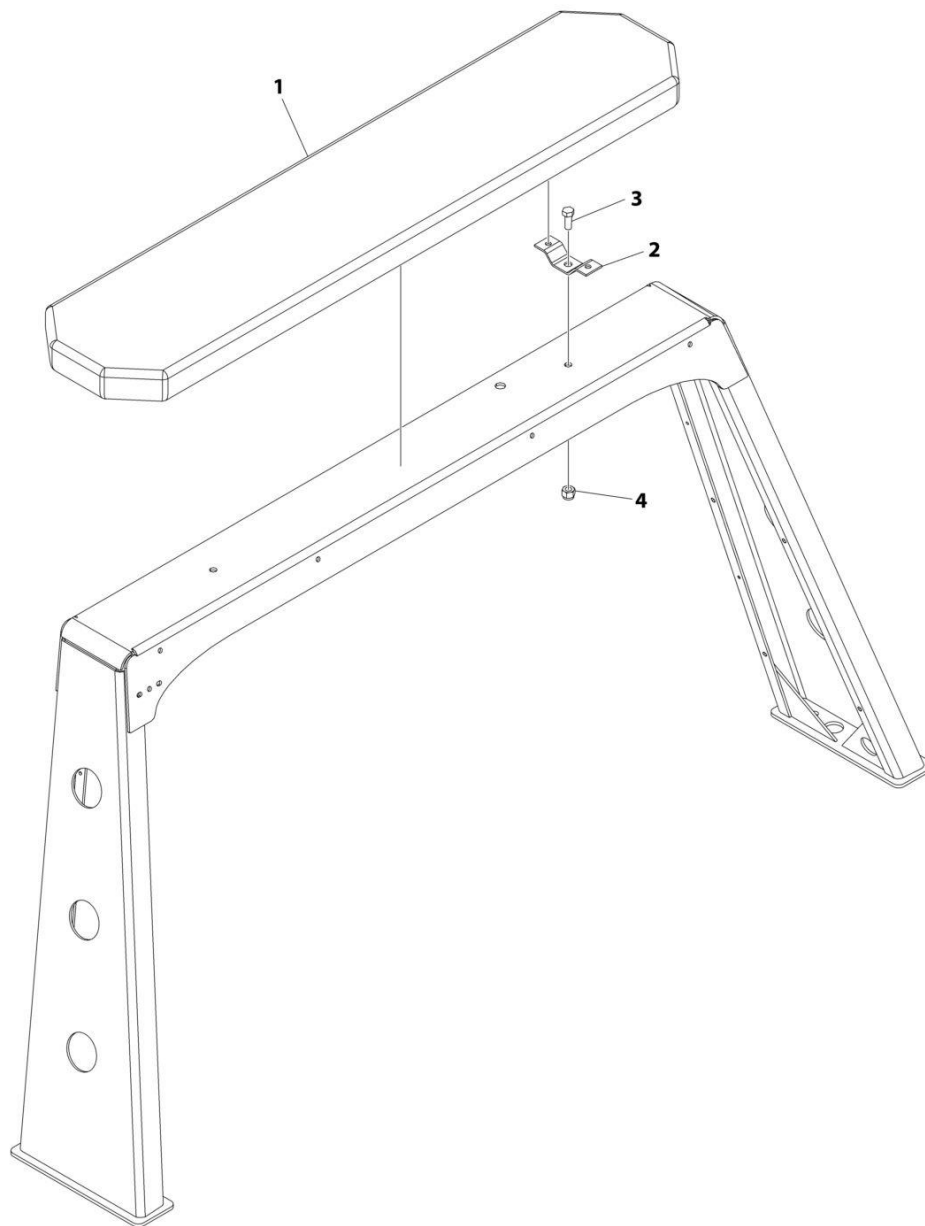
SECTION 7 - ELECTRICAL

FIGURE 7-28. LIGHTBAR INSTALLATION - CODE 3 BRAND (58IN 10LED) (SN 0230004211 through 0230009707)

ITEM	PART NUMBER	QTY	DESCRIPTION	REV
	1001155871	Ref	LIGHT - LIGHTBAR INSTALLATION - 58IN AMBER 8 LED CODE 3 WITH AMBER TOPS	C
1	1001155872	1	Lamp (See Separate Breakdown in this Section)	
2	4178000437	2	Bracket	
3	7115181050	2	Bolt 1/2 x 1-1/4	
4	7660182601	2	Nut 1/2	

SECTION 7 - ELECTRICAL

FIGURE 7-29. LIGHTBAR INSTALLATION - ECCO 60IN (STANDARD MOUNT) (SN 0230004211 through 0230009707)



ART_2590000179

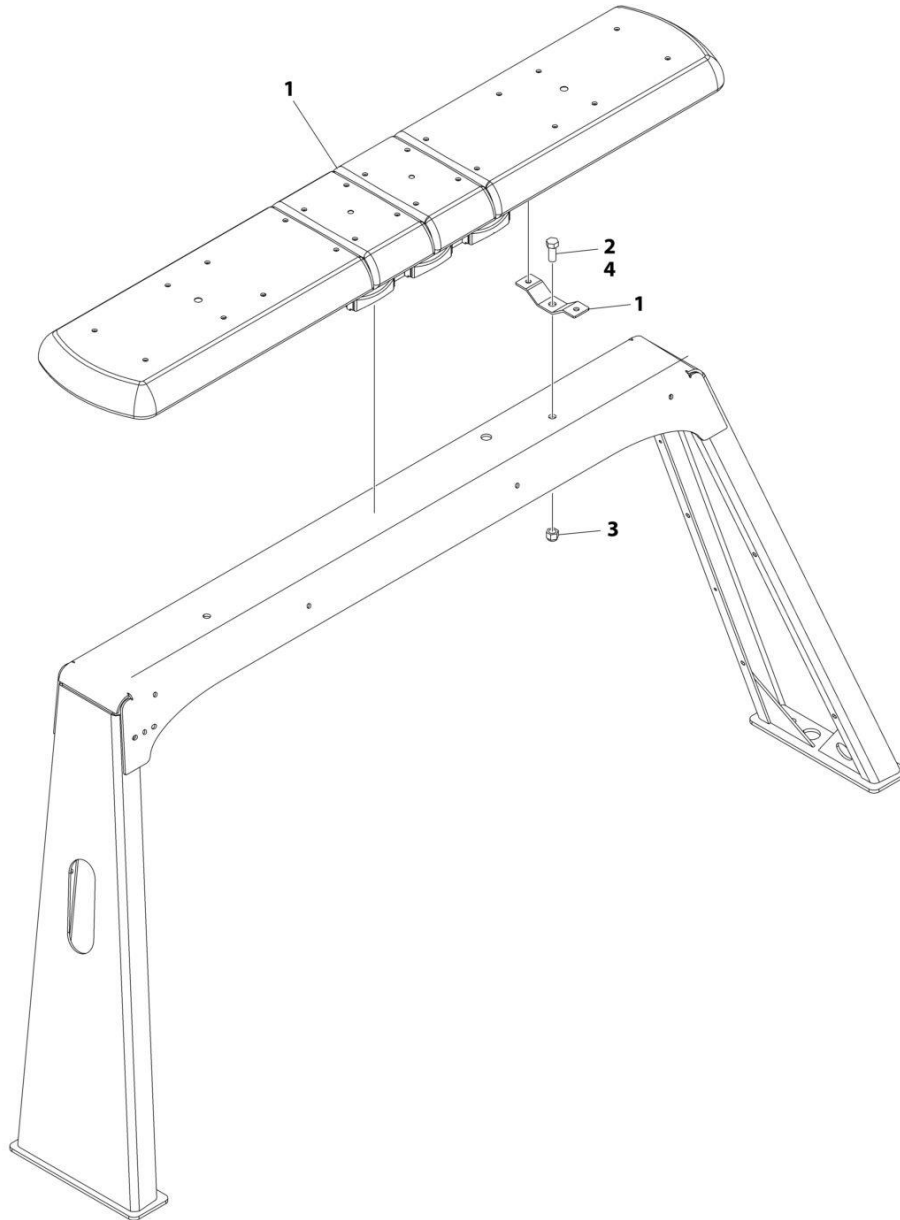
SECTION 7 - ELECTRICAL

FIGURE 7-29. LIGHTBAR INSTALLATION - ECCO 60IN (STANDARD MOUNT) (SN 0230004211 through 0230009707)

ITEM	PART NUMBER	QTY	DESCRIPTION	REV
	2590000179	Ref	LIGHTBAR INSTALLATION - 58IN AMBER 10 LED CODE 3 (STANDARD MOUNT)	E
1	1001136990	1	Lightbar Assembly (See Separate Breakdown in this Section)	
2	4178000402	2	Bracket	
3	7115181050	2	Bolt 1/2 x 1-1/4	
4	7660182601	2	Nut 1/2	

SECTION 7 - ELECTRICAL

FIGURE 7-30. LIGHTBAR INSTALLATION - ECCO 60IN (STANDARD MOUNT) (SN 0230009708 through 0230011754, Except SN 0230011072 through 0230011326, Except SN 0230011488 through 0230011512, Except SN 0230011597 through 0230011611, Excluding 0230009801 and 0230010717)



ART_1001259576

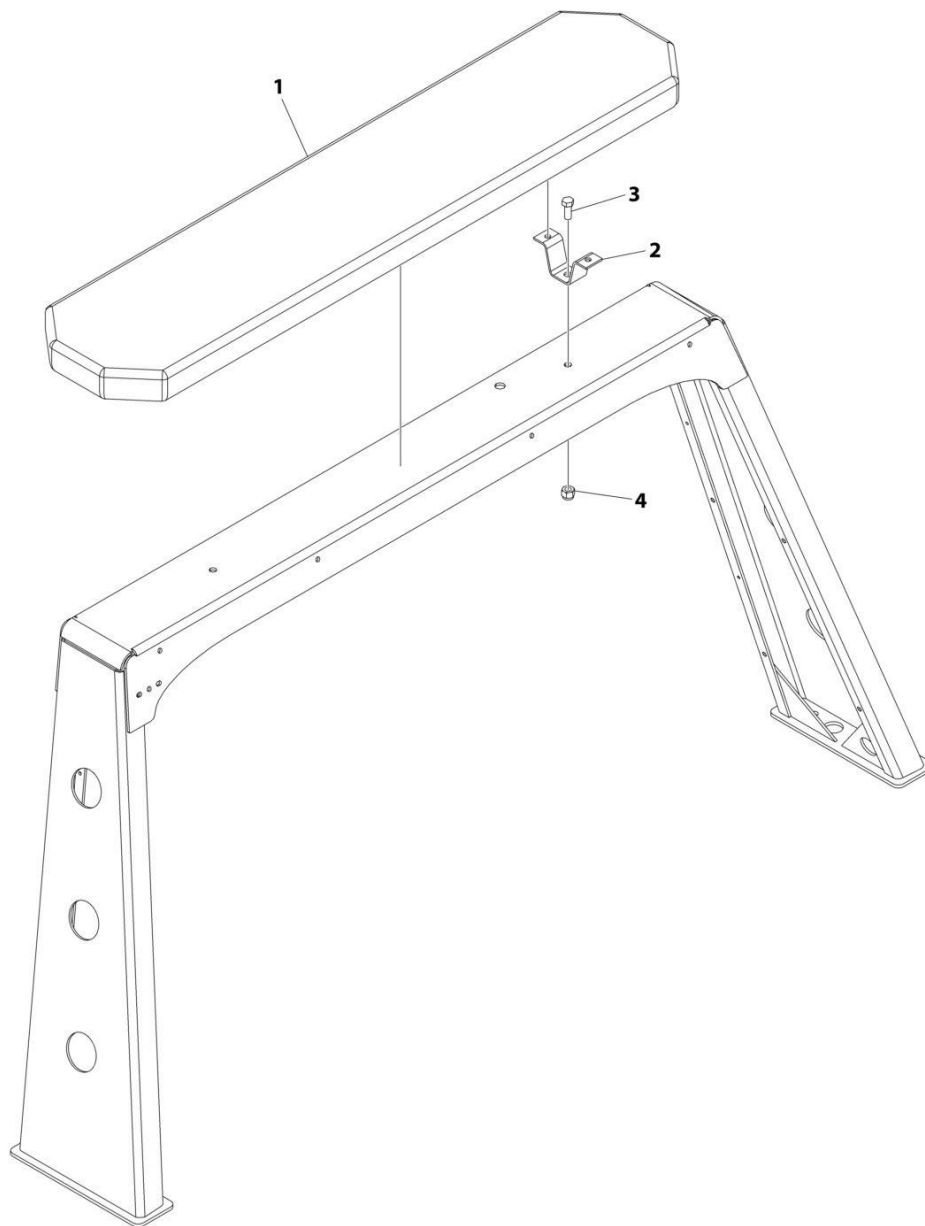
SECTION 7 - ELECTRICAL

FIGURE 7-30. LIGHTBAR INSTALLATION - ECCO 60IN (STANDARD MOUNT) (SN 0230009708 through 0230011754, Except SN 0230011072 through 0230011326, Except SN 0230011488 through 0230011512, Except SN 0230011597 through 0230011611, Excluding 0230009801 and 0230010717)

ITEM	PART NUMBER	QTY	DESCRIPTION	REV
	1001259576	Ref	LIGHTBAR INSTALLATION - ECCO 60IN (STANDARD MOUNT)	B
1	1001247139	1	Lightbar Assembly (See Separate Breakdown in this Section)	
2	0641810	2	Bolt 1/2 x 1-1/4	
3	7660182601	2	Nut 1/2	
4	0100011	AR	Compound, Locking	

SECTION 7 - ELECTRICAL

FIGURE 7-31. LIGHTBAR INSTALLATION - ECCO 60IN (HIGH MOUNT) (SN 0230004211 through 0230009707)



ART_1001256173

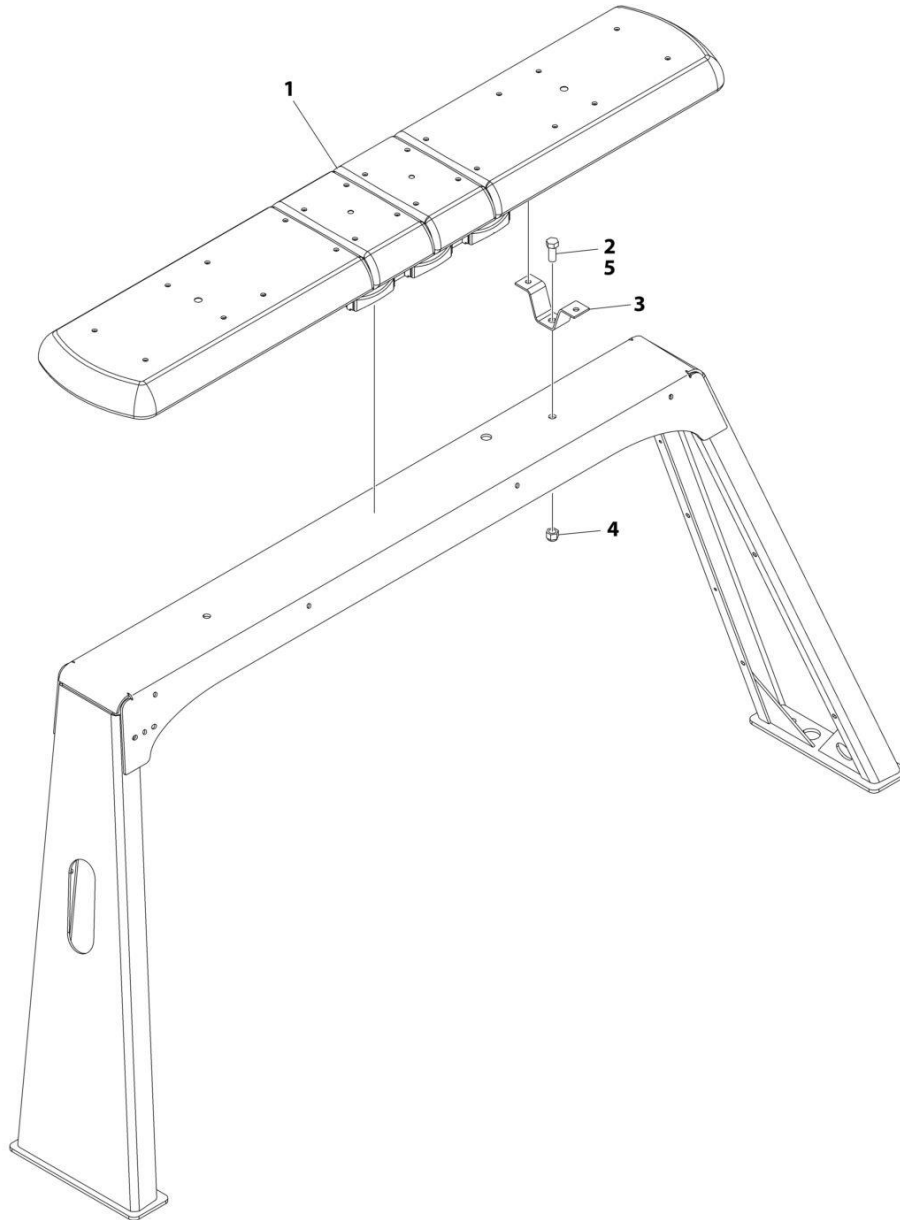
SECTION 7 - ELECTRICAL

FIGURE 7-31. LIGHTBAR INSTALLATION - ECCO 60IN (HIGH MOUNT) (SN 0230004211 through 0230009707)

ITEM	PART NUMBER	QTY	DESCRIPTION	REV
	1001256173	Ref	LIGHT - LIGHTBAR INSTALLATION - 58IN AMBER 8 LED CODE 3 (HIGH MOUNT)	B
1	1001136990	1	Lamp (See Separate Breakdown in this Section)	
2	4178000437	2	Bracket	
3	7115181050	2	Bolt 1/2 x 1-1/4	
4	7660182601	2	Nut 1/2	

SECTION 7 - ELECTRICAL

FIGURE 7-32. LIGHTBAR INSTALLATION - ECCO 60IN (HIGH MOUNT) (SN 0230009708 through 0230011754, Except SN 0230011072 through 0230011326, Except SN 0230011488 through 0230011512, Except SN 0230011597 through 0230011611, Excluding 0230009801 and 0230010717)



ART_1001265004

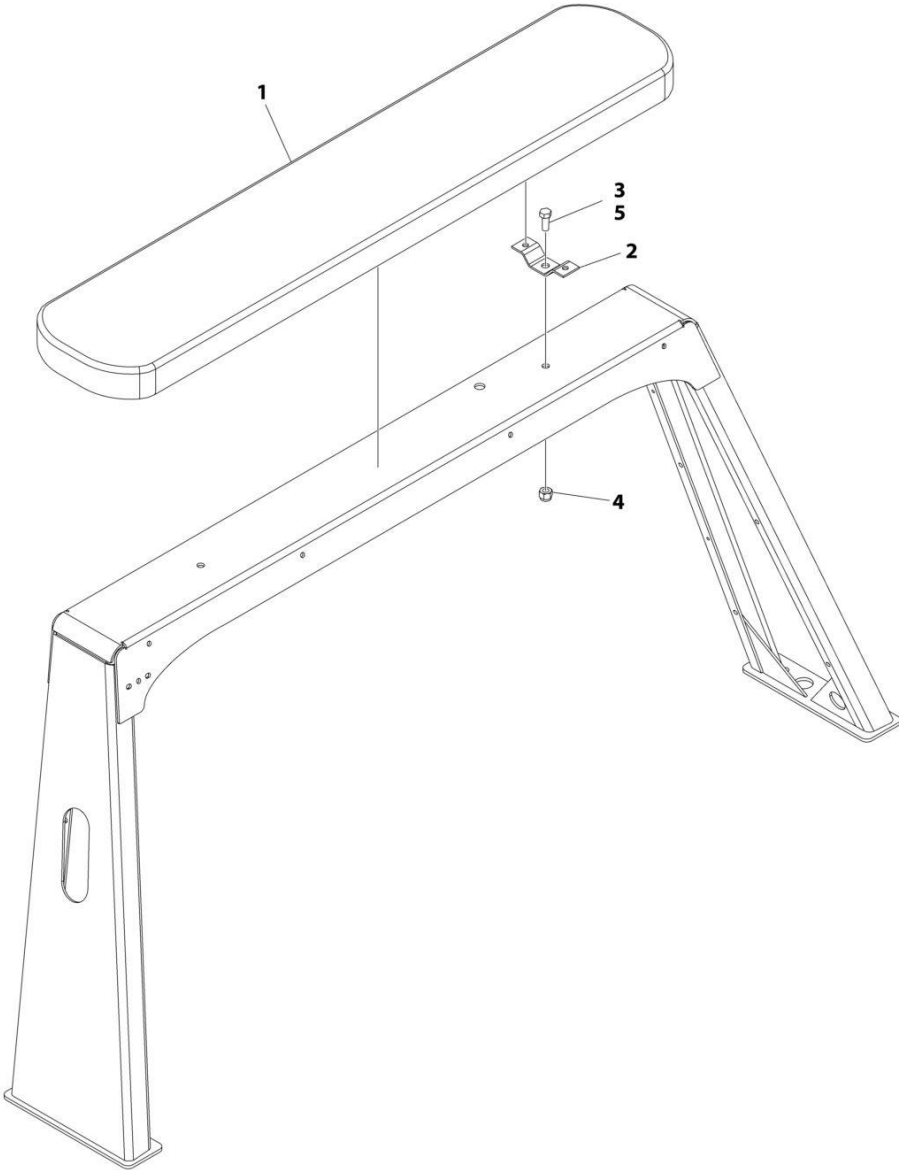
SECTION 7 - ELECTRICAL

FIGURE 7-32. LIGHTBAR INSTALLATION - ECCO 60IN (HIGH MOUNT) (SN 0230009708 through 0230011754, Except SN 0230011072 through 0230011326, Except SN 0230011488 through 0230011512, Except SN 0230011597 through 0230011611, Excluding 0230009801 and 0230010717)

ITEM	PART NUMBER	QTY	DESCRIPTION	REV
	1001265004	Ref	LIGHTBAR INSTALLATION - ECCO 60IN (HIGH MOUNT)	B
1	1001247139	1	Lightbar Assembly (See Separate Breakdown in this Section)	
2	0641810	2	Bolt 1/2 x 1-1/4	
3	1001262106	2	Bracket	
4	7660182601	2	Nut 1/2	
5	0100011	AR	Compound, Locking	

SECTION 7 - ELECTRICAL

FIGURE 7-33. LIGHTBAR INSTALLATION - WHELEN 60IN (STANDARD MOUNT)



ART_1001137519

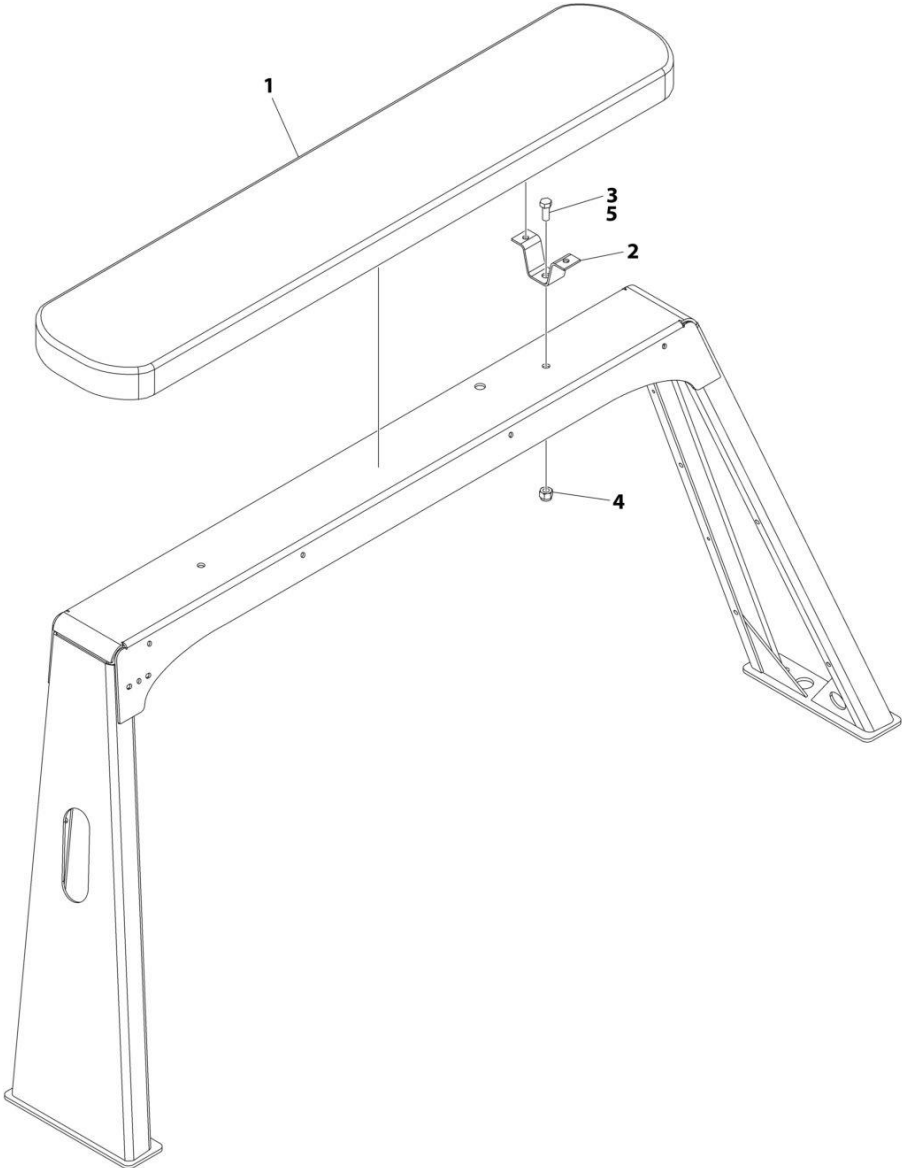
SECTION 7 - ELECTRICAL

FIGURE 7-33. LIGHTBAR INSTALLATION - WHELEN 60IN (STANDARD MOUNT)

ITEM	PART NUMBER	QTY	DESCRIPTION	REV
	1001137519	Ref	LIGHT - LIGHTBAR INSTALLATION - 60IN AMBER 8 LED WHELEN (STANDARD MOUNT)	C
1	1001199475	1	Lamp (See Separate Breakdown in this Section)	
2	4178000402	2	Bracket	
3	7115181050	2	Bolt 1/2 x 1-1/4	
4	7660182601	2	Nut 1/2	
5	0100011	AR	Compound, Locking	

SECTION 7 - ELECTRICAL

FIGURE 7-34. LIGHTBAR INSTALLATION - WHELEN 60IN (HIGH MOUNT)



ART_1001256172

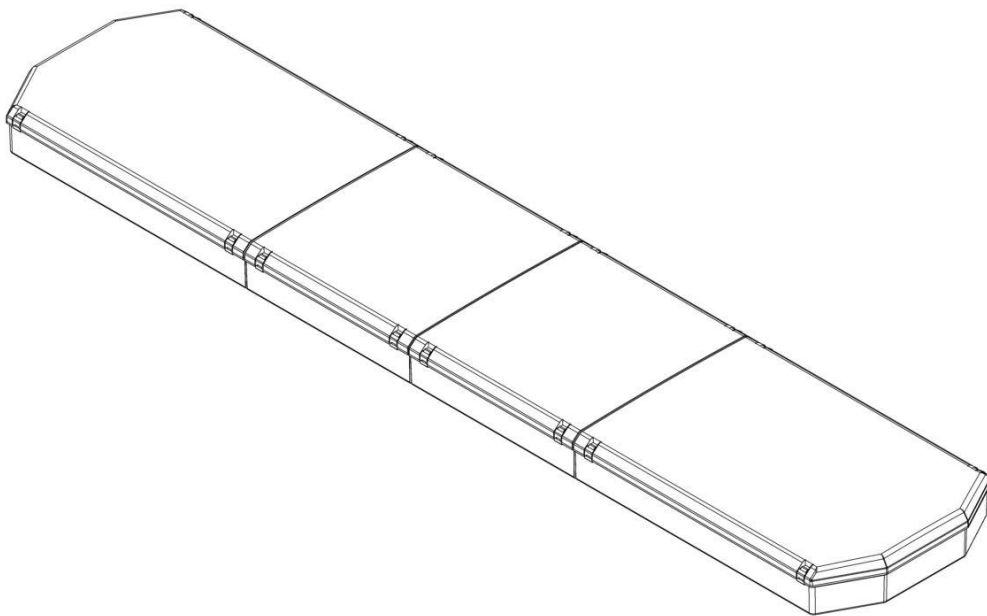
SECTION 7 - ELECTRICAL

FIGURE 7-34. LIGHTBAR INSTALLATION - WHELEN 60IN (HIGH MOUNT)

ITEM	PART NUMBER	QTY	DESCRIPTION	REV
	1001256172	Ref	LIGHT - LIGHTBAR INSTALLATION - 60IN AMBER 8 LED WHELEN (HIGH MOUNT)	B
1	1001199475	1	Lamp (See Separate Breakdown in this Section)	
2	4178000437	1	Bracket	
3	7115181050	2	Bolt 1/2 x 1-1/4	
4	7660182601	2	Nut 1/2	
5	0100011	AR	Compound, Locking	

SECTION 7 - ELECTRICAL

FIGURE 7-35. LIGHTBAR ASSEMBLY - CODE 3 BRAND (58IN 8LED)



ART_7590000406

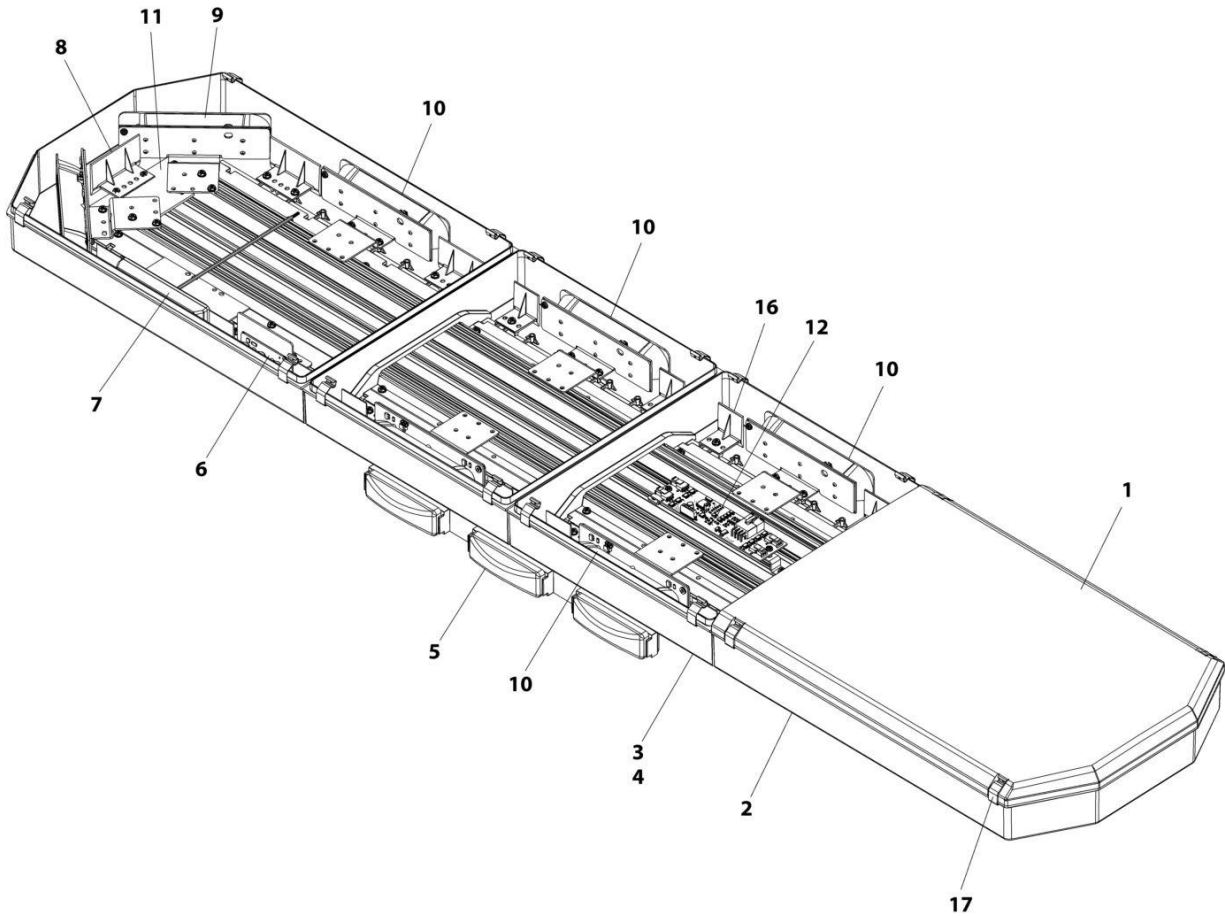
SECTION 7 - ELECTRICAL

FIGURE 7-35. LIGHTBAR ASSEMBLY - CODE 3 BRAND (58IN 8LED)

ITEM	PART NUMBER	QTY	DESCRIPTION	REV
	7590000406	Ref	LIGHTBAR ASSEMBLY - 58IN AMBER 8 LED ARROWSTICK CODE 3	B
		Ref	Note: No Service Parts Available at Time of Printing.	

SECTION 7 - ELECTRICAL

FIGURE 7-36. LIGHTBAR ASSEMBLY - CODE 3 BRAND (58IN 10LED)



ART_1001155872

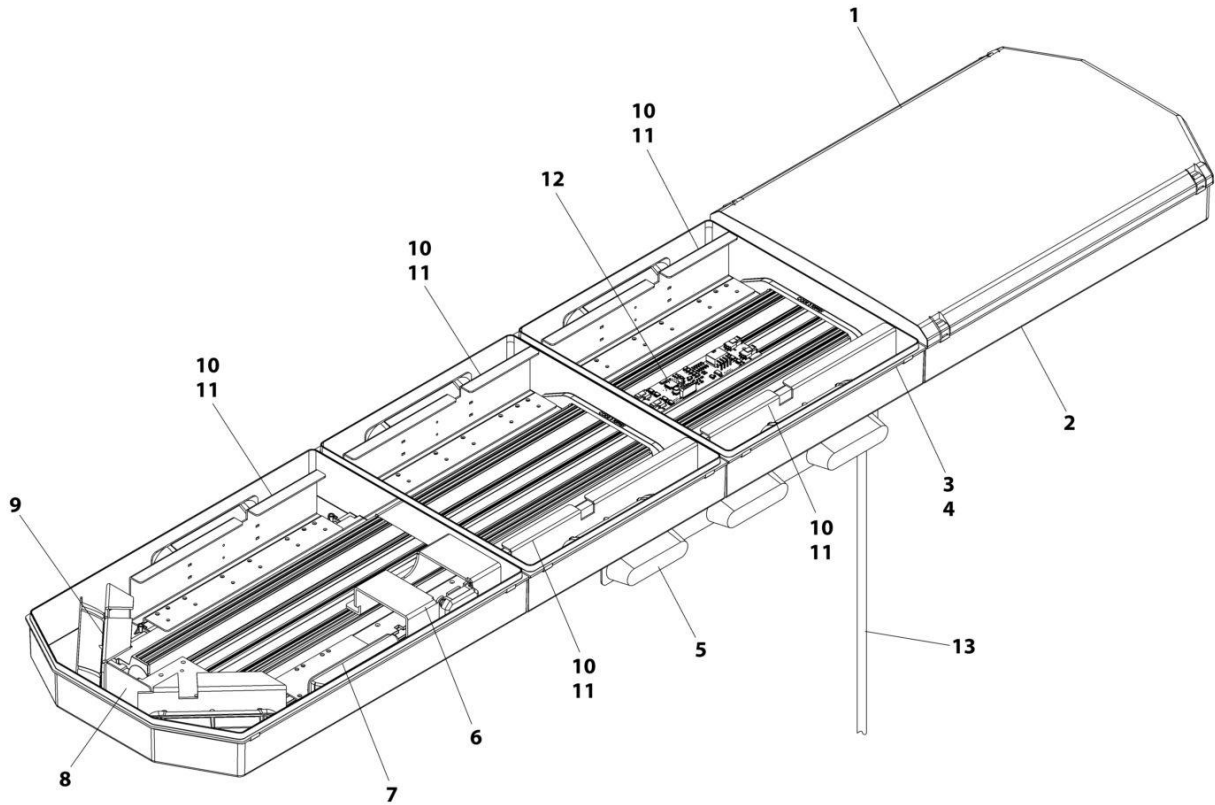
SECTION 7 - ELECTRICAL

FIGURE 7-36. LIGHTBAR ASSEMBLY - CODE 3 BRAND (58IN 10LED)

ITEM	PART NUMBER	QTY	DESCRIPTION	REV
	1001155872	Ref	LIGHT - LIGHTBAR ASSEMBLY - 58IN AMBER 8 LED CODE 3 WITH AMBER TOPS	D
1	9590310198	2	Amber Outboard Upper Lens	
2	70052803	2	Lens, Clear, Lower Outboard	
3	9590310203	2	Lens, Clear Lower Center	
4	70051594	2	Lens, Clear Upper Center	
5	1001126269	1	3 Light D.O.T. Strip	
6	70050164	2	Worklight, LED	
7	70052794	2	Module, LED Stop/Tail/Turn	
8	70052796	4	Bracket, Blank	
9	70052795	4	Module, Bracket	
10	70052798	6	Module, Led Amber	
11	70052797	1	Bracket, Mounting	
12	70052800	1	Controller, General	
13	70052801	1	Cable, Jerr-Dan 9 Wire (Not Shown)	
14	70050980	1	Harness, Internal Input (Not Shown)	
15	70050981	1	Harness, Internal Output (Not Shown)	
16	70052799	1	Bracket	
17	70052802	AR	Lens, Clip	

SECTION 7 - ELECTRICAL

FIGURE 7-37. LIGHTBAR ASSEMBLY - ECCO (SN 0230004211 through 0230009707)



ART_1001136990

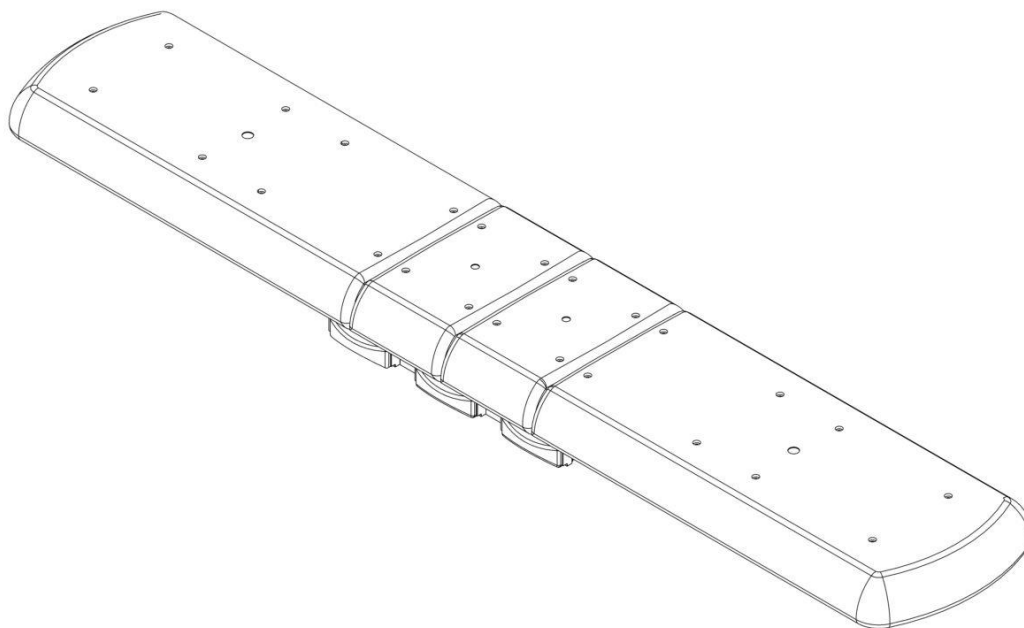
SECTION 7 - ELECTRICAL

FIGURE 7-37. LIGHTBAR ASSEMBLY - ECCO (SN 0230004211 through 0230009707)

ITEM	PART NUMBER	QTY	DESCRIPTION	REV
	1001136990	Ref	LIGHTS - LAMP ASSEMBLY - 58IN AMBER CODE3	D
1	9590310197	2	Lens, Clear Upper Outboard	
2	9590310200	2	Lens, Clear, Lower Outboard	
3	9590310203	2	Lens, Clear Lower Center	
4	9590310195	2	Lens, Clear Upper Center	
5	1001126269	1	3 Light D.O.T. Strip	
6	70050164	2	Worklight, LED	
7	1001130702	2	Module, LED Stop/Tail/Turn	
8	70050166	4	Bracket, Blank	
9	9590310206	4	Module, Bracket	
10	9590310205	6	Module, Led Amber	
11	9590310202	6	Bracket, Mounting	
12	70050167	1	Controller, General	
13	70050165	1	Cable, Jerr-Dan 9 Wire	
14	70050980	1	Harness, Internal Input (Not Shown)	
15	70050981	1	Harness, Internal Output (Not Shown)	

SECTION 7 - ELECTRICAL

FIGURE 7-38. LIGHTBAR ASSEMBLY - ECCO (SN 0230009708 through 0230011754, Except SN 0230011072 through 0230011326, Except SN 0230011488 through 0230011512, Except SN 0230011597 through 0230011611, Excluding 0230009801 and 0230010717)



ART_1001247139

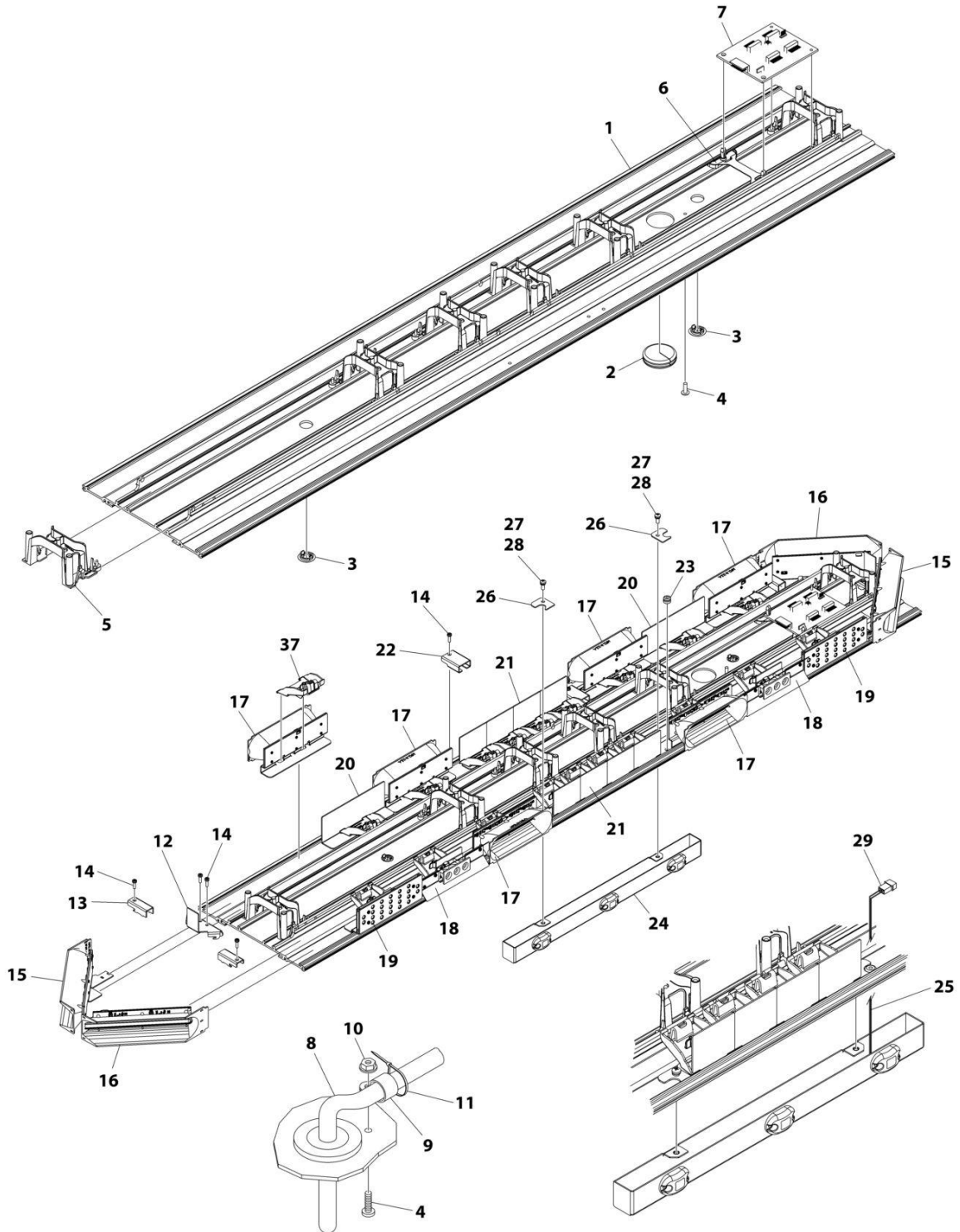
SECTION 7 - ELECTRICAL

FIGURE 7-38. LIGHTBAR ASSEMBLY - ECCO (SN 0230009708 through 0230011754, Except SN 0230011072 through 0230011326, Except SN 0230011488 through 0230011512, Except SN 0230011597 through 0230011611, Excluding 0230009801 and 0230010717)

ITEM	PART NUMBER	QTY	DESCRIPTION	REV
	1001247139	Ref	LIGHTBAR ASSEMBLY - ECCO	A
	70070000	AR	Module, Amber	
	70070001	1 pr	Light, Work/Alley	
	70070002	1	Cable Kit (Includes 2 Modules, Harness & Stop/Turn/Taillight Cables)	
	70070003	1	PC Board, Driver	

SECTION 7 - ELECTRICAL

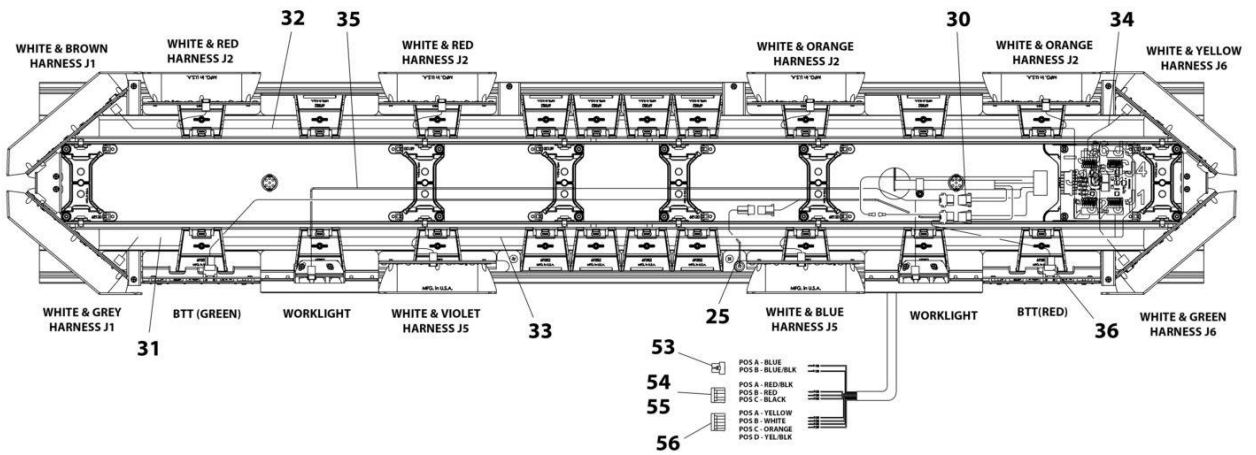
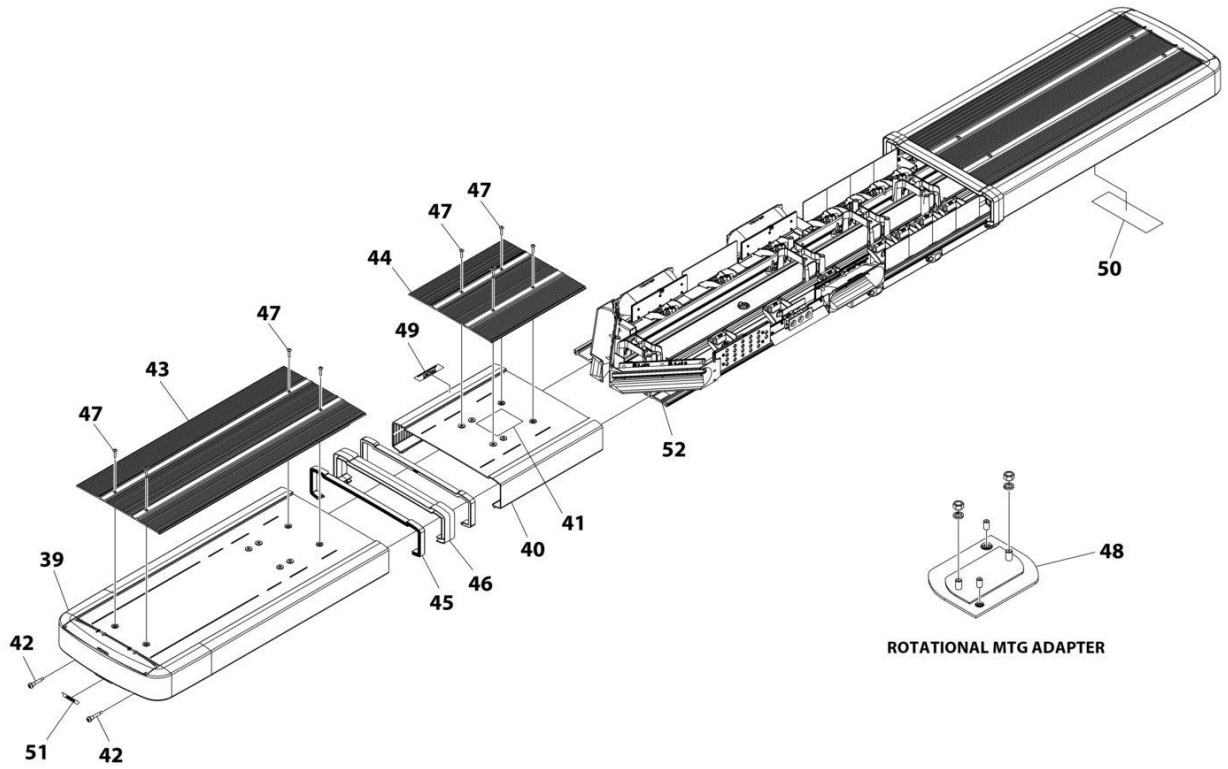
FIGURE 7-39. LIGHTBAR ASSEMBLY - WHELEN



INPUT CABLE DETAIL

ART_1001199475_10F2

SECTION 7 - ELECTRICAL



ART_1001199475_20F2

SECTION 7 - ELECTRICAL

FIGURE 7-39. LIGHTBAR ASSEMBLY - WHELEN

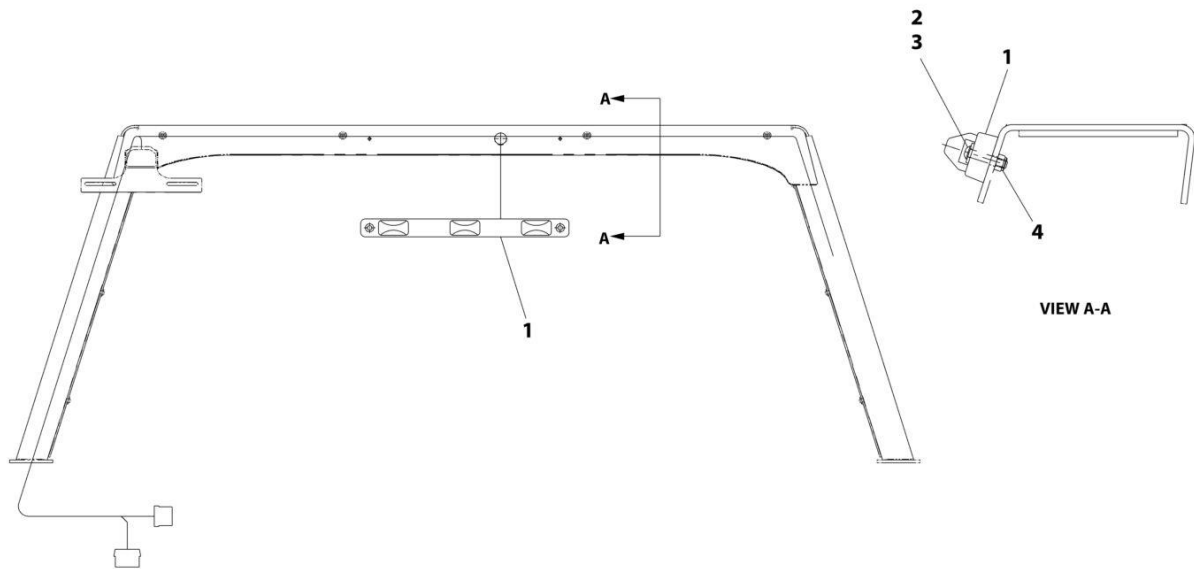
ITEM	PART NUMBER	QTY	DESCRIPTION	REV
	1001199475	Ref	LIGHTS - LAMP ASSEMBLY - 60IN AMBER WHELEN	B
1	70051058	1	Base	
2	70050169	1	Grommet	
3	70050170	2	Plug	
4	70051059	1	Screw #10 x 5/8	
5	70051021	6	Bracket	
6	70051022	1	Bracket	
7	70051023	1	Circuit Board	
8	70051060	1	Cable	
9	70050665	1	Clamp	
10	70050174	1	Nut #10	
11	70051026	AR	Tie Wrap	
12	70051027	2	Bracket	
13	70051035	4	Bracket	
14	70051028	10	Screw #6 x 1/2	
15	70051029	2	Lamp, Rear Amber	
16	70051030	2	Lamp, Front Amber	
17	70051063	6	Lamp, 6 LED	
18	70051064	2	Lamp, 3 LED	
19	70051065	2	Lamp	
20	70051066	2	Bracket	
21	70051036	8	Bracket	
22	70051039	2	Bracket	
23	70050176	1	Grommet	
24	70051068	1	Lamp	
25	70050178	1	Harness	
26	70051069	2	Bracket	
27	70050179	2	Screw #10 x 1/2	
28	70050180	2	Lockwasher #10	
29	70050181	1	Housing	
30	70050175	2	Housing	
31	70051070	1	Harness	
32	70051071	1	Harness	
33	70051072	1	Harness	
34	70051073	1	Harness	
35	70051074	1	Harness	
36	70051075	1	Harness	
37	70051044	20	Bracket	
38	70051045	AR	Tie Wrap (Not Shown)	
39	70051076	1	Lens	
40	70051077	1	Lens	
41	70051078	1	Label	
42	70050203	4	Screw #10 x 1-1/4	
43	70051062	2	Cover	
44	70051061	1	Cover	
45	70051048	4	Seal	
46	70051049	2	Lens	
47	70051053	12	Screw #10 x 7/8	
48	70050204	2	Adapter	
49	70051055	1	Label	

SECTION 7 - ELECTRICAL

ITEM	PART NUMBER	QTY	DESCRIPTION	REV
50	70050207	1	Label	
51	70051056	2	Label	
52	70051057	1	Label	
53	70050208	1	Housing	
54	70050209	1	Connector	
55	70050210	1	Housing	
56	70050211	1	Housing	

SECTION 7 - ELECTRICAL

FIGURE 7-40. LIGHTBAR MARKER LIGHTS ONLY INSTALLATION



ART_2590000177

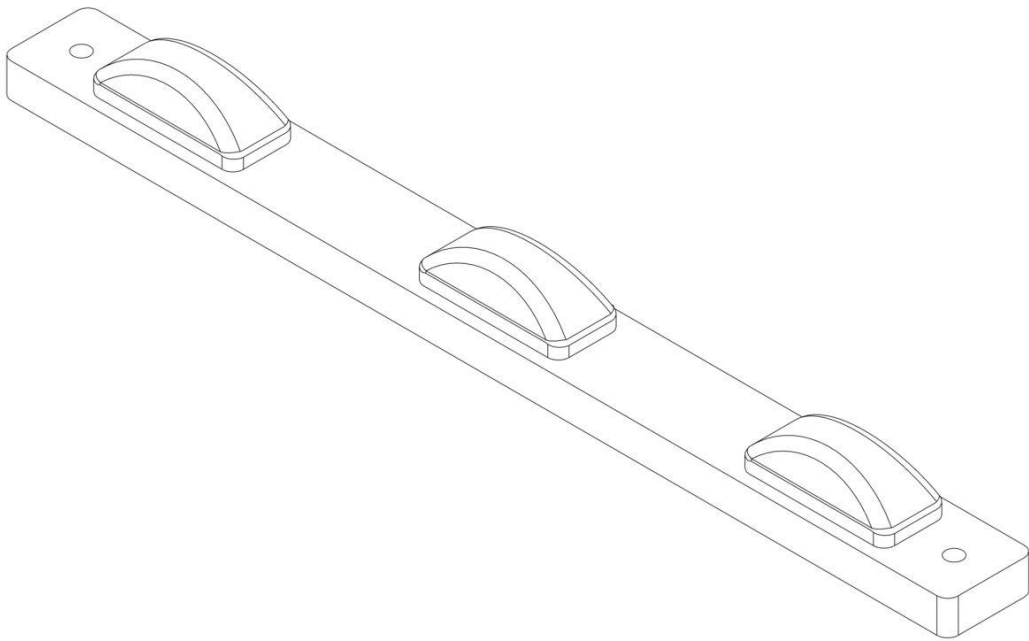
SECTION 7 - ELECTRICAL

FIGURE 7-40. LIGHTBAR MARKER LIGHTS ONLY INSTALLATION

ITEM	PART NUMBER	QTY	DESCRIPTION	REV
	2590000177	Ref	LIGHT - PYLON 3-LIGHT MARKER INSTALLATION	0
1	7590000316	1	Light	
2	7114141018	2	Screw 1/4 x 1-1/4	
3	7950140143	2	Washer 1/4	
4	7660142601	2	Nut 1/4	

SECTION 7 - ELECTRICAL

FIGURE 7-41. LIGHTBAR MARKER LIGHT ASSEMBLY - TRUCK-LITE



ART_7590000316

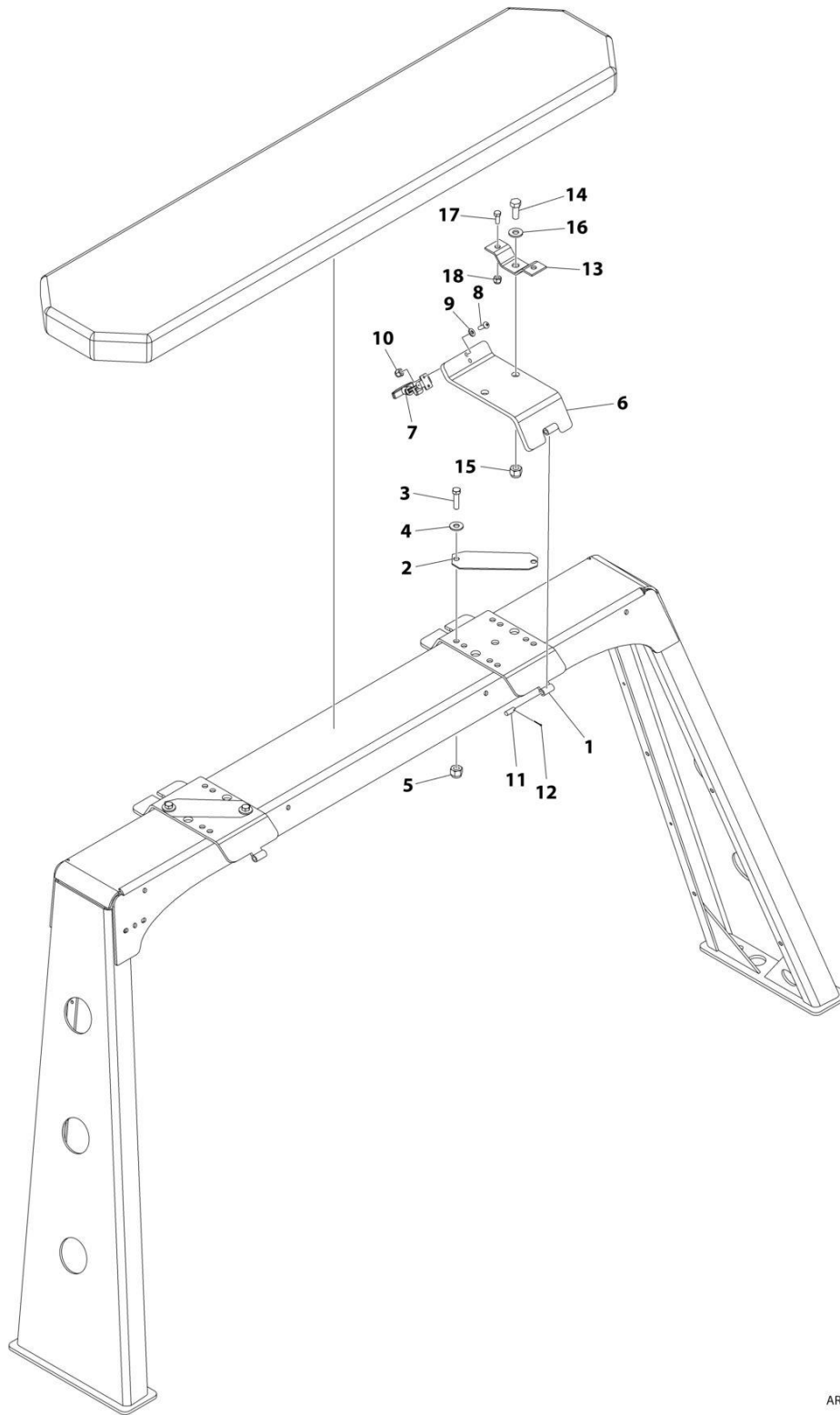
SECTION 7 - ELECTRICAL

FIGURE 7-41. LIGHTBAR MARKER LIGHT ASSEMBLY - TRUCK-LITE

ITEM	PART NUMBER	QTY	DESCRIPTION	REV
	7590000316	Ref	LIGHTBAR ASSEMBLY - TRUCK-LITE	1
	70070004	3	Lamp	
	70070005	1	Harness, Wiring	

SECTION 7 - ELECTRICAL

FIGURE 7-42. LIGHTBAR BRACKET INSTALLATION (FOLDING)



ART_2509570071

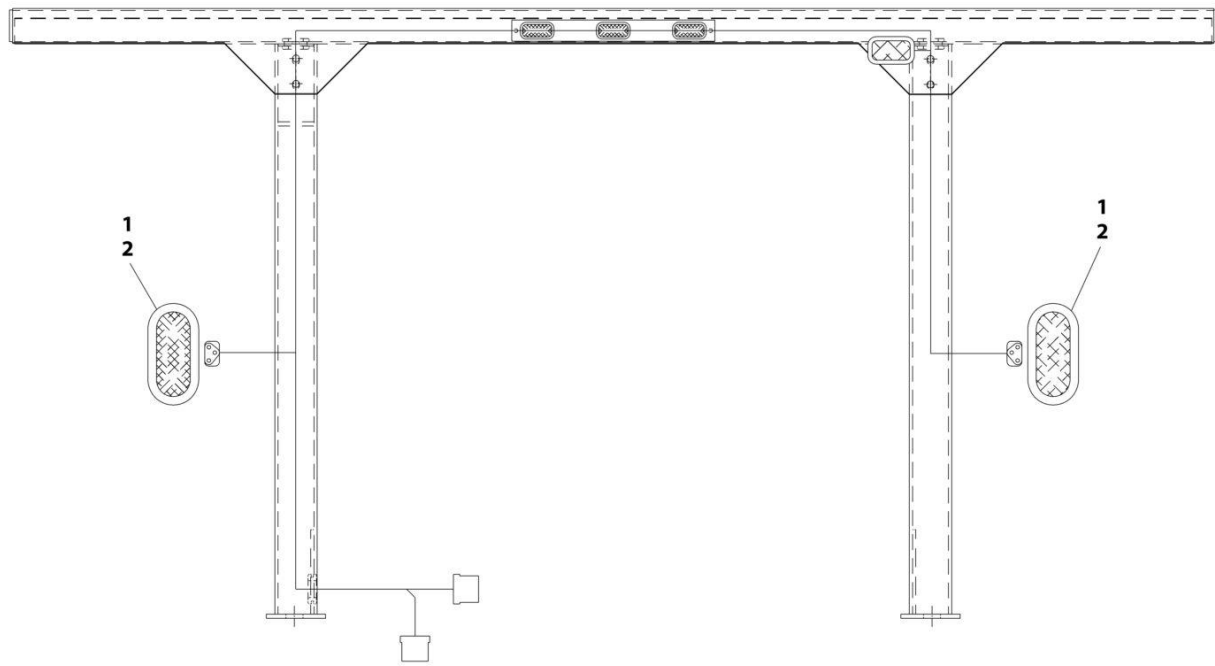
SECTION 7 - ELECTRICAL

FIGURE 7-42. LIGHTBAR BRACKET INSTALLATION (FOLDING)

ITEM	PART NUMBER	QTY	DESCRIPTION	REV
	2509570071	Ref	LIGHT - LIGHTBAR BRACKET INSTALLATION(FOLDING)	0
1	3178000443	2	Bracket	
2	4090000012	2	Belt	
3	7115161250	8	Bolt 3/8 x 1-1/2	
4	7950160161	8	Washer 3/8	
5	7660162601	8	Nut 3/8	
6	3178000444	2	Bracket	
7	7585000001	2	Latch	
8	7114100518	4	Bolt #10 x 5/8	
9	7950100103	4	Washer #10	
10	7660102604	4	Nut #10	
11	7690144800	2	Pin	
12	7690000810	2	Pin, Cotter	
13	4178000402	4	Bracket	
14	7115190950	4	Bolt 1/2 x 1-1/8	
15	7660182601	4	Nut 1/2	
16	7950180150	4	Washer 1/2	
17	7115150664	4	Bolt 5/16 x 3/4	
18	7660152601	4	Nut 5/16	

SECTION 7 - ELECTRICAL

FIGURE 7-43. LIGHTS - PYLON MARKER LIGHT INSTALLATION - 1 MARKER LIGHT PER SIDE



ART_2590000176

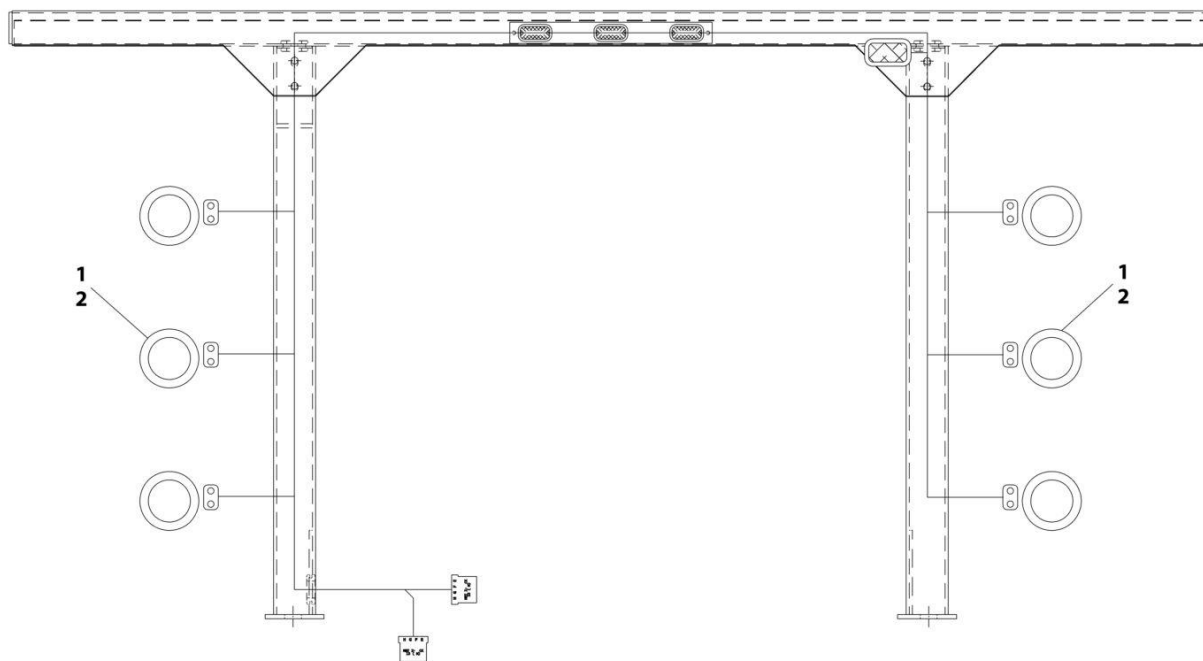
SECTION 7 - ELECTRICAL

FIGURE 7-43. LIGHTS - PYLON MARKER LIGHT INSTALLATION - 1 MARKER LIGHT PER SIDE

ITEM	PART NUMBER	QTY	DESCRIPTION	REV
	2590000176	Ref	PYLON MARKER LIGHT INSTALLATION - 1 MARKER LIGHT PER SIDE	B
1	1001174682	2	Lamp, Amber	
2	7493000026	2	Grommet	
3	7894000010	2	Tie-Strap (Not Shown)	

SECTION 7 - ELECTRICAL

FIGURE 7-44. LIGHTS - PYLON MARKER LIGHT INSTALLATION - 3 MARKER LIGHTS PER SIDE



ART_1001137308

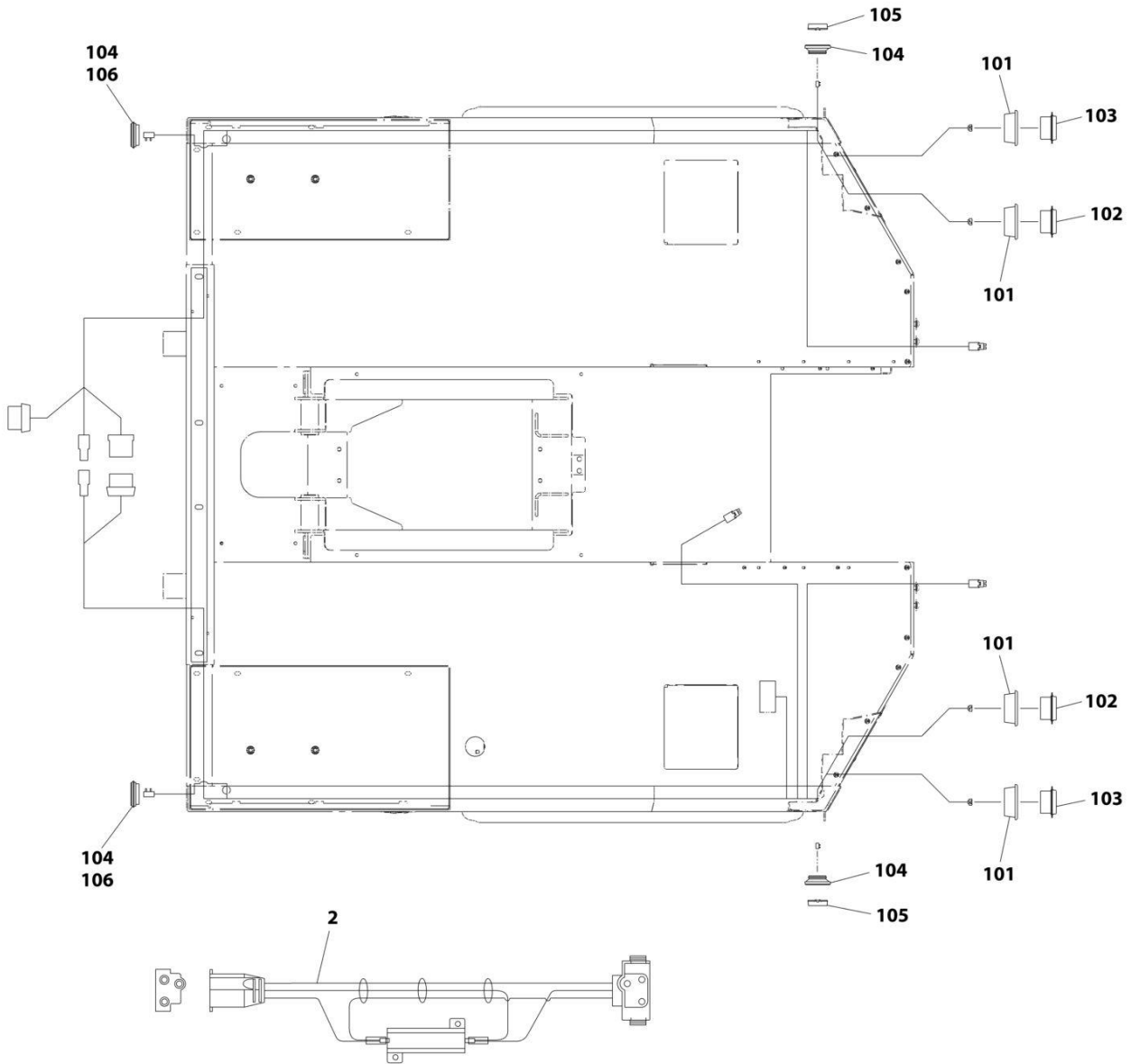
SECTION 7 - ELECTRICAL

FIGURE 7-44. LIGHTS - PYLON MARKER LIGHT INSTALLATION - 3 MARKER LIGHTS PER SIDE

ITEM	PART NUMBER	QTY	DESCRIPTION	REV
	1001137308	Ref	PYLON MARKER LIGHT INSTALLATION - 3 MARKER LIGHTS PER SIDE	A
1	7590000342	6	Lamp, Amber	
2	7493000009	6	Grommet	
3	7894000010	6	Tie-Strap (Not Shown)	

SECTION 7 - ELECTRICAL

FIGURE 7-45. LIGHTS - 4 TAILLIGHTS (STOP/TURN/TAILLIGHT COMBINED) (ALL NG EXCEPT 2013+ DODGE)



ART_1001138640

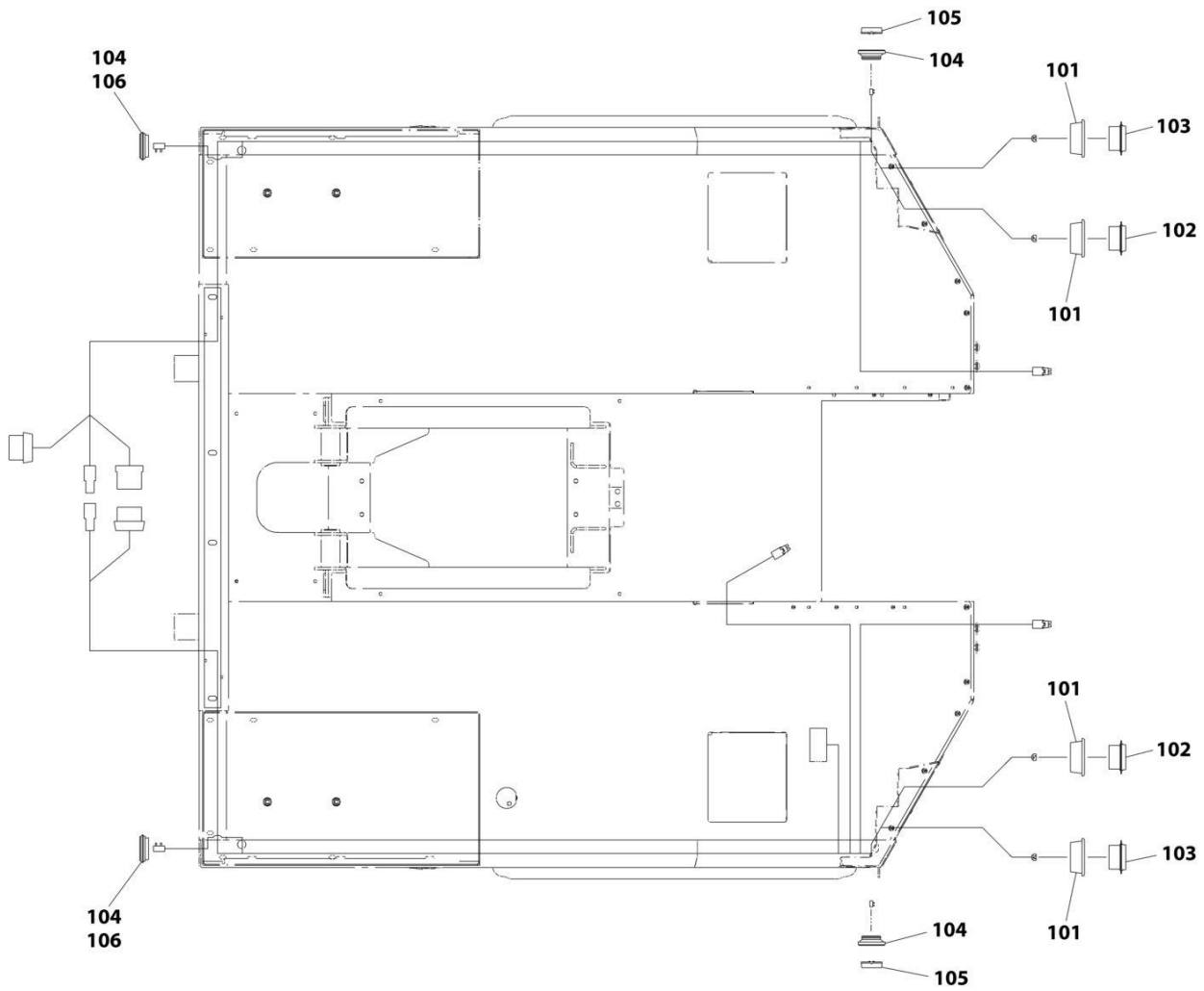
SECTION 7 - ELECTRICAL

FIGURE 7-45. LIGHTS - 4 TAILLIGHTS (STOP/TURN/TAILLIGHT COMBINED) (ALL NG EXCEPT 2013+ DODGE)

ITEM	PART NUMBER	QTY	DESCRIPTION	REV
	1001138640	Ref	LIGHTS INSTALLATION - 4 TAILLIGHTS (STOP/TURN/TAILLIGHT COMBINED) (ALL EXCEPT 2013+ DODGE)	B
1	1001208291	Ref	Taillight Installation (Not Shown) (See Items 101-106 for Breakdown)	
2	2577000033	1	Kit, Resistor (Sold as Assembly Only)	
	1001208291	Ref	TAILLIGHT INSTALLATION	A
101	7493000029	4	Grommet	
102	7590000379	2	Light	
103	7590000381	2	Light	
104	7493000009	4	Grommet	
105	7590000343	2	Light, Marker (Red)	
106	7590000342	2	Light, Marker (Amber)	

SECTION 7 - ELECTRICAL

FIGURE 7-46. LIGHTS - 4 TAILLIGHTS (STOP/TURN/TAILLIGHT COMBINED) (NG 2013+ DODGE)



ART_1001161520

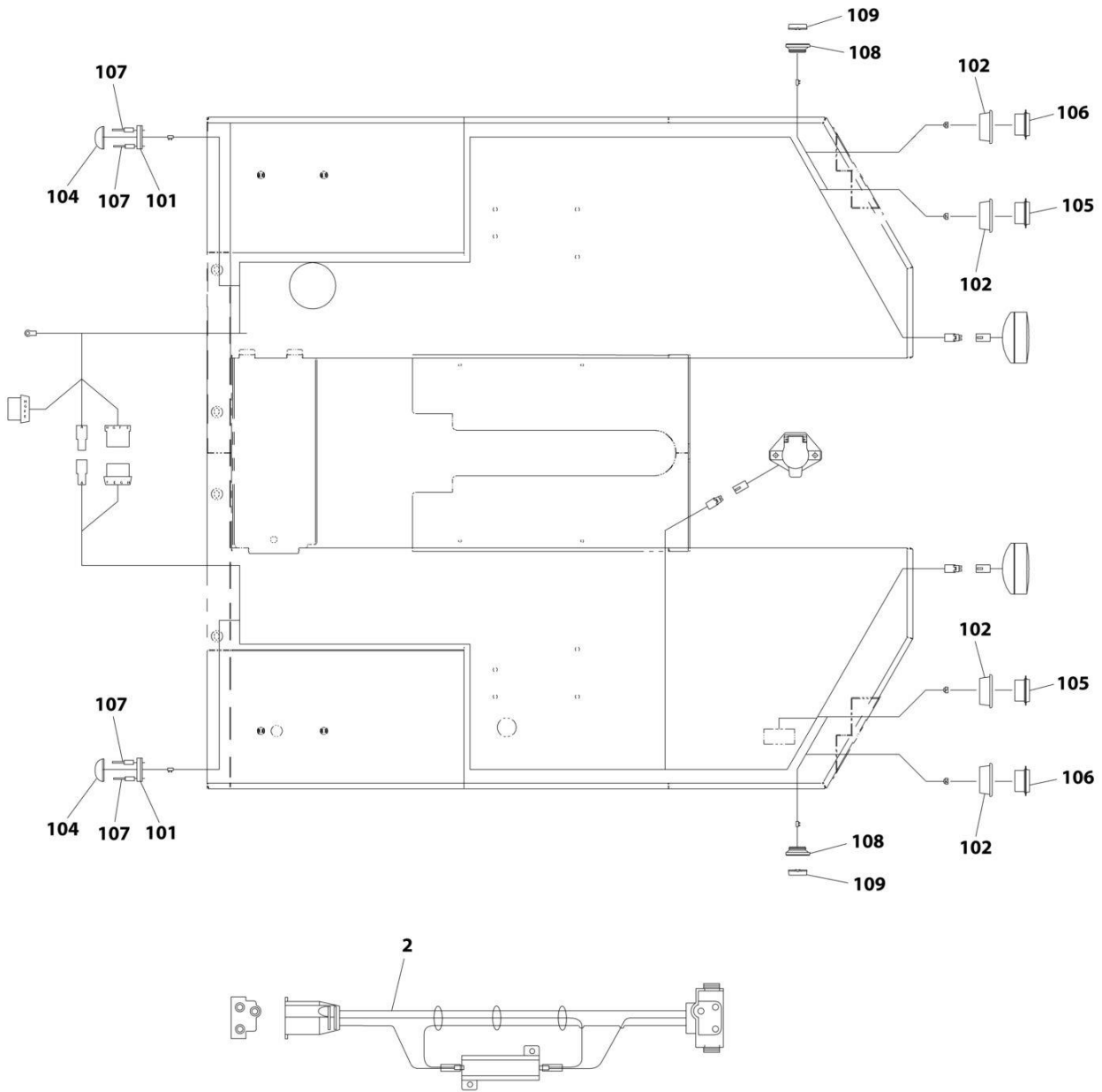
SECTION 7 - ELECTRICAL

FIGURE 7-46. LIGHTS - 4 TAILLIGHTS (STOP/TURN/TAILLIGHT COMBINED) (NG 2013+ DODGE)

ITEM	PART NUMBER	QTY	DESCRIPTION	REV
	1001161520	Ref	LIGHTS INSTALLATION - 4 TAILLIGHTS (STOP/TURN/TAILLIGHT COMBINED) (2013+ DODGE)	B
1	1001208291	Ref	Taillight Installation (Not Shown)	A
101	7493000029	4	Grommet	
102	7590000379	2	Light	
103	7590000381	2	Light	
104	7493000009	4	Grommet	
105	7590000343	2	Light, Marker (Red)	
106	7590000342	2	Light, Marker (Amber)	

SECTION 7 - ELECTRICAL

FIGURE 7-47. LIGHTS - 4 TAILLIGHTS (STOP/TURN/TAILLIGHT COMBINED) (ALL NGS EXCEPT 2013+ DODGE)



ART_LED-MPL-NGS

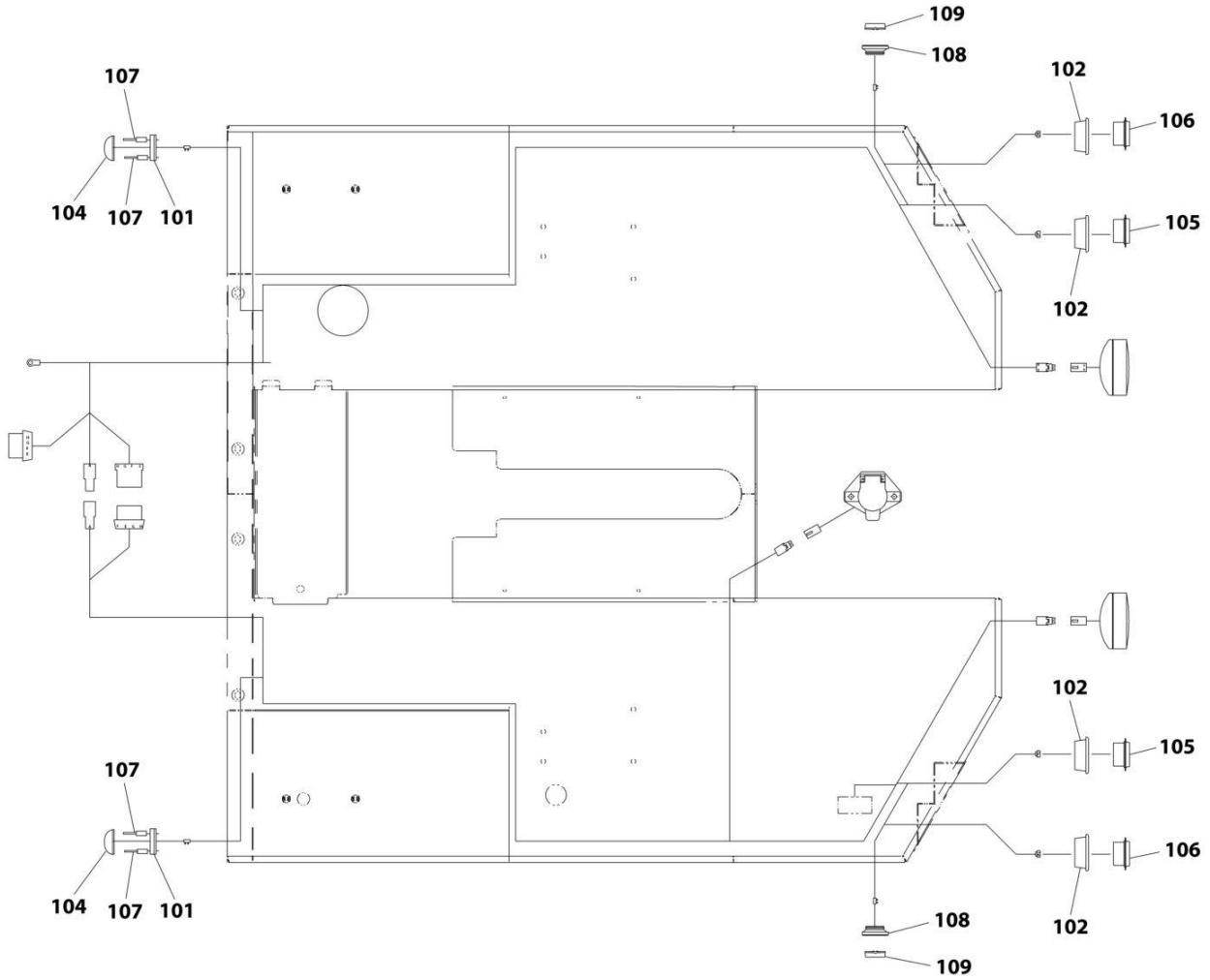
SECTION 7 - ELECTRICAL

FIGURE 7-47. LIGHTS - 4 TAILLIGHTS (STOP/TURN/TAILLIGHT COMBINED) (ALL NGS EXCEPT 2013+ DODGE)

ITEM	PART NUMBER	QTY	DESCRIPTION	REV
1	LED-MPL-NGS	Ref	LIGHTS - 4 TAILLIGHTS (STOP/TURN/TAILLIGHT COMBINED)	0
	2590000236	Ref	Light Installation Marker and Tail LED (Not Shown) (See Items 101-109 for Breakdown)	
2	2577000033	1	Kit, Resistor (Sold as Assembly Only)	
	2590000236	Ref	LIGHT INSTALLATION MARKER AND TAIL LED	B
101	7590000207	2	Light Adapter Mount	
102	7493000029	4	Grommet	
104	7590000339	2	Marker Light - Amber (LED)	
105	7590000379	2	Light	
106	7590000381	2	Light	
107	7759000018	4	Pop Rivet	
108	7493000009	2	Grommet	
109	7590000343	2	Light, Marker (Red)	

SECTION 7 - ELECTRICAL

FIGURE 7-48. LIGHTS - 4 TAILLIGHTS (STOP/TURN/TAILLIGHT COMBINED) (NGS 2013+ DODGE)



ART_1001161504

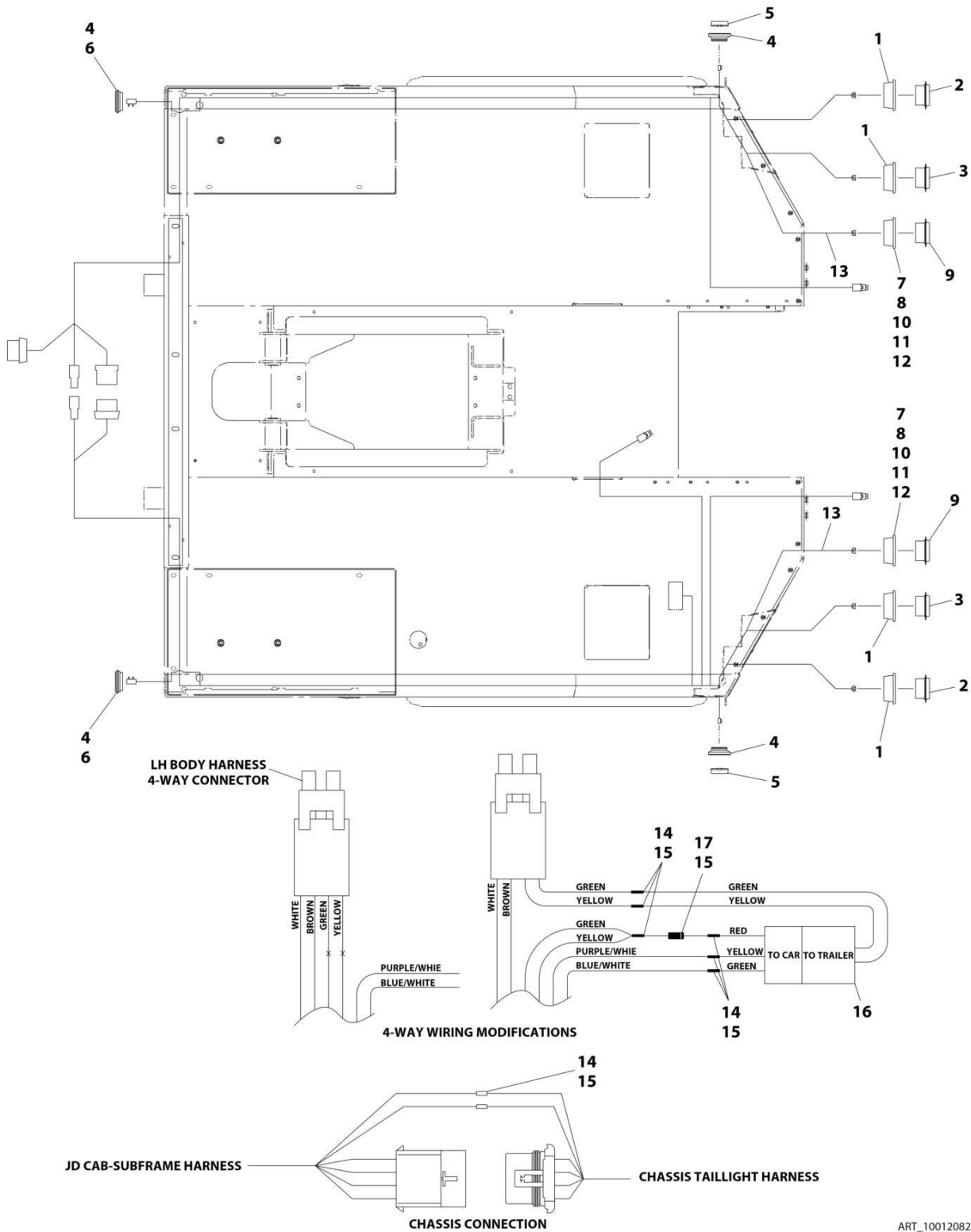
SECTION 7 - ELECTRICAL

FIGURE 7-48. LIGHTS - 4 TAILLIGHTS (STOP/TURN/TAILLIGHT COMBINED) (NGS 2013+ DODGE)

ITEM	PART NUMBER	QTY	DESCRIPTION	REV
	1001161504	Ref	LIGHTS - 4 TAILLIGHTS (STOP/TURN/TAILLIGHT COMBINED) (2013+ DODGE)	A
1	2590000236	Ref	Light Installation Marker and Tail LED (Not Shown) (See Items 101-109 for Breakdown)	
2	1001161328	1	LED Wiring Installation, 2013 Dodge (Not Shown)	
	2590000236	Ref	LIGHT INSTALLATION MARKER AND TAIL LED	B
101	7590000207	2	Light Adapter Mount	
102	7493000029	4	Grommet	
104	7590000339	2	Marker Light - Amber (LED)	
105	7590000379	2	Light	
106	7590000381	2	Light	
107	7759000018	4	Pop Rivet	
108	7493000009	2	Grommet	
109	7590000343	2	Light, Marker (Red)	

SECTION 7 - ELECTRICAL

FIGURE 7-49. LIGHTS - 6 TAILLIGHTS (STOP/TURN/TAILLIGHT SPLIT) (NG)



ART_1001208292

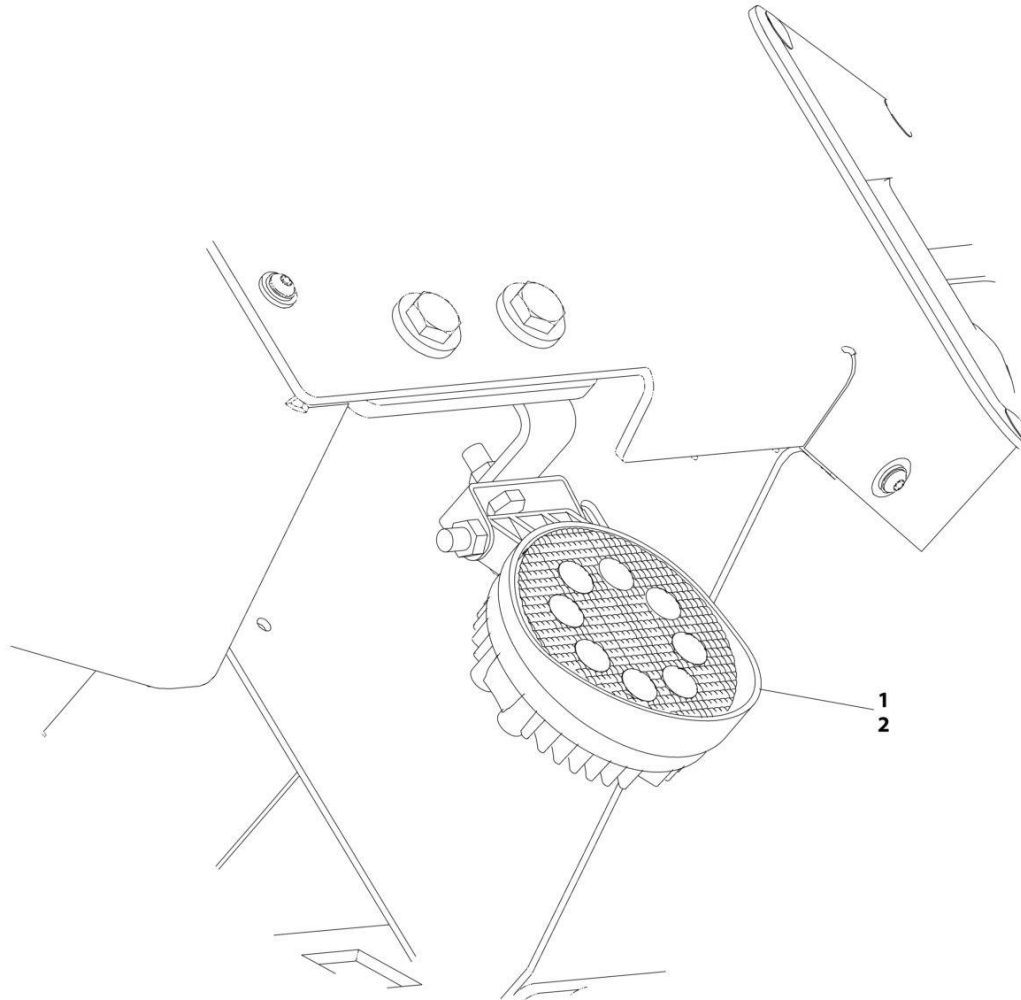
SECTION 7 - ELECTRICAL

FIGURE 7-49. LIGHTS - 6 TAILLIGHTS (STOP/TURN/TAILLIGHT SPLIT) (NG)

ITEM	PART NUMBER	QTY	DESCRIPTION	REV
	1001208292	Ref	LIGHTS INSTALLATION - 6 TAILLIGHTS (STOP/TURN/TAILLIGHT SPLIT)	C
1	7493000029	4	Grommet	
2	1001208290	2	Lamp Amber	
3	7590000381	2	Light Led	
4	7493000009	4	Grommet	
5	7590000343	2	Light, Marker - Red (LED)	
6	7590000342	2	Light, Marker - Amber (LED)	
7	7178000045	2	Bracket	
8	7493000026	2	Grommet	
9	1001174680	2	Lamp, Backup	
10	0641610	2	Bolt 3/8 x 1-1/4	
11	4751600	4	Washer 3/8	
12	3300492	2	Nut 3/8	
13	1001206078	2	Harness	
14	7345001714	16	Terminal	
15	7346000039	AR	Tubing	
16	1001159336	1	Converter	
17	1001100949	1	Diode	
18	5526000553	4	Tie-Strap (Not Shown)	

SECTION 7 - ELECTRICAL

FIGURE 7-50. LIGHTS - WORKLIGHTS INSTALLATION (LOWER HOOK UP MOUNTED)



ART_1001208300

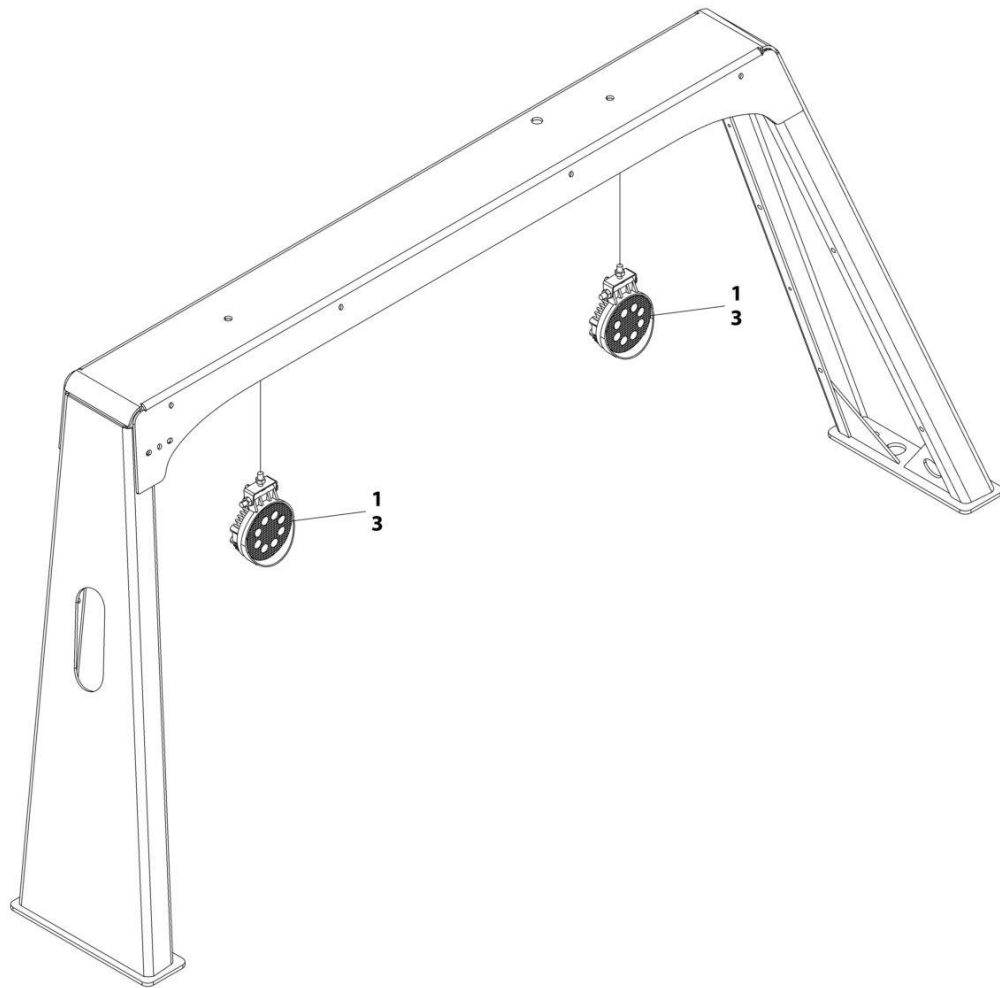
SECTION 7 - ELECTRICAL

FIGURE 7-50. LIGHTS - WORKLIGHTS INSTALLATION (LOWER HOOK UP MOUNTED)

ITEM	PART NUMBER	QTY	DESCRIPTION	REV
	1001208300	Ref	LIGHT - WORKLIGHTS INSTALLATION (LOWER HOOK UP MOUNTED)	B
1	1001176337	2	Lamp (Prior to SN 0230009717)	
1	1001273634	2	Lamp (SN 0230009717 to Present)	
2	4178000784	2	Bracket	

SECTION 7 - ELECTRICAL

FIGURE 7-51. LIGHTS - WORKLIGHT INSTALLATION (PYLON MOUNTED) (NG)



ART_2590000126

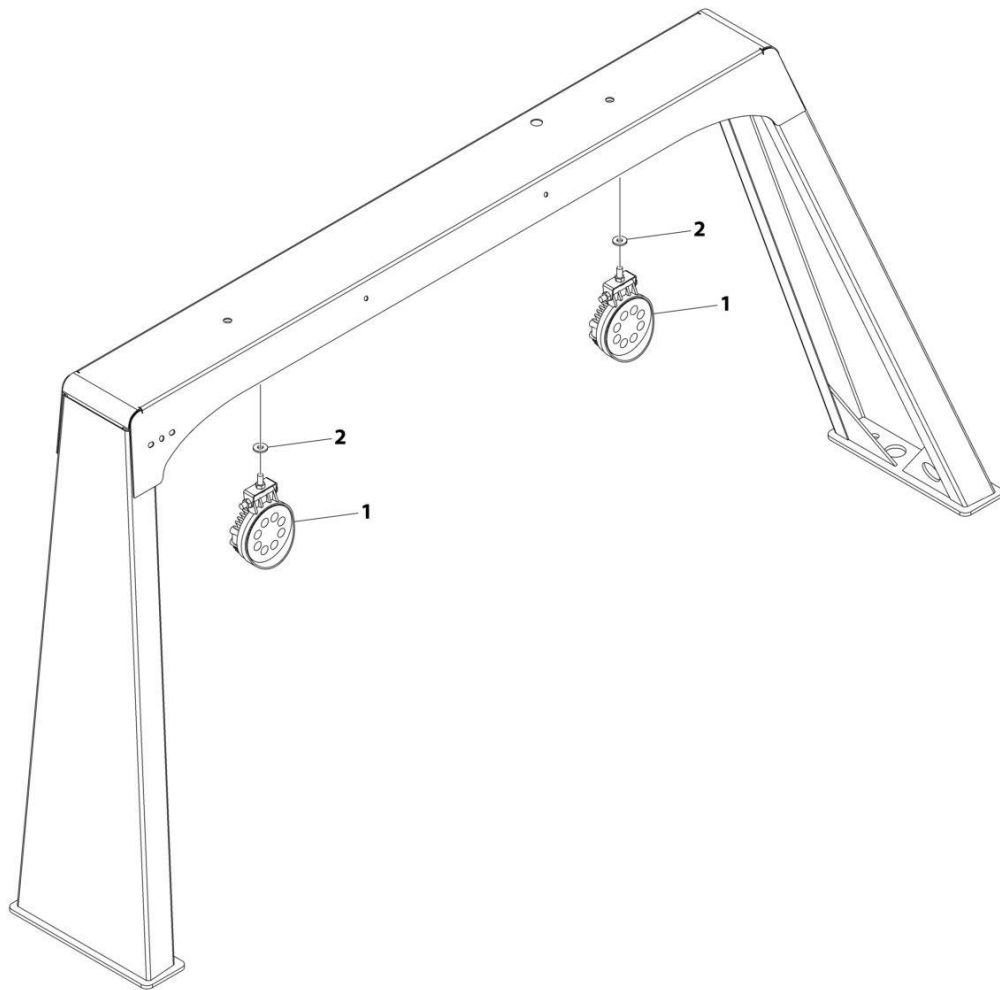
SECTION 7 - ELECTRICAL

FIGURE 7-51. LIGHTS - WORKLIGHT INSTALLATION (PYLON MOUNTED) (NG)

ITEM	PART NUMBER	QTY	DESCRIPTION	REV
	2590000126	Ref	LIGHT - WORKLIGHT INSTALLATION (PYLON MOUNTED)	D
1	1001176337	2	Lamp (Prior to SN 0230009717)	
1	1001273634	2	Lamp (SN 0230009717 to Present)	
3	7493000011	2	Grommet	

SECTION 7 - ELECTRICAL

FIGURE 7-52. LIGHTS - WORKLIGHT INSTALLATION (PYLON MOUNTED) (NGS)



ART_2590000238

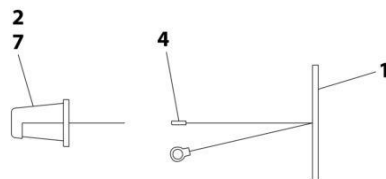
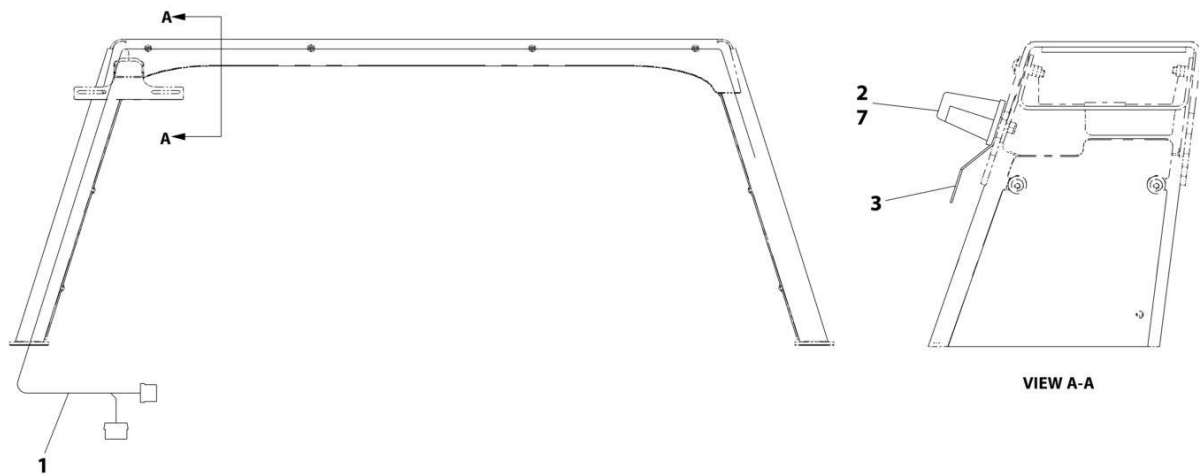
SECTION 7 - ELECTRICAL

FIGURE 7-52. LIGHTS - WORKLIGHT INSTALLATION (PYLON MOUNTED) (NGS)

ITEM	PART NUMBER	QTY	DESCRIPTION	REV
	2590000238	Ref	LIGHT INSTALLATION PYLON WORK	C
1	1001176337	2	Lamp (Prior to SN 0230009717)	
1	1001273634	2	Lamp (SN 0230009717 to Present)	
2	7950150153	2	Washer 5/16	

SECTION 7 - ELECTRICAL

FIGURE 7-53. PYLON ELECTRICAL INSTALLATION - BODY MOUNTED (1 MARKER LIGHT PER SIDE)



ART_3509330108

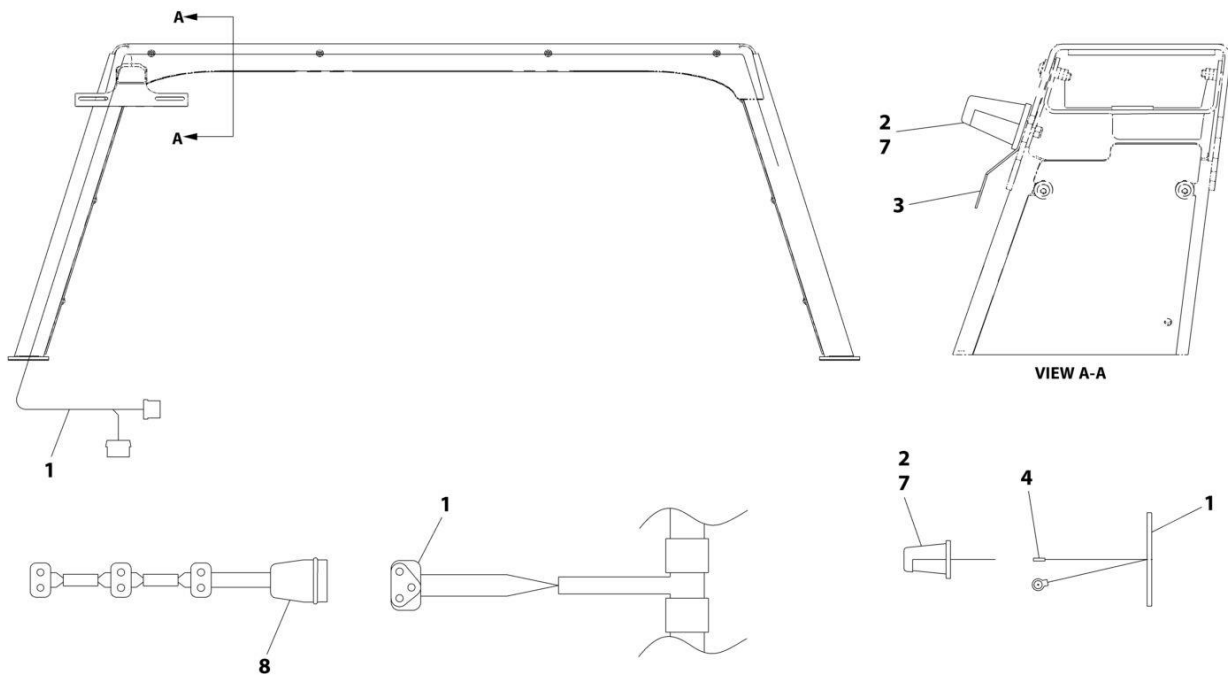
SECTION 7 - ELECTRICAL

FIGURE 7-53. PYLON ELECTRICAL INSTALLATION - BODY MOUNTED (1 MARKER LIGHT PER SIDE)

ITEM	PART NUMBER	QTY	DESCRIPTION	REV
	3509330108	Ref	PYLON ELECTRICAL INSTALLATION - BODY MOUNTED PYLON WITH 1 MARKER LIGHT PER SIDE	B
1	7552000293	1	Pylon Headboard Harness (See Separate Breakdown in ELECTRICAL Section)	
2	7590000105	1	Light	
3	7178000025	1	License Plate Bracket	
4	7346000039	AR	Tube	
5	7894000042	1	Tie-Strap (Not Shown)	
6	5526000553	1	Tie-Strap (Not Shown)	
7	7950100163	2	Washer #10	

SECTION 7 - ELECTRICAL

FIGURE 7-54. PYLON ELECTRICAL INSTALLATION - BODY MOUNTED (3 MARKER LIGHT PER SIDE)



ART_1001137307

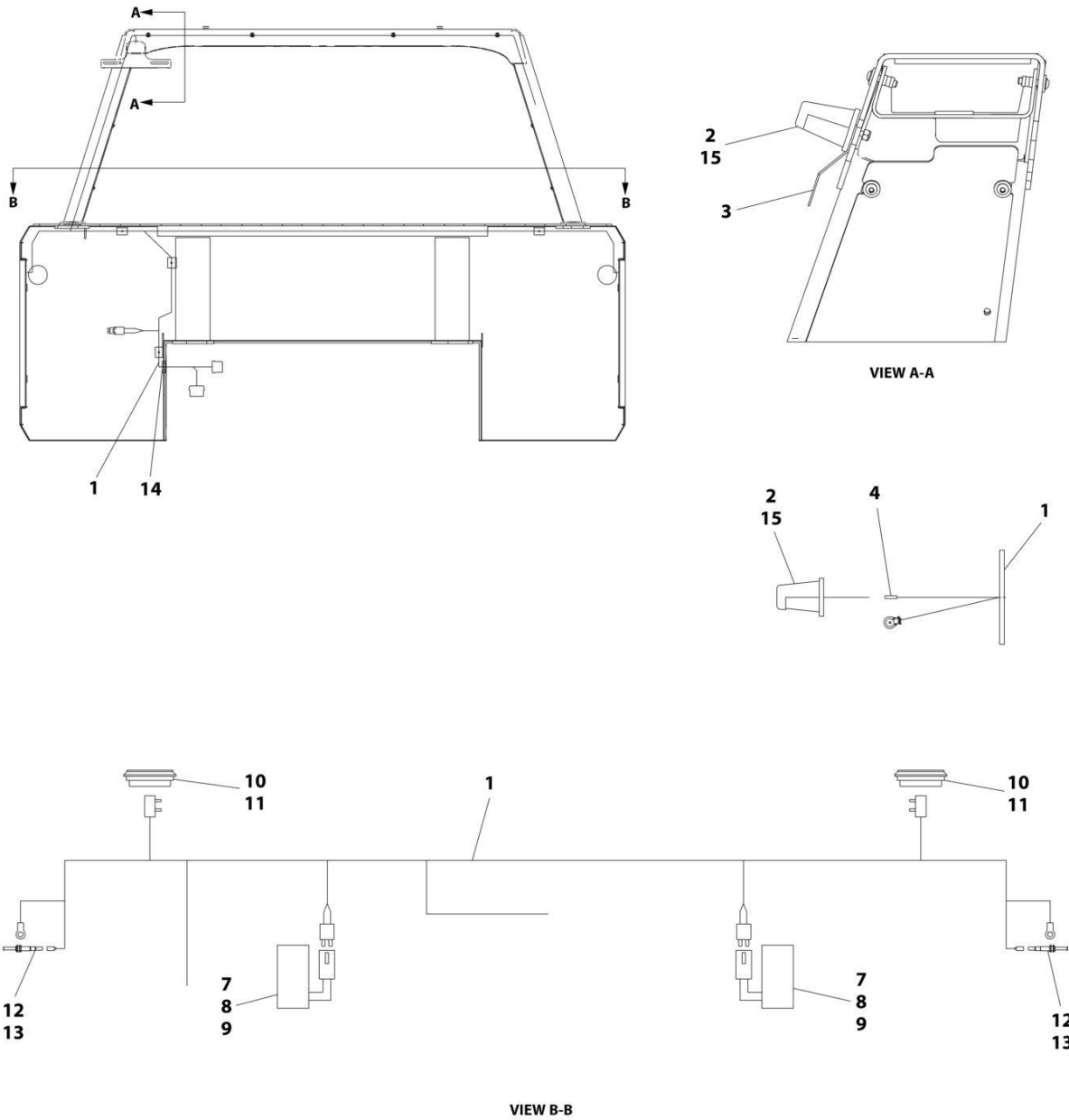
SECTION 7 - ELECTRICAL

FIGURE 7-54. PYLON ELECTRICAL INSTALLATION - BODY MOUNTED (3 MARKER LIGHT PER SIDE)

ITEM	PART NUMBER	QTY	DESCRIPTION	REV
	1001137307	Ref	PYLON ELECTRICAL INSTALLATION - TOOLBOX MOUNTED PYLON WITH 3 MARKER LIGHTS PER SIDE	D
1	7552000293	1	Pylon Headboard Harness (See Separate Breakdown in ELECTRICAL Section) (SN 0230004211 through 0230009707)	
1	1001266076	1	Pylon Headboard Harness (See Separate Breakdown in ELECTRICAL Section) (SN 0230009708 to Present)	
2	7590000105	1	Light	
3	7178000025	1	License Plate Bracket	
4	7346000039	AR	Tube	
5	7894000042	1	Tie-Strap (Not Shown)	
6	5526000553	1	Tie-Strap (Not Shown)	
7	7950100163	2	Washer #10	
8	1001214805	2	Harness, TL Jumper 3 Marker	

SECTION 7 - ELECTRICAL

FIGURE 7-55. PYLON ELECTRICAL INSTALLATION - TOOLBOX MOUNTED (1 MARKER LIGHT PER SIDE)



ART_3509330109

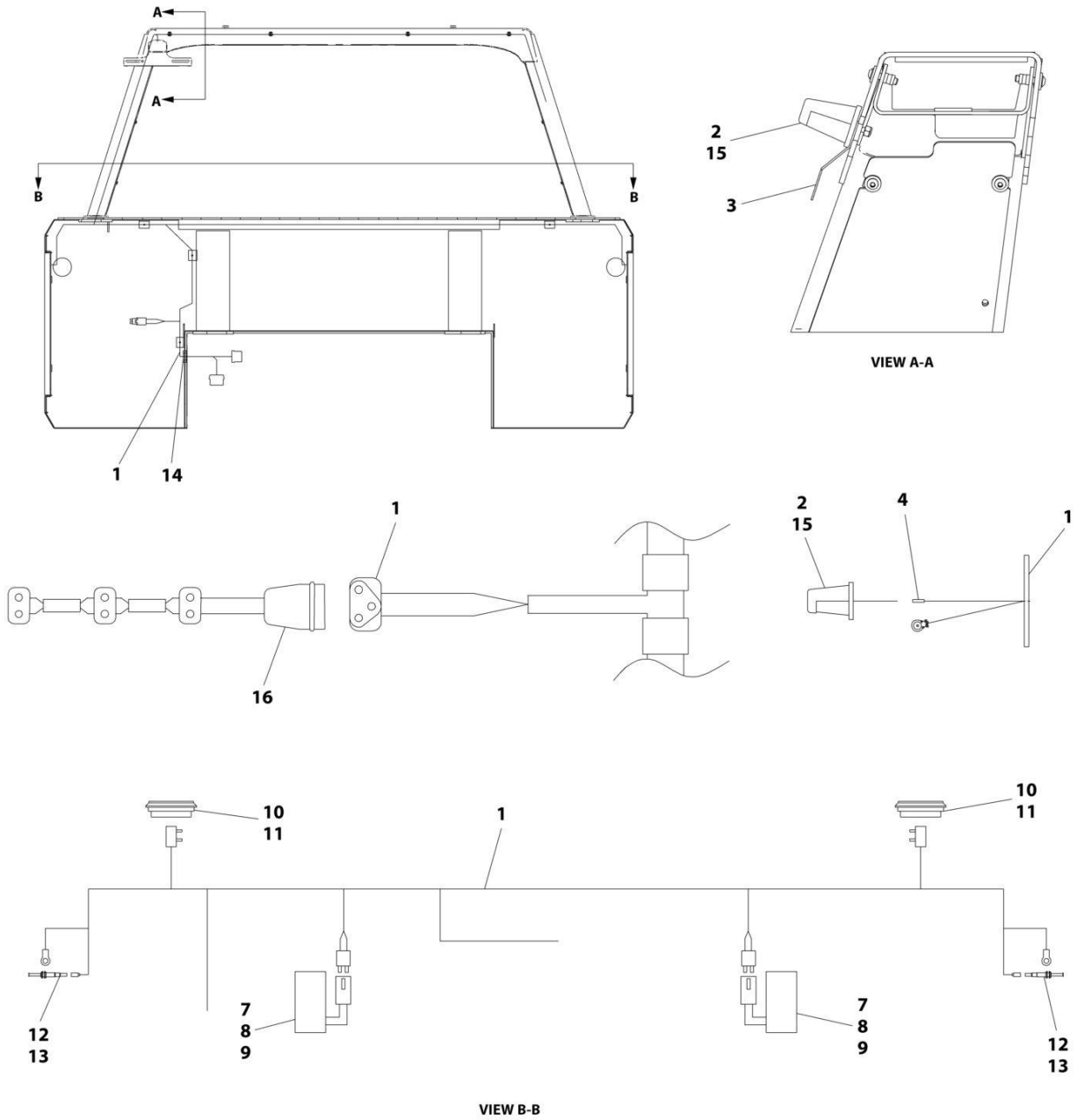
SECTION 7 - ELECTRICAL

FIGURE 7-55. PYLON ELECTRICAL INSTALLATION - TOOLBOX MOUNTED (1 MARKER LIGHT PER SIDE)

ITEM	PART NUMBER	QTY	DESCRIPTION	REV
	3509330109	Ref	PYLON ELECTRICAL INSTALLATION - TOOLBOX MOUNTED PYLON WITH 1 MARKER LIGHT PER SIDE	G
1	7552000295	1	Pylon Headboard Harness (See Separate Breakdown in ELECTRICAL Section)	
2	7590000105	1	Light	
3	7178000025	1	License Plate Bracket	
4	7346000039	AR	Tube	
5	7894000042	8	Tie-Strap (Not Shown)	
6	5526000553	8	Tie-Strap (Not Shown)	
7	7790100856	4	Screw #10 x 1/2	
8	7590000273	2	Light	
9	7661000047	4	Nut #8	
10	7493000009	2	Grommet	
11	7590000342	2	Light	
12	7870000115	2	Light	
13	7413000013	2	Push Fastener	
14	7493000011	1	Grommet	
15	7950100163	2	Washer #10	

SECTION 7 - ELECTRICAL

FIGURE 7-56. PYLON ELECTRICAL INSTALLATION - TOOLBOX MOUNTED (3 MARKER LIGHT PER SIDE)



ART_1001137306

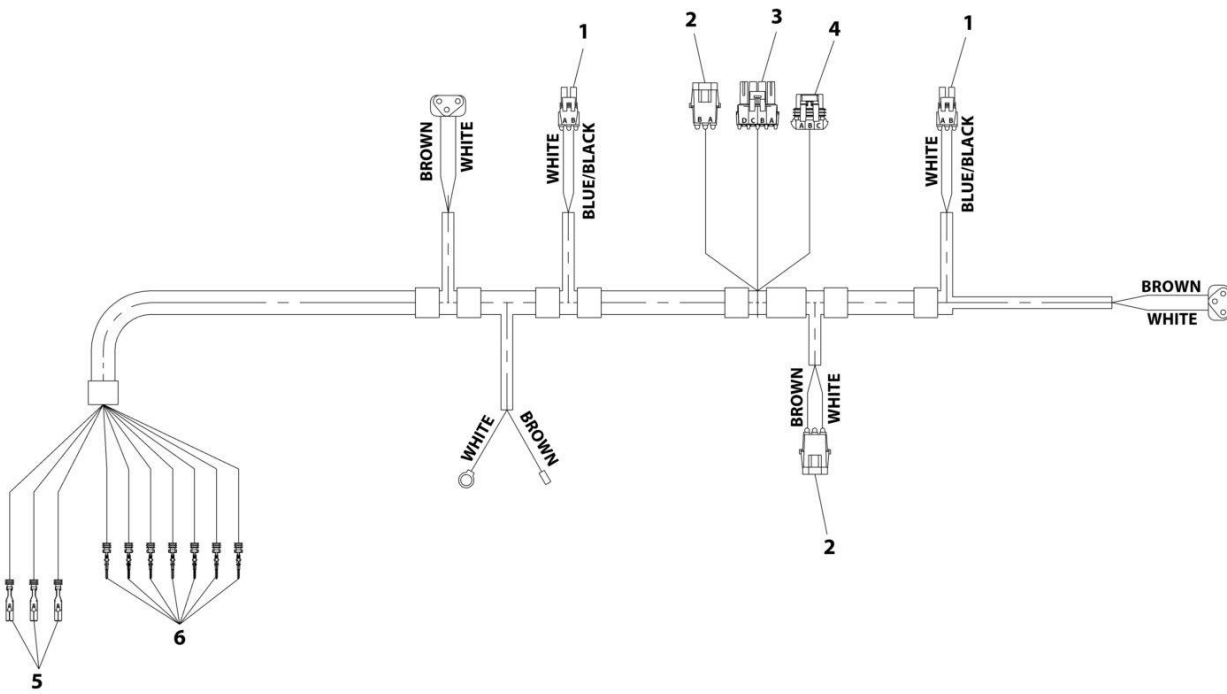
SECTION 7 - ELECTRICAL

FIGURE 7-56. PYLON ELECTRICAL INSTALLATION - TOOLBOX MOUNTED (3 MARKER LIGHT PER SIDE)

ITEM	PART NUMBER	QTY	DESCRIPTION	REV
	1001137306	Ref	PYLON ELECTRICAL INSTALLATION - BODY MOUNTED PYLON WITH 3 MARKER LIGHTS PER SIDE	D
1	7552000295	1	Pylon Headboard Harness (See Separate Breakdown in ELECTRICAL Section) (SN 0230004211 through 0230009707)	
1	1001266486	1	Pylon Headboard Harness (See Separate Breakdown in ELECTRICAL Section) (SN 0230009708 to Present)	
2	7590000105	1	Light	
3	7178000025	1	License Plate Bracket	
4	7346000039	AR	Tube	
5	7894000042	8	Tie-Strap (Not Shown)	
6	5526000553	8	Tie-Strap (Not Shown)	
7	7790100856	4	Screw #10 x 1/2	
8	7590000273	2	Light	
9	7661000047	4	Nut #8	
10	7493000009	2	Grommet	
11	7590000048	2	Light	
12	7870000115	2	Light	
13	7413000013	2	Push Fastener	
14	7493000011	1	Grommet	
15	7950100163	2	Washer #10	
16	1001214805	2	Harness, TL Jumper 3 Marker	

SECTION 7 - ELECTRICAL

FIGURE 7-57. PYLON HEADBOARD HARNESS - 1 MARKER LIGHT PER SIDE (SN 0230004211 through 0230009707)



ART_7552000293

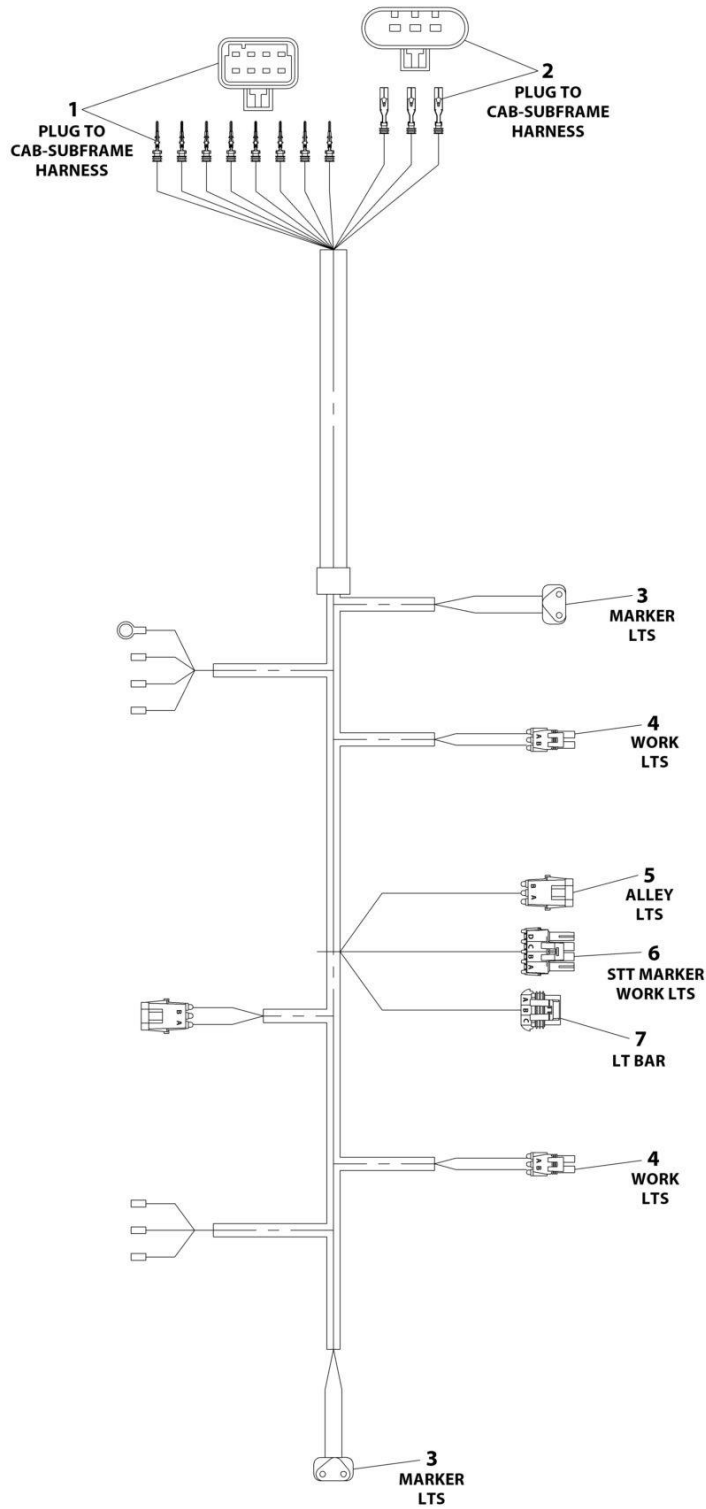
SECTION 7 - ELECTRICAL

FIGURE 7-57. PYLON HEADBOARD HARNESS - 1 MARKER LIGHT PER SIDE (SN 0230004211 through 0230009707)

ITEM	PART NUMBER	QTY	DESCRIPTION	REV
	7552000293	Ref	PYLON HEADBOARD HARNESS - 1 MARKER LIGHT PER SIDE	E
1	4460742	2	Connector	
1	4460457	2	Terminal	
1	4460458	2	Seal	
2	4460867	2	Connector	
2	4460475	2	Terminal	
2	4460458	2	Seal	
3		Ref	Connector	
3	4460457	1	Terminal	
3	4460458	1	Seal	
4		Ref	Connector	
4		Ref	Lock	
4	8220099	1	Terminal	
4		Ref	Seal	
4		Ref	Seal	
5	8220934	1	Connector	
5		Ref	Lock	
5	8220100	1	Terminal	
5		Ref	Terminal	
5		Ref	Seal	
5		Ref	Seal	
6	4460692	1	Connector	
6	8220400	1	Lock	
6		Ref	Terminal	
6	4460608	7	Seal	
6	4461215	1	Plug	

SECTION 7 - ELECTRICAL

FIGURE 7-58. PYLON HEADBOARD HARNESS - 1 MARKER LIGHTS PER SIDE (SN 0230009708 to Present)



ART_1001266076

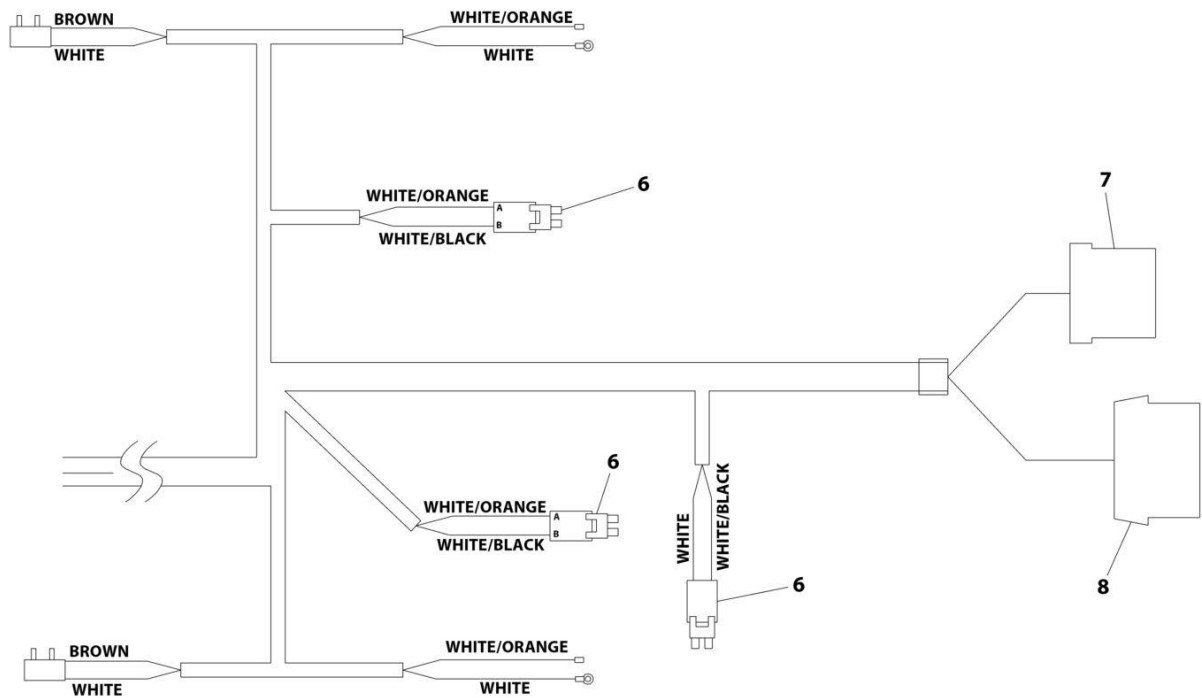
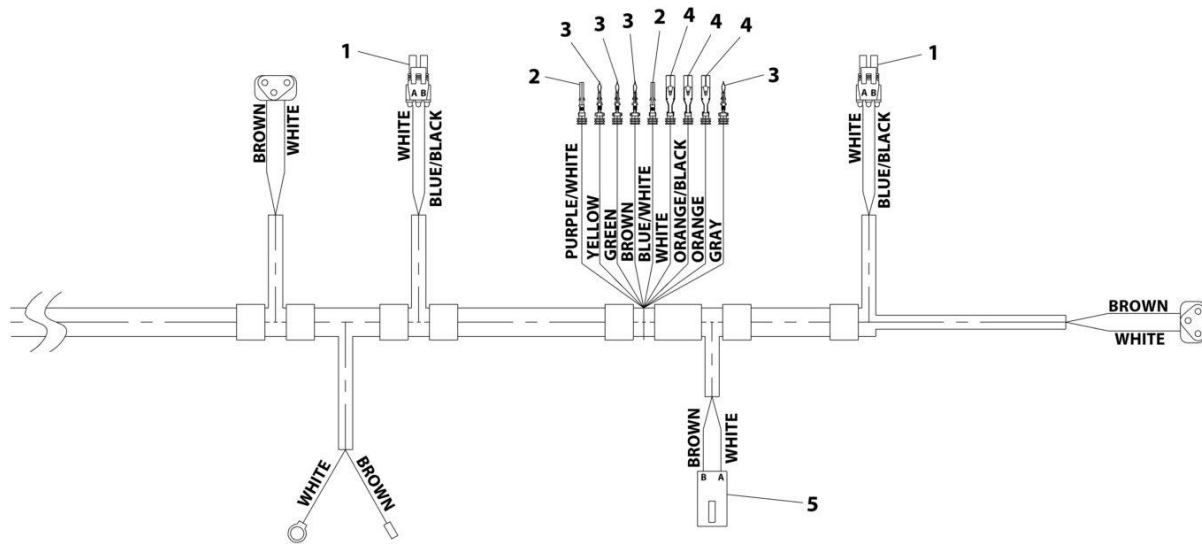
SECTION 7 - ELECTRICAL

FIGURE 7-58. PYLON HEADBOARD HARNESS - 1 MARKER LIGHTS PER SIDE (SN 0230009708 to Present)

ITEM	PART NUMBER	QTY	DESCRIPTION	REV
	1001266076	Ref	PYLON LIGHTS HARNESS	A
1	4460692	1	Connector	
1	4460695	1	Lock	
1	NPN	7	Terminal	
1	4460608	7	Seal	
1	4461215	1	Plug, Terminal	
2	8220934	1	Connector	
2	7346000109	1	Lock	
2	8220100	1	Terminal	
2	NPN	2	Terminal	
2	NPN	1	Seal	
2	NPN	2	Seal	
3	NPN	2	Connector	
4	4460742	2	Connector	
4	4460457	4	Terminal	
4	4460458	4	Seal	
5	4461157	1	Connector	
5	4460475	2	Terminal	
5	NPN	2	Seal	
6	NPN	1	Connector	
6	4460457	4	Terminal	
6	4460458	4	Seal	
7	NPN	1	Connector	
7	7346000109	1	Lock	
7	8220099	3	Terminal	
7	NPN	3	Seal	

SECTION 7 - ELECTRICAL

FIGURE 7-59. PYLON HEADBOARD HARNESS - 3 MARKER LIGHTS PER SIDE (SN 0230004211 through 0230009707)



ART_7552000295

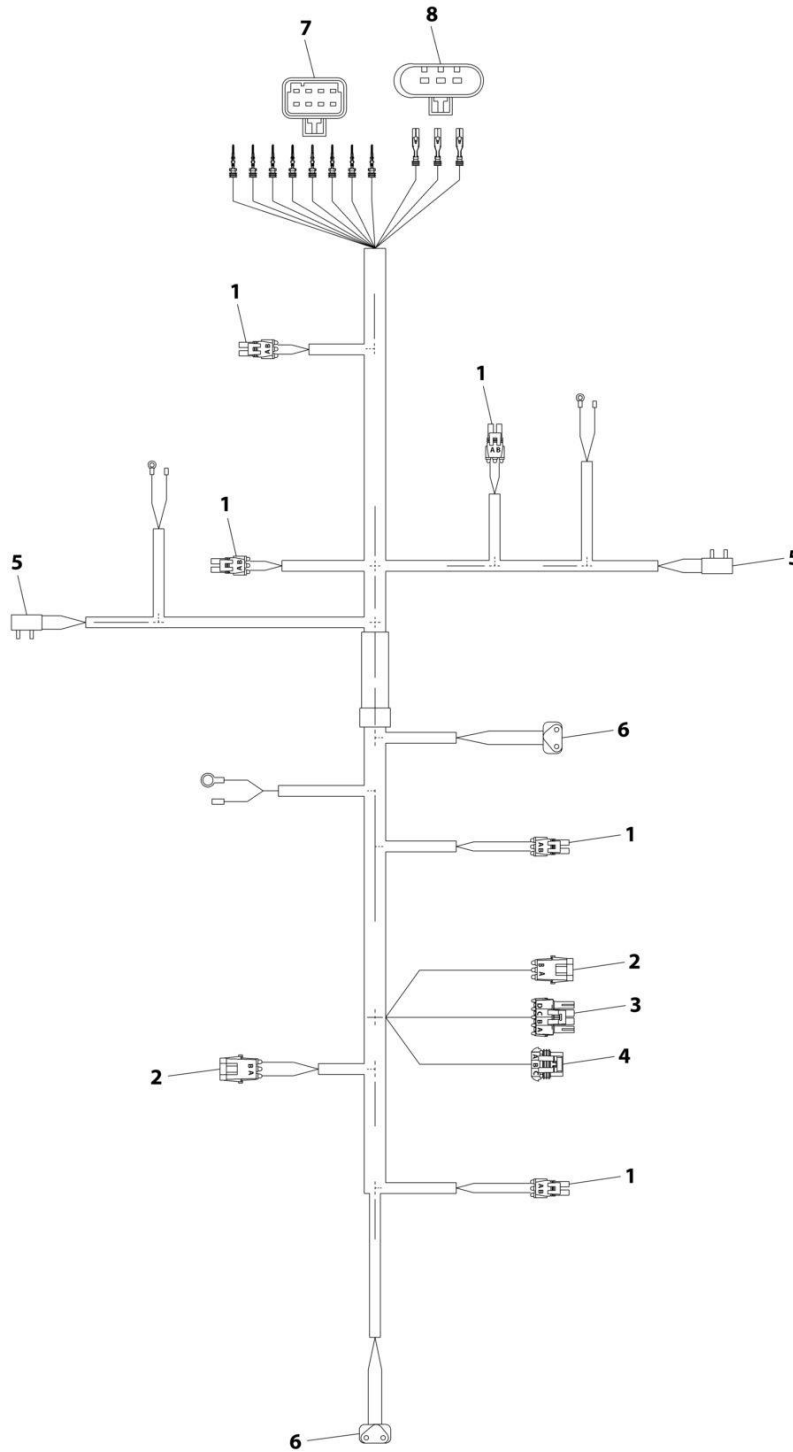
SECTION 7 - ELECTRICAL

FIGURE 7-59. PYLON HEADBOARD HARNESS - 3 MARKER LIGHTS PER SIDE (SN 0230004211 through 0230009707)

ITEM	PART NUMBER	QTY	DESCRIPTION	REV
	7552000295	Ref	PYLON HEADBOARD HARNESS - 3 MARKER LIGHTS PER SIDE	E
1	4460742	2	Connector	
1	4460457	2	Terminal	
1	4460458	2	Seal	
2	4460867	1	Connector	
2	4460475	2	Terminal	
2	4460458	2	Seal	
3		Ref	Connector	
3	4460457	4	Terminal	
3	4460458	4	Seal	
4		Ref	Connector	
4		Ref	Lock	
4		Ref	Terminal	
4		Ref	Seal	
4		Ref	Seal	
5	4460867	1	Connector	
5	4460475	1	Terminal	
5	4460458	1	Seal	
6	4460742	3	Connector	
6	4460458	6	Seal	
6	4460457	6	Terminal	
7	4460692	1	Connector	
7	4460695	1	Lock	
7	4460608	1	Seal	
7		Ref	Terminal	
7	4461215	1	Plug	
8	8220934	1	Connector	
8		Ref	Lock	
8		Ref	Seal	
8		Ref	Terminal	
8		Ref	Terminal	

SECTION 7 - ELECTRICAL

FIGURE 7-60. PYLON HEADBOARD HARNESS - 3 MARKER LIGHTS PER SIDE (SN 0230009708 to Present)



ART_1001266486

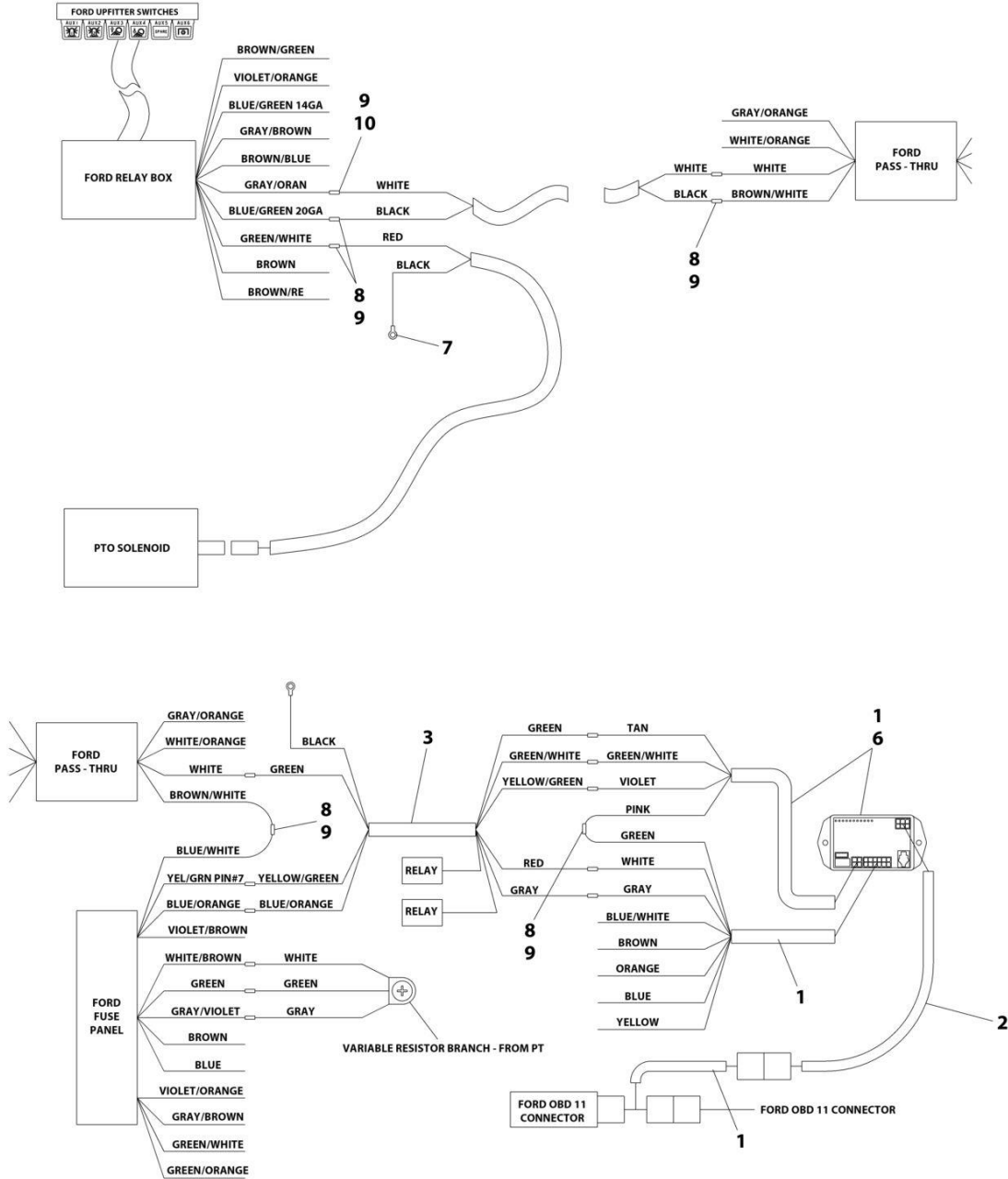
SECTION 7 - ELECTRICAL

FIGURE 7-60. PYLON HEADBOARD HARNESS - 3 MARKER LIGHTS PER SIDE (SN 0230009708 to Present)

ITEM	PART NUMBER	QTY	DESCRIPTION	REV
	1001266486	Ref	PYLON HEADBOARD HARNESS - 3 MARKER LIGHTS PER SIDE	B
1	4460742	5	Connector	
1	4460457	10	Terminal	
1	4460458	10	Seal	
2	4460867	2	Connector	
2	4460475	4	Terminal	
2	4460458	4	Seal	
3		Ref	Connector	
3	4460457	4	Terminal	
3	4460458	4	Seal	
4		Ref	Connector	
4	7346000108	3	Lock	
4	8220099	3	Terminal	
4		Ref	Seal	
4		Ref	Seal	
5		Ref	Connector	
6		Ref	Connector	
7	4460692	1	Connector	
7	4460695	1	Lock	
7	4460608	1	Seal	
7		Ref	Terminal	
7	4461215	1	Plug	
8	8220934	1	Connector	
8	7346000108	3	Lock	
8		Ref	Seal	
8		Ref	Terminal	
8		Ref	Terminal	

SECTION 7 - ELECTRICAL

FIGURE 7-61. PTO ELECTRICAL ASSEMBLY - FORD PTO



ART_1001225217

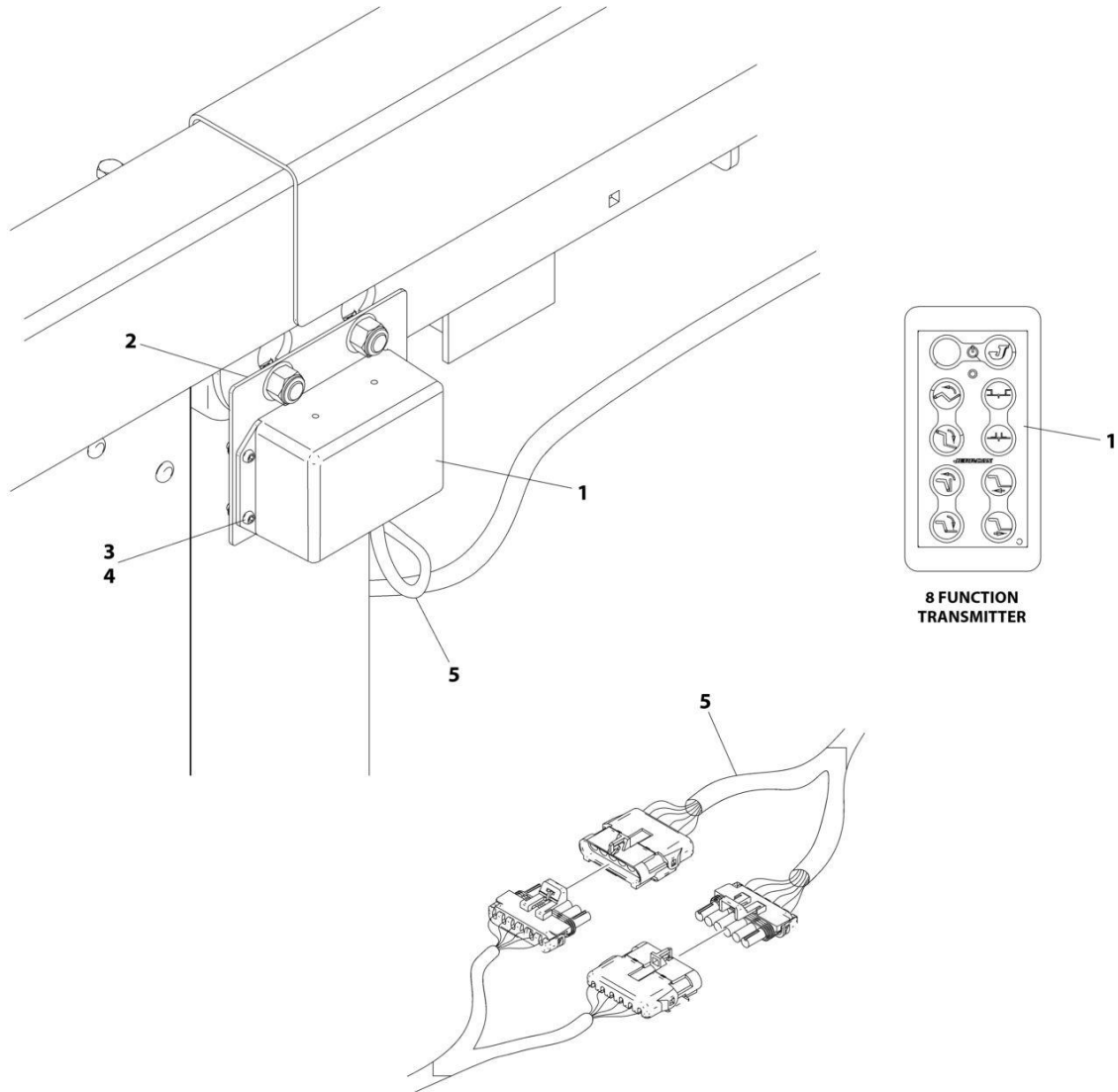
SECTION 7 - ELECTRICAL

FIGURE 7-61. PTO ELECTRICAL ASSEMBLY - FORD PTO

ITEM	PART NUMBER	QTY	DESCRIPTION	REV
	1001225217	Ref	ELECTRICAL ASSEMBLY - FORD PTO	D
1	1001225063	1	Control PTO	
2	1001226317	1	Harness, Data Link Extension	
3	1001225068	1	Harness, PTO Ford	
6	8892040001	0.5 ft	Tape	
7	7345221702	1	Terminal	
8	7345001714	6	Terminal	
9	7346000039	AR	Tubing	
10	7345001914	1	Terminal	
11	5376000192	1	Manual (Not Shown)	

SECTION 7 - ELECTRICAL

FIGURE 7-62. REMOTE CONTROL INSTALLATION - 4 FUNCTION TOGGLE



ART_229500015

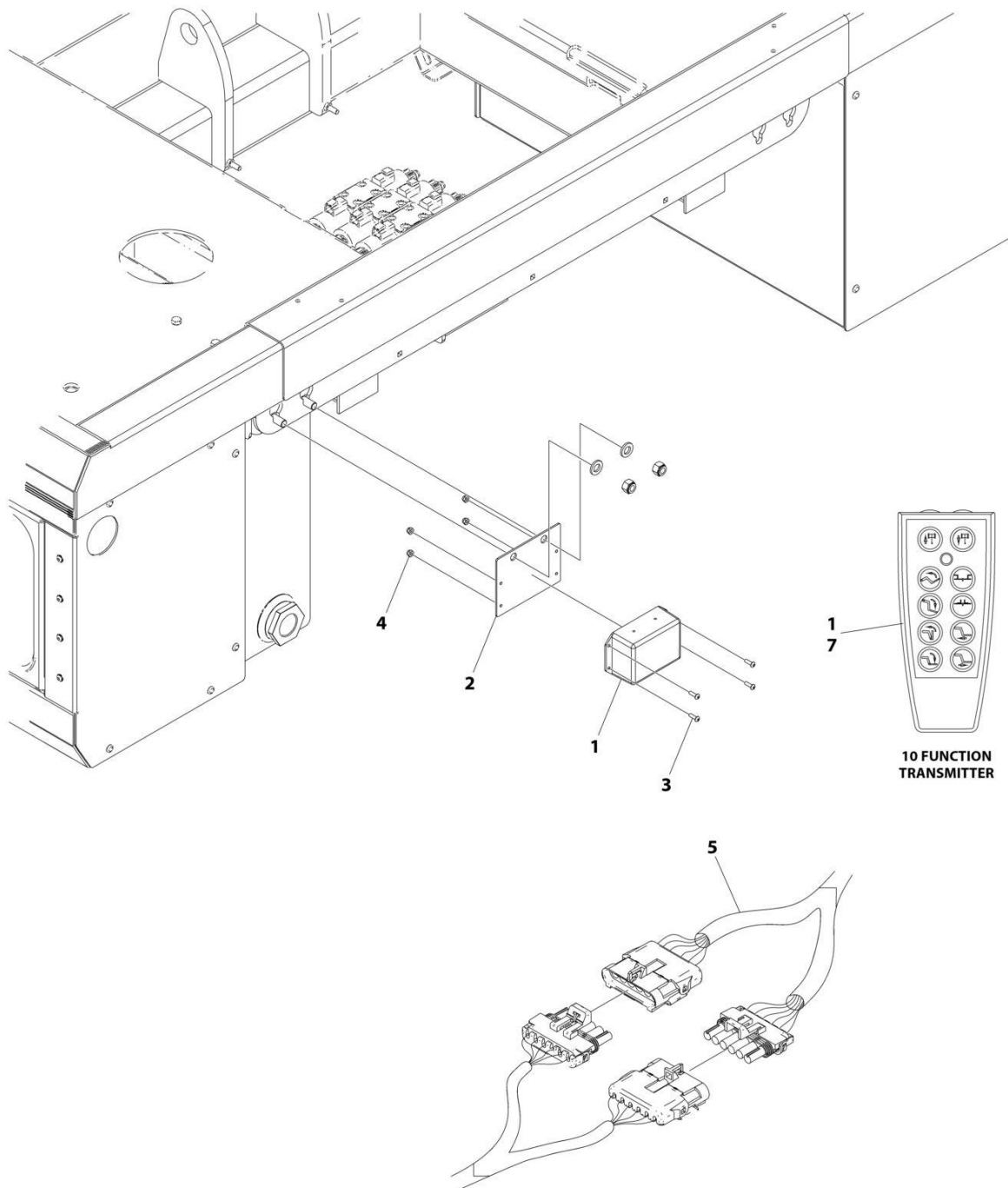
SECTION 7 - ELECTRICAL

FIGURE 7-62. REMOTE CONTROL INSTALLATION - 4 FUNCTION TOGGLE

ITEM	PART NUMBER	QTY	DESCRIPTION	REV
	2295000015	Ref	REMOTE CONTROL INSTALLATION	B
1	7295000116	1	Controller	
1	70051475	1	Transmitter	
1	70051465	1	Belt Clip	
1	70051466	1	Rubber Boot	
1	9295310049	1	Receiver	
2	4706005595	1	Plate	
3	7114100518	4	Screw #10 x 5/8	
4	7660102604	4	Nut #10	
5	7552000384	1	Remote Control Harness (See Separate Breakdown in this Section)	
6	5526000553	5	Tie-Strap (Not Shown)	
7	7075000003	1	Battery (Not Shown)	

SECTION 7 - ELECTRICAL

FIGURE 7-63. REMOTE CONTROL INSTALLATION - 5 FUNCTION TOGGLE



ART_2295000016

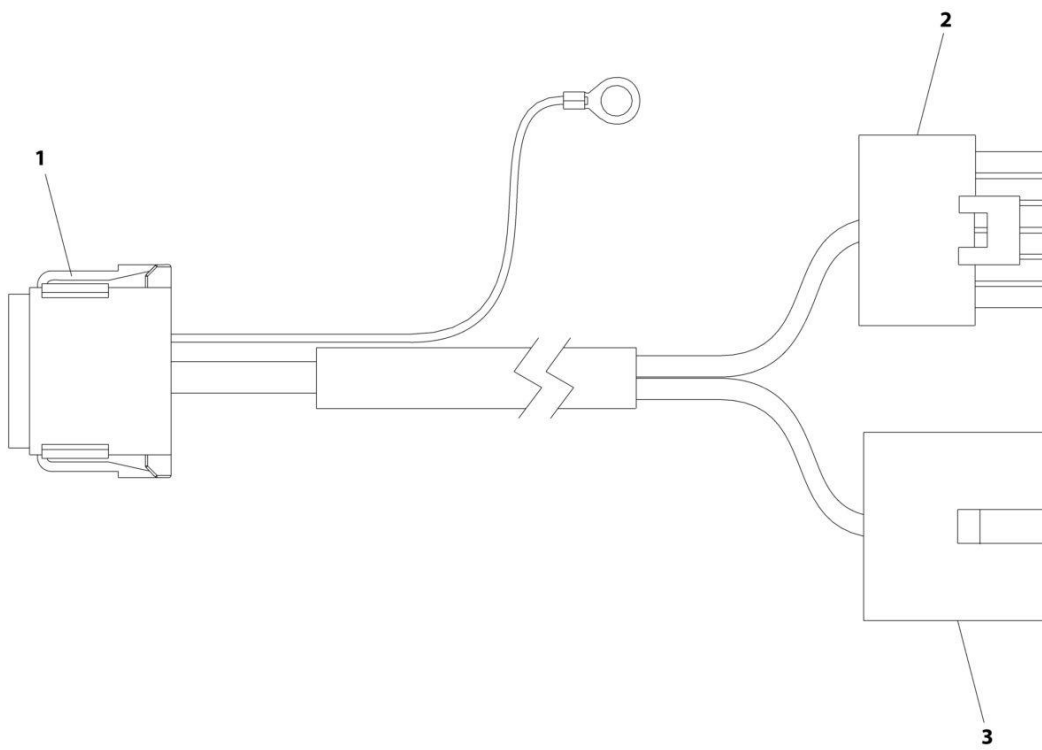
SECTION 7 - ELECTRICAL

FIGURE 7-63. REMOTE CONTROL INSTALLATION - 5 FUNCTION TOGGLE

ITEM	PART NUMBER	QTY	DESCRIPTION	REV
	2295000016	Ref	REMOTE CONTROL INSTALLATION - 5 FUNCTION TOGGLE	B
1	7295000117	1	Controller	C
1	70051476	1	Transmitter	
1	70051465	1	Belt Clip	
1	9295310050	1	Receiver	
2	4706005595	1	Plate	
3	7114100518	4	Screw #10 x 5/8	
4	7660102604	4	Nut #10	
5	7552000386	1	Harness, Wireless Remote (See Separate Breakdown in this Section)	
6	5526000553	5	Tie-Strap (Not Shown)	
7	7075000003	1	Battery	

SECTION 7 - ELECTRICAL

FIGURE 7-64. REMOTE CONTROL HARNESS - 4 FUNCTION TOGGLE



ART_7552000384

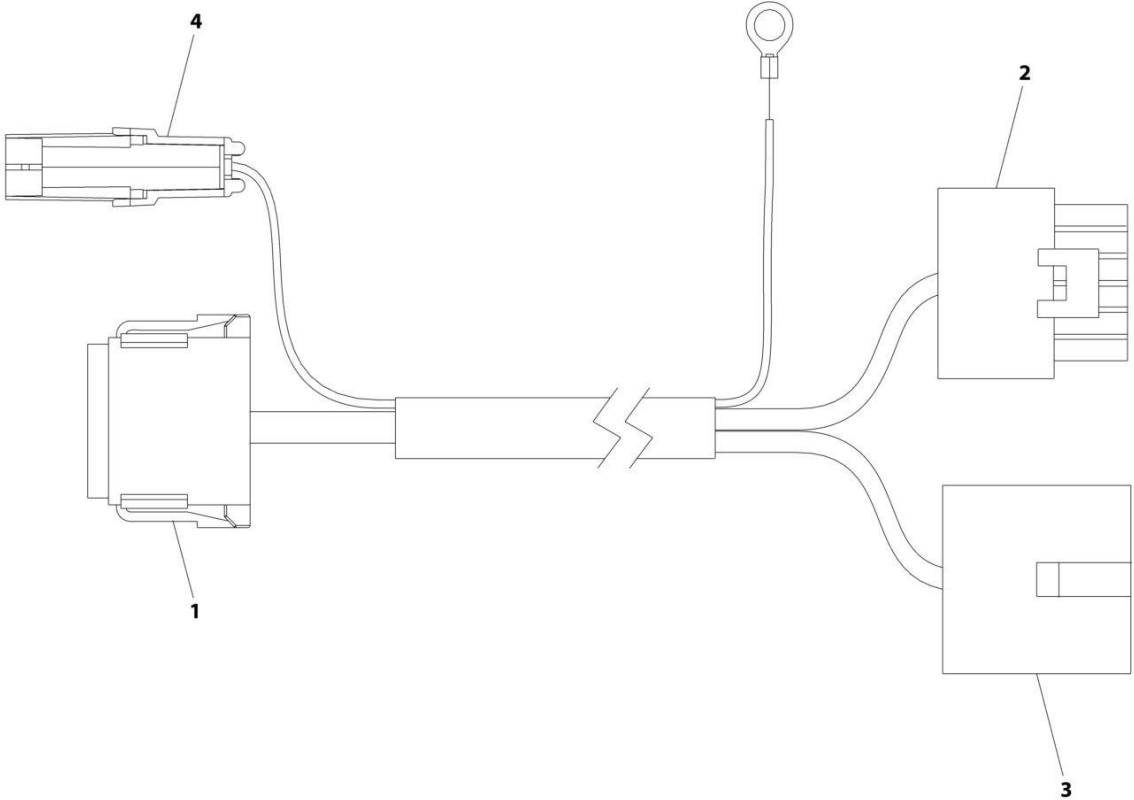
SECTION 7 - ELECTRICAL

FIGURE 7-64. REMOTE CONTROL HARNESS - 4 FUNCTION TOGGLE

ITEM	PART NUMBER	QTY	DESCRIPTION	REV
	7552000384	Ref	REMOTE CONTROL HARNESS - 4 FUNCTION TOGGLE	0
1	4460933	1	Plug Male - 12 Position	
1	4460465	11	Socket, Female	
1	4460466	1	Plug, Terminal	
2		Ref	Plug, Male - 6 Position	
2	4460457	4	Pin, Male	
2	4460458	6	Seal	
2	1001116727	2	Plug	
3		Ref	Receptacle, Female - 6 Position	
3	4460475	6	Pin, Male	
3	4460458	6	Seal	

SECTION 7 - ELECTRICAL

FIGURE 7-65. REMOTE CONTROL HARNESS - 5 FUNCTION TOGGLE



ART_7552000386

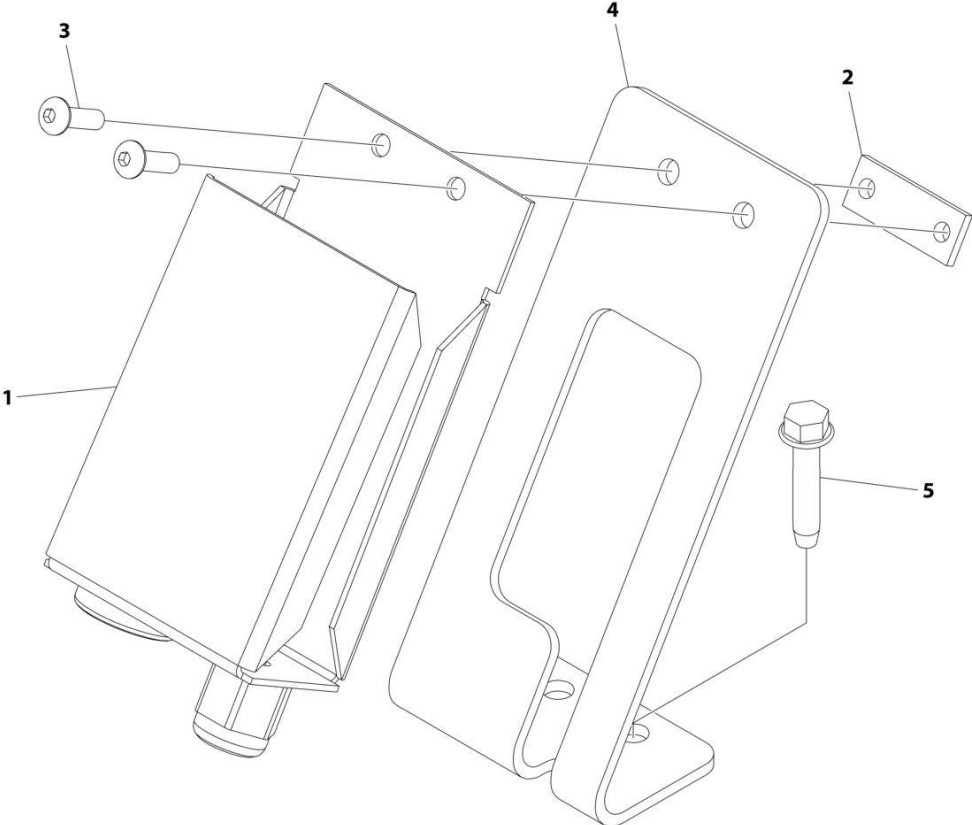
SECTION 7 - ELECTRICAL

FIGURE 7-65. REMOTE CONTROL HARNESS - 5 FUNCTION TOGGLE

ITEM	PART NUMBER	QTY	DESCRIPTION	REV
	7552000386	Ref	REMOTE CONTROL HARNESS - 5 FUNCTION TOGGLE	2
1	4460933	1	Plug Male - 12 Position	
1	4460465	11	Socket, Female	
1	4460466	1	Plug, Terminal	
2		Ref	Plug, Male - 6 Position	
2	4460457	4	Pin, Male	
2	4460458	6	Seal	
2	1001116727	2	Plug	
3		Ref	Receptacle, Female - 6 Position	
3	4460475	6	Pin, Male	
3	4460458	6	Seal	
4		Ref	Connector - 2 Position	
4	4460850	2	Pin, Male	
4	4460458	2	Seal	

SECTION 7 - ELECTRICAL

FIGURE 7-66. REMOTE CONTROL HOLDER INSTALLATION



ART_2002000031

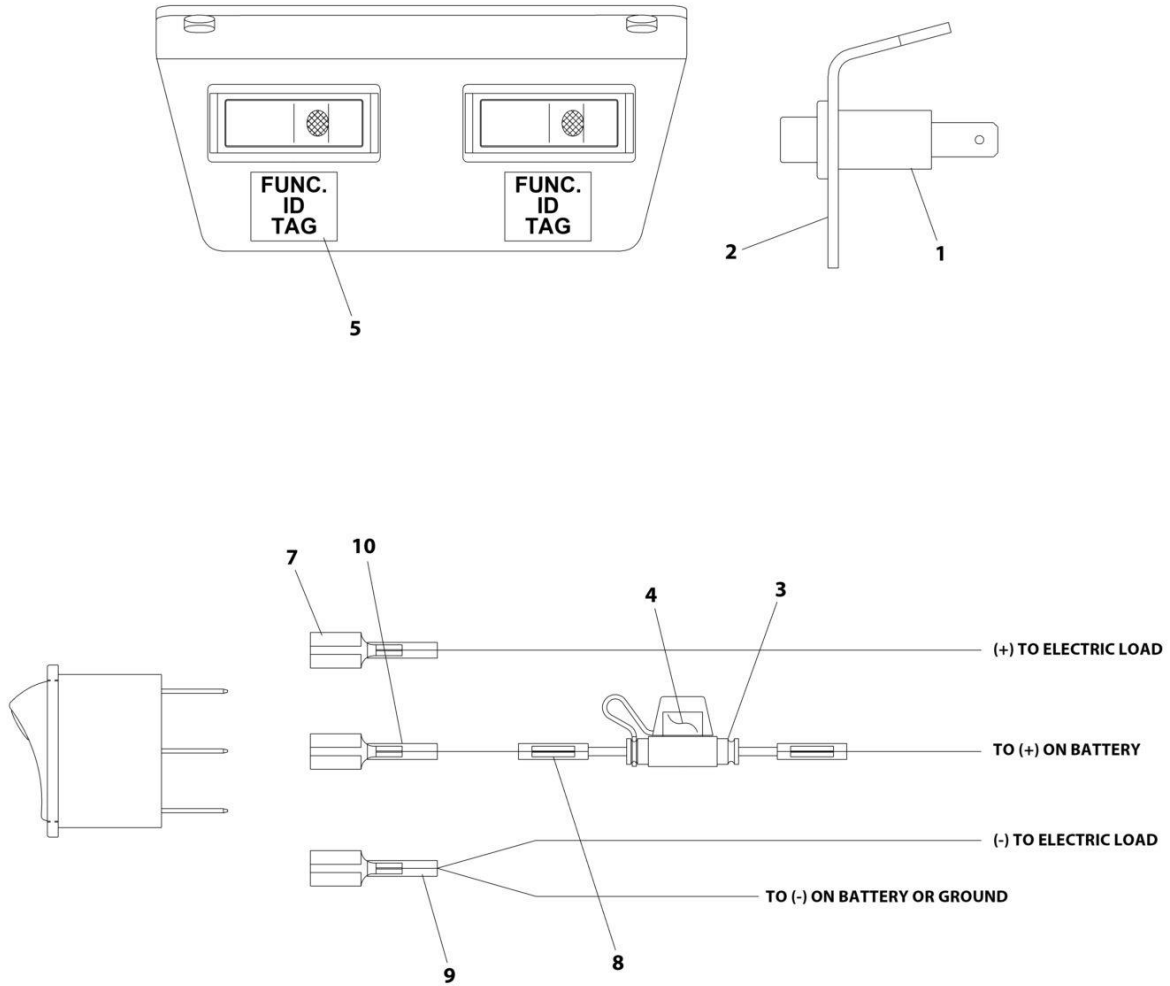
SECTION 7 - ELECTRICAL

FIGURE 7-66. REMOTE CONTROL HOLDER INSTALLATION

ITEM	PART NUMBER	QTY	DESCRIPTION	REV
	2002000031	Ref	Remote Control 6 Function U/L Transmitter Holder	D
1	7002000521	1	Accessory, Box	
2	7661000056	1	Nut #10	
3	7114100518	2	Screw #10 x 5/8	
4	1001230127	1	Mount	
5	7790142051	2	Screw 1/4 x 1-1/4	

SECTION 7 - ELECTRICAL

FIGURE 7-67. SWITCH PANEL INSTALLATION - 2 FUNCTION



ART_2870000012

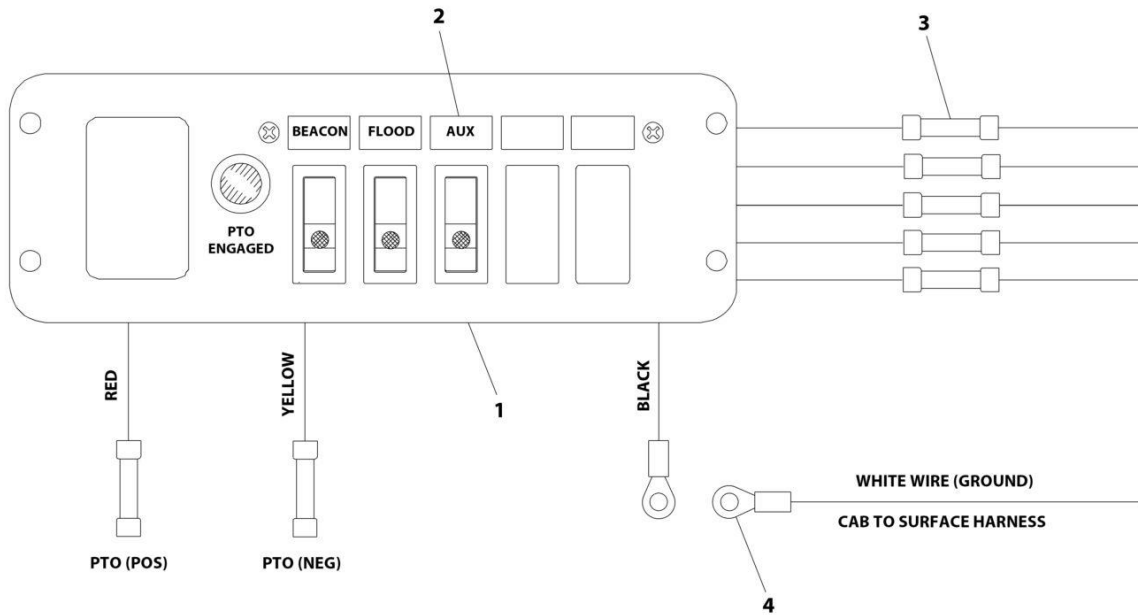
SECTION 7 - ELECTRICAL

FIGURE 7-67. SWITCH PANEL INSTALLATION - 2 FUNCTION

ITEM	PART NUMBER	QTY	DESCRIPTION	REV
	2870000012	Ref	SWITCH PANEL INSTALLATION - 2 FUNCTION	B
1	7870000083	2	Switch	
2	4178000427	1	Bracket	
3	7346000126	2	Fuse Holder	
4	7457000015	2	Fuse	
5	7330000288	1	Decal	
6	7120000034	2	Screw #10 x 3/4 (Not Shown)	
7	7345001710	4	Tab	
8	7345001914	4	Terminal	
9	4346000005	10	Heat Shrink Tubing	
10	7345001910	2	Tab	

SECTION 7 - ELECTRICAL

FIGURE 7-68. SWITCH PANEL INSTALLATION - 3 FUNCTION (IN DASH COMPACT) (SN 0230004211 through 0230009707)



ART_1001135700

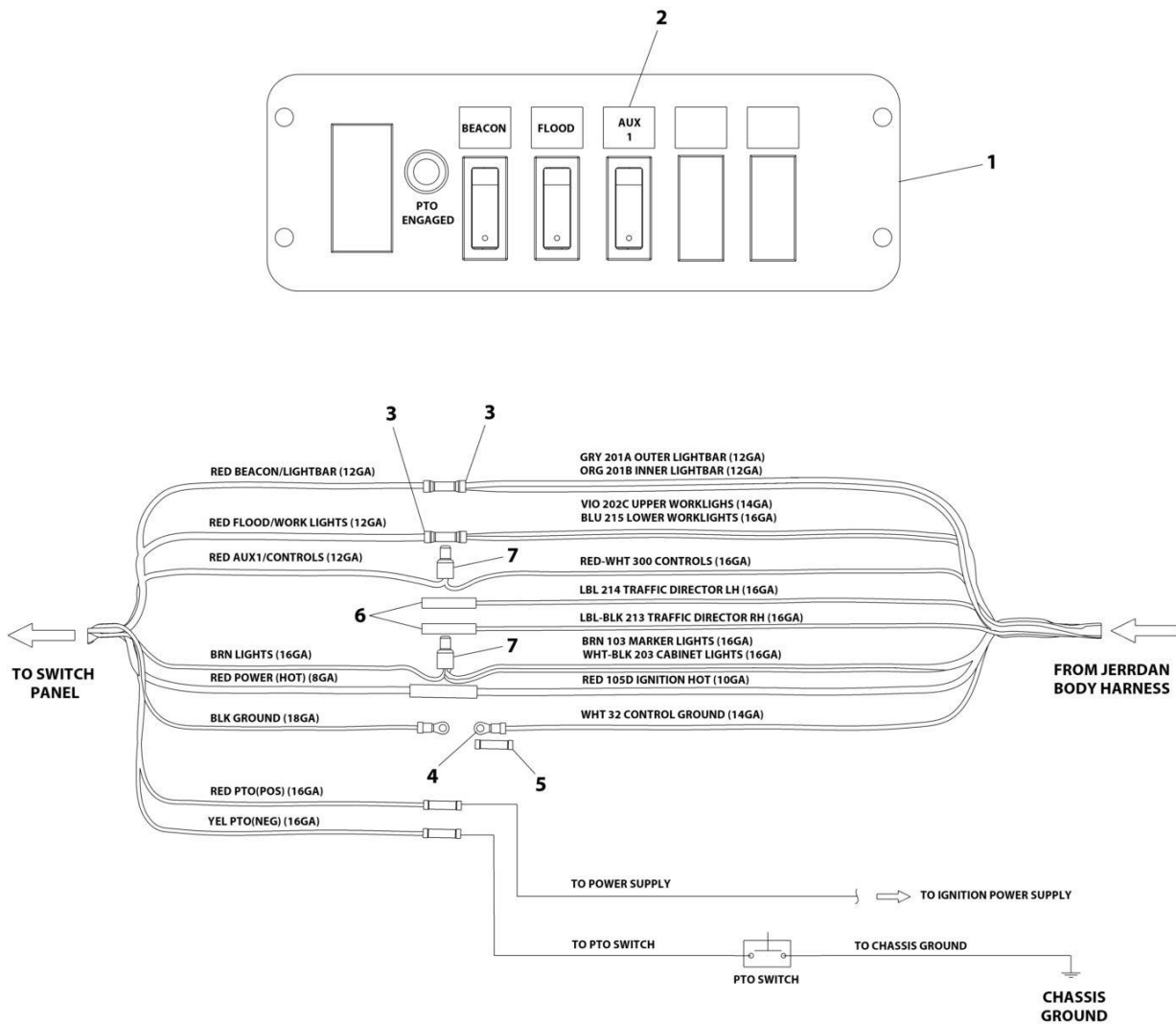
SECTION 7 - ELECTRICAL

FIGURE 7-68. SWITCH PANEL INSTALLATION - 3 FUNCTION (IN DASH COMPACT) (SN 0230004211 through 0230009707)

ITEM	PART NUMBER	QTY	DESCRIPTION	REV
	1001135700	Ref	3 Function In-Dash Compact Installation	B
1	7870000100	1	Switch Panel	
2	7330000288	1	Decal	
3	7345001913	4	Connector	
4	7345211701	1	Terminal	
4	7345001713	1	Connector	
5	4346000005	1	Heat Shrink (Not Shown)	

SECTION 7 - ELECTRICAL

FIGURE 7-69. SWITCH PANEL INSTALLATION - 3 FUNCTION (IN DASH COMPACT) (SN 0230009708 to Present)



ART_1001266075

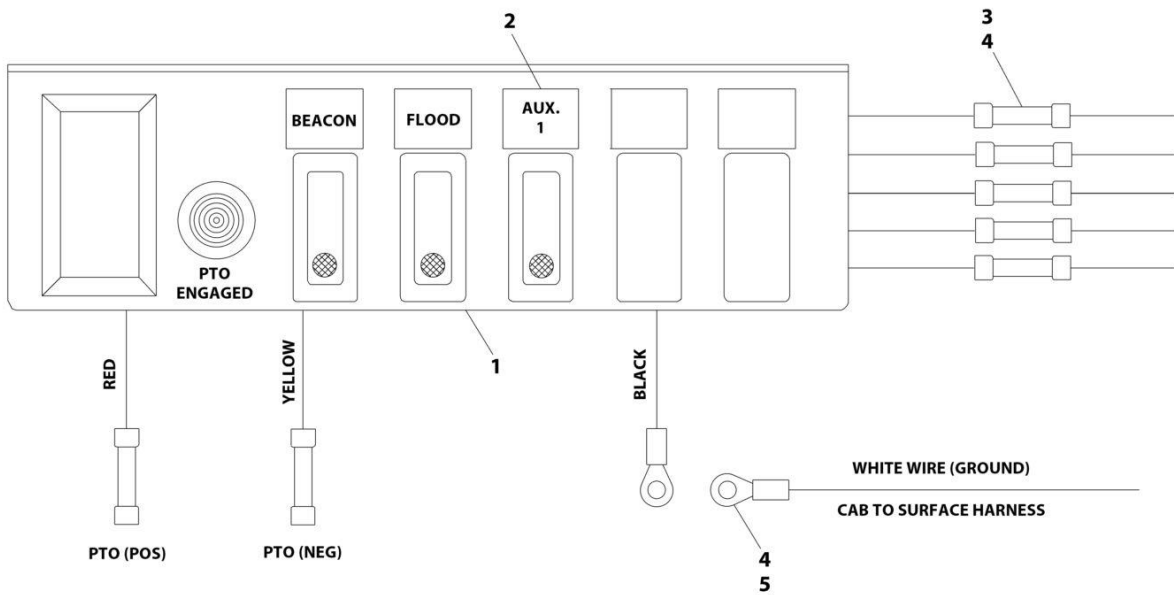
SECTION 7 - ELECTRICAL

FIGURE 7-69. SWITCH PANEL INSTALLATION - 3 FUNCTION (IN DASH COMPACT) (SN 0230009708 to Present)

ITEM	PART NUMBER	QTY	DESCRIPTION	REV
	1001266075	Ref	3 FUNCTION IN-DASH COMPACT INSTALLATION	A
1	7870000100	1	Switch Panel	
2	7330000288	1	Decal	
3	4460018	2	Terminal	
4	4460042	1	Terminal	
5	4460035	1	Terminal	
6	4346000005	2	Heat Shrink	
7	7346000242	2	Connector	

SECTION 7 - ELECTRICAL

FIGURE 7-70. SWITCH PANEL INSTALLATION - 3 FUNCTION (UNDER DASH COMPACT) (SN 0230004211 through 0230009707)



ART_1001135756

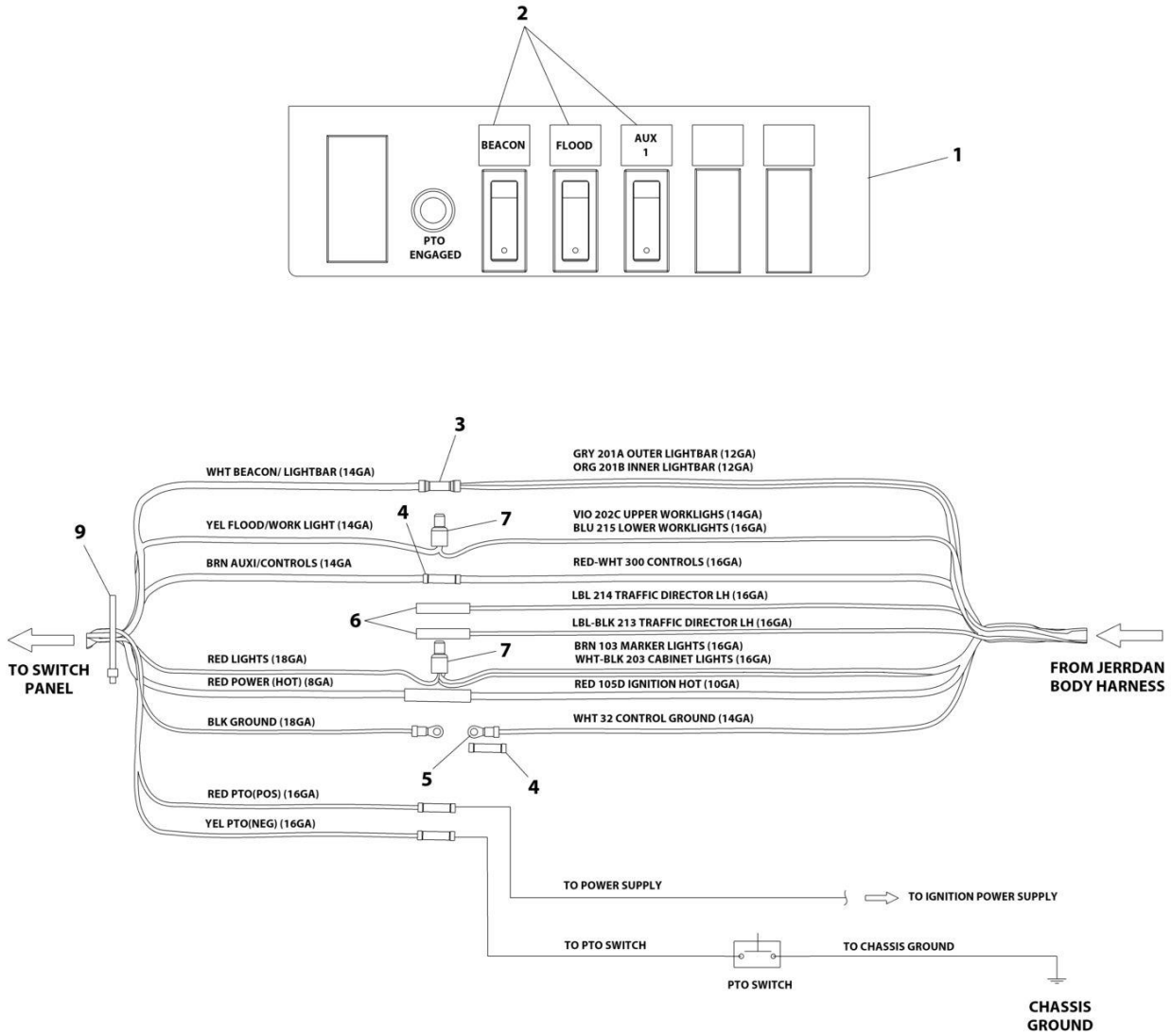
SECTION 7 - ELECTRICAL

FIGURE 7-70. SWITCH PANEL INSTALLATION - 3 FUNCTION (UNDER DASH COMPACT) (SN 0230004211 through 0230009707)

ITEM	PART NUMBER	QTY	DESCRIPTION	REV
	1001135756	1	3 Function Under-Dash Compact Assembly	B
1	7870000134	1	Switch Panel	
2	7330000288	1	Decal	
3	7346000242	2	Connector	
4	7345001713	4	Connector	
5	7345211701	1	Terminal	
6	4346000005	1	Heat Shrink (Not Shown)	
7	8597650003	2	Wire (Not Shown)	
8	5526000553	6	Tie Strap (Not Shown)	

SECTION 7 - ELECTRICAL

FIGURE 7-71. SWITCH PANEL INSTALLATION - 3 FUNCTION (UNDER DASH COMPACT) (SN 0230009708 to Present)



ART_1001266355

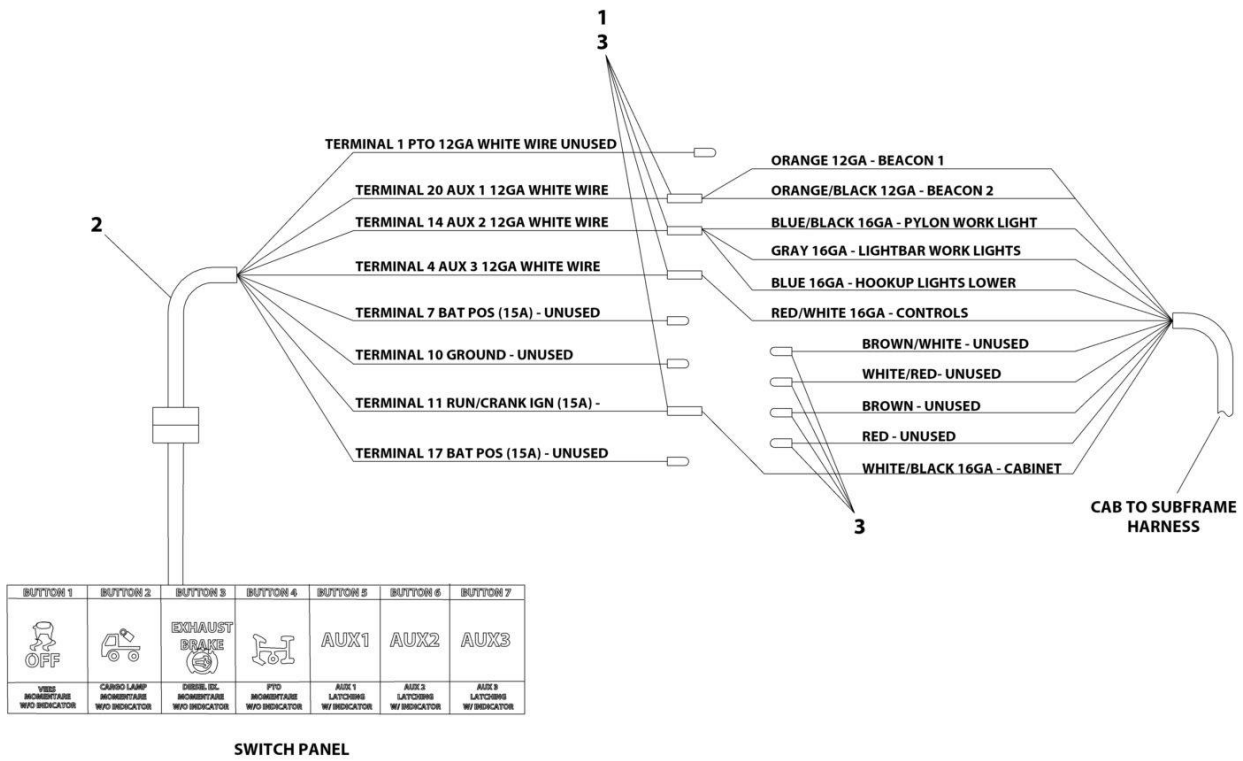
SECTION 7 - ELECTRICAL

FIGURE 7-71. SWITCH PANEL INSTALLATION - 3 FUNCTION (UNDER DASH COMPACT) (SN 0230009708 to Present)

ITEM	PART NUMBER	QTY	DESCRIPTION	REV
	1001266355	Ref	3 FUNCTION UNDER-DASH COMPACT INSTALLATION	A
1	7870000134	1	Switch Panel	
2	7330000288	1	Decal	
3	4460018	1	Terminal	
4	4460035	2	Terminal	
5	4460042	1	Terminal	
6	4346000005	2	Heat Shrink	
7	7346000242	2	Connector	
8	8597650003	2 ft	Wire (Not Shown)	
9	5526000553	6	Tie Strap	

SECTION 7 - ELECTRICAL

FIGURE 7-72. SWITCH PANEL INSTALLATION - 3/4 FUNCTION (CV515 2019+ OEM) (SN 0230004211 through 0230009707)



ART_1001255415

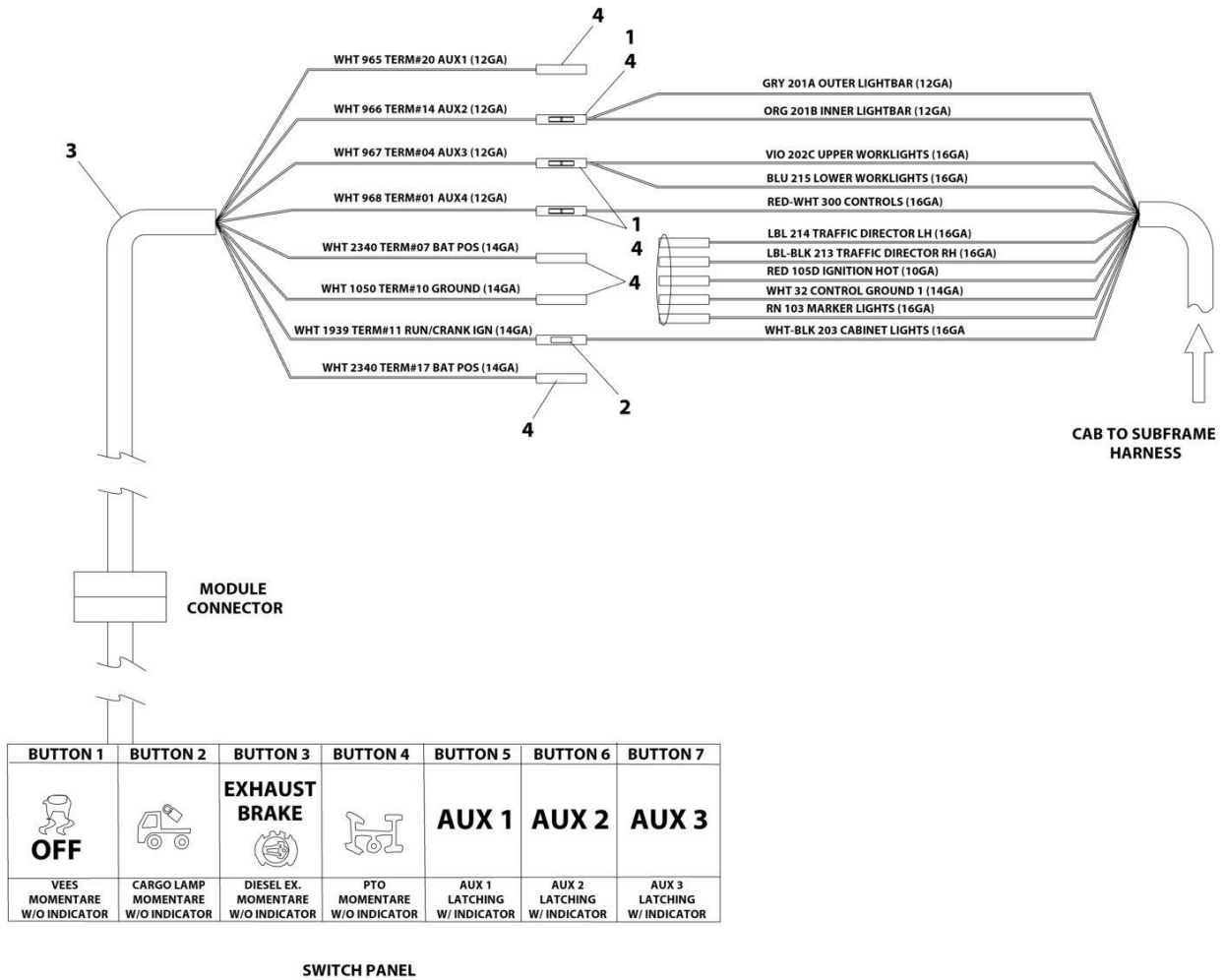
SECTION 7 - ELECTRICAL

FIGURE 7-72. SWITCH PANEL INSTALLATION - 3/4 FUNCTION (CV515 2019+ OEM) (SN 0230004211 through 0230009707)

ITEM	PART NUMBER	QTY	DESCRIPTION	REV
	1001255415	Ref	SWITCH OEM PANEL INSTALLATION, 3/4 FUNCTION, 2019 CV515	C
1	7345001914	5	Terminal	
2	1001254044	1	Harness	
3	7346000039	AR	Heat Shrink, Tubing	

SECTION 7 - ELECTRICAL

FIGURE 7-73. SWITCH PANEL INSTALLATION - 3/4 FUNCTION (CV515 2019+ OEM) (SN 0230009708 to Present)



ART_1001267982

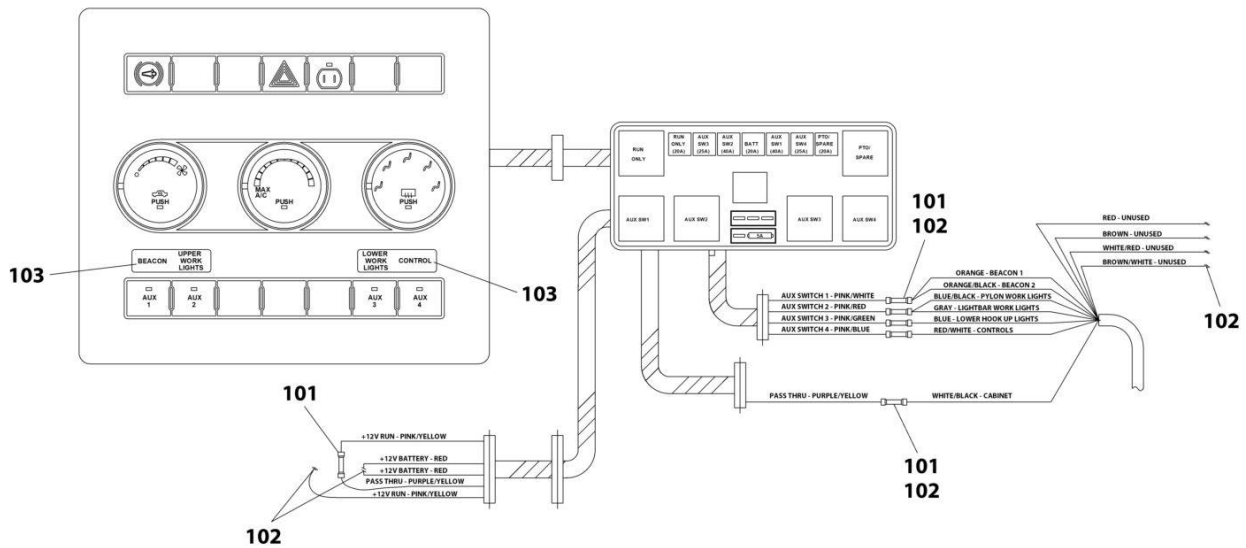
SECTION 7 - ELECTRICAL

FIGURE 7-73. SWITCH PANEL INSTALLATION - 3/4 FUNCTION (CV515 2019+ OEM) (SN 0230009708 to Present)

ITEM	PART NUMBER	QTY	DESCRIPTION	REV
	1001267982	Ref	SWITCH PANEL INSTALLATION - 3/4 FUNCTION, 2019 CV C-PUMP	A
1	7345001914	4	Terminal	
2	7345001714	1	Terminal	
3	1001254044	1	Harness	
4	4346000005	10	Heat Shrink, Tubing	

SECTION 7 - ELECTRICAL

FIGURE 7-74. SWITCH PANEL INSTALLATION - 4 FUNCTION (DODGE 2011+ OEM) (SN 0230004211 through 0230009707)



ART_1001123375

SECTION 7 - ELECTRICAL

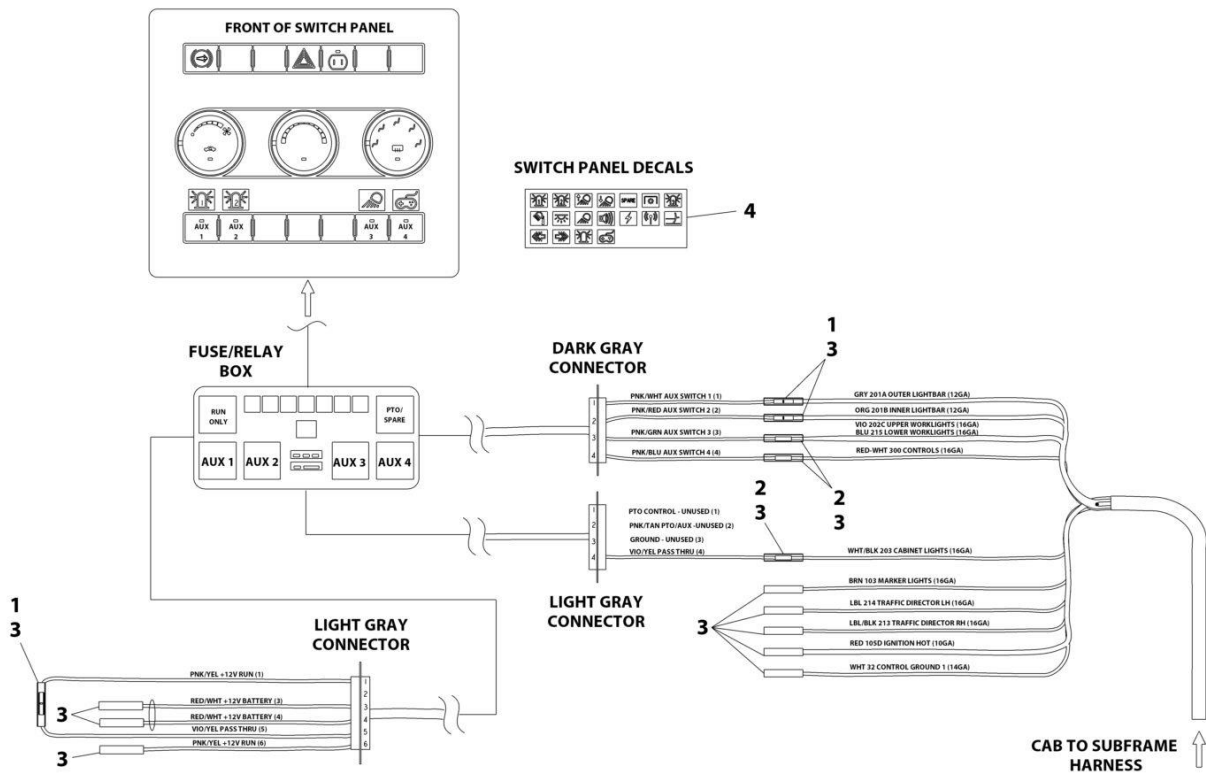
FIGURE 7-74. SWITCH PANEL INSTALLATION - 4 FUNCTION (DODGE 2011+ OEM) (SN 0230004211 through 0230009707)

ITEM	PART NUMBER	QTY	DESCRIPTION	REV
	1001123375	Ref	SWITCH PANEL INSTALLATION - 4 FUNCTION (DODGE OEM)	B
1	2870000030	Ref	Switch Installation (Includes Item 101-103) (Not Shown)	
101	7345001914	8	Terminal	
102	7346000039	AR	Tubing	
103	7330000872	1	Decal	

SECTION 7 - ELECTRICAL

FIGURE 7-75. SWITCH PANEL INSTALLATION - 4 FUNCTION (DODGE 2011+ OEM) (SN 0230009708 to Present)

2011 - 2012 DODGE



ART_1001267964

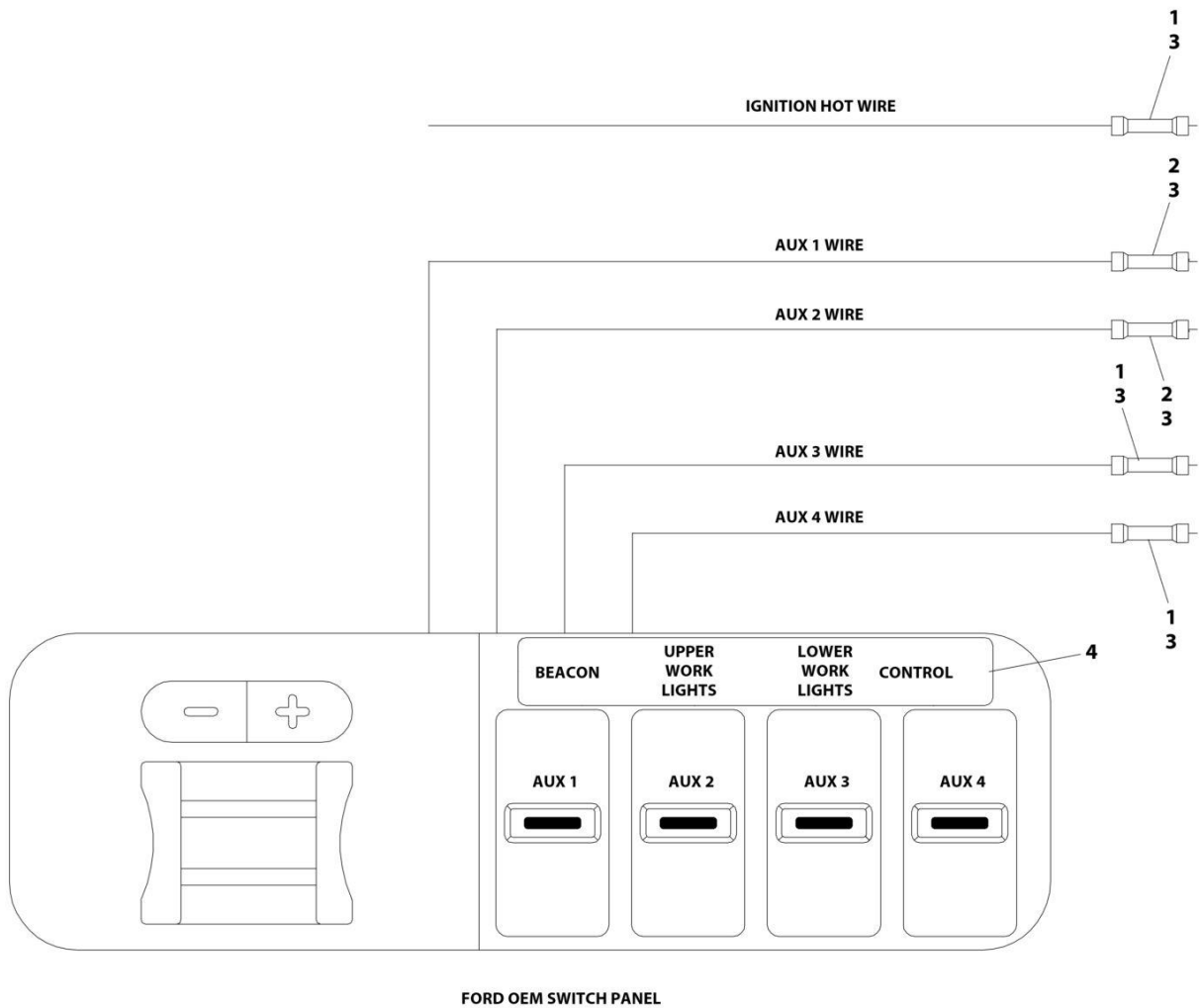
SECTION 7 - ELECTRICAL

FIGURE 7-75. SWITCH PANEL INSTALLATION - 4 FUNCTION (DODGE 2011+ OEM) (SN 0230009708 to Present)

ITEM	PART NUMBER	QTY	DESCRIPTION	REV
	1001267964	Ref	SWITCH PANEL INSTALLATION - 4 FUNCTION (DODGE 2011)	A
1	7345001914	3	Terminal	
2	7345001714	3	Terminal	
3	4346000005	14	Heat Shrink Tubing	
4	1001221375	1	Decal	

SECTION 7 - ELECTRICAL

FIGURE 7-76. SWITCH PANEL INSTALLATION - 4 FUNCTION (FORD F45-F550 2011-2016) (SN 0230004211 through 0230009707)



ART_1001135519

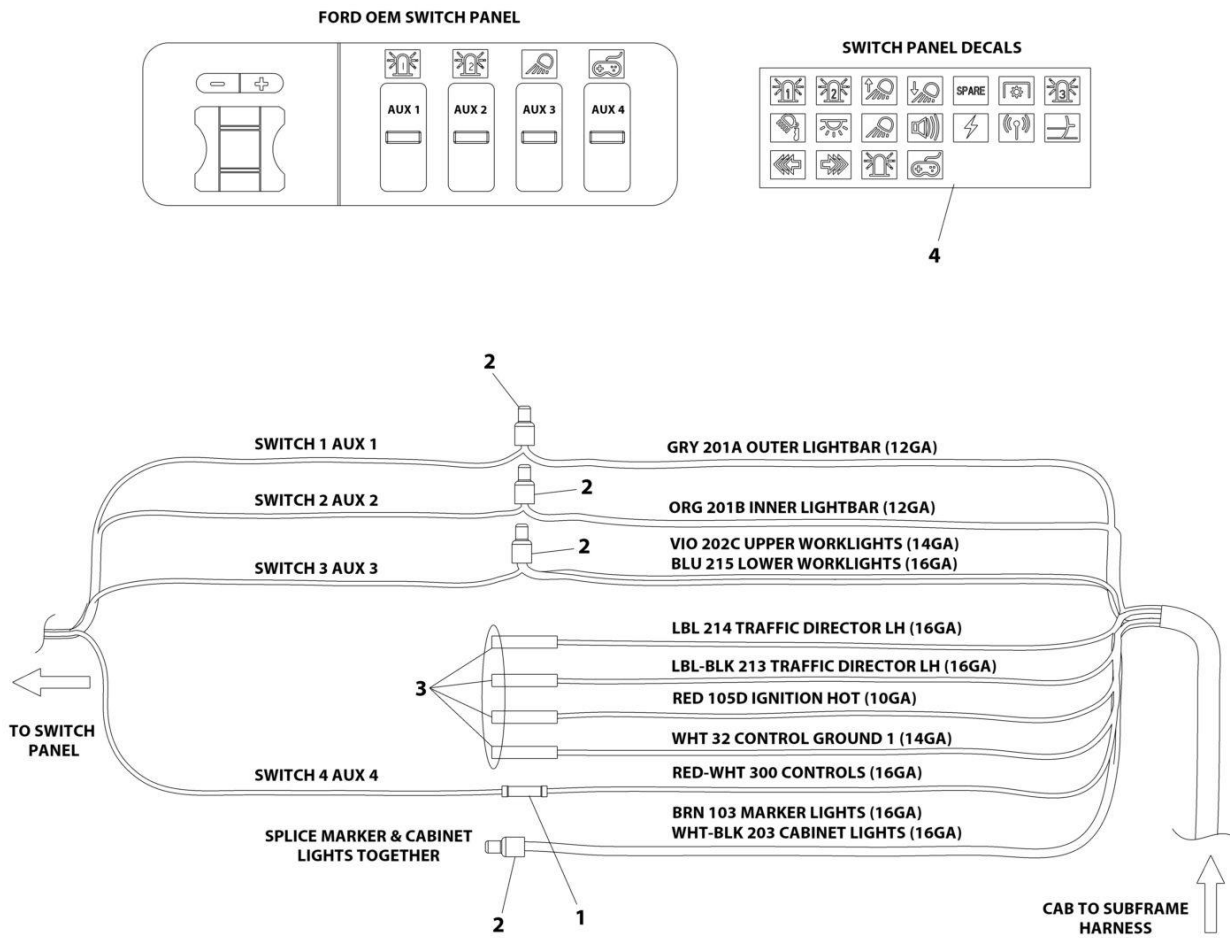
SECTION 7 - ELECTRICAL

FIGURE 7-76. SWITCH PANEL INSTALLATION - 4 FUNCTION (FORD F45-F550 2011-2016) (SN 0230004211 through 0230009707)

ITEM	PART NUMBER	QTY	DESCRIPTION	REV
	1001135519	Ref	SWITCH PANEL INSTALLATION - 4 FUNCTION (FORD F450/F550 2011-2016 OEM)	B
1	7345001713	3	Connector	
2	7346000242	2	Connector	
3	4346000005	4	Heat Shrink Tubing	
4	7330000630	1	Decal	

SECTION 7 - ELECTRICAL

FIGURE 7-77. SWITCH PANEL INSTALLATION - 4 FUNCTION (FORD F45-F550 2011-2016) (SN 0230009708 to Present)



ART_1001265657

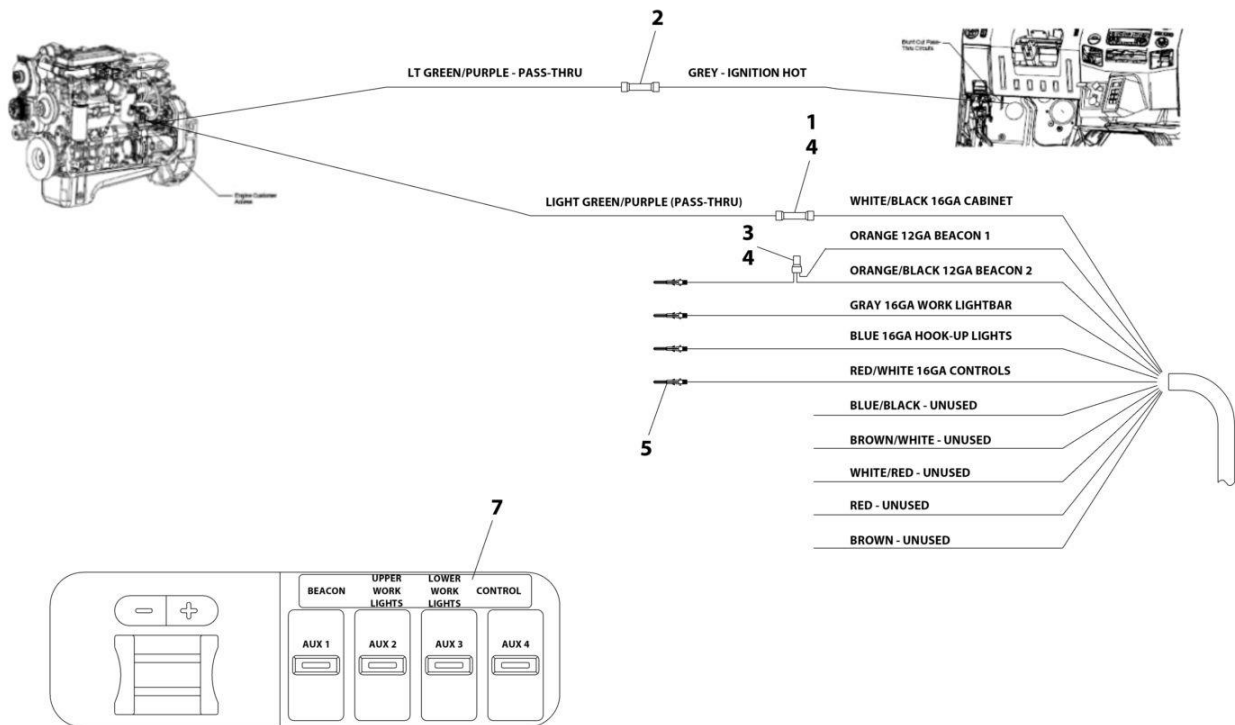
SECTION 7 - ELECTRICAL

FIGURE 7-77. SWITCH PANEL INSTALLATION - 4 FUNCTION (FORD F45-F550 2011-2016) (SN 0230009708 to Present)

ITEM	PART NUMBER	QTY	DESCRIPTION	REV
	1001265657	Ref	SWITCH PANEL INSTALLATION - 4 FUNCTION (FORD 2011-2016)	A
1	4460035	1	Connector	
2	7346000242	4	Connector	
3	4346000005	4	Heat Shrink Tubing	
4	1001221375	1	Decal	

SECTION 7 - ELECTRICAL

FIGURE 7-78. SWITCH PANEL INSTALLATION - 4 FUNCTION (FORD F650-F750 OEM) (SN 0230004211 through 0230009707)



ART_1001135521

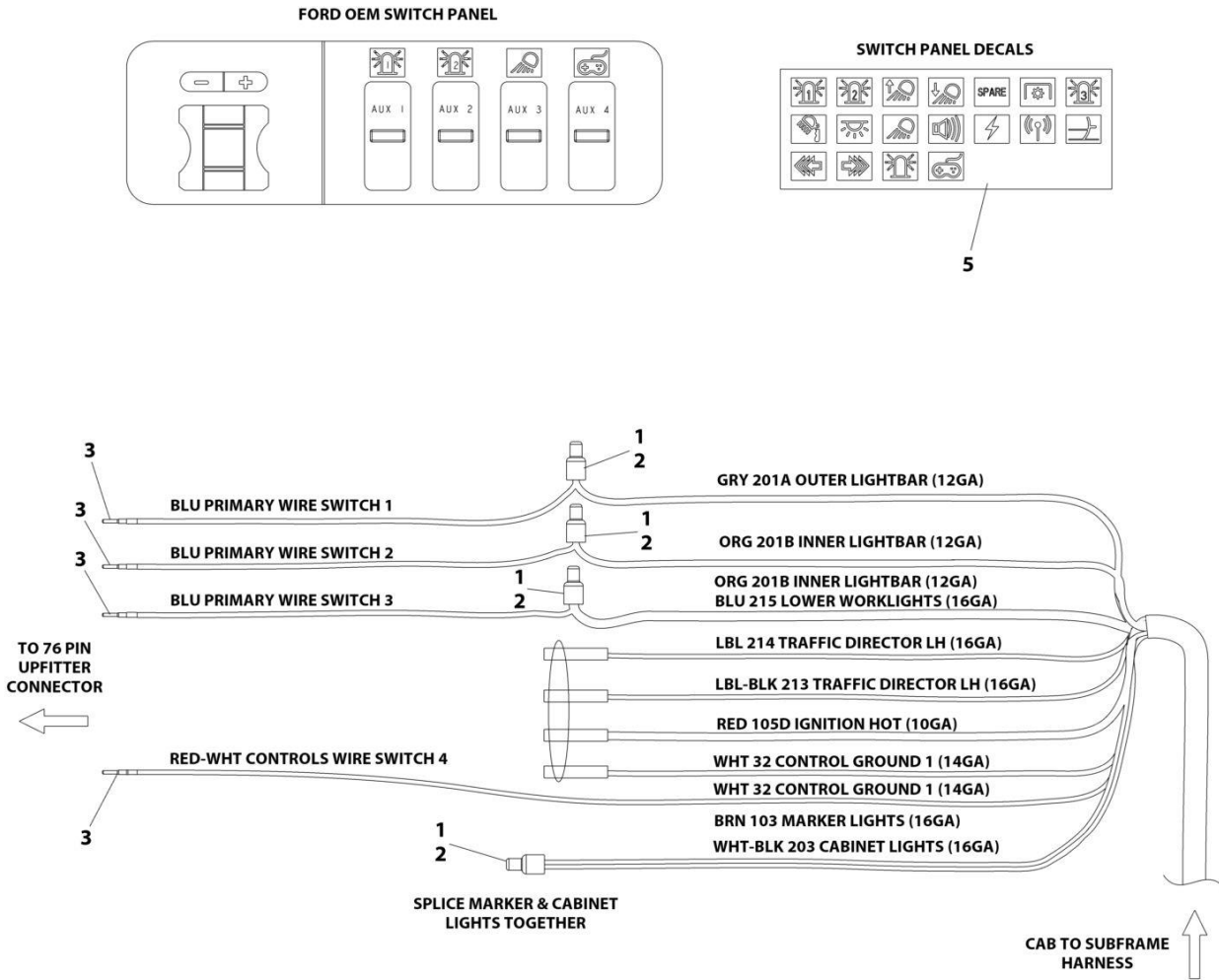
SECTION 7 - ELECTRICAL

FIGURE 7-78. SWITCH PANEL INSTALLATION - 4 FUNCTION (FORD F650-F750 OEM) (SN 0230004211 through 0230009707)

ITEM	PART NUMBER	QTY	DESCRIPTION	REV
	1001135521	Ref	SWITCH PANEL INSTALLATION - 4 FUNCTION (FORD F650/F750 2011+OEM)	B
1	7345001714	1	Terminal	
2	7345001713	1	Connector	
3	7346000242	1	Connector	
4	4346000005	7	Heat Shrink Tubing	
5	1001129095	4	Terminal	
7	7330000630	1	Decal	

SECTION 7 - ELECTRICAL

FIGURE 7-79. SWITCH PANEL INSTALLATION - 4 FUNCTION (FORD F650-F750 OEM) (SN 0230009708 to Present)



ART_1001265877

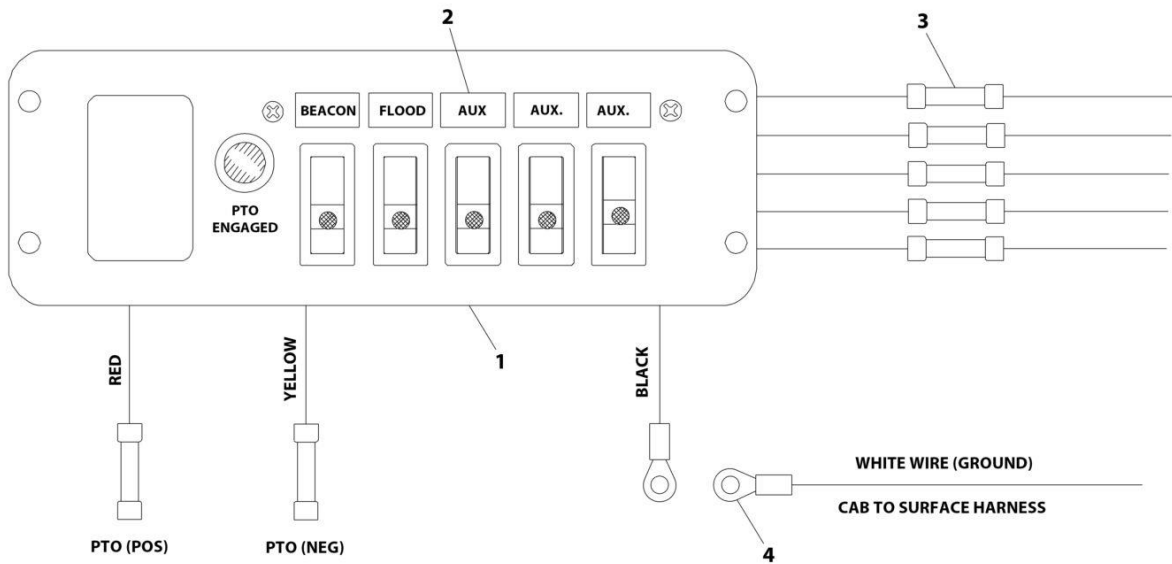
SECTION 7 - ELECTRICAL

FIGURE 7-79. SWITCH PANEL INSTALLATION - 4 FUNCTION (FORD F650-F750 OEM) (SN 0230009708 to Present)

ITEM	PART NUMBER	QTY	DESCRIPTION	REV
	1001265877	Ref	SWITCH PANEL INSTALLATION - 4 FUNCTION (FORD F650/750 OEM)	A
1	7346000242	4	Connector	
2	4346000005	8	Heat Shrink Tubing	
3	1001129095	4	Terminal	
5	1001221375	1	Decal	

SECTION 7 - ELECTRICAL

FIGURE 7-80. SWITCH PANEL INSTALLATION - 5 FUNCTION (IN DASH COMPACT) (SN 0230004211 through 0230009707)



ART_1001135701

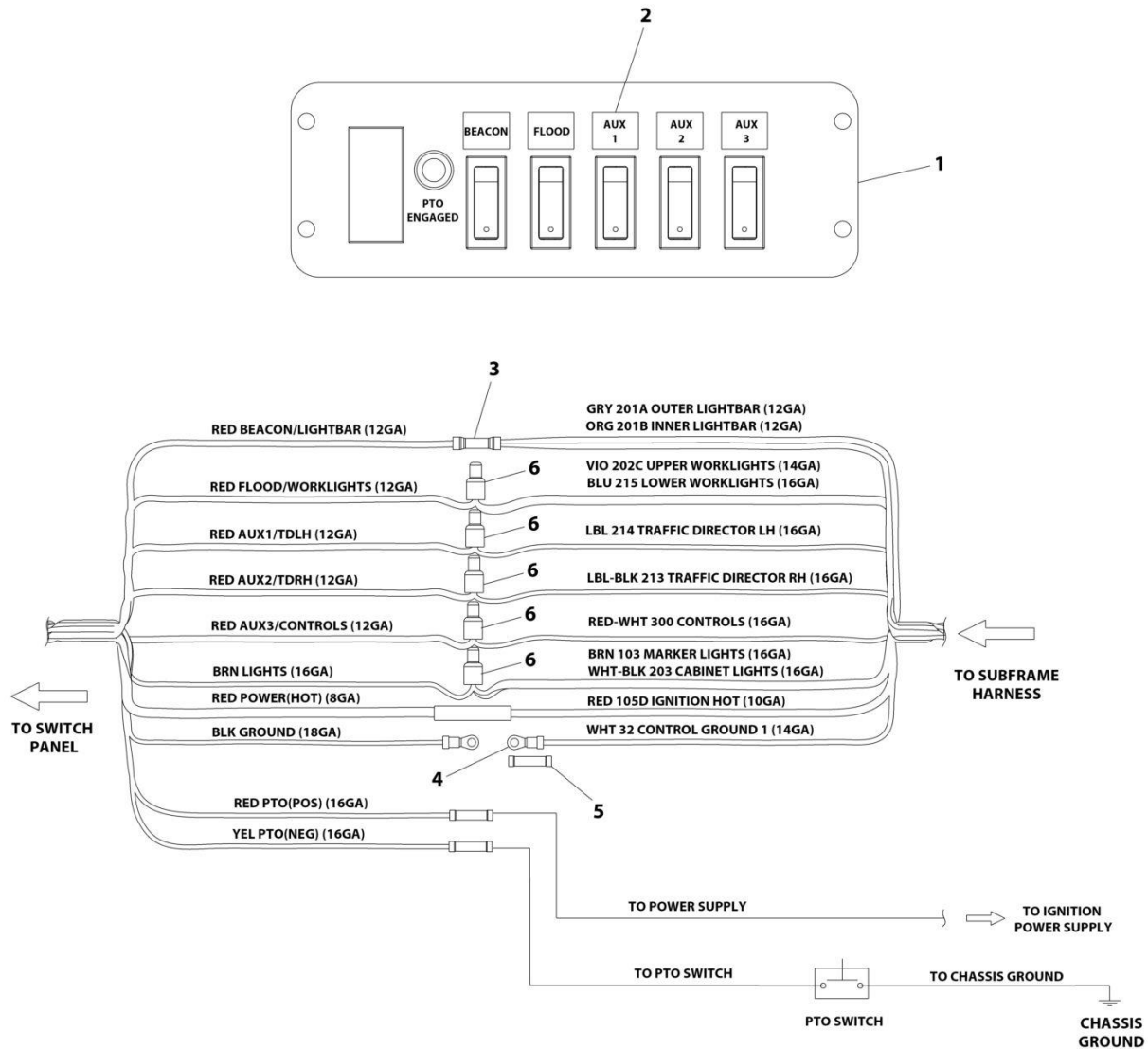
SECTION 7 - ELECTRICAL

FIGURE 7-80. SWITCH PANEL INSTALLATION - 5 FUNCTION (IN DASH COMPACT) (SN 0230004211 through 0230009707)

ITEM	PART NUMBER	QTY	DESCRIPTION	REV
	1001135701	Ref	5 FUNCTION IN-DASH COMPACT SWITCH PANEL ASSEMBLY	B
1	7870000106	1	Switch Panel	
2	7330000288	1	Decal	
3	7345001913	6	Connector	
4	7345211701	1	Terminal	
4	7345001713	1	Connector	

SECTION 7 - ELECTRICAL

FIGURE 7-81. SWITCH PANEL INSTALLATION - 5 FUNCTION (IN DASH COMPACT) (SN 0230009708 to Present)



ART_1001266357

SECTION 7 - ELECTRICAL

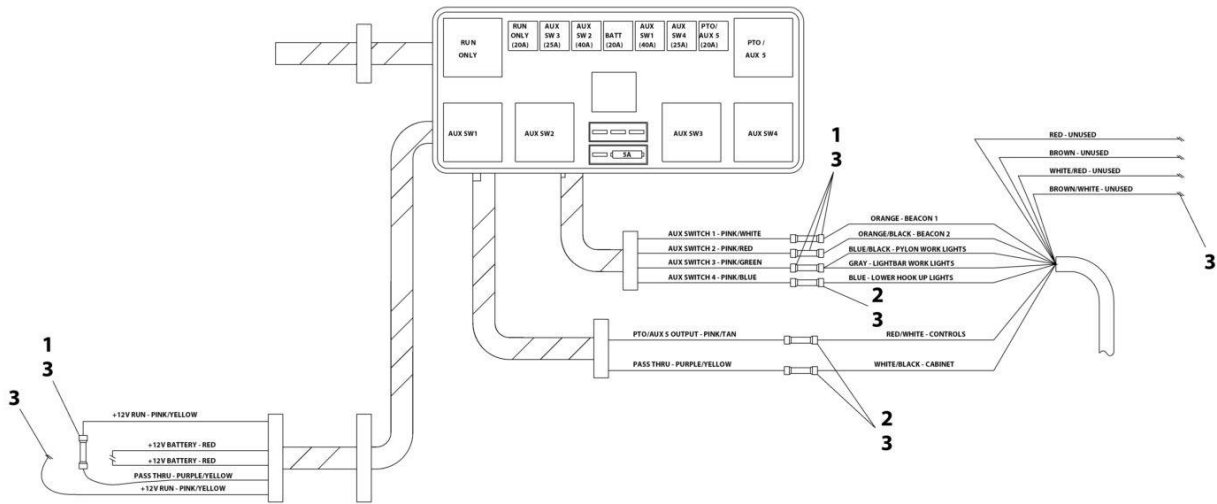
FIGURE 7-81. SWITCH PANEL INSTALLATION - 5 FUNCTION (IN DASH COMPACT) (SN 0230009708 to Present)

ITEM	PART NUMBER	QTY	DESCRIPTION	REV
	1001266357	Ref	5 FUNCTION IN-DASH COMPACT SWITCH PANEL ASSEMBLY	A
1	7870000106	1	Switch Panel	
2	7330000288	1	Decal	
3	4460018	1	Terminal	
4	4460042	1	Terminal	
5	4460035	1	Terminal	
6	7346000242	5	Connector	

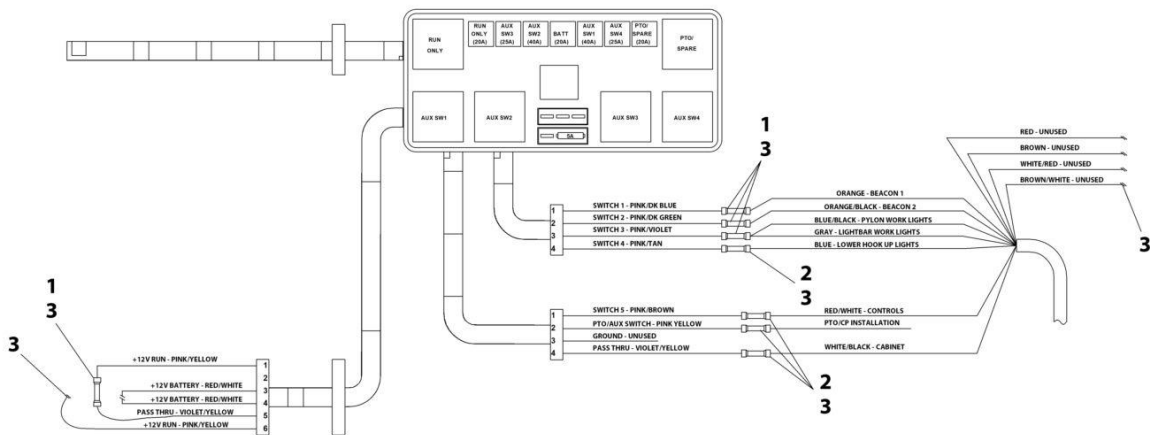
SECTION 7 - ELECTRICAL

FIGURE 7-82. SWITCH PANEL INSTALLATION - 5 FUNCTION (IN DASH - DODGE 2013+) (SN 0230004211 through 0230009707)

MODEL YEARS 2013-2018



MODEL YEARS 2019+



ART_1001161481

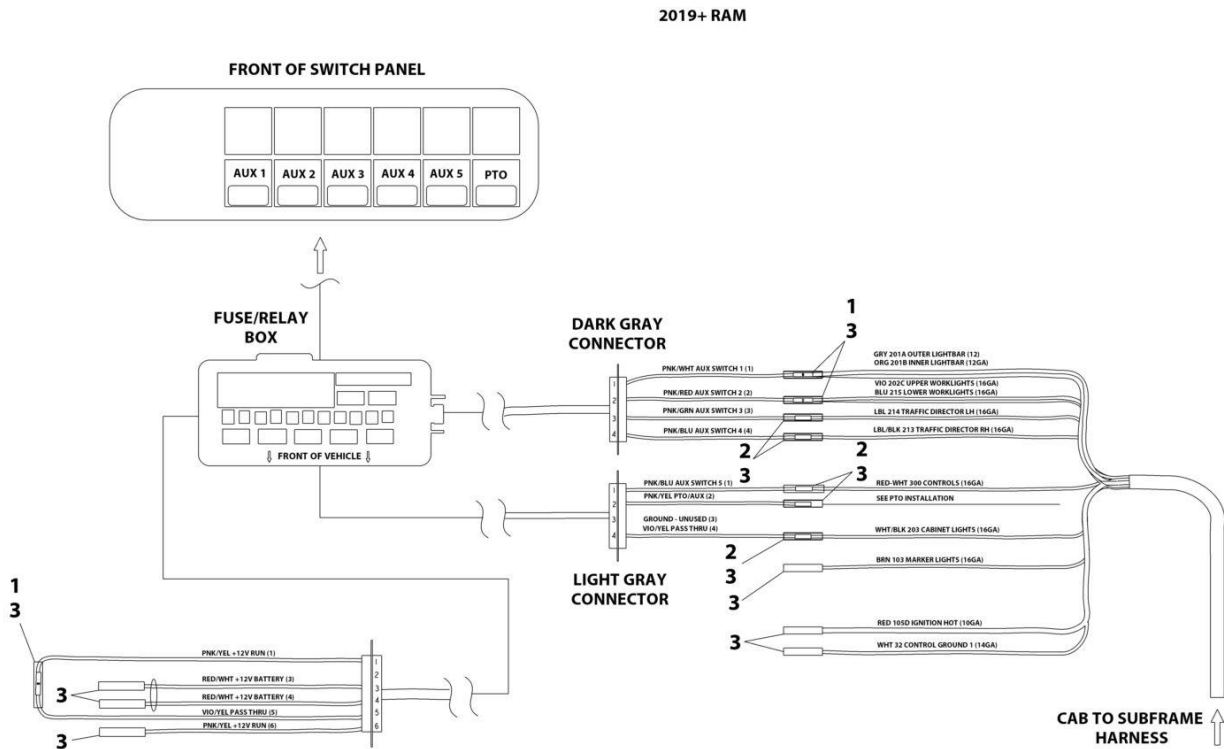
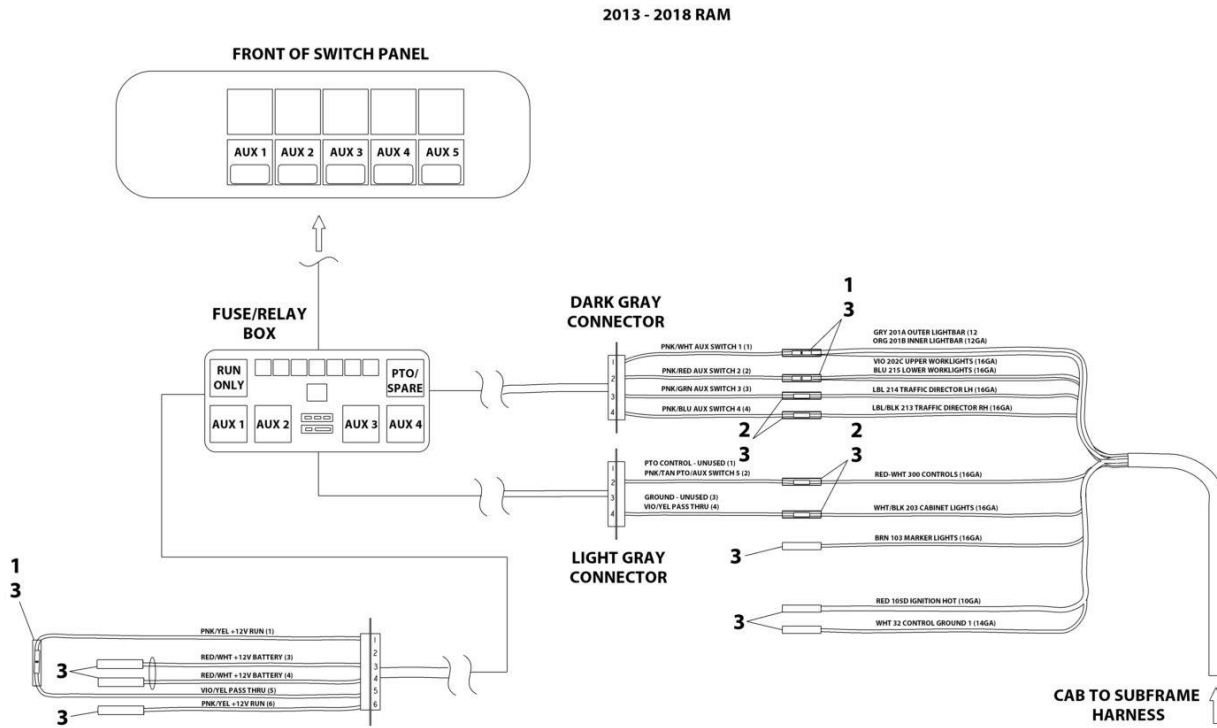
SECTION 7 - ELECTRICAL

FIGURE 7-82. SWITCH PANEL INSTALLATION - 5 FUNCTION (IN DASH - DODGE 2013+) (SN 0230004211 through 0230009707)

ITEM	PART NUMBER	QTY	DESCRIPTION	REV
	1001161481	Ref	SWITCH PANEL INSTALLATION - 5 FUNCTION (DODGE OEM)	C
1	7345001914	4	Terminal	
2	7345001714	4	Terminal	
3	7346000039	AR	Tubing	

SECTION 7 - ELECTRICAL

FIGURE 7-83. SWITCH PANEL INSTALLATION - 5 FUNCTION (IN DASH - DODGE 2013+) (SN 0230009708 to Present)



ART_1001267711

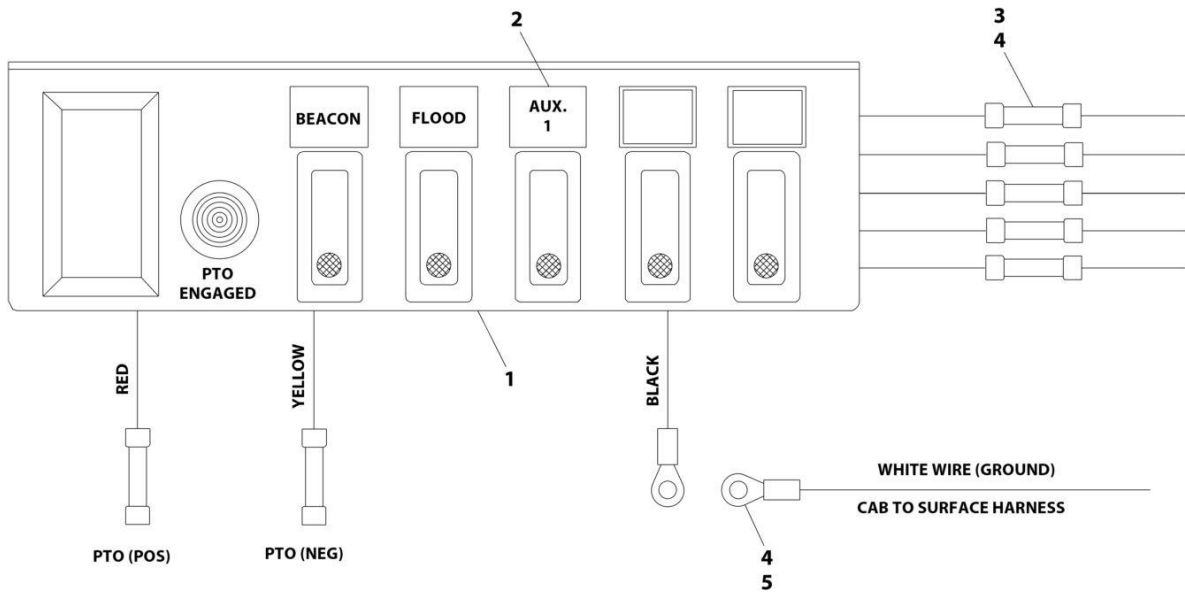
SECTION 7 - ELECTRICAL

FIGURE 7-83. SWITCH PANEL INSTALLATION - 5 FUNCTION (IN DASH - DODGE 2013+) (SN 0230009708 to Present)

ITEM	PART NUMBER	QTY	DESCRIPTION	REV
	1001267711	Ref	SWITCH PANEL INSTALLATION - 5 FUNCTION (DODGE 2013)	A
1	7345001914	3	Terminal	
2	7345001714	5	Terminal	
3	4346000005	14	Tubing	

SECTION 7 - ELECTRICAL

FIGURE 7-84. SWITCH PANEL INSTALLATION - 5 FUNCTION (UNDER DASH COMPACT) (SN 0230004211 through 0230009707)



ART_1001135757

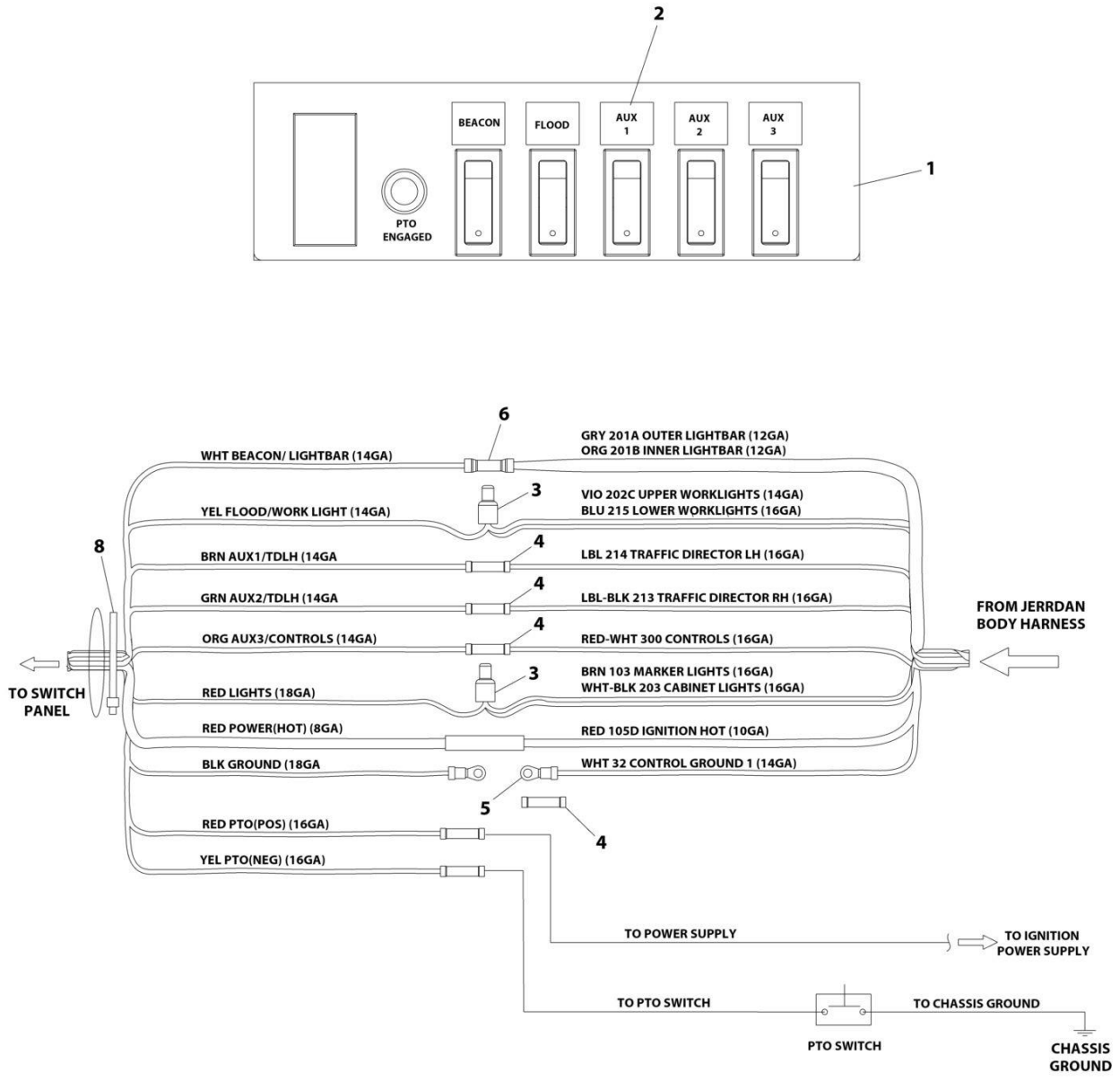
SECTION 7 - ELECTRICAL

FIGURE 7-84. SWITCH PANEL INSTALLATION - 5 FUNCTION (UNDER DASH COMPACT) (SN 0230004211 through 0230009707)

ITEM	PART NUMBER	QTY	DESCRIPTION	REV
	1001135757	1	5 FUNCTION UNDER-DASH SWITCH PANEL ASSEMBLY	A
1	7870000137	1	Switch Panel	
2	7330000288	1	Decal	
3	7346000242	2	Connector	
4	7345001713	5	Connector	
5	7345211701	1	Terminal	
6	8597650003	2	Wire (Not Shown)	
7	5526000553	6	Tie Strap (Not Shown)	

SECTION 7 - ELECTRICAL

FIGURE 7-85. SWITCH PANEL INSTALLATION - 5 FUNCTION (UNDER DASH COMPACT) (SN 0230009708 to Present)



ART_1001266359

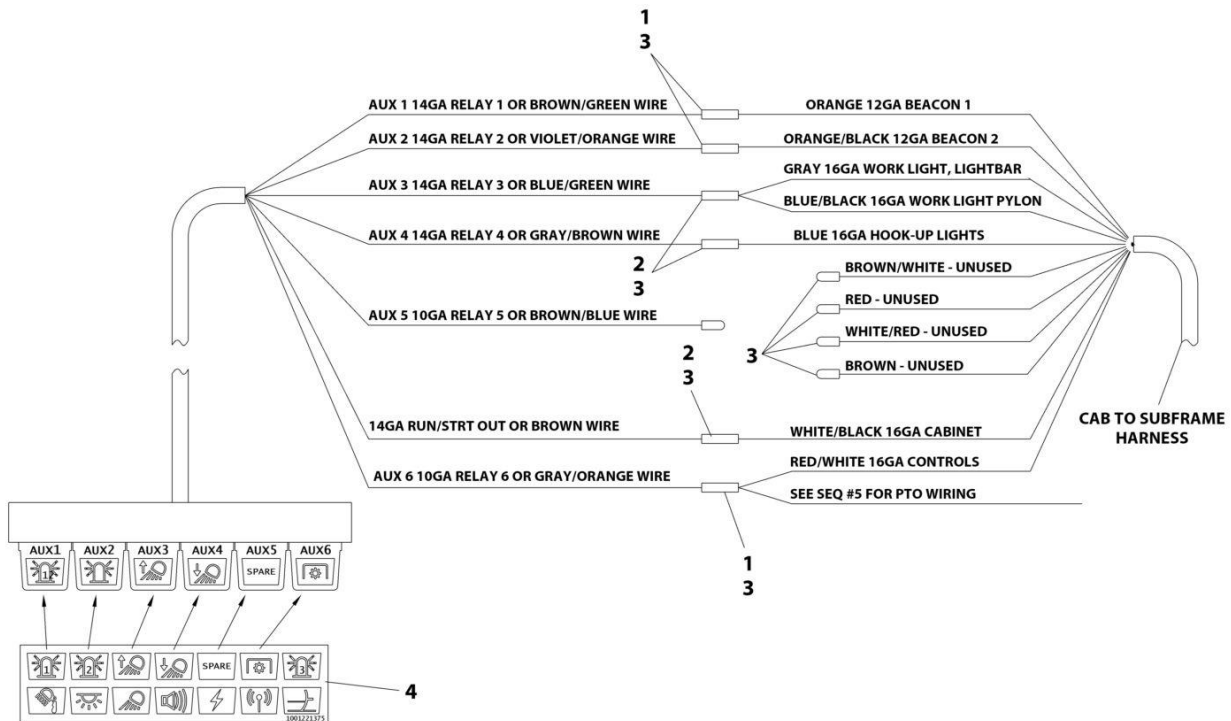
SECTION 7 - ELECTRICAL

FIGURE 7-85. SWITCH PANEL INSTALLATION - 5 FUNCTION (UNDER DASH COMPACT) (SN 0230009708 to Present)

ITEM	PART NUMBER	QTY	DESCRIPTION	REV
	1001266359	Ref	5 FUNCTION UNDER-DASH SWITCH PANEL ASSEMBLY	A
1	7870000137	1	Switch Panel	
2	7330000288	1	Decal	
3	7346000242	2	Connector	
4	4460035	1	Terminal	
5	4460042	1	Terminal	
6	4460018	1	Terminal	
7	8597650003	2 ft	Wire (Not Shown)	
8	5526000553	6	Tie Strap	

SECTION 7 - ELECTRICAL

FIGURE 7-86. SWITCH PANEL INSTALLATION - 6 FUNCTION (FORD 2017) (SN 0230004211 through 0230009707)



ART_1001221395

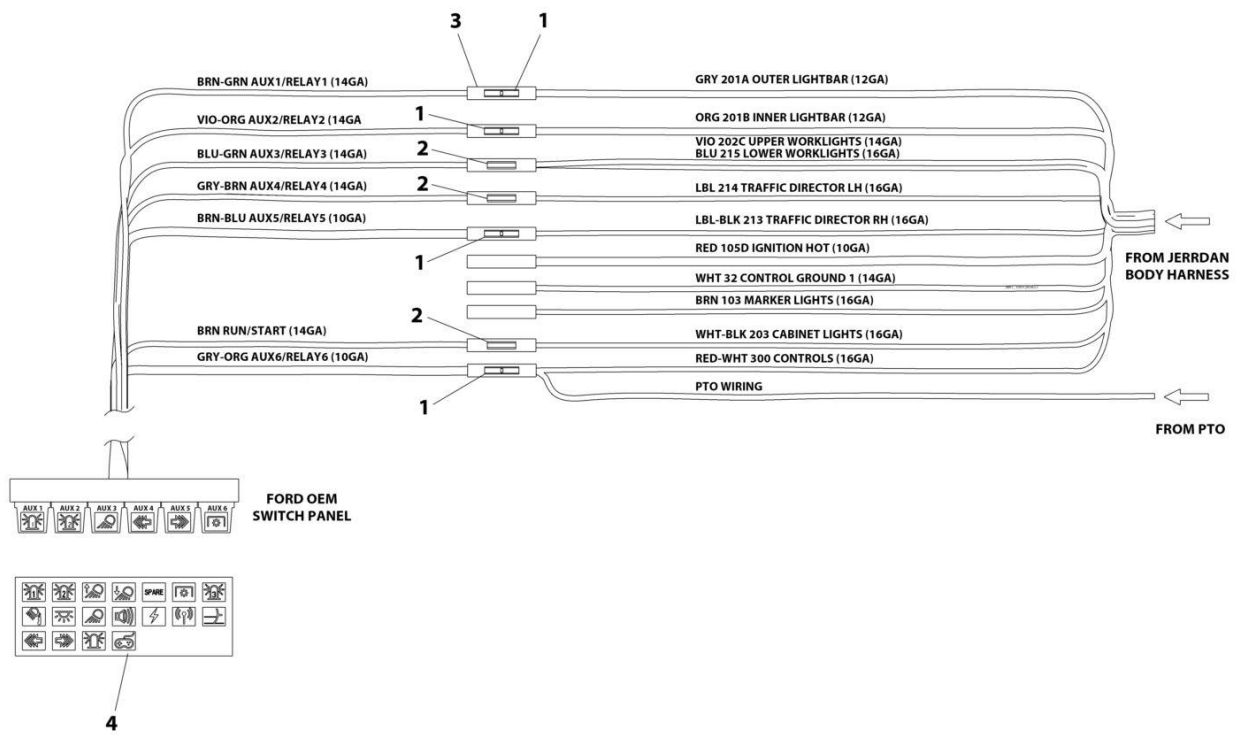
SECTION 7 - ELECTRICAL

FIGURE 7-86. SWITCH PANEL INSTALLATION - 6 FUNCTION (FORD 2017) (SN 0230004211 through 0230009707)

ITEM	PART NUMBER	QTY	DESCRIPTION	REV
	1001221395	Ref	SWITCH PANEL INSTALLATION - 6 FUNCTION (FORD F450/F550 2017+ OEM)	D
1	7345001914	3	Terminal	
2	7345001714	3	Terminal	
3	7346000039	AR	Tubing	
4	1001221375	1	Decal	
5	1001225217	1	Electrical Assembly - Ford PTO (Not Shown) (See Separate Breakdown in this Section)	

SECTION 7 - ELECTRICAL

FIGURE 7-87. SWITCH PANEL INSTALLATION - 6 FUNCTION (FORD 2017) (SN 0230009708 to Present)



ART_1001266884

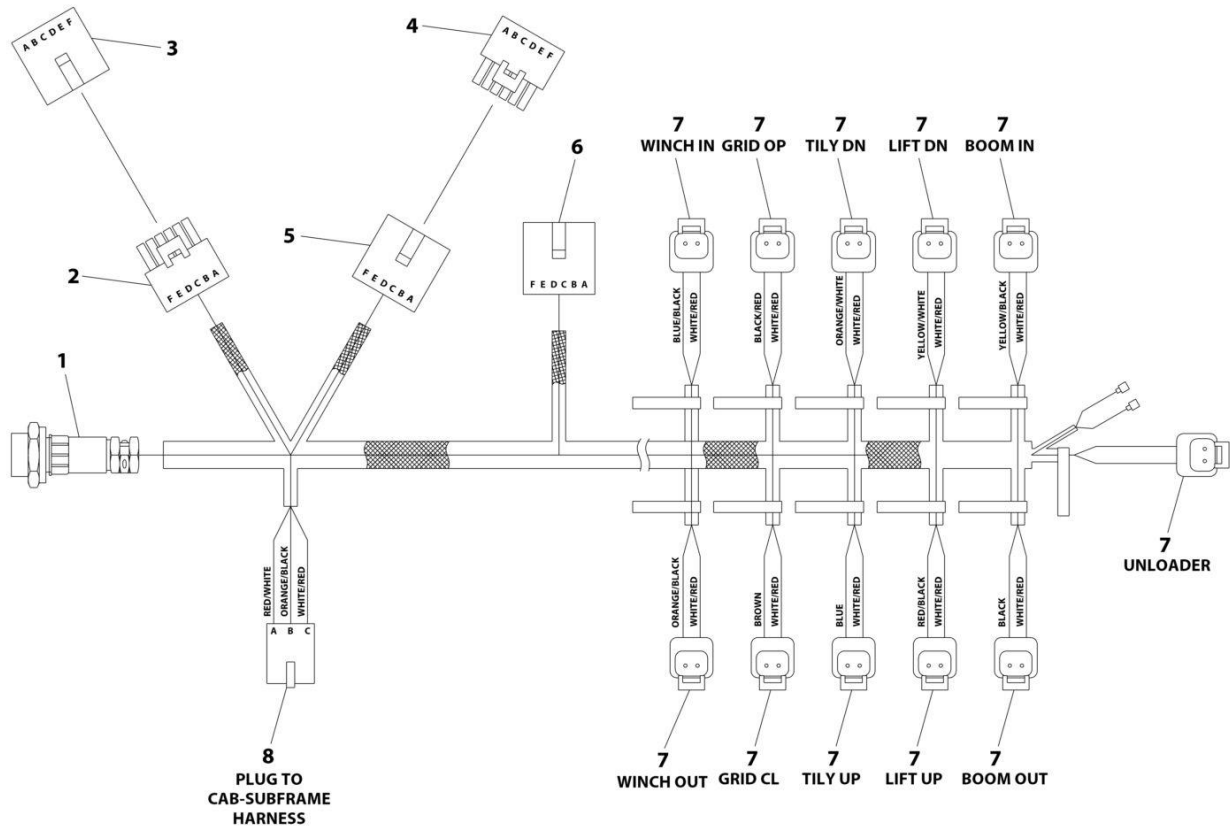
SECTION 7 - ELECTRICAL

FIGURE 7-87. SWITCH PANEL INSTALLATION - 6 FUNCTION (FORD 2017) (SN 0230009708 to Present)

ITEM	PART NUMBER	QTY	DESCRIPTION	REV
	1001266884	Ref	SWITCH PANEL INSTALLATION - 6 FUNCTION (FORD 2017)	A
1	7345001914	4	Terminal	
2	7345001714	3	Terminal	
3	4346000005	10	Tubing	
4	1001221375	1	Decal	
5	1001225217	1	Electrical Assembly - Ford PTO (Not Shown) (See Separate Breakdown in this Section)	

SECTION 7 - ELECTRICAL

FIGURE 7-88. VALVE HARNESS



ART_7552000365

SECTION 7 - ELECTRICAL

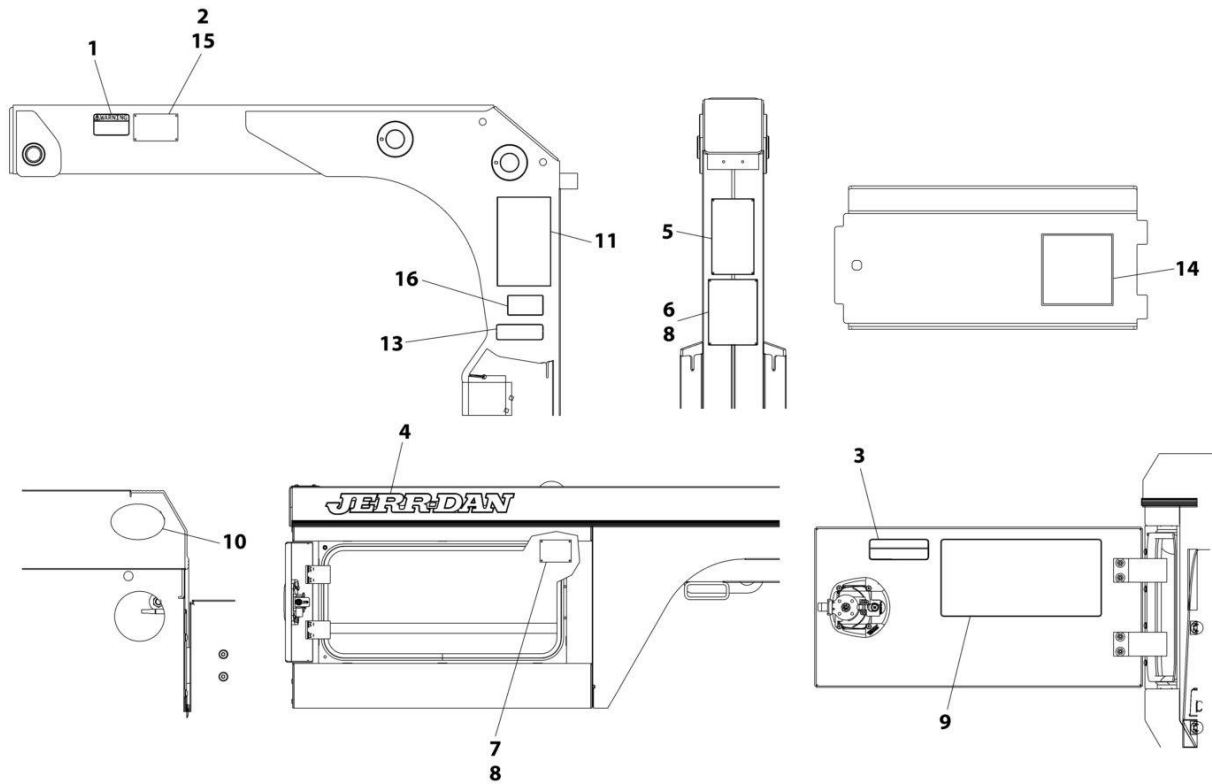
FIGURE 7-88. VALVE HARNESS

ITEM	PART NUMBER	QTY	DESCRIPTION	REV
	7552000365	Ref	VALVE HARNESS	3
1		Ref	Connector - 12 Position	
1		Ref	Terminal	
1		Ref	Connector, Strain Relief	
2		Ref	Connector, Plug - 6 Position	
2	4460743	6	Terminal	
2	4460458	6	Seal	
3		Ref	Connector, Female - 6 Position	
3		Ref	Terminal	
4		Ref	Connector, Plug - 6 Position	
4		Ref	Terminal	
5		Ref	Connector, Female - 6 Position	
5	4460979	4	Terminal (18 Ga)	
5	4460457	2	Terminal (16 Ga)	
5	4460458	6	Seal	
6		Ref	Connector, Female - 6 Position	
6	4460979	4	Terminal (18 Ga)	
6	4460475	2	Terminal (16 Ga)	
6	4460458	6	Seal	
7	4460891	11	Plug, Male - 2 Position	
7	4460465	22	Socket, Female	
8		Ref	Connector, Female - 3 Position	
8	4460475	3	Terminal (16 Ga)	
8	4460458	6	Seal	

SECTION 8 - DECAL

SECTION 8 - DECAL

FIGURE 8-1. DECAL INSTALLATION - NG



ART_2509290081

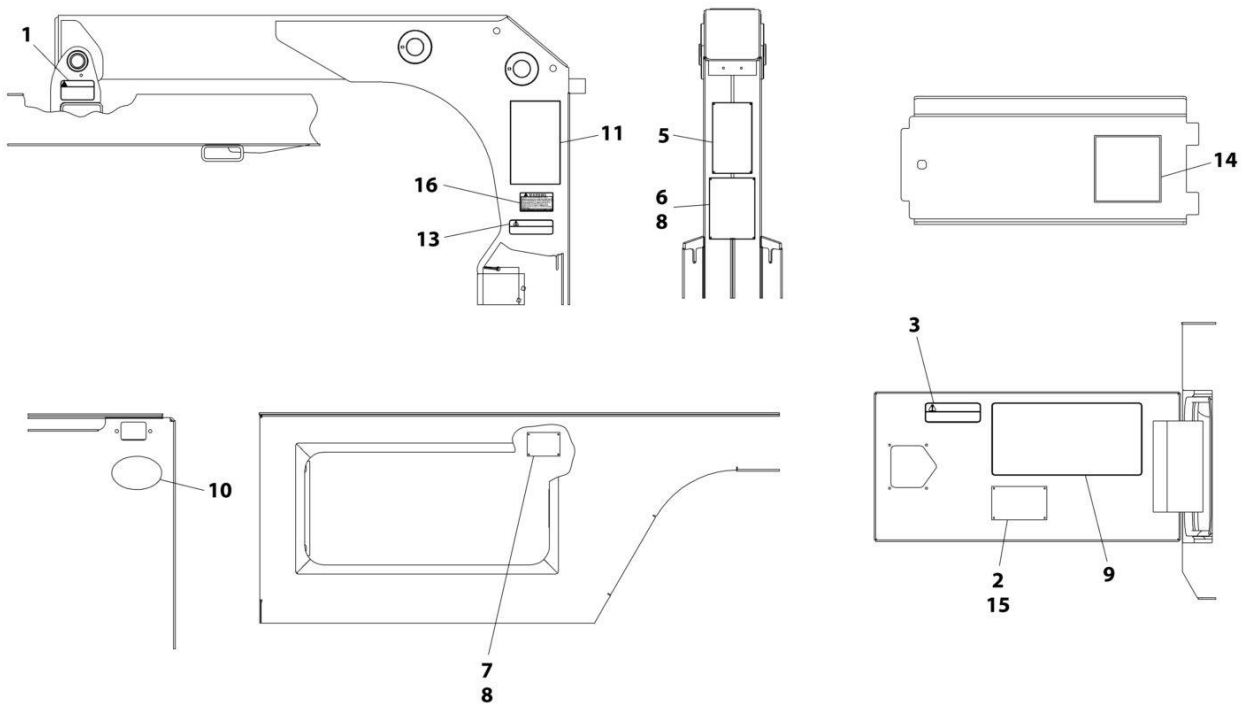
SECTION 8 - DECAL

FIGURE 8-1. DECAL INSTALLATION - NG

ITEM	PART NUMBER	QTY	DESCRIPTION	REV
	2509290081	Ref	DECAL INSTALLATION - NG	E
1	7330000546	1	Decal, Winch Cable Warning	
2	1001132346	1	Decal, Patent Placard	
3	7330000034	1	Decal, Caution	
4	7330000433	2	Decal, "JERR-DAN"	
5	SEE NOTE	NSS	Nameplate - Manufacturers SN (Note: Not Available for Purchase)	
6	7330000307	1	Decal, STAR Placard	
7	See Note	NSS	Nameplate - Manufacturers SN (Note: Not Available for Purchase)	
8	7759000004	12	Pop Rivet	
9	1001207920	1	Decal, Lubrication	
10	7330000143	1	Decal, Made in the USA	
11	7330000138	1	Decal, Checklist	
12	7330000139	1	Decal, Checklist (Not Shown)	
13	7330000122	2	Decal, Warning	
14	7330000699	1	Decal, Manual Valve	
15	4892000007	2	Tape	
16	1001231801	2	Decal, Warning	

SECTION 8 - DECAL

FIGURE 8-2. DECAL INSTALLATION - NGS



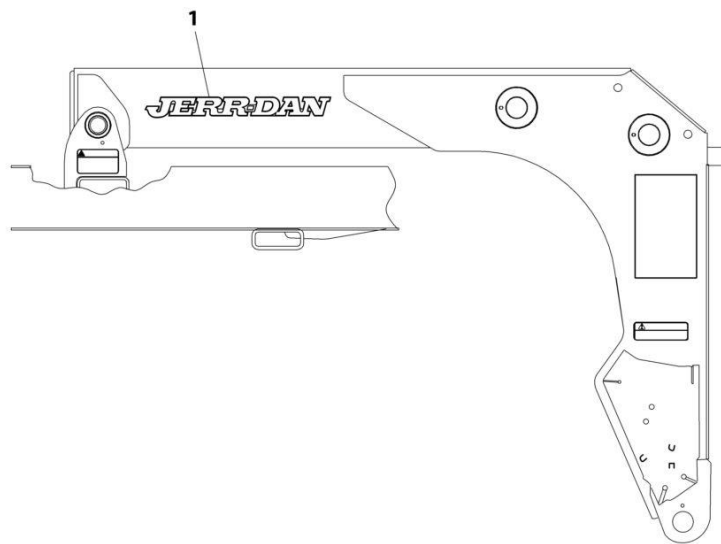
ART_2509290124

FIGURE 8-2. DECAL INSTALLATION - NGS

ITEM	PART NUMBER	QTY	DESCRIPTION	REV
	2509290124	Ref	DECAL INSTALLATION - NGS	D
1	7330000546	1	Decal, Winch Cable Warning	
2	1001132346	1	Decal, Patent Placard	
3	7330000034	1	Decal, Caution	
5	SEE NOTE	NSS	Nameplate - Manufacturers SN (Note: Not Available for Purchase)	
6	7330000307	1	Decal, STAR Placard	
7	See Note	NSS	Nameplate - Manufacturers SN (Note: Not Available for Purchase)	
8	7759000004	12	Pop Rivet	
9	1001207920	1	Decal, Lubrication	
10	7330000143	1	Decal, Made in the USA	
11	7330000138	1	Decal, Checklist	
12	7330000139	1	Decal, Checklist (Not Shown)	
13	7330000122	2	Decal, Warning	
14	7330000699	1	Decal, Manual Valve	
15	4892000007	2	Tape	
16	1001231801	2	Decal, Warning	

SECTION 8 - DECAL

FIGURE 8-3. DECAL INSTALLATION - LOGO (RED)



ART_1001132559

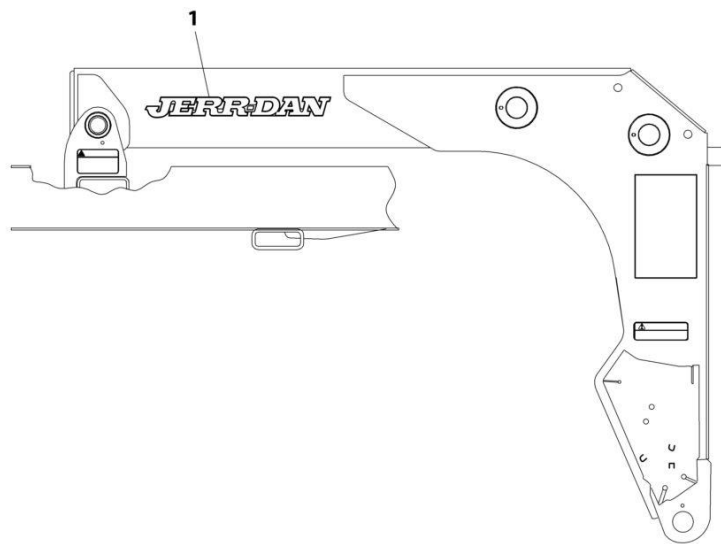
SECTION 8 - DECAL

FIGURE 8-3. DECAL INSTALLATION - LOGO (RED)

ITEM	PART NUMBER	QTY	DESCRIPTION	REV
1	1001132559 7330000286	Ref 2	DECAL INSTALLATION - RED LOGO Decal - Logo	A

SECTION 8 - DECAL

FIGURE 8-4. DECAL INSTALLATION - LOGO (WHITE)



ART_1001132560

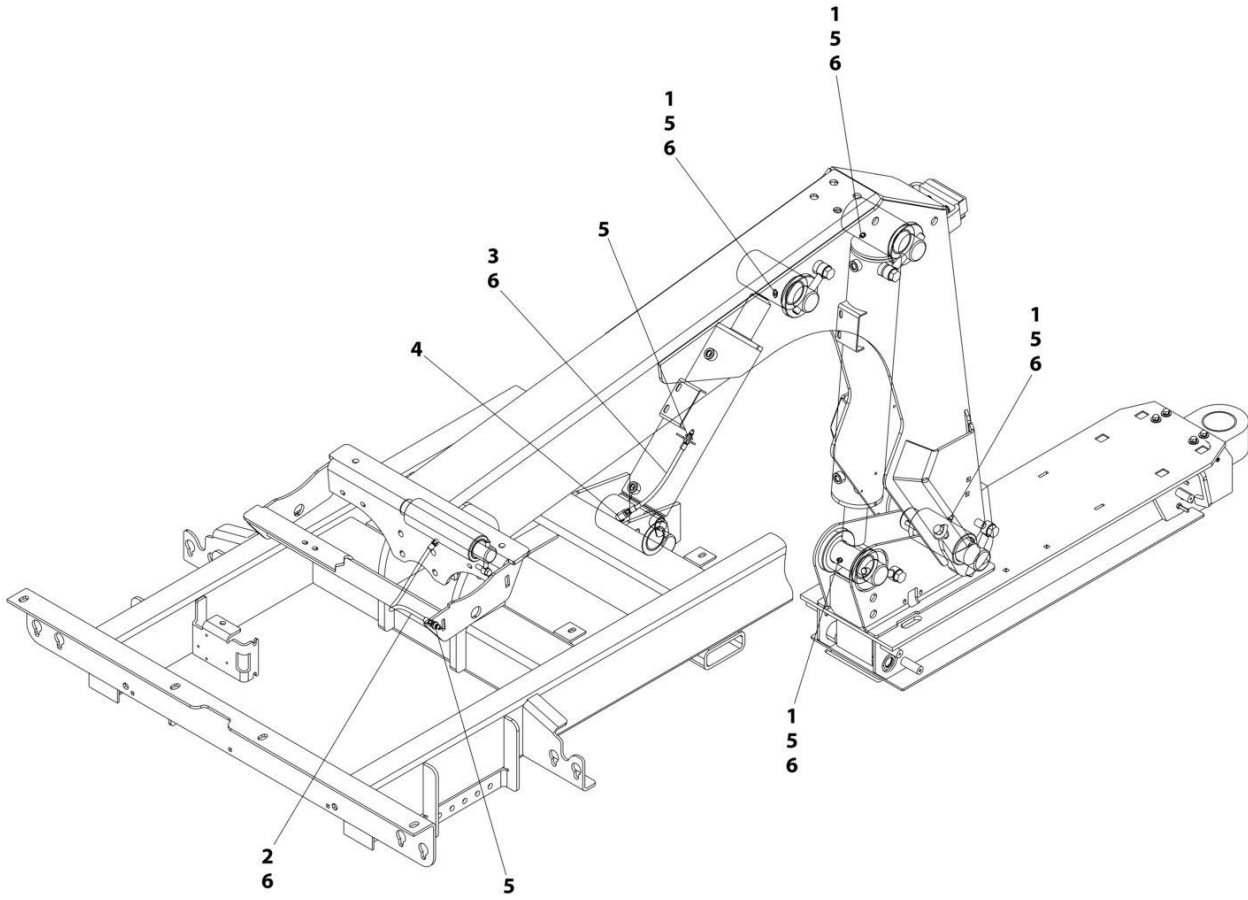
SECTION 8 - DECAL

FIGURE 8-4. DECAL INSTALLATION - LOGO (WHITE)

ITEM	PART NUMBER	QTY	DESCRIPTION	REV
1	1001132560 7330000534	Ref 2	DECAL INSTALLATION - WHITE LOGO Decal - Logo	A

SECTION 8 - DECAL

FIGURE 8-5. LUBRICATION DECALS AND CAPS INSTALLATION



ART_1001209027

FIGURE 8-5. LUBRICATION DECALS AND CAPS INSTALLATION

ITEM	PART NUMBER	QTY	DESCRIPTION	REV
	1001209027	Ref	LUBRICATION DECALS AND CAPS INSTALLATION	A
1	88671008	4	Grease Fitting	
2	1001205239	1	Hose Assembly	
3	1001205256	1	Hose Assembly	
4	8540246	1	Fitting	
5	7253000002	6	Fitting - Cap	
6	3020029	AR	Lube Grease	
7	1001209219	1	Decal (Not Shown)	

SECTION 9 - ACCESSORIES

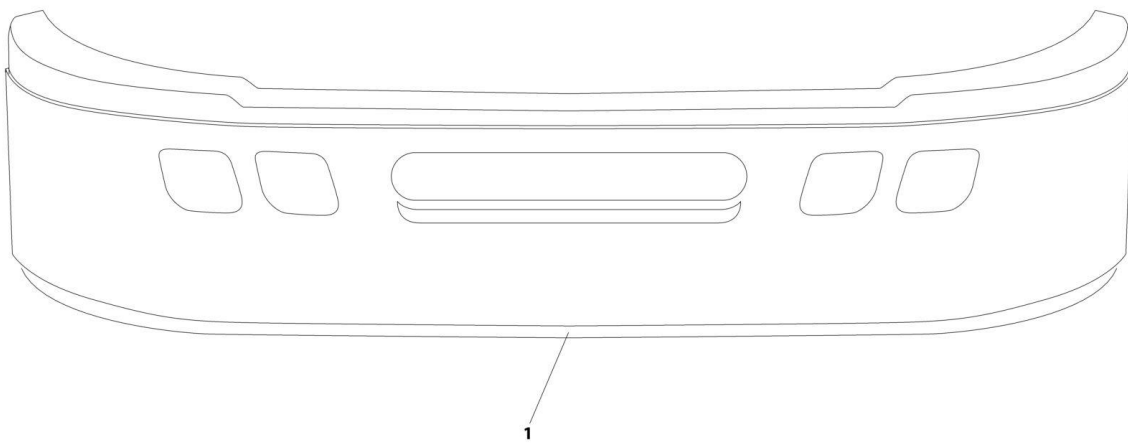
SECTION 9 - ACCESSORIES

FIGURE 9-1. KITS LIST

ITEM	PART NUMBER	QTY	DESCRIPTION	REV
	1001241869	Ref	KITS LIST	
		Ref	Note: Contact JERR-DAN Parts Department for exact contents of kit:	
	1001290326	Ref	Cylinder Boot Kit (for Underlift Tilt Cylinder)	

SECTION 9 - ACCESSORIES

FIGURE 9-2. BUMPER INSTALLATION - PUSH (FRONT) (NO GRILLE GUARD) (CV515 4X2)



ART_1001256227

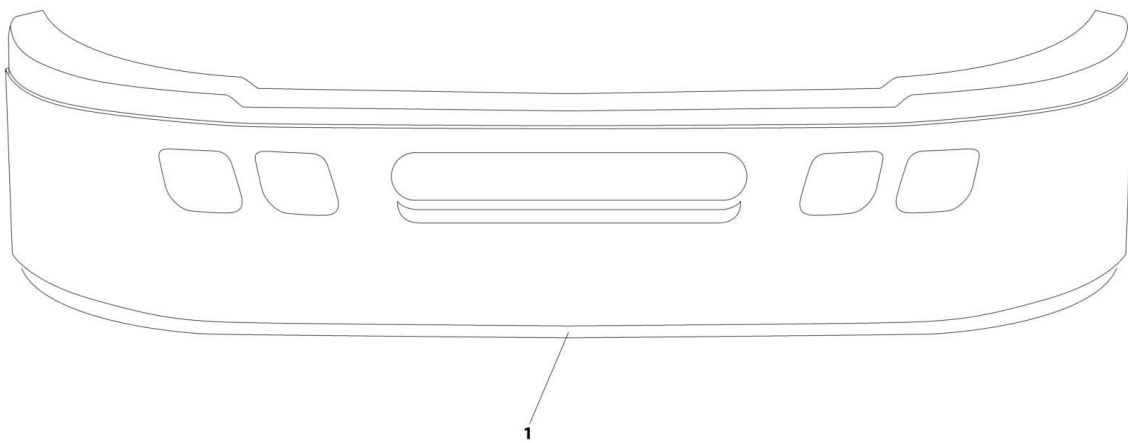
SECTION 9 - ACCESSORIES

FIGURE 9-2. BUMPER INSTALLATION - PUSH (FRONT) (NO GRILLE GUARD) (CV515 4X2)

ITEM	PART NUMBER	QTY	DESCRIPTION	REV
	1001256227	Ref	BUMPER INSTALLATION - PUSH (FRONT) (NO GRILLE GUARD) (CV515 4X2)	A
1	1001256220	1	Bumper	

SECTION 9 - ACCESSORIES

FIGURE 9-3. BUMPER INSTALLATION - PUSH (FRONT) (NO GRILLE GUARD) (CV515 4X4)



ART_1001256228

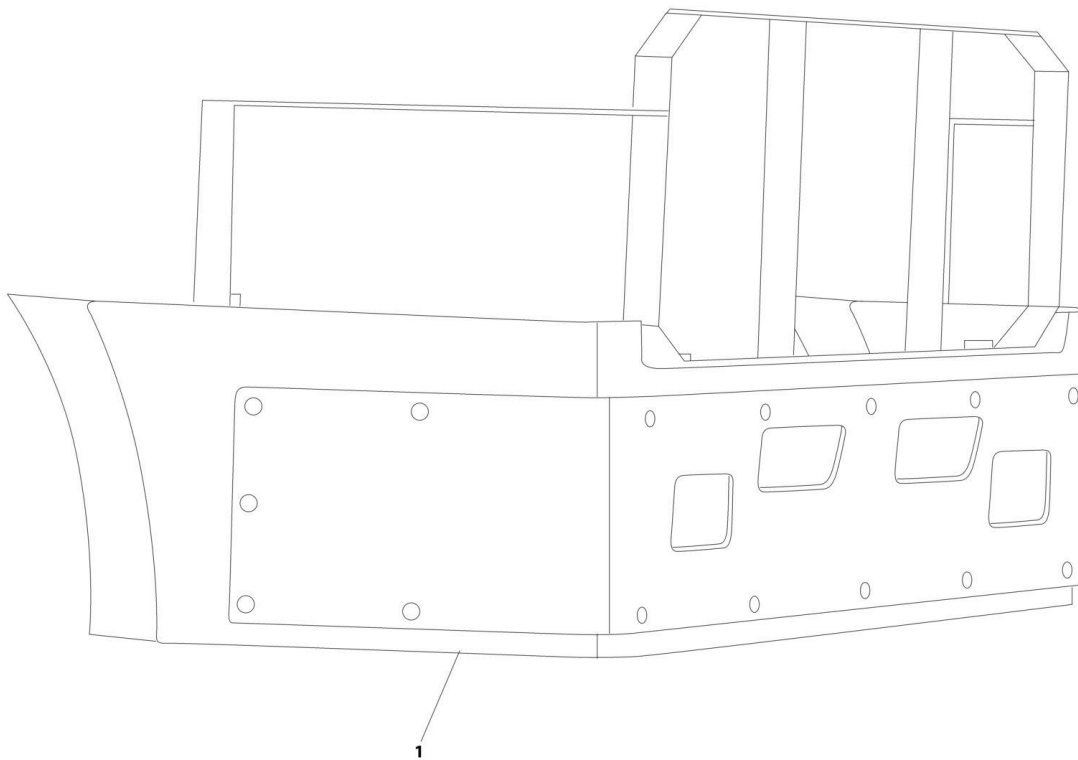
SECTION 9 - ACCESSORIES

FIGURE 9-3. BUMPER INSTALLATION - PUSH (FRONT) (NO GRILLE GUARD) (CV515 4X4)

ITEM	PART NUMBER	QTY	DESCRIPTION	REV
	1001256228	Ref	BUMPER INSTALLATION - PUSH (FRONT) (NO GRILLE GUARD) (CV515 4X4)	A
1	1001256221	1	Bumper	

SECTION 9 - ACCESSORIES

FIGURE 9-4. BUMPER INSTALLATION - PUSH (FRONT) (WITH GRILLE GUARD (DODGE 2011+))



ART_1001154361

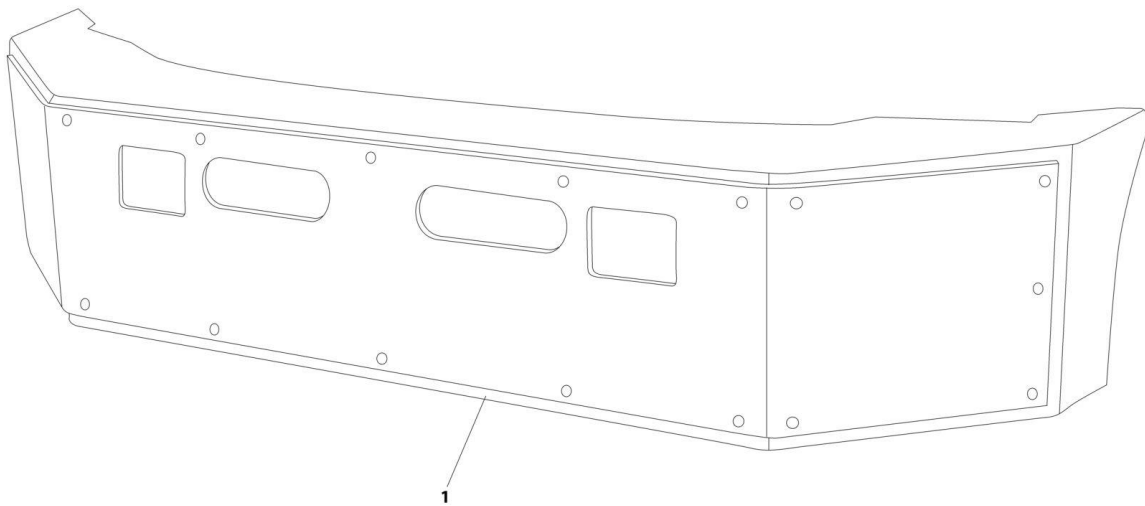
SECTION 9 - ACCESSORIES

FIGURE 9-4. BUMPER INSTALLATION - PUSH (FRONT) (WITH GRILLE GUARD (DODGE 2011+))

ITEM	PART NUMBER	QTY	DESCRIPTION	REV
	1001154361	Ref	BUMPER INSTALLATION - PUSH (FRONT) (WITH GRILLE GUARD (DODGE 2011+))	A
1	1001154382	1	Bumper	

SECTION 9 - ACCESSORIES

FIGURE 9-5. BUMPER INSTALLATION - PUSH (FRONT) (NO GRILLE GUARD) (FORD 2011-2016)



ART_1001134181

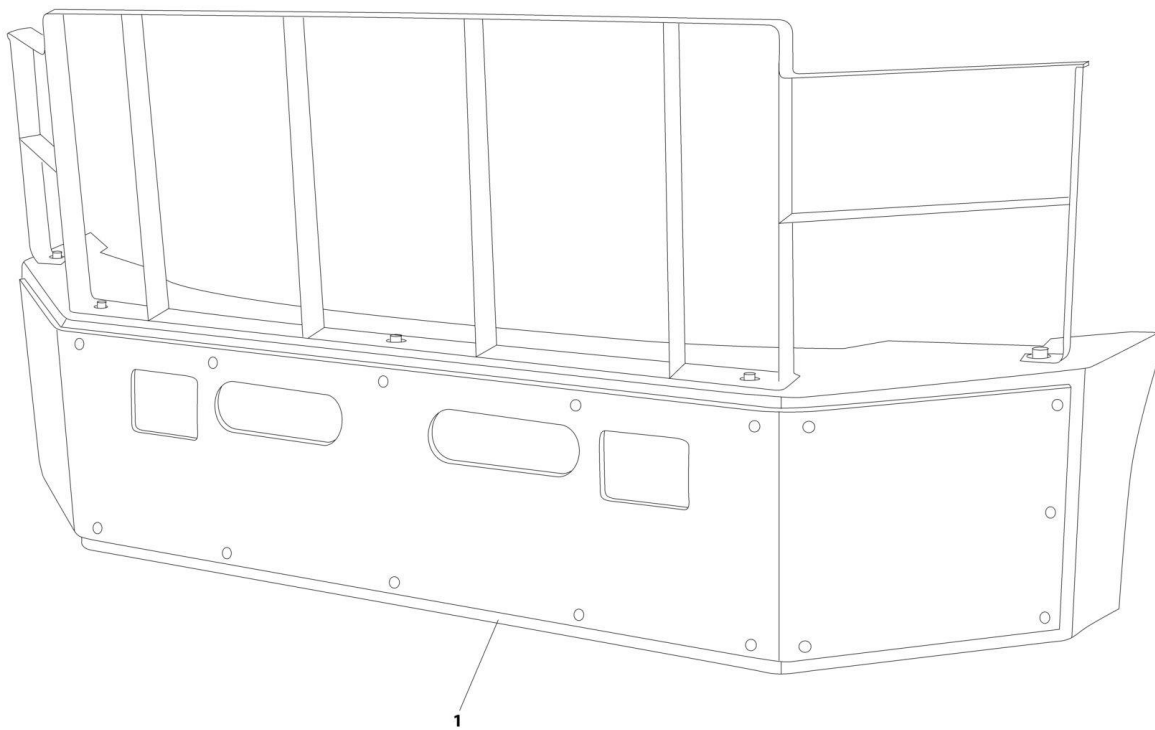
SECTION 9 - ACCESSORIES

FIGURE 9-5. BUMPER INSTALLATION - PUSH (FRONT) (NO GRILLE GUARD) (FORD 2011-2016)

ITEM	PART NUMBER	QTY	DESCRIPTION	REV
	1001134181	Ref	BUMPER INSTALLATION - PUSH (FRONT) (NO GRILLE GUARD) (FORD 2011-2016)	B
1	1001134178	1	Bumper	

SECTION 9 - ACCESSORIES

FIGURE 9-6. BUMPER INSTALLATION - PUSH (FRONT) (WITH GRILLE GUARD) (FORD 2011-2016)



ART_1001123179

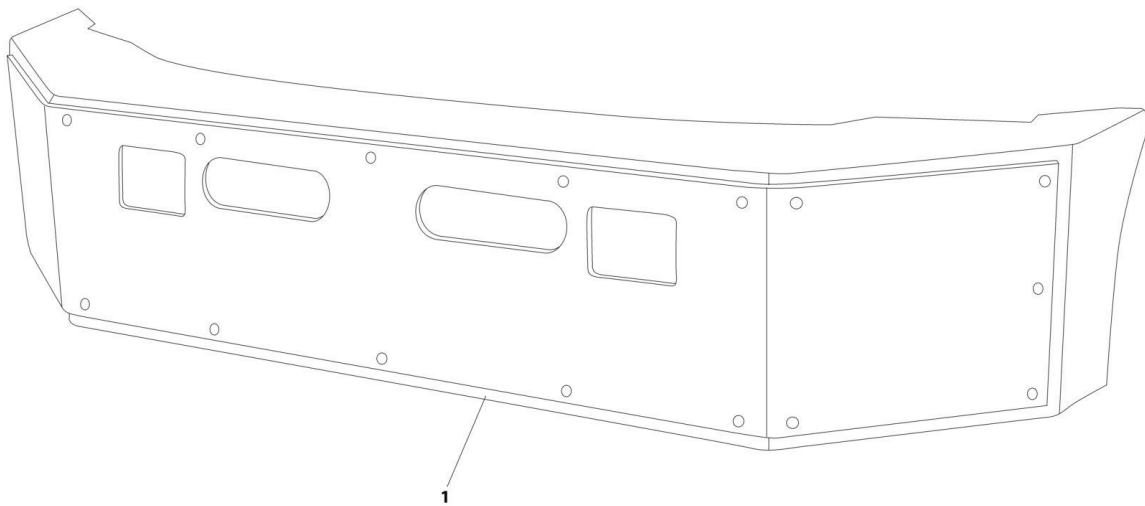
SECTION 9 - ACCESSORIES

FIGURE 9-6. BUMPER INSTALLATION - PUSH (FRONT) (WITH GRILLE GUARD) (FORD 2011-2016)

ITEM	PART NUMBER	QTY	DESCRIPTION	REV
	1001123179	Ref	BUMPER INSTALLATION - PUSH (FRONT) (WITH GRILLE GUARD) (FORD 2011-2016)	B
1	7190000066	1	Bumper	

SECTION 9 - ACCESSORIES

FIGURE 9-7. BUMPER INSTALLATION - PUSH (FRONT) (NO GRILLE GUARD) (FORD 2017+)



ART_1001221466

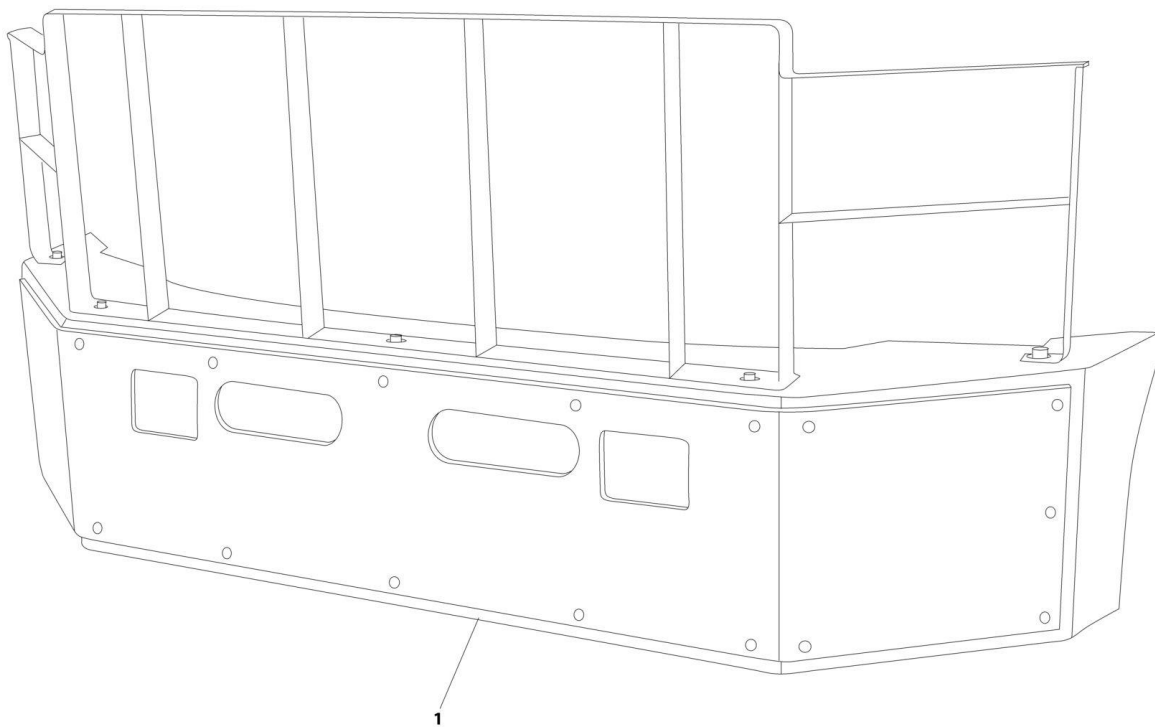
SECTION 9 - ACCESSORIES

FIGURE 9-7. BUMPER INSTALLATION - PUSH (FRONT) (NO GRILLE GUARD) (FORD 2017+)

ITEM	PART NUMBER	QTY	DESCRIPTION	REV
	1001221466	Ref	BUMPER INSTALLATION - PUSH (FRONT) (NO GRILLE GUARD) (FORD 2017+)	A
1	1001226914	1	Bumper	

SECTION 9 - ACCESSORIES

FIGURE 9-8. BUMPER INSTALLATION - PUSH (FRONT) (WITH GRILLE GUARD) (FORD 2017+)



ART_1001221467

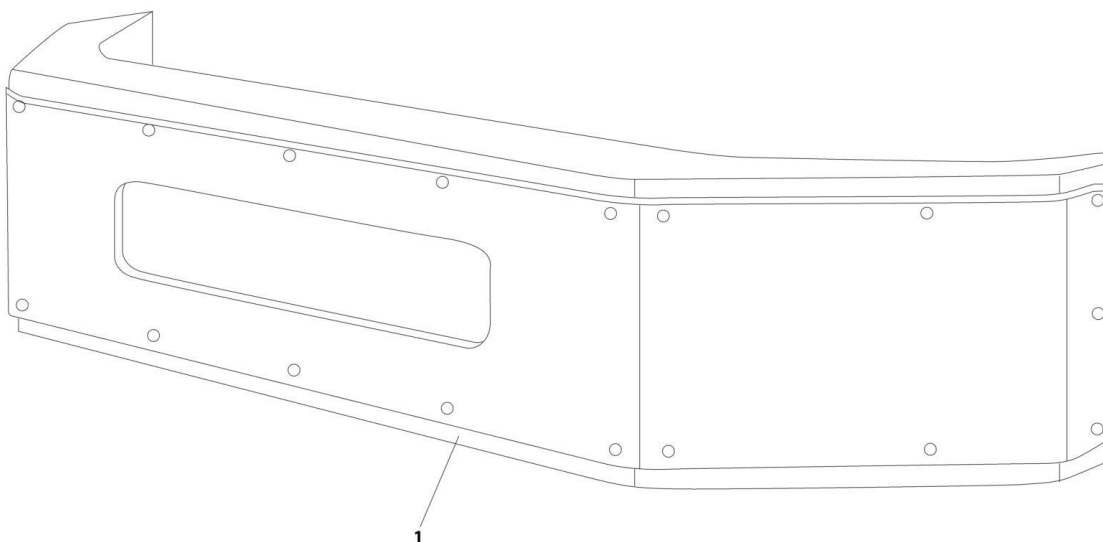
SECTION 9 - ACCESSORIES

FIGURE 9-8. BUMPER INSTALLATION - PUSH (FRONT) (WITH GRILLE GUARD) (FORD 2017+)

ITEM	PART NUMBER	QTY	DESCRIPTION	REV
	1001221467	Ref	BUMPER INSTALLATION - PUSH (FRONT) (WITH GRILLE GUARD) (FORD 2017+)	A
1	1001226915	1	Bumper	

SECTION 9 - ACCESSORIES

FIGURE 9-9. BUMPER INSTALLATION - PUSH (FRONT) (NO GRILLE GUARD) (FREIGHTLINER 2008+)



ART_1001146879

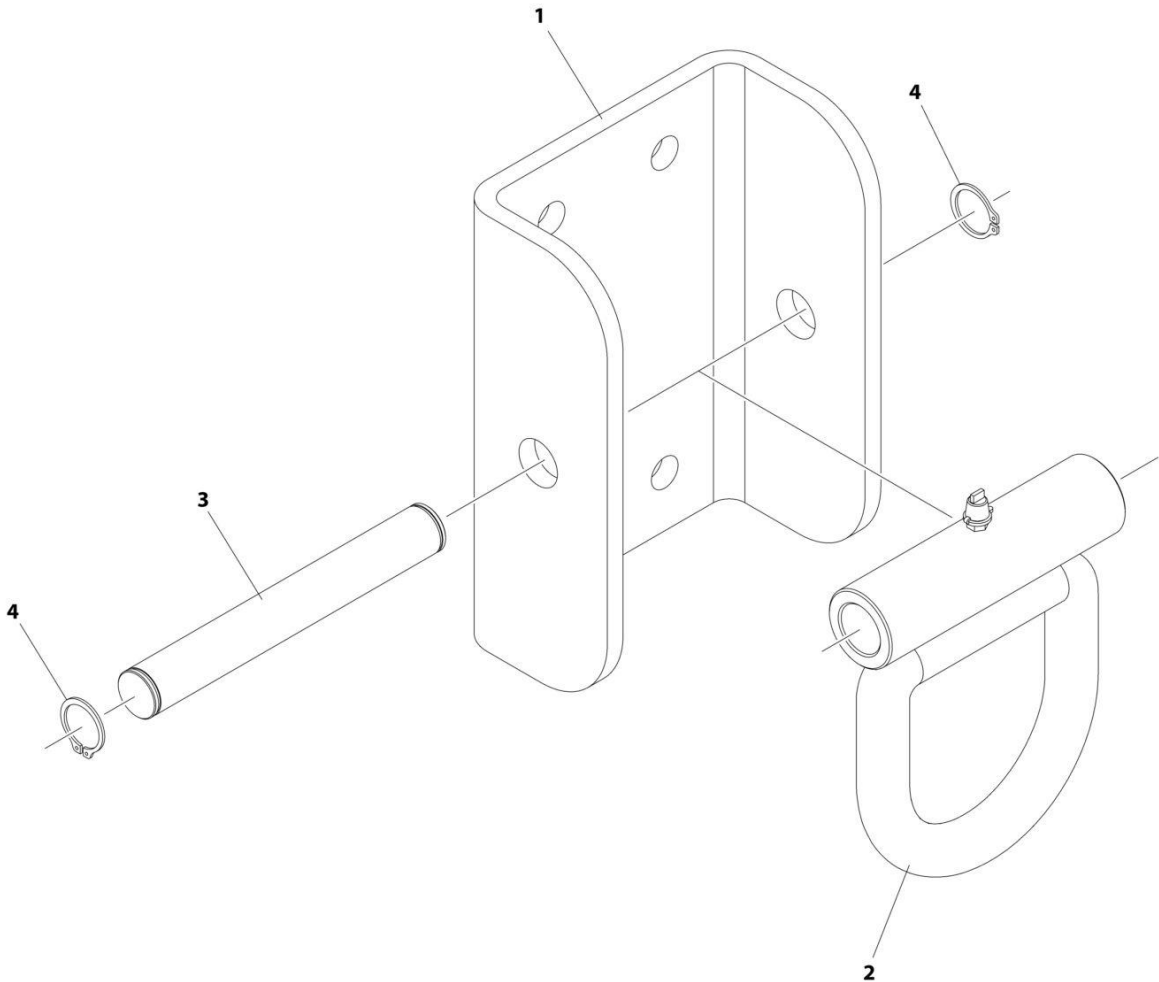
SECTION 9 - ACCESSORIES

FIGURE 9-9. BUMPER INSTALLATION - PUSH (FRONT) (NO GRILLE GUARD) (FREIGHTLINER 2008+)

ITEM	PART NUMBER	QTY	DESCRIPTION	REV
	1001146879	Ref	BUMPER INSTALLATION - PUSH (FRONT) (NO GRILLE GUARD) (FREIGHTLINER 2008+)	A
1	1001146878	1	Bumper	

SECTION 9 - ACCESSORIES

FIGURE 9-10. D-RING INSTALLATION - NO TOW SLING



ART_275400007

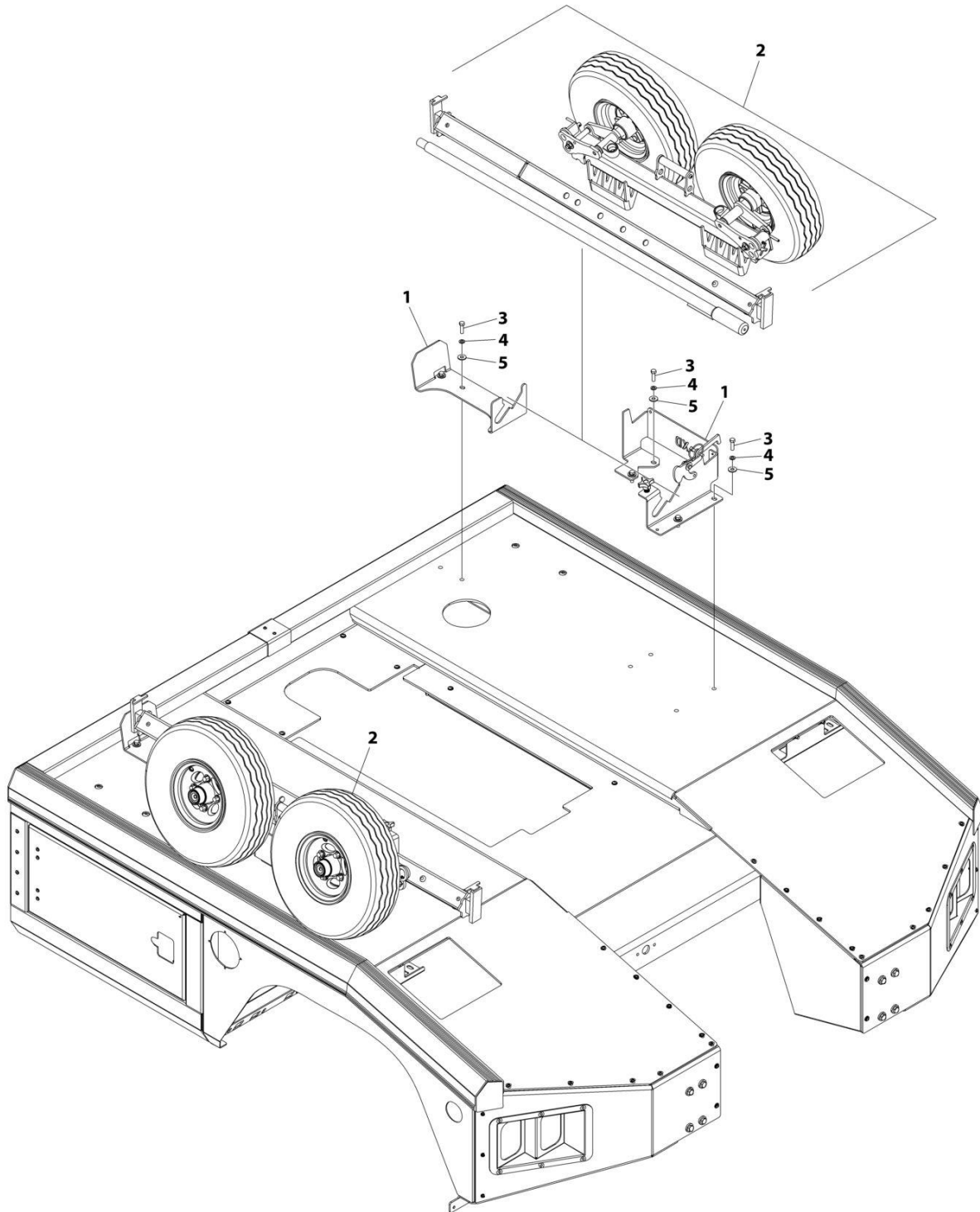
SECTION 9 - ACCESSORIES

FIGURE 9-10. D-RING INSTALLATION - NO TOW SLING

ITEM	PART NUMBER	QTY	DESCRIPTION	REV
	2754000007	Ref	D-RING INSTALLATION - NO TOW SLING	0
1	4263000705	2	Channel	
2	3754000004	2	Ring	
3	4691000541	2	Pin	
4	7754000022	4	Ring, Retaining	

SECTION 9 - ACCESSORIES

FIGURE 9-11. DOLLIES INSTALLATION (NG)



ART_1001258797

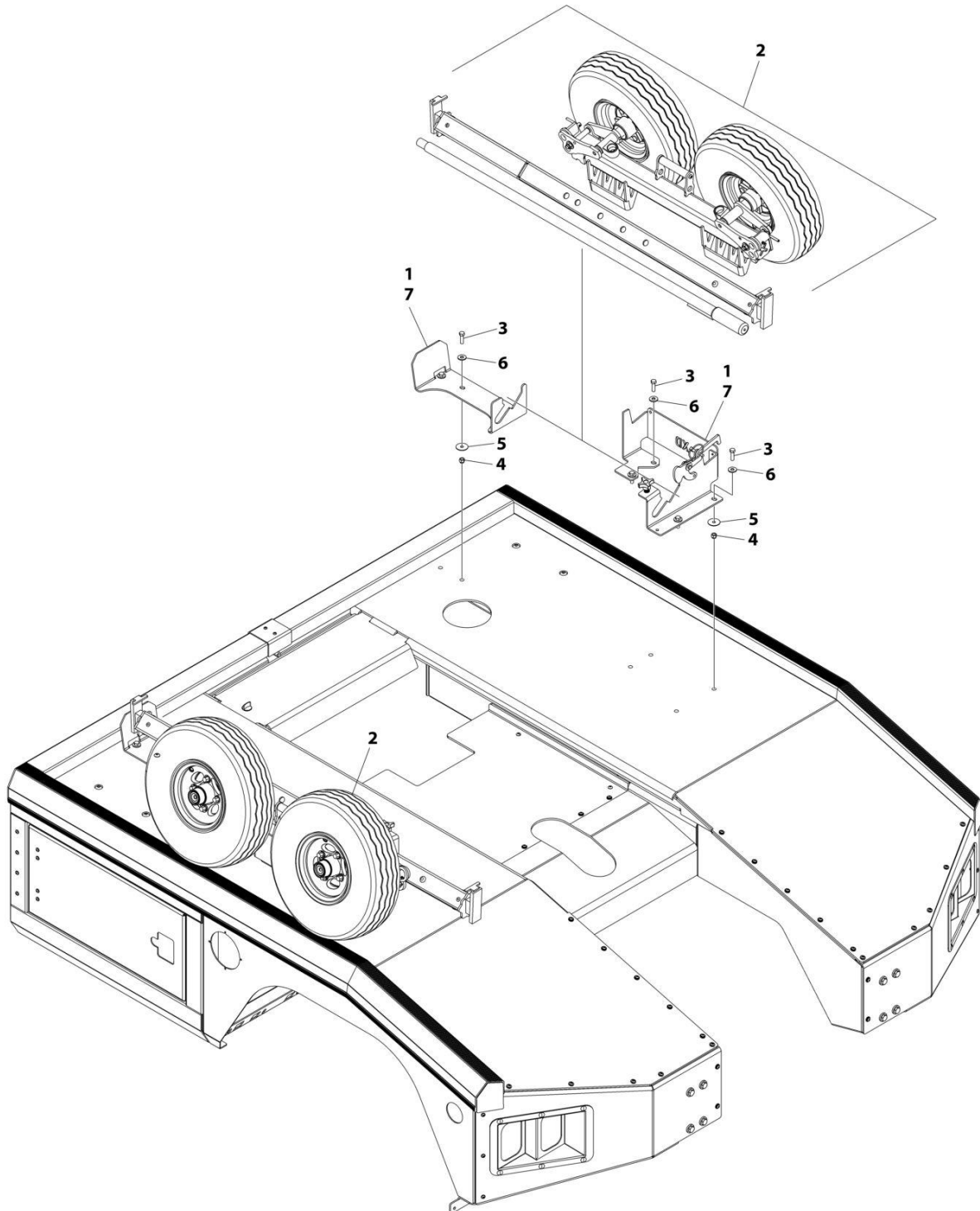
SECTION 9 - ACCESSORIES

FIGURE 9-11. DOLLIES INSTALLATION (NG)

ITEM	PART NUMBER	QTY	DESCRIPTION	REV
	1001258797	Ref	DOLLIES INSTALLATION	A
1	1001223286	1	Tow Dolly Mount	
2	1001258796	1	Dollies Assembly (See Separate Breakdown in this Section)	
3	7114161050	12	Screw 3/8 x 1-1/4	
4	4761600	12	Washer 3/8	
5	7950160163	12	Flatwasher 3/8	

SECTION 9 - ACCESSORIES

FIGURE 9-12. DOLLIES INSTALLATION (NGS)



ART_1001259479

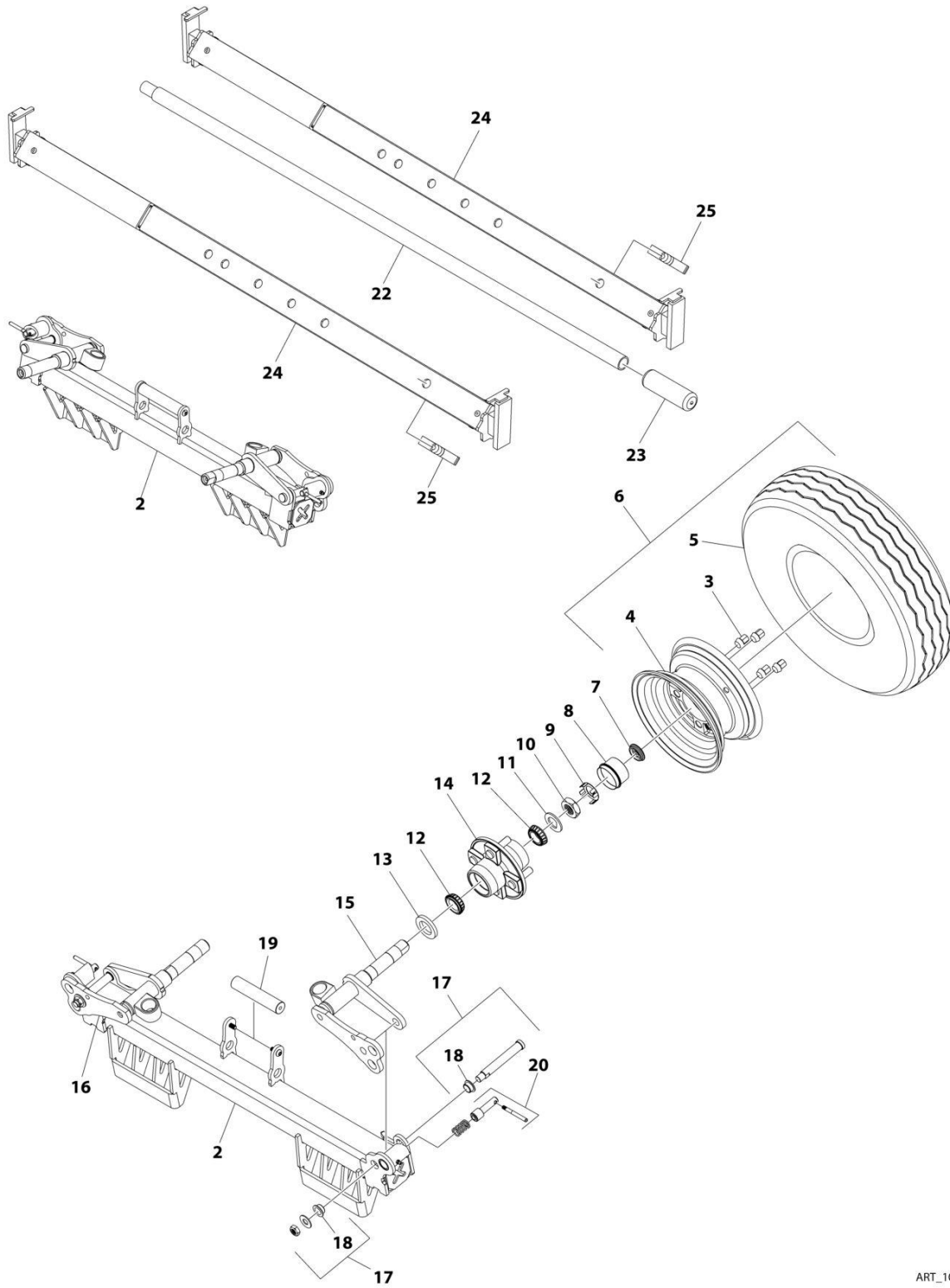
SECTION 9 - ACCESSORIES

FIGURE 9-12. DOLLIES INSTALLATION (NGS)

ITEM	PART NUMBER	QTY	DESCRIPTION	REV
	1001259479	Ref	DOLLIES INSTALLATION	A
1	1001223286	1	Tow Dolly Mount	
2	1001258796	1	Dollies Assembly (See Separate Breakdown in this Section)	
3	7114161050	12	Screw 3/8 x 1-1/4	
4	7660162604	12	Nut 3/8	
5	7949000055	12	Washer 3/8	
6	7950160163	12	Washer 3/8	
7	8798820001	AR	Sealant	

SECTION 9 - ACCESSORIES

FIGURE 9-13. DOLLIES ASSEMBLY



ART_1001258796

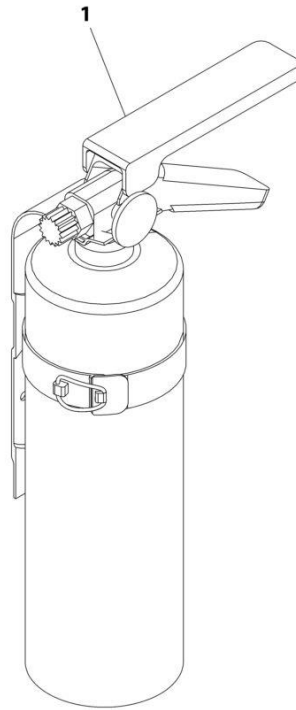
SECTION 9 - ACCESSORIES

FIGURE 9-13. DOLLIES ASSEMBLY

ITEM	PART NUMBER	QTY	DESCRIPTION	REV
	1001258796	Ref	DOLLIES ASSEMBLY	A
2	70051947	2	Frame Only (No Hubs or Tires)	
3	70051645	16	Lug Nut	
4	70051647	4	Rim	
5	70051648	4	Tire 5.7x8	
6	70051920	4	Tire and Wheel Assembly (Includes Items 4&5)	
7	See Note	NSS	Insert, Rubber Cap (Note: Use Item 14)	
8	76051644	2	Cap, Dust	
9	See Note	NSS	Retainer Nut (Note: Use Item 14)	
10	See Note	NSS	Nut Jam (Note: Use Item 14)	
11	See Note	NSS	Washer (Note: Use Item 14)	
12	See Note	NSS	Bearing (Note: Use Item 14)	
13	See Note	NSS	Seal (Note: Use Item 14)	
14	70051929	4	Hub Assembly (Includes Items 7, 9-13)	
15	70051950	4	Spindle-Left	
16	70051951	4	Spindle-Right	
17	70052572	4	Dolly Pin Kit (Includes Item 18)	
18	See Note	NSS	Bushing (Note: Use Item 17)	
19	70051649	2	Handle, Dolly	
20	70051650	4	Cam Lock	
21	NPN	1	Decal Kit (Not Shown)	
22	70052448	1	Bar, Brake	
23	NPN	1	Grip	
24	70052606	2	Axle, Telescope	
25	70051653	2	Button, Snap	
		Ref	Options:	
101	70051953	1	Mount, Universal (Not Shown)	
102	70052426	1	Mount, Axle Slide Tunnel Box (Not Shown)	
103	70052450	1	Box, Drop Down (Not Shown)	
104	70052449	1	Mount, Integrated (Not Shown)	
105	70054727	1	Mount, Simply Locking (Not Shown)	
106	70052164	1	Bunk Kit - 1023 (Not Shown)	
107	70052169	1	Mount, 1242W (Not Shown)	
108	70052600	1	Storage, Tilt-N-Slide (Not Shown)	
109	70052605	1	Carrier, Motorcycle Caddy (Not Shown)	
110	70052165	1	Bunk Kit - 4452 (LH) (Not Shown)	
111	70052166	1	Bunk Kit - 4453 (RH) (Not Shown)	
112	70052167	1	Bunk Kit - Latch (Centre) (Not Shown)	
113	70052168	1	Chain, Bunk (Not Shown)	

SECTION 9 - ACCESSORIES

FIGURE 9-14. FIRE EXTINGUISHER



ART_2002000028

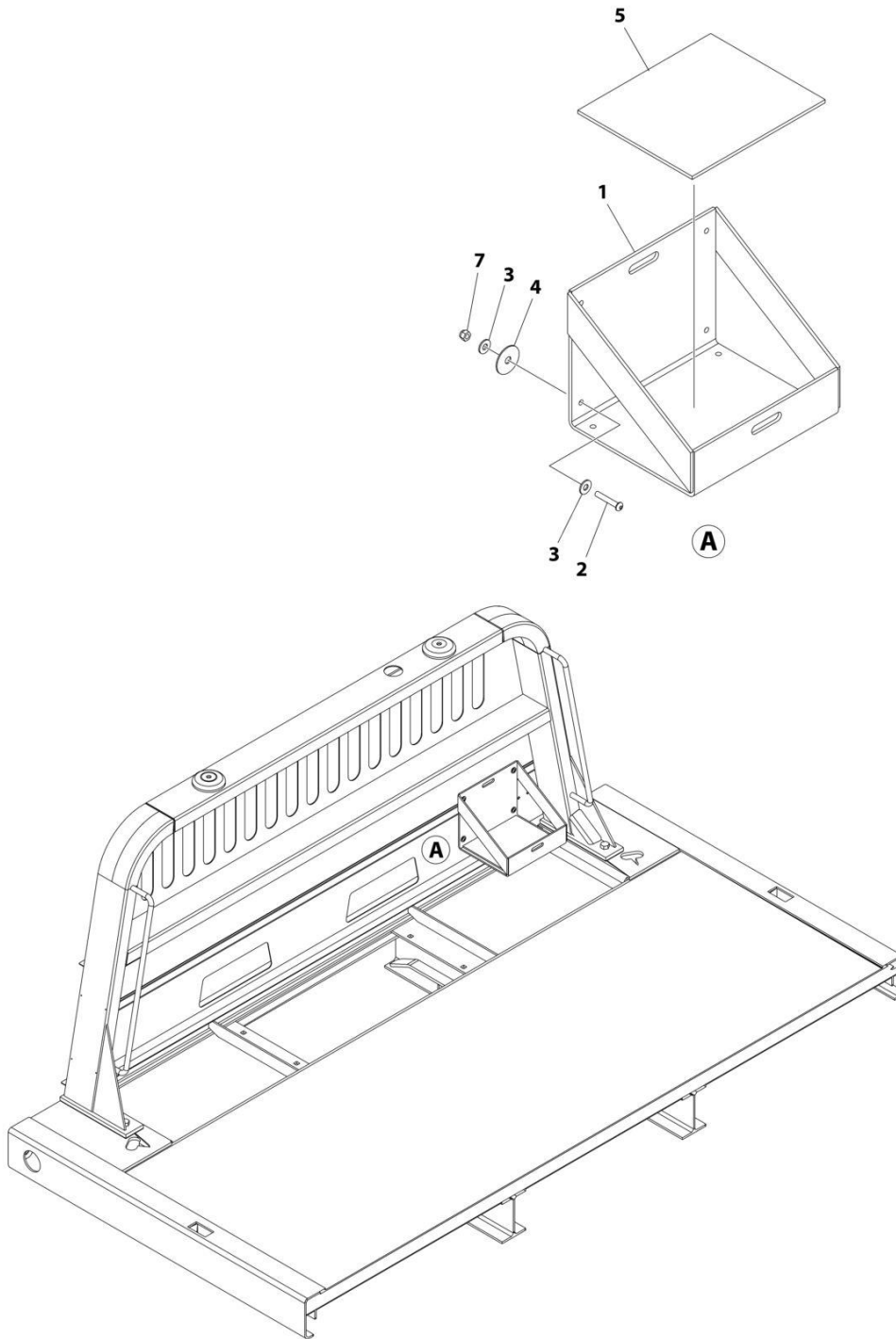
SECTION 9 - ACCESSORIES

FIGURE 9-14. FIRE EXTINGUISHER

ITEM	PART NUMBER	QTY	DESCRIPTION	REV
1	2002000028	Ref	Fire Extinguisher Accessory	0
	7002000404	1	Fire Extinguisher	

SECTION 9 - ACCESSORIES

FIGURE 9-15. FUEL CAN STORAGE TRAY INSTALLATION



ART_1001211866

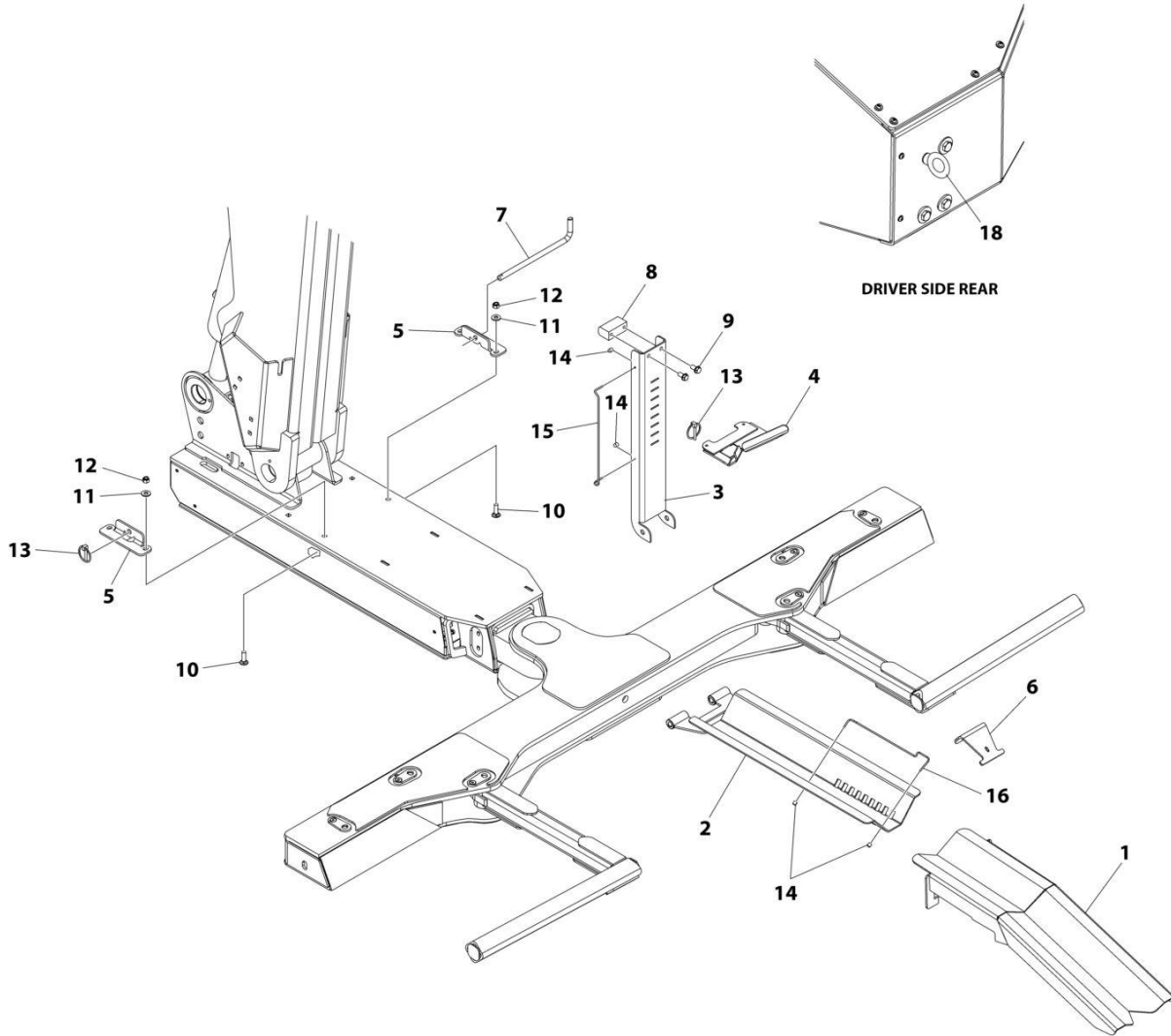
SECTION 9 - ACCESSORIES

FIGURE 9-15. FUEL CAN STORAGE TRAY INSTALLATION

ITEM	PART NUMBER	QTY	DESCRIPTION	REV
	1001211866	Ref	FUEL CAN STORAGE TRAY INSTALLATION	A
1	3178000471	1	Bracket	
2	7114141218	4	Capscrew 1/4 x 1-1/2	
3	7950140153	8	Washer 1/4	
4	7949000055	4	Washer	
5	4679000274	1	Pad	
6	7894000063	1	Tie-Strap (Not Shown)	
7	7660142604	4	Nut 1/4	

SECTION 9 - ACCESSORIES

FIGURE 9-16. MOTORCYCLE TOW ADAPTER INSTALLATION



ART_2178000036

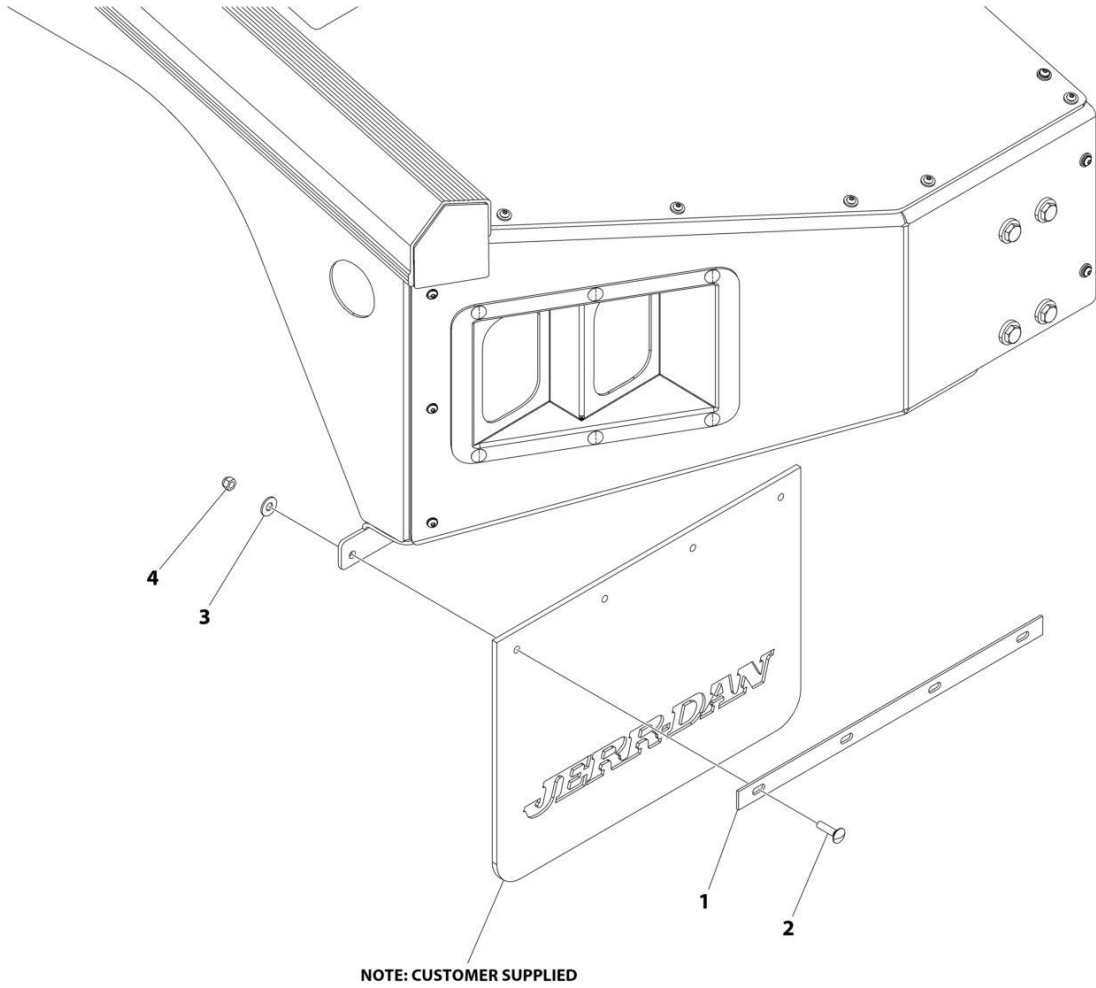
SECTION 9 - ACCESSORIES

FIGURE 9-16. MOTORCYCLE TOW ADAPTER INSTALLATION

ITEM	PART NUMBER	QTY	DESCRIPTION	REV
	2178000036	Ref	MOTORCYCLE TOW ADAPTER INSTALLATION	B
1	3178000470	1	Bracket	
2	3178000468	1	Bracket	
3	4263000710	1	Channel	
4	3178000469	1	Bracket	
5	4178000636	2	Bracket	
6	4178000639	1	Bracket	
7	4691000547	1	Pin	
8	4679000275	1	Pad	
9	7790161253	2	Screw 3/8 x 3/4	
10	7115161064	4	Bolt 3/8 x 1-1/4	
11	7950150161	4	Washer 3/9	
12	7660162601	4	Nut 3/8	
13	7691000047	2	Pin	
14	7819000012	4	Sleeve	
15	4248000002	1	Wire Rope	
16	4248000003	1	Wire Rope	
17	7577000375	1	Tiedown Kit (Not Shown)	
18	7120000052	2	Eye Bolt	

SECTION 9 - ACCESSORIES

FIGURE 9-17. MUDFLAPS INSTALLATION (CUSTOMER SUPPLIED)



ART_1001139332

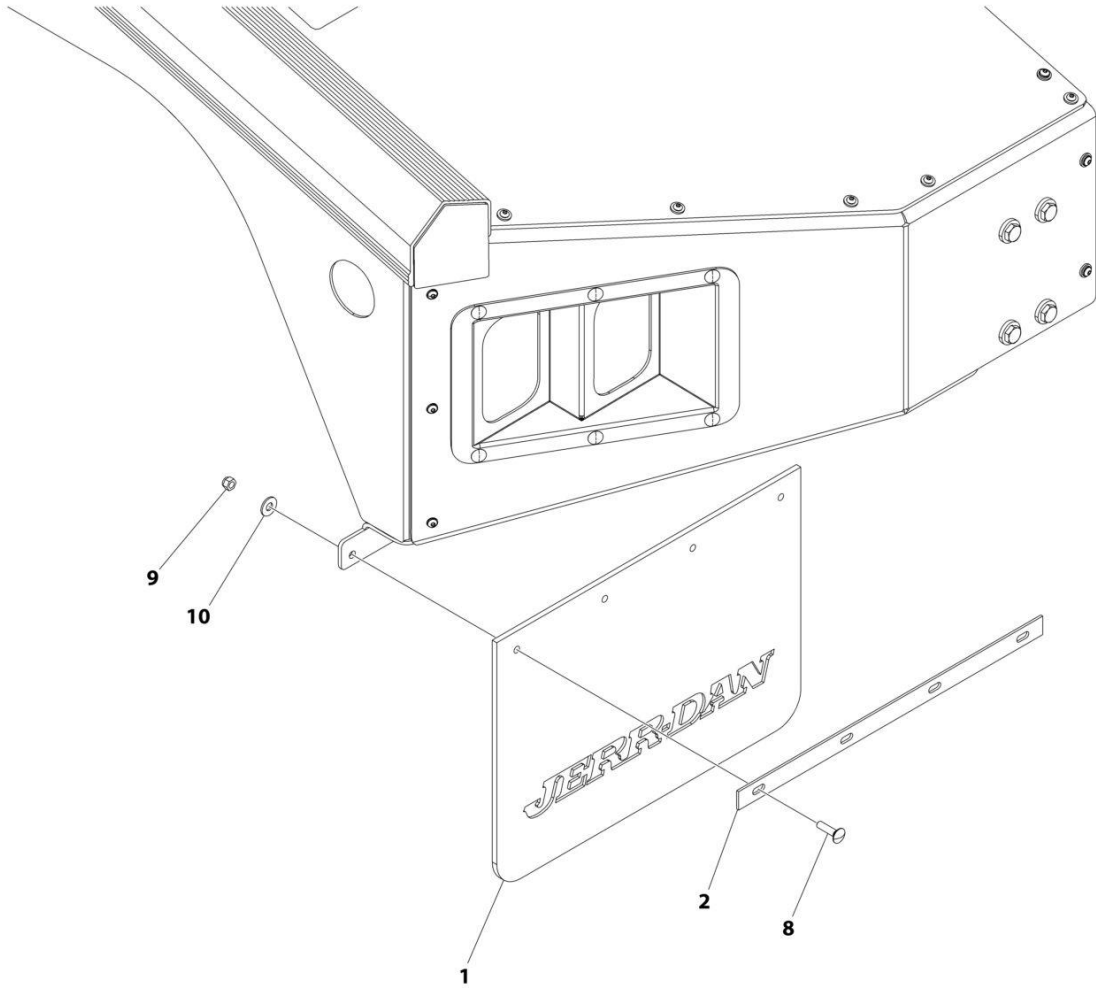
SECTION 9 - ACCESSORIES

FIGURE 9-17. MUDFLAPS INSTALLATION (CUSTOMER SUPPLIED)

ITEM	PART NUMBER	QTY	DESCRIPTION	REV
	1001139332	Ref	MUDFLAPS INSTALLATION (CUSTOMER SUPPLIED)	A
1	4706001123	2	Plate	
2	7111150864	8	Bolt 5/16 x 1	
3	7950150161	8	Washer 5/16	
4	7660152601	8	Nut 5/16	

SECTION 9 - ACCESSORIES

FIGURE 9-18. MUDFLAPS INSTALLATION (FACTORY SUPPLIED)



ART_263800006

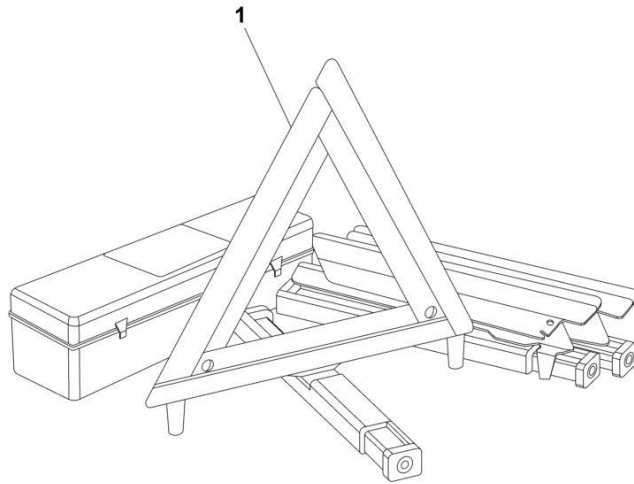
SECTION 9 - ACCESSORIES

FIGURE 9-18. MUDFLAPS INSTALLATION (FACTORY SUPPLIED)

ITEM	PART NUMBER	QTY	DESCRIPTION	REV
	2638000006	Ref	MUDFLAPS INSTALLATION (FACTORY SUPPLIED)	C
1	7638000003	2	Mud Flap	
2	4706001123	2	Plate	
8	7115151064	8	Bolt 5/16 x 1-1/4	
9	7660152601	8	Nut 5/16	
10	7950150161	8	Washer 5/16	

SECTION 9 - ACCESSORIES

FIGURE 9-19. SAFETY TRIANGLE KIT



ART_STK

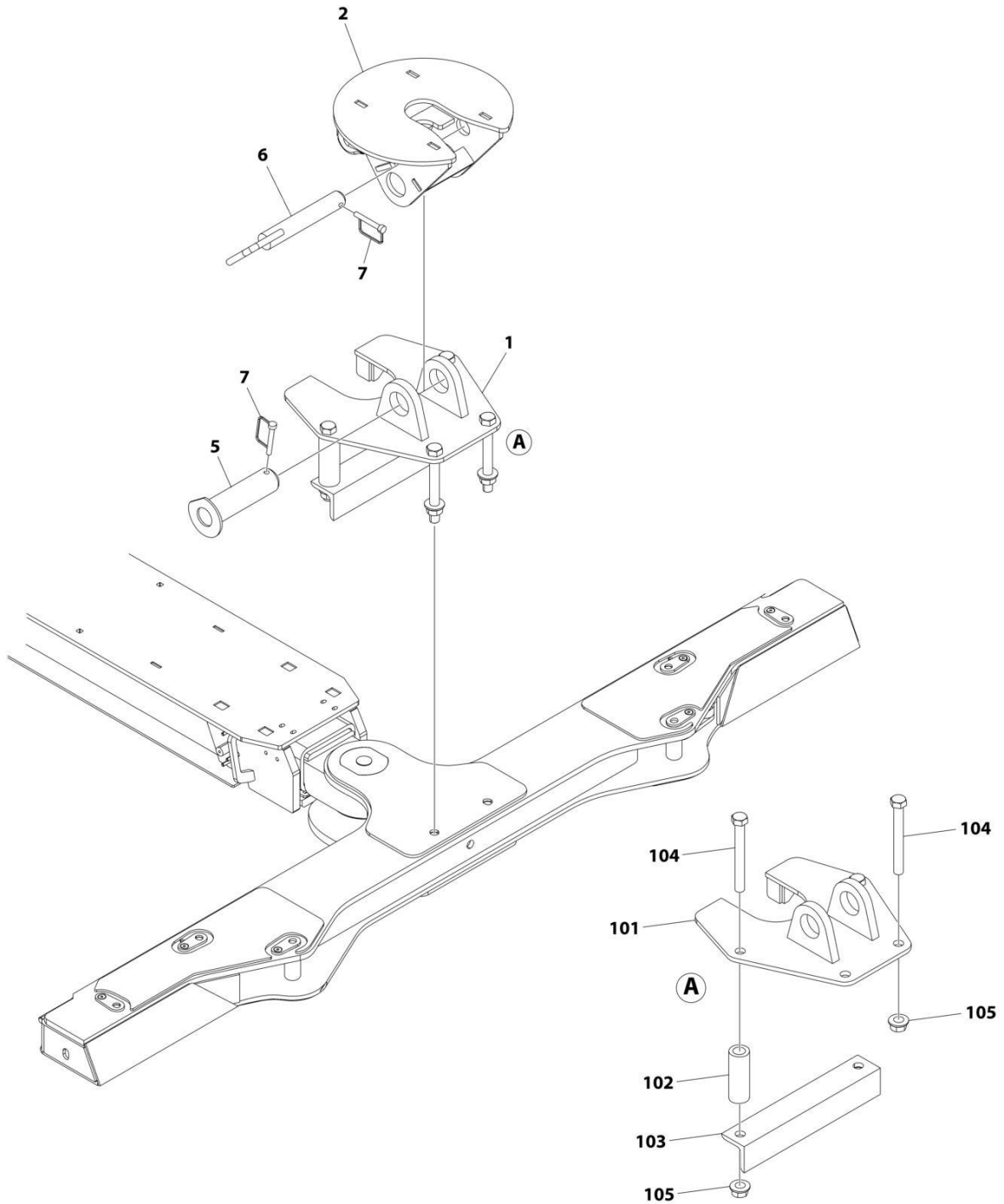
SECTION 9 - ACCESSORIES

FIGURE 9-19. SAFETY TRIANGLE KIT

ITEM	PART NUMBER	QTY	DESCRIPTION	REV
1	STK 7002000285	Ref 1	Safety Triangle Kit Reflective Triangles	0

SECTION 9 - ACCESSORIES

FIGURE 9-20. TOW INSTALLATION - FIFTH WHEEL



ART_2556000013

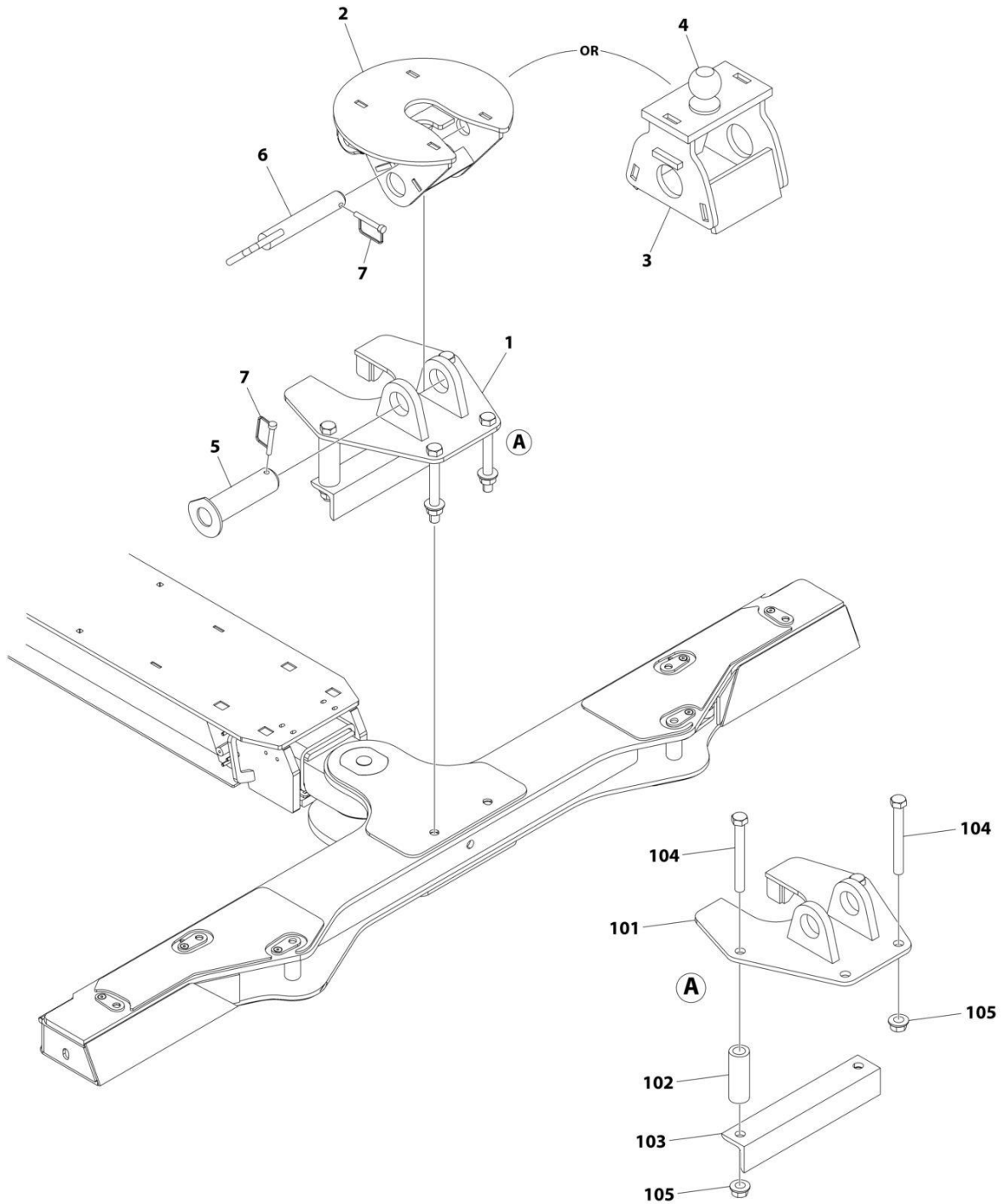
SECTION 9 - ACCESSORIES

FIGURE 9-20. TOW INSTALLATION - FIFTH WHEEL

ITEM	PART NUMBER	QTY	DESCRIPTION	REV
	2556000013	Ref	TOW BALL INSTALLATION - FIFTH WHEEL	0
1	2178000065	Ref	Bracket Installation (Includes Items 101-105)	
2	3178000562	1	Bracket	
5	3691000144	1	Pin	
6	3691000145	1	Pin	
7	7691000025	2	Pin	
	2178000065	Ref	BRACKET INSTALLATION	0
101	3178000543	1	Bracket	
102	4912000432	2	Tube	
103	4017001612	1	Angle	
104	7118225250	4	Bolt 3/4 x 6-1/2	
105	7661000069	4	Nut 3/4	

SECTION 9 - ACCESSORIES

FIGURE 9-21. TOW INSTALLATION – FIFTH WHEEL/GOOSENECK COMBINATION



ART_255600012

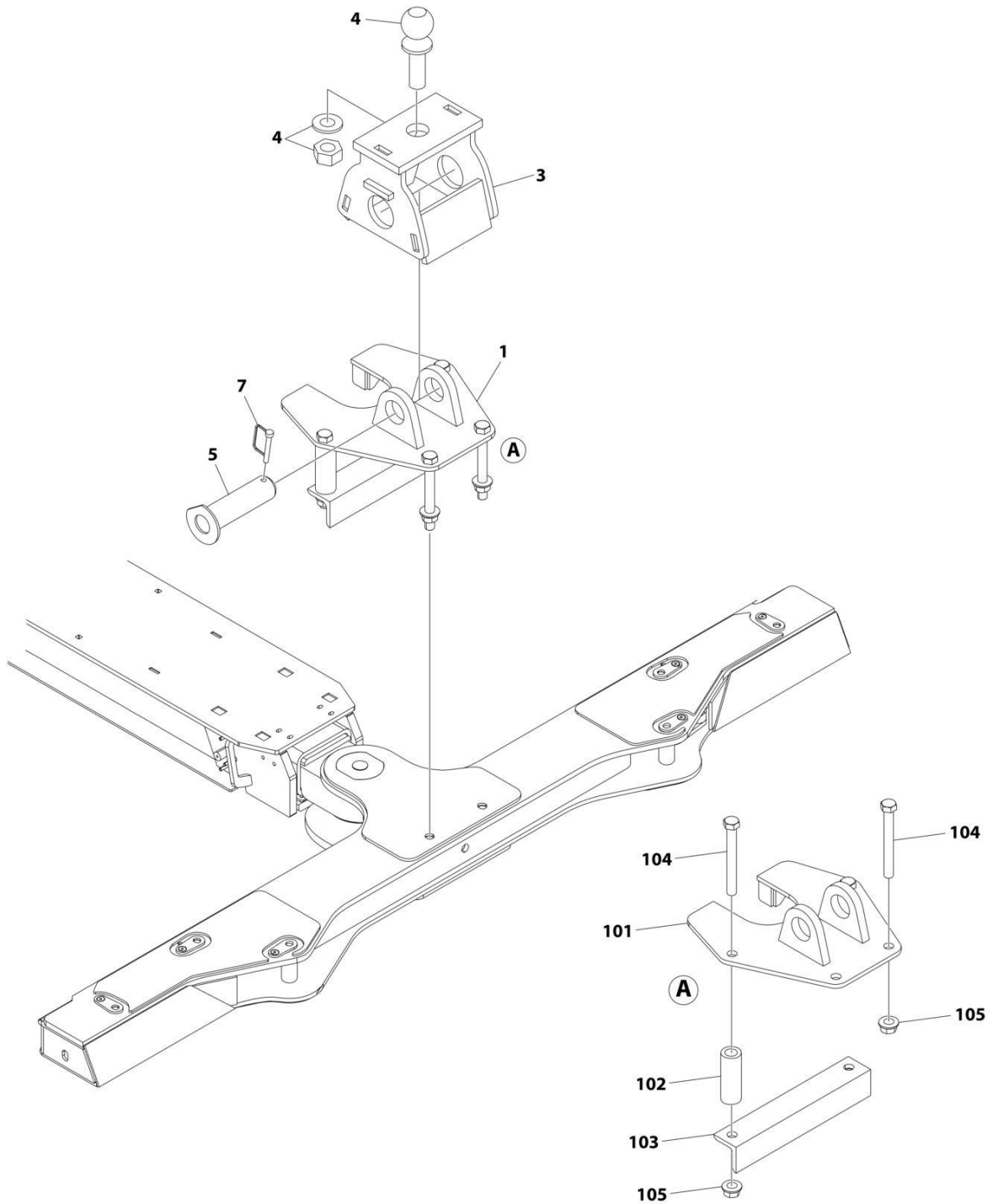
SECTION 9 - ACCESSORIES

FIGURE 9-21. TOW INSTALLATION – FIFTH WHEEL/GOOSENECK COMBINATION

ITEM	PART NUMBER	QTY	DESCRIPTION	REV
	2556000012	Ref	TOW BALL INSTALLATION - FIFTH WHEEL/GOOSENECK COMBINATION	0
1	2178000065	Ref	Bracket Installation (Includes Items 101-105)	
2	3178000562	1	Bracket	
3	3178000560	1	Bracket	
4	7056000011	1	Ball, Chrome	
5	3691000144	1	Pin	
6	3691000145	1	Pin	
7	7691000025	2	Pin	
	2178000065	Ref	BRACKET INSTALLATION	0
101	3178000543	1	Bracket	
102	4912000432	2	Tube	
103	4017001612	1	Angle	
104	7118225250	4	Bolt 3/4 x 6-1/2	
105	7661000069	4	Nut 3/4	

SECTION 9 - ACCESSORIES

FIGURE 9-22. TOW INSTALLATION - GOOSENECK COMBINATION



ART_2556000014

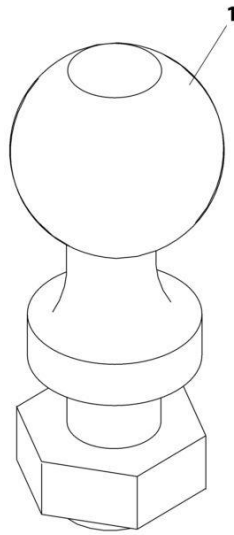
SECTION 9 - ACCESSORIES

FIGURE 9-22. TOW INSTALLATION - GOOSENECK COMBINATION

ITEM	PART NUMBER	QTY	DESCRIPTION	REV
	2556000014	Ref	TOW BALL INSTALLATION - GOOSENECK COMBINATION	0
1	2178000065	Ref	Bracket Installation (Includes Items 101-105)	
3	3178000560	1	Bracket	
4	7056000011	1	Ball, Chrome	
5	3691000144	1	Pin	
7	7691000025	1	Pin	
	2178000065	Ref	BRACKET INSTALLATION	0
101	3178000543	1	Bracket	
102	4912000432	2	Tube	
103	4017001612	1	Angle	
104	7118225250	4	Bolt 3/4 x 6-1/2	
105	7661000069	4	Nut 3/4	

SECTION 9 - ACCESSORIES

FIGURE 9-23. TOW BALL - 1-7/8IN



ART_TB178

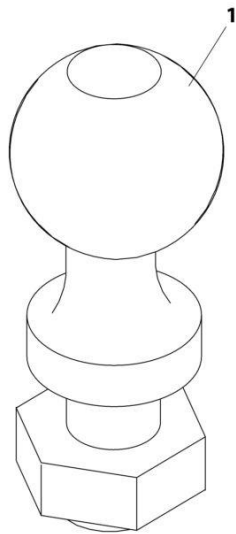
SECTION 9 - ACCESSORIES

FIGURE 9-23. TOW BALL - 1-7/8IN

ITEM	PART NUMBER	QTY	DESCRIPTION	REV
1	TB178 7056000007	Ref 1	TRAILER BALL - 1.88IN DIA BALL Ball	0

SECTION 9 - ACCESSORIES

FIGURE 9-24. TOW BALL - 2IN



ART_TB200

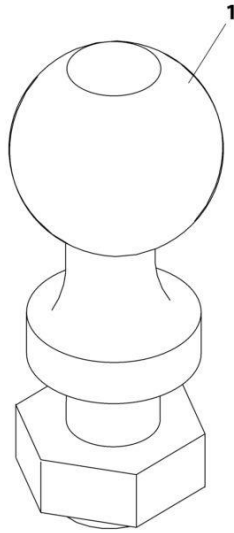
SECTION 9 - ACCESSORIES

FIGURE 9-24. TOW BALL - 2IN

ITEM	PART NUMBER	QTY	DESCRIPTION	REV
1	TB200 7056000008	Ref 1	TRAILER BALL - 2IN DIA BALL Ball	0

SECTION 9 - ACCESSORIES

FIGURE 9-25. TOW BALL - 2-5/16IN



ART_TB256

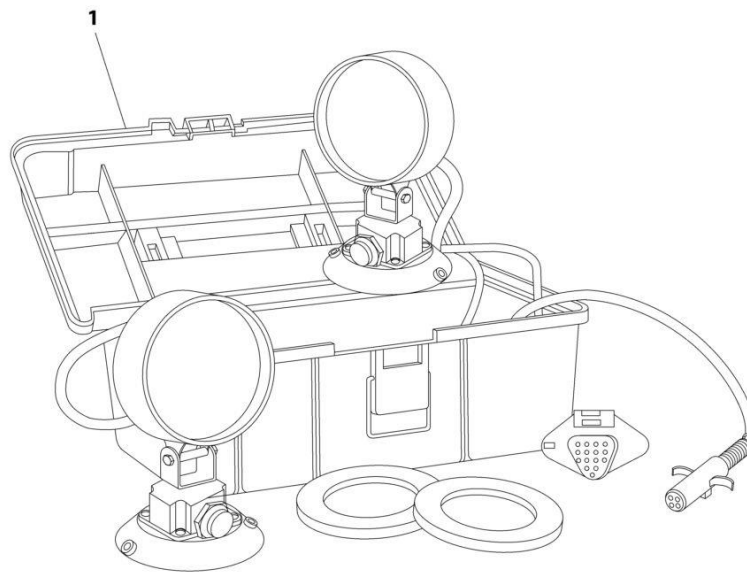
SECTION 9 - ACCESSORIES

FIGURE 9-25. TOW BALL - 2-5/16IN

ITEM	PART NUMBER	QTY	DESCRIPTION	REV
1	TB256 7056000009	Ref 1	TRAILER BALL - 2-5/16IN DIA BALL Ball	0

SECTION 9 - ACCESSORIES

FIGURE 9-26. TOW LIGHTS (MAGNETIC) (Prior to SN 0230010803)



ART_LMT

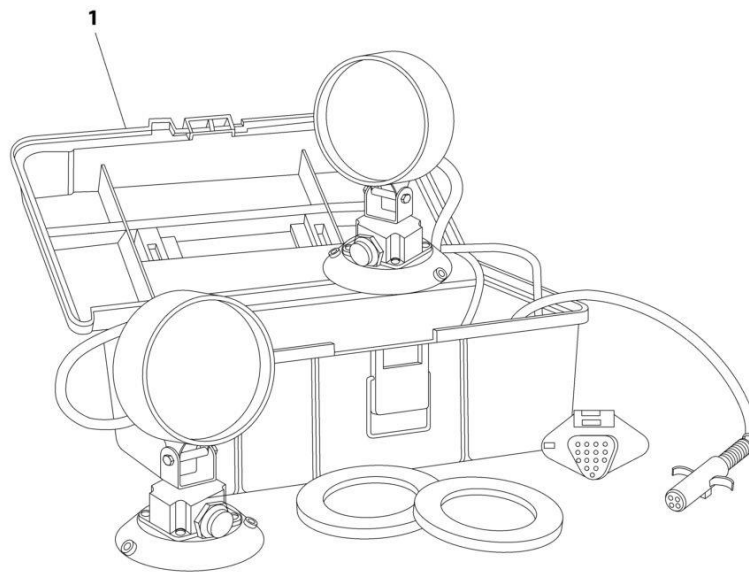
SECTION 9 - ACCESSORIES

FIGURE 9-26. TOW LIGHTS (MAGNETIC) (Prior to SN 0230010803)

ITEM	PART NUMBER	QTY	DESCRIPTION	REV
1	LMT 5525000752	Ref 1	TOW LIGHT KIT - MAGNETIC MOUNTED Magnetic Light Kit Towing - with Case	0

SECTION 9 - ACCESSORIES

FIGURE 9-27. TOW LIGHTS (MAGNETIC/SUCTION) (Prior to SN 0230010803)



ART_LST

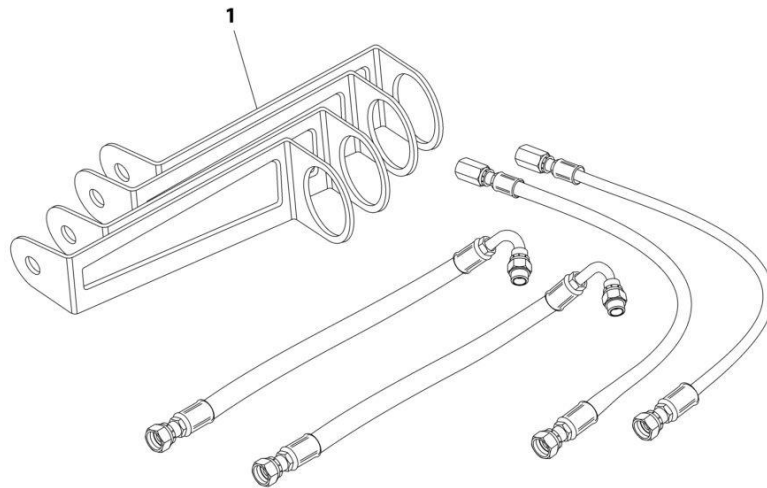
SECTION 9 - ACCESSORIES

FIGURE 9-27. TOW LIGHTS (MAGNETIC/SUCTION) (Prior to SN 0230010803)

ITEM	PART NUMBER	QTY	DESCRIPTION	REV
1	LST 7002000449	Ref 1	SUCTION MOUNTED TOW LIGHT KIT Tow Lights Suction	0

SECTION 9 - ACCESSORIES

FIGURE 9-28. VALVE STEM EXTENSION KIT



ART_2002000029

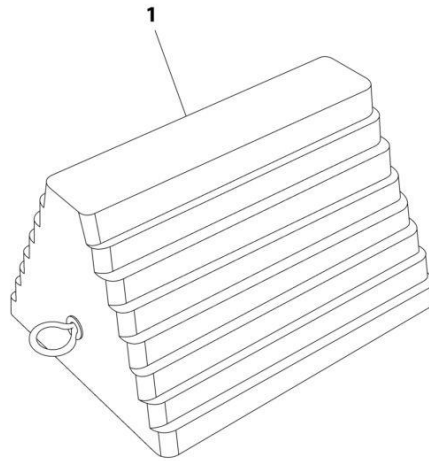
SECTION 9 - ACCESSORIES

FIGURE 9-28. VALVE STEM EXTENSION KIT

ITEM	PART NUMBER	QTY	DESCRIPTION	REV
1	2002000029	Ref	Valve System Extension Kit	0
	7002000447	1	Valve Stem	

SECTION 9 - ACCESSORIES

FIGURE 9-29. WHEEL CHOCKS



ART_RWC

SECTION 9 - ACCESSORIES

FIGURE 9-29. WHEEL CHOCKS

ITEM	PART NUMBER	QTY	DESCRIPTION	REV
1	RWC 7002000448	Ref 2	WHEEL CHOCKS Wheel Chock - Rubber	0

SECTION 10 - BUILD DOCUMENTS

SECTION 10 - BUILD DOCUMENTS

FIGURE 10-1. BUILD DOCUMENT

ITEM	PART NUMBER	QTY	DESCRIPTION	REV
	Note	Ref	Note: This list is for build tracking purposes only. Parts in this list are not available at this inventory stocking level. Parts in this list may not be applicable to all models. For more specific parts information contact Jerr-Dan Parts Department	
	1001138634	Ref	Body & Wiring Installation - Aluminum (NG) (SN 0230004211 through 0230009708)	
	1001208045	Ref	Body Installation - Aluminum (NG) (See Separate Breakdown in BODY Section) (SN 0230004211 through 0230009708)	
	1001208048	Ref	Body Wiring Installation - Aluminum (NG) (See Separate Breakdown in ELECTRICAL Section) (SN 0230004211 through 0230009708)	
	1001268367	Ref	Body & Wiring Installation - Aluminum (NG) (SN 0230009708 through 0230011754, Except SN 0230011072 through 0230011326, Except SN 0230011488 through 0230011512, Except SN 0230011597 through 0230011611, Excluding 0230009801 and 0230010717)	
	1001208045	Ref	Body Installation - Aluminum (NG) (See Separate Breakdown in BODY Section) (SN 0230009708 through 0230011754, Except SN 0230011072 through 0230011326, Except SN 0230011488 through 0230011512, Except SN 0230011597 through 0230011611, Excluding 0230009801 and 0230010717)	
	1001267675	Ref	Body Wiring Installation - Aluminum (NG) (See Separate Breakdown in ELECTRICAL Section) (SN 0230009708 through 0230011754, Except SN 0230011072 through 0230011326, Except SN 0230011488 through 0230011512, Except SN 0230011597 through 0230011611, Excluding 0230009801 and 0230010717)	
	1001138637	Ref	Body & Wiring Installation - Steel (NGS) (SN 0230004211 through 0230009708)	
	2097000120	Ref	Body Installation - Steel (NG) (See Separate Breakdown in BODY Section) (SN 0230004211 through 0230009708)	
	3509330123	Ref	Body Wiring Installation - Steel (NG) (See Separate Breakdown in ELECTRICAL Section) (SN 0230004211 through 0230009708)	
	1001268368	Ref	Body & Wiring Installation - Steel (NGS) (SN 0230009708 through 0230011754, Except SN 0230011072 through 0230011326, Except SN 0230011488 through 0230011512, Except SN 0230011597 through 0230011611, Excluding 0230009801 and 0230010717)	
	2097000120	Ref	Body Installation - Steel (NG) (See Separate Breakdown in BODY Section) (SN 0230009708 through 0230011754, Except SN 0230011072 through 0230011326, Except SN 0230011488 through 0230011512, Except SN 0230011597 through 0230011611, Excluding 0230009801 and 0230010717)	
	1001267676	Ref	Body Wiring Installation - Steel (NG) (See Separate Breakdown in ELECTRICAL Section) (SN 0230009708 through 0230011754, Except SN 0230011072 through 0230011326, Except SN 0230011488 through 0230011512, Except SN 0230011597 through 0230011611, Excluding 0230009801 and 0230010717)	
	1001127569	Rdf	Controls Installation (Hydraulics without Anti-Stall) (All except Ford Gas)	
	3509530154	Rdf	Hose Installation (See Separate Breakdown in HYDRAULIC Section)	
	2509170077	Rdf	Underlift Level Stop Control Installation (See Separate Breakdown in CONTROLS Section)	
	1001127570	Rdf	Controls Installation (Hydraulics with Anti-Stall) (Ford Gas)	

SECTION 10 - BUILD DOCUMENTS

ITEM	PART NUMBER	QTY	DESCRIPTION	REV
	3509530155	Rdf	Hose Installation (See Separate Breakdown in HYDRAULIC Section)	
	2509170077	Rdf	Underlift Level Stop Control Installation (See Separate Breakdown in CONTROLS Section)	
		Ref	PTO (Installation & replacement is based on individual characteristics of the unit - Contact Jerr-Dan Parts Dept.)	
		Ref	Pump (Installation & replacement is based on individual characteristics of the unit - Contact Jerr-Dan Parts Dept.)	
	1001268204	Ref	Switch Installation - 3 Function In-Dash	
	1001266075	Ref	Switch Installation - 3 Function In-Dash (See Separate Breakdown in ELECTRICAL Section)	
	1001129883	Ref	Breaker Installation - 50Amp (See Separate Breakdown in ELECTRICAL Section)	
	1001268202	Ref	Switch Installation - 3 Function Under-Dash	
	1001266355	Ref	Switch Installation - 3 Function Under-Dash (See Separate Breakdown in ELECTRICAL Section)	
	1001129883	Ref	Breaker Installation - 50Amp (See Separate Breakdown in ELECTRICAL Section)	
	1001268208	Ref	Switch Installation - 5 Function In-Dash	
	1001266357	Ref	Switch Installation - 5 Function In-Dash (See Separate Breakdown in ELECTRICAL Section)	
	1001129883	Ref	Breaker Installation - 50Amp (See Separate Breakdown in ELECTRICAL Section)	
	1001268206	Ref	Switch Installation - 5 Function Under-Dash	
	1001266359	Ref	Switch Installation - 5 Function Under-Dash (See Separate Breakdown in ELECTRICAL Section)	
	1001129883	Ref	Breaker Installation - 50Amp (See Separate Breakdown in ELECTRICAL Section)	
	2636000021	Ref	Ship-Out Stand for Kit Models	
	1001182229	Ref	Tunnel Box (22IN) / Battery Cover Installation (Isuzu)	
	3509530149	Ref	Winch Installation - Units with Winch not Supplied by Jerr-Dan	
	1001208911	Ref	Winch Installation - 8K LBS	

PART NUMBER INDEX

SECTION 10 - BUILD DOCUMENTS

0100011.....97, 103, 123, 323, 327, 329, 331	1001129410..... 95, 101	1001137310 147	1001194372....77, 79, 81, 89
0641406.....116	1001129411..... 95, 101	1001137311 163	1001196509.....77, 83
0641407.....44, 48, 51, 55	1001129412..... 97, 103	1001137356 33, 35, 39	1001196510.....83
0641408.....193	1001129413..... 97, 103	1001137486 95, 101	1001196791.....15
0641410.....285, 287, 291	1001129414. 95, 97, 101, 103	1001137494 116, 223	1001196792.....15
0641416.....116	1001129882 309	1001137495 223	1001196813.....59
0641510.....44, 48	1001129883 309, 517	1001137496 213	1001196814.....59
0641516.....44, 48, 51, 55	1001130410 179	1001137519 329	1001196913.....77
0641608.....63, 193	1001130417 179	1001137904 116	1001199475.....329, 331, 342
0641610.....21, 23, 25, 27, 185, 187, 191, 363	1001130418 179	1001138634 516	1001204776....61, 83, 85, 87, 89
0641612.....63	1001130418 179	1001138637 516	1001204780.....59, 61
0641808.....59	1001130702 337	1001138640 355	1001205239.....453
0641809.....44, 48, 51, 55	1001132346 445, 447	1001139332 489	1001205256.....453
0641810.....323, 327	1001132559 449	1001139909 279, 283	1001205604.....116
0641812.....191	1001132560 451	1001139911 283	1001206078.....363
0641814.....63, 129, 181, 183	1001132605 249	1001141340 33	1001206157.....63
0641816.....189	1001132610 251	1001141411 33	1001206161.....63
0641824.....185, 187, 191	1001132614 253	1001142453 283	1001206167.....63
0641826....185, 187, 189, 191	1001132618 255	1001142973 283	1001206171.....63
0641828.....181, 183	1001132633 227	1001142974 279, 281	1001206185.....63
0642018.....63	1001132634 229	1001146878 473	1001206324.....95
0651606.....63	1001132635 243	1001146879 473	1001206325.....101
0681612.....59	1001132643 231	1001152707 ... 83, 85, 87	1001206326.....116
0681816.....21, 23, 25, 27, 44, 48, 51, 55	1001132647 233, 245	1001153944 97, 103, 123	1001207920.....445, 447
0682014.....59, 77, 79, 81	1001132794 227, 229, 231, 233, 235, 237, 239, 243, 245, 247, 249, 251, 253, 255	1001153945 97, 103, 123	1001207975.....79, 85
0682015.....77	1001132800 227, 237, 239, 243, 245, 249, 251, 253, 255	1001153946 97, 103, 123	1001207976.....85, 87
0682016.....59	1001132808 227	1001153947 97, 104, 123	1001208045.....129, 516
0701019.....44	1001132809 237	1001153950 97, 103, 123	1001208048.....285, 516
0701024.....44	1001132810 239	1001153971 97, 104, 123	1001208065.....79
0962224.....61, 89	1001132811 243	1001154361 463	1001208290.....363
0962272.....59	1001132812 245	1001154382 463	1001208291.....355, 357
1001095650...59, 63, 77, 79, 81, 83, 85, 87	1001132813 227	1001155141 ... 83, 85, 87	1001208292.....363
1001100949.....363	1001132834 237	1001155871 319	1001208300.....365
1001112058.....97, 103	1001132835 239	1001155872 319, 335	1001208910.....63
1001116727.....311, 313, 393, 395	1001132836 243	1001159336 363	1001208911.....517
1001116729.....293, 295, 297, 299, 311, 313	1001132837 245	1001160195 123	1001209027.....453
1001116747.....301, 303, 305, 307	1001132846 237	1001160779 29, 31	1001209219.....453
1001119004.....293, 295, 297, 299, 301, 303, 305, 307	1001134178 465	1001160831 29, 31	1001211199.....145
1001121727.....311, 313	1001134181 465	1001160833 29	1001211200.....149
1001123147.....35	1001135107 189, 191	1001160834 31	1001211201.....171
1001123179.....467	1001135108 189, 191	1001160835 31	1001211205.....153
1001123370.....317	1001135519 417	1001160904 29	1001211206.....161
1001123375.....413	1001135521 421	1001160905 31	1001211866.....485
1001126235.....17, 19	1001135689 315	1001160919 31	1001214805.....373, 377
1001126236.....17, 19	1001135700 401	1001160988 29	1001220071.....44
1001126269.....335, 337	1001135701 425	1001161328 361	1001220072.....44, 51
1001126957.....269	1001135756 405	1001161481 429	1001220073.....44, 51
1001126958.....269	1001135757 433	1001161504 361	1001220074.....44, 51
1001127001.....241	1001135953 185, 197	1001161520 357	1001220076.....48
1001127427.....207	1001135955 201	1001173683 215, 217	1001220077.....48, 55
1001127569.....516	1001135958 197	1001174496 205, 207	1001220078.....48, 55
1001127570.....516	1001135960 201	1001174680 363	1001220181.....275
1001127820.....177	1001136821 247	1001174682 351	1001220280.....116
1001127828.....177	1001136990 321, 325, 337	1001175061 267	1001220359.....185, 187, 191
1001129095.....421, 423	1001137204 39	1001175876 33	1001220832.....44
	1001137306 147, 157, 377	1001176337 365, 367, 369	1001220833....44, 48, 51, 55
	1001137307 163, 169, 373	1001182229 517	1001220909.....44, 48
	1001137308 353	1001185808 116	1001221001.....44, 48
		1001190945 285, 293	1001221065.....44
		1001190946 285, 301	1001221075....44, 48, 51, 55
		1001191715 59	
		1001191717 ... 59, 77, 79, 81	
		1001191718 77, 79, 81	
		1001194371 59, 61	

SECTION 10 - BUILD DOCUMENTS

1001221138 ... 44, 48, 51, 55	1001255722..... 169	1001267964.....415	2570000157 29, 31
1001221232 44, 48	1001255844.....21, 23	1001267982.....411	2570000170 19
1001221345 44, 51	1001255854.....21, 23	1001268202.....517	2570000171 ... 33, 35, 39, 45, 48, 51, 55
1001221348 48, 55	1001255855.....21	1001268204.....517	2570000173 35, 39
1001221375 415, 419, 423, 437, 439	1001255856.....25	1001268206.....517	2570000174 17
1001221395 437	1001255858....21, 23, 25, 27	1001268208.....517	2577000033 355, 359
1001221466 469	1001255942....21, 23, 25, 27	1001268367.....516	2590000126 367
1001221467 471	1001255943....21, 23, 25, 27	1001268368.....516	2590000176 351
1001221651 ... 21, 23, 44, 45, 48, 51, 55	1001255944....21, 23, 25, 27	1001268759.....97, 103	2590000177 345
1001221652 ... 21, 23, 45, 48, 51, 55	1001256168.....21, 23	1001270927.....97	2590000179 321
1001221653 ... 21, 23, 45, 48, 51, 55	1001256172.....331	1001270928.....97	2590000236 359, 361
1001221904 51	1001256173.....325	1001271130.....97	2590000238 369
1001221905 55	1001256220.....459	1001273600.....281	2636000021 517
1001223286 477, 479	1001256221.....461	1001273634.....365, 367, 369	2638000006 491
1001223730 247	1001256226....21, 23, 25, 27	1001274434.....215, 217	2754000007 475
1001223731 249	1001256227.....459	1001282025.....44	2870000012 399
1001223732 251	1001256228.....461	1001282026.....44	2870000030 413
1001223733 253	1001256269....21, 23, 25, 27	1001290326.....456	2899000081 185, 187
1001223734 255	1001256399.....165	2002000027 175	2900733 67
1001223814 193, 195, 199	1001256400.....165	2002000028.....483	3017000002 69
1001224068 ... 44, 45, 48, 51, 55	1001256466.....229	2002000029.....511	3017000003 69
1001224951 129	1001256467.....231	2002000031.....397	3020000029 101, 103
1001224952 129	1001256468.....233	2011000002.....265	3020000030 101, 103
1001224954 193, 195, 199	1001256469.....235	2011000003.....267	3020000037 95
1001224955 193, 195, 199	1001256789.....23, 27	2097000120.....131, 516	3020000038 95
1001224956 193, 195, 199	1001256801.....27	2178000036.....487	3020000124 116
1001225063 387	1001256825.....235	2178000048.....121	3020000125 116
1001225068 387	1001256835.....23	2178000053.....116	3020029. 63, 95, 97, 101, 103, 116, 453
1001225081 187, 195	1001256836.....27	2178000062....17, 19, 29, 31, 33, 35, 39, 45, 48, 51, 55	3020039 ... 59, 63, 77, 79, 81, 83, 85, 87, 95, 97, 101, 103, 116
1001225082 195	1001257070.....235	2178000065.....495, 497, 499	3097000600 129
1001225084 189, 191, 199	1001258796....477, 479, 481	2220415.....116	3097000767 131
1001225085 199	1001258797.....477	2295000015.....389	3097000769 131
1001225086 183, 193	1001259479.....479	2295000016.....391	3170000346 83, 87
1001225087 193	1001259576.....323	2314000024 133	3170000390 95, 101
1001225217 387, 437, 439	1001262106.....327	2415000019.....139	3170000393 85
1001226317 387	1001263429.....287, 291, 313	2415000020.....143	3178000443 349
1001226914 469	1001265004.....327	2415000030.....137	3178000444 349
1001226915 471	1001265469.....81	2415000031.....141	3178000468 487
1001229606 279, 283	1001265470.....81, 87	2415000032.....135	3178000469 487
1001230127 397	1001265477.....97	2500900643.....69	3178000470 487
1001231801 445, 447	1001265478.....103	2509170077209, 516, 517	3178000471 485
1001241869 456	1001265479.....97, 103	2509290081.....445	3178000507 121
1001247139 323, 327, 339	1001265657.....419	2509290124.....447	3178000508 63
1001254044 409, 411	1001265877.....423	2509350151.....35, 39	3178000543 495, 497, 499
1001255415 409	1001266075.....403, 517	2509570054.....159	3178000560 497, 499
1001255482 ... 21, 23, 25, 27	1001266076.....373, 381	2509570057.....145	3178000562 495, 497
1001255484 277	1001266355.....407, 517	2509570061.....171	3249000040 125
1001255485 277	1001266357.....427, 517	2509570069.....173	3249000041 125
1001255713 167	1001266359.....435, 517	2509570071.....349	3271505 116
1001255714 155	1001266486.....377, 385	2509570106.....149	3271605 ... 21, 23, 25, 27
1001255715 169	10012664884.....439	2509570121.....161	3271805 ... 21, 23, 25, 27, 44, 48, 51, 55, 59
1001255716 157	1001267670.....287, 295	2509570126.....153	3272005 79, 81
1001255721 157	1001267671.....287, 303	2509570147.....151	3295000003 271
	1001267672.....291, 299	2509610148.....125	3300240 59, 77
	1001267673.....291, 307	2509740122.....181, 183	3300455 ... 193, 195, 199
	1001267675.....287, 516	2550000420.....147	3300492 193, 363
	1001267676.....291, 516	2550000472.....163	3311401 ... 44, 48, 51, 55
	1001267711.....431	2550000517 189, 191	3311801 ... 44, 48, 51, 55
	1001267714.....97, 103	2556000012.....497	3314000051 133
		2556000013.....495	3340898 187, 191
		2556000014.....499	3484000016 111

SECTION 10 - BUILD DOCUMENTS

3484000017.....	107	4062000569.....	181, 193, 195, 197, 199, 201	4460457 ...	273, 311, 313, 379, 381, 383, 385, 393, 395, 441	4570000370.....	213
3484000030.....	95	4062000691.....	133	4460458 ...	209, 273, 379, 381, 383, 385, 393, 395, 441	4570000373.....	247
3484000031.....	95	4062000695.....	131	4460465	393, 395, 441	4570000378.....	39
3484000046.....	101, 111	4064000052	97, 103, 116	4460466	393, 395	4619000013.....	116
3484000047.....	101, 107	4090000010.....	129, 131	4460475 ...	273, 379, 381, 383, 385, 393, 395, 441	4632000053.....	193, 195, 197, 199, 201
3484000050.....	113	4090000011.....	129, 131	4460587	311, 313	4632000058.....	129, 131
3484000052.....	103, 109, 113	4090000012.....	349	4460588	311, 313	4632000059.....	181
3484000053.....	103, 109	4090000013.	95, 97, 101, 103	4460608 ...	311, 313, 379, 381, 383, 385	4636000041.....	185, 187, 191
3484000082.....	101	4178000402.....	317, 321, 329, 349	4460692 ...	301, 303, 305, 307, 311, 313, 379, 381, 383, 385	4679000046.....	83, 85, 87
3484000083.....	95	4178000427.....	399	4460693 ...	301, 303, 305, 307, 311, 313	4679000213.....	83, 85, 87
3509330108.....	151, 153, 155, 159, 161, 165, 167, 173, 371	4178000437.....	319, 325, 331	4460695 ...	301, 303, 305, 307, 381, 383, 385	4679000274.....	485
3509330109.....	145, 149, 171, 375	4178000636.....	487	4460742 ...	209, 293, 295, 297, 299, 301, 303, 305, 307, 379, 381, 383, 385	4679000275.....	487
3509330123.....	289, 516	4178000639.....	487	4460743	209, 441	4679000288.....	181, 183
3509330126.....	205	4178000705.....	209	4460850	395	4679000333.....	185, 187, 189, 191
3509330128.....	271	4178000709.....	209	4460867 ...	293, 295, 297, 299, 379, 383, 385	4679000334.....	185, 187, 189, 191
3509330132.....	17, 19	4178000742.....	181, 193	4460891	441	4686000242.....	181
3509350118.....	35, 39	4178000742.....	181, 193	4460933	393, 395	4691000103.....	95, 101
3509530061.....	223	4178000784.....	365	4460979	441	4691000183.....	107, 109, 111, 113
3509530147.....	225	4178000826.	95, 97, 101, 103	4461157	209, 381	4691000186..	95, 97, 101, 103, 107, 109, 111, 113
3509530149.....	517	4178000827.	95, 97, 101, 103	4461215 ...	379, 381, 383, 385	4691000198.	97, 103, 116
3509530150.....	219	4178000848.....	181, 197, 201	4495000011.....	215, 217	4691000307.....	83, 85, 87
3509530151.....	221	4178000849.....	181, 197, 201	4533000415 ...	17, 19, 21, 23, 25, 27, 29, 31, 33, 35, 39, 45, 49, 51, 55	4691000308.....	83, 85, 87
3509530154.....	215, 516	4178000850.....	181, 197, 201	4552000410.....	17, 19	4691000354.....	107, 109, 111, 113
3509530155.....	217, 517	4178000891.....	201	4564088	277	4691000357.....	107, 109, 111, 113
3509570103.....	159	4178000920.....	35, 39	4567120056.....	213	4691000541.....	475
3509570106.....	145	4248000002.....	487	4567120087.....	213	4691000547.....	487
3509570111.....	167, 171	4248000003.....	487	4567120112.....	213	4691000572.....	125
3509570113.....	173	4254000005.	95, 97, 101, 103, 107, 109, 111, 113	4567130135.....	249	4706001123.....	489, 491
3509570119.....	149	4259000001.....	111, 113	4567130140.....	251	4706003402.....	205, 207
3509570121.....	161	4259000002.....	107, 109	4567130155.....	253	4706003497.....	116
3509570127.....	153	4263000689.....	145, 147, 149, 151, 155, 157, 159, 163, 167, 169, 171, 173	4567130165.....	255	4706003501.....	93
3509570137.....	151, 155	4263000705.....	475	4567132152.....	229	4706003844.....	227, 231, 235, 237, 239, 241, 243, 245, 247, 249, 251, 253, 255
3509870046.....	93, 223	4263000710.....	487	4567132178.....	231	4706004066.....	93
3550001692.....	163	4263000814....	77, 79, 81	4567132188.....	233	4706004067.....	93
3550001694.....	147	4314000102.....	145, 147	4567132188.....	233	4706004919.....	15
3551000036.	95, 107, 111	4314000103.....	167, 169, 171	4567630109.....	239	4706005002.....	159, 163
3592000051.....	116	4314000125.....	173	4567630151.....	227	4706005595.....	389, 391
3592000052.....	116	4314000158.....	129	4567630163.....	241	4706005695.....	129
3619000001.....	93	4314000159.....	129	4567630177.....	243	4706005751.....	129
3691000144.....	495, 497, 499	4314000169.....	149	4567630182.....	237	4706005838.....	181, 183
3691000145.....	495, 497	4314000175.....	129	4567630195.....	245	4706005869.....	185, 187, 191
3691000195.....	121, 125	4314000224.....	151, 155, 157	4567820118.....	223	4706005896.....	33, 35, 39
3691000229.....	116	4346000005.....	309, 315, 399, 401, 403, 405, 407, 411, 415, 417, 419, 421, 423, 431, 439	4570000099.....	239	4706006093.....	101
3691000230.....	116	4420002.....	285, 287	4570000210.....	223	4706006094.....	95
3706000099.....	69	4460018 ...	403, 407, 427, 435	4570000211.....	223	4706006415.....	33, 35, 39
3750000061.....	257	4460035 ...	403, 407, 419, 427, 435	4570000212.....	223	4706006442....	17, 19, 29, 31, 33, 35, 39, 44, 48, 51, 55
3754000004.....	475	4460042 ...	403, 407, 427, 435	4570000303.....	225	4707000314.....	175
3760115.....	83, 85, 87			4570000304.....	213	4707000315.....	175
3760351.....	116			4570000305.....	223	4707000343.....	131
3841143.....	59, 63			4570000323.....	241	4707000344.....	131
3841258.....	59, 77, 79, 81					4707000345.....	131
3899000148.....	181					4707000367.....	177
3899000149.....	181, 183						
3899000150.....	181, 183						
3941506.....	21, 23, 25, 27, 45, 49, 52, 56, 249, 251, 253, 255						
4017000674.....	189						
4017001271.....	191						
4017001502.....	83, 85, 87						
4017001612.....	495, 497, 499						

SECTION 10 - BUILD DOCUMENTS

4711400 ... 44, 48, 51, 55, 116, 285, 287, 291	70050166 337	70051071 342	70070005 347
4711600 63	70050167 337	70051072 342	70070028 67
4711800 ... 21, 23, 25, 27, 44, 45, 48, 51, 55	70050169 342	70051073 342	70070029 67
4712000 63	70050170 342	70051074 342	70070030 67
4751400 ... 193, 195, 199	70050174 342	70051075 342	7009974 67
4751500 ... 44, 48, 51, 55, 83, 85, 87	70050175 342	70051076 342	7009975 67
4751600 363	70050176 342	70051077 342	7009992 67
4761400 ... 116, 285, 287, 291	70050178 342	70051078 342	7009997 67
4761500 83, 85, 87	70050179 342	70051326 61, 89	7011000006 265
4761600 63, 477	70050180 342	70051465 389, 391	7027336 119
4763000184 ... 95, 97, 101, 103, 107, 109, 111, 113	70050181 342	70051466 389	7027338 119
4763000418 133	70050203 342	70051475 389	7027341 119
4811001095 181	70050204 342	70051476 391	7029140 61, 89
4811001160 129	70050207 343	70051554 65	7056000007 501
4811001161 129	70050208 343	70051555 65	7056000008 503
4811001177 131	70050209 343	70051594 335	7056000009 505
4811001194 ... 44, 48, 55	70050210 343	70051628 61, 89	7056000011 497, 499
4811001399 35, 39	70050211 343	70051629 61, 89	7075000003 389, 391
4812000 44	70050632 119	70051645 481	7082000026 116, 119
4812000107 ... 181, 183, 185, 187, 191	70050633 119	70051647 481	7082000032 125
4812000108 ... 181, 183, 185, 187, 191	70050634 119	70051648 481	7082000043 ... 83, 85, 87
4812000141 17, 19	70050635 119	70051649 481	7104150624 ... 83, 85, 87
4812000142 ... 17, 19, 29, 31	70050636 119	70051650 481	7111140613 ... 285, 287, 289, 291
4819000008 215, 217	70050637 119	70051653 481	7111141050 265, 267, 289
4831000095 97, 103, 116	70050638 119	70051660 91	7111150864 489
4891600 63	70050639 119	70051661 91	7114060810 269, 271, 277
4891800 63, 129, 181, 183, 189	70050640 119	70051662 91	7114080618 181, 193, 195, 197, 199, 201
4892000007 445, 447	70050641 119	70051663 91	7114100518 209, 349, 389, 391, 397
4911000454 95	70050642 119	70051664 91	7114100610 29, 31
4912000432 495, 497, 499	70050643 119	70051920 481	7114100618 ... 35, 39, 179, 181, 197, 201, 209
4913000503 101	70050644 119	70051929 481	7114100818 209
4949000047 ... 95, 97, 101, 103, 116	70050645 119	70051947 481	7114140427 93
4949000050 ... 77, 79, 81	70050646 119	70051950 481	7114140618 93, 131, 145, 147, 149, 151, 155, 157, 159, 163, 167, 169, 171, 173, 175, 177, 181, 193, 195, 197, 199, 201
5376000192 387	70050647 119	70051951 481	7114141018 ... 35, 39, 95, 97, 101, 103, 345
5525000537 281	70050648 119	70051953 481	7114141218 ... 77, 79, 81, 95, 97, 101, 103, 485
5525000752 507	70050665 342	70052121 61	7114150818 129, 131
5526000553 ... 17, 19, 29, 31, 33, 35, 39, 44, 45, 48, 49, 51, 55, 209, 215, 217, 275, 277, 363, 371, 373, 375, 377, 389, 391, 405, 407, 433, 435	70050679 65	70052122 89	7114150850 139, 143
7002000285 493	70050682 65	70052124 481	7114151650 215, 217
7002000404 483	70050980 335, 337	70052165 481	7114161050 477, 479
7002000447 511	70050981 335, 337	70052166 481	7115140650 131, 137, 141
7002000448 513	70051021 342	70052167 481	7115140850 .. 31, 93, 181
7002000449 509	70051022 342	70052168 481	7115150664 349
7002000521 397	70051023 342	70052169 481	7115150850 215, 217
7002107 67	70051026 342	700522426 481	7115150864 227, 237, 241
7002110 67	70051027 342	70052448 481	7115151050 ... 21, 23, 25, 27, 45, 49, 52, 56, 227,
7002111 67	70051028 342	70052449 481	
7002117 67	70051029 342	70052450 481	
7002123 67	70051030 342	70052572 481	
70050164 335, 337	70051035 342	70052600 481	
70050165 337	70051036 342	70052605 481	
	70051039 342	70052606 481	
	70051044 342	70052794 335	
	70051045 342	70052795 335	
	70051048 342	70052796 335	
	70051049 342	70052797 335	
	70051053 342	70052798 335	
	70051055 342	70052799 335	
	70051056 343	70052800 335	
	70051057 343	70052801 335	
	70051058 342	70052802 335	
	70051059 342	70052803 335	
	70051060 342	70054727 481	
	70051061 342	70070000 339	
	70051062 342	70070001 339	
	70051063 342	70070002 339	
	70051064 342	70070003 339	
	70051065 342	70070004 347	
	70051066 342		
	70051068 342		
	70051069 342		
	70051070 342		

SECTION 10 - BUILD DOCUMENTS

229, 231, 233, 235, 237, 239, 241, 243, 245, 247, 249, 251, 253, 255	7274000041 227, 229, 231, 233, 235, 237, 239, 243, 245	7345001714 205, 207, 269, 271, 315, 363, 387, 411, 415, 421, 429, 431, 437, 439	7443000048..95, 97, 101, 103
7115151064.....227, 229, 231, 233, 235, 237, 239, 243, 245, 247, 249, 251, 253, 255, 491	7274000042 ... 21, 23, 25, 27, 227, 229, 231, 233, 235, 237, 239, 241, 243, 245, 247, 249, 251, 253, 255	7345001910 399	7443000066.....215, 217
7115152650.....33	7274000071 ... 45, 49, 51, 55	7345001913 401, 425	7443000319.....215, 217
7115160850.....181	7274000073 93	7345001914 279, 281, 283, 387, 399, 409, 411, 413, 415, 429, 431, 437, 439	7443000354.....19
7115161050....17, 19, 29, 31, 33, 35, 39, 45, 49, 51, 55, 69	7274000076 ... 21, 23, 25, 27, 45, 49, 51, 55, 227, 229, 231, 233, 235, 237, 239, 241, 243, 245, 247, 249, 251, 253, 255	7345211701 401, 405, 425, 433	7443000412.....227, 237, 241
7115161064.....487	7274000080 215	7345221702 205, 207, 315, 387	7443000435.....215, 217
7115161250.....349	7274000086 116	7345221902 279, 281, 283, 309, 315	7443000436.....215, 217
7115181050.....317, 319, 321, 325, 329, 331	7274000105 ... 45, 49, 51, 56, 229, 231, 233, 235, 241	7346000035 209, 293, 295, 297, 299	7443000482.....33, 35, 39
7115181064.....257	7274000122 217	7346000039 269, 271, 279, 281, 283, 363, 371, 373, 375, 377, 387, 409, 413, 429, 437	7443000483....35, 39, 45, 49, 52, 56
7115181250.....17, 19	7280000018 275, 277, 281	7346000099 293, 295, 297, 299, 301, 303, 305, 307	7445040443.....215, 217
7115181264.....181, 183	7291000010 285, 287, 289, 291	7346000108 385	7445040445.....93, 223
7115181450.....131, 151, 153, 159, 161, 163, 165, 167, 169, 173	7295000062 205	7346000109 381	7445060625.....215, 217, 223
7115181464.....129	7295000116 389	7346000126 315, 399	7445060643.....215, 217
7115181650....17, 19, 29, 31, 33, 35, 39, 145, 147, 149, 155, 157, 171	7295000117 391	7346000140 297, 299, 305, 307	7445060645.....215, 217
7115181864.....185, 187, 191	7295000131 207	7346000144 293, 295, 297, 299, 301, 303, 305, 307	7445060646.....221
7115190950.....349	7320000064 116, 119	7346000145 293, 295, 297, 299, 301, 303, 305, 307	7445060647.....215, 217
7118225250.....495, 497, 499	7320000077 ... 83, 85, 87, 91	7346000153 293, 295, 297, 299, 301, 303, 305, 307	7445060698.....221
7120000034.....205, 207, 275, 277, 281, 309, 315, 399	7330000034 445, 447	7346000154 297, 299, 305, 307	7445060843.....215, 217, 223, 225
7120000046.....129	7330000036 .. 95, 97, 116	7346000166 297, 299, 305, 307	7445080818.....215, 217
7120000052.....487	7330000122 445, 447	7346000177 293, 295, 297, 299, 301, 303, 305, 307	7445080845.....215, 217
7120000070.....133	7330000138 445, 447	7346000187 293, 295, 297, 299, 301, 303, 305, 307	7445081045.....225
7120000081.....285, 287	7330000139 445, 447	7346000153 293, 295, 297, 299, 301, 303	7449000019....17, 19, 29, 31, 33, 35, 39, 45, 48, 51, 55
7178000025.....371, 373, 375, 377	7330000143 445, 447	7346000154 297, 299, 305, 307	7457000004.....309
7178000045.....363	7330000286 449	7346000155 293, 295, 297, 299, 301, 303	7457000014.....315
7189000019.....93	7330000288 399, 401, 403, 405, 407, 425, 427, 433, 435	7346000156 297, 299, 305, 307	7457000015.....399
7189000023.....77, 79, 81	7330000307 445, 447	7346000147 293, 295, 297, 299, 301, 303, 305, 307	7470000002.....215, 217
7190000066.....467	7330000384 101, 103	7346000153 293, 295, 297, 299, 301, 303	7493000003.....131, 285, 287, 289, 291
7209000028.....85	7330000424 121	7346000154 407, 417, 419, 421, 423, 427, 433, 435	7493000009.....353, 355, 357, 359, 361, 363, 375, 377
7209000030.....83, 87	7330000433 445	7346000261 209	7493000011.....367, 375, 377
7248000092.....71	7330000433 445	7413000002 . 35, 39, 129, 131, 133, 145, 147, 149, 151, 155, 157, 159, 163, 167, 169, 171, 173, 285, 287, 289, 291	7493000022.....133
7248000111.....73	7330000534 451	7413000002 . 35, 39, 129, 131, 133, 145, 147, 149, 151, 155, 157, 159, 163, 167, 169, 171, 173, 285, 287, 289, 291	7493000026.....351, 363
7253000002....63, 95, 97, 98, 101, 103, 104, 116, 123, 453	7330000546 445, 447	7413000002 . 35, 39, 129, 131, 133, 145, 147, 149, 151, 155, 157, 159, 163, 167, 169, 171, 173, 285, 287, 289, 291	7493000029.....355, 357, 359, 361, 363
7262000040.....59	7330000553. 95, 97, 101, 103	7413000002 . 35, 39, 129, 131, 133, 145, 147, 149, 151, 155, 157, 159, 163, 167, 169, 171, 173, 285, 287, 289, 291	7493000030.....293, 295, 301, 303
7274000002.....227, 229, 231, 233, 235, 237, 239, 241, 243, 245, 247, 249, 251, 253, 255	7330000599. 95, 97, 101, 103, 116	7413000002 . 35, 39, 129, 131, 133, 145, 147, 149, 151, 155, 157, 159, 163, 167, 169, 171, 173, 285, 287, 289, 291	7522000292.....285, 289, 311
7274000005....21, 23, 25, 27, 33, 35, 36, 39, 40, 45, 49, 51, 52, 55, 56	7330000609. 95, 97, 101, 103, 116	7413000002 . 35, 39, 129, 131, 133, 145, 147, 149, 151, 155, 157, 159, 163, 167, 169, 171, 173, 285, 287, 289, 291	7522000293.....371, 373, 379
7274000039.....116	7330000630 417, 421	7413000002 . 35, 39, 129, 131, 133, 145, 147, 149, 151, 155, 157, 159, 163, 167, 169, 171, 173, 285, 287, 289, 291	7522000295.....375, 377, 383
7274000040.....227, 229, 231, 233, 235, 237, 239, 243, 245, 247, 249, 251, 253, 255, 269, 271	7330000683 101, 103	7413000002 . 35, 39, 129, 131, 133, 145, 147, 149, 151, 155, 157, 159, 163, 167, 169, 171, 173, 285, 287, 289, 291	7522000365.....205, 207, 441
	7330000699 445, 447	7413000002 . 35, 39, 129, 131, 133, 145, 147, 149, 151, 155, 157, 159, 163, 167, 169, 171, 173, 285, 287, 289, 291	7522000367.....209
	7330000716 125	7413000002 . 35, 39, 129, 131, 133, 145, 147, 149, 151, 155, 157, 159, 163, 167, 169, 171, 173, 285, 287, 289, 291	7522000368.....209
	7330000867 35, 39	7413000002 . 35, 39, 129, 131, 133, 145, 147, 149, 151, 155, 157, 159, 163, 167, 169, 171, 173, 285, 287, 289, 291	7522000384.....389, 393
	7330000872 413	7413000002 . 35, 39, 129, 131, 133, 145, 147, 149, 151, 155, 157, 159, 163, 167, 169, 171, 173, 285, 287, 289, 291	7522000386.....391, 395
	7345001710 205, 207, 269, 271, 315, 399	7413000002 . 35, 39, 129, 131, 133, 145, 147, 149, 151, 155, 157, 159, 163, 167, 169, 171, 173, 285, 287, 289, 291	7522000417.....289, 305
	7345001713 401, 405, 417, 421, 425, 433	7413000002 . 35, 39, 129, 131, 133, 145, 147, 149, 151, 155, 157, 159, 163, 167, 169, 171, 173, 285, 287, 289, 291	7522000427.....269, 271, 273
		7413000002 . 35, 39, 129, 131, 133, 145, 147, 149, 151, 155, 157, 159, 163, 167, 169, 171, 173, 285, 287, 289, 291	7522000469.....289, 297
		7413000002 . 35, 39, 129, 131, 133, 145, 147, 149, 151, 155, 157, 159, 163, 167, 169, 171, 173, 285, 287, 289, 291	7555000012.....181, 193, 195, 197, 199, 201
		7413000002 . 35, 39, 129, 131, 133, 145, 147, 149, 151, 155, 157, 159, 163, 167, 169, 171, 173, 285, 287, 289, 291	7560000004.....205, 207
		7413000002 . 35, 39, 129, 131, 133, 145, 147, 149, 151, 155, 157, 159, 163, 167, 169, 171, 173, 285, 287, 289, 291	7570000016.....35, 39

SECTION 10 - BUILD DOCUMENTS

7570000017 ... 35, 39, 45, 49, 51, 55	249, 251, 253, 255, 349, 489, 491	7786000006.....107, 109, 111, 113	7949000055 139, 143, 479, 485
7570000021 17, 19	7660162301 93, 185, 187, 191	7786000009.97, 103, 116	7949000056 181, 193, 195, 197, 199, 201
7570000028 19	7660162601.... 17, 19, 29, 31, 33, 35, 40, 45, 49, 51, 55, 69, 181, 227, 237, 243, 245, 349, 487	7790100856.....375, 377	7949000058 151, 153, 159, 161, 163, 165, 167, 169, 173
7570000036 29, 31	7660162604.....479	7790142051397	7950100003 . 35, 39, 181, 197, 201, 209
7570000037 ... 17, 21, 23, 25, 27, 29, 31, 33, 45, 49, 51, 55	7660182301..... 185, 187, 191	7790161253.....487	7950100103 179, 209, 349
7577000194 285, 287, 289, 291	7660182601.... 17, 19, 29, 31, 33, 35, 39, 69, 129, 131, 145, 147, 149, 155, 157, 171, 181, 183, 189, 257, 317, 319, 321, 323, 325, 327, 329, 331, 349	7796000012.....129	7950100143 . 35, 39, 193, 195, 199
7577000367 116	7661000006..... 35, 39	7796000078.....181, 183, 185, 187, 189, 191	7950100151 ... 17, 19, 29, 31, 33, 35, 39, 45, 48, 51, 55, 309
7577000375 487	7661000007..... 285, 287	7796000100....17, 19, 29, 31, 33, 35, 39, 45, 48, 51, 55	7950100163 209, 269, 271, 371, 373, 375, 377
7577000623 215, 217	7661000009..... 145, 147, 149, 151, 155, 157, 159, 163, 167, 169, 171, 173	7796000101.....145, 147, 149, 151, 153, 155, 157, 159, 161, 163, 165, 167, 169, 171, 173	7950140000 131, 289
7577000629 223	7661000019..... 145, 147, 149, 151, 155, 157, 159, 163, 167, 169, 171, 173	7809000013.....125	7950140003 . 35, 39, 129, 131, 215, 217
7577000693 ... 17, 19, 33, 35, 39	7661000024..... 35, 39	7819000005.....215, 217	7950140141 175, 265, 267, 289
7585000001 349	7661000029..... 129, 131, 139, 143	7819000012.....487	7950140143 ... 35, 39, 77, 79, 81, 93, 95, 97, 101, 103, 129, 131, 137, 141, 145, 147, 149, 151, 155, 157, 159, 163, 167, 169, 171, 173, 177, 181, 193, 215, 217, 345
7585000019 181, 197, 201	7661000047..... 375, 377	7819000013.....227, 229, 231, 233, 235, 237, 241, 243, 245	7950140153 31, 133, 485
7585000020 181, 197, 201	7661000056..... 209, 397	7831000040.....285, 287	7950140161 181, 197, 201
7585000023 129, 131	7661000064..... 116	7843000004.....69	7950150000 139, 143, 215, 217
7590000048 377	7661000069..... 495, 497, 499	7843000006..95, 97, 101, 103, 107, 109, 111, 113	7950150153 369
7590000105 371, 373, 375, 377	7690000810..... 349	7843000016.....107, 109, 111, 113	7950150161 ... 21, 23, 25, 27, 33, 45, 49, 52, 56, 69, 215, 217, 227, 229, 231, 233, 235, 237, 239, 241, 243, 245, 247, 249, 251, 253, 255, 487, 489, 491
7590000207 359, 361	7690144800..... 349	7843000031.....93	7950160141 ... 17, 19, 29, 31, 33, 36, 40, 45, 49, 51, 55
7590000273 285, 287, 375, 377	7691000025..... 495, 497, 499	7843000037.97, 103, 116	7950160153 181, 193
7590000316 345, 347	7691000027..... 121, 125	7870000083.....399	7950160161 349
7590000339 359, 361	7691000040..... 93	7870000100.....401, 403	7950160163 477, 479
7590000342 353, 355, 357, 363, 375	7691000042..... 93	7870000106.....425, 427	7950170161 153, 161
7590000343 355, 357, 359, 361, 363	7691000047..... 487	7870000115.....375, 377	7950180150 349
7590000379 355, 357, 359, 361	7691000053..... 125	7870000126.....209	7950180153 ... 17, 19, 29, 31, 33, 35, 39, 131, 185, 187, 191, 257
7590000381 355, 357, 359, 361, 363	7696000069..... 35, 39	7870000134.....405, 407	7950180161 69, 145, 147, 149, 151, 155, 157, 159, 163, 165, 167, 169, 171, 173
7590000406 317, 333	7701000063..... 131	7870000137.....433, 435	7950180400 63
7592000004 93	7701000075.... 17, 19, 21, 23, 25, 27, 29, 31, 33, 44, 48, 51, 55	78894000004....21, 23, 25, 27, 209	7950200000 107, 109, 111, 113
76051644 481	7719000004..... 93	7894000010.....281, 351, 353	7970000150 63, 65
7626000014 63, 67	7740000003..... 205, 207, 315	7894000034..95, 97, 101, 103	80234009..... 67
7636000005 181, 183, 185, 187	7754000005..... 63	7894000042.....209, 285, 287, 289, 291, 371, 373, 375, 377	8220081 273, 311, 313
7638000003 491	7754000006..... 125	7894000063.....485	8220089... 297, 299, 305, 307
7660062604 269, 271, 277	7754000022..... 475	7912000078.....215, 217	
7660082604 181, 193, 195, 197, 199, 201	7754000024..95, 97, 101, 103, 116	7912000184116	
7660102604 . 29, 31, 179, 209, 349, 389, 391	7754000037..... 107, 109, 111, 113	7912000291.....215, 217	
7660142600 175, 177, 265, 267, 285, 287, 289, 291	7754000056..... 83, 85, 87	7912000292.....219	
7660142601 ... 31, 95, 97, 101, 103, 137, 141, 181, 193, 195, 197, 199, 201, 345	7759000004..... 445, 447	7912000315.....221	
7660142604 ... 77, 79, 81, 93, 133, 485	7759000018..... 359, 361	7912000346.....93	
7660150000 241	7785152420....21, 23, 25, 27, 45, 49, 52, 56, 227, 229, 231, 233, 235, 237, 239, 241, 243, 245, 247, 249, 251, 253, 255	7912000347.....93	
7660152601 ... 21, 23, 25, 27, 33, 44, 45, 48, 49, 51, 52, 55, 56, 63, 215, 217, 227, 229, 231, 233, 235, 237, 239, 241, 243, 245, 247,	7785161274..... 83, 85, 87	7912000348.....215, 217	
		7935000308.....215, 217	
		7935000311215, 259	
		7935000345221	
		7935000361269, 271	
		7935000363.....217, 261	
		7949000012.....189, 191	
		7949000013.....181, 183, 185, 187, 189, 191	
		7949000015.....129, 131	

SECTION 10 - BUILD DOCUMENTS

8220099.....311, 313, 379, 381, 385	9295310049 389	9970336010 65	9970960062..... 65
8220100.....379, 381	9295310050 391	9970342027 65	9970960068..... 65
8220400.....379	9314960024 65	9970402002 65	C38D100 73
8220934.....379, 381, 383, 385	9472960072 65	9970412003 65	C38D75 71
8220935.....311, 313	9560960022 65	9970412045 65	CMKFRD-MPL..... 33
8411080091 116	9560990011 65	9970414045 65	LED-MPL-NGS 359
8495000001 135	9575960014 65	9970431008 65	LMT 507
8540246.....453	9590310195 337	9970438014 65	LPABM34-MPL..... 151
8597650003.....405, 407, 433, 435	9590310197 337	9970442184 65	LPABM38-MPL..... 159
8632000002...35, 39, 129	9590310198 335	9970442205 65	LPABM50-MPL..... 173
8632760025 131	9590310200 337	9970450006 65	LST 509
8798820001285, 287, 479	9590310202 337	9970456008 65	RWC 513
8830600004.....135	9590310203 335, 337	9970468011 65	SEE NOTE445, 447
8867100863, 95, 97, 101, 103, 116, 453	9590310205 337	9970472012 65	SP-CMKGMCD11 17
8892040001387	9590310206 337	9970472013 65	SP-MKGMG11MPL 19
912096003465	9691960001 65	9970483017 65	STK.....493
912096006165	9701960015 65	9970486009 65	TB178 501
	9786960015 65	9970494002 65	TB200 503
	9806960009 65	9970494053 65	TB256 505
	9935930102 215, 217	9970518014 65	
	9970300057 65	9970518015 65	
	9970316083 65	9970960060 65	

JERR-DAN[®]

***Corporate Office
13224 Fountainhead Plaza
Hagerstown, MD 21742 USA***

***☎ (717) 597-7111 (Corporate)
☎ (800) 926-9666 (Customer Support)***

***Visit our website
www.jerrdan.com***



OSHKOSH™