

AGG25 TELEHANDLER



Purpose-built for the grind of agriculture, JLG telehandlers have extended reach and lift height, and a range of capabilities and attachments. This brings greater versatility to farms needing one machine for a variety of tasks: handling and stacking heavy materials, moving feed and seed, defacing silage and haylage, stall bedding and cleanup, towing, maintenance and more.

PERFORMANCE

Rated Load Capacity	8,800-lb / 3,992-kg
Maximum Lift Height	24-ft 11-in / 7.6-m
Maximum Forward Reach	14-ft 1-in / 4.3-m
Load at Maximum Height	4,000-lb / 1,814-kg
Load at Maximum Reach	2,920-lb / 1,324-kg
Lift Speed (boom retracted)	Up 7.2 seconds / Down 5.7 seconds
Boom Speed	Extended 6.2 seconds / Retracted 5.7 seconds
Attachment Tilt	Forward 3 seconds / Backward 3 seconds
Top Travel Speed	25 mph / 40 km/h
Turning Radius Over Tires	12-ft / 3.7-m
Operating Weight	18,438-lb / 8,363-kg

KEY FEATURES

- + 25 mph travel speed and greater lift height and reach compared to a skid steer or wheel loader.
- + Standard hydraulic coupler that can be fitted to match existing attachments.
- + Spacious enclosed cab with enhanced visibility, optional AC and intuitive controls.
- + A range of agriculture-specific attachments.

STANDARD FEATURES:

CAB

- + Enclosed Cab with heat
- + Single Joystick Proportional Controls with Integrated Fwd. & Rev Switch
- + Fwd. & Rev Lever on Steering Column
- + Adjustable Mechanical Suspension Seat with 3" Seat Belt
- + Floor Mat
- + Tilt Steering Column
- + Rear Wiper
- + Radio Ready

DRIVELINE

- + Deutz TCD 3.6 L04 134hp (100 kW) Engine
- + 6-Speed Power Shift Transmission
- + 460/70 R24 Radial Tires
- + 4-Wheel Drive
- + Dual Axle Braking
- + Three Steering Modes: 4 Wheel, Crab & 2 Wheel
- + Engine Block Heater
- + Engine Pre Cleaner Filter

HYDRAULICS

- + Hydraulic Coupler
- + Lift and Telescope Boom Soft Stop
- + Ride Control with Boom Float
- + Single Auxiliary Front Hydraulic Service
- + Load Stability Indicator (LSI)

STRUCTURES

- + Rear Clevis Hitch
- + Fenders
- + Boom Rest
- + External Mirrors
- + Remote Grease System

ELECTRICAL

- + Single Battery with Battery Disconnect
- + Road Lights
- + LED Work Lights on Cab and Boom
- + Backup Alarm
- + Rear SMV Emblem
- + LED Motion / Amber Beacon (CS550)
- + ClearSky Smart Fleet™ Hardware (CS550)

STANDARD SPECIFICATIONS

Engine

Make and Model	Deutz TCD 3.6 LO4
No. of Cylinders	4
Displacement	220-cu in / 3.6-L
Gross Power (Basic)	134 HP / 100 kW
Maximum Torque	369 lb-ft / 500 Nm
HP @ RPM	134 HP / 2,200 RPM
Fuel Tank Capacity	39 gal / 148-L

Hydraulic System-Implement

Capacity	31.7 gal / 120 L
Max. Auxiliary flow to Boom Head	26.4 gpm / 3,480 psi
Variable Displacement Piston Pump	

Transmission

Power Shift 6-Speed Forward and 3-Speed Reverse

Axels

Front	High Bias, Planetary Reduction Hub, Limited Slip Differential
Rear	Open Differential, Planetary Reduction Hub

Tires

Standard	460/70 R24 Radial
Optional	500/70 R24 Radial

Brakes

Service Brakes	Boost Assisted Oil Immersed Multi-Disc on Both Axles
Parking Brakes	Mechanically Actuated on Front Axle Service Brakes

Cab

- + Adjustable Seat
- + Certified ROPS Structure
- + Single Joystick Controls
- + Anti-Theft
- + Horn

ATTACHMENTS

Buckets

General Purpose Bucket	96-in, 1.3-cu yd / 2.5-m, 1.0-m ³
	96-in, 2.0-cu yd / 2.5-m, 1.5-m ³
	96-in, 2.6-cu yd / 2.5-m, 2.0-m ³
	96-in, 3.3-cu yd / 2.5-m, 2.5-m ³
	102-in, 3.9-cu yd / 2.6-m, 3.0-m ³
Multipurpose Buckets	95-in, 1.3-cu yd / 2.4-m, 1.0-m ³
	74-in, 1.3-cu yd / 1.9-m, 1.0-m ³
Dirt Bucket	96-in, 1.3-cu yd / 2.4-m, 1.0-m ³
Concrete Bucket	78-in, 0.7-cu yd / 2.0-m, 0.5-m ³

Carriages

Standard Carriage	48-in / 1.2-m
	60-in / 1.5-m
	72-in / 1.8-m
Side-Tilt Carriages	48-in / 1.2-m
	62-in / 1.6-m
	72-in / 1.8-m
Side-Shift Carriage	48-in / 1.2-m
Dual Fork Positioning Carriage	48-in with 2-in x 4-in x 47-in forks / 1.2-m with 50-mm x 100-mm x 1.2-m
FEM Carriage	48-in with 2-in x 6-in x 47-in forks / 1.2-m with 50-mm x 150-mm x 1.2-m

Forks

Lumber Forks	2-in x 6-in x 60-in / 45-mm x 150-mm x 1.5-m
	2-in x 6-in x 72-in / 50-mm x 150-mm x 1.8-m
Pallet Forks	2-in x 4-in x 47-in / 50-mm x 100-mm x 1.2-m
	2-in x 5-in x 47-in / 50-mm x 120-mm x 1.2-m
	2-in x 5-in x 48-in / 50-mm x 125-mm x 1.2-m

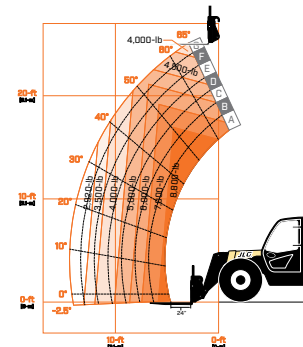
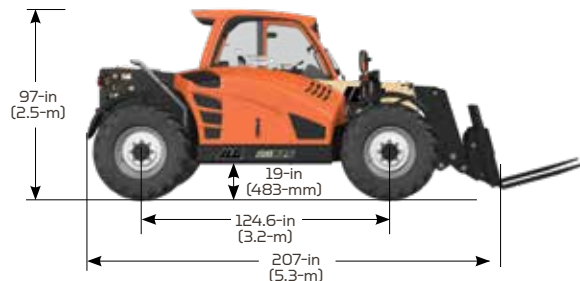
Other

Fork-Mounted Work Platform	8-ft (1,000-lb capacity) / 1.2-m (454-kg capacity)
Bale Handler, Clamp	
Bale Handler, Spike	
Baling, Dual Tine	
Auger	

ACCESSORIES & OPTIONS

- + Air Conditioning
- + Multifunctional Display with Reversing Camera
- + Toolbox
- + Air/Heated Suspension Seats
- + Single Auxiliary Rear Hydraulic Service
- + Trailer Electrics
- + Brick Guards
- + Twin Auxiliary Hydraulics
- + ClearSky Smart Fleet
- + Reverse Sensing System

DIMENSIONS & LOAD CHART



We provide coverage for one (1) full year on the entire machine, two (2) full years or 2,000 hours on the drivetrain and cover all specified major structural components for five (5) years. Due to continuous product improvements, we reserve the right to make specification and/or equipment changes without prior notification.



JLG INDUSTRIES, INC.
Toll-free US 877-JLG-LIFT
JLGAgriculture.com

An Oshkosh Corporation Company