

JERR-DAN[®]

Illustrated Parts Manual

Model JD 35TON IND WRECKER

SN 0230004275 to Present

P/N

5376000273

March 1, 2024 - Rev A

JERR-DAN[®]

An Oshkosh Corporation Company

REVISION LOG

March 1, 2024 - A - Original Issue of Manual (Edited to B/M 1001195084 Revision B to L)

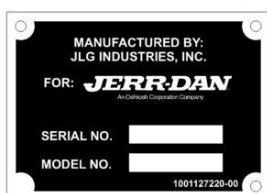
GENERAL INFORMATION

JerrDan, LLC (Jerr-Dan) strives to provide information that is accurate, complete and useful. Descriptions and illustrative material contained within this manual are as accurate as known at the time of publication and are subject to change, without notice, as a result of continuous product improvements. Jerr-Dan reserves the right to amend the information in this document at any time without prior notice.

Information contained in this manual reflects how this vehicle was built at the factory. Modifications or additions by the distributor or owner are not reflected in this manual.

This parts manual does not include service parts information for the commercial chassis (IHC, Ford, GM, etc.). That information is provided by the chassis manufacturer.

When ordering parts, please refer to your unit's Serial Number and Model Number. This information is be found on the aluminum tag riveted to the inside of the driver's side rear compartment of the main body.



Additional or replacement manuals can be ordered by calling Jerr-Dan Parts at 717-597-7111. Price and availability will be quoted at time of the request.

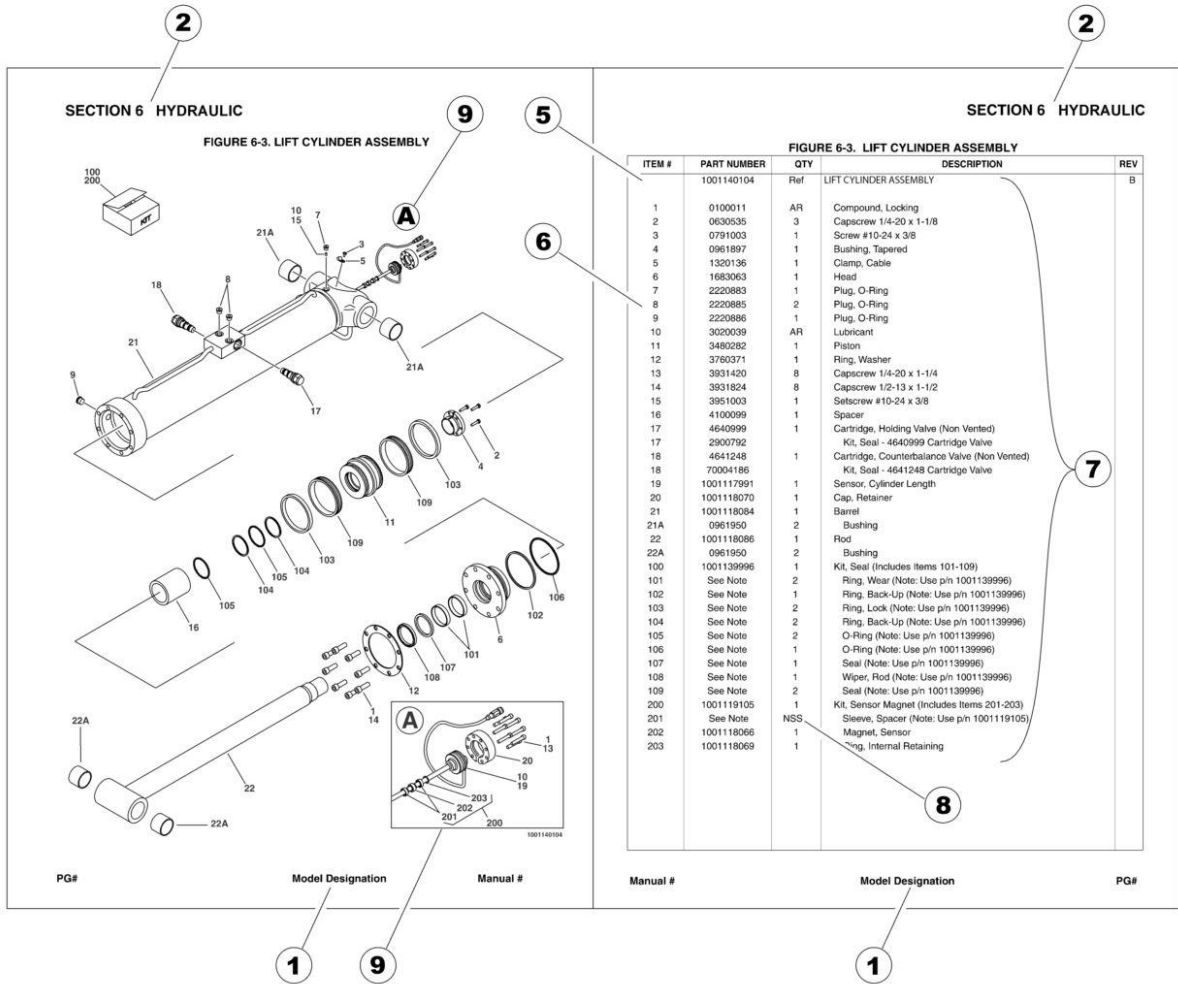
Please report comments and/or errors by contacting Jerr-Dan. Contact numbers are located on rear cover of Manual.

Manufactured under one or more of the following patents: 5,575,606; 5,672,042; 5,697,741; 5,713,714; 5,722,810; 5,782,596; 5,839,775 and 6,315,515 B1 with other Patents Pending.

Jerr-Dan and the Jerr-Dan logo are registered trademarks and Run Hard is a service mark of JerrDan, LLC, Hagerstown, MD USA.

The material in this document is confidential and the property of Jerr-Dan. No part of this document may be photocopied, reproduced or translated to another language without the express written consent of Jerr-Dan.

GENERAL INFORMATION



1) MACHINE IDENTIFICATION

Machines are identified by model and in some cases a combination of models, serial number (SN) or regional standard (i.e ANSI, CE, CSA). Components may also be identified by SN or manufacturer. Common components that may be identified by these characteristics are engines and hydraulic components.

2) PARTS MANUAL ORGANIZATION

Product information in this manual is organized under section titles. Subframe, Hydraulic and Electrical are a few examples. Each section is organized by figure and page number. The information within the Figure is then organized by item number, part number, description and corresponding illustration (s).

3) TABLE OF CONTENTS (NOT SHOWN)

A table of contents is found toward the beginning of the manual. Figure number, description and page number are provided for quick reference to the page containing the related information.

4) BUILD DOCUMENTS (NOT SHOWN)

The Build Documents, located near the end of the manual, reference components not available at the purchase level. These PN's list assembly instructions and assist in the maintenance of the parts manual.

GENERAL INFORMATION

5) NON-SERVICED PARTS

In some instances, it is necessary to display non-serviced parts, assemblies or installations. In the case of assemblies and installations there will be a Ref in the Qty. column. In case of parts that are not available for service within assemblies or components, there will be a NSS (Not Sold Separately) or NLA (No Longer Available) listed in the Qty. column of the manual.

6) PARTS LIST ITEM NUMBERS

Numbers shown in the item# column correspond to numbers used in the associated illustration (s). Item numbers which are missing from the sequence in the parts list are not used on that page.

7) INDENTED PARTS DESCRIPTION

An indented part description is included in the item under which it is indented.

8) ABBREVIATION AND SYMBOLS

AC.....	Alternating Current	L.....	Liter
ALUM.....	Aluminum	LD.....	Light Duty
AG.....	Agricultural	LB(LBS).....	Pounds
ANSI.....	American National Standards Institute	LCD.....	Liquid Crystal Display
AR.....	As Required	LED.....	Light Emitting Diodes
AUS.....	Australias	LH.....	Left Hand
ASSY.....	Assembly	M(m).....	Metric/Meter
AUX.....	Auxiliary	MD.....	Medium Duty
AWG.....	American Wire Gauge	MM (mm).....	Milimeter
CA.....	Cab To Axle	mA.....	Miliamps
CE.....	European Conformity	NLA.....	No Longer Available
CCW.....	Counter Clockwise	NPT.....	National Pipe Threads
CM.....	Centimeter	NSS.....	Not Sold Separately
CT.....	Cab To Tandem	OD.....	Outside Diameter
CW.....	Clockwise	ORB.....	O-Ring Boss
CSA.....	Canadian Standards Association	ORFS.....	O-Ring Face Seal
CYL.....	Cylinder	OZ (oz).....	Ounces
DIA.....	Diameter	PG.....	Page
DC.....	Direct Current	PN.....	Part Number
DOT.....	Department of Transportation	PTO.....	Power Take Off
EMS.....	Emergency Stop	QT(qt.).....	Quarts
ENG.....	Engine	QTY.....	Quantity
FT(ft).....	Feet	REF.....	Reference
GA(Ga).....	Gauge	REV.....	Revision Level
GAL.....	Gallons	RH.....	Right Hand
GVW.....	Gross Vehicle Weight	SAE.....	Society of Automotive Engineers
HD.....	Heavy Duty	SD.....	Standard Duty
HYD.....	Hydraulic	SN.....	Serial Number
Hz.....	Hertz	SPEC(S).....	Specifications
ID.....	Inside Diameter	SS.....	Stainless Steel
IN.....	inches	STD.....	Standards
IND.....	Independent	STL.....	Steel
IRL.....	Independent Reach/Lift	UGM.....	Universal Ground Module
INT.....	Integrated	V.....	Volts
ISO.....	International Organization for Standards	W.....	Watts
JIC.....	Joint Industry Council	WB.....	Wheel Base
KG.....	Kilogram	#.....	Number

9) ILLUSTRATION REFERENCE LETTERS

When necessary, illustrations may contain reference letters that are intended to track information (i. e. hoses, harnesses) from one point to another or to track visual enlargement of components to show details that may be located in another area on the illustration.

Note: Due to continuous product improvements, Jerr-Dan Corporation reserves the right to make specification changes without prior notification. Contact Jerr-Dan for updated information.

TABLE OF CONTENTS

SECTION 1 - SUBFRAME	17
FIGURE 1-1. SUBFRAME INSTALLATION.....	18
FIGURE 1-2. STABILIZER INSTALLATION - REAR.....	20
FIGURE 1-3. CYLINDER ASSEMBLY - REAR STABILIZER.....	22
FIGURE 1-4. SIDE RECOVERY SYSTEM (SRS) INSTALLATION (25K WINCH).....	24
FIGURE 1-5. SIDE RECOVERY SYSTEM (SRS) INSTALLATION (35K WINCH).....	26
FIGURE 1-6. BOOM ASSEMBLY (SRS).....	28
FIGURE 1-7. STABILIZER LEG ASSEMBLY (SIDE RECOVERY SYSTEM - SRS).....	30
FIGURE 1-8. CYLINDER ASSEMBLY - BOOM RECOVERY (SRS STABILIZER).....	32
FIGURE 1-9. CYLINDER ASSEMBLY - EXTEND/RETRACT (SRS STABILIZER).....	34
FIGURE 1-10. WINCH ASSEMBLY (SRS) (25K WINCH).....	36
FIGURE 1-11. WINCH ASSEMBLY (SRS) (35K WINCH).....	38
FIGURE 1-12. WINCH COMPONENTS (SRS) (25K WINCH).....	40
FIGURE 1-13. WINCH COMPONENTS (SRS) (35K WINCH).....	42
FIGURE 1-14. SIDE STABILIZER INSTALLATION.....	44
FIGURE 1-15. SIDE STABILIZER ASSEMBLY.....	46
FIGURE 1-16. SIDE STABILIZER (SRS SS-70) BOOM/LEG ASSEMBLY.....	48
FIGURE 1-17. CYLINDER ASSEMBLY - EXTEND/RETRACT (SS-70 STABILIZER).....	50
FIGURE 1-18. STABILIZER (SRS SS-70) BRACKET INSTALLATION.....	52
FIGURE 1-19. CABLE ASSEMBLY - 5/8 X 200FT (STABILIZERS).....	54
FIGURE 1-20. CABLE ASSEMBLY - 5/8 X 250FT (STABILIZERS).....	56
SECTION 2 - BOOM.....	59
FIGURE 2-1. BOOM INSTALLATION.....	60
FIGURE 2-2. BOOM ASSEMBLY.....	62
FIGURE 2-3. CYLINDER ASSEMBLY - BOOM LIFT.....	64
FIGURE 2-4. CYLINDER ASSEMBLY - BOOM EXTEND/RETRACT.....	66
FIGURE 2-5. WINCH INSTALLATION - MAIN BOOM (DP35 WITH.63IN CABLE).....	68
FIGURE 2-6. WINCH INSTALLATION - MAIN BOOM (DP35 WITH.75IN CABLE).....	70
FIGURE 2-7. WINCH INSTALLATION - MAIN BOOM (RAMSEY WITH.63IN CABLE).....	72
FIGURE 2-8. WINCH INSTALLATION - MAIN BOOM (RAMSEY WITH.75IN CABLE).....	74
FIGURE 2-9. WINCH ASSEMBLY - FRONT LH (DP35).....	76
FIGURE 2-10. WINCH ASSEMBLY - REAR RH (DP35).....	82
FIGURE 2-11. WINCH ASSEMBLY - FRONT LH (RAMSEY).....	88
FIGURE 2-12. WINCH ASSEMBLY - REAR RH (RAMSEY).....	90
FIGURE 2-13. CABLE INSTALLATION - 0.63IN X 200FT WITH EYEHOOK.....	92
FIGURE 2-14. CABLE INSTALLATION - 0.63IN X 200FT WITH SWIVELHOOK (SN 0230004275 through 0230008673, Excluding 0230008645).....	94
FIGURE 2-15. CABLE INSTALLATION - 0.63IN X 200FT WITH SWIVELHOOK (SN 0230008674 to Present, Including 0230008645).....	96
FIGURE 2-16. CABLE INSTALLATION - 0.63IN X 250FT WITH EYEHOOK.....	98
FIGURE 2-17. CABLE INSTALLATION - 0.63IN X 250FT WITH SWIVELHOOK (SN 0230004275 through 0230008673, Excluding 0230008645).....	100
FIGURE 2-18. CABLE INSTALLATION - 0.63IN X 250FT WITH SWIVELHOOK (SN 0230008674 to Present, Including 0230008645).....	102
FIGURE 2-19. CABLE INSTALLATION - 0.75IN X 200FT WITH EYEHOOK.....	104

TABLE OF CONTENTS

FIGURE 2-20. CABLE INSTALLATION - 0.75IN X 200FT WITH SWIVELHOOK (SN 0230004275 through 0230008673, Excluding 0230008645).....	106
FIGURE 2-21. CABLE INSTALLATION - 0.75IN X 200FT WITH SWIVELHOOK (SN 0230008674 to Present, Including 0230008645).....	108
SECTION 3 - UNDERLIFT.....	111
FIGURE 3-1. UNDERLIFT INSTALLATION - 35000LBS (UL350)	112
FIGURE 3-2. UNDERLIFT INSTALLATION - 35000LBS (UL350X).....	114
FIGURE 3-3. UNDERLIFT ASSEMBLY - 35000LBS (UL350)	116
FIGURE 3-4. UNDERLIFT ASSEMBLY - 35000LBS (UL350X)	118
FIGURE 3-5. CYLINDER ASSEMBLY - EXTENT/RETRACT (35000LBS (UL350)	120
FIGURE 3-6. CYLINDER ASSEMBLY - EXTENT/RETRACT (35000LBS (UL350X).....	122
FIGURE 3-7. CYLINDER ASSEMBLY - LIFT.....	124
FIGURE 3-8. CYLINDER ASSEMBLY - TILT.....	126
FIGURE 3-9. CROSSTUBE INSTALLATION.....	128
FIGURE 3-10. FRAME FORKS INSTALLATION	130
FIGURE 3-11. GRID INSTALLATION - TIRE LIFT (14000LBS)	132
SECTION 4 - BODY.....	135
FIGURE 4-1. BODY INSTALLATION - TANDEM (SN 0230004275 through 0230006134).....	136
FIGURE 4-2. BODY INSTALLATION - TANDEM (SN 0230006135 to Present)	138
FIGURE 4-3. BODY INSTALLATION - TRI-AXLE (SN 0230004275 through 0230006134).....	140
FIGURE 4-4. BODY INSTALLATION - TRI-AXLE (SN 0230006135 to Present)	142
FIGURE 4-5. COVER INSTALLATION (WITHOUT CAMERA)	144
FIGURE 4-6. COVER PLATE INSTALLATION - SRS TOOLBOX	146
FIGURE 4-7. DIAMOND PLATE INSTALLATION.....	148
FIGURE 4-8. DIAMOND PLATE INSTALLATION - FILLER PANEL.....	150
FIGURE 4-9. DIAMOND PLATE INSTALLATION - REAR.....	152
FIGURE 4-10. DIAMOND PLATE INSTALLATION - SRS	154
FIGURE 4-11. DIAMOND PLATE INSTALLATION - SRS TOOLBOX	156
FIGURE 4-12. DIAMOND PLATE INSTALLATION - TUNNEL FRONT WITH CWT	158
FIGURE 4-13. DIAMOND PLATE INSTALLATION - TUNNEL FRONT WITHOUT CWT	160
FIGURE 4-14. DIAMOND PLATE INSTALLATION - TUNNEL TOP WITH PYLON (39IN TUNNEL).....	162
FIGURE 4-15. DIAMOND PLATE INSTALLATION - TUNNEL TOP WITH PYLON (51IN TUNNEL).....	164
FIGURE 4-16. DIAMOND PLATE INSTALLATION - TUNNEL TOP WITHOUT PYLON (39IN TUNNEL)	166
FIGURE 4-17. DIAMOND PLATE INSTALLATION - TUNNEL TOP WITHOUT PYLON (51IN TUNNEL)	168
FIGURE 4-18. DOORS INSTALLATION - 37IN TUNNEL (PAINTED DOOR & FRAME) (SN 0230004275 through 0230008673, Excluding 0230008645).....	170
FIGURE 4-19. DOORS INSTALLATION - 37IN TUNNEL (PAINTED DOOR & FRAME) (SN 0230008674 to Present, Including 0230008645)	172
FIGURE 4-20. DOORS INSTALLATION - 37IN TUNNEL (PAINTED DOOR ONLY).....	174
FIGURE 4-21. DOORS INSTALLATION - 39IN TUNNEL (PAINTED DOOR & FRAME) (SN 0230004275 through 0230008673, Excluding 0230008645).....	176
FIGURE 4-22. DOORS INSTALLATION - 39IN TUNNEL (PAINTED DOOR & FRAME) (SN 0230008674 to Present, Including 0230008645)	178
FIGURE 4-23. DOORS INSTALLATION - 39IN TUNNEL (PAINTED DOOR ONLY).....	180
FIGURE 4-24. DOORS INSTALLATION - 49IN TUNNEL (PAINTED DOOR & FRAME) (SN 0230004275 through 0230008673, Excluding 0230008645).....	182

TABLE OF CONTENTS

FIGURE 4-25. DOORS INSTALLATION - 49IN TUNNEL (PAINTED DOOR & FRAME) (SN 0230008674 to Present, Including 0230008645)	184
FIGURE 4-26. DOORS INSTALLATION - 49IN TUNNEL (PAINTED DOOR ONLY)	186
FIGURE 4-27. DOORS INSTALLATION - 51IN TUNNEL (PAINTED DOOR & FRAME) (SN 0230004275 through 0230008673, Excluding 0230008645)	188
FIGURE 4-28. DOORS INSTALLATION - 51IN TUNNEL (PAINTED DOOR & FRAME) (SN 0230008674 to Present, Including 0230008645)	190
FIGURE 4-29. DOORS INSTALLATION - 51IN TUNNEL (PAINTED DOOR ONLY)	192
FIGURE 4-30. DOORS INSTALLATION - REAR (PAINTED DOORS & FRAME) (TANDEM) (SN 0230004275 through 0230008673, Excluding 0230008645)	194
FIGURE 4-31. DOORS INSTALLATION - REAR (PAINTED DOORS & FRAME) (TANDEM) (SN 0230008674 to Present, Including 0230008645)	196
FIGURE 4-32. DOORS INSTALLATION - REAR (PAINTED DOORS & FRAME) (TRI-AXLE) (SN 0230004275 through 0230008673, Excluding 0230008645)	198
FIGURE 4-33. DOORS INSTALLATION - REAR (PAINTED DOORS & FRAME) (TRI-AXLE) (SN 0230008674 to Present, Including 0230008645)	200
FIGURE 4-34. DOORS INSTALLATION - REAR (PAINTED DOORS ONLY) (TANDEM)	202
FIGURE 4-35. DOORS INSTALLATION - REAR (PAINTED DOORS ONLY) (TRI-AXLE)	204
FIGURE 4-36. DOORS INSTALLATION - SRS TOOLBOX (PAINTED DOORS ONLY)	206
FIGURE 4-37. DOORS INSTALLATION - SRS TOOLBOX (PAINTED DOORS & FRAMES)	208
FIGURE 4-38. FENDER FLARES INSTALLATION - TANDEM.....	210
FIGURE 4-39. FENDER FLARES INSTALLATION - TRI-AXLE.....	212
FIGURE 4-40. FILLER PANEL ELECTRICAL INSTALLATION.....	214
FIGURE 4-41. FILLER PANEL INSTALLATION - 20IN	216
FIGURE 4-42. FILLER PANEL INSTALLATION - 24IN	218
FIGURE 4-43. FILLER PANEL INSTALLATION - WITH SIDE STABILIZER.....	220
FIGURE 4-44. GRAB HANDLES INSTALLATION.....	222
FIGURE 4-45. GRAB HANDLES INSTALLATION - SRS.....	224
FIGURE 4-46. LIFTING LUGS INSTALLATION	226
FIGURE 4-47. LIFTING LUGS INSTALLATION - BODY (SN 0230008674 to Present, Including 0230008645)	228
FIGURE 4-48. LIFTING LUGS INSTALLATION - SRS.....	230
FIGURE 4-49. LIFTING LUGS INSTALLATION - TUNNEL (SN 0230004275 through 0230008673, Excluding 0230008645)	232
FIGURE 4-50. MUDFLAPS INSTALLATION	234
FIGURE 4-51. PIN STORAGE INSTALLATION	236
FIGURE 4-52. PYLON INSTALLATION (34IN) (SN 0230005220 to Present)	238
FIGURE 4-53. PYLON INSTALLATION (34IN) (SN 0230004275 through 0230005219)	240
FIGURE 4-54. PYLON INSTALLATION (39IN) (SN 0230005220 to Present)	242
FIGURE 4-55. PYLON INSTALLATION (39IN) (SN 0230004275 through 0230005219)	244
FIGURE 4-56. PYLON INSTALLATION (57IN) (SN 0230005220 to Present)	246
FIGURE 4-57. PYLON INSTALLATION (57IN) (SN 0230004275 through 0230005219)	248
FIGURE 4-58. PYLON COVER INSTALLATION (34IN PYLON).....	250
FIGURE 4-59. PYLON COVER INSTALLATION (39IN PYLON).....	252
FIGURE 4-60. PYLON COVER INSTALLATION (57IN PYLON).....	254
FIGURE 4-61. PYLON ADAPTER INSTALLATION - 39IN TUNNEL.....	256
FIGURE 4-62. PYLON ADAPTER INSTALLATION - 51IN TUNNEL.....	258
FIGURE 4-63. PYLON DRESS-UP KIT - 34IN BRUSHED STAINLESS (SN 0230004275 through 0230005219).....	260
FIGURE 4-64. PYLON DRESS-UP KIT - 34IN BRUSHED STAINLESS (SN 0230005220 to Present).....	262
FIGURE 4-65. PYLON DRESS-UP KIT - 34IN POLISHED STAINLESS (SN 0230004275 through 0230005219)	264

TABLE OF CONTENTS

FIGURE 4-66. PYLON DRESS-UP KIT - 34IN POLISHED STAINLESS (SN 0230005220 to Present)	266
FIGURE 4-67. PYLON DRESS-UP KIT - 39IN BRUSHED STAINLESS (SN 0230004275 through 0230005219)	268
FIGURE 4-68. PYLON DRESS-UP KIT - 39IN BRUSHED STAINLESS (SN 0230005220 to Present)	270
FIGURE 4-69. PYLON DRESS-UP KIT - 39IN POLISHED STAINLESS (SN 0230004275 through 0230005219).....	272
FIGURE 4-70. PYLON DRESS-UP KIT - 39IN POLISHED STAINLESS (SN 0230005220 to Present)	274
FIGURE 4-71. PYLON DRESS-UP KIT - 57IN BRUSHED STAINLESS.....	276
FIGURE 4-72. PYLON DRESS-UP KIT - 57IN POLISHED STAINLESS.....	278
FIGURE 4-73. RUB RAIL DRESS-UP INSTALLATION (37IN TUNNEL).....	280
FIGURE 4-74. RUB RAIL DRESS-UP INSTALLATION (39IN TUNNEL).....	282
FIGURE 4-75. RUB RAIL DRESS-UP INSTALLATION (49IN TUNNEL).....	284
FIGURE 4-76. RUB RAIL DRESS-UP INSTALLATION (51IN TUNNEL).....	286
FIGURE 4-77. RUB RAIL DRESS-UP KIT (SRS TOOLBOX).....	288
FIGURE 4-78. RUB RAIL DRESS-UP KIT (TANDEM).....	290
FIGURE 4-79. RUB RAIL DRESS-UP KIT (TRI-AXLE).....	292
FIGURE 4-80. STEP INSTALLATION.....	294
FIGURE 4-81. STEP INSTALLATION - SRS	296
FIGURE 4-82. STORAGE - CHAIN/ BINDER RACK INSTALLATION (TANDEM)	298
FIGURE 4-83. STORAGE - CHAIN/ BINDER RACK INSTALLATION (TRI-AXLE)	300
FIGURE 4-84. STORAGE - CHAIN/TOOL RACK INSTALLATION (ROTARY RACK)	302
FIGURE 4-85. STORAGE - CRIBBING STORAGE INSTALLATION.....	304
FIGURE 4-86. STORAGE - DRAIN COVER/AIR BAG STORAGE INSTALLATION (36IN).....	306
FIGURE 4-87. STORAGE - DRAIN COVER/AIR BAG STORAGE INSTALLATION (48IN).....	308
FIGURE 4-88. STORAGE - DRAWER INSTALLATION - TILT DOWN (TANDEM)	310
FIGURE 4-89. STORAGE - DRAWER INSTALLATION - TILT DOWN (TRI-AXLE)	312
FIGURE 4-90. STORAGE - FIFTH WHEEL/PINTLE STORAGE INSTALLATION (37IN TUNNEL)	314
FIGURE 4-91. STORAGE - FIFTH WHEEL/PINTLE STORAGE INSTALLATION (TANDEM)	316
FIGURE 4-92. STORAGE - FIFTH WHEEL/PINTLE STORAGE INSTALLATION (TRI-AXLE DRIVERS SIDE)	318
FIGURE 4-93. STORAGE - FIFTH WHEEL/PINTLE STORAGE INSTALLATION (TRI-AXLE PASSENGERS SIDE)	320
FIGURE 4-94. STORAGE - FIRE EXTINGUISHER STORAGE INSTALLATION	322
FIGURE 4-95. STORAGE - FLARE STORAGE INSTALLATION	324
FIGURE 4-96. STORAGE - FLASHLIGHT STORAGE INSTALLATION (SN 0230006135 to Present).....	326
FIGURE 4-97. STORAGE - FLASHLIGHT STORAGE INSTALLATION (SN 0230004275 through 0230006134).....	328
FIGURE 4-98. STORAGE - FORK ORGANIZER INSTALLATION (TANDEM).....	330
FIGURE 4-99. STORAGE - FORK ORGANIZER INSTALLATION (TRI-AXLE).....	332
FIGURE 4-100. STORAGE - FORK RISERS STORAGE INSTALLATION (TANDEM)	334
FIGURE 4-101. STORAGE - FORK RISERS STORAGE INSTALLATION (TRI-AXLE)	336
FIGURE 4-102. STORAGE - GRIZZILY BAR STORAGE INSTALLATION.....	338
FIGURE 4-103. STORAGE - JACK STORAGE INSTALLATION (TANDEM)	340
FIGURE 4-104. STORAGE - JACK STORAGE INSTALLATION (TRI-AXLE)	342
FIGURE 4-105. STORAGE - LADDER STORAGE INSTALLATION.....	344
FIGURE 4-106. STORAGE - SHACKLE RACK INSTALLATION (TANDEM)	346
FIGURE 4-107. STORAGE - SHACKLE RACK INSTALLATION (TRI-AXLE)	348
FIGURE 4-108. STORAGE - SHELF INSTALLATION - 36IN	350
FIGURE 4-109. STORAGE - SHELF INSTALLATION - 48IN	352
FIGURE 4-110. STORAGE - SHOVEL STORAGE INSTALLATION.....	354

TABLE OF CONTENTS

FIGURE 4-111. STORAGE - SILO INSTALLATION - STAY DRY	356
FIGURE 4-112. STORAGE - SNATCH BLOCKS INSTALLATION (ROTARY RACK).....	358
FIGURE 4-113. STORAGE - SNATCH BLOCKS INSTALLATION (TANDEM)	360
FIGURE 4-114. STORAGE - SNATCH BLOCKS INSTALLATION (TRI-AXLE)	362
FIGURE 4-115. STORAGE - SPILL CONTAINER STORAGE INSTALLATION.....	364
FIGURE 4-116. STORAGE - TIRE LIFT/BUS ARMS & RATCHETS - 36IN.....	366
FIGURE 4-117. STORAGE - TIRE LIFT/BUS ARMS & RATCHETS - 48IN.....	368
FIGURE 4-118. STORAGE - TIRE LIFT/BUS ARMS & RATCHETS - 51IN.....	370
FIGURE 4-119. STORAGE - TOOL DRAWER INSTALLATION (TANDEM).....	372
FIGURE 4-120. STORAGE - TOOL DRAWER INSTALLATION (TRI-AXLE DRIVERS SIDE).....	374
FIGURE 4-121. STORAGE - TOOL DRAWER INSTALLATION (TRI-AXLE PASSENGERS SIDE).....	376
FIGURE 4-122. STORAGE - TOOL STORAGE INSTALLATION.....	378
FIGURE 4-123. STORAGE - TOW LIGHT STORAGE INSTALLATION.....	380
FIGURE 4-124. STORAGE - TRAFFIC CONE STORAGE INSTALLATION	382
FIGURE 4-125. STORAGE - WHEEL CHOCK STORAGE INSTALLATION.....	384
FIGURE 4-126. TOOLBOX INSTALLATION (SRS).....	386
FIGURE 4-127. TUNNEL INSTALLATION - 37IN (SN 0230004275 through 0230008644)	388
FIGURE 4-128. TUNNEL INSTALLATION - 37IN (SN 0230008645 to Present)	390
FIGURE 4-129. TUNNEL INSTALLATION - 39IN (SN 0230004275 through 0230008644)	392
FIGURE 4-130. TUNNEL INSTALLATION - 39IN (SN 0230008645 to Present)	394
FIGURE 4-131. TUNNEL INSTALLATION - 49IN	396
FIGURE 4-132. TUNNEL INSTALLATION - 51IN (3.5K LBS CWT).....	398
FIGURE 4-133. TUNNEL INSTALLATION - 51IN (4.5K LBS CWT).....	400
FIGURE 4-134. TUNNEL INSTALLATION - 51IN (6.5K LBS CWT).....	402
FIGURE 4-135. TUNNEL INSTALLATION - 51IN (NO CWT).....	404
FIGURE 4-136. WINCH AIR INSTALLATION	406
SECTION 5 - CONTROLS	409
FIGURE 5-1. IN-CAB CONTROLS INSTALLATION - FLOOR MOUNTED WITHOUT UNDERLIFT	410
FIGURE 5-2. IN-CAB CONTROLS INSTALLATION - FLOOR MOUNTED WITH UNDERLIFT	412
FIGURE 5-3. IN-CAB CONTROLS INSTALLATION - KENWORTH T440 & T800 & W9 WITHOUT UNDERLIFT	414
FIGURE 5-4. IN-CAB CONTROLS INSTALLATION - KENWORTH T440 & T800 & W9 WITH UNDERLIFT	416
FIGURE 5-5. IN-CAB CONTROLS INSTALLATION - KENWORTH T880 WITHOUT UNDERLIFT.....	418
FIGURE 5-6. IN-CAB CONTROLS INSTALLATION - KENWORTH T880 WITH UNDERLIFT	420
FIGURE 5-7. IN-CAB CONTROLS INSTALLATION - PETERBILT 389 LOW ROOF WITHOUT UNDERLIFT	422
FIGURE 5-8. IN-CAB CONTROLS INSTALLATION - PETERBILT 389 LOW ROOF WITH UNDERLIFT	424
FIGURE 5-9. IN-CAB CONTROLS INSTALLATION - PETERBILT 389 HIGH ROOF WITHOUT UNDERLIFT	426
FIGURE 5-10. IN-CAB CONTROLS INSTALLATION - PETERBILT 389 HIGH ROOF WITH UNDERLIFT.....	428
FIGURE 5-11. IN-CAB CONTROLS INSTALLATION - PETERBILT 567 WITHOUT UNDERLIFT	430
FIGURE 5-12. IN-CAB CONTROLS INSTALLATION - PETERBILT 567 WITH UNDERLIFT	432
FIGURE 5-13. REMOTE CONTROL INSTALLATION (6 FUNCTION NON-PROP).....	434
FIGURE 5-14. REMOTE CONTROL INSTALLATION (14 FUNCTION NON-PROP).....	436
FIGURE 5-15. REMOTE CONTROL INSTALLATION (14 FUNCTION PROP) (SN 0230004573 through 0230006134).....	438
FIGURE 5-16. REMOTE CONTROL INSTALLATION (14 FUNCTION PROP) (SN 0230006135 to Present)	440
FIGURE 5-17. REMOTE CONTROL ASSEMBLY - WIRELESS (5 PADDLE) (SN 0230004573 through 0230006134).....	442
FIGURE 5-18. REMOTE CONTROL ASSEMBLY - WIRELESS (5 PADDLE) (SN 0230006135 to Present)	444

TABLE OF CONTENTS

FIGURE 5-19. REMOTE CONTROL ASSEMBLY - WIRELESS (3 FUNCTION) (SN 0230004573 through 0230006134)	446
FIGURE 5-20. REMOTE CONTROL ASSEMBLY - WIRELESS (6 FUNCTION)	448
FIGURE 5-21. REMOTE CONTROL ASSEMBLY - WIRELESS (14 FUNCTION)	450
FIGURE 5-22. REMOTE CONTROL ASSEMBLY - HAND HELD (SRS)	452
FIGURE 5-23. REMOTE CONTROL HOLDER INSTALLATION	454
FIGURE 5-24. CONTROLS INSTALLATION - 9 SECTION/3 SOLENOID (SN 0230004275 through 0230004572).....	456
FIGURE 5-25. CONTROLS INSTALLATION - 9 SECTION/3 SOLENOID (SN 0230004573 through 0230006134).....	460
FIGURE 5-26. CONTROLS INSTALLATION - 9 SECTION/3 SOLENOID (SN 0230006135 to Present)	464
FIGURE 5-27. CONTROLS INSTALLATION - 9 SECTION/7 SOLENOID (SN 0230004275 through 0230004572).....	468
FIGURE 5-28. CONTROLS INSTALLATION - 9 SECTION/7 SOLENOID (SN 0230004573 through 0230006134).....	472
FIGURE 5-29. CONTROLS INSTALLATION - 9 SECTION/7 SOLENOID (SN 0230006135 to Present)	476
SECTION 6 - HYDRAULIC	481
FIGURE 6-1. AIR INSTALLATION - DUAL WINCH	482
FIGURE 6-2. GAUGES INSTALLATION - HYDRAULIC (DRIVERS SIDE)	484
FIGURE 6-3. HYDRAULIC LINES & FITTING INSTALLATION	486
FIGURE 6-4. HYDRAULIC SUPPLY INSTALLATION - 210IN-265IN WB	492
FIGURE 6-5. HYDRAULIC SUPPLY INSTALLATION - 266IN-305IN WB	494
FIGURE 6-6. HYDRAULIC SUPPLY INSTALLATION - 306IN-345IN WB	496
FIGURE 6-7. HYDRAULIC SUPPLY INSTALLATION - 346IN-385IN WB	498
FIGURE 6-8. HYDRAULIC SUPPLY INSTALLATION - 386IN-425IN WB	500
FIGURE 6-9. HYDRAULIC INSTALLATION - SIDE RECOVERY SYSTEM (SRS)	502
FIGURE 6-10. HYDRAULIC INSTALLATION - SIDE STABILIZER (SS-70)	506
FIGURE 6-11. HYDRAULIC INSTALLATION - UNDERLIFT	508
FIGURE 6-12. TUBE INSTALLATION - COMMON.....	510
FIGURE 6-13. TUBE INSTALLATION - STABILIZER (REAR).....	512
FIGURE 6-14. TANK (HYDRAULIC) INSTALLATION.....	514
FIGURE 6-15. TANK (HYDRAULIC) ASSEMBLY.....	516
FIGURE 6-16. VALVE ASSEMBLY - AIR 2 SECTION.....	518
FIGURE 6-17. VALVE SUB-ASSEMBLY - 9 SECTION / 3 SOLENOID.....	520
FIGURE 6-18. VALVE ASSEMBLY - 9 SECTION / 3 SOLENOID	522
FIGURE 6-19. VALVE SUB-ASSEMBLY - 9 SECTION / 7 SOLENOID.....	524
FIGURE 6-20. VALVE ASSEMBLY - 9 SECTION / 7 SOLENOID	526
FIGURE 6-21. VALVE ASSEMBLY - SIDE RECOVERY SYSTEM (SRS).....	528
FIGURE 6-22. VALVE ASSEMBLY - SIDE STABILIZER (SS-70).....	530
SECTION 7 - ELECTRICAL.....	533
FIGURE 7-1. ELECTRICAL INSTALLATION - TANDEM.....	534
FIGURE 7-2. ELECTRICAL INSTALLATION - TRI-AXLE.....	538
FIGURE 7-3. ALARM INSTALLATION - FIXED	542
FIGURE 7-4. ALARM INSTALLATION - VARIABLE	544
FIGURE 7-5. BATTERY COVER INSTALLATION (39IN TUNNEL).....	546
FIGURE 7-6. BATTERY COVER INSTALLATION (51IN TUNNEL WITH CWT)	548
FIGURE 7-7. BATTERY COVER INSTALLATION (51IN TUNNEL WITHOUT CWT).....	550
FIGURE 7-8. BATTERY RELOCATION (HARDWARE ONLY).....	552
FIGURE 7-9. BATTERY RELOCATION (HARDWARE & WRING).....	554

TABLE OF CONTENTS

FIGURE 7-10. BODY HARNESS (LH) (TANDEM)	556
FIGURE 7-11. BODY HARNESS (LH) (TRI-AXLE)	558
FIGURE 7-12. BODY HARNESS (RH) (TRI-AXLE).....	560
FIGURE 7-13. BODY HARNESS (RH) TANDEM).....	562
FIGURE 7-14. CAMERA INSTALLATION - CABINET MOUNTED BACK -UP.....	564
FIGURE 7-15. CAMERA INSTALLATION - CABINET MOUNTED BACK -UP (SN 0230004275 through 0230005219).....	566
FIGURE 7-16. CAMERA INSTALLATION - CABINET MOUNTED BACK -UP (PACCAR) (SN 0230005220 to Present).....	568
FIGURE 7-17. CAMERA INSTALLATION - CABINET MOUNT ONLY	570
FIGURE 7-18. CAMERA INSTALLATION - UNDERLIFT MOUNTED (SN 0230004275 through 0230005219).....	572
FIGURE 7-19. CAMERA INSTALLATION - UNDERLIFT MOUNTED (SN 0230005220 to Present).....	574
FIGURE 7-20. CAMERA INSTALLATION - UNDERLIFT MOUNTED (PACCAR).....	576
FIGURE 7-21. CAMERA INSTALLATION - UNDERLIFT MOUNT ONLY	578
FIGURE 7-22. CAMERA INSTALLATION - WINCH MOUNTED (SN 0230004275 through 0230005219).....	580
FIGURE 7-23. CAMERA INSTALLATION - WINCH MOUNTED (SN 0230005220 to Present)	582
FIGURE 7-24. CAMERA INSTALLATION - CONTROLS MOUNTED (DRIVERS SIDE). (SN 0230004275 through 0230005219)	584
FIGURE 7-25. CAMERA INSTALLATION - CONTROLS MOUNTED (DRIVERS SIDE). (SN 0230005220 to Present)	586
FIGURE 7-26. CENTER HARNESS INSTALLATION - 236IN WB	588
FIGURE 7-27. CENTER HARNESS INSTALLATION - 322IN WB	590
FIGURE 7-28. CENTER HARNESS INSTALLATION - 346IN WB	592
FIGURE 7-29. CENTER HARNESS - 236IN WB	594
FIGURE 7-30. CENTER HARNESS - 322IN WB	596
FIGURE 7-31. CENTER HARNESS - 346IN WB	598
FIGURE 7-32. EMERGENCY STOP INSTALLATION (SN 0230004275 through 0230006314).....	600
FIGURE 7-33. EMERGENCY STOP INSTALLATION (SN 0230006315 to Present)	602
FIGURE 7-34. EMERGENCY STOP HARNESS	604
FIGURE 7-35. FILLER PANEL ELECTRICAL INSTALLATION.....	606
FIGURE 7-36. LIGHTS - COMPARTMENT LIGHTS INSTALLATION (SRS TOOLBOX).....	608
FIGURE 7-37. LIGHTS - COMPARTMENT LIGHTS INSTALLATION (TANDEM)	610
FIGURE 7-38. LIGHTS - COMPARTMENT LIGHTS INSTALLATION (TRI-AXLE)	612
FIGURE 7-39. LIGHTS - COMPARTMENT LIGHTS INSTALLATION (TUNNEL) (SN 0230004275 through 0230008673, Excluding 0230008645)	614
FIGURE 7-40. LIGHTS - COMPARTMENT LIGHTS INSTALLATION (TUNNEL) (SN 0230008674 to Present, Including 0230008645)	616
FIGURE 7-41. LIGHTS - FILLER PANEL LIGHTS HARNESS.....	618
FIGURE 7-42. LIGHTS - FLASHER LIGHTS INSTALLATION - SIDE (TANDEM)	620
FIGURE 7-43. LIGHTS - FLASHER LIGHTS INSTALLATION - SIDE (TRI-AXLE)	622
FIGURE 7-44. LIGHTS - HOOK UP LIGHTS INSTALLATION (LOWER).....	624
FIGURE 7-45. LIGHTS - HOOK UP LIGHTS INSTALLATION (UPPER)	626
FIGURE 7-46. LIGHTS - LIGHTBAR INSTALLATION (CAB MOUNTED).....	628
FIGURE 7-47. LIGHTS - LIGHTBAR INSTALLATION (PYLON MOUNTED) (CODE 3 58IN RED)	630
FIGURE 7-48. LIGHTS - LIGHTBAR INSTALLATION (PYLON MOUNTED) (CODE 3 60IN AMBER)	632
FIGURE 7-49. LIGHTS - LIGHTBAR INSTALLATION (PYLON MOUNTED) (WHELEN 60IN).....	634
FIGURE 7-50. LIGHTS - LIGHTBAR ASSEMBLY - CODE 3 58IN RED	636
FIGURE 7-51. LIGHTS - LIGHTBAR ASSEMBLY - CODE 3 60IN AMBER	638
FIGURE 7-52. LIGHTS - LIGHTBAR ASSEMBLY (ECCO 3 60IN AMBER).....	640

TABLE OF CONTENTS

FIGURE 7-53. LIGHTS - LIGHTBAR ASSEMBLY - WHELEN 60IN	642
FIGURE 7-54. LIGHTS - LIGHTBAR ASSEMBLY - WHELEN (72IN).....	646
FIGURE 7-55. LIGHTS - LIGHTBAR HARNESS (CAB MOUNTED).....	648
FIGURE 7-56. LIGHTS - MARKER LIGHTS INSTALLATION (PYLON)	650
FIGURE 7-57. LIGHTS - MARKER LIGHTS INSTALLATION (TANDEM)	652
FIGURE 7-58. LIGHTS - MARKER LIGHTS INSTALLATION (TRI-AXLE)	654
FIGURE 7-59. LIGHTS - MARKER LIGHTS INSTALLATION (TUNNEL SIDE) (SN 0230008674 to Present, Including 0230008645).....	656
FIGURE 7-60. LIGHTS - MARKER LIGHTS INSTALLATION (TUNNEL SIDE) (SN 0230004275 through 0230008673, Excluding 0230008645).....	658
FIGURE 7-61. LIGHTS - MARKER LIGHT INSTALLATION (TUNNEL FRONT WITHOUT CWT)	660
FIGURE 7-62. LIGHTS - MARKER LIGHT INSTALLATION (TUNNEL FRONT WITH CWT).....	662
FIGURE 7-63. LIGHTS - MARKER LIGHT INSTALLATION (TUNNEL FRONT WITHOUT DIAMOND).....	664
FIGURE 7-64. LIGHTS - MARKER LIGHT INSTALLATION (TUNNEL FRONT WITH SRS).....	666
FIGURE 7-65. LIGHTS - MARKER 1 HARNESS (BODY) (TANDEM).....	668
FIGURE 7-66. LIGHTS - MARKER 1 HARNESS (BODY) (TRI-AXLE).....	670
FIGURE 7-67. LIGHTS - MARKER 2 HARNESS (BODY) (TANDEM).....	672
FIGURE 7-68. LIGHTS - MARKER 2 HARNESS (BODY) (TRI-AXLE).....	674
FIGURE 7-69. LIGHTS - MARKER 3 HARNESS (BODY)	676
FIGURE 7-70. LIGHTS - MARKER WITH SIDE STABILIZER	678
FIGURE 7-71. LIGHTS - MARKER WITH SIDE RECOVERY SYSTEM (SRS) TOOLBOX.....	680
FIGURE 7-72. LIGHTS - MARKER LIGHT HARNESS WITH SIDE STABILIZER	682
FIGURE 7-73. LIGHTS - SRS TOOLBOX HARNESS - MAIN	684
FIGURE 7-74. LIGHTS - SRS TOOLBOX HARNESS.....	686
FIGURE 7-75. LIGHTS - TOW LIGHTS HARNESS.....	688
FIGURE 7-76. LIGHTS - UNDERLIFT LIGHTS INSTALLATION	690
FIGURE 7-77. LIGHTS - UNDERLIFT LIGHTS HARNESS	692
FIGURE 7-78. LIGHTS - WING LIGHTS INSTALLATION (ECCO) (SN 0230004275 through 0230005219).....	694
FIGURE 7-79. LIGHTS - WING LIGHTS INSTALLATION (ECCO) (SN 0230005220 to Present)	696
FIGURE 7-80. LIGHTS - WING LIGHTS INSTALLATION (WHELEN) (SN 0230004275 through 0230005219).....	698
FIGURE 7-81. LIGHTS - WING LIGHTS INSTALLATION (WHELEN) (SN 0230005220 to Present)	700
FIGURE 7-82. LIGHTS - WING LIGHT ASSEMBLY - 22IN AMBER (ECCO).....	702
FIGURE 7-83. LIGHTS - WING LIGHT ASSEMBLY - 22IN AMBER (WHELEN).....	704
FIGURE 7-84. LIGHTS - WING LIGHTS MOUNT ONLY INSTALLATION (SN 0230005220 to Present)	708
FIGURE 7-85. LIGHTS - WING LIGHTS MOUNT ONLY INSTALLATION.....	710
FIGURE 7-86. LIGHTS - WORK LIGHTS INSTALLATION (BOOM).....	712
FIGURE 7-87. LIGHTS - WORK LIGHTS INSTALLATION (UPPER)	714
FIGURE 7-88. MULTIPLEX INSTALLATION (WITHOUT DRAG WINCH) (SN 0230004275 through 0230006134).....	716
FIGURE 7-89. MULTIPLEX INSTALLATION (WITHOUT DRAG WINCH) (SN 0230006135 to Present)	720
FIGURE 7-90. MULTIPLEX HARNESS - BODY (LH) (SN 0230004275 through 0230005538).....	724
FIGURE 7-91. MULTIPLEX HARNESS - BODY (LH) (SN 0230005539 through 0230006134).....	726
FIGURE 7-92. MULTIPLEX HARNESS - BODY (LH) (SN 0230006135 to Present).....	728
FIGURE 7-93. MULTIPLEX HARNESS - BODY (RH) (SN 0230004275 through 0230005538)	730
FIGURE 7-94. MULTIPLEX HARNESS - BODY (RH) (SN 0230005539 through 0230006134)	732
FIGURE 7-95. MULTIPLEX HARNESS - BODY (RH) (SN 0230006135 to Present).....	734
FIGURE 7-96. MULTIPLEX HARNESS - CROSSOVER (SN 0230004275 through 0230005538)	736

TABLE OF CONTENTS

FIGURE 7-97. MULTIPLEX HARNESS - CROSSOVER (SN 0230005539 through 0230006134).....	738
FIGURE 7-98. MULTIPLEX HARNESS - CROSSOVER (SN 0230006135 to Present)	740
FIGURE 7-99. MULTIPLEX HARNESS - IN-CAB CONTROL (CONSOLE MOUNTED)	742
FIGURE 7-100. MULTIPLEX HARNESS - IN-CAB CONTROL (FLOOR MOUNTED)	744
FIGURE 7-101. MULTIPLEX HARNESS - IN-CAB CONTROL (KENWORTH T880).....	746
FIGURE 7-102. MULTIPLEX HARNESS - JUMPER (SN 0230004275 through 0230005538).....	748
FIGURE 7-103. MULTIPLEX HARNESS - JUMPER (SN 0230005539 through 0230006134).....	750
FIGURE 7-104. MULTIPLEX HARNESS - JUMPER (SN 0230006135 to Present).....	752
FIGURE 7-105. MULTIPLEX HARNESS - MULTIPLEX TO PDP (SN 0230004275 through 0230006134)	754
FIGURE 7-106. MULTIPLEX HARNESS - MULTIPLEX TO PDP (SN 0230006135 to Present)	756
FIGURE 7-107. PYLON ELECTRICAL INSTALLATION ((34IN & 39IN PYLON)	758
FIGURE 7-108. PYLON ELECTRICAL INSTALLATION (57IN PYLON)	760
FIGURE 7-109. PYLON HARNESS - JUMPER.....	762
FIGURE 7-110. PYLON HARNESS - MAIN (34IN & 39IN PYLON).....	764
FIGURE 7-111. PYLON HARNESS - MAIN (57IN PYLON)	766
FIGURE 7-112. REMOTE CONTROL HARNESS ASSEMBLY (6 FUNCTION) (Prior to SN 0230006575)	768
FIGURE 7-113. REMOTE CONTROL HARNESS ASSEMBLY (6 FUNCTION) (SN 0230006575 to Present)	770
FIGURE 7-114. REMOTE CONTROL HARNESS ASSEMBLY (8 FUNCTION) (SRS WINCH)	772
FIGURE 7-115. REMOTE CONTROL HARNESS ASSEMBLY (14 FUNCTION NON-PROPORTIONAL) (Prior to SN 0230006575)	774
FIGURE 7-116. REMOTE CONTROL HARNESS ASSEMBLY (14 FUNCTION NON-PROPORTIONAL) (SN 0230006575 to Present)	776
FIGURE 7-117. REMOTE CONTROL HARNESS ASSEMBLY (14 & 16 FUNCTION PROPORTIONAL) (Prior to SN 0230003827)	778
FIGURE 7-118. REMOTE CONTROL HARNESS ASSEMBLY (14 & 16 FUNCTION PROPORTIONAL) (SN 0230003827 through 0230006134)	780
FIGURE 7-119. REMOTE CONTROL HARNESS ASSEMBLY (14 & 16 FUNCTION PROPORTIONAL) (SN 0230006135 to Present)	782
FIGURE 7-120. SIDE RECOVERY SYSTEM TOOLBOX HARNESS	784
FIGURE 7-121. SIDE STABILIZER ELECTRICAL INSTALLATION.....	786
FIGURE 7-122. SIDE STABILIZER (SRS SS-70) SWITCH HARNESS (REAR HARNESS).....	788
FIGURE 7-123. SIDE STABILIZER (SRS SS-70) VALVE HARNESS (FRONT HARNESS).....	790
FIGURE 7-124. SIDE STABILIZER ELECTRICAL INSTALLATION (WITH NO PANEL)	792
FIGURE 7-125. SIDE STABILIZER HARNESS EXTENSIONS.....	794
FIGURE 7-126. TAILLIGHT CONVERSION KIT	796
FIGURE 7-127. TRAILER PLUG INSTALLATION - 7 WAY	798
FIGURE 7-128. TUNNEL HARNESS INSTALLATION - 37IN TUNNEL (SN 0230004275 through 0230008673, Excluding 0230008645)	800
FIGURE 7-129. TUNNEL HARNESS INSTALLATION - 37IN & 49IN TUNNELS (SN 0230008674 to Present, Including 0230008645)	802
FIGURE 7-130. TUNNEL HARNESS INSTALLATION - 39IN TUNNEL.....	804
FIGURE 7-131. TUNNEL HARNESS INSTALLATION - 51IN TUNNEL.....	806
FIGURE 7-132. TUNNEL HARNESS - MAIN (SN 0230004275 through 0230008673, Excluding 0230008645).....	808
FIGURE 7-133. TUNNEL HARNESS - MAIN (SN 0230008674 to Present, Including 0230008645).....	810
FIGURE 7-134. TUNNEL HARNESS - FRONT	812
FIGURE 7-135. TUNNEL HARNESS - REAR	814
FIGURE 7-136. WINCH HARNESS - 2 SPEED	816
FIGURE 7-137. WINCH ELECTRICAL INSTALLATION (SRS TOOLBOX)	818

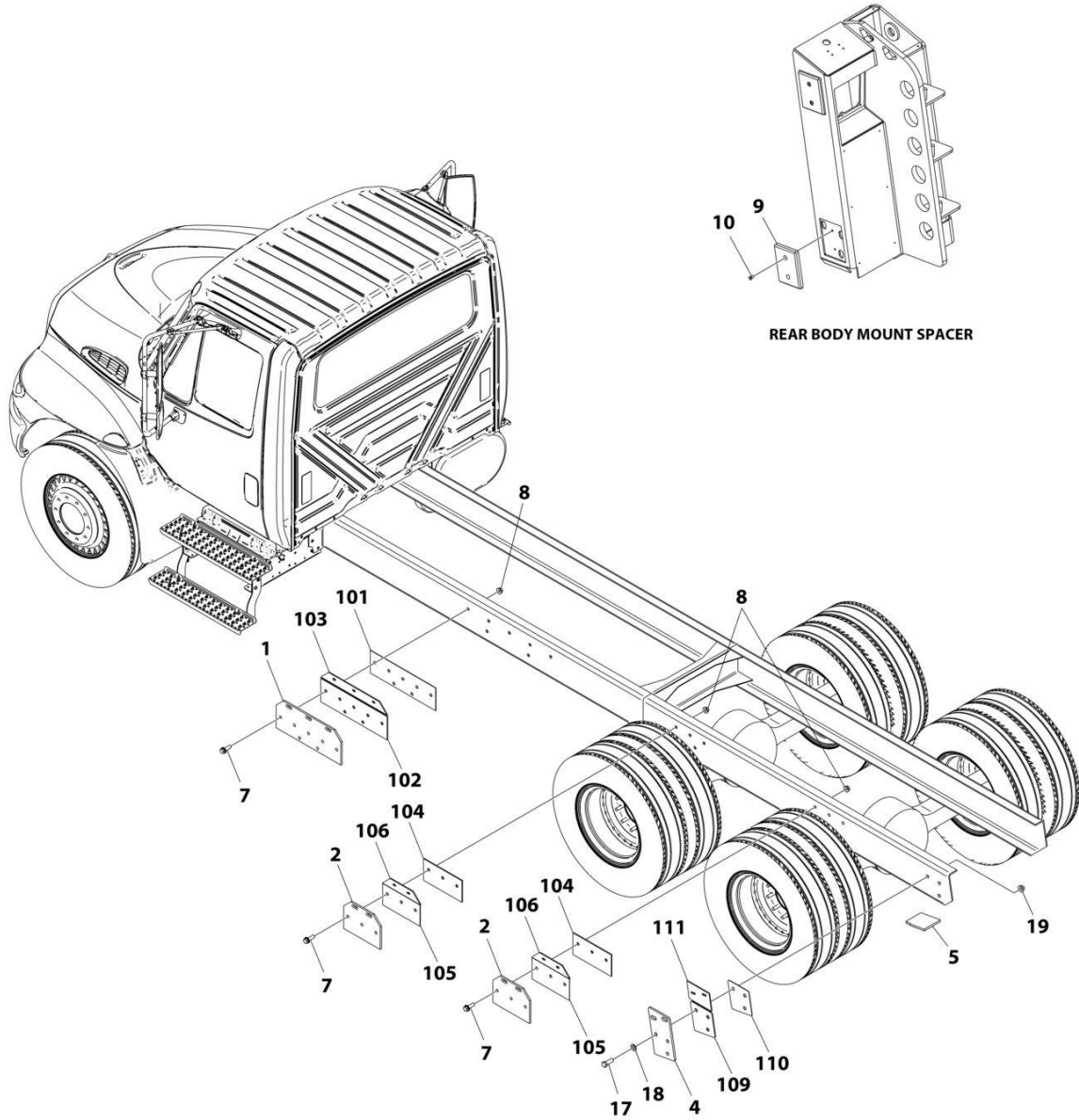
TABLE OF CONTENTS

SECTION 8 - DECAL.....	821
FIGURE 8-1. DECAL INSTALLATION - COMMON	822
FIGURE 8-2. DECAL INSTALLATION - JERR-DAN LOGO (RED).....	826
FIGURE 8-3. DECAL INSTALLATION - JERR-DAN LOGO (WHITE).....	828
FIGURE 8-4. DECAL INSTALLATION - SIDE RECOVERY SYSTEM (SRS)	830
FIGURE 8-5. DECAL INSTALLATION - SIDE STABILIZER (SS-70).....	832
SECTION 9 - ACCESSORIES.....	835
FIGURE 9-1. SERVICE & AFTERMARKET KITS LIST	836
FIGURE 9-2. AIR EMERGENCY AND SERVICE GLAD HANDS	838
FIGURE 9-3. AUXILIARY AIR INSTALLATION	840
FIGURE 9-4. CHAIN KIT - HEAVY DUTY (LEVEL 1)	842
FIGURE 9-5. CHAIN KIT - HEAVY DUTY (LEVEL 2)	844
FIGURE 9-6. FIFTH WHEEL TOW ATTACHMENT.....	846
FIGURE 9-7. FORK RISER ADAPTERS	848
FIGURE 9-8. FORK RISERS - 7IN	850
FIGURE 9-9. LOOP SLING KIT (LEVEL 1).....	852
FIGURE 9-10. LOOP SLING KIT (LEVEL 2).....	854
FIGURE 9-11. PINTLE HOOK WITH 2IN BALL.....	856
FIGURE 9-12. PINTLE HOOK WITH 50MM BALL.....	858
FIGURE 9-13. RISC ACCESSORY PACKAGE (1OF5).....	860
FIGURE 9-14. RUGGED KIT	868
FIGURE 9-15. SHACKLE KIT (LEVEL 1).....	870
FIGURE 9-16. SHACKLE KIT (LEVEL 2).....	872
FIGURE 9-17. SNATCH BLOCK KIT	874
FIGURE 9-18. STRAP EXTENSION ASSEMBLY.....	876
FIGURE 9-19. STRAP KIT - TIRE BASKET.....	878
FIGURE 9-20. STRAP, TIE-DOWN - 7000 LBS LARGE.....	880
FIGURE 9-21. STRAP, TIE-DOWN - 7000 LBS SMALL.....	882
FIGURE 9-22. TOW BALL - 1.88IN DIA.....	884
FIGURE 9-23. TOW BALL - 2.31IN DIA.....	886
FIGURE 9-24. TOW BALL - 2IN DIA.....	888
FIGURE 9-25. TOW BALL - 50MM DIA	890
FIGURE 9-26. TOW LIGHTS - MAGNETIC	892
FIGURE 9-27. TOW LIGHTS - SUCTION	894
FIGURE 9-28. TRUCK SCALES - ON BOARD.....	896
SECTION 10 - BUILD DOCUMENTS	899
FIGURE 10-1. BUILD DOC_5376000273	900
PART NUMBER INDEX.....	903

SECTION 1 - SUBFRAME

SECTION 1 - SUBFRAME

FIGURE 1-1. SUBFRAME INSTALLATION



ART_357700059

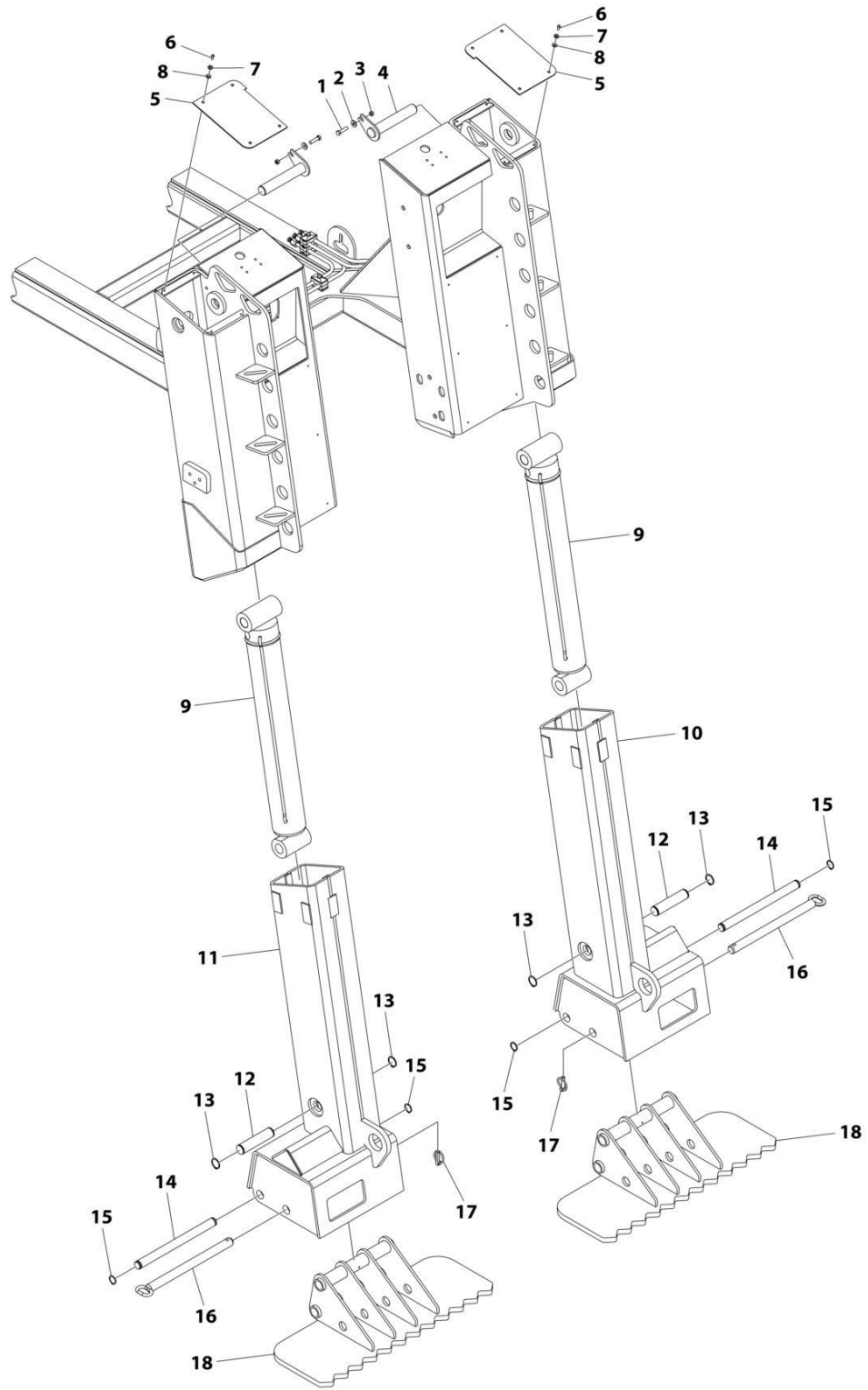
SECTION 1 - SUBFRAME

FIGURE 1-1. SUBFRAME INSTALLATION

ITEM	PART NUMBER	QTY	DESCRIPTION	REV
	3577000059	Ref	SUBFRAME INSTALLATION	G
1	1001144657	2	Plate	
2	1001144659	4	Plate	
4	4706002554	2	Plate	
5	4706002557	2	Plate	
7	7118222416	30	Capscrew 3/4 x 3	
8	7660222308	30	Nut 3/4	
9	4679000127	4	Pad	
10	7115160623	8	Screw 3/8 x 7	
11	3577000046	Ref	Shim, Kit (Not Shown) (Includes Items 101-111)	
17	7118242450	6	Capscrew 7/8 x 3	
18	7949000061	6	Washer 7/8	
19	7660242308	6	Nut 7/8	
20	7118222016	AR	Bolt 3/4 x 2-1/2 (Not Shown)	
21	7118222816	AR	Capscrew 3/4 x 3-1/2 (Not Shown)	
22	7118242050	AR	Capscrew 7/8 x 2-1/2 (Not Shown)	
23	0682428001	AR	Bolt 7/8 x 3-1/2 (Not Shown)	
101	1001144959	2	Shim	
102	1001144957	2	Shim	
103	4706002163	2	Plate	
104	1001144989	4	Shim	
105	1001144988	4	Shim	
106	4706002555	4	Plate	
109	4706002142	2	Plate	
110	4706002141	2	Plate	
111	4706002556	2	Plate	

SECTION 1 - SUBFRAME

FIGURE 1-2. STABILIZER INSTALLATION - REAR



ART_2506690012_D

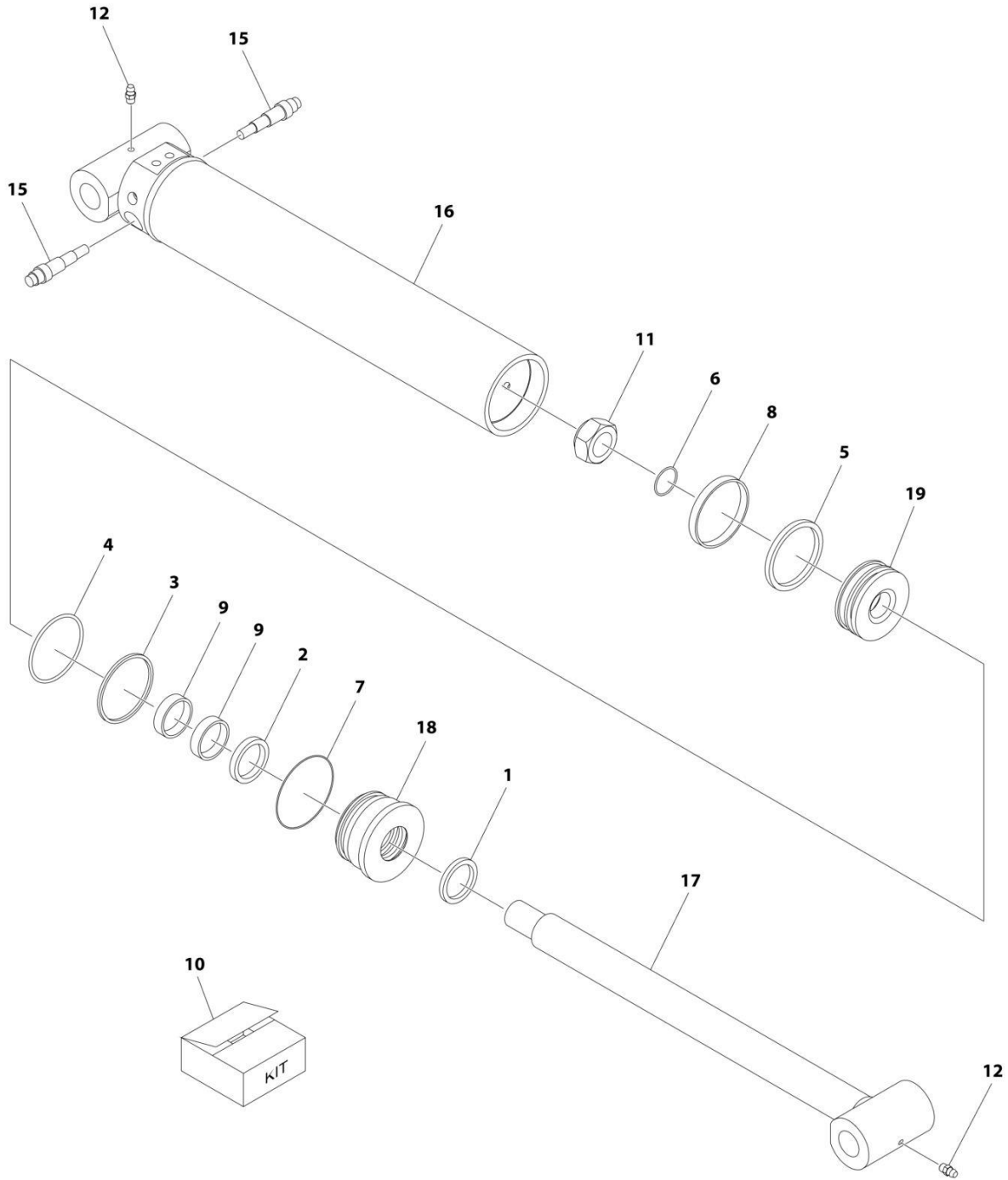
SECTION 1 - SUBFRAME

FIGURE 1-2. STABILIZER INSTALLATION - REAR

ITEM	PART NUMBER	QTY	DESCRIPTION	REV
	2506690012	Ref	STABILIZERS INSTALLATION - REAR	D
1	7115161250	2	Bolt 3/8 x 1-1/2	
2	7950160161	2	Washer 3/8	
3	7660162601	2	Nut 3/8	
4	3691000139	2	Pin	
5	4706003714	2	Plate	
6	7114140518	8	Capscrew 1/4 x 5/8	
7	7949000025	8	Washer	
8	7950140153	8	Washer 1/4	
9	7320000006	2	Cylinder Assembly, Spade (See Separate Breakdown in this Section)	
10	3263000068	1	Channel (RH)	
11	3263000067	1	Channel (LH)	
12	4691000207	2	Pin	
13	7754000033	4	Ring, Retaining	
14	4691000200	2	Pin	
15	7754000008	4	Ring, Retaining	
16	3691000126	2	Pin	
17	7691000019	2	Pin	
18	1001239548	2	Plate	

SECTION 1 - SUBFRAME

FIGURE 1-3. CYLINDER ASSEMBLY - REAR STABILIZER



ART_732000006

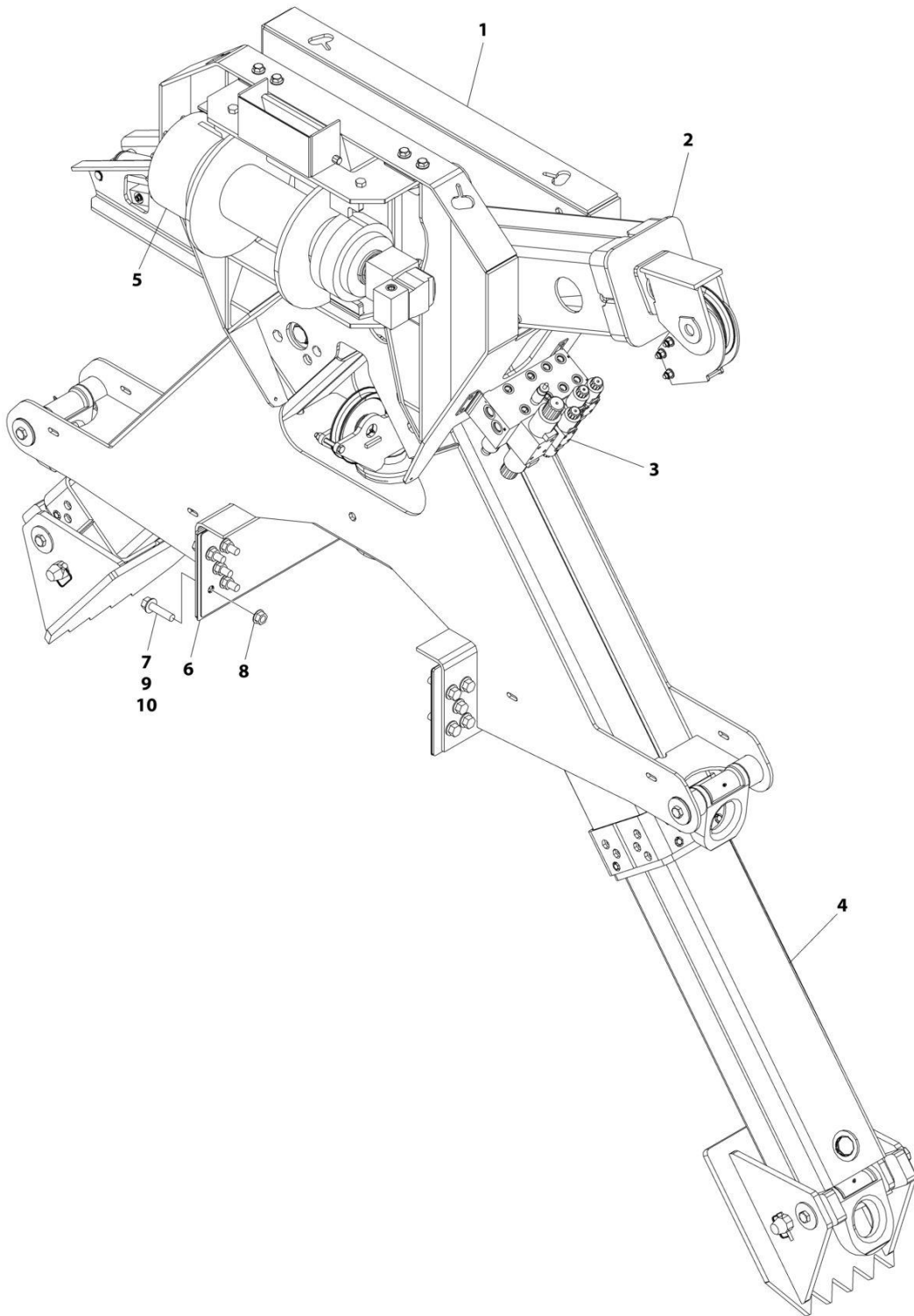
SECTION 1 - SUBFRAME

FIGURE 1-3. CYLINDER ASSEMBLY - REAR STABILIZER

ITEM	PART NUMBER	QTY	DESCRIPTION	REV
	7320000006	Ref	Rear Spade Cylinder	B
1	9796250080	1	Seal, Wiper	
2	7019828	1	Seal	
3	9754250009	1	Ring, Back-up	
4	9796250057	1	Seal, O-Ring	
5	9796250073	1	Seal	
6	9796250061	1	Seal, O-Ring	
7	9796250066	1	Seal, O-Ring	
8	9724250014	1	Ring, Wear	
9	9754250015	2	Ring, Wear	
10	7577000167	1	Kit, Seal	
11	7003212	1	Nut	
12	7005322	2	Grease Fitting	
13	7005365	2	Plug, Port (Not Shown)	
14	70021648	2	Plug, Port (Not Shown)	
15	70050215	2	Valve, Counterbalance	
16	9912250004	1	Assembly, Tube	
17	9763250009	1	Assembly, Rod	
18	9553250009	1	Head	
19	70050531	1	Piston	

SECTION 1 - SUBFRAME

FIGURE 1-4. SIDE RECOVERY SYSTEM (SRS) INSTALLATION (25K WINCH)



ART_1001200002

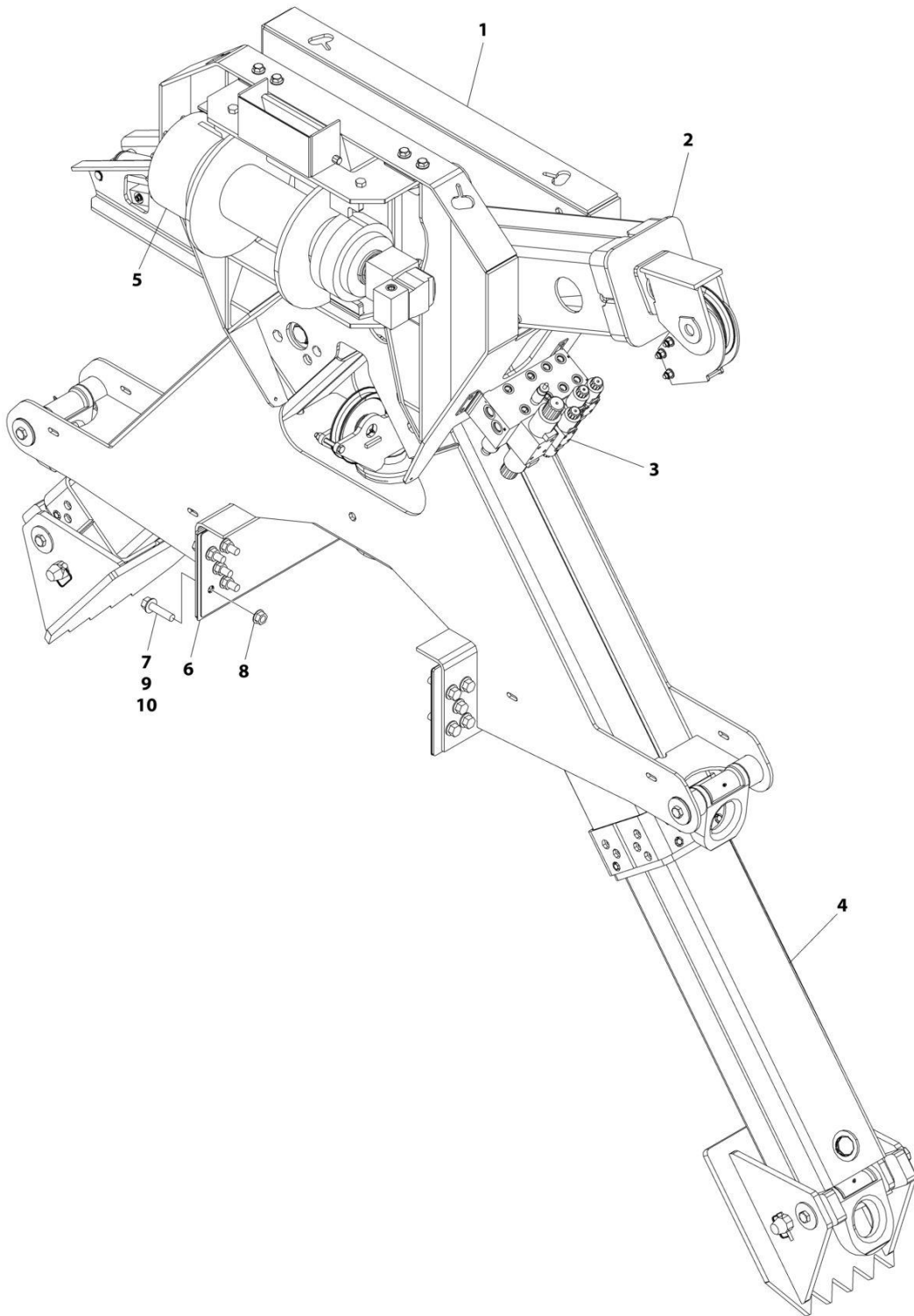
SECTION 1 - SUBFRAME

FIGURE 1-4. SIDE RECOVERY SYSTEM (SRS) INSTALLATION (25K WINCH)

ITEM	PART NUMBER	QTY	DESCRIPTION	REV
	1001200002	Ref	SIDE RECOVERY SYSTEM (SRS) INSTALLATION (25K WINCH)	C
1	3455000055	1	Frame	
2	3548100001	1	Boom Assembly (See Separate Breakdown in this Section)	
3	3548530005	1	Hydraulic Installation (See Separate Breakdown in HYDRAULIC Section)	
4	3548690002	1	Side Stabilizer Assembly (SRS) (See Separate Breakdown in this Section)	
5	3548900004	1	Winch Assembly (See Separate Breakdown in this Section)	
6	3577000129	1	Shim Kit	
7	7118222416	AR	Bolt 3/4 x 3	
8	7660222308	20	Nut 3/4	
9	7118222016	AR	Bolt 3/4 x 2-1/2	
10	7118222816	AR	Bolt 3/4 x 3-1/2	

SECTION 1 - SUBFRAME

FIGURE 1-5. SIDE RECOVERY SYSTEM (SRS) INSTALLATION (35K WINCH)



ART_1001200003

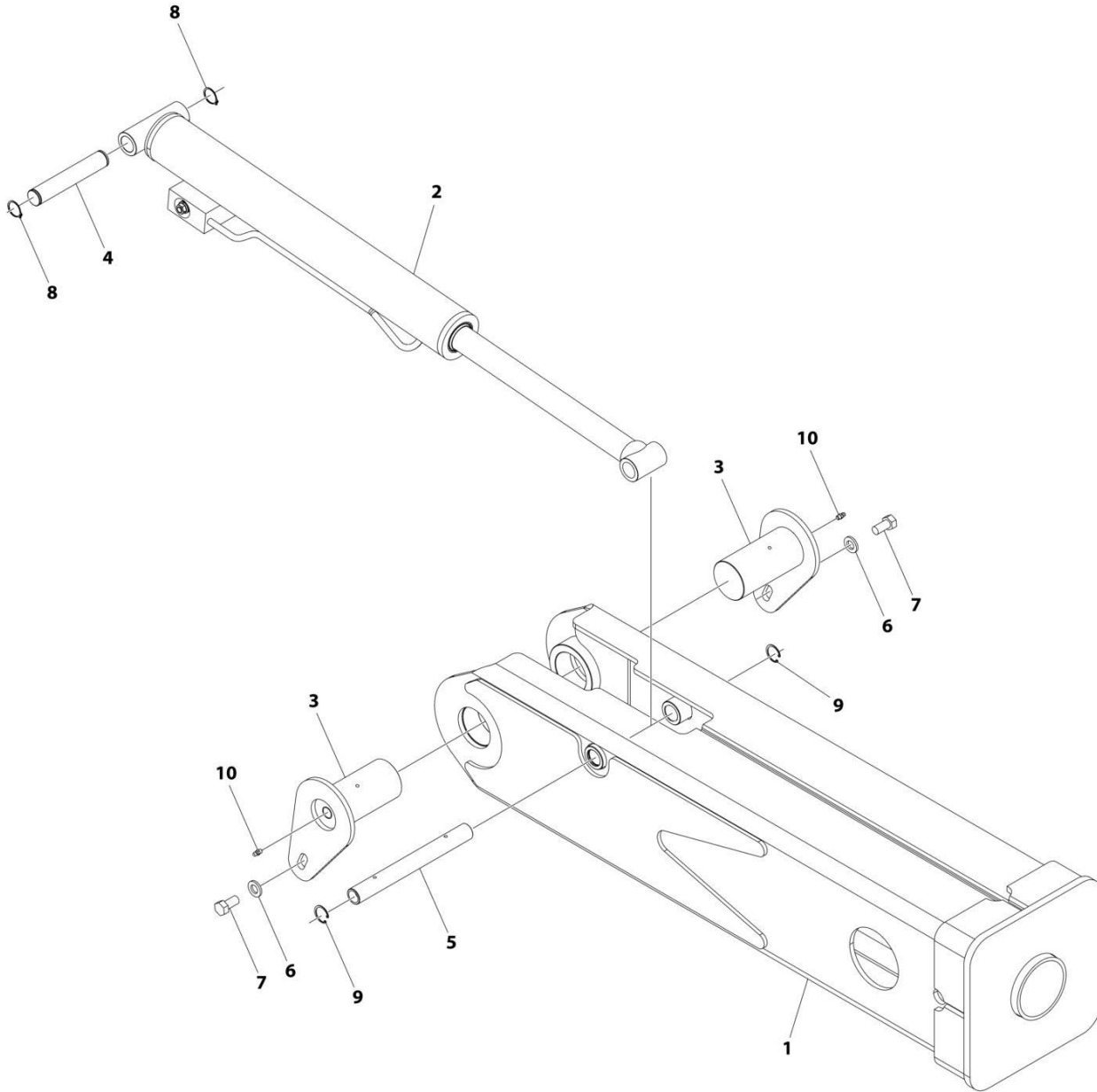
SECTION 1 - SUBFRAME

FIGURE 1-5. SIDE RECOVERY SYSTEM (SRS) INSTALLATION (35K WINCH)

ITEM	PART NUMBER	QTY	DESCRIPTION	REV
	1001200003	Ref	SIDE RECOVERY SYSTEM (SRS) INSTALLATION (35K WINCH)	C
1	3455000055	1	Frame	
2	3548100001	1	Boom Assembly (See Separate Breakdown in this Section)	
3	3548530005	1	Hydraulic Installation (See Separate Breakdown in HYDRAULIC Section)	
4	3548690002	1	Side Stabilizer Assembly (SRS) (See Separate Breakdown in this Section)	
5	3548900003	1	Winch Assembly (See Separate Breakdown in this Section)	
6	3577000129	1	Shim Kit	
7	7118222416	AR	Bolt 3/4 x 3	
8	7660222308	20	Nut 3/4	
9	7118222016	AR	Bolt 3/4 x 2-1/2	
10	7118222816	AR	Bolt 3/4 x 3-1/2	

SECTION 1 - SUBFRAME

FIGURE 1-6. BOOM ASSEMBLY (SRS)



ART_3548100001

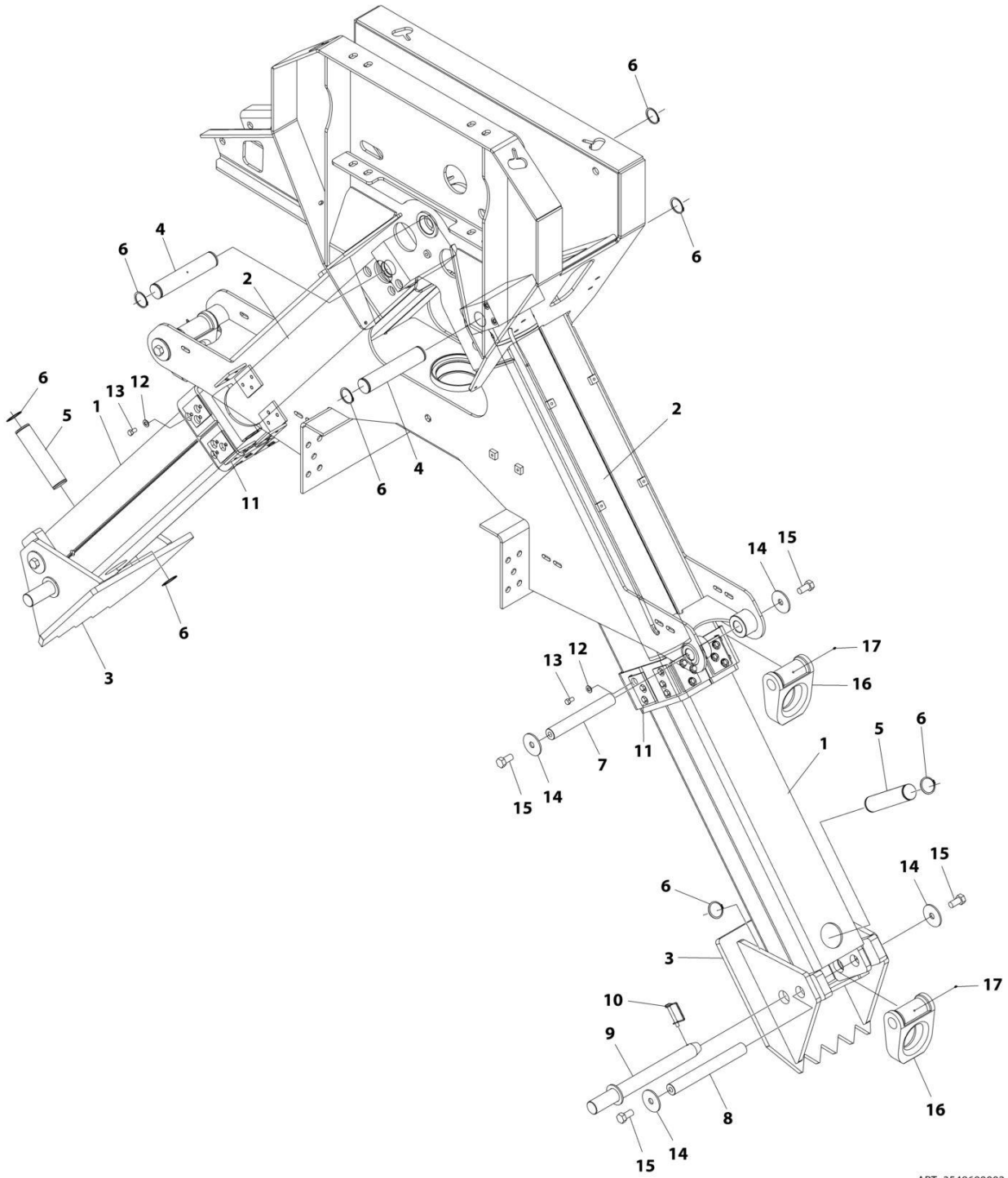
SECTION 1 - SUBFRAME

FIGURE 1-6. BOOM ASSEMBLY (SRS)

ITEM	PART NUMBER	QTY	DESCRIPTION	REV
	3548100001	Ref	BOOM ASSEMBLY (SRS)	0
1	3170000448	1	Boom Weld	
2	3320000232	1	Cylinder Assembly - Boom Recovery (SRS Stabilizer) (See Separate Breakdown in CYLINDER Section)	
3	3691000262	2	Pin	
4	4691000578	1	Pin	
5	4691000574	1	Pin	
6	7950180153	2	Flatwasher 1/2	
7	7115180850	2	Capscrew 1/2 x 1	
8	7754000019	2	Retaining Ring	
9	7754000056	2	Snap Ring	
10	7440030000	4	Fitting	

SECTION 1 - SUBFRAME

FIGURE 1-7. STABILIZER LEG ASSEMBLY (SIDE RECOVERY SYSTEM - SRS)



ART_354869002

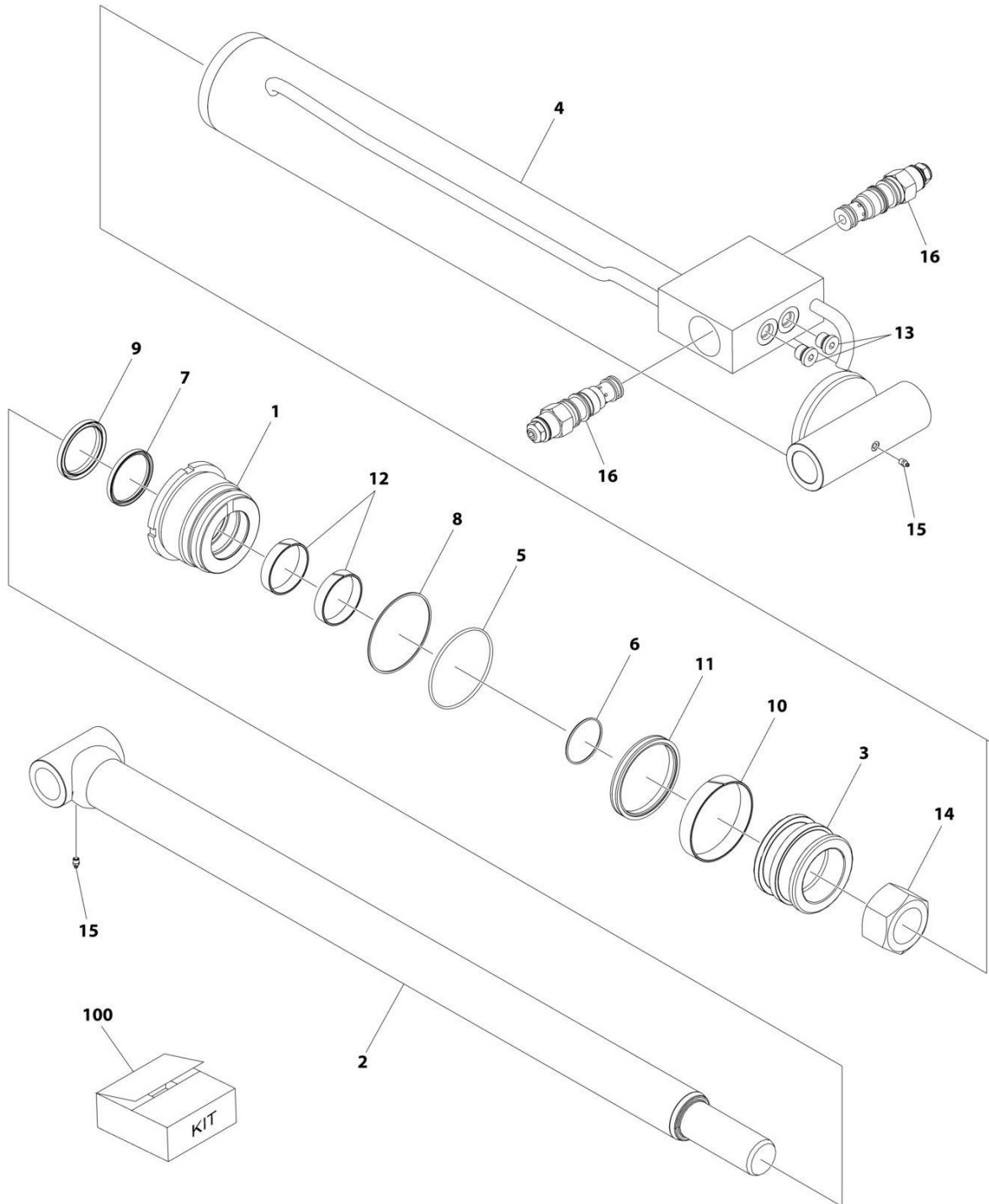
SECTION 1 - SUBFRAME

FIGURE 1-7. STABILIZER LEG ASSEMBLY (SIDE RECOVERY SYSTEM - SRS)

ITEM	PART NUMBER	QTY	DESCRIPTION	REV
	3548690002	Ref	STABILIZER LEG ASSEMBLY (SIDE RECOVERY SYSTEM - SRS)	0
1	3263000133	2	Channel	
2	3320000233	2	Cylinder Assembly - Extend/Retract (Side Stabilizer) (See Separate Breakdown in this Section)	
3	3706000366	2	Plate	
4	4691000576	2	Pin	
5	4691000577	2	Pin	
6	7754000048	8	Ring, Retaining	
7	4691000581	2	Pin	
8	4691000582	2	Pin	
9	3691000263	2	Pin	
10	7691000025	2	Pin	
11	4679000291	16	Pad	
12	7950170142	96	Washer 7/16	
13	7118170650	48	Capscrew 7/16 x 3/4	
14	7949000018	8	Washer	
15	7115221250	8	Capscrew 3/4 x 1-1/2	
16	4754000004	4	D-Ring	
17	7440030000	6	Grease Fitting	

SECTION 1 - SUBFRAME

FIGURE 1-8. CYLINDER ASSEMBLY - BOOM RECOVERY (SRS STABILIZER)



ART_3320000232

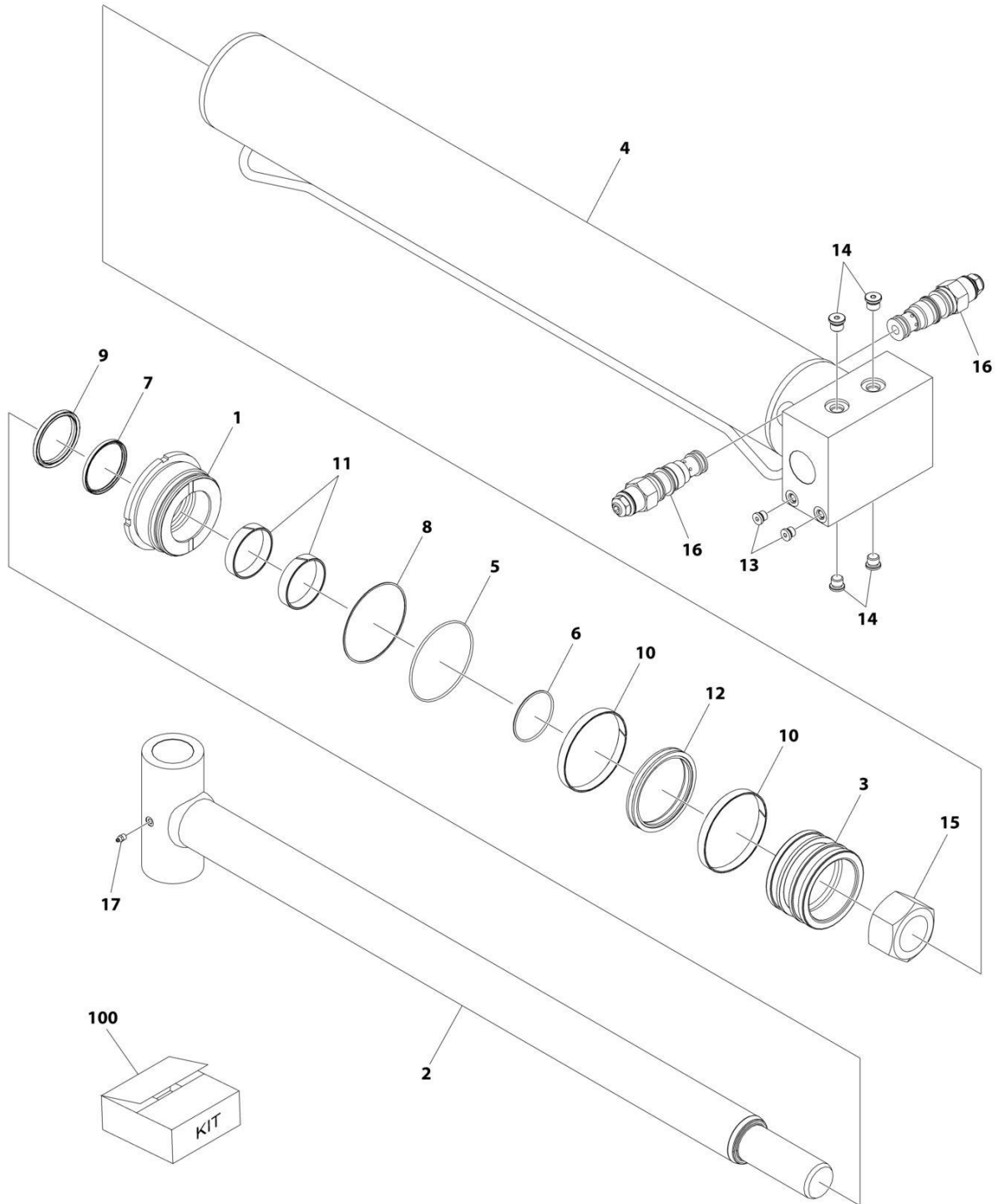
SECTION 1 - SUBFRAME

FIGURE 1-8. CYLINDER ASSEMBLY - BOOM RECOVERY (SRS STABILIZER)

ITEM	PART NUMBER	QTY	DESCRIPTION	REV
	3320000232	Ref	Cylinder Assembly - Boom Recovery (SRS Stabilizer)	0
		Ref	Note: Original Cylinder May Have Been Replaced with Service Replacement. Identify PN Stamped on Cylinder Before Ordering Parts.	
1	70051142	1	Gland	
2	70051141	1	Rod Assembly	
3	70051140	1	Piston	
4	NSS	1	Barrel Assembly	
5	See Note	1	O-Ring (Note: Use Item 100)	
6	See Note	1	O-Ring (Note: Use Item 100)	
7	See Note	1	Rod Seal (Note: Use Item 100)	
8	See Note	1	Back-up Ring (Note: Use Item 100)	
9	See Note	1	Rod Wiper (Note: Use Item 100)	
10	See Note	1	Wear Ring (Note: Use Item 100)	
11	See Note	1	Piston Seal (Note: Use Item 100)	
12	See Note	2	Wear Ring (Note: Use Item 100)	
13	70050641	2	Plug	
14	70051138	1	Nut	
15	70051137	2	Grease Fitting	
16	70040300	2	Cartridge, Counterbalance Valve	
16	2900770	2	Seal Kit - Valve Cartridge (1 Per Cartridge)	
100	9577200245	1	Seal Kit - Cylinder (Includes Items 5-12)	

SECTION 1 - SUBFRAME

FIGURE 1-9. CYLINDER ASSEMBLY - EXTEND/RETRACT (SRS STABILIZER)



ART_3320000233

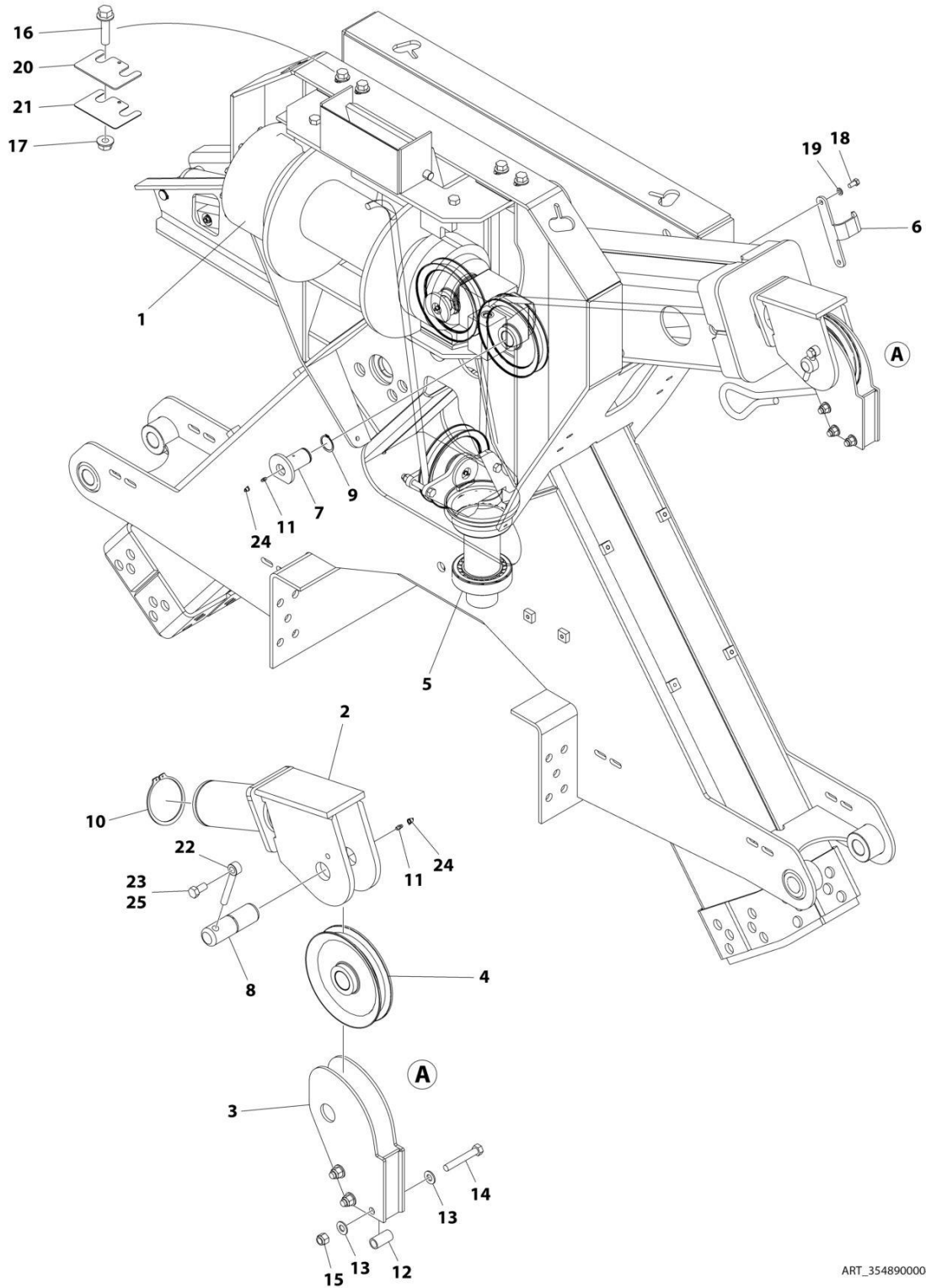
SECTION 1 - SUBFRAME

FIGURE 1-9. CYLINDER ASSEMBLY - EXTEND/RETRACT (SRS STABILIZER)

ITEM	PART NUMBER	QTY	DESCRIPTION	REV
	3320000233	Ref	CYLINDER ASSEMBLY - SRS STABILIZER (SIDE) Note: Original Cylinder May Have Been Replaced with Service Replacement. Identify PN Stamped on Cylinder Before Ordering Parts.	0
		Ref		
1	70051133	1	Gland	
2	70051134	1	Rod Assembly	
3	70051135	1	Piston	
4	NSS	1	Barrel Assembly	
5	See Note	1	O-Ring (Note: Use Item 100)	
6	See Note	1	O-Ring (Note: Use Item 100)	
7	See Note	1	Rod Seal (Note: Use Item 100)	
8	See Note	1	Back-up Ring (Note: Use Item 100)	
9	See Note	1	Rod Wiper (Note: Use Item 100)	
10	See Note	2	Wear Ring (Note: Use Item 100)	
11	See Note	2	Wear Ring (Note: Use Item 100)	
12	See Note	1	Piston Seal (Note: Use Item 100)	
13	70051130	2	Plug	
14	70050641	4	Plug	
15	70051131	1	Nut	
16	70040300	1	Valve, Counterbalance Cartridge	
16	2900770	1	Seal Kit - Cartridge Valve	
17	70051137	1	Grease Fitting	
100	9577200246	1	Seal Kit - Cylinder (Includes Items 5-12)	

SECTION 1 - SUBFRAME

FIGURE 1-10. WINCH ASSEMBLY (SRS) (25K WINCH)



ART_3548900004

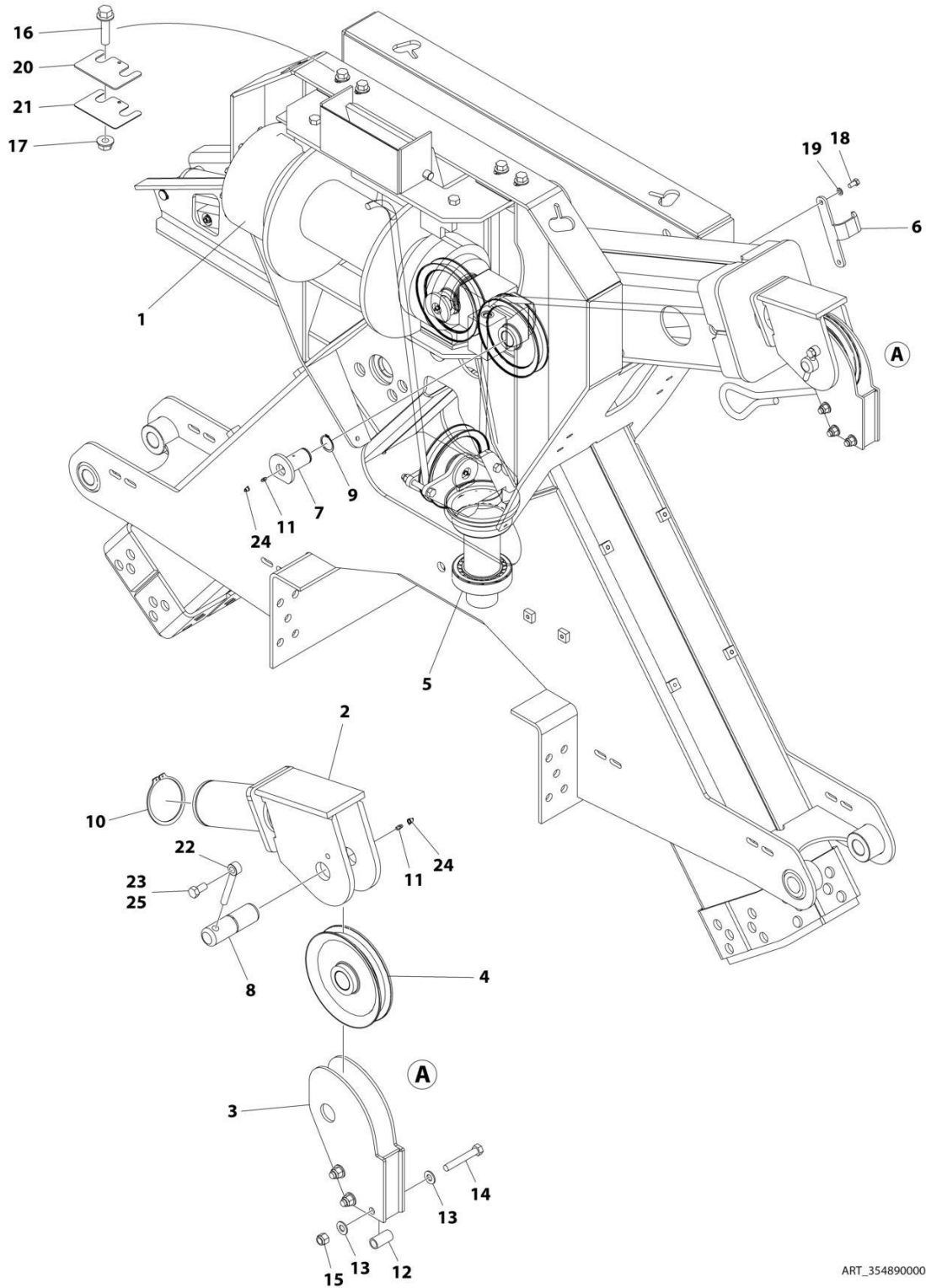
SECTION 1 - SUBFRAME

FIGURE 1-10. WINCH ASSEMBLY (SRS) (25K WINCH)

ITEM	PART NUMBER	QTY	DESCRIPTION	REV
	3548900004	Ref	WINCH ASSEMBLY - SRS 25000 LBS	B
1	7970000163	1	Winch Components 25000 LBS (See Separate Breakdown in this Section)	
2	1001169617	1	Support	
3	3249000043	1	Sheave Guide	
4	7809000006	3	Sheave	
5	2249000020	1	Sheave Assembly	
6	4178000763	1	Bracket	
7	3691000261	2	Pin	
8	1001169893	1	Pin	
9	7754000058	2	Ring	
10	7754000049	1	Ring Retaining	
11	7440030000	4	Grease Fitting	
12	4831000104	3	Spacer	
13	7950180141	6	Washer 1/2	
14	7115182650	3	Capscrew 1/2 x 3-1/4	
15	7660182601	3	Nut 1/2	
16	7118202016	8	Bolt 5/8 x 2-1/2	
17	7661000018	8	Nut 5/8	
18	7115160650	2	Bolt 3/8 x 3/4	
19	7950160000	2	Washer 3/8	
20	4812000103	2	Shim	
21	4812000104	2	Shim	
22	3841203	1	Rod, Keeper	
23	7115180850	1	Capscrew 1/2 x 1	
24	7253000002	4	Fitting	
25	0100011	AR	Compound, Locking	

SECTION 1 - SUBFRAME

FIGURE 1-11. WINCH ASSEMBLY (SRS) (35K WINCH)



ART_3548900003

SECTION 1 - SUBFRAME

FIGURE 1-11. WINCH ASSEMBLY (SRS) (35K WINCH)

ITEM	PART NUMBER	QTY	DESCRIPTION	REV
	3548900003	Ref	WINCH ASSEMBLY - SRS 35000 LBS	B
1	7970000162	1	Winch Components 35000 LBS (See Separate Breakdown in this Section)	
2	1001169617	1	Support	
3	3249000043	1	Sheave Guide	
4	7809000006	3	Sheave	
5	2249000020	1	Sheave Assembly	
6	4178000763	1	Bracket	
7	3691000261	2	Pin	
8	1001169893	1	Pin	
9	7754000058	2	Ring	
10	7754000049	1	Ring Retaining	
11	7440030000	4	Grease Fitting	
12	4831000104	3	Spacer	
13	7950180141	6	Washer 1/2	
14	7115182650	3	Capscrew 1/2 x 3-1/4	
15	7660182601	3	Nut 1/2	
16	7118202016	8	Bolt 5/8 x 2-1/2	
17	7661000018	8	Nut 5/8	
18	7115160650	2	Bolt 3/8 x 3/4	
19	7950160000	2	Washer 3/8	
20	4812000103	2	Shim	
21	4812000104	2	Shim	
22	3841203	1	Rod, Keeper	
23	7115180850	1	Capscrew 1/2 x 1	
24	7253000002	4	Fitting	
25	0100011	AR	Compound, Locking	

SECTION 1 - SUBFRAME

FIGURE 1-12. WINCH COMPONENTS (SRS) (25K WINCH)

INFORMATION WAS NOT AVAILABLE AT TIME OF PRINTING.

ART_7970000163

SECTION 1 - SUBFRAME

FIGURE 1-12. WINCH COMPONENTS (SRS) (25K WINCH)

ITEM	PART NUMBER	QTY	DESCRIPTION	REV
	7970000163	Ref Ref	WINCH COMPONENTS - SRS 25000 LBS Note: No Service Parts Available at Time of Printing.	0

SECTION 1 - SUBFRAME

FIGURE 1-13. WINCH COMPONENTS (SRS) (35K WINCH)

INFORMATION WAS NOT AVAILABLE AT TIME OF PRINTING.

ART_7970000162

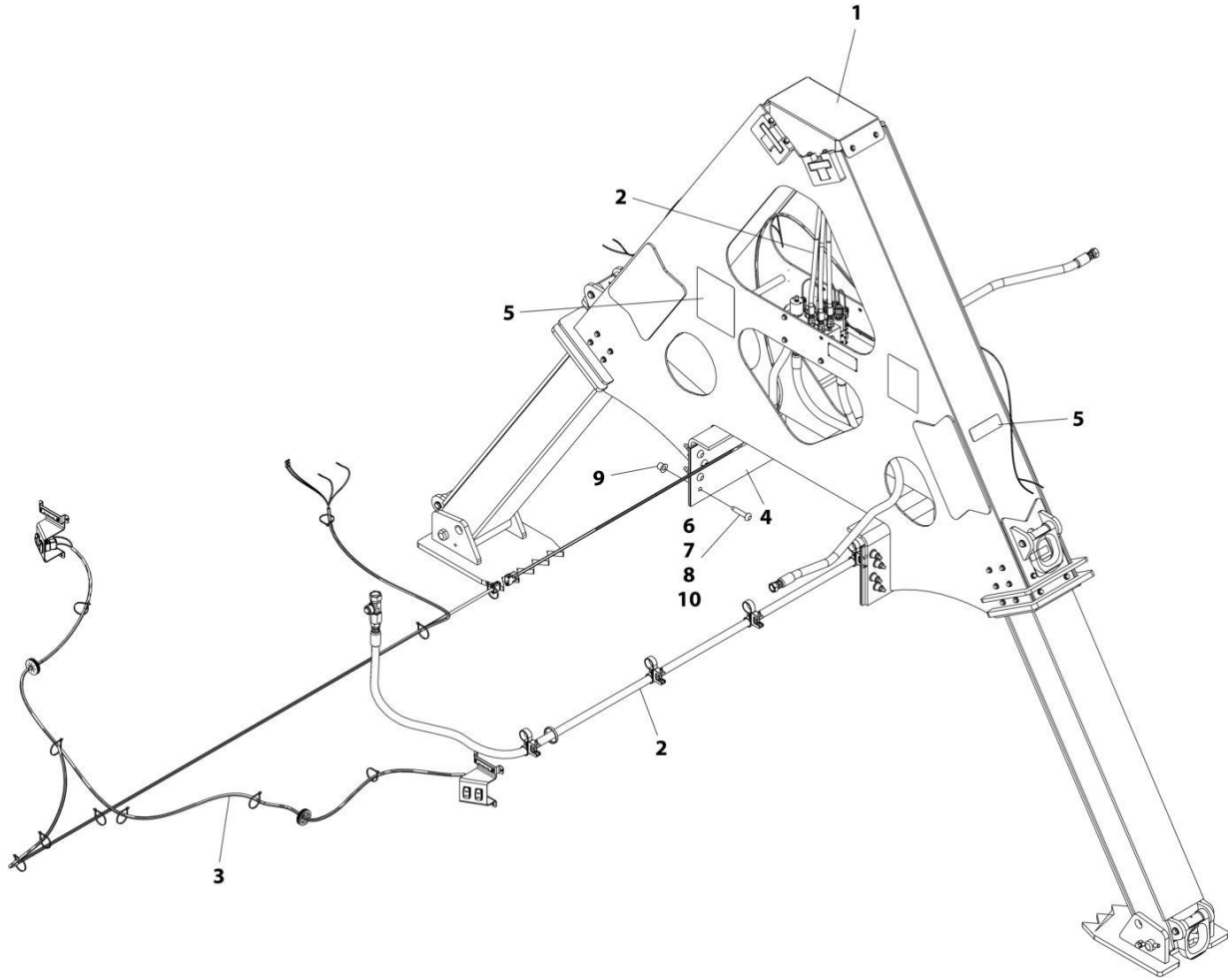
SECTION 1 - SUBFRAME

FIGURE 1-13. WINCH COMPONENTS (SRS) (35K WINCH)

ITEM	PART NUMBER	QTY	DESCRIPTION	REV
	7970000162	Ref Ref	WINCH COMPONENTS - SRS 35000 LBS Note: No Service Parts Available at Time of Printing.	0

SECTION 1 - SUBFRAME

FIGURE 1-14. SIDE STABILIZER INSTALLATION



ART_1001239622

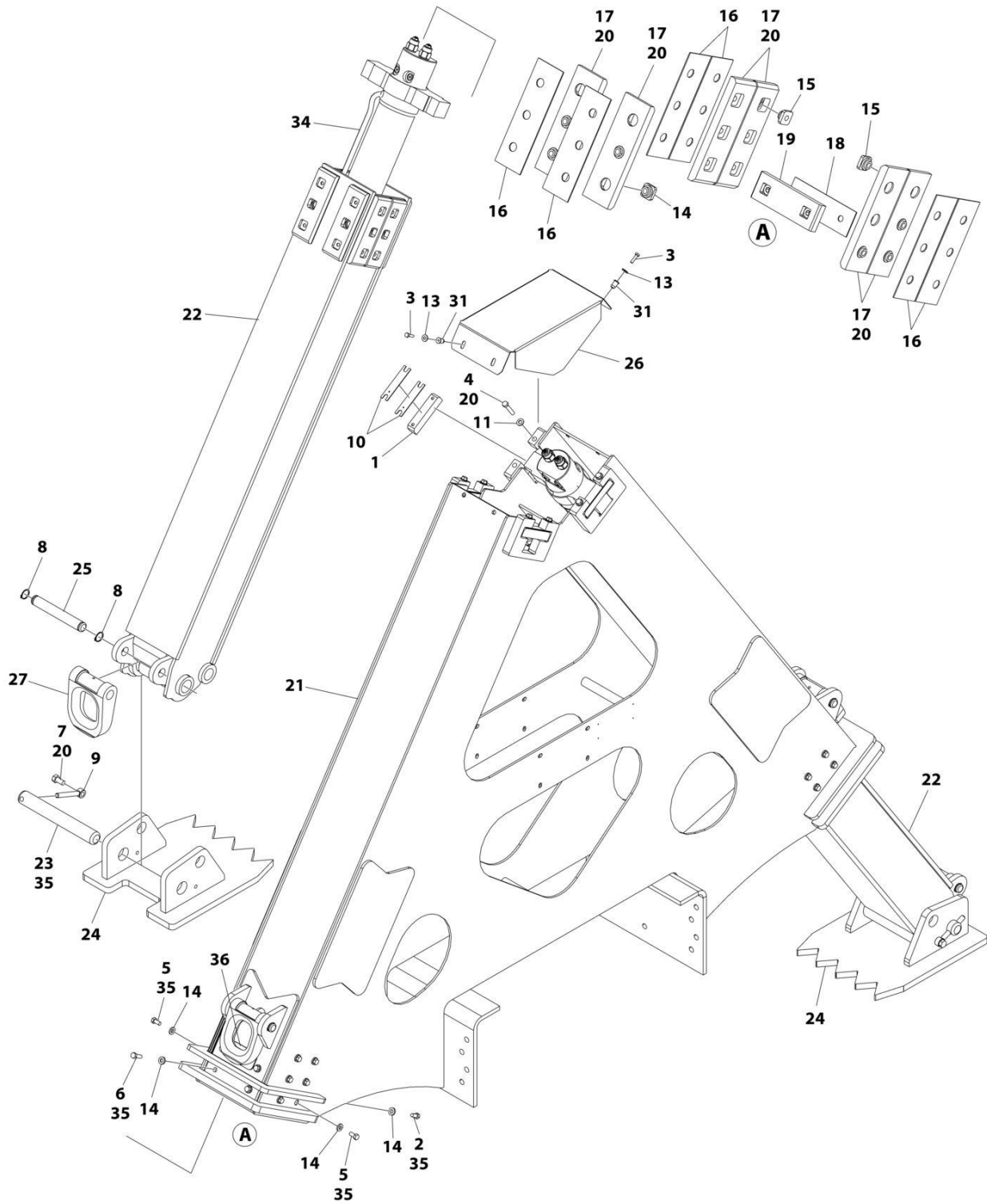
SECTION 1 - SUBFRAME

FIGURE 1-14. SIDE STABILIZER INSTALLATION

ITEM	PART NUMBER	QTY	DESCRIPTION	REV
	1001239622	Ref	SIDE STABILIZER (SS-70) INSTALLATION	C
1	1001239624	1	Stabilizer Assembly (SS-70) (See Separate Breakdown in this Section)	
2	1001243239	1	Hose & Fitting Installation (SS-70) (See Separate Breakdown in HYDRAULIC Section)	
3	1001244142	1	Electrical Installation (SS-70) (See Separate Breakdown in ELECTRICAL Section)	
4	1001246419	1	Frame Shims Installation	
4	1001246165	2	Shim 0.25in	
4	1001246166	2	Shim 11GA	
4	1001246167	2	Shim 16GA	
5	1001246420	1	Decal Installation (SS-70) (See Separate Breakdown in DECAL Section)	
6	1001246980	AR	Bolt 5/8 x 1-3/8	
7	1001246981	16	Bolt 5/8 x 1-5/8	
8	1001246982	AR	Bolt 5/8 x 1-7/8	
9	1001246983	16	Nut 5/8	
10	1001247174	AR	Bolt 5/8 x 2-1/8	

SECTION 1 - SUBFRAME

FIGURE 1-15. SIDE STABILIZER ASSEMBLY



ART_1001239624

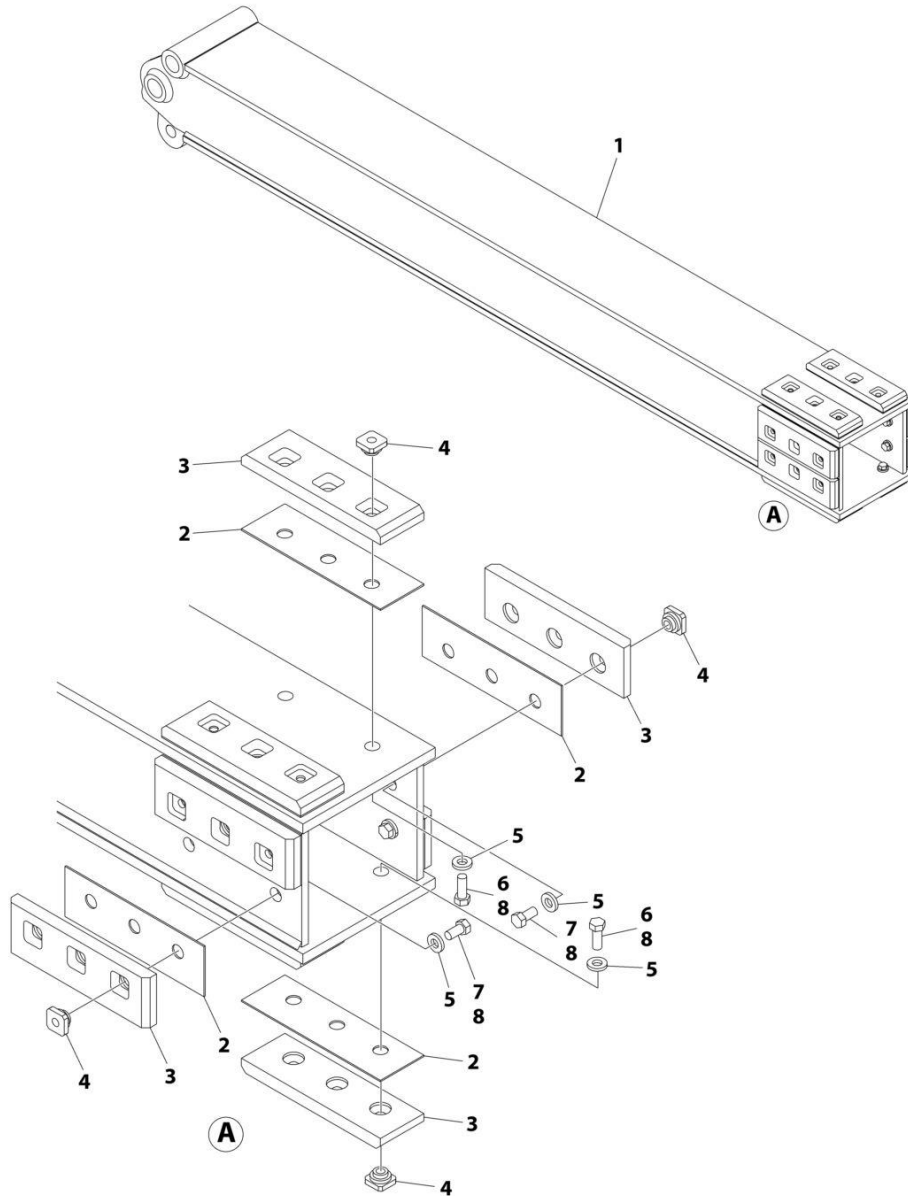
SECTION 1 - SUBFRAME

FIGURE 1-15. SIDE STABILIZER ASSEMBLY

ITEM	PART NUMBER	QTY	DESCRIPTION	REV
	1001239624	Ref	SIDE STABILIZER (SS-70) ASSEMBLY	D
1	0561482	4	Block, Keeper	
2	0651606	4	Bolt 3/8 x 3/4	
3	0681408	4	Bolt 1/4 x 1	
4	0681616	8	Bolt 3/8 x 2	
5	0681606	24	Bolt 3/8 x 3/4	
6	0681609	8	Bolt 3/8 x 1-1/8	
7	0681808	2	Bolt 1/2 x 1	
8	3760115	8	Ring, Retaining	
9	3841203	2	Keeper, Pin	
10	4071031	8	Shim	
11	4711600	8	Washer 3/8	
13	4751400	4	Washer 1/4	
14	4891600	36	Washer 3/8	
15	7082311	32	Insert, Wear Pad	
16	7082342	12	Shim .075	
17	7111572	12	Pad, Wear	
18	91031236	2	Shim	
19	91033189	2	Pad, Bearing	
20	1001095650	AR	Compound, Locking	
21	1001239626	1	Frame, Stabilizer	
22	1001239645	2	Stabilizer (SRS SS-70) Boom/Leg Assembly (See Separate Breakdown In this Section)	
23	1001239647	2	Pin	
24	1001239652	2	Foot	
25	1001245044	4	Pin	
26	1001245230	1	Cover	
27	4754000003	4	D-Ring	
28	1001245737	2	Pin (Not Shown)	
29	1001246753	1	Bracket (Not Shown)	
30	7950140143	4	Washer 1/4 (Not Shown)	
31	7661000006	4	Nut 1/4	
32	1001194676	4	Screw 1/4 x 3/4 (Not Shown)	
33	7691000025	2	Pin (Not Shown)	
34	1001239646	2	Cylinder Assembly - Stabilizer (SS-70) Extend/Retract (See Separate Breakdown in this Section)	
35	3020039	AR	Compound, Locking	
36	1001157348	2	Decal	

SECTION 1 - SUBFRAME

FIGURE 1-16. SIDE STABILIZER (SRS SS-70) BOOM/LEG ASSEMBLY



ART_1001239645

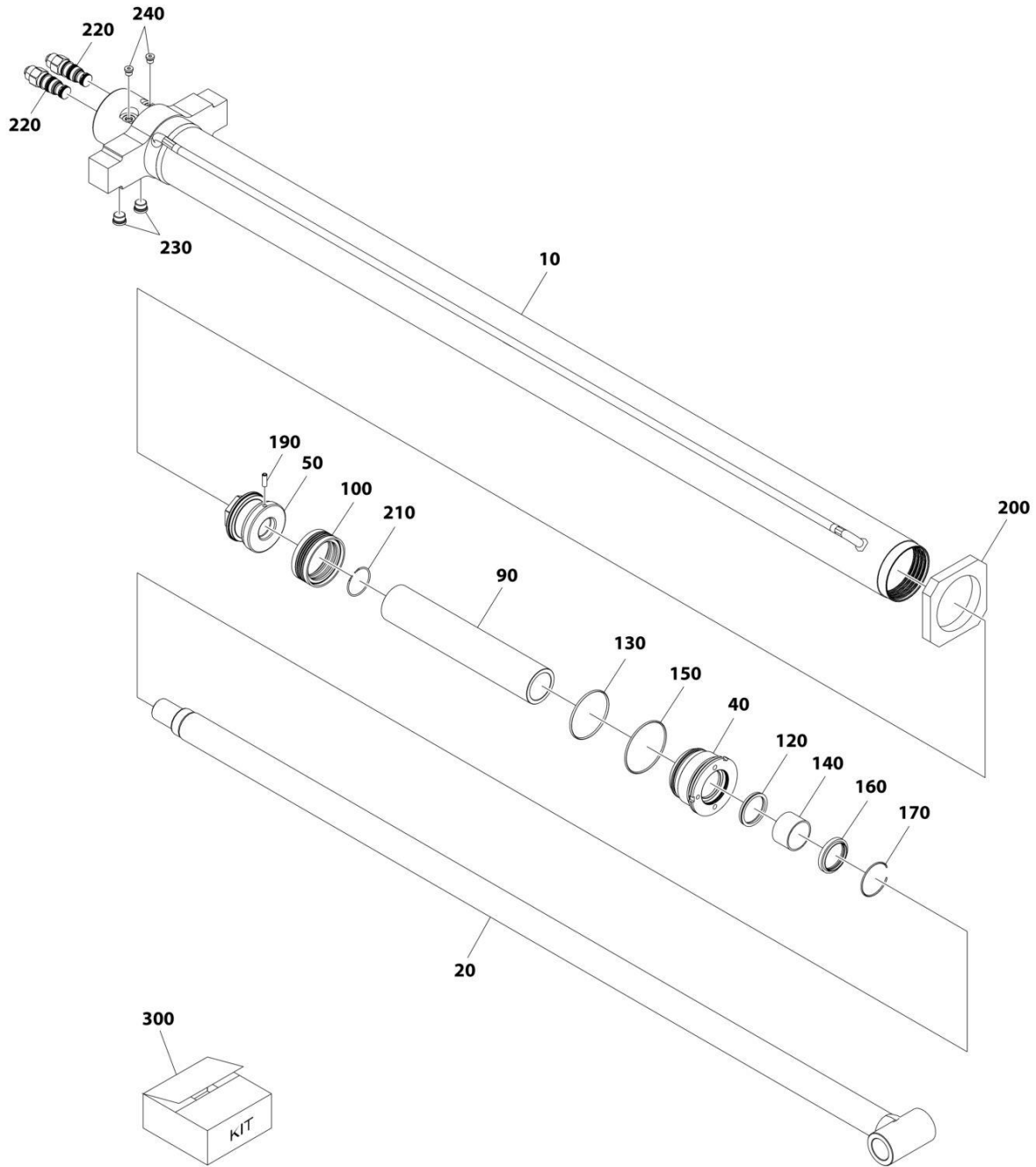
SECTION 1 - SUBFRAME

FIGURE 1-16. SIDE STABILIZER (SRS SS-70) BOOM/LEG ASSEMBLY

ITEM	PART NUMBER	QTY	DESCRIPTION	REV
	1001239645	Ref	STABILIZER (SRS SS-70) BOOM/LEG ASSEMBLY	A
1	1001239648	1	Boom, Leg	
2	7082342	8	Shim .075	
3	7111572	8	Pad, Wear	
4	7082311	16	Insert, Wear Pad	
5	4891600	16	Washer 3/8	
6	0681608	8	Bolt 3/8 x 1	
7	0681606	8	Bolt 3/8 x 3/4	
8	1001095650	AR	Adhesive	

SECTION 1 - SUBFRAME

FIGURE 1-17. CYLINDER ASSEMBLY - EXTEND/RETRACT (SS-70 STABILIZER)



ART_1001239646

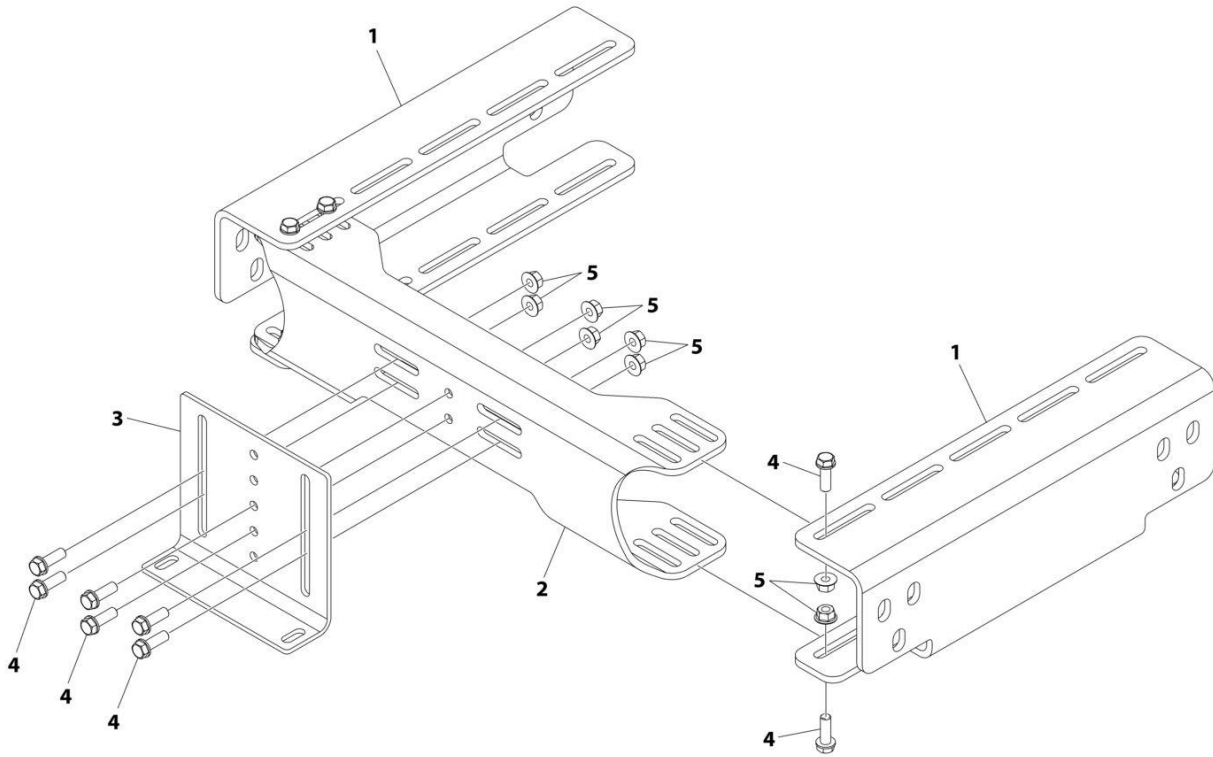
SECTION 1 - SUBFRAME

FIGURE 1-17. CYLINDER ASSEMBLY - EXTEND/RETRACT (SS-70 STABILIZER)

ITEM	PART NUMBER	QTY	DESCRIPTION	REV
	1001239646	Ref	CYLINDER ASSEMBLY	B
10	See Note	NSS	Barrel (Note: Use PN 1001239646)	
20	70007179	1	Rod	
40	70007180	1	Head	
50	70007181	1	Piston	
90	70007182	1	Spacer	
100	See Note	NSS	Seal (Note: Use Item 300)	
120	See Note	NSS	Seal (Note: Use Item 300)	
130	See Note	NSS	O-Ring (Note: Use Item 300)	
140	70007183	1	Bushing	
150	See Note	NSS	O-Ring (Note: Use Item 300)	
160	See Note	NSS	Wiper (Note: Use Item 300)	
170	70027076	1	Ring, Wire	
190	70006319	1	Cap Screw M8 x 25	
200	70007184	1	Plate, Support	
210	70027084	1	Ring, Wire	
220	70007186	1	Valve, Counterbalance	
220	7011367	2	Seal Kit - 70007186 Valve	
230	NPN	NSS	Plug	
240	70025619	2	Plug	
300	70007185	1	Seal Kit - 1001239646 Cylinder (Includes Items 100,120,130,150 & 160)	

SECTION 1 - SUBFRAME

FIGURE 1-18. STABILIZER (SRS SS-70) BRACKET INSTALLATION



ART_217800064

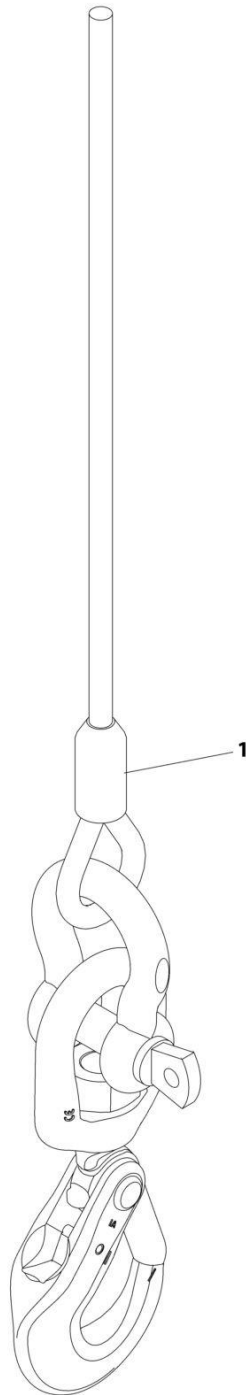
SECTION 1 - SUBFRAME

FIGURE 1-18. STABILIZER (SRS SS-70) BRACKET INSTALLATION

ITEM	PART NUMBER	QTY	DESCRIPTION	REV
	2178000064	Ref	STABILIZER (SRS SS-70) FRAME BRACKET INSTALLATION	00
1	4263000884	2	Channel, Frame Side	
2	3263000141	1	Channel, Cross	
3	4017001675	1	Plate, Angle	
4	7118181216	14	Bolt 1/2 x 1-1/2	
5	7660182301	14	Nut 1/2	

SECTION 1 - SUBFRAME

FIGURE 1-19. CABLE ASSEMBLY - 5/8 X 200FT (STABILIZERS)



ART_1001207498

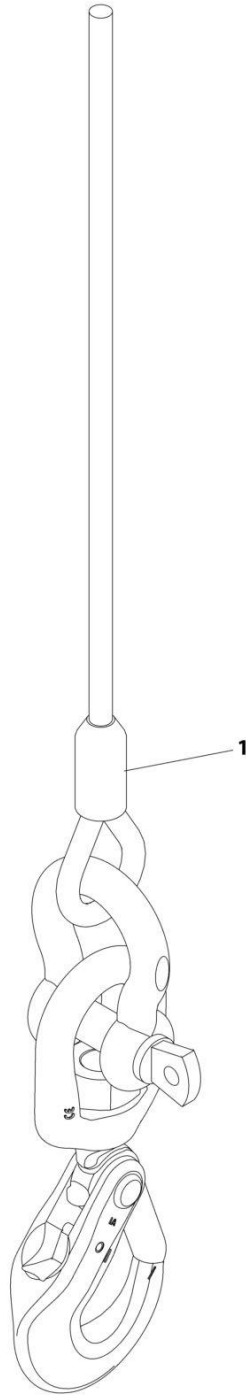
SECTION 1 - SUBFRAME

FIGURE 1-19. CABLE ASSEMBLY - 5/8 X 200FT (STABILIZERS)

ITEM	PART NUMBER	QTY	DESCRIPTION	REV
1	1001207498 3248000001	Ref 1	CABLE ASSEMBLY - 5/8 X 200FT (STABILIZERS) Cable Assembly	A

SECTION 1 - SUBFRAME

FIGURE 1-20. CABLE ASSEMBLY - 5/8 X 250FT (STABILIZERS)



ART_1001207499

SECTION 1 - SUBFRAME

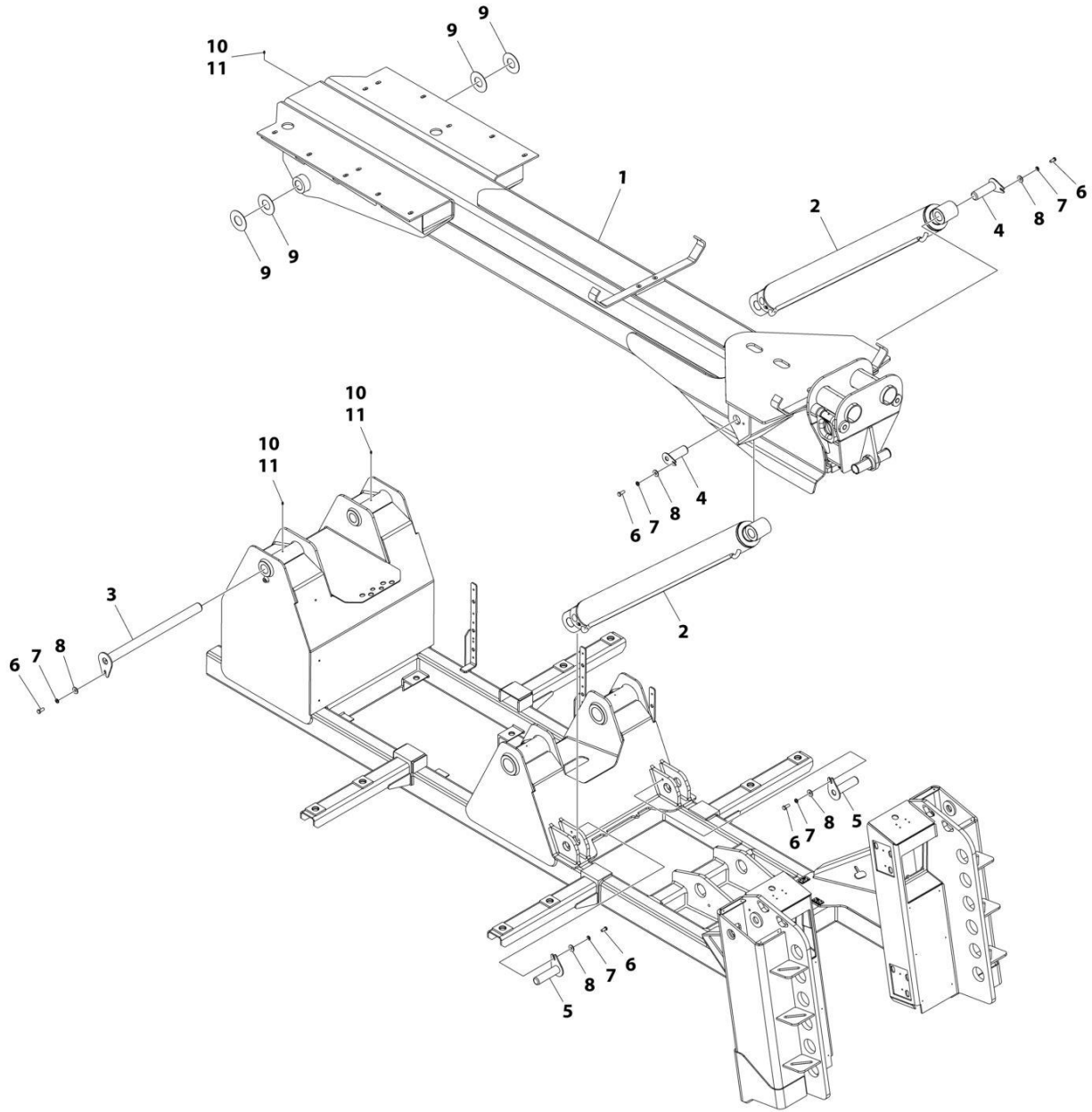
FIGURE 1-20. CABLE ASSEMBLY - 5/8 X 250FT (STABILIZERS)

ITEM	PART NUMBER	QTY	DESCRIPTION	REV
1	1001207499 3248000002	Ref 1	CABLE ASSEMBLY - 5/8 X 250FT (STABILIZERS) Cable Assembly	A

SECTION 2 - BOOM

SECTION 2 - BOOM

FIGURE 2-1. BOOM INSTALLATION



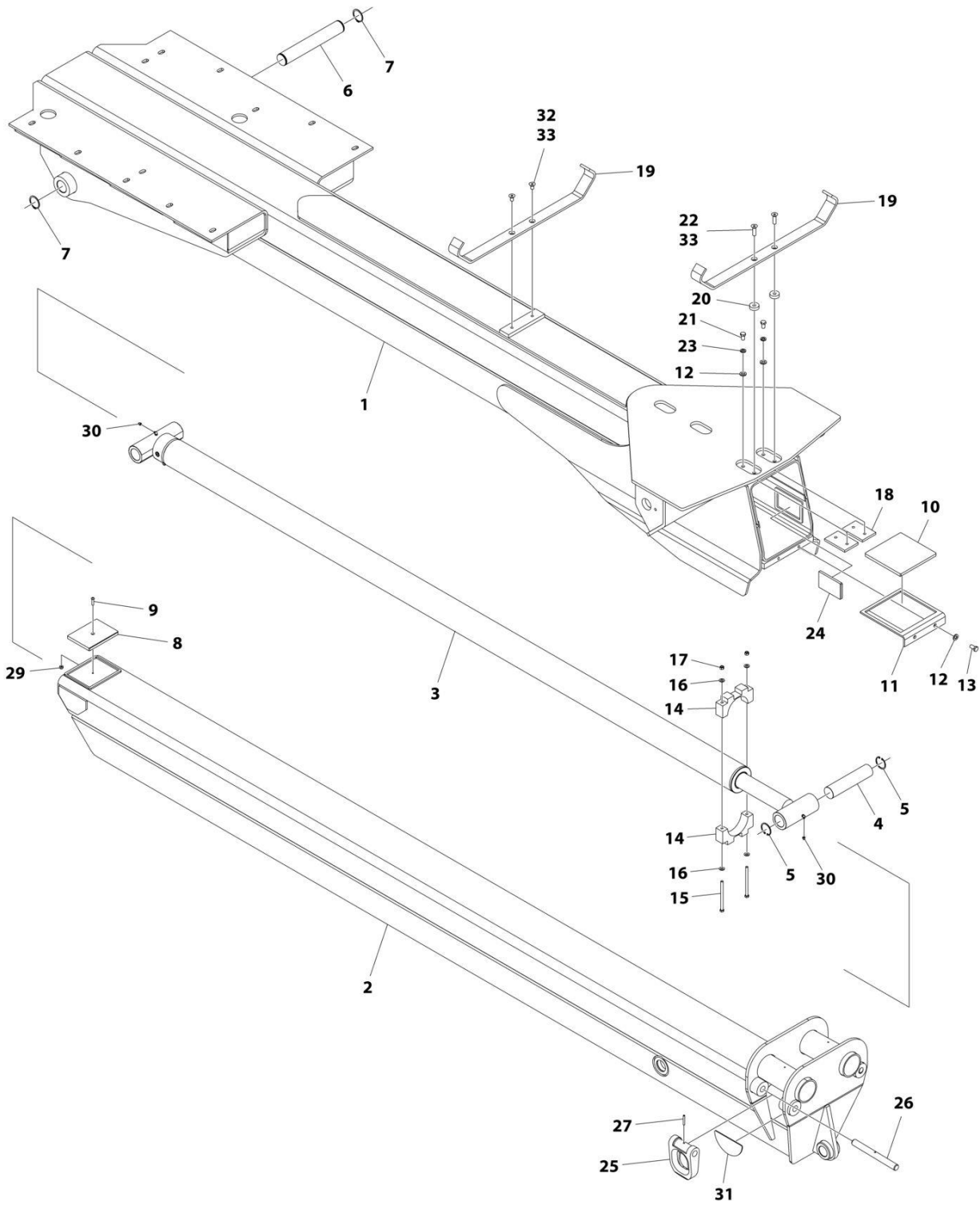
ART_2506100047

FIGURE 2-1. BOOM INSTALLATION

ITEM	PART NUMBER	QTY	DESCRIPTION	REV
	2506100047	Ref	BOOM INSTALLATION	C
1	3170000183	1	Boom Assembly (See Separate Breakdown in this Section)	
2	7320000032	2	Cylinder Assembly (See Separate Breakdown in this Section)	
3	3691000163	1	Pin	
4	3691000161	2	Pin	
5	3691000162	2	Pin	
6	7115180850	5	Bolt 1/2 x 1	
7	7950180000	5	Washer 1/2	
8	7950180161	5	Washer 1/2	
9	3577000037	Ref	Shim Kit	
9	4949000031	2	Washer	
9	4949000032	2	Washer	
10	7440030000	3	Fitting, Straight	
11	7253000002	5	Cap, Fitting	
12	1001172491	Ref	Tie-Down Strap Kit (Not Shown)	
12	1001172320	2	Strap, Tie-Down (Not Shown)	

SECTION 2 - BOOM

FIGURE 2-2. BOOM ASSEMBLY



ART_3170000183

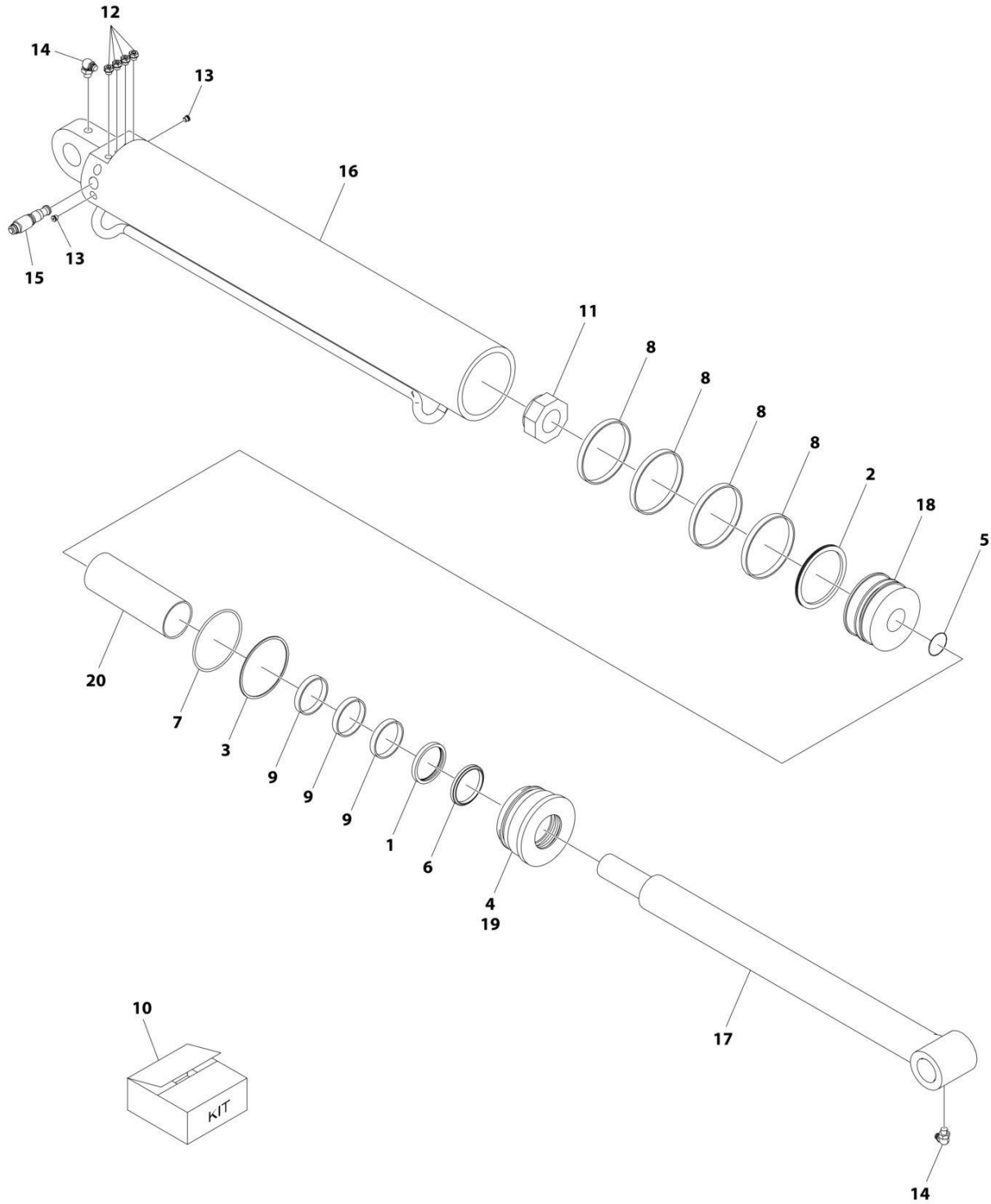
SECTION 2 - BOOM

FIGURE 2-2. BOOM ASSEMBLY

ITEM	PART NUMBER	QTY	DESCRIPTION	REV
	3170000183	Ref	BOOM ASSEMBLY	E
1	3170000182	1	Boom Weldment, Outer	
2	3170000148	1	Boom Weldment, Inner	
3	7320000031	1	Cylinder Assembly (See Separate Breakdown in this Section)	
4	4691000323	1	Pin	
5	7754000061	2	Ring, Retaining	
6	4691000208	1	Pin	
7	7754000048	2	Ring, Retaining	
8	4679000163	1	Pad	
9	7114140818	1	Capscrew 1/4 x 1	
10	4679000162	1	Pad	
11	4706002435	1	Plate	
12	7950180153	4	Washer 1/2	
13	7115180850	2	Bolt 1/2 x 1	
14	4177000033	2	Brace	
15	7115164450	2	Bolt 3/8 x 5-1/2	
16	7950160141	4	Washer 3/8	
17	7660162601	2	Nut 3/8	
18	4831000061	2	Spacer	
19	4062000746	2	Bar	
20	4831000064	2	Spacer	
21	7115180750	2	Bolt 1/2 x 7/8	
22	7115181423	2	Capscrew 1/2 x 1	
23	7950180000	2	Washer 1/2	
24	4679000168	2	Pad	
25	4754000003	2	D-Ring	
26	4691000243	2	Pin	
27	7690142845	2	Pin	
29	7660142604	1	Nut 1/4	
30	7253000002	2	Fitting, Cap	
31	1001151805	2	Decal (Not Shown)	
32	7115180723	2	Capscrew 1/2 x 7/8	
33	0100011	AR	Compound, Locking	

SECTION 2 - BOOM

FIGURE 2-3. CYLINDER ASSEMBLY - BOOM LIFT



ART_732000032

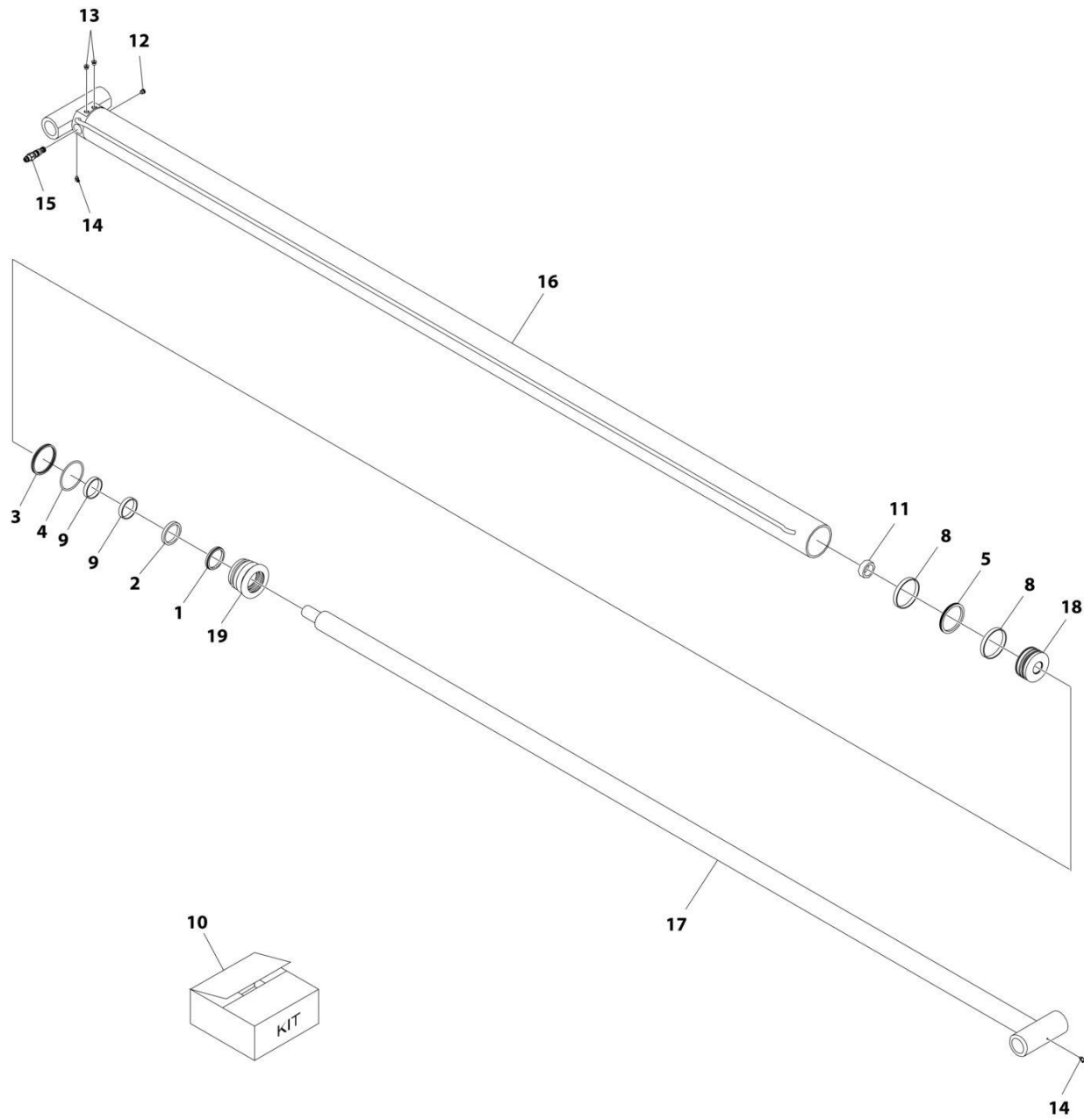
SECTION 2 - BOOM

FIGURE 2-3. CYLINDER ASSEMBLY - BOOM LIFT

ITEM	PART NUMBER	QTY	DESCRIPTION	REV
	7320000032	Ref	CYLINDER ASSEMBLY - BOOM LIFT	C
1	See Note	NSS	Seal (Note: Use Item 10)	
2	See Note	NSS	Seal (Note: Use Item 10)	
3	See Note	NSS	Ring, Back-up (Note: Use Item 10)	
4	See Note	NSS	O-Ring (Note: Use Item 10)	
5	See Note	NSS	O-Ring (Note: Use Item 10)	
6	See Note	NSS	Wiper (Note: Use Item 10)	
7	See Note	NSS	O-Ring (Note: Use Item 10)	
8	See Note	NSS	Ring, Wear (Note: Use Item 10)	
9	See Note	NSS	Ring, Wear (Note: Use Item 10)	
10	7577250191	1	Kit, Seal - 7320000032 Cylinder (Includes Items 1-9)	
11	7005314	1	Nut	
12	7005365	4	Plug	
13	70021648	2	Plug	
14	7440030400	2	Fitting, Grease	
15	9935250032	2	Valve, Counter Balance	
16	9912250013	1	Tube	
17	9763250015	1	Rod	
18	9698250003	1	Piston	
19	9553250006	1	Head	
20	9831250017	1	Spacer	

SECTION 2 - BOOM

FIGURE 2-4. CYLINDER ASSEMBLY - BOOM EXTEND/RETRACT



ART_7320000031

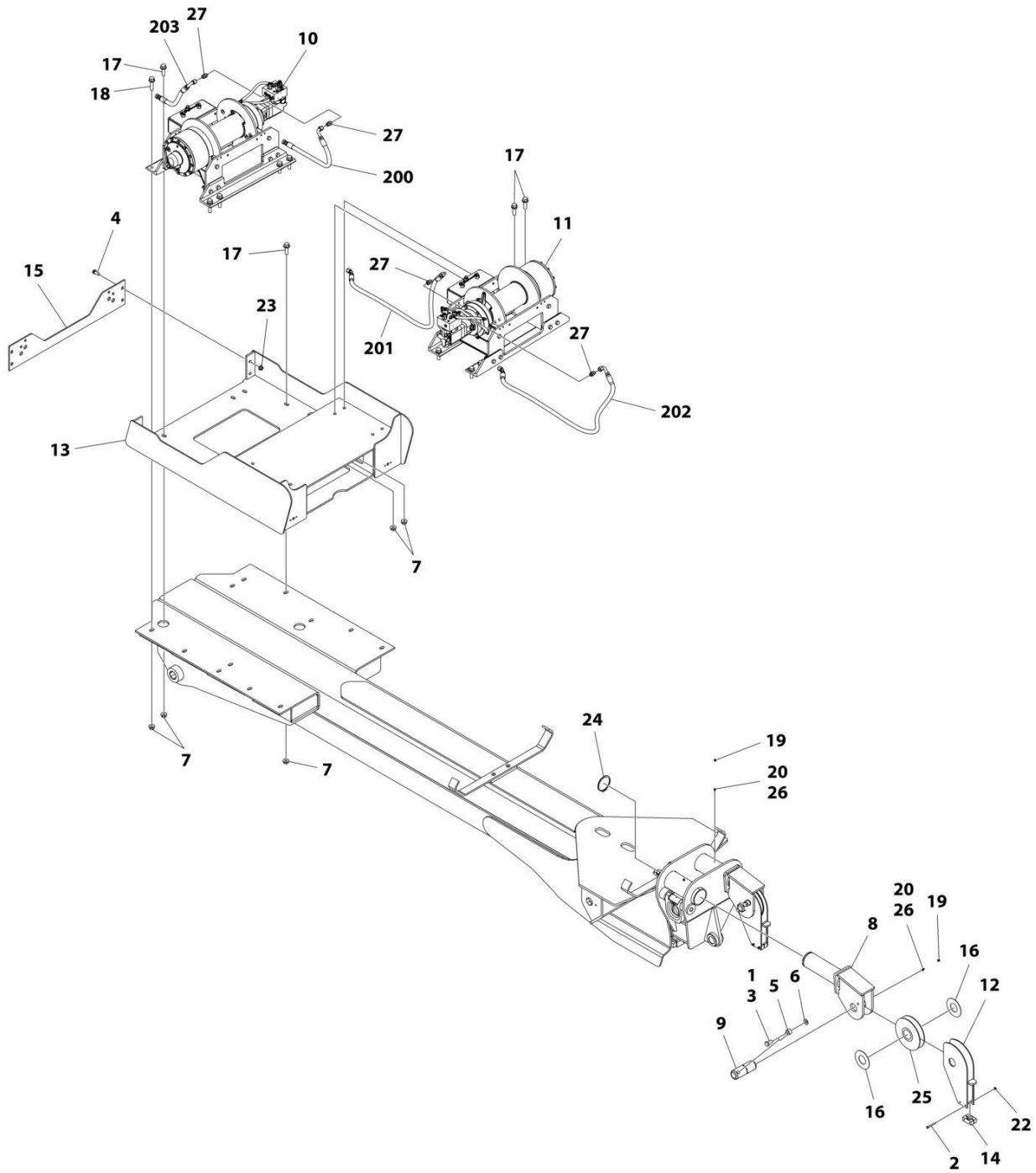
SECTION 2 - BOOM

FIGURE 2-4. CYLINDER ASSEMBLY - BOOM EXTEND/RETRACT

ITEM	PART NUMBER	QTY	DESCRIPTION	REV
	7320000031	Ref	CYLINDER ASSEMBLY - BOOM EXTEND/RETRACT	B
1		Ref	Wiper	
2		Ref	Seal	
3		Ref	Back-Up	
4		Ref	O-Ring	
5		Ref	Seal	
6		Ref	O-Ring (Not Shown)	
7		Ref	O-Ring (Not Shown)	
8		Ref	Wear Ring	
9		Ref	Wear Ring	
10	7577000167	1	Kit, Seal (Includes Items 1-9)	
11	7003116	1	Nut	
12	7005365	1	Plug	
13	70021648	2	Plug	
14	7440030400	2	Fitting, 90	
15	9935250032	1	Counterbalance Valve	
16	9912250014	1	Tube	
17	9763250019	1	Rod	
18	9553250010	1	Head	
19	7698250012	1	Piston	

SECTION 2 - BOOM

FIGURE 2-5. WINCH INSTALLATION - MAIN BOOM (DP35 WITH .63IN CABLE)



ART_1001207357

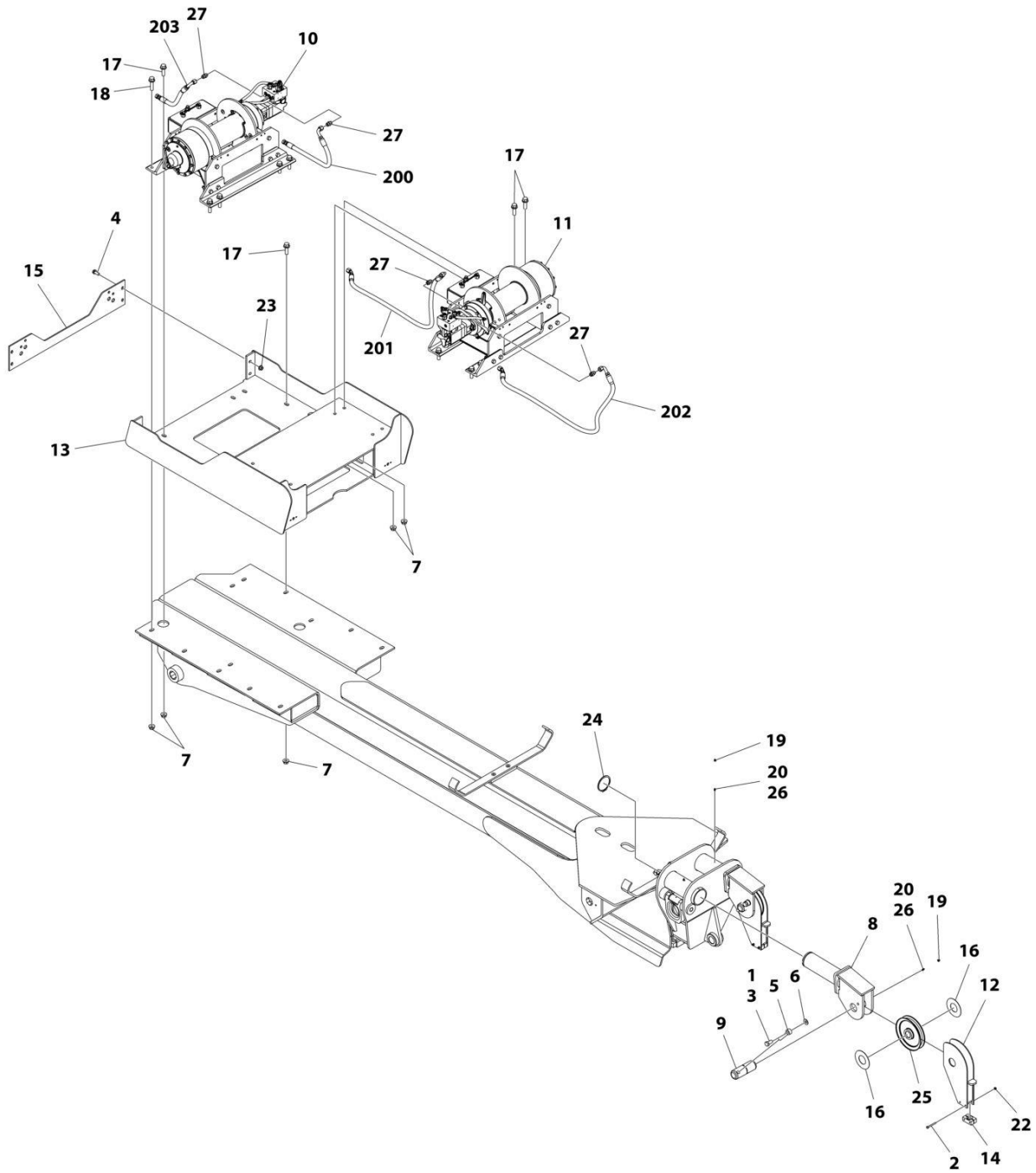
SECTION 2 - BOOM

FIGURE 2-5. WINCH INSTALLATION - MAIN BOOM (DP35 WITH.63IN CABLE)

ITEM	PART NUMBER	QTY	DESCRIPTION	REV
	1001207357	Ref	WINCH INSTALLATION - MAIN BOOM (DP35 0.63IN CABLE)	C
1	0100011	AR	Compound Locking	
2	0641420	4	Bolt 1/4 x 2-1/2	
3	0811810	2	Screw 1/2 x 1-1/4	
4	0642010	4	Bolt 5/8 x 1-1/4	
5	3841258	2	Keeper, Pin	
6	4712000	2	Washer 5/8	
7	7661000018	22	Nut 5/8	
8	1001169609	2	Sheave Support Weldment	
9	1001170037	2	Pin	
10	1001210256	1	Winch Assembly (See Separate Breakdown in this Section)	
11	1001210257	1	Winch Assembly (See Separate Breakdown in this Section)	
12	3249000001	2	Guide, Cable	
13	3636000068	1	Winch Mount	
14	4249000001	4	Guide, Cable	
15	4706002417	1	Plate	
16	4949000031	4	Washer 1/16	
17	7118201616	16	Bolt 5/8 x 2	
18	7118202016	6	Bolt 5/8 x 2-1/2	
19	7253000002	4	Fitting, Cap	
20	7440030000	4	Fitting, Straight	
21	1001219190	1	Hose, Kit (Not Shown) (Includes Items 200-203)	
22	7660142601	4	Nut 1/4	
23	7660182301	4	Nut 1/2	
24	7754000049	2	Ring, Retaining	
25	7809000019	2	Sheave	
26	1001152707	AR	Lubricant	
27	7445100843	4	Fitting, Straight	
200	4567152018	1	Hose	
201	1001166531	1	Hose	
202	1001219188	1	Hose	
203	1001219189	1	Hose	

SECTION 2 - BOOM

FIGURE 2-6. WINCH INSTALLATION - MAIN BOOM (DP35 WITH .75IN CABLE)



ART_1001207358

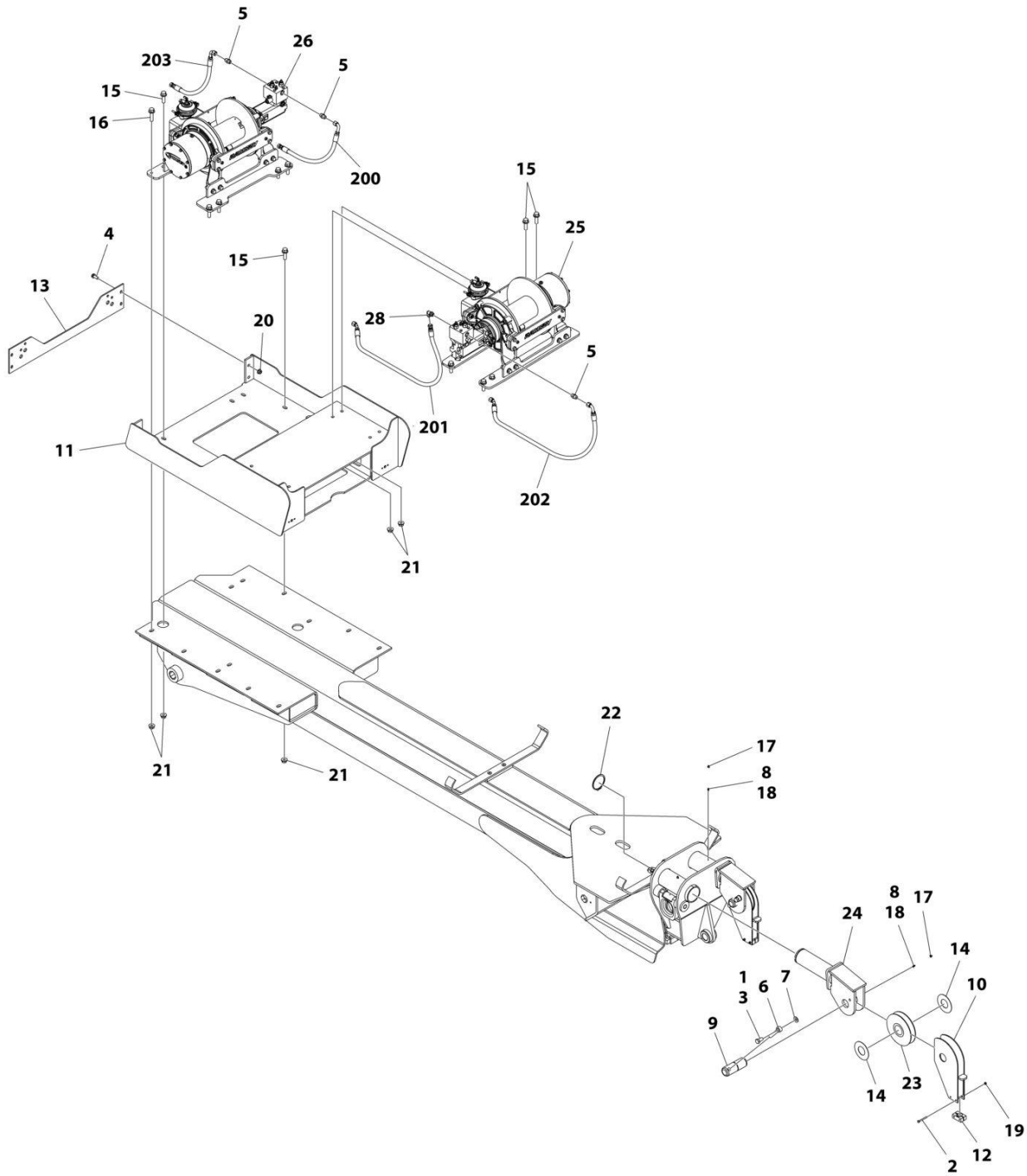
SECTION 2 - BOOM

FIGURE 2-6. WINCH INSTALLATION - MAIN BOOM (DP35 WITH.75IN CABLE)

ITEM	PART NUMBER	QTY	DESCRIPTION	REV
	1001207358	Ref	WINCH INSTALLATION - MAIN BOOM (DP35 0.75IN CABLE)	C
1	0100011	AR	Compound Locking	
2	0641420	4	Bolt 1/4 x 2-1/2	
3	0641808	2	Bolt 1/2 x 1	
4	0811810	4	Screw 1/2 x 1-1/4	
5	3841203	2	Keeper, Pin	
6	4711800	2	Washer 1/2	
7	7661000018	22	Nut 5/8	
8	1001169616	2	Sheave Support Weldment	
9	1001169893	2	Pin	
10	1001210256	1	Winch Assembly (See Separate Breakdown in this Section)	
11	1001210257	1	Winch Assembly (See Separate Breakdown in this Section)	
12	3249000012	2	Guide, Cable	
13	3636000068	1	Winch Mount	
14	4249000001	4	Guide, Cable	
15	4706002417	1	Plate	
16	4949000045	4	Washer 1/16	
17	7118201616	16	Bolt 5/8 x 2	
18	7118202016	6	Bolt 5/8 x 2-1/2	
19	7253000002	4	Fitting, Cap	
20	7440030000	4	Fitting, Straight	
21	1001219190	1	Hose, Kit (Not Shown) (Includes Items 200-203)	
22	7660142601	4	Nut 1/4	
23	7660182301	4	Nut 1/2	
24	7754000049	2	Ring, Retaining	
25	7809000006	2	Sheave	
26	1001152707	AR	Lubricant	
27	7445100843	4	Fitting, Straight	
200	4567152018	1	Hose	
201	1001166531	1	Hose	
202	1001219188	1	Hose	
203	1001219189	1	Hose	

SECTION 2 - BOOM

FIGURE 2-7. WINCH INSTALLATION - MAIN BOOM (RAMSEY WITH .63IN CABLE)



ART_1001266882

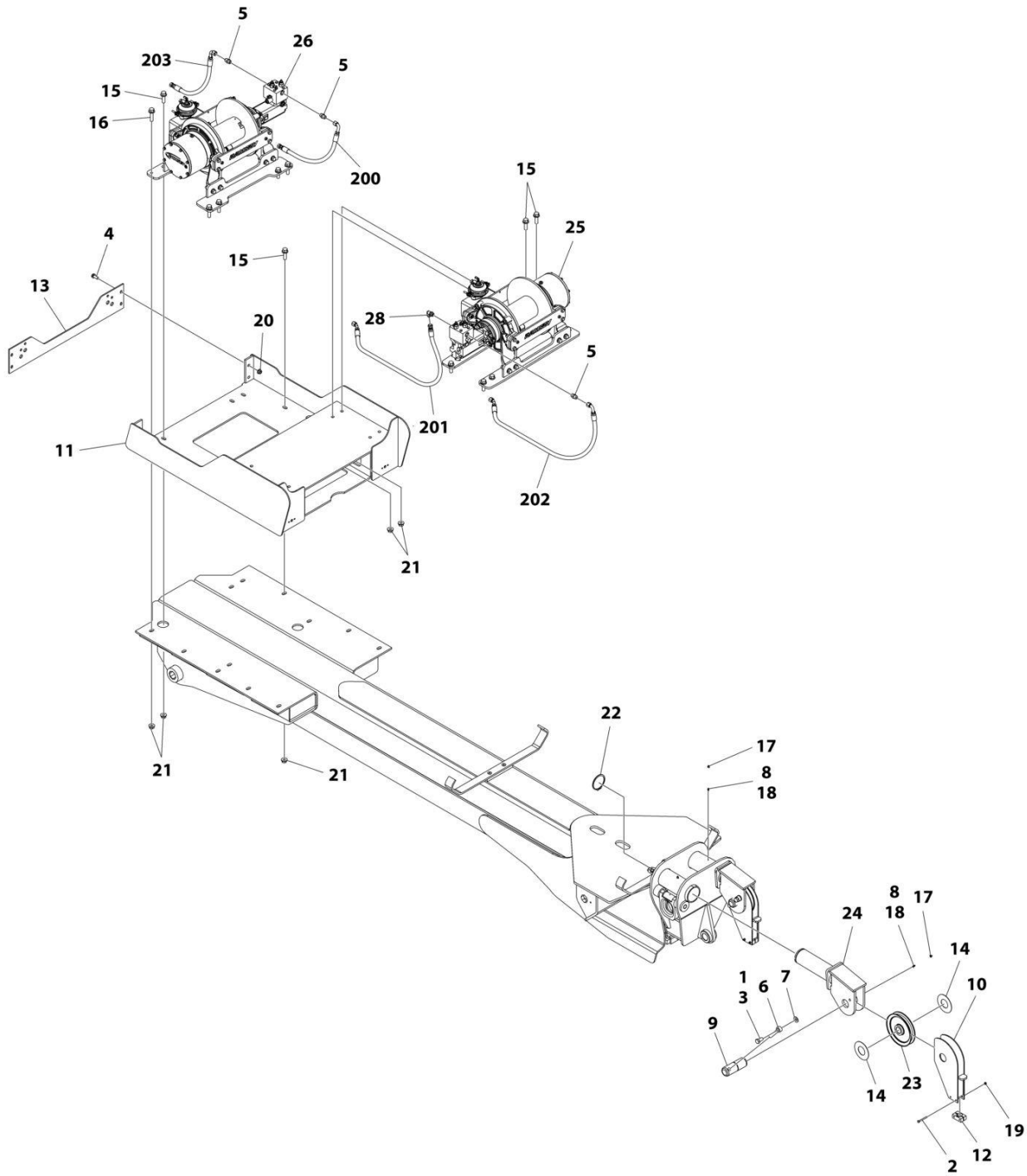
SECTION 2 - BOOM

FIGURE 2-7. WINCH INSTALLATION - MAIN BOOM (RAMSEY WITH.63IN CABLE)

ITEM	PART NUMBER	QTY	DESCRIPTION	REV
	1001266882	Ref	WINCH INSTALLATION - MAIN BOOM (RAMSEY 0.63IN CABLE)	A
1	0100011	AR	Compound Locking	
2	0641420	4	Bolt 1/4 x 2-1/2	
3	0642010	2	Bolt 5/8 x 1-1/4	
4	0811810	4	Screw 1/2 x 1-1/4	
5	2220947	3	Adapter	
6	3841258	2	Keeper, Pin	
7	4712000	2	Washer 5/8	
8	1001152707	AR	Lubricant	
9	1001170037	2	Pin	
10	3249000001	2	Guide, Cable	
11	3636000068	1	Winch Mount	
12	4249000001	4	Guide, Cable	
13	4706002417	1	Plate	
14	4949000031	4	Washer 1/16	
15	7118201616	16	Bolt 5/8 x 2	
16	7118202016	6	Bolt 5/8 x 2-1/2	
17	7253000002	4	Fitting, Cap	
18	7440030000	4	Fitting, Straight	
19	7660142601	4	Nut 1/4	
20	7660182301	4	Nut 1/2	
21	7661000018	22	Nut 5/8	
22	7754000049	2	Ring, Retaining	
23	7809000019	2	Sheave	
24	1001169609	2	Sheave Support Weldment	
25	1001266903	1	Winch Assembly (See Separate Breakdown in this Section)	
26	1001266904	1	Winch Assembly (See Separate Breakdown in this Section)	
27	1001266915	1	Hose, Kit (Not Shown) (Includes Items 200-203)	
28	2221036	1	Fitting, 90	
200	1001166531	1	Hose	
201	1001166532	1	Hose	
202	1001219189	1	Hose	
203	1001267012	1	Hose	

SECTION 2 - BOOM

FIGURE 2-8. WINCH INSTALLATION - MAIN BOOM (RAMSEY WITH .75IN CABLE)



ART_1001266883

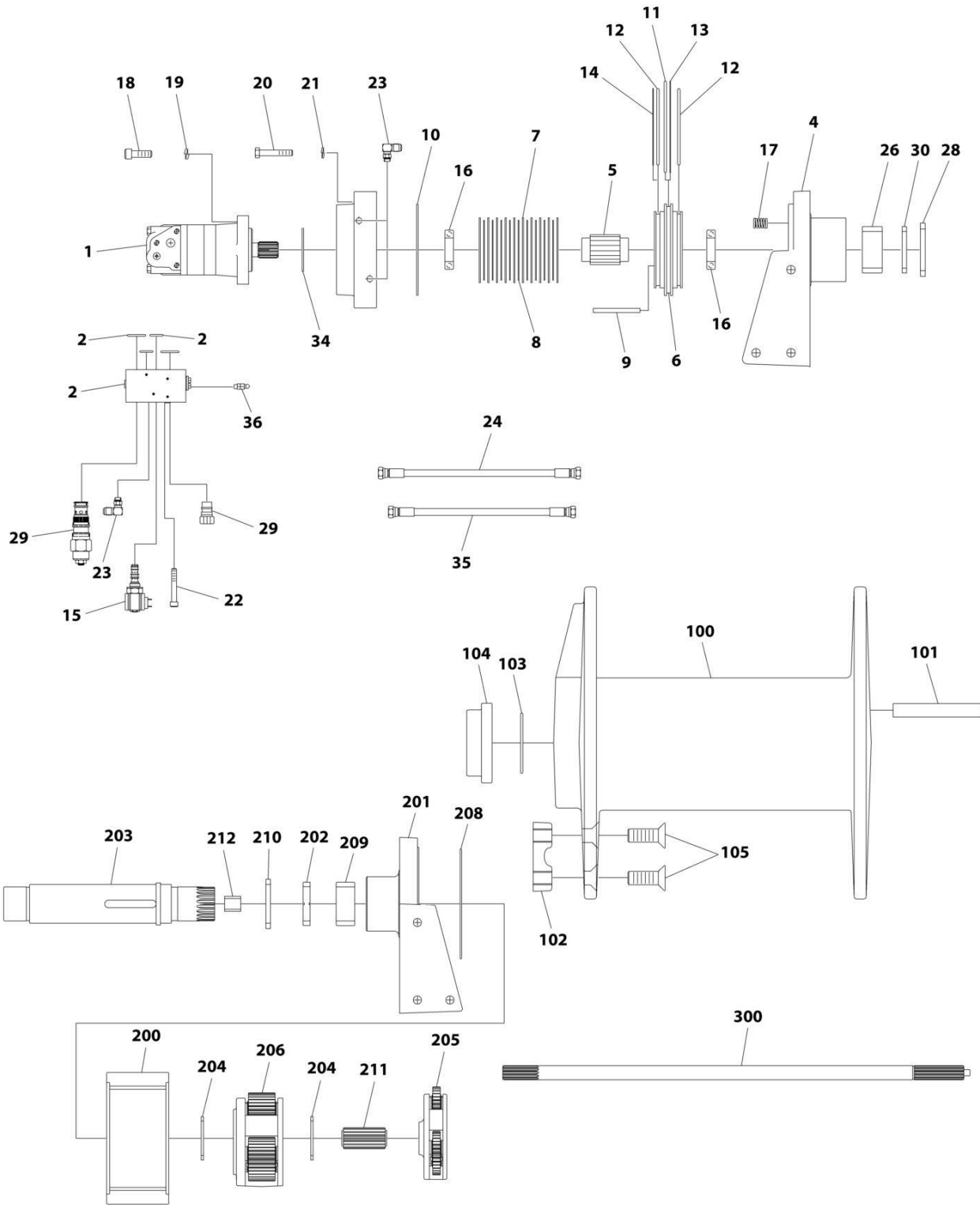
SECTION 2 - BOOM

FIGURE 2-8. WINCH INSTALLATION - MAIN BOOM (RAMSEY WITH.75IN CABLE)

ITEM	PART NUMBER	QTY	DESCRIPTION	REV
	1001266883	Ref	WINCH INSTALLATION - MAIN BOOM (RAMSEY 0.75IN CABLE)	A
1	0100011	AR	Compound Locking	
2	0641420	4	Bolt 1/4 x 2-1/2	
3	0641808	2	Bolt 1/2 x 1	
4	0811810	4	Screw 1/2 x 1-1/4	
5	2220947	3	Adapter	
6	3841203	2	Keeper, Pin	
7	4711800	2	Washer 1/2	
8	1001152707	AR	Lubricant	
9	1001169893	2	Pin	
10	3249000012	2	Guide, Cable	
11	3636000068	1	Winch Mount	
12	4249000001	4	Guide, Cable	
13	4706002417	1	Plate	
14	4949000045	4	Washer 1/16	
15	7118201616	16	Bolt 5/8 x 2	
16	7118202016	6	Bolt 5/8 x 2-1/2	
17	7253000002	4	Fitting, Cap	
18	7440030000	4	Fitting, Straight	
19	7660142601	4	Nut 1/4	
20	7660182301	4	Nut 1/2	
21	7661000018	22	Nut 5/8	
22	7754000049	2	Ring, Retaining	
23	7809000006	2	Sheave	
24	1001169616	2	Sheave Support Weldment	
25	1001266903	1	Winch Assembly (See Separate Breakdown in this Section)	
26	1001266904	1	Winch Assembly (See Separate Breakdown in this Section)	
27	1001266915	1	Hose, Kit (Not Shown) (Includes Items 200-203)	
28	2221036	1	Fitting, 90	
200	1001166531	1	Hose	
201	1001166532	1	Hose	
202	1001219189	1	Hose	
203	1001267012	1	Hose	

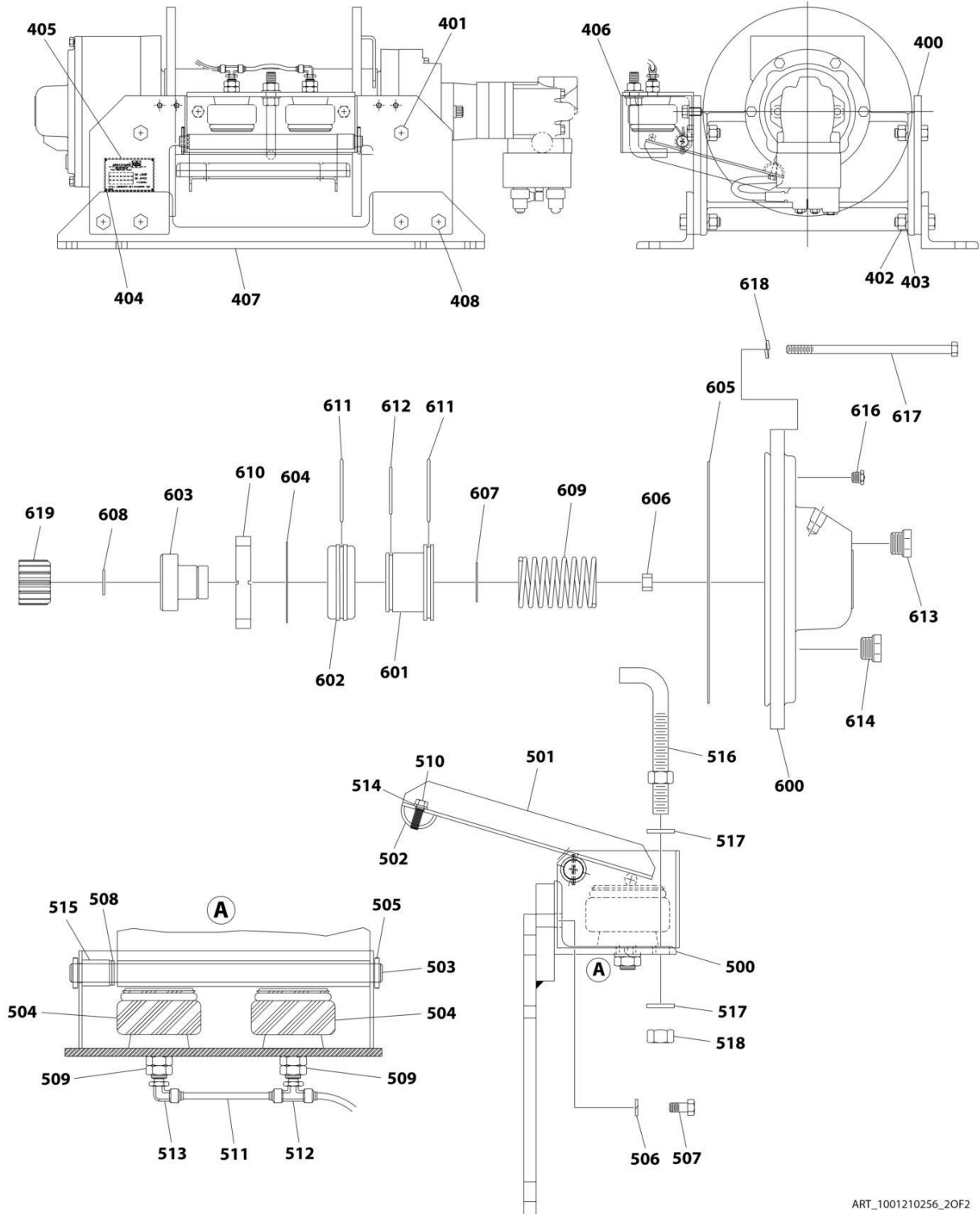
SECTION 2 - BOOM

FIGURE 2-9. WINCH ASSEMBLY - FRONT LH (DP35)



ART_1001210256_10F2

SECTION 2 - BOOM



ART_1001210256_20F2

SECTION 2 - BOOM

FIGURE 2-9. WINCH ASSEMBLY - FRONT LH (DP35)

ITEM	PART NUMBER	QTY	DESCRIPTION	REV
	1001210256	Ref	WINCH ASSEMBLY - FRONT LH (DP35)	A
		Ref	MOTOR END ASSEMBLY	
1	70050399	1	Motor, Hydraulic	
2	70050368	1	Valve, Counterbalance	
3	9571960006	1	Brake Housing	
4	9177960004	1	Support, Motor End	
5	9806960019	1	Shaft Brake	
6	9698960008	1	Piston, Brake	
7	9706960023	10	Plate, Friction Disc	
8	70051302	9	Plate, Brake Drive	
9	9691960021	2	Pin	
10	70051307	1	O-Ring	
11	70051305	1	O-Ring	
12	70051303	2	O-Ring	
13	70051306	1	Backup Ring	
14	70051304	1	Backup Ring	
15	70050371	1	Cartridge, Valve	
16	9082960013	2	Bearing	
17	9843960024	12	Compression Spring	
18	7118181205	2	Capscrew 1/2 x 1-1/2	
19	7950180800	2	Washer 1/2	
20	7118172050	6	Capscrew 7/16 x 2-1/2	
21	7950170000	6	Washer 7/16	
22	70050370	4	Capscrew 3/8 x 2-1/2	
23	7445040445	3	Fitting, 90	
24	70050372	1	Hose	
25	70050401	1	Tag, Warning (Not Shown)	
26	9082960018	1	Bearing	
28	9796960121	1	Seal	
29	9935960026	2	Cartridge, Counterbalance	
30	9949960028	1	Thrust Washer	
34	9796960090	1	O-Ring	
35	70051309	1	Hose	
36	9443960006	1	Fitting, Straight	
		Ref	DRUM ASSEMBLY	
100	9970960020	1	Drum	
101	9575960012	2	Key, Drum	
102	9280960002	1	Clip	
103	9796960089	1	O-Ring	
104	9831960018	1	Spacer	
105	7110201423	2	Capscrew 5/8 x 1-3/4	
		Ref	GEAR END ASSEMBLY	
200	70050991	1	Gear	
201	9177960003	1	Support, Gear End	
202	9949960028	1	Thrust Washer	
203	9806960021	1	Shaft, Output	
204	9949960027	2	Thrust Washer	
205	9472960052	1	Carrier Assembly, Primary	
206	70050992	1	Carrier Assembly, Secondary	
207	9330960006	1	Label, Warning (Not Shown)	

SECTION 2 - BOOM

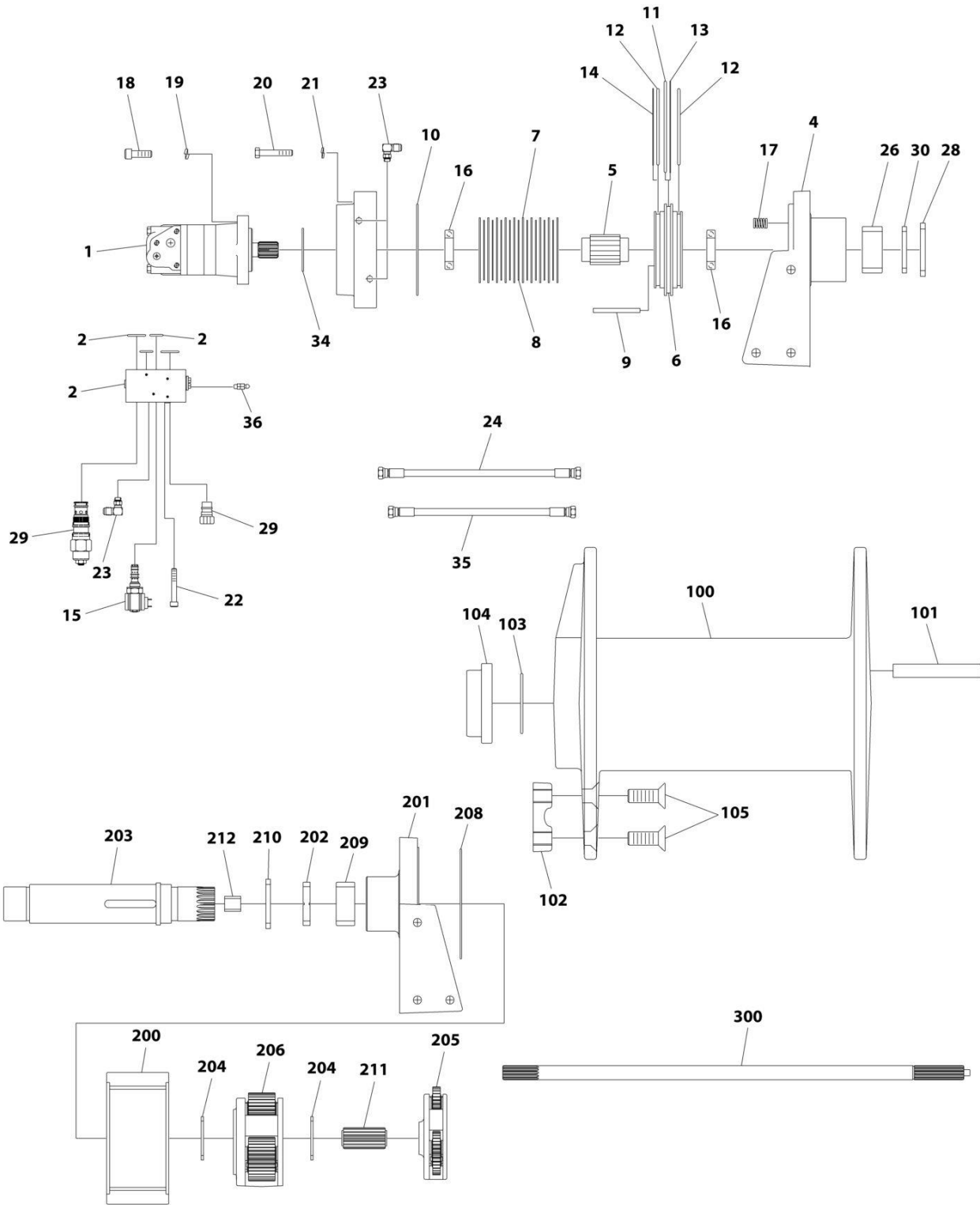
ITEM	PART NUMBER	QTY	DESCRIPTION	REV
208	9796960120	1	O-Ring	
209	9082960018	1	Bearing	
210	9796960121	1	Seal	
211	70050993	1	Gear, Sun Secondary	
212	9209960025	1	Bushing	
		Ref	INPUT SHAFT ASSEMBLY	
300	70050994	1	Input Shaft	
		Ref	BASE MOUNT ASSEMBLY	
400	9073960003	2	Base Mount	
401	7115201850	4	Capscrew 5/8 x 2-1/4	
402	7660200001	12	Nut 5/8	
403	7950200000	12	Washer 5/8	
404	70050147	4	Rivet	
405	70050384	1	Plate, Winch ID	
406	70050398	1	Kit - Cable Hold Down	
407	9073960004	2	Base Mount	
408	7115202250	8	Capscrew 5/8 x 2-3/4	
		Ref	CABLE HOLD DOWN ASSEMBLY	
500	9178960011	1	Mounting Bracket	
501	9020960002	1	Pivot Arm	
502	9064960007	1	Rub Bar	
503	9691960019	1	Pin	
504	9843960023	2	Air Spring	
505	9690960039	2	Cotter Pin	
506	7950180000	2	Washer 1/2	
507	7115181650	2	Capscrew 1/2 x 1	
508	9949960012	2	Thrust Washer	
509	7660200200	4	Nut 5/8	
510	9120960063	2	Capscrew 5/16 x 1	
511	9912960010	3	Tube	
512	7443000205	3	Fitting, Tee	
513	7443000204	1	Fitting, 90	
514	9949960050	2	Washer 5/8	
515	9831960009	1	Spacer	
516	9120960019	1	Bolt 5/8 x 6-1/2	
517	7950200151	2	Washer 5/8	
518	7660200001	1	Nut 5/8	
		Ref	GEAR END COVER ASSEMBLY	
600	9314960022	1	Cover, Gear End	
601	9698960016	1	Piston	
602	9698960015	1	Cylinder, Piston	
603	9309960011	1	Coupling	
604	9754960026	1	Retainer Ring	
605	9796960120	1	O-Ring	
606	9209960026	1	Bushing	
607	9754960046	1	Retainer Ring	
608	9754960047	1	Retainer Ring	
609	9843960032	1	Compression Spring	
610	9949960028	1	Thrust Washer	
611	9796960119	2	O-Ring	
612	9796960118	1	O-Ring	

SECTION 2 - BOOM

ITEM	PART NUMBER	QTY	DESCRIPTION	REV
613	9701960011	1	Plug	
613	70050998	1	O-Ring	
614	9701960012	1	Plug	
614	70050998	1	O-Ring	
615	9701960018	1	Plug (Not Shown)	
616	9183960001	1	Vent	
617	70050995	12	Capscrew 3/8 x 5-1/2	
618	7950160000	12	Washer 3/8	
619	9472960054	1	Gear, 15 Teeth	

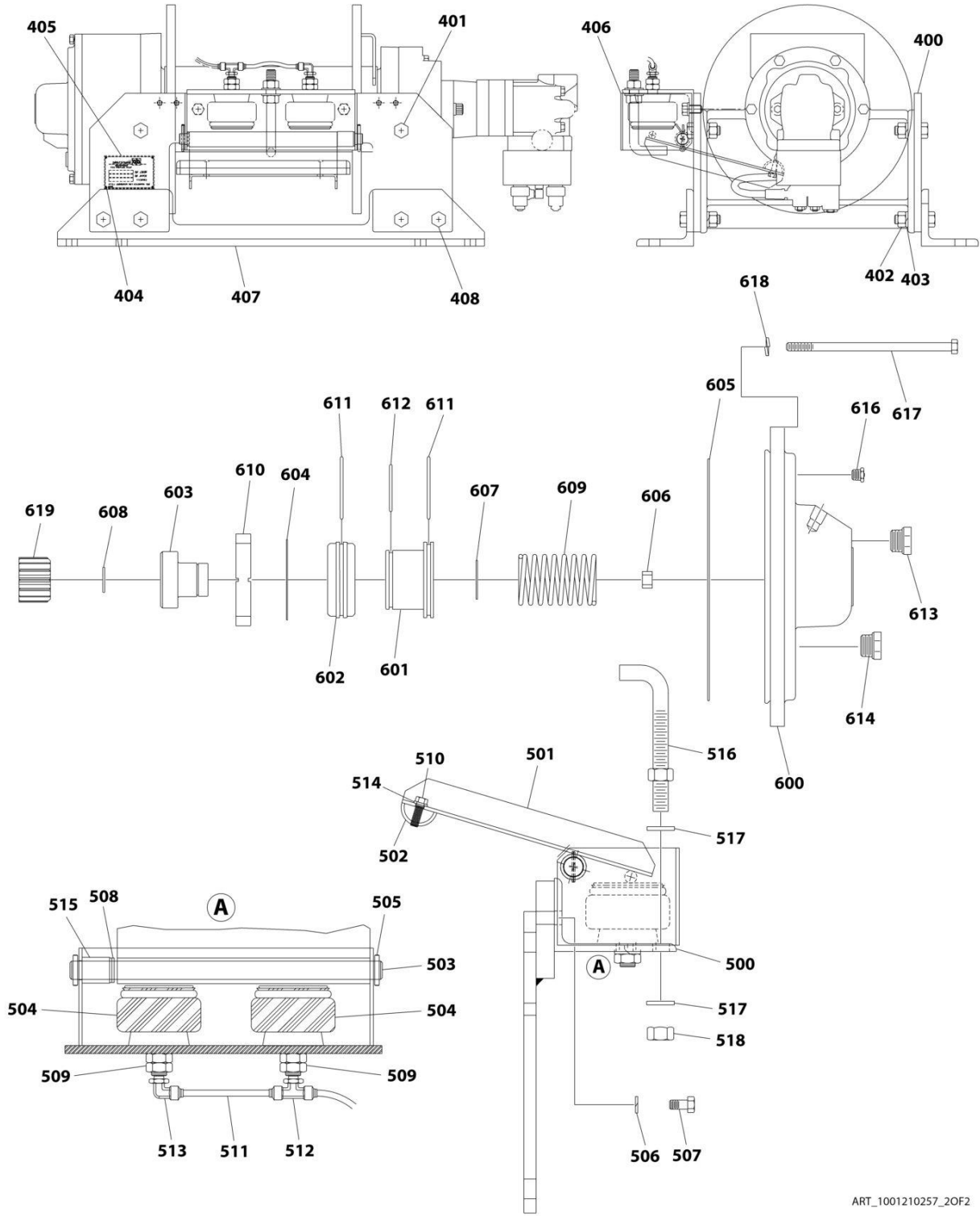
SECTION 2 - BOOM

FIGURE 2-10. WINCH ASSEMBLY - REAR RH (DP35)



ART_1001210257_10F2

SECTION 2 - BOOM



ART_1001210257_20F2

SECTION 2 - BOOM

FIGURE 2-10. WINCH ASSEMBLY - REAR RH (DP35)

ITEM	PART NUMBER	QTY	DESCRIPTION	REV
	1001210257	Ref	WINCH ASSEMBLY - REAR RH (DP35)	A
		Ref	MOTOR END ASSEMBLY	
1	70050399	1	Motor, Hydraulic	
2	70050368	1	Valve, Counterbalance	
3	9571960006	1	Brake Housing	
4	9177960004	1	Support, Motor End	
5	9806960019	1	Shaft Brake	
6	9698960008	1	Piston, Brake	
7	9706960023	10	Plate, Friction Disc	
8	70051302	9	Plate, Brake Drive	
9	9691960021	2	Pin	
10	70051307	1	O-Ring	
11	70051305	1	O-Ring	
12	70051303	2	O-Ring	
13	70051306	1	Backup Ring	
14	70051304	1	Backup Ring	
15	70050371	1	Cartridge, Valve	
16	9082960013	2	Bearing	
17	9843960024	12	Compression Spring	
18	7118181205	2	Capscrew 1/2 x 1-1/2	
19	7950180800	2	Washer 1/2	
20	7118172050	6	Capscrew 7/16 x 2-1/2	
21	7950170000	6	Washer 7/16	
22	70050370	4	Capscrew 3/8 x 2-1/2	
23	7445040445	3	Fitting, 90	
24	70050372	1	Hose	
25	70050401	1	Tag, Warning (Not Shown)	
26	9082960018	1	Bearing	
28	9796960121	1	Seal	
29	9935960026	2	Cartridge, Counterbalance	
30	9949960028	1	Thrust Washer	
34	9796960090	1	O-Ring	
35	70051309	1	Hose	
36	9443960006	1	Fitting, Straight	
		Ref	DRUM ASSEMBLY	
100	9970960020	1	Drum	
101	9575960012	2	Key, Drum	
102	9280960002	1	Clip	
103	9796960089	1	O-Ring	
104	9831960018	1	Spacer	
105	7110201423	2	Capscrew 5/8 x 1-3/4	
		Ref	Gear End Assembly	
200	70050991	1	Gear	
201	9177960003	1	Support, Gear End	
202	9949960028	1	Thrust Washer	
203	9806960021	1	Shaft, Output	
204	9949960027	2	Thrust Washer	
205	9472960052	1	Carrier Assembly, Primary	
206	70050992	1	Carrier Assembly, Secondary	
207	9330960006	1	Label, Warning (Not Shown)	

SECTION 2 - BOOM

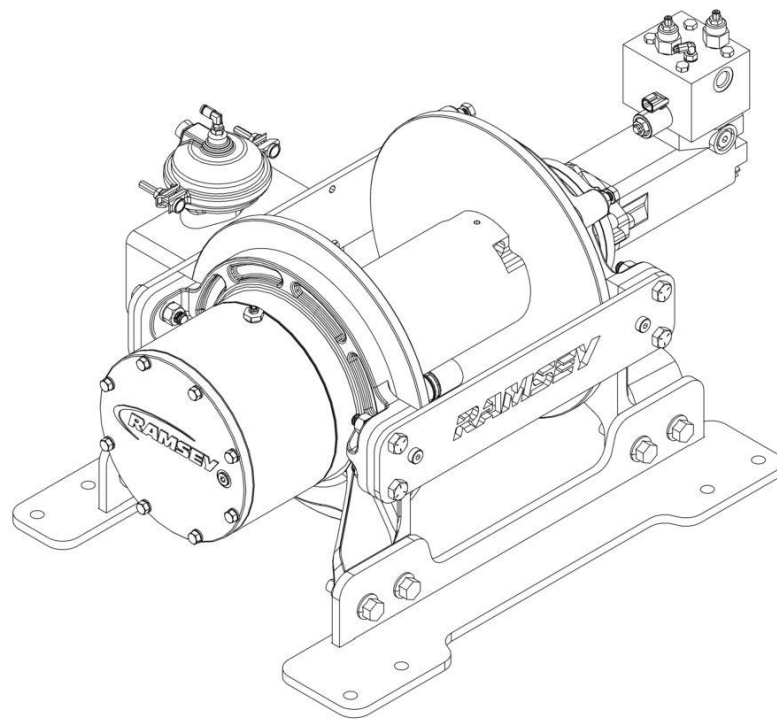
ITEM	PART NUMBER	QTY	DESCRIPTION	REV
208	9796960120	1	O-Ring	
209	9082960018	1	Bearing	
210	9796960121	1	Seal	
211	70050993	1	Gear, Sun Secondary	
212	9209960025	1	Bushing	
		Ref	INPUT SHAFT ASSEMBLY	
300	70050994	1	Input Shaft	
		Ref	BASE MOUNT ASSEMBLY	
400	9073960003	2	Base Mount	
401	7115201850	4	Capscrew 5/8 x 2-1/4	
402	7660200001	12	Nut 5/8	
403	7950200000	12	Washer 5/8	
404	70050147	4	Rivet	
405	70050384	1	Plate, Winch ID	
406	70050398	1	Kit - Cable Hold Down	
407	9073960004	2	Base Mount	
408	7115202250	8	Capscrew 5/8 x 2-3/4	
		Ref	CABLE HOLD DOWN ASSEMBLY	
500	9178960011	1	Mounting Bracket	
501	9020960002	1	Pivot Arm	
502	9064960007	1	Rub Bar	
503	9691960019	1	Pin	
504	9843960023	2	Air Spring	
505	9690960039	2	Cotter Pin	
506	7950180000	2	Washer 1/2	
507	7115181650	2	Capscrew 1/2 x 1	
508	9949960012	2	Thrust Washer	
509	7660200200	4	Nut 5/8	
510	9120960063	2	Capscrew 5/16 x 1	
511	9912960010	3	Tube	
512	7443000205	3	Fitting, Tee	
513	7443000204	1	Fitting, 90	
514	9949960050	2	Washer 5/8	
515	9831960009	1	Spacer	
516	9120960019	1	Bolt 5/8 x 6-1/2	
517	7950200151	2	Washer 5/8	
518	7660200001	1	Nut 5/8	
		Ref	GEAR END COVER ASSEMBLY	
600	9314960022	1	Cover, Gear End	
601	9698960016	1	Piston	
602	9698960015	1	Cylinder, Piston	
603	9309960011	1	Coupling	
604	9754960026	1	Retainer Ring	
605	9796960120	1	O-Ring	
606	9209960026	1	Bushing	
607	9754960046	1	Retainer Ring	
608	9754960047	1	Retainer Ring	
609	9843960032	1	Compression Spring	
610	9949960028	1	Thrust Washer	
611	9796960119	2	O-Ring	
612	9796960118	1	O-Ring	

SECTION 2 - BOOM

ITEM	PART NUMBER	QTY	DESCRIPTION	REV
613	9701960011	1	Plug	
613	70050998	1	O-Ring	
614	9701960012	1	Plug	
614	70050998	1	O-Ring	
615	9701960018	1	Plug (Not Shown)	
616	9183960001	1	Vent	
617	70050995	12	Capscrew 3/8 x 5-1/2	
618	7950160000	12	Washer 3/8	
619	9472960054	1	Gear, 15 Teeth	

SECTION 2 - BOOM

FIGURE 2-11. WINCH ASSEMBLY - FRONT LH (RAMSEY)



ART_1001266904

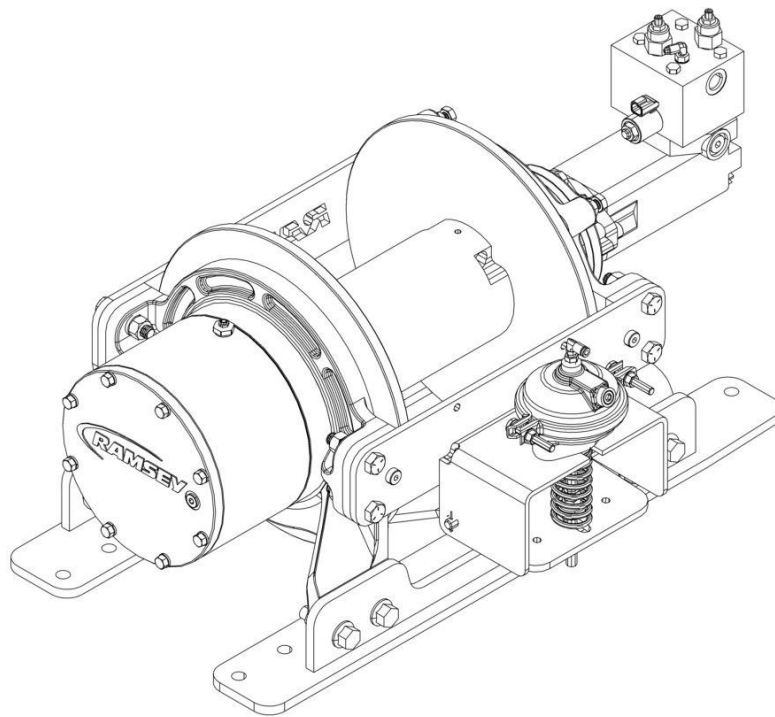
SECTION 2 - BOOM

FIGURE 2-11. WINCH ASSEMBLY - FRONT LH (RAMSEY)

ITEM	PART NUMBER	QTY	DESCRIPTION	REV
	1001266904	Ref	WINCH ASSEMBLY - FRONT LH (RAMSEY)	A
	See Note	Ref	Note: No Service Part Available at the Time of Printing	

SECTION 2 - BOOM

FIGURE 2-12. WINCH ASSEMBLY - REAR RH (RAMSEY)



ART_1001266903

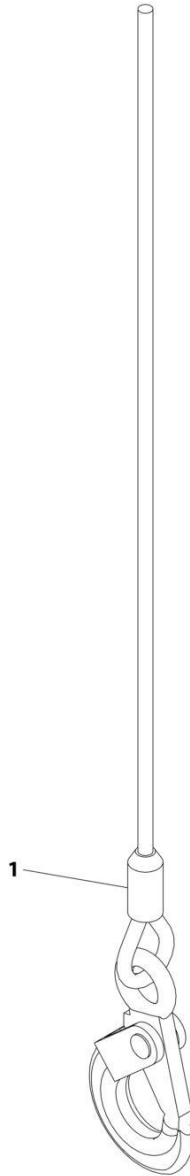
SECTION 2 - BOOM

FIGURE 2-12. WINCH ASSEMBLY - REAR RH (RAMSEY)

ITEM	PART NUMBER	QTY	DESCRIPTION	REV
	1001266903	Ref	WINCH ASSEMBLY - REAR RH (RAMSEY)	A
	See Note	Ref	Note: No Service Part Available at the Time of Printing	

SECTION 2 - BOOM

FIGURE 2-13. CABLE INSTALLATION - 0.63IN X 200FT WITH EYEHOOK



ART_1001207359

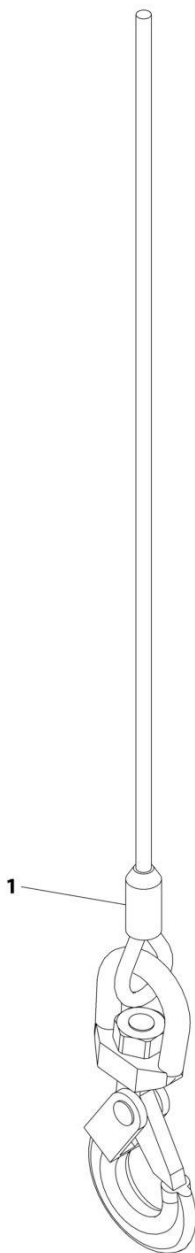
SECTION 2 - BOOM

FIGURE 2-13. CABLE INSTALLATION - 0.63IN X 200FT WITH EYEHOOK

ITEM	PART NUMBER	QTY	DESCRIPTION	REV
1	1001207359 7248000040	Ref 1	CABLE INSTALLATION - 0.63IN X 200FT WITH EYE HOOK Cable Assembly	B

SECTION 2 - BOOM

FIGURE 2-14. CABLE INSTALLATION - 0.63IN X 200FT WITH SWIVELHOOK (SN 0230004275 through 0230008673, Excluding 0230008645)



ART_1001207360

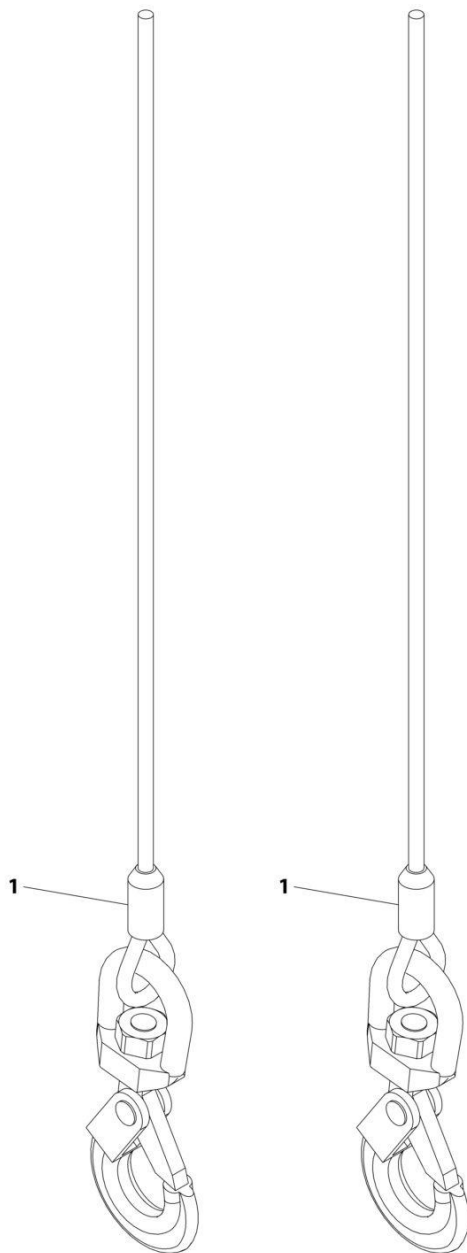
SECTION 2 - BOOM

FIGURE 2-14. CABLE INSTALLATION - 0.63IN X 200FT WITH SWIVELHOOK (SN 0230004275 through 0230008673, Excluding 0230008645)

ITEM	PART NUMBER	QTY	DESCRIPTION	REV
1	1001207360 7248000078	Ref 1	CABLE INSTALLATION - 0.63IN X 200FT WITH SWIVEL HOOK Cable Assembly	B

SECTION 2 - BOOM

FIGURE 2-15. CABLE INSTALLATION - 0.63IN X 200FT WITH SWIVELHOOK (SN 0230008674 to Present, Including 0230008645)



ART_1001269143

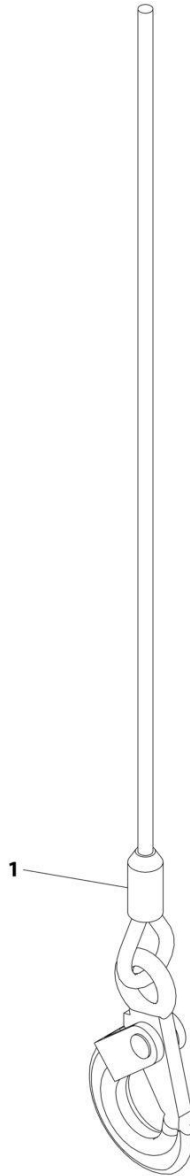
SECTION 2 - BOOM

FIGURE 2-15. CABLE INSTALLATION - 0.63IN X 200FT WITH SWIVELHOOK (SN 0230008674 to Present, Including 0230008645)

ITEM	PART NUMBER	QTY	DESCRIPTION	REV
1	1001269143	Ref	CABLE INSTALLATION - 0.63IN X 200FT WITH SWIVEL HOOK	A
	7248000078	2	Cable Assembly	

SECTION 2 - BOOM

FIGURE 2-16. CABLE INSTALLATION - 0.63IN X 250FT WITH EYEHOOK



ART_1001207361

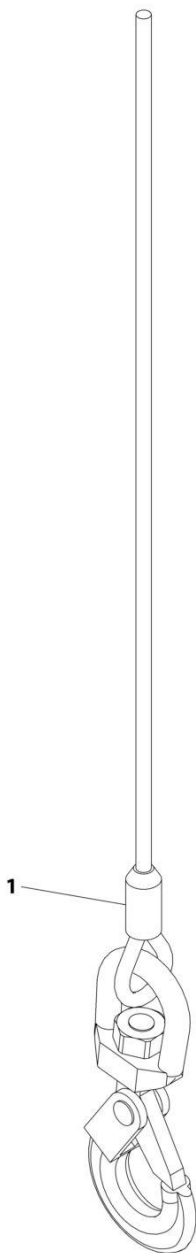
SECTION 2 - BOOM

FIGURE 2-16. CABLE INSTALLATION - 0.63IN X 250FT WITH EYEHOOK

ITEM	PART NUMBER	QTY	DESCRIPTION	REV
1	1001207361 7248000037	Ref 1	CABLE INSTALLATION - 0.63IN X 250FT WITH EYE HOOK Cable Assembly	B

SECTION 2 - BOOM

FIGURE 2-17. CABLE INSTALLATION - 0.63IN X 250FT WITH SWIVELHOOK (SN 0230004275 through 0230008673, Excluding 0230008645)



ART_1001207362

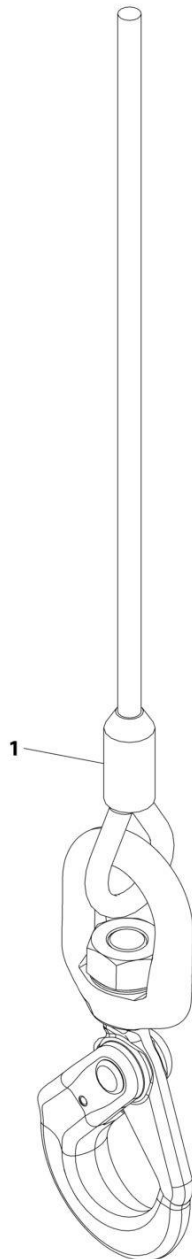
SECTION 2 - BOOM

FIGURE 2-17. CABLE INSTALLATION - 0.63IN X 250FT WITH SWIVELHOOK (SN 0230004275 through 0230008673, Excluding 0230008645)

ITEM	PART NUMBER	QTY	DESCRIPTION	REV
1	1001207362 7248000079	Ref 1	CABLE INSTALLATION - 0.63IN X 250FT WITH SWIVEL HOOK Cable Assembly	B

SECTION 2 - BOOM

FIGURE 2-18. CABLE INSTALLATION - 0.63IN X 250FT WITH SWIVELHOOK (SN 0230008674 to Present, Including 0230008645)



ART_1001254986

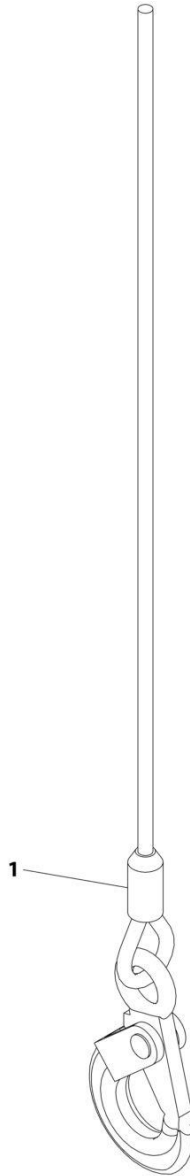
SECTION 2 - BOOM

FIGURE 2-18. CABLE INSTALLATION - 0.63IN X 250FT WITH SWIVELHOOK (SN 0230008674 to Present, Including 0230008645)

ITEM	PART NUMBER	QTY	DESCRIPTION	REV
1	1001254986	Ref	CABLE ASSEMBLY - MAIN BOOM (STD SWIVEL)	C
	7248000079	2	Cable Assembly	

SECTION 2 - BOOM

FIGURE 2-19. CABLE INSTALLATION - 0.75IN X 200FT WITH EYEHOOK



ART_1001207363

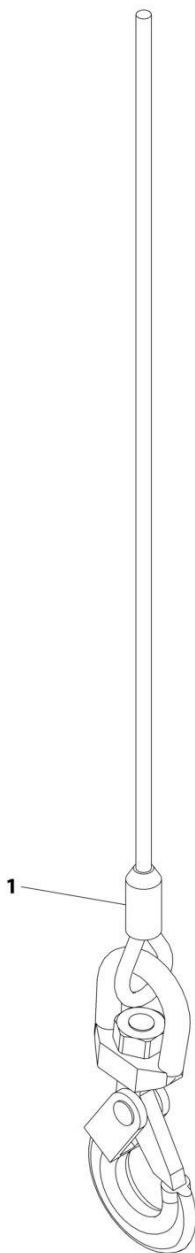
SECTION 2 - BOOM

FIGURE 2-19. CABLE INSTALLATION - 0.75IN X 200FT WITH EYEHOOK

ITEM	PART NUMBER	QTY	DESCRIPTION	REV
1	1001207363 7248000055	Ref 1	CABLE INSTALLATION - 0.75IN X 200FT WITH EYE HOOK Cable Assembly	B

SECTION 2 - BOOM

FIGURE 2-20. CABLE INSTALLATION - 0.75IN X 200FT WITH SWIVELHOOK (SN 0230004275 through 0230008673, Excluding 0230008645)



ART_1001207364

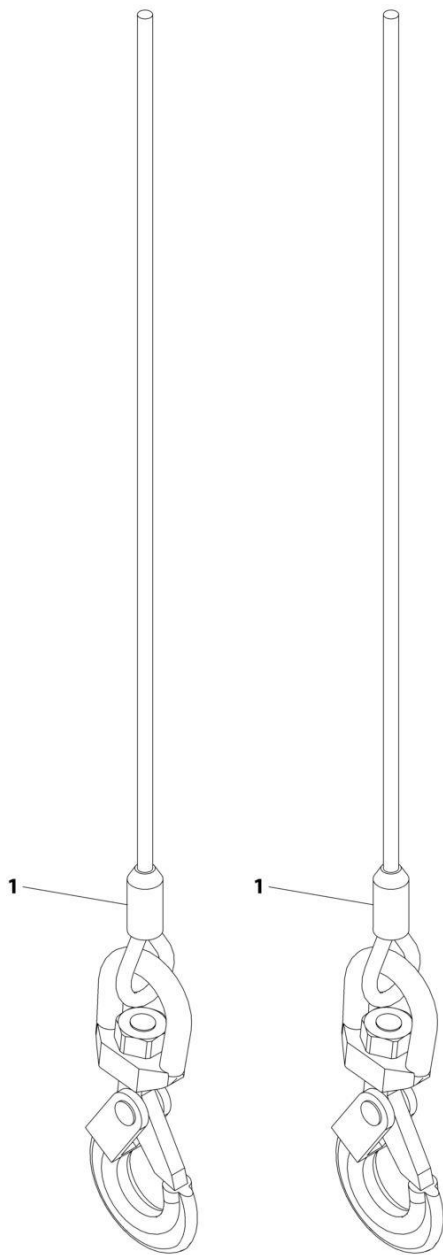
SECTION 2 - BOOM

FIGURE 2-20. CABLE INSTALLATION - 0.75IN X 200FT WITH SWIVELHOOK (SN 0230004275 through 0230008673, Excluding 0230008645)

ITEM	PART NUMBER	QTY	DESCRIPTION	REV
1	1001207364 7248000080	Ref 1	CABLE INSTALLATION - 0.75IN X 200FT WITH SWIVEL HOOK Cable Assembly	B

SECTION 2 - BOOM

FIGURE 2-21. CABLE INSTALLATION - 0.75IN X 200FT WITH SWIVELHOOK (SN 0230008674 to Present, Including 0230008645)



ART_1001269146

SECTION 2 - BOOM

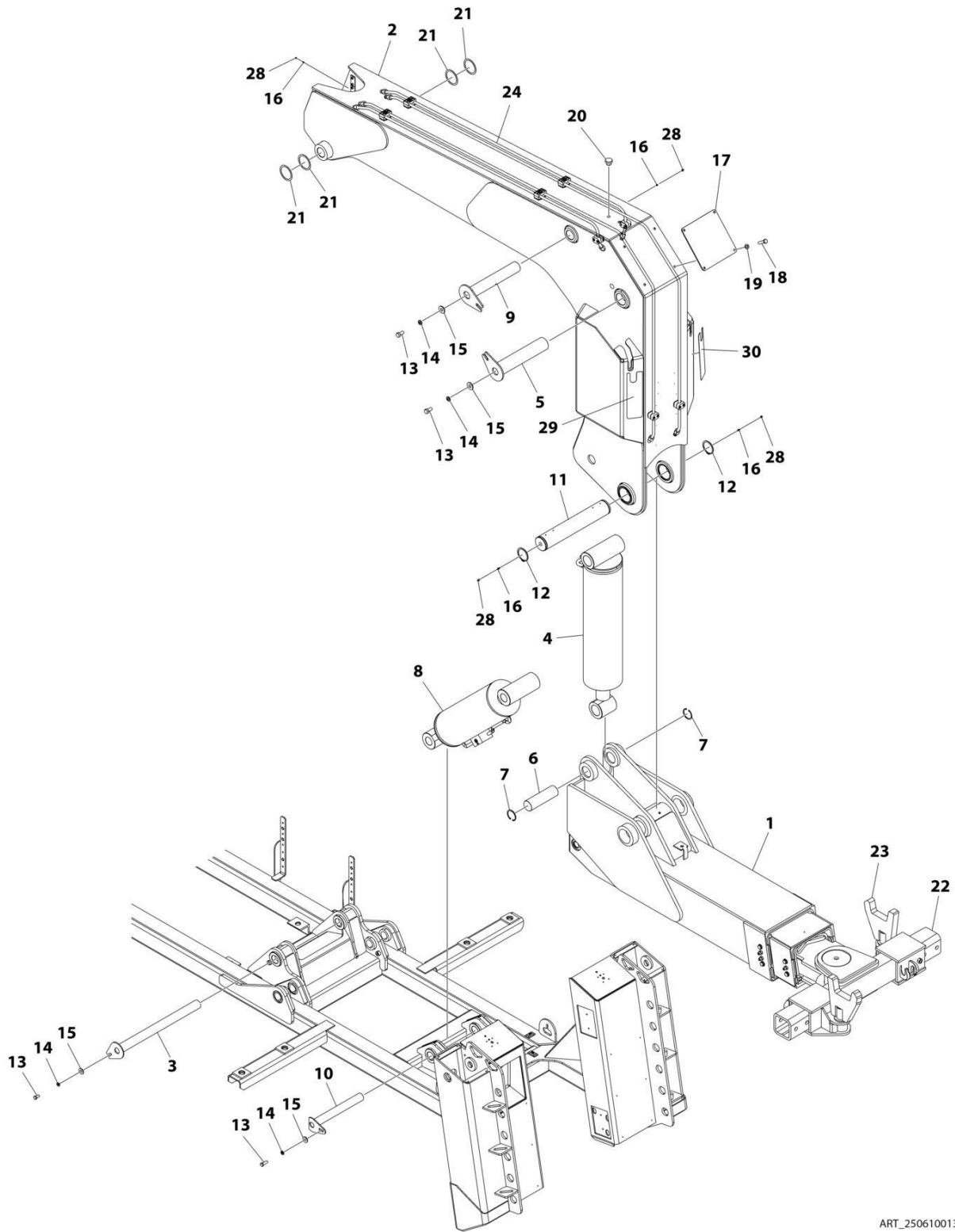
FIGURE 2-21. CABLE INSTALLATION - 0.75IN X 200FT WITH SWIVELHOOK (SN 0230008674 to Present, Including 0230008645)

ITEM	PART NUMBER	QTY	DESCRIPTION	REV
1	1001269146	Ref	CABLE INSTALLATION - 0.75IN X 200FT WITH SWIVEL HOOK	B
	7248000080	2	Cable Assembly	

SECTION 3 - UNDERLIFT

SECTION 3 - UNDERLIFT

FIGURE 3-1. UNDERLIFT INSTALLATION - 35000LBS (UL350)



ART_2506100136

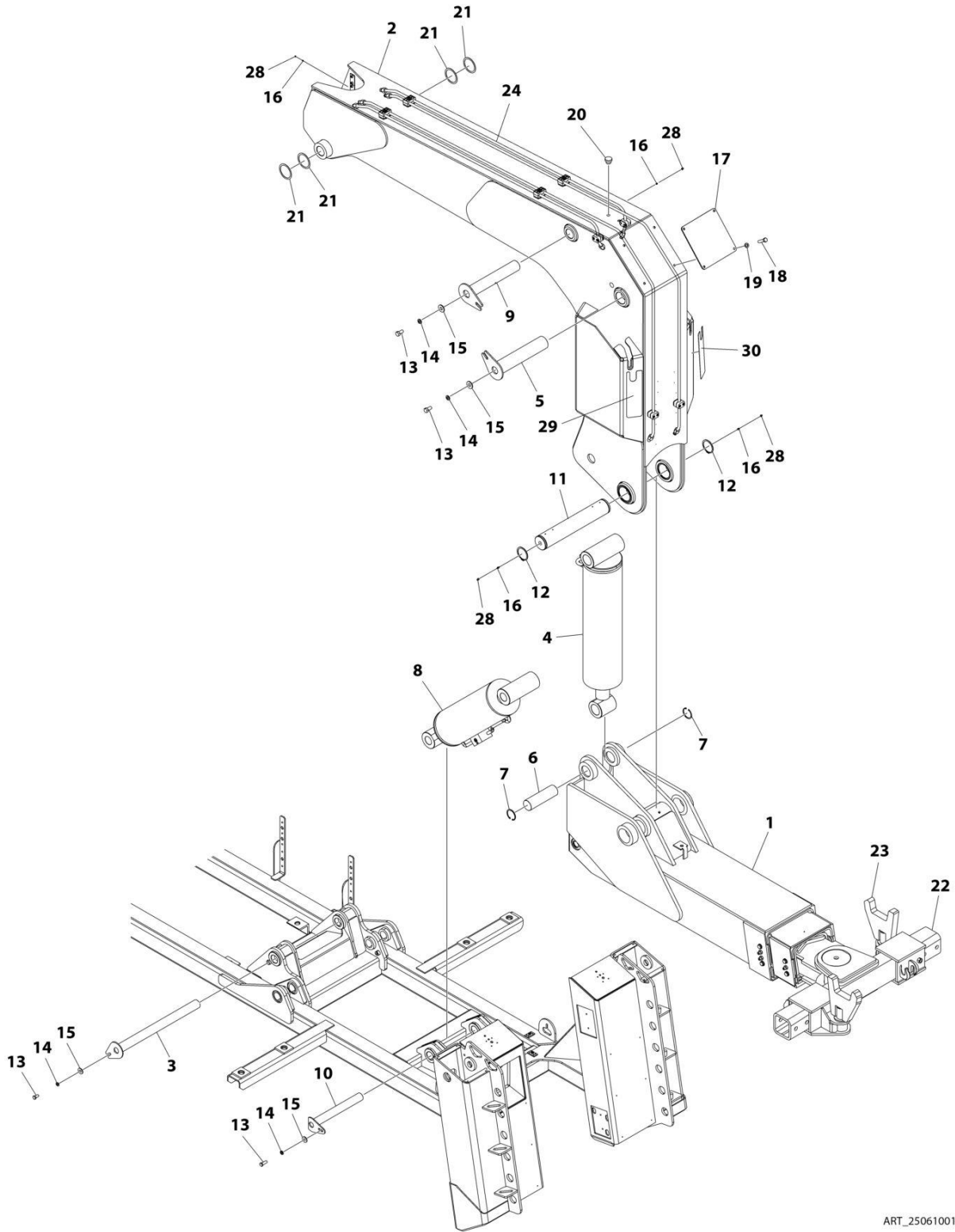
SECTION 3 - UNDERLIFT

FIGURE 3-1. UNDERLIFT INSTALLATION - 35000LBS (UL350)

ITEM	PART NUMBER	QTY	DESCRIPTION	REV
	2506100136	Ref	UNDERLIFT INSTALLATION - 3 PIECE 35000LBS (UL350)	E
1	3170000220	1	Underlift Boom Assembly (See Separate Breakdown in this Section)	
2	3170000434	1	Boom, Knee	
3	3691000170	1	Pin	
4	7320000039	1	Cylinder Assembly - Tilt (See Separate Breakdown in this Section)	
5	3691000160	1	Pin	
6	4691000317	1	Pin	
7	7754000051	2	Ring, Retaining	
8	7320000040	1	Cylinder Assembly - Underlift Tilt (See Separate Breakdown in this Section)	
9	3691000171	1	Pin	
10	3691000152	1	Pin	
11	4691000311	1	Pin	
12	7754000018	2	Ring, Retaining	
13	7115180850	4	Bolt 1/2 x 1	
14	7950180000	4	Washer 1/2	
15	7950180161	4	Washer 1/2	
16	7440030000	4	Fitting, Straight	
17	4706002206	1	Plate	
18	7115161250	4	Bolt 3/8 x 1-1/2	
19	7950160000	4	Washer 3/8	
20	7189000017	2	Bumper, Rubber	
21	3577000037	Ref	Shim Kit	
21	4949000031	2	Washer	
21	4949000032	2	Washer	
22	2503880012	1	Cross Tube Installation (See Separate Breakdown in this Section)	
23	2503870011	1	Frame Fork Installation (Not Shown) (See Separate Breakdown in this Section)	
24	3912000043	1	Hydraulic Installation - Underlift (See Separate Breakdown in HYDRAULIC Section)	
25	7262000025	2	Chain	
26	7115201250	2	Bolt 5/8 x 1-1/2	
27	7660202601	2	Nut 5/8	
28	7253000002	8	Cap, Fitting	
29	1001151184	1	Decal, Wear - LH	
30	1001151185	1	Decal, Wear - RH	

SECTION 3 - UNDERLIFT

FIGURE 3-2. UNDERLIFT INSTALLATION - 35000LBS (UL350X)



ART_2506100137

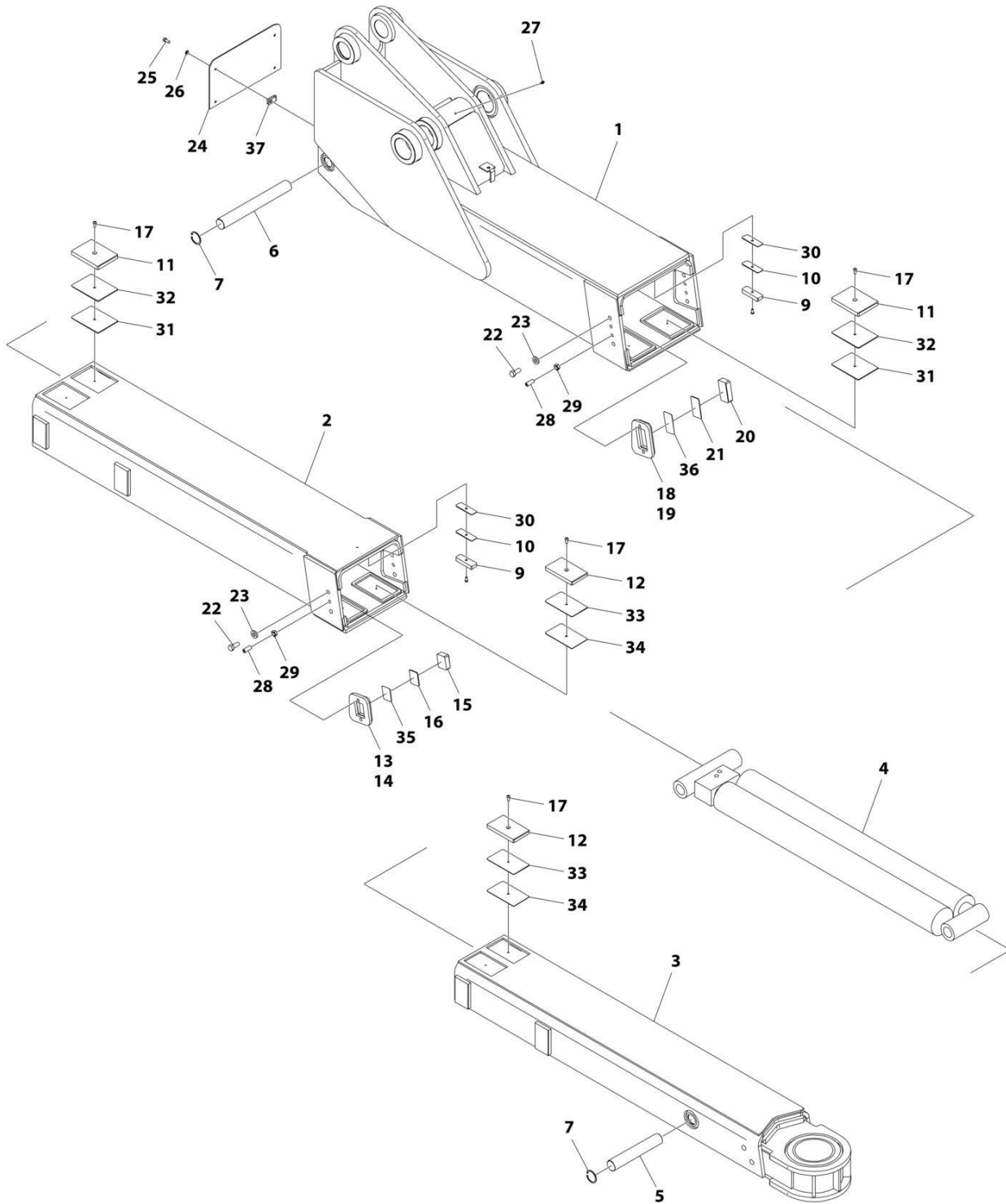
SECTION 3 - UNDERLIFT

FIGURE 3-2. UNDERLIFT INSTALLATION - 35000LBS (UL350X)

ITEM	PART NUMBER	QTY	DESCRIPTION	REV
	2506100137	Ref	UNDERLIFT INSTALLATION - 3 PIECE 35000LBS (UL350X)	F
1	3170000433	1	Underlift Boom Assembly (See Separate Breakdown in this Section)	
2	3170000434	1	Boom, Knee	
3	3691000170	1	Pin	
4	7320000039	1	Cylinder Assembly - Tilt (See Separate Breakdown in this Section)	
5	3691000160	1	Pin	
6	4691000317	1	Pin	
7	7754000051	2	Ring, Retaining	
8	7320000040	1	Cylinder Assembly - Underlift Tilt (See Separate Breakdown in this Section)	
9	3691000171	1	Pin	
10	3691000152	1	Pin	
11	4691000311	1	Pin	
12	7754000018	2	Ring, Retaining	
13	7115180850	4	Bolt 1/2 x 1	
14	7950180000	4	Washer 1/2	
15	7950180161	4	Washer 1/2	
16	7440030000	4	Fitting, Straight	
17	4706002206	1	Plate	
18	7115161250	4	Bolt 3/8 x 1-1/2	
19	7950160000	4	Washer 3/8	
20	7189000017	2	Bumper, Rubber	
21	3577000037	Ref	Shim Kit	
21	4949000031	1	Washer	
21	4949000032	1	Washer	
22	2503880012	1	Cross Tube Installation (See Separate Breakdown in this Section)	
23	2503870011	1	Frame Fork Installation (Not Shown) (See Separate Breakdown in this Section)	
24	3912000043	1	Hydraulic Installation - Underlift (See Separate Breakdown in HYDRAULIC Section)	
25	7262000025	2	Chain	
26	7115201250	2	Bolt 5/8 x 1-1/2	
27	7660202601	2	Nut 5/8	
28	7253000002	8	Cap, Fitting	
29	1001151184	1	Decal, Wear - LH	
30	1001151185	1	Decal, Wear - RH	

SECTION 3 - UNDERLIFT

FIGURE 3-3. UNDERLIFT ASSEMBLY - 35000LBS (UL350)



ART_3170000220

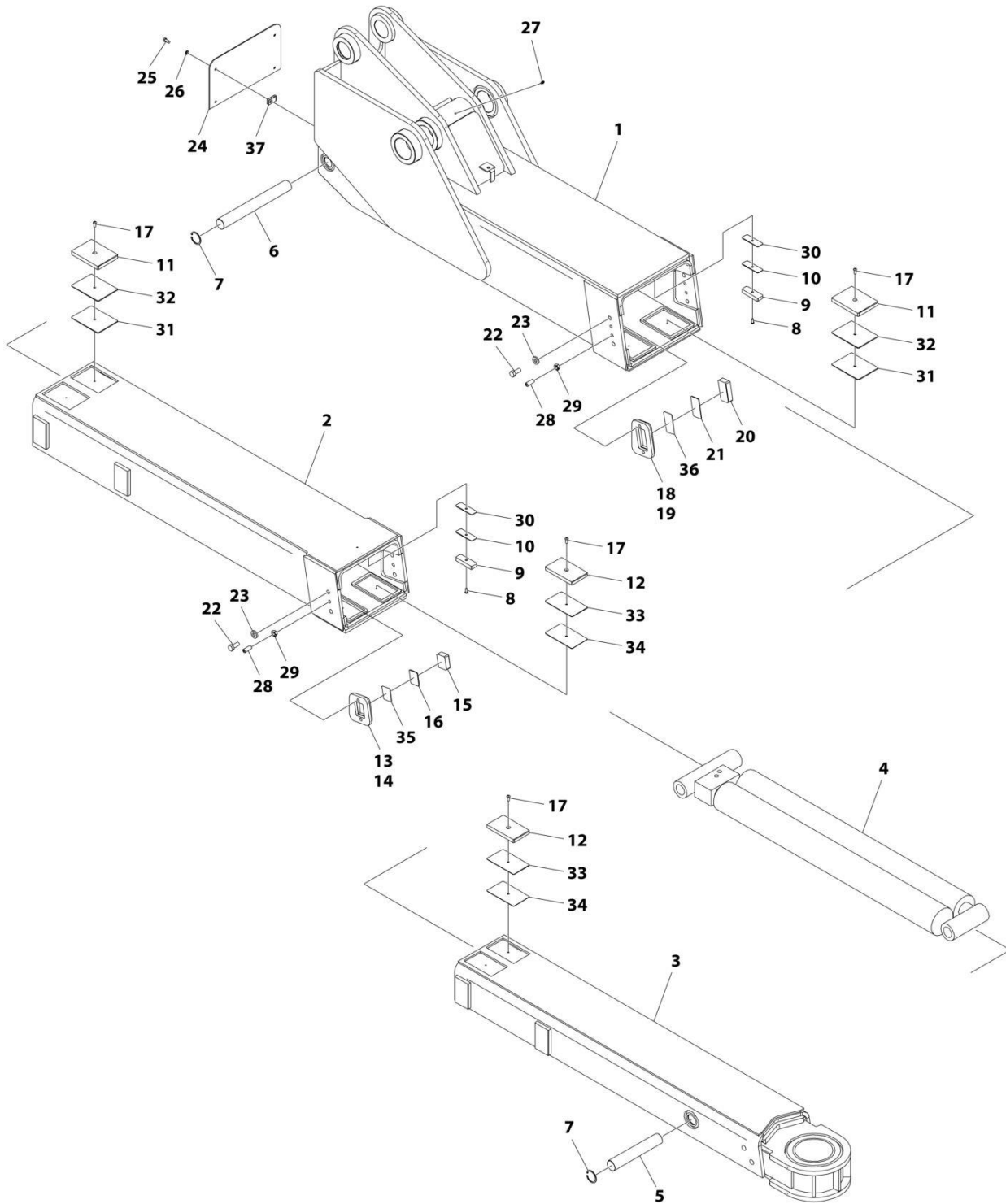
SECTION 3 - UNDERLIFT

FIGURE 3-3. UNDERLIFT ASSEMBLY - 35000LBS (UL350)

ITEM	PART NUMBER	QTY	DESCRIPTION	REV
	3170000220	Ref	Underlift Assembly - 35,000 lbs	E
1	3170000224	1	Base Section Boom Weldment	
2	3170000223	1	Mid Section Boom Weldment	
3	3170000221	1	Fly Section Boom Weldment	
4	7320000042	1	Underlift Extension Cylinder Assembly (See Separate Breakdown in this Section)	
5	4691000318	1	Pin	
6	4691000316	1	Pin	
7	7754000043	4	Retaining Ring	
9	4679000159	2	Pad	
10	4706003708	2	Plate	
11	4679000161	4	Pad	
12	4679000158	4	Pad	
13	3706000177	1	Plate	
14	3706000178	1	Plate	
15	4679000206	2	Pad	
16	4706003144	2	Plate	
17	7114140418	8	Capscrew 1/4 x 1/2	
18	3706000179	1	Plate - LH	
19	3706000180	1	Plate - RH	
20	4679000205	2	Pad	
21	4706003719	2	Plate	
22	7105180850	8	Capscrew 1/4 x 1	
23	7950170153	8	Washer 1/4	
24	4706002467	1	Plate	
25	7115140650	4	Capscrew 1/4 x 3/4	
26	7950140000	4	Washer 1/4	
27	7440030000	1	Grease Fitting	
28	7786000008	6	Screw 1/2 x 1-1/4	
29	7660180230	6	Nut 1/2	
30	4706003709	4	Plate	
31	4706003721	4	Plate	
32	4706003722	4	Plate	
33	4706003723	4	Plate	
34	4706003724	4	Plate	
35	4706003725	2	Plate	
36	4706003720	2	Plate	
37	7661000019	4	U-Nut 1/4	

SECTION 3 - UNDERLIFT

FIGURE 3-4. UNDERLIFT ASSEMBLY - 35000LBS (UL350X)



ART_3170000433

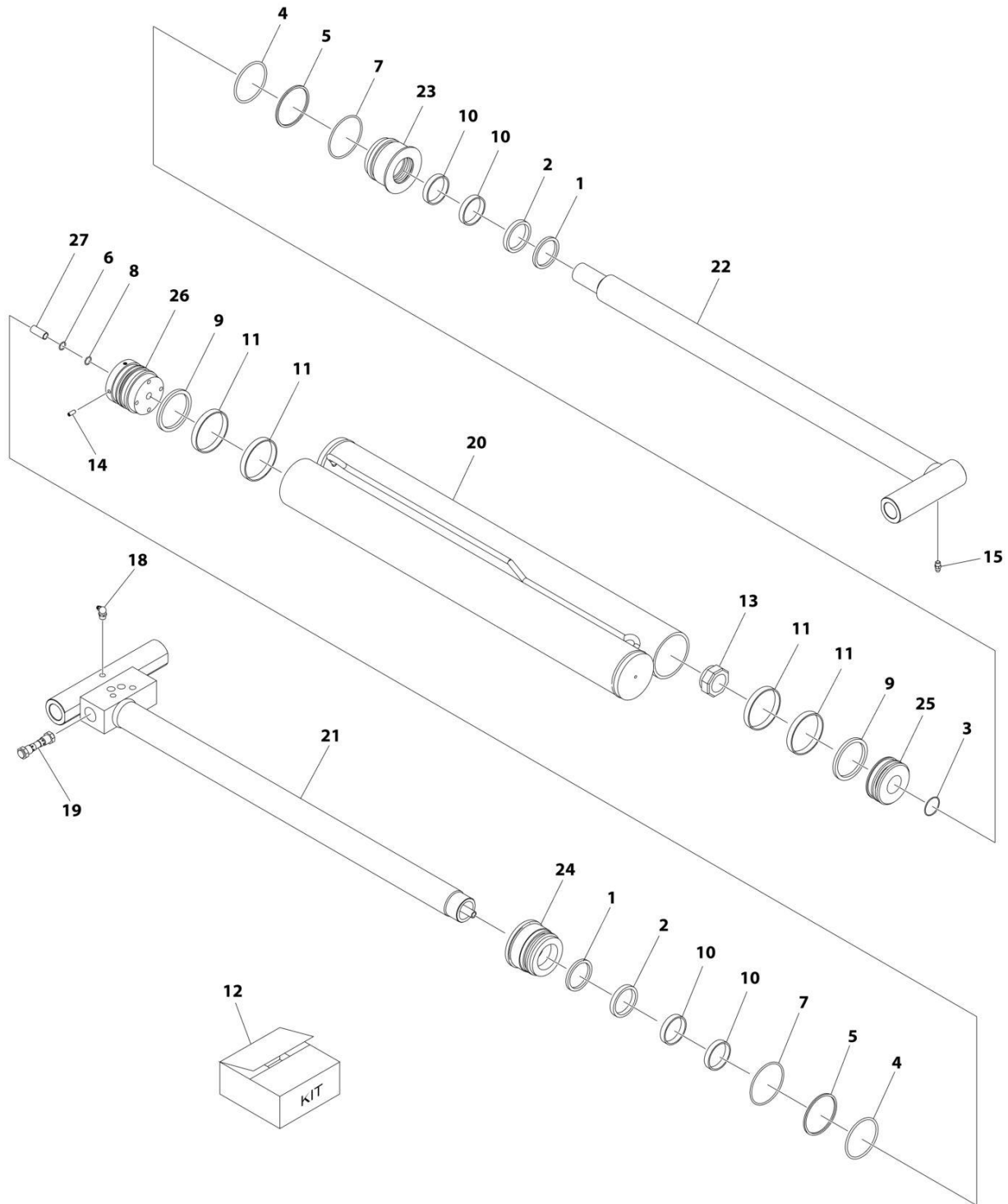
SECTION 3 - UNDERLIFT

FIGURE 3-4. UNDERLIFT ASSEMBLY - 35000LBS (UL350X)

ITEM	PART NUMBER	QTY	DESCRIPTION	REV
	3170000433	Ref	UNDERLIFT 350X BOOM ASSEMBLY	D
1	3170000432	1	Base Section Boom Weldment	
2	3170000431	1	Mid Section Boom Weldment	
3	3170000430	1	Fly Section Boom Weldment	
4	7320000076	1	Underlift Extension Cylinder Assembly (See Separate Breakdown in this Section)	
5	4691000318	1	Pin	
6	4691000316	1	Pin	
7	7754000043	4	Retaining Ring	
8	7114140518	2	Capscrew 1/4 x 5/8	
9	4679000159	2	Pad	
10	4706003708	2	Plate	
11	4679000161	4	Pad	
12	4679000158	4	Pad	
13	3706000177	1	Plate	
14	3706000178	1	Plate	
15	4679000206	2	Pad	
16	4706003144	2	Plate	
17	7114140418	8	Capscrew 1/4 x 1/2	
18	3706000179	1	Plate - LH	
19	3706000180	1	Plate - RH	
20	4679000205	2	Pad	
21	4706003719	2	Plate	
22	7105180850	8	Bolt 1/2 x 1	
23	7950170153	8	Washer 1/2	
24	4706002467	1	Plate	
25	7115140650	4	Bolt 1/4 x 3/4	
26	7950140000	4	Washer 1/4	
27	7440030000	1	Grease Fitting	
28	7786000008	6	Screw 1/2 x 1-1/4	
29	7660180230	6	Nut 1/2	
30	4706003709	4	Plate	
31	4706003721	4	Plate	
32	4706003722	4	Plate	
33	4706003723	4	Plate	
34	4706003724	4	Plate	
35	4706003725	2	Plate	
36	4706003720	2	Plate	
37	7253000002	5	Grease Fitting Cap	

SECTION 3 - UNDERLIFT

FIGURE 3-5. CYLINDER ASSEMBLY - EXTENT/RETRACT (35000LBS (UL350))



ART_732000042

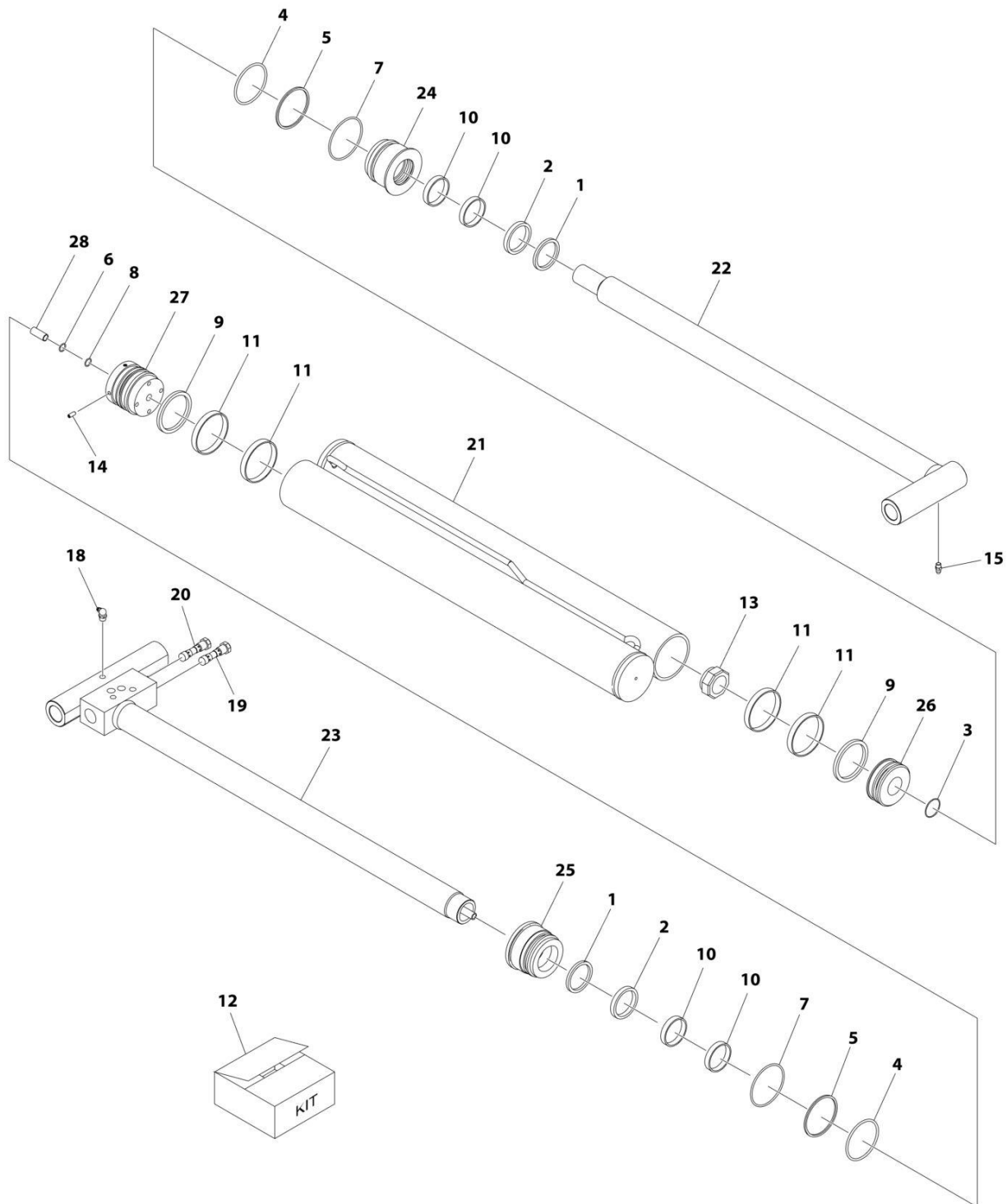
SECTION 3 - UNDERLIFT

FIGURE 3-5. CYLINDER ASSEMBLY - EXTENT/RETRACT (35000LBS (UL350))

ITEM	PART NUMBER	QTY	DESCRIPTION	REV
	732000042	Ref	Underlift Extension Cylinder Assembly - 35,000 lbs	B
1	9796250080	2	Seal, Wiper	
2	7019828	2	Seal	
3	9796250133	1	Seal, O-Ring	
4	7019846	2	Seal, O-Ring	
5	7019845	2	Ring, Back-up	
6	9796250135	2	Seal, O-Ring	
7	7019844	2	Seal, O-Ring	
8	9796250137	2	Seal, O-Ring	
9	9796250138	2	Seal	
10	9754250015	4	Ring, Wear	
11	9754250049	4	Ring, Wear	
12	7577250271	1	Kit, Seal	
13	7003212	1	Nut	
14	7003281	4	Setscrew	
15	7005348	1	Grease Fitting	
16	70050365	2	Plug, Port (Not Shown)	
17	70021648	2	Plug, Port (Not Shown)	
18	7440030400	1	Grease Fitting	
19	9935250025	1	Kit, Check Cartridge	
20	9912250021	1	Assembly, Tube	
21	9763250025	1	Assembly, Rod	
22	9763250026	1	Assembly, Rod-Tube	
23	9553250015	1	Head	
24	9553250016	1	Head	
25	9698250018	1	Piston	
26	9698250019	1	Piston	
27	9007250005	1	Adapter, RT Tube	

SECTION 3 - UNDERLIFT

FIGURE 3-6. CYLINDER ASSEMBLY - EXTENT/RETRACT (35000LBS (UL350X))



ART_732000076

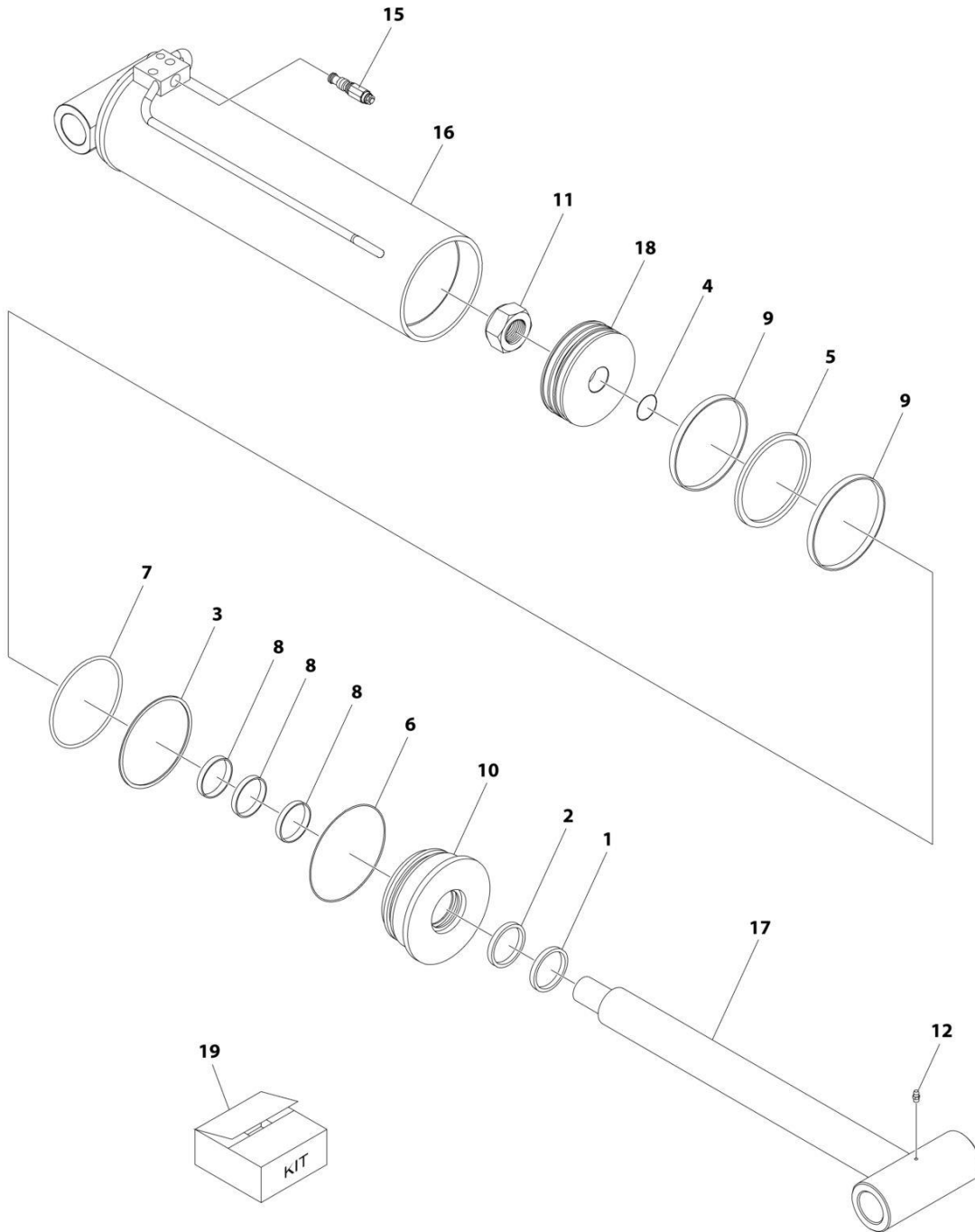
SECTION 3 - UNDERLIFT

FIGURE 3-6. CYLINDER ASSEMBLY - EXTENT/RETRACT (35000LBS (UL350X))

ITEM	PART NUMBER	QTY	DESCRIPTION	REV
	7320000076	Ref	UNDERLIFT EXTENSION CYLINDER ASSEMBLY - 350X	C
1	9796250080	2	Seal, Wiper	
2	7019828	2	Seal	
3	9796250133	1	Seal, O-Ring	
4	7019846	2	Seal, O-Ring	
5	7019845	2	Ring, Back-up	
6	9796250135	1	Seal, O-Ring	
7	7019844	2	Seal, O-Ring	
8	9796250137	2	Seal, O-Ring	
9	9796250138	2	Seal	
10	9754250015	4	Ring, Wear	
11	9754250049	4	Ring, Wear	
12	7577250271	1	Kit, Seal	
13	7003212	1	Nut	
14	7003281	4	Setscrew	
15	7005348	1	Grease Fitting	
16	7005365	5	Plug, Port (Not Shown)	
17	70021648	2	Plug, Port (Not Shown)	
18	7440030400	1	Grease Fitting	
19	70050218	1	Valve, Cartridge	
20	70050217	1	Valve, Counterbalance	
21	70050553	1	Assembly, Tube	
22	70050554	1	Assembly, Rod	
23	70050555	1	Assembly, Rod-Tube	
24	9553250015	1	Head	
25	9254250009	1	Head	
26	9698250018	1	Piston	
27	9698250019	1	Piston	
28	9007250005	1	Adapter, RT Tube	

SECTION 3 - UNDERLIFT

FIGURE 3-7. CYLINDER ASSEMBLY - LIFT



ART_732000039

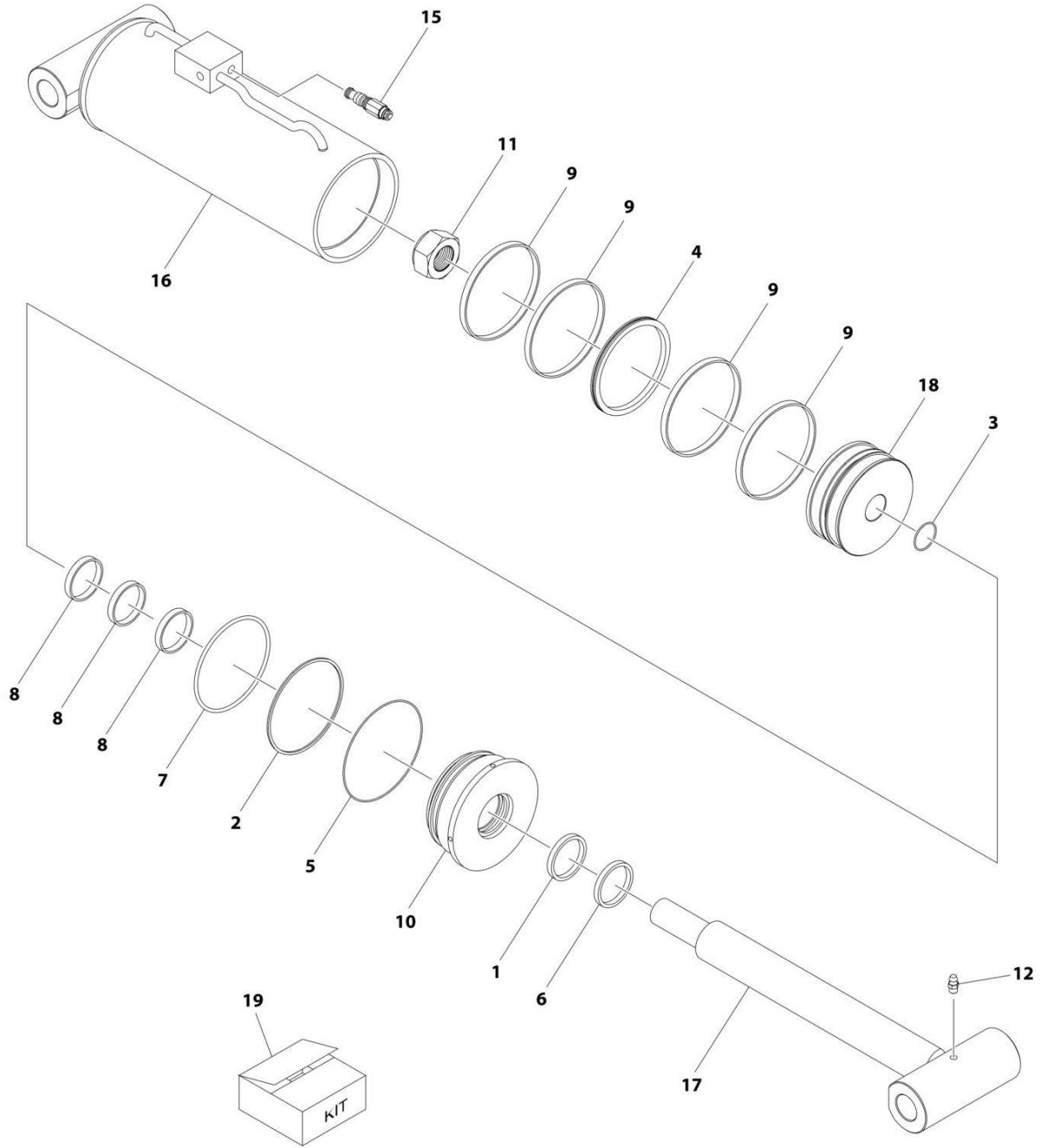
SECTION 3 - UNDERLIFT

FIGURE 3-7. CYLINDER ASSEMBLY - LIFT

ITEM	PART NUMBER	QTY	DESCRIPTION	REV
	732000039	Ref	Underlift Tilt Cylinder Assembly - 30,000/35,000 lbs	B
1	83304143	1	Seal, Wiper	
2	9796250071	1	Seal	
3	9754250043	1	Ring, Back-up	
4	9796250062	1	Seal, O-Ring	
5	9796250113	1	Seal	
6	9796250124	1	Seal, O-Ring	
7	9796250117	1	Seal, O-Ring	
8	83304140	3	Ring, Wear	
9	9754250045	2	Ring, Wear	
10	7019892	1	Head	
11	7005314	1	Nut	
12	7005348	1	Grease Fitting	
13	7005365	3	Plug, Port (Not Shown)	
14	70021648	2	Plug, Port (Not Shown)	
15	70050216	1	Valve, Counterbalance	
16	70050542	1	Assembly, Tube	
17	70050543	1	Assembly, Rod	
18	9698250014	1	Piston	
19	7577250204	1	Kit, Seal	

SECTION 3 - UNDERLIFT

FIGURE 3-8. CYLINDER ASSEMBLY - TILT



ART_732000040

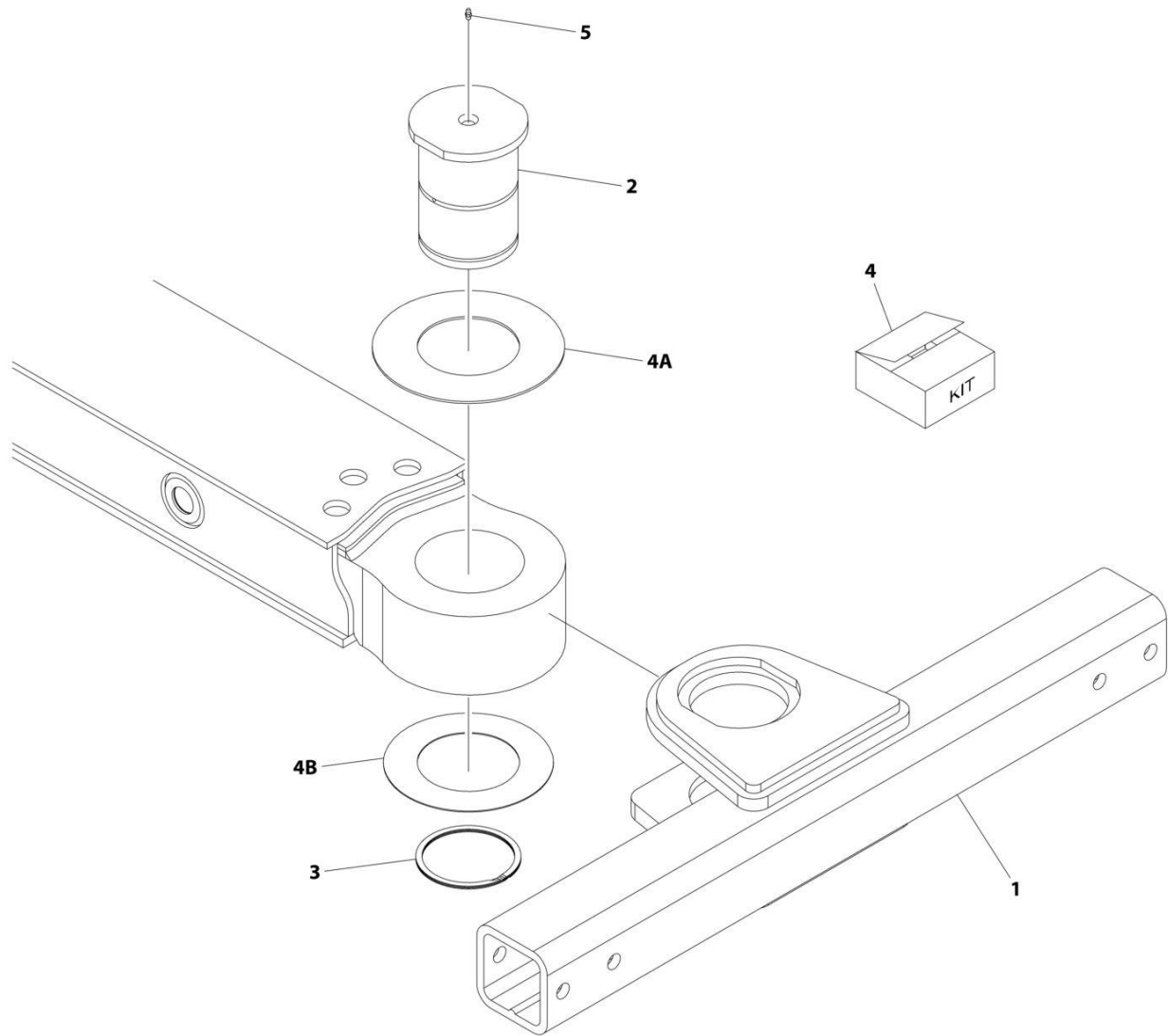
SECTION 3 - UNDERLIFT

FIGURE 3-8. CYLINDER ASSEMBLY - TILT

ITEM	PART NUMBER	QTY	DESCRIPTION	REV
	732000040	Ref	Underlift Lift Cylinder Assembly - 30,000/35,000 lbs	B
1	9796250071	1	Seal	
2	9754250043	1	Ring, Back-up	
3	9796250062	1	Seal, O-Ring	
4	9796250113	1	Seal	
5	9796250124	1	Seal, O-Ring	
6	9796250125	1	Seal, Wiper	
7	9796250117	1	Seal, O-Ring	
8	83304140	3	Ring, Wear	
9	9754250045	4	Ring, Wear	
10	7019892	1	Head	
11	7005314	1	Nut	
12	7005348	1	Grease Fitting	
13	7005365	1	Plug, Port (Not Shown)	
14	70021648	2	Plug, Port (Not Shown)	
15	70050216	1	Valve, Counterbalance	
16	9912250018	1	Assembly, Tube	
17	9763250022	1	Assembly, Rod	
18	9698250017	1	Piston	
19	7577250255	1	Kit, Seal	

SECTION 3 - UNDERLIFT

FIGURE 3-9. CROSSTUBE INSTALLATION



ART_2503880012

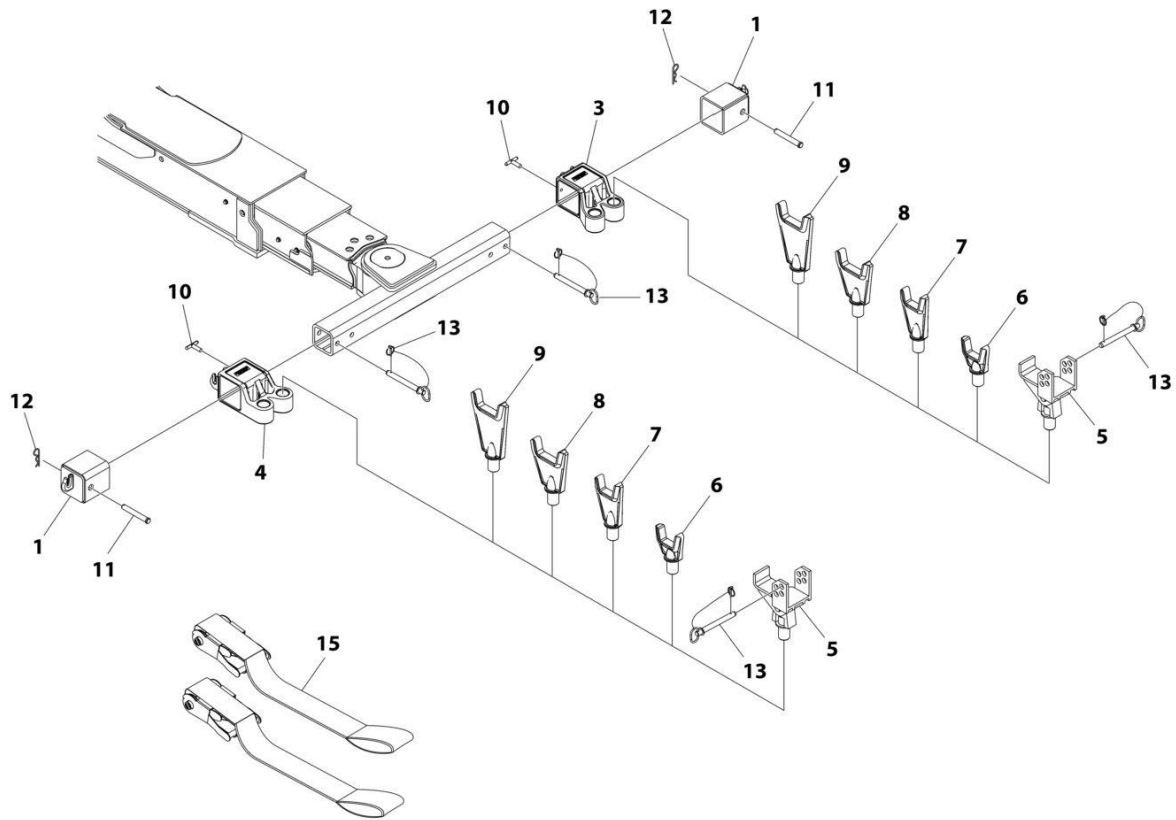
SECTION 3 - UNDERLIFT

FIGURE 3-9. CROSSTUBE INSTALLATION

ITEM	PART NUMBER	QTY	DESCRIPTION	REV
	2503880012	Ref	CROSSTUBE INSTALLATION	A
1	3913000094	1	Crosstube Weldment	
2	4691000242	1	Pin	
3	7754000042	1	Ring, Retaining	
4	3577000018	1	Shim Kit	
4A	4949000041	1	Washer 1/8	
4B	4949000042	1	Washer 1/16	
5	7440030000	1	Grease Fitting	

SECTION 3 - UNDERLIFT

FIGURE 3-10. FRAME FORKS INSTALLATION



ART_2503870011_H

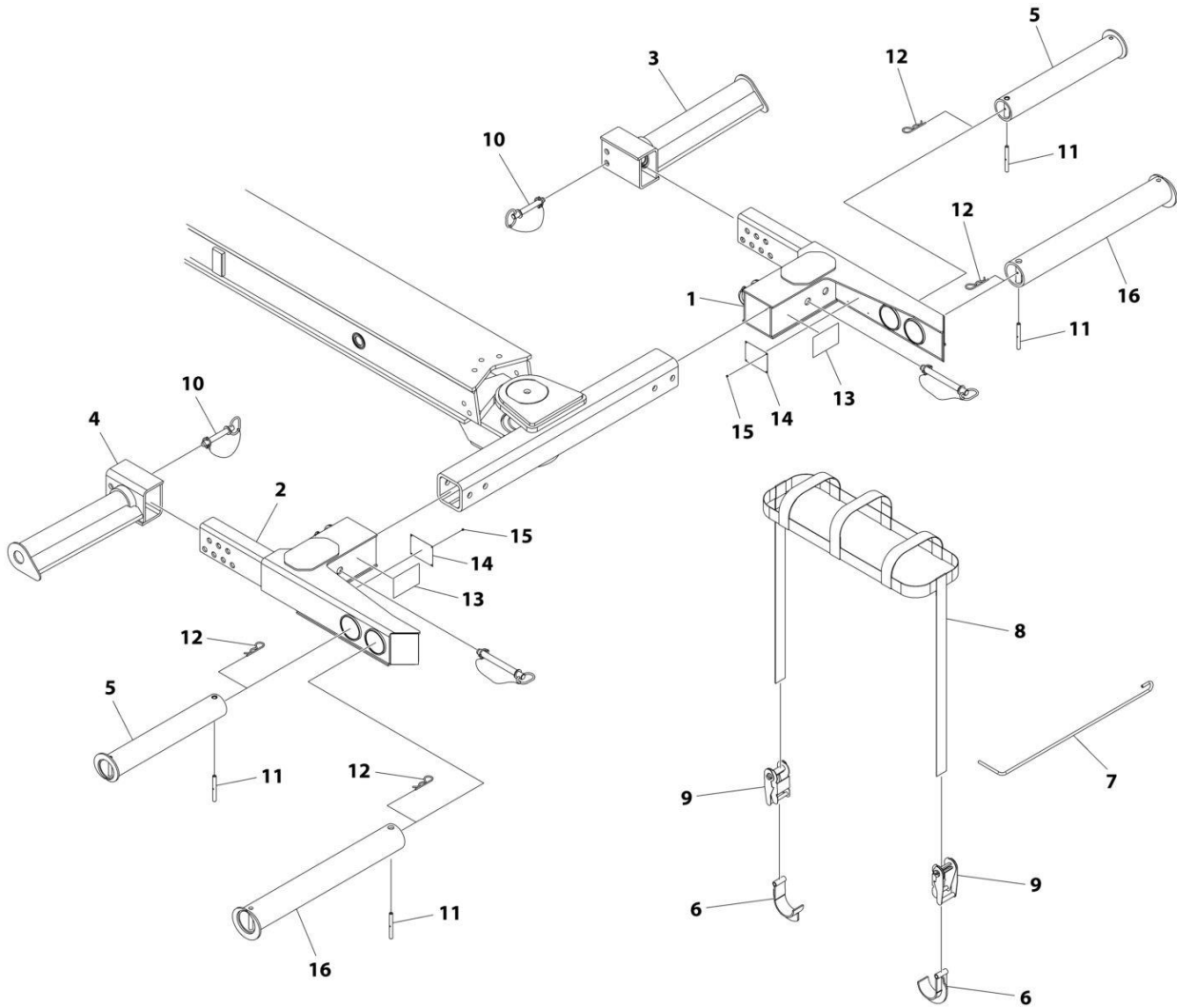
SECTION 3 - UNDERLIFT

FIGURE 3-10. FRAME FORKS INSTALLATION

ITEM	PART NUMBER	QTY	DESCRIPTION	REV
	2503870011	Ref	Frame Fork Installation	H
1	3007000004	2	Chain Hook Adapter	
3	7007000056	1	Frame Fork Adapter, RH	
4	7007000055	1	Frame Fork Adapter, LH	
5	3178000226	2	Spring Lift Bracket	
6	7454000006	2	Fork, Short	
7	7454000005	2	Fork, Medium	
8	7454000003	2	Fork, Medium	
9	7454000004	2	Fork, Long	
10	3551000036	2	T-Handle	
11	7691000022	2	Pin	
12	7691000020	2	Pin	
13	7691000021	4	Pin	
15	1001159568	1	Strap	

SECTION 3 - UNDERLIFT

FIGURE 3-11. GRID INSTALLATION - TIRE LIFT (14000LBS)



ART_2503880088

SECTION 3 - UNDERLIFT

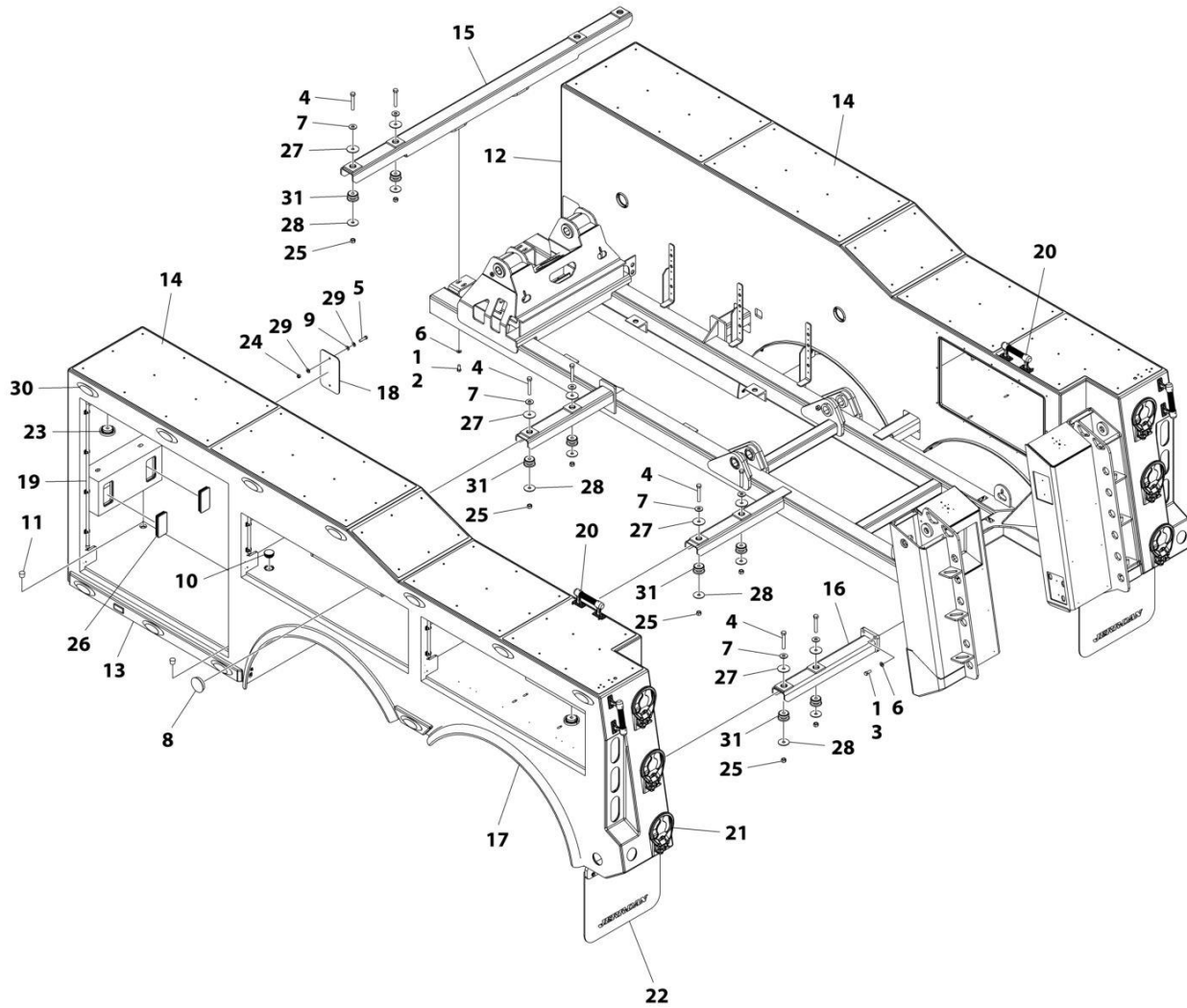
FIGURE 3-11. GRID INSTALLATION - TIRE LIFT (14000LBS)

ITEM	PART NUMBER	QTY	DESCRIPTION	REV
	2503880088	Ref	UNDERLIFT GRID TOOLS, 14000 LBS TIRE LIFT	C
1	3484000048	1	Tire Lift Grid, RH	
2	3484000049	1	Tire Lift Grid, LH	
3	3020000120	1	Tire Lift Arm Weldment, RH	
4	3020000119	1	Tire Lift Arm Weldment, LH	
5	3912000038	2	Tire Lift Tube Weldment	
6	3561000008	4	Hook	
7	4561000012	1	Pull Hook	
8	7894000037	2	Strap Assembly Heavy Duty	
9	7894000028	4	Ratchet Strap	
10	7691000026	2	Hitch Pin	
11	4691000274	4	Pin	
12	7691000020	4	Hairpin	
13	7330000278	2	Decal, Caution	
14	1001132268	2	Decal, Rating	
15	7759000004	8	Pop Rivet	
16	3912000033	2	Tire Lift Tube Weldment	

SECTION 4 - BODY

SECTION 4 - BODY

FIGURE 4-1. BODY INSTALLATION - TANDEM (SN 0230004275 through 0230006134)



ART_1001220340

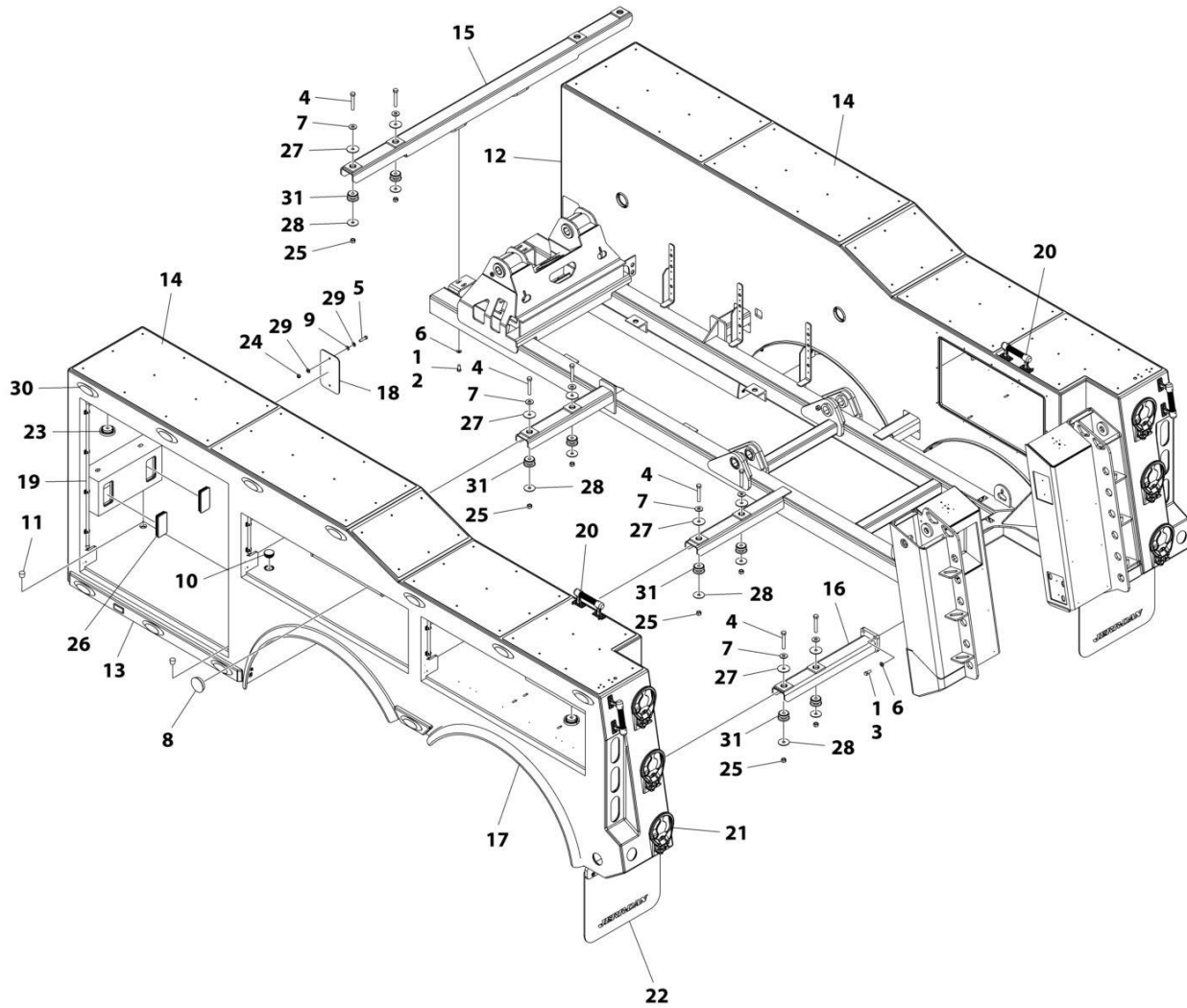
SECTION 4 - BODY

FIGURE 4-1. BODY INSTALLATION - TANDEM (SN 0230004275 through 0230006134)

ITEM	PART NUMBER	QTY	DESCRIPTION	REV
	1001220340	Ref	BODY INSTALLATION - TANDEM	B
1	0100011	AR	Compound, Locking	
2	0641809	4	Bolt 1/2 x 1-1/8	
3	0641810	6	Bolt 1/2 x 1-1/4	
4	0642032	16	Bolt 5/8 x 4	
5	1001168993	2	Bolt 3/8 x 1-1/2	
6	4711800	10	Washer 1/2	
7	4752000	16	Washer 5/8	
8	1001151789	3	Plug	
9	1001166974	2	Washer	
10	1001169078	4	Plug	
11	1001173847	4	Plug	
12	1001200919	1	Body, Tandem RH	
13	1001219798	1	Body, Tandem LH	
14	1001186842	1	Body Diamond Plate Installation (See Separate Breakdown in this Section)	
15	1001186935	1	Mount	
16	1001186968	2	Mount	
17	1001187182	1	Fender Flare Plate Installation (See Separate Breakdown in this Section)	
18	1001190557	1	Panel	
19	1001196522	1	Body Compartment Lights Installation (See Separate Breakdown in ELECTRICAL Section)	
20	1001196639	1	Grab Handles Installation (See Separate Breakdown in this Section)	
21	1001196666	1	Steps Installation (See Separate Breakdown in this Section)	
22	1001196790	1	Mudflaps Installation (See Separate Breakdown in this Section)	
23	1001196802	1	Lifting Lugs Installation (See Separate Breakdown in this Section)	
24	7660162601	2	Nut 3/8	
25	7660200001	16	Nut 5/8	
26	7701000048	4	Plug	
27	7949000019	16	Washer	
28	7949000020	16	Washer	
29	7950160143	4	Washer 3/8	
30	1001196592	1	Marker Lights Installation (See Separate Breakdown in ELECTRICAL Section)	
31	7636000008	16	Mount	

SECTION 4 - BODY

FIGURE 4-2. BODY INSTALLATION - TANDEM (SN 0230006135 to Present)



ART_1001235743

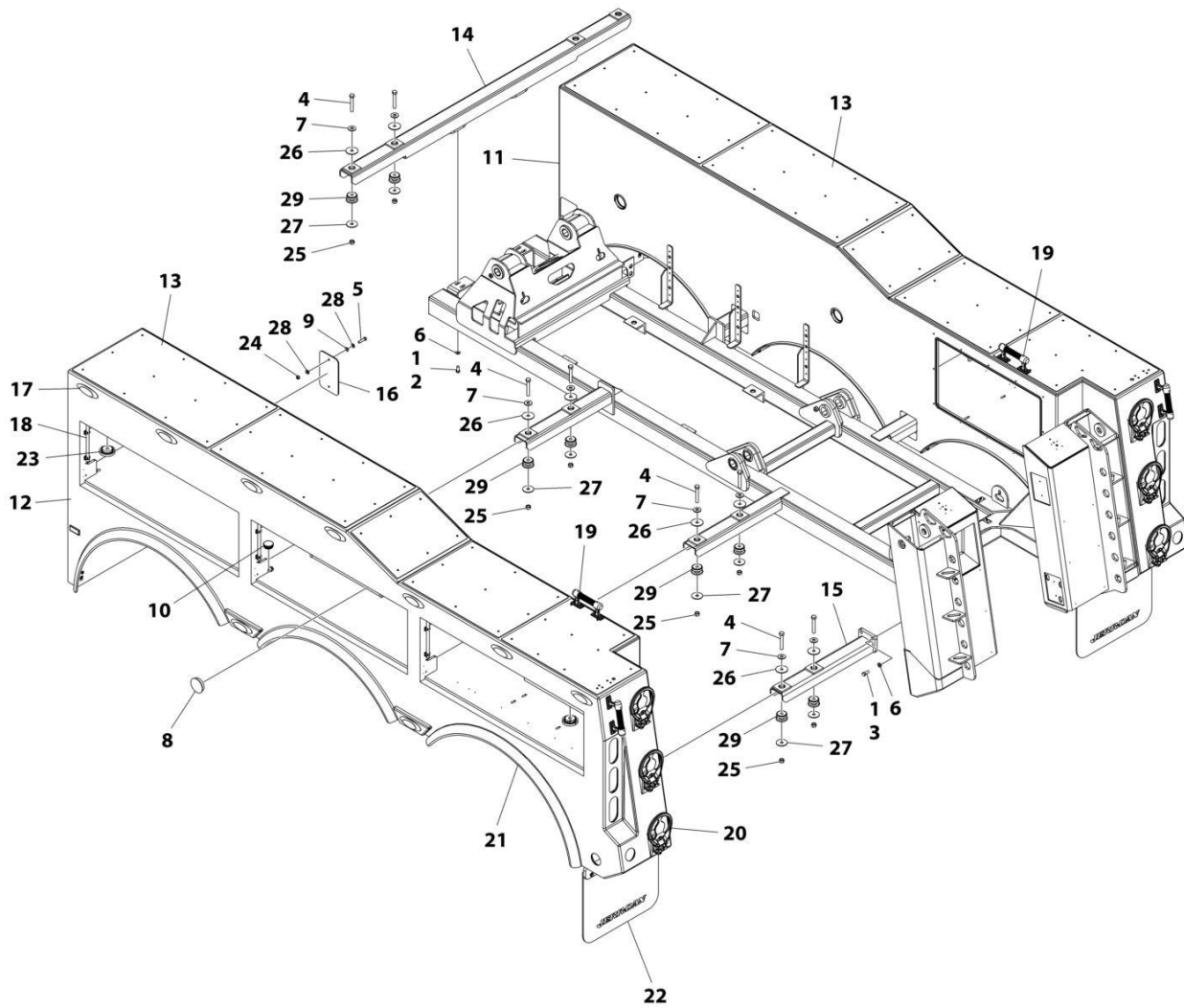
SECTION 4 - BODY

FIGURE 4-2. BODY INSTALLATION - TANDEM (SN 0230006135 to Present)

ITEM	PART NUMBER	QTY	DESCRIPTION	REV
	1001235743	Ref	BODY INSTALLATION - TANDEM	C
1	0100011	AR	Compound, Locking	
2	0641809	4	Bolt 1/2 x 1-1/8	
3	0641810	6	Bolt 1/2 x 1-1/4	
4	0642032	16	Bolt 5/8 x 4	
5	1001168993	2	Bolt 3/8 x 1-1/2	
6	4711800	10	Washer 1/2	
7	4752000	16	Washer 5/8	
8	1001151789	3	Plug	
9	1001166974	2	Washer	
10	1001169078	4	Plug	
11	1001173847	4	Plug	
12	1001235724	1	Body, Tandem RH	
13	1001219798	1	Body, Tandem LH	
14	1001186842	1	Body Diamond Plate Installation (See Separate Breakdown in this Section)	
15	1001186935	1	Mount	
16	1001186968	2	Mount	
17	1001187182	1	Fender Flare Plate Installation (See Separate Breakdown in this Section)	
18	1001190557	1	Panel	
19	1001196522	1	Body Compartment Lights Installation (See Separate Breakdown in ELECTRICAL Section)	
20	1001196639	1	Grab Handles Installation (See Separate Breakdown in this Section)	
21	1001196666	1	Steps Installation (See Separate Breakdown in this Section)	
22	1001196790	1	Mudflaps Installation (See Separate Breakdown in this Section)	
23	1001196802	1	Lifting Lugs Installation (See Separate Breakdown in this Section)	
24	7660162601	2	Nut 3/8	
25	7660200001	16	Nut 5/8	
26	7701000048	4	Plug	
27	7949000019	16	Washer	
28	7949000020	16	Washer	
29	7950160143	4	Washer 3/8	
30	1001196592	1	Marker Lights Installation (See Separate Breakdown in ELECTRICAL Section)	
31	7636000008	16	Mount	

SECTION 4 - BODY

FIGURE 4-3. BODY INSTALLATION - TRI-AXLE (SN 0230004275 through 0230006134)



ART_1001220342

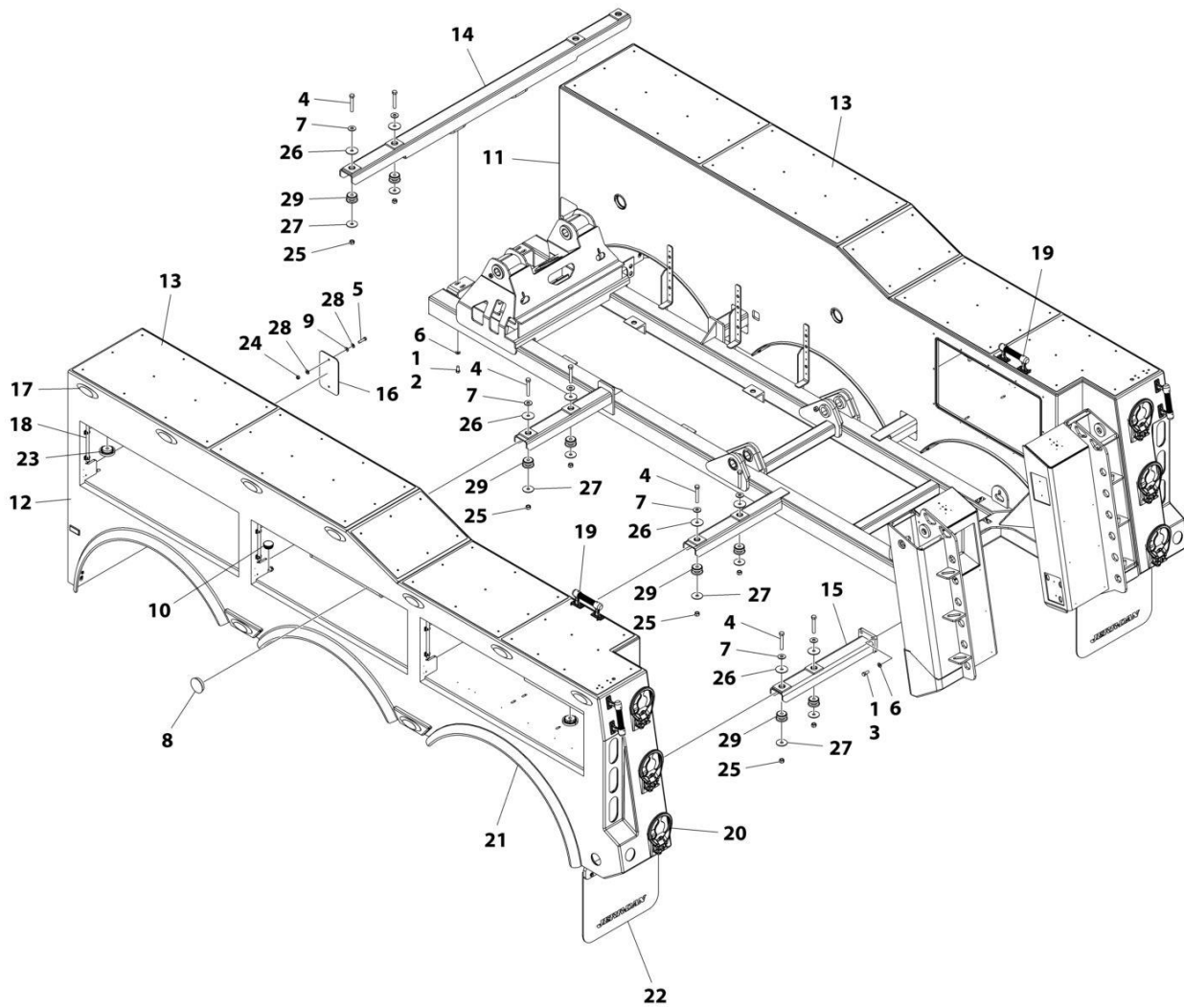
SECTION 4 - BODY

FIGURE 4-3. BODY INSTALLATION - TRI-AXLE (SN 0230004275 through 0230006134)

ITEM	PART NUMBER	QTY	DESCRIPTION	REV
	1001220342	Ref	BODY INSTALLATION - TRI-AXLE	B
1	0100011	AR	Compound, Locking	
2	0641809	4	Bolt 1/2 x 1-1/8	
3	0641810	6	Bolt 1/2 x 1-1/4	
4	0642032	16	Bolt 5/8 x 4	
5	1001168993	2	Bolt 3/8 x 1-1/2	
6	4711800	10	Washer 1/2	
7	4752000	16	Washer 5/8	
8	1001151789	3	Plug	
9	1001166974	2	Washer	
10	1001169078	4	Plug	
11	1001200921	1	Body, Tandem RH	
12	1001219799	1	Body, Tandem LH	
13	1001186842	1	Body Diamond Plate Installation (See Separate Breakdown in this Section)	
14	1001186935	1	Mount	
15	1001186968	2	Mount	
16	1001190557	1	Panel	
17	1001196523	1	Body Compartment Lights Installation (See Separate Breakdown in ELECTRICAL Section)	
18	1001196594	1	Marker Lights Installation (See Separate Breakdown in ELECTRICAL Section)	
19	1001196639	1	Grab Handles Installation (See Separate Breakdown in this Section)	
20	1001196666	1	Steps Installation (See Separate Breakdown in this Section)	
21	1001196730	1	Fender Flare Plate Installation (See Separate Breakdown in this Section)	
22	1001196790	1	Mudflaps Installation (See Separate Breakdown in this Section)	
23	1001196802	1	Lifting Lugs Installation (See Separate Breakdown in this Section)	
24	7660162601	2	Nut 3/8	
25	7660200001	16	Nut 5/8	
26	7949000019	16	Washer	
27	7949000020	16	Washer	
28	7950160143	4	Washer 3/8	
29	7636000008	16	Mount	

SECTION 4 - BODY

FIGURE 4-4. BODY INSTALLATION - TRI-AXLE (SN 0230006135 to Present)



ART_1001235744

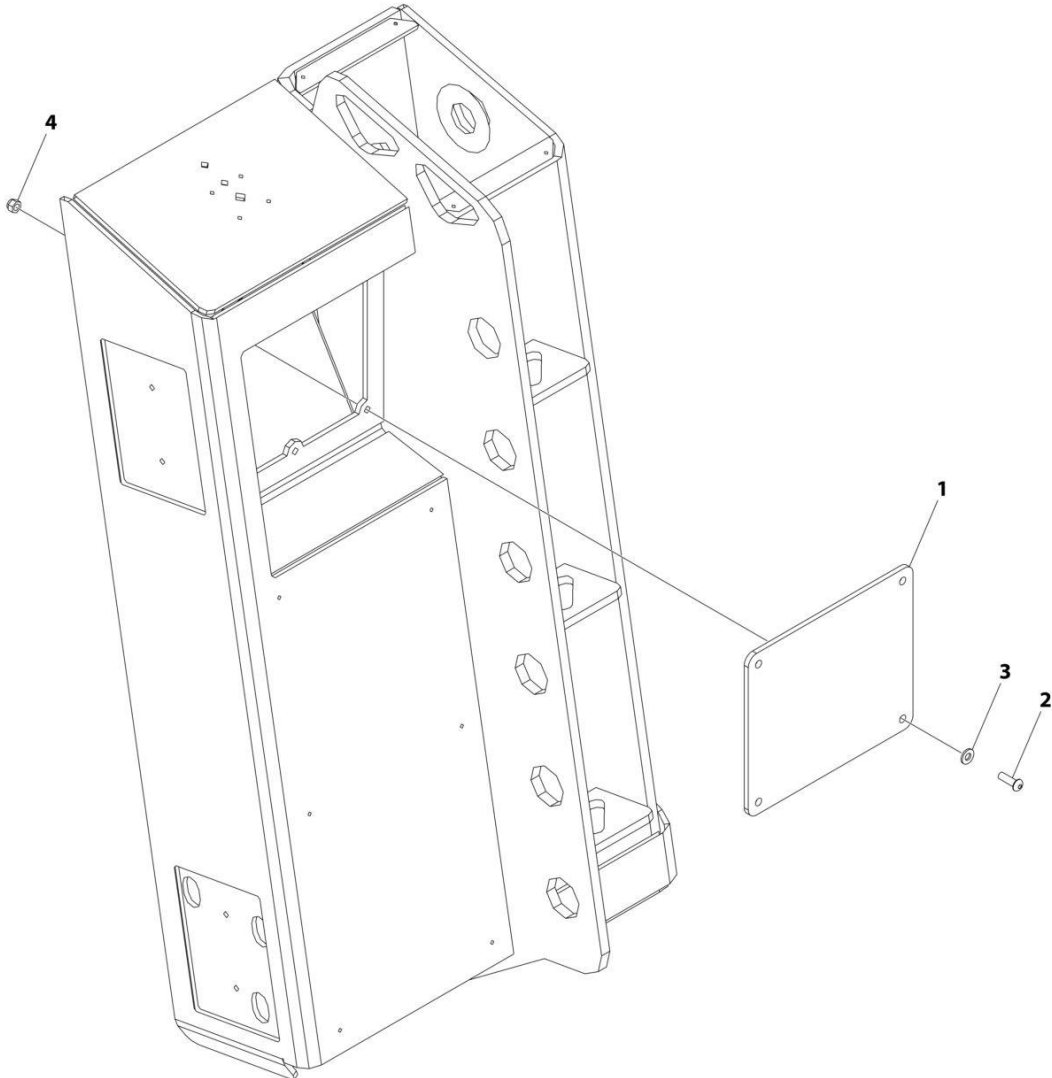
SECTION 4 - BODY

FIGURE 4-4. BODY INSTALLATION - TRI-AXLE (SN 0230006135 to Present)

ITEM	PART NUMBER	QTY	DESCRIPTION	REV
	1001235744	Ref	BODY INSTALLATION - TRI-AXLE	B
1	0100011	AR	Compound, Locking	
2	0641809	4	Bolt 1/2 x 1-1/8	
3	0641810	6	Bolt 1/2 x 1-1/4	
4	0642032	16	Bolt 5/8 x 4	
5	1001168993	2	Bolt 3/8 x 1-1/2	
6	4711800	10	Washer 1/2	
7	4752000	16	Washer 5/8	
8	1001151789	3	Plug	
9	1001166974	2	Washer	
10	1001169078	4	Plug	
11	1001235730	1	Body, Tandem RH	
12	1001219799	1	Body, Tandem LH	
13	1001186842	1	Body Diamond Plate Installation (See Separate Breakdown in this Section)	
14	1001186935	1	Mount	
15	1001186968	2	Mount	
16	1001190557	1	Panel	
17	1001196523	1	Body Compartment Lights Installation (See Separate Breakdown in ELECTRICAL Section)	
18	1001196594	1	Marker Lights Installation (See Separate Breakdown in ELECTRICAL Section)	
19	1001196639	1	Grab Handles Installation (See Separate Breakdown in this Section)	
20	1001196666	1	Steps Installation (See Separate Breakdown in this Section)	
21	1001196730	1	Fender Flare Plate Installation (See Separate Breakdown in this Section)	
22	1001196790	1	Mudflaps Installation (See Separate Breakdown in this Section)	
23	1001196802	1	Lifting Lugs Installation (See Separate Breakdown in this Section)	
24	7660162601	2	Nut 3/8	
25	7660200001	16	Nut 5/8	
26	7949000019	16	Washer	
27	7949000020	16	Washer	
28	7950160143	4	Washer 3/8	
29	7636000008	16	Mount	

SECTION 4 - BODY

FIGURE 4-5. COVER INSTALLATION (WITHOUT CAMERA)



ART_1001134265

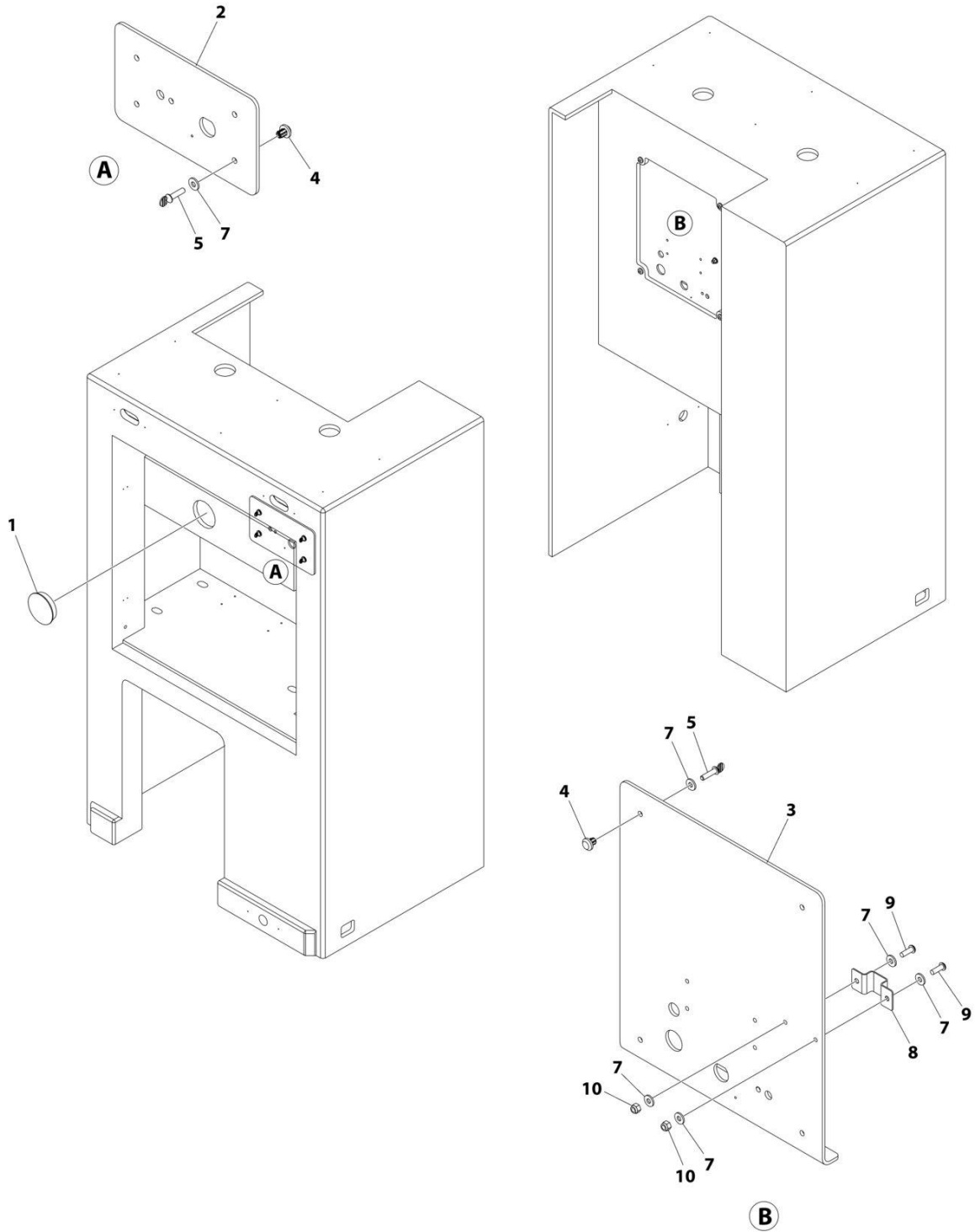
SECTION 4 - BODY

FIGURE 4-5. COVER INSTALLATION (WITHOUT CAMERA)

ITEM	PART NUMBER	QTY	DESCRIPTION	REV
	1001134265	Ref	COVER INSTALLATION (WITHOUT CAMERA), A.1 (De	A
1	1001134266	1	Plate	
2	7114150818	4	Capscrew 5/16 x 1	
3	7950150143	4	Washer 5/16	
4	7660152604	4	Nut 5/16	

SECTION 4 - BODY

FIGURE 4-6. COVER PLATE INSTALLATION - SRS TOOLBOX



ART_1001199098

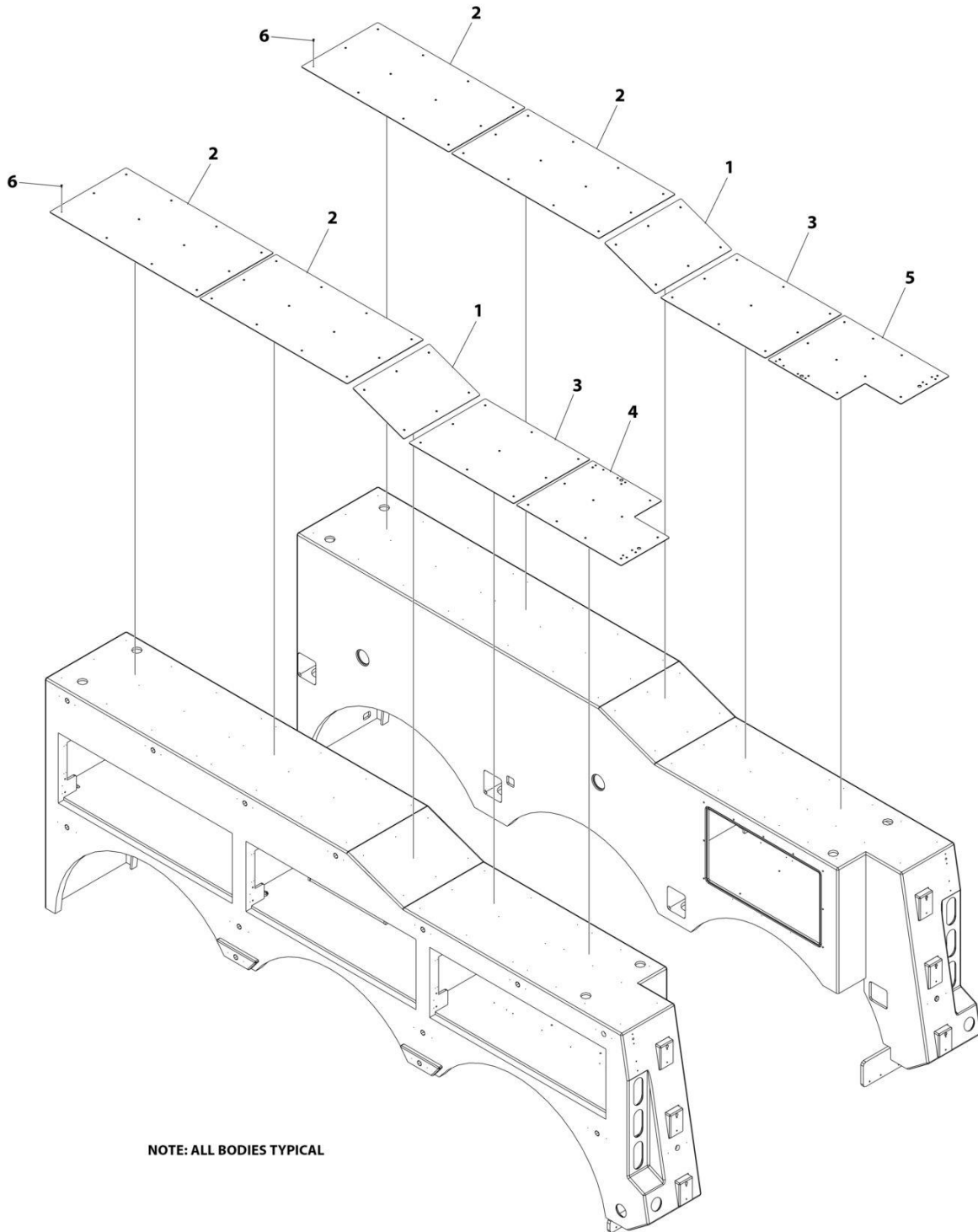
SECTION 4 - BODY

FIGURE 4-6. COVER PLATE INSTALLATION - SRS TOOLBOX

ITEM	PART NUMBER	QTY	DESCRIPTION	REV
	1001199098	Ref	COVER PLATE INSTALLATION	C
1	1001151789	1	Plug	
2	1001189750	1	LH Plate	
3	1001189751	1	RH Plate	
4	1001199082	8	Nut 1/4	
5	1001214908	8	Screw	
7	7950140143	12	Washer 1/4	
8	1001214900	1	Bracket	
9	7114140618	2	Screw 1/4 x 3/4	
10	7660142604	2	Nut 1/4	

SECTION 4 - BODY

FIGURE 4-7. DIAMOND PLATE INSTALLATION



NOTE: ALL BODIES TYPICAL

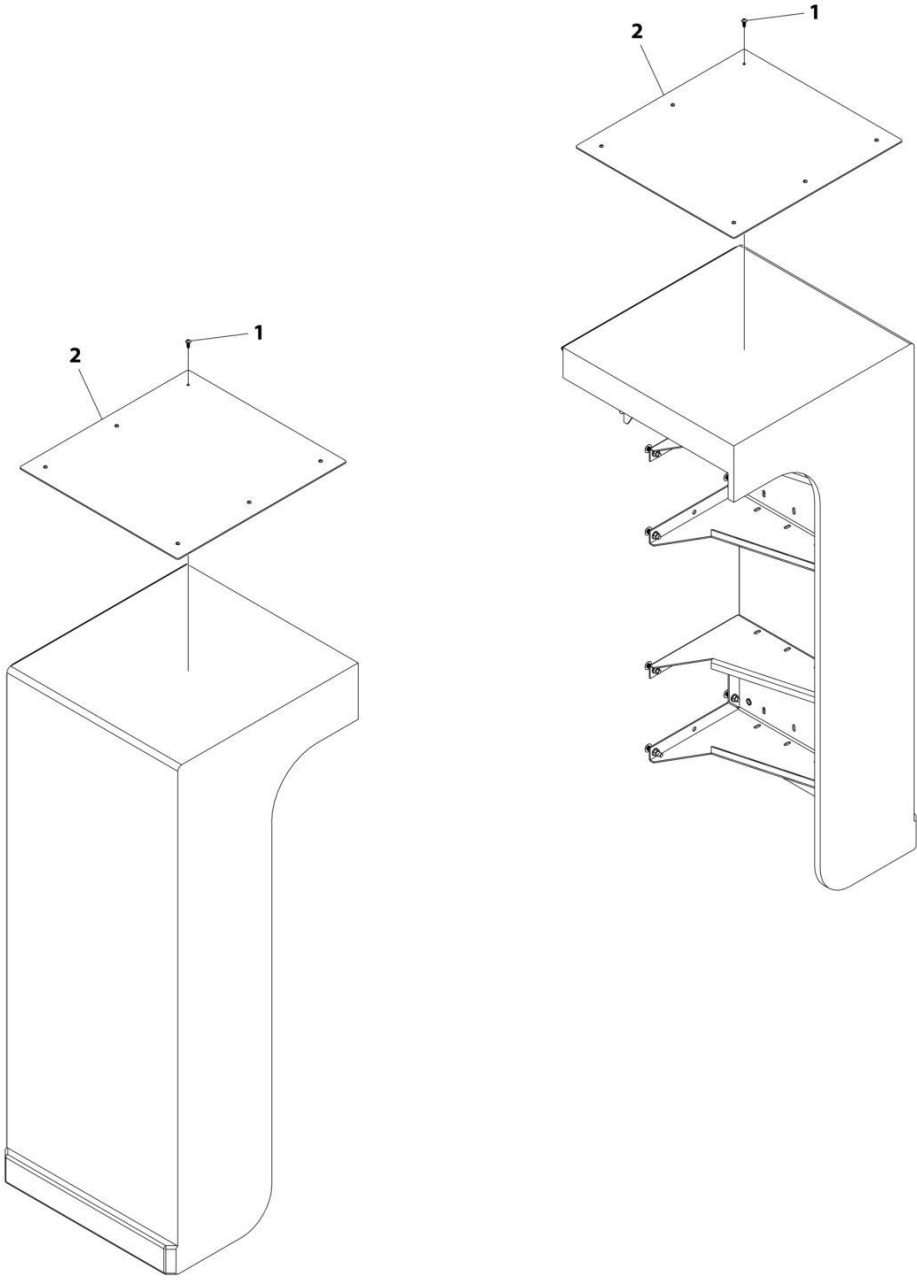
ART_1001186842

FIGURE 4-7. DIAMOND PLATE INSTALLATION

ITEM	PART NUMBER	QTY	DESCRIPTION	REV
	1001186842	Ref	DIAMOND PLATE INSTALLATION	C
1	1001186725	2	Plate	
2	1001186726	4	Plate	
3	1001186727	2	Plate	
4	1001186728	1	Plate	
5	1001186835	1	Plate	
6	1001192958	100	Screw #10 x 1/2	

SECTION 4 - BODY

FIGURE 4-8. DIAMOND PLATE INSTALLATION - FILLER PANEL



ART_1001245742

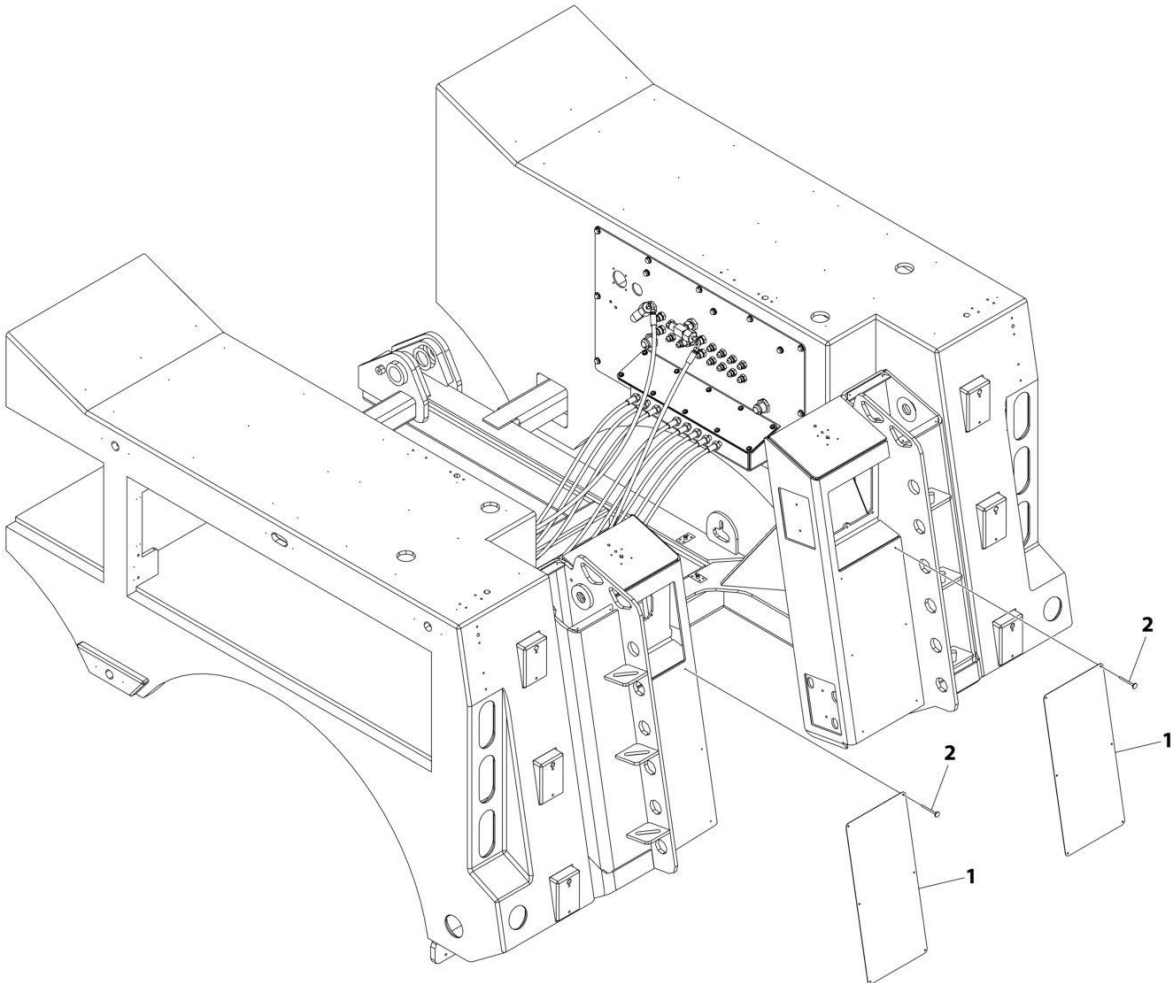
SECTION 4 - BODY

FIGURE 4-8. DIAMOND PLATE INSTALLATION - FILLER PANEL

ITEM	PART NUMBER	QTY	DESCRIPTION	REV
	1001245742	Ref	DIAMOND PLATE INSTALLATION (TOP OF 24IN FILLER BOX)	A
1	1001192958	12	Screw #10 x 1/2	
2	1001245740	2	Plate	

SECTION 4 - BODY

FIGURE 4-9. DIAMOND PLATE INSTALLATION - REAR



ART_2503700052

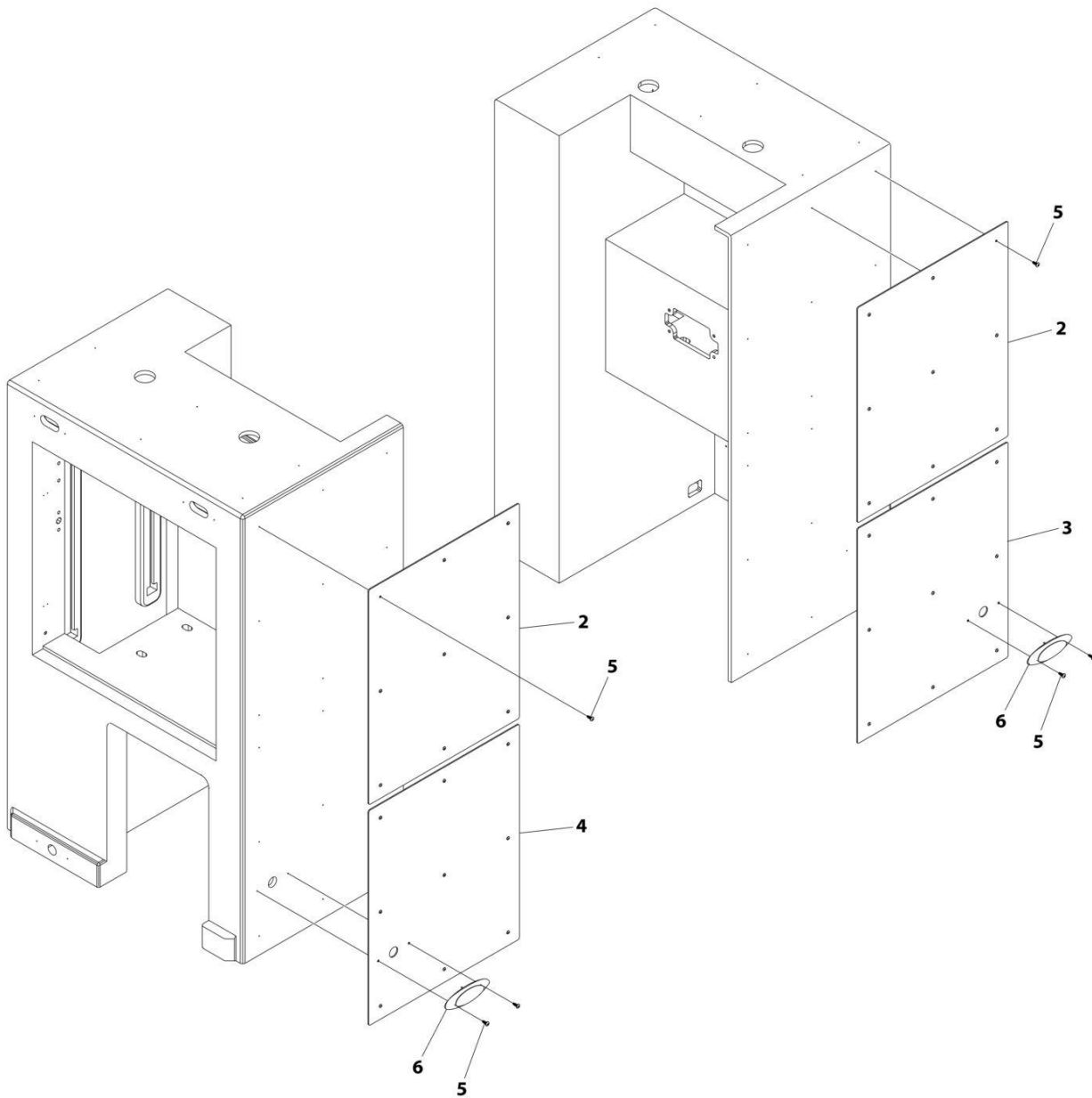
SECTION 4 - BODY

FIGURE 4-9. DIAMOND PLATE INSTALLATION - REAR

ITEM	PART NUMBER	QTY	DESCRIPTION	REV
	2503700052	Ref	DIAMOND PLATE INSTALLATION - REAR	B
1	4706002491	2	Plate	
2	7759000018	12	Rivet	

SECTION 4 - BODY

FIGURE 4-10. DIAMOND PLATE INSTALLATION - SRS



ART_1001199405

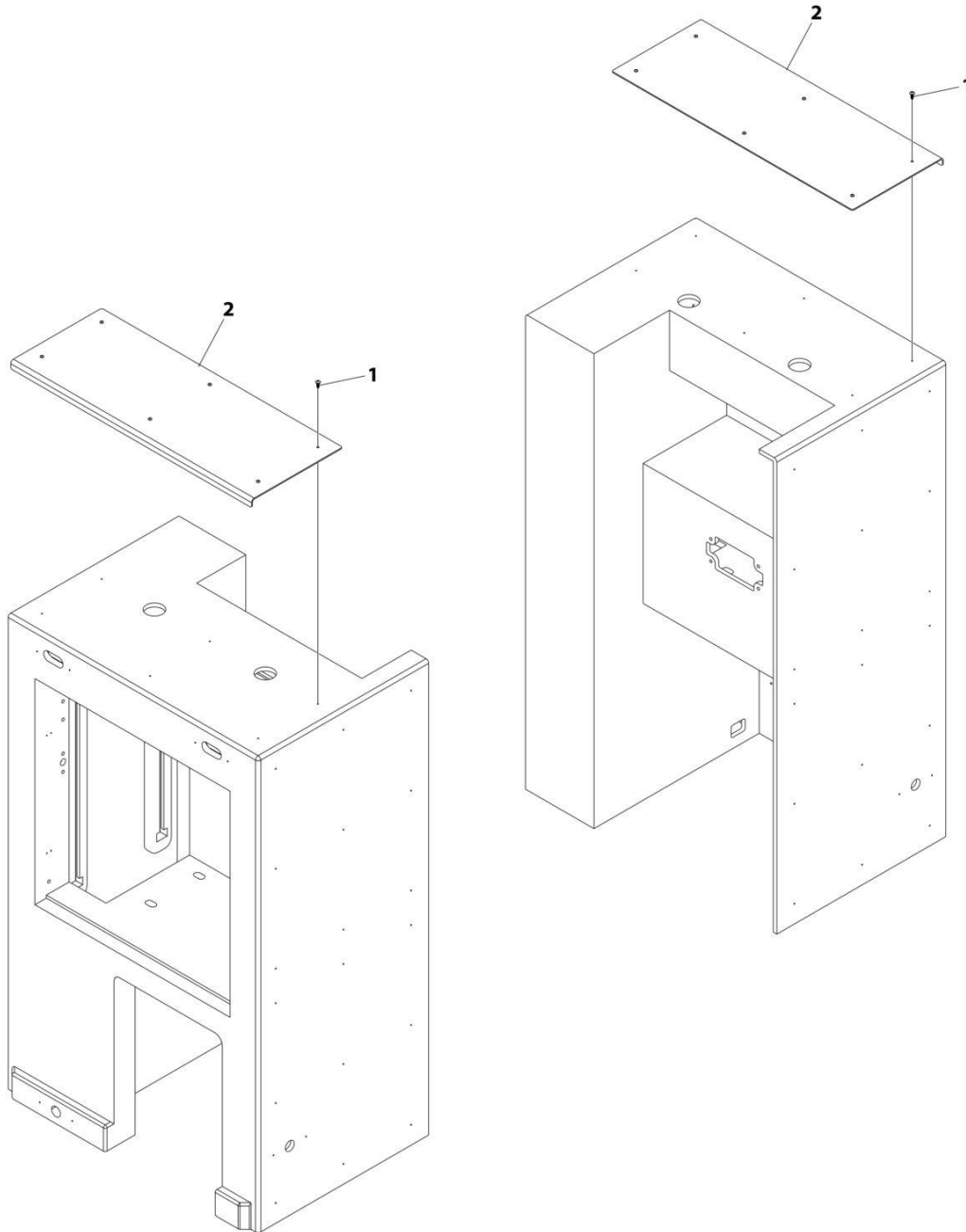
SECTION 4 - BODY

FIGURE 4-10. DIAMOND PLATE INSTALLATION - SRS

ITEM	PART NUMBER	QTY	DESCRIPTION	REV
	1001199405	Ref	DIAMOND PLATE INSTALLATION WITH MARKER	D
2	1001189507	2	SRS Box Front	
3	1001189508	1	SRS Box LH	
4	1001189510	1	SRS Box RH	
5	1001192958	40	Screw #10 x 1/2	
6	7590000358	2	Light	

SECTION 4 - BODY

FIGURE 4-11. DIAMOND PLATE INSTALLATION - SRS TOOLBOX



ART_1001258511

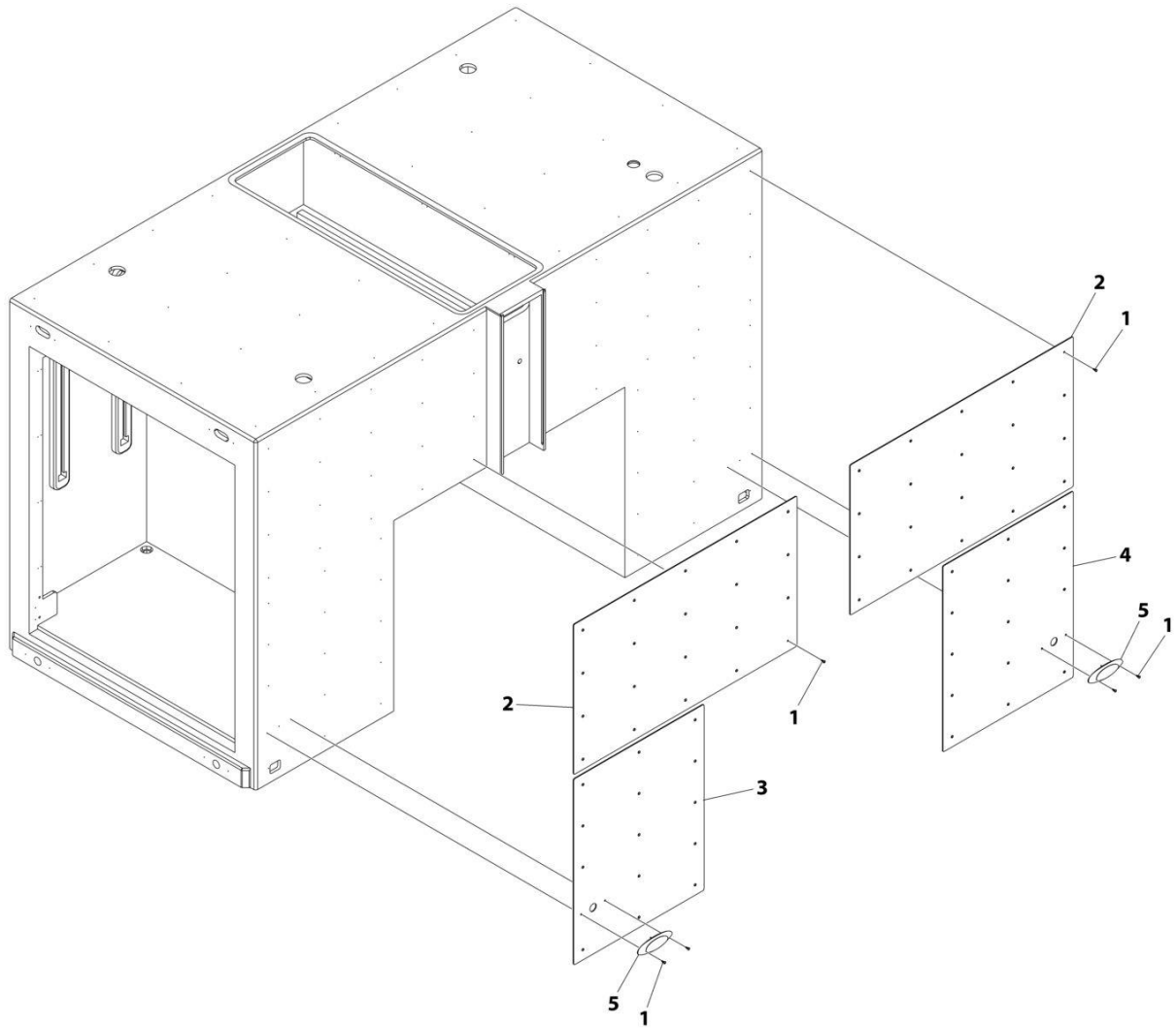
SECTION 4 - BODY

FIGURE 4-11. DIAMOND PLATE INSTALLATION - SRS TOOLBOX

ITEM	PART NUMBER	QTY	DESCRIPTION	REV
	1001258511	Ref	DIAMOND PLATE INSTALLATION (TOP)	A
1	1001192958	12	Screw #10 x 1/2	
2	1001258518	2	Plate	

SECTION 4 - BODY

FIGURE 4-12. DIAMOND PLATE INSTALLATION - TUNNEL FRONT WITH CWT



ART_1001219747

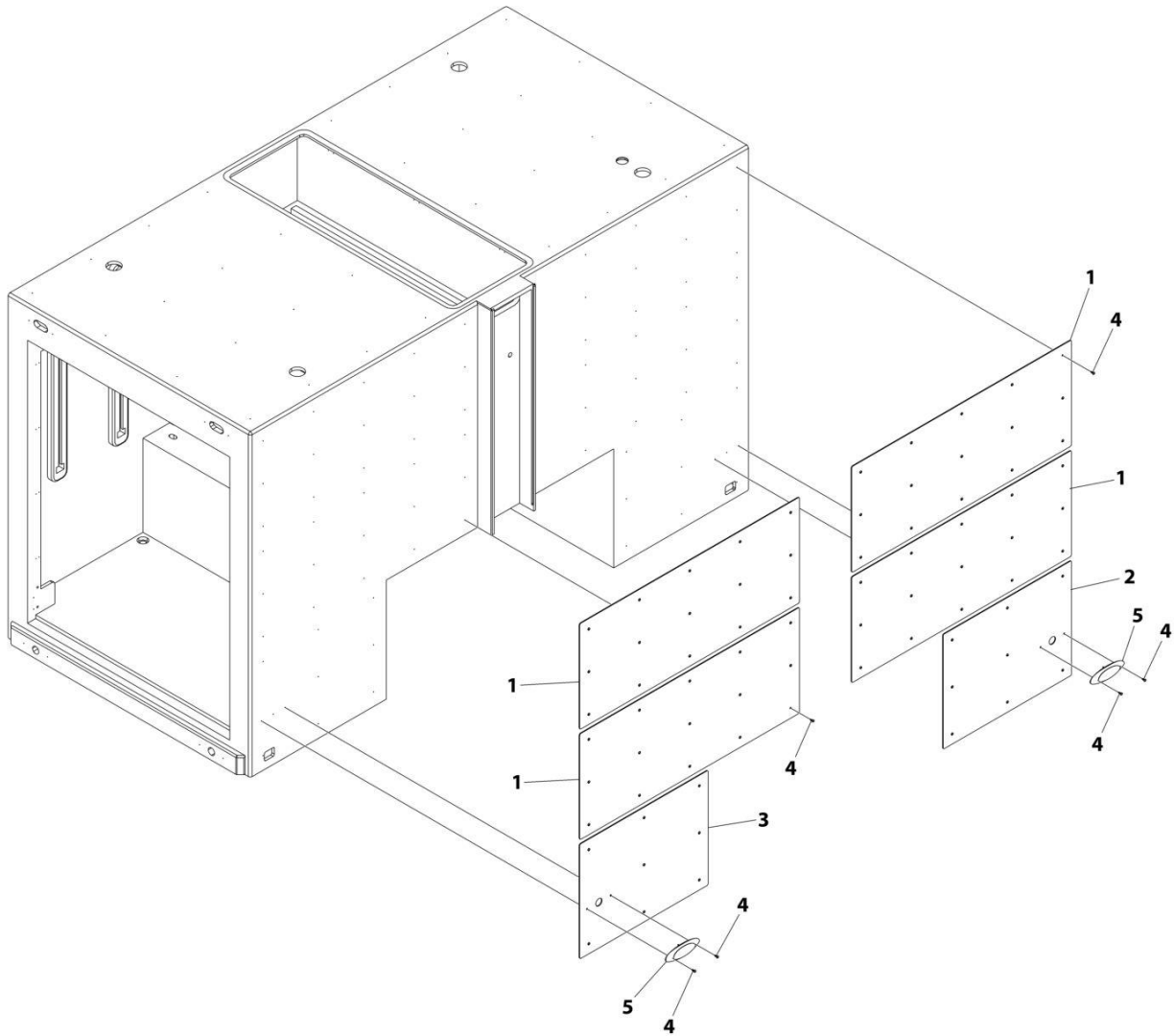
SECTION 4 - BODY

FIGURE 4-12. DIAMOND PLATE INSTALLATION - TUNNEL FRONT WITH CWT

ITEM	PART NUMBER	QTY	DESCRIPTION	REV
	1001219747	Ref	DIAMOND PLATE INSTALLATION - CWT TUNNEL FRONT (WITH MARKER LIGHT)	C
1	1001192958	72	Screw #10 x 1/2	
2	1001219748	2	Plate	
3	1001219749	1	Plate	
4	1001219750	1	Plate	
5	7590000358	2	Light, Amber	

SECTION 4 - BODY

FIGURE 4-13. DIAMOND PLATE INSTALLATION - TUNNEL FRONT WITHOUT CWT



ART_1001196586

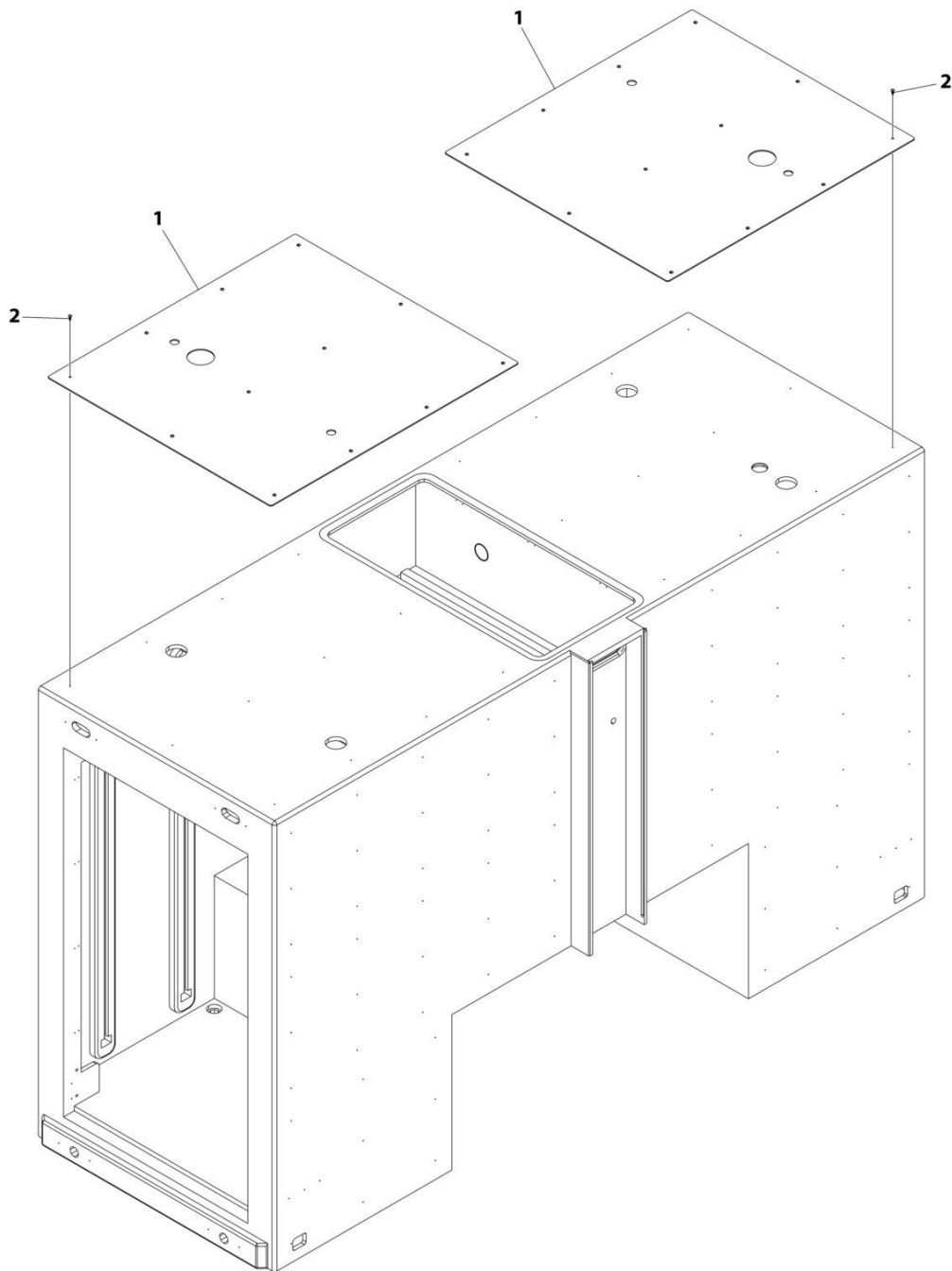
SECTION 4 - BODY

FIGURE 4-13. DIAMOND PLATE INSTALLATION - TUNNEL FRONT WITHOUT CWT

ITEM	PART NUMBER	QTY	DESCRIPTION	REV
	1001196586	Ref	DIAMOND PLATE INSTALLATION - TUNNEL FRONT (WITH MARKER LIGHT)	E
1	1001188156	4	Plate	
2	1001188157	1	Plate	
3	1001188158	1	Plate	
4	1001192958	80	Screw #10 x 1/2	
5	7590000358	2	Light, Amber	

SECTION 4 - BODY

FIGURE 4-14. DIAMOND PLATE INSTALLATION - TUNNEL TOP WITH PYLON (39IN TUNNEL)



ART_1001214328

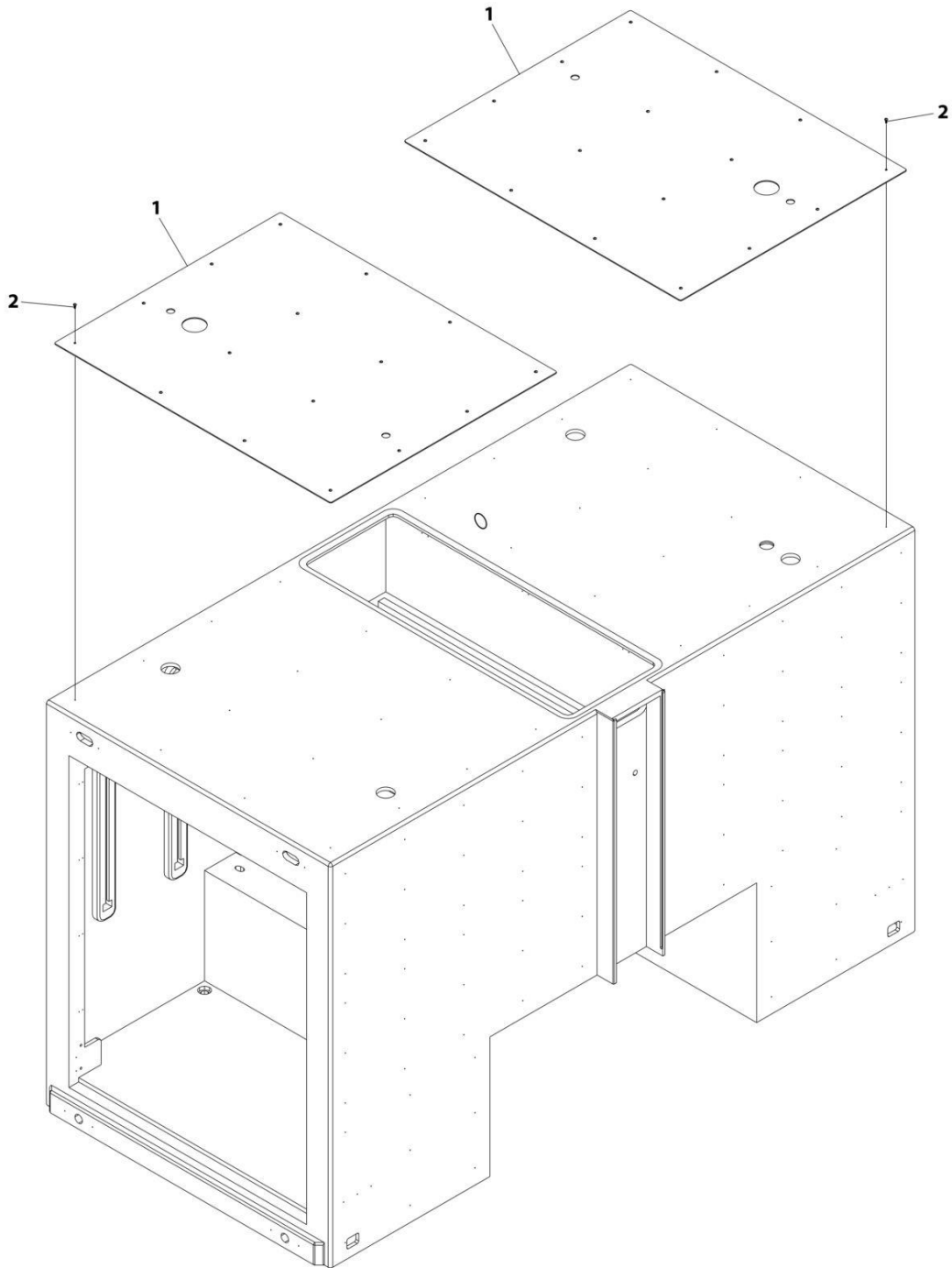
SECTION 4 - BODY

FIGURE 4-14. DIAMOND PLATE INSTALLATION - TUNNEL TOP WITH PYLON (39IN TUNNEL)

ITEM	PART NUMBER	QTY	DESCRIPTION	REV
	1001214328	Ref	DIAMOND PLATE INSTALLATION - TUNNEL TOP (39IN) (WITH PYLON)	B
1	1001214330	2	Plate	
2	1001192958	24	Screw #10 x 1/2	

SECTION 4 - BODY

FIGURE 4-15. DIAMOND PLATE INSTALLATION - TUNNEL TOP WITH PYLON (51IN TUNNEL)



ART_1001214327

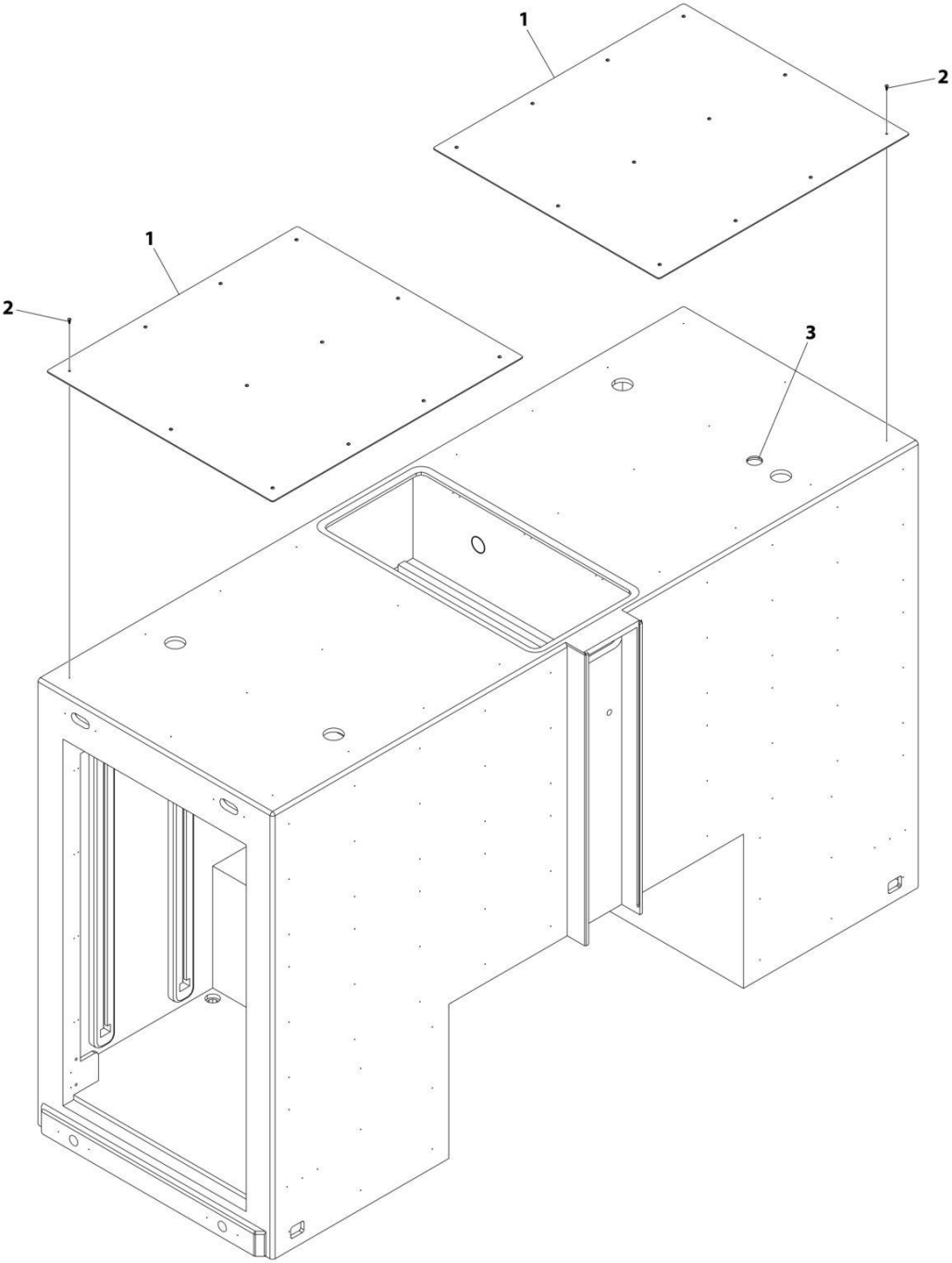
SECTION 4 - BODY

FIGURE 4-15. DIAMOND PLATE INSTALLATION - TUNNEL TOP WITH PYLON (51IN TUNNEL)

ITEM	PART NUMBER	QTY	DESCRIPTION	REV
	1001214327	Ref	DIAMOND PLATE INSTALLATION - TUNNEL TOP (51IN) (WITH PYLON)	B
1	1001214329	2	Plate	
2	1001192958	32	Screw #10 x 1/2	

SECTION 4 - BODY

FIGURE 4-16. DIAMOND PLATE INSTALLATION - TUNNEL TOP WITHOUT PYLON (39IN TUNNEL)



ART_1001186994

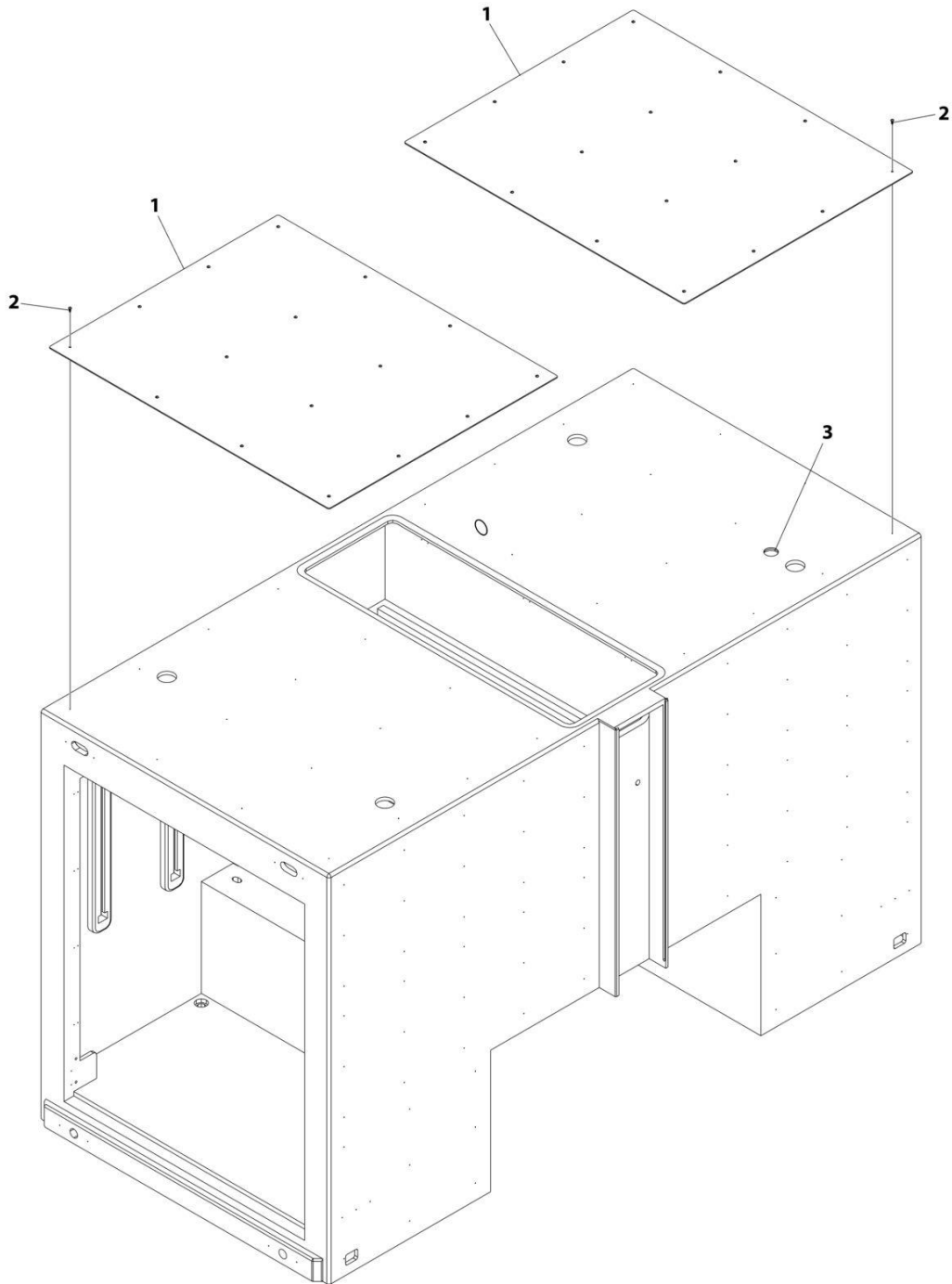
SECTION 4 - BODY

FIGURE 4-16. DIAMOND PLATE INSTALLATION - TUNNEL TOP WITHOUT PYLON (39IN TUNNEL)

ITEM	PART NUMBER	QTY	DESCRIPTION	REV
	1001186994	Ref	DIAMOND PLATE INSTALLATION - TUNNEL TOP (39IN) (WITHOUT PYLON)	C
1	1001186993	2	Plate	
2	1001192958	24	Screw #10 x 1/2	
3	8798820001	AR	Sealant	

SECTION 4 - BODY

FIGURE 4-17. DIAMOND PLATE INSTALLATION - TUNNEL TOP WITHOUT PYLON (51IN TUNNEL)



ART_1001187001

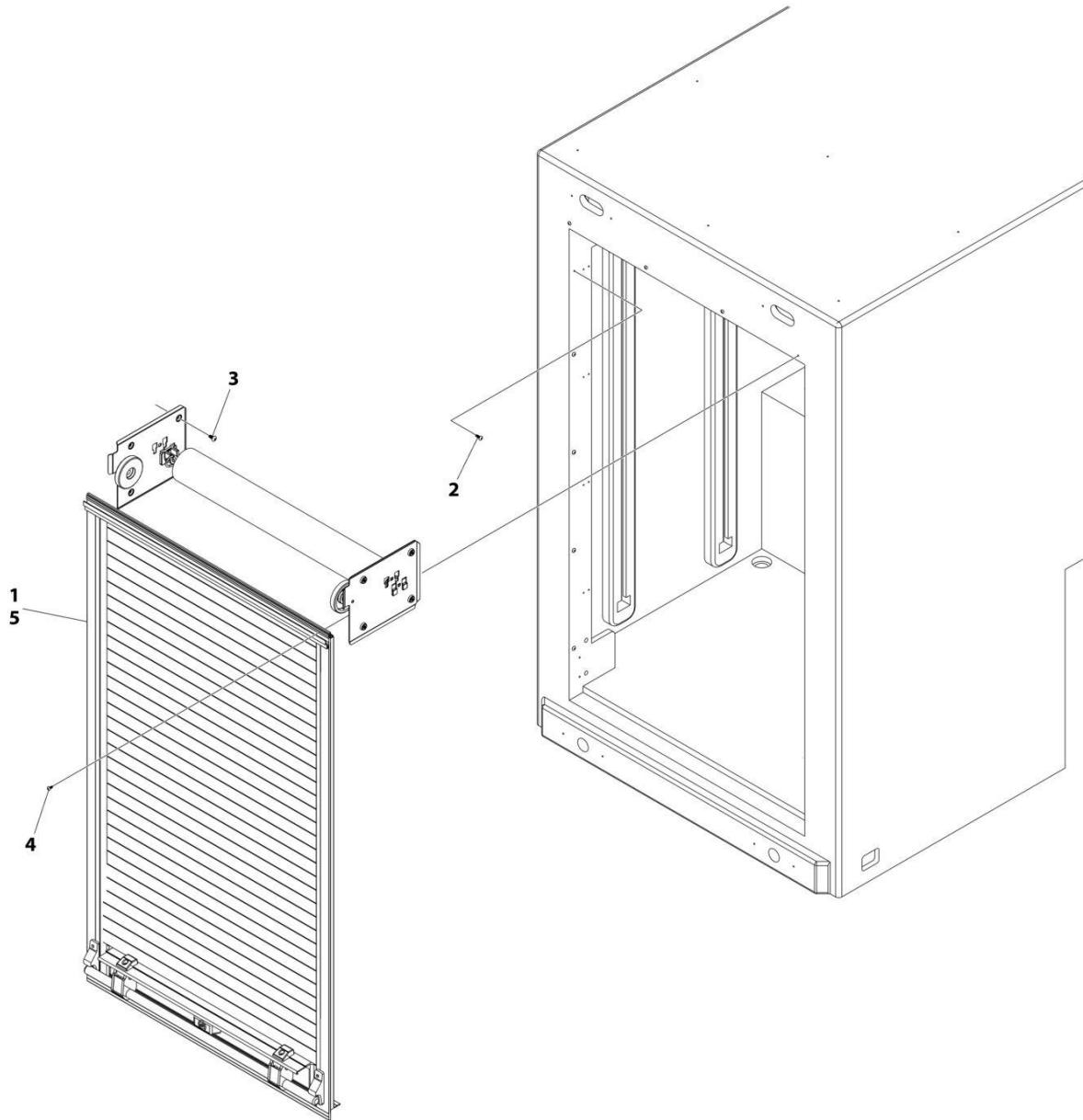
SECTION 4 - BODY

FIGURE 4-17. DIAMOND PLATE INSTALLATION - TUNNEL TOP WITHOUT PYLON (51IN TUNNEL)

ITEM	PART NUMBER	QTY	DESCRIPTION	REV
	1001187001	Ref	DIAMOND PLATE INSTALLATION - TUNNEL TOP (51IN) (WITHOUT PYLON)	C
1	1001187000	2	Plate	
2	1001192958	32	Screw #10 x 1/2	
3	8798820001	AR	Sealant	

SECTION 4 - BODY

FIGURE 4-18. DOORS INSTALLATION - 37IN TUNNEL (PAINTED DOOR & FRAME) (SN 0230004275 through 0230008673, Excluding 0230008645)



ART_1001208342

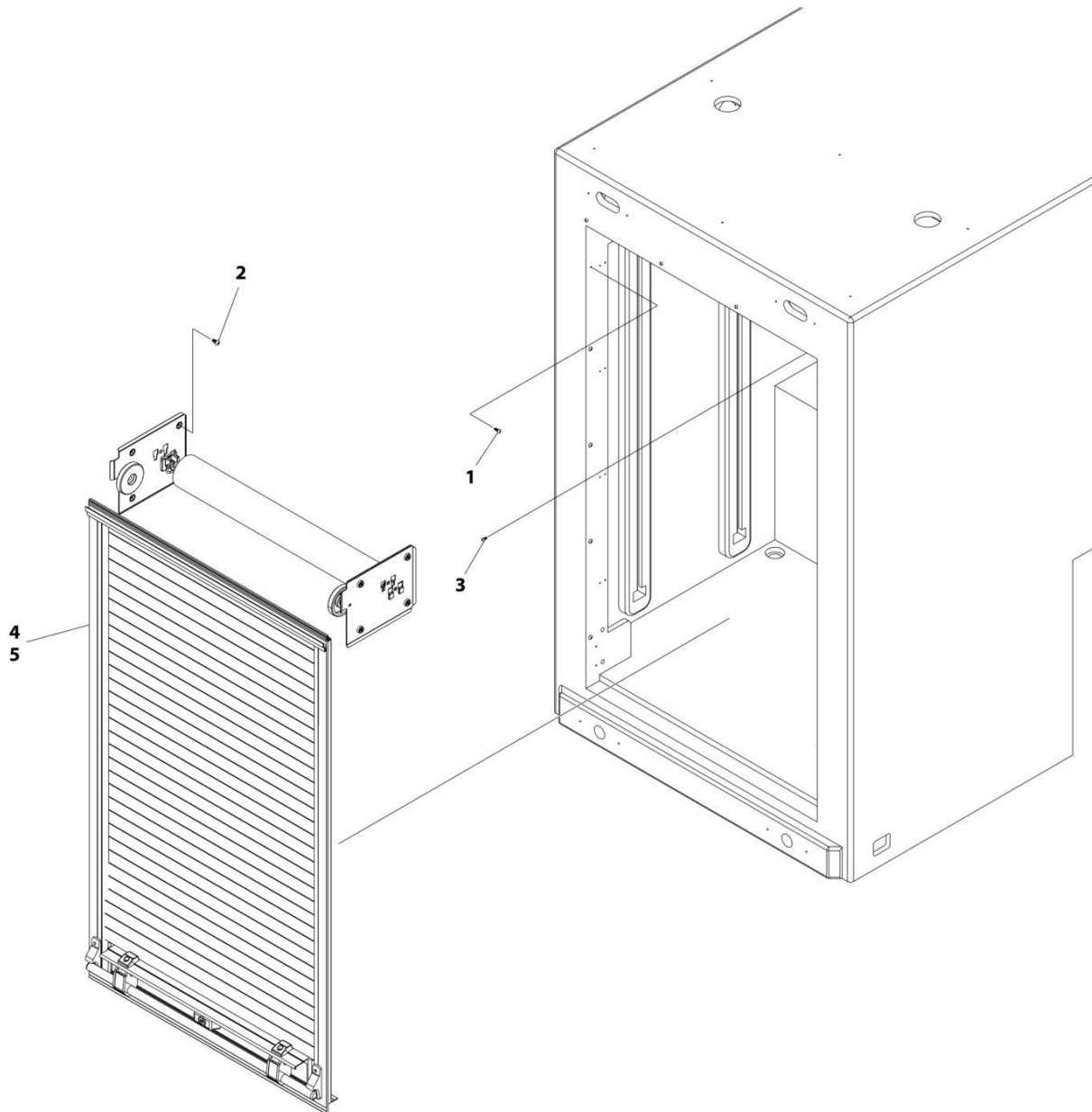
SECTION 4 - BODY

FIGURE 4-18. DOORS INSTALLATION - 37IN TUNNEL (PAINTED DOOR & FRAME) (SN 0230004275 through 0230008673, Excluding 0230008645)

ITEM	PART NUMBER	QTY	DESCRIPTION	REV
	1001208342	Ref	DOORS AND FRAME INSTALLATION - 37IN TUNNEL (PAINTED)	A
	1001197568	Ref	Door Installation, 36IN	B
1	1001186986	2	Door	
2	1001192958	20	Screw #10 x 1/2	
3	1001195257	16	Screw 1/4 x 1/2	
4	1001198602	8	Screw #8 x 3/8	
5	8798820001	AR	Sealant	

SECTION 4 - BODY

FIGURE 4-19. DOORS INSTALLATION - 37IN TUNNEL (PAINTED DOOR & FRAME) (SN 0230008674 to Present, Including 0230008645)



ART_1001255364

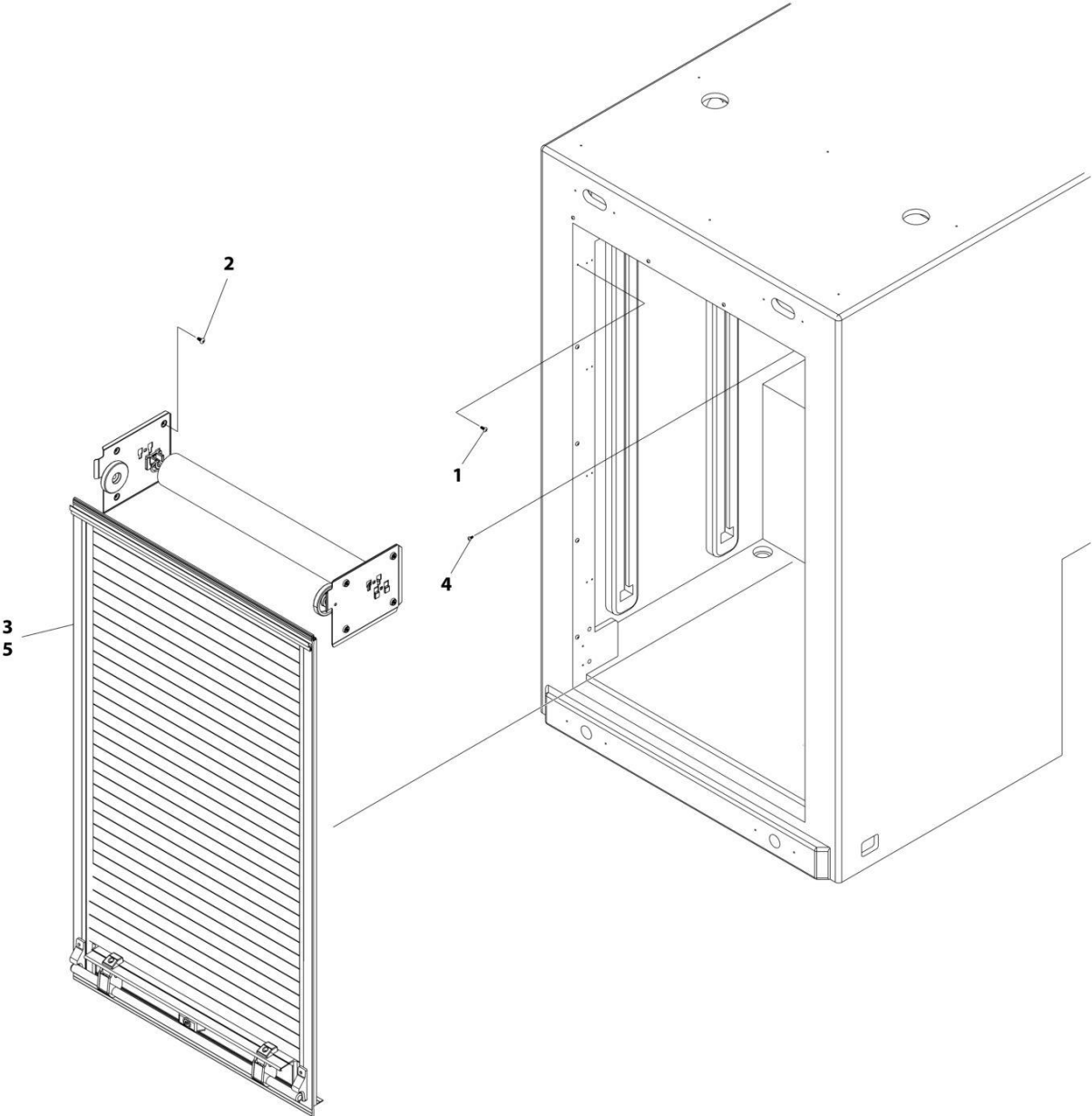
SECTION 4 - BODY

FIGURE 4-19. DOORS INSTALLATION - 37IN TUNNEL (PAINTED DOOR & FRAME) (SN 0230008674 to Present, Including 0230008645)

ITEM	PART NUMBER	QTY	DESCRIPTION	REV
	1001255364	Ref	DOOR INSTALLATION W/TUNNEL, 37IN (PAINTED DOOR AND FRAME)	A
	1001255362	Ref	Door Installation W/Tunnel, 39IN	B
1	1001192958	20	Screw #10 x 1/2	
2	1001195257	16	Screw 1/4 x 1/2	
3	1001198602	8	Screw #8 x 3/8	
4	1001253561	2	Door	
5	8798820001	AR	Sealant	

SECTION 4 - BODY

FIGURE 4-20. DOORS INSTALLATION - 37IN TUNNEL (PAINTED DOOR ONLY)



ART_1001208334

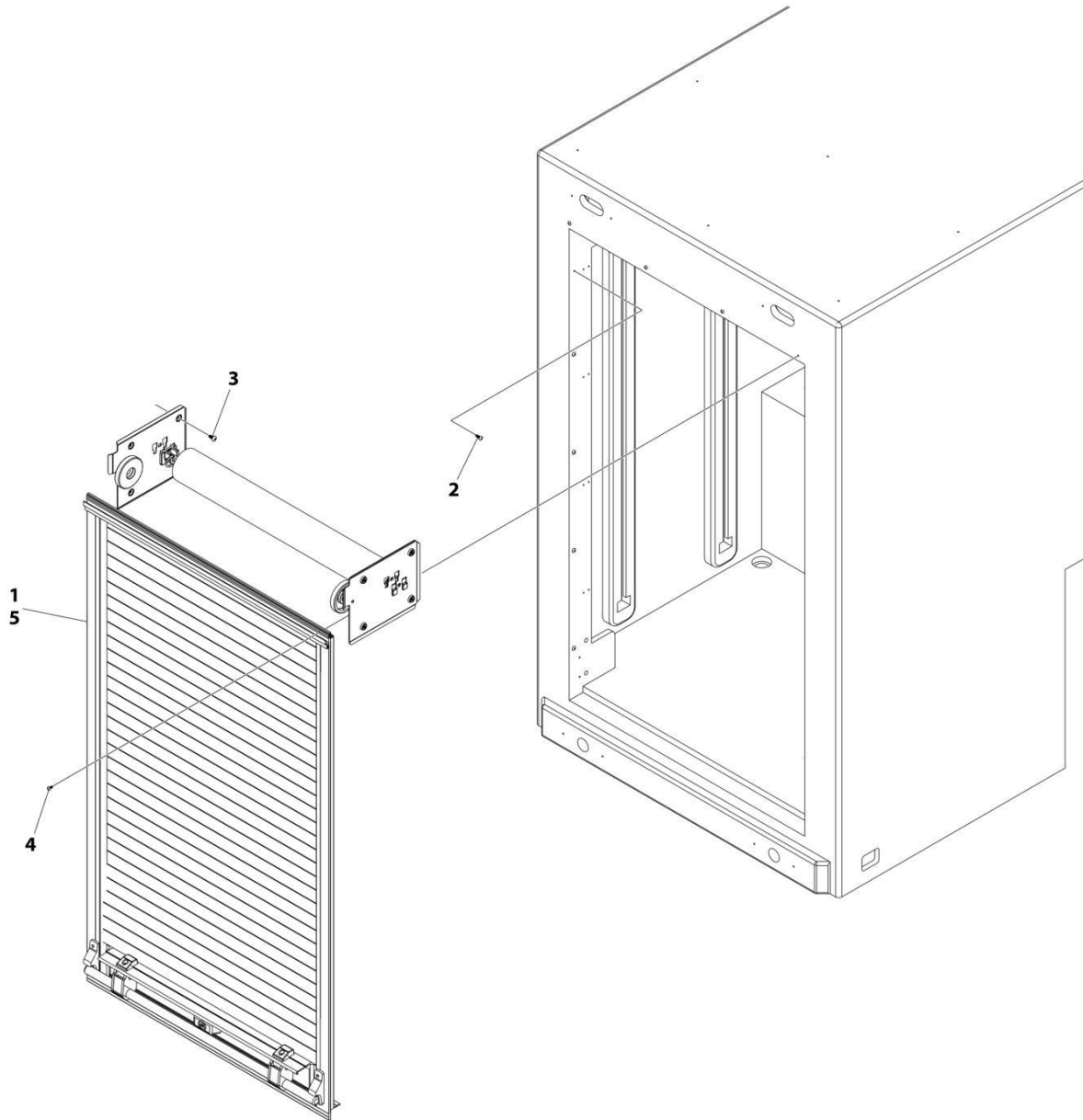
SECTION 4 - BODY

FIGURE 4-20. DOORS INSTALLATION - 37IN TUNNEL (PAINTED DOOR ONLY)

ITEM	PART NUMBER	QTY	DESCRIPTION	REV
	1001208334	Ref	DOOR INSTALLATION W/TUNNEL, 37IN (PAINTED DOOR)	A
	1001197567	Ref	Door Installation W/Tunnel (Painted Door)	A
1	1001192958	20	Screw #10 x 1/2	
2	1001195257	16	Screw 1/4 x 1/2	
3	1001197181	2	Door	
4	1001198602	8	Screw #8 x 3/8	
5	8798820001	AR	Sealant	

SECTION 4 - BODY

FIGURE 4-21. DOORS INSTALLATION - 39IN TUNNEL (PAINTED DOOR & FRAME) (SN 0230004275 through 0230008673, Excluding 0230008645)



ART_1001197568

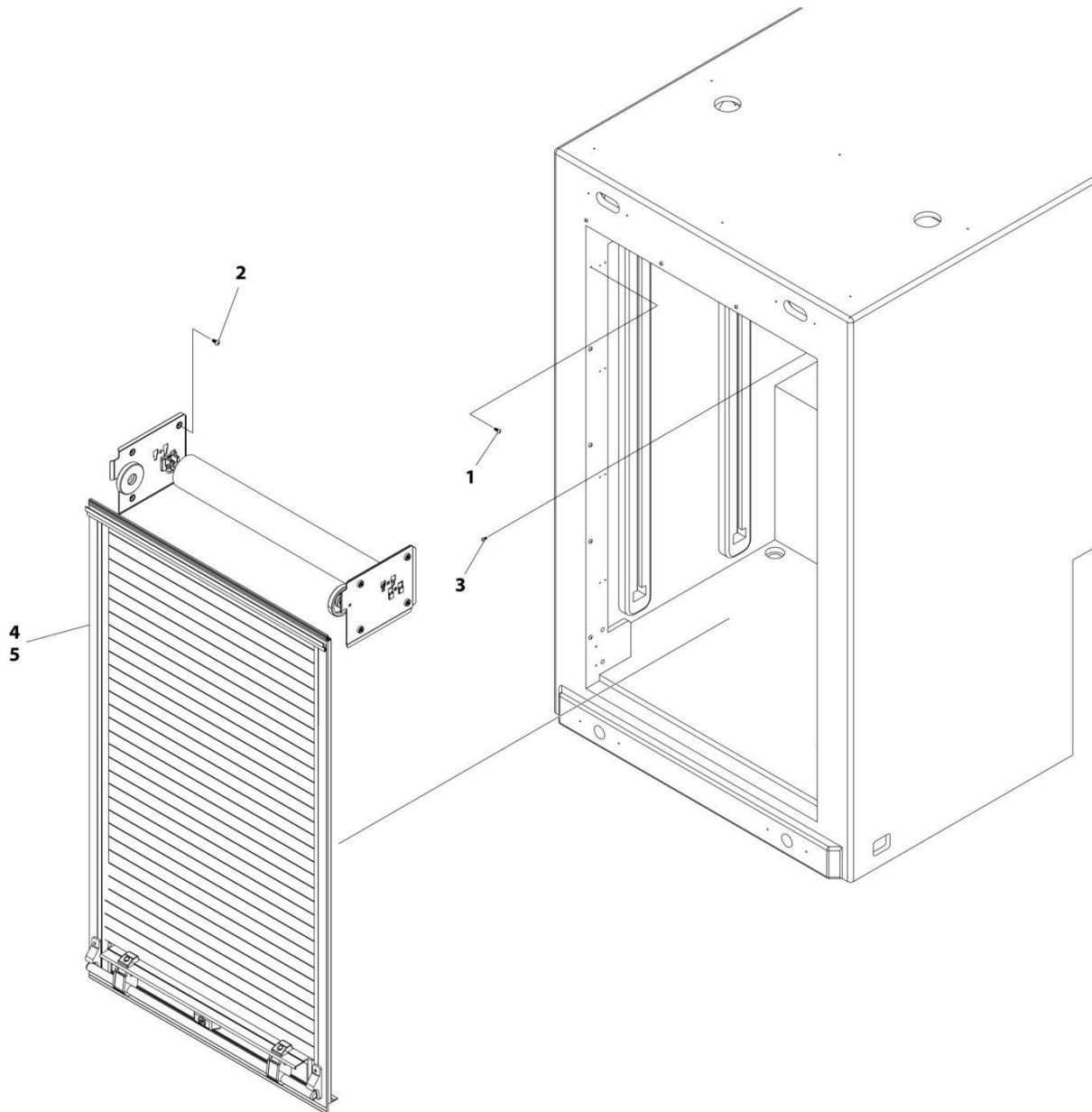
SECTION 4 - BODY

FIGURE 4-21. DOORS INSTALLATION - 39IN TUNNEL (PAINTED DOOR & FRAME) (SN 0230004275 through 0230008673, Excluding 0230008645)

ITEM	PART NUMBER	QTY	DESCRIPTION	REV
	1001197568	Ref	DOORS AND FRAME INSTALLATION - 39IN TUNNEL (PAINTED)	B
1	1001186986	2	Door	
2	1001192958	20	Screw #10 x 1/2	
3	1001195257	16	Screw 1/4 x 1/2	
4	1001198602	8	Screw #8 x 3/8	
5	8798820001	AR	Sealant	

SECTION 4 - BODY

FIGURE 4-22. DOORS INSTALLATION - 39IN TUNNEL (PAINTED DOOR & FRAME) (SN 0230008674 to Present, Including 0230008645)



ART_1001255362

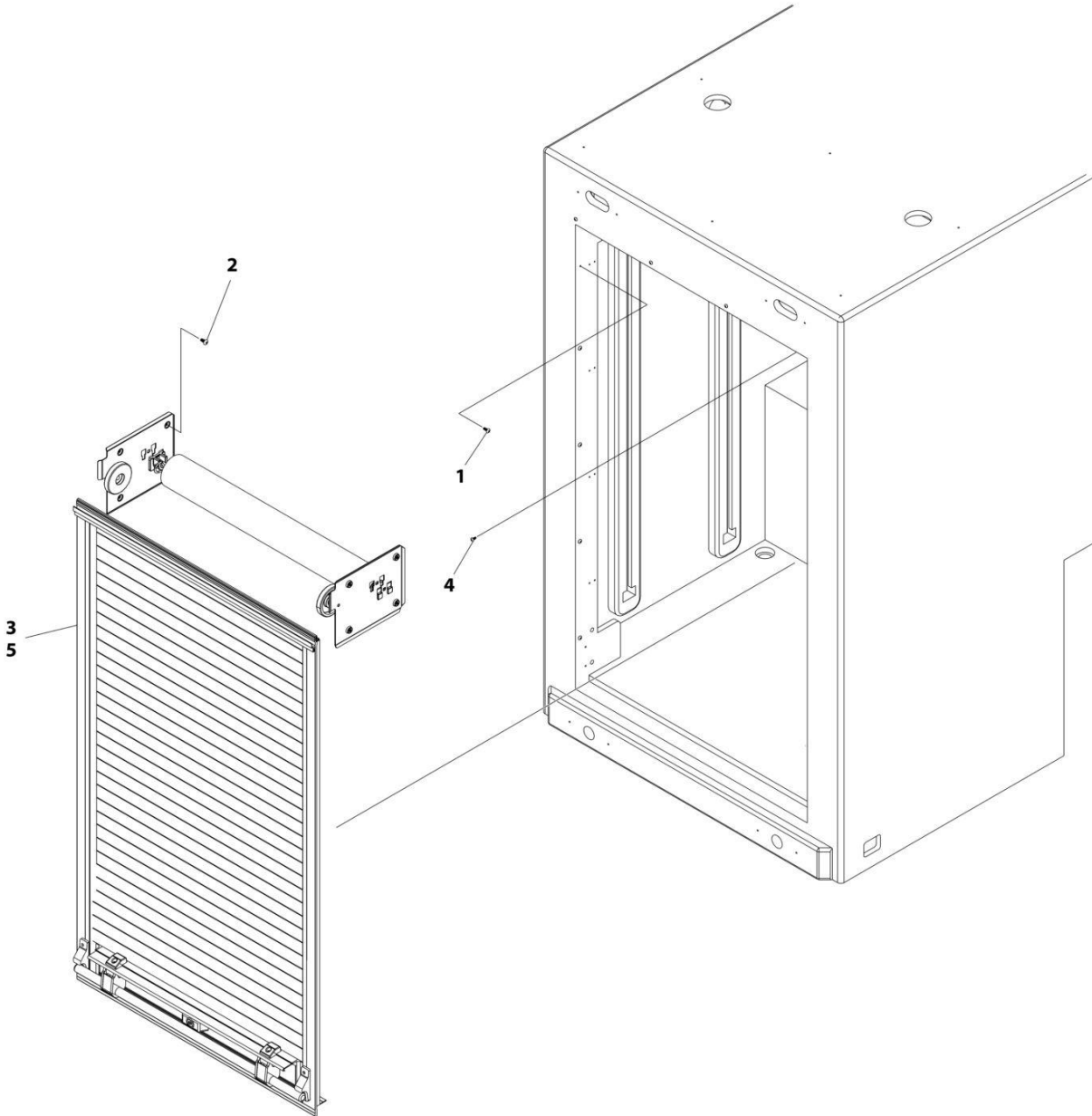
SECTION 4 - BODY

FIGURE 4-22. DOORS INSTALLATION - 39IN TUNNEL (PAINTED DOOR & FRAME) (SN 0230008674 to Present, Including 0230008645)

ITEM	PART NUMBER	QTY	DESCRIPTION	REV
	1001255362	Ref	DOOR INSTALLATION W/TUNNEL, 39IN (PAINTED DOOR AND FRAME)	B
1	1001192958	20	Screw #10 x 1/2	
2	1001195257	16	Screw 1/4 x 1/2	
3	1001198602	8	Screw #8 x 3/8	
4	1001253561	2	Door	
5	8798820001	AR	Sealant	

SECTION 4 - BODY

FIGURE 4-23. DOORS INSTALLATION - 39IN TUNNEL (PAINTED DOOR ONLY)



ART_1001197567

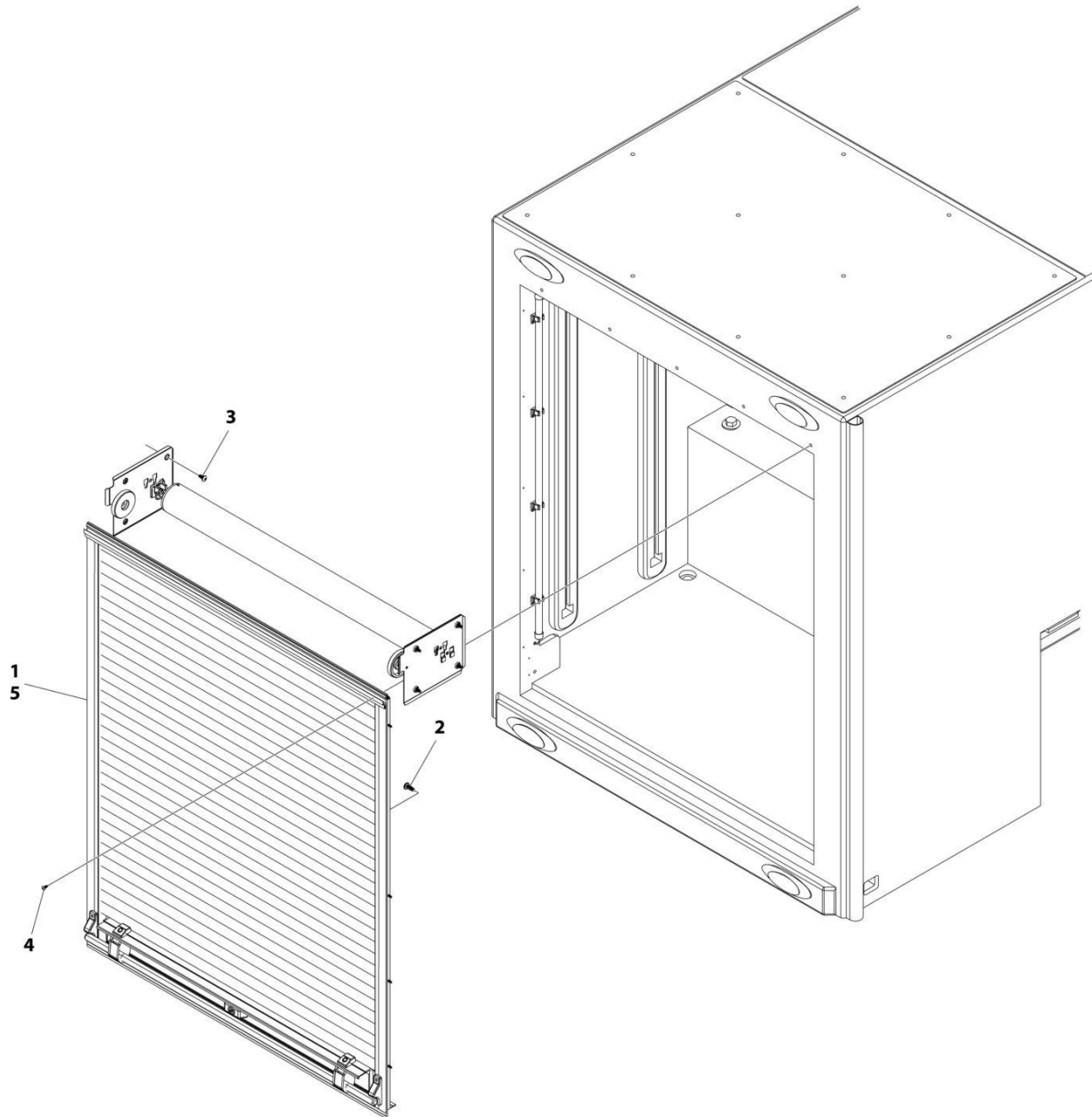
SECTION 4 - BODY

FIGURE 4-23. DOORS INSTALLATION - 39IN TUNNEL (PAINTED DOOR ONLY)

ITEM	PART NUMBER	QTY	DESCRIPTION	REV
	1001197567	Ref	DOOR INSTALLATION W/TUNNEL, 39IN (PAINTED DOOR)	A
1	1001192958	20	Screw #10 x 1/2	
2	1001195257	16	Screw 1/4 x 1/2	
3	1001197181	2	Door	
4	1001198602	8	Screw #8 x 3/8	
5	8798820001	AR	Sealant	

SECTION 4 - BODY

FIGURE 4-24. DOORS INSTALLATION - 49IN TUNNEL (PAINTED DOOR & FRAME) (SN 0230004275 through 0230008673, Excluding 0230008645)



ART_1001208332

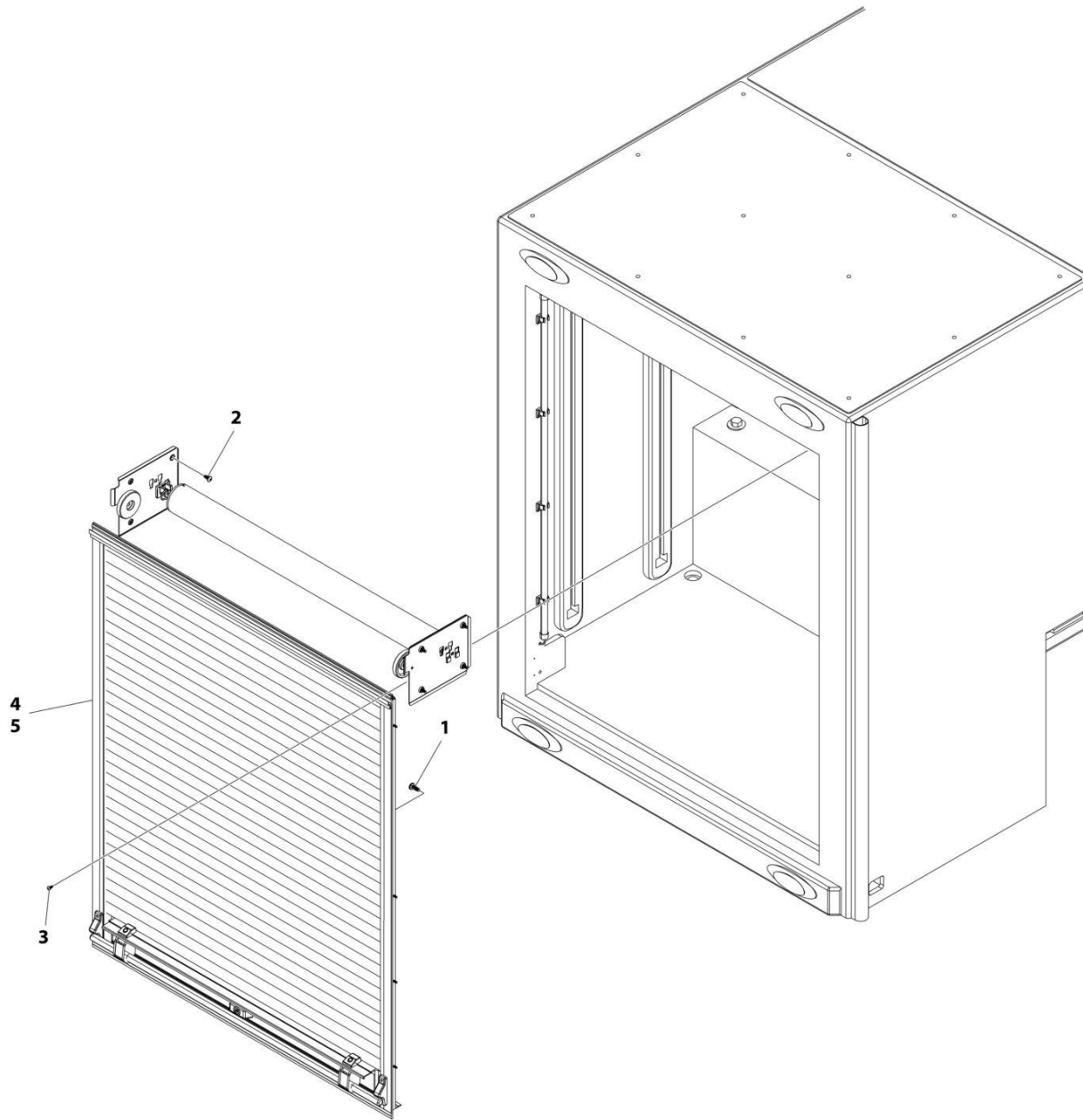
SECTION 4 - BODY

FIGURE 4-24. DOORS INSTALLATION - 49IN TUNNEL (PAINTED DOOR & FRAME) (SN 0230004275 through 0230008673, Excluding 0230008645)

ITEM	PART NUMBER	QTY	DESCRIPTION	REV
	1001208332	Ref	DOORS AND FRAME INSTALLATION - 49IN TUNNEL (PAINTED)	A
	1001197688	Ref	Door Installation, 49IN	B
1	1001186987	2	Door	
2	1001192958	20	Screw #10 x 1/2	
3	1001195257	16	Screw 1/4 x 1/2	
4	1001198602	8	Screw #8 x 3/8	
5	8798820001	AR	Sealant	

SECTION 4 - BODY

FIGURE 4-25. DOORS INSTALLATION - 49IN TUNNEL (PAINTED DOOR & FRAME) (SN 0230008674 to Present, Including 0230008645)



ART_1001255363

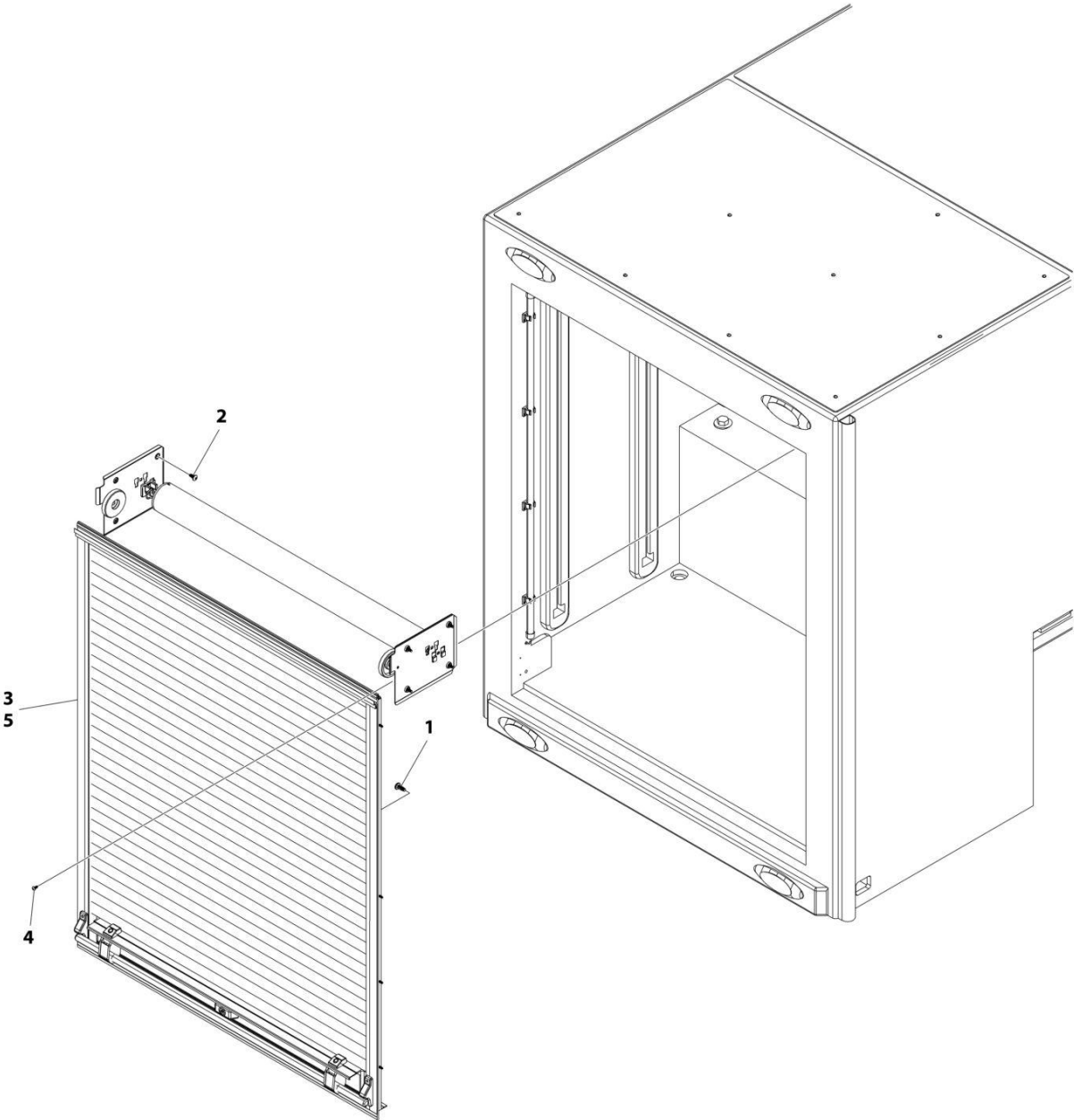
SECTION 4 - BODY

FIGURE 4-25. DOORS INSTALLATION - 49IN TUNNEL (PAINTED DOOR & FRAME) (SN 0230008674 to Present, Including 0230008645)

ITEM	PART NUMBER	QTY	DESCRIPTION	REV
	1001255363	Ref	DOOR INSTALLATION W/TUNNEL, 49IN (PAINTED DOOR AND FRAME)	A
	1001255361	Ref	Door Installation W/Tunnel (Painted Door and Frame)	B
1	1001192958	20	Screw #10 x 1/2	
2	1001195257	16	Screw 1/4 x 1/2	
3	1001198602	8	Screw #8 x 3/8	
4	1001253560	2	Door	
5	8798820001	AR	Sealant	

SECTION 4 - BODY

FIGURE 4-26. DOORS INSTALLATION - 49IN TUNNEL (PAINTED DOOR ONLY)



ART_1001208330

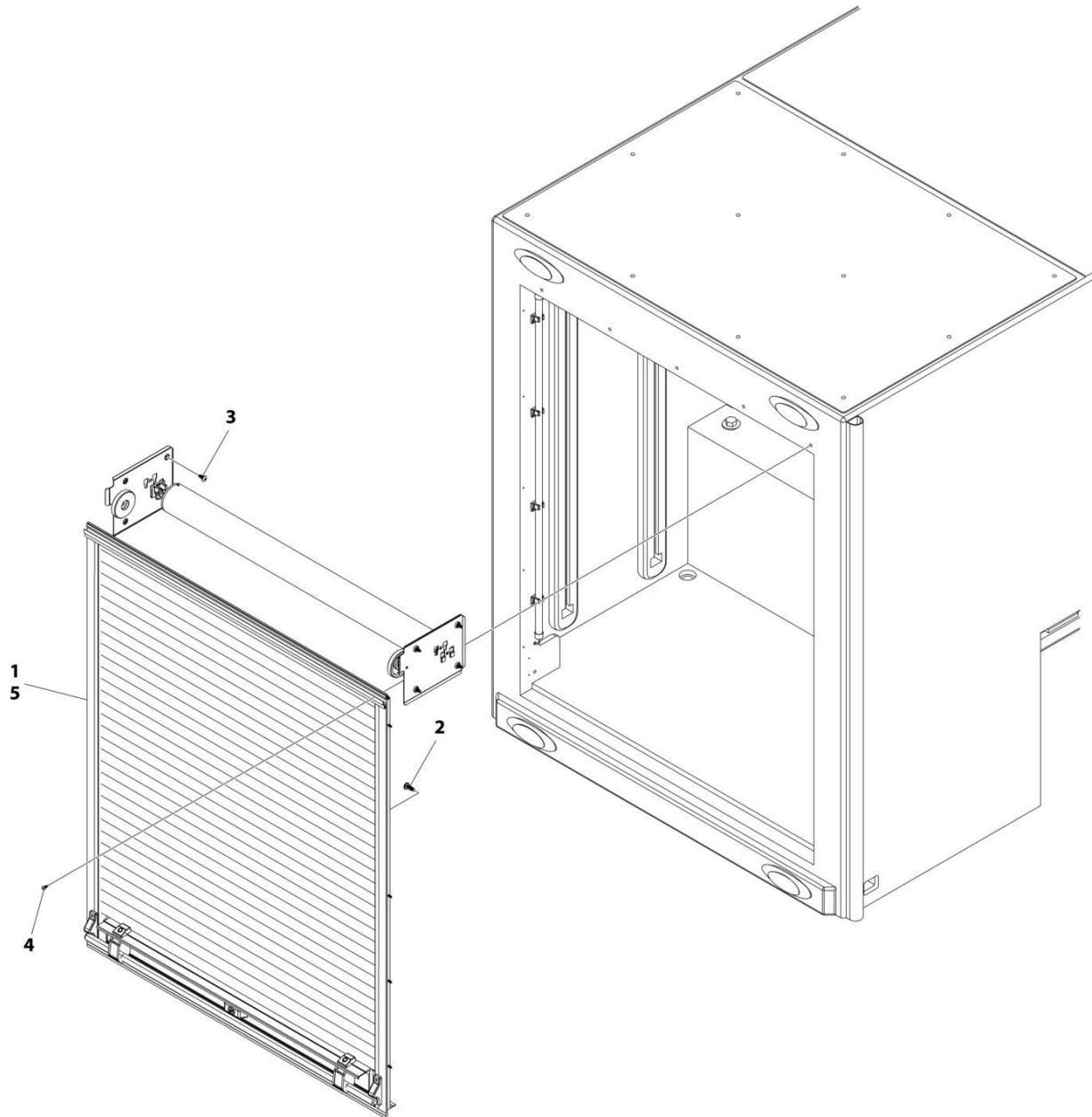
SECTION 4 - BODY

FIGURE 4-26. DOORS INSTALLATION - 49IN TUNNEL (PAINTED DOOR ONLY)

ITEM	PART NUMBER	QTY	DESCRIPTION	REV
	1001208330	Ref	DOOR INSTALLATION W/TUNNEL, 49IN (PAINTED DOOR)	A
	1001197687	Ref	Door Installation W/Tunnel (Painted Door Only)	A
1	1001192958	20	Screw #10 x 1/2	
2	1001195257	16	Screw 1/4 x 1/2	
3	1001197158	2	Door	
4	1001198602	8	Screw #8 x 3/8	
5	8798820001	AR	Sealant	

SECTION 4 - BODY

FIGURE 4-27. DOORS INSTALLATION - 51IN TUNNEL (PAINTED DOOR & FRAME) (SN 0230004275 through 0230008673, Excluding 0230008645)



ART_1001197688

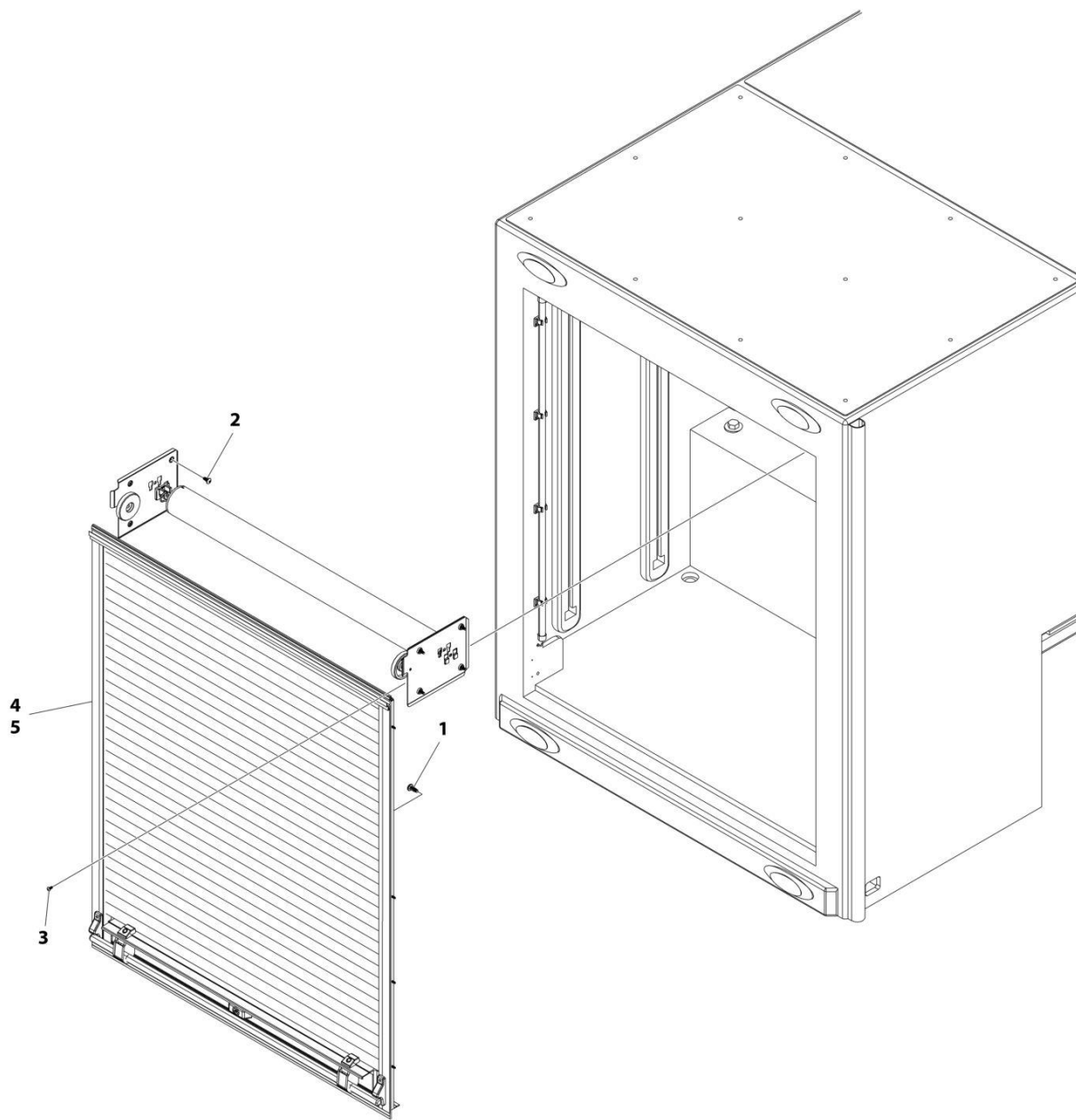
SECTION 4 - BODY

FIGURE 4-27. DOORS INSTALLATION - 51IN TUNNEL (PAINTED DOOR & FRAME) (SN 0230004275 through 0230008673, Excluding 0230008645)

ITEM	PART NUMBER	QTY	DESCRIPTION	REV
	1001197688	Ref	DOORS AND FRAME INSTALLATION - 51IN TUNNEL (PAINTED)	B
1	1001186987	2	Door	
2	1001192958	20	Screw #10 x 1/2	
3	1001195257	16	Screw 1/4 x 1/2	
4	1001198602	8	Screw #8 x 3/8	
5	8798820001	AR	Sealant	

SECTION 4 - BODY

FIGURE 4-28. DOORS INSTALLATION - 51IN TUNNEL (PAINTED DOOR & FRAME) (SN 0230008674 to Present, Including 0230008645)



ART_1001255361

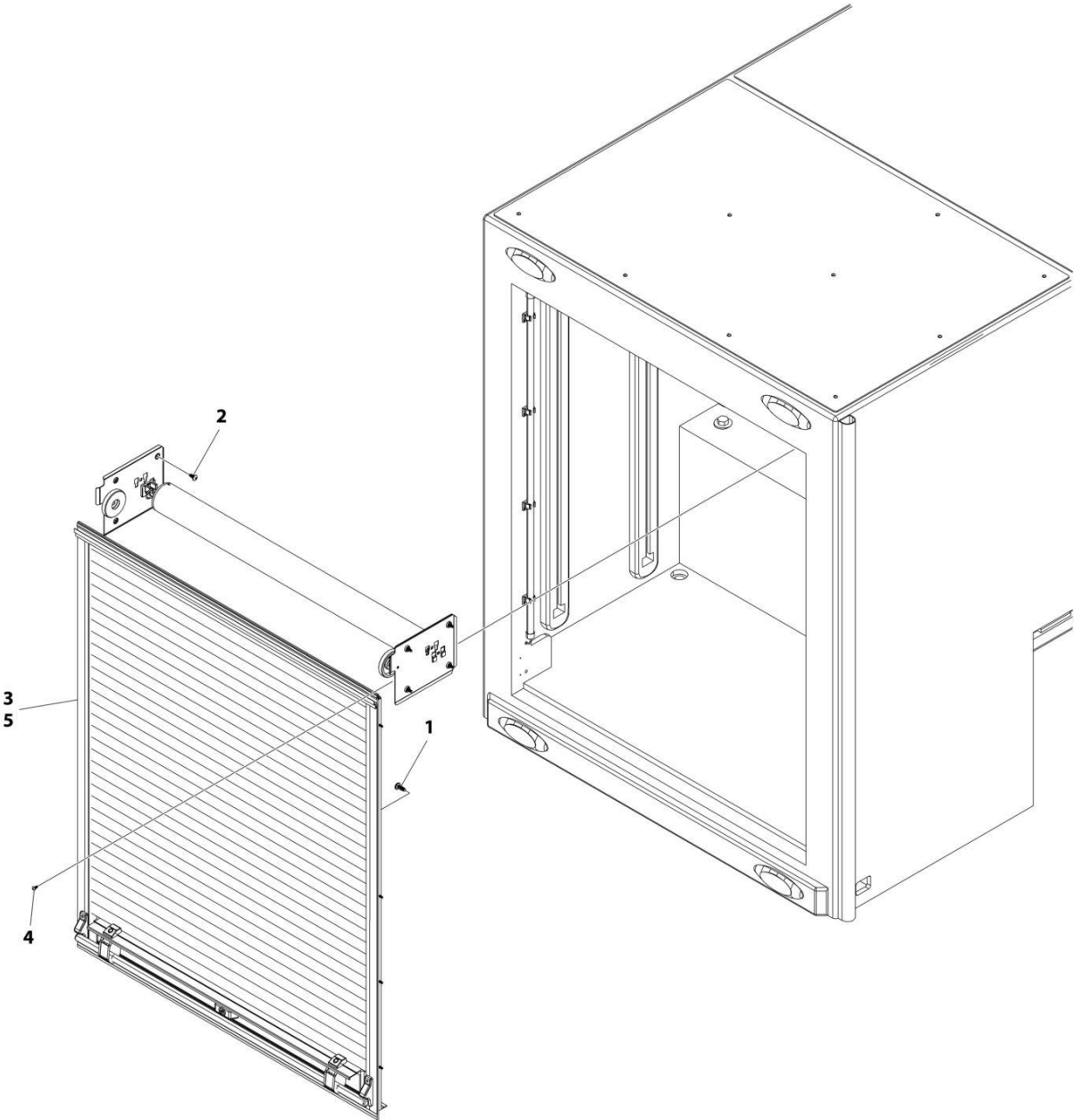
SECTION 4 - BODY

FIGURE 4-28. DOORS INSTALLATION - 51IN TUNNEL (PAINTED DOOR & FRAME) (SN 0230008674 to Present, Including 0230008645)

ITEM	PART NUMBER	QTY	DESCRIPTION	REV
	1001255361	Ref	Door Installation W/Tunnel, 48IN (Painted Door and Frame)	B
1	1001192958	20	Screw #10 x 1/2	
2	1001195257	16	Screw 1/4 x 1/2	
3	1001198602	8	Screw #8 x 3/8	
4	1001253560	2	Door	
5	8798820001	AR	Sealant	

SECTION 4 - BODY

FIGURE 4-29. DOORS INSTALLATION - 51IN TUNNEL (PAINTED DOOR ONLY)



ART_1001197687

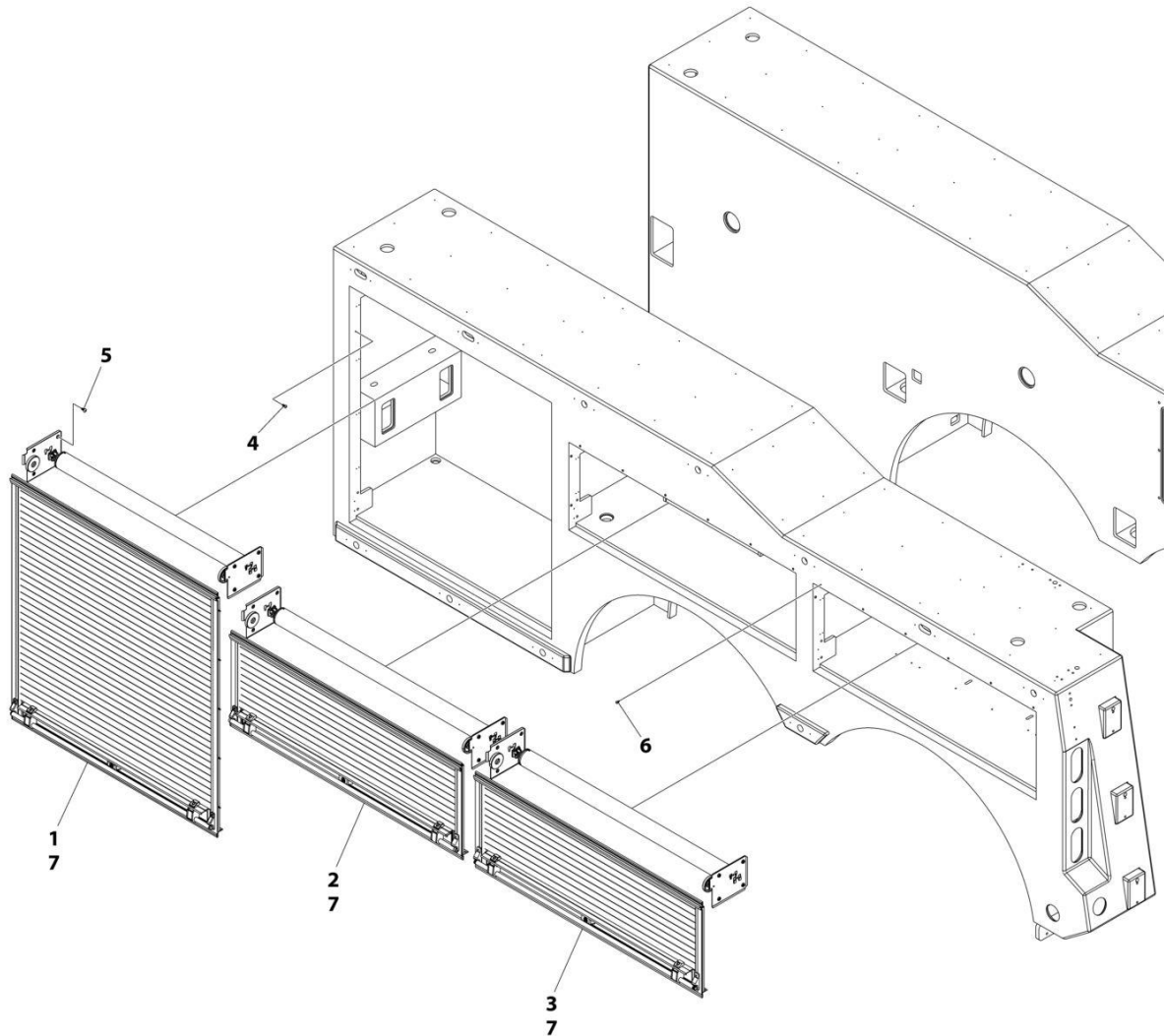
SECTION 4 - BODY

FIGURE 4-29. DOORS INSTALLATION - 51IN TUNNEL (PAINTED DOOR ONLY)

ITEM	PART NUMBER	QTY	DESCRIPTION	REV
	1001197687	Ref	DOOR INSTALLATION W/TUNNEL, 48IN (PAINTED DOOR)	A
1	1001192958	20	Screw #10 x 1/2	
2	1001195257	16	Screw 1/4 x 1/2	
3	1001197158	2	Door	
4	1001198602	8	Screw #8 x 3/8	
5	8798820001	AR	Sealant	

SECTION 4 - BODY

FIGURE 4-30. DOORS INSTALLATION - REAR (PAINTED DOORS & FRAME) (TANDEM) (SN 0230004275 through 0230008673, Excluding 0230008645)



ART_1001197636

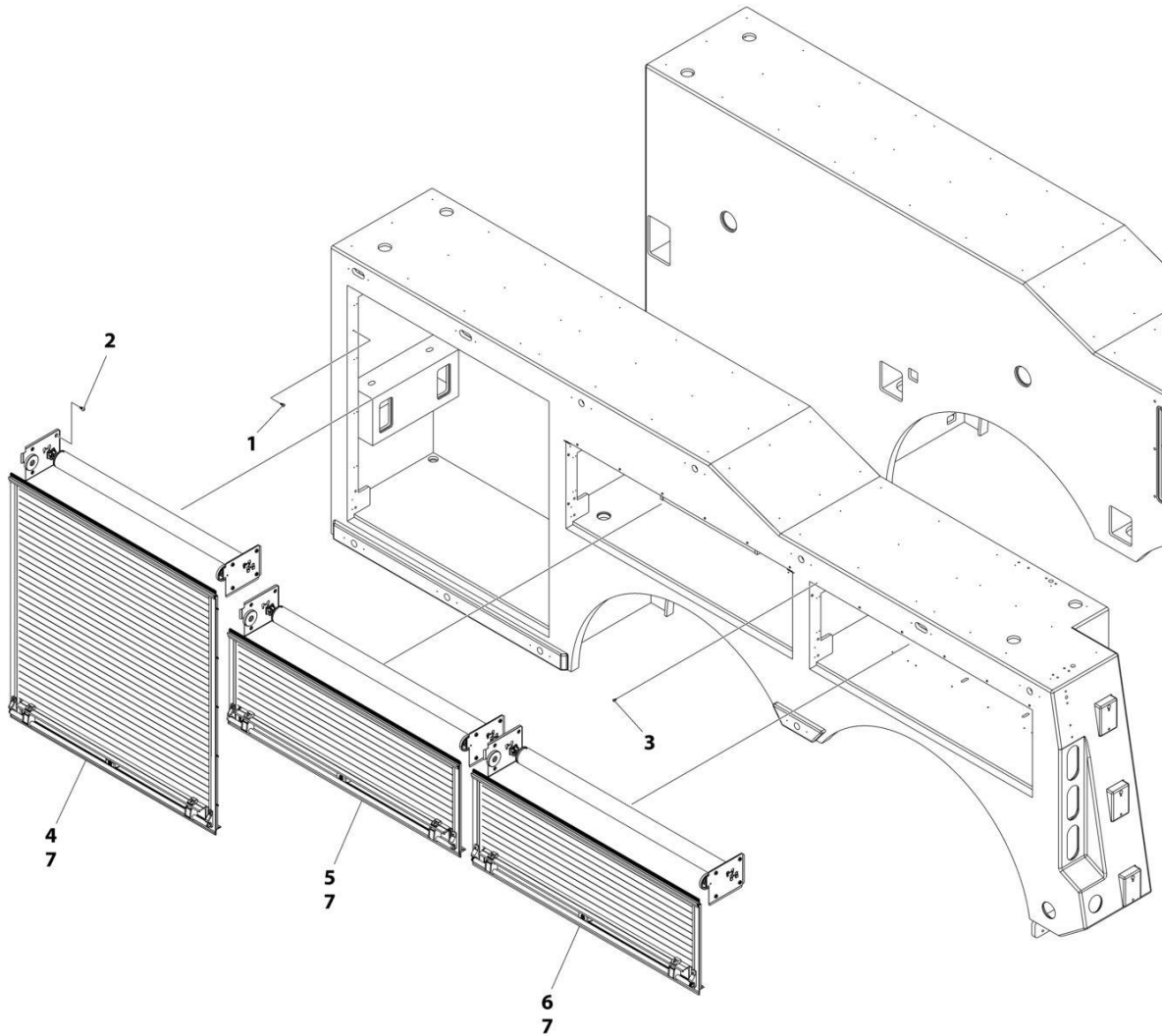
SECTION 4 - BODY

FIGURE 4-30. DOORS INSTALLATION - REAR (PAINTED DOORS & FRAME) (TANDEM) (SN 0230004275 through 0230008673, Excluding 0230008645)

ITEM	PART NUMBER	QTY	DESCRIPTION	REV
	1001197636	Ref	DOORS & FRAME INSTALLATION - REAR TANDEM BODY (PAINTED)	B
1	1001186988	2	Door	
2	1001186989	2	Door	
3	1001186990	2	Door	
4	1001192958	36	Screw #10 x 1/2	
5	1001195257	48	Screw 1/4 x 1/2	
6	1001198602	34	Screw #8 x 3/8	
7	8798820001	AR	Sealant	

SECTION 4 - BODY

FIGURE 4-31. DOORS INSTALLATION - REAR (PAINTED DOORS & FRAME) (TANDEM) (SN 0230008674 to Present, Including 0230008645)



ART_1001255709

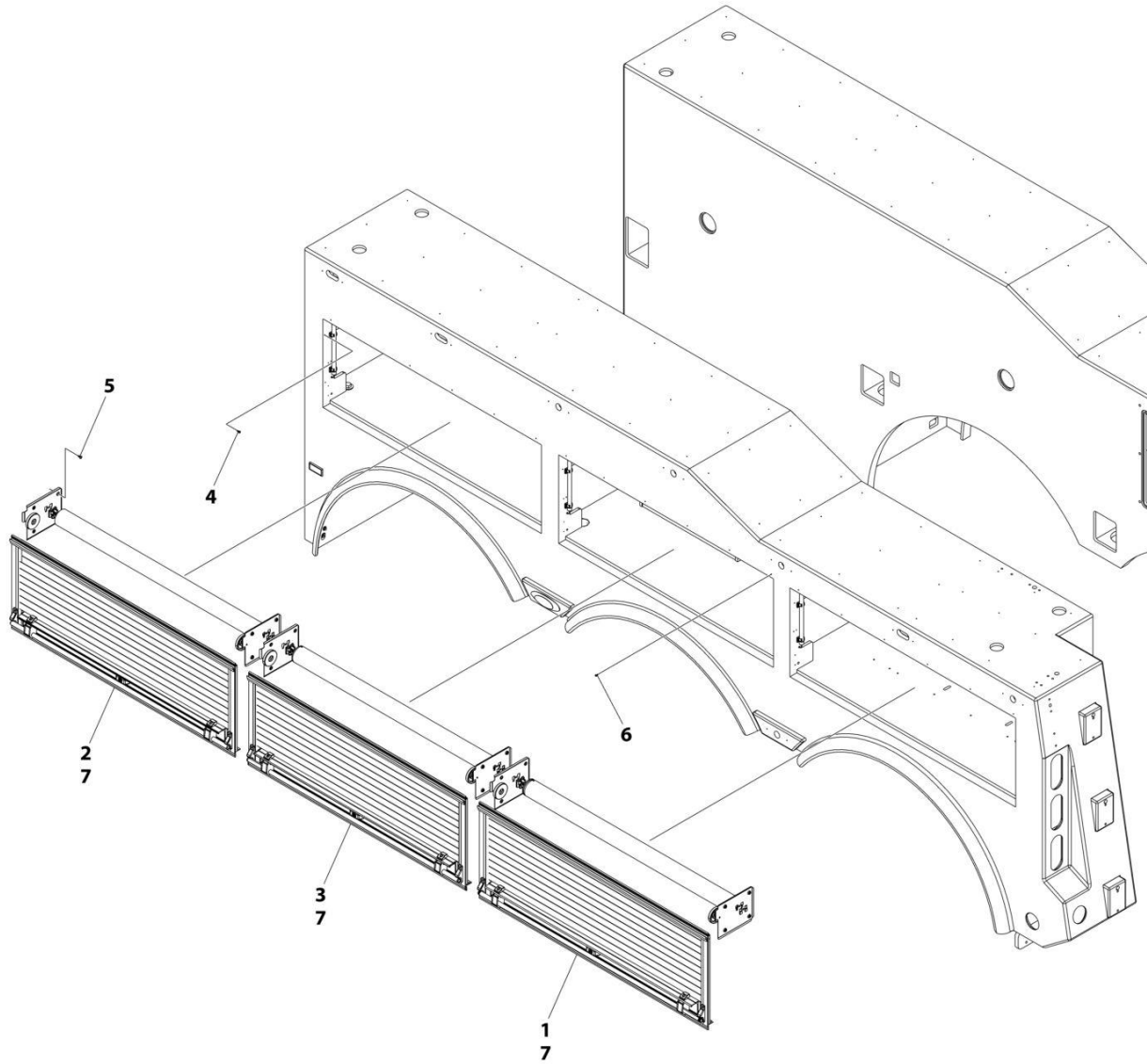
SECTION 4 - BODY

FIGURE 4-31. DOORS INSTALLATION - REAR (PAINTED DOORS & FRAME) (TANDEM) (SN 0230008674 to Present, Including 0230008645)

ITEM	PART NUMBER	QTY	DESCRIPTION	REV
	1001255709	Ref	Door and Frame Installation, Rear (Painted)	B
1	1001192958	36	Screw #10 x 1/2	
2	1001195257	48	Screw 1/4 x 1/2	
3	1001198602	34	Screw #8 x 3/8	
4	1001253557	2	Door	
5	1001253558	2	Door	
6	1001253559	2	Door	
7	8798820001	AR	Sealant	

SECTION 4 - BODY

FIGURE 4-32. DOORS INSTALLATION - REAR (PAINTED DOORS & FRAME) (TRI-AXLE) (SN 0230004275 through 0230008673, Excluding 0230008645)



ART_1001197658

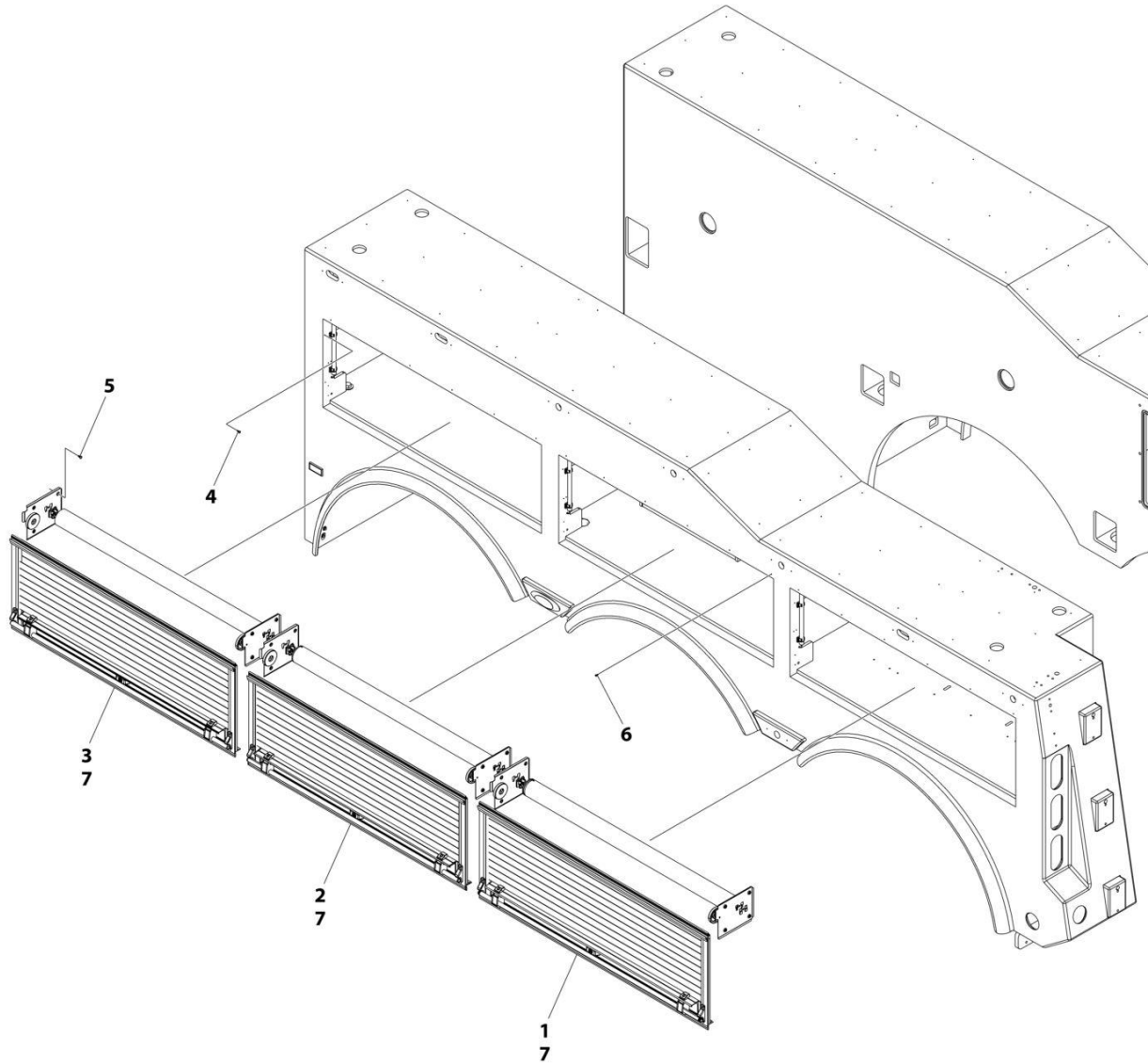
SECTION 4 - BODY

FIGURE 4-32. DOORS INSTALLATION - REAR (PAINTED DOORS & FRAME) (TRI-AXLE) (SN 0230004275 through 0230008673, Excluding 0230008645)

ITEM	PART NUMBER	QTY	DESCRIPTION	REV
	1001197658	Ref	DOORS & FRAME INSTALLATION - REAR TRI-AXLE BODY (PAINTED)	B
1	1001186990	2	Door	
2	1001186991	2	Door	
3	1001186992	2	Door	
4	1001192958	24	Screw #10 x 1/2	
5	1001195257	48	Screw 1/4 x 1/2	
6	1001198602	36	Screw #8 x 3/8	
7	8798820001	AR	Sealant	

SECTION 4 - BODY

FIGURE 4-33. DOORS INSTALLATION - REAR (PAINTED DOORS & FRAME) (TRI-AXLE) (SN 0230008674 to Present, Including 0230008645)



ART_1001269102

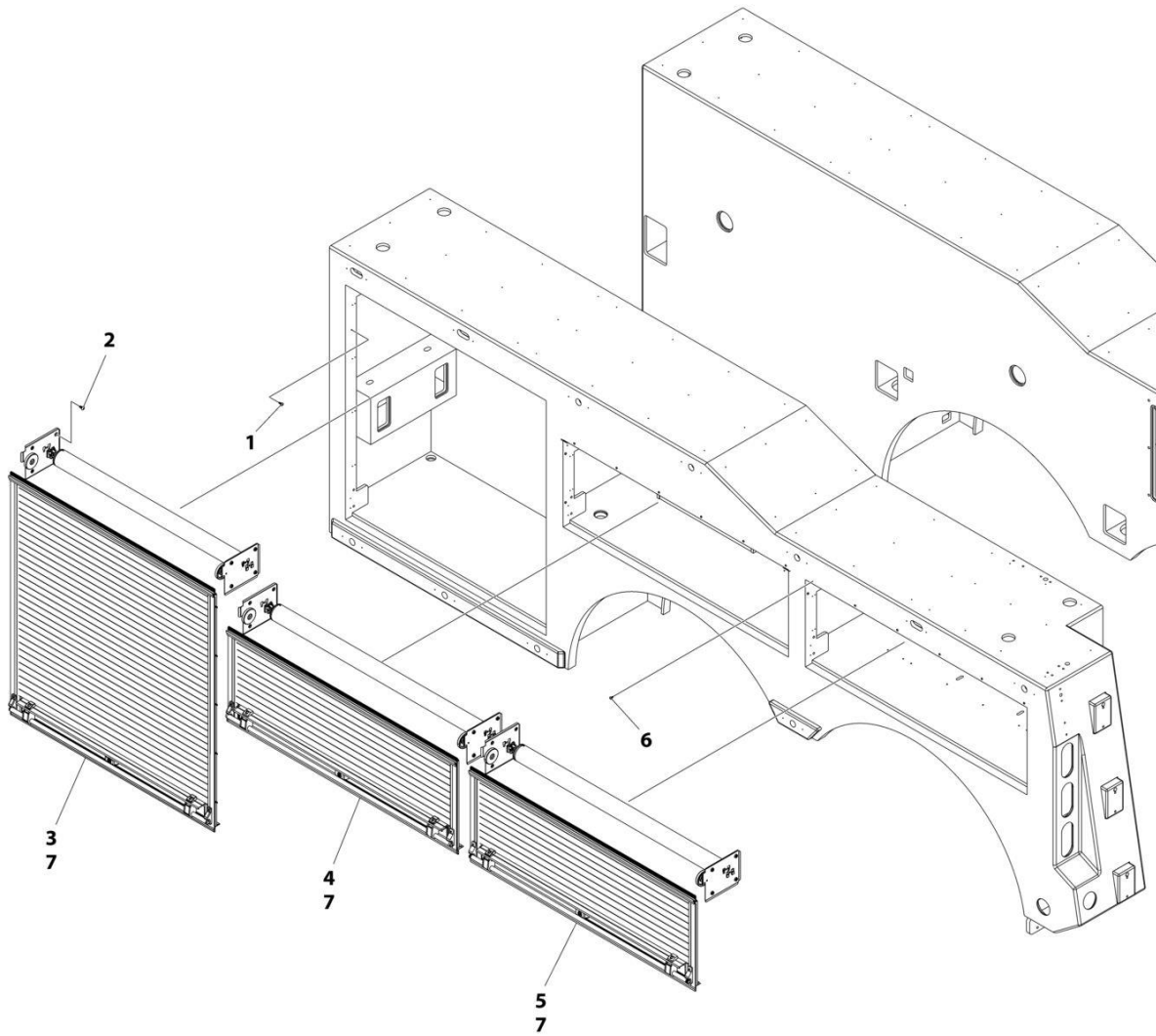
SECTION 4 - BODY

FIGURE 4-33. DOORS INSTALLATION - REAR (PAINTED DOORS & FRAME) (TRI-AXLE) (SN 0230008674 to Present, Including 0230008645)

ITEM	PART NUMBER	QTY	DESCRIPTION	REV
	1001269102	Ref	DOORS & FRAME INSTALLATION - REAR TRI-AXLE BODY (PAINTED)	B
1	1001253559	2	Door	
2	1001261523	2	Door	
3	1001261522	2	Door	
4	1001192958	24	Screw #10 x 1/2	
5	1001195257	48	Screw 1/4 x 1/2	
6	1001198602	36	Screw #8 x 3/8	
7	8798820001	AR	Sealant	

SECTION 4 - BODY

FIGURE 4-34. DOORS INSTALLATION - REAR (PAINTED DOORS ONLY) (TANDEM)



ART_1001197635

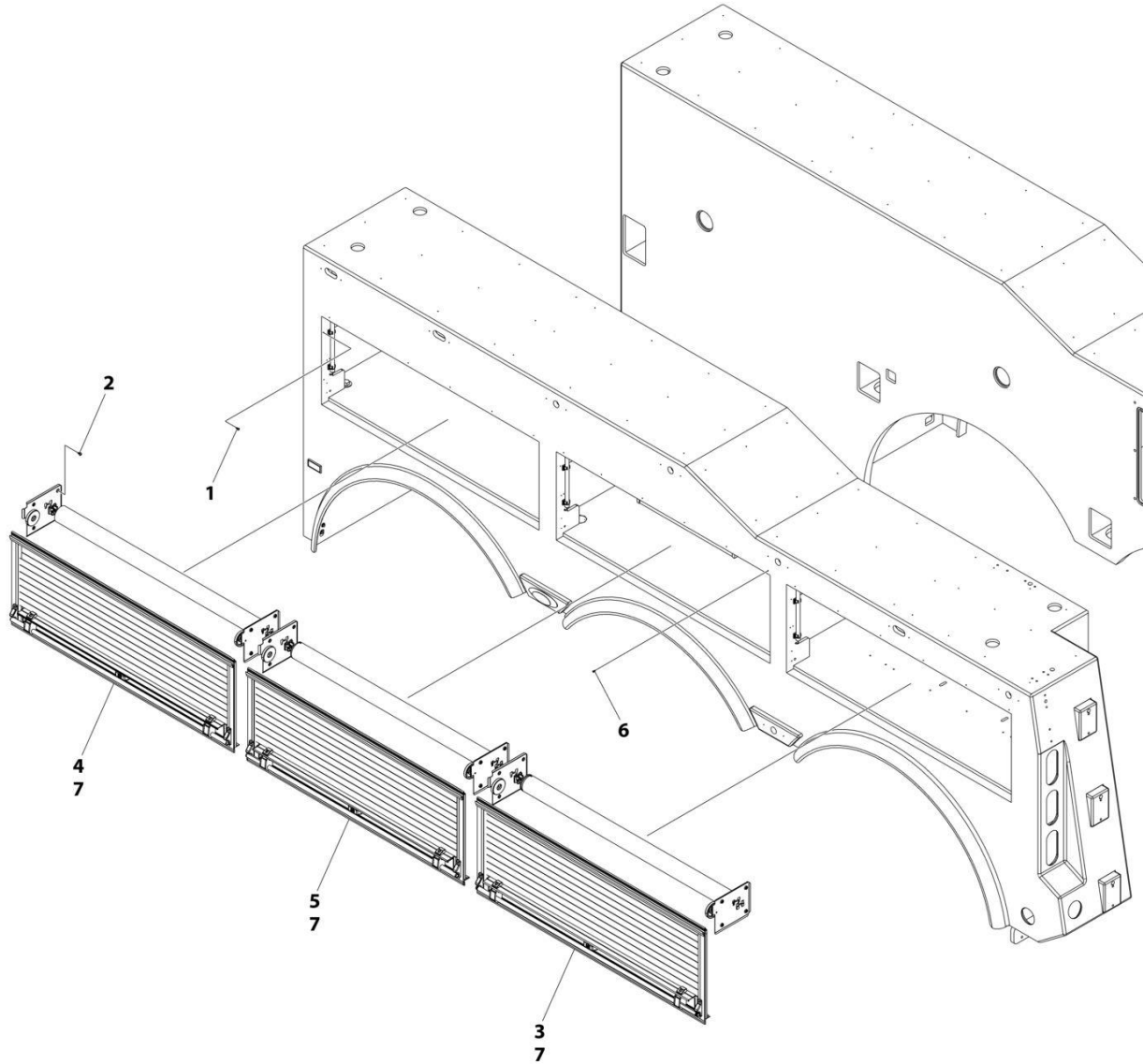
SECTION 4 - BODY

FIGURE 4-34. DOORS INSTALLATION - REAR (PAINTED DOORS ONLY) (TANDEM)

ITEM	PART NUMBER	QTY	DESCRIPTION	REV
	1001197635	Ref	Door Installation, Rear (Painted)	A
1	1001192658	36	Screw #10 x 1/2	
2	1001195257	48	Screw 1/4 x 1/2	
3	1001197159	2	Door	
4	1001197160	2	Door	
5	1001197161	2	Door	
6	1001198602	34	Screw #8 x 3/8	
7	8798820001	AR	Sealant	

SECTION 4 - BODY

FIGURE 4-35. DOORS INSTALLATION - REAR (PAINTED DOORS ONLY) (TRI-AXLE)



ART_1001197656

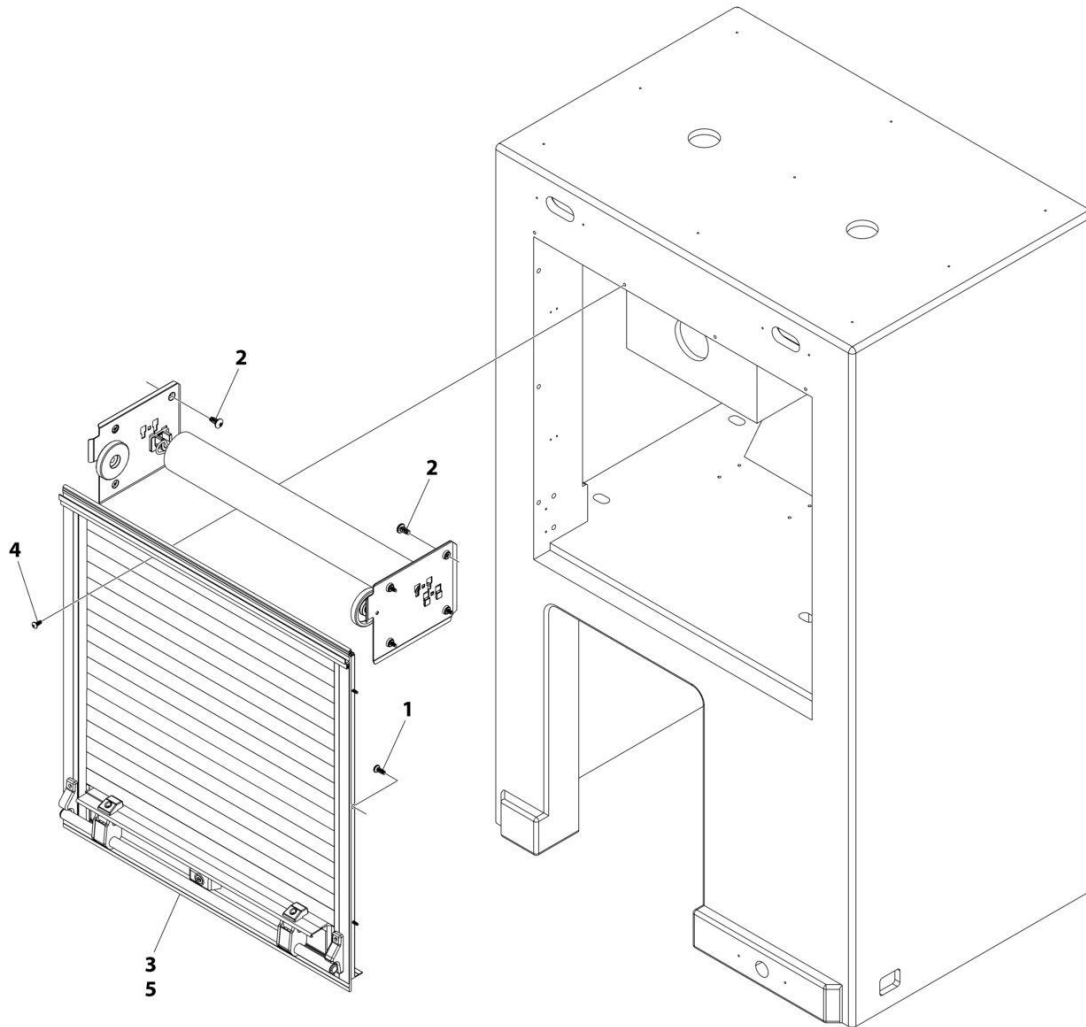
SECTION 4 - BODY

FIGURE 4-35. DOORS INSTALLATION - REAR (PAINTED DOORS ONLY) (TRI-AXLE)

ITEM	PART NUMBER	QTY	DESCRIPTION	REV
	1001197656	Ref	DOORS INSTALLATION - REAR TRI-AXLE BODY (PAINTED)	B
1	1001192958	24	Screw #10 x 1/2	
2	1001195257	48	Screw 1/4 x 1/2	
3	1001197161	2	Door	
4	1001197162	2	Door	
5	1001197163	2	Door	
6	1001198602	36	Screw #8 x 3/8	
7	8798820001	AR	Sealant	

SECTION 4 - BODY

FIGURE 4-36. DOORS INSTALLATION - SRS TOOLBOX (PAINTED DOORS ONLY)



ART_1001197791

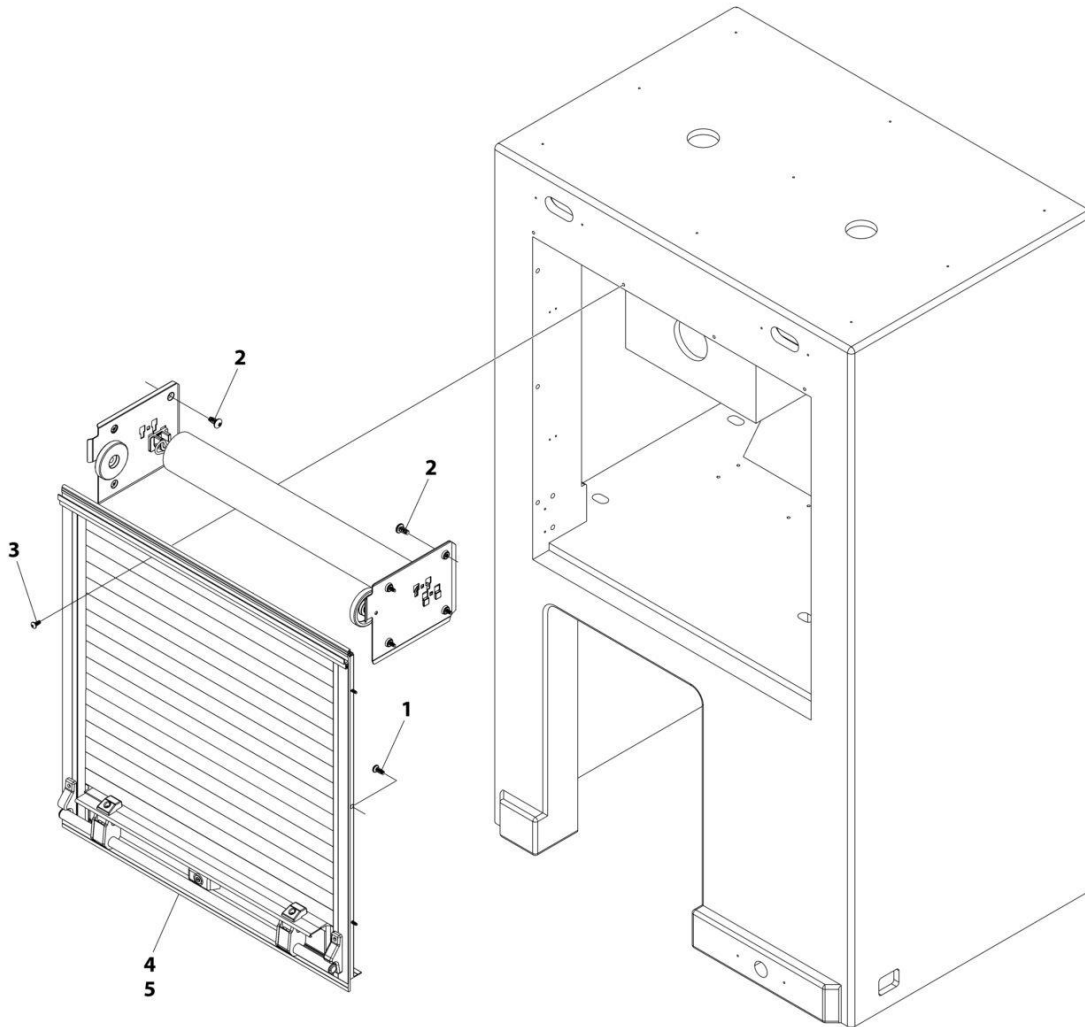
SECTION 4 - BODY

FIGURE 4-36. DOORS INSTALLATION - SRS TOOLBOX (PAINTED DOORS ONLY)

ITEM	PART NUMBER	QTY	DESCRIPTION	REV
	1001197791	Ref	DOORS INSTALLATION - SRS TOOLBOX (PAINTED DOORS ONLY)	B
1	1001192958	12	Screw #10 x 1/2	
2	1001195257	16	Screw 1/4 x 1/2	
3	1001197164	2	Frame Cover	
4	1001198602	8	Screw #8 x 3/8	
5	8798820001	AR	Sealant	

SECTION 4 - BODY

FIGURE 4-37. DOORS INSTALLATION - SRS TOOLBOX (PAINTED DOORS & FRAMES)



ART_1001258415

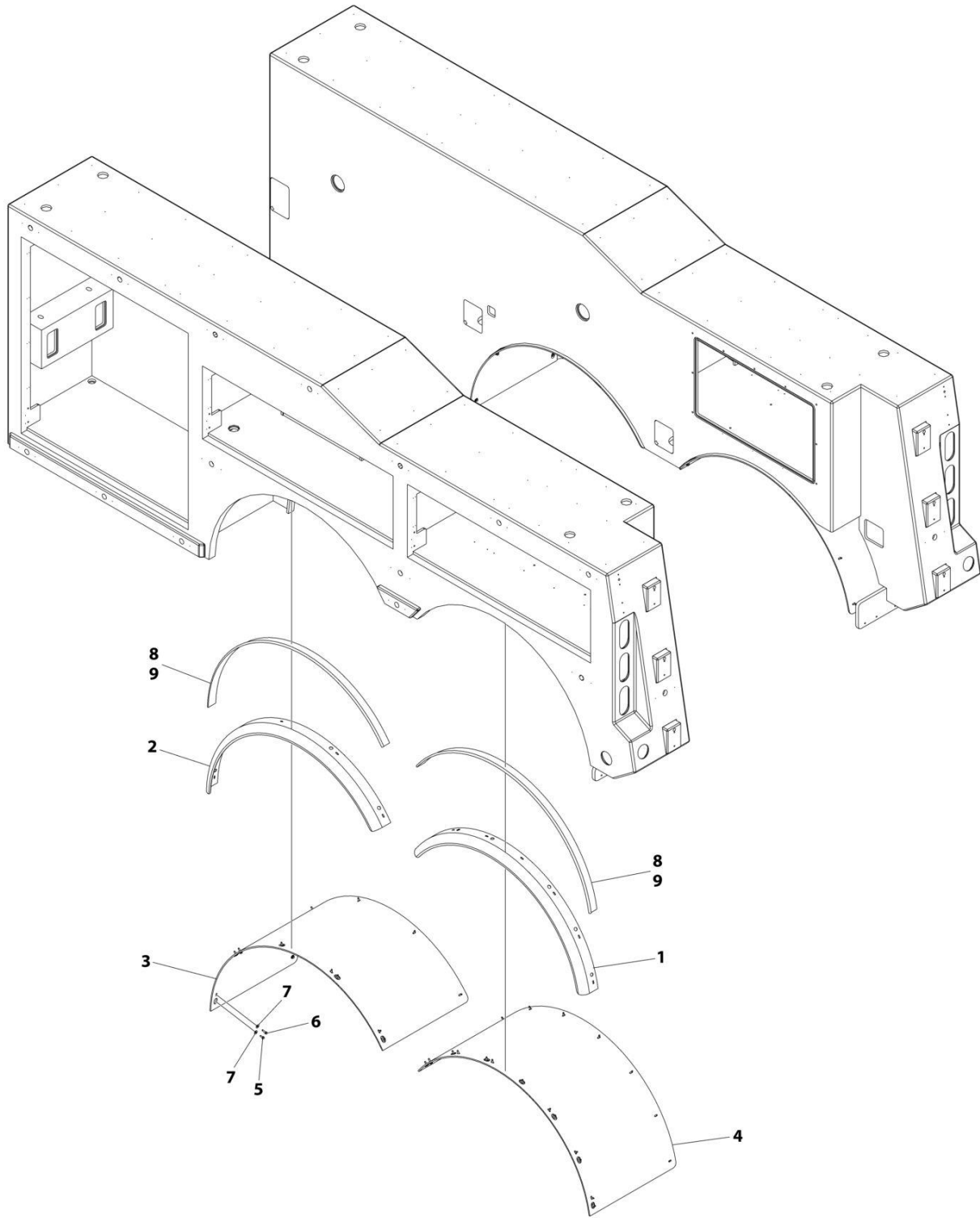
SECTION 4 - BODY

FIGURE 4-37. DOORS INSTALLATION - SRS TOOLBOX (PAINTED DOORS & FRAMES)

ITEM	PART NUMBER	QTY	DESCRIPTION	REV
	1001258415	Ref	DOOR INSTALLATION (PAINTED FRAME)	A
1	1001192958	12	Screw #10 x 1/2	
2	1001195257	16	Screw 1/4 x 1/2	
3	1001198602	8	Screw #8 x 3/8	
4	1001258416	2	Frame Cover	
5	8798820001	AR	Sealant	

SECTION 4 - BODY

FIGURE 4-38. FENDER FLARES INSTALLATION - TANDEM



ART_1001187182

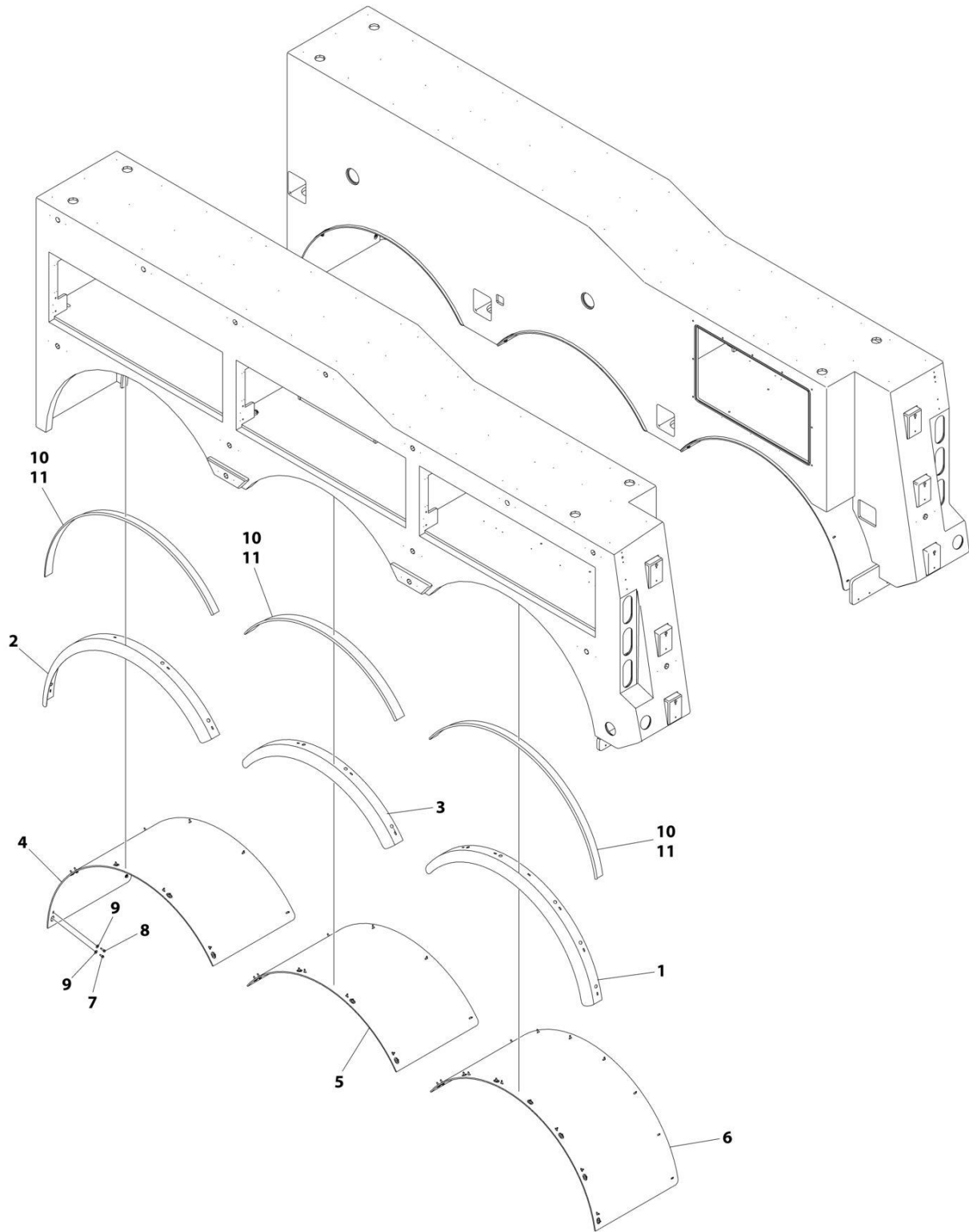
SECTION 4 - BODY

FIGURE 4-38. FENDER FLARES INSTALLATION - TANDEM

ITEM	PART NUMBER	QTY	DESCRIPTION	REV
	1001187182	Ref	FENDER FLARES INSTALLATION - TANDEM	C
1	1001163358	2	Fender, Rear Body	
2	1001186584	2	Fender Wrecker, Front Body	
3	1001186606	2	Fender Liner, Front Body	
4	1001186608	2	Fender Liner, Rear Body	
5	7790141251	24	Screw 1/4 x 3/4	
6	7790141651	42	Screw 1/4 x 1	
7	7950140163	66	Washer 1/4	
8	1001167358	AR	Moulding, Fender (Prior to SN 0230009202)	
8	1001253744	23 ft	Moulding, Fender (SN 0230009202 to Present)	
9	1001217088	AR	Tape, Double sided (Prior to SN 0230009202)	

SECTION 4 - BODY

FIGURE 4-39. FENDER FLARES INSTALLATION - TRI-AXLE



ART_1001196730

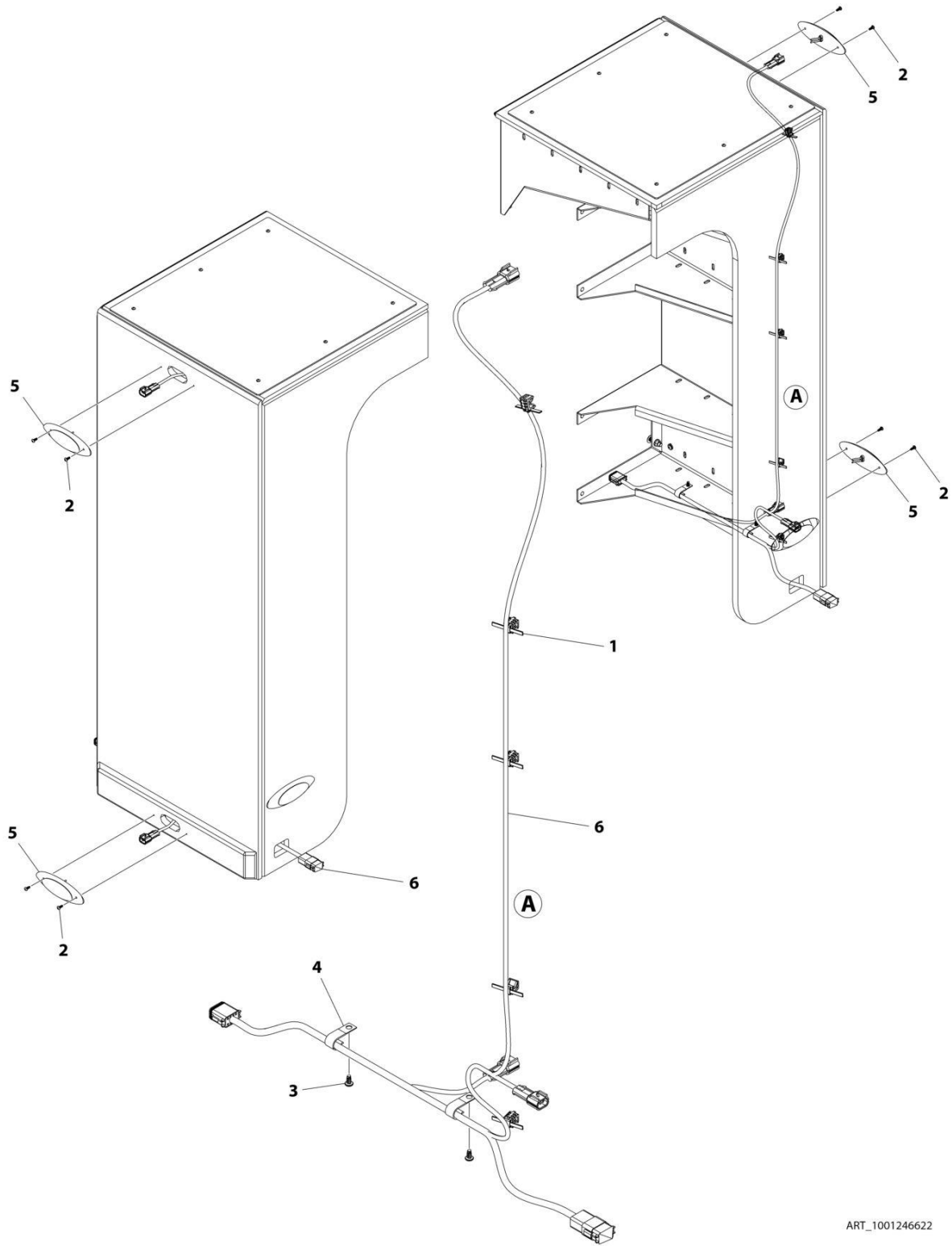
SECTION 4 - BODY

FIGURE 4-39. FENDER FLARES INSTALLATION - TRI-AXLE

ITEM	PART NUMBER	QTY	DESCRIPTION	REV
	1001196730	Ref	FENDER FLARES INSTALLATION - TRI-AXLE	C
1	1001163358	2	Fender, Rear Body	
2	1001186584	2	Fender Wrecker, Front Body	
3	1001186585	2	Fender Wrecker, Middle Body	
4	1001186606	2	Fender Liner, Front Body	
5	1001186607	2	Fender Liner, Middle Body	
6	1001186608	2	Fender Liner, Rear Body	
7	7790141251	32	Screw 1/4 x 3/4	
8	7790141651	56	Screw 1/4 x 1	
9	7950140163	88	Washer 1/4	
10	1001167358	AR	Moulding, Fender (Prior to SN 0230009202)	
10	1001253744	32 ft	Moulding, Fender (SN 0230009202 to Present)	
11	1001217088	AR	Tape, Double sided (Prior to SN 0230009202)	

SECTION 4 - BODY

FIGURE 4-40. FILLER PANEL ELECTRICAL INSTALLATION



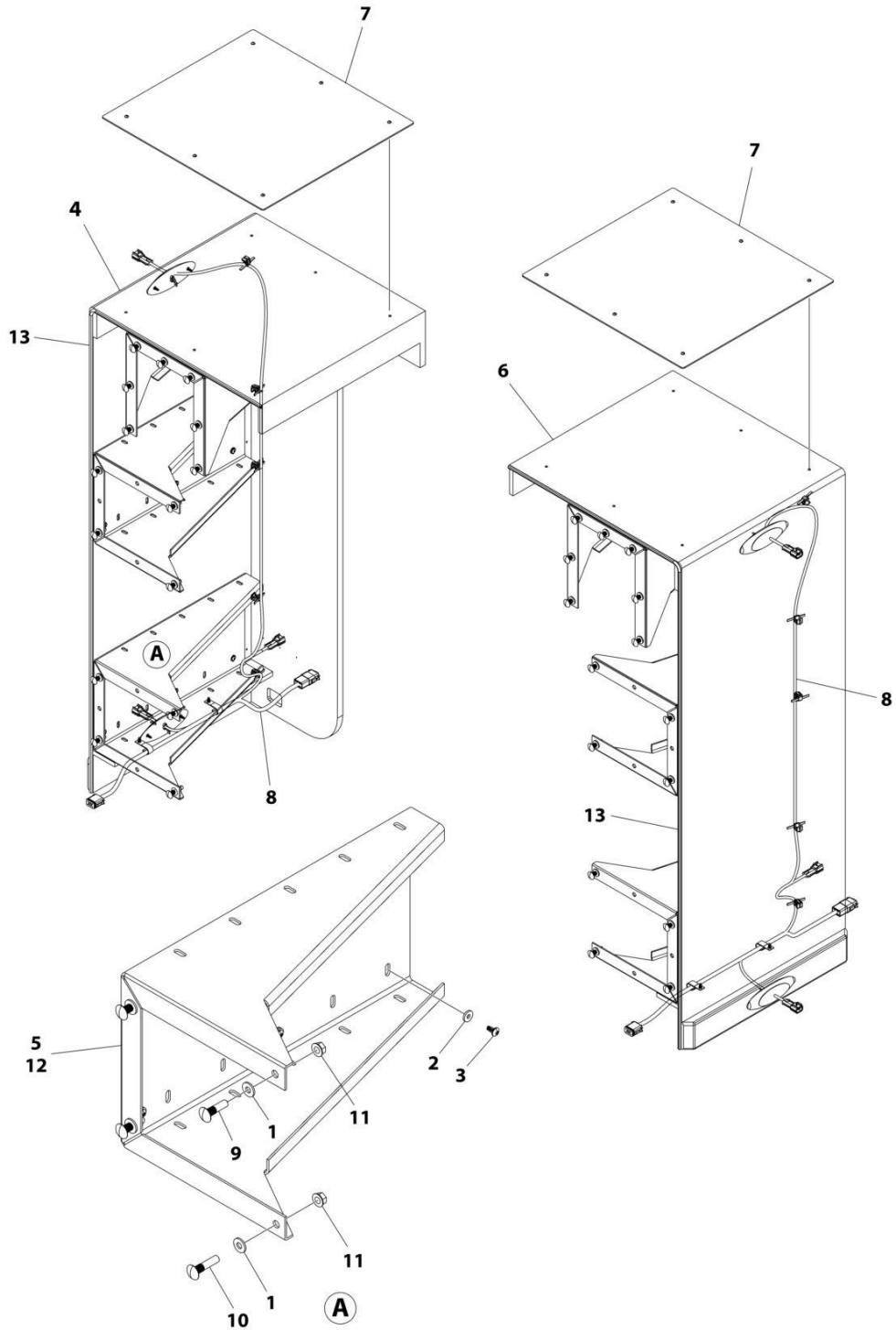
ART_1001246622

FIGURE 4-40. FILLER PANEL ELECTRICAL INSTALLATION

ITEM	PART NUMBER	QTY	DESCRIPTION	REV
	1001246622	Ref	FILLER PANEL INSTALLATION - 24IN ELECTRICAL ENCLOSURE	A
1	1001152419	10	Clip	
2	1001192958	8	Screw #10 x 1/2	
3	1001195257	4	Screw 1/4 x 1/2	
4	7280000006	4	Clip	
5	7590000358	4	LED	
6	1001244217	2	Lighting Filler Panel Harness (See Separate Breakdown in ELECTRICAL Section)	

SECTION 4 - BODY

FIGURE 4-41. FILLER PANEL INSTALLATION - 20IN



ART_1001248216

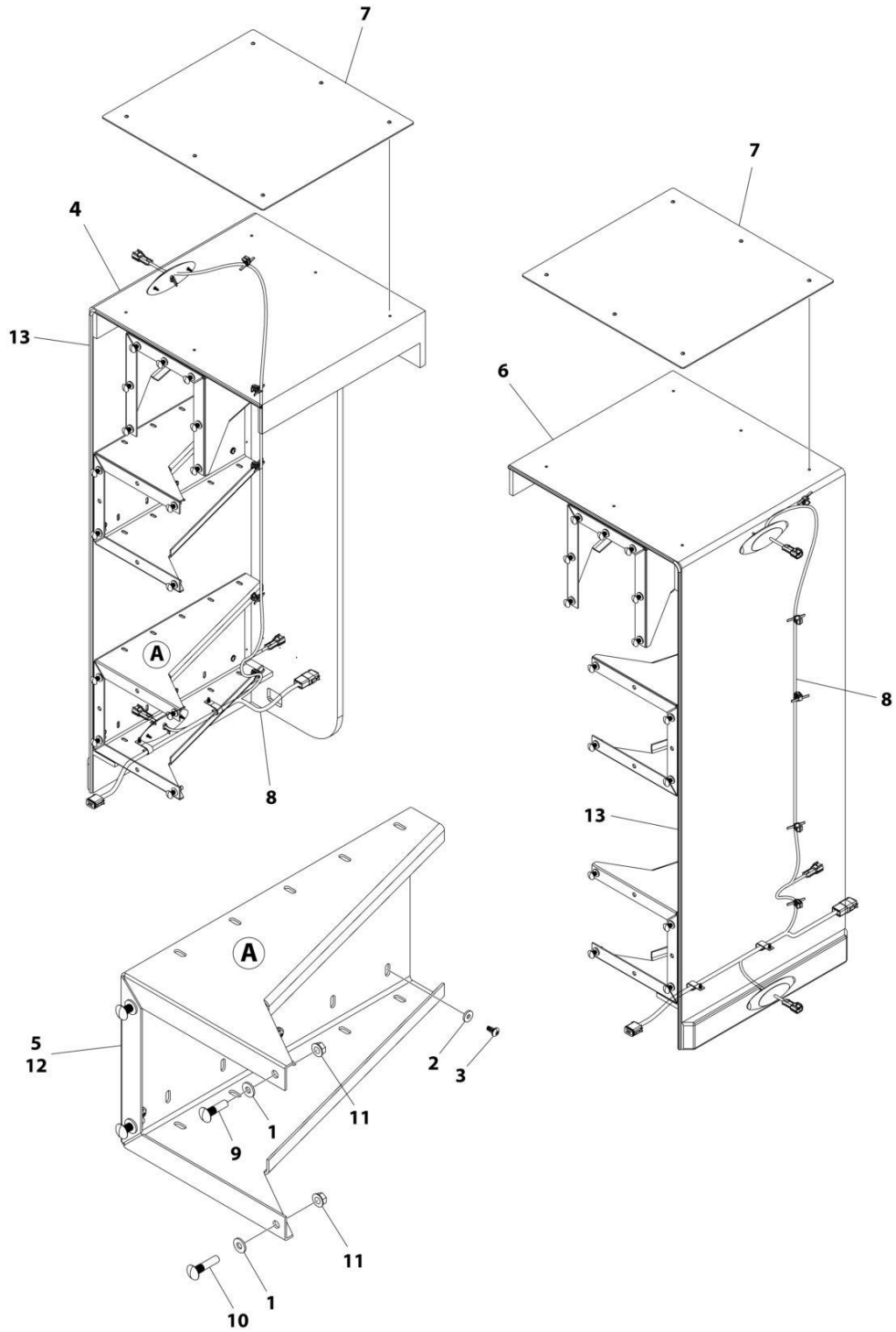
SECTION 4 - BODY

FIGURE 4-41. FILLER PANEL INSTALLATION - 20IN

ITEM	PART NUMBER	QTY	DESCRIPTION	REV
	1001248216	Ref	FILLER PANEL INSTALLATION - 24IN FRONT "A" TUNNEL	A
	1001244580	Ref	FILLER PANEL INSTALLATION	B
1	1001166974	30	Washer 3/8	
2	7950140143	43	Washer 1/4	
3	1001195257	43	Screw 1/4 x 1/2	
4	1001244556	1	Cover	
5	1001244564	6	Support	
6	1001244578	1	Cover	
7	1001245742	1	Top Diamond Filler Installation (See Separate Breakdown in this Section)	
8	1001246622	1	Electrical Filler Panel Installation (See Separate Breakdown in this Section)	
9	1001247902	30	Bolt 3/8 x 1-1/2	
10	1001247903	AR	Bolt 3/8 x 1-3/4	
11	7660162301	30	Nut 3/8	
12	8798820001	AR	Sealant	
13	8632000017	14 ft	Seal	

SECTION 4 - BODY

FIGURE 4-42. FILLER PANEL INSTALLATION - 24IN



ART_1001248217

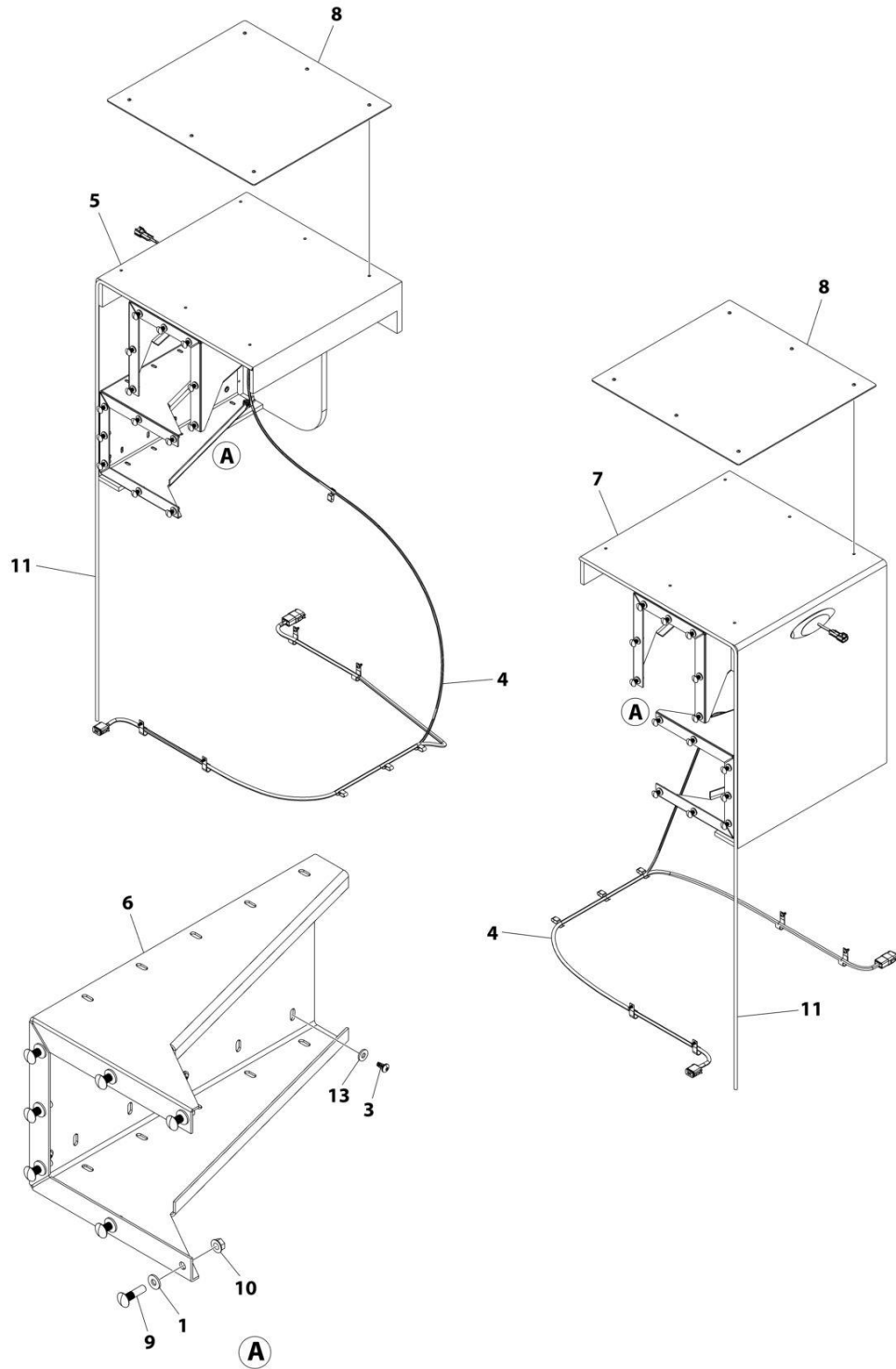
SECTION 4 - BODY

FIGURE 4-42. FILLER PANEL INSTALLATION - 24IN

ITEM	PART NUMBER	QTY	DESCRIPTION	REV
	1001248217	Ref	FILLER PANEL INSTALLATION - 24IN FRONT MAIN BODY	A
	1001244580	Ref	FILLER PANEL INSTALLATION	B
1	1001166974	30	Washer 3/8	
2	7950140143	43	Washer 1/4	
3	1001195257	43	Screw 1/4 x 1/2	
4	1001244556	1	Cover	
5	1001244564	6	Support	
6	1001244578	1	Cover	
7	1001245742	1	Top Diamond Filler Installation (See Separate Breakdown in this Section)	
8	1001246622	1	Electrical Filler Panel Installation (See Separate Breakdown in this Section)	
9	1001247902	30	Bolt 3/8 x 1-1/2	
10	1001247903	AR	Bolt 3/8 x 1-3/4	
11	7660162301	30	Nut 3/8	
12	8798820001	AR	Sealant	
13	8632000017	14 ft	Seal	

SECTION 4 - BODY

FIGURE 4-43. FILLER PANEL INSTALLATION - WITH SIDE STABILIZER



ART_1001244581

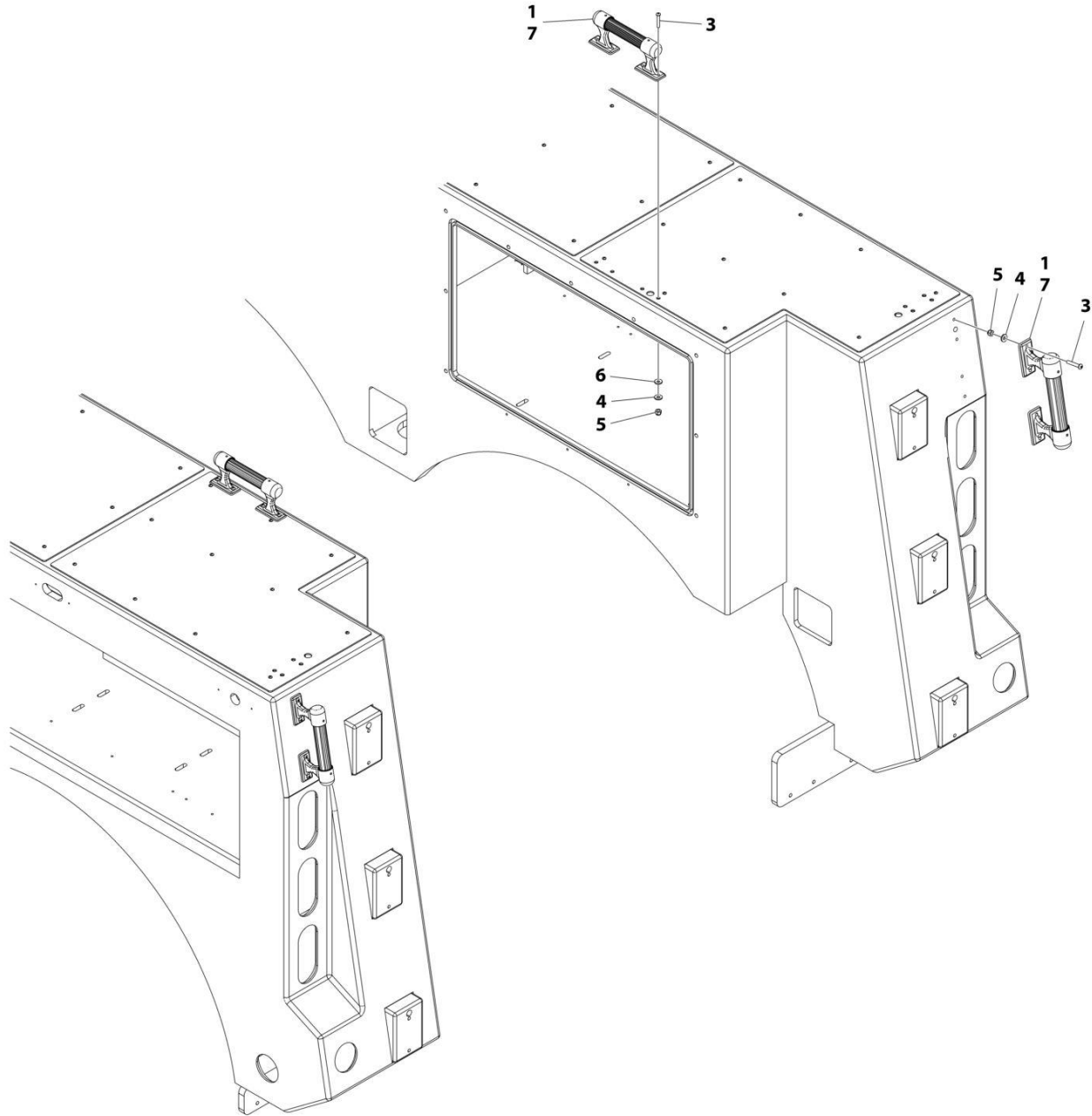
SECTION 4 - BODY

FIGURE 4-43. FILLER PANEL INSTALLATION - WITH SIDE STABILIZER

ITEM	PART NUMBER	QTY	DESCRIPTION	REV
	1001244581	Ref	STABILIZER FILLER PANEL INSTALLATION	C
1	1001166974	28	Washer, Rubber 3/8	
3	1001195257	28	Screw 1/4 x 1/2	
4	1001244297	1	Marker Light - Electrical Installation - SS 70 (See Separate Breakdown in ELECTRICAL Section)	
5	1001244557	1	Cover (LH)	
6	1001244564	4	Support	
7	1001244579	1	Cover (RH)	
8	1001245742	1	Diamond Plate Installation - Top (Not Shown)	
8	1001192958	12	Screw #10 x 1/2	
8	1001255740	2	Plate, Diamond (Top)	
9	1001247902	28	Bolt 3/8 x 1-1/2	
10	7660162301	28	Nut 3/8	
11	8632000017	14 ft	Seal	
12	8798820001	AR	Sealant	
13	7950140143	28	Washer 1/4	

SECTION 4 - BODY

FIGURE 4-44. GRAB HANDLES INSTALLATION



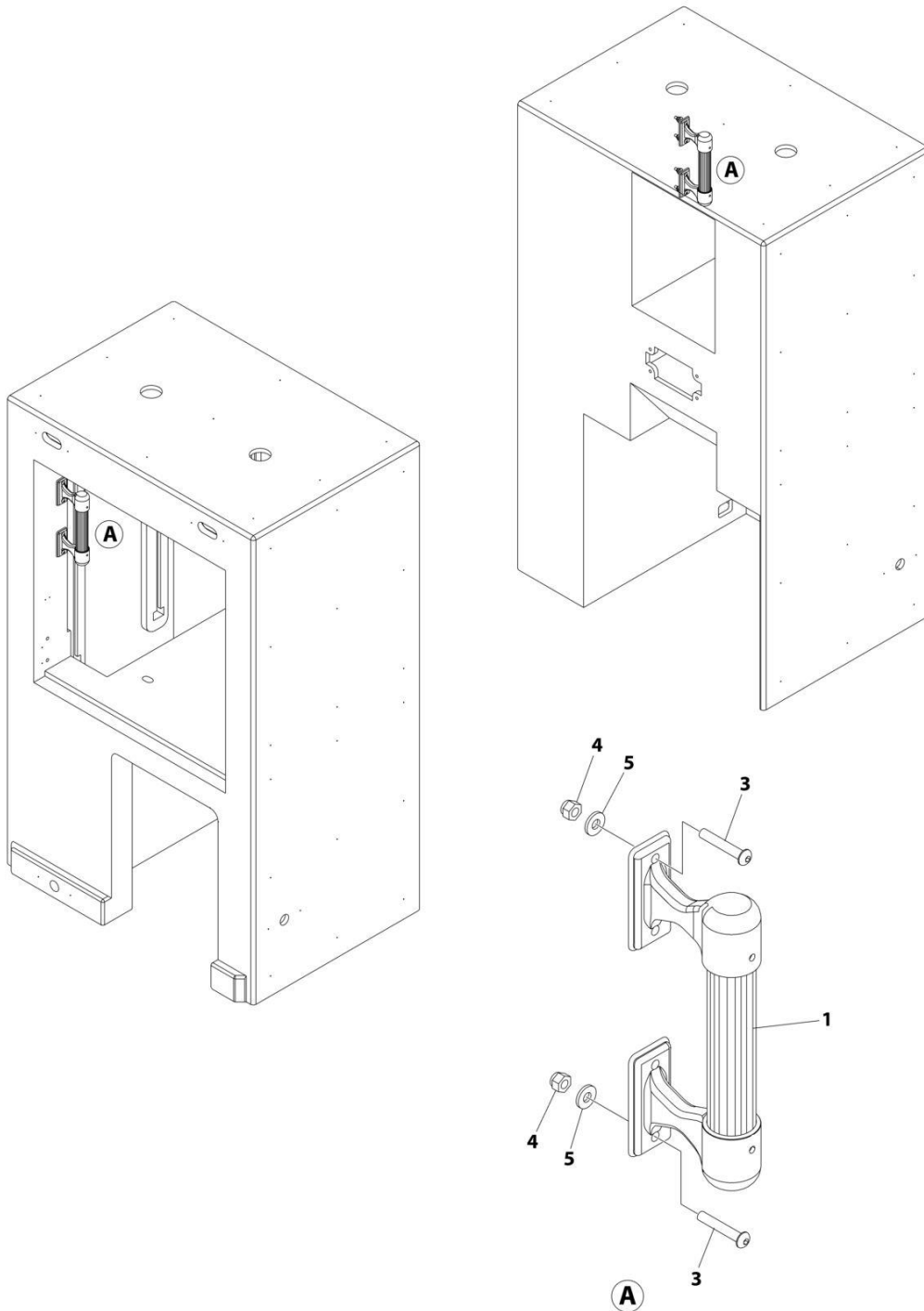
ART_1001196639_C

FIGURE 4-44. GRAB HANDLES INSTALLATION

ITEM	PART NUMBER	QTY	DESCRIPTION	REV
	1001196639	Ref	Grab Handle Installation	C
1	1001170849	4	Grab Handle	
3	7114141218	16	Capscrew 1/4 x 1-1/2	
4	7660142600	16	Nut 1/4	
5	7950140143	16	Washer 1/2	
6	1001166978	8	Washer, Rubber 1/4	
7	8798820001	AR	Sealant	

SECTION 4 - BODY

FIGURE 4-45. GRAB HANDLES INSTALLATION - SRS



ART_1001198964

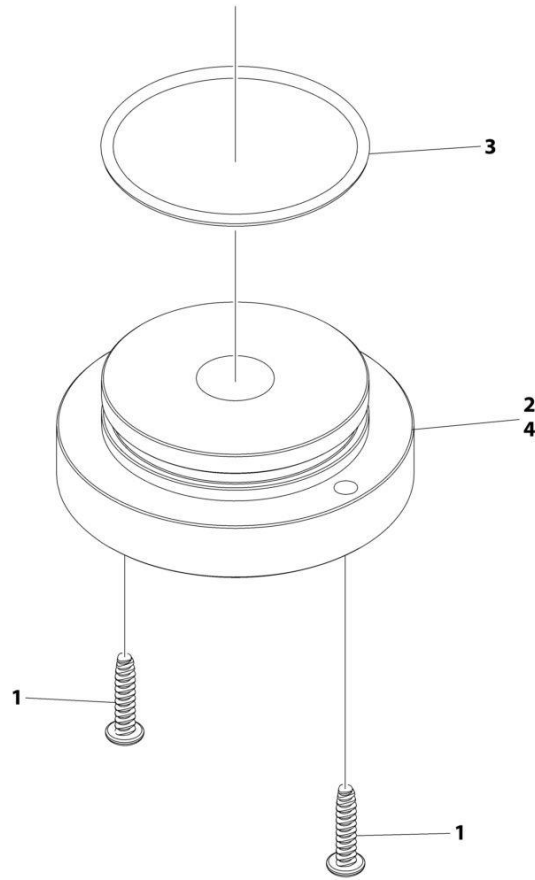
SECTION 4 - BODY

FIGURE 4-45. GRAB HANDLES INSTALLATION - SRS

ITEM	PART NUMBER	QTY	DESCRIPTION	REV
	1001198964	Ref	GRAB HANDLE INSTALLATION	B
1	1001170849	2	Grab Handle	
3	7114141218	8	Capscrew 1/4 x 1-1/2	
4	7660142600	8	Nut 1/4	
5	7950140143	8	Washer 1/4	

SECTION 4 - BODY

FIGURE 4-46. LIFTING LUGS INSTALLATION



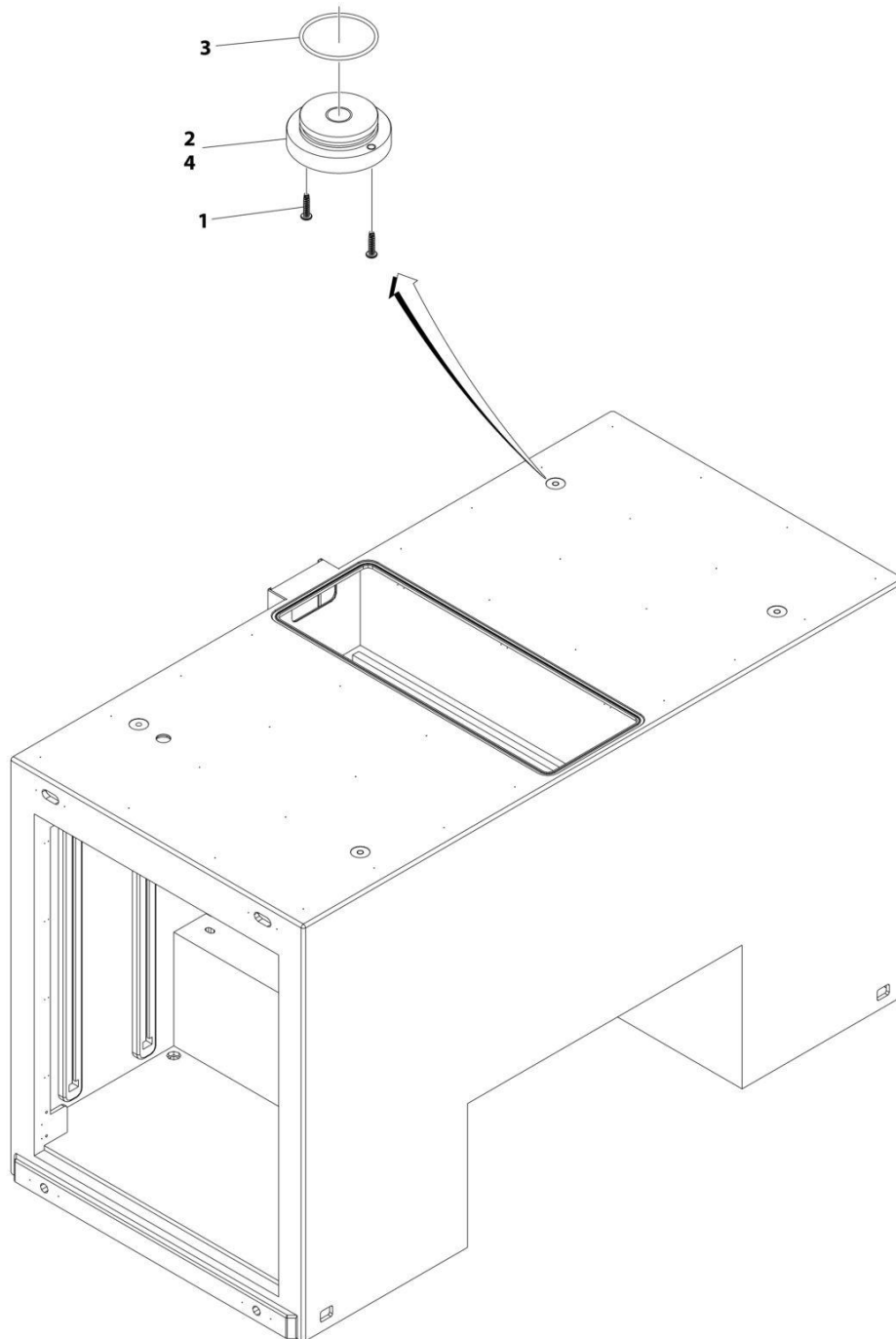
ART_1001196802

FIGURE 4-46. LIFTING LUGS INSTALLATION

ITEM	PART NUMBER	QTY	DESCRIPTION	REV
	1001196802	Ref	LIFTING LUGS INSTALLATION - BODY	C
1	1001196552	32	Screw #8 x 3/4	
2	1001288629	8	Nut	
3	3790230	8	O-Ring	
4	8798820001	AR	Sealant	

SECTION 4 - BODY

FIGURE 4-47. LIFTING LUGS INSTALLATION - BODY (SN 0230008674 to Present, Including 0230008645)



ART_1001196808

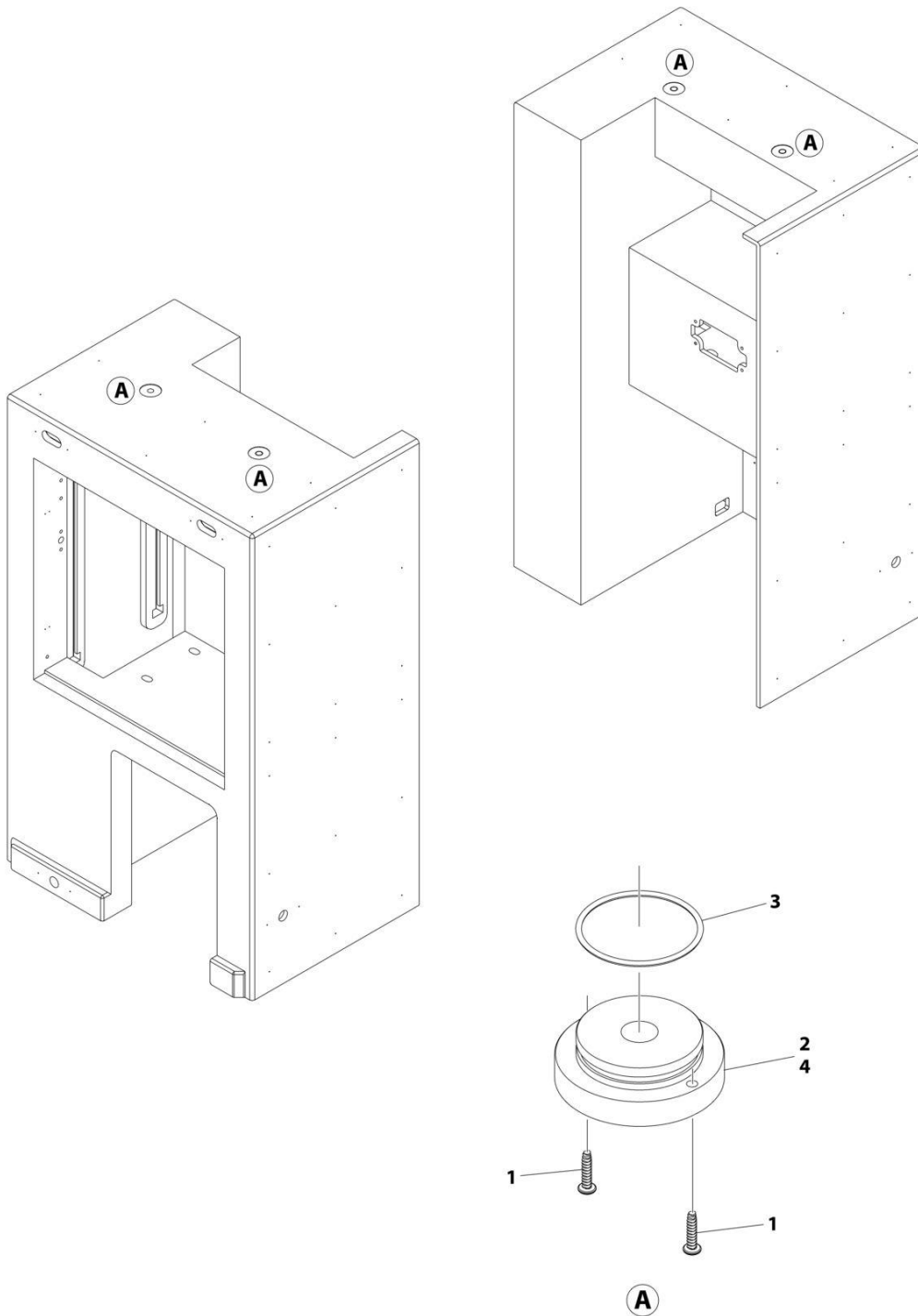
SECTION 4 - BODY

FIGURE 4-47. LIFTING LUGS INSTALLATION - BODY (SN 0230008674 to Present, Including 0230008645)

ITEM	PART NUMBER	QTY	DESCRIPTION	REV
	1001196808	Ref	BODY LIFTING LUGS INSTALLATION	C
1	1001196552	8	Screw #8 x 3/4	
2	1001189283	4	Nut	
3	1001189321	4	O-Ring	
4	8798820001	AR	Sealant	

SECTION 4 - BODY

FIGURE 4-48. LIFTING LUGS INSTALLATION - SRS



ART_1001197896

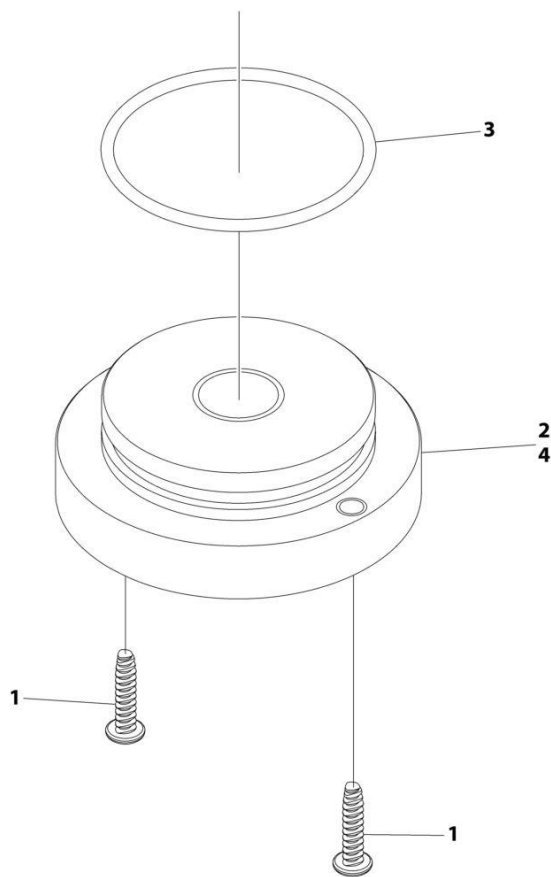
SECTION 4 - BODY

FIGURE 4-48. LIFTING LUGS INSTALLATION - SRS

ITEM	PART NUMBER	QTY	DESCRIPTION	REV
	1001197896	Ref	LIFTING LUGS INSTALLATION	B
1	1001196552	8	Screw #8 x 3/4	
2	1001189283	4	Nut	
3	1001189321	4	O-Ring	
4	8798820001	AR	Sealant	

SECTION 4 - BODY

FIGURE 4-49. LIFTING LUGS INSTALLATION - TUNNEL (SN 0230004275 through 0230008673, Excluding 0230008645)



ART_1001196807

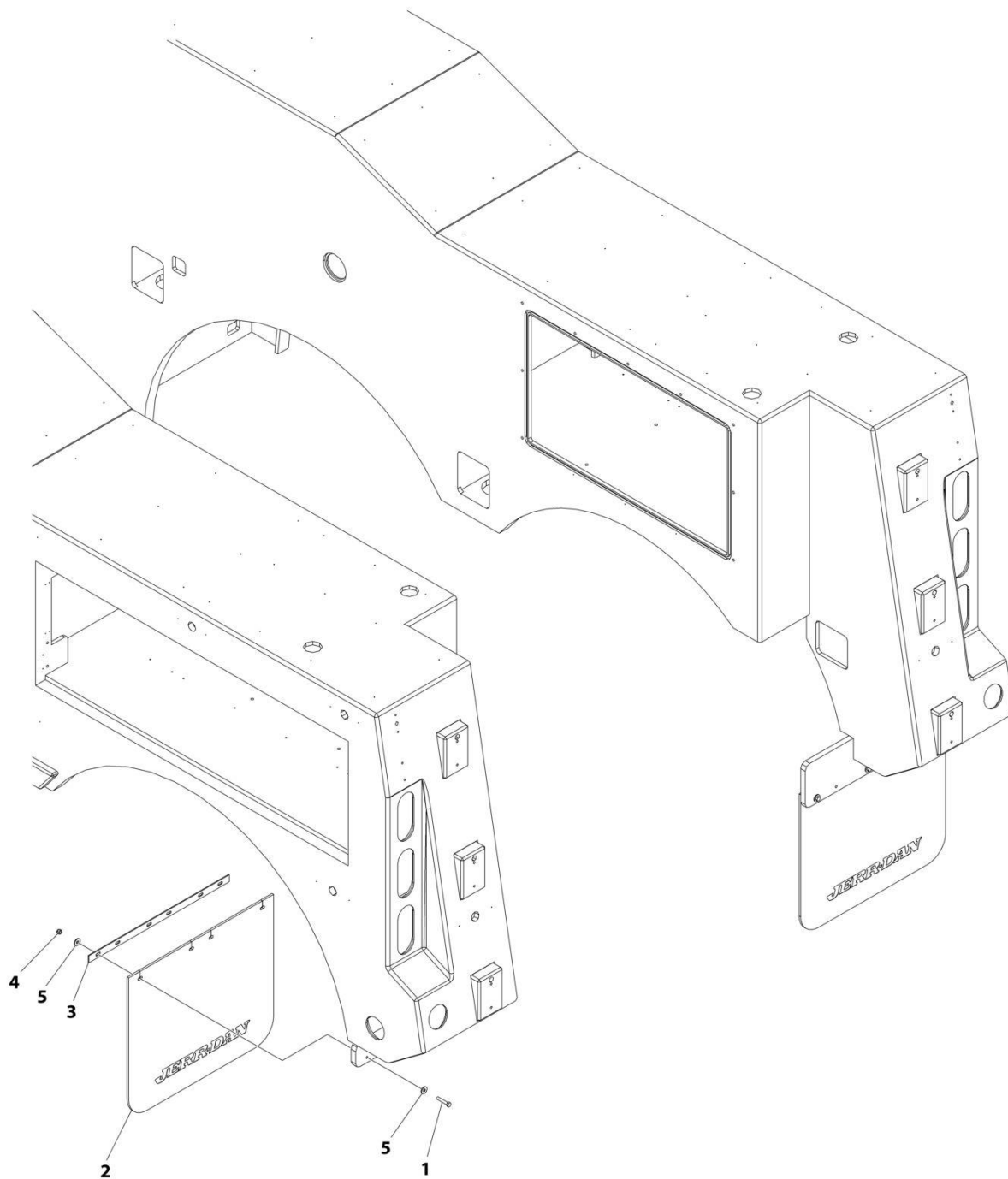
SECTION 4 - BODY

FIGURE 4-49. LIFTING LUGS INSTALLATION - TUNNEL (SN 0230004275 through 0230008673, Excluding 0230008645)

ITEM	PART NUMBER	QTY	DESCRIPTION	REV
	1001196807	Ref	LIFTING LUGS INSTALLATION - TUNNEL	C
1	1001196552	8	Screw #8 x 3/4	
2	1001189283	4	Nut	
3	1001189321	4	O-Ring	
4	8798820001	AR	Sealant	

SECTION 4 - BODY

FIGURE 4-50. MUDFLAPS INSTALLATION



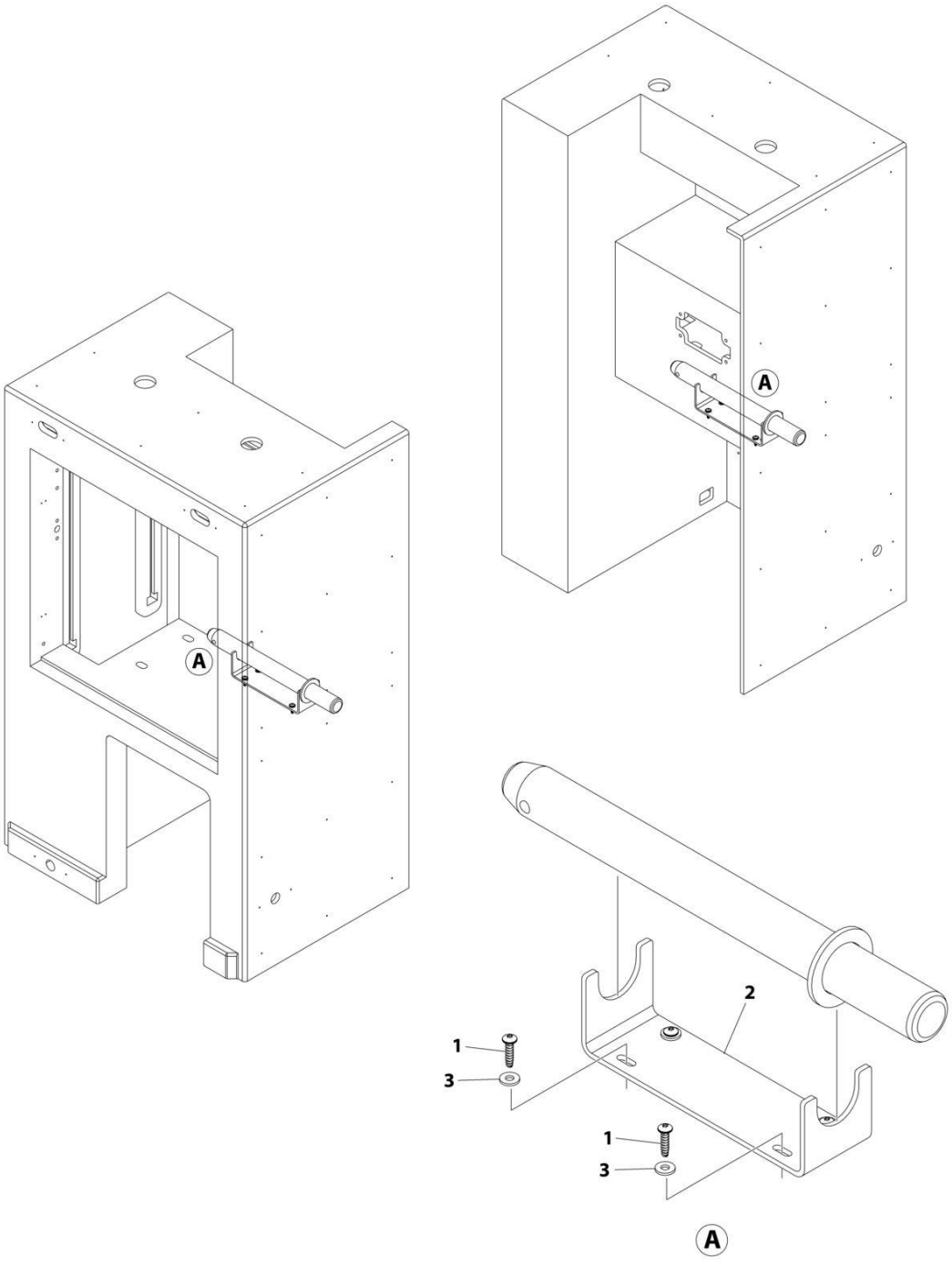
ART_1001196790

FIGURE 4-50. MUDFLAPS INSTALLATION

ITEM	PART NUMBER	QTY	DESCRIPTION	REV
	1001196790	Ref	MUD FLAP INSTALLATION	C
1	0641514	8	Bolt 5/16 x 1-3/4	
2	1001174051	2	Mud Flap	
3	4706001815	2	Plate	
4	7660152601	8	Nut 5/16	
5	7950150153	16	Washer 5/16	

SECTION 4 - BODY

FIGURE 4-51. PIN STORAGE INSTALLATION



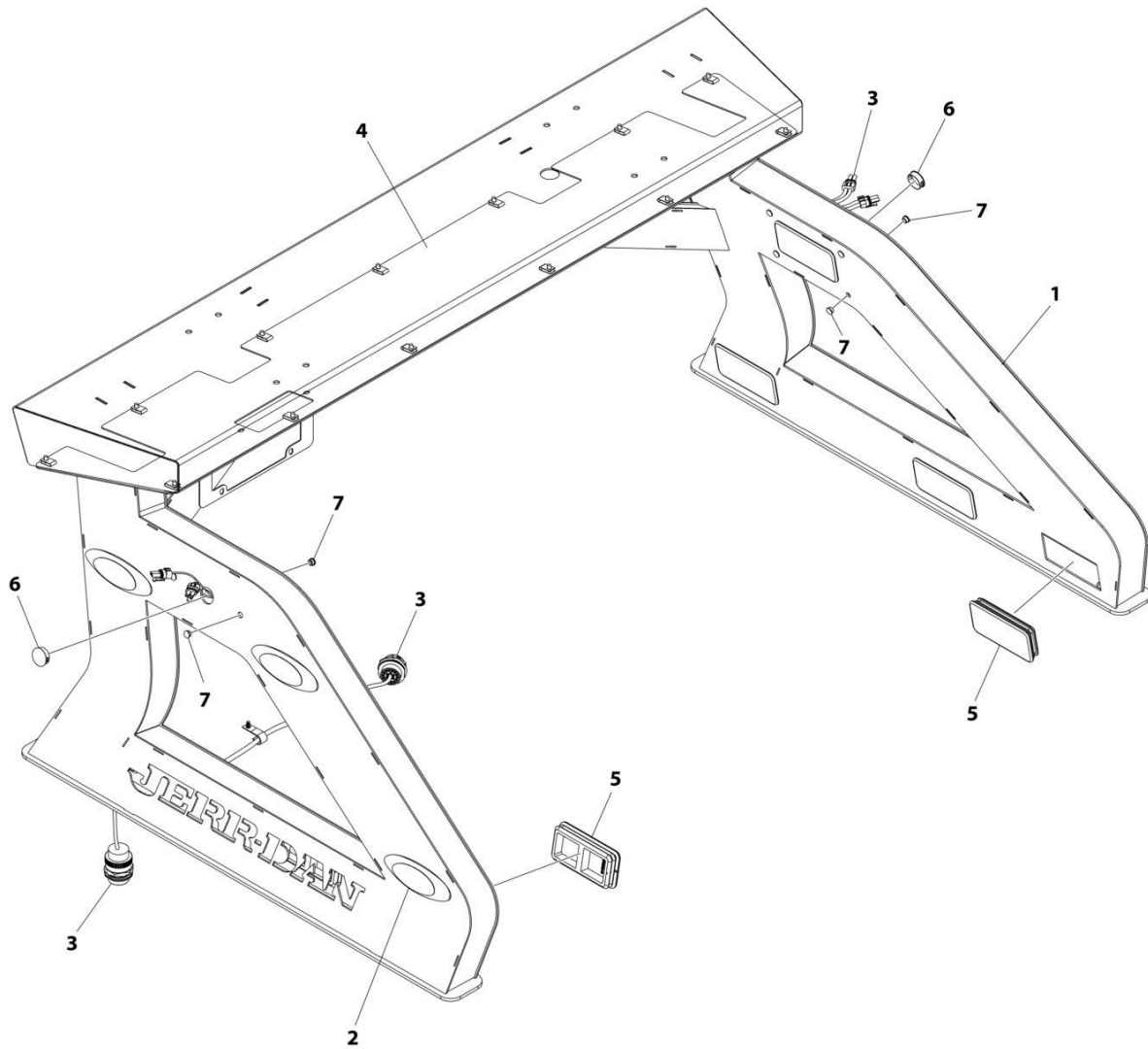
ART_1001213909

FIGURE 4-51. PIN STORAGE INSTALLATION

ITEM	PART NUMBER	QTY	DESCRIPTION	REV
	1001213909	Ref	PIN STORAGE INSTALLATION	A
1	1001195523	8	Screw 1/4 x 1	
2	1001213912	2	Bracket	
3	7950140143	8	Washer 1/4	

SECTION 4 - BODY

FIGURE 4-52. PYLON INSTALLATION (34IN) (SN 0230005220 to Present)



ART_1001228888

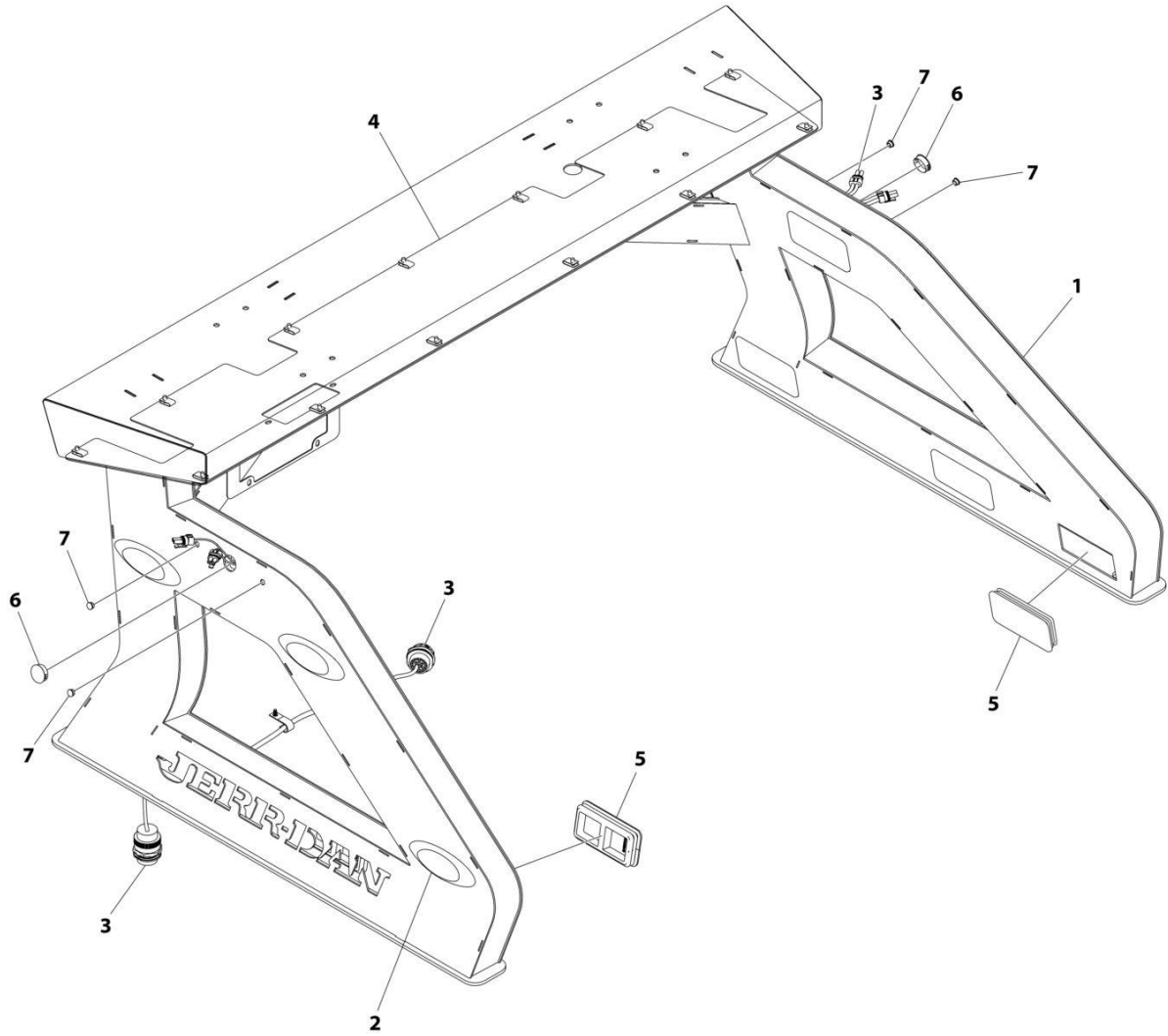
SECTION 4 - BODY

FIGURE 4-52. PYLON INSTALLATION (34IN) (SN 0230005220 to Present)

ITEM	PART NUMBER	QTY	DESCRIPTION	REV
	1001228888	Ref	PYLON INSTALLATION (34IN)	A
1	1001228805	1	Support	
2	1001207488	1	Marker Lights Installation - Pylon (See Separate Breakdown in ELECTRICAL Section)	
3	1001215020	1	Pylon Electrical Installation (See Separate Breakdown in ELECTRICAL Section)	
4	1001214252	1	Pylon Cover Installation	
5	7701000048	8	Plug	
6	7701000049	2	Plug	
7	7701000056	12	Plug	

SECTION 4 - BODY

FIGURE 4-53. PYLON INSTALLATION (34IN) (SN 0230004275 through 0230005219)



ART_1001215031

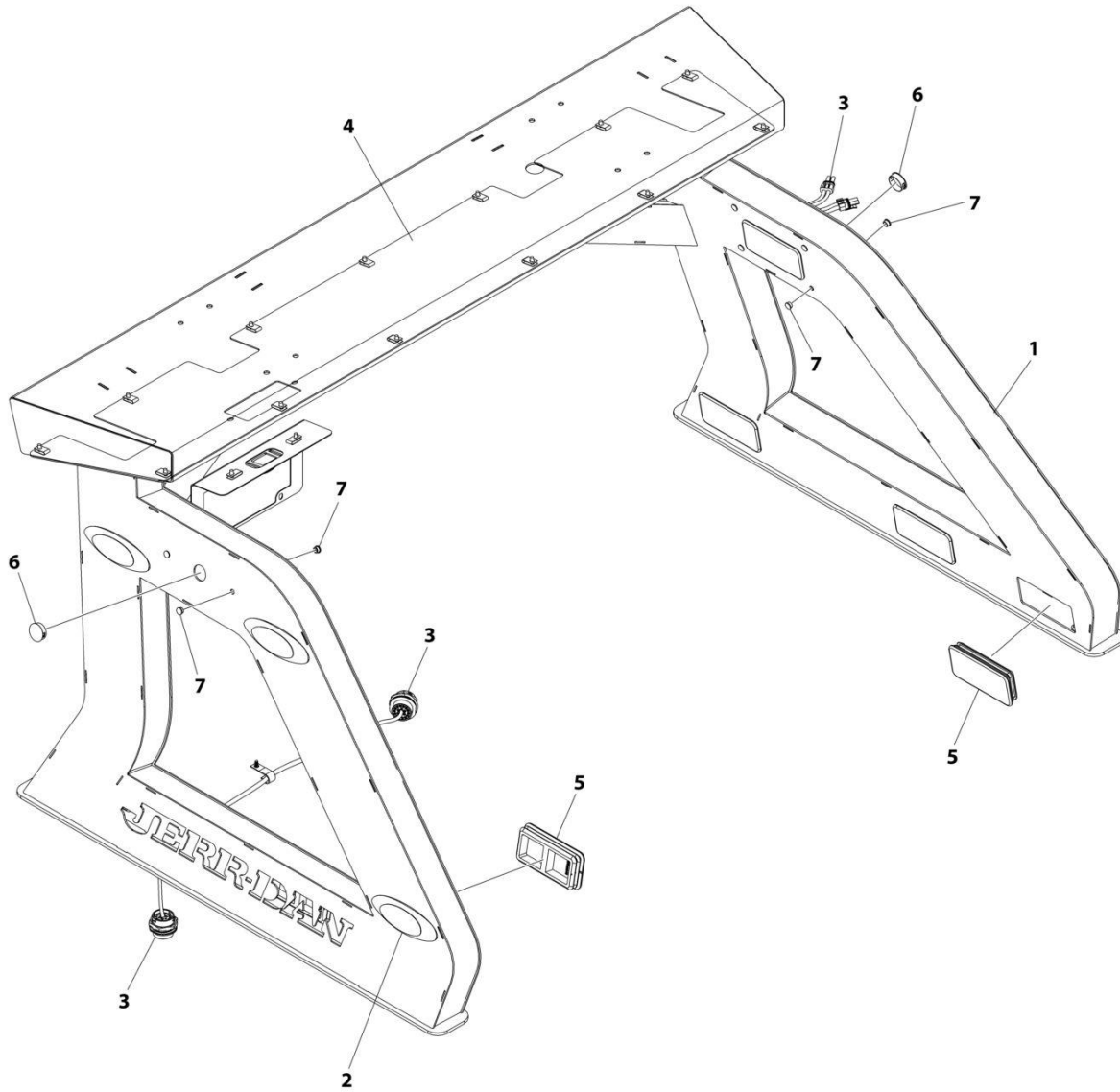
SECTION 4 - BODY

FIGURE 4-53. PYLON INSTALLATION (34IN) (SN 0230004275 through 0230005219)

ITEM	PART NUMBER	QTY	DESCRIPTION	REV
	1001215031	Ref	PYLON INSTALLATION (34IN)	B
1	1001213102	1	Support	
2	1001207488	1	Marker Lights Installation - Pylon (See Separate Breakdown in ELECTRICAL Section)	
3	1001215020	1	Pylon Electrical Installation (See Separate Breakdown in ELECTRICAL Section)	
4	1001214252	1	Pylon Cover Installation (See Separate Breakdown in this Section)	
5	7701000048	8	Plug	
6	7701000049	2	Plug	
7	7701000056	4	Plug	

SECTION 4 - BODY

FIGURE 4-54. PYLON INSTALLATION (39IN) (SN 0230005220 to Present)



ART_1001228889

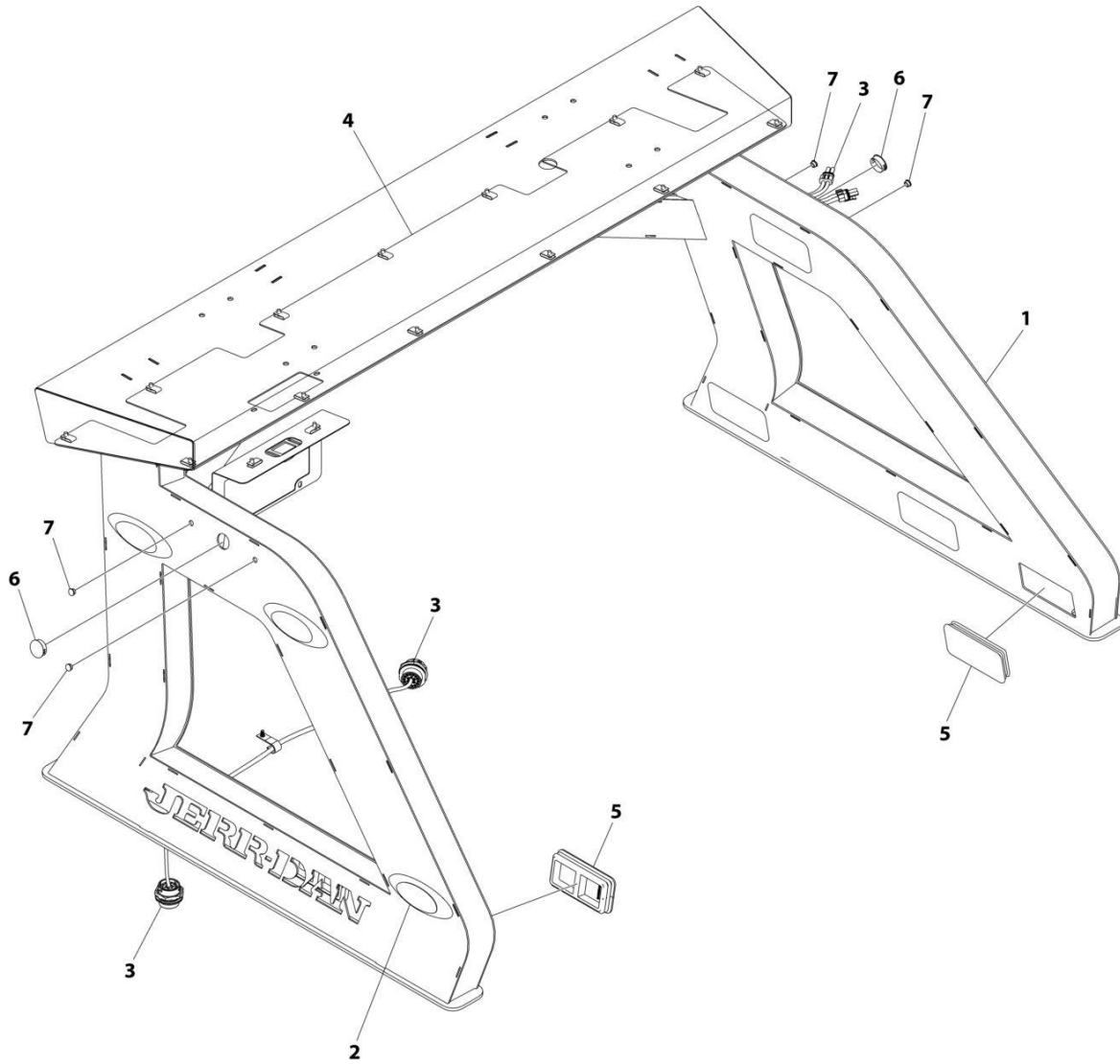
SECTION 4 - BODY

FIGURE 4-54. PYLON INSTALLATION (39IN) (SN 0230005220 to Present)

ITEM	PART NUMBER	QTY	DESCRIPTION	REV
	1001228889	Ref	PYLON INSTALLATION (39IN)	A
1	1001228818	1	Support	
2	1001207488	1	Marker Lights Installation - Pylon (See Separate Breakdown in ELECTRICAL Section)	
3	1001215020	1	Pylon Electrical Installation (See Separate Breakdown in ELECTRICAL Section)	
4	1001214262	1	Pylon Cover Installation (See Separate Breakdown in this Section)	
5	7701000048	8	Plug	
6	7701000049	2	Plug	
7	7701000056	12	Plug	

SECTION 4 - BODY

FIGURE 4-55. PYLON INSTALLATION (39IN) (SN 0230004275 through 0230005219)



ART_1001215032

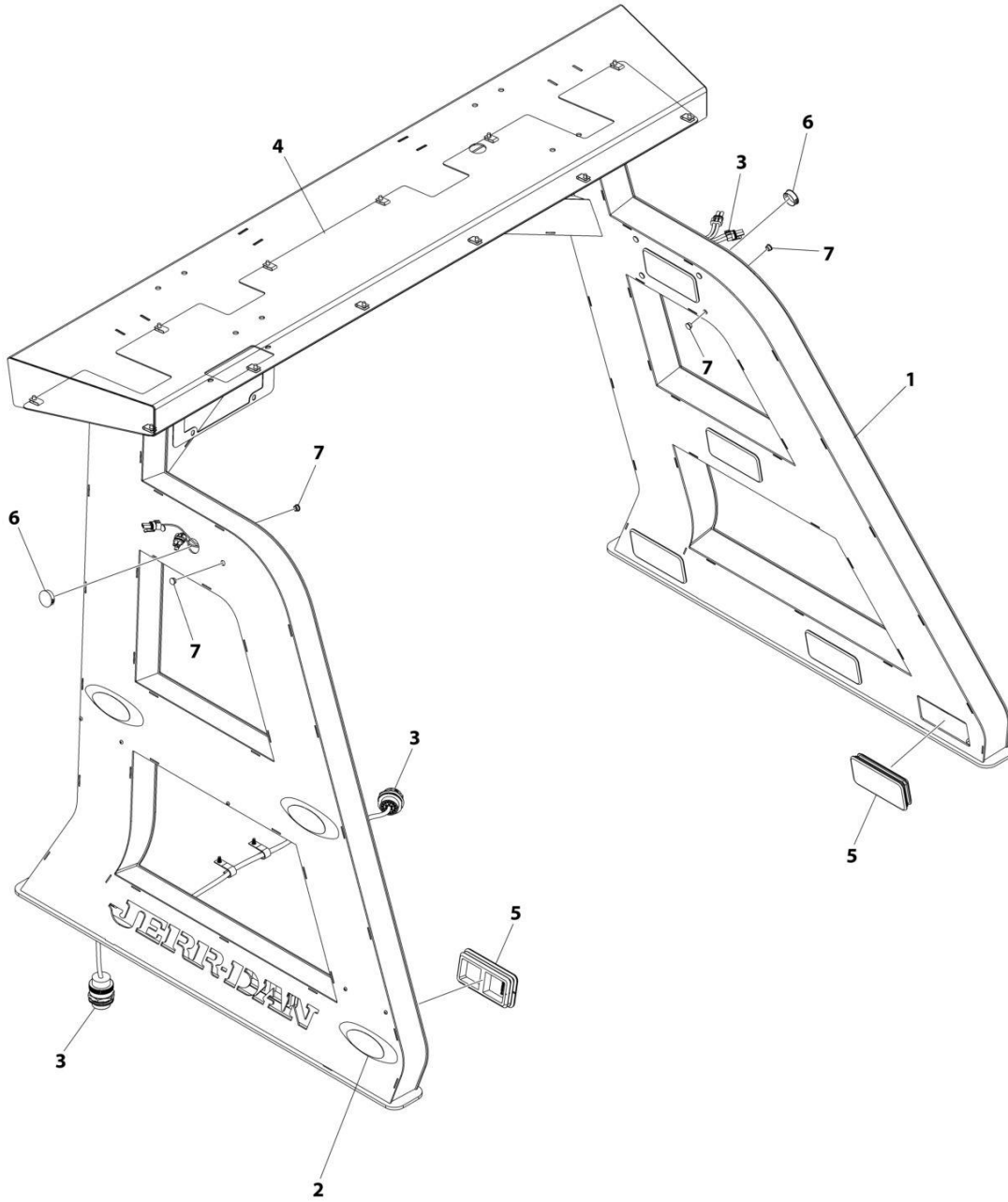
SECTION 4 - BODY

FIGURE 4-55. PYLON INSTALLATION (39IN) (SN 0230004275 through 0230005219)

ITEM	PART NUMBER	QTY	DESCRIPTION	REV
	1001215032	Ref	PYLON INSTALLATION (39IN)	B
1	1001213509	1	Support	
2	1001207488	1	Marker Lights Installation - Pylon (See Separate Breakdown in ELECTRICAL Section)	
3	1001215020	1	Pylon Electrical Installation (See Separate Breakdown in ELECTRICAL Section)	
4	1001214262	1	Pylon Cover Installation (See Separate Breakdown in this Section)	
5	7701000048	8	Plug	
6	7701000049	2	Plug	
7	7701000056	4	Plug	

SECTION 4 - BODY

FIGURE 4-56. PYLON INSTALLATION (57IN) (SN 0230005220 to Present)



ART_1001228890

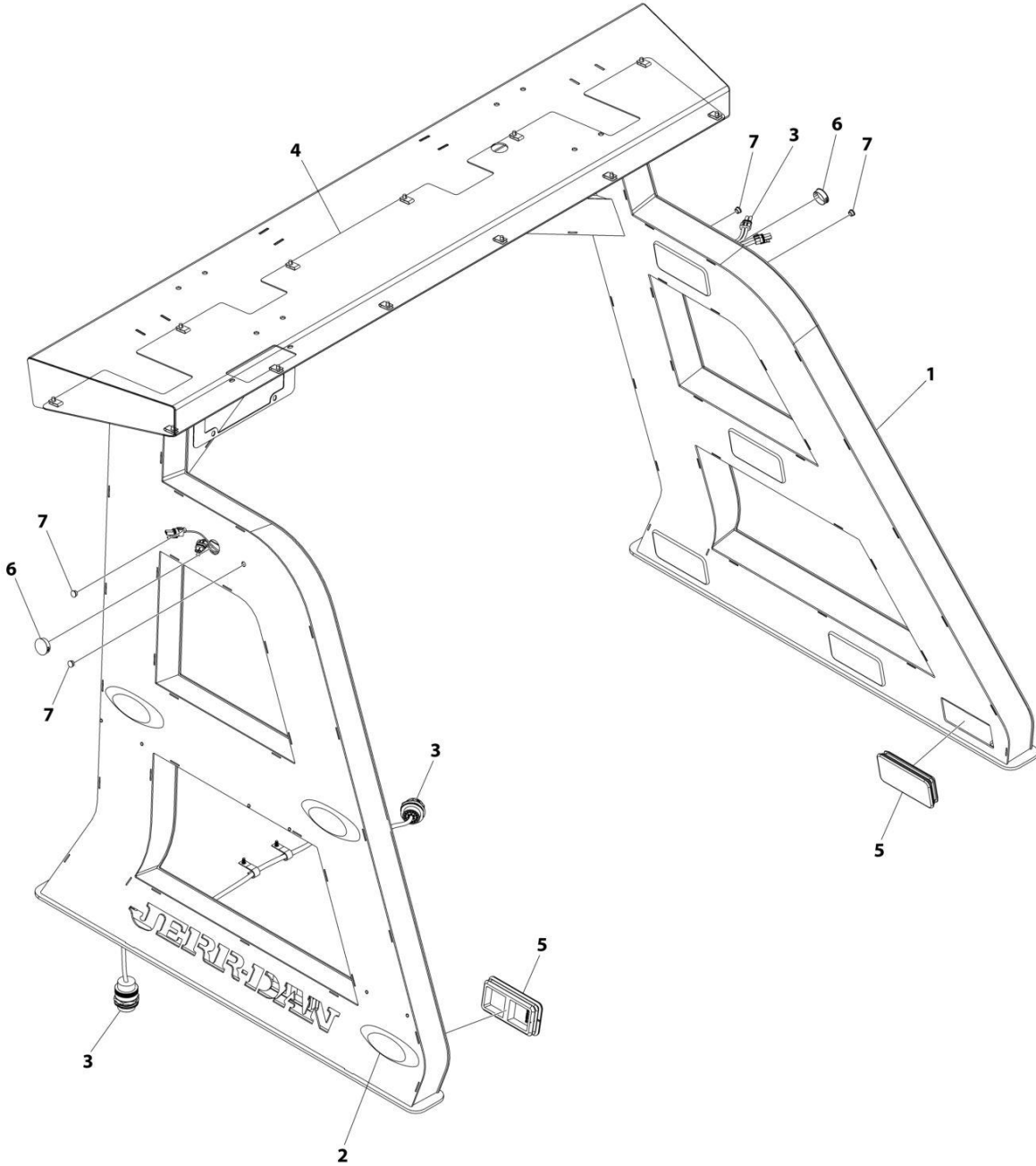
SECTION 4 - BODY

FIGURE 4-56. PYLON INSTALLATION (57IN) (SN 0230005220 to Present)

ITEM	PART NUMBER	QTY	DESCRIPTION	REV
	1001228890	Ref	PYLON INSTALLATION (57IN)	A
1	1001228824	1	Support	
2	1001207488	1	Marker Lights Installation - Pylon (See Separate Breakdown in ELECTRICAL Section)	
3	1001215034	1	Pylon Electrical Installation (See Separate Breakdown in ELECTRICAL Section)	
4	1001214973	1	Pylon Cover Installation (See Separate Breakdown in this Section)	
5	7701000048	10	Plug	
6	7701000049	2	Plug	
7	7701000056	12	Plug	

SECTION 4 - BODY

FIGURE 4-57. PYLON INSTALLATION (57IN) (SN 0230004275 through 0230005219)



ART_1001215033

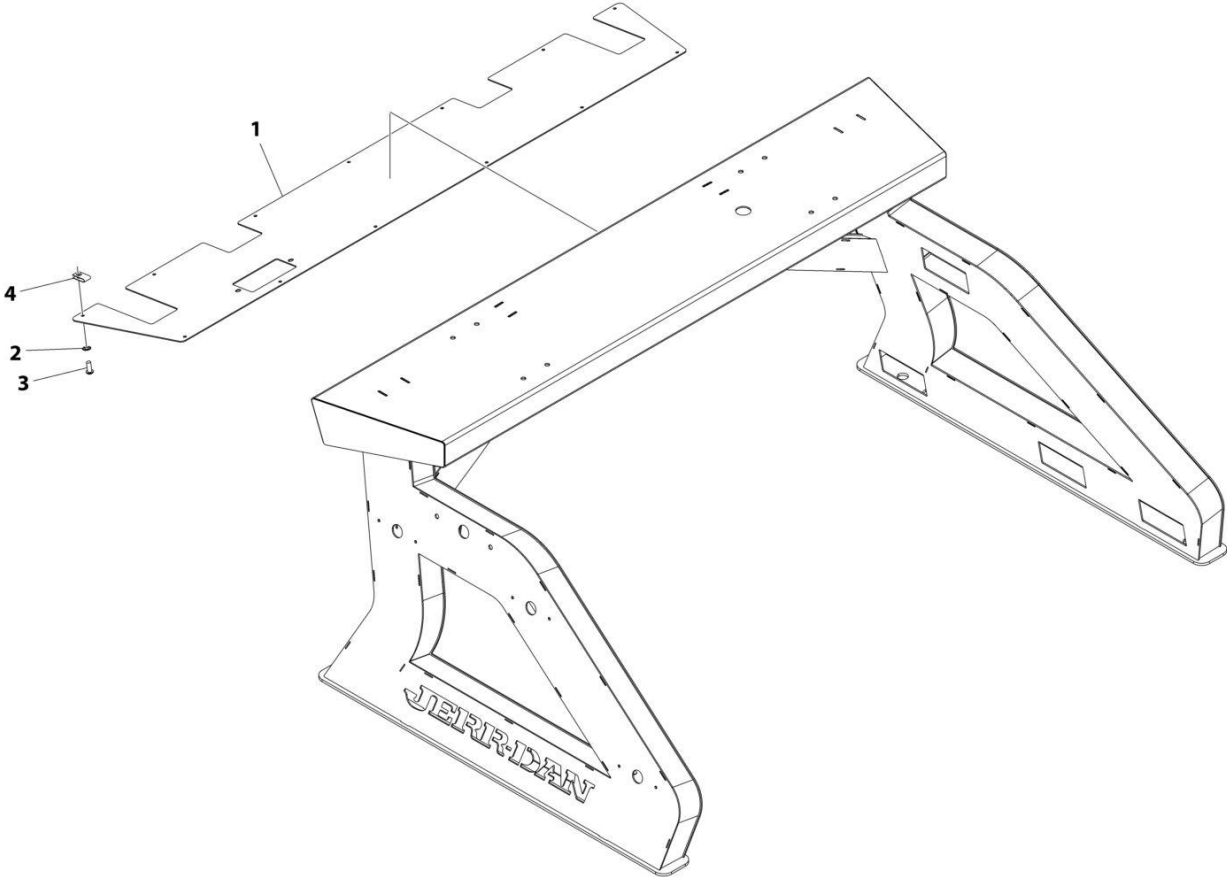
SECTION 4 - BODY

FIGURE 4-57. PYLON INSTALLATION (57IN) (SN 0230004275 through 0230005219)

ITEM	PART NUMBER	QTY	DESCRIPTION	REV
	1001215033	Ref	PYLON INSTALLATION (57IN)	B
1	1001214577	1	Support	
2	1001207488	1	Marker Lights Installation - Pylon (See Separate Breakdown in ELECTRICAL Section)	
3	1001215034	1	Pylon Electrical Installation (See Separate Breakdown in ELECTRICAL Section)	
4	1001214973	1	Pylon Cover Installation (See Separate Breakdown in this Section)	
5	7701000048	10	Plug	
6	7701000049	2	Plug	
7	7701000056	4	Plug	

SECTION 4 - BODY

FIGURE 4-58. PYLON COVER INSTALLATION (34IN PYLON)



ART_1001214252

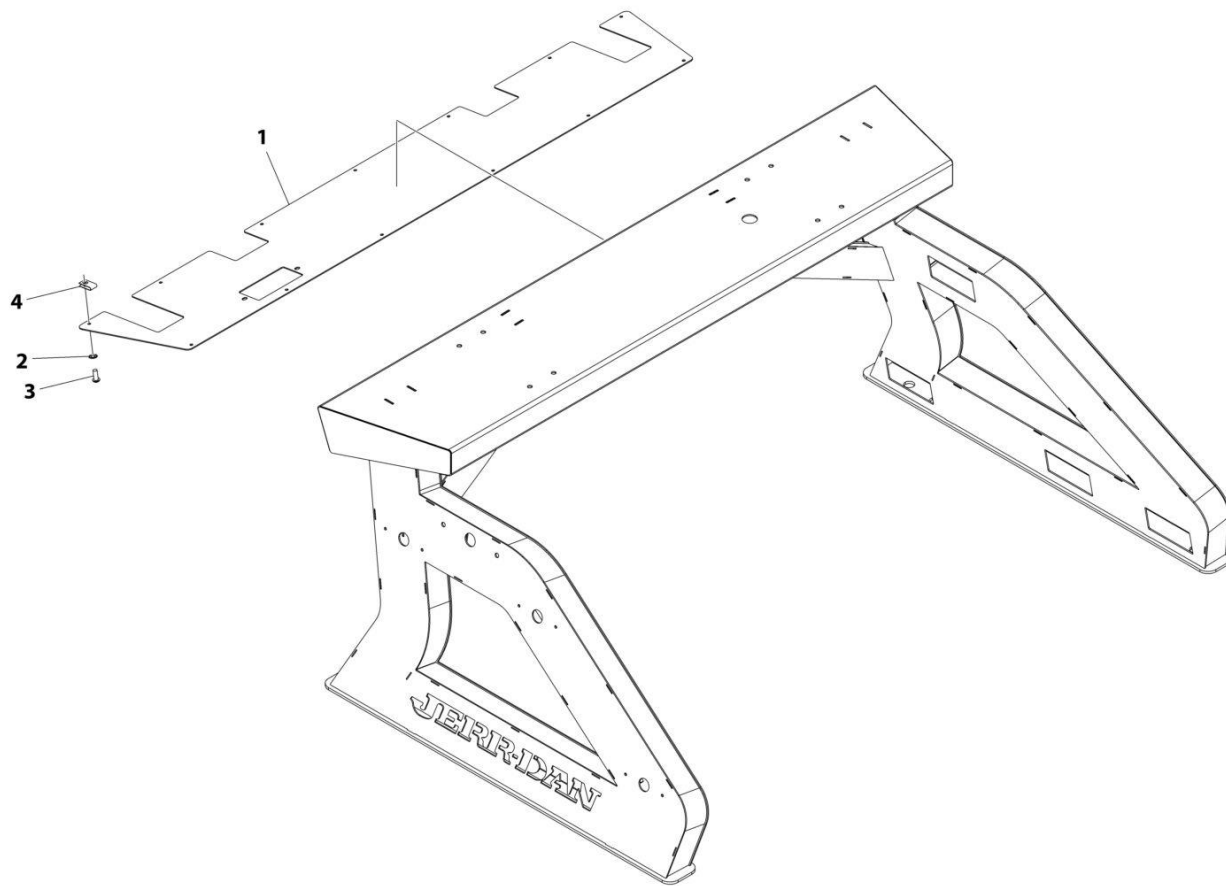
SECTION 4 - BODY

FIGURE 4-58. PYLON COVER INSTALLATION (34IN PYLON)

ITEM	PART NUMBER	QTY	DESCRIPTION	REV
	1001214252	Ref	PYLON COVER INSTALLATION (34IN)	B
1	1001213093	1	Cover	
2	1001143686	13	Star Washer 1/4	
3	7114140518	13	Screw 1/4 x 5/8	
4	7661000019	13	U-Nut 1/4	

SECTION 4 - BODY

FIGURE 4-59. PYLON COVER INSTALLATION (39IN PYLON)



ART_1001214262

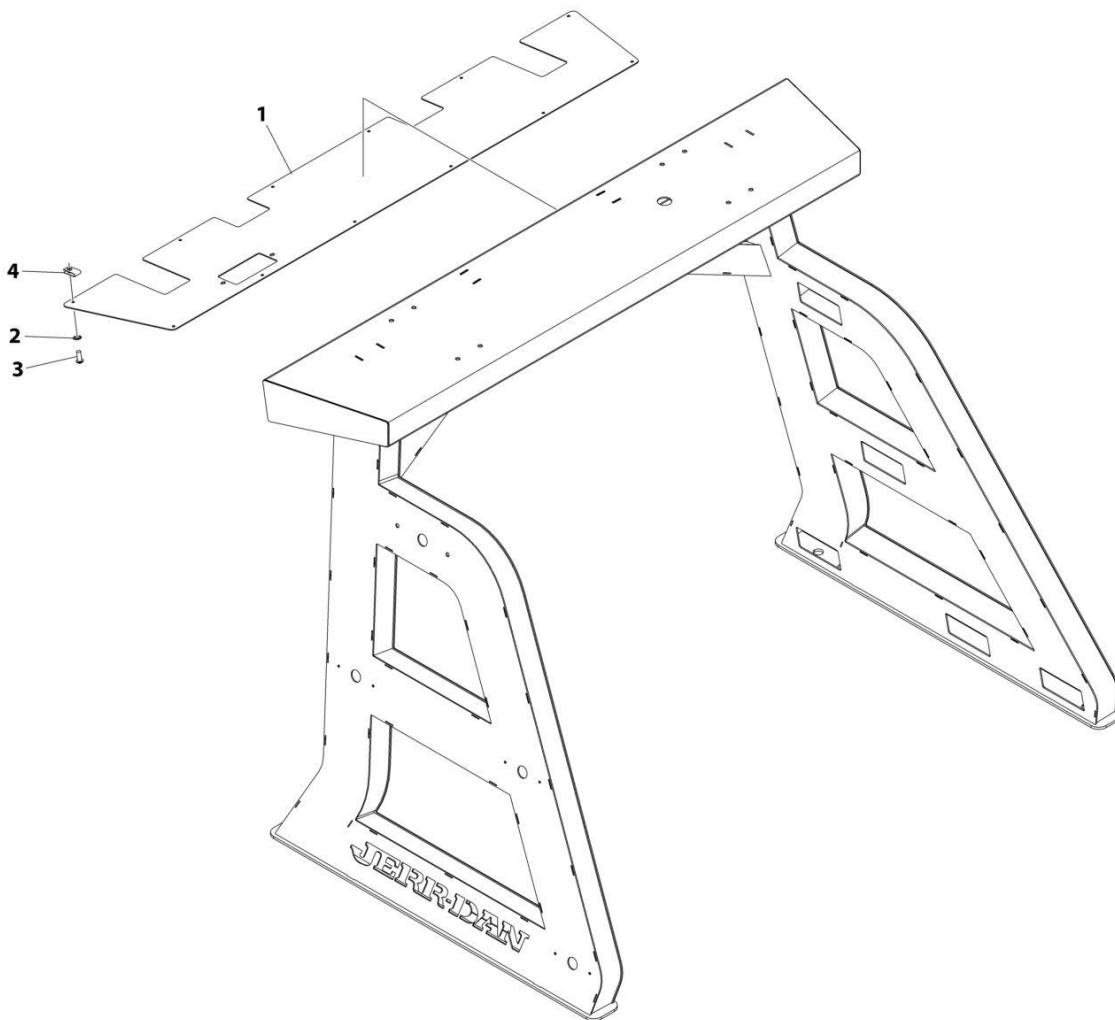
SECTION 4 - BODY

FIGURE 4-59. PYLON COVER INSTALLATION (39IN PYLON)

ITEM	PART NUMBER	QTY	DESCRIPTION	REV
	1001214262	Ref	PYLON COVER INSTALLATION (39IN)	B
1	1001213522	1	Cover	
2	1001143686	13	Star Washer 1/4	
3	7114140518	13	Screw 1/4 x 5/8	
4	7661000019	13	U-Nut 1/4	

SECTION 4 - BODY

FIGURE 4-60. PYLON COVER INSTALLATION (57IN PYLON)



ART_1001214973

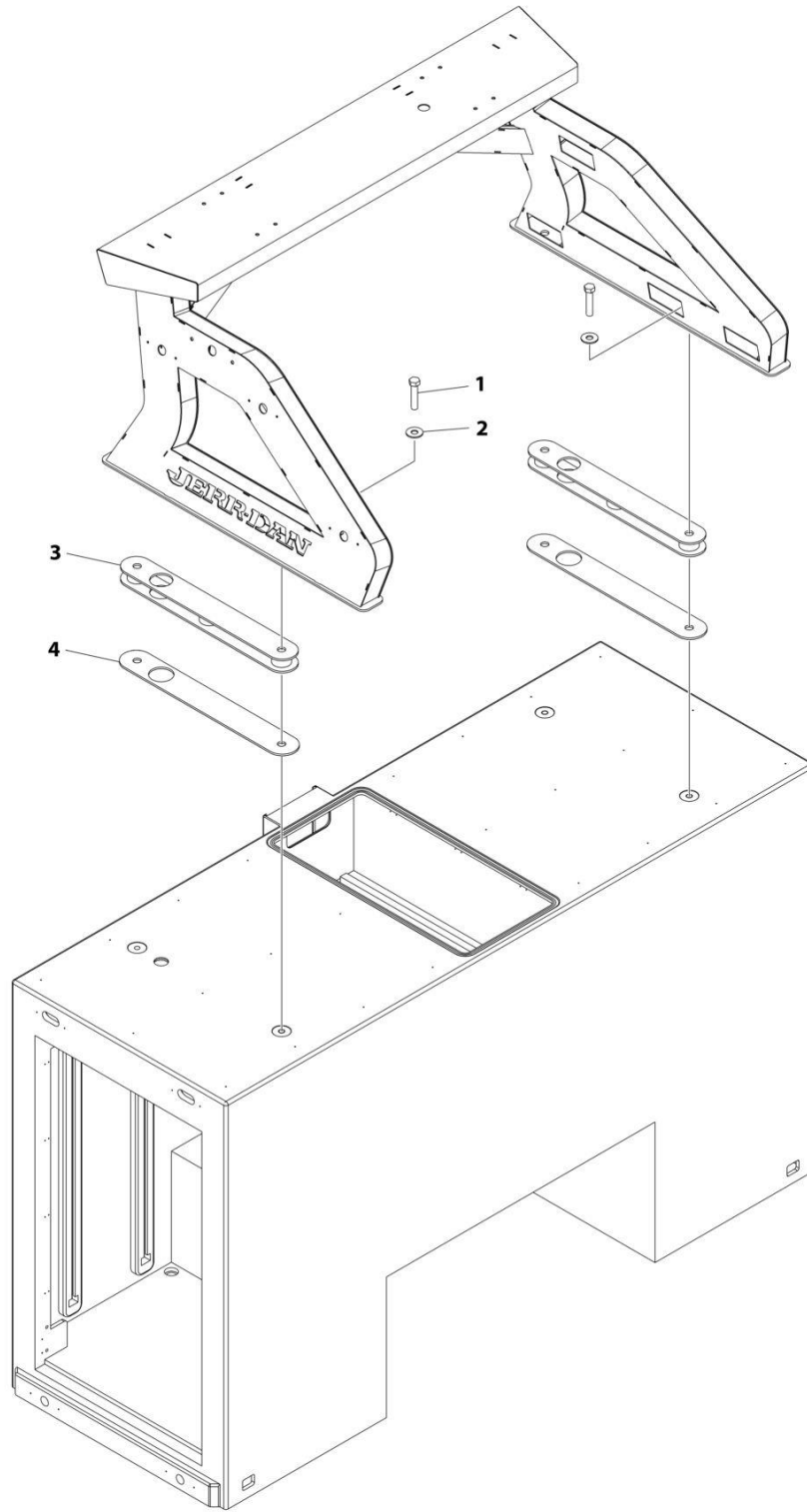
SECTION 4 - BODY

FIGURE 4-60. PYLON COVER INSTALLATION (57IN PYLON)

ITEM	PART NUMBER	QTY	DESCRIPTION	REV
	1001214973	Ref	PYLON COVER INSTALLATION (57IN)	B
1	1001214590	1	Cover	
2	1001143686	12	Star Washer 1/4	
3	7114140518	12	Screw 1/4 x 5/8	
4	7661000019	12	U-Nut 1/4	

SECTION 4 - BODY

FIGURE 4-61. PYLON ADAPTER INSTALLATION - 39IN TUNNEL



ART_1001214336

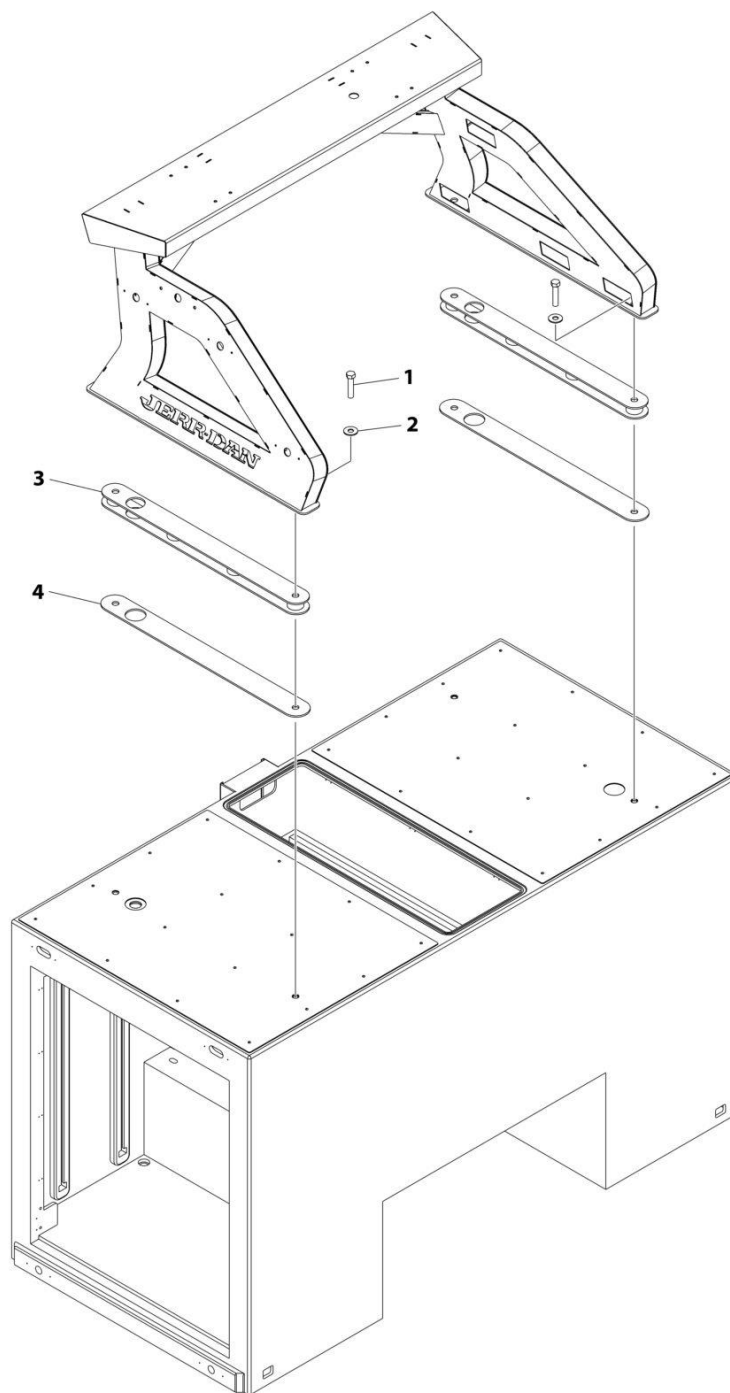
SECTION 4 - BODY

FIGURE 4-61. PYLON ADAPTER INSTALLATION - 39IN TUNNEL

ITEM	PART NUMBER	QTY	DESCRIPTION	REV
	1001214336	Ref	PYLON ADAPTER INSTALLATION - 39IN TUNNEL	A
1	0642228	4	Capscrew 3/4 x 3-1/2	
2	4752200	4	Washer 3/4	
3	1001213112	2	Mount	
4	1001214350	2	Seal	

SECTION 4 - BODY

FIGURE 4-62. PYLON ADAPTER INSTALLATION - 51IN TUNNEL



ART_1001214335

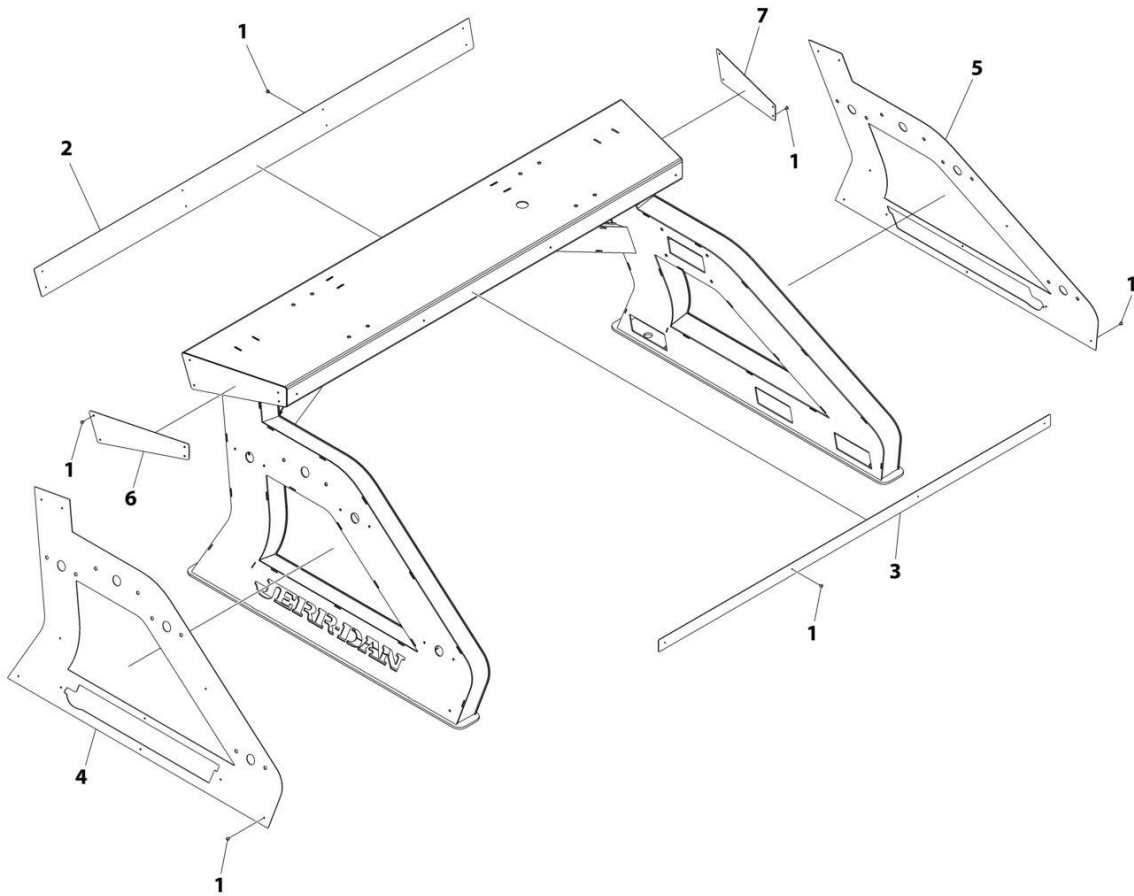
SECTION 4 - BODY

FIGURE 4-62. PYLON ADAPTER INSTALLATION - 51IN TUNNEL

ITEM	PART NUMBER	QTY	DESCRIPTION	REV
	1001214335	Ref	PYLON ADAPTER INSTALLATION - 51IN TUNNEL	A
1	0642228	4	Capscrew 3/4 x 3-1/2	
2	4752200	4	Washer 3/4	
3	1001213111	2	Mount	
4	1001214130	2	Seal	

SECTION 4 - BODY

FIGURE 4-63. PYLON DRESS-UP KIT - 34IN BRUSHED STAINLESS (SN 0230004275 through 0230005219)



ART_1001220184

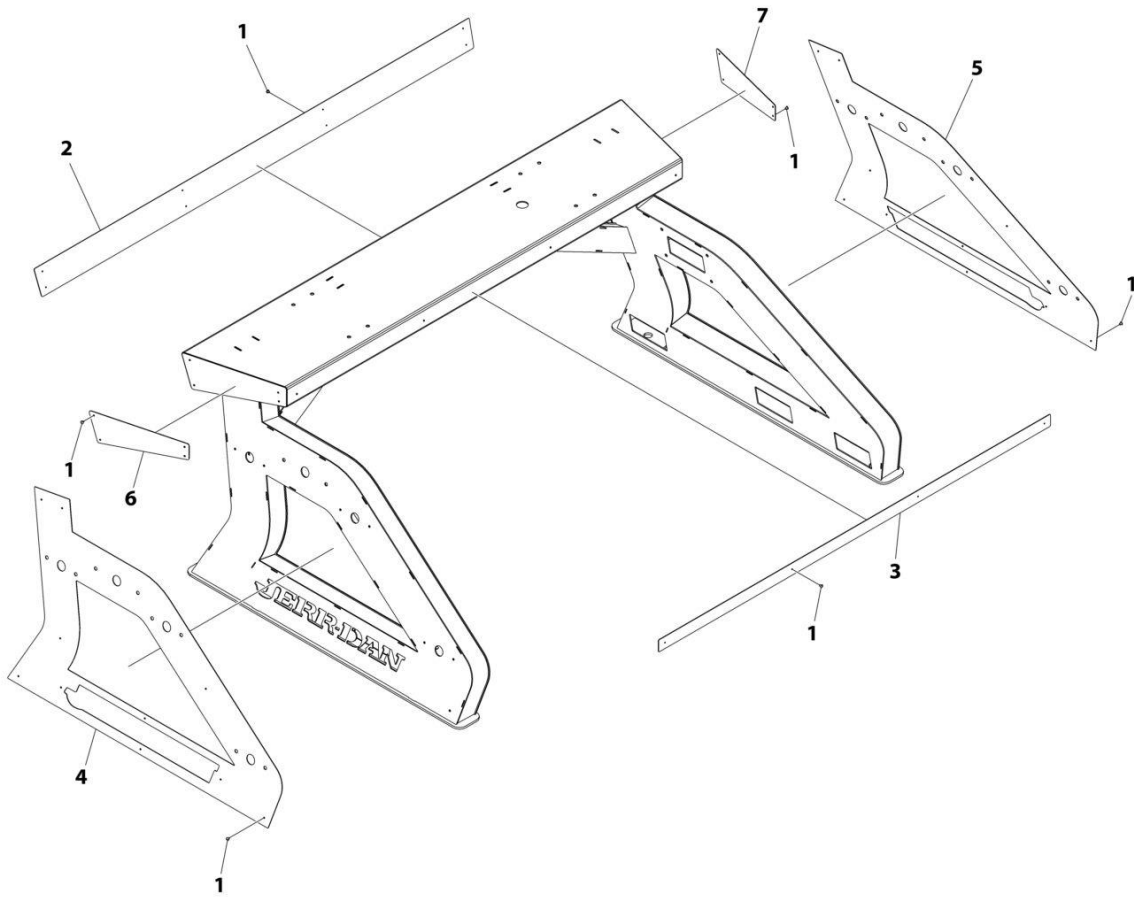
SECTION 4 - BODY

FIGURE 4-63. PYLON DRESS-UP KIT - 34IN BRUSHED STAINLESS (SN 0230004275 through 0230005219)

ITEM	PART NUMBER	QTY	DESCRIPTION	REV
	1001220184	Ref	PYLON DRESS-UP KIT - BRUSHED SS (34IN)	B
1	1001156424	46	Rivet	
2	1001220169	1	Cover (Front)	
3	1001220234	1	Cover (Top Back)	
4	1001220345	1	Cover (LH)	
5	1001220349	1	Cover (RH)	
6	1001220352	1	Cover (Side LH)	
7	1001220353	1	Cover (Side RH)	

SECTION 4 - BODY

FIGURE 4-64. PYLON DRESS-UP KIT - 34IN BRUSHED STAINLESS (SN 0230005220 to Present)



ART_1001228895

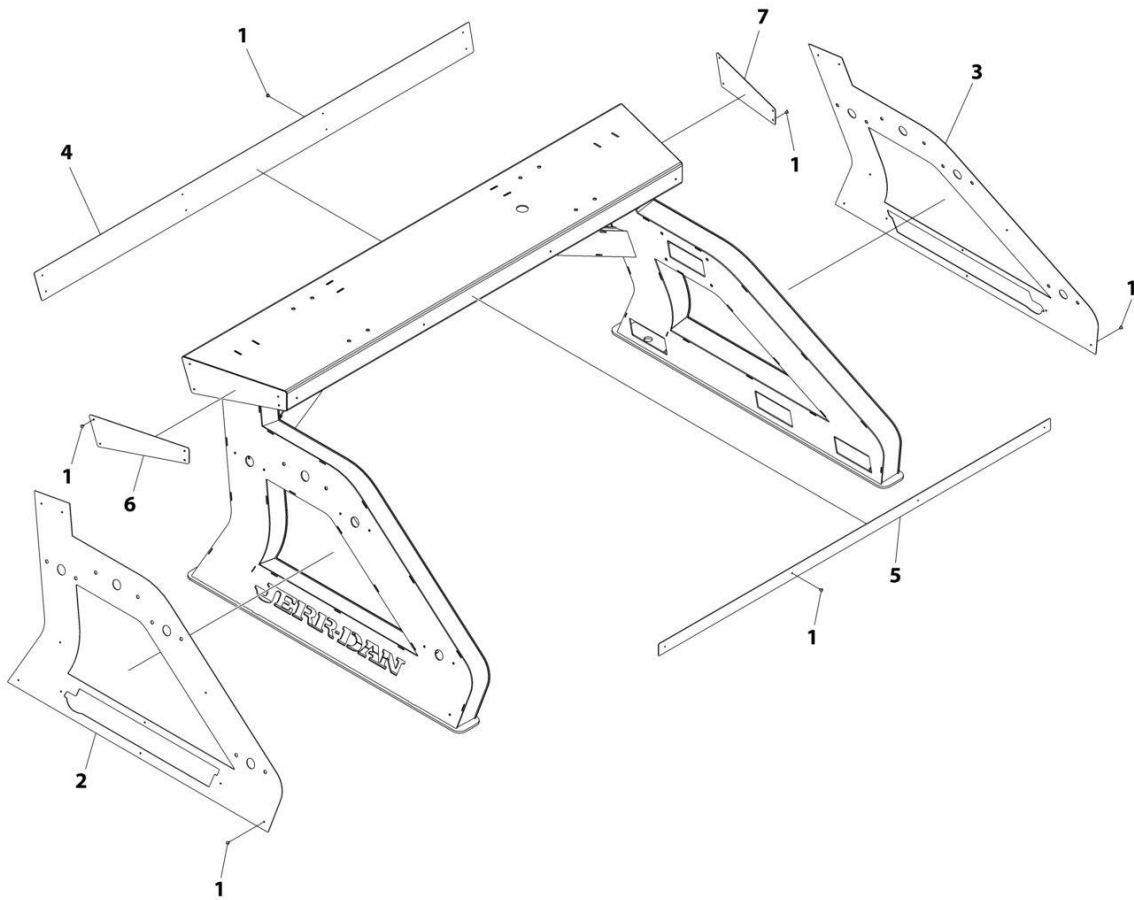
SECTION 4 - BODY

FIGURE 4-64. PYLON DRESS-UP KIT - 34IN BRUSHED STAINLESS (SN 0230005220 to Present)

ITEM	PART NUMBER	QTY	DESCRIPTION	REV
	1001228895	Ref	PYLON DRESS-UP KIT - BRUSHED SS (34IN)	B
1	1001156424	46	Rivet	
2	1001220169	1	Cover (Front)	
3	1001220234	1	Cover (Top Back)	
4	1001228901	1	Cover (LH)	
5	1001228902	1	Cover (RH)	
6	1001220352	1	Cover (Side LH)	
7	1001220353	1	Cover (Side RH)	

SECTION 4 - BODY

FIGURE 4-65. PYLON DRESS-UP KIT - 34IN POLISHED STAINLESS (SN 0230004275 through 0230005219)



ART_1001220346

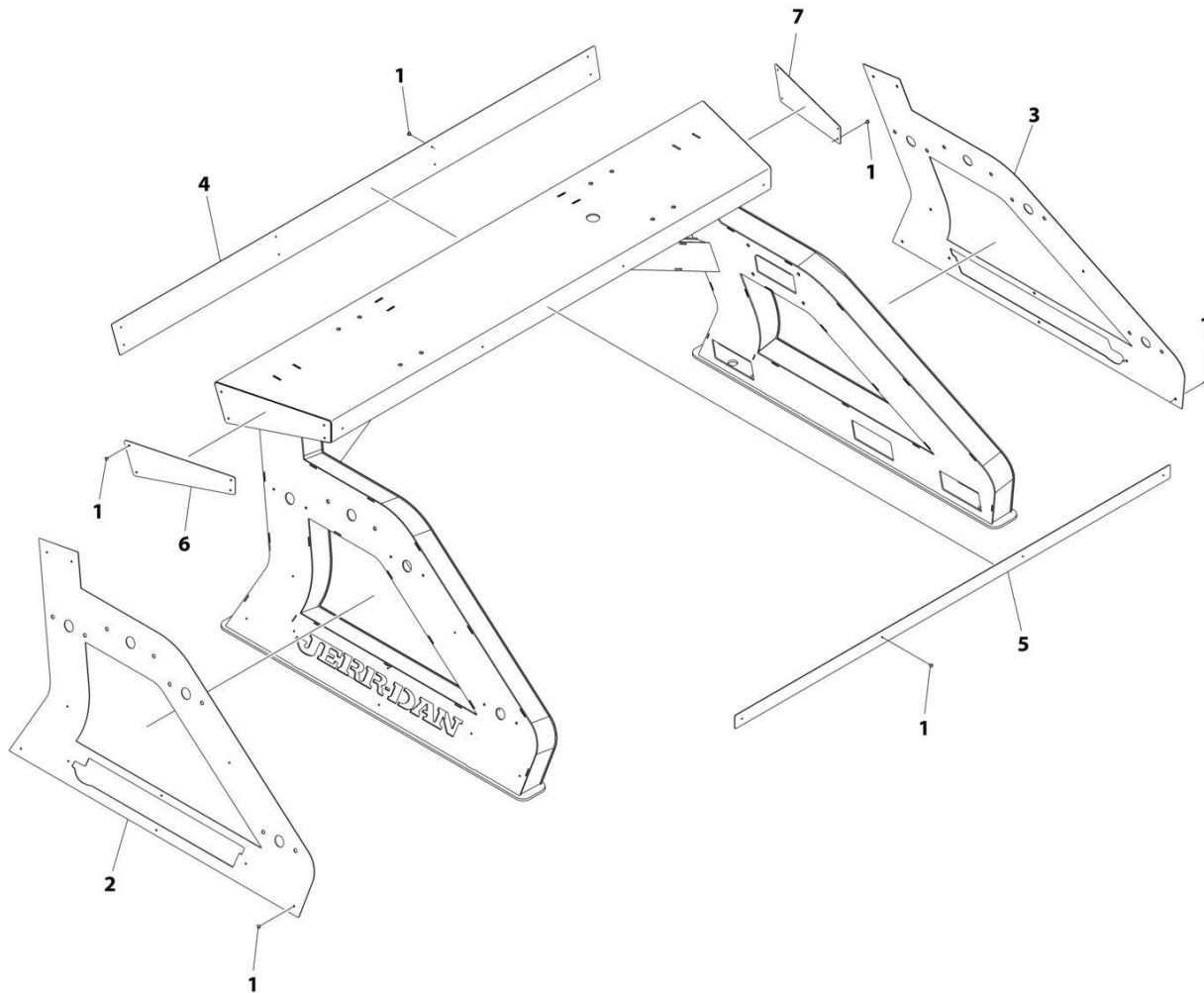
SECTION 4 - BODY

FIGURE 4-65. PYLON DRESS-UP KIT - 34IN POLISHED STAINLESS (SN 0230004275 through 0230005219)

ITEM	PART NUMBER	QTY	DESCRIPTION	REV
	1001220346	Ref	PYLON DRESS-UP KIT - POLISHED SS (34IN)	B
1	1001156424	46	Rivet	
2	1001220363	1	Cover (LH)	
3	1001220364	1	Cover (RH)	
4	1001220369	1	Cover (Front)	
5	1001220370	1	Cover (Top Back)	
6	1001220371	1	Cover (Side LH)	
7	1001220372	1	Cover (Side RH)	

SECTION 4 - BODY

FIGURE 4-66. PYLON DRESS-UP KIT - 34IN POLISHED STAINLESS (SN 0230005220 to Present)



ART_100122897

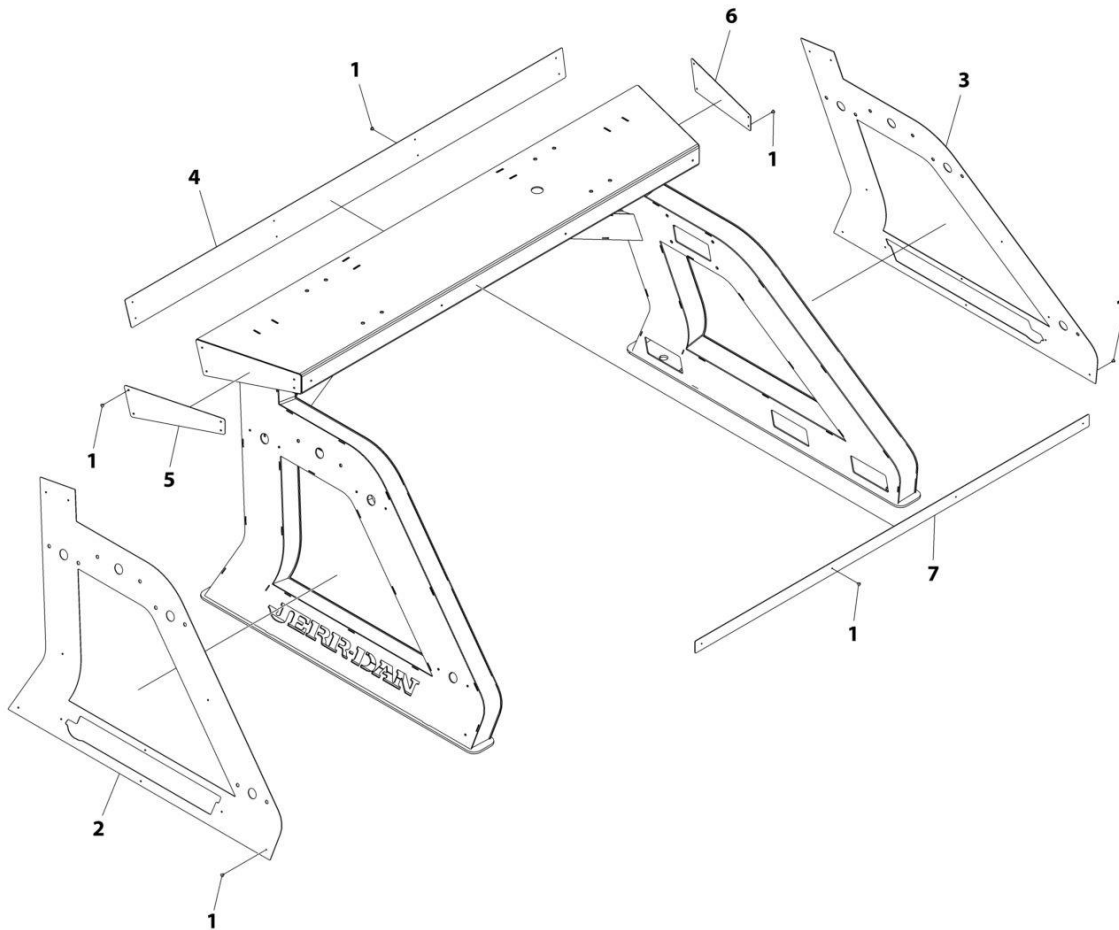
SECTION 4 - BODY

FIGURE 4-66. PYLON DRESS-UP KIT - 34IN POLISHED STAINLESS (SN 0230005220 to Present)

ITEM	PART NUMBER	QTY	DESCRIPTION	REV
	1001228897	Ref	PYLON DRESS-UP KIT - POLISHED SS (34IN)	A
1	1001156424	46	Rivet	
2	1001228903	1	Cover (LH)	
3	1001228904	1	Cover (RH)	
4	1001220369	1	Cover (Front)	
5	1001220370	1	Cover (Back)	
6	1001220371	1	Cover (Side LH)	
7	1001220372	1	Cover (Side RH)	

SECTION 4 - BODY

FIGURE 4-67. PYLON DRESS-UP KIT - 39IN BRUSHED STAINLESS (SN 0230004275 through 0230005219)



ART_1001220185

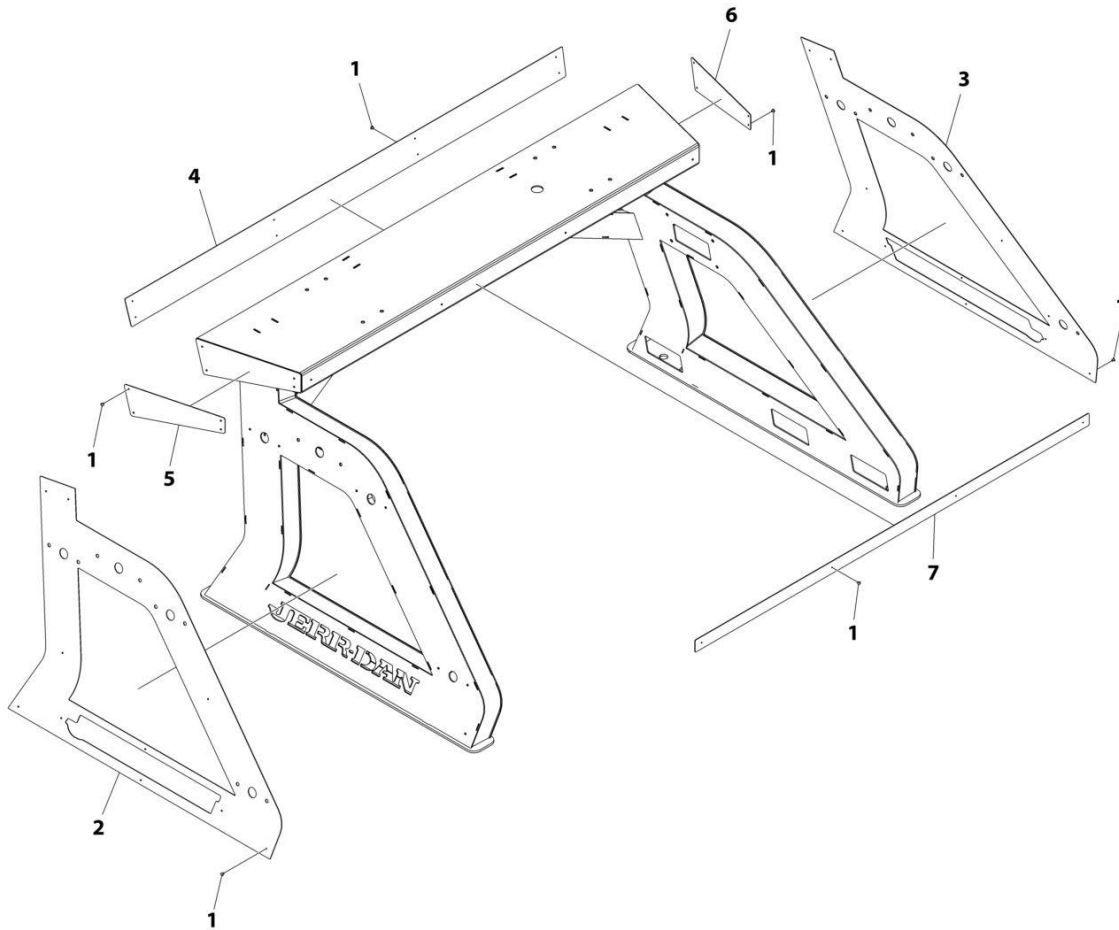
SECTION 4 - BODY

FIGURE 4-67. PYLON DRESS-UP KIT - 39IN BRUSHED STAINLESS (SN 0230004275 through 0230005219)

ITEM	PART NUMBER	QTY	DESCRIPTION	REV
	1001220185	Ref	PYLON DRESS-UP KIT - BRUSHED SS (39IN)	B
1	1001156424	46	Rivet	
2	1001220167	1	Cover (LH)	
3	1001220168	1	Cover (RH)	
4	1001220169	1	Cover (Front)	
5	1001220170	1	Cover (Side LH)	
6	1001220171	1	Cover (Side RH)	
7	1001220234	1	Cover (Top Back)	

SECTION 4 - BODY

FIGURE 4-68. PYLON DRESS-UP KIT - 39IN BRUSHED STAINLESS (SN 0230005220 to Present)



ART_1001228898

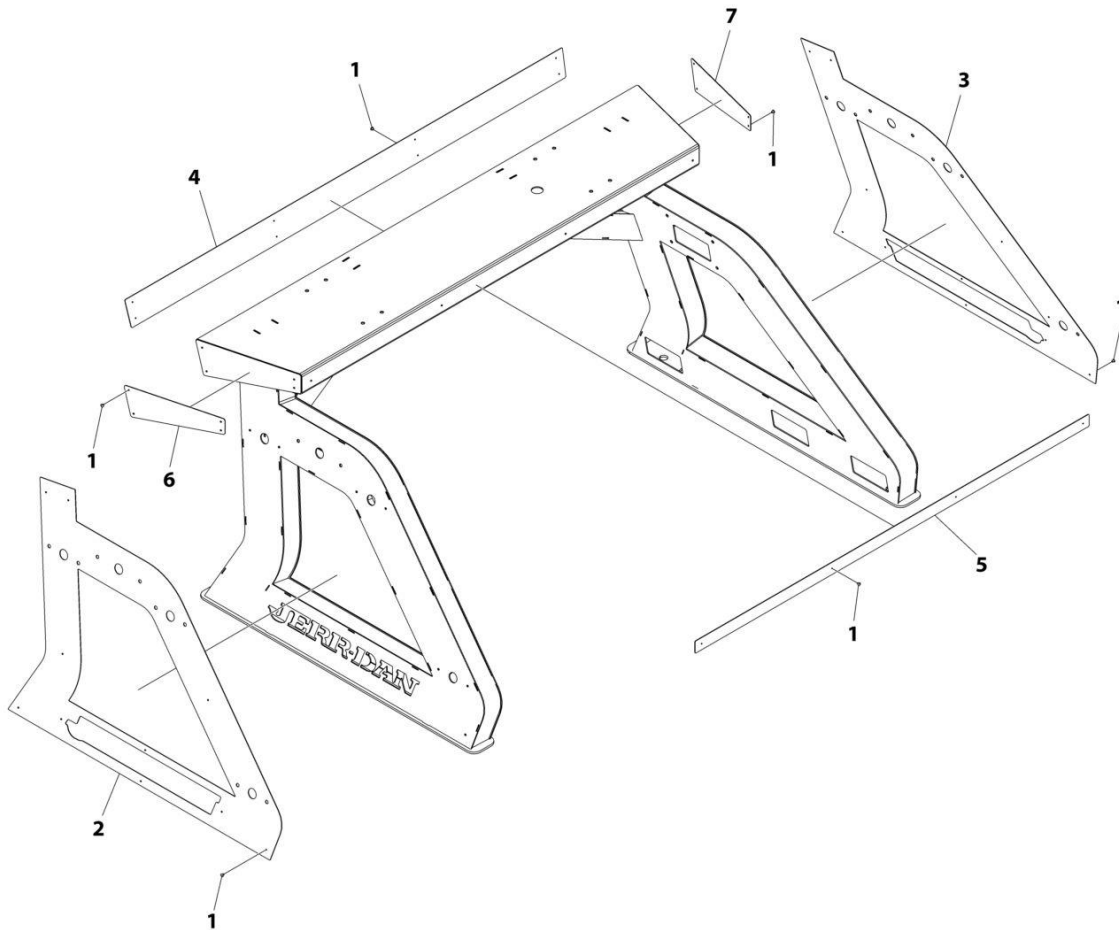
SECTION 4 - BODY

FIGURE 4-68. PYLON DRESS-UP KIT - 39IN BRUSHED STAINLESS (SN 0230005220 to Present)

ITEM	PART NUMBER	QTY	DESCRIPTION	REV
	1001228898	Ref	PYLON DRESS-UP KIT - BRUSHED SS (39IN)	B
1	1001156424	48	Rivet	
2	1001228905	1	Cover (LH)	
3	1001228906	1	Cover (RH)	
4	1001220169	1	Cover (Front)	
5	1001220170	1	Cover (Side LH)	
6	1001220171	1	Cover (Side RH)	
7	1001220234	1	Cover (Top Back)	

SECTION 4 - BODY

FIGURE 4-69. PYLON DRESS-UP KIT - 39IN POLISHED STAINLESS (SN 0230004275 through 0230005219)



ART_1001220347

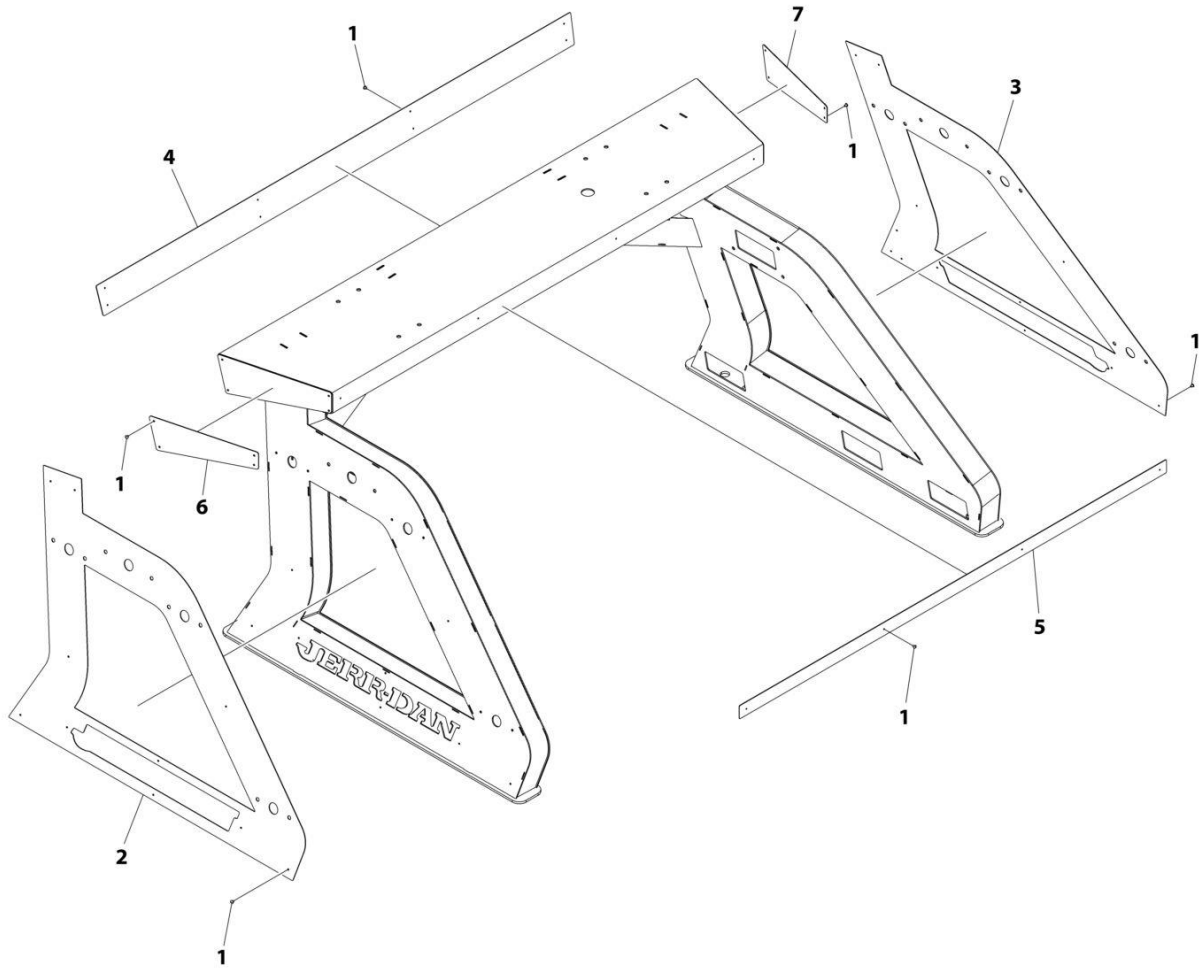
SECTION 4 - BODY

FIGURE 4-69. PYLON DRESS-UP KIT - 39IN POLISHED STAINLESS (SN 0230004275 through 0230005219)

ITEM	PART NUMBER	QTY	DESCRIPTION	REV
	1001220347	Ref	PYLON DRESS-UP KIT - POLISHED SS (39IN)	B
1	1001156424	46	Rivet	
2	1001220365	1	Cover (LH)	
3	1001220366	1	Cover (RH)	
4	1001220369	1	Cover (Front)	
5	1001220370	1	Cover (Top Back)	
6	1001220373	1	Cover (Side LH)	
7	1001220374	1	Cover (Side RH)	

SECTION 4 - BODY

FIGURE 4-70. PYLON DRESS-UP KIT - 39IN POLISHED STAINLESS (SN 0230005220 to Present)



ART_1001228899

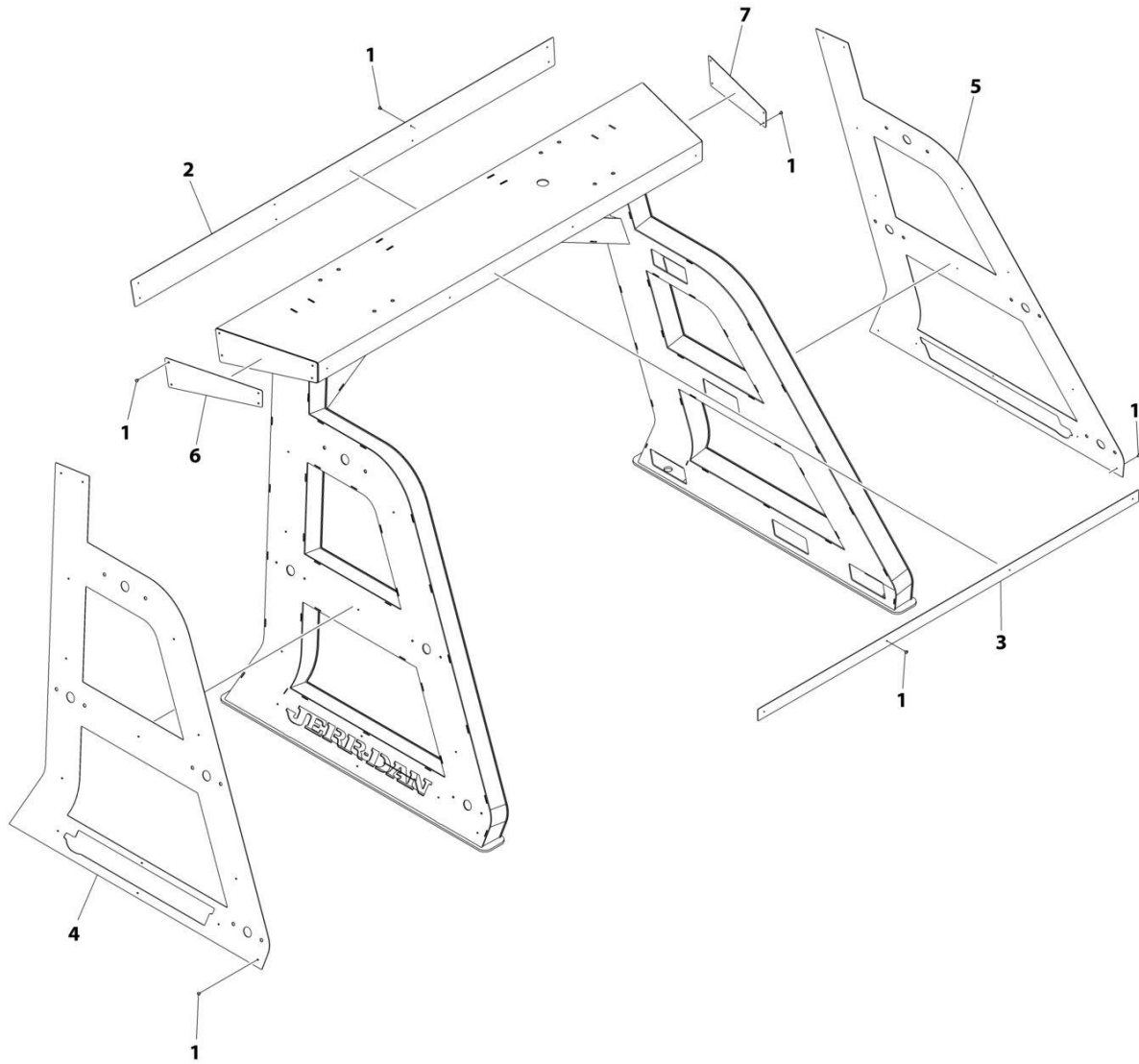
SECTION 4 - BODY

FIGURE 4-70. PYLON DRESS-UP KIT - 39IN POLISHED STAINLESS (SN 0230005220 to Present)

ITEM	PART NUMBER	QTY	DESCRIPTION	REV
	1001228899	Ref	PYLON DRESS-UP KIT - POLISHED SS (39IN)	A
1	1001156424	48	Rivet	
2	1001228907	1	Cover (LH)	
3	1001228908	1	Cover (RH)	
4	1001220369	1	Cover (Front)	
5	1001220370	1	Cover (Back)	
6	1001220373	1	Cover (Side LH)	
7	1001220374	1	Cover (Side RH)	

SECTION 4 - BODY

FIGURE 4-71. PYLON DRESS-UP KIT - 57IN BRUSHED STAINLESS



ART_1001220186

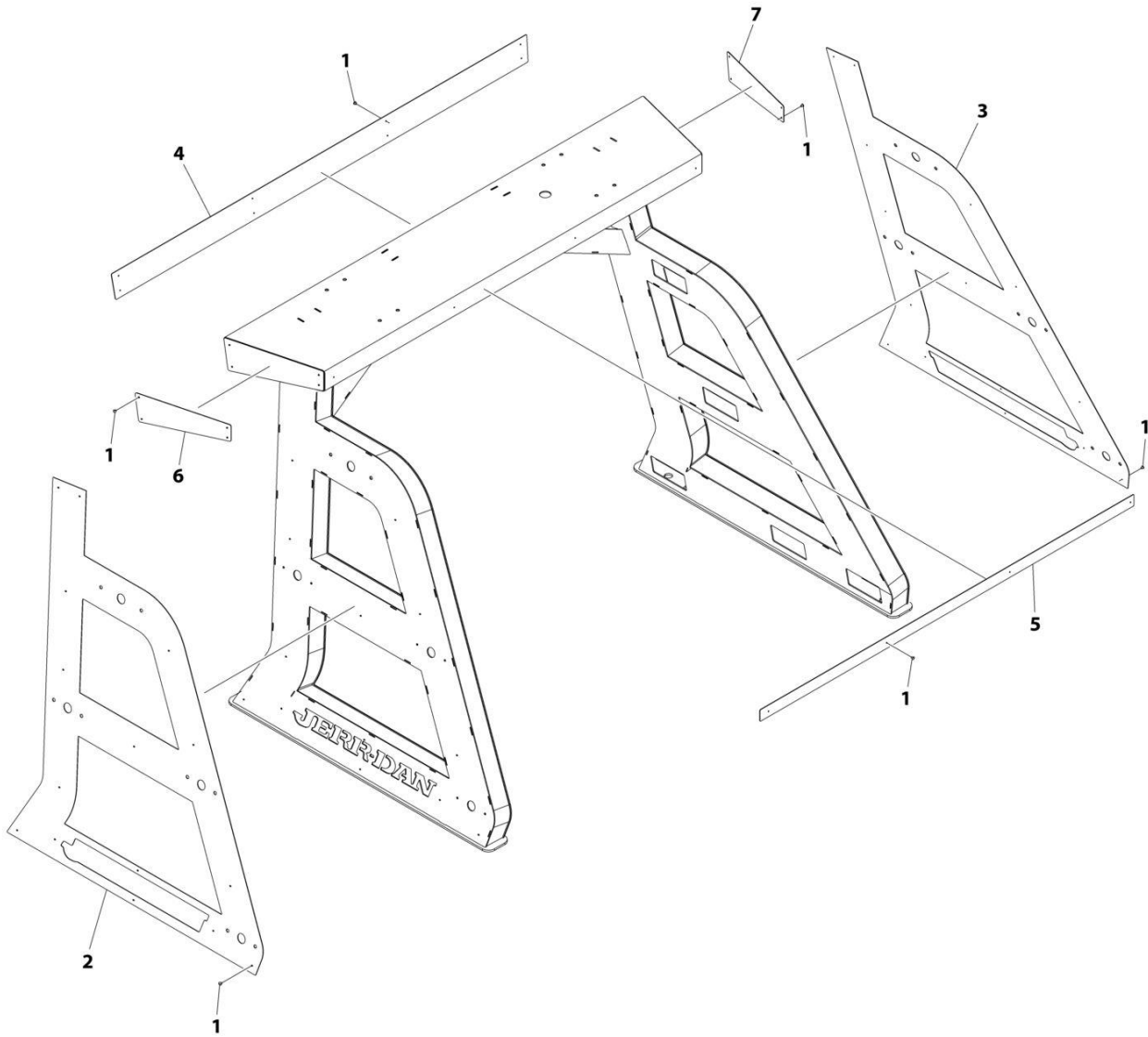
SECTION 4 - BODY

FIGURE 4-71. PYLON DRESS-UP KIT - 57IN BRUSHED STAINLESS

ITEM	PART NUMBER	QTY	DESCRIPTION	REV
	1001220186	Ref	PYLON DRESS-UP KIT - BRUSHED SS (57IN)	C
1	1001156424	58	Rivet	
2	1001220169	1	Cover (Front)	
3	1001220234	1	Cover (Top Back)	
4	1001220350	1	Cover (LH)	
5	1001220351	1	Cover (RH)	
6	1001220354	1	Cover (Side LH)	
7	1001220355	1	Cover (Side RH)	

SECTION 4 - BODY

FIGURE 4-72. PYLON DRESS-UP KIT - 57IN POLISHED STAINLESS



ART_1001220348

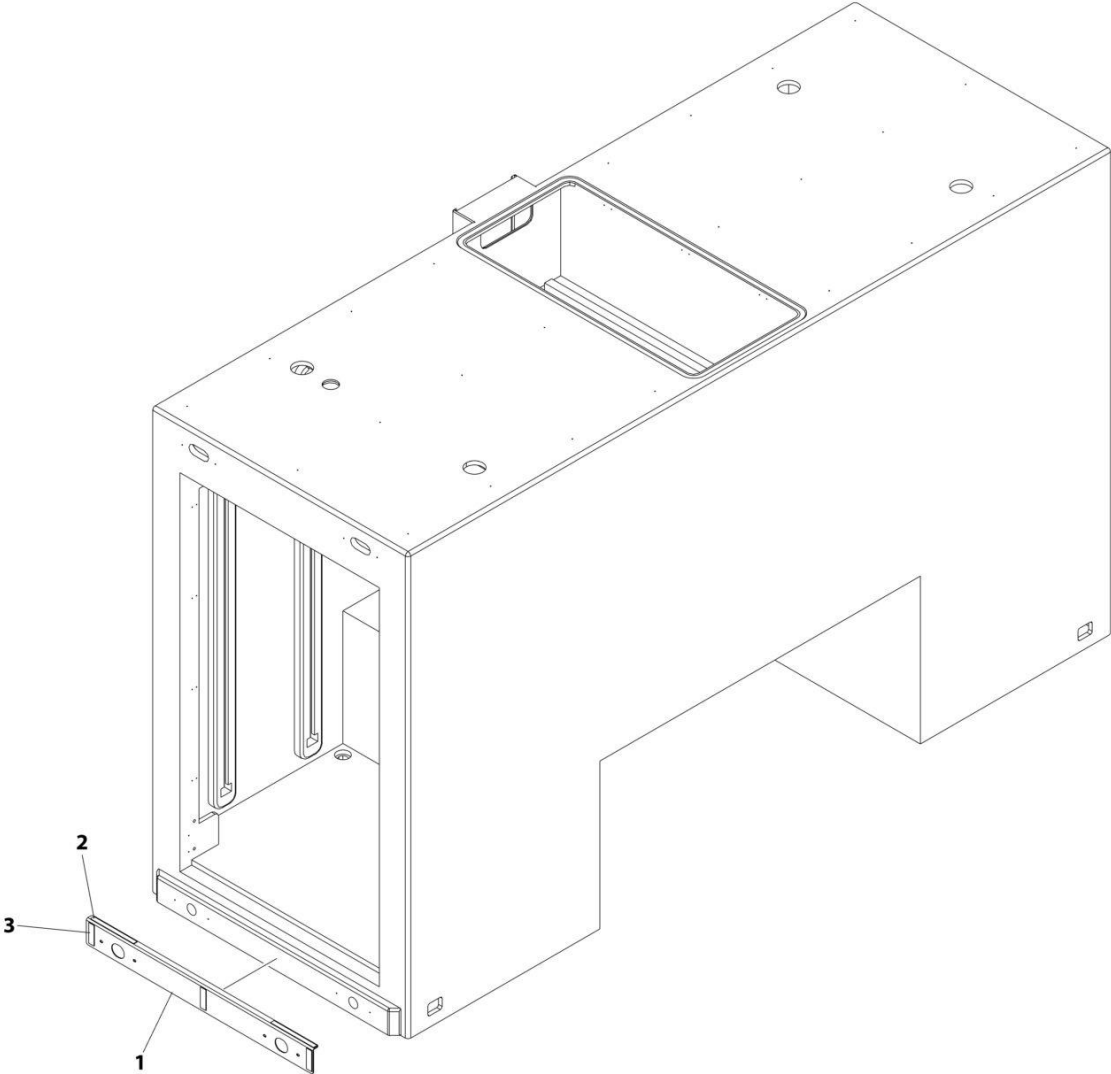
SECTION 4 - BODY

FIGURE 4-72. PYLON DRESS-UP KIT - 57IN POLISHED STAINLESS

ITEM	PART NUMBER	QTY	DESCRIPTION	REV
	1001220348	Ref	PYLON DRESS-UP KIT - POLISHED SS (57IN)	B
1	1001156424	58	Rivet	
2	1001220367	1	Cover (LH)	
3	1001220368	1	Cover (RH)	
4	1001220369	1	Cover (Front)	
5	1001220370	1	Cover (Back)	
6	1001220375	1	Cover (Side LH)	
7	1001220376	1	Cover (Side RH)	

SECTION 4 - BODY

FIGURE 4-73. RUB RAIL DRESS-UP INSTALLATION (37IN TUNNEL)



ART_1001237531

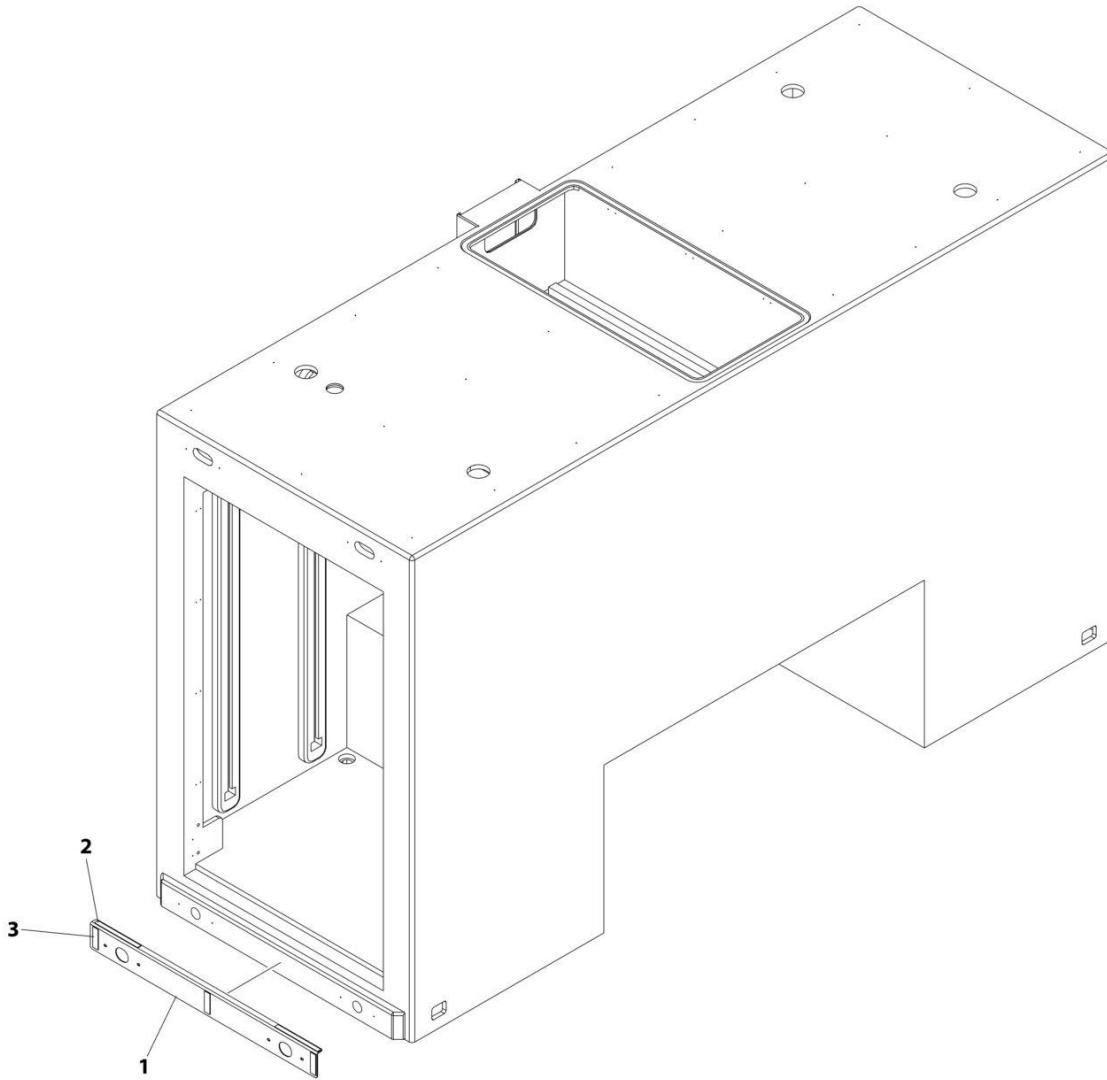
SECTION 4 - BODY

FIGURE 4-73. RUB RAIL DRESS-UP INSTALLATION (37IN TUNNEL)

ITEM	PART NUMBER	QTY	DESCRIPTION	REV
	1001237531	Ref	RUB RAIL DRESS-UP INSTALLATION	B
	1001234549	Ref	RUB RAIL DRESS-UP INSTALLATION	B
1	1001230977	2	Angle	
2	1001230987	2 ft	Tape	
3	7796000012	1.3 ft	Seal	

SECTION 4 - BODY

FIGURE 4-74. RUB RAIL DRESS-UP INSTALLATION (39IN TUNNEL)



ART_1001234549

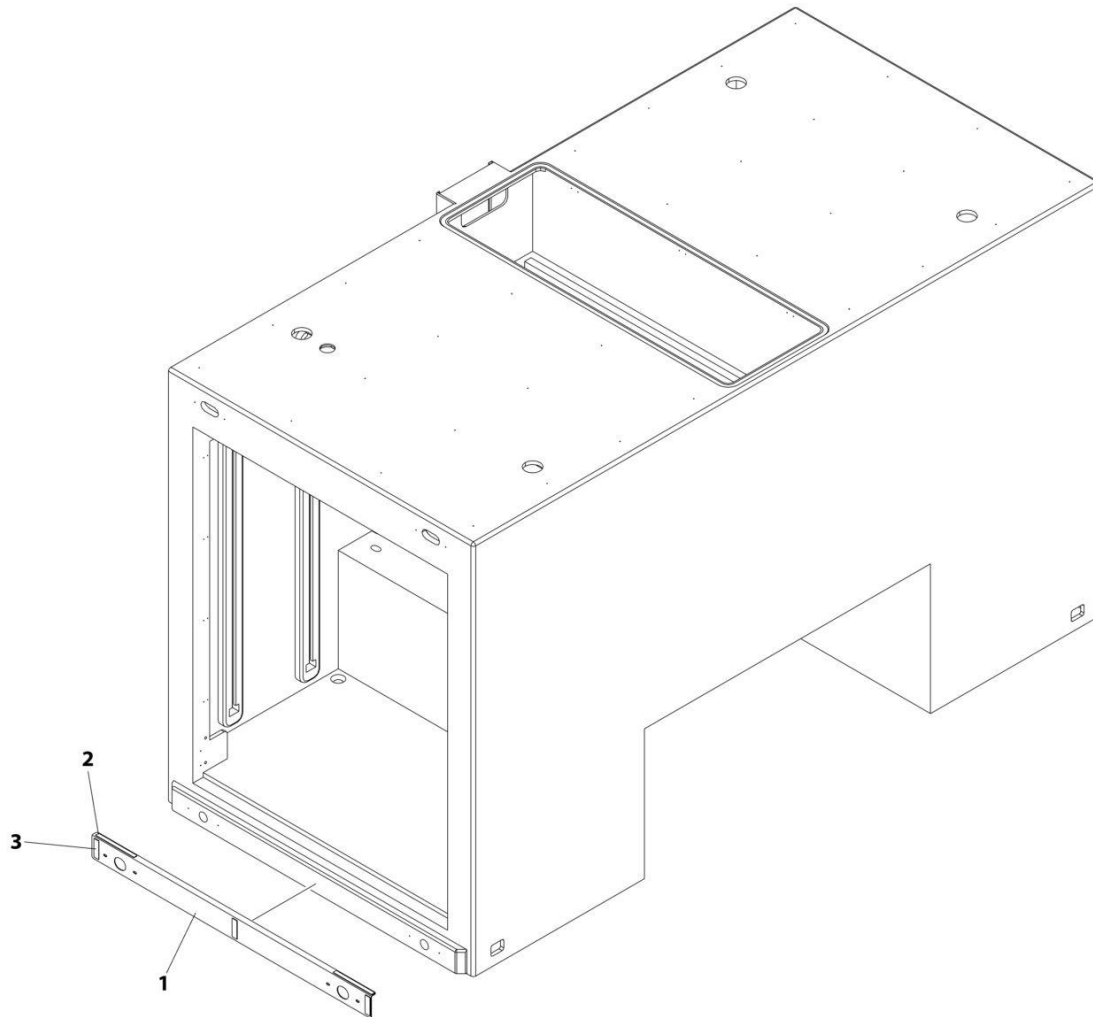
SECTION 4 - BODY

FIGURE 4-74. RUB RAIL DRESS-UP INSTALLATION (39IN TUNNEL)

ITEM	PART NUMBER	QTY	DESCRIPTION	REV
	1001234549	Ref	RUB RAIL DRESS-UP INSTALLATION	B
1	1001230977	2	Angle	
2	1001230987	2 ft	Tape	
3	7796000012	1.3 ft	Seal	

SECTION 4 - BODY

FIGURE 4-75. RUB RAIL DRESS-UP INSTALLATION (49IN TUNNEL)



ART_1001237532

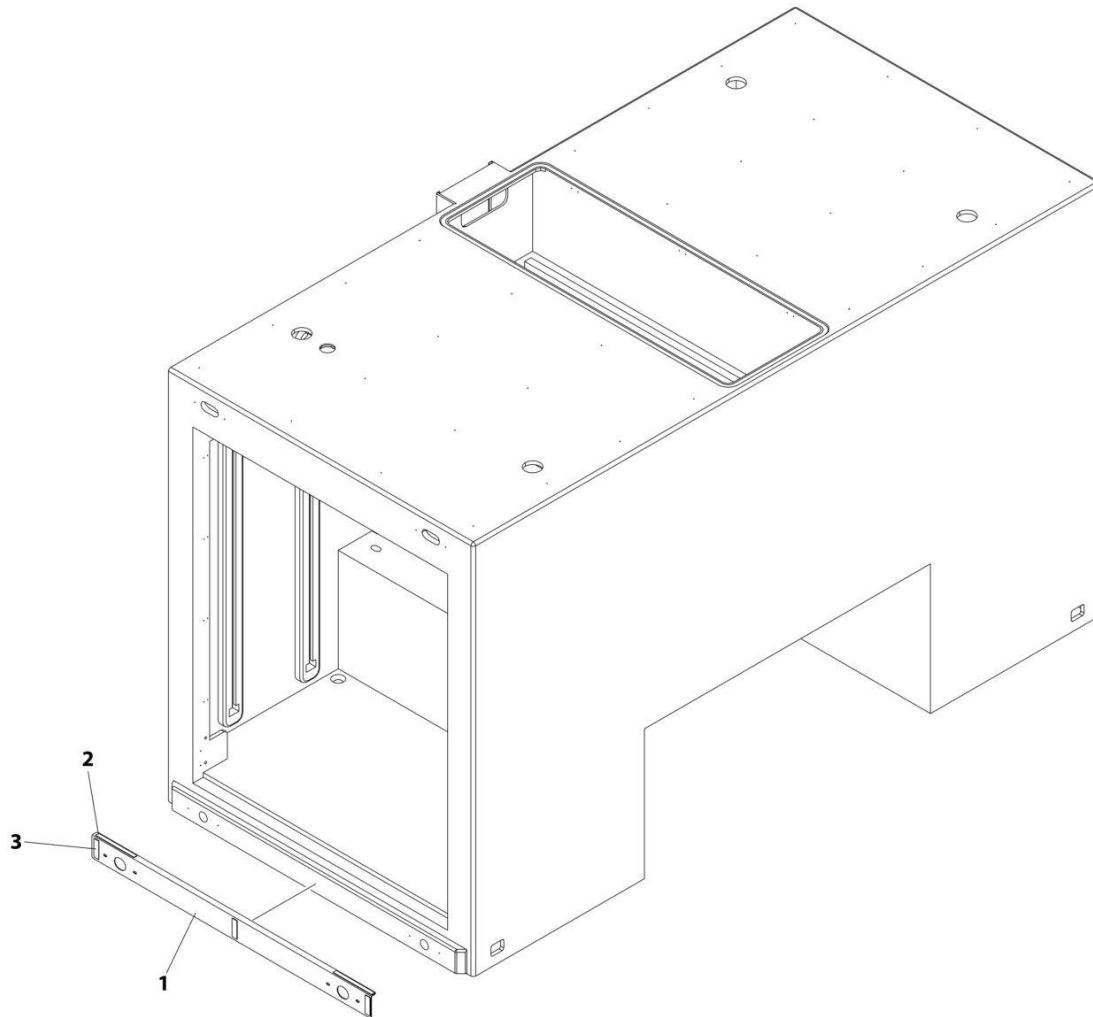
SECTION 4 - BODY

FIGURE 4-75. RUB RAIL DRESS-UP INSTALLATION (49IN TUNNEL)

ITEM	PART NUMBER	QTY	DESCRIPTION	REV
	1001237532	Ref	RUB RAIL DRESS-UP INSTALLATION	B
	1001234536	Ref	RUB RAIL DRESS-UP INSTALLATION	B
1	1001230976	2	Angle	
2	1001230987	2 ft	Tape	
3	7796000012	1.3 ft	Seal	

SECTION 4 - BODY

FIGURE 4-76. RUB RAIL DRESS-UP INSTALLATION (51IN TUNNEL)



ART_1001234536

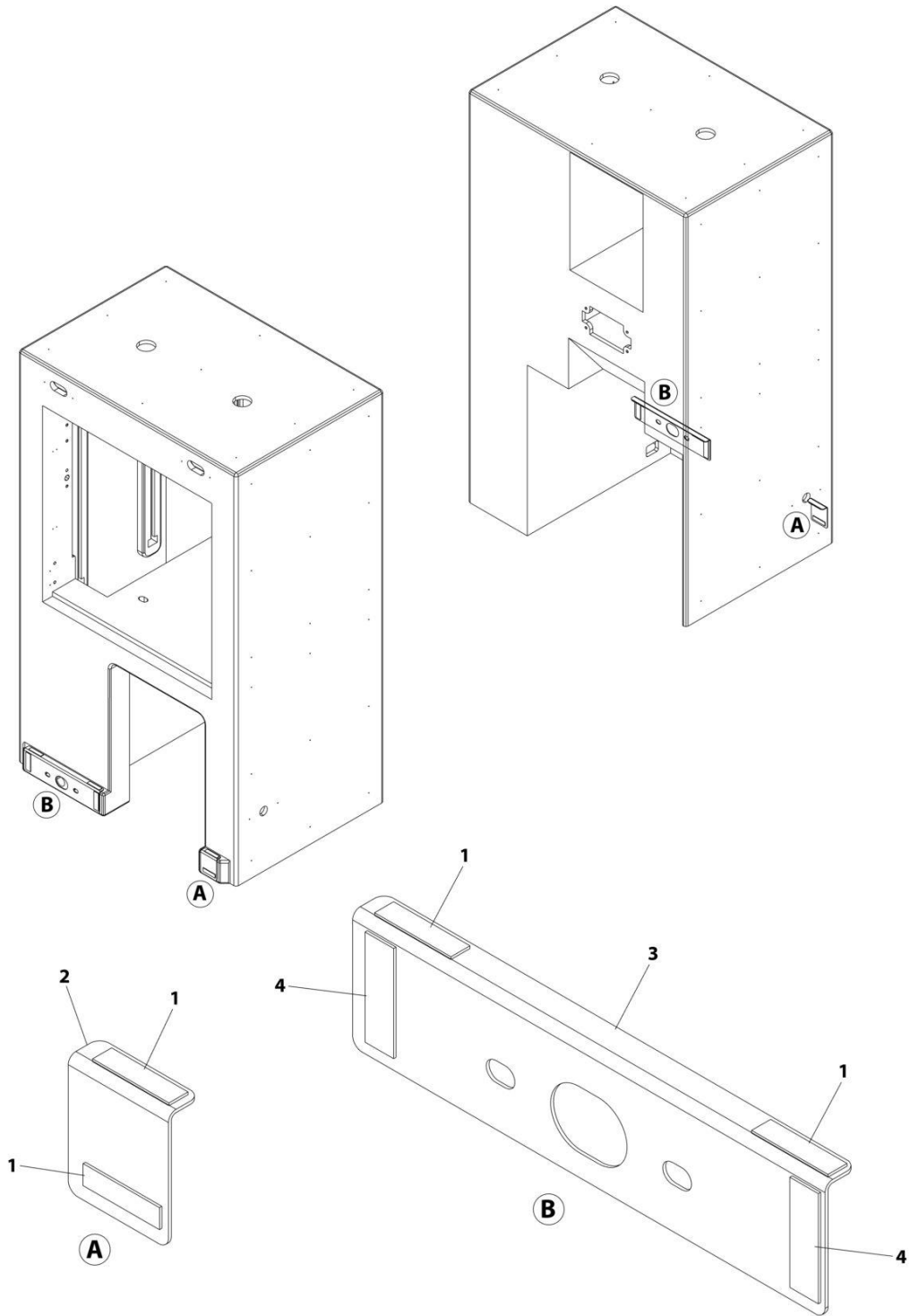
SECTION 4 - BODY

FIGURE 4-76. RUB RAIL DRESS-UP INSTALLATION (51IN TUNNEL)

ITEM	PART NUMBER	QTY	DESCRIPTION	REV
	1001234536	Ref	RUB RAIL DRESS-UP INSTALLATION (51IN TUNNEL) (A SLOT)	B
1	1001230976	2	Angle	
2	1001230987	2 ft	Tape	
3	7796000012	1.3 ft	Seal	

SECTION 4 - BODY

FIGURE 4-77. RUB RAIL DRESS-UP KIT (SRS TOOLBOX)



ART_1001234557

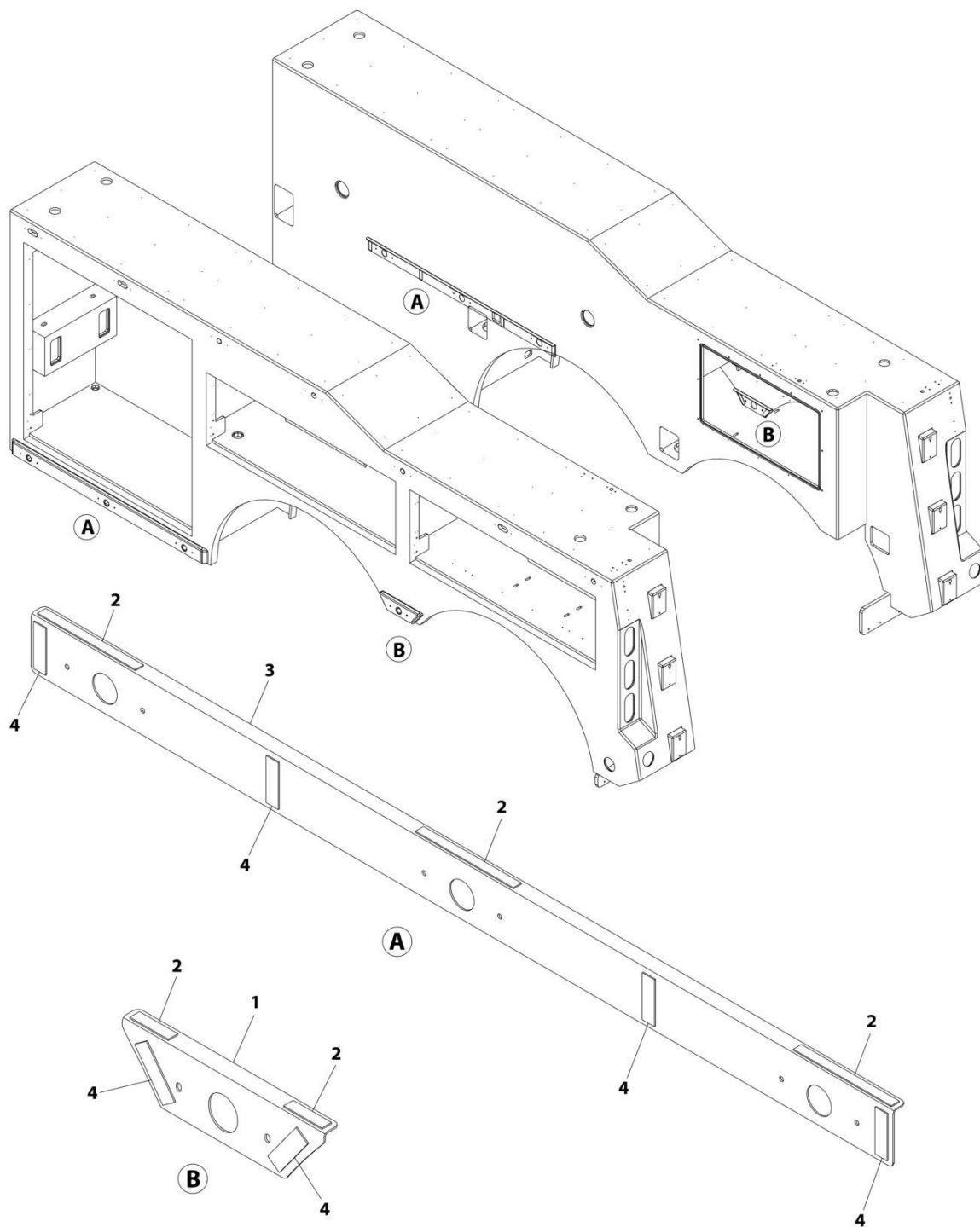
SECTION 4 - BODY

FIGURE 4-77. RUB RAIL DRESS-UP KIT (SRS TOOLBOX)

ITEM	PART NUMBER	QTY	DESCRIPTION	REV
	1001234557	Ref	RUB RAIL DRESS-UP INSTALLATION (SRS BOX)	B
1	1001230987	1.3 ft	Tape	
2	1001234558	2	Angle	
3	1001234559	2	Angle	
4	7796000012	1 ft	Seal	

SECTION 4 - BODY

FIGURE 4-78. RUB RAIL DRESS-UP KIT (TANDEM)



ART_1001234375

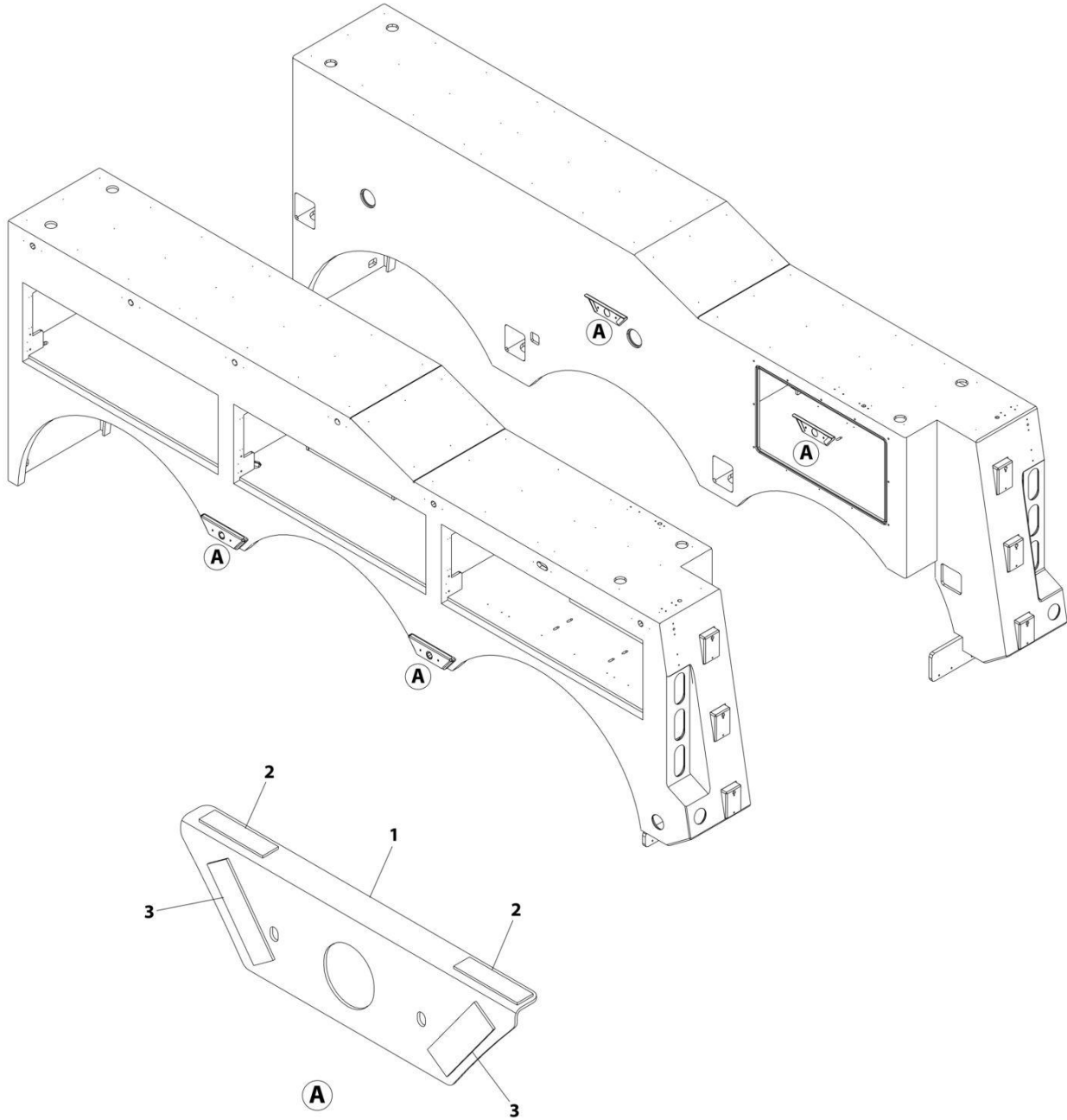
SECTION 4 - BODY

FIGURE 4-78. RUB RAIL DRESS-UP KIT (TANDEM)

ITEM	PART NUMBER	QTY	DESCRIPTION	REV
	1001234375	Ref	RUB RAIL DRESS-UP INSTALLATION (TANDEM AXLE)	A
1	1001230966	2	Angle	
2	1001230987	3.7 ft	Tape	
3	1001234388	2	Angle	
4	7796000012	2.5 ft	Seal	

SECTION 4 - BODY

FIGURE 4-79. RUB RAIL DRESS-UP KIT (TRI-AXLE)



ART_1001234480

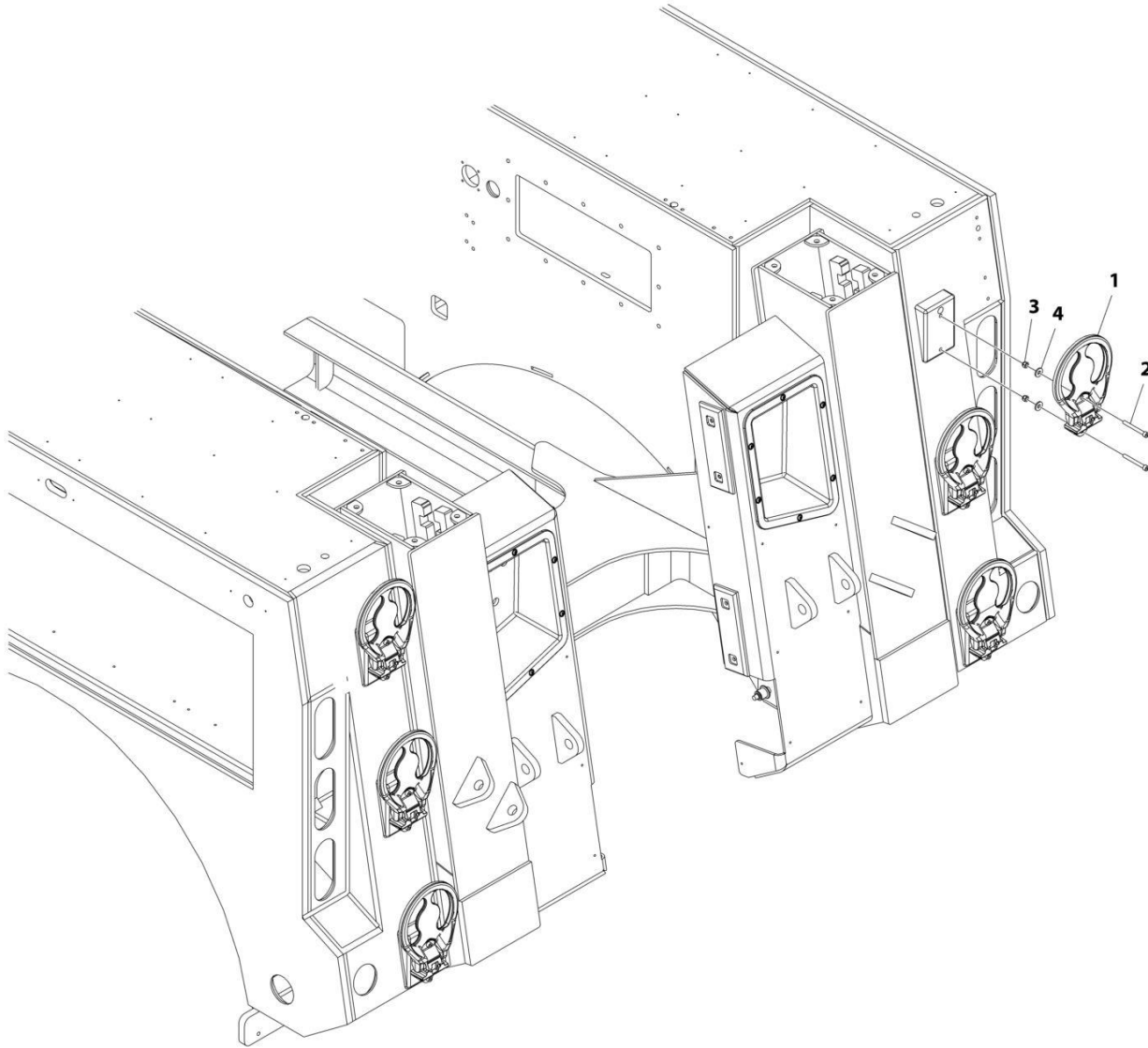
SECTION 4 - BODY

FIGURE 4-79. RUB RAIL DRESS-UP KIT (TRI-AXLE)

ITEM	PART NUMBER	QTY	DESCRIPTION	REV
	1001234480	Ref	RUB RAIL DRESS-UP INSTALLATION (TRI-AXLE)	A
1	1001230966	4	Angle	
2	1001230987	2 ft	Tape	
4	7796000012	2 ft	Seal	

SECTION 4 - BODY

FIGURE 4-80. STEP INSTALLATION



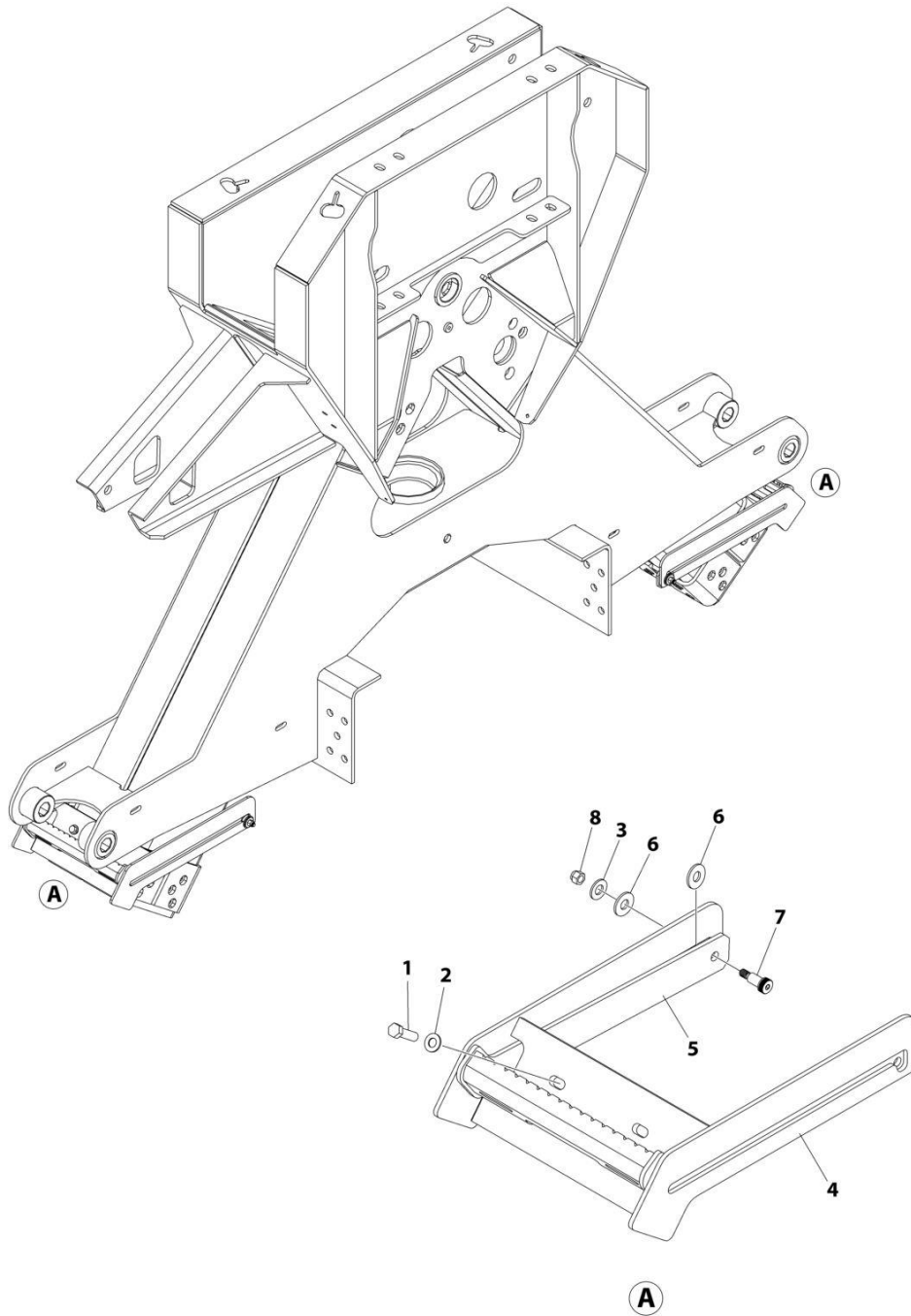
ART_1001196666

FIGURE 4-80. STEP INSTALLATION

ITEM	PART NUMBER	QTY	DESCRIPTION	REV
	1001196666	Ref	Step Installation	B
1	1001167456	6	Step	
2	1001231751	12	Screw 5/16 x 2-3/4	
3	7660152601	12	Nut 5/16	
4	7950150153	12	Washer 5/16	

SECTION 4 - BODY

FIGURE 4-81. STEP INSTALLATION - SRS



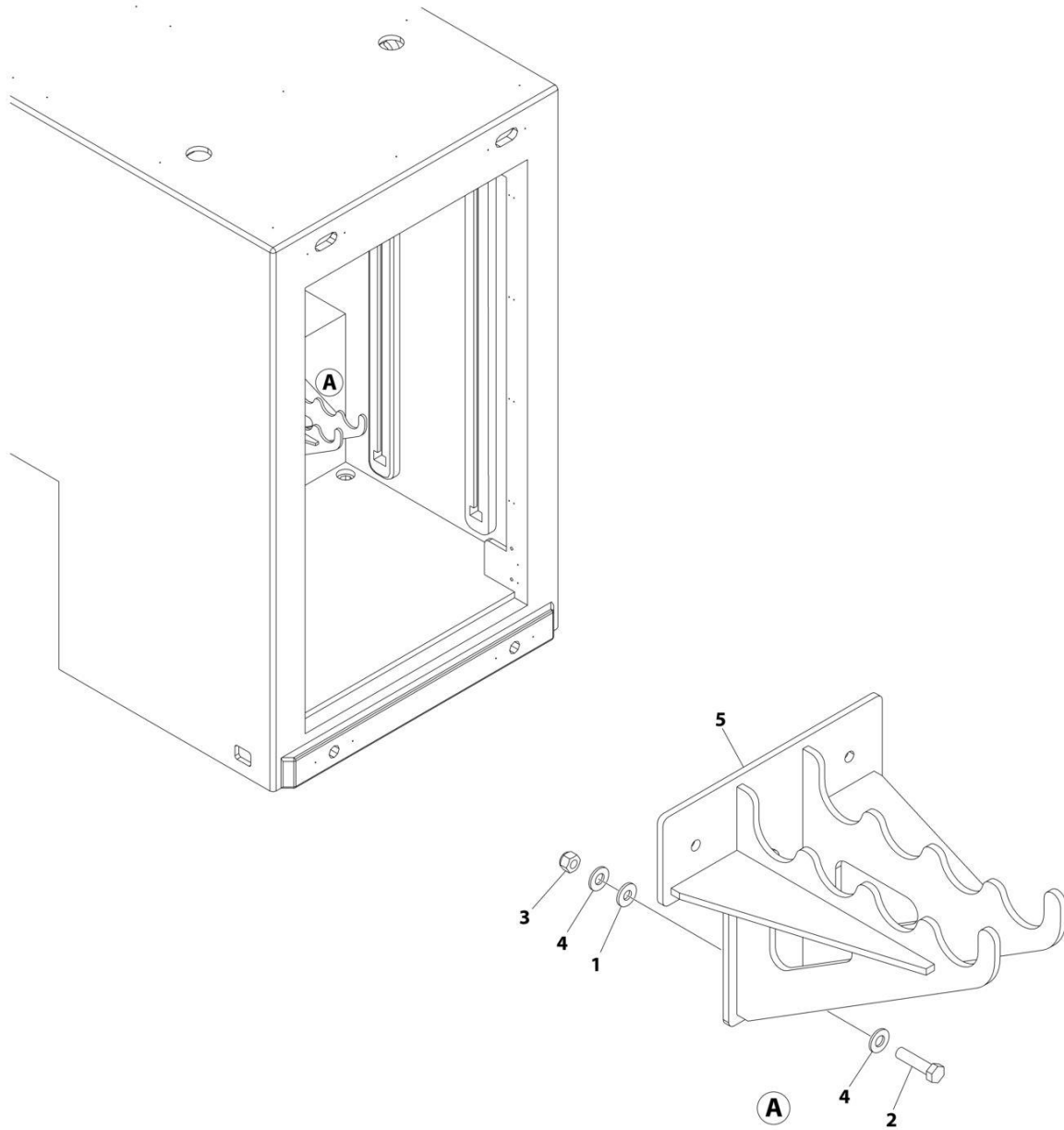
ART_1001199185

FIGURE 4-81. STEP INSTALLATION - SRS

ITEM	PART NUMBER	QTY	DESCRIPTION	REV
	1001199185	Ref	STEP INSTALLATION	B
1	0641712	4	Capscrew 7/16 x 1-1/2	
2	4711700	4	Washer 7/16	
3	4711800	4	Washer 1/2	
4	1001190176	2	Mount	
5	1001214494	2	Ladder	
6	1001190343	8	Washer 1/2	
7	1001191540	4	Bolt 1/2 x 7/8	
8	7660162604	4	Nut 3/8	

SECTION 4 - BODY

FIGURE 4-82. STORAGE - CHAIN/ BINDER RACK INSTALLATION (TANDEM)



ART_1001201341

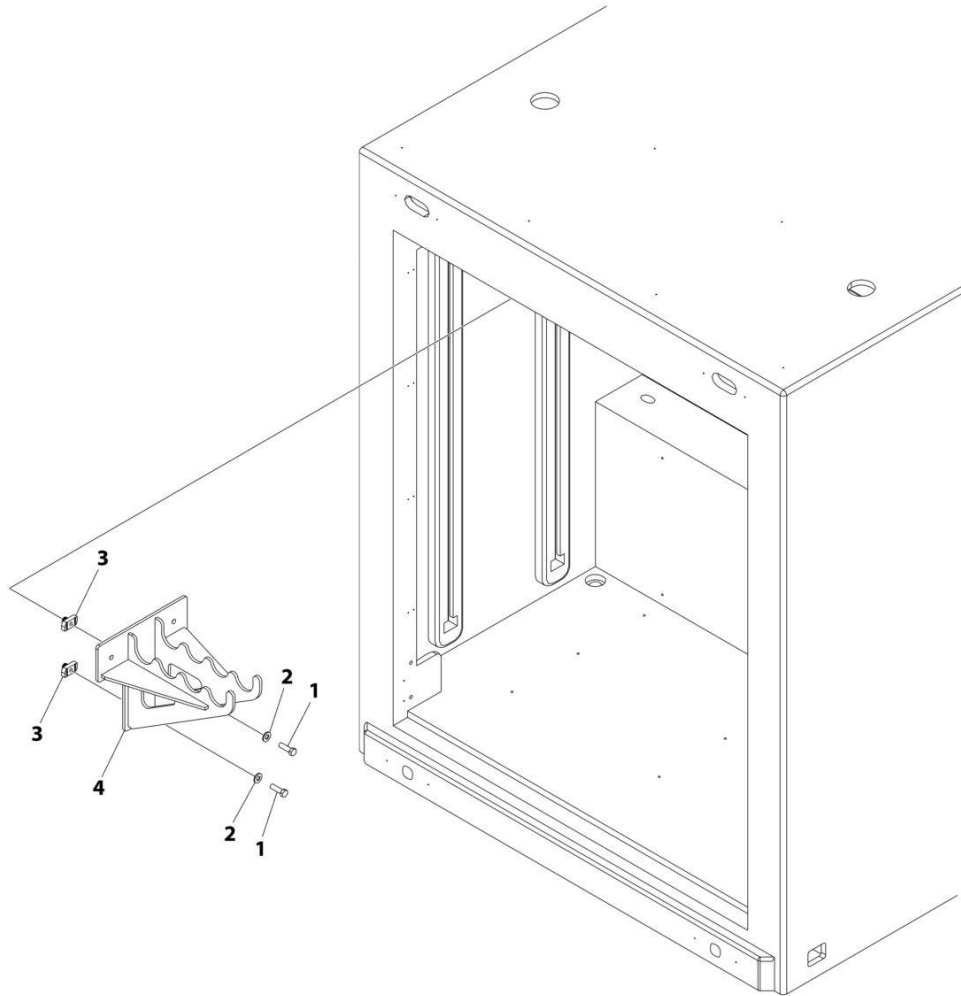
SECTION 4 - BODY

FIGURE 4-82. STORAGE - CHAIN/ BINDER RACK INSTALLATION (TANDEM)

ITEM	PART NUMBER	QTY	DESCRIPTION	REV
	1001201341	Ref	CHAIN BINDER RACK INSTALLATION (TANDEM)	B
1	1001166974	2	Washer 3/8	
2	1001168993	2	Bolt 3/8 x 1-1/2	
3	7660162601	2	Nut 3/8	
4	7950160143	4	Washer 3/8	
5	1001182853	1	Support	

SECTION 4 - BODY

FIGURE 4-83. STORAGE - CHAIN/ BINDER RACK INSTALLATION (TRI-AXLE)



ART_1001201164

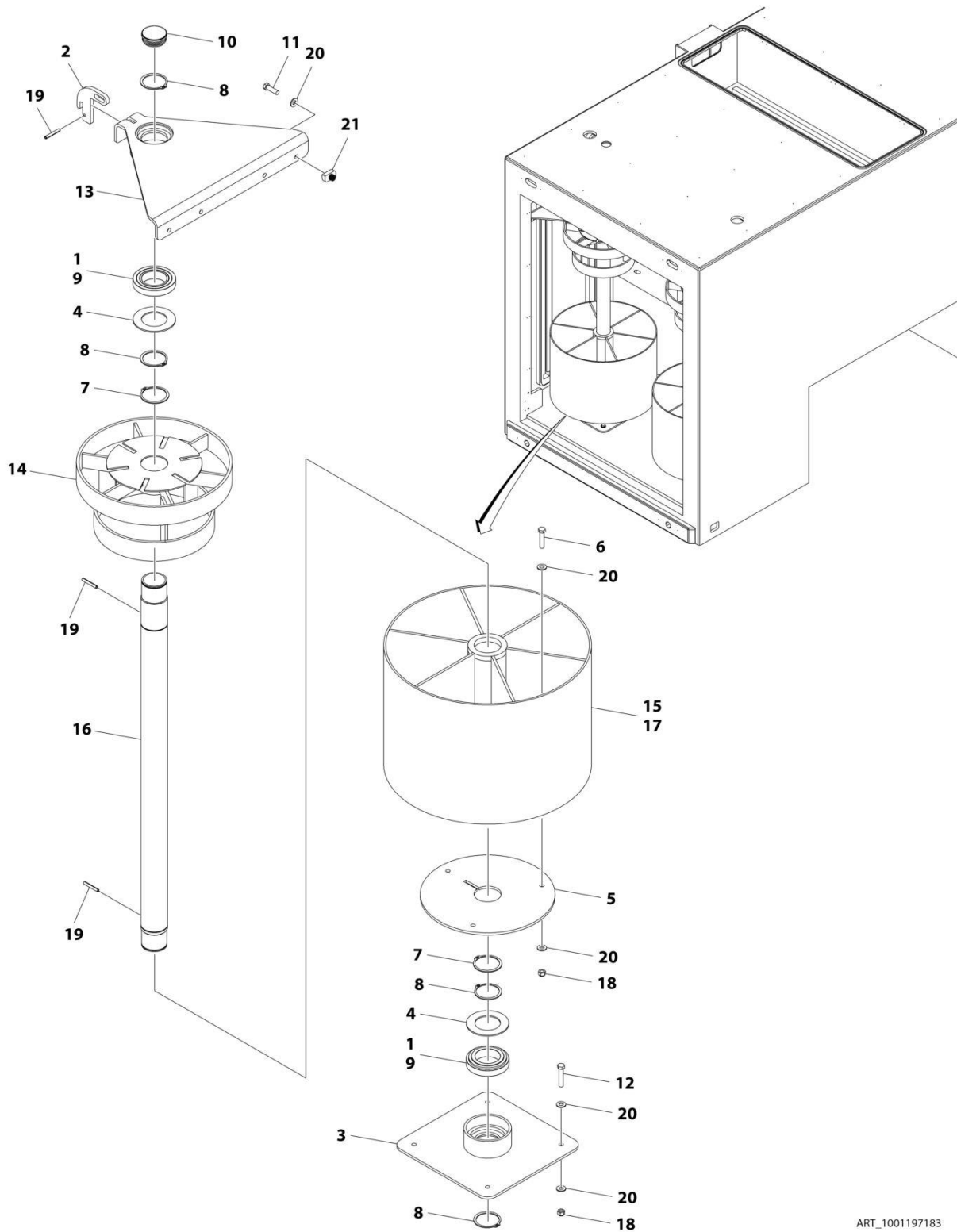
SECTION 4 - BODY

FIGURE 4-83. STORAGE - CHAIN/ BINDER RACK INSTALLATION (TRI-AXLE)

ITEM	PART NUMBER	QTY	DESCRIPTION	REV
	1001201164	Ref	CHAIN BINDER RACK INSTALLATION (TRI-AXLE)	B
1	1001169080	2	Bolt 3/8 x 1/4	
2	7950160143	2	Washer 3/8	
3	1001166644	2	Spring Nut 3/8	
4	1001182853	1	Support, Binder	

SECTION 4 - BODY

FIGURE 4-84. STORAGE - CHAIN/TOOL RACK INSTALLATION (ROTARY RACK)



ART_1001197183

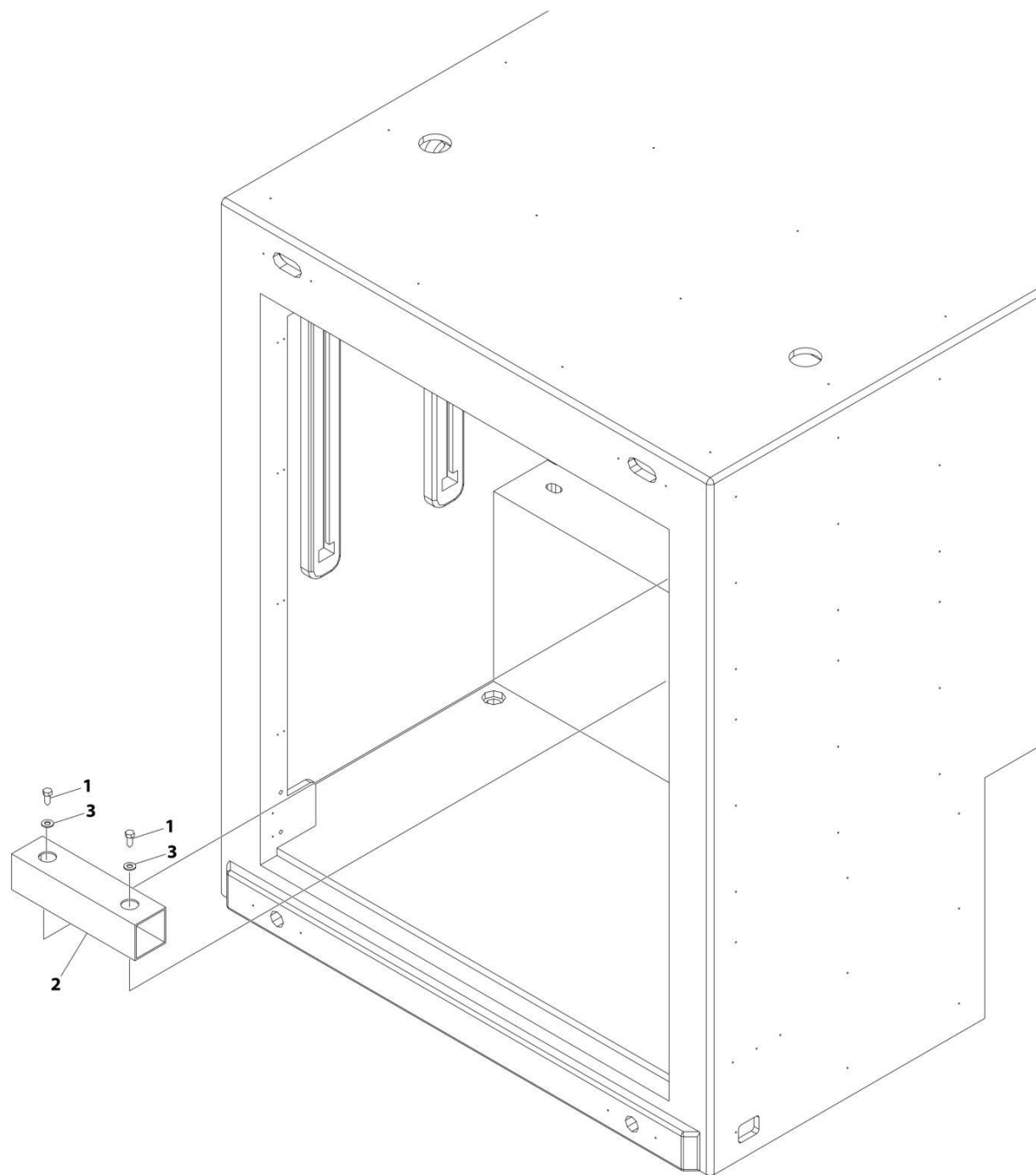
SECTION 4 - BODY

FIGURE 4-84. STORAGE - CHAIN/TOOL RACK INSTALLATION (ROTARY RACK)

ITEM	PART NUMBER	QTY	DESCRIPTION	REV
	1001197183	Ref	Rotary Tool Rack Installation	E
1	3020029	1	Bearing Grease	
2	1001165564	1	Plate	
3	1001165571	1	Bracket	
4	1001165584	2	Plate	
5	1001165652	1	Support	
6	1001168544	3	Screw 3/4 x 1-3/4	
7	1001169063	2	Retaining Ring	
8	1001169064	4	Retaining Ring	
9	1001169076	2	Bearing	
10	1001169078	1	Plug	
11	1001169080	2	Capscrew 3/8 x 1/4	
12	1001169083	4	Capscrew 3/8 x 2	
13	1001190218	1	Bracket	
14	1001190223	1	Bracket	
15	1001190228	1	Tray	
16	1001190265	1	Tube	
17	7330000535	1	Decal	
18	7660162601	7	Nut 3/8	
19	7690142845	3	Pin	
20	7950160143	16	Washer 3/8	
21	1001166644	2	Nut 3/8	

SECTION 4 - BODY

FIGURE 4-85. STORAGE - CRIBBING STORAGE INSTALLATION



ART_1001201514

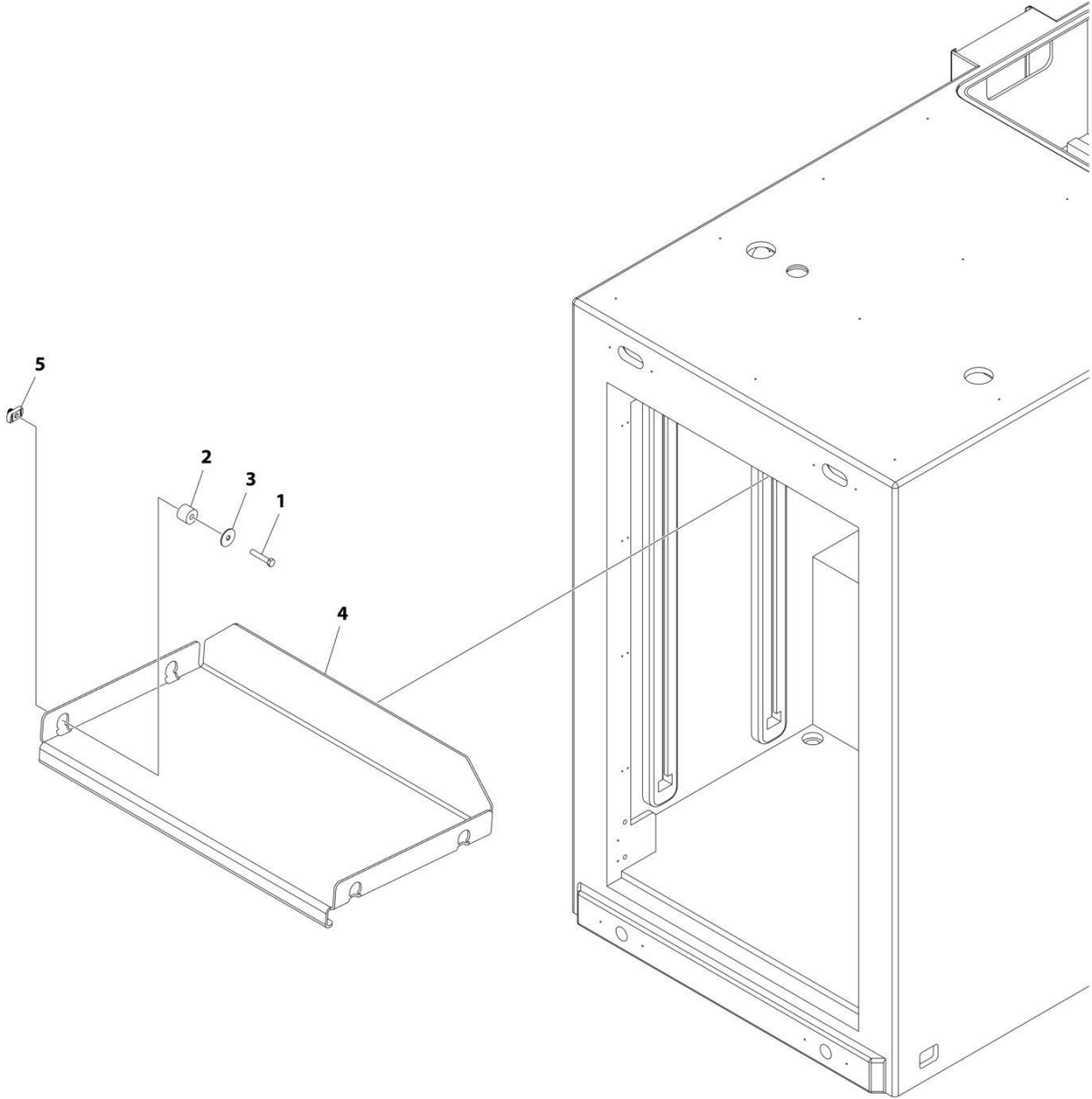
SECTION 4 - BODY

FIGURE 4-85. STORAGE - CRIBBING STORAGE INSTALLATION

ITEM	PART NUMBER	QTY	DESCRIPTION	REV
	1001201514	Ref	CRIBBING STORAGE INSTALLATION	C
1	1001168428	2	Screw 3/8 x 1	
2	1001201519	1	Bracket	
3	7950160143	2	Washer 3/8	

SECTION 4 - BODY

FIGURE 4-86. STORAGE - DRAIN COVER/AIR BAG STORAGE INSTALLATION (36IN)



ART_1001214298

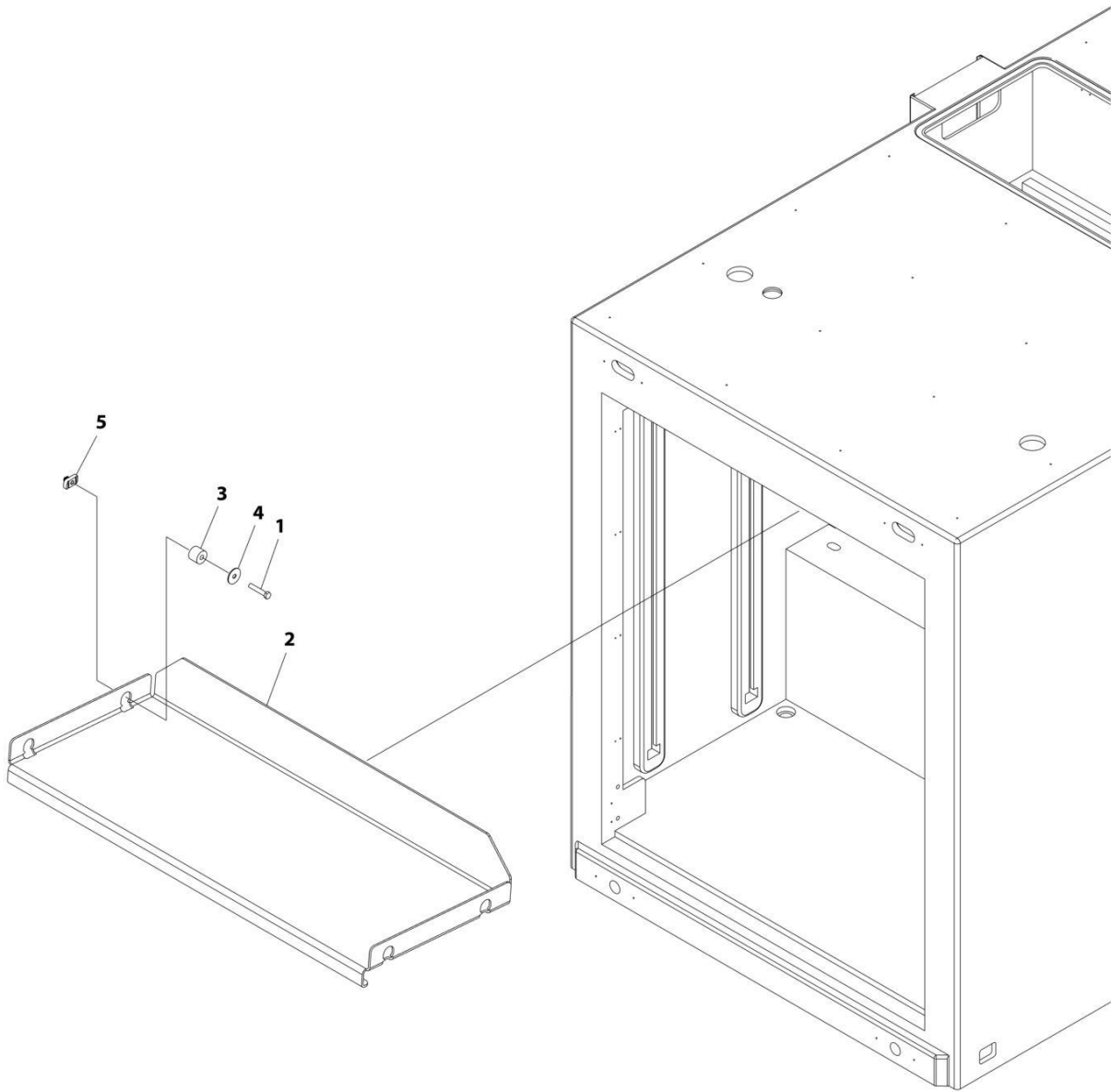
SECTION 4 - BODY

FIGURE 4-86. STORAGE - DRAIN COVER/AIR BAG STORAGE INSTALLATION (36IN)

ITEM	PART NUMBER	QTY	DESCRIPTION	REV
	1001214298	Ref	UPPER SHELF INSTALLATION - 36IN (39IN JFB)	A
1	1001169083	8	Capscrew 3/8 x 2	
2	1001214266	8	Mount	
3	1001214267	8	Washer 3/8	
4	1001214301	2	Panel	
5	1001166644	8	Nut 3/8	

SECTION 4 - BODY

FIGURE 4-87. STORAGE - DRAIN COVER/AIR BAG STORAGE INSTALLATION (48IN)



ART_1001214264

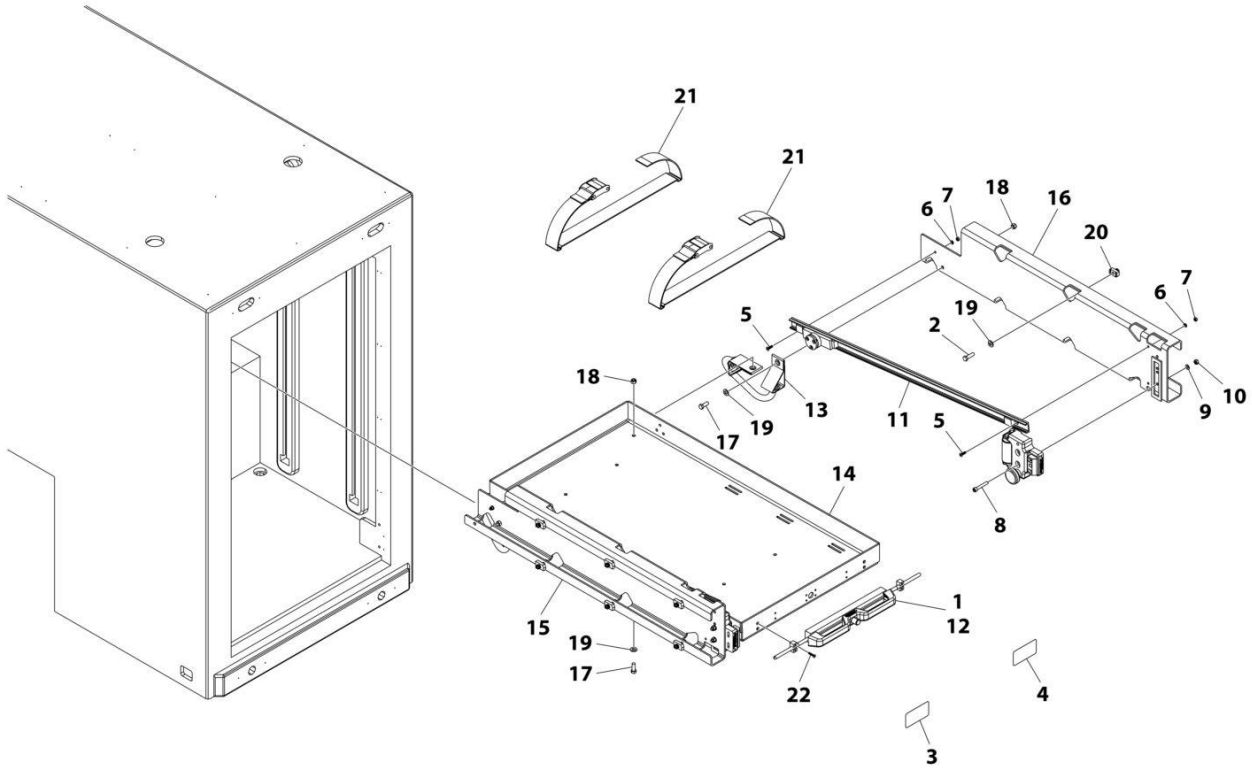
SECTION 4 - BODY

FIGURE 4-87. STORAGE - DRAIN COVER/AIR BAG STORAGE INSTALLATION (48IN)

ITEM	PART NUMBER	QTY	DESCRIPTION	REV
	1001214264	Ref	UPPER SHELF INSTALLATION - 48IN (51IN JFB)	A
1	1001169083	8	Capscrew 3/8 x 2	
2	1001214265	2	Panel	
3	1001214266	8	Mount	
4	1001214267	8	Washer 3/8	
5	1001166644	8	Nut 3/8	

SECTION 4 - BODY

FIGURE 4-88. STORAGE - DRAWER INSTALLATION - TILT DOWN (TANDEM)



ART_1001199998

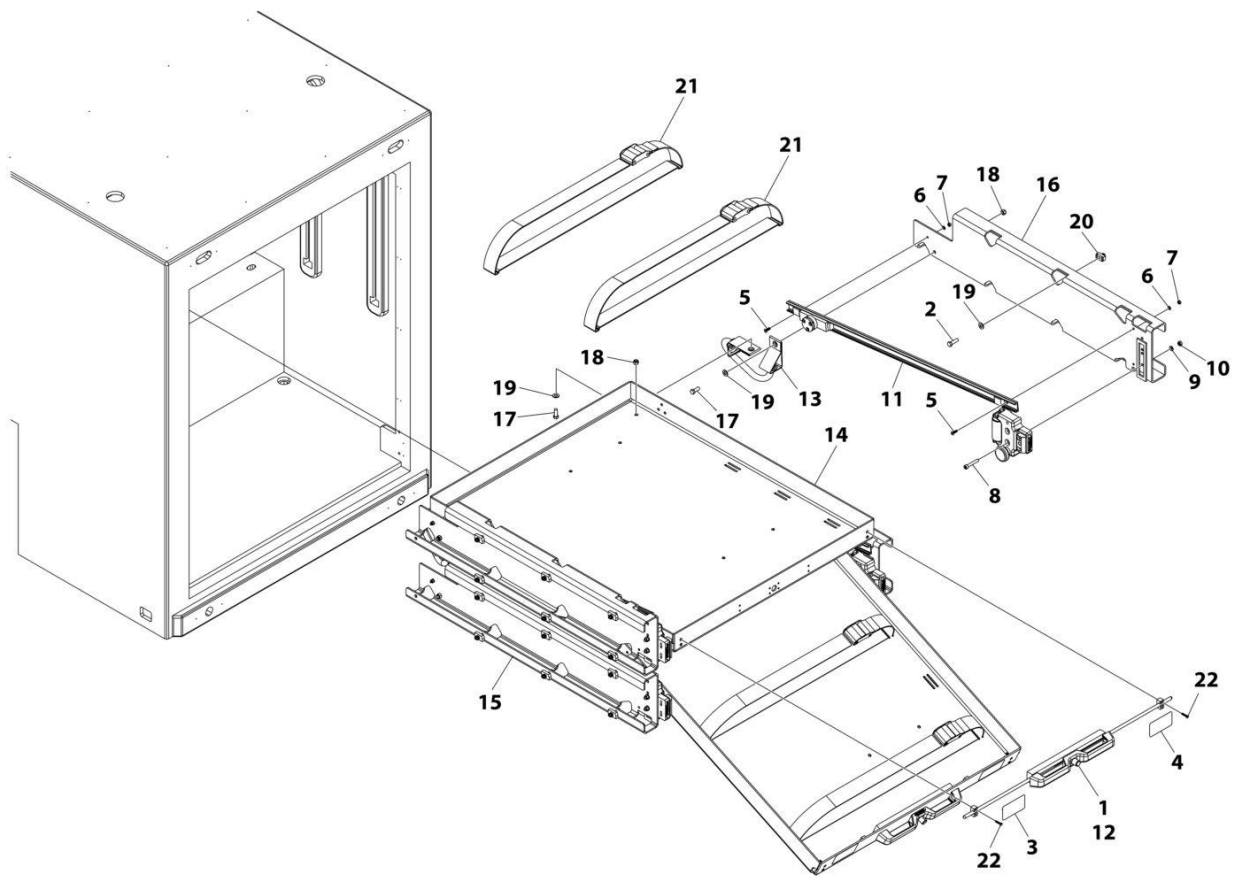
SECTION 4 - BODY

FIGURE 4-88. STORAGE - DRAWER INSTALLATION - TILT DOWN (TANDEM)

ITEM	PART NUMBER	QTY	DESCRIPTION	REV
	1001199998	Ref	DRAWER INSTALLATION - TILT DOWN (TANDEM)	C
1	3020029	AR	Bearing Grease	
2	1001169080	36	Bolt 3/8 x 1-1/4	
3	1001170090	3	Decal, Warning	
4	1001170091	3	Decal, Capacity	
5	1001170305	12	Bolt	
6	1001170307	12	Washer	
7	1001170310	12	Nut	
8	1001170328	12	Screw	
9	1001170329	12	Washer	
10	1001170330	12	Nut	
11	1001170331	3	Roller Assembly	
12	1001170332	3	Handle and Latch Assembly	
13	1001179349	6	Strap	
14	1001182841	3	Drawer, Tilt-Down	
15	1001183735	3	Bracket LH	
16	1001183736	3	Bracket RH	
17	7114160850	12	Capscrew 3/8 x 1	
18	7660162601	12	Nut 3/8	
19	7950160141	48	Washer 3/8	
20	1001166644	36	Spring Nut 3/8	
21	1001170428	6	Strap	
22	1001200997	12	Screw M5 x 25	

SECTION 4 - BODY

FIGURE 4-89. STORAGE - DRAWER INSTALLATION - TILT DOWN (TRI-AXLE)



ART_1001199999

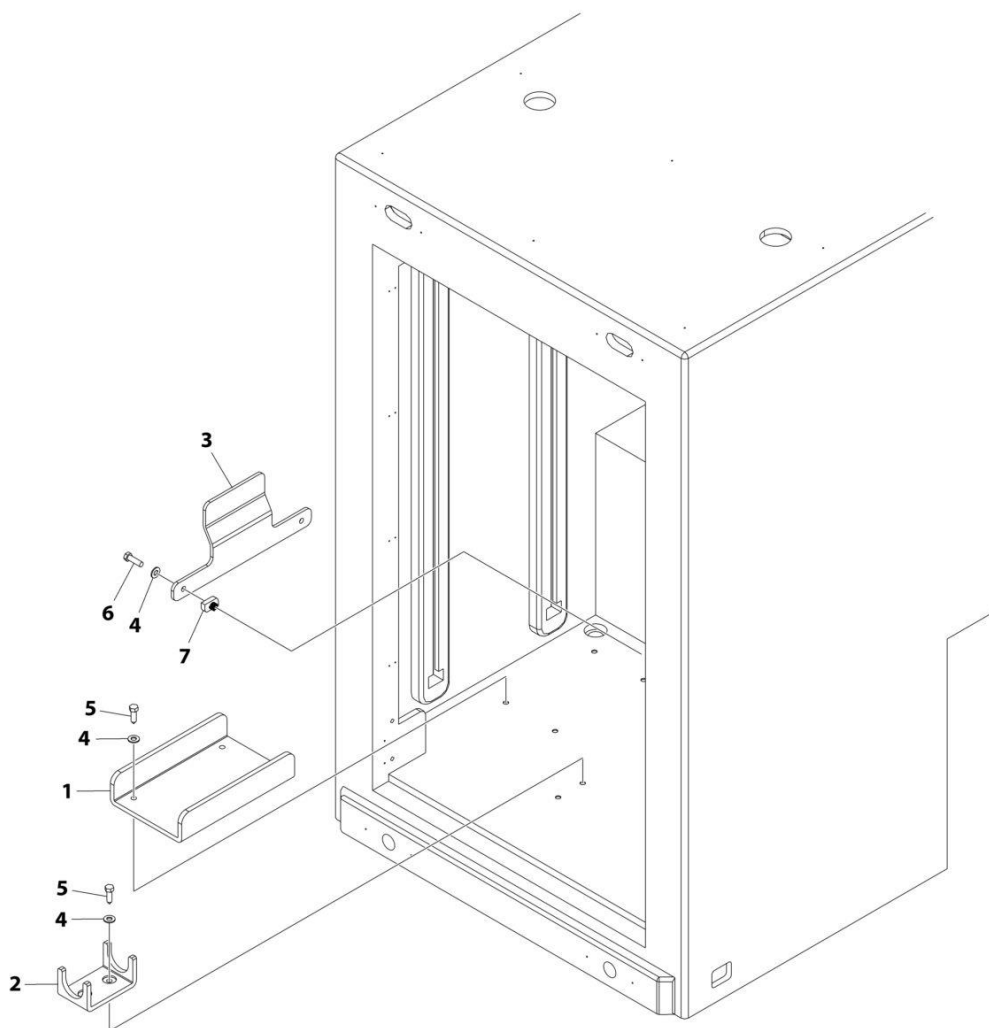
SECTION 4 - BODY

FIGURE 4-89. STORAGE - DRAWER INSTALLATION - TILT DOWN (TRI-AXLE)

ITEM	PART NUMBER	QTY	DESCRIPTION	REV
	1001199999	Ref	DRAWER INSTALLATION - TILT DOWN (TRI-AXLE)	C
1	3020029	AR	Bearing Grease	
2	1001169080	24	Bolt 3/8 x 1-1/4	
3	1001170090	2	Decal, Warning	
4	1001170091	2	Decal, Capacity	
5	1001170305	8	Bolt	
6	1001170307	8	Washer	
7	1001170310	8	Nut	
8	1001170328	8	Screw	
9	1001170329	8	Washer	
10	1001170330	8	Nut	
11	1001170331	2	Roller Assembly	
12	1001170332	2	Handle and Latch Assembly	
13	1001179349	4	Strap	
14	1001197693	2	Drawer, Tilt-Down	
15	1001183735	2	Bracket LH	
16	1001183736	2	Bracket RH	
17	7114160850	8	Capscrew 3/8 x 1	
18	7660162601	8	Nut 3/8	
19	7950160141	32	Washer 3/8	
20	1001166644	24	Spring Nut 3/8	
21	1001170428	4	Strap	
22	1001200997	8	Screw M5 x 25	

SECTION 4 - BODY

FIGURE 4-90. STORAGE - FIFTH WHEEL/PINTLE STORAGE INSTALLATION (37IN TUNNEL)



ART_1001208636

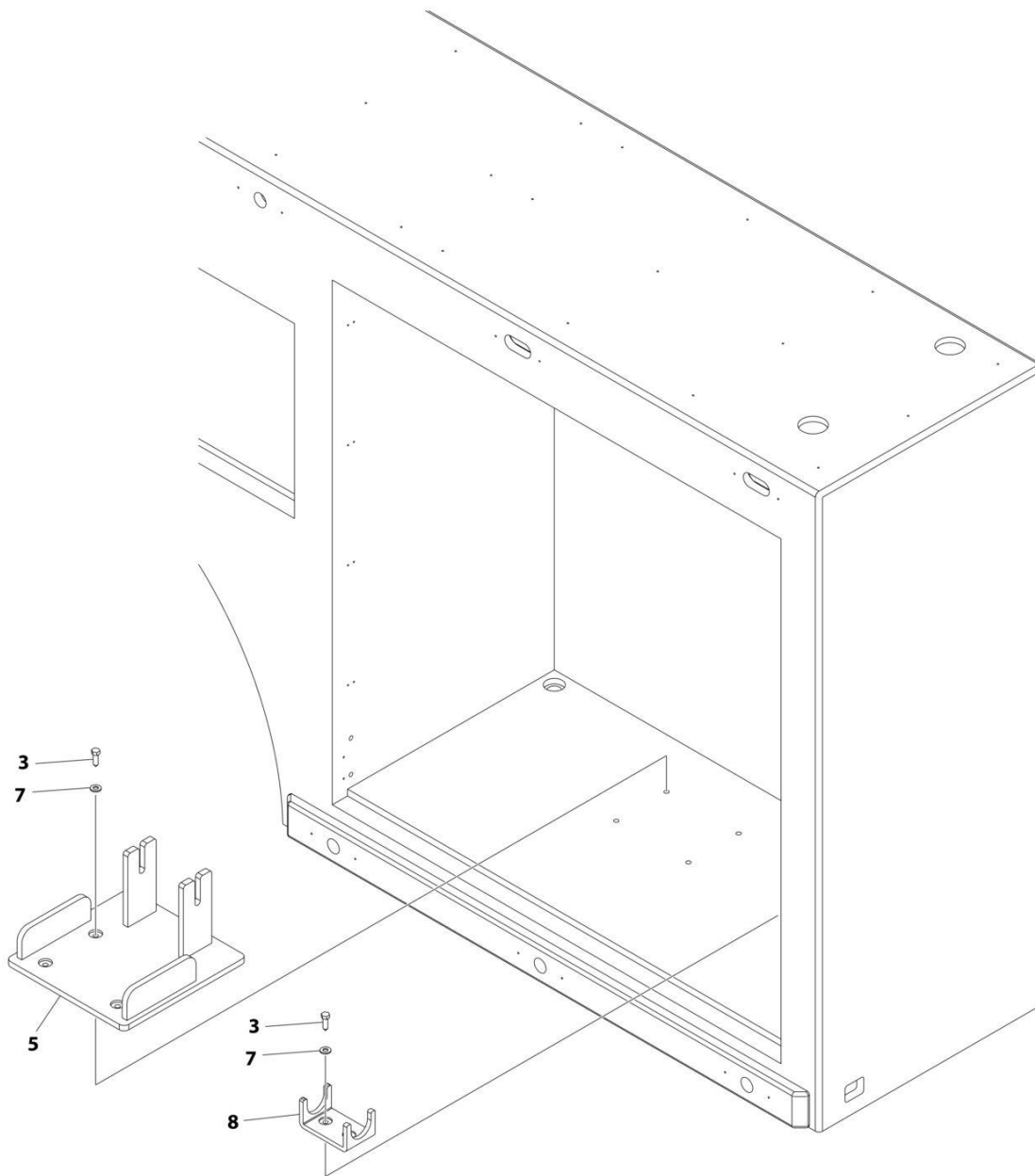
SECTION 4 - BODY

FIGURE 4-90. STORAGE - FIFTH WHEEL/PINTLE STORAGE INSTALLATION (37IN TUNNEL)

ITEM	PART NUMBER	QTY	DESCRIPTION	REV
	1001208636	Ref	FIFTH WHEEL STORAGE INSTALLATION (WITH PINTEL)	B
1	1001183001	1	Channel	
2	1001191810	1	Bracket	
3	1001208652	1	Bracket	
4	7950160143	8	Washer 3/8	
5	1001168545	6	Screw 3/8 x 1-1/4	
6	1001169080	2	Bolt 3/8 x 1-1/4	
7	1001166644	2	Spring Nut 3/8	

SECTION 4 - BODY

FIGURE 4-91. STORAGE - FIFTH WHEEL/PINTLE STORAGE INSTALLATION (TANDEM)



ART_1001195942

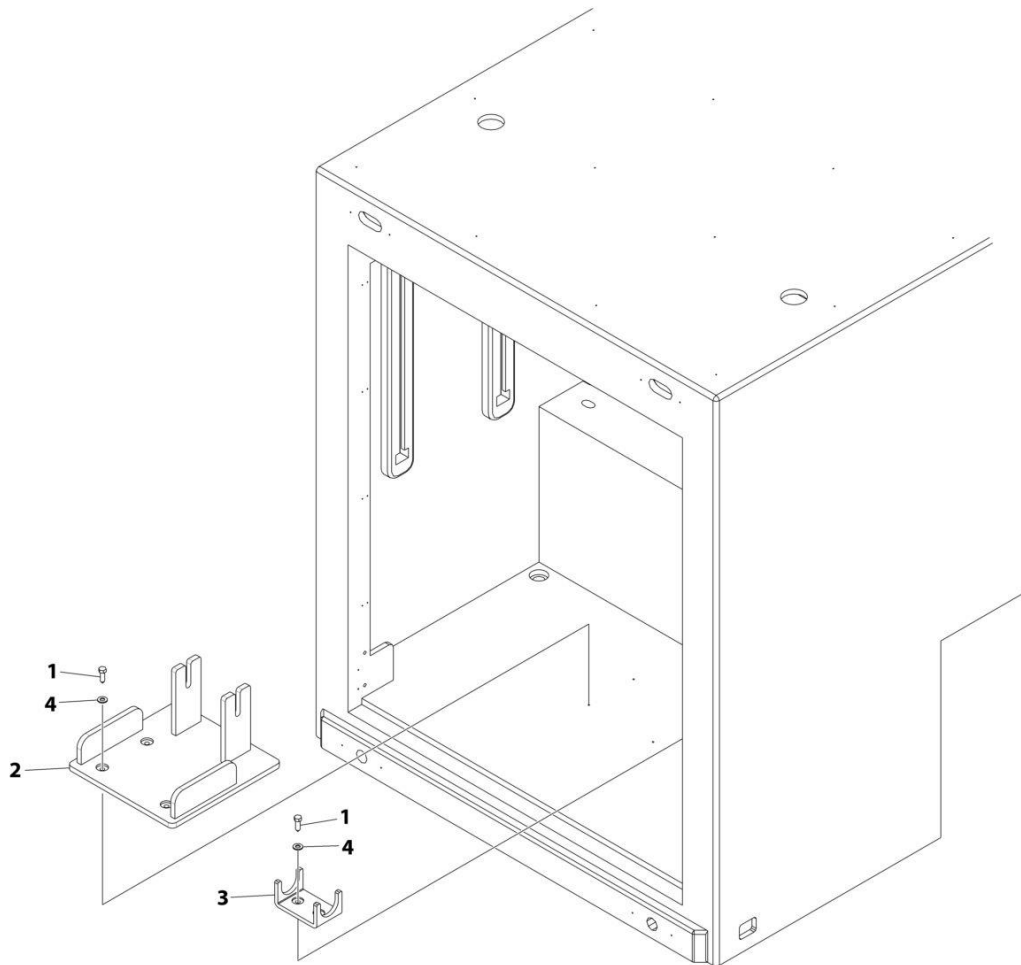
SECTION 4 - BODY

FIGURE 4-91. STORAGE - FIFTH WHEEL/PINTLE STORAGE INSTALLATION (TANDEM)

ITEM	PART NUMBER	QTY	DESCRIPTION	REV
	1001195942	Ref	Fifth Wheel Storage Installation	C
3	1001168545	6	Screw 3/8 x 1-1/4	
5	1001190568	1	Bracket	
7	7950160143	6	Washer 3/8	
8	1001191810	1	Bracket	

SECTION 4 - BODY

FIGURE 4-92. STORAGE - FIFTH WHEEL/PINTLE STORAGE INSTALLATION (TRI-AXLE DRIVERS SIDE)



ART_1001224072

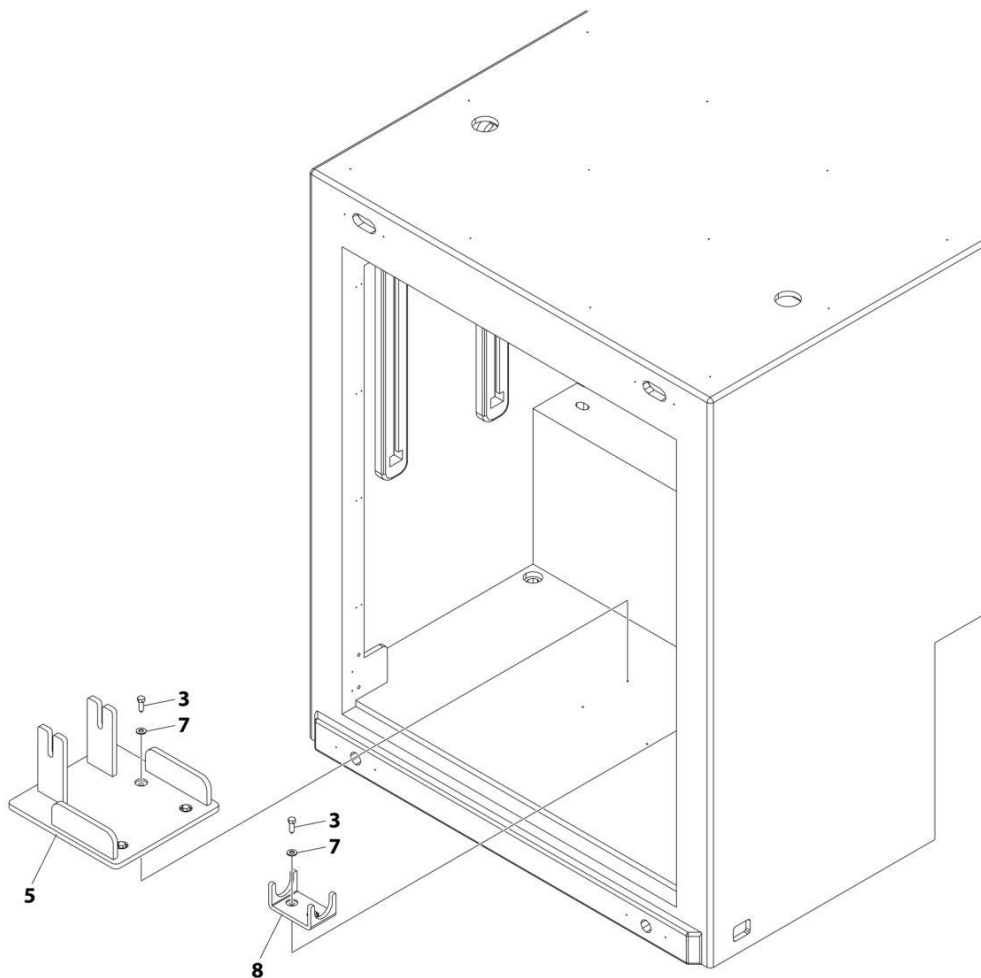
SECTION 4 - BODY

FIGURE 4-92. STORAGE - FIFTH WHEEL/PINTLE STORAGE INSTALLATION (TRI-AXLE DRIVERS SIDE)

ITEM	PART NUMBER	QTY	DESCRIPTION	REV
	1001224072	Ref	FIFTH WHEEL STORAGE INSTALLATION	B
1	1001168545	6	Screw 3/8 x 1-1/4	
2	1001190568	1	Bracket	
3	1001191810	1	Bracket	
4	7950160143	6	Washer 3/8	

SECTION 4 - BODY

FIGURE 4-93. STORAGE - FIFTH WHEEL/PINTLE STORAGE INSTALLATION (TRI-AXLE PASSENGERS SIDE)



ART_1001195943

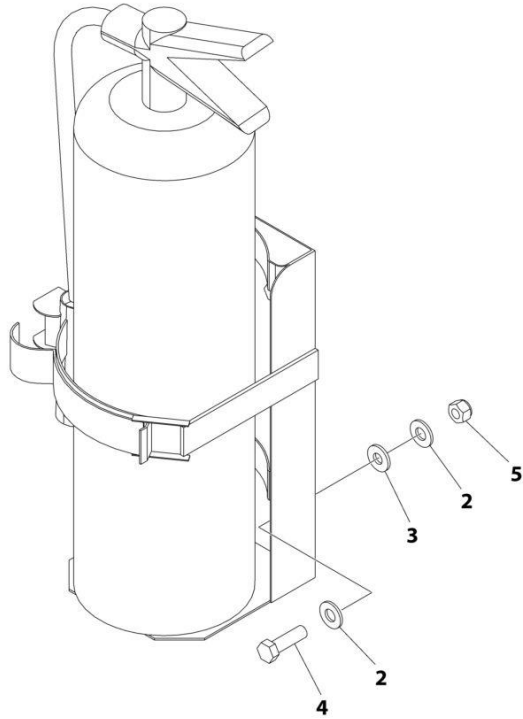
SECTION 4 - BODY

FIGURE 4-93. STORAGE - FIFTH WHEEL/PINTLE STORAGE INSTALLATION (TRI-AXLE PASSENGERS SIDE)

ITEM	PART NUMBER	QTY	DESCRIPTION	REV
	1001195943	Ref	Fifth Wheel Storage Installation	C
3	1001168545	6	Screw 3/8 x 1-1/4	
5	1001190568	1	Bracket	
7	7950160143	6	Washer 3/8	
8	1001191810	1	Bracket	

SECTION 4 - BODY

FIGURE 4-94. STORAGE - FIRE EXTINGUISHER STORAGE INSTALLATION



ART_1001195698

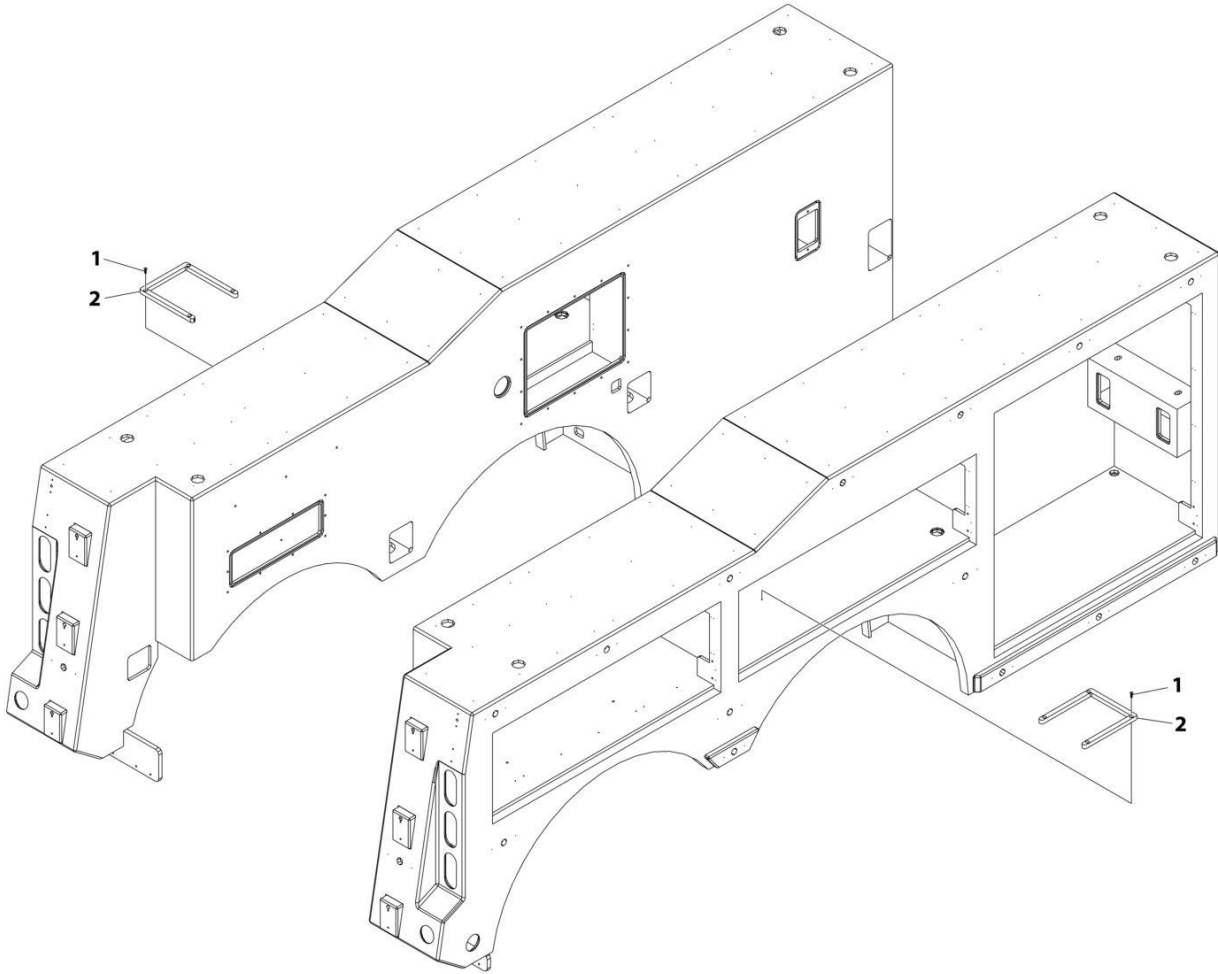
SECTION 4 - BODY

FIGURE 4-94. STORAGE - FIRE EXTINGUISHER STORAGE INSTALLATION

ITEM	PART NUMBER	QTY	DESCRIPTION	REV
	1001195698	Ref	FIRE EXTINGUISHER STORAGE INSTALLATION	D
2	7950160143	16	Washer 3/8	
3	1001166974	8	Washer 3/8	
4	1001169080	8	Bolt 3/8 x 1/4	
5	7660162601	8	Nut 3/8	

SECTION 4 - BODY

FIGURE 4-95. STORAGE - FLARE STORAGE INSTALLATION



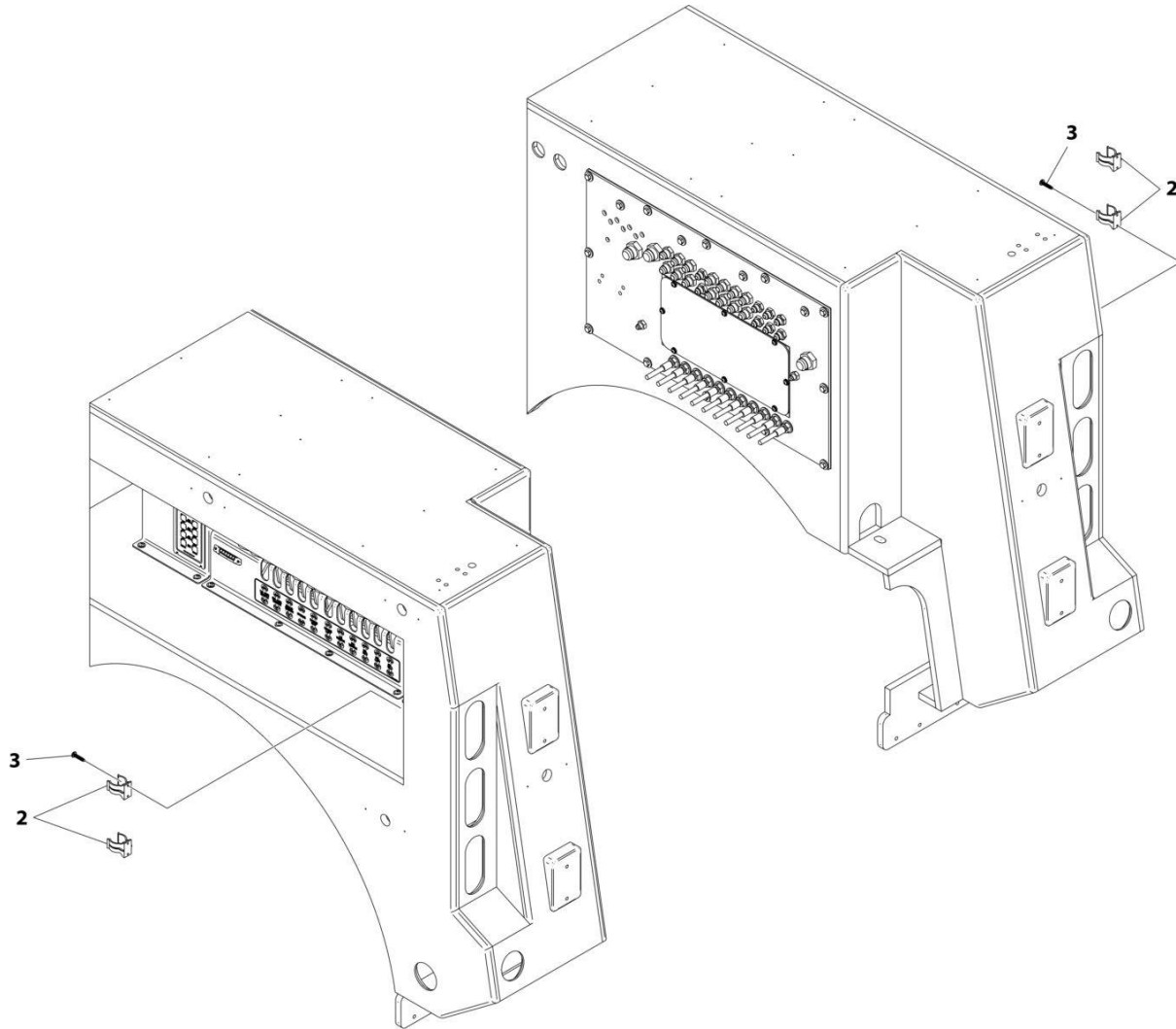
ART_1001201704

FIGURE 4-95. STORAGE - FLARE STORAGE INSTALLATION

ITEM	PART NUMBER	QTY	DESCRIPTION	REV
	1001201704	Ref	FLARE STORAGE INSTALLATION	B
1	1001195523	8	Screw 1/4 x 1	
2	1001201695	2	Bracket	

SECTION 4 - BODY

FIGURE 4-96. STORAGE - FLASHLIGHT STORAGE INSTALLATION (SN 0230006135 to Present)



ART_1001170727

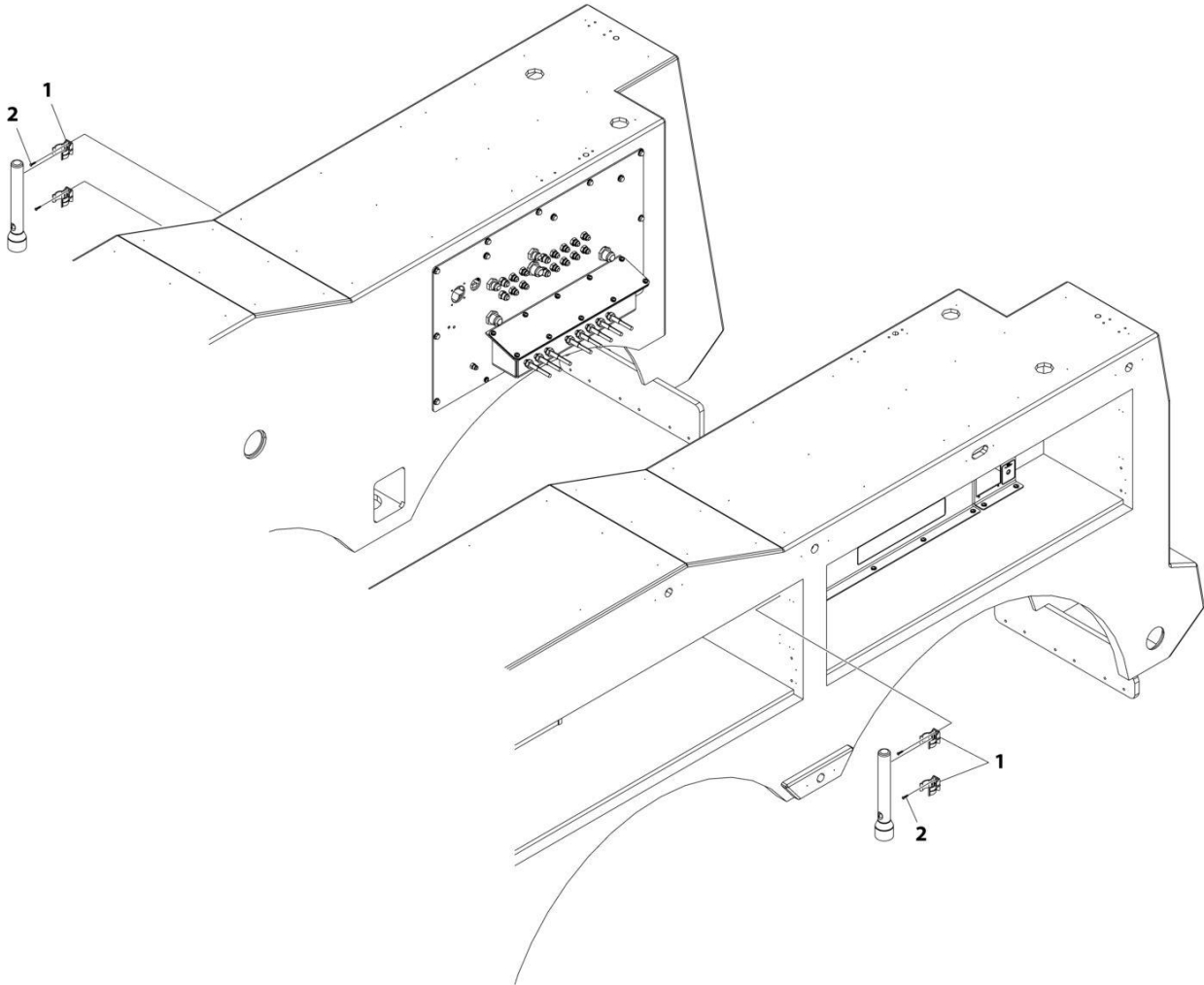
SECTION 4 - BODY

FIGURE 4-96. STORAGE - FLASHLIGHT STORAGE INSTALLATION (SN 0230006135 to Present)

ITEM	PART NUMBER	QTY	DESCRIPTION	REV
	1001170727	Ref	Flashlight Mount Installation	D
2	1001170725	2	Mount, Flashlight	
3	1001196552	8	Screw #8 x 3/4	

SECTION 4 - BODY

FIGURE 4-97. STORAGE - FLASHLIGHT STORAGE INSTALLATION (SN 0230004275 through 0230006134)



ART_1001197683

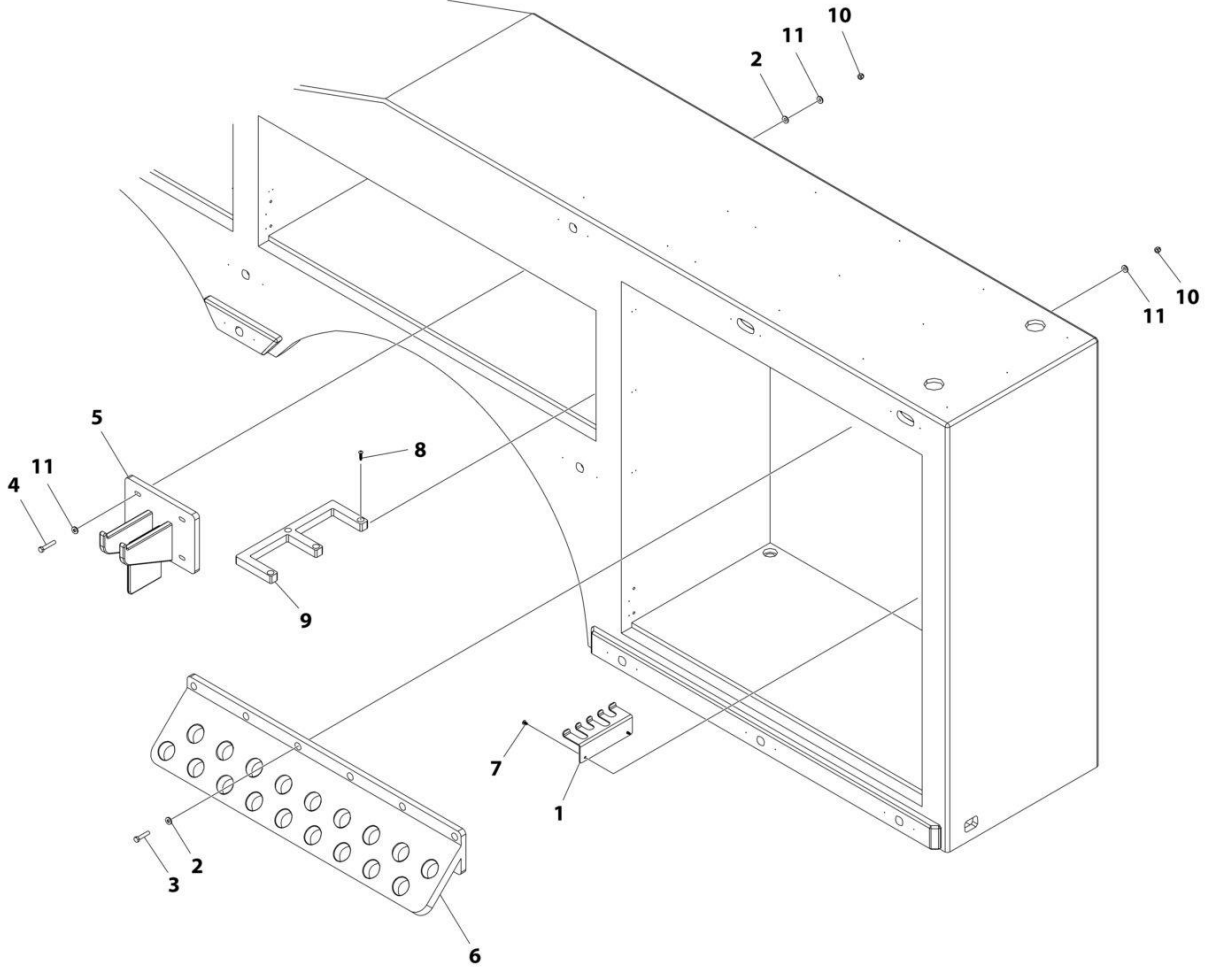
SECTION 4 - BODY

FIGURE 4-97. STORAGE - FLASHLIGHT STORAGE INSTALLATION (SN 0230004275 through 0230006134)

ITEM	PART NUMBER	QTY	DESCRIPTION	REV
	1001197683	Ref	STORAGE INSTALLATION - FLASHLIGHTS	C
1	1001170725	2	Mount, Flashlight	
2	1001196552	8	Screw #8 x 3/4	

SECTION 4 - BODY

FIGURE 4-98. STORAGE - FORK ORGANIZER INSTALLATION (TANDEM)



ART_1001195839

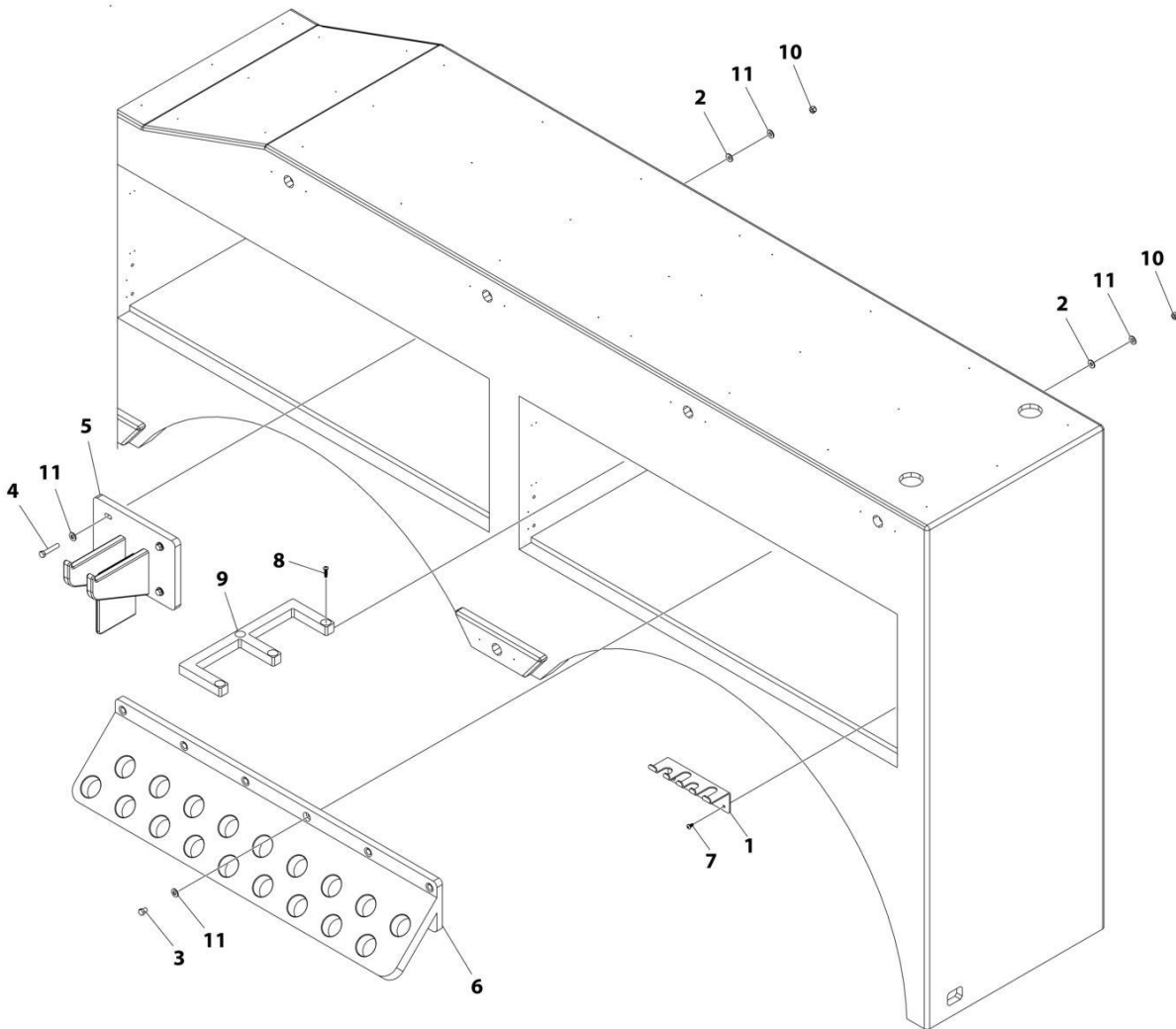
SECTION 4 - BODY

FIGURE 4-98. STORAGE - FORK ORGANIZER INSTALLATION (TANDEM)

ITEM	PART NUMBER	QTY	DESCRIPTION	REV
	1001195839	Ref	Frame Fork Storage Installation	C
1	1001160799	1	Bracket	
2	1001166974	10	Washer 3/8	
3	1001168544	6	Screw 3/4 x 1-3/4	
4	1001169083	4	Capscrew 3/8 x 2	
5	1001190926	1	Bracket	
6	1001190988	1	Bracket	
7	1001195257	2	Screw 1/4 x 1/2	
8	1001195523	4	Screw 1/4 x 1	
9	1001195838	1	Bracket	
10	7660162601	10	Nut 3/8	
11	7950160143	20	Washer 3/8	

SECTION 4 - BODY

FIGURE 4-99. STORAGE - FORK ORGANIZER INSTALLATION (TRI-AXLE)



ART_1001195840

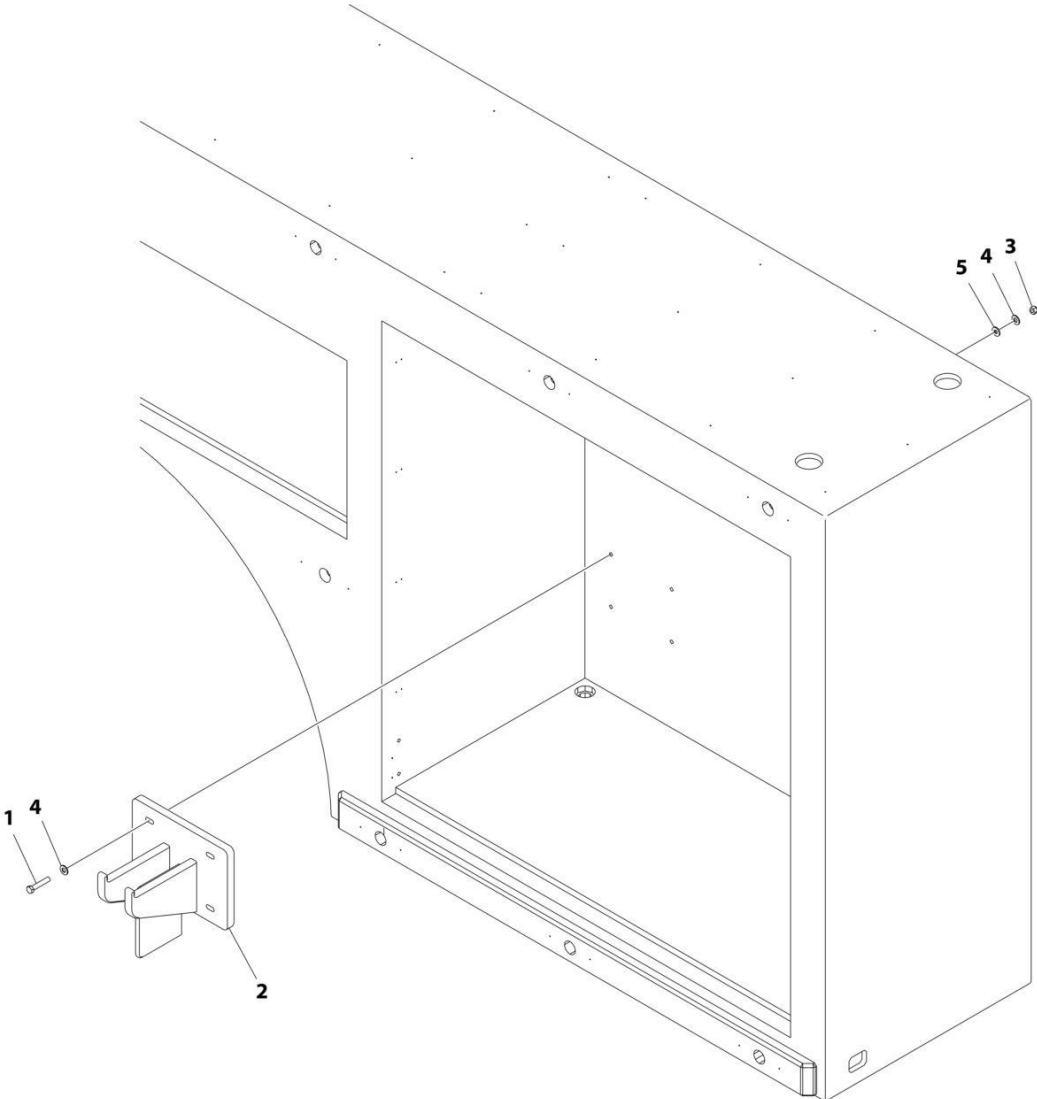
SECTION 4 - BODY

FIGURE 4-99. STORAGE - FORK ORGANIZER INSTALLATION (TRI-AXLE)

ITEM	PART NUMBER	QTY	DESCRIPTION	REV
	1001195840	Ref	STORAGE INSTALLATION - FORK ORGANIZER (TRI-AXLE)	C
1	1001160799	1	Bracket	
2	1001166974	10	Washer 3/8	
3	1001168544	6	Screw 3/4 x 1-3/4	
4	1001169083	4	Capscrew 3/8 x 2	
5	1001190926	1	Bracket	
6	1001190988	1	Bracket	
7	1001195257	2	Screw 1/4 x 1/2	
8	1001195523	4	Screw 1/4 x 1	
9	1001195838	1	Bracket	
10	7660162601	10	Nut 3/8	
11	7950160143	20	Washer 3/8	

SECTION 4 - BODY

FIGURE 4-100. STORAGE - FORK RISERS STORAGE INSTALLATION (TANDEM)



ART_1001195788

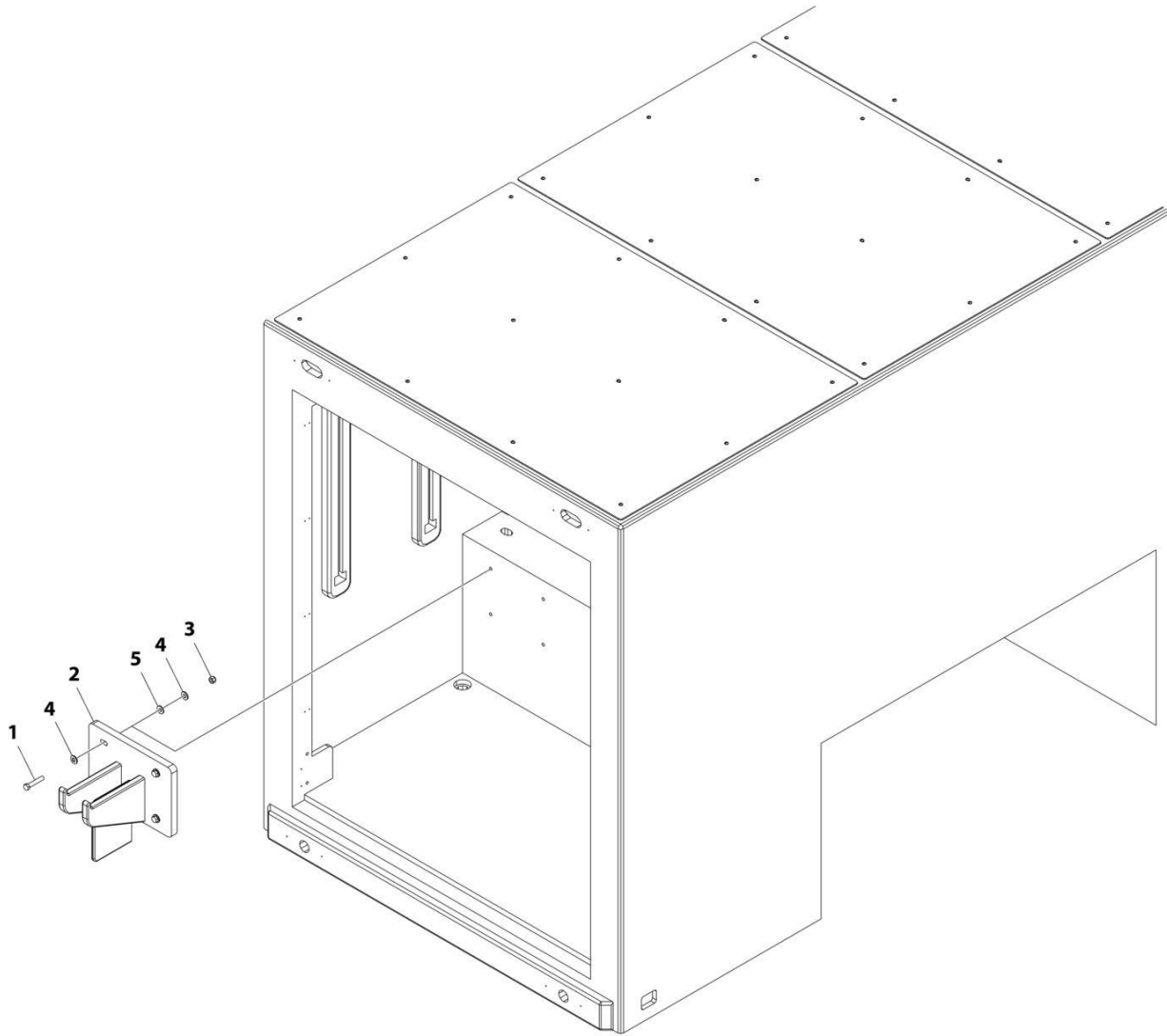
SECTION 4 - BODY

FIGURE 4-100. STORAGE - FORK RISERS STORAGE INSTALLATION (TANDEM)

ITEM	PART NUMBER	QTY	DESCRIPTION	REV
	1001195788	Ref	FORK RISERS STORAGE INSTALLATION	C
1	1001169083	4	Bolt 3/8 x 2	
2	1001190926	1	Bracket, Storage	
3	7660162601	4	Nut 3/8	
4	7950160143	8	Washer 3/8	
5	1001166974	4	Washer, Rubber	

SECTION 4 - BODY

FIGURE 4-101. STORAGE - FORK RISERS STORAGE INSTALLATION (TRI-AXLE)



ART_1001195825

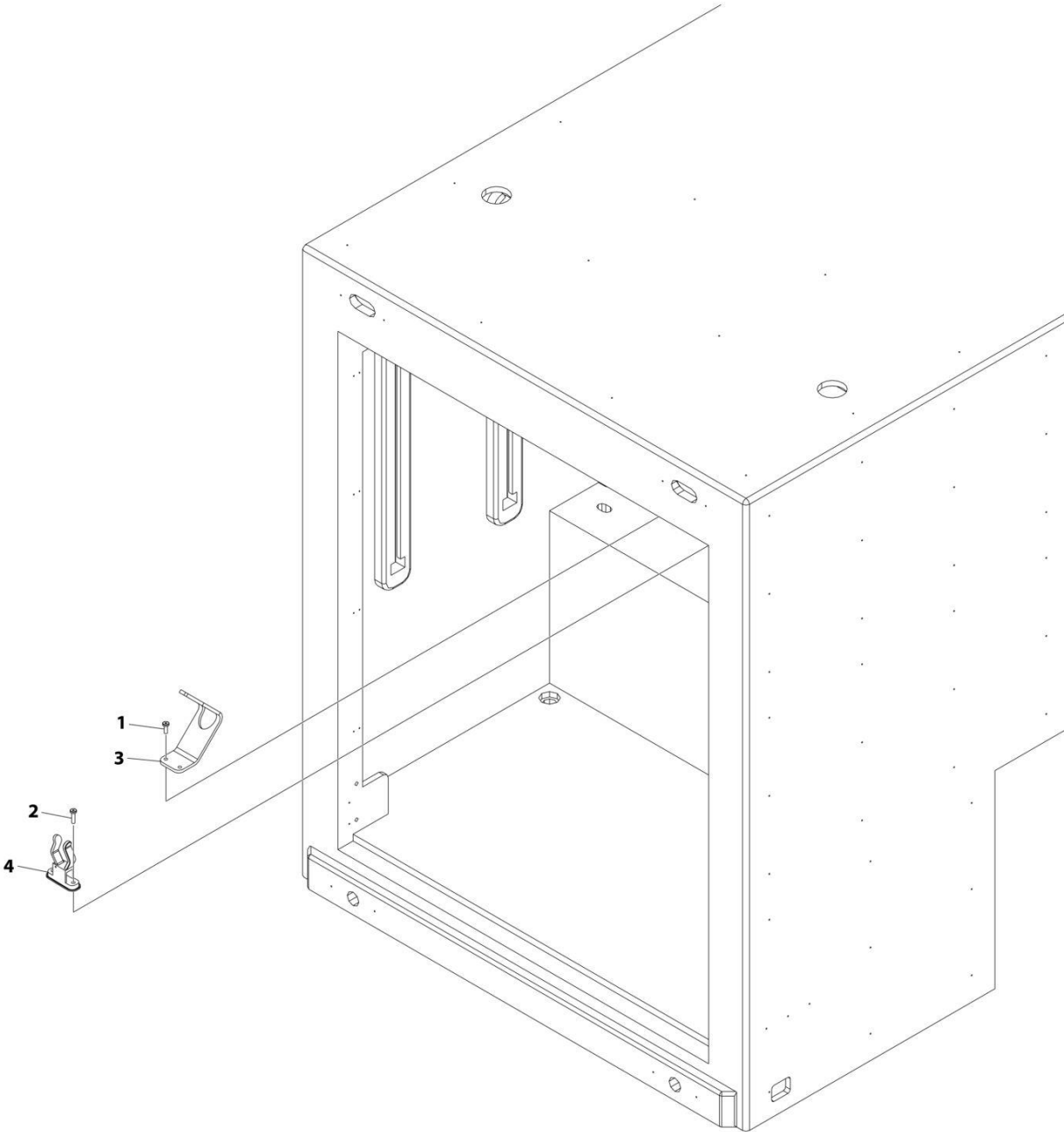
SECTION 4 - BODY

FIGURE 4-101. STORAGE - FORK RISERS STORAGE INSTALLATION (TRI-AXLE)

ITEM	PART NUMBER	QTY	DESCRIPTION	REV
	1001195825	Ref	STORAGE INSTALLATION - FORK RISERS (TRI-AXLE)	D
1	1001169083	4	Bolt 3/8 x 2	
2	1001190926	1	Bracket, Storage	
3	7660162601	4	Nut 3/8	
4	7950160143	8	Washer 3/8	
5	1001166974	4	Washer 3/8	

SECTION 4 - BODY

FIGURE 4-102. STORAGE - GRIZZILY BAR STORAGE INSTALLATION



ART_1001214175

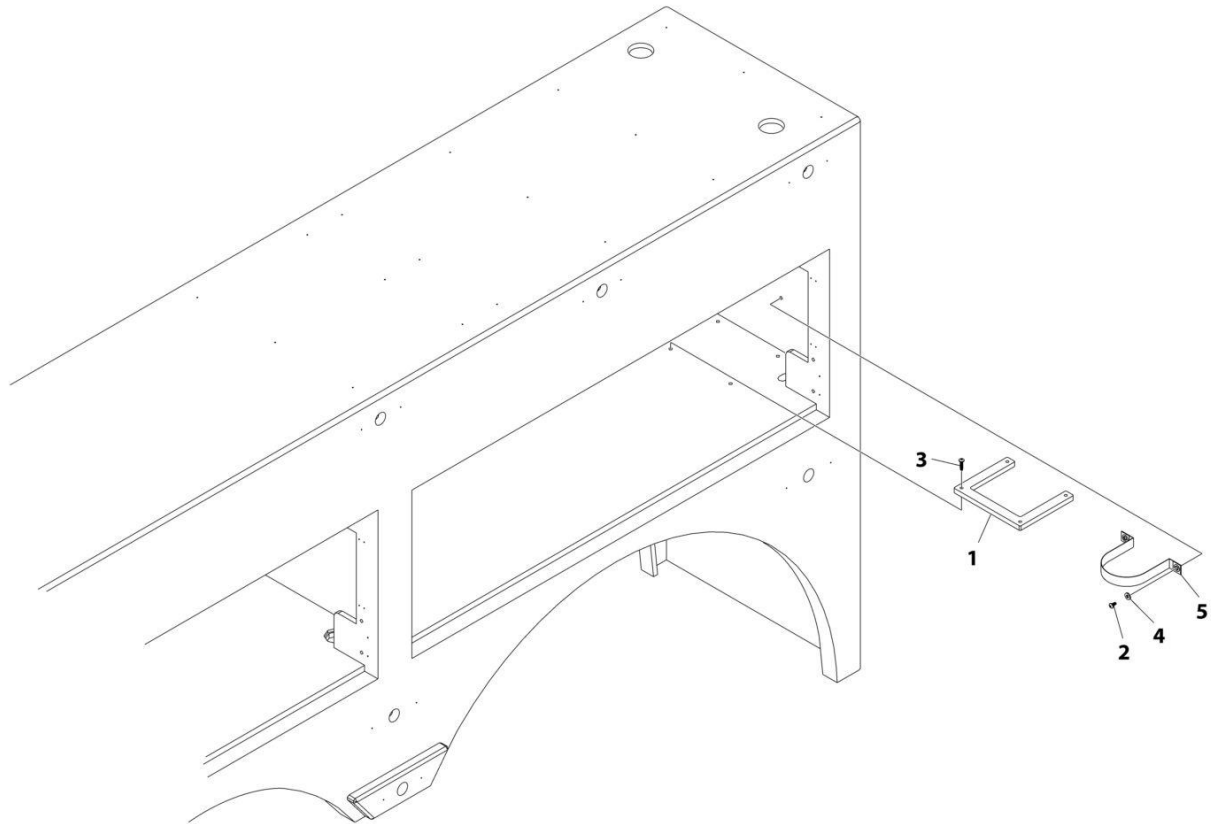
SECTION 4 - BODY

FIGURE 4-102. STORAGE - GRIZZILY BAR STORAGE INSTALLATION

ITEM	PART NUMBER	QTY	DESCRIPTION	REV
	1001214175	Ref	GRIZZILY BAR STORAGE INSTALLATION	B
1	0751406	2	Screw 1/4 x 3/4	
2	0751408	2	Screw 1/4 x 1	
3	1001174992	1	Bracket	
4	1001175059	1	Clamp	

SECTION 4 - BODY

FIGURE 4-103. STORAGE - JACK STORAGE INSTALLATION (TANDEM)



ART_1001196215

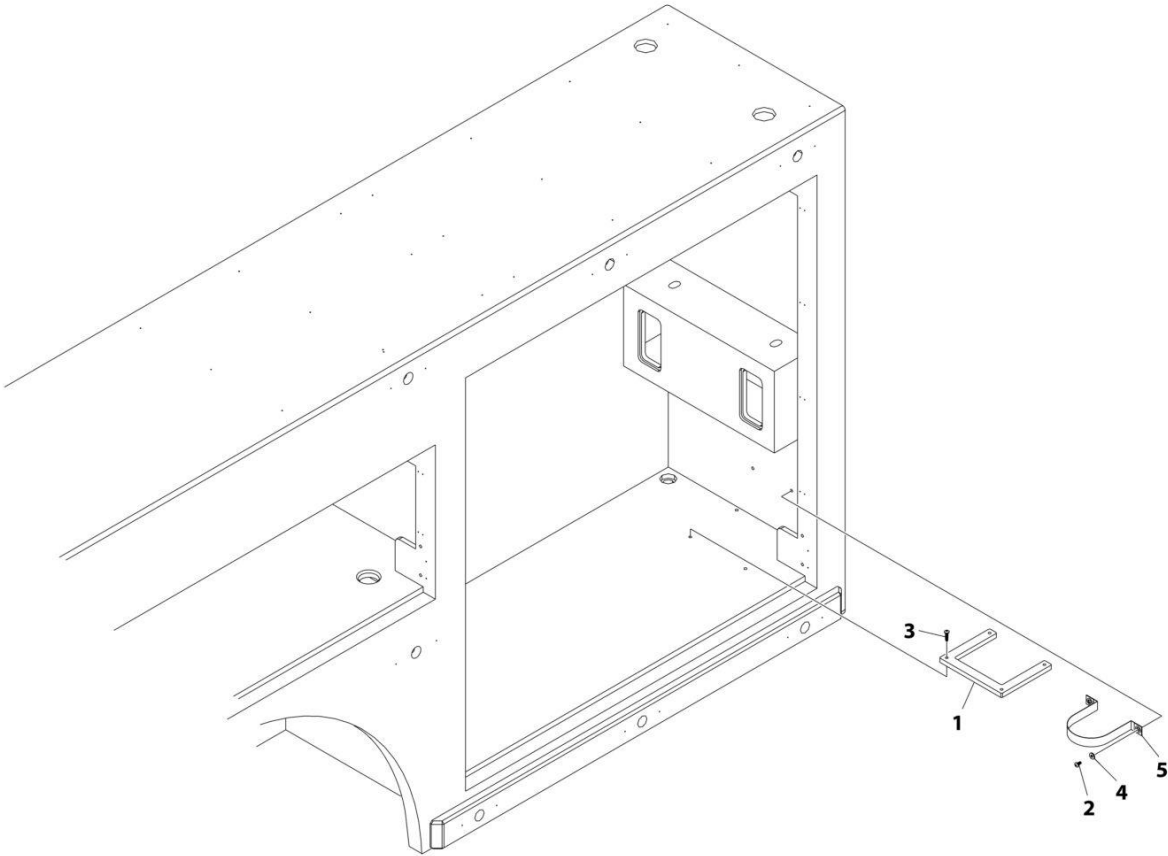
SECTION 4 - BODY

FIGURE 4-103. STORAGE - JACK STORAGE INSTALLATION (TANDEM)

ITEM	PART NUMBER	QTY	DESCRIPTION	REV
	1001196215	Ref	JACK STORAGE INSTALLATION (TANDEM)	C
1	1001170839	1	Bracket	
2	1001195257	2	Screw 1/4 x 1/2	
3	1001195523	4	Screw 1/4 x 1	
4	7950140143	2	Washer 1/4	
5	1001167286	2	Tie-Strap	

SECTION 4 - BODY

FIGURE 4-104. STORAGE - JACK STORAGE INSTALLATION (TRI-AXLE)



ART_1001196214

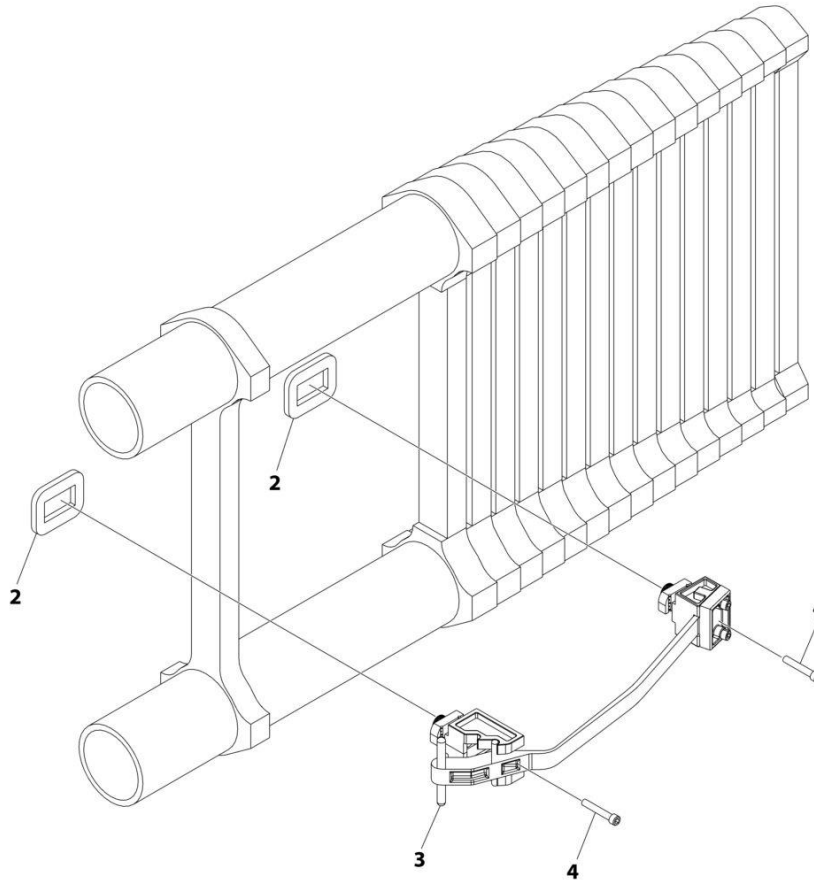
SECTION 4 - BODY

FIGURE 4-104. STORAGE - JACK STORAGE INSTALLATION (TRI-AXLE)

ITEM	PART NUMBER	QTY	DESCRIPTION	REV
	1001196214	Ref	JACK STORAGE INSTALLATION (TRI-AXLE)	B
1	1001170839	1	Bracket	
2	1001195257	2	Screw 1/4 x 1/2	
3	1001195523	4	Screw 1/4 x 1	
4	7950140143	2	Washer 1/4	
5	1001167286	2	Tie-Strap	

SECTION 4 - BODY

FIGURE 4-105. STORAGE - LADDER STORAGE INSTALLATION



ART_1001200001

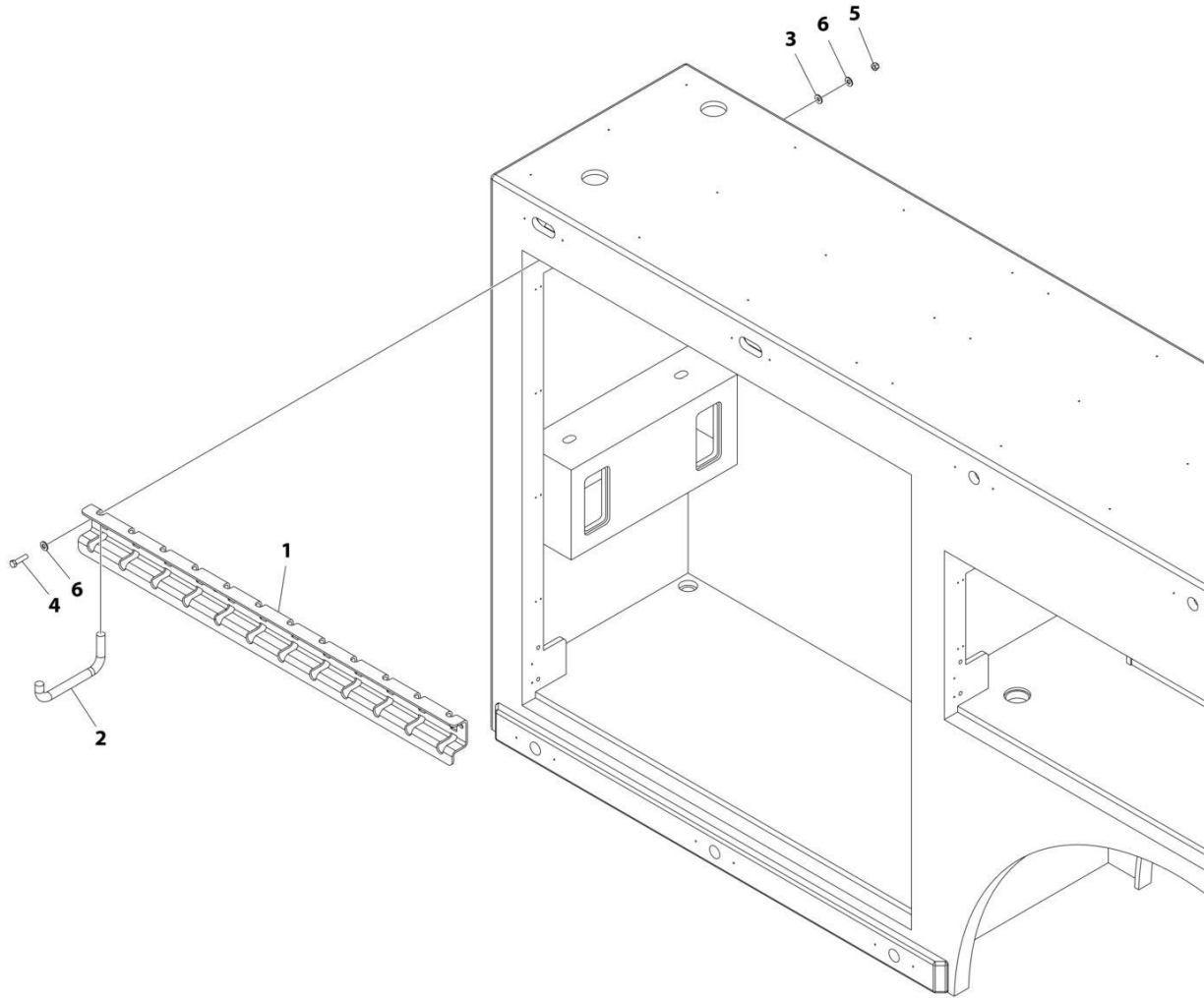
SECTION 4 - BODY

FIGURE 4-105. STORAGE - LADDER STORAGE INSTALLATION

ITEM	PART NUMBER	QTY	DESCRIPTION	REV
	1001200001	Ref	LADDER STORAGE INSTALLATION	C
2	1001213971	2	Plate	
3	1001201534	1	Bracket	
4	3931424	2	Capscrew 1/4 x 1-1/2	

SECTION 4 - BODY

FIGURE 4-106. STORAGE - SHACKLE RACK INSTALLATION (TANDEM)



ART_1001195038

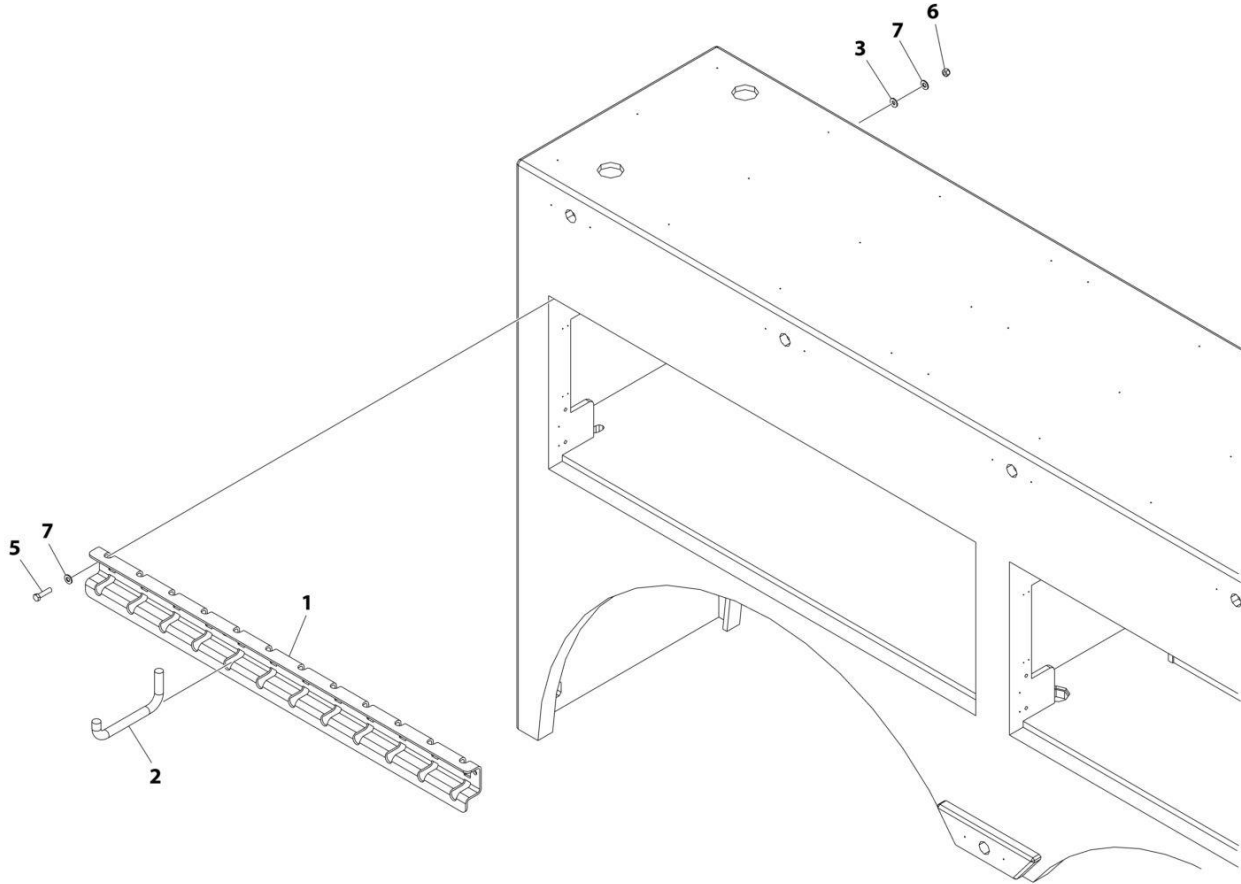
SECTION 4 - BODY

FIGURE 4-106. STORAGE - SHACKLE RACK INSTALLATION (TANDEM)

ITEM	PART NUMBER	QTY	DESCRIPTION	REV
	1001195038	Ref	Shackle Rack Installation	D
1	1001164601	2	Bracket	
2	1001164614	16	Rod	
3	1001166974	10	Washer 3/8	
4	1001168993	10	Capscrew 3/8 x 1-1/2	
5	7660162601	10	Nut 3/8	
6	7950160143	20	Washer 3/8	

SECTION 4 - BODY

FIGURE 4-107. STORAGE - SHACKLE RACK INSTALLATION (TRI-AXLE)



ART_1001195083

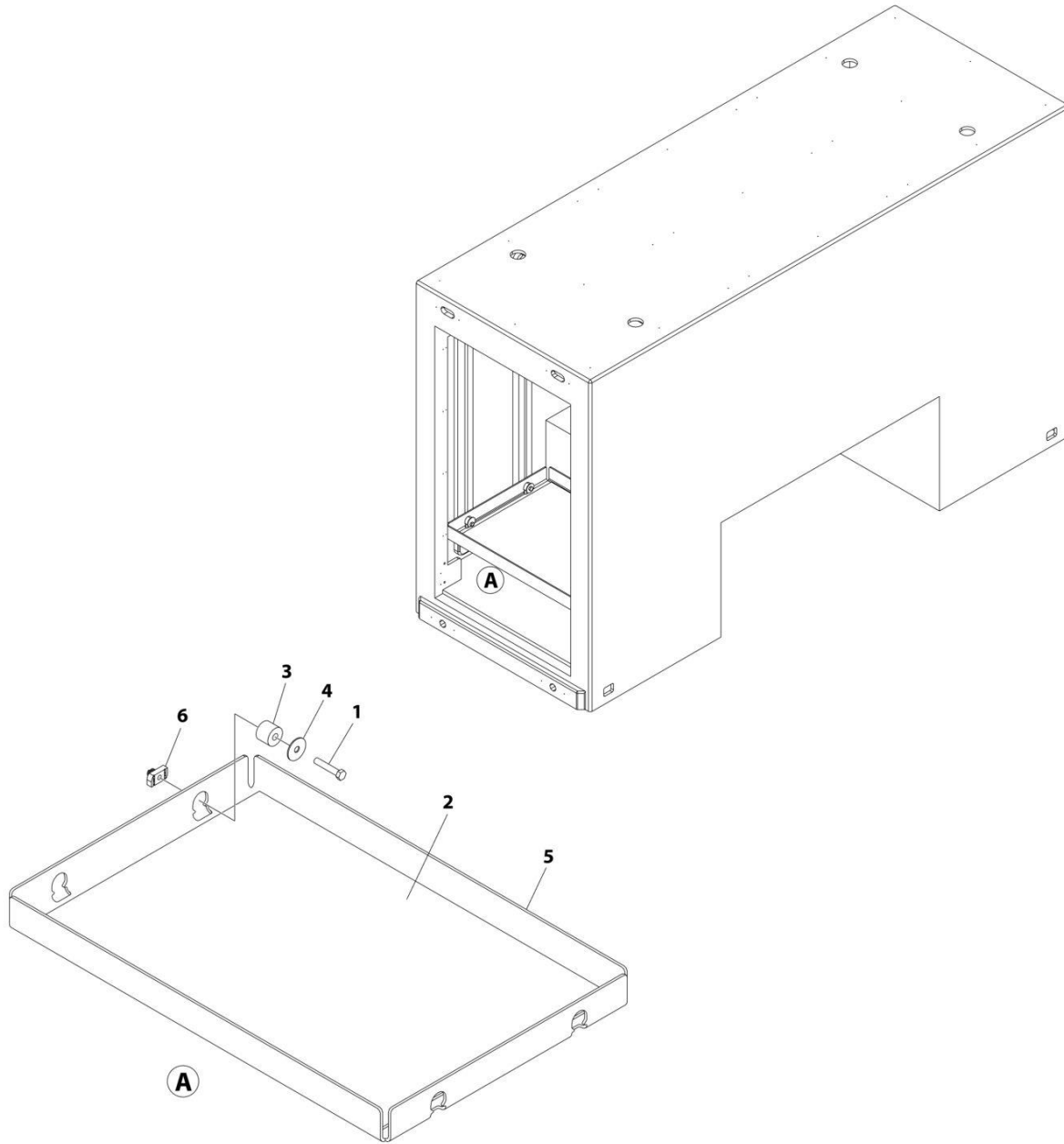
SECTION 4 - BODY

FIGURE 4-107. STORAGE - SHACKLE RACK INSTALLATION (TRI-AXLE)

ITEM	PART NUMBER	QTY	DESCRIPTION	REV
	1001195083	Ref	SHACKLE RACK INSTALLATION	E
1	1001164601	2	Bracket	
2	1001164614	16	Rod	
3	1001166974	10	Washer 3/8	
5	1001168993	10	Capscrew 3/8 x 1-1/2	
6	7660162601	10	Nut 3/8	
7	7950160143	20	Washer 3/8	

SECTION 4 - BODY

FIGURE 4-108. STORAGE - SHELF INSTALLATION - 36IN



ART_1001214300

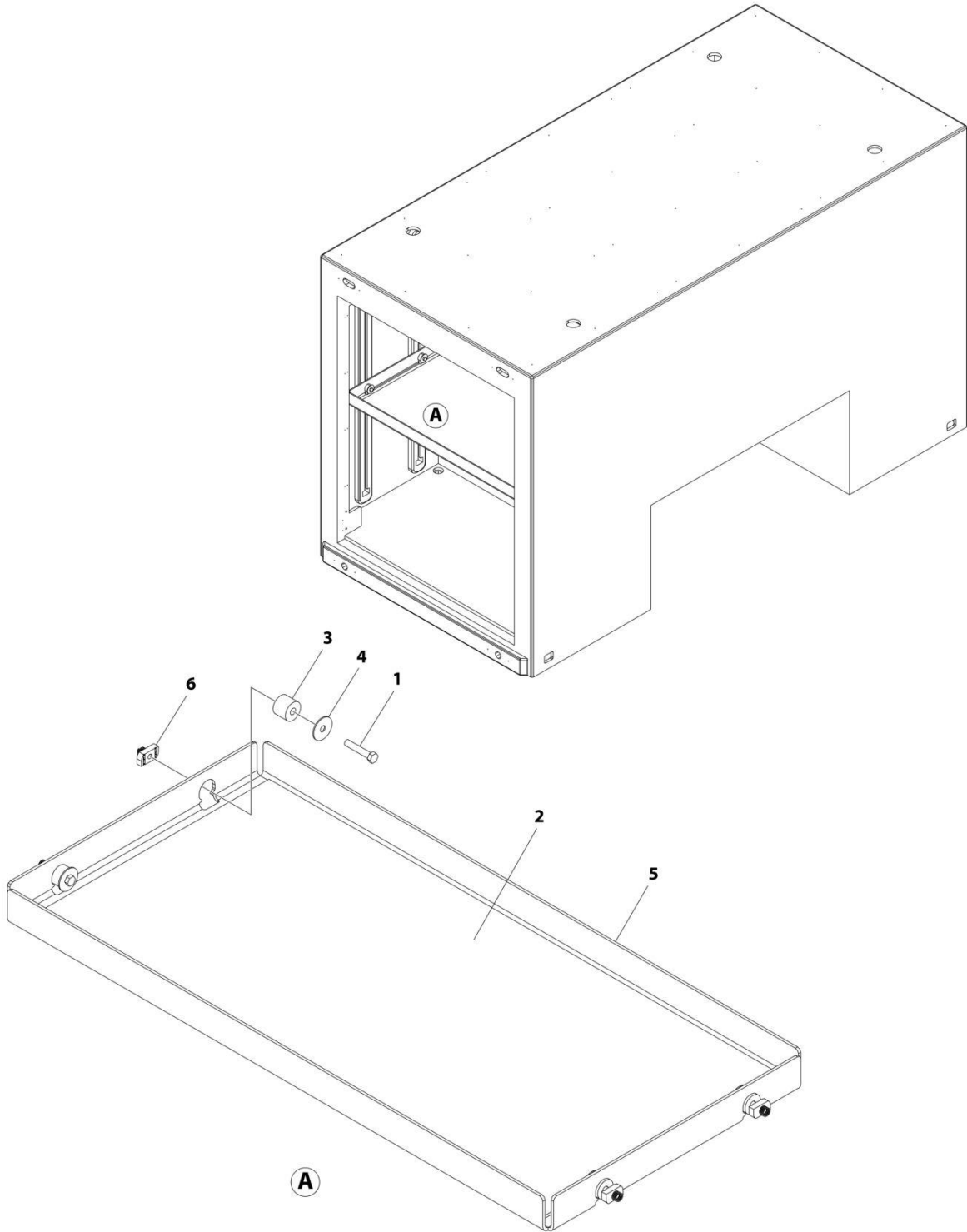
SECTION 4 - BODY

FIGURE 4-108. STORAGE - SHELF INSTALLATION - 36IN

ITEM	PART NUMBER	QTY	DESCRIPTION	REV
	1001214300	Ref	SHELF INSTALLATION - 36IN LOWER	B
1	1001169083	4	Capscrew 3/8 x 2	
2	1001196386	1	Pad	
3	1001214266	4	Mount	
4	1001214267	4	Washer 3/8	
5	1001214354	1	Panel	
6	1001166644	4	Spring Nut 3/8	

SECTION 4 - BODY

FIGURE 4-109. STORAGE - SHELF INSTALLATION - 48IN



ART_1001214299

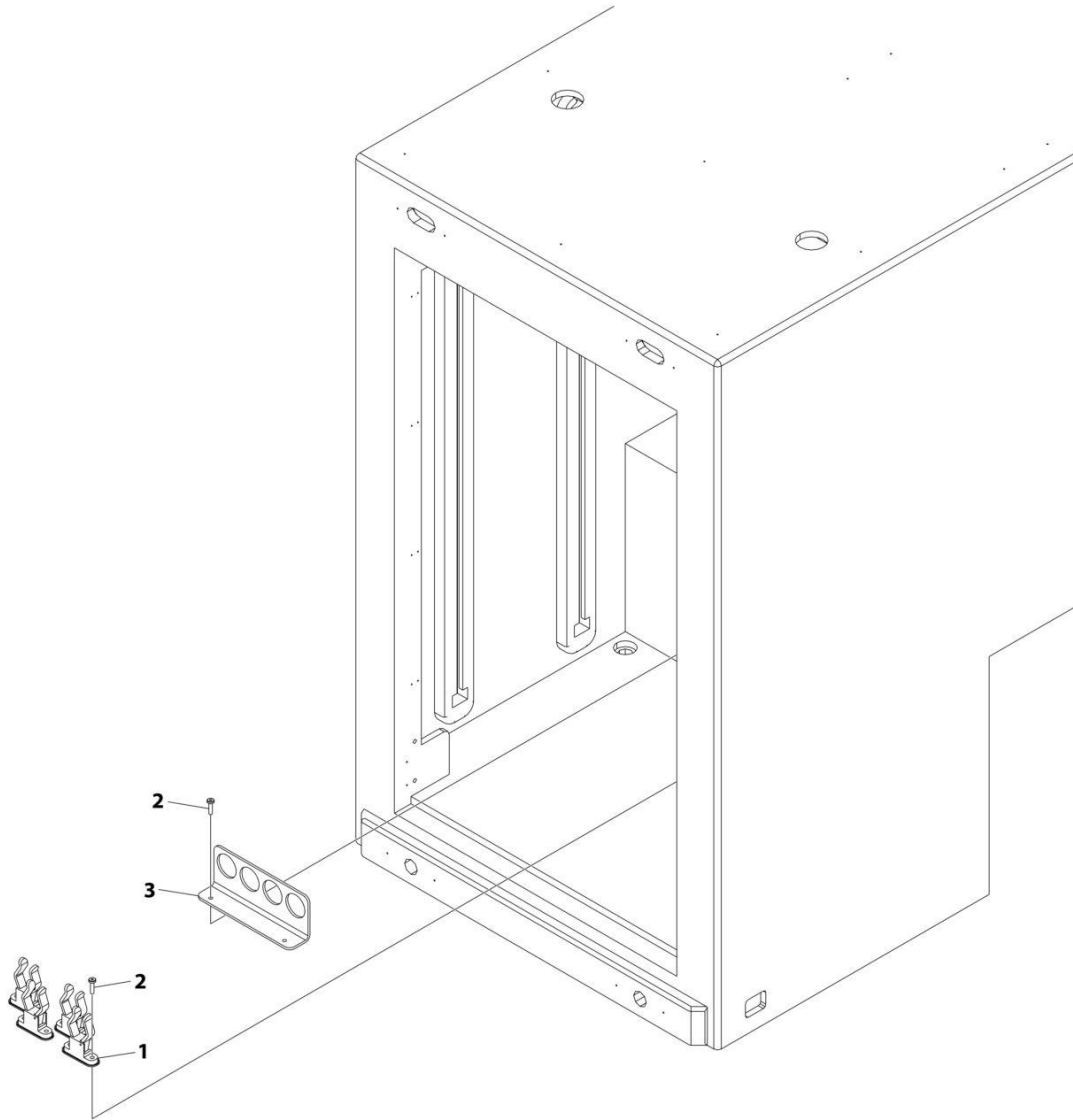
SECTION 4 - BODY

FIGURE 4-109. STORAGE - SHELF INSTALLATION - 48IN

ITEM	PART NUMBER	QTY	DESCRIPTION	REV
	1001214299	Ref	SHELF INSTALLATION - 48IN	B
1	1001169083	8	Capscrew 3/8 x 2	
2	1001196387	2	Pad	
3	1001214266	8	Mount	
4	1001214267	8	Washer 3/8	
5	1001214353	2	Panel	
6	1001166644	8	Spring Nut 3/8	

SECTION 4 - BODY

FIGURE 4-110. STORAGE - SHOVEL STORAGE INSTALLATION



ART_1001196503

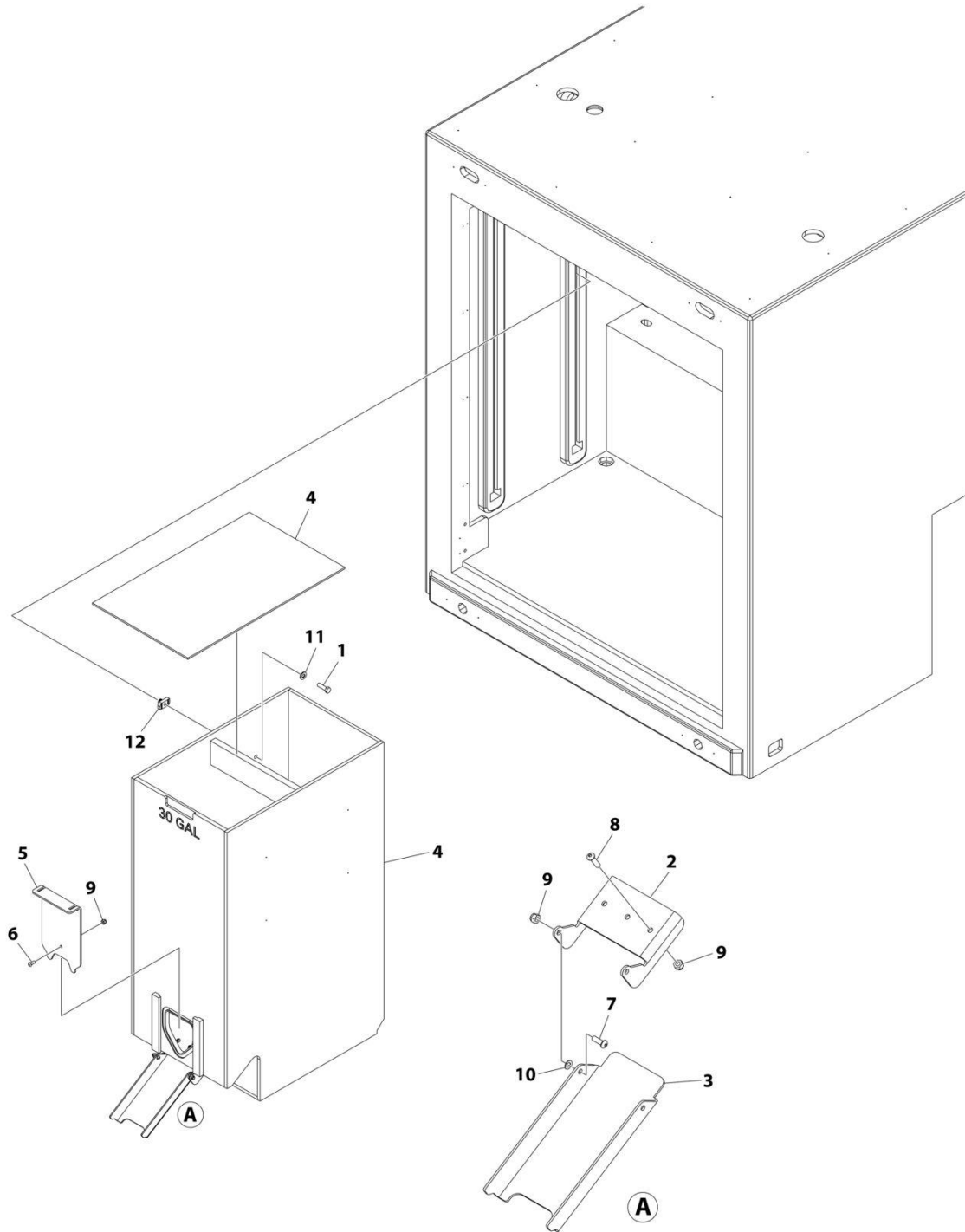
SECTION 4 - BODY

FIGURE 4-110. STORAGE - SHOVEL STORAGE INSTALLATION

ITEM	PART NUMBER	QTY	DESCRIPTION	REV
	1001196503	Ref	SHOVEL STORAGE INSTALLATION	E
1	1001175059	4	Clamp	
2	0751408	10	Screw 1/4 x 1	
3	1001190366	1	Angle	

SECTION 4 - BODY

FIGURE 4-111. STORAGE - SILO INSTALLATION - STAY DRY



ART_1001195421

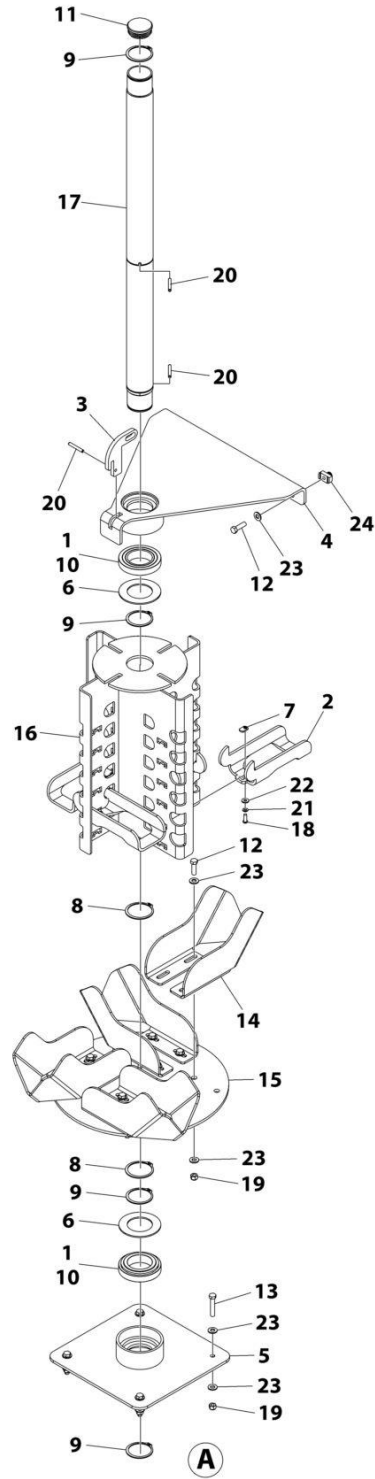
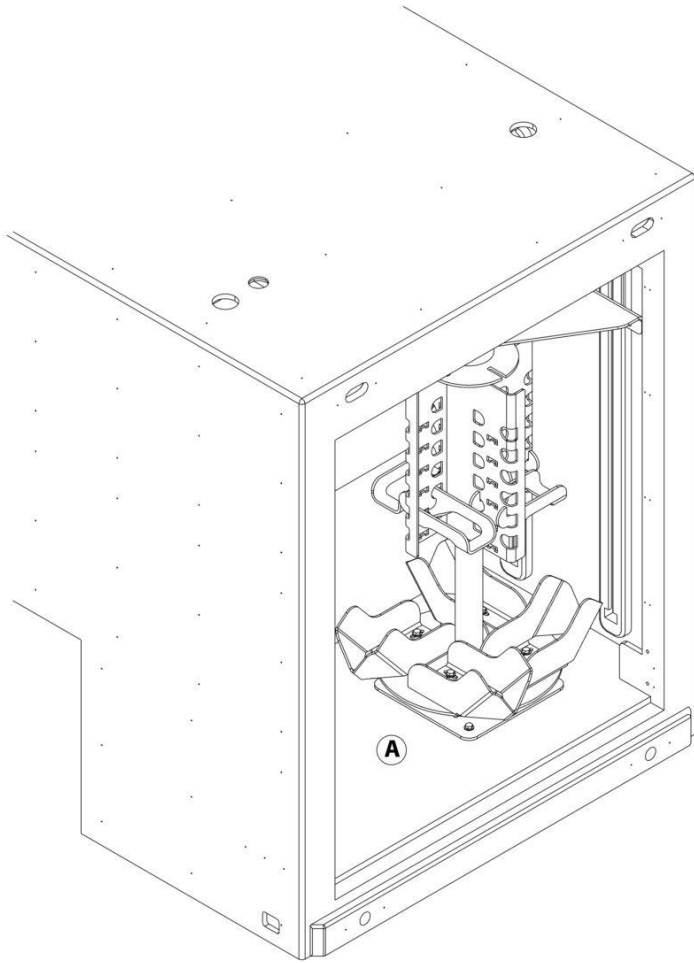
SECTION 4 - BODY

FIGURE 4-111. STORAGE - SILO INSTALLATION - STAY DRY

ITEM	PART NUMBER	QTY	DESCRIPTION	REV
	1001195421	Ref	SILO INSTALLATION - STAY DRY	C
1	1001169080	4	Bolt 3/8 x 1-1/4	
2	1001190050	1	Bracket	
3	1001190055	1	Bracket	
4	1001190128	1	Container	
5	1001190148	1	Cover	
6	7114140518	1	Capscrew 1/4 x 5/8	
7	7114140618	2	Capscrew 1/4 x 3/4	
8	7114140818	3	Bolt 1/4 x 1	
9	7660142600	6	Nut 1/4	
10	7949000056	2	Washer 1/2	
11	7950160143	4	Washer 3/8	
12	1001166644	4	Spring Nut 3/8	

SECTION 4 - BODY

FIGURE 4-112. STORAGE - SNATCH BLOCKS INSTALLATION (ROTARY RACK)



ART_1001195134

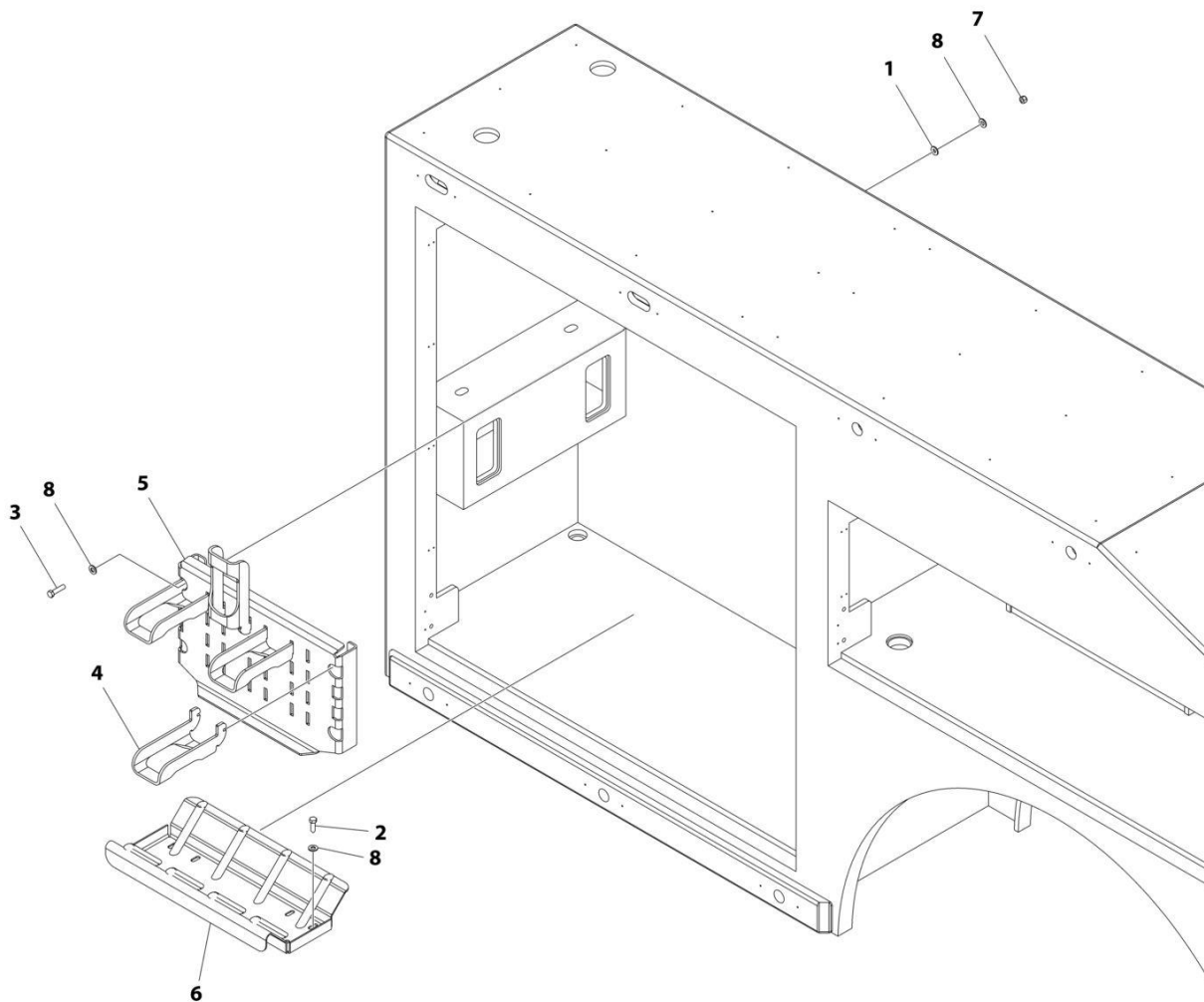
SECTION 4 - BODY

FIGURE 4-112. STORAGE - SNATCH BLOCKS INSTALLATION (ROTARY RACK)

ITEM	PART NUMBER	QTY	DESCRIPTION	REV
	1001195134	Ref	SNATCH BLOCKS STORAGE INSTALLATION	B
1	3020029	AR	Bearing Grease	
2	1001164560	4	Bracket	
3	1001165564	1	Plate	
4	1001165570	1	Bracket	
5	1001165571	1	Bracket	
6	1001165584	2	Plate	
7	1001168733	4	Nut 1/4	
8	1001169063	2	Retaining Ring	
9	1001169064	4	Retaining Ring	
10	1001169076	2	Bearing	
11	1001169078	1	Plug	
12	1001169080	18	Bolt 3/8 x 1-1/4	
13	1001169083	4	Bolt 3/8 x 2	
14	1001190342	4	Bracket	
15	1001190359	1	Support	
16	1001190361	1	Bracket	
17	1001192126	1	Tube	
18	7114140618	4	Capscrew 1/4 x 3/4	
19	7660162601	20	Nut 3/8	
20	7690142845	3	Pin	
21	7950140003	4	Washer 1/4	
22	7950140143	4	Washer 1/4	
23	7950160143	42	Washer 3/8	
24	1001166644	2	Spring Nut 3/8	

SECTION 4 - BODY

FIGURE 4-113. STORAGE - SNATCH BLOCKS INSTALLATION (TANDEM)



ART_1001217105

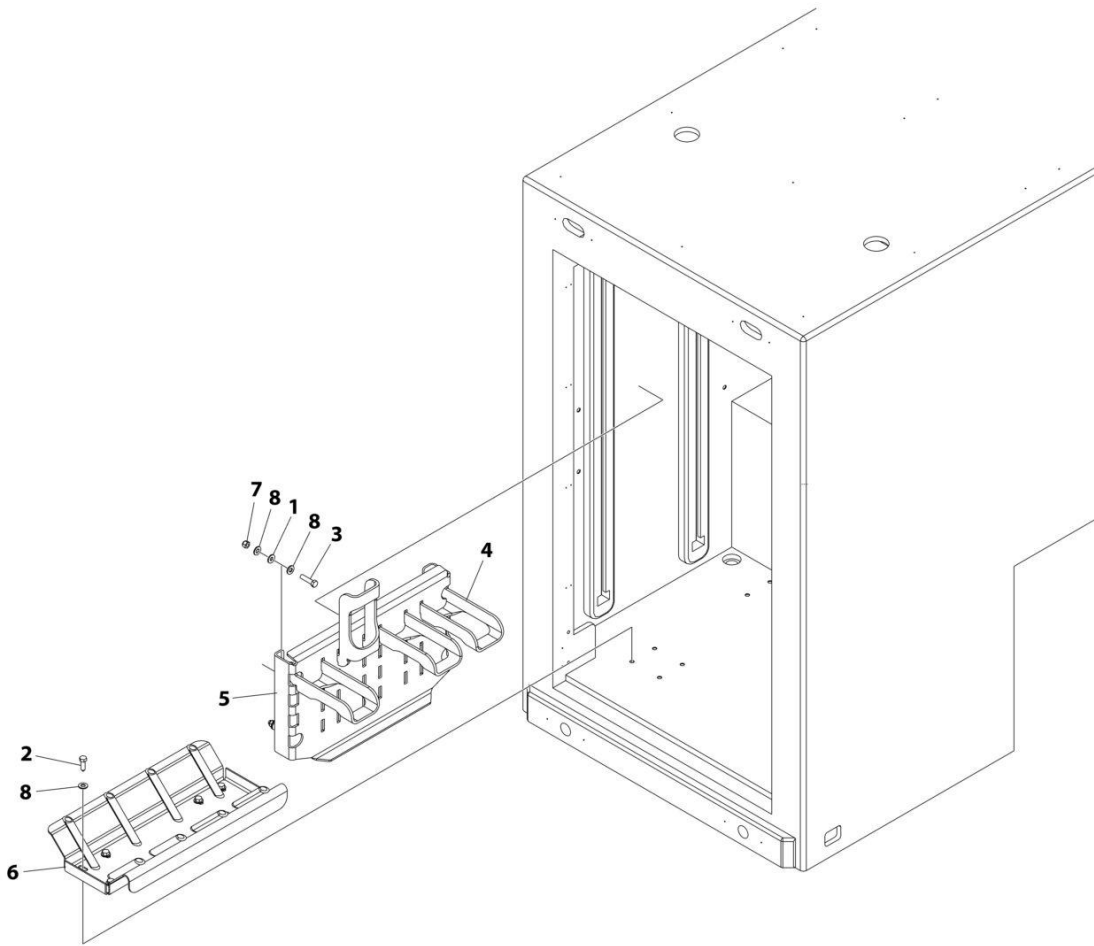
SECTION 4 - BODY

FIGURE 4-113. STORAGE - SNATCH BLOCKS INSTALLATION (TANDEM)

ITEM	PART NUMBER	QTY	DESCRIPTION	REV
	1001217105	Ref	Snatch Blocks Installation, Tandem	B
1	1001166974	4	Washer 3/8	
2	1001168545	8	Capscrew 3/8 x 1-1/4	
3	1001168993	4	Capscrew 3/8 x 1-1/2	
4	1001217101	4	Bracket	
5	1001217102	1	Bracket	
6	1001217103	1	Tray	
7	7660162601	4	Nut 3/8	
8	7950160143	16	Washer 3/8	

SECTION 4 - BODY

FIGURE 4-114. STORAGE - SNATCH BLOCKS INSTALLATION (TRI-AXLE)



ART_1001217106

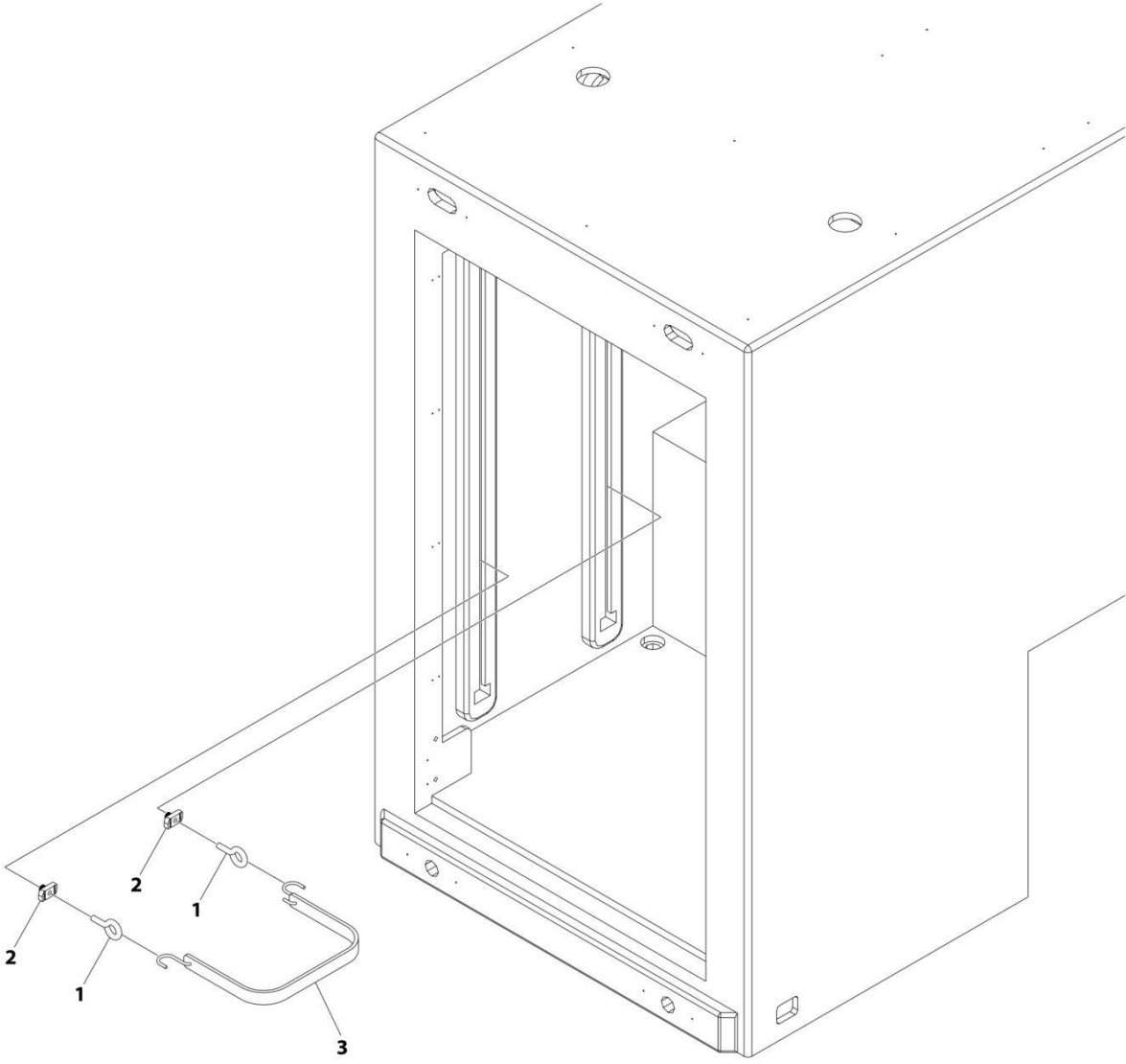
SECTION 4 - BODY

FIGURE 4-114. STORAGE - SNATCH BLOCKS INSTALLATION (TRI-AXLE)

ITEM	PART NUMBER	QTY	DESCRIPTION	REV
	1001217106	Ref	SNATCH BLOCKS STORAGE INSTALLATION (TUNNEL WALL)	C
1	1001166974	4	Washer 3/8	
2	1001168545	8	Screw 3/8 x 1-1/4	
3	1001168993	4	Screw 3/8 x 1-1/2	
4	1001217101	4	Bracket	
5	1001217102	1	Bracket	
6	1001217103	1	Tray	
7	7660162601	4	Nut 3/8	
8	7950160143	16	Washer 3/8	

SECTION 4 - BODY

FIGURE 4-115. STORAGE - SPILL CONTAINER STORAGE INSTALLATION



ART_1001201371

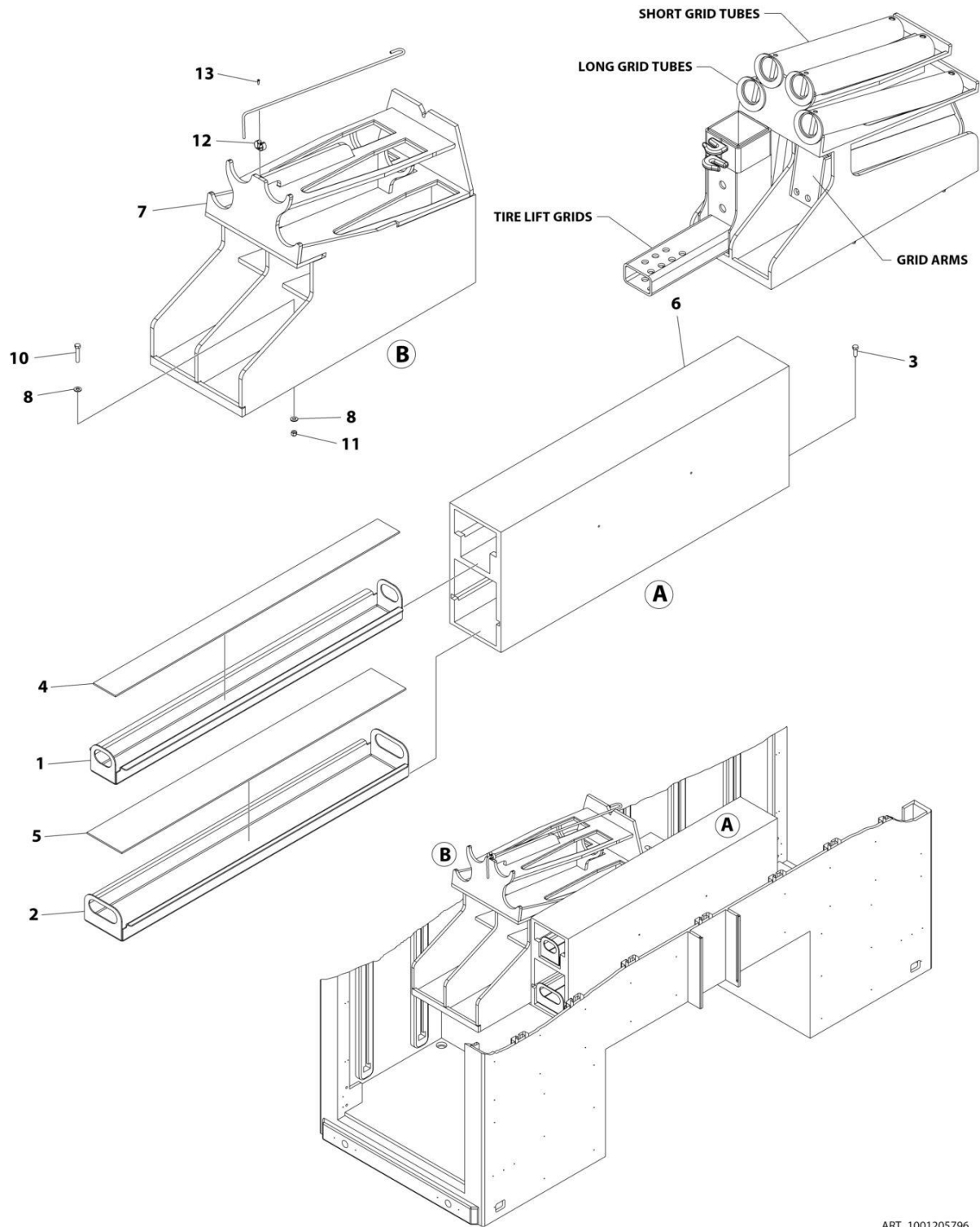
SECTION 4 - BODY

FIGURE 4-115. STORAGE - SPILL CONTAINER STORAGE INSTALLATION

ITEM	PART NUMBER	QTY	DESCRIPTION	REV
	1001201371	Ref	SPILL CONTAINER STORAGE INSTALLATION	B
1	1001175231	2	Eyebolt 3/8	
2	1001166644	2	Spring Nut 3/8	
3	1001201483	1	Strap, Bungee	

SECTION 4 - BODY

FIGURE 4-116. STORAGE - TIRE LIFT/BUS ARMS & RATCHETS - 36IN



ART_1001205796

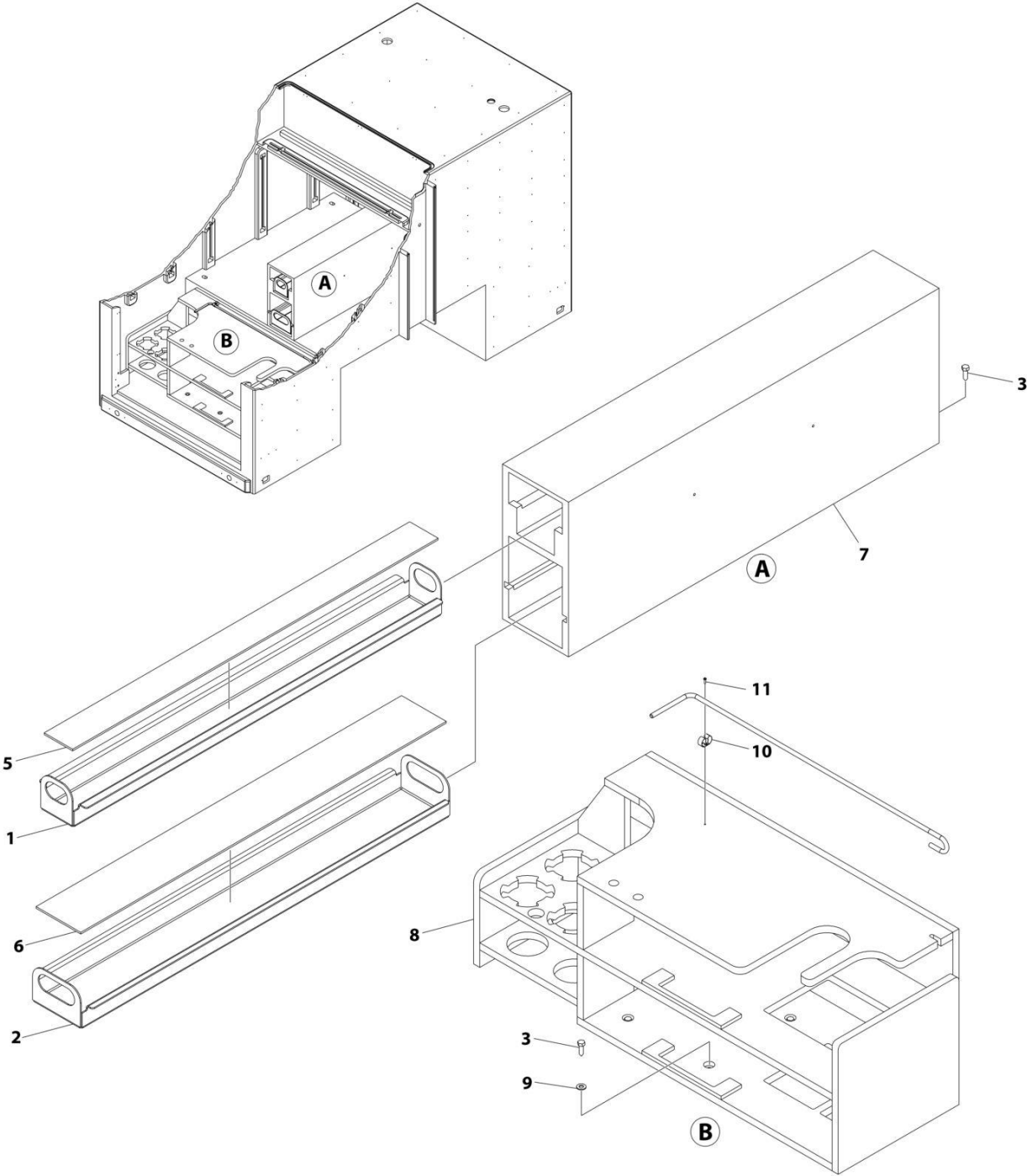
SECTION 4 - BODY

FIGURE 4-116. STORAGE - TIRE LIFT/BUS ARMS & RATCHETS - 36IN

ITEM	PART NUMBER	QTY	DESCRIPTION	REV
	1001205796	Ref	TIRE STORAGE INSTALLATION, 36IN	B
1	1001165862	1	Tray, Small	
2	1001165863	1	Tray, Large	
3	1001168545	4	Capscrew 3/8 x 1-1/4	
4	1001170968	1	Pad, Small	
5	1001170970	1	Pad, Large	
6	1001170971	1	Bracket	
7	1001192287	1	Storage	
8	7950160143	8	Washer 3/8	
10	7115161650	4	Capscrew 3/8 x 2	
11	7660162601	4	Nut 3/8	
12	1380135	1	Clip	
13	3900339	1	Screw #6 x 1/2	

SECTION 4 - BODY

FIGURE 4-117. STORAGE - TIRE LIFT/BUS ARMS & RATCHETS - 48IN



ART_1001196249

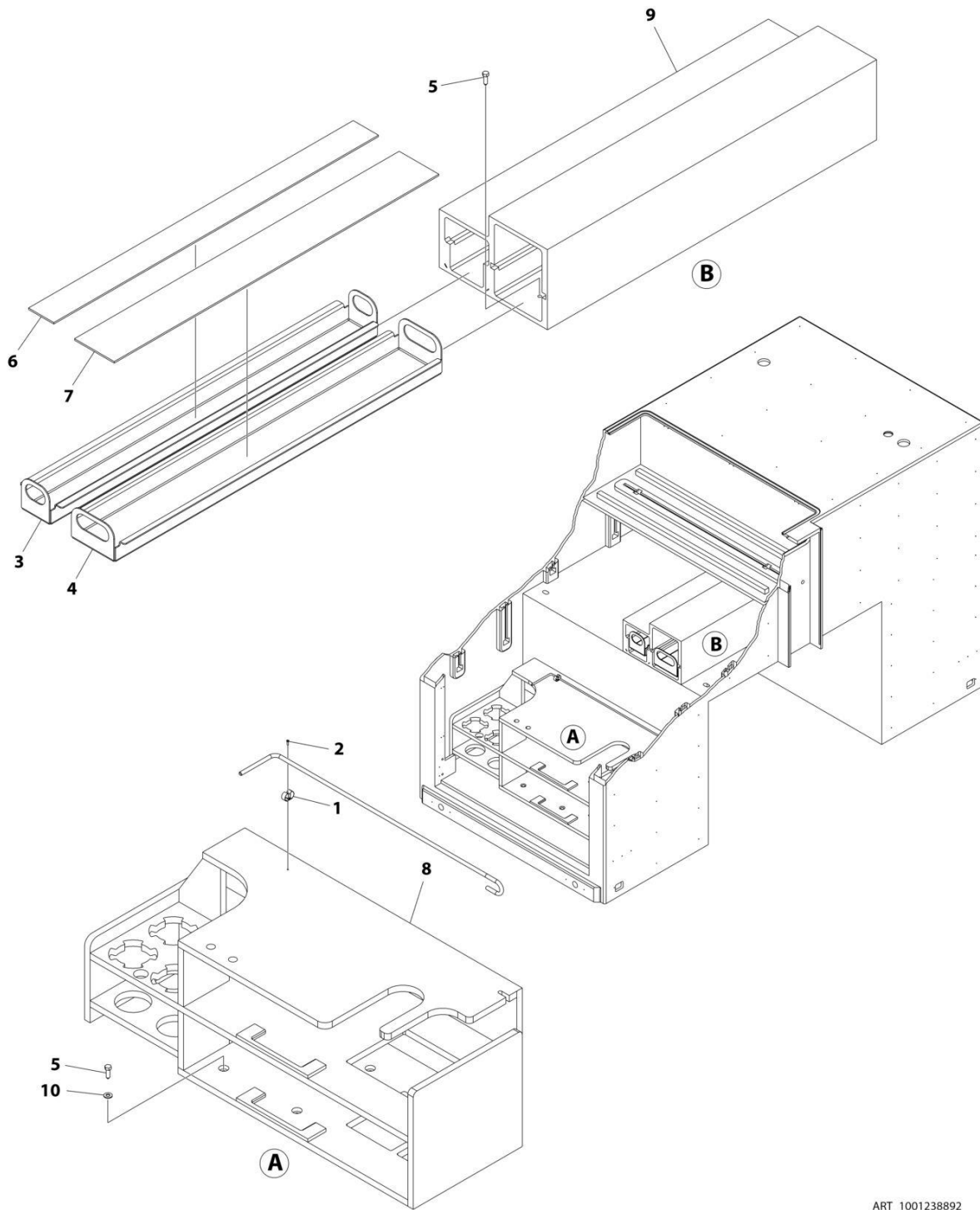
SECTION 4 - BODY

FIGURE 4-117. STORAGE - TIRE LIFT/BUS ARMS & RATCHETS - 48IN

ITEM	PART NUMBER	QTY	DESCRIPTION	REV
	1001196249	Ref	TIRE LIFT STORAGE INSTALLATION, 48IN	E
1	1001165862	1	Tray, Small	
2	1001165863	1	Tray, Large	
3	1001168545	10	Capscrew 3/8 x 1-1/4	
5	1001170968	1	Pad, Small	
6	1001170970	1	Pad, Large	
7	1001170971	1	Bracket	
8	1001190409	1	Storage	
9	7950160143	4	Washer 3/8	
10	1380135	1	Clip	
11	3900339	1	Screw #6 x 1/2	

SECTION 4 - BODY

FIGURE 4-118. STORAGE - TIRE LIFT/BUS ARMS & RATCHETS - 51IN



ART_1001238892

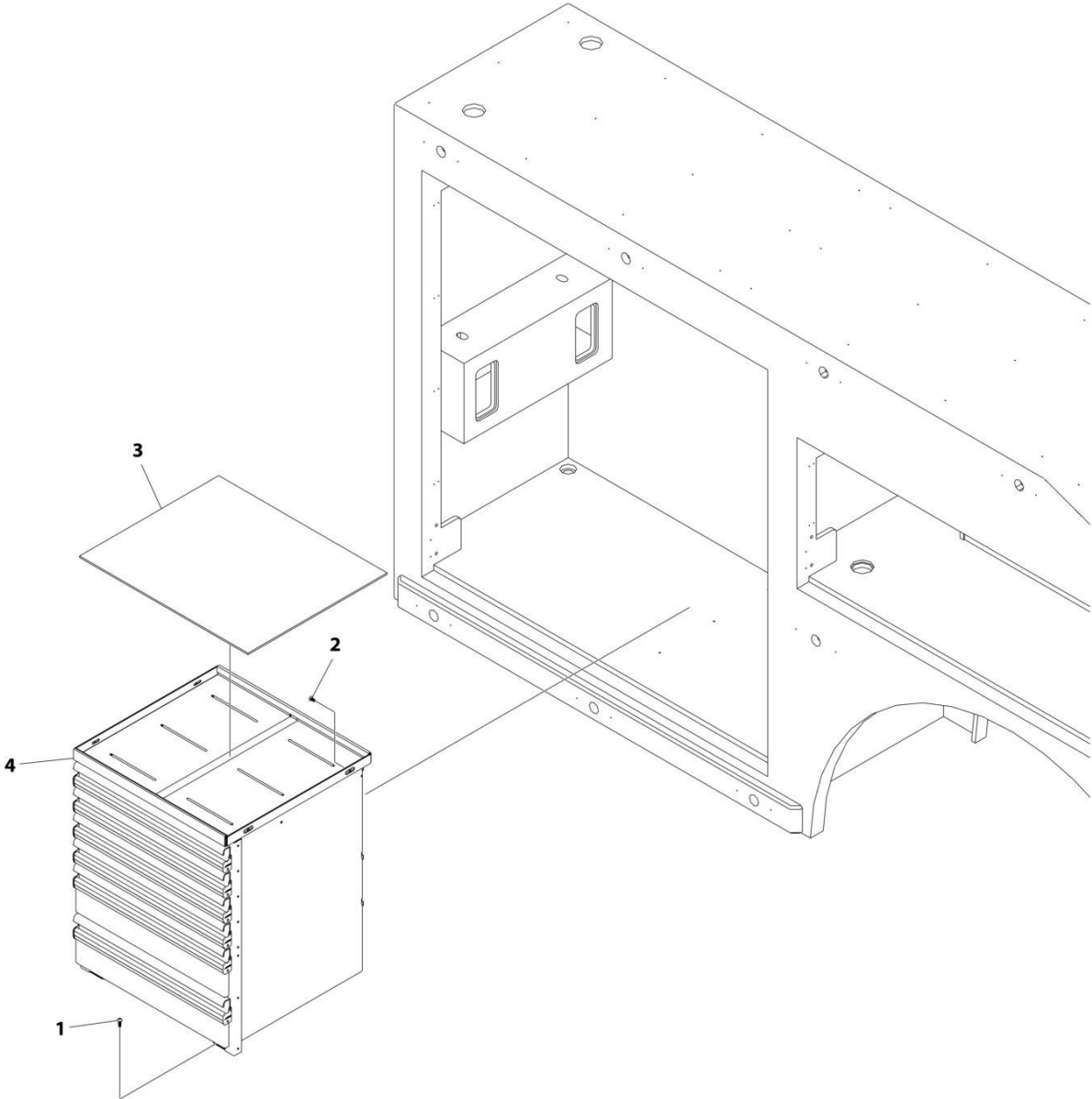
SECTION 4 - BODY

FIGURE 4-118. STORAGE - TIRE LIFT/BUS ARMS & RATCHETS - 51IN

ITEM	PART NUMBER	QTY	DESCRIPTION	REV
	1001238892	Ref	Tire Lift Installation	A
1	1380135	1	Clip	
2	3900339	1	Screw #6 x 1/2	
3	1001165862	1	Tray, Small	
4	1001165863	1	Tray, Large	
5	1001168545	8	Capscrew 3/8 x 1-1/4	
6	1001170968	1	Pad, Small	
7	1001170970	1	Pad, Large	
8	1001190409	1	Storage	
9	1001238891	1	Bracket	
10	7950160143	4	Washer 3/8	

SECTION 4 - BODY

FIGURE 4-119. STORAGE - TOOL DRAWER INSTALLATION (TANDEM)



ART_1001195256

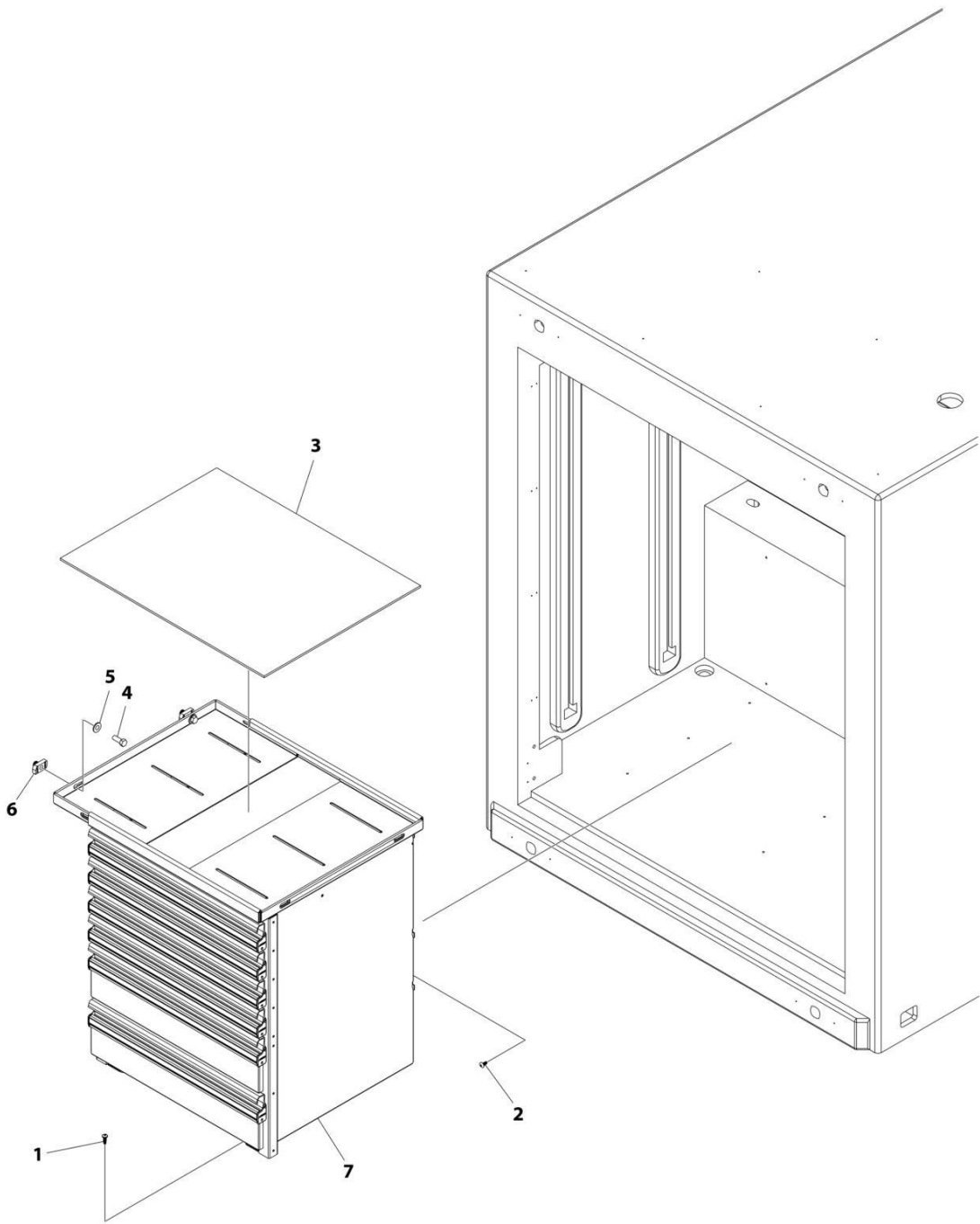
SECTION 4 - BODY

FIGURE 4-119. STORAGE - TOOL DRAWER INSTALLATION (TANDEM)

ITEM	PART NUMBER	QTY	DESCRIPTION	REV
	1001195256	Ref	Tool Drawer Installation, Tandem	B
1	1001194676	6	Screw 1/4 x 3/4	
2	1001195257	8	Screw 1/4 x 1/2	
3	1001195279	1	Pad	
3	1001190410	1	Toolbox (SN 0230004275 through 0230008203)	
4	1001266946	1	Toolbox (SN 0230008204 to Present)	

SECTION 4 - BODY

FIGURE 4-120. STORAGE - TOOL DRAWER INSTALLATION (TRI-AXLE DRIVERS SIDE)



ART_1001195337

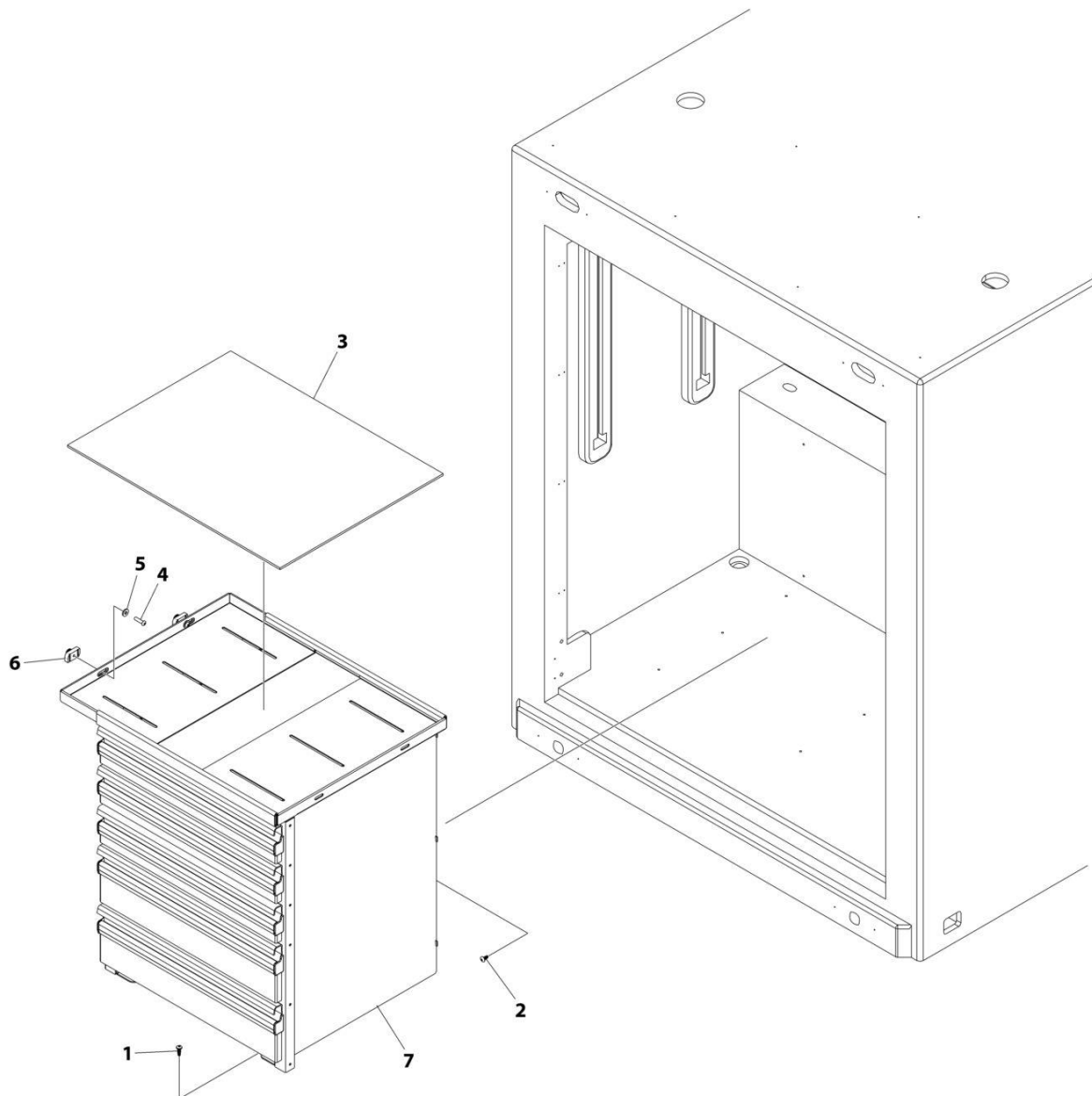
SECTION 4 - BODY

FIGURE 4-120. STORAGE - TOOL DRAWER INSTALLATION (TRI-AXLE DRIVERS SIDE)

ITEM	PART NUMBER	QTY	DESCRIPTION	REV
	1001195337	Ref	Tool Drawer Installation, Tri-Axle	C
1	1001194676	6	Screw 1/4 x 3/4	
2	1001195257	4	Screw 1/4 x 1/2	
3	1001195341	1	Pad	
4	7114140818	2	Capscrew 1/2 x 1	
5	7950140143	2	Washer 1/4	
6	1001183037	2	Nut 1/4	
7	1001190410	1	Toolbox (SN 0230004275 through 0230008203)	
7	1001266946	1	BOX, TOOL DRAWER (SN 0230008204 to Present)	

SECTION 4 - BODY

FIGURE 4-121. STORAGE - TOOL DRAWER INSTALLATION (TRI-AXLE PASSENGERS SIDE)



ART_1001208635

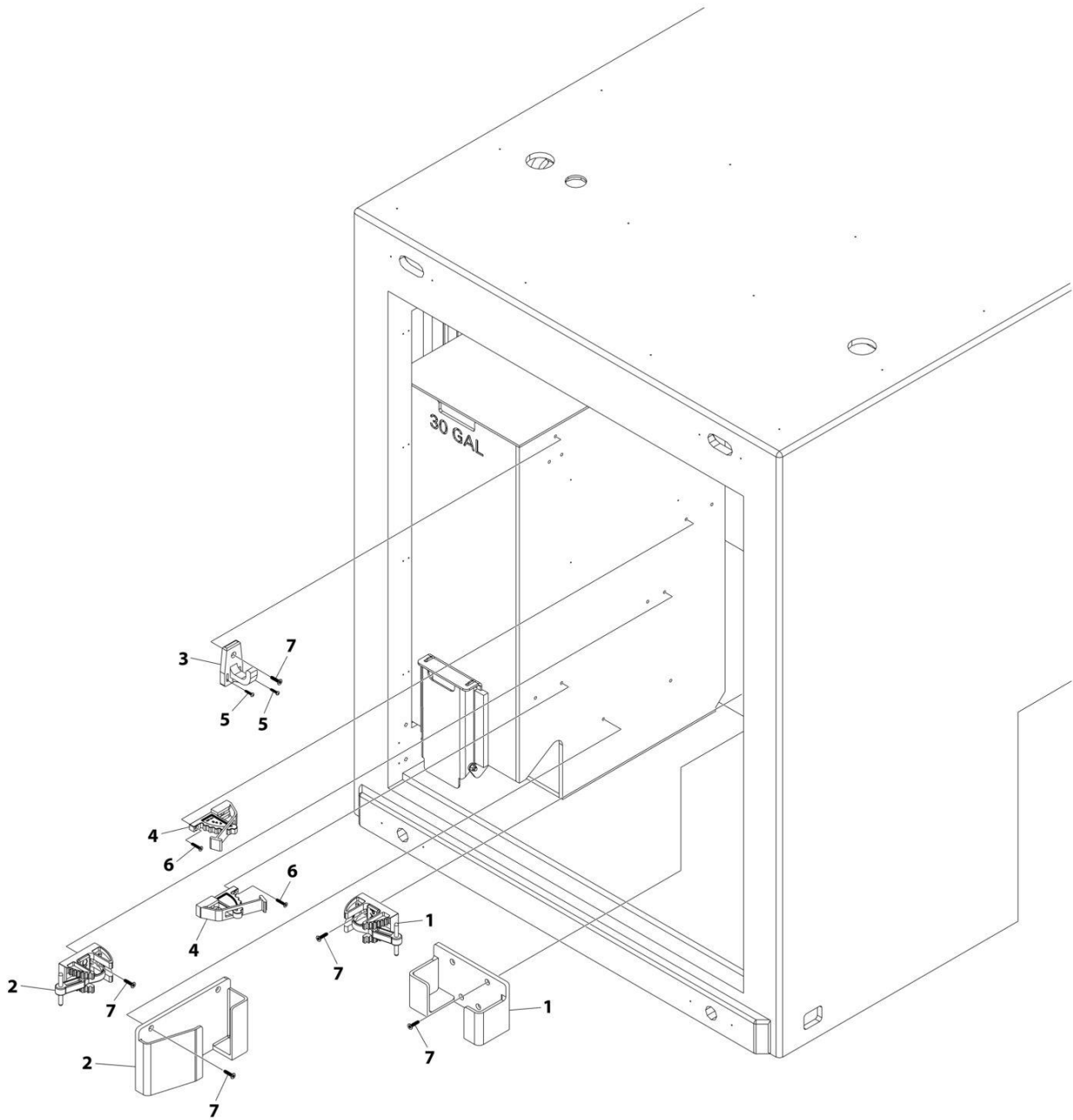
SECTION 4 - BODY

FIGURE 4-121. STORAGE - TOOL DRAWER INSTALLATION (TRI-AXLE PASSENGERS SIDE)

ITEM	PART NUMBER	QTY	DESCRIPTION	REV
	1001208635	Ref	TOOLBOX/DRAWER INSTALLATION	C
1	1001194676	6	Screw 1/4 x 3/4	
2	1001195257	4	Screw 1/4 x 1/2	
3	1001195341	1	Pad	
4	7114140818	2	Capscrew 1/2 x 1	
5	7950140143	2	Washer 1/4	
6	1001183037	2	Nut 1/4	
7	1001190410	1	Toolbox (SN 0230004275 through 0230008203)	
7	1001266946	1	Toolbox (SN 0230008204 to Present)	

SECTION 4 - BODY

FIGURE 4-122. STORAGE - TOOL STORAGE INSTALLATION



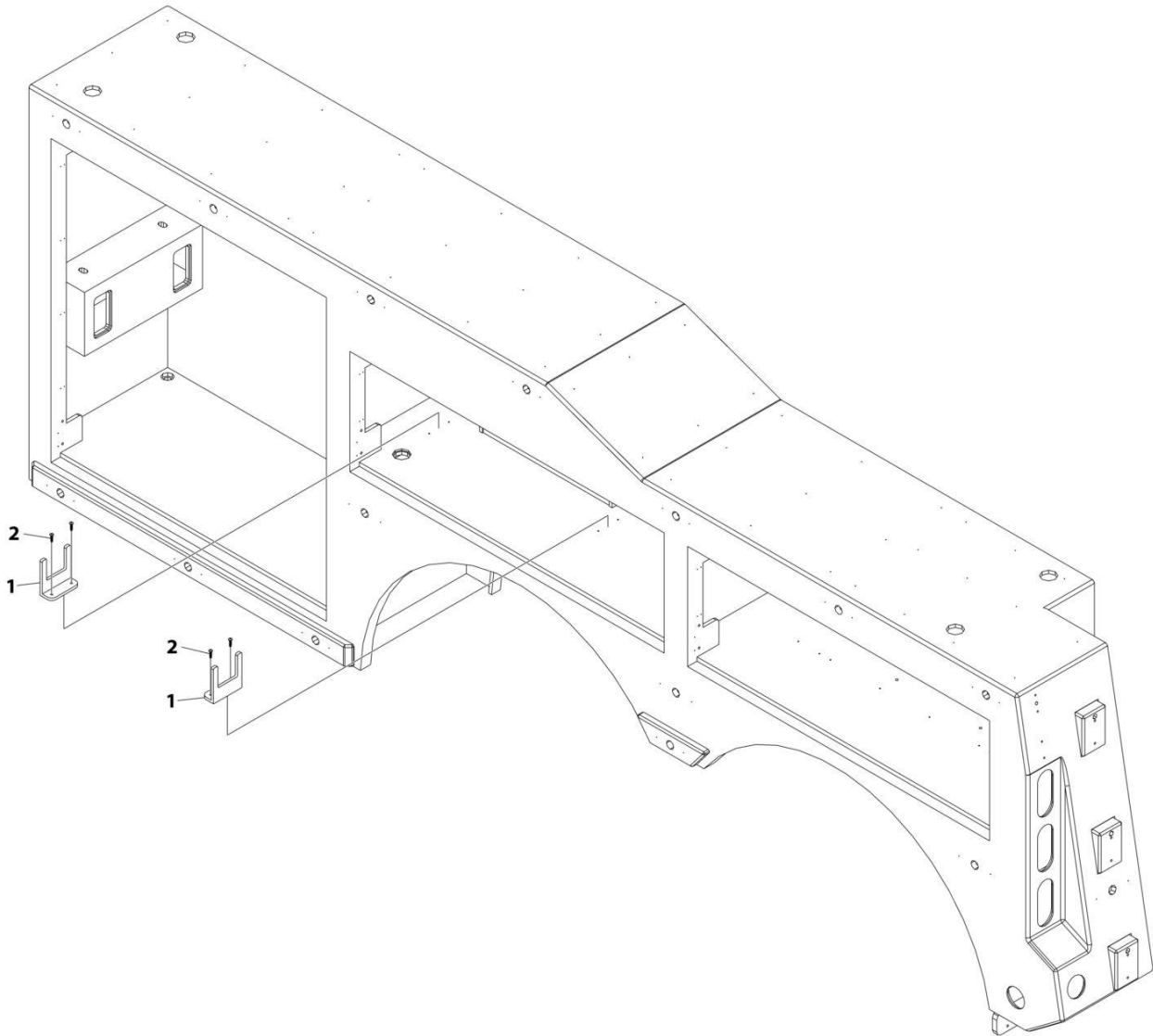
ART_1001201234

FIGURE 4-122. STORAGE - TOOL STORAGE INSTALLATION

ITEM	PART NUMBER	QTY	DESCRIPTION	REV
	1001201234	Ref	TOOL STORAGE INSTALLATION	C
1	1001201215	1	Bracket	
2	1001201216	1	Bracket	
3	1001201217	1	Bracket	
4	1001201218	2	Bracket	
5	1001196552	2	Screw #8 x 3/4	
6	1001201366	4	Screw #10 x 1	
7	1001201367	11	Screw 1/4 x 1	

SECTION 4 - BODY

FIGURE 4-123. STORAGE - TOW LIGHT STORAGE INSTALLATION



ART_1001195592

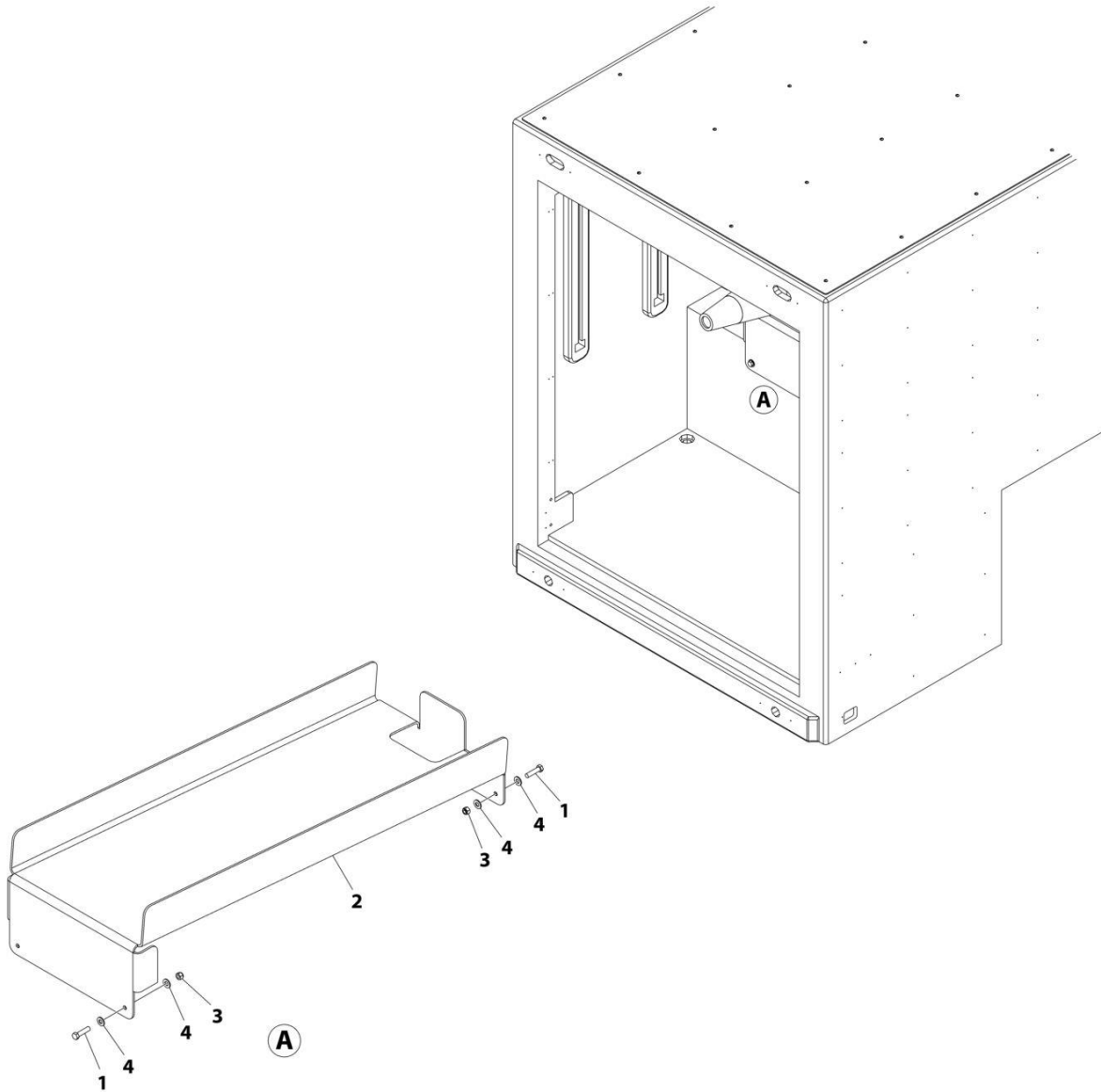
SECTION 4 - BODY

FIGURE 4-123. STORAGE - TOW LIGHT STORAGE INSTALLATION

ITEM	PART NUMBER	QTY	DESCRIPTION	REV
	1001195592	Ref	TOW LIGHT STORAGE INSTALLATION	B
1	1001170618	2	Bracket	
2	1001195523	4	Screw 1/4 x 1	

SECTION 4 - BODY

FIGURE 4-124. STORAGE - TRAFFIC CONE STORAGE INSTALLATION



ART_1001195764

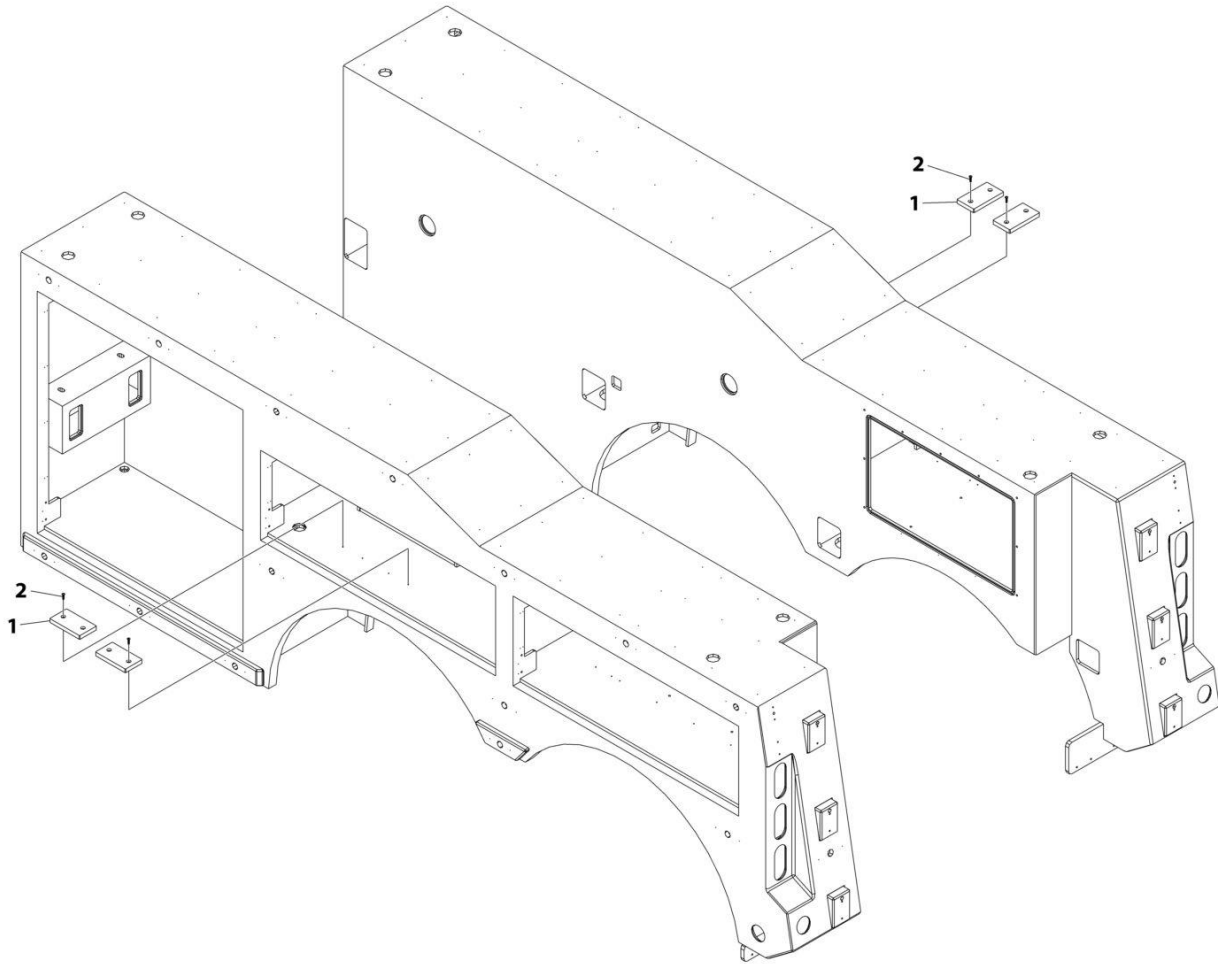
SECTION 4 - BODY

FIGURE 4-124. STORAGE - TRAFFIC CONE STORAGE INSTALLATION

ITEM	PART NUMBER	QTY	DESCRIPTION	REV
	1001195764	Ref	TRAFFIC CONE STORAGE INSTALLATION	B
1	1001168993	4	Bolt 3/8 x 1-1/2	
2	1001190551	1	Bracket	
3	7660162601	4	Nut 3/8	
4	7950160143	8	Washer 3/8	

SECTION 4 - BODY

FIGURE 4-125. STORAGE - WHEEL CHOCK STORAGE INSTALLATION



ART_1001195520

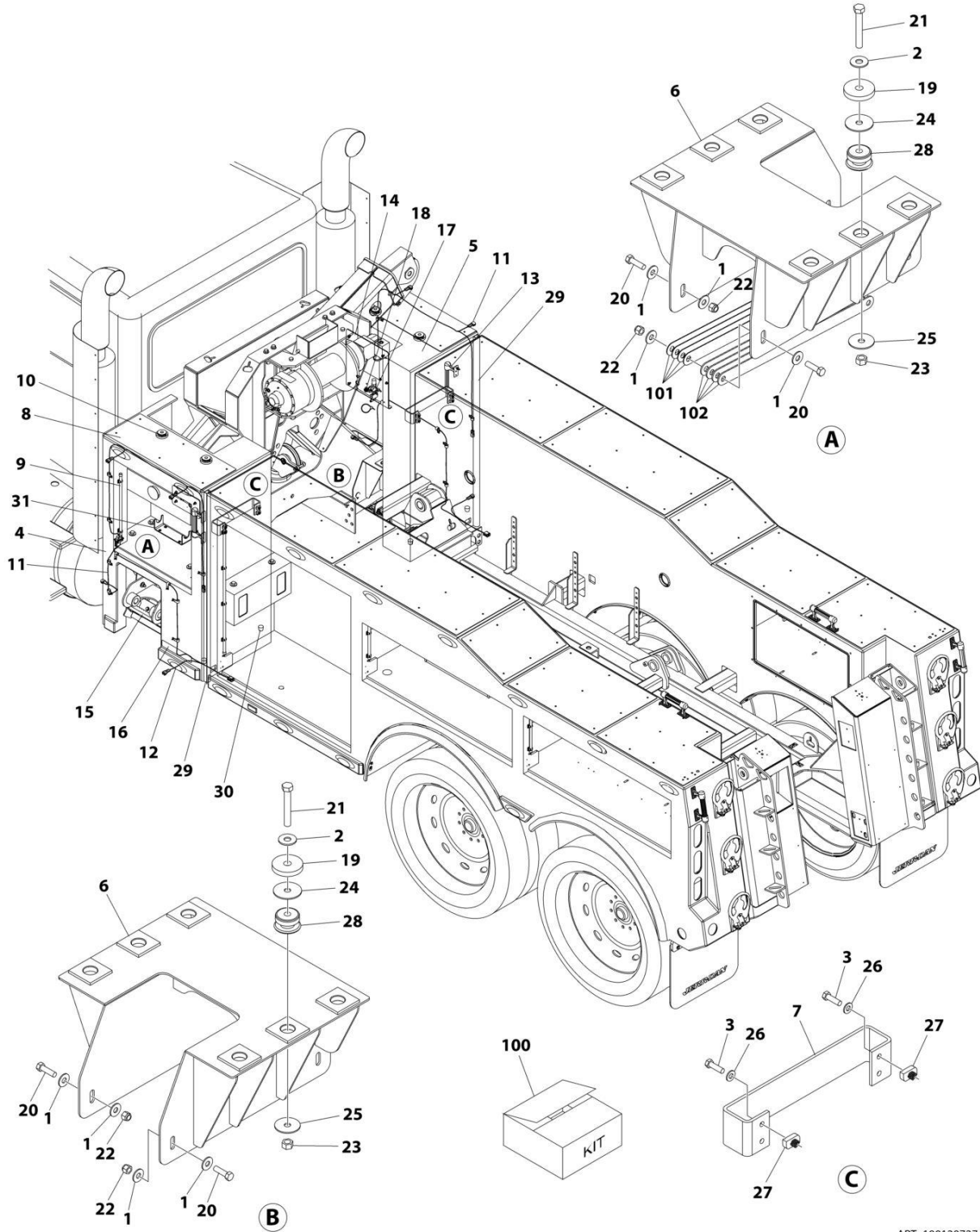
SECTION 4 - BODY

FIGURE 4-125. STORAGE - WHEEL CHOCK STORAGE INSTALLATION

ITEM	PART NUMBER	QTY	DESCRIPTION	REV
	1001195520	Ref	WHEEL CHOCK STORAGE INSTALLATION	C
1	1001170707	4	Wheel Chock Stops	
2	1001195523	8	Screw 1/4 x 1	

SECTION 4 - BODY

FIGURE 4-126. TOOLBOX INSTALLATION (SRS)



ART_1001207274

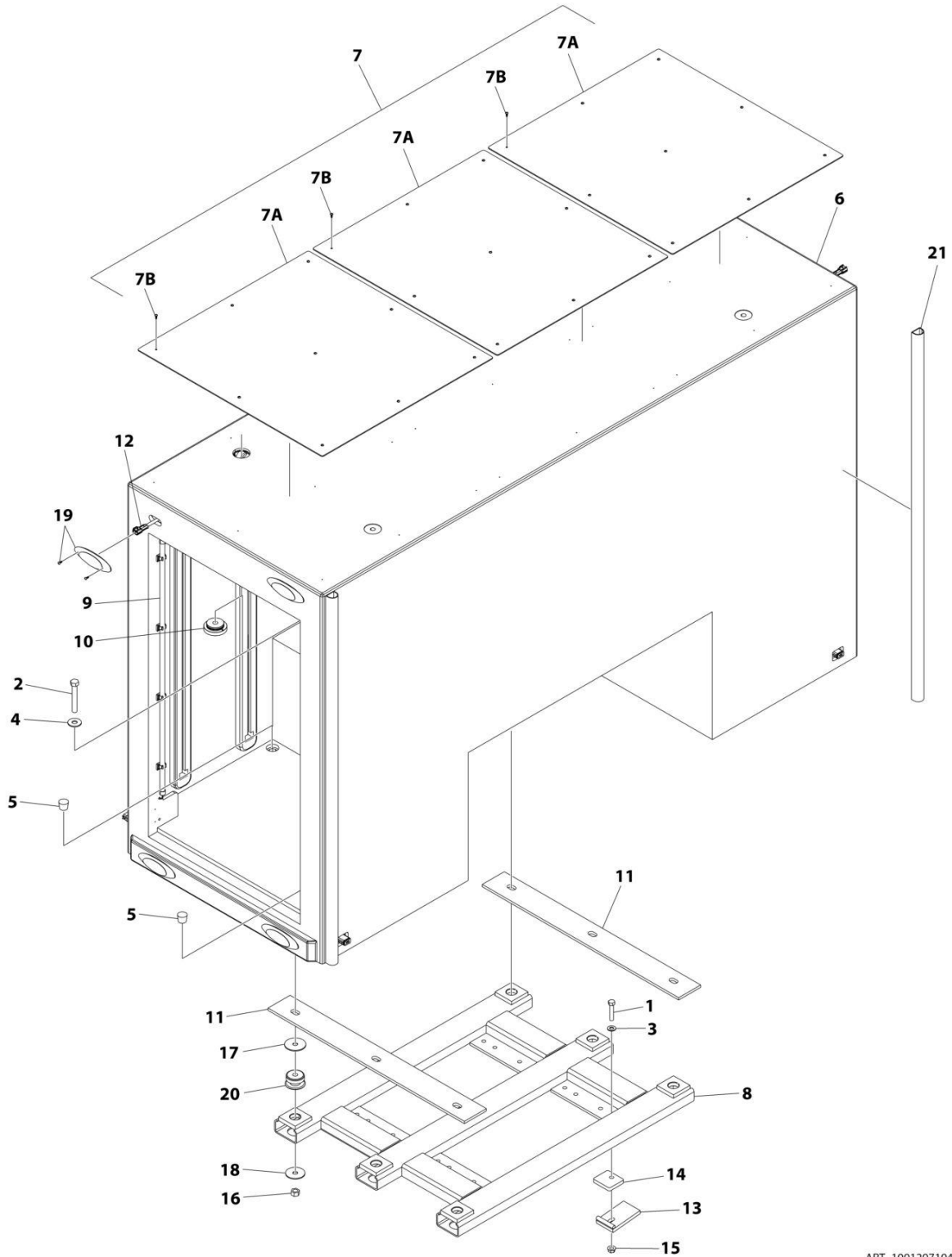
SECTION 4 - BODY

FIGURE 4-126. TOOLBOX INSTALLATION (SRS)

ITEM	PART NUMBER	QTY	DESCRIPTION	REV
	1001207274	Ref	TOOLBOX AT SRS STABILIZER INSTALLATION	C
1	4751800	16	Washer 1/2	
2	4752000	8	Washer 5/8	
3	1001169080	8	Capscrew 3/8 x 1-1/4	
	1001189455	1	Box, SRS (LH) (SN 0230004275 through 0230007822)	
4	1001258816	1	Box, SRS (LH) (SN 0230007823 to Present)	
	1001189457	1	Box, SRS (RH) (SN 0230004275 through 0230007822)	
5	1001258817	1	Box, SRS (RH) (SN 0230007823 to Present)	
6	1001189532	2	Mount	
7	1001189776	2	Plate	
8	1001258511	1	Diamond Top Installation (See Separate Breakdown in this Section)	
9	1001197895	1	Compartment Lights Installation (See Separate Breakdown in ELECTRICAL Section)	
10	1001197896	1	Lifting Lugs Installation (See Separate Breakdown in this Section)	
11	1001207275	1	SRS Toolbox Harness (See Separate Breakdown ELECTRICAL Section)	
12	1001197898	1	Marker Lights Installation (See Separate Breakdown in ELECTRICAL Section)	
13	1001198964	1	Grab Handle Installation (See Separate Breakdown in this Section)	
14	1001199098	1	Cover Plate Installation (See Separate Breakdown in this Section)	
15	1001199185	1	Step Installation (See Separate Breakdown in this Section)	
16	1001199196	1	Decal Installation (See Separate Breakdown in DECAL Section)	
17	1001199291	1	Winch Air Installation (See Separate Breakdown in this Section)	
18	3548330007	1	Single Winch Electrical Assembly (See Separate Breakdown in ELECTRICAL Section)	
19	4831000128	8	Spacer	
20	7115181450	8	Capscrew 1/2 x 1-3/4	
21	0642034	8	Capscrew 5/8 x 4-1/4	
22	7660182601	8	Nut 1/2	
23	7660200001	8	Nut 5/8	
24	7949000019	8	Washer	
25	7949000020	8	Washer	
26	7950160143	8	Washer 3/8	
27	1001166644	8	Nut 3/8	
28	7636000008	8	Mount	
29	8632000011	2	Seal	
30	1001173847	4	Plug	
31	1001213909	1	Pin Storage Installation (See Separate Breakdown in this Section)	
100	1001214802	1	Shim Kit	
101	1001214806	4	Shim	
102	1001214807	4	Shim	

SECTION 4 - BODY

FIGURE 4-127. TUNNEL INSTALLATION - 37IN (SN 0230004275 through 0230008644)



ART_1001207194_B

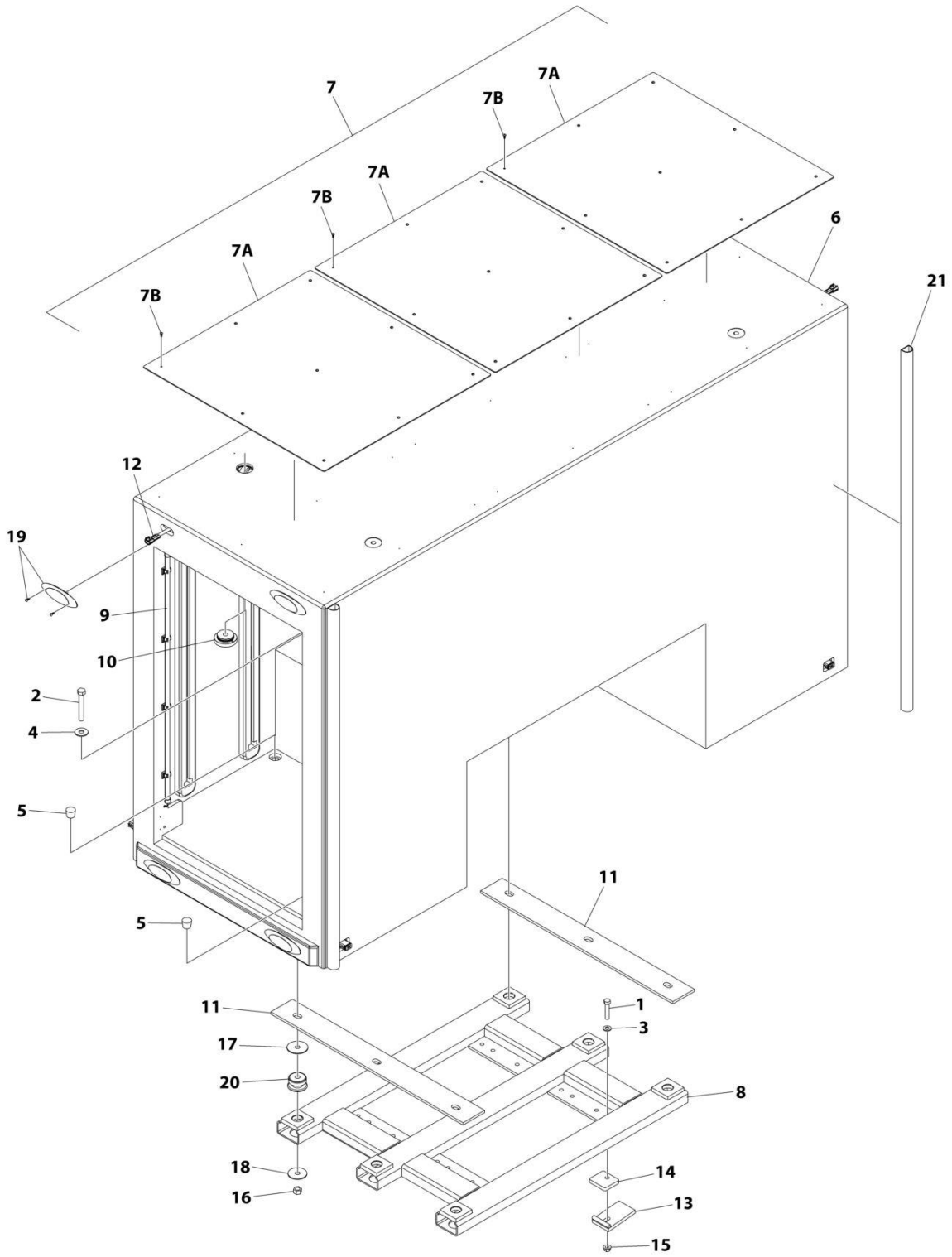
SECTION 4 - BODY

FIGURE 4-127. TUNNEL INSTALLATION - 37IN (SN 0230004275 through 0230008644)

ITEM	PART NUMBER	QTY	DESCRIPTION	REV
	1001207194	Ref	TUNNEL INSTALLATION - 37IN	B
1	0641820	8	Bolt 1/2 x 2-1/2	
2	0642034	6	Bolt 5/8 x 4-1/4	
3	4711800	8	Washer 1/2	
4	4752000	6	Washer 5/8	
5	1001173847	4	Plug	
6	1001185600	1	Tunnel Toolbox	
7	1001186995	1	Tunnel Assembly	
7A	1001186997	3	Plate	
7B	1001192958	27	Screw #10 x 1/2	
8	1001187063	1	Toolbox Mount	
9	1001196582	1	Tunnel Compartment Lights Installation (See Separate Breakdown in ELECTRICAL Section)	
10	1001196807	1	Lifting Lugs Installation (See Separate Breakdown in this Section)	
11	1001197338	2	Support	
12	1001207198	1	Harness Installation - Tunnel (See Separate Breakdown in this Section)	
13	3274000011	8	Clamp Weldment	
14	4705000705	8	Plate	
15	7660182301	8	Nut 1/2	
16	7660200001	6	Nut 5/8	
17	7949000019	6	Washer	
18	7949000020	6	Washer	
19	1001196624	1	Marker Lights Installation (See Separate Breakdown in ELECTRICAL Section)	
20	7636000008	6	Mount	
21	8632000011	10 ft	Seal	

SECTION 4 - BODY

FIGURE 4-128. TUNNEL INSTALLATION - 37IN (SN 0230008645 to Present)



ART_1001207194

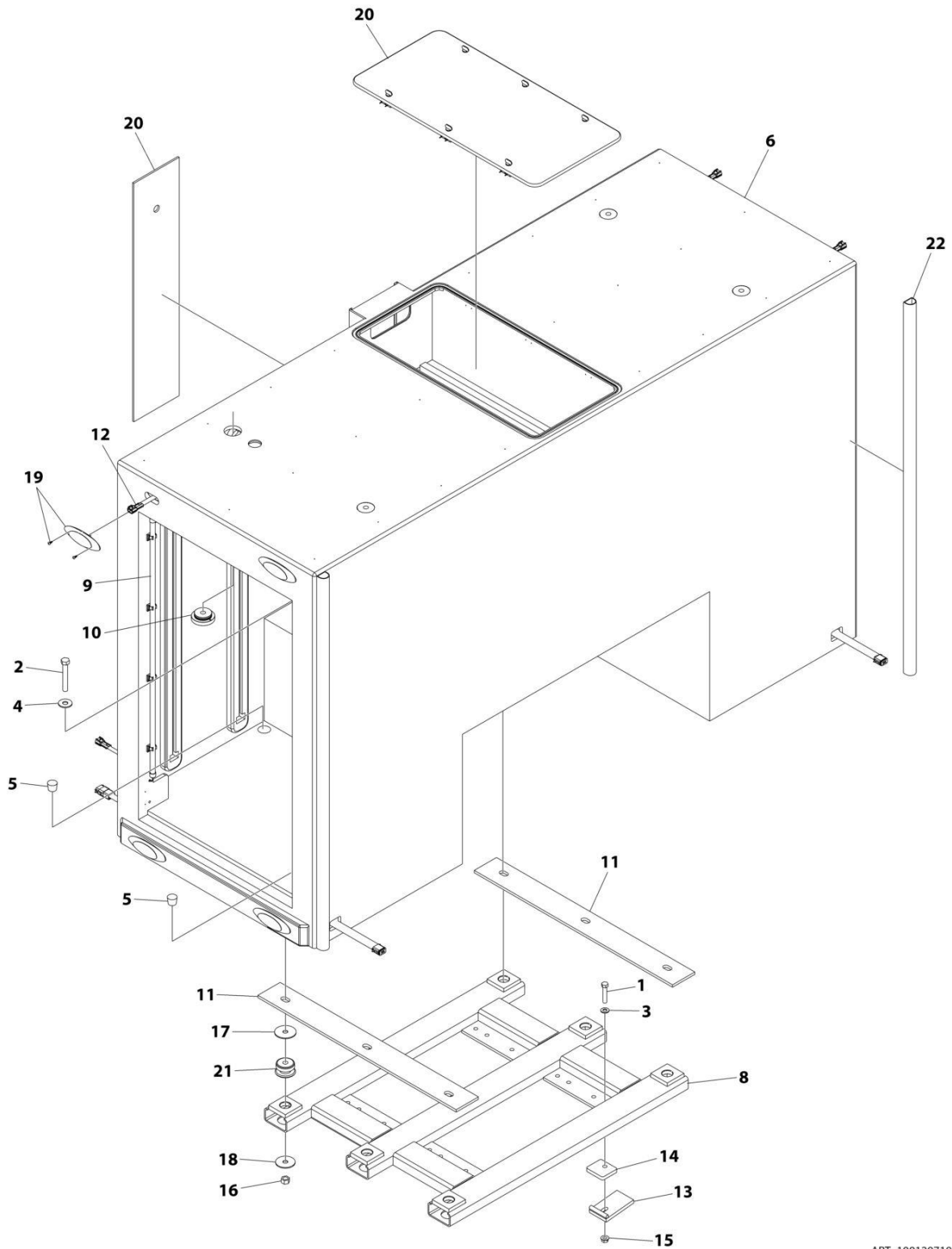
SECTION 4 - BODY

FIGURE 4-128. TUNNEL INSTALLATION - 37IN (SN 0230008645 to Present)

ITEM	PART NUMBER	QTY	DESCRIPTION	REV
	1001207194	Ref	TUNNEL INSTALLATION - 37IN	D
1	0641820	8	Bolt 1/2 x 2-1/2	
2	0642034	6	Bolt 5/8 x 4-1/4	
3	4711800	8	Washer 1/2	
4	4752000	6	Washer 5/8	
5	1001173847	4	Plug	
6	1001185600	1	Tunnel Toolbox	
7	1001186995	1	Tunnel Assembly	
7A	1001186997	3	Plate	
7B	1001192958	27	Screw #10 x 1/2	
8	1001187063	1	Toolbox Mount	
9	1001196583	1	Tunnel Compartment Lights Installation (See Separate Breakdown in ELECTRICAL Section)	
10	1001196808	1	Lifting Lugs Installation (See Separate Breakdown in this Section)	
11	1001197338	2	Support	
12	1001207200	1	Harness Installation - Tunnel (See Separate Breakdown in this Section)	
13	3274000011	8	Clamp Weldment	
14	4705000705	8	Plate	
15	7660182301	8	Nut 1/2	
16	7660200001	6	Nut 5/8	
17	7949000019	6	Washer	
18	7949000020	6	Washer	
19	1001196625	1	Marker Lights Installation (See Separate Breakdown in ELECTRICAL Section)	
20	7636000008	6	Mount	
21	8632000011	10 ft	Seal	

SECTION 4 - BODY

FIGURE 4-129. TUNNEL INSTALLATION - 39IN (SN 0230004275 through 0230008644)



ART_1001207193_C

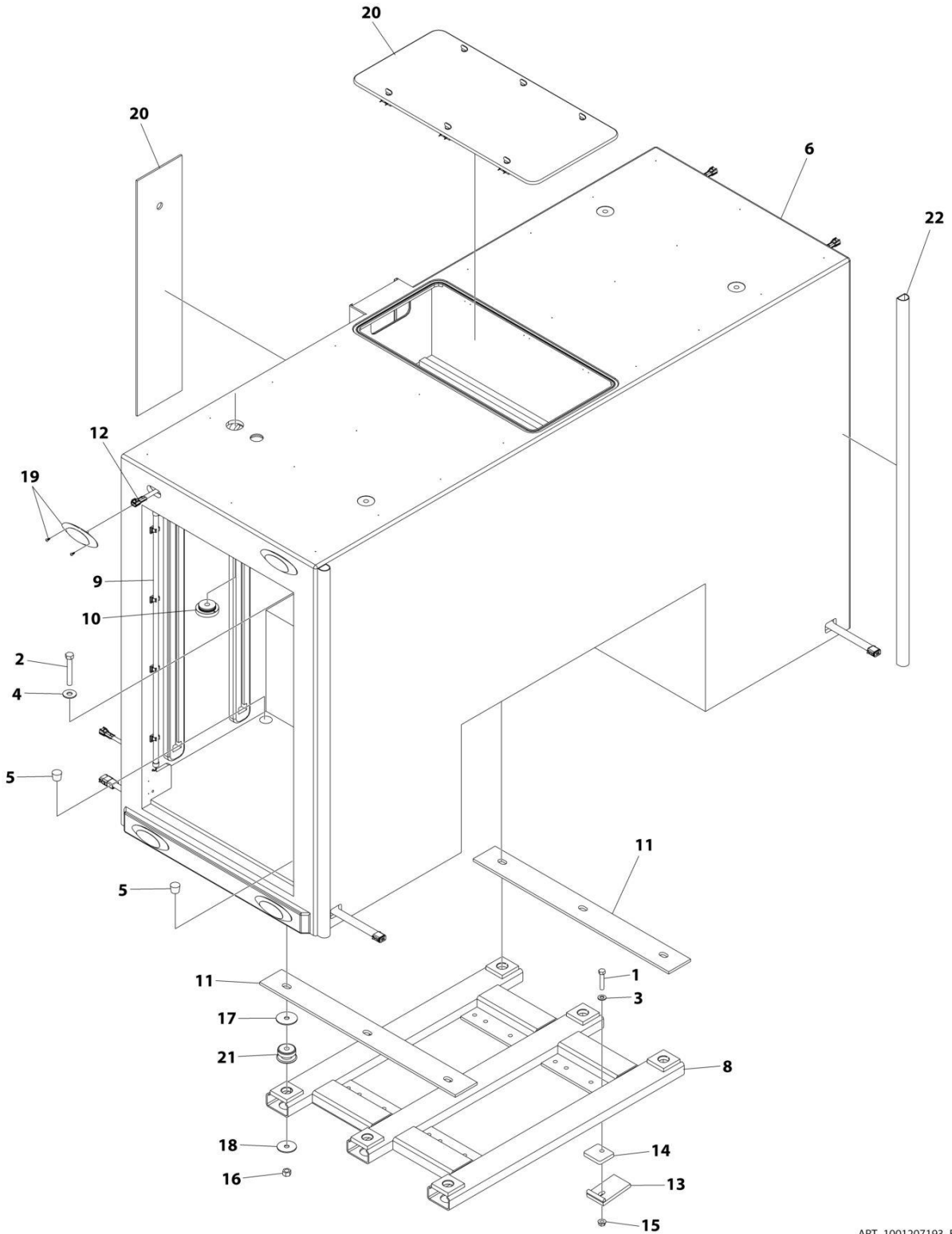
SECTION 4 - BODY

FIGURE 4-129. TUNNEL INSTALLATION - 39IN (SN 0230004275 through 0230008644)

ITEM	PART NUMBER	QTY	DESCRIPTION	REV
	1001207193	Ref	TUNNEL INSTALLATION - 39IN	C
1	0641820	8	Bolt 1/2 x 2-1/2	
2	0642034	6	Bolt 5/8 x 4-1/4	
3	4711800	8	Washer 1/2	
4	4752000	6	Washer 5/8	
5	1001173847	4	Plug	
6	1001186491	1	Tunnel Toolbox	
8	1001187063	1	Toolbox Mount	
9	1001196582	1	Tunnel Compartment Lights Installation (See Separate Breakdown in ELECTRICAL Section)	
10	1001196807	1	Lifting Lugs Installation (See Separate Breakdown in this Section)	
11	1001197338	2	Support	
12	1001207197	1	Harness Installation - Tunnel (See Separate Breakdown in this Section)	
13	3274000011	8	Clamp Weldment	
14	4705000705	8	Plate	
15	7660182301	8	Nut 1/2	
16	7660200001	6	Nut 5/8	
17	7949000019	6	Washer	
18	7949000020	6	Washer	
19	1001196624	1	Marker Lights Installation (See Separate Breakdown in ELECTRICAL Section)	
20	1001197133	1	Battery Cover Installation (See Separate Breakdown in ELECTRICAL Section)	
21	7636000008	6	Mount	
22	8632000011	10 ft	Seal	

SECTION 4 - BODY

FIGURE 4-130. TUNNEL INSTALLATION - 39IN (SN 0230008645 to Present)



ART_1001207193_E

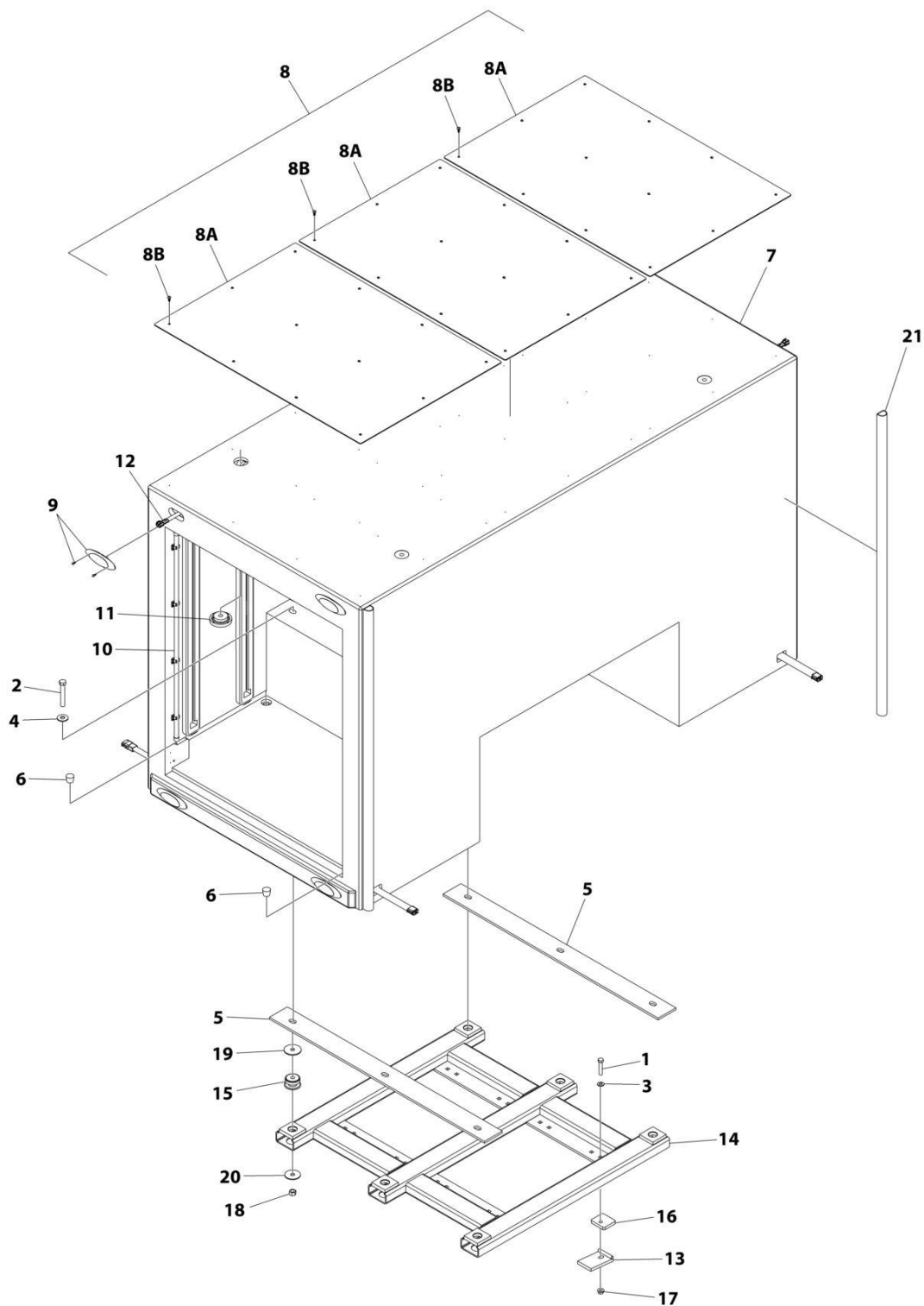
SECTION 4 - BODY

FIGURE 4-130. TUNNEL INSTALLATION - 39IN (SN 0230008645 to Present)

ITEM	PART NUMBER	QTY	DESCRIPTION	REV
	1001207193	Ref	TUNNEL INSTALLATION - 39IN	E
1	0641820	8	Bolt 1/2 x 2-1/2	
2	0642034	6	Bolt 5/8 x 4-1/4	
3	4711800	8	Washer 1/2	
4	4752000	6	Washer 5/8	
5	1001173847	4	Plug	
6	1001186491	1	Tunnel Toolbox	
8	1001187063	1	Toolbox Mount	
9	1001196583	1	Tunnel Compartment Lights Installation (See Separate Breakdown in ELECTRICAL Section)	
10	1001196808	1	Lifting Lugs Installation (See Separate Breakdown in this Section)	
11	1001197338	2	Support	
12	1001207199	1	Harness Installation - Tunnel (See Separate Breakdown in this Section)	
13	3274000011	8	Clamp Weldment	
14	4705000705	8	Plate	
15	7660182301	8	Nut 1/2	
16	7660200001	6	Nut 5/8	
17	7949000019	6	Washer	
18	7949000020	6	Washer	
19	1001196625	1	Marker Lights Installation (See Separate Breakdown in ELECTRICAL Section)	
20	1001197133	1	Battery Cover Installation (See Separate Breakdown in ELECTRICAL Section)	
21	7636000008	6	Mount	
22	8632000011	10 ft	Seal	

SECTION 4 - BODY

FIGURE 4-131. TUNNEL INSTALLATION - 49IN



ART_1001207196

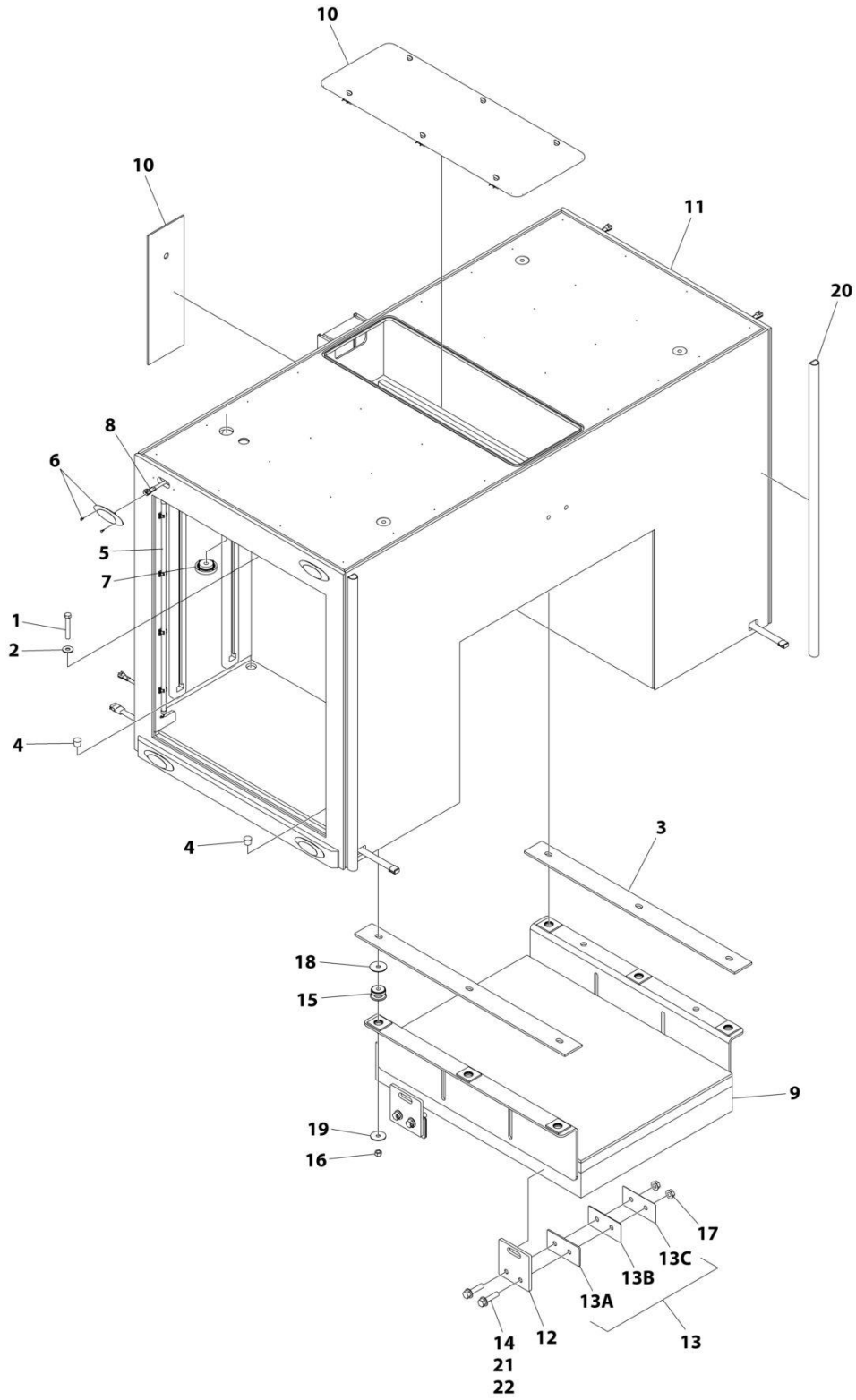
SECTION 4 - BODY

FIGURE 4-131. TUNNEL INSTALLATION - 49IN

ITEM	PART NUMBER	QTY	DESCRIPTION	REV
	1001207196	Ref	TUNNEL INSTALLATION - 48IN	C
1	0641820	8	Bolt 1/2 x 2-1/2	
2	0642034	6	Bolt 5/8 x 4-1/4	
3	4711800	8	Washer 1/2	
4	4752000	6	Washer 5/8	
5	1001165692	2	Support	
6	1001173847	4	Plug	
7	1001186416	1	Tunnel Toolbox	
8	1001187008	1	Tunnel Assembly	
8A	1001187009	3	Plate	
8B	1001192958	36	Screw #10 x 1/2	
9	1001196625	1	Marker Lights Installation (See Separate Breakdown in ELECTRICAL Section)	
10	1001196583	1	Tunnel Compartment Lights Installation (See Separate Breakdown in ELECTRICAL Section)	
11	1001196808	1	Lifting Lugs Installation (See Separate Breakdown in this Section)	
12	1001207200	1	Harness Installation - Tunnel (See Separate Breakdown in ELECTRICAL Section)	
13	3274000011	8	Clamp Weldment	
14	3911000068	1	Toolbox Mount	
15	7636000008	6	Mount	
16	4705000705	8	Plate	
17	7660182301	8	Nut 1/2	
18	7660200001	6	Nut 5/8	
19	7949000019	6	Washer	
20	7949000020	6	Washer	
21	8632000011	10 ft	Seal	

SECTION 4 - BODY

FIGURE 4-132. TUNNEL INSTALLATION - 51IN (3.5K LBS CWT)



ART_1001211490

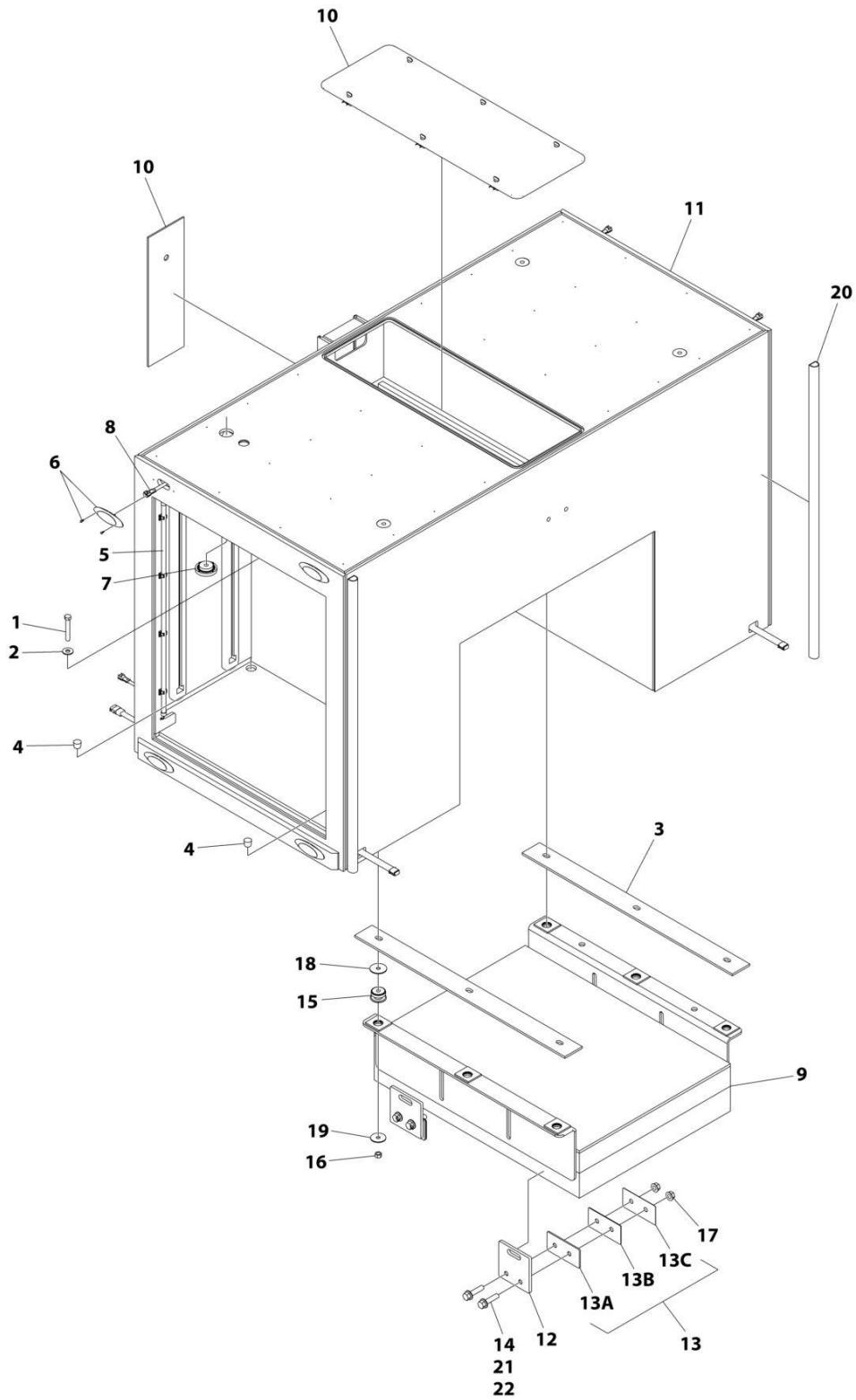
SECTION 4 - BODY

FIGURE 4-132. TUNNEL INSTALLATION - 51IN (3.5K LBS CWT)

ITEM	PART NUMBER	QTY	DESCRIPTION	REV
	1001211490	Ref	TUNNEL INSTALLATION - 51IN WITH 3.5K CWT	C
1	0642034	6	Bolt 5/8 x 4-1/4	
2	4752000	6	Washer 5/8	
3	1001165692	2	Support	
4	1001173847	4	Plug	
5	1001196583	1	Tunnel Compartment Lights Installation (See Separate Breakdown in ELECTRICAL Section)	
6	1001196625	1	Marker Lights Installation (See Separate Breakdown in ELECTRICAL Section)	
7	1001196808	1	Lifting Lugs Installation (See Separate Breakdown in this Section)	
8	1001207199	1	Harness Installation - Tunnel (See Separate Breakdown in ELECTRICAL Section)	
9	1001211486	1	Tunnel Weight	
10	1001219741	1	Battery Cover Installation (See Separate Breakdown in this Section)	
11	1001219833	1	Tunnel Toolbox	
12	1001219916	1	Plate	
13	1001219921	1	Shim Kit	
13A	1001219917	4	Shim 1/4	
13B	1001219918	4	Shim 11 ga	
13C	1001219919	4	Shim 16 ga	
14	7118222416	8	Bolt 3/4 x 3	
15	7636000008	6	Mount	
16	7660200001	6	Nut 5/8	
17	7660222308	8	Nut 3/4	
18	7949000019	6	Washer	
19	7949000020	6	Washer	
20	8632000011	10 ft	Seal	
21	7118222016	AR	Bolt 3/4 x 2-1/2	
22	7118222816	AR	Bolt 3/4 x 3-1/2	

SECTION 4 - BODY

FIGURE 4-133. TUNNEL INSTALLATION - 51IN (4.5K LBS CWT)



ART_1001211491

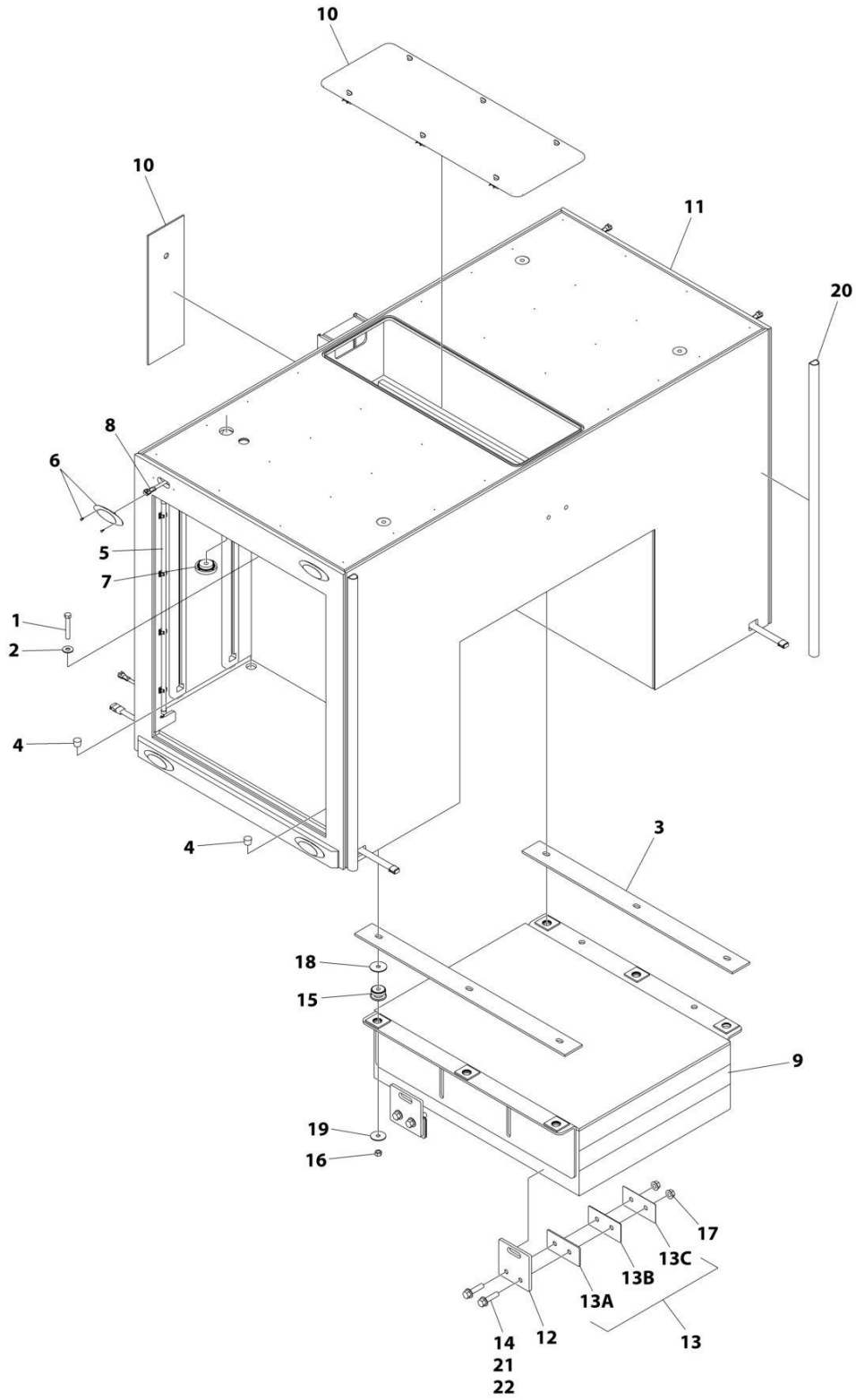
SECTION 4 - BODY

FIGURE 4-133. TUNNEL INSTALLATION - 51IN (4.5K LBS CWT)

ITEM	PART NUMBER	QTY	DESCRIPTION	REV
	1001211491	Ref	TUNNEL INSTALLATION - 51IN WITH 4.5K CWT	D
1	0642034	6	Bolt 5/8 x 4-1/4	
2	4752000	6	Washer 5/8	
3	1001165692	2	Support	
4	1001173847	4	Plug	
5	1001196583	1	Tunnel Compartment Lights Installation (See Separate Breakdown in ELECTRICAL Section)	
6	1001196625	1	Marker Lights Installation (See Separate Breakdown in ELECTRICAL Section)	
7	1001196808	1	Lifting Lugs Installation (See Separate Breakdown in this Section)	
8	1001207199	1	Harness Installation - Tunnel (See Separate Breakdown in ELECTRICAL Section)	
9	1001211487	1	Tunnel Weight	
10	1001219741	1	Battery Cover Installation (See Separate Breakdown in this Section)	
11	1001219833	1	Tunnel Toolbox	
12	1001219916	1	Plate	
13	1001219921	1	Shim Kit	
13A	1001219917	4	Shim 1/4	
13B	1001219918	4	Shim 11 ga	
13C	1001219919	4	Shim 16 ga	
14	7118222416	8	Bolt 3/4 x 3	
15	7636000008	6	Mount	
16	7660200001	6	Nut 5/8	
17	7660222308	8	Nut 3/4	
18	7949000019	6	Washer	
19	7949000020	6	Washer	
20	8632000011	10 ft	Seal	
21	7118222016	AR	Bolt 3/4 x 2-1/2	
22	7118222816	AR	Bolt 3/4 x 3-1/2	

SECTION 4 - BODY

FIGURE 4-134. TUNNEL INSTALLATION - 51IN (6.5K LBS CWT)



ART_1001219832

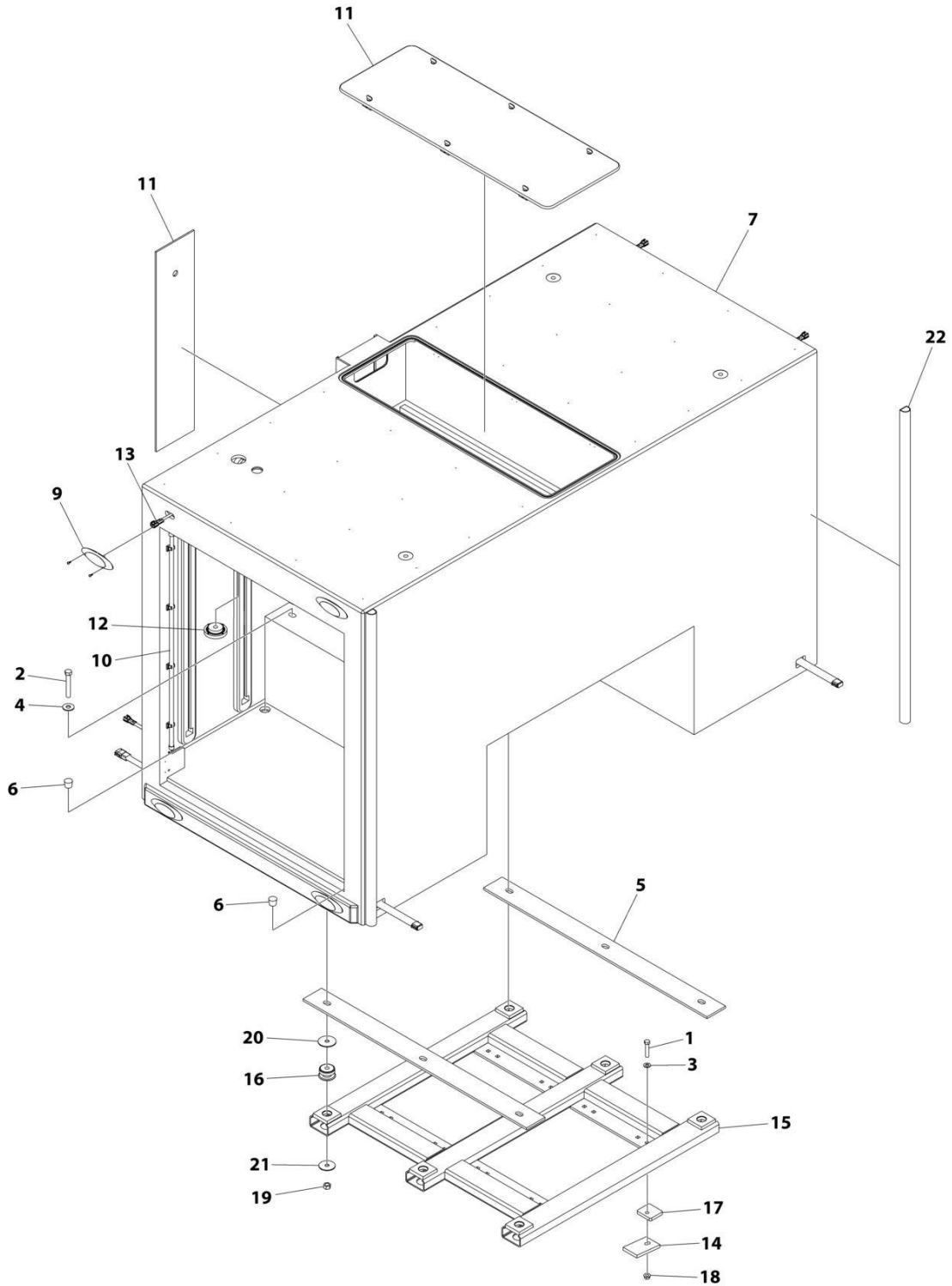
SECTION 4 - BODY

FIGURE 4-134. TUNNEL INSTALLATION - 51IN (6.5K LBS CWT)

ITEM	PART NUMBER	QTY	DESCRIPTION	REV
	1001219832	Ref	TUNNEL INSTALLATION - 51IN WITH 6.5K CWT	C
1	0642034	6	Bolt 5/8 x 4-1/4	
2	4752000	6	Washer 5/8	
3	1001165692	2	Support	
4	1001173847	4	Plug	
5	1001196583	1	Tunnel Compartment Lights Installation (See Separate Breakdown in ELECTRICAL Section)	
6	1001196625	1	Marker Lights Installation (See Separate Breakdown in ELECTRICAL Section)	
7	1001196808	1	Lifting Lugs Installation (See Separate Breakdown in this Section)	
8	1001207199	1	Harness Installation - Tunnel (See Separate Breakdown in ELECTRICAL Section)	
9	1001219831	1	Tunnel Weight	
10	1001219741	1	Battery Cover Installation (See Separate Breakdown in this Section)	
11	1001219833	1	Tunnel Toolbox	
12	1001219916	1	Plate	
13	1001219921	1	Shim Kit	
13A	1001219917	4	Shim 1/4	
13B	1001219918	4	Shim 11 ga	
13C	1001219919	4	Shim 16 ga	
14	7118222416	8	Bolt 3/4 x 3	
15	7636000008	6	Mount	
16	7660200001	6	Nut 5/8	
17	7660222308	8	Nut 3/4	
18	7949000019	6	Washer	
19	7949000020	6	Washer	
20	8632000011	10 ft	Seal	
21	7118222016	AR	Bolt 3/4 x 2-1/2	
22	7118222816	AR	Bolt 3/4 x 3-1/2	

SECTION 4 - BODY

FIGURE 4-135. TUNNEL INSTALLATION - 51IN (NO CWT)



ART_1001207195

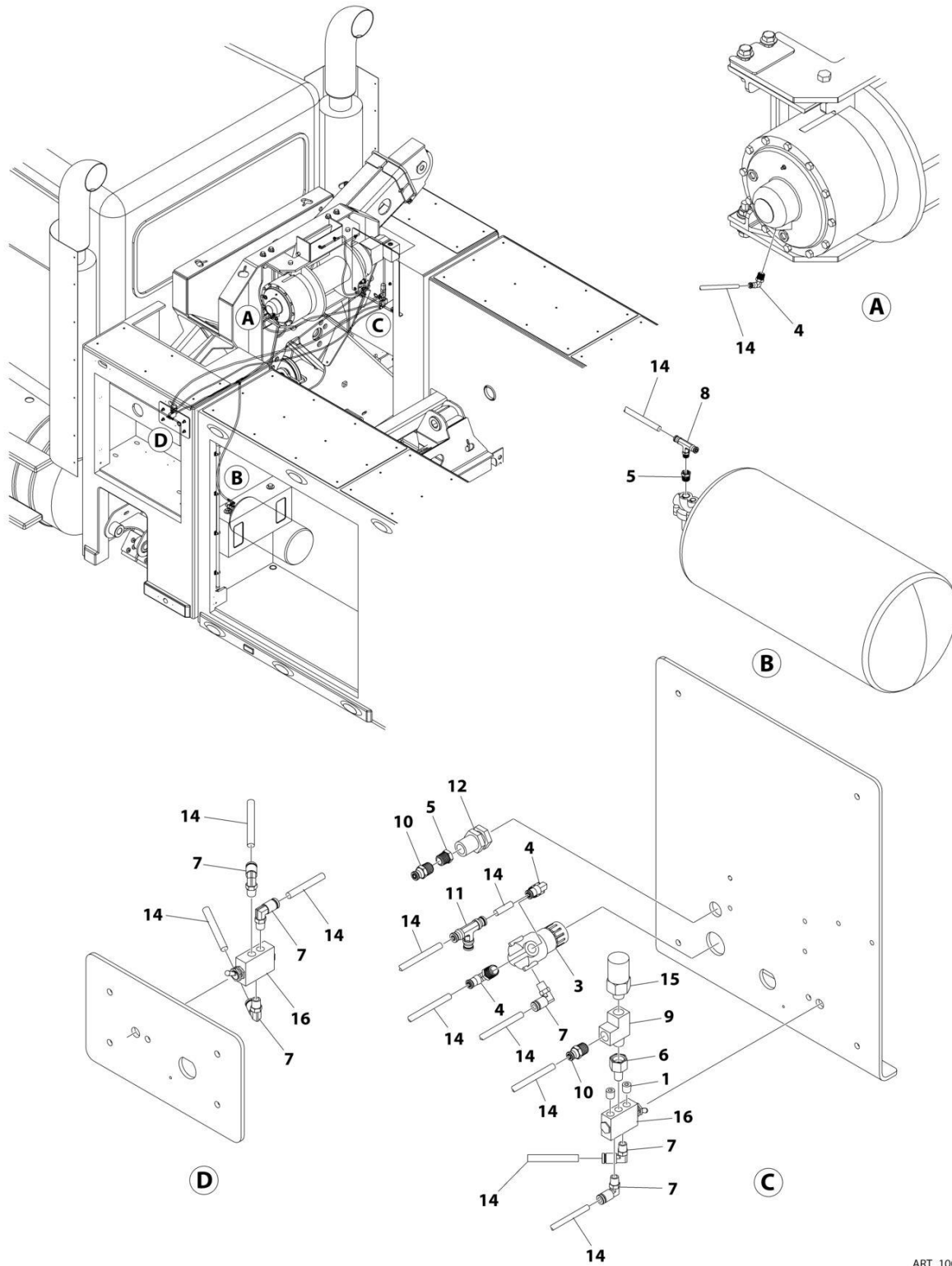
SECTION 4 - BODY

FIGURE 4-135. TUNNEL INSTALLATION - 51IN (NO CWT)

ITEM	PART NUMBER	QTY	DESCRIPTION	REV
	1001207195	Ref	TUNNEL INSTALLATION - 51IN	D
1	0641820	8	Bolt 1/2 x 2-1/2	
2	0642034	6	Bolt 5/8 x 4-1/4	
3	4711800	8	Washer 1/2	
4	4752000	6	Washer 5/8	
5	1001165692	2	Support	
6	1001173847	4	Plug	
7	1001185657	1	Tunnel Toolbox	
9	1001196625	1	Marker Lights Installation (See Separate Breakdown in ELECTRICAL Section)	
10	1001196583	1	Tunnel Compartment Lights Installation (See Separate Breakdown in ELECTRICAL Section)	
11	1001197134	1	Battery Cover 6 Installation (See Separate Breakdown in this Section)	
12	1001196808	1	Lifting Lugs Installation (See Separate Breakdown in this Section)	
13	1001207199	1	Harness Installation - Tunnel (See Separate Breakdown in ELECTRICAL Section)	
14	3274000011	8	Clamp Weldment	
15	3911000068	1	Toolbox Mount	
16	7636000008	6	Mount	
17	4705000705	8	Plate	
18	7660182301	8	Nut 1/2	
19	7660200001	6	Nut 5/8	
20	7949000019	6	Washer	
21	7949000020	6	Washer	
22	8632000011	10 ft	Seal	

SECTION 4 - BODY

FIGURE 4-136. WINCH AIR INSTALLATION



ART_1001199291

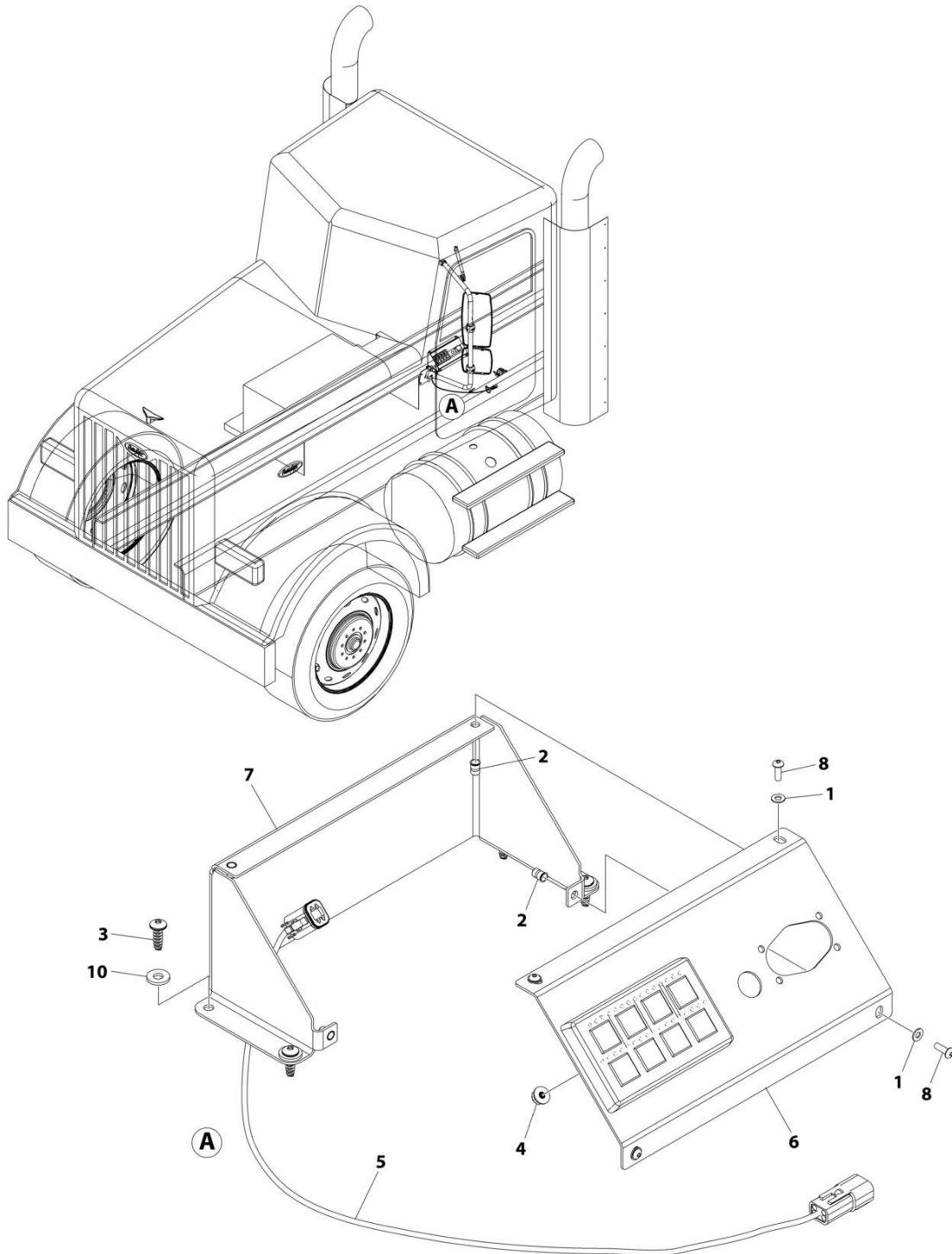
FIGURE 4-136. WINCH AIR INSTALLATION

ITEM	PART NUMBER	QTY	DESCRIPTION	REV
	1001199291	Ref	WINCH AIR INSTALLATION	C
1	2200221	2	Plug	
3	7295000029	1	Air Regulator	
4	7443000139	3	Fitting	
5	7443000149	2	Bushing	
6	7443000150	1	Adapter	
7	7443000173	6	Fitting	
8	7443000174	1	Fitting	
9	7443000287	1	Fitting	
10	7443000329	2	Fitting	
11	7443000330	1	Fitting	
12	7443000456	1	Fitting	
14	7565000016	40 ft	Airline Tubing	
15	7870000136	1	Switch Pressure	
16	7935000351	2	Valve 4 way	
17	7894000004	10	Tie Strap (Not Shown)	

SECTION 5 - CONTROLS

SECTION 5 - CONTROLS

FIGURE 5-1. IN-CAB CONTROLS INSTALLATION - FLOOR MOUNTED WITHOUT UNDERLIFT



ART_1001212106

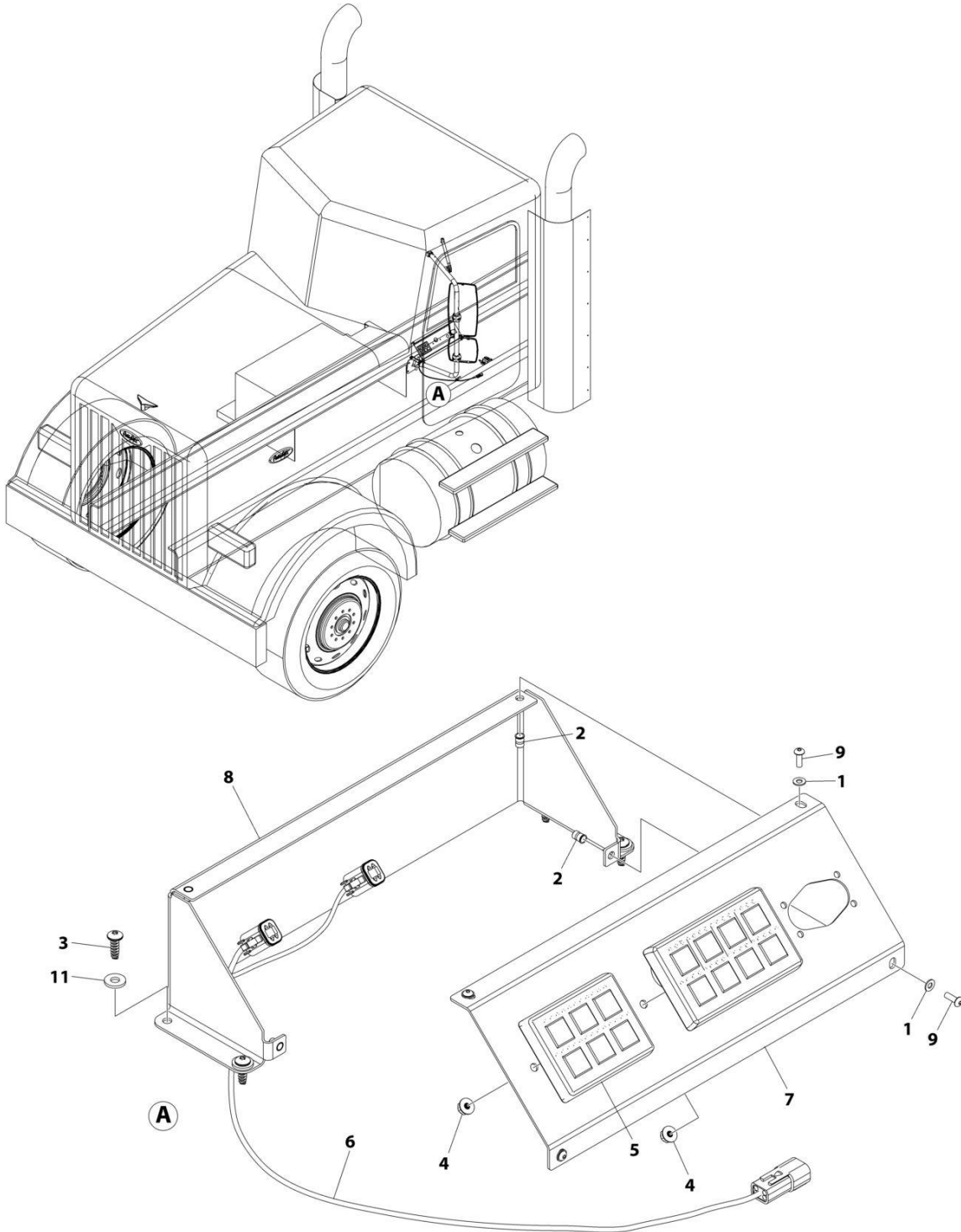
SECTION 5 - CONTROLS

FIGURE 5-1. IN-CAB CONTROLS INSTALLATION - FLOOR MOUNTED WITHOUT UNDERLIFT

ITEM	PART NUMBER	QTY	DESCRIPTION	REV
	1001212106	Ref	CONTROLS (IN-CAB) INSTALLATION (FLOOR MOUNTED)	A
1	1001097942	4	Washer #8	
2	1001151546	4	Nut #8	
3	1001194676	4	Screw 1/4 x 3/4	
4	1001209616	2	Nut #10	
5	1001215421	1	Multiplex In-Cab Control Harness (See Separate Breakdown in ELECTRICAL Section)	
6	1001216233	1	Panel	
7	1001216239	1	Panel	
8	7114080418	4	Screw #8 x 1/2	
9	7894000004	6	Tie-Strap (Not Shown)	
10	7950140143	4	Washer 1/4	

SECTION 5 - CONTROLS

FIGURE 5-2. IN-CAB CONTROLS INSTALLATION - FLOOR MOUNTED WITH UNDERLIFT



ART_1001215432

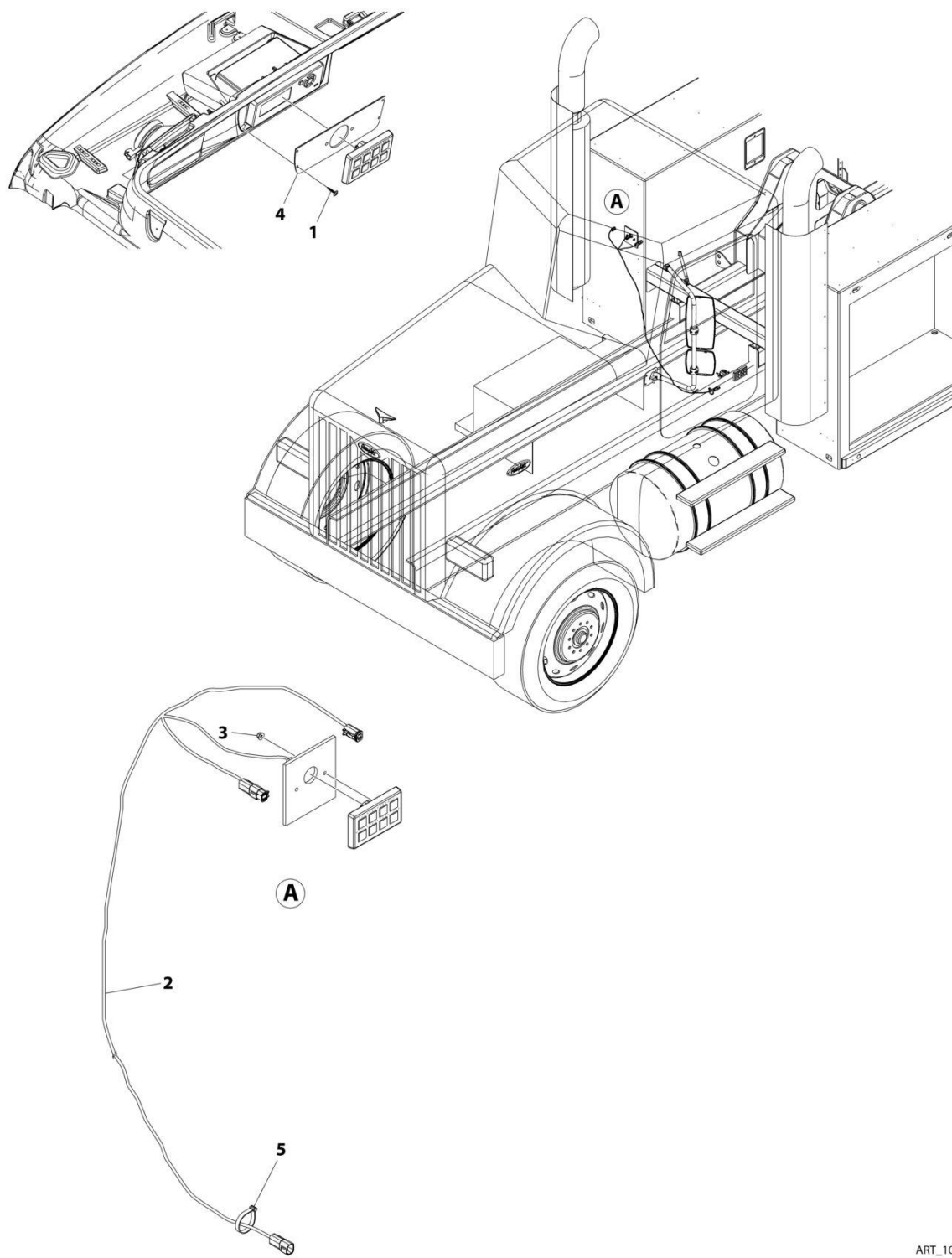
SECTION 5 - CONTROLS

FIGURE 5-2. IN-CAB CONTROLS INSTALLATION - FLOOR MOUNTED WITH UNDERLIFT

ITEM	PART NUMBER	QTY	DESCRIPTION	REV
	1001215432	Ref	CONTROLS (IN-CAB) INSTALLATION (FLOOR MOUNTED WITH UNDERLIFT)	B
1	1001097942	4	Washer #8	
2	1001151546	4	Nut #8	
3	1001194676	4	Screw 1/4 x 3/4	
4	1001209616	4	Nut #10	
5	1001288016	1	Keypad, Underlift	
6	1001215421	1	Multiplex In-Cab Control Harness (See Separate Breakdown in ELECTRICAL Section)	
7	1001216315	1	Panel	
8	1001216316	1	Panel	
9	7114080418	4	Screw #8 x 1/2	
10	7894000004	6	Tie-Strap (Not Shown)	
11	7950140143	4	Washer 1/4	

SECTION 5 - CONTROLS

FIGURE 5-3. IN-CAB CONTROLS INSTALLATION - KENWORTH T440 & T800 & W9 WITHOUT UNDERLIFT



ART_1001232969

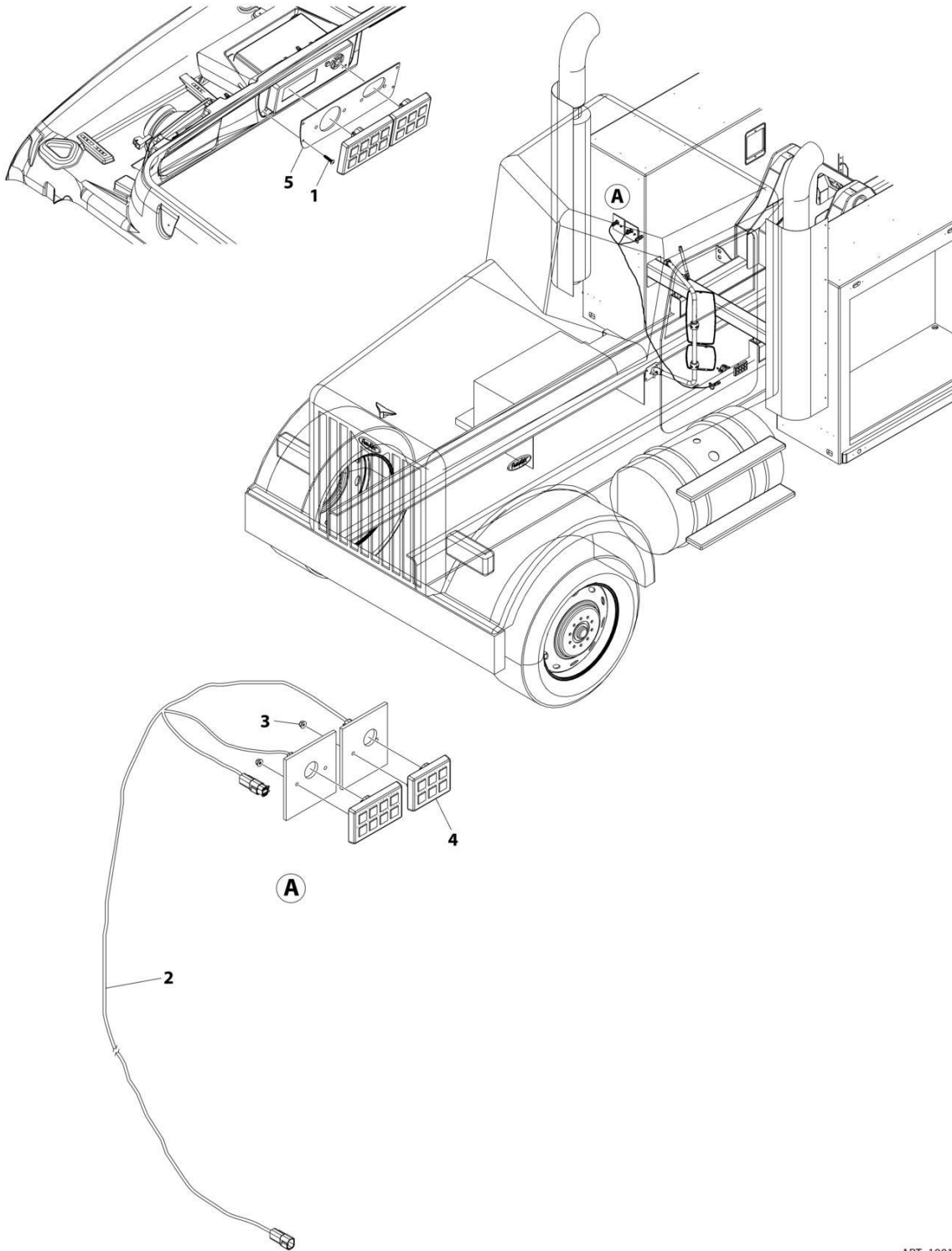
SECTION 5 - CONTROLS

FIGURE 5-3. IN-CAB CONTROLS INSTALLATION - KENWORTH T440 & T800 & W9 WITHOUT UNDERLIFT

ITEM	PART NUMBER	QTY	DESCRIPTION	REV
	1001232969	Ref	SWITCH PANEL KW T800, W9, T440, SINGLE LIGHTING INSTALLATION	B
1	1001232209	4	Screw #8	
2	1001208976	1	Harness (See Separate Breakdown in ELECTRICAL Section)	
3	1001209616	2	Nut #10	
4	1001232957	1	Support, Switch Panel	
5	7894000004	7	Tie Strap	

SECTION 5 - CONTROLS

FIGURE 5-4. IN-CAB CONTROLS INSTALLATION - KENWORTH T440 & T800 & W9 WITH UNDERLIFT



ART_1001232970

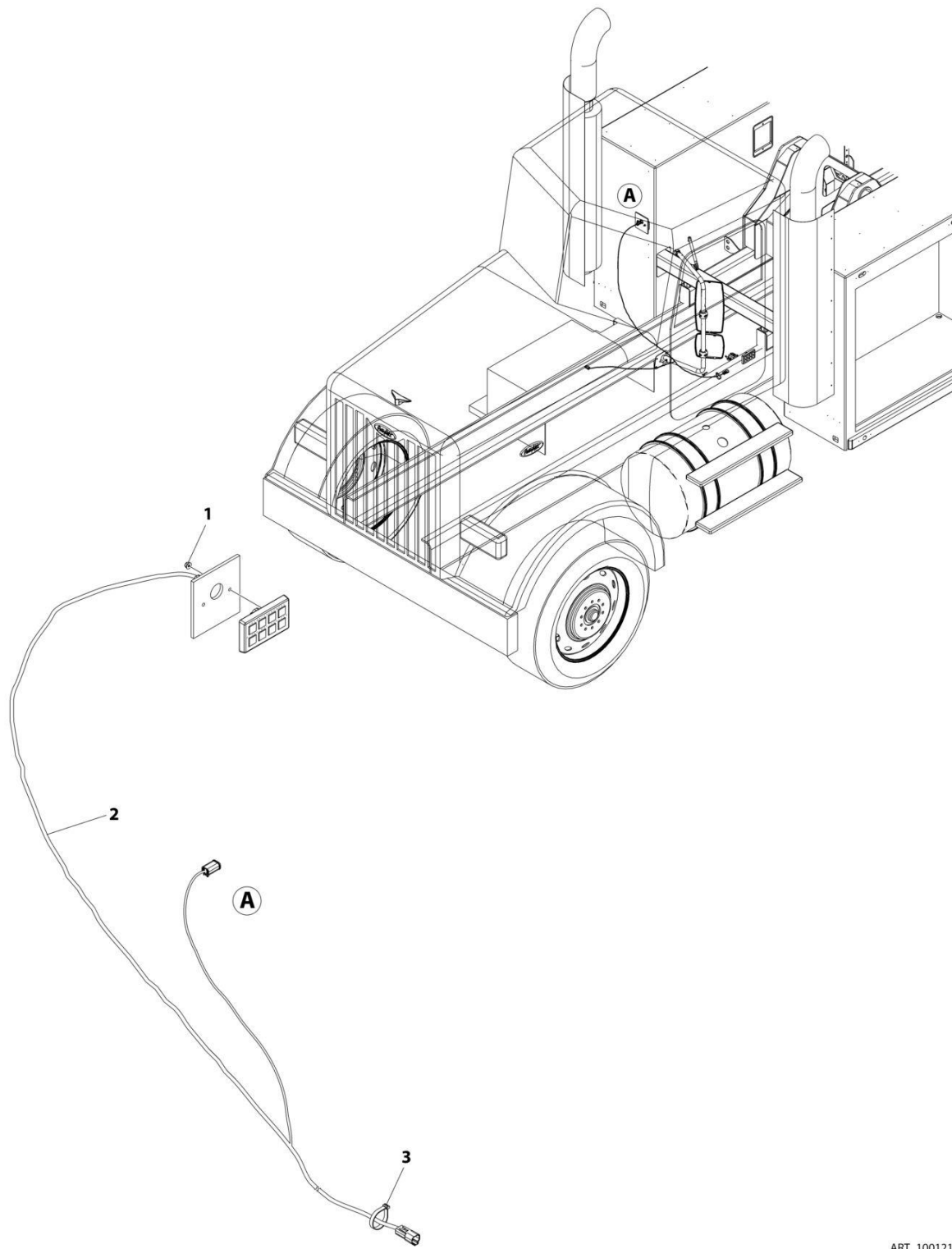
SECTION 5 - CONTROLS

FIGURE 5-4. IN-CAB CONTROLS INSTALLATION - KENWORTH T440 & T800 & W9 WITH UNDERLIFT

ITEM	PART NUMBER	QTY	DESCRIPTION	REV
	1001232970	Ref	CONTROLS (IN-CAB) INSTALLATION (CONSOLE MOUNTED)	B
1	1001196552	4	Screw #8 x 3/4	
2	1001208976	1	Multiplex In-Cab Control Harness (See Separate Breakdown in ELECTRICAL Section)	
3	1001209616	4	Nut #10	
4	1001288016	1	Keypad, Underlift	
5	1001232958	1	Support	
6	7894000004	7	Tie-Strap (Not Shown)	

SECTION 5 - CONTROLS

FIGURE 5-5. IN-CAB CONTROLS INSTALLATION - KENWORTH T880 WITHOUT UNDERLIFT



ART_1001212107

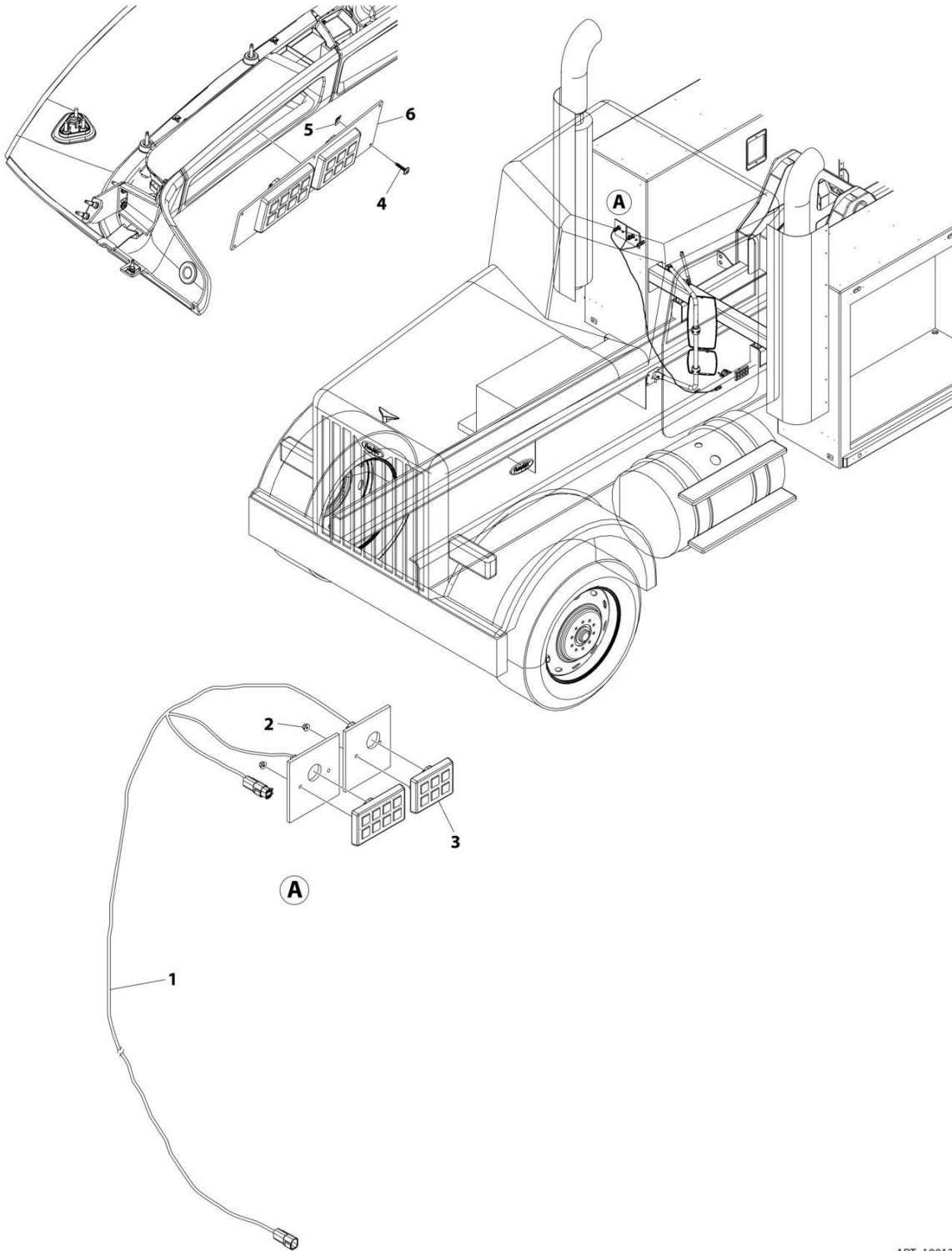
SECTION 5 - CONTROLS

FIGURE 5-5. IN-CAB CONTROLS INSTALLATION - KENWORTH T880 WITHOUT UNDERLIFT

ITEM	PART NUMBER	QTY	DESCRIPTION	REV
	1001212107	Ref	Switch Panel KW T880 Lighting Installation	B
1	1001209616	2	Nut #10	
2	1001215436	1	Harness (See Separate Breakdown in ELECTRICAL Section)	
3	7894000004	5	Tie Strap	

SECTION 5 - CONTROLS

FIGURE 5-6. IN-CAB CONTROLS INSTALLATION - KENWORTH T880 WITH UNDERLIFT



ART_1001235395

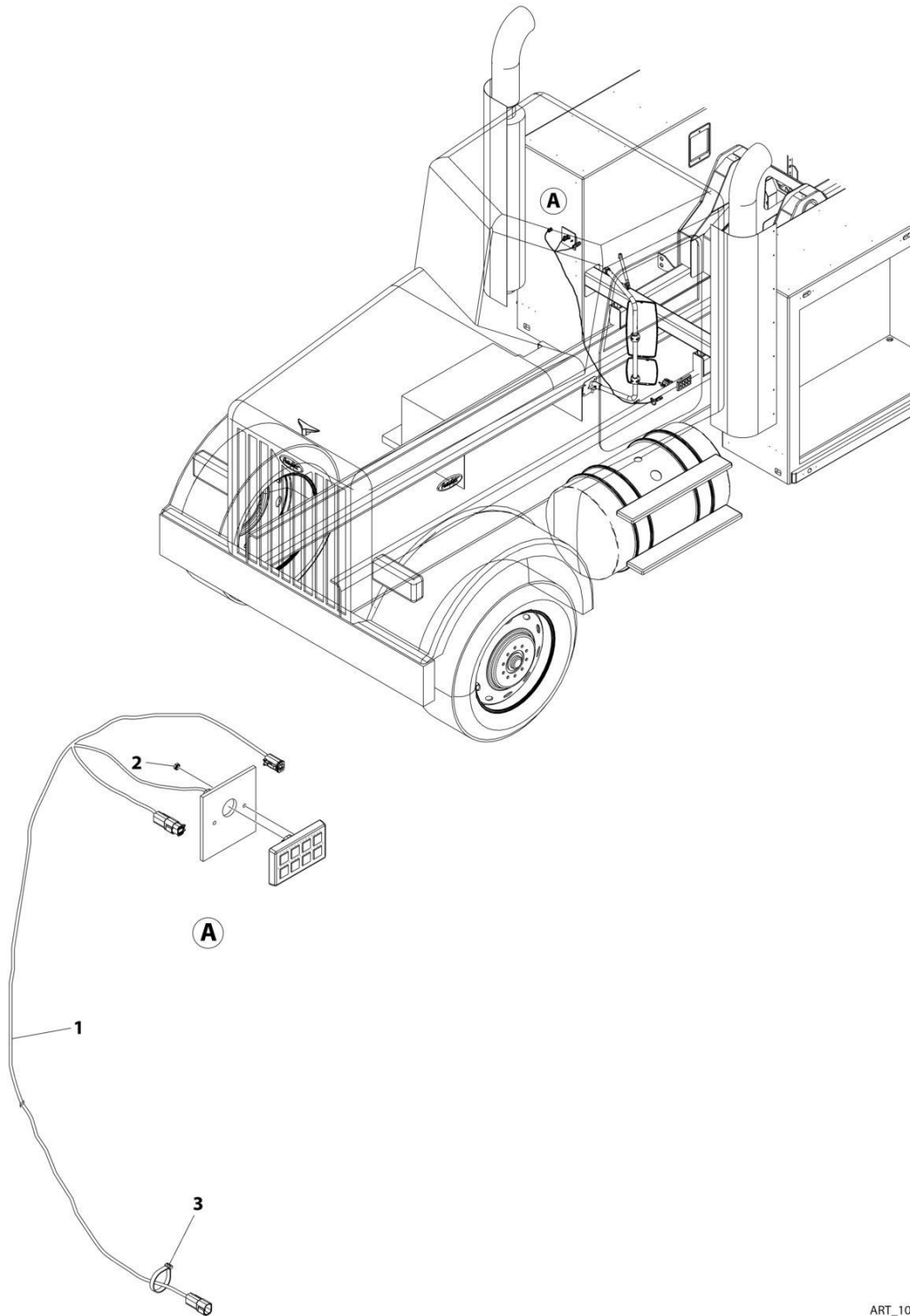
SECTION 5 - CONTROLS

FIGURE 5-6. IN-CAB CONTROLS INSTALLATION - KENWORTH T880 WITH UNDERLIFT

ITEM	PART NUMBER	QTY	DESCRIPTION	REV
	1001235395	Ref	CONTROLS (IN-CAB) INSTALLATION (CONSOLE MOUNTED)	B
1	1001208976	1	Multiplex In-Cab Control Harness (See Separate Breakdown in ELECTRICAL Section)	
2	1001209616	4	Nut #10	
3	1001288016	1	Keypad, Underlift	
4	1001232209	6	Screw #8	
5	1001232211	6	Nut #8	
6	1001235394	1	Support	
7	7894000004	7	Tie-Strap (Not Shown)	

SECTION 5 - CONTROLS

FIGURE 5-7. IN-CAB CONTROLS INSTALLATION - PETERBILT 389 LOW ROOF WITHOUT UNDERLIFT



ART_1001232965

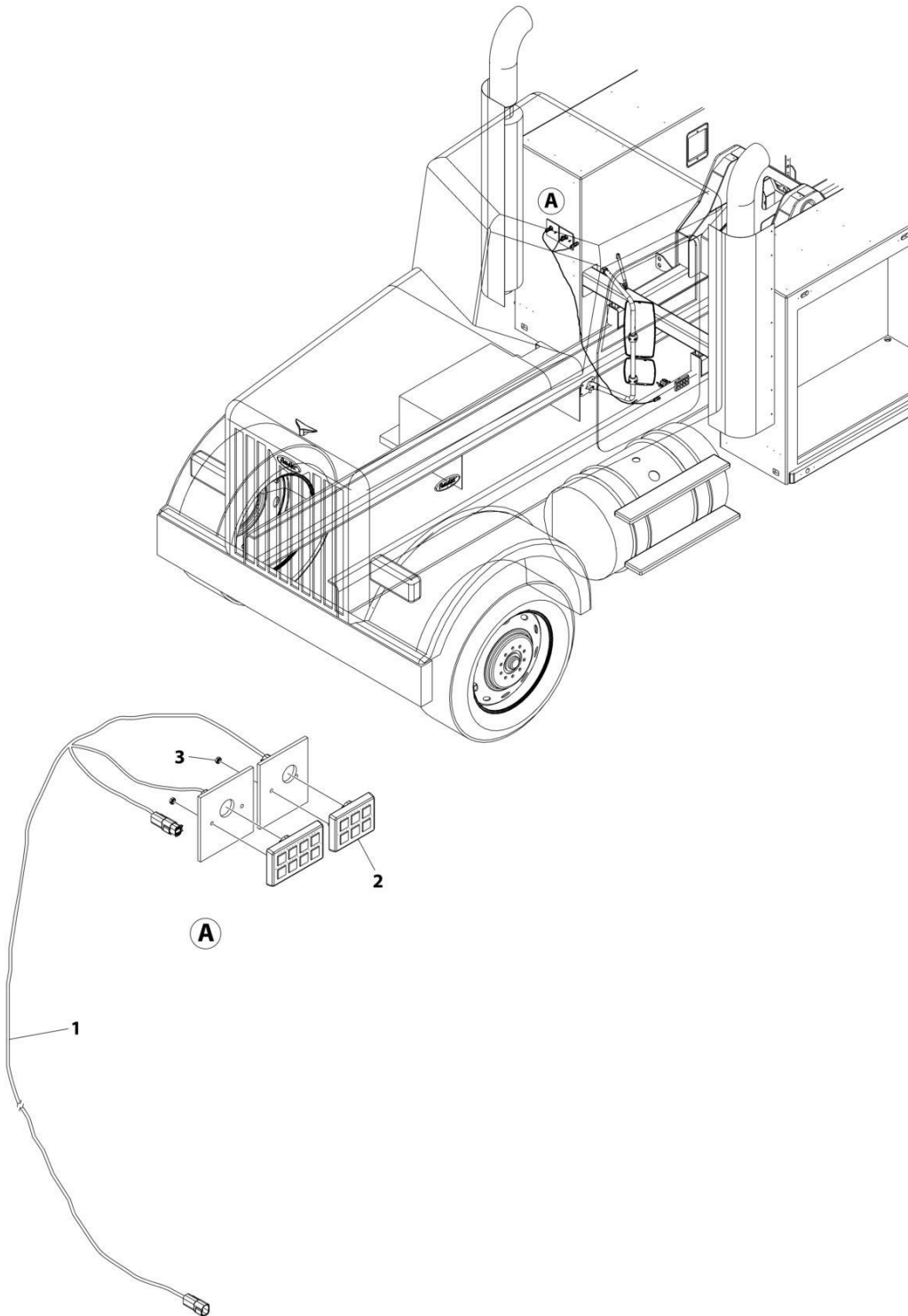
SECTION 5 - CONTROLS

FIGURE 5-7. IN-CAB CONTROLS INSTALLATION - PETERBILT 389 LOW ROOF WITHOUT UNDERLIFT

ITEM	PART NUMBER	QTY	DESCRIPTION	REV
	1001232965	Ref	Switch Panel Pete 389 Low Single Lighting Installation	A
1	1001208976	1	Harness (See Separatae Breakdown in ELECTRICAL Section)	
2	7661000023	2	Nut #10	
3	7894000004	7	Tie Strap	

SECTION 5 - CONTROLS

FIGURE 5-8. IN-CAB CONTROLS INSTALLATION - PETERBILT 389 LOW ROOF WITH UNDERLIFT



ART_1001232966

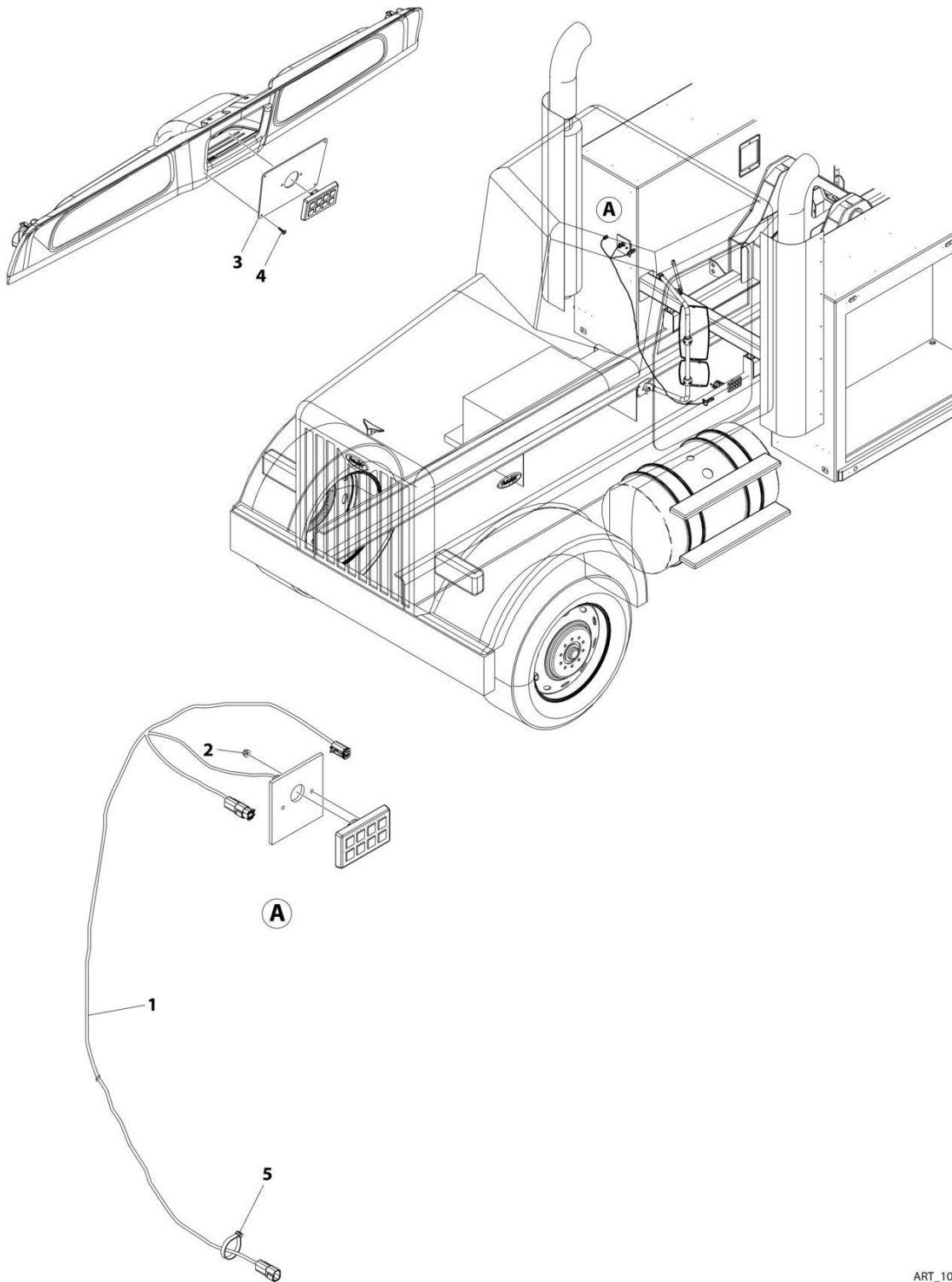
SECTION 5 - CONTROLS

FIGURE 5-8. IN-CAB CONTROLS INSTALLATION - PETERBILT 389 LOW ROOF WITH UNDERLIFT

ITEM	PART NUMBER	QTY	DESCRIPTION	REV
1	1001232966	Ref	CONTROLS (IN-CAB) INSTALLATION (CONSOLE MOUNTED)	B
	1001208976	1	Multiplex In-Cab Control Harness (See Separate Breakdown in ELECTRICAL Section)	
2	1001288016	1	Keypad, Underlift	
3	7661000023	4	Nut #10	
4	7894000004	7	Tie-Strap (Not Shown)	

SECTION 5 - CONTROLS

FIGURE 5-9. IN-CAB CONTROLS INSTALLATION - PETERBILT 389 HIGH ROOF WITHOUT UNDERLIFT



ART_1001231975

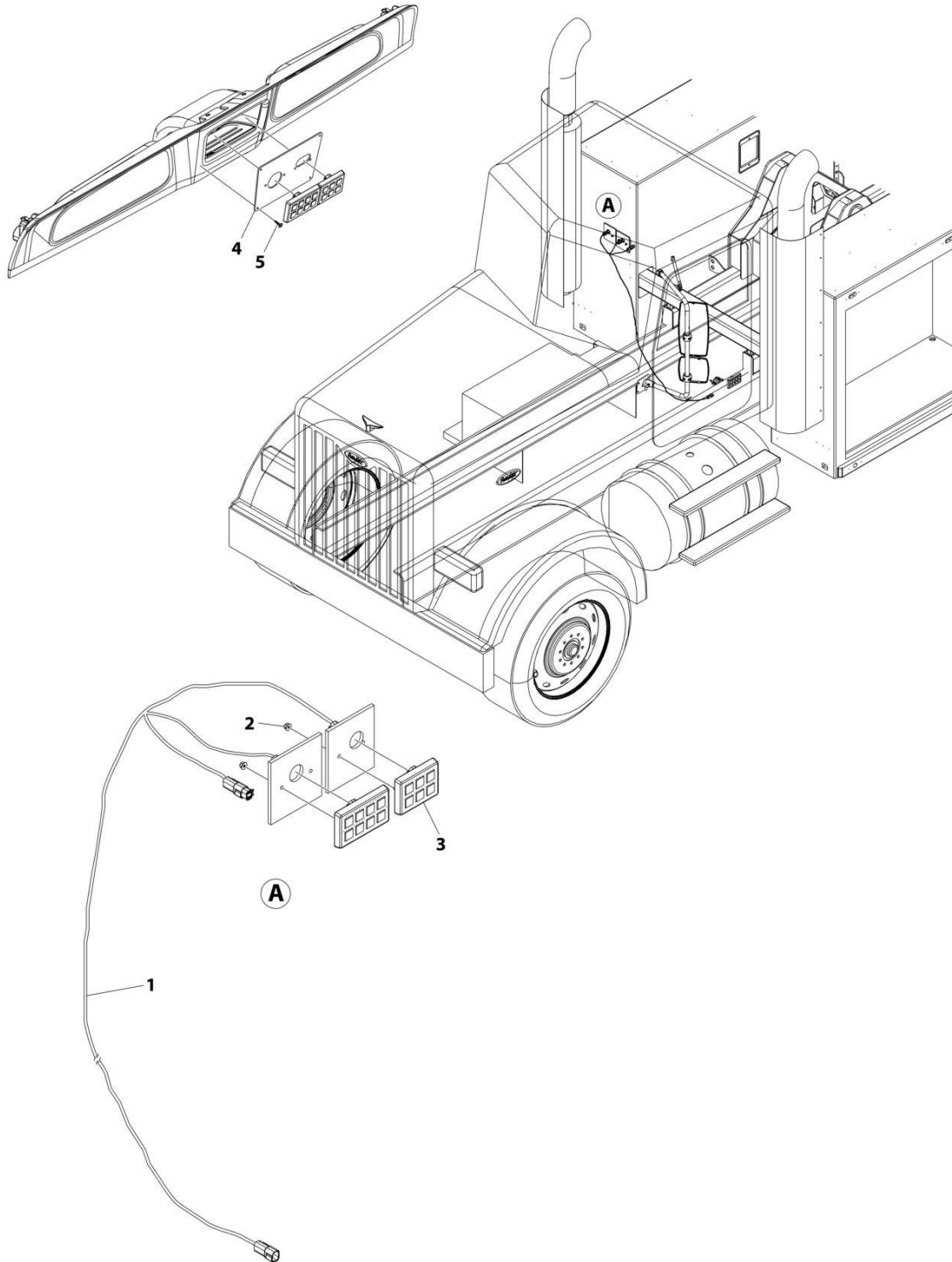
SECTION 5 - CONTROLS

FIGURE 5-9. IN-CAB CONTROLS INSTALLATION - PETERBILT 389 HIGH ROOF WITHOUT UNDERLIFT

ITEM	PART NUMBER	QTY	DESCRIPTION	REV
	1001231975	Ref	Switch Panel Pete 389 High Single Lighting Installation	A
1	1001208976	1	Harness (See Separate Breakdown in ELECTRICAL Section)	
2	1001209616	2	Nut #10	
3	1001231974	1	Support, Switch Panel	
4	1001232209	4	Screw #8	
5	7894000004	7	Tie Strap	

SECTION 5 - CONTROLS

FIGURE 5-10. IN-CAB CONTROLS INSTALLATION - PETERBILT 389 HIGH ROOF WITH UNDERLIFT



ART_1001231977

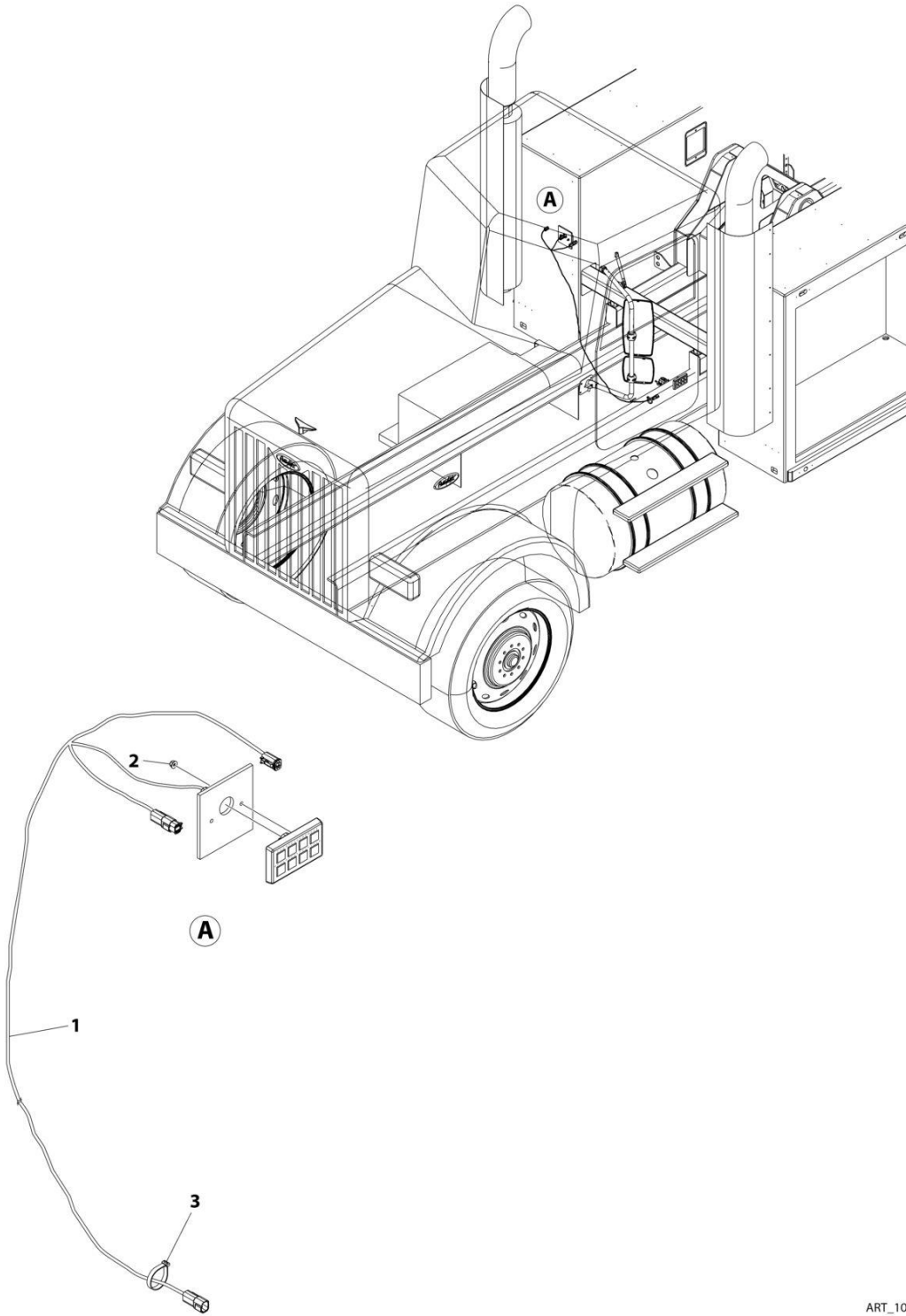
SECTION 5 - CONTROLS

FIGURE 5-10. IN-CAB CONTROLS INSTALLATION - PETERBILT 389 HIGH ROOF WITH UNDERLIFT

ITEM	PART NUMBER	QTY	DESCRIPTION	REV
	1001231977	Ref	CONTROLS (IN-CAB) INSTALLATION (CONSOLE MOUNTED)	B
1	1001208976	1	Multiplex In-Cab Control Harness (See Separate Breakdown in ELECTRICAL Section)	
2	1001209616	4	Nut #10	
3	1001288016	1	Keypad, Underlift	
4	1001231976	1	Support	
5	1001232209	4	Screw #8	
6	7894000004	7	Tie-Strap (Not Shown)	

SECTION 5 - CONTROLS

FIGURE 5-11. IN-CAB CONTROLS INSTALLATION - PETERBILT 567 WITHOUT UNDERLIFT



ART_1001232967

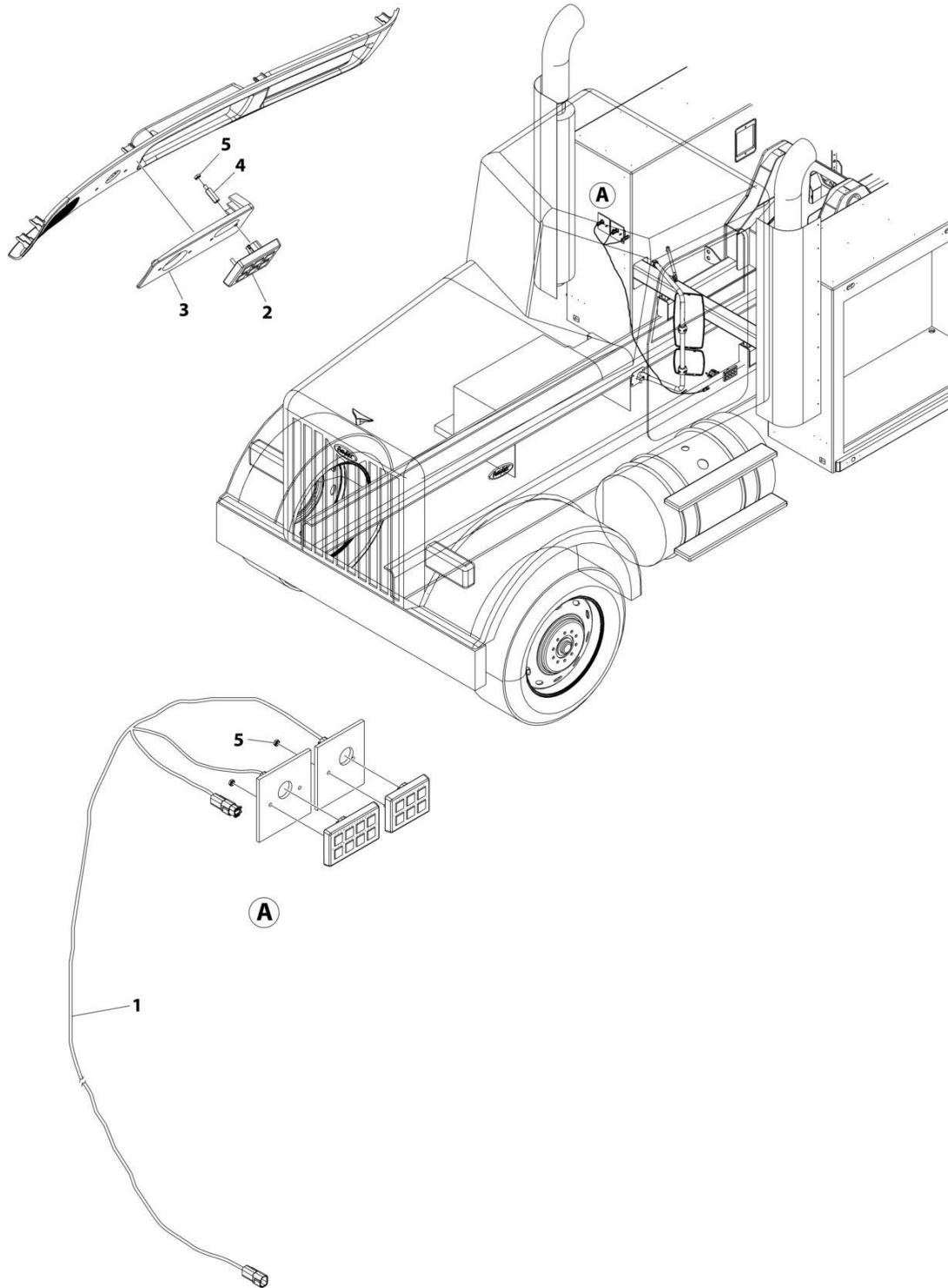
SECTION 5 - CONTROLS

FIGURE 5-11. IN-CAB CONTROLS INSTALLATION - PETERBILT 567 WITHOUT UNDERLIFT

ITEM	PART NUMBER	QTY	DESCRIPTION	REV
	1001232967	Ref	Switch Panel PETE 567 Lighting Installation	A
1	1001208976	1	Harness (See Separate Breakdown in ELECTRICAL Section)	
2	1001209616	2	Nut #10	
3	7894000004	7	Tie Strap	

SECTION 5 - CONTROLS

FIGURE 5-12. IN-CAB CONTROLS INSTALLATION - PETERBILT 567 WITH UNDERLIFT



ART_1001232968

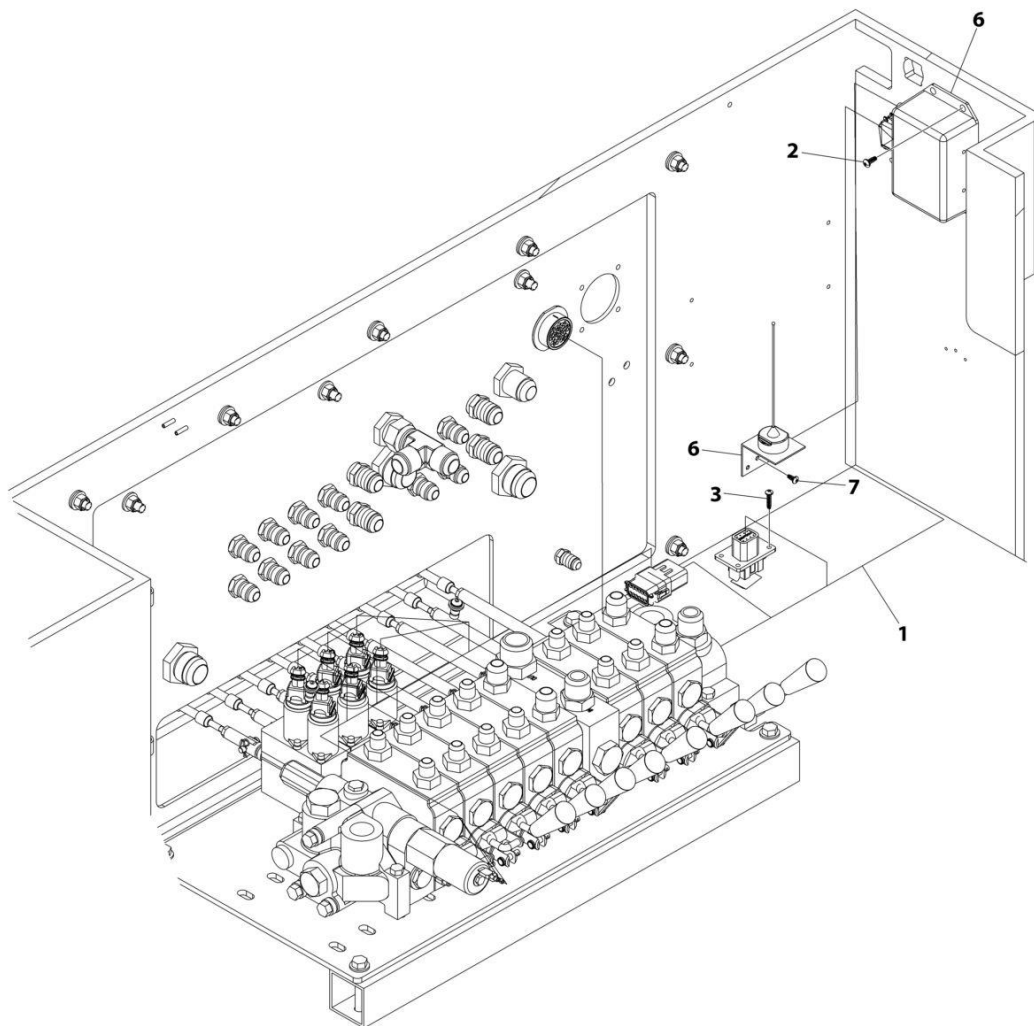
SECTION 5 - CONTROLS

FIGURE 5-12. IN-CAB CONTROLS INSTALLATION - PETERBILT 567 WITH UNDERLIFT

ITEM	PART NUMBER	QTY	DESCRIPTION	REV
	1001232968	Ref	CONTROLS (IN-CAB) INSTALLATION (CONSOLE MOUNTED)	B
1	1001208976	1	Multiplex In-Cab Control Harness (See Separate Breakdown in ELECTRICAL Section)	
2	1001288016	1	Keypad, Underlift	
3	1001232956	1	Support	
4	1001234537	1	Stud	
5	7661000023	4	Nut #10	
6	7894000004	7	Tie-Strap (Not Shown)	

SECTION 5 - CONTROLS

FIGURE 5-13. REMOTE CONTROL INSTALLATION (6 FUNCTION NON-PROP)



ART_1001212003

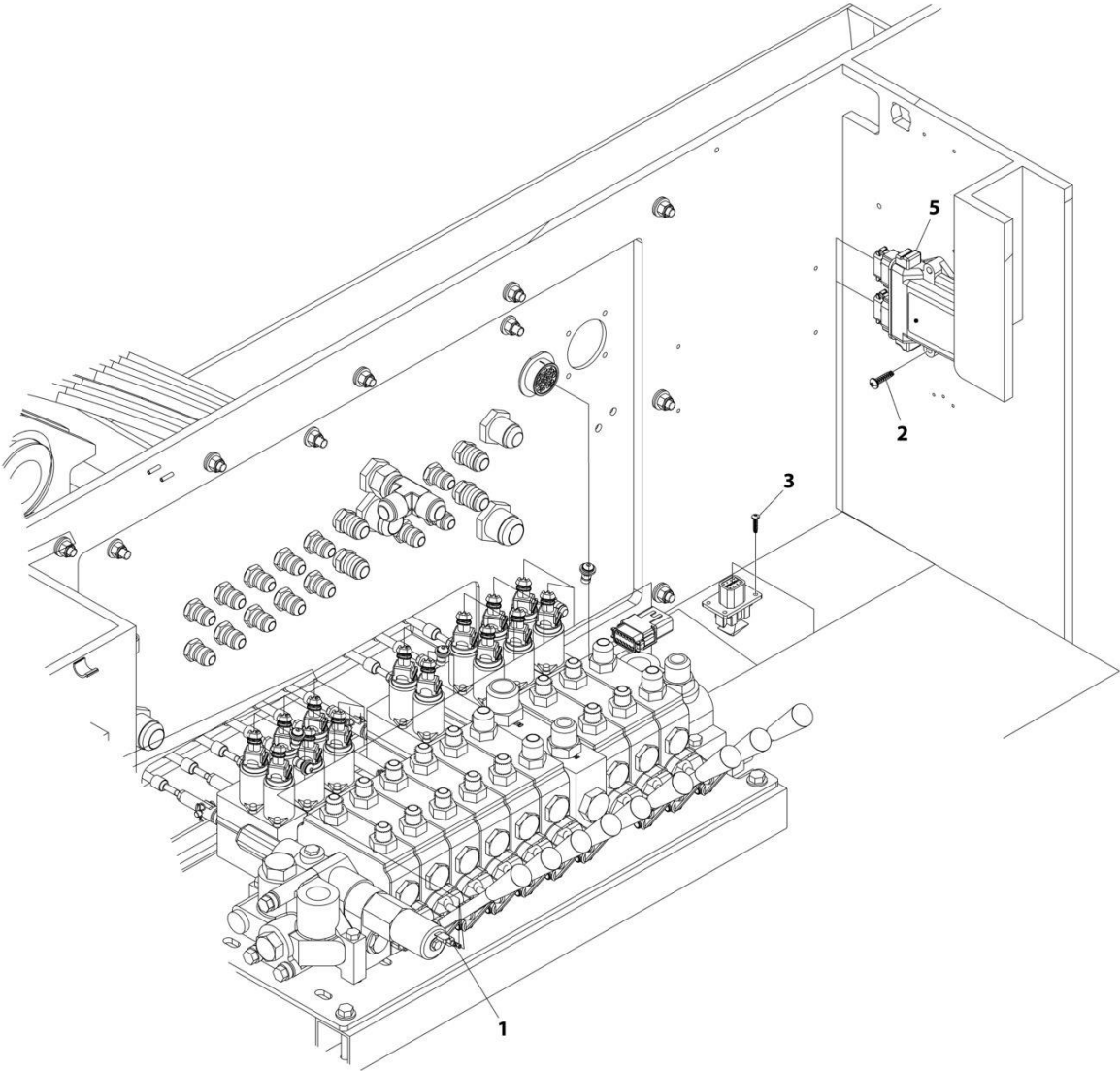
SECTION 5 - CONTROLS

FIGURE 5-13. REMOTE CONTROL INSTALLATION (6 FUNCTION NON-PROP)

ITEM	PART NUMBER	QTY	DESCRIPTION	REV
	1001212003	Ref	REMOTE CONTROL INSTALLATION - WIRELESS	D
1	1001209022	1	Harness Assembly - Remote Control (See Separate Breakdown in ELECTRICAL Section) (Prior to SN 0230006575)	
1	1001246829	1	Harness Assembly - Remote Control (See Separate Breakdown in ELECTRICAL Section) (SN 0230006575 to Present)	
2	1001192958	4	Screw #10 x 1/2	
3	1001196552	4	Screw #8	
4	7075000003	1	Battery 9V (Not Shown)	
5	5526000553	AR	Tie Strap (Not Shown)	
6	7295000146	1	Remote Control Assembly (See Separate Breakdown in this Section)	
7	1001198602	3	Screw #8 x 3/8	

SECTION 5 - CONTROLS

FIGURE 5-14. REMOTE CONTROL INSTALLATION (14 FUNCTION NON-PROP)



ART_1001212004

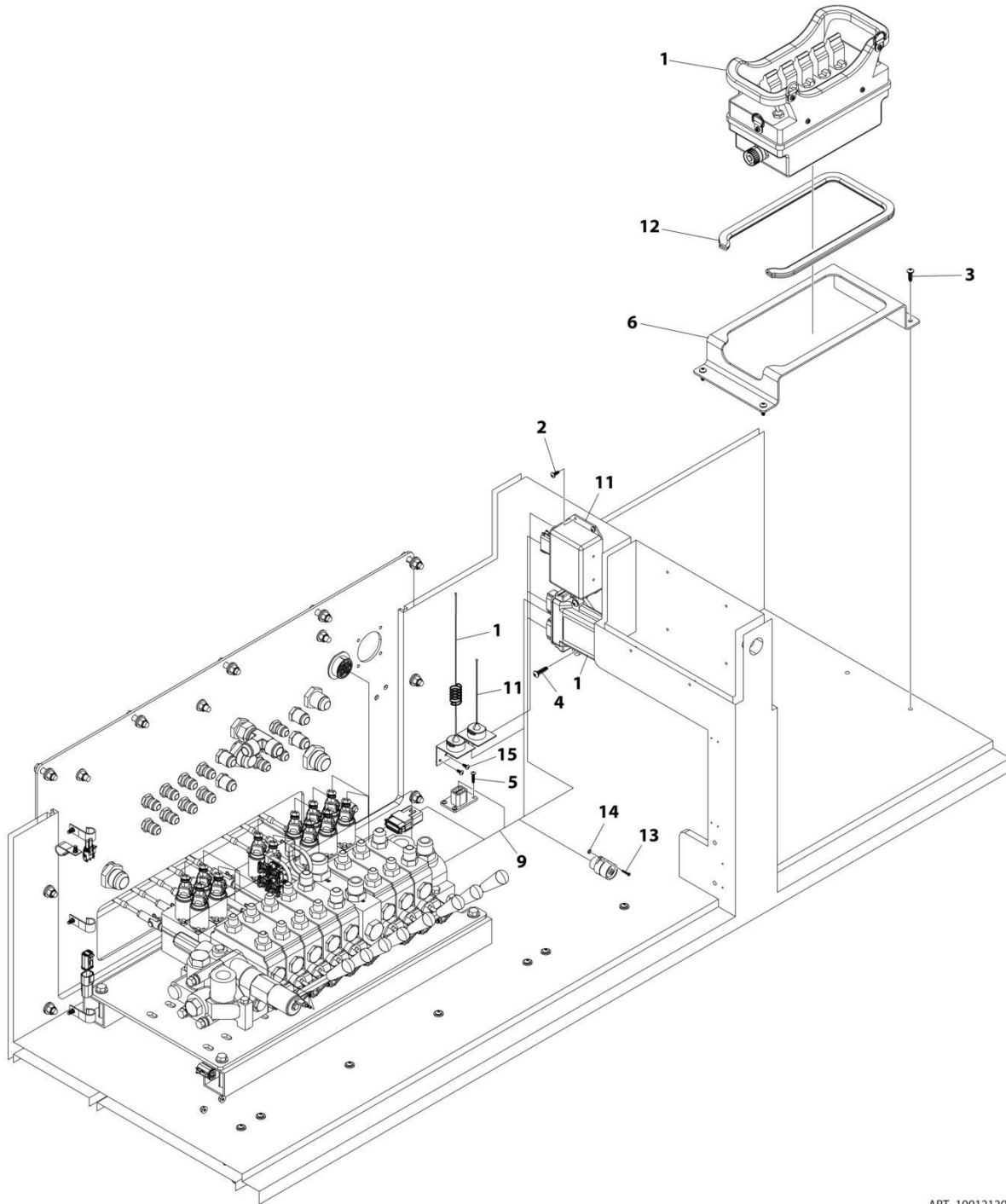
SECTION 5 - CONTROLS

FIGURE 5-14. REMOTE CONTROL INSTALLATION (14 FUNCTION NON-PROP)

ITEM	PART NUMBER	QTY	DESCRIPTION	REV
	1001212004	Ref	REMOTE CONTROL INSTALLATION - WIRELESS	D
1	1001209020	1	Harness Assembly - Remote Control (See Separate Breakdown in ELECTRICAL Section) (Prior to SN 0230006575)	
1	1001246828	1	Harness Assembly - Remote Control (See Separate Breakdown in ELECTRICAL Section) (SN 0230006575 to Present)	
2	1001195523	2	Screw 1/4 x 1	
3	1001196552	4	Screw #8	
4	7075000003	1	Battery 9V (Not Shown)	
5	7295000124	1	Remote Control Assembly (See Separate Breakdown in this Section)	

SECTION 5 - CONTROLS

FIGURE 5-15. REMOTE CONTROL INSTALLATION (14 FUNCTION PROP) (SN 0230004573 through 0230006134)



ART_1001212005

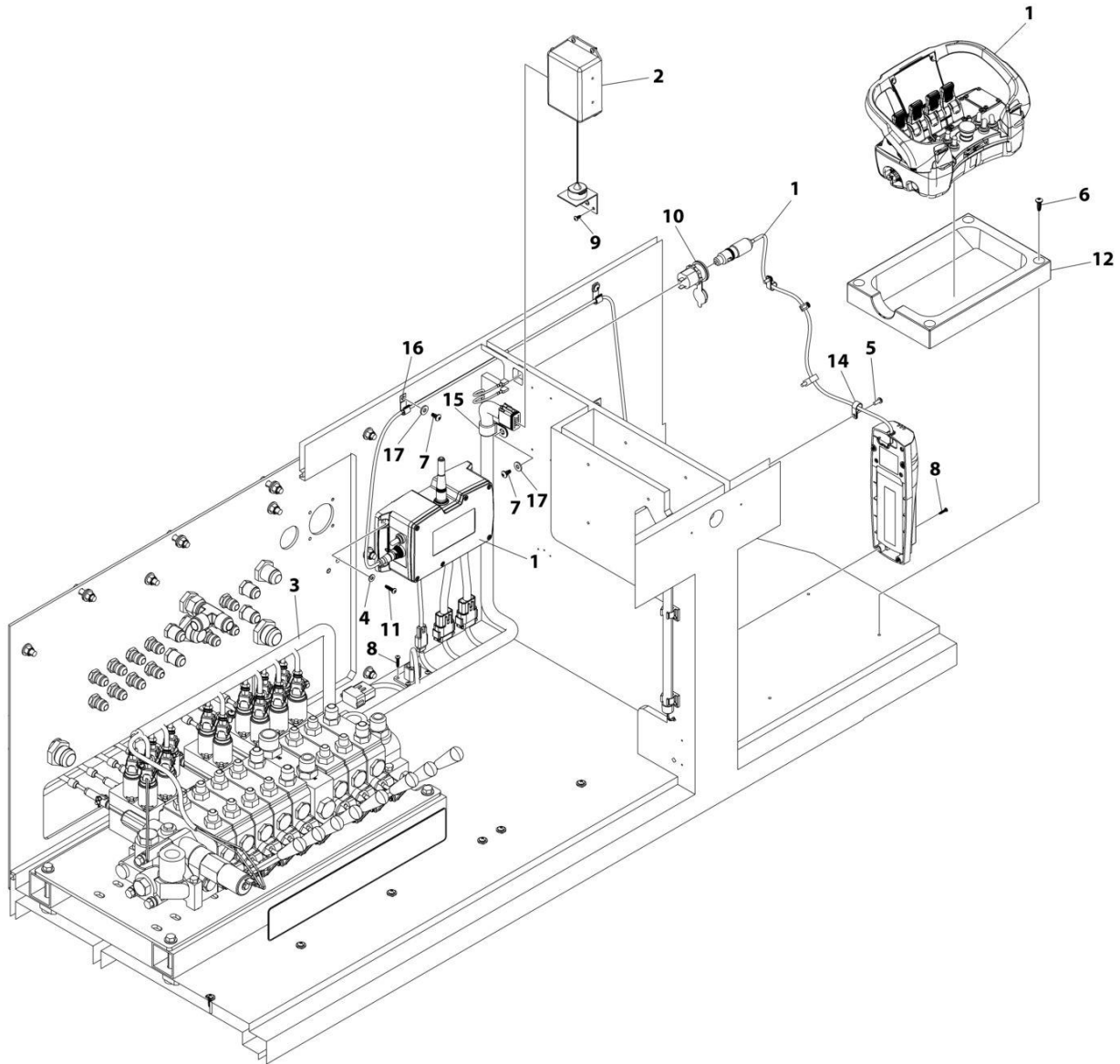
SECTION 5 - CONTROLS

FIGURE 5-15. REMOTE CONTROL INSTALLATION (14 FUNCTION PROP) (SN 0230004573 through 0230006134)

ITEM	PART NUMBER	QTY	DESCRIPTION	REV
	1001212005	Ref	REMOTE CONTROL INSTALLATION - WIRELESS	C
1	1001145240	1	Remote Control Assembly - 5 Paddle (See Separate Breakdown in this Section)	
2	1001192958	4	Screw #10 x 1/2	
3	1001194676	4	Screw 1/4 x 3/4	
4	1001195523	2	Screw 1/4 x 1	
5	1001196552	4	Screw #8	
6	4178000699	1	Bracket	
7	7075000003	1	Battery 9V (Not Shown)	
8	7075000006	3	Battery D 1.5V (Not Shown)	
9	1001189167	1	Harness Assembly - Remote Control (See Separate Breakdown in ELECTRICAL Section) (Prior to SN 0230003827)	
9	1001209021	1	Harness Assembly - Remote Control (See Separate Breakdown in ELECTRICAL Section) (SN 0230003827 to SN 0230006134)	
10	5526000553	AR	Tie Strap (Not Shown)	
11	7295000146	1	Remote Control Assembly - 6 Function (See Separate Breakdown in this Section)	
12	8632000012	1	Trim lock	
13	7120000047	2	Screw #4 x 5/8	
14	7660040000	2	Nut #4	
15	1001198602	6	Screw #8 x 3/8	

SECTION 5 - CONTROLS

FIGURE 5-16. REMOTE CONTROL INSTALLATION (14 FUNCTION PROP) (SN 0230006135 to Present)



ART_1001235707

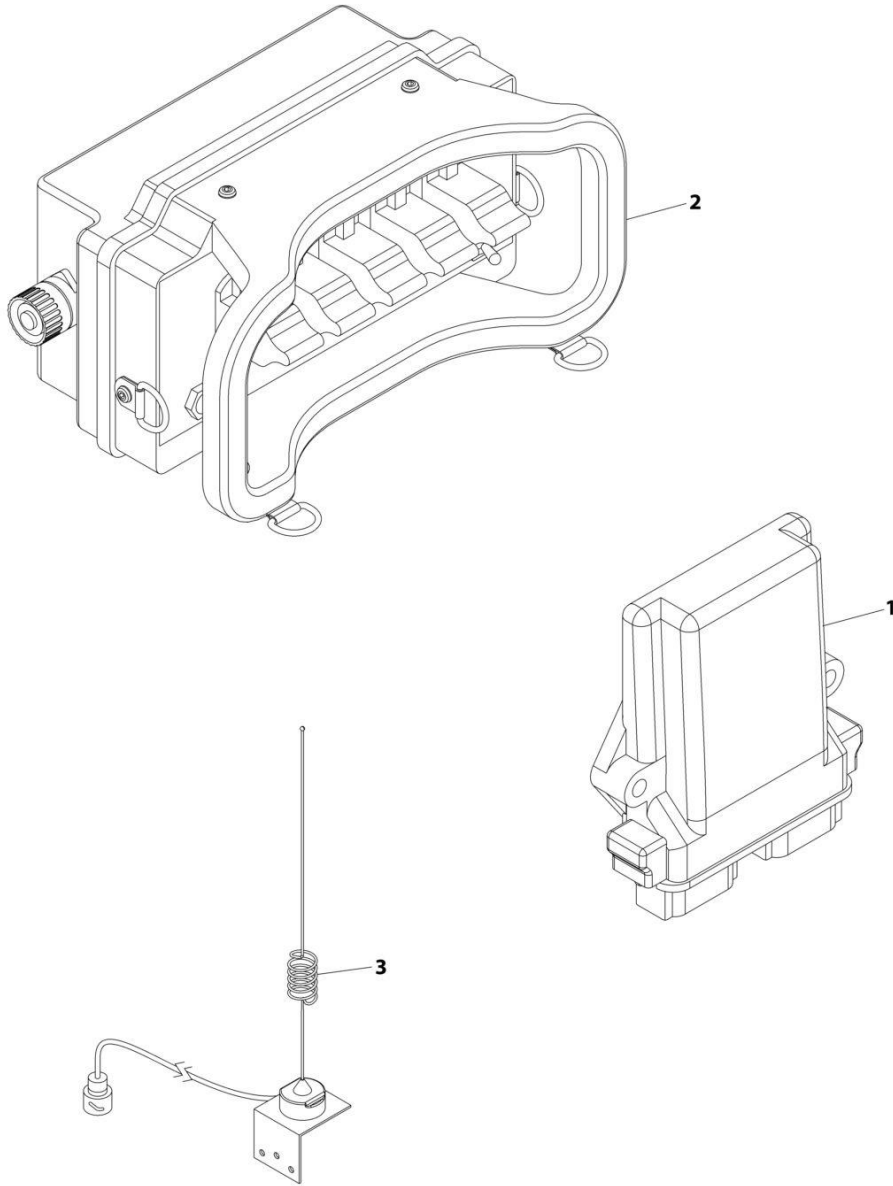
SECTION 5 - CONTROLS

FIGURE 5-16. REMOTE CONTROL INSTALLATION (14 FUNCTION PROP) (SN 0230006135 to Present)

ITEM	PART NUMBER	QTY	DESCRIPTION	REV
	1001235707	Ref	REMOTE CONTROL INSTALLATION - WIRELESS	B
1	1001234563	1	Remote Control Assembly (See Separate Breakdown in this Section)	
2	7295000146	1	Remote Control Assembly (See Separate Breakdown in this Section)	
3	1001236497	1	Harness Assembly - Remote Control (See Separate Breakdown in ELECTRICAL Section)	
4	4711000	4	Washer #10	
5	1001172004	4	Screw #10 x 1/2	
6	1001194676	4	Screw 1/4 x 3/4	
7	1001195257	4	Screw 1/4 x 1/2	
8	1001196552	8	Screw #8	
9	1001198602	7	Screw #8 x 3/8	
10	1001201384	1	Socket	
11	1001230068	4	Screw #10 x 3/4	
12	1001235386	1	Tray	
13	7075000003	1	Battery 9V (Not Shown)	
14	7274000036	4	Clamp	
15	7274000040	1	Clamp	
16	7280000018	2	Clip	
17	7950140143	4	Washer 1/4	
18	1001167286	AR	Tie Strap (Not Shown)	

SECTION 5 - CONTROLS

FIGURE 5-17. REMOTE CONTROL ASSEMBLY - WIRELESS (5 PADDLE) (SN 0230004573 through 0230006134)



ART_1001145240

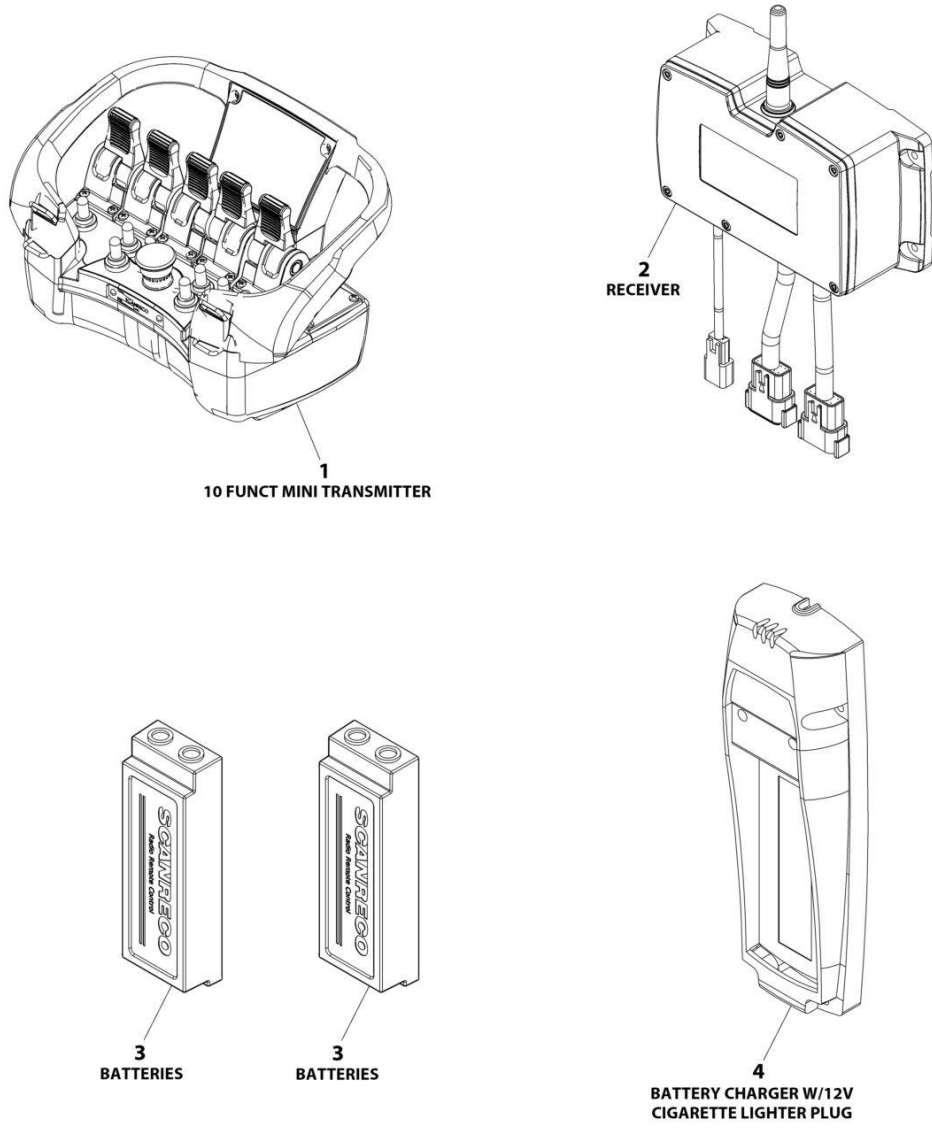
SECTION 5 - CONTROLS

FIGURE 5-17. REMOTE CONTROL ASSEMBLY - WIRELESS (5 PADDLE) (SN 0230004573 through 0230006134)

ITEM	PART NUMBER	QTY	DESCRIPTION	REV
	1001145240	Ref	REMOTE CONTROL ASSEMBLY	B
1	70050106	1	Receiver	
2	70050107	1	Transmitter	
3	9295310061	1	Antenna Kit	
4	9552310033	1	Tether - 25 FT (Not Shown)	

SECTION 5 - CONTROLS

FIGURE 5-18. REMOTE CONTROL ASSEMBLY - WIRELESS (5 PADDLE) (SN 0230006135 to Present)



ART_1001234563

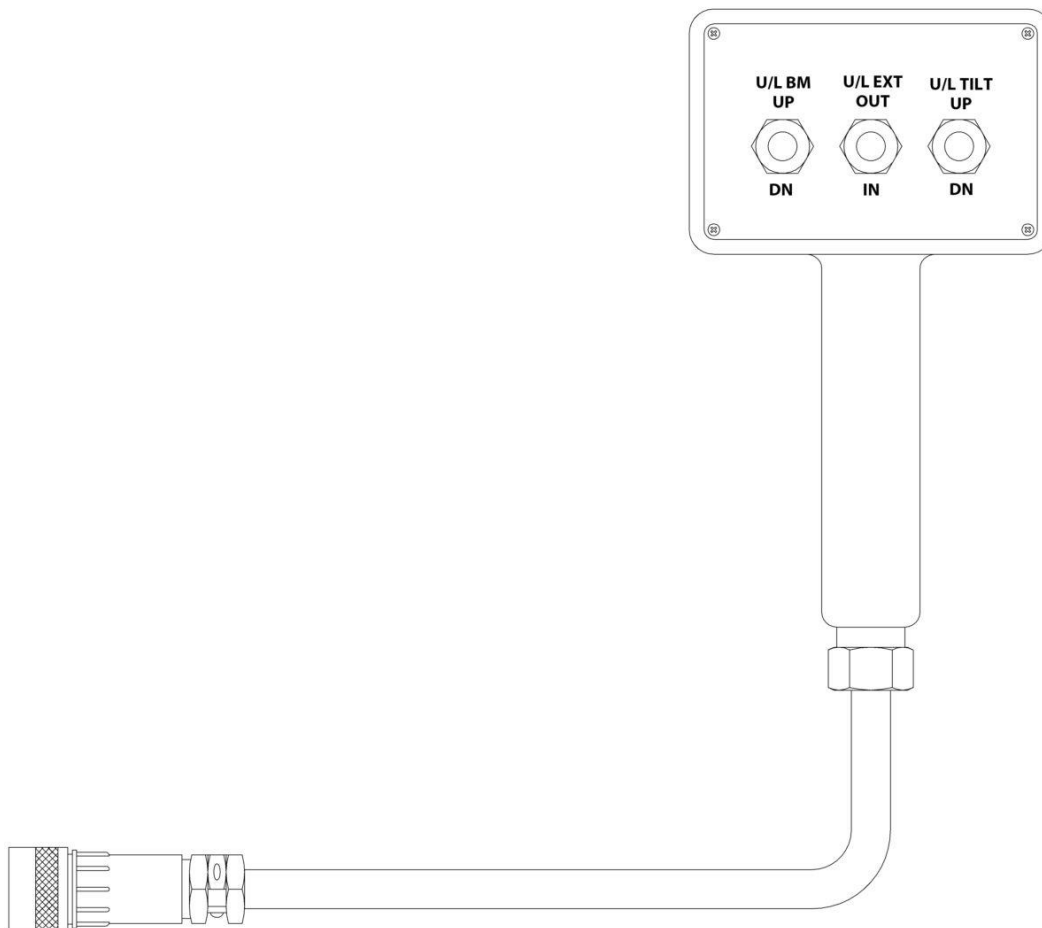
SECTION 5 - CONTROLS

FIGURE 5-18. REMOTE CONTROL ASSEMBLY - WIRELESS (5 PADDLE) (SN 0230006135 to Present)

ITEM	PART NUMBER	QTY	DESCRIPTION	REV
	1001234563	Ref	REMOTE CONTROL ASSEMBLY	C
1	1001234724	1	Transmitter Assembly	
2	1001226504	1	Receiver Assembly	
3	1001232868	2	Battery	
4	1001226798	1	Charger, Battery	
5	1001230715	1	Cable, Control (Not Shown)	
6	1001232869	1	Strap, Transmitter (Not Shown)	

SECTION 5 - CONTROLS

FIGURE 5-19. REMOTE CONTROL ASSEMBLY - WIRELESS (3 FUNCTION) (SN 0230004573 through 0230006134)



ART_7295000105

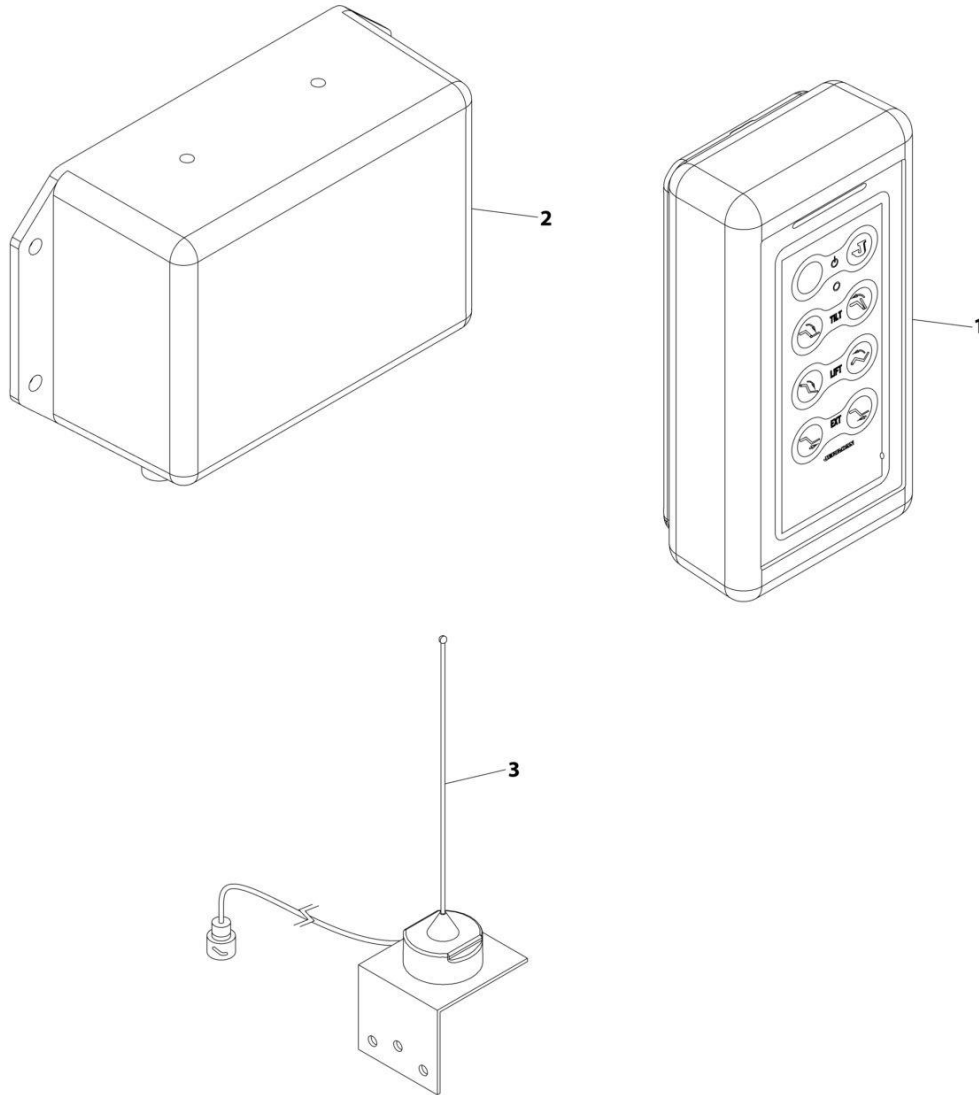
SECTION 5 - CONTROLS

FIGURE 5-19. REMOTE CONTROL ASSEMBLY - WIRELESS (3 FUNCTION) (SN 0230004573 through 0230006134)

ITEM	PART NUMBER	QTY	DESCRIPTION	REV
	7295000105	Ref Ref	REMOTE CONTROL ASSEMBLY - HAND HELD Note: No Service Parts Available. Purchase Complete Assembly.	0

SECTION 5 - CONTROLS

FIGURE 5-20. REMOTE CONTROL ASSEMBLY - WIRELESS (6 FUNCTION)



ART_7295000146

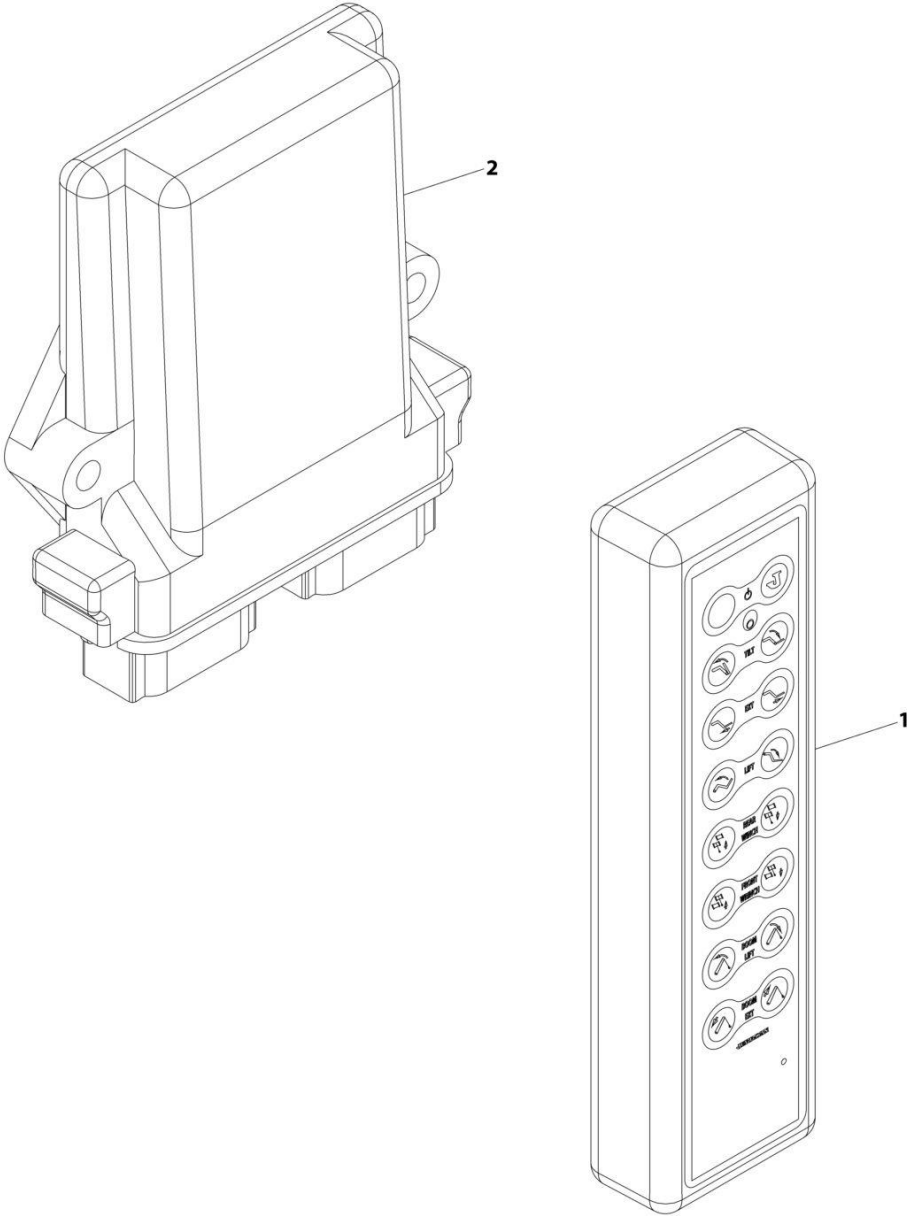
SECTION 5 - CONTROLS

FIGURE 5-20. REMOTE CONTROL ASSEMBLY - WIRELESS (6 FUNCTION)

ITEM	PART NUMBER	QTY	DESCRIPTION	REV
	7295000146	Ref	REMOTE CONTROL ASSEMBLY (6 FUNCTION HANDHELD)	B
1	70051481	1	Transmitter, Handheld	
1	70051465	1	Clip, Belt	
1	70051466	1	Boot, Transmitter Rubber	
2	9295310068	1	Receiver	
3	9295310069	1	Antenna with Bracket & Cable	

SECTION 5 - CONTROLS

FIGURE 5-21. REMOTE CONTROL ASSEMBLY - WIRELESS (14 FUNCTION)



ART_7295000124

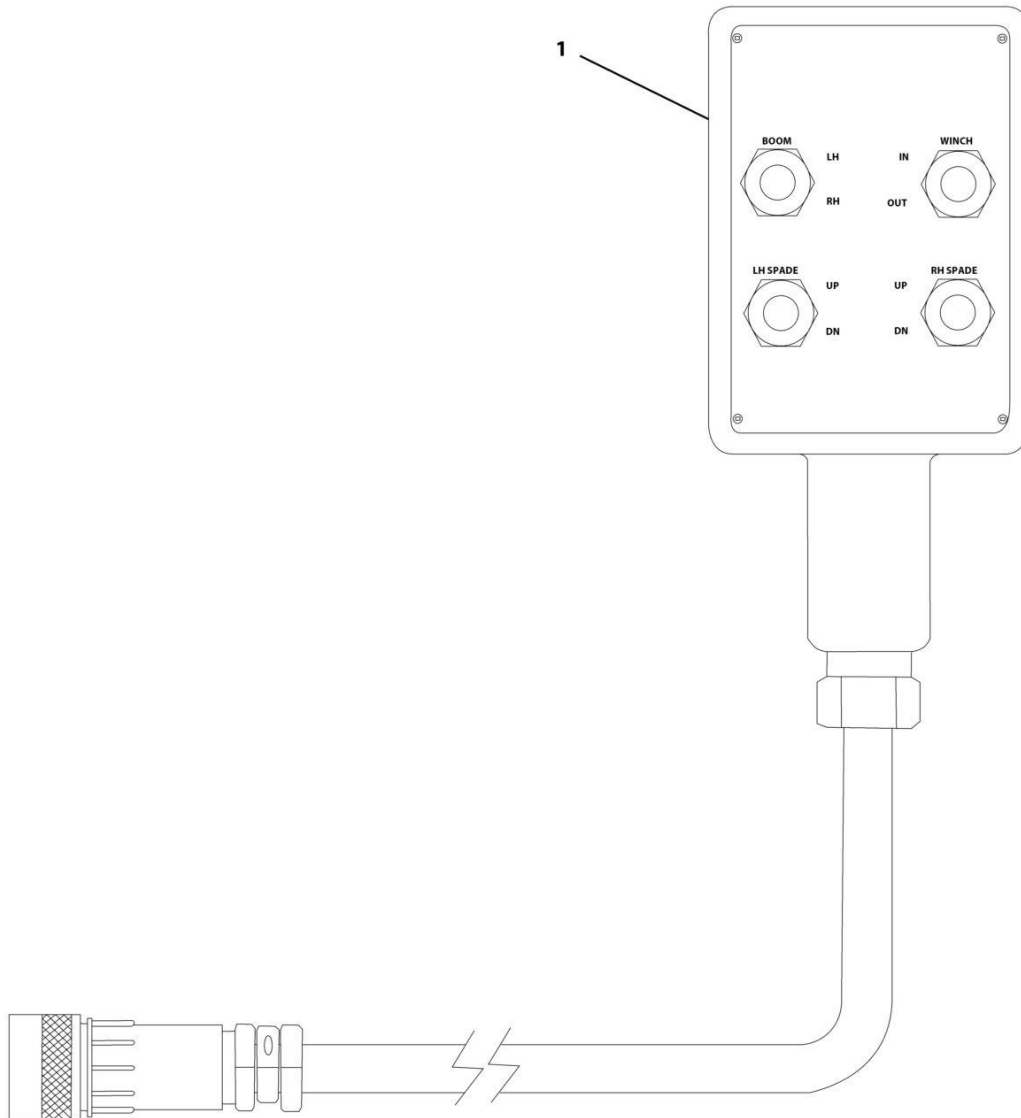
SECTION 5 - CONTROLS

FIGURE 5-21. REMOTE CONTROL ASSEMBLY - WIRELESS (14 FUNCTION)

ITEM	PART NUMBER	QTY	DESCRIPTION	REV
	7295000124	Ref	REMOTE CONTROL ASSEMBLY (14 FUNCTION HANDHELD)	B
1	70051480	1	Transmitter, Handheld	
1	70051465	1	Clip, Belt	
2	1001139464	1	Receiver	

SECTION 5 - CONTROLS

FIGURE 5-22. REMOTE CONTROL ASSEMBLY - HAND HELD (SRS)



ART_7295000126

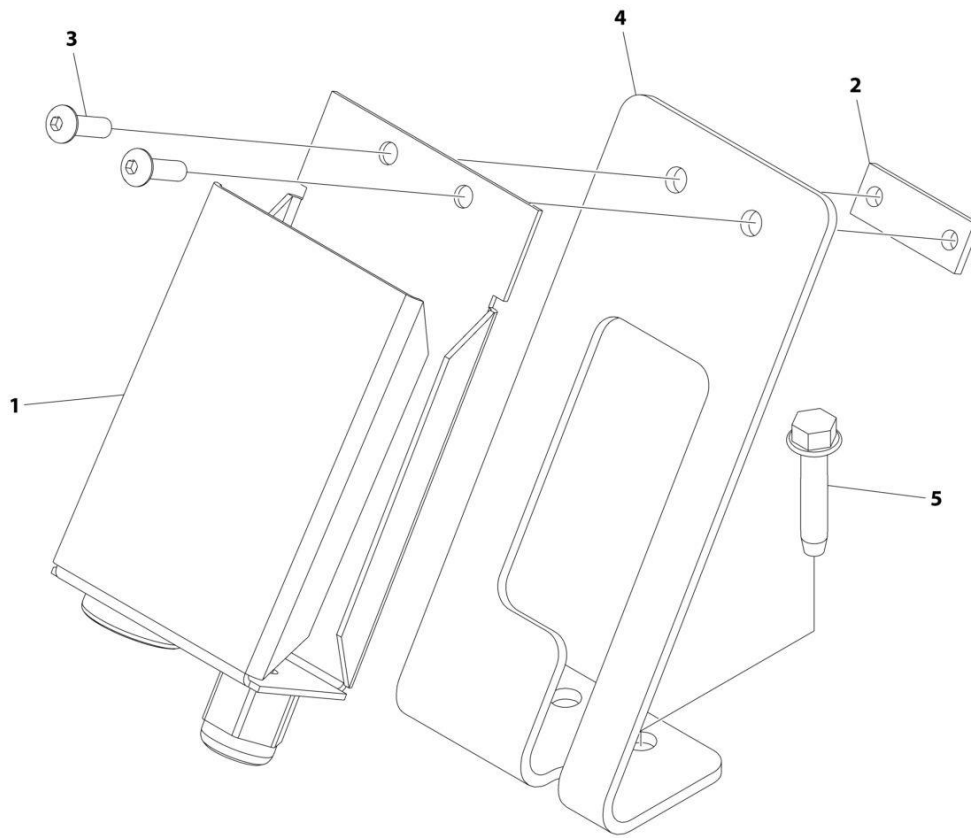
SECTION 5 - CONTROLS

FIGURE 5-22. REMOTE CONTROL ASSEMBLY - HAND HELD (SRS)

ITEM	PART NUMBER	QTY	DESCRIPTION	REV
1	7295000126 7295000126	Ref 1	REMOTE CONTROL ASSEMBLY - HAND HELD (SRS) Controller - 8 Function	A

SECTION 5 - CONTROLS

FIGURE 5-23. REMOTE CONTROL HOLDER INSTALLATION



ART_2002000031

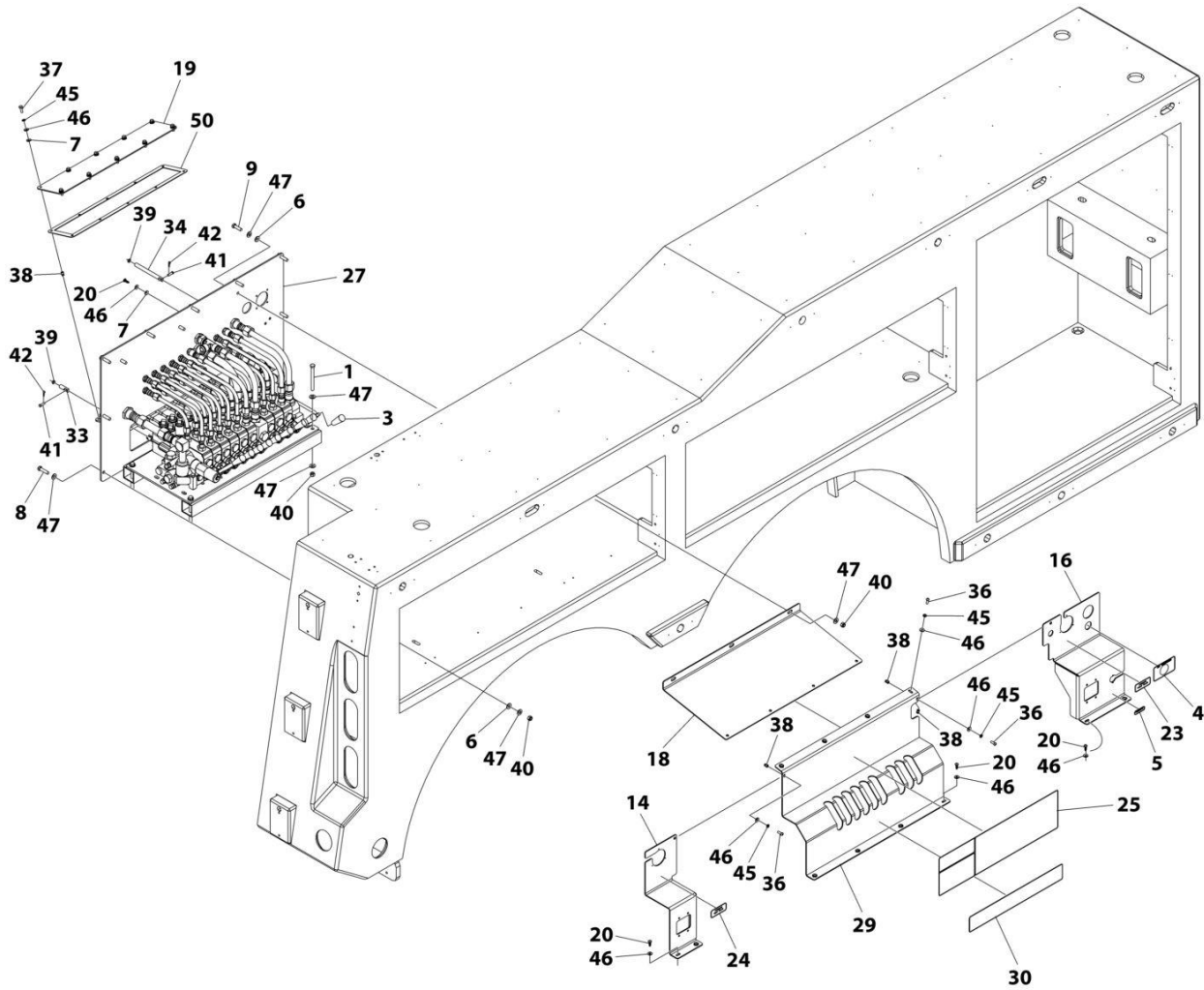
SECTION 5 - CONTROLS

FIGURE 5-23. REMOTE CONTROL HOLDER INSTALLATION

ITEM	PART NUMBER	QTY	DESCRIPTION	REV
	2002000031	Ref	Remote Control Transmitter Holder	D
1	7002000521	1	Holder, Box	
2	7661000056	1	Nut #10	
3	7114100518	2	Screw #10 x 5/8	
4	1001230127	1	Mount	
5	7790142051	2	Screw 1/4 x 1-1/4	

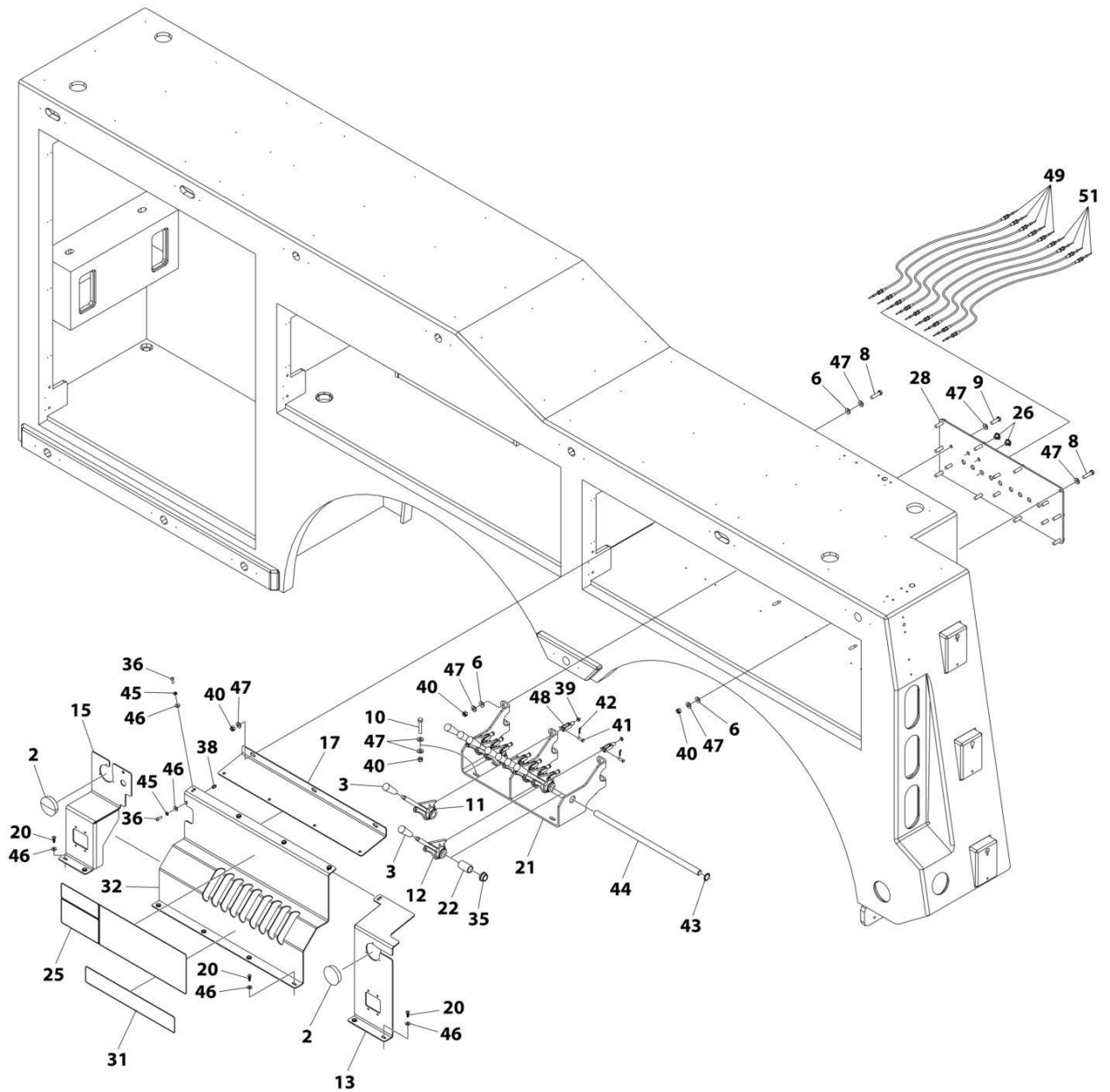
SECTION 5 - CONTROLS

FIGURE 5-24. CONTROLS INSTALLATION - 9 SECTION/3 SOLENOID (SN 0230004275 through 0230004572)



ART_1001207715_1OF2

SECTION 5 - CONTROLS



ART_1001207715_20F2

SECTION 5 - CONTROLS

FIGURE 5-24. CONTROLS INSTALLATION - 9 SECTION/3 SOLENOID (SN 0230004275 through 0230004572)

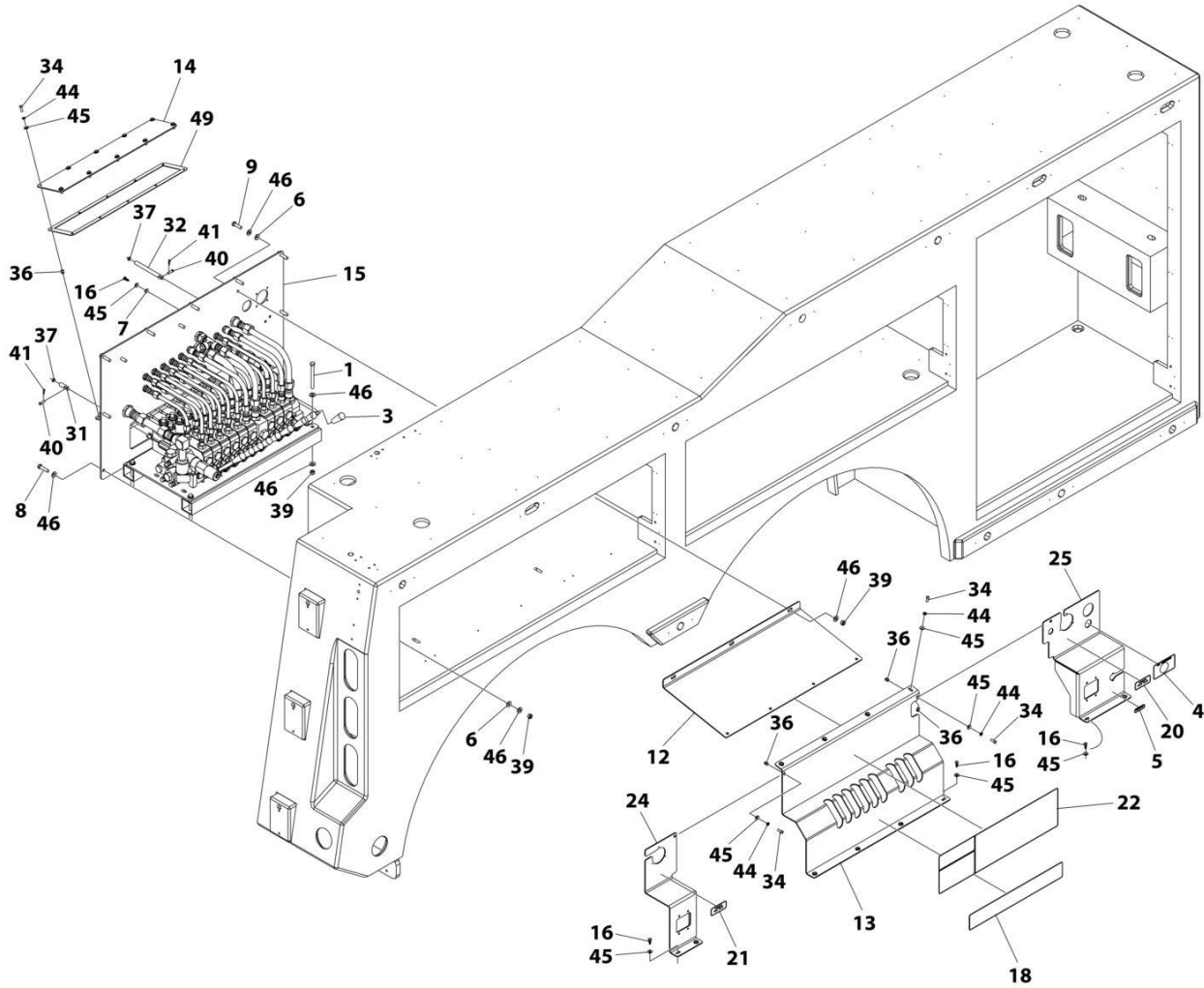
ITEM	PART NUMBER	QTY	DESCRIPTION	REV
	1001207715	Ref	CONTROLS INSTALLATION - 9 SECTION/3 SOLENOID	B
1	0641632	4	Bolt 3/8 x 4	
2	3520064	2	Plug	
3	1001130491	18	Knob, Control	
4	1001134433	1	Decal	
5	1001154277	1	Decal	
6	1001166974	31	Washer 3/8	
7	1001166978	13	Washer 1/4	
8	1001168993	22	Bolt 3/8 x 1-1/2	
9	1001169080	9	Bolt 3/8 x 1-1/4	
10	1001169083	4	Bolt 3/8 x 2	
11	1001184827	2	Handle, Long	
12	1001184828	7	Handle, Short	
13	1001199318	1	Panel, Controls Rear LH	
14	1001199322	1	Panel, Controls Rear RH	
15	1001199311	1	Panel, Controls Front LH	
16	1001199324	1	Panel, Controls Front RH	
17	1001189783	1	Panel, Controls Top LH	
18	1001189784	1	Panel, Controls Top RH	
19	1001189993	1	Panel, Cover	
20	1001194676	19	Screw 1/4 x 3/4	
21	1001212427	1	Bracket, Controls Handles LH	
22	1001194736	1	Spacer	
23	1001196909	1	Decal	
24	1001196910	1	Decal	
25	1001196911	2	Decal	
26	1001201079	2	Plug	
27	1001202432	1	Valve Sub-Assembly (See Separate Breakdown in HYDRAULIC Section)	
28	1001202499	1	Plate, Bulkhead 9 Section LH	
29	1001202508	1	Panel, Controls 9 Section RH	
30	1001202517	1	Decal	
31	1001202518	1	Decal	
32	1001202680	1	Panel, Controls 9 Section LH	
33	4309000001	3	Coupling	
34	4309000007	6	Coupling	
35	7082000005	2	Bearing	
36	7114140618	11	Capscrew 1/4 x 3/4	
37	7114140650	10	Bolt 1/4 x 3/4	
38	7413000002	21	Nutsert 1/4	
39	7660140230	18	Nut 1/4	
40	7660162601	39	Nut 3/8	
41	7690141200	18	Pin	
42	7691000075	18	Pin	
43	7754000009	2	Ring, Retaining	
44	7806000008	1	Shaft	
45	7950140003	21	Washer 1/4	
46	7950140143	40	Washer 1/4	
47	7950160143	78	Washer 3/8	

SECTION 5 - CONTROLS

ITEM	PART NUMBER	QTY	DESCRIPTION	REV
48	7990000003	9	Yoke	
49	1001202741	5	Cable, Push-Pull	
50	7796000012	4 ft	Seal	
51	1001206801	4	Cable, Push-Pull	

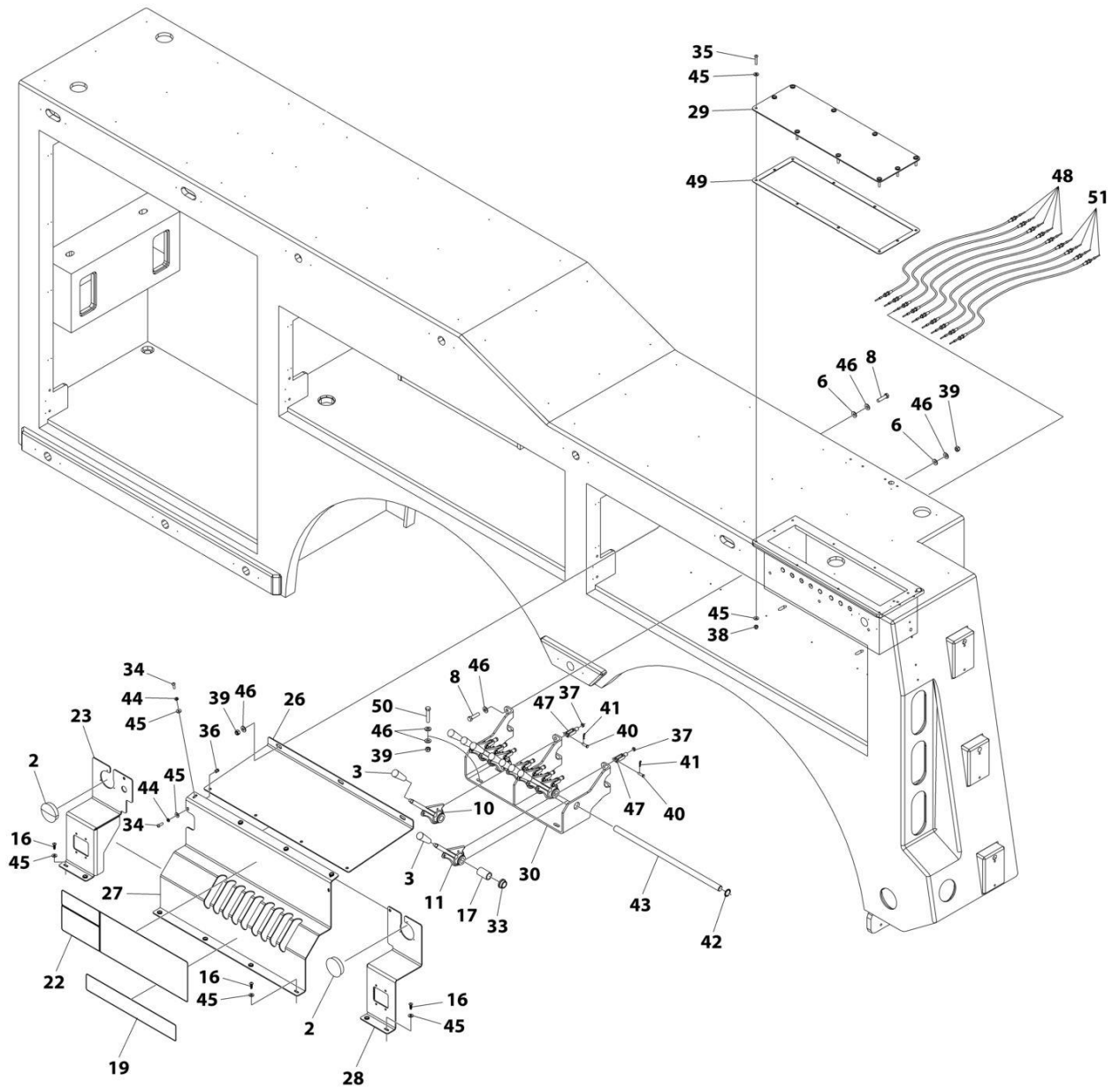
SECTION 5 - CONTROLS

FIGURE 5-25. CONTROLS INSTALLATION - 9 SECTION/3 SOLENOID (SN 0230004573 through 0230006134)



ART_1001219699_1OF2

SECTION 5 - CONTROLS



ART_1001219699_20F2

SECTION 5 - CONTROLS

FIGURE 5-25. CONTROLS INSTALLATION - 9 SECTION/3 SOLENOID (SN 0230004573 through 0230006134)

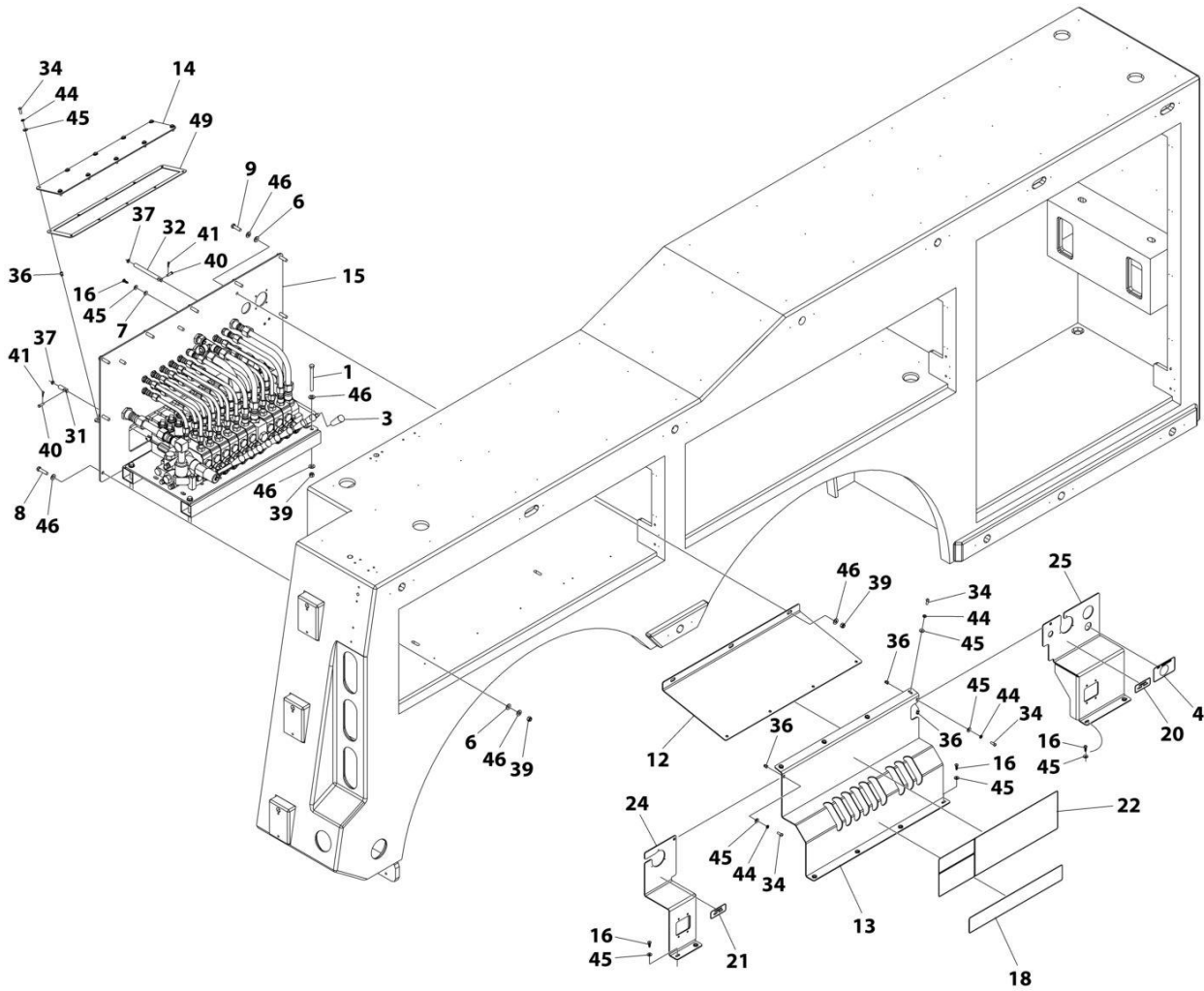
ITEM	PART NUMBER	QTY	DESCRIPTION	REV
	1001219699	Ref	CONTROLS INSTALLATION - 9 SECTION/3 SOLENOID	
1	0641632	4	Bolt 3/8 x 4	
2	3520064	2	Plug	
3	1001130491	18	Knob, Control	
4	1001134433	1	Decal	
5	1001154277	1	Decal	
6	1001166974	21	Washer 3/8	
7	1001166978	3	Washer 1/4	
8	1001168993	18	Bolt 3/8 x 1-1/2	
9	1001169080	3	Bolt 3/8 x 1-1/4	
10	1001184827	2	Handle, Long	
11	1001184828	7	Handle, Short	
12	1001189784	1	Panel, Controls Top RH	
13	1001202508	1	Panel, Controls 9 Section RH	
14	1001189993	1	Panel, Cover	
15	1001202432	1	Valve Sub-Assembly (See Separate Breakdown in HYDRAULIC Section)	
16	1001194676	19	Screw 1/4 x 3/4	
17	1001194736	1	Spacer	
18	1001202517	1	Decal	
19	1001202518	1	Decal	
20	1001196909	1	Decal	
21	1001196910	1	Decal	
22	1001196911	2	Decal	
23	1001199311	1	Panel, Controls Front LH	
24	1001199322	1	Panel, Controls Rear RH	
25	1001199324	1	Panel, Controls Front RH	
26	1001214902	1	Panel, Controls Top LH	
27	1001219743	1	Panel, Controls 9 Section LH	
28	1001219691	1	Panel, Controls Rear LH	
29	1001219937	1	Plate, Cover	
30	1001220068	1	Bracket	
31	4309000001	3	Coupling	
32	4309000007	6	Coupling	
33	7082000005	2	Bearing	
34	7114140618	22	Capscrew 1/4 x 3/4	
35	7114141018	10	Capscrew 1/4 x 1-1/4	
36	7413000002	22	Nutsert 1/4	
37	7660140230	18	Nut 1/4	
38	7660142601	10	Nut 1/4	
39	7660162601	29	Nut 3/8	
40	7690141200	18	Pin	
41	7691000075	18	Pin	
42	7754000009	2	Ring, Retaining	
43	7806000008	1	Shaft	
44	7990000003	22	Yoke	
45	7950140143	61	Washer 1/4	
46	7950160143	58	Washer 3/8	
47	7950140003	9	Washer 1/4	

SECTION 5 - CONTROLS

ITEM	PART NUMBER	QTY	DESCRIPTION	REV
48	1001202741	5	Cable, Push-Pull	
49	7796000012	9 ft	Seal	
50	1001169083	4	Bolt 3/8 x 2	
51	1001206801	4	Cable, Push-Pull	

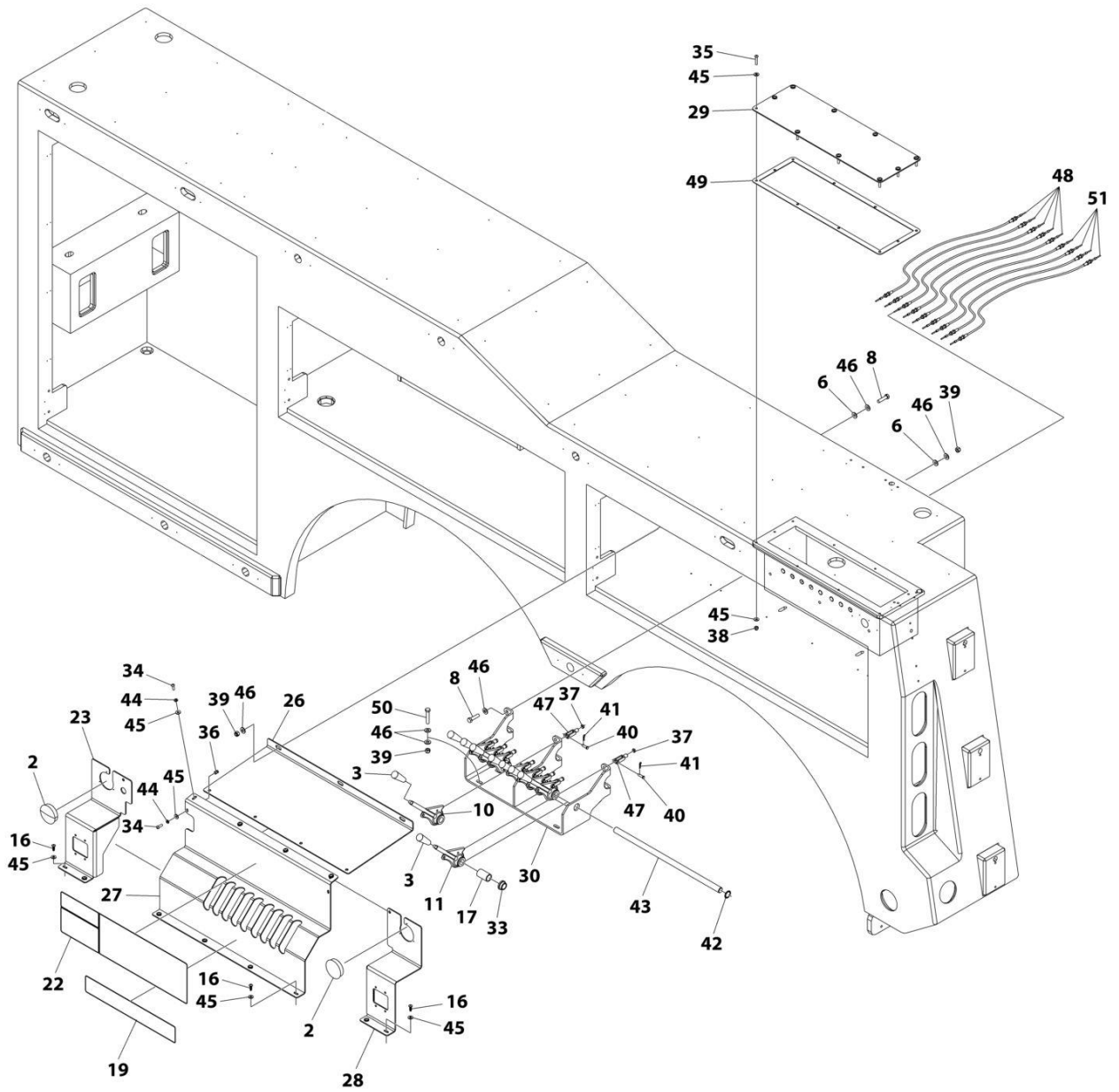
SECTION 5 - CONTROLS

FIGURE 5-26. CONTROLS INSTALLATION - 9 SECTION/3 SOLENOID (SN 0230006135 to Present)



ART_1001235578_1OF2

SECTION 5 - CONTROLS



ART_1001235578_20F2

SECTION 5 - CONTROLS

FIGURE 5-26. CONTROLS INSTALLATION - 9 SECTION/3 SOLENOID (SN 0230006135 to Present)

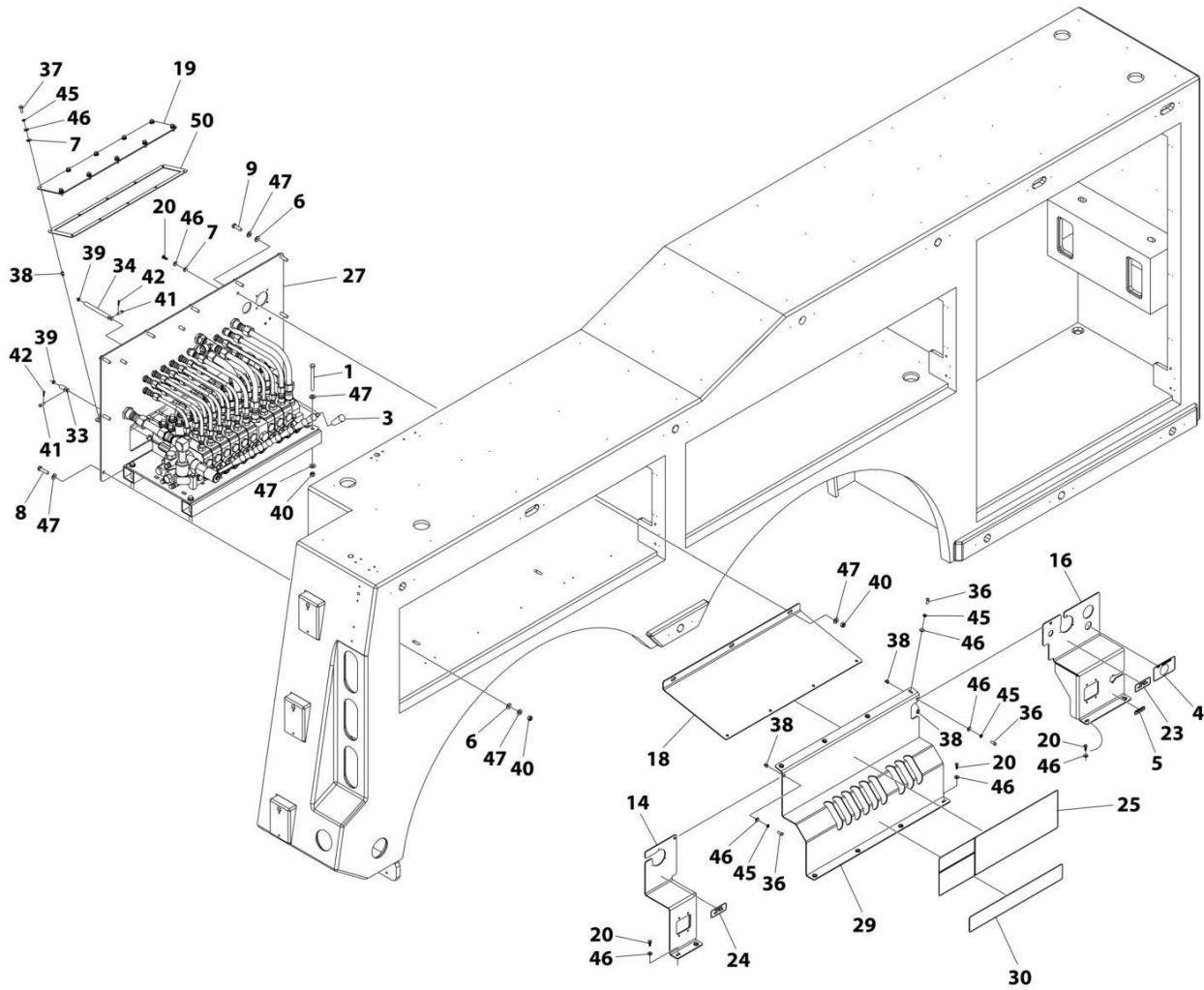
ITEM	PART NUMBER	QTY	DESCRIPTION	REV
	1001235578	Ref	CONTROLS INSTALLATION - 9 SECTION/3 SOLENOID	C
1	0641632	4	Bolt 3/8 x 4	
2	3520064	2	Plug	
3	1001130491	18	Knob, Control	
4	1001257300	1	Decal	
6	1001166974	21	Washer 3/8	
7	1001166978	3	Washer 1/4	
8	1001168993	18	Bolt 3/8 x 1-1/2	
9	1001169080	3	Bolt 3/8 x 1-1/4	
10	1001184827	2	Handle, Long	
11	1001184828	7	Handle, Short	
12	1001189784	1	Panel, Controls Top RH	
13	1001202508	1	Panel, Controls 9 Section RH	
14	1001189993	1	Panel, Cover	
15	1001202432	1	Valve Sub-Assembly (See Separate Breakdown in HYDRAULIC Section)	
16	1001194676	19	Screw 1/4 x 3/4	
17	1001194736	1	Spacer	
18	1001202517	1	Decal	
19	1001202518	1	Decal	
20	1001196909	1	Decal	
21	1001196910	1	Decal	
22	1001196911	2	Decal	
23	1001235583	1	Panel, Controls Front LH	
24	1001199322	1	Panel, Controls Rear RH	
25	1001235584	1	Panel, Controls Front RH	
26	1001214902	1	Panel, Controls Top LH	
27	1001219743	1	Panel, Controls 9 Section LH	
28	1001219691	1	Panel, Controls Rear LH	
29	1001219937	1	Plate, Cover	
30	1001220068	1	Bracket, Controls Handles LH	
31	4309000001	3	Coupling	
32	4309000007	6	Coupling	
33	7082000005	2	Bearing	
34	7114140618	22	Capscrew 1/4 x 3/4	
35	7114141018	10	Capscrew 1/4 x 1-1/4	
36	7413000002	22	Nutsert 1/4	
37	7660140230	18	Nut 1/4	
38	7660142601	10	Nut 1/4	
39	7660162601	29	Nut 3/8	
40	7690141200	18	Pin	
41	7691000075	18	Pin	
42	7754000009	2	Ring, Retaining	
43	7806000008	1	Shaft	
44	7950140003	22	Washer 1/4	
45	7950140143	61	Washer 1/4	
46	7950160143	58	Washer 3/8	
47	7990000003	9	Yoke	
48	1001202741	5	Cable, Push-Pull	
49	7796000012	9 ft	Seal	

SECTION 5 - CONTROLS

ITEM	PART NUMBER	QTY	DESCRIPTION	REV
50	1001169083	4	Bolt 3/8 x 2	
51	1001206801	4	Cable, Push-Pull	

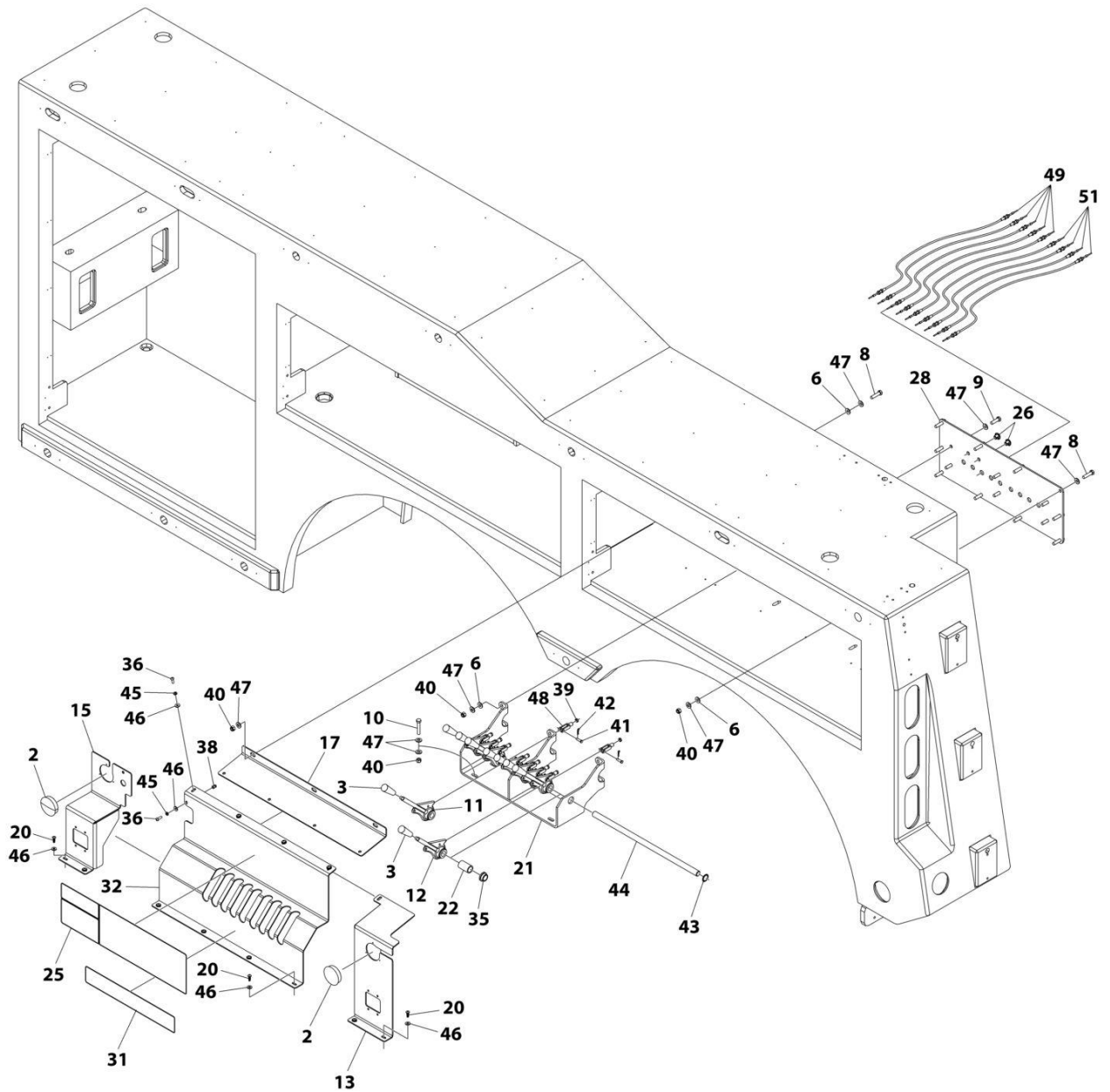
SECTION 5 - CONTROLS

FIGURE 5-27. CONTROLS INSTALLATION - 9 SECTION/7 SOLENOID (SN 0230004275 through 0230004572)



ART_1001207716_1OF2

SECTION 5 - CONTROLS



ART_1001207716_20F2

SECTION 5 - CONTROLS

FIGURE 5-27. CONTROLS INSTALLATION - 9 SECTION/7 SOLENOID (SN 0230004275 through 0230004572)

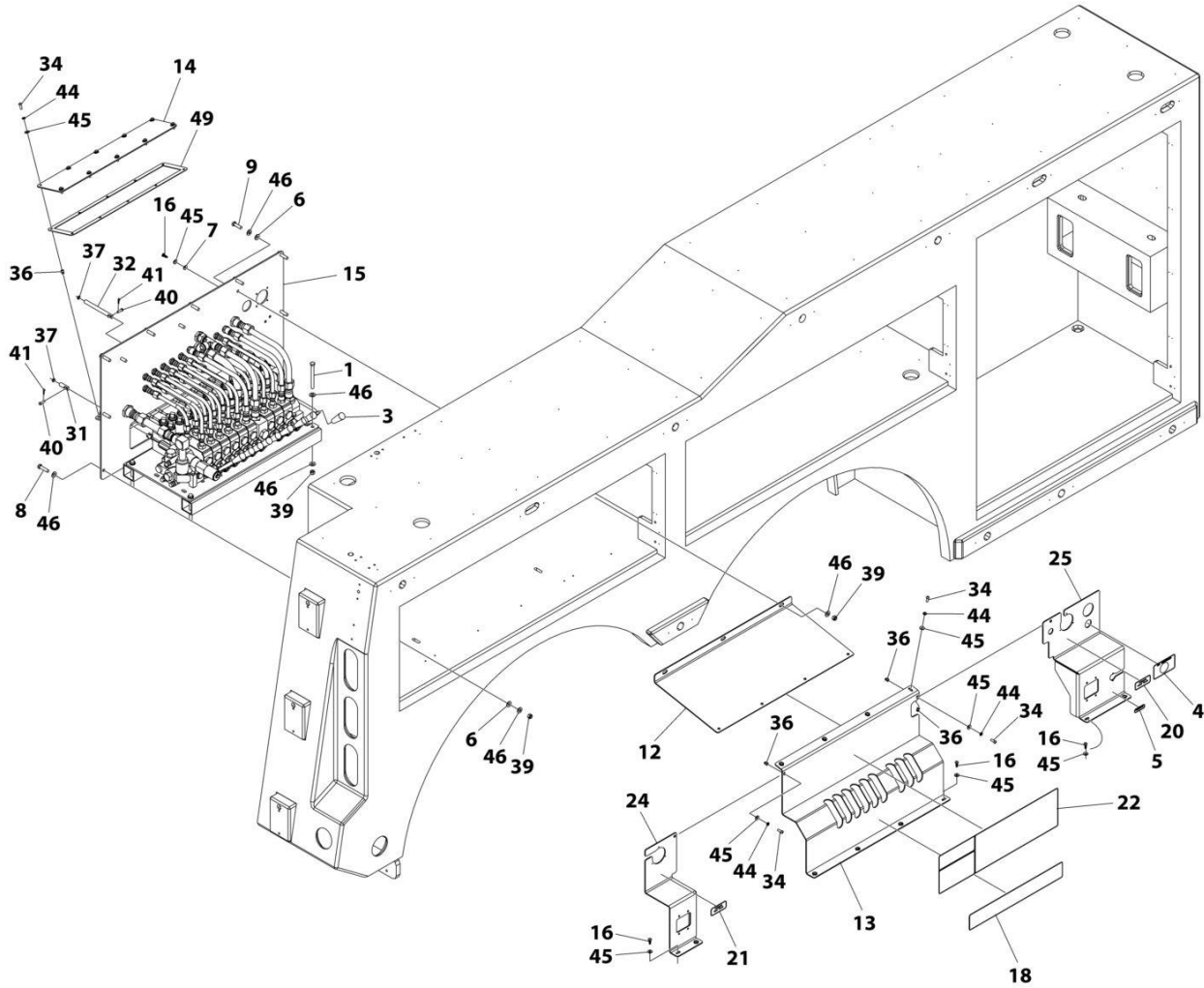
ITEM	PART NUMBER	QTY	DESCRIPTION	REV
	1001207716	Ref	CONTROLS INSTALLATION - 9 SECTION/7 SOLENOID	B
1	0641632	4	Bolt 3/8 x 4	
2	3520064	2	Plug	
3	1001130491	18	Knob, Control	
4	1001134433	1	Decal	
5	1001154277	1	Decal	
6	1001166974	31	Washer 3/8	
7	1001166978	13	Washer 1/4	
8	1001168993	22	Bolt 3/8 x 1-1/2	
9	1001169080	9	Bolt 3/8 x 1-1/4	
10	1001169083	4	Bolt 3/8 x 2	
11	1001184827	2	Handle, Long	
12	1001184828	7	Handle, Short	
13	1001199318	1	Panel, Controls Rear LH	
14	1001199322	1	Panel, Controls Rear RH	
15	1001199311	1	Panel, Controls Front LH	
16	1001199324	1	Panel, Controls Front RH	
17	1001189783	1	Panel, Controls Top LH	
18	1001189784	1	Panel, Controls Top RH	
19	1001189993	1	Panel, Cover	
20	1001194676	19	Screw 1/4 x 3/4	
21	1001212427	1	Bracket, Controls Handles LH	
22	1001194736	1	Spacer	
23	1001196909	1	Decal	
24	1001196910	1	Decal	
25	1001196911	2	Decal	
26	1001201079	2	Plug	
27	1001202433	1	Valve Sub-Assembly (See Separate Breakdown in HYDRAULIC Section)	
28	1001202499	1	Panel, Controls 9 Section LH	
29	1001202508	1	Panel, Controls 9 Section RH	
30	1001202517	1	Decal	
31	1001202518	1	Decal	
32	1001202680	1	Panel, Controls 9 Section LH	
33	4309000001	7	Coupling	
34	4309000007	2	Coupling	
35	7082000005	2	Bearing	
36	7114140618	11	Capscrew 1/4 x 3/4	
37	7114140650	10	Capscrew 1/4 x 3/4	
38	7413000002	21	Nutsert 1/4	
39	7660140230	18	Nut 1/4	
40	7660162601	39	Nut 3/8	
41	7690141200	18	Pin	
42	7691000075	18	Pin	
43	7754000009	2	Ring, Retaining	
44	7806000008	1	Shaft	
45	7950140003	21	Washer 1/4	
46	7950140143	40	Washer 1/4	
47	7950160143	78	Washer 3/8	

SECTION 5 - CONTROLS

ITEM	PART NUMBER	QTY	DESCRIPTION	REV
48	7990000003	9	Yoke	
49	1001202741	5	Cable, Push-Pull	
50	7796000012	4 ft	Seal	
51	1001206801	4	Cable, Push-Pull	

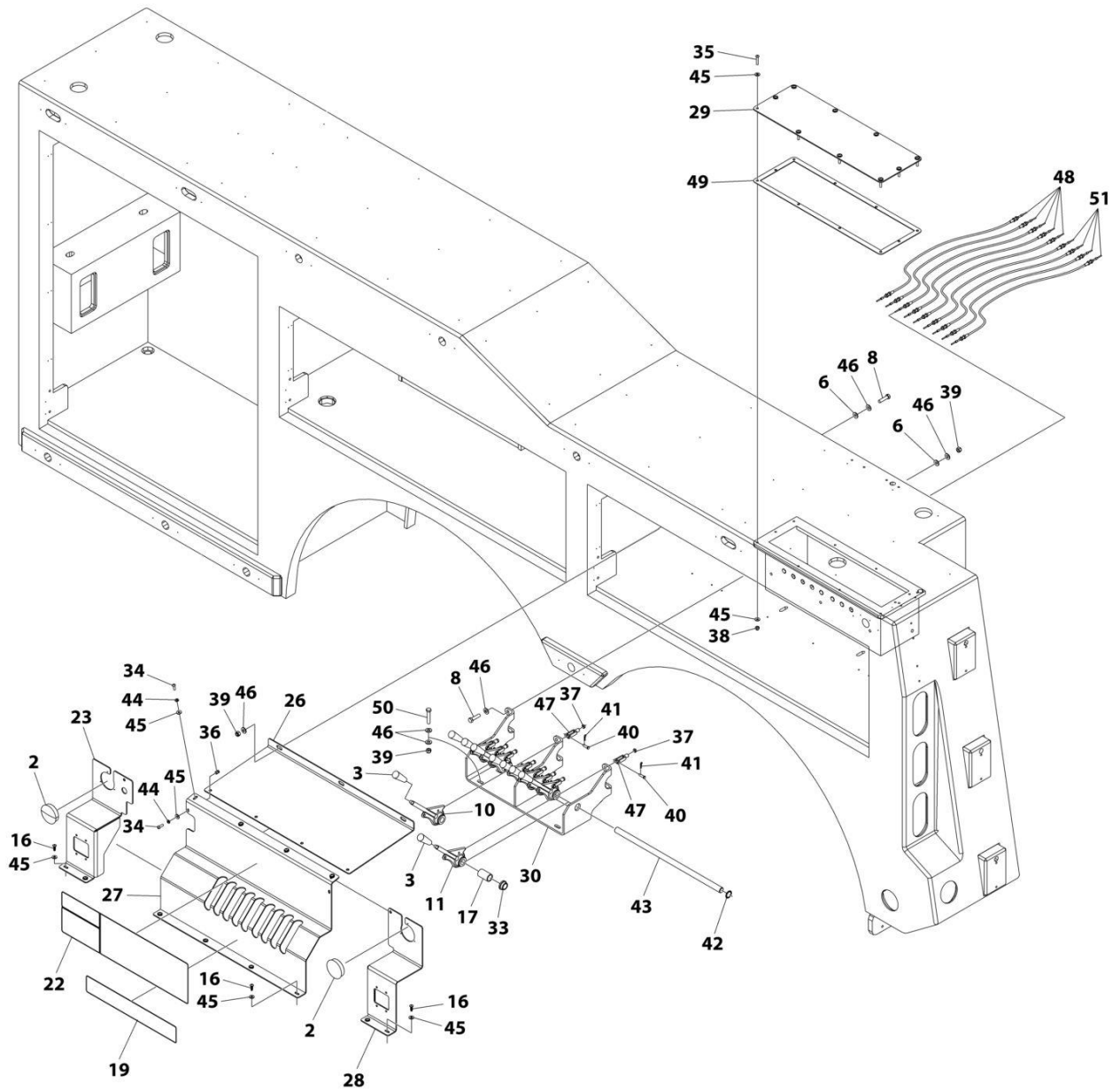
SECTION 5 - CONTROLS

FIGURE 5-28. CONTROLS INSTALLATION - 9 SECTION/7 SOLENOID (SN 0230004573 through 0230006134)



ART_1001219700_1OF2

SECTION 5 - CONTROLS



ART_1001219700_20F2

SECTION 5 - CONTROLS

FIGURE 5-28. CONTROLS INSTALLATION - 9 SECTION/7 SOLENOID (SN 0230004573 through 0230006134)

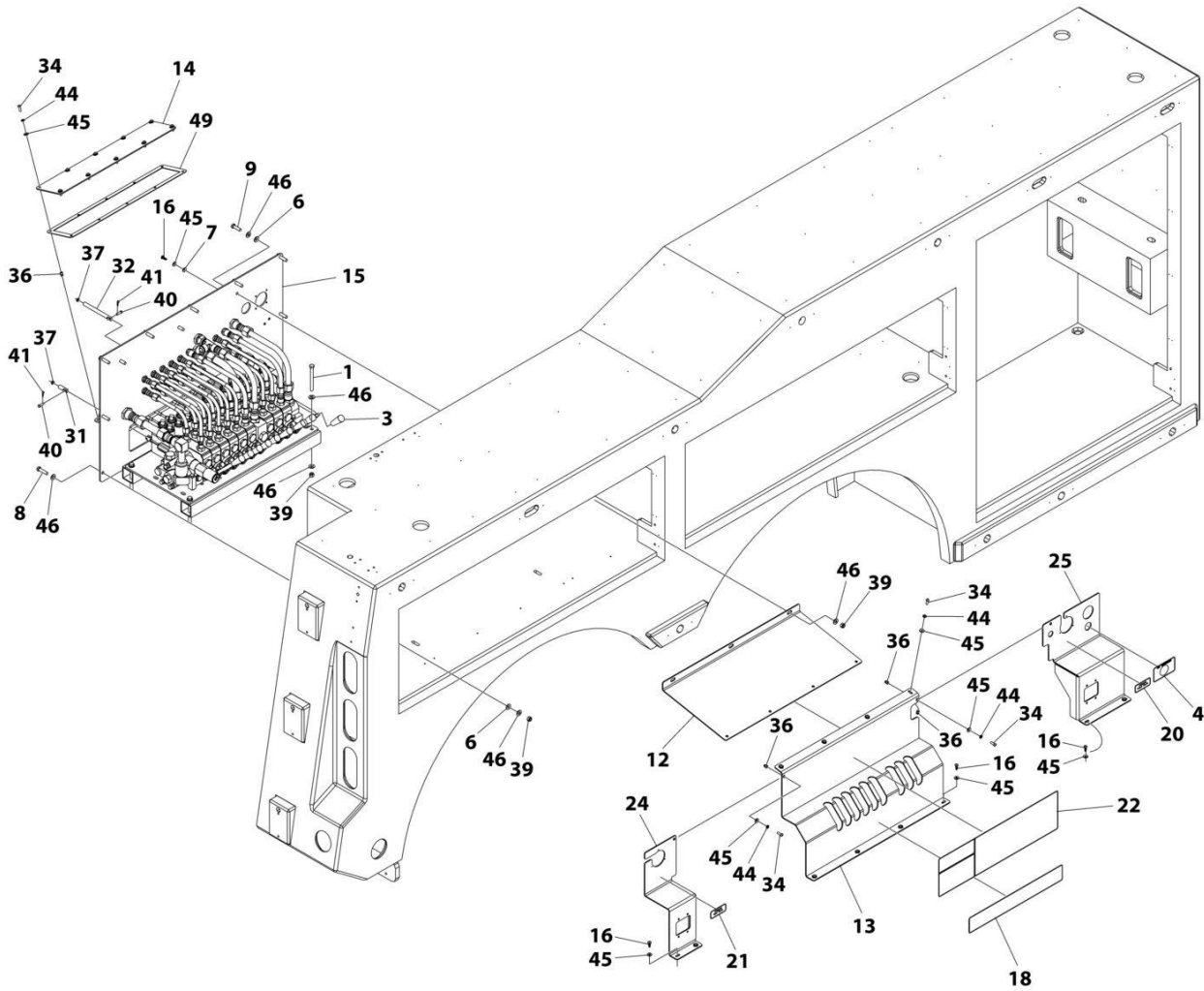
ITEM	PART NUMBER	QTY	DESCRIPTION	REV
	1001219700	Ref	CONTROLS INSTALLATION - 9 SECTION/7 SOLENOID	B
1	0641632	4	Bolt 3/8 x 4	
2	3520064	2	Plug	
3	1001130491	18	Knob, Control	
4	1001134433	1	Decal	
5	1001154277	1	Decal	
6	1001166974	21	Washer 3/8	
7	1001166978	3	Washer 1/4	
8	1001168993	18	Bolt 3/8 x 1-1/2	
9	1001169080	3	Bolt 3/8 x 1-1/4	
10	1001184827	2	Handle, Long	
11	1001184828	7	Handle, Short	
12	1001189784	1	Panel, Controls Top RH	
13	1001202508	1	Panel, Controls 9 Section RH	
14	1001189993	1	Panel, Cover	
15	1001202433	1	Valve Sub-Assembly (See Separate Breakdown in HYDRAULIC Section)	
16	1001194676	19	Screw 1/4 x 3/4	
17	1001194736	1	Spacer	
18	1001202517	1	Decal	
19	1001202518	1	Decal	
20	1001196909	1	Decal	
21	1001196910	1	Decal	
22	1001196911	2	Decal	
23	1001199311	1	Panel, Controls Front LH	
24	1001199322	1	Panel, Controls Rear RH	
25	1001199324	1	Panel, Controls Front RH	
26	1001214902	1	Panel, Controls Top LH	
27	1001219743	1	Panel, Controls 9 Section LH	
28	1001219691	1	Panel, Controls Rear LH	
29	1001219937	1	Plate, Cover	
30	1001220068	1	Bracket, Controls Handles LH	
31	4309000001	7	Coupling	
32	4309000007	2	Coupling	
33	7082000005	2	Bearing	
34	7114140618	22	Capscrew 1/4 x 3/4	
35	7114141018	10	Capscrew 1/4 x 1-1/4	
36	7413000002	22	Nutsert 1/4	
37	7660140230	18	Nut 1/4	
38	7660142601	10	Nut 1/4	
39	7660162601	29	Nut 3/8	
40	7690141200	18	Pin	
41	7691000075	18	Pin	
42	7754000009	2	Ring, Retaining	
43	7806000008	1	Shaft	
44	7950140003	22	Washer 1/4	
45	7950140143	61	Washer 1/4	
46	7950160143	58	Washer 3/8	
47	7990000003	9	Yoke	

SECTION 5 - CONTROLS

ITEM	PART NUMBER	QTY	DESCRIPTION	REV
48	1001202741	5	Cable, Push-Pull	
49	7796000012	9 ft	Seal	
50	1001169083	4	Bolt 3/8 x 2	
51	1001206801	4	Cable, Push-Pull	

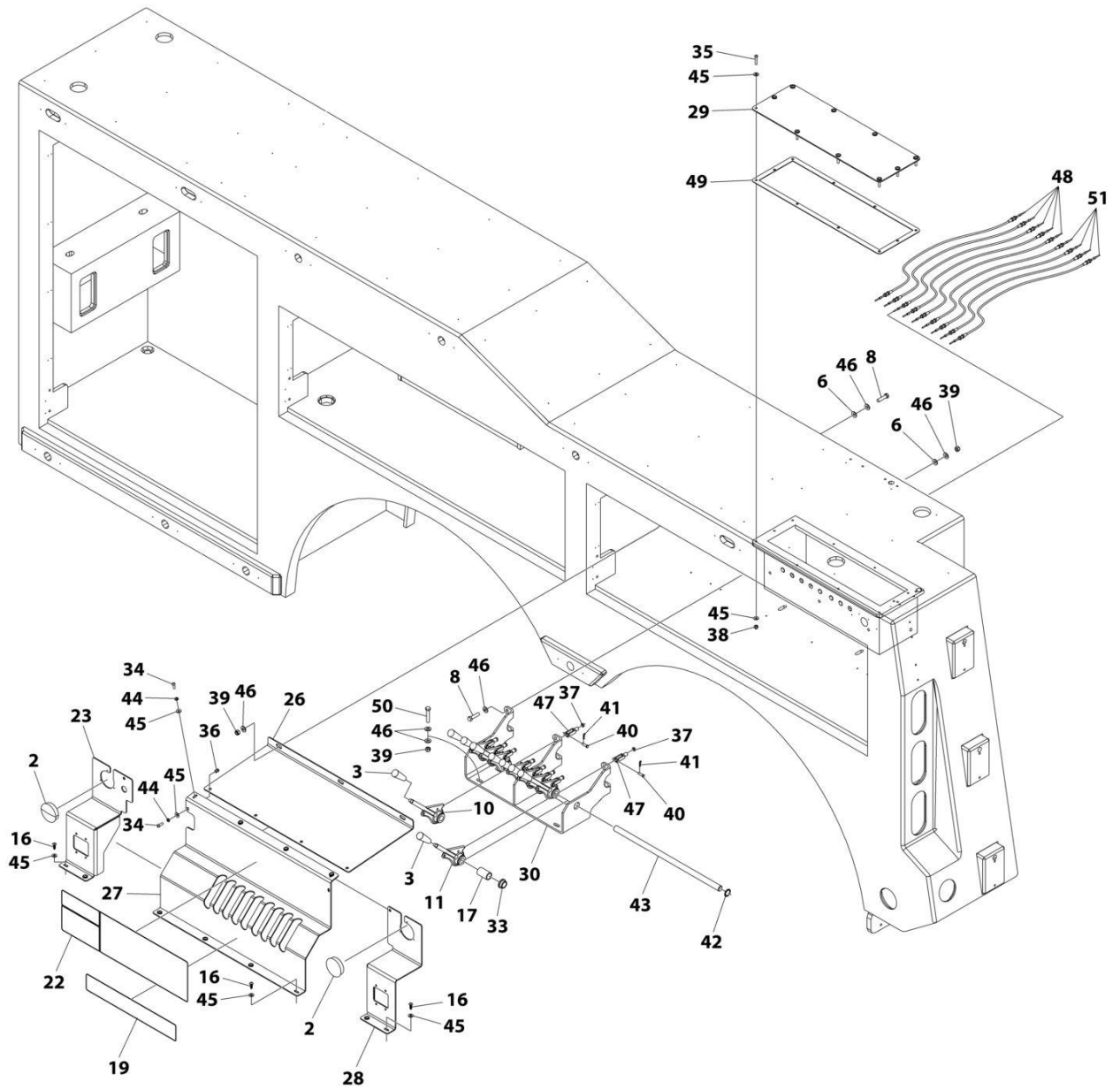
SECTION 5 - CONTROLS

FIGURE 5-29. CONTROLS INSTALLATION - 9 SECTION/7 SOLENOID (SN 0230006135 to Present)



ART_1001235579_1OF2

SECTION 5 - CONTROLS



ART_1001235579_20F2

SECTION 5 - CONTROLS

FIGURE 5-29. CONTROLS INSTALLATION - 9 SECTION/7 SOLENOID (SN 0230006135 to Present)

ITEM	PART NUMBER	QTY	DESCRIPTION	REV
	1001235579	Ref	CONTROLS INSTALLATION - 9 SECTION/7 SOLENOID	C
1	0641632	4	Bolt 3/8 x 4	
2	3520064	2	Plug	
3	1001130491	18	Knob, Control	
4	1001257300	1	Decal	
6	1001166974	21	Washer 3/8	
7	1001166978	3	Washer 1/4	
8	1001168993	18	Bolt 3/8 x 1-1/2	
9	1001169080	3	Bolt 3/8 x 1-1/4	
10	1001184827	2	Handle, Long	
11	1001184828	7	Handle, Short	
12	1001189784	1	Panel, Controls Top RH	
13	1001202508	1	Panel, Controls 9 Section RH	
14	1001189993	1	Panel, Cover	
15	1001202433	1	Valve Sub-Assembly (See Separate Breakdown in HYDRAULIC Section)	
16	1001194676	19	Screw 1/4 x 3/4	
17	1001194736	1	Spacer	
18	1001202517	1	Decal	
19	1001202518	1	Decal	
20	1001196909	1	Decal	
21	1001196910	1	Decal	
22	1001196911	2	Decal	
23	1001235583	1	Panel, Controls Front LH	
24	1001199322	1	Panel, Controls Rear RH	
25	1001235584	1	Panel, Controls Front RH	
26	1001214902	1	Panel, Controls Top LH	
27	1001219743	1	Panel, Controls 9 Section LH	
28	1001219691	1	Panel, Controls Rear LH	
29	1001219937	1	Plate, Cover	
30	1001220068	1	Bracket, Controls Handles LH	
31	4309000001	7	Coupling	
32	4309000007	2	Coupling	
33	7082000005	2	Bearing	
34	7114140618	22	Capscrew 1/4 x 3/4	
35	7114141018	10	Capscrew 1/4 x 1-1/4	
36	7413000002	22	Nutsert 1/4	
37	7660140230	18	Nut 1/4	
38	7660142601	10	Nut 1/4	
39	7660162601	29	Nut 3/8	
40	7690141200	18	Pin	
41	7691000075	18	Pin	
42	7754000009	2	Ring, Retaining	
43	7806000008	1	Shaft	
44	7950140003	22	Washer 1/4	
45	7950140143	61	Washer 1/4	
46	7950160143	58	Washer 3/8	
47	7990000003	9	Yoke	
48	1001202741	5	Cable, Push-Pull	
49	7796000012	9 ft	Seal	

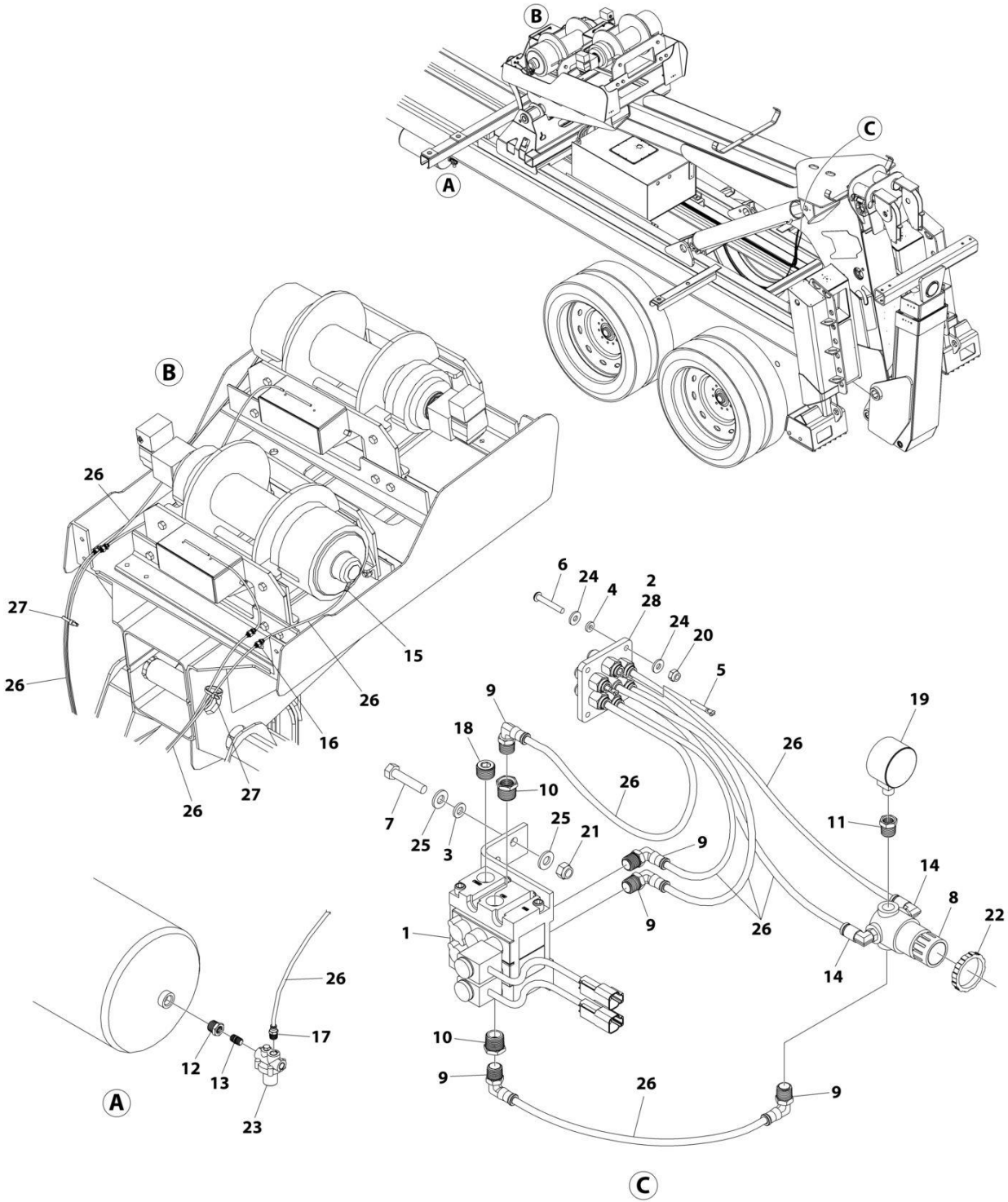
SECTION 5 - CONTROLS

ITEM	PART NUMBER	QTY	DESCRIPTION	REV
50	1001169083	4	Bolt 3/8 x 2	
51	1001206801	4	Cable, Push-Pull	

SECTION 6 - HYDRAULIC

SECTION 6 - HYDRAULIC

FIGURE 6-1. AIR INSTALLATION - DUAL WINCH



ART_1001197456

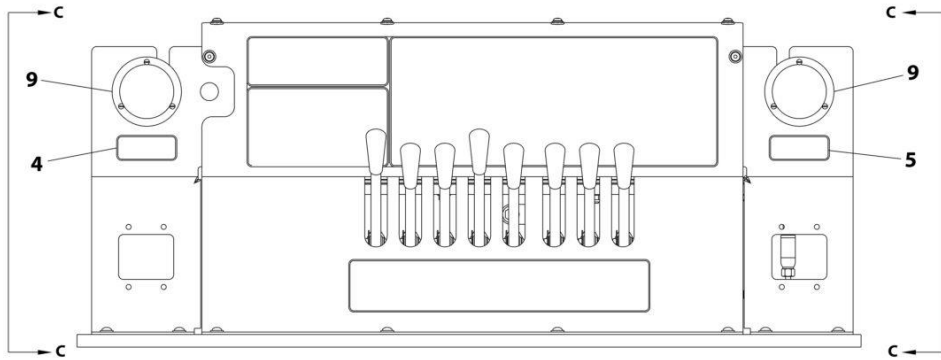
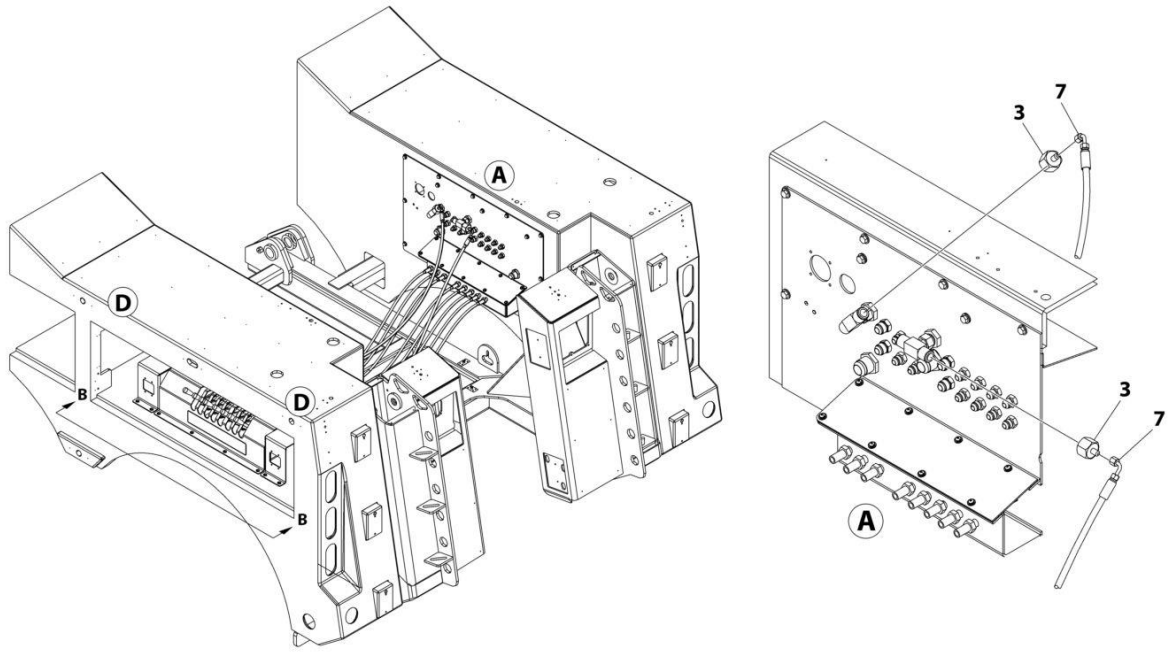
SECTION 6 - HYDRAULIC

FIGURE 6-1. AIR INSTALLATION - DUAL WINCH

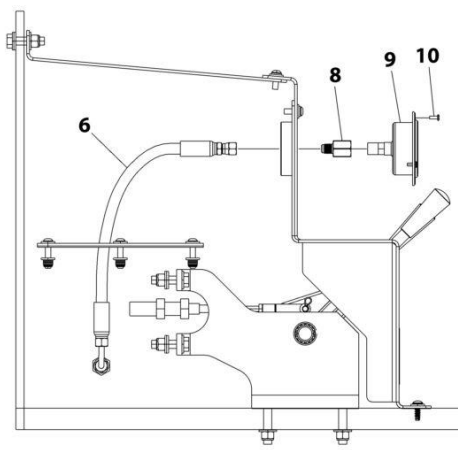
ITEM	PART NUMBER	QTY	DESCRIPTION	REV
	1001197456	Ref	AIR INSTALLATION - DUAL WINCH	E
1	1001129800	1	Air Valve Assembly (See Separate Breakdown in this Section)	
2	1001184765	1	Bulkhead (SN 0230004275 through 0230010713)	
2	1001297064	1	Bulkhead (SN 0230010714 to Present)	
3	1001197482	4	Washer 5/16	
4	1001207736	4	Washer #10	
5	1001197506	4	Seal	
6	7114101018	AR	Screw #10 x 1-1/4	
7	7115151250	4	Capscrew 5/16 x 1-1/2	
8	7295000029	1	Air Regulator	
9	7443000139	5	Fitting	
10	7443000148	2	Fitting, Straight	
11	7443000149	1	Fitting, Straight	
12	7443000154	1	Fitting, Straight	
13	7443000156	1	Fitting, Straight	
14	7443000173	2	Fitting, 90	
15	7443000176	2	Fitting	
16	7443000178	4	Fitting, Straight	
17	7443000329	1	Fitting	
18	7444030037	1	Plug	
19	7470000006	1	Air Pressure Gauge	
20	7660102601	4	Nut #10	
21	7660152601	4	Nut 5/16	
22	7661000041	1	Nut	
23	7935000120	1	Valve	
24	7950100143	8	Washer 3/16	
25	7950150143	8	Washer 5/16	
26	7565000016	125 ft	Airline Tubing	
27	7894000004	35	Tie Strap	
28	8798820001	AR	Sealant	

SECTION 6 - HYDRAULIC

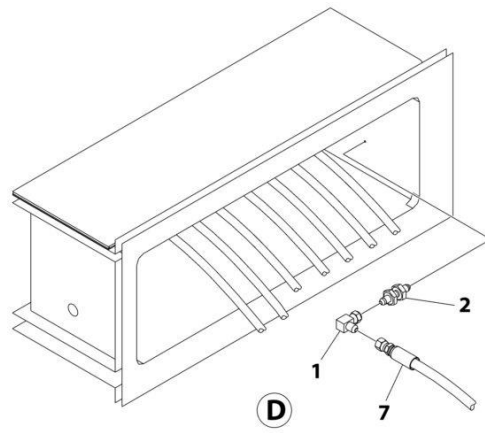
FIGURE 6-2. GAUGES INSTALLATION - HYDRAULIC (DRIVERS SIDE)



SECTION B-B



SECTION C-C
BOTH SIDE TYPICAL



FRONT AND REAR GAUGE BULKHEAD
(BOTH SIDE TYPICAL)

ART_1001220219

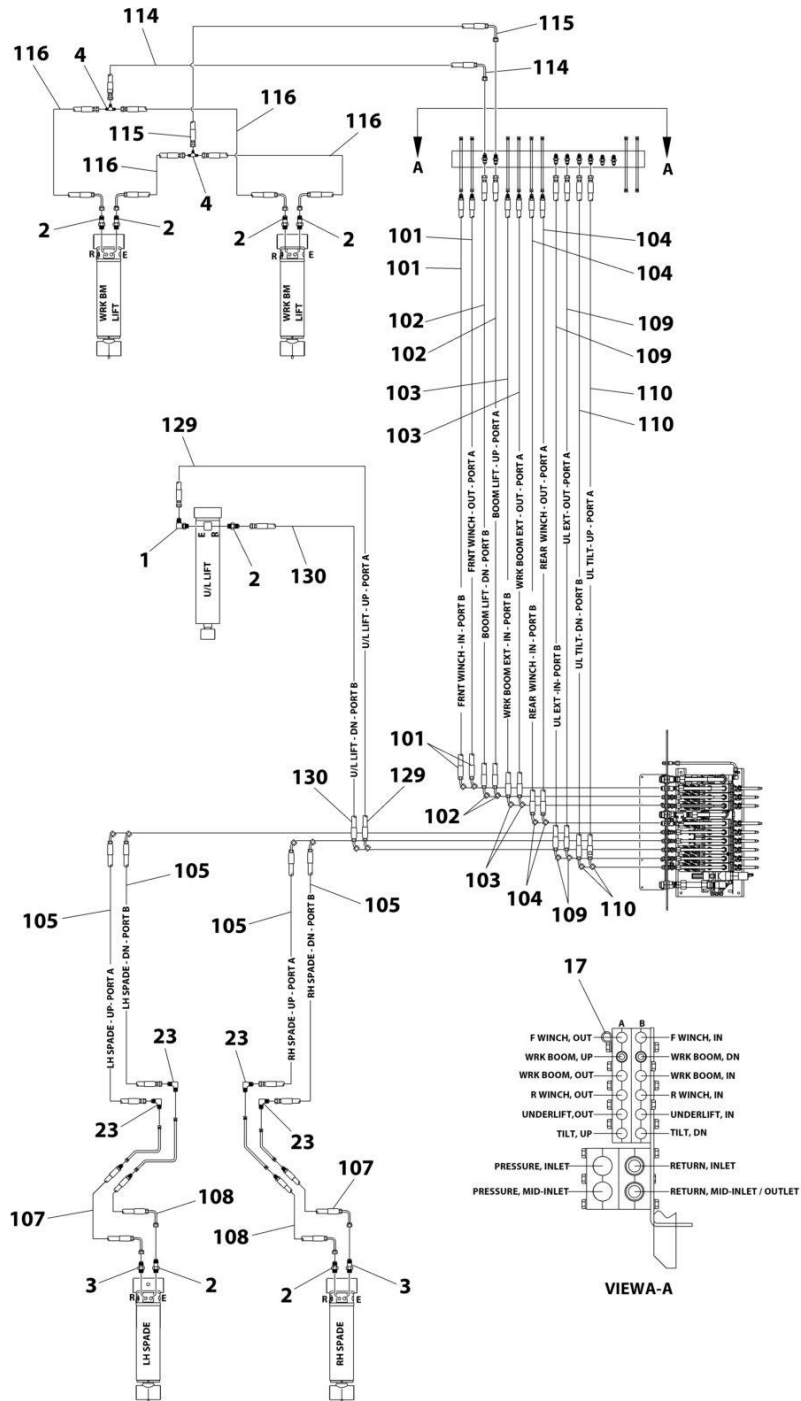
SECTION 6 - HYDRAULIC

FIGURE 6-2. GAUGES INSTALLATION - HYDRAULIC (DRIVERS SIDE)

ITEM	PART NUMBER	QTY	DESCRIPTION	REV
	1001220219	Ref	GAUGES INSTALLATION - HYDRAULIC (DRIVERS SIDE)	B
1	2220654	2	Fitting, 90 - JIC/FSJIC	
2	2230021	2	Fitting, Straight JIC/JIC	
3	1001094694	2	Fitting, Straight JIC/FSJIC	
4	1001196909	1	Decal - Pressure Front Valve	
5	1001196910	1	Decal - Pressure Rear Valve	
6	1001219790	2	Hose	
7	1001220268	2	Hose	
8	7445040421	2	Fitting, Straight - NPT/JIC	
9	7470000004	2	Gauge, Pressure	
10	7790060676	6	Screw #6 x 3/8	

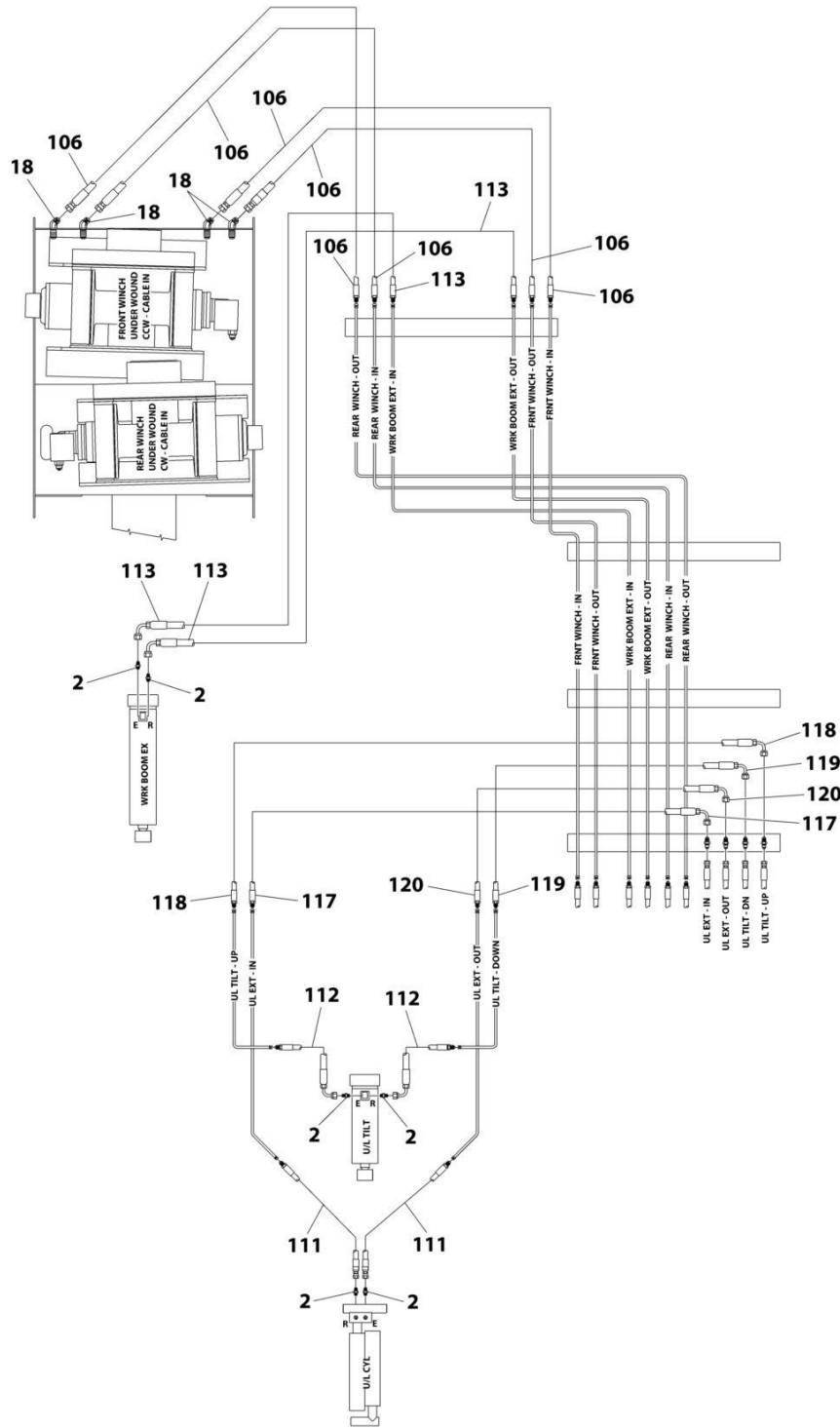
SECTION 6 - HYDRAULIC

FIGURE 6-3. HYDRAULIC LINES & FITTING INSTALLATION



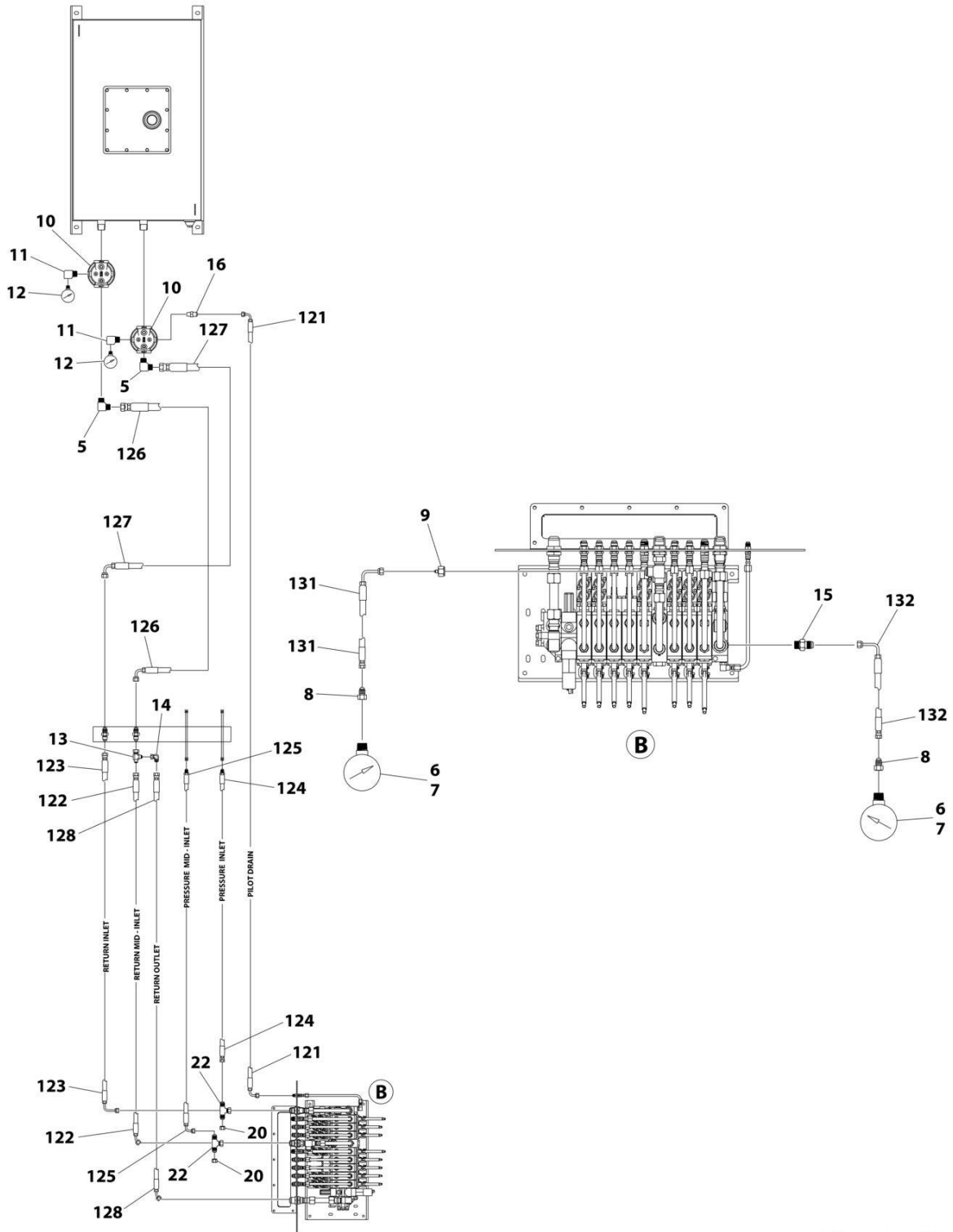
ART_1001219199_10F4

SECTION 6 - HYDRAULIC



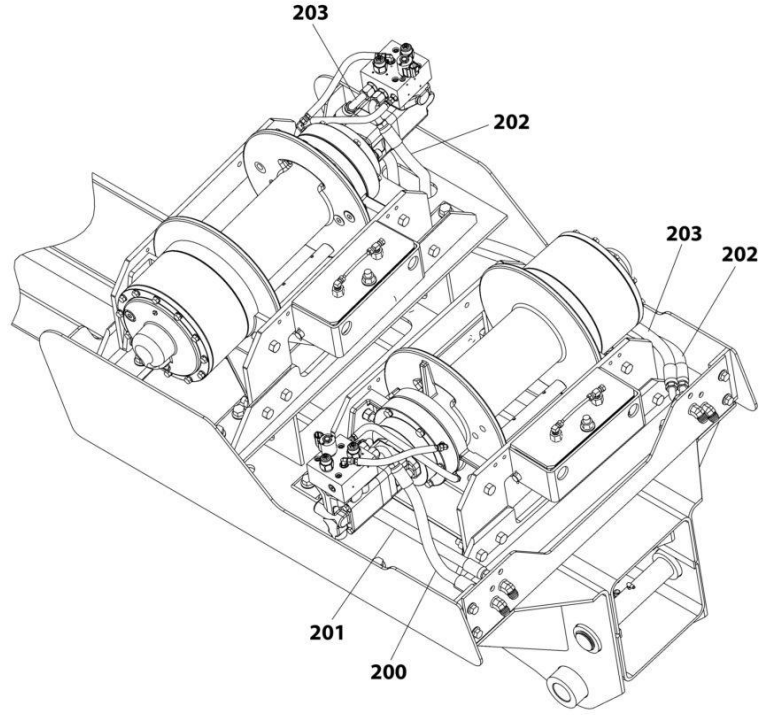
ART_1001219199_2OF4

SECTION 6 - HYDRAULIC

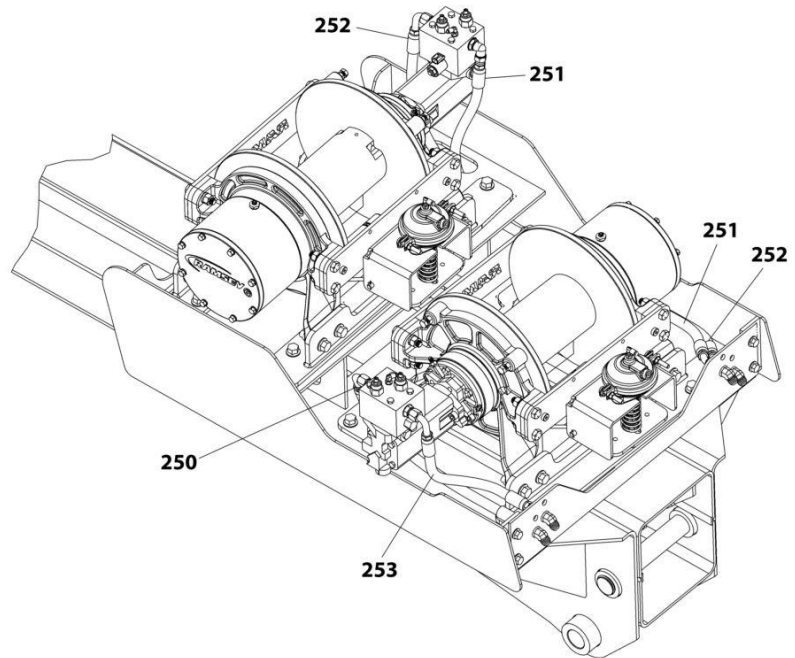


ART_1001219199_3OF4

SECTION 6 - HYDRAULIC



DP 2-SPD WINCH



RAMSEY 2-SPD WINCH

ART_1001219199_4OF4

SECTION 6 - HYDRAULIC

FIGURE 6-3. HYDRAULIC LINES & FITTING INSTALLATION

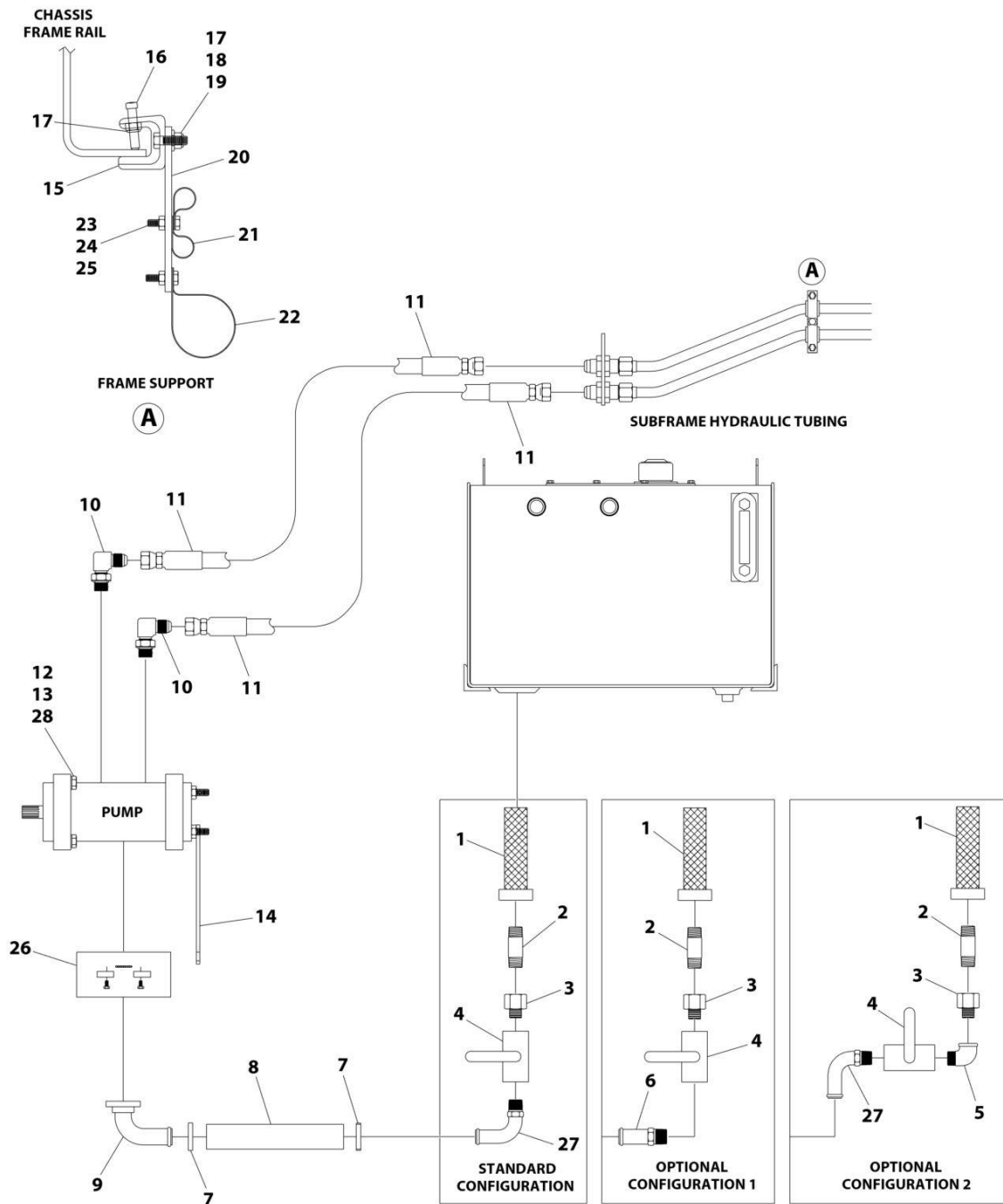
ITEM	PART NUMBER	QTY	DESCRIPTION	REV
	1001219199	Ref	HYDRAULIC LINES AND FITTINGS INSTALLATION	D
1	7445060645	1	Fitting, 90 - JIC/O-Ring	
2	2220371	13	Fitting, Straight - O-Ring	
3	2220998	2	Fitting, Straight - O-Ring/JIC	
4	2220490	2	Fitting, Tee	
5	7445161620	2	Fitting, 90	
6	7470000004	2	Gauge, Pressure	
7	7790060676	6	Screw #6 x 3/8	
8	7445040421	2	Fitting, Straight - NPT/JIC	
9	1001094694	1	Fitting, Straight - JIC	
10	7430000004	2	Filter Assembly - Hydraulic Oil	
10	7430000003	2	Element, Filter (1 Per Assembly)	
11	7443000158	2	Fitting, 90 - NPT	
12	7470000002	2	Gauge, Oil Filter	
13	2220642	1	Fitting, Tee	
14	2220878	1	Fitting, 90 - JIC/JIC	
15	2220415	1	Fitting, Straight - JIC/O-Ring	
16	7445060219	1	Fitting, Straight - JIC/NPT	
17	1320224	1	Clamp	
18	2230035	4	Fitting, 45 - JIC	
20	2220518	2	Fitting, Cap - JIC	
21	1001204075	Ref	Hose Kit (Not Shown) (See Items 101-132)	
22	2220682	2	Fitting, Tee - JIC/JIC/JIC	
23	7445080830	4	Fitting, 90 - JIC/JIC	
	1001204075	Ref	HOSE KIT	D
101	1001192447	2	Hose	
102	1001192437	2	Hose	
103	1001192459	2	Hose	
104	1001192462	2	Hose	
105	1001192504	4	Hose	
106	4569160048	4	Hose	
107	4570000268	2	Hose	
108	4570000138	2	Hose	
109	1001239960	2	Hose	
110	1001239969	2	Hose	
111	4570000143	2	Hose	
112	4570000148	2	Hose	
113	4570000136	2	Hose	
114	4570000139	1	Hose	
115	4570000140	1	Hose	
116	4567122029	4	Hose	
117	4570000257	1	Hose	
118	4570000258	1	Hose	
119	4570000146	1	Hose	
120	4570000147	1	Hose	
121	4570000310	1	Hose	
122	1001192397	1	Hose	
123	1001192395	1	Hose	
124	1001192423	1	Hose	
125	1001192428	1	Hose	

SECTION 6 - HYDRAULIC

ITEM	PART NUMBER	QTY	DESCRIPTION	REV
126	4567182029	1	Hose	
127	4567182024	1	Hose	
128	1001204434	1	Hose	
129	1001204436	1	Hose	
130	1001204438	1	Hose	
131	4567113028	1	Hose	
132	4567112024	1	Hose	
	1001219190	Ref	WINCH HOSE KIT (DP WINCH)	A
200	4567152018	1	Hose	
201	1001166531	1	Hose	
202	1001219188	1	Hose	
203	1001219189	1	Hose	
	1001266915	Ref	HOSE KIT (RAMSEY WINCH)	A
250	1001166531	1	Hose	
251	1001166532	1	Hose	
252	1001219189	1	Hose	
253	1001267012	1	Hose	

SECTION 6 - HYDRAULIC

FIGURE 6-4. HYDRAULIC SUPPLY INSTALLATION - 210IN-265IN WB



ART_1001218585

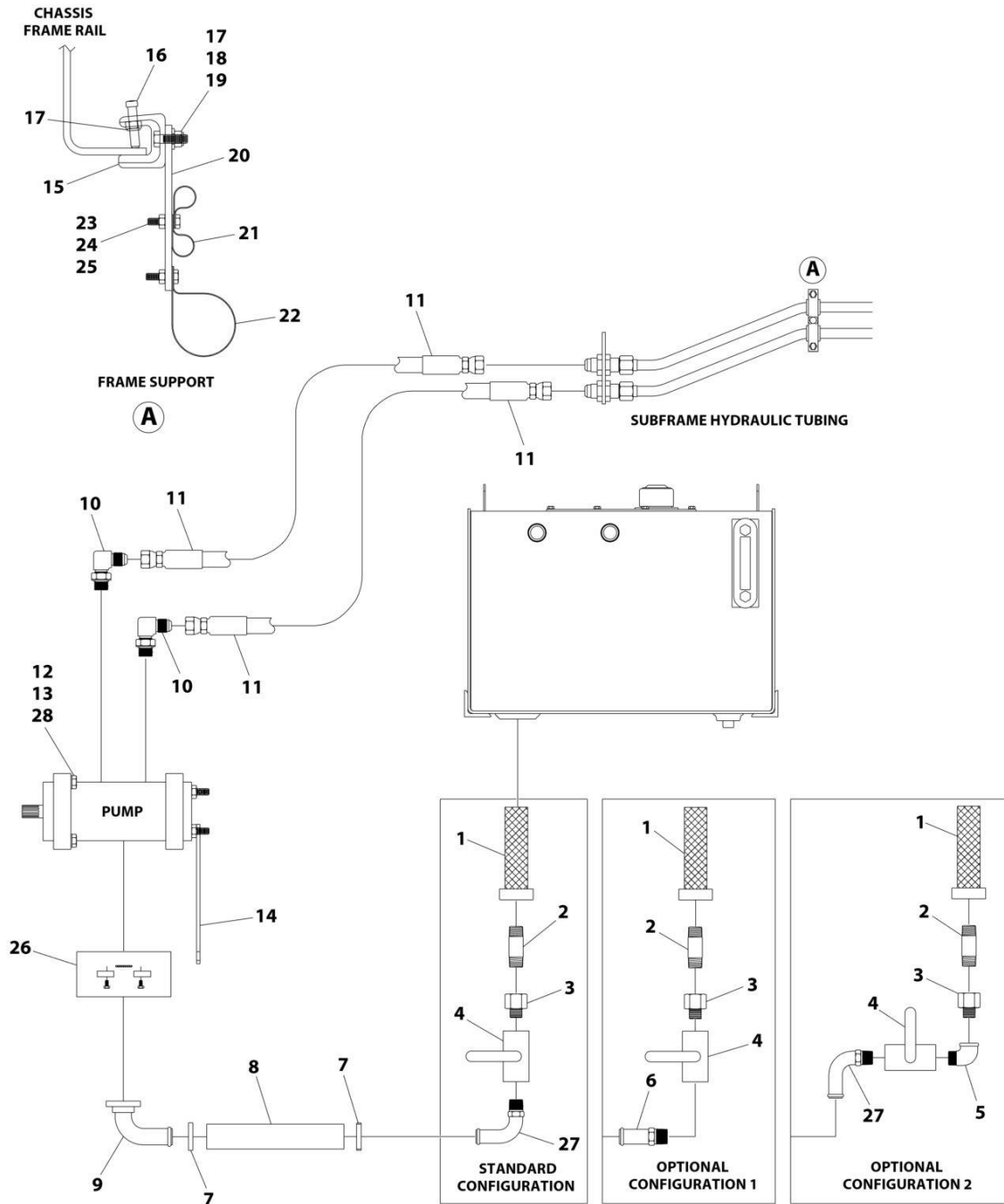
SECTION 6 - HYDRAULIC

FIGURE 6-4. HYDRAULIC SUPPLY INSTALLATION - 210IN-265IN WB

ITEM	PART NUMBER	QTY	DESCRIPTION	REV
	1001218585	Ref	HYDRAULIC SUPPLY INSTALLATION	D
1	743000010	1	Filter, Tank	
2	7650100137	1	Fitting, Straight	
3	7444121050	1	Fitting, Straight NPTM/NPTF	
4	7935000116	1	Valve, Ball	
5	7444121271	AR	Fitting, 90	
6	7443000130	AR	Fitting, Straight NPT/TUBE	
7	7274000028	2	Clamp	
8	8565000026	13 ft	Hose	
9	1001145056	1	Fitting, 90	
10	7445121645	2	Fitting, 90 - JIC	
11	4567160146	2	Hose	
12	7865182065	4	Stud 1/2 x 2-1/2	
13	7950180000	4	Washer 1/2	
14	4178000349	1	Bracket	
15	7274000076	6	Clamp	
16	7785152420	6	Setscrew 5/16 x 1-1/2	
17	7660152601	12	Nut 5/16	
18	7115151050	6	Bolt 5/16 x 1-1/4	
19	7950150161	6	Washer 5/16	
20	4706003844	6	Plate	
21	7274000041	12	Clamp	
22	7274000071	6	Clamp	
23	7115140850	12	Bolt 1/4 x 1	
24	7950140152	12	Washer 1/4	
25	7660142601	12	Nut 1/4	
26	7577000213	1	Kit Split Flange	
27	7443000254	1	Fitting, 90 - NPT/BARBED	
28	7660180000	4	Nut 1/2	

SECTION 6 - HYDRAULIC

FIGURE 6-5. HYDRAULIC SUPPLY INSTALLATION - 266IN-305IN WB



ART_1001218586

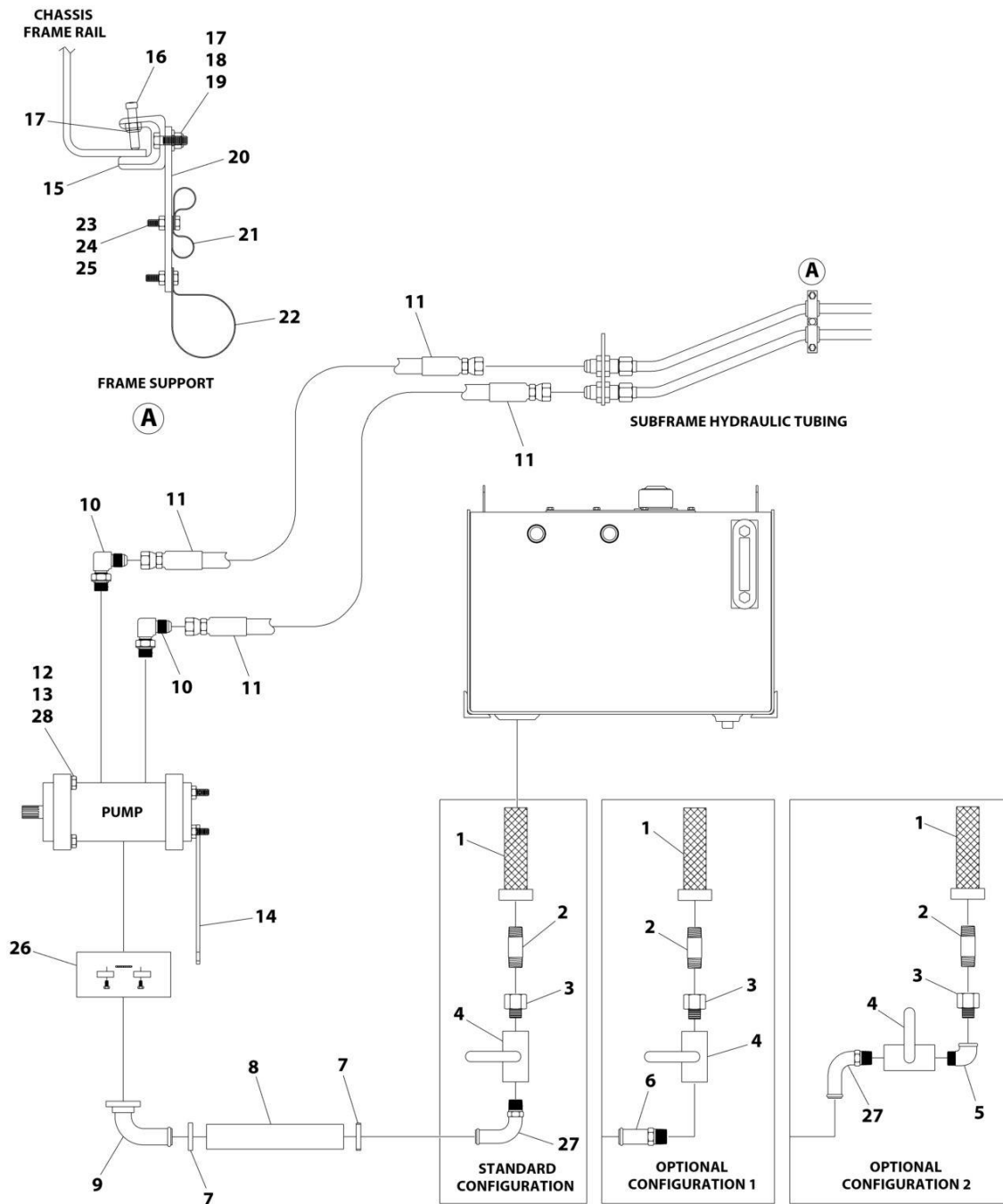
SECTION 6 - HYDRAULIC

FIGURE 6-5. HYDRAULIC SUPPLY INSTALLATION - 266IN-305IN WB

ITEM	PART NUMBER	QTY	DESCRIPTION	REV
	1001218586	Ref	HYDRAULIC SUPPLY INSTALLATION	D
1	7430000010	1	Filter, Tank	
2	7650100137	1	Fitting, Straight	
3	7444121050	1	Fitting, Straight NPTM/NPTF	
4	7935000116	1	Valve, Ball	
5	7444121271	AR	Fitting, 90	
6	7443000130	AR	Fitting, Straight NPT/TUBE	
7	7274000028	2	Clamp	
8	8565000026	16.5 ft	Hose	
9	1001145056	1	Fitting, 90	
10	7445121645	2	Fitting, 90 - JIC	
11	1001218610	2	Hose	
12	7865182065	4	Stud 1/2 x 2-1/2	
13	7950180000	4	Washer 1/2	
14	4178000349	1	Bracket	
15	7274000076	8	Clamp	
16	7785152420	8	Setscrew 5/16 x 1-1/2	
17	7660152601	16	Nut 5/16	
18	7115151050	8	Bolt 5/16 x 1-1/4	
19	7950150161	8	Washer 5/16	
20	4706003844	8	Plate	
21	7274000041	16	Clamp	
22	7274000071	8	Clamp	
23	7115140850	16	Bolt 1/4 x 1	
24	7950140152	16	Washer 1/4	
25	7660142601	16	Nut 1/4	
26	7577000213	1	Kit Split Flange	
27	7443000254	1	Fitting, 90 - NPT/BARBED	
28	7660180000	4	Nut 1/2	

SECTION 6 - HYDRAULIC

FIGURE 6-6. HYDRAULIC SUPPLY INSTALLATION - 306IN-345IN WB



ART_1001218587

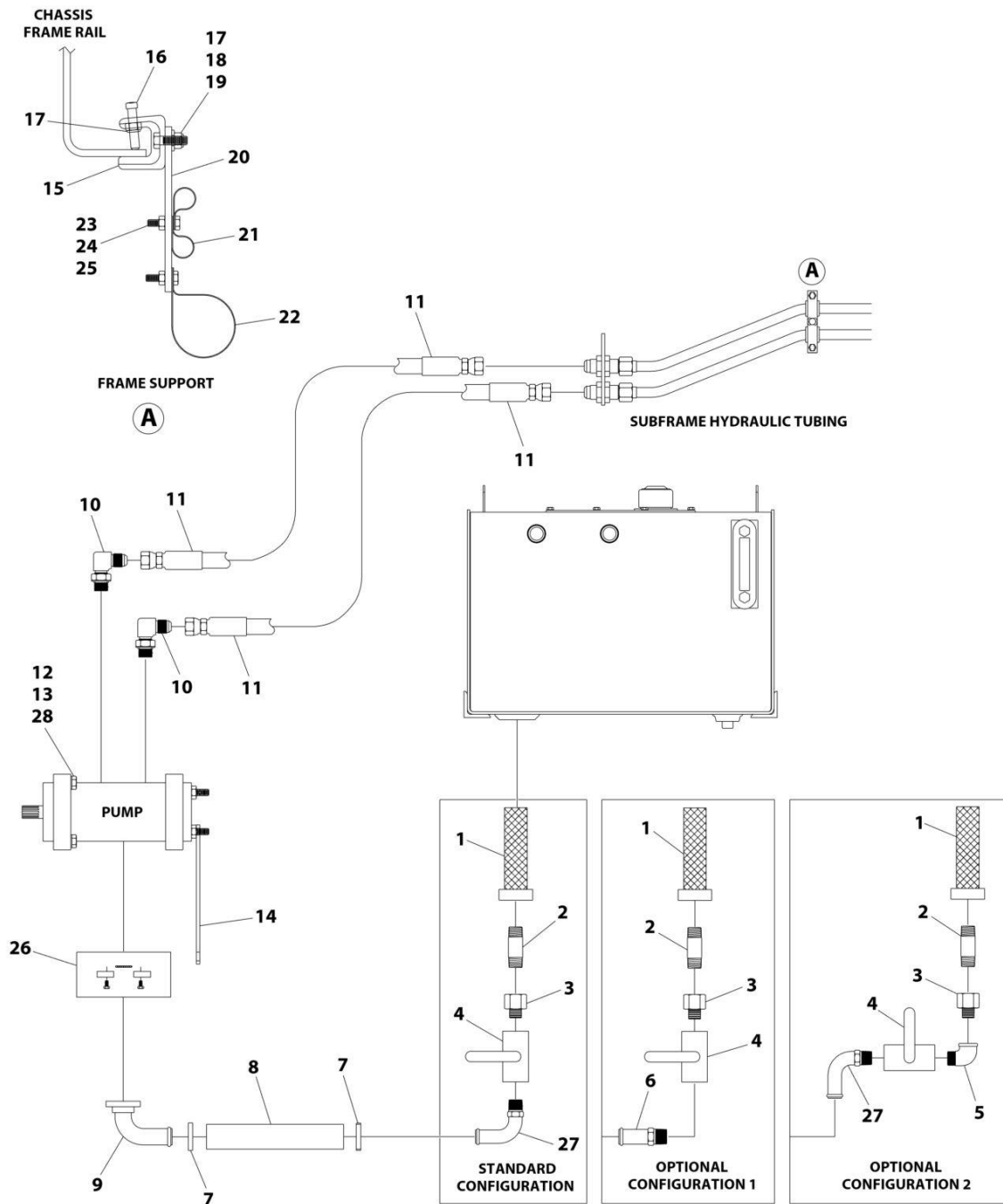
SECTION 6 - HYDRAULIC

FIGURE 6-6. HYDRAULIC SUPPLY INSTALLATION - 306IN-345IN WB

ITEM	PART NUMBER	QTY	DESCRIPTION	REV
	1001218587	Ref	HYDRAULIC SUPPLY INSTALLATION	D
1	743000010	1	Filter, Tank	
2	7650100137	1	Fitting, Straight	
3	7444121050	1	Fitting, Straight NPTM/NPTF	
4	7935000116	1	Valve, Ball	
5	7444121271	AR	Fitting, 90	
6	7443000130	AR	Fitting, Straight NPT/TUBE	
7	7274000028	2	Clamp	
8	8565000026	20 ft	Hose	
9	1001145056	1	Fitting, 90	
10	7445121645	2	Fitting, 90 - JIC	
11	1001204565	2	Hose	
12	7865182065	4	Stud 1/2 x 2-1/2	
13	7950180000	4	Washer 1/2	
14	4178000349	1	Bracket	
15	7274000076	10	Clamp	
16	7785152420	10	Setscrew 5/16 x 1-1/2	
17	7660152601	20	Nut 5/16	
18	7115151050	10	Bolt 5/16 x 1-1/4	
19	7950150161	10	Washer 5/16	
20	4706003844	10	Plate	
21	7274000041	20	Clamp	
22	7274000071	10	Clamp	
23	7115140850	20	Bolt 1/4 x 1	
24	7950140152	20	Washer 1/4	
25	7660142601	20	Nut 1/4	
26	7577000213	1	Kit Split Flange	
27	7443000254	1	Fitting, 90 - NPT/BARBED	
28	7660180000	4	Nut 1/2	

SECTION 6 - HYDRAULIC

FIGURE 6-7. HYDRAULIC SUPPLY INSTALLATION - 346IN-385IN WB



ART_1001218588

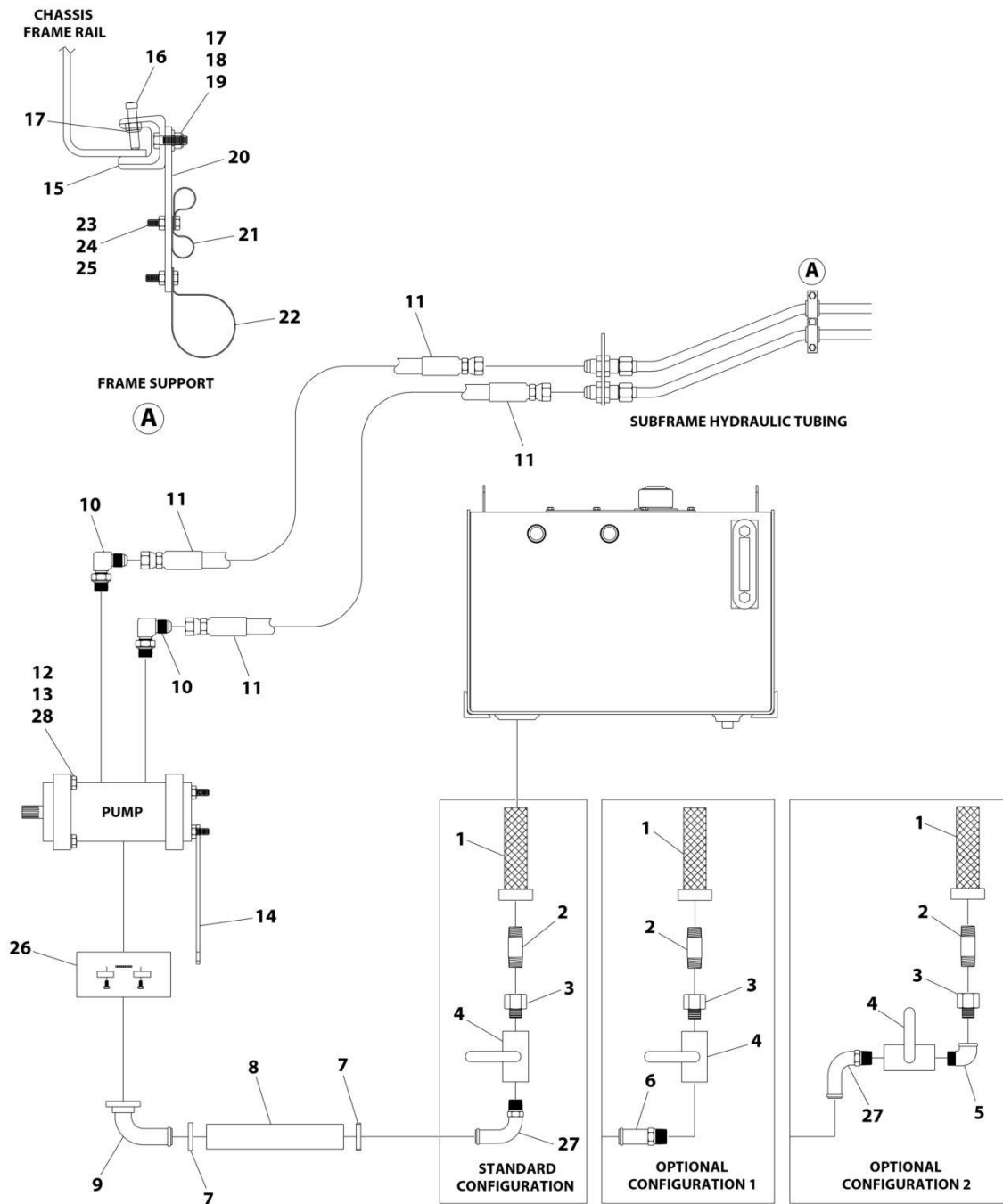
SECTION 6 - HYDRAULIC

FIGURE 6-7. HYDRAULIC SUPPLY INSTALLATION - 346IN-385IN WB

ITEM	PART NUMBER	QTY	DESCRIPTION	REV
	1001218588	Ref	HYDRAULIC SUPPLY INSTALLATION	D
1	743000010	1	Filter, Tank	
2	7650100137	1	Fitting, Straight	
3	7444121050	1	Fitting, Straight NPTM/NPTF	
4	7935000116	1	Valve, Ball	
5	7444121271	AR	Fitting, 90	
6	7443000130	AR	Fitting, Straight NPT/TUBE	
7	7274000028	2	Clamp	
8	8565000026	23.5 ft	Hose	
9	1001145056	1	Fitting, 90	
10	7445121645	2	Fitting, 90 - JIC	
11	1001218611	2	Hose	
12	7865182065	4	Stud 1/2 x 2-1/2	
13	7950180000	4	Washer 1/2	
14	4178000349	1	Bracket	
15	7274000076	11	Clamp	
16	7785152420	11	Setscrew 5/16 x 1-1/2	
17	7660152601	22	Nut 5/16	
18	7115151050	11	Bolt 5/16 x 1-1/4	
19	7950150161	11	Washer 5/16	
20	4706003844	11	Plate	
21	7274000041	22	Clamp	
22	7274000071	11	Clamp	
23	7115140850	22	Bolt 1/4 x 1	
24	7950140152	22	Washer 1/4	
25	7660142601	22	Nut 1/4	
26	7577000213	1	Kit Split Flange	
27	7443000254	1	Fitting, 90 - NPT/BARBED	
28	7660180000	4	Nut 1/2	

SECTION 6 - HYDRAULIC

FIGURE 6-8. HYDRAULIC SUPPLY INSTALLATION - 386IN-425IN WB



ART_1001218589

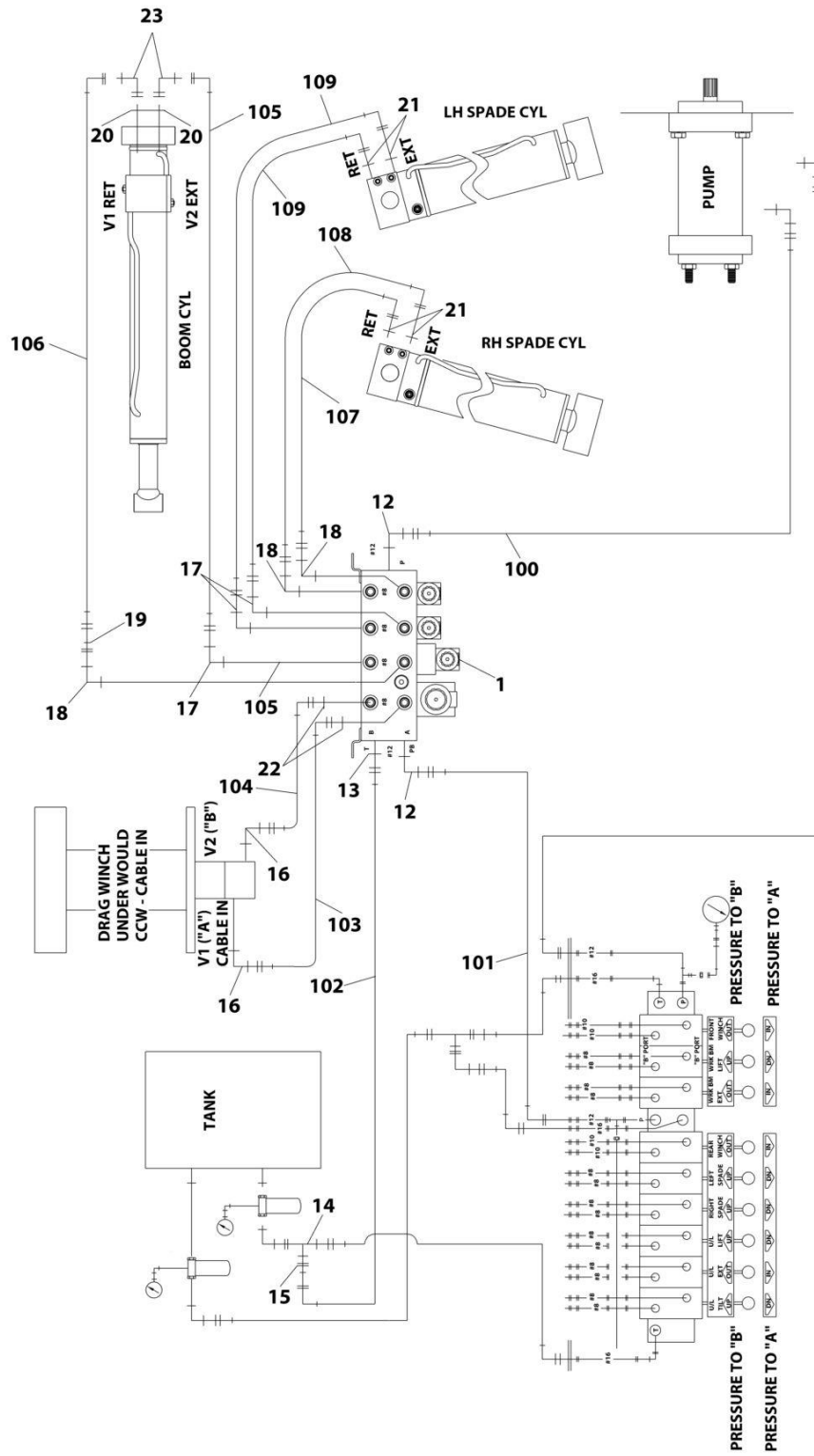
SECTION 6 - HYDRAULIC

FIGURE 6-8. HYDRAULIC SUPPLY INSTALLATION - 386IN-425IN WB

ITEM	PART NUMBER	QTY	DESCRIPTION	REV
	1001218589	Ref	HYDRAULIC SUPPLY INSTALLATION	D
1	7430000010	1	Filter, Tank	
2	7650100137	1	Fitting, Straight	
3	7444121050	1	Fitting, Straight NPTM/NPTF	
4	7935000116	1	Valve, Ball	
5	7444121271	AR	Fitting, 90	
6	7443000130	AR	Fitting, Straight NPT/TUBE	
7	7274000028	2	Clamp	
8	8565000026	26.5 ft	Hose	
9	1001145056	1	Fitting, 90	
10	7445121645	2	Fitting, 90	
11	1001218612	2	Hose	
12	7865182065	4	Stud 1/2 x 2-1/2	
13	7950180000	4	Washer 19/32	
14	4178000349	1	Bracket	
15	7274000076	13	Clamp	
16	7785152420	13	Setscrew 5/16 x 1-1/2	
17	7660152601	26	Nut 5/16	
18	7115151050	13	Bolt 5/16 x 1-1/4	
19	7950150161	13	Washer 5/16	
20	4706003844	13	Plate	
21	7274000041	26	Clamp	
22	7274000071	13	Clamp	
23	7115140850	26	Bolt 1/4 x 1	
24	7950140152	26	Washer 1/4	
25	7660142601	26	Nut 1/4	
26	7577000213	1	Kit Split Flange	
27	7443000254	1	Fitting, 90 - NPT/BARBED	
28	7660180000	4	Nut 1/2	

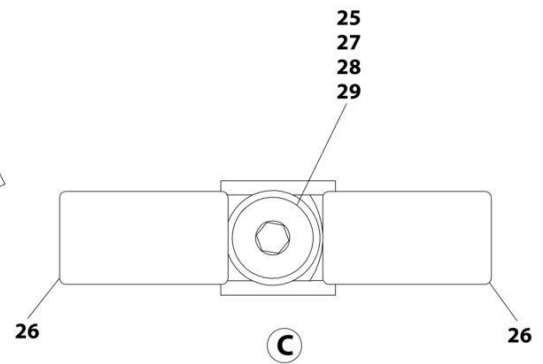
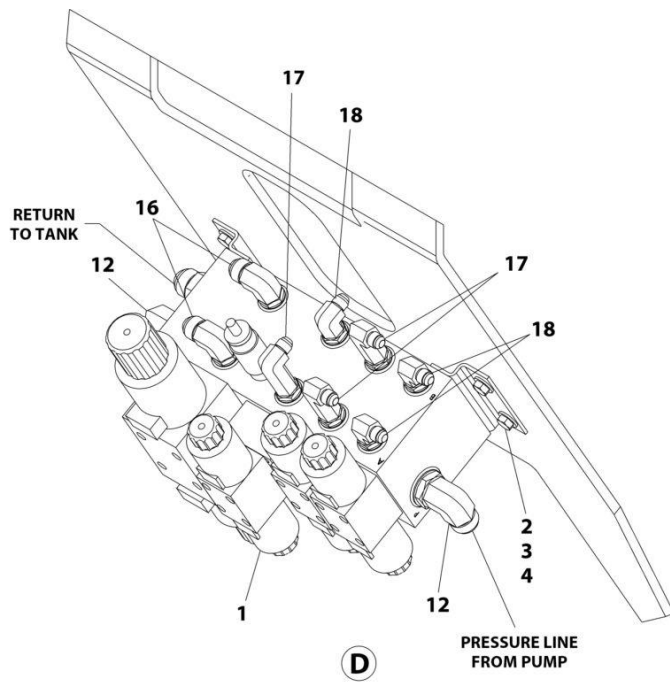
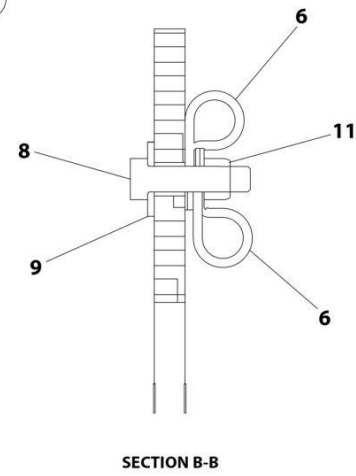
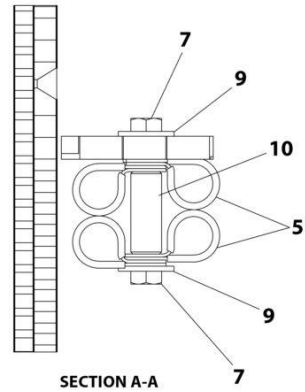
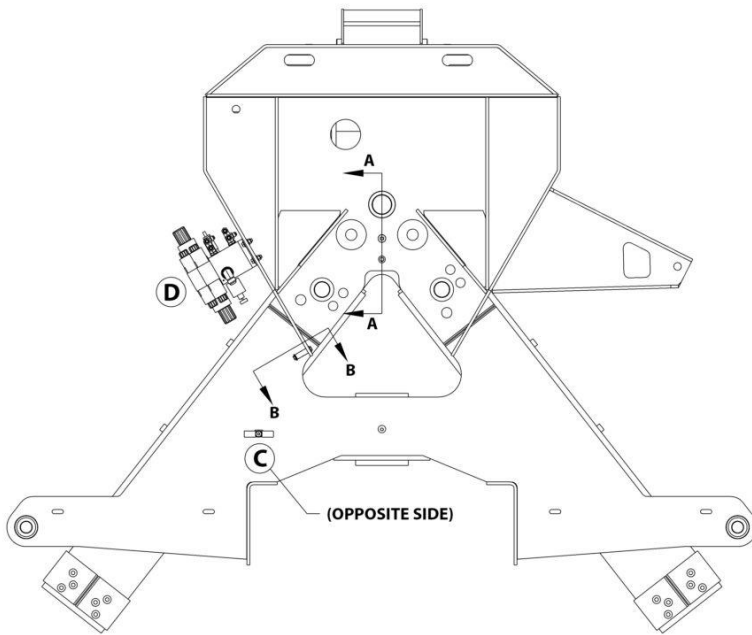
SECTION 6 - HYDRAULIC

FIGURE 6-9. HYDRAULIC INSTALLATION - SIDE RECOVERY SYSTEM (SRS)



ART_3548530005_1OF2

SECTION 6 - HYDRAULIC



ART_3548530005_20F2

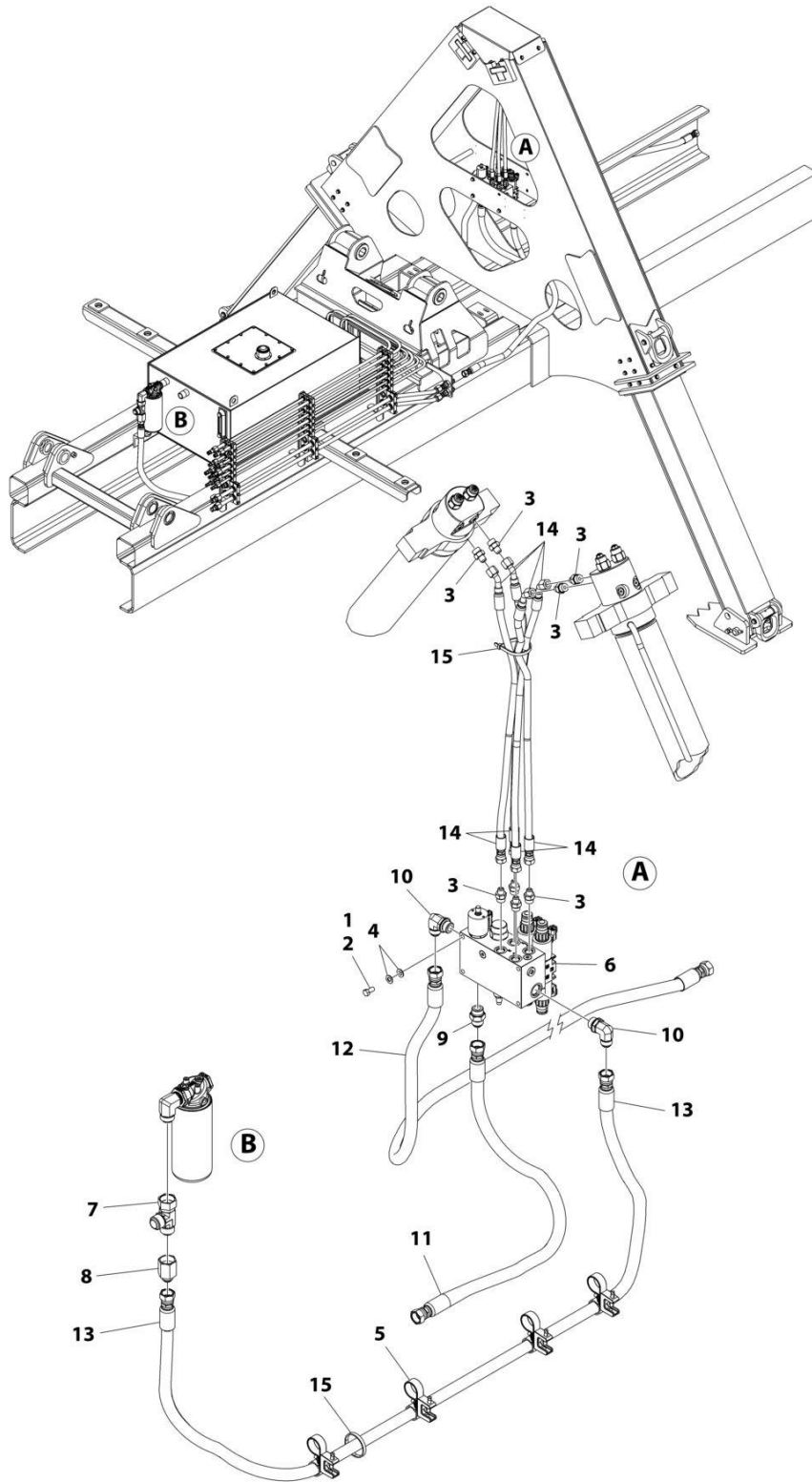
SECTION 6 - HYDRAULIC

FIGURE 6-9. HYDRAULIC INSTALLATION - SIDE RECOVERY SYSTEM (SRS)

ITEM	PART NUMBER	QTY	DESCRIPTION	REV
	3548530005	Ref	HYDRAULIC INSTALLATION (SRS)	C
1	3935000189	1	Valve Assembly (See Separate Breakdown in this Section)	
2	7115161050	4	Capscrew 3/8 x 1-1/4	
3	7950160141	8	Washer 3/8	
4	7660162601	4	Nut 3/8	
5	7274000063	4	Clamp	
6	7274000053	2	Clamp	
7	7115150850	2	Capscrew 5/16 x 1	
8	7115151050	1	Capscrew 5/16 x 1-1/4	
9	7950150161	3	Washer 5/16	
10	7661000022	1	Nut 5/16	
11	7660152601	1	Nut 5/16	
12	7445121245	2	Fitting, 90	
13	7445121243	1	Fitting, Straight	
14	7443000213	1	Fitting, Tee	
15	7443000214	1	Fitting, Reducer	
16	7445080845	2	Fitting, 90	
17	7443000458	3	Fitting	
18	7445060845	3	Fitting, 90	
19	7443000108	1	Restrictor	
20	7445040443	2	Fitting, Straight	
21	7445060644	4	Fitting	
22	7445080843	2	Fitting, Straight	
23	7445040472	2	Fitting, 90	
24	7819000005	1	Sleeve (Not Shown)	
25	7114160618	1	Capscrew 3/8 x 3/4	
26	7274000041	2	Clamp	
27	7894000004	5	Tie Strap (Not Shown)	
28	7950160000	1	Washer 3/8	
29	7950160143	1	Washer 3/8	
100	4567160129	1	Hose	
101	4567160156	1	Hose	
102	4567162180	1	Hose	
103	4567132028	1	Hose	
104	4567132033	1	Hose	
105	4570000337	1	Hose	
106	4570000338	1	Hose	
107	4567122038	1	Hose	
108	4567122036	1	Hose	
109	4567122056	2	Hose	

SECTION 6 - HYDRAULIC

FIGURE 6-10. HYDRAULIC INSTALLATION - SIDE STABILIZER (SS-70)



ART_1001243239

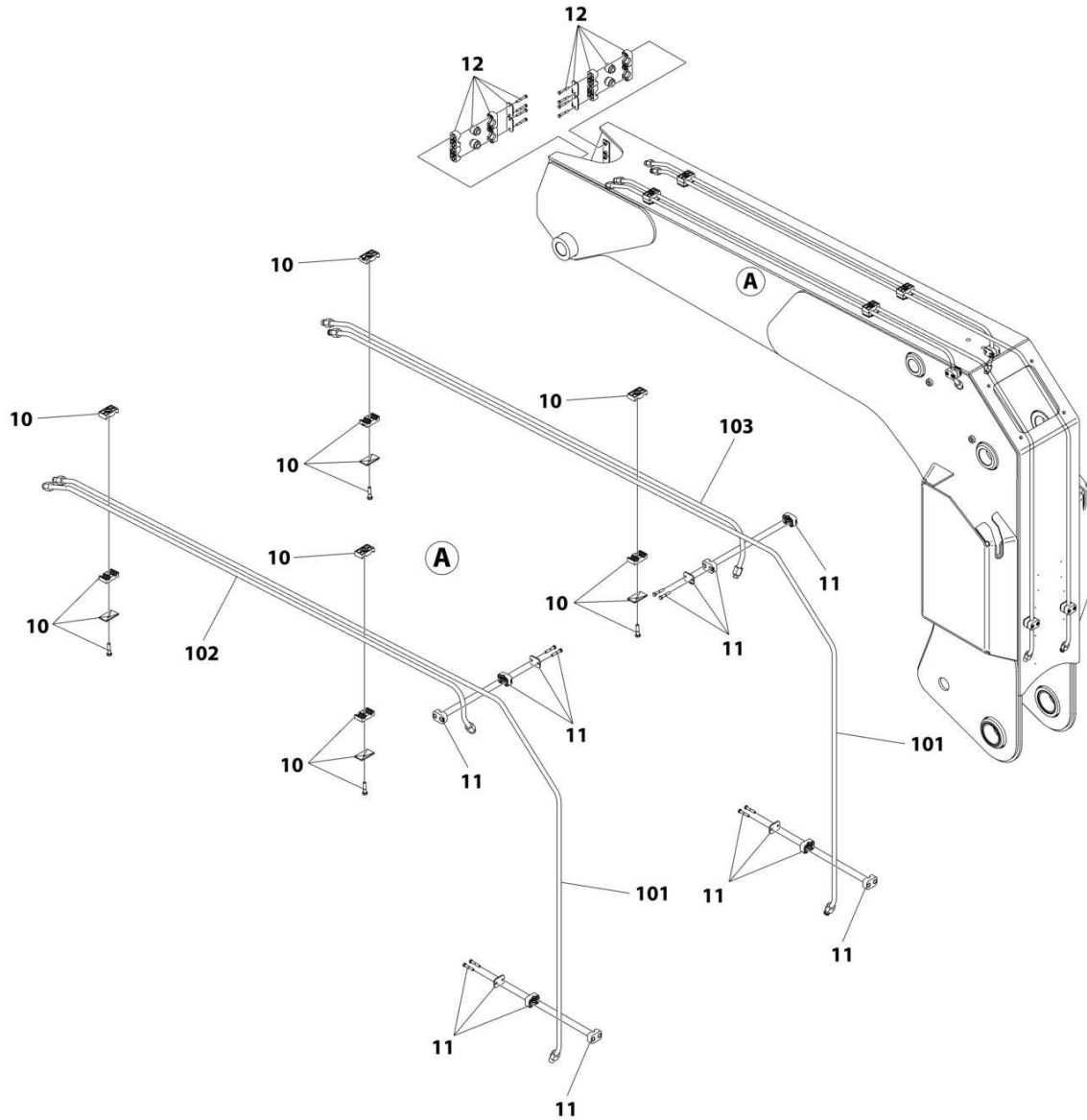
SECTION 6 - HYDRAULIC

FIGURE 6-10. HYDRAULIC INSTALLATION - SIDE STABILIZER (SS-70)

ITEM	PART NUMBER	QTY	DESCRIPTION	REV
	1001243239	Ref	HYDRAULIC SIDE STABILIZER INSTALLATION	A
1	0100011	AR	Compound, Locking	
2	0641606	3	Bolt 3/8 x 3/4	
3	2220372	8	Fitting, Straight JIC/ORB	
4	4711600	6	Washer 3/8	
5	1001132794	4	Clamp Kit	
6	1001243240	1	Valve Assembly (See Separate Breakdown in this Section)	
7	7443000213	1	Fitting, Tee	
8	7443000214	1	Fitting, Reducer	
9	7445121243	1	Fitting, Straight ORB/JIC	
10	7445121245	2	Fitting, 90 JIC/ORB	
11	1001244186	1	Hose	
12	1001244187	1	Hose	
13	1001244188	1	Hose	
14	1001244189	4	Hose	
15	7894000004	15	Tie-Strap	

SECTION 6 - HYDRAULIC

FIGURE 6-11. HYDRAULIC INSTALLATION - UNDERLIFT



ART_3912000043

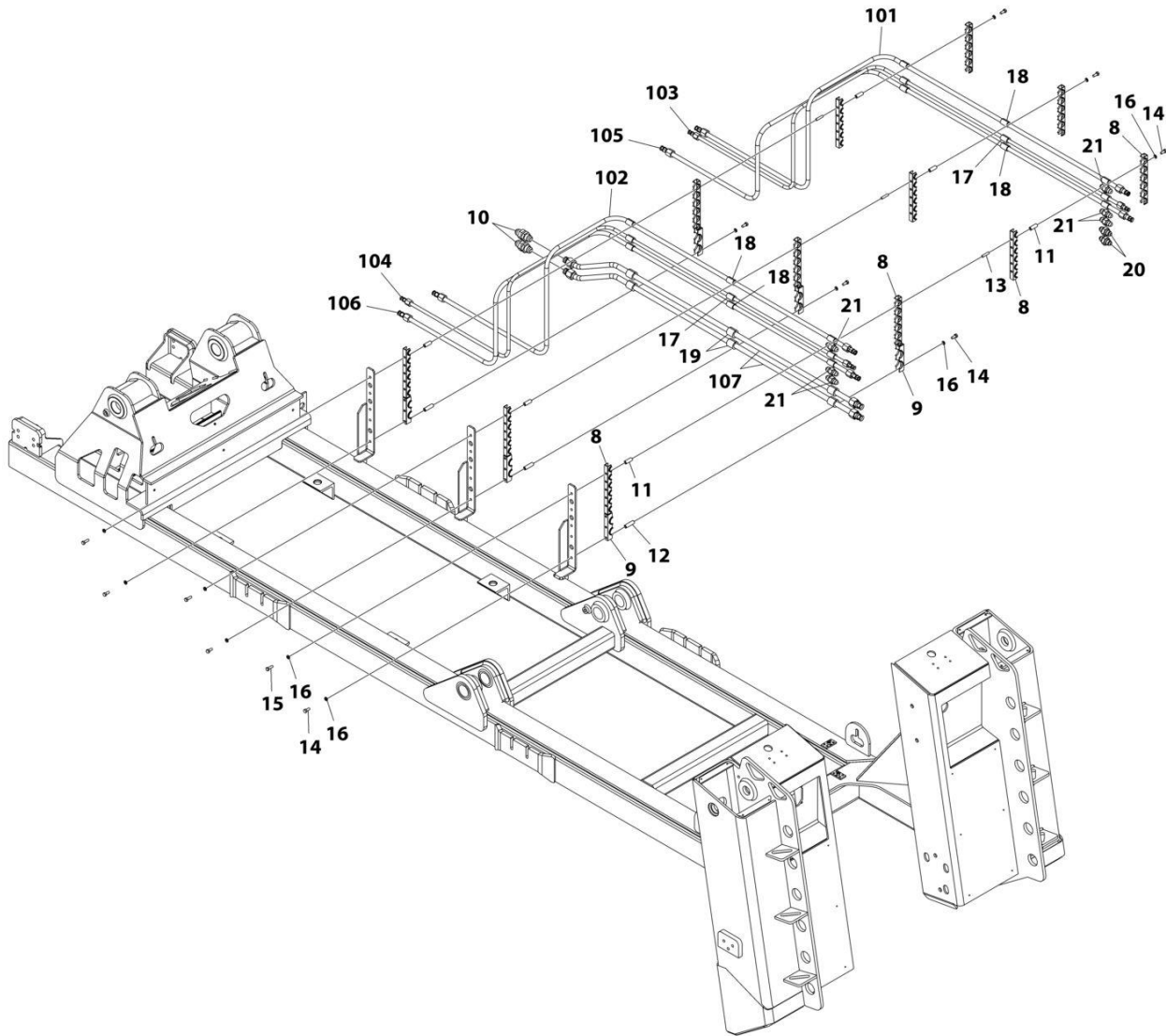
SECTION 6 - HYDRAULIC

FIGURE 6-11. HYDRAULIC INSTALLATION - UNDERLIFT

ITEM	PART NUMBER	QTY	DESCRIPTION	REV
	3912000043	Ref	HYDRAULIC INSTALLATION - UNDERLIFT	B
9	7577000657	Ref	Tube, Kit (Not Shown) (Includes Items 101-103)	
10	1001136447	4	Clamp	
11	1001136559	4	Clamp	
12	1001142074	4	Clamp	
101	7912000300	2	Tube	
102	7912000111	1	Tube	
103	7912000112	1	Tube	

SECTION 6 - HYDRAULIC

FIGURE 6-12. TUBE INSTALLATION - COMMON



ART_391200009

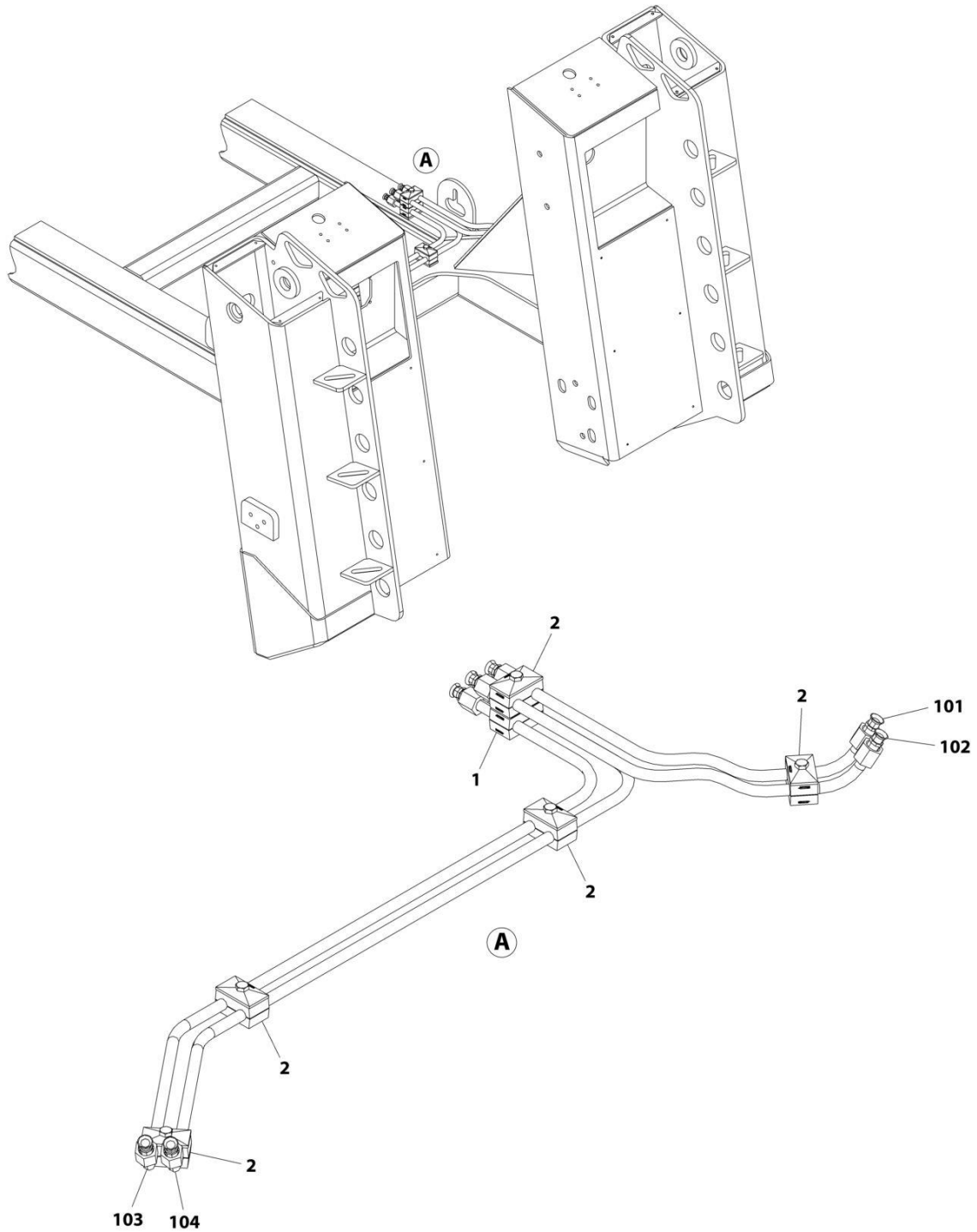
SECTION 6 - HYDRAULIC

FIGURE 6-12. TUBE INSTALLATION - COMMON

ITEM	PART NUMBER	QTY	DESCRIPTION	REV
	3912000009	Ref	TUBE INSTALLATION - COMMON	B
8	7274000030	8	Clamp	
9	7274000049	6	Clamp	
10	7445121225	2	Fitting, Union Bulkhead	
11	7661000022	36	Nut 5/16	
12	7661000027	18	Stacking Nut	
13	7007000036	19	Adapter	
14	7115150650	36	Bolt 5/16 x 3/4	
15	7115150850	18	Bolt 5/16 x 1	
16	7950150000	54	Washer 5/16	
17	7209000023	8	Bushing	
18	7209000024	16	Bushing	
19	7209000032	6	Bushing	
20	7443000210	2	Fitting, Tube	
21	7443000209	6	Fitting, Tube	
22	7577000653	Ref	Tube, Kit (Not Shown)	
101	7912000101	1	Tube	
102	7912000100	1	Tube	
103	7912000095	1	Tube	
104	7912000094	1	Tube	
105	7912000103	1	Tube	
106	7912000102	1	Tube	
107	7912000104	2	Tube	

SECTION 6 - HYDRAULIC

FIGURE 6-13. TUBE INSTALLATION - STABILIZER (REAR)



ART_3912000010

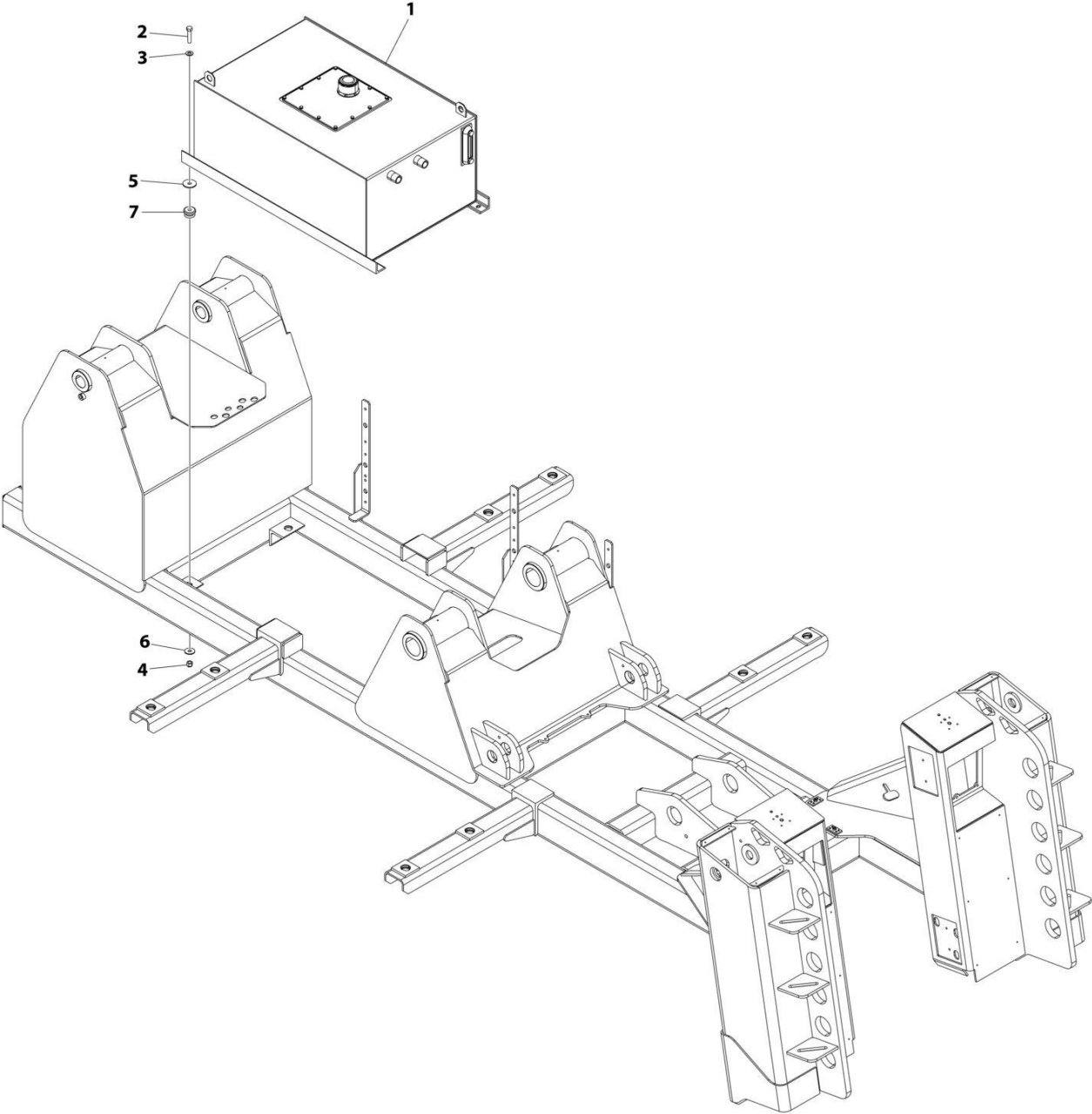
SECTION 6 - HYDRAULIC

FIGURE 6-13. TUBE INSTALLATION - STABILIZER (REAR)

ITEM	PART NUMBER	QTY	DESCRIPTION	REV
	3912000010	Ref	TUBE INSTALLATION - STABILIZERS (REAR)	D
1	1001137487	1	Clamp	
2	1001136447	5	Clamp	
3	7577000651	Ref	Tube, Kit (Not Shown) (Includes Items 101-104)	
101	7912000119	1	Tube	
102	7912000120	1	Tube	
103	7912000121	1	Tube	
104	7912000122	1	Tube	

SECTION 6 - HYDRAULIC

FIGURE 6-14. TANK (HYDRAULIC) INSTALLATION



ART_2507650009

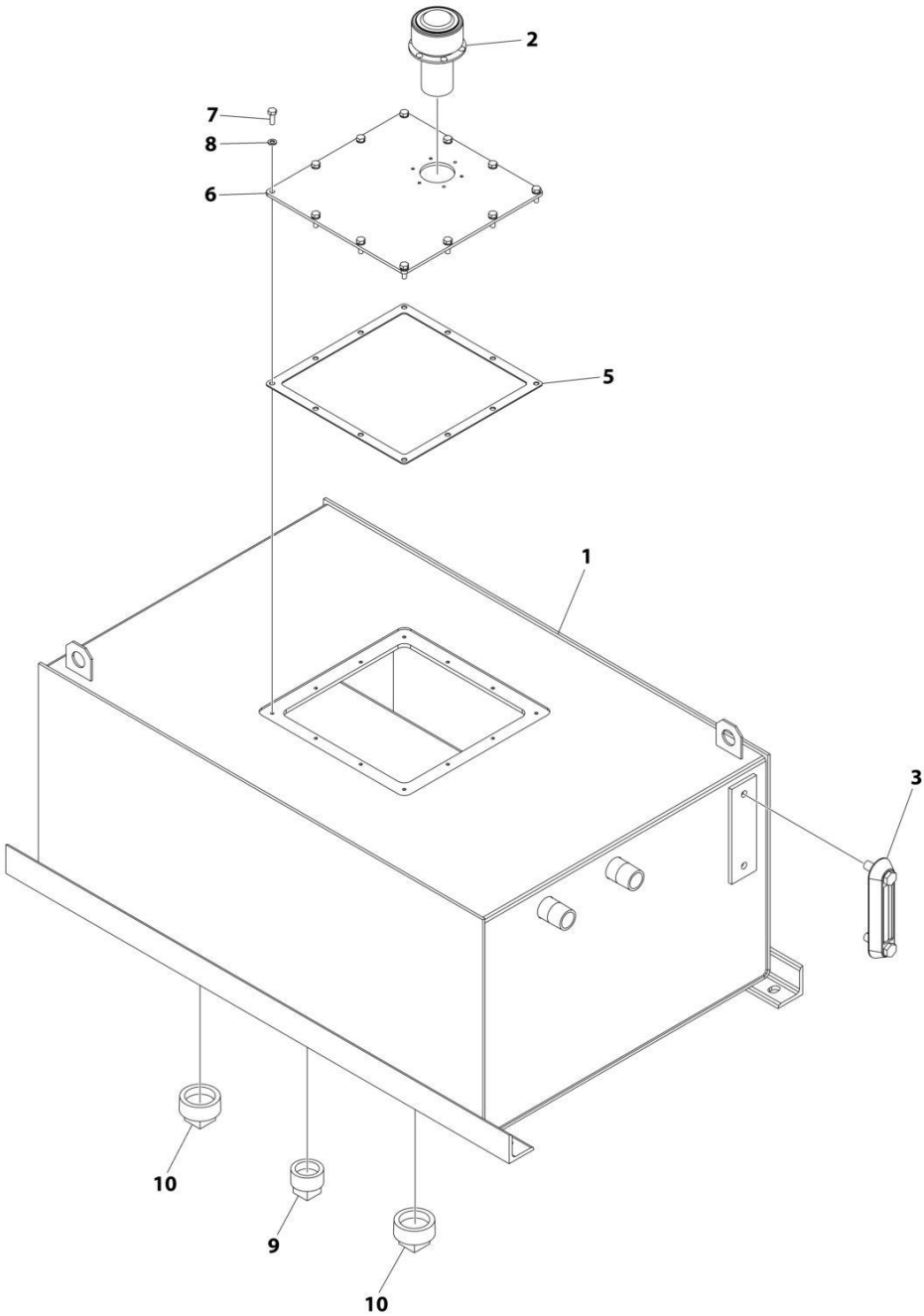
SECTION 6 - HYDRAULIC

FIGURE 6-14. TANK (HYDRAULIC) INSTALLATION

ITEM	PART NUMBER	QTY	DESCRIPTION	REV
	2507650009	Ref	TANK (HYDRAULIC) INSTALLATION	B
1	3750000022	1	Tank Assembly (See Separate Breakdown in this Section)	
2	7115181850	4	Bolt 1/2 x 2-1/4	
3	7950180141	4	Washer 1/2	
4	7660182601	4	Nut 1/2	
5	7949000015	4	Washer	
6	7949000016	4	Washer	
7	7636000006	4	Mount, Center Bonded	

SECTION 6 - HYDRAULIC

FIGURE 6-15. TANK (HYDRAULIC) ASSEMBLY



ART_375000022

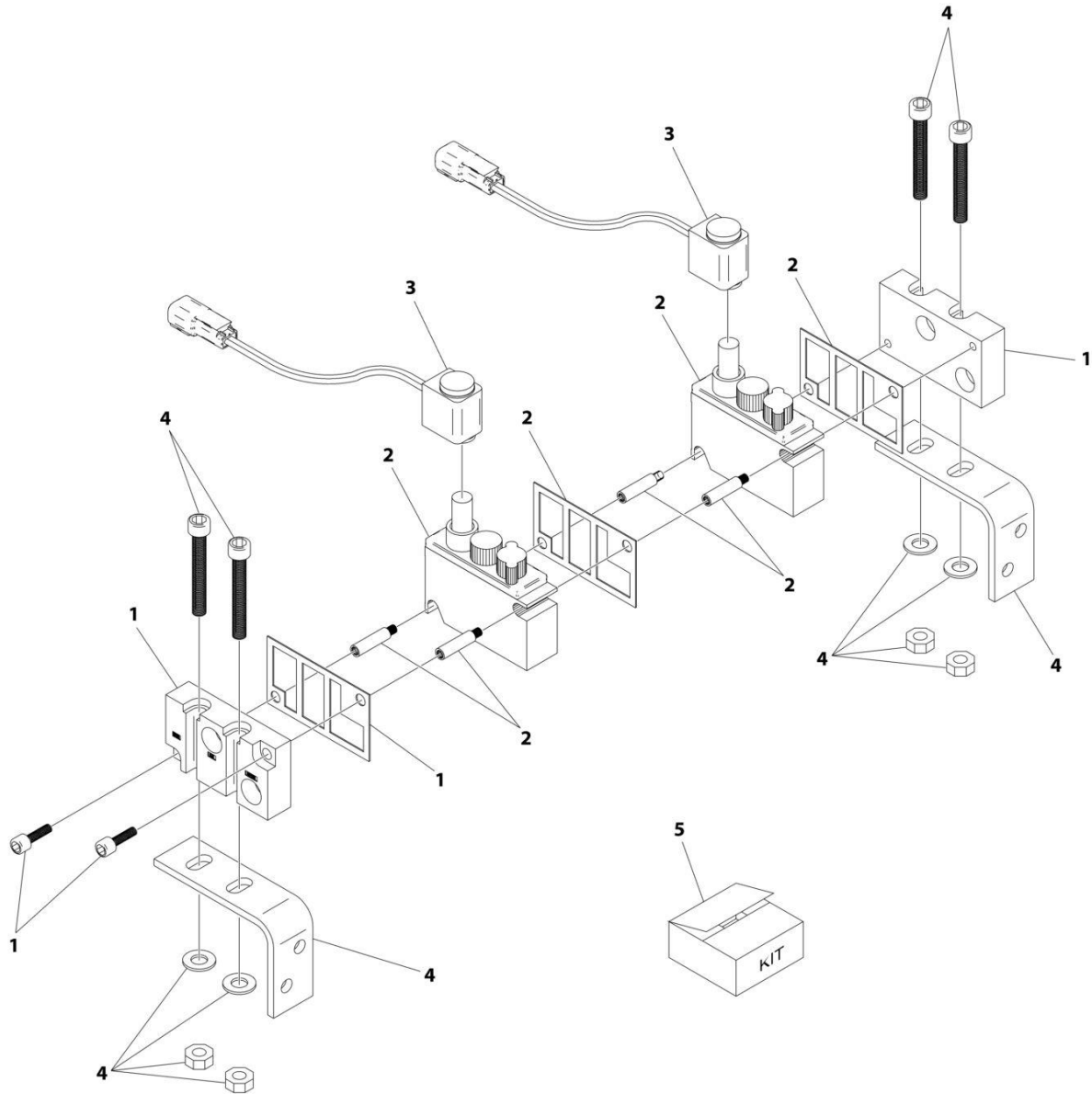
SECTION 6 - HYDRAULIC

FIGURE 6-15. TANK (HYDRAULIC) ASSEMBLY

ITEM	PART NUMBER	QTY	DESCRIPTION	REV
	3750000022	Ref	TANK (HYDRAULIC) ASSEMBLY	C
1	See Note	NSS	Tank, Hydraulic (Note: Purchase PN 3750000022)	
2	7183000004	1	Breather Filter	
3	7470000003	1	Gauge	
5	7796000051	1	Gasket	
6	4706002235	1	Plate	
7	7115140650	12	Bolt 1/4 x 3/4	
8	7950140000	12	Washer 1/4	
9	7444120014	1	Plug	
10	7444160011	2	Plug	

SECTION 6 - HYDRAULIC

FIGURE 6-16. VALVE ASSEMBLY - AIR 2 SECTION



ART_1001129800

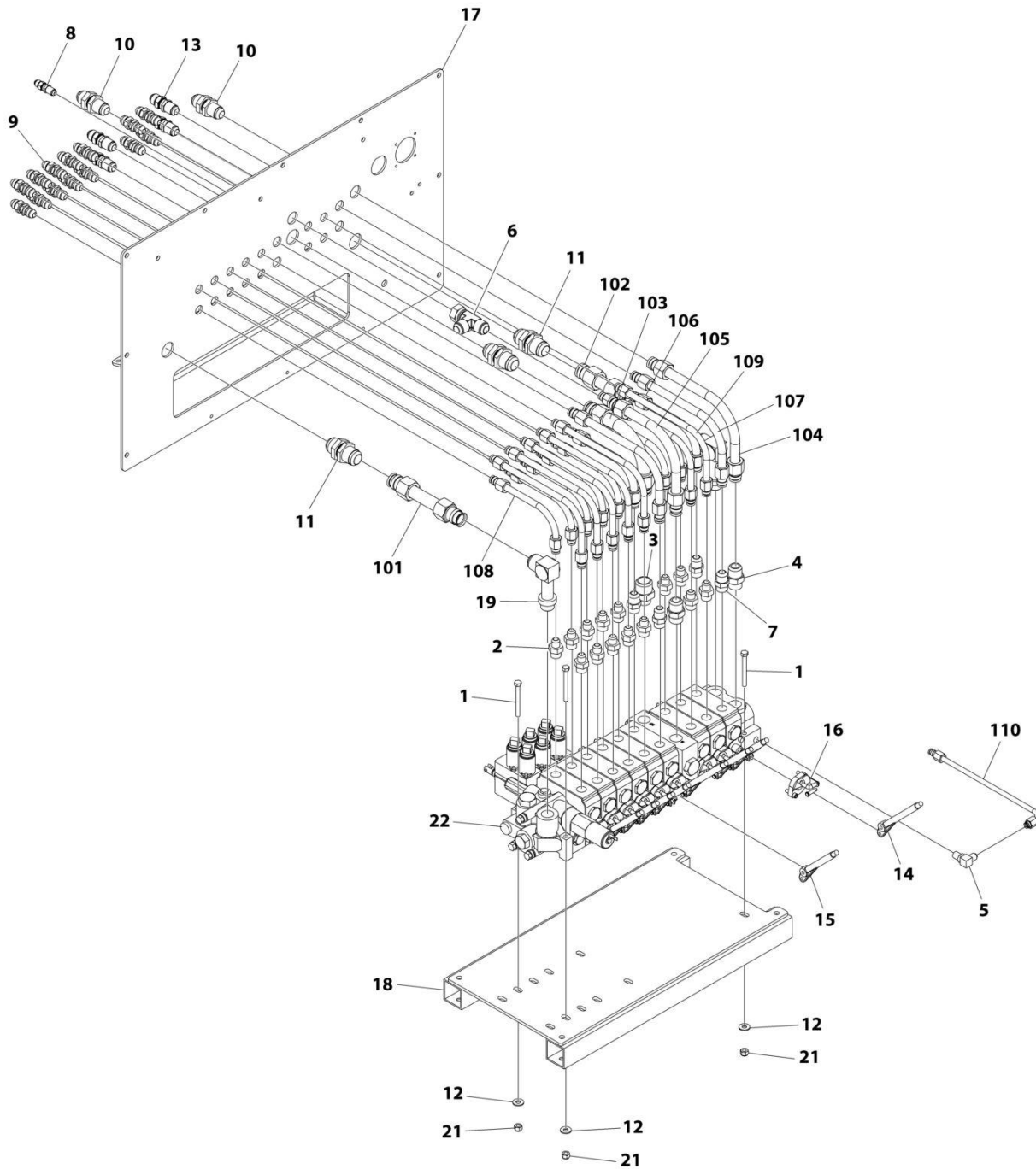
SECTION 6 - HYDRAULIC

FIGURE 6-16. VALVE ASSEMBLY - AIR 2 SECTION

ITEM	PART NUMBER	QTY	DESCRIPTION	REV
	1001129800	Ref	Air Valve 2 Section Assembly	B
1	70050526	1	Kit, Stacking (Includes Inlet, Outlet, Gaskets & Assembly Hardware)	
2	70050527	2	Valve Assembly	
3	70050528	2	Coil	
4	70050529	1	Kit, Mounting Bracket	
5	70050530	2	Kit, Spool Seal	

SECTION 6 - HYDRAULIC

FIGURE 6-17. VALVE SUB-ASSEMBLY - 9 SECTION / 3 SOLENOID



ART_1001202432

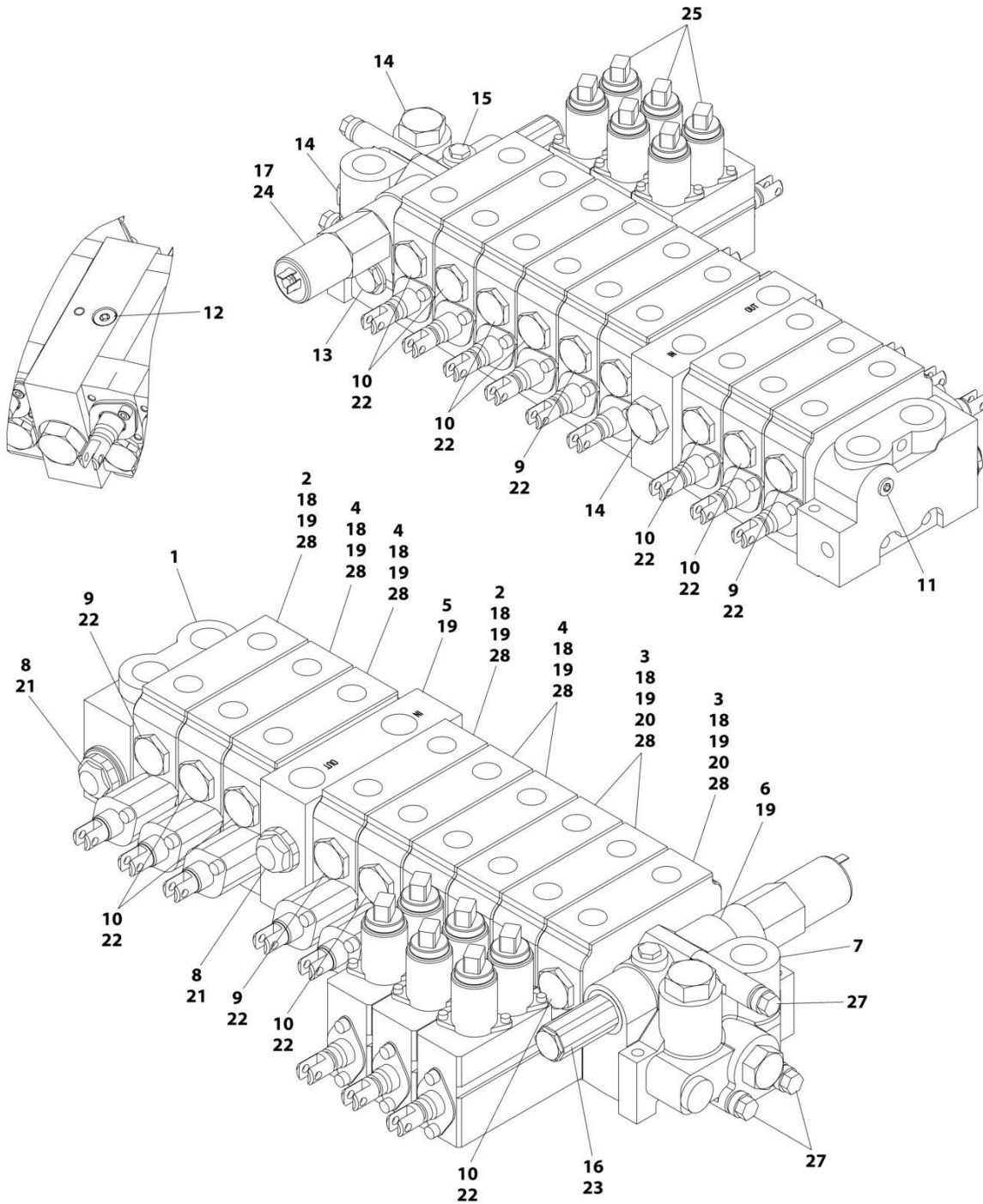
SECTION 6 - HYDRAULIC

FIGURE 6-17. VALVE SUB-ASSEMBLY - 9 SECTION / 3 SOLENOID

ITEM	PART NUMBER	QTY	DESCRIPTION	REV
	1001202432	Ref	VALVE SUB-ASSEMBLY - 9 SECTION/3 SOLENOID	C
1	0641524	3	Bolt 5/16 x 3	
2	2220374	14	Fitting, Straight JIC/ORB	
3	2220376	1	Fitting, Straight JIC/ORB	
4	2220451	2	Fitting, Straight JIC/ORB	
5	2220473	1	Fitting, 90 JIC/ORB	
6	2220700	1	Fitting, Tee JIC/FSJIC/JIC	
7	2220947	4	Fitting, Straight	
8	2230024	1	Fitting, Straight JIC/JIC	
9	2230025	14	Fitting, Straight JIC/JIC	
10	2230027	2	Fitting, Straight	
11	2230089	3	Fitting, Straight	
12	4751500	3	Washer 5/16	
13	8760037	4	Union, Straight	
14	1001184772	2	Handle, Long	
15	1001184773	7	Handle, Short	
16	1001194069	9	Linkage, Handle	
17	1001200355	1	Panel	
18	3177000060	1	Mount, Valve	
19	7443000211	2	Fitting #16 JIC	
20	7577000669	1	Tube Kit (Includes Items 101-110)	
21	7660162601	3	Nut 3/8	
22	7935000313	1	Valve Assembly (See Separate Breakdown in this Section)	
	7577000669	Ref	TUBE KIT	C
101	7912000301	1	Tube, Outlet	
102	7912000302	1	Tube, Outlet	
103	7912000303	1	Tube, Mid Outlet	
104	7912000304	1	Tube, Inlet	
105	7912000305	1	Tube, Mid Inlet	
106	7912000306	2	Tube, Winch	
107	7912000307	2	Tube, Winch	
108	7912000308	7	Tube	
109	7912000309	7	Tube	
110	7912000310	1	Tube, Pilot	

SECTION 6 - HYDRAULIC

FIGURE 6-18. VALVE ASSEMBLY - 9 SECTION / 3 SOLENOID



ART_7935000313

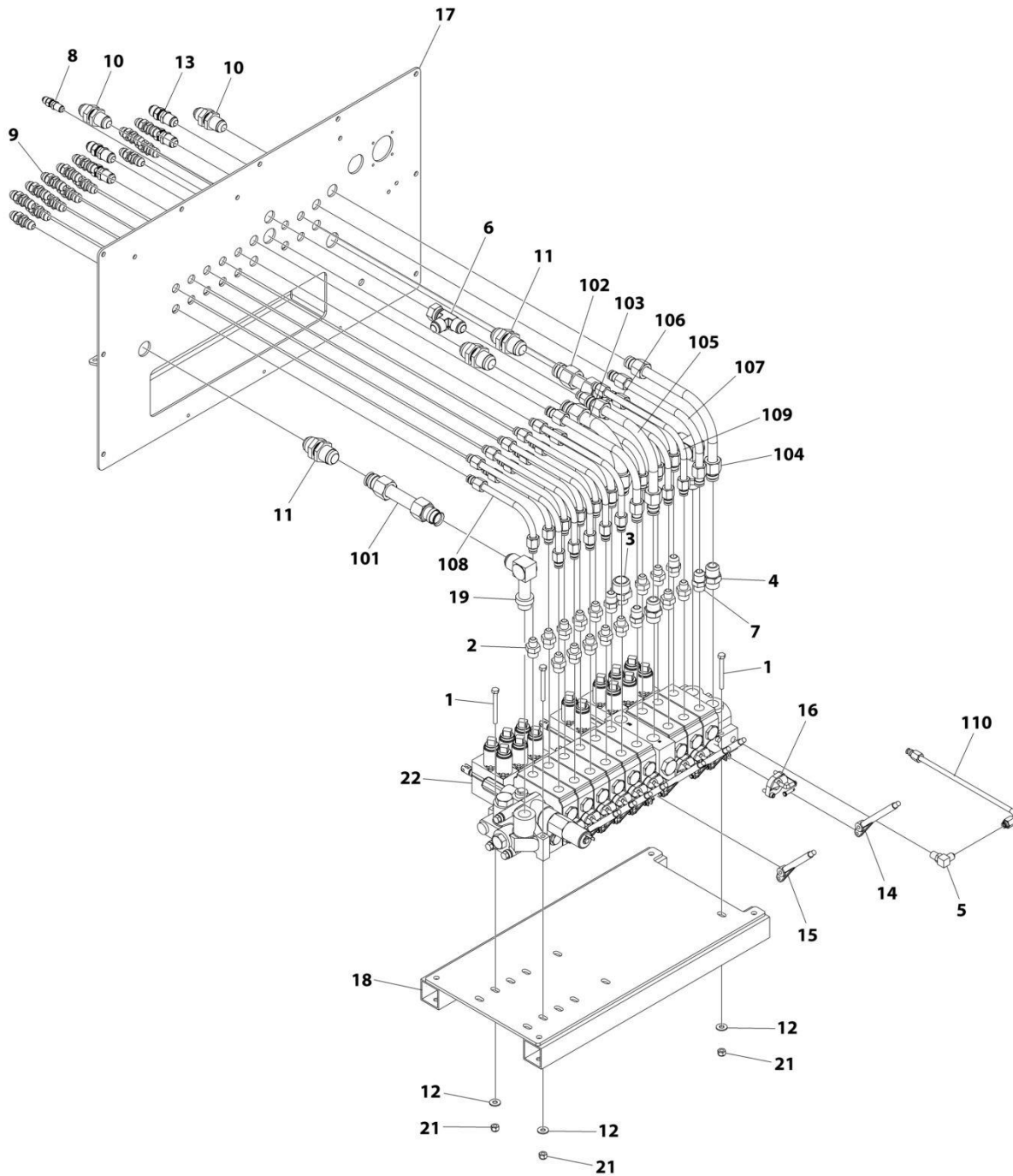
SECTION 6 - HYDRAULIC

FIGURE 6-18. VALVE ASSEMBLY - 9 SECTION / 3 SOLENOID

ITEM	PART NUMBER	QTY	DESCRIPTION	REV
	7935000313	Ref	VALVE ASSEMBLY - 9 SECTION/3 SOLENOID	B
1	7935000315	1	Cover, Inlet	
2	9935930122	2	Valve Section	
3	9935930119	3	Valve Section	
4	7935000320	4	Valve Section	
5	7935000316	1	Inlet	
6	7935000323	1	Utility Section	
7	7935000317	1	Cover, Outlet	
8	91084009	2	Cartridge, Relief	
9	70050243	4	Plug	
10	7006847	14	Plug	
11	70050245	1	Plug	
12	70050246	2	Plug	
13	70050247	1	Plug	
14	91084017	3	Plug	
15	70050249	1	Plug	
16	70050241	1	Cartridge, Pressure	
17	70050242	1	Solenoid	
18	70050250	15	Seal	
19	70050251	44	O-Ring	
20	70050252	6	O-Ring	
21	70051081	2	Seal Kit	
22	7029865	18	Seal Kit	
23	70051080	1	Seal Kit	
24	70050256	1	Seal Kit	
25	9346930086	6	Solenoid	
26	70051079	1	Seal (Not Shown)	
27	70050239	1	Stud Assembly	
28	70050257	18	Wiper	

SECTION 6 - HYDRAULIC

FIGURE 6-19. VALVE SUB-ASSEMBLY - 9 SECTION / 7 SOLENOID



ART_1001202433

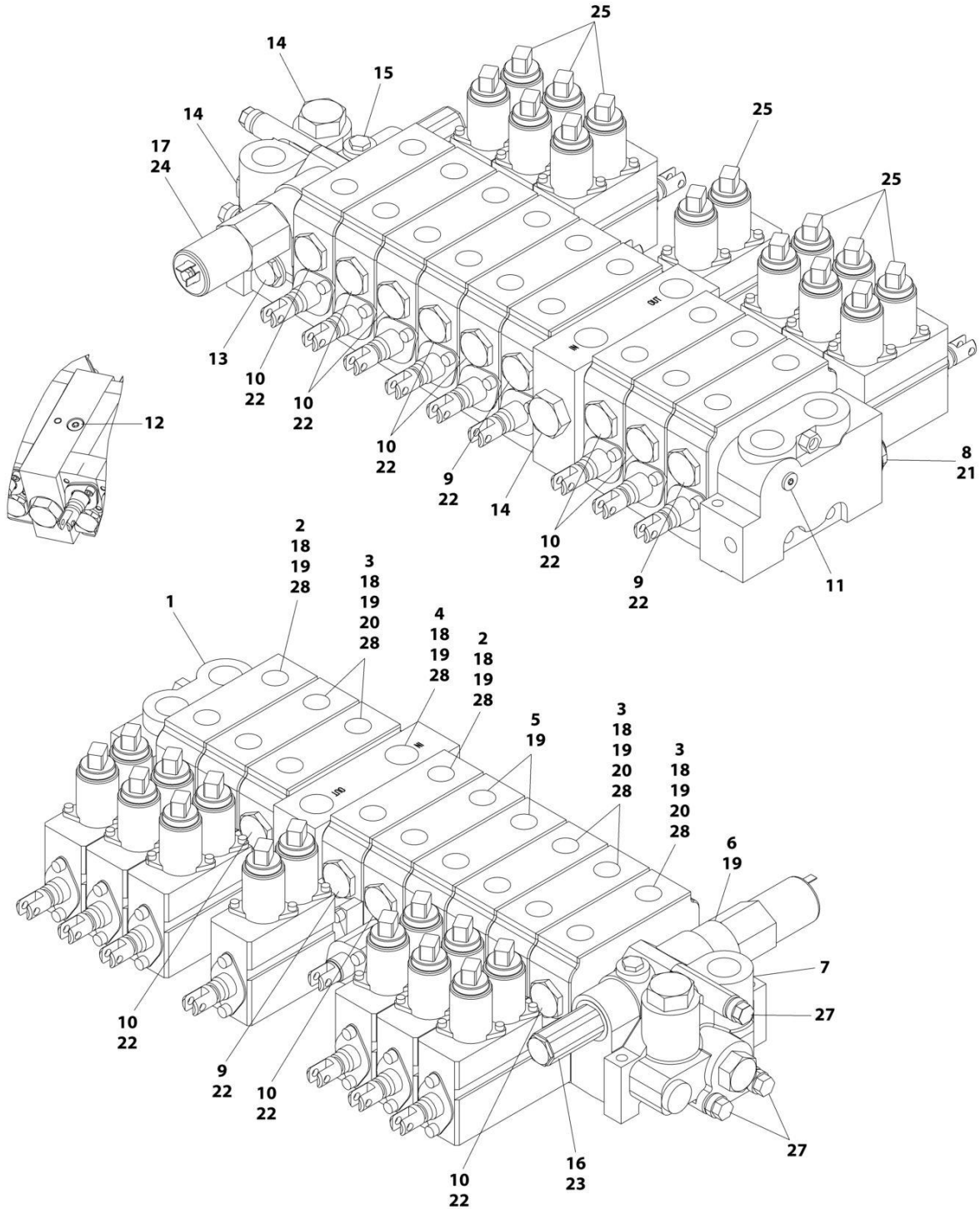
SECTION 6 - HYDRAULIC

FIGURE 6-19. VALVE SUB-ASSEMBLY - 9 SECTION / 7 SOLENOID

ITEM	PART NUMBER	QTY	DESCRIPTION	REV
	1001202433	Ref	VALVE SUB-ASSEMBLY - 9 SECTION/7 SOLENOID	C
1	0641524	3	Bolt 5/16 x 3	
2	2220374	14	Fitting, Straight JIC/ORB	
3	2220376	1	Fitting, Straight JIC/ORB	
4	2220451	2	Fitting, Straight JIC/ORB	
5	2220473	1	Fitting, 90 JIC/ORB	
6	2220700	1	Fitting, Tee JIC/FSJIC/JIC	
7	2220947	4	Fitting, Straight	
8	2230024	1	Fitting, Straight JIC/JIC	
9	2230025	14	Fitting, Straight JIC/JIC	
10	2230027	2	Fitting, Straight	
11	2230089	3	Fitting, Straight	
12	4751500	3	Washer 5/16	
13	8760037	4	Union, Straight	
14	1001184772	2	Handle, Long	
15	1001184773	7	Handle, Short	
16	1001194069	9	Linkage, Handle	
17	1001200355	1	Panel	
18	3177000060	1	Mount, Valve	
19	7443000211	2	Fitting #16 JIC	
20	7577000669	1	Tube Kit (Includes Items 101-110)	
21	7660162601	3	Nut 3/8	
22	1001203506	1	Valve Assembly (See Separate Breakdown in this Section)	
	7577000669	Ref	TUBE KIT	C
101	7912000301	1	Tube, Outlet	
102	7912000302	1	Tube, Outlet	
103	7912000303	1	Tube, Mid Outlet	
104	7912000304	1	Tube, Inlet	
105	7912000305	1	Tube, Mid Inlet	
106	7912000306	2	Tube, Winch	
107	7912000307	2	Tube, Winch	
108	7912000308	7	Tube	
109	7912000309	7	Tube	
110	7912000310	1	Tube, Pilot	

SECTION 6 - HYDRAULIC

FIGURE 6-20. VALVE ASSEMBLY - 9 SECTION / 7 SOLENOID



ART_1001203506

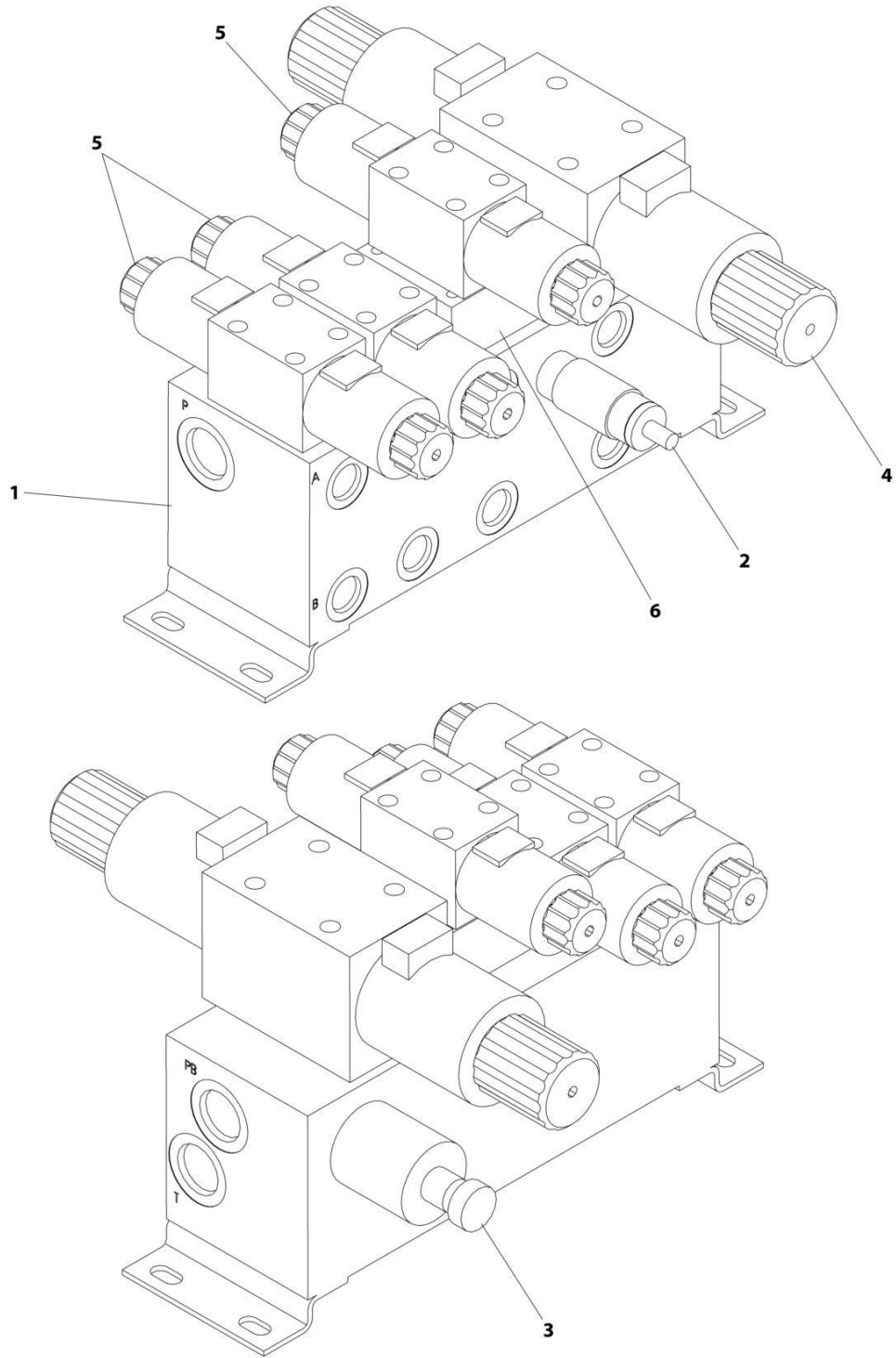
SECTION 6 - HYDRAULIC

FIGURE 6-20. VALVE ASSEMBLY - 9 SECTION / 7 SOLENOID

ITEM	PART NUMBER	QTY	DESCRIPTION	REV
	1001203506	Ref	VALVE ASSEMBLY - 9 SECTION/7 SOLENOID	B
1	7935000315	1	Cover, Inlet	
2	9935930120	2	Valve Section	
3	9935930119	5	Valve Section	
4	7935000316	1	Inlet	
5	7935000320	2	Valve Section	
6	7935000323	1	Utility Section	
7	7935000317	1	Cover, Outlet	
8	91084009	2	Cartridge, Relief	
9	70050243	4	Plug	
10	7006847	14	Plug	
11	70050245	1	Plug	
12	70050246	2	Plug	
13	70050247	1	Plug	
14	91084017	3	Plug	
15	70050249	1	Plug	
16	70050241	1	Cartridge, Pressure	
17	70050242	1	Solenoid	
18	70050250	15	Seal	
19	70050251	44	O-Ring	
20	70050252	6	O-Ring	
21	70051081	2	Seal Kit	
22	7029865	18	Seal Kit	
23	70051080	1	Seal Kit	
24	70050256	1	Seal Kit	
25	9346930086	8	Solenoid	
26	70051079	1	Seal (Not Shown)	
27	70050239	1	Stud Assembly	
28	70050257	18	Wiper	

SECTION 6 - HYDRAULIC

FIGURE 6-21. VALVE ASSEMBLY - SIDE RECOVERY SYSTEM (SRS)



ART_3935000189

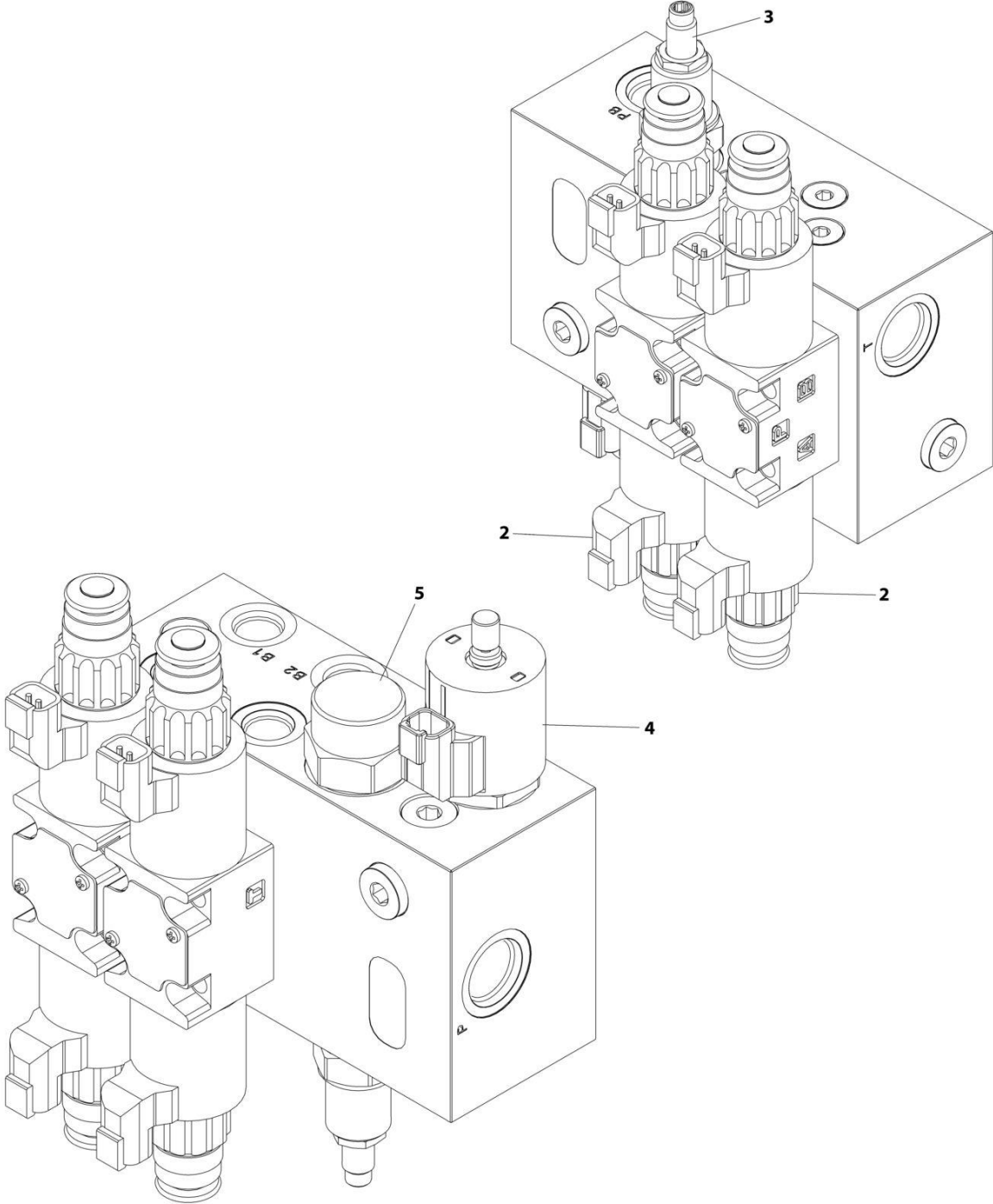
SECTION 6 - HYDRAULIC

FIGURE 6-21. VALVE ASSEMBLY - SIDE RECOVERY SYSTEM (SRS)

ITEM	PART NUMBER	QTY	DESCRIPTION	REV
	3935000189	Ref	VALVE ASSEMBLY	00
1	9619930002	1	Manifold	
2	9935930126	1	Main Relief Valve	
3	9935930127	1	Solenoid Selector Valve	
4	9935930129	1	DO5 Directional Valve	
5	7935000349	3	DO3 Directional Valve	
6	9935930130	1	Valve Adaptor Manifold	

SECTION 6 - HYDRAULIC

FIGURE 6-22. VALVE ASSEMBLY - SIDE STABILIZER (SS-70)



ART_1001243240

SECTION 6 - HYDRAULIC

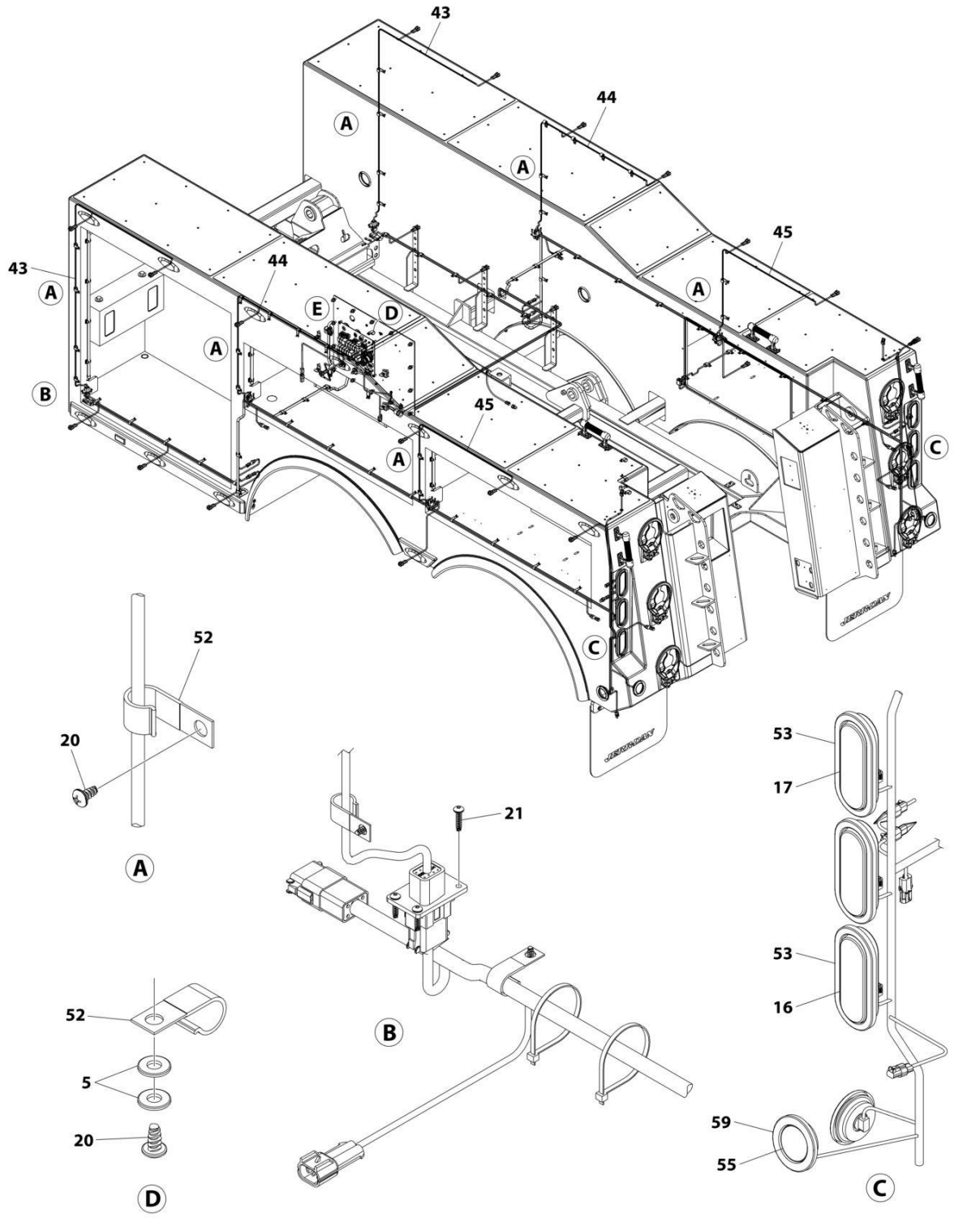
FIGURE 6-22. VALVE ASSEMBLY - SIDE STABILIZER (SS-70)

ITEM	PART NUMBER	QTY	DESCRIPTION	REV
	1001243240	Ref	VALVE ASSEMBLY	A
2	70051970	2	Valve Assembly - Directional	
2	70051973	2	Seal Kit - 70051970 Valve	
2	70051971	4	Coil	
2	70051972	4	Nut, Coil	
3	70051974	1	Cartridge, Relief Valve	
3	70051975	1	Seal Kit - 70051974 Valve	
4	70051976	1	Cartridge, Selector Solenoid	
4	7024896	1	Seal Kit - 70051976 Valve	
4	70003788	1	Coil	
4	70003977	1	Nut, Coil	
5	70051977	1	Cartridge, Flow Control	
5	70051978	1	Seal Kit - 70051977 Valve	

SECTION 7 - ELECTRICAL

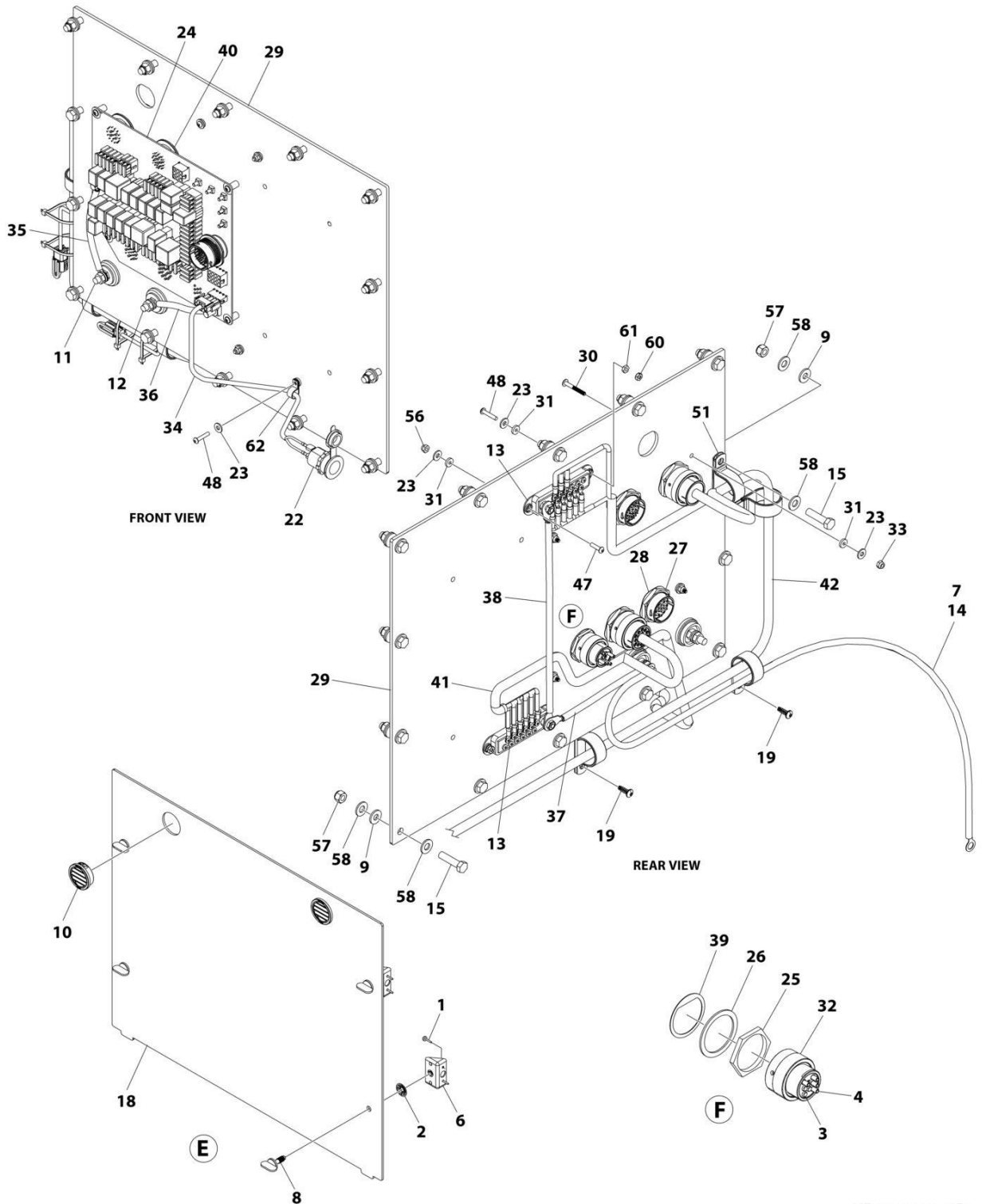
SECTION 7 - ELECTRICAL

FIGURE 7-1. ELECTRICAL INSTALLATION - TANDEM



ART_1001216178_10F2

SECTION 7 - ELECTRICAL



ART_1001216178_20F2

SECTION 7 - ELECTRICAL

FIGURE 7-1. ELECTRICAL INSTALLATION - TANDEM

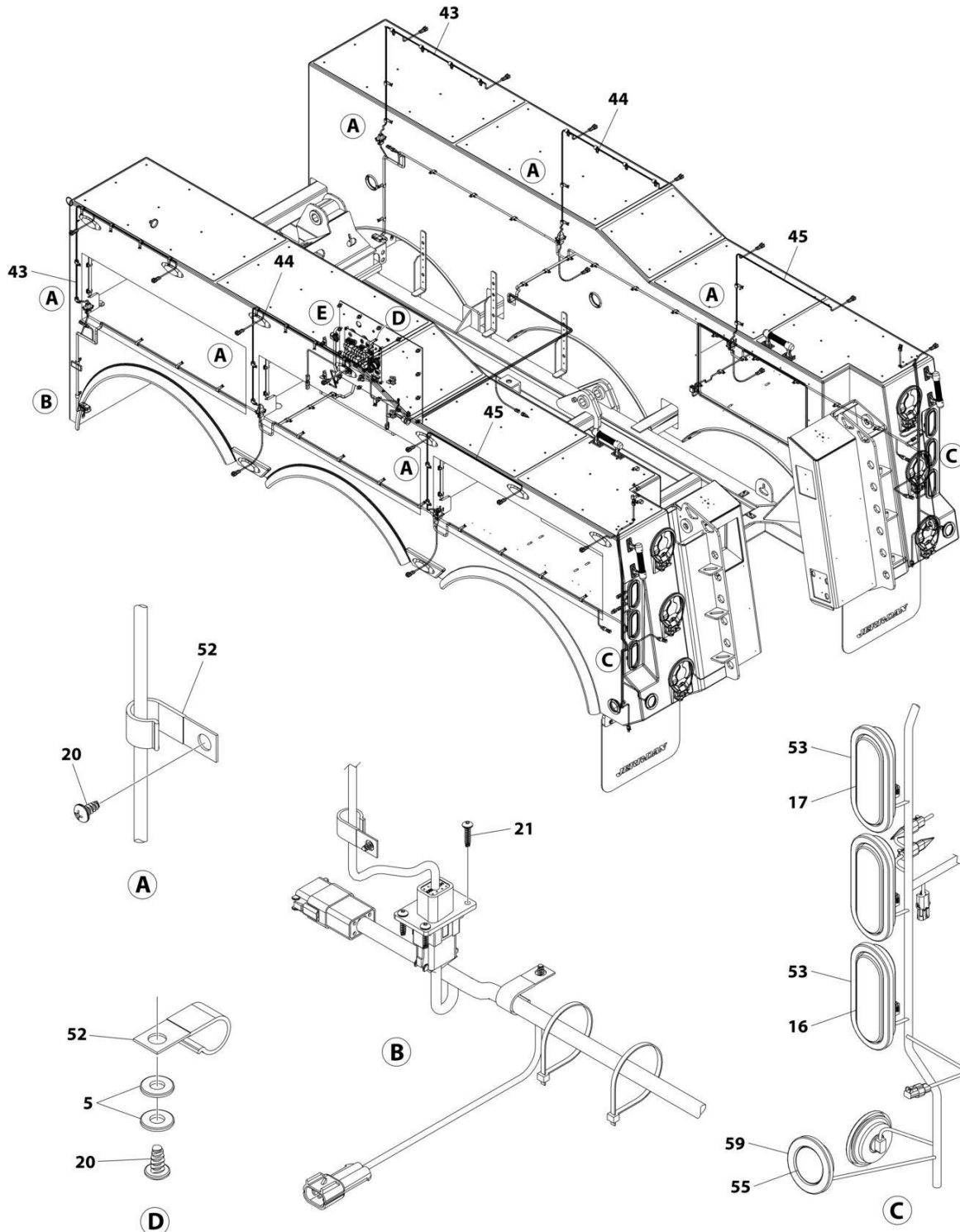
ITEM	PART NUMBER	QTY	DESCRIPTION	REV
	1001216178	Ref	BODY LIGHTS AND WIRING (TANDEM)	D
1	0750604	8	Screw	
2	3760308	4	Ring, Retainer	
3	4460466	3	Terminal	
4	4460509	4	Terminal	
5	4740513	2	Washer 1/4	
6	1001122235	4	Bracket	
7	1001130310	AR	Adhesive	
8	1001166930	4	Latch, Wing Screw	
9	1001166974	14	Washer 3/8	
10	1001167607	2	Plug	
11	1001168320	1	Terminal	
12	1001168321	1	Terminal	
13	1001168322	2	Terminal	
14	1001168328	1	Cable	
15	1001168993	14	Capscrew 3/8 x 1-1/2	
16	1001174680	2	Lamp, Backup LED	
17	7590000370	4	Light	
18	1001191602	1	Panel, Coverplate	
19	1001194676	2	Screw 1/4 x 3/4	
20	1001195257	69	Screw 1/4 x 1/2	
21	1001196552	24	Screw #8 x 3/4	
22	1001201384	1	Socket	
23	1001201926	8	Washer #10	
24	1001203234	1	Power PCB Assembly	
25	1001204788	1	Nut, Terminal	
26	1001204789	1	Washer, Terminal	
27	1001205043	4	Nut, Terminal	
28	1001205044	4	Washer, Terminal	
29	1001206505	1	Plate, Bulkhead Electrical	
30	1001207734	4	Screw	
31	1001207736	8	Washer #10	
32	1001208066	1	Connector, 8 Socket	
33	1001208303	4	Nut #10	
34	1001209031	1	Harness, Tow Light (See Separate Breakdown in this Section)	
35	1001209040	1	Cable	
36	1001209041	1	Cable	
37	1001209042	1	Cable	
38	1001209044	1	Harness, Battery to Bulkhead	
39	1001209365	1	Seal	
40	1001209366	4	Seal	
41	1001216183	1	Harness, Body (LH) (Tandem) (See Separate Breakdown in this Section)	
42	1001216184	1	Harness, Body (RH) (Tandem) (See Separate Breakdown in this Section)	
43	1001216185	2	Harness, Marker Light 1 (Tandem) (See Separate Breakdown in this Section)	
44	1001216186	2	Harness, Marker Light 2 (Tandem) (See Separate Breakdown in this Section)	
45	1001216187	2	Harness, Marker Light 3 (See Separate Breakdown in this Section)	

SECTION 7 - ELECTRICAL

ITEM	PART NUMBER	QTY	DESCRIPTION	REV
46	5526000553	AR	Tie-Strap (Not Shown)	
47	7114100618	2	Screw #10 x 3/4	
48	7114100818	2	Screw #10 x 1	
51	7274000042	4	Clamp	
52	7280000006	68	Clip	
53	7493000026	6	Grommet	
55	7590000343	4	Light	
56	7660102601	2	Nut #10	
57	7660162601	14	Nut 3/8	
58	7950160143	28	Washer 3/8	
59	1001220431	4	Grommet	
60	7661000002	2	Nut #10	
61	3311001	2	Nut #10	
62	7274000036	1	Clamp	

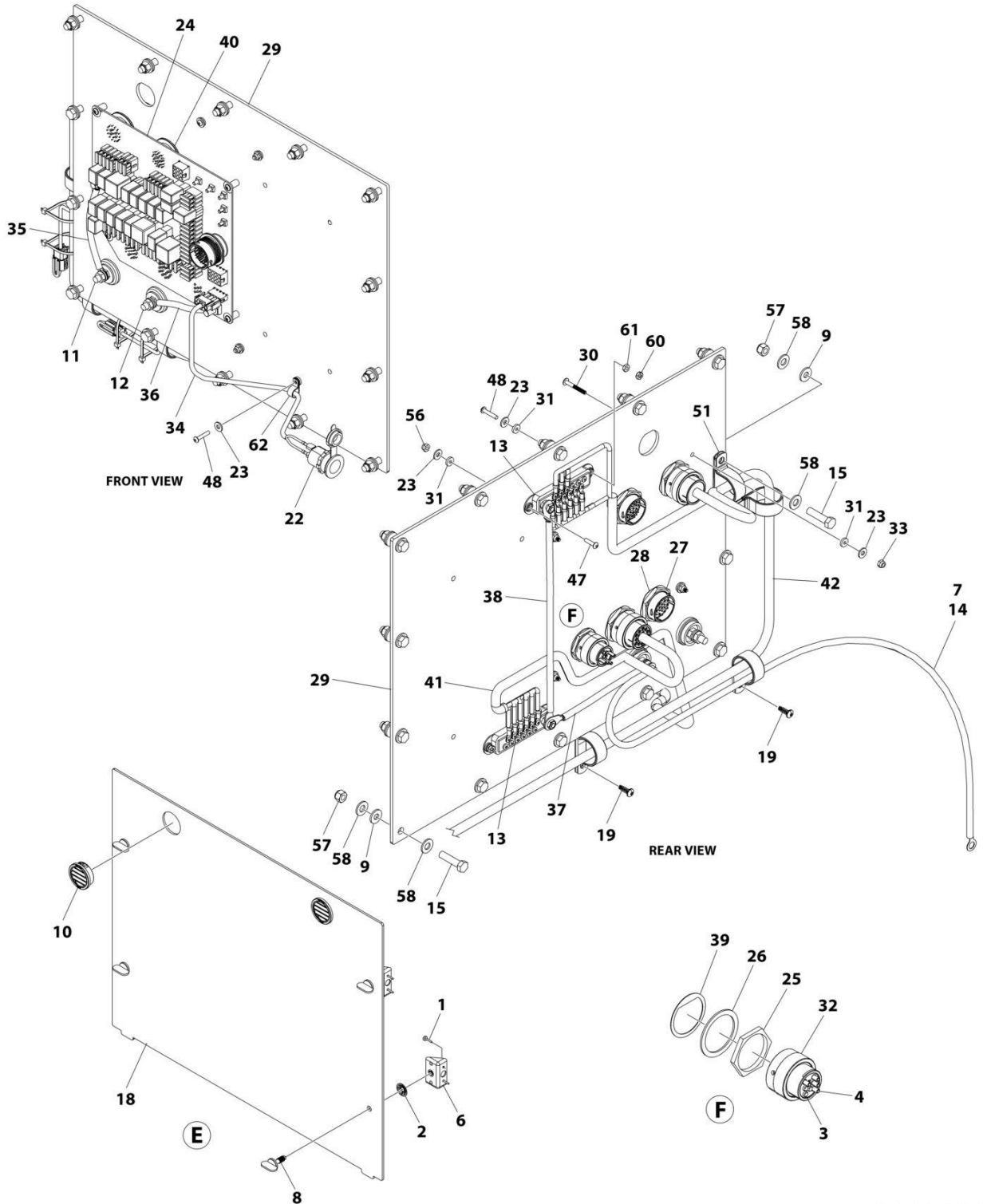
SECTION 7 - ELECTRICAL

FIGURE 7-2. ELECTRICAL INSTALLATION - TRI-AXLE



ART_1001216179_10F2

SECTION 7 - ELECTRICAL



ART_1001216179_20F2

SECTION 7 - ELECTRICAL

FIGURE 7-2. ELECTRICAL INSTALLATION - TRI-AXLE

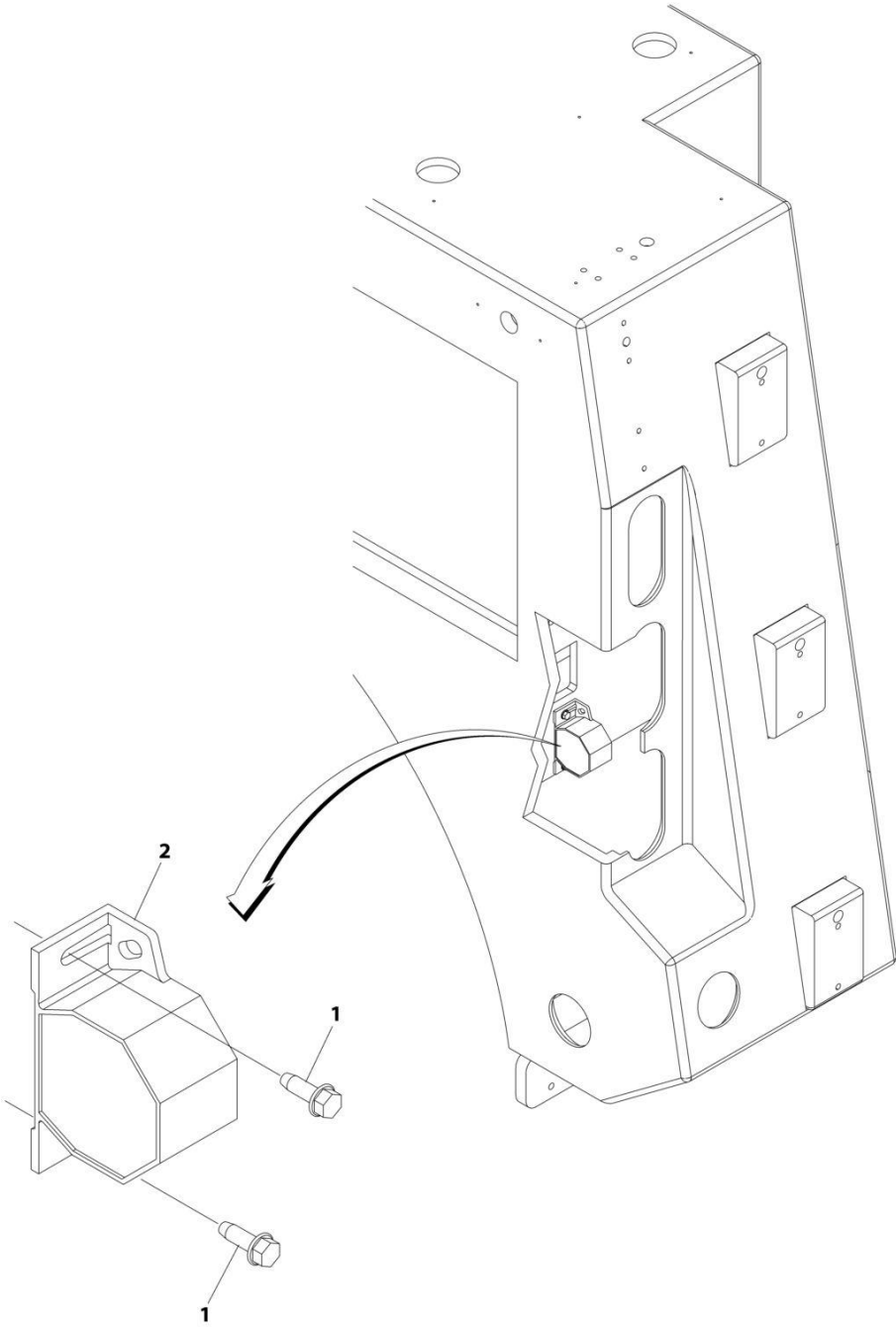
ITEM	PART NUMBER	QTY	DESCRIPTION	REV
	1001216179	Ref	BODY LIGHTS AND WIRING (TRI)	D
1	0750604	8	Screw	
2	3760308	4	Ring, Retainer	
3	4460466	3	Terminal	
4	4460509	4	Terminal	
5	4740513	2	Washer 1/4	
6	1001122235	4	Bracket	
7	1001130310	AR	Adhesive	
8	1001166930	4	Latch, Wing Screw	
9	1001166974	14	Washer 3/8	
10	1001167607	2	Plug	
11	1001168320	1	Terminal	
12	1001168321	1	Terminal	
13	1001168322	2	Terminal	
14	1001168328	1	Cable	
15	1001168993	14	Capscrew 3/8 x 1-1/2	
16	1001174680	2	Lamp, Backup LED	
17	7590000370	4	Light	
18	1001191602	1	Panel, Coverplate	
19	1001194676	2	Screw 1/4 x 3/4	
20	1001195257	69	Screw 1/4 x 1/2	
21	1001196552	24	Screw #8 x 3/4	
22	1001201384	1	Socket	
23	1001201926	8	Washer #10	
24	1001203234	1	Power PCB Assembly	
25	1001204788	1	Nut, Terminal	
26	1001204789	1	Washer, Terminal	
27	1001205043	4	Nut, Terminal	
28	1001205044	4	Washer, Terminal	
29	1001206505	1	Plate, Bulkhead Electrical	
30	1001207734	4	Screw	
31	1001207736	8	Washer #10	
32	1001208066	1	Connector, 8 Socket	
33	1001208303	4	Nut #10	
34	1001209031	1	Harness, Tow Light (See Separate Breakdown in this Section)	
35	1001209040	1	Cable	
36	1001209041	1	Cable	
37	1001209042	1	Cable	
38	1001209044	1	Harness, Battery to Bulkhead	
39	1001209365	1	Seal	
40	1001209366	4	Seal	
41	1001216188	1	Harness, Body (LH) (Tri) (See Separate Breakdown in this Section)	
42	1001216189	1	Harness, Body (RH) (Tri) (See Separate Breakdown in this Section)	
43	1001216190	2	Harness, Marker Light 1 (Tri) (See Separate Breakdown in this Section)	
44	1001216191	2	Harness, Marker Light 2 (Tri) (See Separate Breakdown in this Section)	
45	1001216187	2	Harness, Marker Light 3 (See Separate Breakdown in this Section)	

SECTION 7 - ELECTRICAL

ITEM	PART NUMBER	QTY	DESCRIPTION	REV
46	5526000553	AR	Tie-Strap (Not Shown)	
47	7114100618	2	Screw #10 x 3/4	
48	7114100818	2	Screw #10 x 1	
51	7274000042	4	Clamp	
52	7280000006	68	Clip	
53	7493000026	6	Grommet	
55	7590000343	4	Light	
56	7660102601	2	Nut #10	
57	7660162601	14	Nut 3/8	
58	7950160143	28	Washer 3/8	
59	1001220431	4	Grommet	
60	7661000002	2	Nut #10	
61	3311001	2	Nut #10	
62	7274000036	1	Clamp	

SECTION 7 - ELECTRICAL

FIGURE 7-3. ALARM INSTALLATION - FIXED



ART_1001213538

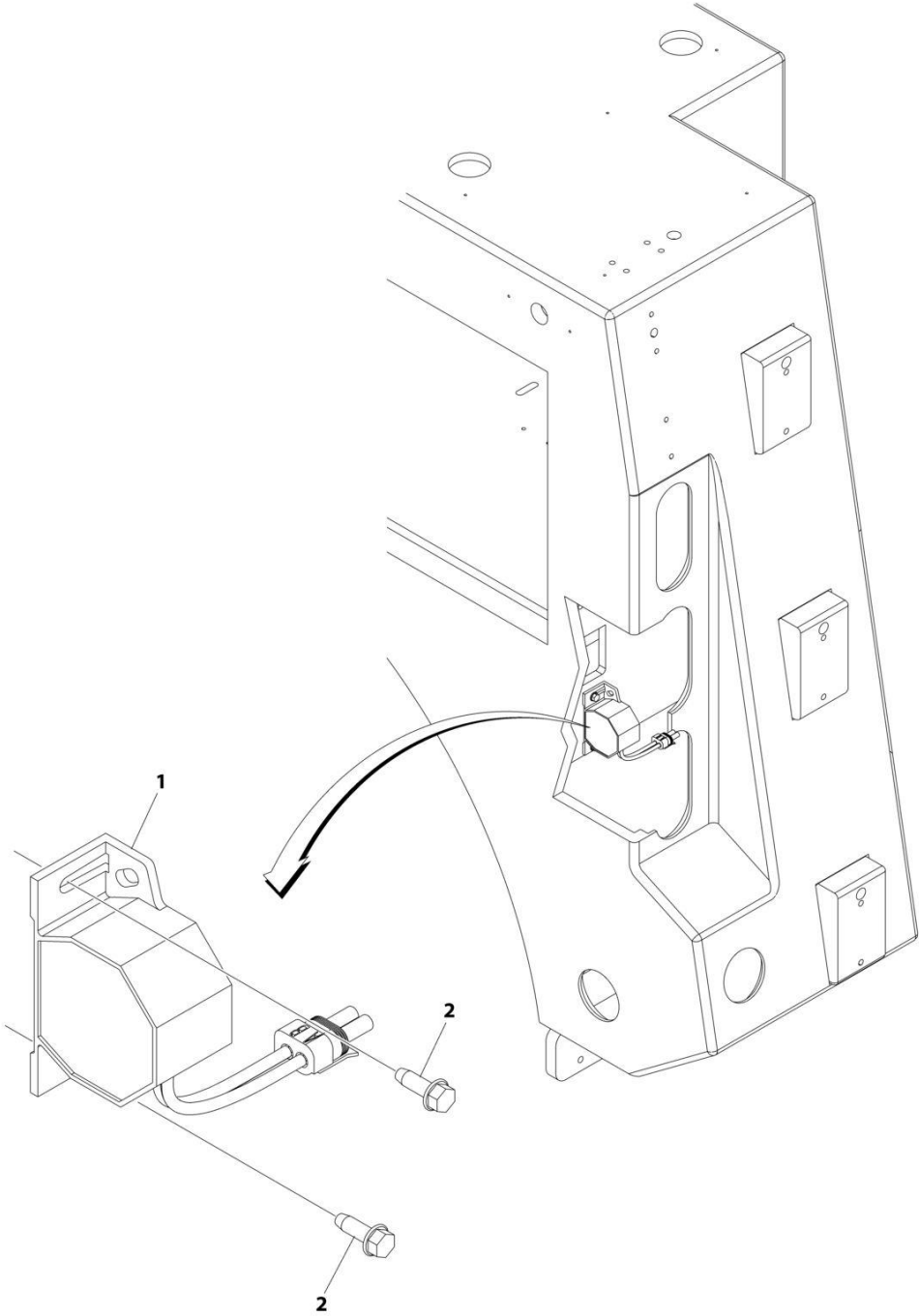
SECTION 7 - ELECTRICAL

FIGURE 7-3. ALARM INSTALLATION - FIXED

ITEM	PART NUMBER	QTY	DESCRIPTION	REV
1	1001213538	Ref	Fixed Back-Up Alarm Installation	A
1	7790141251	2	Screw 1/4 x 3/4	
2	7011000006	1	Alarm	

SECTION 7 - ELECTRICAL

FIGURE 7-4. ALARM INSTALLATION - VARIABLE



ART_1001198729

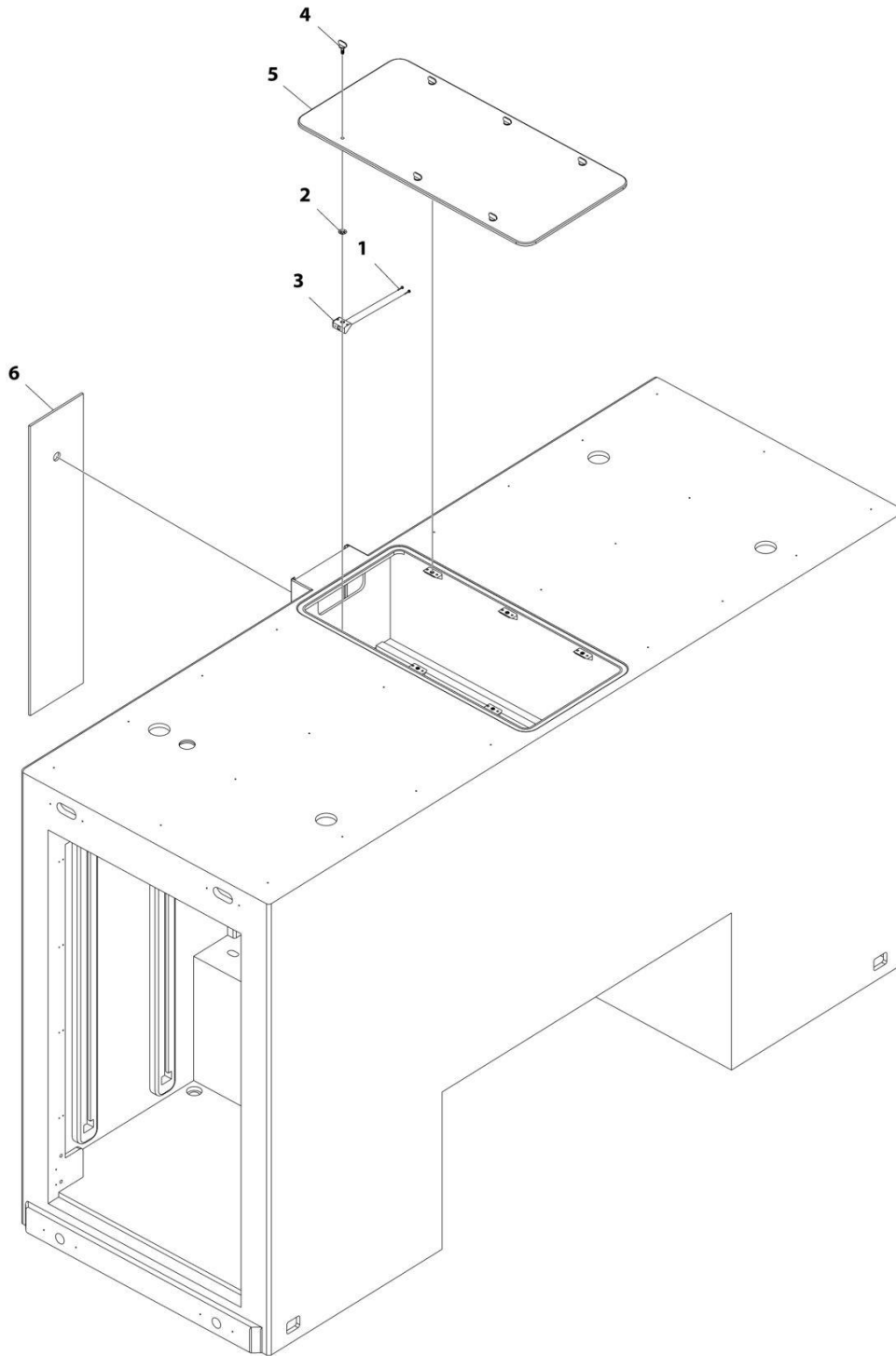
SECTION 7 - ELECTRICAL

FIGURE 7-4. ALARM INSTALLATION - VARIABLE

ITEM	PART NUMBER	QTY	DESCRIPTION	REV
	1001198729	Ref	Variable Back-Up Alarm Installation	B
1	1001175061	1	Alarm	
2	7790141251	2	Screw 1/4 x 3/4	

SECTION 7 - ELECTRICAL

FIGURE 7-5. BATTERY COVER INSTALLATION (39IN TUNNEL)



ART_1001197133

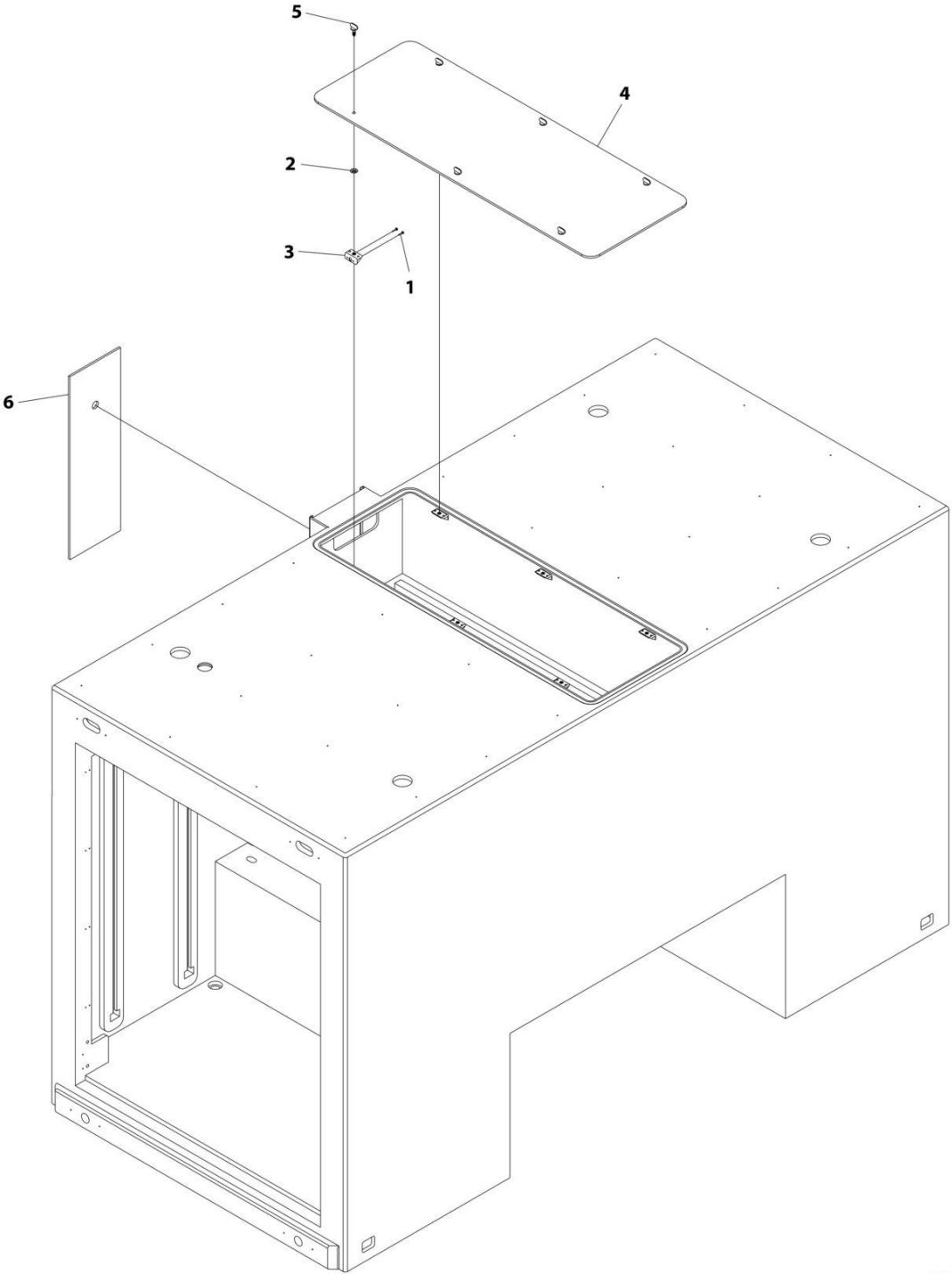
SECTION 7 - ELECTRICAL

FIGURE 7-5. BATTERY COVER INSTALLATION (39IN TUNNEL)

ITEM	PART NUMBER	QTY	DESCRIPTION	REV
	1001197133	Ref	BATTERY COVER INSTALLATION (39IN TUNNEL WITH BATTERY)	C
1	0750605	12	Screw	
2	3760308	6	Retainer	
3	1001122235	6	Bracket	
4	1001166930	6	Latch	
5	1001182569	1	Battery Cover	
6	1001185654	1	Battery Cover	

SECTION 7 - ELECTRICAL

FIGURE 7-6. BATTERY COVER INSTALLATION (51IN TUNNEL WITH CWT)



ART_1001219741

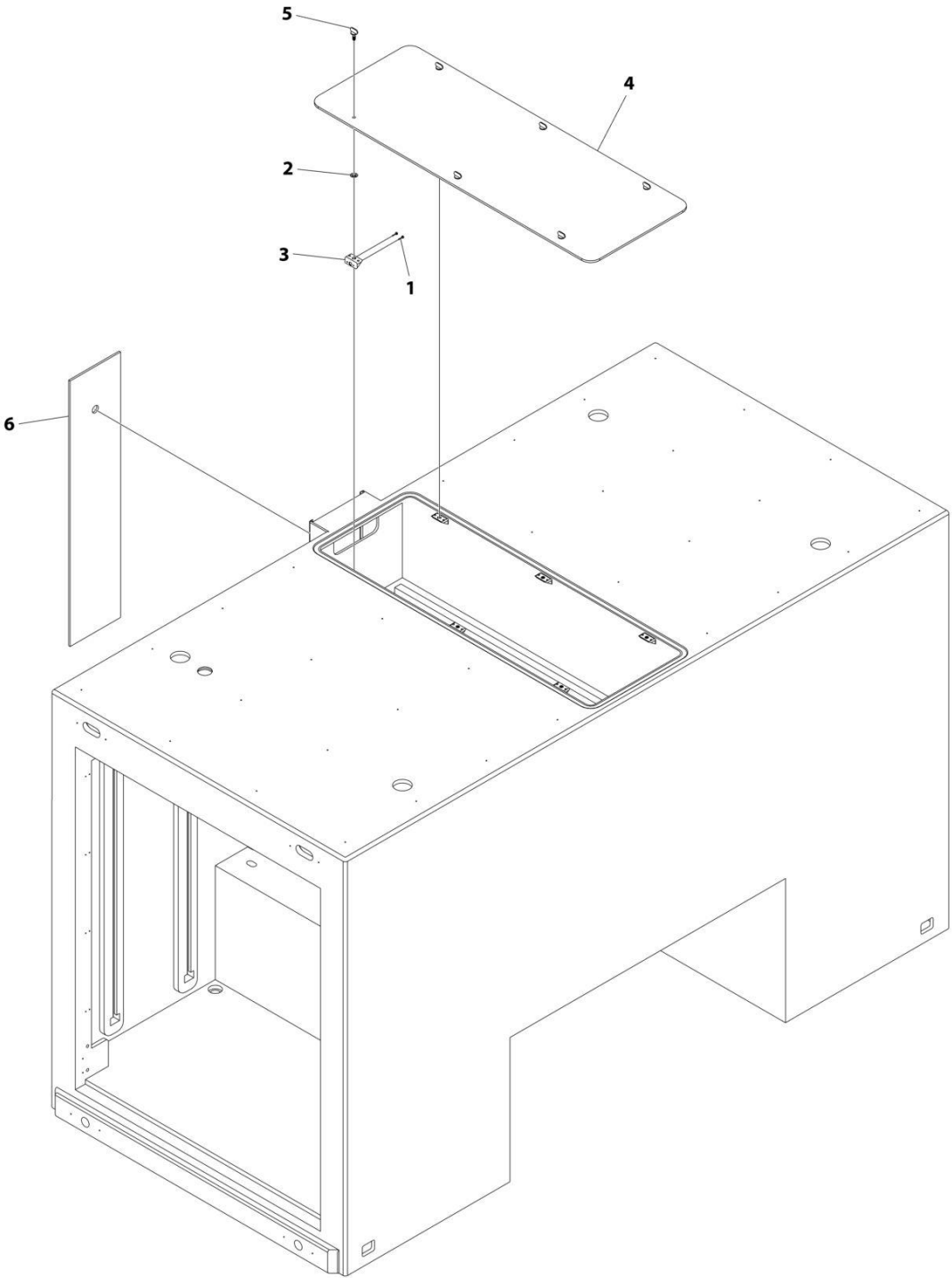
SECTION 7 - ELECTRICAL

FIGURE 7-6. BATTERY COVER INSTALLATION (51IN TUNNEL WITH CWT)

ITEM	PART NUMBER	QTY	DESCRIPTION	REV
	1001219741	Ref	BATTERY COVER INSTALLATION (51IN TUNNEL WITH COUNTERWEIGHT)	A
1	0750605	12	Screw	
2	3760308	6	Retainer	
3	1001122235	6	Bracket	
4	1001166674	1	Battery Cover	
5	1001166930	6	Latch	
6	1001219742	1	Battery Cover	

SECTION 7 - ELECTRICAL

FIGURE 7-7. BATTERY COVER INSTALLATION (51IN TUNNEL WITHOUT CWT)



ART_1001197134

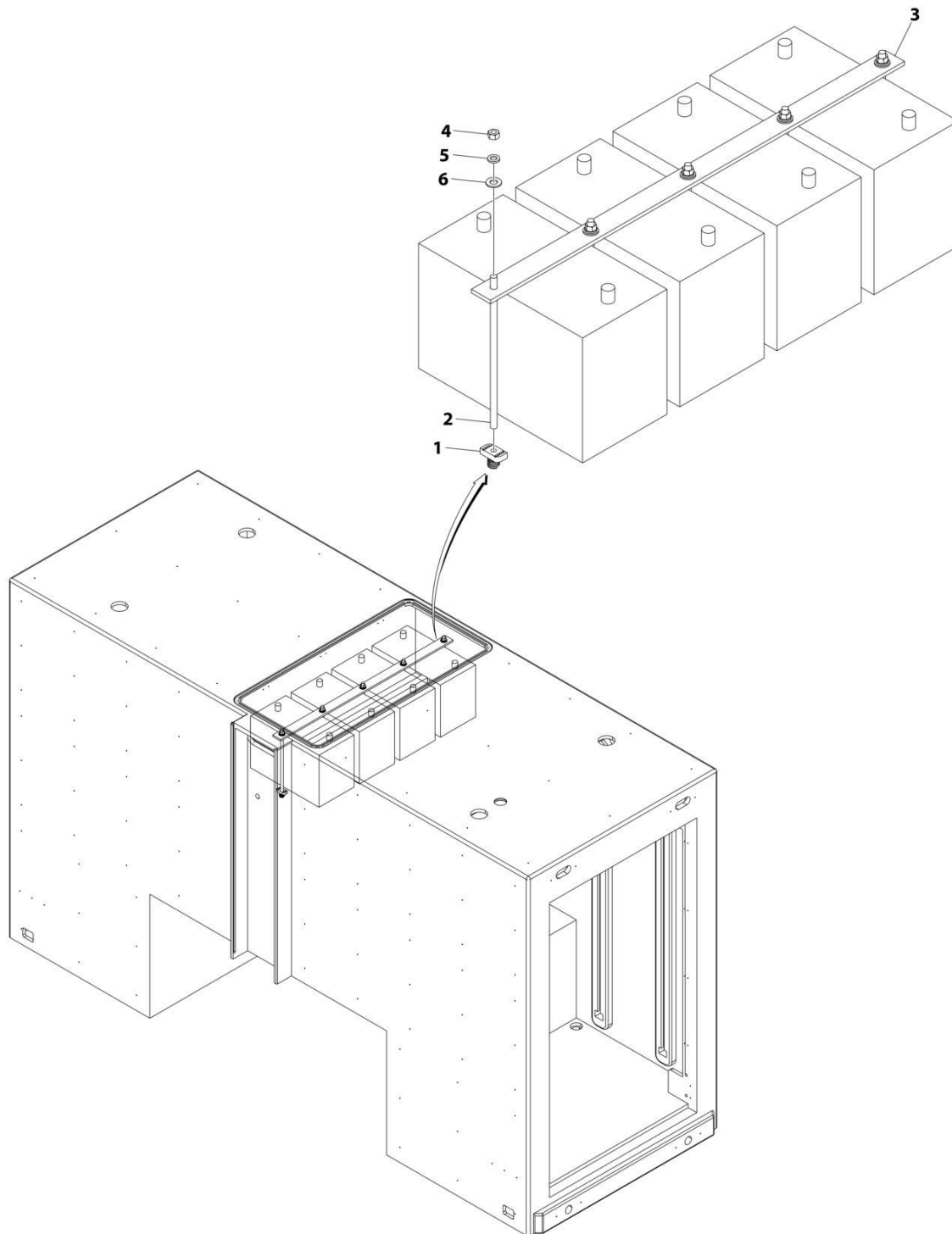
SECTION 7 - ELECTRICAL

FIGURE 7-7. BATTERY COVER INSTALLATION (51IN TUNNEL WITHOUT CWT)

ITEM	PART NUMBER	QTY	DESCRIPTION	REV
	1001197134	Ref	BATTERY COVER INSTALLATION (51IN TUNNEL WITH BATTERY)	C
1	0750605	12	Screw	
2	3760308	6	Retainer	
3	1001122235	6	Bracket	
4	1001166674	1	Battery Cover	
5	1001166930	6	Latch	
6	1001185654	1	Battery Cover	

SECTION 7 - ELECTRICAL

FIGURE 7-8. BATTERY RELOCATION (HARDWARE ONLY)



ART_1001270484

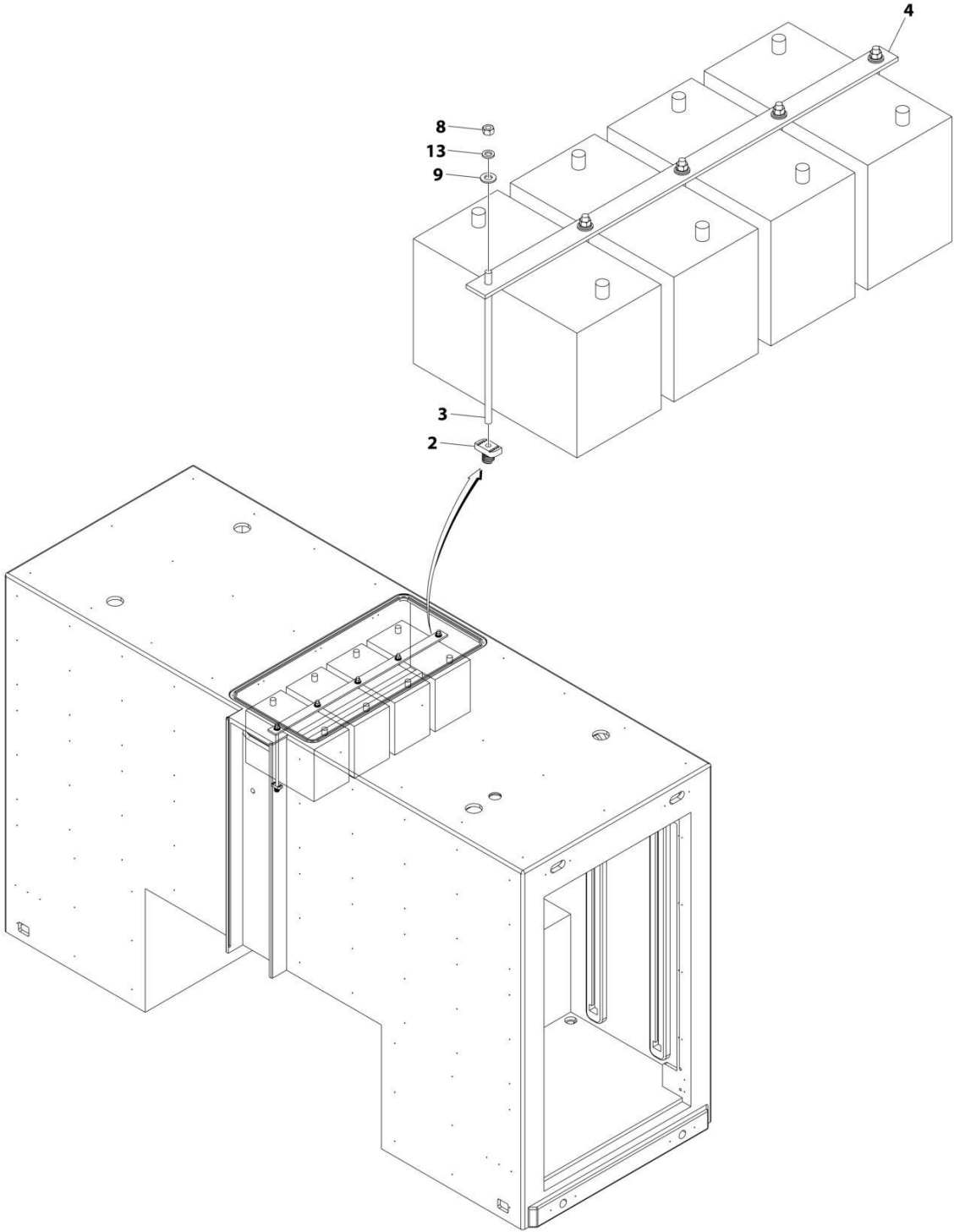
SECTION 7 - ELECTRICAL

FIGURE 7-8. BATTERY RELOCATION (HARDWARE ONLY)

ITEM	PART NUMBER	QTY	DESCRIPTION	REV
	1001270484	Ref	BATTERY RELOCATION HARDWARE INSTALLATION	A
1	1001166644	5	Nut 3/8	
2	1001166670	5	Rod	
3	1001183200	1	Bar	
4	7660160000	5	Nut 3/8	
5	7950160000	5	Lockwasher 3/8	
6	7950160153	5	Washer 3/8	

SECTION 7 - ELECTRICAL

FIGURE 7-9. BATTERY RELOCATION (HARDWARE & WRING)



ART_1001197419

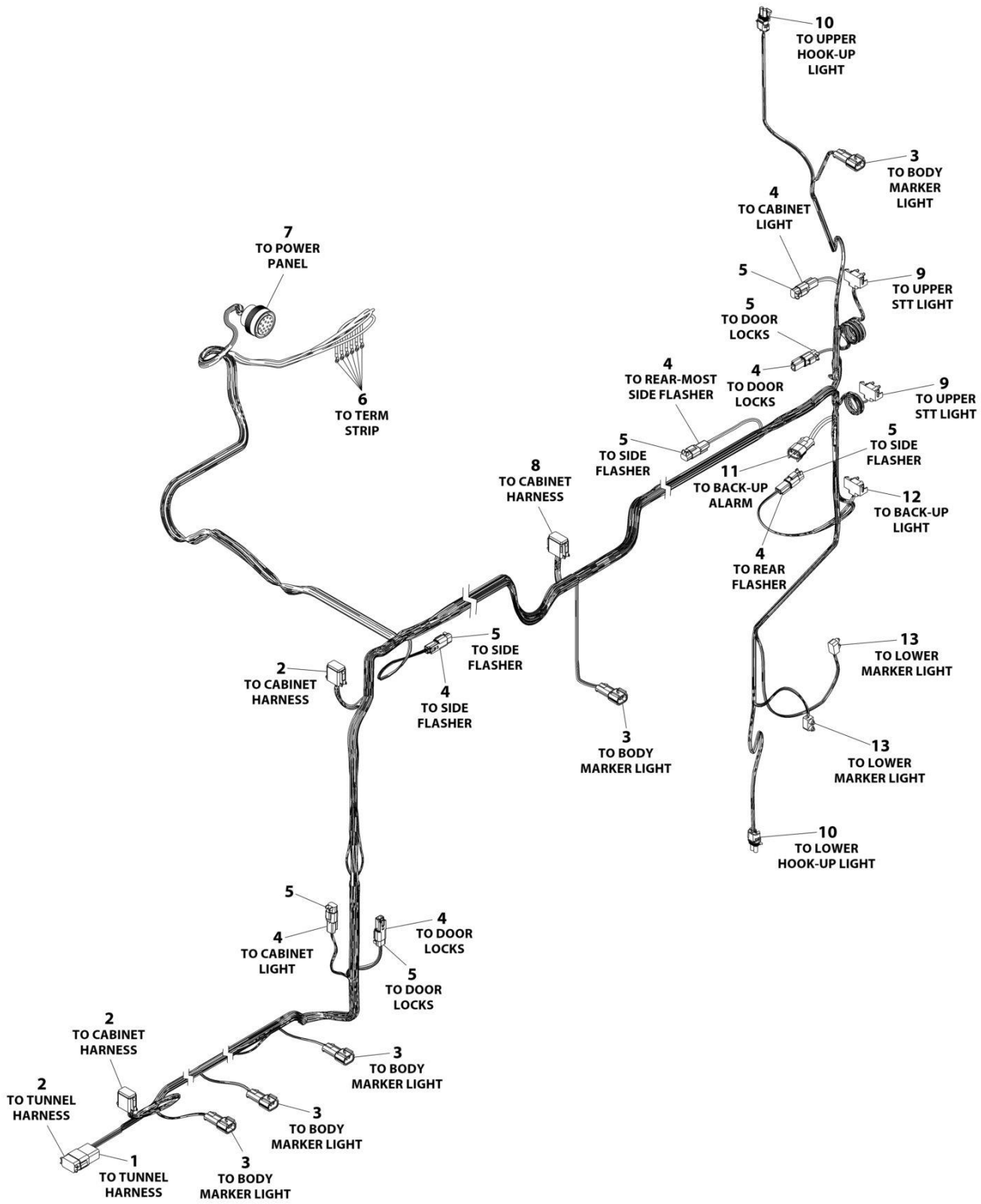
SECTION 7 - ELECTRICAL

FIGURE 7-9. BATTERY RELOCATION (HARDWARE & WRING)

ITEM	PART NUMBER	QTY	DESCRIPTION	REV
	1001197419	Ref	Battery Relocation Hardware Installation	D
1	1060706	8 ft	Cable (Not Shown)	
2	1001166644	5	Nut 3/8	
3	1001166670	5	Rod	
4	1001183200	1	Bar	
6	1001188538	8 ft	Cable (Not Shown)	
8	7660160000	5	Nut 3/8	
9	7950160153	5	Washer 3/8	
11	7346000131	8	Connector (Not Shown)	
12	7346000040	1	Tube (Not Shown)	
13	7950160000	5	Lockwasher 3/8	
14	1001217996	2	Connector (Not Shown)	
15	1001210960	4 ft	Wire (Not Shown)	

SECTION 7 - ELECTRICAL

FIGURE 7-10. BODY HARNESS (LH) (TANDEM)



ART_1001216183

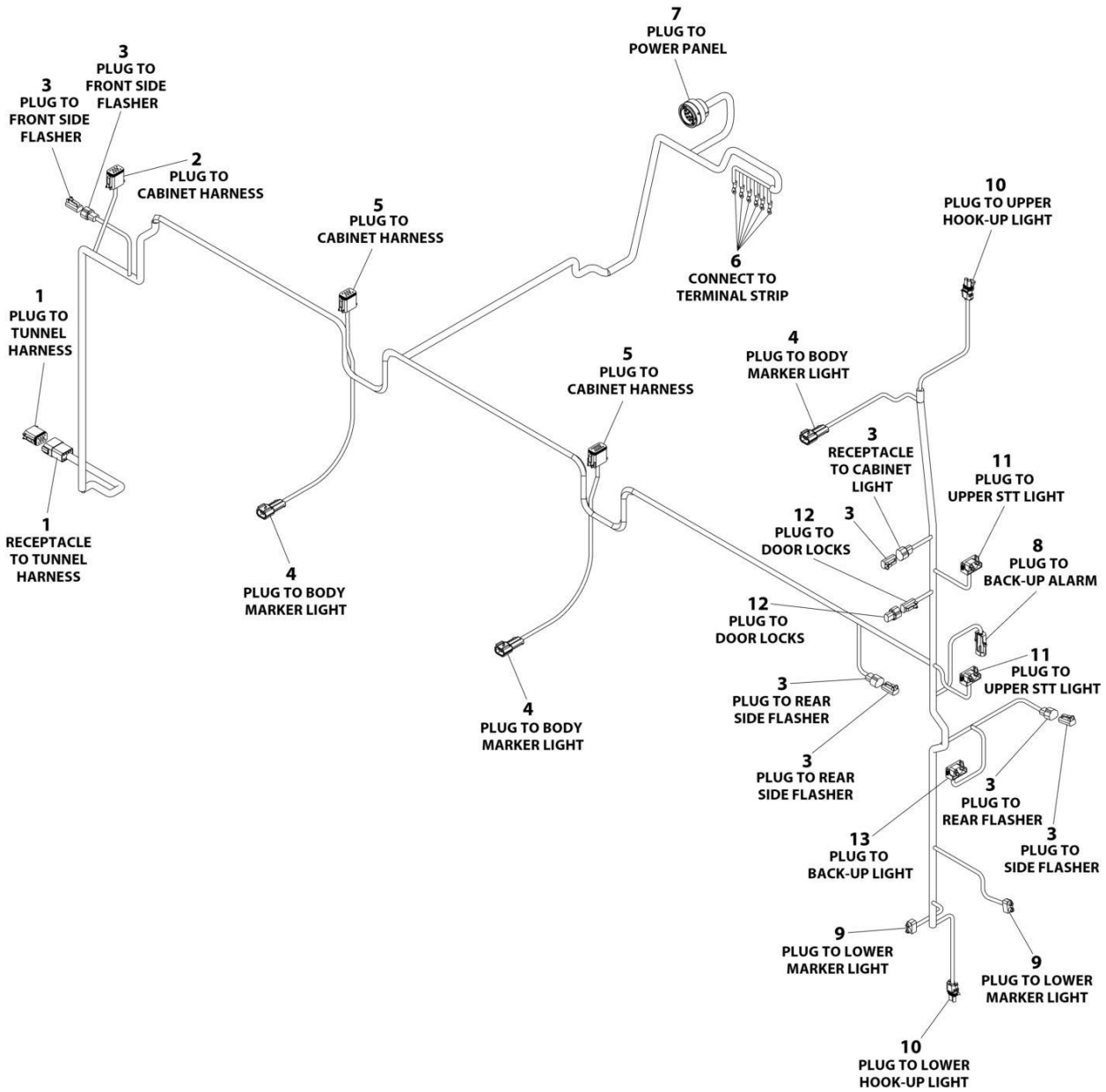
SECTION 7 - ELECTRICAL

FIGURE 7-10. BODY HARNESS (LH) (TANDEM)

ITEM	PART NUMBER	QTY	DESCRIPTION	REV
	1001216183	Ref	BODY HARNESS (LH)	B
1	4460931	1	Receptacle, Female - 8 Position	
1	4460941	6	Pin, Male	
1	4460466	2	Plug, Terminal	
2	4460930	3	Plug, Male - 8 Position	
2	4460465	12	Socket, Female	
2	4460466	12	Plug, Terminal	
3	NPN	5	Connector - 2 Position	
3	NPN	10	Terminal	
3	4460458	10	Seal	
4	4460897	7	Receptacle, Female - 2 Position	
4	4460464	10	Pin, Male	
4	4460466	4	Plug, Terminal	
5	4460891	7	Plug, Male - 2 Position	
5	4460465	6	Socket, Female	
5	4460466	8	Plug, Terminal	
6	NPN	6	Terminal, Ring	
7	4461291	1	Connector - 16 Position	
7	4460509	10	Socket, Female	
7	4460466	6	Plug, Terminal	
8	4460933	1	Plug, Male - 12 Position	
8	4460465	10	Socket, Female	
8	4460466	2	Plug, Terminal	
9	NPN	2	Connector - 3 Position	
10	4460742	2	Plug, Male - 2 Position	
10	4460457	4	Socket, Female	
10	4460458	4	Seal	
11	4460867	1	Receptacle, Female - 2 Position	
11	4460475	2	Pin, Male	
11	4460458	2	Seal	
12	NPN	1	Connector - 2 Position	
13	NPN	2	Connector - 2 Position	

SECTION 7 - ELECTRICAL

FIGURE 7-11. BODY HARNESS (LH) (TRI-AXLE)



ART_1001216188

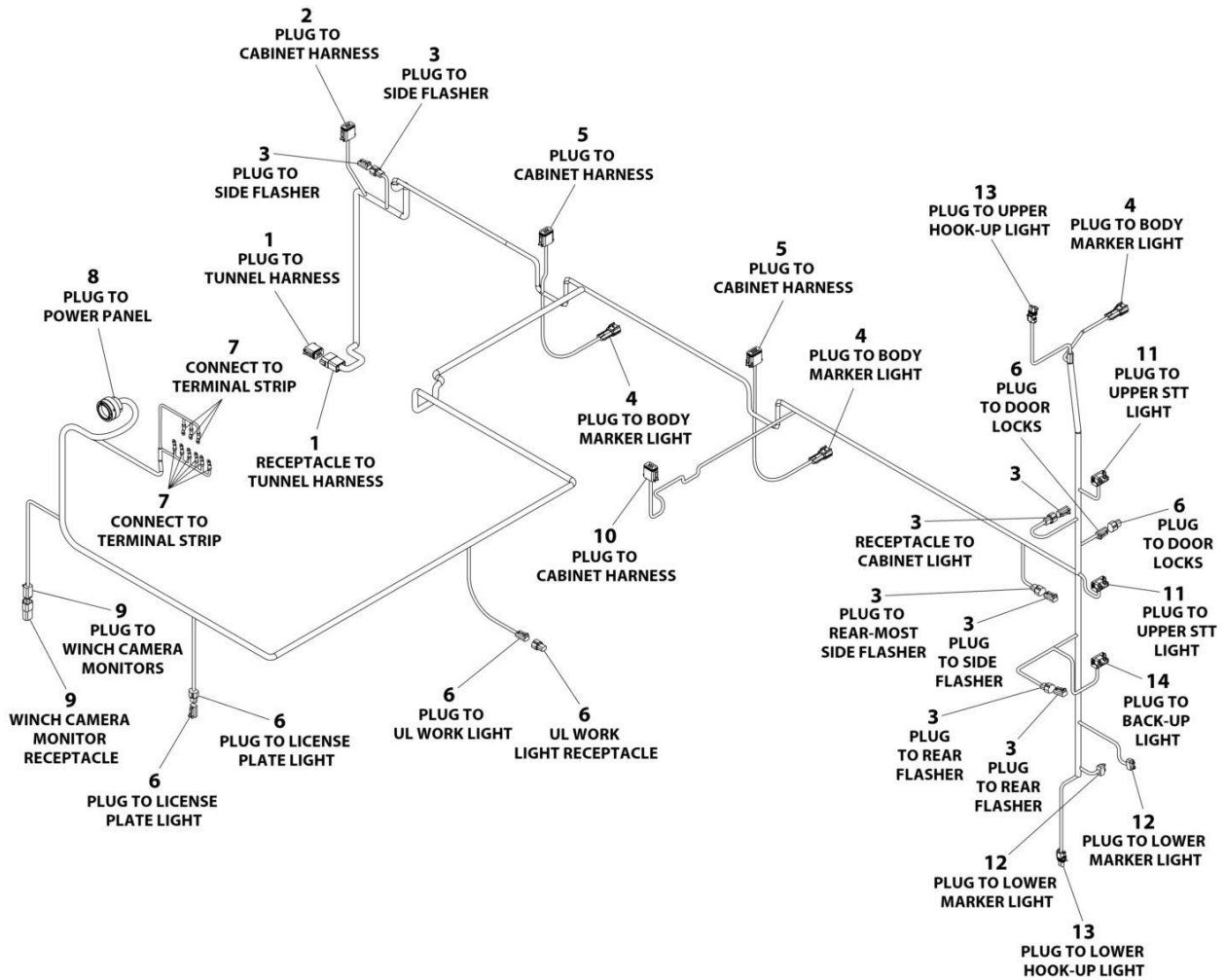
SECTION 7 - ELECTRICAL

FIGURE 7-11. BODY HARNESS (LH) (TRI-AXLE)

ITEM	PART NUMBER	QTY	DESCRIPTION	REV
	1001216188	Ref	BODY HARNESS (LH) (TRI)	C
1	4460931	1	Connector	
1	80604024	1	Wedge, Locking	
1	4460941	6	Pin	
1	4460466	10	Plug	
1	4460930	1	Connector, Plug	
1	80604025	1	Wedge, Locking	
2	4460930	1	Connector	
2	80604025	1	Wedge, Locking	
2	4460465	6	Socket	
2	4460466	2	Plug	
3	4460897	4	Connector	
3	80604017	4	Wedge, Locking	
3	4460464	8	Pin	
3	4460891	4	Connector, Plug	
3	80604018	4	Wedge, Locking	
3	4460466	8	Plug	
4	1001117026	3	Connector	
4	NPN	3	Wedge, Locking	
4	1001116745	6	Socket	
4	4460458	6	Seal	
5	4460933	2	Connector	
5	80604016	2	Wedge, Locking	
5	4460465	20	Socket	
5	4460466	4	Plug	
6	NPN	6	Ring, Terminal	
7	4461291	1	Connector	
7	4460509	10	Socket	
7	4460466	6	Plug	
8	4461157	1	Connector	
8	NPN	2	Seal	
8	4460475	2	Pin	
9	1001275791	2	Lead Harness	
10	4460742	2	Connector	
10	NPN	4	Seal	
10	4460457	4	Pin	
11	1001275793	2	Lead Harness	
12	4460891	1	Connector	
12	80604018	1	Wedge, Locking	
12	4460465	2	Socket	
12	4460897	1	Connector, Plug	
12	80604017	1	Wedge, Locking	
12	4460466	2	Plug	
13	1001275792	1	Lead Harness	

SECTION 7 - ELECTRICAL

FIGURE 7-12. BODY HARNESS (RH) (TRI-AXLE)



ART_1001216189

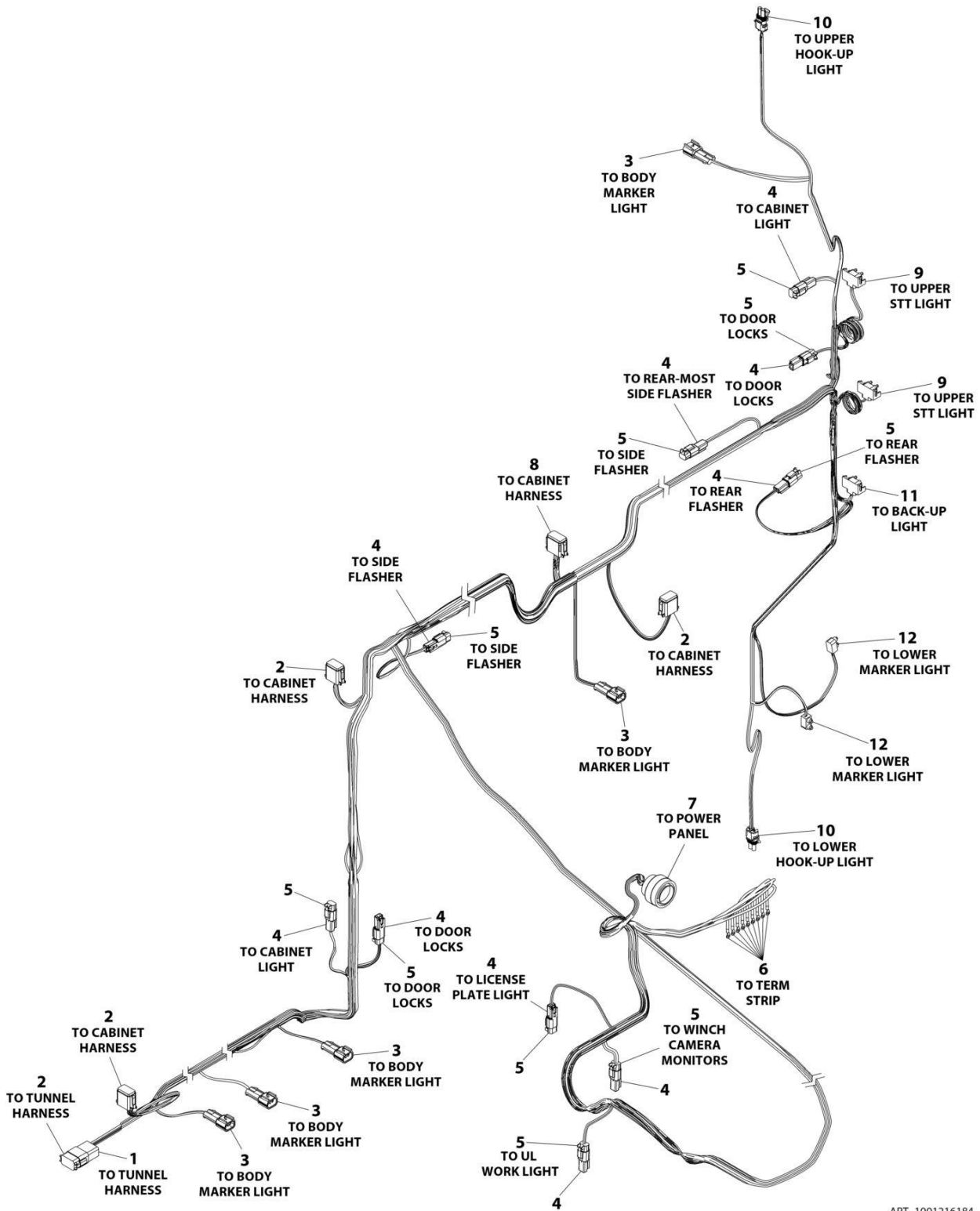
SECTION 7 - ELECTRICAL

FIGURE 7-12. BODY HARNESS (RH) (TRI-AXLE)

ITEM	PART NUMBER	QTY	DESCRIPTION	REV
	1001216189	Ref	BODY HARNESS (RH) (TRI)	A
1	4460931	1	Connector	
1	80604024	1	Wedge, Locking	
1	4460941	6	Pin	
2	4460930	1	Connector	
2	80604025	1	Wedge, Locking	
2	4460465	6	Socket	
2	4460466	2	Plug	
3	4460897	4	Connector	
3	80604017	4	Wedge, Locking	
3	4460464	8	Pin	
3	4460891	4	Connector, Plug	
3	80604018	4	Wedge, Locking	
3	4460466	8	Plug	
4	1001117026	3	Connector	
4	NPN	3	Wedge, Locking	
4	1001116745	6	Socket	
4	4460458	6	Seal	
5	4460933	2	Connector	
5	80604016	2	Wedge, Locking	
5	4460465	20	Socket	
5	4460466	4	Plug	
6	4460891	3	Connector	
6	80604018	3	Wedge, Locking	
6	4460465	6	Socket	
6	NPN	3	Connector, Plug	
7	NPN	9	Ring, Terminal	
8	1001263754	1	Connector	
8	4460509	3	Socket (12 AWG)	
8	4460942	8	Socket (14 AWG)	
8	4460465	3	Socket (16 AWG)	
8	4460466	7	Plug	
9	4460884	1	Connector	
9	80604021	1	Wedge, Locking	
9	4460465	4	Socket	
9	NPN	1	Connector, Plug	
10	4460930	1	Connector	
10	80604025	1	Wedge, Locking	
10	4460942	4	Socket	
10	4460466	4	Plug	
11	1001275793	2	Lead Harness	
12	1001275791	2	Lead Harness	
13	4460742	2	Connector	
13	NPN	4	Seal	
13	4460457	4	Pin	
14	1001275792	1	Lead Harness	

SECTION 7 - ELECTRICAL

FIGURE 7-13. BODY HARNESS (RH) TANDEM



ART_1001216184

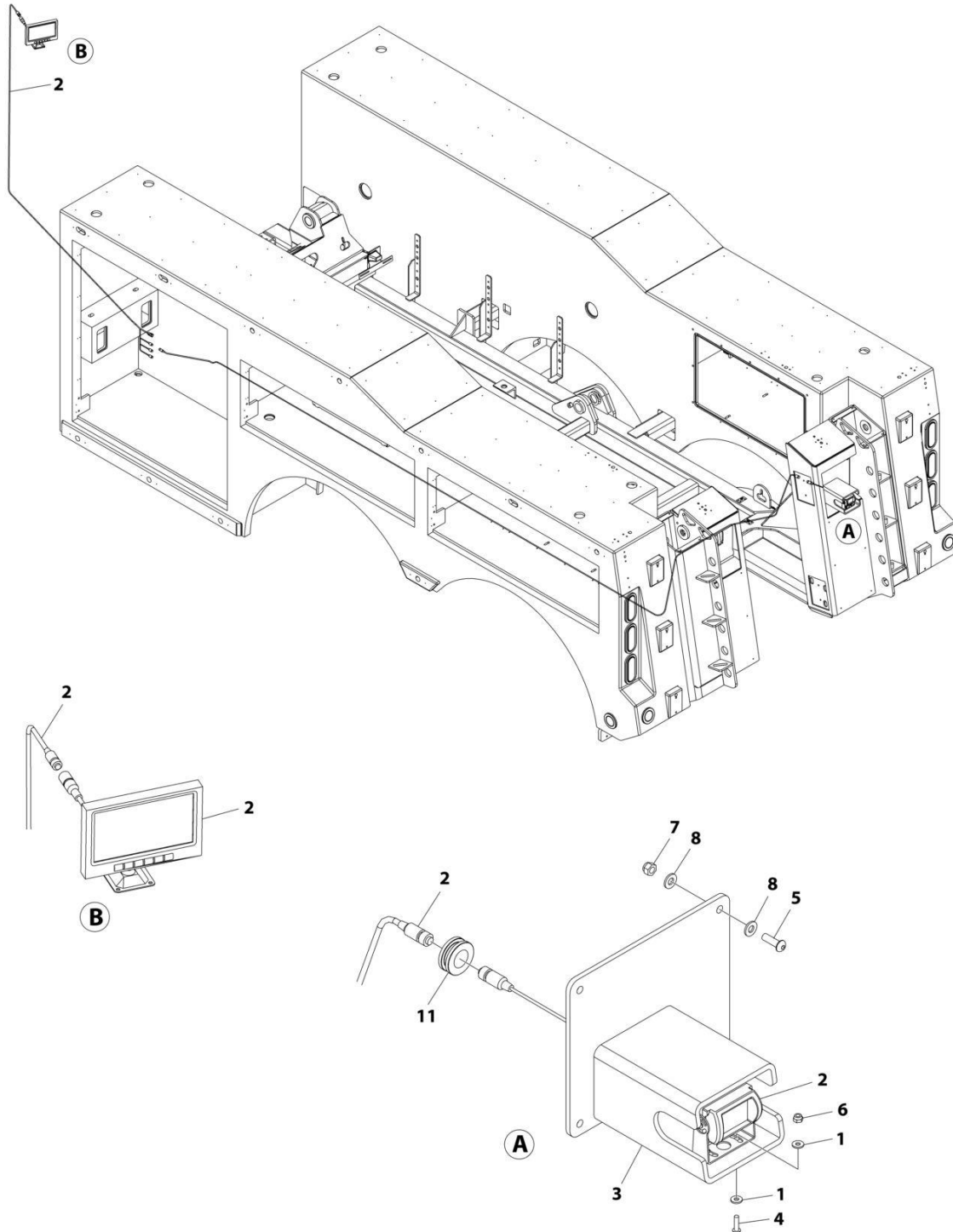
SECTION 7 - ELECTRICAL

FIGURE 7-13. BODY HARNESS (RH) TANDEM)

ITEM	PART NUMBER	QTY	DESCRIPTION	REV
	1001216184	Ref	BODY HARNESS (RH)	B
1	4460931	1	Receptacle, Female - 8 Position	
1	4460941	6	Pin, Male	
1	4460466	2	Plug, Terminal	
2	4460930	4	Plug, Male - 8 Position	
2	4460465	22	Socket, Female	
2	4460466	10	Plug, Terminal	
3	NPN	5	Connector - 2 Position	
3	NPN	10	Terminal	
3	4460458	10	Seal	
4	4460897	10	Receptacle, Female - 2 Position	
4	4460464	12	Pin, Male	
4	4460466	8	Plug, Terminal	
5	4460891	10	Plug, Male - 2 Position	
5	4460465	8	Socket, Female	
5	4460466	12	Plug, Terminal	
6	NPN	9	Terminal, Ring	
7	NPN	1	Connector - 21 Position	
7	4460509	14	Socket, Female	
7	4460466	7	Plug, Terminal	
8	4460933	1	Plug, Male - 12 Position	
8	4460465	10	Socket, Female	
8	4460466	2	Plug, Terminal	
9	NPN	2	Connector - 3 Position	
10	4460742	2	Plug, Male - 2 Position	
10	4460457	4	Socket, Female	
10	4460458	4	Seal	
11	NPN	1	Connector - 2 Position	
12	NPN	2	Connector - 2 Position	

SECTION 7 - ELECTRICAL

FIGURE 7-14. CAMERA INSTALLATION - CABINET MOUNTED BACK-UP



ART_1001203912

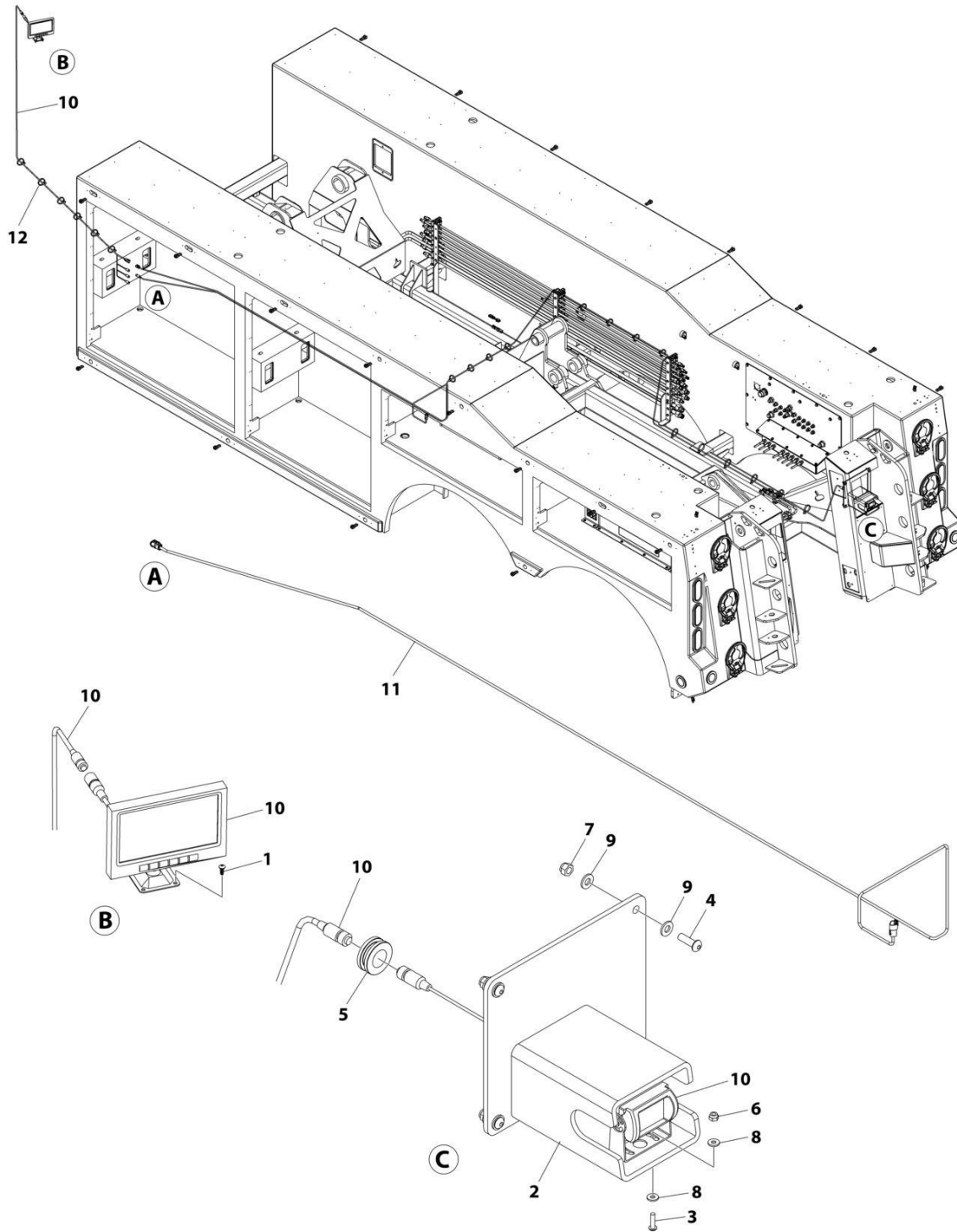
SECTION 7 - ELECTRICAL

FIGURE 7-14. CAMERA INSTALLATION - CABINET MOUNTED BACK -UP

ITEM	PART NUMBER	QTY	DESCRIPTION	REV
	1001203912	Ref	CAMERA INSTALLATION - CABINET MOUNTED BACK-UP	D
1	1001197483	4	Washer #10	
2	1001204070	1	Kit, Camera (Back-up)	
3	3178000547	1	Bracket	
4	7114100618	2	Capscrew #10 x 3/4	
5	7114150818	4	Capscrew 5/16 x 1	
6	7660102601	2	Nut #10	
7	7660152604	4	Nut 5/16	
8	7950150143	8	Washer 5/16	
9	1001203953	1	Harness (Not Shown)	
10	7274000042	12	Clamp	
11	7493000003	1	Grommet	

SECTION 7 - ELECTRICAL

FIGURE 7-15. CAMERA INSTALLATION - CABINET MOUNTED BACK -UP (SN 0230004275 through 0230005219)



ART_1001212140

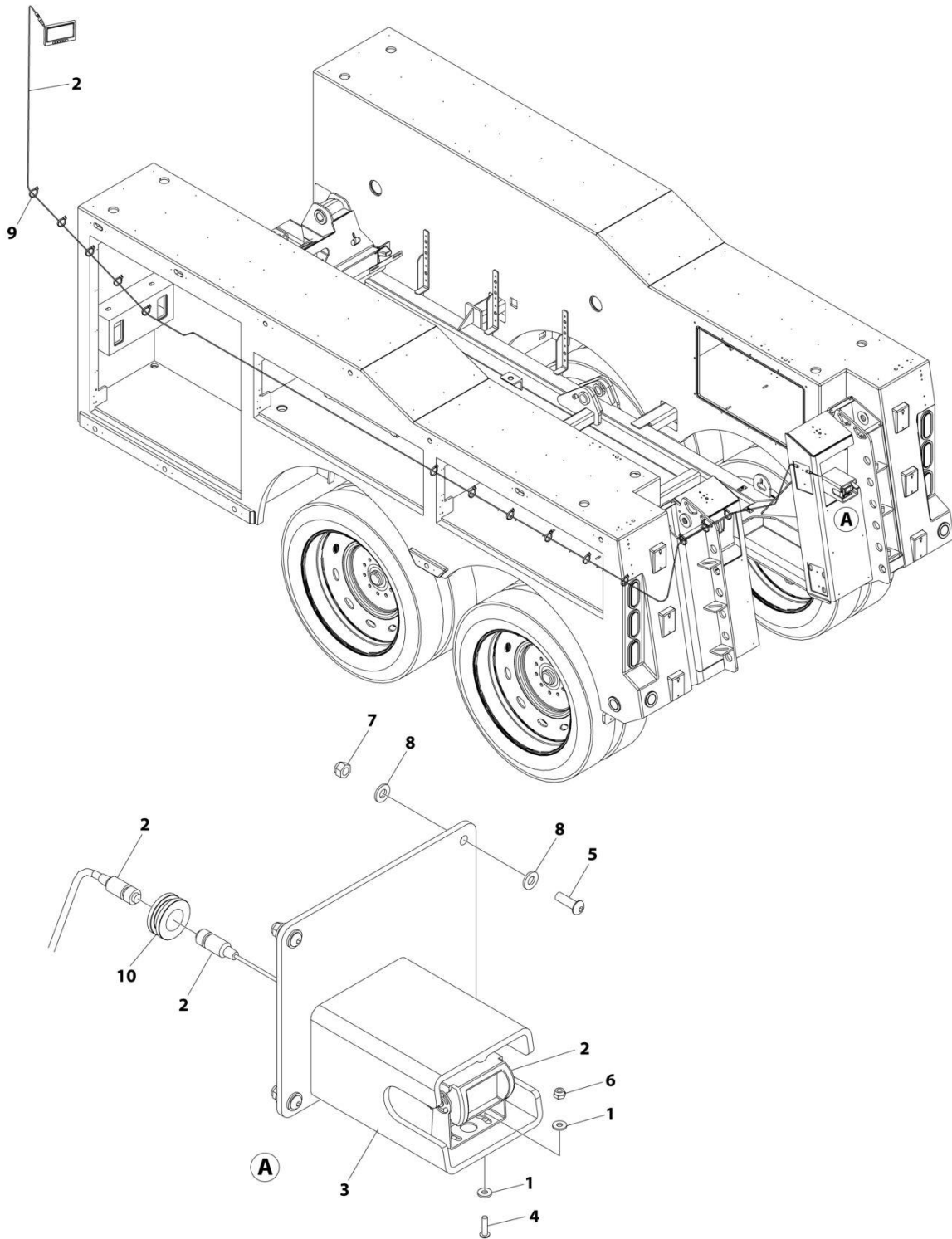
SECTION 7 - ELECTRICAL

FIGURE 7-15. CAMERA INSTALLATION - CABINET MOUNTED BACK -UP (SN 0230004275 through 0230005219)

ITEM	PART NUMBER	QTY	DESCRIPTION	REV
	1001212140	Ref	Back-Up Camera Spade Cab Mount Installation	B
1	1001192958	4	Screw, #10 x 1/2	
2	3178000547	1	Bracket	
3	7114100618	2	Capscrew #10 x 3/4	
4	7114150818	4	Capscrew 5/16 x 1	
5	7493000003	1	Grommet	
6	7660102601	2	Nut #10	
7	1660152601	4	Nut 5/16	
8	7950100143	4	Washer 3/16	
9	7950150143	8	Washer 5/16	
10	1001219309	1	Kit, Camera (Back-up)	
11	1001215151	1	Harness	D
11	4460539	1	Connector 3 Position	
11	4460465	3	Terminal	
12	5526000553	30	Tie Strap	

SECTION 7 - ELECTRICAL

FIGURE 7-16. CAMERA INSTALLATION - CABINET MOUNTED BACK -UP (PACCAR) (SN 0230005220 to Present)



ART_1001203889

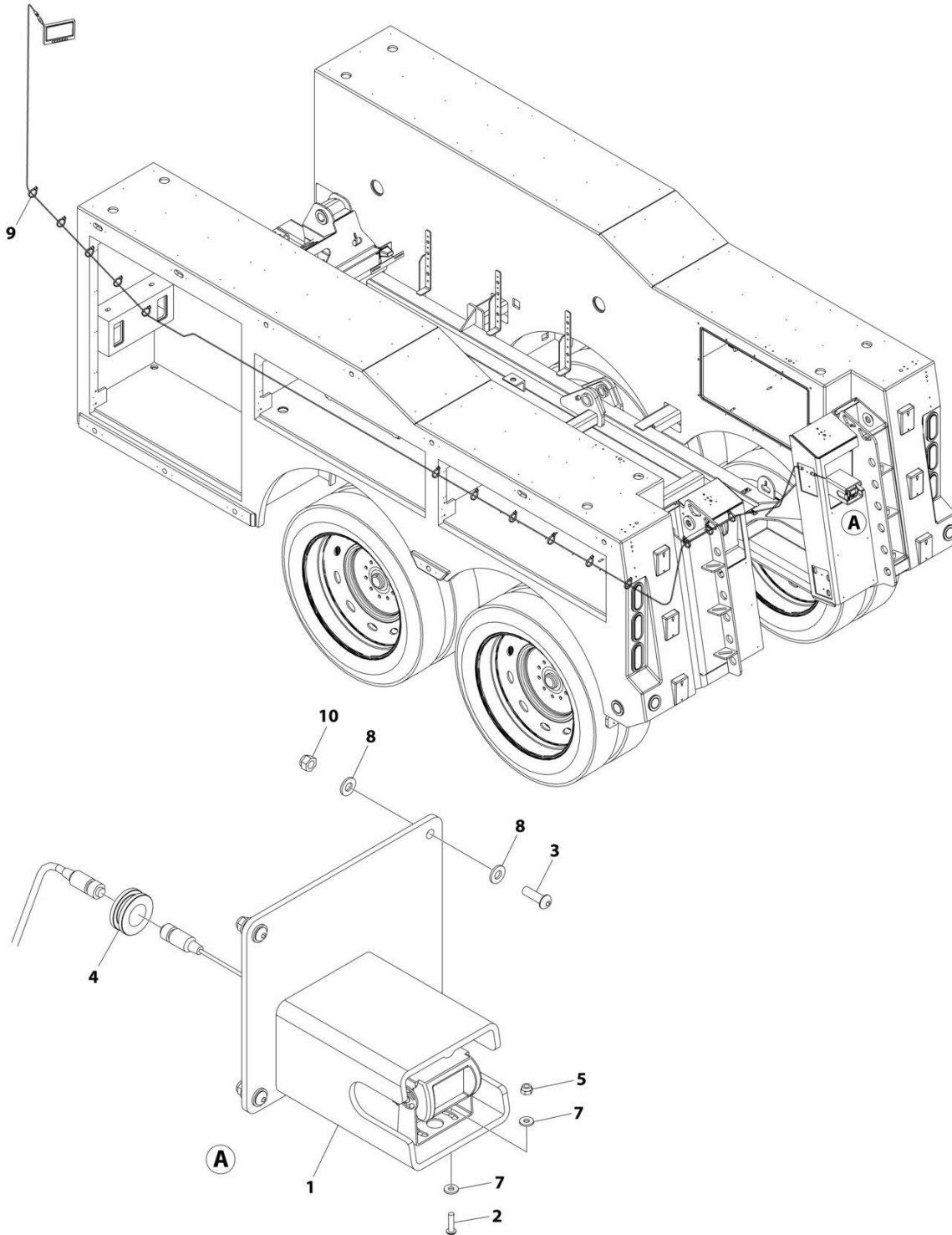
SECTION 7 - ELECTRICAL

**FIGURE 7-16. CAMERA INSTALLATION - CABINET MOUNTED BACK -UP (PACCAR) (SN
0230005220 to Present)**

ITEM	PART NUMBER	QTY	DESCRIPTION	REV
	1001203889	Ref	Back-Up Camera Paccar Installation	C
1	7950100143	4	Washer 3/16	
2	1001204558	1	Kit, Camera (Back-up)	
3	3178000547	1	Bracket	
4	7114100618	2	Capscrew #10 x 3/4	
5	7114150818	4	Capscrew 5/16 x 1	
6	7660102601	2	Nut #10	
7	7660152601	4	Nut 5/16	
8	7950150143	8	Washer 5/16	
9	5526000553	30	Tie Strap	
10	7493000003	1	Grommet	

SECTION 7 - ELECTRICAL

FIGURE 7-17. CAMERA INSTALLATION - CABINET MOUNT ONLY



ART_1001218723

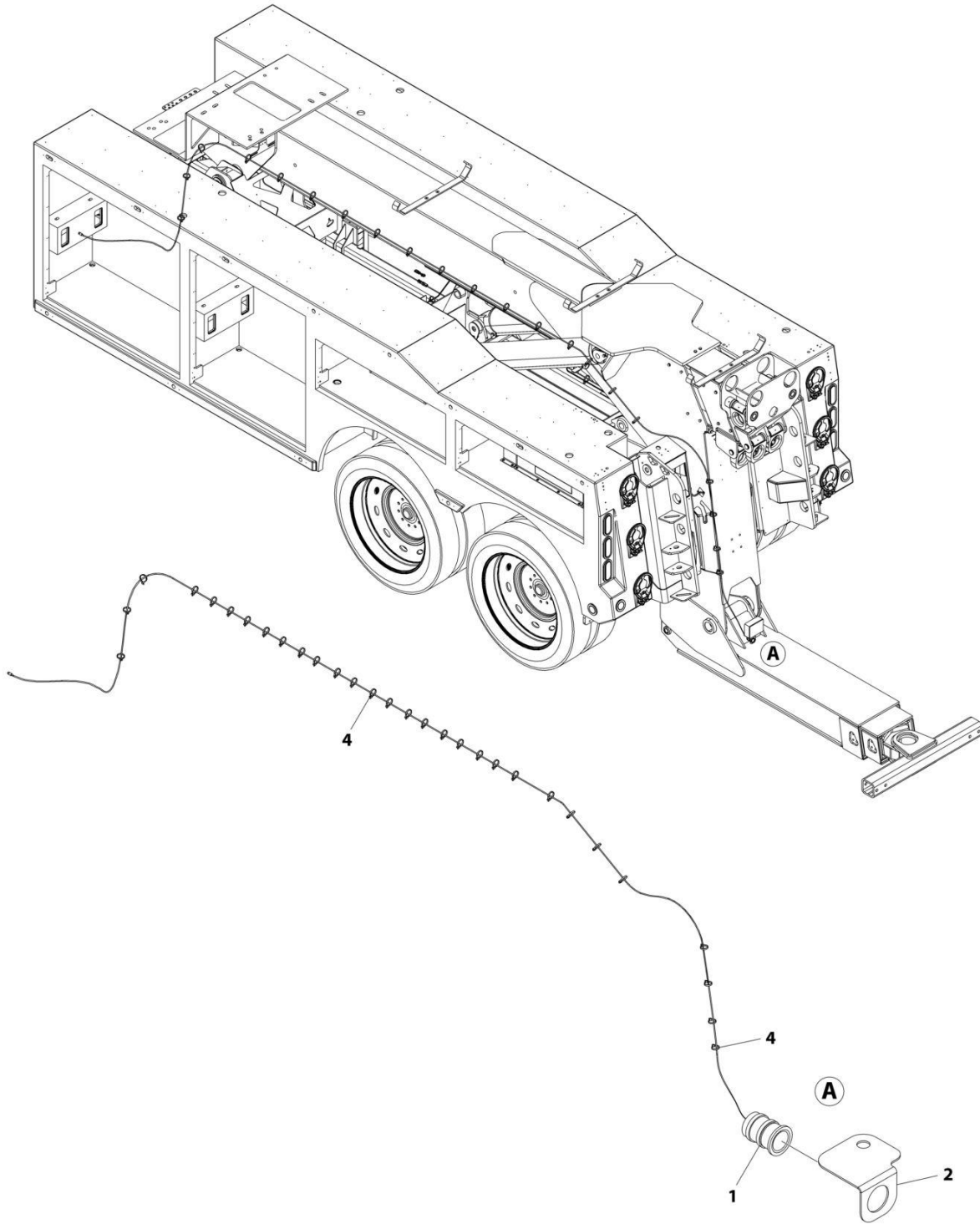
SECTION 7 - ELECTRICAL

FIGURE 7-17. CAMERA INSTALLATION - CABINET MOUNT ONLY

ITEM	PART NUMBER	QTY	DESCRIPTION	REV
	1001218723	Ref	Back-Up Camera Installation	A
1	3178000547	1	Bracket	
2	7114100618	2	Capscrew #10 x 3/4	
3	7114150818	4	Capscrew 5/16 x 1	
4	7493000003	1	Grommet	
5	7660102601	2	Nut #10	
7	7950100143	4	Washer 3/16	
8	7950150143	8	Washer 5/16	
9	5526000553	30	Tie Strap	
10	7660152601	4	Nut 5/16	

SECTION 7 - ELECTRICAL

FIGURE 7-18. CAMERA INSTALLATION - UNDERLIFT MOUNTED (SN 0230004275 through 0230005219)



ART_2002000056

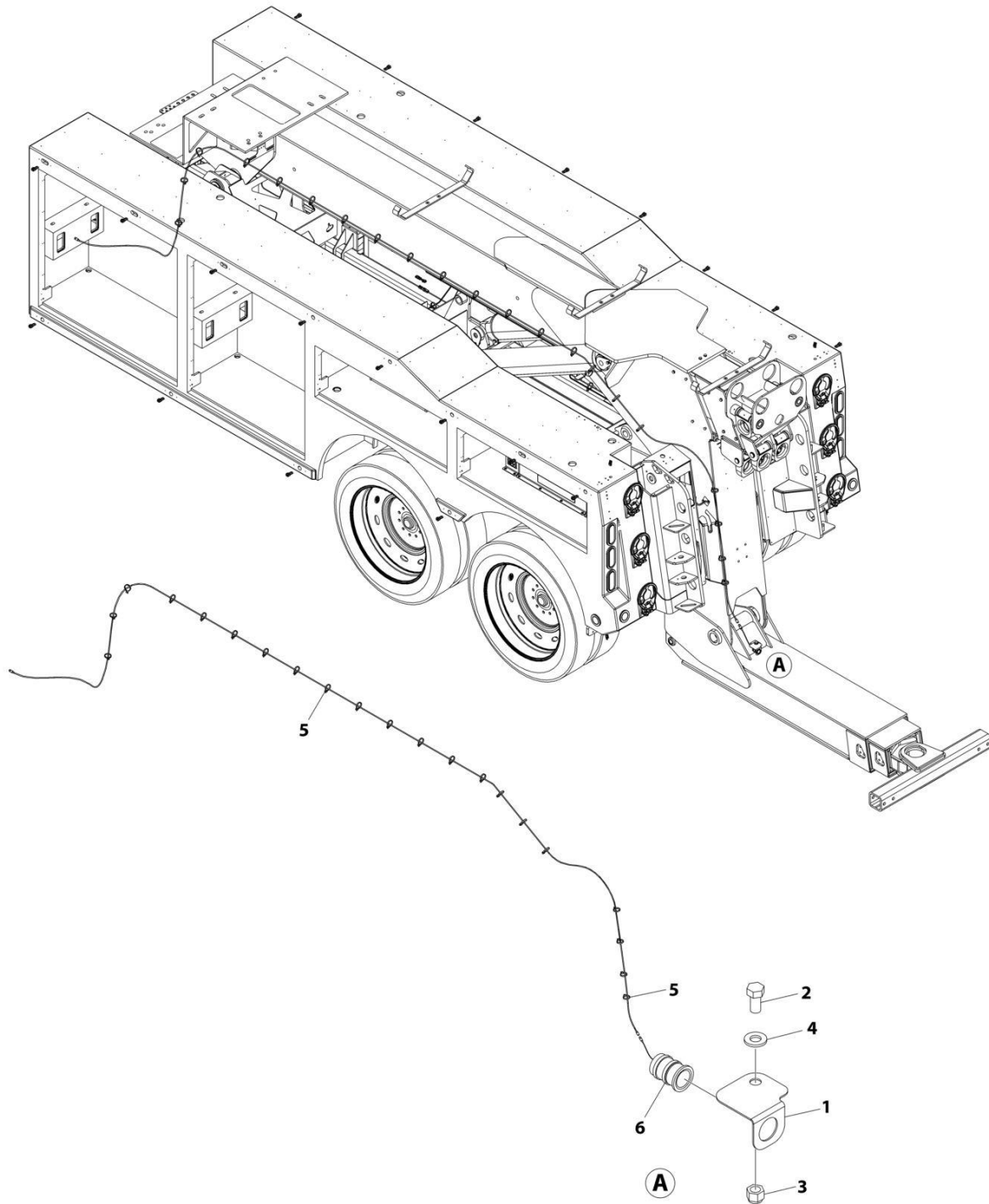
SECTION 7 - ELECTRICAL

FIGURE 7-18. CAMERA INSTALLATION - UNDERLIFT MOUNTED (SN 0230004275 through 0230005219)

ITEM	PART NUMBER	QTY	DESCRIPTION	REV
	2002000056	Ref	CAMERA INSTALLATION - UNDERLIFT MOUNTED	C
1	7002000555	1	Kit, Camera (Back-Up)	
2	4178000889	1	Bracket	
4	5526000553	30	Tie-Strap	

SECTION 7 - ELECTRICAL

FIGURE 7-19. CAMERA INSTALLATION - UNDERLIFT MOUNTED (SN 0230005220 to Present)



ART_1001212141

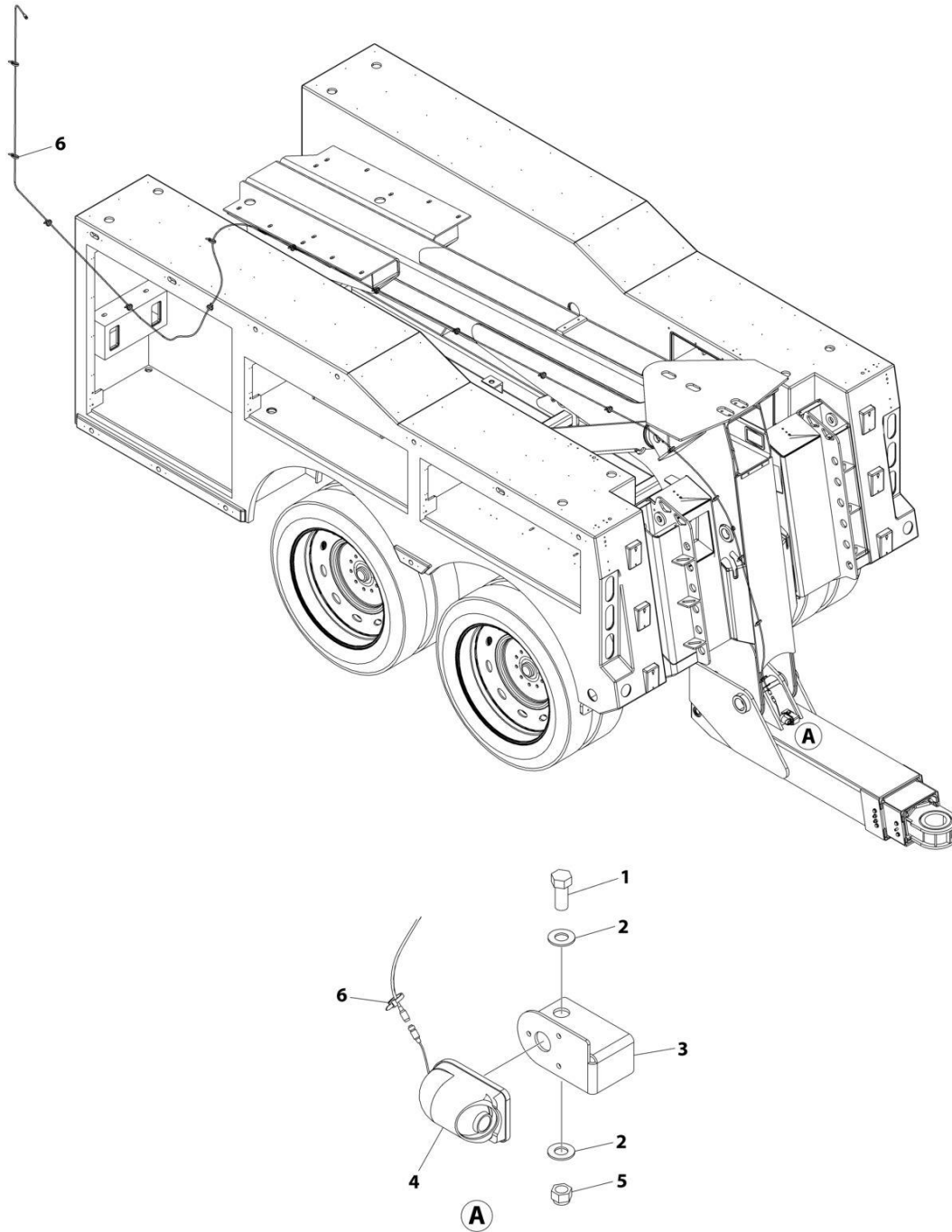
SECTION 7 - ELECTRICAL

FIGURE 7-19. CAMERA INSTALLATION - UNDERLIFT MOUNTED (SN 0230005220 to Present)

ITEM	PART NUMBER	QTY	DESCRIPTION	REV
	1001212141	Ref	Underlift Camera Installation	B
1	4178000889	1	Bracket (SN 0230005220 through 0230009593)	
1	1001164102	1	Bracket (SN 0230009594 to Present)	
2	7115180850	1	Capscrew 1/2 x 1	
3	7660182601	1	Nut 1/2	
4	7950100143	1	Washer 3/16	
5	5526000553	21	Tie Strap	
6	7002000555	1	Kit, Camera (Back-up) (SN 0230005220 through 0230009593)	
6	1001273598	1	Kit, Camera (Back-up) (SN 0230009594 to Present)	

SECTION 7 - ELECTRICAL

FIGURE 7-20. CAMERA INSTALLATION - UNDERLIFT MOUNTED (PACCAR)



ART_1001203911

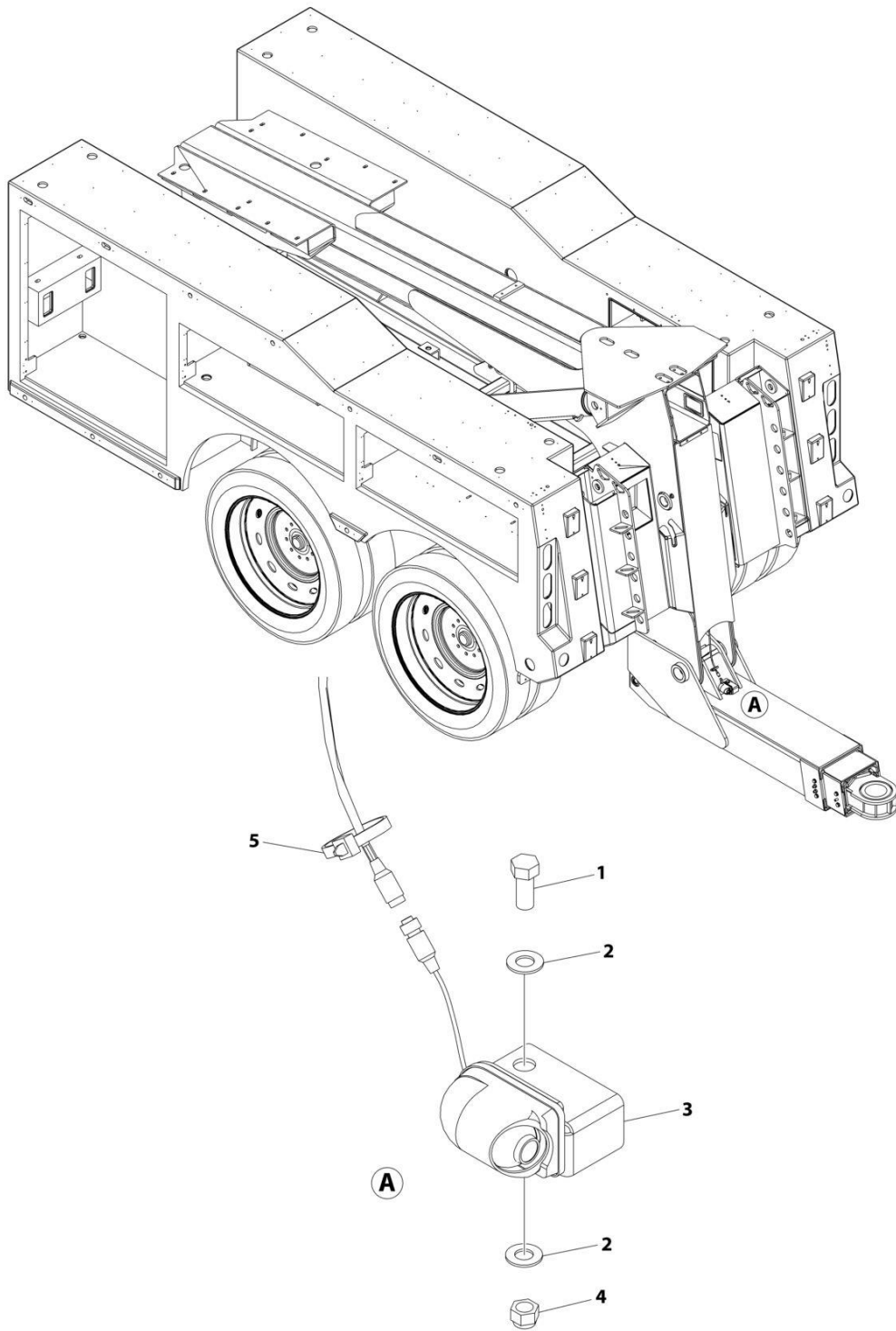
SECTION 7 - ELECTRICAL

FIGURE 7-20. CAMERA INSTALLATION - UNDERLIFT MOUNTED (PACCAR)

ITEM	PART NUMBER	QTY	DESCRIPTION	REV
	1001203911	Ref	Underlift Camera Paccar Installation	A
1	0641708	1	Capscrew 7/16 x 1	
2	4711700	2	Washer 7/16	
3	1001164102	1	Bracket	
4	1001204595	1	Kit, Camera (Underlift) (Paccar)	
5	7660172601	1	Nut 7/16	
6	7854000004	30	Tie Strap	

SECTION 7 - ELECTRICAL

FIGURE 7-21. CAMERA INSTALLATION - UNDERLIFT MOUNT ONLY



ART_1001218724

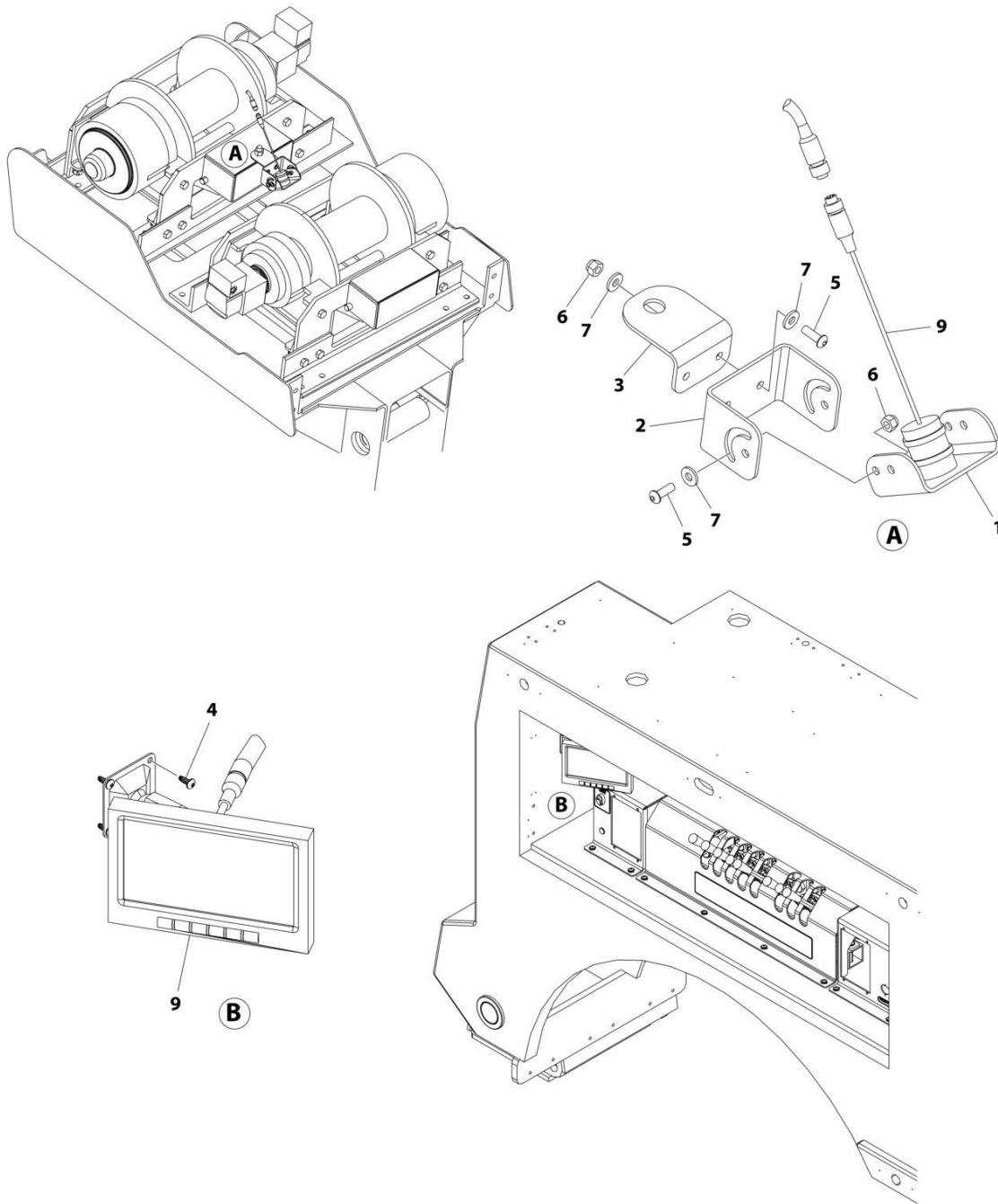
SECTION 7 - ELECTRICAL

FIGURE 7-21. CAMERA INSTALLATION - UNDERLIFT MOUNT ONLY

ITEM	PART NUMBER	QTY	DESCRIPTION	REV
	1001218724	Ref	Underlift Camera Installation - Brackets	A
1	0641708	1	Capscrew 7/16 x 1	
2	4711700	2	Washer 7/16	
3	1001164102	1	Bracket, Underlift Camera Mount	
4	7660172601	1	Nut 7/16	
5	5526000553	40	Tie Strap	

SECTION 7 - ELECTRICAL

FIGURE 7-22. CAMERA INSTALLATION - WINCH MOUNTED (SN 0230004275 through 0230005219)



ART_1001203590

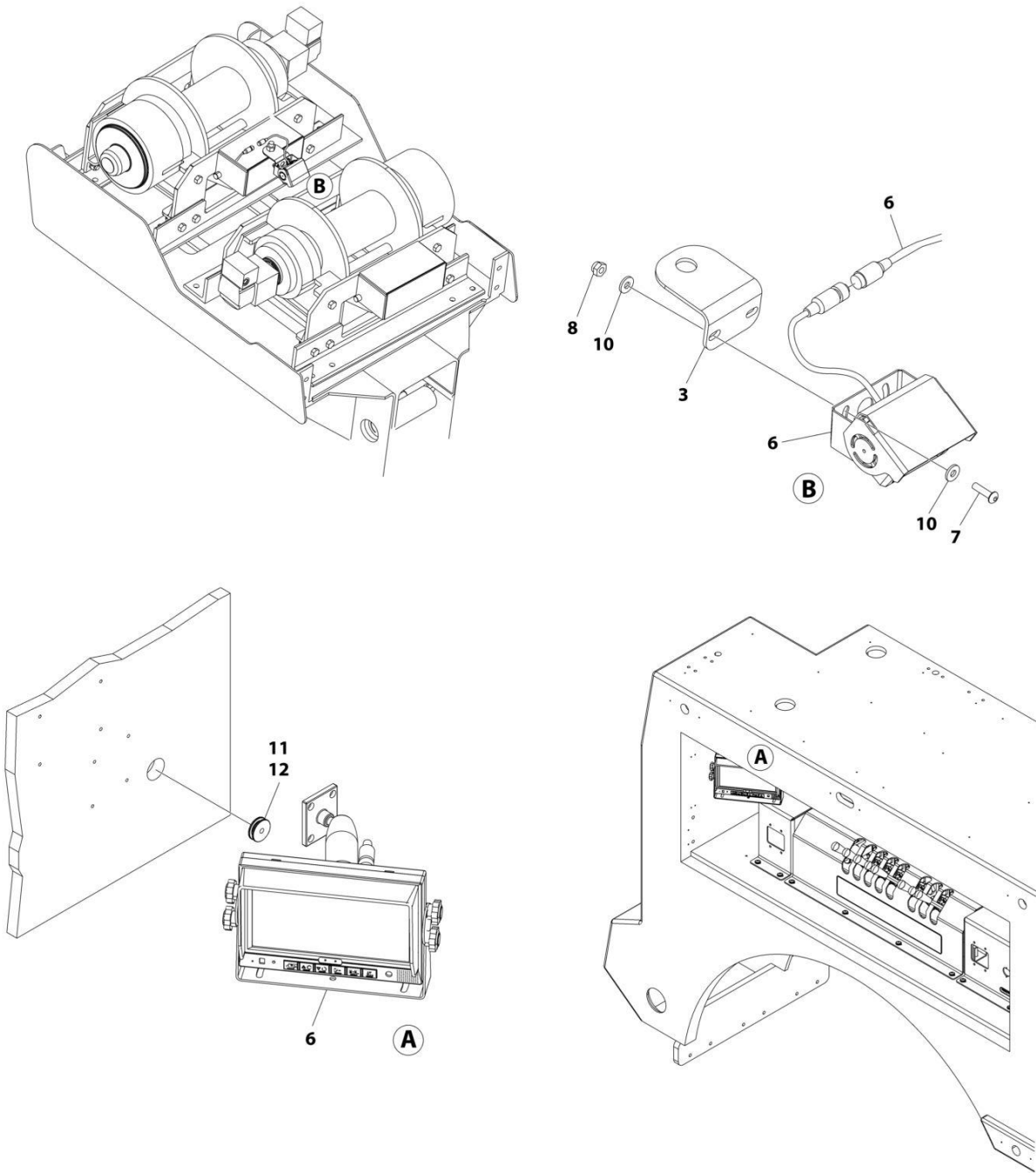
SECTION 7 - ELECTRICAL

FIGURE 7-22. CAMERA INSTALLATION - WINCH MOUNTED (SN 0230004275 through 0230005219)

ITEM	PART NUMBER	QTY	DESCRIPTION	REV
	1001203590	Ref	CAMERA INSTALLATION - WINCH MOUNTED	B
1	1001126973	1	Plate	
2	1001126987	1	Plate	
3	1001126995	1	Plate	
4	1001192958	4	Screw #10 x 1/2	
5	7114140618	6	Screw 1/4 x 3/4	
6	7660142600	6	Nut 1/4	
7	7950140143	8	Washer 1/4	
8	1001203629	1	Harness (Not Shown)	
9	7002000554	1	Kit, Camera (Back-up)	
10	7894000004	30	Tie-Strap (Not shown)	

SECTION 7 - ELECTRICAL

FIGURE 7-23. CAMERA INSTALLATION - WINCH MOUNTED (SN 0230005220 to Present)



ART_1001212230

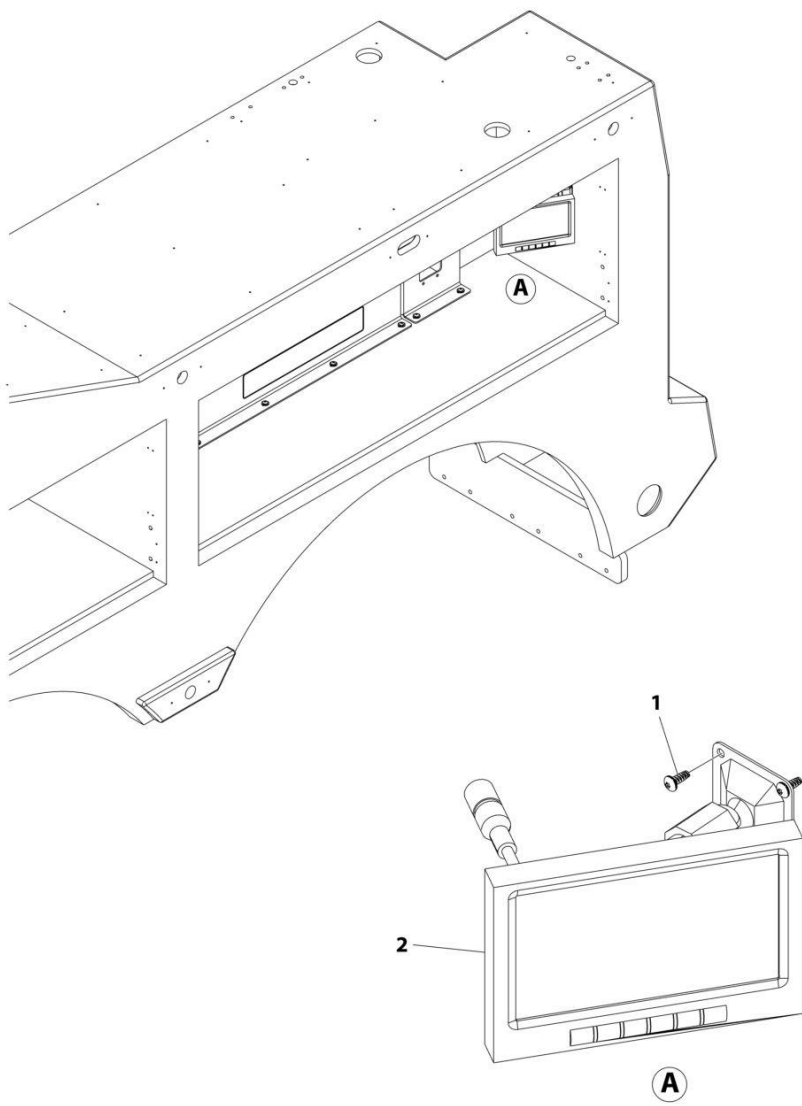
SECTION 7 - ELECTRICAL

FIGURE 7-23. CAMERA INSTALLATION - WINCH MOUNTED (SN 0230005220 to Present)

ITEM	PART NUMBER	QTY	DESCRIPTION	REV
	1001212230	Ref	CAMERA REAR WINCH PS W/CTRL MON, DP INSTALLATION	C
1	1001126973	1	Plate (SN 0230005220 through 0230009593)	
2	1001126987	1	Plate (SN 0230005220 through 0230009593)	
3	1001126995	1	Plate (SN 0230005220 through 0230009593)	
3	1001273756	1	Bracket (SN 0230009594 to Present)	
4	1001192958	4	Screw #10 x 1/2 (SN 0230005220 through 0230009593)	
5	1001209036	1	Harness (Not shown)	
5	4460891	2	Plug, Male - 2 Position (at Winch Motor)	
5	4460465	4	Socket, Male (at Winch Motor)	
5	4460897	2	Receptacle, Female - 2 Position (at Winch Motor)	
5	4460464	4	Pin, Male (at Winch Motor)	
5	4460932	1	Receptacle, Female - 4 Position (to Power)	
5	4460464	4	Pin, Male (to Power)	
6	7002000554	1	Kit, Camera (Winch)	
6	1001219309	1	Kit, Camera (Winch) (SN 0230005220 through 0230009593)	
7	7114140618	6	Screw 1/4 x 3/4 (SN 0230009594 to Present)	
8	7660142600	6	Nut 1/4	
9	7894000004	30	Tie Strap (Not shown)	
10	7950140143	8	Washer 3/16	
11	7493000020	1	Grommet	
12	8798820001	AR	Sealant	

SECTION 7 - ELECTRICAL

FIGURE 7-24. CAMERA INSTALLATION - CONTROLS MOUNTED (DRIVERS SIDE). (SN 0230004275 through 0230005219)



ART_1001203862

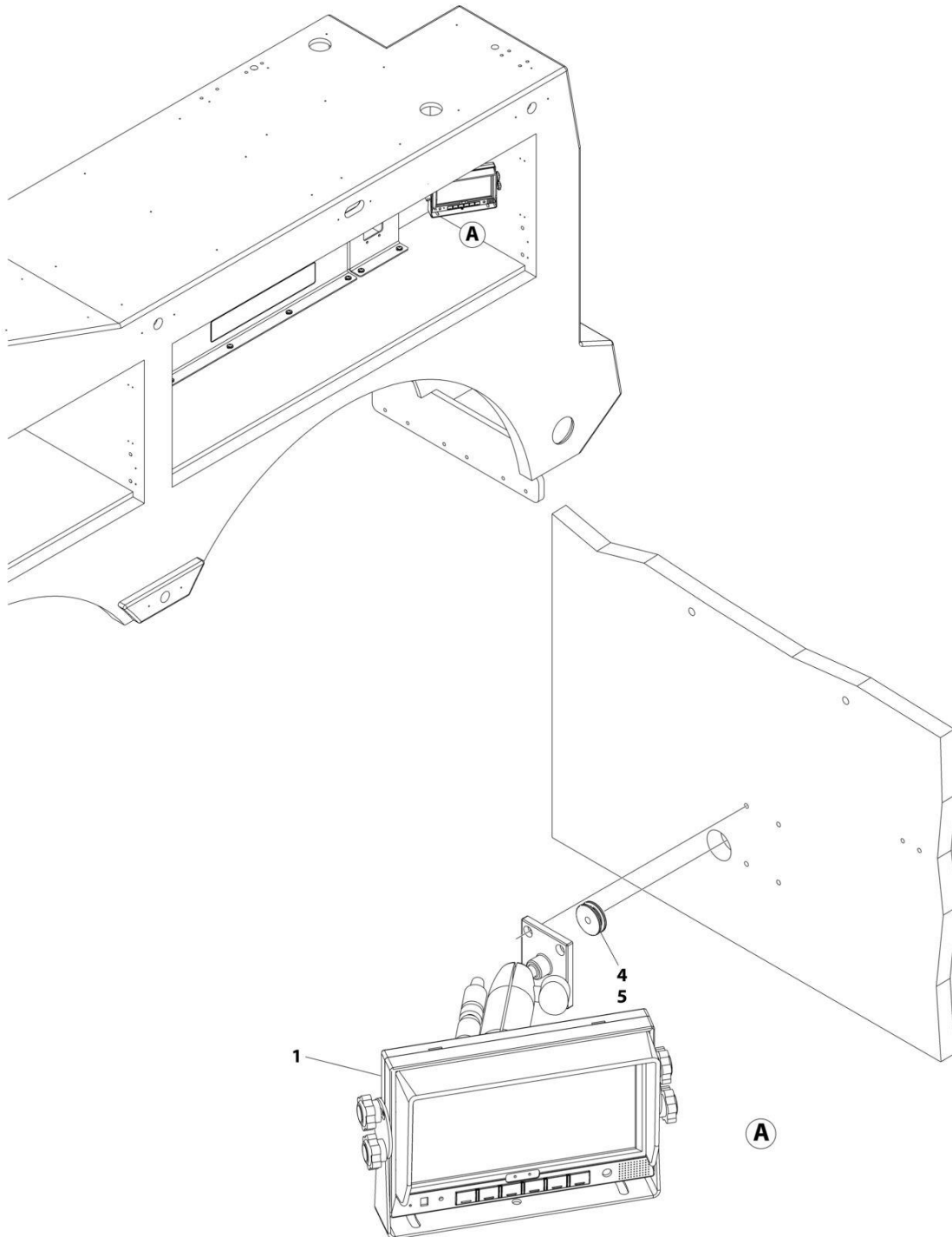
SECTION 7 - ELECTRICAL

FIGURE 7-24. CAMERA INSTALLATION - CONTROLS MOUNTED (DRIVERS SIDE). (SN 0230004275 through 0230005219)

ITEM	PART NUMBER	QTY	DESCRIPTION	REV
	1001203862	Ref	CAMERA INSTALLATION - CONTROLS MOUNTED	B
1	1001192958	4	Screw #10 x 1/2	
2	1001126658	1	Kit, Camera (Winch)	
3	7894000004	15	Tie-Strap (Not shown)	

SECTION 7 - ELECTRICAL

FIGURE 7-25. CAMERA INSTALLATION - CONTROLS MOUNTED (DRIVERS SIDE). (SN 0230005220 to Present)



ART_1001212231

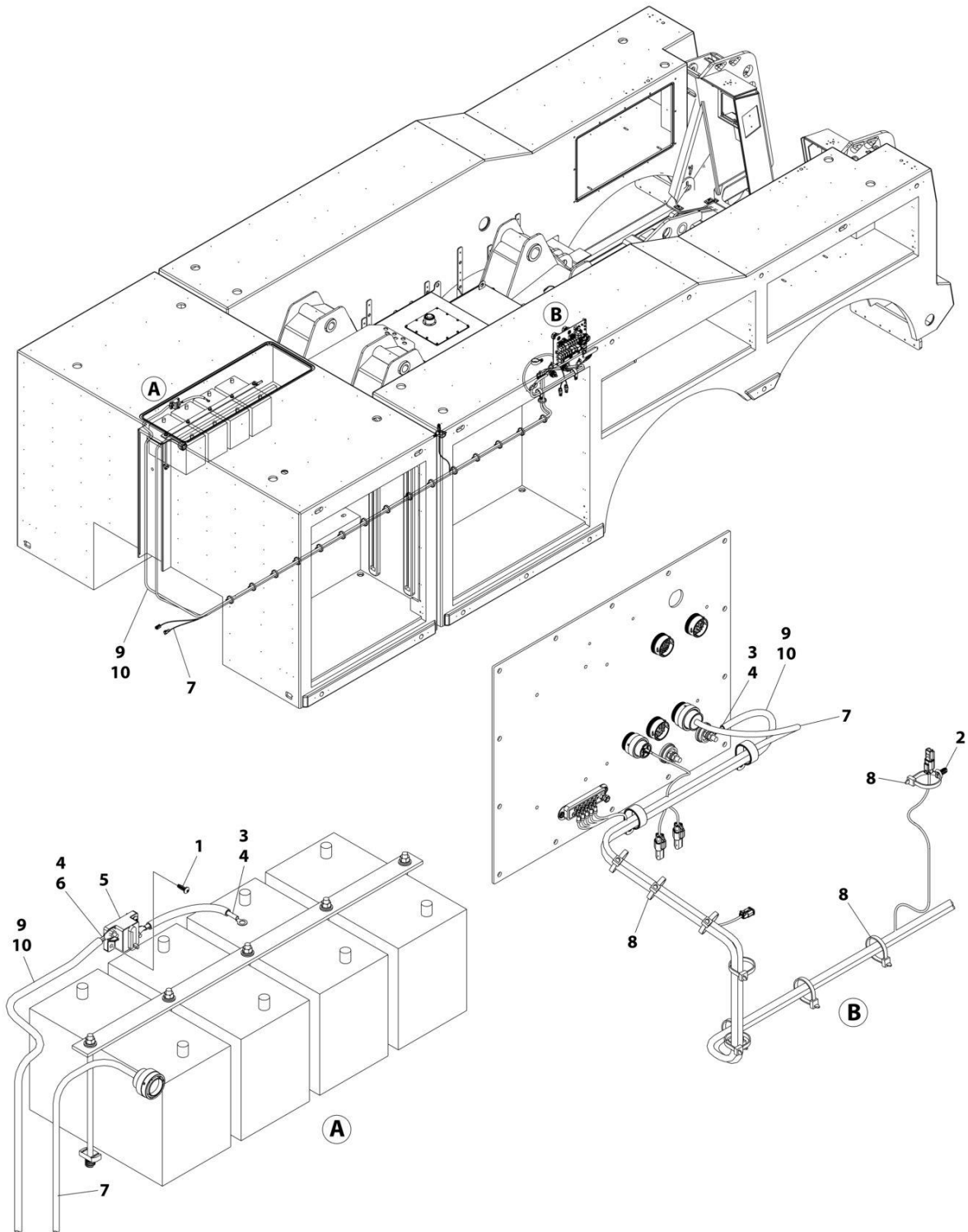
SECTION 7 - ELECTRICAL

FIGURE 7-25. CAMERA INSTALLATION - CONTROLS MOUNTED (DRIVERS SIDE). (SN 0230005220 to Present)

ITEM	PART NUMBER	QTY	DESCRIPTION	REV
	1001212231	Ref	CAMERA REAR WINCH DS INSTALLATION	C
1	1001126658	1	Kit, Camera (Winch) (SN 0230005220 through 0230009593)	
1	1001273599	1	Kit, Camera (Winch) (SN 0230009594 to Present)	
2	1001192958	4	Screw #10 x 1/2 (SN 0230005220 through 0230009593)	
3	7894000004	15	Tie Strap (Not shown)	
4	7493000020	1	Grommet	
5	8798820001	AR	Sealant	

SECTION 7 - ELECTRICAL

FIGURE 7-26. CENTER HARNESS INSTALLATION - 236IN WB



ART_1001217426

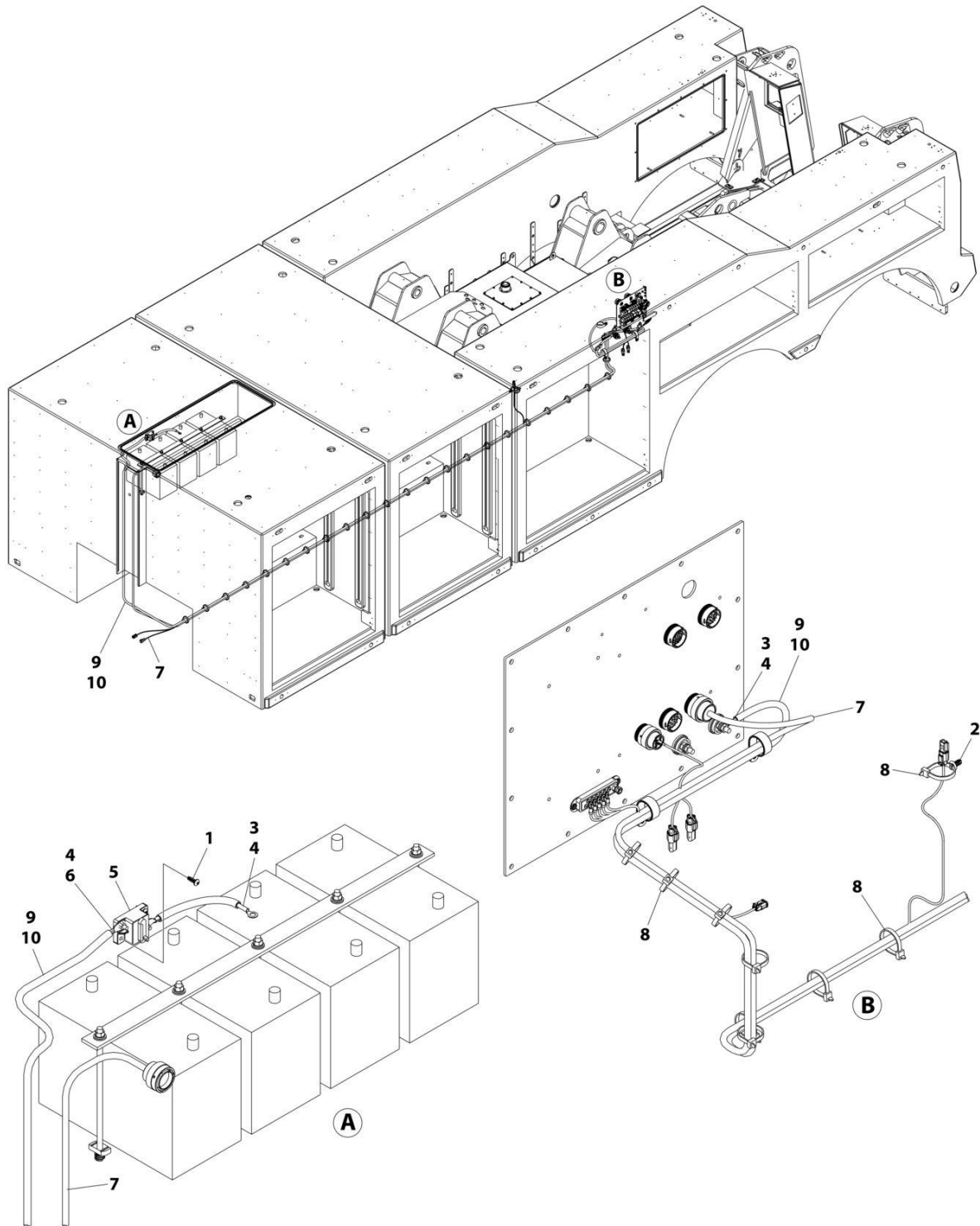
SECTION 7 - ELECTRICAL

FIGURE 7-26. CENTER HARNESS INSTALLATION - 236IN WB

ITEM	PART NUMBER	QTY	DESCRIPTION	REV
	1001217426	Ref	HARNESS - CENTER HARNESS INSTALLATION (142IN CT/236IN WB/1T)	C
1	1001194676	2	Screw 1/4 x 3/4	
2	1001202986	1	Strap	
3	7345242202	2	Terminal	
4	7346000045	0.25 ft	Tubing	
5	7870000043	1	Switch Breaker	
6	1001125479	2	Terminal Ring	
7	1001217442	1	Center Main Harness (See Separate Breakdown in this Section)	
8	5526000553	21	Tie Strap	
9	7978000011	25 ft	Cable	
10	8597650001	25 ft	Loom	

SECTION 7 - ELECTRICAL

FIGURE 7-27. CENTER HARNESS INSTALLATION - 322IN WB



ART_1001217587

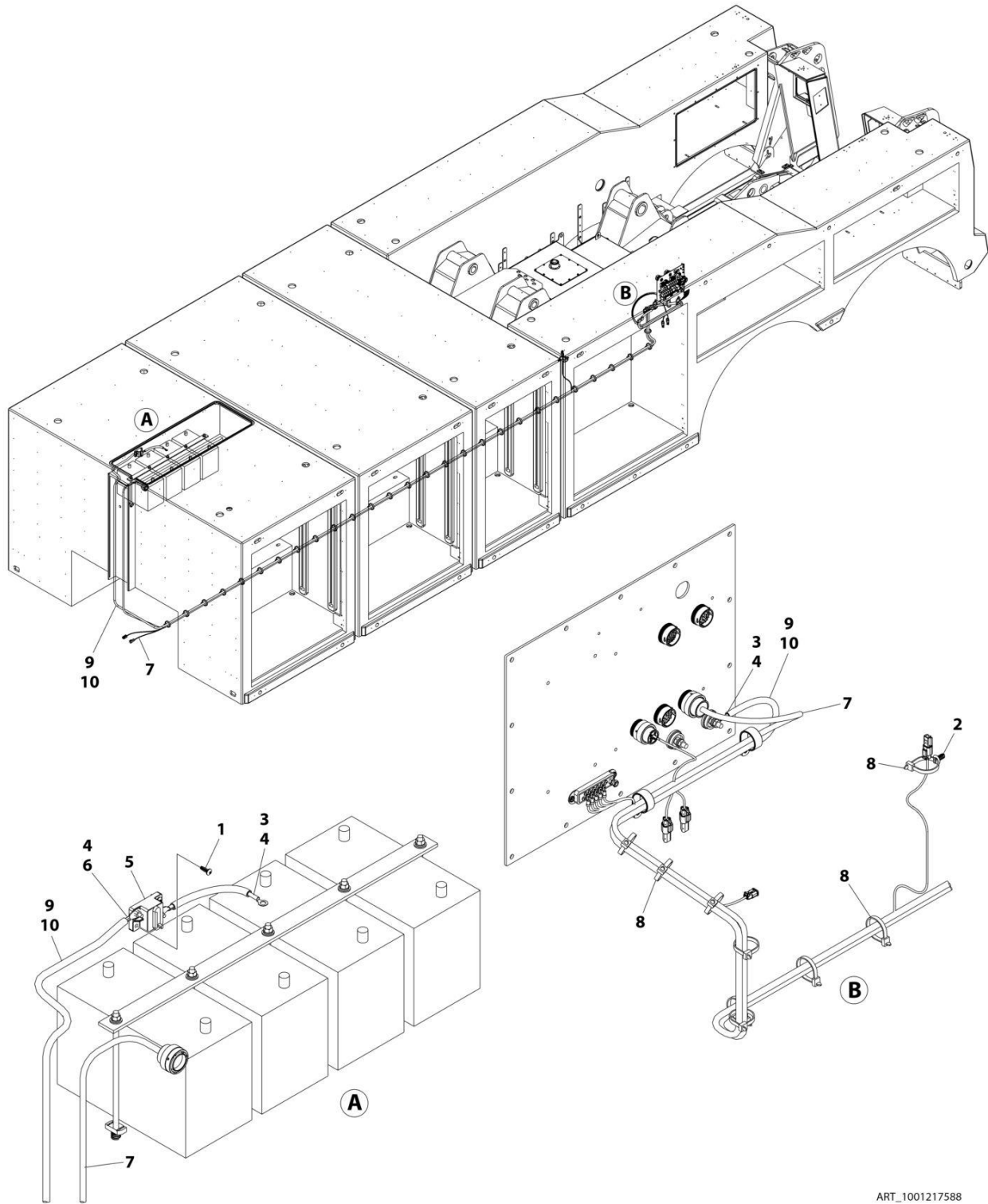
SECTION 7 - ELECTRICAL

FIGURE 7-27. CENTER HARNESS INSTALLATION - 322IN WB

ITEM	PART NUMBER	QTY	DESCRIPTION	REV
	1001217587	Ref	HARNESS - CENTER HARNESS INSTALLATION (191IN CT/285IN WB/2T)	C
1	1001194676	2	Screw 1/4 x 3/4	
2	1001202986	1	Strap	
3	7345242202	2	Terminal	
4	7346000045	0.25 ft	Tubing	
5	7870000043	1	Switch Breaker	
6	1001125479	2	Terminal Ring	
7	1001217589	1	Center Main Harness (See Separate Breakdown in this Section)	
8	5526000553	28	Tie Strap	
9	7978000011	29 ft	Cable	
10	8597650001	29 ft	Loom	

SECTION 7 - ELECTRICAL

FIGURE 7-28. CENTER HARNESS INSTALLATION - 346IN WB



ART_1001217588

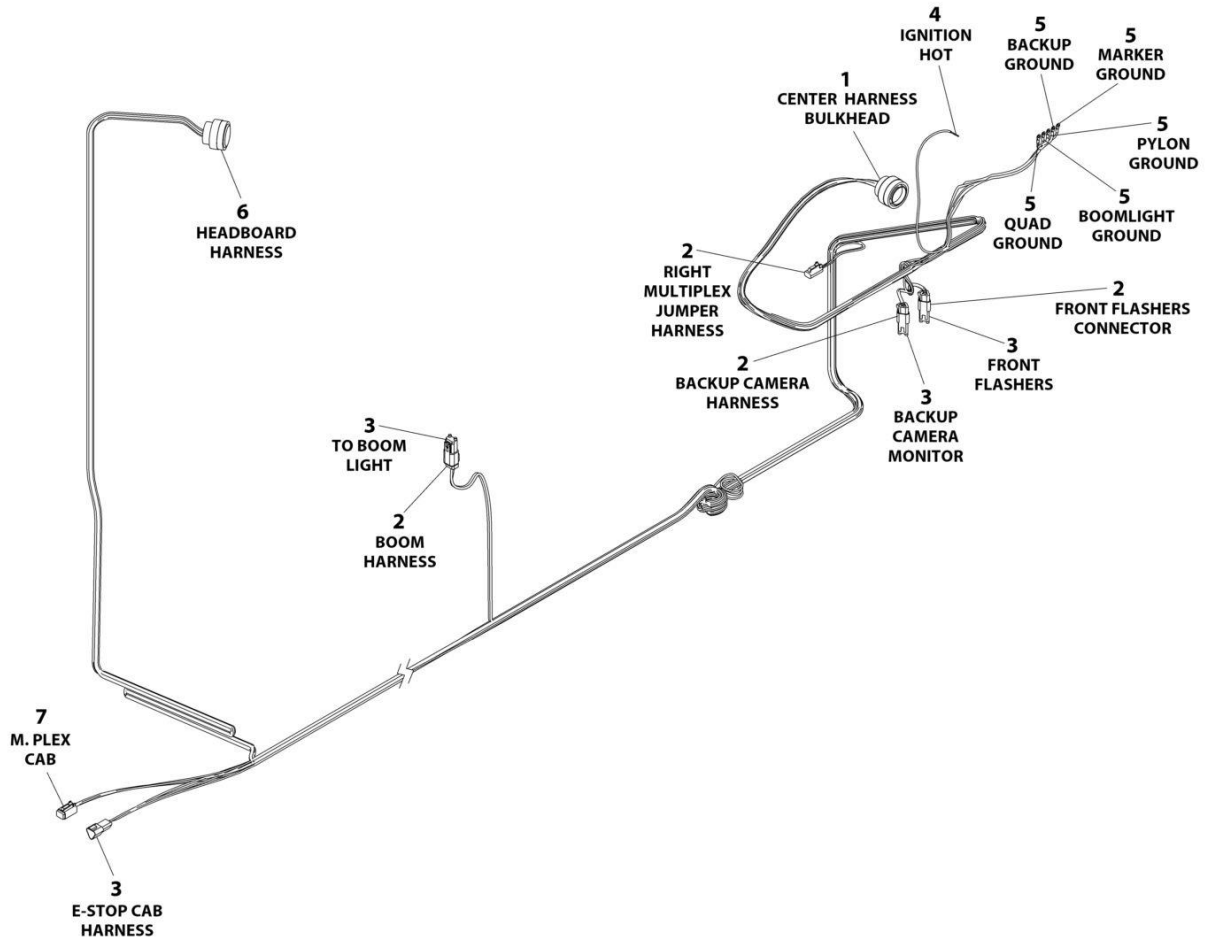
SECTION 7 - ELECTRICAL

FIGURE 7-28. CENTER HARNESS INSTALLATION - 346IN WB

ITEM	PART NUMBER	QTY	DESCRIPTION	REV
	1001217588	Ref	HARNESS - CENTER HARNESS INSTALLATION (228IN CT/322IN WB/3T)	C
1	1001194676	2	Screw 1/4 x 3/4	
2	1001202986	1	Strap	
3	7345242202	2	Terminal	
4	7346000045	0.25 ft	Tubing	
5	7870000043	1	Switch Breaker	
6	1001125479	2	Terminal Ring	
7	1001217590	1	Harness, Center (See Separate Breakdown in this Section)	
8	5526000553	33	Harness Tie Strap	
9	7978000011	32 ft	Cable	
10	8597650001	32 ft	Loom	

SECTION 7 - ELECTRICAL

FIGURE 7-29. CENTER HARNESS - 236IN WB



ART_1001217442

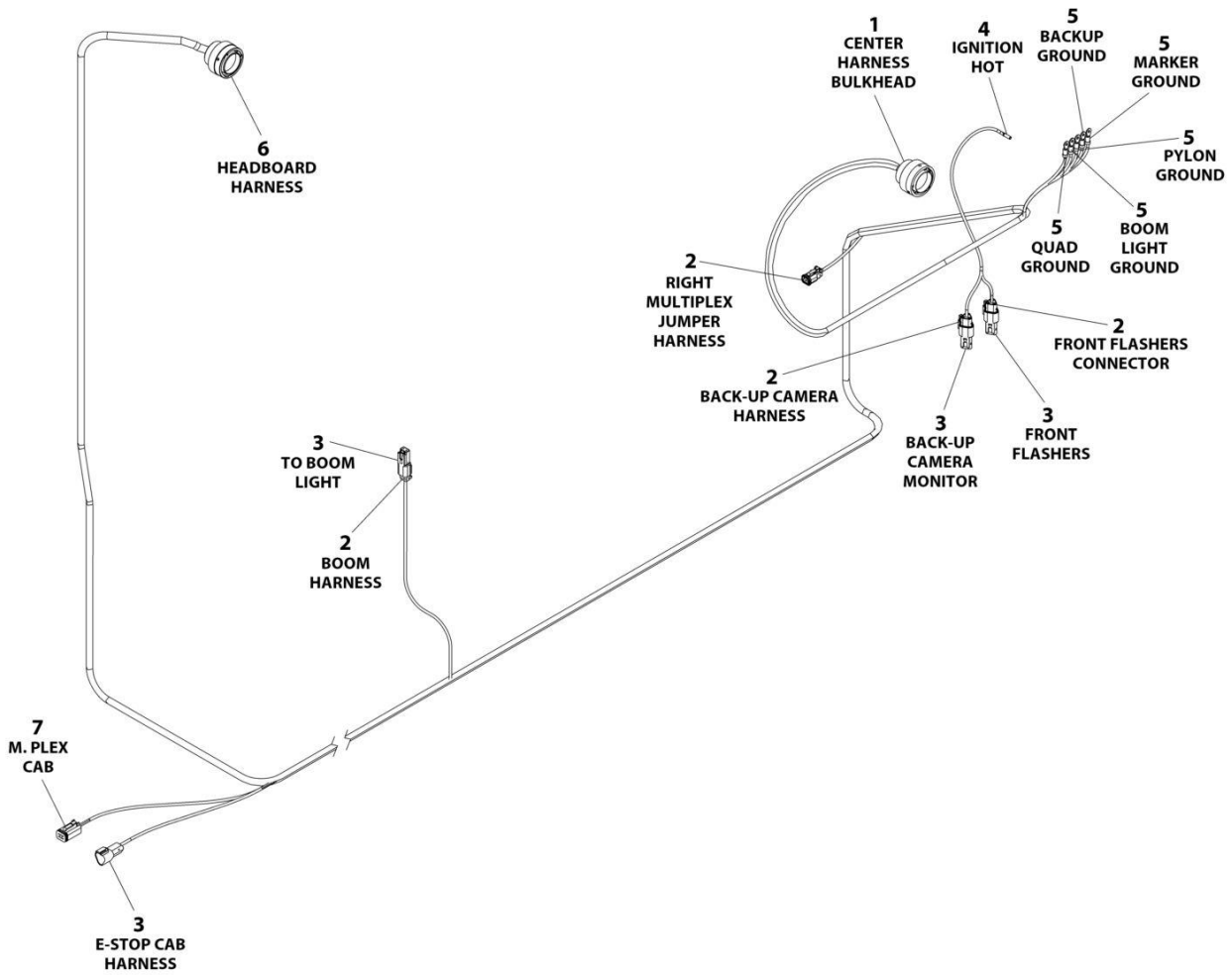
SECTION 7 - ELECTRICAL

FIGURE 7-29. CENTER HARNESS - 236IN WB

ITEM	PART NUMBER	QTY	DESCRIPTION	REV
	1001217442	Ref	CENTER HARNESS (166IN CT)	A
1	NPN	1	Connector - 19 Position	
1	4460942	4	Socket, Female	
1	4460465	9	Socket, Female	
1	4460509	3	Socket, Female	
1	4460466	3	Plug, Terminal	
2	1001116812	4	Plug, Male - 3 Position	
2	4460942	3	Socket, Female	
2	4460465	6	Socket, Female	
2	4460509	3	Socket, Female	
3	4460536	4	Receptacle, Female - 3 Position	
3	4460466	12	Plug, Terminal	
4	4460509	1	Socket, Female	
5	NPN	5	Terminal, Ring	
6	NPN	1	Connector - 18 Position	
6	4460942	2	Socket, Female	
6	4460465	4	Socket, Female	
6	4460509	3	Socket, Female	
6	4460466	9	Plug, Terminal	
7	4460884	1	Plug, Male - 4 Position	
7	4460465	4	Socket, Female	

SECTION 7 - ELECTRICAL

FIGURE 7-30. CENTER HARNESS - 322IN WB



ART_1001217589

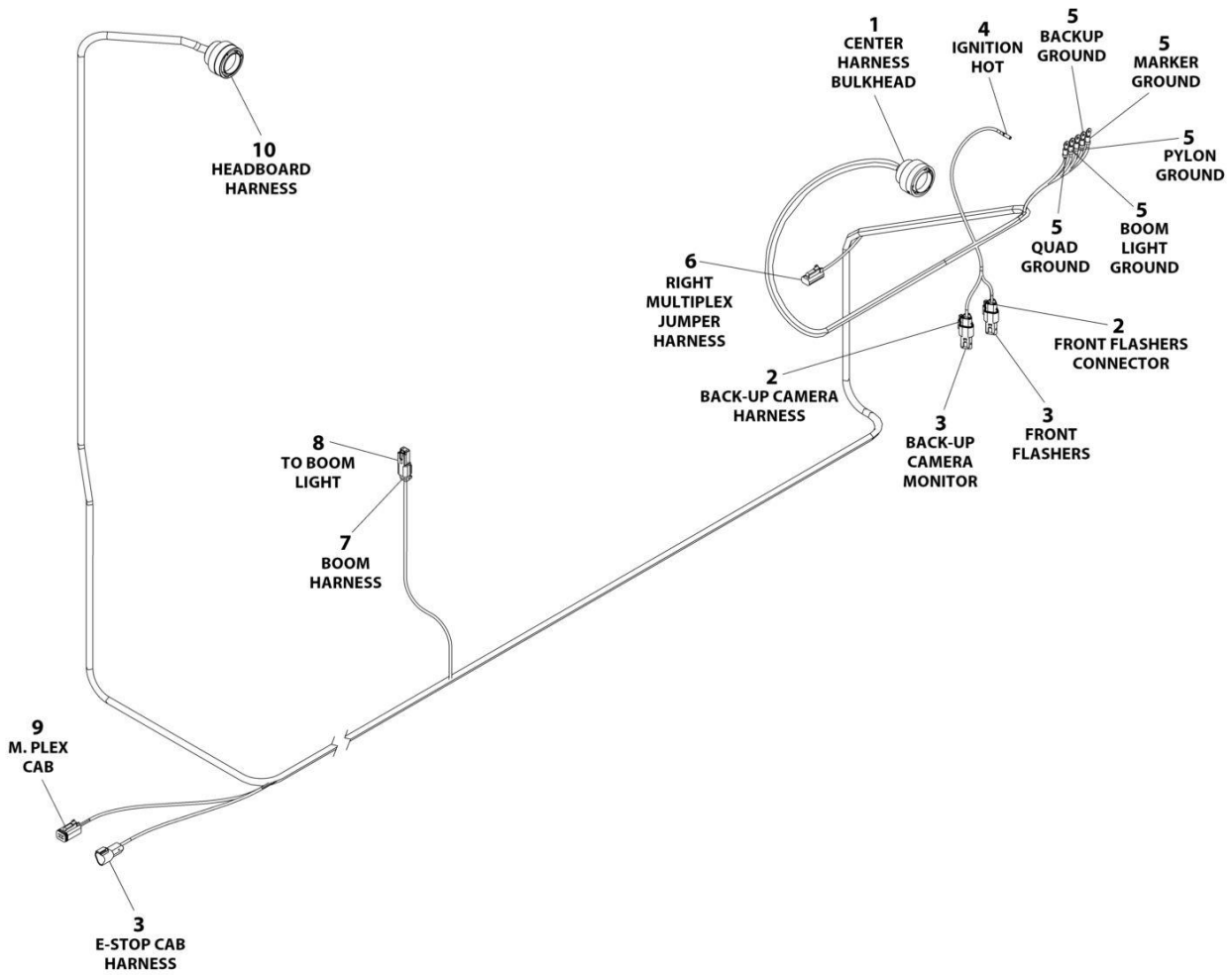
SECTION 7 - ELECTRICAL

FIGURE 7-30. CENTER HARNESS - 322IN WB

ITEM	PART NUMBER	QTY	DESCRIPTION	REV
	1001217589	Ref	CENTER HARNESS (215IN CT)	A
1	NPN	1	Connector - 19 Position	
1	4460942	4	Socket, Female	
1	4460465	9	Socket, Female	
1	4460509	3	Socket, Female	
1	4460466	3	Plug, Terminal	
2	1001116812	4	Plug, Male - 3 Position	
2	4460942	3	Socket, Female	
2	4460465	6	Socket, Female	
2	4460509	3	Socket, Female	
3	4460536	4	Receptacle, Female - 3 Position	
3	4460466	12	Plug, Terminal	
4	4460509	1	Socket, Female	
5	NPN	5	Terminal, Ring	
6	NPN	1	Connector - 18 Position	
6	4460942	2	Socket, Female	
6	4460465	4	Socket, Female	
6	4460509	3	Socket, Female	
6	4460466	9	Plug, Terminal	
7	4460884	1	Plug, Male - 4 Position	
7	4460465	4	Socket, Female	

SECTION 7 - ELECTRICAL

FIGURE 7-31. CENTER HARNESS - 346IN WB



ART_1001217590

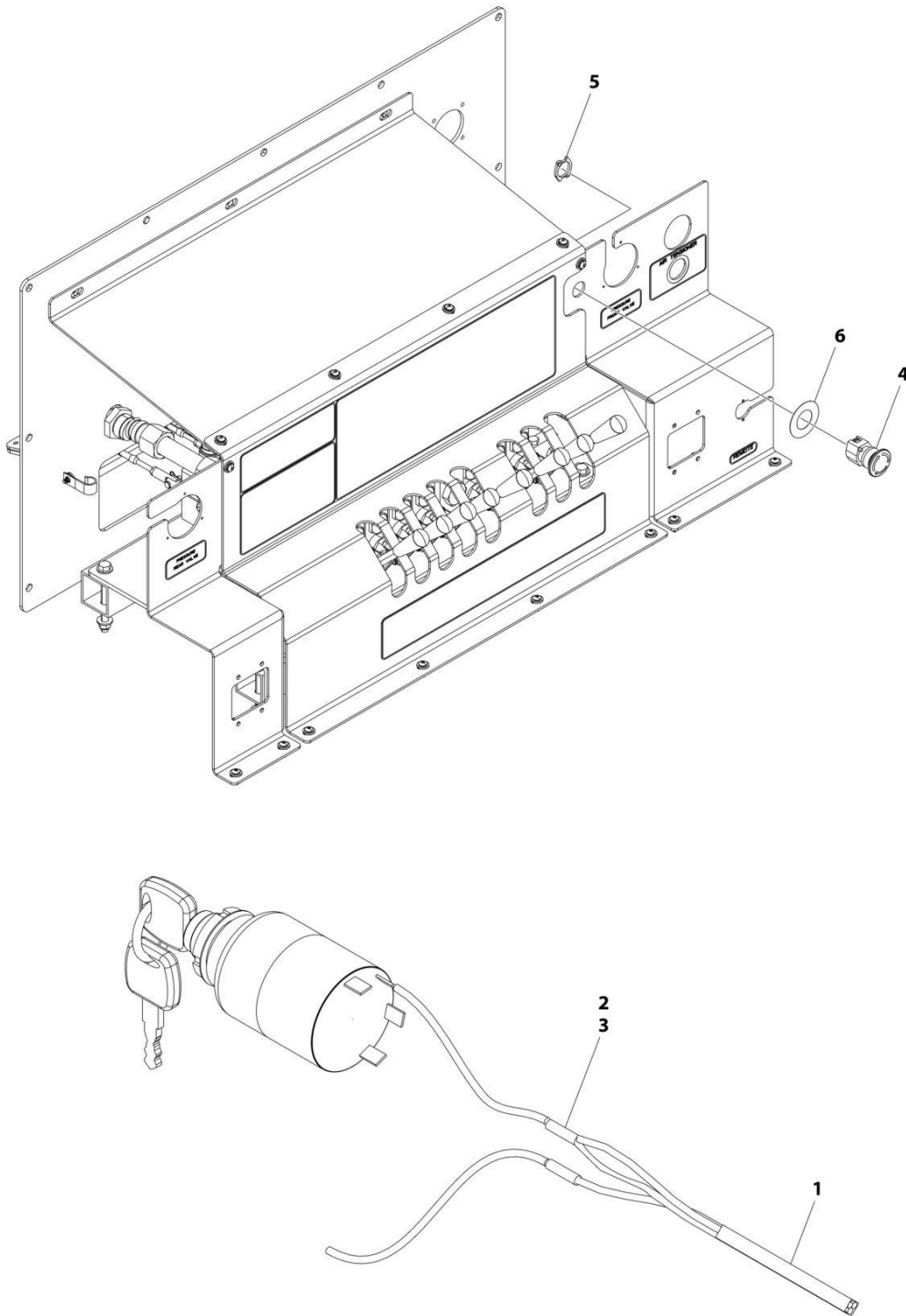
SECTION 7 - ELECTRICAL

FIGURE 7-31. CENTER HARNESS - 346IN WB

ITEM	PART NUMBER	QTY	DESCRIPTION	REV
	1001217590	Ref	CENTER HARNESS (252IN CT)	A
1	NPN	1	Connector - 19 Position	
1	4460942	4	Socket, Female	
1	4460465	9	Socket, Female	
1	4460509	3	Socket, Female	
1	4460466	3	Plug, Terminal	
2	1001116812	2	Plug, Male - 3 Position	
2	4460942	3	Socket, Female	
2	4460465	3	Socket, Female	
3	4460536	3	Receptacle, Female - 3 Position	
3	4460466	6	Plug, Terminal	
4	4460465	1	Socket, Female	
5	NPN	5	Terminal, Ring	
6	4460891	1	Plug, Male - 2 Position	
6	4460465	2	Socket, Female	
7	4461018	1	Plug, Male - 2 Position	
7	4460509	2	Terminal	
8	4461017	1	Receptacle, Female - 2 Position	
8	4460466	2	Plug, Terminal	
9	4460884	1	Plug, Male - 4 Position	
9	4460465	4	Socket, Female	
10	1001269277	1	Receptacle, Female - 18 Position	
10	NPN	3	Socket, Female	
10	4460465	4	Socket, Female	
10	4460509	2	Socket, Female	
10	4460466	9	Plug, Terminal	

SECTION 7 - ELECTRICAL

FIGURE 7-32. EMERGENCY STOP INSTALLATION (SN 0230004275 through 0230006314)



ART_1001212210

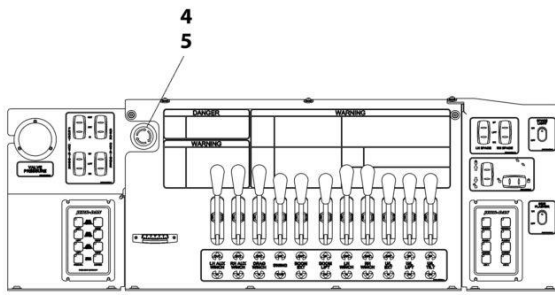
SECTION 7 - ELECTRICAL

FIGURE 7-32. EMERGENCY STOP INSTALLATION (SN 0230004275 through 0230006314)

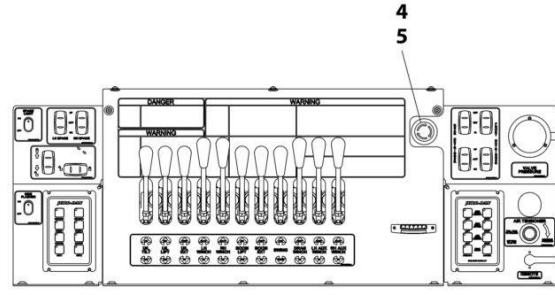
ITEM	PART NUMBER	QTY	DESCRIPTION	REV
	1001212210	Ref	EMERGENCY STOP INSTALLATION	D
1	1001215371	1	Emergency Stop Harness (See Separate Breakdown in this Section)	
2	7345001714	2	Terminal	
3	7346000039	AR	Tube	
4	7870000128	2	Switch	
5	7870000129	2	Switch	
6	1704260	2	Decal, EMS	

SECTION 7 - ELECTRICAL

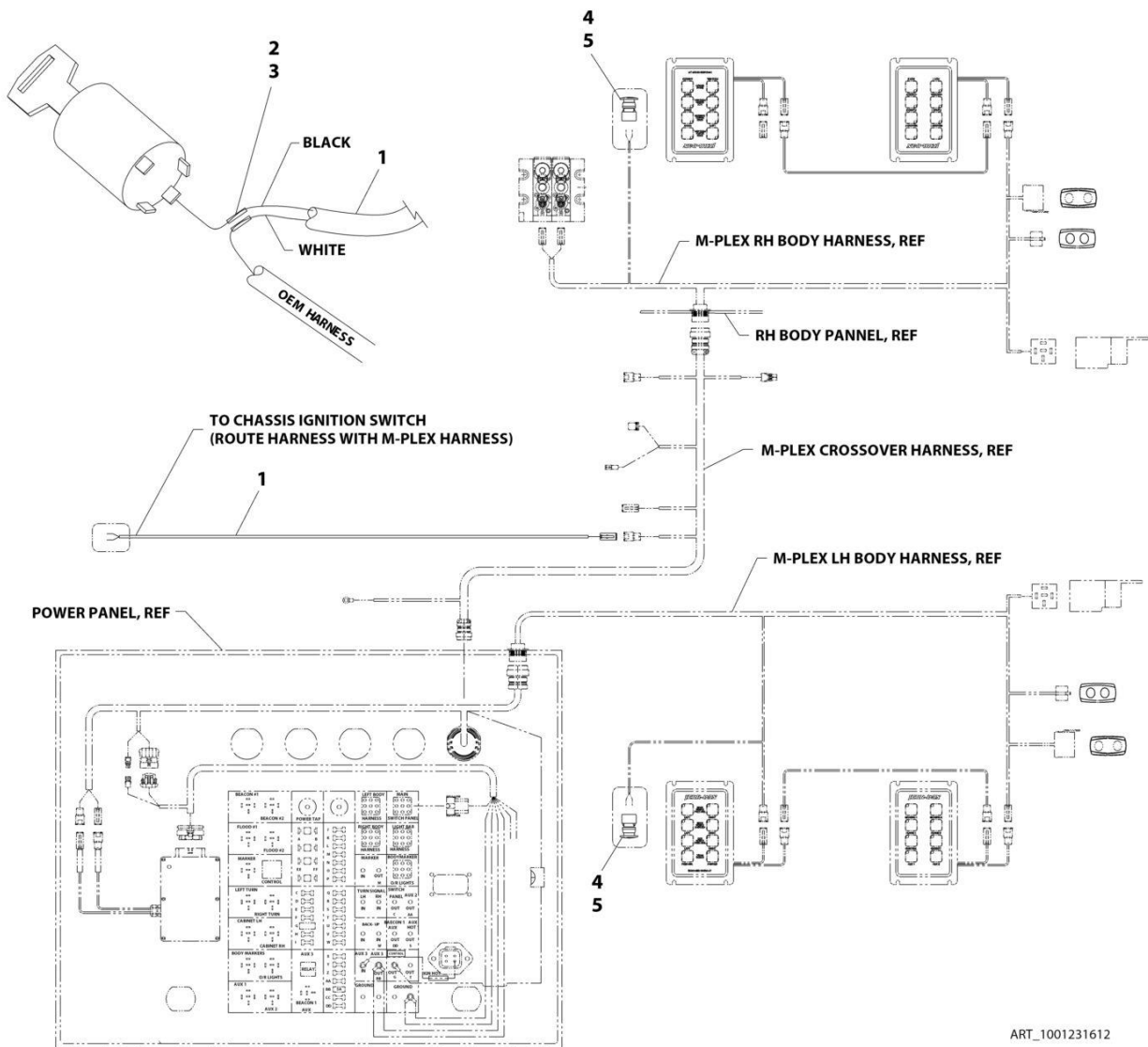
FIGURE 7-33. EMERGENCY STOP INSTALLATION (SN 0230006315 to Present)



LH SIDE CONTROL STATION
11 SECTION CONTROLS SHOWN; 9 SECTION OPTIONAL



RH SIDE CONTROL STATION
11 SECTION CONTROLS SHOWN; 9 SECTION OPTIONAL



ART_1001231612

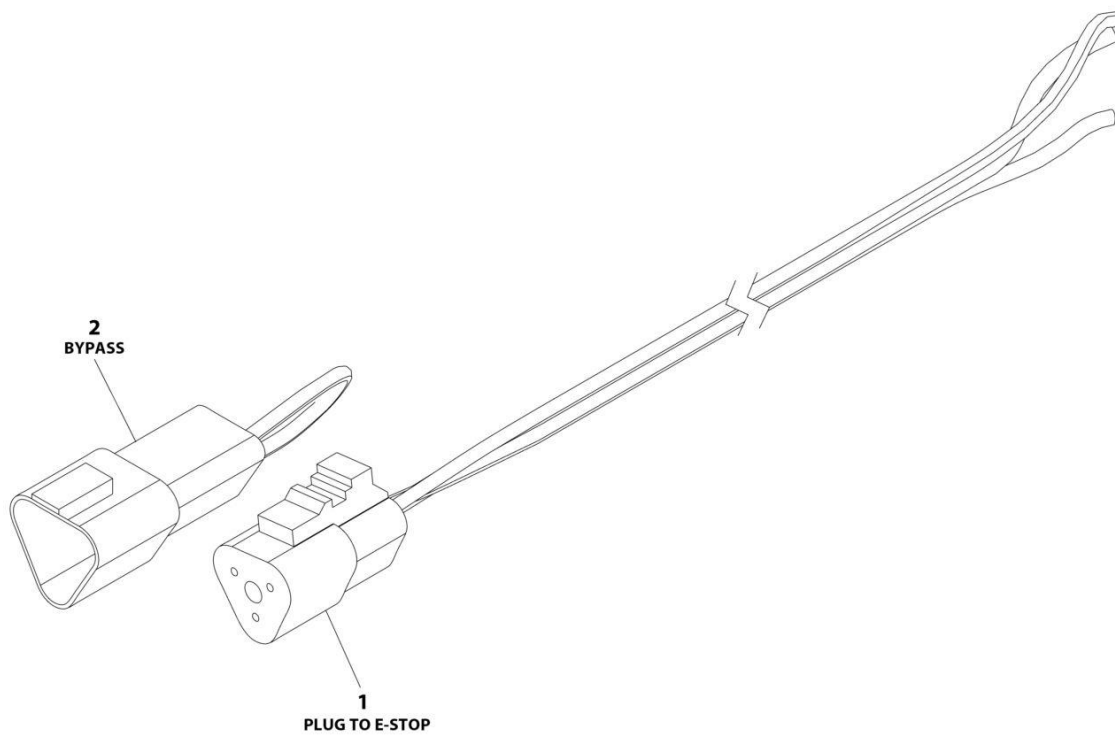
SECTION 7 - ELECTRICAL

FIGURE 7-33. EMERGENCY STOP INSTALLATION (SN 0230006315 to Present)

ITEM	PART NUMBER	QTY	DESCRIPTION	REV
	1001231612	Ref	Emergency Stop Installation	A
1	1001215371	1	Harness (See Separate Breakdown in this Section)	
2	7345001714	2	Terminal	
3	7346000039	0.125 ft	Tubing	
4	1001233500	2	Switch, Push Button	
5	1704260	2	Decal	

SECTION 7 - ELECTRICAL

FIGURE 7-34. EMERGENCY STOP HARNESS



ART_1001215371

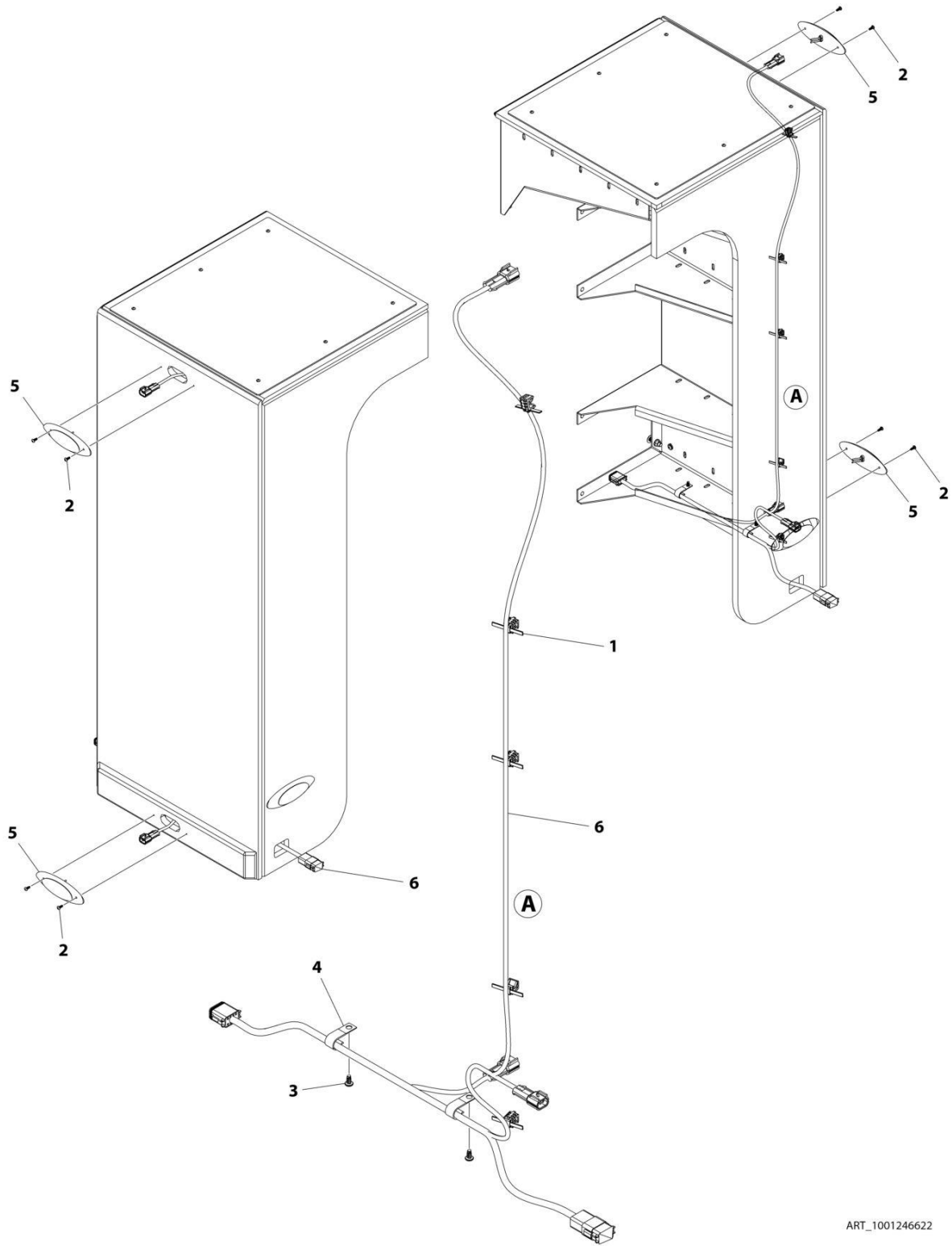
SECTION 7 - ELECTRICAL

FIGURE 7-34. EMERGENCY STOP HARNESS

ITEM	PART NUMBER	QTY	DESCRIPTION	REV
	1001215371	Ref	EMERGENCY STOP HARNESS	A
1	1001116812	1	Plug, Male - 3 Position	
1	4460465	2	Socket, Female	
1	4460942	1	Socket, Female	
2	4460536	1	Receptacle, Female - 3 Position	
2	4460464	2	Pin, Male	
2	4460466	1	Plug, Terminal	

SECTION 7 - ELECTRICAL

FIGURE 7-35. FILLER PANEL ELECTRICAL INSTALLATION



ART_1001246622

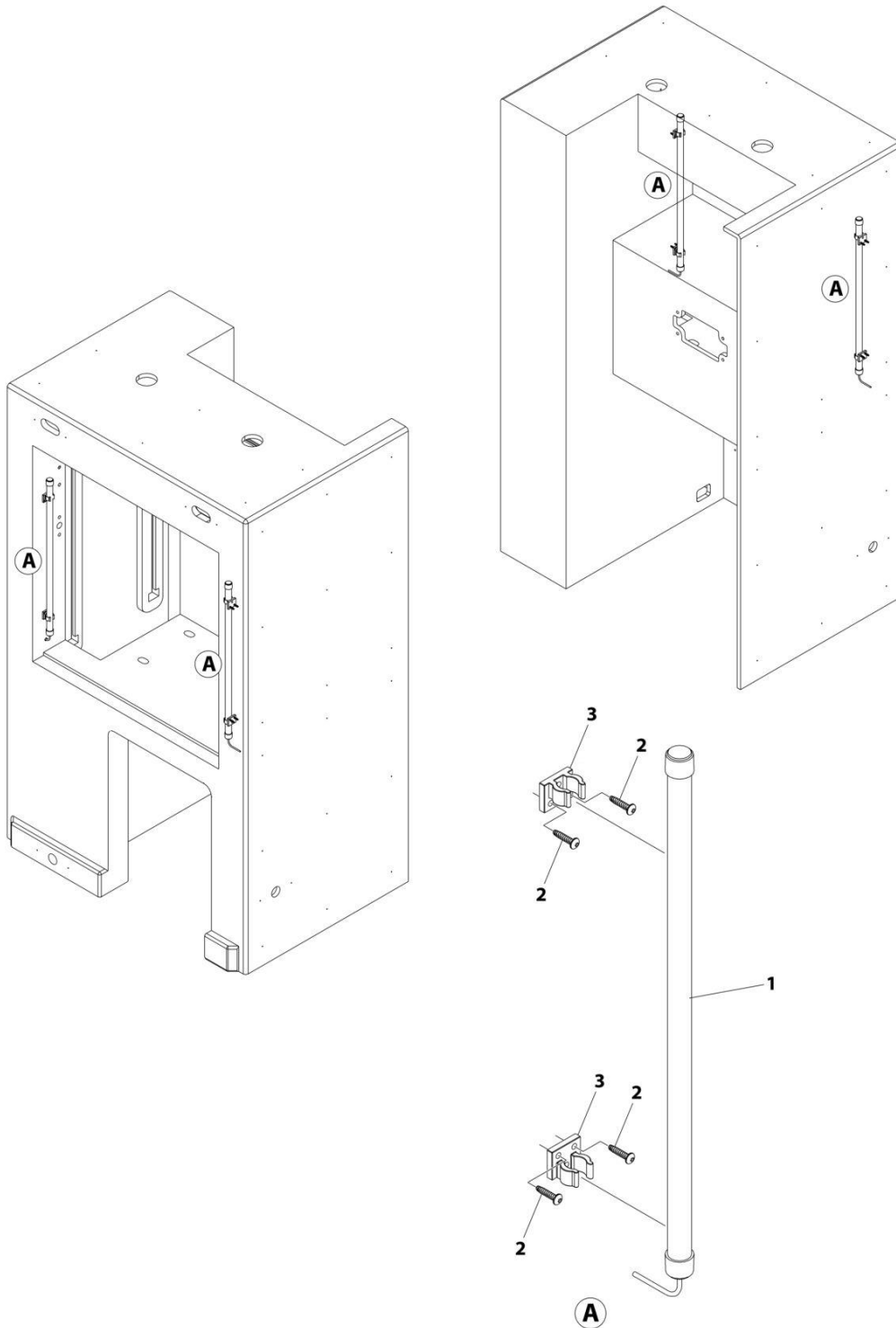
SECTION 7 - ELECTRICAL

FIGURE 7-35. FILLER PANEL ELECTRICAL INSTALLATION

ITEM	PART NUMBER	QTY	DESCRIPTION	REV
	1001246622	Ref	FILLER PANEL INSTALLATION - 24IN ELECTRICAL ENCLOSURE	A
1	1001152419	10	Clip	
2	1001192958	8	Screw #10 x 1/2	
3	1001195257	4	Screw 1/4 x 1/2	
4	7280000006	4	Clip	
5	7590000358	4	LED	
6	1001244217	2	Lighting Filler Panel Harness (See Separate Breakdown in ELECTRICAL Section)	

SECTION 7 - ELECTRICAL

FIGURE 7-36. LIGHTS - COMPARTMENT LIGHTS INSTALLATION (SRS TOOLBOX)



ART_1001197895

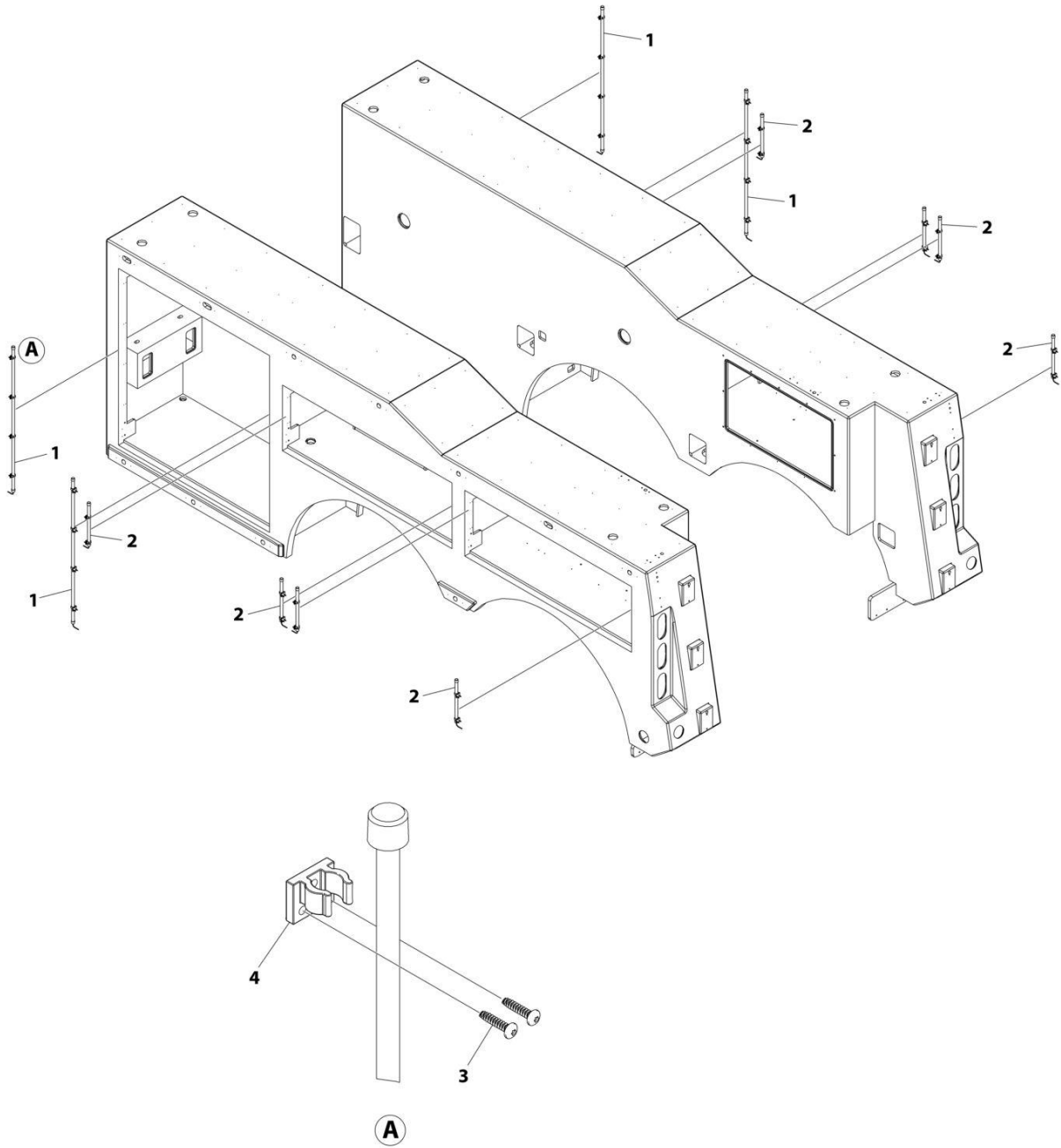
SECTION 7 - ELECTRICAL

FIGURE 7-36. LIGHTS - COMPARTMENT LIGHTS INSTALLATION (SRS TOOLBOX)

ITEM	PART NUMBER	QTY	DESCRIPTION	REV
	1001197895	Ref	COMPARTMENT LIGHTS INSTALLATION	B
1	1001189906	4	Lamp	
2	1001196552	16	Screw #8 x 3/4	
3	1001199081	8	Mount	

SECTION 7 - ELECTRICAL

FIGURE 7-37. LIGHTS - COMPARTMENT LIGHTS INSTALLATION (TANDEM)



ART_1001196522

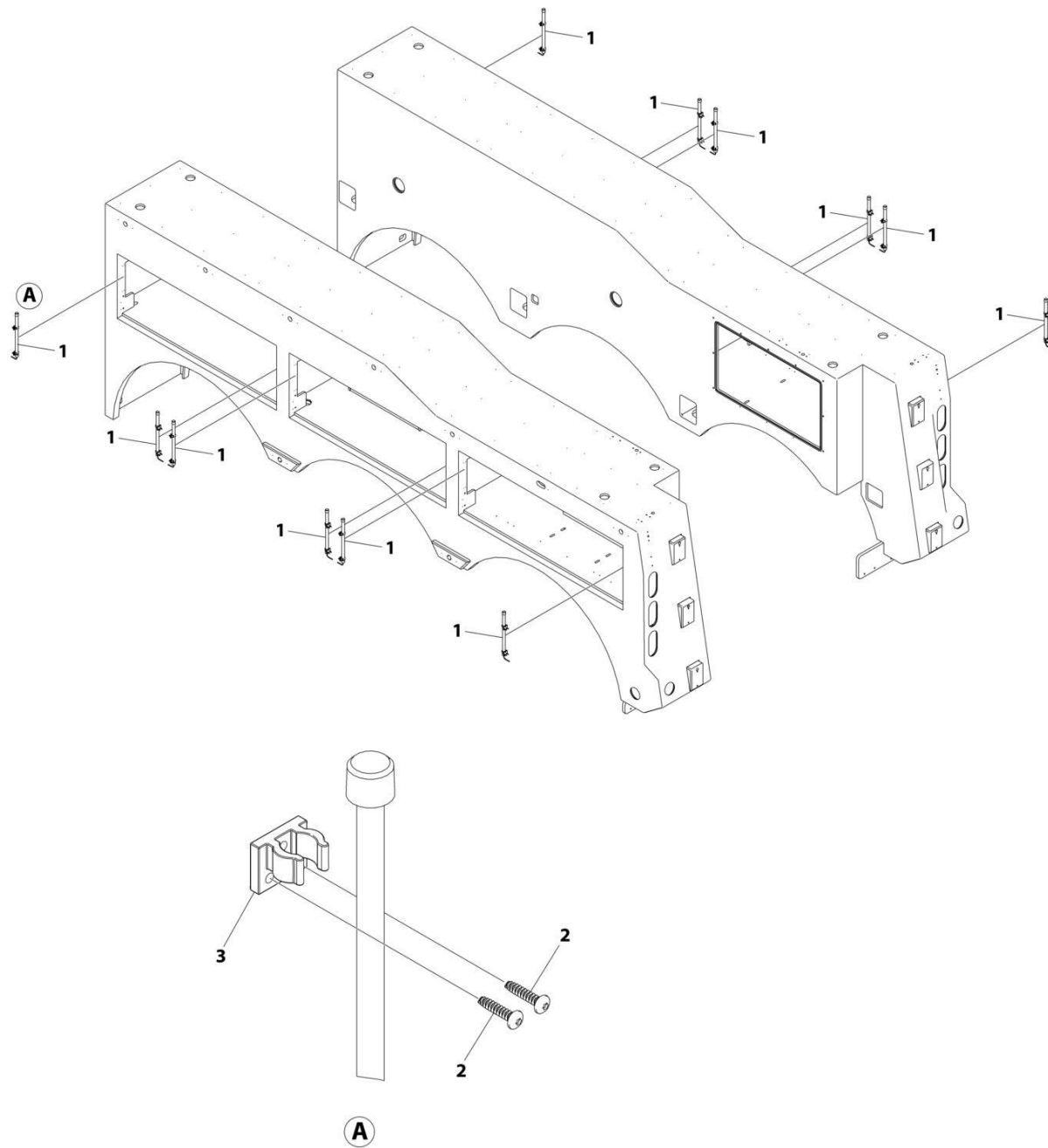
SECTION 7 - ELECTRICAL

FIGURE 7-37. LIGHTS - COMPARTMENT LIGHTS INSTALLATION (TANDEM)

ITEM	PART NUMBER	QTY	DESCRIPTION	REV
	1001196522	Ref	COMPARTMENT LIGHTS INSTALLATION - BODY (TANDEM)	C
1	1001154527	4	Lamp	
2	1001166549	8	Lamp	
3	1001196552	64	Screw #8 x 3/4	
4	1001199081	32	Mount	

SECTION 7 - ELECTRICAL

FIGURE 7-38. LIGHTS - COMPARTMENT LIGHTS INSTALLATION (TRI-AXLE)



ART_1001196523

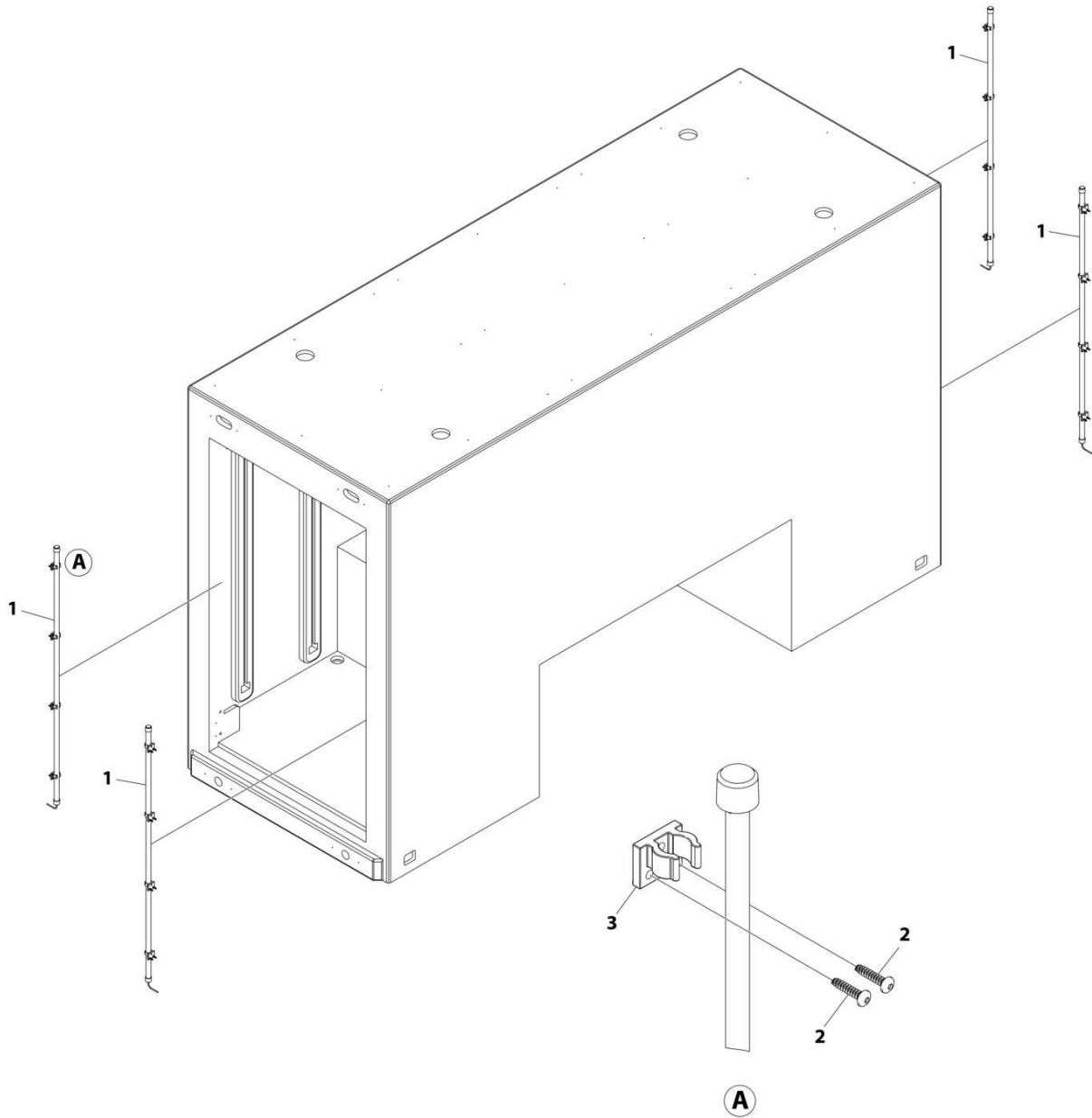
SECTION 7 - ELECTRICAL

FIGURE 7-38. LIGHTS - COMPARTMENT LIGHTS INSTALLATION (TRI-AXLE)

ITEM	PART NUMBER	QTY	DESCRIPTION	REV
	1001196523	Ref	COMPARTMENT LIGHTS INSTALLATION - BODY (TRI-AXLE)	C
1	1001166549	12	LED Light	
2	1001196552	48	Screw #8 x 3/4	
3	1001199081	24	Mount	

SECTION 7 - ELECTRICAL

FIGURE 7-39. LIGHTS - COMPARTMENT LIGHTS INSTALLATION (TUNNEL) (SN 0230004275 through 0230008673, Excluding 0230008645)



ART_1001196582

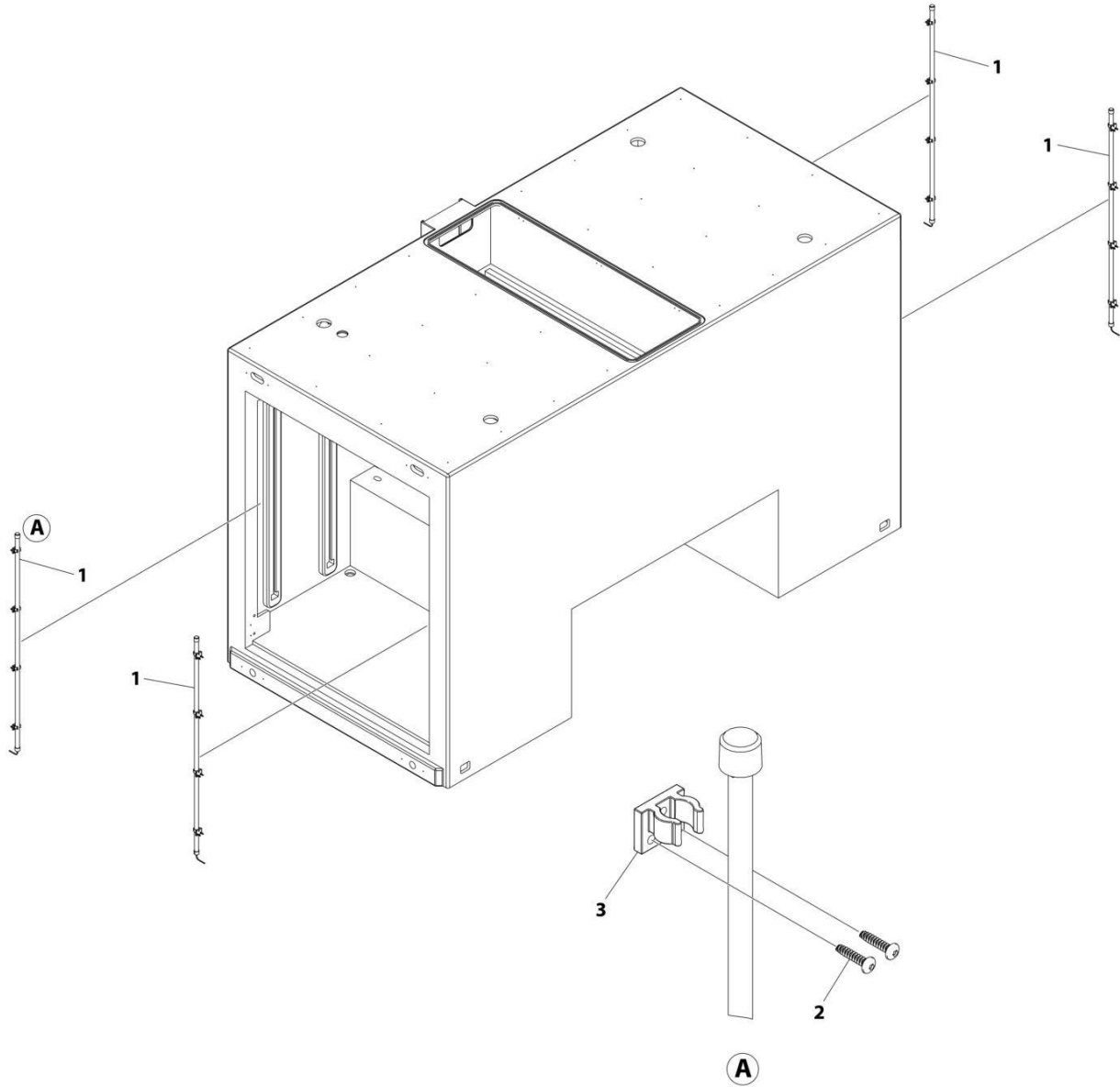
SECTION 7 - ELECTRICAL

FIGURE 7-39. LIGHTS - COMPARTMENT LIGHTS INSTALLATION (TUNNEL) (SN 0230004275 through 0230008673, Excluding 0230008645)

ITEM	PART NUMBER	QTY	DESCRIPTION	REV
	1001196582	Ref	COMPARTMENT LIGHTS INSTALLATION - TUNNEL 37IN	C
1	1001154527	4	LED Light	
2	1001196552	32	Screw #8 x 3/4	
3	1001199081	16	Mount	

SECTION 7 - ELECTRICAL

FIGURE 7-40. LIGHTS - COMPARTMENT LIGHTS INSTALLATION (TUNNEL) (SN 0230008674 to Present, Including 0230008645)



ART_1001196583

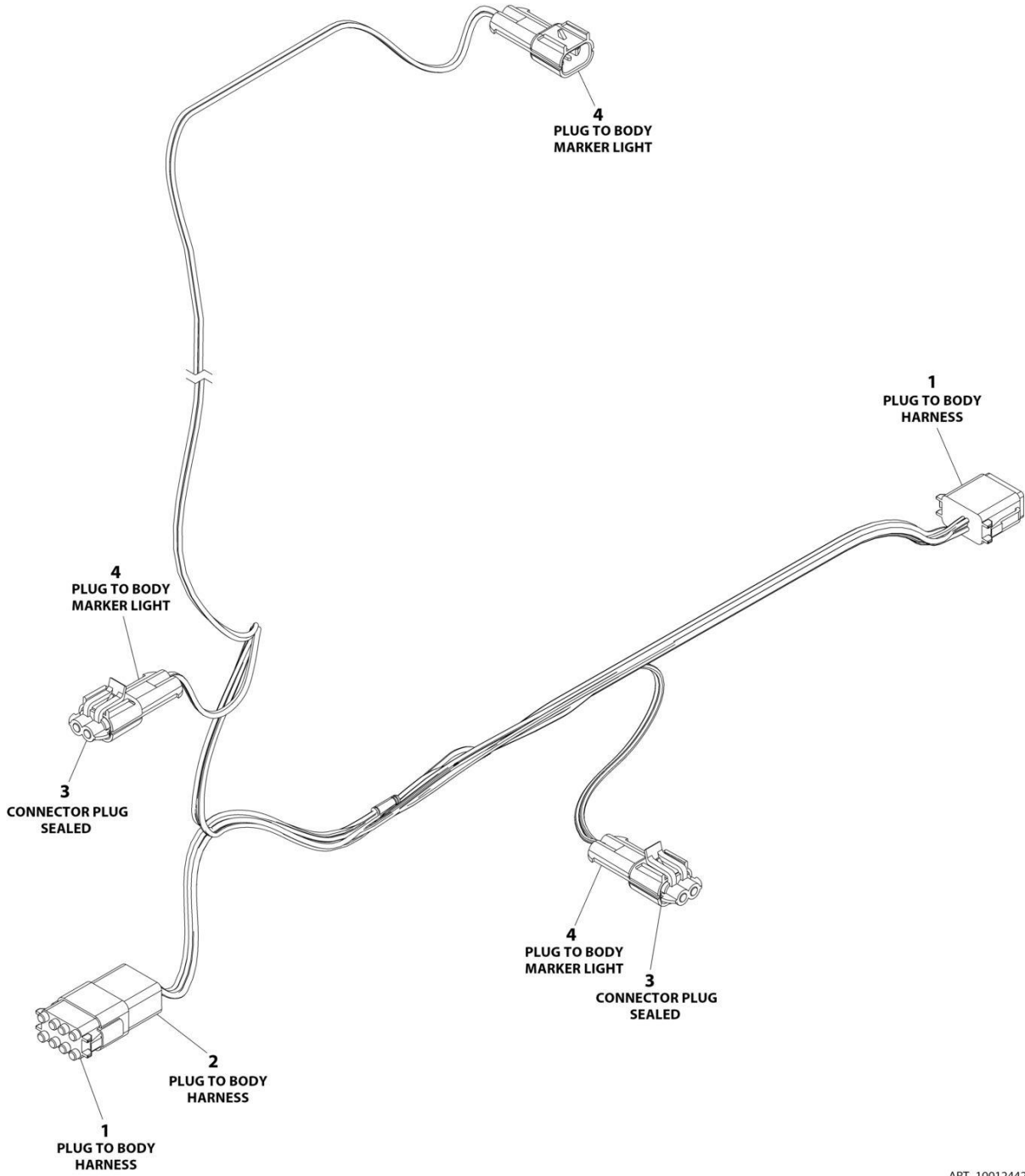
SECTION 7 - ELECTRICAL

FIGURE 7-40. LIGHTS - COMPARTMENT LIGHTS INSTALLATION (TUNNEL) (SN 0230008674 to Present, Including 0230008645)

ITEM	PART NUMBER	QTY	DESCRIPTION	REV
	1001196583	Ref	LIGHTS - COMPARTMENT LIGHTS INSTALLATION, 48IN TUNNEL	C
1	1001154527	4	Lamp	
2	1001196552	32	Screw #8 x 3/4	
3	1001199081	16	Mount	

SECTION 7 - ELECTRICAL

FIGURE 7-41. LIGHTS - FILLER PANEL LIGHTS HARNESS



ART_1001244217

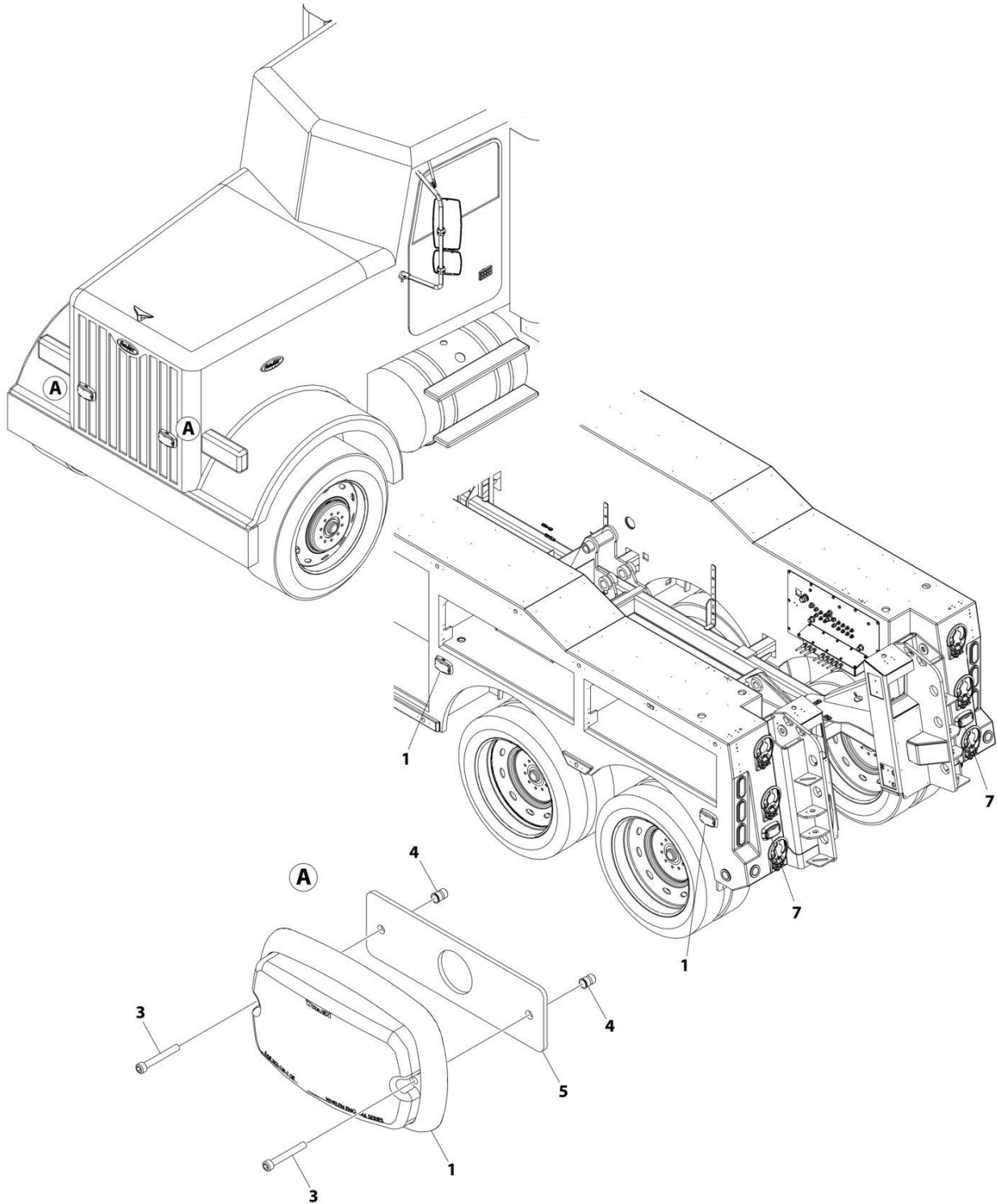
SECTION 7 - ELECTRICAL

FIGURE 7-41. LIGHTS - FILLER PANEL LIGHTS HARNESS

ITEM	PART NUMBER	QTY	DESCRIPTION	REV
	1001244217	Ref	LIGHTS HARNESS - FILLER PANEL	B
1	4460930	2	Plug, Male - 8 Position	
1	4460465	6	Socket, Female	
1	4460466	10	Plug, Terminal	
2	4460931	1	Receptacle, Female - 8 Position	
2	4460464	8	Pin, Male	
2	4460466	2	Plug, Terminal	
3	1001117021	2	Plug, Male - 2 Position	
3	4460748	4	Plug, Terminal	
4	1001117026	3	Receptacle, Female - 2 Position	
4	1001116745	6	Terminal	
4	4460458	6	Seal	

SECTION 7 - ELECTRICAL

FIGURE 7-42. LIGHTS - FLASHER LIGHTS INSTALLATION - SIDE (TANDEM)



ART_1001212220

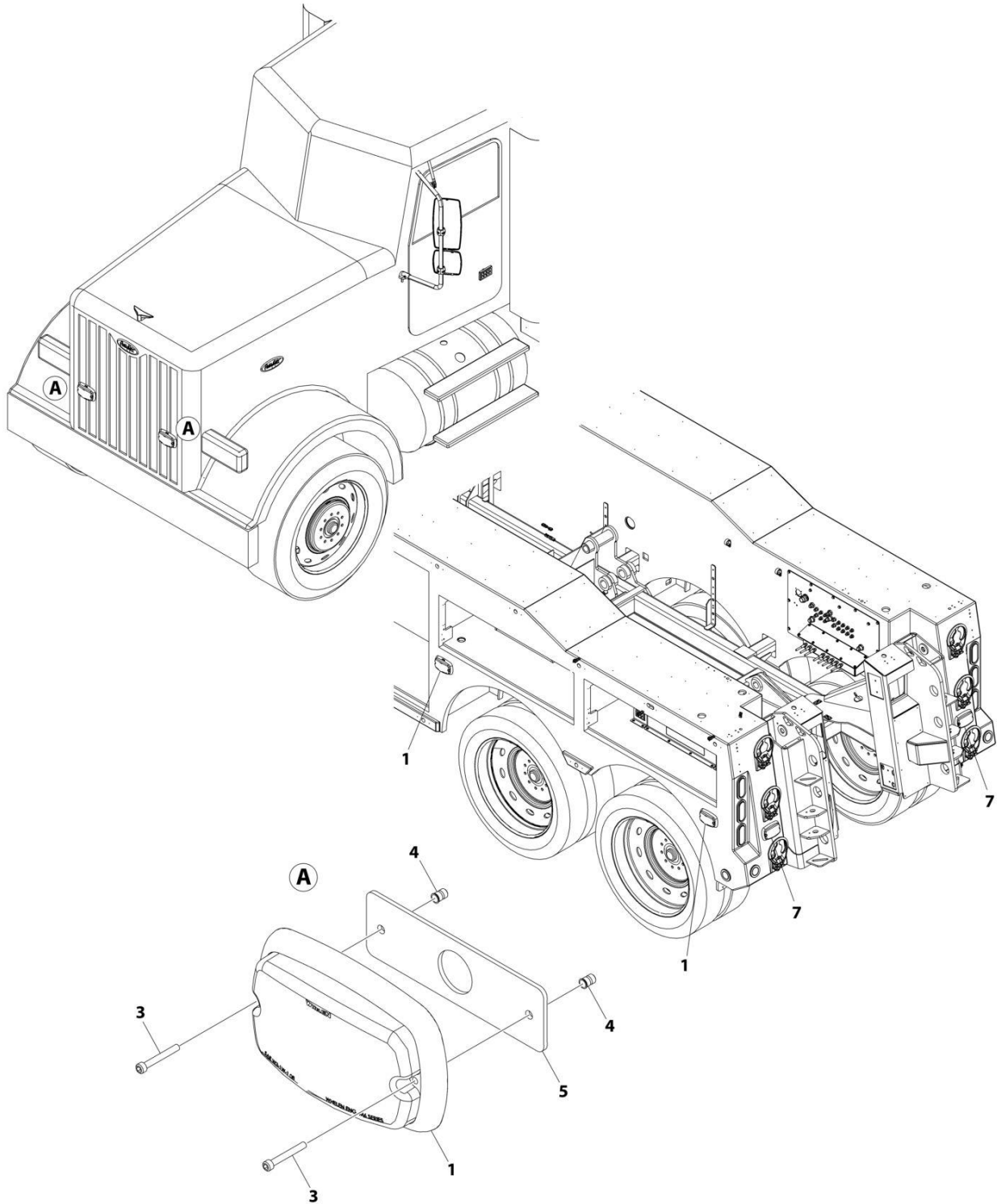
SECTION 7 - ELECTRICAL

FIGURE 7-42. LIGHTS - FLASHER LIGHTS INSTALLATION - SIDE (TANDEM)

ITEM	PART NUMBER	QTY	DESCRIPTION	REV
	1001212220	Ref	SIDE FLASHER LIGHTS INSTALLATION	E
1	1001143284	6	Lamp	
2	1001215157	1	Harness (Not Shown)	
2	4460897	2	Receptacle, Female - 2 Position	
2	4460464	4	Pin, Male	
3	3930820	4	Capscrew #8 x 1-1/4	
4	1001151546	4	Nut #8	
5	1001216586	2	Bar, Grill Mounted	
6	7894000004	20	Tie-Strap (Not Shown)	
7	1001307192	2	Lamp	

SECTION 7 - ELECTRICAL

FIGURE 7-43. LIGHTS - FLASHER LIGHTS INSTALLATION - SIDE (TRI-AXLE)



ART_1001212221

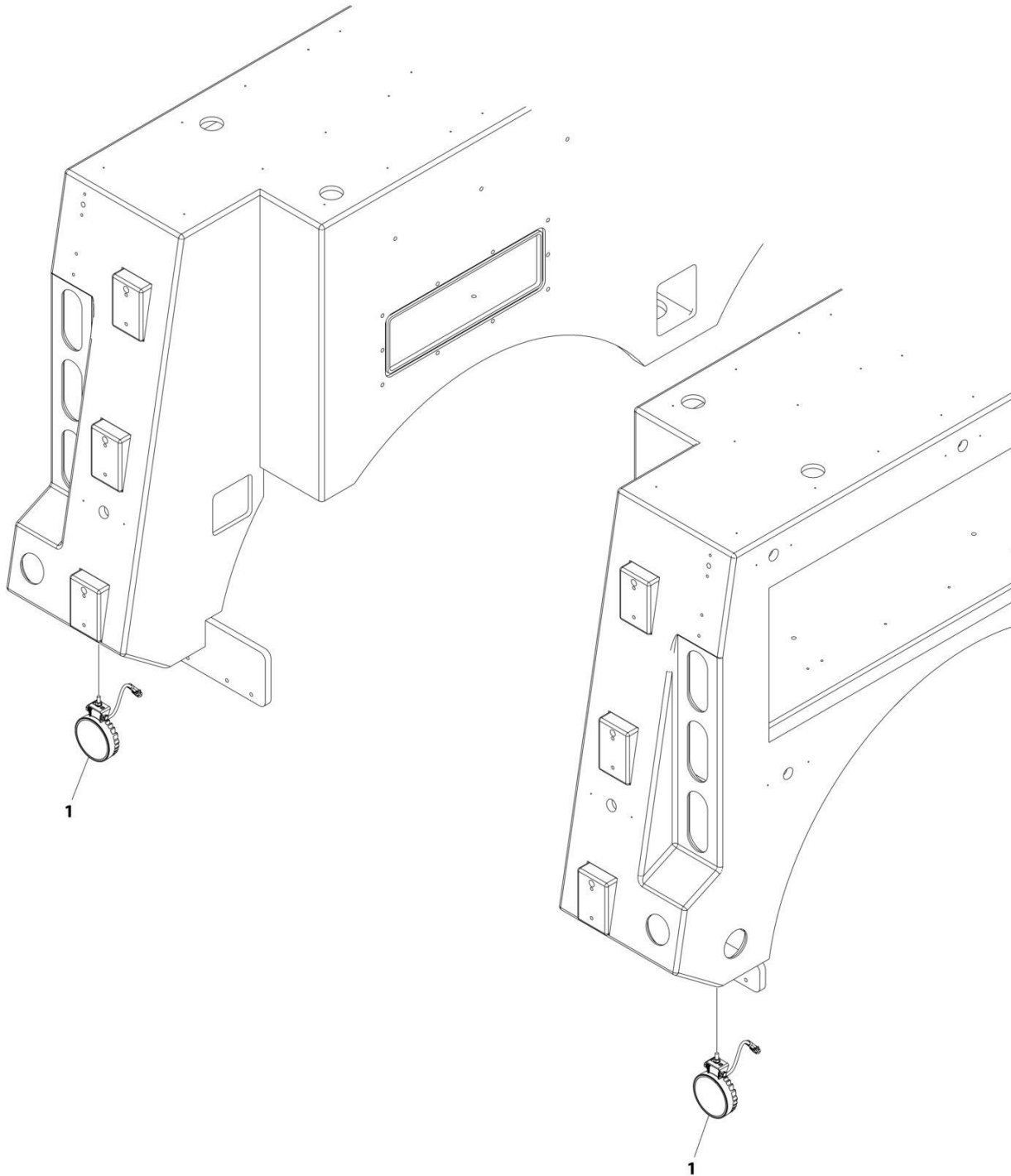
SECTION 7 - ELECTRICAL

FIGURE 7-43. LIGHTS - FLASHER LIGHTS INSTALLATION - SIDE (TRI-AXLE)

ITEM	PART NUMBER	QTY	DESCRIPTION	REV
	1001212221	Ref	LIGHTS - FLASHER LIGHTS INSTALLATION - TRI-AXLE	D
1	1001143284	6	Lamp	
2	1001215157	1	Harness (Not Shown)	
2	4460897	2	Receptacle, Female - 2 Position	
2	4460464	4	Pin, Male	
3	3930820	4	Capscrew #8 x 1-1/4	
4	1001151546	4	Nut #8	
5	1001216586	2	Bar, Grill Mounted	
6	7894000004	20	Tie Strap (Not Shown)	
7	1001307192	2	Lamp	

SECTION 7 - ELECTRICAL

FIGURE 7-44. LIGHTS - HOOK UP LIGHTS INSTALLATION (LOWER)



ART_1001199942

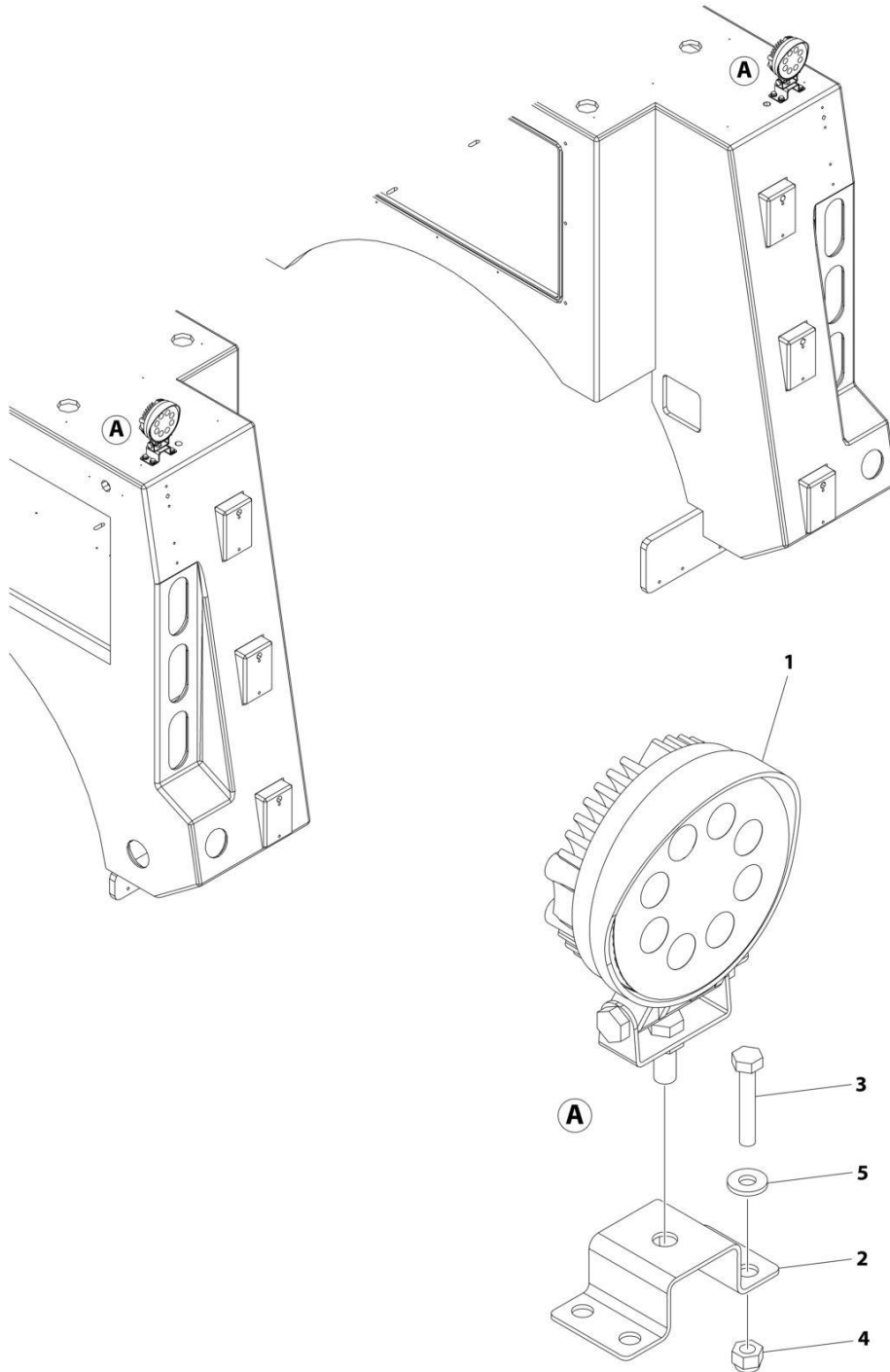
SECTION 7 - ELECTRICAL

FIGURE 7-44. LIGHTS - HOOK UP LIGHTS INSTALLATION (LOWER)

ITEM	PART NUMBER	QTY	DESCRIPTION	REV
1	1001199942	Ref	LOWER LIGHTS HOOK-UP INSTALLATION	C
	1001273634	2	Lamp	

SECTION 7 - ELECTRICAL

FIGURE 7-45. LIGHTS - HOOK UP LIGHTS INSTALLATION (UPPER)



ART_1001199946

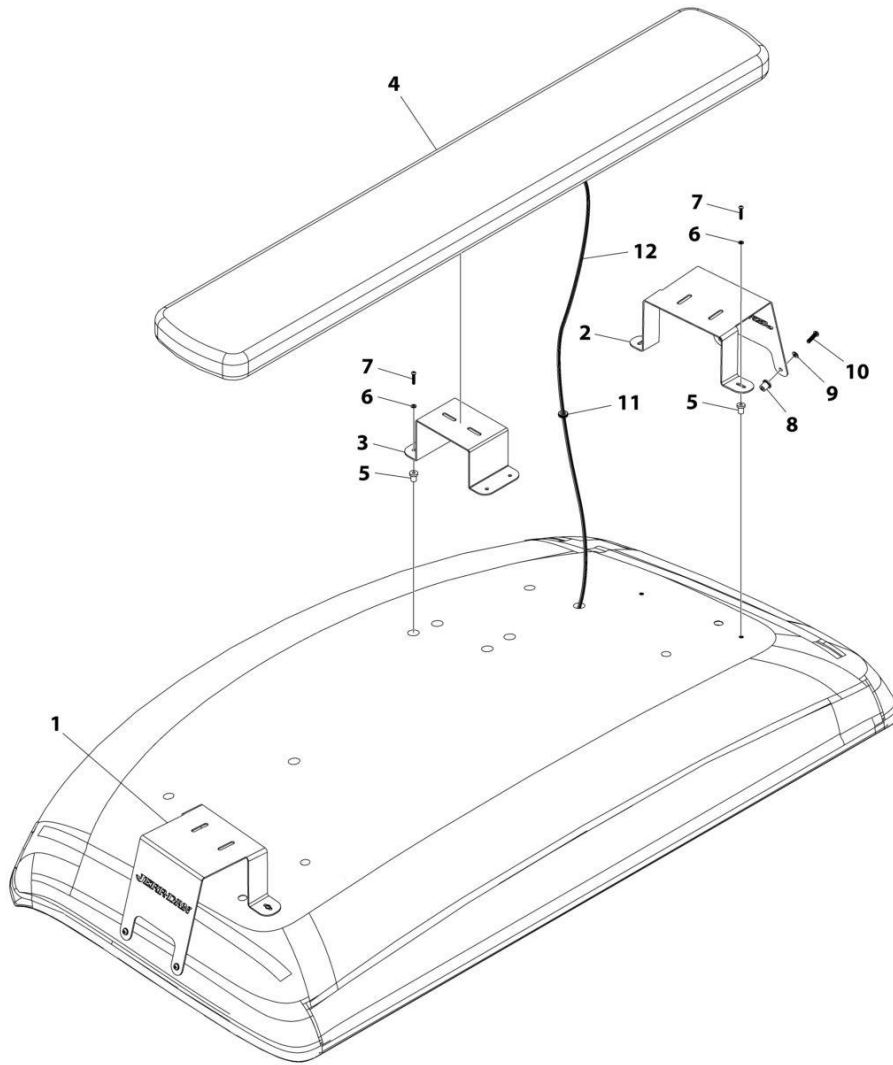
SECTION 7 - ELECTRICAL

FIGURE 7-45. LIGHTS - HOOK UP LIGHTS INSTALLATION (UPPER)

ITEM	PART NUMBER	QTY	DESCRIPTION	REV
	1001199946	Ref	Upper Hook-Up Lights Installation	C
1	1001176337	2	Lamp (SN 0230004275 through 0230009719)	
1	1001273634	2	Lamp (SN 0230009720 to Present)	
2	1001199950	2	Plate	
3	7115141250	8	Capscrew 1/4 x 1-1/2	
4	7660142604	8	Nut 1/4	
5	7950140143	8	Washer 1/4	

SECTION 7 - ELECTRICAL

FIGURE 7-46. LIGHTS - LIGHTBAR INSTALLATION (CAB MOUNTED)



ART_1001216570

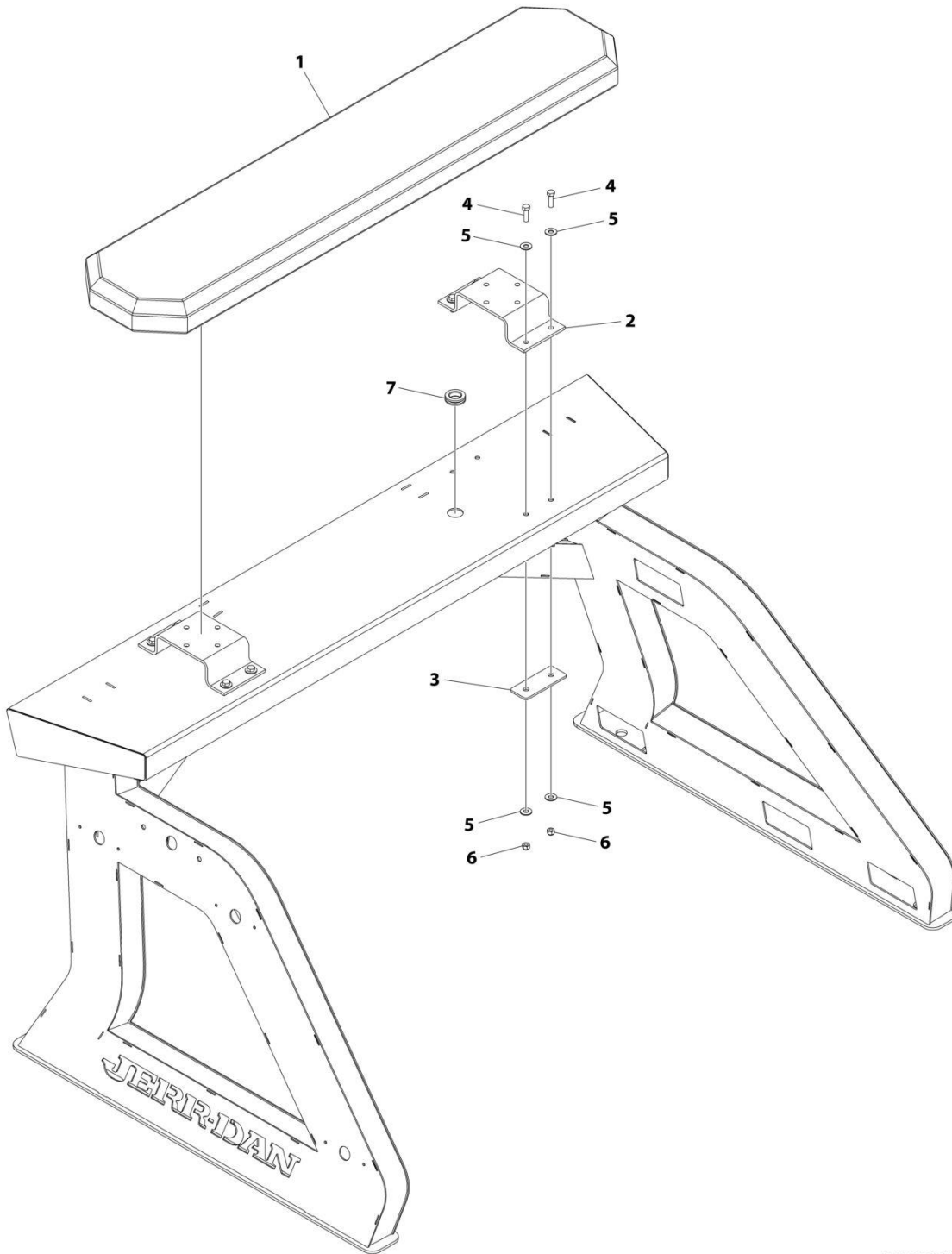
SECTION 7 - ELECTRICAL

FIGURE 7-46. LIGHTS - LIGHTBAR INSTALLATION (CAB MOUNTED)

ITEM	PART NUMBER	QTY	DESCRIPTION	REV
	1001216570	Ref	LIGHTBAR INSTALLATION (CAB MOUNTED)	A
1	1001215955	1	Bracket (LH)	
2	1001215956	1	Bracket (RH)	
3	1001215957	1	Bracket	
4	1001199477	1	Lightbar Assembly (See Separate Breakdown in this Section)	
5	1001213131	8	Nut	
6	1001170307	8	Washer	
7	1001216317	8	Screw	
8	1001216373	4	Nut	
9	1001170329	4	Washer	
10	1001216372	4	Screw	
11	1001101025	1	Grommet	
12	1001216571	1	Lightbar Harness (See Separate Breakdown in this Section)	
13	5526000553	4	Tie-Strap (Not Shown)	

SECTION 7 - ELECTRICAL

FIGURE 7-47. LIGHTS - LIGHTBAR INSTALLATION (PYLON MOUNTED) (CODE 3 58IN RED)



ART_1001214378

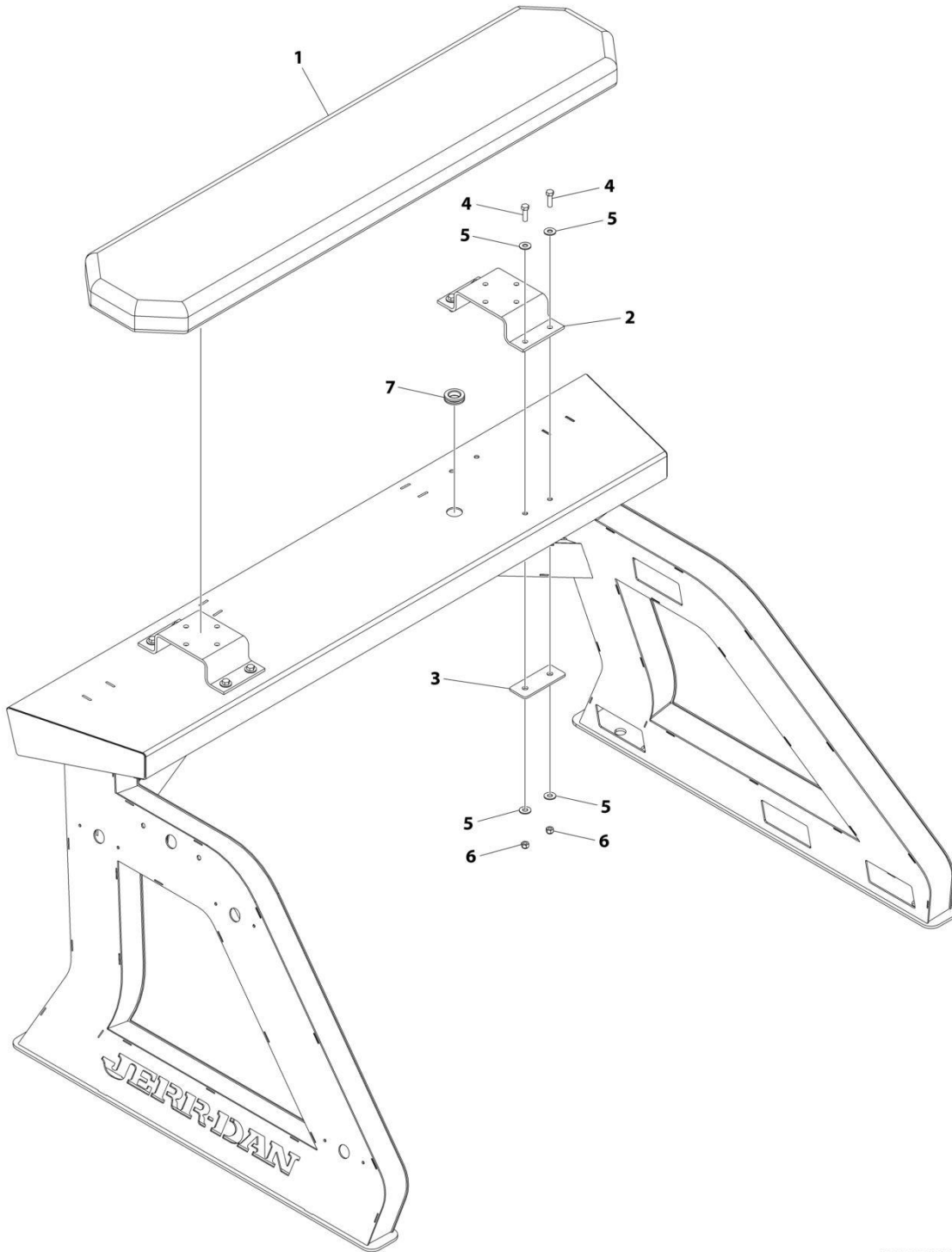
SECTION 7 - ELECTRICAL

FIGURE 7-47. LIGHTS - LIGHTBAR INSTALLATION (PYLON MOUNTED) (CODE 3 58IN RED)

ITEM	PART NUMBER	QTY	DESCRIPTION	REV
	1001214378	Ref	LIGHTS - LIGHTBAR INSTALLATION - 58IN RED CODE3	B
1	1001152815	1	Lamp (See Separate Breakdown in this Section)	
2	4178000234	2	Bracket	
3	1001214128	4	Plate	
4	0641610	8	Bolt 38 x 1-1/4	
5	4751600	16	Washer 3/8	
6	7660162601	8	Nut 3/8	
7	7493000011	1	Grommet	

SECTION 7 - ELECTRICAL

FIGURE 7-48. LIGHTS - LIGHTBAR INSTALLATION (PYLON MOUNTED) (CODE 3 60IN AMBER)



ART_1001214376

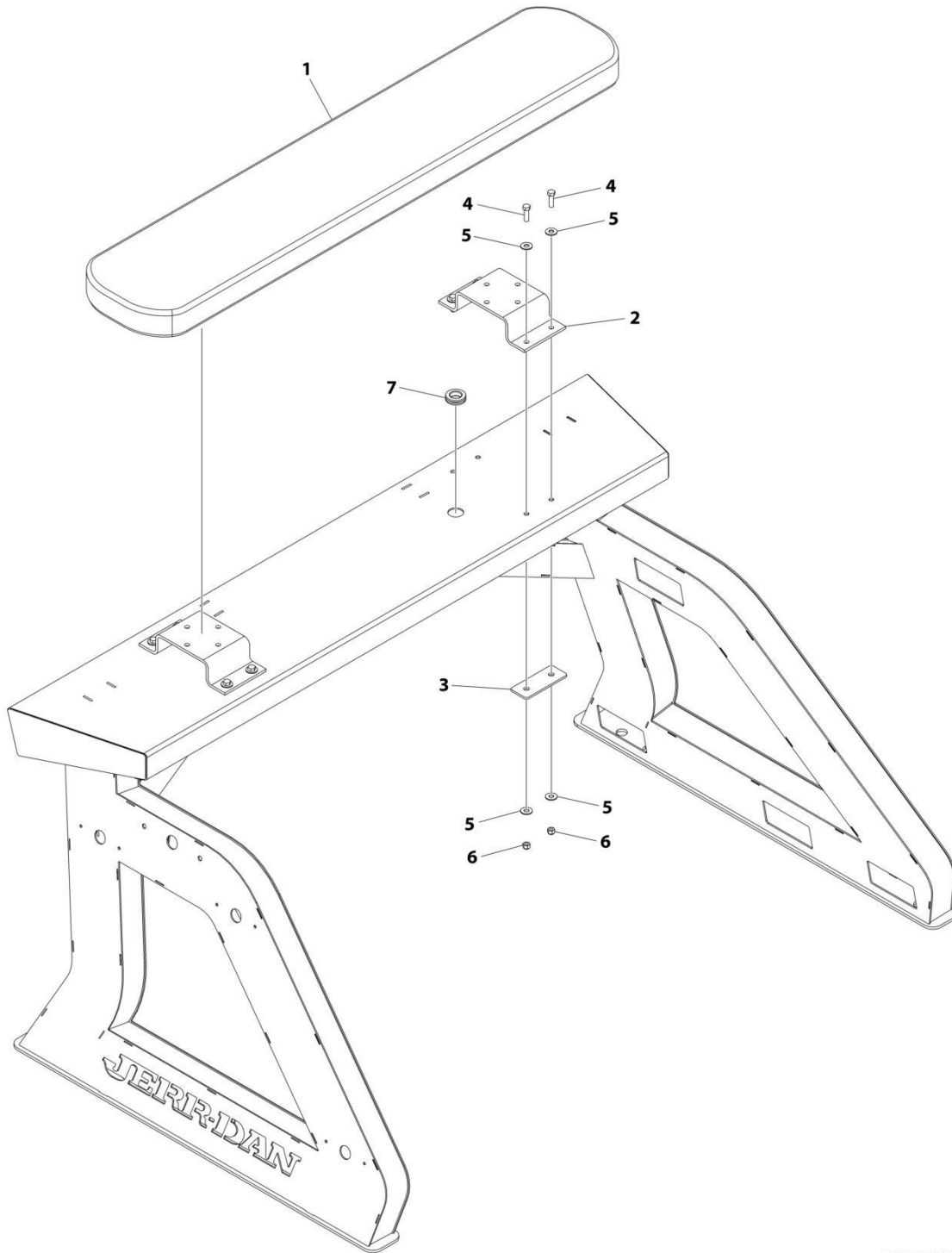
SECTION 7 - ELECTRICAL

FIGURE 7-48. LIGHTS - LIGHTBAR INSTALLATION (PYLON MOUNTED) (CODE 3 60IN AMBER)

ITEM	PART NUMBER	QTY	DESCRIPTION	REV
	1001214376	Ref	LIGHTS - LIGHTBAR INSTALLATION - 58IN AMBER CODE3	B
	1001136990	1	Lightbar Assembly (CODE 3) (See Separate Breakdown in this Section) (SN 0230004275 through 0230009234)	
1	1001247139	1	Lightbar Assembly (ECCO) (See Separate Breakdown in this Section) (SN 0230009235 to Present)	
	4178000234	1	Bracket (SN 0230004275 through 0230009234)	
2	1001267280	2	Bracket (SN 0230009235 to Present)	
3	1001214128	4	Plate	
4	0641610	8	Capscrew 3/8 x 1-1/4	
5	4751600	16	Washer 3/8	
6	7660162601	8	Nut 3/8	
7	7493000011	1	Grommet	

SECTION 7 - ELECTRICAL

FIGURE 7-49. LIGHTS - LIGHTBAR INSTALLATION (PYLON MOUNTED) (WHELEN 60IN)



ART_1001214377

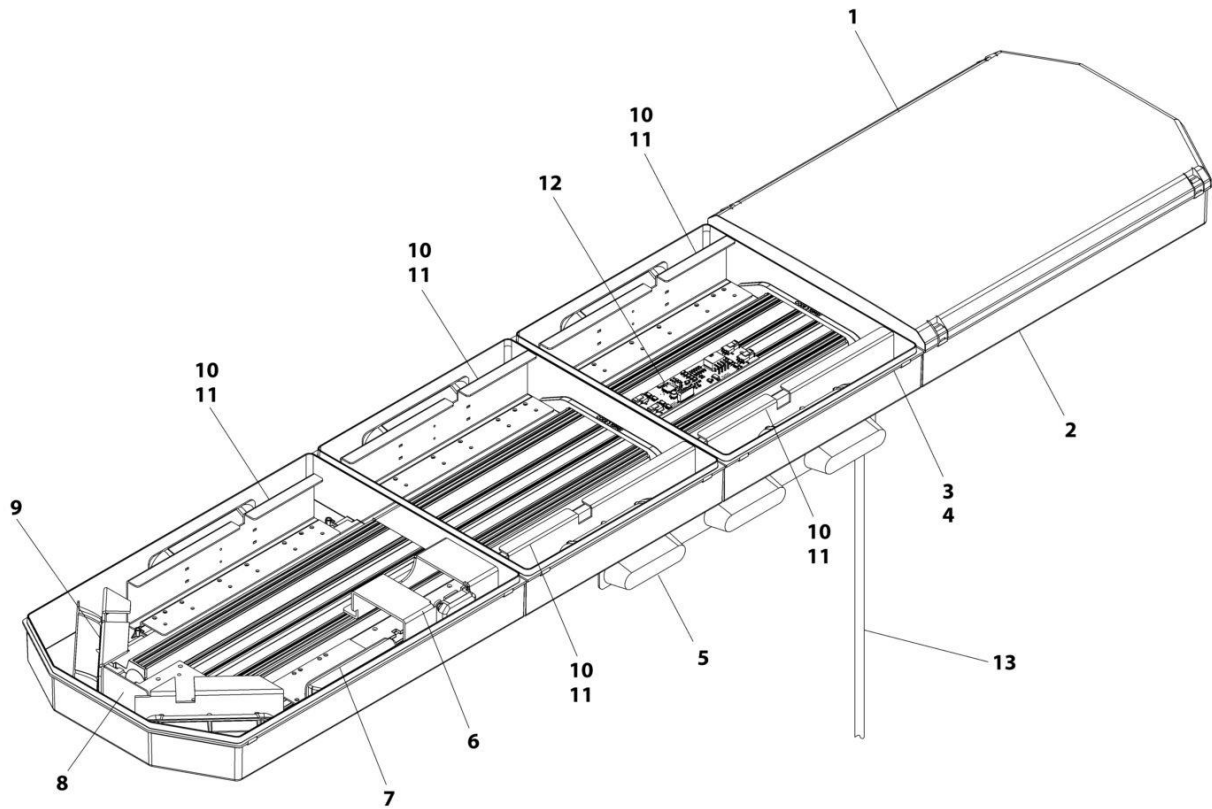
SECTION 7 - ELECTRICAL

FIGURE 7-49. LIGHTS - LIGHTBAR INSTALLATION (PYLON MOUNTED) (WHELEN 60IN)

ITEM	PART NUMBER	QTY	DESCRIPTION	REV
	1001214377	Ref	LIGHTS - LIGHTBAR INSTALLATION - 60IN AMBER WHELEN	B
1	1001199475	1	Lightbar Assembly (See Separate Breakdown in this Section)	
2	1001267280	2	Bracket (SN 0230004275 through 0230009234)	
2	4178000234	1	Bracket (SN 0230009235 to Present)	
3	1001214128	4	Plate	
4	0641610	8	Capscrew 3/8 x 1-1/4	
5	4751600	16	Washer 3/8	
6	7660162601	8	Nut 3/8	
7	7493000011	1	Grommet	

SECTION 7 - ELECTRICAL

FIGURE 7-50. LIGHTS - LIGHTBAR ASSEMBLY - CODE 3 58IN RED



ART_1001152815

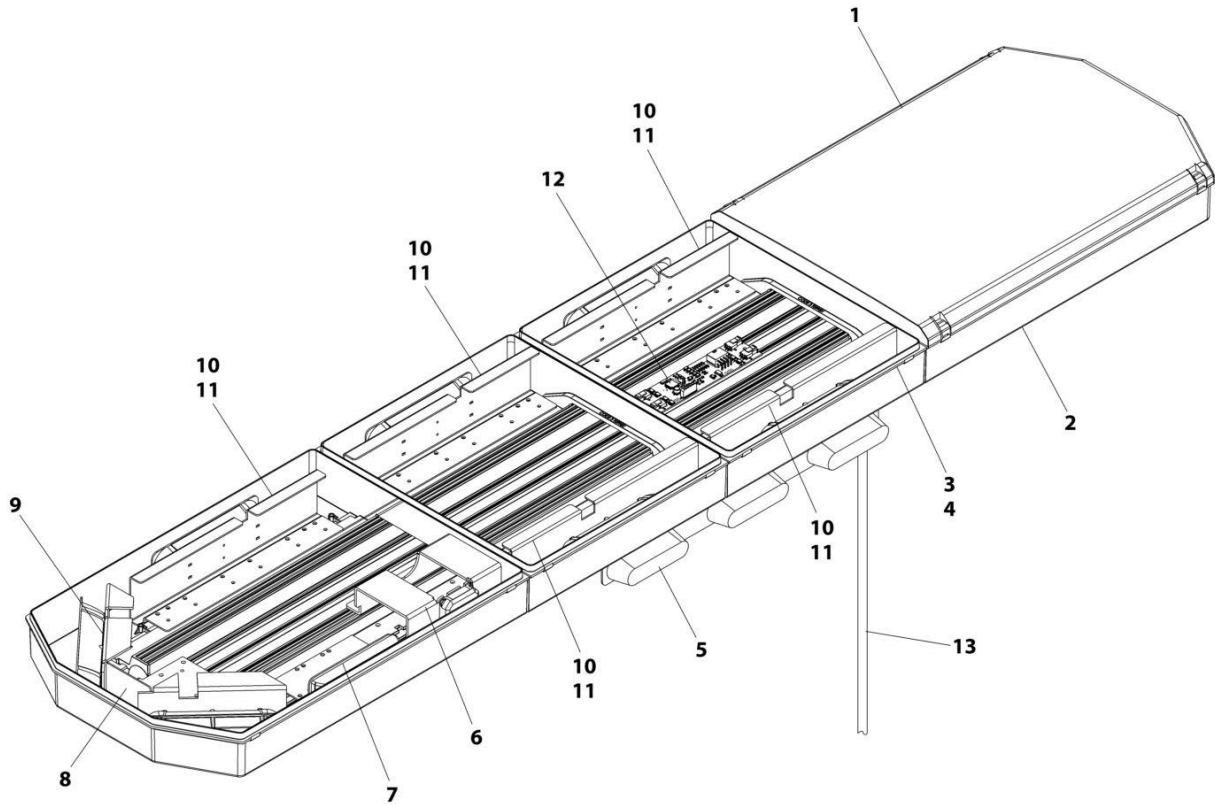
SECTION 7 - ELECTRICAL

FIGURE 7-50. LIGHTS - LIGHTBAR ASSEMBLY - CODE 3 58IN RED

ITEM	PART NUMBER	QTY	DESCRIPTION	REV
	1001152815	Ref	LIGHTS - LAMP ASSEMBLY - 58IN RED CODE3	B
1	9590310197	2	Lens, Clear Upper Outboard	
2	9590310200	2	Lens, Clear, Lower Outboard	
3	9590310203	2	Lens, Clear Lower Center	
4	9590310195	2	Lens, Clear Upper Center	
5	1001126269	1	3 Light D.O.T. Strip	
6	70050164	2	Worklight, LED	
7	1001130702	2	Module, LED Stop/Tail/Turn	
8	70050166	4	Bracket, Blank	
9	70050979	6	Bracket	
10	70050722	6	Module	
11	9590310202	6	Bracket, Mounting	
12	70050167	1	Controller, General	
13	70050165	1	Cable, Jerr-Dan 9 Wire	
14	70050980	1	Harness, Internal Input (Not Shown)	
15	70050981	1	Harness, Internal Output (Not Shown)	

SECTION 7 - ELECTRICAL

FIGURE 7-51. LIGHTS - LIGHTBAR ASSEMBLY - CODE 3 60IN AMBER



ART_1001136990

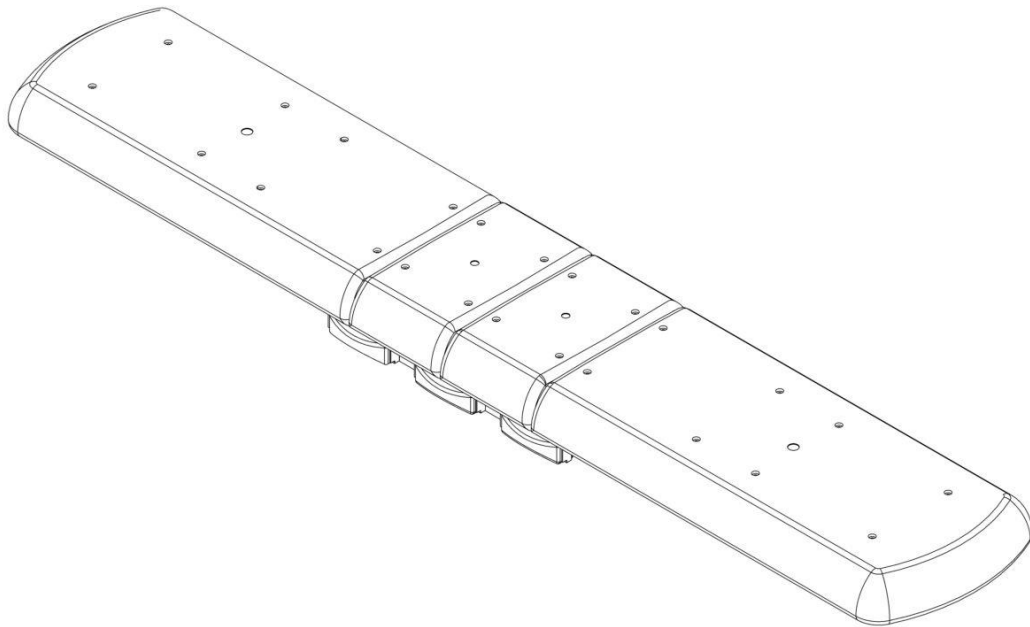
SECTION 7 - ELECTRICAL

FIGURE 7-51. LIGHTS - LIGHTBAR ASSEMBLY - CODE 3 60IN AMBER

ITEM	PART NUMBER	QTY	DESCRIPTION	REV
	1001136990	Ref	LIGHTS - LAMP ASSEMBLY - 58IN AMBER CODE3	D
1	9590310197	2	Lens, Clear Upper Outboard	
2	9590310200	2	Lens, Clear, Lower Outboard	
3	9590310203	2	Lens, Clear Lower Center	
4	9590310195	2	Lens, Clear Upper Center	
5	1001126269	1	3 Light D.O.T. Strip	
6	70050164	2	Worklight, LED	
7	1001130702	2	Module, LED Stop/Tail/Turn	
8	70050166	4	Bracket, Blank	
9	9590310206	4	Module, Bracket	
10	9590310205	6	Module, Led Amber	
11	9590310202	6	Bracket, Mounting	
12	70050167	1	Controller, General	
13	70050165	1	Cable, Jerr-Dan 9 Wire	
14	70050980	1	Harness, Internal Input (Not Shown)	
15	70050981	1	Harness, Internal Output (Not Shown)	

SECTION 7 - ELECTRICAL

FIGURE 7-52. LIGHTS - LIGHTBAR ASSEMBLY (ECCO 3 60IN AMBER)



ART_1001247139

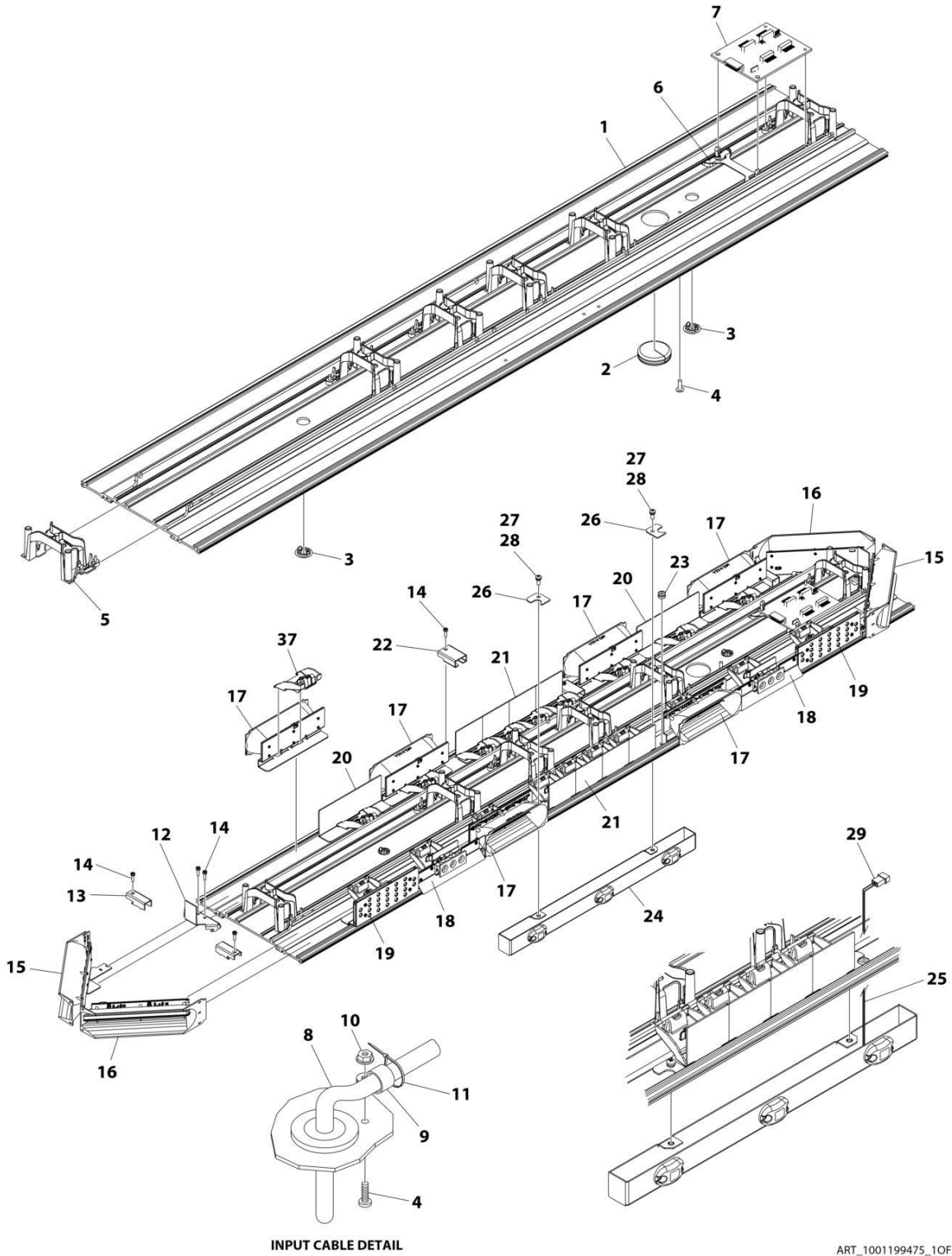
SECTION 7 - ELECTRICAL

FIGURE 7-52. LIGHTS - LIGHTBAR ASSEMBLY (ECCO 3 60IN AMBER)

ITEM	PART NUMBER	QTY	DESCRIPTION	REV
	1001247139	Ref	LIGHTBAR ASSEMBLY - ECCO	A
	70070000	AR	Module, Amber	
	70070001	1 pr	Light, Work/Alley	
	70070002	1	Cable Kit (Includes 2 Modules, Harness & Stop/Turn/Taillight Cables)	
	70070003	1	PC Board, Driver	

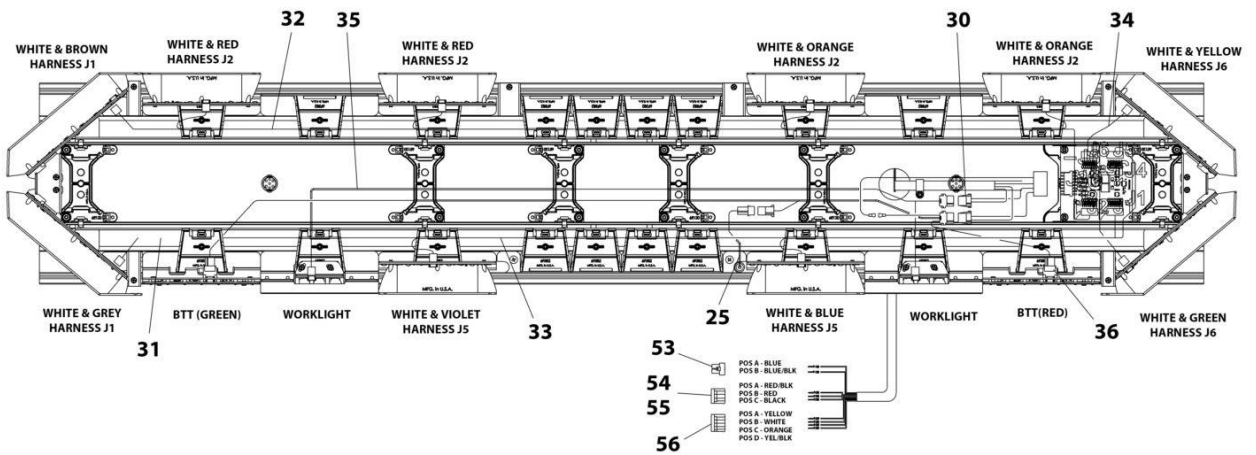
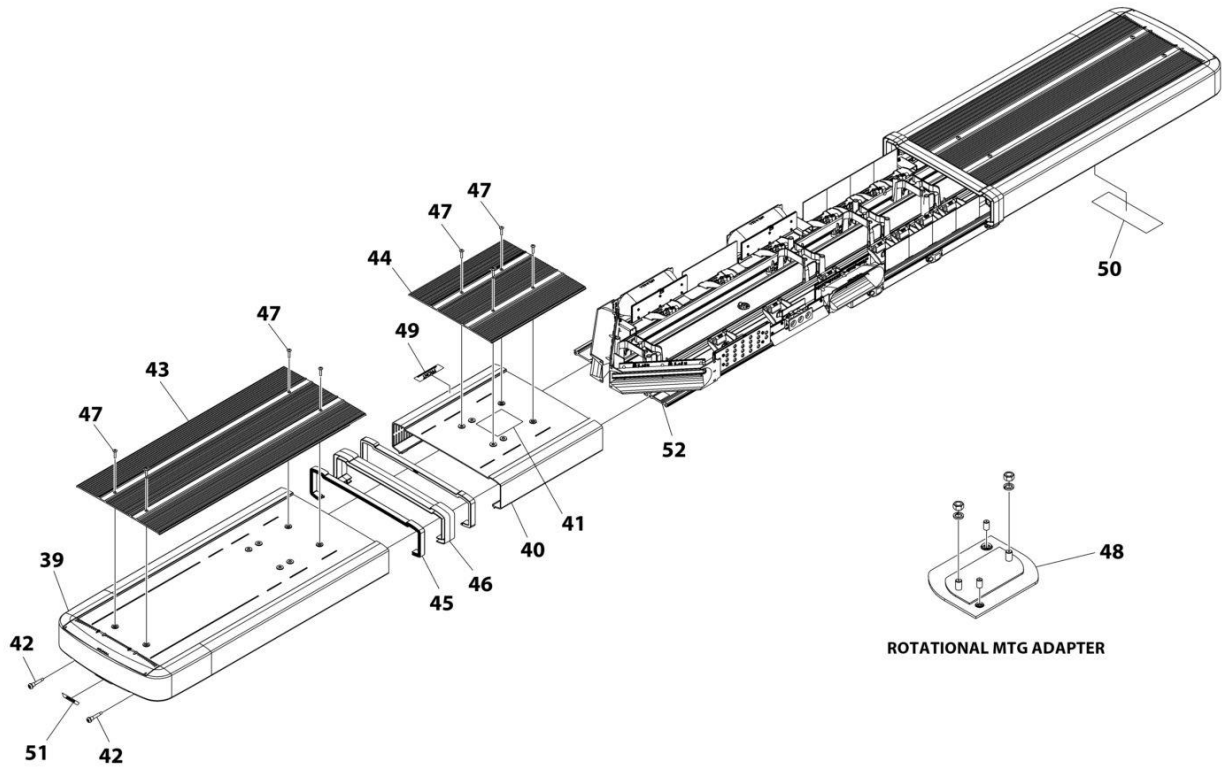
SECTION 7 - ELECTRICAL

FIGURE 7-53. LIGHTS - LIGHTBAR ASSEMBLY - WHELEN 60IN



ART_1001199475_10F2

SECTION 7 - ELECTRICAL



ART_1001199475_20F2

SECTION 7 - ELECTRICAL

FIGURE 7-53. LIGHTS - LIGHTBAR ASSEMBLY - WHELEN 60IN

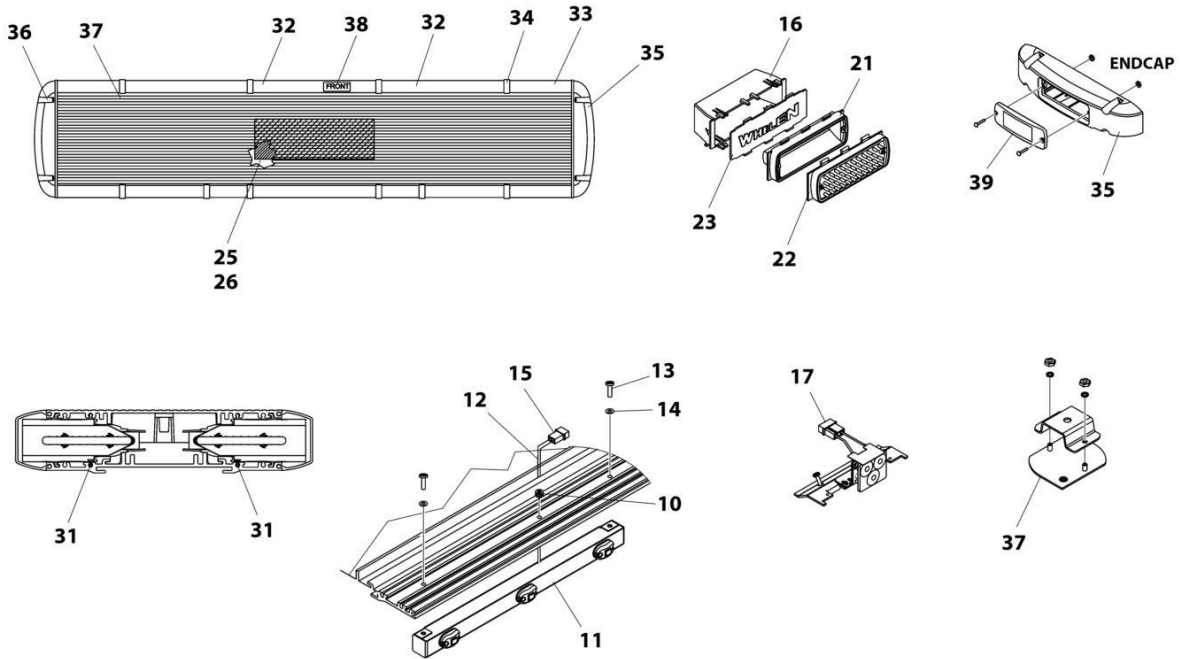
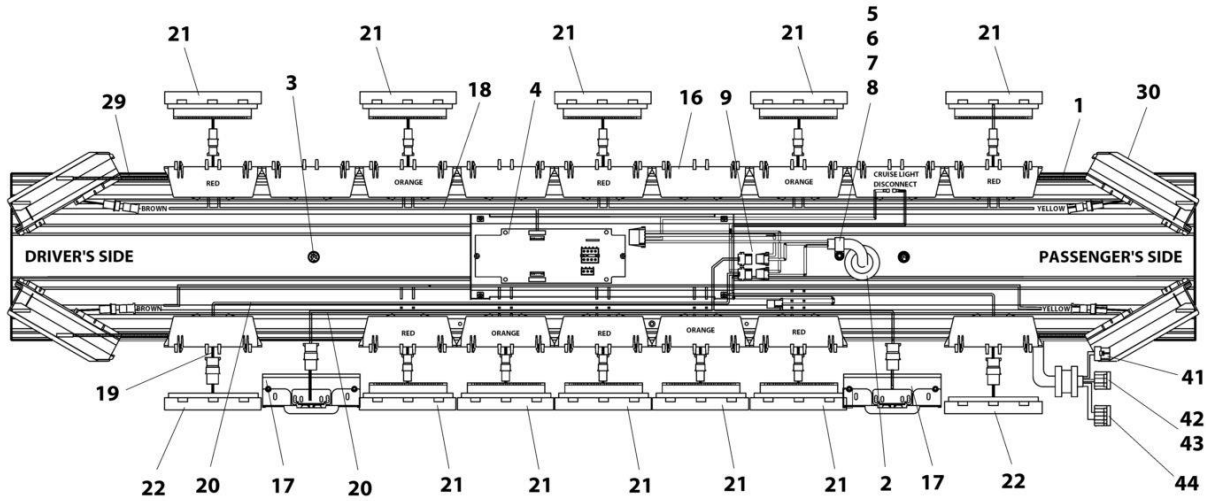
ITEM	PART NUMBER	QTY	DESCRIPTION	REV
	1001199475	Ref	LIGHTS - LAMP ASSEMBLY - 60IN AMBER WHELEN	B
1	70051058	1	Base	
2	70050169	1	Grommet	
3	70050170	2	Plug	
4	70051059	1	Screw #10 x 5/8	
5	70051021	6	Bracket	
6	70051022	1	Bracket	
7	70051023	1	Circuit Board	
8	70051060	1	Cable	
9	70050665	1	Clamp	
10	70050174	1	Nut #10	
11	70051026	AR	Tie Wrap	
12	70051027	2	Bracket	
13	70051035	4	Bracket	
14	70051028	10	Screw #6 x 1/2	
15	70051029	2	Lamp, Rear Amber	
16	70051030	2	Lamp, Front Amber	
17	70051063	6	Lamp, 6 LED	
18	70051064	2	Lamp, 3 LED	
19	70051065	2	Lamp	
20	70051066	2	Bracket	
21	70051036	8	Bracket	
22	70051039	2	Bracket	
23	70050176	1	Grommet	
24	70051068	1	Lamp	
25	70050178	1	Harness	
26	70051069	2	Bracket	
27	70050179	2	Screw #10 x 1/2	
28	70050180	2	Lockwasher #10	
29	70050181	1	Housing	
30	70050175	2	Housing	
31	70051070	1	Harness	
32	70051071	1	Harness	
33	70051072	1	Harness	
34	70051073	1	Harness	
35	70051074	1	Harness	
36	70051075	1	Harness	
37	70051044	20	Bracket	
38	70051045	AR	Tie Wrap (Not Shown)	
39	70051076	1	Lens	
40	70051077	1	Lens	
41	70051078	1	Label	
42	70050203	4	Screw #10 x 1-1/4	
43	70051062	2	Cover	
44	70051061	1	Cover	
45	70051048	4	Seal	
46	70051049	2	Lens	
47	70051053	12	Screw #10 x 7/8	
48	70050204	2	Adapter	
49	70051055	1	Label	

SECTION 7 - ELECTRICAL

ITEM	PART NUMBER	QTY	DESCRIPTION	REV
50	70050207	1	Label	
51	70051056	2	Label	
52	70051057	1	Label	
53	70050208	1	Housing	
54	70050209	1	Connector	
55	70050210	1	Housing	
56	70050211	1	Housing	

SECTION 7 - ELECTRICAL

FIGURE 7-54. LIGHTS - LIGHTBAR ASSEMBLY - WHELEN (72IN)



ART_1001199477

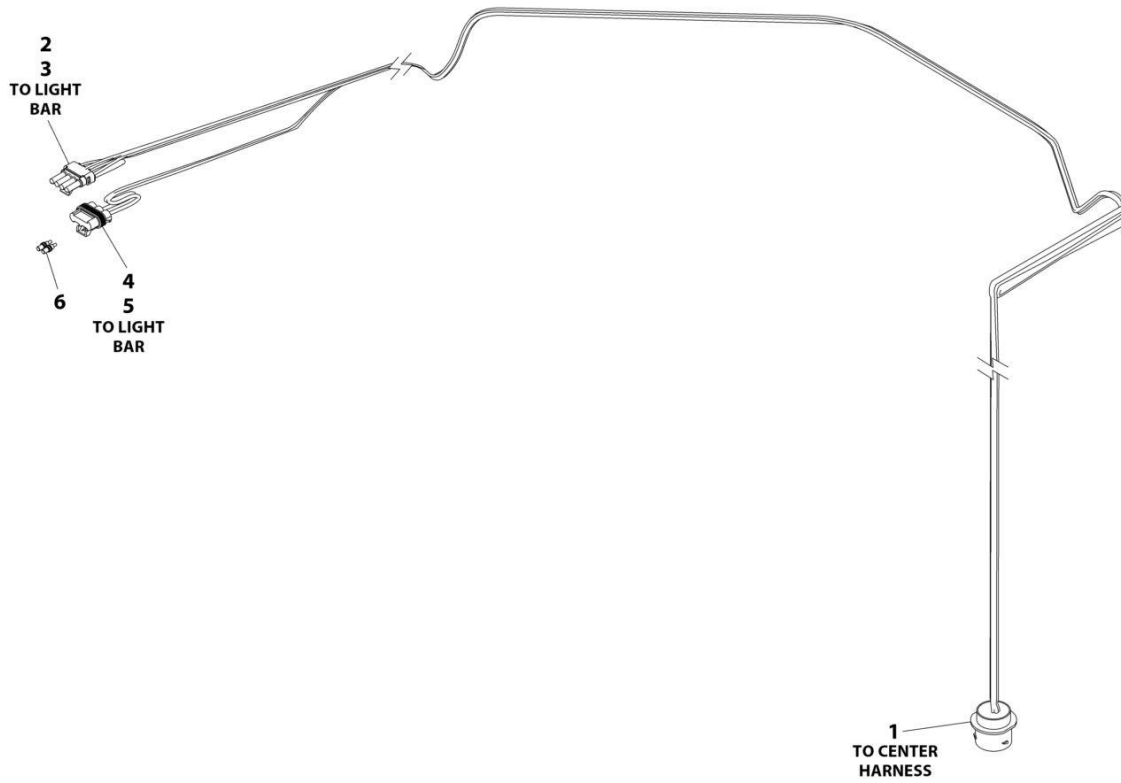
SECTION 7 - ELECTRICAL

FIGURE 7-54. LIGHTS - LIGHTBAR ASSEMBLY - WHELEN (72IN)

ITEM	PART NUMBER	QTY	DESCRIPTION	REV
	1001199477	Ref	Lightbar 72" LED - Whelen	B
1	70050392	1	Base	
2	70050169	1	Grommet	
3	70050170	2	Plug	
4	70050163	1	Assembly, HC I/O Liberty, Jerr-Dan	
5	70050171	1	Cable	
6	70050172	1	Screw #10 x 1	
7	70050393	1	Clamp	
8	70050174	1	Wiznut #10	
9	70050175	2	Housing	
10	70050176	1	Grommet	
11	70050177	1	Light Cluster	
12	70050178	1	Harness	
13	70050179	2	Screw #10 x 1/2	
14	70050180	2	Washer #10	
15	70050181	1	Housing	
16	70050182	16	Housing	
17	70050183	2	LR11 TD Single Full	
18	70050394	2	Harness	
19	70050185	1	Harness	
20	70050186	1	Harness	
21	70050187	10	Light Assembly, LED	
22	70050188	2	500 BTT Max	
23	70050189	4	Panel	
24	70050190	2	End Support Bracket (Not Shown)	
25	70050191	1	Insulator	
26	70050192	1	Decal	
27	70050395	1	Top Cover (Not Shown)	
28	70050194	4	Screw #10 x 3/8 (Not Shown)	
29	70050195	4	Spacer	
30	70050196	4	Corner LED Assembly	
31	70050197	4	Spacer	
32	70050199	6	Lens	
33	70050200	4	Lens	
34	70050201	8	Lens Divider	
35	70050202	2	End Cap	
36	70050203	8	Screw #10 x 1-1/4	
37	70050204	3	Rotational Mtg Adapter	
38	70050205	1	Label, "Front"	
39	70050206	1	Label, Jerr-Dan Logo	
40	70050207	1	Label, Model and Serial Number (Not Shown)	
41	70050208	1	Connector	
42	70050209	1	Connector	
43	70050210	1	Connector	
44	70050211	1	Connector	

SECTION 7 - ELECTRICAL

FIGURE 7-55. LIGHTS - LIGHTBAR HARNESS (CAB MOUNTED)



ART_1001216571

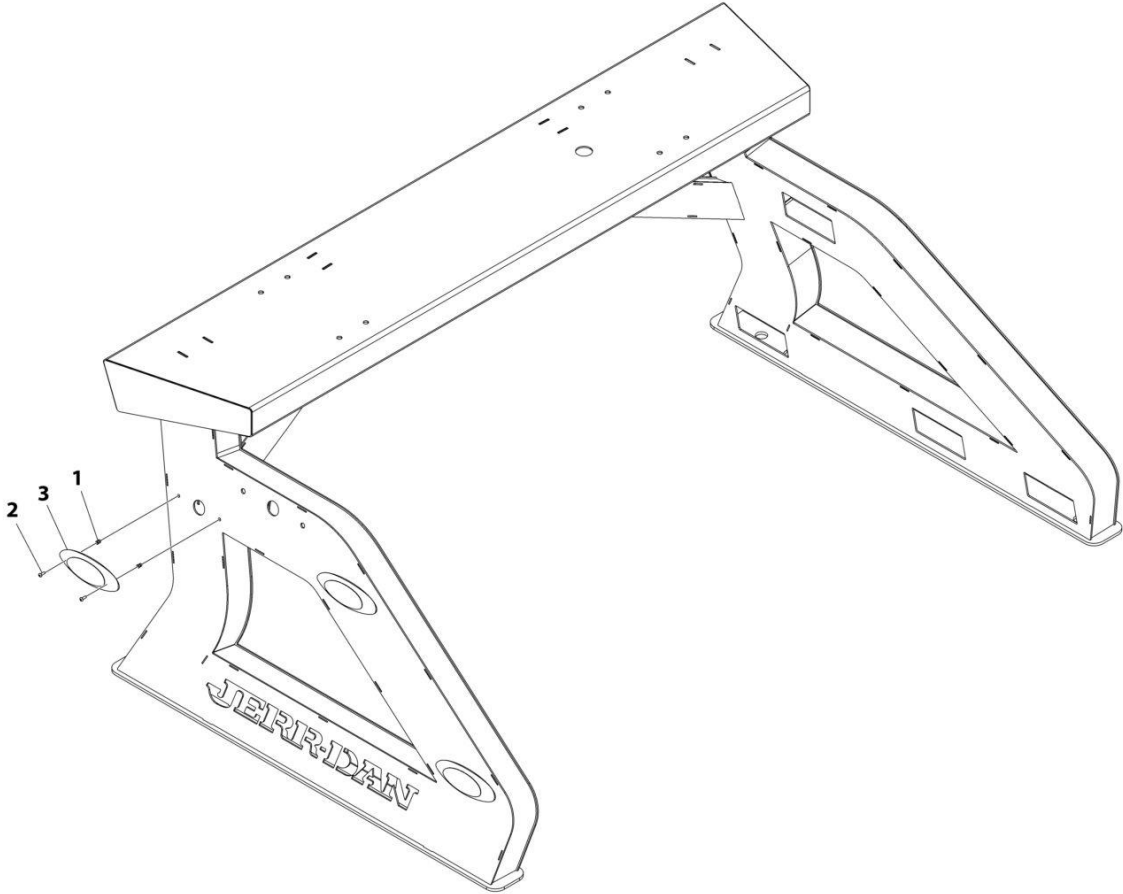
SECTION 7 - ELECTRICAL

FIGURE 7-55. LIGHTS - LIGHTBAR HARNESS (CAB MOUNTED)

ITEM	PART NUMBER	QTY	DESCRIPTION	REV
	1001216571	Ref	LIGHTBAR HARNESS (CAB MOUNTED)	A
1	NPN	1	Connector - 18 Position	
1	91143339	1	Pin, Male	
1	4460464	3	Pin, Male	
1	4460508	1	Pin, Male	
1	4460941	1	Plug, Terminal	
1	4460466	12	Plug, Terminal	
2	4460850	4	Terminal	
3	4460460	1	Connector - 4 Position	
3	4460457	4	Terminal	
3	NPN	4	Seal	
4	NPN	3	Terminal	
5	8220935	1	Connector - 3 Position	
5	8220099	3	Terminal	
5	7346000108	1	Lock	
5	NPN	AR	Seal	
5	NPN	AR	Seal	
6	4460867	1	Connector - 2 Position	
6	1001116727	2	Terminal	

SECTION 7 - ELECTRICAL

FIGURE 7-56. LIGHTS - MARKER LIGHTS INSTALLATION (PYLON)



ART_1001207488

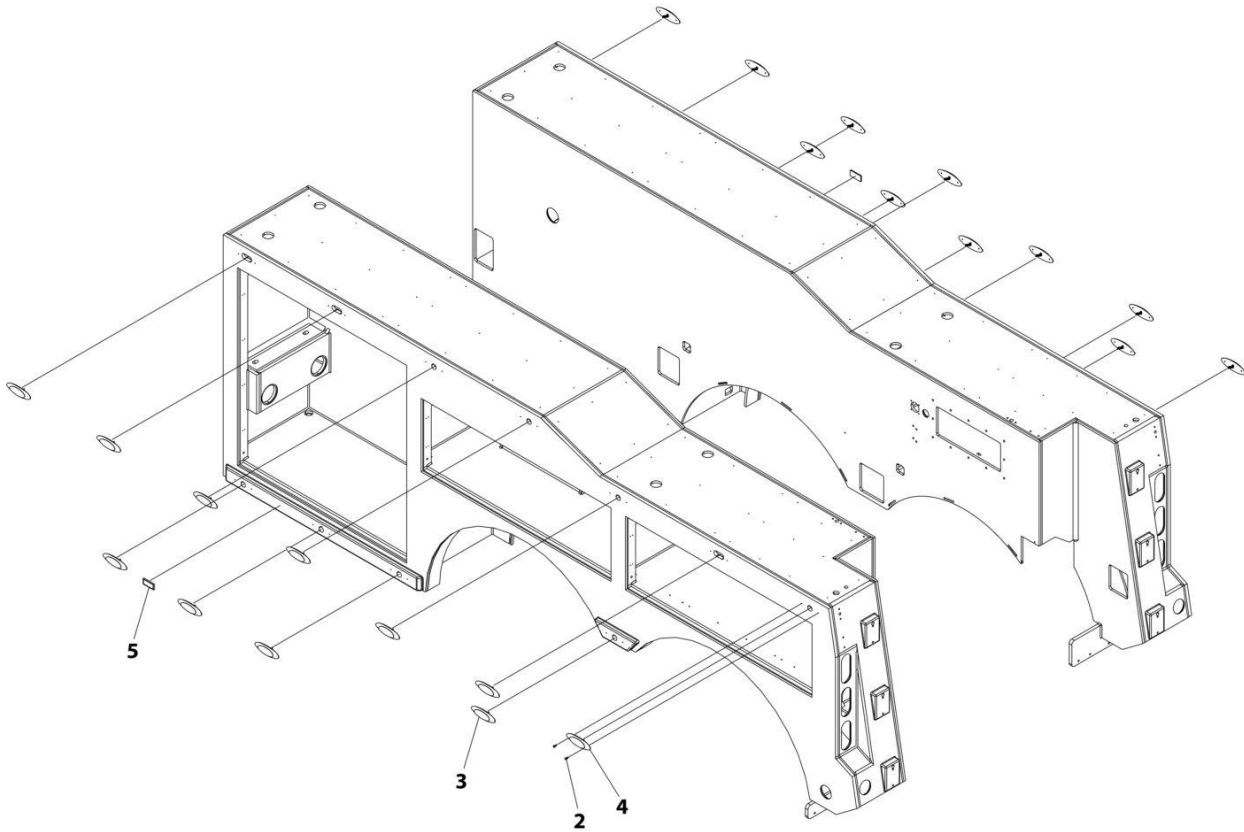
SECTION 7 - ELECTRICAL

FIGURE 7-56. LIGHTS - MARKER LIGHTS INSTALLATION (PYLON)

ITEM	PART NUMBER	QTY	DESCRIPTION	REV
	1001207488	Ref	MARKER LIGHTS INSTALLATION - PYLON	B
1	1001151546	12	Nut #8	
2	7114080418	12	Screw #8 x 1/2	
3	7590000358	6	Light, Marker - Amber	

SECTION 7 - ELECTRICAL

FIGURE 7-57. LIGHTS - MARKER LIGHTS INSTALLATION (TANDEM)



ART_1001196592

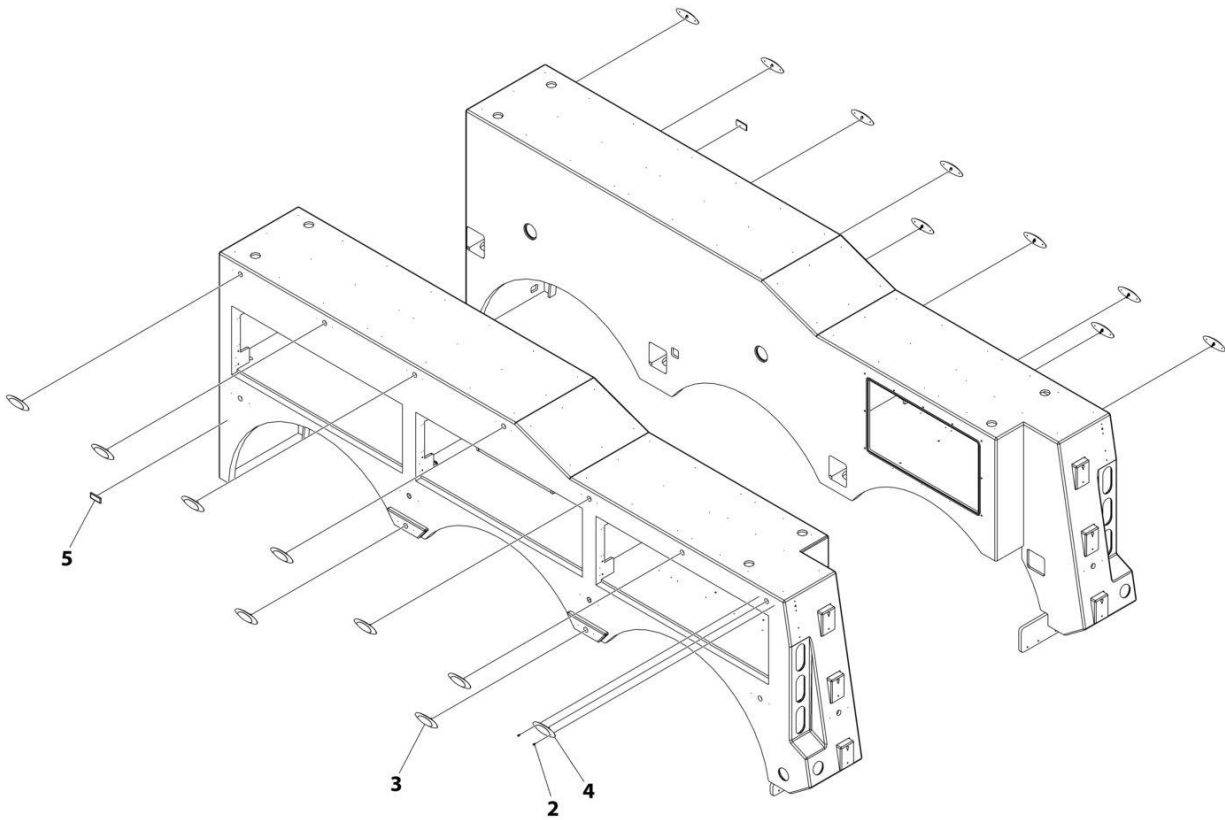
SECTION 7 - ELECTRICAL

FIGURE 7-57. LIGHTS - MARKER LIGHTS INSTALLATION (TANDEM)

ITEM	PART NUMBER	QTY	DESCRIPTION	REV
	1001196592	Ref	Marker Lights Installation, Tandem Axle	D
2	1001192958	44	Screw #10 x 1/2	
3	7590000358	20	Light	
4	7590000359	2	Light	
5	7736000001	2	Reflector	

SECTION 7 - ELECTRICAL

FIGURE 7-58. LIGHTS - MARKER LIGHTS INSTALLATION (TRI-AXLE)



ART_1001196594

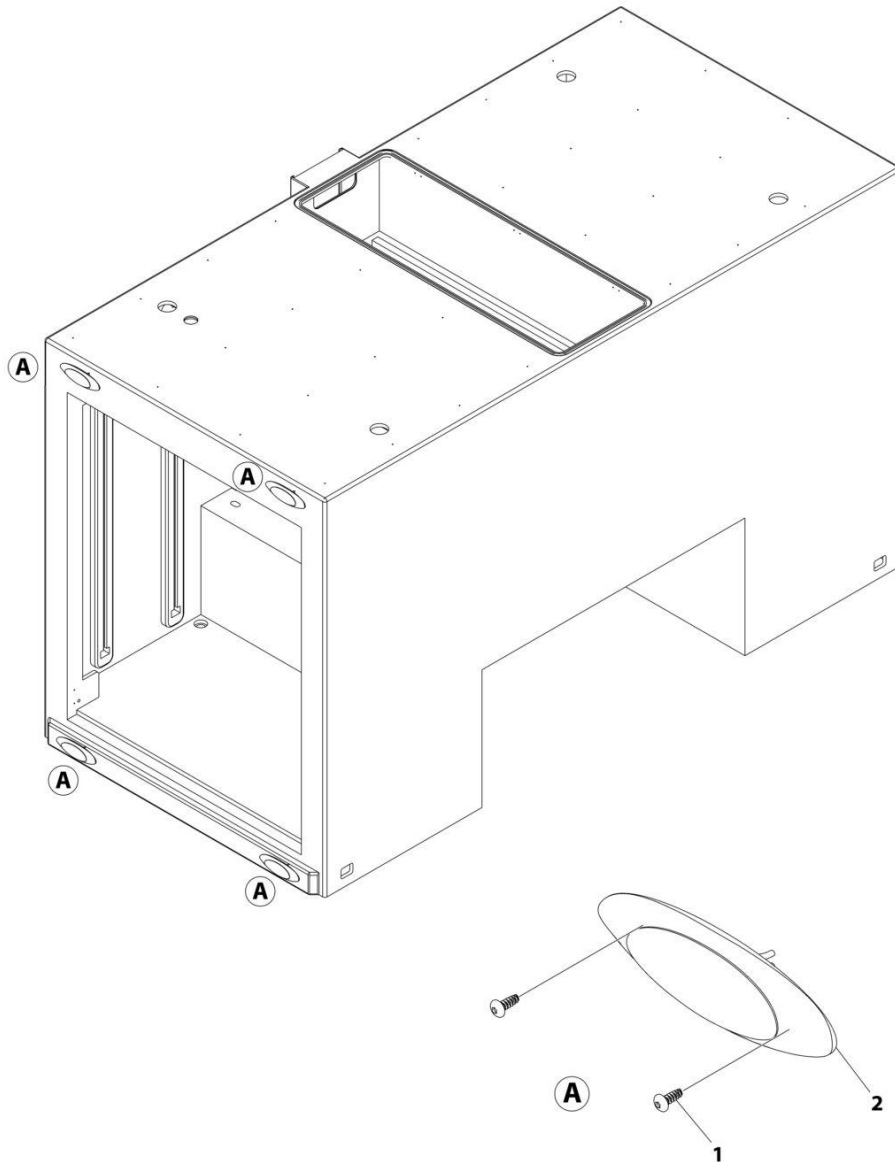
SECTION 7 - ELECTRICAL

FIGURE 7-58. LIGHTS - MARKER LIGHTS INSTALLATION (TRI-AXLE)

ITEM	PART NUMBER	QTY	DESCRIPTION	REV
	1001196594	Ref	MARKER LIGHTS INSTALLATION - BODY (TRI-AXLE)	D
2	1001192958	36	Screw #10 x 1/2	
3	7590000358	16	Light	
4	7590000359	2	Light	
5	7736000001	2	Reflector	

SECTION 7 - ELECTRICAL

FIGURE 7-59. LIGHTS - MARKER LIGHTS INSTALLATION (TUNNEL SIDE) (SN 0230008674 to Present, Including 0230008645)



ART_1001196625

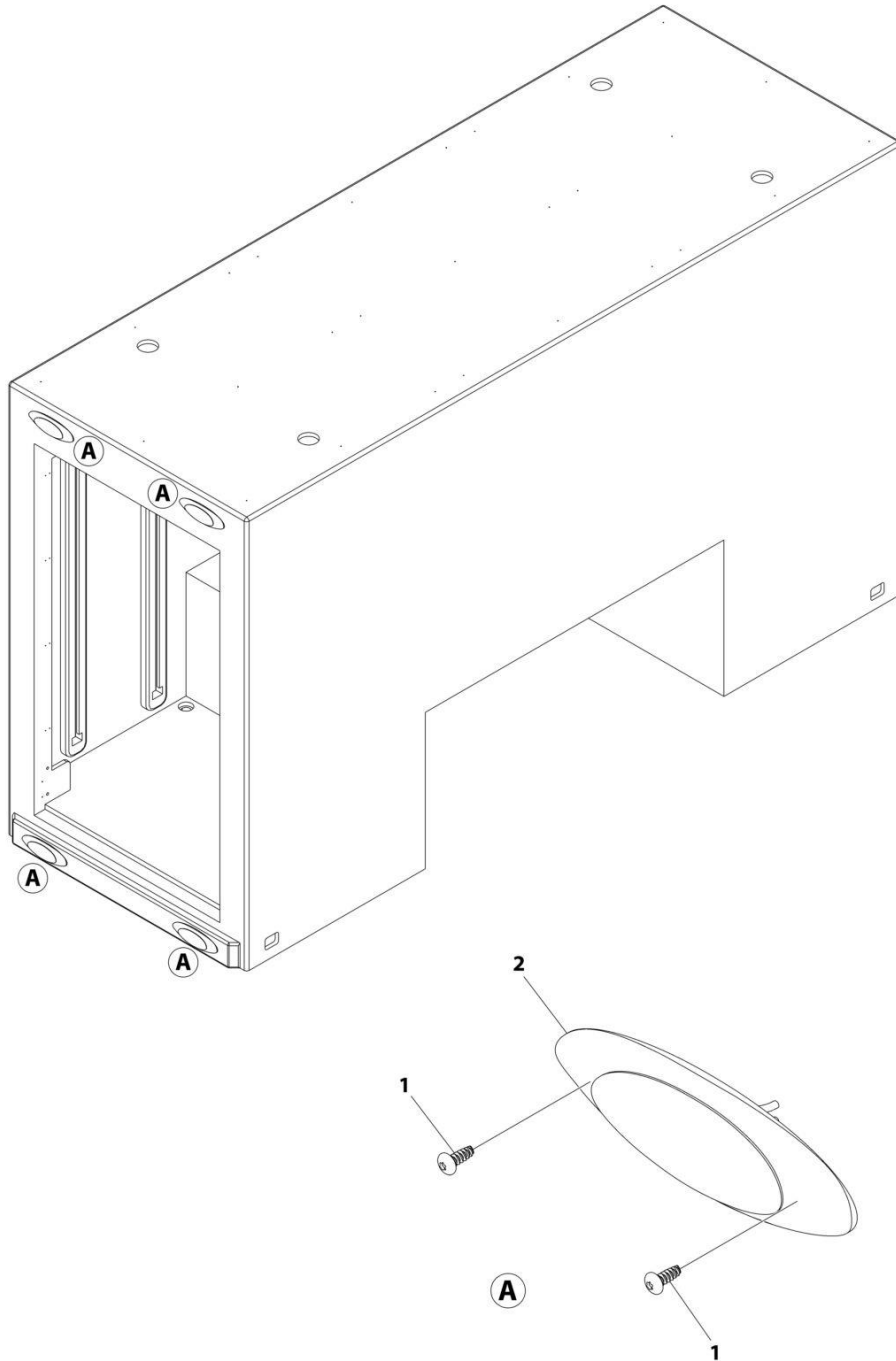
SECTION 7 - ELECTRICAL

FIGURE 7-59. LIGHTS - MARKER LIGHTS INSTALLATION (TUNNEL SIDE) (SN 0230008674 to Present, Including 0230008645)

ITEM	PART NUMBER	QTY	DESCRIPTION	REV
	1001196625	Ref	LIGHTS - MARKER LIGHTS INSTALLATION, 48IN TUNNEL	D
1	1001192958	16	Screw #10 x 1/2	
2	7590000358	8	Light	

SECTION 7 - ELECTRICAL

FIGURE 7-60. LIGHTS - MARKER LIGHTS INSTALLATION (TUNNEL SIDE) (SN 0230004275 through 0230008673, Excluding 0230008645)



ART_1001196624

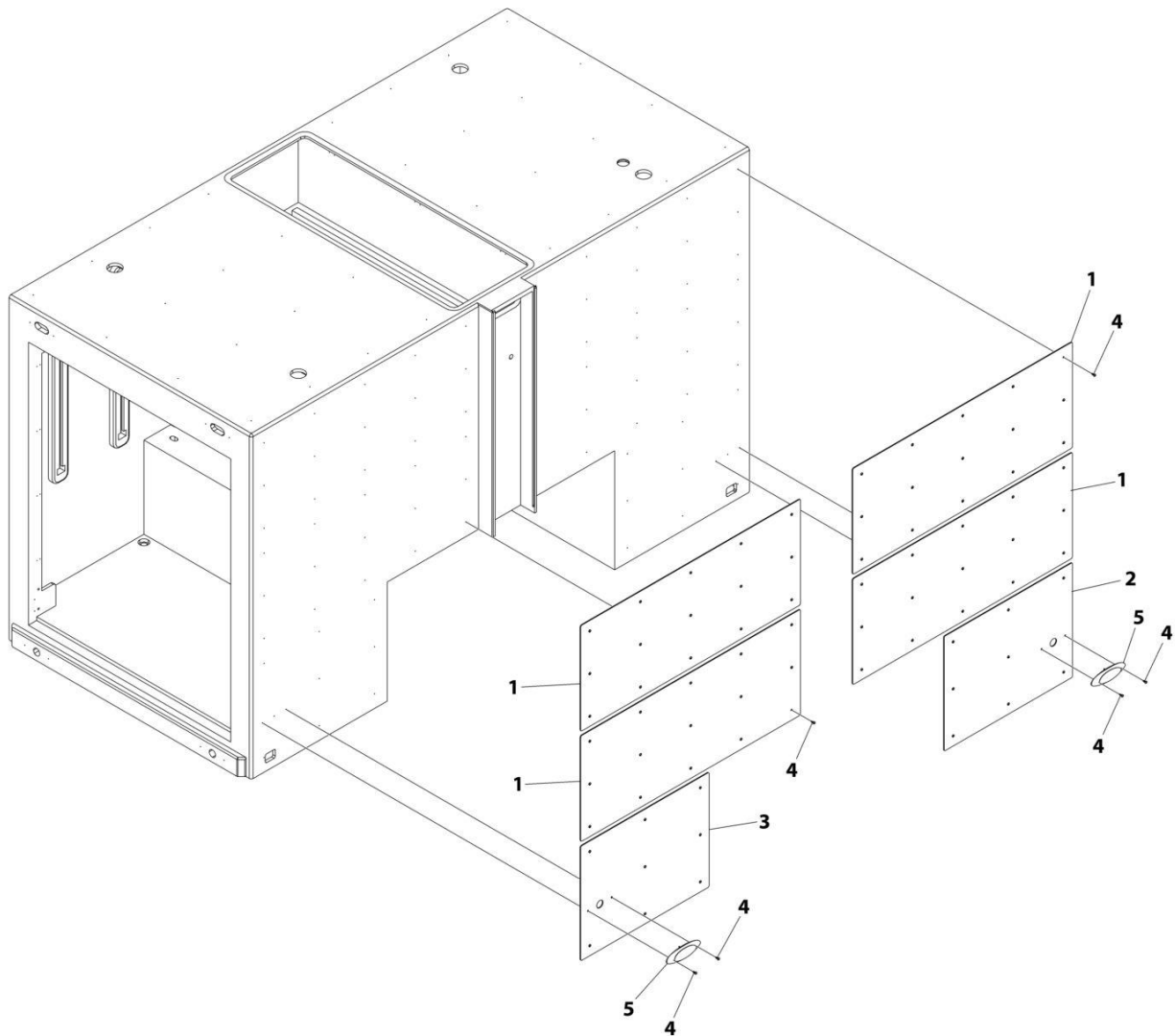
SECTION 7 - ELECTRICAL

FIGURE 7-60. LIGHTS - MARKER LIGHTS INSTALLATION (TUNNEL SIDE) (SN 0230004275 through 0230008673, Excluding 0230008645)

ITEM	PART NUMBER	QTY	DESCRIPTION	REV
	1001196624	Ref	MARKER LIGHTS INSTALLATION - TUNNEL	D
1	1001192958	16	Screw #10 x 1/2	
2	7590000262	8	Light, Marker (Prior to SN 0230005360)	
2	7590000358	8	Light, Marker	

SECTION 7 - ELECTRICAL

FIGURE 7-61. LIGHTS - MARKER LIGHT INSTALLATION (TUNNEL FRONT WITHOUT CWT)



ART_1001196586

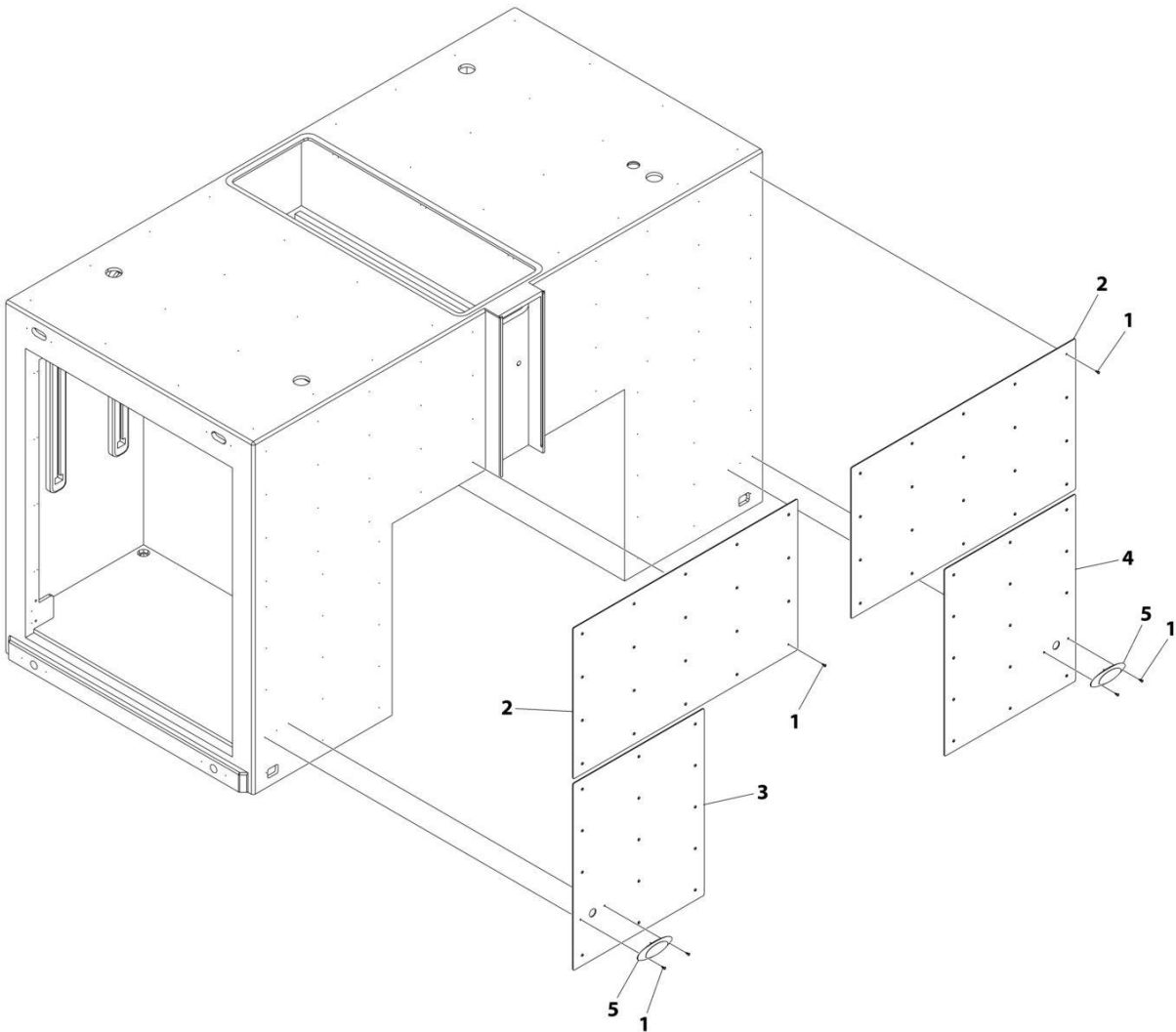
SECTION 7 - ELECTRICAL

FIGURE 7-61. LIGHTS - MARKER LIGHT INSTALLATION (TUNNEL FRONT WITHOUT CWT)

ITEM	PART NUMBER	QTY	DESCRIPTION	REV
	1001196586	Ref	DIAMOND PLATE INSTALLATION - TUNNEL FRONT (WITH MARKER LIGHT)	E
1	1001188156	4	Plate	
2	1001188157	1	Plate	
3	1001188158	1	Plate	
4	1001192958	80	Screw #10 x 1/2	
5	7590000358	2	Light, Amber	

SECTION 7 - ELECTRICAL

FIGURE 7-62. LIGHTS - MARKER LIGHT INSTALLATION (TUNNEL FRONT WITH CWT)



ART_1001219747

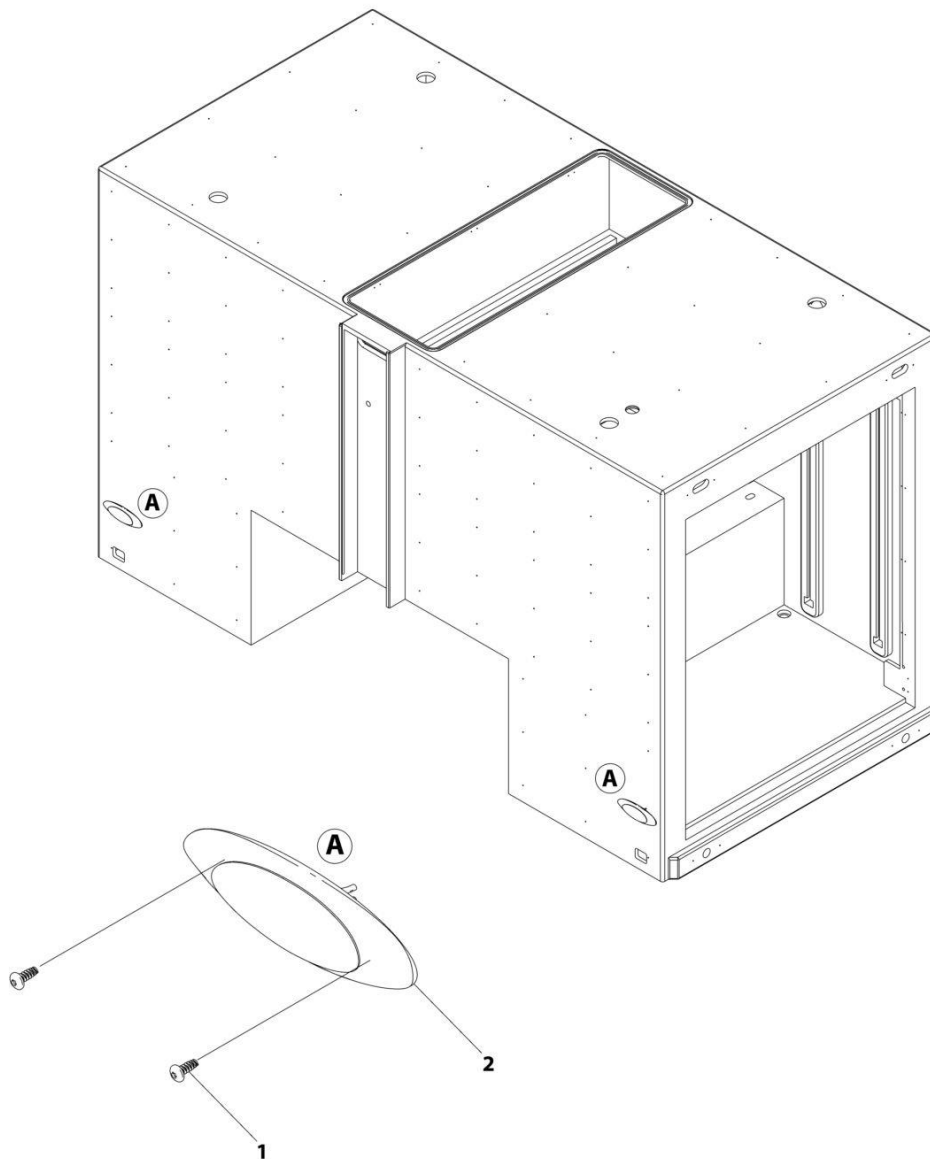
SECTION 7 - ELECTRICAL

FIGURE 7-62. LIGHTS - MARKER LIGHT INSTALLATION (TUNNEL FRONT WITH CWT)

ITEM	PART NUMBER	QTY	DESCRIPTION	REV
	1001219747	Ref	DIAMOND PLATE INSTALLATION - CWT TUNNEL FRONT (WITH MARKER LIGHT)	C
1	1001192958	72	Screw #10 x 1/2	
2	1001219748	2	Plate	
3	1001219749	1	Plate	
4	1001219750	1	Plate	
5	7590000358	2	Light, Amber	

SECTION 7 - ELECTRICAL

FIGURE 7-63. LIGHTS - MARKER LIGHT INSTALLATION (TUNNEL FRONT WITHOUT DIAMOND)



ART_1001219785

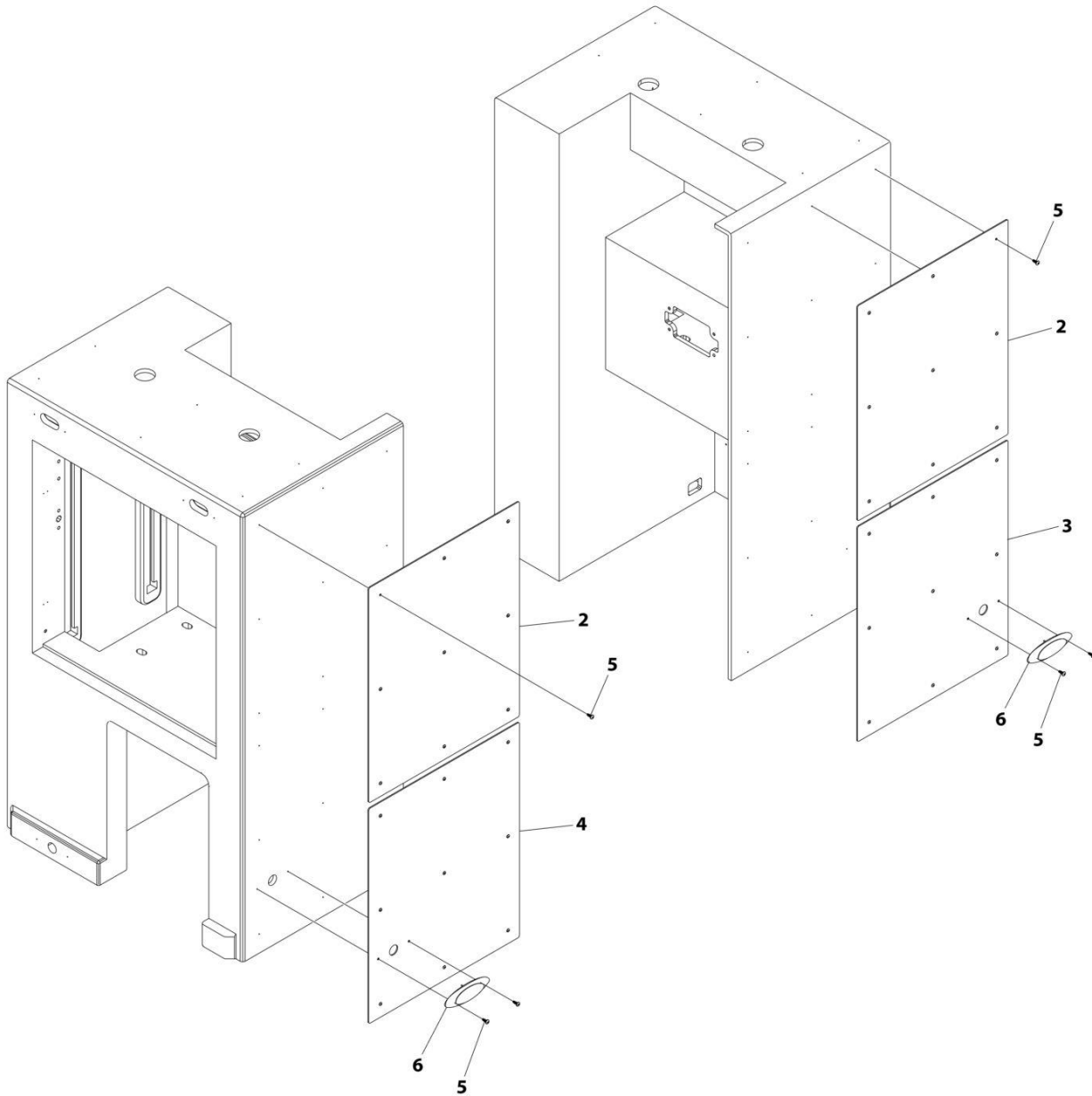
SECTION 7 - ELECTRICAL

FIGURE 7-63. LIGHTS - MARKER LIGHT INSTALLATION (TUNNEL FRONT WITHOUT DIAMOND)

ITEM	PART NUMBER	QTY	DESCRIPTION	REV
	1001219785	Ref	NO FRONT DIAMOND, MARKER ONLY	E
1	1001192958	4	Screw #10 x 1/2	
2	7590000358	2	Light	

SECTION 7 - ELECTRICAL

FIGURE 7-64. LIGHTS - MARKER LIGHT INSTALLATION (TUNNEL FRONT WITH SRS)



ART_1001199405

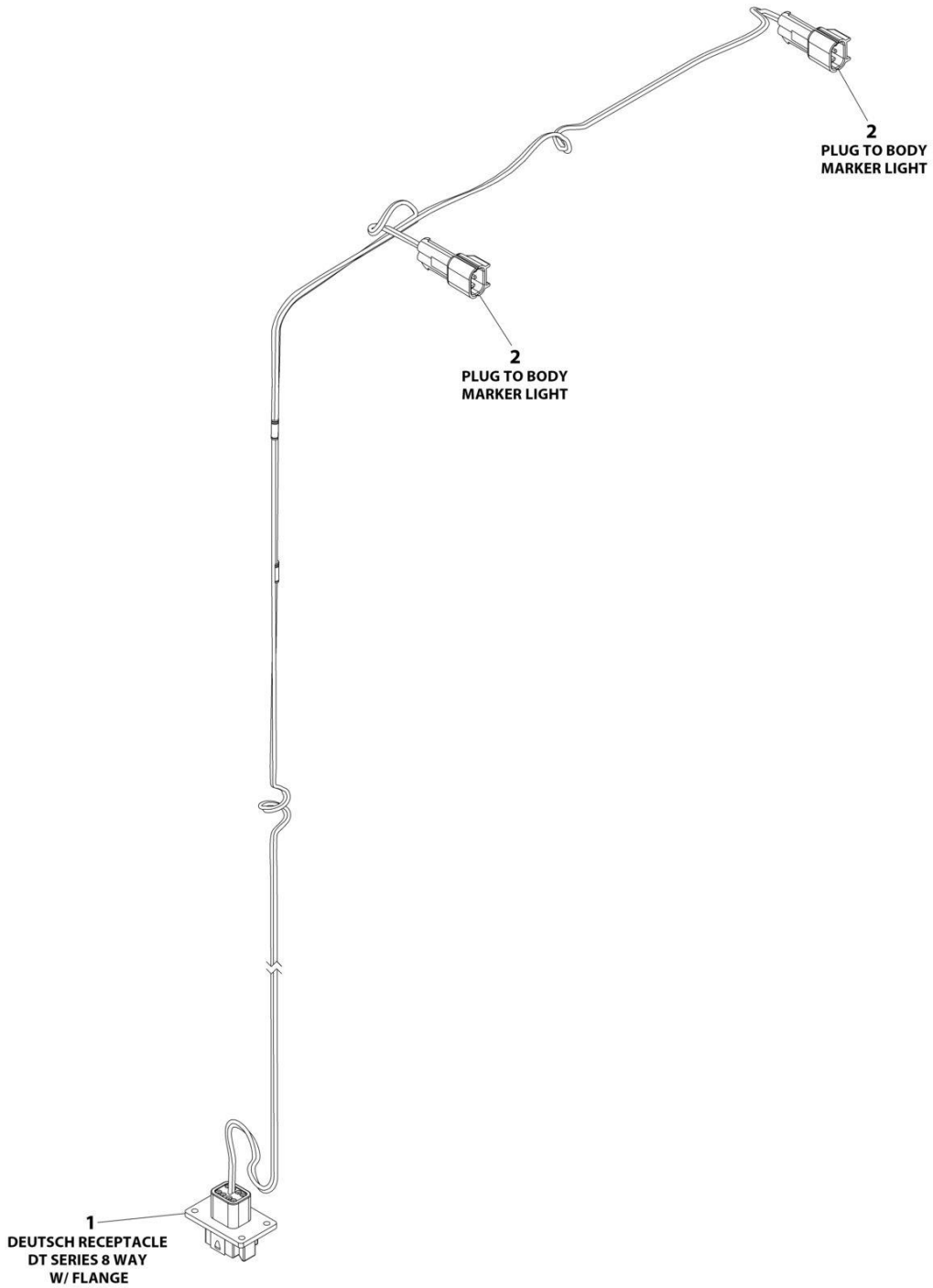
SECTION 7 - ELECTRICAL

FIGURE 7-64. LIGHTS - MARKER LIGHT INSTALLATION (TUNNEL FRONT WITH SRS)

ITEM	PART NUMBER	QTY	DESCRIPTION	REV
	1001199405	Ref	DIAMOND PLATE INSTALLATION WITH MARKER	D
2	1001189507	2	SRS Box Front	
3	1001189508	1	SRS Box LH	
4	1001189510	1	SRS Box RH	
5	1001192958	40	Screw #10 x 1/2	
6	7590000358	2	Light	

SECTION 7 - ELECTRICAL

FIGURE 7-65. LIGHTS - MARKER 1 HARNESS (BODY) (TANDEM)



ART_1001216185

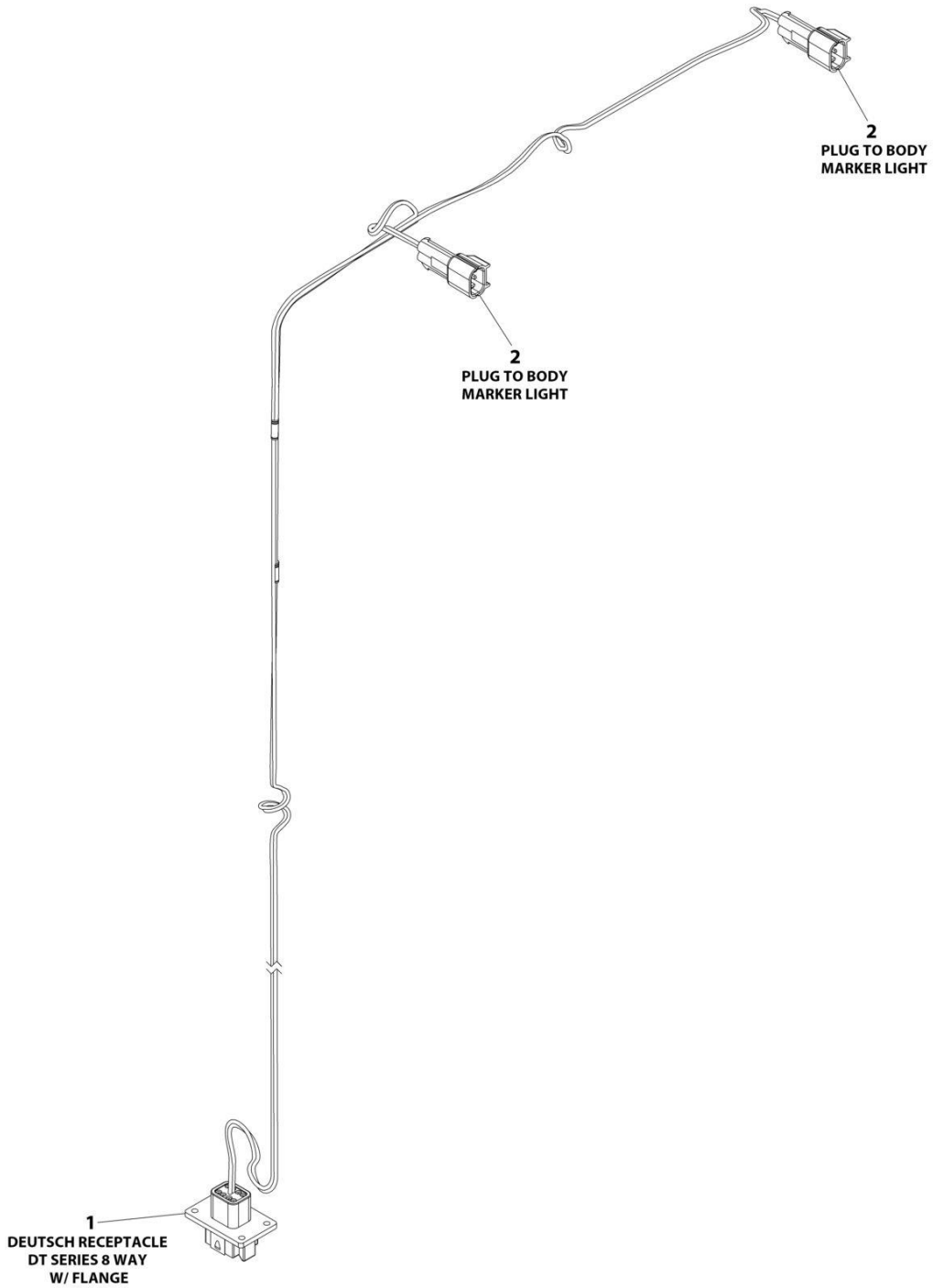
SECTION 7 - ELECTRICAL

FIGURE 7-65. LIGHTS - MARKER 1 HARNESS (BODY) (TANDEM)

ITEM	PART NUMBER	QTY	DESCRIPTION	REV
	1001216185	Ref	MARKER LIGHT 1 HARNESS (TANDEM)	B
1	1001269275	1	Connector	
1	80604024	1	Wedge, Locking	
1	4460464	2	Pin	
1	4460466	2	Plug	
1	NPN	1	Gasket	
2	1001117026	2	Connector	
2	NPN	1	Wedge, Locking	
2	1001116745	4	Socket	
2	4460458	4	Seal	

SECTION 7 - ELECTRICAL

FIGURE 7-66. LIGHTS - MARKER 1 HARNESS (BODY) (TRI-AXLE)



ART_1001216190

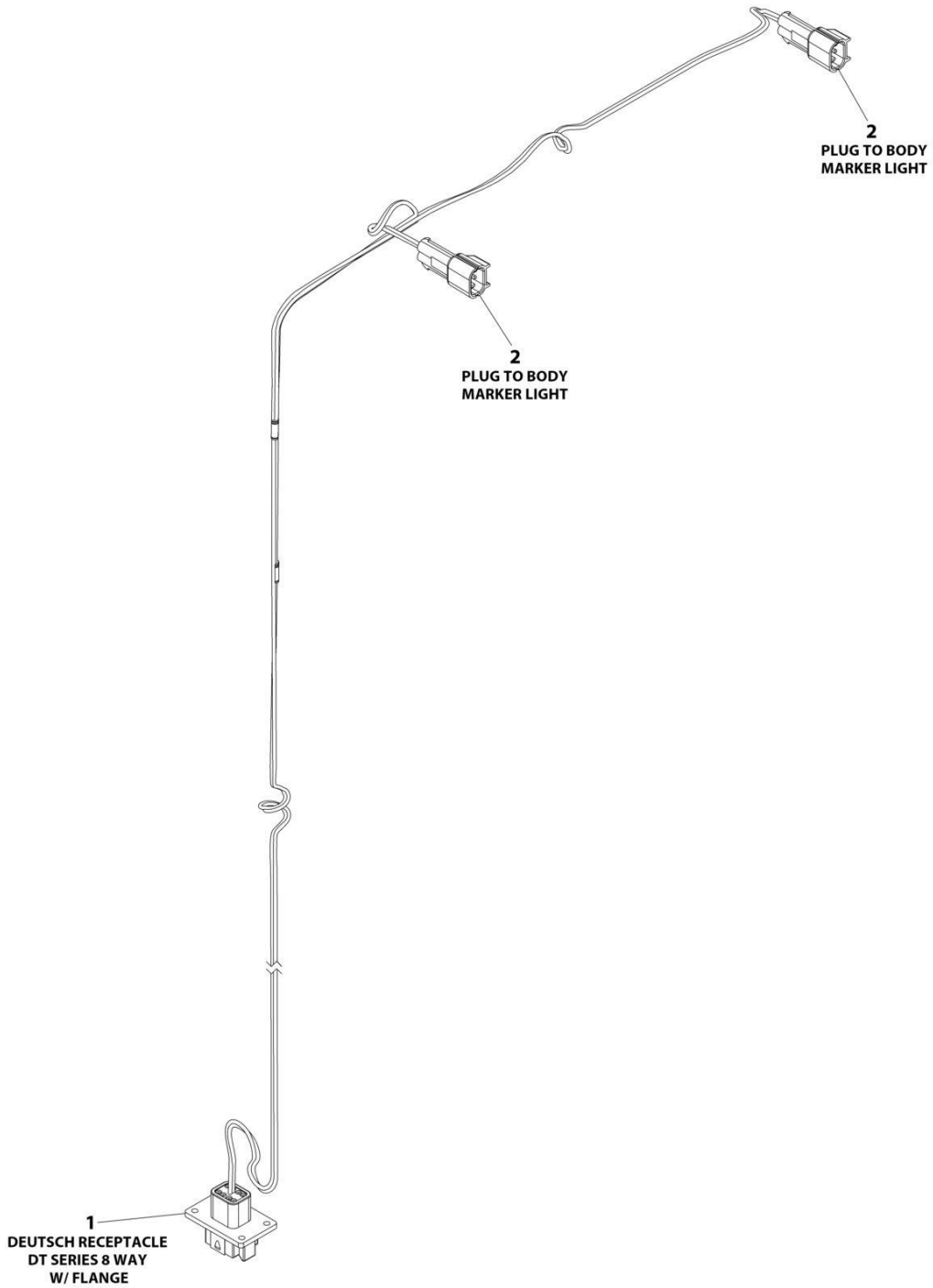
SECTION 7 - ELECTRICAL

FIGURE 7-66. LIGHTS - MARKER 1 HARNESS (BODY) (TRI-AXLE)

ITEM	PART NUMBER	QTY	DESCRIPTION	REV
	1001216190	Ref	MARKER LIGHT 1 HARNESS (TRI)	A
1	1001269275	1	Connector	
1	80604024	1	Wedge, Locking	
1	4460464	2	Pin	
1	4460466	5	Plug	
1	NPN	1	Gasket	
2	1001117026	2	Connector	
2	NPN	2	Wedge, Locking	
2	1001116745	4	Socket	
2	4460458	4	Seal	

SECTION 7 - ELECTRICAL

FIGURE 7-67. LIGHTS - MARKER 2 HARNESS (BODY) (TANDEM)



ART_1001216186

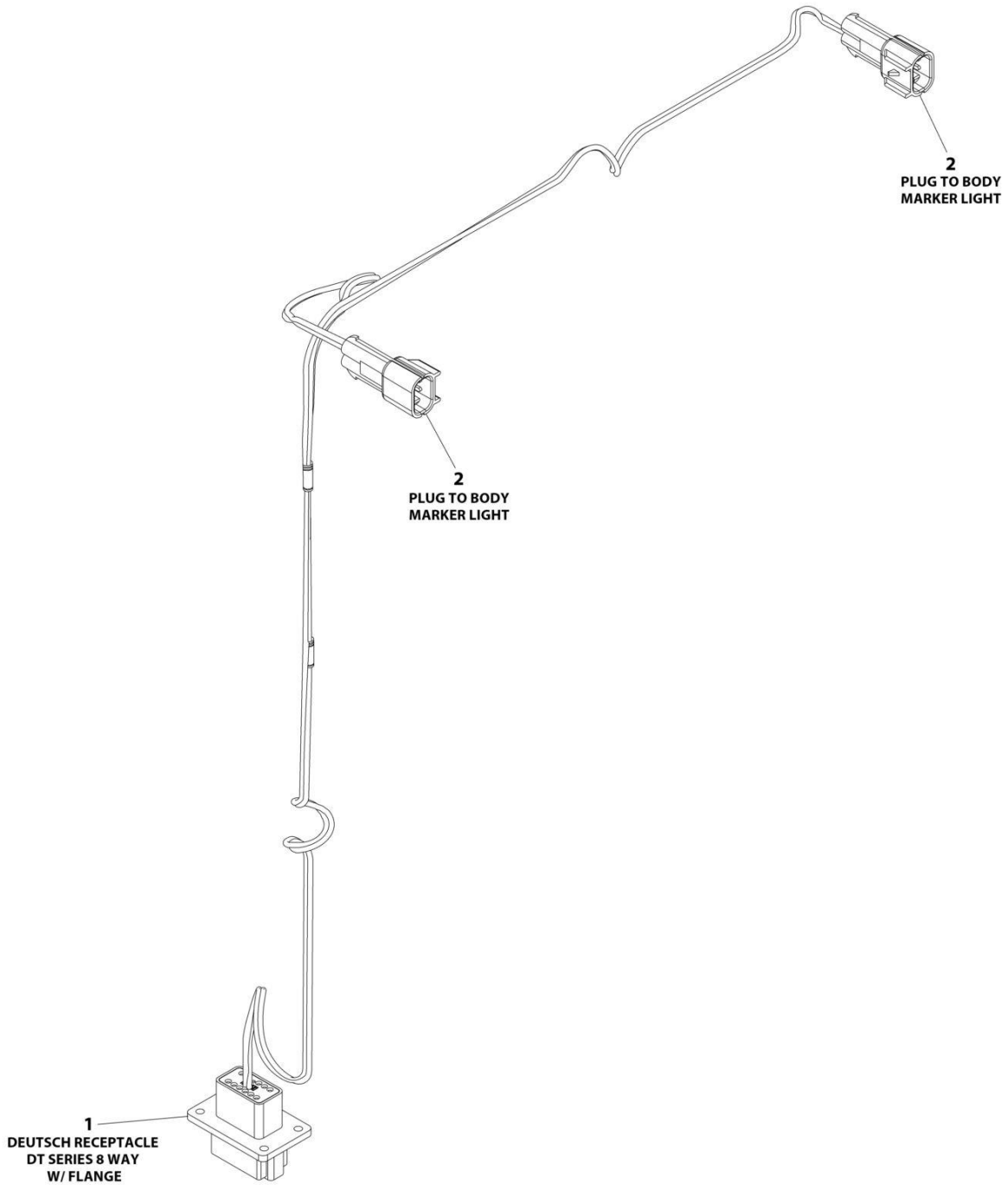
SECTION 7 - ELECTRICAL

FIGURE 7-67. LIGHTS - MARKER 2 HARNESS (BODY) (TANDEM)

ITEM	PART NUMBER	QTY	DESCRIPTION	REV
	1001216186	Ref	MARKER LIGHT 2 HARNESS (TANDEM)	A
1	1001269275	1	Connector	
1	80604024	1	Wedge, Locking	
1	4460464	2	Pin	
1	4460466	5	Plug	
1	NPN	1	Gasket	
2	1001117026	2	Connector	
2	NPN	1	Wedge, Locking	
2	1001116745	4	Socket	
2	4460458	4	Seal	

SECTION 7 - ELECTRICAL

FIGURE 7-68. LIGHTS - MARKER 2 HARNESS (BODY) (TRI-AXLE)



ART_1001216191

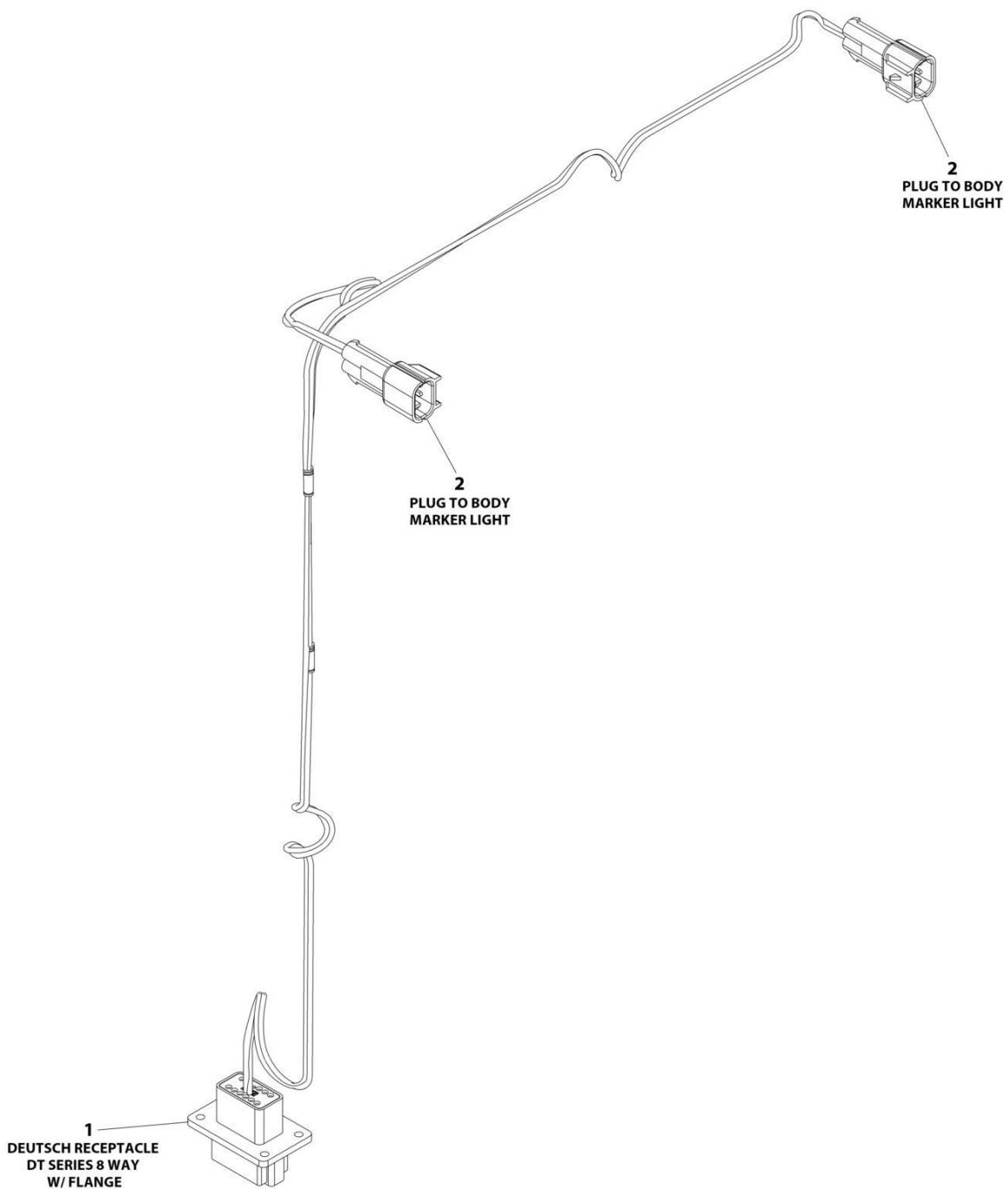
SECTION 7 - ELECTRICAL

FIGURE 7-68. LIGHTS - MARKER 2 HARNESS (BODY) (TRI-AXLE)

ITEM	PART NUMBER	QTY	DESCRIPTION	REV
	1001216191	Ref	MARKER LIGHT 2 HARNESS (TRI)	A
1	4460939	1	Connector	
1	80363179	1	Wedge, Locking	
1	4460464	2	Pin	
1	4460466	6	Plug	
1	NPN	1	Gasket	
2	1001117026	2	Connector	
2	NPN	2	Wedge, Locking	
2	1001116745	4	Socket	
2	4460458	4	Seal	

SECTION 7 - ELECTRICAL

FIGURE 7-69. LIGHTS - MARKER 3 HARNESS (BODY)



ART_1001216187

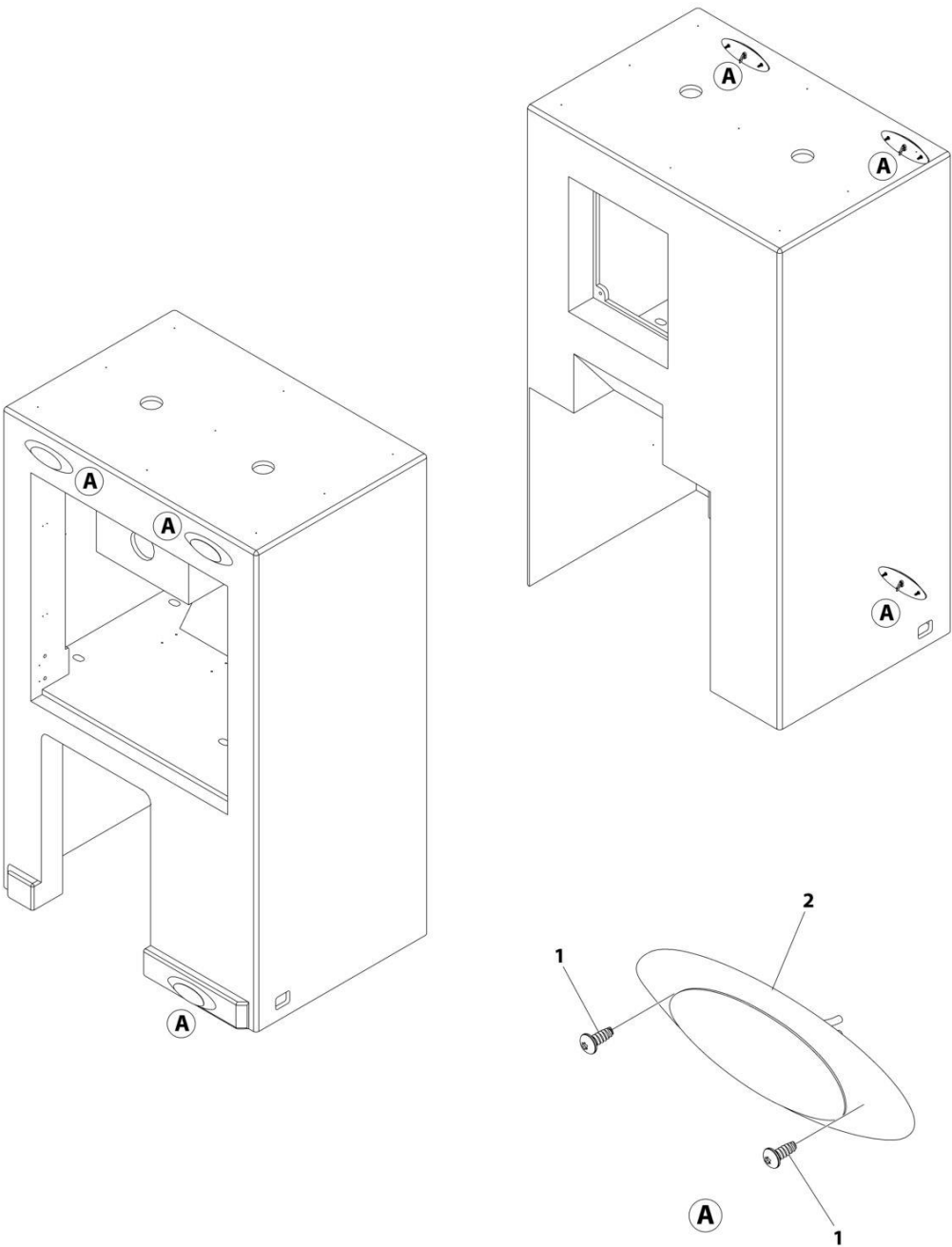
SECTION 7 - ELECTRICAL

FIGURE 7-69. LIGHTS - MARKER 3 HARNESS (BODY)

ITEM	PART NUMBER	QTY	DESCRIPTION	REV
	1001216187	Ref	MARKER LIGHT 3 HARNESS	A
1	4460939	1	Connector	
1	80604024	1	Wedge, Locking	
1	4460464	1	Pin	
1	4460466	6	Plug	
1	NPN	1	Gasket	
2	1001117026	2	Connector	
2	NPN	1	Wedge, Locking	
2	1001116745	4	Socket	
2	4460458	4	Seal	

SECTION 7 - ELECTRICAL

FIGURE 7-70. LIGHTS - MARKER WITH SIDE STABILIZER



ART_1001197898

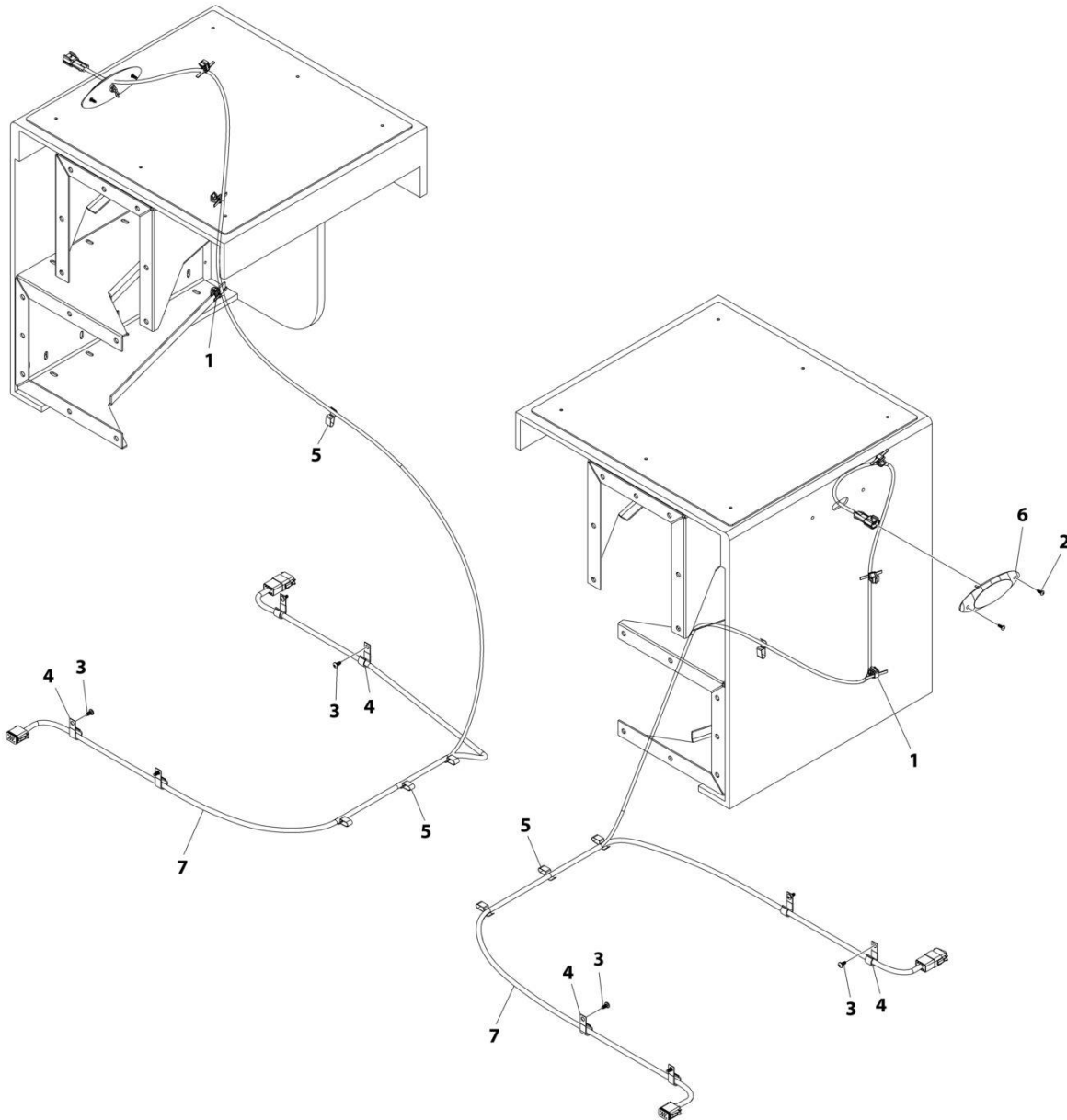
SECTION 7 - ELECTRICAL

FIGURE 7-70. LIGHTS - MARKER WITH SIDE STABILIZER

ITEM	PART NUMBER	QTY	DESCRIPTION	REV
	1001197898	Ref	MARKER LIGHTS INSTALLATION, SRS TOOLBOX	B
1	1001192958	12	Screw #10 x 1/2	
2	7590000262	6	Light	

SECTION 7 - ELECTRICAL

FIGURE 7-71. LIGHTS - MARKER WITH SIDE RECOVERY SYSTEM (SRS) TOOLBOX



ART_1001244297

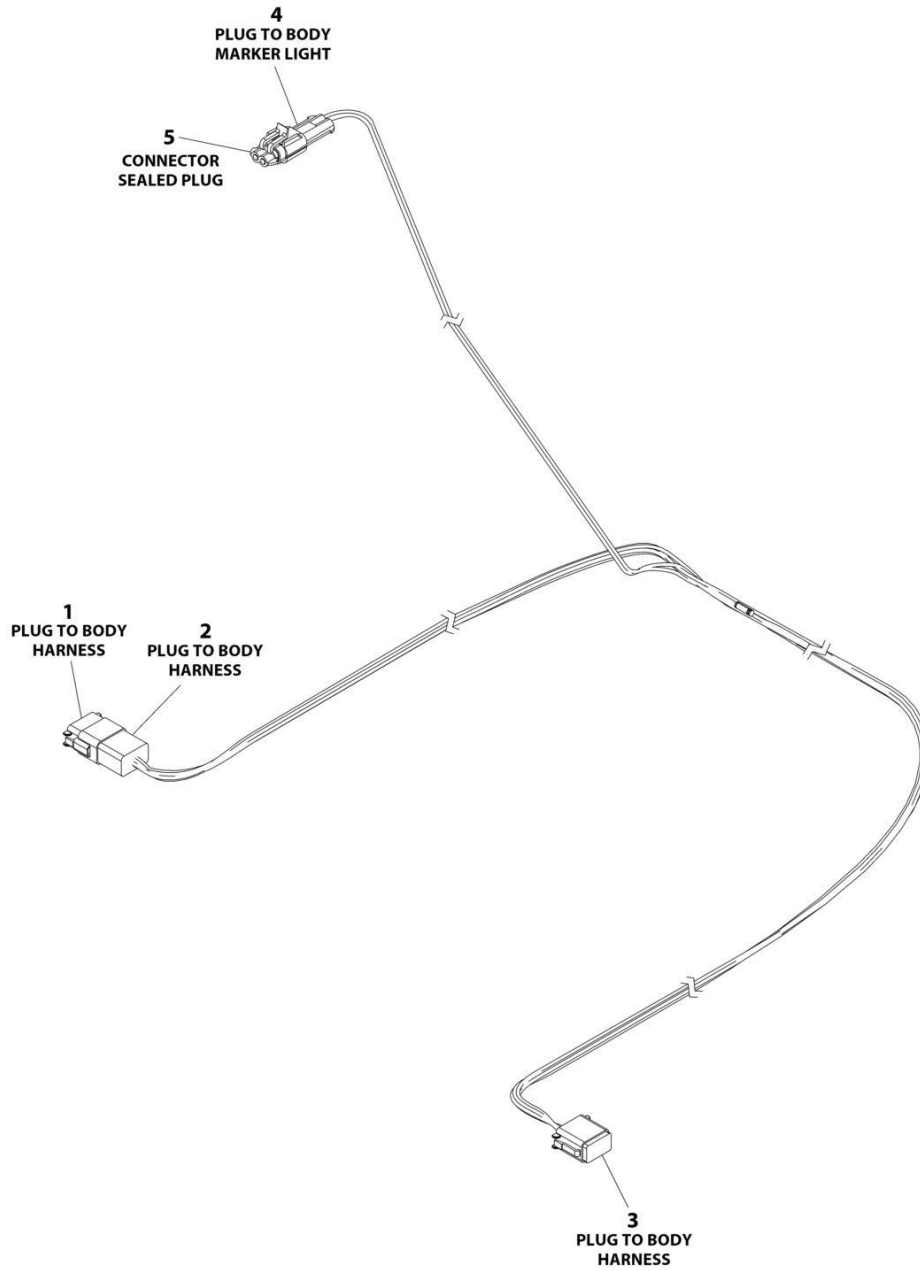
SECTION 7 - ELECTRICAL

FIGURE 7-71. LIGHTS - MARKER WITH SIDE RECOVERY SYSTEM (SRS) TOOLBOX

ITEM	PART NUMBER	QTY	DESCRIPTION	REV
	1001244297	Ref	MARKER LIGHT INSTALLATION	A
1	1001152419	6	Clip (Two Piece)	
2	1001192958	4	Screw #10 x 1/2	
3	1001195257	8	Screw 1/4 x 1/2	
4	7280000006	8	Clip	
5	7280000013	8	Clip	
6	7590000358	2	Light, Marker	
7	1001244216	2	Marker Light Harness - SS70 Filler Panel (See Separate Breakdown in this Section)	

SECTION 7 - ELECTRICAL

FIGURE 7-72. LIGHTS - MARKER LIGHT HARNESS WITH SIDE STABILIZER



ART_1001244216

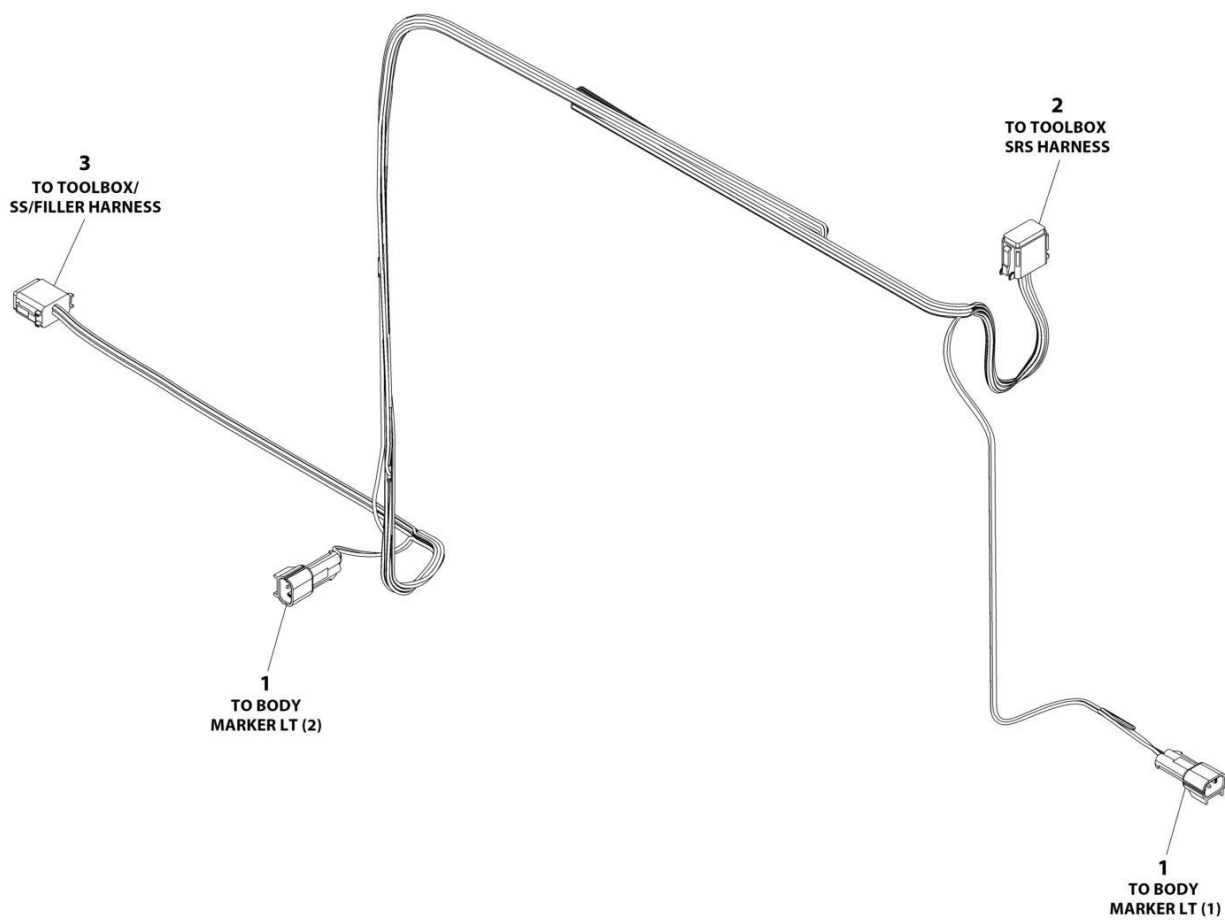
SECTION 7 - ELECTRICAL

FIGURE 7-72. LIGHTS - MARKER LIGHT HARNESS WITH SIDE STABILIZER

ITEM	PART NUMBER	QTY	DESCRIPTION	REV
	1001244216	Ref	LIGHTS - LIGHTING HARNESS (SS-70 NO PANEL)	B
1	4460930	1	Plug, Male - 8 Position	
1	4460466	8	Plug, Terminal	
2	4460931	1	Receptacle, Female - 8 Position	
2	4460464	4	Pin, Male	
2	4460941	2	Pin, Male	
2	4460466	2	Plug, Terminal	
3	4460930	1	Plug, Male - 8 Position	
3	4460465	4	Socket, Female	
3	4460942	2	Socket, Female	
3	4460466	2	Plug, Terminal	
4	NPN	1	Receptacle, Female - 2 Position	
4	NPN	2	Terminal	
5	1001117021	1	Plug, Male	
5	1001116727	2	Terminal	

SECTION 7 - ELECTRICAL

FIGURE 7-73. LIGHTS - SRS TOOLBOX HARNESS - MAIN



ART_1001207276

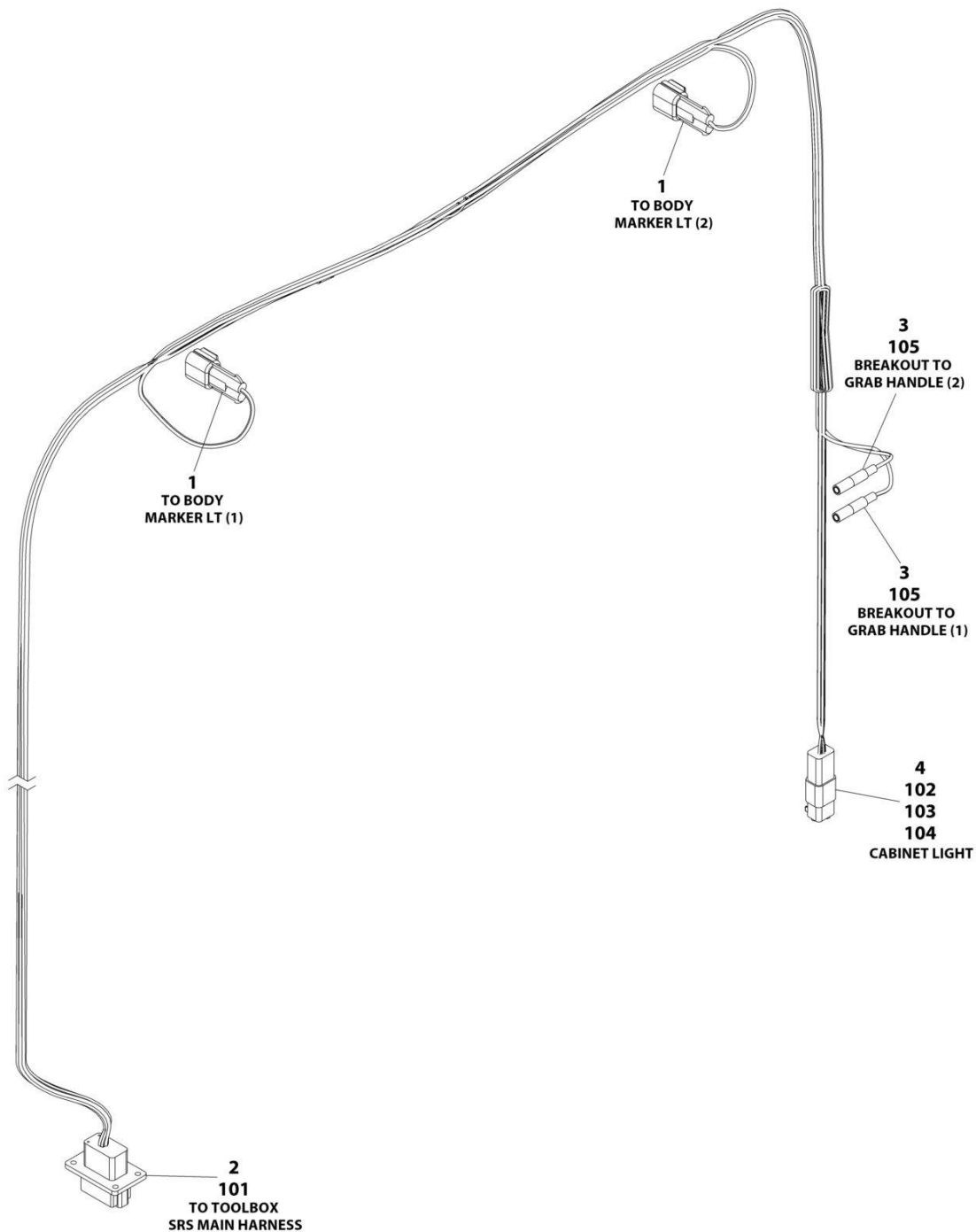
SECTION 7 - ELECTRICAL

FIGURE 7-73. LIGHTS - SRS TOOLBOX HARNESS - MAIN

ITEM	PART NUMBER	QTY	DESCRIPTION	REV
	1001207276	Ref	TOOLBOX HARNESS - MAIN (SRS)	C
1	1001117026	2	Connector 2 Position	
1	1001116745	4	Terminal	
2	4460933	1	Connector 12 Position	
2	4460465	10	Terminal	
2	4460466	2	Plug, Terminal	
3	4460930	1	Connector 8 Position	
3	4460465	4	Terminal	
3	4460942	2	Terminal	
3	4460466	2	Plug, Terminal	

SECTION 7 - ELECTRICAL

FIGURE 7-74. LIGHTS - SRS TOOLBOX HARNESS



ART_1001207277

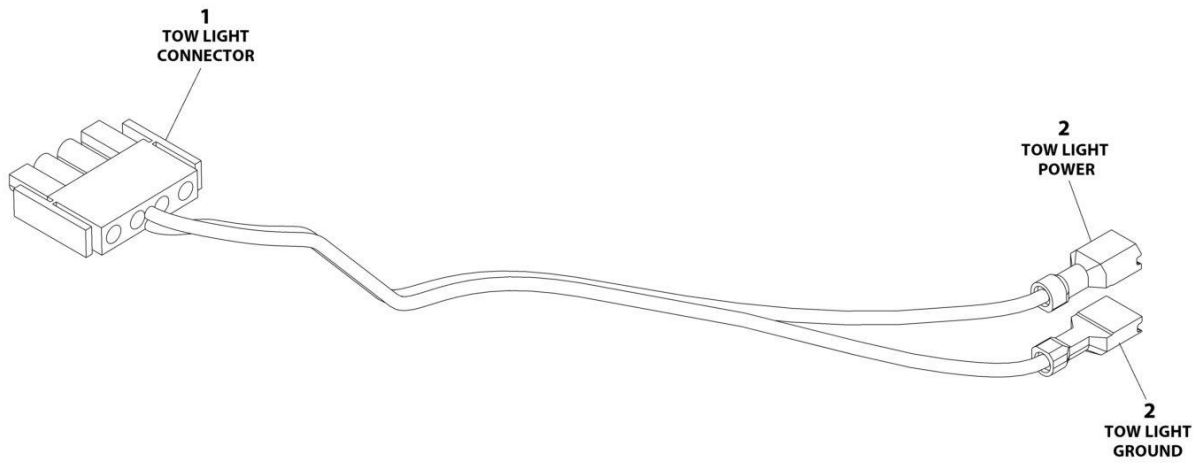
SECTION 7 - ELECTRICAL

FIGURE 7-74. LIGHTS - SRS TOOLBOX HARNESS

ITEM	PART NUMBER	QTY	DESCRIPTION	REV
	1001207277	Ref	TOOLBOX HARNESS (SRS)	C
1	1001117026	2	Connector 2 Position	
1	1001116745	4	Terminal	
2	4460939	1	Connector 12 Position	
2	4460464	6	Terminal	
2	4460466	4	Plug, Terminal	
3	8220068	2	Connector 1 Position	
4	4460932	1	Connector 4 Position	
4	4460464	4	Terminal	
101	4460464	2	Terminal	
102	4460465	4	Terminal	
103	4460466	2	Plug, Terminal	
104	4460884	1	Connector 4 Position	
105	8220080	2	Plug, Terminal	

SECTION 7 - ELECTRICAL

FIGURE 7-75. LIGHTS - TOW LIGHTS HARNESS



ART_1001209031

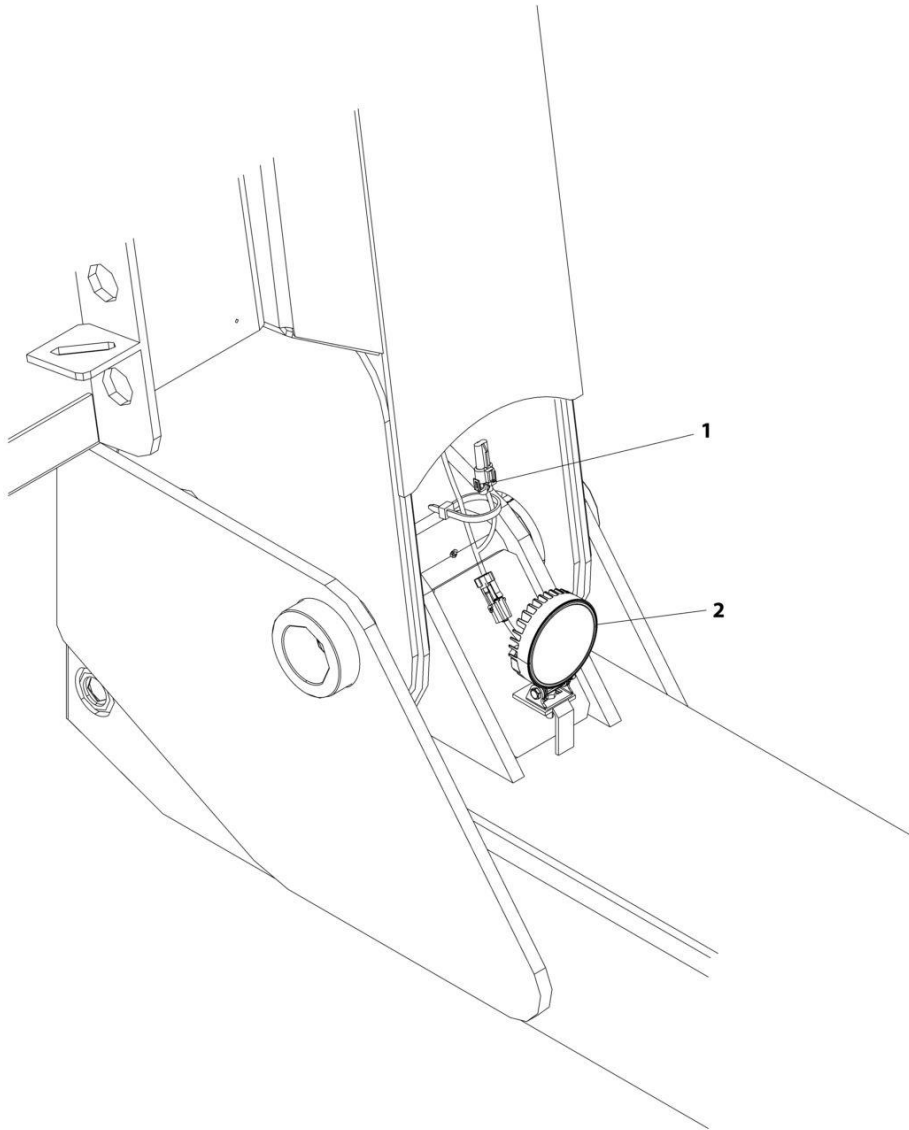
SECTION 7 - ELECTRICAL

FIGURE 7-75. LIGHTS - TOW LIGHTS HARNESS

ITEM	PART NUMBER	QTY	DESCRIPTION	REV
	1001209031	Ref	TOW LIGHT HARNESS	C
1	4460321	1	Connector	
1	4460268	2	Socket	
2	NPN	2	Connector	

SECTION 7 - ELECTRICAL

FIGURE 7-76. LIGHTS - UNDERLIFT LIGHTS INSTALLATION



ART_1001202452

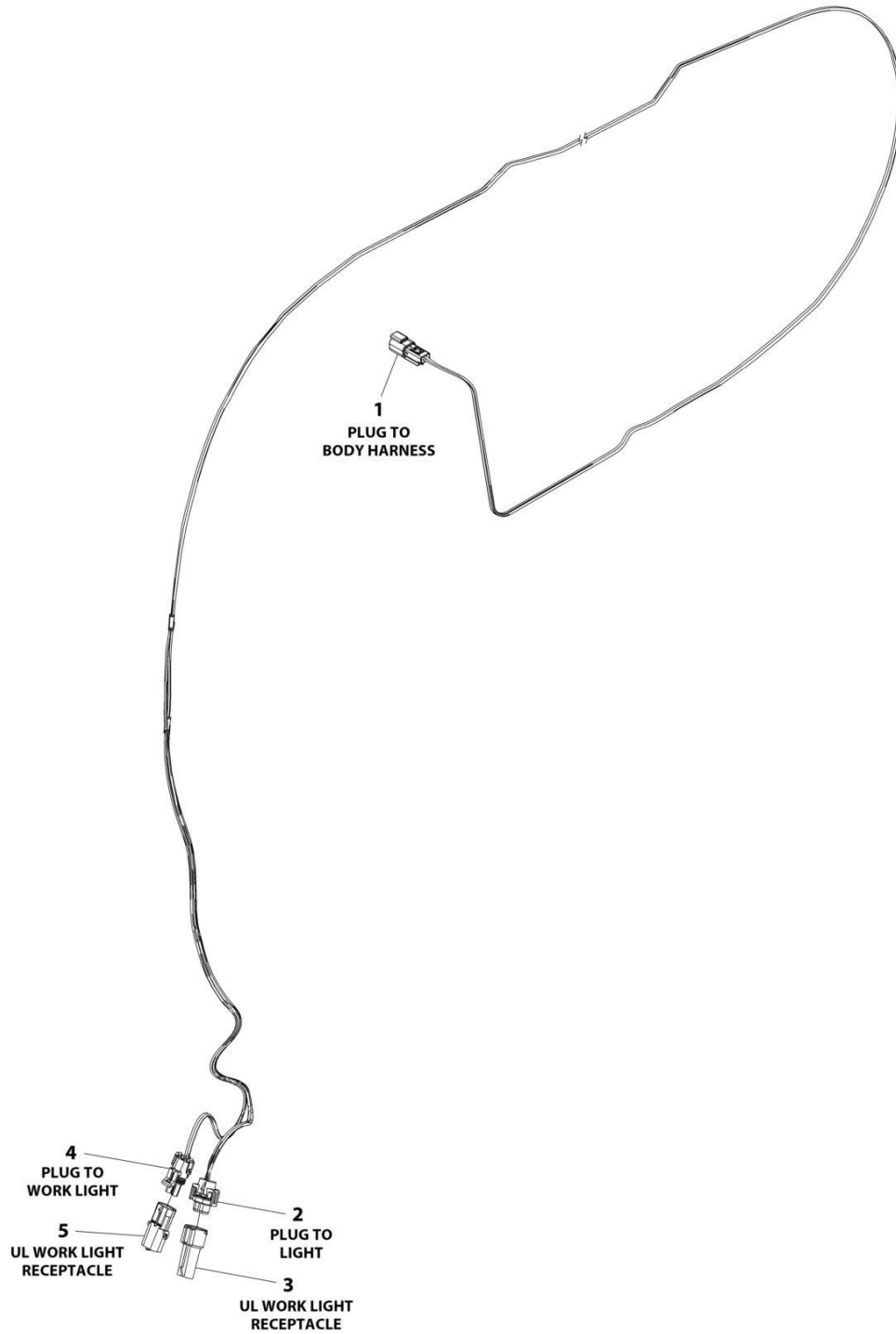
SECTION 7 - ELECTRICAL

FIGURE 7-76. LIGHTS - UNDERLIFT LIGHTS INSTALLATION

ITEM	PART NUMBER	QTY	DESCRIPTION	REV
	1001202452	Ref	LIGHTS - WORKLIGHT LIGHTS INSTALLATION - UNDERLIFT	D
1	1001209033	1	Underlift Worklight Harness (See Separate Breakdown in this Section)	
2	1001202449	1	Lamp (SN 0230004275 through 0230008644)	
2	1001176337	1	Lamp (SN 0230008644 through 0230009234)	
2	1001273634	1	Lamp (SN 0230009235 to Present)	
3	7894000004	40	Tie-Strap (Not Shown)	

SECTION 7 - ELECTRICAL

FIGURE 7-77. LIGHTS - UNDERLIFT LIGHTS HARNESS



ART_1001209033

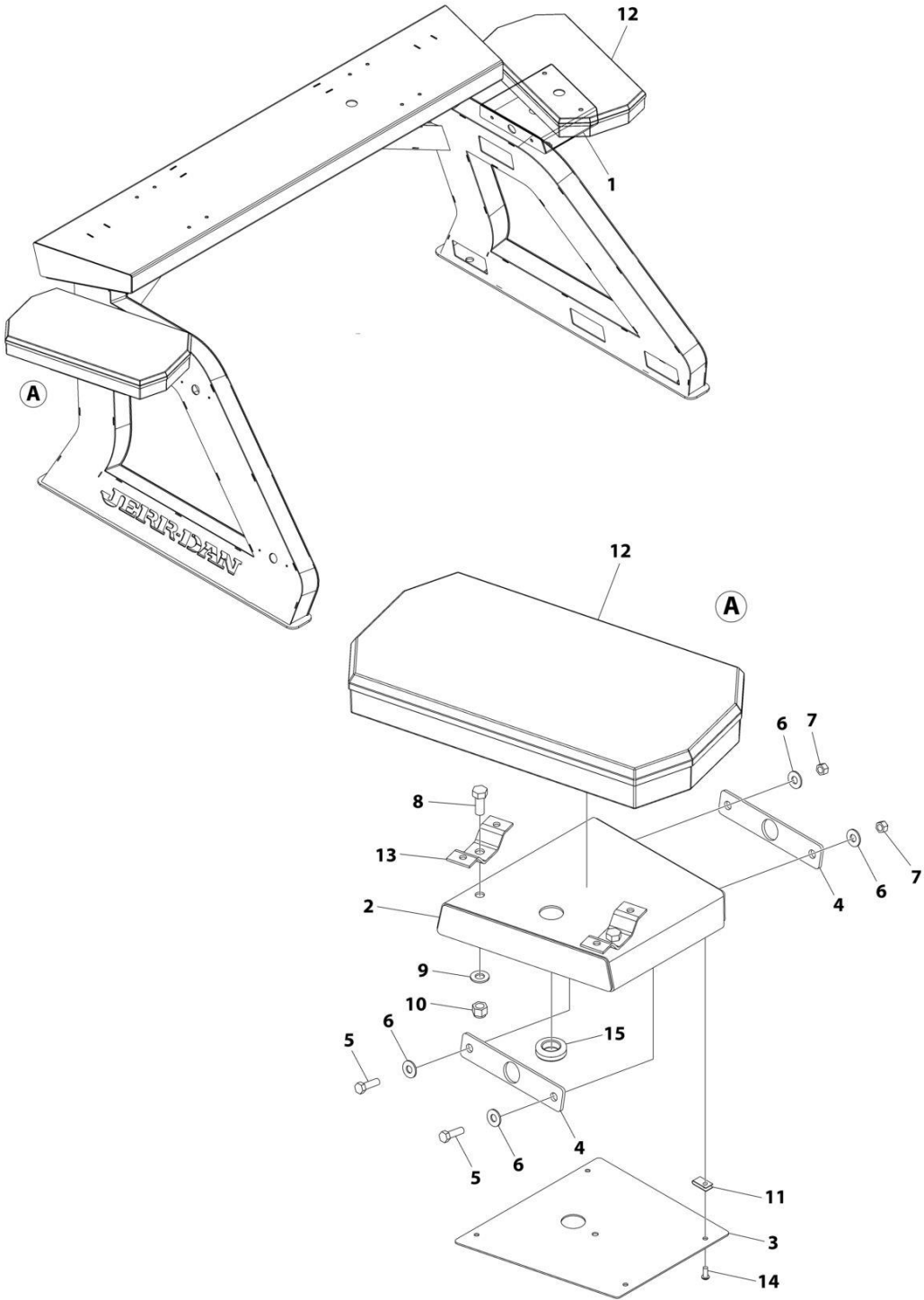
SECTION 7 - ELECTRICAL

FIGURE 7-77. LIGHTS - UNDERLIFT LIGHTS HARNESS

ITEM	PART NUMBER	QTY	DESCRIPTION	REV
	1001209033	Ref	WORKLIGHT LIGHTS HARNESS - UNDERLIFT	C
1	4460897	1	Receptacle, Female - 2 Position	
1	4460464	2	Pin, Male	
2	NPN	1	Plug, Male 2 Position	
2	4460746	2	Terminal	
2	1001190037	2	Seal	
3	NPN	1	Receptacle, Female - 2 Position	
3	1001116727	2	Plug, Terminal	
4	4460742	1	Plug, Male 2 Position	
4	4460457	2	Socket, Female	
4	4460458	2	Seal	
5	4461157	2	Receptacle, Female - 2 Position	
5	1001116727	2	Plug, Terminal	

SECTION 7 - ELECTRICAL

FIGURE 7-78. LIGHTS - WING LIGHTS INSTALLATION (ECCO) (SN 0230004275 through 0230005219)



ART_1001214379

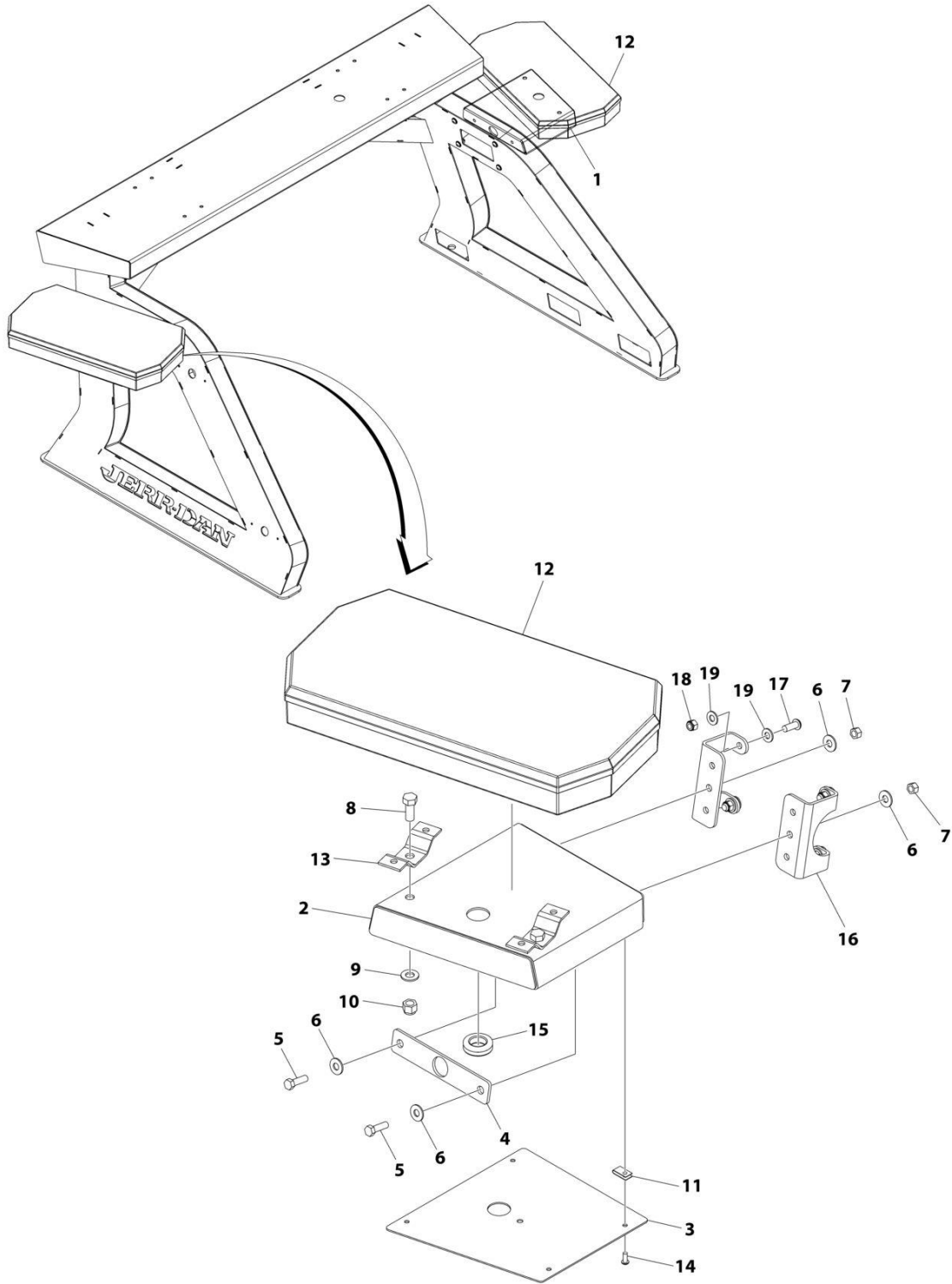
SECTION 7 - ELECTRICAL

FIGURE 7-78. LIGHTS - WING LIGHTS INSTALLATION (ECCO) (SN 0230004275 through 0230005219)

ITEM	PART NUMBER	QTY	DESCRIPTION	REV
	1001214379	Ref	LIGHTS - WING LIGHTS INSTALLATION - 22IN AMBER (ECCO BRAND)	C
1	1001213104	1	Mount, RH	
2	1001213105	1	Mount, LH	
3	1001213110	2	Plate	
4	1001214129	4	Plate	
5	0641610	4	Bolt 3/8 x 1-1/4	
6	4751600	8	Washer 3/8	
7	3271605	4	Nut 3/8	
8	0641810	4	Bolt 1/2 x 1-1/4	
9	4711800	4	Washer 1/2	
10	7660182601	4	Nut 1/2	
11	7661000019	8	U-Nut 1/4	
12	1001133591	2	Wing Lightbar Assembly (See Separate Breakdown in this Section)	
13	4178000402	4	Bracket	
14	7114140518	8	Screw 1/4 x 5/8	
15	7493000011	2	Grommet	

SECTION 7 - ELECTRICAL

FIGURE 7-79. LIGHTS - WING LIGHTS INSTALLATION (ECCO) (SN 0230005220 to Present)



ART_1001228842

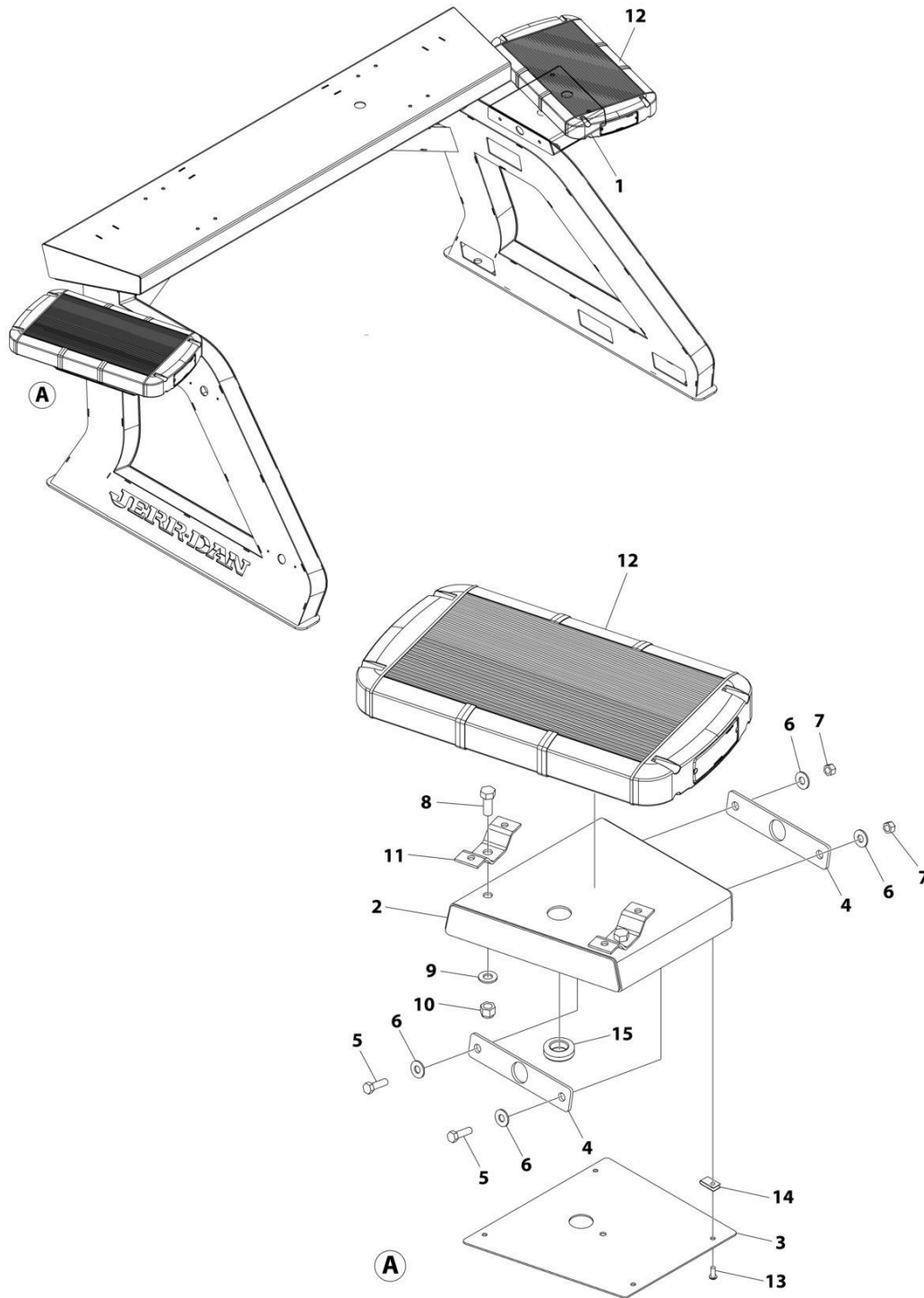
SECTION 7 - ELECTRICAL

FIGURE 7-79. LIGHTS - WING LIGHTS INSTALLATION (ECCO) (SN 0230005220 to Present)

ITEM	PART NUMBER	QTY	DESCRIPTION	REV
	1001228842	Ref	LIGHTS - WING LIGHT AMBER CODE3, 22IN	A
1	1001228844	1	Mount, RH	
2	1001228845	1	Mount, LH	
3	1001213110	2	Plate	
4	1001214129	2	Plate	
5	0641610	4	Capscrew 3/8 x 1-1/4	
6	4751600	8	Washer 3/8	
7	3271605	4	Nut 3/8	
8	0641810	4	Capscrew 1/2 x 1-1/4	
9	4711800	4	Washer 1/2	
10	7660182601	4	Nut 1/2	
11	7661000019	8	U-Nut 1/4	
12	1001133591	2	Light, Amber (See Separate Breakdown in this Section)	
13	4178000402	4	Bracket	
14	7114140518	8	Screw 1/4 5/8	
15	7493000011	2	Grommet	
16	1001228828	4	Gusset, Support	
17	7114160818	8	Screw 3/8 x 1	
18	7660162601	8	Nut 3/8	
19	7950160143	16	Washer 3/8	

SECTION 7 - ELECTRICAL

FIGURE 7-80. LIGHTS - WING LIGHTS INSTALLATION (WHELEN) (SN 0230004275 through 0230005219)



ART_1001214380

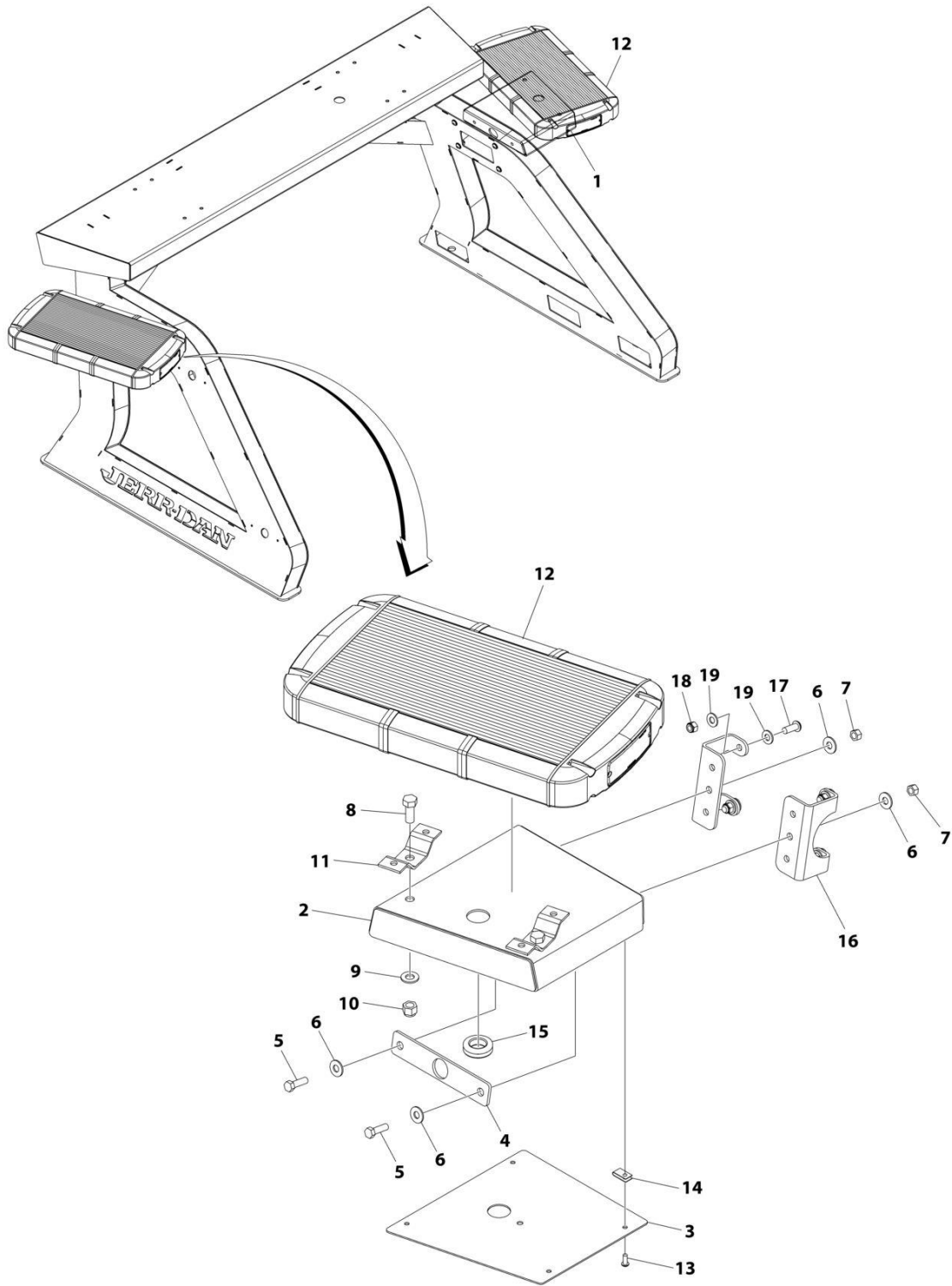
SECTION 7 - ELECTRICAL

FIGURE 7-80. LIGHTS - WING LIGHTS INSTALLATION (WHELEN) (SN 0230004275 through 0230005219)

ITEM	PART NUMBER	QTY	DESCRIPTION	REV
	1001214380	Ref	LIGHTS - WING LIGHTS INSTALLATION - 22IN AMBER	D
1	1001213104	1	Mount, RH	
2	1001213105	1	Mount, LH	
3	1001213110	2	Plate	
4	1001214129	4	Plate	
5	0641610	4	Bolt 3/8 x 1-1/4	
6	4751600	8	Washer 3/8	
7	3271605	4	Nut 3/8	
8	0641810	4	Bolt 1/2 x 1-1/4	
9	4711800	4	Washer 1/2	
10	7660182601	4	Nut 1/2	
11	4178000402	4	Bracket	
12	1001199478	2	Wing Lightbar Assembly (See Separate Breakdown in this Section)	
13	7114160818	8	Screw 1/4 x 5/8	
14	7661000019	8	U-Nut 1/4	
15	7493000011	2	Grommet	

SECTION 7 - ELECTRICAL

FIGURE 7-81. LIGHTS - WING LIGHTS INSTALLATION (WHELEN) (SN 0230005220 to Present)



ART_1001228843

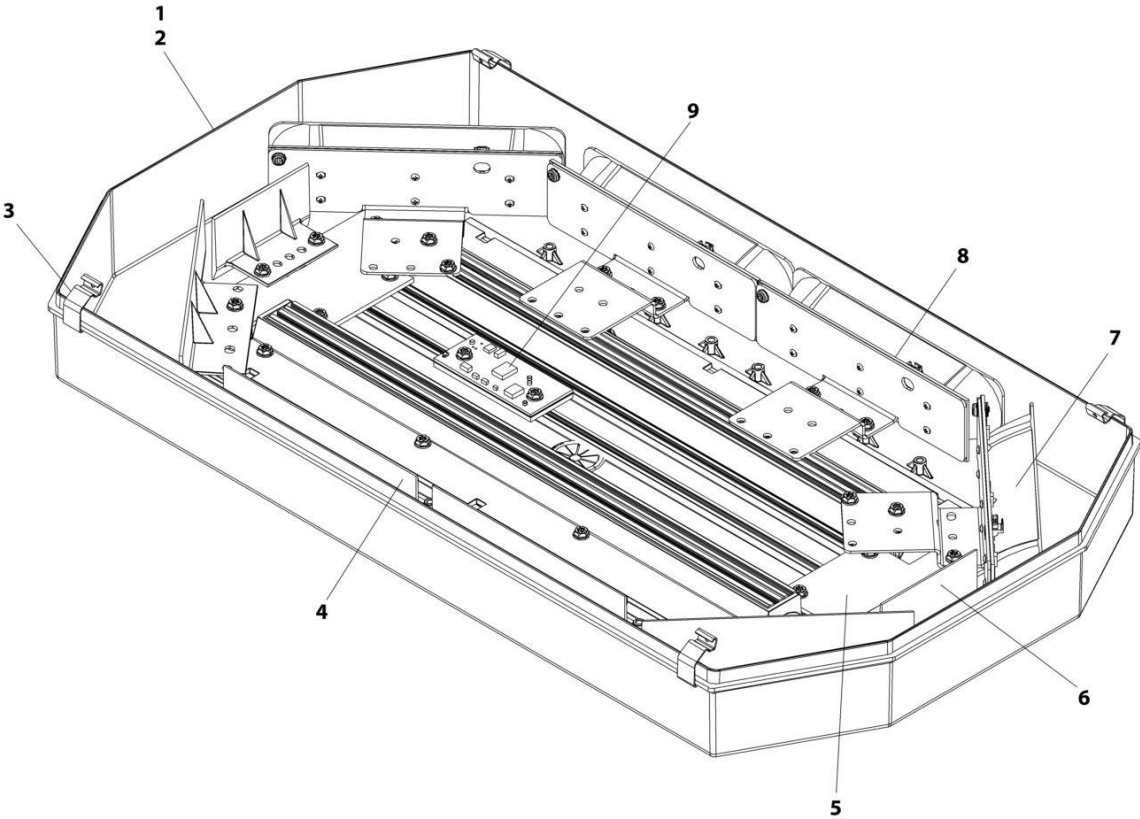
SECTION 7 - ELECTRICAL

FIGURE 7-81. LIGHTS - WING LIGHTS INSTALLATION (WHELEN) (SN 0230005220 to Present)

ITEM	PART NUMBER	QTY	DESCRIPTION	REV
	1001228843	Ref	LIGHTS - WING LIGHT AMBER WHELEN, 22IN	A
1	1001228844	1	Mount, RH	
2	1001228845	1	Mount, LH	
3	1001213110	2	Plate	
4	1001214129	2	Plate	
5	0641610	4	Capscrew 3/8 x 1-1/4	
6	4751600	8	Washer 3/8	
7	3271605	4	Nut 3/8	
8	0641810	4	Capscrew 1/2 x 1-1/4	
9	4711800	4	Washer 1/2	
10	7660182601	4	Nut 1/2	
11	4178000402	4	Bracket	
12	1001199478	2	Whelen Light Bar (See Separate Breakdown in this Section)	
13	7114140518	8	Screw 1/4 5/8	
14	7661000019	8	U-Nut 1/4	
15	7493000011	2	Grommet	
16	1001228828	4	Gusset, Support	
17	7114160818	4	Screw 3/8 x 1	
18	7660162601	8	Nut 3/8	
19	7950160143	16	Washer 3/8	

SECTION 7 - ELECTRICAL

FIGURE 7-82. LIGHTS - WING LIGHT ASSEMBLY - 22IN AMBER (ECCO)



ART_1001133591

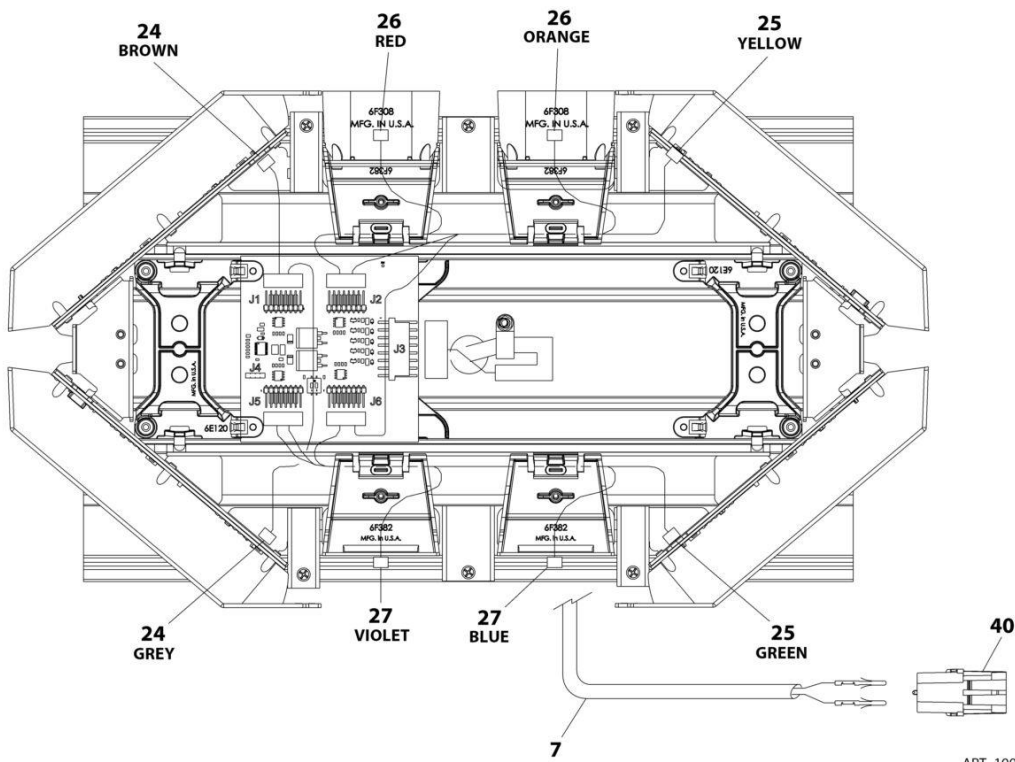
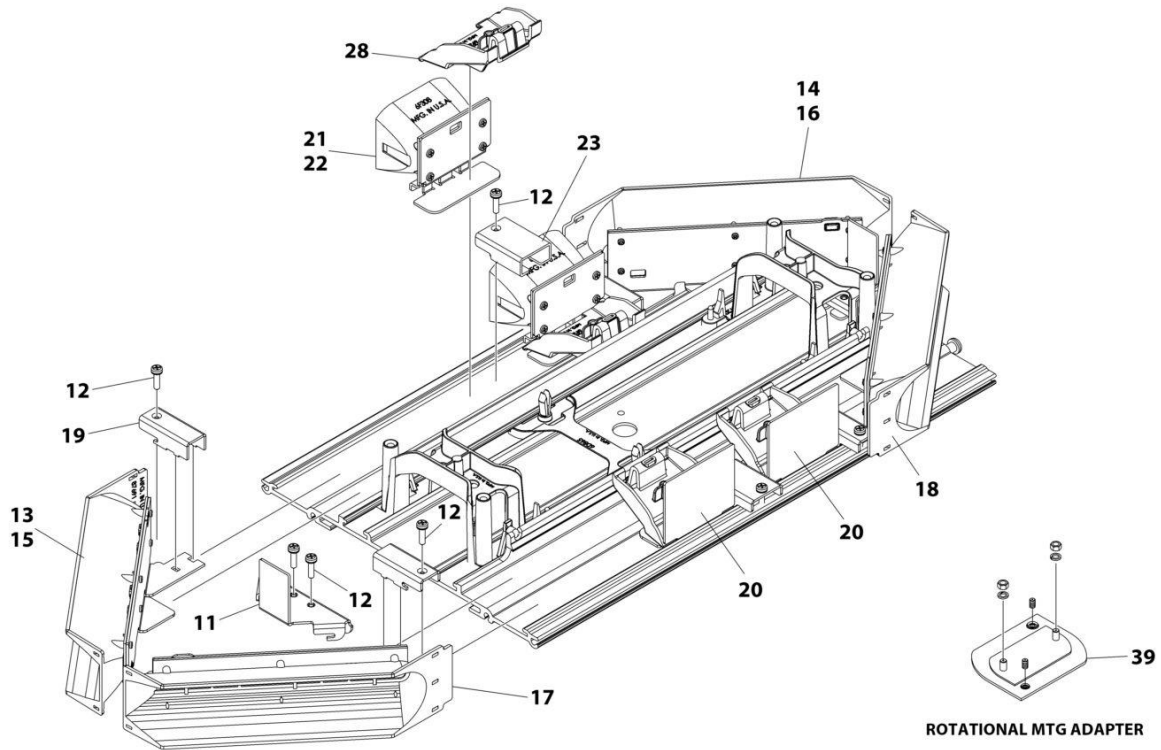
SECTION 7 - ELECTRICAL

FIGURE 7-82. LIGHTS - WING LIGHT ASSEMBLY - 22IN AMBER (ECCO)

ITEM	PART NUMBER	QTY	DESCRIPTION	REV
	1001133591	Ref	LIGHTS - WING LIGHT ASSEMBLY - 22IN AMBER (ECCO BRAND)	C
1	NPN	1	Lens - Clear (Lower)	
2	NPN	1	Lens - Clear (Upper)	
3	70052802	4	Clip	
4	NPN	4	Bracket, Blanking	
5	NPN	2	Plate, Adapter	
6	70052796	1	Bracket, Blanking	
7	70052795	2	Module and Bracket - Amber (Corner)	
8	70052898	2	Module and Bracket - Amber (Side)	
9	NPN	1	Flasher (Control PC Board)	
10	NPN	1	Harness (Not Shown)	

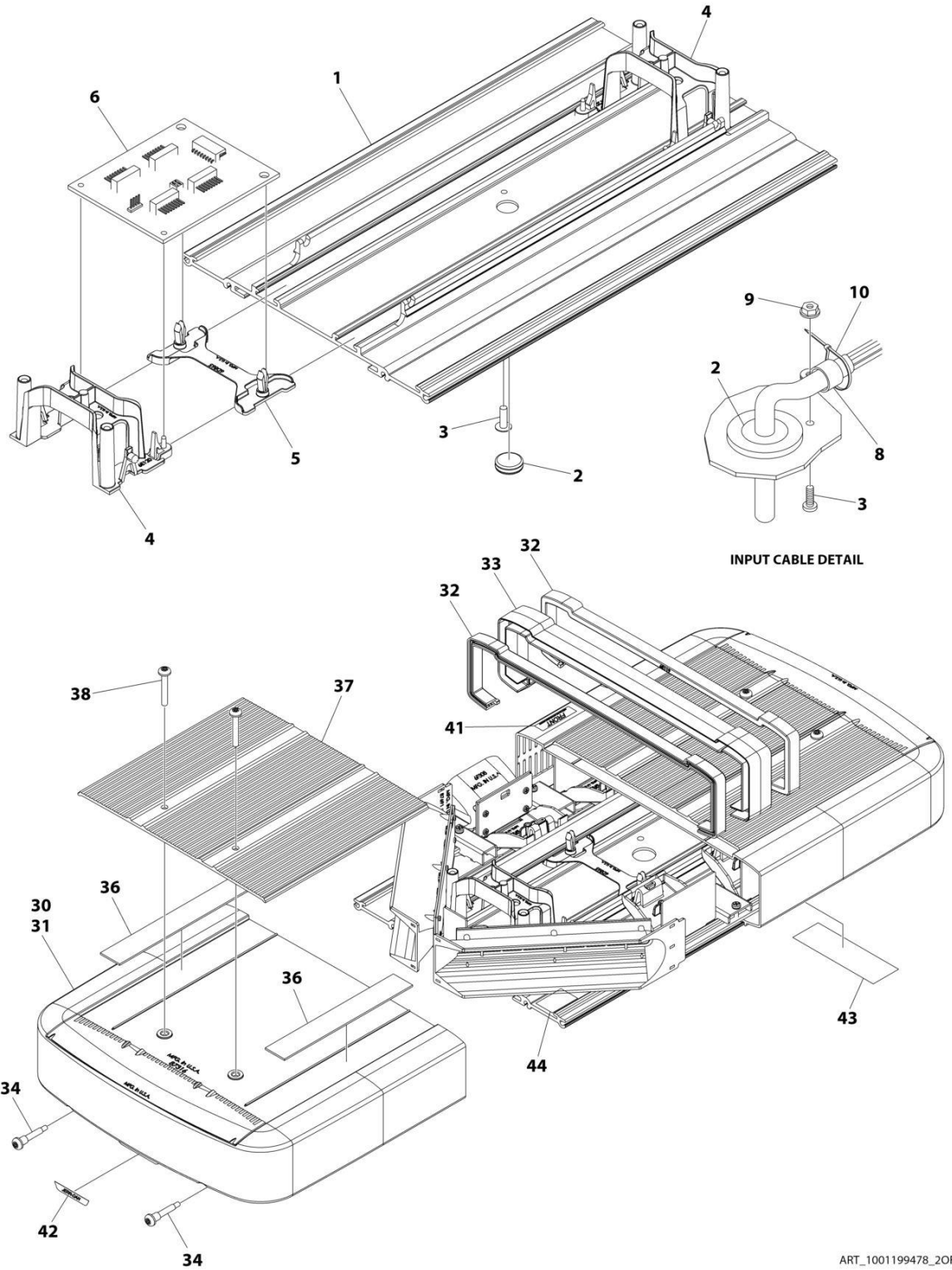
SECTION 7 - ELECTRICAL

FIGURE 7-83. LIGHTS - WING LIGHT ASSEMBLY - 22IN AMBER (WHELEN)



ART_1001199478_1OF2

SECTION 7 - ELECTRICAL



ART_1001199478_20F2

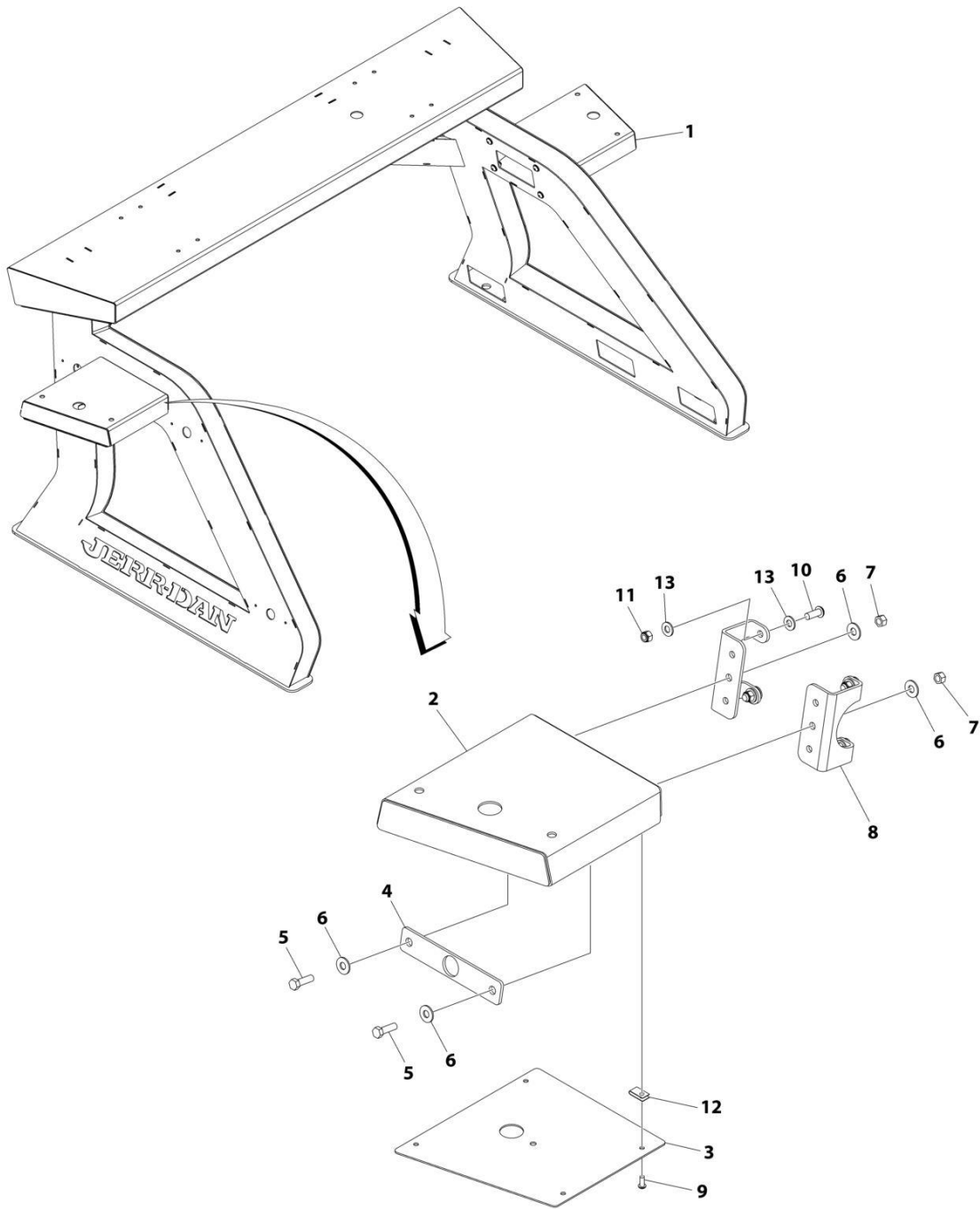
SECTION 7 - ELECTRICAL

FIGURE 7-83. LIGHTS - WING LIGHT ASSEMBLY - 22IN AMBER (WHELEN)

ITEM	PART NUMBER	QTY	DESCRIPTION	REV
	1001199478	Ref	LIGHTS - LAMP ASSEMBLY - 22IN WHELEN WING LIGHT	B
1	70051019	1	Base	
2	70050169	1	Grommet	
3	70051020	1	Screw #10 x 7/8	
4	70051021	2	Bracket, Bulkhead Lens Mount	
5	70051022	1	Bracket, I/O Anchor	
6	70051023	1	Assembly, I/O BD Mini	
7	70051024	1	Assembly, Cable	
8	70051025	1	Clamp, Cable	
9	70050174	1	Nut #10	
10	70051026	AR	Tie Wrap	
11	70051027	2	Bracket, End Clamp	
12	70051028	10	Screw #6 x 1/2	
13	70051029	1	Assy, Corner L-Front/R-Rear Amber	
14	70051030	1	Assy, Corner L-Rear/R-Front Amber	
15	70051031	1	Assy, Corner L-Front/R-Rear Blue	
16	70051032	1	Assy, Corner L-Rear/R-Front Blue	
17	70051033	1	Assembly, Blank Rear Drvr Corner	
18	70051034	1	Assembly, Blank Rear Pass Corner	
19	70051035	4	Bracket, Corner Clamp	
20	70051036	2	Bracket, Half Filler	
21	70051037	2	Sub Assy, Short Directional Amber	
22	70051038	2	Sub Assy, Short Directional Blue	
23	70051039	2	Bracket, Filler	
24	70051040	1	Assembly, Harness	
25	70051041	1	Assembly, Harness	
26	70051042	1	Assembly, Harness	
27	70051043	1	Assembly, Harness	
28	70051044	4	Bracket, Snap-In	
29	70051045	AR	Tie Wrap (Not Shown)	
30	70051046	2	Sub Assy, Cut Dome Clear	
31	70051047	2	Sub Assy, Cut Dome Blue	
32	70051048	2	Seal, Lens Divider	
33	70051049	1	Divider, Lens	
34	70051050	4	Screw #10 x 1-1/4	
36	70051051	4	Tape, VHB Endcap Trim Mount	
37	70051052	2	Cover	
38	70051053	4	Screw #10 x 7/8	
39	70050204	2	Kit, Rotational MTG Adapter Jerr-Dan	
40	70051054	1	Housing, 2 POS Male Weather-Pack Sealed	
41	70051055	1	Label, "Front" Lightbar Assys	
42	70051056	2	Label, Jerr-Dan Liberty II	
43	70050207	1	Label, MN/SN Jerr-Dan Lightbar	
44	70051057	1	Label, Serial Number Liberty II Series	

SECTION 7 - ELECTRICAL

FIGURE 7-84. LIGHTS - WING LIGHTS MOUNT ONLY INSTALLATION (SN 0230005220 to Present)



ART_1001228841

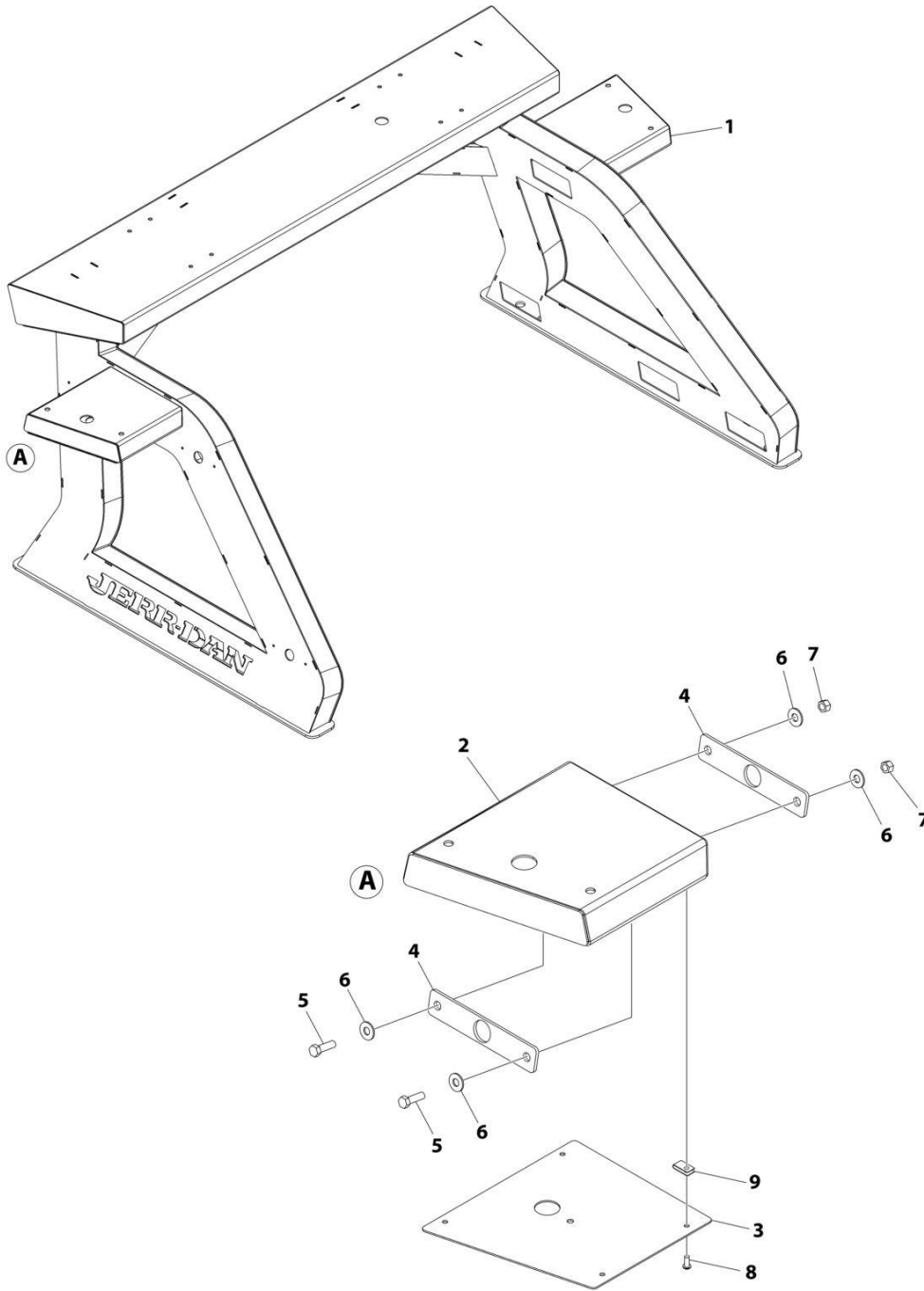
SECTION 7 - ELECTRICAL

FIGURE 7-84. LIGHTS - WING LIGHTS MOUNT ONLY INSTALLATION (SN 0230005220 to Present)

ITEM	PART NUMBER	QTY	DESCRIPTION	REV
	1001228841	Ref	Wing Light Bracket Installation	A
1	1001228844	1	Mount, RH	
2	1001228845	1	Mount, LH	
3	1001213110	2	Plate	
4	1001214129	2	Plate	
5	0641610	4	Capscrew 3/8 x 1-1/4	
6	4751600	8	Washer 3/8	
7	3271605	4	Nut 3/8	
8	1001228828	4	Gusset, Support	
9	7114140518	8	Screw 1/4 5/8	
10	7114160818	8	Screw 3/8 x 1	
11	7660162601	8	Nut 3/8	
12	7661000019	8	U-Nut 1/4	
13	7950160143	16	Washer 3/8	

SECTION 7 - ELECTRICAL

FIGURE 7-85. LIGHTS - WING LIGHTS MOUNT ONLY INSTALLATION



ART_1001214318

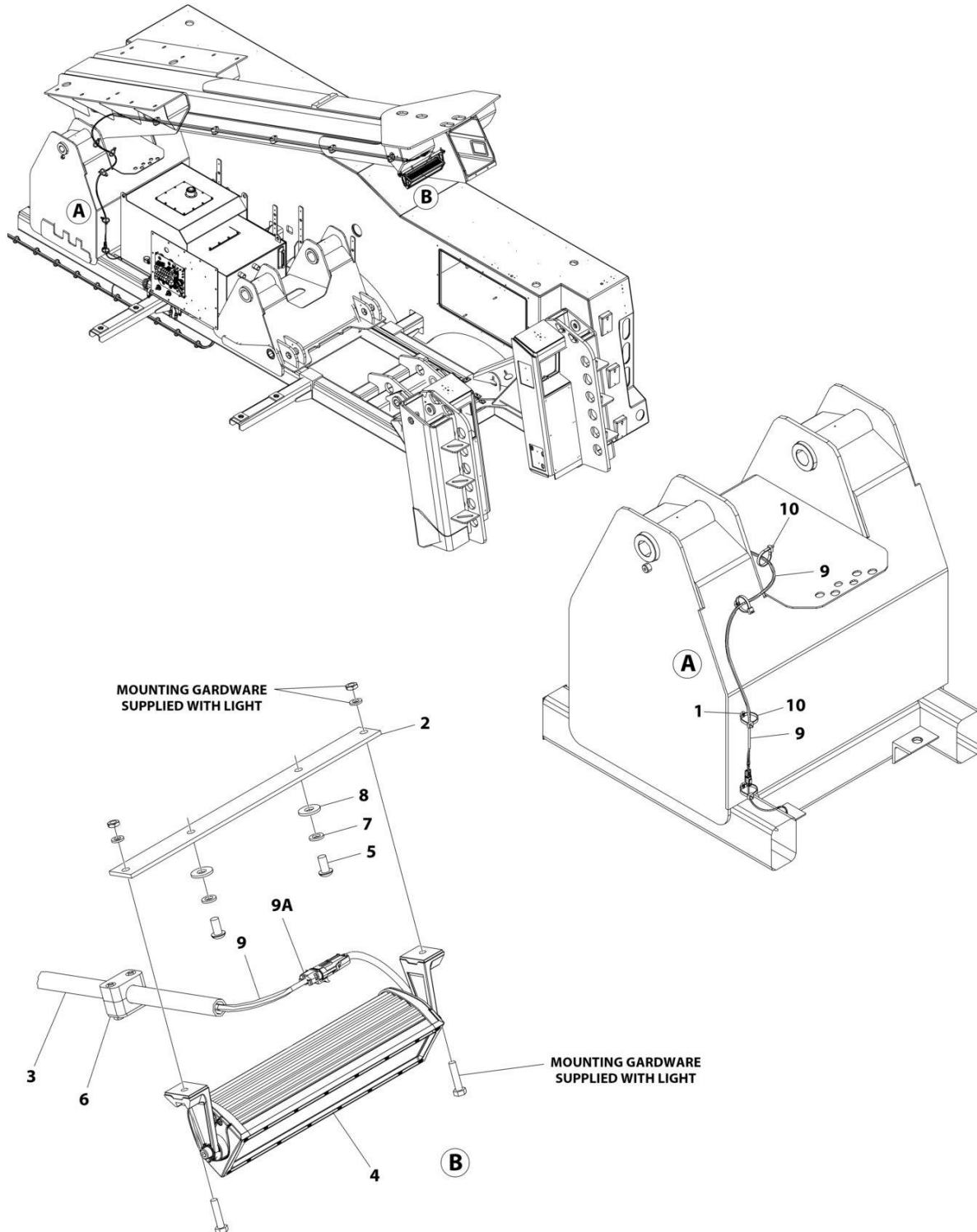
SECTION 7 - ELECTRICAL

FIGURE 7-85. LIGHTS - WING LIGHTS MOUNT ONLY INSTALLATION

ITEM	PART NUMBER	QTY	DESCRIPTION	REV
	1001214318	1	LIGHTS - WING LIGHTS MOUNT ONLY INSTALLATION	C
1	1001213104	1	Mount, RH	
2	1001213105	1	Mount, LH	
3	1001213110	2	Plate	
4	1001214129	4	Plate	
5	0641610	4	Bolt 3/8 x 1-1/4	
6	4751600	8	Washer 3/8	
7	3271605	4	Nut 3/8	
8	7114140518	8	Screw 1/4 5/8	
9	7661000019	8	U-Nut 1/4	

SECTION 7 - ELECTRICAL

FIGURE 7-86. LIGHTS - WORK LIGHTS INSTALLATION (BOOM)



ART_1001217624

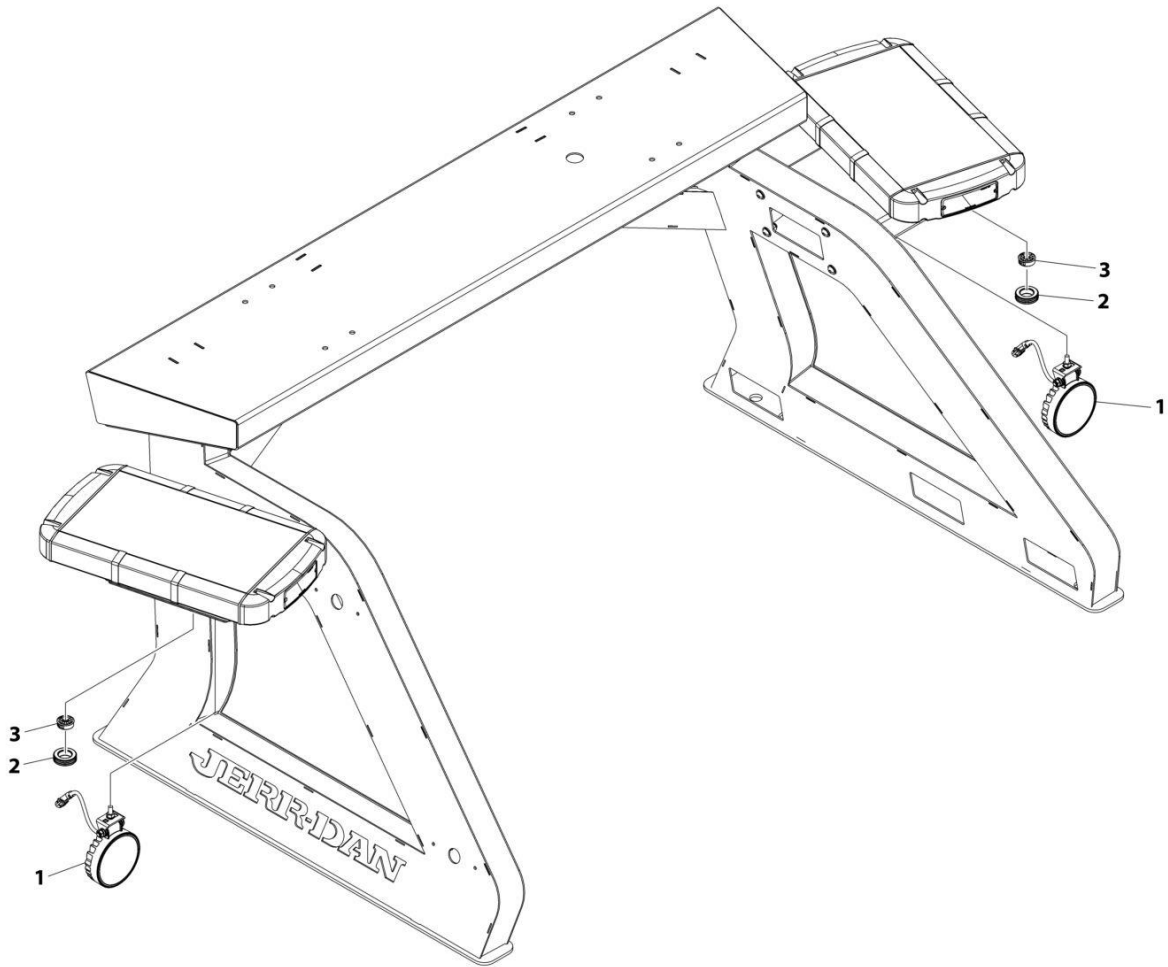
SECTION 7 - ELECTRICAL

FIGURE 7-86. LIGHTS - WORK LIGHTS INSTALLATION (BOOM)

ITEM	PART NUMBER	QTY	DESCRIPTION	REV
	1001217624	Ref	WORKLIGHT INSTALLATION - BOOM	B
1	1001202986	2	Mount, Tie-Strap	
2	1001206241	1	Mount, Work Light (Prior to SN 0230008750, Except Prior to SN 0230008750)	
2	1001270464	1	Mount, Work Light (SN 0230008750 to Present)	
3	1001206319	1	Tube	
4	1001206401	1	Light (Prior to SN 0230008750)	
4	1001270479	1	Light (SN 0230008750 to Present, Except Prior to SN 0230008750)	
5	7114160618	2	Screw 3/8 x 3/4	
6	7274000095	5	Clamp	
7	7950160003	2	Washer 3/8	
8	7950160163	2	Washer 3/8	
9	1001212488	1	Harness, Boom Light	
9A	4460742	1	Plug, Male - 2 Position	
9A	4460457	2	Socket, Female	
9A	1001190037	2	Seal	
10	5526000553	4	Tie-Strap	

SECTION 7 - ELECTRICAL

FIGURE 7-87. LIGHTS - WORK LIGHTS INSTALLATION (UPPER)



ART_1001207487

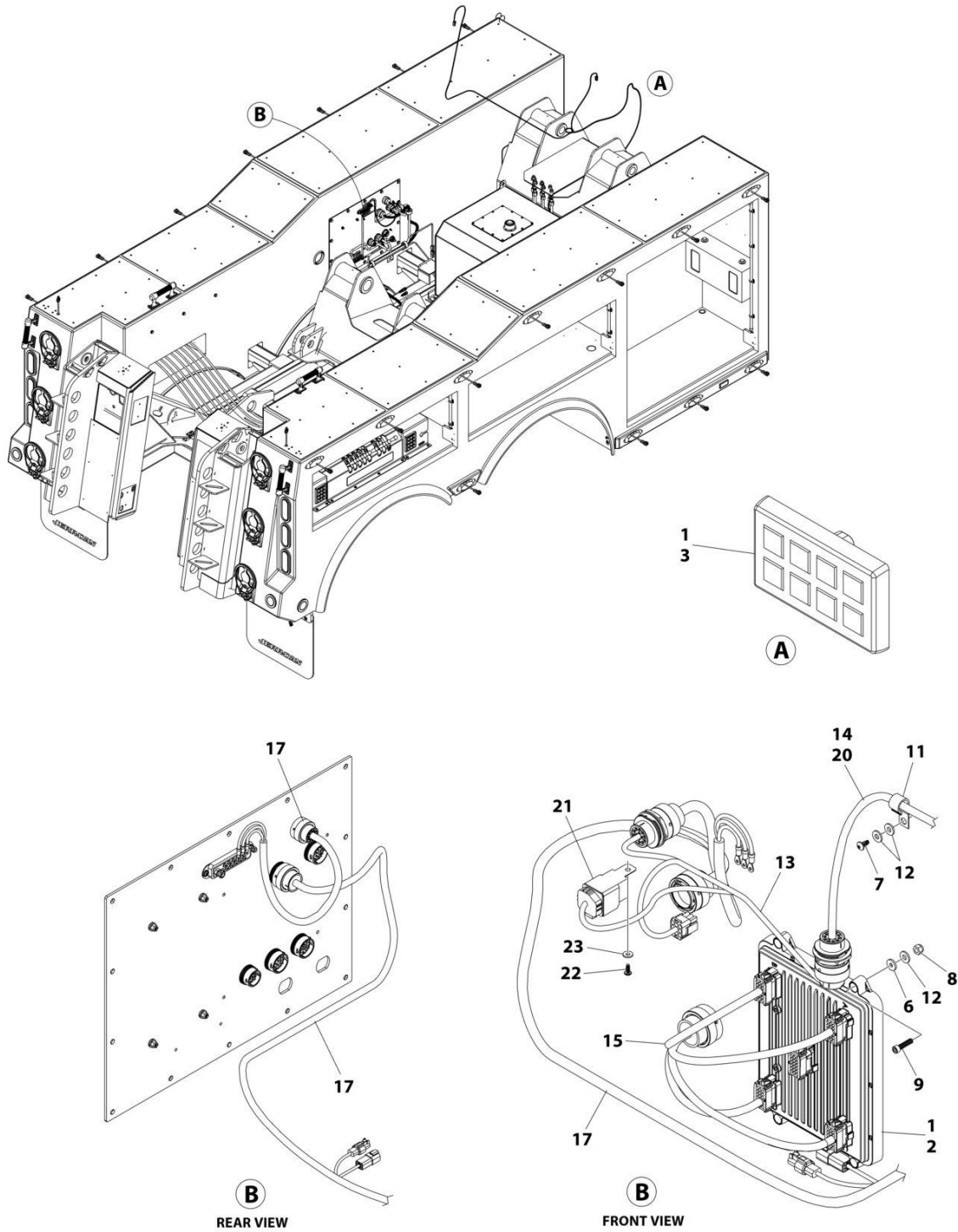
SECTION 7 - ELECTRICAL

FIGURE 7-87. LIGHTS - WORK LIGHTS INSTALLATION (UPPER)

ITEM	PART NUMBER	QTY	DESCRIPTION	REV
	1001207487	Ref	UPPER WORK LIGHTS INSTALLATION	D
1	1001176337	2	Lamp (SN 0230004275 through 0230009719)	
1	1001273634	2	Lamp (SN 0230009720 to Present)	
2	7493000011	AR	Grommet	
3	1001169085	AR	Grommet	
4	5526000553	AR	Tie-Strap (Not Shown)	

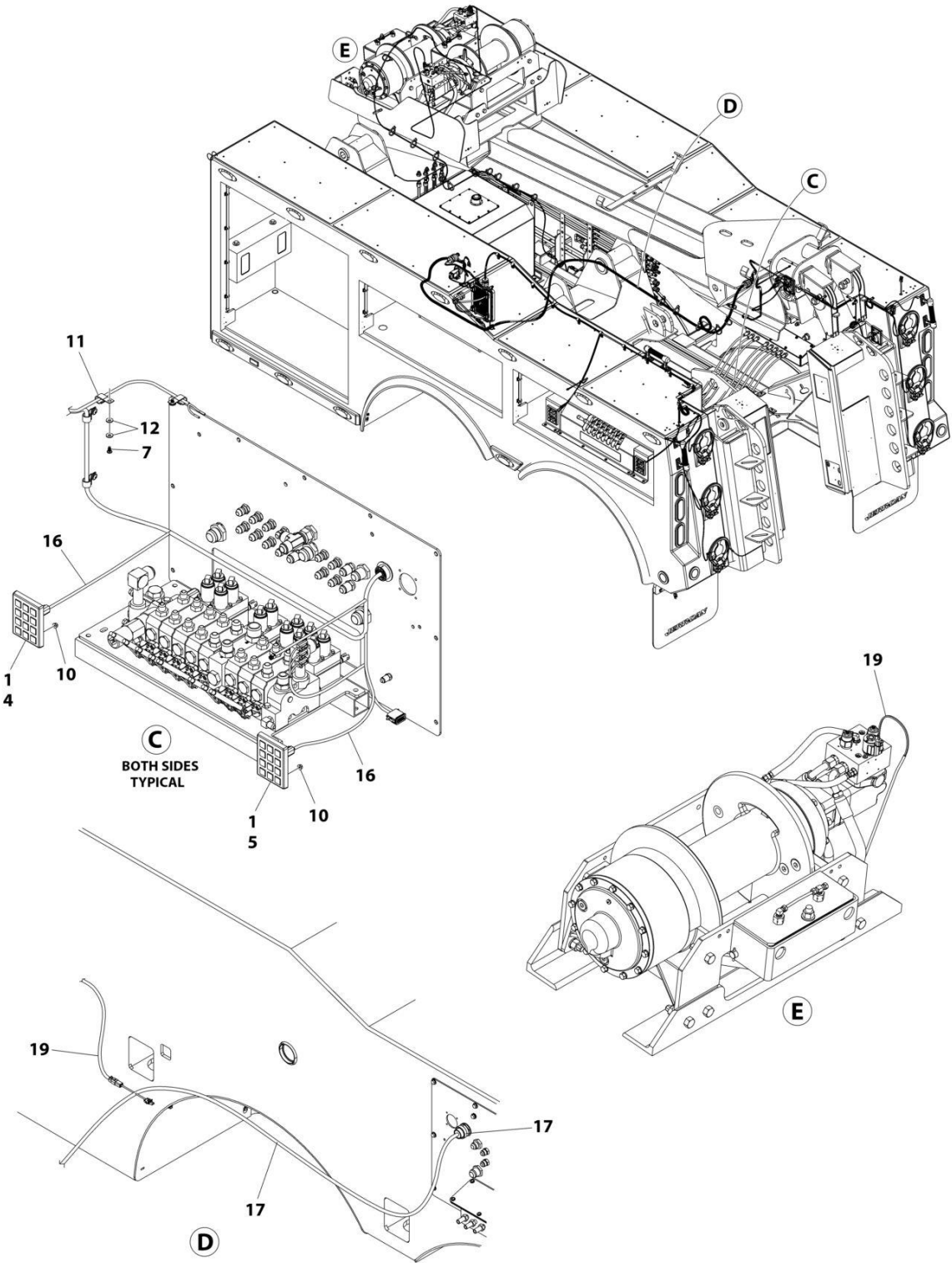
SECTION 7 - ELECTRICAL

FIGURE 7-88. MULTIPLEX INSTALLATION (WITHOUT DRAG WINCH) (SN 0230004275 through 0230006134)



ART_1001216170_10F2

SECTION 7 - ELECTRICAL



ART_1001216170_20F2

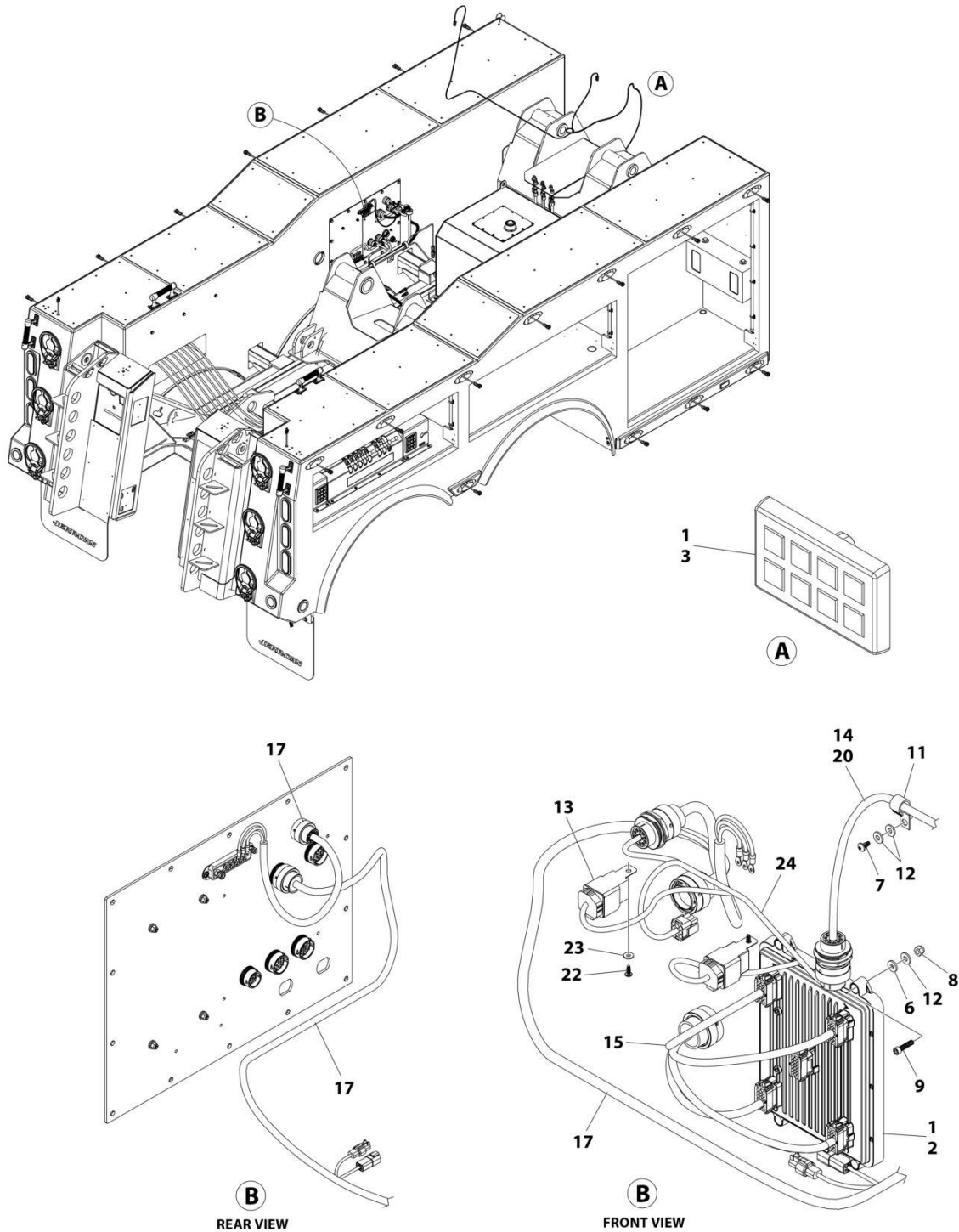
SECTION 7 - ELECTRICAL

FIGURE 7-88. MULTIPLEX INSTALLATION (WITHOUT DRAG WINCH) (SN 0230004275 through 0230006134)

ITEM	PART NUMBER	QTY	DESCRIPTION	REV
	1001216170	Ref	MULTIPLEX INSTALLATION	D
1	1001205244	1	Multiplex Kit	
2	1001211000	1	Module, Multiplex	
3	1001211001	1	Keypad, Lighting (Cab)	
4	1001211002	2	Keypad, Lighting (Body)	
5	1001211003	2	Keypad, Winch (Body)	
6	1001166978	4	Washer, Rubber	
7	1001195257	20	Screw 1/4 x 1/2	
8	7660142601	4	Nut 1/4	
9	1001209590	4	Screw 1/4 x 1	
10	1001209616	16	Nut #10	
11	7280000006	20	Clip	
12	7950140143	44	Washer 1/4	
13	1001208950	1	Harness, Multiplex Jumper (See Separate Breakdown in this Section) (SN 0230004275 through 0230005538)	
13	1001232594	1	Harness, Multiplex Jumper (See Separate Breakdown in this Section) (SN 0230005539 through 0230006134)	
14	1001208951	1	Harness, Multiplex Body (LH) (See Separate Breakdown in this Section) (SN 0230004275 through 0230005538)	
14	1001232593	1	Harness, Multiplex Body (LH) (See Separate Breakdown in this Section) (SN 0230005539 through 0230006134)	
15	1001208952	1	Harness, Multiplex To PDP (See Separate Breakdown in this Section)	
16	1001215100	1	Harness, Multiplex Body (RH) (See Separate Breakdown in this Section) (SN 0230004275 through 0230005538)	
16	1001232595	1	Harness, Multiplex Body (RH) (See Separate Breakdown in this Section) (SN 0230005539 through 0230006134)	
17	1001216916	1	Harness, Multiplex Crossover (See Separate Breakdown in this Section) (SN 0230004275 through 0230005538)	
17	1001232596	1	Harness, Multiplex Crossover (See Separate Breakdown in this Section) (SN 0230005539 through 0230006134)	
18	5526000553	35	Tie-Strap (Not Shown)	
19	1001217309	1	Harness, Winch (See Separate Breakdown in this Section)	
20	7346000039	AR	Tubing	
21	3740080	1	Relay	
22	1001192958	1	Screw #10 x 1/2	
23	7950100143	1	Washer	

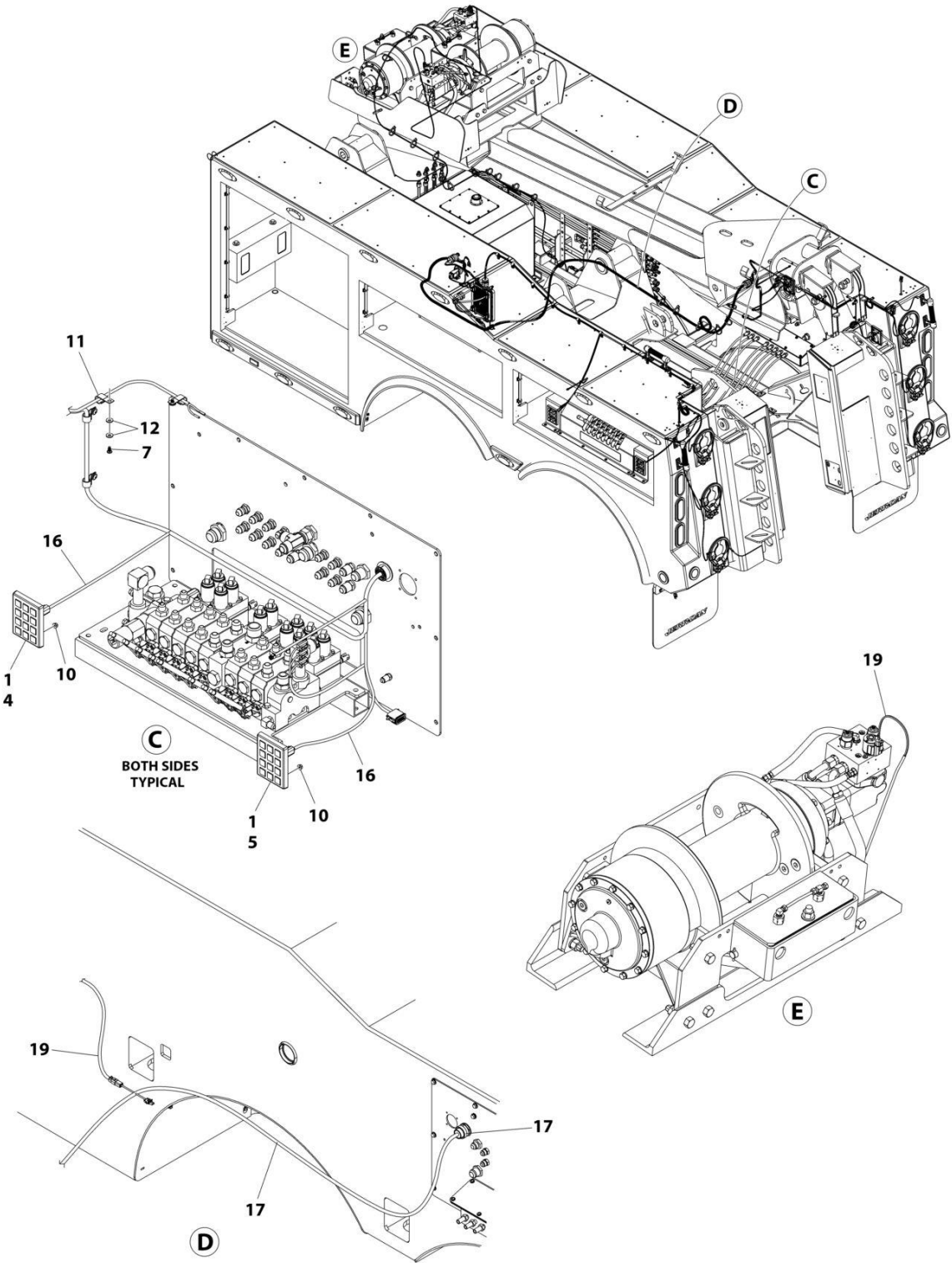
SECTION 7 - ELECTRICAL

FIGURE 7-89. MULTIPLEX INSTALLATION (WITHOUT DRAG WINCH) (SN 0230006135 to Present)



ART_1001236662_10F2

SECTION 7 - ELECTRICAL



ART_1001236662_2OF2

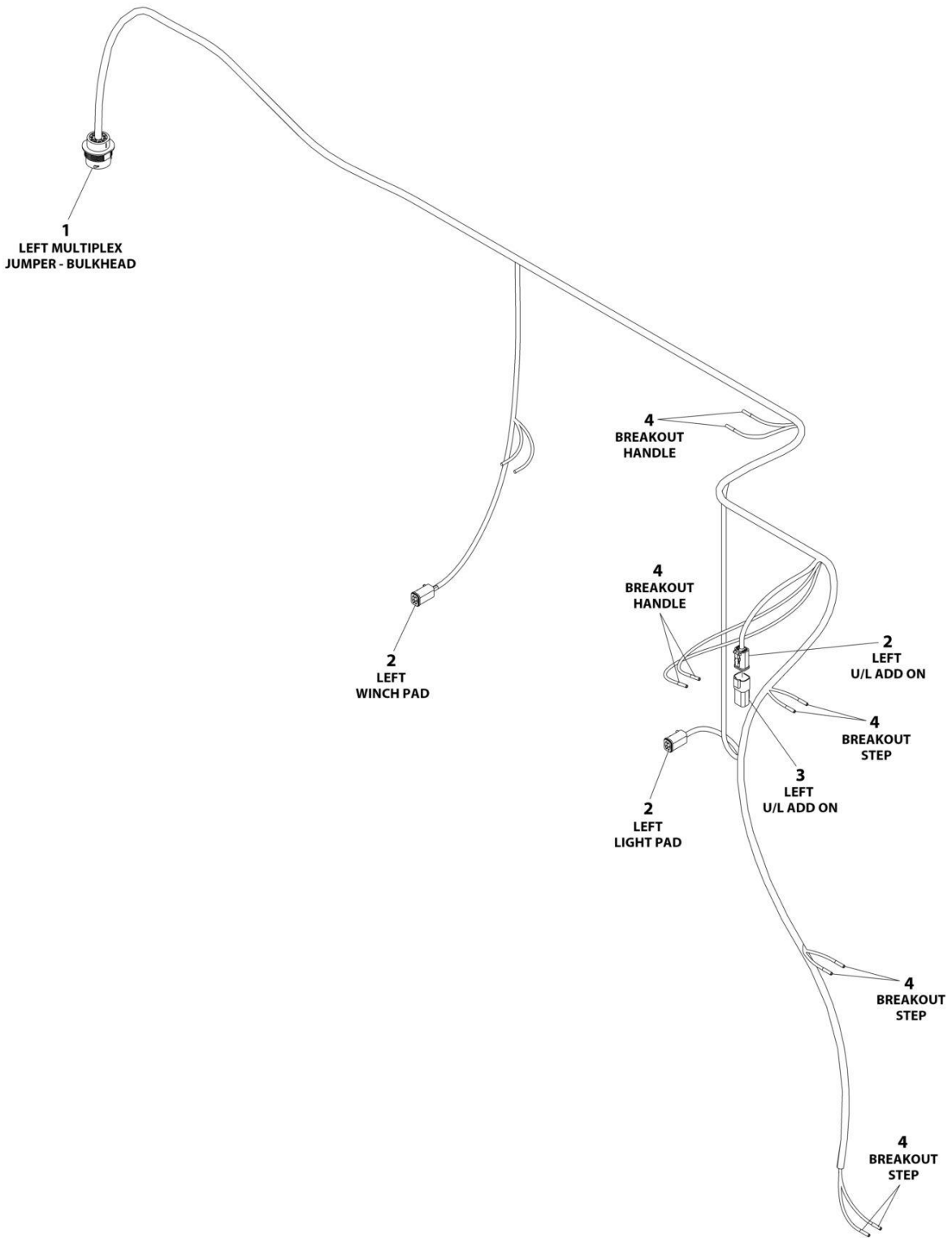
SECTION 7 - ELECTRICAL

FIGURE 7-89. MULTIPLEX INSTALLATION (WITHOUT DRAG WINCH) (SN 0230006135 to Present)

ITEM	PART NUMBER	QTY	DESCRIPTION	REV
	1001236662	Ref	MULTIPLEX INSTALLATION (WITHOUT DRAG WINCH)	F
1	1001258438	1	Wrecker Touchlink	
2	1001258439	1	Module, Touchlink	
3	1001211001	1	Keypad, Lighting (Cab)	
4	1001211002	2	Keypad, Lighting (Body)	
5	1001211003	2	Keypad, Winch (Body)	
6	1001166978	4	Washer, Rubber	
7	1001195257	20	Screw 1/4 x 1/2	
8	7660142601	4	Nut 1/4	
9	1001209590	4	Screw 1/4 x 1	
10	1001209616	16	Nut #10	
11	7280000006	20	Clip	
12	7950140143	44	Washer 1/4	
13	3740080	2	Relay	
14	1001236610	1	Harness, Multiplex Body (LH) (See Separate Breakdown in this Section)	
15	1001208952	1	Harness, Multiplex To PDP (See Separate Breakdown in this Section) (Prior to SN 0230006135)	
15	1001260451	1	Harness, Multiplex To PDP(See Separate Breakdown in this Section) (SN 0230006135 to Present)	
16	1001236612	1	Harness, Multiplex Body (RH) (See Separate Breakdown in this Section)	
17	1001236614	1	Harness, Multiplex Crossover (See Separate Breakdown in this Section)	
18	5526000553	35	Tie-Strap (Not Shown)	
19	1001217309	1	Harness, Winch (See Separate Breakdown in this Section)	
20	7346000039	AR	Tubing	
22	1001192958	2	Screw #10 x 1/2	
23	7950100143	2	Washer	
24	1001236611	1	Harness, Multiplex Jumper (See Separate Breakdown in this Section)	

SECTION 7 - ELECTRICAL

FIGURE 7-90. MULTIPLEX HARNESS - BODY (LH) (SN 0230004275 through 0230005538)



ART_1001208951

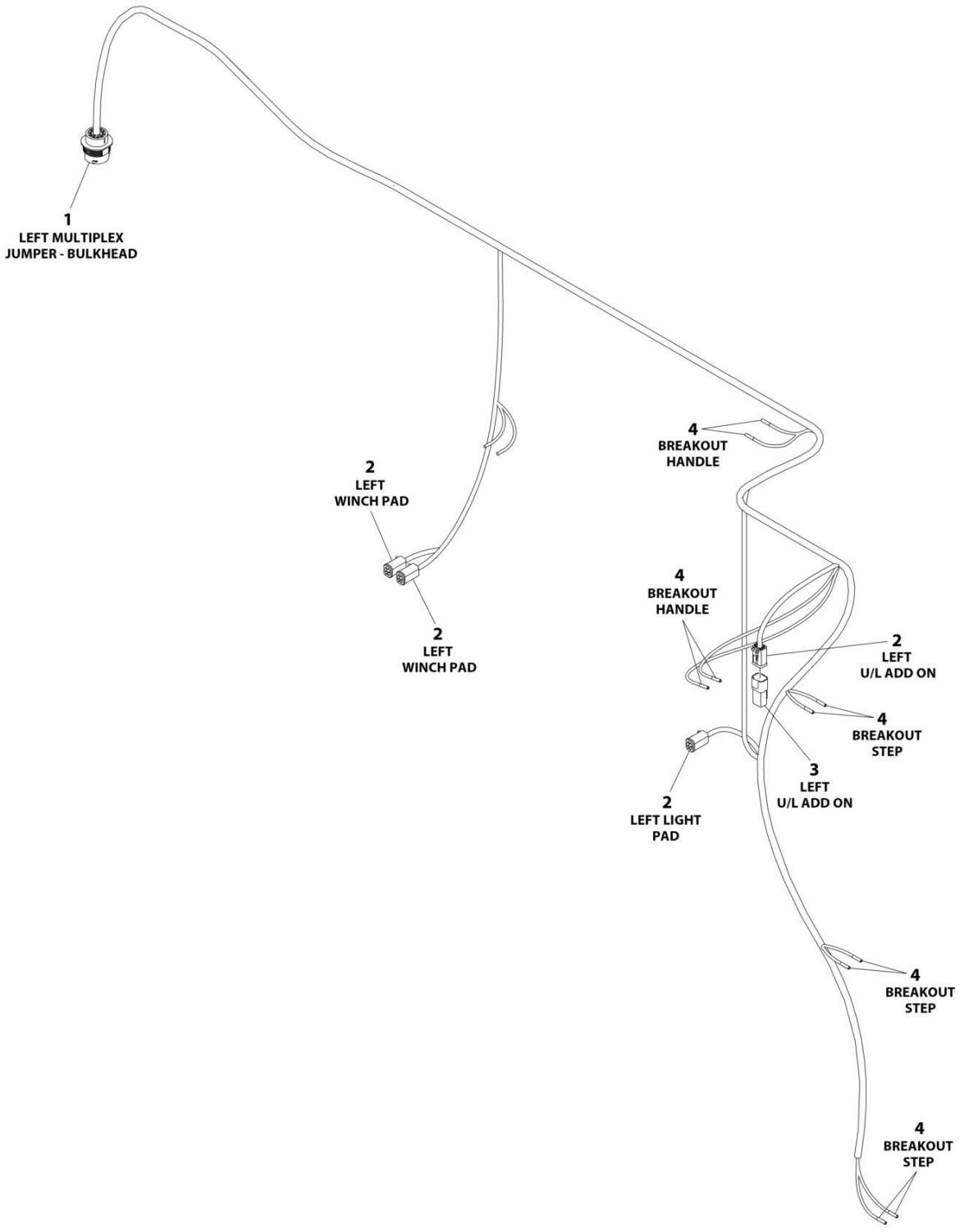
SECTION 7 - ELECTRICAL

FIGURE 7-90. MULTIPLEX HARNESS - BODY (LH) (SN 0230004275 through 0230005538)

ITEM	PART NUMBER	QTY	DESCRIPTION	REV
	1001208951	Ref	MULTIPLEX HARNESS - BODY (LH)	D
1	1001109484	1	Connector - 14 Position	
1	NPN	1	Gasket	
1	NPN	1	Washer	
1	NPN	1	Nut	
1	4460465	8	Socket, Female	
1	4460466	6	Plug, Terminal	
2	4460884	3	Plug, Male - 4 Position	
2	4460465	12	Socket, Female	
3	4460932	1	Receptacle, Female - 4 Position	
3	4460466	4	Plug, Terminal	
4	NPN	10	Connector	

SECTION 7 - ELECTRICAL

FIGURE 7-91. MULTIPLEX HARNESS - BODY (LH) (SN 0230005539 through 0230006134)



ART_1001232593

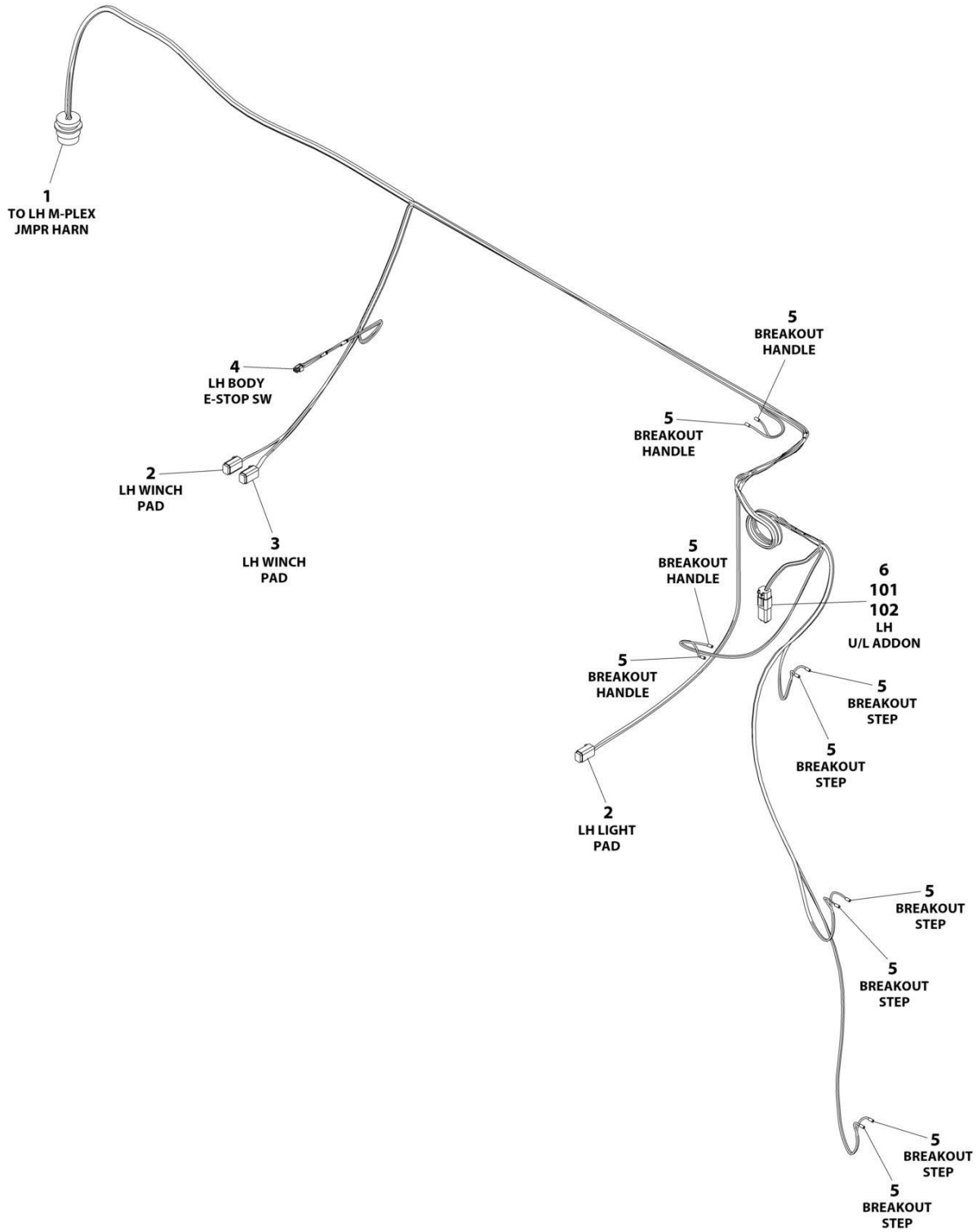
SECTION 7 - ELECTRICAL

FIGURE 7-91. MULTIPLEX HARNESS - BODY (LH) (SN 0230005539 through 0230006134)

ITEM	PART NUMBER	QTY	DESCRIPTION	REV
	1001232593	Ref	MULTIPLEX HARNESS - BODY (LH)	B
1	1001109484	1	Connector - 14 Position	
1	NPN	1	Gasket	
1	NPN	1	Washer	
1	NPN	1	Nut	
1	4460465	8	Socket, Female	
1	4460466	6	Plug, Terminal	
2	4460884	4	Plug, Male - 4 Position	
2	4460465	16	Socket, Female	
3	4460932	1	Receptacle, Female - 4 Position	
3	4460466	4	Plug, Terminal	
4	NPN	10	Connector	

SECTION 7 - ELECTRICAL

FIGURE 7-92. MULTIPLEX HARNESS - BODY (LH) (SN 0230006135 to Present)



ART_1001236610

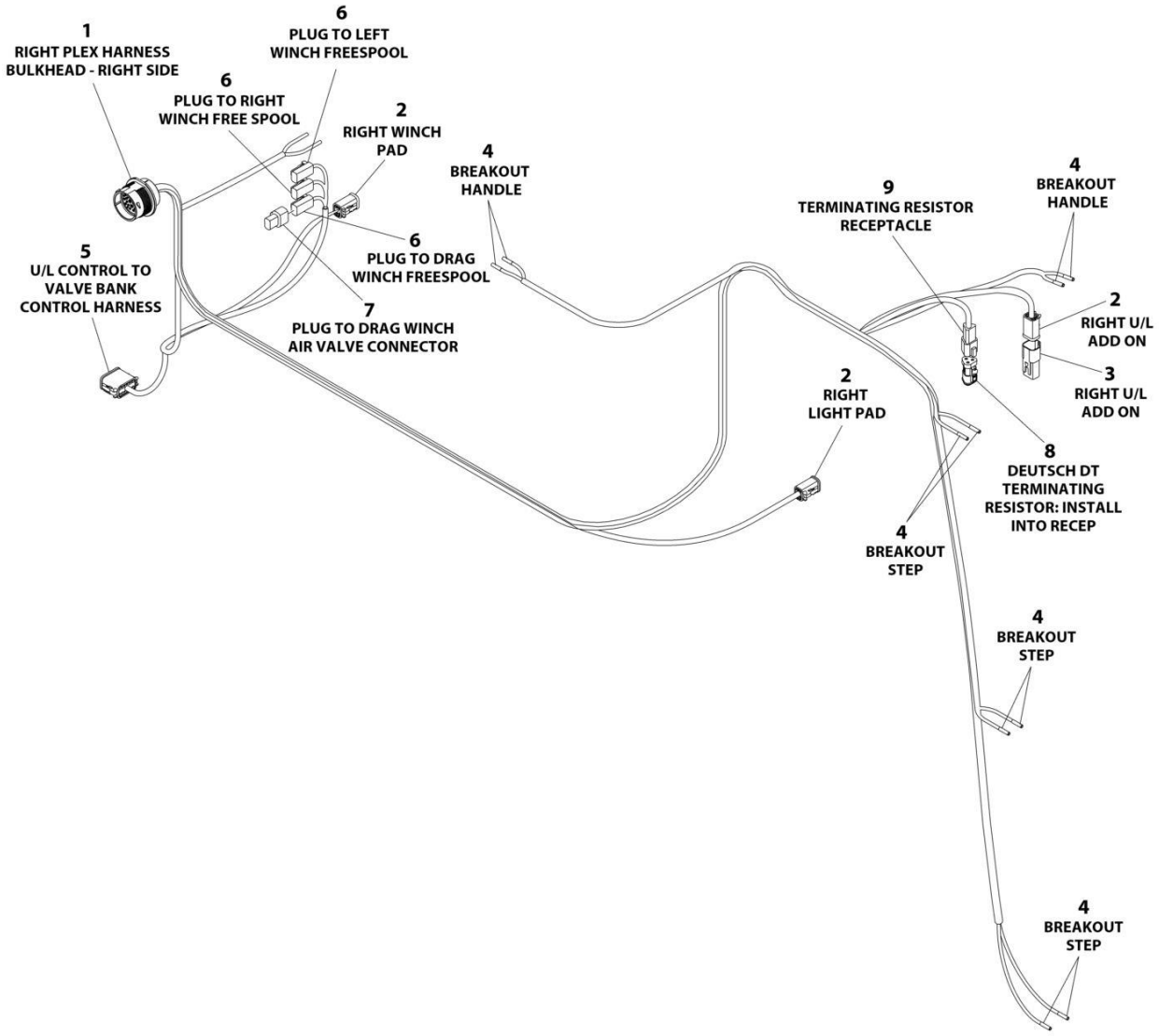
SECTION 7 - ELECTRICAL

FIGURE 7-92. MULTIPLEX HARNESS - BODY (LH) (SN 0230006135 to Present)

ITEM	PART NUMBER	QTY	DESCRIPTION	REV
	1001236610	Ref	MULTIPLEX HARNESS - BODY (LH)	E
1	1001109484	1	Connector - 14 Position	
1	NPN	1	Gasket	
1	NPN	1	Washer	
1	NPN	1	Nut	
1	4460464	9	Pin, Male	
1	4460943	2	Pin, Male	
1	4460466	3	Plug, Terminal	
2	1001262482	2	Plug, Male - 4 Position	
2	4460465	4	Socket, Female	
2	4460944	4	Socket, Female	
3	1001262483	1	Plug, Male - 4 Position	
3	4460465	2	Socket, Female	
3	4460466	2	Plug, Terminal	
4	1001262746	1	Connector - 6 Position	
4	1001262747	6	Terminal	
5	1001201994	10	Terminal	
6	4460884	1	Plug, Male - 4 Position	
6	4460465	2	Socket, Female	
6	4460944	2	Socket, Female	
101	4460466	4	Plug, Terminal	
102	4460932	1	Receptacle, Female - 4 Position	

SECTION 7 - ELECTRICAL

FIGURE 7-93. MULTIPLEX HARNESS - BODY (RH) (SN 0230004275 through 0230005538)



ART_1001215100

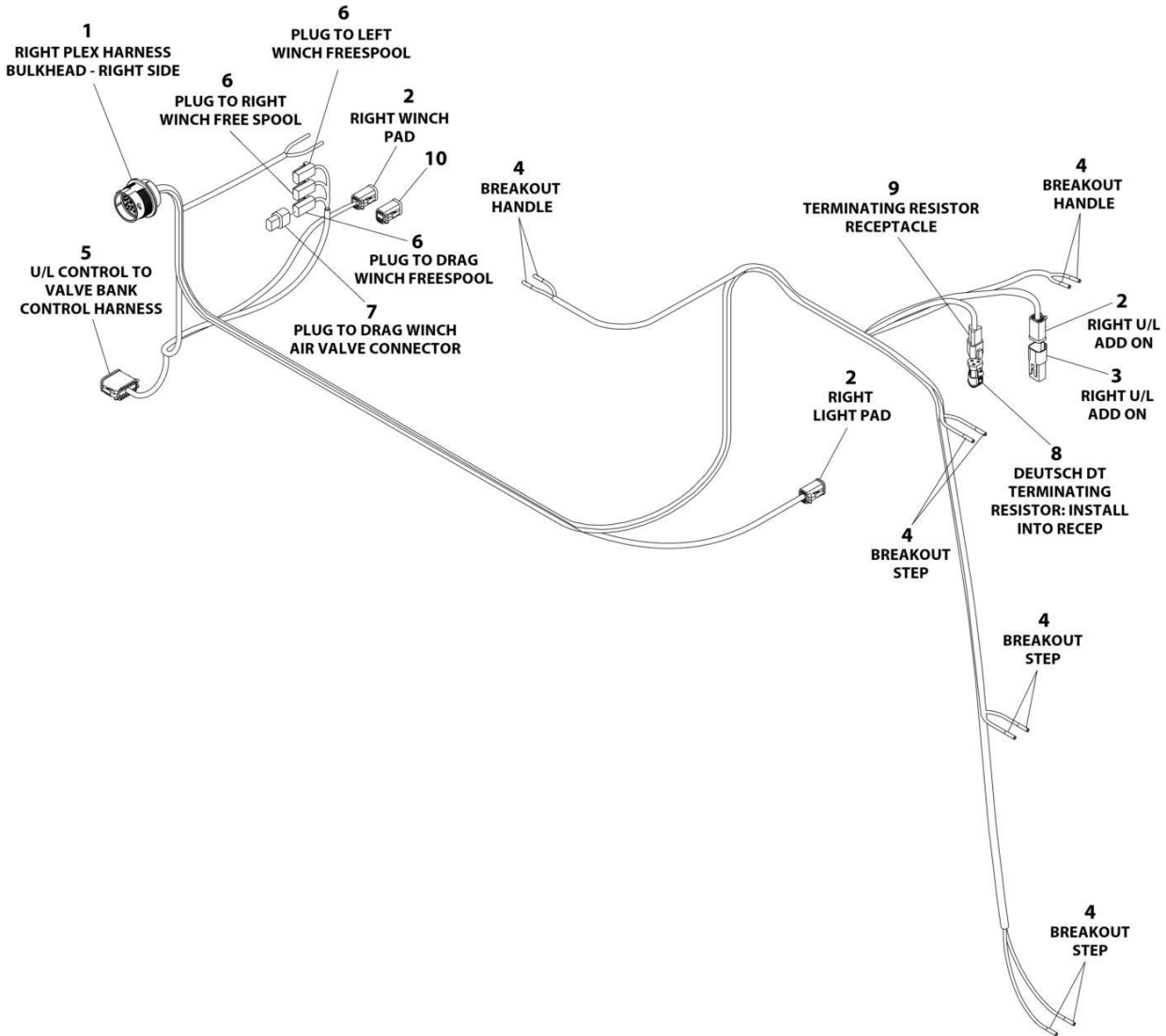
SECTION 7 - ELECTRICAL

FIGURE 7-93. MULTIPLEX HARNESS - BODY (RH) (SN 0230004275 through 0230005538)

ITEM	PART NUMBER	QTY	DESCRIPTION	REV
	1001215100	Ref	MULTIPLEX HARNESS - BODY (RH)	C
1	1001263566	1	Connector - 29 Position	
1	NPN	1	Gasket	
1	NPN	1	Washer	
1	NPN	1	Nut	
1	4460508	1	Pin, Male	
1	4460464	14	Pin, Male	
1	NPN	4	Pin, Male	
1	4460916	2	Plug, Terminal	
1	4460466	8	Plug, Terminal	
2	4460884	3	Plug, Male - 4 Position	
2	4460465	12	Socket, Female	
3	4460932	1	Receptacle, Female - 4 Position	
3	4460466	4	Plug, Terminal	
4	NPN	8	Connector	
5	4460930	1	Connector - 8 Position	
5	4460465	7	Socket, Female	
5	4460466	1	Plug, Terminal	
6	4460891	3	Plug, Male - 2 Position	
6	4460465	6	Socket, Female	
7	4460897	1	Receptacle, Female - 2 Position	
7	4460466	2	Plug, Terminal	
8	1001116815	1	Plug, Resistor - 2 Position	
9	4460536	1	Receptacle, Female - 3 Position	
9	4460464	2	Pin, Male	
9	4460466	1	Plug, Terminal	

SECTION 7 - ELECTRICAL

FIGURE 7-94. MULTIPLEX HARNESS - BODY (RH) (SN 0230005539 through 0230006134)



ART_1001232595

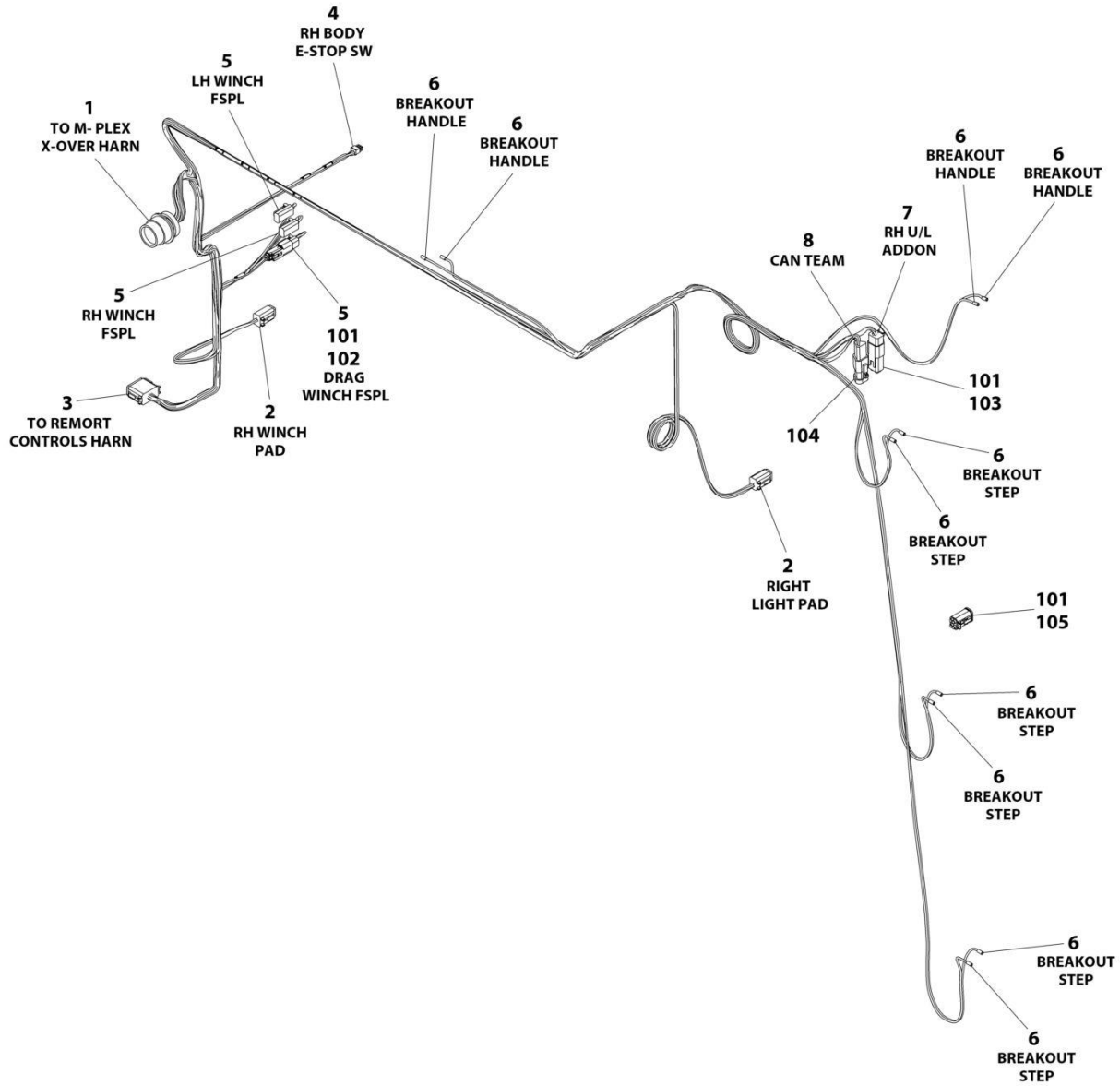
SECTION 7 - ELECTRICAL

FIGURE 7-94. MULTIPLEX HARNESS - BODY (RH) (SN 0230005539 through 0230006134)

ITEM	PART NUMBER	QTY	DESCRIPTION	REV
	1001232595	Ref	MULTIPLEX HARNESS - BODY (RH)	B
1	1001263566	1	Connector - 29 Position	
1	NPN	1	Gasket	
1	NPN	1	Washer	
1	NPN	1	Nut	
1	4460508	1	Pin, Male	
1	4460464	14	Pin, Male	
1	NPN	4	Pin, Male	
1	4460916	2	Plug, Terminal	
1	4460466	8	Plug, Terminal	
2	4460884	3	Plug, Male - 4 Position	
2	4460465	12	Socket, Female	
3	4460932	1	Receptacle, Female - 4 Position	
3	4460466	4	Plug, Terminal	
4	NPN	8	Connector	
5	4460930	1	Connector - 8 Position	
5	4460465	7	Socket, Female	
5	4460466	1	Plug, Terminal	
6	4460891	3	Plug, Male - 2 Position	
6	4460465	6	Socket, Female	
7	4460897	1	Receptacle, Female - 2 Position	
7	4460466	2	Plug, Terminal	
8	1001116815	1	Plug, Resistor - 2 Position	
9	4460536	1	Receptacle, Female - 3 Position	
9	4460464	2	Pin, Male	
9	4460466	1	Plug, Terminal	
10	4460884	1	Plug, Male - 4 Position (Supplied Separately)	
10	4460466	4	Plug, Terminal	

SECTION 7 - ELECTRICAL

FIGURE 7-95. MULTIPLEX HARNESS - BODY (RH) (SN 0230006135 to Present)



ART_1001236612

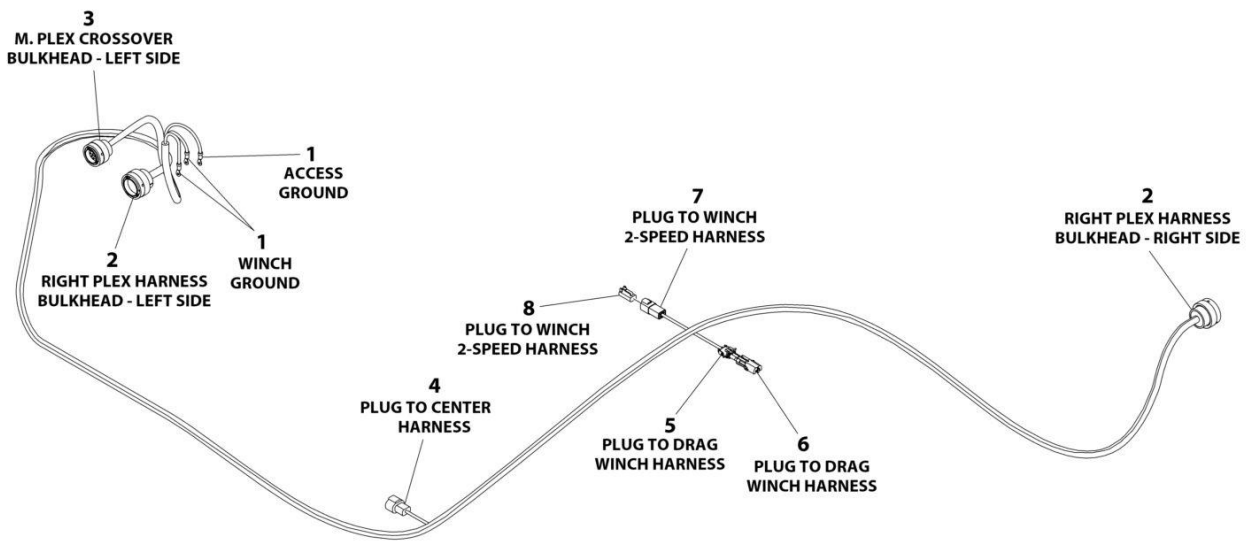
SECTION 7 - ELECTRICAL

FIGURE 7-95. MULTIPLEX HARNESS - BODY (RH) (SN 0230006135 to Present)

ITEM	PART NUMBER	QTY	DESCRIPTION	REV
	1001236612	Ref	MULTIPLEX HARNESS - BODY (LH)	D
1	1001263566	1	Connector - 29 Position	
1	NPN	1	Gasket	
1	NPN	1	Washer	
1	NPN	1	Nut	
1	4460508	1	Pin, Male	
1	4460464	14	Pin, Male	
1	4460943	1	Pin, Male	
1	1001126010	1	Pin, Male	
1	1001126011	4	Pin, Male	
1	4460466	8	Plug, Terminal	
2	1001262482	2	Plug, Male - 4 Position	
2	4460465	4	Socket, Female	
2	4460944	4	Socket, Female	
3	4460836	1	Plug, Male - 12 Position	
3	4460465	11	Socket, Female	
3	4460466	1	Plug, Terminal	
4	1001262746	1	Connector - 6 Position	
4	1001262747	6	Terminal	
5	4460891	3	Plug, Male - 2 Position	
5	4460465	6	Socket, Female	
6	1001201994	10	Terminal	
7	4460884	1	Plug, Male - 4 Position	
7	4460465	2	Socket, Female	
7	4460944	2	Socket, Female	
8	1001144147	1	Receptacle, Female - 3 Position	
8	4460464	2	Pin, Male	
8	4460466	1	Plug, Terminal	
101	4460466	10	Plug, Terminal	
102	4460897	1	Receptacle, Female - 2 Position	
103	4460932	1	Receptacle, Female - 4 Position	
104	1001116815	1	Plug, Resistor - 2 Position	
105	1001262483	1	Plug, Male - 4 Position	

SECTION 7 - ELECTRICAL

FIGURE 7-96. MULTIPLEX HARNESS - CROSSOVER (SN 0230004275 through 0230005538)



ART_1001216916

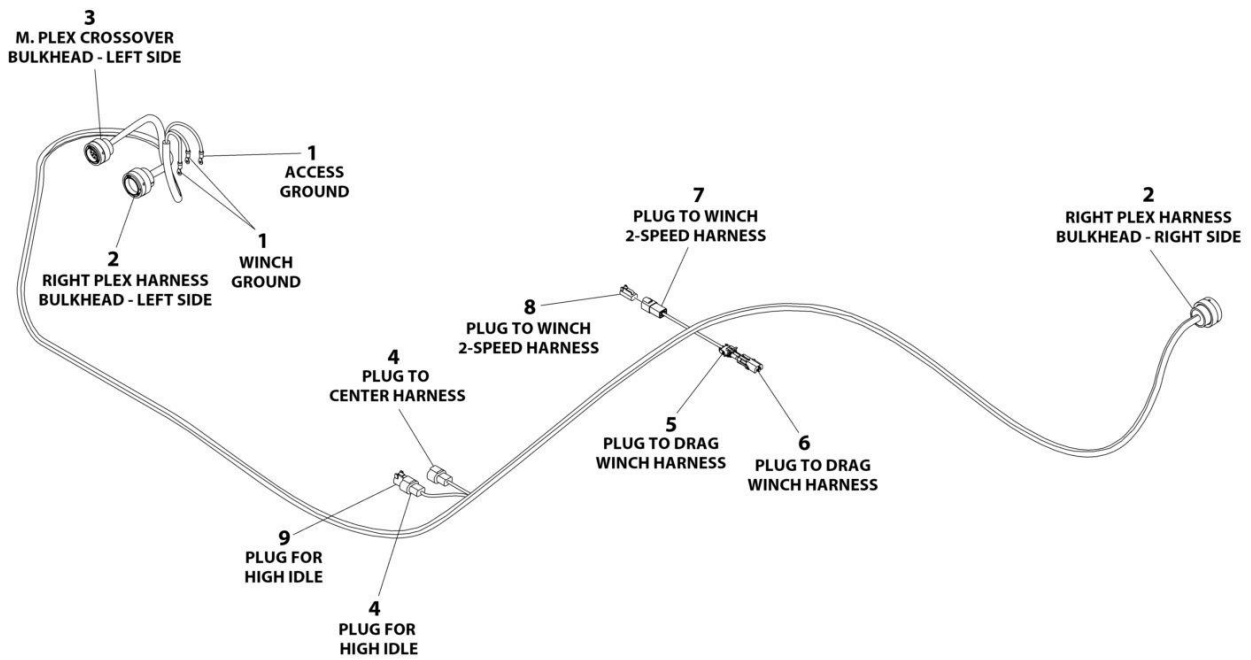
SECTION 7 - ELECTRICAL

FIGURE 7-96. MULTIPLEX HARNESS - CROSSOVER (SN 0230004275 through 0230005538)

ITEM	PART NUMBER	QTY	DESCRIPTION	REV
	1001216916	Ref	MULTIPLEX HARNESS - CROSSOVER	B
1	NPN	3	Terminal, Ring	
2	1001263483	2	Connector - 29 Position	
2	4460916	7	Plug, Terminal	
2	4460466	14	Plug, Terminal	
2	4460465	32	Socket, Female	
2	1001126008	4	Socket, Female	
3	NPN	1	Connector - 14 Position	
3	4460464	3	Pin, Male	
3	4460466	11	Plug, Terminal	
4	4460897	1	Receptacle, Female - 2 Position	
4	4460464	2	Pin, Male	
5	4460742	1	Plug, Male - 2 Position	
5	4460457	2	Terminal	
5	NPN	2	Seal	
6	4460867	1	Receptacle, Female - 2 Position	
6	4460466	2	Plug, Terminal	
7	4460932	1	Receptacle, Female - 4 Position	
7	4460464	4	Pin, Male	
8	4460884	1	Plug, Male - 4 Position	
8	4460466	4	Plug, Terminal	

SECTION 7 - ELECTRICAL

FIGURE 7-97. MULTIPLEX HARNESS - CROSSOVER (SN 0230005539 through 0230006134)



ART_1001232596

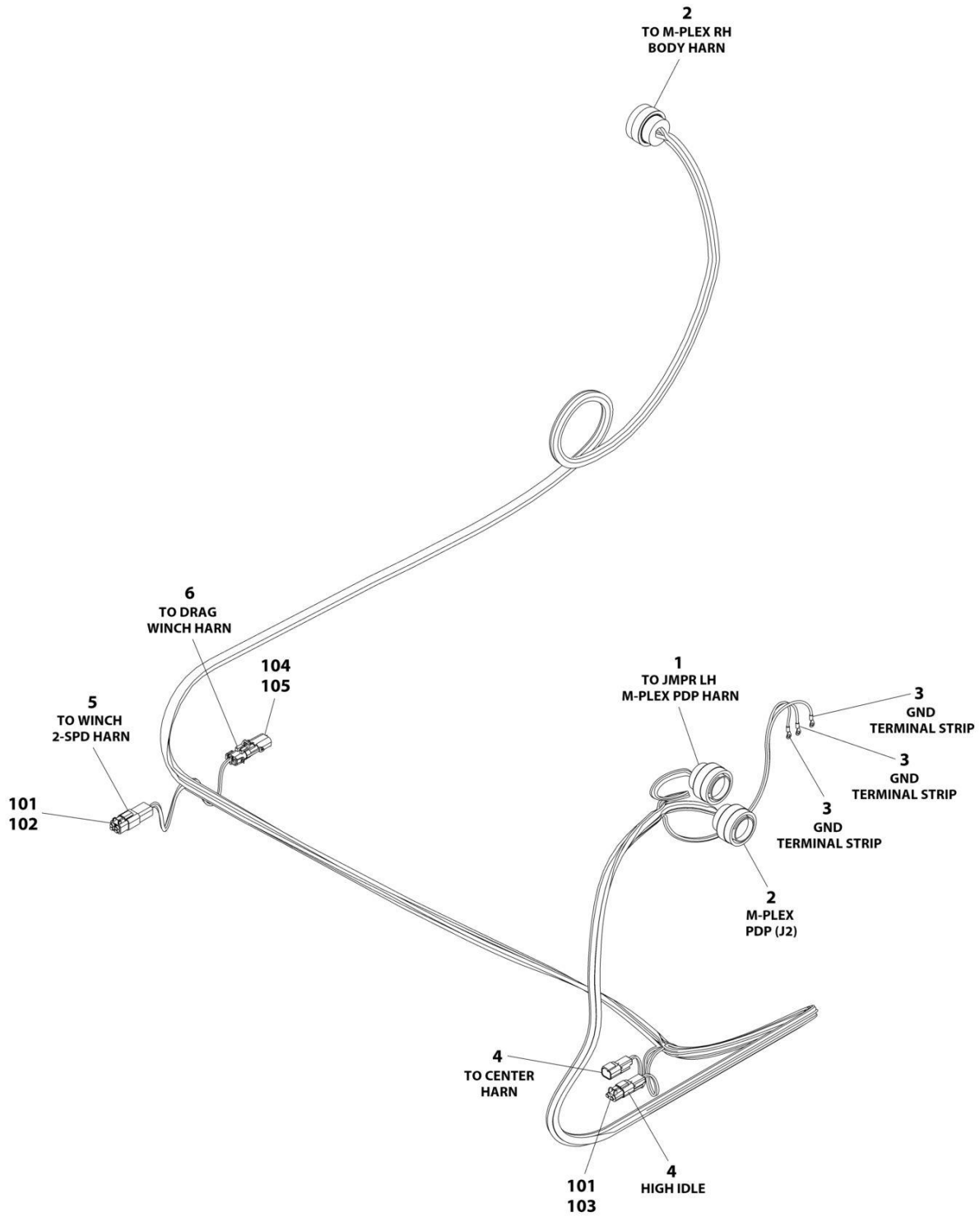
SECTION 7 - ELECTRICAL

FIGURE 7-97. MULTIPLEX HARNESS - CROSSOVER (SN 0230005539 through 0230006134)

ITEM	PART NUMBER	QTY	DESCRIPTION	REV
	1001232596	Ref	MULTIPLEX HARNESS - CROSSOVER	B
1	NPN	3	Terminal, Ring	
2	1001263483	2	Connector - 29 Position	
2	4460916	7	Plug, Terminal	
2	4460466	14	Plug, Terminal	
2	4460465	32	Socket, Female	
2	1001126008	4	Socket, Female	
3	NPN	1	Connector - 14 Position	
3	4460464	5	Pin, Male	
3	4460466	9	Plug, Terminal	
4	4460897	2	Receptacle, Female - 2 Position	
4	4460464	4	Pin, Male	
5	4460742	1	Plug, Male - 2 Position	
5	4460457	2	Terminal	
5	NPN	2	Seal	
6	4460867	1	Receptacle, Female - 2 Position	
6	4460466	2	Plug, Terminal	
7	4460932	1	Receptacle, Female - 4 Position	
7	4460464	4	Pin, Male	
8	4460884	1	Plug, Male - 4 Position	
8	4460466	4	Plug, Terminal	
9	4460891	1	Plug, Male - 2 Position	
9	4460466	2	Plug, Terminal	

SECTION 7 - ELECTRICAL

FIGURE 7-98. MULTIPLEX HARNESS - CROSSOVER (SN 0230006135 to Present)



ART_1001236614

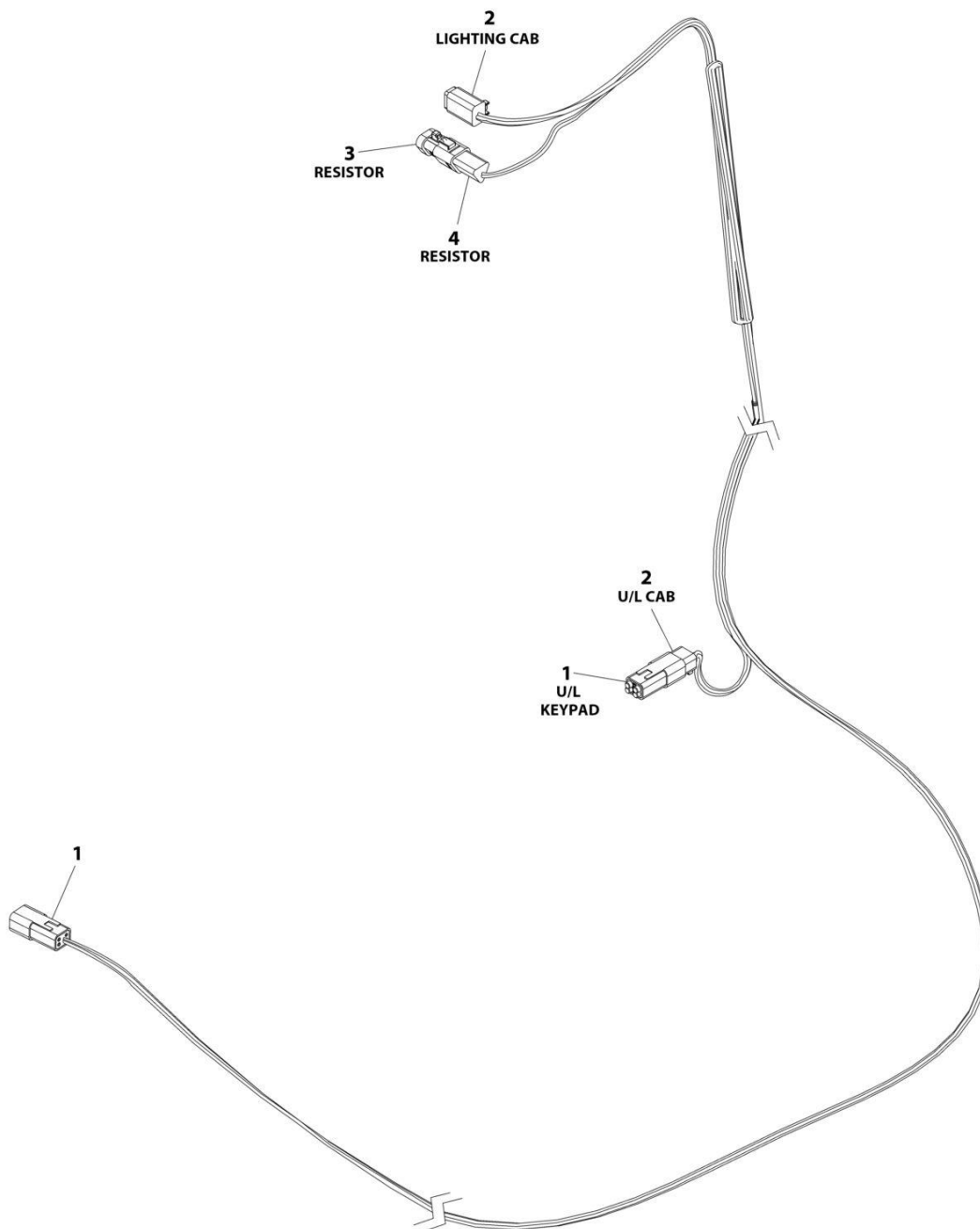
SECTION 7 - ELECTRICAL

FIGURE 7-98. MULTIPLEX HARNESS - CROSSOVER (SN 0230006135 to Present)

ITEM	PART NUMBER	QTY	DESCRIPTION	REV
	1001236614	Ref	MULTIPLEX HARNESS - CROSSOVER	C
1	1001263765	1	Connector - 14 Position	
1	4460464	8	Pin, Male	
1	4460466	6	Plug, Terminal	
2	1001263483	2	Connector - 29 Position	
2	4460465	29	Socket, Female	
2	4460944	2	Socket, Female	
2	1001126008	4	Socket, Female	
2	1001126009	2	Socket, Female	
2	4460509	1	Socket, Female	
2	4460518	6	Plug, Terminal	
2	4460466	13	Plug, Terminal	
3	1001263545	3	Terminal, Ring	
4	4460897	2	Receptacle, Female - 2 Position	
4	4460464	4	Pin, Male	
5	4460932	1	Receptacle, Female - 4 Position	
5	4460464	4	Pin, Male	
6	4460742	1	Plug, Male - 2 Position	
6	4460457	2	Terminal	
101	4460466	6	Plug, Terminal	
102	4460884	1	Plug, Male - 4 Position	
103	4460891	1	Plug, Male - 2 Position	
104	4461157	1	Receptacle, Female - 2 Position	
105	1001116727	1	Plug, Male - 4 Position	

SECTION 7 - ELECTRICAL

FIGURE 7-99. MULTIPLEX HARNESS - IN-CAB CONTROL (CONSOLE MOUNTED)



ART_1001208976

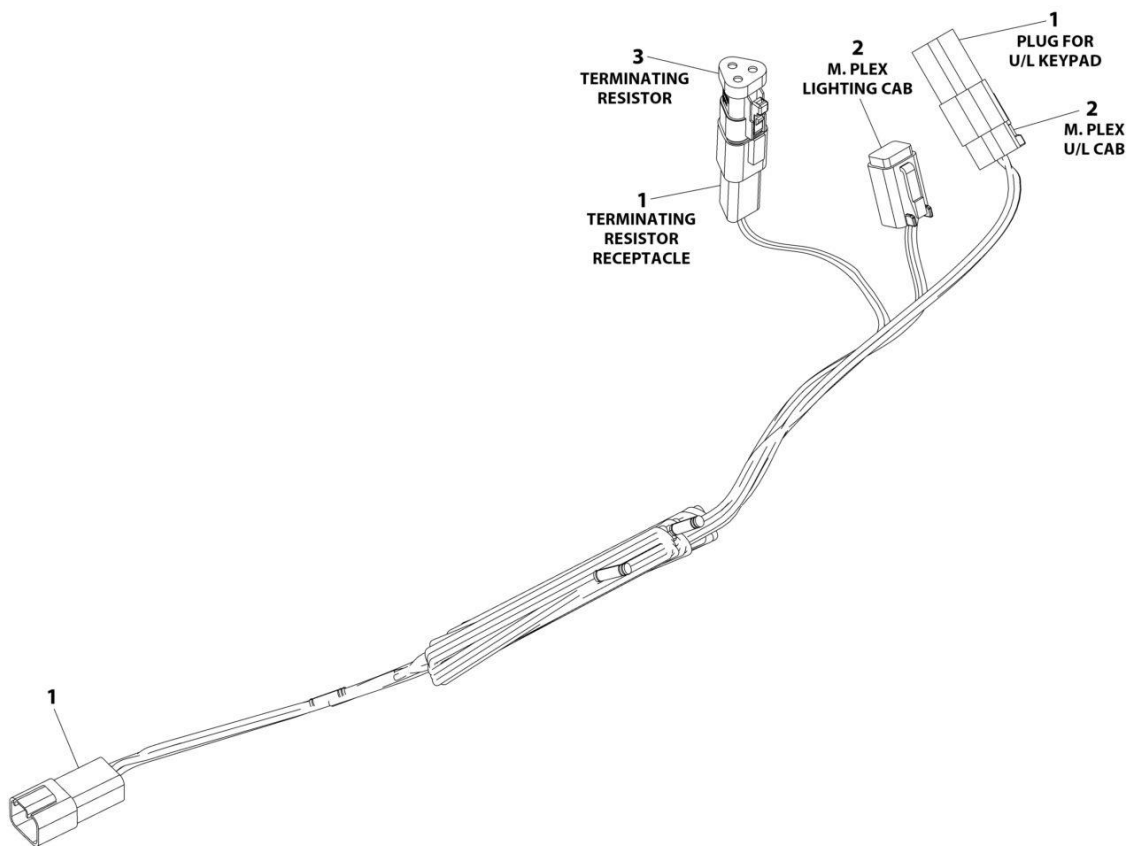
SECTION 7 - ELECTRICAL

FIGURE 7-99. MULTIPLEX HARNESS - IN-CAB CONTROL (CONSOLE MOUNTED)

ITEM	PART NUMBER	QTY	DESCRIPTION	REV
	1001208976	Ref	MULTIPLEX IN-CAB CONTROLS HARNESS (CONSOLE MOUNTED)	D
1	4460932	2	Receptacle, Female - 4 Position	
1	4460464	4	Pin, Male	
1	4460466	4	Plug, Terminal	
2	4460884	2	Plug, Male - 4 Position	
2	4460465	8	Socket, Female	
3	1001116815	1	Plug, Male - 3 Position with Resistor	
4	4460536	1	Receptacle, Female 3 Position	
4	4460464	2	Pin, Male	
4	4460466	1	Plug, Terminal	

SECTION 7 - ELECTRICAL

FIGURE 7-100. MULTIPLEX HARNESS - IN-CAB CONTROL (FLOOR MOUNTED)



ART_1001215421

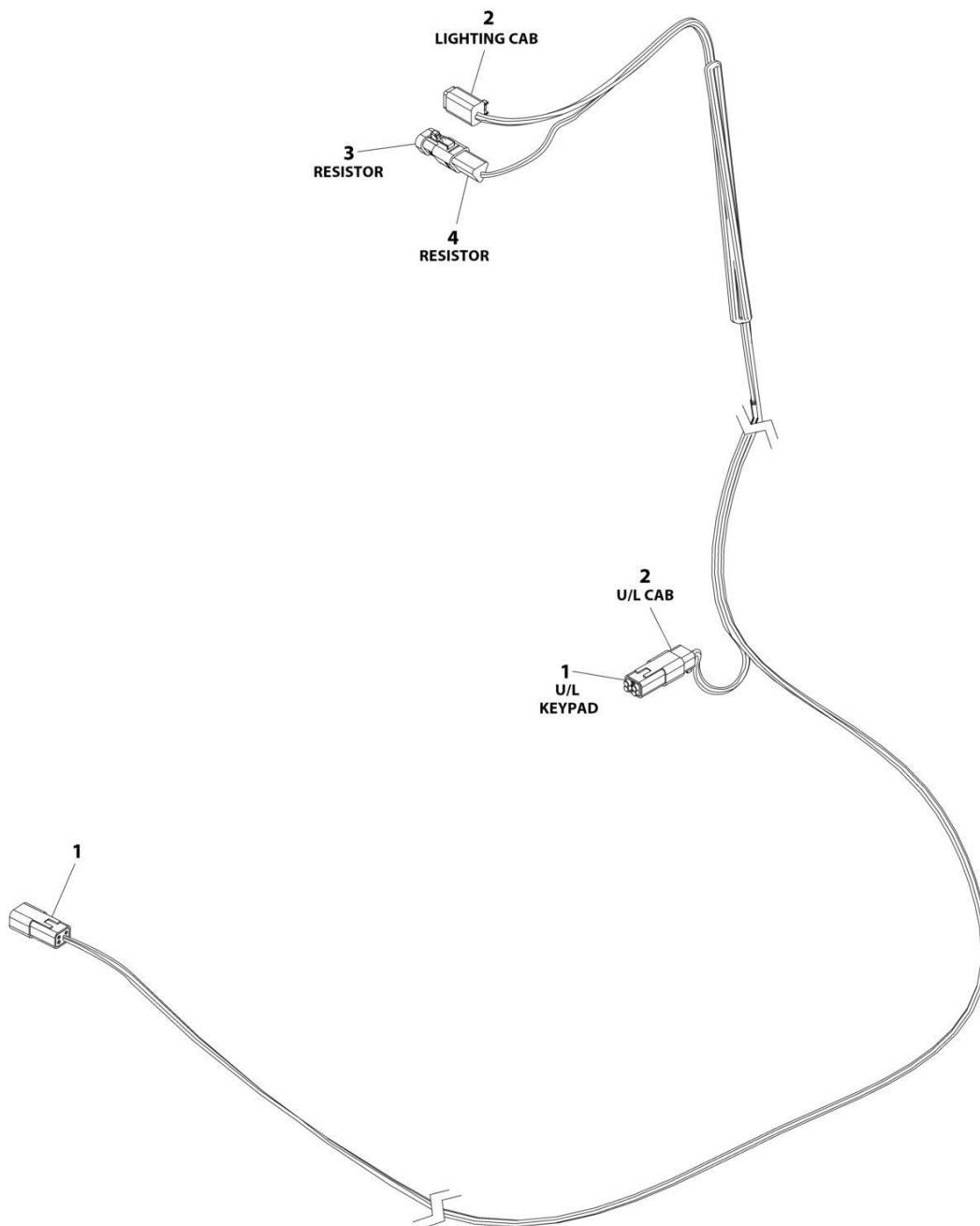
SECTION 7 - ELECTRICAL

FIGURE 7-100. MULTIPLEX HARNESS - IN-CAB CONTROL (FLOOR MOUNTED)

ITEM	PART NUMBER	QTY	DESCRIPTION	REV
	1001215421	Ref	MULTIPLEX IN - CAB CONTROL HARNESS	A
1	4460932	3	Receptacle, Female - 4 Position	
1	4460464	7	Pin, Male	
1	4460466	5	Plug, Terminal	
2	4460884	2	Plug, Male	
2	4460465	8	Socket, Female	
3	1001166815	1	Resistor	

SECTION 7 - ELECTRICAL

FIGURE 7-101. MULTIPLEX HARNESS - IN-CAB CONTROL (KENWORTH T880)



ART_1001215436

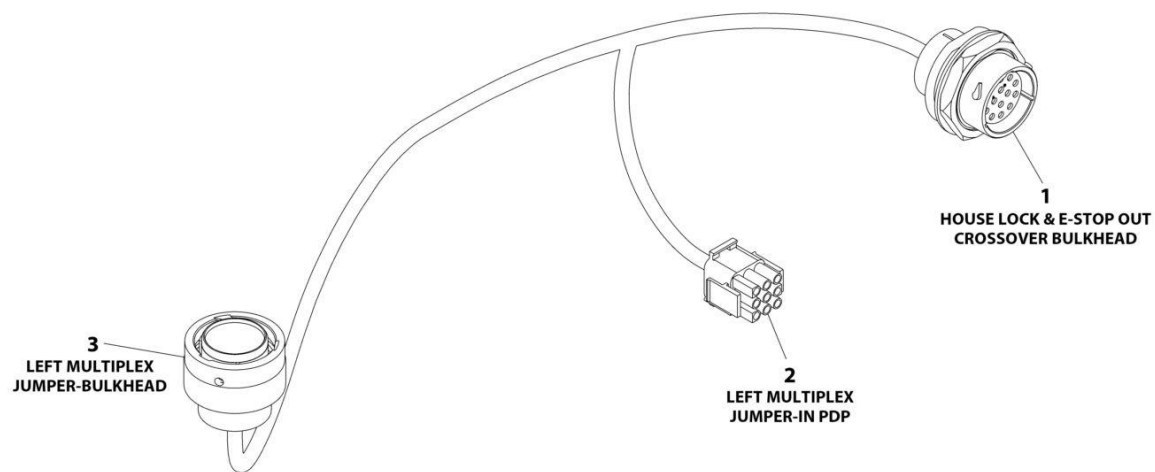
SECTION 7 - ELECTRICAL

FIGURE 7-101. MULTIPLEX HARNESS - IN-CAB CONTROL (KENWORTH T880)

ITEM	PART NUMBER	QTY	DESCRIPTION	REV
	1001215436	Ref	MULTIPLEX IN-CAB CONTROLS HARNESS (FLOOR MOUNTED)	B
1	4460932	2	Receptacle, Female - 4 Position	
1	4460464	4	Pin, Male	
1	4460466	4	Plug, Terminal	
2	4460884	2	Plug, Male - 4 Position	
2	4460465	8	Socket, Female	
3	1001116815	1	Plug, Male - 3 Position with Resistor	
4	4460536	1	Receptacle, Female 3 Position	
4	4460464	2	Pin, Male	
4	4460466	1	Plug, Terminal	

SECTION 7 - ELECTRICAL

FIGURE 7-102. MULTIPLEX HARNESS - JUMPER (SN 0230004275 through 0230005538)



ART_1001208950

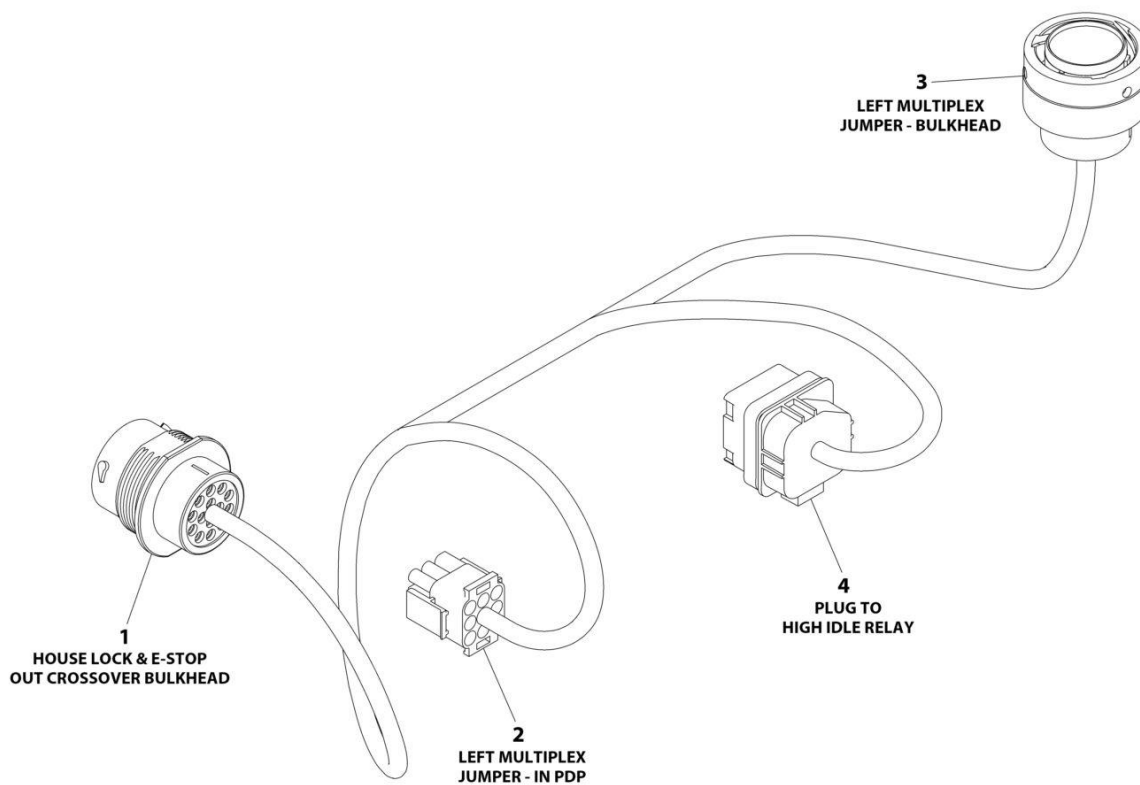
SECTION 7 - ELECTRICAL

FIGURE 7-102. MULTIPLEX HARNESS - JUMPER (SN 0230004275 through 0230005538)

ITEM	PART NUMBER	QTY	DESCRIPTION	REV
	1001208950	Ref	MULTIPLEX HARNESS - JUMPER	C
1	1001109484	1	Connector - 14 Position	
1	NPN	1	Gasket	
1	NPN	1	Washer	
1	NPN	1	Nut	
1	4460465	3	Socket, Female	
1	4460466	11	Plug, Terminal	
2	4460265	1	Plug, Male - 9 Position	
2	4460268	2	Socket, Female	
2	NPN	3	Socket, Female	
3	1001109485	1	Connector - 14 Position	
3	4460465	8	Socket, Female	
3	4460466	6	Plug, Terminal	

SECTION 7 - ELECTRICAL

FIGURE 7-103. MULTIPLEX HARNESS - JUMPER (SN 0230005539 through 0230006134)



ART_1001232594

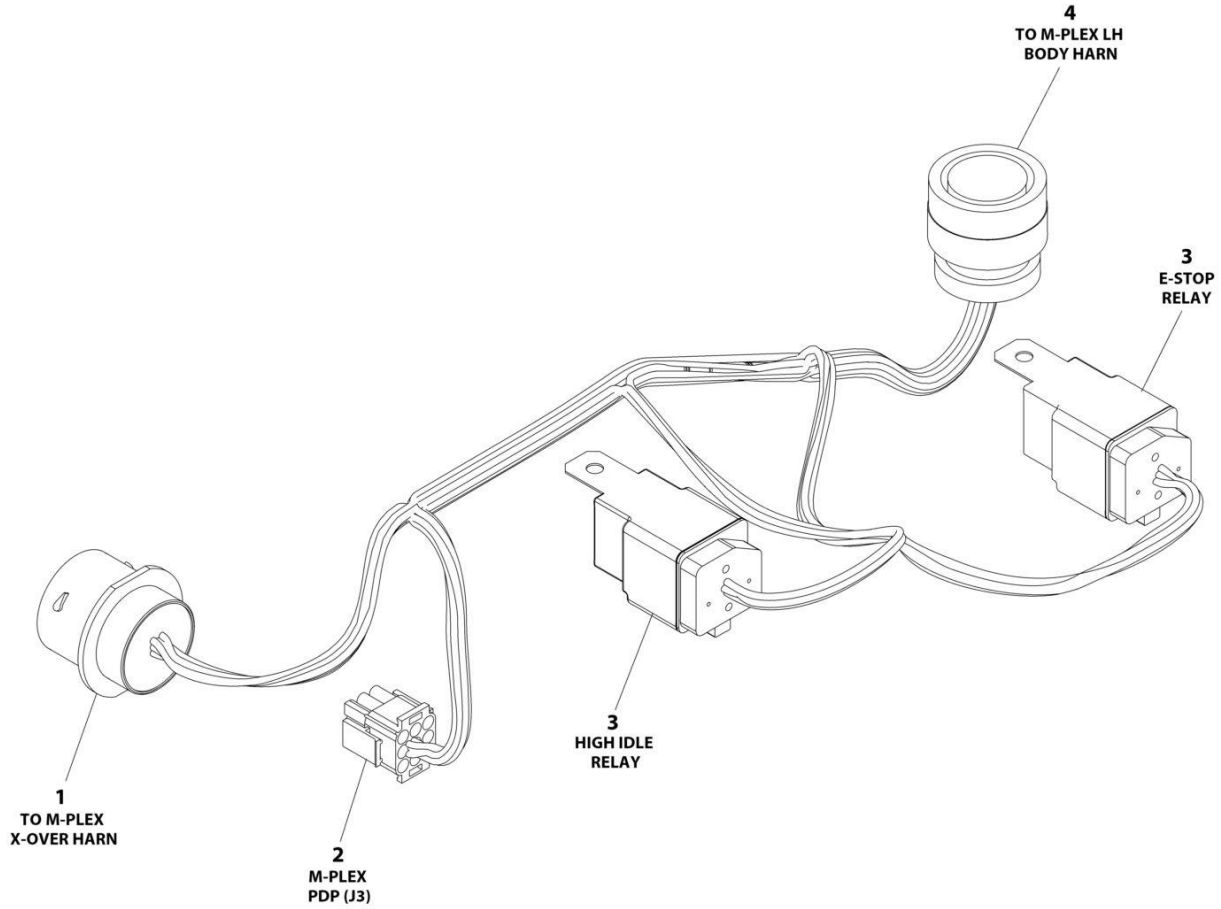
SECTION 7 - ELECTRICAL

FIGURE 7-103. MULTIPLEX HARNESS - JUMPER (SN 0230005539 through 0230006134)

ITEM	PART NUMBER	QTY	DESCRIPTION	REV
	1001232594	Ref	MULTIPLEX HARNESS - JUMPER	B
1	1001109484	1	Connector - 14 Position	
1	NPN	1	Gasket	
1	NPN	1	Washer	
1	NPN	1	Nut	
1	4460465	5	Socket, Female	
1	4460466	9	Plug, Terminal	
2	4460265	1	Plug, Male - 9 Position	
2	4460268	2	Socket, Female	
2	NPN	3	Socket, Female	
3	1001109485	1	Connector - 14 Position	
3	4460465	5	Socket, Female	
3	4460466	9	Plug, Terminal	
4	NPN	1	Connector - 5 Position	
4	1001096137	4	Terminal	

SECTION 7 - ELECTRICAL

FIGURE 7-104. MULTIPLEX HARNESS - JUMPER (SN 0230006135 to Present)



ART_1001236611

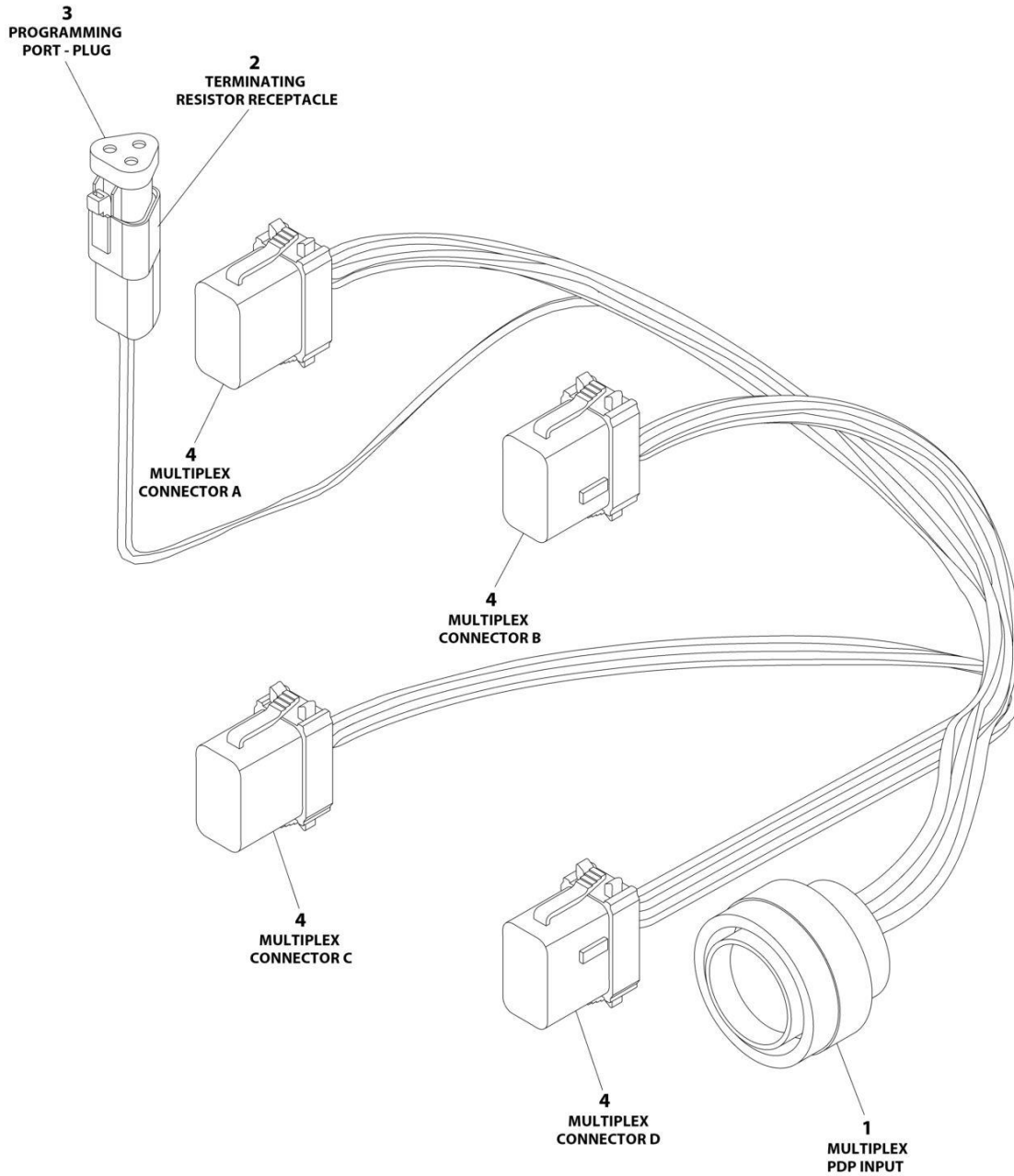
SECTION 7 - ELECTRICAL

FIGURE 7-104. MULTIPLEX HARNESS - JUMPER (SN 0230006135 to Present)

ITEM	PART NUMBER	QTY	DESCRIPTION	REV
	1001236611	Ref	MULTIPLEX HARNESS - JUMPER	C
1	1001263763	1	Connector - 14 Position	
1	NPN	1	Gasket	
1	NPN	1	Washer	
1	NPN	1	Nut	
1	4460465	7	Socket, Female	
1	4460466	7	Plug, Terminal	
2	4460265	1	Plug, Male - 9 Position	
2	4460268	6	Socket, Female	
3	1001118282	2	Connector - 5 Position (Relay)	
3	1001116733	9	Terminal	
3	1001128128	1	Plug, Terminal	
4	1001109485	1	Connector - 14 Position	
4	4460465	11	Socket, Female	
4	4460466	3	Plug, Terminal	

SECTION 7 - ELECTRICAL

FIGURE 7-105. MULTIPLEX HARNESS - MULTIPLEX TO PDP (SN 0230004275 through 0230006134)



ART_1001208952

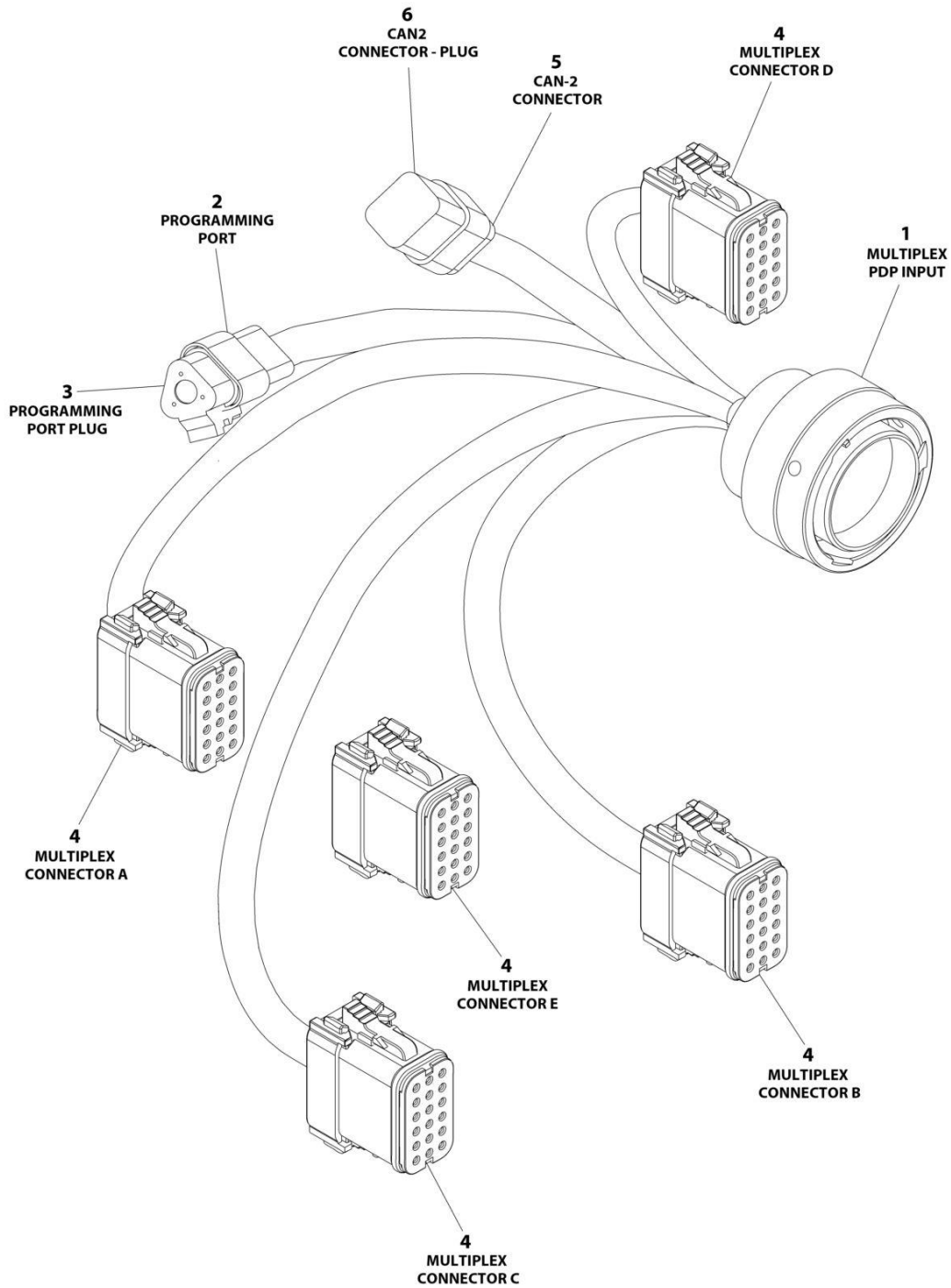
SECTION 7 - ELECTRICAL

FIGURE 7-105. MULTIPLEX HARNESS - MULTIPLEX TO PDP (SN 0230004275 through 0230006134)

ITEM	PART NUMBER	QTY	DESCRIPTION	REV
	1001208952	Ref	MULTIPLEX HARNESS - MULTIPLEX TO PDP	F
1	1001262043	1	Connector - 47 Position	
1	4460465	5	Socket, Female	
1	1001126008	41	Socket, Female	
1	4460466	1	Plug, Terminal	
2	4460536	1	Connector - 3 Position	
2	4460464	2	Pin, Male	
2	4460466	1	Plug, Terminal	
3	1001116812	1	Plug, Male - 3 Position	
3	4460466	3	Plug, Terminal	
4	NPN	4	Connector - 18 Position	
4	4460465	44	Socket, Female	
4	4460466	28	Plug, Terminal	
5	NPN	1	Connector - 18 Position (Not Shown - Supplied Separately)	
5	4460466	18	Plug, Terminal	

SECTION 7 - ELECTRICAL

FIGURE 7-106. MULTIPLEX HARNESS - MULTIPLEX TO PDP (SN 0230006135 to Present)



ART_1001260451

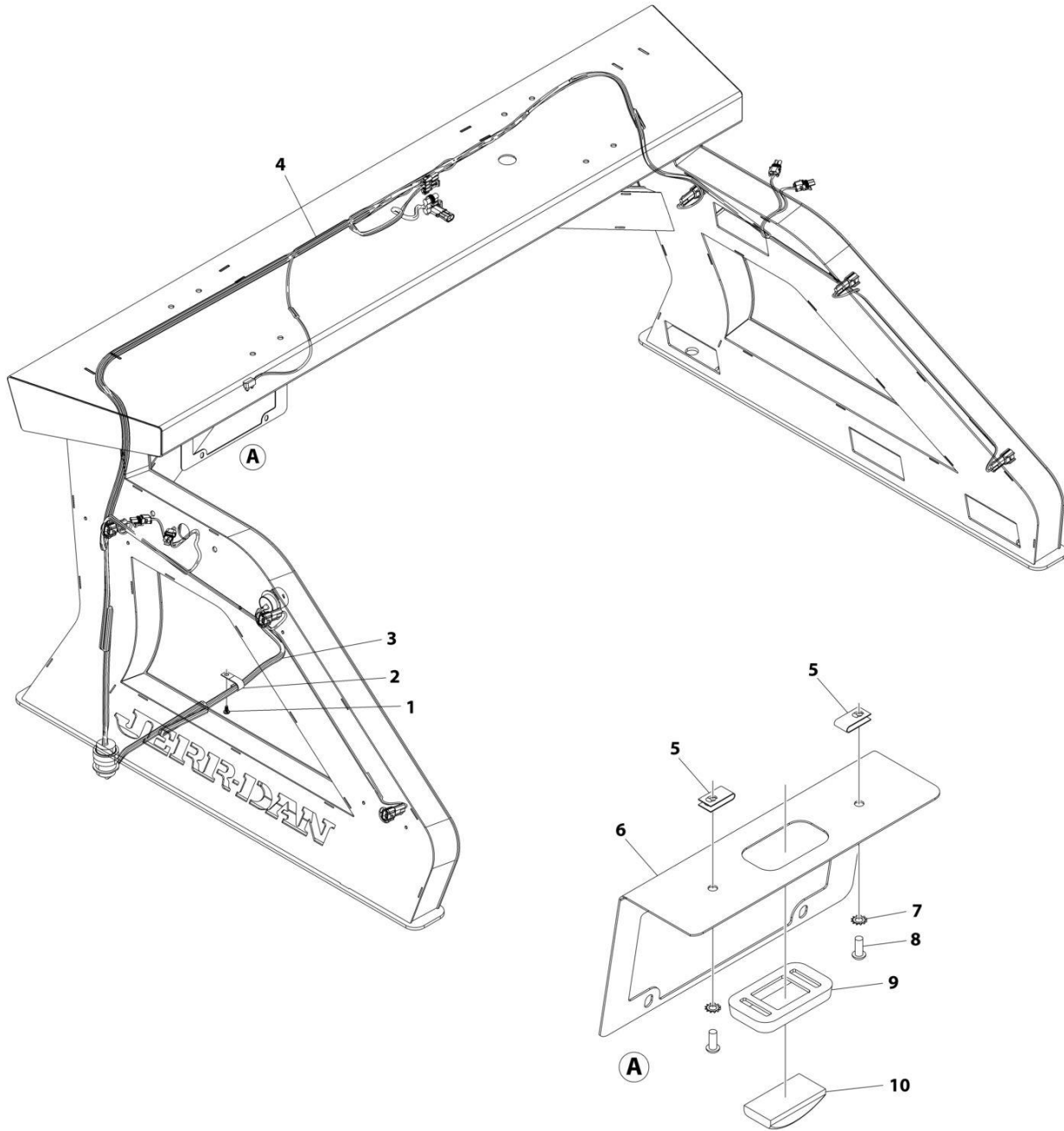
SECTION 7 - ELECTRICAL

FIGURE 7-106. MULTIPLEX HARNESS - MULTIPLEX TO PDP (SN 0230006135 to Present)

ITEM	PART NUMBER	QTY	DESCRIPTION	REV
	1001260451	Ref	MULTIPLEX HARNESS - MULTIPLEX TO PDP	A
1	1001262043	1	Connector - 47 Position	
1	4460465	29	Socket, Female	
1	NPN	15	Socket, Female	
1	4460466	3	Plug, Terminal	
2	4460536	1	Connector - 3 Position	
2	4460464	2	Pin, Male	
2	4460466	1	Plug, Terminal	
3	4460539	1	Plug, Male - 3 Position	
3	4460466	3	Plug, Terminal	
4	NPN	4	Connector - 18 Position	
4	4460465	30	Socket, Female	
4	NPN	17	Socket, Female	
4	4460466	43	Plug, Terminal	
5	4460894	1	Plug, Male - 6 Position	
5	4460465	3	Socket, Female	
5	NPN	2	Socket, Female	
5	4460466	1	Plug, Terminal	
6	4460899	1	Receptacle, Female - 6 Position	
6	4460466	6	Plug, Terminal	

SECTION 7 - ELECTRICAL

FIGURE 7-107. PYLON ELECTRICAL INSTALLATION ((34IN & 39IN PYLON))



ART_1001215020

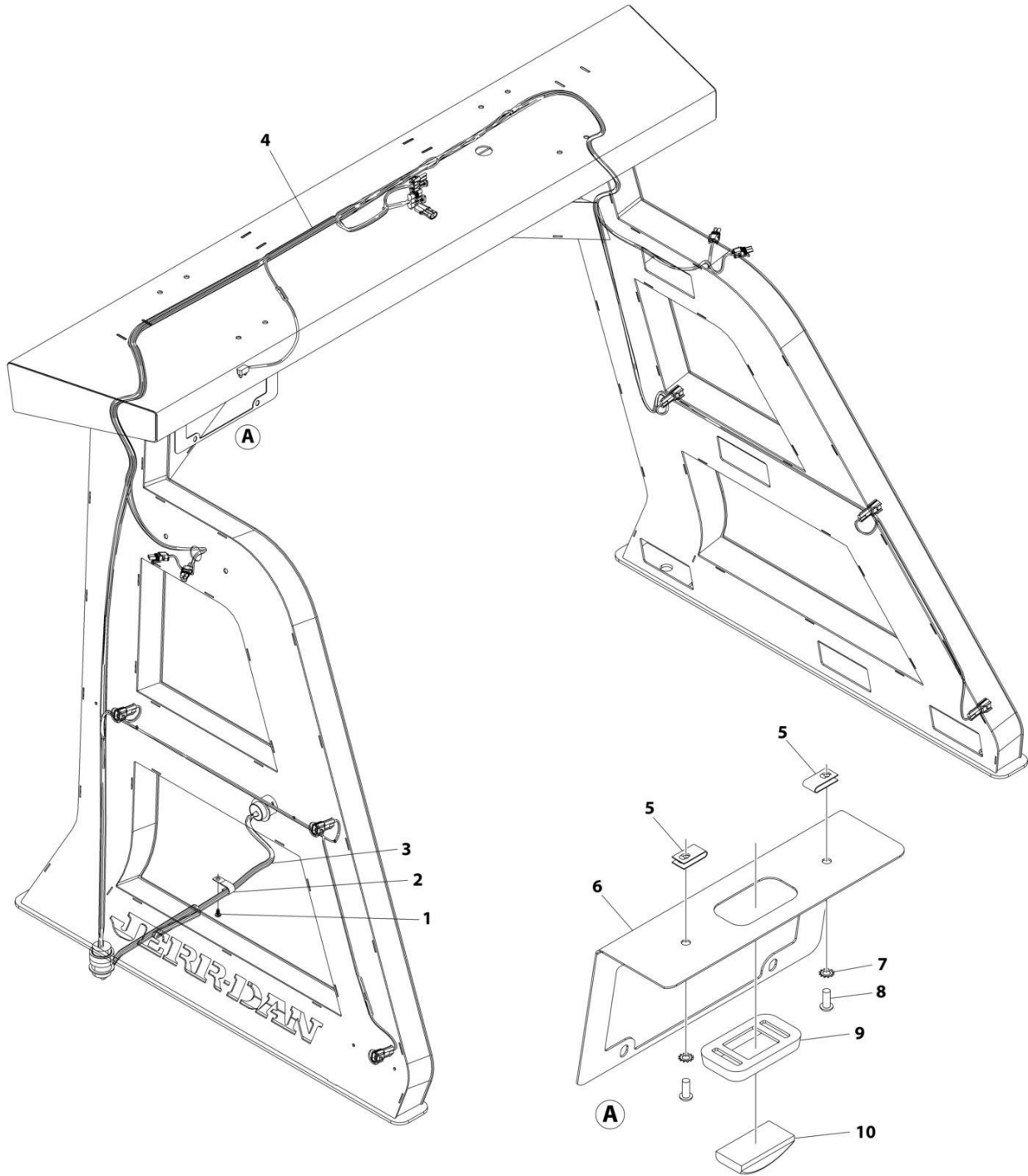
SECTION 7 - ELECTRICAL

FIGURE 7-107. PYLON ELECTRICAL INSTALLATION ((34IN & 39IN PYLON)

ITEM	PART NUMBER	QTY	DESCRIPTION	REV
	1001215020	Ref	PYLON ELECTRICAL INSTALLATION (34IN & 39IN PYLON)	D
1	1001195257	3	Screw 1/4 x 1/2	
2	7280000006	3	Clip	
3	1001214605	1	Pylon Harness - Jumper (See Separate Breakdown in this Section)	
4	1001214606	1	Pylon Harness - Main (See Separate Breakdown in this Section)	
5	7661000019	2	U-Nut 1/4	
6	1001249938	1	Bracket, License Plate	
7	1001143686	2	Washer 1/4	
8	7114140518	2	Screw 1/4 x 5/8	
9	7493000010	1	Grommet	
10	1001142771	1	Light, Clear LED	
11	5526000553	1	Tie-Strap (Not Shown)	

SECTION 7 - ELECTRICAL

FIGURE 7-108. PYLON ELECTRICAL INSTALLATION (57IN PYLON)



ART_1001215034

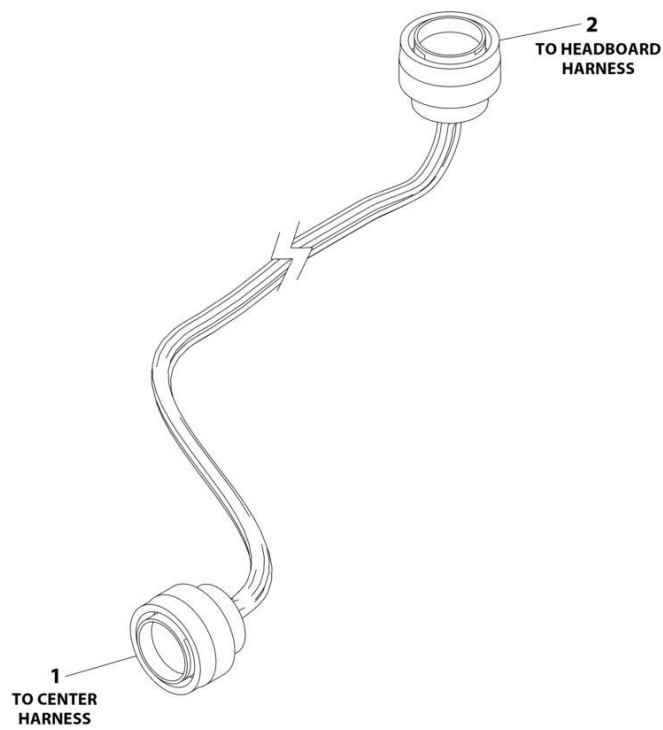
SECTION 7 - ELECTRICAL

FIGURE 7-108. PYLON ELECTRICAL INSTALLATION (57IN PYLON)

ITEM	PART NUMBER	QTY	DESCRIPTION	REV
	1001215034	Ref	PYLON ELECTRICAL INSTALLATION (57IN PYLON)	C
1	1001195257	3	Screw 1/4 x 1/2	
2	7280000006	3	Clip	
3	1001214605	1	Pylon Harness - Jumper (See Separate Breakdown in this Section)	
4	1001215110	1	Pylon Harness - Main (See Separate Breakdown in this Section)	
5	7661000019	2	U-Nut 1/4	
6	1001249938	1	Bracket, License Plate	
7	1001143686	2	Washer 1/4	
8	7114140518	2	Screw 1/4 x 5/8	
9	7493000010	1	Grommet	
10	1001142771	1	Light, Clear LED	
11	5526000553	1	Tie-Strap (Not Shown)	

SECTION 7 - ELECTRICAL

FIGURE 7-109. PYLON HARNESS - JUMPER



ART_1001214605

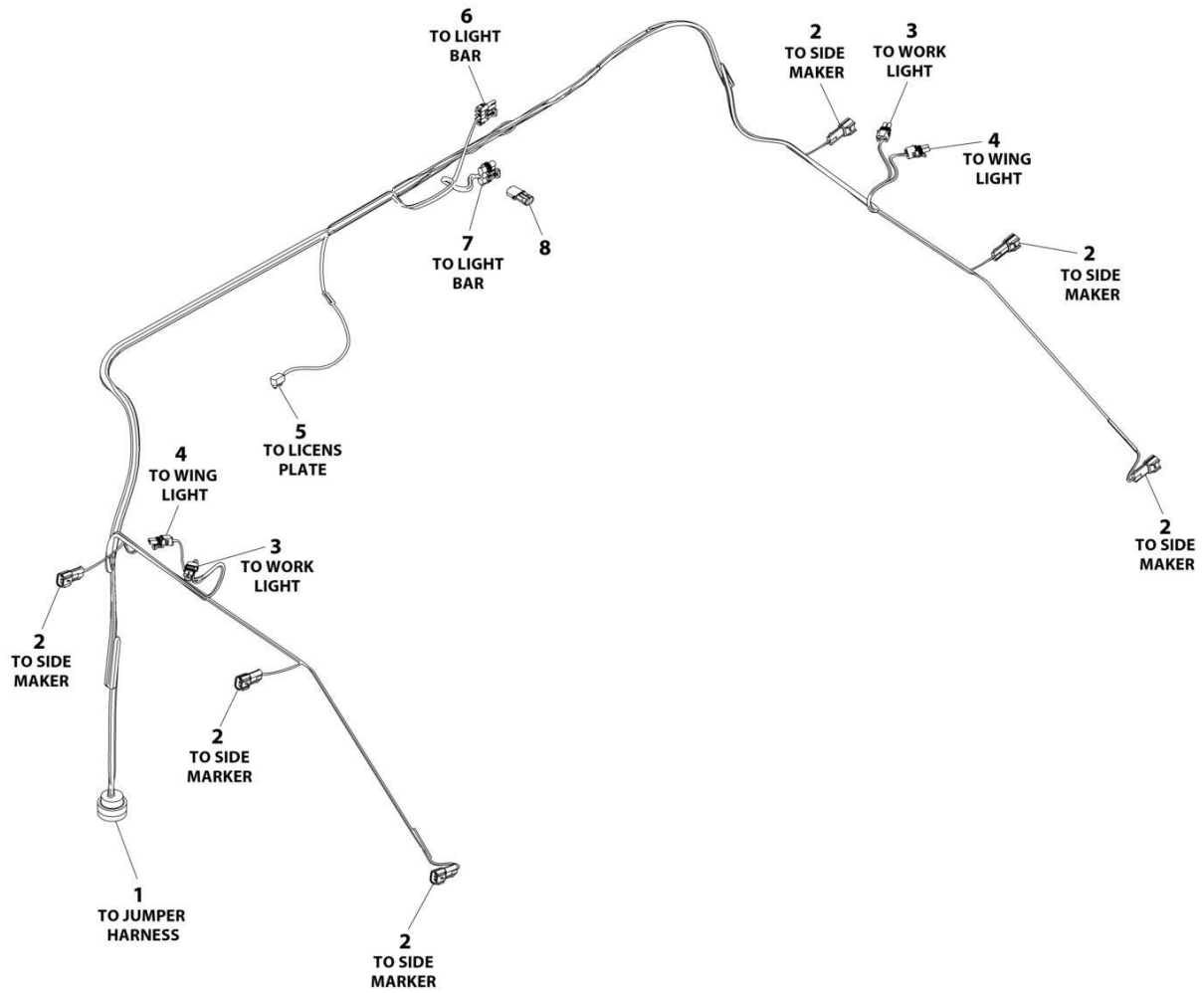
SECTION 7 - ELECTRICAL

FIGURE 7-109. PYLON HARNESS - JUMPER

ITEM	PART NUMBER	QTY	DESCRIPTION	REV
	1001214605	Ref	PYLON JUMPER HARNESS	A
1	NPN	1	Connector - 18 Position	
1	91143339	1	Pin, Male	
1	4460464	4	Pin, Male	
1	4460508	2	Pin, Male	
1	4460941	2	Plug, Terminal	
1	4460466	9	Plug, Terminal	
2	NPN	1	Connector - 18 Position	
2	91143340	1	Socket, Female	
2	4460465	4	Socket, Female	
2	4460509	2	Socket, Female	
2	4460942	2	Socket, Female	
2	4460466	9	Plug, Terminal	

SECTION 7 - ELECTRICAL

FIGURE 7-110. PYLON HARNESS - MAIN (34IN & 39IN PYLON)



ART_1001214606

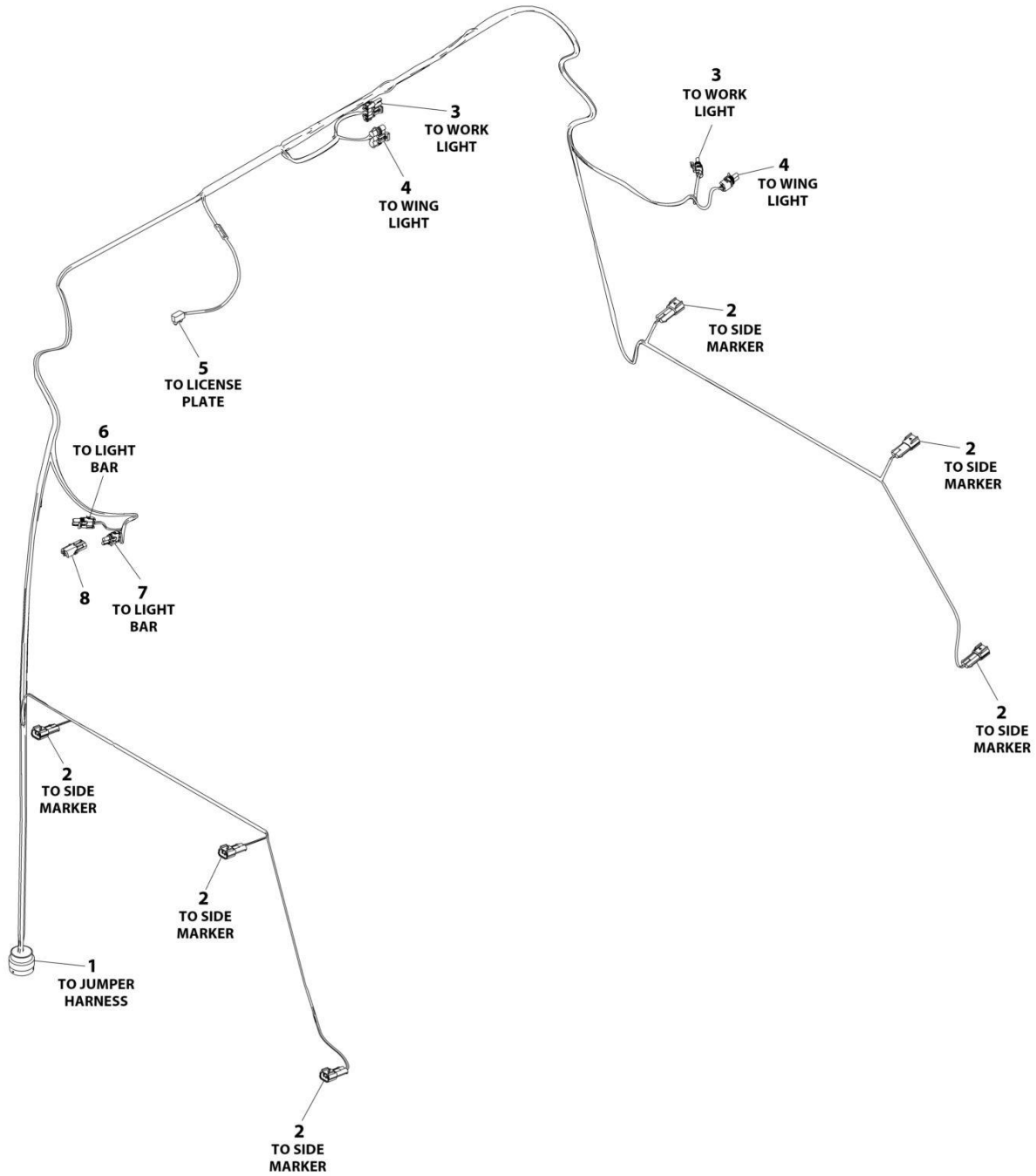
SECTION 7 - ELECTRICAL

FIGURE 7-110. PYLON HARNESS - MAIN (34IN & 39IN PYLON)

ITEM	PART NUMBER	QTY	DESCRIPTION	REV
	1001214606	Ref	PYLON HARNESS (34IN & 39IN PYLON)	B
1	NPN	1	Connector - 18 Position	
1	91143339	1	Pin, Male	
1	4460464	4	Pin, Male	
1	4460508	2	Pin, Male	
1	4460941	2	Plug, Terminal	
1	4460466	9	Plug, Terminal	
2	NPN	6	Connector - 2 Position	
2	NPN	12	Terminal	
2	4460458	12	Seal	
3	4460742	2	Connector - 2 Position	
3	4460457	4	Terminal	
3	4460458	4	Seal	
4	4460742	2	Connector - 2 Position	
4	4460457	4	Terminal	
4	1001190037	4	Seal	
5	NPN	1	Connector - 2 Position	
6	4460460	1	Connector - 4 Position	
6	4460457	4	Terminal	
6	NPN	4	Seal	
7	8220935	1	Connector - 3 Position	
7	8220099	3	Terminal	
7	7346000108	1	Lock	
7	NPN	AR	Seal	
7	NPN	AR	Seal	
8	4460867	1	Connector - 2 Position	
8	1001116727	2	Terminal	

SECTION 7 - ELECTRICAL

FIGURE 7-111. PYLON HARNESS - MAIN (57IN PYLON)



ART_1001215110

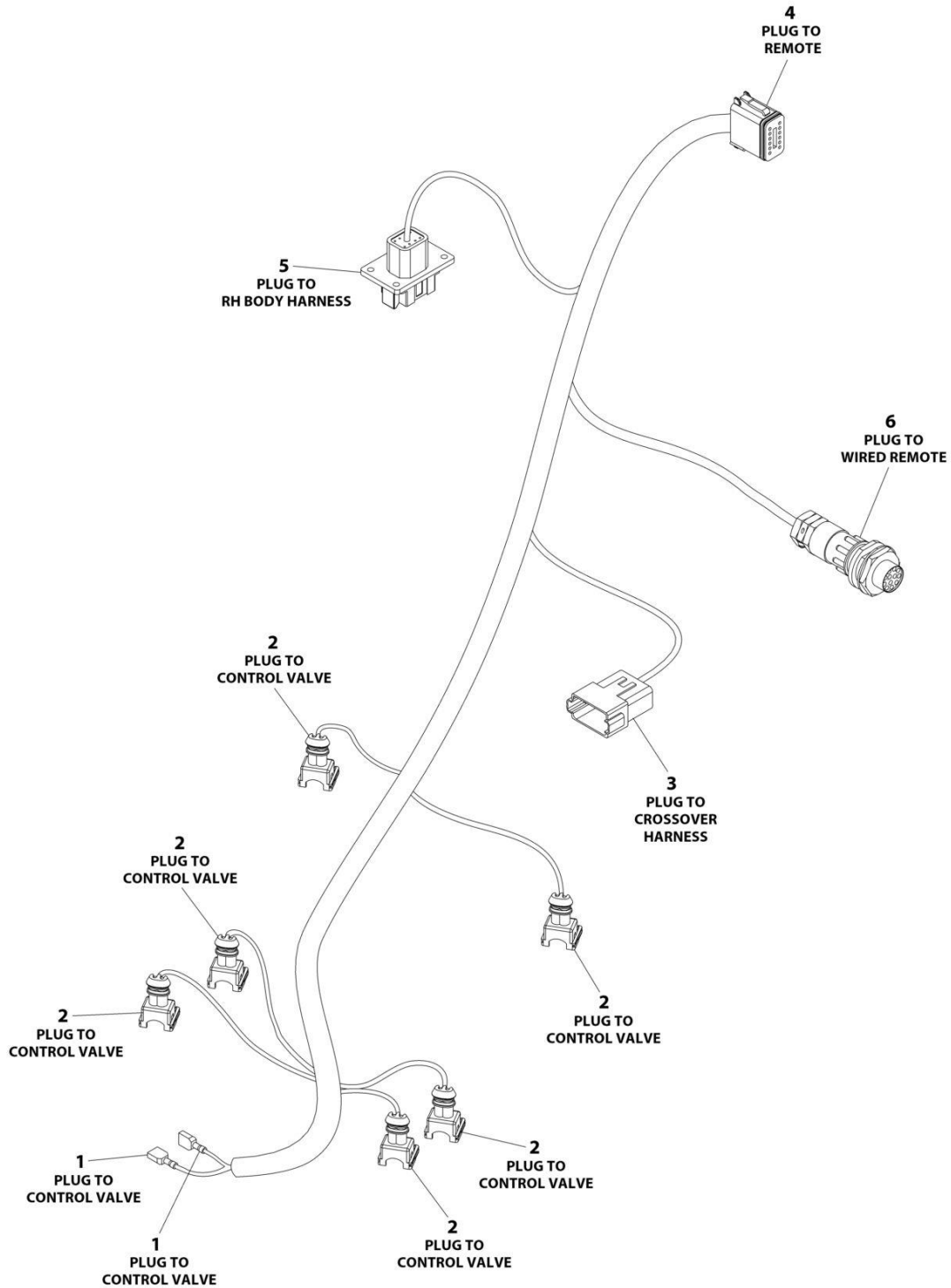
SECTION 7 - ELECTRICAL

FIGURE 7-111. PYLON HARNESS - MAIN (57IN PYLON)

ITEM	PART NUMBER	QTY	DESCRIPTION	REV
	1001215110	Ref	PYLON HARNESS (57IN PYLON)	B
1	NPN	1	Connector - 18 Position	
1	91143339	1	Pin, Male	
1	4460464	4	Pin, Male	
1	4460508	2	Pin, Male	
1	4460941	2	Plug, Terminal	
1	4460466	9	Plug, Terminal	
2	NPN	6	Connector - 2 Position	
2	NPN	12	Terminal	
2	4460458	12	Seal	
3	4460742	2	Connector - 2 Position	
3	4460457	4	Terminal	
3	4460458	4	Seal	
4	4460742	2	Connector - 2 Position	
4	4460457	4	Terminal	
4	1001190037	4	Seal	
5	NPN	1	Connector - 2 Position	
6	4460460	1	Connector - 4 Position	
6	4460457	4	Terminal	
6	NPN	4	Seal	
7	8220935	1	Connector - 3 Position	
7	8220099	3	Terminal	
7	7346000108	1	Lock	
7	NPN	AR	Seal	
7	NPN	AR	Seal	
8	4460867	1	Connector - 2 Position	
8	1001116727	2	Terminal	

SECTION 7 - ELECTRICAL

FIGURE 7-112. REMOTE CONTROL HARNESS ASSEMBLY (6 FUNCTION) (Prior to SN 0230006575)



ART_1001209022

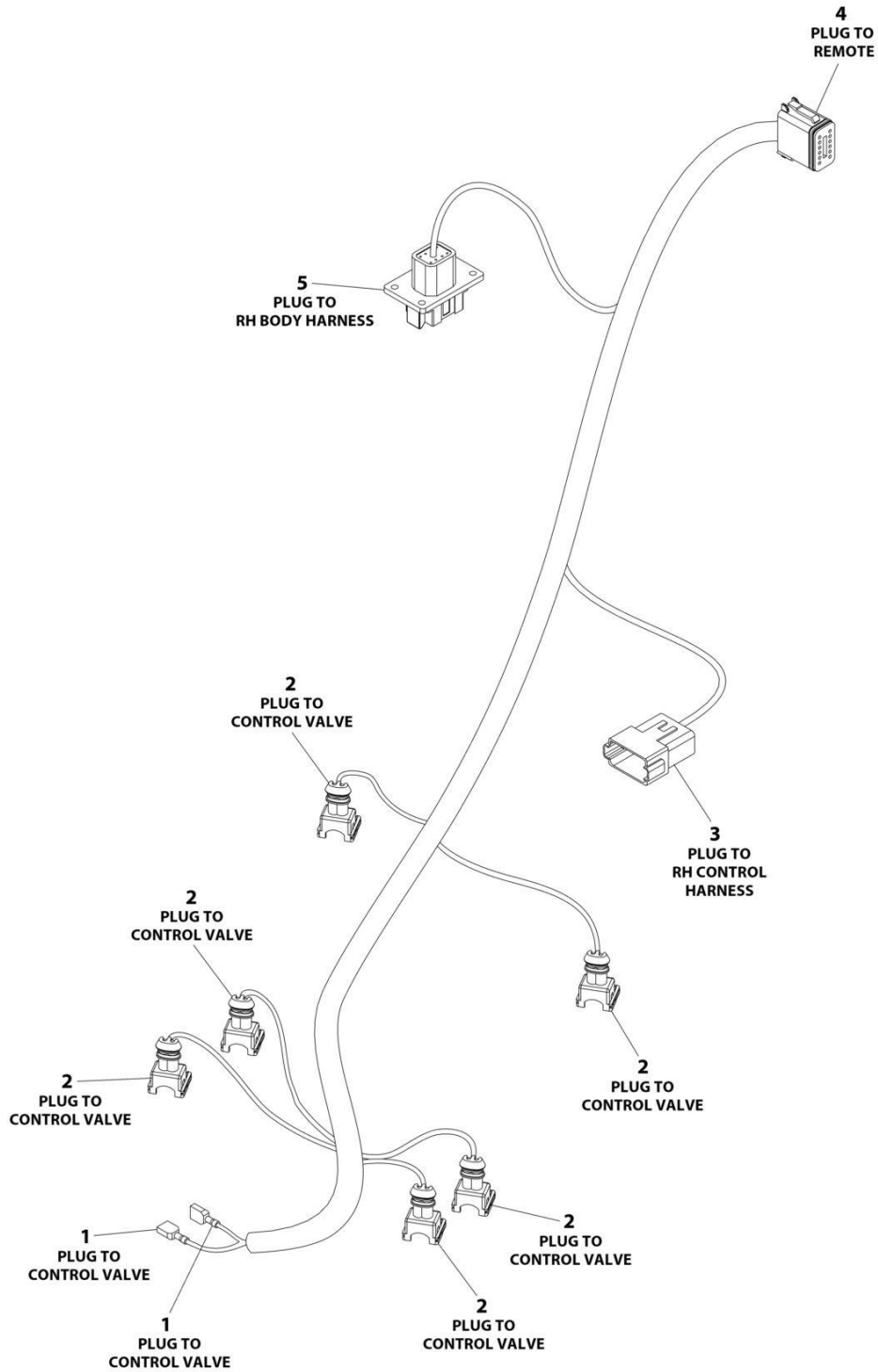
SECTION 7 - ELECTRICAL

FIGURE 7-112. REMOTE CONTROL HARNESS ASSEMBLY (6 FUNCTION) (Prior to SN 0230006575)

ITEM	PART NUMBER	QTY	DESCRIPTION	REV
	1001209022	Ref	HARNESS ASSEMBLY - REMOTE CONTROL	C
1		Ref	Terminal	
2	1001116983	6	Receptacle, Female - 2 Position	
2	1001283166	12	Terminal	
2	4461054	12	Seal	
3	4460931	1	Receptacle, Female - 8 Position	
3	4640464	7	Pin, Male	
3	4460466	1	Plug, Terminal	
4	4460933	1	Plug, Male - 12 Position	
4	4460942	12	Socket, Female	
5	1001269275	1	Receptacle, Female - 8 Position	
5	4460941	4	Pin, Male	
5	4460466	4	Plug, Terminal	
5		Ref	Gasket	
6	1001271968	1	Connector - 12 Position	
6	1001271970	9	Terminal	
6		Ref	Connector, Strain Relief	

SECTION 7 - ELECTRICAL

FIGURE 7-113. REMOTE CONTROL HARNESS ASSEMBLY (6 FUNCTION) (SN 0230006575 to Present)



ART_1001246829

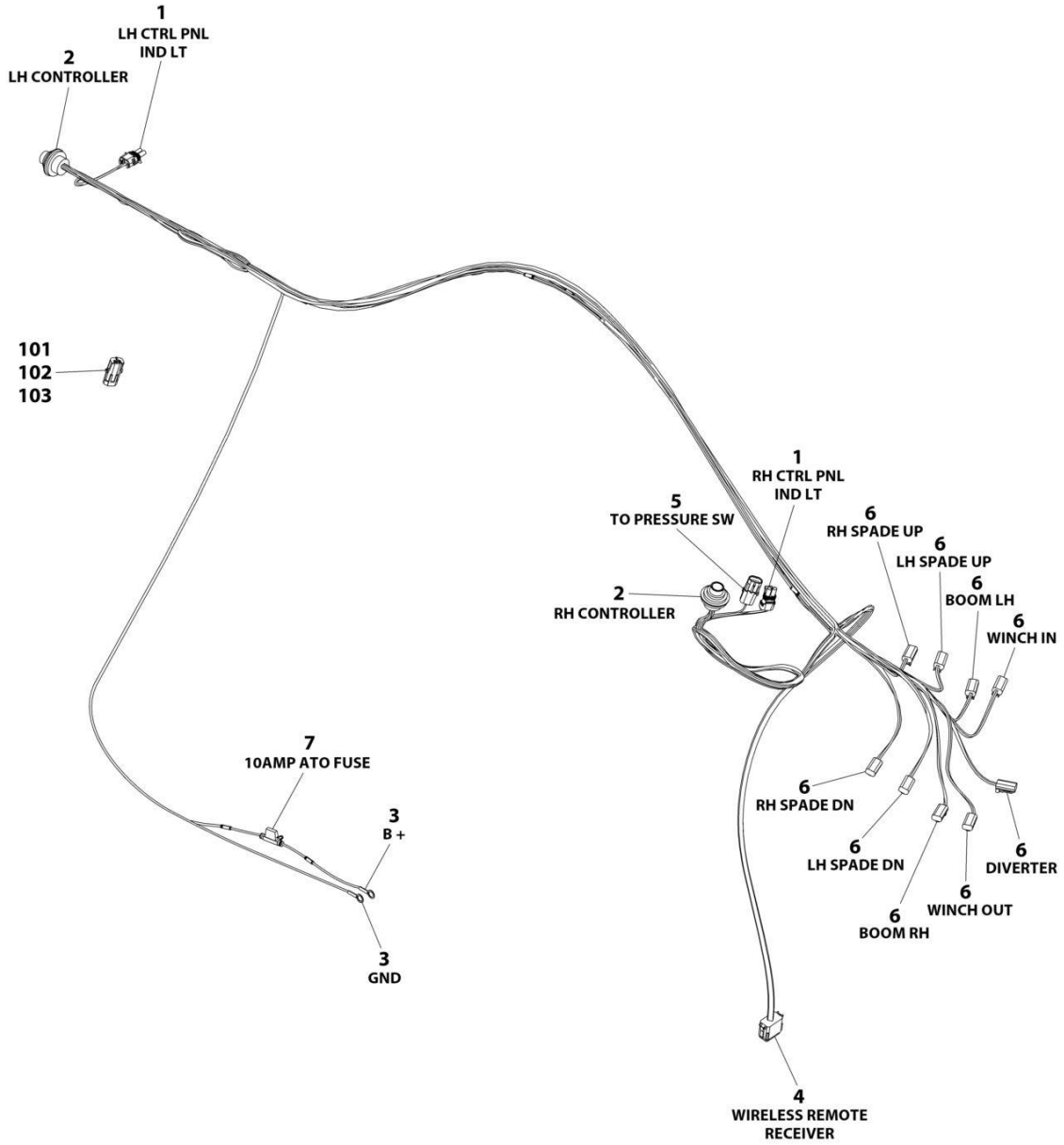
SECTION 7 - ELECTRICAL

FIGURE 7-113. REMOTE CONTROL HARNESS ASSEMBLY (6 FUNCTION) (SN 0230006575 to Present)

ITEM	PART NUMBER	QTY	DESCRIPTION	REV
	1001246829	Ref	HARNESS ASSEMBLY - REMOTE CONTROL	B
1		Ref	Terminal	
2	1001116983	6	Receptacle, Female - 2 Position	
2	1001283166	12	Terminal	
2	4461054	12	Seal	
3	4460950	1	Receptacle, Female - 8 Position	
3	4640464	7	Pin, Male	
3	4460466	1	Plug, Terminal	
4	4460933	1	Plug, Male - 12 Position	
4	4460942	12	Socket, Female	
5	1001269275	1	Receptacle, Female - 8 Position	
5	4460941	4	Pin, Male	
5	4460466	4	Plug, Terminal	
5		Ref	Gasket	

SECTION 7 - ELECTRICAL

FIGURE 7-114. REMOTE CONTROL HARNESS ASSEMBLY (8 FUNCTION) (SRS WINCH)



ART_7552000407

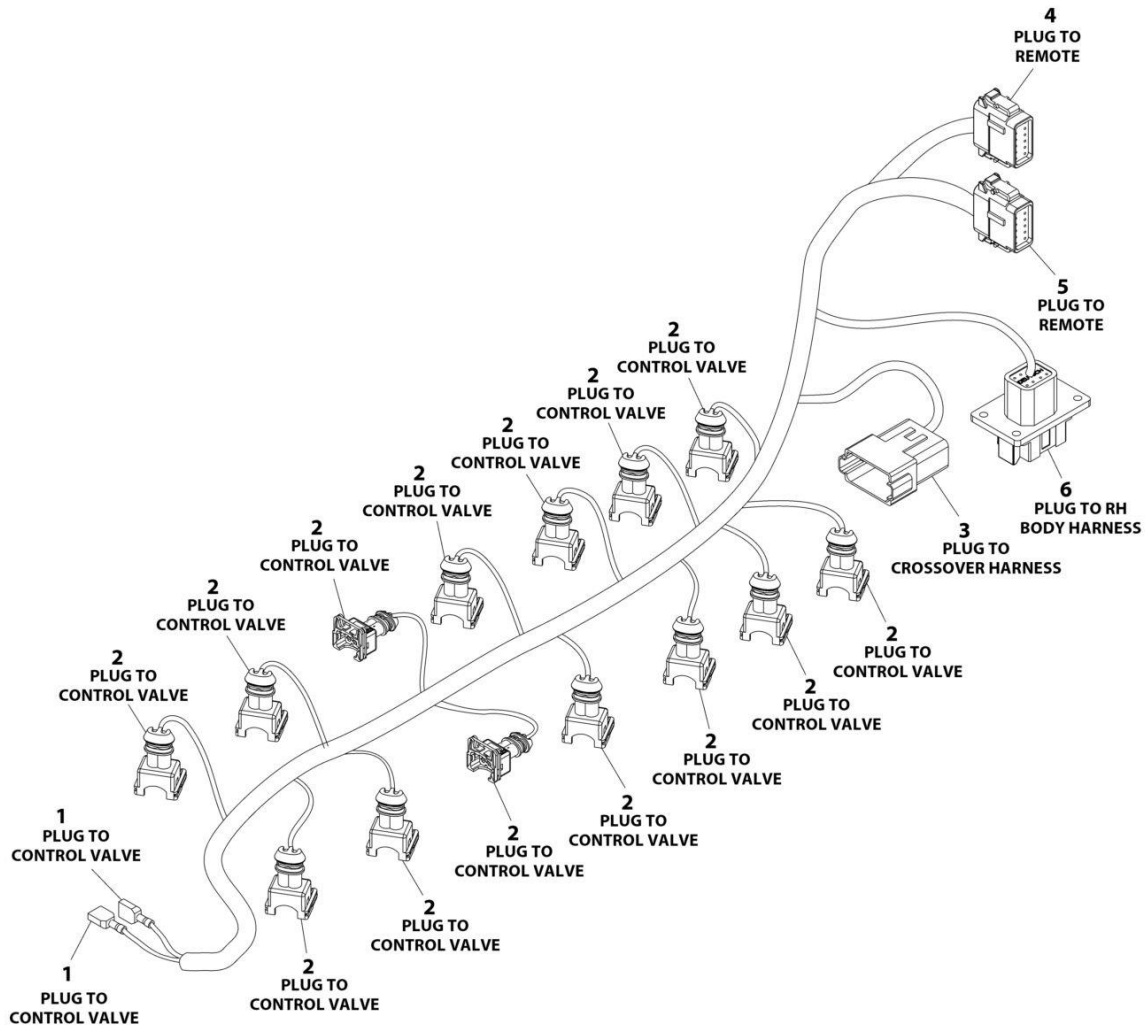
SECTION 7 - ELECTRICAL

FIGURE 7-114. REMOTE CONTROL HARNESS ASSEMBLY (8 FUNCTION) (SRS WINCH)

ITEM	PART NUMBER	QTY	DESCRIPTION	REV
	7552000407	Ref	REMOTE CONTROL 8 FUNCTION HARNESS	E
1	4460742	2	Connector	
1	4460457	4	Socket	
1	4460458	2	Seal	
2	1001271968	2	Connector	
2	1001271970	20	Socket	
2	NPN	2	Strain Relief	
3	4460256	2	Terminal, Ring	
4	4460933	1	Connector	
4	4460465	11	Socket	
4	4460466	1	Plug	
5	4461157	1	Connector	
5	4460475	2	Socket	
5	4460458	2	Seal	
6	4460891	9	Connector	
6	4460465	18	Socket	
7	1001288901	1	Fuseholder	
7	80983191	1	Fuse, 10 AMP	
101	4460458	4	Seal	
102	4460475	4	Pin	
103	4461157	2	Connector	

SECTION 7 - ELECTRICAL

FIGURE 7-115. REMOTE CONTROL HARNESS ASSEMBLY (14 FUNCTION NON-PROPORTIONAL)
(Prior to SN 0230006575)



ART_1001189120

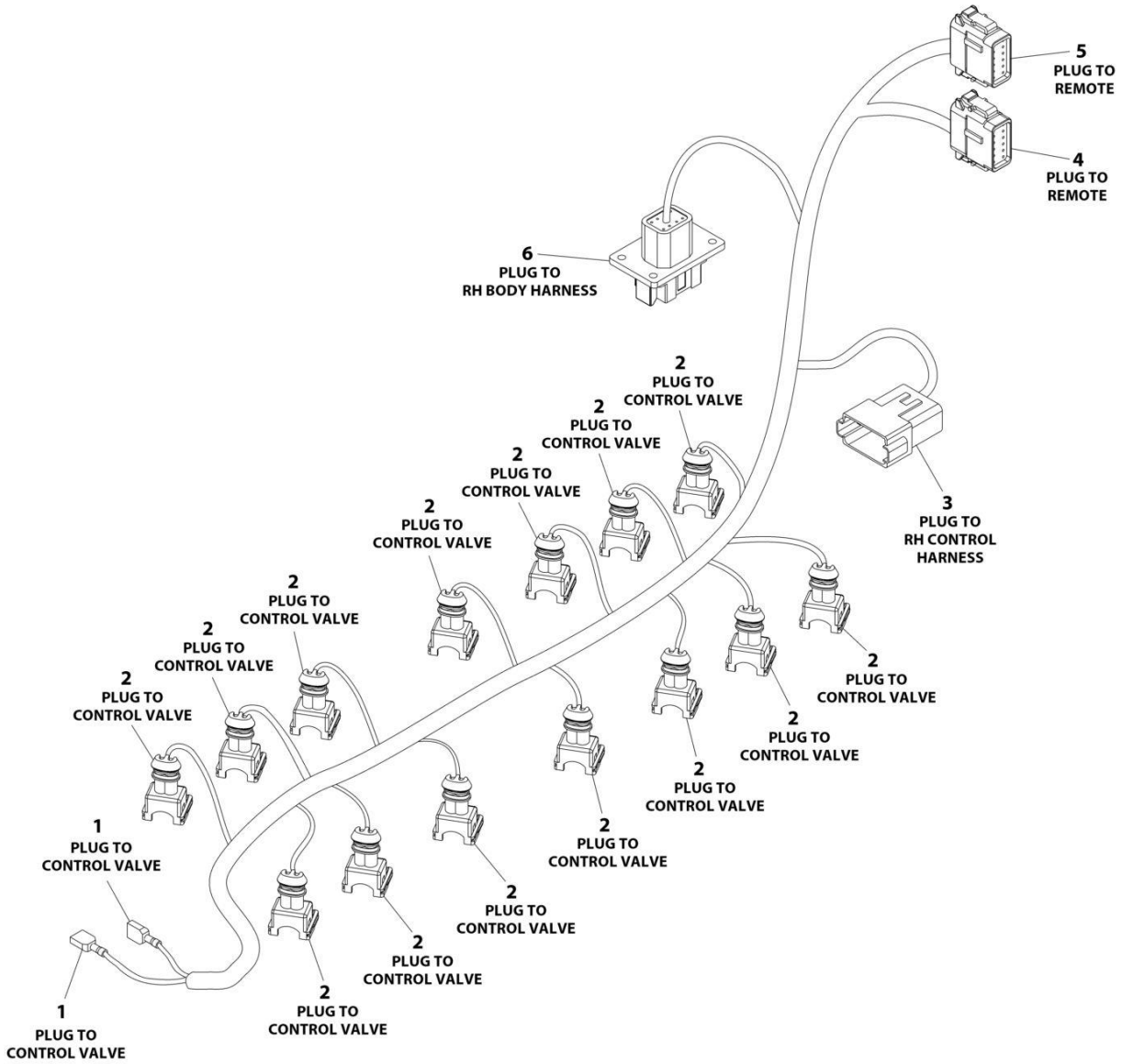
SECTION 7 - ELECTRICAL

**FIGURE 7-115. REMOTE CONTROL HARNESS ASSEMBLY (14 FUNCTION NON-PROPORTIONAL)
(Prior to SN 0230006575)**

ITEM	PART NUMBER	QTY	DESCRIPTION	REV
	1001209020	Ref	HARNESS ASSEMBLY - REMOTE CONTROL	C
1		Ref	Terminal	
2	1001116983	14	Receptacle, Female - 2 Position	
2	1001283166	28	Terminal	
2	4461054	28	Seal	
3	4460931	1	Receptacle, Female - 8 Position	
3	4460464	7	Plug, Terminal	
3	4460466	1	Plug, Terminal	
4	4460909	1	Plug, Male - 12 Position (Black)	
4	1001116994	6	Socket, Female	
4	4460916	6	Plug, Terminal	
5	4460908	1	Plug, Male - 12 Position (Gray)	
5	1001116994	12	Socket, Female	
6	1001269275	1	Receptacle, Female - 8 Position	
6	4460941	4	Pin, Male	
6	4460466	4	Plug, Terminal	
6		Ref	Gasket	

SECTION 7 - ELECTRICAL

FIGURE 7-116. REMOTE CONTROL HARNESS ASSEMBLY (14 FUNCTION NON-PROPORTIONAL) (SN 0230006575 to Present)



ART_1001246828

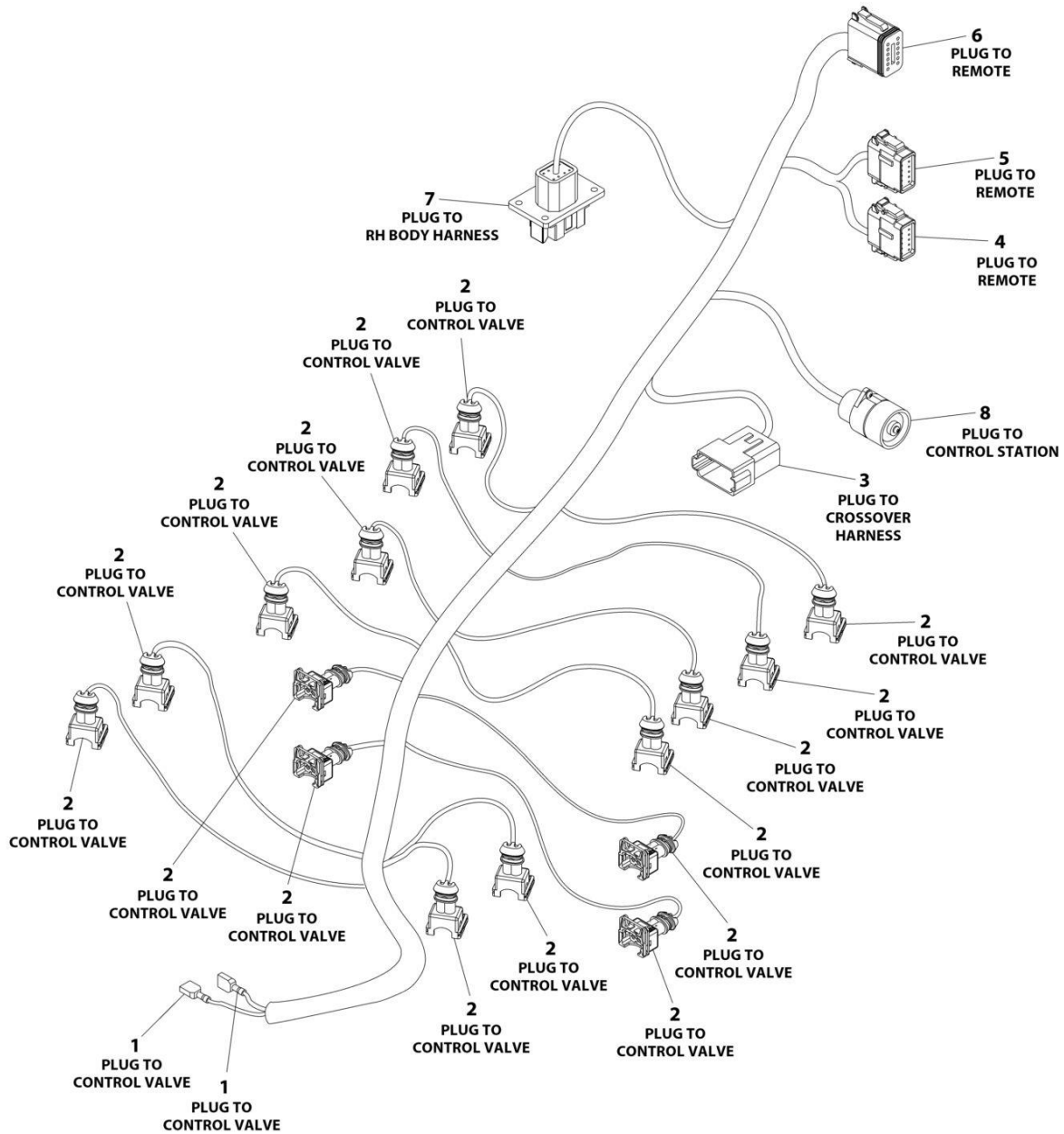
SECTION 7 - ELECTRICAL

**FIGURE 7-116. REMOTE CONTROL HARNESS ASSEMBLY (14 FUNCTION NON-PROPORTIONAL)
(SN 0230006575 to Present)**

ITEM	PART NUMBER	QTY	DESCRIPTION	REV
	1001246828	Ref	HARNESS ASSEMBLY - REMOTE CONTROL	B
1		Ref	Terminal	
2	1001116983	14	Receptacle, Female - 2 Position	
2	1001283166	28	Terminal	
2	4461054	28	Seal	
3	4460950	1	Receptacle, Female - 12 Position	
3	4460464	9	Pin, Male	
3	4460466	3	Plug, Terminal	
4	4460909	1	Plug, Male - 12 Position (Black)	
4	1001116994	6	Socket, Female	
4	4460916	6	Plug, Terminal	
5	4460908	1	Plug, Male - 12 Position (Gray)	
5	1001116994	12	Socket, Female	
6	1001269275	1	Receptacle, Female - 8 Position	
6	4460941	4	Pin, Male	
6	4460466	4	Plug, Terminal	
6		Ref	Gasket	

SECTION 7 - ELECTRICAL

FIGURE 7-117. REMOTE CONTROL HARNESS ASSEMBLY (14 & 16 FUNCTION PROPORTIONAL) (Prior to SN 0230003827)



ART_1001189167

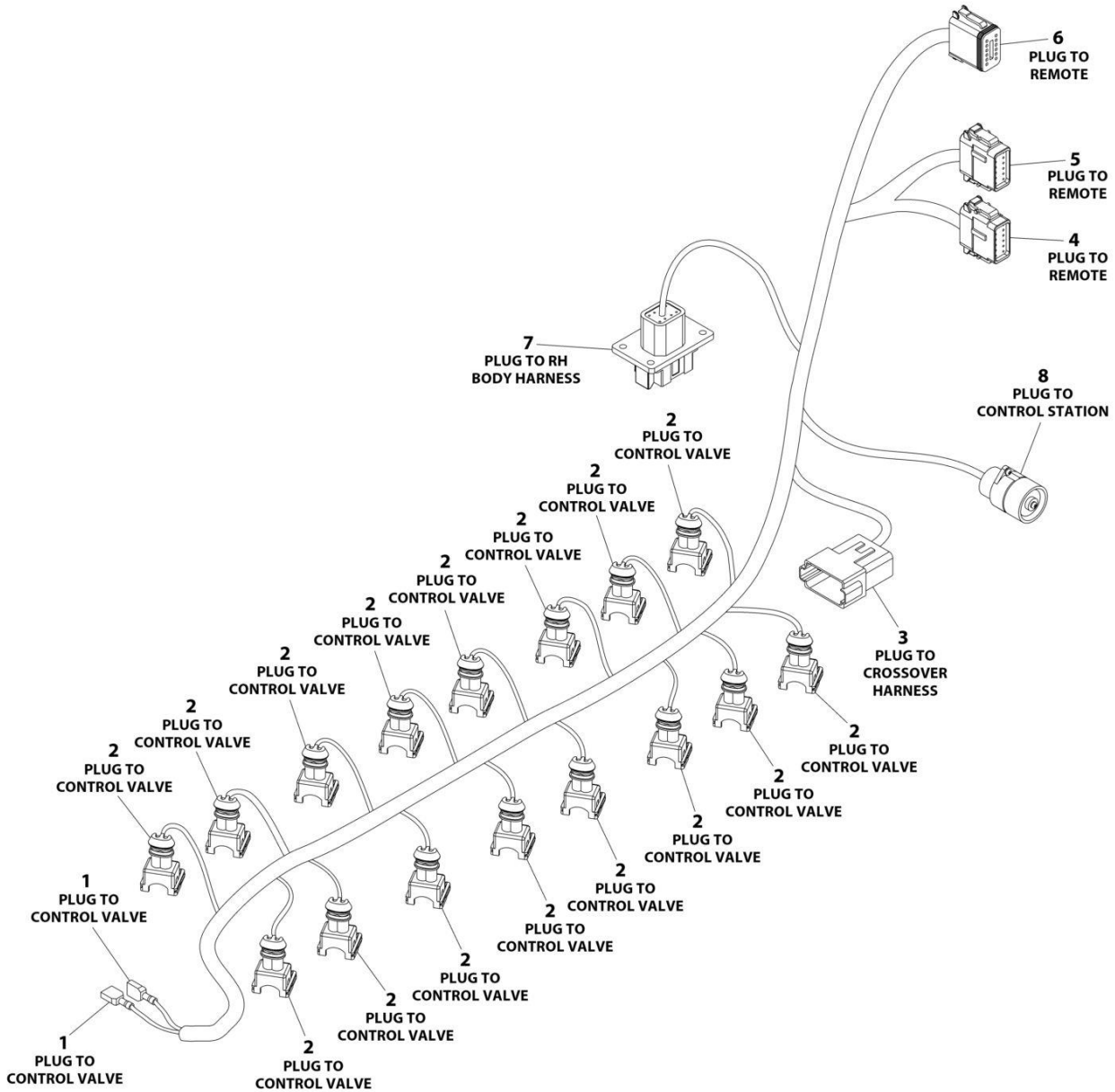
SECTION 7 - ELECTRICAL

**FIGURE 7-117. REMOTE CONTROL HARNESS ASSEMBLY (14 & 16 FUNCTION PROPORTIONAL)
(Prior to SN 0230003827)**

ITEM	PART NUMBER	QTY	DESCRIPTION	REV
	1001189167	Ref	HARNESS ASSEMBLY - REMOTE CONTROL	B
1		Ref	Terminal	
2	1001116983	16	Receptacle, Female - 2 Position	
2	1001283166	32	Terminal	
2	4461054	32	Seal	
3	4460970	1	Receptacle, Female - 12 Position	
3	4640941	9	Pin, Male	
3	4460466	3	Plug, Terminal	
4	4460908	1	Plug, Male - 12 Position (Gray)	
4	1001116994	12	Socket, Female	
5	4460909	1	Plug, Male - 12 Position (Black)	
5	1001116994	6	Socket, Female	
5	4460916	6	Plug, Terminal	
6	4460933	1	Plug, Male - 12 Position (Gray)	
6	4460465	12	Socket, Female	
7	1001269275	1	Receptacle, Female - 8 Position	
7	4460941	4	Pin, Male	
7	4460466	4	Plug, Terminal	
7		Ref	Gasket	
8		Ref	Connector - 4 Position	
8		Ref	Terminal	
8		Ref	Cap, Dust	

SECTION 7 - ELECTRICAL

FIGURE 7-118. REMOTE CONTROL HARNESS ASSEMBLY (14 & 16 FUNCTION PROPORTIONAL)
(SN 0230003827 through 0230006134)



ART_1001209021

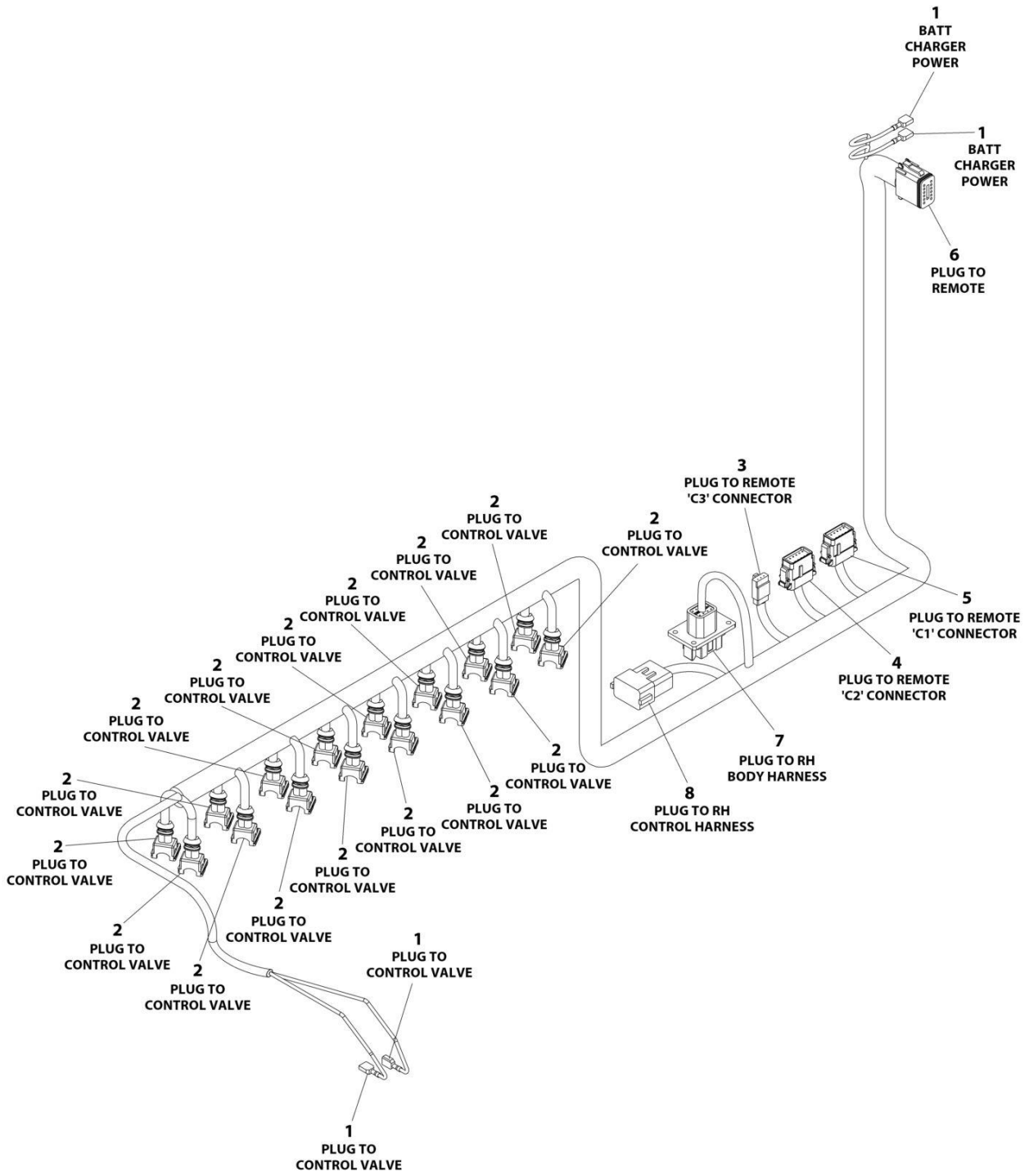
SECTION 7 - ELECTRICAL

**FIGURE 7-118. REMOTE CONTROL HARNESS ASSEMBLY (14 & 16 FUNCTION PROPORTIONAL)
(SN 0230003827 through 0230006134)**

ITEM	PART NUMBER	QTY	DESCRIPTION	REV
	1001209021	Ref	HARNESS ASSEMBLY - REMOTE CONTROL	C
1		Ref	Terminal	
2	1001116983	12	Receptacle, Female - 2 Position	
2	1001283166	32	Terminal	
2	4461054	32	Seal	
3	4460931	1	Receptacle, Female - 8 Position	
3	4640941	7	Pin, Male	
3	4460466	1	Plug, Terminal	
4	4460908	1	Plug, Male - 12 Position (Gray)	
4	1001116994	12	Socket, Female	
5	4460909	1	Plug, Male - 12 Position (Black)	
5	1001116994	6	Socket, Female	
5	4460916	6	Plug, Terminal	
6	4460933	1	Plug, Male - 12 Position (Gray)	
6	4460465	12	Socket, Female	
7	1001269275	1	Receptacle, Female - 8 Position	
7	4460941	4	Pin, Male	
7	4460466	4	Plug, Terminal	
7		Ref	Gasket	
8		Ref	Connector - 4 Position	
8		Ref	Terminal	
8		Ref	Cap, Dust	

SECTION 7 - ELECTRICAL

FIGURE 7-119. REMOTE CONTROL HARNESS ASSEMBLY (14 & 16 FUNCTION PROPORTIONAL)
(SN 0230006135 to Present)



ART_1001236497

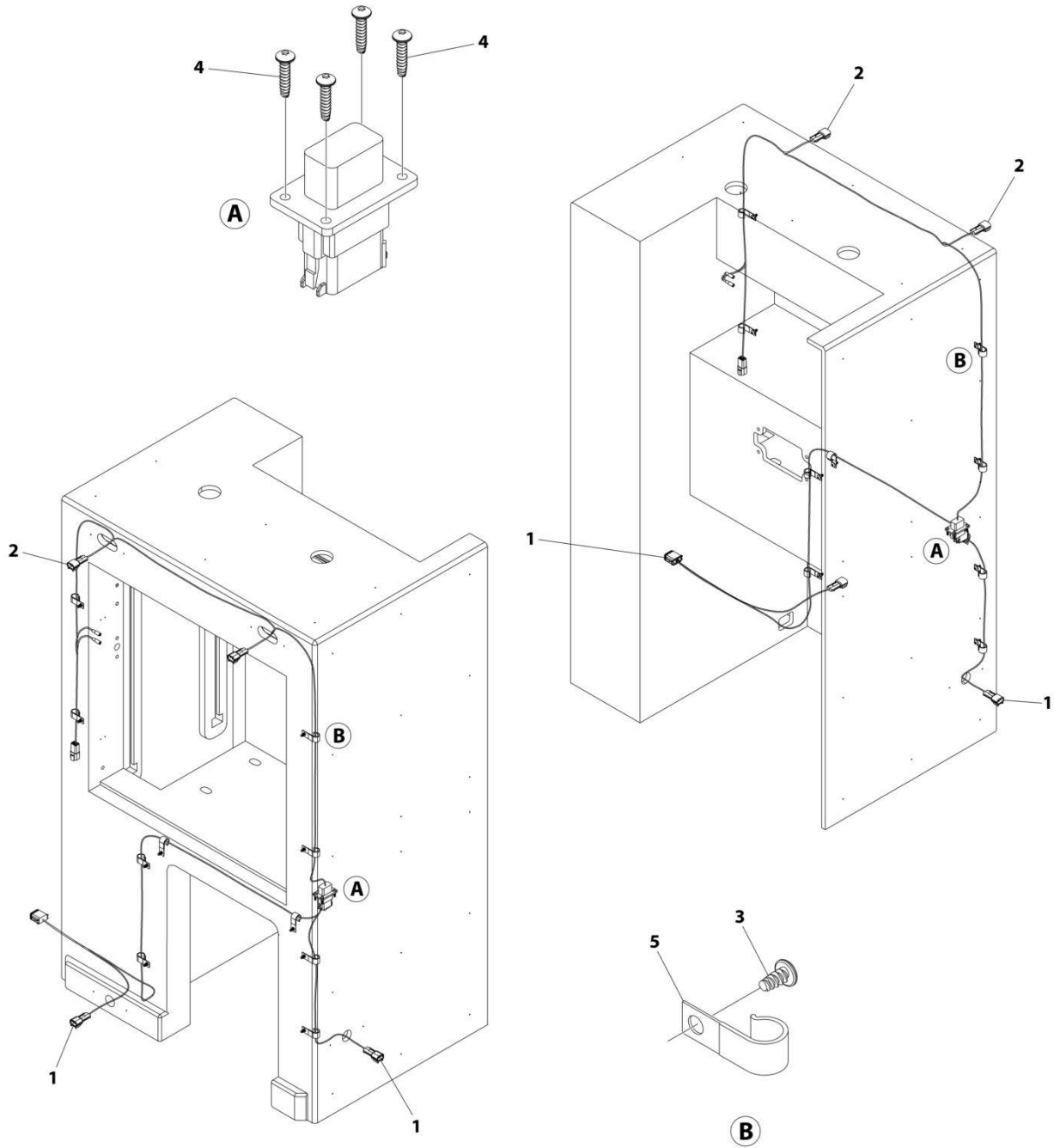
SECTION 7 - ELECTRICAL

**FIGURE 7-119. REMOTE CONTROL HARNESS ASSEMBLY (14 & 16 FUNCTION PROPORTIONAL)
(SN 0230006135 to Present)**

ITEM	PART NUMBER	QTY	DESCRIPTION	REV
	1001236497	Ref	HARNESS ASSEMBLY - REMOTE CONTROL	C
1		Ref	Terminal	
2	1001116983	15	Receptacle, Female - 2 Position	
2	1001283166	32	Terminal	
2	4461054	32	Seal	
3	4460911	1	Plug, Male - 3 Position	
3	4460517	3	Socket, Female	
4	4460909	1	Plug, Male - 12 Position (Black)	
4	1001116994	8	Socket, Female	
4	4460916	4	Plug, Terminal	
5	4460908	1	Plug, Male - 12 Position (Gray)	
5	1001116994	6	Socket, Female	
5	4460916	6	Plug, Terminal	
6	4460933	1	Plug, Male - 12 Position (Gray)	
6	4460465	12	Socket, Female	
7	1001269275	1	Receptacle, Female - 8 Position	
7	4460941	4	Pin, Male	
7	4460466	4	Plug, Terminal	
7		Ref	Gasket	
8	4460950	1	Receptacle, Female - 12 Position	
8	4460464	7	Pin, Male	
8	4460466	1	Plug, Terminal	

SECTION 7 - ELECTRICAL

FIGURE 7-120. SIDE RECOVERY SYSTEM TOOLBOX HARNESS



ART_1001207275

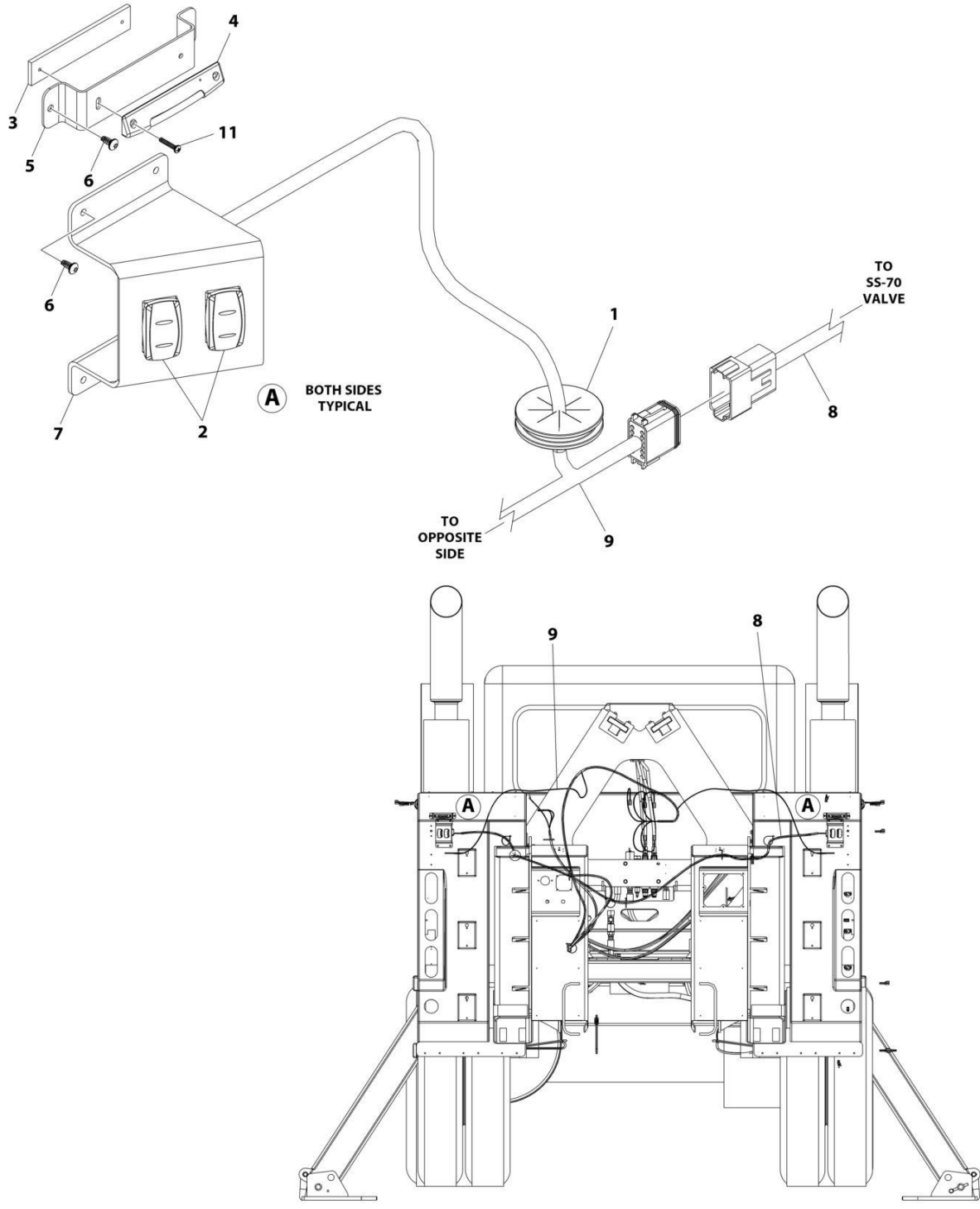
SECTION 7 - ELECTRICAL

FIGURE 7-120. SIDE RECOVERY SYSTEM TOOLBOX HARNESS

ITEM	PART NUMBER	QTY	DESCRIPTION	REV
	1001207275	Ref	TOOLBOX HARNESS INSTALLATION	A
1	1001207276	2	Harness, ToolBox Main (See Separate Breakdown in this Section)	
2	1001207277	2	Harness, ToolBox (See Separate Breakdown in this Section)	
3	1001195257	20	Screw 1/4 x 1/2	
4	1001196552	8	Screw #8 x 3/4	
5	7280000006	20	Clip	

SECTION 7 - ELECTRICAL

FIGURE 7-121. SIDE STABILIZER ELECTRICAL INSTALLATION



ART_1001244142

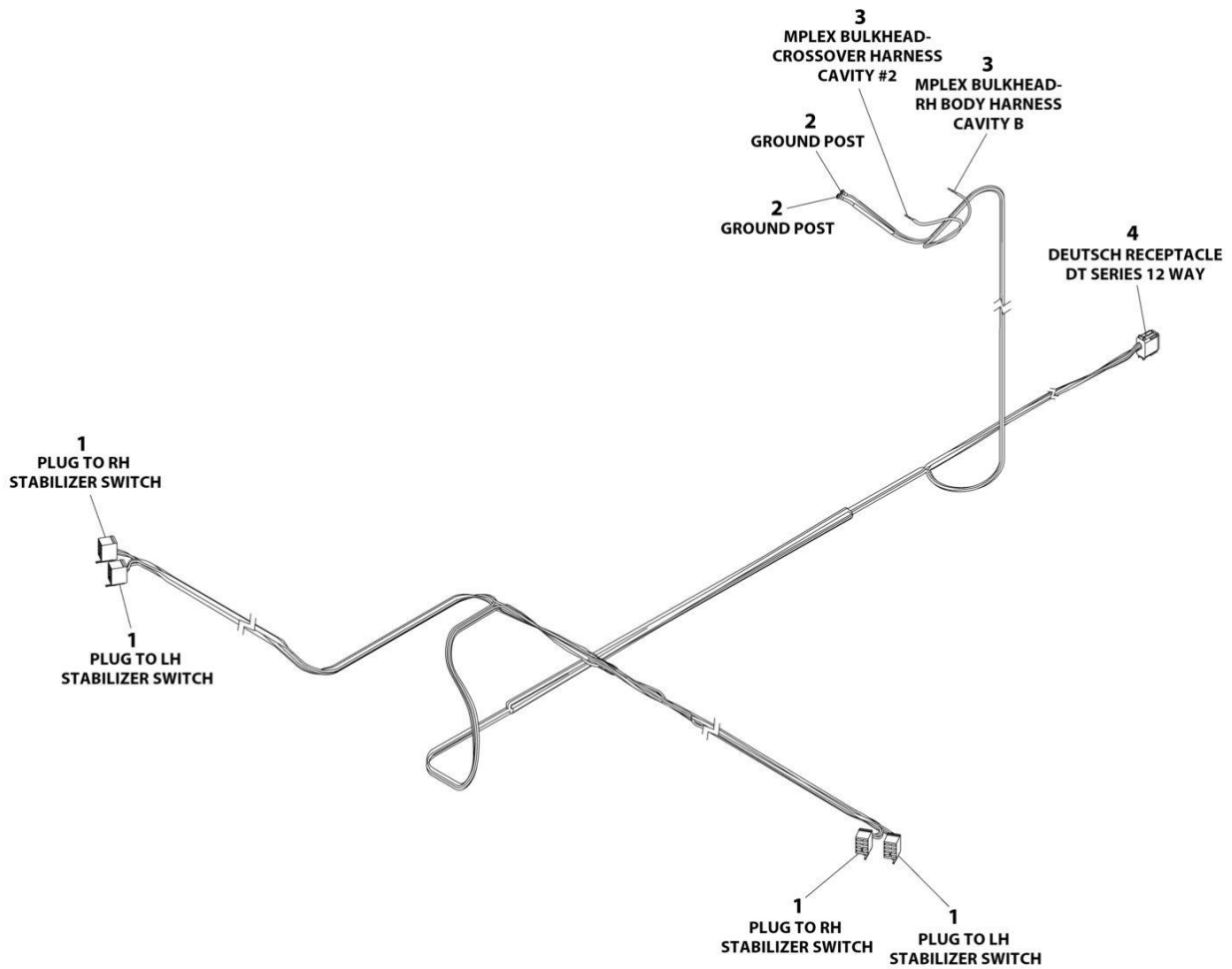
SECTION 7 - ELECTRICAL

FIGURE 7-121. SIDE STABILIZER ELECTRICAL INSTALLATION

ITEM	PART NUMBER	QTY	DESCRIPTION	REV
	1001244142	Ref	STABILIZER (SS-70) ELECTRICAL INSTALLATION	B
1	2540045	2	Grommet	
2	1001136270	4	Switch	
3	1001156079	2	Bar	
4	1001156279	2	Inclinometer	
5	1001167099	2	Level	
6	1001198602	12	Screw #8 x 3/8	
7	1001244185	2	Mount, Switch	
8	1001244279	1	Stabilizer (SS-70) Switch Harness (See Separate Breakdown in this Section) (Rear Harness)	
9	1001244281	1	Stabilizer (SS-70) Valve Harness (See Separate Breakdown in this Section) (Front Harness)	
10	5526000553	15	Tie-Strap (Not Shown)	
11	7120000047	4	Screw #4 x 5/8	
12	7894000004	20	Tie-Strap (Not Shown)	

SECTION 7 - ELECTRICAL

FIGURE 7-122. SIDE STABILIZER (SRS SS-70) SWITCH HARNESS (REAR HARNESS)



ART_1001244279

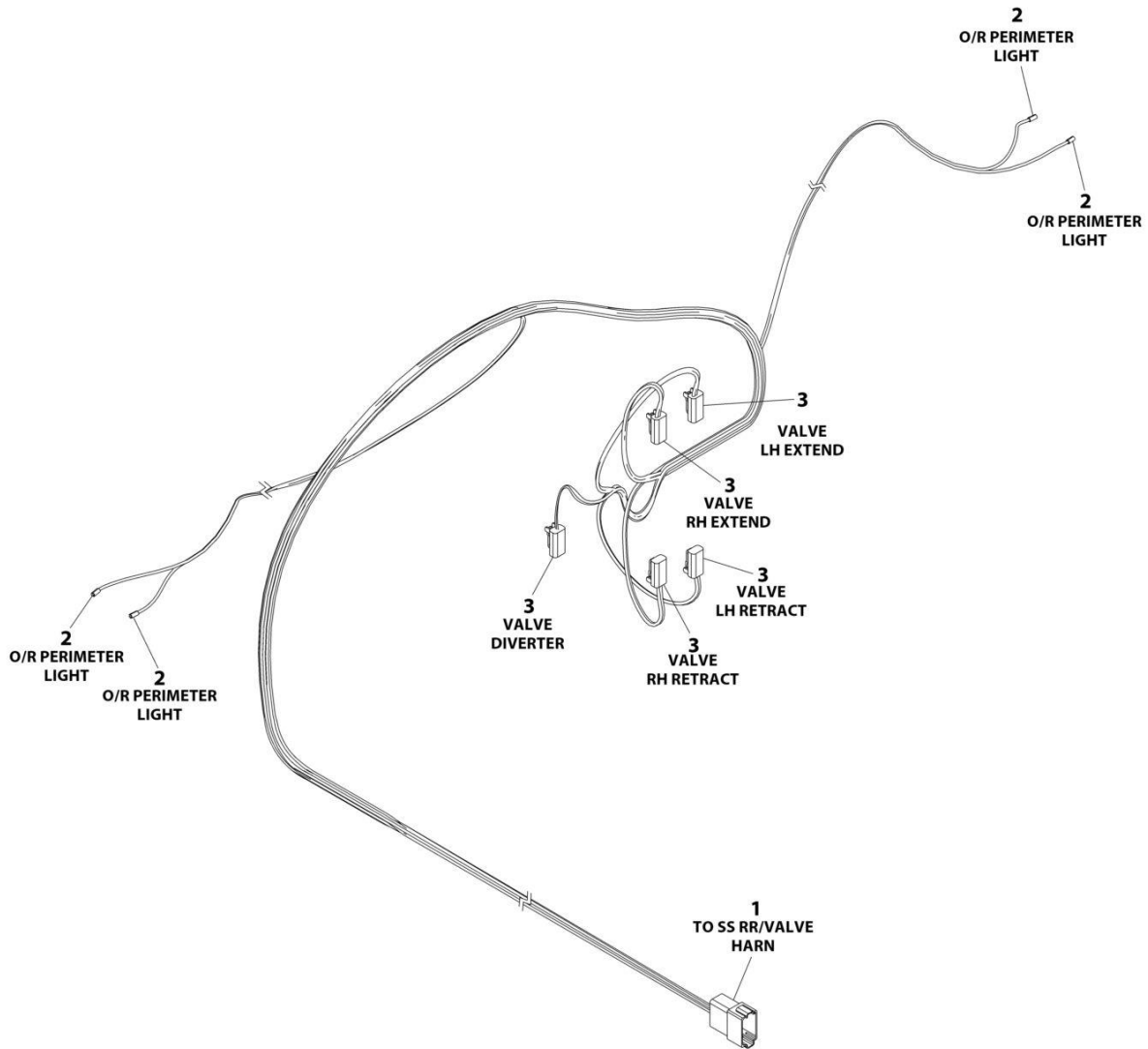
SECTION 7 - ELECTRICAL

FIGURE 7-122. SIDE STABILIZER (SRS SS-70) SWITCH HARNESS (REAR HARNESS)

ITEM	PART NUMBER	QTY	DESCRIPTION	REV
	1001244279	Ref	HYDRAULIC SWITCHING SIDE STABILIZER HARNESS	C
1	1001262745	4	Connector	
1	4460419	24	Socket	
2	NPN	2	Terminal, Ring	
3	4460509	2	Socket	
4	4460933	1	Connector	
4	8060416	1	Wedge, Locking	
4	NPN	2	Plug	
4	4460942	7	Socket (14-16AWG)	
4	4460465	3	Socket (16-20AWG)	

SECTION 7 - ELECTRICAL

FIGURE 7-123. SIDE STABILIZER (SRS SS-70) VALVE HARNESS (FRONT HARNESS)



ART_1001244281

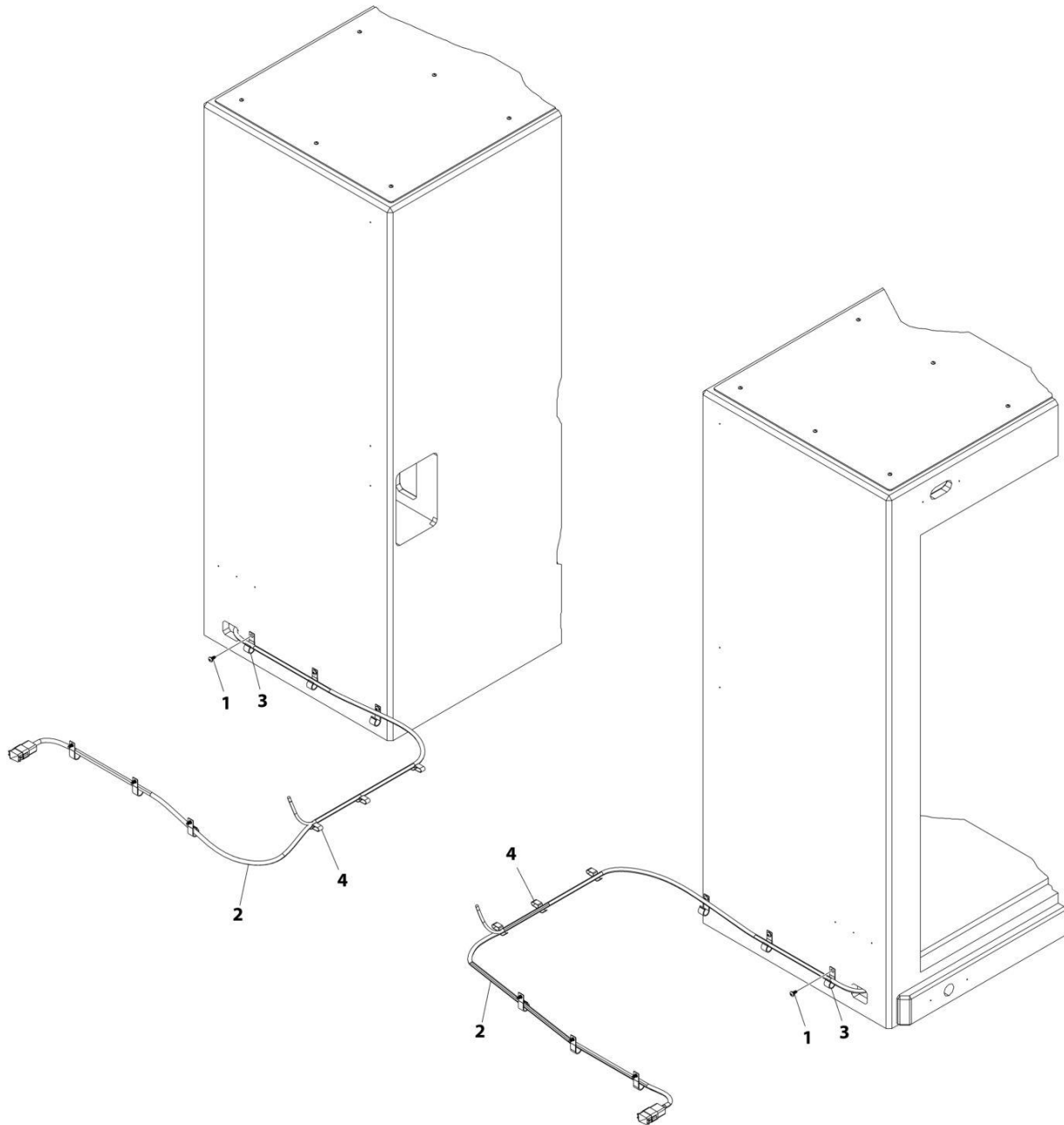
SECTION 7 - ELECTRICAL

FIGURE 7-123. SIDE STABILIZER (SRS SS-70) VALVE HARNESS (FRONT HARNESS)

ITEM	PART NUMBER	QTY	DESCRIPTION	REV
	1001244281	Ref	STABILIZER (SS-70) VALVE HARNESS	B
1	4460970	1	Receptacle, Female - 12 Position	
1	4460464	3	Pin, Male	
1	4460941	7	Pin, Male	
1	4460466	2	Plug, Terminal	
2	NPN	4	Connector, Butt	
3	4460891	5	Plug, Male - 2 Position	
3	4460942	10	Socket, Female	

SECTION 7 - ELECTRICAL

FIGURE 7-124. SIDE STABILIZER ELECTRICAL INSTALLATION (WITH NO PANEL)



ART_1001248346

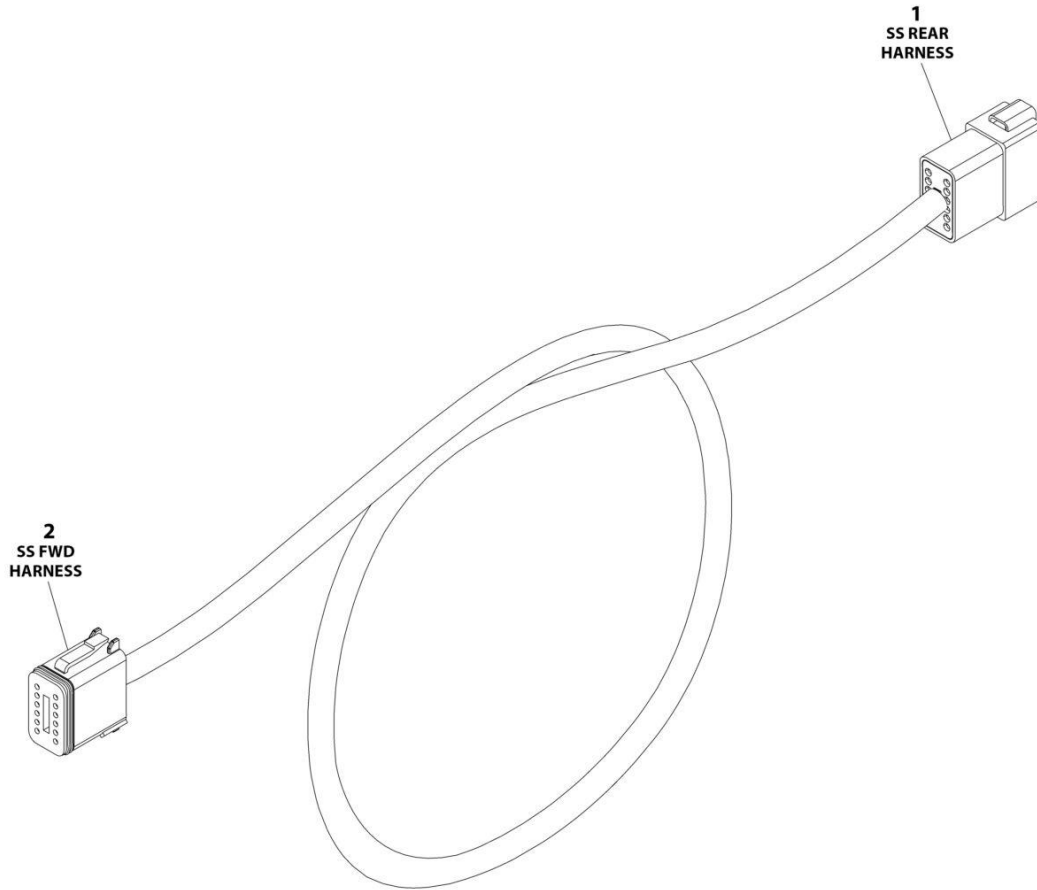
SECTION 7 - ELECTRICAL

FIGURE 7-124. SIDE STABILIZER ELECTRICAL INSTALLATION (WITH NO PANEL)

ITEM	PART NUMBER	QTY	DESCRIPTION	REV
	1001248346	Ref	ELECTRICAL INSTALLATION (SS-70 WITH NO PANEL)	C
1	1001195257	12	Screw 1/4 x 1/2	
2	1001244216	2	Marker Light Harness (SS-70) (See Separate Breakdown in this Section)	
3	7280000006	12	Clip	
4	7280000013	8	Clip	
5	7346000039	AR	Tubing (Not Shown)	

SECTION 7 - ELECTRICAL

FIGURE 7-125. SIDE STABILIZER HARNESS EXTENSIONS



ART_1001248215

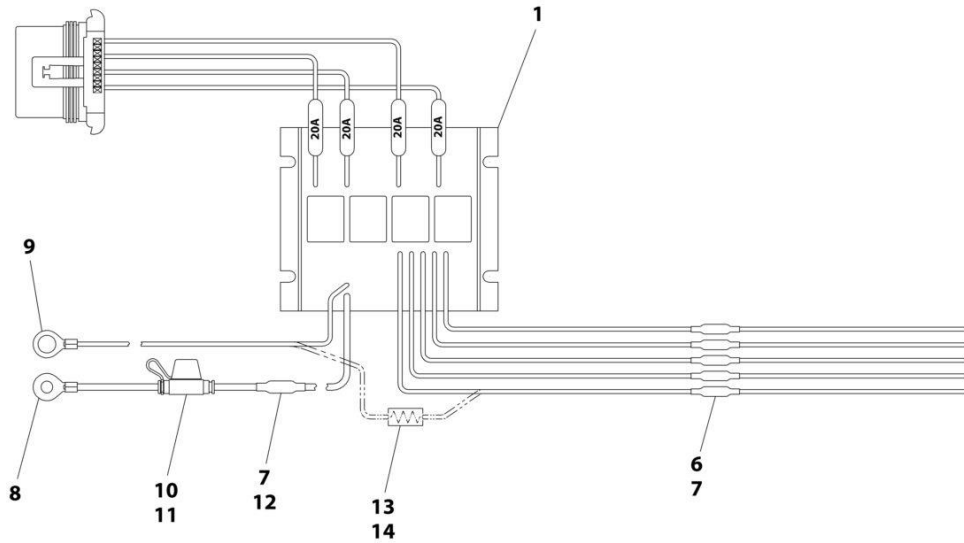
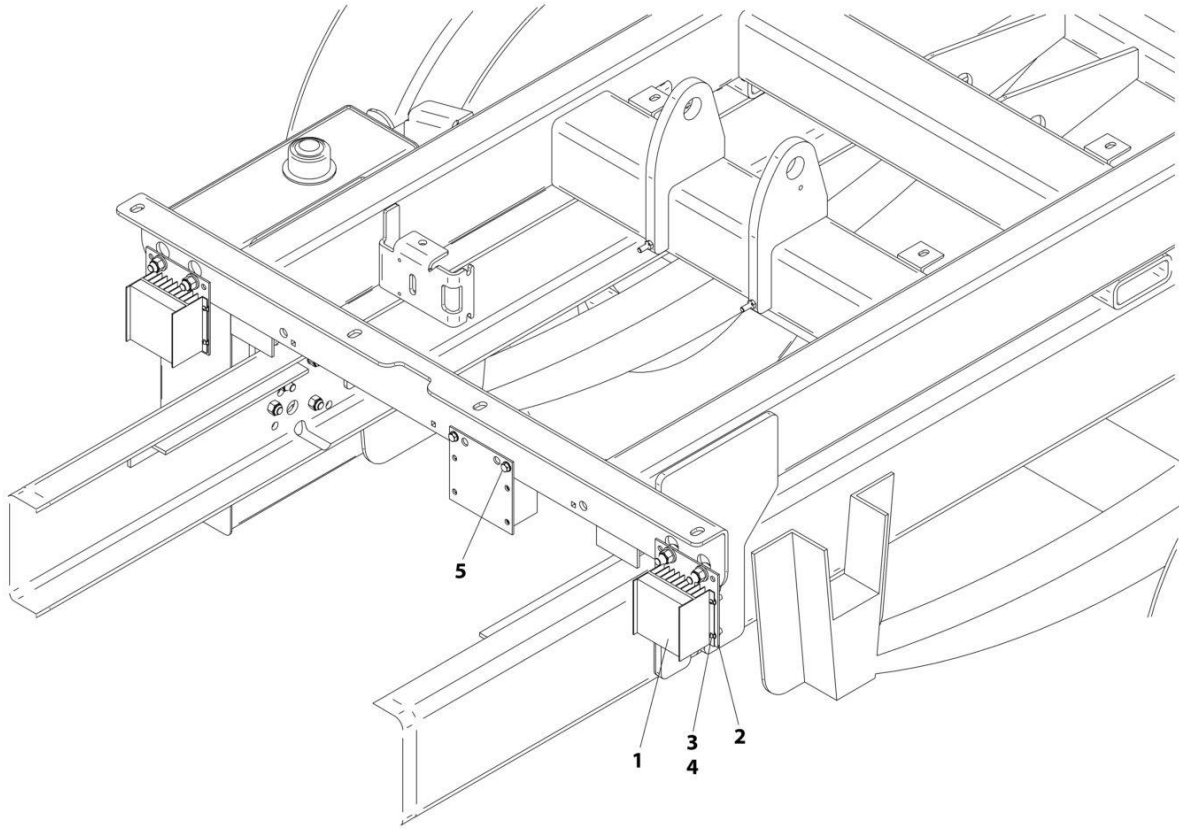
SECTION 7 - ELECTRICAL

FIGURE 7-125. SIDE STABILIZER HARNESS EXTENSIONS

ITEM	PART NUMBER	QTY	DESCRIPTION	REV
	1001248215	Ref	STABILIZER (SS-70) EXTENSION HARNESS INSTALLATION	A
	1001244280	Ref	STABILIZER (SS-70) EXTENSION HARNESS	A
1	4460970	1	Receptacle, Female - 12 Position	
1	4460464	3	Pin, Male	
1	4460941	7	Pin, Male	
1	4460466	2	Plug, Terminal	
2	4460933	1	Plug, Male - 12 Position	
2	4460465	3	Socket, Female	
2	4460942	7	Socket, Female	
2	4460466	2	Plug, Terminal	

SECTION 7 - ELECTRICAL

FIGURE 7-126. TAILLIGHT CONVERSION KIT



ART_234600003

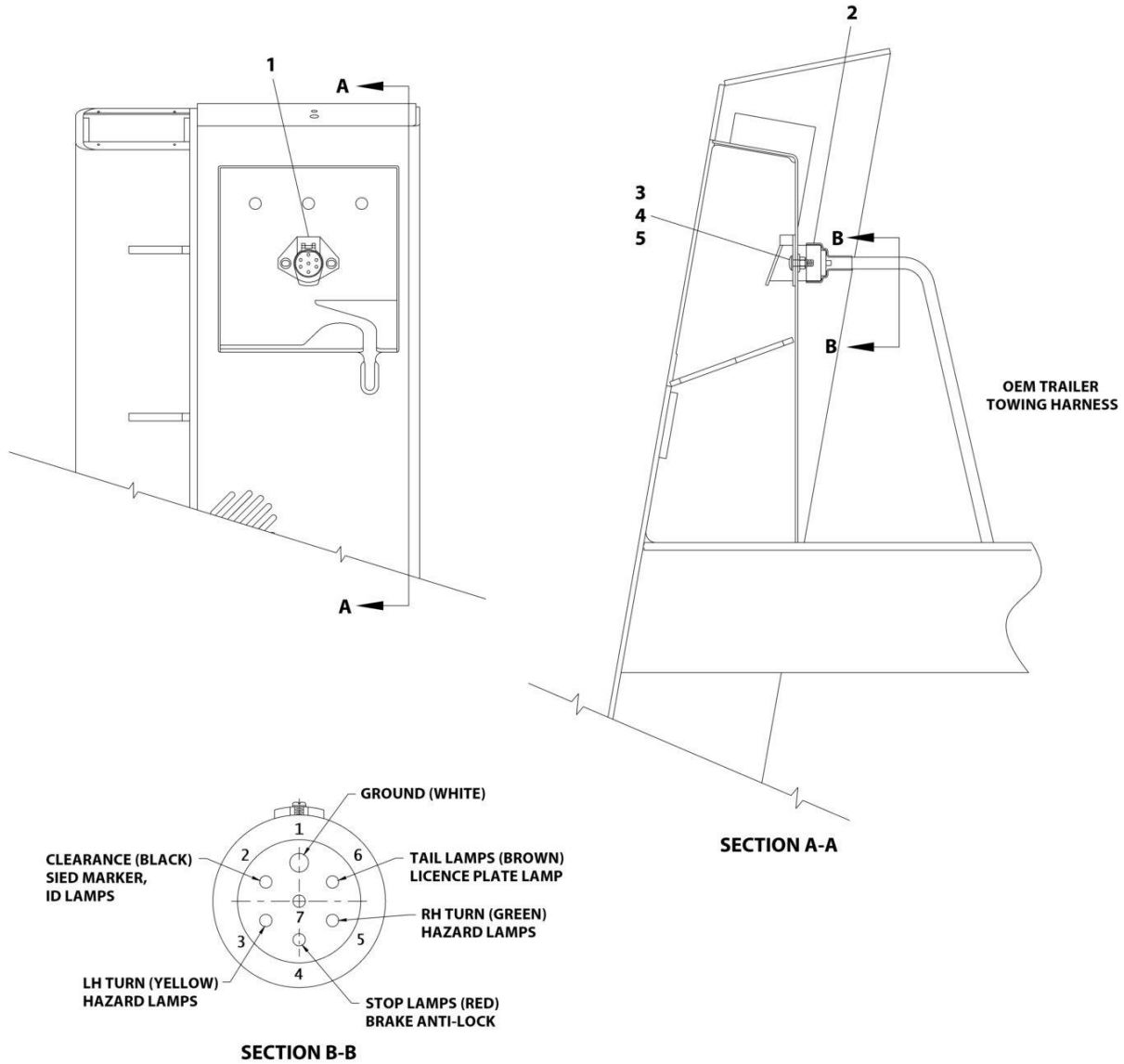
SECTION 7 - ELECTRICAL

FIGURE 7-126. TAILLIGHT CONVERSION KIT

ITEM	PART NUMBER	QTY	DESCRIPTION	REV
	2346000003	Ref	TAIL LIGHT CONVERTER	D
1	7297000008	1	Tail Light Converter	
2	4706002990	1	Plate	
3	7661000007	4	Nut #10	
4	7104100613	4	Capscrew #10 x 3/4	
5	7790151253	2	Bolt 5/16 x 3/4	
6	7345001714	5	Terminal	
7	7346000039	0.33 ft / 0.1m	Tube, 25in ID	
8	7345221902	1	Terminal	
9	7345241902	1	Terminal	
10	7346000126	1	Fuse Holder	
11	7457000017	1	Fuse - 30 amp	
12	7345001914	1	Terminal	
13	7346000209	1	Resistor (UD Chassis with Incandes't Lights)	
14	7346000220	1	Resistor (UD Chassis with Incandes't Lights)	

SECTION 7 - ELECTRICAL

FIGURE 7-127. TRAILER PLUG INSTALLATION - 7 WAY



ART_2502330145

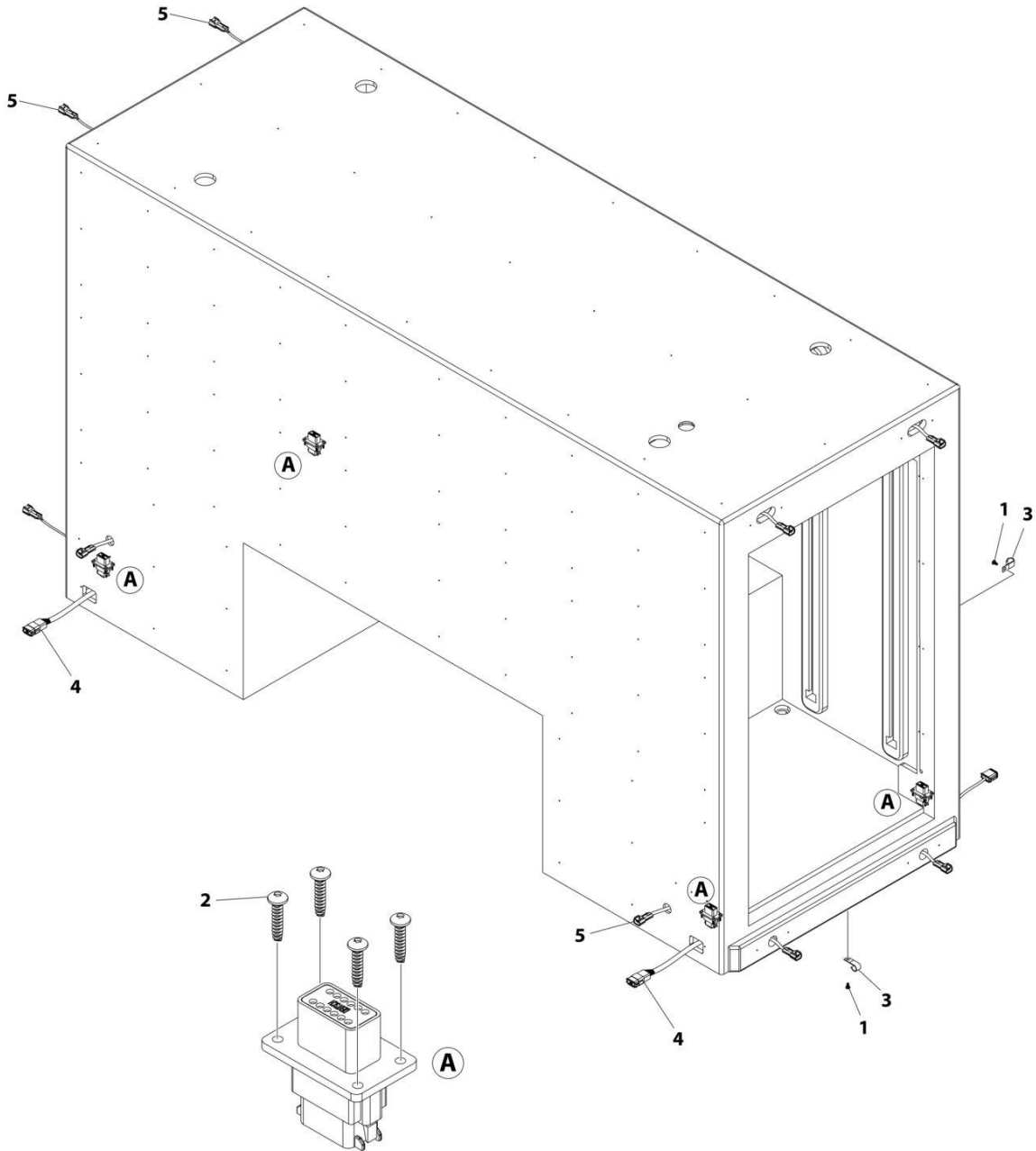
SECTION 7 - ELECTRICAL

FIGURE 7-127. TRAILER PLUG INSTALLATION - 7 WAY

ITEM	PART NUMBER	QTY	DESCRIPTION	REV
	2502330145	Ref	7 - Way Trailer Plug Installation	C
1	7346000055	1	7-Way Plug	
2	7346000078	1	7-Way Plug Boot	
3	7115151050	2	Capscrew 5/16 x 1-1/4	
4	7950150161	4	Washer 5/16	
5	7660152601	2	Nut 5/16	

SECTION 7 - ELECTRICAL

FIGURE 7-128. TUNNEL HARNESS INSTALLATION - 37IN TUNNEL (SN 0230004275 through 0230008673, Excluding 0230008645)



ART_1001207198

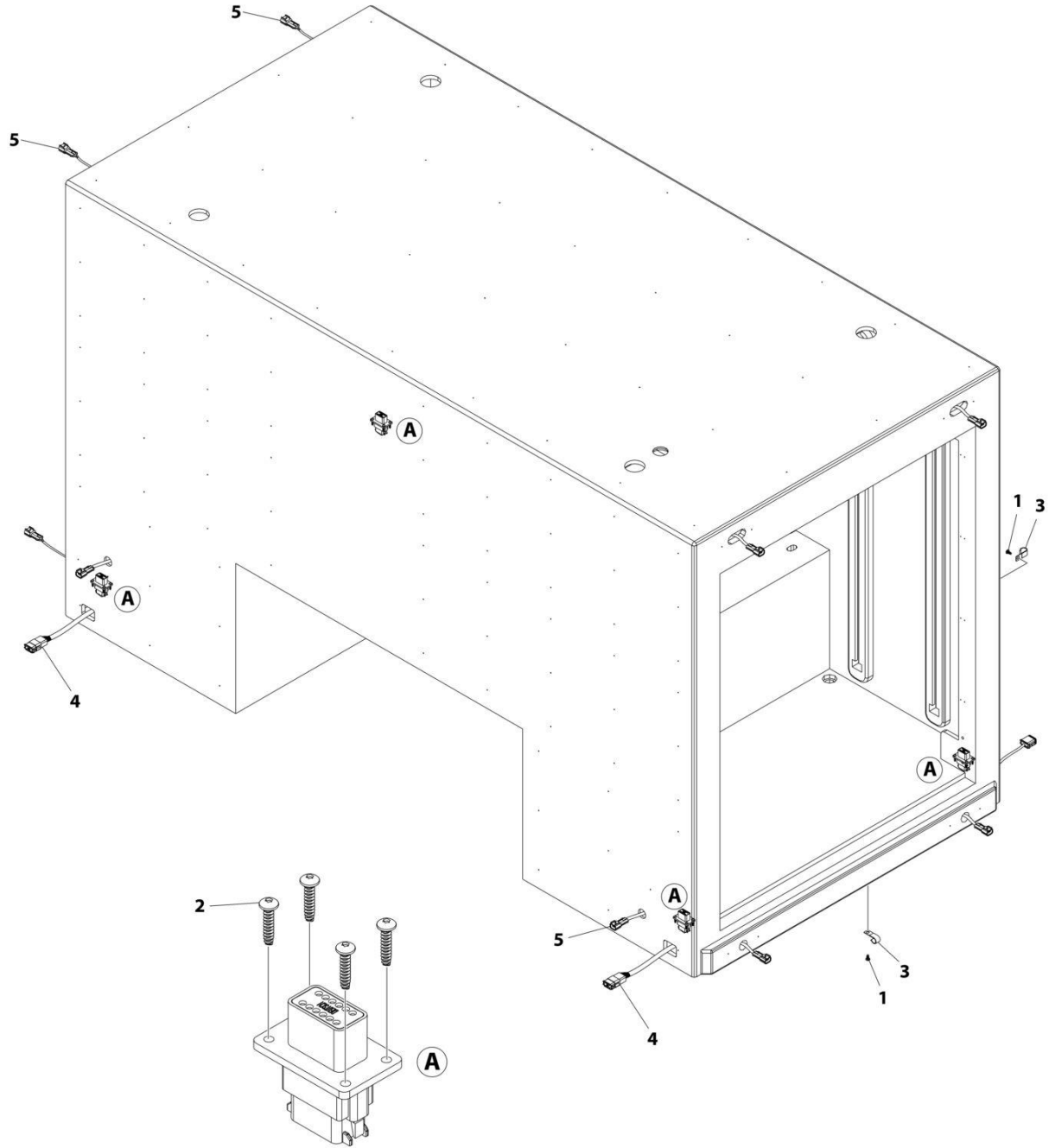
SECTION 7 - ELECTRICAL

FIGURE 7-128. TUNNEL HARNESS INSTALLATION - 37IN TUNNEL (SN 0230004275 through 0230008673, Excluding 0230008645)

ITEM	PART NUMBER	QTY	DESCRIPTION	REV
	1001207198	Ref	TUNNEL HARNESS INSTALLATION (36IN & 37IN TUNNELS WITHOUT BATTERY)	B
1	1001195257	18	Screw 1/4 x 1/2	
2	1001196552	16	Screw #8 x 3/4	
3	7280000006	18	Clip	
4	1001207216	2	Harness, Tunnel Main (See Separate Breakdown in this Section)	
5	1001209056	4	Harness, Tunnel Rear (See Separate Breakdown in this Section)	

SECTION 7 - ELECTRICAL

FIGURE 7-129. TUNNEL HARNESS INSTALLATION - 37IN & 49IN TUNNELS (SN 0230008674 to Present, Including 0230008645)



ART_1001207200

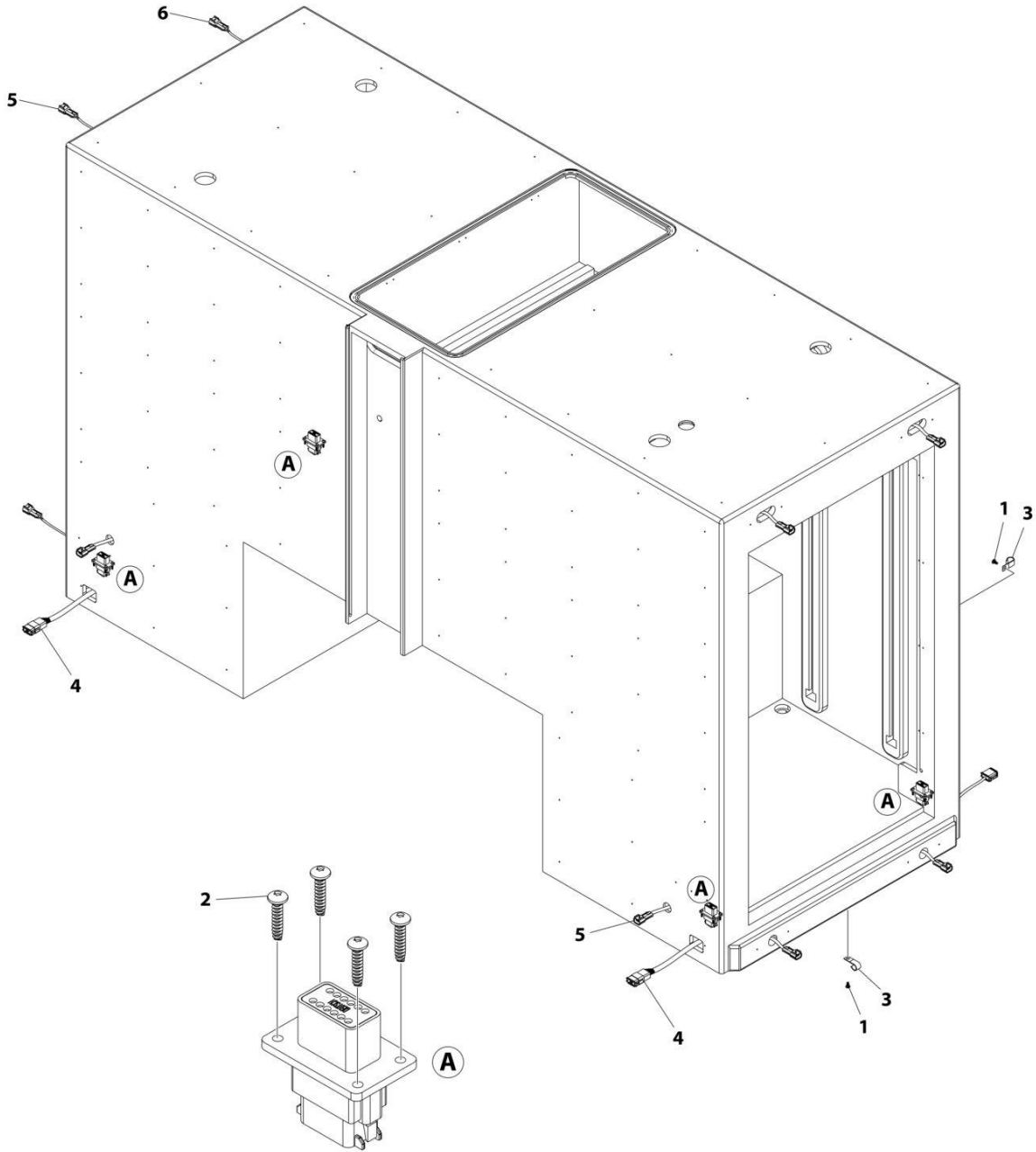
SECTION 7 - ELECTRICAL

FIGURE 7-129. TUNNEL HARNESS INSTALLATION - 37IN & 49IN TUNNELS (SN 0230008674 to Present, Including 0230008645)

ITEM	PART NUMBER	QTY	DESCRIPTION	REV
	1001207200	Ref	TUNNEL HARNESS INSTALLATION (48IN & 49IN TUNNEL WITHOUT BATTERY)	B
1	1001195257	20	Screw 1/4 x 1/2	
2	1001196552	16	Screw #8 x 3/4	
3	7280000006	20	Clip	
4	1001209050	2	Harness, Tunnel Main (See Separate Breakdown in this Section)	
5	1001209056	4	Harness, Tunnel Rear (See Separate Breakdown in this Section)	

SECTION 7 - ELECTRICAL

FIGURE 7-130. TUNNEL HARNESS INSTALLATION - 39IN TUNNEL



ART_10011207197

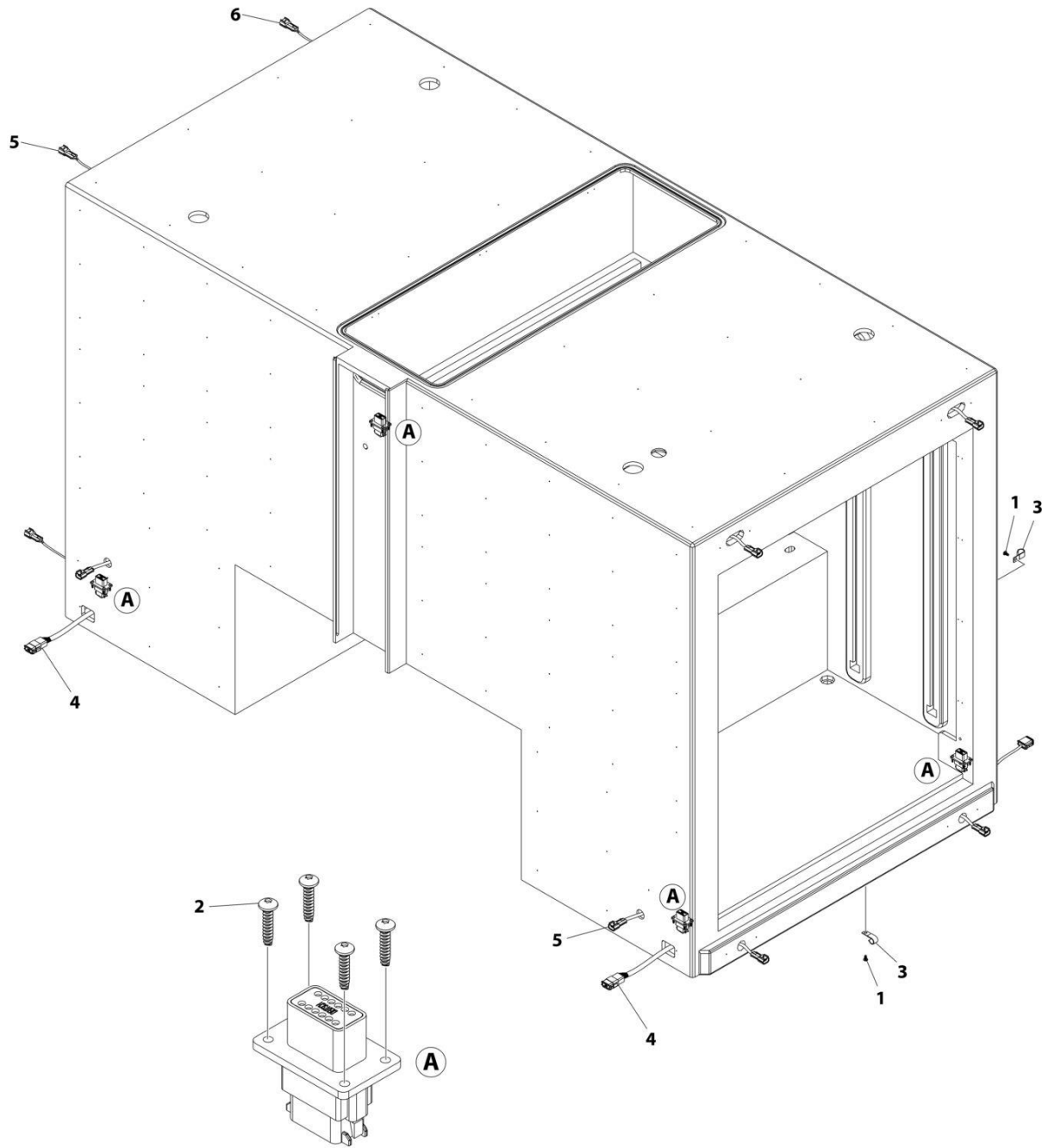
SECTION 7 - ELECTRICAL

FIGURE 7-130. TUNNEL HARNESS INSTALLATION - 39IN TUNNEL

ITEM	PART NUMBER	QTY	DESCRIPTION	REV
	1001207197	Ref	TUNNEL HARNESS INSTALLATION (39IN & 36IN TUNNELS)	B
1	1001195257	18	Screw 1/4 x 1/2	
2	1001196552	16	Screw #8 x 3/4	
3	7280000006	18	Clip	
4	1001207216	2	Harness, Tunnel Main (See Separate Breakdown in this Section)	
5	1001209055	2	Harness, Tunnel Front (See Separate Breakdown in this Section)	
6	1001209056	2	Harness, Tunnel Rear (See Separate Breakdown in this Section)	

SECTION 7 - ELECTRICAL

FIGURE 7-131. TUNNEL HARNESS INSTALLATION - 51IN TUNNEL



ART_10011207199

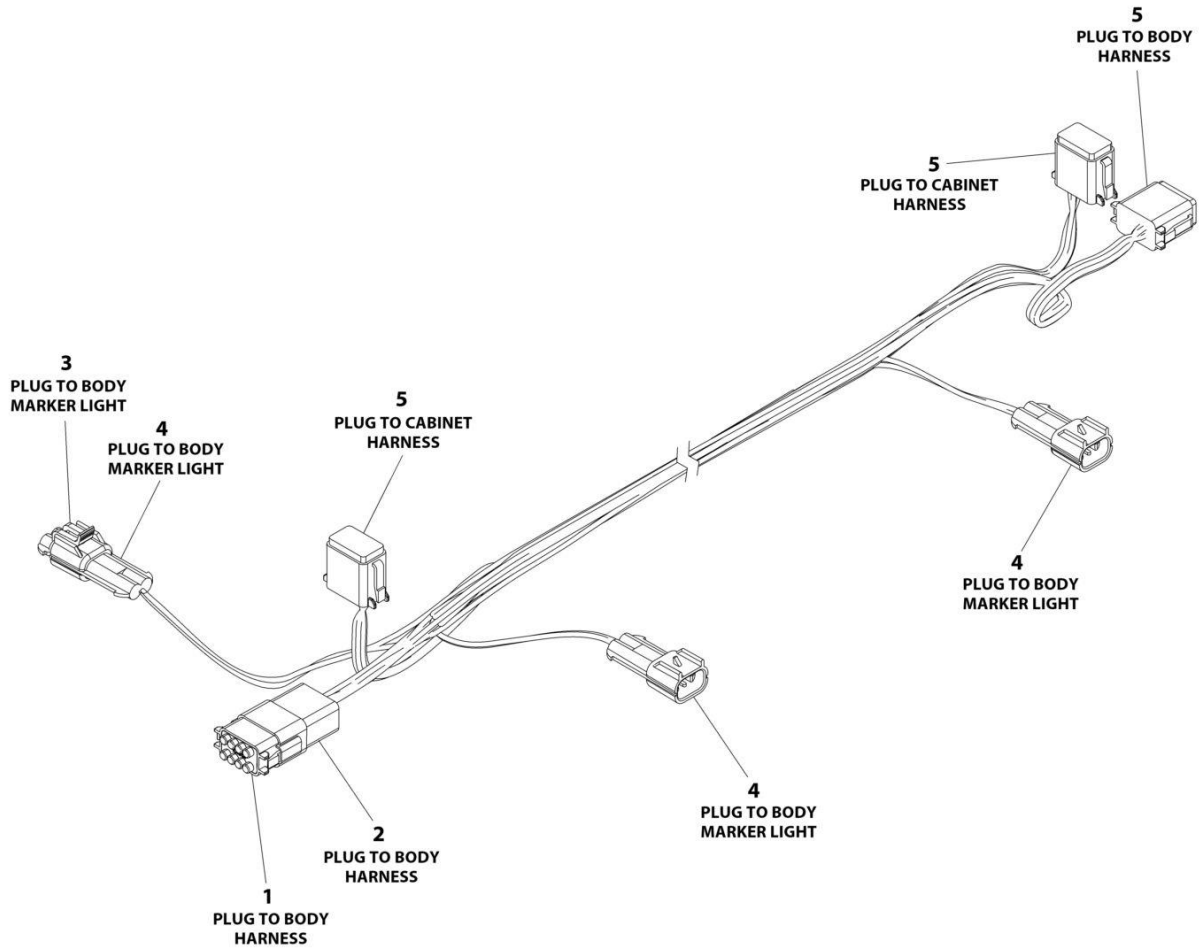
SECTION 7 - ELECTRICAL

FIGURE 7-131. TUNNEL HARNESS INSTALLATION - 51IN TUNNEL

ITEM	PART NUMBER	QTY	DESCRIPTION	REV
	1001207199	Ref	TUNNEL HARNESS INSTALLATION (48IN & 51IN TUNNELS)	B
1	1001195257	20	Screw 1/4 x 1/2	
2	1001196552	16	Screw #8 x 3/4	
3	7280000006	20	Clip	
4	1001209050	2	Harness, Tunnel Main (See Separate Breakdown in this Section)	
5	1001209055	2	Harness, Tunnel Front (See Separate Breakdown in this Section)	
6	1001209056	2	Harness, Tunnel Rear (See Separate Breakdown in this Section)	

SECTION 7 - ELECTRICAL

FIGURE 7-132. TUNNEL HARNESS - MAIN (SN 0230004275 through 0230008673, Excluding 0230008645)



ART_1001207216

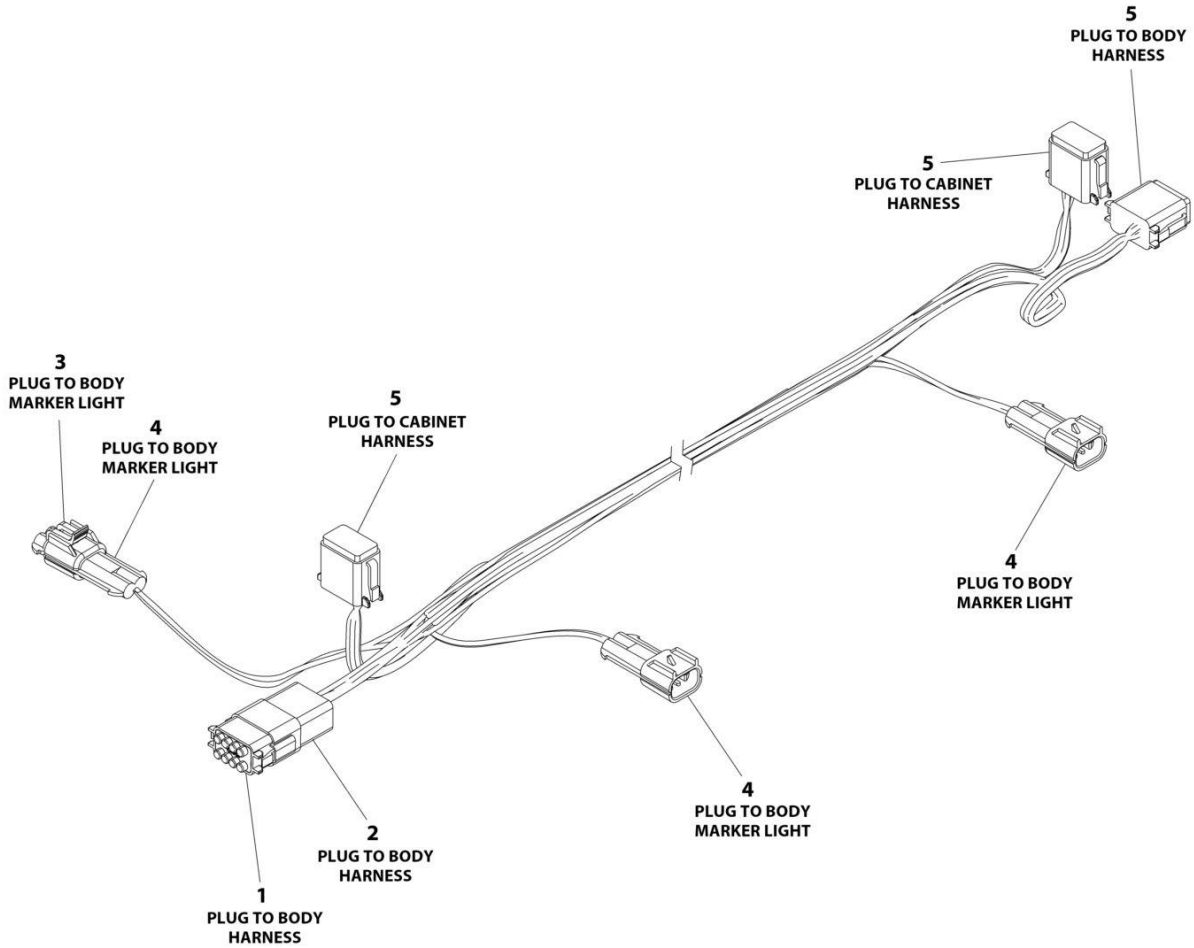
SECTION 7 - ELECTRICAL

FIGURE 7-132. TUNNEL HARNESS - MAIN (SN 0230004275 through 0230008673, Excluding 0230008645)

ITEM	PART NUMBER	QTY	DESCRIPTION	REV
	1001207216	Ref	TUNNEL HARNESS - MAIN	C
1	4460930	1	Connector - 8 Position	
1	4460466	8	Plug, Terminal	
2	4460931	1	Connector - 8 Position	
2	4460464	6	Socket, Female	
2	4460466	2	Plug, Terminal	
3	NPN	1	Plug, Male - 2 Position	
3	NPN	2	Terminal	
3	4460458	2	Seal	
4	NPN	3	Receptacle, Female - 2 Position	
4	NPN	6	Terminal	
4	1001116727	6	Seal	
5	4460930	3	Connector - 8 Position	
5	4460465	18	Pin, Male	
5	4460466	6	Plug, Terminal	

SECTION 7 - ELECTRICAL

FIGURE 7-133. TUNNEL HARNESS - MAIN (SN 0230008674 to Present, Including 0230008645)



ART_1001209050

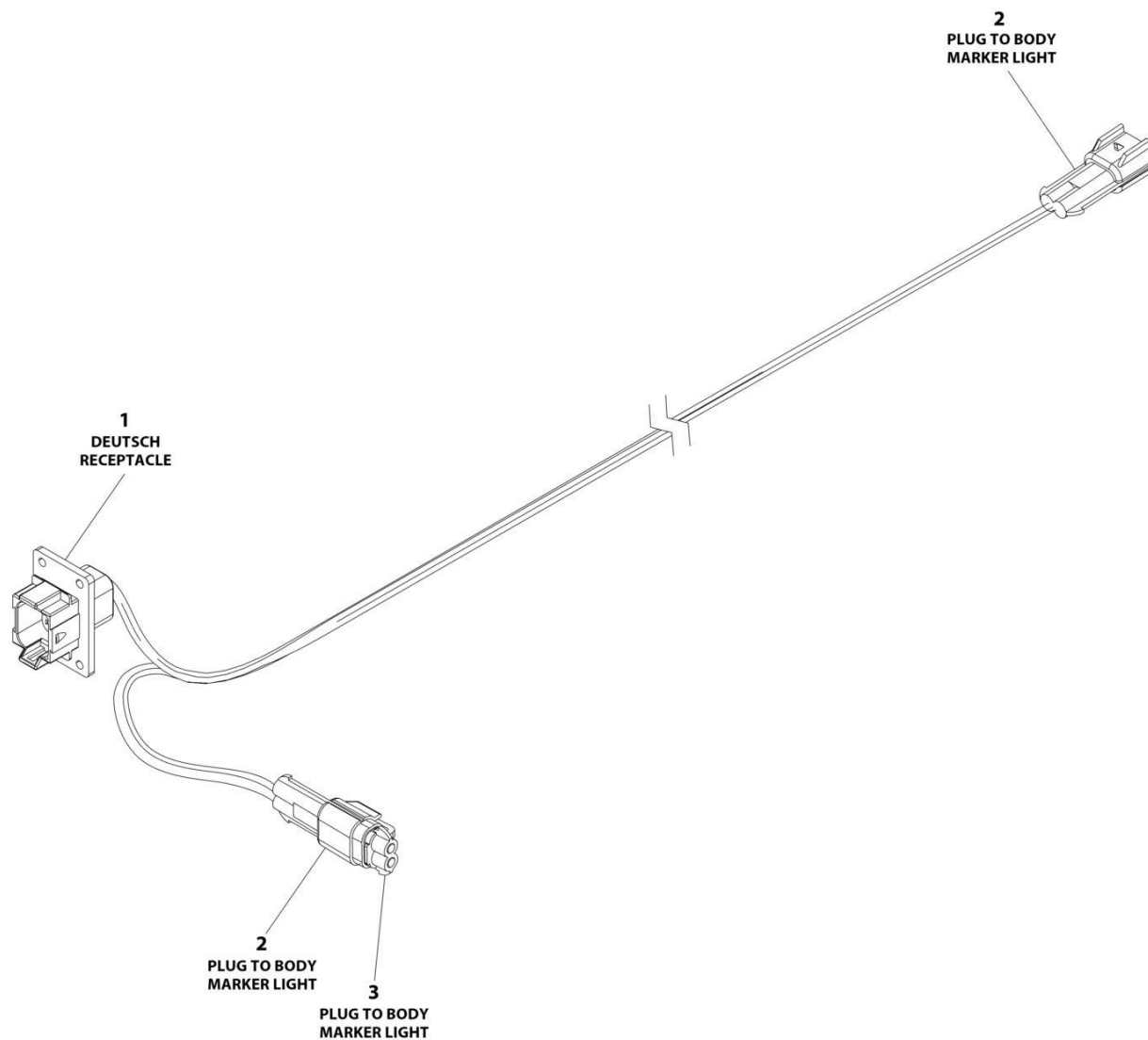
SECTION 7 - ELECTRICAL

FIGURE 7-133. TUNNEL HARNESS - MAIN (SN 0230008674 to Present, Including 0230008645)

ITEM	PART NUMBER	QTY	DESCRIPTION	REV
	1001209050	Ref	TUNNEL HARNESS - MAIN	C
1	4460930	1	Connector - 8 Position	
1	4460466	8	Plug, Terminal	
2	4460931	1	Connector - 8 Position	
2	4460464	6	Socket, Female	
2	4460466	2	Plug, Terminal	
3	NPN	1	Plug, Male - 2 Position	
3	NPN	2	Terminal	
3	4460458	2	Seal	
4	NPN	3	Receptacle, Female - 2 Position	
4	NPN	6	Terminal	
4	1001116727	6	Seal	
5	4460930	3	Connector - 8 Position	
5	4460465	18	Pin, Male	
5	4460466	6	Plug, Terminal	

SECTION 7 - ELECTRICAL

FIGURE 7-134. TUNNEL HARNESS - FRONT



ART_1001209055

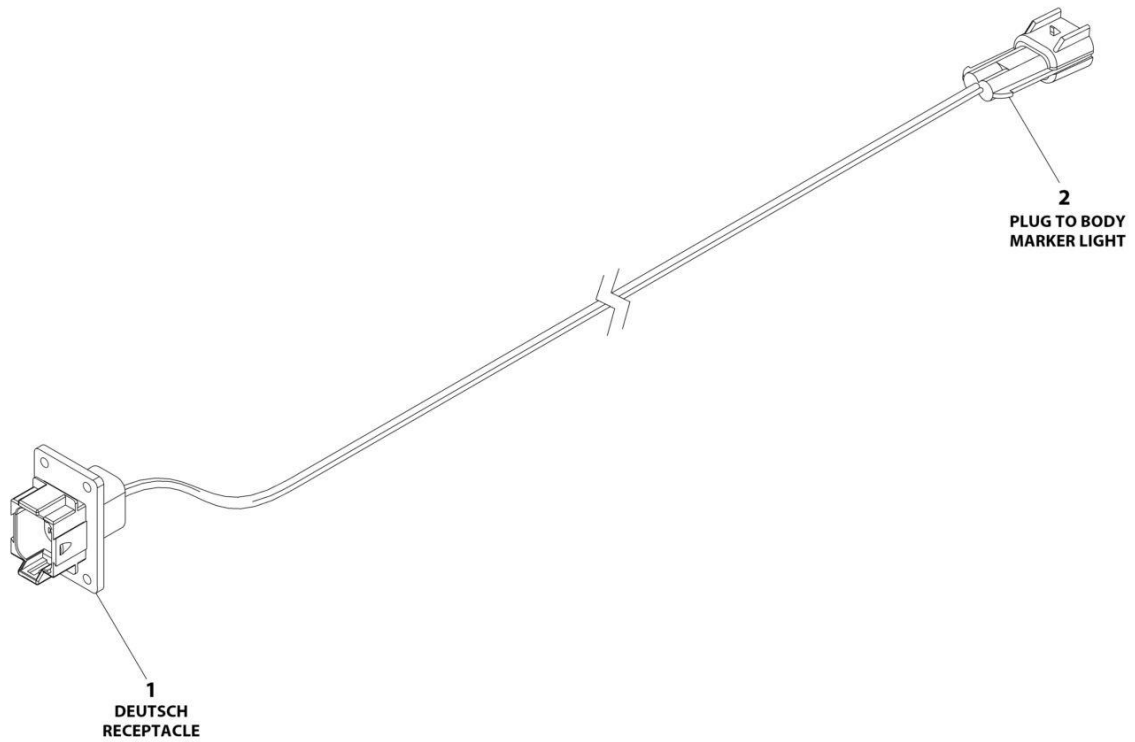
SECTION 7 - ELECTRICAL

FIGURE 7-134. TUNNEL HARNESS - FRONT

ITEM	PART NUMBER	QTY	DESCRIPTION	REV
	1001209055	Ref	TUNNEL HARNESS - FRONT	B
1	NPN	1	Connector - 8 Position	
1	4640464	2	Socket, Female	
1	4640466	4	Plug, Terminal	
1	NPN	1	Gasket	
2	NPN	2	Connector - 2 Position	
2	NPN	4	Terminal	
2	4640458	4	Seal	
3	NPN	1	Connector - 2 Position	
3	NPN	2	Terminal	
3	1001116727	2	Seal	

SECTION 7 - ELECTRICAL

FIGURE 7-135. TUNNEL HARNESS - REAR



ART_1001209056

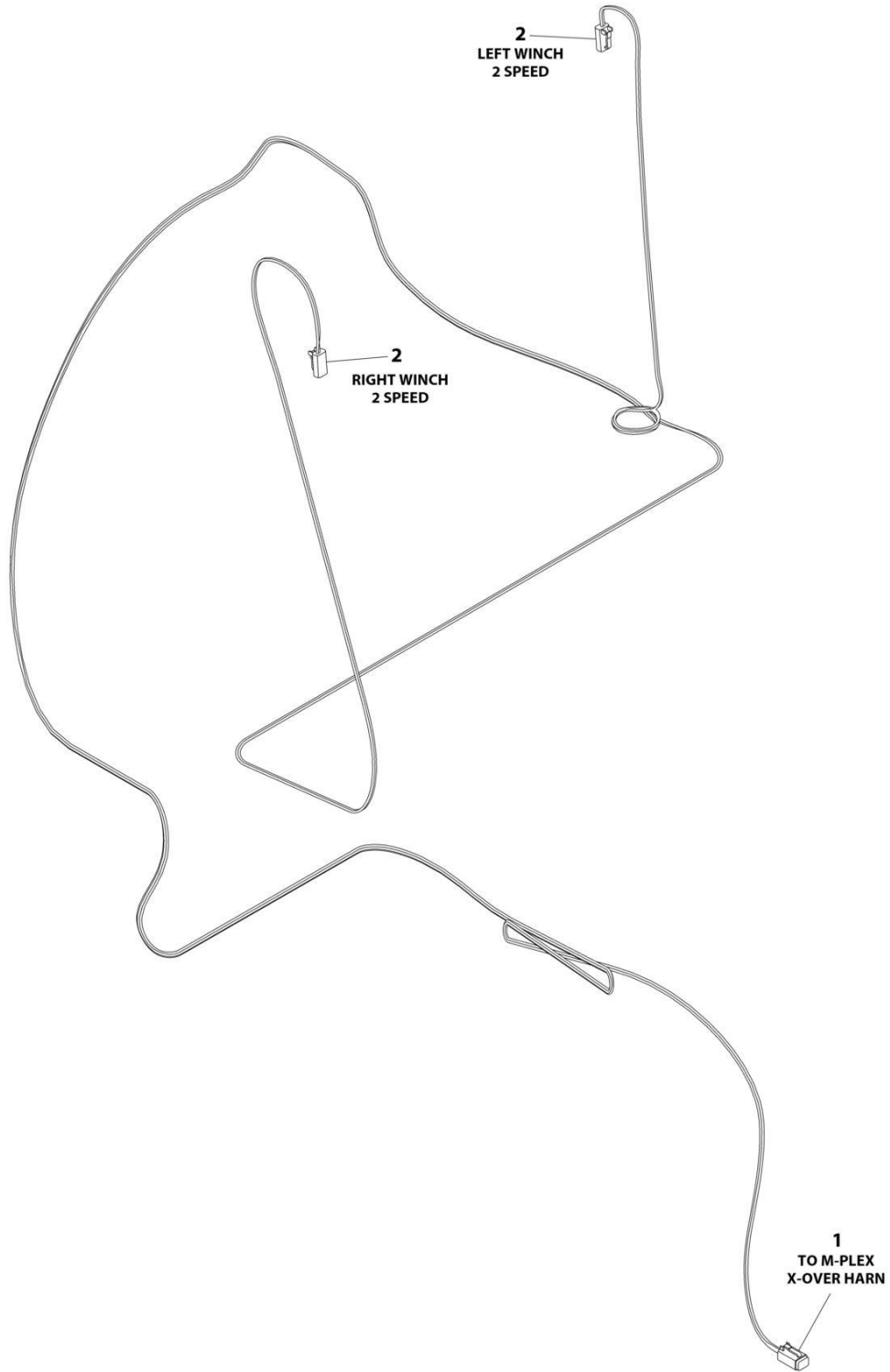
SECTION 7 - ELECTRICAL

FIGURE 7-135. TUNNEL HARNESS - REAR

ITEM	PART NUMBER	QTY	DESCRIPTION	REV
	1001209056	Ref	TUNNEL HARNESS - REAR	A
1	NPN	1	Connector - 8 Position	
1	4640464	2	Socket, Female	
1	4640466	4	Plug, Terminal	
1	NPN	1	Gasket	
2	NPN	1	Connector - 2 Position	
2	NPN	2	Terminal	
2	4640458	2	Seal	

SECTION 7 - ELECTRICAL

FIGURE 7-136. WINCH HARNESS - 2 SPEED



ART_1001217309

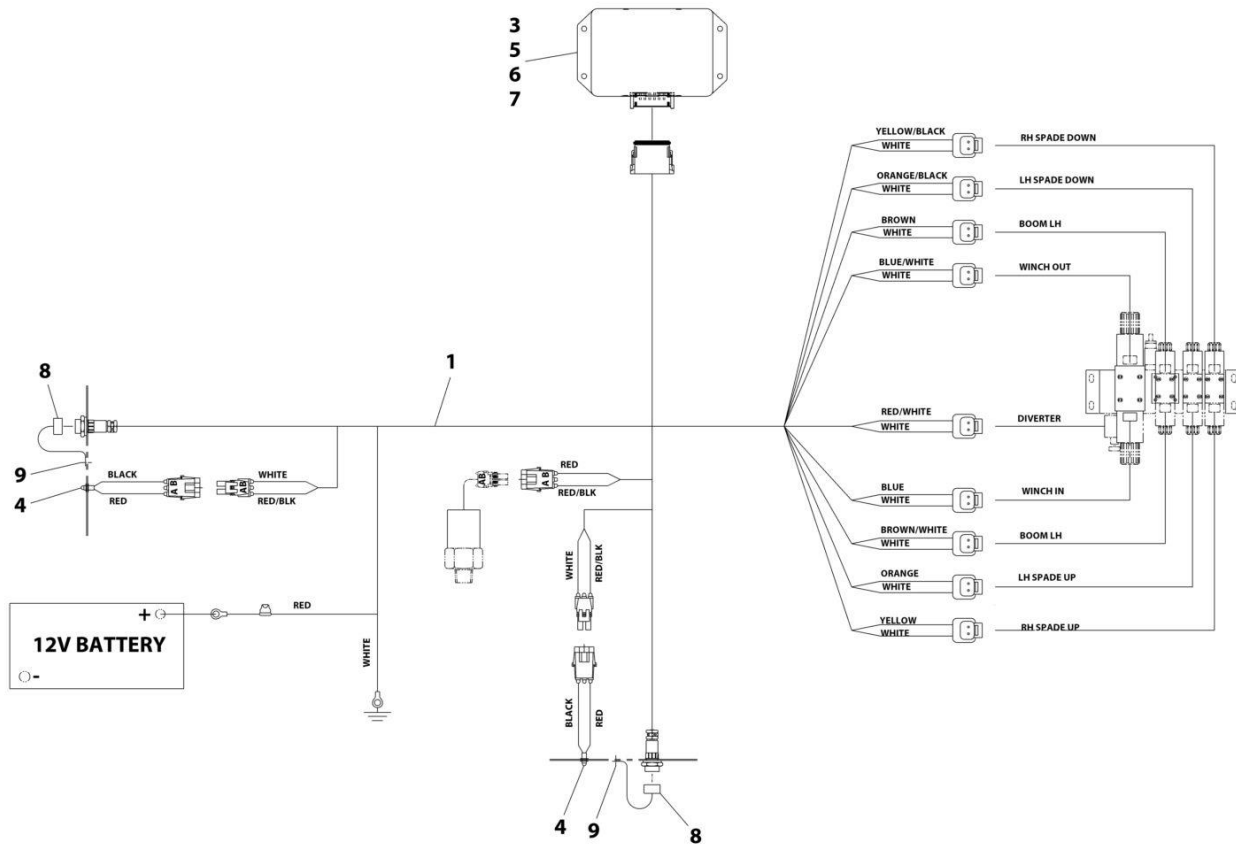
SECTION 7 - ELECTRICAL

FIGURE 7-136. WINCH HARNESS - 2 SPEED

ITEM	PART NUMBER	QTY	DESCRIPTION	REV
	1001217309	Ref	WINCH HARNESS - 2 SPEED	C
1	4460884	1	Plug, Male - 4 Position	
1	4460465	4	Socket, Female	
2	4460891	2	Plug, Male - 2 Position	
2	4460465	4	Socket, Female	

SECTION 7 - ELECTRICAL

FIGURE 7-137. WINCH ELECTRICAL INSTALLATION (SRS TOOLBOX)



ART_3548330007

SECTION 7 - ELECTRICAL

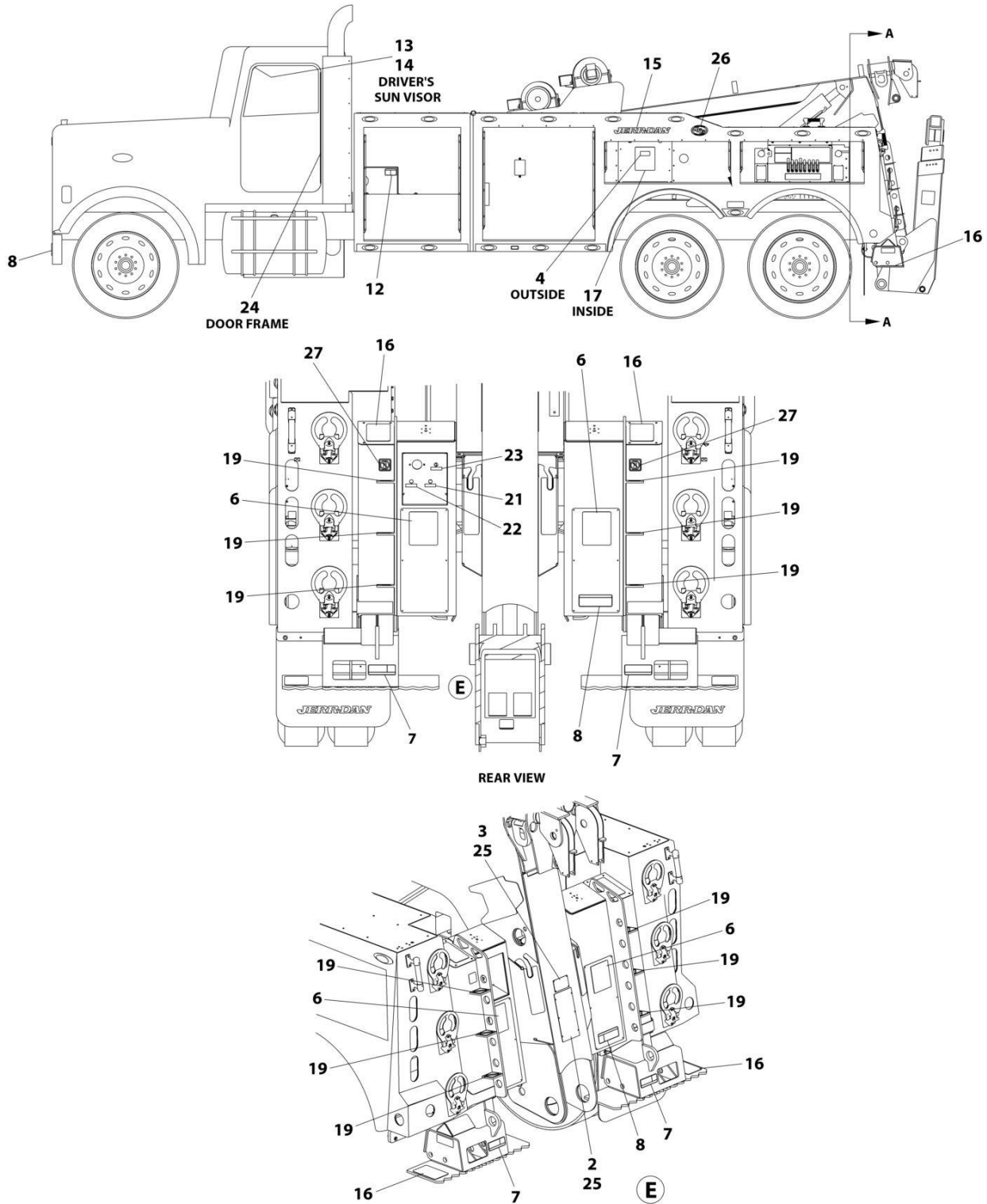
FIGURE 7-137. WINCH ELECTRICAL INSTALLATION (SRS TOOLBOX)

ITEM	PART NUMBER	QTY	DESCRIPTION	REV
	3548330007	Ref	SINGLE WINCH ELECTRICAL ASSEMBLY	B
1	7552000407	1	Harness Remote Control 8 Function (See Separate Breakdown in this Section)	
3	7295000121	1	Controller, Wireless	
4	7590000364	2	Indicator	
5	7114100518	4	Capscrew #10 x 5/8	
6	7660102604	4	Nut #10	
7	7950100103	4	Washer #10	
8	7346000068	2	Dust Cap	
9	7759000004	4	Rivet	

SECTION 8 - DECAL

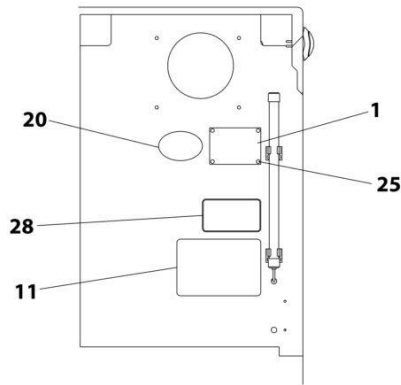
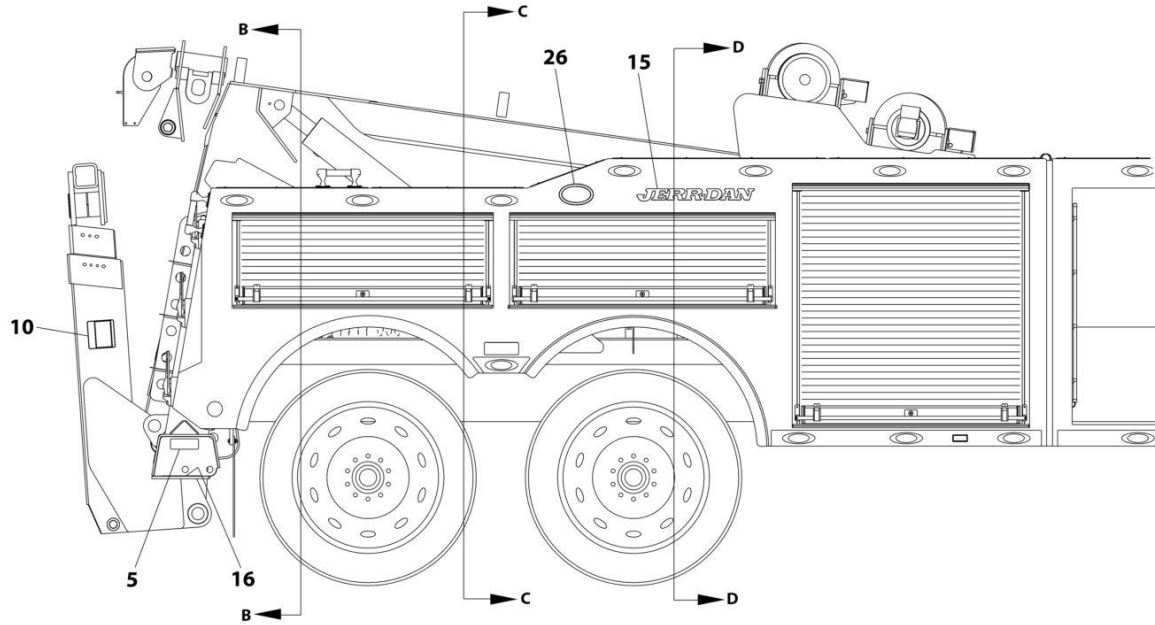
SECTION 8 - DECAL

FIGURE 8-1. DECAL INSTALLATION - COMMON

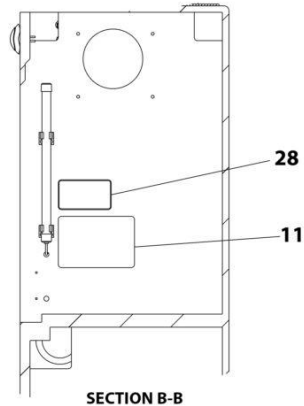


ART_1001205338_1OF2

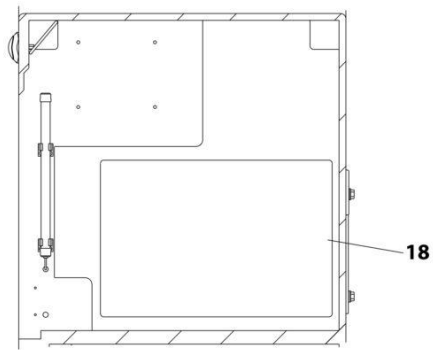
SECTION 8 - DECAL



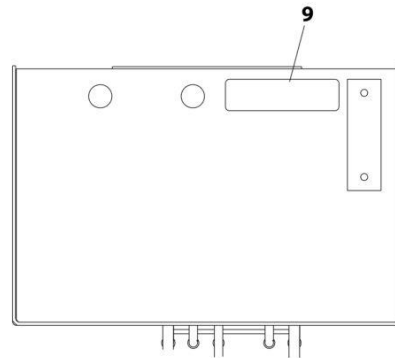
SECTION A-A



REAR FACE OF REARMOST BODY COMPARTMENT
LH & RH REAR BODY



SECTION C-C
LH BODY



SECTION D-D
HYDRAULIC TANK

ART_1001205338_20F2

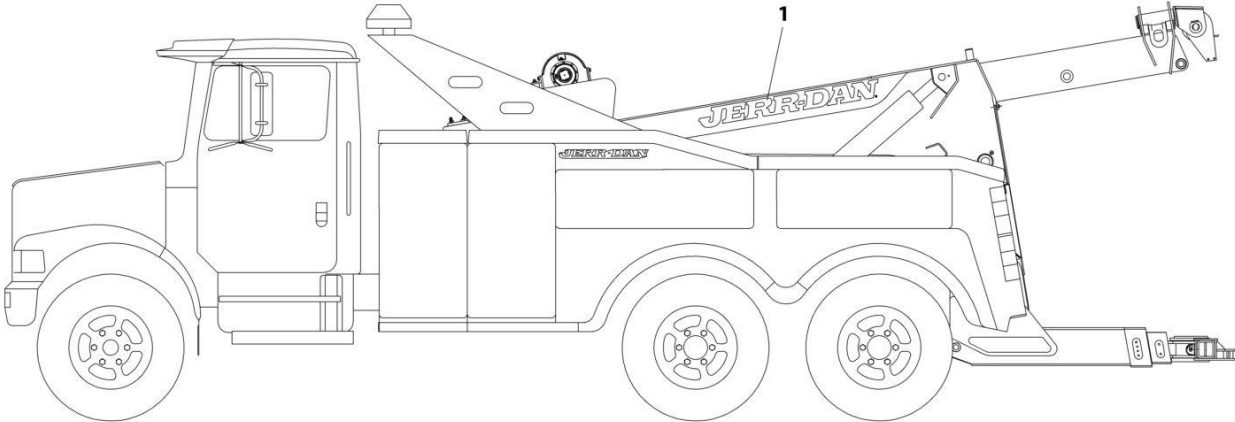
SECTION 8 - DECAL

FIGURE 8-1. DECAL INSTALLATION - COMMON

ITEM	PART NUMBER	QTY	DESCRIPTION	REV
	1001205338	Ref	DECAL INSTALLATION	I
1	1001127220	1	Decal - Indent Tag	
2	See Note	NSS	Decal - Serial Number/Ratng (Note: Not Available for Purchase)	
3	1001132346	1	Decal - Patent	
4	1001136075	1	Decal - Hazardous Voltage Inside	
5	1001136080	2	Decal - Recovery Stability	
6	1001136091	2	Decal - Towed Load Hazard	
7	1001136094	2	Decal - Crushing Hazard	
8	1001136103	4	Decal - Electrocution Hazard	
9	1001136119	1	Decal - Hydraulic Fluid Level	
10	1001137169	2	Decal - Pinch/Crush Hazard	
11	1001138537	2	Decal - Hook Notice	
12	1001138612	2	Decal - Battery Warning	
13	1001141227	1	Decal - Backing Hazard	
14	1001142828	1	Decal - Fall Hazard	
15	1001206367	2	Decal - Jerr-Dan	
16	1001174346	4	Decal - Spade Step Rectangle	
17	1001212286	1	Decal - Electrical Panel (Prior to SN 0230005539)	
17	1001232870	1	Decal - Electrical Panel (SN 0230005539 to Present)	
18	1001205331	1	Decal - Lubrication Chart	
19	1001199065	6	Decal - Spade Housing Step	
20	7330000143	1	Decal - Made In USA	
21	7330000208	1	Decal - Service Air (Prior to SN 0230008089)	
22	7330000209	1	Decal - Supply Air (Prior to SN 0230008089)	
23	7330000210	1	Decal - Auxiliary Air (Prior to SN 0230008089)	
24	7330000689	1	Decal - Certification	
25	7759000004	14	Rivet	
26	1001206364	2	Decal - JFB Badge	
27	1001142452	2	Decal - No Step	
28	1001231801	2	Decal - Warning Prop 65	

SECTION 8 - DECAL

FIGURE 8-2. DECAL INSTALLATION - JERR-DAN LOGO (RED)



ART_1001143489

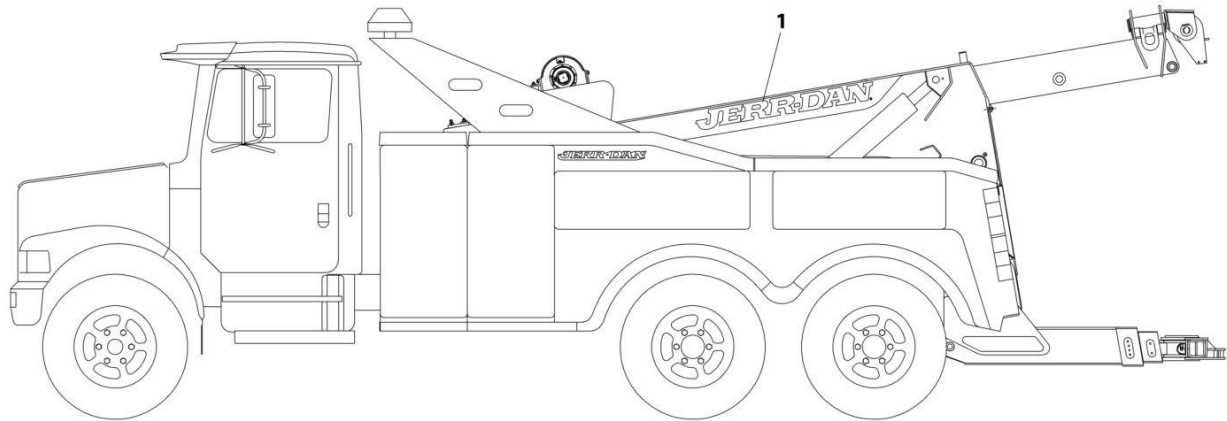
SECTION 8 - DECAL

FIGURE 8-2. DECAL INSTALLATION - JERR-DAN LOGO (RED)

ITEM	PART NUMBER	QTY	DESCRIPTION	REV
1	1001143489	Ref	DECAL INSTALLATION - JERR-DAN LOGO (RED)	A
	7330000294	2	Decal - JERR-DAN Logo (Red)	

SECTION 8 - DECAL

FIGURE 8-3. DECAL INSTALLATION - JERR-DAN LOGO (WHITE)



ART_1001143487

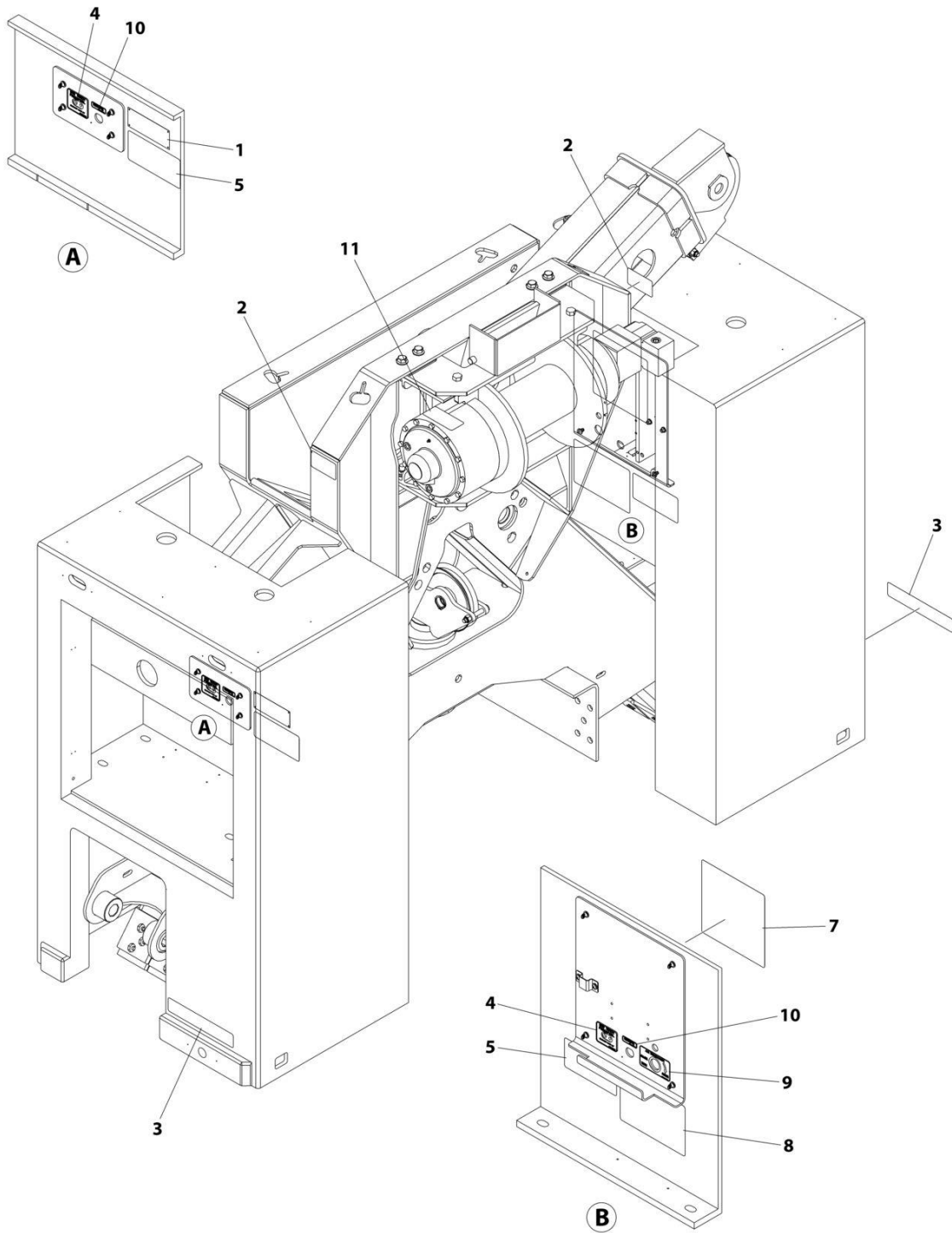
SECTION 8 - DECAL

FIGURE 8-3. DECAL INSTALLATION - JERR-DAN LOGO (WHITE)

ITEM	PART NUMBER	QTY	DESCRIPTION	REV
1	1001143487	Ref	DECAL INSTALLATION - JERR-DAN LOGO (WHITE)	A
	7330000535	2	Decal - JERR-DAN Logo (White)	

SECTION 8 - DECAL

FIGURE 8-4. DECAL INSTALLATION - SIDE RECOVERY SYSTEM (SRS)



ART_1001199196

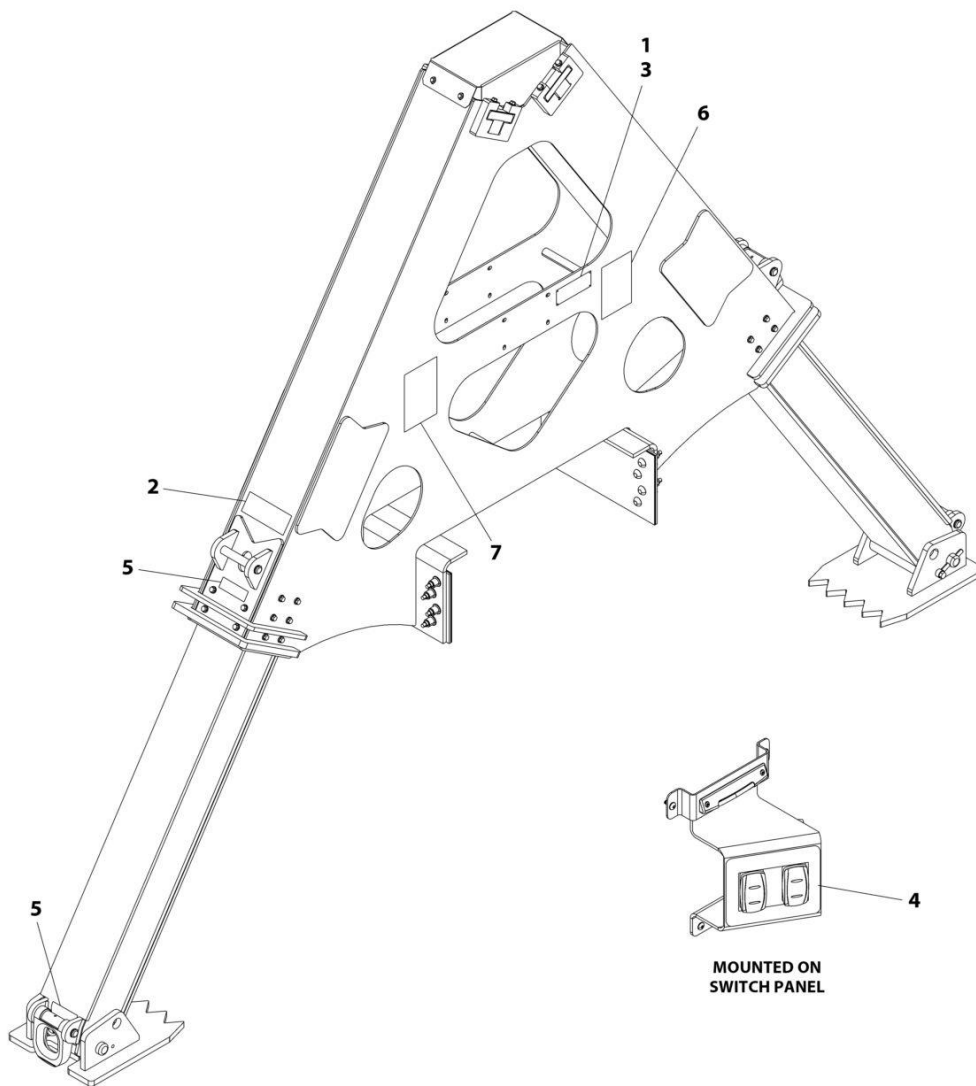
SECTION 8 - DECAL

FIGURE 8-4. DECAL INSTALLATION - SIDE RECOVERY SYSTEM (SRS)

ITEM	PART NUMBER	QTY	DESCRIPTION	REV
	1001199196	Ref	DECAL INSTALLATION, SRS	D
1	1001127222	1	Decal, Indent Tag	
2	1001199783	2	Decal, Warning Pinch Point	
3	1001199785	2	Decal, Outrigger/Stabilizer Warning	
4	1001199786	2	Decal, Winch Freespool	
5	1001199787	2	Decal, Winch Warning	
7	1001199789	1	Decal, Valve	
8	1001199790	1	Decal, Lubrication	
8	1001134433	1	Decal, Air Tensioner (SN 0230004275 through 0230009234)	
9	1001257300	1	Decal, Air Tensioner (SN 0230009235 to Present)	
10	1001154277	2	Decal, Remote	
11	1001142812	1	Decal, Pinch Hazard	

SECTION 8 - DECAL

FIGURE 8-5. DECAL INSTALLATION - SIDE STABILIZER (SS-70)



ART_1001246420

SECTION 8 - DECAL

FIGURE 8-5. DECAL INSTALLATION - SIDE STABILIZER (SS-70)

ITEM	PART NUMBER	QTY	DESCRIPTION	REV
	1001246420	Ref	INSTALL, DECALS SS	C
1	3820031	4	Rivet	
2	1001136094	2	Decal, Crushing Hazard	
3	1001246130	1	Decal, Ident Tag	
4	1001246956	2	Decal, Controls	
5	1001246957	4	Decal, D-Ring	
6	1001247794	1	Decal, Lubrication Chart	
7	1001247795	1	Decal, Override Controls	

SECTION 9 - ACCESSORIES

SECTION 9 - ACCESSORIES

FIGURE 9-1. SERVICE & AFTERMARKET KITS LIST

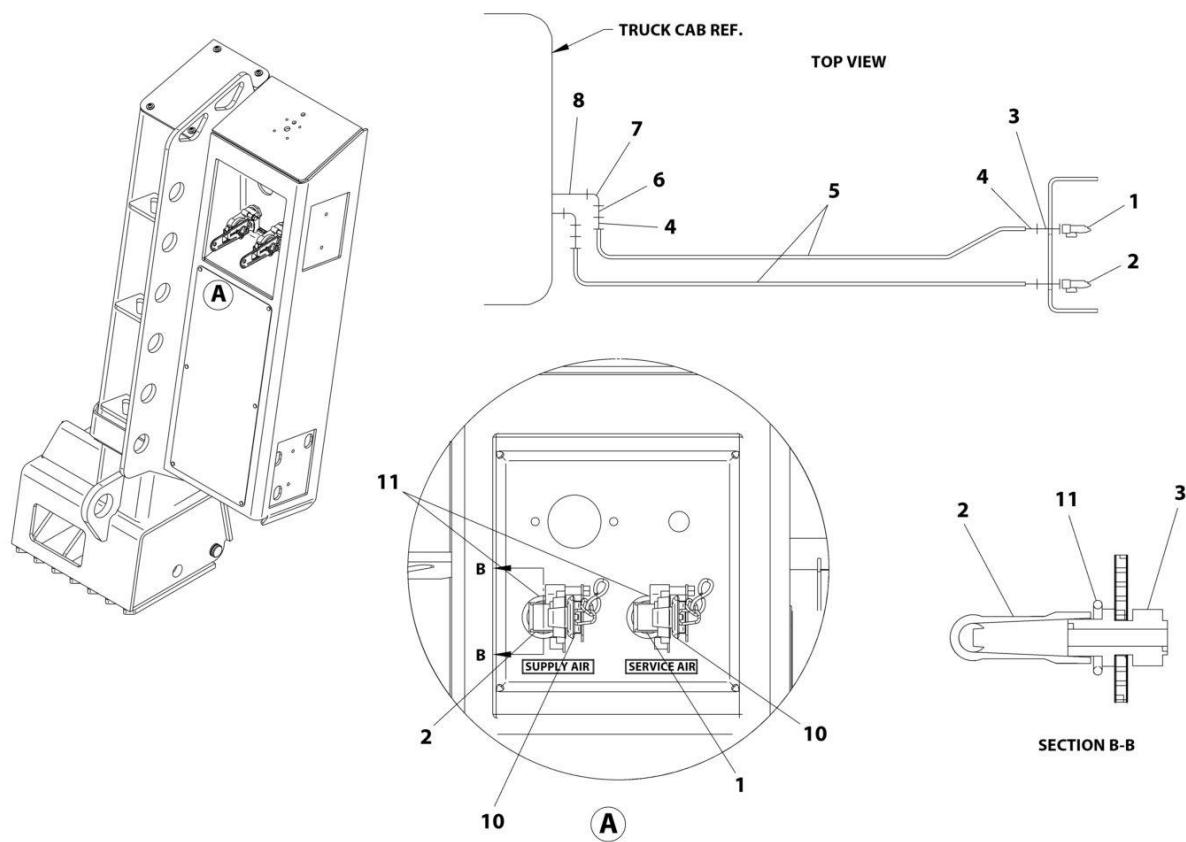
ITEM	PART NUMBER	QTY	DESCRIPTION	REV
	1001241869	Ref	SERVICE & AFTERMARKET KITS LIST	I
		Ref	Note: Contact JERR-DAN Parts Department for exact contents of kits.:	
	7002000505	Ref	Cord, Electrical Extension 25FT (GSA Specs)	
	1001264819	Ref	Kit, Body (Tandem)	
	1001207496	Ref	Kit, Broom Storage	
	1001262538	Ref	Kit, Camera (Back up)	
	1001279212	Ref	Kit, Camera (Rear Winch) (Drivers Side)	
	1001279211	Ref	Kit, Camera (Rear Winch) (Passengers Side)	
	1001279213	Ref	Kit, Camera (Underlift)	
	1001201341	Ref	Kit, Chain Binder Storage (Tandem)	
	1001201164	Ref	Kit, Chain Binder Storage (Tri-Axle)	
	1001207623	Ref	Kit, Chain Binder Storage	
	1001197183	Ref	Kit, Chian Storage (Rotary)	
	1001219776	Ref	Kit, Chian Storage (Rotary)	
	1001207510	Ref	Kit, Cribbing Storage Tandem)	
	1001201514	Ref	Kit, Cribbing Storage (Tri-Axle)	
	1001199998	Ref	Kit, Drawer Storage - Tilt Down (Tandem)	
	1001199999	Ref	Kit, Drawer Storage - Tilt Down (Tri-Axle)	
	1001208631	Ref	Kit, Drawer Storage - Tilt Down (48IN)	
	1001195256	Ref	Kit, Drawer Storage - Tool (Tandem)	
	1001195337	Ref	Kit, Drawer Storage - Tool (Tri-Axle Drivers Side)	
	1001208635	Ref	Kit, Drawer Storage - Tool (Tri-Axle Passengers Side)	
	1001220164	Ref	Kit, Drawer Storage - Tool (BB/Tri-Axle Drivers Side)	
	1001228254	Ref	Kit, Drawer Storage - Tool (BB/Tri-Axle Tunnel)	
	1001195942	Ref	Kit, Fifth Wheel & Pintle Storage (Tandem)	
	1001195943	Ref	Kit, Fifth Wheel & Pintle Storage (Tri-Axle Passengers Side)	
	1001208636	Ref	Kit, Fifth Wheel & Pintle Storage (37IN Tunnel)	
	1001195698	Ref	Kit, Fire & Emergency	
	FEX-GSARB	Ref	Kit, Fire & Emergency (GSA Specs)	
	1001201704	Ref	Kit, Flare Storage	
	1001197683	Ref	Kit, Flashlight Storage	
	1001263856	Ref	Kit, Fork Riser (Frame) Storage (Single Steer)	
	1001263857	Ref	Kit, Fork Riser (Frame) Storage (5 Axle)	
	1001263858	Ref	Kit, Fork Riser (Frame) Storage (Twin Axle)	
	1001195788	Ref	Kit, Fork Riser Storage (35Ton Tandem)	
	1001195825	Ref	Kit, Fork Riser Storage (35Ton Tri-Axle)	
	1001210749	Ref	Kit, Fork Riser Storage (50/60Ton)	
	1001269884	Ref	Kit, Fork Velocity	
	2512880041	Ref	Kit, Frame Forks	
	1001263854	Ref	Kit, Frame Forks Storage (35Ton Tandem)	
	1001263855	Ref	Kit, Frame Forks Storage (35Ton Tri-Axle)	
	1001214175	Ref	Kit, Grizzly Bar Storage	
	3577000156	Ref	Kit, GSA 972 Accessories	
	7262000048	Ref	Chain Assembly	
		Ref	Snatch Block	
	7894000055	1	Steering Wheel Lock Strap	
	1001196215	Ref	Kit, Jack Storage (Tandem)	
	1001196214	Ref	Kit, Jack Storage (Tri-Axle)	

SECTION 9 - ACCESSORIES

ITEM	PART NUMBER	QTY	DESCRIPTION	REV
	1001200001	Ref	Kit, Ladder Storage	
	1001195038	Ref	Kit, Shackle Storage (Tandem)	
	1001195083	Ref	Kit, Shackle Storage (Tri-Axle)	
	1001263822	Ref	Kit, Shelf	
	1001214300	Ref	Kit, Shelf Storage (36IN)	
	1001214299	Ref	Kit, Shelf Storage (48IN)	
	1001214298	Ref	Kit, Shelf Storage - Upper (36IN)	
	1001214264	Ref	Kit, Shelf Storage - Upper (48IN)	
	1001214303	Ref	Kit, Shelf Storage - Upper	
	1001210746	Ref	Kit, Shovel/Grizzly Bar Storage (Tandem)	
	1001210747	Ref	Kit, Shovel/Grizzly Bar Storage (Tri-Axle)	
	1001195088	Ref	Kit, Snatch Block Storage (Tandem 3/2015-11/2016)	
	1001217105	Ref	Kit, Snatch Block Storage (Tandem 11/2016-8/2023)	
	1001217106	Ref	Kit, Snatch Block Storage (Tri-Axle) (25Ton before 11/2018 & 35Ton 11/2016-8/2023)	
	1001195134	Ref	Kit, Snatch Block Storage (Rotary) (35Ton & 50/60Ton 10/2016-8/2023)	
	1001201371	Ref	Kit, Spill Storage (Tandem)	
	1001210748	Ref	Kit, Spill Storage (Tri-Axle)	
	1001207548	Ref	Kit, Spreader Bar Storage (Dual)	
	1001210750	Ref	Kit, Spreader Bar Storage (Single)	
	1001195421	Ref	Kit, Sta-Dry Silo Storage	
	1001207593	Ref	Kit, Strap Storage (Tandem)	
	1001208637	Ref	Kit, Strap Storage (Tri-Axle)	
	1001205796	Ref	Kit, Tire Lift/Arms Storage (36IN)	
	1001196249	Ref	Kit, Tire Lift/Arms Storage (48IN)	
	1001207556	Ref	Kit, Tire Lift/Bus Arms Storage	
	1001201234	Ref	Kit, Tool Storage	
	1001195592	Ref	Kit, Tow Light Storage	
	1001195764	Ref	Kit, Traffic Cone Storage (35Ton)	
	1001207508	Ref	Kit, Traffic Cone Storage (60Ton)	
	1001195520	Ref	Kit, Wheel Chocks Storage	
	1001238159	Ref	Kit, Winch Drag Brake (50K DP Brand Winches)	

SECTION 9 - ACCESSORIES

FIGURE 9-2. AIR EMERGENCY AND SERVICE GLAD HANDS



ART_2503630028

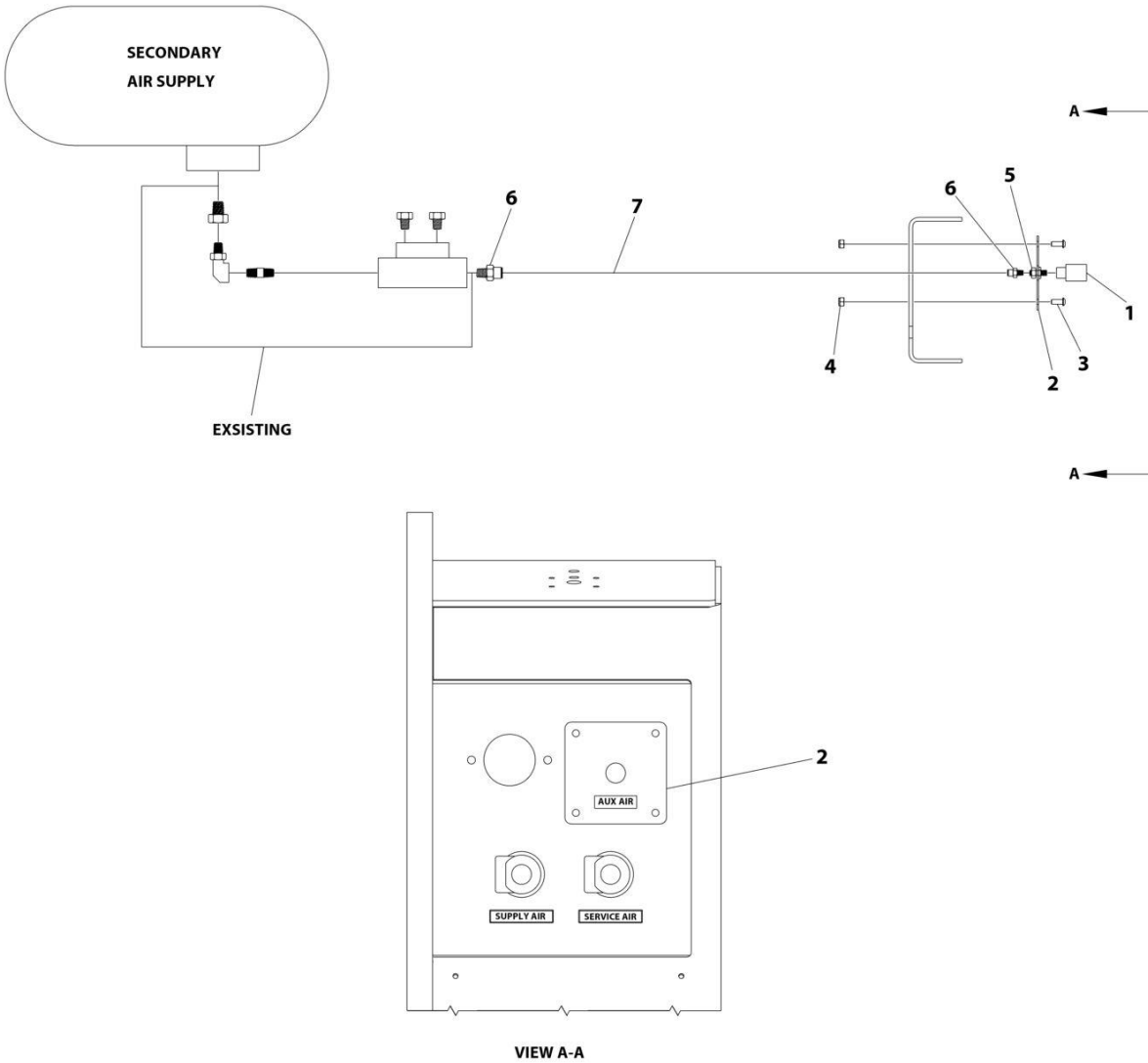
SECTION 9 - ACCESSORIES

FIGURE 9-2. AIR EMERGENCY AND SERVICE GLAD HANDS

ITEM	PART NUMBER	QTY	DESCRIPTION	REV
	2503630028	Ref	Air, Emergency and Service Glad Hands	F
1	7312000015	1	Gladhand	
2	7312000016	1	Gladhand	
3	7446502518	2	Fitting	
4	7446060435	4	Fitting	
5	7565000014	50 ft	Airline Tubing	
6	7443000148	2	Bushing	
7	7443000146	2	Elbow	
8	7443000145	2	Bushing	
10	1001170036	2	Shield	
11	1001171933	2	Ring	
12	7445040449	1	Nipple (Not Shown)	

SECTION 9 - ACCESSORIES

FIGURE 9-3. AUXILIARY AIR INSTALLATION



ART_1001143867

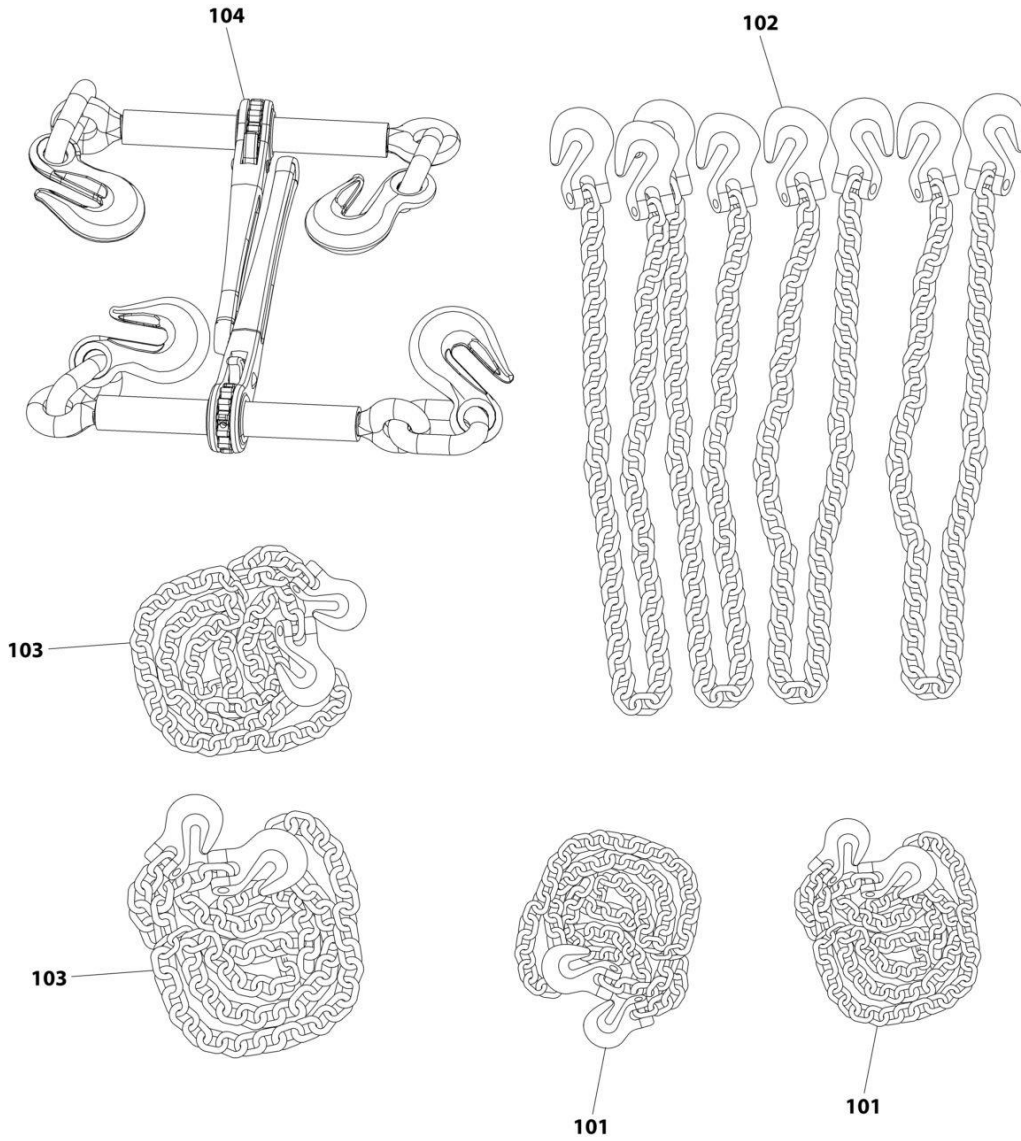
SECTION 9 - ACCESSORIES

FIGURE 9-3. AUXILIARY AIR INSTALLATION

ITEM	PART NUMBER	QTY	DESCRIPTION	REV
	1001143867	Ref	AUXILIARY AIR INSTALLATION	A
1	7312000017	1	Fitting, Disconnect	
2	4811001135	1	Panel	
3	7114140518	4	Bolt 1/4 x 5/8	
4	7660142604	4	Nut 1/4	
5	7446502518	1	Fitting, Bulkhead NPT(M)-NPT(F)	
6	7443000175	2	Fitting, Straight NPTM	
7	7565000014	25 ft	Tubing	

SECTION 9 - ACCESSORIES

FIGURE 9-4. CHAIN KIT - HEAVY DUTY (LEVEL 1)



ART_1001233644

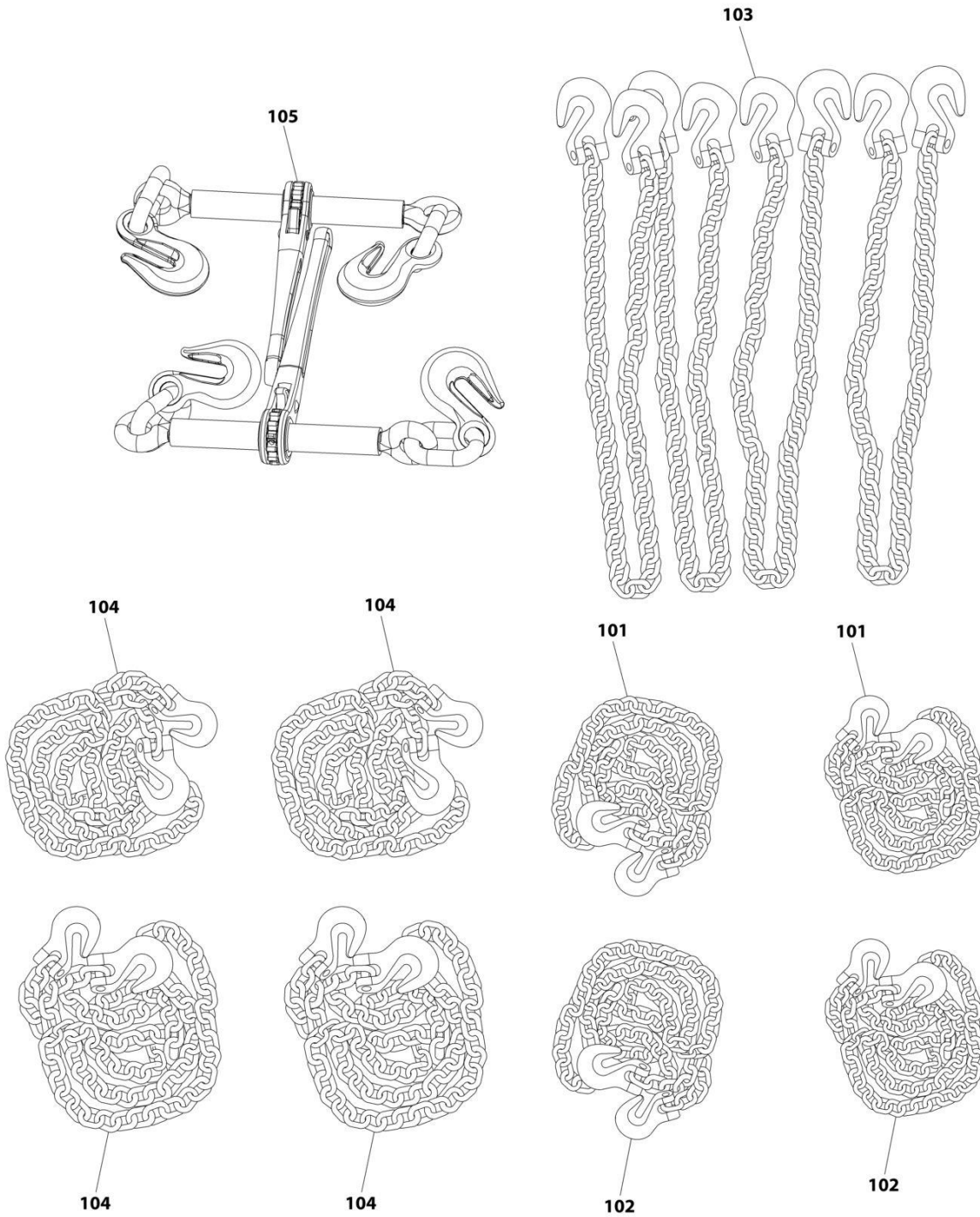
SECTION 9 - ACCESSORIES

FIGURE 9-4. CHAIN KIT - HEAVY DUTY (LEVEL 1)

ITEM	PART NUMBER	QTY	DESCRIPTION	REV
	1001233644	Ref	CHAIN KIT, LEVEL 1 (HEAVY DUTY)	A
1	1001233072	1	Chain Kit (Not Shown)	
101	Kit	2	3/8IN Chain, G70 x 10FT (clevis each end)	
102	Kit	4	3/8IN Chain, G100 x 10FT 8800#WLL (clevis each end)	
103	Kit	2	0.5IN Chain, G100 x 10FT 15000#WLL (clevis each end)	
104	Kit	2	3/8-0.5 Chain Binder 9200#WLL, 8IN	

SECTION 9 - ACCESSORIES

FIGURE 9-5. CHAIN KIT - HEAVY DUTY (LEVEL 2)



ART_1001233645

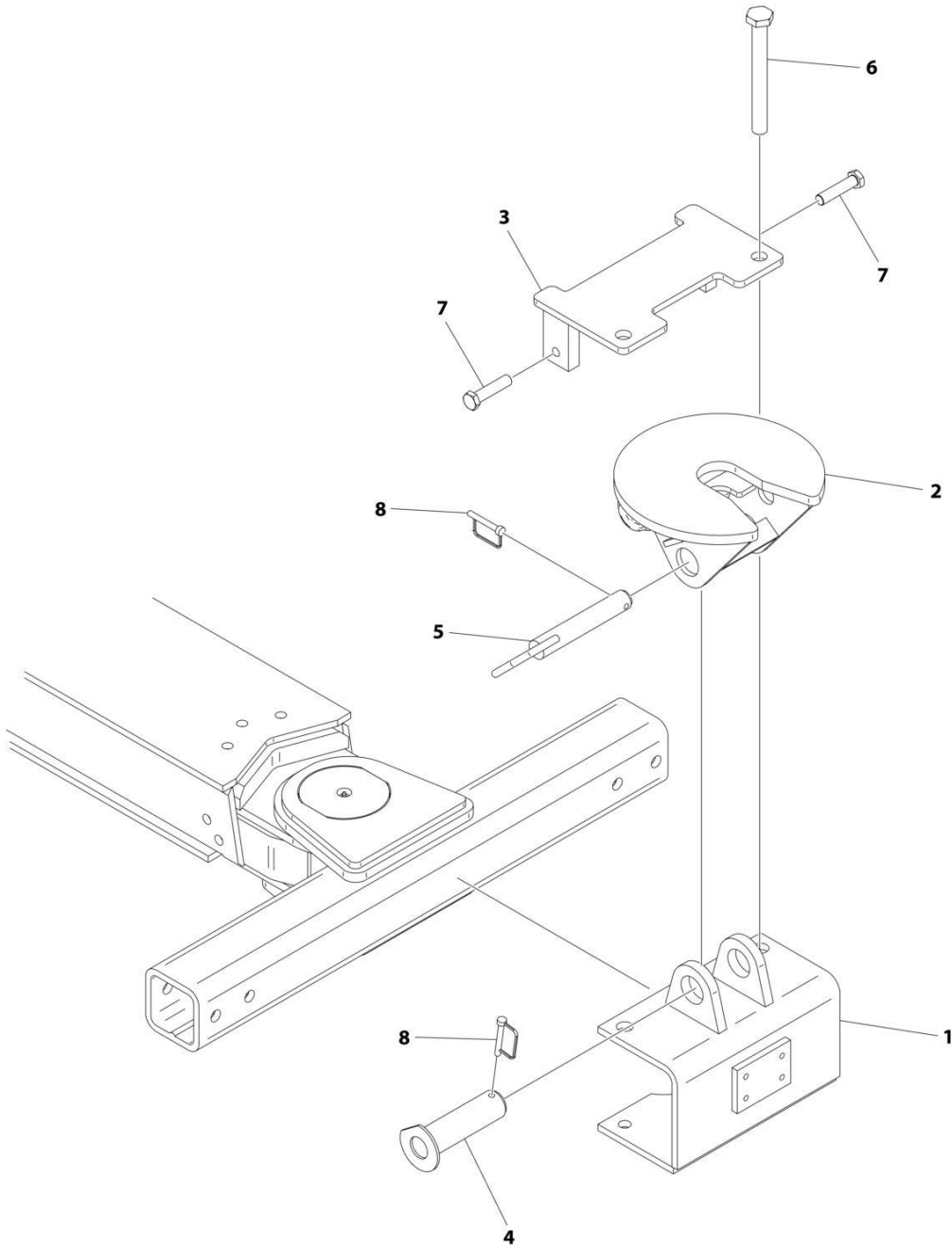
SECTION 9 - ACCESSORIES

FIGURE 9-5. CHAIN KIT - HEAVY DUTY (LEVEL 2)

ITEM	PART NUMBER	QTY	DESCRIPTION	REV
	1001233645	Ref	CHAIN KIT, LEVEL 2 (HEAVY DUTY)	A
1	1001208360	1	Chain Kit (Not Shown)	
101	Kit	2	3/8IN Chain, 10FT (non cradle grab), GR. 70	
102	Kit	2	3/8IN Chain, 20FT (non cradle grab), GR. 70	
103	Kit	4	3/8IN Chain, 10FT (non cradle grab), GR. 100	
104	Kit	4	1/2IN Chain, 10FT (non cradle grab), GR. 100	
105	Kit	2	Ratcheting Chain Binders	

SECTION 9 - ACCESSORIES

FIGURE 9-6. FIFTH WHEEL TOW ATTACHMENT



ART_2503880033

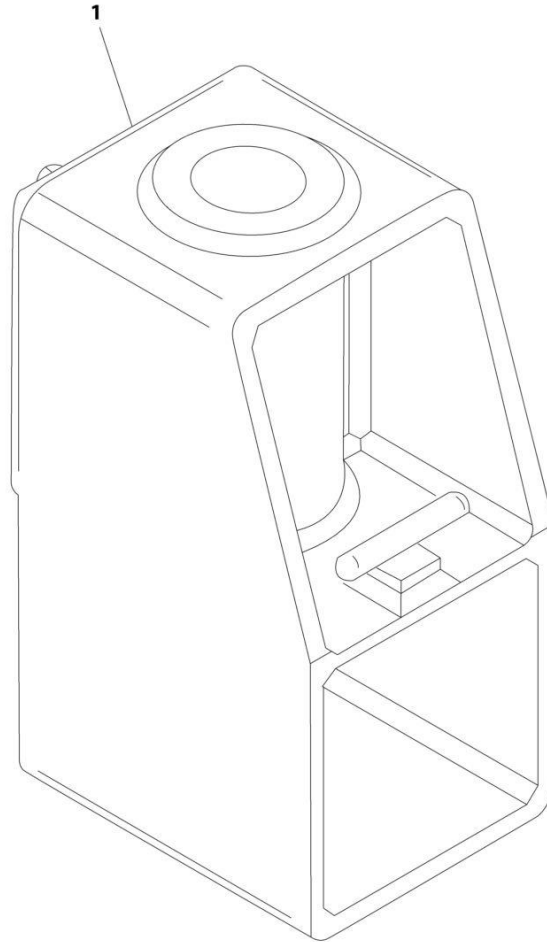
SECTION 9 - ACCESSORIES

FIGURE 9-6. FIFTH WHEEL TOW ATTACHMENT

ITEM	PART NUMBER	QTY	DESCRIPTION	REV
	2503880033	Ref	Underlift Tools - 5th Wheel Installation	C
1	3178000240	1	Bracket	
2	3178000499	1	Bracket	
3	3706000080	1	Plate	
4	3691000144	1	Pin	
5	3691000145	1	Pin	
6	7118267250	2	Capscrew 1 x 9	
7	7120000036	2	Capscrew 3/4 x 3-1/4	
8	7691000025	2	Pin	

SECTION 9 - ACCESSORIES

FIGURE 9-7. FORK RISER ADAPTERS



ART_1001231626

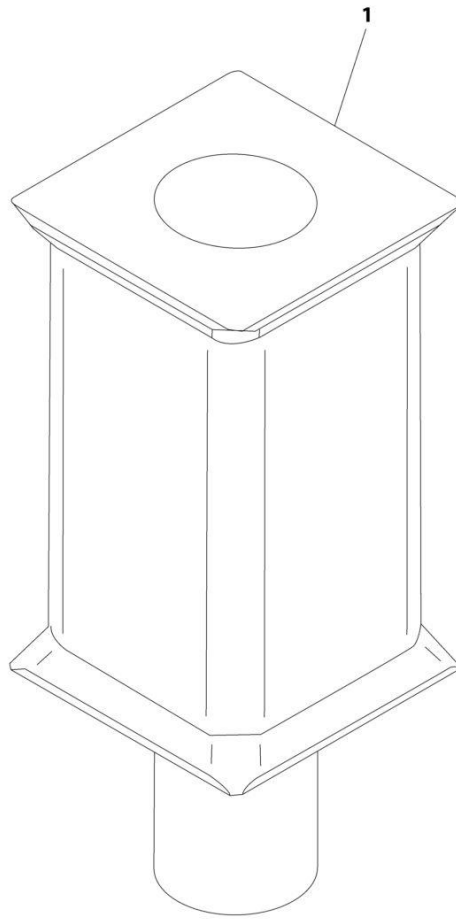
SECTION 9 - ACCESSORIES

FIGURE 9-7. FORK RISER ADAPTERS

ITEM	PART NUMBER	QTY	DESCRIPTION	REV
1	1001231626	Ref	FORK RISER ADAPTER - 7IN	A
	1001170172	2	Accessory Fork Riser	

SECTION 9 - ACCESSORIES

FIGURE 9-8. FORK RISERS - 7IN



ART_1001231627

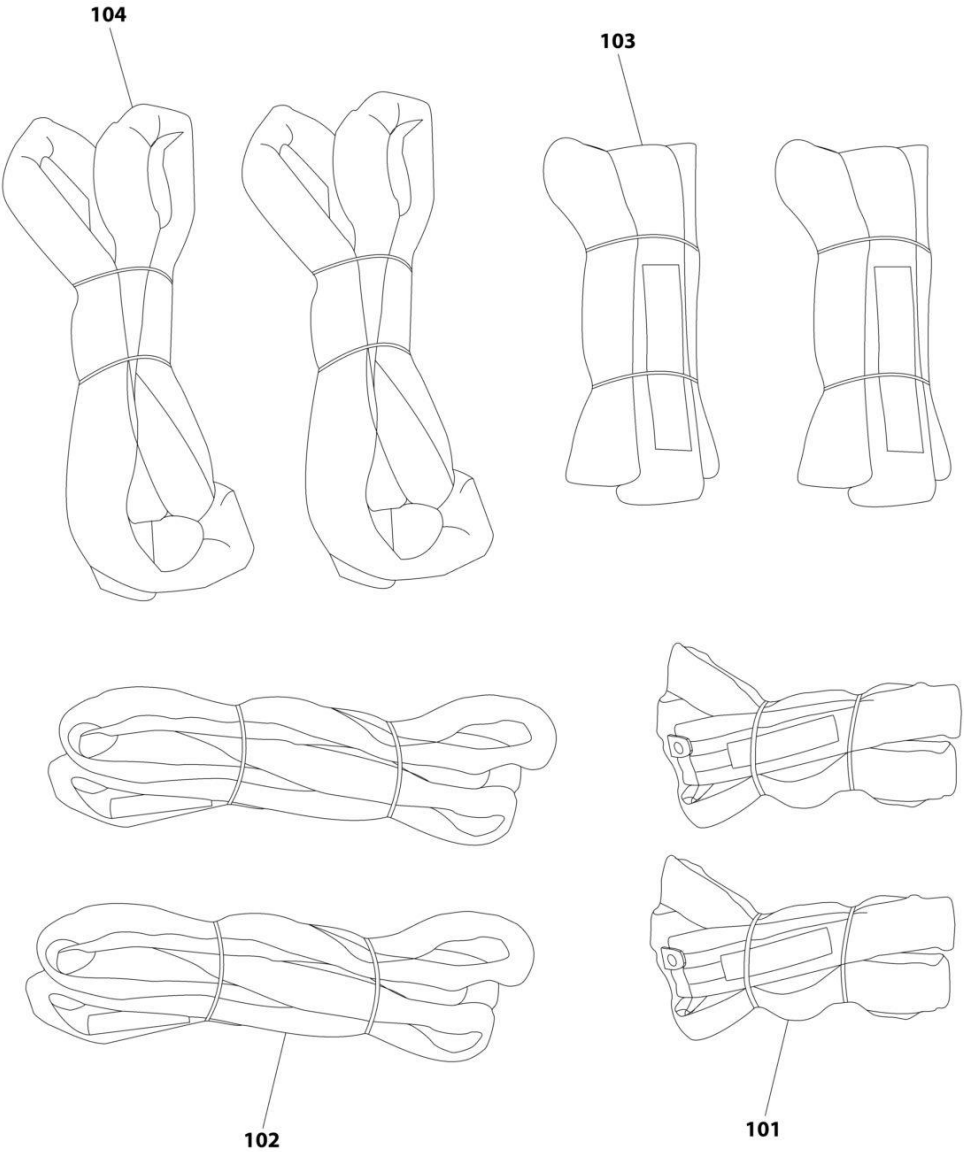
SECTION 9 - ACCESSORIES

FIGURE 9-8. FORK RISERS - 7IN

ITEM	PART NUMBER	QTY	DESCRIPTION	REV
1	1001231627	Ref	FORK RISER - 7IN	A
	7002000502	2	Fork Riser Attachment	

SECTION 9 - ACCESSORIES

FIGURE 9-9. LOOP SLING KIT (LEVEL 1)



ART_1001233642

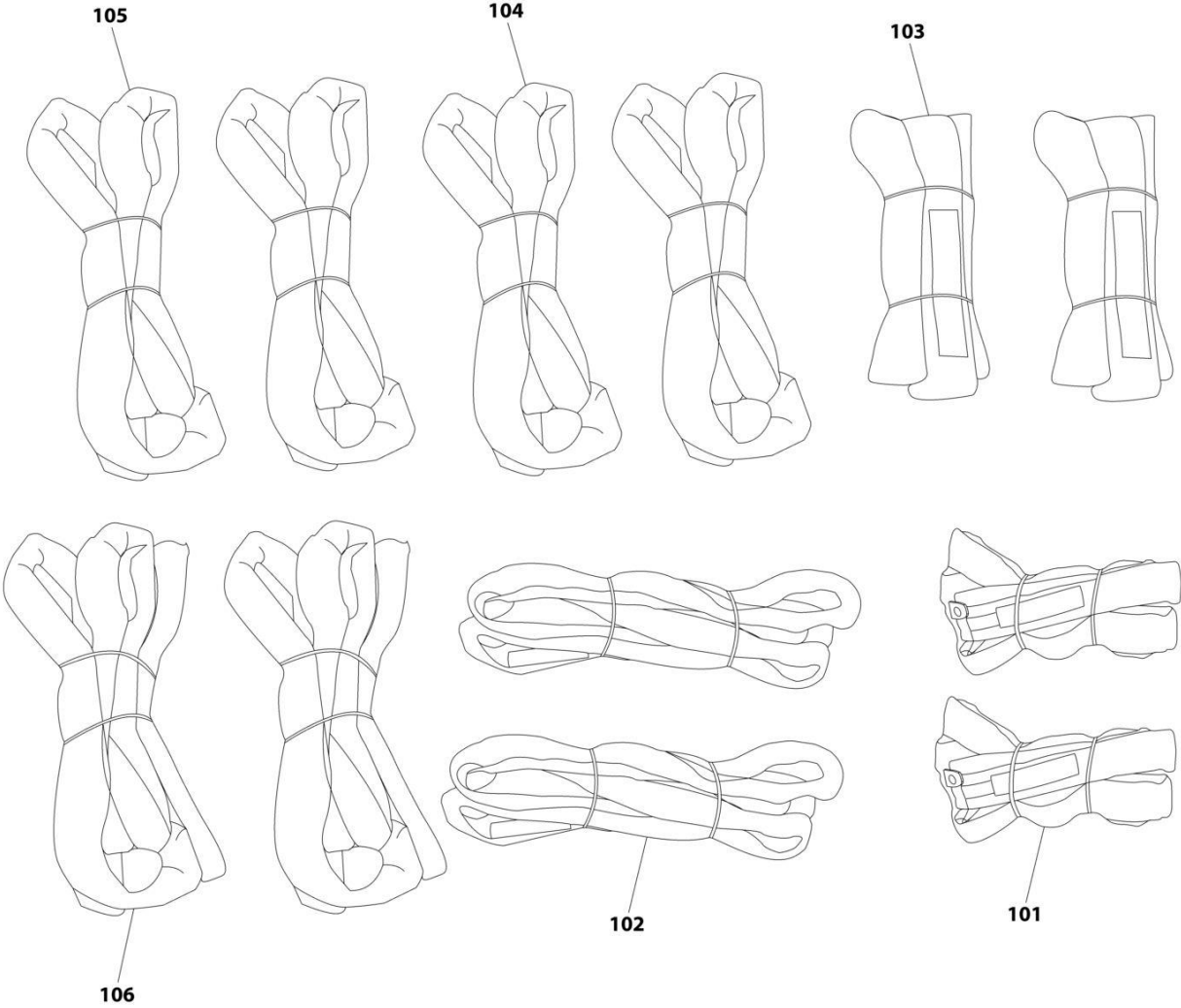
SECTION 9 - ACCESSORIES

FIGURE 9-9. LOOP SLING KIT (LEVEL 1)

ITEM	PART NUMBER	QTY	DESCRIPTION	REV
	1001233642	Ref	LOOP SLING KIT, LEVEL 1	A
1	1001233070	1	Loop Sling Kit (Not Shown)	
101	Kit	2	4FT Yellow Round Sling, V-8400#	
102	Kit	2	6FT Yellow Round Sling, V-8400#	
103	Kit	2	8FT Red Round Sling, V-13200#	
104	Kit	2	12FT Red Round Sling, V-13200#	

SECTION 9 - ACCESSORIES

FIGURE 9-10. LOOP SLING KIT (LEVEL 2)



ART_1001233643

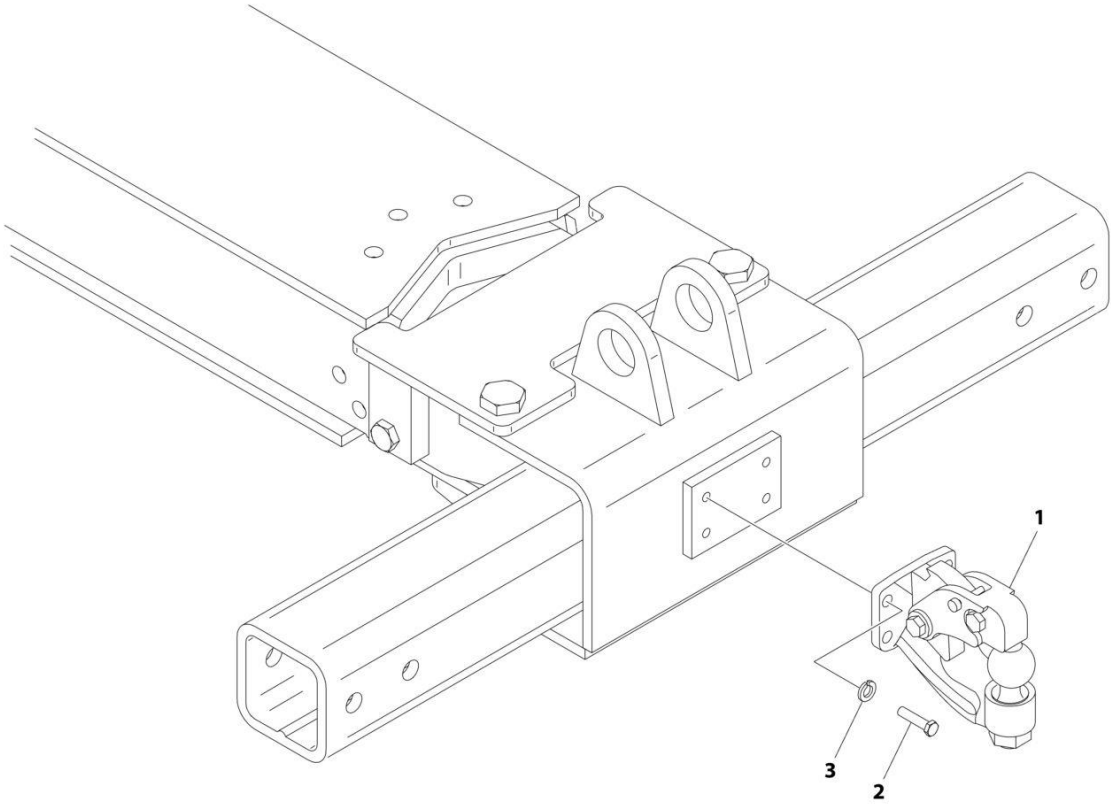
SECTION 9 - ACCESSORIES

FIGURE 9-10. LOOP SLING KIT (LEVEL 2)

ITEM	PART NUMBER	QTY	DESCRIPTION	REV
	1001233643	Ref	LOOP SLING KIT, LEVEL 2	A
1	1001208359	1	Loop Sling Kit (Not Shown)	
101	Kit	2	4FT Yellow Endless Loop	
102	Kit	2	6FT Yellow Endless Loop	
103	Kit	2	8FT Red Endless Loop	
104	Kit	2	12FT Red Endless Loop	
105	Kit	2	12FT Blue Endless Loop	
106	Kit	2	16FT Blue Endless Loop	

SECTION 9 - ACCESSORIES

FIGURE 9-11. PINTLE HOOK WITH 2IN BALL



ART_2503880043

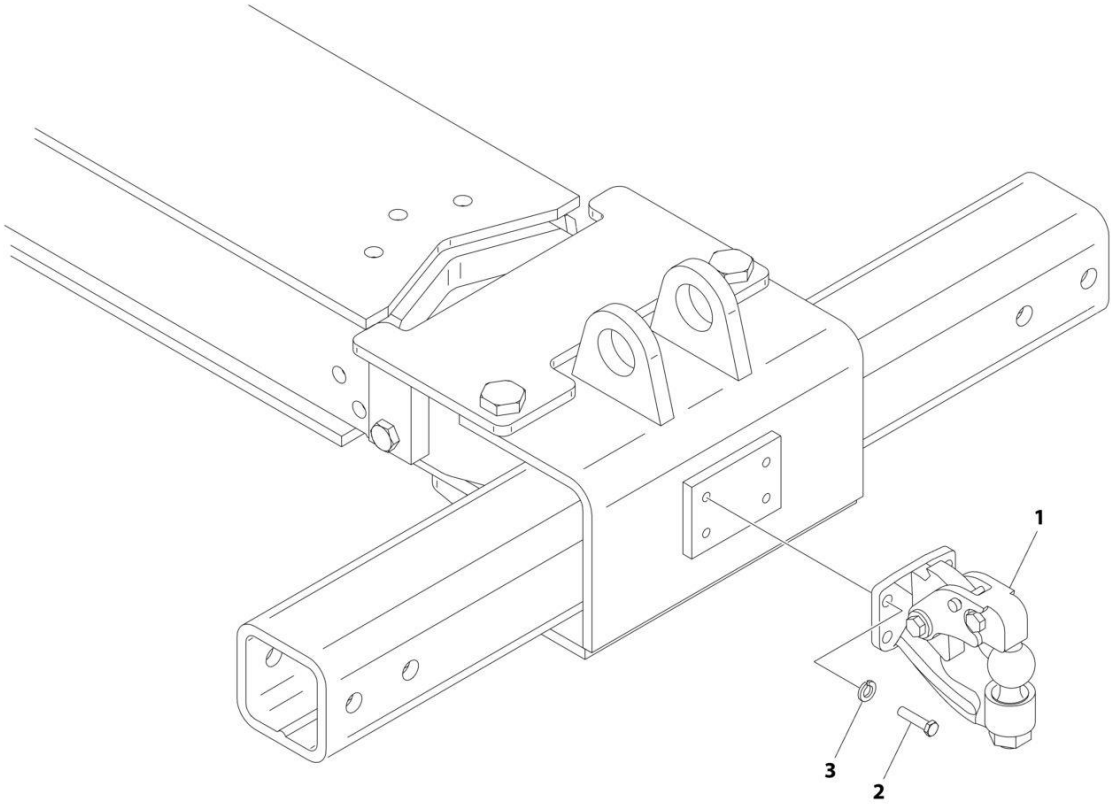
SECTION 9 - ACCESSORIES

FIGURE 9-11. PINTLE HOOK WITH 2IN BALL

ITEM	PART NUMBER	QTY	DESCRIPTION	REV
	2503880043	Ref	UNDERLIFT TOW PINTLE HOOK WITH 2IN DIA BALL	A
1	7561000020	1	Hitch, Pintle Hook with 2IN Dia. Ball	
2	7118181250	4	Capscrew 1/2 x 1-1/2	
3	7950180000	4	Lockwasher 1/2	

SECTION 9 - ACCESSORIES

FIGURE 9-12. PINTLE HOOK WITH 50MM BALL



ART_2503880044

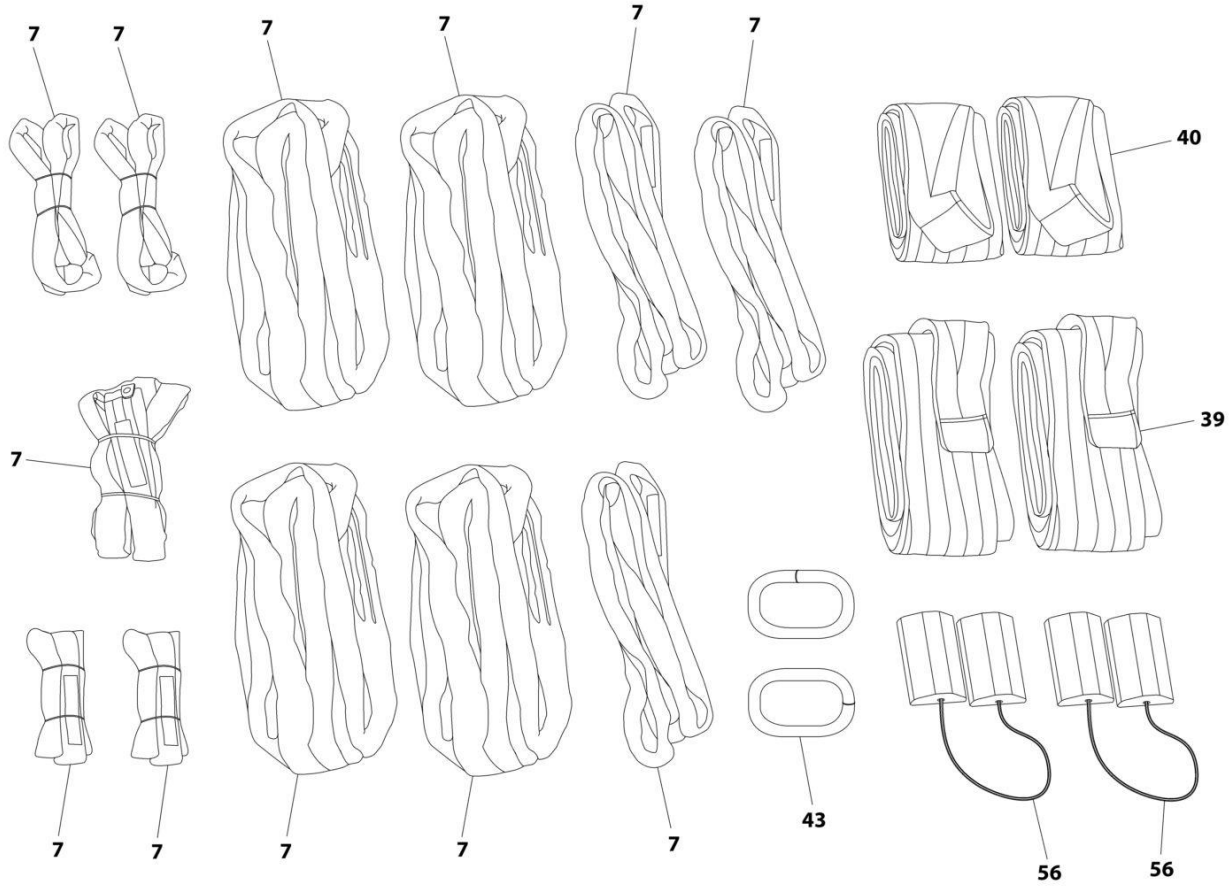
SECTION 9 - ACCESSORIES

FIGURE 9-12. PINTLE HOOK WITH 50MM BALL

ITEM	PART NUMBER	QTY	DESCRIPTION	REV
	2503880044	Ref	Underlift Tools - Pintle Hook With 50mm Dia Ball	A
1	7561000022	1	Hitch, Pintle Hook with 50mm Dia. Ball	
2	7118181250	4	Capscrew 1/2 x 1-1/2	
3	7950180000	4	Lockwasher 1/2	

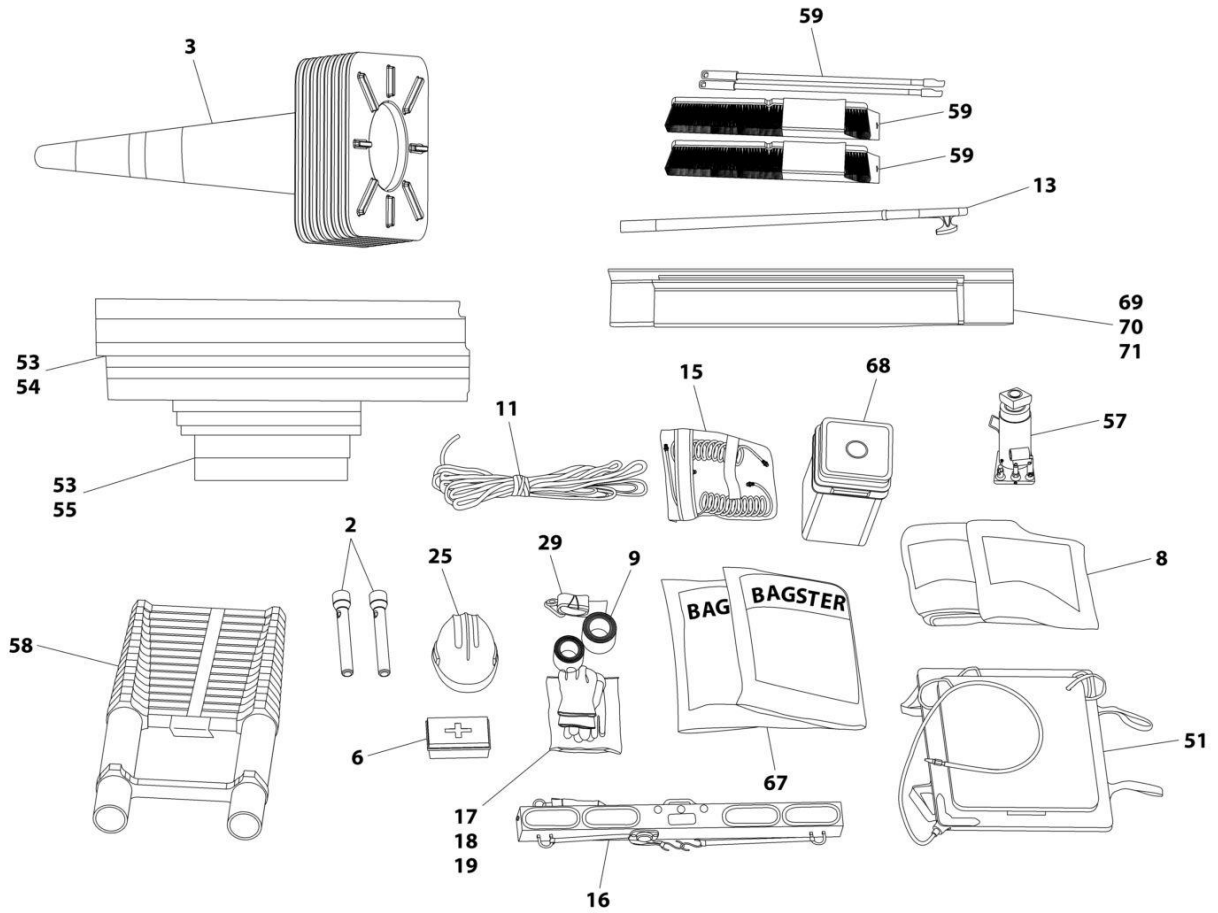
SECTION 9 - ACCESSORIES

FIGURE 9-13. RISC ACCESSORY PACKAGE (1OF5)



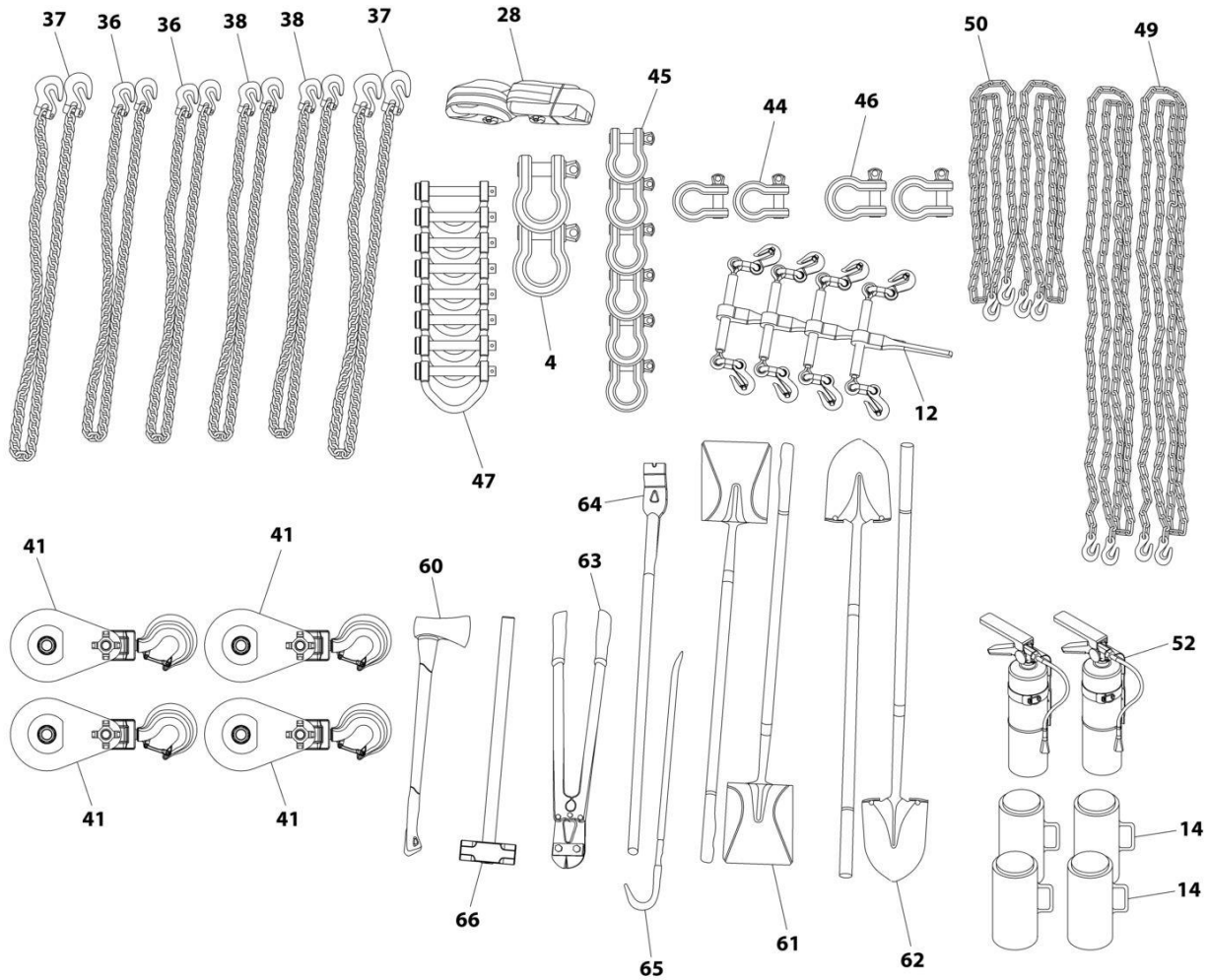
ART_1001174485_1OF5

SECTION 9 - ACCESSORIES



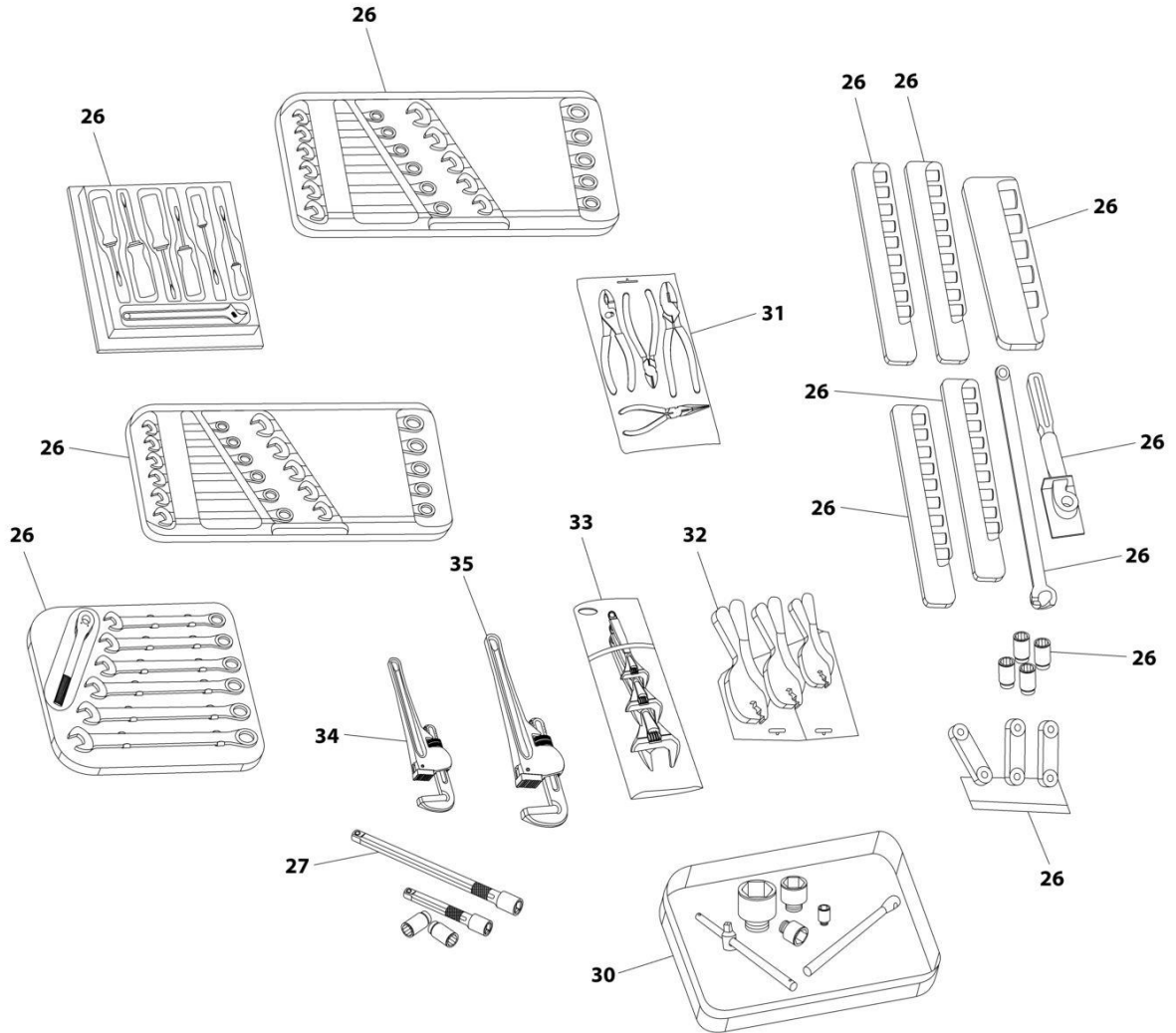
ART_1001174485_20F5

SECTION 9 - ACCESSORIES



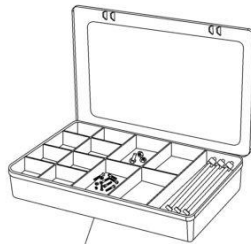
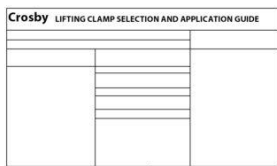
ART_1001174485_30F5

SECTION 9 - ACCESSORIES



ART_1001174485_40F5

SECTION 9 - ACCESSORIES



ART_1001174485_50F5

SECTION 9 - ACCESSORIES

FIGURE 9-13. RISC ACCESSORY PACKAGE (50F5)

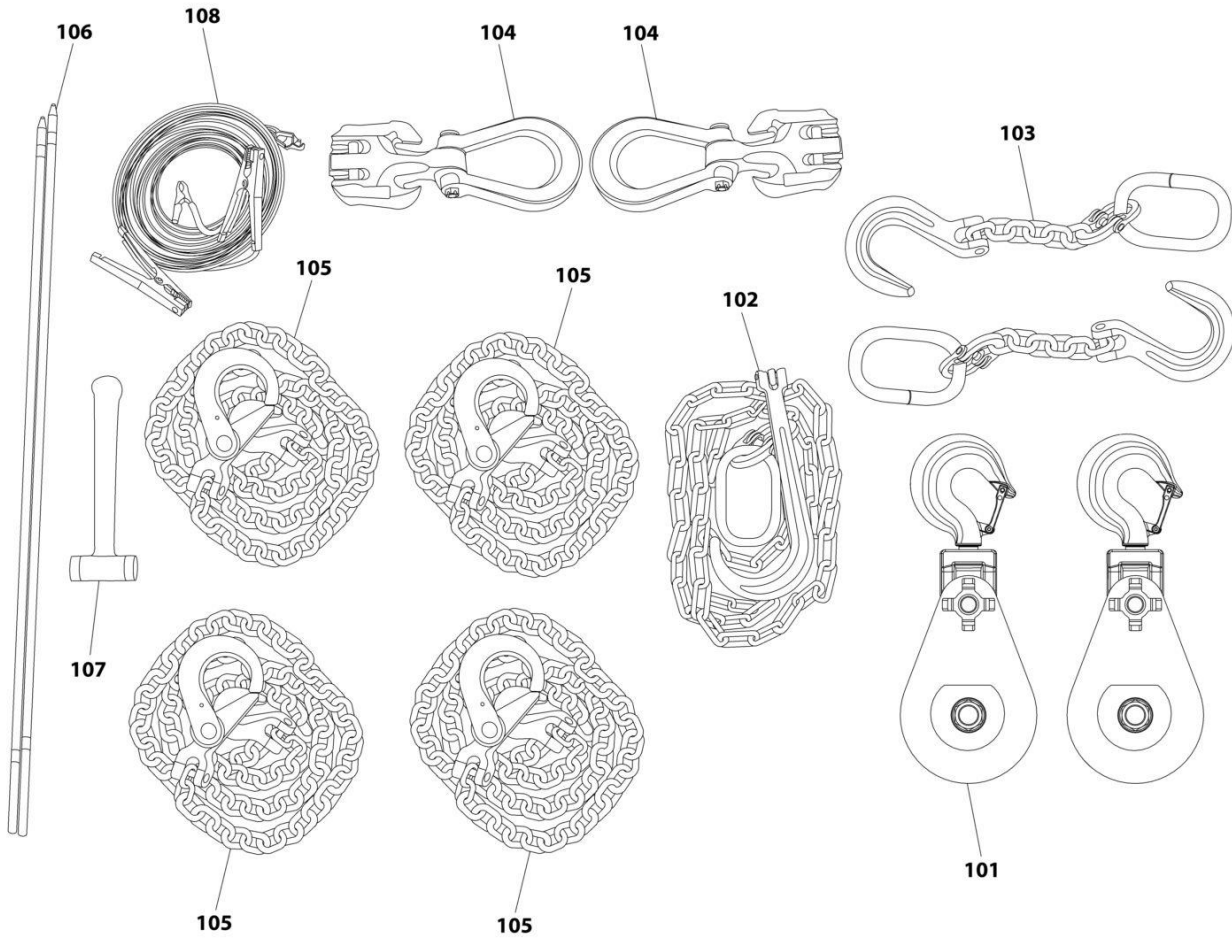
ITEM	PART NUMBER	QTY	DESCRIPTION	REV
	1001174485	Ref	Risc Accessory Package	D
1	70050850	1	Brake Release Kit	
2	70050851	2	Flashlight	
3	70050852	12	Traffic Cone	
4	70050853	2	Crosby Shackle	
5	70050854	2	Spill Absorbent Kit (Not Shown)	
6	70050855	1	First Aid Kit	
7	70050856	1	Endless Round Sling Kit	
8	70050857	2	Tarp	
9	70050858	2	Duct Tape	
10	70050859	2	Sewer Cover Mat (Not Shown)	
11	70050860	1	Rope	
12	70050861	4	Load Binder	
13	70050862	1	Retrieval Tool	
14	70050863	48	Flare	
15	70050864	1	Brake Air Hose Kit	
16	70050865	1	Wireless Tow Light	
17	70050866	2	Reflective Vest	
18	70050867	1	Chemical Gloves	
19	70050868	2	Safety Gloves	
20	70050869	1	Crosby Users Lifting Guide	
21	70050870	1	Log Book	
22	70050871	1	Inspection Book	
23	70050872	1	Emergency Response Book	
24	70050873	1	FMC Safety Regulation Book	
25	70050874	1	New Hire Kit	
26	70050875	1	Tool Set	
27	70050876	6	Drive Shaft Sockets	
28	70050877	2	Under Reach Strap	
29	70050878	1	Steering Wheel Lock	
30	70050879	1	Impact Socket	
31	70050880	1	Pliers Kit	
32	70050881	1	Vise Kit	
33	70050882	1	Adjustable Wrench Kit	
34	70050883	1	Pipe Wrench	
35	70050884	1	Pipe Wrench	
36	70050885	2	Chain	
37	70050886	2	Chain	
38	70050887	2	Chain	
39	70050888	2	Recovery Strap	
40	70050889	2	Recovery Strap	
41	70050890	4	Snatch Block	
42	70050891	1	Shackle Kit (Not Shown)	
43	70050892	2	Master Link	
44	70050893	2	Shackle, 17,000 LB	
45	70050894	6	Shackle, 24,000 LB	
46	70050895	2	Shackle, 34,000 LB	
47	70050896	8	Web Shackle	
48	70050897	1	Transport Chain	
49	70050898	2	Chain	

SECTION 9 - ACCESSORIES

ITEM	PART NUMBER	QTY	DESCRIPTION	REV
50	70050899	2	Chain	
51	70050900	1	Air Cushion	
52	70050901	2	Fire Extinguisher	
53	70050902	1	Cribbing Kit	
54	70050903	4	Cribbing	
55	70050904	8	Cribbing	
56	70050905	4	Wheel Chocks	
57	70050906	1	Hydraulic Jack	
58	70050907	1	Ladder	
59	70050908	2	Push Broom	
60	70050909	1	Axe	
61	70050910	2	Shovel, Flat Blade	
62	70050911	2	Shovel, Round Blade	
63	70050912	1	Bolt Cutter	
64	70050913	1	Grizzley Bar	
65	70050914	1	Crow Bar	
66	70050915	1	Sledge Hammer	
67	70050916	2	Trash Can	
68	70050917	1	Spill Kit	
69	70050918	1	Angle Kit	
70	70050919	2	Angle	
71	70050920	1	Angle	

SECTION 9 - ACCESSORIES

FIGURE 9-14. RUGGED KIT



ART_1001233649

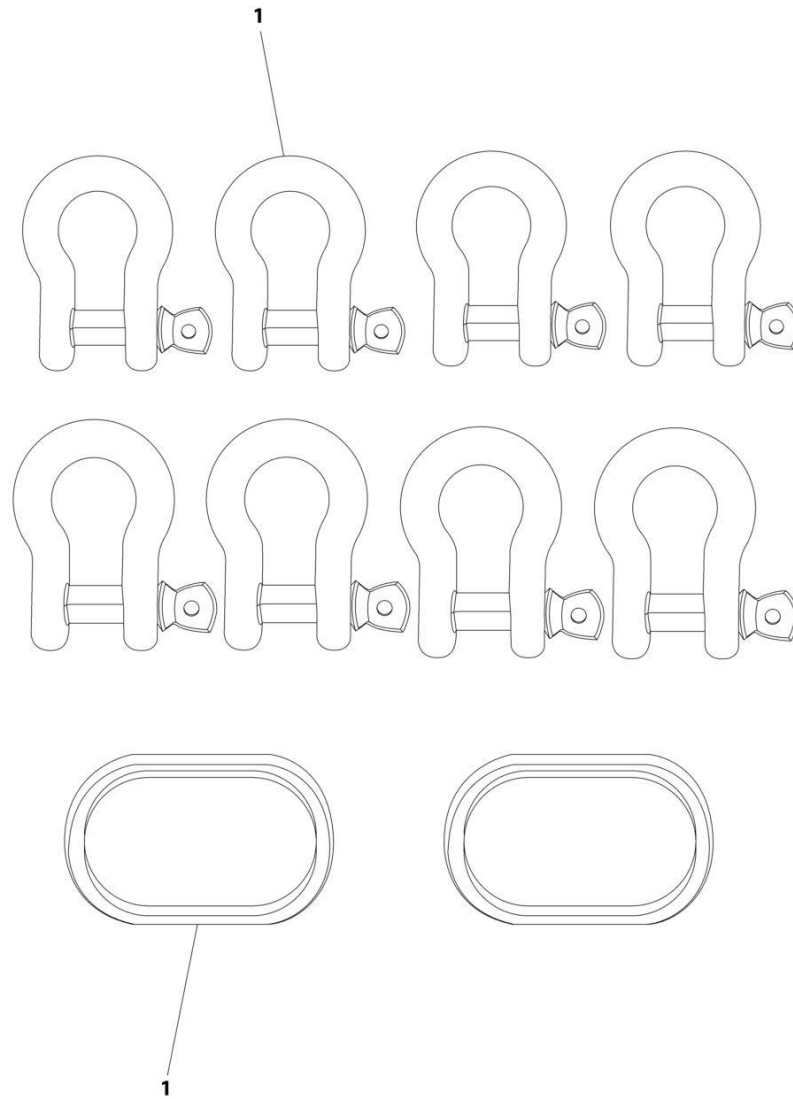
SECTION 9 - ACCESSORIES

FIGURE 9-14. RUGGED KIT

ITEM	PART NUMBER	QTY	DESCRIPTION	REV
	1001233649	Ref	RUGGED KIT, JFB	A
1	1001174490	1	Rugged Package (Not Shown)	
101	Kit	2	7/8 x 8IN Diameter Snatch Block, 30,000#	
102	Kit	1	3/8 x 10FT Recover Chain	
103	Kit	2	1/2IN x 2FT Recovery Chain, 15,000#	
104	Kit	2	1/2IN Double Leg Recovery Sling Eliminator, 30,000#	
105	Kit	4	1/2IN x 10FT Recovery Chain w/Self-Locking Clevis	
106	Kit	2	1/2IN x 48IN Copper Ground Stake	
107	Kit	1	Non-Sparking Brass Mallet	
108	Kit	3	30FT Ground Wire	

SECTION 9 - ACCESSORIES

FIGURE 9-15. SHACKLE KIT (LEVEL 1)



ART_1001233646

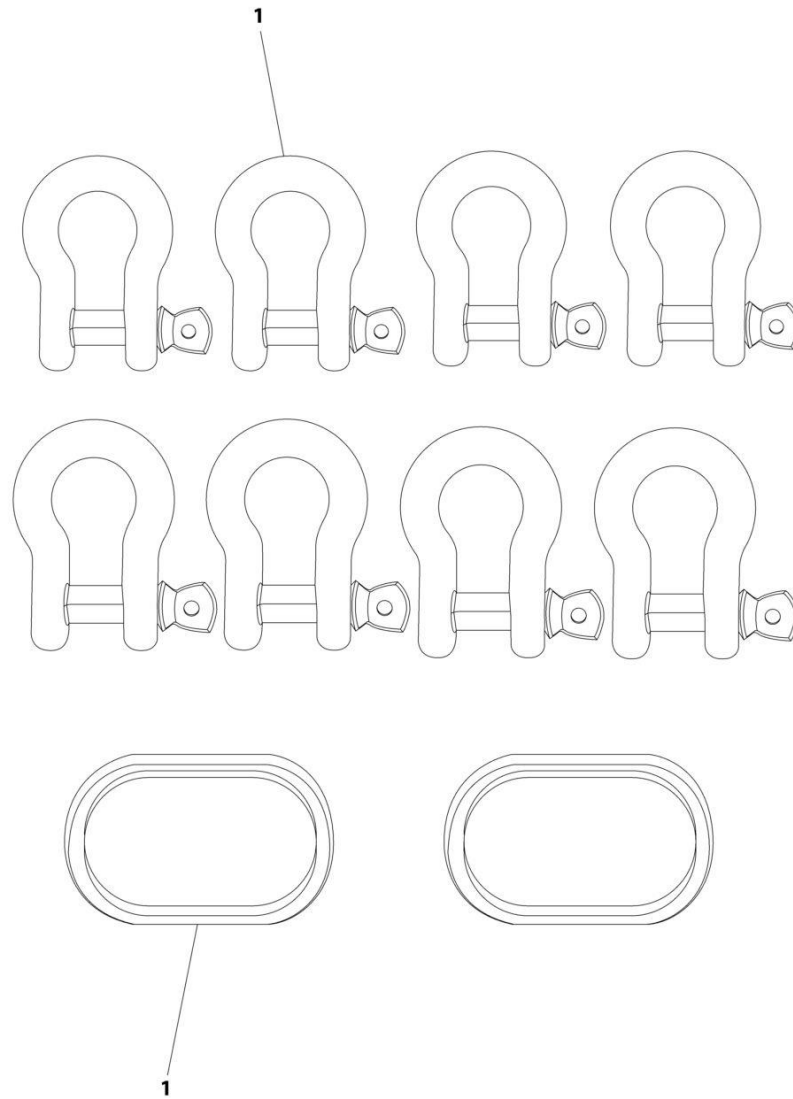
SECTION 9 - ACCESSORIES

FIGURE 9-15. SHACKLE KIT (LEVEL 1)

ITEM	PART NUMBER	QTY	DESCRIPTION	REV
	1001233646	Ref	SHACKLE KIT, LEVEL 1	A
1	1001233071	1	Shackle Kit	
1	Kit	4	Galvanized 8.5T Shackle, 1IN Pin	
1	Kit	2	Galvanized 12T Shackle, 1.25IN Pin	
1	Kit	2	Master Link Type M GRD 100 17200#WWL, 7/8IN	

SECTION 9 - ACCESSORIES

FIGURE 9-16. SHACKLE KIT (LEVEL 2)



ART_1001233647

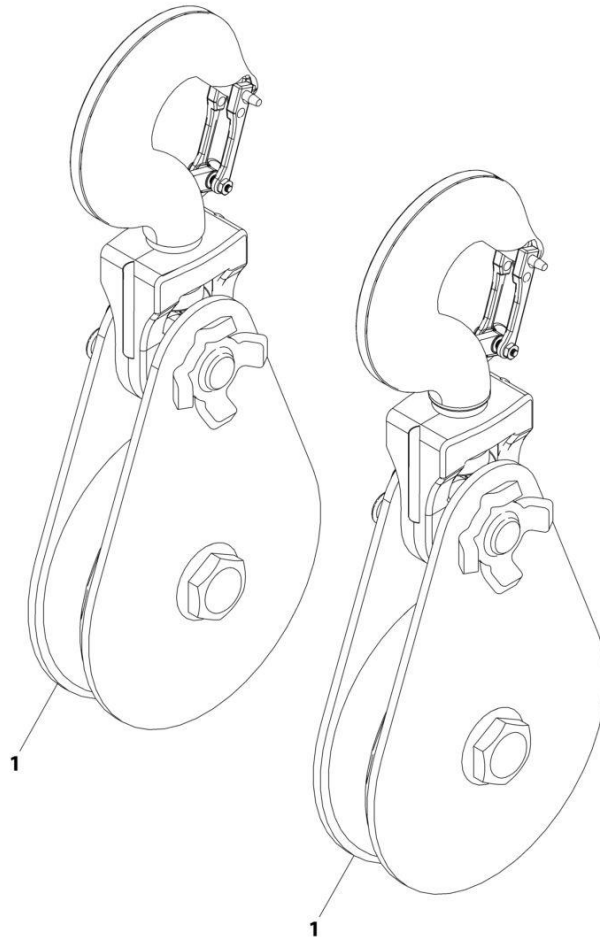
SECTION 9 - ACCESSORIES

FIGURE 9-16. SHACKLE KIT (LEVEL 2)

ITEM	PART NUMBER	QTY	DESCRIPTION	REV
	1001233647	Ref	SHACKLE KIT, LEVEL 2	A
1	1001208361	1	Shackle Kit	
1	Kit	2	Master Link, 1.25IN Pin	
1	Kit	2	Screw Pin Shackle, 1IN Pin	
1	Kit	6	Screw Pin Shackle, 1.25IN Pin	
1	Kit	2	Screw Pin Shackle, 1.5IN	

SECTION 9 - ACCESSORIES

FIGURE 9-17. SNATCH BLOCK KIT



ART_1001241575

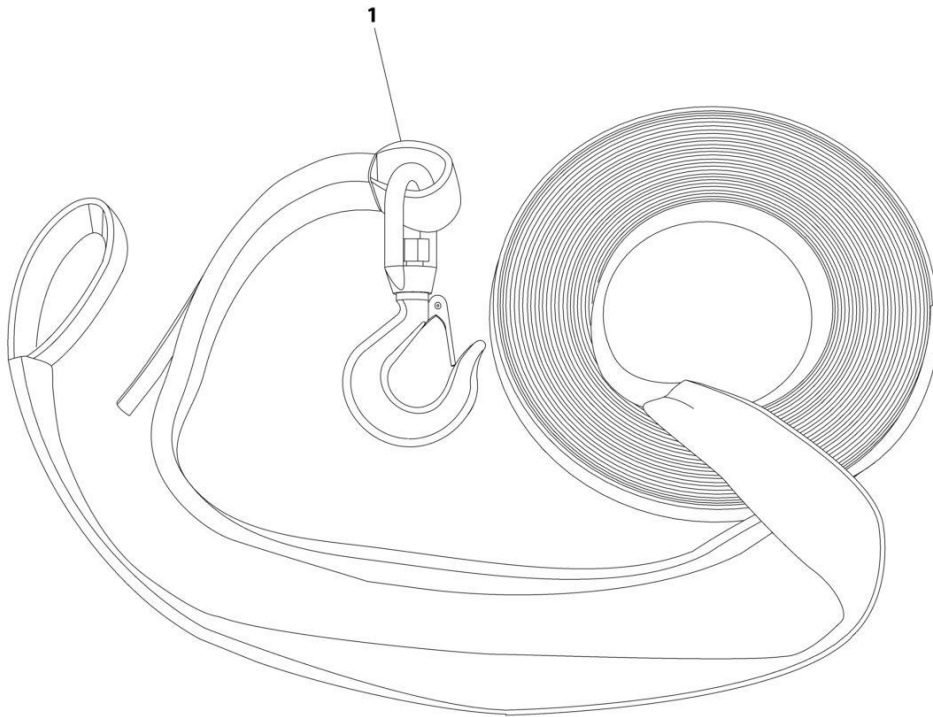
SECTION 9 - ACCESSORIES

FIGURE 9-17. SNATCH BLOCK KIT

ITEM	PART NUMBER	QTY	DESCRIPTION	REV
1	1001241575	Ref	Snatch Block Kit	A
	1001241570	2	Snatch Block	

SECTION 9 - ACCESSORIES

FIGURE 9-18. STRAP EXTENSION ASSEMBLY



ART_7894000071

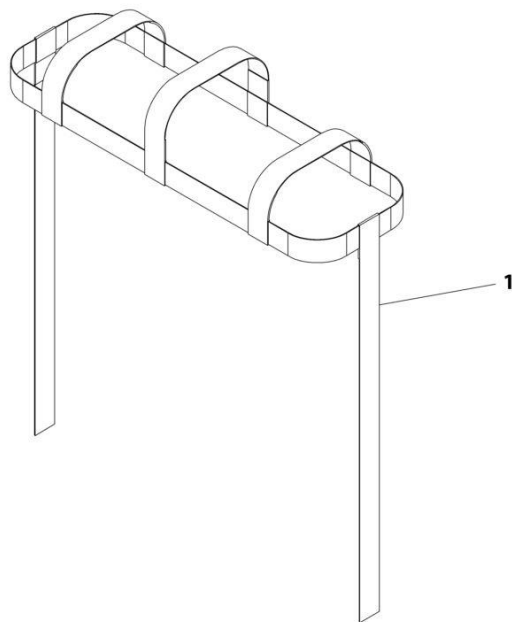
SECTION 9 - ACCESSORIES

FIGURE 9-18. STRAP EXTENSION ASSEMBLY

ITEM	PART NUMBER	QTY	DESCRIPTION	REV
1	7894000071	Ref	STRAP EXTENSION ASSEMBLY	0

SECTION 9 - ACCESSORIES

FIGURE 9-19. STRAP KIT - TIRE BASKET



ART_1001236897

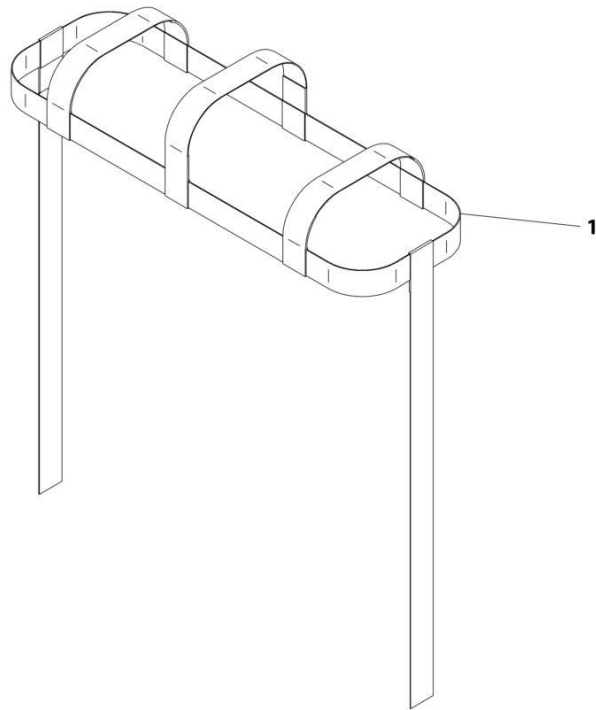
SECTION 9 - ACCESSORIES

FIGURE 9-19. STRAP KIT - TIRE BASKET

ITEM	PART NUMBER	QTY	DESCRIPTION	REV
1	1001236897 7894000057	Ref 2	TIE-STRAP KIT - TIRE BASKET Tie-Strap	A

SECTION 9 - ACCESSORIES

FIGURE 9-20. STRAP, TIE-DOWN - 7000 LBS LARGE



ART_1001236896

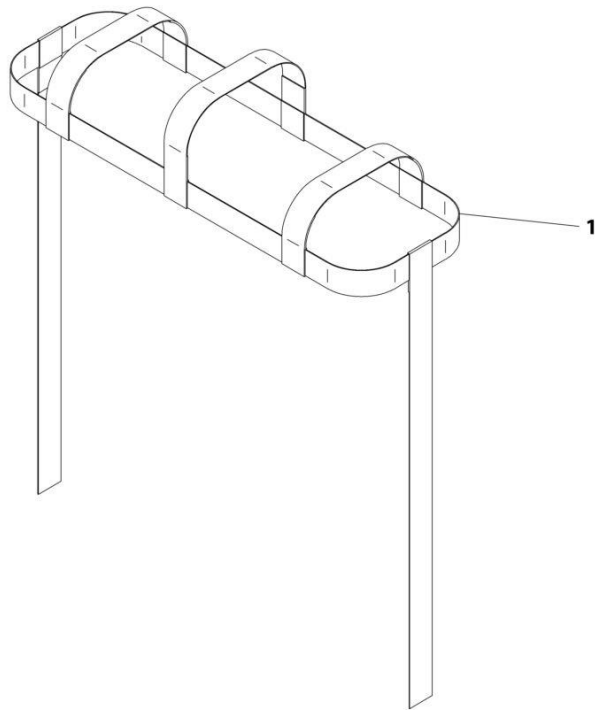
SECTION 9 - ACCESSORIES

FIGURE 9-20. STRAP, TIE-DOWN - 7000 LBS LARGE

ITEM	PART NUMBER	QTY	DESCRIPTION	REV
1	1001236896 7894000037	Ref 2	STRAP, TIE-DOWN - 7000 LBS LARGE Strap Assembly Heavy Duty	A

SECTION 9 - ACCESSORIES

FIGURE 9-21. STRAP, TIE-DOWN - 7000 LBS SMALL



ART_1001209071

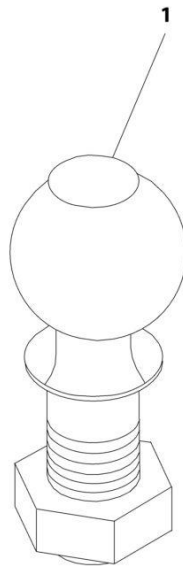
SECTION 9 - ACCESSORIES

FIGURE 9-21. STRAP, TIE-DOWN - 7000 LBS SMALL

ITEM	PART NUMBER	QTY	DESCRIPTION	REV
1	1001209071	Ref	STRAP, TIE-DOWN - 7000 LBS SMALL	A
	7894000041	2	Tie Strap Assembly Med Duty	

SECTION 9 - ACCESSORIES

FIGURE 9-22. TOW BALL - 1.88IN DIA



ART_705600003

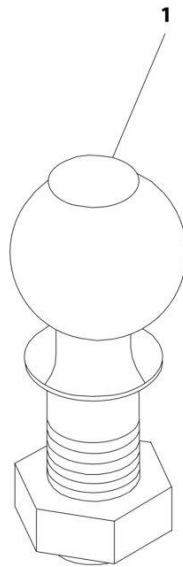
SECTION 9 - ACCESSORIES

FIGURE 9-22. TOW BALL - 1.88IN DIA

ITEM	PART NUMBER	QTY	DESCRIPTION	REV
1	7056000003	1	TOW BALL - 1.88IN DIA	0

SECTION 9 - ACCESSORIES

FIGURE 9-23. TOW BALL - 2.31IN DIA



ART_705600005

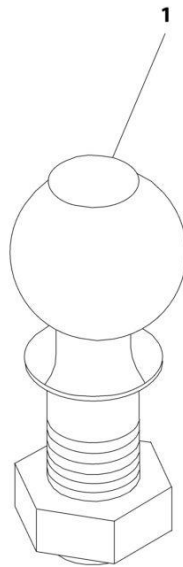
SECTION 9 - ACCESSORIES

FIGURE 9-23. TOW BALL - 2.31IN DIA

ITEM	PART NUMBER	QTY	DESCRIPTION	REV
1	7056000005	1	BALL - 2.31IN DIA	0

SECTION 9 - ACCESSORIES

FIGURE 9-24. TOW BALL - 2IN DIA



ART_705600004

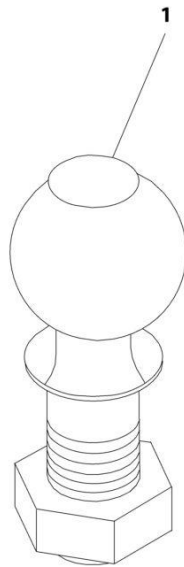
SECTION 9 - ACCESSORIES

FIGURE 9-24. TOW BALL - 2IN DIA

ITEM	PART NUMBER	QTY	DESCRIPTION	REV
1	7056000004	1	TOW BALL - 2IN DIA	0

SECTION 9 - ACCESSORIES

FIGURE 9-25. TOW BALL - 50MM DIA



ART_705600006

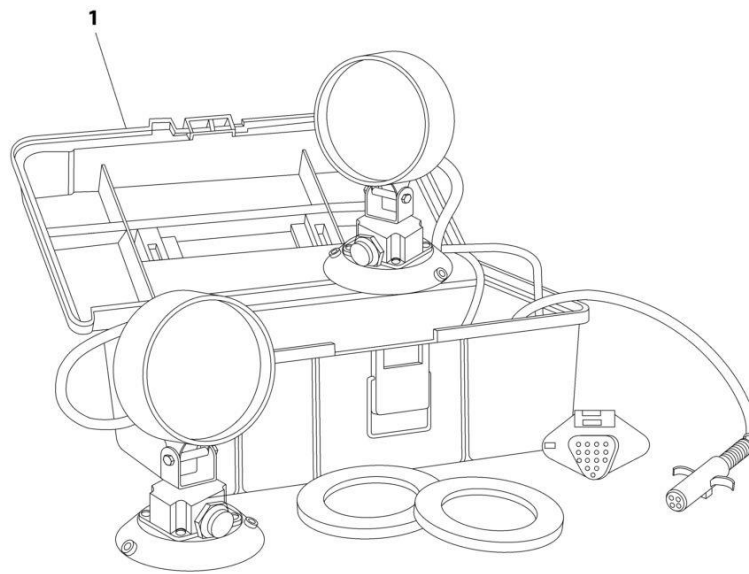
SECTION 9 - ACCESSORIES

FIGURE 9-25. TOW BALL - 50MM DIA

ITEM	PART NUMBER	QTY	DESCRIPTION	REV
1	7056000006	1	TOW BALL - 50MM DIA	0

SECTION 9 - ACCESSORIES

FIGURE 9-26. TOW LIGHTS - MAGNETIC



ART_5525000752

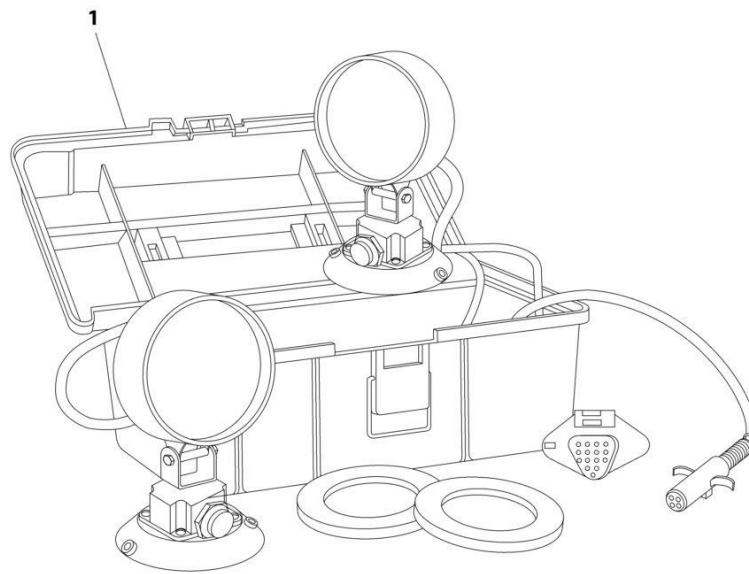
SECTION 9 - ACCESSORIES

FIGURE 9-26. TOW LIGHTS - MAGNETIC

ITEM	PART NUMBER	QTY	DESCRIPTION	REV
1	5525000752	1	TOW LIGHT - MAGNETIC MOUNTED	A

SECTION 9 - ACCESSORIES

FIGURE 9-27. TOW LIGHTS - SUCTION



ART_7002000449

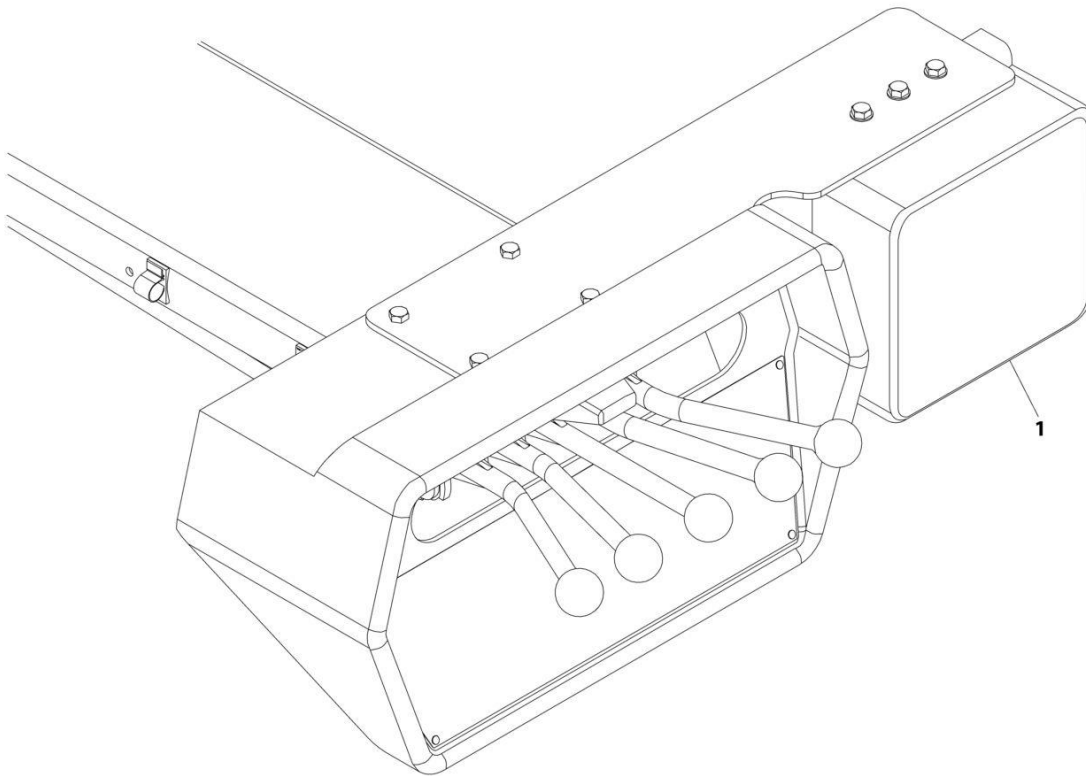
SECTION 9 - ACCESSORIES

FIGURE 9-27. TOW LIGHTS - SUCTION

ITEM	PART NUMBER	QTY	DESCRIPTION	REV
1	7002000449	1	TOW LIGHT - SUCTION MOUNTED	0

SECTION 9 - ACCESSORIES

FIGURE 9-28. TRUCK SCALES - ON BOARD



ART_7577000211

SECTION 9 - ACCESSORIES

FIGURE 9-28. TRUCK SCALES - ON BOARD

ITEM	PART NUMBER	QTY	DESCRIPTION	REV
1	7577000211	1	TRUCK SCALES - ON-BOARD (AIR WEIGH)	0

SECTION 10 - BUILD DOCUMENTS

SECTION 10 - BUILD DOCUMENTS

FIGURE 10-1. BUILD DOC_5376000273

ITEM	PART NUMBER	QTY	DESCRIPTION	REV
	Note	Ref	Note: This list is for build tracking purposes only. Parts in this list are not available at this inventory stocking level. Parts in this list may not be applicable to all models. For more specific parts information contact Jerr-Dan Parts Department	
	1001227092	Ref	Body Hole Fill Kit	
	1001199186	Ref	Counterweight Installation - Main (Front of Unit) (1700LBS)	
	1001226838	Ref	Counterweight Installation - Main with Blanking Plate (Front of Unit) (1700LBS)	
	1001209119	Ref	Counterweight Installation - Package 1 (Front of Unit) (2100LLBS)	
	1001209120	Ref	Counterweight Installation - Package 2 (Front of Unit) (2500LLBS)	
	1001209121	Ref	Counterweight Installation - Package 3 (Front of Unit) (3000LLBS)	
	1001209122	Ref	Counterweight Installation - Package 4 (Front of Unit) (3600LLBS)	
	1001210345	Ref	Counterweight Adapter Installation - Main (Front of Unit) (KW T880)	
	1001225596	Ref	Counterweight Adapter Installation - Main (Front of Unit) (Peterbilt 389)	
	1001210346	Ref	Counterweight Adapter Installation - Main (Front of Unit) (Peterbilt 567)	
	1001208348	Ref	Doors Installation - 37IN ("C" Slot) (Painted Doors Only)	
	1001197567	Ref	Doors Installation - 37IN ("C" Slot) (Painted Doors Only) (See Separate Breakdown in BODY Section)	
	1001208350	Ref	Doors Installation - 37IN ("C" Slot) (Painted Doors & Frames)	
	1001197568	Ref	Doors Installation - 37IN ("C" Slot) (Painted Doors & Frames) (See Separate Breakdown in BODY Section)	
	1001208356	Ref	Doors Installation - 37IN ("D" Slot) (Painted Doors Only)	
	1001197567	Ref	Doors Installation - 37IN ("D" Slot) (Painted Doors Only) (See Separate Breakdown in BODY Section)	
	1001208358	Ref	Doors Installation - 37IN ("D" Slot) (Painted Doors & Frames)	
	1001197568	Ref	Doors Installation - 37IN ("D" Slot) (Painted Doors & Frames) (See Separate Breakdown in BODY Section)	
	1001208344	Ref	Doors Installation - 49IN ("C" Slot) (Painted Doors Only)	
	1001197687	Ref	Doors Installation - 49IN ("C" Slot) (Painted Doors Only) (See Separate Breakdown in BODY Section)	
	1001208346	Ref	Doors Installation - 49IN ("C" Slot) (Painted Doors & Frames)	
	1001197688	Ref	Doors Installation - 49IN ("C" Slot) (Painted Doors & Frames) (See Separate Breakdown in BODY Section)	
	1001208352	Ref	Doors Installation - 49IN ("D" Slot) (Painted Doors Only)	
	1001197687	Ref	Doors Installation - 49IN ("D" Slot) (Painted Doors Only) (See Separate Breakdown in BODY Section)	
	1001208354	Ref	Doors Installation - 49IN ("D" Slot) (Painted Doors & Frames)	
	1001197688	Ref	Doors Installation - 49IN ("D" Slot) (Painted Doors & Frames) (See Separate Breakdown in BODY Section)	
	1001134106	Ref	Fitting (Air Tank)	
	1001248344	Ref	Harness Extensions - Side Stabilizer (Qty 3 Toolboxes / Qty 2 of PN 1001248215 Harness)	
	1001248345	Ref	Harness Extensions - Side Stabilizer (Qty 4 Toolboxes / Qty 3 of PN 1001248215 Harness)	
	1001224076	Ref	Options Package - Bronze Tandem with Tow (BB/39IN)	
	1001224077	Ref	Options Package - Bronze Tandem with Tow (BB/51IN)	
	1001238963	Ref	Options Package - Bronze Tandem with Tow (BB/51IN w/CWT)	
	1001224078	Ref	Options Package - Bronze Tri-Axle with Tow (BB/39IN)	
	1001224079	Ref	Options Package - Bronze Tri-Axle with Tow (BB/51IN)	

SECTION 10 - BUILD DOCUMENTS

ITEM	PART NUMBER	QTY	DESCRIPTION	REV
	1001238964	Ref	Options Package - Bronze Tri-Axle with Tow (BB/51IN w/CWT)	
	1001215940	Ref	Options Package - Gold Tandem (BB/39IN/49IN)	
	1001207503	Ref	Options Package - Gold Tandem (BB/51IN/37IN)	
	1001224086	Ref	Options Package - Gold Tandem with Tow (BB/39IN/49IN)	
	1001224085	Ref	Options Package - Gold Tandem with Tow (BB/51IN/37IN)	
	1001207504	Ref	Options Package - Gold Tri-Axle (BB/51IN/49IN)	
	1001224087	Ref	Options Package - Gold Tri-Axle with Tow (BB/51IN/49IN)	
	1001217721	Ref	Options Package - Silver Tandem (BB/39IN)	
	1001218613	Ref	Options Package - Silver Tandem (BB/51IN)	
	1001224080	Ref	Options Package - Silver Tandem with Tow (BB/39IN)	
	1001224081	Ref	Options Package - Silver Tandem with Tow (BB/51IN)	
	1001238916	Ref	Options Package - Silver Tandem with Tow (BB/51INw/CWT)	
	1001217722	Ref	Options Package - Silver Tri-Axle (BB/39IN)	
	1001218614	Ref	Options Package - Silver Tri-Axle (BB/51IN)	
	1001224082	Ref	Options Package - Silver Tri-Axle with Tow (BB/39IN/37IN)	
	1001224083	Ref	Options Package - Silver Tri-Axle with Tow (BB/51IN/37IN)	
	1001238918	Ref	Options Package - Silver Tri-Axle with Tow (BB/51INw/CWT/37IN)	
	1001224084	Ref	Options Package - Silver Tri-Axle with Tow (BB/51IN/49IN)	
	1001239050	Ref	Options Package - Silver Tri-Axle with Tow (BB/51INw/CWT/49IN)	
	1001220173	Ref	Paint - Main Winch Hooks & Handles (SN 0230004275 through 0230008673, Excluding 0230008645)	
	1001270118	Ref	Paint - Main Winch Hooks & Handles (SN 0230008674 to Present, Including 0230008645)	
	1001270119	Ref	Paint - Main Winch Hooks & Handles & Drag Hooks	
		Ref	PTO (Installation & replacement is based on individual characteristics of the unit - Contact Jerr-Dan Parts Dept.)	
	TP_REF	Ref	Pump (Installation & replacement is based on individual characteristics of the unit - Contact Jerr-Dan Parts Dept.)	
	1001237533	Ref	Rub Rail Dress-up Installation (37IN Tunnel) (C Slot)	
	1001234549	Ref	Rub Rail Dress-up Installation (37IN Tunnel) (C Slot)	
	1001237535	Ref	Rub Rail Dress-up Installation (37IN Tunnel) (D Slot)	
	1001234549	Ref	Rub Rail Dress-up Installation (37IN Tunnel) (D Slot)	
	1001237534	Ref	Rub Rail Dress-up Installation (49IN Tunnel) (C Slot)	
	1001234536	Ref	Rub Rail Dress-up Installation (49IN Tunnel) (C Slot)	
	1001237536	Ref	Rub Rail Dress-up Installation (49IN Tunnel) (D Slot)	
	1001234536	Ref	Rub Rail Dress-up Installation (49IN Tunnel) (D Slot)	
	1001233648	Ref	RISC Package	
	1001174485	Ref	RISC Package (See Separate Breakdown in ACCESSORY Section)	
	1001227630	Ref	Ship-Out Crate	
	1001225110	Ref	Ship-Out Stand for CWT	
	2636000010	Ref	Ship-Out Stand for Kits Models	
	1001229101	Ref	Ship-Out Stand for Kits Models (Sea Crate) (SN 0230005220 to Present)	
	1001141169	Ref	Ship-Out Stand for Kits Models (146 Body) (SN 0230004275 through 0230005219)	
	1001227624	Ref	Ship-Out Stand for Tunnel ("A" Tunnel) or (qty1 Tunnel)	
	1001227625	Ref	Ship-Out Stand for Tunnel ("B" Tunnel) or (qty2 Tunnels)	
	1001227626	Ref	Ship-Out Stand for Tunnel ("C" Tunnel) (SN 0230004275 through 0230008673, Excluding 0230008645)	
	1001227627	Ref	Ship-Out Stand for Tunnel ("D" Tunnel) (SN 0230004275 through 0230008673, Excluding 0230008645)	
	2506690065	Ref	Stabilizer - Rear Spades	

SECTION 10 - BUILD DOCUMENTS

ITEM	PART NUMBER	QTY	DESCRIPTION	REV
	2506690012	Ref	Stabilizer Installation - Rear Spades (See Separate Breakdown in SUBFRAME Section)	
	3912000010	Ref	Hydraulic Installation - Rear Spades (See Separate Breakdown in HYDRAULIC Section)	
	1001248211	Ref	Side Stabilizer - "A" Tunnel - No Panel 17IN	
	1001239622	Ref	Side Stabilizer (See Separate Breakdown in SUBFRAME Section)	
	1001248212	Ref	Side Stabilizer - "A" Tunnel - Body Panel 20IN	
	1001244581	Ref	Panel Installation (See Separate Breakdown in BODY Section)	
	1001239622	Ref	Side Stabilizer (See Separate Breakdown in SUBFRAME Section)	
	1001248213	Ref	Side Stabilizer - Front Main Body - No Panel 19IN	
	1001239622	Ref	Side Stabilizer (See Separate Breakdown in SUBFRAME Section)	
	1001248346	Ref	Electrical Installation (See Separate Breakdown in ELECTRICAL Section)	
	1001248214	Ref	Side Stabilizer - Front Main Body - Body Panel 24IN	
	1001239622	Ref	Side Stabilizer (See Separate Breakdown in SUBFRAME Section)	
	1001244581	Ref	Panel Installation (See Separate Breakdown in BODY Section)	
	1001202799	Ref	Subframe Weldment	
	1001210723	Ref	Tunnel Installation - 37IN ("C" Slot) (SN 0230004275 through 0230008673, Excluding 0230008645)	
	1001207194	Ref	Tunnel Installation -37IN (see Separate Breakdown in BODY Section)	
	1001210725	Ref	Tunnel Installation - 37IN ("D" Slot) (SN 0230004275 through 0230008673, Excluding 0230008645)	
	1001207194	Ref	Tunnel Installation -37IN (see Separate Breakdown in BODY Section)	
	1001210722	Ref	Tunnel Installation - 49IN ("C" Slot) (SN 0230004275 through 0230008673, Excluding 0230008645)	
	1001207196	Ref	Tunnel Installation -49IN (see Separate Breakdown in BODY Section)	
	1001210724	Ref	Tunnel Installation - 49IN ("D" Slot) (SN 0230004275 through 0230008673, Excluding 0230008645)	
	1001207196	Ref	Tunnel Installation - 49IN (see Separate Breakdown in BODY Section)	

PART NUMBER INDEX

SECTION 10 - BUILD DOCUMENTS

0100011.....37, 39, 63, 69, 71, 73, 75, 137, 139, 141, 143, 507	1001117026..... 559, 561, 619, 669, 671, 673, 675, 677, 685, 687	1001144957 19	462, 466, 470, 474, 478, 536, 540
0561482.....47	1001118282 753	1001144959 19	1001166978.....223, 458, 462, 466, 470, 474, 478, 718, 722
0641420.....69, 71, 73, 75	1001122235 536, 540, 547, 549, 551	1001144988 19	1001167099.....787
0641514.....235	1001125479 589, 591, 593	1001144989 19	1001167286.....341, 343, 441
0641524.....521, 525	1001126008 737, 739, 741, 755	1001145056 493, 495, 497, 499, 501	1001167358.....211, 213
0641606.....507	1001126009 741	1001145240 439, 443	1001167456.....295
0641610.....631, 633, 635, 695, 697, 699, 701, 709, 711	1001126010 735	1001151184 113, 115	1001167607.....536, 540
0641632.....458, 462, 466, 470, 474, 478	1001126011 735	1001151185 113, 115	1001168320.....536, 540
0641708.....577, 579	1001126269 637, 639	1001151546 411, 413, 621, 623, 651	1001168321.....536, 540
0641712.....297	1001126658 585, 587	1001151789 137, 139, 141, 143, 147	1001168322.....536, 540
0641808.....71, 75	1001126973 581, 583	1001151805 63	1001168328.....536, 540
0641809.....137, 139, 141, 143	1001126987 581, 583	1001152419 215, 607, 681	1001168428.....305
0641810.....137, 139, 141, 143, 695, 697, 699, 701	1001126995 581, 583	1001152707 ... 69, 71, 73, 75	1001168544.....303, 331, 333
0641820.....389, 391, 393, 395, 397, 405	1001127220 824	1001152815 631, 637	1001168545.....315, 317, 319, 321, 361, 363, 367, 369, 371
0642010.....69, 73	1001127222 831	1001154277 458, 462, 470, 474, 831	1001168733.....359
0642032.....137, 139, 141, 143	1001128128 753	1001154527 611, 615, 617	1001168993.....137, 139, 141, 143, 299, 347, 349, 361, 363, 383, 458, 462, 466, 470, 474, 478, 536, 540
0642034.....387, 389, 391, 393, 395, 397, 399, 401, 403, 405	1001129800 483, 519	1001156079 787	1001169063.....303, 359
0642228.....257, 259	1001130310 536, 540	1001156279 787	1001169064.....303, 359
0651606.....47	1001130491 458, 462, 466, 470, 474, 478	1001156424 261, 263, 265, 267, 269, 271, 273, 275, 277, 279	1001169076.....303, 359
0681408.....47	1001130702 637, 639	1001157348 47	1001169078.....137, 139, 141, 143, 303, 359
0681606.....47, 49	1001132268 133	1001159568 131	1001169080.....301, 303, 311, 313, 315, 323, 357, 359, 387, 458, 462, 466, 470, 474, 478
0681608.....49	1001132346 824	1001160799 331, 333	1001169083.....303, 307, 309, 331, 333, 335, 337, 351, 353, 359, 458, 463, 467, 470, 475, 479
0681609.....47	1001132794 507	1001163358 211, 213	1001169085.....715
0681616.....47	1001133591 695, 697, 703	1001164102 575, 577, 579	1001169609.....69, 73
0681808.....47	1001134106 900	1001164560 359	1001169616.....71, 75
0682428001.....19	1001134265 145	1001164601 347, 349	1001169617.....37, 39
0750604.....536, 540	1001134266 145	1001164614 347, 349	1001169893.....37, 39, 71, 75
0750605.....547, 549, 551	1001134433 458, 462, 470, 474, 831	1001165564 303, 359	1001170036.....839
0751406.....339	1001136075 824	1001165570 359	1001170037.....69, 73
0751408.....339, 355	1001136080 824	1001165571 303, 359	1001170090.....311, 313
0811810.....69, 71, 73, 75	1001136091 824	1001165584 303, 359	1001170091.....311, 313
1001094694.....485, 490	1001136103 824	1001165652 303	1001170172.....849
1001095650.....47, 49	1001136119 824	1001165692 397, 399, 401, 403, 405	1001170305.....311, 313
1001096137.....751	1001136270 787	1001165862 367, 369, 371	1001170307.....311, 313, 629
1001097942.....411, 413	1001136447 509, 513	1001165863 367, 369, 371	1001170310.....311, 313
1001101025.....629	1001136559 509	1001166531 ... 69, 71, 73, 75, 491	1001170328.....311, 313
1001109484.....725, 727, 729, 749, 751	1001136990 633, 639	1001166532 .. 73, 75, 491	1001170329.....311, 313, 629
1001109485.....749, 751, 753	1001137169 824	1001166549 611, 613	1001170330.....311, 313
1001116727.....649, 683, 693, 741, 765, 767, 809, 811, 813	1001137487 513	1001166644 301, 303, 307, 309, 311, 313, 315, 351, 353, 357, 359, 365, 387, 553, 555	1001170331.....311, 313
1001116733.....753	1001138537 824	1001166670 553, 555	1001170332.....311, 313
1001116745.....559, 561, 619, 669, 671, 673, 675, 677, 685, 687	1001138612 824	1001166674 549, 551	1001170333.....311, 313
1001116812.....595, 597, 599, 605, 755	1001139464 451	1001166815 745	1001170428.....311, 313
1001116815.....731, 733, 735, 743, 747	1001141169 901	1001166930 536, 540, 547, 549, 551	1001170618.....381
1001116983.....769, 771, 775, 777, 779, 781, 783	1001141227 824	1001166974 137, 139, 141, 143, 217, 219, 221, 299, 323, 331, 333, 335, 337, 347, 349, 361, 363, 458,	1001170707.....385
1001116994.....775, 777, 779, 781, 783	1001142074 509		1001170725.....327, 329
1001117021.....619, 683	1001142452 824		1001170727.....327
	1001142771 759, 761		
	1001142812 831		
	1001142828 824		
	1001143284 621, 623		
	1001143487 829		
	1001143489 827		
	1001143686 251, 253, 255, 759, 761		
	1001143867 841		
	1001144147 735		
	1001144657 19		
	1001144659 19		

SECTION 10 - BUILD DOCUMENTS

1001170839 341, 343	1001186990..... 195, 199	1001191602.....536, 540	1001195838 331, 333
1001170849 223, 225	1001186991..... 199	1001191810.....315, 317, 319, 321	1001195839 331
1001170968 367, 369, 371	1001186992..... 199	1001192126.....359	1001195840 333
1001170970 367, 369, 371	1001186993..... 167	1001192287367	1001195942 317, 836
1001170971 367, 369	1001186994..... 167	1001192395.....490	1001195943 321, 836
1001171933 839	1001186995..... 389, 391	1001192397.....490	1001196214 343, 836
1001172004 441	1001186997..... 389, 391	1001192423.....490	1001196215 341, 836
1001172320 61	1001187000..... 169	1001192428.....490	1001196249 369, 837
1001172491 61	1001187001..... 169	1001192437.....490	1001196386 351
1001173847 137, 139, 387, 389, 391, 393, 395, 397, 399, 401, 403, 405	1001187008.....397	1001192447.....490	1001196387 353
1001174051 235	1001187009.....397	1001192459.....490	1001196503 355
1001174346 824	1001187063..... 389, 391, 393, 395	1001192462.....490	1001196522 137, 139, 611
1001174485 865, 901	1001187182..... 137, 139, 211	1001192504.....490	1001196523 141, 143, 613
1001174490 869	1001188156..... 161, 661	1001192658.....203	1001196552 227, 229, 231, 233, 327, 329, 379, 417, 435, 437, 439, 441, 536, 540, 609, 611, 613, 615, 617, 785, 801, 803, 805, 807
1001174680 536, 540	1001188157..... 161, 661	1001192958..... 149, 151, 155, 157, 159, 161, 163, 165, 167, 169, 171, 173, 175, 177, 179, 181, 183, 185, 187, 189, 191, 193, 195, 197, 199, 201, 205, 207, 209, 215, 221, 389, 391, 397, 435, 439, 567, 581, 583, 585, 587, 607, 653, 655, 657, 659, 661, 663, 665, 667, 679, 681, 718, 722	1001196582 389, 393, 615
1001174992 339	1001188158..... 161, 661	1001194069.....521, 525	1001196583 391, 395, 397, 399, 401, 403, 405, 617
1001175059 339, 355	1001188538.....555	100119467647, 373, 375, 377, 411, 413, 439, 441, 458, 462, 466, 470, 474, 478, 536, 540, 589, 591, 593	1001196586 161, 661
1001175061 545	1001189167..... 439, 779	1001194736.....458, 462, 466, 470, 474, 478	1001196592 137, 139, 653
1001175231 365	1001189283..... 229, 231, 233	1001195038.....347, 837	1001196594 141, 143, 655
1001176337 627, 691, 715	1001189321..... 229, 231, 233	1001195083.....349, 837	1001196624 389, 393, 659
1001179349 311, 313	1001189455..... 387	1001195088.....837	1001196625 391, 395, 397, 399, 401, 403, 405, 657
1001182569 547	1001189457..... 387	1001195134.....359, 837	1001196639 137, 139, 141, 143, 223
1001182841 311	1001189507..... 155, 667	1001195256.....373, 836	1001196666 137, 139, 141, 143, 295
1001182853 299, 301	1001189508..... 155, 667	1001195257 171, 173, 175, 177, 179, 181, 183, 185, 187, 189, 191, 193, 195, 197, 199, 201, 203, 205, 207, 209, 215, 217, 219, 221, 331, 333, 341, 343, 373, 375, 377, 441, 536, 540, 607, 681, 718, 722, 759, 761, 785, 793, 801, 803, 805, 807	1001196730 141, 143, 213
1001183001 315	1001189510..... 155, 667	1001195279.....373	1001196790 137, 139, 141, 143, 235
1001183037 375, 377	1001189532.....387	1001195337 375, 836	1001196802 137, 139, 141, 143, 227
1001183200 553, 555	1001189750..... 147	1001195341 375, 377	1001196807 233, 389, 393
1001183735 311, 313	1001189751..... 147	1001195421 357, 837	1001196808 229, 391, 395, 397, 399, 401, 403, 405
1001183736 311, 313	1001189776..... 387	1001195520.....385, 837	1001196909 458, 462, 466, 470, 474, 478, 485
1001184765 483	1001189783..... 458, 470	1001195523.....237, 325, 331, 333, 341, 343, 381, 385, 437, 439	1001196910 458, 462, 466, 470, 474, 478, 485
1001184772 521, 525	1001189784..... 458, 462, 466, 470, 474, 478	1001195592.....381, 837	1001196911 458, 462, 466, 470, 474, 478
1001184827 458, 462, 466, 470, 474, 478	1001189906.....609	1001195698.....323, 836	1001197133 393, 395, 547
1001184828 458, 462, 466, 470, 474, 478	1001189993..... 458, 462, 466, 470, 474, 478	1001195764.....383, 837	1001197134 405, 551
1001185600 389, 391	1001190037..... 693, 713, 765, 767	1001195788.....335, 836	1001197158 187, 193
1001185654 547, 551	1001190050.....357	1001195825.....337, 836	1001197159 203
1001185657 405	1001190055.....357		1001197160 203
1001186416 397	1001190128.....357		1001197161 203, 205
1001186491 393, 395	1001190148.....357		1001197162 205
1001186584 211, 213	1001190176.....297		1001197163 205
1001186585 213	1001190218.....303		
1001186606 211, 213	1001190223.....303		
1001186607 213	1001190228.....303		
1001186608 211, 213	1001190265.....303		
1001186725 149	1001190342.....359		
1001186726 149	1001190343.....297		
1001186727 149	1001190359.....359		
1001186728 149	1001190361.....359		
1001186835 149	1001190366.....355		
1001186842 137, 139, 141, 143, 149	1001190409..... 369, 371		
1001186935 137, 139, 141, 143	1001190410..... 373, 375, 377		
1001186968 137, 139, 141, 143	1001190551.....383		
1001186986 171, 177	1001190557..... 137, 139, 141, 143		
1001186987 183, 189	1001190568.....317, 319, 321		
1001186988 195	1001190926..... 331, 333, 335, 337		
1001186989 195	1001190988..... 331, 333		
	1001191540.....297		

SECTION 10 - BUILD DOCUMENTS

1001197164.....207	1001199998..... 311, 836	1001204789 536, 540	1001208348.....900
1001197181.....175, 181	1001199999..... 313, 836	1001205043 536, 540	1001208350.....900
1001197183.....303, 836	1001200001 345, 837	1001205044 536, 540	1001208352.....900
1001197338.....389, 391, 393, 395	1001200002 25	1001205244 718	1001208354.....900
1001197419.....555	1001200003 27	1001205331 824	1001208356.....900
1001197456.....483	1001200355 521, 525	1001205338 824	1001208358.....900
1001197482.....483	1001200919 137	1001205796 367, 837	1001208359.....855
1001197483.....565	1001200921 141	1001206241 713	1001208360.....845
1001197506.....483	1001200997 311, 313	1001206319 713	1001208361.....873
1001197567.....175, 181, 900	1001201079 458, 470	1001206364 824	1001208631.....836
1001197568.....171, 177, 900	1001201164 301, 836	1001206367 824	1001208635.....377, 836
1001197635.....203	1001201215 379	1001206401 713	1001208636.....315, 836
1001197636.....195	1001201216 379	1001206505 536, 540	1001208637.....837
1001197656.....205	1001201217 379	1001206801 459, 463, 467, 471, 475, 479	1001208652.....315
1001197658.....199	1001201218 379	1001207193 393, 395	1001208950.....718, 749
1001197683.....329, 836	1001201234 379, 837	1001207194 389, 391, 902	1001208951.....718, 725
1001197687.....187, 193, 900	1001201341 299, 836	1001207195 405	1001208952.....718, 722, 755
1001197688.....183, 189, 900	1001201366 379	1001207196 397, 902	1001208976.....415, 417, 421, 423, 425, 427, 429, 431, 433, 743
1001197693.....313	1001201367 379	1001207197 393, 805	1001209020.....437, 775
1001197791.....207	1001201371 365, 837	1001207198 389, 801	1001209021.....439, 781
1001197895.....387, 609	1001201384 441, 536, 540	1001207199 395, 399, 401, 403, 405, 807	1001209022.....435, 769
1001197896.....231, 387	1001201483 365	1001207200 391, 397, 803	1001209031.....536, 540, 689
1001197898.....387, 679	1001201514 305, 836	1001207216 801, 805, 809	1001209033.....691, 693
1001198602.....171, 173, 175, 177, 179, 181, 183, 185, 187, 189, 191, 193, 195, 197, 199, 201, 203, 205, 207, 209, 435, 439, 441, 787	1001201519 305	1001207274 387	1001209036.....583
1001198729.....545	1001201534 345	1001207275 387, 785	1001209040.....536, 540
1001198964.....225, 387	1001201695 325	1001207276 685, 785	1001209041.....536, 540
1001199065.....824	1001201704 325, 836	1001207277 687, 785	1001209042.....536, 540
1001199081.....609, 611, 613, 615, 617	1001201926 536, 540	1001207357 69	1001209044.....536, 540
1001199082.....147	1001201994 729, 735	1001207358 71	1001209050.....803, 807, 811
1001199098.....147, 387	1001202432 458, 462, 466, 521	1001207359 93	1001209055.....805, 807, 813
1001199185.....297, 387	1001202433 470, 474, 478, 525	1001207360 95	1001209056.....801, 803, 805, 807, 815
1001199186.....900	1001202449 691	1001207361 99	1001209071.....883
1001199196.....387, 831	1001202452 691	1001207362 101	1001209119.....900
1001199291.....387, 407	1001202499 458, 470	1001207363 105	1001209120.....900
1001199311.....458, 462, 470, 474	1001202508 458, 462, 466, 470, 474, 478	1001207364 107	1001209121.....900
1001199318.....458, 470	1001202517 458, 462, 466, 470, 474, 478	1001207487 715	1001209122.....900
1001199322.....458, 462, 466, 470, 474, 478	1001202518 458, 462, 466, 470, 474, 478	1001207488 239, 241, 243, 245, 247, 249, 651	1001209365.....536, 540
1001199324.....458, 462, 470, 474	1001202680 458, 470	1001207496 836	1001209366.....536, 540
1001199405.....155, 667	1001202741 459, 463, 466, 471, 475, 478	1001207498 55	1001209590.....718, 722
1001199475.....635, 644	1001202799 902	1001207499 57	1001209616.....411, 413, 415, 417, 419, 421, 427, 429, 431, 718, 722
1001199477.....629, 647	1001202986 589, 591, 593, 713	1001207503 901	1001210256.....69, 71, 78
1001199478.....699, 701, 706	1001203234 536, 540	1001207504 901	1001210257.....69, 71, 84
1001199783.....831	1001203506 525, 527	1001207508 837	1001210345.....900
1001199785.....831	1001203590 581	1001207510 836	1001210346.....900
1001199786.....831	1001203629 581	1001207548 837	1001210722.....902
1001199787.....831	1001203862 585	1001207556 837	1001210723.....902
1001199789.....831	1001203889 569	1001207593 837	1001210724.....902
1001199790.....831	1001203911 577	1001207623 836	1001210725.....902
1001199942.....625	1001203912 565	1001207715 458	1001210746.....837
1001199946.....627	1001203953 565	1001207716 470	1001210747.....837
1001199950.....627	1001204070 565	1001207734 536, 540	1001210748.....837
	1001204075 490	1001207736 483, 536, 540	1001210749.....836
	1001204434 491	1001208066 536, 540	1001210750.....837
	1001204436 491	1001208303 536, 540	1001210960.....555
	1001204438 491	1001208330 187	1001211000.....718
	1001204438 491	1001208332 183	1001211001.....718, 722
	1001204558 569	1001208334 175	1001211002.....718, 722
	1001204565 497	1001208342 171	1001211003.....718, 722
	1001204595 577	1001208344 900	
	1001204788 536, 540	1001208346 900	

SECTION 10 - BUILD DOCUMENTS

1001227092.....900	1001232967 431	1001239645 47, 49	1001248214.....902
1001227624.....901	1001232968 433	1001239646 47, 51	1001248215.....795
1001227625.....901	1001232969 415	1001239647 47	1001248216.....217
1001227626.....901	1001232970 417	1001239648 49	1001248217.....219
1001227627.....901	1001233070 853	1001239652 47	1001248344.....900
1001227630.....901	1001233071 871	1001239960 490	1001248345.....900
1001228254.....836	1001233072 843	1001239969 490	1001248346.....793, 902
1001228805.....239	1001233500 603	1001241570 875	1001249938.....759, 761
1001228818.....243	1001233642 853	1001241575 875	1001253557.....197
1001228824.....247	1001233643 855	1001241869 836	1001253558.....197
1001228828.....697, 701, 709	1001233644 843	1001243239 45, 507	1001253559.....197, 201
1001228841.....709	1001233645 845	1001243240 507, 531	1001253560.....185, 191
1001228842.....697	1001233646 871	1001244142 45, 787	1001253561.....173, 179
1001228843.....701	1001233647 873	1001244185 787	1001253744.....211, 213
1001228844.....697, 701, 709	1001233648 901	1001244186 507	1001254986.....103
1001228845.....697, 701, 709	1001233649 869	1001244187 507	1001255361.....185, 191
1001228888.....239	1001234375 291	1001244188 507	1001255362.....173, 179
1001228889.....243	1001234388 291	1001244189 507	1001255363.....185
1001228890.....247	1001234480 293	1001244216 681, 683, 793	1001255364.....173
1001228895.....263	1001234536 285, 287, 901	1001244217 215, 607, 619	1001255709.....197
1001228897.....267	1001234537 433	1001244279 787, 789	1001255740.....221
1001228898.....271	1001234549 281, 283, 901	1001244280 795	1001257300.....466, 478, 831
1001228899.....275	1001234557 289	1001244281 787, 791	1001258415.....209
1001228901.....263	1001234558 289	1001244297 221, 681	1001258416.....209
1001228902.....263	1001234559 289	1001244556 217, 219	1001258438.....722
1001228903.....267	1001234563 441, 445	1001244557 221	1001258439.....722
1001228904.....267	1001234724 445	1001244564 217, 219, 221	1001258511.....157, 387
1001228905.....271	1001235386 441	1001244578 217, 219	1001258518.....157
1001228906.....271	1001235394 421	1001244579 221	1001258816.....387
1001228907.....275	1001235395 421	1001244580 217, 219	1001258817.....387
1001228908.....275	1001235578 466	1001244581 221, 902	1001260451.....722, 757
1001229101.....901	1001235579 478	1001245044 47	1001261522.....201
1001230068.....441	1001235583 466, 478	1001245230 47	1001261523.....201
1001230127.....455	1001235584 466, 478	1001245737 47	1001262043.....755, 757
1001230715.....445	1001235707 441	1001245740 151	1001262482.....729, 735
1001230966.....291, 293	1001235724 139	1001245742 151, 217, 219, 221	1001262483.....729, 735
1001230976.....285, 287	1001235730 143	1001246130 833	1001262538.....836
1001230977.....281, 283	1001235743 139	1001246165 45	1001262745.....789
1001230987.....281, 283, 285, 287, 289, 291, 293	1001235744 143	1001246166 45	1001262746.....729, 735
1001231612.....603	1001236497 441, 783	1001246167 45	1001262747.....729, 735
1001231626.....849	1001236610 722, 729	1001246419 45	1001263483.....737, 739, 741
1001231627.....851	1001236611 722, 753	1001246420 45, 833	1001263545.....741
1001231751.....295	1001236612 722, 735	1001246622 215, 217, 219, 607	1001263566.....731, 733, 735
1001231801.....824	1001236614 722, 741	1001246753 47	1001263754.....561
1001231974.....427	1001236662 722	1001246828 437, 777	1001263763.....753
1001231975.....427	1001236896 881	1001246829 435, 771	1001263765.....741
1001231976.....429	1001236897 879	1001246956 833	1001263822.....837
1001231977.....429	1001237531 281	1001246957 833	1001263854.....836
1001232209.....415, 421, 427, 429	1001237532 285	1001246980 45	1001263855.....836
1001232211.....421	1001237533 901	1001246981 45	1001263856.....836
1001232593.....718, 727	1001237534 901	1001246982 45	1001263857.....836
1001232594.....718, 751	1001237535 901	1001246983 45	1001263858.....836
1001232595.....718, 733	1001237536 901	1001247139 633, 641	1001264819.....836
1001232596.....718, 739	1001238159 837	1001247174 45	1001266882.....73
1001232868.....445	1001238891 371	1001247794 833	1001266883.....75
1001232869.....445	1001238892 371	1001247795 833	1001266903.....73, 75, 91
1001232870.....824	1001238916 901	1001247902 217, 219, 221	1001266904.....73, 75, 89
1001232956.....433	1001238918 901	1001247903 217, 219	1001266915...73, 75, 491
1001232957.....415	1001238963 900	1001248211 902	1001266946.....373, 375, 377
1001232958.....417	1001238964 901	1001248212 902	1001267012...73, 75, 491
1001232965.....423	1001239050 901	1001248213 902	1001267280.....633, 635
1001232966.....425	1001239548 21		1001269102.....201
	1001239622 45, 902		1001269143.....97
	1001239624 45, 47		
	1001239626 47		

SECTION 10 - BUILD DOCUMENTS

4460536.....595, 597, 599, 605, 731, 733, 743, 747, 755, 757	4461054 ... 769, 771, 775, 777, 779, 781, 783	4691000582 31	4949000045.....71, 75
4460539.....567, 757	4461157 ... 559, 693, 741, 773	4705000705 389, 391, 393, 395, 397, 405	5525000752.....893
4460742.....557, 559, 561, 563, 693, 713, 737, 739, 741, 765, 767, 773	4461291 557, 559	4706001815 235	5526000553.....435, 439, 537, 541, 567, 569, 571, 573, 575, 579, 589, 591, 593, 629, 713, 715, 718, 722, 759, 761, 787
4460746.....693	4561000012 133	4706002141 19	70003788.....531
4460748.....619	4567112024 491	4706002142 19	70003977.....531
4460836.....735	4567113028 491	4706002163 19	70006319.....51
4460850.....649	4567122029 490	4706002206 113, 115	70007179.....51
4460867.....557, 649, 737, 739, 765, 767	4567122036 504	4706002235 517	70007180.....51
4460884.....561, 595, 597, 599, 687, 725, 727, 729, 731, 733, 735, 737, 739, 741, 743, 745, 747, 817	4567122038 504	4706002417 ... 69, 71, 73, 75	70007181.....51
4460891.....557, 559, 561, 563, 583, 599, 731, 733, 735, 739, 741, 773, 791, 817	4567122056 504	4706002435 63	70007182.....51
4460894.....757	4567132028 504	4706002467 117, 119	70007183.....51
4460897.....557, 559, 561, 563, 583, 621, 623, 693, 731, 733, 735, 737, 739, 741	4567132033 504	4706002491 153	70007184.....51
4460899.....757	4567152018 .. 69, 71, 491	4706002554 19	70007185.....51
4460908.....775, 777, 779, 781, 783	4567160129 504	4706002555 19	70007186.....51
4460909.....775, 777, 779, 781, 783	4567160146 493	4706002556 19	7002000449.....895
4460911.....783	4567160156 504	4706002990 797	7002000502.....851
4460916.....731, 733, 737, 739, 775, 777, 779, 781, 783	4567162180 504	4706003144 117, 119	7002000505.....836
4460930.....557, 559, 561, 563, 619, 683, 685, 731, 733, 809, 811	4567182024 491	4706003708 117, 119	7002000521.....455
4460931.....557, 559, 561, 563, 619, 683, 769, 775, 781, 809, 811	4567182029 491	4706003709 117, 119	7002000554.....581, 583
4460932.....583, 687, 725, 727, 729, 731, 733, 735, 737, 739, 741, 743, 745, 747	4569160048 490	4706003714 21	7002000555.....573, 575
4460933.....557, 559, 561, 563, 685, 769, 771, 773, 779, 781, 783, 789, 795	4570000136 490	4706003719 117, 119	7002164823, 65, 67, 121, 123, 125, 127
4460939.....675, 677, 687	4570000138 490	4706003720 117, 119	70025619.....51
4460941.....557, 559, 561, 563, 649, 683, 763, 765, 767, 769, 771, 775, 777, 779, 781, 783, 791, 795	4570000140 490	4706003721 117, 119	70027076.....51
4460942.....561, 595, 597, 599, 605, 683, 685, 763, 769, 771, 789, 791, 795	4570000143 490	4706003722 117, 119	70027084.....51
4460943.....729, 735	4570000146 490	4706003723 117, 119	7003116.....67
4460944.....729, 735, 741	4570000147 490	4706003724 117, 119	7003212.....23, 121, 123
4460950.....771, 777, 783	4570000148 490	4706003725 117, 119	70040300.....33, 35
4460970.....779, 791, 795	4570000257 490	4706003844 493, 495, 497, 499, 501	70050106.....443
4461017.....599	4570000258 490	4711000 441	70050107.....443
4461018.....599	4570000268 490	4711600 47, 507	70050147.....79, 85
	4570000310 490	4711700 297, 577, 579	70050163.....647
	4570000337 504	471180071, 75, 137, 139, 141, 143, 297, 389, 391, 393, 395, 397, 405, 695, 697, 699, 701	70050164.....637, 639
	4570000338 504	4712000 69, 73	70050165.....637, 639
	4640458 813, 815	4740513 536, 540	70050166.....637, 639
	4640464 ... 769, 771, 813, 815	4751400 47	70050167.....637, 639
	4640466 813, 815	4751500 521, 525	70050169...644, 647, 706
	4640941 779, 781	4751600 ... 631, 633, 635, 695, 697, 699, 701, 709, 711	70050170.....644, 647
	4679000127 19	4751800 387	70050171.....647
	4679000158 117, 119	4752000 ... 137, 139, 141, 143, 387, 389, 391, 393, 395, 397, 399, 401, 403, 405	70050172.....647
	4679000159 117, 119	4752200 257, 259	70050174...644, 647, 706
	4679000161 117, 119	4754000003 47, 63	70050175.....644, 647
	4679000162 63	4754000004 31	70050181.....644, 647
	4679000163 63	4811001135 841	70050182.....647
	4679000168 63	4812000103 37, 39	70050183.....647
	4679000205 117, 119	4812000104 37, 39	70050185.....647
	4679000206 117, 119	4831000061 63	70050186.....647
	4679000291 31	4831000064 63	70050187.....647
	4691000200 21	4831000104 37, 39	70050188.....647
	4691000207 21	4831000128 387	70050189.....647
	4691000208 63	4891600 47, 49	70050190.....647
	4691000242 129	4949000031 ... 61, 69, 73, 113, 115	70050191.....647
	4691000243 63	4949000032 61, 113, 115	70050192.....647
	4691000274 133	4949000041 129	70050194.....647
	4691000311 113, 115	4949000042 129	70050195.....647
	4691000316 117, 119		70050196.....647
	4691000317 113, 115		
	4691000318 117, 119		
	4691000323 63		
	4691000574 29		
	4691000576 31		
	4691000577 31		
	4691000578 29		
	4691000581 31		

SECTION 10 - BUILD DOCUMENTS

70050197	647	70050859	865	70050993.....	79, 85	70051131	35
70050199	647	70050860	865	70050994.....	79, 85	70051133	35
70050200	647	70050861	865	70050995.....	80, 86	70051134	35
70050201	647	70050862	865	70050998.....	80, 86	70051135	35
70050202	647	70050863	865	70051019.....	706	70051137	33, 35
70050203	644, 647	70050864	865	70051020.....	706	70051138	33
70050204	644, 647, 706	70050865	865	70051021.....	644, 706	70051140	33
70050205	647	70050866	865	70051022.....	644, 706	70051141	33
70050206	647	70050867	865	70051023.....	644, 706	70051142	33
70050207	645, 647, 706	70050868	865	70051024.....	706	70051302	78, 84
70050208	645, 647	70050869	865	70051025.....	706	70051303	78, 84
70050209	645, 647	70050870	865	70051026.....	644, 706	70051304	78, 84
70050210	645, 647	70050871	865	70051027.....	644, 706	70051305	78, 84
70050211	645, 647	70050872	865	70051028.....	644, 706	70051306	78, 84
70050215	23	70050873	865	70051029.....	644, 706	70051307	78, 84
70050216	125, 127	70050874	865	70051030.....	644, 706	70051309	78, 84
70050217	123	70050875	865	70051031.....	706	70051465	449, 451
70050218	123	70050876	865	70051032.....	706	70051466	449
70050239	523, 527	70050877	865	70051033.....	706	70051480	451
70050241	523, 527	70050878	865	70051034.....	706	70051481	449
70050242	523, 527	70050879	865	70051035.....	644, 706	70051970	531
70050243	523, 527	70050880	865	70051036.....	644, 706	70051971	531
70050245	523, 527	70050881	865	70051037.....	706	70051972	531
70050246	523, 527	70050882	865	70051038.....	706	70051973	531
70050247	523, 527	70050883	865	70051039.....	644, 706	70051974	531
70050249	523, 527	70050884	865	70051040.....	706	70051975	531
70050250	523, 527	70050885	865	70051041.....	706	70051976	531
70050251	523, 527	70050886	865	70051042.....	706	70051977	531
70050252	523, 527	70050887	865	70051043.....	706	70051978	531
70050256	523, 527	70050888	865	70051044.....	644, 706	70052795	703
70050257	523, 527	70050889	865	70051045.....	644, 706	70052796	703
70050365	121	70050890	865	70051046.....	706	70052802	703
70050368	78, 84	70050891	865	70051047.....	706	70052898	703
70050370	78, 84	70050892	865	70051048.....	644, 706	7005314	65, 125, 127
70050371	78, 84	70050893	865	70051049.....	644, 706	7005322	23
70050372	78, 84	70050894	865	70051050.....	706	7005348	121, 123, 125, 127
70050384	79, 85	70050895	865	70051051.....	706	7005365	23, 65, 67, 123, 125, 127
70050392	647	70050896	865	70051052.....	706	7006847	523, 527
70050393	647	70050897	865	70051053.....	644, 706	70070000	641
70050394	647	70050898	865	70051054.....	706	7007000036	511
70050395	647	70050899	866	70051055.....	644, 706	7007000055	131
70050398	79, 85	70050900	866	70051056.....	645, 706	7007000056	131
70050399	78, 84	70050901	866	70051057.....	645, 706	70070001	641
70050401	78, 84	70050902	866	70051058.....	644	70070002	641
70050526	519	70050903	866	70051059.....	644	70070003	641
70050527	519	70050904	866	70051060.....	644	7011000006	543
70050528	519	70050905	866	70051061.....	644	7011367	51
70050529	519	70050906	866	70051062.....	644	7019828	23, 121, 123
70050530	519	70050907	866	70051063.....	644	7019844	121, 123
70050531	23	70050908	866	70051064.....	644	7019845	121, 123
70050542	125	70050909	866	70051065.....	644	7019846	121, 123
70050543	125	70050910	866	70051066.....	644	7019892	125, 127
70050553	123	70050911	866	70051068.....	644	7024896	531
70050554	123	70050912	866	70051069.....	644	7029865	523, 527
70050555	123	70050913	866	70051070.....	644	7056000003	885
70050641	33, 35	70050914	866	70051071.....	644	7056000004	889
70050665	644	70050915	866	70051072.....	644	7056000005	887
70050722	637	70050916	866	70051073.....	644	7056000006	891
70050850	865	70050917	866	70051074.....	644	7075000003	435, 437, 439, 441
70050851	865	70050918	866	70051075.....	644	7075000006	439
70050852	865	70050919	866	70051076.....	644	7082000005	458, 462, 466, 470, 474, 478
70050853	865	70050920	866	70051077.....	644	7082311	47, 49
70050854	865	70050979	637	70051078.....	644	7082342	47, 49
70050855	865	70050980	637, 639	70051079.....	523, 527		
70050856	865	70050981	637, 639	70051080.....	523, 527		
70050857	865	70050991	78, 84	70051081.....	523, 527		
70050858	865	70050992	78, 84	70051130.....	35		

SECTION 10 - BUILD DOCUMENTS

7104100613.....797	7118202016 ... 37, 39, 69, 71, 73, 75	7320000039 113, 115, 125	7443000211.....521, 525
7105180850.....117, 119	7118222016... 19, 25, 27, 399, 401, 403	7320000040 113, 115, 127	7443000213.....504, 507
7110201423.....78, 84	7118222416... 19, 25, 27, 399, 401, 403	7320000042 117, 121	7443000214.....504, 507
7111572.....47, 49	7118222816... 19, 25, 27, 399, 401, 403	7320000076 119, 123	7443000254.....493, 495, 497, 499, 501
7114080418.....411, 413, 651	7118242050 19	7330000143 824	7443000287407
7114100518.....455, 819	7118242450 19	7330000208 824	7443000329.....407, 483
7114100618.....537, 541, 565, 567, 569, 571	7118267250 847	7330000209 824	7443000330.....407
7114100818.....537, 541	7120000036 847	7330000210 824	7443000456407
7114101018.....483	7120000047 439, 787	7330000278 133	7443000458.....504
7114140418.....117, 119	7183000004 517	7330000294 827	7444030037.....483
711414051821, 119, 251, 253, 255, 357, 695, 697, 701, 709, 711, 759, 761, 841	7189000017 113, 115	7330000535 303, 829	7444120014.....517
7114140618.....147, 357, 359, 458, 462, 466, 470, 474, 478, 581, 583	7209000023 511	7330000689 824	7444121050.....493, 495, 497, 499, 501
7114140650.....458, 470	7209000024 511	7345001714 601, 603, 797	7444121271.....493, 495, 497, 499, 501
711414081863, 357, 375, 377	7209000032 511	7345001914 797	7444160011.....517
7114141018.....462, 466, 474, 478	7248000037 99	7345221902 797	7445040421.....485, 490
7114141218.....223, 225	7248000040 93	7345241902 797	7445040443.....504
7114150818.....145, 565, 567, 569, 571	7248000055 105	7345242202 589, 591, 593	7445040445.....78, 84
7114160618.....504, 713	7248000078 95, 97	7346000039 601, 603, 718, 722, 793, 797	7445040449.....839
7114160818.....697, 699, 701, 709	7248000079 101, 103	7346000040 555	7445040472504
7114160850.....311, 313	7248000080 107, 109	7346000045 589, 591, 593	7445060219.....490
7115140650.....117, 119, 517	7253000002 ... 37, 39, 61, 63, 69, 71, 73, 75, 113, 115, 119	7346000055 799	7445060644.....504
7115140850.....493, 495, 497, 499, 501	7262000025 113, 115	7346000068 819	7445060645.....490
7115141250.....627	7262000048 836	7346000078 799	7445060845.....504
7115150650.....511	7274000028 493, 495, 497, 499, 501	7346000108 649, 765, 767	7445080830.....490
7115150850.....504, 511	7274000030 511	7346000126 797	7445080843.....504
7115151050.....493, 495, 497, 499, 501, 504, 799	7274000036 441, 537, 541	7346000131 555	7445080845.....504
7115151250.....483	7274000040 441	7346000209 797	7445100843.....69, 71
7115160623.....19	7274000041 493, 495, 497, 499, 501, 504	7346000220 797	7445121225.....511
7115160650.....37, 39	7274000042 537, 541, 565	7413000002 458, 462, 466, 470, 474, 478	7445121243.....504, 507
7115161050.....504	7274000049 511	7430000003 490	7445121245.....504, 507
7115161250.21, 113, 115	7274000053 504	7430000010 493, 495, 497, 499, 501	7445121645.....493, 495, 497, 499, 501
7115161650.....367	7274000063 504	7440030000 ...29, 31, 37, 39, 61, 69, 71, 73, 75, 113, 115, 117, 119, 129	7445161620.....490
7115164450.....63	7274000071 493, 495, 497, 499, 501	7440030400 .65, 67, 121, 123	7446060435.....839
7115180723.....63	7274000095 713	7443000108 504	7446502518.....839, 841
7115180750.....63	7280000006 215, 537, 541, 607, 681, 718, 722, 759, 761, 785, 793, 801, 803, 805, 807	7443000130 493, 495, 497, 499, 501	7454000003.....131
7115180850.....29, 37, 39, 61, 63, 113, 115, 575	7280000013 681, 793	7443000139 407, 483	7454000004.....131
7115181423.....63	7280000018 441	7443000145 839	7454000005.....131
7115181450.....387	7295000029 407, 483	7443000146 839	7454000006.....131
7115181650.....79, 85	7295000105 447	7443000148 483, 839	7457000017.....797
7115181850.....515	7295000121 819	7443000149 407, 483	7470000002.....490
7115182650.....37, 39	7295000124 437, 451	7443000150 407	7470000003.....517
7115201250.....113, 115	7295000126 453	7443000154 483	7470000004.....485, 490
7115201850.....79, 85	7295000146 435, 439, 441, 449	7443000156 483	7470000006.....483
7115202250.....79, 85	7297000008 797	7443000158 490	7493000003.....565, 567, 569, 571
7115221250.....31	7312000015 839	7443000173 407, 483	7493000010.....759, 761
7118170650.....31	7312000016 839	7443000174 407	7493000011.....631, 633, 701, 715
7118172050.....78, 84	7312000017 841	7443000175 841	7493000020.....583, 587
7118181205.....78, 84	7320000006 21, 23	7443000176 483	7493000026.....537, 541
7118181216.....53	7320000031 63, 67	7443000178 483	7552000407.....773, 819
7118181250.....857, 859	7320000032 61, 65	7443000204 79, 85	7561000020.....857
7118201616....69, 71, 73, 75		7443000205 79, 85	7561000022.....859
		7443000209 511	7565000014.....839, 841
		7443000210 511	7565000016.....407, 483
			7577000167.....23, 67
			7577000211.....897
			7577000213.....493, 495, 497, 499, 501
			7577000651.....513
			7577000653.....511
			7577000657.....509

SECTION 10 - BUILD DOCUMENTS

<p>7577000669 521, 525 7577250191 65 7577250204 125 7577250255 127 7577250271 121, 123 7590000262 659, 679 7590000343 537, 541 7590000358 155, 159, 161, 215, 607, 651, 653, 655, 657, 659, 661, 663, 665, 667, 681 7590000359 653, 655 7590000364 819 7590000370 536, 540 7636000006 515 7636000008 137, 139, 141, 143, 387, 389, 391, 393, 395, 397, 399, 401, 403, 405 7650100137 493, 495, 497, 499, 501 7660040000 439 7660102601 483, 537, 541, 565, 567, 569, 571 7660102604 819 7660140230 458, 462, 466, 470, 474, 478 7660142600 223, 225, 357, 581, 583 7660142601 ... 69, 71, 73, 75, 462, 466, 474, 478, 493, 495, 497, 499, 501, 718, 722 7660142604 63, 147, 627, 841 7660152601 235, 295, 483, 493, 495, 497, 499, 501, 504, 569, 571, 799 7660152604 145, 565 7660160000 553, 555 7660162301 217, 219, 221 7660162601 . 21, 63, 137, 139, 141, 143, 299, 303, 311, 313, 323, 331, 333, 335, 337, 347, 349, 359, 361, 363, 367, 383, 458, 462, 466, 470, 474, 478, 504, 521, 525, 537, 541, 631, 633, 635, 697, 701, 709 7660162604 297 7660172601 577, 579 7660180000 493, 495, 497, 499, 501 7660180230 117, 119 7660182301 ... 53, 69, 71, 73, 75, 389, 391, 393, 395, 397, 405 7660182601 . 37, 39, 387, 515, 575, 695, 697, 699, 701 7660200001 . 79, 85, 137, 139, 141, 143, 387,</p>	<p>389, 391, 393, 395, 397, 399, 401, 403, 405 7660200200 79, 85 7660202601 113, 115 7660222308 19, 25, 27, 399, 401, 403 7660242308 19 7661000002 537, 541 7661000006 47 7661000007 797 7661000018 37, 39, 69, 71, 73, 75 7661000019 117, 251, 253, 255, 695, 697, 699, 701, 709, 711, 759, 761 7661000022 504, 511 7661000023 423, 425, 433 7661000027 511 7661000041 483 7661000056 455 7690141200 458, 462, 466, 470, 474, 478 7690142845 . 63, 303, 359 7691000019 21 7691000020 131, 133 7691000021 131 7691000022 131 7691000025 ... 31, 47, 847 7691000026 133 7691000075 458, 462, 466, 470, 474, 478 7698250012 67 7701000048 137, 139, 239, 241, 243, 245, 247, 249 7701000049 239, 241, 243, 245, 247, 249 7701000056 239, 241, 243, 245, 247, 249 7736000001 653, 655 7754000008 21 7754000009 458, 462, 466, 470, 474, 478 7754000018 113, 115 7754000019 29 7754000033 21 7754000042 129 7754000043 117, 119 7754000048 31, 63 7754000049 37, 39, 69, 71, 73, 75 7754000051 113, 115 7754000056 29 7754000058 37, 39 7754000061 63 7759000004 133, 819, 824 7759000018 153 7785152420 493, 495, 497, 499, 501 7786000008 117, 119 7790060676 485, 490 7790141251 211, 213, 543, 545 7790141651 211, 213</p>	<p>7790142051 455 7790151253 797 7796000012 281, 283, 285, 287, 289, 291, 293, 459, 463, 466, 471, 475, 478 7796000051 517 7806000008 458, 462, 466, 470, 474, 478 7809000006 37, 39, 71, 75 7809000019 69, 73 7819000005 504 7854000004 577 7865182065 493, 495, 497, 499, 501 7870000043 589, 591, 593 7870000128 601 7870000129 601 7870000136 407 7894000004 407, 411, 413, 415, 417, 419, 421, 423, 425, 427, 429, 431, 433, 483, 504, 507, 581, 583, 585, 587, 621, 623, 691, 787 7894000028 133 7894000037 133, 881 7894000041 883 7894000055 836 7894000057 879 7894000071 877 7912000094 511 7912000095 511 7912000100 511 7912000101 511 7912000102 511 7912000103 511 7912000104 511 7912000111 509 7912000112 509 7912000119 513 7912000120 513 7912000121 513 7912000122 513 7912000300 509 7912000301 521, 525 7912000302 521, 525 7912000303 521, 525 7912000304 521, 525 7912000305 521, 525 7912000306 521, 525 7912000307 521, 525 7912000308 521, 525 7912000309 521, 525 7912000310 521, 525 7935000116 493, 495, 497, 499, 501 7935000120 483 7935000313 521, 523 7935000315 523, 527 7935000316 523, 527 7935000317 523, 527 7935000320 523, 527 7935000323 523, 527</p>	<p>7935000349 529 7935000351 407 7949000015 515 7949000016 515 7949000018 31 7949000019 137, 139, 141, 143, 387, 389, 391, 393, 395, 397, 399, 401, 403, 405 7949000020 137, 139, 141, 143, 387, 389, 391, 393, 395, 397, 399, 401, 403, 405 7949000025 21 7949000056 357 7949000061 19 7950100103 819 7950100143 483, 567, 569, 571, 575, 718, 722 7950140000 117, 119, 517 7950140003 359, 458, 462, 466, 470, 474, 478 7950140143 47, 147, 217, 219, 221, 223, 225, 237, 341, 343, 359, 375, 377, 411, 413, 441, 458, 462, 466, 470, 474, 478, 581, 583, 627, 718, 722 7950140152 493, 495, 497, 499, 501 7950140153 21 7950140163 211, 213 7950150000 511 7950150143 145, 483, 565, 567, 569, 571 7950150153 235, 295 7950150161 493, 495, 497, 499, 501, 504, 799 7950160000 ... 37, 39, 80, 86, 113, 115, 504, 553, 555 7950160003 713 7950160141 63, 311, 313, 504 7950160143 137, 139, 141, 143, 299, 301, 303, 305, 315, 317, 319, 321, 323, 331, 333, 335, 337, 347, 349, 357, 359, 361, 363, 367, 369, 371, 383, 387, 458, 462, 466, 470, 474, 478, 504, 537, 541, 697, 701, 709 7950160153 553, 555 7950160161 21 7950160163 713 7950170000 78, 84 7950170142 31 7950170153 117, 119 7950180000 ... 61, 63, 79, 85, 113, 115, 493, 495, 497, 499, 501, 857, 859 7950180141 .. 37, 39, 515</p>
--	--	--	---

SECTION 10 - BUILD DOCUMENTS

7950180153.....	29, 63	9007250005	121, 123	9590310200	637, 639	9796250133.....	121, 123
7950180161.....	61, 113, 115	9020960002	79, 85	9590310202	637, 639	9796250135.....	121, 123
7950180800.....	78, 84	9064960007	79, 85	9590310203	637, 639	9796250137.....	121, 123
7950200000.....	79, 85	9073960003	79, 85	9590310205	639	9796250138.....	121, 123
7950200151.....	79, 85	9073960004	79, 85	9590310206	639	9796960089.....	78, 84
7970000162.....	39, 43	9082960013	78, 84	9619930002	529	9796960090.....	78, 84
7970000163.....	37, 41	9082960018 ...	78, 79, 84,	9690960039	79, 85	9796960118.....	79, 85
7978000011	589, 591,	85		9691960019	79, 85	9796960119.....	79, 85
593		91031236	47	9691960021	78, 84	9796960120.....	79, 85
7990000003.....	459, 462,	91033189	47	9698250003	65	9796960121....	78, 79, 84,
466, 471, 474, 478		91084009	523, 527	9698250014	125	85	
80363179.....	675	91084017	523, 527	9698250017	127	9806960019.....	78, 84
80604016.....	559, 561	91143339 .	649, 763, 765,	9698250018	121, 123	9806960021.....	78, 84
80604017.....	559, 561	767		9698250019	121, 123	9831250017.....	65
80604018.....	559, 561	91143340	763	9698960008	78, 84	9831960009.....	79, 85
80604021.....	561	9120960019	79, 85	9698960015	79, 85	9831960018.....	78, 84
80604024..	559, 561, 669,	9120960063	79, 85	9698960016	79, 85	9843960023.....	79, 85
671, 673, 677		9177960003	78, 84	9701960011	80, 86	9843960024.....	78, 84
80604025.....	559, 561	9177960004	78, 84	9701960012	80, 86	9843960032.....	79, 85
8060416.....	789	9178960011	79, 85	9701960018	80, 86	9912250004.....	23
80983191.....	773	9183960001	80, 86	9706960023	78, 84	9912250013.....	65
8220068.....	687	9209960025	79, 85	9724250014	23	9912250014.....	67
8220080.....	687	9209960026	79, 85	9754250009	23	9912250018.....	127
8220099.....	649, 765, 767	9254250009	123	9754250015 23,	121, 123	9912250021.....	121
8220935.....	649, 765, 767	9280960002	78, 84	9754250043	125, 127	9912960010.....	79, 85
83304140.....	125, 127	9295310061	443	9754250045	125, 127	9935250025.....	121
83304143.....	125	9295310068	449	9754250049	121, 123	9935250032.....	65, 67
8565000026.....	493, 495,	9295310069	449	9754960026	79, 85	9935930119.....	523, 527
497, 499, 501		9309960011	79, 85	9754960046	79, 85	9935930120.....	527
8597650001	589, 591,	9314960022	79, 85	9754960047	79, 85	9935930122.....	523
593		9330960006	78, 84	9763250009	23	9935930126.....	529
8632000011	387, 389,	9346930086	523, 527	9763250015	65	9935930127.....	529
391, 393, 395, 397,		9443960006	78, 84	9763250019	67	9935930129.....	529
399, 401, 403, 405		9472960052	78, 84	9763250022	127	9935930130.....	529
8632000012.....	439	9472960054	80, 86	9763250025	121	9935960026.....	78, 84
8632000017	217, 219,	9552310033	443	9763250026	121	9949960012.....	79, 85
221		9553250006	65	9796250057	23	9949960027.....	78, 84
8760037.....	521, 525	9553250009	23	9796250061	23	9949960028....	78, 79, 84,
8798820001	167, 169,	9553250010	67	9796250062	125, 127	85	
171, 173, 175, 177,		9553250015	121, 123	9796250066	23	9949960050.....	79, 85
179, 181, 183, 185,		9553250016	121	9796250071	125, 127	9970960020.....	78, 84
187, 189, 191, 193,		9571960006	78, 84	9796250073	23	FEX-GSARB	836
195, 197, 199, 201,		9575960012	78, 84	9796250080 23,	121, 123	TP_REF.....	901
203, 205, 207, 209,		9577200245	33	9796250113	125, 127		
217, 219, 221, 223,		9577200246	35	9796250117	125, 127		
227, 229, 231, 233,		9590310195	637, 639	9796250124	125, 127		
483, 583, 587		9590310197	637, 639	9796250125	127		

JERR-DAN[®]

***Corporate Office
13224 Fountainhead Plaza
Hagerstown, MD 21742 USA***

***☎ (717) 597-7111 (Corporate)
☎ (800) 926-9666 (Customer Support)***

***Visit our website
www.jerrdan.com***



OSHKOSH™