

JERR-DAN[®]

Illustrated Parts Manual

Model JD 35TON INT WRECKER

SN 0230011070 to Present

Including 0230010761, 0230010763, 0230010765 & 0230010822

P/N

5376000313

March 1, 2024 - Rev A

JERR-DAN[®]

An Oshkosh Corporation Company

REVISION LOG

March 1, 2024 - A - Original Issue of Manual (Edited to 1001195084 Revision M - P)

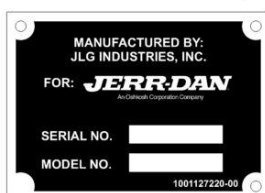
GENERAL INFORMATION

JerrDan, LLC (Jerr-Dan) strives to provide information that is accurate, complete and useful. Descriptions and illustrative material contained within this manual are as accurate as known at the time of publication and are subject to change, without notice, as a result of continuous product improvements. Jerr-Dan reserves the right to amend the information in this document at any time without prior notice.

Information contained in this manual reflects how this vehicle was built at the factory. Modifications or additions by the distributor or owner are not reflected in this manual.

This parts manual does not include service parts information for the commercial chassis (IHC, Ford, GM, etc.). That information is provided by the chassis manufacturer.

When ordering parts, please refer to your unit's Serial Number and Model Number. This information is be found on the aluminum tag riveted to the inside of the driver's side rear compartment of the main body.



Additional or replacement manuals can be ordered by calling Jerr-Dan Parts at 717-597-7111. Price and availability will be quoted at time of the request.

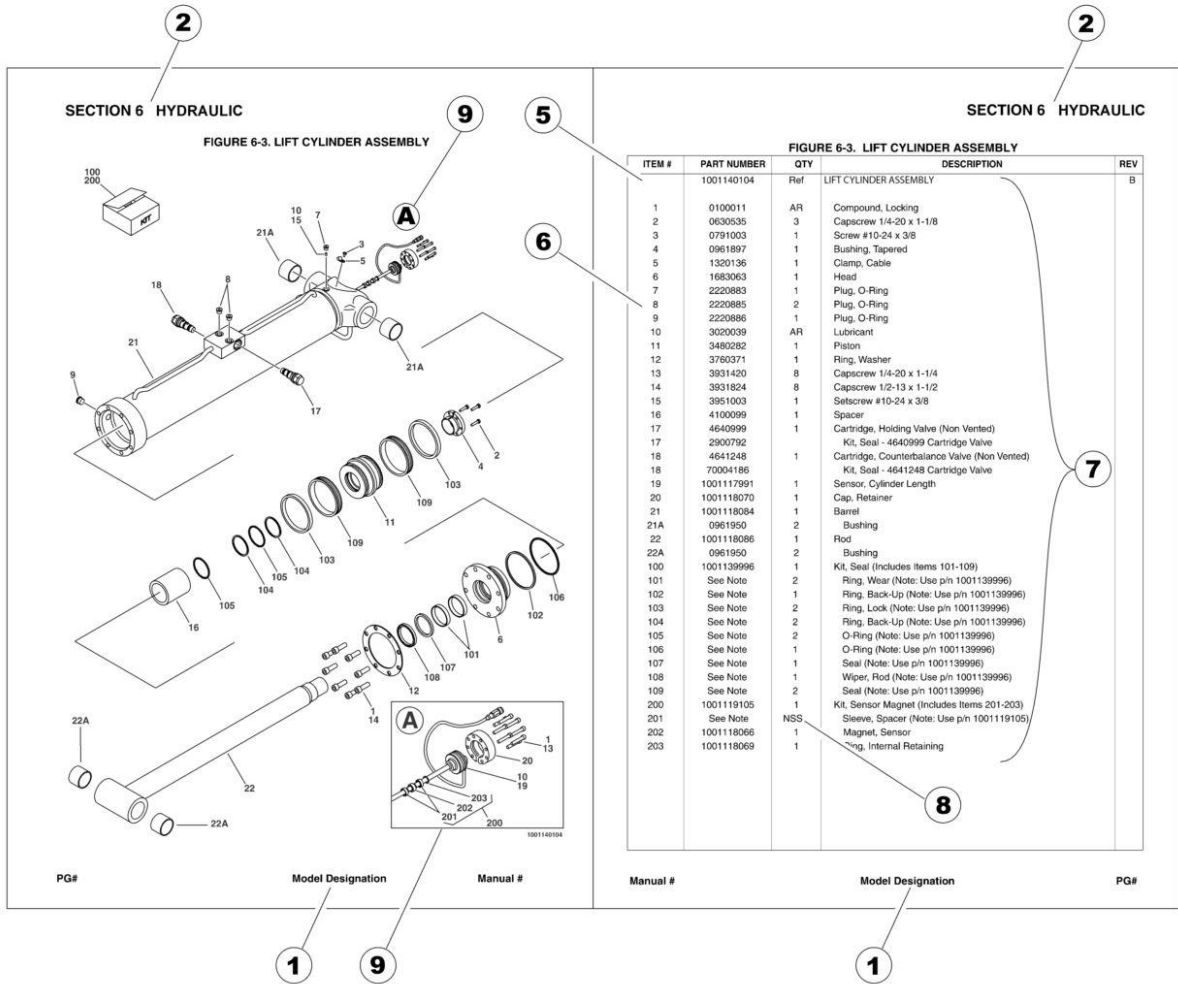
Please report comments and/or errors by contacting Jerr-Dan. Contact numbers are located on rear cover of Manual.

Manufactured under one or more of the following patents: 5,575,606; 5,672,042; 5,697,741; 5,713,714; 5,722,810; 5,782,596; 5,839,775 and 6,315,515 B1 with other Patents Pending.

Jerr-Dan and the Jerr-Dan logo are registered trademarks and Run Hard is a service mark of JerrDan, LLC, Hagerstown, MD USA.

The material in this document is confidential and the property of Jerr-Dan. No part of this document may be photocopied, reproduced or translated to another language without the express written consent of Jerr-Dan.

GENERAL INFORMATION



1) MACHINE IDENTIFICATION

Machines are identified by model and in some cases a combination of models, serial number (SN) or regional standard (i.e ANSI, CE, CSA). Components may also be identified by SN or manufacturer. Common components that may be identified by these characteristics are engines and hydraulic components.

2) PARTS MANUAL ORGANIZATION

Product information in this manual is organized under section titles. Subframe, Hydraulic and Electrical are a few examples. Each section is organized by figure and page number. The information within the Figure is then organized by item number, part number, description and corresponding illustration (s).

3) TABLE OF CONTENTS (NOT SHOWN)

A table of contents is found toward the beginning of the manual. Figure number, description and page number are provided for quick reference to the page containing the related information.

4) BUILD DOCUMENTS (NOT SHOWN)

The Build Documents, located near the end of the manual, reference components not available at the purchase level. These PN's list assembly instructions and assist in the maintenance of the parts manual.

GENERAL INFORMATION

5) NON-SERVICED PARTS

In some instances, it is necessary to display non-serviced parts, assemblies or installations. In the case of assemblies and installations there will be a Ref in the Qty. column. In case of parts that are not available for service within assemblies or components, there will be a NSS (Not Sold Separately) or NLA (No Longer Available) listed in the Qty. column of the manual.

6) PARTS LIST ITEM NUMBERS

Numbers shown in the item# column correspond to numbers used in the associated illustration (s). Item numbers which are missing from the sequence in the parts list are not used on that page.

7) INDENTED PARTS DESCRIPTION

An indented part description is included in the item under which it is indented.

8) ABBREVIATION AND SYMBOLS

AC.....	Alternating Current	L.....	Liter
ALUM.....	Aluminum	LD.....	Light Duty
AG.....	Agricultural	LB(LBS).....	Pounds
ANSI.....	American National Standards Institute	LCD.....	Liquid Crystal Display
AR.....	As Required	LED.....	Light Emitting Diodes
AUS.....	Australias	LH.....	Left Hand
ASSY.....	Assembly	M(m).....	Metric/Meter
AUX.....	Auxiliary	MD.....	Medium Duty
AWG.....	American Wire Gauge	MM (mm).....	Milimeter
CA.....	Cab To Axle	mA.....	Miliamps
CE.....	European Conformity	NLA.....	No Longer Available
CCW.....	Counter Clockwise	NPT.....	National Pipe Threads
CM.....	Centimeter	NSS.....	Not Sold Separately
CT.....	Cab To Tandem	OD.....	Outside Diameter
CW.....	Clockwise	ORB.....	O-Ring Boss
CSA.....	Canadian Standards Association	ORFS.....	O-Ring Face Seal
CYL.....	Cylinder	OZ (oz).....	Ounces
DIA.....	Diameter	PG.....	Page
DC.....	Direct Current	PN.....	Part Number
DOT.....	Department of Transportation	PTO.....	Power Take Off
EMS.....	Emergency Stop	QT(qt.).....	Quarts
ENG.....	Engine	QTY.....	Quantity
FT(ft).....	Feet	REF.....	Reference
GA(Ga).....	Gauge	REV.....	Revision Level
GAL.....	Gallons	RH.....	Right Hand
GVW.....	Gross Vehicle Weight	SAE.....	Society of Automotive Engineers
HD.....	Heavy Duty	SD.....	Standard Duty
HYD.....	Hydraulic	SN.....	Serial Number
Hz.....	Hertz	SPEC(S).....	Specifications
ID.....	Inside Diameter	SS.....	Stainless Steel
IN.....	inches	STD.....	Standards
IND.....	Independent	STL.....	Steel
IRL.....	Independent Reach/Lift	UGM.....	Universal Ground Module
INT.....	Integrated	V.....	Volts
ISO.....	International Organization for Standards	W.....	Watts
JIC.....	Joint Industry Council	WB.....	Wheel Base
KG.....	Kilogram	#.....	Number

9) ILLUSTRATION REFERENCE LETTERS

When necessary, illustrations may contain reference letters that are intended to track information (i. e. hoses, harnesses) from one point to another or to track visual enlargement of components to show details that may be located in another area on the illustration.

Note: Due to continuous product improvements, Jerr-Dan Corporation reserves the right to make specification changes without prior notification. Contact Jerr-Dan for updated information.

TABLE OF CONTENTS

SECTION 1 - SUBFRAME	15
FIGURE 1-1. SUBFRAME INSTALLATION.....	16
FIGURE 1-2. STABILIZERS INSTALLATION - REAR.....	18
FIGURE 1-3. CYLINDER ASSEMBLY - REAR STABILIZER	20
FIGURE 1-4. SIDE RECOVERY SYSTEM (SRS) INSTALLATION (35K WINCH)	22
FIGURE 1-5. SIDE STABILIZER INSTALLATION (35K WINCH)	24
FIGURE 1-6. BOOM ASSEMBLY (SRS) (35K WINCH)	26
FIGURE 1-7. CYLINDER ASSEMBLY - BOOM RECOVERY (SRS STABILIZER) (35K WINCH).....	28
FIGURE 1-8. CYLINDER ASSEMBLY - SIDE STABILIZER (35K WINCH).....	30
FIGURE 1-9. WINCH ASSEMBLY (SRS) (35K WINCH).....	32
FIGURE 1-10. WINCH COMPONENTS (SRS) (35K WINCH).....	34
FIGURE 1-11. SIDE STABILIZER INSTALLATION (SS-70)	36
FIGURE 1-12. SIDE STABILIZER ASSEMBLY (SS-70).....	38
FIGURE 1-13. BOOM ASSEMBLY (SRS) (SS-70).....	40
FIGURE 1-14. CYLINDER ASSEMBLY - SIDE STABILIZER (SS-70)	42
FIGURE 1-15. D-RING PAINTED INSTALLATION	44
FIGURE 1-16. D-RINGS INSTALLATION (SS-70 STABILIZERS)	46
FIGURE 1-17. STABILIZER (SRS SS-70) BRACKET INSTALLATION.....	48
FIGURE 1-18. CABLE ASSEMBLY - 5/8 X 250FT (STABILIZERS).....	50
SECTION 2 - BOOM	53
FIGURE 2-1. BOOM INSTALLATION.....	54
FIGURE 2-2. BOOM ASSEMBLY.....	56
FIGURE 2-3. CYLINDER ASSEMBLY - BOOM LIFT	58
FIGURE 2-4. CYLINDER ASSEMBLY - EXTEND/RETRACT	60
FIGURE 2-5. TUBE ASSEMBLY	62
FIGURE 2-6. WINCH INSTALLATION - MAIN BOOM (DP35 0.63IN CABLE).....	64
FIGURE 2-7. WINCH INSTALLATION - MAIN BOOM (DP35 0.75IN CABLE).....	66
FIGURE 2-8. WINCH INSTALLATION - MAIN BOOM (RAMSEY 0.63IN CABLE).....	68
FIGURE 2-9. WINCH INSTALLATION - MAIN BOOM (RAMSEY 0.75IN CABLE).....	70
FIGURE 2-10. WINCH ASSEMBLY - FRONT LH (DP35)	72
FIGURE 2-11. WINCH ASSEMBLY - FRONT LH (DP35)	74
FIGURE 2-12. WINCH ASSEMBLY - REAR RH (DP35).....	78
FIGURE 2-13. WINCH ASSEMBLY - REAR RH (DP35).....	80
FIGURE 2-14. WINCH ASSEMBLY - REAR RH (RAMSEY).....	84
FIGURE 2-15. WINCH ASSEMBLY - FRONT LH (RAMSEY)	86
FIGURE 2-16. CABLE INSTALLATION - 0.63IN X 200FT WITH SWIVEL HOOK	88
FIGURE 2-17. CABLE INSTALLATION - 0.63IN X 250FT WITH SWIVEL HOOK	90
FIGURE 2-18. CABLE INSTALLATION - 0.75IN X 200FT WITH SWIVEL HOOK	92
SECTION 3 - UNDERLIFT	95
FIGURE 3-1. UNDERLIFT INSTALLATION - 3 PIECE 35000LBS (UL350)	96
FIGURE 3-2. UNDERLIFT INSTALLATION - 3 PIECE 35000LBS (UL350X).....	98
FIGURE 3-3. UNDERLIFT ASSEMBLY - UL350 (35,000 LBS) (Prior to SN 0230010761, Including 0230010819, 0230010881, 0230011070, 0230011120 and 0230011198).....	100

TABLE OF CONTENTS

FIGURE 3-4. UNDERLIFT ASSEMBLY - UL350 (35,000 LBS) (SN 0230010761 to Present, Excluding 0230010819, 0230010881, 0230011070, 0230011120 and 0230011198)	102
FIGURE 3-5. UNDERLIFT ASSEMBLY - UL350X (35,000 LBS) (Prior to SN 0230010761, Including 0230010819, 0230010881, 0230011070, 0230011120 and 0230011198)	104
FIGURE 3-6. UNDERLIFT ASSEMBLY - UL350X (35,000 LBS) (SN 0230010761 to Present, Excluding 0230010819, 0230010881, 0230011070, 0230011120 and 0230011198).....	106
FIGURE 3-7. CYLINDER ASSEMBLY - EXTEND/RETRACT (UL350) (Prior to SN 0230010761, Including 0230010819, 0230010881, 0230011070, 0230011120 and 0230011198).....	108
FIGURE 3-8. CYLINDER ASSEMBLY - EXTEND/RETRACT (UL350) (SN 0230010761 to Present, Excluding 0230010819, 0230010881, 0230011070, 0230011120 and 0230011198).....	110
FIGURE 3-9. CYLINDER ASSEMBLY - EXTEND/RETRACT (UL350X) (Prior to SN 0230010761, Including 0230010819, 0230010881, 0230011070, 0230011120 and 0230011198).....	112
FIGURE 3-10. CYLINDER ASSEMBLY - EXTEND/RETRACT (UL350X) (SN 0230010761 to Present, Excluding 0230010819, 0230010881, 0230011070, 0230011120 and 0230011198).....	114
FIGURE 3-11. CYLINDER ASSEMBLY - TILT	116
FIGURE 3-12. CROSSTUBE INSTALLATION	118
FIGURE 3-13. FRAME FORKS INSTALLATION	120
FIGURE 3-14. GRID INSTALLATION - TIRE LIFT (250000LBS)	122
SECTION 4 - BODY.....	125
FIGURE 4-1. BATTERY COVER INSTALLATION (38IN)	126
FIGURE 4-2. BATTERY COVER INSTALLATION (50IN)	128
FIGURE 4-3. BATTERY COVER INSTALLATION (76IN)	130
FIGURE 4-4. BATTERY COVER INSTALLATION (88IN)	132
FIGURE 4-5. BODY INSTALLATION - TANDEM.....	134
FIGURE 4-6. BODY INSTALLATION - TRI-AXLE.....	136
FIGURE 4-7. COVER PLATE INSTALLATION - SRS.....	138
FIGURE 4-8. DIAMOND PLATE INSTALLATION	140
FIGURE 4-9. DIAMOND PLATE INSTALLATION - REAR.....	142
FIGURE 4-10. DIAMOND PLATE INSTALLATION - FRONT TUNNEL	144
FIGURE 4-11. DIAMOND PLATE INSTALLATION - SRS	146
FIGURE 4-12. DOOR INSTALLATION WITH TUNNEL 38IN (PAINTED DOOR)	148
FIGURE 4-13. DOOR INSTALLATION WITH TUNNEL 38IN (PAINTED DOOR AND FRAME)	150
FIGURE 4-14. DOOR INSTALLATION WITH TUNNEL 50IN (PAINTED DOOR)	152
FIGURE 4-15. DOOR INSTALLATION WITH TUNNEL 50IN (PAINTED DOOR AND FRAME)	154
FIGURE 4-16. DOOR INSTALLATION WITH TUNNEL 76IN (PAINTED DOOR)	156
FIGURE 4-17. DOOR INSTALLATION WITH TUNNEL 76IN (PAINTED DOOR AND FRAME)	158
FIGURE 4-18. DOOR INSTALLATION WITH TUNNEL 88IN (PAINTED DOOR)	160
FIGURE 4-19. DOOR INSTALLATION WITH TUNNEL 88IN (PAINTED DOOR AND FRAME)	162
FIGURE 4-20. DOORS INSTALLATION - REAR TANDEM BODY (PAINTED DOORS ONLY)	164
FIGURE 4-21. DOORS INSTALLATION - REAR TANDEM BODY (PAINTED DOORS & FRAME)	166
FIGURE 4-22. DOORS INSTALLATION - REAR TRI-AXLE BODY (PAINTED DOORS ONLY)	168
FIGURE 4-23. DOORS INSTALLATION - REAR TRI-AXLE BODY (PAINTED DOORS & FRAME)	170
FIGURE 4-24. FILLER PANEL INSTALLATION	172
FIGURE 4-25. FILLER PANEL INSTALLATION (TOP).....	174
FIGURE 4-26. FENDER FLARE & LINER INSTALLATION (TANDEM).....	176
FIGURE 4-27. FENDER FLARE & LINER INSTALLATION (TRI-AXLE).....	178
FIGURE 4-28. GRAB HANDLES INSTALLATION - NO FILLER PANEL.....	180

TABLE OF CONTENTS

FIGURE 4-29. GRAB HANDLES INSTALLATION.....	182
FIGURE 4-30. HOOK AND PIN STORAGE INSTALLATION (35K WINCH)	184
FIGURE 4-31. LIFTING LUGS INSTALLATION - BODY	186
FIGURE 4-32. LIFTING LUGS INSTALLATION - TUNNEL (38IN-50IN)	188
FIGURE 4-33. LIFTING LUGS INSTALLATION - TUNNEL (76IN-88IN)	190
FIGURE 4-34. MUDFLAPS INSTALLATION	192
FIGURE 4-35. PIN STORAGE INSTALLATION (SS-70).....	194
FIGURE 4-36. PYLON INSTALLATION (34IN)	196
FIGURE 4-37. PYLON INSTALLATION (34IN)	198
FIGURE 4-38. PYLON INSTALLATION (57IN)	200
FIGURE 4-39. PYLON COVER INSTALLATION (39IN).....	202
FIGURE 4-40. PYLON ADAPTER INSTALLATION - 39IN TUNNEL.....	204
FIGURE 4-41. PYLON ADAPTER INSTALLATION - 51IN TUNNEL.....	206
FIGURE 4-42. PYLON DRESS-UP KIT - POLISHED SS (34IN).....	208
FIGURE 4-43. PYLON DRESS-UP KIT - POLISHED SS (39IN).....	210
FIGURE 4-44. PYLON DRESS-UP KIT - POLISHED SS (57IN).....	212
FIGURE 4-45. RUB RAIL DRESS-UP INSTALLATION (TRI-AXLE)	214
FIGURE 4-46. RUB RAIL DRESS - UP INSTALLATION (TANDEM AXLE)	216
FIGURE 4-47. RUBRAIL TRIM INSTALLATION (36IN TUNNEL)	218
FIGURE 4-48. RUBRAIL TRIM INSTALLATION (50IN TUNNEL)	220
FIGURE 4-49. RUBRAIL TRIM INSTALLATION (76IN TUNNEL)	222
FIGURE 4-50. RUBRAIL TRIM INSTALLATION (88IN TUNNEL)	224
FIGURE 4-51. STEPS INSTALLATION.....	226
FIGURE 4-52. STEPS INSTALLATION - SRS	228
FIGURE 4-53. STORAGE - CHAIN RACK INSTALLATION (50IN).....	230
FIGURE 4-54. STORAGE - CHAIN RACK INSTALLATION (38IN).....	232
FIGURE 4-55. STORAGE - CHAIN RACK INSTALLATION (76IN) REAR	234
FIGURE 4-56. STORAGE - CHAIN RACK INSTALLATION (88IN) REAR	236
FIGURE 4-57. STORAGE - CHAIN RACK INSTALLATION (SIDE WALL)	238
FIGURE 4-58. STORAGE - CHAIN/BINDER RACK INSTALLATION (TANDEM).....	240
FIGURE 4-59. STORAGE - CHAIN/TOOL RACK INSTALLATION (ROTARY RACK)	242
FIGURE 4-60. STORAGE - DRAWER INSTALLATION - TILT DOWN 51IN.....	244
FIGURE 4-61. STORAGE - DRAWER INSTALLATION - TILT DOWN 38IN.....	246
FIGURE 4-62. STORAGE - DRAWER INSTALLATION - TILT DOWN 88IN.....	248
FIGURE 4-63. STORAGE - FIFTH WHEEL/PINTLE STORAGE INSTALLATION	250
FIGURE 4-64. STORAGE - FORK ORGANIZER INSTALLATION (VERTICLE).....	252
FIGURE 4-65. STORAGE - FORK ORGANIZER INSTALLATION (HORIZONTAL)	254
FIGURE 4-66. STORAGE - FORK RISERS STORAGE INSTALLATION	256
FIGURE 4-67. STORAGE - JACK STORAGE INSTALLATION - VERTICLE.....	258
FIGURE 4-68. STORAGE - JACK STORAGE INSTALLATION - HORIZONTAL	260
FIGURE 4-69. STORAGE - LADDER STORAGE INSTALLATION (DRAWER MOUNT).....	262
FIGURE 4-70. STORAGE - LADDER STORAGE INSTALLATION (WALL MOUNT).....	264
FIGURE 4-71. STORAGE - SHACKLE INSTALLATION	266
FIGURE 4-72. STORAGE - SHELF INSTALLATION 38IN.....	268
FIGURE 4-73. STORAGE - SHELF INSTALLATION 50IN.....	270

TABLE OF CONTENTS

FIGURE 4-74. STORAGE - SHELF INSTALLATION 76IN	272
FIGURE 4-75. STORAGE - SHELF INSTALLATION 88IN	274
FIGURE 4-76. STORAGE - SHOVEL/BROOM/GRIZZLY BAR STORAGE INSTALLATION.....	276
FIGURE 4-77. STORAGE - SILO INSTALLATION - STAY DRY	278
FIGURE 4-78. STORAGE - SNATCH BLOCK INSTALLATION - 2 BLOCKS	280
FIGURE 4-79. STORAGE - SNATCH BLOCK INSTALLATION - 4 BLOCKS	282
FIGURE 4-80. STORAGE - SPILL CONTAINER STORAGE INSTALLATION	284
FIGURE 4-81. STORAGE - SPRING FORK STORAGE INSTALLATION	286
FIGURE 4-82. STORAGE - FRAME FORKS - 3IN MEDIUM.....	288
FIGURE 4-83. STORAGE - FRAME FORKS - 3IN SHORT.....	290
FIGURE 4-84. STORAGE - FRAME FORKS - HENDRICKSON STEERTEK.....	292
FIGURE 4-85. STORAGE - TIRE LIFT/BUS ARMS & RATCHETS - 50IN	294
FIGURE 4-86. STORAGE - TIRE LIFT/BUS ARMS & RATCHETS - 38IN	296
FIGURE 4-87. STORAGE - TIRE LIFT/BUS ARMS & RATCHETS - BB	298
FIGURE 4-88. STORAGE - TOOL DRAWER INSTALLATION (TANDEM)	300
FIGURE 4-89. STORAGE - TOOL DRAWER INSTALLATION (TRI-AXLE PASSENGERS SIDE)	302
FIGURE 4-90. STORAGE - TOOL STORAGE INSTALLATION	304
FIGURE 4-91. STORAGE - TOW LIGHT STORAGE INSTALLATION	306
FIGURE 4-92. TUNNEL INSTALLATION - 38IN	308
FIGURE 4-93. TUNNEL INSTALLATION - 50IN	310
FIGURE 4-94. TUNNEL INSTALLATION - 76IN.....	312
FIGURE 4-95. TUNNEL INSTALLATION - 88IN	314
FIGURE 4-96. TUNNEL INSTALLATION - 38IN WITH 2K CWT	316
FIGURE 4-97. TUNNEL INSTALLATION - 38IN WITH 3K CWT	318
FIGURE 4-98. TUNNEL INSTALLATION - 38IN WITH 4K CWT	320
FIGURE 4-99. TUNNEL INSTALLATION - 50IN WITH 2K CWT	322
FIGURE 4-100. TUNNEL INSTALLATION - 50IN WITH 3K CWT	324
FIGURE 4-101. TUNNEL INSTALLATION - 50IN WITH 4K CWT	326
FIGURE 4-102. TUNNEL INSTALLATION - 50IN WITH 5K CWT	328
FIGURE 4-103. TUNNEL INSTALLATION - 50IN WITH 6K CWT	330
FIGURE 4-104. TUNNEL INSTALLATION - 76IN WITH 1.4K CWT	332
FIGURE 4-105. TUNNEL INSTALLATION - 88IN WITH 1.4K CWT	334
FIGURE 4-106. WINCH AIR INSTALLATION	336
SECTION 5 - CONTROLS.....	339
FIGURE 5-1. IN-CAB CONTROLS INSTALLATION - FLOOR MOUNTED WITHOUT UNDERLIFT	340
FIGURE 5-2. IN-CAB CONTROLS INSTALLATION - FLOOR MOUNTED WITH UNDERLIFT	342
FIGURE 5-3. IN-CAB CONTROLS INSTALLATION - KENWORTH T440 & T800 & W9 WITHOUT UNDERLIFT	344
FIGURE 5-4. IN-CAB CONTROLS INSTALLATION - KENWORTH T440 & T800 & W9 WITH UNDERLIFT.....	346
FIGURE 5-5. IN-CAB CONTROLS INSTALLATION - KENWORTH T880 WITHOUT UNDERLIFT	348
FIGURE 5-6. IN-CAB CONTROLS INSTALLATION - KENWORTH T880 WITH UNDERLIFT.....	350
FIGURE 5-7. IN-CAB CONTROLS INSTALLATION - PETERBILT 389 LOW ROOF WITHOUT UNDERLIFT	352
FIGURE 5-8. IN-CAB CONTROLS INSTALLATION - PETERBILT 389 LOW ROOF WITH UNDERLIFT	354
FIGURE 5-9. IN-CAB CONTROLS INSTALLATION - PETERBILT 389 HIGH ROOF WITHOUT UNDERLIFT.....	356
FIGURE 5-10. IN-CAB CONTROLS INSTALLATION - PETERBILT 389 HIGH ROOF WITH UNDERLIFT	358
FIGURE 5-11. IN-CAB CONTROLS INSTALLATION - PETERBILT 567 WITHOUT UNDERLIFT	360

TABLE OF CONTENTS

FIGURE 5-12. IN-CAB CONTROLS INSTALLATION - PETERBILT 567 WITH UNDERLIFT	362
FIGURE 5-13. CONTROLS VALVE INSTALLATION 8 SECTION 8 SOLENOID	364
FIGURE 5-14. REMOTE CONTROL INSTALLATION (6 FUNCTION NON-PROP 8 SECTION)	366
FIGURE 5-15. REMOTE CONTROL INSTALLATION (12 FUNCTION NON-PROP 8 SECTION)	368
FIGURE 5-16. REMOTE CONTROL INSTALLATION (12 FUNCTION PROP 8 SECTION)	370
FIGURE 5-17. REMOTE CONTROL ASSEMBLY - WIRELESS (6 FUNCTION NON-PROP 8 SECTION)	372
FIGURE 5-18. REMOTE CONTROL ASSEMBLY - WIRELESS (12 FUNCTION NON-PROP 8 SECTION)	374
FIGURE 5-19. REMOTE CONTROL ASSEMBLY (12 FUNCTION PROP 8 SECTION)	376
FIGURE 5-20. REMOTE CONTROL HOLDER INSTALLATION	378
SECTION 6 - HYDRAULIC	381
FIGURE 6-1. AIR INSTALLATION - DUAL WINCH	382
FIGURE 6-2. VALVE ASSEMBLY - AIR 2 SECTION	384
FIGURE 6-3. GAUGES INSTALLATION - HYDRAULIC (DRIVERS SIDE)	386
FIGURE 6-4. HYDRAULIC LINES AND FITTINGS	388
FIGURE 6-5. HYDRAULIC LINES AND FITTINGS	390
FIGURE 6-6. HYDRAULIC LINES AND FITTINGS	392
FIGURE 6-7. HYDRAULIC LINES AND FITTINGS	394
FIGURE 6-8. HYDRAULIC SUPPLY INSTALLATION (210-265IN WB)	396
FIGURE 6-9. HYDRAULIC SUPPLY INSTALLATION (266-305IN WB)	398
FIGURE 6-10. HYDRAULIC SUPPLY INSTALLATION (306-345IN WB)	400
FIGURE 6-11. HYDRAULIC INSTALLATION - SIDE STABILIZER (35K WINCH)	402
FIGURE 6-12. HYDRAULIC INSTALLATION - SIDE STABILIZER (SS-70)	404
FIGURE 6-13. TANK (HYDRAULIC) INSTALLATION	406
FIGURE 6-14. TANK (HYDRAULIC) ASSEMBLY	408
FIGURE 6-15. TUBE INSTALLATION - SUBFRAME	410
FIGURE 6-16. VALVE ASSEMBLY - CONTROL 8 SECTION - 8 SOLENOID	412
FIGURE 6-17. VALVE ASSEMBLY- SIDE RECOVERY SYSTEM (SRS)	414
FIGURE 6-18. VALVE ASSEMBLY- SIDE STABILIZER (SS-70)	416
FIGURE 6-19. VALVE (CONTROL)	418
SECTION 7 - ELECTRICAL	421
FIGURE 7-1. ELECTRICAL INSTALLATION - TANDEM	422
FIGURE 7-2. ELECTRICAL INSTALLATION - TANDEM	424
FIGURE 7-3. ELECTRICAL INSTALLATION - TRI-AXLE	428
FIGURE 7-4. ELECTRICAL INSTALLATION - TRI-AXLE	430
FIGURE 7-5. ALARM INSTALLATION - FIXED	434
FIGURE 7-6. ALARM INSTALLATION - VARIABLE	436
FIGURE 7-7. BATTERY RELOCATION HARDWARE AND WIRE INSTALLATION	438
FIGURE 7-8. BATTERY RELOCATION HARDWARE INSTALLATION	440
FIGURE 7-9. BODY HARNESS - TANDEM (LH)	442
FIGURE 7-10. BODY HARNESS - TRI-AXLE (LH)	444
FIGURE 7-11. BODY HARNESS - TANDEM (RH)	446
FIGURE 7-12. BODY HARNESS - TRI-AXLE (RH)	448
FIGURE 7-13. CAMERA INSTALLATION - CABINET MOUNTED BACK - UP	450
FIGURE 7-14. CAMERA INSTALLATION - CABINET MOUNTED BACK - UP (PACCAR)	452

TABLE OF CONTENTS

FIGURE 7-15. CAMERA INSTALLATION - CABINET MOUNTED ONLY	454
FIGURE 7-16. CAMERA INSTALLATION - UNDERLIFT MOUNTED.....	456
FIGURE 7-17. CAMERA INSTALLATION - UNDERLIFT MOUNTED (PACCAR)	458
FIGURE 7-18. CAMERA INSTALLATION - UNDERLIFT MOUNTED ONLY	460
FIGURE 7-19. CAMERA INSTALLATION - WINCH MOUNTED (DP)	462
FIGURE 7-20. CAMERA INSTALLATION - WINCH MOUNTED (RAMSEY)	464
FIGURE 7-21. CAMERA INSTALLATION - CONTROLS MOUNTED (DRIVERS SIDE)	466
FIGURE 7-22. CAMERA HARNESS - BACK-UP	468
FIGURE 7-23. CENTER HARNESS INSTALLATION - 236IN WB.....	470
FIGURE 7-24. CENTER HARNESS INSTALLATION - 322IN WB.....	472
FIGURE 7-25. CENTER HARNESS - 236IN WB	474
FIGURE 7-26. CENTER HARNESS - 322IN WB	476
FIGURE 7-27. EMERGENCY STOP INSTALLATION	478
FIGURE 7-28. HARNESS INSTALLATION - TUNNEL	480
FIGURE 7-29. HARNESS INSTALLATION - TUNNEL (DOUBLE)	482
FIGURE 7-30. LIGHTS - COMPARTMENT LIGHTS INSTALLATION (TANDEM).....	484
FIGURE 7-31. LIGHTS - COMPARTMENT LIGHTS INSTALLATION (TRI-AXLE).....	486
FIGURE 7-32. LIGHTS - COMPARTMENT LIGHTS INSTALLATION (TUNNEL)	488
FIGURE 7-33. LIGHTS - COMPARTMENT LIGHTS INSTALLATION (TUNNEL DOUBLE).....	490
FIGURE 7-34. LIGHTS - FLASHER LIGHTS INSTALLATION - TANDEM	492
FIGURE 7-35. LIGHTS - FLASHER LIGHTS INSTALLATION - TRI-AXLE	494
FIGURE 7-36. LIGHTS - HOOK UP LIGHTS INSTALLATION (LOWER)	496
FIGURE 7-37. LIGHTS - HOOK UP LIGHTS INSTALLATION (UPPER)	498
FIGURE 7-38. LIGHTS - LIGHTBAR INSTALLATION (CAB MOUNTED)	500
FIGURE 7-39. LIGHTS - LIGHTBAR INSTALLATION (PYLON MOUNTED) (CODE 3 & ECCO 60IN AMBER)	502
FIGURE 7-40. LIGHTS - LIGHTBAR INSTALLATION (PYLON MOUNTED) (WHELEN 60IN)	504
FIGURE 7-41. LIGHTS - LIGHTBAR ASSEMBLY - CODE 3 60IN AMBER.....	506
FIGURE 7-42. LIGHTS - LIGHTBAR ASSEMBLY - WHELEN (72IN).....	508
FIGURE 7-43. LIGHTS - LIGHTBAR ASSEMBLY - WHELEN 60IN	510
FIGURE 7-44. LIGHTS - LIGHTBAR ASSEMBLY - WHELEN 60IN	512
FIGURE 7-45. LIGHTBAR ASSEMBLY - ECCO AMBER	516
FIGURE 7-46. LIGHTS - LIGHTBAR HARNESS (CAB MOUNTED).....	518
FIGURE 7-47. LIGHTS - MARKER LIGHTS INSTALLATION - BODY.....	520
FIGURE 7-48. LIGHTS - MARKER LIGHTS INSTALLATION - BODY (TRI-AXLE)	522
FIGURE 7-49. LIGHTS - MARKER LIGHTS INSTALLATION - PYLON.....	524
FIGURE 7-50. LIGHTS - MARKER LIGHTS INSTALLATION - SS-70 STABILIZER FILLER PANEL.....	526
FIGURE 7-51. LIGHTS - MARKER LIGHTS INSTALLATION - TUNNEL	528
FIGURE 7-52. LIGHTS - MARKER LIGHTS INSTALLATION - TUNNEL (DOUBLE)	530
FIGURE 7-53. LIGHTS - MARKER LIGHT INSTALLATION (TUNNEL FRONT WITHOUT DIAMOND).....	532
FIGURE 7-54. LIGHTS - MARKER 1 HARNESS (TANDEM)	534
FIGURE 7-55. LIGHTS - MARKER 1 HARNESS (TRI-AXLE)	536
FIGURE 7-56. LIGHTS - MARKER 2 HARNESS (TANDEM)	538
FIGURE 7-57. LIGHTS - MARKER 2 HARNESS (TRI-AXLE)	540
FIGURE 7-58. LIGHTS - MARKER 3 HARNESS	542
FIGURE 7-59. LIGHTS - MARKER LIGHT HARNESS WITH SIDE STABILIZER	544

TABLE OF CONTENTS

FIGURE 7-60. LIGHTS - WING LIGHTS MOUNT ONLY INSTALLATION	546
FIGURE 7-61. LIGHTS - WING LIGHTS MOUNT INSTALLATION (WHELEN)	548
FIGURE 7-62. LIGHTS - WING LIGHTS ASSEMBLY - 22IN AMBER (WHELEN)	550
FIGURE 7-63. LIGHTS - WING LIGHTS ASSEMBLY - 22IN AMBER (WHELEN)	552
FIGURE 7-64. LIGHTS - WORKLIGHT LIGHTS INSTALLATION - UNDERLIFT	554
FIGURE 7-65. LIGHTS - WORKLIGHT LIGHTS INSTALLATION (UPPER)	556
FIGURE 7-66. LIGHTS - WORKLIGHT LIGHTS HARNESS - UNDERLIFT	558
FIGURE 7-67. MULTIPLEX INSTALLATION (WITHOUT DRAG WINCH)	560
FIGURE 7-68. MULTIPLEX INSTALLATION (WITHOUT DRAG WINCH)	562
FIGURE 7-69. MULTIPLEX HARNESS - BODY (LH).....	564
FIGURE 7-70. MULTIPLEX HARNESS - BODY (RH)	566
FIGURE 7-71. MULTIPLEX HARNESS - CROSSOVER	568
FIGURE 7-72. MULTIPLEX HARNESS - JUMPER	570
FIGURE 7-73. MULTIPLEX TO PDP HARNESS.....	572
FIGURE 7-74. MULTIPLEX IN - CAB CONTROL HARNESS	574
FIGURE 7-75. MULTIPLEX IN-CAB CONTROLS HARNESS (FLOOR MOUNTED)	576
FIGURE 7-76. MULTIPLEX IN-CAB CONTROLS HARNESS (CONSOLE MOUNTED)	578
FIGURE 7-77. PYLON ELECTRICAL INSTALLATION (34IN & 39IN PYLON)	580
FIGURE 7-78. PYLON ELECTRICAL INSTALLATION (57IN PYLON)	582
FIGURE 7-79. PYLON HARNESS (34IN & 39IN PYLON).....	584
FIGURE 7-80. PYLON HARNESS (57IN PYLON).....	586
FIGURE 7-81. PYLON HARNESS - JUMPER.....	588
FIGURE 7-82. REAR TUNNEL HARNESS	590
FIGURE 7-83. REAR TUNNEL HARNESS (DOUBLE)	592
FIGURE 7-84. REMOTE 6 FUNCTION NON-PROP HARNESS.....	594
FIGURE 7-85. REMOTE 12 FUNCTION NON-PROP HARNESS.....	596
FIGURE 7-86. REMOTE 12 FUNCTION PROP HARNESS	598
FIGURE 7-87. REMOTE CONTROL 8 FUNCTION HARNESS.....	600
FIGURE 7-88. SIDE STABILIZER ELECTRICAL INSTALLATION (SS-70)	602
FIGURE 7-89. SIDE STABILIZER (SRS SS-70) SWITCH HARNESS	604
FIGURE 7-90. SIDE STABILIZER (SRS SS-70) VALVE HARNESS.....	606
FIGURE 7-91. SIDE STABILIZER HARNESS EXTENTIONS (SS-70).....	608
FIGURE 7-92. TOW LIGHT HARNESS.....	610
FIGURE 7-93. TRAILER PLUG INSTALLATION - 7WAY	612
FIGURE 7-94. TUNNEL HARNESS - MAIN	614
FIGURE 7-95. TUNNEL HARNESS - MAIN (DOUBLE)	616
FIGURE 7-96. TUNNEL HARNESS - REAR	618
FIGURE 7-97. USB POWER HARNESS	620
FIGURE 7-98. VALVE HARNESS	622
FIGURE 7-99. WINCH HARNESS - 2 SPEED	624
FIGURE 7-100. WINCH MONITOR HARNESS.....	626
FIGURE 7-101. WINCH ELECTRICAL INSTALLATION - SRS.....	628
SECTION 8 - DECAL	631
FIGURE 8-1. DECAL INSTALLATION - COMMON.....	632
FIGURE 8-2. DECAL INSTALLATION - COMMON.....	634

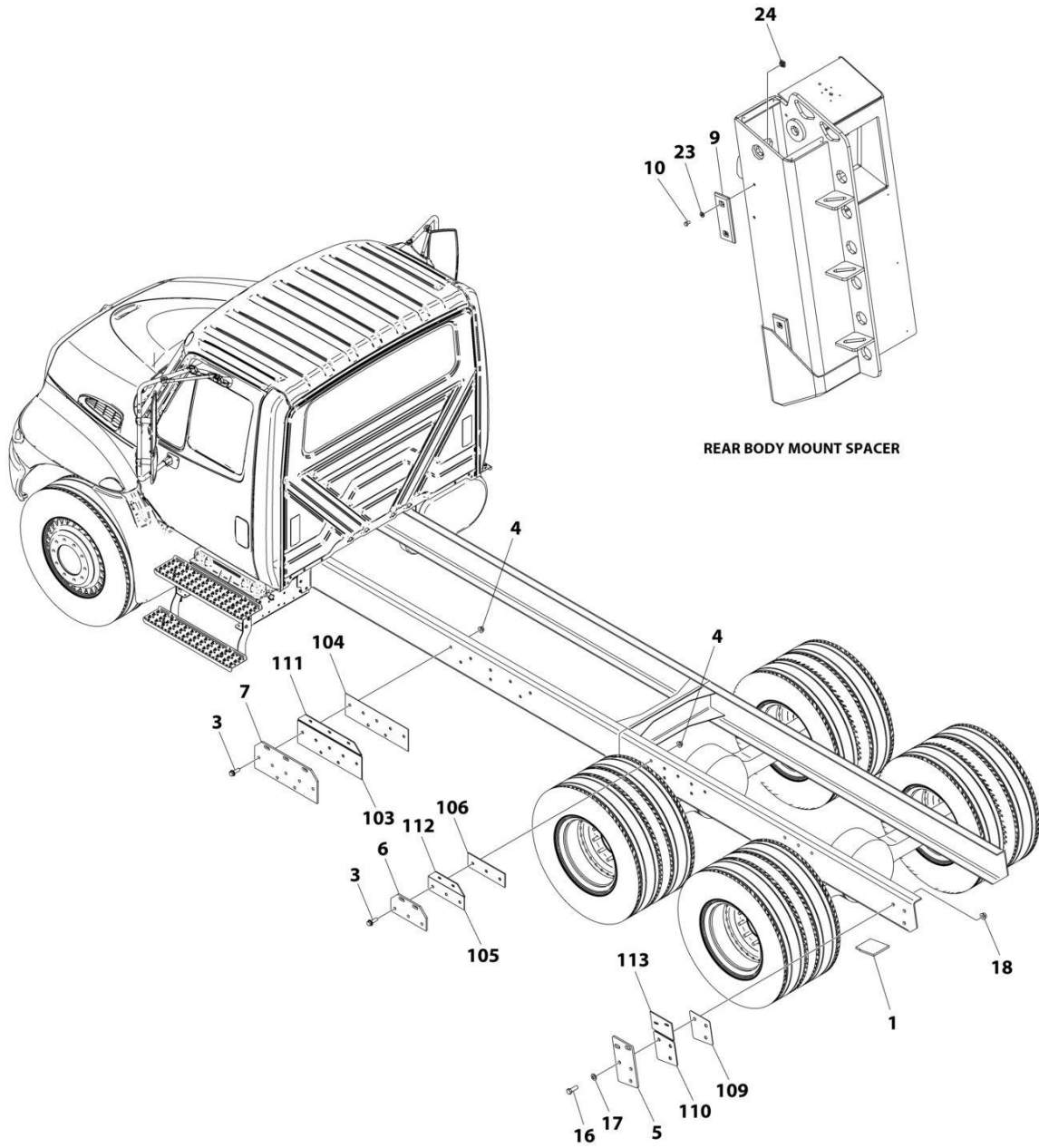
TABLE OF CONTENTS

FIGURE 8-3. DECAL INSTALLATION - JERR-DAN LOGO (RED).....	636
FIGURE 8-4. DECAL INSTALLATION - JERR-DAN LOGO (WHITE).....	638
FIGURE 8-5. DECAL INSTALLATION - SRS (35K WINCH).....	640
FIGURE 8-6. DECAL INSTALLATION - SRS (SS-70)	642
SECTION 9 - ACCESSORIES.....	645
FIGURE 9-1. KITS LIST HD WRECKERS	646
FIGURE 9-2. AIR, EMERGENCY AND SERVICE GLAD HANDS	648
FIGURE 9-3. AUXILIARY AIR INSTALLATION	650
FIGURE 9-4. CHAIN KIT - HEAVY DUTY LEVEL 1.....	652
FIGURE 9-5. CHAIN KIT - HEAVY DUTY LEVEL 2.....	654
FIGURE 9-6. FIFTH WHEEL TOW ATTACHMENT.....	656
FIGURE 9-7. FORK RISER ADAPTERS	658
FIGURE 9-8. FORK RISERS - 7IN	660
FIGURE 9-9. FRAME FORK INSTALLATION (SPRING FORKS)	662
FIGURE 9-10. LOOP SLING KIT LEVEL 1	664
FIGURE 9-11. LOOP SLING KIT LEVEL 2	666
FIGURE 9-12. PINTLE HOOK WITH 2IN BALL.....	668
FIGURE 9-13. PINTLE HOOK WITH 50MM BALL.....	670
FIGURE 9-14. RISC ACCESSORY PACKAGE (1OF5).....	672
FIGURE 9-15. RISC ACCESSORY PACKAGE (2OF5).....	674
FIGURE 9-16. RISC ACCESSORY PACKAGE (3OF5).....	676
FIGURE 9-17. RISC ACCESSORY PACKAGE (4OF5).....	678
FIGURE 9-18. RISC ACCESSORY PACKAGE (5OF5).....	680
FIGURE 9-19. RUGGED KIT	684
FIGURE 9-20. SHACKLE KIT LEVEL 1	686
FIGURE 9-21. SHACKLE KIT LEVEL 2	688
FIGURE 9-22. SNATCH BLOCK KIT	690
FIGURE 9-23. STRAP EXTENTION ASSEMBLY	692
FIGURE 9-24. TOW BALL - 1,88IN DIA.....	694
FIGURE 9-25. TOW BALL - 2IN DIA.....	696
FIGURE 9-26. TOW BALL - 2.31IN DIA.....	698
FIGURE 9-27. TOW BALL - 50MM DIA	700
SECTION 10 - BUILD DOCUMENTS.....	703
FIGURE 10-1. BUILD DOC_5376000274	704
PART NUMBER INDEX.....	707

SECTION 1 - SUBFRAME

SECTION 1 - SUBFRAME

FIGURE 1-1. SUBFRAME INSTALLATION



ART_357700055

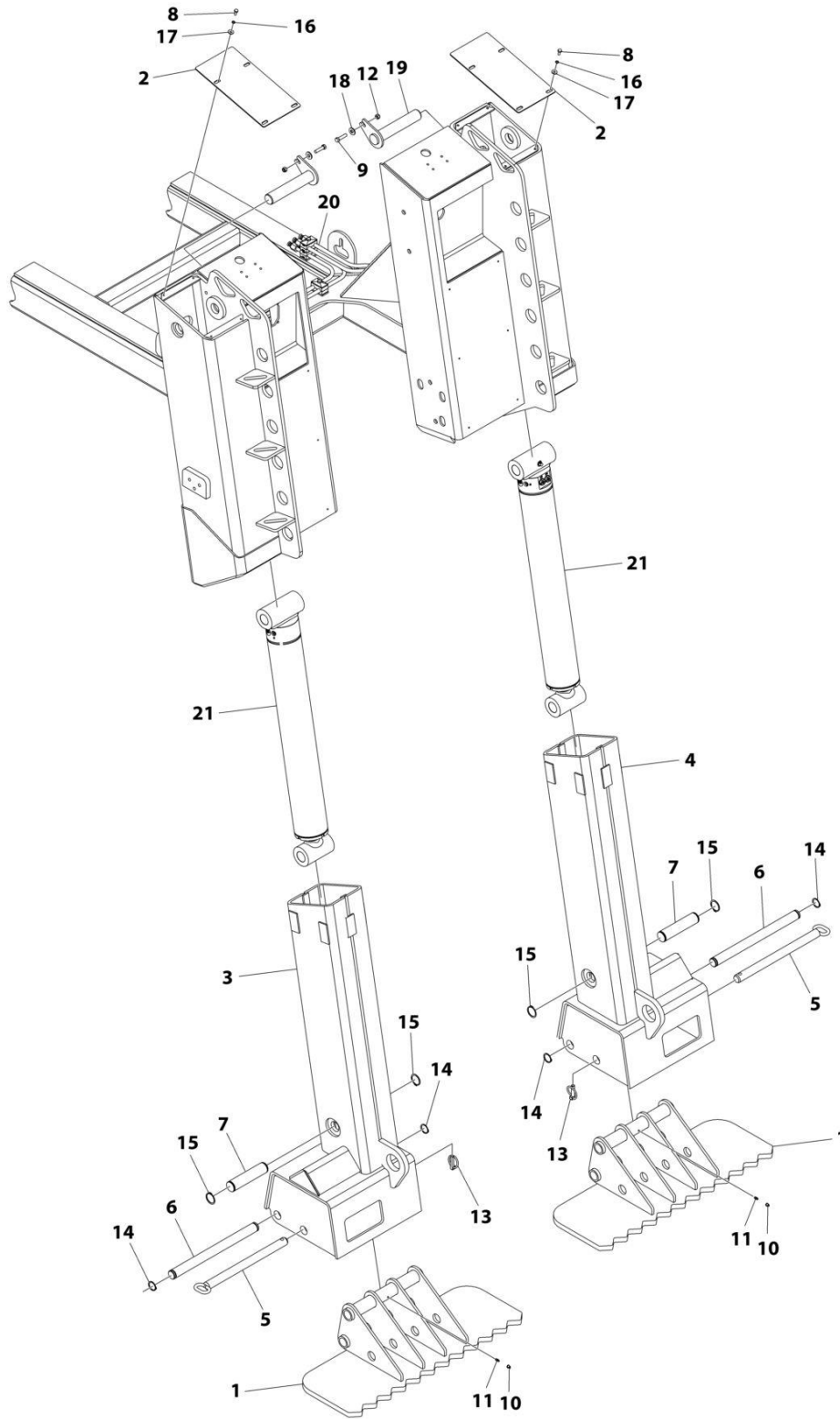
SECTION 1 - SUBFRAME

FIGURE 1-1. SUBFRAME INSTALLATION

ITEM	PART NUMBER	QTY	DESCRIPTION	REV
	3577000055	Ref	WRECKER KIT	I
1	4706002557	2	Plate	
3	7118222416	20	Capscrew 3/4 x 3	
4	7660222308	20	Nut 3/4	
5	4706002554	2	Plate	
6	1001144730	2	Plate	
7	1001144657	2	Plate	
8	3577000036	Ref	Shim Kit (Not Shown) (Includes Items 103-113)	
9	1001250858	4	Pad	
10	0641605	8	Bolt 3/8 x 5/8	
16	7118242450	6	Capscrew 7/8 x 3	
17	7949000061	6	Washer 7/8	
18	7660242308	6	Nut 7/8	
19	7118222016	AR	Bolt 3/4 x 2-1/2 (Not Shown)	
20	7118222816	AR	Capscrew 3/4 x 3-1/2 (Not Shown)	
21	7118242050	AR	Capscrew 7/8 x 2-1/2 (Not Shown)	
22	0682428001	AR	Bolt 7/8 x 3-1/2 (Not Shown)	
23	4891600	8	Washer 3/8	
24	7082311	8	Wear Pad Insert	
103	1001144957	2	Shim	
104	1001144959	2	Shim	
105	1001144984	2	Shim	
106	1001144985	2	Shim	
109	4706002141	2	Plate	
110	4706002142	2	Plate	
111	4706002163	2	Plate	
112	4706002555	2	Plate	
113	4706002556	2	Plate	

SECTION 1 - SUBFRAME

FIGURE 1-2. STABILIZERS INSTALLATION - REAR



ART_1001293407

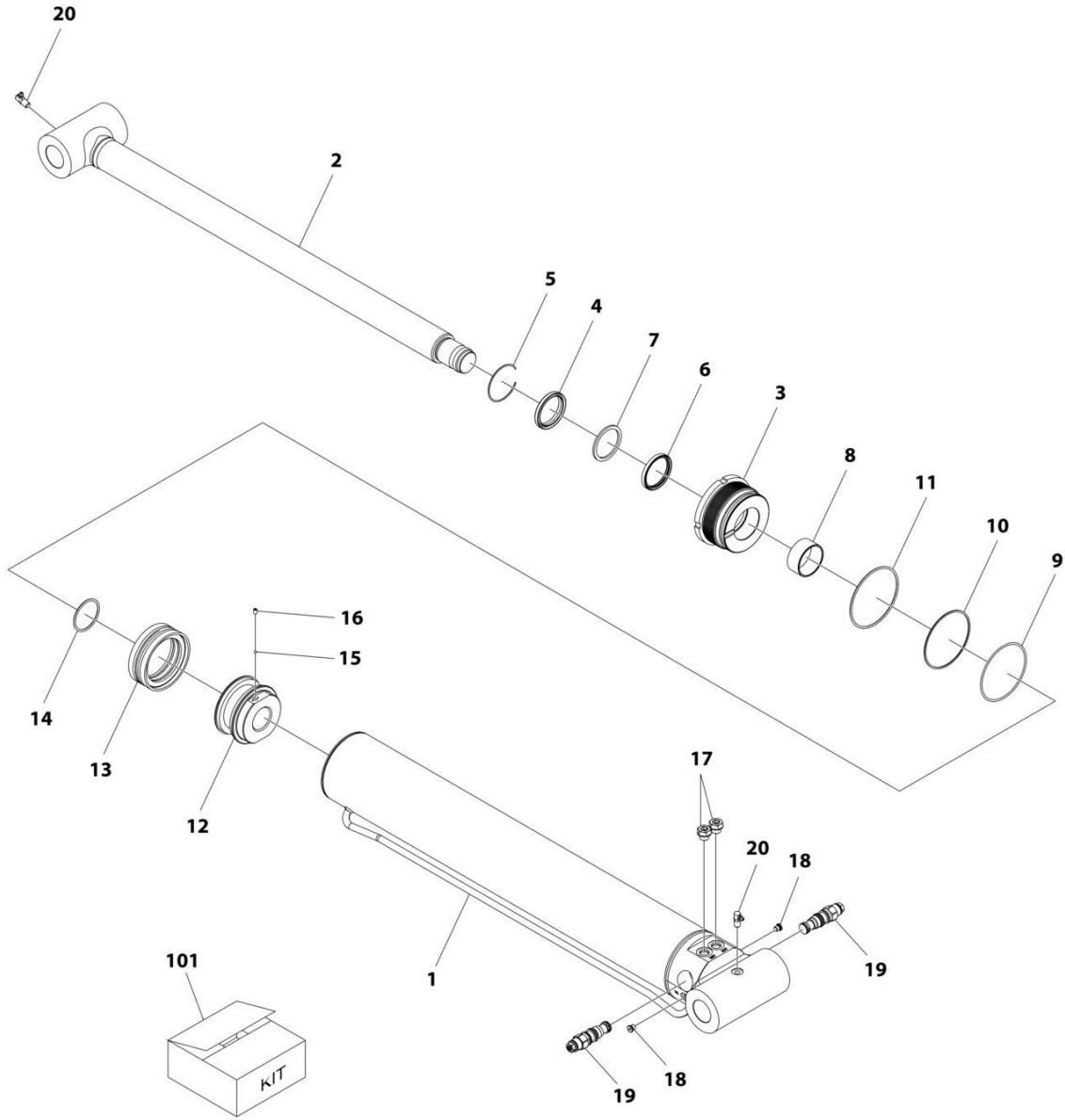
SECTION 1 - SUBFRAME

FIGURE 1-2. STABILIZERS INSTALLATION - REAR

ITEM	PART NUMBER	QTY	DESCRIPTION	REV
	1001293407	Ref	STABILIZERS INSTALLATION - REAR	B
1	1001239548	2	Plate	
2	1001293533	2	Spade Cover Plate	
3	3263000067	1	Channel Weldment, LH	
4	3263000068	1	Channel Weldment, RH	
5	3691000126	2	Pin	
6	4691000200	2	Pin	
7	7491000207	2	Pin	
8	0641405	8	Bolt 1/4 x 5/8	
9	7115161250	2	Bolt 3/8 x 1-1/2	
10	7253000002	4	Cap	
11	7440030000	4	Fitting, Straight	
12	7660162601	2	Nut 3/8	
13	7691000019	2	Lynch Pin	
14	7754000008	4	Retaining Ring	
15	7754000033	4	Retaining Ring	
16	7949000025	8	Lockwasher	
17	7950140153	8	Washer 1/4	
18	7950160161	2	Washer 3/8	
19	3691000139	2	Pin	
20	3912000010	1	Tube	
21	1001286128	2	Spade Cylinder Assembly (See Separate Breakdown in this Section)	

SECTION 1 - SUBFRAME

FIGURE 1-3. CYLINDER ASSEMBLY - REAR STABILIZER



ART_1001286128

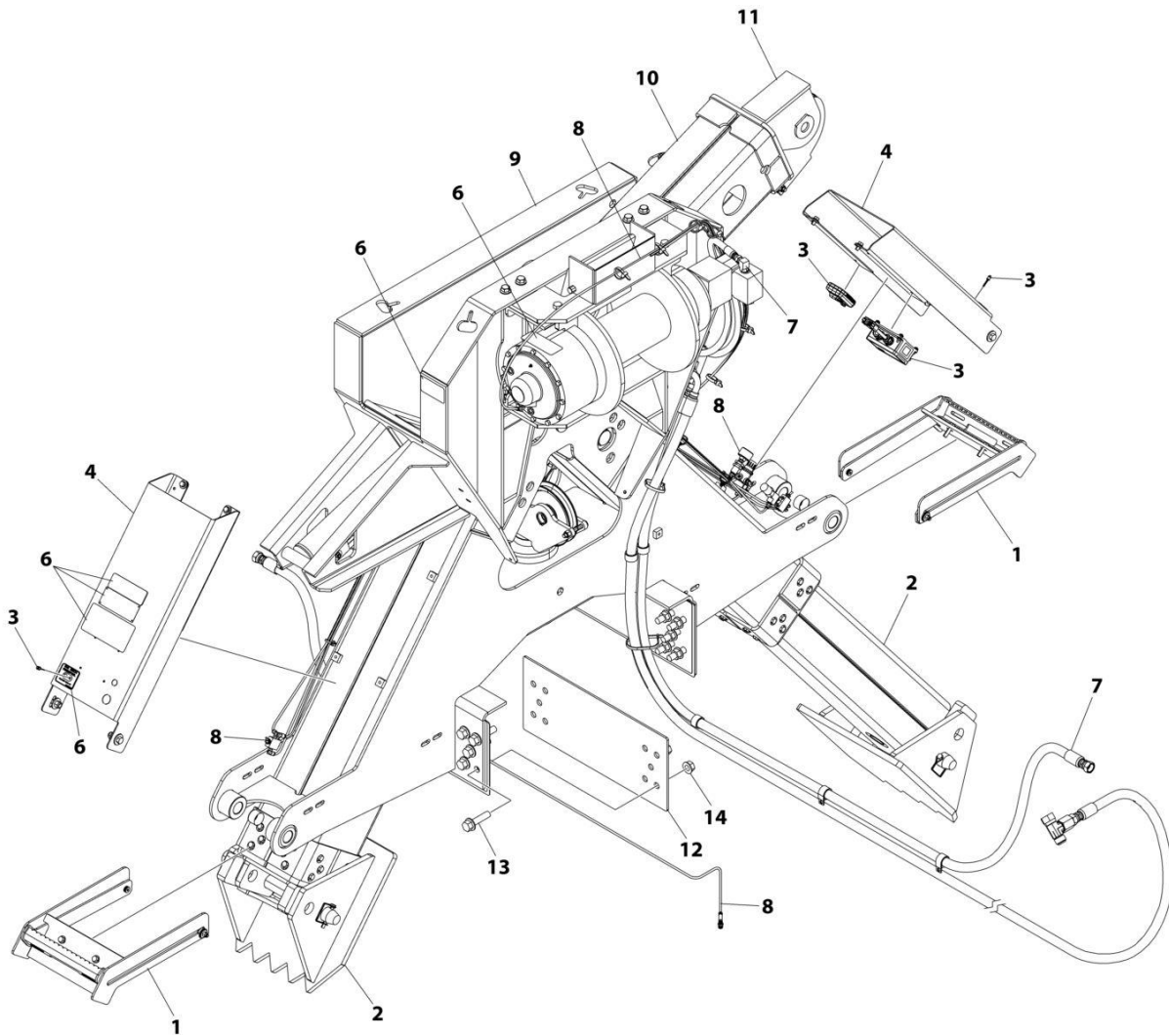
SECTION 1 - SUBFRAME

FIGURE 1-3. CYLINDER ASSEMBLY - REAR STABILIZER

ITEM	PART NUMBER	QTY	DESCRIPTION	REV
	1001286128	Ref	CYLINDER ASSEMBLY - TILT	A
	See Note	Ref	Note: Original Cylinder May Have Been Replaced with Service Replacement. Identify PN Stamped on Cylinder Before Ordering Parts.	
1	See Note	NSS	Barrel (Note: Not Available for Purchase)	
2	70070077	1	Rod	
3	70070078	1	Gland	
4	See Note	NSS	Wiper, Dust (Note: Use Item 101)	
5	70002412	1	Ring, Retaining	
6	See Note	NSS	Seal, Rod (Note: Use Item 101)	
7	See Note	NSS	Ring, Backup (Note: Use Item 101)	
8	70005153	1	Bushing	
9	See Note	NSS	O-Ring (Note: Use Item 101)	
10	See Note	NSS	Ring, Backup (Note: Use Item 101)	
11	See Note	NSS	O-Ring (Note: Use Item 101)	
12	70070079	1	Piston	
13	See Note	NSS	Seal, Piston (Note: Use Item 101)	
14	See Note	NSS	O-Ring (Note: Use Item 101)	
15	70022564	1	Ball, Steel	
16	70029468	1	Screw, Set	
17	70070038	2	Plug, Dust	
18	70070080	2	Plug	
19	70070075	2	Valve, Counterbalance	
20	70023376	2	Grease Nipple	
101	70070081	1	Seal Kit (Includes Items 4, 6, 7, 9-11 & 13, 14)	

SECTION 1 - SUBFRAME

FIGURE 1-4. SIDE RECOVERY SYSTEM (SRS) INSTALLATION (35K WINCH)



ART_1001291070

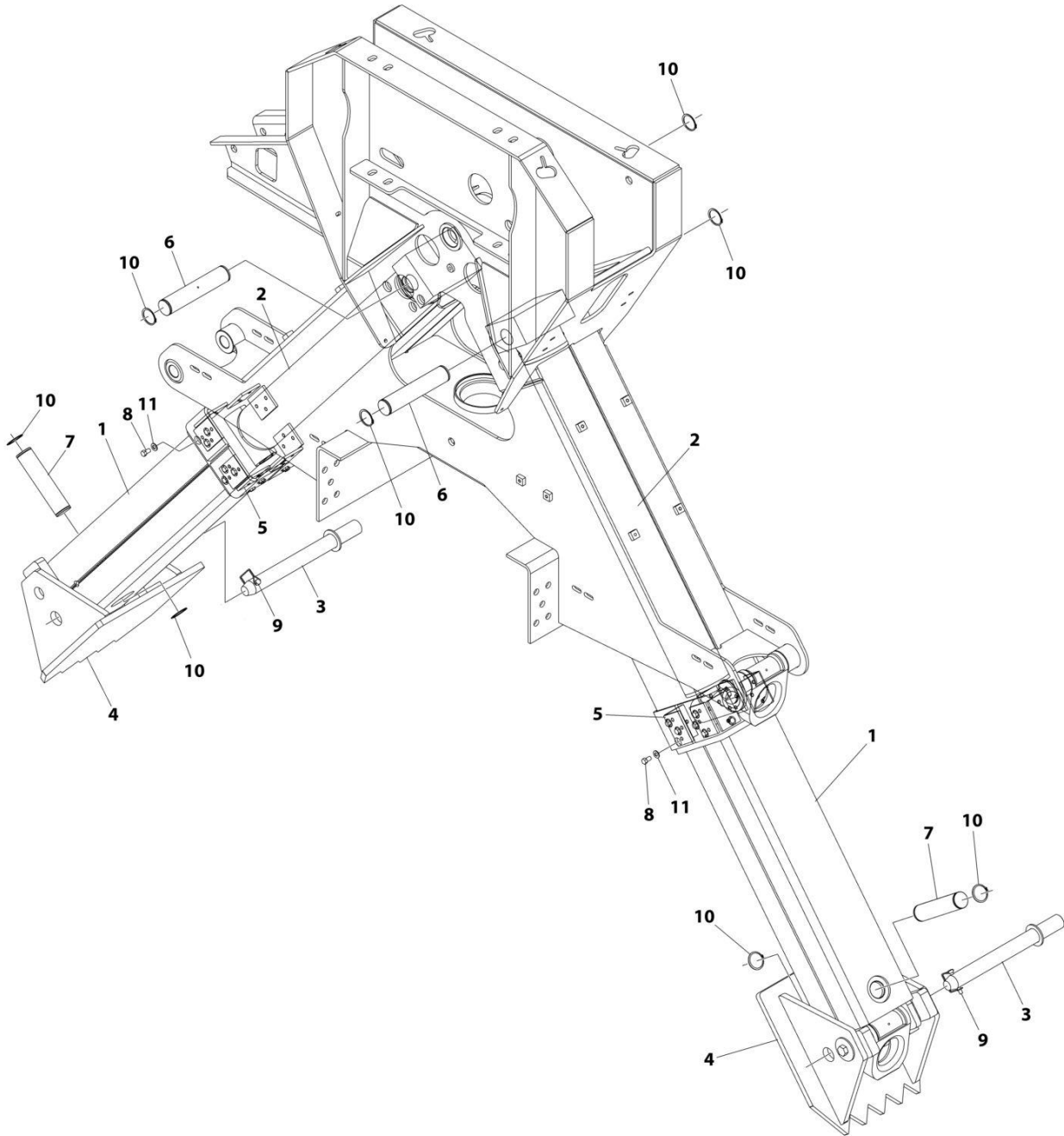
SECTION 1 - SUBFRAME

FIGURE 1-4. SIDE RECOVERY SYSTEM (SRS) INSTALLATION (35K WINCH)

ITEM	PART NUMBER	QTY	DESCRIPTION	REV
	1001291070	Ref	SIDE RECOVERY SYSTEM INSTALLATION (35K)	A
1	1001199185	1	Step Installation (See Separate Breakdown in BODY Section)	
2	1001258325	1	Stabilizer Installation (See Separate Breakdown in this Section)	
3	1001291023	1	Single Winch Electrical Assembly (See Separate Breakdown in ELECTRICAL Section)	
4	1001291036	1	Cover Plate Installation (See Separate Breakdown in BODY Section)	
5	1001291072	1	Hook and Pin Storage Installation (Not Shown) (See Separate Breakdown in BODY Section)	
6	1001291073	1	Decal Installation (See Separate Breakdown in DECAL Section)	
7	1001291190	1	Hose and Fitting Installation (See Separate Breakdown in HYDRAULIC Section)	
8	1001291480	1	Winch Air Installation (See Separate Breakdown in BODY Section)	
9	3455000055	1	Frame	
10	3548100001	1	SRS Stabilizer Boom Wrecker Recovery (Side) (See Separate Breakdown in this Section)	
11	3548900003	1	Winch Assembly - SRS 35000LBS (See Separate Breakdown in this Section)	
12	3577000129	1	Shim Kit	
13	7118222416	20	Capscrew 3/4 x 3	
14	7660222308	20	Nut 3/4	
15	7118222016	AR	Bolt 3/4 x 2-1/2 (Not Shown)	
16	7118222816	AR	Capscrew 3/4 x 3-1/2 (Not Shown)	

SECTION 1 - SUBFRAME

FIGURE 1-5. SIDE STABILIZER INSTALLATION (35K WINCH)



ART_1001258325

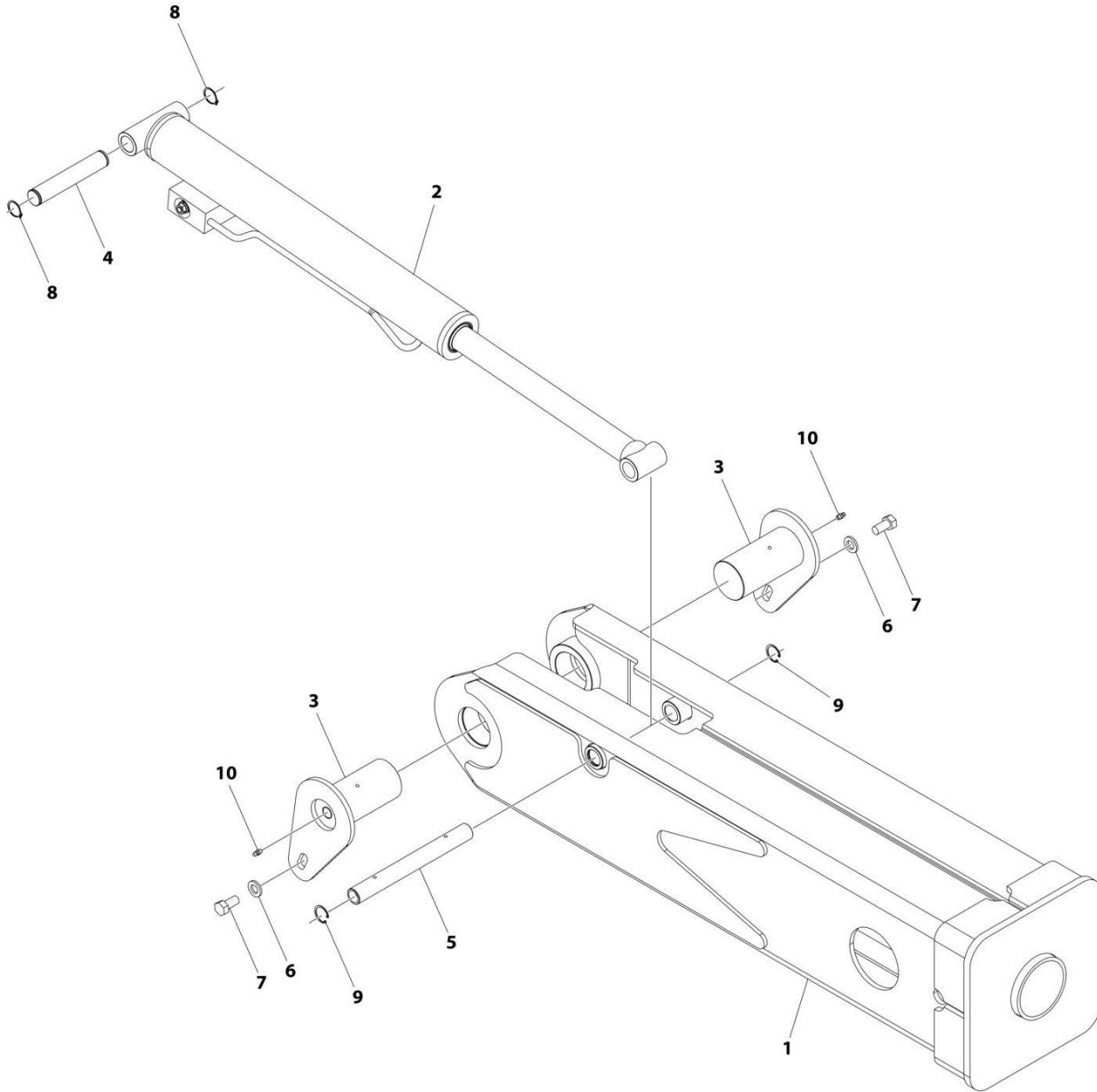
SECTION 1 - SUBFRAME

FIGURE 1-5. SIDE STABILIZER INSTALLATION (35K WINCH)

ITEM	PART NUMBER	QTY	DESCRIPTION	REV
	1001258325	Ref	SRS STABILIZER ASSEMBLY (SIDE)	A
1	3263000133	3	Channel	
2	3320000233	2	Cylinder Assembly - Side Stabilizer (See Separate Breakdown in this Section)	
3	3691000263	2	Pin	
4	3706000366	2	Plate	
5	4679000291	16	Pad	
6	4691000576	2	Pin	
7	4691000577	2	Pin	
8	7118170650	48	Capscrew 7/16 x 3/4	
9	7691000025	2	Pin	
10	7754000048	8	Retaining Ring	
11	7950170142	48	Washer 1/2	

SECTION 1 - SUBFRAME

FIGURE 1-6. BOOM ASSEMBLY (SRS) (35K WINCH)



ART_3548100001

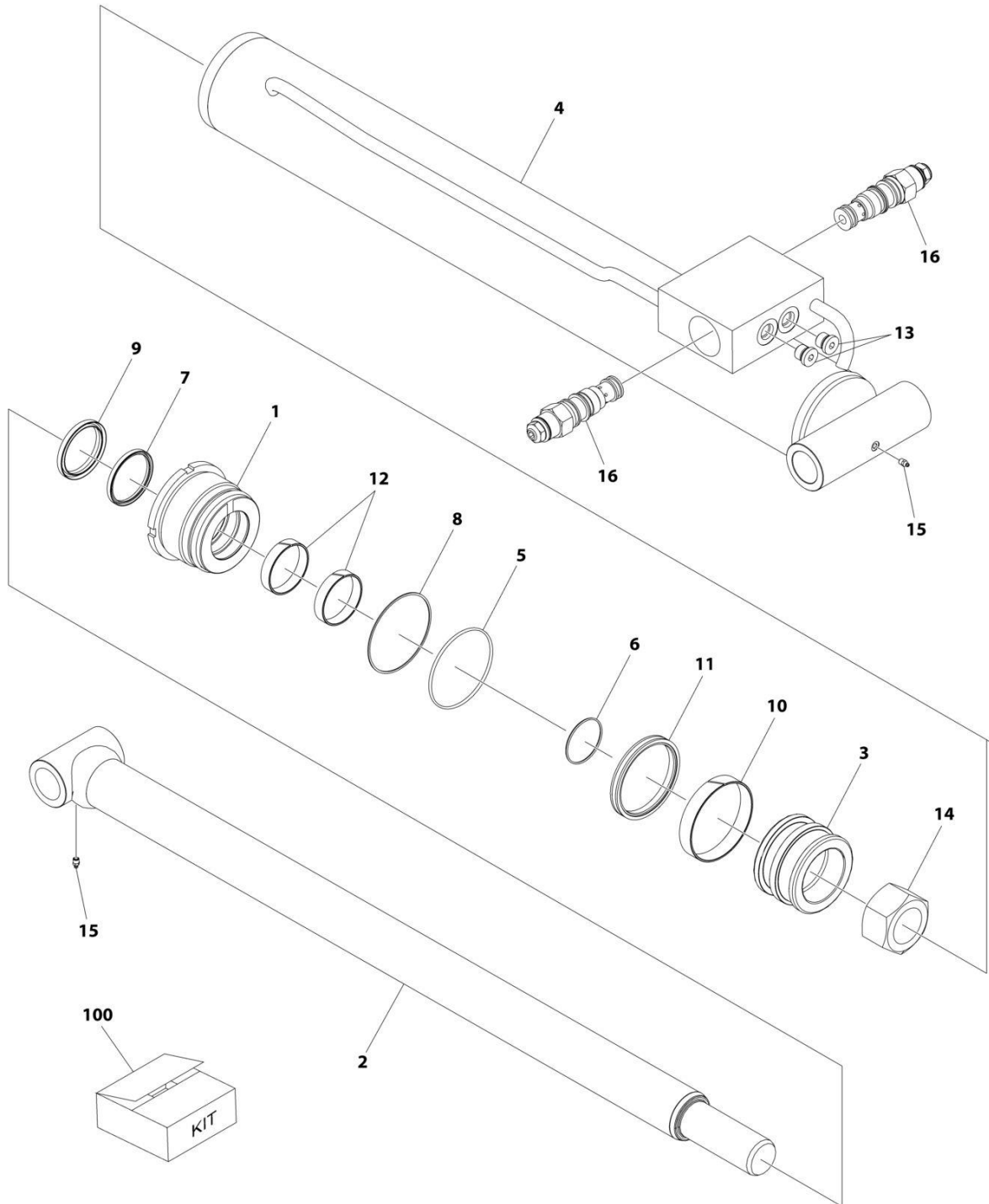
SECTION 1 - SUBFRAME

FIGURE 1-6. BOOM ASSEMBLY (SRS) (35K WINCH)

ITEM	PART NUMBER	QTY	DESCRIPTION	REV
	3548100001	Ref	BOOM ASSEMBLY (SRS)	0
1	3170000448	1	Boom Weld	
2	3320000232	1	Cylinder Assembly - Boom Recovery (SRS Stabilizer) (See Separate Breakdown in CYLINDER Section)	
3	3691000262	2	Pin	
4	4691000578	1	Pin	
5	4691000574	1	Pin	
6	7950180153	2	Flatwasher 1/2	
7	7115180850	2	Capscrew 1/2 x 1	
8	7754000019	2	Retaining Ring	
9	7754000056	2	Snap Ring	
10	7440030000	4	Fitting	

SECTION 1 - SUBFRAME

FIGURE 1-7. CYLINDER ASSEMBLY - BOOM RECOVERY (SRS STABILIZER) (35K WINCH)



ART_3320000232

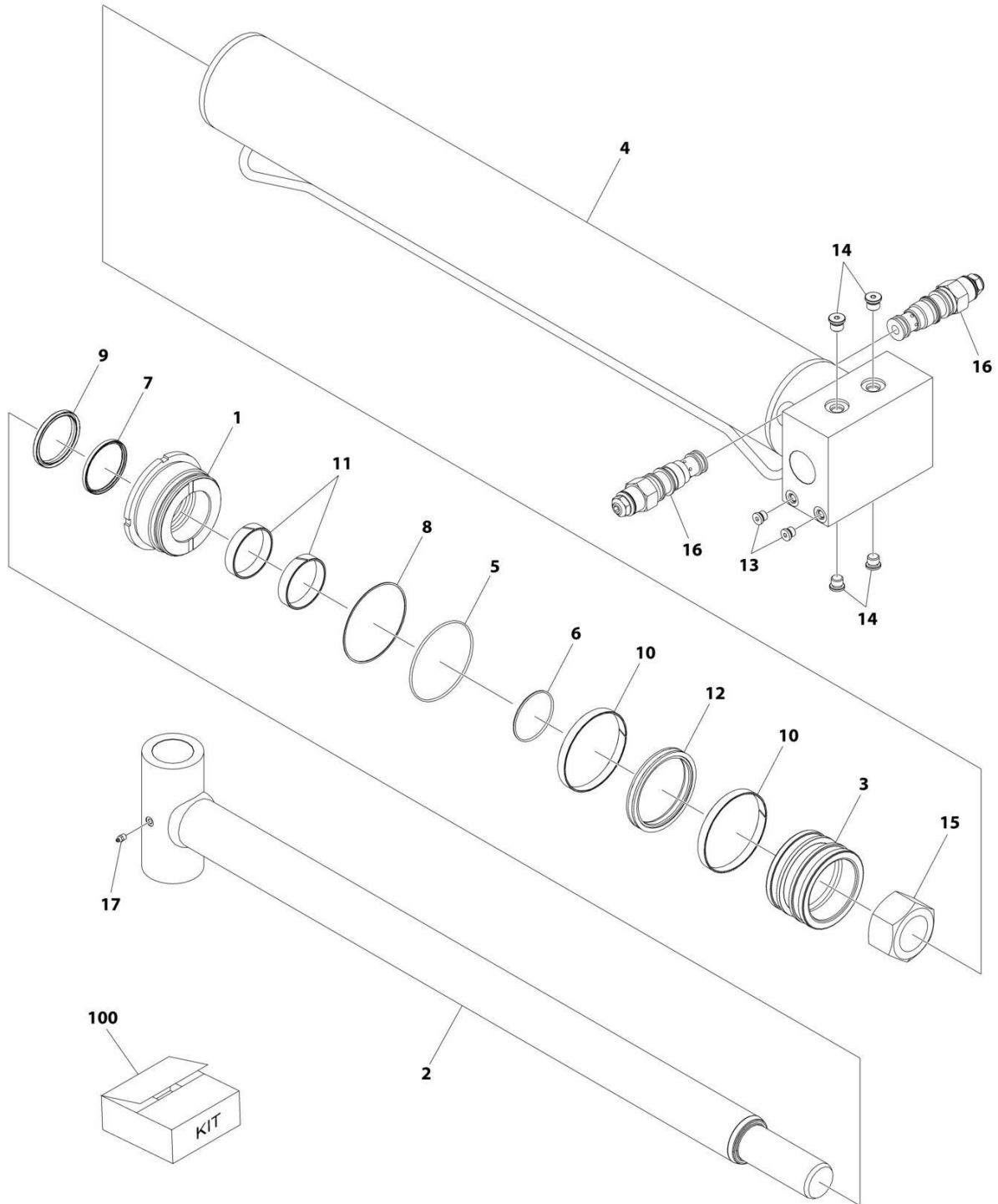
SECTION 1 - SUBFRAME

FIGURE 1-7. CYLINDER ASSEMBLY - BOOM RECOVERY (SRS STABILIZER) (35K WINCH)

ITEM	PART NUMBER	QTY	DESCRIPTION	REV
	3320000232	Ref	Cylinder Assembly - Boom Recovery (SRS Stabilizer)	0
		Ref	Note: Original Cylinder May Have Been Replaced with Service Replacement. Identify PN Stamped on Cylinder Before Ordering Parts.	
1	70051142	1	Gland	
2	70051141	1	Rod Assembly	
3	70051140	1	Piston	
4	NSS	1	Barrel Assembly	
5	See Note	1	O-Ring (Note: Use Item 100)	
6	See Note	1	O-Ring (Note: Use Item 100)	
7	See Note	1	Rod Seal (Note: Use Item 100)	
8	See Note	1	Back-up Ring (Note: Use Item 100)	
9	See Note	1	Rod Wiper (Note: Use Item 100)	
10	See Note	1	Wear Ring (Note: Use Item 100)	
11	See Note	1	Piston Seal (Note: Use Item 100)	
12	See Note	2	Wear Ring (Note: Use Item 100)	
13	70050641	2	Plug	
14	70051138	1	Nut	
15	70051137	2	Grease Fitting	
16	70040300	2	Cartridge, Counterbalance Valve	
16	2900770	2	Seal Kit - Valve Cartridge (1 Per Cartridge)	
100	9577200245	1	Seal Kit - Cylinder (Includes Items 5-12)	

SECTION 1 - SUBFRAME

FIGURE 1-8. CYLINDER ASSEMBLY - SIDE STABILIZER (35K WINCH)



ART_3320000233

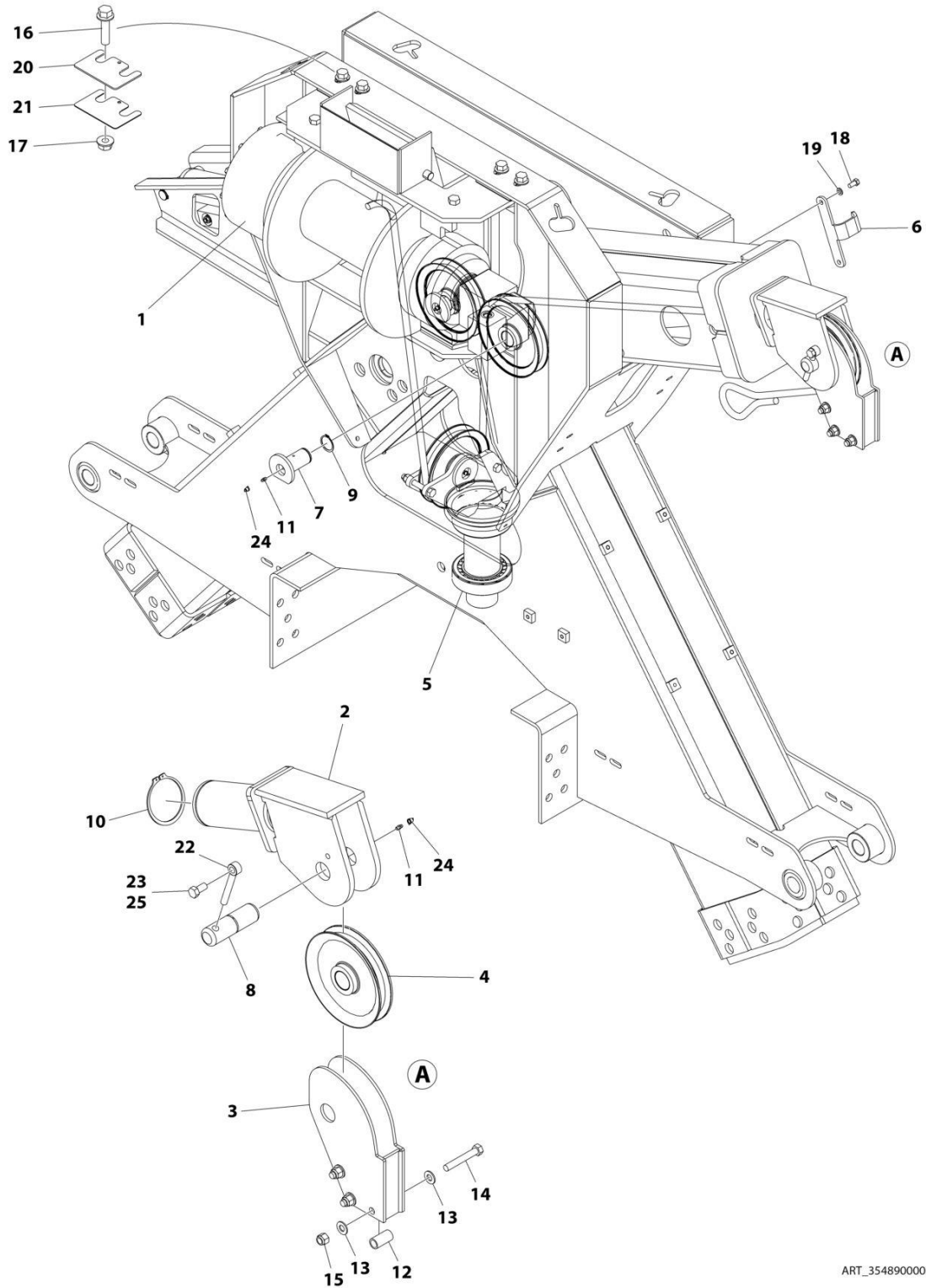
SECTION 1 - SUBFRAME

FIGURE 1-8. CYLINDER ASSEMBLY - SIDE STABILIZER (35K WINCH)

ITEM	PART NUMBER	QTY	DESCRIPTION	REV
	3320000233	Ref	CYLINDER ASSEMBLY - SRS STABILIZER (SIDE)	0
		Ref	Note: Original Cylinder May Have Been Replaced with Service Replacement. Identify PN Stamped on Cylinder Before Ordering Parts.	
1	70051133	1	Gland	
2	70051134	1	Rod Assembly	
3	70051135	1	Piston	
4	NSS	1	Barrel Assembly	
5	See Note	1	O-Ring (Note: Use Item 100)	
6	See Note	1	O-Ring (Note: Use Item 100)	
7	See Note	1	Rod Seal (Note: Use Item 100)	
8	See Note	1	Back-up Ring (Note: Use Item 100)	
9	See Note	1	Rod Wiper (Note: Use Item 100)	
10	See Note	2	Wear Ring (Note: Use Item 100)	
11	See Note	2	Wear Ring (Note: Use Item 100)	
12	See Note	1	Piston Seal (Note: Use Item 100)	
13	70051130	2	Plug	
14	70050641	4	Plug	
15	70051131	1	Nut	
16	70040300	1	Valve, Counterbalance Cartridge	
16	2900770	1	Seal Kit - Cartridge Valve	
17	70051137	1	Grease Fitting	
100	9577200246	1	Seal Kit - Cylinder (Includes Items 5-12)	

SECTION 1 - SUBFRAME

FIGURE 1-9. WINCH ASSEMBLY (SRS) (35K WINCH)



ART_354890003

SECTION 1 - SUBFRAME

FIGURE 1-9. WINCH ASSEMBLY (SRS) (35K WINCH)

ITEM	PART NUMBER	QTY	DESCRIPTION	REV
	3548900003	Ref	WINCH ASSEMBLY - SRS 35000 LBS	B
1	7970000162	1	Winch Components 35000 LBS (See Separate Breakdown in this Section)	
2	1001169617	1	Support	
3	3249000043	1	Sheave Guide	
4	7809000006	3	Sheave	
5	2249000020	1	Sheave Assembly	
6	4178000763	1	Bracket	
7	3691000261	2	Pin	
8	1001169893	1	Pin	
9	7754000058	2	Ring	
10	7754000049	1	Ring Retaining	
11	7440030000	4	Grease Fitting	
12	4831000104	3	Spacer	
13	7950180141	6	Washer 1/2	
14	7115182650	3	Capscrew 1/2 x 3-1/4	
15	7660182601	3	Nut 1/2	
16	7118202016	8	Bolt 5/8 x 2-1/2	
17	7661000018	8	Nut 5/8	
18	7115160650	2	Bolt 3/8 x 3/4	
19	7950160000	2	Washer 3/8	
20	4812000103	2	Shim	
21	4812000104	2	Shim	
22	3841203	1	Rod, Keeper	
23	7115180850	1	Capscrew 1/2 x 1	
24	7253000002	4	Fitting	
25	0100011	AR	Compound, Locking	

SECTION 1 - SUBFRAME

FIGURE 1-10. WINCH COMPONENTS (SRS) (35K WINCH)

INFORMATION WAS NOT AVAILABLE AT TIME OF PRINTING.

ART_7970000162

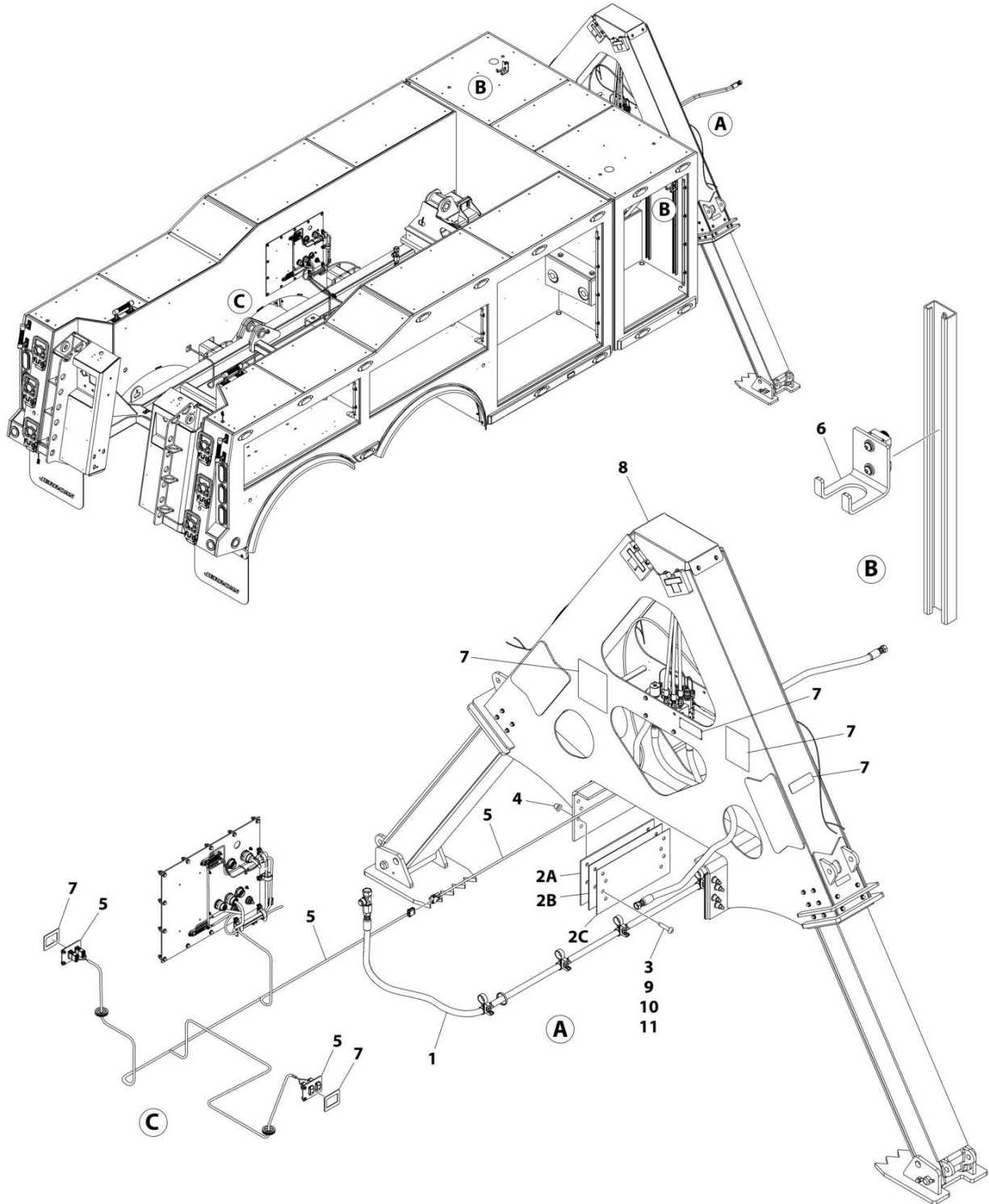
SECTION 1 - SUBFRAME

FIGURE 1-10. WINCH COMPONENTS (SRS) (35K WINCH)

ITEM	PART NUMBER	QTY	DESCRIPTION	REV
	7970000162	Ref Ref	WINCH COMPONENTS - SRS 35000 LBS Note: No Service Parts Available at Time of Printing.	0

SECTION 1 - SUBFRAME

FIGURE 1-11. SIDE STABILIZER INSTALLATION (SS-70)



ART_1001291882

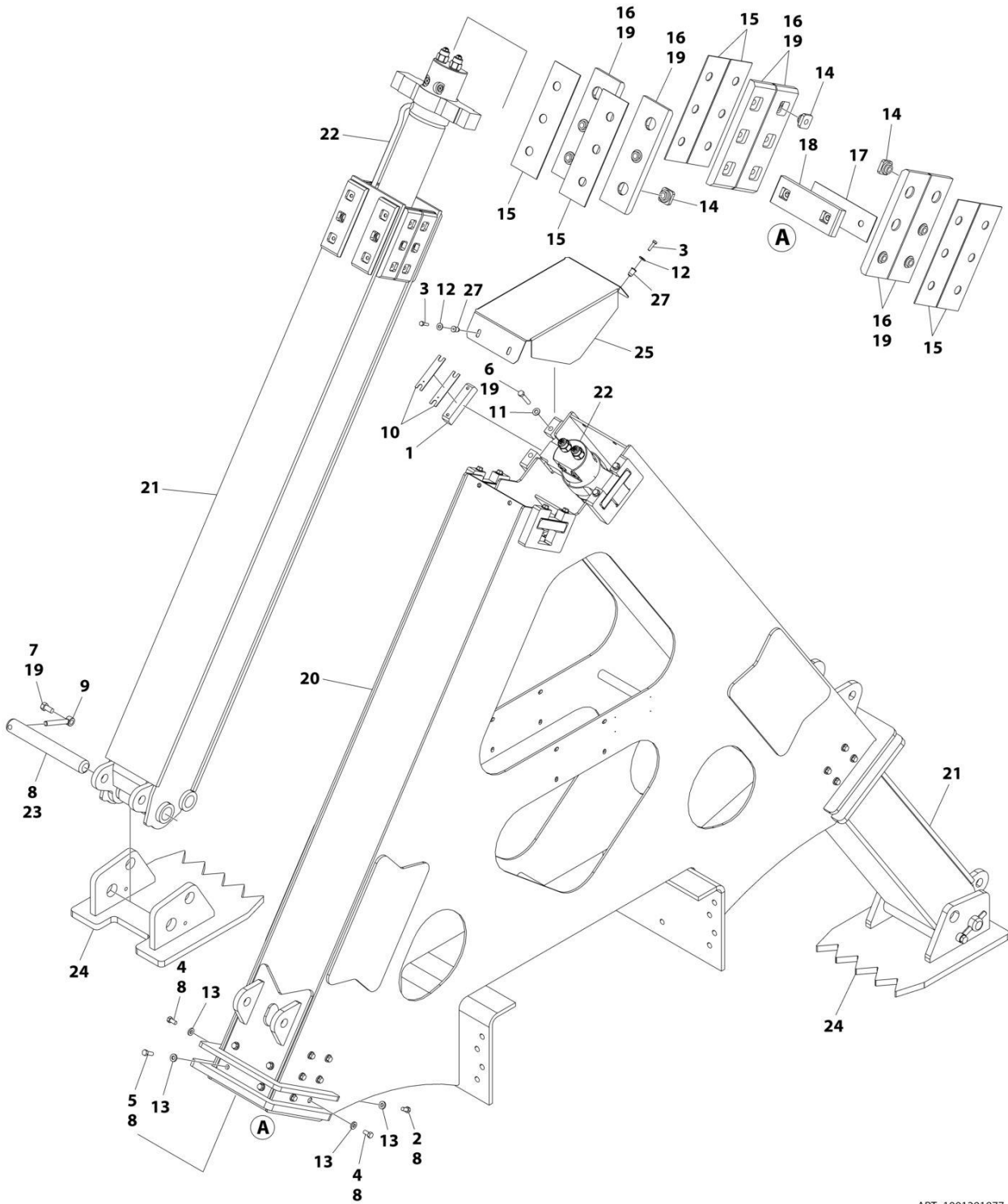
SECTION 1 - SUBFRAME

FIGURE 1-11. SIDE STABILIZER INSTALLATION (SS-70)

ITEM	PART NUMBER	QTY	DESCRIPTION	REV
	1001291882	Ref	SIDE STABILIZER	A
1	1001243239	1	Hydraulic Installation (See Separate Breakdown in HYDRAULIC Section)	
2	1001246419	1	Frame Shims Installation	
2A	1001246165	2	Shim	
2B	1001246166	2	Shim	
2C	1001246167	2	Shim	
3	1001246981	16	Bolt 5/8 x 1-5/8	
4	1001246983	16	Nut 5/8	
5	1001291758	1	Electrical installation (See Separate Breakdown in ELECTRICAL Section)	
6	1001291874	1	Pin Storage Installation (See Separate Breakdown in BODY Section)	
7	1001291876	1	Decal Installation (See Separate Breakdown in DECAL Section)	
8	1001291877	1	Stabilizer Assembly (See Separate Breakdown in this Section)	
9	1001246980	AR	Bolt 5/8 x 1-3/8	
10	1001246982	AR	Bolt 5/8 x 1-7/8	
11	1001247174	AR	Bolt 5/8 x 2-1/8	

SECTION 1 - SUBFRAME

FIGURE 1-12. SIDE STABILIZER ASSEMBLY (SS-70)



ART_1001291877

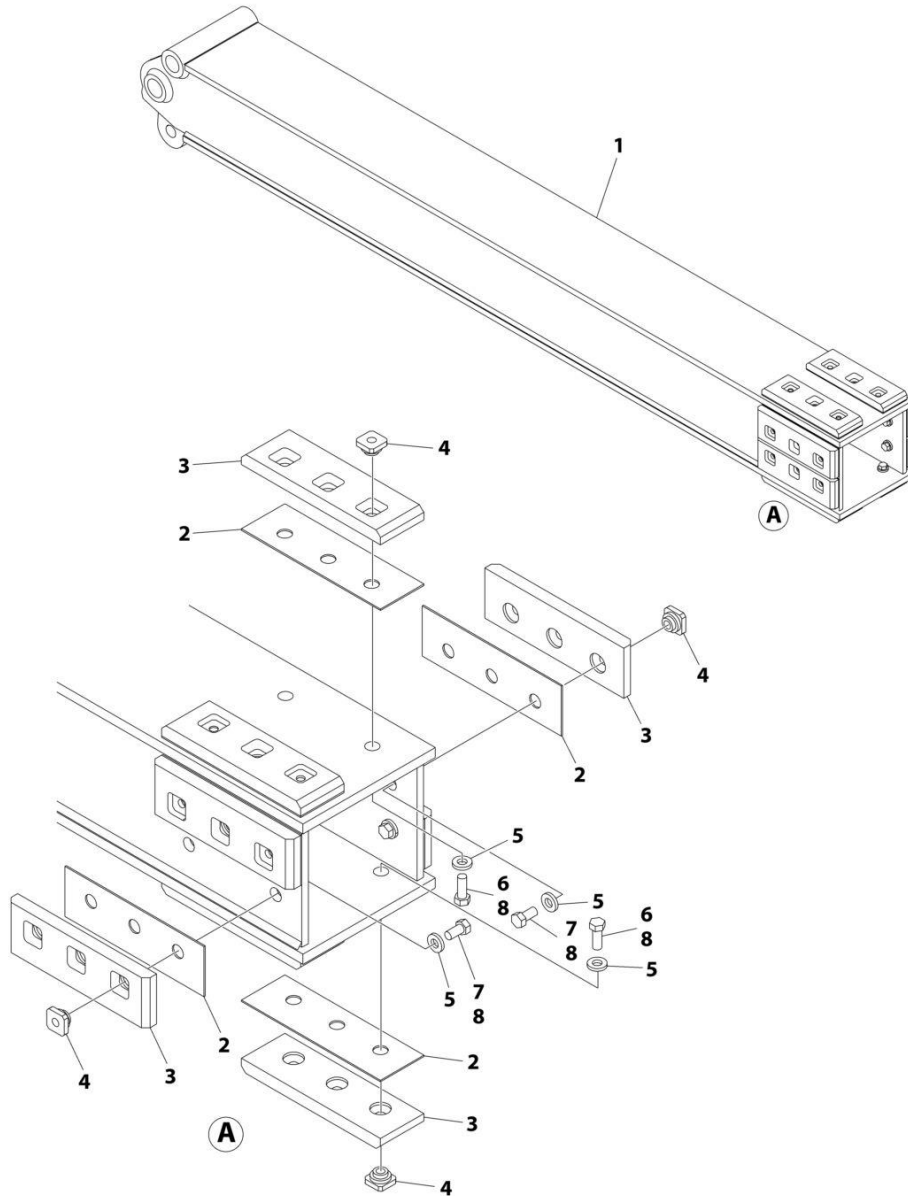
SECTION 1 - SUBFRAME

FIGURE 1-12. SIDE STABILIZER ASSEMBLY (SS-70)

ITEM	PART NUMBER	QTY	DESCRIPTION	REV
	1001291877	Ref	STABILIZER ASSEMBLY	A
1	0561482	4	Block, Keeper	
2	0651606	4	Bolt 3/8 x 3/4	
3	0681408	4	Bolt 1/4 x 1	
4	0681606	24	Bolt 3/8 x 3/4	
5	0681609	8	Bolt 3/8 x 1-1/8	
6	0681616	8	Bolt 3/8 x 2	
7	0681808	2	Bolt 1/2 x 1	
8	3020039	AR	Lubricant	
9	3841203	2	Keeper, Pin	
10	4071031	8	Shim, Trunnion Keeper	
11	4711600	8	Washer 3/8	
12	4751400	4	Washer 1/4	
13	4891600	36	Washer 3/8	
14	7082311	32	Insert, Wear Pad	
15	7082342	12	Shim, Wear Pad	
16	7111572	12	Pad, Wear	
17	91031236	2	Shim, Wear Pad	
18	91033189	2	Pad, Bearing	
19	1001095650	AR	Compound, Locking	
20	1001239626	1	Frame, Stabilizer	
21	1001239645	2	Boom Leg Assembly (See Separate Breakdown in this Section)	
22	1001239646	2	Lift Cylinder Assembly (See Separate Breakdown in this Section)	
23	1001239647	2	Pin	
24	1001239652	2	Foot	
25	1001245230	1	Cover	
26	1001245737	2	Pin (Not Shown)	
27	7661000006	4	Nut 1/4	
28	7691000025	2	Pin, Snap (Not Shown)	

SECTION 1 - SUBFRAME

FIGURE 1-13. BOOM ASSEMBLY (SRS) (SS-70)



ART_1001239645

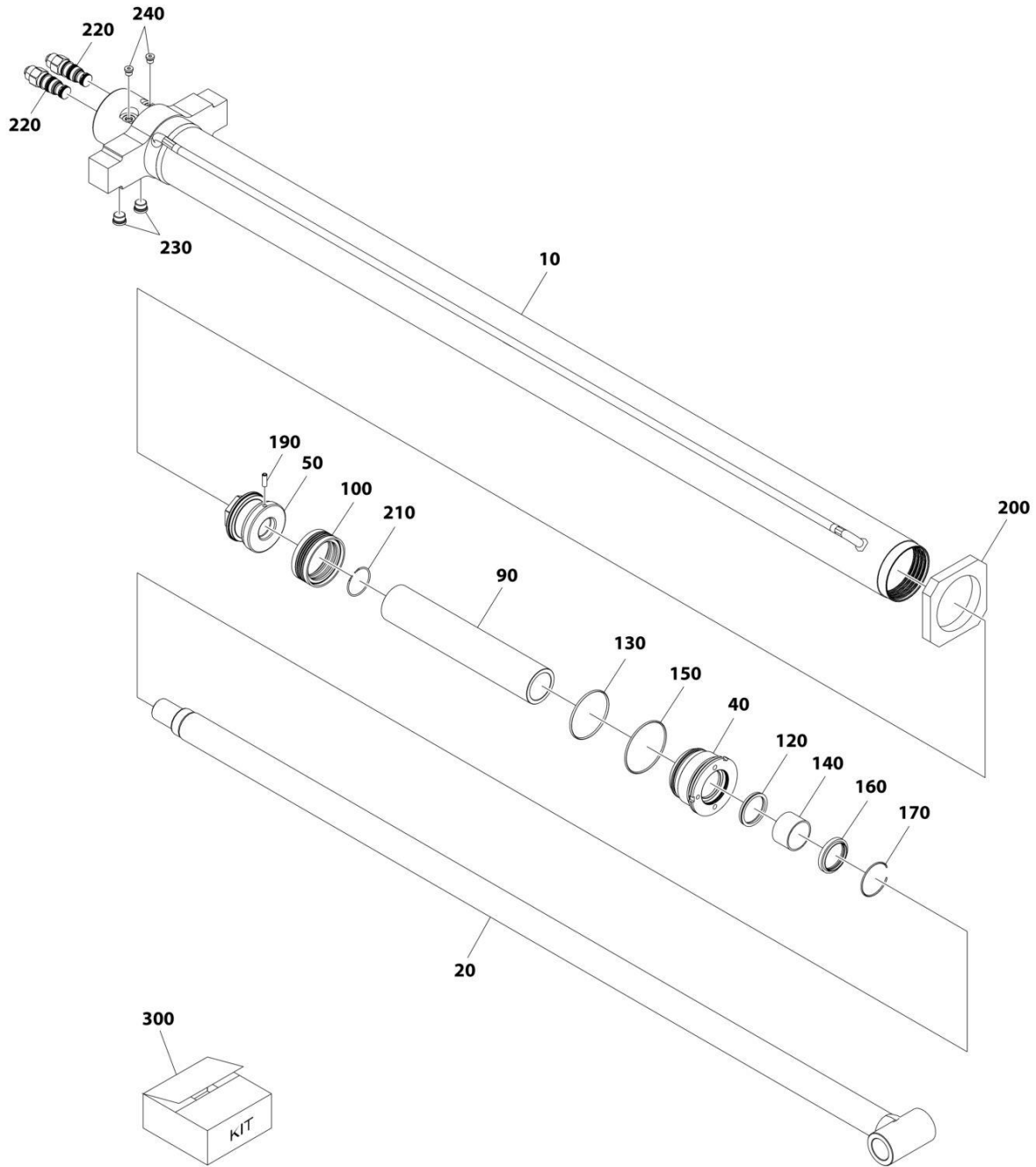
SECTION 1 - SUBFRAME

FIGURE 1-13. BOOM ASSEMBLY (SRS) (SS-70)

ITEM	PART NUMBER	QTY	DESCRIPTION	REV
	1001239645	Ref	STABILIZER (SRS SS-70) BOOM/LEG ASSEMBLY	A
1	1001239648	1	Boom, Leg	
2	7082342	8	Shim .075	
3	7111572	8	Pad, Wear	
4	7082311	16	Insert, Wear Pad	
5	4891600	16	Washer 3/8	
6	0681608	8	Bolt 3/8 x 1	
7	0681606	8	Bolt 3/8 x 3/4	
8	1001095650	AR	Adhesive	

SECTION 1 - SUBFRAME

FIGURE 1-14. CYLINDER ASSEMBLY - SIDE STABILIZER (SS-70)



ART_1001239646

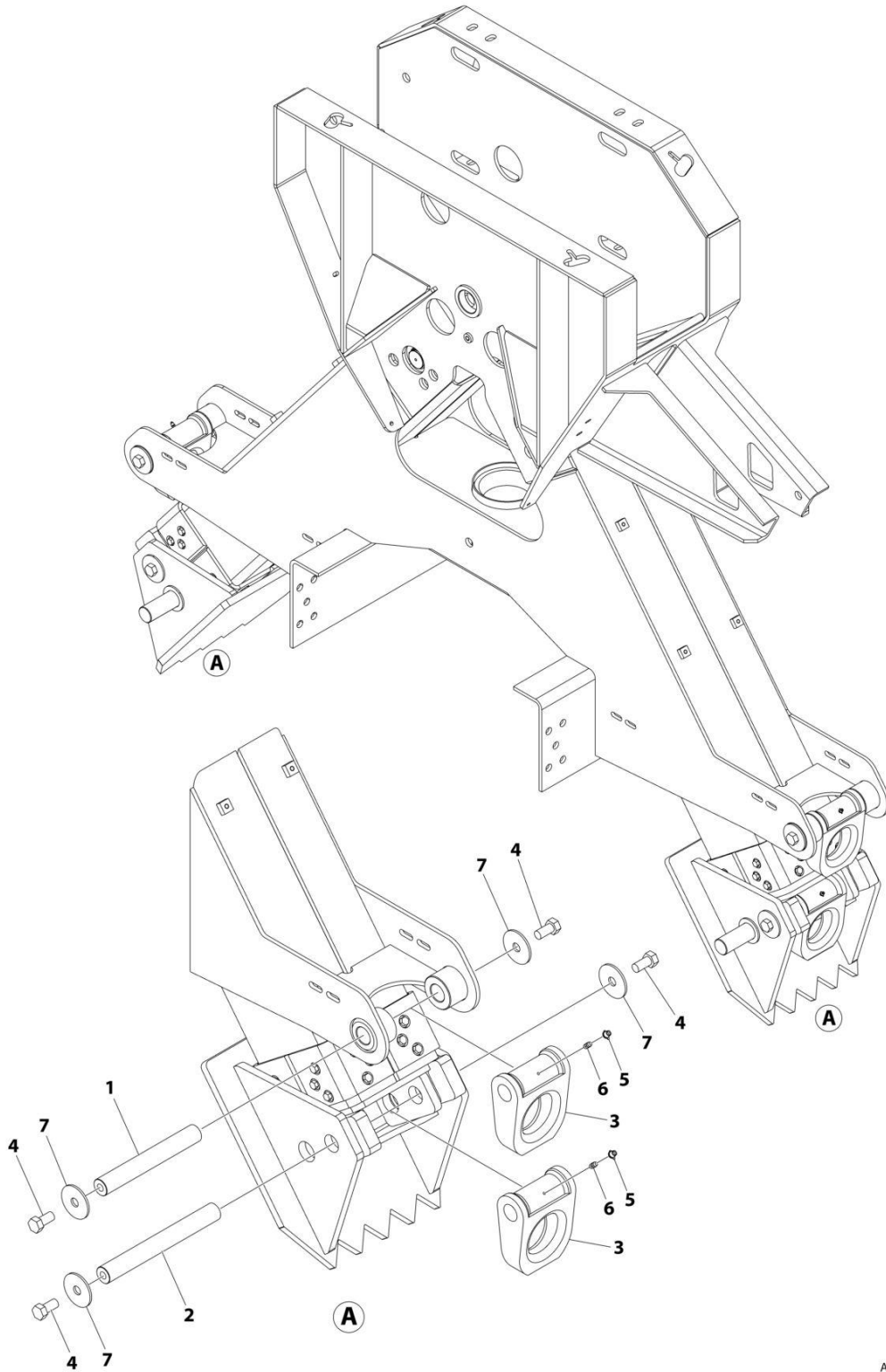
SECTION 1 - SUBFRAME

FIGURE 1-14. CYLINDER ASSEMBLY - SIDE STABILIZER (SS-70)

ITEM	PART NUMBER	QTY	DESCRIPTION	REV
	1001239646	Ref	CYLINDER ASSEMBLY	B
10	See Note	NSS	Barrel (Note: Use PN 1001239646)	
20	70007179	1	Rod	
40	70007180	1	Head	
50	70007181	1	Piston	
90	70007182	1	Spacer	
100	See Note	NSS	Seal (Note: Use Item 300)	
120	See Note	NSS	Seal (Note: Use Item 300)	
130	See Note	NSS	O-Ring (Note: Use Item 300)	
140	70007183	1	Bushing	
150	See Note	NSS	O-Ring (Note: Use Item 300)	
160	See Note	NSS	Wiper (Note: Use Item 300)	
170	70027076	1	Ring, Wire	
190	70006319	1	Cap Screw M8 x 25	
200	70007184	1	Plate, Support	
210	70027084	1	Ring, Wire	
220	70007186	1	Valve, Counterbalance	
220	7011367	2	Seal Kit - 70007186 Valve	
230	NPN	NSS	Plug	
240	70025619	2	Plug	
300	70007185	1	Seal Kit - 1001239646 Cylinder (Includes Items 100,120,130,150 & 160)	

SECTION 1 - SUBFRAME

FIGURE 1-15. D-RING PAINTED INSTALLATION



ART_1001258351

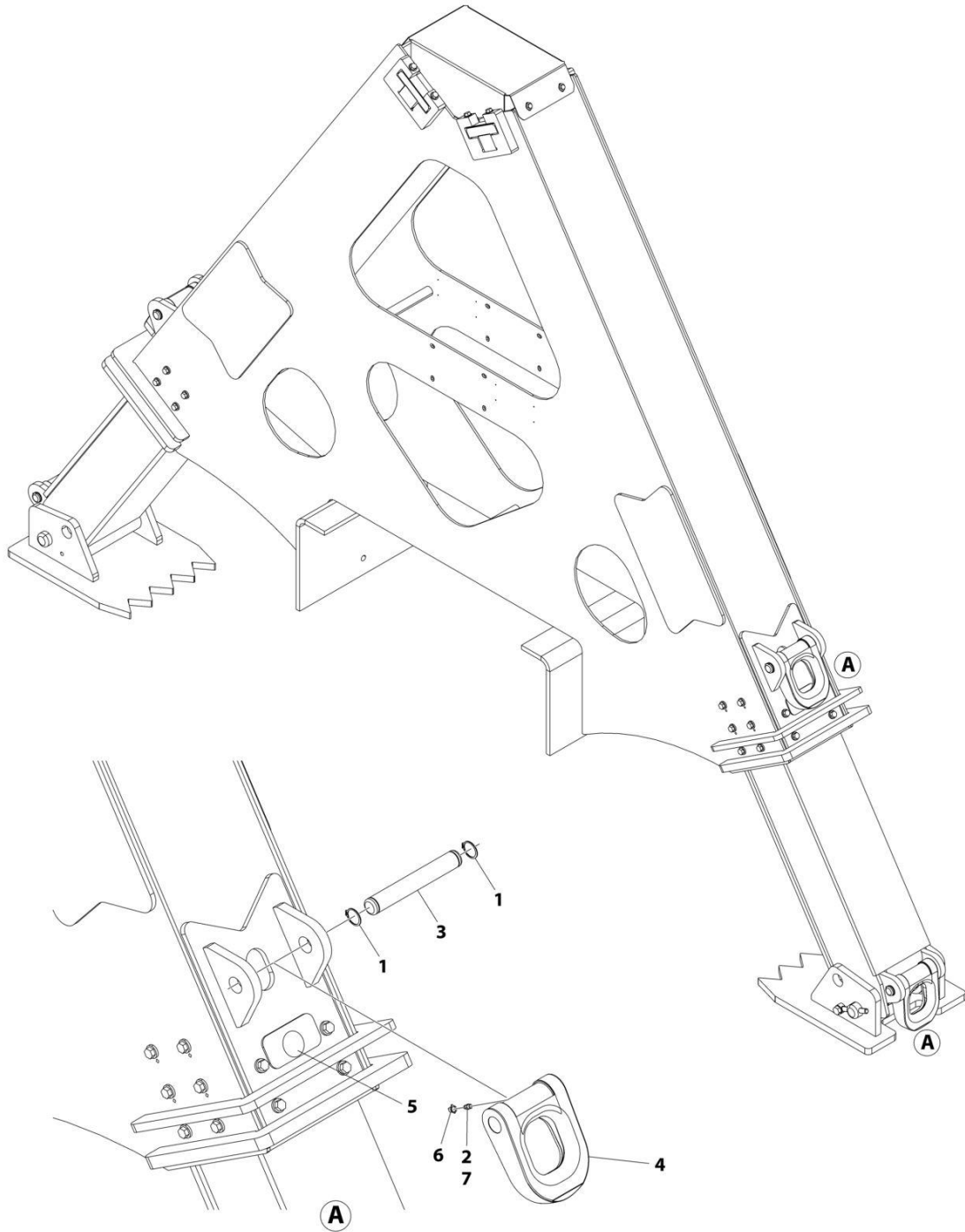
SECTION 1 - SUBFRAME

FIGURE 1-15. D-RING PAINTED INSTALLATION

ITEM	PART NUMBER	QTY	DESCRIPTION	REV
	1001258351	Ref	D-RING PAINTED INSTALLATION	A
1	4691000581	2	Pin	
2	4691000582	2	Pin	
3	4754000004	4	D-Ring	
4	7115221250	8	Capscrew 3/4 x 1-1/2	
5	7253000002	4	Grease Cap	
6	7440030000	4	Grease Fitting	
7	7949000018	8	Washer	

SECTION 1 - SUBFRAME

FIGURE 1-16. D-RINGS INSTALLATION (SS-70 STABILIZERS)



ART_1001258376

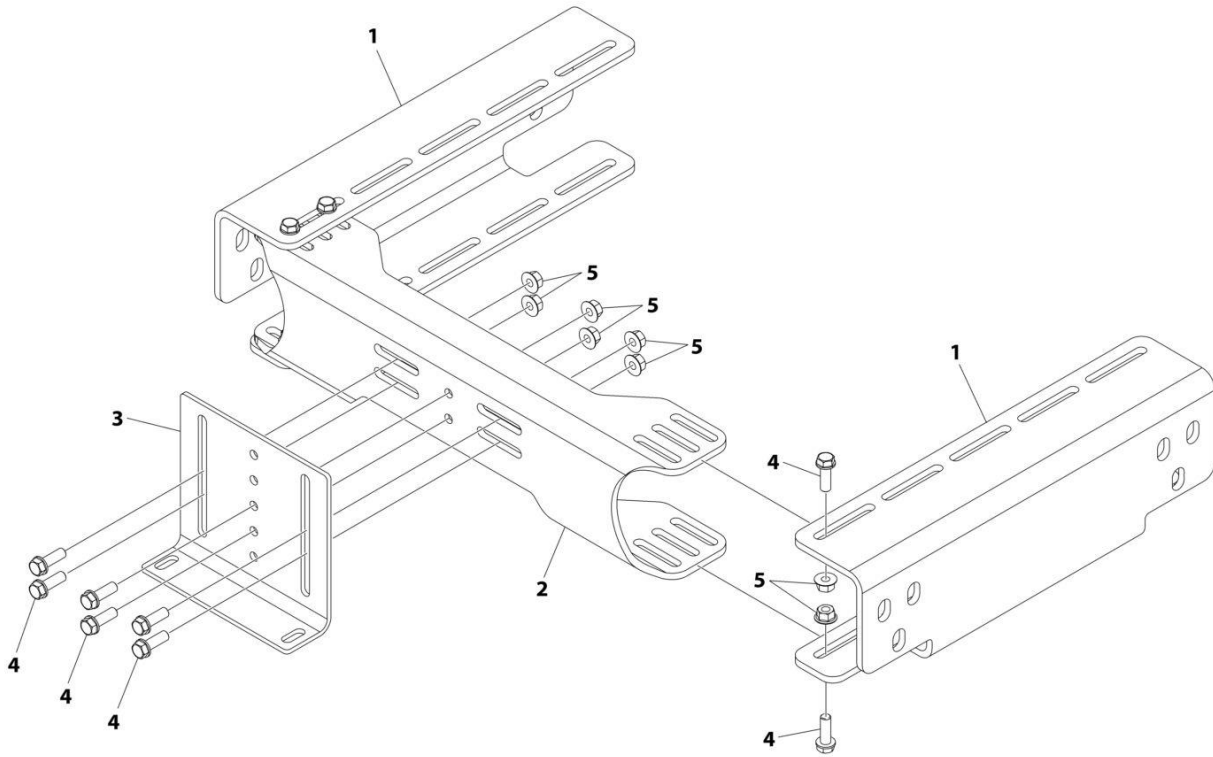
SECTION 1 - SUBFRAME

FIGURE 1-16. D-RINGS INSTALLATION (SS-70 STABILIZERS)

ITEM	PART NUMBER	QTY	DESCRIPTION	REV
	1001258376	Ref	D-RINGS INSTALLATION (SS-70 STABILIZERS)	A
1	3760115	8	Retaining Ring	
2	1001152707	AR	Lubricant	
3	1001245044	4	Pin, D-Ring	
4	4754000006	4	D-Ring	
5	1001258243	2	Decal	
6	7253000002	4	Cap	
7	7440030000	4	Fitting	

SECTION 1 - SUBFRAME

FIGURE 1-17. STABILIZER (SRS SS-70) BRACKET INSTALLATION



ART_217800064

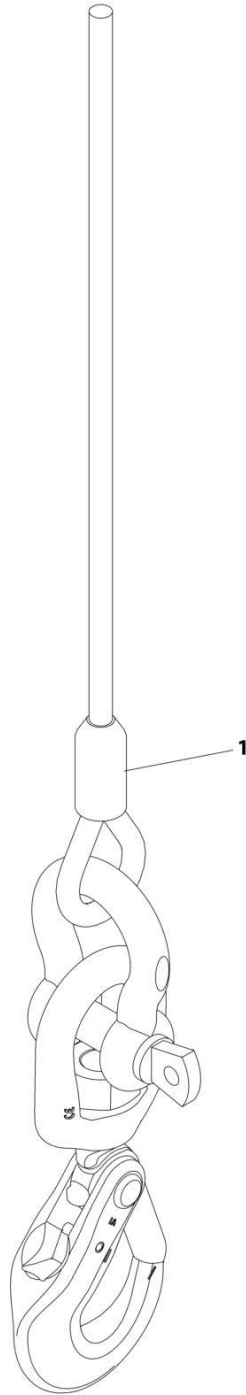
SECTION 1 - SUBFRAME

FIGURE 1-17. STABILIZER (SRS SS-70) BRACKET INSTALLATION

ITEM	PART NUMBER	QTY	DESCRIPTION	REV
	2178000064	Ref	STABILIZER (SRS SS-70) FRAME BRACKET INSTALLATION	00
1	4263000884	2	Channel, Frame Side	
2	3263000141	1	Channel, Cross	
3	4017001675	1	Plate, Angle	
4	7118181216	14	Bolt 1/2 x 1-1/2	
5	7660182301	14	Nut 1/2	

SECTION 1 - SUBFRAME

FIGURE 1-18. CABLE ASSEMBLY - 5/8 X 250FT (STABILIZERS)



ART_1001207499

SECTION 1 - SUBFRAME

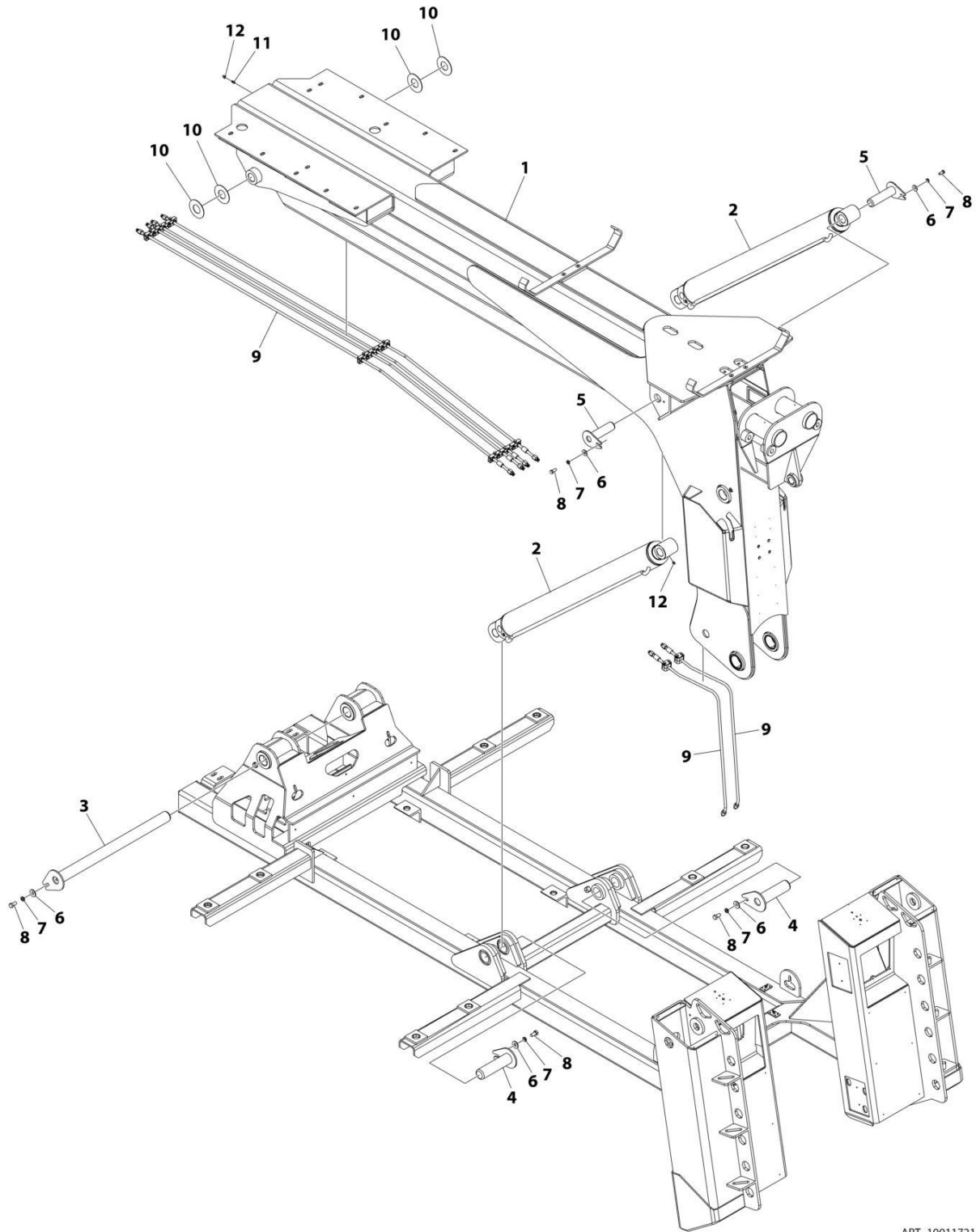
FIGURE 1-18. CABLE ASSEMBLY - 5/8 X 250FT (STABILIZERS)

ITEM	PART NUMBER	QTY	DESCRIPTION	REV
1	1001207499 3248000002	Ref 1	CABLE ASSEMBLY - 5/8 X 250FT (STABILIZERS) Cable Assembly	A

SECTION 2 - BOOM

SECTION 2 - BOOM

FIGURE 2-1. BOOM INSTALLATION



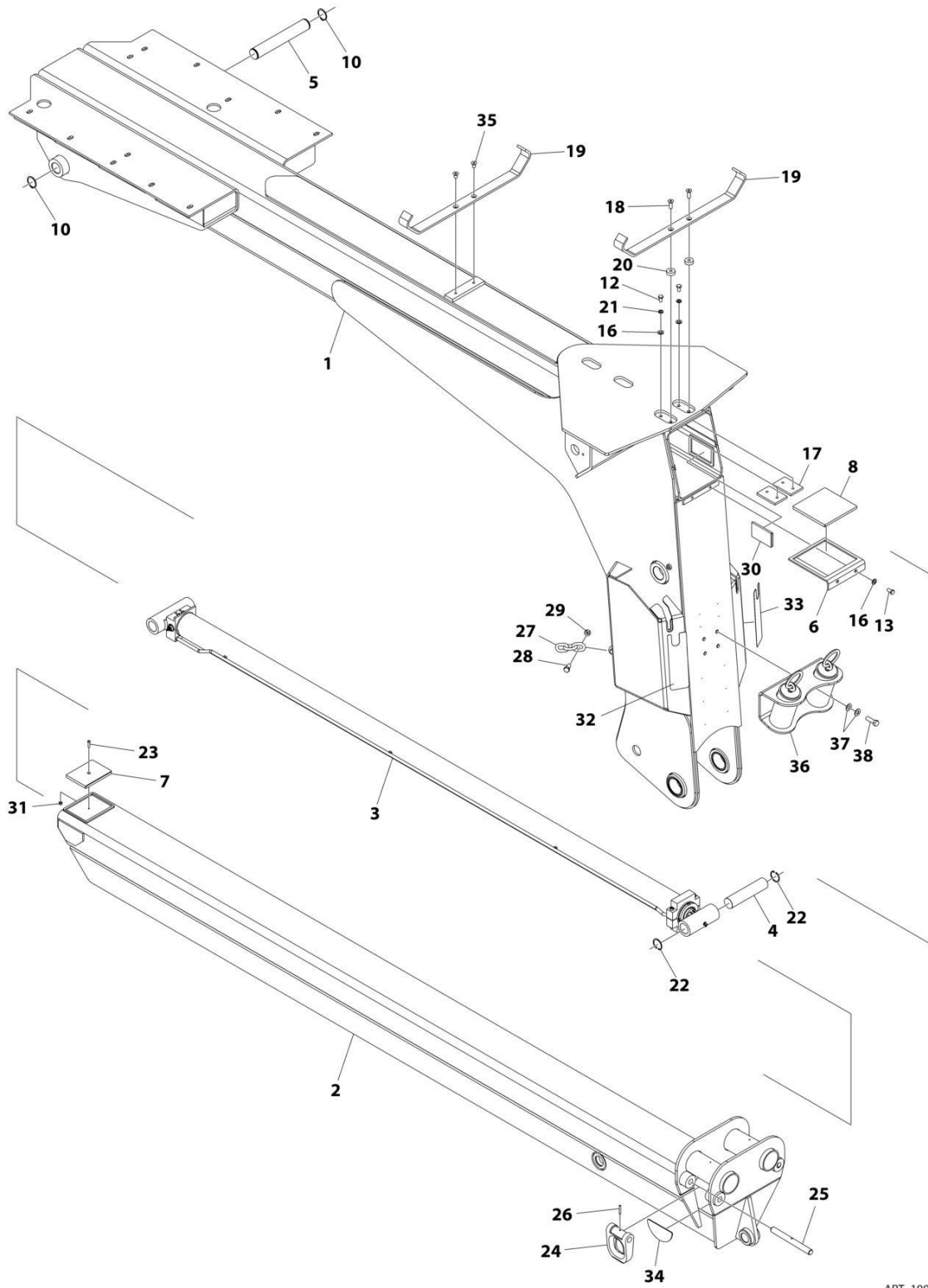
ART_1001172171_B

FIGURE 2-1. BOOM INSTALLATION

ITEM	PART NUMBER	QTY	DESCRIPTION	REV
	1001172171	Ref	BOOM INSTALLATION	B
1	1001172168	1	Boom Assembly (See Separate Breakdown in this Section)	
2	1001284483	2	Cylinder Assembly (See Separate Breakdown in this Section)	
3	3691000163	1	Pin	
4	3691000162	2	Pin	
5	3691000161	2	Pin	
6	7950180161	5	Washer 1/2	
7	7950180000	5	Washer 1/2	
8	7115180850	5	Bolt 1/2 x 1	
9	3912000044	1	Tube Assembly (See Separate Breakdown in this Section)	
10	3577000037	1	Shim	
11	7440030000	1	Fitting, Straight	
12	7253000002	5	Cap, Fitting	

SECTION 2 - BOOM

FIGURE 2-2. BOOM ASSEMBLY



ART_1001172168_B

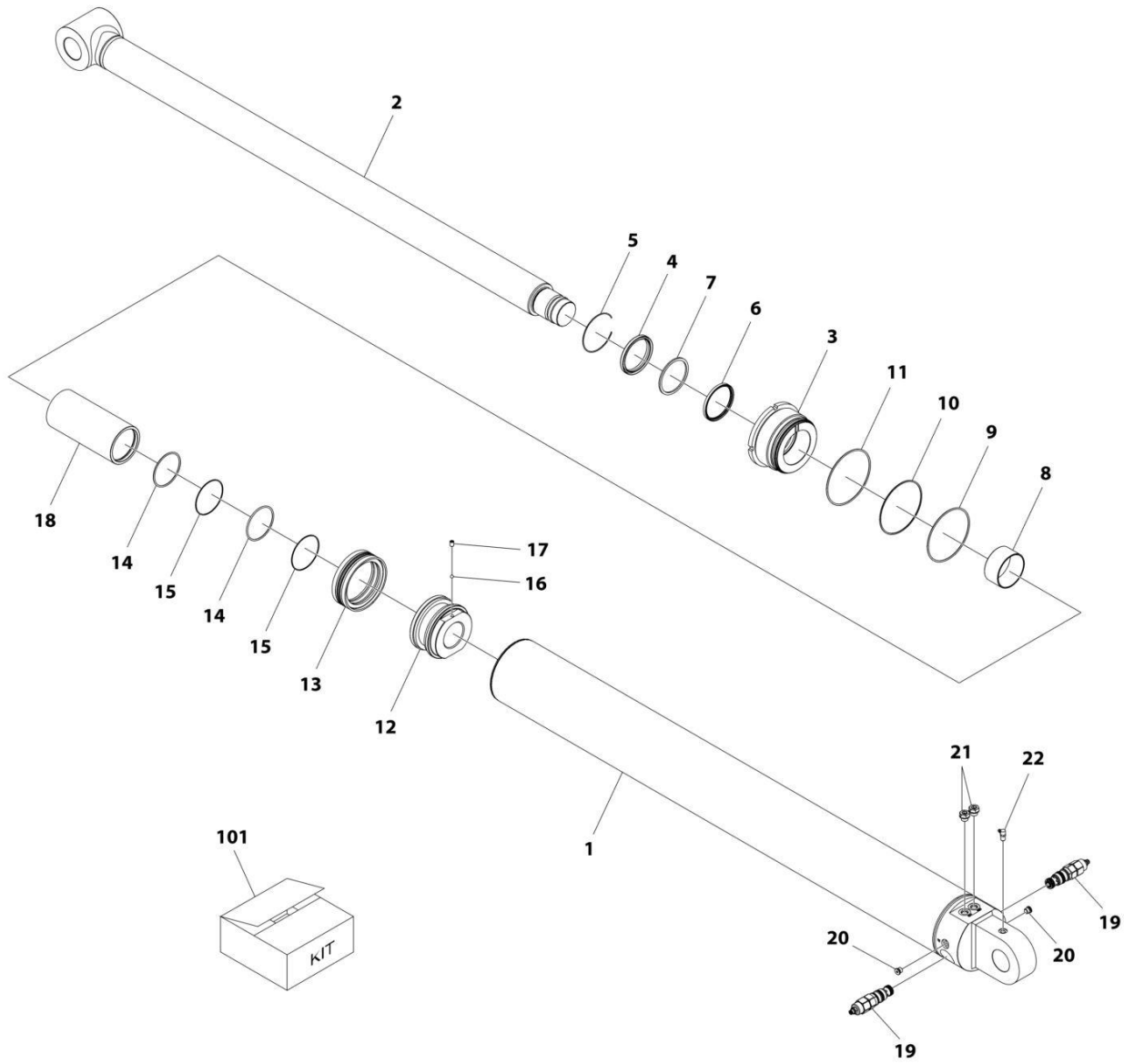
SECTION 2 - BOOM

FIGURE 2-2. BOOM ASSEMBLY

ITEM	PART NUMBER	QTY	DESCRIPTION	REV
	1001172168	Ref	BOOM ASSEMBLY	B
1	1001172043	1	Boom, Outer	
2	3170000148	1	Boom, Inner	
3	1001286140	1	Cylinder Assembly (See Separate Breakdown in this Section)	
4	4691000323	1	Pin	
5	4691000208	1	Pin	
6	4706002435	1	Plate	
7	4679000163	1	Pad	
8	4679000162	1	Pad	
10	7754000048	2	Ring, Retaining	
12	7115180750	2	Bolt 1/2 x 7/8	
13	7115180850	2	Bolt 1/2 x 1	
16	7950180153	4	Washer 1/2	
17	4831000061	2	Spacer	
18	7115181223	2	Screw 1/2 x 1-1/2	
19	4062000746	2	Bar	
20	4831000064	2	Spacer	
21	7950180000	2	Washer 1/2	
22	7754000061	2	Ring, Retaining	
23	7114140818	1	Capscrew 1/4 x 1	
24	4754000003	2	D-Ring	
25	4691000243	2	Pin	
26	7690142845	2	Pin	
27	7262000025	2	Chain	
28	7115201250	2	Capscrew 5/8 x 1-1/2	
29	7660202601	6	Nut 3/8	
30	4679000168	2	Pad	
31	7660142604	1	Nut 1/4	
32	1001151184	1	Decal, Wear (LH)	
33	1001151185	1	Decal, Wear (RH)	
34	1001151805	2	Decal	
35	7115180723	2	Screw 1/2 x 7/8	
36	1001172034	1	Bracket	
37	7950200141	8	Washer 5/8	
38	7115201650	4	Bolt 5/8 x 2	

SECTION 2 - BOOM

FIGURE 2-3. CYLINDER ASSEMBLY - BOOM LIFT



ART_1001284483

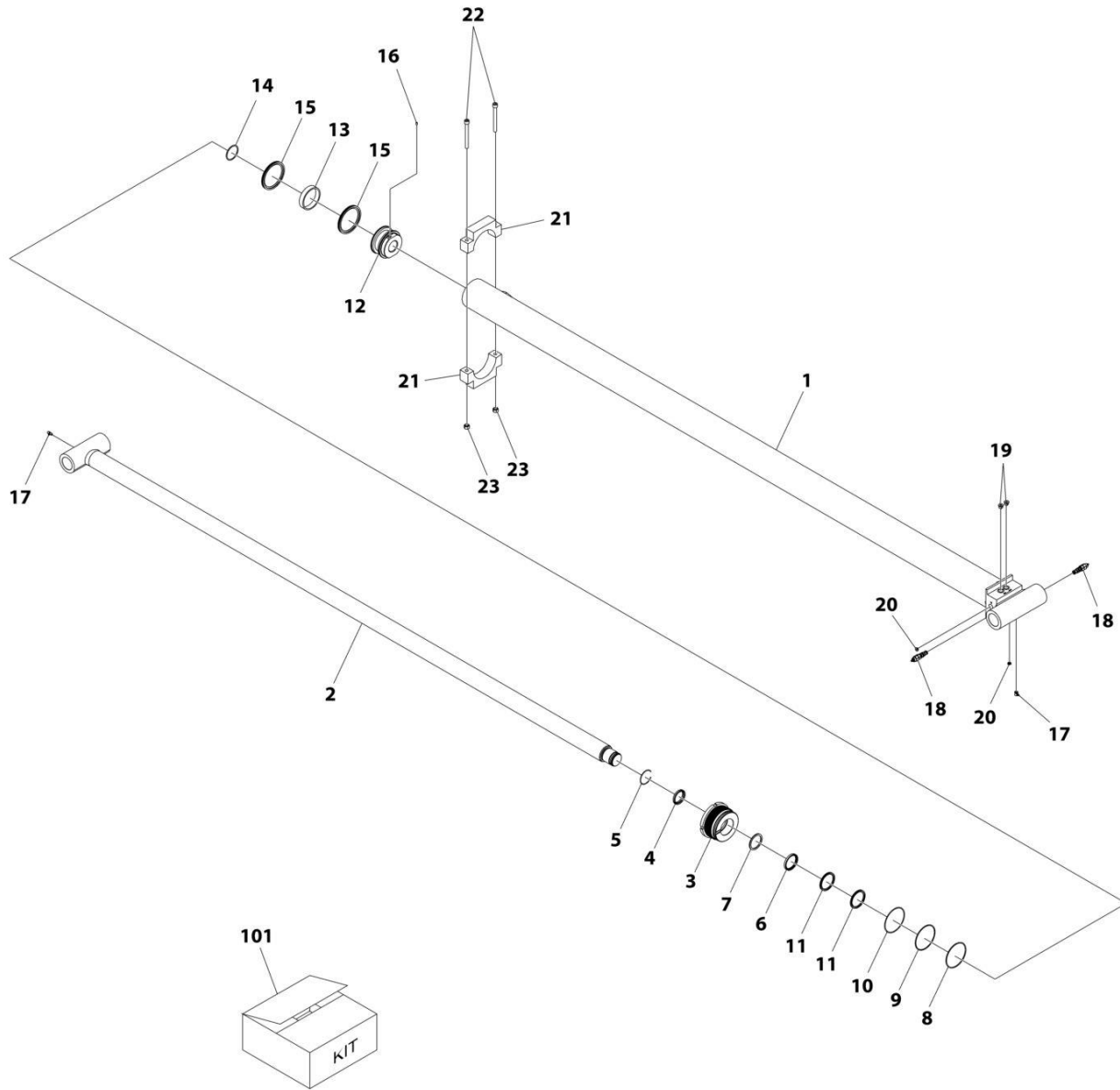
SECTION 2 - BOOM

FIGURE 2-3. CYLINDER ASSEMBLY - BOOM LIFT

ITEM	PART NUMBER	QTY	DESCRIPTION	REV
	1001284483	Ref	CYLINDER ASSEMBLY - LIFT	A
	See Note	Ref	Note: Original Cylinder May Have Been Replaced with Service Replacement. Identify PN Stamped on Cylinder Before Ordering Parts.	
1	See Note	NSS	Barrel (Note: Not Available for Purchase)	
2	70070061	1	Rod	
3	70070062	1	Gland	
4	See Note	NSS	Wiper, Dust (Note: Use Item 101)	
5	70023379	1	Ring, Retaining	
6	See Note	NSS	Seal, Rod (Note: Use Item 101)	
7	See Note	NSS	Ring, Backup (Note: Use Item 101)	
8	70052522	1	Bushing	
9	See Note	NSS	O-Ring (Note: Use Item 101)	
10	See Note	NSS	Ring, Backup (Note: Use Item 101)	
11	See Note	NSS	O-Ring (Note: Use Item 101)	
12	70026303	1	Piston	
13	See Note	NSS	Seal, Piston (Note: Use Item 101)	
14	See Note	NSS	O-Ring (Note: Use Item 101)	
15	See Note	1	Ring, Back-Up (Note: Use Item 101)	
16	70022564	1	Ball, Steel	
17	70023369	1	Screw, Set	
18	70070063	1	Spacer	
19	70070054	2	Valve, Counterbalance	
20	70023370	2	Plug	
21	70070038	2	Plug, Dust	
22	70023376	2	Grease Nipple	
101	70070064	1	Seal Kit (Includes Items 4, 6, 7, 9-11 & 13-15)	

SECTION 2 - BOOM

FIGURE 2-4. CYLINDER ASSEMBLY - EXTEND/RETRACT



ART_1001286140

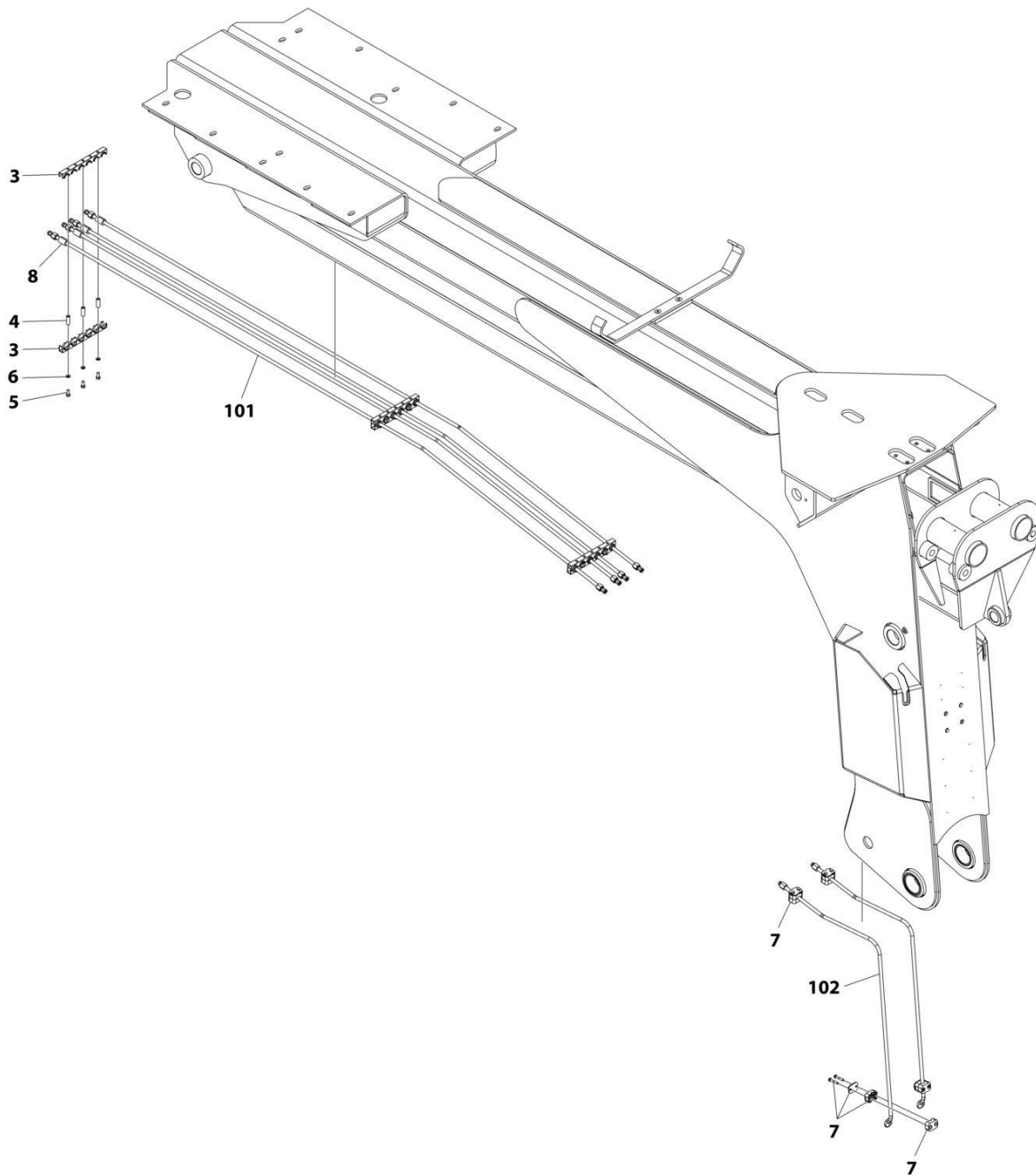
SECTION 2 - BOOM

FIGURE 2-4. CYLINDER ASSEMBLY - EXTEND/RETRACT

ITEM	PART NUMBER	QTY	DESCRIPTION	REV
	1001286140	Ref	CYLINDER ASSEMBLY - EXTEND/RETRACT	A
		Ref	Note: Original Cylinder May Have Been Replaced with Service Replacement. Identify PN Stamped on Cylinder Before Ordering Parts.	
1	See Note	NSS	Barrel (Note: Not available for purchase)	
2	70070117	1	Rod	
3	70070113	1	Gland	
4	See Note	NSS	Wiper, Dust (Note: Use Item 101)	
5	70050795	1	Ring, Retaining	
6	See Note	NSS	Seal, Rod (Note: Use Item 101)	
7	See Note	NSS	Ring, Back-up (Note: Use Item 101)	
8	See Note	NSS	O-Ring (Note: Use Item 101)	
9	See Note	NSS	Ring, Back-up (Note: Use Item 101)	
10	See Note	NSS	O-Ring (Note: Use Item 101)	
11	See Note	NSS	Ring, Wear (Note: Use Item 101)	
12	70070114	1	Piston	
13	See Note	NSS	Seal, Piston (Note: Use Item 101)	
14	See Note	NSS	O-Ring (Note: Use Item 101)	
15	See Note	NSS	Ring, Wear (Note: Use Item 101)	
16	70007105	1	Set Screw	
17	70023376	2	Grease Nipple	
18	70070118	2	Valve, Counterbalance	
19	70023371	2	Plug	
20	70023370	2	Plug	
21	70070115	2	Bracket	
22	70023368	2	Bolt	
23	70005594	2	Nut	
101	70070119	1	Seal Kit (Includes Items 4, 6-11, 13-15)	

SECTION 2 - BOOM

FIGURE 2-5. TUBE ASSEMBLY



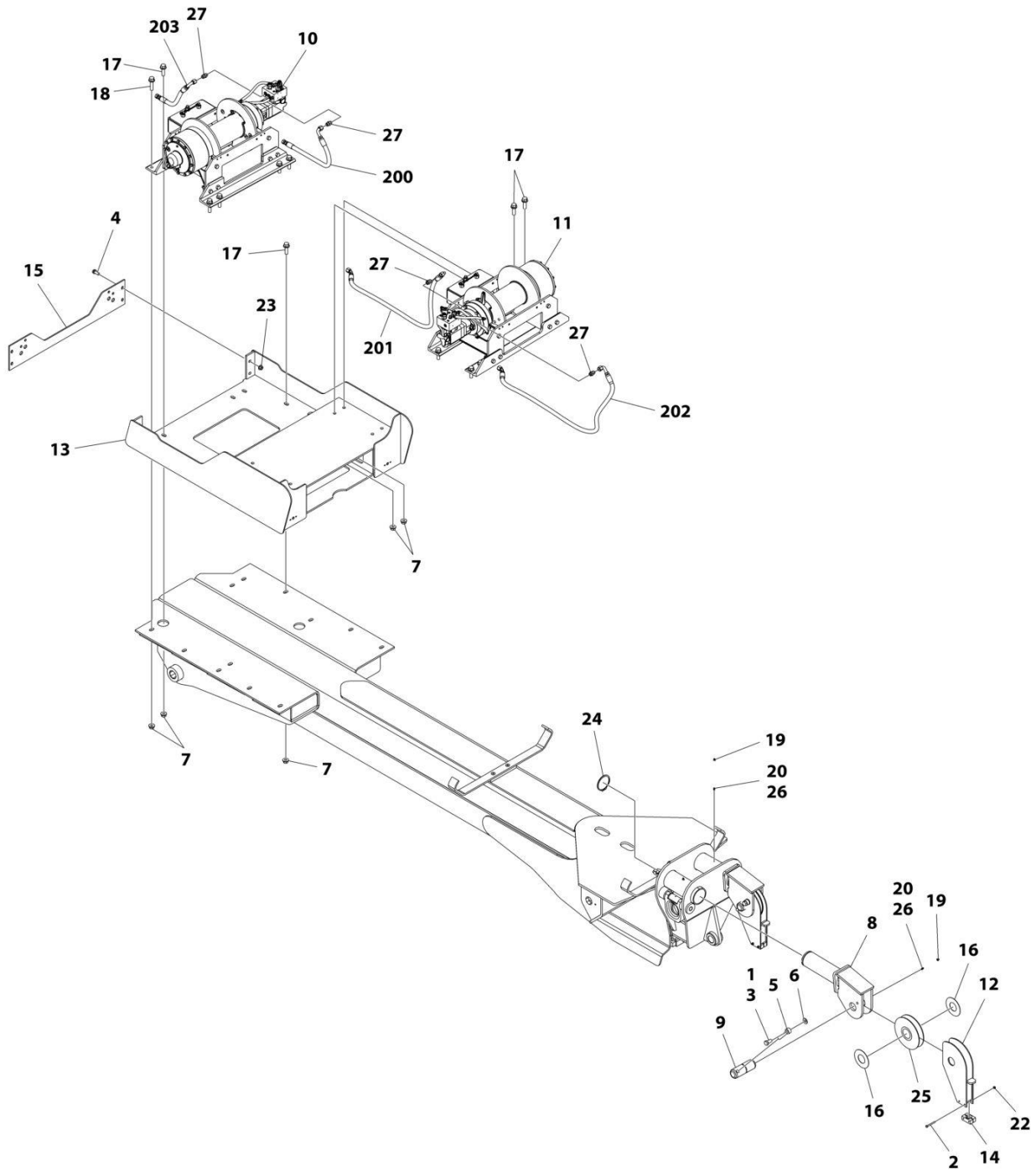
ART_391200044

FIGURE 2-5. TUBE ASSEMBLY

ITEM	PART NUMBER	QTY	DESCRIPTION	REV
	3912000044	Ref	TUBE ASSEMBLY	B
3	7274000030	3	Clamp	
4	7661000022	9	Nut 5/16	
5	7115150650	9	Capscrew 5/16 x 3/4	
6	7950150000	9	Washer 5/16	
7	1001136559	AR	Clamp Kit	
8	7209000023	12	Bushing	
9	7577000658	Ref	Tube Kit (Not Shown)	
101	7912000107	4	Tube	
102	7912000313	2	Tube	

SECTION 2 - BOOM

FIGURE 2-6. WINCH INSTALLATION - MAIN BOOM (DP35 0.63IN CABLE)



ART_1001207357

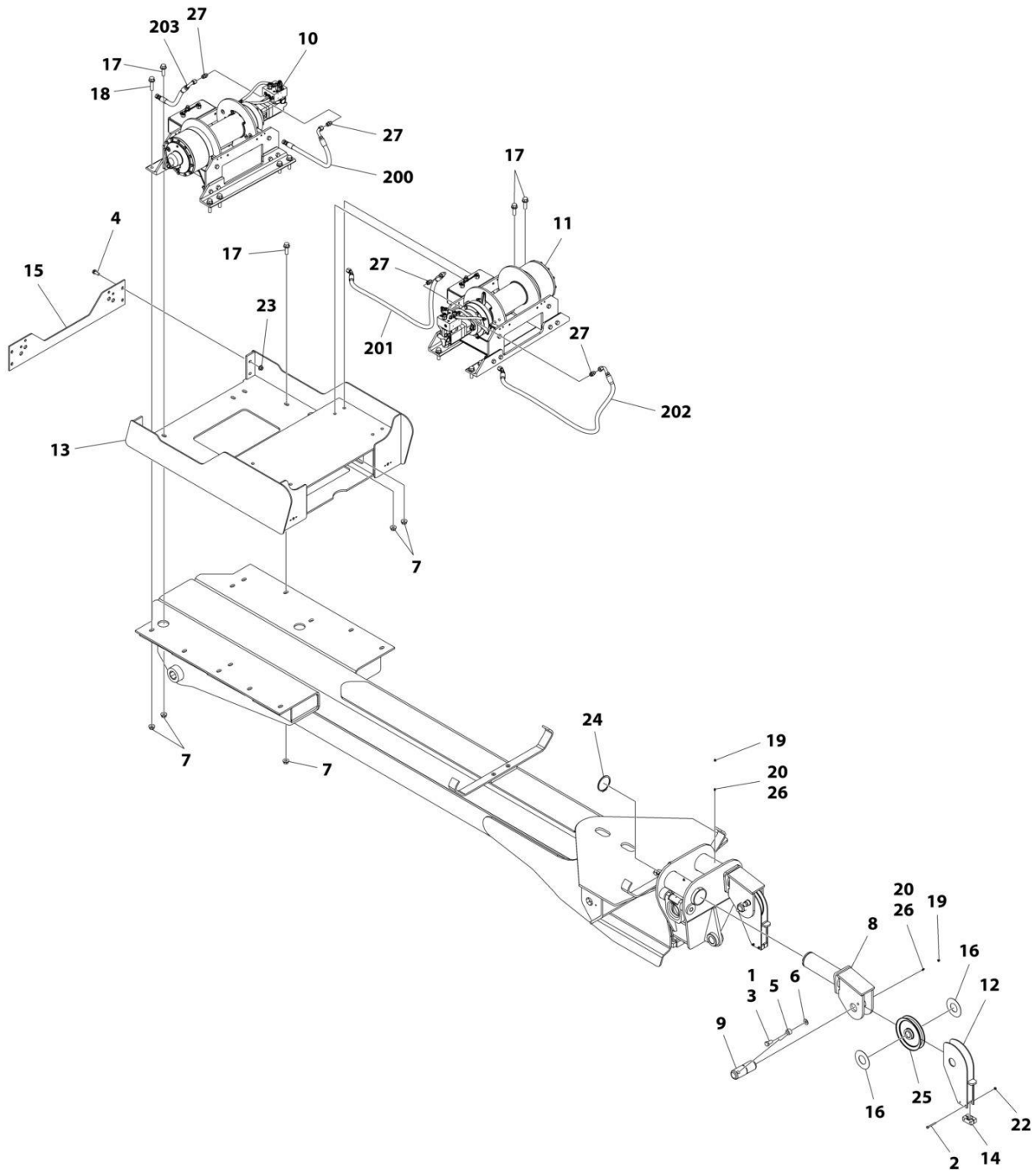
SECTION 2 - BOOM

FIGURE 2-6. WINCH INSTALLATION - MAIN BOOM (DP35 0.63IN CABLE)

ITEM	PART NUMBER	QTY	DESCRIPTION	REV
	1001207357	Ref	WINCH INSTALLATION - MAIN BOOM (DP35 0.63IN CABLE)	C
1	0100011	AR	Compound Locking	
2	0641420	4	Bolt 1/4 x 2-1/2	
3	0811810	2	Screw 1/2 x 1-1/4	
4	0642010	4	Bolt 5/8 x 1-1/4	
5	3841258	2	Keeper, Pin	
6	4712000	2	Washer 5/8	
7	7661000018	22	Nut 5/8	
8	1001169609	2	Sheave Support Weldment	
9	1001170037	2	Pin	
10	1001210256	1	Winch Assembly (See Separate Breakdown in this Section)	
11	1001210257	1	Winch Assembly (See Separate Breakdown in this Section)	
12	3249000001	2	Guide, Cable	
13	3636000068	1	Winch Mount	
14	4249000001	4	Guide, Cable	
15	4706002417	1	Plate	
16	4949000031	4	Washer 1/16	
17	7118201616	16	Bolt 5/8 x 2	
18	7118202016	6	Bolt 5/8 x 2-1/2	
19	7253000002	4	Fitting, Cap	
20	7440030000	4	Fitting, Straight	
21	1001219190	1	Hose, Kit (Not Shown) (Includes Items 200-203)	
22	7660142601	4	Nut 1/4	
23	7660182301	4	Nut 1/2	
24	7754000049	2	Ring, Retaining	
25	7809000019	2	Sheave	
26	1001152707	AR	Lubricant	
27	7445100843	4	Fitting, Straight	
200	4567152018	1	Hose	
201	1001166531	1	Hose	
202	1001219188	1	Hose	
203	1001219189	1	Hose	

SECTION 2 - BOOM

FIGURE 2-7. WINCH INSTALLATION - MAIN BOOM (DP35 0.75IN CABLE)



ART_1001207358

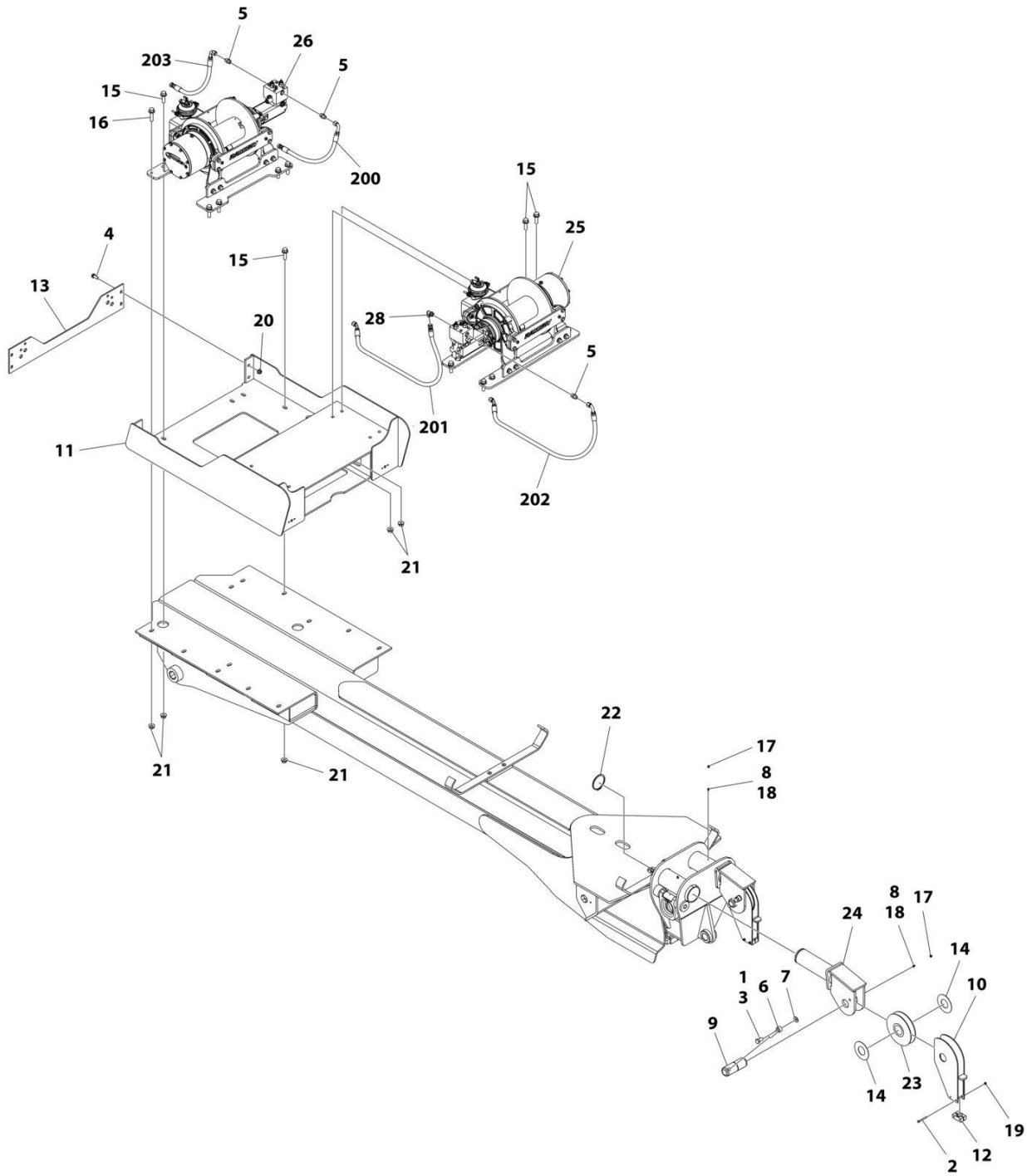
SECTION 2 - BOOM

FIGURE 2-7. WINCH INSTALLATION - MAIN BOOM (DP35 0.75IN CABLE)

ITEM	PART NUMBER	QTY	DESCRIPTION	REV
	1001207358	Ref	WINCH INSTALLATION - MAIN BOOM (DP35 0.75IN CABLE)	C
1	0100011	AR	Compound Locking	
2	0641420	4	Bolt 1/4 x 2-1/2	
3	0641808	2	Bolt 1/2 x 1	
4	0811810	4	Screw 1/2 x 1-1/4	
5	3841203	2	Keeper, Pin	
6	4711800	2	Washer 1/2	
7	7661000018	22	Nut 5/8	
8	1001169616	2	Sheave Support Weldment	
9	1001169893	2	Pin	
10	1001210256	1	Winch Assembly (See Separate Breakdown in this Section)	
11	1001210257	1	Winch Assembly (See Separate Breakdown in this Section)	
12	3249000012	2	Guide, Cable	
13	3636000068	1	Winch Mount	
14	4249000001	4	Guide, Cable	
15	4706002417	1	Plate	
16	4949000045	4	Washer 1/16	
17	7118201616	16	Bolt 5/8 x 2	
18	7118202016	6	Bolt 5/8 x 2-1/2	
19	7253000002	4	Fitting, Cap	
20	7440030000	4	Fitting, Straight	
21	1001219190	1	Hose, Kit (Not Shown) (Includes Items 200-203)	
22	7660142601	4	Nut 1/4	
23	7660182301	4	Nut 1/2	
24	7754000049	2	Ring, Retaining	
25	7809000006	2	Sheave	
26	1001152707	AR	Lubricant	
27	7445100843	4	Fitting, Straight	
200	4567152018	1	Hose	
201	1001166531	1	Hose	
202	1001219188	1	Hose	
203	1001219189	1	Hose	

SECTION 2 - BOOM

FIGURE 2-8. WINCH INSTALLATION - MAIN BOOM (RAMSEY 0.63IN CABLE)



ART_1001266882

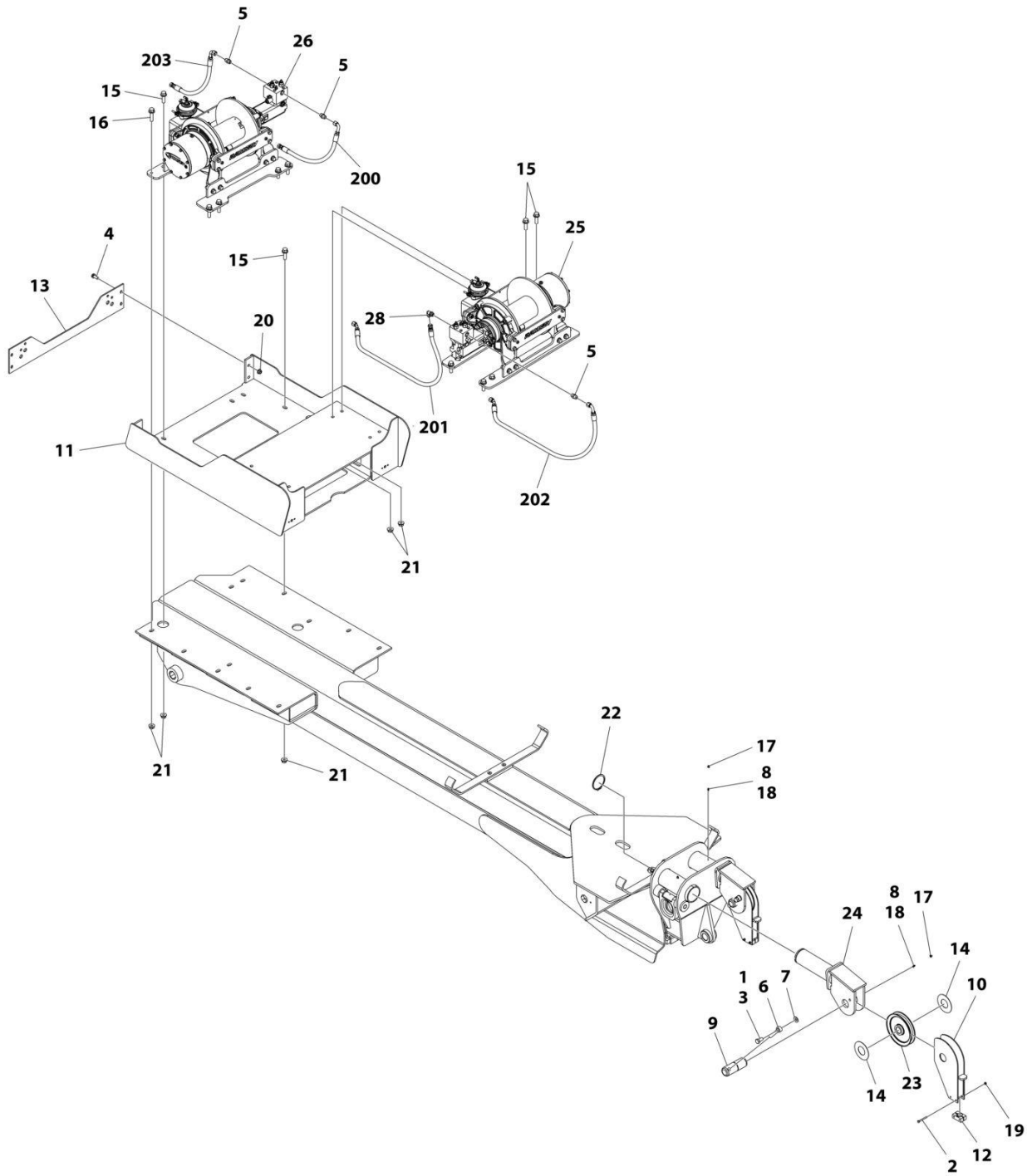
SECTION 2 - BOOM

FIGURE 2-8. WINCH INSTALLATION - MAIN BOOM (RAMSEY 0.63IN CABLE)

ITEM	PART NUMBER	QTY	DESCRIPTION	REV
	1001266882	Ref	WINCH INSTALLATION - MAIN BOOM (RAMSEY 0.63IN CABLE)	A
1	0100011	AR	Compound Locking	
2	0641420	4	Bolt 1/4 x 2-1/2	
3	0642010	2	Bolt 5/8 x 1-1/4	
4	0811810	4	Screw 1/2 x 1-1/4	
5	2220947	3	Adapter	
6	3841258	2	Keeper, Pin	
7	4712000	2	Washer 5/8	
8	1001152707	AR	Lubricant	
9	1001170037	2	Pin	
10	3249000001	2	Guide, Cable	
11	3636000068	1	Winch Mount	
12	4249000001	4	Guide, Cable	
13	4706002417	1	Plate	
14	4949000031	4	Washer 1/16	
15	7118201616	16	Bolt 5/8 x 2	
16	7118202016	6	Bolt 5/8 x 2-1/2	
17	7253000002	4	Fitting, Cap	
18	7440030000	4	Fitting, Straight	
19	7660142601	4	Nut 1/4	
20	7660182301	4	Nut 1/2	
21	7661000018	22	Nut 5/8	
22	7754000049	2	Ring, Retaining	
23	7809000019	2	Sheave	
24	1001169609	2	Sheave Support Weldment	
25	1001266903	1	Winch Assembly (See Separate Breakdown in this Section)	
26	1001266904	1	Winch Assembly (See Separate Breakdown in this Section)	
27	1001266915	1	Hose, Kit (Not Shown) (Includes Items 200-203)	
28	2221036	1	Fitting, 90	
200	1001166531	1	Hose	
201	1001166532	1	Hose	
202	1001219189	1	Hose	
203	1001267012	1	Hose	

SECTION 2 - BOOM

FIGURE 2-9. WINCH INSTALLATION - MAIN BOOM (RAMSEY 0.75IN CABLE)



ART_1001266883

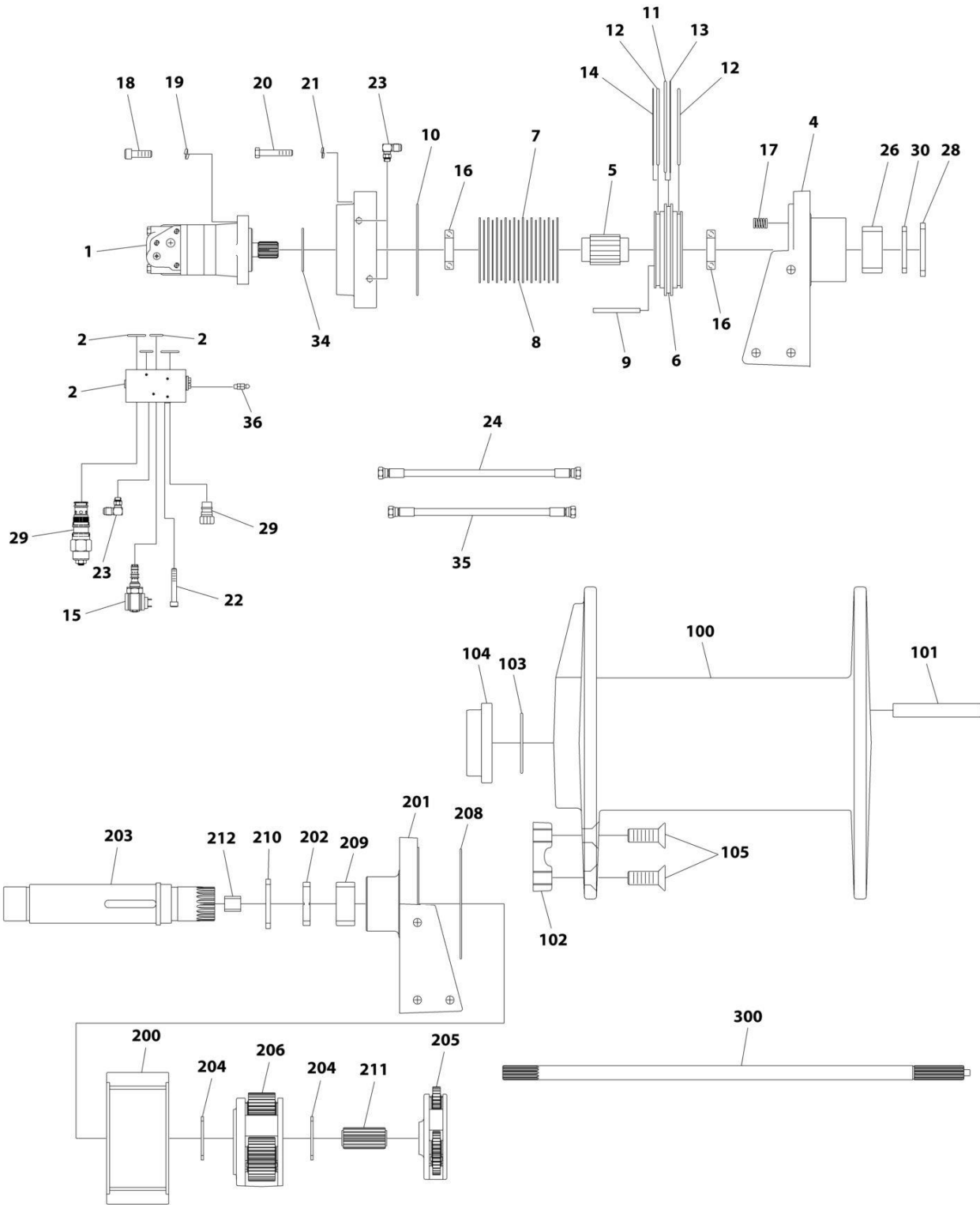
SECTION 2 - BOOM

FIGURE 2-9. WINCH INSTALLATION - MAIN BOOM (RAMSEY 0.75IN CABLE)

ITEM	PART NUMBER	QTY	DESCRIPTION	REV
	1001266883	Ref	WINCH INSTALLATION - MAIN BOOM (RAMSEY 0.75IN CABLE)	A
1	0100011	AR	Compound Locking	
2	0641420	4	Bolt 1/4 x 2-1/2	
3	0641808	2	Bolt 1/2 x 1	
4	0811810	4	Screw 1/2 x 1-1/4	
5	2220947	3	Adapter	
6	3841203	2	Keeper, Pin	
7	4711800	2	Washer 1/2	
8	1001152707	AR	Lubricant	
9	1001169893	2	Pin	
10	3249000012	2	Guide, Cable	
11	3636000068	1	Winch Mount	
12	4249000001	4	Guide, Cable	
13	4706002417	1	Plate	
14	4949000045	4	Washer 1/16	
15	7118201616	16	Bolt 5/8 x 2	
16	7118202016	6	Bolt 5/8 x 2-1/2	
17	7253000002	4	Fitting, Cap	
18	7440030000	4	Fitting, Straight	
19	7660142601	4	Nut 1/4	
20	7660182301	4	Nut 1/2	
21	7661000018	22	Nut 5/8	
22	7754000049	2	Ring, Retaining	
23	7809000006	2	Sheave	
24	1001169616	2	Sheave Support Weldment	
25	1001266903	1	Winch Assembly (See Separate Breakdown in this Section)	
26	1001266904	1	Winch Assembly (See Separate Breakdown in this Section)	
27	1001266915	1	Hose, Kit (Not Shown) (Includes Items 200-203)	
28	2221036	1	Fitting, 90	
200	1001166531	1	Hose	
201	1001166532	1	Hose	
202	1001219189	1	Hose	
203	1001267012	1	Hose	

SECTION 2 - BOOM

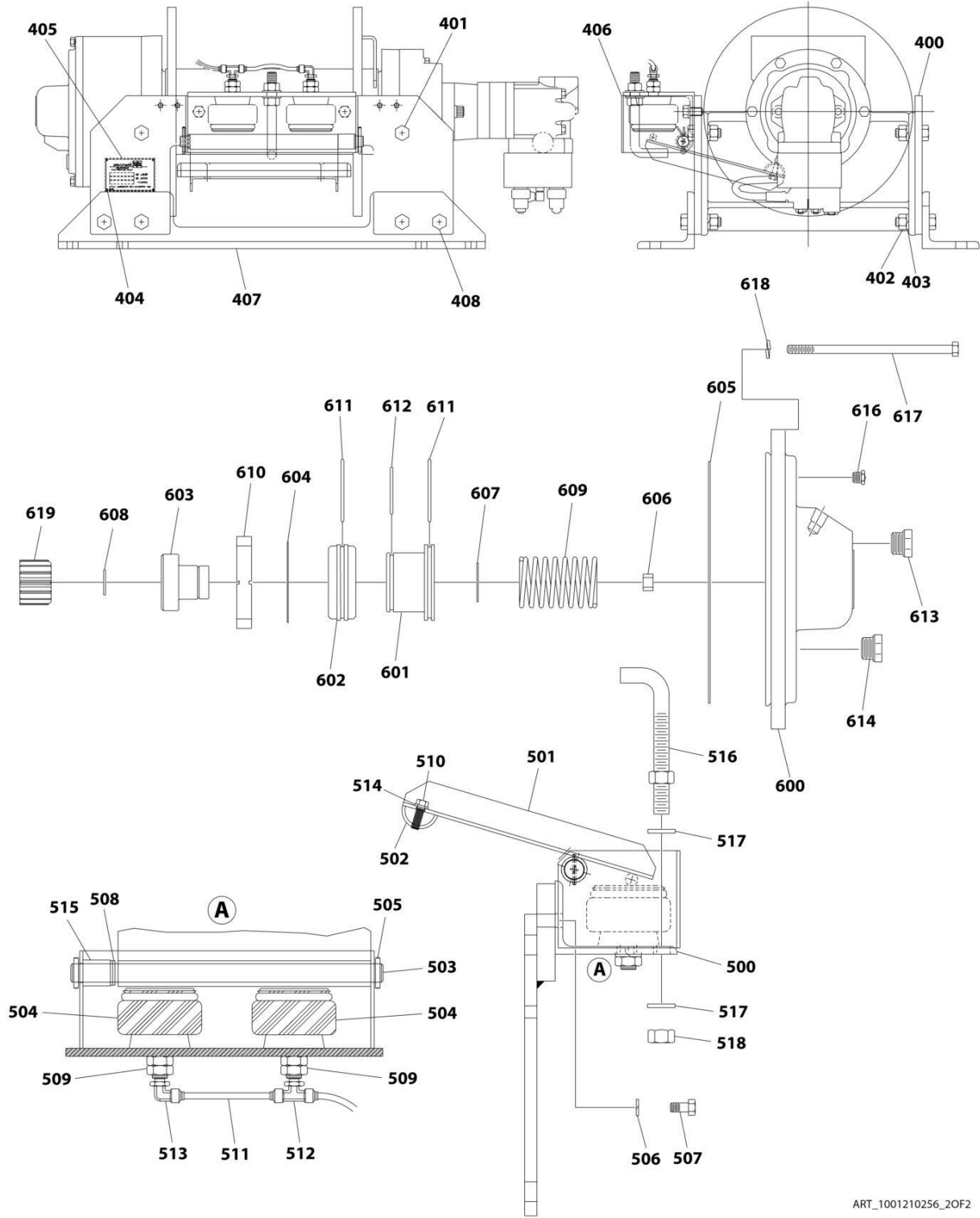
FIGURE 2-10. WINCH ASSEMBLY - FRONT LH (DP35)



ART_1001210256_10F2

SECTION 2 - BOOM

FIGURE 2-11. WINCH ASSEMBLY - FRONT LH (DP35)



ART_1001210256_20F2

SECTION 2 - BOOM

FIGURE 2-11. WINCH ASSEMBLY - FRONT LH (DP35)

ITEM	PART NUMBER	QTY	DESCRIPTION	REV
	1001210256	Ref	WINCH ASSEMBLY - FRONT LH (DP35)	A
		Ref	MOTOR END ASSEMBLY	
1	70050399	1	Motor, Hydraulic	
2	70050368	1	Valve, Counterbalance	
3	9571960006	1	Brake Housing	
4	9177960004	1	Support, Motor End	
5	9806960019	1	Shaft Brake	
6	9698960008	1	Piston, Brake	
7	9706960023	10	Plate, Friction Disc	
8	70051302	9	Plate, Brake Drive	
9	9691960021	2	Pin	
10	70051307	1	O-Ring	
11	70051305	1	O-Ring	
12	70051303	2	O-Ring	
13	70051306	1	Backup Ring	
14	70051304	1	Backup Ring	
15	70050371	1	Cartridge, Valve	
16	9082960013	2	Bearing	
17	9843960024	12	Compression Spring	
18	7118181205	2	Capscrew 1/2 x 1-1/2	
19	7950180800	2	Washer 1/2	
20	7118172050	6	Capscrew 7/16 x 2-1/2	
21	7950170000	6	Washer 7/16	
22	70050370	4	Capscrew 3/8 x 2-1/2	
23	7445040445	3	Fitting, 90	
24	70050372	1	Hose	
25	70050401	1	Tag, Warning (Not Shown)	
26	9082960018	1	Bearing	
28	9796960121	1	Seal	
29	9935960026	2	Cartridge, Counterbalance	
30	9949960028	1	Thrust Washer	
34	9796960090	1	O-Ring	
35	70051309	1	Hose	
36	9443960006	1	Fitting, Straight	
		Ref	DRUM ASSEMBLY	
100	9970960020	1	Drum	
101	9575960012	2	Key, Drum	
102	9280960002	1	Clip	
103	9796960089	1	O-Ring	
104	9831960018	1	Spacer	
105	7110201423	2	Capscrew 5/8 x 1-3/4	
		Ref	GEAR END ASSEMBLY	
200	70050991	1	Gear	
201	9177960003	1	Support, Gear End	
202	9949960028	1	Thrust Washer	
203	9806960021	1	Shaft, Output	
204	9949960027	2	Thrust Washer	
205	9472960052	1	Carrier Assembly, Primary	
206	70050992	1	Carrier Assembly, Secondary	
207	9330960006	1	Label, Warning (Not Shown)	

SECTION 2 - BOOM

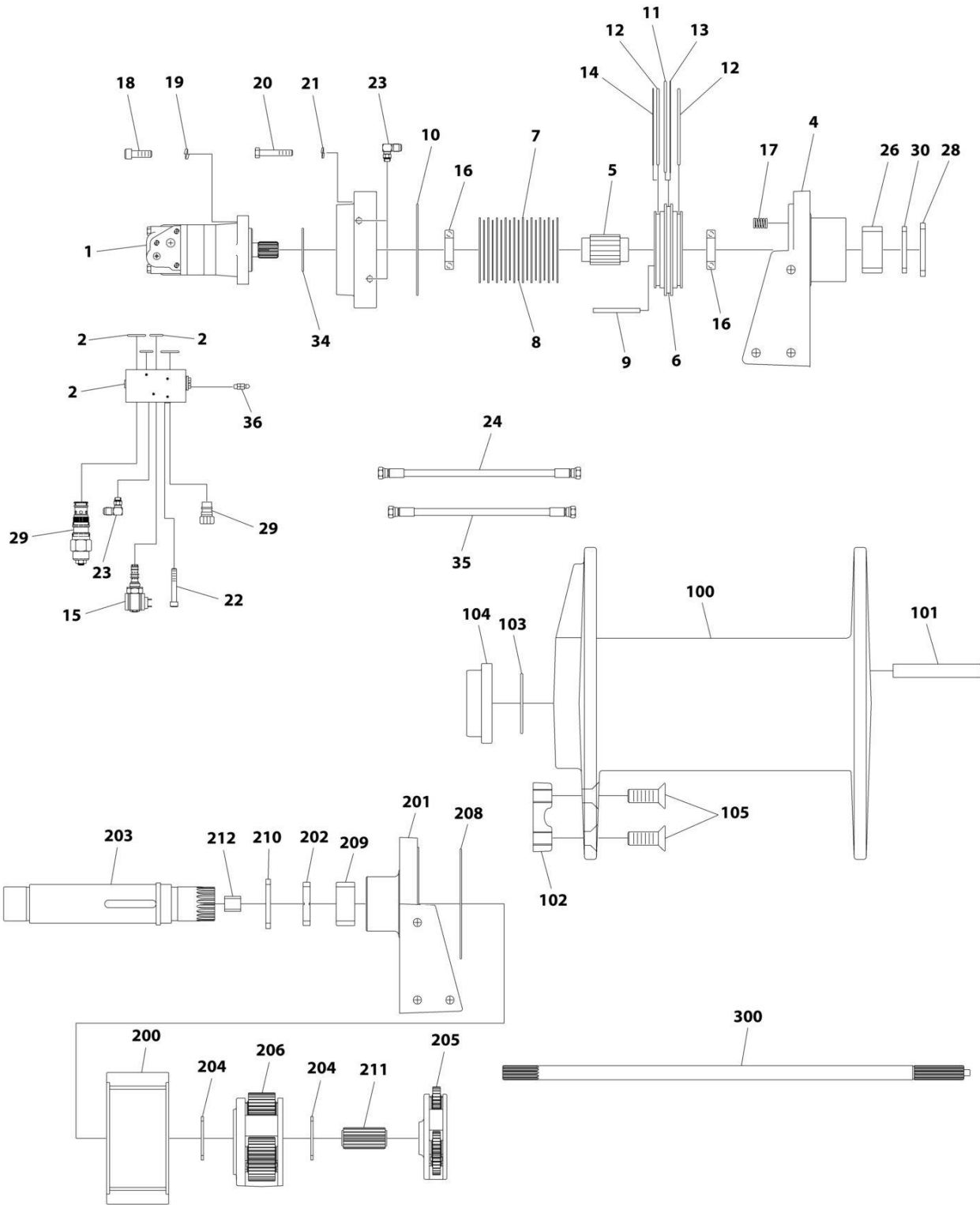
ITEM	PART NUMBER	QTY	DESCRIPTION	REV
208	9796960120	1	O-Ring	
209	9082960018	1	Bearing	
210	9796960121	1	Seal	
211	70050993	1	Gear, Sun Secondary	
212	9209960025	1	Bushing	
		Ref	INPUT SHAFT ASSEMBLY	
300	70050994	1	Input Shaft	
		Ref	BASE MOUNT ASSEMBLY	
400	9073960003	2	Base Mount	
401	7115201850	4	Capscrew 5/8 x 2-1/4	
402	7660200001	12	Nut 5/8	
403	7950200000	12	Washer 5/8	
404	70050147	4	Rivet	
405	70050384	1	Plate, Winch ID	
406	70050398	1	Kit - Cable Hold Down	
407	9073960004	2	Base Mount	
408	7115202250	8	Capscrew 5/8 x 2-3/4	
		Ref	CABLE HOLD DOWN ASSEMBLY	
500	9178960011	1	Mounting Bracket	
501	9020960002	1	Pivot Arm	
502	9064960007	1	Rub Bar	
503	9691960019	1	Pin	
504	9843960023	2	Air Spring	
505	9690960039	2	Cotter Pin	
506	7950180000	2	Washer 1/2	
507	7115181650	2	Capscrew 1/2 x 1	
508	9949960012	2	Thrust Washer	
509	7660200200	4	Nut 5/8	
510	9120960063	2	Capscrew 5/16 x 1	
511	9912960010	3	Tube	
512	7443000205	3	Fitting, Tee	
513	7443000204	1	Fitting, 90	
514	9949960050	2	Washer 5/8	
515	9831960009	1	Spacer	
516	9120960019	1	Bolt 5/8 x 6-1/2	
517	7950200151	2	Washer 5/8	
518	7660200001	1	Nut 5/8	
		Ref	GEAR END COVER ASSEMBLY	
600	9314960022	1	Cover, Gear End	
601	9698960016	1	Piston	
602	9698960015	1	Cylinder, Piston	
603	9309960011	1	Coupling	
604	9754960026	1	Retainer Ring	
605	9796960120	1	O-Ring	
606	9209960026	1	Bushing	
607	9754960046	1	Retainer Ring	
608	9754960047	1	Retainer Ring	
609	9843960032	1	Compression Spring	
610	9949960028	1	Thrust Washer	
611	9796960119	2	O-Ring	
612	9796960118	1	O-Ring	

SECTION 2 - BOOM

ITEM	PART NUMBER	QTY	DESCRIPTION	REV
613	9701960011	1	Plug	
613	70050998	1	O-Ring	
614	9701960012	1	Plug	
614	70050998	1	O-Ring	
615	9701960018	1	Plug (Not Shown)	
616	9183960001	1	Vent	
617	70050995	12	Capscrew 3/8 x 5-1/2	
618	7950160000	12	Washer 3/8	
619	9472960054	1	Gear, 15 Teeth	

SECTION 2 - BOOM

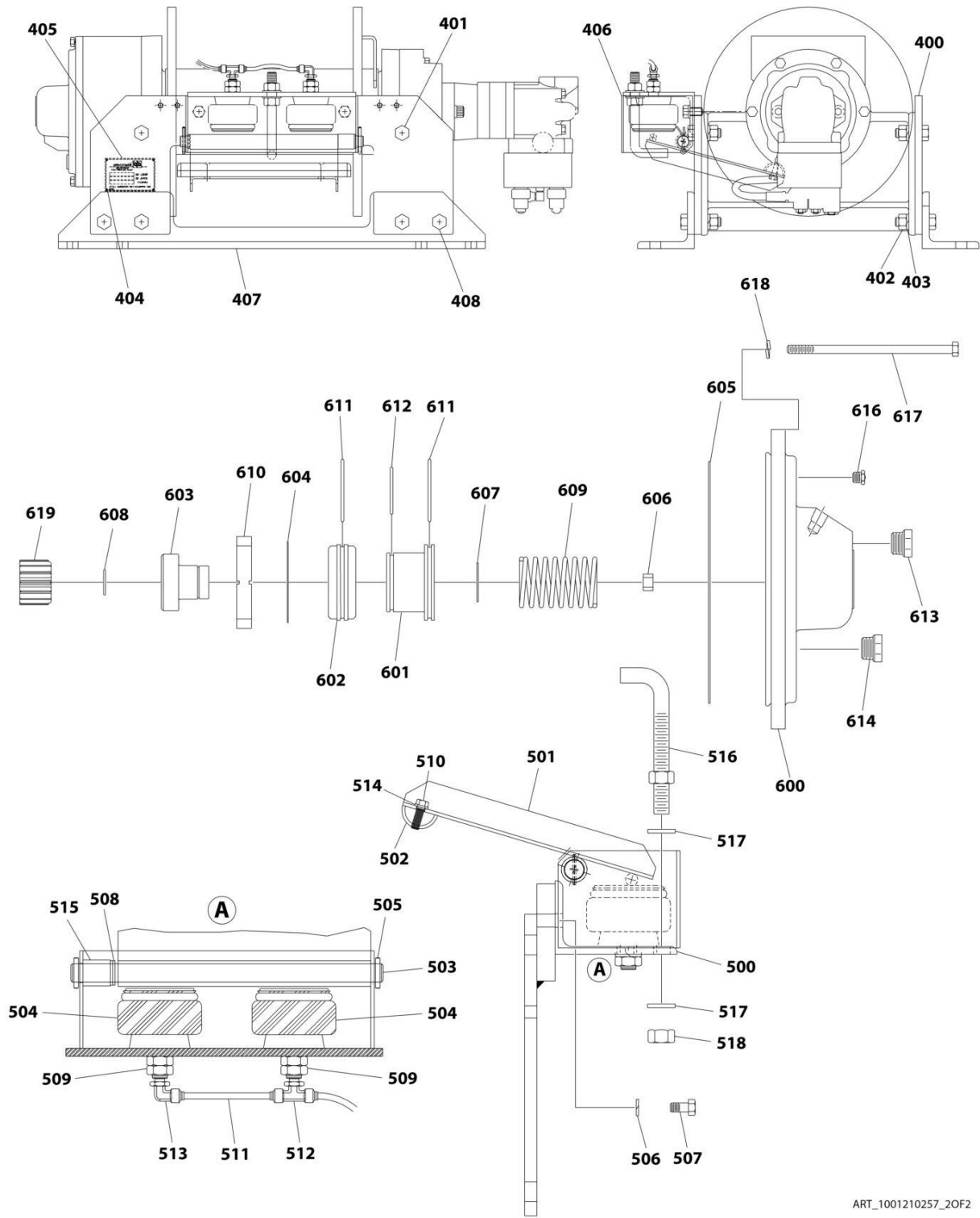
FIGURE 2-12. WINCH ASSEMBLY - REAR RH (DP35)



ART_1001210257_1OF2

SECTION 2 - BOOM

FIGURE 2-13. WINCH ASSEMBLY - REAR RH (DP35)



ART_1001210257_20F2

SECTION 2 - BOOM

FIGURE 2-13. WINCH ASSEMBLY - REAR RH (DP35)

ITEM	PART NUMBER	QTY	DESCRIPTION	REV
	1001210257	Ref	WINCH ASSEMBLY - REAR RH (DP35)	A
		Ref	MOTOR END ASSEMBLY	
1	70050399	1	Motor, Hydraulic	
2	70050368	1	Valve, Counterbalance	
3	9571960006	1	Brake Housing	
4	9177960004	1	Support, Motor End	
5	9806960019	1	Shaft Brake	
6	9698960008	1	Piston, Brake	
7	9706960023	10	Plate, Friction Disc	
8	70051302	9	Plate, Brake Drive	
9	9691960021	2	Pin	
10	70051307	1	O-Ring	
11	70051305	1	O-Ring	
12	70051303	2	O-Ring	
13	70051306	1	Backup Ring	
14	70051304	1	Backup Ring	
15	70050371	1	Cartridge, Valve	
16	9082960013	2	Bearing	
17	9843960024	12	Compression Spring	
18	7118181205	2	Capscrew 1/2 x 1-1/2	
19	7950180800	2	Washer 1/2	
20	7118172050	6	Capscrew 7/16 x 2-1/2	
21	7950170000	6	Washer 7/16	
22	70050370	4	Capscrew 3/8 x 2-1/2	
23	7445040445	3	Fitting, 90	
24	70050372	1	Hose	
25	70050401	1	Tag, Warning (Not Shown)	
26	9082960018	1	Bearing	
28	9796960121	1	Seal	
29	9935960026	2	Cartridge, Counterbalance	
30	9949960028	1	Thrust Washer	
34	9796960090	1	O-Ring	
35	70051309	1	Hose	
36	9443960006	1	Fitting, Straight	
		Ref	DRUM ASSEMBLY	
100	9970960020	1	Drum	
101	9575960012	2	Key, Drum	
102	9280960002	1	Clip	
103	9796960089	1	O-Ring	
104	9831960018	1	Spacer	
105	7110201423	2	Capscrew 5/8 x 1-3/4	
		Ref	Gear End Assembly	
200	70050991	1	Gear	
201	9177960003	1	Support, Gear End	
202	9949960028	1	Thrust Washer	
203	9806960021	1	Shaft, Output	
204	9949960027	2	Thrust Washer	
205	9472960052	1	Carrier Assembly, Primary	
206	70050992	1	Carrier Assembly, Secondary	
207	9330960006	1	Label, Warning (Not Shown)	

SECTION 2 - BOOM

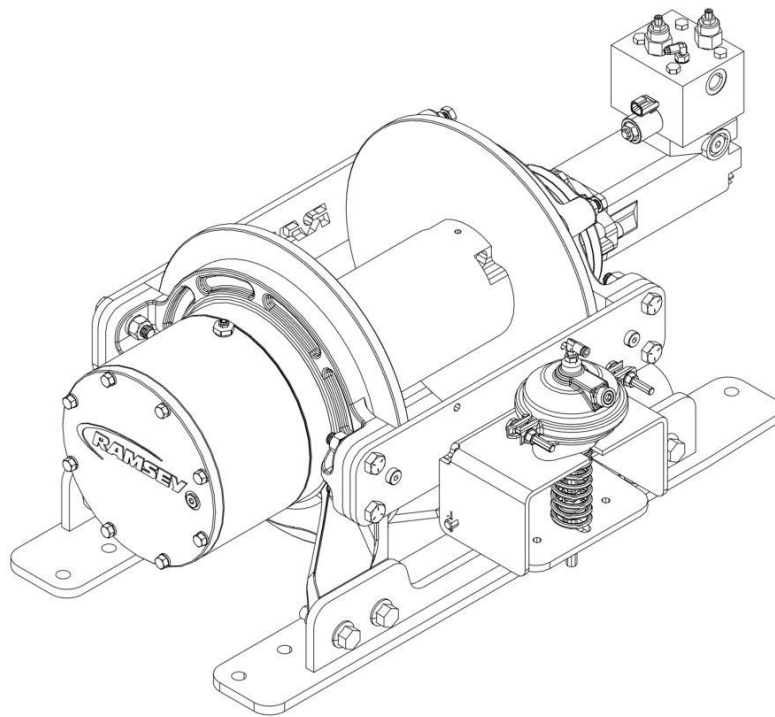
ITEM	PART NUMBER	QTY	DESCRIPTION	REV
208	9796960120	1	O-Ring	
209	9082960018	1	Bearing	
210	9796960121	1	Seal	
211	70050993	1	Gear, Sun Secondary	
212	9209960025	1	Bushing	
		Ref	INPUT SHAFT ASSEMBLY	
300	70050994	1	Input Shaft	
		Ref	BASE MOUNT ASSEMBLY	
400	9073960003	2	Base Mount	
401	7115201850	4	Capscrew 5/8 x 2-1/4	
402	7660200001	12	Nut 5/8	
403	7950200000	12	Washer 5/8	
404	70050147	4	Rivet	
405	70050384	1	Plate, Winch ID	
406	70050398	1	Kit - Cable Hold Down	
407	9073960004	2	Base Mount	
408	7115202250	8	Capscrew 5/8 x 2-3/4	
		Ref	CABLE HOLD DOWN ASSEMBLY	
500	9178960011	1	Mounting Bracket	
501	9020960002	1	Pivot Arm	
502	9064960007	1	Rub Bar	
503	9691960019	1	Pin	
504	9843960023	2	Air Spring	
505	9690960039	2	Cotter Pin	
506	7950180000	2	Washer 1/2	
507	7115181650	2	Capscrew 1/2 x 1	
508	9949960012	2	Thrust Washer	
509	7660200200	4	Nut 5/8	
510	9120960063	2	Capscrew 5/16 x 1	
511	9912960010	3	Tube	
512	7443000205	3	Fitting, Tee	
513	7443000204	1	Fitting, 90	
514	9949960050	2	Washer 5/8	
515	9831960009	1	Spacer	
516	9120960019	1	Bolt 5/8 x 6-1/2	
517	7950200151	2	Washer 5/8	
518	7660200001	1	Nut 5/8	
		Ref	GEAR END COVER ASSEMBLY	
600	9314960022	1	Cover, Gear End	
601	9698960016	1	Piston	
602	9698960015	1	Cylinder, Piston	
603	9309960011	1	Coupling	
604	9754960026	1	Retainer Ring	
605	9796960120	1	O-Ring	
606	9209960026	1	Bushing	
607	9754960046	1	Retainer Ring	
608	9754960047	1	Retainer Ring	
609	9843960032	1	Compression Spring	
610	9949960028	1	Thrust Washer	
611	9796960119	2	O-Ring	
612	9796960118	1	O-Ring	

SECTION 2 - BOOM

ITEM	PART NUMBER	QTY	DESCRIPTION	REV
613	9701960011	1	Plug	
613	70050998	1	O-Ring	
614	9701960012	1	Plug	
614	70050998	1	O-Ring	
615	9701960018	1	Plug (Not Shown)	
616	9183960001	1	Vent	
617	70050995	12	Capscrew 3/8 x 5-1/2	
618	7950160000	12	Washer 3/8	
619	9472960054	1	Gear, 15 Teeth	

SECTION 2 - BOOM

FIGURE 2-14. WINCH ASSEMBLY - REAR RH (RAMSEY)



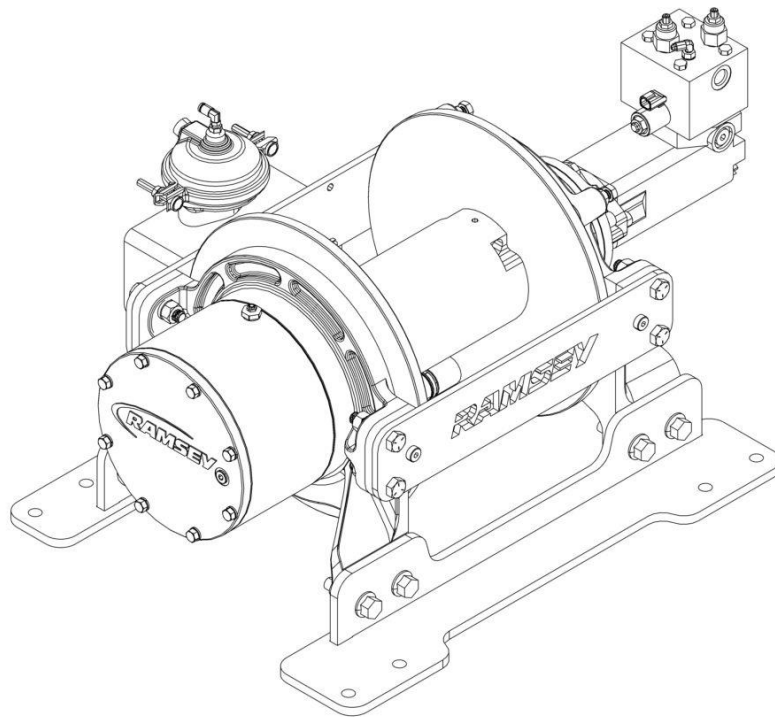
ART_1001266903

FIGURE 2-14. WINCH ASSEMBLY - REAR RH (RAMSEY)

ITEM	PART NUMBER	QTY	DESCRIPTION	REV
	1001266903 See Note	Ref Ref	WINCH ASSEMBLY - REAR RH (RAMSEY) Note: No Service Part Available at the Time of Printing	A

SECTION 2 - BOOM

FIGURE 2-15. WINCH ASSEMBLY - FRONT LH (RAMSEY)



ART_1001266904

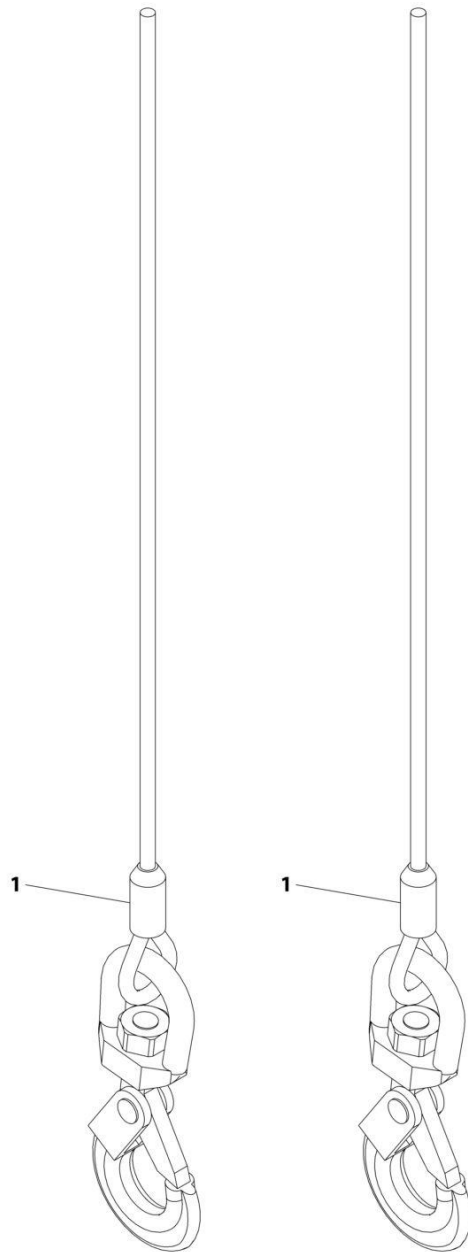
SECTION 2 - BOOM

FIGURE 2-15. WINCH ASSEMBLY - FRONT LH (RAMSEY)

ITEM	PART NUMBER	QTY	DESCRIPTION	REV
	1001266904	Ref	WINCH ASSEMBLY - FRONT LH (RAMSEY)	A
	See Note	Ref	Note: No Service Part Available at the Time of Printing	

SECTION 2 - BOOM

FIGURE 2-16. CABLE INSTALLATION - 0.63IN X 200FT WITH SWIVEL HOOK



ART_1001269143

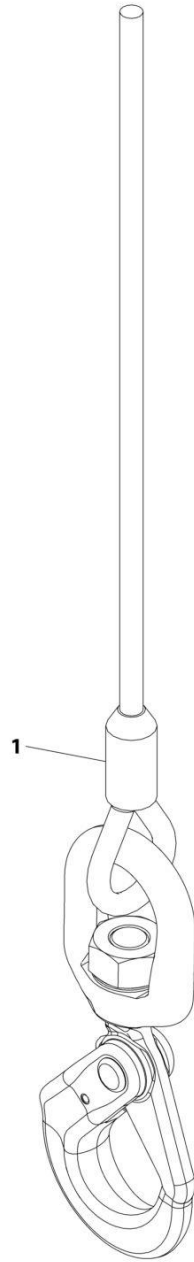
SECTION 2 - BOOM

FIGURE 2-16. CABLE INSTALLATION - 0.63IN X 200FT WITH SWIVEL HOOK

ITEM	PART NUMBER	QTY	DESCRIPTION	REV
1	1001269143 7248000078	Ref 2	CABLE INSTALLATION - 0.63IN X 200FT WITH SWIVEL HOOK Cable Assembly	A

SECTION 2 - BOOM

FIGURE 2-17. CABLE INSTALLATION - 0.63IN X 250FT WITH SWIVEL HOOK



ART_1001254986

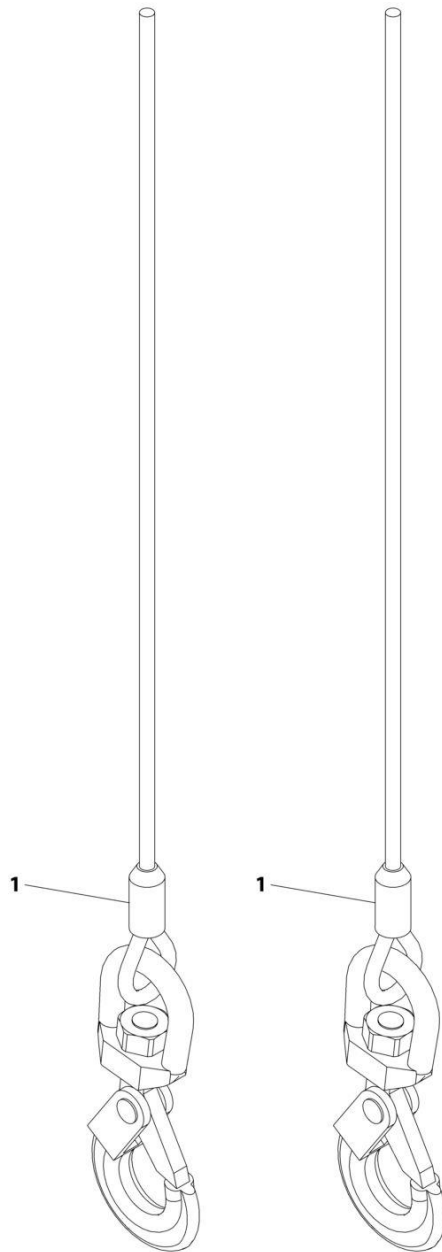
SECTION 2 - BOOM

FIGURE 2-17. CABLE INSTALLATION - 0.63IN X 250FT WITH SWIVEL HOOK

ITEM	PART NUMBER	QTY	DESCRIPTION	REV
1	1001254986 7248000079	Ref 2	CABLE ASSEMBLY - MAIN BOOM (STD SWIVEL) Cable Assembly	C

SECTION 2 - BOOM

FIGURE 2-18. CABLE INSTALLATION - 0.75IN X 200FT WITH SWIVEL HOOK



ART_1001269146

SECTION 2 - BOOM

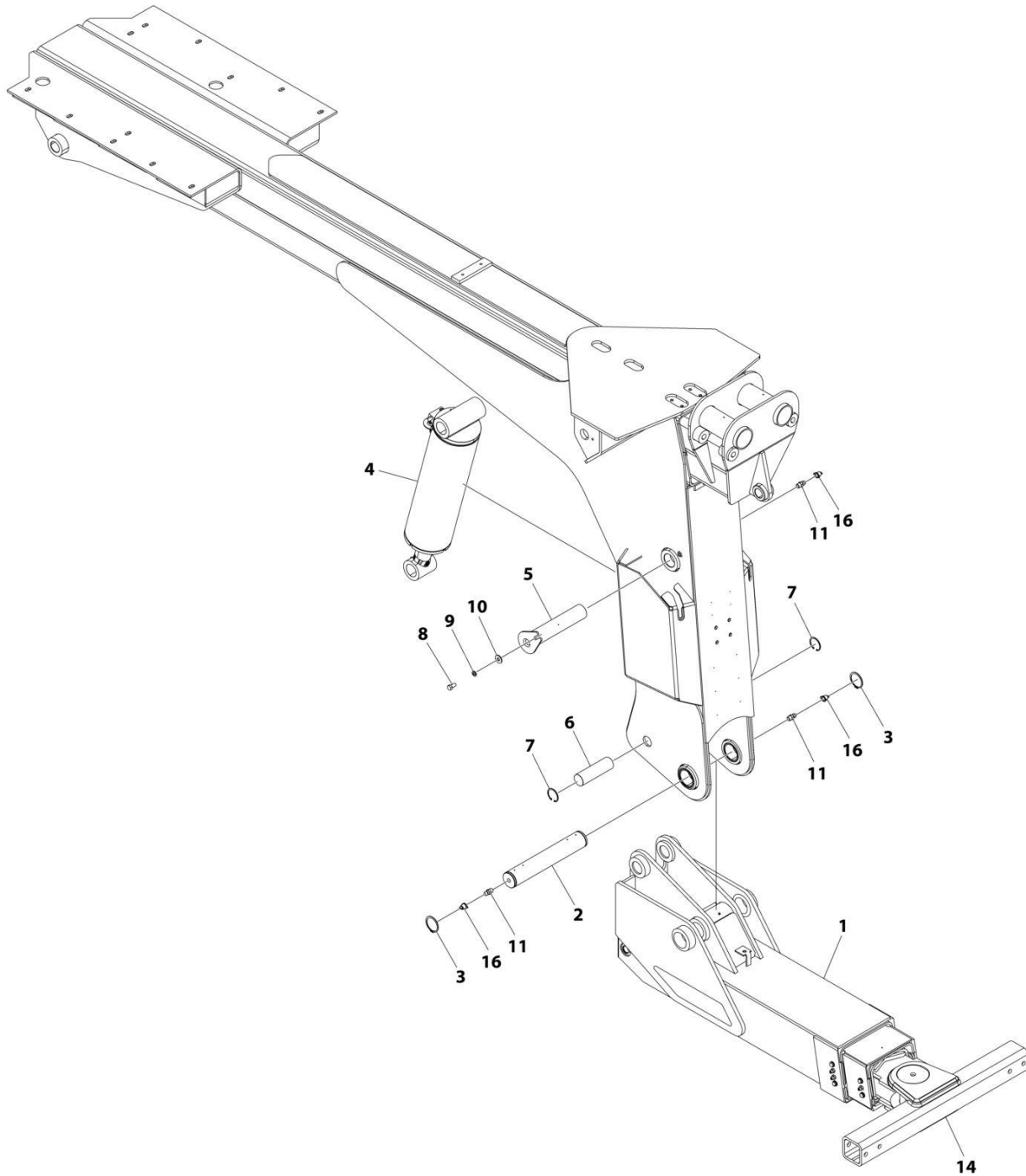
FIGURE 2-18. CABLE INSTALLATION - 0.75IN X 200FT WITH SWIVEL HOOK

ITEM	PART NUMBER	QTY	DESCRIPTION	REV
1	1001269146 7248000080	Ref 2	CABLE INSTALLATION - 0.75IN X 200FT WITH SWIVEL HOOK Cable Assembly	B

SECTION 3 - UNDERLIFT

SECTION 3 - UNDERLIFT

FIGURE 3-1. UNDERLIFT INSTALLATION - 3 PIECE 35000LBS (UL350)



ART_2506100008_H

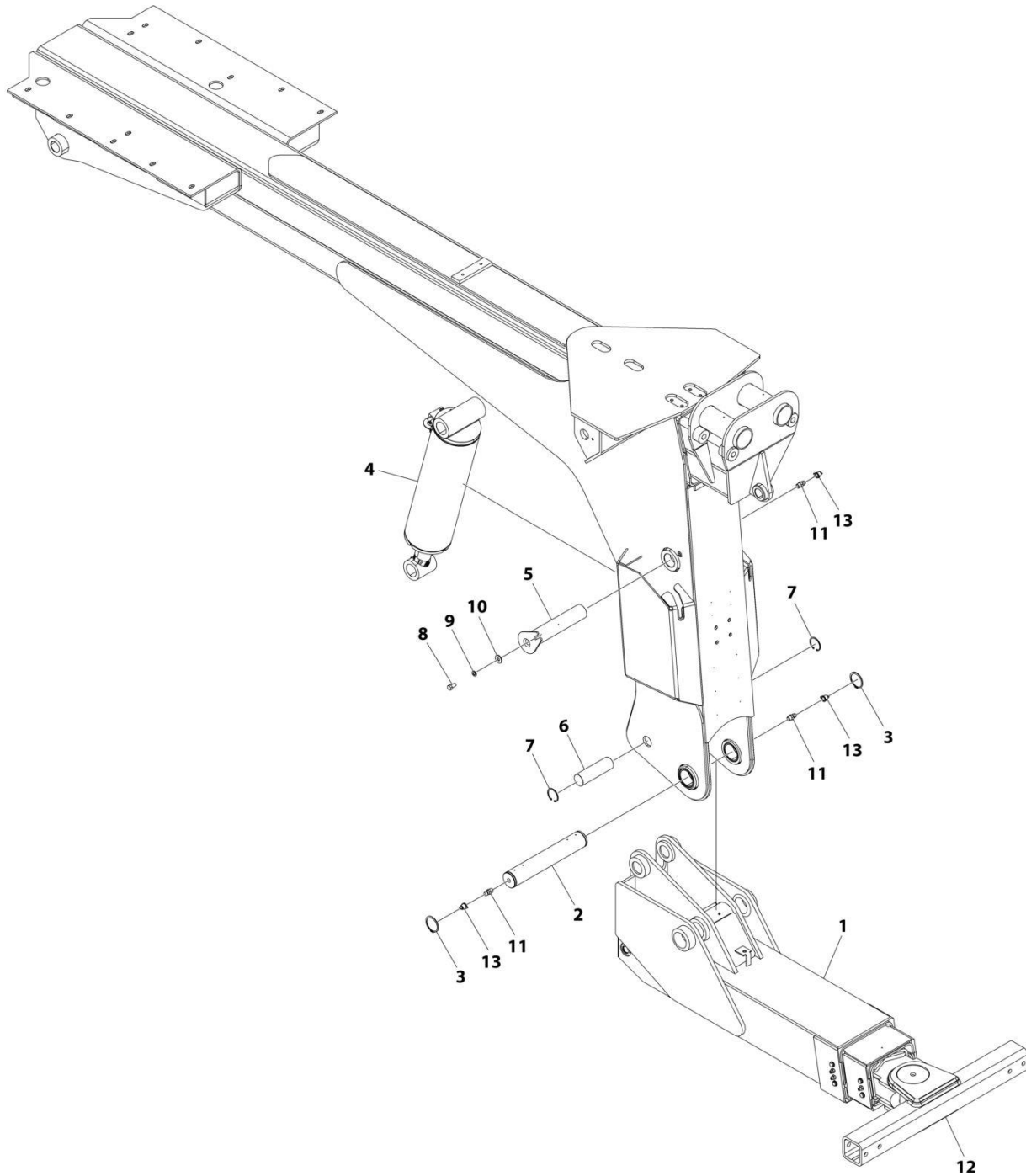
SECTION 3 - UNDERLIFT

FIGURE 3-1. UNDERLIFT INSTALLATION - 3 PIECE 35000LBS (UL350)

ITEM	PART NUMBER	QTY	DESCRIPTION	REV
	2506100008	Ref	UNDERLIFT INSTALLATION - 3 PIECE 35000LBS (UL350)	H
1	3170000220	1	Underlift Boom Assembly (See Separate Breakdown in this Section)	
2	4691000311	1	Pin	
3	7754000018	2	Ring, Retaining	
4	1001286132	1	Cylinder Assembly - Tilt (See Separate Breakdown in this Section)	
5	3691000160	1	Pin	
6	4691000317	1	Pin	
7	7754000051	2	Ring, Retaining	
8	7115180850	1	Capscrew 1/2 x 1	
9	7950180000	1	Washer 1/2	
10	7950180161	1	Washer 1/2	
11	7440030000	3	Fitting, Straight	
14	2503880012	1	Cross Tube Installation (See Separate Breakdown in this Section)	
15	2503870011	1	Frame Fork Installation (Not Shown) (See Separate Breakdown in this Section)	
16	7253000002	5	Cap, Fitting	

SECTION 3 - UNDERLIFT

FIGURE 3-2. UNDERLIFT INSTALLATION - 3 PIECE 35000LBS (UL350X)



ART_1001134538_D

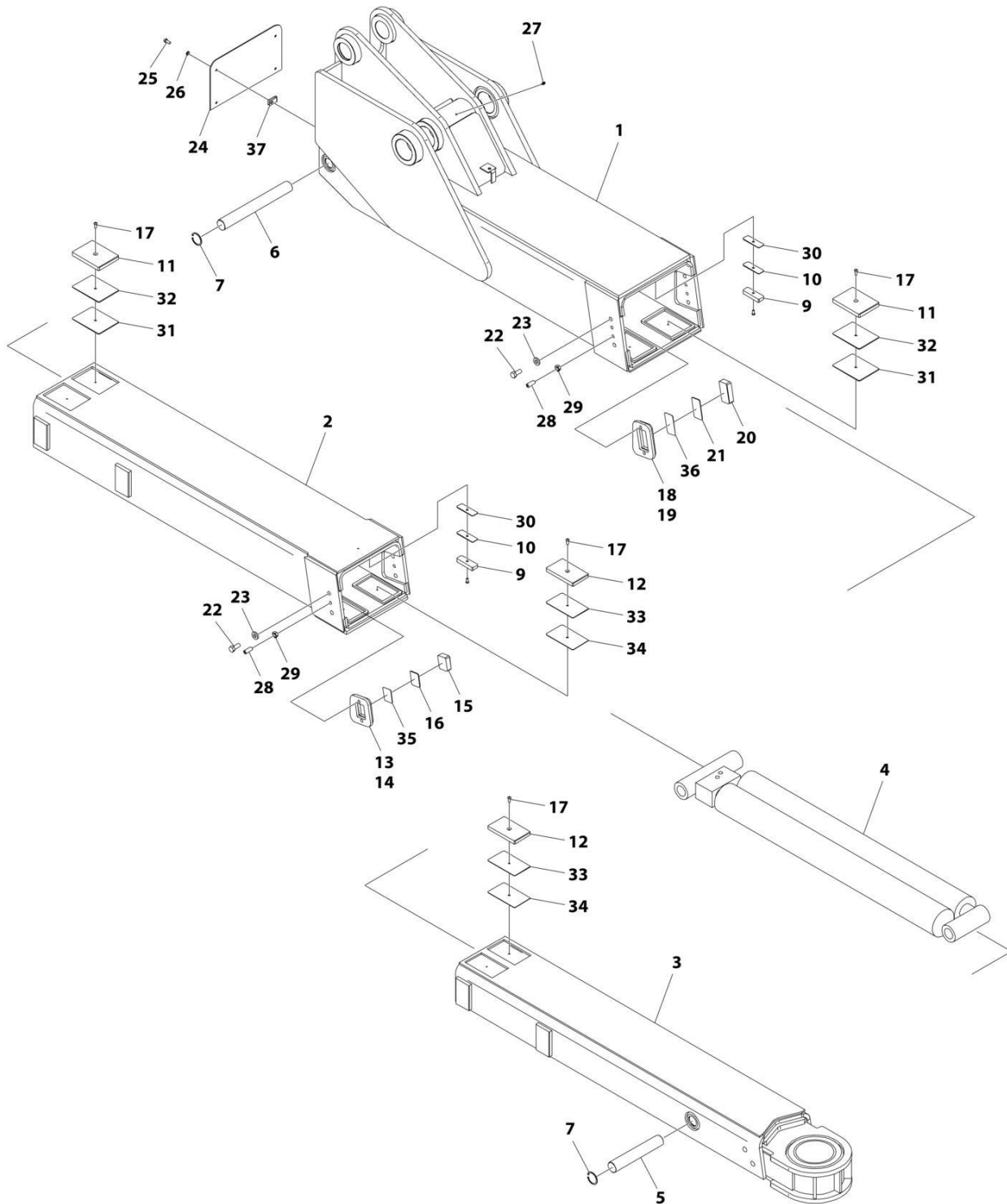
SECTION 3 - UNDERLIFT

FIGURE 3-2. UNDERLIFT INSTALLATION - 3 PIECE 35000LBS (UL350X)

ITEM	PART NUMBER	QTY	DESCRIPTION	REV
	1001134538	Ref	UNDERLIFT INSTALLATION - 3 PIECE 35000LBS (UL350X)	D
1	3170000433	1	Underlift 350X Boom Assembly (See Separate Breakdown in this Section)	
2	4691000311	1	Pin	
3	7754000018	2	Ring, Retaining	
4	1001286132	1	Cylinder Assembly - Tilt (See Separate Breakdown in this Section)	
5	3691000160	1	Pin	
6	4691000317	1	Pin	
7	7754000051	2	Ring, Retaining	
8	7115180850	1	Capscrew 1/2 x 1	
9	7950180000	1	Washer 1/2	
10	7950180161	1	Washer 1/2	
11	7440030000	3	Fitting, Straight	
12	2503880012	1	Cross Tube Installation (See Separate Breakdown in this Section)	
13	7253000002	5	Cap, Fitting	
14	2503870011	1	Frame Fork Installation (Not Shown) (See Separate Breakdown in this Section)	

SECTION 3 - UNDERLIFT

FIGURE 3-3. UNDERLIFT ASSEMBLY - UL350 (35,000 LBS) (Prior to SN 0230010761, Including 0230010819, 0230010881, 0230011070, 0230011120 and 0230011198)



ART_3170000220

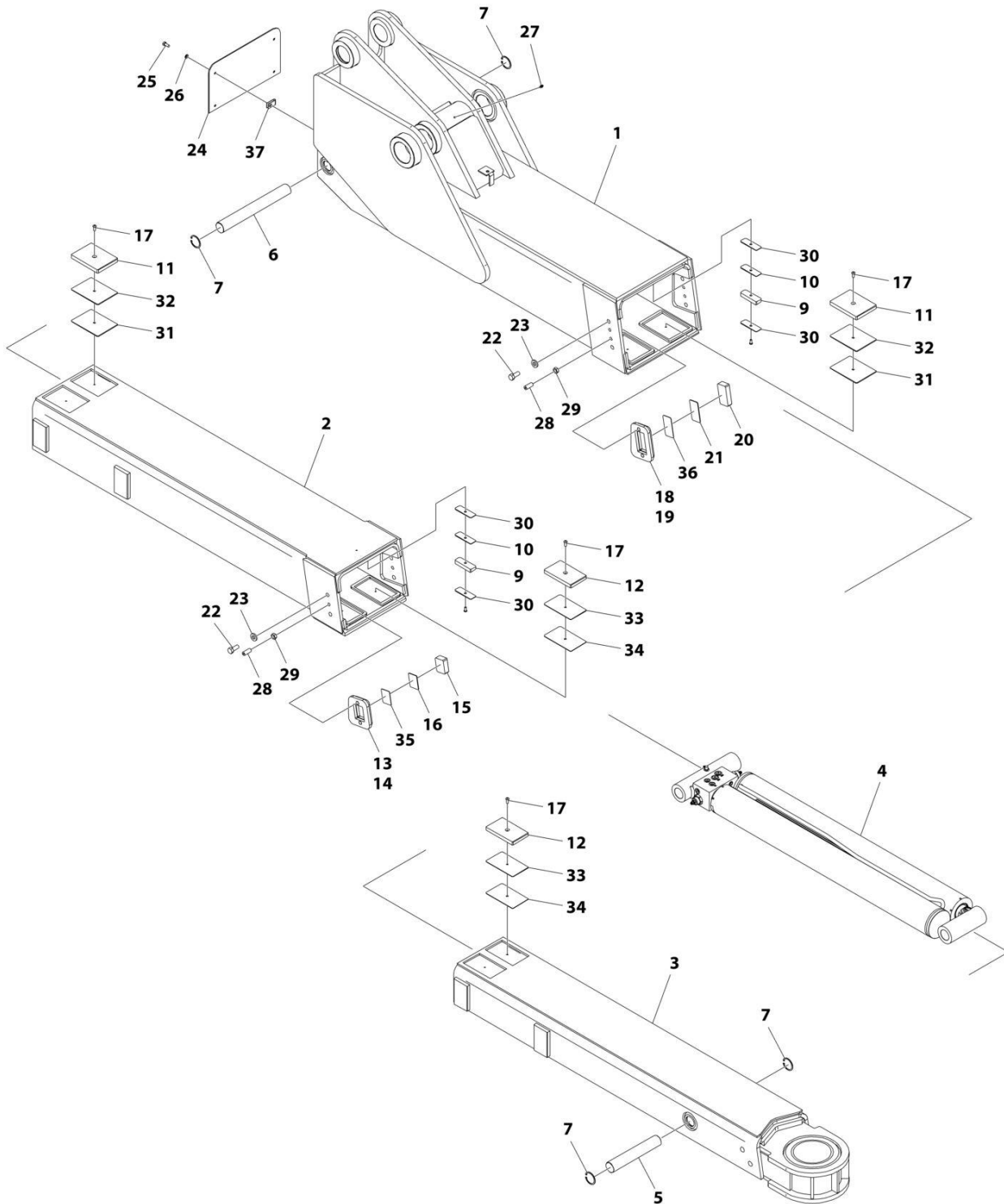
SECTION 3 - UNDERLIFT

FIGURE 3-3. UNDERLIFT ASSEMBLY - UL350 (35,000 LBS) (Prior to SN 0230010761, Including 0230010819, 0230010881, 0230011070, 0230011120 and 0230011198)

ITEM	PART NUMBER	QTY	DESCRIPTION	REV
	3170000220	Ref	Underlift Assembly - 35,000 lbs	E
1	3170000224	1	Base Section Boom Weldment	
2	3170000223	1	Mid Section Boom Weldment	
3	3170000221	1	Fly Section Boom Weldment	
4	7320000042	1	Underlift Extension Cylinder Assembly (See Separate Breakdown in this Section)	
5	4691000318	1	Pin	
6	4691000316	1	Pin	
7	7754000043	4	Retaining Ring	
9	4679000159	2	Pad	
10	4706003708	2	Plate	
11	4679000161	4	Pad	
12	4679000158	4	Pad	
13	3706000177	1	Plate	
14	3706000178	1	Plate	
15	4679000206	2	Pad	
16	4706003144	2	Plate	
17	7114140418	8	Capscrew 1/4 x 1/2	
18	3706000179	1	Plate - LH	
19	3706000180	1	Plate - RH	
20	4679000205	2	Pad	
21	4706003719	2	Plate	
22	7105180850	8	Capscrew 1/4 x 1	
23	7950170153	8	Washer 1/4	
24	4706002467	1	Plate	
25	7115140650	4	Capscrew 1/4 x 3/4	
26	7950140000	4	Washer 1/4	
27	7440030000	1	Grease Fitting	
28	7786000008	6	Screw 1/2 x 1-1/4	
29	7660180230	6	Nut 1/2	
30	4706003709	4	Plate	
31	4706003721	4	Plate	
32	4706003722	4	Plate	
33	4706003723	4	Plate	
34	4706003724	4	Plate	
35	4706003725	2	Plate	
36	4706003720	2	Plate	
37	7661000019	4	U-Nut 1/4	

SECTION 3 - UNDERLIFT

FIGURE 3-4. UNDERLIFT ASSEMBLY - UL350 (35,000 LBS) (SN 0230010761 to Present, Excluding 0230010819, 0230010881, 0230011070, 0230011120 and 0230011198)



ART_3170000220_F

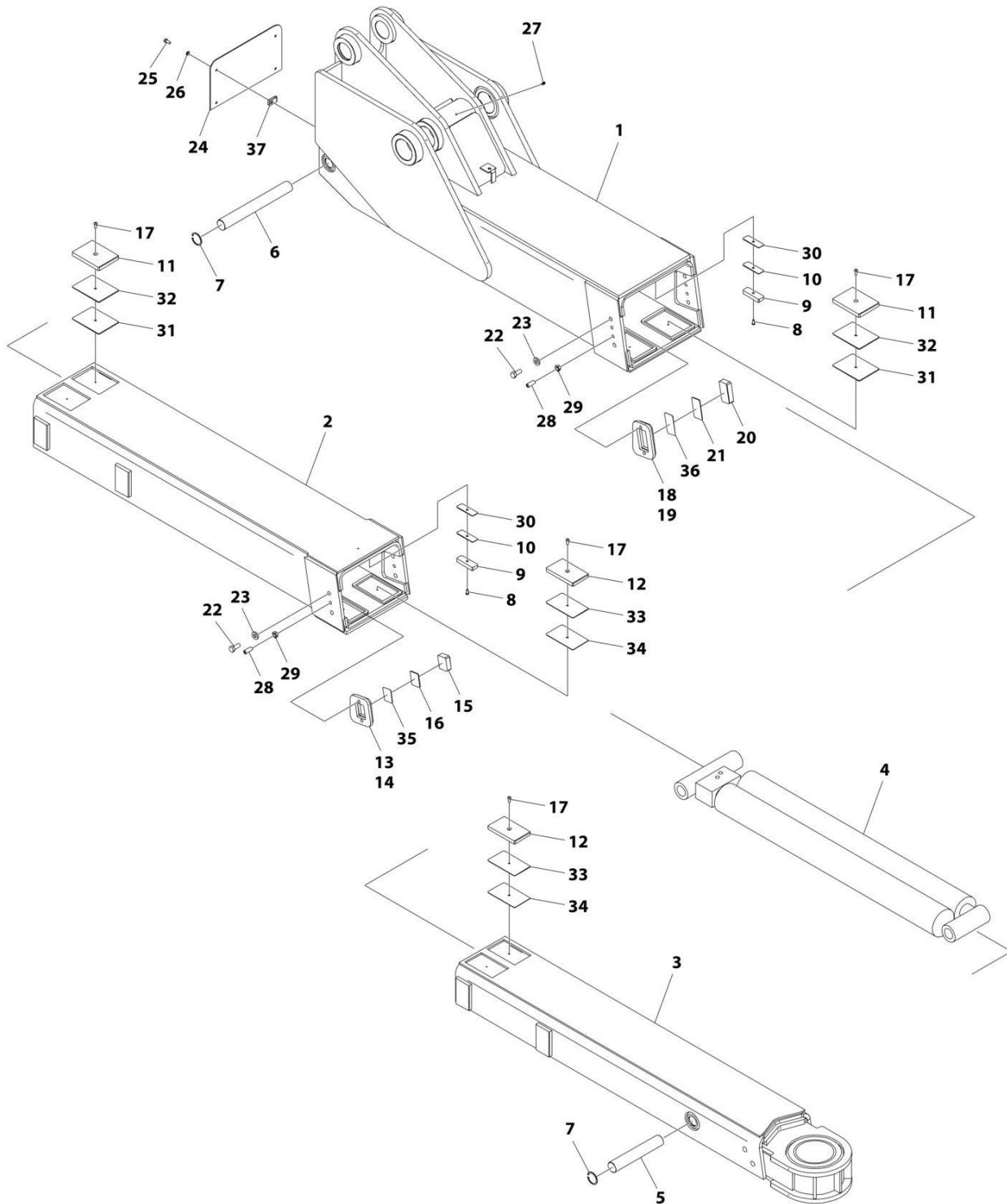
SECTION 3 - UNDERLIFT

FIGURE 3-4. UNDERLIFT ASSEMBLY - UL350 (35,000 LBS) (SN 0230010761 to Present, Excluding 0230010819, 0230010881, 0230011070, 0230011120 and 0230011198)

ITEM	PART NUMBER	QTY	DESCRIPTION	REV
	3170000220	Ref	UNDERLIFT ASSEMBLY - 35,000 LBS	F
1	3170000224	1	Base Section Boom Weldment	
2	3170000223	1	Mid Section Boom Weldment	
3	3170000221	1	Fly Section Boom Weldment	
4	1001286134	1	Underlift Extension Cylinder Assembly (See Separate Breakdown in this Section)	
5	4691000318	1	Pin	
6	4691000316	1	Pin	
7	7754000043	4	Ring, Retaining	
9	4679000159	2	Pad	
10	4706003708	2	Plate	
11	4679000161	4	Pad	
12	4679000158	4	Pad	
13	3706000177	1	Plate	
14	3706000178	1	Plate	
15	4679000206	2	Pad	
16	4706003144	2	Plate	
17	7114140418	8	Capscrew 1/4 x 1/2	
18	3706000179	1	Plate - LH	
19	3706000180	1	Plate - RH	
20	4679000205	2	Pad	
21	4706003719	2	Plate	
22	7105180850	8	Capscrew 1/2 x 1	
23	7950180153	8	Washer 1/2	
24	4706002467	1	Plate	
25	7115140650	4	Capscrew 1/4 x 3/4	
26	7950140000	4	Washer 1/4	
27	7440030000	1	Fitting, Grease	
28	7786000008	6	Screw 1/2 x 1-1/4	
29	7660180230	6	Nut 1/2	
30	4706003709	4	Plate	
31	4706003721	4	Plate	
32	4706003722	4	Plate	
33	4706003723	4	Plate	
34	4706003724	4	Plate	
35	4706003725	2	Plate	
36	4706003720	2	Plate	
37	7661000019	4	U-Nut 1/4	

SECTION 3 - UNDERLIFT

FIGURE 3-5. UNDERLIFT ASSEMBLY - UL350X (35,000 LBS) (Prior to SN 0230010761, Including 0230010819, 0230010881, 0230011070, 0230011120 and 0230011198)



ART_3170000433

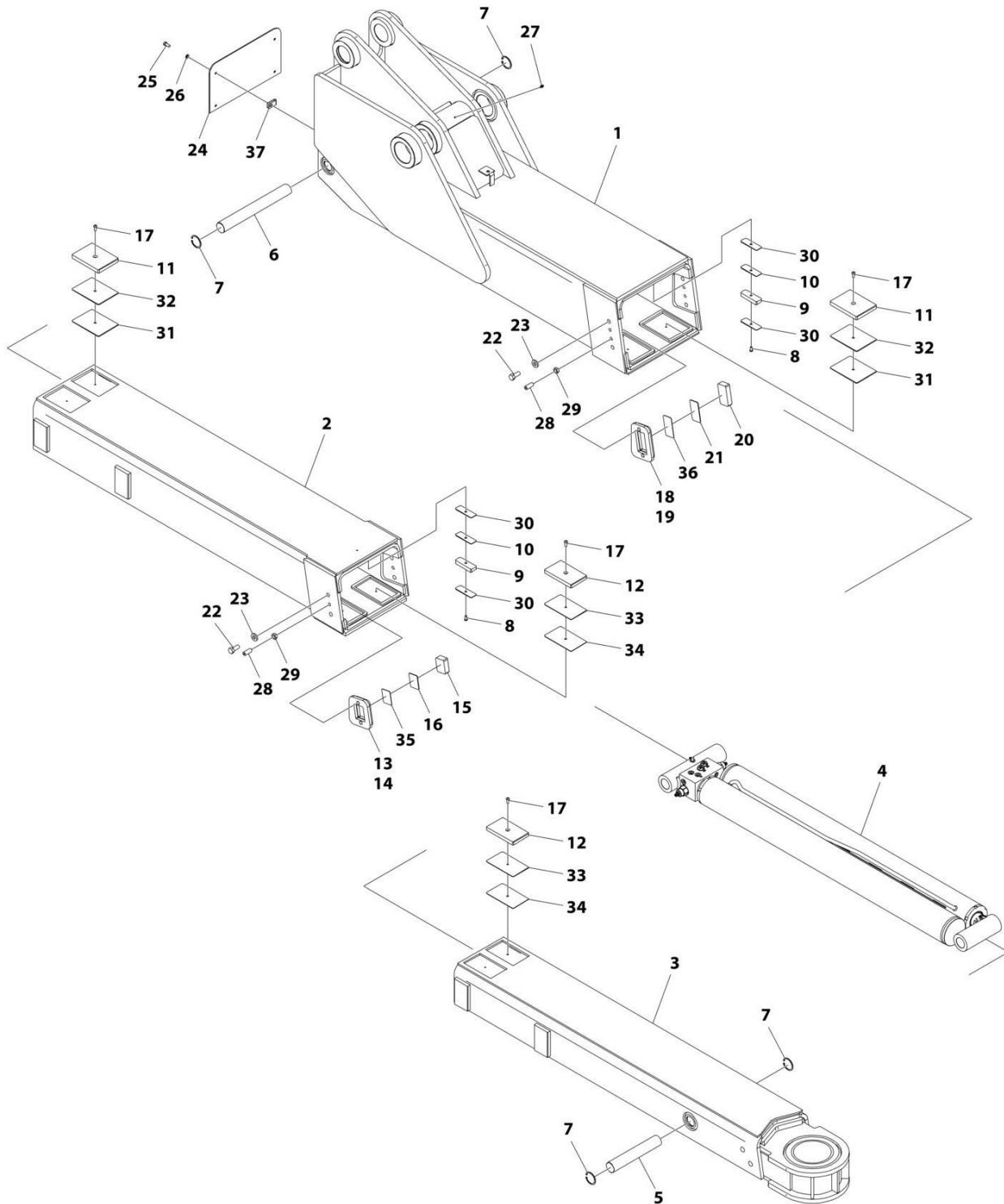
SECTION 3 - UNDERLIFT

FIGURE 3-5. UNDERLIFT ASSEMBLY - UL350X (35,000 LBS) (Prior to SN 0230010761, Including 0230010819, 0230010881, 0230011070, 0230011120 and 0230011198)

ITEM	PART NUMBER	QTY	DESCRIPTION	REV
	3170000433	Ref	UNDERLIFT 350X BOOM ASSEMBLY	D
1	3170000432	1	Base Section Boom Weldment	
2	3170000431	1	Mid Section Boom Weldment	
3	3170000430	1	Fly Section Boom Weldment	
4	7320000076	1	Underlift Extension Cylinder Assembly (See Separate Breakdown in this Section)	
5	4691000318	1	Pin	
6	4691000316	1	Pin	
7	7754000043	4	Retaining Ring	
8	7114140518	2	Capscrew 1/4 x 5/8	
9	4679000159	2	Pad	
10	4706003708	2	Plate	
11	4679000161	4	Pad	
12	4679000158	4	Pad	
13	3706000177	1	Plate	
14	3706000178	1	Plate	
15	4679000206	2	Pad	
16	4706003144	2	Plate	
17	7114140418	8	Capscrew 1/4 x 1/2	
18	3706000179	1	Plate - LH	
19	3706000180	1	Plate - RH	
20	4679000205	2	Pad	
21	4706003719	2	Plate	
22	7105180850	8	Bolt 1/2 x 1	
23	7950170153	8	Washer 1/2	
24	4706002467	1	Plate	
25	7115140650	4	Bolt 1/4 x 3/4	
26	7950140000	4	Washer 1/4	
27	7440030000	1	Grease Fitting	
28	7786000008	6	Screw 1/2 x 1-1/4	
29	7660180230	6	Nut 1/2	
30	4706003709	4	Plate	
31	4706003721	4	Plate	
32	4706003722	4	Plate	
33	4706003723	4	Plate	
34	4706003724	4	Plate	
35	4706003725	2	Plate	
36	4706003720	2	Plate	
37	7253000002	5	Grease Fitting Cap	

SECTION 3 - UNDERLIFT

FIGURE 3-6. UNDERLIFT ASSEMBLY - UL350X (35,000 LBS) (SN 0230010761 to Present, Excluding 0230010819, 0230010881, 0230011070, 0230011120 and 0230011198)



ART_3170000433_E

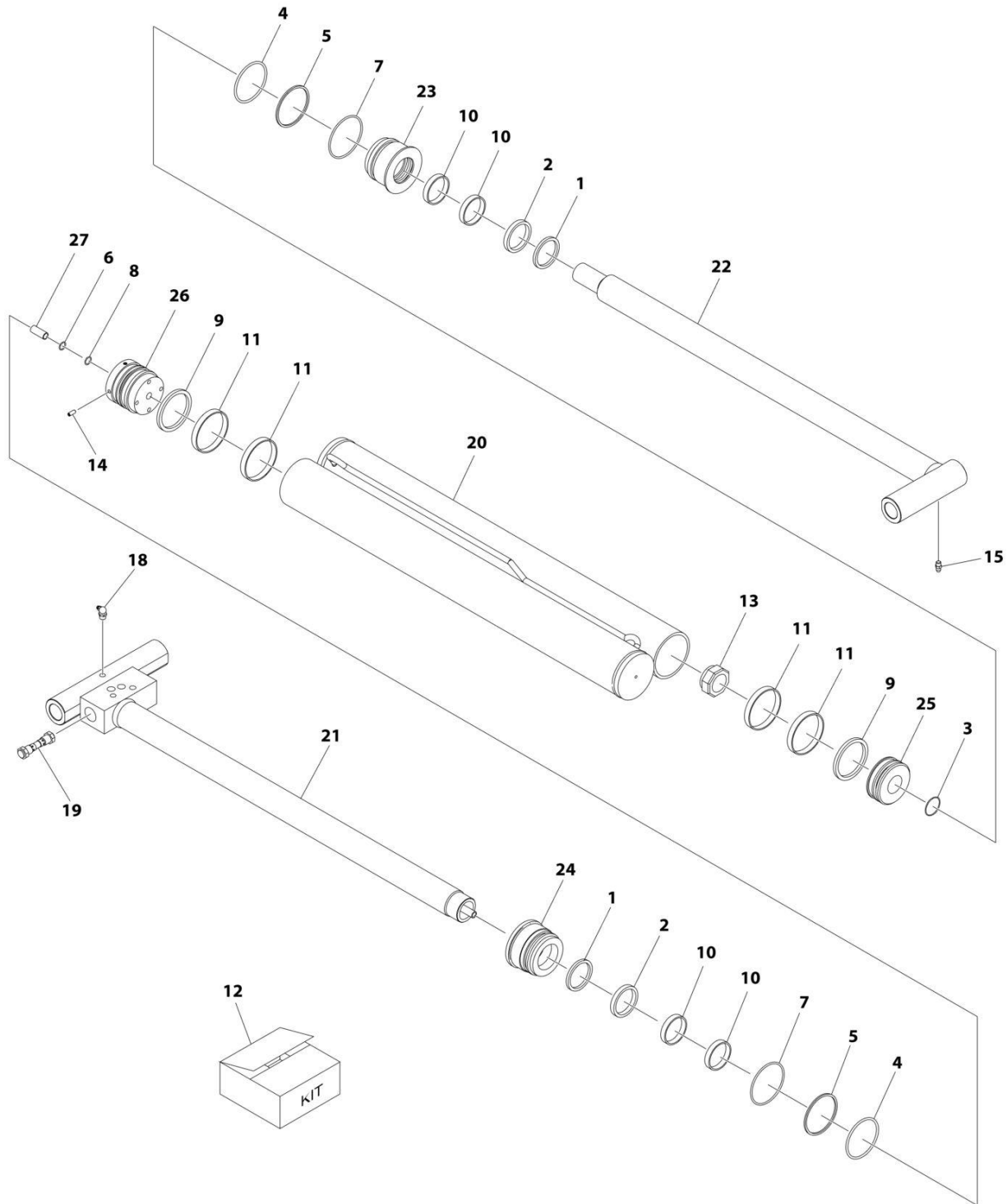
SECTION 3 - UNDERLIFT

FIGURE 3-6. UNDERLIFT ASSEMBLY - UL350X (35,000 LBS) (SN 0230010761 to Present, Excluding 0230010819, 0230010881, 0230011070, 0230011120 and 0230011198)

ITEM	PART NUMBER	QTY	DESCRIPTION	REV
	3170000433	Ref	UNDERLIFT 350X BOOM ASSEMBLY	E
1	3170000432	1	Base Section Boom Weldment	
2	3170000431	1	Mid Section Boom Weldment	
3	3170000430	1	Fly Section Boom Weldment	
4	1001286135	1	Underlift Extension Cylinder Assembly (See Separate Breakdown in this Section)	
5	4691000318	1	Pin	
6	4691000316	1	Pin	
7	7754000043	4	Ring, Retaining	
8	7114140518	2	Capscrew 1/4 x 5/8	
9	4679000159	2	Pad	
10	4706003708	2	Plate	
11	4679000161	4	Pad	
12	4679000158	4	Pad	
13	3706000177	1	Plate	
14	3706000178	1	Plate	
15	4679000206	2	Pad	
16	4706003144	2	Plate	
17	7114140418	8	Capscrew 1/4 x 1/2	
18	3706000179	1	Plate - LH	
19	3706000180	1	Plate - RH	
20	4679000205	2	Pad	
21	4706003719	2	Plate	
22	7105180850	8	Capscrew 1/2 x 1	
23	7950180153	8	Washer 1/2	
24	4706002467	1	Plate	
25	7115140650	4	Capscrew 1/4 x 3/4	
26	7950140000	4	Washer 1/4	
27	7440030000	1	Fitting, Grease	
28	7786000008	6	Screw 1/2 x 1-1/4	
29	7660180230	6	Nut 1/2	
30	4706003709	4	Plate	
31	4706003721	4	Plate	
32	4706003722	4	Plate	
33	4706003723	4	Plate	
34	4706003724	4	Plate	
35	4706003725	2	Plate	
36	4706003720	2	Plate	
37	7253000002	5	Cap, Grease Fitting	

SECTION 3 - UNDERLIFT

FIGURE 3-7. CYLINDER ASSEMBLY - EXTEND/RETRACT (UL350) (Prior to SN 0230010761, Including 0230010819, 0230010881, 0230011070, 0230011120 and 0230011198)



ART_7320000042

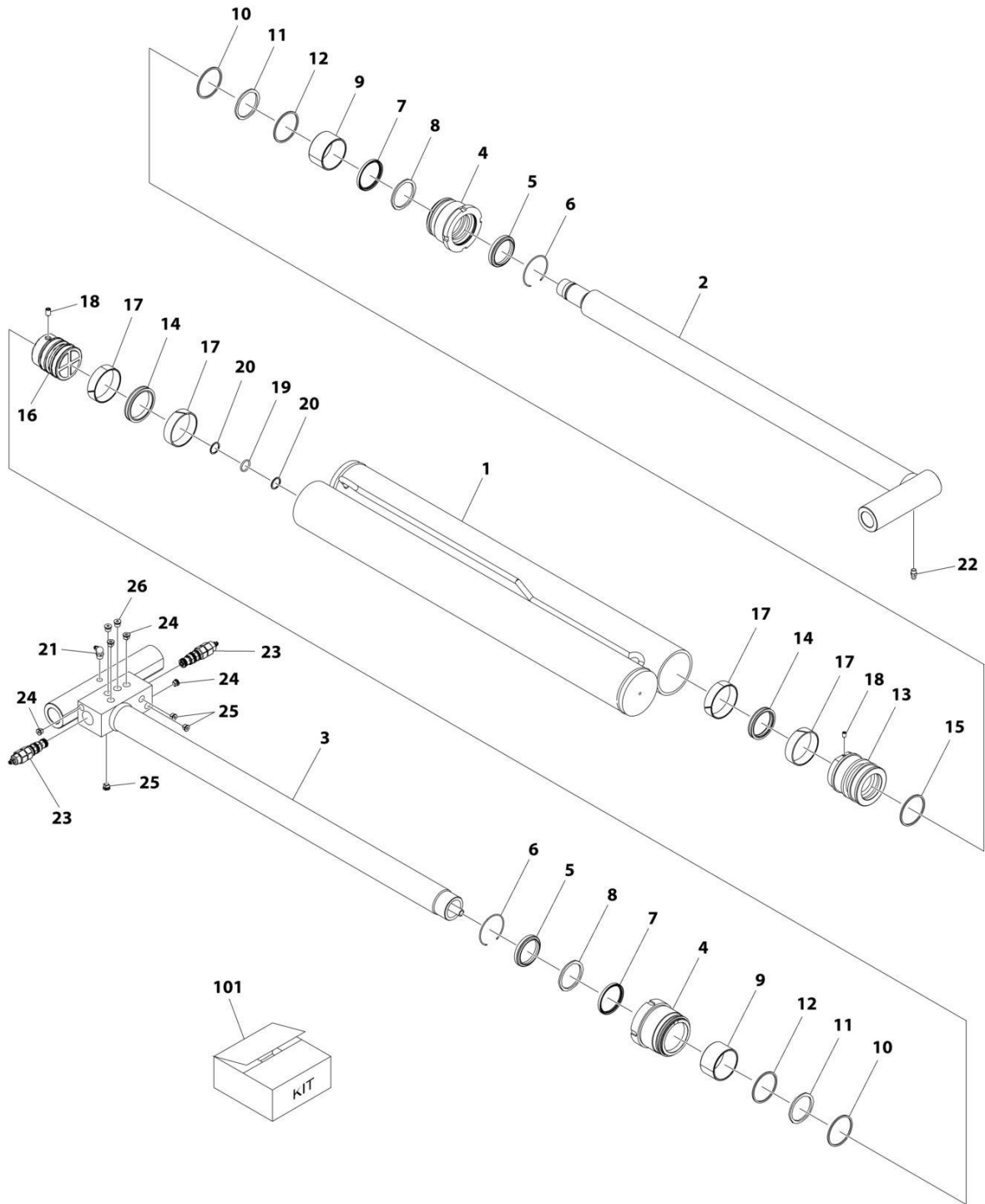
SECTION 3 - UNDERLIFT

FIGURE 3-7. CYLINDER ASSEMBLY - EXTEND/RETRACT (UL350) (Prior to SN 0230010761, Including 0230010819, 0230010881, 0230011070, 0230011120 and 0230011198)

ITEM	PART NUMBER	QTY	DESCRIPTION	REV
	7320000042	Ref	Underlift Extension Cylinder Assembly - 35,000 lbs	B
1	9796250080	2	Seal, Wiper	
2	7019828	2	Seal	
3	9796250133	1	Seal, O-Ring	
4	7019846	2	Seal, O-Ring	
5	7019845	2	Ring, Back-up	
6	9796250135	2	Seal, O-Ring	
7	7019844	2	Seal, O-Ring	
8	9796250137	2	Seal, O-Ring	
9	9796250138	2	Seal	
10	9754250015	4	Ring, Wear	
11	9754250049	4	Ring, Wear	
12	7577250271	1	Kit, Seal	
13	7003212	1	Nut	
14	7003281	4	Setscrew	
15	7005348	1	Grease Fitting	
16	70050365	2	Plug, Port (Not Shown)	
17	70021648	2	Plug, Port (Not Shown)	
18	7440030400	1	Grease Fitting	
19	9935250025	1	Kit, Check Cartridge	
20	9912250021	1	Assembly, Tube	
21	9763250025	1	Assembly, Rod	
22	9763250026	1	Assembly, Rod-Tube	
23	9553250015	1	Head	
24	9553250016	1	Head	
25	9698250018	1	Piston	
26	9698250019	1	Piston	
27	9007250005	1	Adapter, RT Tube	

SECTION 3 - UNDERLIFT

FIGURE 3-8. CYLINDER ASSEMBLY - EXTEND/RETRACT (UL350) (SN 0230010761 to Present, Excluding 0230010819, 0230010881, 0230011070, 0230011120 and 0230011198)



ART_1001286134

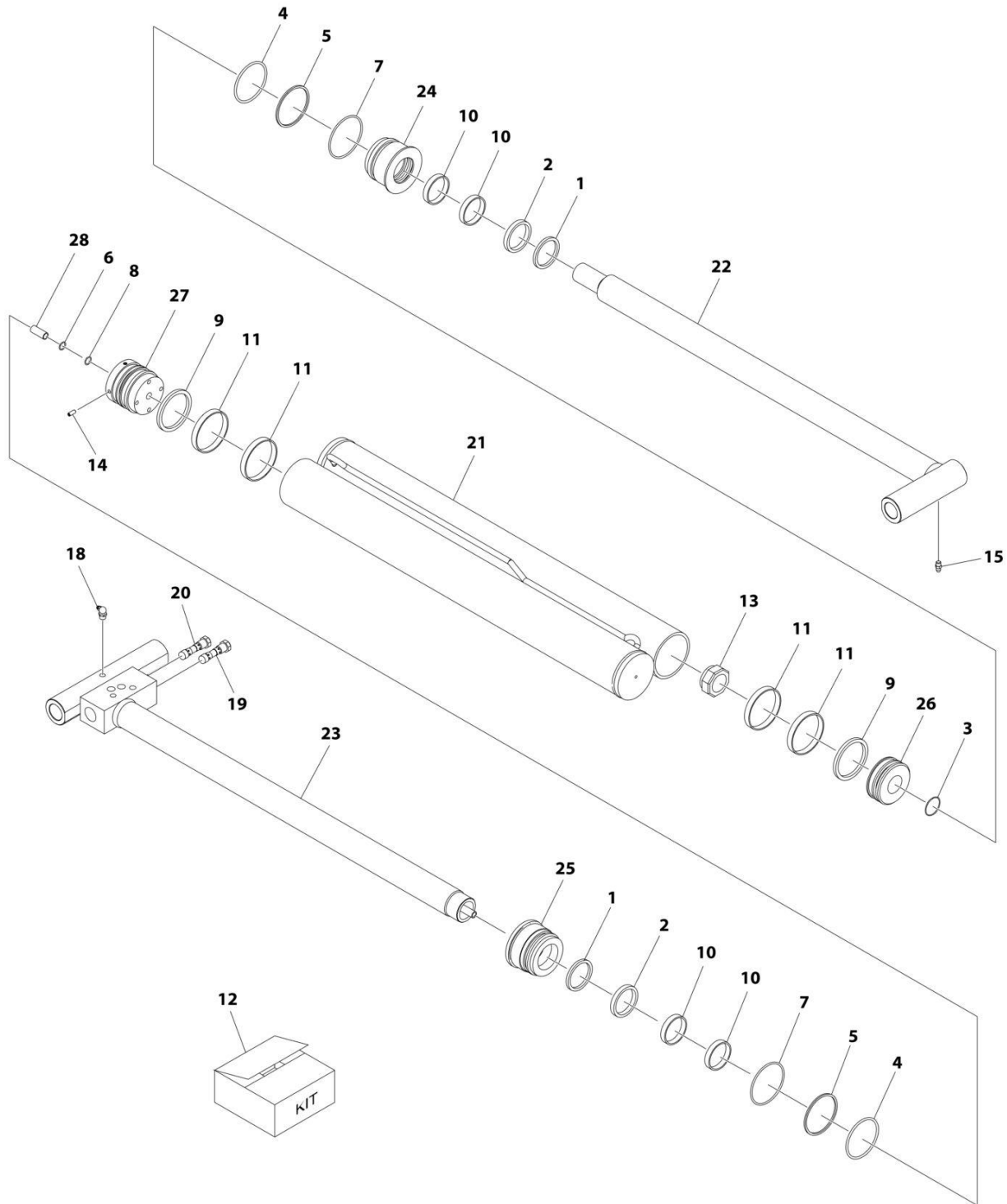
SECTION 3 - UNDERLIFT

**FIGURE 3-8. CYLINDER ASSEMBLY - EXTEND/RETRACT (UL350) (SN 0230010761 to Present,
Excluding 0230010819, 0230010881, 0230011070, 0230011120 and 0230011198)**

ITEM	PART NUMBER	QTY	DESCRIPTION	REV
	1001286134	Ref	CYLINDER ASSEMBLY - EXTEND/RETRACT	A
		Ref	Note: Original Cylinder May Have Been Replaced with Service Replacement. Identify PN Stamped on Cylinder Before Ordering Parts.	
1	See Note	NSS	Barrel (Note: Not available for purchase)	
2	70070099	1	Rod	
3	70070100	1	Rod	
4	70070091	2	Gland	
5	See Note	NSS	Wiper, Dust (Note: Use Item 101)	
6	70002412	2	Ring, Retaining	
7	See Note	NSS	Seal, Rod (Note: Use Item 101)	
8	See Note	NSS	Ring, Back-up (Note: Use Item 101)	
9	70052577	2	Bushing	
10	See Note	NSS	O-Ring (Note: Use Item 101)	
11	See Note	NSS	Ring, Back-up (Note: Use Item 101)	
12	See Note	NSS	O-Ring (Note: Use Item 101)	
13	70070093	1	Piston	
14	See Note	NSS	Seal, Piston (Note: Use Item 101)	
15	See Note	NSS	O-Ring (Note: Use Item 101)	
16	70070092	1	Piston	
17	See Note	NSS	Ring, Wear (Note: Use Item 101)	
18	70005847	2	Set Screw	
19	See Note	NSS	O-Ring (Note: Use Item 101)	
20	See Note	NSS	Ring, Back-up (Note: Use Item 101)	
21	70023376	1	Grease Nipple	
22	70029469	1	Grease Nipple	
23	70070089	2	Valve, Counterbalance	
24	70023370	4	Plug	
25	70070095	3	Plug	
26	70023371	2	Plug	
101	70070096	1	Seal Kit (Includes Items 5, 7, 8, 10-12, 14, 15, 17, 19-20)	

SECTION 3 - UNDERLIFT

FIGURE 3-9. CYLINDER ASSEMBLY - EXTEND/RETRACT (UL350X) (Prior to SN 0230010761, Including 0230010819, 0230010881, 0230011070, 0230011120 and 0230011198)



ART_7320000076

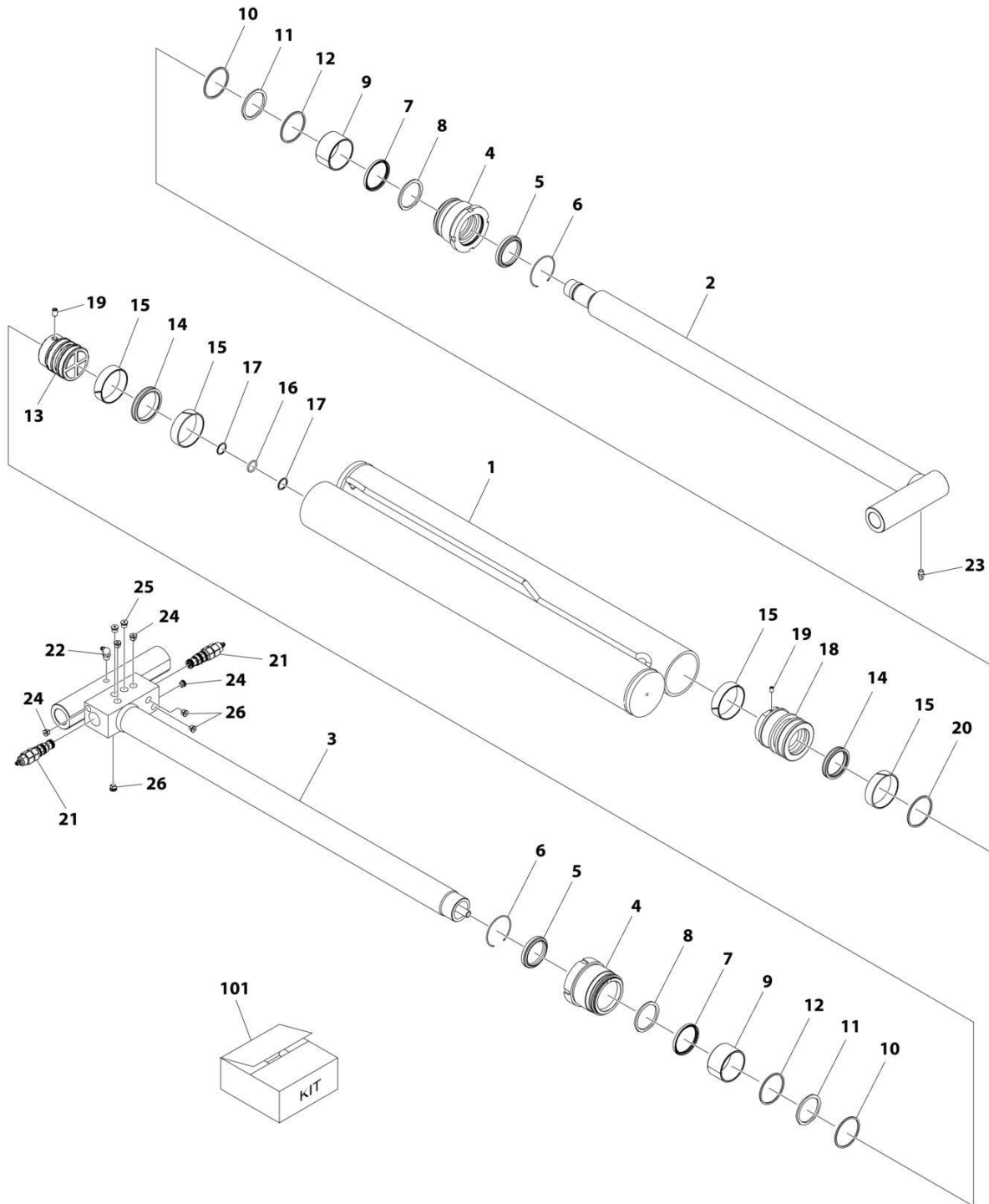
SECTION 3 - UNDERLIFT

FIGURE 3-9. CYLINDER ASSEMBLY - EXTEND/RETRACT (UL350X) (Prior to SN 0230010761, Including 0230010819, 0230010881, 0230011070, 0230011120 and 0230011198)

ITEM	PART NUMBER	QTY	DESCRIPTION	REV
	7320000076	Ref	UNDERLIFT EXTENSION CYLINDER ASSEMBLY - 350X	C
1	9796250080	2	Seal, Wiper	
2	7019828	2	Seal	
3	9796250133	1	Seal, O-Ring	
4	7019846	2	Seal, O-Ring	
5	7019845	2	Ring, Back-up	
6	9796250135	1	Seal, O-Ring	
7	7019844	2	Seal, O-Ring	
8	9796250137	2	Seal, O-Ring	
9	9796250138	2	Seal	
10	9754250015	4	Ring, Wear	
11	9754250049	4	Ring, Wear	
12	7577250271	1	Kit, Seal	
13	7003212	1	Nut	
14	7003281	4	Setscrew	
15	7005348	1	Grease Fitting	
16	7005365	5	Plug, Port (Not Shown)	
17	70021648	2	Plug, Port (Not Shown)	
18	7440030400	1	Grease Fitting	
19	70050218	1	Valve, Cartridge	
20	70050217	1	Valve, Counterbalance	
21	70050553	1	Assembly, Tube	
22	70050554	1	Assembly, Rod	
23	70050555	1	Assembly, Rod-Tube	
24	9553250015	1	Head	
25	9254250009	1	Head	
26	9698250018	1	Piston	
27	9698250019	1	Piston	
28	9007250005	1	Adapter, RT Tube	

SECTION 3 - UNDERLIFT

FIGURE 3-10. CYLINDER ASSEMBLY - EXTEND/RETRACT (UL350X) (SN 0230010761 to Present, Excluding 0230010819, 0230010881, 0230011070, 0230011120 and 0230011198)



ART_1001286135

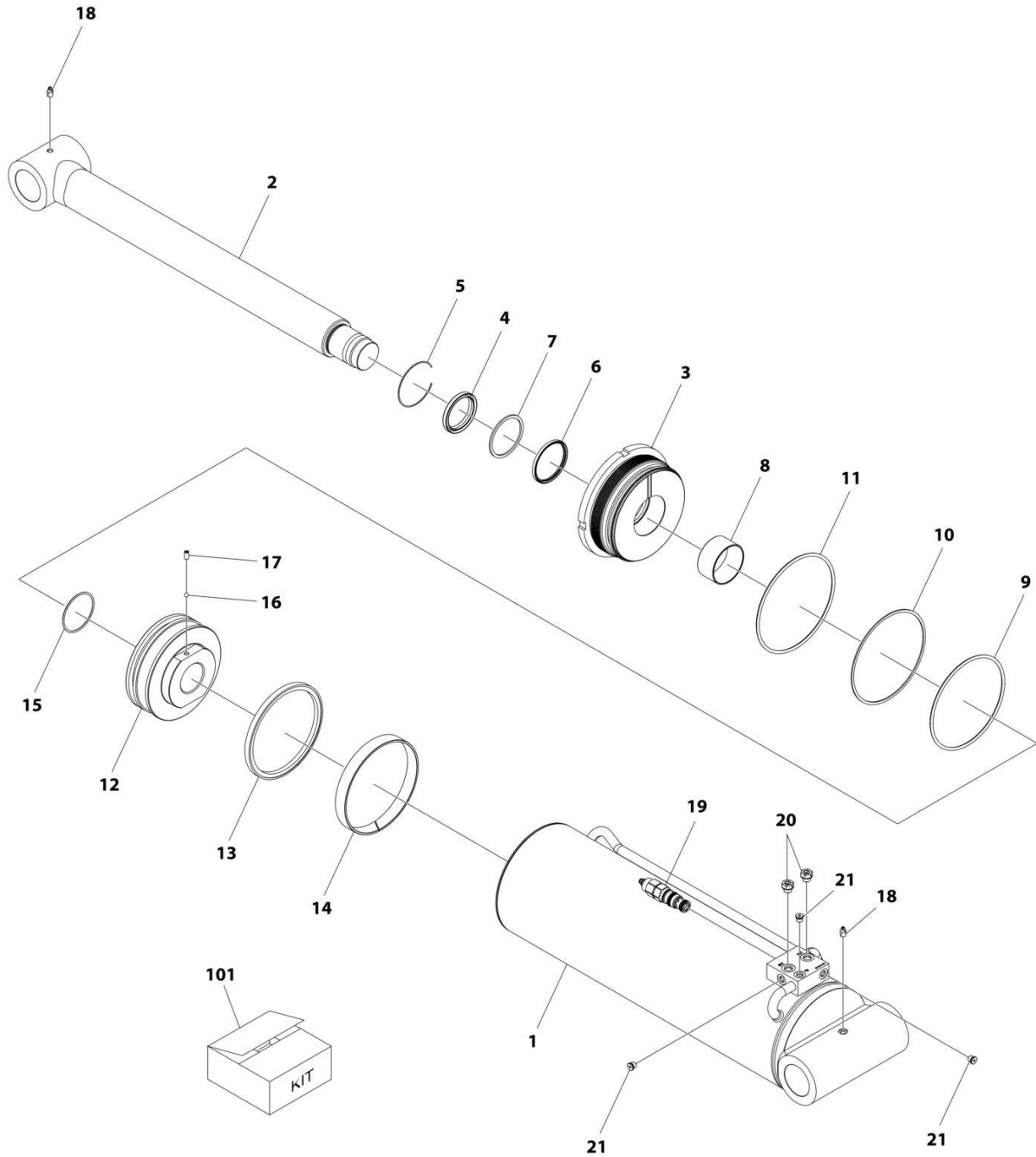
SECTION 3 - UNDERLIFT

FIGURE 3-10. CYLINDER ASSEMBLY - EXTEND/RETRACT (UL350X) (SN 0230010761 to Present, Excluding 0230010819, 0230010881, 0230011070, 0230011120 and 0230011198)

ITEM	PART NUMBER	QTY	DESCRIPTION	REV
	1001286135	Ref	CYLINDER ASSEMBLY - EXTEND/RETRACT	A
		Ref	Note: Original Cylinder May Have Been Replaced with Service Replacement. Identify PN Stamped on Cylinder Before Ordering Parts.	
1	See Note	NSS	Barrel (Note: Not available for purchase)	
2	70070097	1	Rod	
3	70070098	1	Rod	
4	70070091	2	Gland	
5	See Note	NSS	Wiper, Dust (Note: Use Item 101)	
6	70002412	2	Ring, Retaining	
7	See Note	NSS	Seal, Rod (Note: Use Item 101)	
8	See Note	NSS	Ring, Back-up (Note: Use Item 101)	
9	70052577	2	Bushing	
10	See Note	NSS	O-Ring (Note: Use Item 101)	
11	See Note	NSS	Ring, Back-up (Note: Use Item 101)	
12	See Note	NSS	O-Ring (Note: Use Item 101)	
13	70070092	1	Piston	
14	See Note	NSS	Seal, Piston (Note: Use Item 101)	
15	See Note	NSS	Ring, Wear (Note: Use Item 101)	
16	See Note	NSS	O-Ring (Note: Use Item 101)	
17	See Note	NSS	Ring, Back-up (Note: Use Item 101)	
18	70070093	1	Piston	
19	70005847	2	Set Screw	
20	See Note	NSS	O-Ring (Note: Use Item 101)	
21	70070089	2	Valve, Counterbalance	
22	70023376	1	Grease Nipple	
23	70029469	1	Grease Nipple	
24	70023370	4	Plug	
25	70023371	2	Plug	
26	70070080	3	Plug	
101	70070094	1	Seal Kit (Includes Items 5, 7, 8, 10-12, 14-17, 20)	

SECTION 3 - UNDERLIFT

FIGURE 3-11. CYLINDER ASSEMBLY - TILT



ART_1001286132

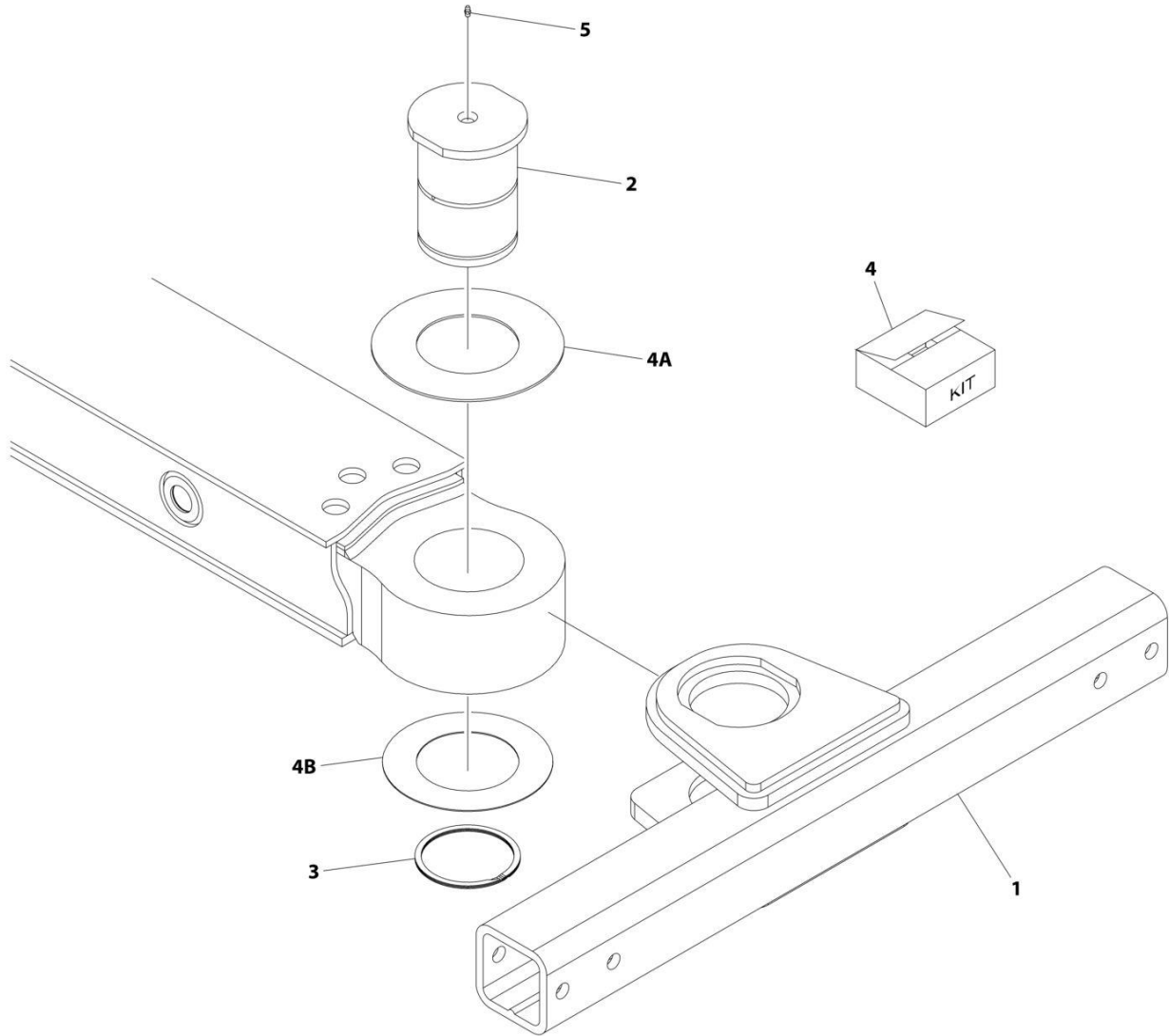
SECTION 3 - UNDERLIFT

FIGURE 3-11. CYLINDER ASSEMBLY - TILT

ITEM	PART NUMBER	QTY	DESCRIPTION	REV
	1001286132	Ref	CYLINDER ASSEMBLY - TILT	A
	See Note	Ref	Note: Original Cylinder May Have Been Replaced with Service Replacement. Identify PN Stamped on Cylinder Before Ordering Parts.	
1	See Note	NSS	Barrel (Note: Not Available for Purchase)	
2	70070074	1	Rod	
3	70070034	1	Gland	
4	See Note	NSS	Wiper, Dust (Note: Use Item 101)	
5	70023379	1	Ring, Retaining	
6	See Note	NSS	Seal, Rod (Note: Use Item 101)	
7	See Note	NSS	Ring, Backup (Note: Use Item 101)	
8	70052522	1	Bushing	
9	See Note	NSS	O-Ring (Note: Use Item 101)	
10	See Note	NSS	Ring, Backup (Note: Use Item 101)	
11	See Note	NSS	O-Ring (Note: Use Item 101)	
12	70070035	1	Piston	
13	See Note	NSS	Seal, Piston (Note: Use Item 101)	
14	See Note	1	Ring, Wear (Note: Use Item 101)	
15	See Note	NSS	O-Ring (Note: Use Item 101)	
16	70022564	1	Ball, Steel	
17	70070036	1	Screw, Set	
18	70029469	2	Grease Nipple	
19	70070075	1	Valve, Counterbalance	
20	70070038	2	Plug, Dust	
21	70023370	3	Plug	
101	70070076	1	Seal Kit (Includes Items 4, 6, 7, 9-11 & 13-15)	

SECTION 3 - UNDERLIFT

FIGURE 3-12. CROSTUBE INSTALLATION



ART_2503880012

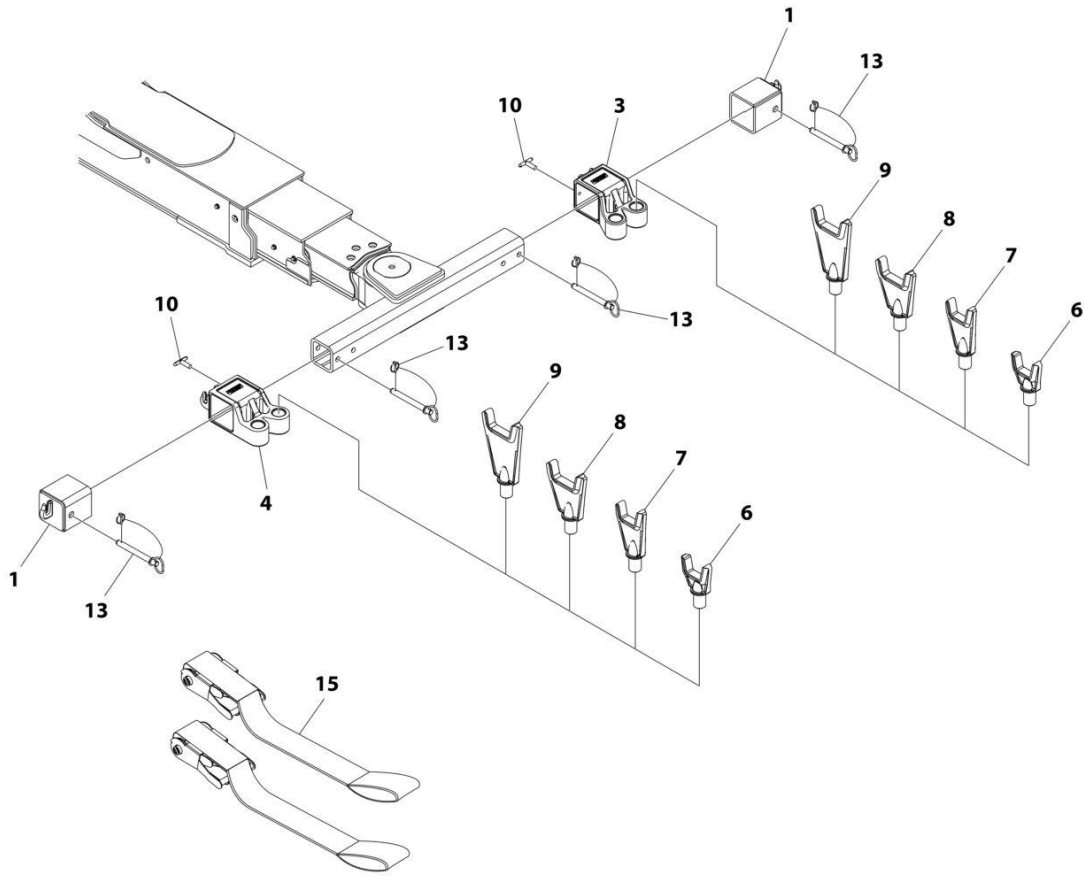
SECTION 3 - UNDERLIFT

FIGURE 3-12. CROSSTUBE INSTALLATION

ITEM	PART NUMBER	QTY	DESCRIPTION	REV
	2503880012	Ref	CROSSTUBE INSTALLATION	A
1	3913000094	1	Crosstube Weldment	
2	4691000242	1	Pin	
3	7754000042	1	Ring, Retaining	
4	3577000018	1	Shim Kit	
4A	4949000041	1	Washer 1/8	
4B	4949000042	1	Washer 1/16	
5	7440030000	1	Grease Fitting	

SECTION 3 - UNDERLIFT

FIGURE 3-13. FRAME FORKS INSTALLATION



ART_2503870011_J

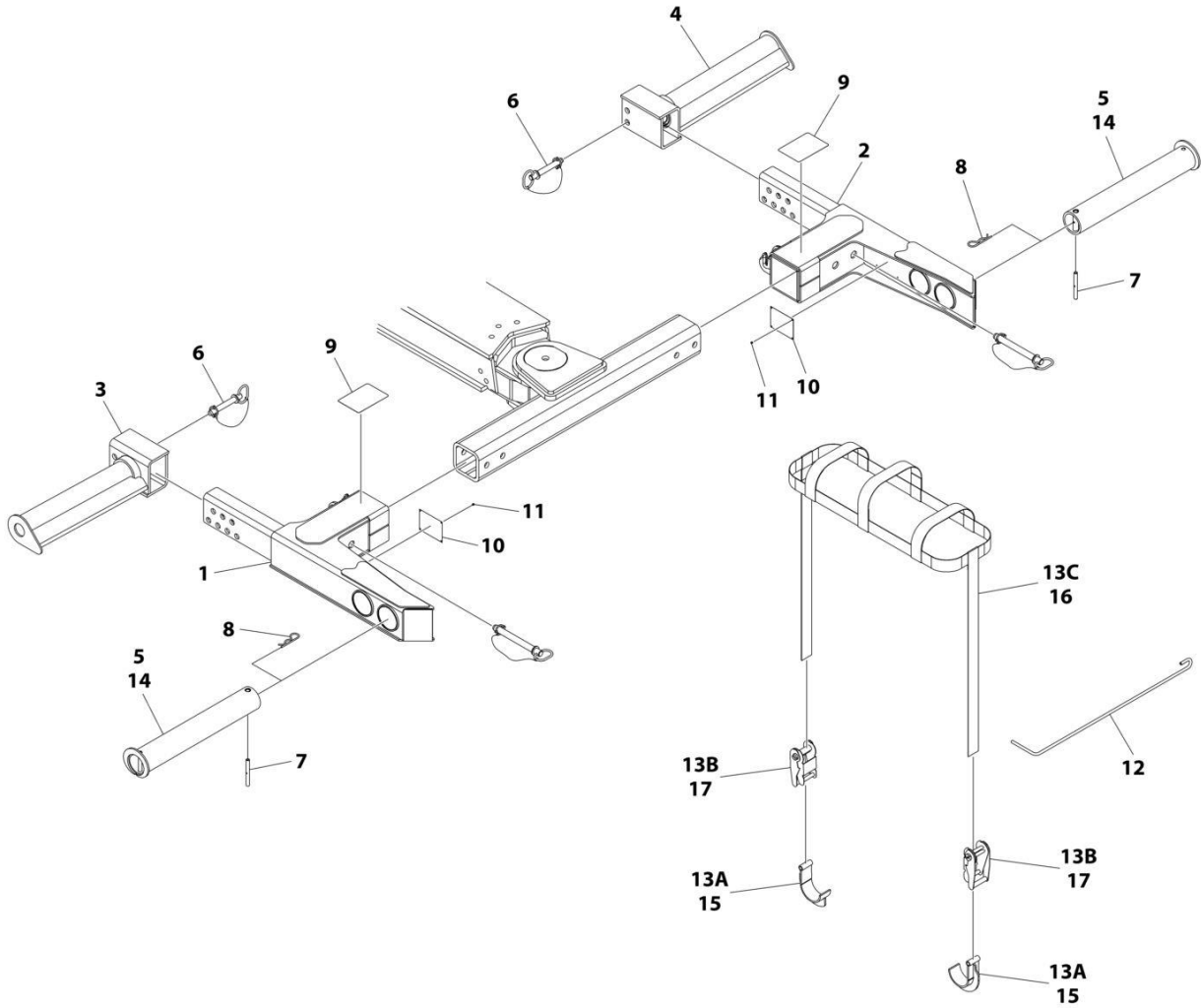
SECTION 3 - UNDERLIFT

FIGURE 3-13. FRAME FORKS INSTALLATION

ITEM	PART NUMBER	QTY	DESCRIPTION	REV
	2503870011	Ref	FRAME FORK INSTALLATION	I
1	3007000004	2	Chain Hook Adapter	
3	7007000056	1	Frame Fork Adapter, RH	
4	7007000055	1	Frame Fork Adapter, LH	
6	7454000006	2	Fork, Short	
7	7454000005	2	Fork, Medium	
8	7454000003	2	Fork, Medium	
9	7454000004	2	Fork, Long	
10	3551000036	2	T-Handle	
13	7691000021	4	Pin	
15	1001159568	2	Strap	

SECTION 3 - UNDERLIFT

FIGURE 3-14. GRID INSTALLATION - TIRE LIFT (250000LBS)



ART_2502880300

SECTION 3 - UNDERLIFT

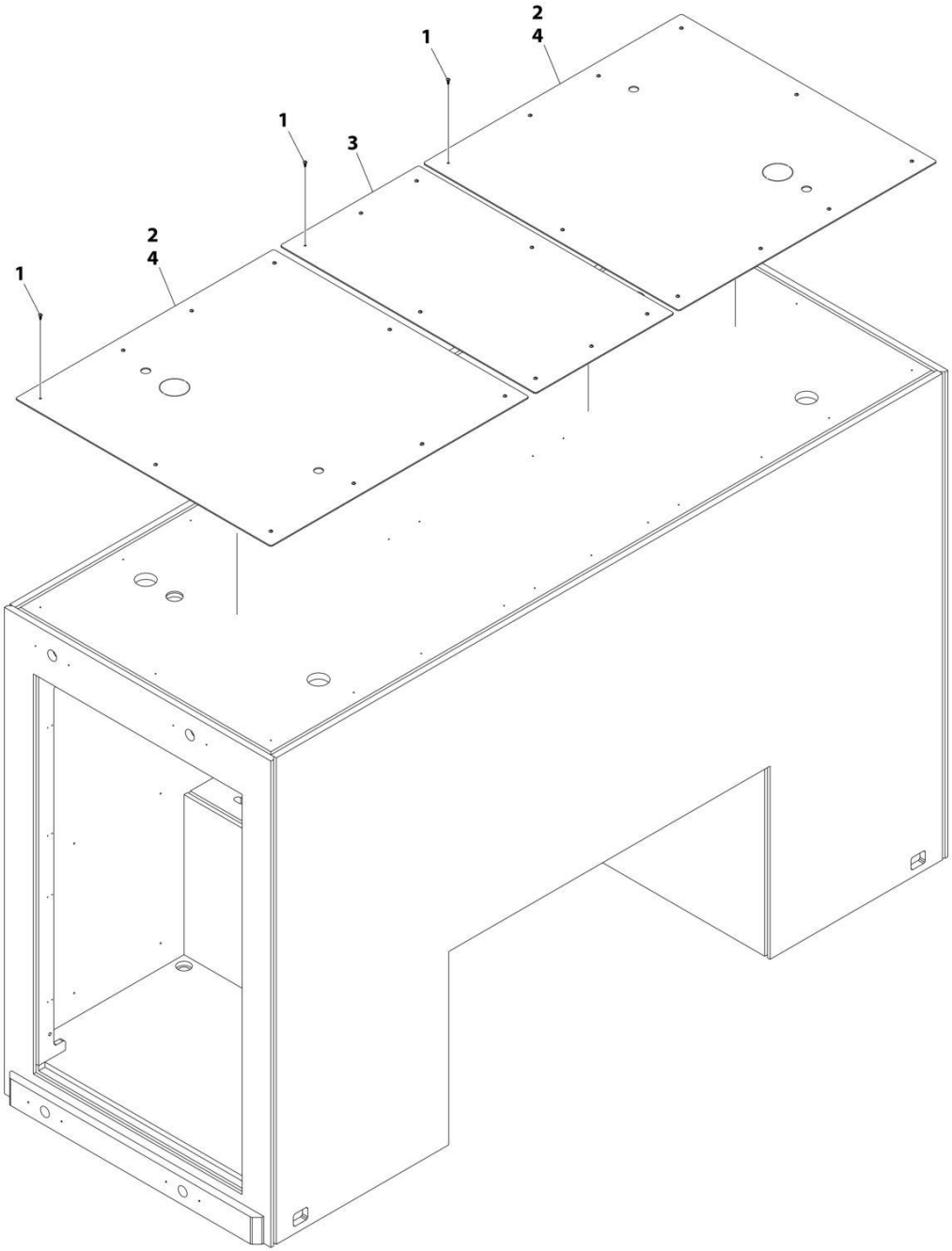
FIGURE 3-14. GRID INSTALLATION - TIRE LIFT (250000LBS)

ITEM	PART NUMBER	QTY	DESCRIPTION	REV
	2502880300	Ref	Underlift Tools - 25,000 lbs Tire Lift	D
1	3484000072	1	Tire Lift Grid - LH	
2	3484000073	1	Tire Lift Grid - RH	
3	3020000119	1	Tire Lift Arm Weldment - LH	
4	3020000120	1	Tire Lift Arm Weldment - RH	
5	3912000033	2	Tire Lift Tube Weldment - 27.5" Long	
6	7691000026	2	Hitch Pin	
7	4691000274	4	Pin	
8	7691000020	4	Hairpin	
9	7330000278	2	Decal	
10	1001132265	2	Decal	
11	7759000004	8	Rivet	
12	4561000012	1	Hook, Pull	
13	7577000368	1	Strap Kit	
13A	3561000015	4	Hook, 3" Wide Strap	
13B	7894000060	2	Ratchet, 3" Wide Strap	
13C	7894000057	1	Strap, 3" Wide	
14	3912000038	2	Tire Lift Tube Weldment - 23" Long	
15	3561000008	4	Hook, 2" Wide Strap	
16	7894000037	2	Strap, 2" Wide	
17	7894000028	4	Ratchet, 2" Wide Strap	
18	7894000041	2	Tie-Strap (Not Shown)	

SECTION 4 - BODY

SECTION 4 - BODY

FIGURE 4-1. BATTERY COVER INSTALLATION (38IN)



ART_1001278488

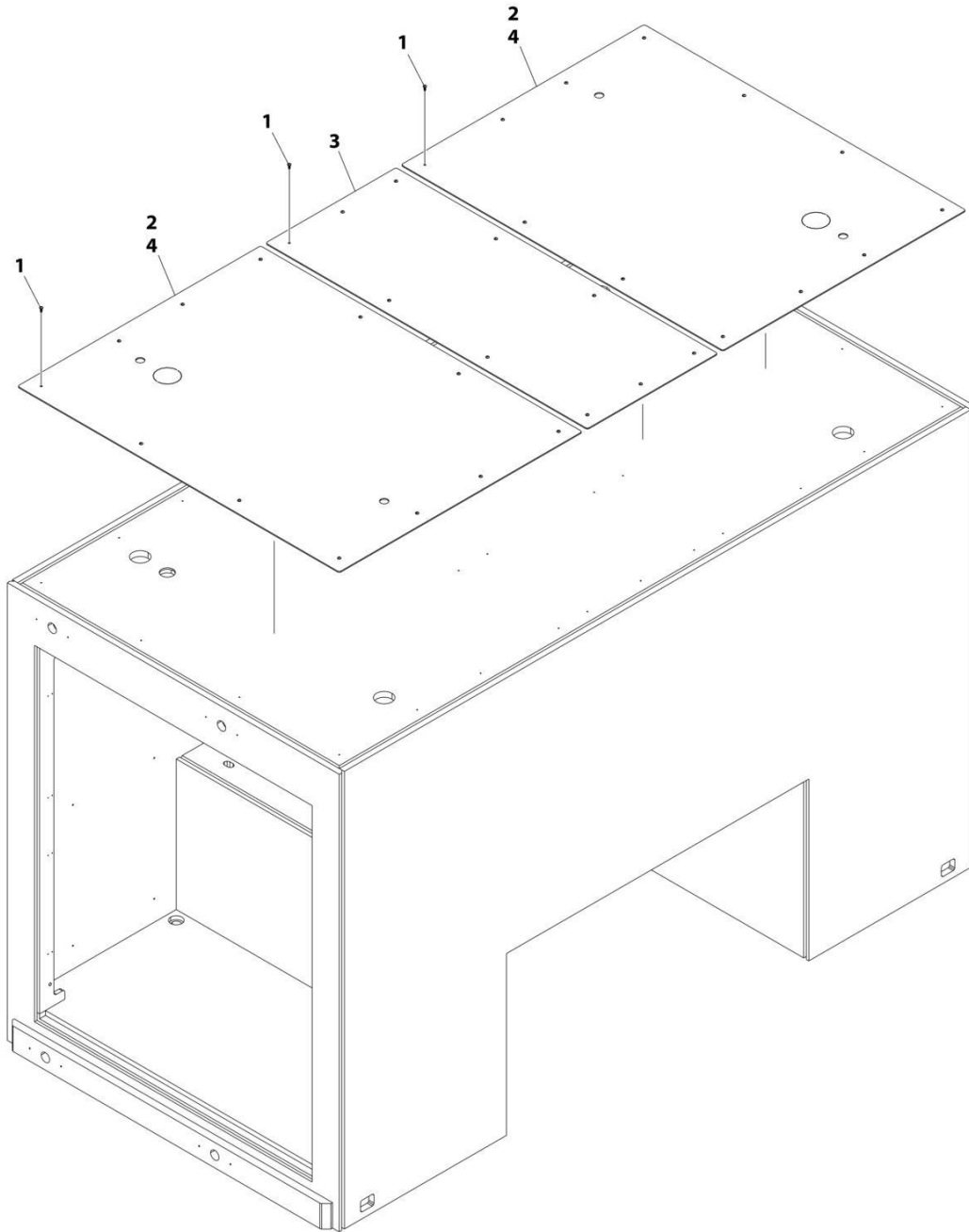
SECTION 4 - BODY

FIGURE 4-1. BATTERY COVER INSTALLATION (38IN)

ITEM	PART NUMBER	QTY	DESCRIPTION	REV
	1001278488	Ref	BATTERY COVER INSTALLATION (38IN)	A
1	1001192958	28	Screw #10 x 1/2	
2	1001278517	2	Plate	
3	1001278518	1	Plate	
4	8798820001	AR	Sealant	

SECTION 4 - BODY

FIGURE 4-2. BATTERY COVER INSTALLATION (50IN)



ART_1001278487

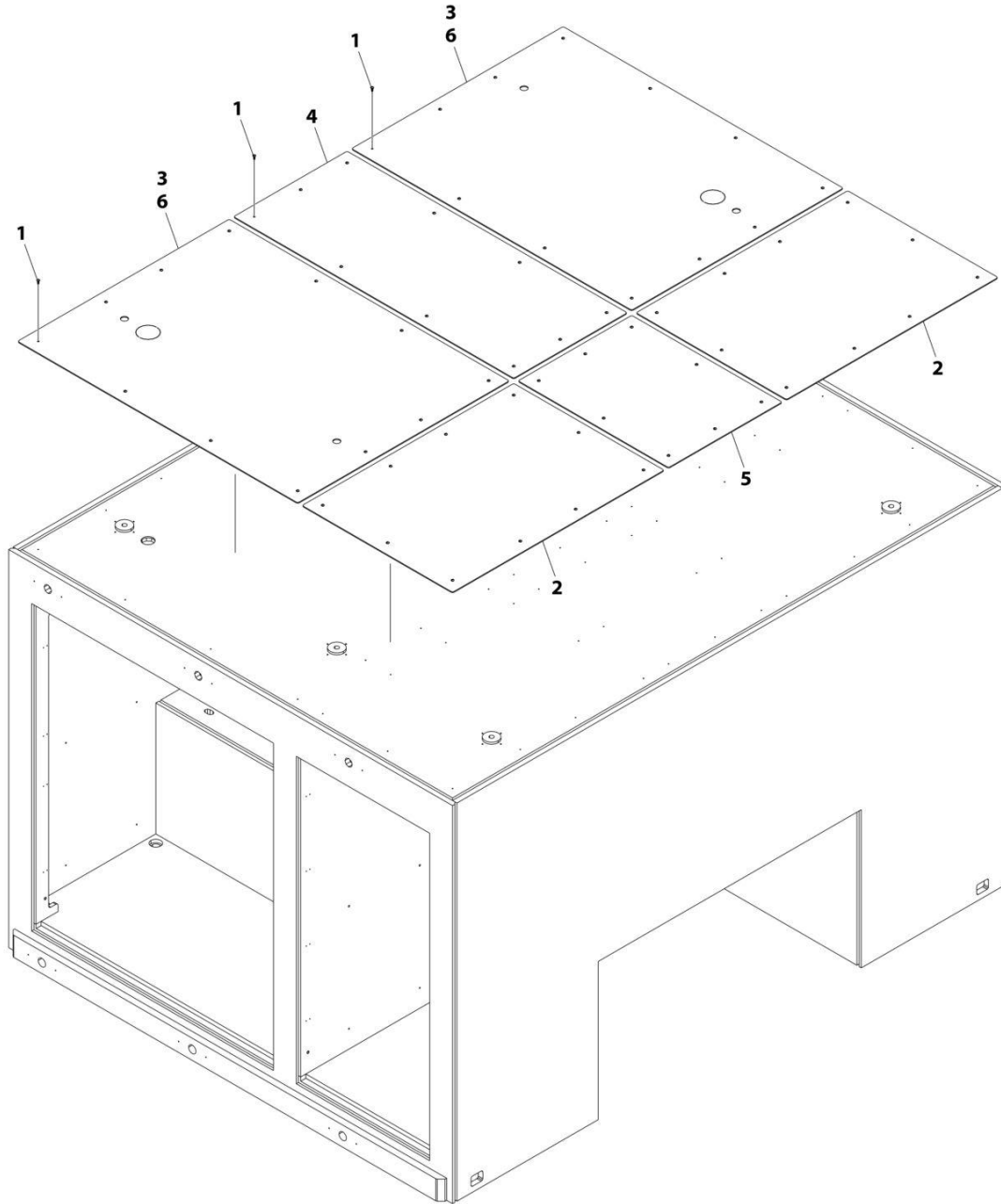
SECTION 4 - BODY

FIGURE 4-2. BATTERY COVER INSTALLATION (50IN)

ITEM	PART NUMBER	QTY	DESCRIPTION	REV
	1001278487	Ref	BATTERY COVER INSTALLATION (50IN)	A
1	1001192958	34	Screw #10 x 1/2	
2	1001274386	2	Plate	
3	1001274387	1	Plate	
4	8798820001	AR	Sealant	

SECTION 4 - BODY

FIGURE 4-3. BATTERY COVER INSTALLATION (76IN)



ART_1001270606

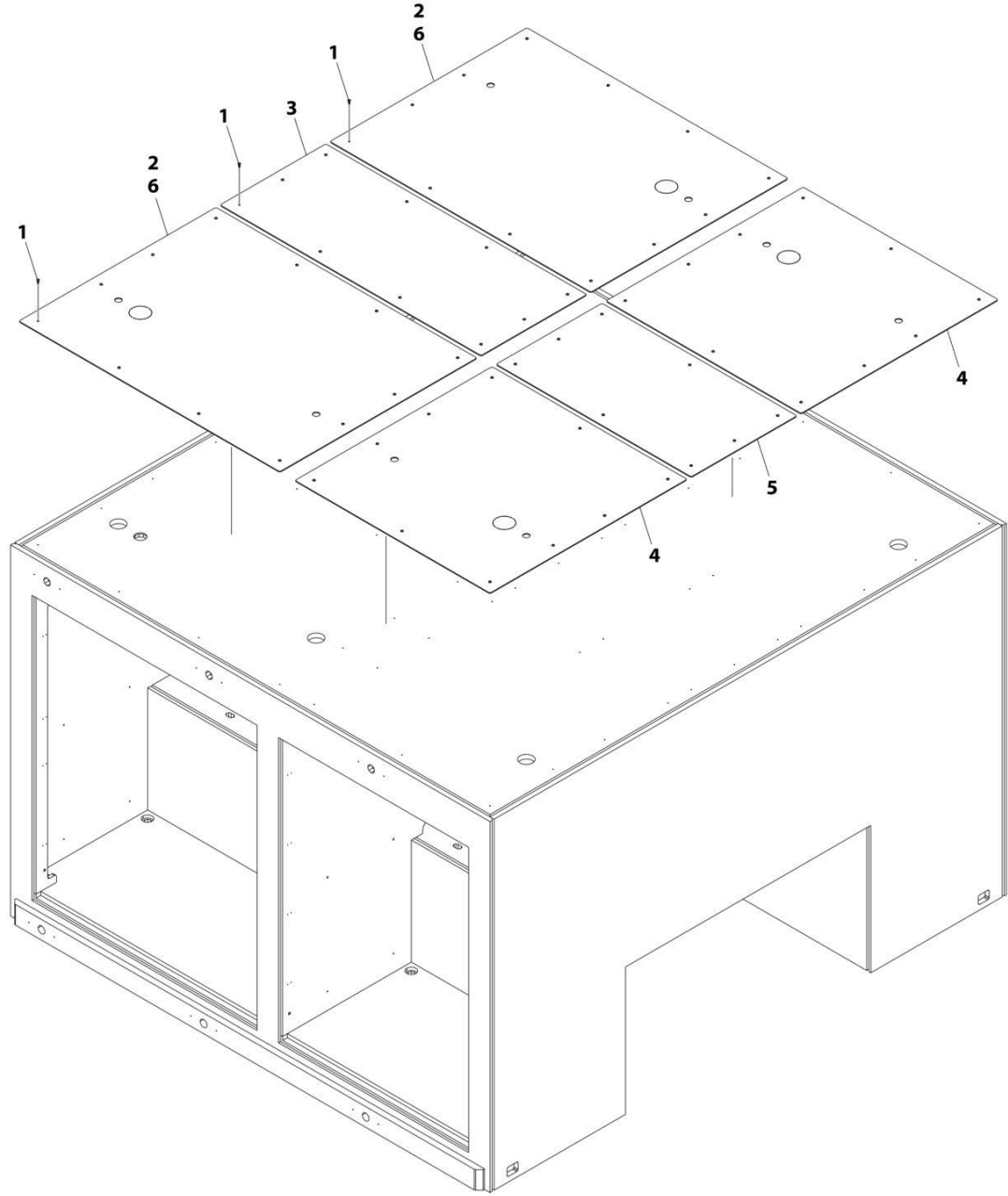
SECTION 4 - BODY

FIGURE 4-3. BATTERY COVER INSTALLATION (76IN)

ITEM	PART NUMBER	QTY	DESCRIPTION	REV
	1001270606	Ref	BATTERY COVER INSTALLATION (76IN)	A
1	1001192958	62	Screw #10 x 1/2	
2	1001270607	2	Plate	
3	1001274386	2	Plate	
4	1001274387	1	Plate	
5	1001274388	1	Plate	
6	8798820001	AR	Sealant	

SECTION 4 - BODY

FIGURE 4-4. BATTERY COVER INSTALLATION (88IN)



ART_1001278246

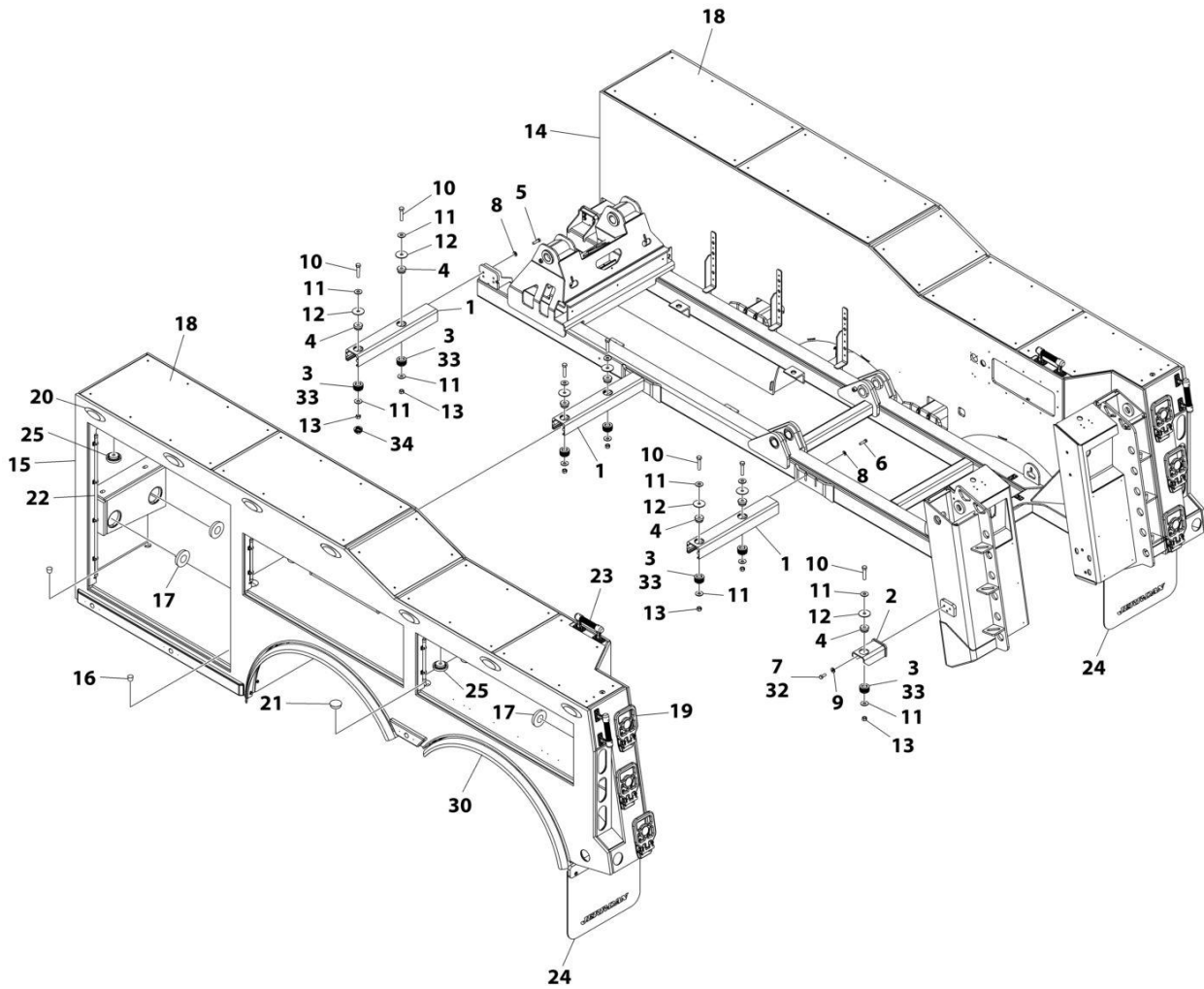
SECTION 4 - BODY

FIGURE 4-4. BATTERY COVER INSTALLATION (88IN)

ITEM	PART NUMBER	QTY	DESCRIPTION	REV
	1001278246	Ref	BATTERY COVER INSTALLATION (88IN)	A
1	1001192958	62	Screw #10 x 1/2	
2	1001274386	2	Plate	
3	1001274387	1	Plate	
4	1001278517	2	Plate	
5	1001278518	1	Plate	
6	8798820001	AR	Sealant	

SECTION 4 - BODY

FIGURE 4-5. BODY INSTALLATION - TANDEM



ART_1001291322

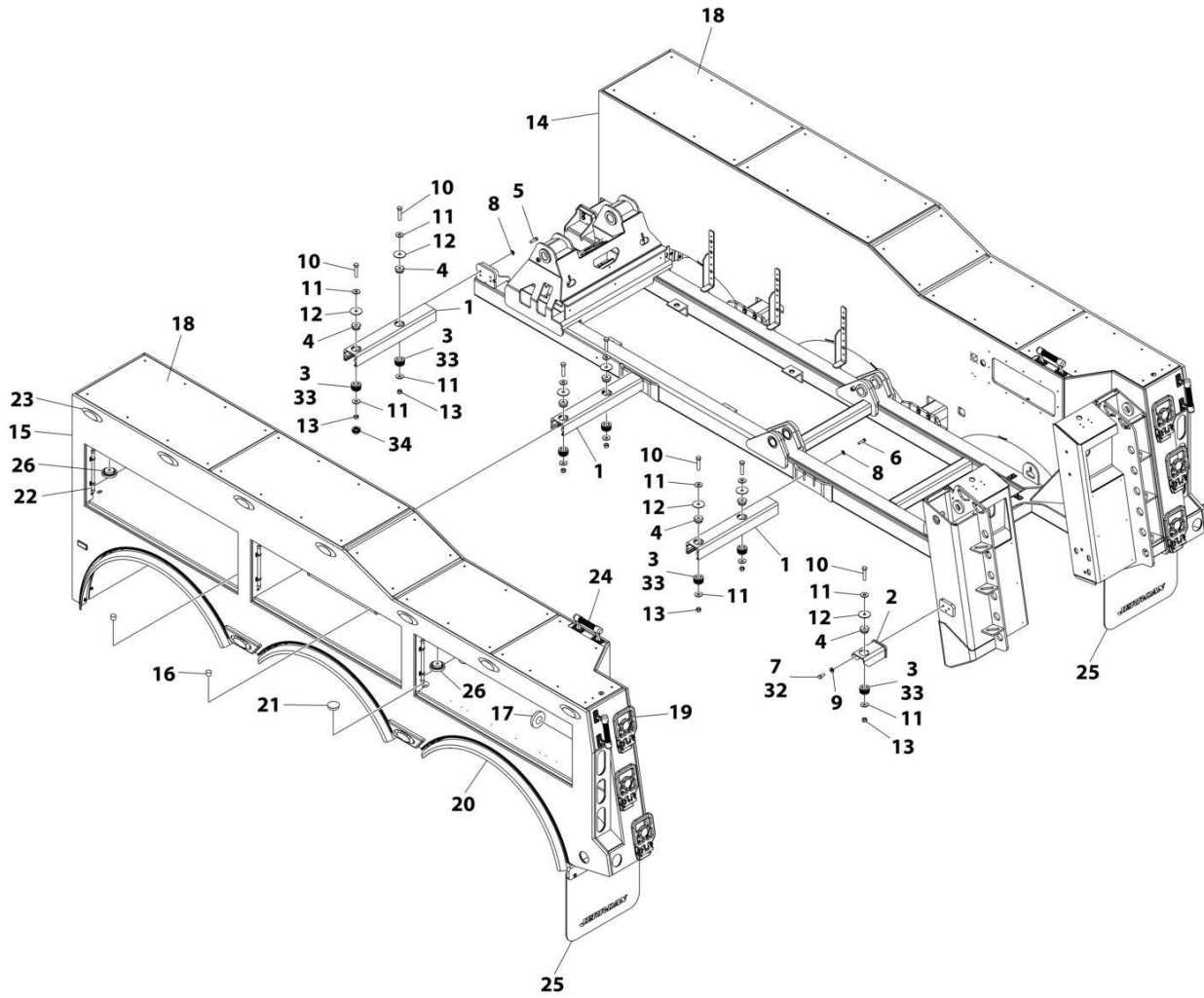
SECTION 4 - BODY

FIGURE 4-5. BODY INSTALLATION - TANDEM

ITEM	PART NUMBER	QTY	DESCRIPTION	REV
	1001291322	Ref	BODY INSTALLATION - TANDEM	A
1	1001250864	6	Bracket	
2	1001250876	2	Bracket	
3	1001250863	14	Mount	
4	1001250873	14	Mount	
5	0641712	8	Bolt 7/16 x 1-1/2	
6	0641714	16	Bolt 7/16 x 1-3/4	
7	0641810	6	Bolt 1/2 x 1-1/4	
8	1001250875	24	Washer	
9	4891800	6	Washer 1/2	
10	0642024	14	Bolt 5/8 x 3	
11	4752000	28	Washer 5/8	
12	7949000019	14	Washer	
13	7660200001	14	Nut 5/8	
14	1001262814	1	Box, Passenger Side	
15	1001262815	1	Box, Driver Side	
16	1001173847	11	Plug	
17	1120601	6	Cap	
18	1001289244	1	Body Diamond Plate Installation (See Separate Breakdown in this Section)	
19	1001289265	1	Steps Installation (See Separate Breakdown in this Section)	
20	1001289474	1	Marker Lights Installation (See Separate Breakdown in ELECTRICAL Section)	
21	7701000003	8	Plug	
22	1001196522	1	Body Compartment Lights Installation (See Separate Breakdown in ELECTRICAL Section)	
23	1001196639	1	Grab Handles Installation (See Separate Breakdown in this Section)	
24	1001196790	1	Mudflaps Installation (See Separate Breakdown in this Section)	
25	1001196802	1	Lifting Lugs Installation (See Separate Breakdown in this Section)	
30	1001289392	1	Fender Flare and Liner Installation (See Separate Breakdown in this Section)	
32	0100011	AR	Compound, Locking	
33	3020039	AR	Lubricant	
34	1001254393	1	Nut	

SECTION 4 - BODY

FIGURE 4-6. BODY INSTALLATION - TRI-AXLE



ART_1001291323

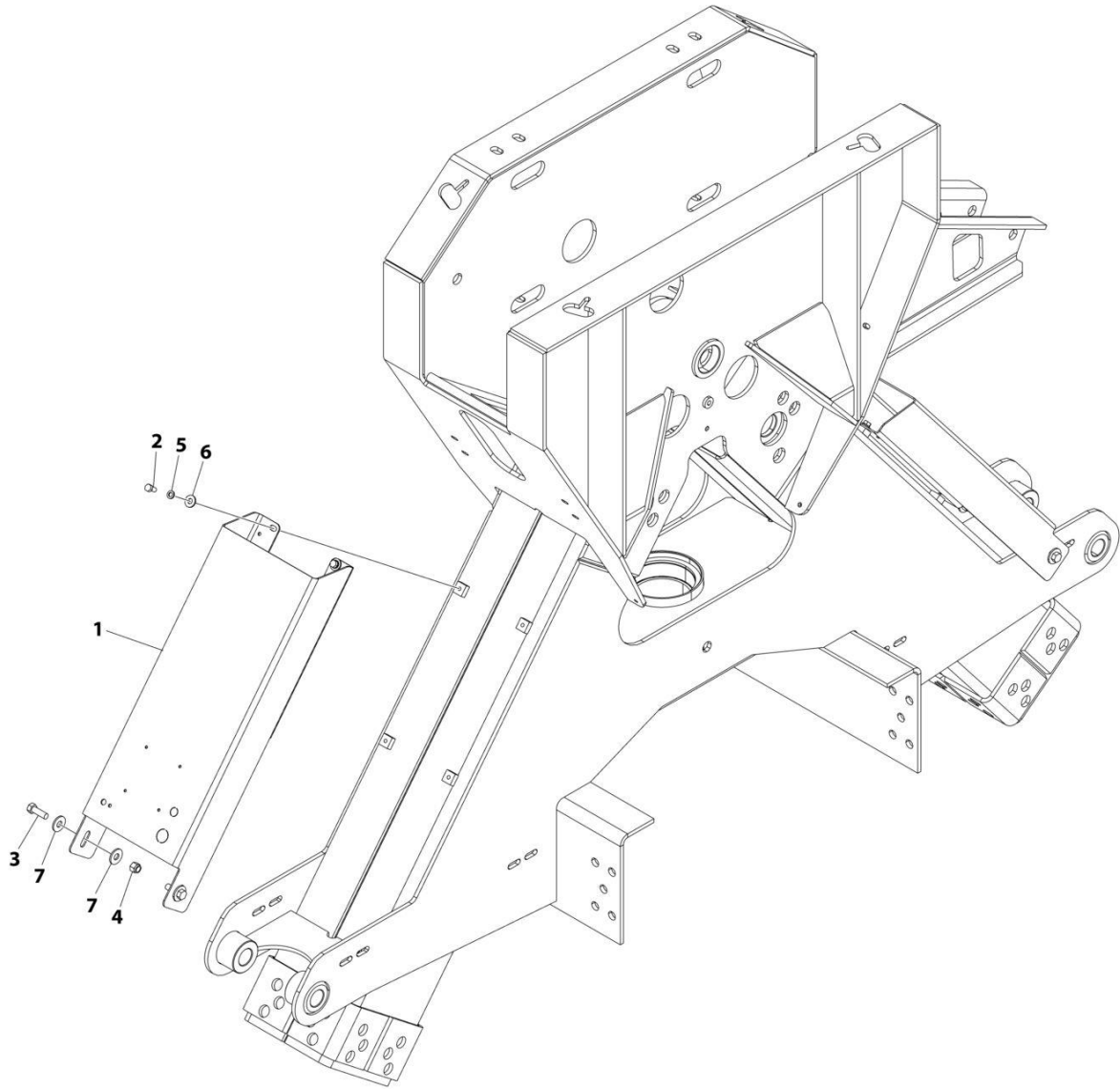
SECTION 4 - BODY

FIGURE 4-6. BODY INSTALLATION - TRI-AXLE

ITEM	PART NUMBER	QTY	DESCRIPTION	REV
	1001291323	Ref	BODY INSTALLATION - TRI-AXLE	B
1	1001250864	6	Bracket	
2	1001250876	2	Bracket	
3	1001250863	14	Mount	
4	1001250873	14	Mount	
5	0641712	8	Bolt 7/16 x 1-1/2	
6	0641714	16	Bolt 7/16 x 1-3/4	
7	0641810	6	Bolt 1/2 x 1-1/4	
8	1001250875	24	Washer	
9	4891800	6	Washer 1/2	
10	0642024	14	Bolt 5/8 x 3	
11	4752000	28	Washer 5/8	
12	7949000019	14	Washer	
13	7660200001	14	Nut 5/8	
14	1001262818	1	Box, Passenger Side	
15	1001262819	1	Box, Driver Side	
16	1001173847	9	Plug	
17	1120601	2	Cap	
18	1001289244	1	Body Diamond Plate Installation (See Separate Breakdown in this Section)	
19	1001289265	1	Steps Installation (See Separate Breakdown in this Section)	
20	1001289596	1	Fender Flare Plate Installation (See Separate Breakdown in this Section)	
21	7701000003	8	Plug	
22	1001196523	1	Body Compartment Lights Installation (See Separate Breakdown in ELECTRICAL Section)	
23	1001196594	1	Marker Lights Installation (See Separate Breakdown in ELECTRICAL Section)	
24	1001196639	1	Grab Handles Installation (See Separate Breakdown in this Section)	
25	1001196790	1	Mudflaps Installation (See Separate Breakdown in this Section)	
26	1001196802	1	Lifting Lugs Installation (See Separate Breakdown in this Section)	
32	0100011	AR	Compound, Locking	
33	3020039	AR	Lubricant	
34	1001254393	1	Nut	

SECTION 4 - BODY

FIGURE 4-7. COVER PLATE INSTALLATION - SRS



ART_1001291036

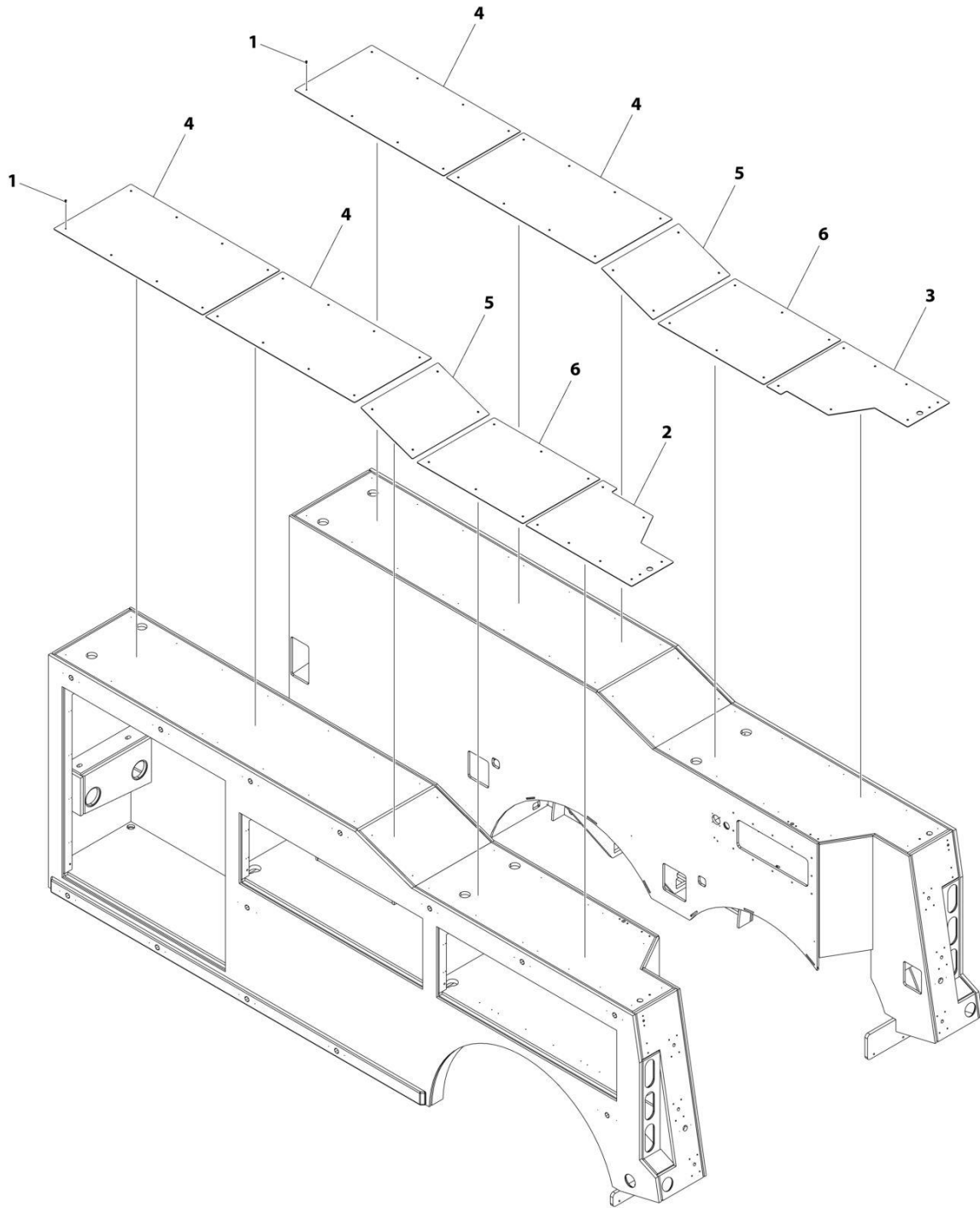
SECTION 4 - BODY

FIGURE 4-7. COVER PLATE INSTALLATION - SRS

ITEM	PART NUMBER	QTY	DESCRIPTION	REV
	1001291036	Ref	COVER PLATE INSTALLATION	A
1	1001291038	2	Panel	
2	7115160650	4	Bolt 3/8 x 3/4	
3	7115181250	4	Bolt 1/2 x 1-1/2	
4	7660182601	4	Nut 1/2	
5	7950160000	4	Washer 3/8	
6	7950160161	4	Washer 3/8	
7	7950180161	8	Washer 1/2	

SECTION 4 - BODY

FIGURE 4-8. DIAMOND PLATE INSTALLATION



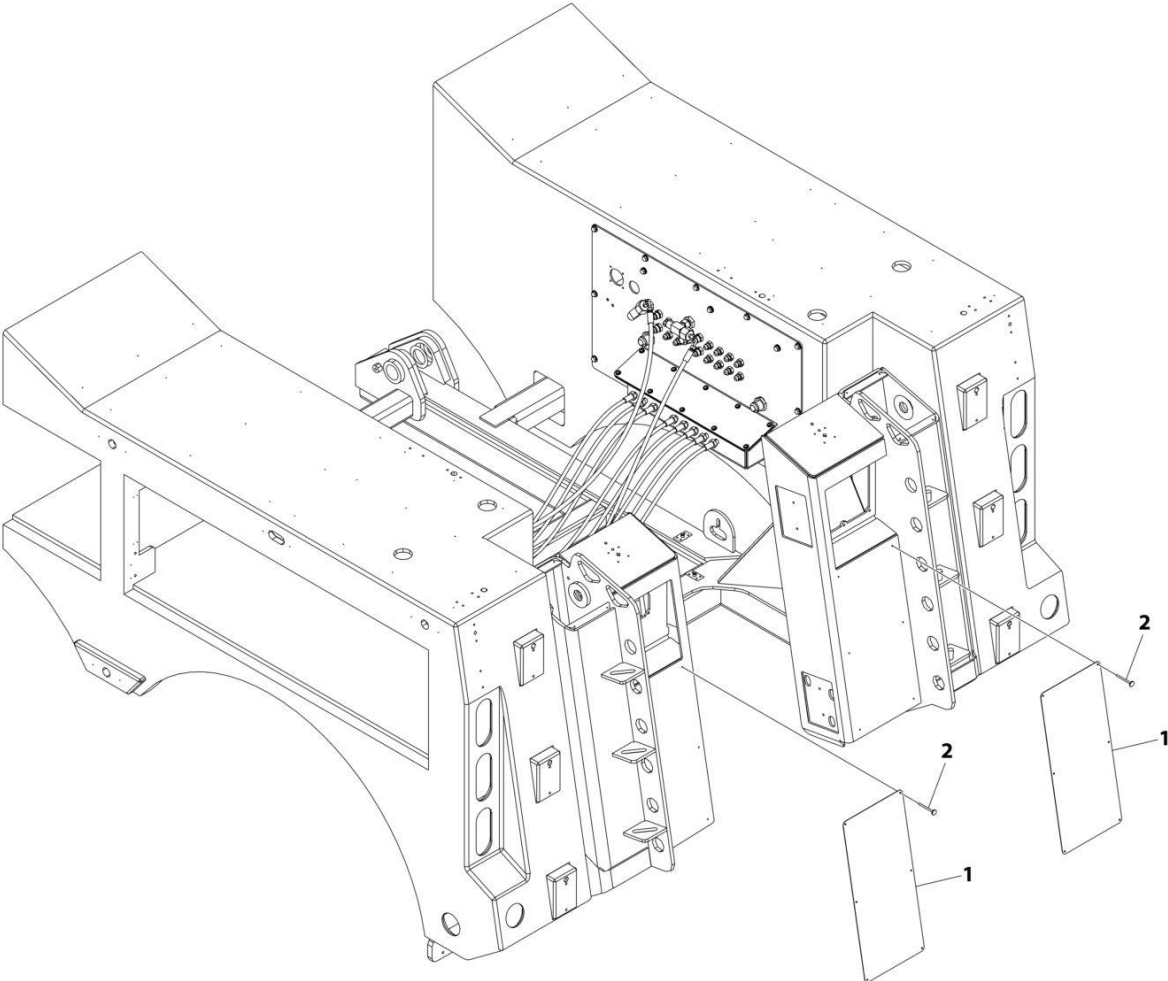
ART_1001289244

FIGURE 4-8. DIAMOND PLATE INSTALLATION

ITEM	PART NUMBER	QTY	DESCRIPTION	REV
	1001289244	Ref	DIAMOND PLATE INSTALLATION	A
1	1001192958	66	Screw #10 x 1/2	
2	1001287544	1	Plate	
3	1001287545	1	Plate	
4	1001287547	4	Plate	
5	1001287549	2	Plate	
6	1001287550	2	Plate	
7	8798820001	AR	Sealant (Not Shown)	

SECTION 4 - BODY

FIGURE 4-9. DIAMOND PLATE INSTALLATION - REAR



ART_2503700052

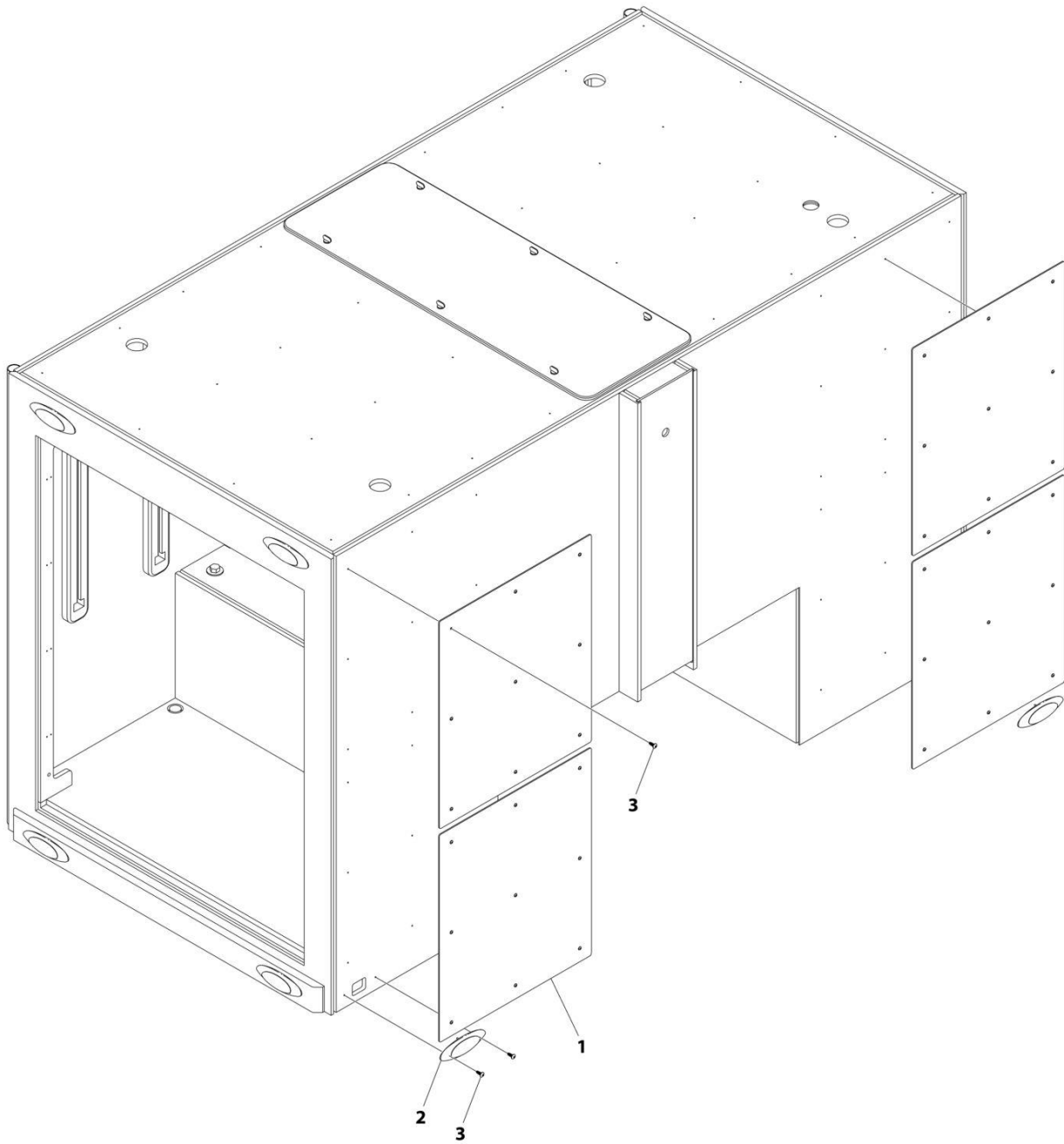
SECTION 4 - BODY

FIGURE 4-9. DIAMOND PLATE INSTALLATION - REAR

ITEM	PART NUMBER	QTY	DESCRIPTION	REV
	2503700052	Ref	DIAMOND PLATE INSTALLATION - REAR	B
1	4706002491	2	Plate	
2	7759000018	12	Rivet	

SECTION 4 - BODY

FIGURE 4-10. DIAMOND PLATE INSTALLATION - FRONT TUNNEL



ART_1001255378

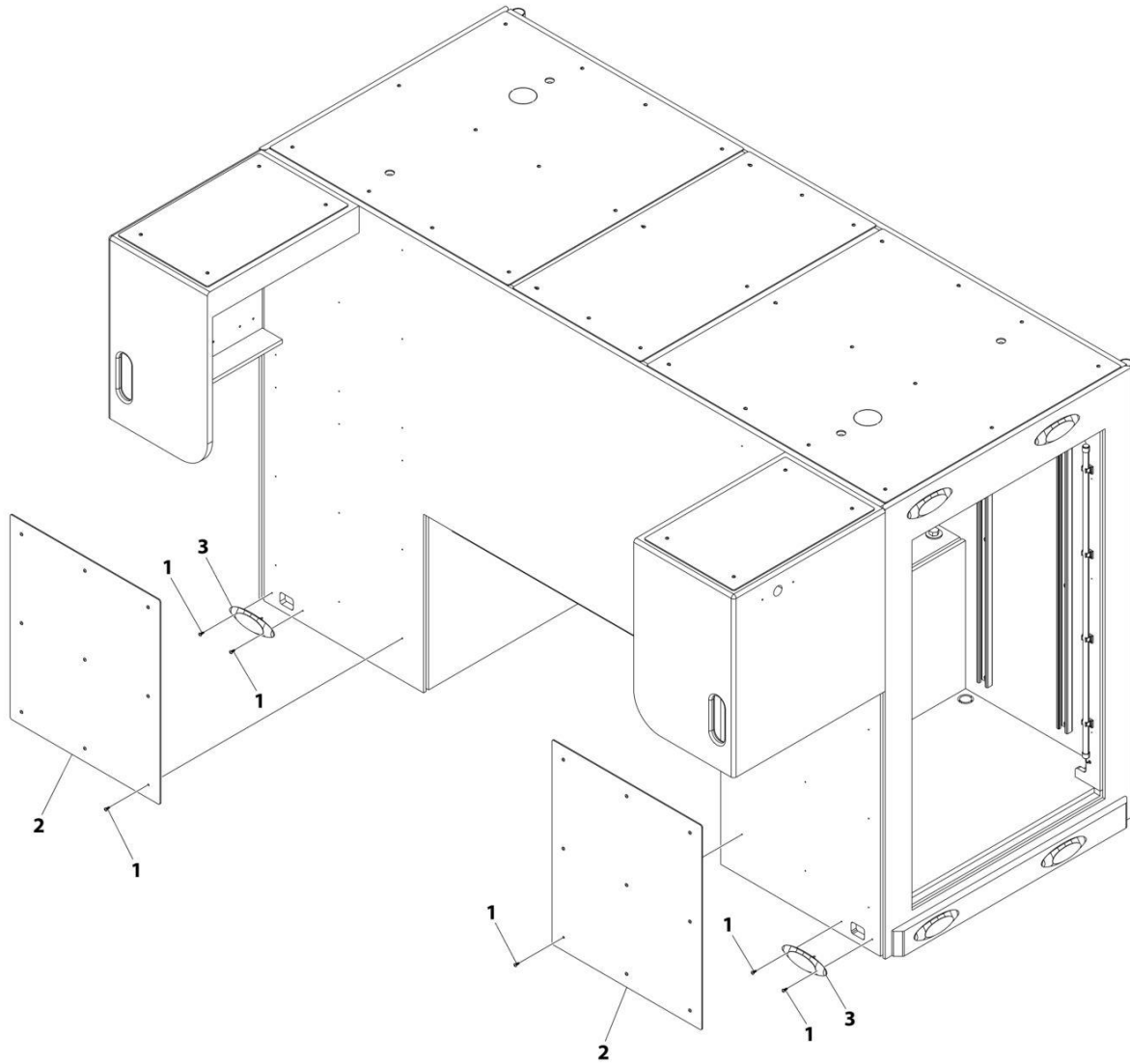
SECTION 4 - BODY

FIGURE 4-10. DIAMOND PLATE INSTALLATION - FRONT TUNNEL

ITEM	PART NUMBER	QTY	DESCRIPTION	REV
	1001255378	Ref	DIAMOND PLATE INSTALLATION WITH MARKER (FRONT OF TUNNEL)	A
1	1001253745	4	Plate	
2	7590000358	2	Light	
3	1001192958	40	Screw #10 x 1/2	

SECTION 4 - BODY

FIGURE 4-11. DIAMOND PLATE INSTALLATION - SRS



ART_1001292051

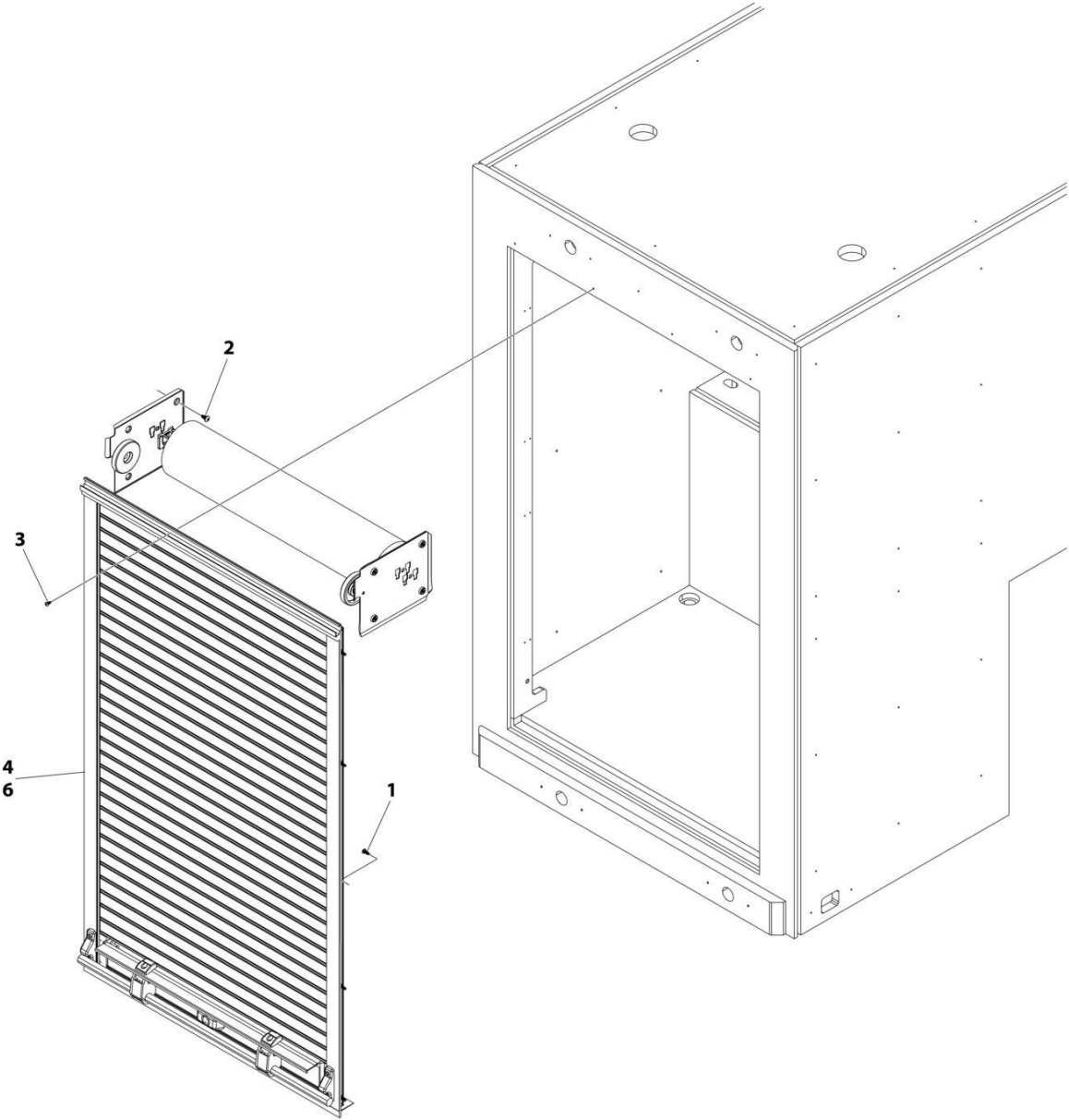
SECTION 4 - BODY

FIGURE 4-11. DIAMOND PLATE INSTALLATION - SRS

ITEM	PART NUMBER	QTY	DESCRIPTION	REV
	1001292051	Ref	DIAMOND PLATE INSTALLATION WITH MARKER	A
1	1001192958	22	Screw #10 x 1/2	
2	1001253745	2	Plate	
3	7590000358	2	Light	

SECTION 4 - BODY

FIGURE 4-12. DOOR INSTALLATION WITH TUNNEL 38IN (PAINTED DOOR)



ART_1001274633

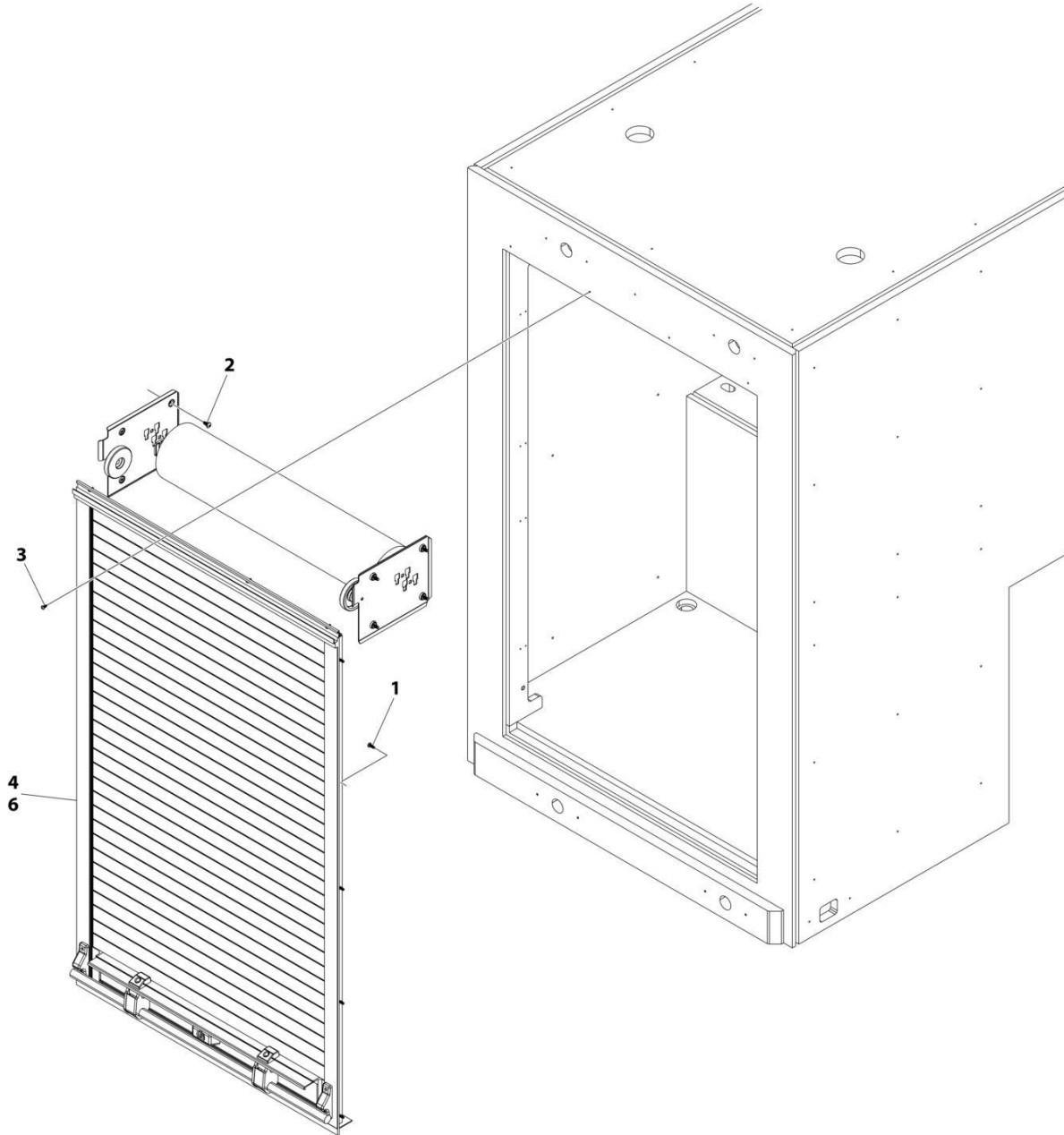
SECTION 4 - BODY

FIGURE 4-12. DOOR INSTALLATION WITH TUNNEL 38IN (PAINTED DOOR)

ITEM	PART NUMBER	QTY	DESCRIPTION	REV
	1001274633	Ref	DOOR INSTALLATION WITH TUNNEL 38IN (PAINTED DOOR)	A
1	1001192958	20	Screw #10 x 1/2	
2	1001195257	16	Screw 1/4 x 1/2	
3	1001198602	8	Screw #8 x 3/8	
4	1001278917	2	Door	
5	7796000012	2 ft	Seal (Not Shown)	
6	8798820001	AR	Sealant	
7	8892040001	AR	Tape (Not Shown)	

SECTION 4 - BODY

FIGURE 4-13. DOOR INSTALLATION WITH TUNNEL 38IN (PAINTED DOOR AND FRAME)



ART_1001274634

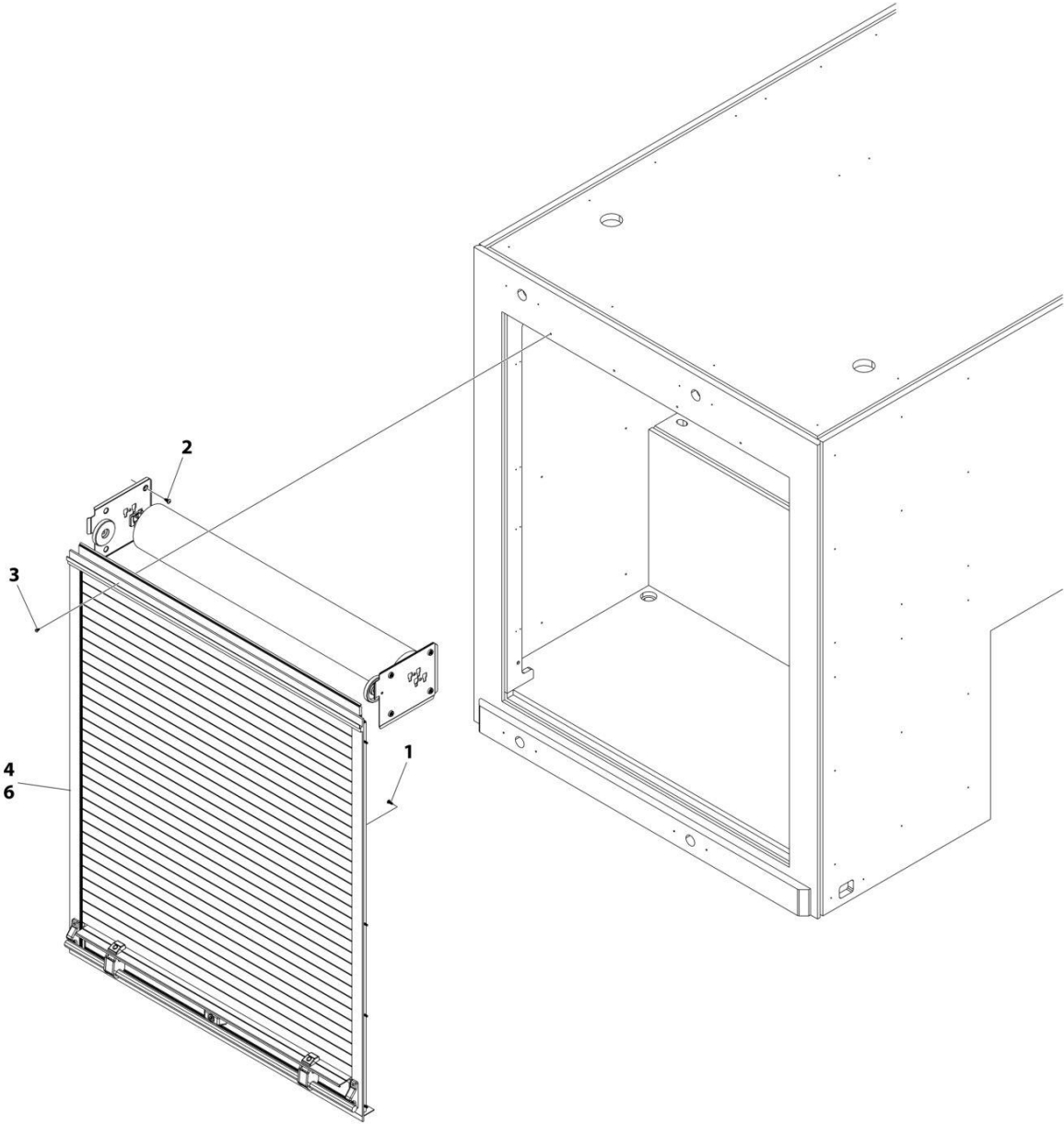
SECTION 4 - BODY

FIGURE 4-13. DOOR INSTALLATION WITH TUNNEL 38IN (PAINTED DOOR AND FRAME)

ITEM	PART NUMBER	QTY	DESCRIPTION	REV
	1001274634	Ref	DOOR INSTALLATION WITH TUNNEL 38IN (PAINTED DOOR AND FRAME)	A
1	1001192958	20	Screw #10 x 1/2	
2	1001195257	16	Screw 1/4 x 1/2	
3	1001198602	8	Screw #8 x 3/8	
4	1001278918	2	Door	
5	7796000012	2 ft	Seal (Not Shown)	
6	8798820001	AR	Sealant	
7	8892040001	AR	Tape (Not Shown)	

SECTION 4 - BODY

FIGURE 4-14. DOOR INSTALLATION WITH TUNNEL 50IN (PAINTED DOOR)



ART_1001274631

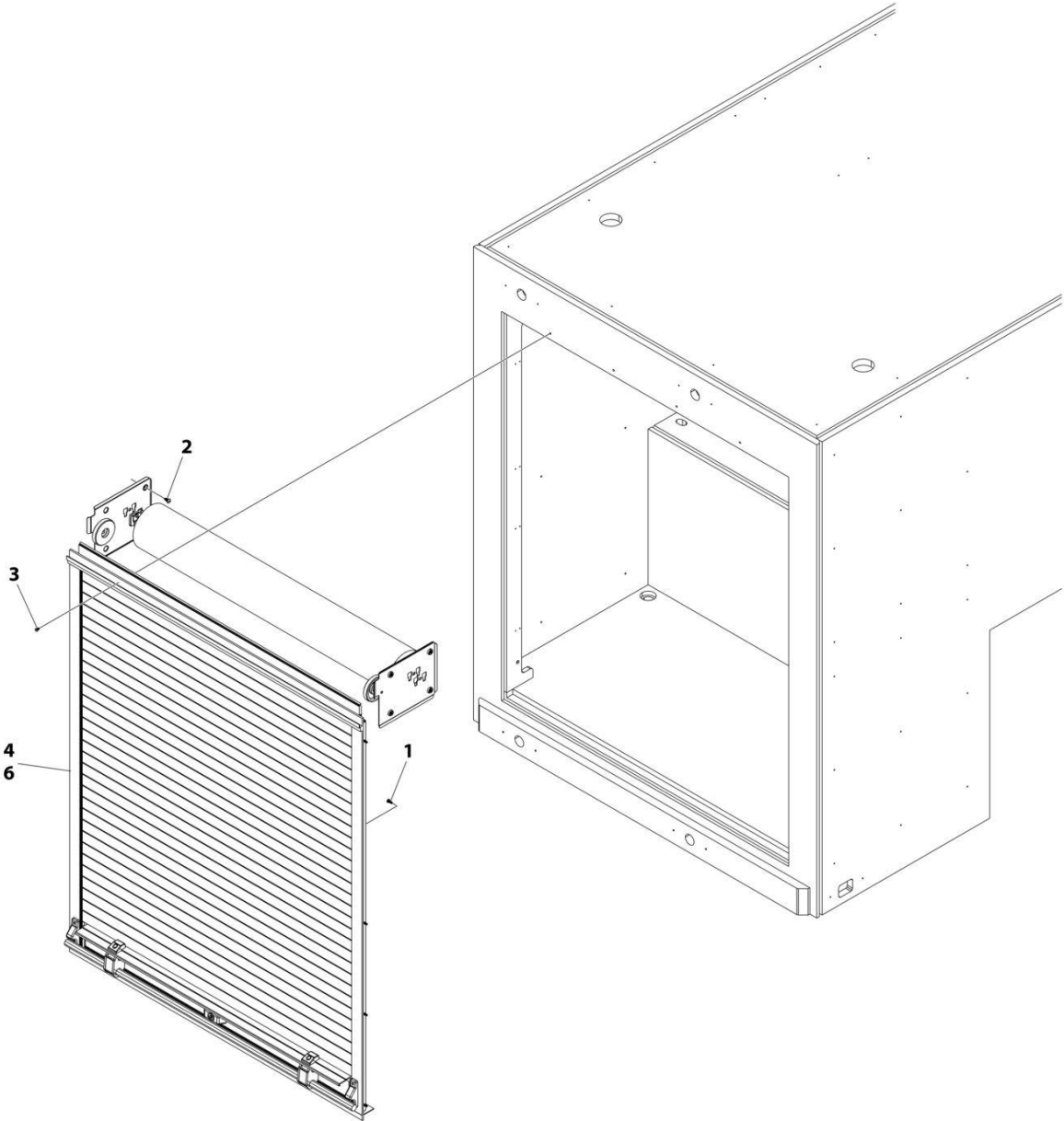
SECTION 4 - BODY

FIGURE 4-14. DOOR INSTALLATION WITH TUNNEL 50IN (PAINTED DOOR)

ITEM	PART NUMBER	QTY	DESCRIPTION	REV
	1001274631	Ref	DOOR INSTALLATION WITH TUNNEL 50IN (PAINTED DOOR)	A
1	1001192958	20	Screw #10 x 1/2	
2	1001195257	16	Screw 1/4 x 1/2	
3	1001198602	8	Screw #8 x 3/8	
4	1001274449	2	Door	
5	7796000012	2 ft	Seal (Not Shown)	
6	8798820001	AR	Sealant	
7	8892040001	AR	Tape (Not Shown)	

SECTION 4 - BODY

FIGURE 4-15. DOOR INSTALLATION WITH TUNNEL 50IN (PAINTED DOOR AND FRAME)



ART_1001274632

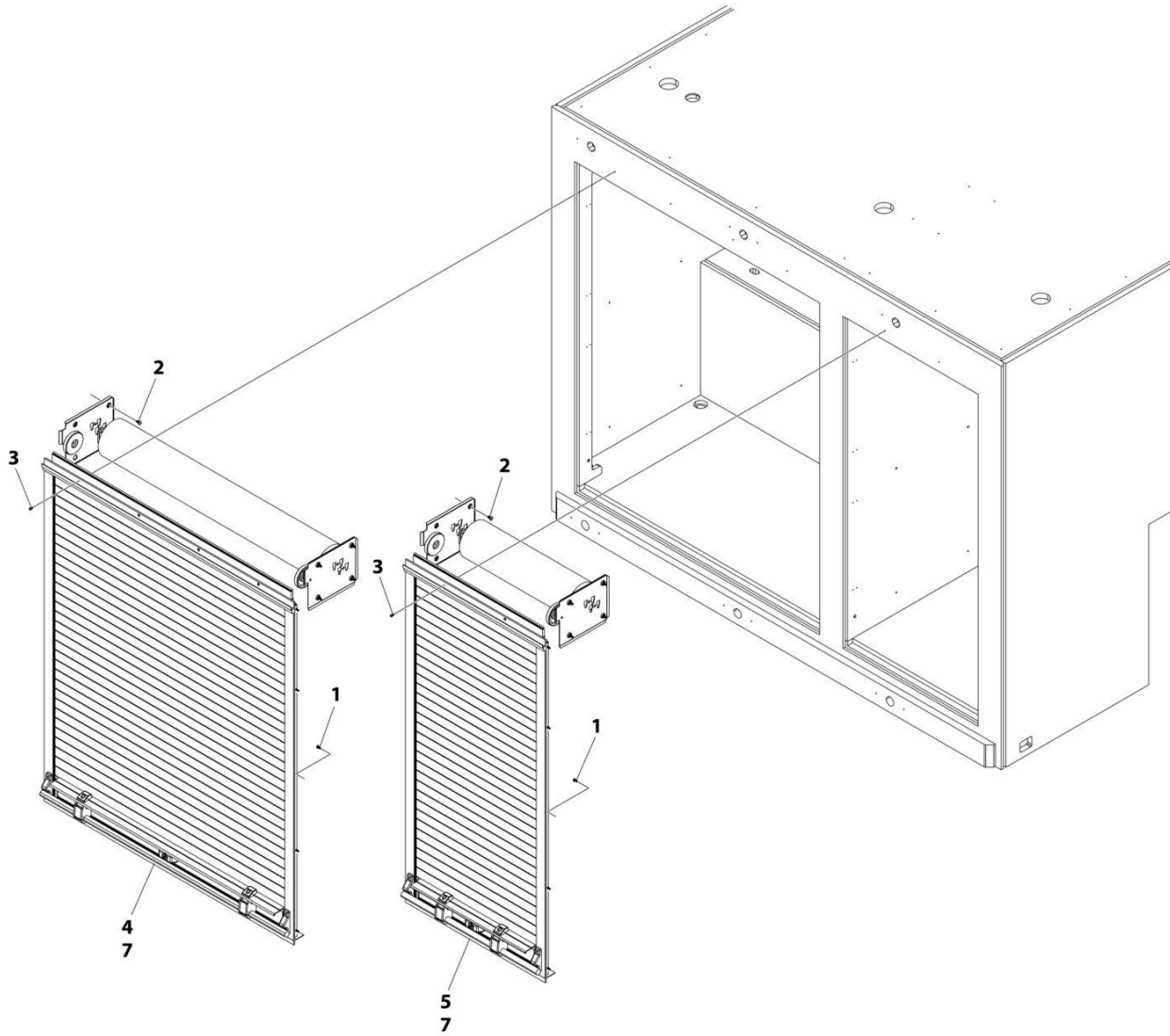
SECTION 4 - BODY

FIGURE 4-15. DOOR INSTALLATION WITH TUNNEL 50IN (PAINTED DOOR AND FRAME)

ITEM	PART NUMBER	QTY	DESCRIPTION	REV
	1001274632	Ref	DOOR INSTALLATION WITH TUNNEL 50IN (PAINTED DOOR AND FRAME)	A
1	1001192958	20	Screw #10 x 1/2	
2	1001195257	16	Screw 1/4 x 1/2	
3	1001198602	8	Screw #8 x 3/8	
4	1001274450	2	Door	
5	7796000012	2 ft	Seal (Not Shown)	
6	8798820001	AR	Sealant	
7	8892040001	AR	Tape (Not Shown)	

SECTION 4 - BODY

FIGURE 4-16. DOOR INSTALLATION WITH TUNNEL 76IN (PAINTED DOOR)



ART_1001274456

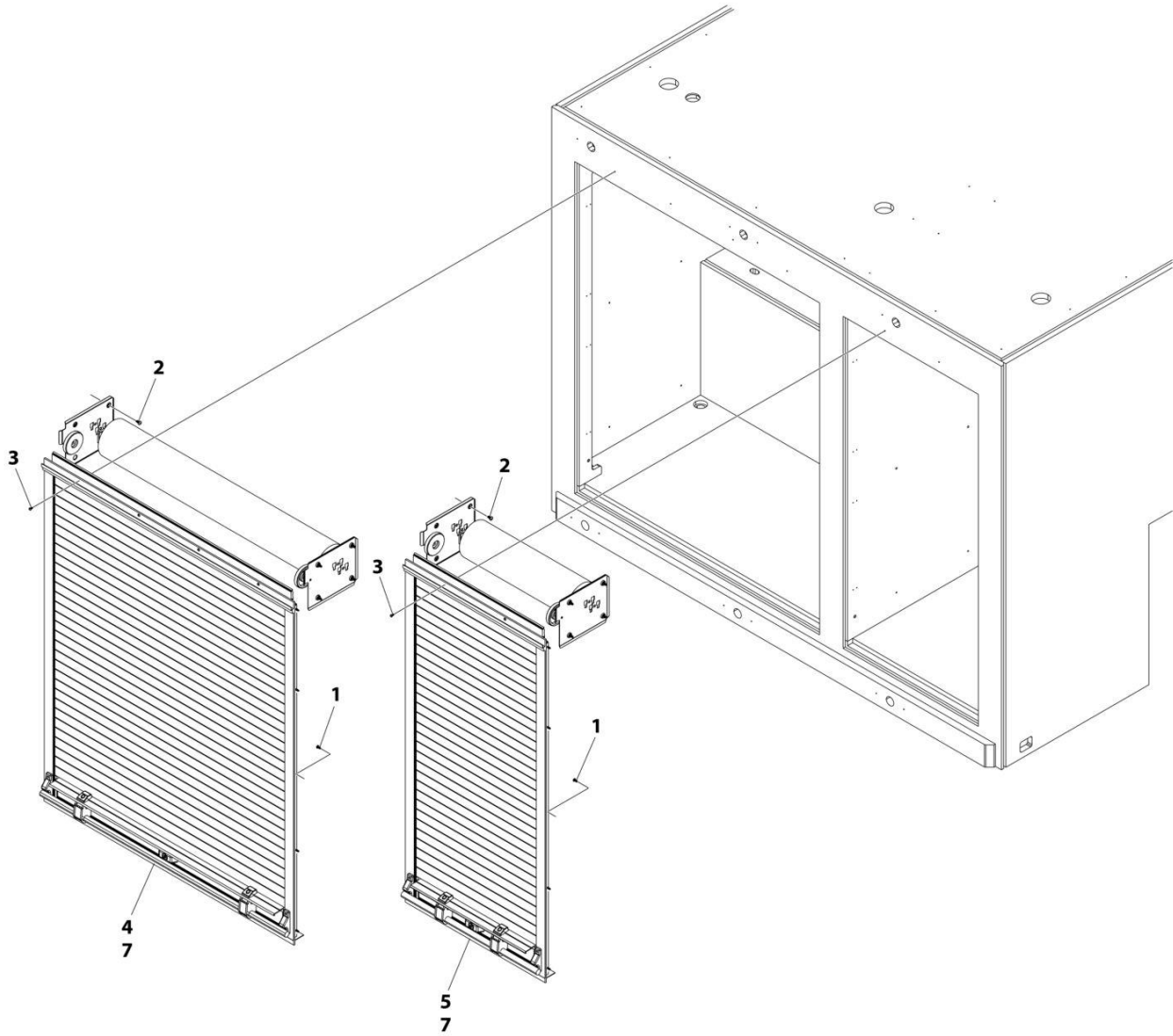
SECTION 4 - BODY

FIGURE 4-16. DOOR INSTALLATION WITH TUNNEL 76IN (PAINTED DOOR)

ITEM	PART NUMBER	QTY	DESCRIPTION	REV
	1001274456	Ref	DOOR INSTALLATION WITH TUNNEL 76IN (PAINTED DOOR)	A
1	1001192958	40	Screw #10 x 1/2	
2	1001195257	32	Screw 1/4 x 1/2	
3	1001198602	12	Screw #8 x 3/8	
4	1001274449	2	Door	
5	1001274451	2	Door	
6	7796000012	4 ft	Seal (Not Shown)	
7	8798820001	AR	Sealant	
8	8892040001	AR	Tape (Not Shown)	

SECTION 4 - BODY

FIGURE 4-17. DOOR INSTALLATION WITH TUNNEL 76IN (PAINTED DOOR AND FRAME)



ART_1001274457

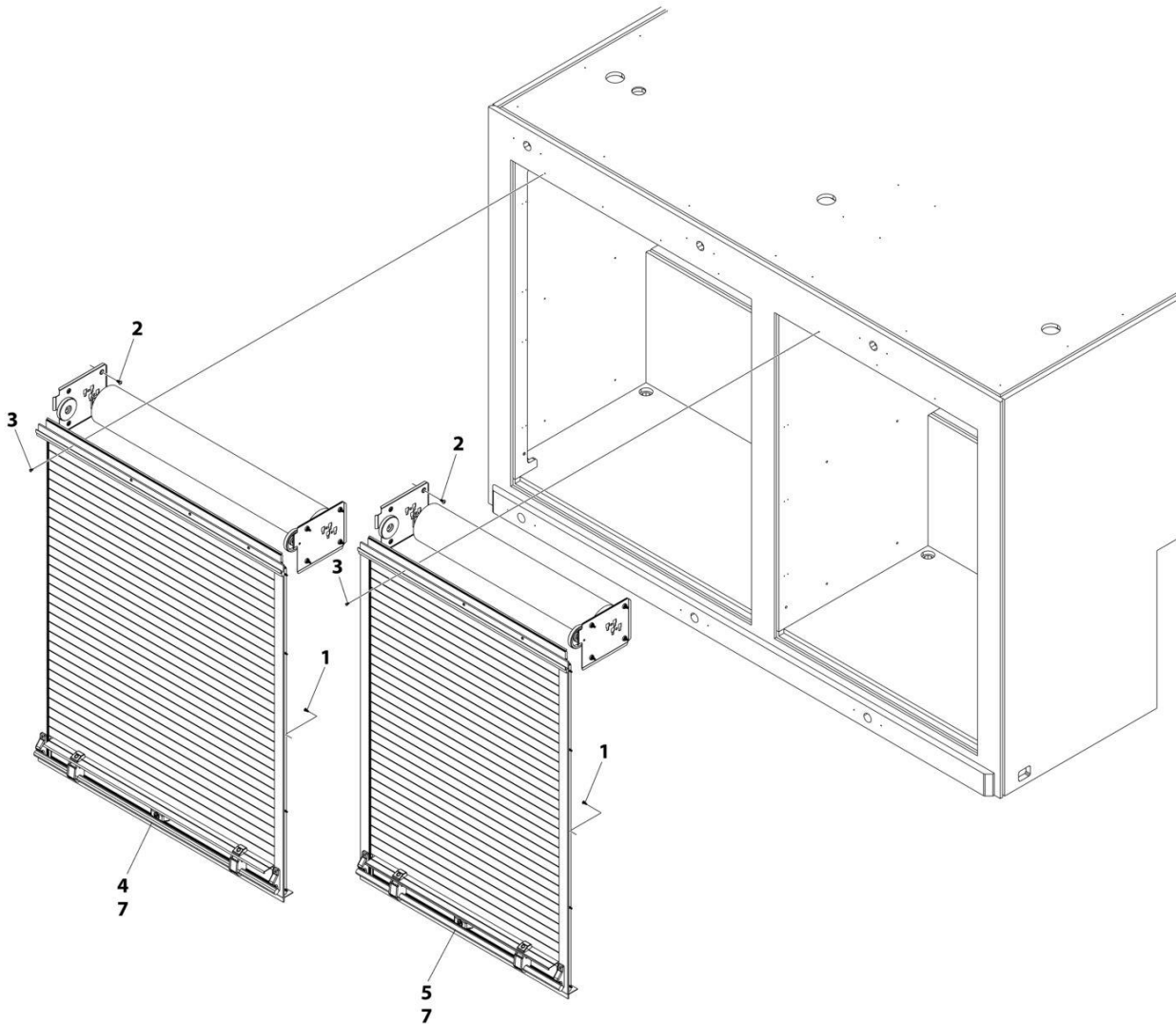
SECTION 4 - BODY

FIGURE 4-17. DOOR INSTALLATION WITH TUNNEL 76IN (PAINTED DOOR AND FRAME)

ITEM	PART NUMBER	QTY	DESCRIPTION	REV
	1001274457	Ref	DOOR INSTALLATION WITH TUNNEL 76IN (PAINTED DOOR AND FRAME)	A
1	1001192958	40	Screw #10 x 1/2	
2	1001195257	32	Screw 1/4 x 1/2	
3	1001198602	12	Screw #8 x 3/8	
4	1001274450	2	Door	
5	1001274452	2	Door	
6	7796000012	4 ft	Seal (Not Shown)	
7	8798820001	AR	Sealant	
8	8892040001	AR	Tape (Not Shown)	

SECTION 4 - BODY

FIGURE 4-18. DOOR INSTALLATION WITH TUNNEL 88IN (PAINTED DOOR)



ART_1001274458

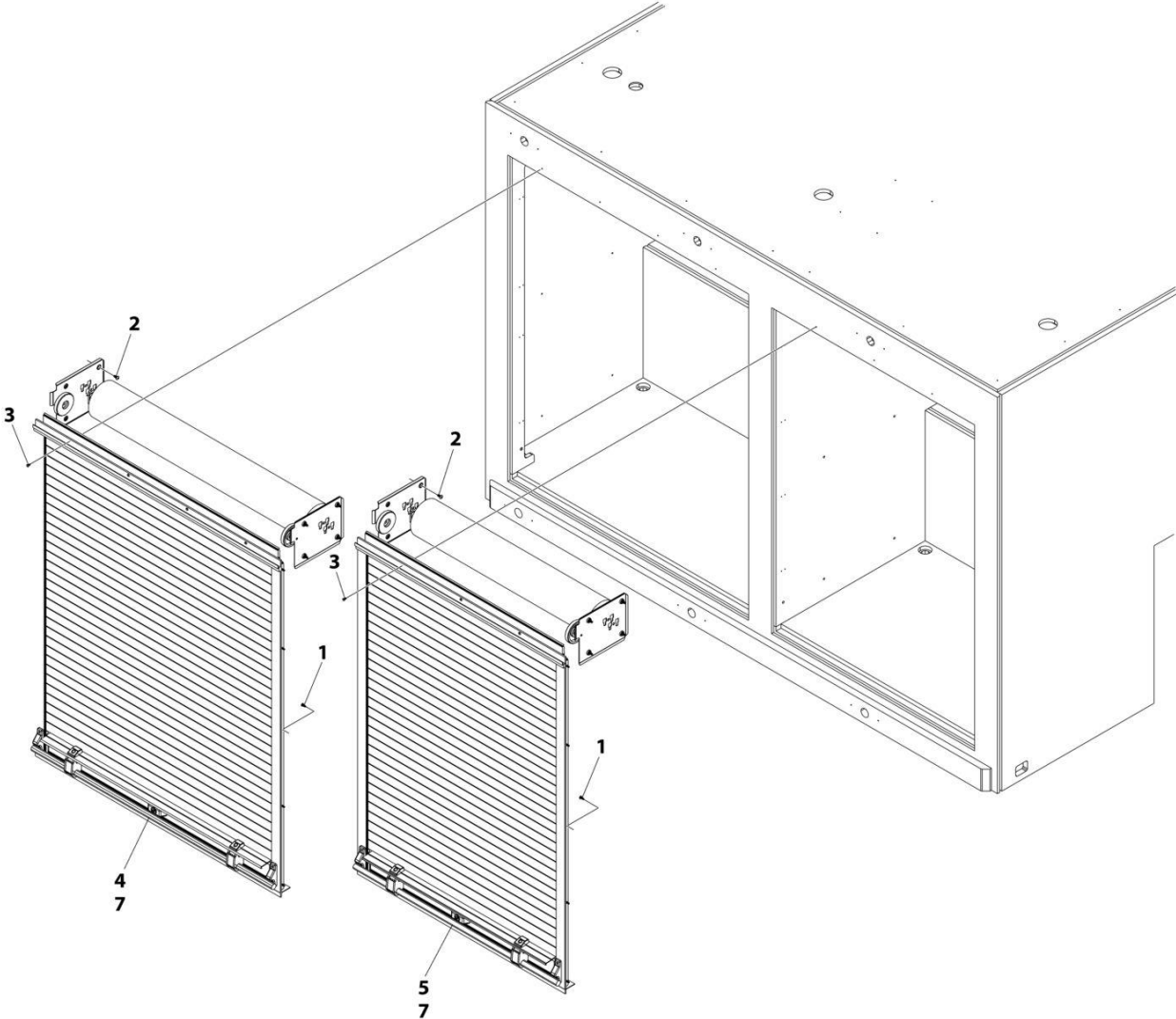
SECTION 4 - BODY

FIGURE 4-18. DOOR INSTALLATION WITH TUNNEL 88IN (PAINTED DOOR)

ITEM	PART NUMBER	QTY	DESCRIPTION	REV
	1001274458	Ref	DOOR INSTALLATION WITH TUNNEL 88IN (PAINTED DOOR)	A
1	1001192958	40	Screw #10 x 1/2	
2	1001195257	32	Screw 1/4 x 1/2	
3	1001198602	14	Screw #8 x 3/8	
4	1001274449	2	Door	
5	1001274453	2	Door	
6	7796000012	4 ft	Seal (Not Shown)	
7	8798820001	AR	Sealant	
8	8892040001	AR	Tape (Not Shown)	

SECTION 4 - BODY

FIGURE 4-19. DOOR INSTALLATION WITH TUNNEL 88IN (PAINTED DOOR AND FRAME)



ART_1001274459

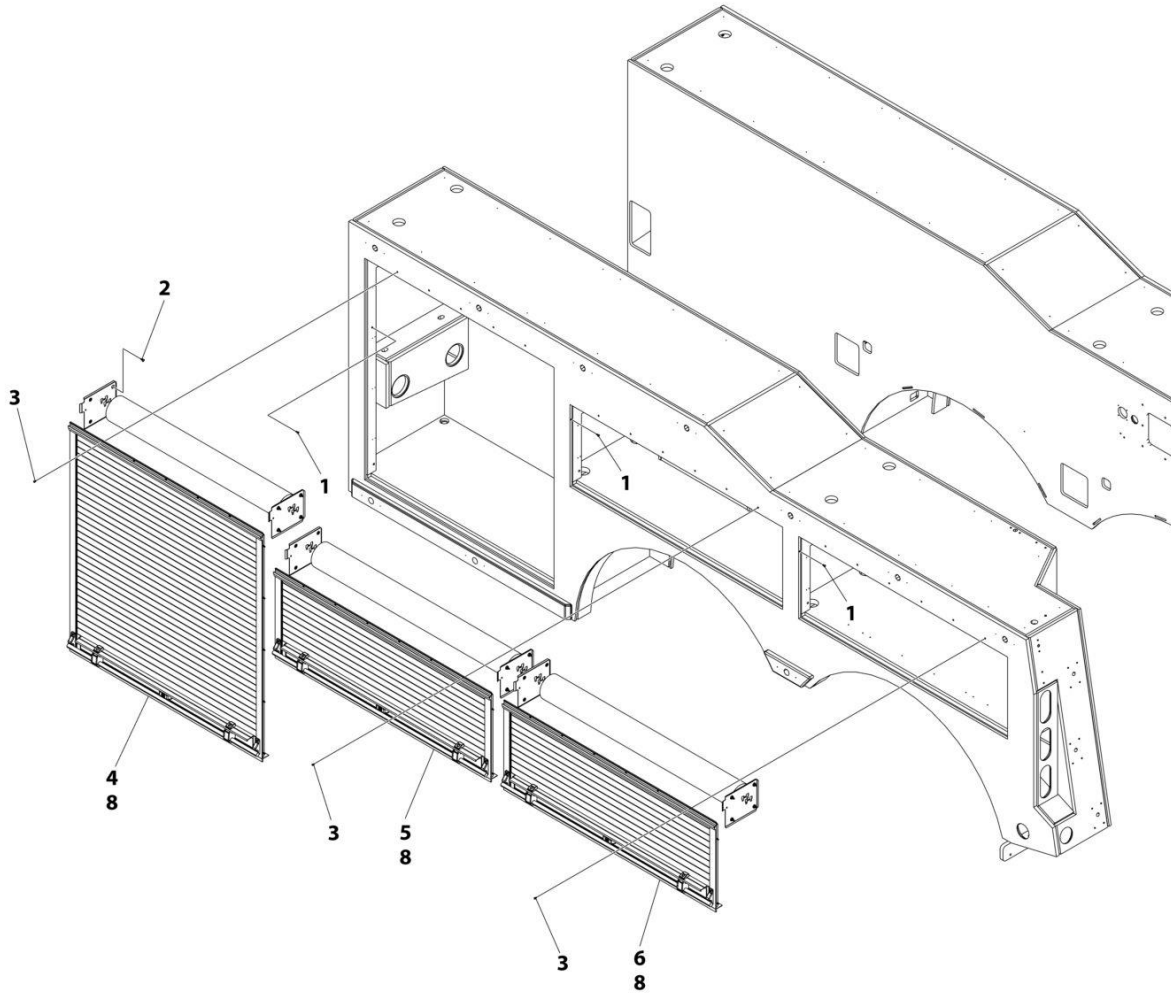
SECTION 4 - BODY

FIGURE 4-19. DOOR INSTALLATION WITH TUNNEL 88IN (PAINTED DOOR AND FRAME)

ITEM	PART NUMBER	QTY	DESCRIPTION	REV
	1001274459	Ref	DOOR INSTALLATION WITH TUNNEL 88IN (PAINTED DOOR AND FRAME)	A
1	1001192958	40	Screw #10 x 1/2	
2	1001195257	32	Screw 1/4 x 1/2	
3	1001198602	14	Screw #8 x 3/8	
4	1001274450	2	Door	
5	1001274454	2	Door	
6	7796000012	4 ft	Seal (Not Shown)	
7	8798820001	AR	Sealant	
8	8892040001	AR	Tape (Not Shown)	

SECTION 4 - BODY

FIGURE 4-20. DOORS INSTALLATION - REAR TANDEM BODY (PAINTED DOORS ONLY)



ART_1001274623

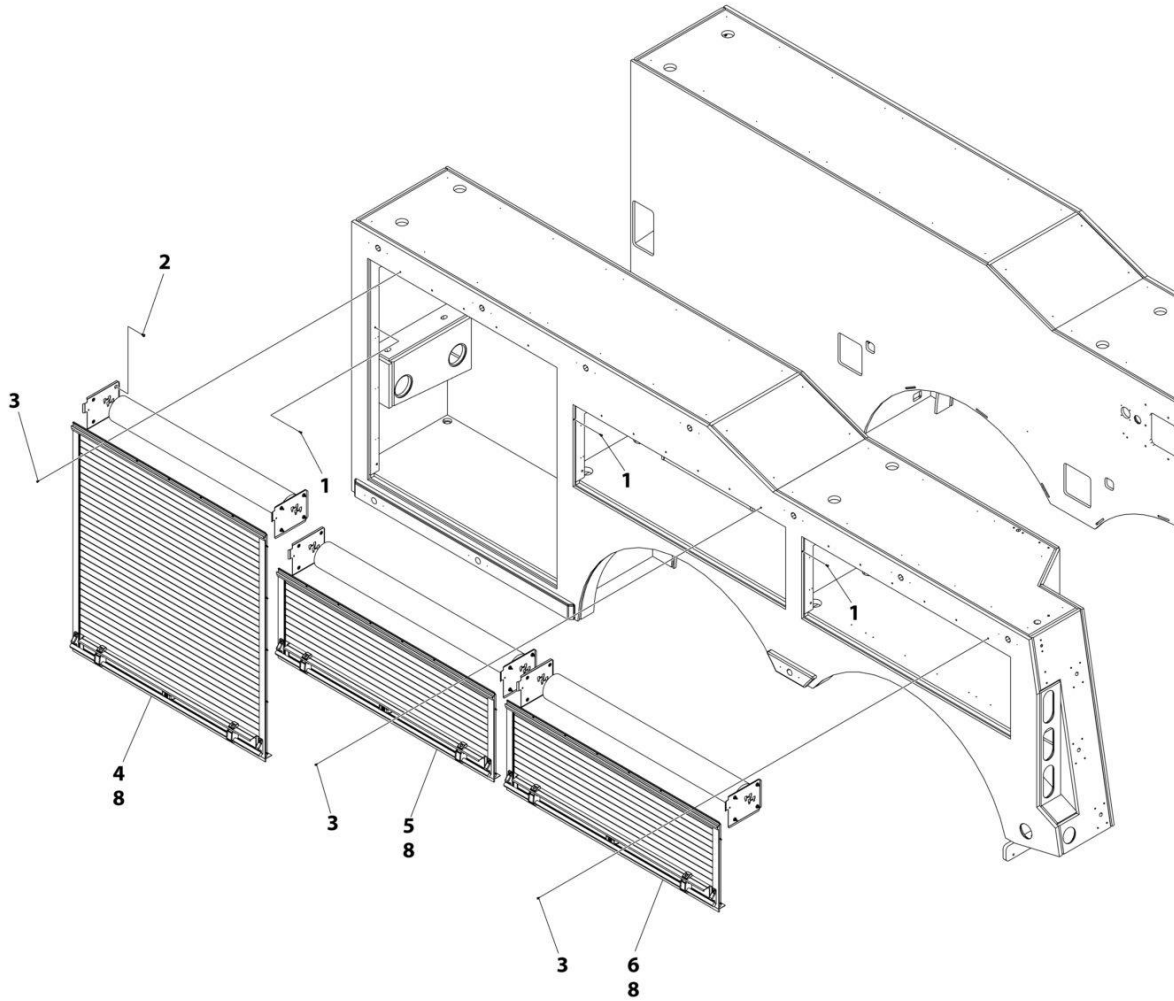
SECTION 4 - BODY

FIGURE 4-20. DOORS INSTALLATION - REAR TANDEM BODY (PAINTED DOORS ONLY)

ITEM	PART NUMBER	QTY	DESCRIPTION	REV
	1001274623	Ref	DOORS INSTALLATION - REAR TANDEM BODY (PAINTED)	A
1	1001192958	36	Screw #10 x 1/2	
2	1001195257	48	Screw 1/4 x 1/2	
6	1001198602	34	Screw #8 x 3/8	
4	1001274653	2	Door	
5	1001274654	2	Door	
6	1001274655	2	Door	
7	7796000012	6 ft	Seal (Not Shown)	
8	8798820001	AR	Sealant	
9	8892040001	AR	Tape (Not Shown)	

SECTION 4 - BODY

FIGURE 4-21. DOORS INSTALLATION - REAR TANDEM BODY (PAINTED DOORS & FRAME)



ART_1001274624

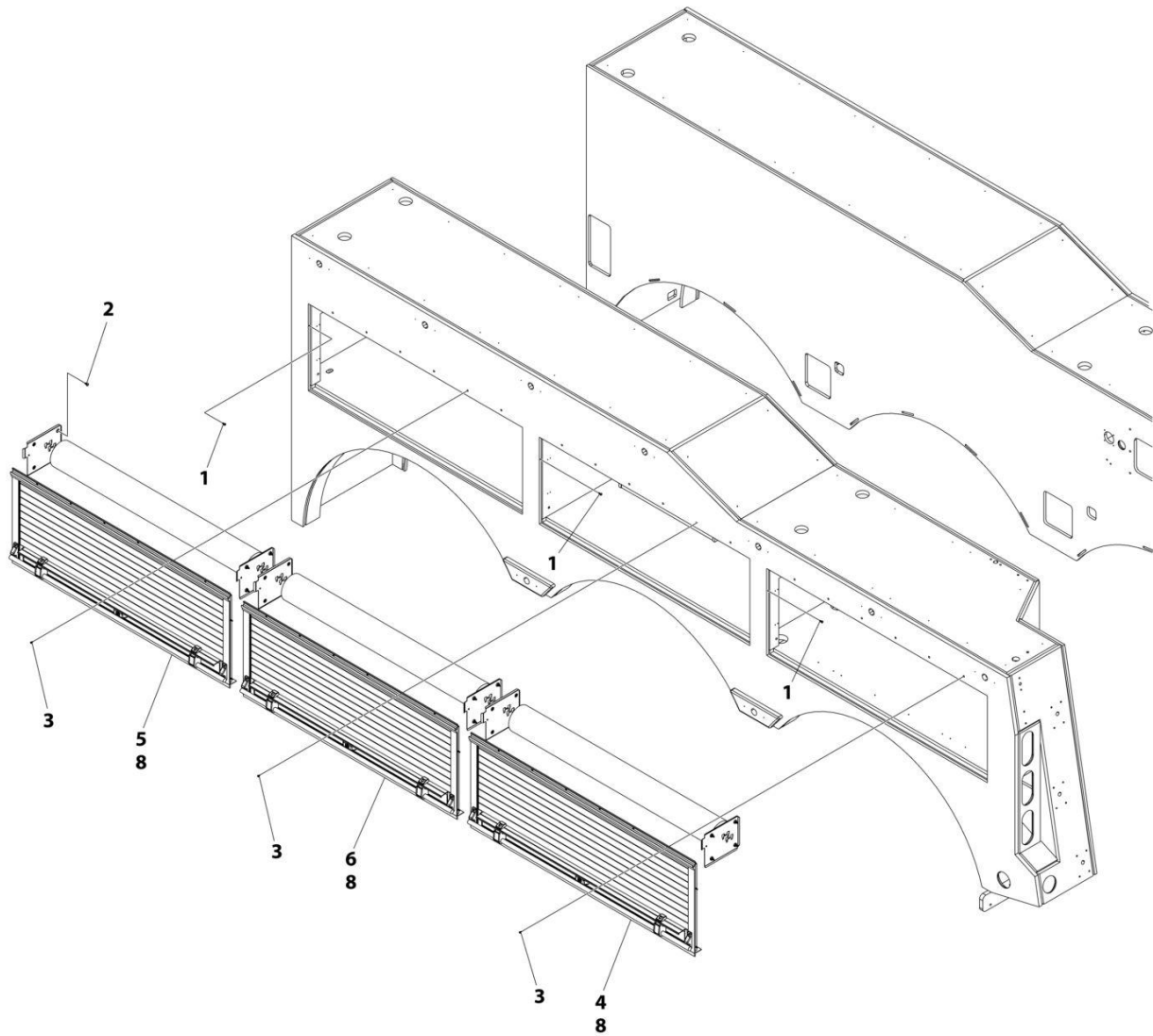
SECTION 4 - BODY

FIGURE 4-21. DOORS INSTALLATION - REAR TANDEM BODY (PAINTED DOORS & FRAME)

ITEM	PART NUMBER	QTY	DESCRIPTION	REV
	1001274624	Ref	DOORS & FRAME INSTALLATION - REAR TANDEM BODY (PAINTED)	A
1	1001192958	36	Screw #10 x 1/2	
2	1001195257	48	Screw 1/4 x 1/2	
3	1001198602	34	Screw #8 x 3/8	
4	1001274656	2	Door	
5	1001274657	2	Door	
6	1001274658	2	Door	
7	7796000012	6 ft	Seal (Not Shown)	
8	8798820001	AR	Sealant	
9	8892040001	AR	Tape (Not Shown)	

SECTION 4 - BODY

FIGURE 4-22. DOORS INSTALLATION - REAR TRI-AXLE BODY (PAINTED DOORS ONLY)



ART_1001274625

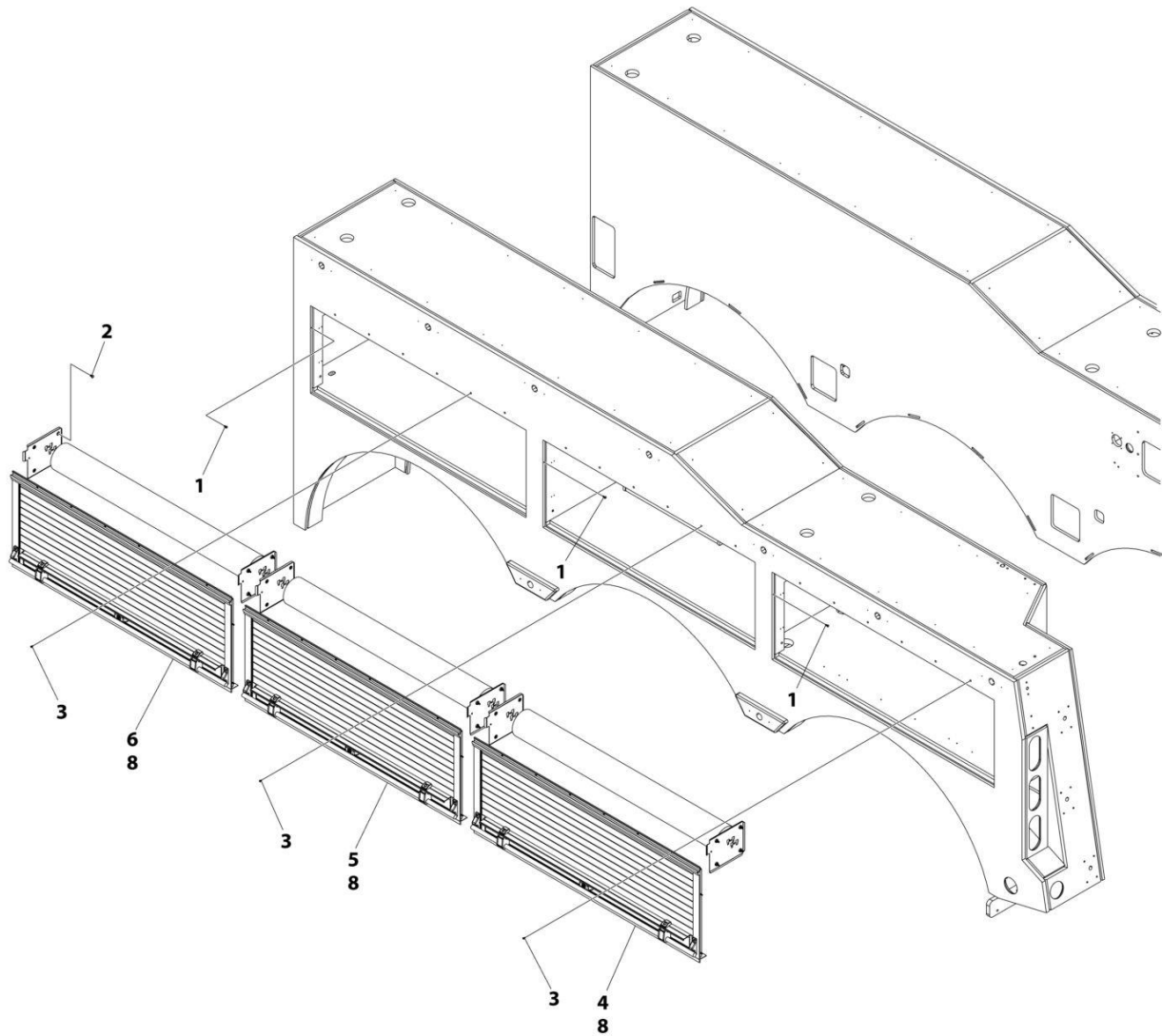
SECTION 4 - BODY

FIGURE 4-22. DOORS INSTALLATION - REAR TRI-AXLE BODY (PAINTED DOORS ONLY)

ITEM	PART NUMBER	QTY	DESCRIPTION	REV
	1001274625	Ref	DOORS INSTALLATION - REAR TRI-AXLE BODY (PAINTED)	A
1	1001192958	24	Screw #10 x 1/2	
2	1001195257	48	Screw 1/4 x 1/2	
3	1001198602	36	Screw #8 x 3/8	
4	1001274655	2	Door	
5	1001274662	2	Door	
6	1001274663	2	Door	
7	7796000012	6 ft	Seal (Not Shown)	
8	8798820001	AR	Sealant	
9	8892040001	AR	Tape (Not Shown)	

SECTION 4 - BODY

FIGURE 4-23. DOORS INSTALLATION - REAR TRI-AXLE BODY (PAINTED DOORS & FRAME)



ART_1001274626

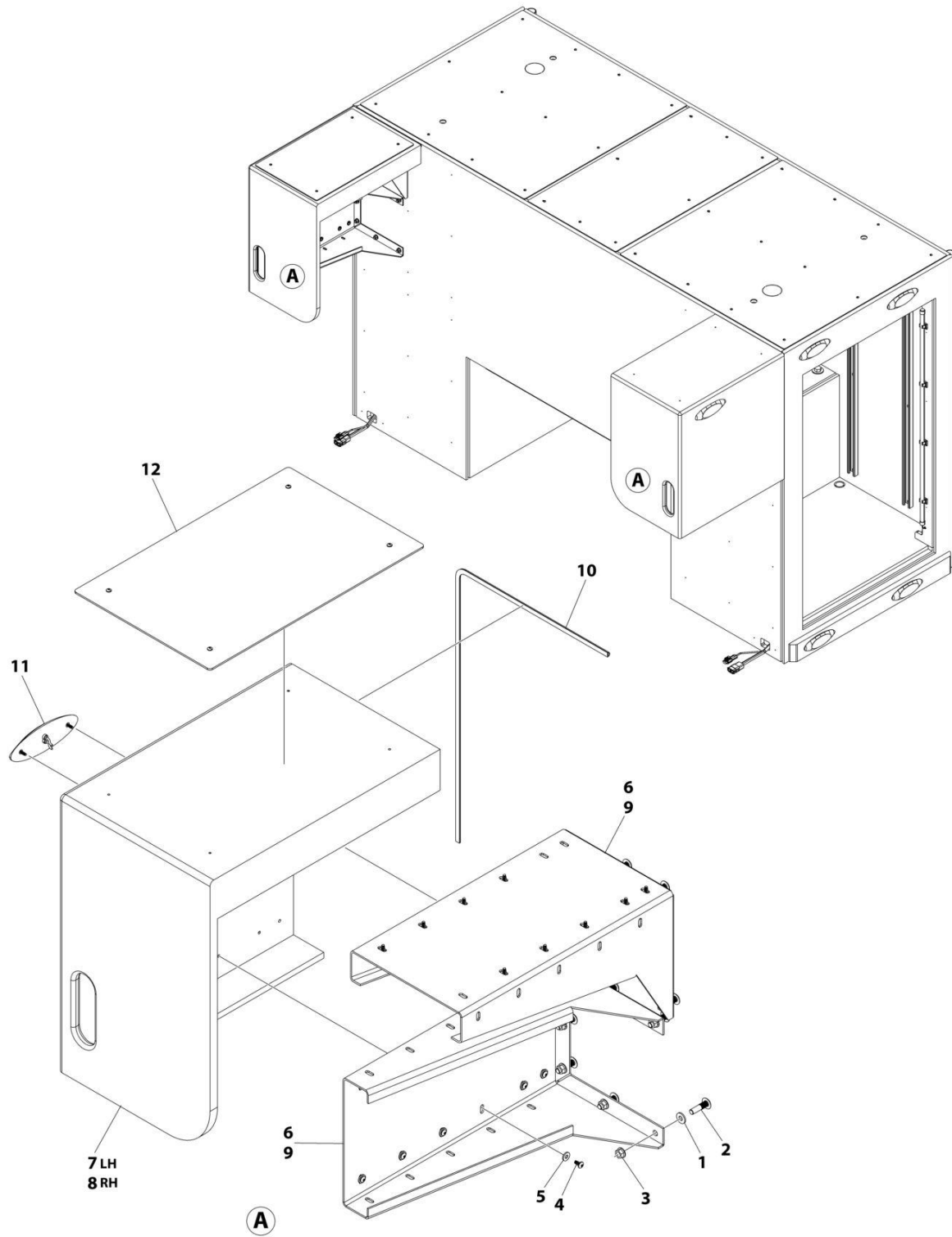
SECTION 4 - BODY

FIGURE 4-23. DOORS INSTALLATION - REAR TRI-AXLE BODY (PAINTED DOORS & FRAME)

ITEM	PART NUMBER	QTY	DESCRIPTION	REV
	1001274626	Ref	DOORS & FRAME INSTALLATION - REAR TRI-AXLE BODY (PAINTED)	A
1	1001192958	24	Screw #10 x 1/2	
2	1001195257	48	Screw 1/4 x 1/2	
3	1001198602	36	Screw #8 x 3/8	
4	1001274658	2	Door	
5	1001274664	2	Door	
6	1001274665	2	Door	
7	7796000012	6 ft	Seal (Not Shown)	
8	8798820001	AR	Sealant	
9	8892040001	AR	Tape (Not Shown)	

SECTION 4 - BODY

FIGURE 4-24. FILLER PANEL INSTALLATION



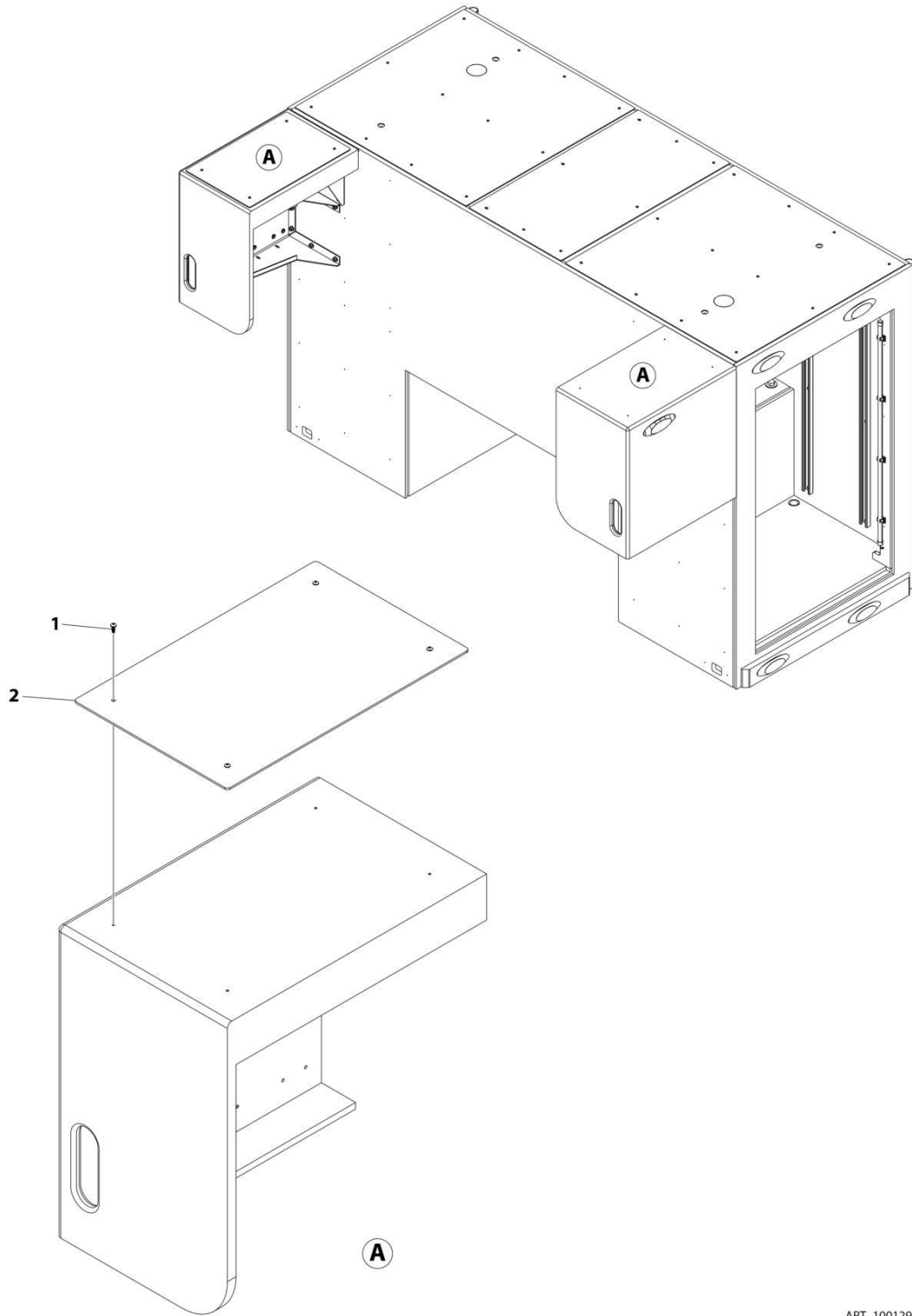
ART_1001289091

FIGURE 4-24. FILLER PANEL INSTALLATION

ITEM	PART NUMBER	QTY	DESCRIPTION	REV
	1001289091	Ref	FILLER PANEL INSTALLATION	A
1	1001166974	26	Washer 3/8	
2	1001247902	26	Bolt 3/8 x 1-1/2	
3	7660162301	26	Nut 3/8	
4	1001195257	46	Screw 1/4 x 1/2	
5	7950140143	46	Washer 1/4	
6	1001288818	4	Support	
7	1001288833	1	Cover, LH	
8	1001288834	1	Cover, RH	
9	8798820001	AR	Sealant	
10	8632000017	7 ft	Seal	
11	1001244297	1	Electrical Body Panel Installation (See Separate Breakdown in ELECTRICAL Section)	
12	1001292045	1	Filler Panel Top Installation (See Separate Breakdown in this Section)	

SECTION 4 - BODY

FIGURE 4-25. FILLER PANEL INSTALLATION (TOP)



ART_1001292045

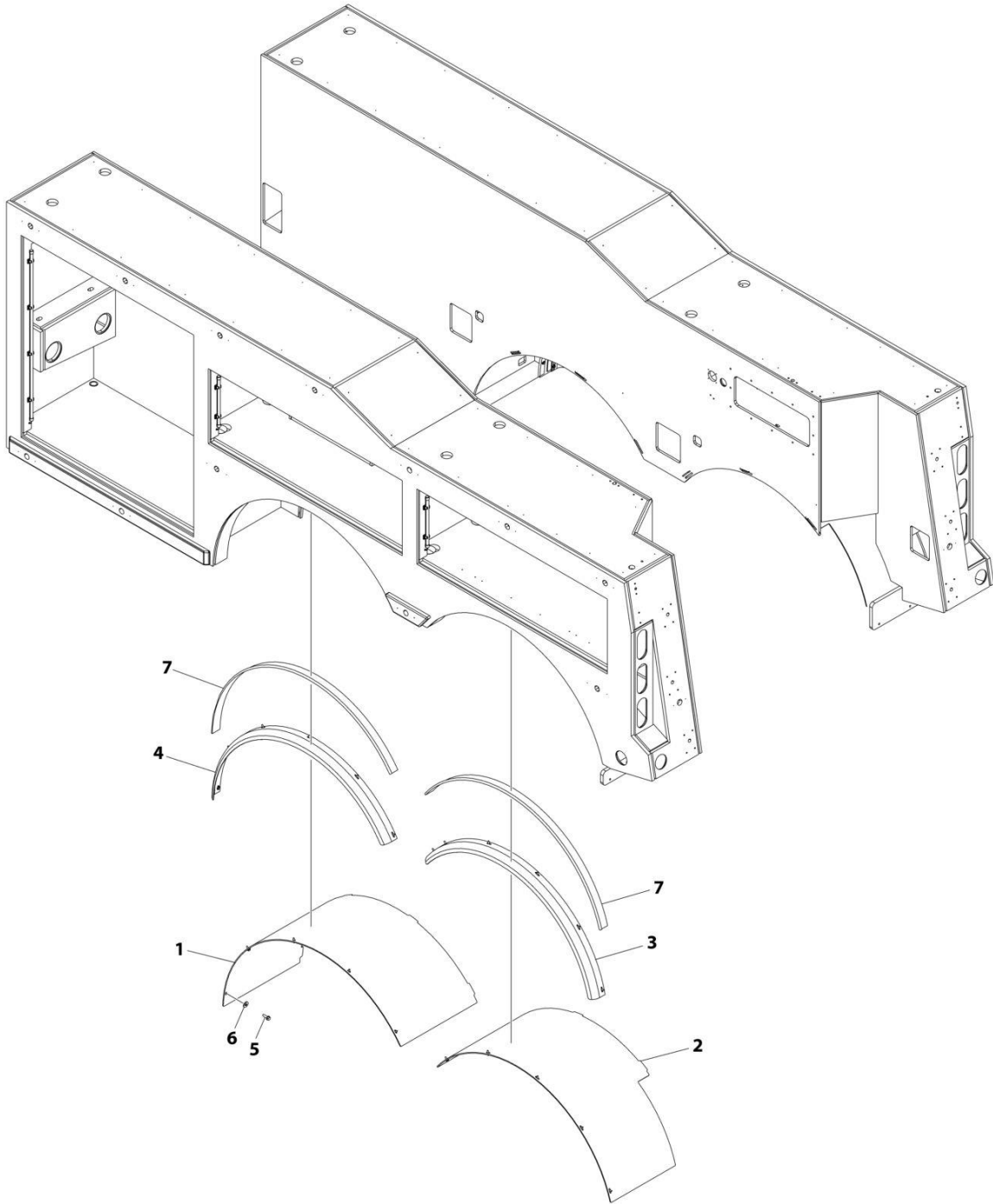
SECTION 4 - BODY

FIGURE 4-25. FILLER PANEL INSTALLATION (TOP)

ITEM	PART NUMBER	QTY	DESCRIPTION	REV
	1001292045	Ref	TOP FILLER PANEL INSTALLATION	A
1	1001192958	8	Screw #10 x 1/2	
2	1001292046	2	Plate	

SECTION 4 - BODY

FIGURE 4-26. FENDER FLARE & LINER INSTALLATION (TANDEM)



ART_1001289392

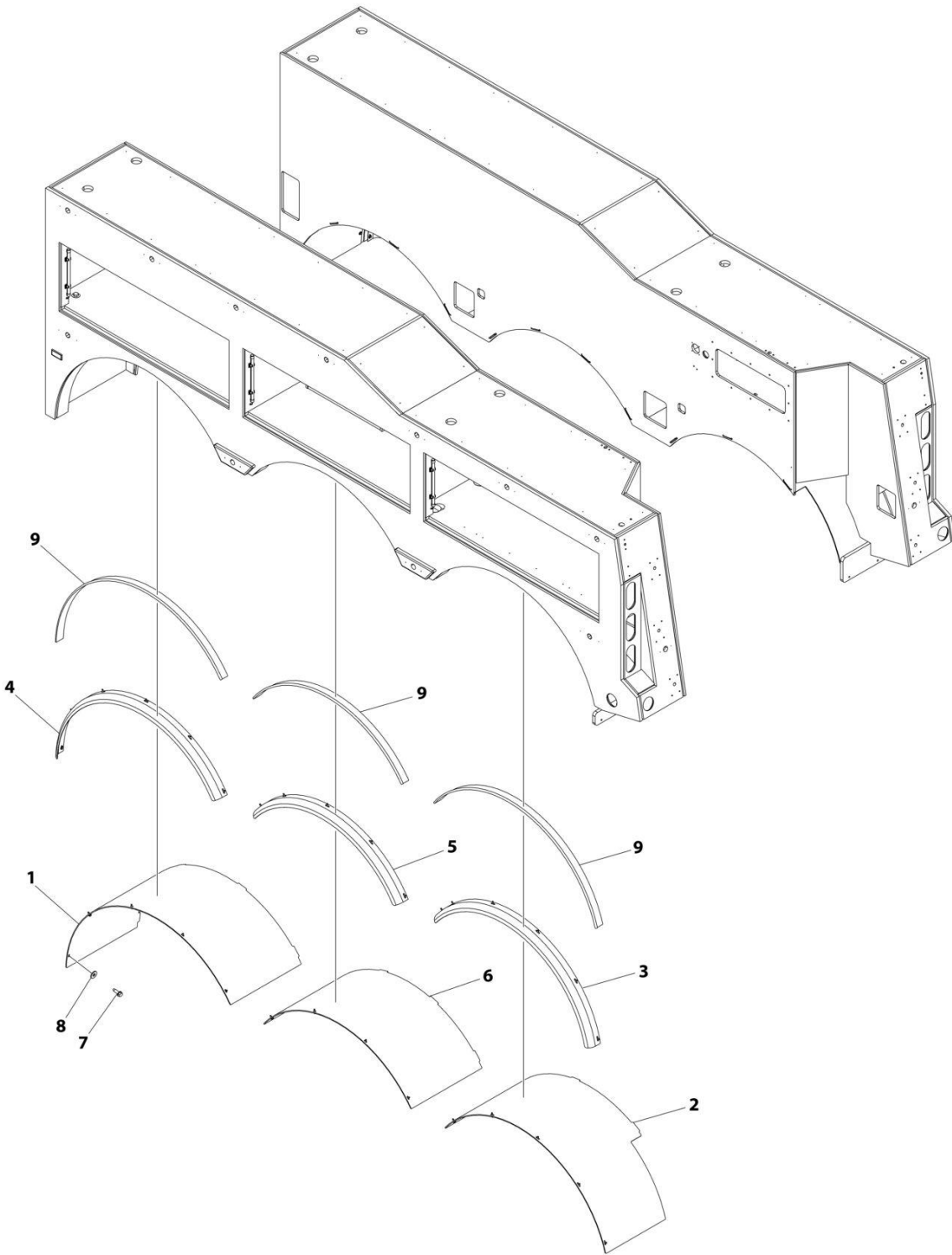
SECTION 4 - BODY

FIGURE 4-26. FENDER FLARE & LINER INSTALLATION (TANDEM)

ITEM	PART NUMBER	QTY	DESCRIPTION	REV
	1001289392	Ref	FENDER FLARE & LINER INSTALLATION (TANDEM)	A
1	1001253792	2	Fender Liner, Front Body	
2	1001289314	2	Fender Liner, Rear Body	
3	1001289537	2	Fender Rear, Rear Body	
4	1001289538	2	Fender Rear, Front Body	
5	7790141251	44	Screw 1/4 x 3/4	
6	7950140163	44	Washer 1/4	
7	1001253744	22 ft	Moulding, Fender	

SECTION 4 - BODY

FIGURE 4-27. FENDER FLARE & LINER INSTALLATION (TRI-AXLE)



ART_1001289596

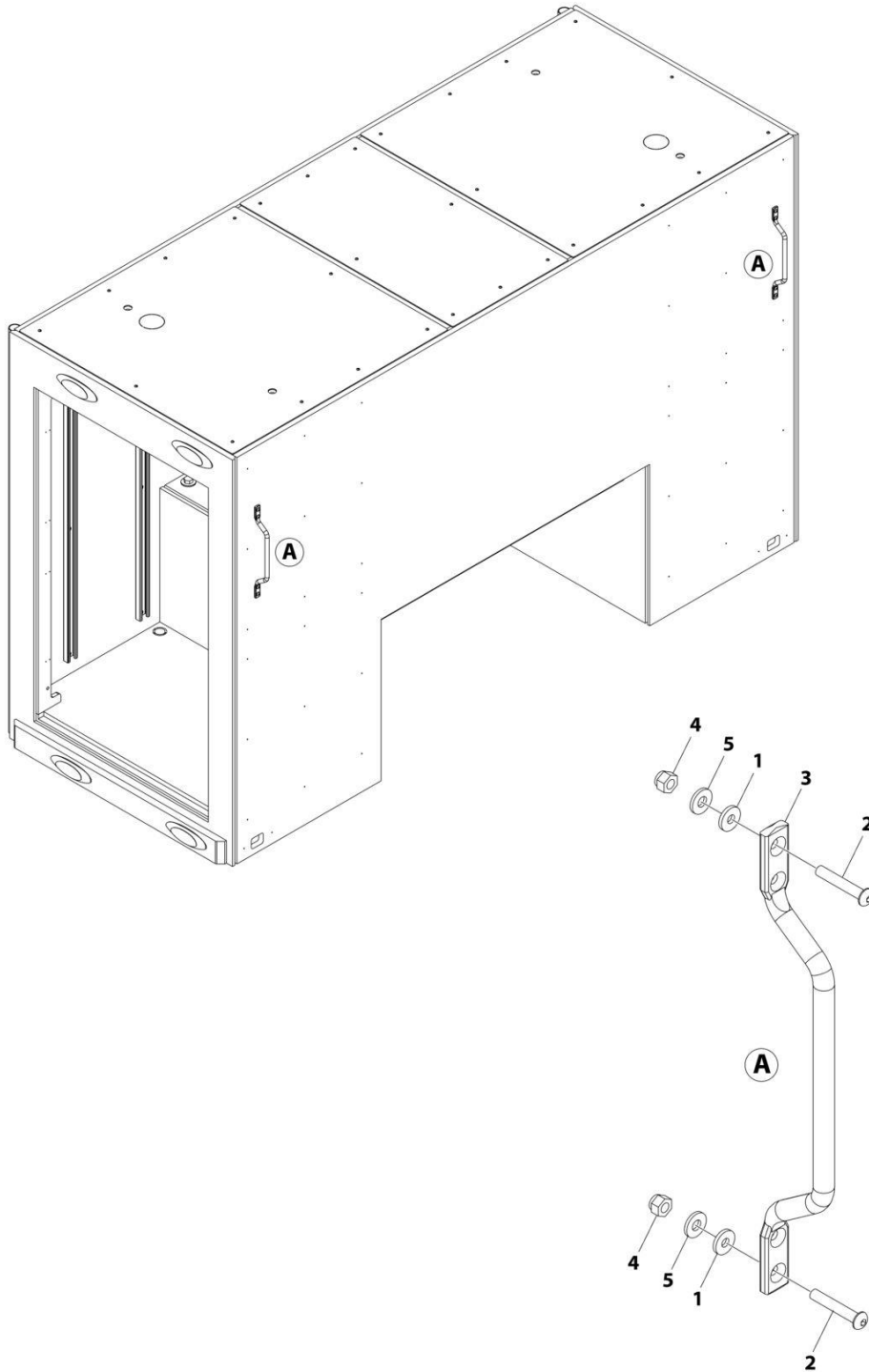
SECTION 4 - BODY

FIGURE 4-27. FENDER FLARE & LINER INSTALLATION (TRI-AXLE)

ITEM	PART NUMBER	QTY	DESCRIPTION	REV
	1001289596	Ref	FENDER FLARE & LINER INSTALLATION (TRI-AXLE)	A
1	1001253792	2	Fender Liner, Front Body	
2	1001289314	2	Fender Liner, Rear Body	
3	1001289537	2	Fender Rear, Rear Body	
4	1001289538	2	Fender Rear, Front Body	
5	1001289597	2	Fender Rear, Middle Body	
6	1001289598	2	Fender Liner, Middle Body	
7	7790141251	62	Screw 1/4 x 3/4	
8	7950140163	62	Washer 1/4	
9	1001253744	31 ft	Moulding, Fender	

SECTION 4 - BODY

FIGURE 4-28. GRAB HANDLES INSTALLATION - NO FILLER PANEL



ART_1001291149

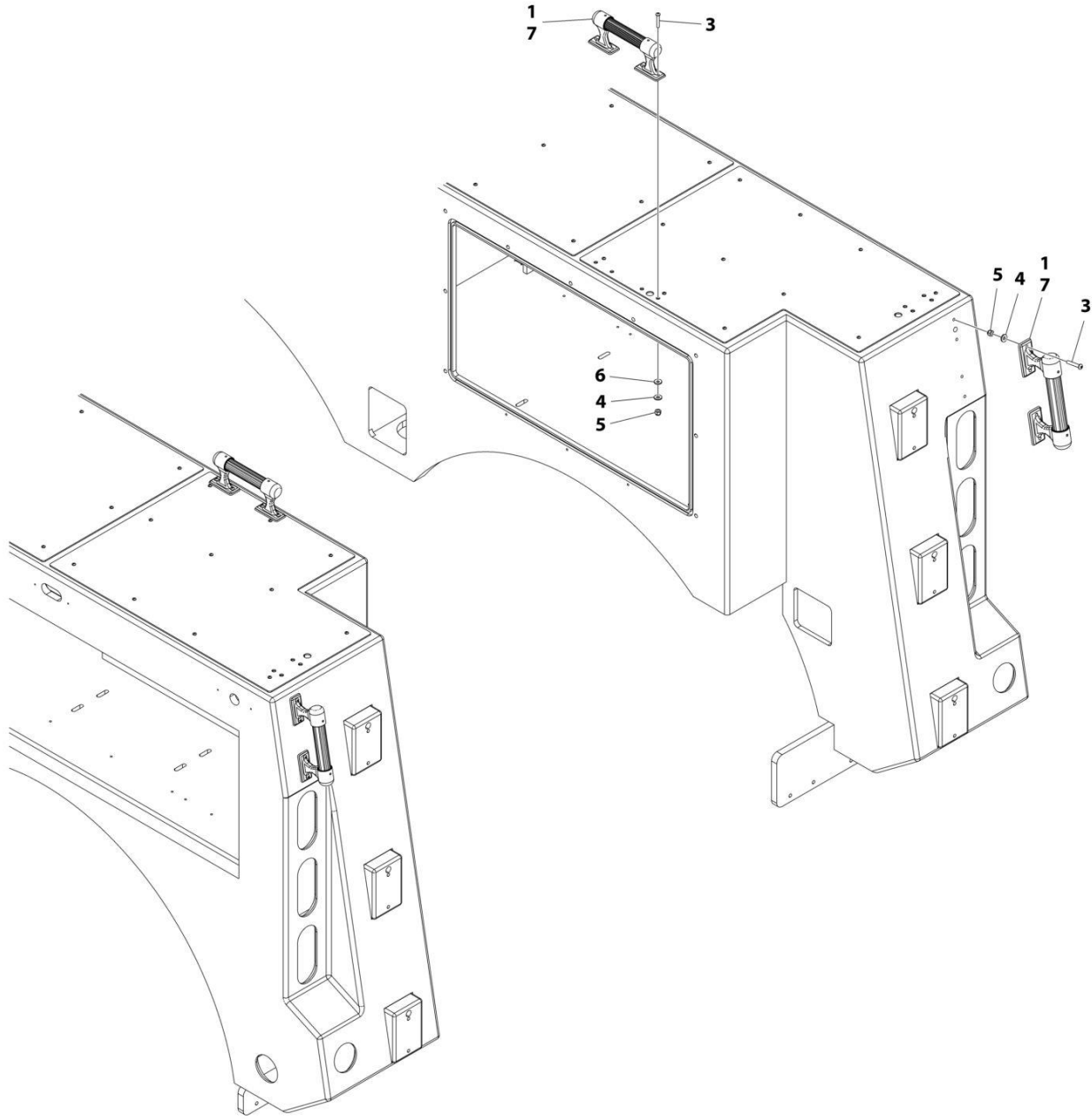
SECTION 4 - BODY

FIGURE 4-28. GRAB HANDLES INSTALLATION - NO FILLER PANEL

ITEM	PART NUMBER	QTY	DESCRIPTION	REV
	1001291149	Ref	GRAB HANDLES	A
1	1001166978	8	Washer 1/4	
2	7114141218	8	Capscrew 1/4 x 1-1/2	
3	7550000070	2	Grab Handle	
4	7660142601	8	Nut 1/4	
5	7950140143	8	Washer 1/4	

SECTION 4 - BODY

FIGURE 4-29. GRAB HANDLES INSTALLATION



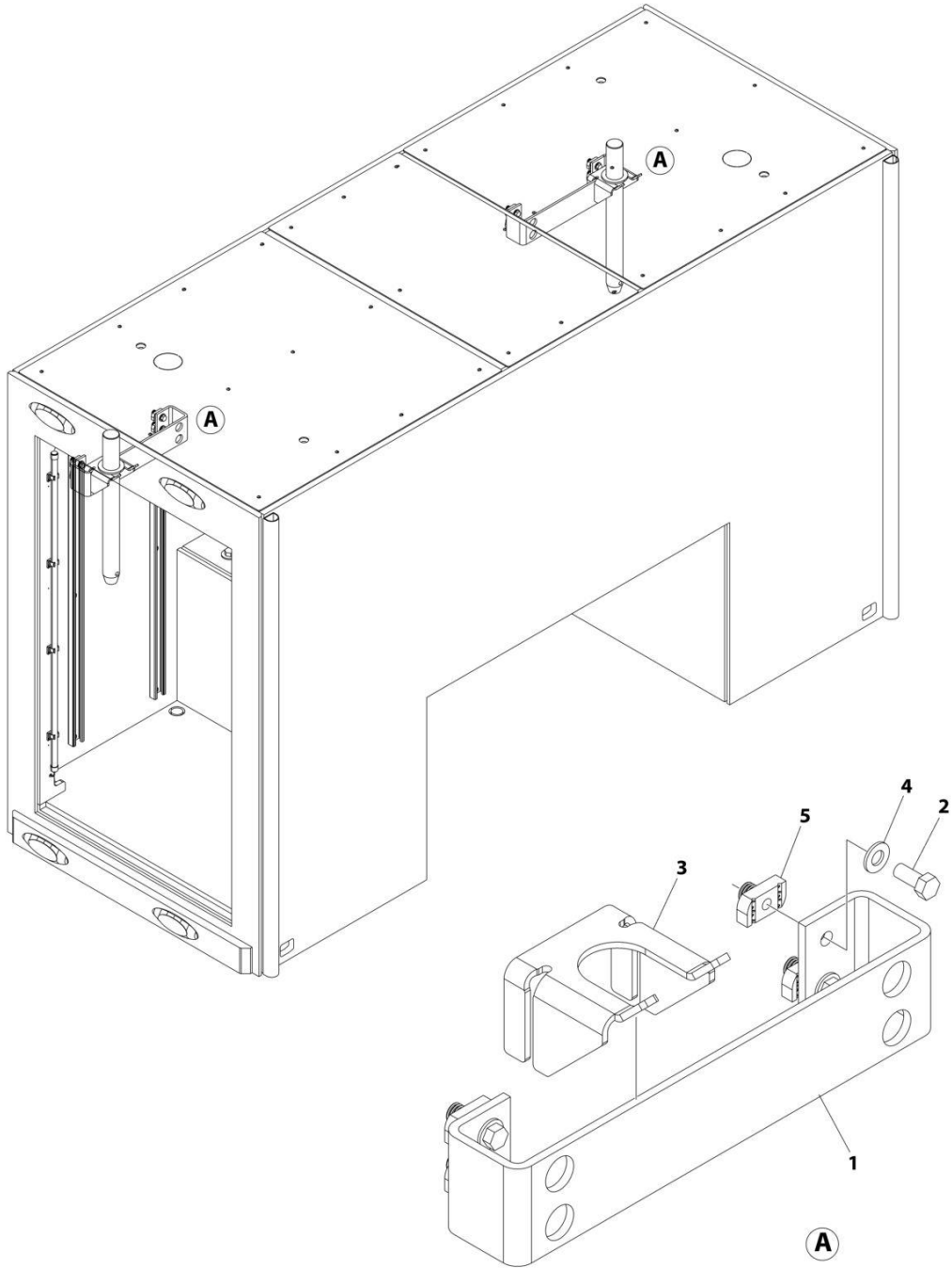
ART_1001196639_C

FIGURE 4-29. GRAB HANDLES INSTALLATION

ITEM	PART NUMBER	QTY	DESCRIPTION	REV
	1001196639	Ref	Grab Handle Installation	C
1	1001170849	4	Grab Handle	
3	7114141218	16	Capscrew 1/4 x 1-1/2	
4	7660142600	16	Nut 1/4	
5	7950140143	16	Washer 1/2	
6	1001166978	8	Washer, Rubber 1/4	
7	8798820001	AR	Sealant	

SECTION 4 - BODY

FIGURE 4-30. HOOK AND PIN STORAGE INSTALLATION (35K WINCH)



ART_1001291072

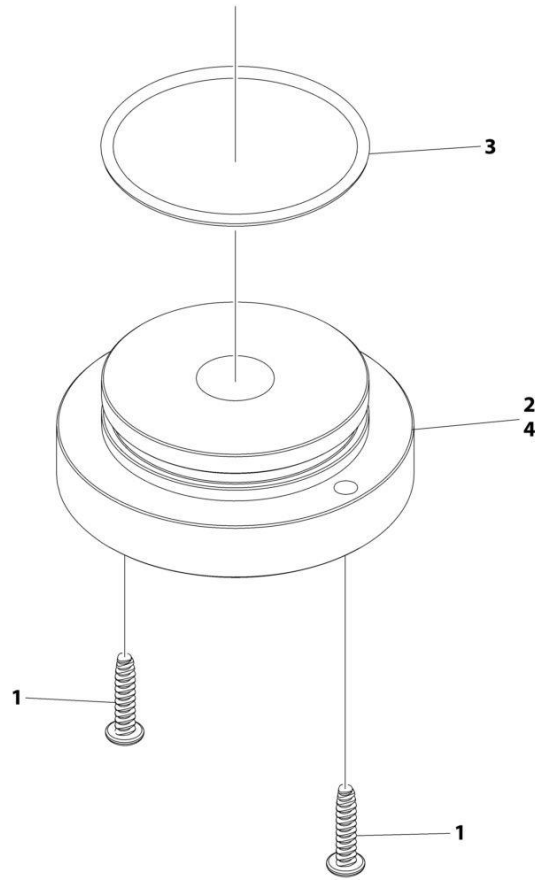
SECTION 4 - BODY

FIGURE 4-30. HOOK AND PIN STORAGE INSTALLATION (35K WINCH)

ITEM	PART NUMBER	QTY	DESCRIPTION	REV
	1001291072	Ref	HOOK AND PIN STORAGE INSTALLATION	A
1	1001189776	2	Plate	
2	1001210454	8	Bolt 3/8 x 7/8	
3	1001291074	2	Bracket	
4	7950160141	8	Washer 3/8	
5	1001166644	8	Spring Nut 3/8	

SECTION 4 - BODY

FIGURE 4-31. LIFTING LUGS INSTALLATION - BODY



ART_1001196802

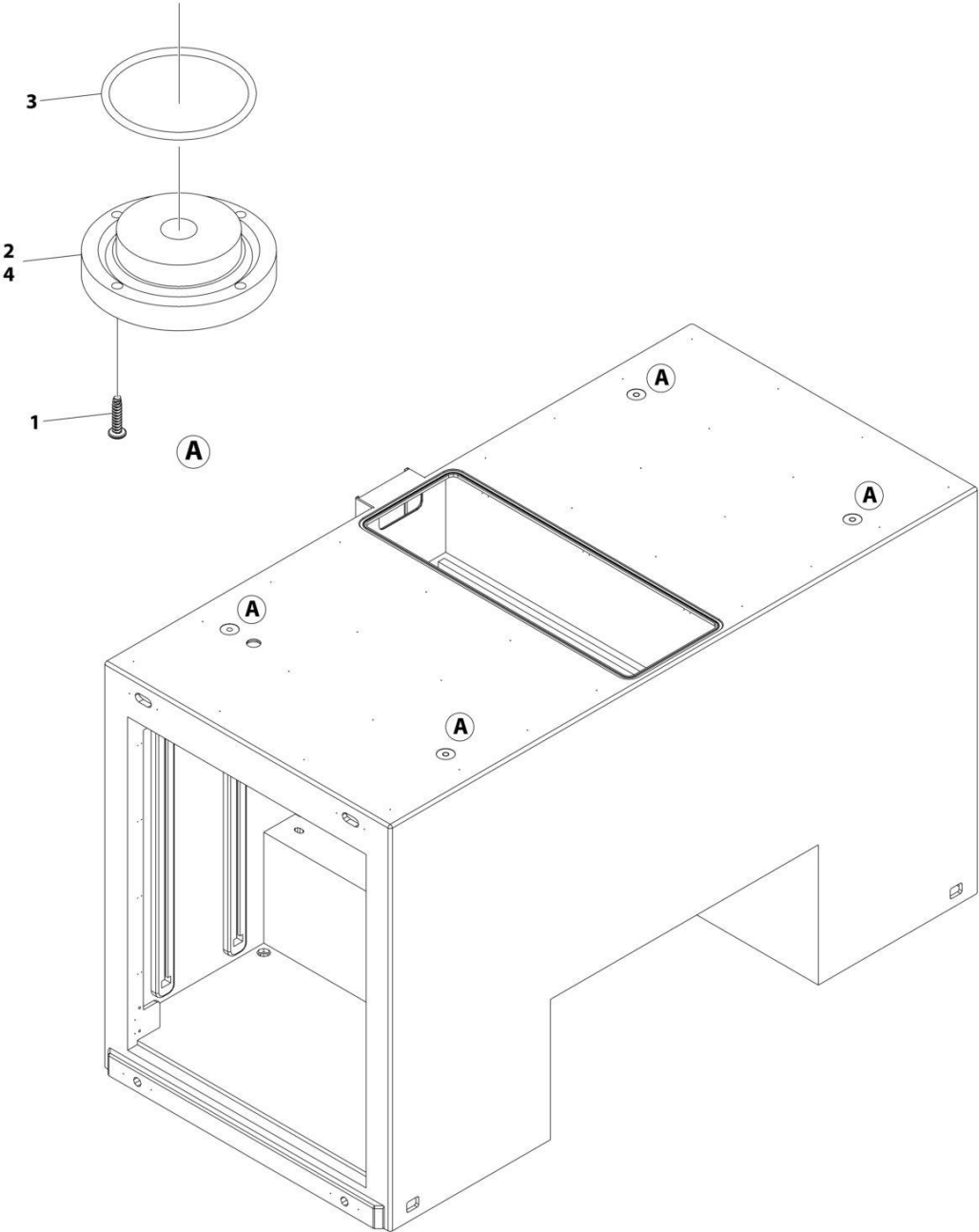
SECTION 4 - BODY

FIGURE 4-31. LIFTING LUGS INSTALLATION - BODY

ITEM	PART NUMBER	QTY	DESCRIPTION	REV
	1001196802	Ref	LIFTING LUGS INSTALLATION - BODY	C
1	1001196552	32	Screw #8 x 3/4	
2	1001288629	8	Nut	
3	3790230	8	O-Ring	
4	8798820001	AR	Sealant	

SECTION 4 - BODY

FIGURE 4-32. LIFTING LUGS INSTALLATION - TUNNEL (38IN-50IN)



ART_1001196808_D

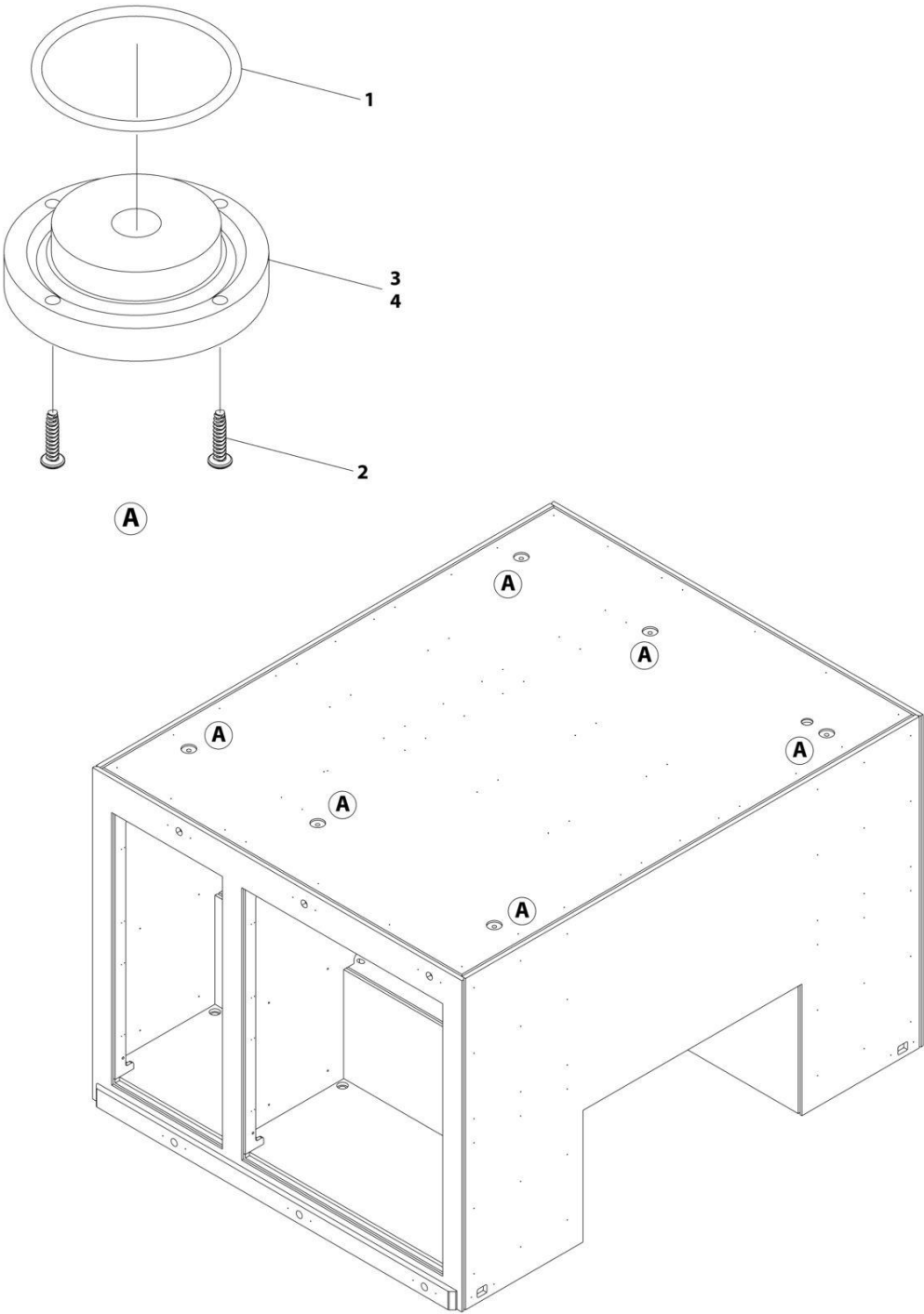
SECTION 4 - BODY

FIGURE 4-32. LIFTING LUGS INSTALLATION - TUNNEL (38IN-50IN)

ITEM	PART NUMBER	QTY	DESCRIPTION	REV
	1001196808	Ref	BODY LIFTING LUGS INSTALLATION	D
1	1001196552	16	Screw #8 x 3/4	
2	1001288629	4	Nut	
3	3790230	4	O-Ring	
4	8798820001	AR	Sealant	

SECTION 4 - BODY

FIGURE 4-33. LIFTING LUGS INSTALLATION - TUNNEL (76IN-88IN)



ART_1001270609

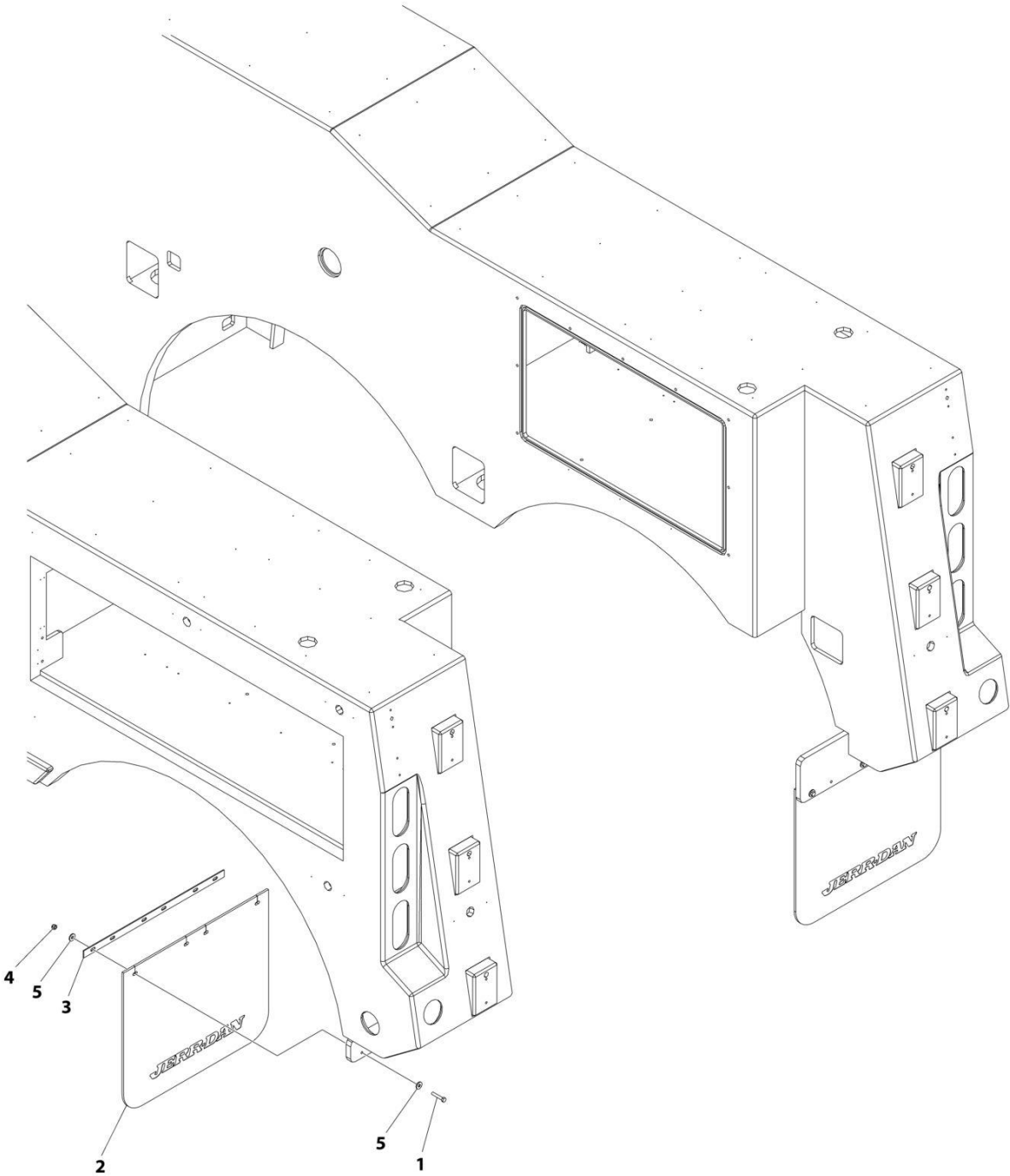
SECTION 4 - BODY

FIGURE 4-33. LIFTING LUGS INSTALLATION - TUNNEL (76IN-88IN)

ITEM	PART NUMBER	QTY	DESCRIPTION	REV
	1001270609	Ref	LIFTING LUGS INSTALLATION - BODY (DOUBLE)	A
1	3790230	6	O-Ring	
2	1001196552	24	Screw #8 x 3/4	
3	1001288629	6	Nut	
4	8798820001	AR	Sealant	

SECTION 4 - BODY

FIGURE 4-34. MUDFLAPS INSTALLATION



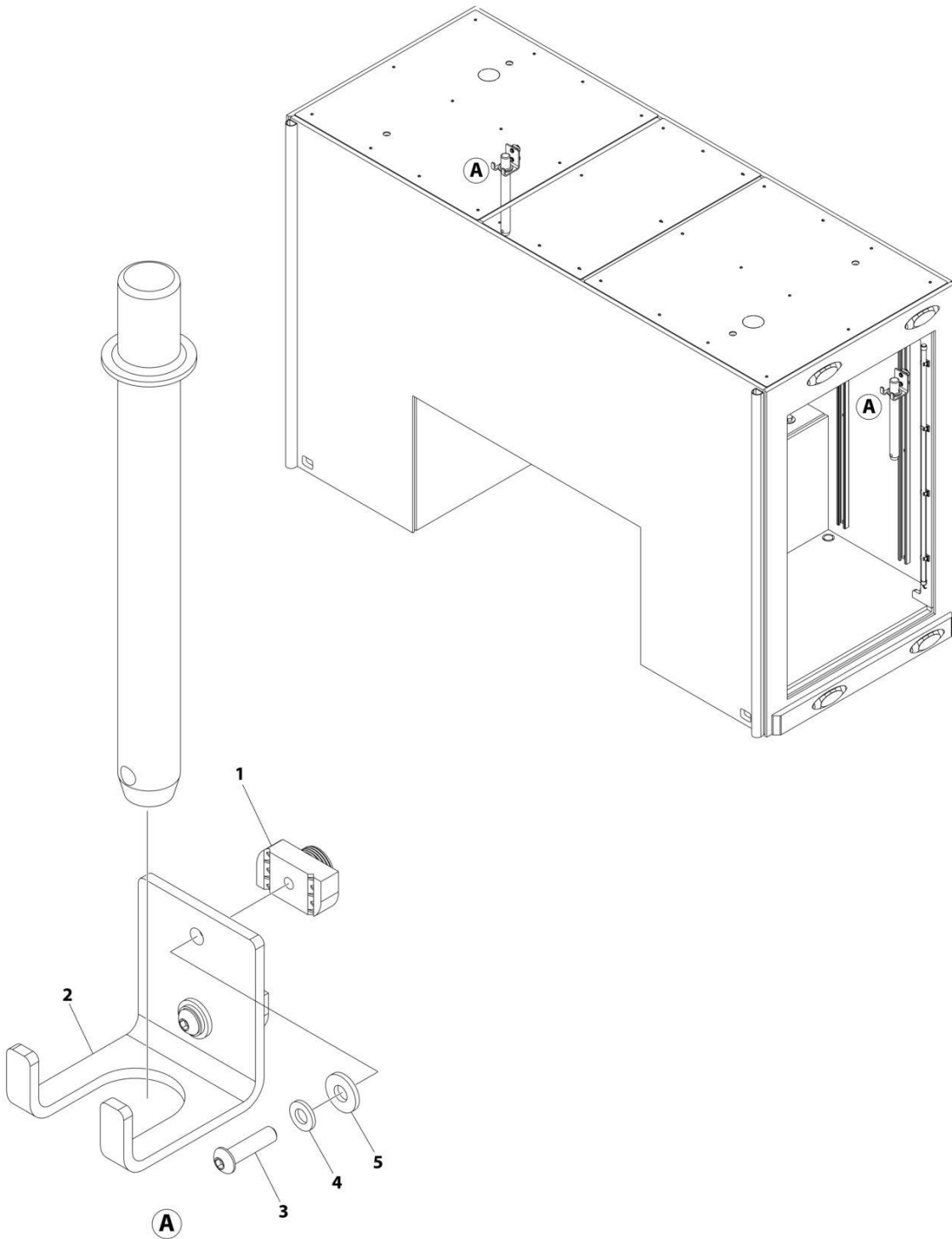
ART_1001196790

FIGURE 4-34. MUDFLAPS INSTALLATION

ITEM	PART NUMBER	QTY	DESCRIPTION	REV
	1001196790	Ref	MUD FLAP INSTALLATION	C
1	0641514	8	Bolt 5/16 x 1-3/4	
2	1001174051	2	Mud Flap	
3	4706001815	2	Plate	
4	7660152601	8	Nut 5/16	
5	7950150153	16	Washer 5/16	

SECTION 4 - BODY

FIGURE 4-35. PIN STORAGE INSTALLATION (SS-70)



ART_1001291874

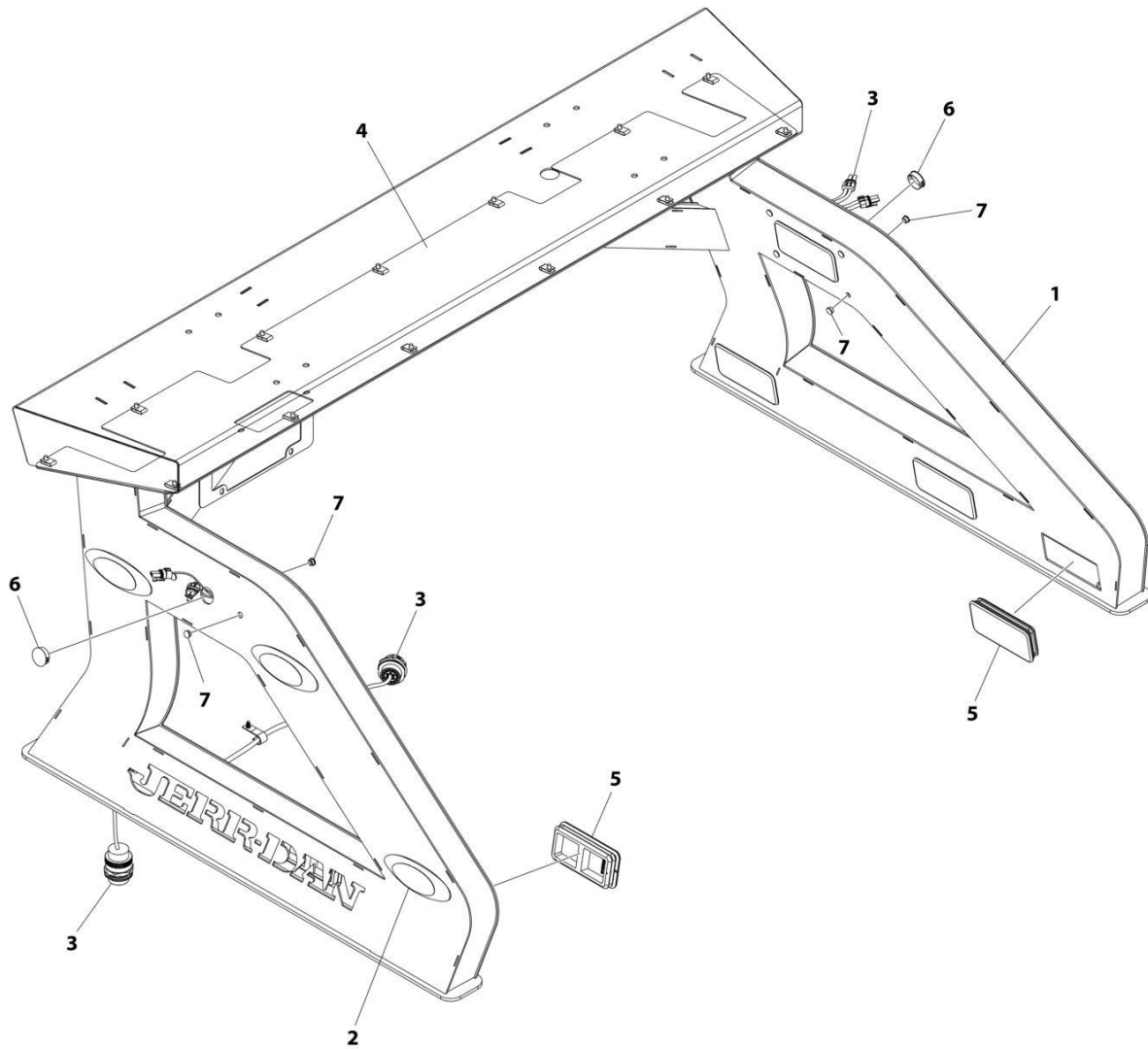
SECTION 4 - BODY

FIGURE 4-35. PIN STORAGE INSTALLATION (SS-70)

ITEM	PART NUMBER	QTY	DESCRIPTION	REV
	1001291874	Ref	PIN STORAGE INSTALLION	A
1	1001183037	4	Nut 1/4	
2	1001291791	2	Bracket	
3	7114140818	4	Capscrew 1/4 x 1	
4	7950140003	4	Washer 1/4	
5	7950140143	4	Washer 1/4	

SECTION 4 - BODY

FIGURE 4-36. PYLON INSTALLATION (34IN)



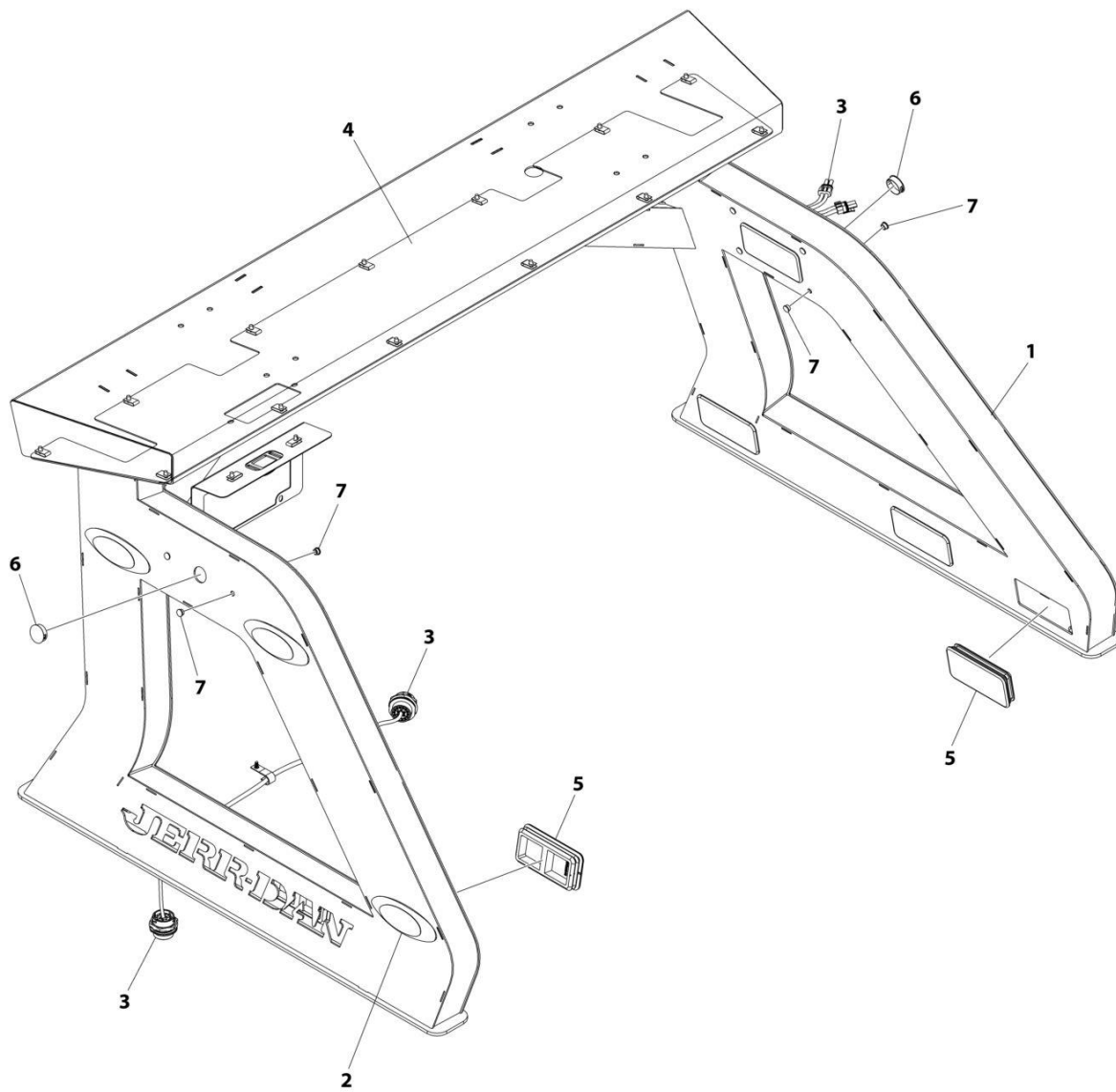
ART_1001228888

SECTION 4 - BODY**FIGURE 4-36. PYLON INSTALLATION (34IN)**

ITEM	PART NUMBER	QTY	DESCRIPTION	REV
	1001228888	Ref	PYLON INSTALLATION (34IN)	A
1	1001228805	1	Support	
2	1001207488	1	Marker Lights Installation - Pylon (See Separate Breakdown in ELECTRICAL Section)	
3	1001215020	1	Pylon Electrical Installation (See Separate Breakdown in ELECTRICAL Section)	
4	1001214252	1	Pylon Cover Installation	
5	7701000048	8	Plug	
6	7701000049	2	Plug	
7	7701000056	12	Plug	

SECTION 4 - BODY

FIGURE 4-37. PYLON INSTALLATION (34IN)



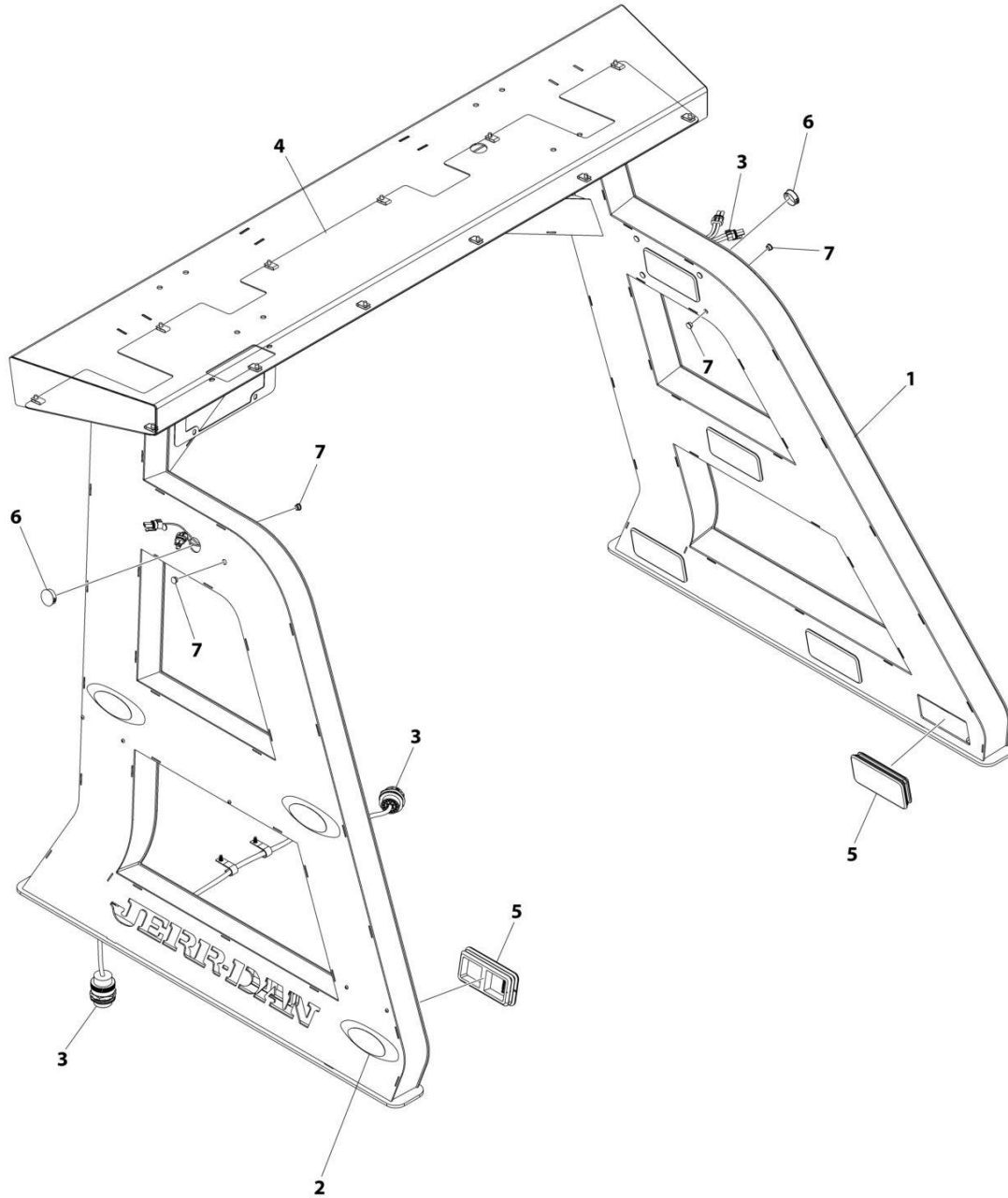
ART_1001228889

SECTION 4 - BODY**FIGURE 4-37. PYLON INSTALLATION (34IN)**

ITEM	PART NUMBER	QTY	DESCRIPTION	REV
	1001228889	Ref	PYLON INSTALLATION (39IN)	A
1	1001228818	1	Support	
2	1001207488	1	Marker Lights Installation - Pylon (See Separate Breakdown in ELECTRICAL Section)	
3	1001215020	1	Pylon Electrical Installation (See Separate Breakdown in ELECTRICAL Section)	
4	1001214262	1	Pylon Cover Installation (See Separate Breakdown in this Section)	
5	7701000048	8	Plug	
6	7701000049	2	Plug	
7	7701000056	12	Plug	

SECTION 4 - BODY

FIGURE 4-38. PYLON INSTALLATION (57IN)



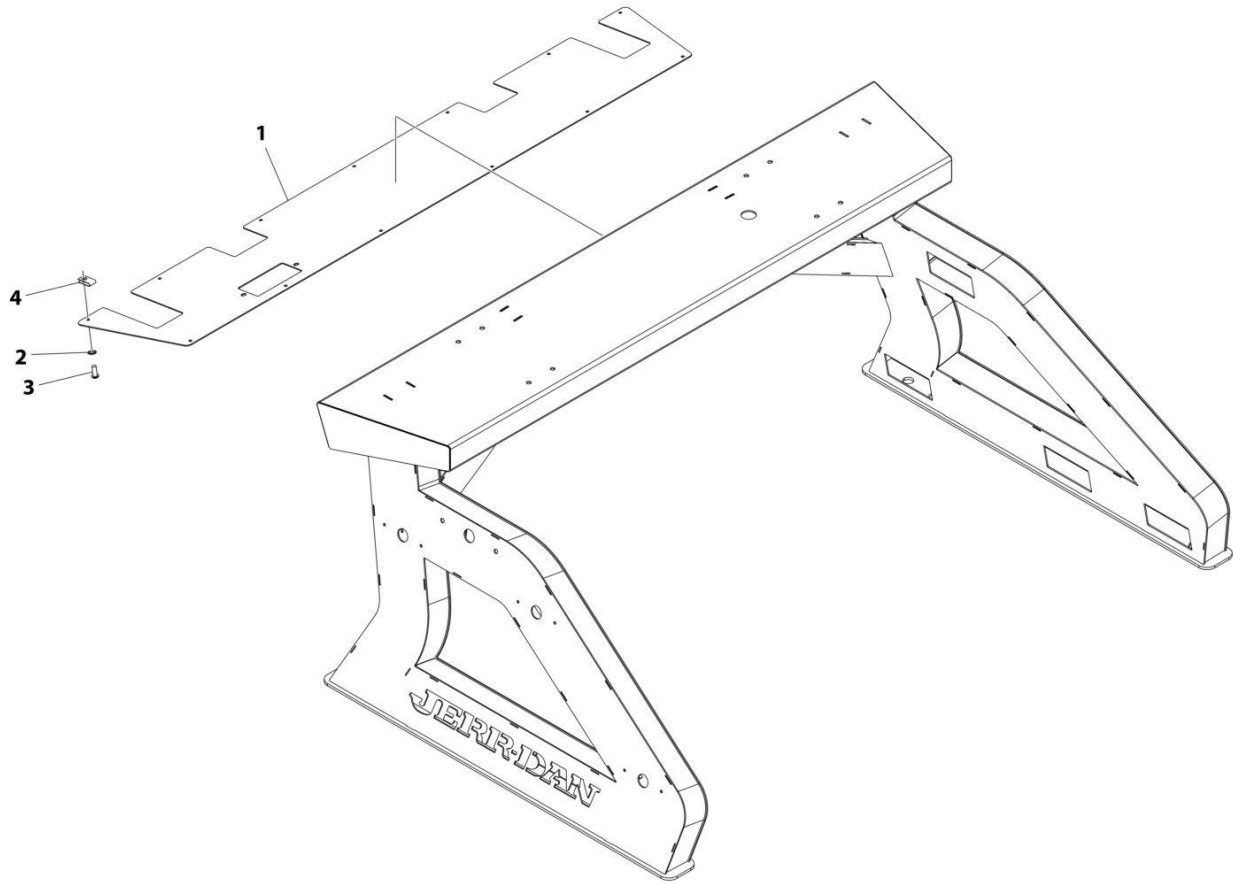
ART_1001228890

SECTION 4 - BODY**FIGURE 4-38. PYLON INSTALLATION (57IN)**

ITEM	PART NUMBER	QTY	DESCRIPTION	REV
	1001228890	Ref	PYLON INSTALLATION (57IN)	A
1	1001228824	1	Support	
2	1001207488	1	Marker Lights Installation - Pylon (See Separate Breakdown in ELECTRICAL Section)	
3	1001215034	1	Pylon Electrical Installation (See Separate Breakdown in ELECTRICAL Section)	
4	1001214973	1	Pylon Cover Installation (See Separate Breakdown in this Section)	
5	7701000048	10	Plug	
6	7701000049	2	Plug	
7	7701000056	12	Plug	

SECTION 4 - BODY

FIGURE 4-39. PYLON COVER INSTALLATION (39IN)



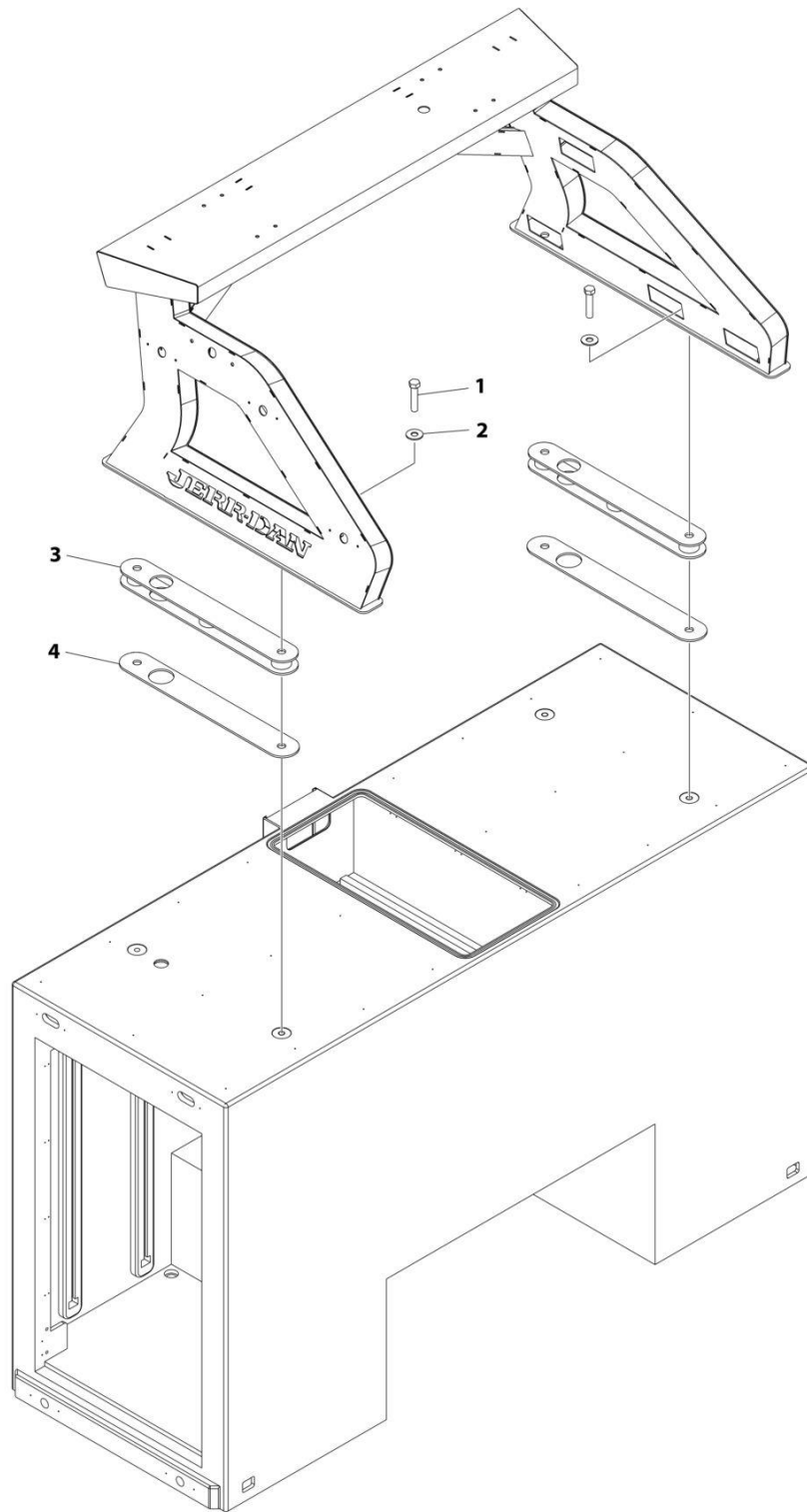
ART_1001214262

FIGURE 4-39. PYLON COVER INSTALLATION (39IN)

ITEM	PART NUMBER	QTY	DESCRIPTION	REV
	1001214262	Ref	PYLON COVER INSTALLATION (39IN)	B
1	1001213522	1	Cover	
2	1001143686	13	Star Washer 1/4	
3	7114140518	13	Screw 1/4 x 5/8	
4	7661000019	13	U-Nut 1/4	

SECTION 4 - BODY

FIGURE 4-40. PYLON ADAPTER INSTALLATION - 39IN TUNNEL



ART_1001214336

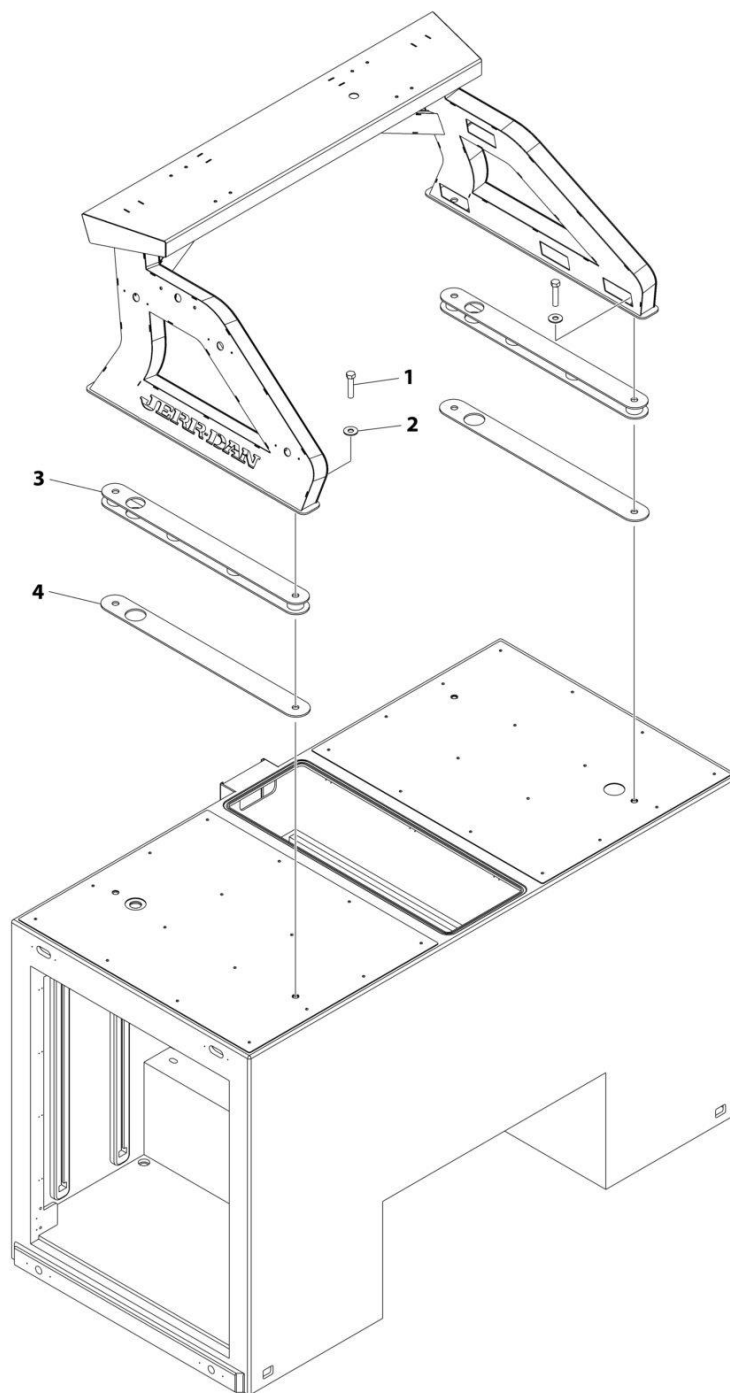
SECTION 4 - BODY

FIGURE 4-40. PYLON ADAPTER INSTALLATION - 39IN TUNNEL

ITEM	PART NUMBER	QTY	DESCRIPTION	REV
	1001214336	Ref	PYLON ADAPTER INSTALLATION - 39IN TUNNEL	A
1	0642228	4	Capscrew 3/4 x 3-1/2	
2	4752200	4	Washer 3/4	
3	1001213112	2	Mount	
4	1001214350	2	Seal	

SECTION 4 - BODY

FIGURE 4-41. PYLON ADAPTER INSTALLATION - 51IN TUNNEL



ART_1001214335

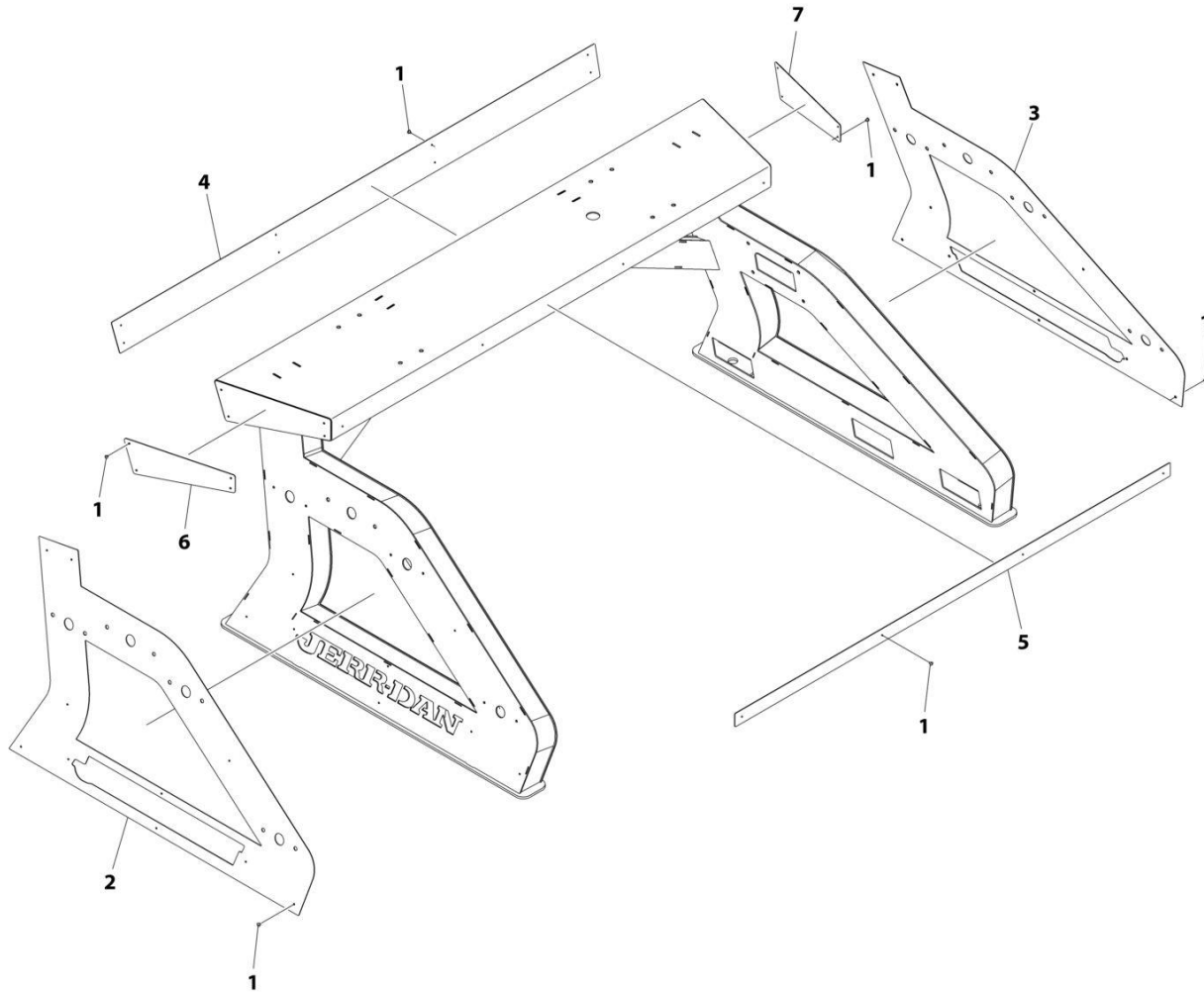
SECTION 4 - BODY

FIGURE 4-41. PYLON ADAPTER INSTALLATION - 51IN TUNNEL

ITEM	PART NUMBER	QTY	DESCRIPTION	REV
	1001214335	Ref	PYLON ADAPTER INSTALLATION - 51IN TUNNEL	A
1	0642228	4	Capscrew 3/4 x 3-1/2	
2	4752200	4	Washer 3/4	
3	1001213111	2	Mount	
4	1001214130	2	Seal	

SECTION 4 - BODY

FIGURE 4-42. PYLON DRESS-UP KIT - POLISHED SS (34IN)



ART_100122897

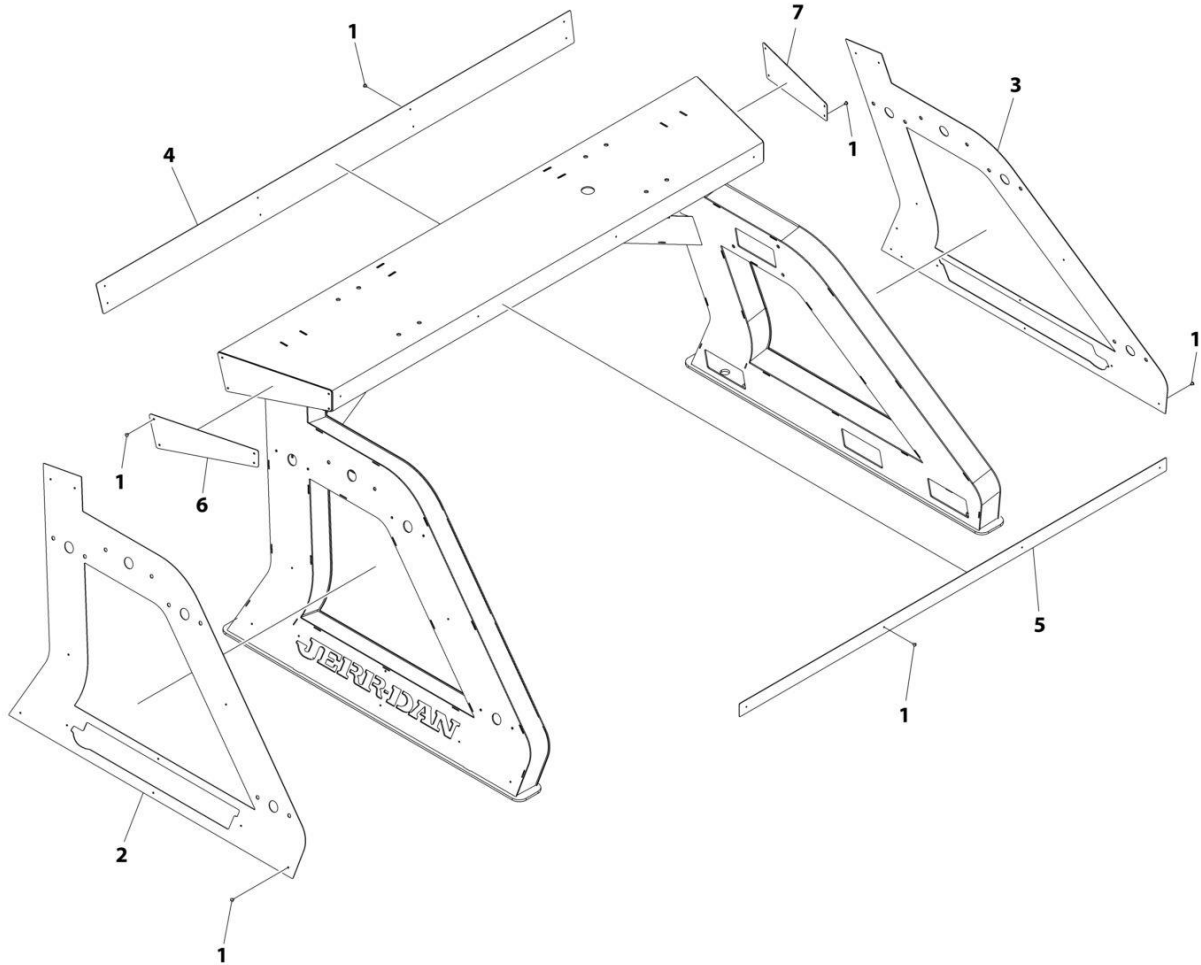
SECTION 4 - BODY

FIGURE 4-42. PYLON DRESS-UP KIT - POLISHED SS (34IN)

ITEM	PART NUMBER	QTY	DESCRIPTION	REV
	1001228897	Ref	PYLON DRESS-UP KIT - POLISHED SS (34IN)	A
1	1001156424	46	Rivet	
2	1001228903	1	Cover (LH)	
3	1001228904	1	Cover (RH)	
4	1001220369	1	Cover (Front)	
5	1001220370	1	Cover (Back)	
6	1001220371	1	Cover (Side LH)	
7	1001220372	1	Cover (Side RH)	

SECTION 4 - BODY

FIGURE 4-43. PYLON DRESS-UP KIT - POLISHED SS (39IN)



ART_1001228899

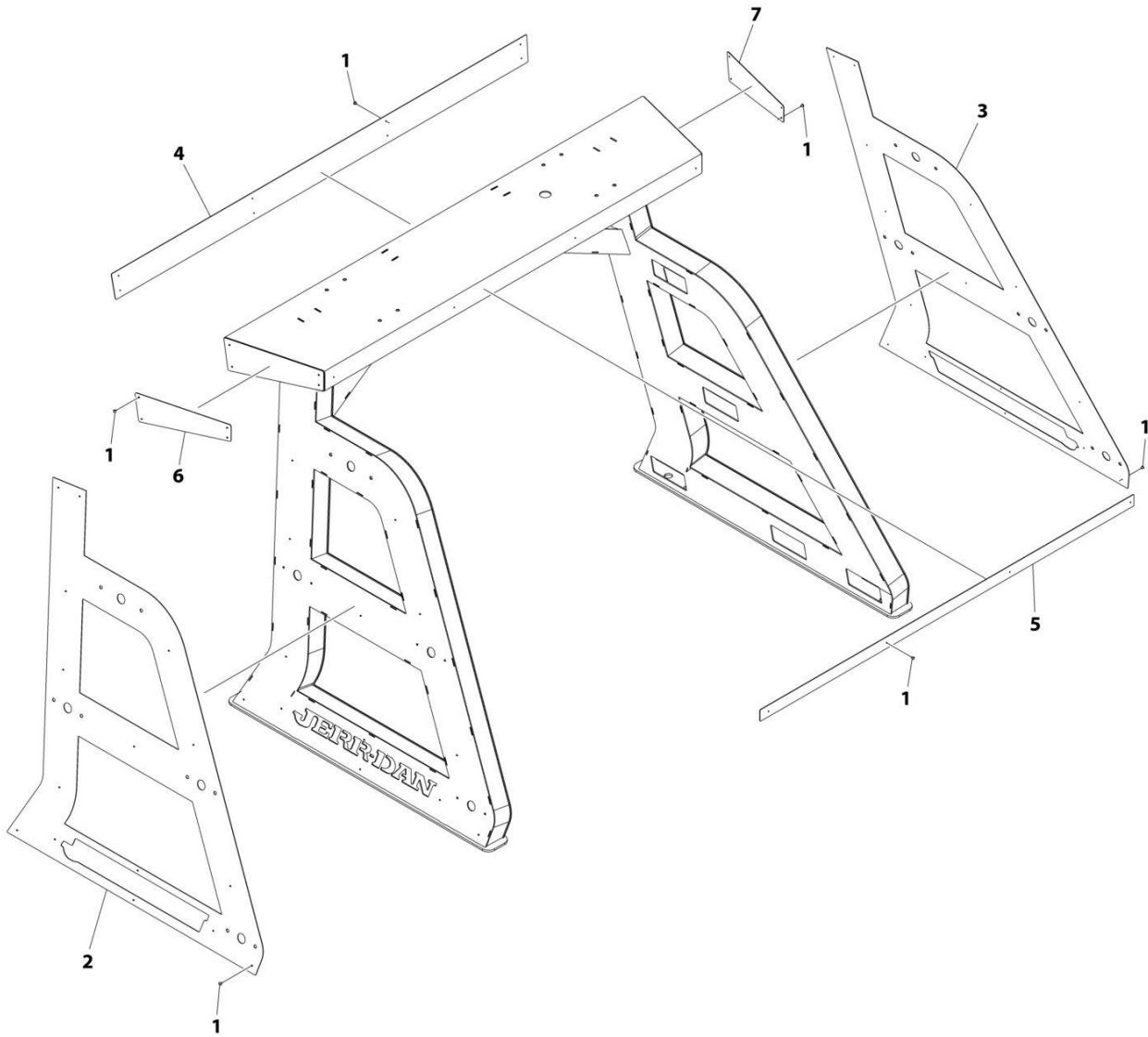
SECTION 4 - BODY

FIGURE 4-43. PYLON DRESS-UP KIT - POLISHED SS (39IN)

ITEM	PART NUMBER	QTY	DESCRIPTION	REV
	1001228899	Ref	PYLON DRESS-UP KIT - POLISHED SS (39IN)	A
1	1001156424	48	Rivet	
2	1001228907	1	Cover (LH)	
3	1001228908	1	Cover (RH)	
4	1001220369	1	Cover (Front)	
5	1001220370	1	Cover (Back)	
6	1001220373	1	Cover (Side LH)	
7	1001220374	1	Cover (Side RH)	

SECTION 4 - BODY

FIGURE 4-44. PYLON DRESS-UP KIT - POLISHED SS (57IN)



ART_1001220348

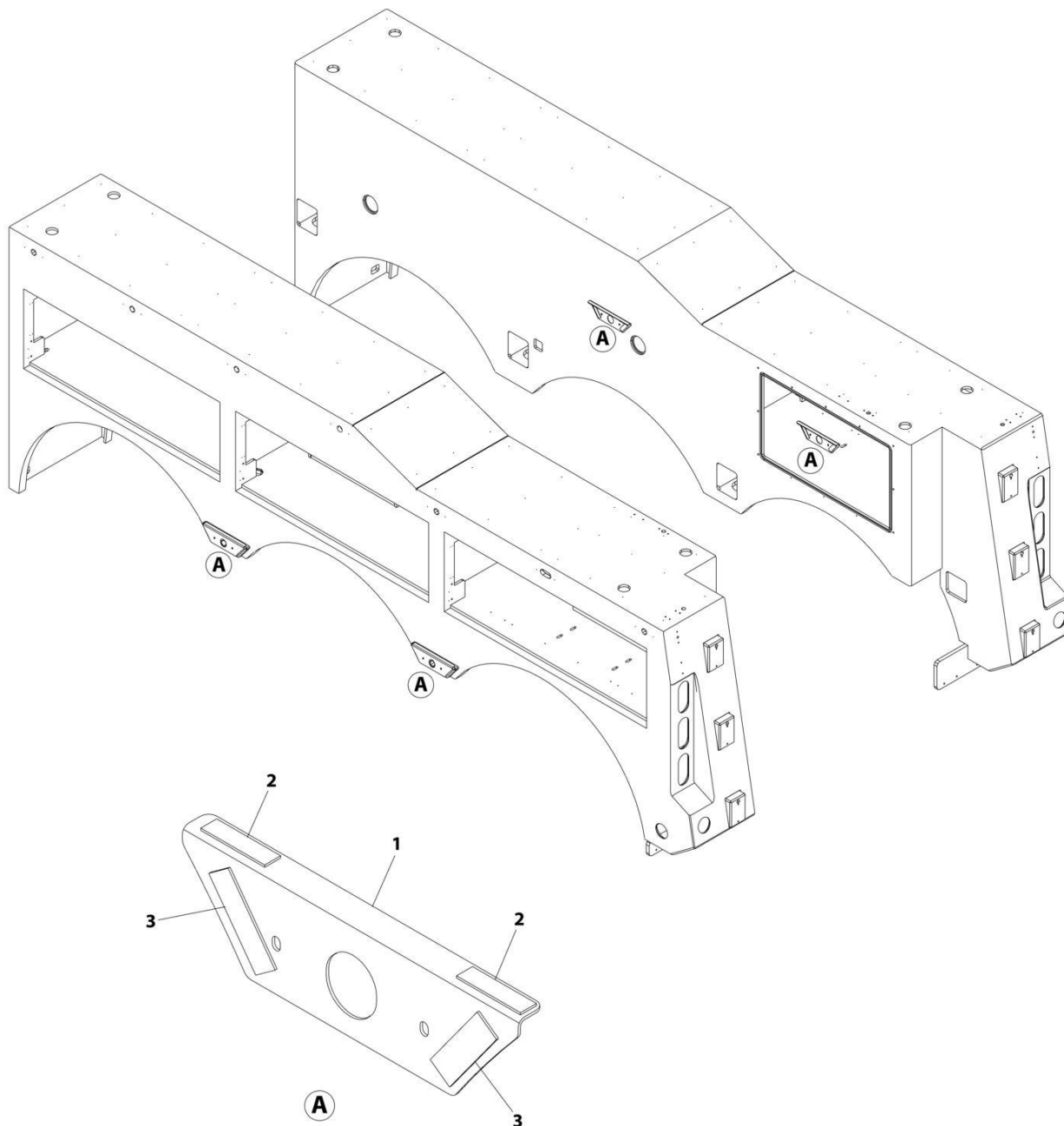
SECTION 4 - BODY

FIGURE 4-44. PYLON DRESS-UP KIT - POLISHED SS (57IN)

ITEM	PART NUMBER	QTY	DESCRIPTION	REV
	1001220348	Ref	PYLON DRESS-UP KIT - POLISHED SS (57IN)	B
1	1001156424	58	Rivet	
2	1001220367	1	Cover (LH)	
3	1001220368	1	Cover (RH)	
4	1001220369	1	Cover (Front)	
5	1001220370	1	Cover (Back)	
6	1001220375	1	Cover (Side LH)	
7	1001220376	1	Cover (Side RH)	

SECTION 4 - BODY

FIGURE 4-45. RUB RAIL DRESS-UP INSTALLATION (TRI-AXLE)



ART_1001234480

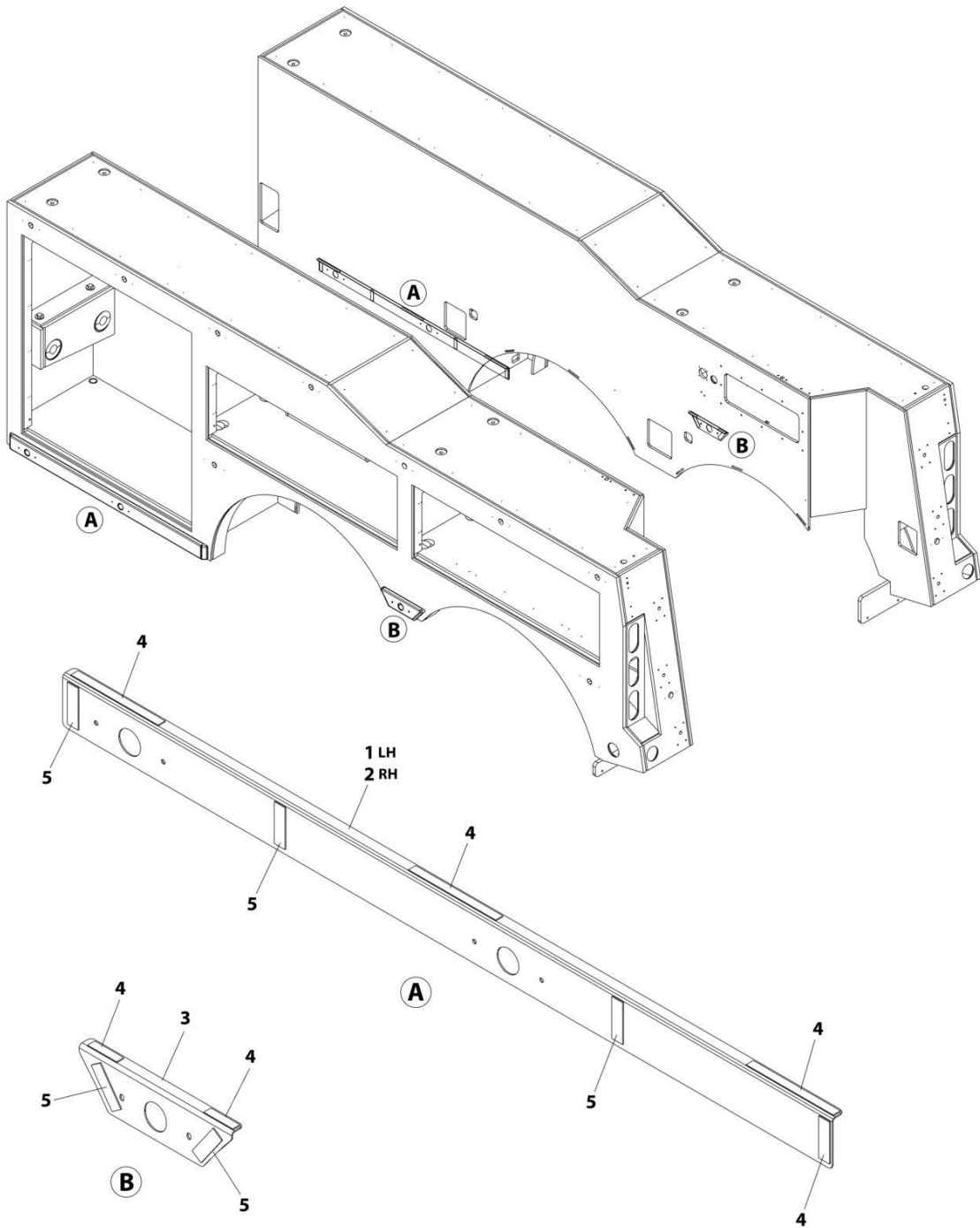
SECTION 4 - BODY

FIGURE 4-45. RUB RAIL DRESS-UP INSTALLATION (TRI-AXLE)

ITEM	PART NUMBER	QTY	DESCRIPTION	REV
	1001234480	Ref	RUB RAIL DRESS-UP INSTALLATION (TRI-AXLE)	A
1	1001230966	4	Angle	
2	1001230987	2 ft	Tape	
4	7796000012	2 ft	Seal	

SECTION 4 - BODY

FIGURE 4-46. RUB RAIL DRESS - UP INSTALLATION (TANDEM AXLE)



ART_1001289533

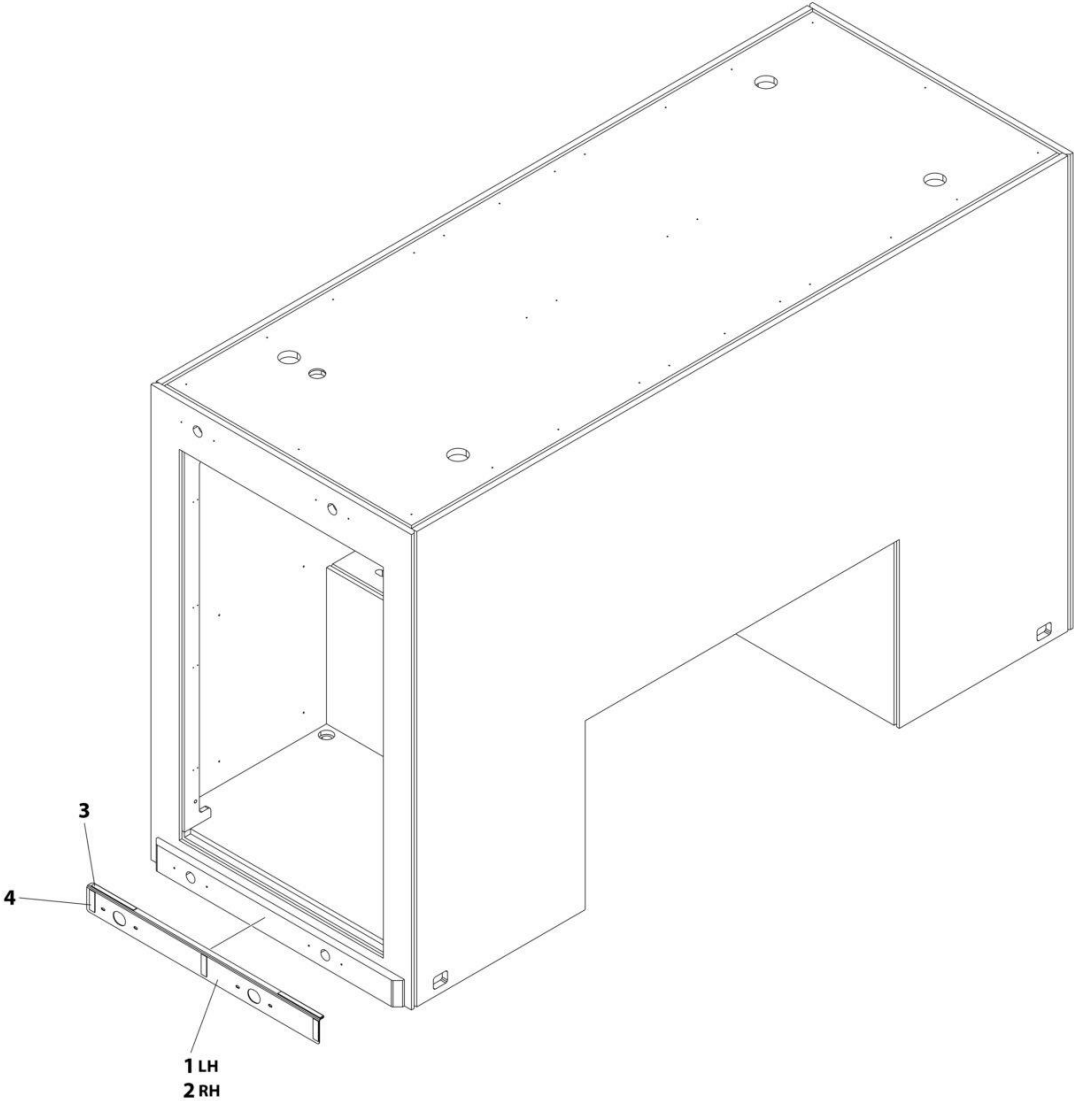
SECTION 4 - BODY

FIGURE 4-46. RUB RAIL DRESS - UP INSTALLATION (TANDEM AXLE)

ITEM	PART NUMBER	QTY	DESCRIPTION	REV
	1001289533	Ref	RUB RAIL DRESS-UP INSTALLATION (TANDEM AXLE)	A
1	1001289544	1	Angle	
2	1001289545	1	Angle	
3	1001230966	2	Angle	
4	1001230987	3.7 ft	Tape	
5	7796000012	2.5 ft	Seal	

SECTION 4 - BODY

FIGURE 4-47. RUBRAIL TRIM INSTALLATION (36IN TUNNEL)



ART_1001283561

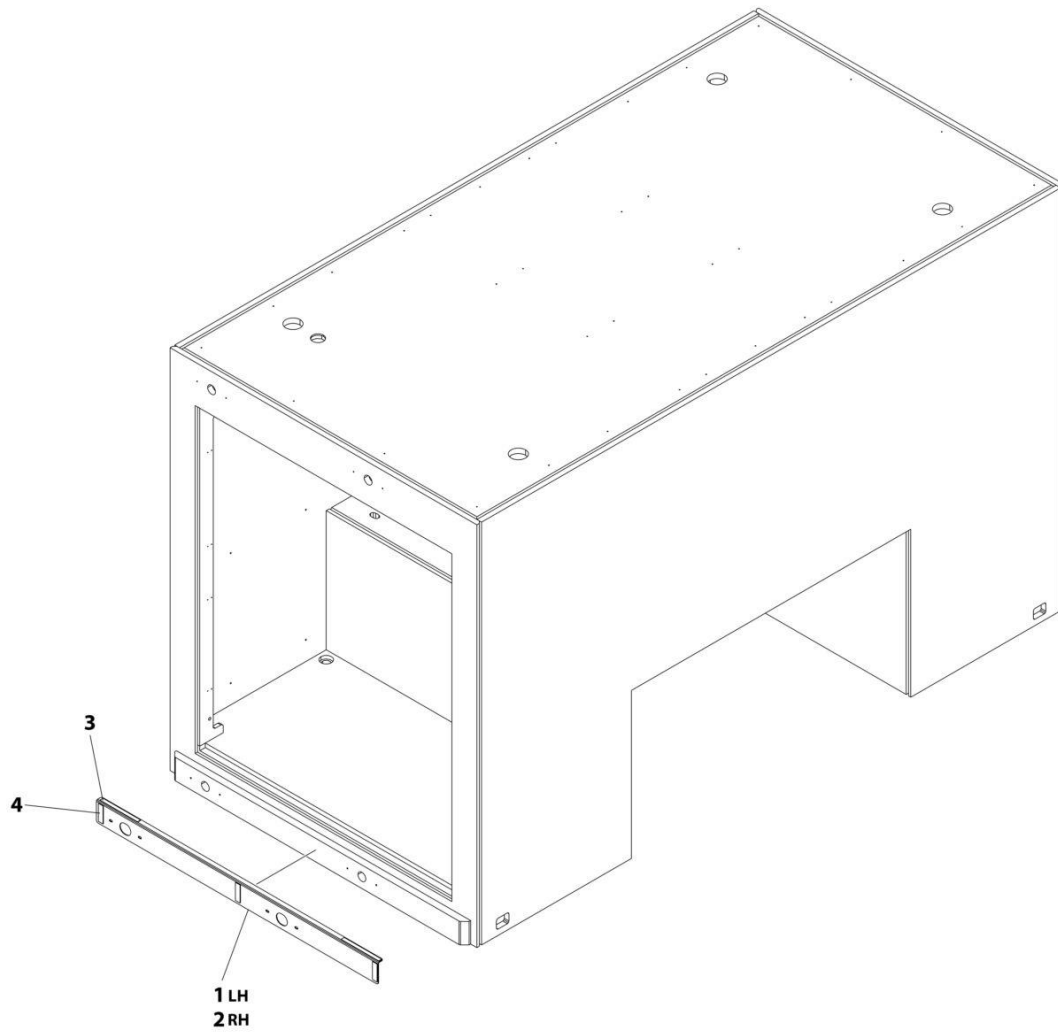
SECTION 4 - BODY

FIGURE 4-47. RUBRAIL TRIM INSTALLATION (36IN TUNNEL)

ITEM	PART NUMBER	QTY	DESCRIPTION	REV
	1001283561	Ref	RUBRAIL TRIM 36IN TUNNEL INSTALLATION	A
1	1001283566	1	Angle	
2	1001283567	1	Angle	
3	1001230987	2 ft	Tape	
4	7796000012	1.3 ft	Seal	

SECTION 4 - BODY

FIGURE 4-48. RUBRAIL TRIM INSTALLATION (50IN TUNNEL)



ART_1001283560

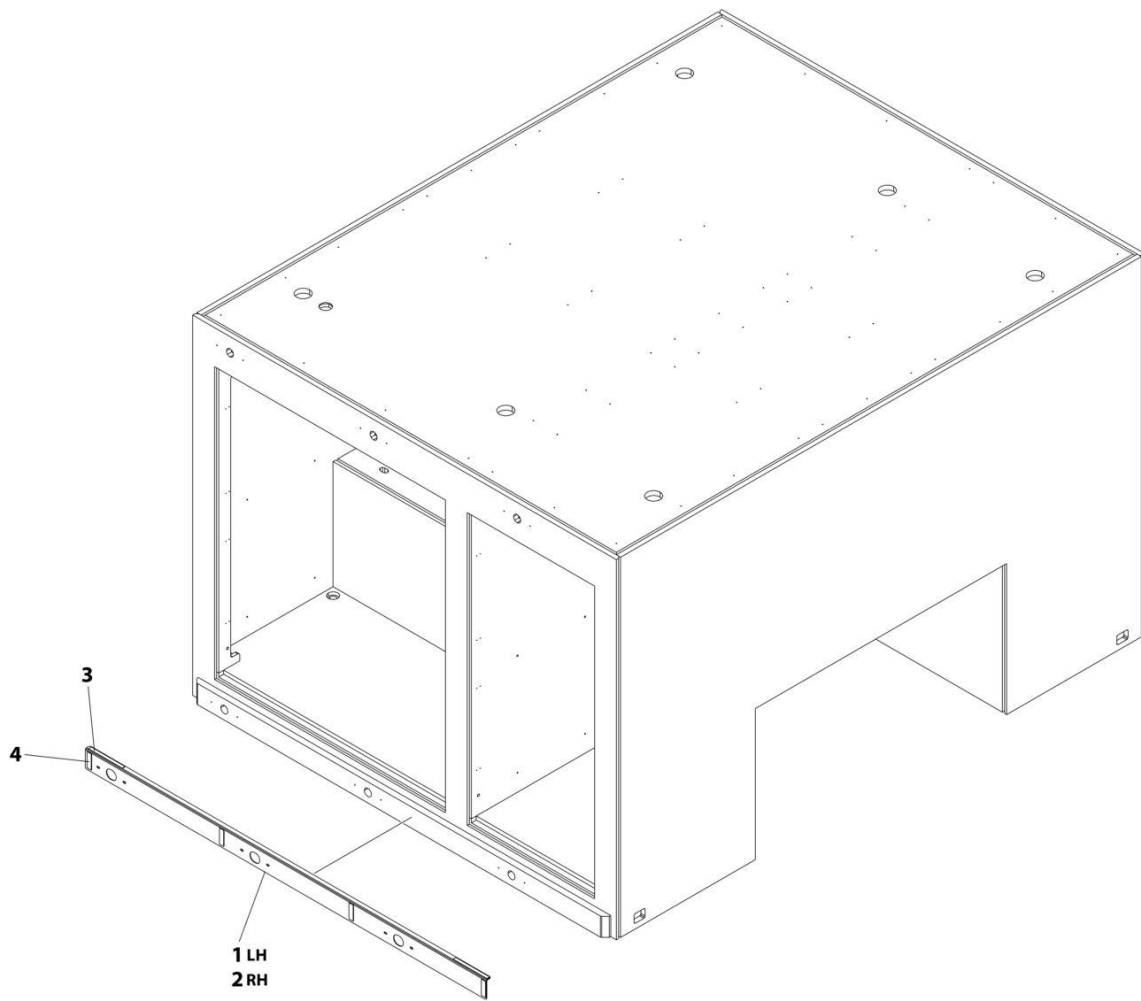
SECTION 4 - BODY

FIGURE 4-48. RUBRAIL TRIM INSTALLATION (50IN TUNNEL)

ITEM	PART NUMBER	QTY	DESCRIPTION	REV
	1001283560	Ref	RUBRAIL TRIM 50IN TUNNEL INSTALLATION	A
1	1001283564	1	Angle	
2	1001283565	1	Angle	
3	1001230987	2 ft	Tape	
4	7796000012	1.3 ft	Seal	

SECTION 4 - BODY

FIGURE 4-49. RUBRAIL TRIM INSTALLATION (76IN TUNNEL)



ART_1001274901

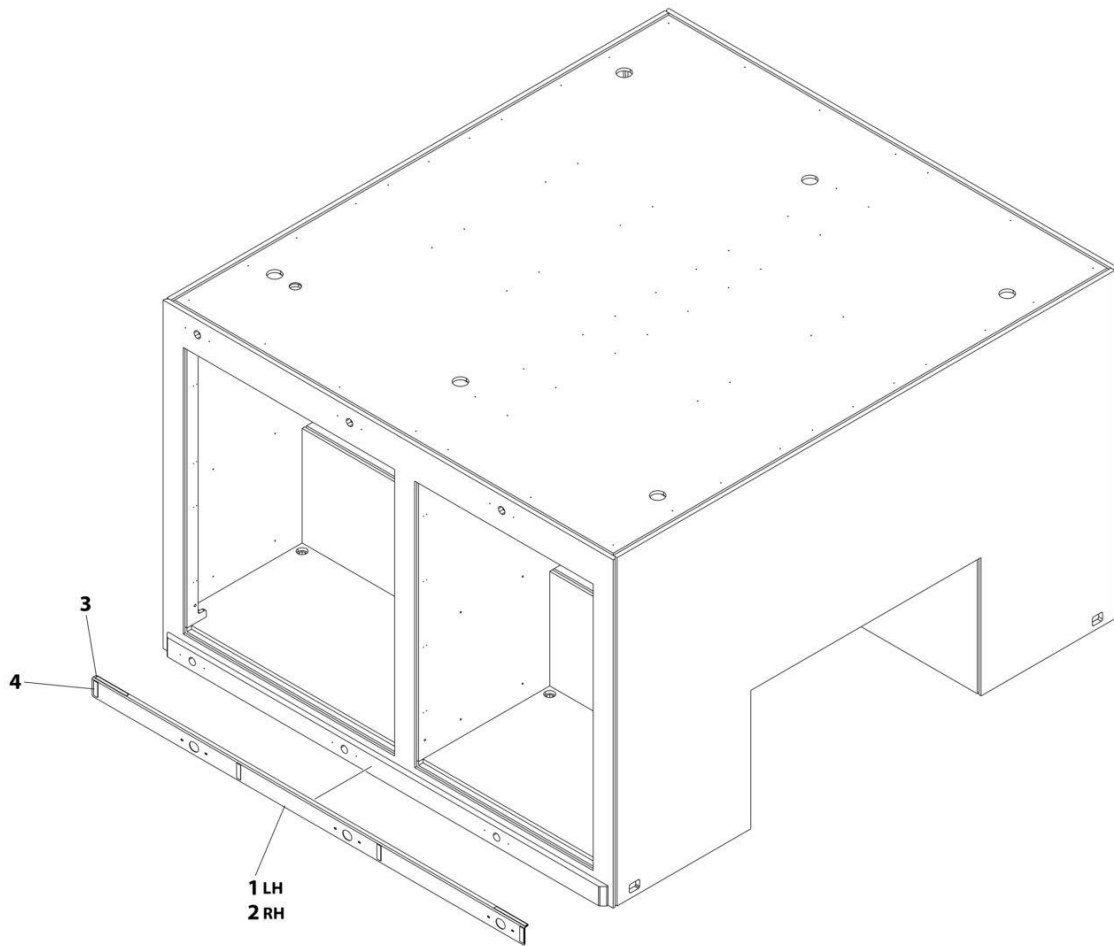
SECTION 4 - BODY

FIGURE 4-49. RUBRAIL TRIM INSTALLATION (76IN TUNNEL)

ITEM	PART NUMBER	QTY	DESCRIPTION	REV
	1001274901	Ref	RUBRAIL TRIM 76IN TUNNEL INSTALLATION	A
1	1001274903	1	Angle	
2	1001274904	1	Angle	
3	1001230987	2 ft	Tape	
4	7796000012	2 ft	Seal	

SECTION 4 - BODY

FIGURE 4-50. RUBRAIL TRIM INSTALLATION (88IN TUNNEL)



ART_1001274902

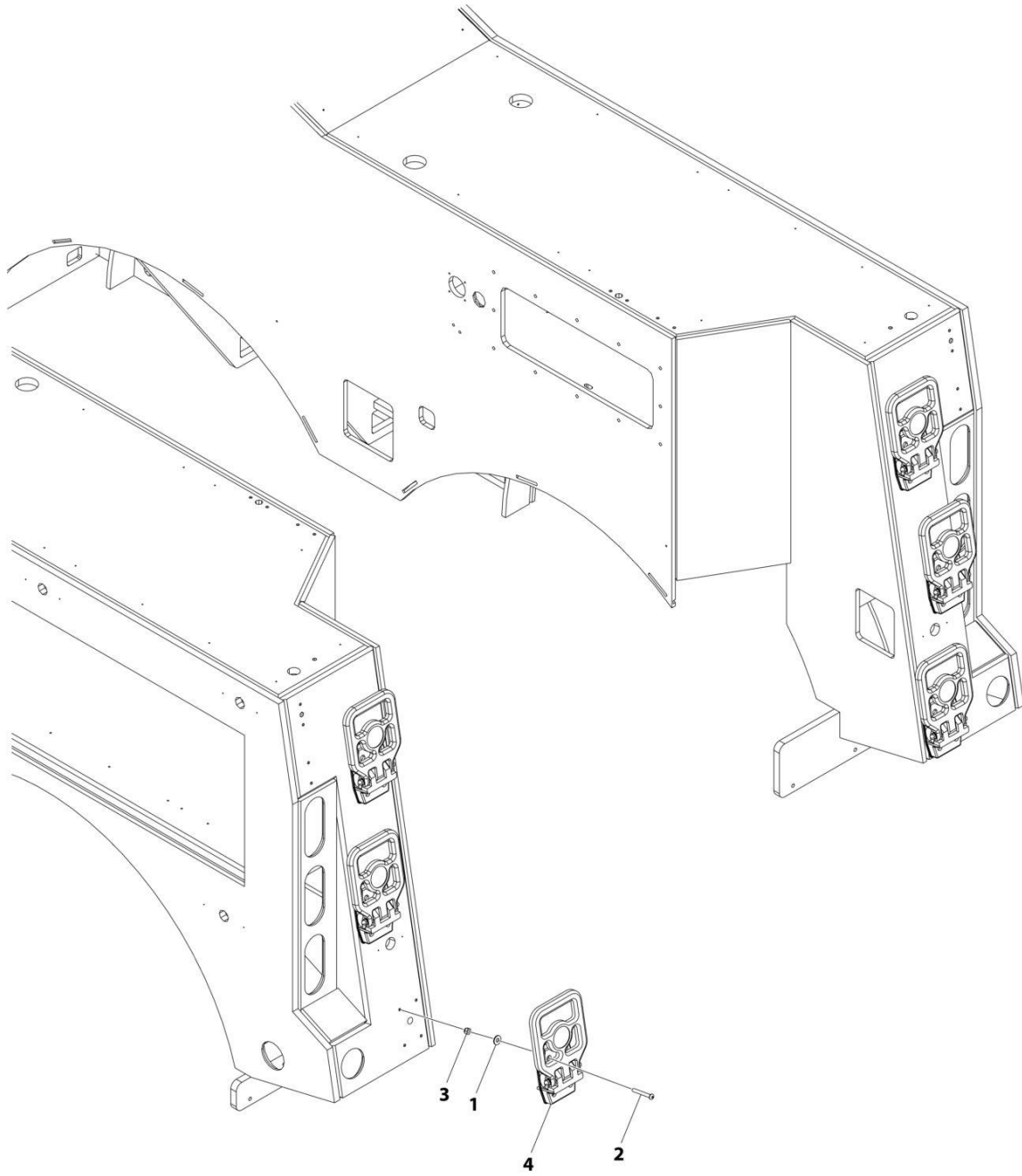
SECTION 4 - BODY

FIGURE 4-50. RUBRAIL TRIM INSTALLATION (88IN TUNNEL)

ITEM	PART NUMBER	QTY	DESCRIPTION	REV
	1001274902	Ref	RUBRAIL TRIM 88IN TUNNEL INSTALLATION	A
1	1001274963	1	Angle	
2	1001274964	1	Angle	
3	1001230987	2 ft	Tape	
4	7796000012	2 ft	Seal	

SECTION 4 - BODY

FIGURE 4-51. STEPS INSTALLATION



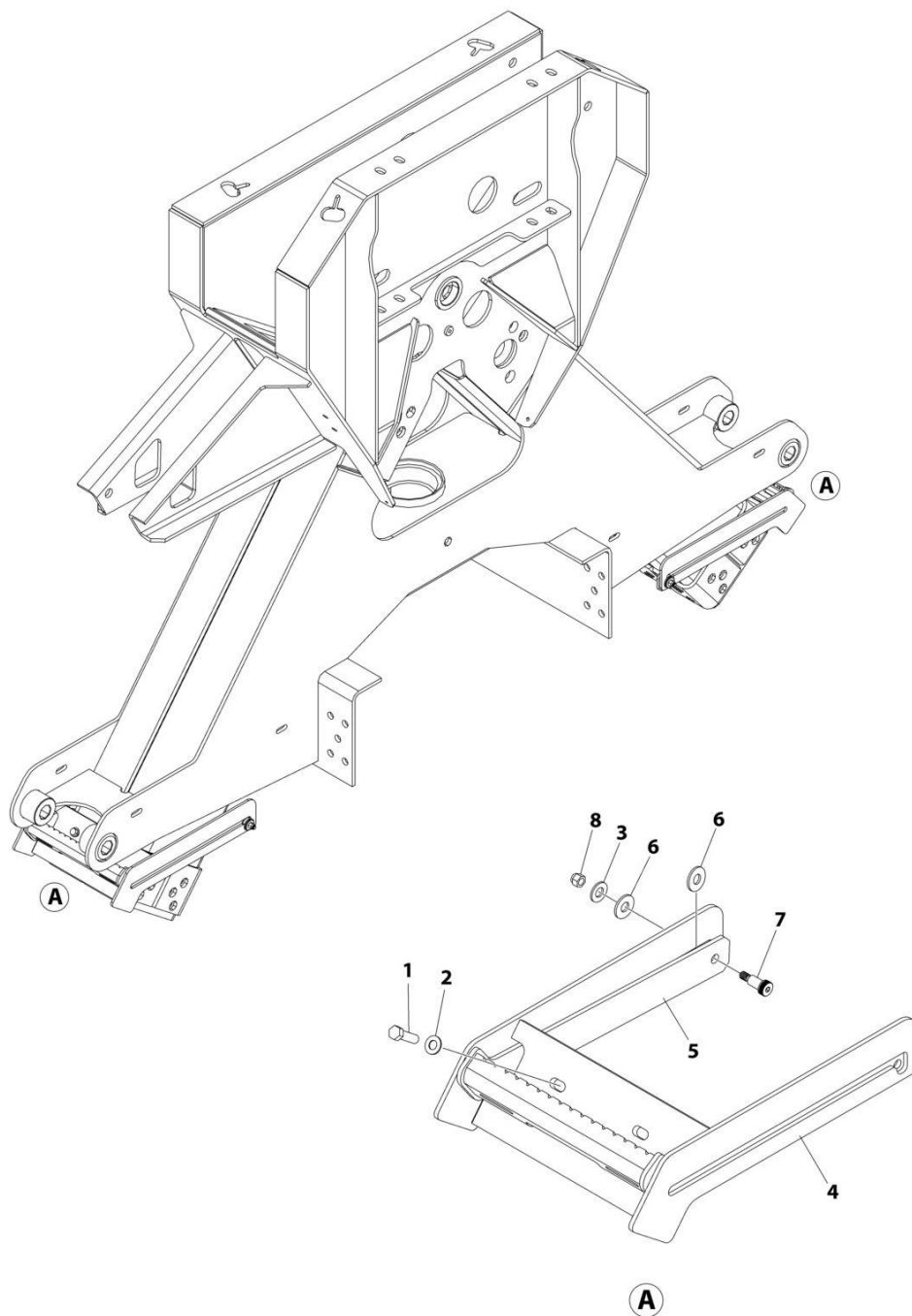
ART_1001289265

FIGURE 4-51. STEPS INSTALLATION

ITEM	PART NUMBER	QTY	DESCRIPTION	REV
	1001289265	Ref	STEPS INSTALLATION	A
1	4751400	24	Washer 1/4	
2	7114141618	24	Bolt 1/4 x 2	
3	7660142601	24	Nut 1/4	
4	1001285503	6	Step	

SECTION 4 - BODY

FIGURE 4-52. STEPS INSTALLATION - SRS



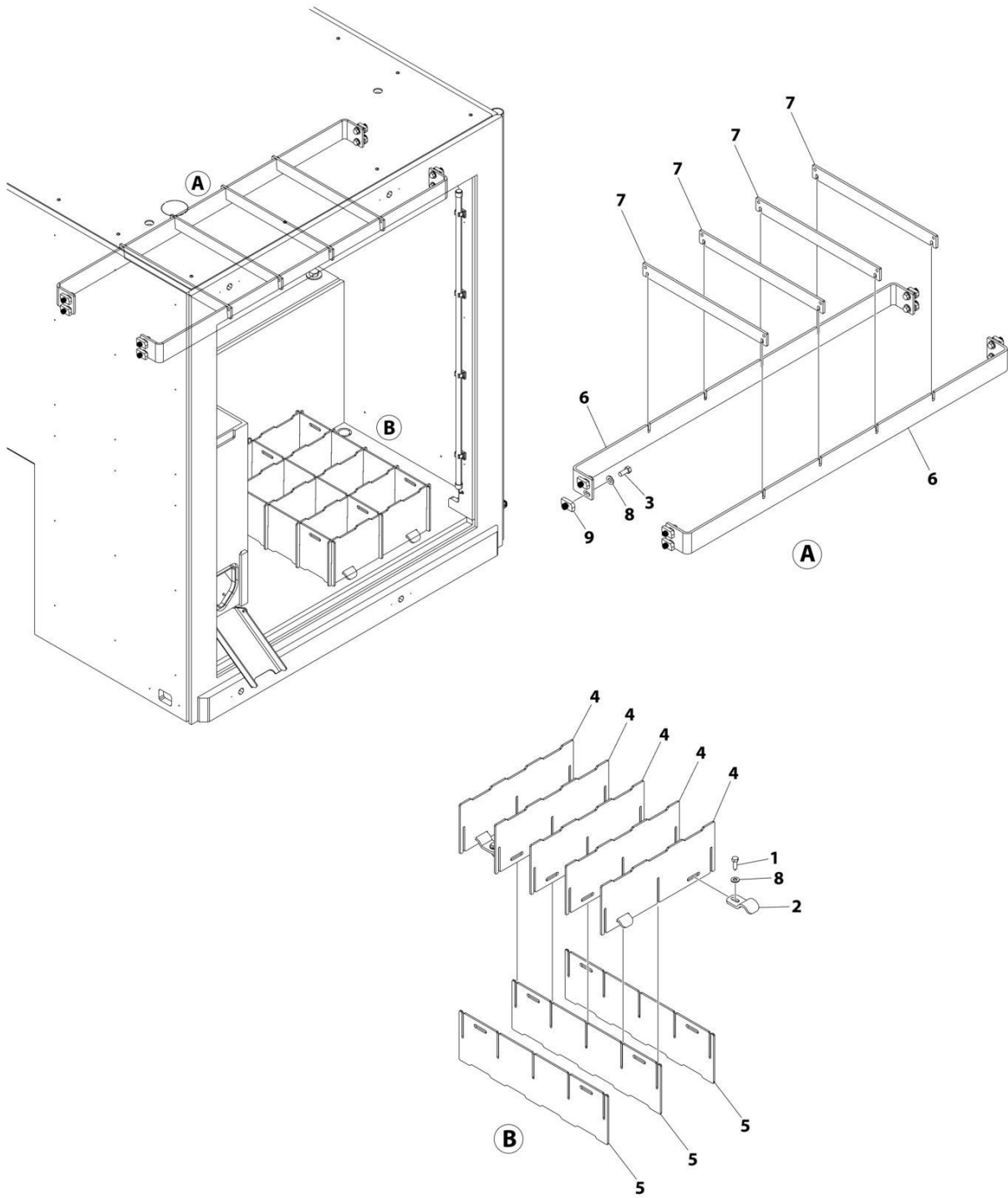
ART_1001199185

FIGURE 4-52. STEPS INSTALLATION - SRS

ITEM	PART NUMBER	QTY	DESCRIPTION	REV
	1001199185	Ref	STEP INSTALLATION	B
1	0641712	4	Capscrew 7/16 x 1-1/2	
2	4711700	4	Washer 7/16	
3	4711800	4	Washer 1/2	
4	1001190176	2	Mount	
5	1001214494	2	Ladder	
6	1001190343	8	Washer 1/2	
7	1001191540	4	Bolt 1/2 x 7/8	
8	7660162604	4	Nut 3/8	

SECTION 4 - BODY

FIGURE 4-53. STORAGE - CHAIN RACK INSTALLATION (50IN)



ART_1001284940

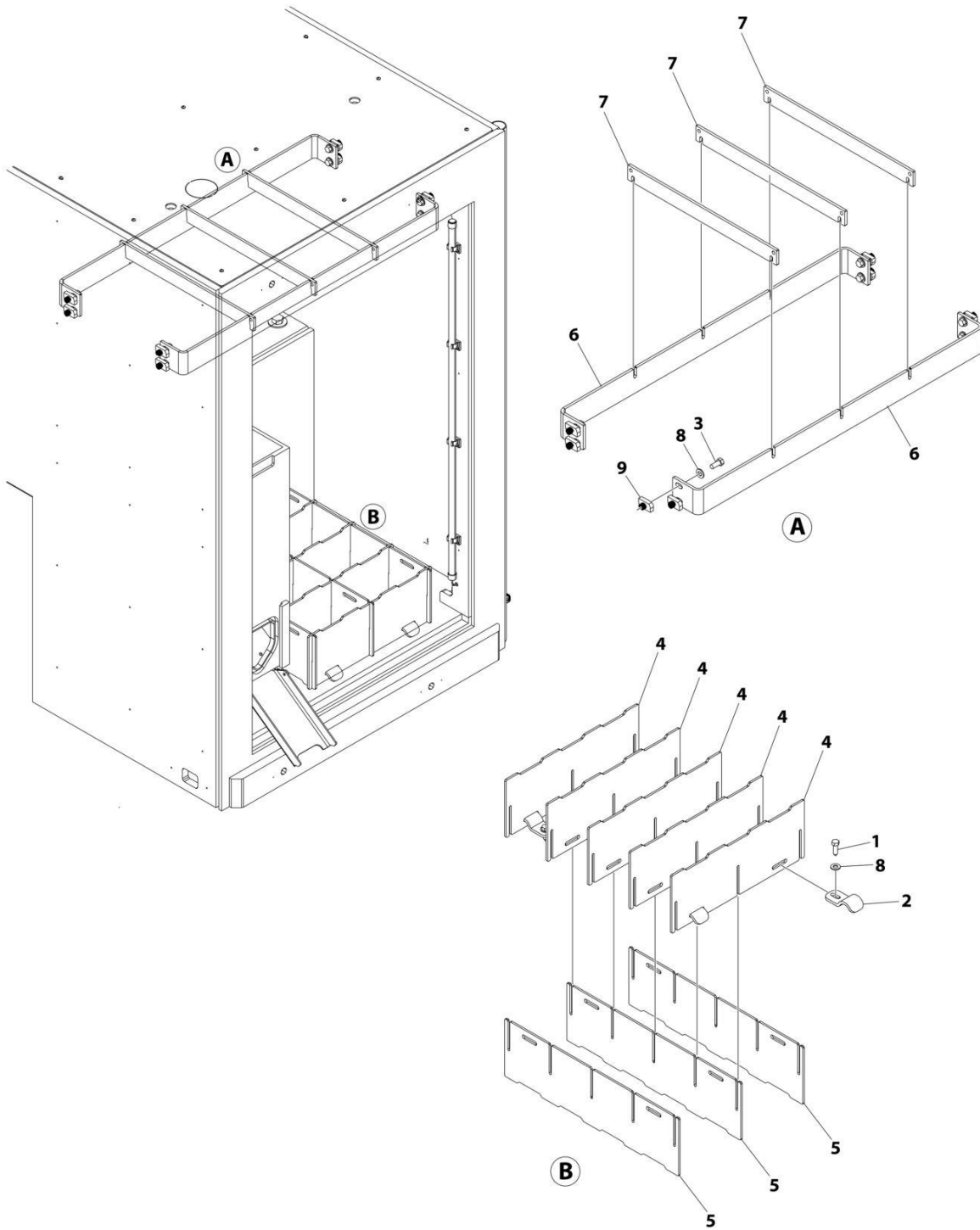
SECTION 4 - BODY

FIGURE 4-53. STORAGE - CHAIN RACK INSTALLATION (50IN)

ITEM	PART NUMBER	QTY	DESCRIPTION	REV
	1001284940	Ref	CHAIN RACK (50IN)	A
1	1001168545	4	Capscrew 3/8 x 1-1/4	
2	1001175596	4	Clamp	
3	1001210454	8	Bolt 3/8 x 7/8	
4	1001282692	5	Plate, Chain Pocket	
5	1001282693	3	Plate, Chain Pocket	
6	1001284944	2	Bar, Chain Rack	
7	1001284948	4	Bar, Chain Rack	
8	7950160143	12	Washer 3/8	
9	1001166644	8	Spring Nut 3/8	

SECTION 4 - BODY

FIGURE 4-54. STORAGE - CHAIN RACK INSTALLATION (38IN)



ART_1001284941

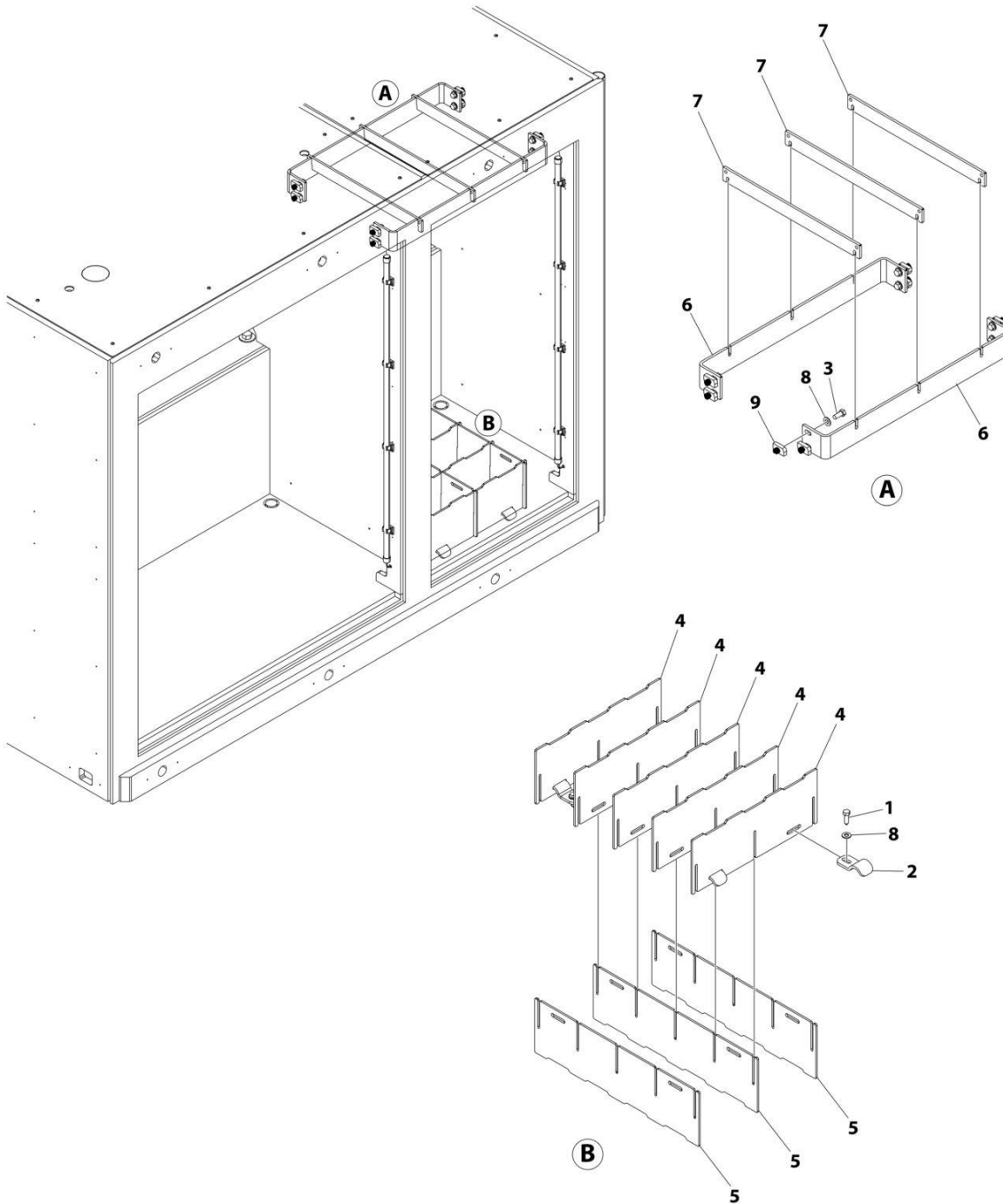
SECTION 4 - BODY

FIGURE 4-54. STORAGE - CHAIN RACK INSTALLATION (38IN)

ITEM	PART NUMBER	QTY	DESCRIPTION	REV
	1001284941	Ref	CHAIN RACK (38IN)	A
1	1001168545	4	Capscrew 3/8 x 1-1/4	
2	1001175596	4	Clamp	
3	1001210454	8	Bolt 3/8 x 7/8	
4	1001282692	5	Plate, Chain Pocket	
5	1001282693	3	Plate, Chain Pocket	
6	1001284945	2	Bar, Chain Rack	
7	1001284948	3	Bar, Chain Rack	
8	7950160143	12	Washer 3/8	
9	1001166644	8	Spring Nut 3/8	

SECTION 4 - BODY

FIGURE 4-55. STORAGE - CHAIN RACK INSTALLATION (76IN) REAR



ART_1001284942

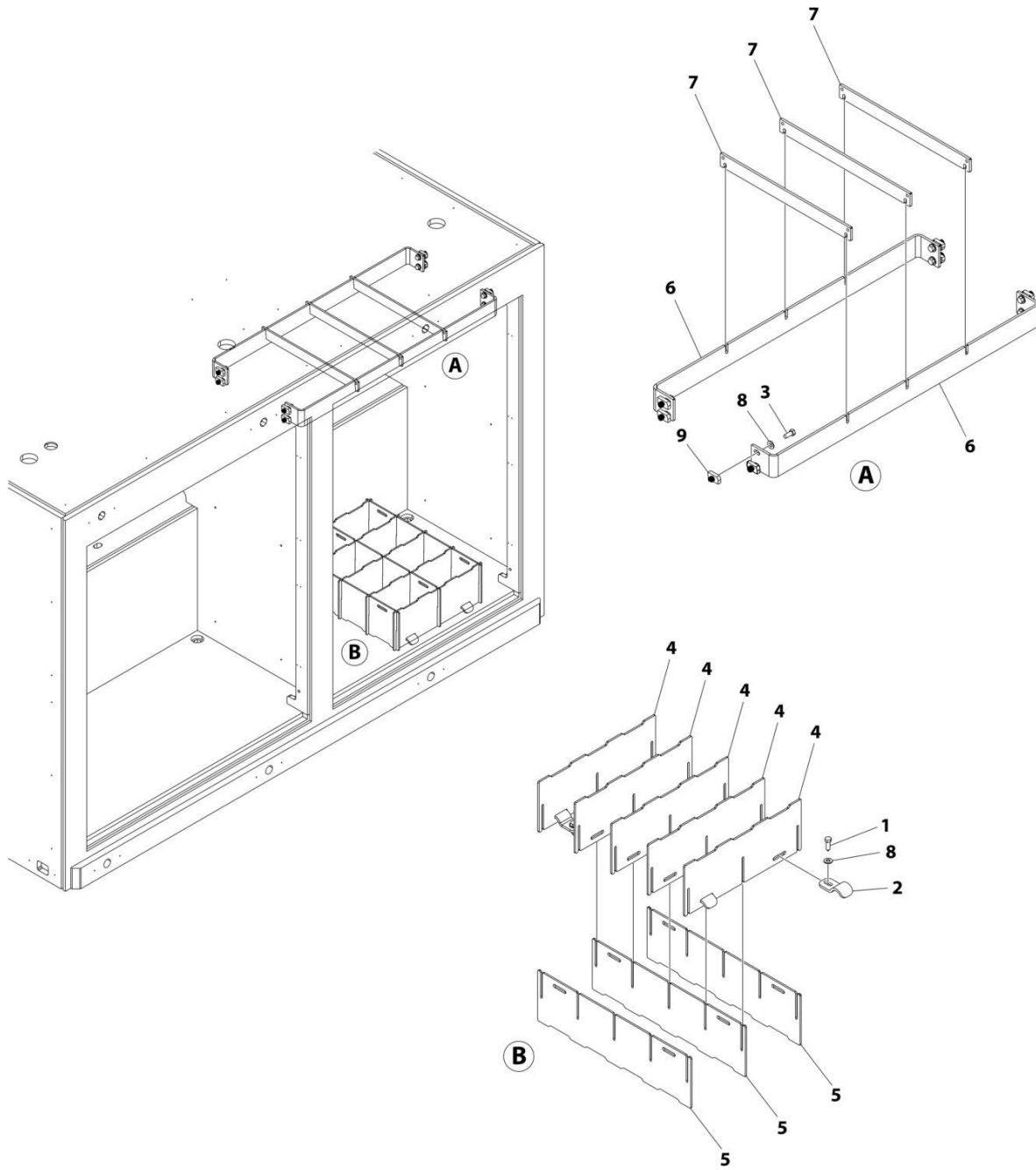
SECTION 4 - BODY

FIGURE 4-55. STORAGE - CHAIN RACK INSTALLATION (76IN) REAR

ITEM	PART NUMBER	QTY	DESCRIPTION	REV
	1001284942	Ref	CHAIN RACK (76IN)	A
1	1001168545	4	Capscrew 3/8 x 1-1/4	
2	1001175596	4	Clamp	
3	1001210454	8	Bolt 3/8 x 7/8	
4	1001282692	5	Plate, Chain Pocket	
5	1001282693	3	Plate, Chain Pocket	
6	1001284946	2	Bar, Chain Rack	
7	1001284948	3	Bar, Chain Rack	
8	7950160143	12	Washer 3/8	
9	1001166644	8	Spring Nut 3/8	

SECTION 4 - BODY

FIGURE 4-56. STORAGE - CHAIN RACK INSTALLATION (88IN) REAR



ART_1001284943

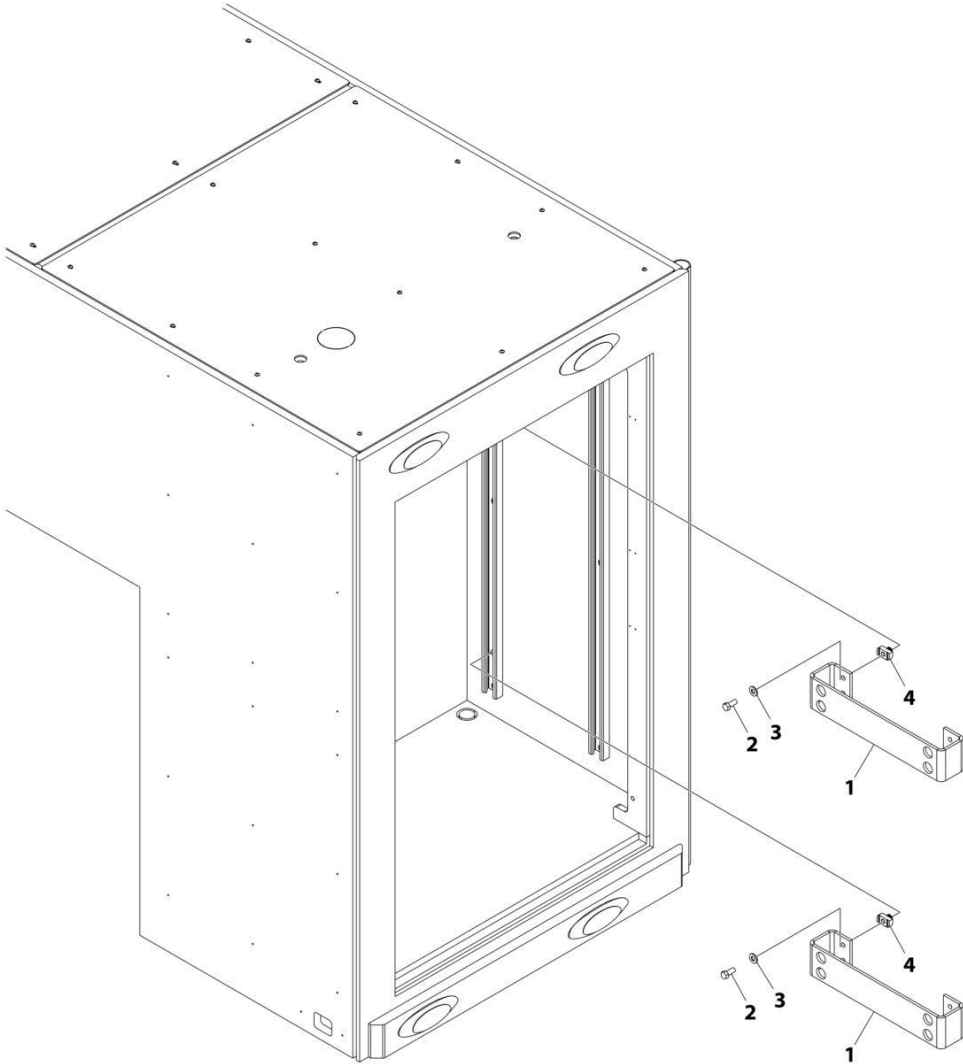
SECTION 4 - BODY

FIGURE 4-56. STORAGE - CHAIN RACK INSTALLATION (88IN) REAR

ITEM	PART NUMBER	QTY	DESCRIPTION	REV
	1001284943	Ref	CHAIN RACK (88IN)	A
1	1001168545	4	Capscrew 3/8 x 1-1/4	
2	1001175596	4	Clamp	
3	1001210454	8	Bolt 3/8 x 7/8	
4	1001282692	5	Plate, Chain Pocket	
5	1001282693	3	Plate, Chain Pocket	
6	1001284947	2	Bar, Chain Rack	
7	1001284948	3	Bar, Chain Rack	
8	7950160143	12	Washer 3/8	
9	1001166644	8	Spring Nut 3/8	

SECTION 4 - BODY

FIGURE 4-57. STORAGE - CHAIN RACK INSTALLATION (SIDE WALL)



ART_1001285035

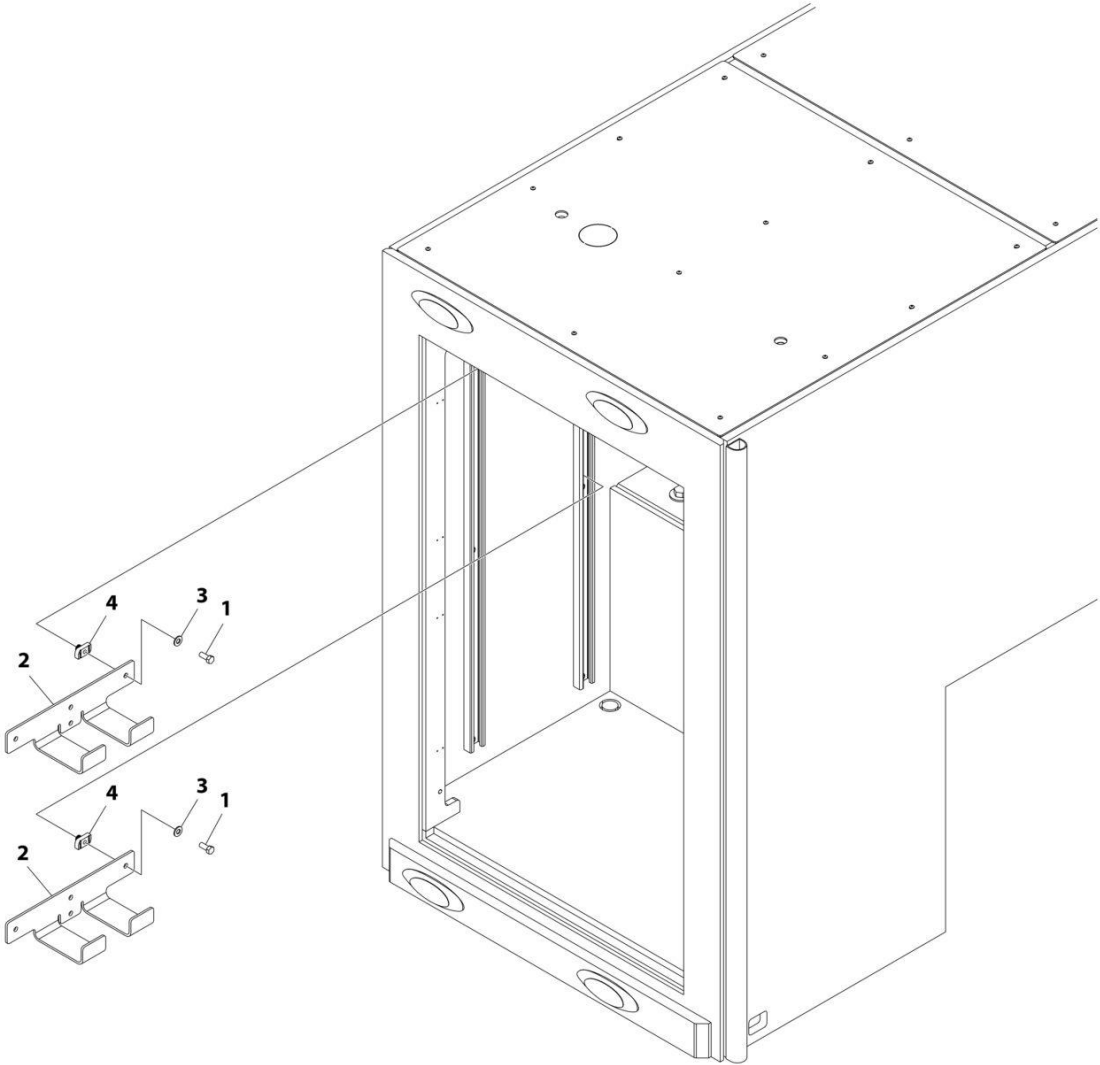
SECTION 4 - BODY

FIGURE 4-57. STORAGE - CHAIN RACK INSTALLATION (SIDE WALL)

ITEM	PART NUMBER	QTY	DESCRIPTION	REV
	1001285035	Ref	CHAIN RACK	A
1	1001189776	2	Plate	
2	1001210454	8	Bolt 3/8 x 7/8	
3	7950160143	8	Washer 3/8	
4	1001166644	8	Spring Nut 3/8	

SECTION 4 - BODY

FIGURE 4-58. STORAGE - CHAIN/BINDER RACK INSTALLATION (TANDEM)



ART_1001285053

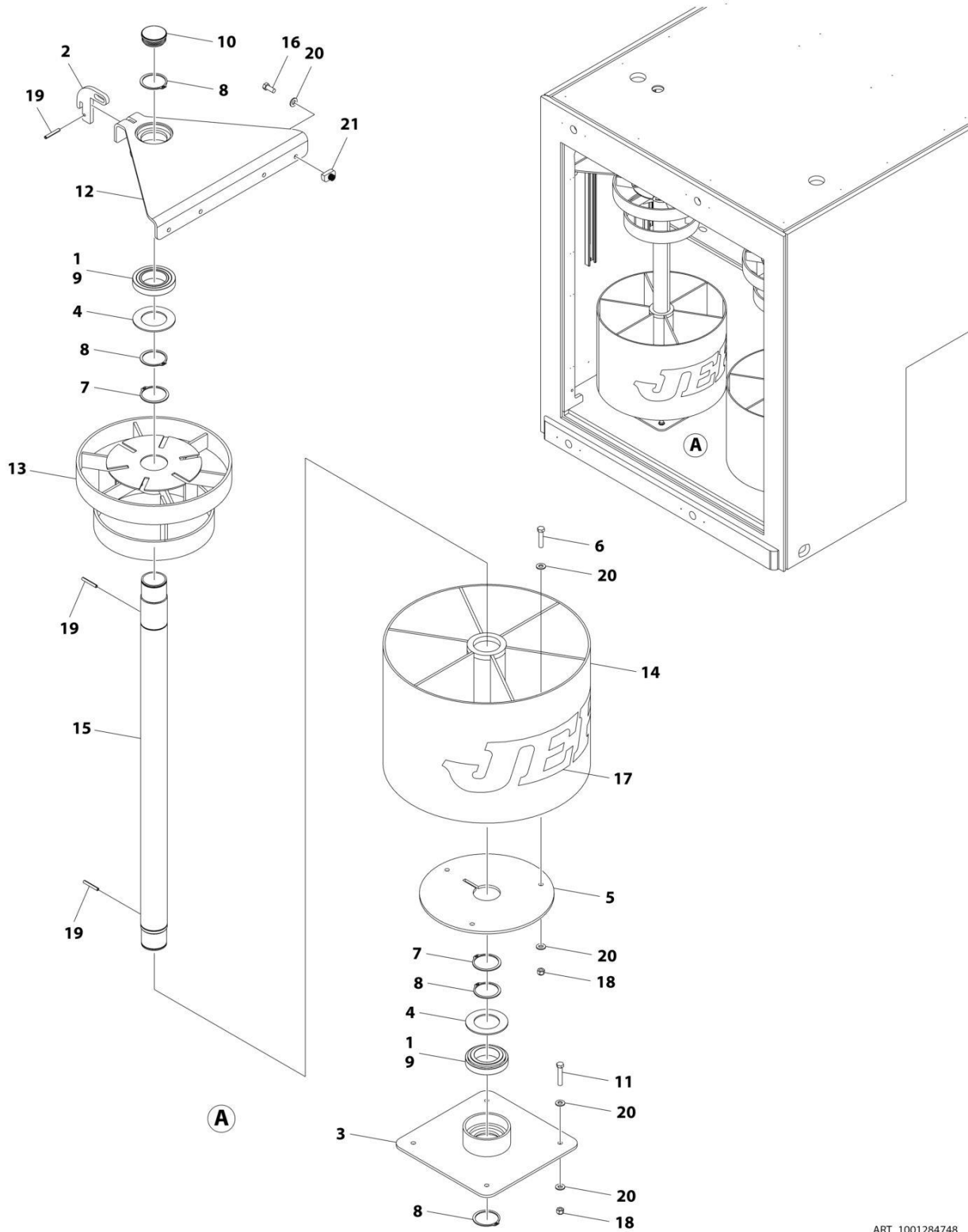
SECTION 4 - BODY

FIGURE 4-58. STORAGE - CHAIN/BINDER RACK INSTALLATION (TANDEM)

ITEM	PART NUMBER	QTY	DESCRIPTION	REV
	1001285053	Ref	CHAIN BINDER RACK INSTALLATION (TANDEM)	B
1	1001210454	4	Bolt 3/8 x 7/8	
2	1001285055	2	Hook, Storage Chain Binder	
3	7950160143	4	Washer 3/8	
4	1001166644	4	Spring Nut 3/8	

SECTION 4 - BODY

FIGURE 4-59. STORAGE - CHAIN/TOOL RACK INSTALLATION (ROTARY RACK)



ART_1001284748

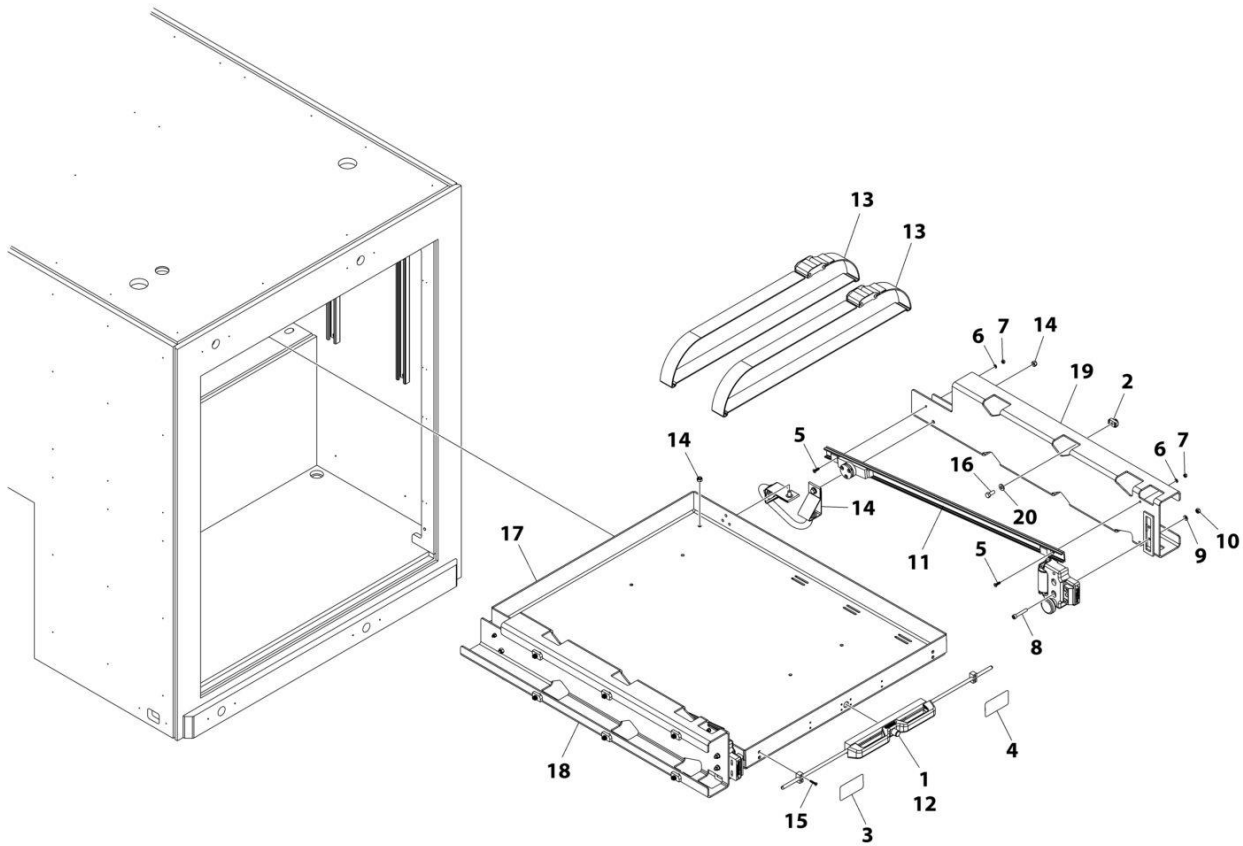
SECTION 4 - BODY

FIGURE 4-59. STORAGE - CHAIN/TOOL RACK INSTALLATION (ROTARY RACK)

ITEM	PART NUMBER	QTY	DESCRIPTION	REV
	1001284748	Ref	ROTARY TOOL RACK INSTALLATION	A
1	3020029	1	Lubricant	
2	1001165564	1	Plate	
3	1001165571	1	Bracket	
4	1001165584	2	Plate	
5	1001165652	1	Support	
6	1001168544	3	Capscrew 3/4 x 1-3/4	
7	1001169063	2	Ring, Retaining	
8	1001169064	4	Ring, Retaining	
9	1001169076	2	Bearing	
10	1001169078	1	Plug	
11	1001169083	4	Bolt 3/8 x 2	
12	1001190218	1	Bracket	
13	1001190223	1	Bracket	
14	1001190228	1	Tray	
15	1001190265	1	Tube	
16	1001210454	2	Bolt 3/8 x 7/8	
17	7330000535	1	Decal	
18	7660162601	7	Nut 3/8	
19	7690142845	3	Pin	
20	7950160143	16	Washer 3/8	
21	1001166644	2	Spring Nut 3/8	

SECTION 4 - BODY

FIGURE 4-60. STORAGE - DRAWER INSTALLATION - TILT DOWN 51IN



ART_1001284616

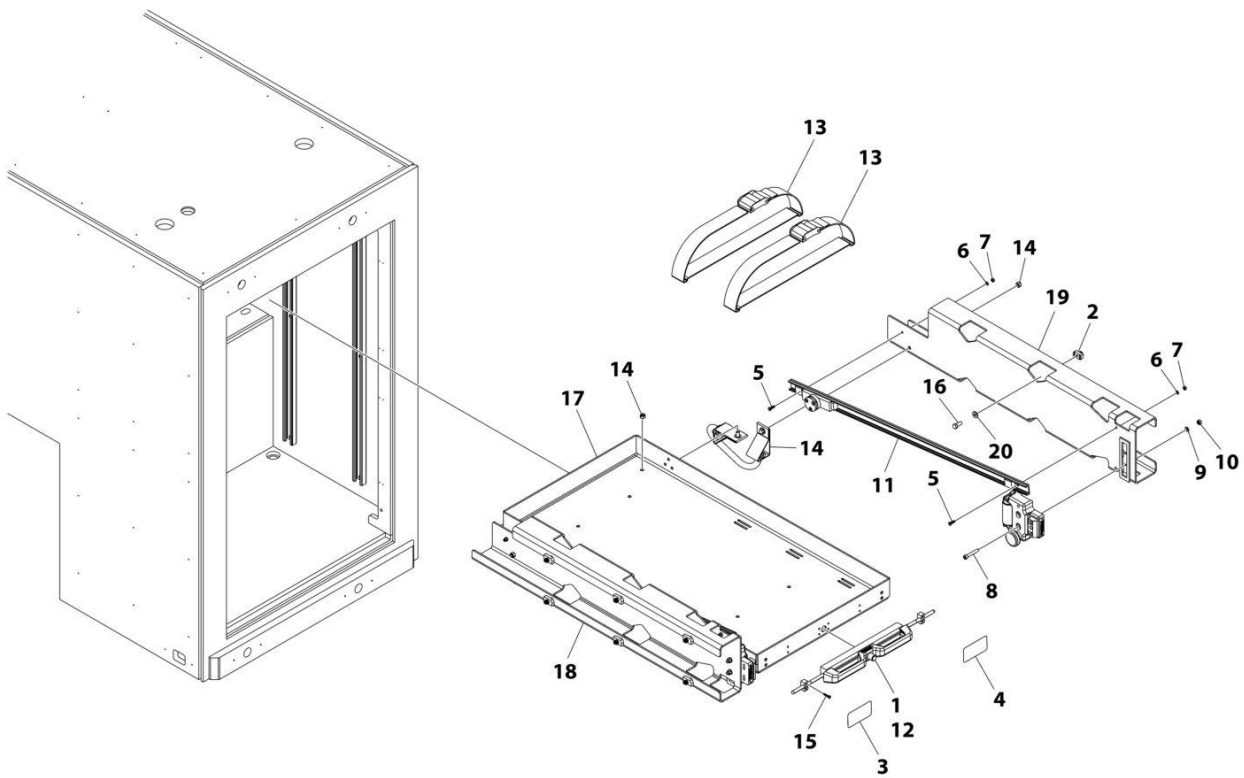
SECTION 4 - BODY

FIGURE 4-60. STORAGE - DRAWER INSTALLATION - TILT DOWN 51IN

ITEM	PART NUMBER	QTY	DESCRIPTION	REV
	1001284616	Ref	DRAWER INSTALLATION - TILT DOWN (50IN)	B
1	3020029	AR	Lubricant	
2	1001166644	12	Spring Nut 3/8	
3	1001170090	1	Decal, Warning	
4	1001170091	1	Decal, Capacity	
5	1001170305	4	Bolt	
6	1001170307	4	Washer M6	
7	1001170310	4	Nut M6	
8	1001170328	4	Screw	
9	1001170329	4	Washer M8	
10	1001170330	4	Nut M8	
11	1001170331	1	Roller Assembly	
12	1001170332	1	Handle and Latch Assembly	
13	1001170428	2	Strap	
14	1001179349	2	Strap	
15	1001200997	4	Screw M5 x 25	
16	1001210454	12	Bolt 3/8 x 7/8	
17	1001284619	1	Tray, Tilt-Down	
18	1001284622	1	Bracket, LH	
19	1001284623	1	Bracket, RH	
20	7950160143	12	Washer 3/8	

SECTION 4 - BODY

FIGURE 4-61. STORAGE - DRAWER INSTALLATION - TILT DOWN 38IN



ART_1001284617

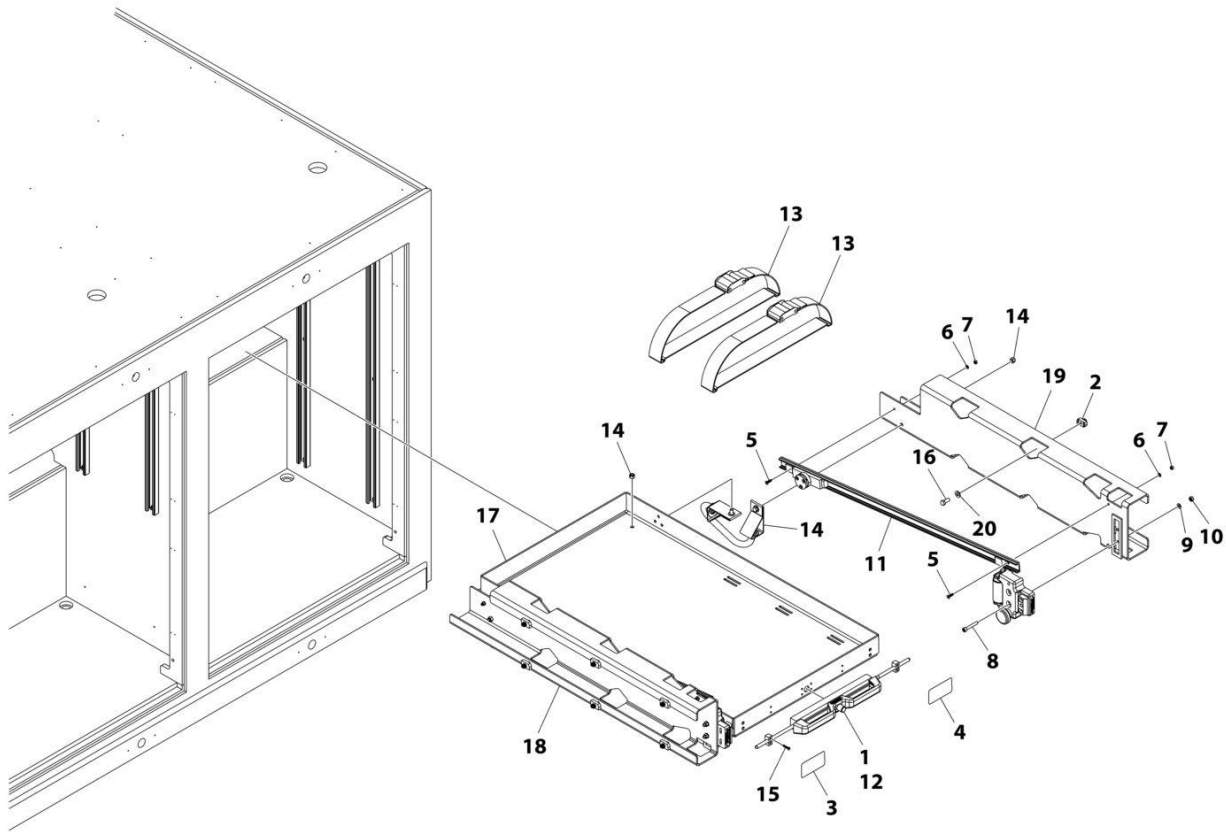
SECTION 4 - BODY

FIGURE 4-61. STORAGE - DRAWER INSTALLATION - TILT DOWN 38IN

ITEM	PART NUMBER	QTY	DESCRIPTION	REV
	1001284617	Ref	DRAWER INSTALLATION - TILT DOWN (38IN)	B
1	3020029	AR	Lubricant	
2	1001166644	12	Spring Nut 3/8	
3	1001170090	1	Decal, Warning	
4	1001170091	1	Decal, Capacity	
5	1001170305	4	Bolt	
6	1001170307	4	Washer M6	
7	1001170310	4	Nut M6	
8	1001170328	4	Screw	
9	1001170329	4	Washer M8	
10	1001170330	4	Nut M8	
11	1001170331	1	Roller Assembly	
12	1001170332	1	Handle and Latch Assembly	
13	1001170428	2	Strap	
14	1001179349	2	Strap	
15	1001200997	4	Screw M5 x 25	
16	1001210454	12	Bolt 3/8 x 7/8	
17	1001284620	1	Tray, Tilt-Down	
18	1001284622	1	Bracket, LH	
19	1001284623	1	Bracket, RH	
20	7950160143	12	Washer 3/8	

SECTION 4 - BODY

FIGURE 4-62. STORAGE - DRAWER INSTALLATION - TILT DOWN 88IN



ART_1001284618

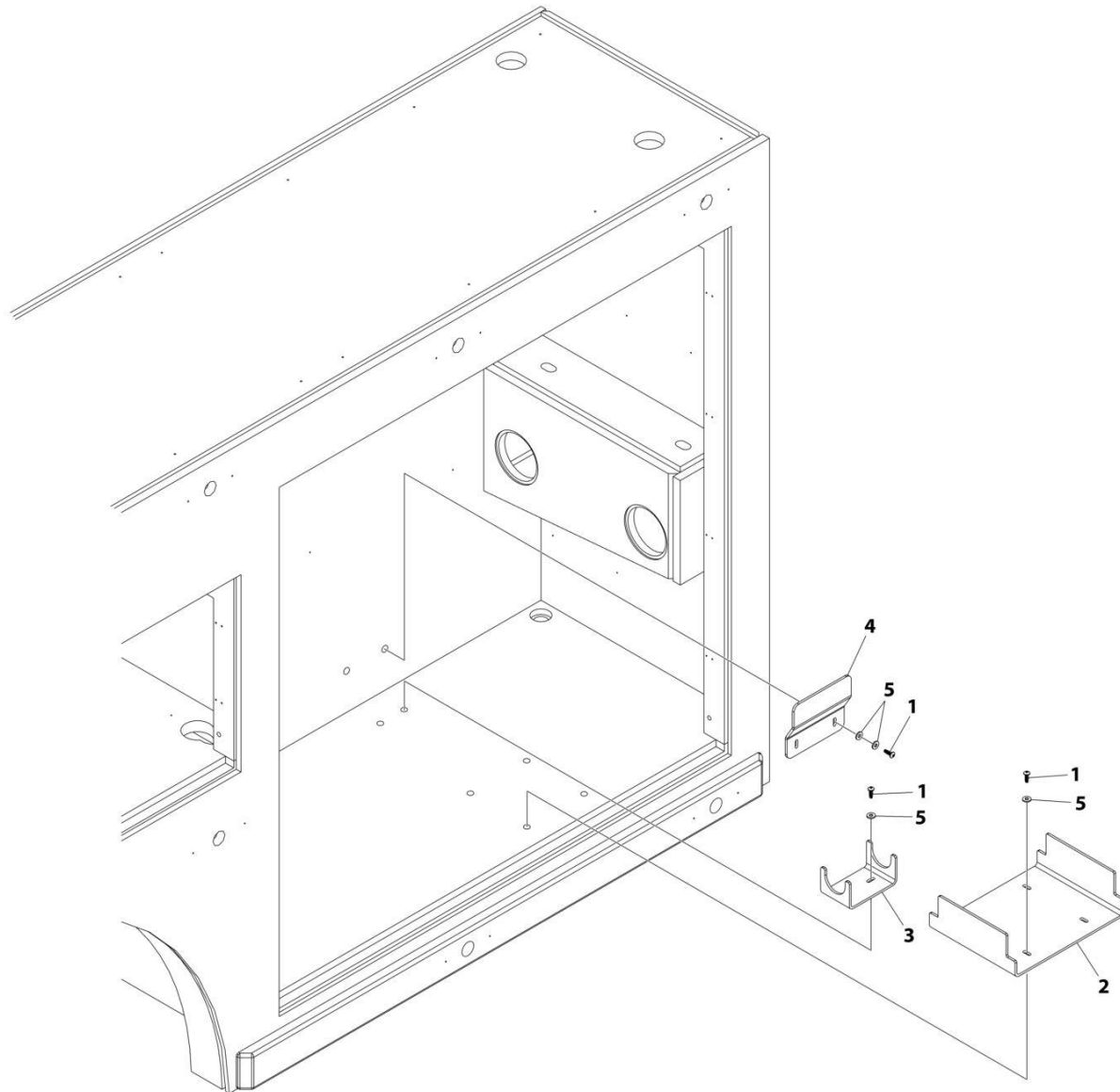
SECTION 4 - BODY

FIGURE 4-62. STORAGE - DRAWER INSTALLATION - TILT DOWN 88IN

ITEM	PART NUMBER	QTY	DESCRIPTION	REV
	1001284618	Ref	DRAWER INSTALLATION - TILT DOWN (88IN)	A
1	3020029	AR	Lubricant	
2	1001166644	12	Spring Nut 3/8	
3	1001170090	1	Decal, Warning	
4	1001170091	1	Decal, Capacity	
5	1001170305	4	Bolt	
6	1001170307	4	Washer M6	
7	1001170310	4	Nut M6	
8	1001170328	4	Screw	
9	1001170329	4	Washer M8	
10	1001170330	4	Nut M8	
11	1001170331	1	Roller Assembly	
12	1001170332	1	Handle and Latch Assembly	
13	1001170428	2	Strap	
14	1001179349	2	Strap	
15	1001200997	4	Screw M5 x 25	
16	1001210454	12	Bolt 3/8 x 7/8	
17	1001284621	1	Tray, Tilt-Down	
18	1001284622	1	Bracket, LH	
19	1001284623	1	Bracket, RH	
20	7950160143	12	Washer 3/8	

SECTION 4 - BODY

FIGURE 4-63. STORAGE - FIFTH WHEEL/PINTLE STORAGE INSTALLATION



ART_1001284282

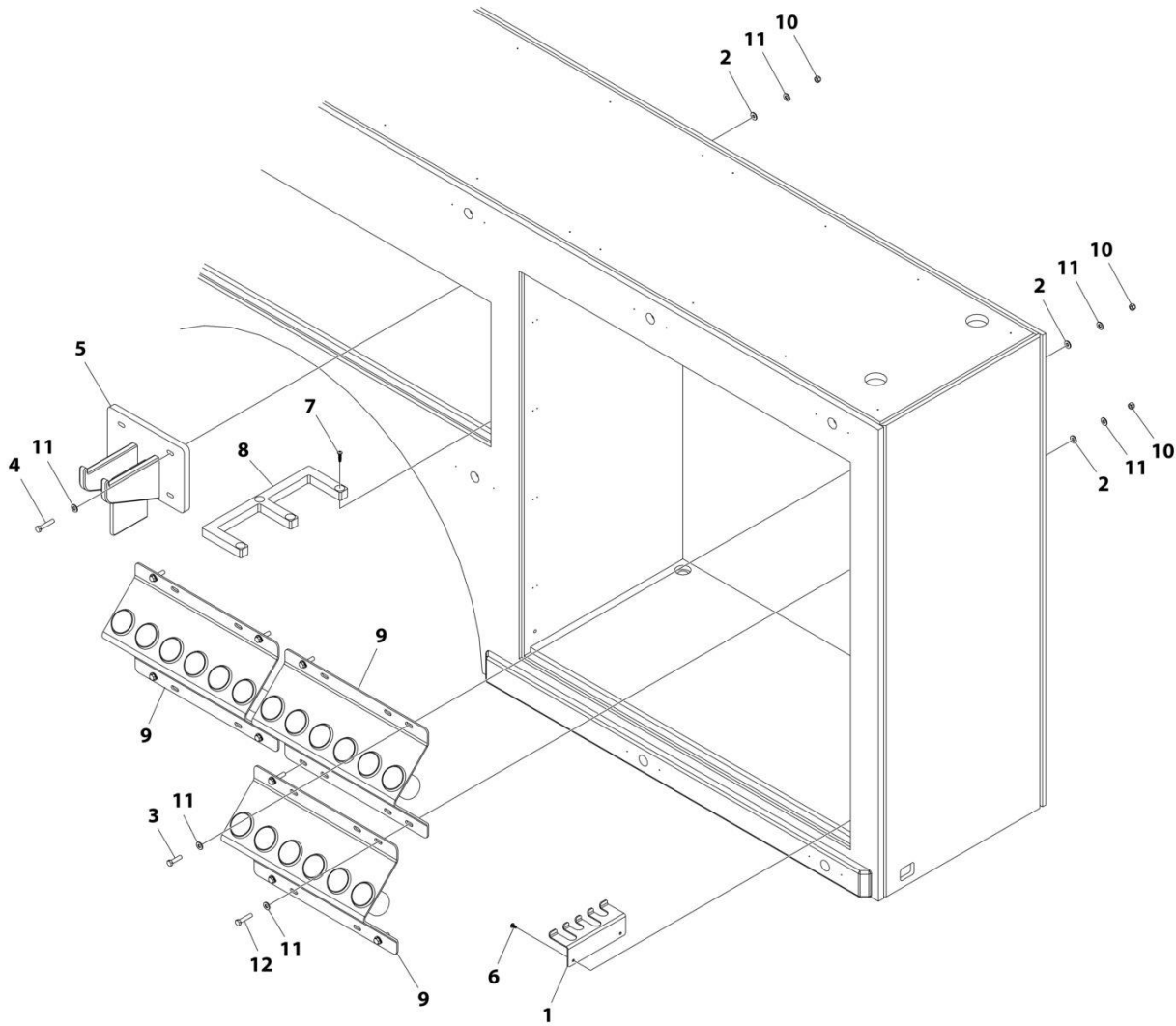
SECTION 4 - BODY

FIGURE 4-63. STORAGE - FIFTH WHEEL/PINTLE STORAGE INSTALLATION

ITEM	PART NUMBER	QTY	DESCRIPTION	REV
	1001284282	Ref	FIFTH WHEEL STORAGE INSTALLATION	B
1	1001194676	8	Screw 1/4 x 3/4	
2	1001284283	1	Bracket	
3	1001284284	1	Channel	
4	1001284285	1	Plate	
5	7950140143	10	Washer 1/4	

SECTION 4 - BODY

FIGURE 4-64. STORAGE - FORK ORGANIZER INSTALLATION (VERTICLE)



ART_1001284293

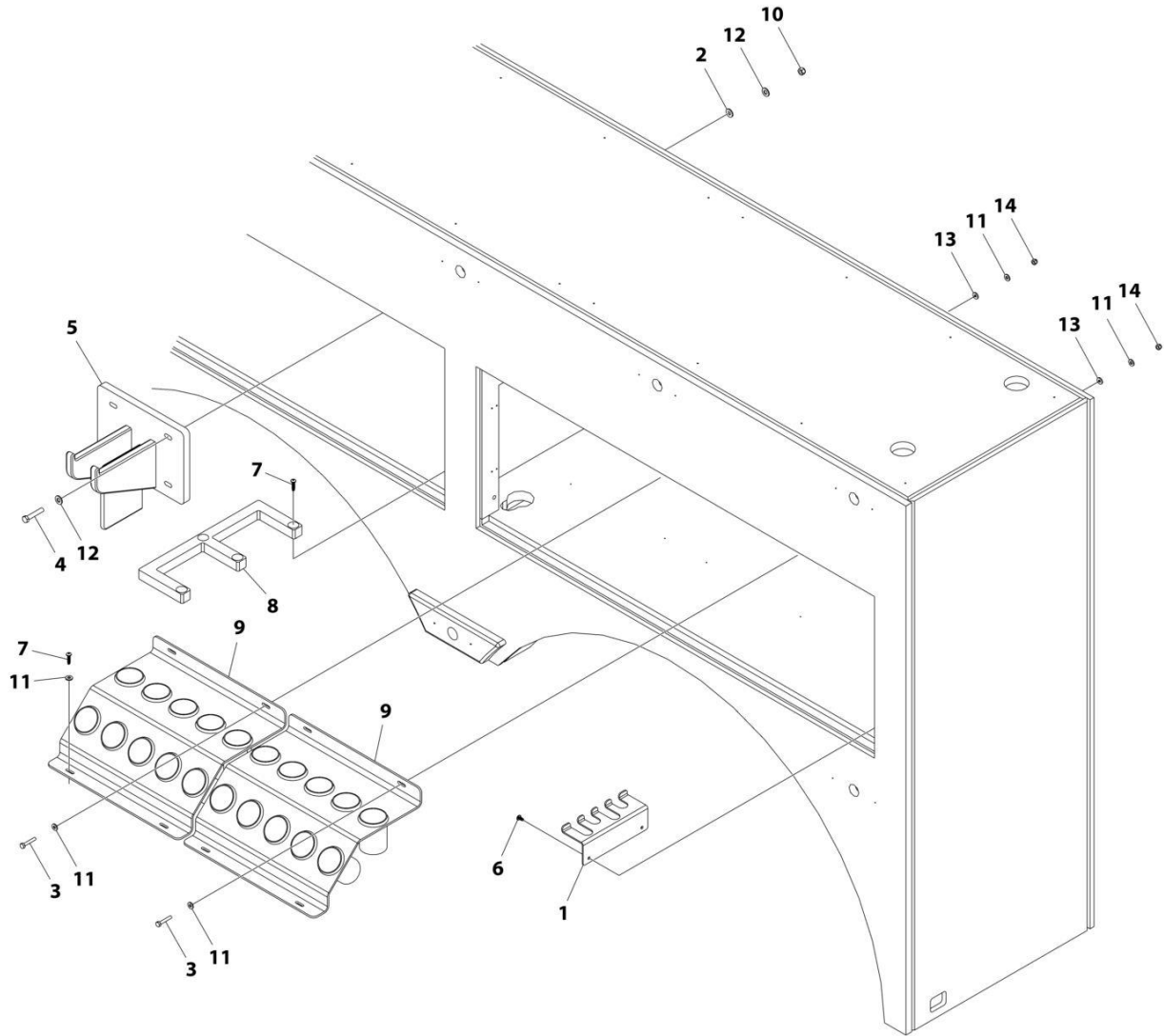
SECTION 4 - BODY

FIGURE 4-64. STORAGE - FORK ORGANIZER INSTALLATION (VERTICLE)

ITEM	PART NUMBER	QTY	DESCRIPTION	REV
	1001284293	Ref	FRAME FORK STORAGE INSTALLATION (VERTICAL)	B
1	1001160799	1	Bracket	
2	1001166974	14	Washer 3/8	
3	1001168993	8	Capscrew 3/8 x 1-1/2	
4	1001169083	4	Capscrew 3/8 x 2	
5	1001190926	1	Bracket	
6	1001195257	2	Screw 1/4 x 1/2	
7	1001195523	4	Screw 1/4 x 1	
8	1001195838	1	Bracket	
9	1001284295	3	Bracket	
10	7660162601	14	Nut 3/8	
11	7950160143	28	Washer 3/8	
12	1001168544	2	Capscrew 3/8 x 1-3/4	

SECTION 4 - BODY

FIGURE 4-65. STORAGE - FORK ORGANIZER INSTALLATION (HORIZONTAL)



ART_1001284294

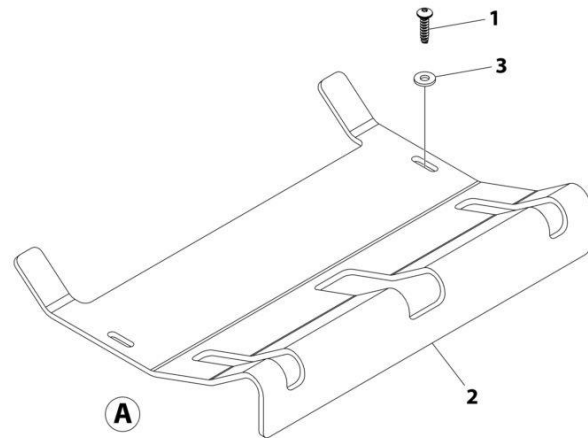
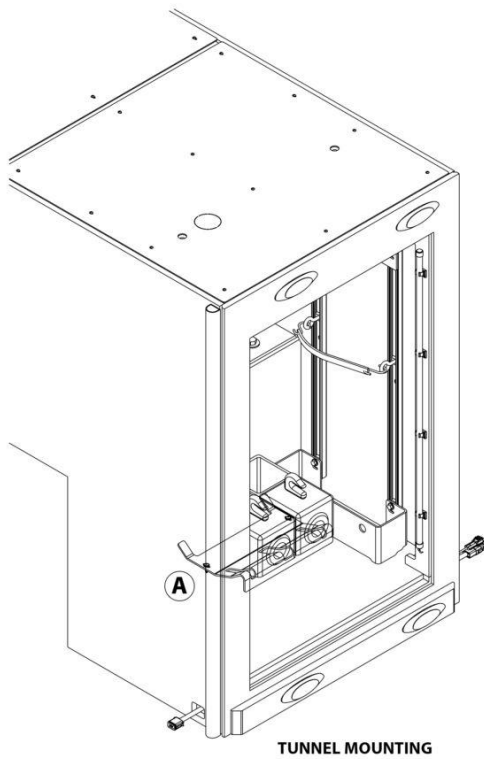
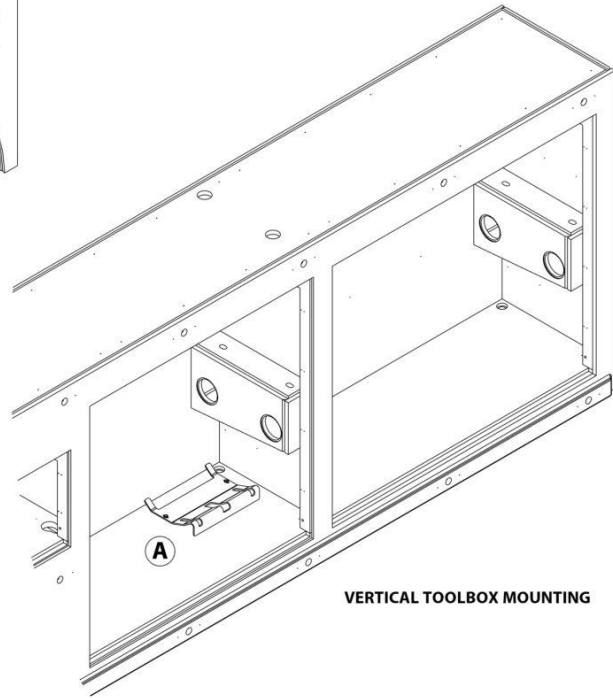
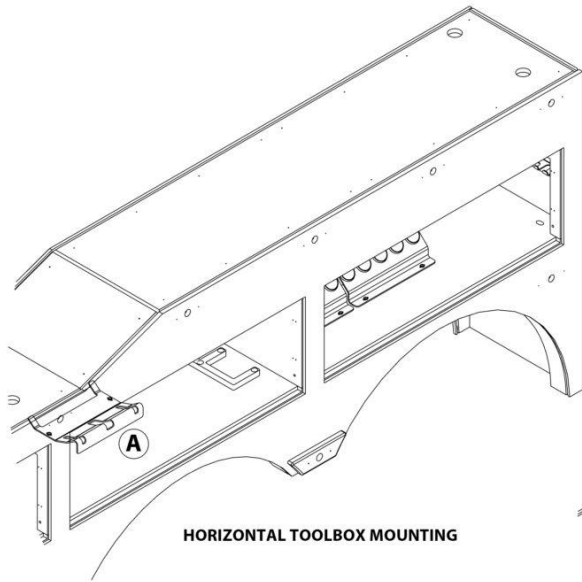
SECTION 4 - BODY

FIGURE 4-65. STORAGE - FORK ORGANIZER INSTALLATION (HORIZONTAL)

ITEM	PART NUMBER	QTY	DESCRIPTION	REV
	1001284294	Ref	FRAME FORK STORAGE INSTALLATION (HORITZONAL)	B
1	1001160799	1	Bracket	
2	1001166974	4	Washer 3/8	
3	7115141250	4	Capscrew 1/4 x 1-1/2	
4	1001169083	4	Capscrew 3/8 x 2	
5	1001190926	1	Bracket	
6	1001195257	2	Screw 1/4 x 1/2	
7	1001195523	8	Screw 1/4 x 1	
8	1001195838	1	Bracket	
9	1001284296	2	Bracket	
10	7660162601	4	Nut 3/8	
11	7950140143	12	Washer 1/4	
12	7950160143	8	Washer 3/8	
13	1001166978	4	Washer 1/4	
14	7660142601	4	Nut 1/4	

SECTION 4 - BODY

FIGURE 4-66. STORAGE - FORK RISERS STORAGE INSTALLATION



ART_1001285912

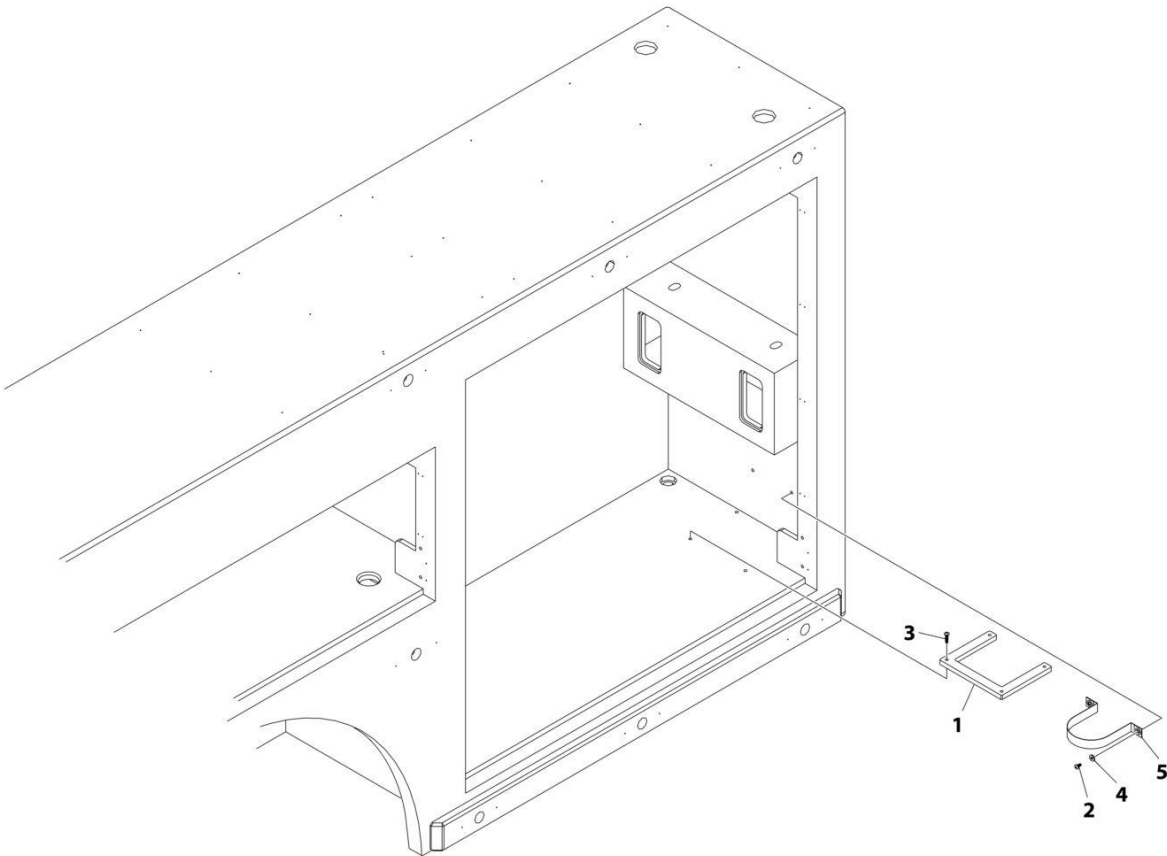
SECTION 4 - BODY

FIGURE 4-66. STORAGE - FORK RISERS STORAGE INSTALLATION

ITEM	PART NUMBER	QTY	DESCRIPTION	REV
	1001285912	Ref	FORK RISERS STORAGE INSTALLATION	B
1	1001195523	2	Screw 1/4 x 1	
2	1001285911	1	Bracket, Storage	
3	7950140143	2	Washer 1/4	

SECTION 4 - BODY

FIGURE 4-67. STORAGE - JACK STORAGE INSTALLATION - VERTICLE



ART_1001196214

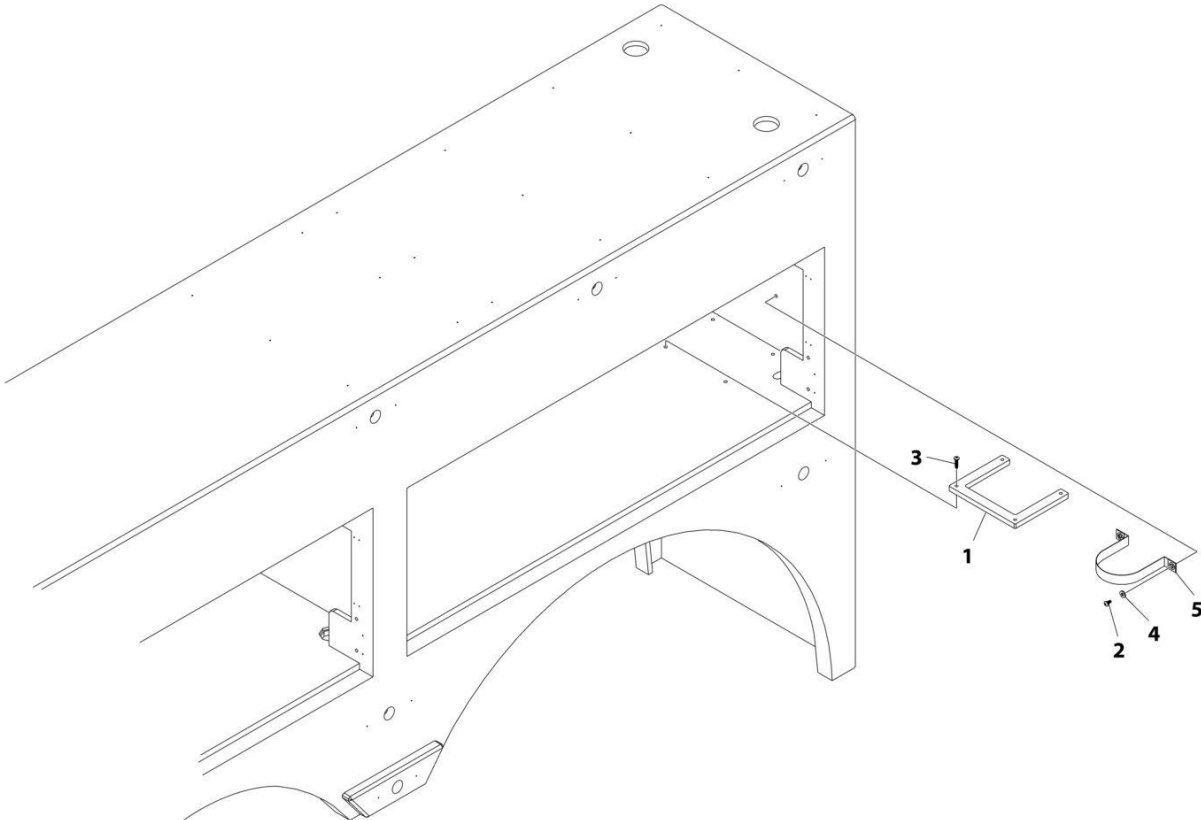
SECTION 4 - BODY

FIGURE 4-67. STORAGE - JACK STORAGE INSTALLATION - VERTICLE

ITEM	PART NUMBER	QTY	DESCRIPTION	REV
	1001196214	Ref	JACK STORAGE INSTALLATION (TRI-AXLE)	B
1	1001170839	1	Bracket	
2	1001195257	2	Screw 1/4 x 1/2	
3	1001195523	4	Screw 1/4 x 1	
4	7950140143	2	Washer 1/4	
5	1001167286	2	Tie-Strap	

SECTION 4 - BODY

FIGURE 4-68. STORAGE - JACK STORAGE INSTALLATION - HORIZONTAL



ART_1001196215

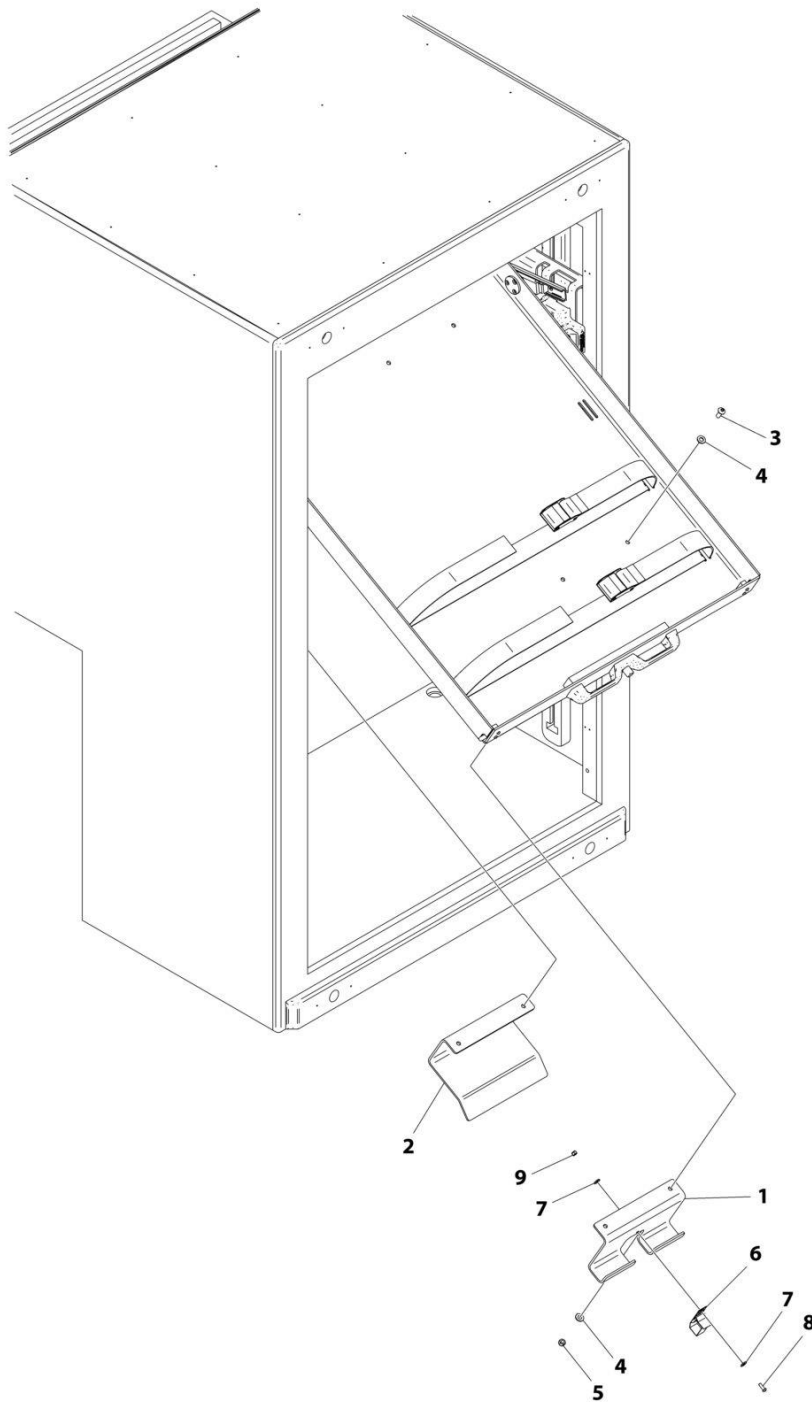
SECTION 4 - BODY

FIGURE 4-68. STORAGE - JACK STORAGE INSTALLATION - HORIZONTAL

ITEM	PART NUMBER	QTY	DESCRIPTION	REV
	1001196215	Ref	JACK STORAGE INSTALLATION (TANDEM)	C
1	1001170839	1	Bracket	
2	1001195257	2	Screw 1/4 x 1/2	
3	1001195523	4	Screw 1/4 x 1	
4	7950140143	2	Washer 1/4	
5	1001167286	2	Tie-Strap	

SECTION 4 - BODY

FIGURE 4-69. STORAGE - LADDER STORAGE INSTALLATION (DRAWER MOUNT)



ART_1001166405

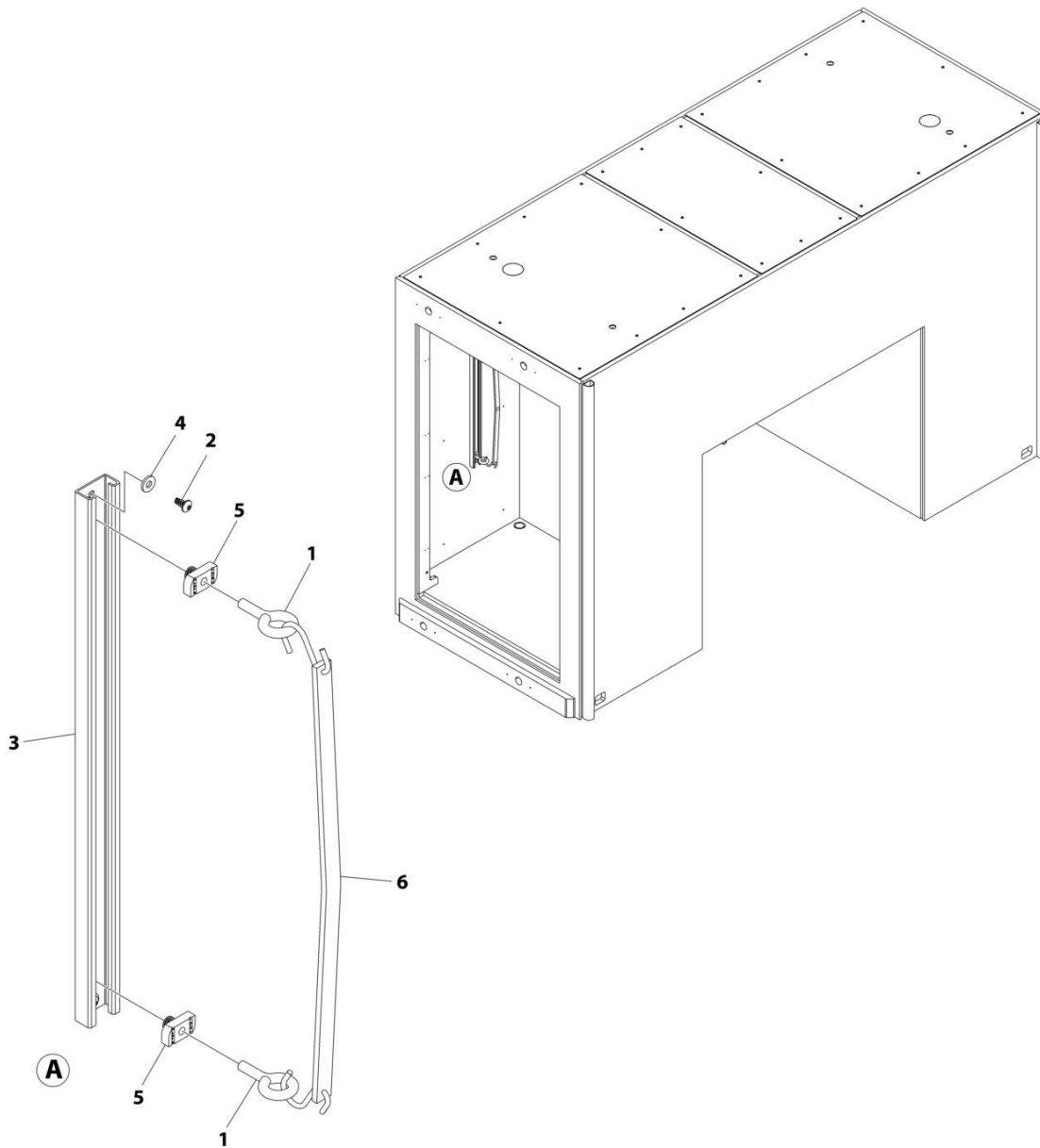
SECTION 4 - BODY

FIGURE 4-69. STORAGE - LADDER STORAGE INSTALLATION (DRAWER MOUNT)

ITEM	PART NUMBER	QTY	DESCRIPTION	REV
	1001166405	Ref	Ladder Storage Installation	A
1	1001166401	1	Bracket, Ladder Hook	
2	1001166402	1	Bracket, Ladder Stop	
3	7114160818	5	Capscrew 3/8	
4	7950160143	10	Washer 3/8	
5	7660162601	5	Nut 3/8	
6	1001167286	1	Tie Strap	
7	7950140143	2	Washer 1/4	
8	7114140618	1	Capscrew 1/4 x 3/4	
9	7660142601	1	Nut 1/4	

SECTION 4 - BODY

FIGURE 4-70. STORAGE - LADDER STORAGE INSTALLATION (WALL MOUNT)



ART_1001285155

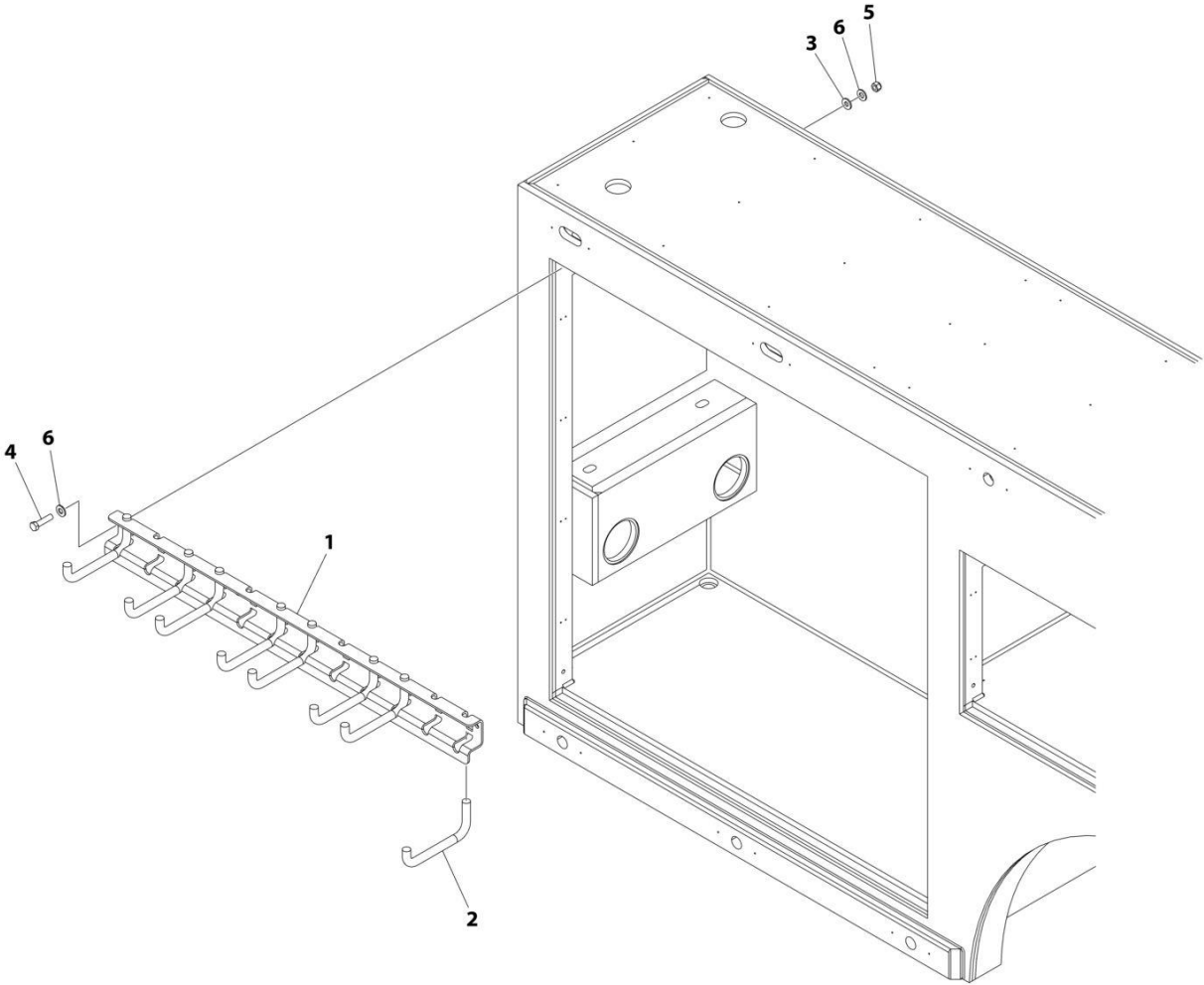
SECTION 4 - BODY

FIGURE 4-70. STORAGE - LADDER STORAGE INSTALLATION (WALL MOUNT)

ITEM	PART NUMBER	QTY	DESCRIPTION	REV
	1001285155	Ref	LADDER STORAGE INSTALLATION (WALL MOUNT)	C
1	1001175231	2	Eyebolt 3/8	
2	1001195257	2	Screw 1/4 x 1/2	
3	1001277611	1	Channel	
4	7950140143	2	Washer 1/4	
5	1001166644	2	Spring Nut 3/8	
6	1001175233	1	Strap	

SECTION 4 - BODY

FIGURE 4-71. STORAGE - SHACKLE INSTALLATION



ART_1001264864

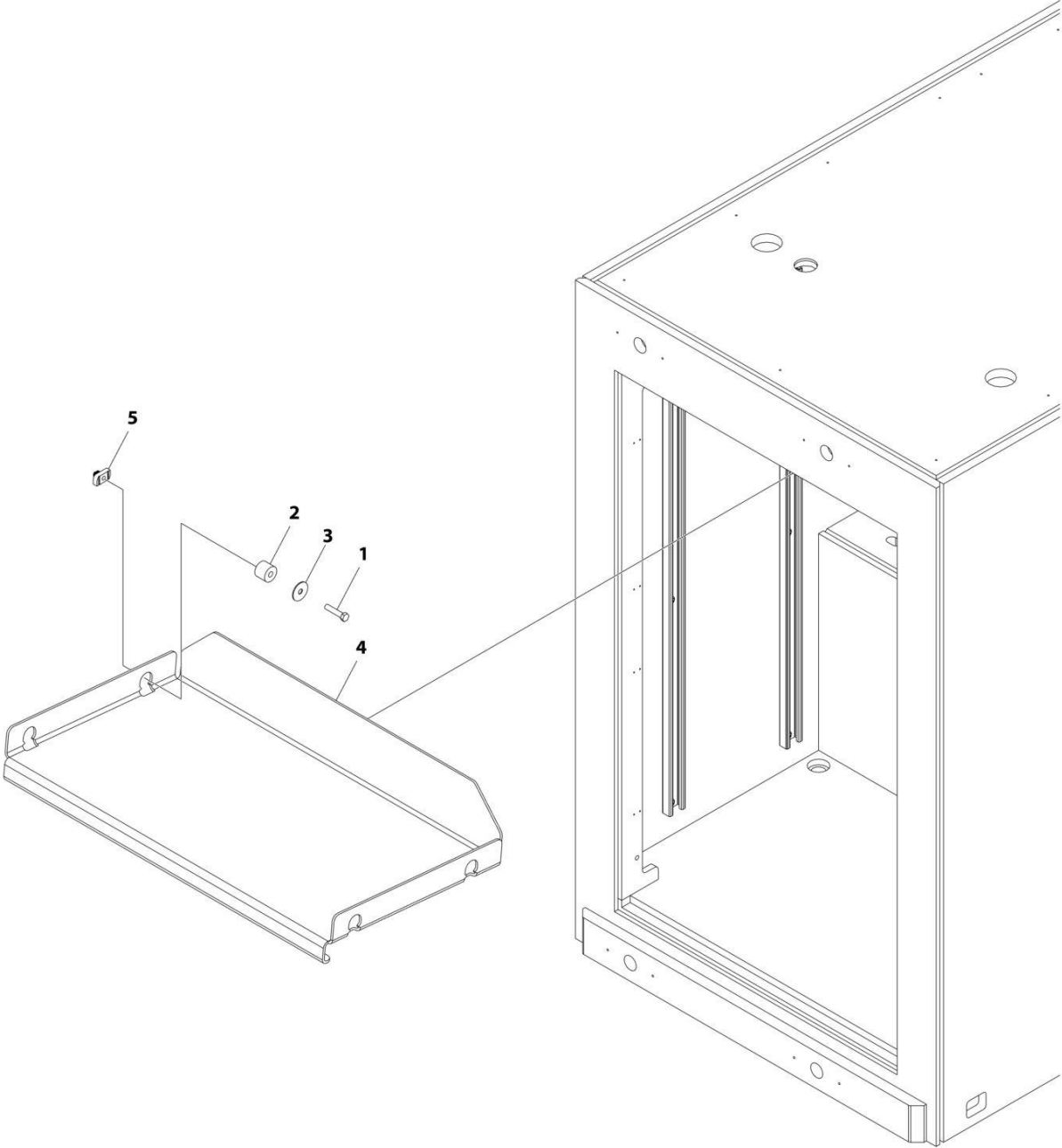
SECTION 4 - BODY

FIGURE 4-71. STORAGE - SHACKLE INSTALLATION

ITEM	PART NUMBER	QTY	DESCRIPTION	REV
	1001264864	Ref	SHACKLE RACK INSTALLATION	B
1	1001164601	1	Bracket	
2	1001164614	8	Rod	
3	1001166974	5	Washer 3/8	
4	1001168993	5	Capscrew 3/8 x 1-1/2	
5	7660162601	5	Nut 3/8	
6	7950160143	10	Washer 3/8	

SECTION 4 - BODY

FIGURE 4-72. STORAGE - SHELF INSTALLATION 38IN



ART_1001283920

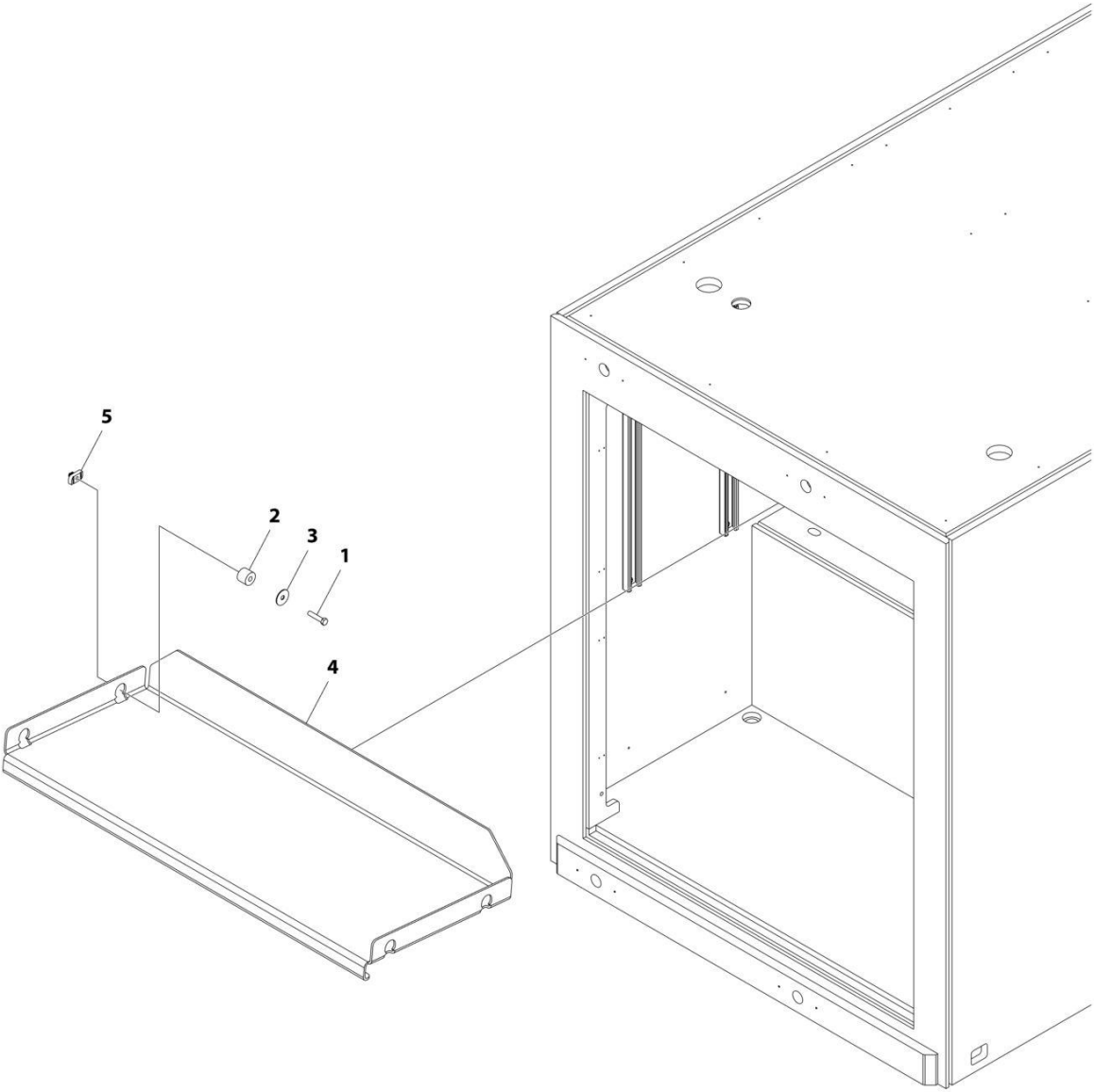
SECTION 4 - BODY

FIGURE 4-72. STORAGE - SHELF INSTALLATION 38IN

ITEM	PART NUMBER	QTY	DESCRIPTION	REV
	1001283920	Ref	UPPER SHELF INSTALLATION - 38IN	A
1	1001168544	4	Screw 3/8 x 1-3/4	
2	1001214266	4	Mount	
3	1001214267	4	Washer 3/8	
4	1001283924	1	Panel	
5	1001166644	4	Nut 3/8	

SECTION 4 - BODY

FIGURE 4-73. STORAGE - SHELF INSTALLATION 50IN



ART_1001283921

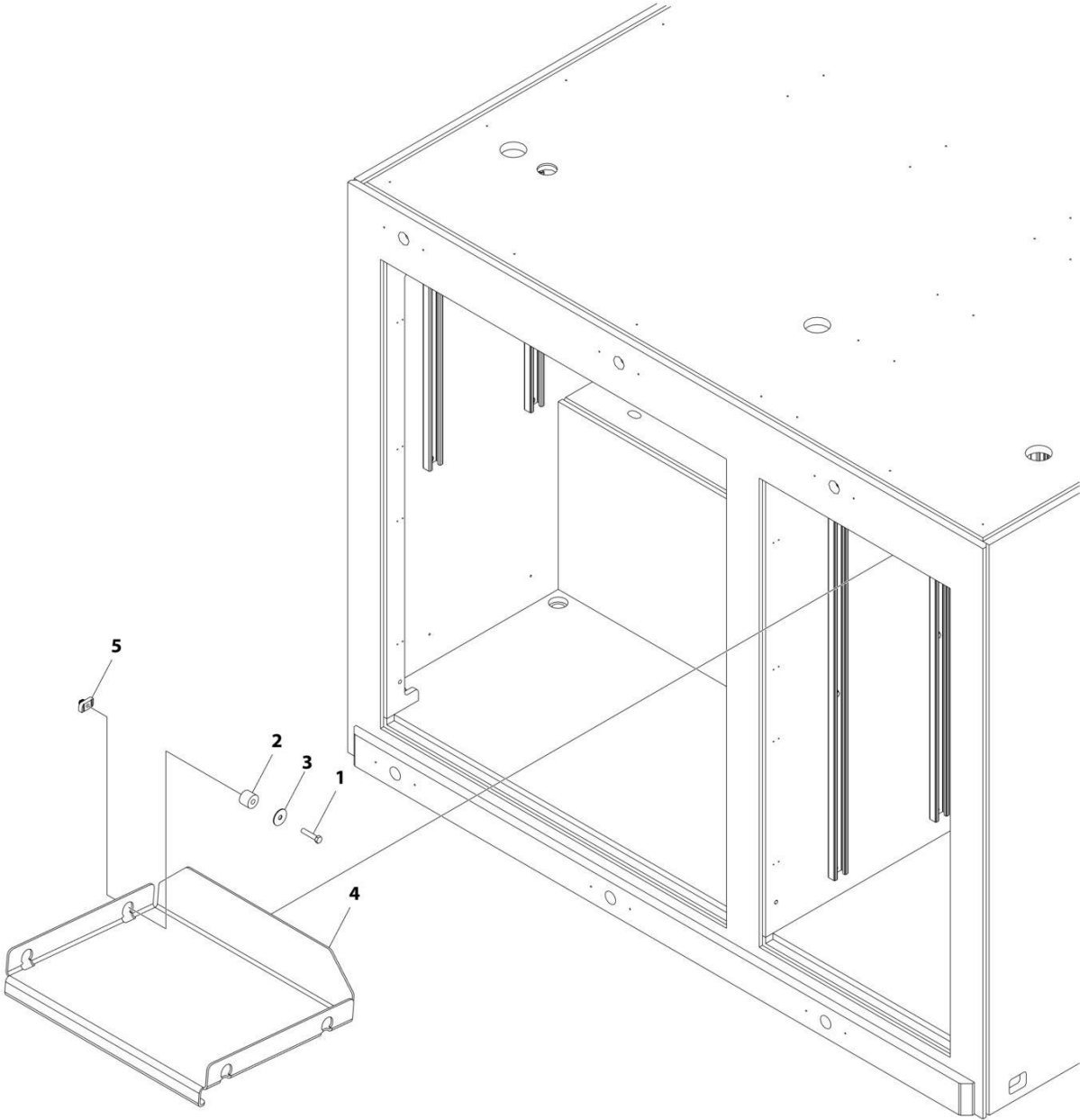
SECTION 4 - BODY

FIGURE 4-73. STORAGE - SHELF INSTALLATION 50IN

ITEM	PART NUMBER	QTY	DESCRIPTION	REV
	1001283921	Ref	UPPER SHELF INSTALLATION - 50IN	A
1	1001168544	4	Capscrew 3/8 x 1-3/4	
2	1001214266	4	Mount	
3	1001214267	4	Washer 3/8	
4	1001283925	1	Panel	
5	1001166644	4	Spring Nut 3/8	

SECTION 4 - BODY

FIGURE 4-74. STORAGE - SHELF INSTALLATION 76IN



ART_1001283922

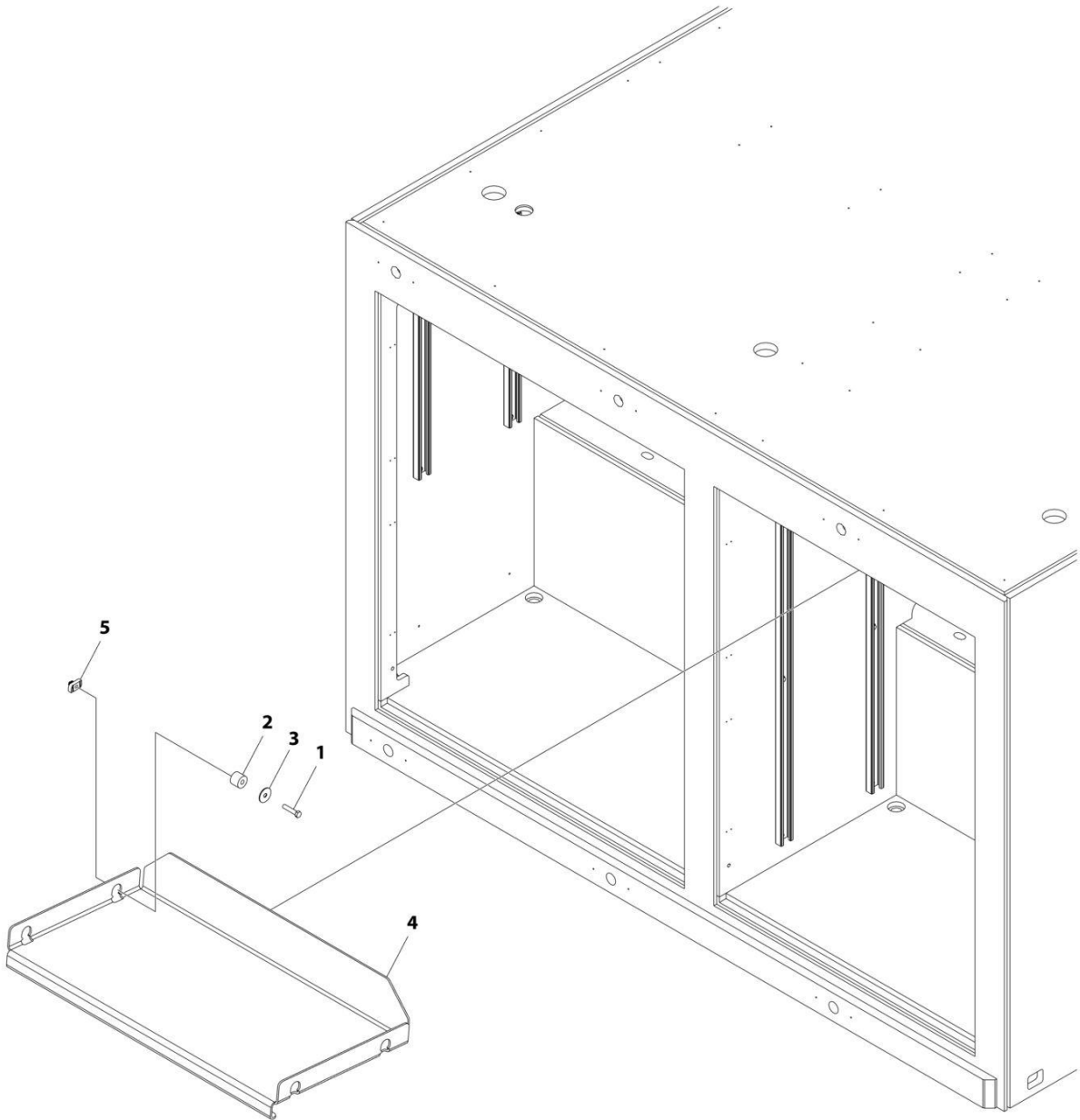
SECTION 4 - BODY

FIGURE 4-74. STORAGE - SHELF INSTALLATION 76IN

ITEM	PART NUMBER	QTY	DESCRIPTION	REV
	1001283922	Ref	UPPER SHELF INSTALLATION - 76IN (REAR)	A
1	1001168544	4	Capscrew 3/8 x 1-3/4	
2	1001214266	4	Mount	
3	1001214267	4	Washer 3/8	
4	1001283926	1	Panel	
5	1001166644	4	Spring Nut 3/8	

SECTION 4 - BODY

FIGURE 4-75. STORAGE - SHELF INSTALLATION 88IN



ART_1001283923

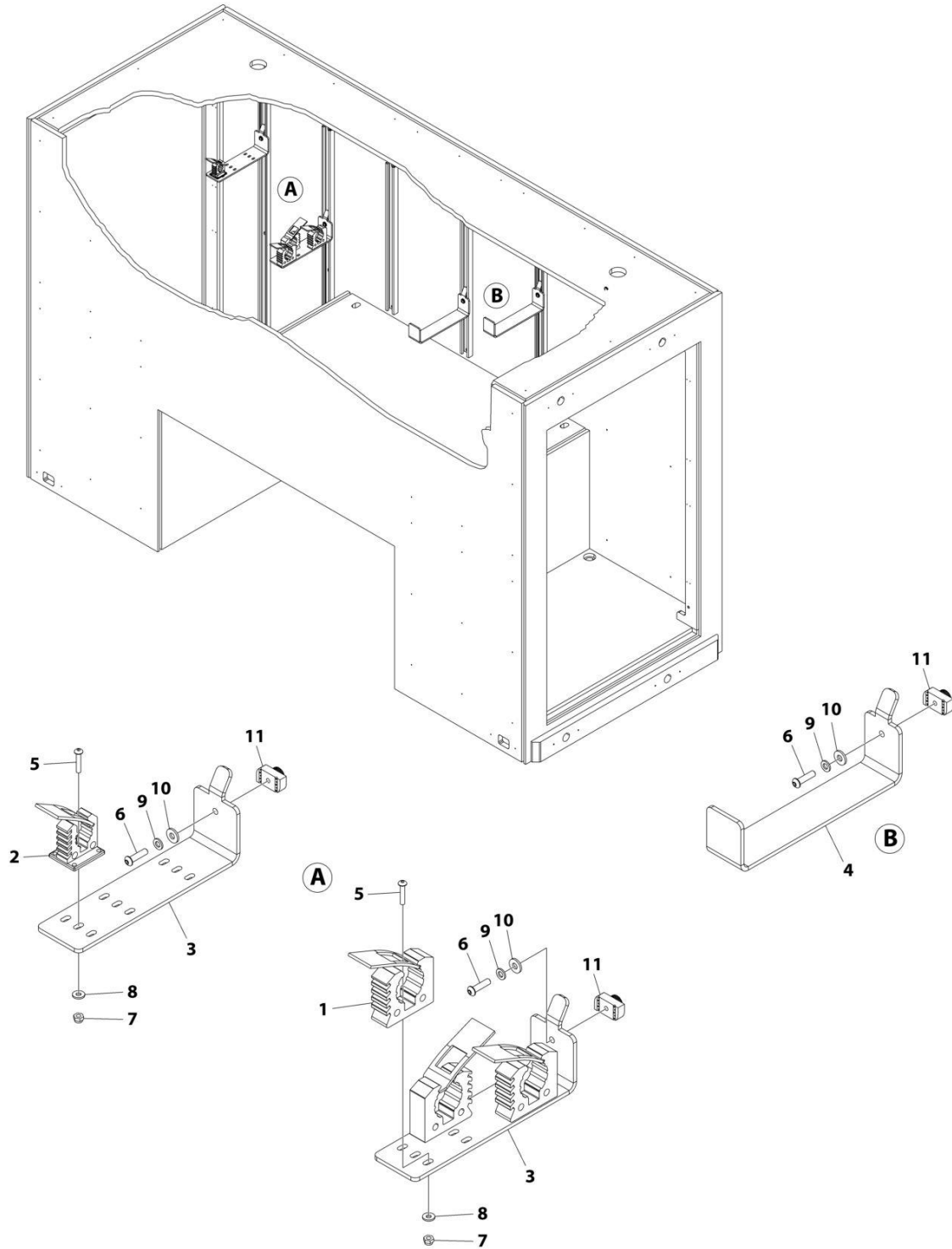
SECTION 4 - BODY

FIGURE 4-75. STORAGE - SHELF INSTALLATION 88IN

ITEM	PART NUMBER	QTY	DESCRIPTION	REV
	1001283923	Ref	UPPER SHELF INSTALLATION - 88IN (REAR)	A
1	1001168544	4	Capscrew 3/8 x 1-3/4	
2	1001214266	4	Mount	
3	1001214267	4	Washer 3/8	
4	1001283927	1	Panel	
5	1001166644	4	Spring Nut 3/8	

SECTION 4 - BODY

FIGURE 4-76. STORAGE - SHOVEL/BROOM/GRIZZLY BAR STORAGE INSTALLATION



ART_1001283778

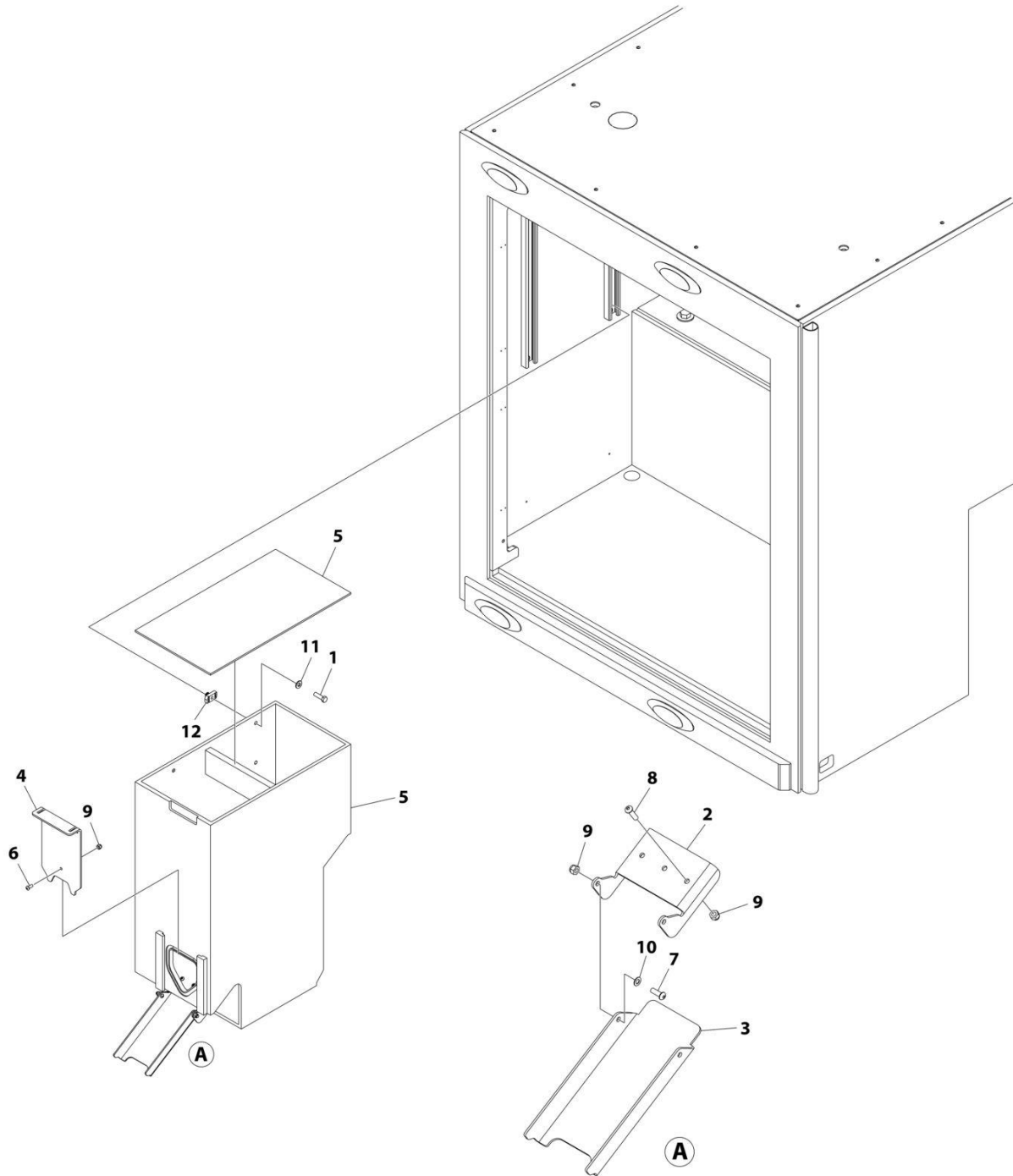
SECTION 4 - BODY

FIGURE 4-76. STORAGE - SHOVEL/BROOM/GRIZZLY BAR STORAGE INSTALLATION

ITEM	PART NUMBER	QTY	DESCRIPTION	REV
	1001283778	Ref	SHOVEL STORAGE INSTALLATION	B
1	1001266390	3	Clamp	
2	1001266391	1	Clamp	
3	1001283779	2	Bracket	
4	1001283780	2	Support	
5	7114100818	4	Screw #10 x 1	
6	7114140818	4	Capscrew 1/4 x 1	
7	7660102601	4	Nut #10	
8	7950100143	4	Washer 3/16	
9	7950140000	4	Washer 1/4	
10	7950140143	4	Washer 3/16	
11	1001183037	4	Nut 1/4	

SECTION 4 - BODY

FIGURE 4-77. STORAGE - SILO INSTALLATION - STAY DRY



ART_1001285308

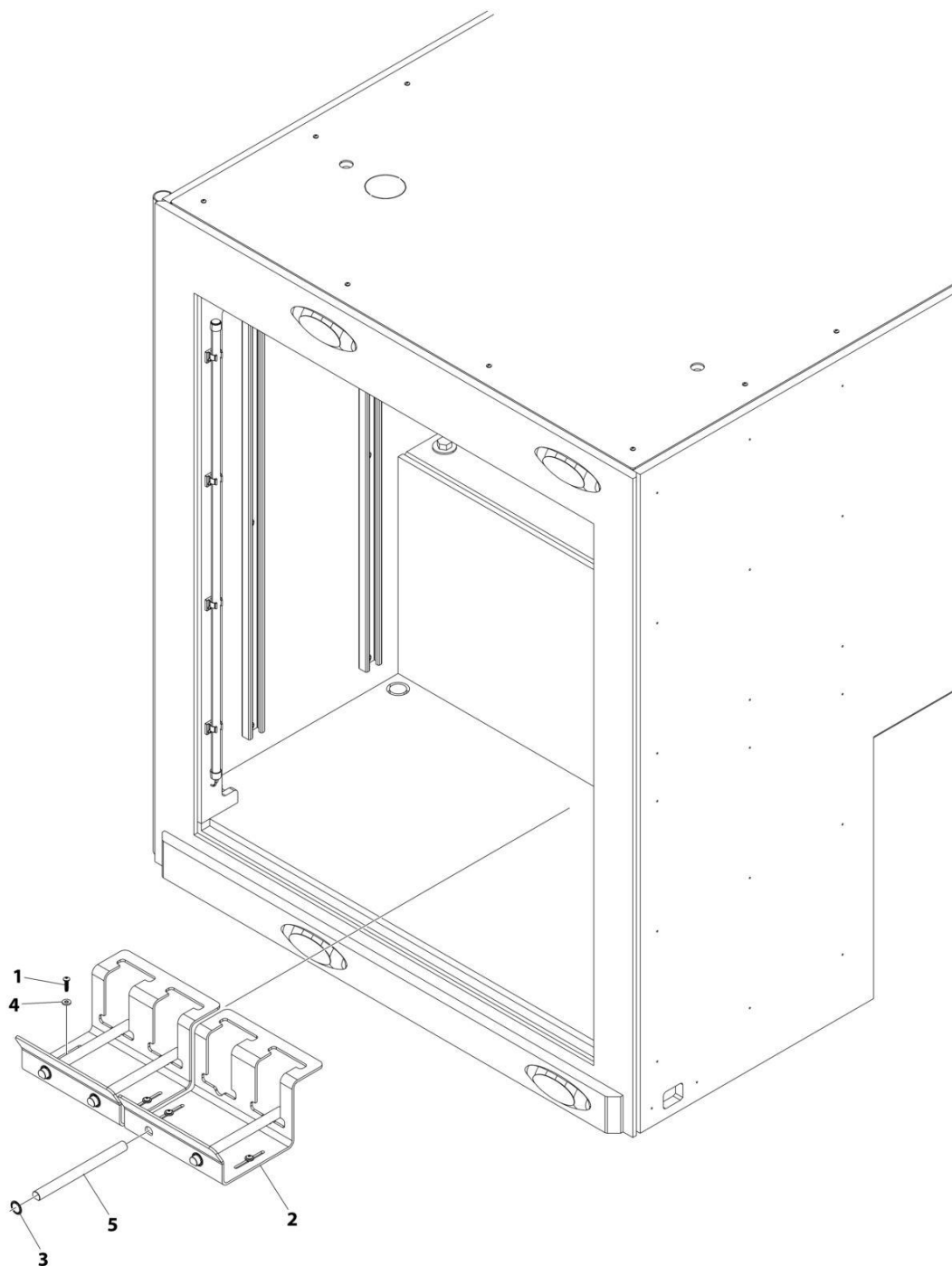
SECTION 4 - BODY

FIGURE 4-77. STORAGE - SILO INSTALLATION - STAY DRY

ITEM	PART NUMBER	QTY	DESCRIPTION	REV
	1001285308	Ref	SILO INSTALLATION - STAY DRY	A
1	1001169080	4	Capscrew 3/8 x 1-1/4	
2	1001190050	1	Bracket	
3	1001190055	1	Bracket	
4	1001190148	1	Cover	
5	1001285309	1	Container	
6	7114140518	1	Screw 1/4 x 5/8	
7	7114140618	2	Screw 1/4 x 3/4	
8	7114140818	3	Capscrew 1/4 x 1	
9	7660142601	6	Nut 1/4	
10	7949000056	2	Washer 1/2	
11	7950160143	4	Washer 3/8	
12	1001166644	4	Spring Nut 3/8	

SECTION 4 - BODY

FIGURE 4-78. STORAGE - SNATCH BLOCK INSTALLATION - 2 BLOCKS



ART_1001285854

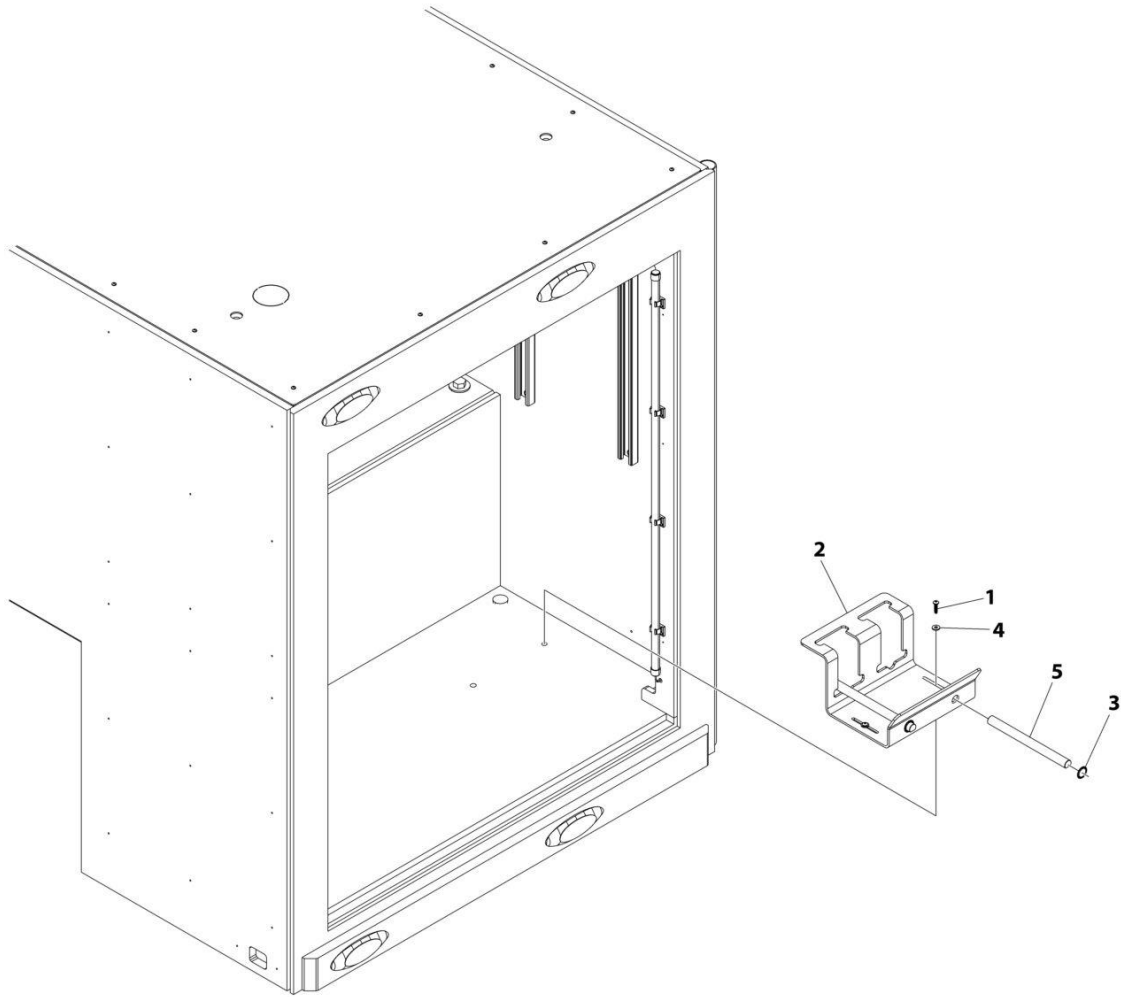
SECTION 4 - BODY

FIGURE 4-78. STORAGE - SNATCH BLOCK INSTALLATION - 2 BLOCKS

ITEM	PART NUMBER	QTY	DESCRIPTION	REV
	1001285854	Ref	STORAGE SNATCH BLOCK INSTALLATION	B
1	1001195523	4	Screw 1/4 x 1	
2	1001282655	2	Bracket	
3	7754000009	4	Ring, Retaining	
4	7950140143	4	Washer 1/4	
5	7691000064	4	Pin	

SECTION 4 - BODY

FIGURE 4-79. STORAGE - SNATCH BLOCK INSTALLATION - 4 BLOCKS



ART_1001285855

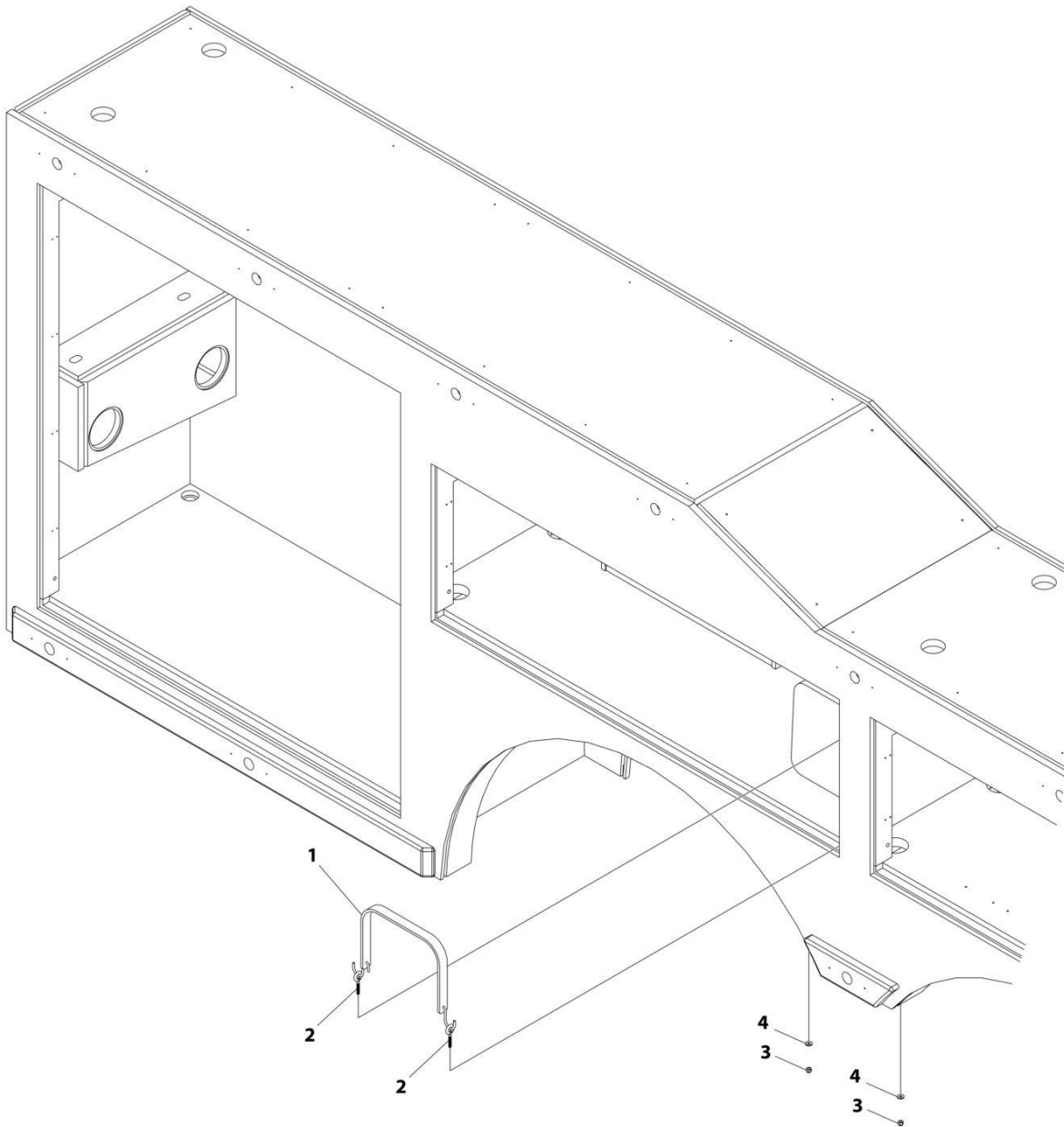
SECTION 4 - BODY

FIGURE 4-79. STORAGE - SNATCH BLOCK INSTALLATION - 4 BLOCKS

ITEM	PART NUMBER	QTY	DESCRIPTION	REV
	1001285855	Ref	STORAGE SNATCH BLOCK INSTALLATION	B
1	1001195523	2	Screw 1/4 x 1	
2	1001282655	1	Bracket	
3	7754000009	2	Ring, Retaining	
4	7950140143	2	Washer 1/4	
5	7691000064	2	Pin	

SECTION 4 - BODY

FIGURE 4-80. STORAGE - SPILL CONTAINER STORAGE INSTALLATION



ART_1001284547

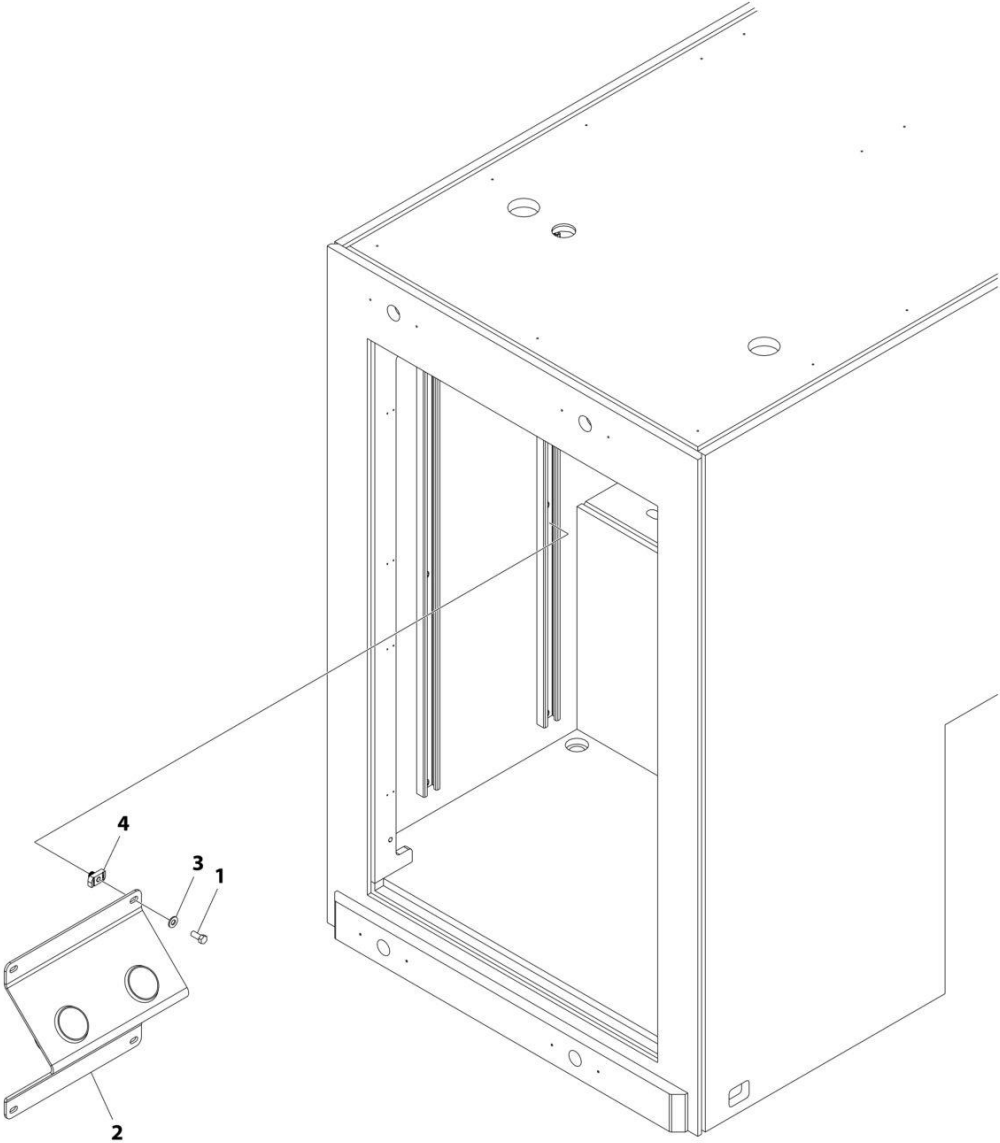
SECTION 4 - BODY

FIGURE 4-80. STORAGE - SPILL CONTAINER STORAGE INSTALLATION

ITEM	PART NUMBER	QTY	DESCRIPTION	REV
	1001284547	Ref	SPILL CONTAINER STORAGE INSTALLATION	A
1	1001201483	1	Strap, Bungee	
2	1001278526	2	Eyebolt 1/4	
3	7660142601	2	Nut 1/4	
4	7950140143	2	Washer 3/16	

SECTION 4 - BODY

FIGURE 4-81. STORAGE - SPRING FORK STORAGE INSTALLATION



ART_1001284524

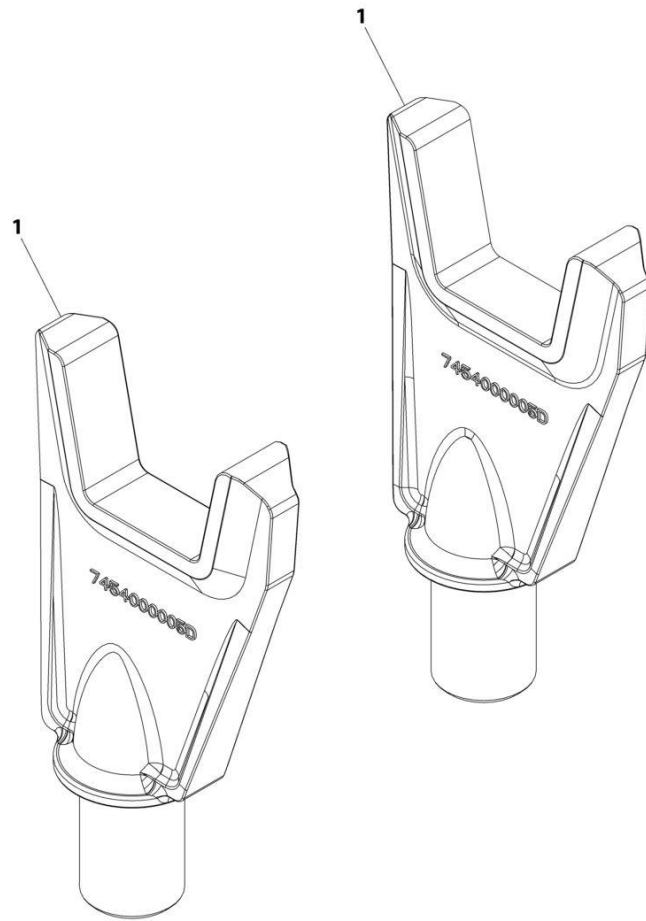
SECTION 4 - BODY

FIGURE 4-81. STORAGE - SPRING FORK STORAGE INSTALLATION

ITEM	PART NUMBER	QTY	DESCRIPTION	REV
	1001284524	Ref	STORAGE - SPRING FORK STORAGE INSTALLATION	A
1	1001210454	4	Bolt 3/8 x 7/8	
2	1001284472	1	Bracket	
3	7950160143	4	Washer 3/8	
4	1001166644	4	Nut 3/8	

SECTION 4 - BODY

FIGURE 4-82. STORAGE - FRAME FORKS - 3IN MEDIUM



ART_1001312116

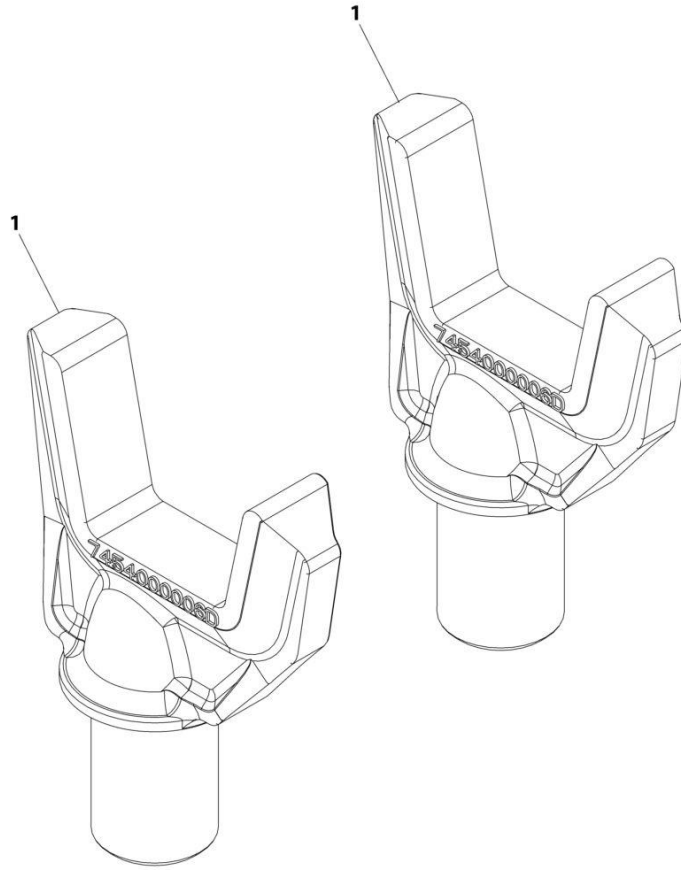
SECTION 4 - BODY

FIGURE 4-82. STORAGE - FRAME FORKS - 3IN MEDIUM

ITEM	PART NUMBER	QTY	DESCRIPTION	REV
1	1001312116 7454000005	Ref 2	STORAGE - FRAME FORKS - 3IN MEDIUM Fork, Medium	A

SECTION 4 - BODY

FIGURE 4-83. STORAGE - FRAME FORKS - 3IN SHORT



ART_1001312117

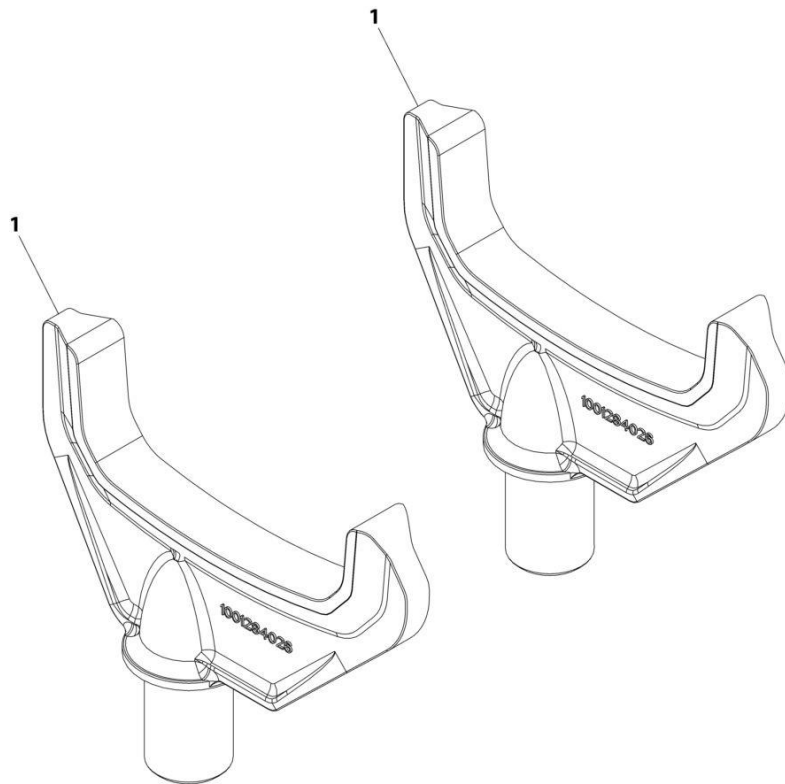
SECTION 4 - BODY

FIGURE 4-83. STORAGE - FRAME FORKS - 3IN SHORT

ITEM	PART NUMBER	QTY	DESCRIPTION	REV
1	1001312117 7454000006	Ref 2	STORAGE - FRAME FORKS - 3IN SHORT Fork, Short	A

SECTION 4 - BODY

FIGURE 4-84. STORAGE - FRAME FORKS - HENDRICKSON STEERTEK



ART_1001312118

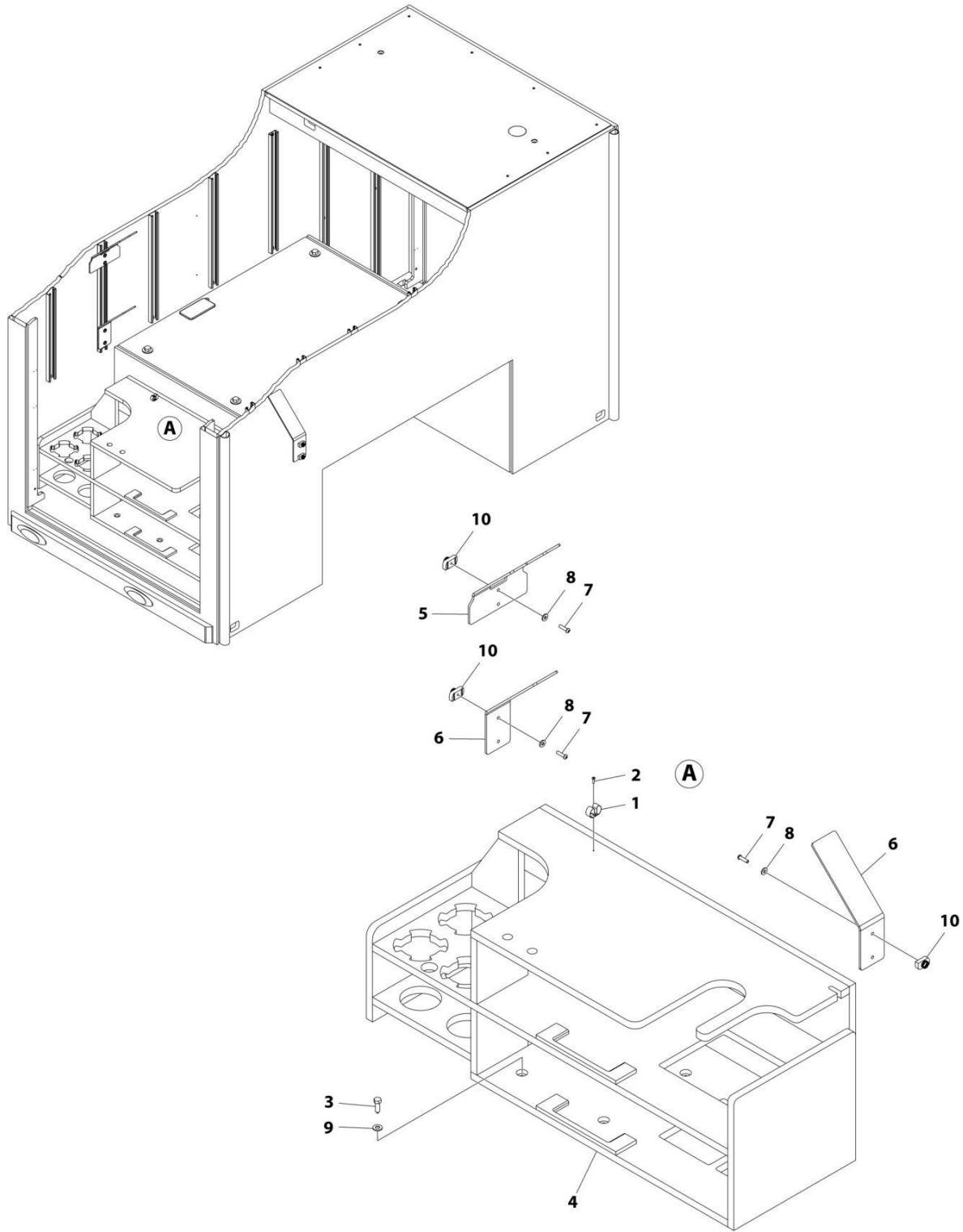
SECTION 4 - BODY

FIGURE 4-84. STORAGE - FRAME FORKS - HENDRICKSON STEERTEK

ITEM	PART NUMBER	QTY	DESCRIPTION	REV
1	1001312118 1001284026	Ref 2	STORAGE - FRAME FORKS - HENDRICKSON STEERTEK Fork	A

SECTION 4 - BODY

FIGURE 4-85. STORAGE - TIRE LIFT/BUS ARMS & RATCHETS - 50IN



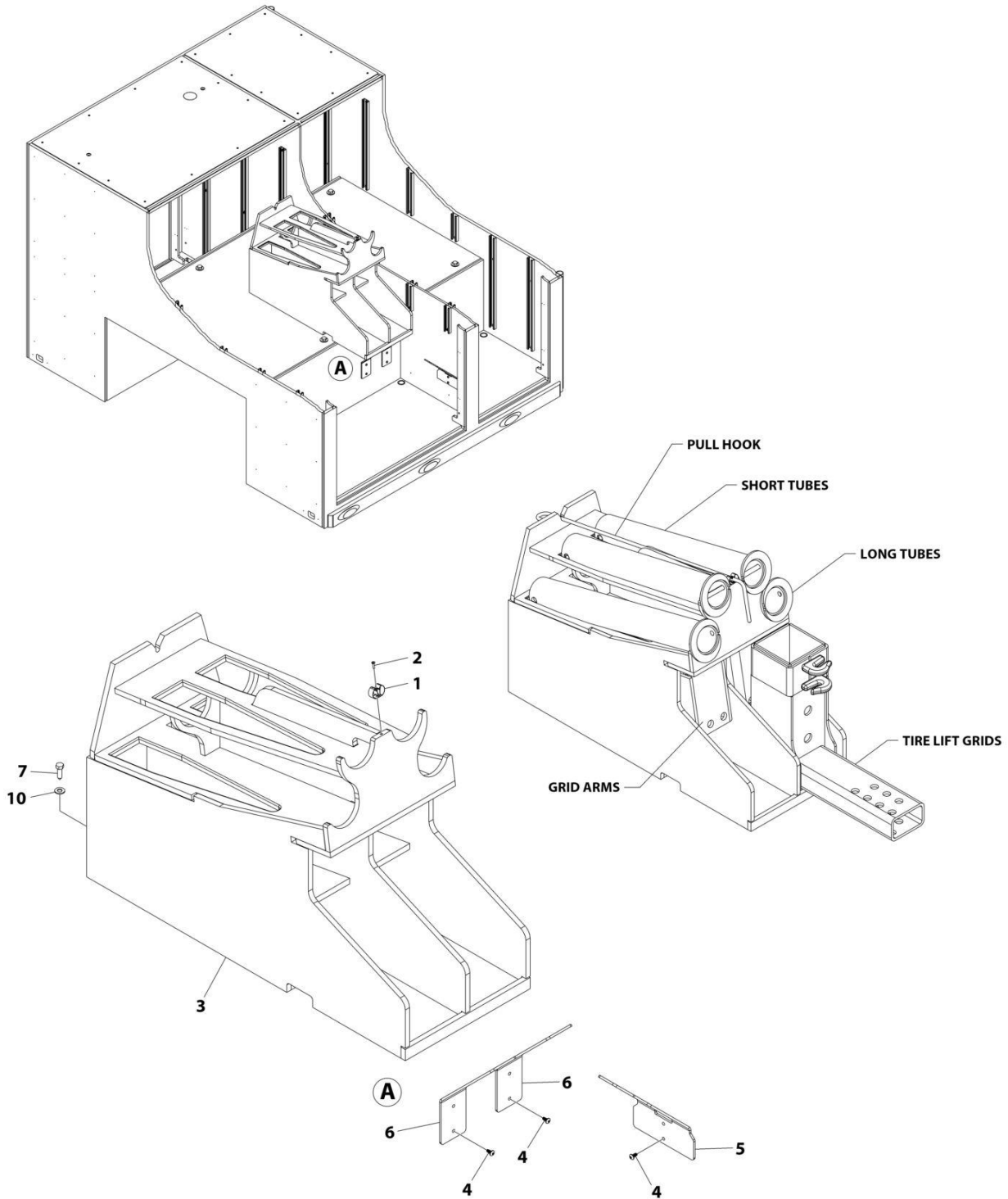
ART_1001285351

SECTION 4 - BODY**FIGURE 4-85. STORAGE - TIRE LIFT/BUS ARMS & RATCHETS - 50IN**

ITEM	PART NUMBER	QTY	DESCRIPTION	REV
	1001285351	Ref	TIRE LIFT STORAGE INSTALLATIONS (50IN)	A
1	1380135	1	Clip	
2	3900339	1	Screw #6 x 1/2	
3	1001168545	4	Capscrew 3/8 x 1-1/4	
4	1001190409	1	Storage	
5	1001285357	1	Bracket	
6	1001285358	2	Bracket	
7	7114140818	6	Capscrew 1/4 x 1	
8	7950140143	6	Washer 3/16	
9	7950160143	4	Washer 3/8	
10	1001183037	6	Spring Nut 1/4	

SECTION 4 - BODY

FIGURE 4-86. STORAGE - TIRE LIFT/BUS ARMS & RATCHETS - 38IN



ART_1001285356

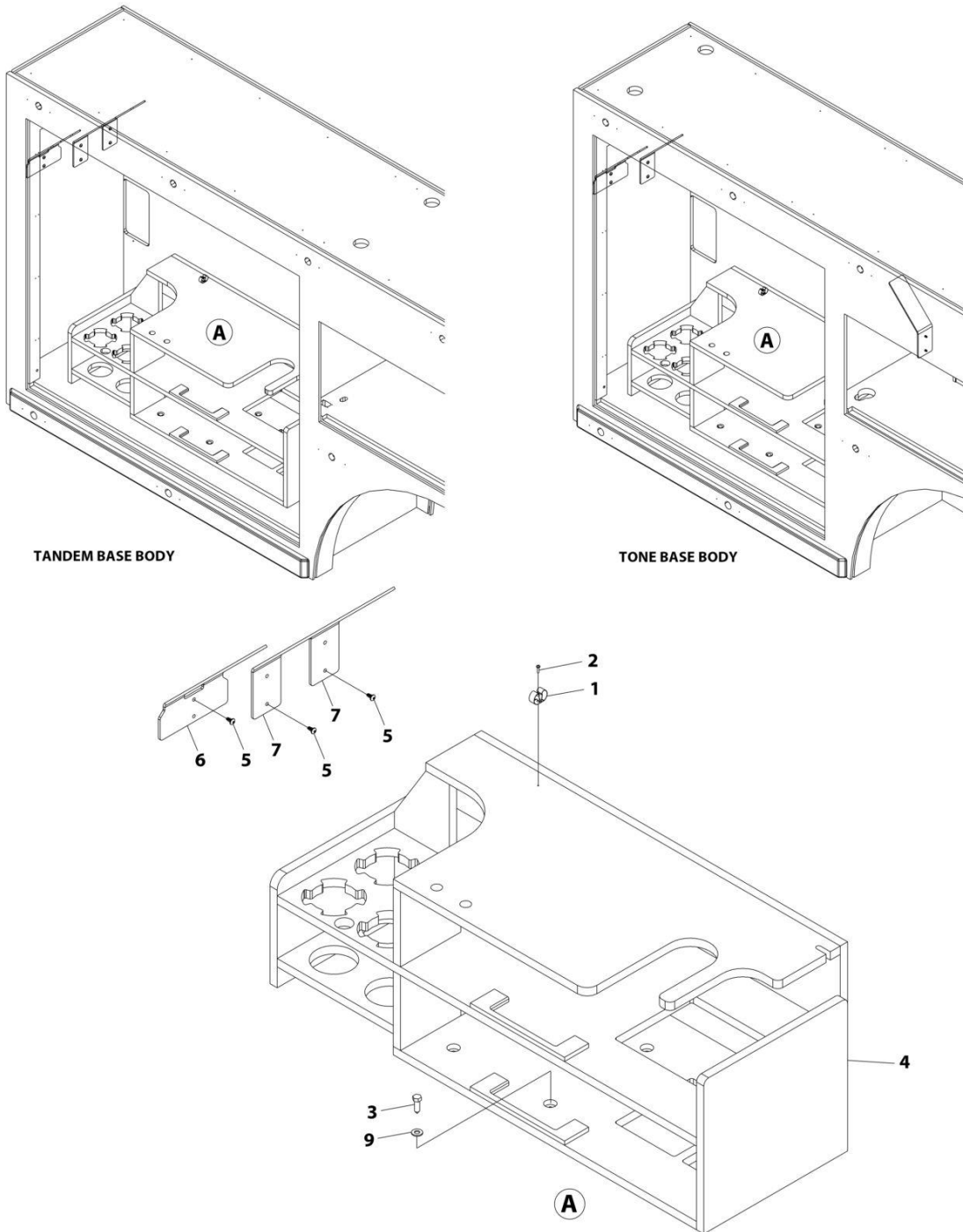
SECTION 4 - BODY

FIGURE 4-86. STORAGE - TIRE LIFT/BUS ARMS & RATCHETS - 38IN

ITEM	PART NUMBER	QTY	DESCRIPTION	REV
	1001285356	Ref	TIRE STORAGE INSTALLATION (38IN)	B
1	1380135	1	Clip	
2	3900339	1	Screw #6 x 1/2	
3	1001192287	1	Storage	
4	1001195257	6	Screw 1/4 x 1/2	
5	1001285357	1	Bracket	
6	1001285358	2	Bracket	
7	1001168545	4	Capscrew 3/8 x 1-1/4	
10	7950160143	4	Washer 3/8	

SECTION 4 - BODY

FIGURE 4-87. STORAGE - TIRE LIFT/BUS ARMS & RATCHETS - BB



ART_1001285352

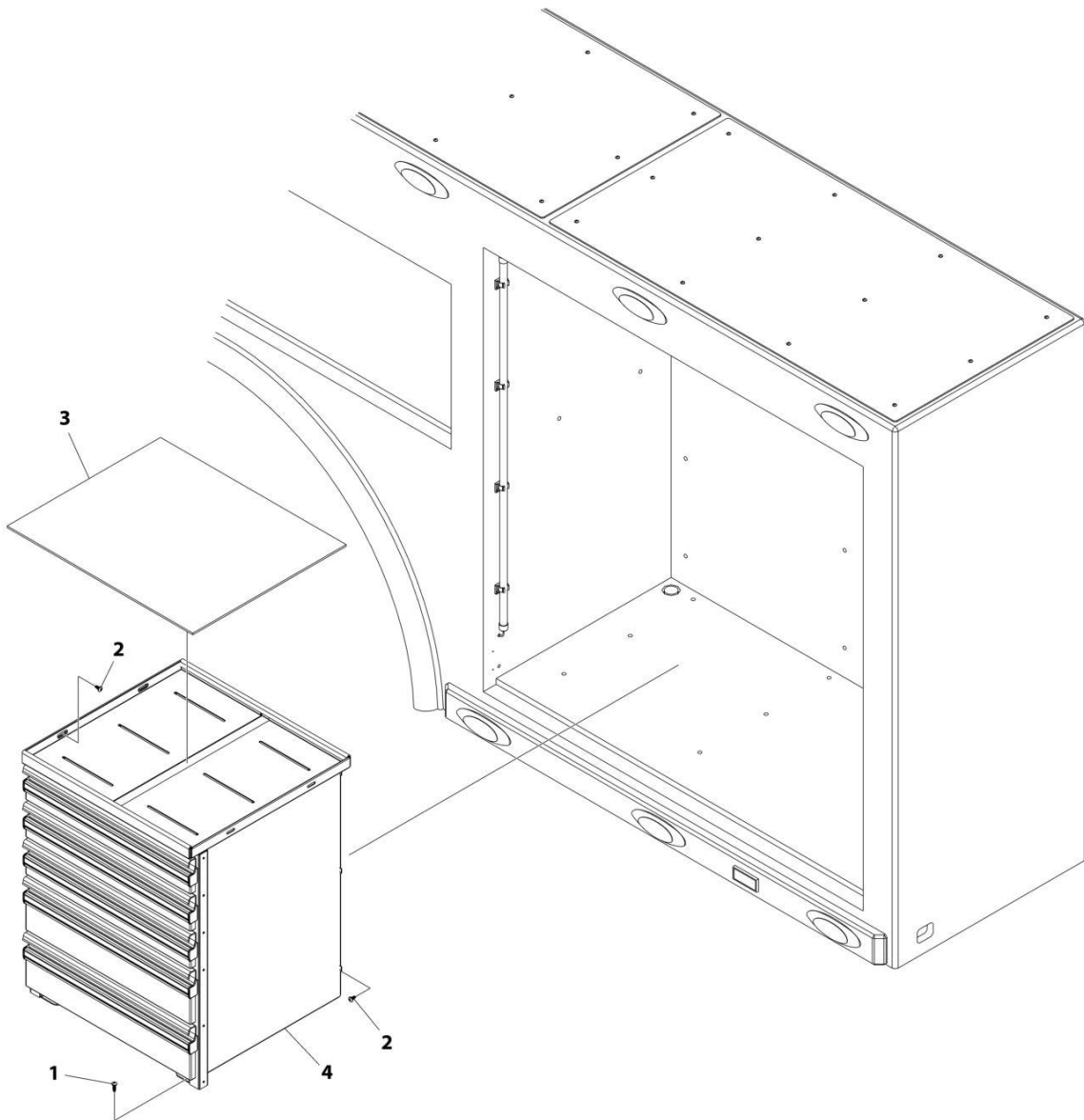
SECTION 4 - BODY

FIGURE 4-87. STORAGE - TIRE LIFT/BUS ARMS & RATCHETS - BB

ITEM	PART NUMBER	QTY	DESCRIPTION	REV
	1001285352	Ref	TIRE LIFT INSTALLATION	B
1	1380135	1	Clip	
2	3900339	1	Screw #6 x 1/2	
3	1001168545	4	Capscrew 3/8 x 1-1/4	
4	1001190409	1	Storage	
5	1001195257	6	Screw 1/4 x 1/2	
6	1001285357	1	Bracket	
7	1001285358	2	Bracket	
9	7950160143	4	Washer 3/8	

SECTION 4 - BODY

FIGURE 4-88. STORAGE - TOOL DRAWER INSTALLATION (TANDEM)



ART_1001220164

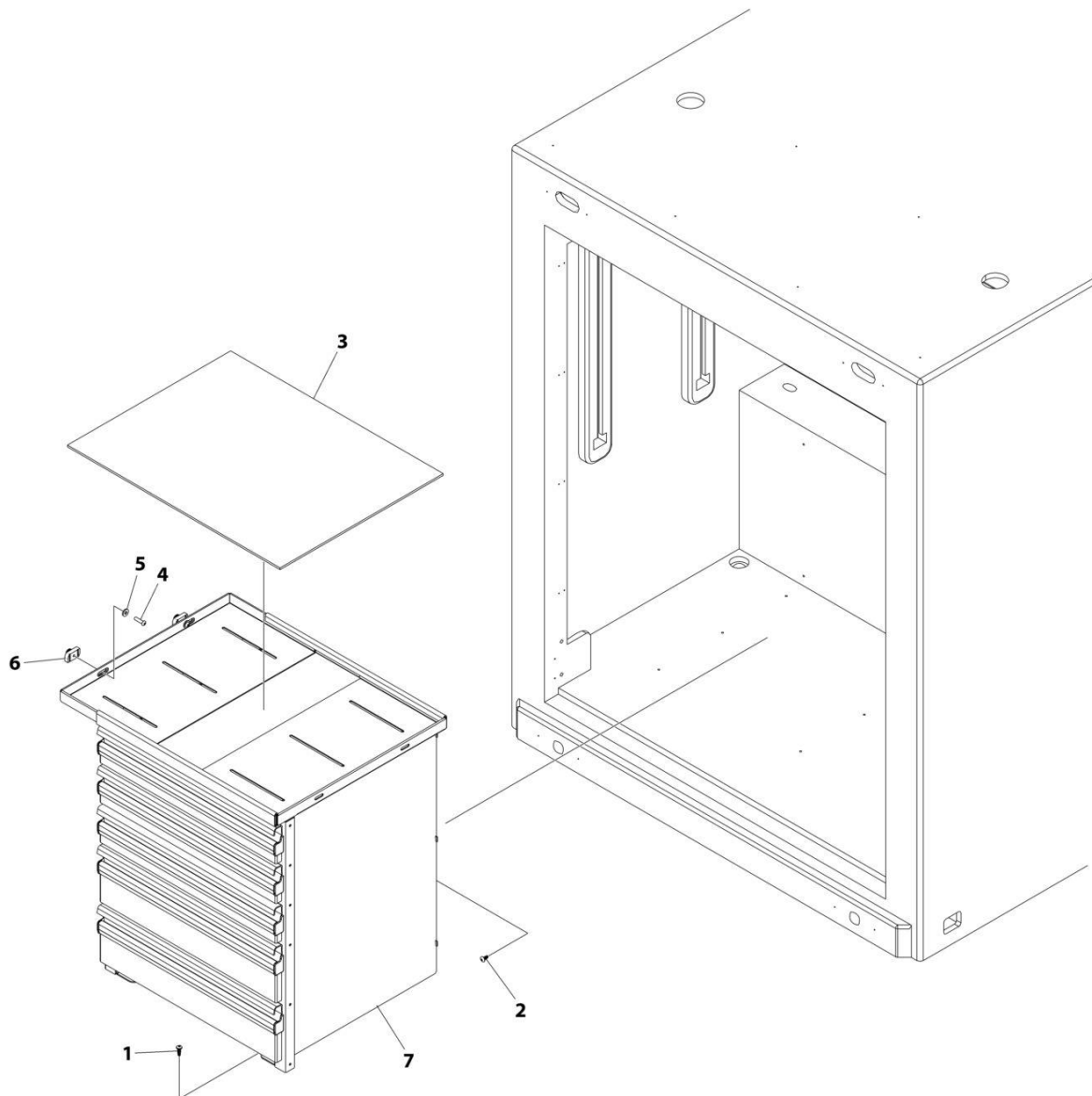
SECTION 4 - BODY

FIGURE 4-88. STORAGE - TOOL DRAWER INSTALLATION (TANDEM)

ITEM	PART NUMBER	QTY	DESCRIPTION	REV
	1001220164	Ref	TOOL DRAWER INSTALLATION (TANDEM)	B
1	1001194676	6	Screw 1/4 x 3/4	
2	1001195257	8	Screw 1/4 x 1/2	
3	1001195279	1	Pad	
4	1001266946	1	Toolbox	

SECTION 4 - BODY

FIGURE 4-89. STORAGE - TOOL DRAWER INSTALLATION (TRI-AXLE PASSENGERS SIDE)



ART_1001208635

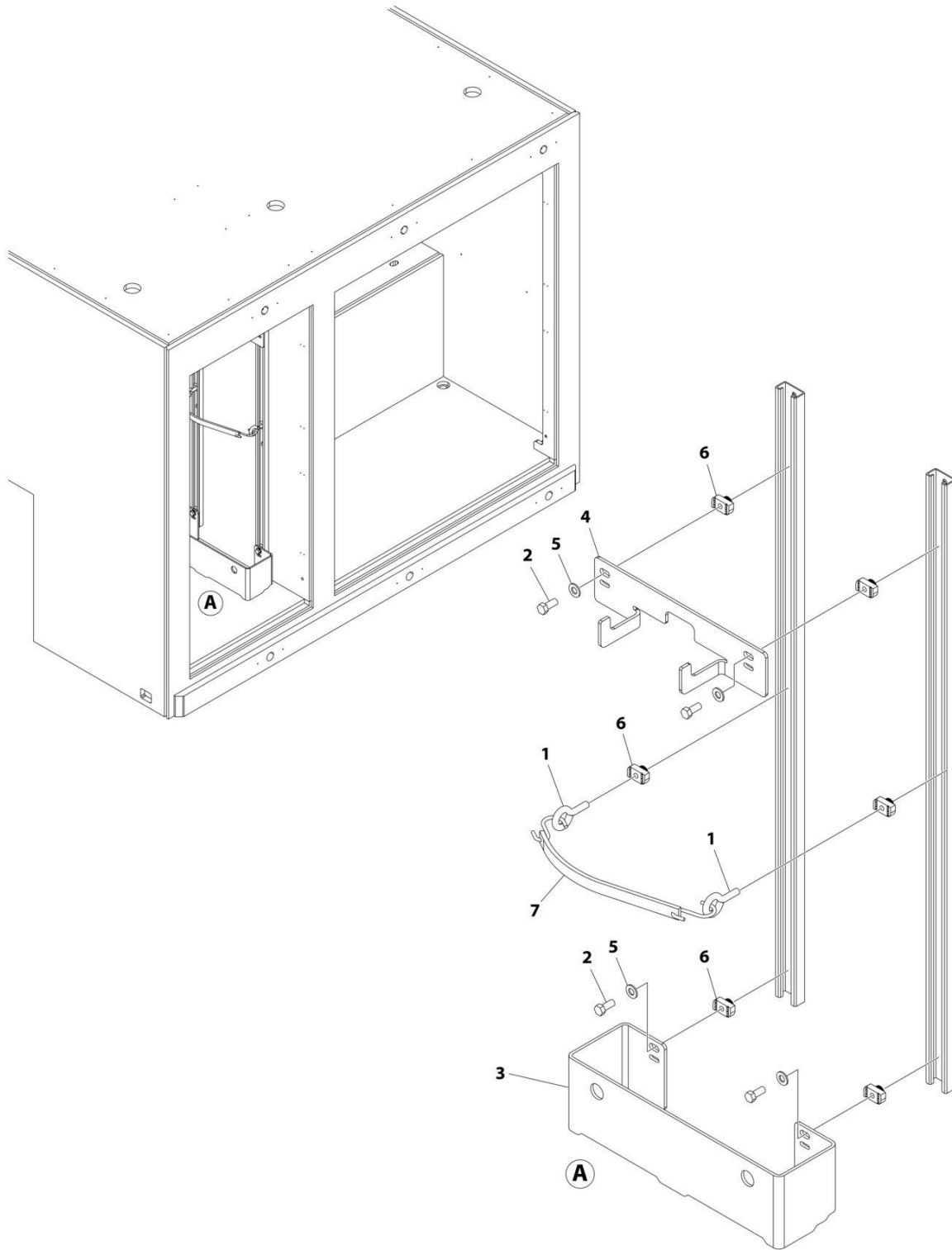
SECTION 4 - BODY

FIGURE 4-89. STORAGE - TOOL DRAWER INSTALLATION (TRI-AXLE PASSENGERS SIDE)

ITEM	PART NUMBER	QTY	DESCRIPTION	REV
	1001208635	Ref	TOOLBOX/DRAWER INSTALLATION	C
1	1001194676	6	Screw 1/4 x 3/4	
2	1001195257	4	Screw 1/4 x 1/2	
3	1001195341	1	Pad	
4	7114140818	2	Capscrew 1/2 x 1	
5	7950140143	2	Washer 1/4	
6	1001183037	2	Nut 1/4	
7	1001190410	1	Toolbox (SN 0230004275 through 0230008203)	
7	1001266946	1	Toolbox (SN 0230008204 to Present)	

SECTION 4 - BODY

FIGURE 4-90. STORAGE - TOOL STORAGE INSTALLATION



ART_1001277196

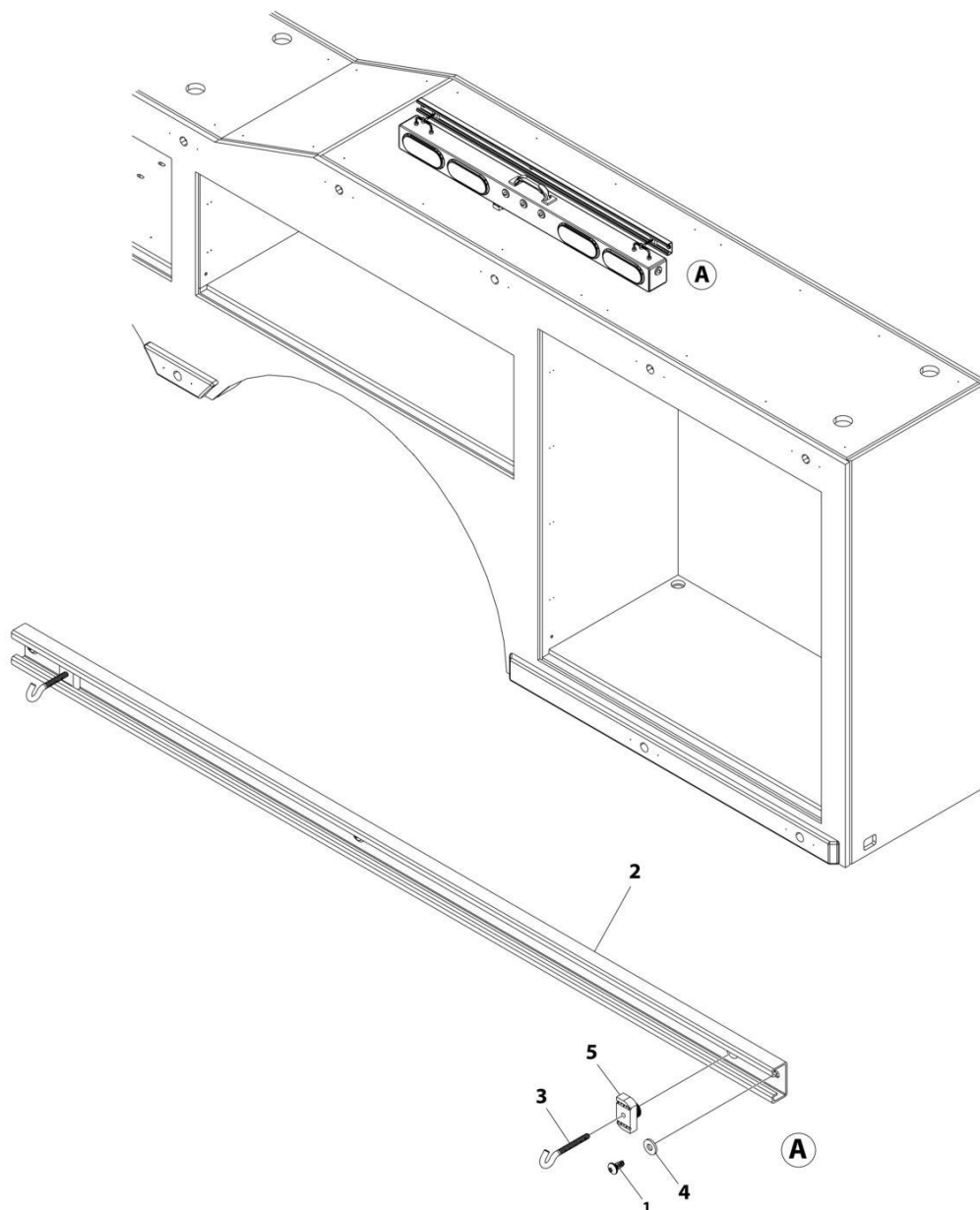
SECTION 4 - BODY

FIGURE 4-90. STORAGE - TOOL STORAGE INSTALLATION

ITEM	PART NUMBER	QTY	DESCRIPTION	REV
	1001277196	Ref	TOOL STORAGE INSTALLATION	A
1	1001175231	2	Eyebolt 3/8	
2	1001210454	4	Bolt 3/8 x 7/8	
3	1001277194	1	Channel	
4	1001277195	1	Plate	
5	7950160141	4	Washer 3/8	
6	1001166644	6	Spring Nut 3/8	
7	1001191736	1	Strap	

SECTION 4 - BODY

FIGURE 4-91. STORAGE - TOW LIGHT STORAGE INSTALLATION



ART_1001283855

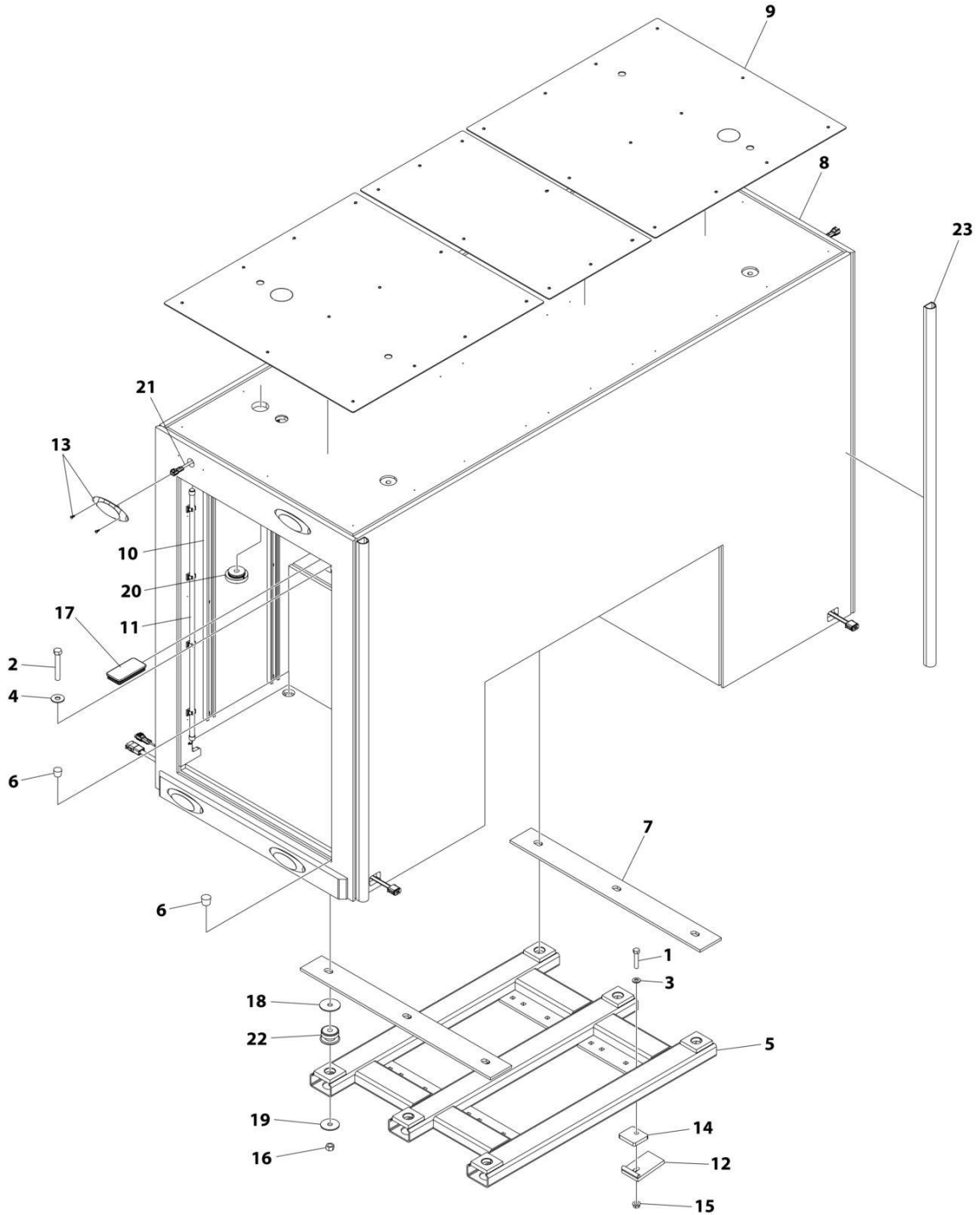
SECTION 4 - BODY

FIGURE 4-91. STORAGE - TOW LIGHT STORAGE INSTALLATION

ITEM	PART NUMBER	QTY	DESCRIPTION	REV
	1001283855	Ref	TOW LIGHT STORAGE INSTALLATION	A
1	1001195257	3	Screw 1/4 x 1/2	
2	1001277612	1	Channel	
3	1001283856	2	Hook Screw 1/4	
4	7950140143	3	Washer 1/4	
5	1001183037	2	Nut 1/4	

SECTION 4 - BODY

FIGURE 4-92. TUNNEL INSTALLATION - 38IN



ART_1001278333

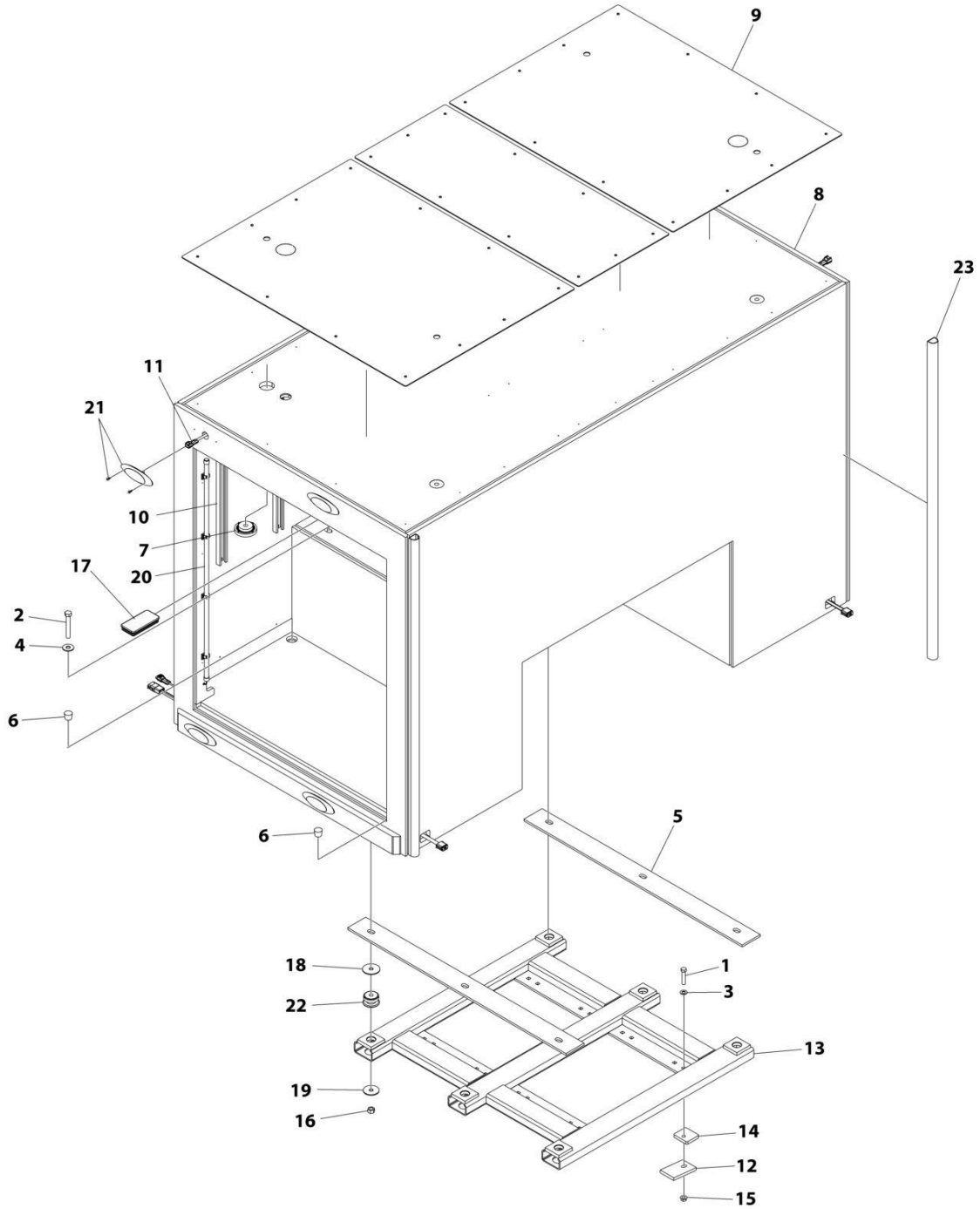
SECTION 4 - BODY

FIGURE 4-92. TUNNEL INSTALLATION - 38IN

ITEM	PART NUMBER	QTY	DESCRIPTION	REV
	1001278333	Ref	TUNNEL INSTALLATION - 38IN	A
1	0641820	8	Bolt 1/2 x 2-1/2	
2	0642034	6	Bolt 5/8 x 4-1/4	
3	4711800	8	Washer 1/2	
4	4752000	6	Washer 5/8	
5	1001187063	1	Toolbox Mount	
6	1001173847	4	Plug	
7	1001197338	2	Support	
8	1001274550	1	Tunnel Toolbox	
9	1001278488	1	Battery Cover Installation (See Separate Breakdown in ELECTRICAL Section)	
10	1001279058	1	T Slots Installation	
10A	1001277611	6	Channel (Not Shown)	
10B	1001277612	8	Channel (Not Shown)	
11	1001196583	1	Tunnel Compartment Lights Installation (See Separate Breakdown in ELECTRICAL Section)	
12	3274000011	8	Clamp Weldment	
13	1001196625	1	Marker Lights Installation (See Separate Breakdown in ELECTRICAL Section)	
14	4705000705	8	Plate	
15	7660182301	8	Nut 1/2	
16	7660200001	6	Nut 5/8	
17	7701000048	1	Plug	
18	7949000019	6	Washer	
19	7949000020	6	Washer	
20	1001196808	1	Lifting Lugs Installation (See Separate Breakdown in this Section)	
21	1001281659	1	Harness Installation - Tunnel (See Separate Breakdown in ELECTRICAL Section)	
22	7636000008	6	Mount	
23	8632000011	10 ft	Seal	

SECTION 4 - BODY

FIGURE 4-93. TUNNEL INSTALLATION - 50IN



ART_1001278332

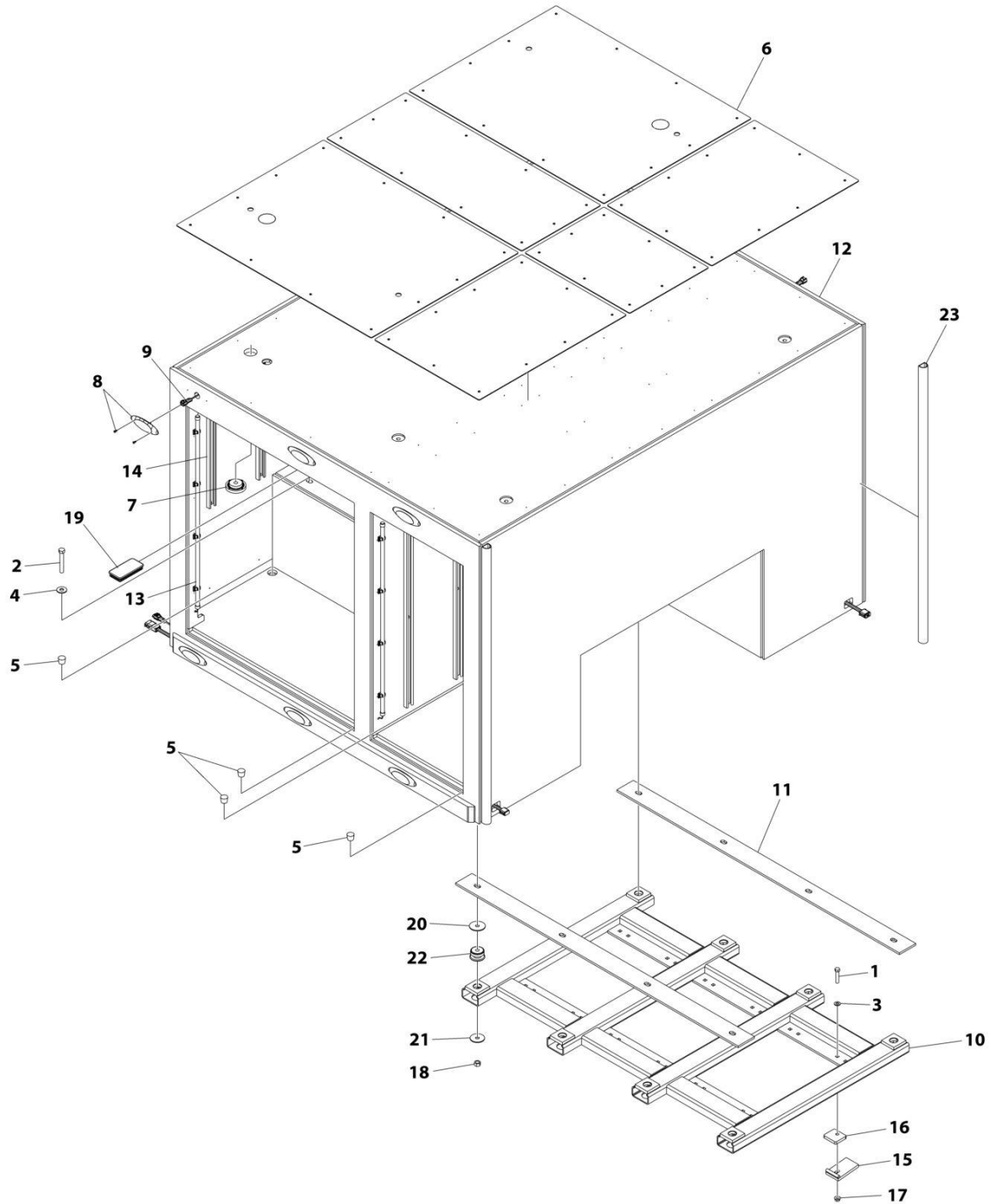
SECTION 4 - BODY

FIGURE 4-93. TUNNEL INSTALLATION - 50IN

ITEM	PART NUMBER	QTY	DESCRIPTION	REV
	1001278332	Ref	TUNNEL INSTALLATION - 50IN	A
1	0641820	8	Bolt 1/2 x 2-1/2	
2	0642034	6	Bolt 5/8 x 4-1/4	
3	4711800	8	Washer 1/2	
4	4752000	6	Washer 5/8	
5	1001165692	2	Support	
6	1001173847	4	Plug	
7	1001196808	1	Lifting Lugs Installation (See Separate Breakdown in this Section)	
8	1001274549	1	Tunnel Toolbox	
9	1001278487	1	Battery Cover Installation (See Separate Breakdown in this Section)	
10	1001278777	1	T Slots Installation	
10A	1001277611	10	Channel (Not Shown)	
10B	1001277612	4	Channel (Not Shown)	
11	1001281659	1	Harness Installation - Tunnel (See Separate Breakdown in ELECTRICAL Section)	
12	3274000011	8	Clamp Weldment	
13	3911000068	1	Toolbox Mount	
14	4705000705	8	Plate	
15	7660182301	8	Nut 1/2	
16	7660200001	6	Nut 5/8	
17	7701000048	1	Plug	
18	7949000019	6	Washer	
19	7949000020	6	Washer	
20	1001196583	1	Tunnel Compartment Lights Installation (See Separate Breakdown in ELECTRICAL Section)	
21	1001196625	1	Marker Lights Installation (See Separate Breakdown in ELECTRICAL Section)	
22	7636000008	6	Mount	
23	8632000011	10 ft	Seal	

SECTION 4 - BODY

FIGURE 4-94. TUNNEL INSTALLATION - 76IN



ART_1001274338

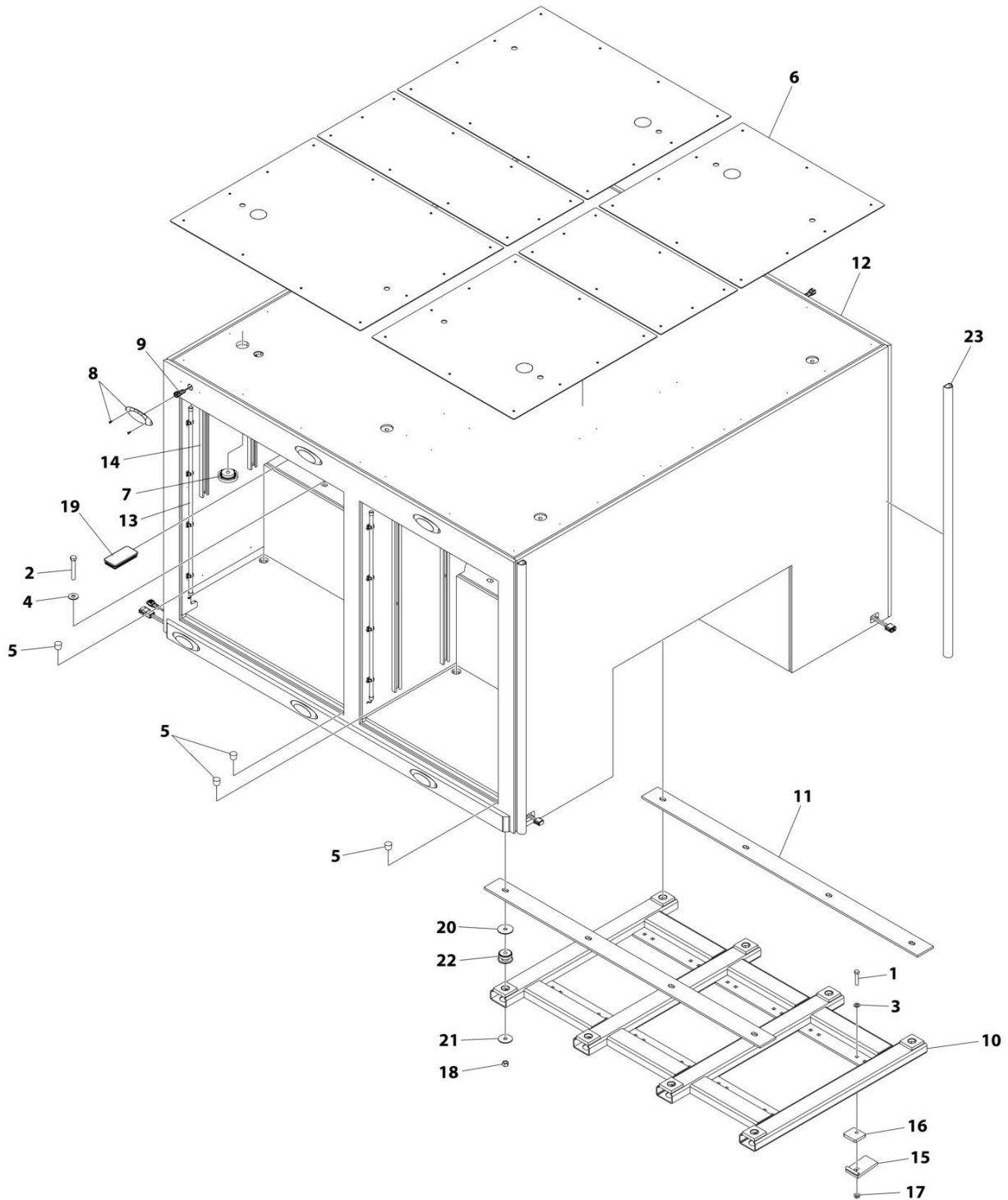
SECTION 4 - BODY

FIGURE 4-94. TUNNEL INSTALLATION - 76IN

ITEM	PART NUMBER	QTY	DESCRIPTION	REV
	1001274338	Ref	TUNNEL INSTALLATION - 76IN	A
1	0641820	10	Bolt 1/2 x 2-1/2	
2	0642034	8	Bolt 5/8 x 4-1/4	
3	4711800	10	Washer 1/2	
4	4752000	8	Washer 5/8	
5	1001173847	8	Plug	
6	1001270606	1	Battery Cover Installation (See Separate Breakdown in this Section)	
7	1001270609	1	Lifting Lugs Installation (See Separate Breakdown in this Section)	
8	1001270636	1	Marker Lights Installation (See Separate Breakdown in ELECTRICAL Section)	
9	1001270652	1	Harness Installation - Tunnel (See Separate Breakdown in ELECTRICAL Section)	
10	1001270829	1	Mount	
11	1001270830	2	Support	
12	1001274339	1	Tunnel Toolbox	
13	1001274383	1	Tunnel Compartment Lights Installation (See Separate Breakdown in ELECTRICAL Section)	
14	1001277609	1	T Slots Installation	
14A	1001277611	16	Channel (Not Shown)	
14B	1001277612	12	Channel (Not Shown)	
15	3274000011	10	Clamp Weldment	
16	4705000705	10	Plate	
17	7660182301	10	Nut 1/2	
18	7660200001	8	Nut 5/8	
19	7701000048	1	Plug	
20	7949000019	8	Washer	
21	7949000020	8	Washer	
22	7636000008	8	Mount	
23	8632000011	10 ft	Seal	

SECTION 4 - BODY

FIGURE 4-95. TUNNEL INSTALLATION - 88IN



ART_1001278679

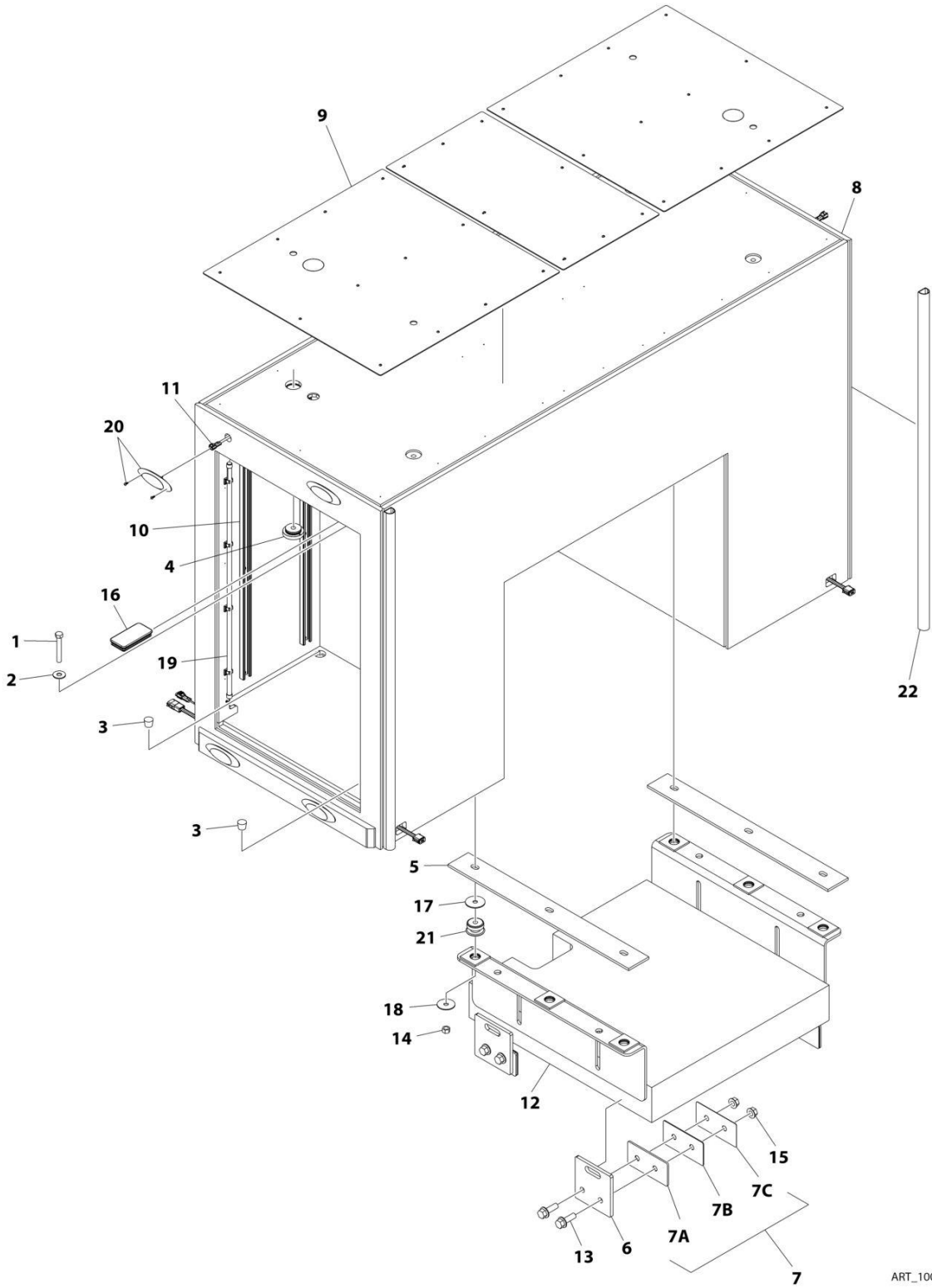
SECTION 4 - BODY

FIGURE 4-95. TUNNEL INSTALLATION - 88IN

ITEM	PART NUMBER	QTY	DESCRIPTION	REV
	1001278679	Ref	TUNNEL INSTALLATION - 88IN	A
1	0641820	10	Bolt 1/2 x 2-1/2	
2	0642034	8	Bolt 5/8 x 4-1/4	
3	4711800	10	Washer 1/2	
4	4752000	8	Washer 5/8	
5	1001173847	8	Plug	
6	1001278246	1	Battery Cover Installation (See Separate Breakdown in this Section)	
7	1001270609	1	Lifting Lugs Installation (See Separate Breakdown in this Section)	
8	1001270636	1	Marker Lights Installation (See Separate Breakdown in ELECTRICAL Section)	
9	1001270652	1	Harness Installation - Tunnel (See Separate Breakdown in ELECTRICAL Section)	
10	1001270829	1	Mount	
11	1001270830	2	Support	
12	1001278244	1	Tunnel Toolbox	
13	1001274383	1	Tunnel Compartment Lights Installation (See Separate Breakdown in ELECTRICAL Section)	
14	1001277609	1	T Slots Installation	
14A	1001277611	16	Channel (Not Shown)	
14B	1001277612	12	Channel (Not Shown)	
15	3274000011	10	Clamp Weldment	
16	4705000705	10	Plate	
17	7660182301	10	Nut 1/2	
18	7660200001	8	Nut 5/8	
19	7701000048	1	Plug	
20	7949000019	8	Washer	
21	7949000020	8	Washer	
22	7636000008	8	Mount	
23	8632000011	10 ft	Seal	

SECTION 4 - BODY

FIGURE 4-96. TUNNEL INSTALLATION - 38IN WITH 2K CWT



ART_1001281494

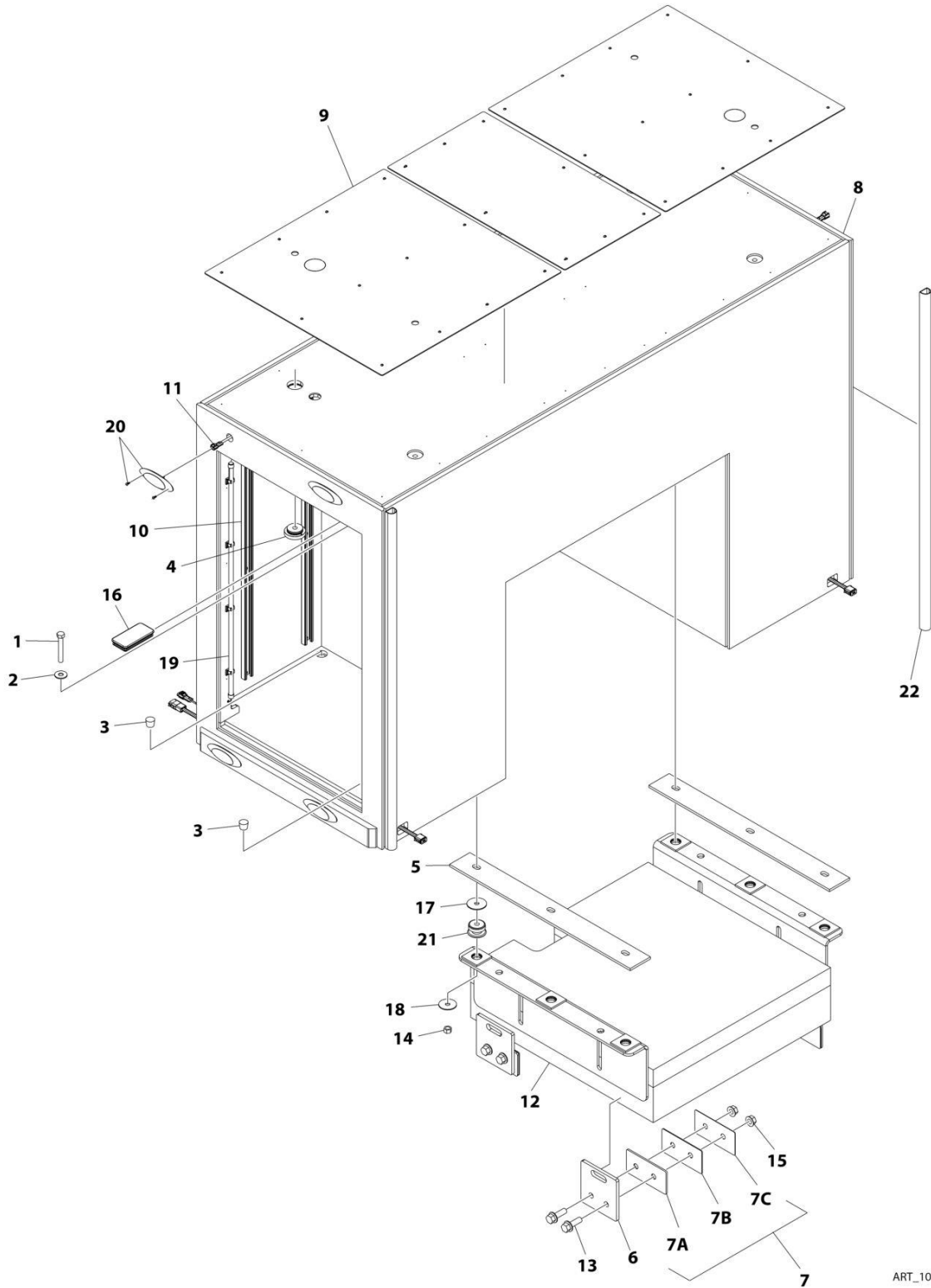
SECTION 4 - BODY

FIGURE 4-96. TUNNEL INSTALLATION - 38IN WITH 2K CWT

ITEM	PART NUMBER	QTY	DESCRIPTION	REV
	1001281494	Ref	TUNNEL INSTALLATION - 38IN WITH 2K CWT	A
1	0642034	6	Bolt 5/8 x 4-1/4	
2	4752000	6	Washer 5/8	
3	1001173847	4	Plug	
4	1001196808	1	Lifting Lugs Installation (See Separate Breakdown in this Section)	
5	1001197338	2	Support	
6	1001219916	4	Plate	
7	1001219921	1	Shim Kit	
7A	1001219917	4	Shim 1/4	
7B	1001219918	4	Shim 11GA	
7C	1001219919	4	Shim 16GA	
8	1001279492	1	Tunnel Toolbox	
9	1001278488	1	Battery Cover Installation (See Separate Breakdown in this Section)	
10	1001279671	1	T Slots Installation	
10A	1001279673	6	Channel (Not Shown)	
10B	1001277612	8	Channel (Not Shown)	
11	1001281659	1	Harness Installation - Tunnel (See Separate Breakdown in ELECTRICAL Section)	
12	1001281933	1	Tunnel Weight	
13	7118222816	8	Bolt 3/4 x 3-1/2	
14	7660200001	6	Nut 5/8	
15	7660222308	8	Nut 3/4	
16	7701000048	1	Plug	
17	7949000019	6	Washer	
18	7949000020	6	Washer	
19	1001196583	1	Tunnel Compartment Lights Installation (See Separate Breakdown in ELECTRICAL Section)	
20	1001196625	1	Marker Lights Installation (See Separate Breakdown in ELECTRICAL Section)	
21	7636000008	6	Mount	
22	8632000011	10 ft	Seal	

SECTION 4 - BODY

FIGURE 4-97. TUNNEL INSTALLATION - 38IN WITH 3K CWT



ART_1001281493

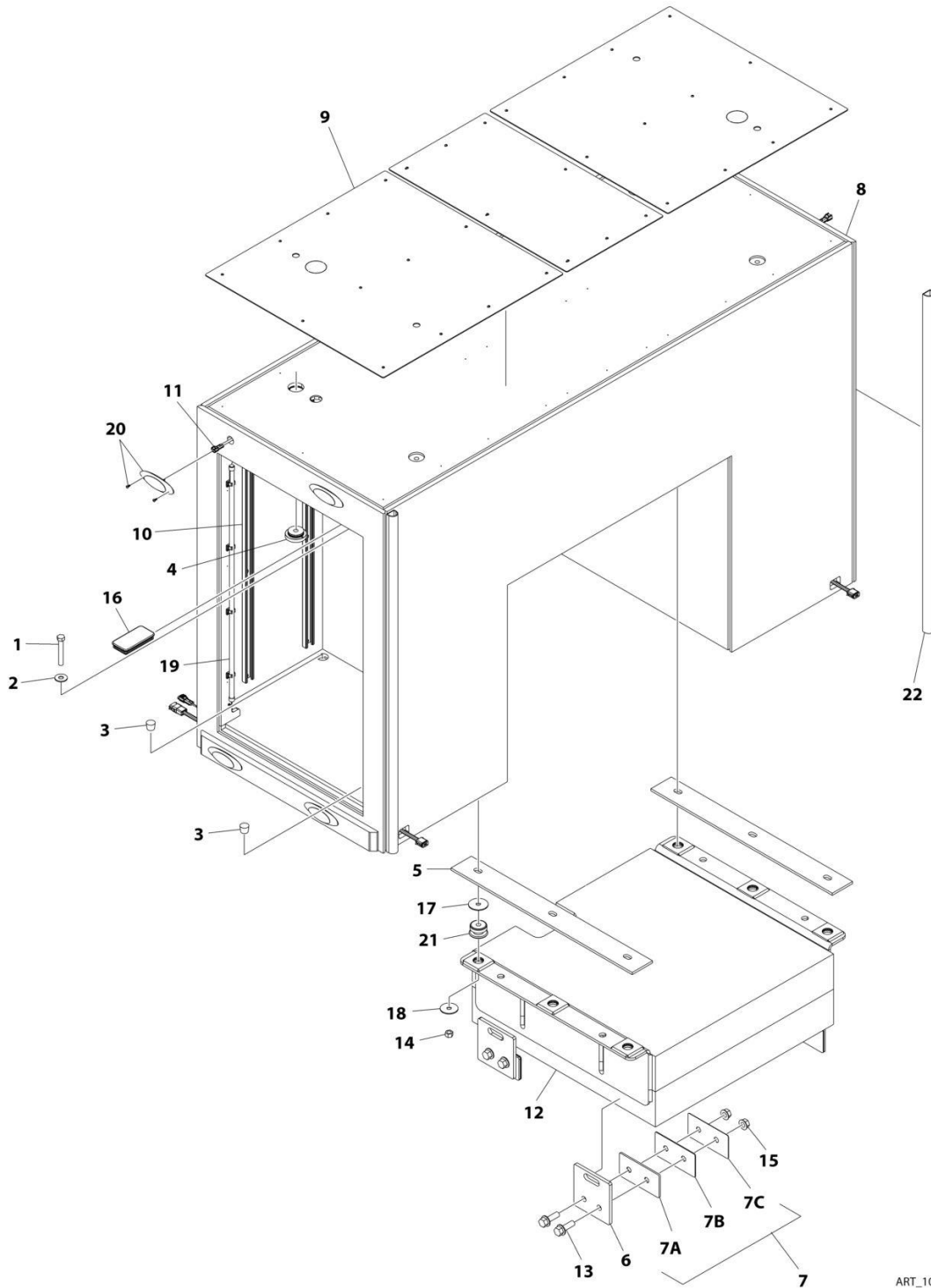
SECTION 4 - BODY

FIGURE 4-97. TUNNEL INSTALLATION - 38IN WITH 3K CWT

ITEM	PART NUMBER	QTY	DESCRIPTION	REV
	1001281493	Ref	TUNNEL INSTALLATION - 38IN WITH 3K CWT	A
1	0642034	6	Bolt 5/8 x 4-1/4	
2	4752000	6	Washer 5/8	
3	1001173847	4	Plug	
4	1001196808	1	Lifting Lugs Installation (See Separate Breakdown in this Section)	
5	1001197338	2	Support	
6	1001219916	4	Plate	
7	1001219921	1	Shim Kit	
7A	1001219917	4	Shim 1/4	
7B	1001219918	4	Shim 11GA	
7C	1001219919	4	Shim 16GA	
8	1001279492	1	Tunnel Toolbox	
9	1001278488	1	Battery Cover Installation (See Separate Breakdown in this Section)	
10	1001279671	1	T Slots Installation	
10A	1001279673	6	Channel (Not Shown)	
10B	1001277612	8	Channel (Not Shown)	
11	1001281659	1	Harness Installation - Tunnel (See Separate Breakdown in ELECTRICAL Section)	
12	1001281932	1	Tunnel Weight	
13	7118222816	8	Bolt 3/4 x 3-1/2	
14	7660200001	6	Nut 5/8	
15	7660222308	8	Nut 3/4	
16	7701000048	1	Plug	
17	7949000019	6	Washer	
18	7949000020	6	Washer	
19	1001196583	1	Tunnel Compartment Lights Installation (See Separate Breakdown in ELECTRICAL Section)	
20	1001196625	1	Marker Lights Installation (See Separate Breakdown in ELECTRICAL Section)	
21	7636000008	6	Mount	
22	8632000011	10 ft	Seal	

SECTION 4 - BODY

FIGURE 4-98. TUNNEL INSTALLATION - 38IN WITH 4K CWT



ART_1001281492

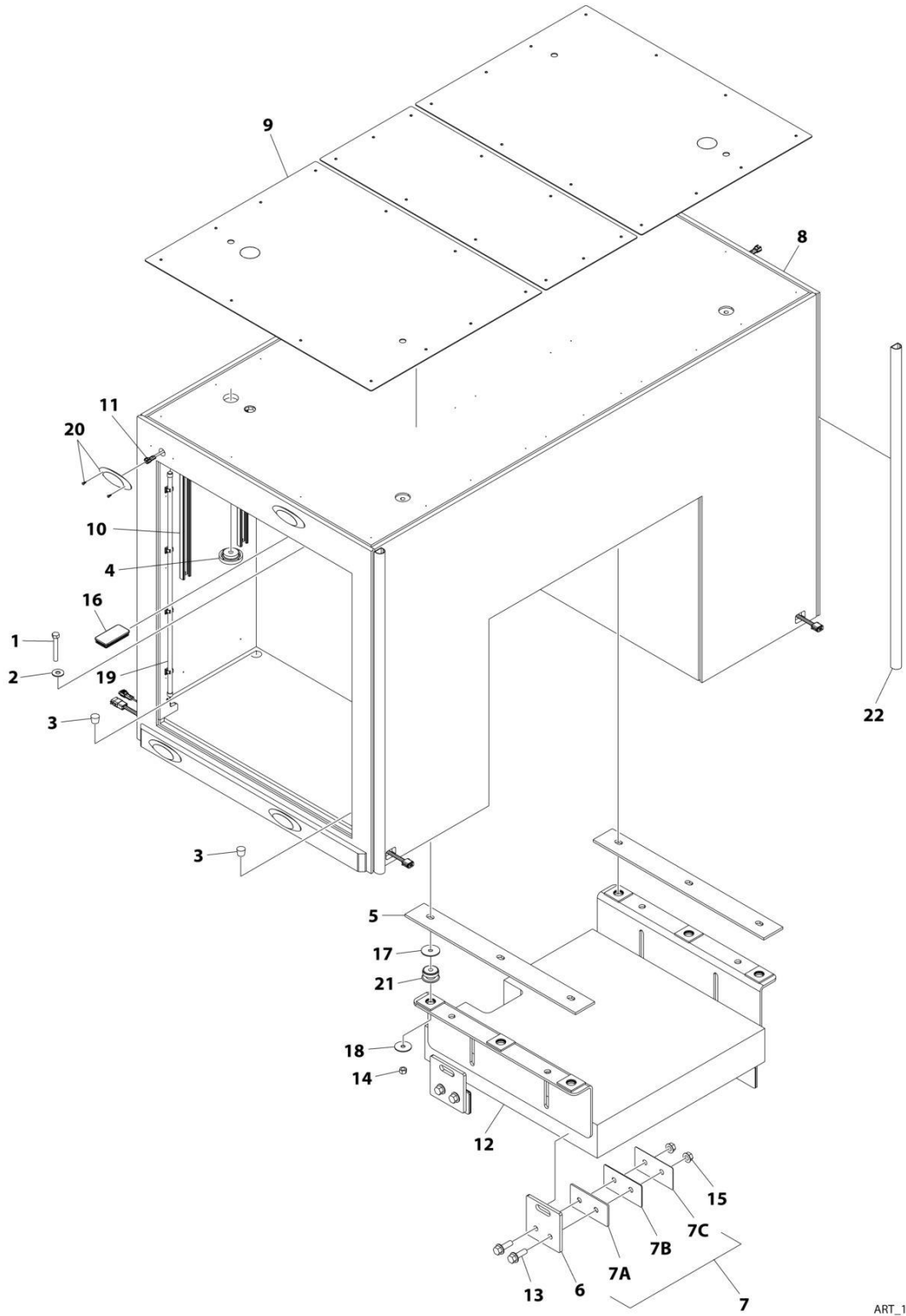
SECTION 4 - BODY

FIGURE 4-98. TUNNEL INSTALLATION - 38IN WITH 4K CWT

ITEM	PART NUMBER	QTY	DESCRIPTION	REV
	1001281492	Ref	TUNNEL INSTALLATION - 38IN WITH 4K CWT	A
1	0642034	6	Bolt 5/8 x 4-1/4	
2	4752000	6	Washer 5/8	
3	1001173847	4	Plug	
4	1001196808	1	Lifting Lugs Installation (See Separate Breakdown in this Section)	
5	1001197338	2	Support	
6	1001219916	4	Plate	
7	1001219921	1	Shim Kit	
7A	1001219917	4	Shim 1/4	
7B	1001219918	4	Shim 11GA	
7C	1001219919	4	Shim 16GA	
8	1001279492	1	Tunnel Toolbox	
9	1001278488	1	Battery Cover Installation (See Separate Breakdown in this Section)	
10	1001279671	1	T Slots Installation	
10A	1001279673	6	Channel (Not Shown)	
10B	1001277612	8	Channel (Not Shown)	
11	1001281659	1	Harness Installation - Tunnel (See Separate Breakdown in ELECTRICAL Section)	
12	1001281931	1	Tunnel Weight	
13	7118222816	8	Bolt 3/4 x 3-1/2	
14	7660200001	6	Nut 5/8	
15	7660222308	8	Nut 3/4	
16	7701000048	1	Plug	
17	7949000019	6	Washer	
18	7949000020	6	Washer	
19	1001196583	1	Tunnel Compartment Lights Installation (See Separate Breakdown in ELECTRICAL Section)	
20	1001196625	1	Marker Lights Installation (See Separate Breakdown in ELECTRICAL Section)	
21	7636000008	6	Mount	
22	8632000011	10 ft	Seal	

SECTION 4 - BODY

FIGURE 4-99. TUNNEL INSTALLATION - 50IN WITH 2K CWT



ART_1001281491

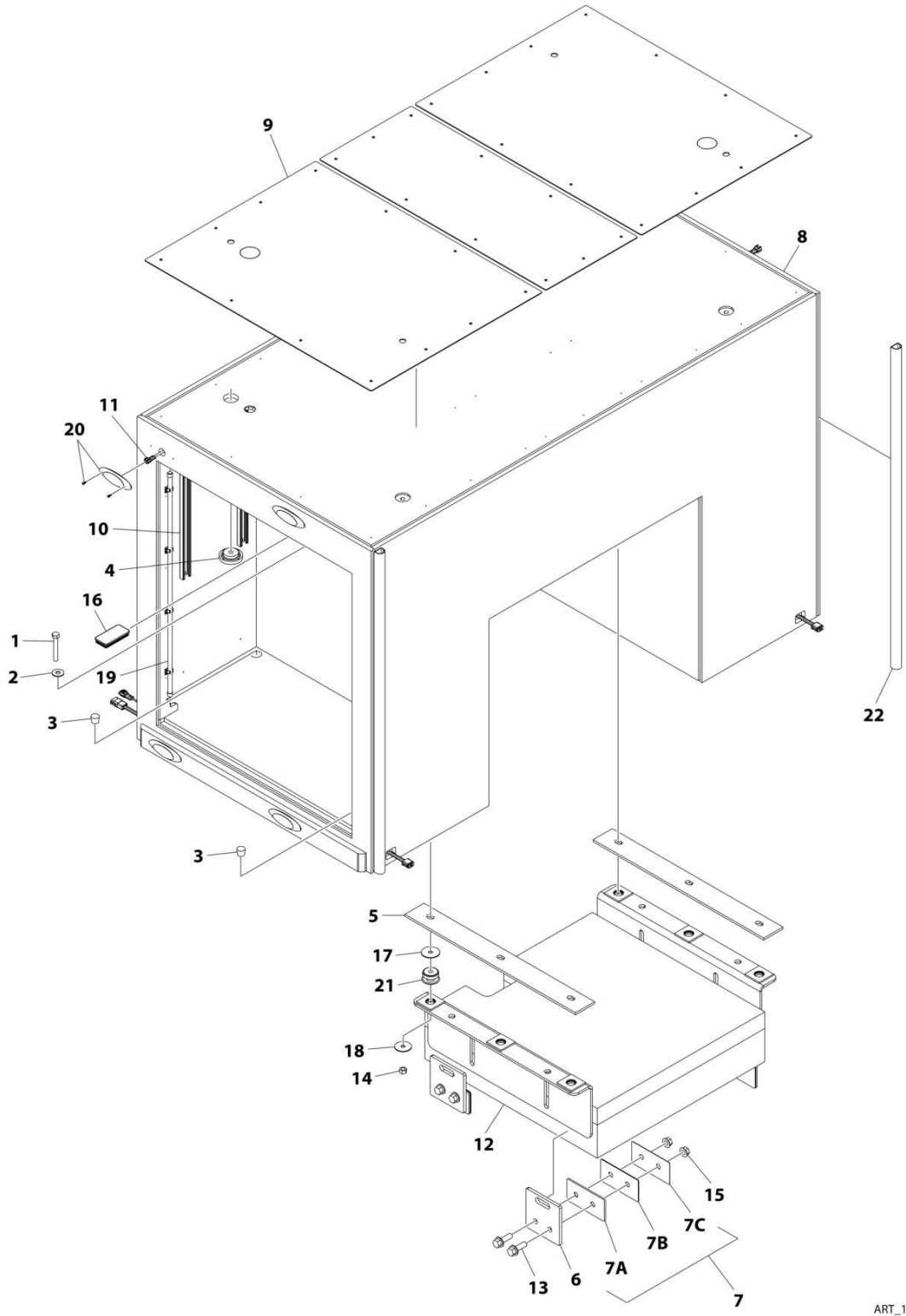
SECTION 4 - BODY

FIGURE 4-99. TUNNEL INSTALLATION - 50IN WITH 2K CWT

ITEM	PART NUMBER	QTY	DESCRIPTION	REV
	1001281491	Ref	TUNNEL INSTALLATION - 50IN WITH 2K CWT	A
1	0642034	6	Bolt 5/8 x 4-1/4	
2	4752000	6	Washer 5/8	
3	1001173847	4	Plug	
4	1001196808	1	Lifting Lugs Installation (See Separate Breakdown in this Section)	
5	1001197338	2	Support	
6	1001219916	4	Plate	
7	1001219921	1	Shim Kit	
7A	1001219917	4	Shim 1/4	
7B	1001219918	4	Shim 11GA	
7C	1001219919	4	Shim 16GA	
8	1001274548	1	Tunnel Toolbox	
9	1001278487	1	Battery Cover Installation (See Separate Breakdown in this Section)	
10	1001279672	1	T Slots Installation	
10A	1001277611	4	Channel (Not Shown)	
10B	1001277612	4	Channel (Not Shown)	
10C	1001279673	6	Channel (Not Shown)	
11	1001281659	1	Harness Installation - Tunnel (See Separate Breakdown in ELECTRICAL Section)	
12	1001281933	1	Tunnel Weight	
13	7118222816	8	Bolt 3/4 x 3-1/2	
14	7660200001	6	Nut 5/8	
15	7660222308	8	Nut 3/4	
16	7701000048	1	Plug	
17	7949000019	6	Washer	
18	7949000020	6	Washer	
19	1001196583	1	Tunnel Compartment Lights Installation (See Separate Breakdown in ELECTRICAL Section)	
20	1001196625	1	Marker Lights Installation (See Separate Breakdown in ELECTRICAL Section)	
21	7636000008	6	Mount	
22	8632000011	10 ft	Seal	

SECTION 4 - BODY

FIGURE 4-100. TUNNEL INSTALLATION - 50IN WITH 3K CWT



ART_1001281490

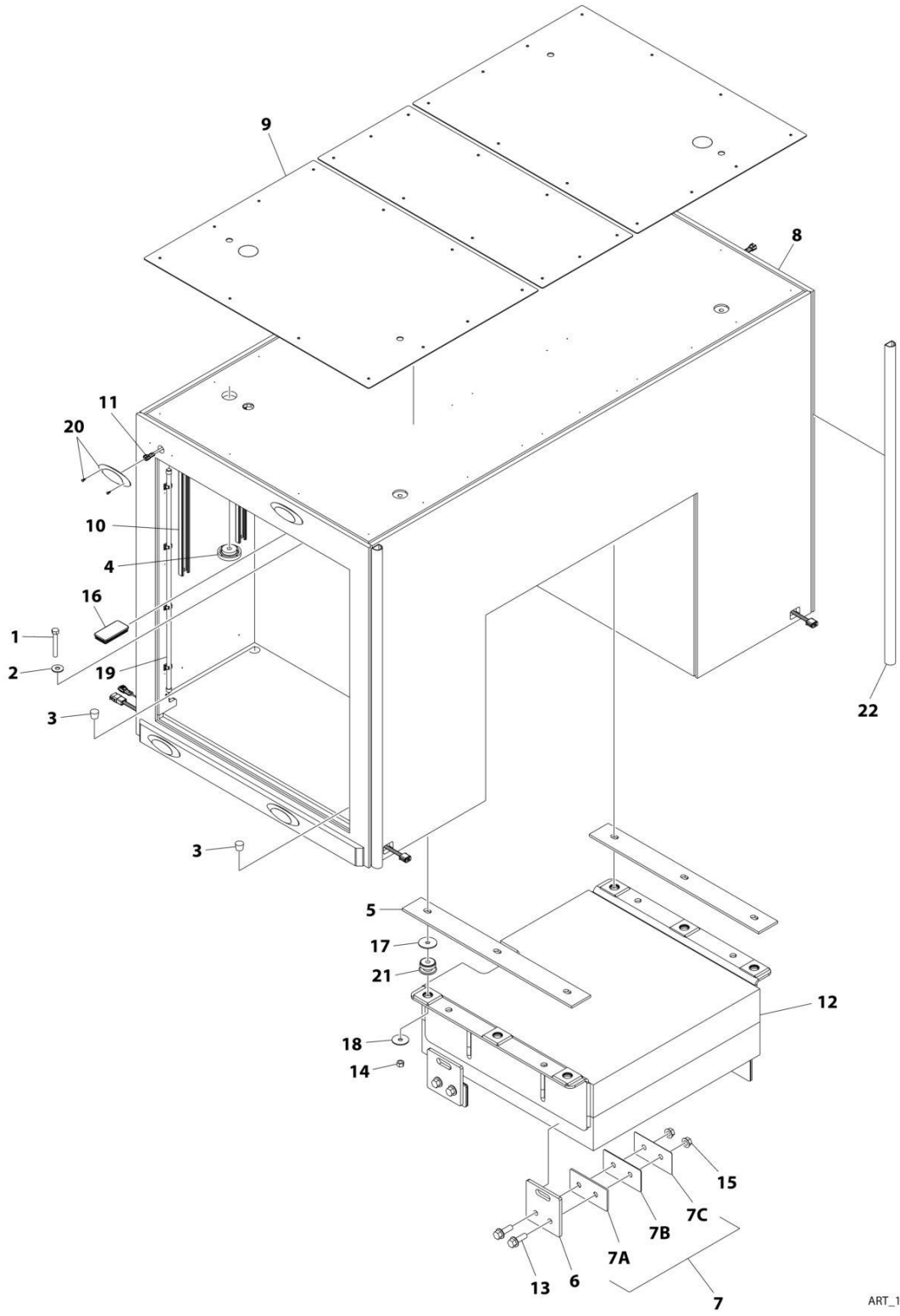
SECTION 4 - BODY

FIGURE 4-100. TUNNEL INSTALLATION - 50IN WITH 3K CWT

ITEM	PART NUMBER	QTY	DESCRIPTION	REV
	1001281490	Ref	TUNNEL INSTALLATION - 50IN WITH 3K CWT	A
1	0642034	6	Bolt 5/8 x 4-1/4	
2	4752000	6	Washer 5/8	
3	1001173847	4	Plug	
4	1001196808	1	Lifting Lugs Installation (See Separate Breakdown in this Section)	
5	1001197338	2	Support	
6	1001219916	4	Plate	
7	1001219921	1	Shim Kit	
7A	1001219917	4	Shim 1/4	
7B	1001219918	4	Shim 11GA	
7C	1001219919	4	Shim 16GA	
8	1001274548	1	Tunnel Toolbox	
9	1001278487	1	Battery Cover Installation (See Separate Breakdown in this Section)	
10	1001279672	1	T Slots Installation	
10A	1001277611	4	Channel (Not Shown)	
10B	1001277612	4	Channel (Not Shown)	
10C	1001279673	6	Channel (Not Shown)	
11	1001281659	1	Harness Installation - Tunnel (See Separate Breakdown in ELECTRICAL Section)	
12	1001281932	1	Tunnel Weight	
13	7118222816	8	Bolt 3/4 x 3-1/2	
14	7660200001	6	Nut 5/8	
15	7660222308	8	Nut 3/4	
16	7701000048	1	Plug	
17	7949000019	6	Washer	
18	7949000020	6	Washer	
19	1001196583	1	Tunnel Compartment Lights Installation (See Separate Breakdown in ELECTRICAL Section)	
20	1001196625	1	Marker Lights Installation (See Separate Breakdown in ELECTRICAL Section)	
21	7636000008	6	Mount	
22	8632000011	10 ft	Seal	

SECTION 4 - BODY

FIGURE 4-101. TUNNEL INSTALLATION - 50IN WITH 4K CWT



ART_1001281489

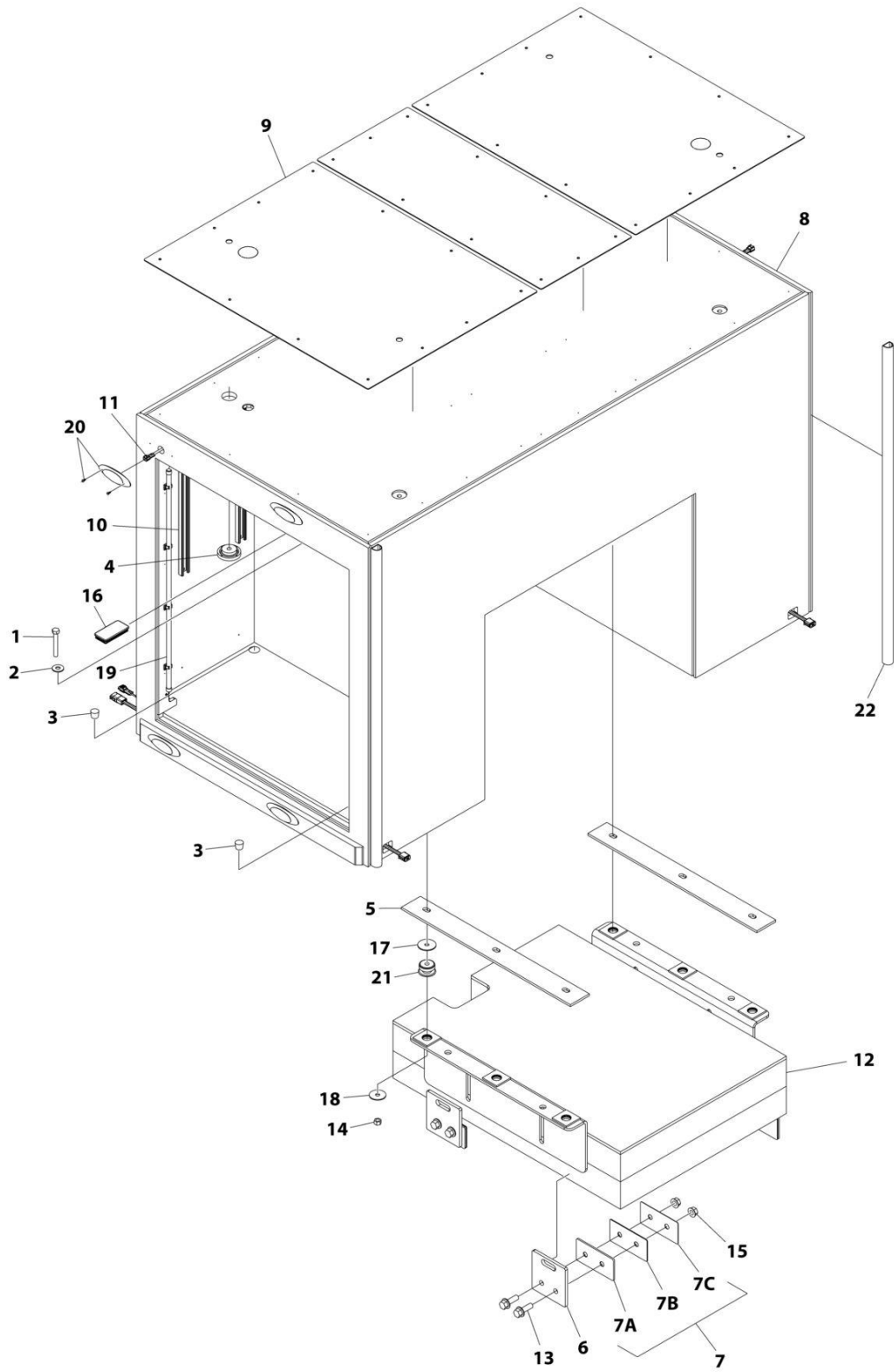
SECTION 4 - BODY

FIGURE 4-101. TUNNEL INSTALLATION - 50IN WITH 4K CWT

ITEM	PART NUMBER	QTY	DESCRIPTION	REV
	1001281489	Ref	TUNNEL INSTALLATION - 50IN WITH 4K CWT	A
1	0642034	6	Bolt 5/8 x 4-1/4	
2	4752000	6	Washer 5/8	
3	1001173847	4	Plug	
4	1001196808	1	Lifting Lugs Installation (See Separate Breakdown in this Section)	
5	1001197338	2	Support	
6	1001219916	4	Plate	
7	1001219921	1	Shim Kit	
7A	1001219917	4	Shim 1/4	
7B	1001219918	4	Shim 11GA	
7C	1001219919	4	Shim 16GA	
8	1001274548	1	Tunnel Toolbox	
9	1001278487	1	Battery Cover Installation (See Separate Breakdown in this Section)	
10	1001279672	1	T Slots Installation	
10A	1001277611	4	Channel (Not Shown)	
10B	1001277612	4	Channel (Not Shown)	
10C	1001279673	6	Channel (Not Shown)	
11	1001281659	1	Harness Installation - Tunnel (See Separate Breakdown in ELECTRICAL Section)	
12	1001281931	1	Tunnel Weight	
13	7118222816	8	Bolt 3/4 x 3-1/2	
14	7660200001	6	Nut 5/8	
15	7660222308	8	Nut 3/4	
16	7701000048	1	Plug	
17	7949000019	6	Washer	
18	7949000020	6	Washer	
19	1001196583	1	Tunnel Compartment Lights Installation (See Separate Breakdown in ELECTRICAL Section)	
20	1001196625	1	Marker Lights Installation (See Separate Breakdown in ELECTRICAL Section)	
21	7636000008	6	Mount	
22	8632000011	10 ft	Seal	

SECTION 4 - BODY

FIGURE 4-102. TUNNEL INSTALLATION - 50IN WITH 5K CWT



ART_1001281928

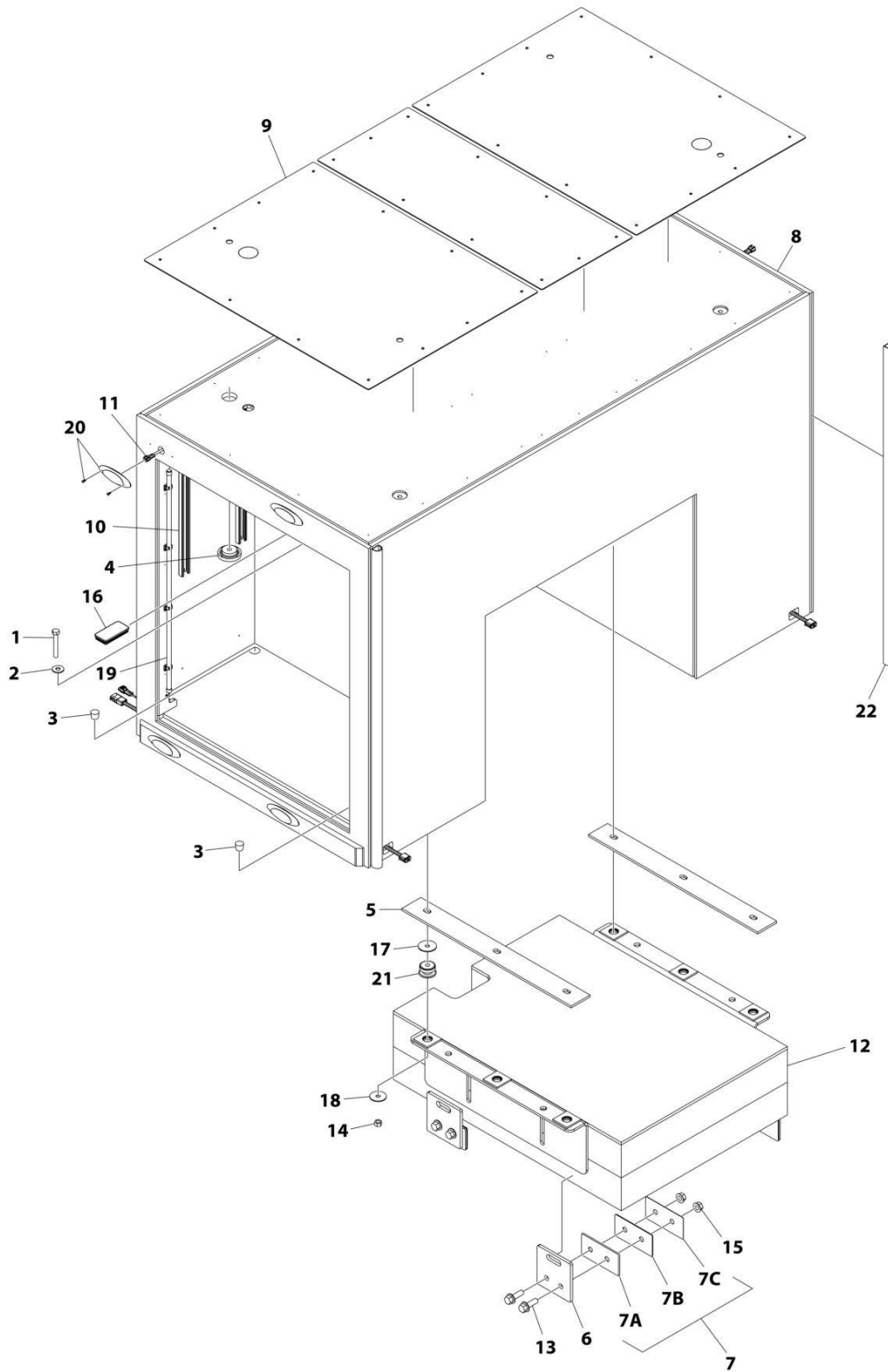
SECTION 4 - BODY

FIGURE 4-102. TUNNEL INSTALLATION - 50IN WITH 5K CWT

ITEM	PART NUMBER	QTY	DESCRIPTION	REV
	1001281928	Ref	TUNNEL INSTALLATION - 50IN WITH 5K CWT	A
1	0642034	6	Bolt 5/8 x 4-1/4	
2	4752000	6	Washer 5/8	
3	1001173847	4	Plug	
4	1001196808	1	Lifting Lugs Installation (See Separate Breakdown in this Section)	
5	1001197338	2	Support	
6	1001219916	4	Plate	
7	1001219921	1	Shim Kit	
7A	1001219917	4	Shim 1/4	
7B	1001219918	4	Shim 11GA	
7C	1001219919	4	Shim 16GA	
8	1001274548	1	Tunnel Toolbox	
9	1001278487	1	Battery Cover Installation (See Separate Breakdown in this Section)	
10	1001279672	1	T Slots Installation	
10A	1001277611	4	Channel (Not Shown)	
10B	1001277612	4	Channel (Not Shown)	
10C	1001279673	6	Channel (Not Shown)	
11	1001281659	1	Harness Installation - Tunnel (See Separate Breakdown in ELECTRICAL Section)	
12	1001281930	1	Tunnel Weight	
13	7118222816	8	Bolt 3/4 x 3-1/2	
14	7660200001	6	Nut 5/8	
15	7660222308	8	Nut 3/4	
16	7701000048	1	Plug	
17	7949000019	6	Washer	
18	7949000020	6	Washer	
19	1001196583	1	Tunnel Compartment Lights Installation (See Separate Breakdown in ELECTRICAL Section)	
20	1001196625	1	Marker Lights Installation (See Separate Breakdown in ELECTRICAL Section)	
21	7636000008	6	Mount	
22	8632000011	10 ft	Seal	

SECTION 4 - BODY

FIGURE 4-103. TUNNEL INSTALLATION - 50IN WITH 6K CWT



ART_1001281488

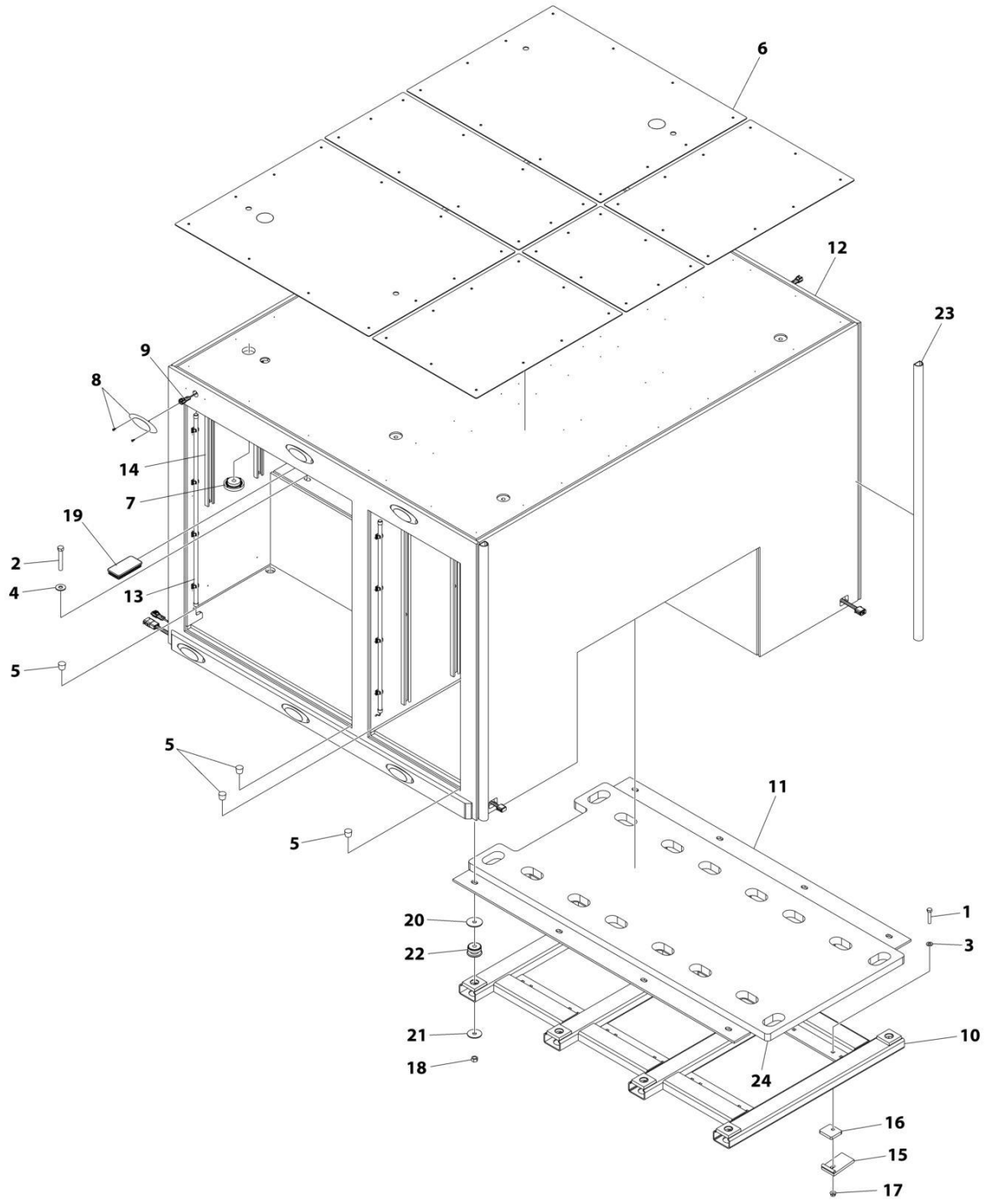
SECTION 4 - BODY

FIGURE 4-103. TUNNEL INSTALLATION - 50IN WITH 6K CWT

ITEM	PART NUMBER	QTY	DESCRIPTION	REV
	1001281488	Ref	TUNNEL INSTALLATION - 50IN WITH 6K CWT	A
1	0642034	6	Bolt 5/8 x 4-1/4	
2	4752000	6	Washer 5/8	
3	1001173847	4	Plug	
4	1001196808	1	Lifting Lugs Installation (See Separate Breakdown in this Section)	
5	1001197338	2	Support	
6	1001219916	4	Plate	
7	1001219921	1	Shim Kit	
7A	1001219917	4	Shim 1/4	
7B	1001219918	4	Shim 11GA	
7C	1001219919	4	Shim 16GA	
8	1001274548	1	Tunnel Toolbox	
9	1001278487	1	Battery Cover Installation (See Separate Breakdown in this Section)	
10	1001279672	1	T Slots Installation	
10A	1001277611	4	Channel (Not Shown)	
10B	1001277612	4	Channel (Not Shown)	
10C	1001279673	6	Channel (Not Shown)	
11	1001281659	1	Harness Installation - Tunnel (See Separate Breakdown in ELECTRICAL Section)	
12	1001281929	1	Tunnel Weight	
13	7118222816	8	Bolt 3/4 x 3-1/2	
14	7660200001	6	Nut 5/8	
15	7660222308	8	Nut 3/4	
16	7701000048	1	Plug	
17	7949000019	6	Washer	
18	7949000020	6	Washer	
19	1001196583	1	Tunnel Compartment Lights Installation (See Separate Breakdown in ELECTRICAL Section)	
20	1001196625	1	Marker Lights Installation (See Separate Breakdown in ELECTRICAL Section)	
21	7636000008	6	Mount	
22	8632000011	10 ft	Seal	

SECTION 4 - BODY

FIGURE 4-104. TUNNEL INSTALLATION - 76IN WITH 1.4K CWT



ART_1001283555

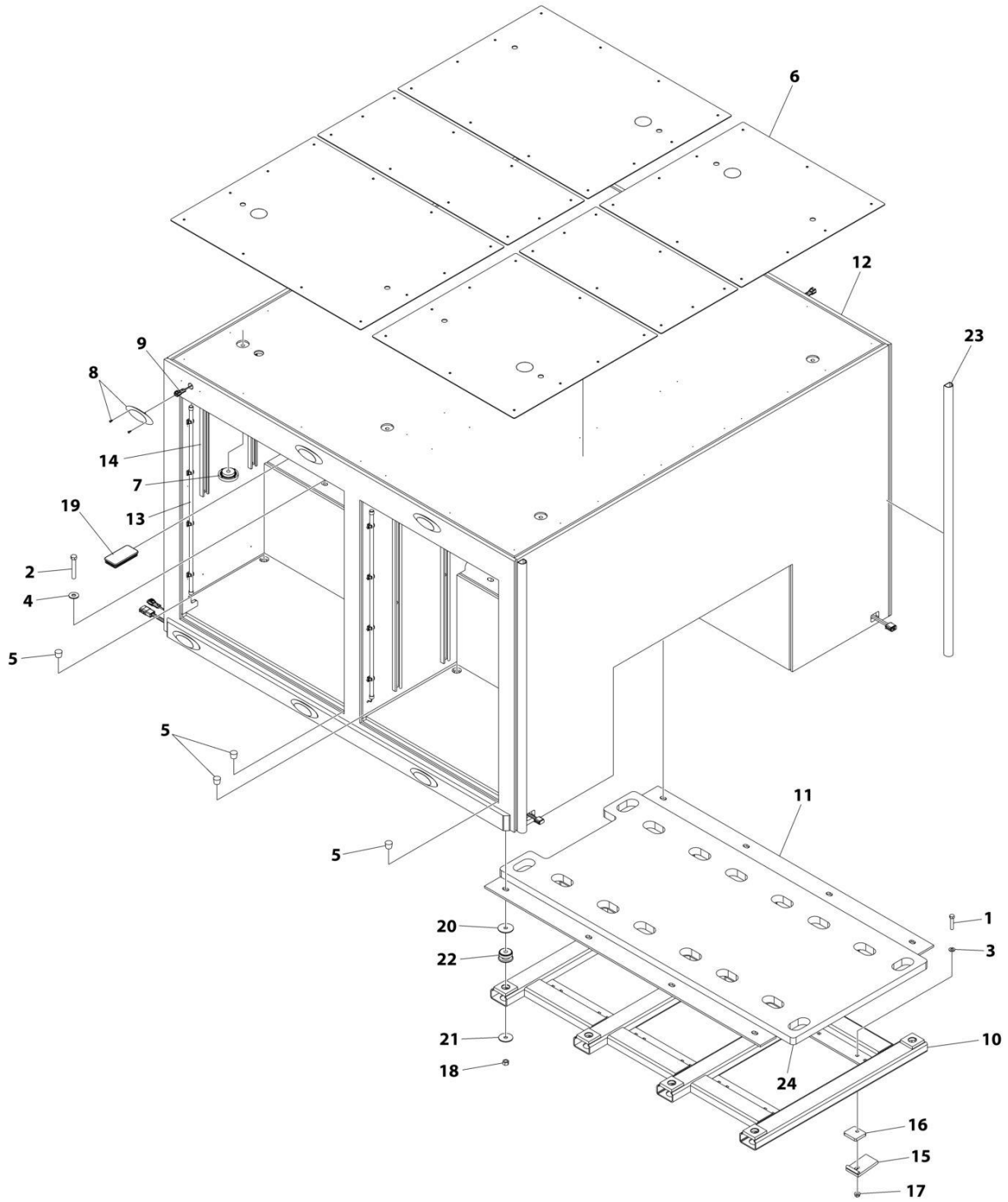
SECTION 4 - BODY

FIGURE 4-104. TUNNEL INSTALLATION - 76IN WITH 1.4K CWT

ITEM	PART NUMBER	QTY	DESCRIPTION	REV
	1001283555	Ref	TUNNEL INSTALLATION - 76IN WITH 1.4K CWT	A
1	0641820	10	Bolt 1/2 x 2-1/2	
2	0642034	8	Bolt 5/8 x 4-1/4	
3	4711800	10	Washer 1/2	
4	4752000	8	Washer 5/8	
5	1001173847	8	Plug	
6	1001270606	1	Battery Cover Installation (See Separate Breakdown in this Section)	
7	1001270609	1	Lifting Lugs Installation (See Separate Breakdown in this Section)	
8	1001270636	1	Marker Lights Installation (See Separate Breakdown in ELECTRICAL Section)	
9	1001270652	1	Harness Installation - Tunnel (See Separate Breakdown in ELECTRICAL Section)	
10	1001270829	1	Mount	
11	1001270830	2	Support	
12	1001274339	1	Tunnel Toolbox	
13	1001274383	1	Tunnel Compartment Lights Installation (See Separate Breakdown in ELECTRICAL Section)	
14	1001277609	1	T Slots Installation	
14A	1001277611	16	Channel (Not Shown)	
14B	1001277612	12	Channel (Not Shown)	
15	3274000011	10	Clamp Weldment	
16	4705000705	10	Plate	
17	7660182301	10	Nut 1/2	
18	7660200001	8	Nut 5/8	
19	7701000048	1	Plug	
20	7949000019	8	Washer	
21	7949000020	8	Washer	
22	7636000008	8	Mount	
23	8632000011	10 ft	Seal	
24	1001276871	1	Counter Weight Installation	

SECTION 4 - BODY

FIGURE 4-105. TUNNEL INSTALLATION - 88IN WITH 1.4K CWT



ART_1001283556

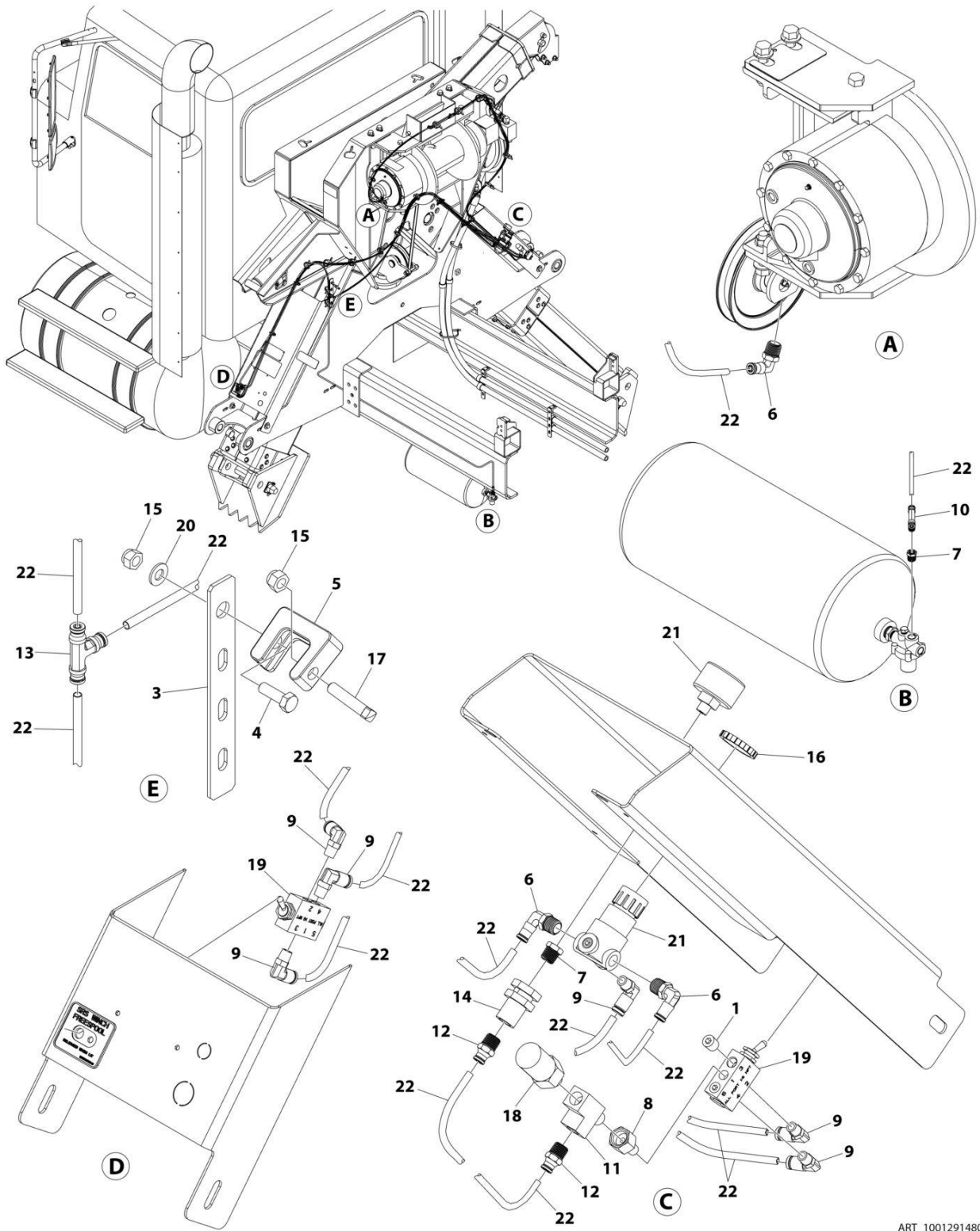
SECTION 4 - BODY

FIGURE 4-105. TUNNEL INSTALLATION - 88IN WITH 1.4K CWT

ITEM	PART NUMBER	QTY	DESCRIPTION	REV
	1001283556	Ref	TUNNEL INSTALLATION - 88IN WITH 1.4K CWT	A
1	0641820	10	Bolt 5/8 x 4-1/4	
2	0642034	8	Bolt 5/8 x 4-1/4	
3	4711800	10	Washer 1/2	
4	4752000	8	Washer 5/8	
5	1001173847	8	Plug	
6	1001278246	1	Battery Cover Installation (See Separate Breakdown in this Section)	
7	1001270609	1	Lifting Lugs Installation (See Separate Breakdown in this Section)	
8	1001270636	1	Marker Lights Installation (See Separate Breakdown in ELECTRICAL Section)	
9	1001270652	1	Harness Installation - Tunnel (See Separate Breakdown in ELECTRICAL Section)	
10	1001270829	1	Mount	
11	1001270830	2	Support	
12	1001278244	1	Tunnel Toolbox	
13	1001274383	1	Tunnel Compartment Lights Installation (See Separate Breakdown in ELECTRICAL Section)	
14	1001277609	1	T Slots Installation	
14A	1001277611	16	Channel (Not Shown)	
14B	1001277612	12	Channel (Not Shown)	
15	3274000011	10	Clamp Weldment	
16	4705000705	10	Plate	
17	7660182301	10	Nut 1/2	
18	7660200001	8	Nut 5/8	
19	7701000048	1	Plug	
20	7949000019	8	Washer	
21	7949000020	8	Washer	
22	7636000008	8	Mount	
23	8632000011	10 ft	Seal	
24	1001276871	1	Counter Weight Installation	

SECTION 4 - BODY

FIGURE 4-106. WINCH AIR INSTALLATION



ART_1001291480

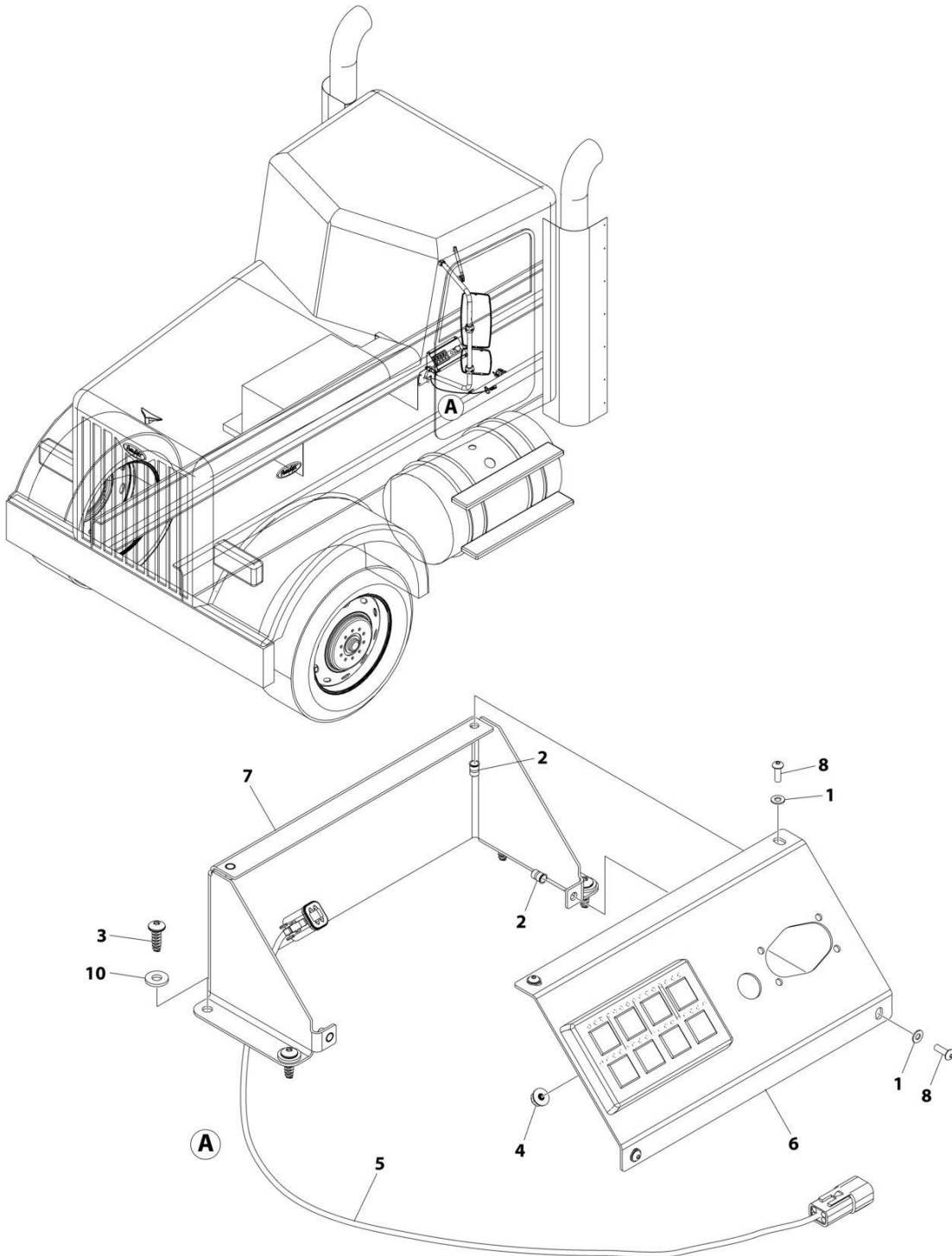
FIGURE 4-106. WINCH AIR INSTALLATION

ITEM	PART NUMBER	QTY	DESCRIPTION	REV
	1001291480	Ref	WINCH AIR INSTALLATION	A
1	2200221	2	Plug	
2	1001146588	6	Tie-Strap (Not Shown)	
3	4706003844	1	Plate	
4	7115150850	1	Capscrew 5/16 x 1	
5	7274000076	1	Clamp	
6	7443000139	3	Fitting, 90	
7	7443000149	2	Bushing	
8	7443000150	1	Adapter	
9	7443000173	6	Fitting, 90	
10	7443000174	1	Fitting, Tee	
11	7443000287	1	Fitting, Tee	
12	7443000329	2	Fitting, Straight	
13	7443000330	1	Fitting, Tee	
14	7443000456	1	Fitting, Straight	
15	7660152601	2	Nut 5/16	
16	7661000041	1	Nut	
17	7785152420	1	Screw 5/16 x 1-1/2	
18	7870000136	1	Switch, Pressure	
19	7935000351	2	Valve, 4-Way	
20	7950150141	1	Washer 5/16	
21	7295000029	1	Air Regulator	
22	7565000016	53 ft	Airline Tubing	
23	7894000004	15	Tie-Strap (Not Shown)	

SECTION 5 - CONTROLS

SECTION 5 - CONTROLS

FIGURE 5-1. IN-CAB CONTROLS INSTALLATION - FLOOR MOUNTED WITHOUT UNDERLIFT



ART_1001212106

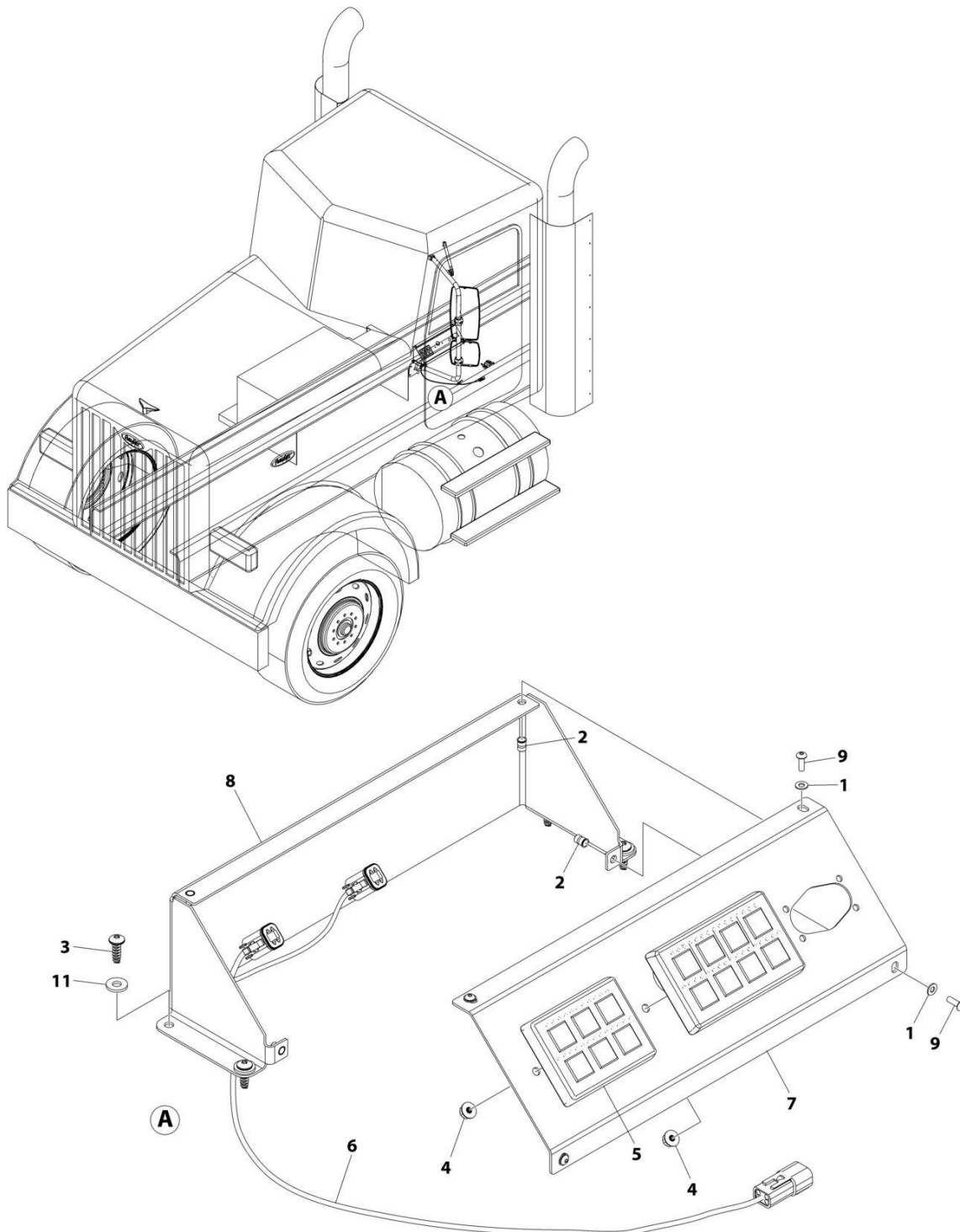
SECTION 5 - CONTROLS

FIGURE 5-1. IN-CAB CONTROLS INSTALLATION - FLOOR MOUNTED WITHOUT UNDERLIFT

ITEM	PART NUMBER	QTY	DESCRIPTION	REV
	1001212106	Ref	CONTROLS (IN-CAB) INSTALLATION (FLOOR MOUNTED)	A
1	1001097942	4	Washer #8	
2	1001151546	4	Nut #8	
3	1001194676	4	Screw 1/4 x 3/4	
4	1001209616	2	Nut #10	
5	1001215421	1	Multiplex In-Cab Control Harness (See Separate Breakdown in ELECTRICAL Section)	
6	1001216233	1	Panel	
7	1001216239	1	Panel	
8	7114080418	4	Screw #8 x 1/2	
9	7894000004	6	Tie-Strap (Not Shown)	
10	7950140143	4	Washer 1/4	

SECTION 5 - CONTROLS

FIGURE 5-2. IN-CAB CONTROLS INSTALLATION - FLOOR MOUNTED WITH UNDERLIFT



ART_1001215432

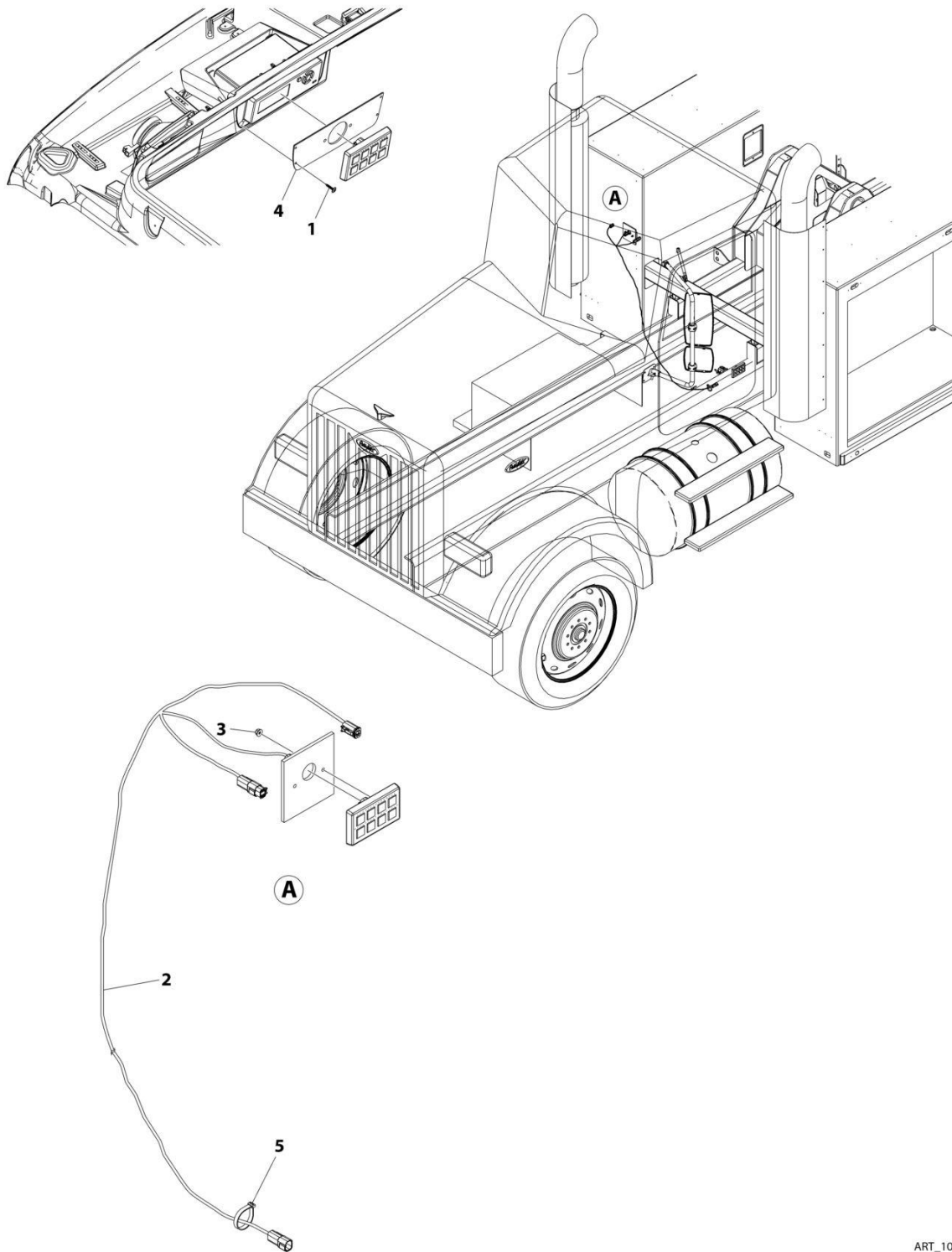
SECTION 5 - CONTROLS

FIGURE 5-2. IN-CAB CONTROLS INSTALLATION - FLOOR MOUNTED WITH UNDERLIFT

ITEM	PART NUMBER	QTY	DESCRIPTION	REV
	1001215432	Ref	CONTROLS (IN-CAB) INSTALLATION (FLOOR MOUNTED WITH UNDERLIFT)	B
1	1001097942	4	Washer #8	
2	1001151546	4	Nut #8	
3	1001194676	4	Screw 1/4 x 3/4	
4	1001209616	4	Nut #10	
5	1001288016	1	Keypad, Underlift	
6	1001215421	1	Multiplex In-Cab Control Harness (See Separate Breakdown in ELECTRICAL Section)	
7	1001216315	1	Panel	
8	1001216316	1	Panel	
9	7114080418	4	Screw #8 x 1/2	
10	7894000004	6	Tie-Strap (Not Shown)	
11	7950140143	4	Washer 1/4	

SECTION 5 - CONTROLS

FIGURE 5-3. IN-CAB CONTROLS INSTALLATION - KENWORTH T440 & T800 & W9 WITHOUT UNDERLIFT



ART_1001232969

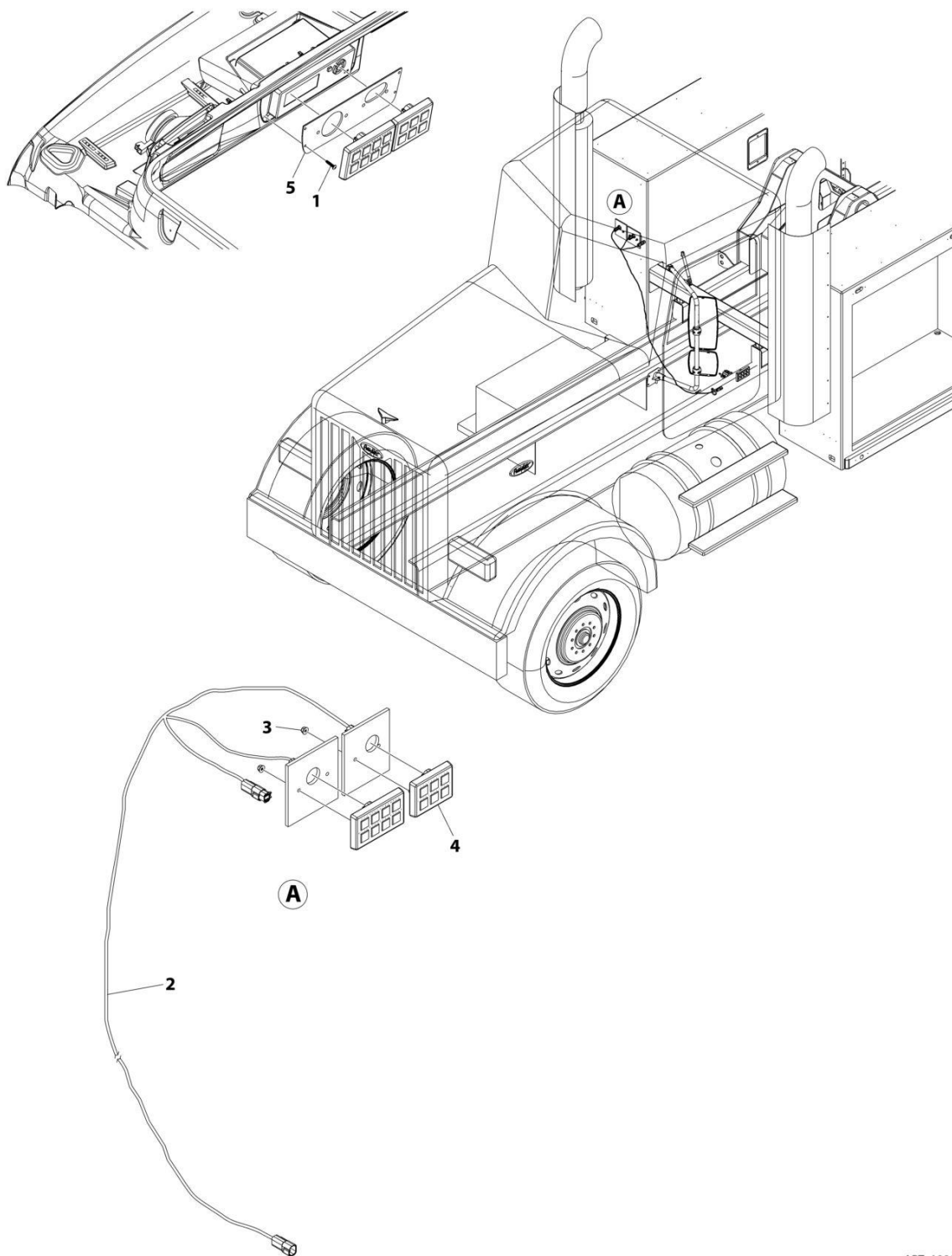
SECTION 5 - CONTROLS

FIGURE 5-3. IN-CAB CONTROLS INSTALLATION - KENWORTH T440 & T800 & W9 WITHOUT UNDERLIFT

ITEM	PART NUMBER	QTY	DESCRIPTION	REV
	1001232969	Ref	SWITCH PANEL KW T800, W9, T440, SINGLE LIGHTING INSTALLATION	B
1	1001232209	4	Screw #8	
2	1001208976	1	Harness (See Separate Breakdown in ELECTRICAL Section)	
3	1001209616	2	Nut #10	
4	1001232957	1	Support, Switch Panel	
5	7894000004	7	Tie Strap	

SECTION 5 - CONTROLS

FIGURE 5-4. IN-CAB CONTROLS INSTALLATION - KENWORTH T440 & T800 & W9 WITH UNDERLIFT



ART_1001232970

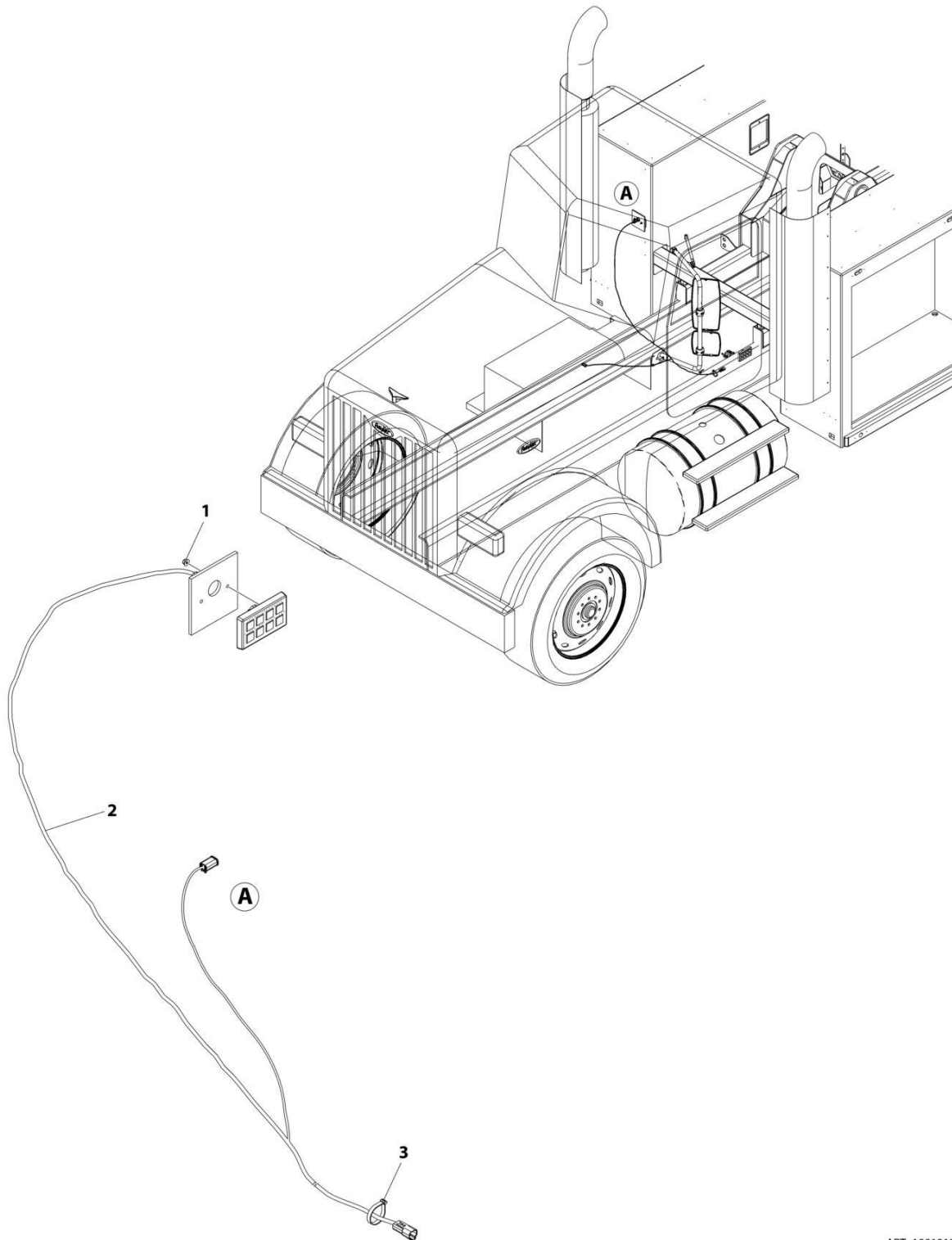
SECTION 5 - CONTROLS

FIGURE 5-4. IN-CAB CONTROLS INSTALLATION - KENWORTH T440 & T800 & W9 WITH UNDERLIFT

ITEM	PART NUMBER	QTY	DESCRIPTION	REV
	1001232970	Ref	CONTROLS (IN-CAB) INSTALLATION (CONSOLE MOUNTED)	B
1	1001196552	4	Screw #8 x 3/4	
2	1001208976	1	Multiplex In-Cab Control Harness (See Separate Breakdown in ELECTRICAL Section)	
3	1001209616	4	Nut #10	
4	1001288016	1	Keypad, Underlift	
5	1001232958	1	Support	
6	7894000004	7	Tie-Strap (Not Shown)	

SECTION 5 - CONTROLS

FIGURE 5-5. IN-CAB CONTROLS INSTALLATION - KENWORTH T880 WITHOUT UNDERLIFT



ART_1001212107

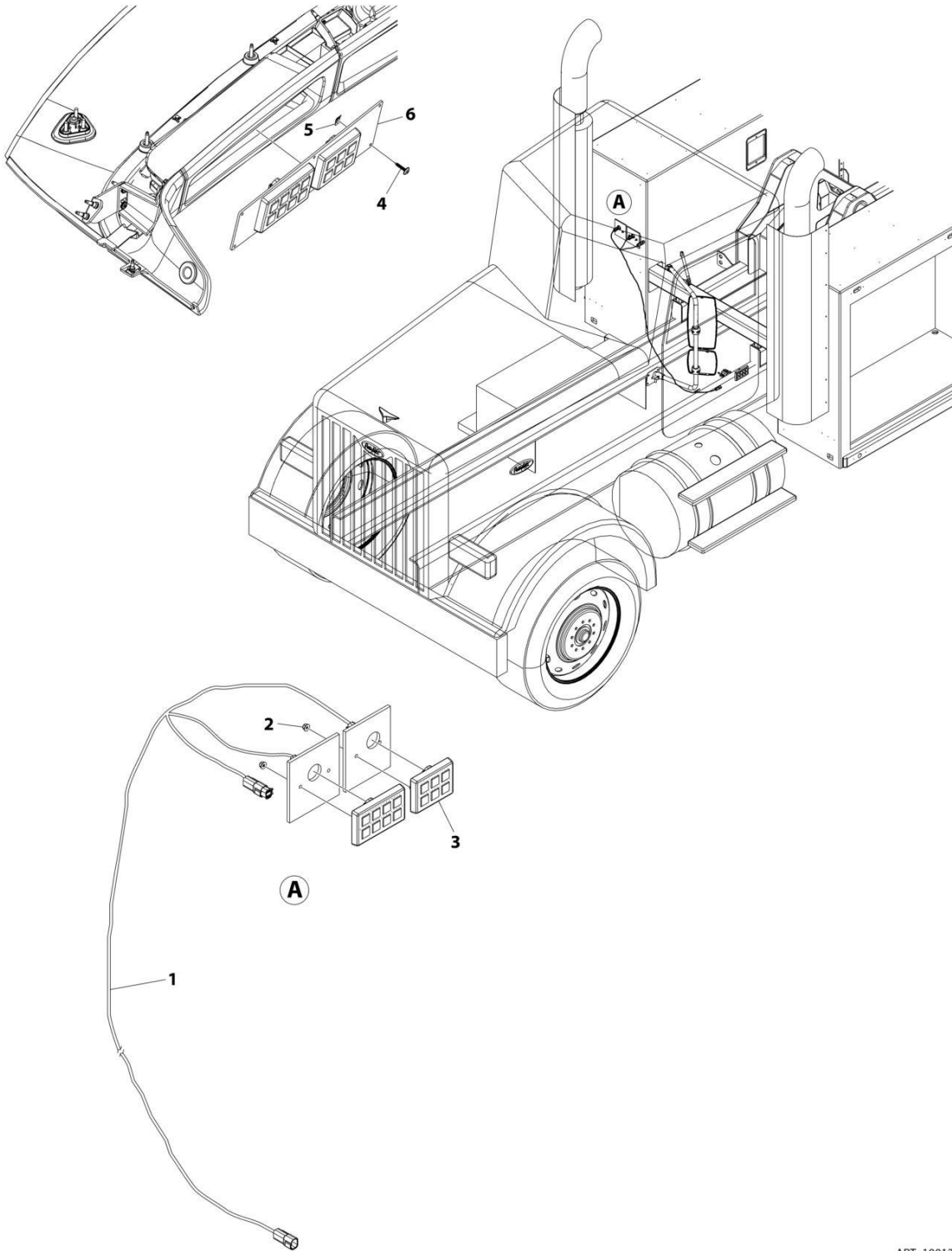
SECTION 5 - CONTROLS

FIGURE 5-5. IN-CAB CONTROLS INSTALLATION - KENWORTH T880 WITHOUT UNDERLIFT

ITEM	PART NUMBER	QTY	DESCRIPTION	REV
	1001212107	Ref	Switch Panel KW T880 Lighting Installation	B
1	1001209616	2	Nut #10	
2	1001215436	1	Harness (See Separate Breakdown in ELECTRICAL Section)	
3	7894000004	5	Tie Strap	

SECTION 5 - CONTROLS

FIGURE 5-6. IN-CAB CONTROLS INSTALLATION - KENWORTH T880 WITH UNDERLIFT



ART_1001235395

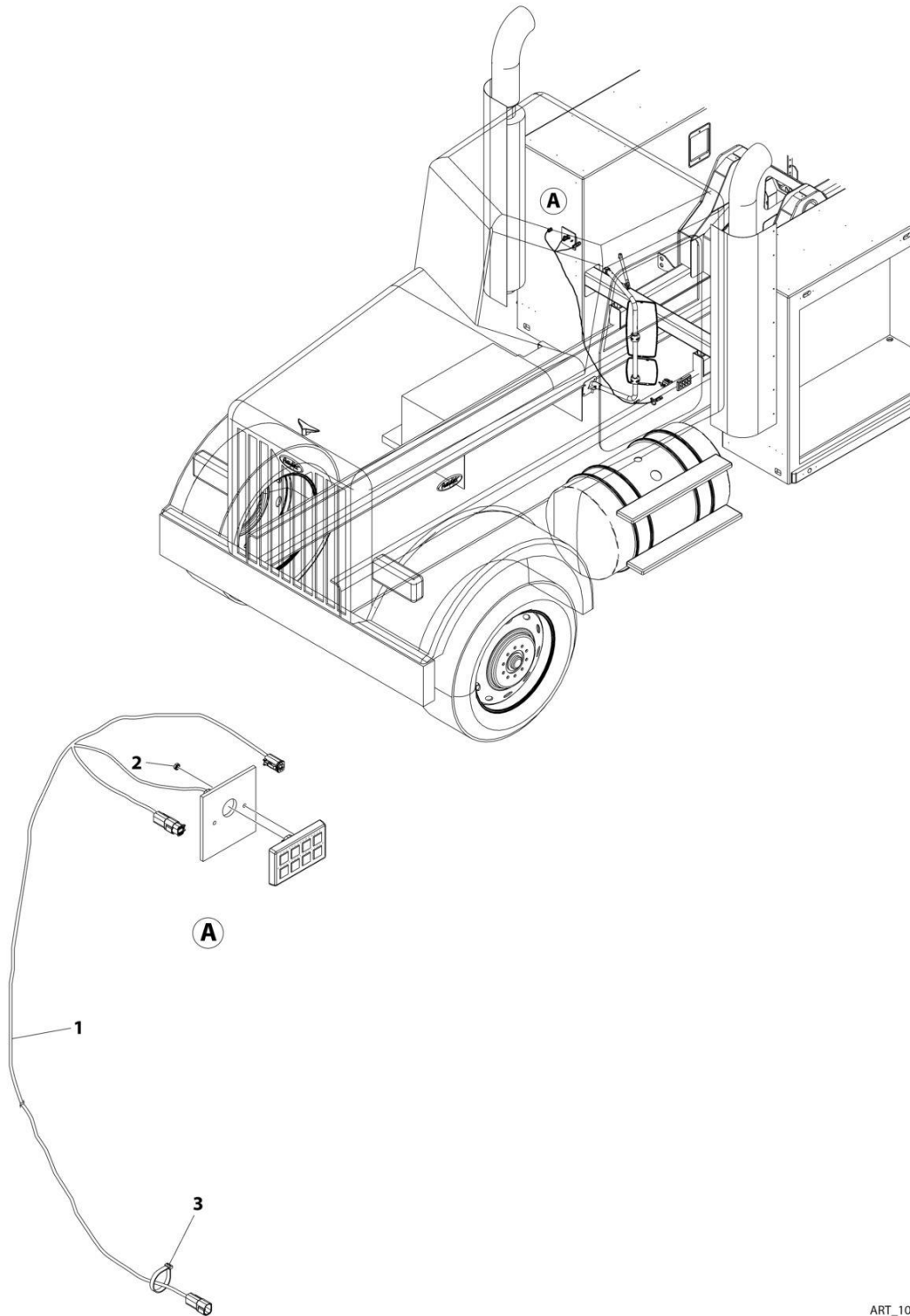
SECTION 5 - CONTROLS

FIGURE 5-6. IN-CAB CONTROLS INSTALLATION - KENWORTH T880 WITH UNDERLIFT

ITEM	PART NUMBER	QTY	DESCRIPTION	REV
	1001235395	Ref	CONTROLS (IN-CAB) INSTALLATION (CONSOLE MOUNTED)	B
1	1001208976	1	Multiplex In-Cab Control Harness (See Separate Breakdown in ELECTRICAL Section)	
2	1001209616	4	Nut #10	
3	1001288016	1	Keypad, Underlift	
4	1001232209	6	Screw #8	
5	1001232211	6	Nut #8	
6	1001235394	1	Support	
7	7894000004	7	Tie-Strap (Not Shown)	

SECTION 5 - CONTROLS

FIGURE 5-7. IN-CAB CONTROLS INSTALLATION - PETERBILT 389 LOW ROOF WITHOUT UNDERLIFT



ART_1001232965

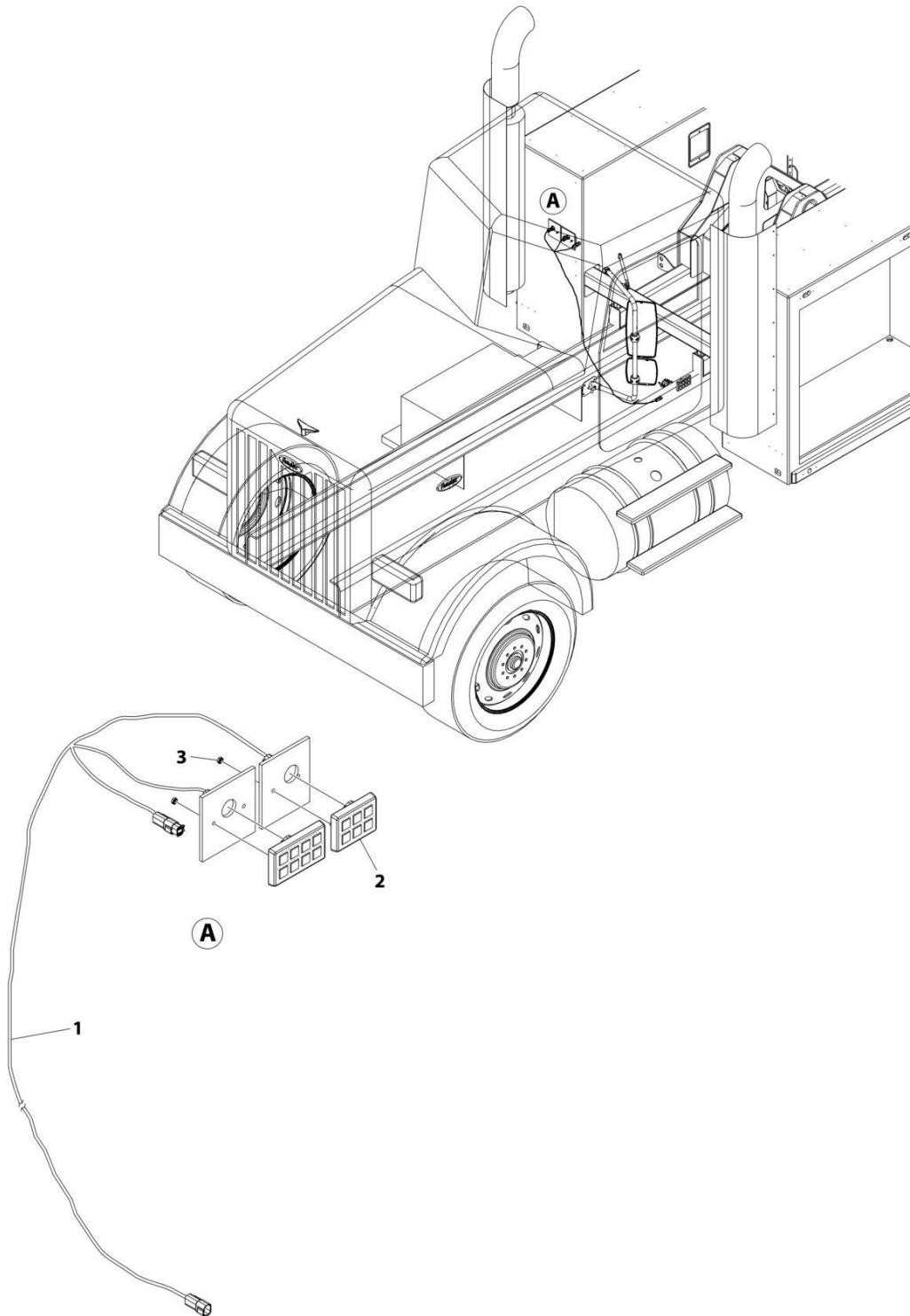
SECTION 5 - CONTROLS

FIGURE 5-7. IN-CAB CONTROLS INSTALLATION - PETERBILT 389 LOW ROOF WITHOUT UNDERLIFT

ITEM	PART NUMBER	QTY	DESCRIPTION	REV
	1001232965	Ref	Switch Panel Pete 389 Low Single Lighting Installation	A
1	1001208976	1	Harness (See Separatae Breakdown in ELECTRICAL Section)	
2	7661000023	2	Nut #10	
3	7894000004	7	Tie Strap	

SECTION 5 - CONTROLS

FIGURE 5-8. IN-CAB CONTROLS INSTALLATION - PETERBILT 389 LOW ROOF WITH UNDERLIFT



ART_1001232966

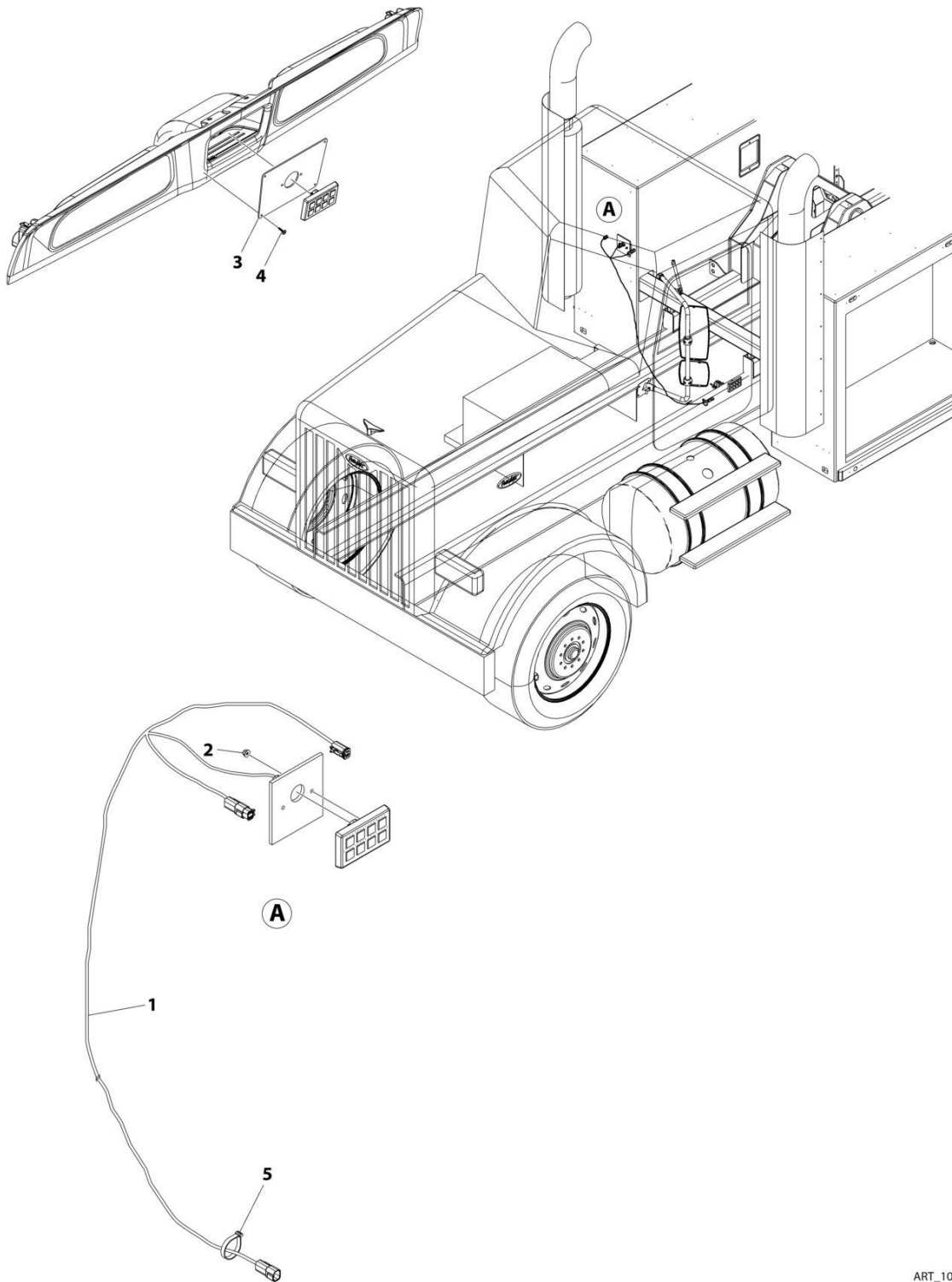
SECTION 5 - CONTROLS

FIGURE 5-8. IN-CAB CONTROLS INSTALLATION - PETERBILT 389 LOW ROOF WITH UNDERLIFT

ITEM	PART NUMBER	QTY	DESCRIPTION	REV
1	1001232966	Ref	CONTROLS (IN-CAB) INSTALLATION (CONSOLE MOUNTED)	B
	1001208976	1	Multiplex In-Cab Control Harness (See Separate Breakdown in ELECTRICAL Section)	
2	1001288016	1	Keypad, Underlift	
3	7661000023	4	Nut #10	
4	7894000004	7	Tie-Strap (Not Shown)	

SECTION 5 - CONTROLS

FIGURE 5-9. IN-CAB CONTROLS INSTALLATION - PETERBILT 389 HIGH ROOF WITHOUT UNDERLIFT



ART_1001231975

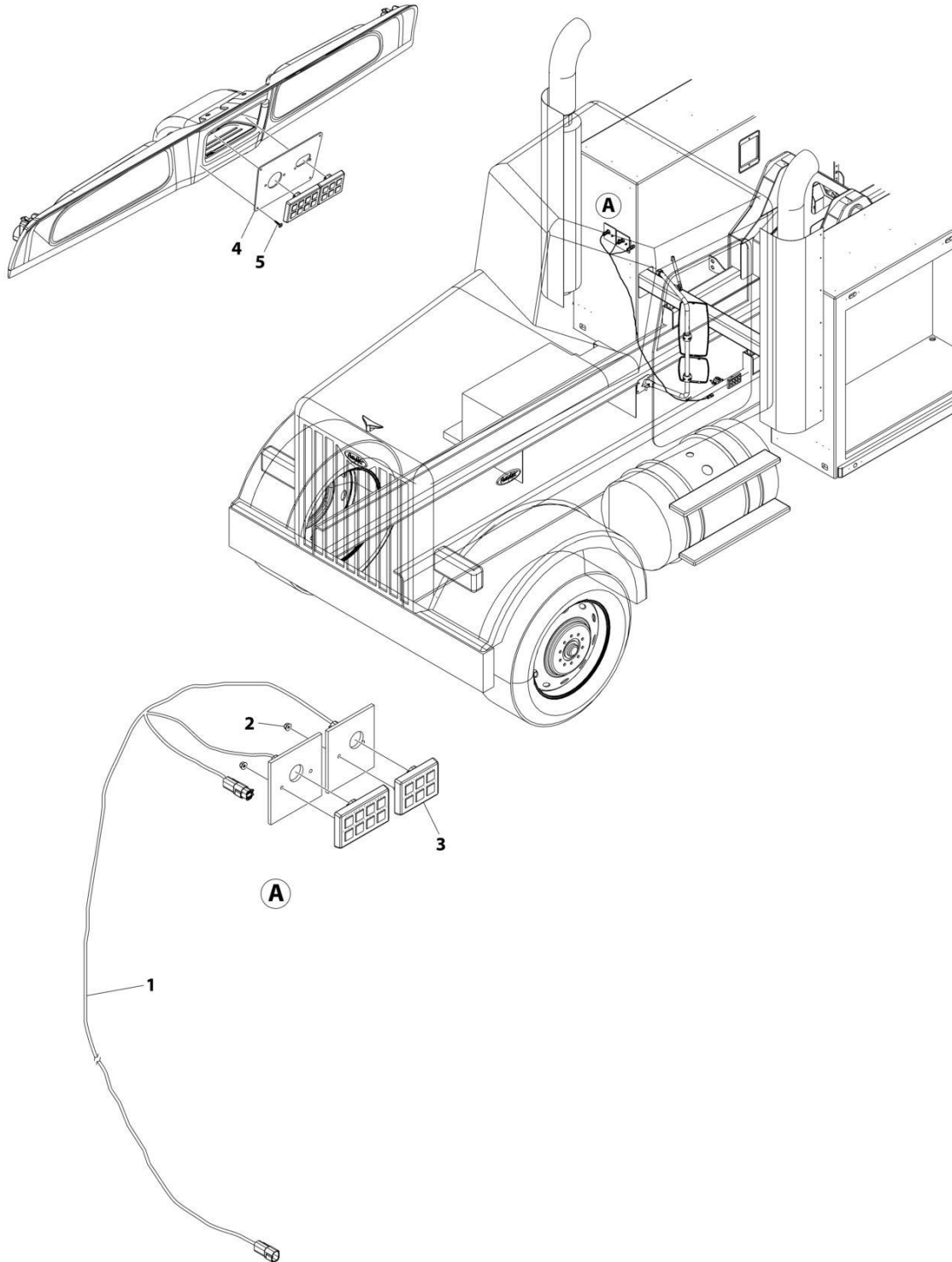
SECTION 5 - CONTROLS

FIGURE 5-9. IN-CAB CONTROLS INSTALLATION - PETERBILT 389 HIGH ROOF WITHOUT UNDERLIFT

ITEM	PART NUMBER	QTY	DESCRIPTION	REV
	1001231975	Ref	Switch Panel Pete 389 High Single Lighting Installation	A
1	1001208976	1	Harness (See Separate Breakdown in ELECTRICAL Section)	
2	1001209616	2	Nut #10	
3	1001231974	1	Support, Switch Panel	
4	1001232209	4	Screw #8	
5	7894000004	7	Tie Strap	

SECTION 5 - CONTROLS

FIGURE 5-10. IN-CAB CONTROLS INSTALLATION - PETERBILT 389 HIGH ROOF WITH UNDERLIFT



ART_1001231977

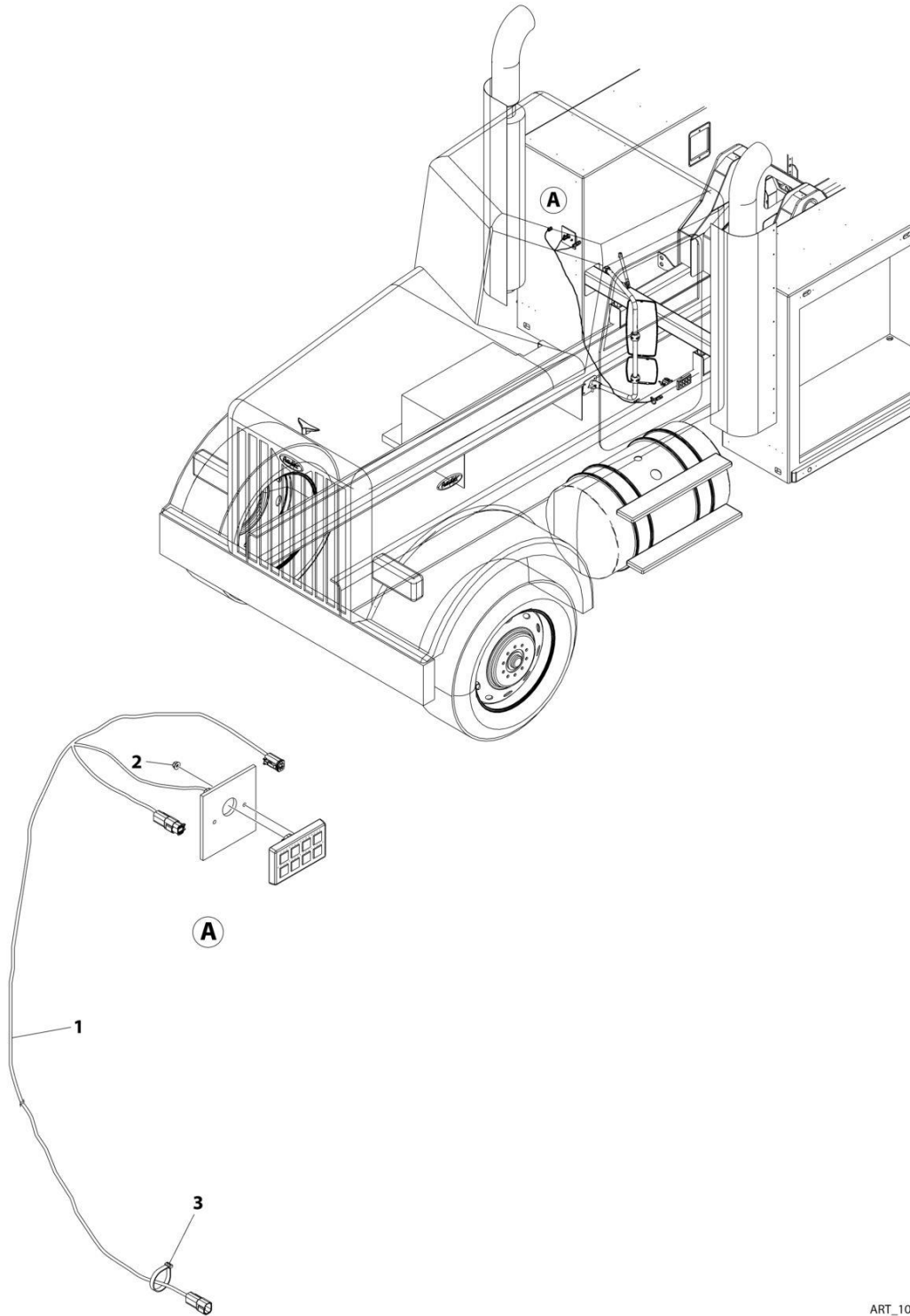
SECTION 5 - CONTROLS

FIGURE 5-10. IN-CAB CONTROLS INSTALLATION - PETERBILT 389 HIGH ROOF WITH UNDERLIFT

ITEM	PART NUMBER	QTY	DESCRIPTION	REV
	1001231977	Ref	CONTROLS (IN-CAB) INSTALLATION (CONSOLE MOUNTED)	B
1	1001208976	1	Multiplex In-Cab Control Harness (See Separate Breakdown in ELECTRICAL Section)	
2	1001209616	4	Nut #10	
3	1001288016	1	Keypad, Underlift	
4	1001231976	1	Support	
5	1001232209	4	Screw #8	
6	7894000004	7	Tie-Strap (Not Shown)	

SECTION 5 - CONTROLS

FIGURE 5-11. IN-CAB CONTROLS INSTALLATION - PETERBILT 567 WITHOUT UNDERLIFT



ART_1001232967

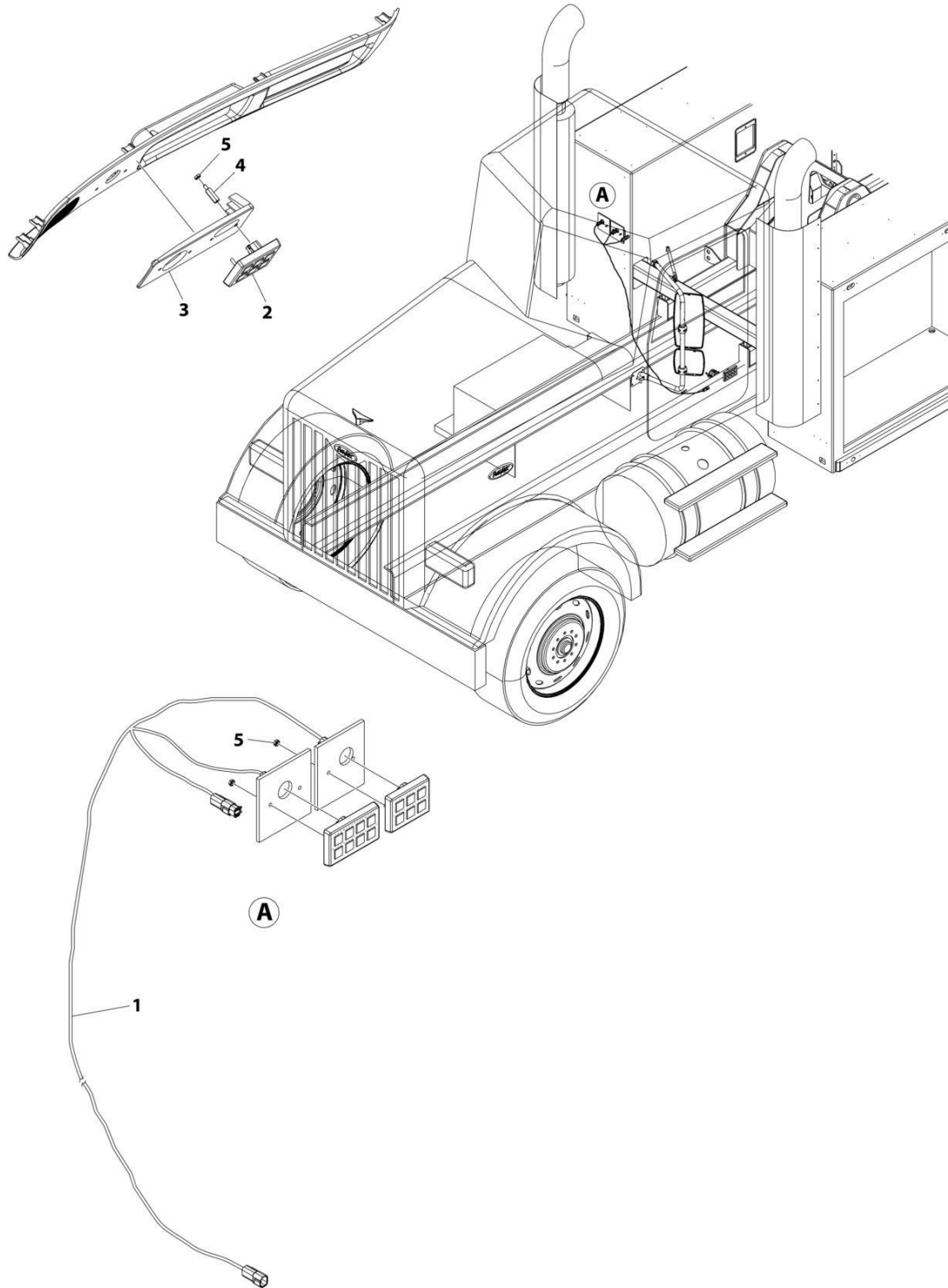
SECTION 5 - CONTROLS

FIGURE 5-11. IN-CAB CONTROLS INSTALLATION - PETERBILT 567 WITHOUT UNDERLIFT

ITEM	PART NUMBER	QTY	DESCRIPTION	REV
	1001232967	Ref	Switch Panel PETE 567 Lighting Installation	A
1	1001208976	1	Harness (See Separate Breakdown in ELECTRICAL Section)	
2	1001209616	2	Nut #10	
3	7894000004	7	Tie Strap	

SECTION 5 - CONTROLS

FIGURE 5-12. IN-CAB CONTROLS INSTALLATION - PETERBILT 567 WITH UNDERLIFT



ART_1001232968

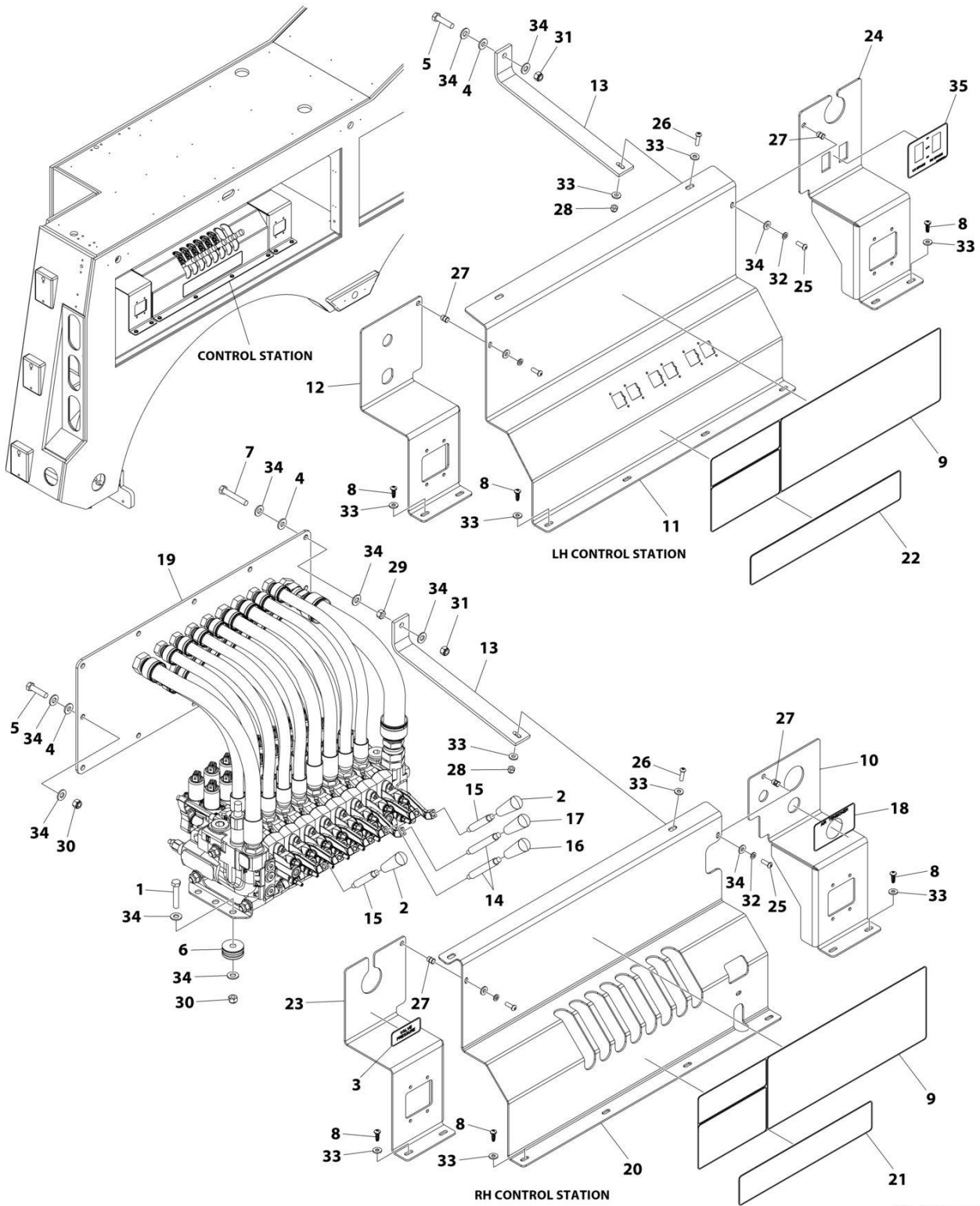
SECTION 5 - CONTROLS

FIGURE 5-12. IN-CAB CONTROLS INSTALLATION - PETERBILT 567 WITH UNDERLIFT

ITEM	PART NUMBER	QTY	DESCRIPTION	REV
	1001232968	Ref	CONTROLS (IN-CAB) INSTALLATION (CONSOLE MOUNTED)	B
1	1001208976	1	Multiplex In-Cab Control Harness (See Separate Breakdown in ELECTRICAL Section)	
2	1001288016	1	Keypad, Underlift	
3	1001232956	1	Support	
4	1001234537	1	Stud	
5	7661000023	4	Nut #10	
6	7894000004	7	Tie-Strap (Not Shown)	

SECTION 5 - CONTROLS

FIGURE 5-13. CONTROLS VALVE INSTALLATION 8 SECTION 8 SOLENOID



ART_1001285920

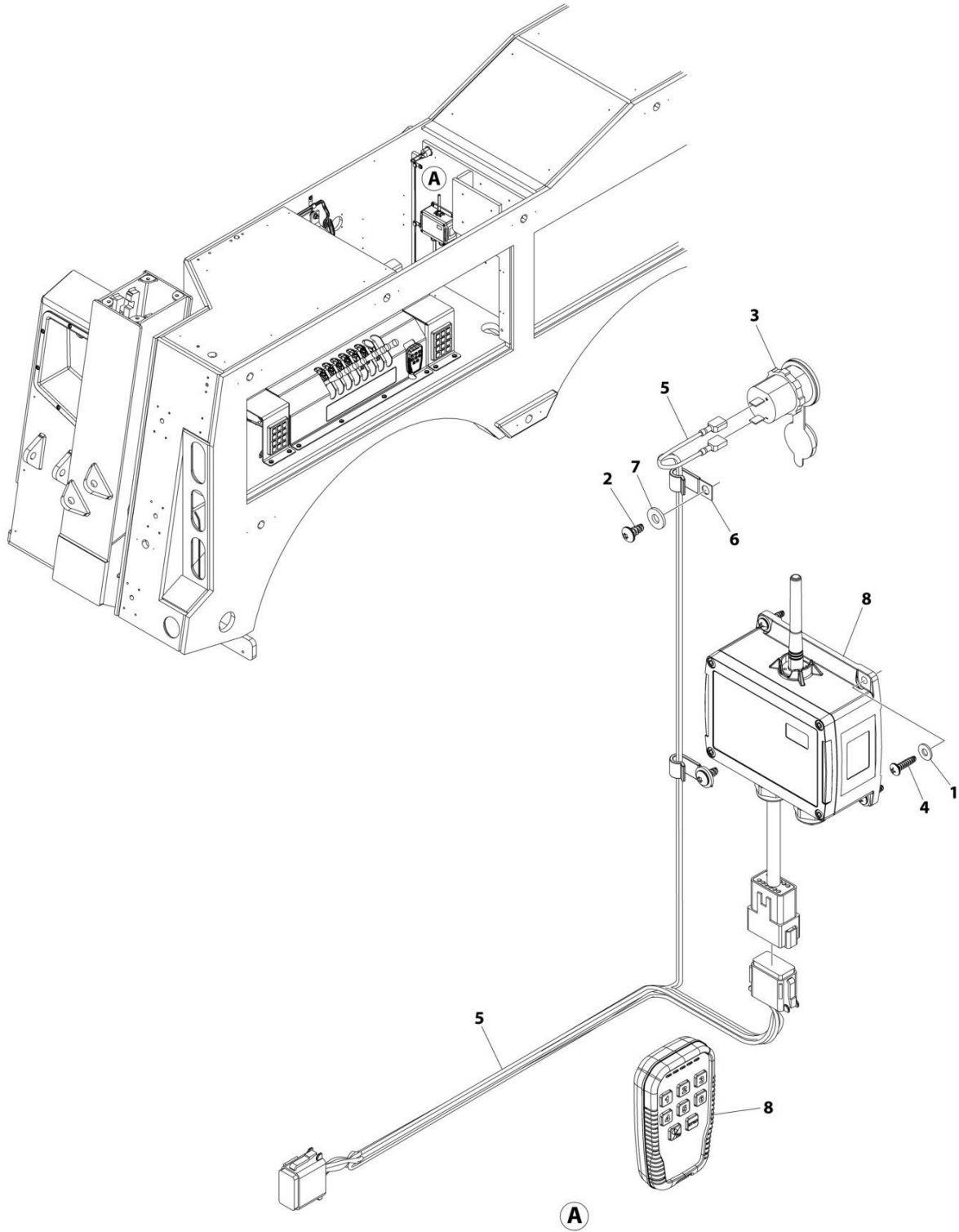
SECTION 5 - CONTROLS

FIGURE 5-13. CONTROLS VALVE INSTALLATION 8 SECTION 8 SOLENOID

ITEM	PART NUMBER	QTY	DESCRIPTION	REV
	1001285920	Ref	CONTROLS VALVE INSTALLATION 8 SECTION 8 SOLENOID	A
1	0641620	4	Bolt 3/8 x 2-1/2	
2	1001130491	6	Knob, Control	
3	1001131032	1	Decal	
4	1001166974	14	Washer 3/8	
5	1001168993	12	Bolt 3/8 x 1-1/2	
6	1001169054	4	Isolator, Radiator	
7	1001169083	2	Bolt 3/8 x 2	
8	1001194676	16	Screw 1/2 x 3/4	
9	1001196911	2	Decal	
10	1001249931	1	Panel, Controls Front RH	
11	1001286104	1	Panel, Controls 8 Sect LH	
12	1001288672	1	Panel, Controls Front LH	
13	1001249982	4	Bar, Controls Top	
14	1001250915	2	Rod, Long	
15	1001250916	6	Rod, Short	
16	1001254767	1	Knob, Handle	
17	1001254768	1	Knob, Handle	
18	1001257300	1	Decal	
19	1001285927	1	Valve Assembly Control (See Separate Breakdown in HYDRAULIC Section)	
20	1001285933	1	Panel, Controls Rear RH	
21	1001285970	1	Decal	
22	1001285971	1	Decal	
23	1001285977	1	Panel, Controls Rear RH	
24	1001285979	1	Panel, Controls Rear LH	
25	7114140618	4	Screw 1/4 x 3/4	
26	7114140818	4	Capscrew 1/4 x 1	
27	7413000002	4	Nut 1/4	
28	7660142601	4	Nut 1/4	
29	7660160000	2	Nut 3/8	
30	7660162601	16	Nut 3/8	
31	7661000021	2	Nut 3/8	
32	7950140003	4	Washer 1/4	
33	7950140143	28	Washer 1/4	
34	7950160143	38	Washer 3/8	
35	1001134461	1	Decal	

SECTION 5 - CONTROLS

FIGURE 5-14. REMOTE CONTROL INSTALLATION (6 FUNCTION NON-PROP 8 SECTION)



ART_1001288838

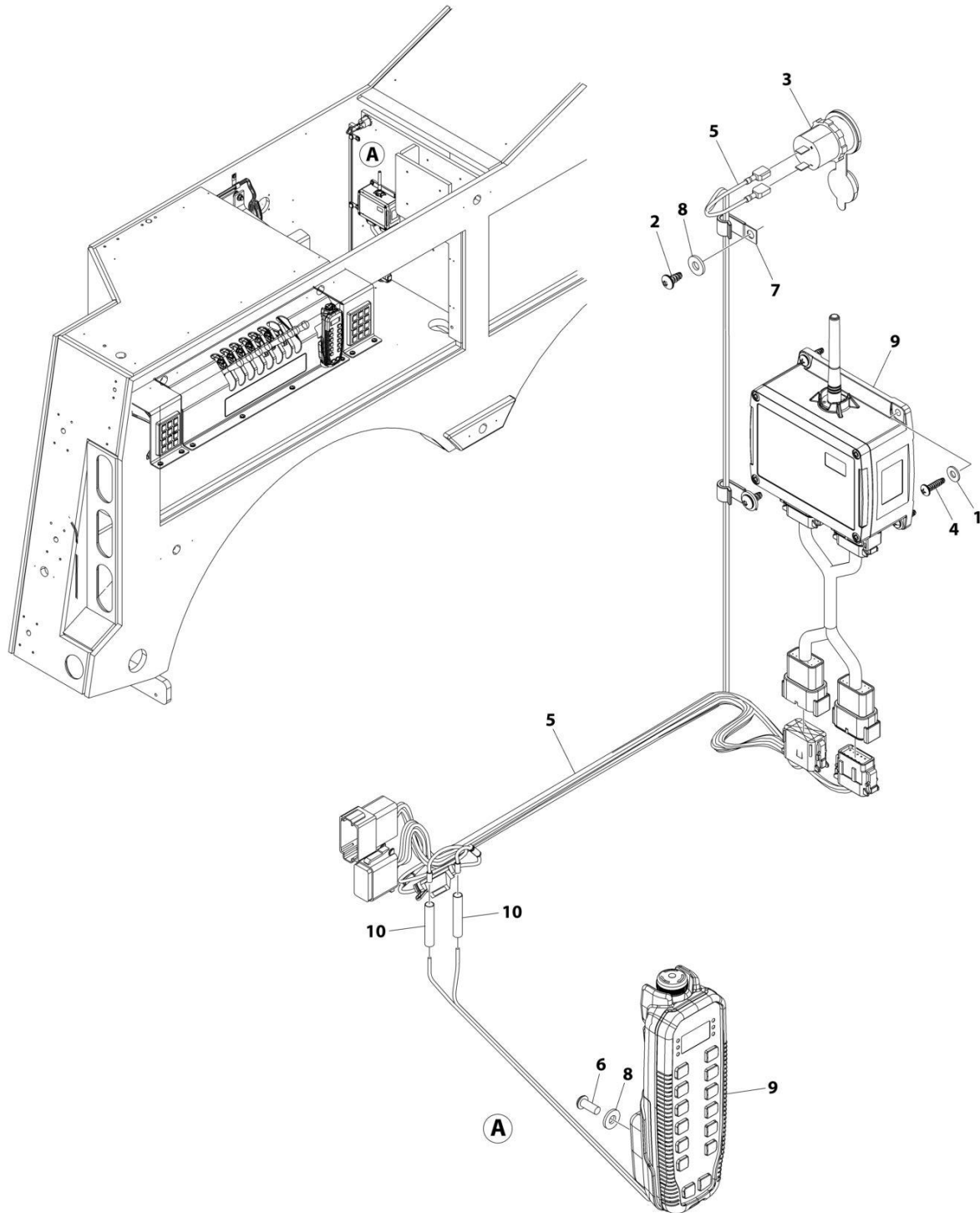
SECTION 5 - CONTROLS

FIGURE 5-14. REMOTE CONTROL INSTALLATION (6 FUNCTION NON-PROP 8 SECTION)

ITEM	PART NUMBER	QTY	DESCRIPTION	REV
	1001288838	Ref	WIRELESS REMOTE 6 FUNCTION NON-PROP 8 SECTION	A
1	4711000	4	Washer #10	
2	1001195257	2	Screw #1/4 x 1/2	
3	1001201384	1	Socket	
4	1001230068	4	Screw #10 x 3/4	
5	1001288839	1	Harness, Remote 6 Function Non-Prop (See Separate Breakdown in ELECTRICAL Section)	
6	7280000018	2	Clip	
7	7950140143	2	Washer 1/4	
8	1001283315	1	Remote Control Assembly, 6 Function (See Separate Breakdown in this Section)	

SECTION 5 - CONTROLS

FIGURE 5-15. REMOTE CONTROL INSTALLATION (12 FUNCTION NON-PROP 8 SECTION)



ART_1001288960

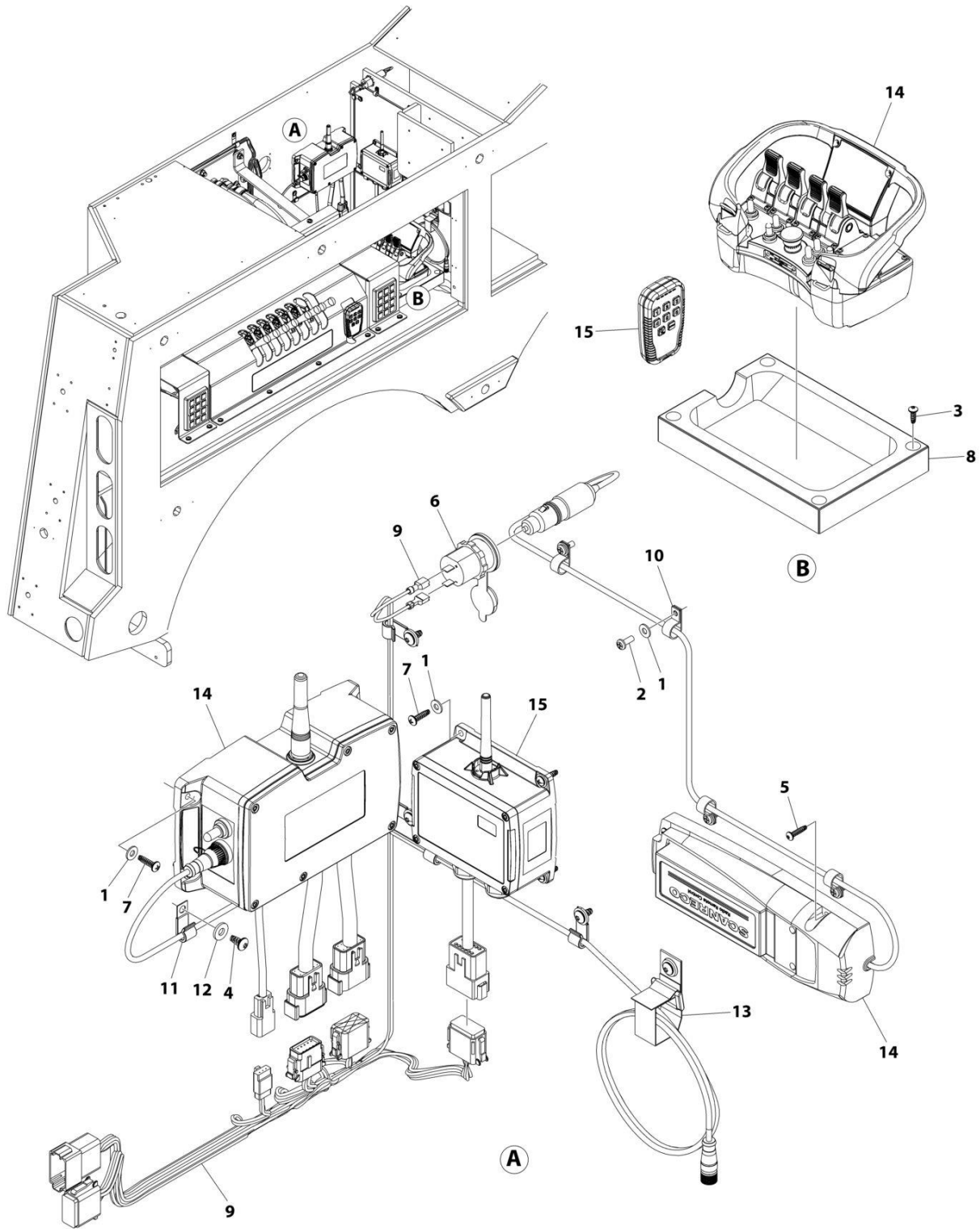
SECTION 5 - CONTROLS

FIGURE 5-15. REMOTE CONTROL INSTALLATION (12 FUNCTION NON-PROP 8 SECTION)

ITEM	PART NUMBER	QTY	DESCRIPTION	REV
	1001288960	Ref	WIRELESS REMOTE 12 FUNCTION NON-PROP 8 SECTION	A
1	4711000	4	Washer #10	
2	1001195257	2	Screw 1/4 x 1/2	
3	1001201384	1	Socket	
4	1001230068	4	Screw #10 x 3/4	
5	1001288961	1	Harness, Remote 12 Function Non-Prop (See Separate Breakdown in ELECTRICAL Section)	
6	7114140518	1	Capscrew 1/4 x 5/8	
7	7280000018	2	Clip	
8	7950140143	3	Washer 1/4	
9	1001288962	1	Remote Control Assembly, 12 Function (See Separate Breakdown in this Section)	
10	7346000039	AR	Tubing	

SECTION 5 - CONTROLS

FIGURE 5-16. REMOTE CONTROL INSTALLATION (12 FUNCTION PROP 8 SECTION)



ART_1001288807

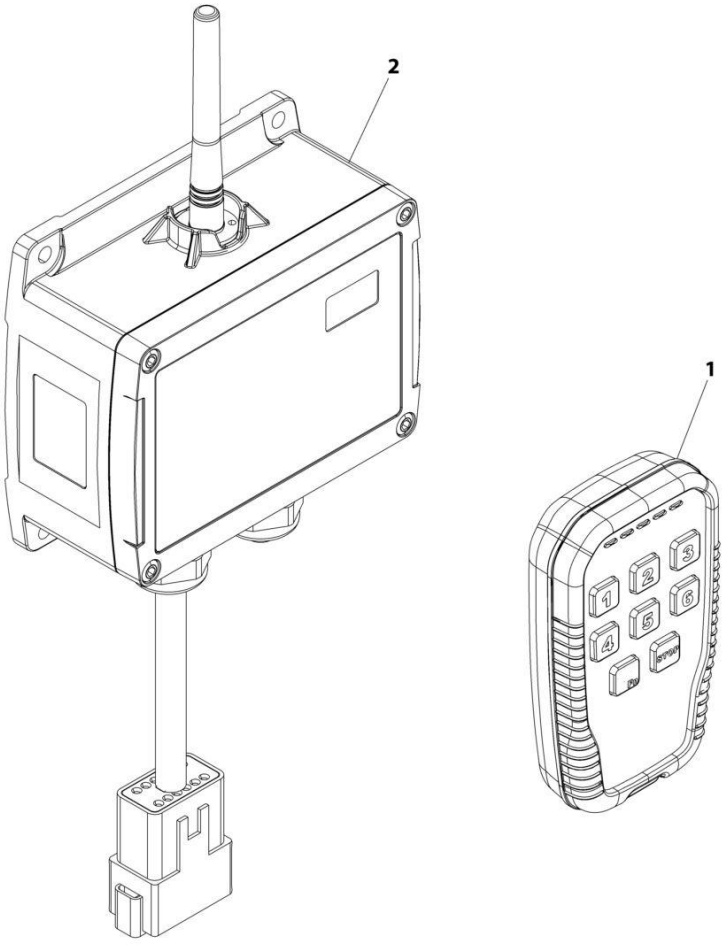
SECTION 5 - CONTROLS

FIGURE 5-16. REMOTE CONTROL INSTALLATION (12 FUNCTION PROP 8 SECTION)

ITEM	PART NUMBER	QTY	DESCRIPTION	REV
	1001288807	Ref	WIRELESS REMOTE 12 FUNCTION PROP 8 SECTION	A
1	4711000	12	Washer #10	
2	1001172004	4	Screw	
3	1001194676	4	Screw 1/4 x 3/4	
4	1001195257	7	Screw 1/4 x 1/2	
5	1001196552	4	Screw #8 x 3/4	
6	1001201384	1	Socket	
7	1001230068	8	Screw #10 x 3/4	
8	1001235386	1	Tray	
9	1001288808	1	Harness, Remote 12 Function Prop (See Separate Breakdown in ELECTRICAL Section)	
10	7274000036	4	Clamp	
11	7280000018	6	Clip	
12	7950140143	7	Washer 1/4	
13	1001167286	1	Tie-Strap	
14	1001234562	1	Remote Control Assembly, 8 Function (See Separate Breakdown in this Section)	
15	1001283315	1	Remote Control Assembly, 6 Function (See Separate Breakdown in this Section)	

SECTION 5 - CONTROLS

FIGURE 5-17. REMOTE CONTROL ASSEMBLY - WIRELESS (6 FUNCTION NON-PROP 8 SECTION)



ART_1001283315

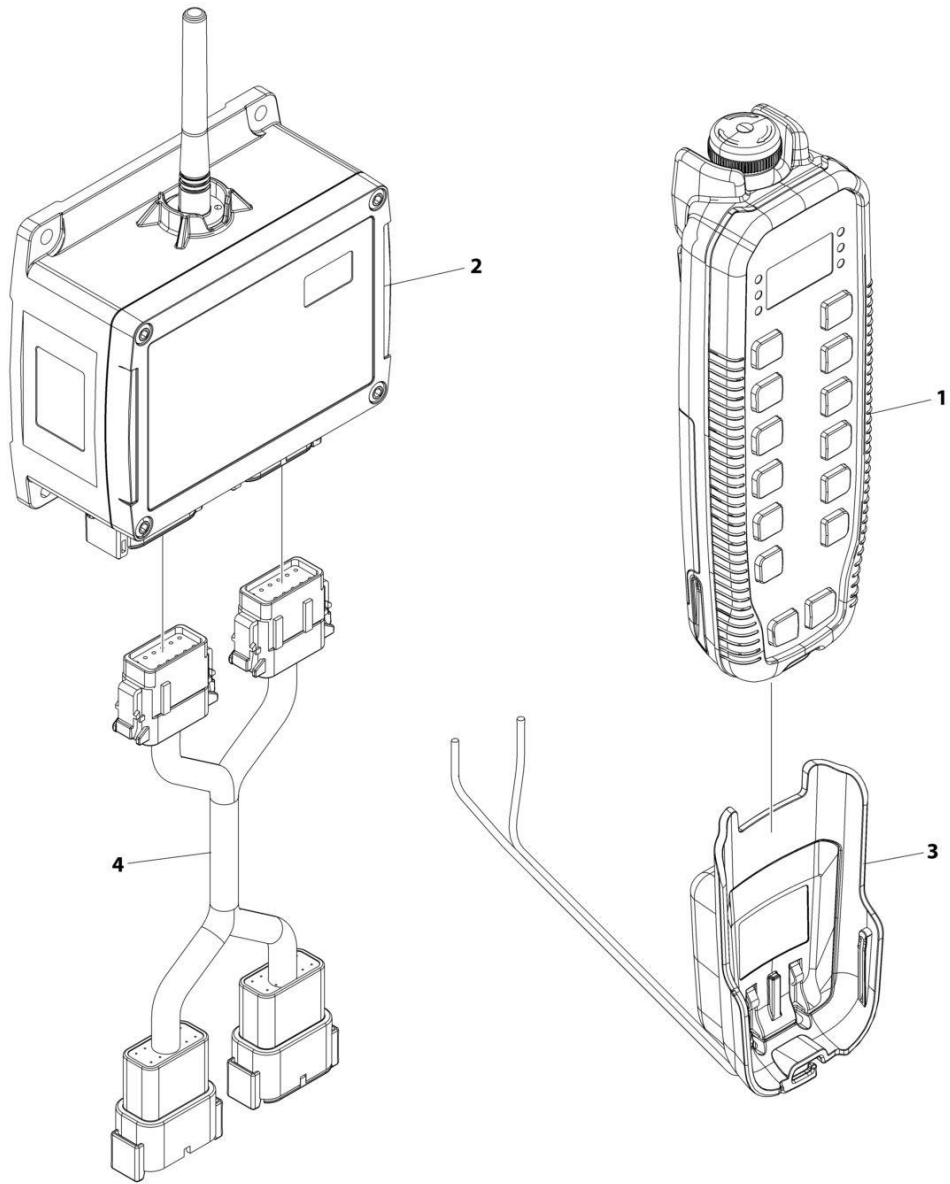
SECTION 5 - CONTROLS

FIGURE 5-17. REMOTE CONTROL ASSEMBLY - WIRELESS (6 FUNCTION NON-PROP 8 SECTION)

ITEM	PART NUMBER	QTY	DESCRIPTION	REV
	1001283315	Ref	REMOTE CONTROL ASSEMBLY (6 FUNCTION HANDHELD)	B
1	1001284964	1	Transmitter, Handheld	
2	1001283419	1	Receiver	

SECTION 5 - CONTROLS

FIGURE 5-18. REMOTE CONTROL ASSEMBLY - WIRELESS (12 FUNCTION NON-PROP 8 SECTION)



ART_1001288962

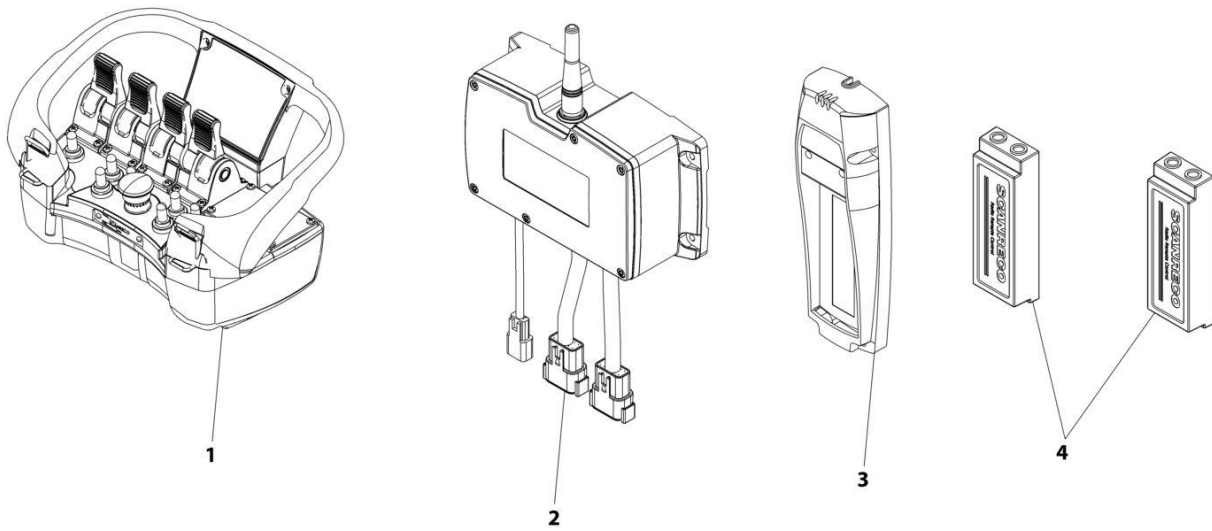
SECTION 5 - CONTROLS

FIGURE 5-18. REMOTE CONTROL ASSEMBLY - WIRELESS (12 FUNCTION NON-PROP 8 SECTION)

ITEM	PART NUMBER	QTY	DESCRIPTION	REV
	1001288962	Ref	REMOTE CONTROL ASSEMBLY - WIRELESS (12 FUNCTION HANDHELD)	A
1	1001288989	1	Transmitter, Handheld	
2	1001288991	1	Receiver	
3	1001288993	1	Charger, Battery	
4	1001288992	1	Harness, Adapter	

SECTION 5 - CONTROLS

FIGURE 5-19. REMOTE CONTROL ASSEMBLY (12 FUNCTION PROP 8 SECTION)



ART_1001234562

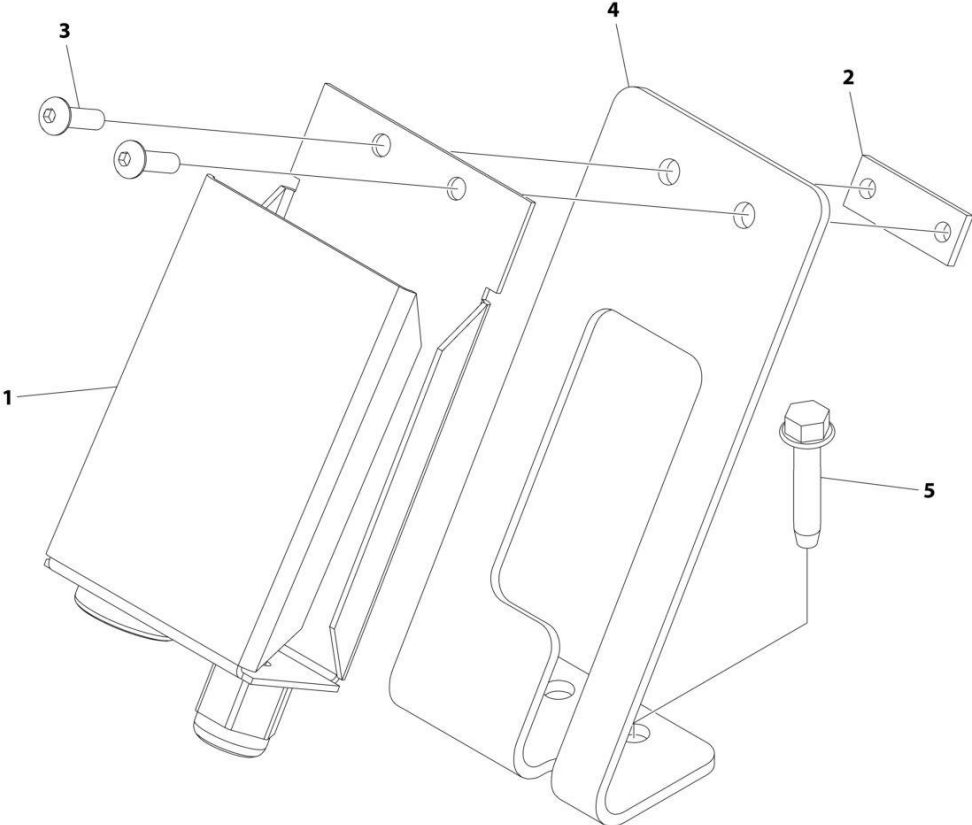
SECTION 5 - CONTROLS

FIGURE 5-19. REMOTE CONTROL ASSEMBLY (12 FUNCTION PROP 8 SECTION)

ITEM	PART NUMBER	QTY	DESCRIPTION	REV
	1001234562	Ref	Remote Control Assembly, 8 Function	C
1	1001234723	1	Console, Replacement	
2	1001226504	1	Receiver	
3	1001226798	1	Battery Charger	
4	1001232868	2	Battery	

SECTION 5 - CONTROLS

FIGURE 5-20. REMOTE CONTROL HOLDER INSTALLATION



ART_2002000031

SECTION 5 - CONTROLS

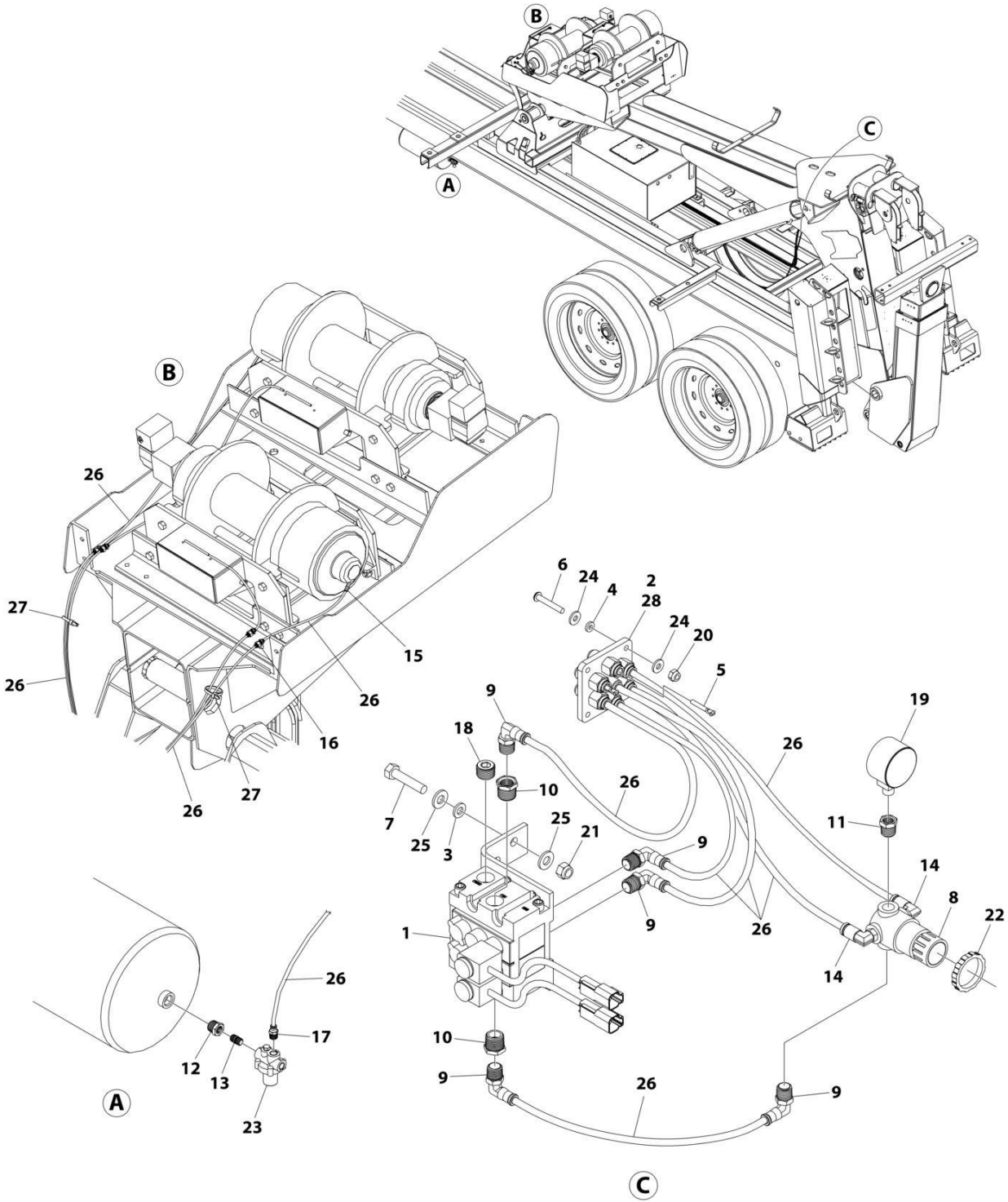
FIGURE 5-20. REMOTE CONTROL HOLDER INSTALLATION

ITEM	PART NUMBER	QTY	DESCRIPTION	REV
	2002000031	Ref	Remote Control Transmitter Holder	D
1	7002000521	1	Holder, Box	
2	7661000056	1	Nut #10	
3	7114100518	2	Screw #10 x 5/8	
4	1001230127	1	Mount	
5	7790142051	2	Screw 1/4 x 1-1/4	

SECTION 6 - HYDRAULIC

SECTION 6 - HYDRAULIC

FIGURE 6-1. AIR INSTALLATION - DUAL WINCH



ART_1001197456

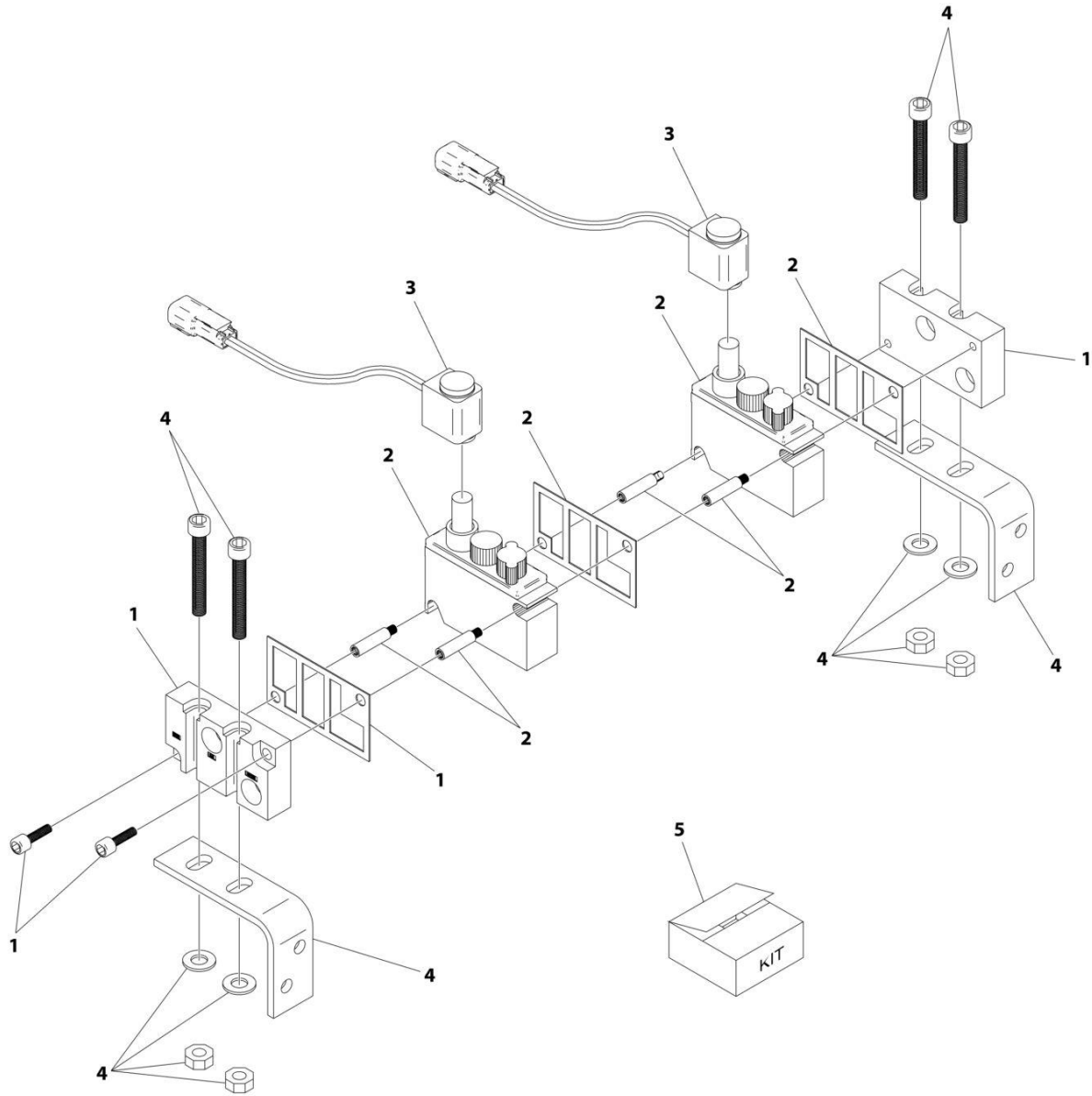
SECTION 6 - HYDRAULIC

FIGURE 6-1. AIR INSTALLATION - DUAL WINCH

ITEM	PART NUMBER	QTY	DESCRIPTION	REV
	1001197456	Ref	AIR INSTALLATION - DUAL WINCH	E
1	1001129800	1	Air Valve Assembly (See Separate Breakdown in this Section)	
2	1001184765	1	Bulkhead (SN 0230004275 through 0230010713)	
2	1001297064	1	Bulkhead (SN 0230010714 to Present)	
3	1001197482	4	Washer 5/16	
4	1001207736	4	Washer #10	
5	1001197506	4	Seal	
6	7114101018	AR	Screw #10 x 1-1/4	
7	7115151250	4	Capscrew 5/16 x 1-1/2	
8	7295000029	1	Air Regulator	
9	7443000139	5	Fitting	
10	7443000148	2	Fitting, Straight	
11	7443000149	1	Fitting, Straight	
12	7443000154	1	Fitting, Straight	
13	7443000156	1	Fitting, Straight	
14	7443000173	2	Fitting, 90	
15	7443000176	2	Fitting	
16	7443000178	4	Fitting, Straight	
17	7443000329	1	Fitting	
18	7444030037	1	Plug	
19	7470000006	1	Air Pressure Gauge	
20	7660102601	4	Nut #10	
21	7660152601	4	Nut 5/16	
22	7661000041	1	Nut	
23	7935000120	1	Valve	
24	7950100143	8	Washer 3/16	
25	7950150143	8	Washer 5/16	
26	7565000016	125 ft	Airline Tubing	
27	7894000004	35	Tie Strap	
28	8798820001	AR	Sealant	

SECTION 6 - HYDRAULIC

FIGURE 6-2. VALVE ASSEMBLY - AIR 2 SECTION



ART_1001129800

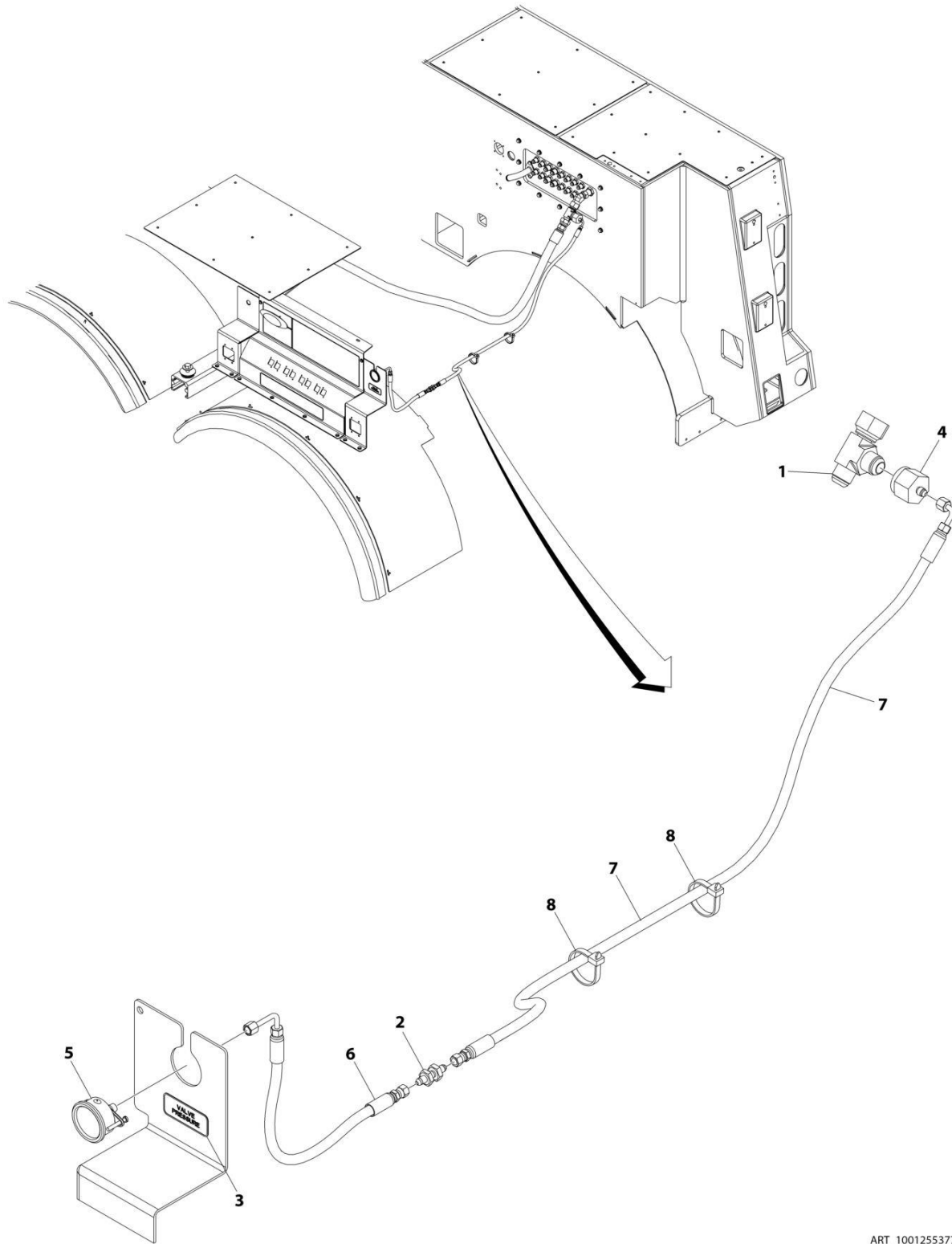
SECTION 6 - HYDRAULIC

FIGURE 6-2. VALVE ASSEMBLY - AIR 2 SECTION

ITEM	PART NUMBER	QTY	DESCRIPTION	REV
	1001129800	Ref	Air Valve 2 Section Assembly	B
1	70050526	1	Kit, Stacking (Includes Inlet, Outlet, Gaskets & Assembly Hardware)	
2	70050527	2	Valve Assembly	
3	70050528	2	Coil	
4	70050529	1	Kit, Mounting Bracket	
5	70050530	2	Kit, Spool Seal	

SECTION 6 - HYDRAULIC

FIGURE 6-3. GAUGES INSTALLATION - HYDRAULIC (DRIVERS SIDE)



ART_1001255377

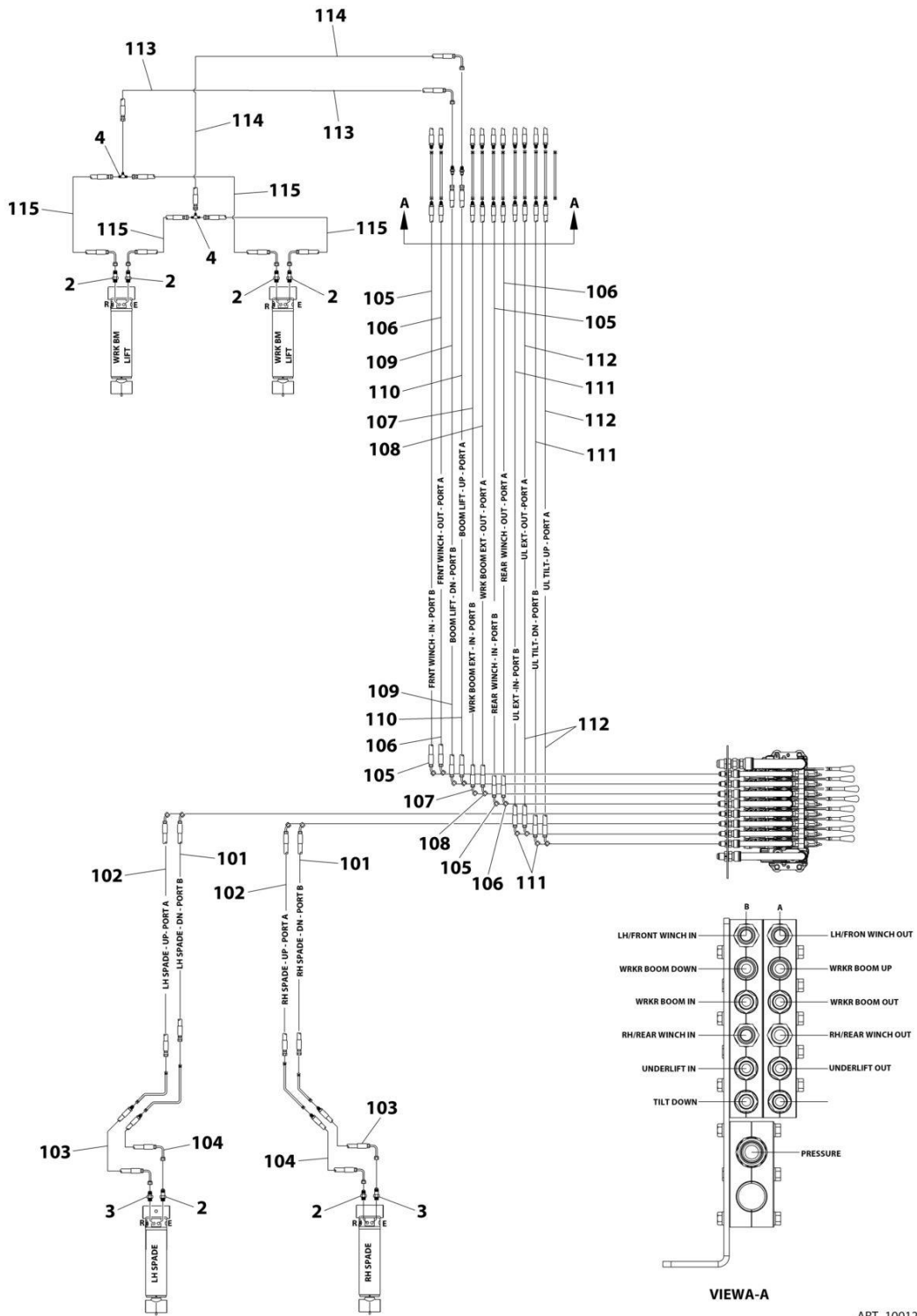
SECTION 6 - HYDRAULIC

FIGURE 6-3. GAUGES INSTALLATION - HYDRAULIC (DRIVERS SIDE)

ITEM	PART NUMBER	QTY	DESCRIPTION	REV
	1001255377	Ref	DRIVER SIDE GAUGES INSTALLATION	A
1	2220642	1	Fitting, Tee	
2	2230021	1	Adapter, Straight	
3	1001131032	1	Decal	
4	1001252618	1	Adapter, Straight	
5	7470000023	1	Gauge	
6	1001219790	1	Hose	
7	1001228167	1	Hose	
8	5526000553	6	Tie-Strap	

SECTION 6 - HYDRAULIC

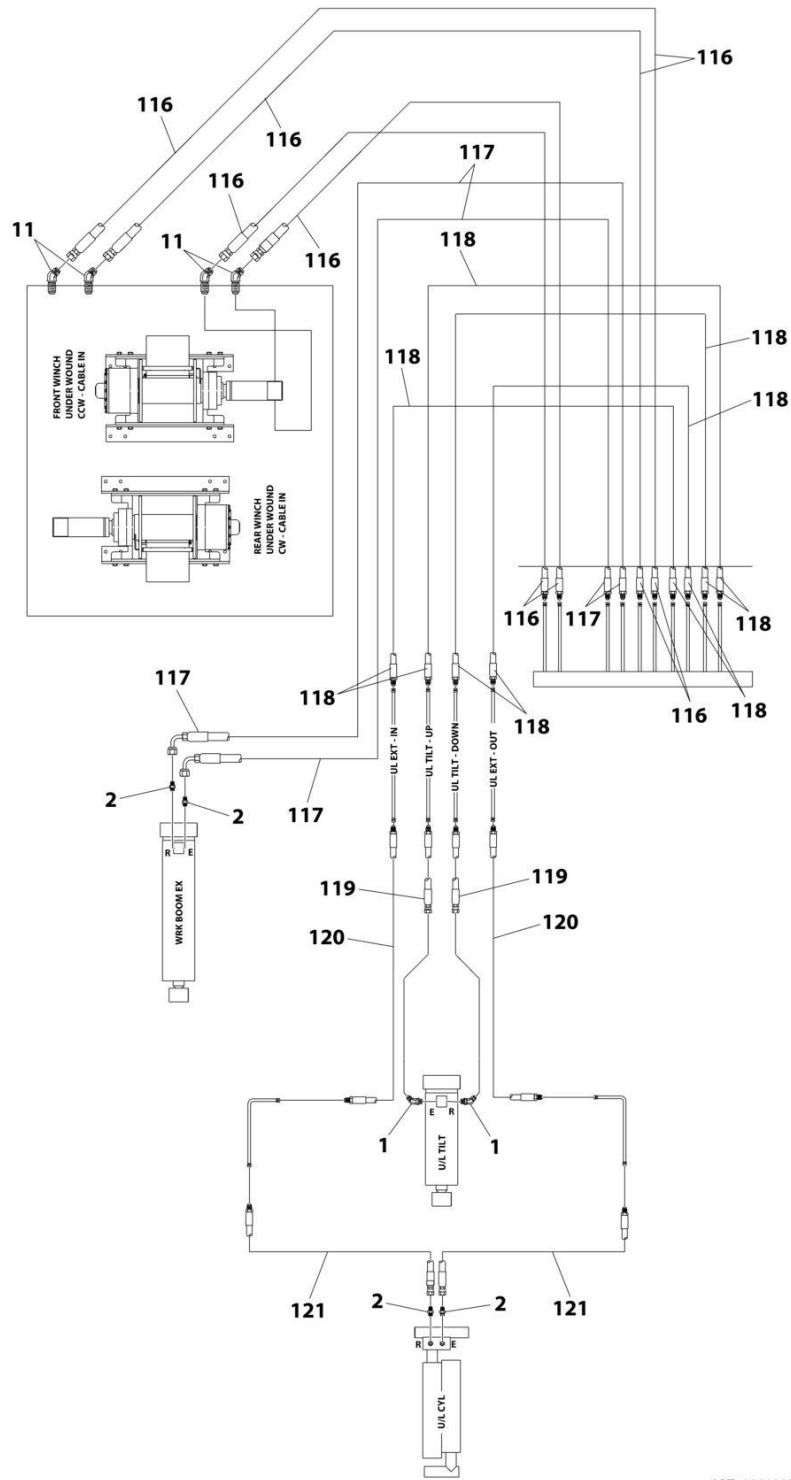
FIGURE 6-4. HYDRAULIC LINES AND FITTINGS



ART_1001287551_10F4

SECTION 6 - HYDRAULIC

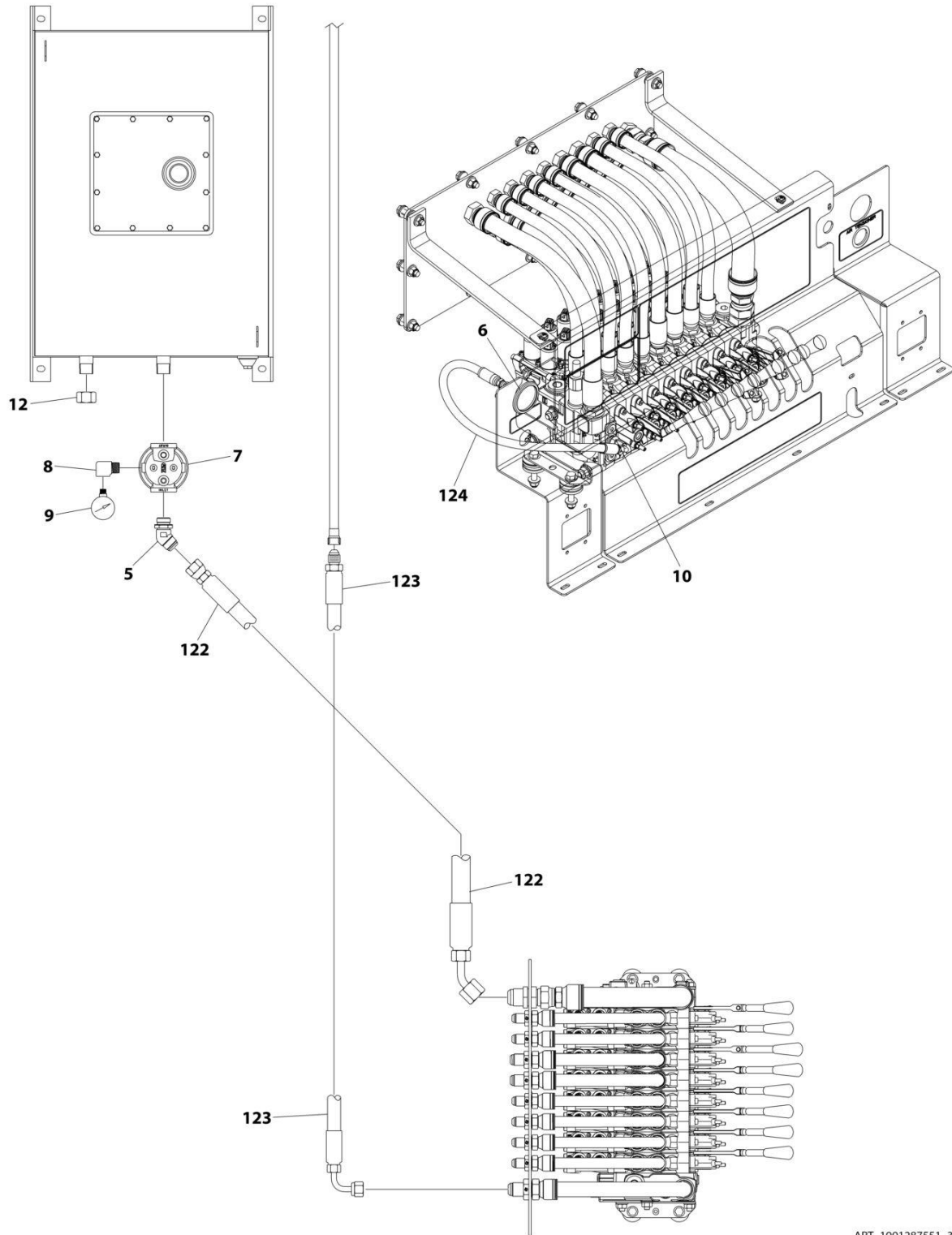
FIGURE 6-5. HYDRAULIC LINES AND FITTINGS



ART_1001287551_2OF4

SECTION 6 - HYDRAULIC

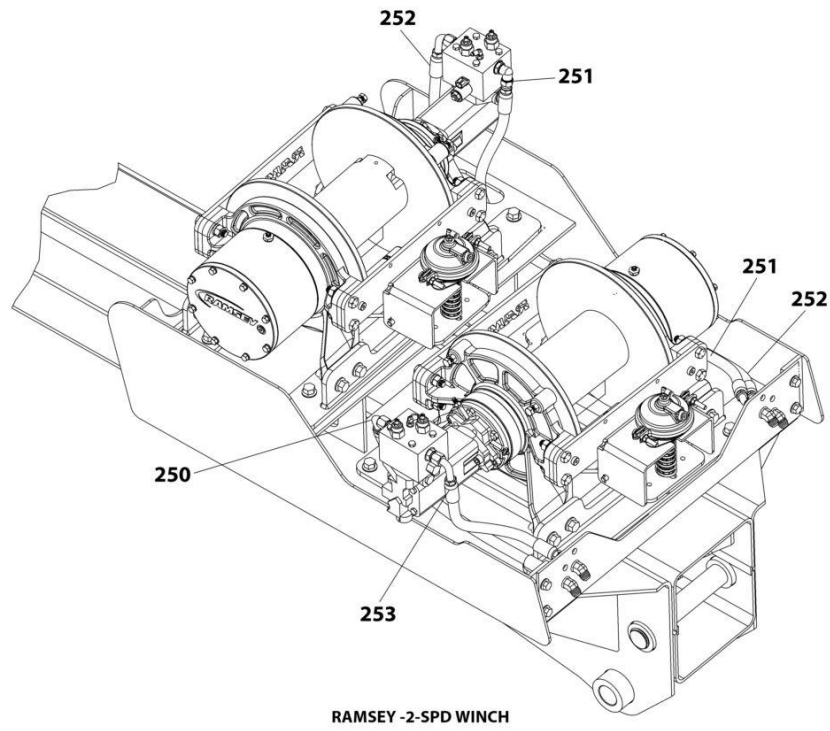
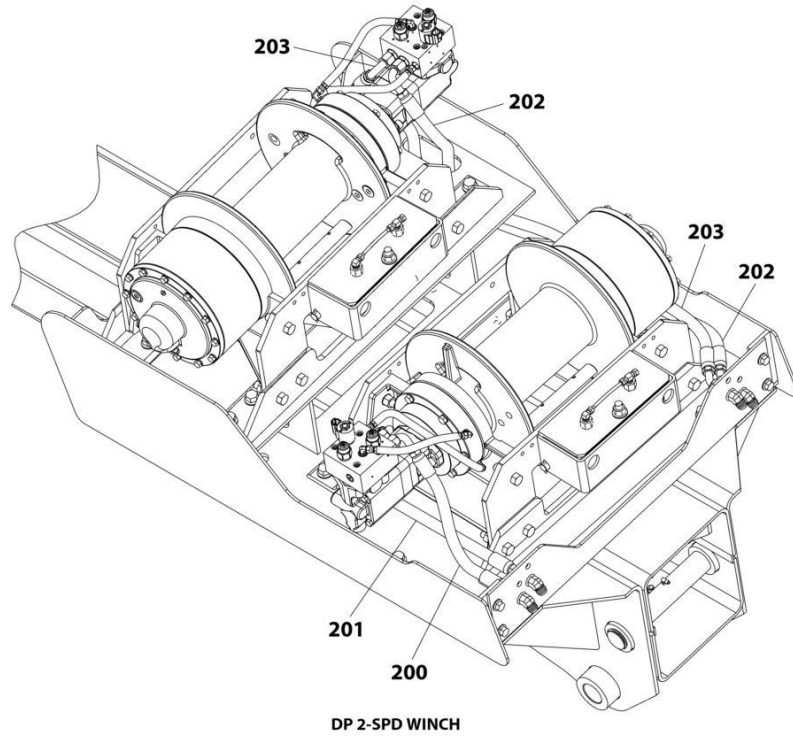
FIGURE 6-6. HYDRAULIC LINES AND FITTINGS



ART_1001287551_30F4

SECTION 6 - HYDRAULIC

FIGURE 6-7. HYDRAULIC LINES AND FITTINGS



ART_1001287551_40F4

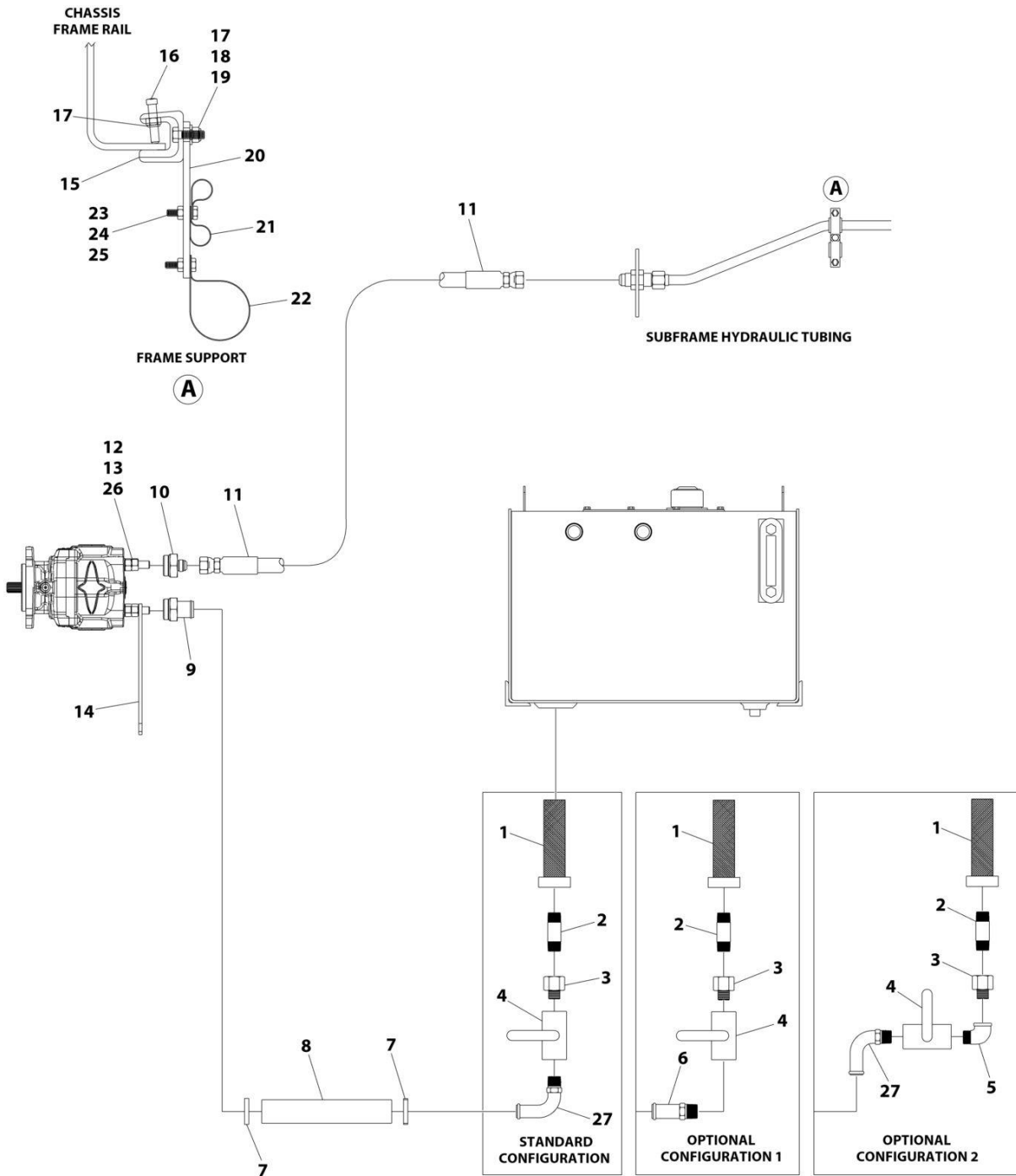
SECTION 6 - HYDRAULIC

FIGURE 6-7. HYDRAULIC LINES AND FITTINGS

ITEM	PART NUMBER	QTY	DESCRIPTION	REV
	1001287551	Ref	HYDRAULIC LINES AND FITTINGS	A
1	2220501	2	Fitting, 45 - JIC/O-Ring	
2	2220371	10	Fitting, Straight - O-Ring	
3	2220998	2	Fitting, Straight - O-Ring/JIC	
4	2220490	2	Fitting, Tee	
5	2220357	1	Fitting, 45 - JIC/NPT	
6	7470000023	1	Gauge, Pressure	
7	7470000004	1	Filter Assembly - Hydraulic Oil	
8	7443000158	1	Fitting, 90 - NPT	
9	7470000002	1	Gauge, Oil Filter	
10	2220582	1	Fitting, Straight JIC/ORB	
11	2230035	4	Fitting, 45 - JIC/JIC	
12	7444000800	1	Cap, Fitting	
13	1001287548	1	Hose Kit (Not Shown) (See Items 101-124)	
	1001287548	Ref	HOSE KIT	A
101	4569132026	2	Hose	
102	4569133028	2	Hose	
103	4570000268	2	Hose	
104	4570000269	2	Hose	
105	1001287648	2	Hose	
106	1001287649	2	Hose	
107	4569132063	1	Hose	
108	4569133064	1	Hose	
109	1001205230	1	Hose	
110	1001205217	1	Hose	
111	1001287586	2	Hose	
112	1001287588	2	Hose	
113	4570000263	1	Hose	
114	4570000264	1	Hose	
115	4567122023	4	Hose	
116	4569160048	4	Hose	
117	4570000255	2	Hose	
118	4570000069	4	Hose	
119	4570000311	2	Hose	
120	4570000312	2	Hose	
121	4570000254	2	Hose	
122	1001287580	1	Hose	
123	1001287585	1	Hose	
124	1001193242	1	Hose	
	1001219190	Ref	WINCH HOSE KIT (DP WINCH)	A
200	4567152018	1	Hose	
201	1001166531	1	Hose	
202	1001219188	1	Hose	
203	1001219189	1	Hose	
	1001266915	Ref	HOSE KIT (RAMSEY WINCH)	A
250	1001166531	1	Hose	
251	1001166532	1	Hose	
252	1001219189	1	Hose	
253	1001267012	1	Hose	

SECTION 6 - HYDRAULIC

FIGURE 6-8. HYDRAULIC SUPPLY INSTALLATION (210-265IN WB)



ART_1001287844

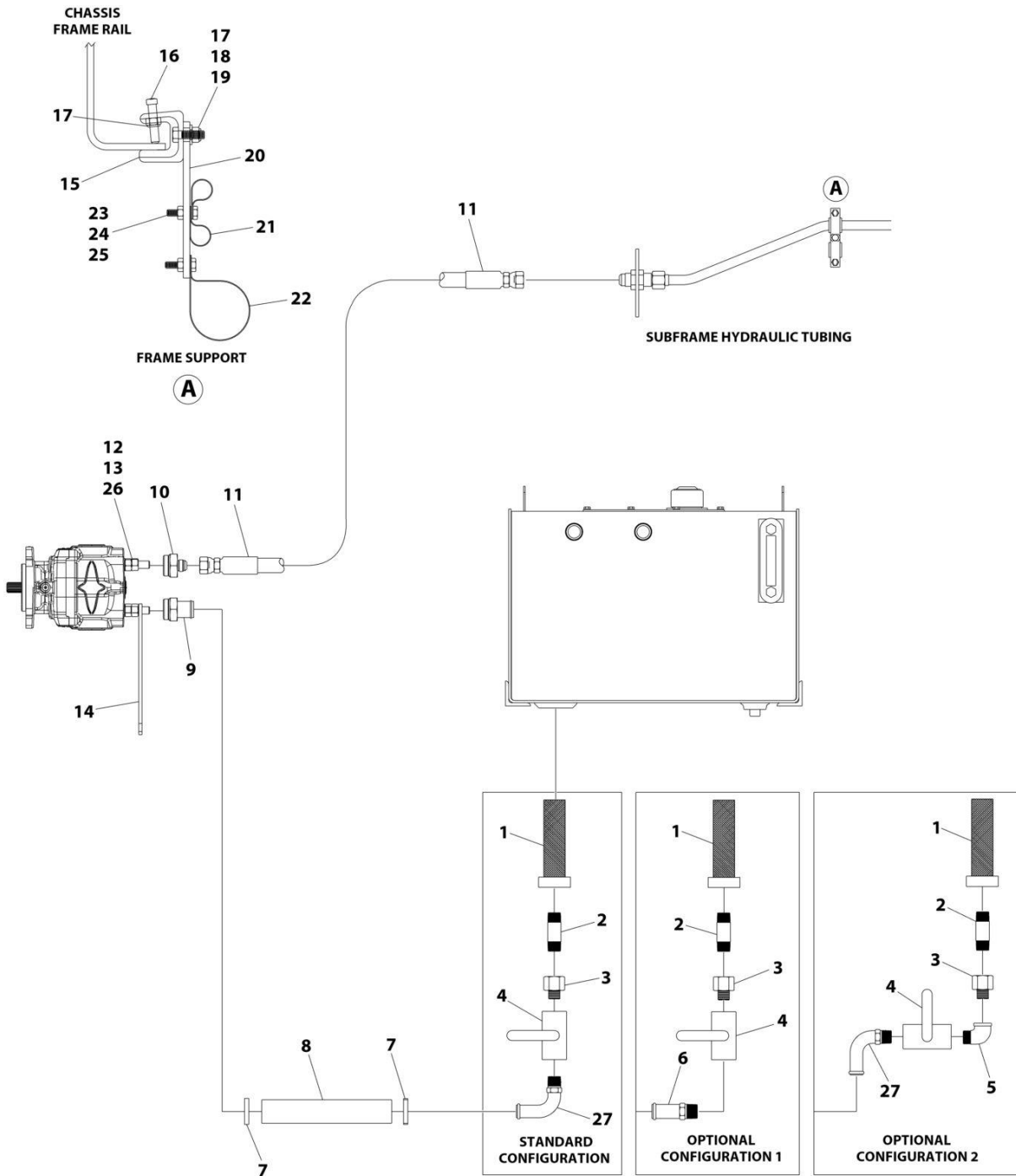
SECTION 6 - HYDRAULIC

FIGURE 6-8. HYDRAULIC SUPPLY INSTALLATION (210-265IN WB)

ITEM	PART NUMBER	QTY	DESCRIPTION	REV
	1001287844	Ref	HYDRAULIC SUPPLY INSTALLATION (210-265IN WB)	A
1	7430000010	1	Filter, Tank	
2	7650100137	1	Fitting, Straight	
3	7444121050	1	Fitting, Straight NPTM/NPTF	
4	7935000116	1	Valve, Ball	
5	7444121271	AR	Fitting, 90	
6	7443000130	AR	Fitting, Straight NPT/TUBE	
7	7274000028	2	Clamp	
8	8565000026	13 ft	Hose	
9	1001287856	1	Fitting, Straight BARB/ORB	
10	1001287855	1	Adapter	
11	4567160146	1	Hose	
12	7865182065	4	Stud 1/2 x 2-1/2	
13	7950180000	4	Washer 1/2	
14	4178000349	1	Bracket	
15	7274000076	6	Clamp	
16	7785152420	6	Setscrew 5/16 x 1-1/2	
17	7660152601	12	Nut 5/16	
18	7115151050	6	Bolt 5/16 x 1-1/4	
19	7950150161	6	Washer 5/16	
20	4706003844	6	Plate	
21	7274000041	6	Clamp	
22	7274000071	6	Clamp	
23	7115140850	12	Bolt 1/4 x 1	
24	7950140152	12	Washer 1/4	
25	7660142601	12	Nut 1/4	
26	7660180000	4	Nut 1/2	
27	7443000254	1	Fitting, 90 - NPT/BARBED	

SECTION 6 - HYDRAULIC

FIGURE 6-9. HYDRAULIC SUPPLY INSTALLATION (266-305IN WB)



ART_1001287845

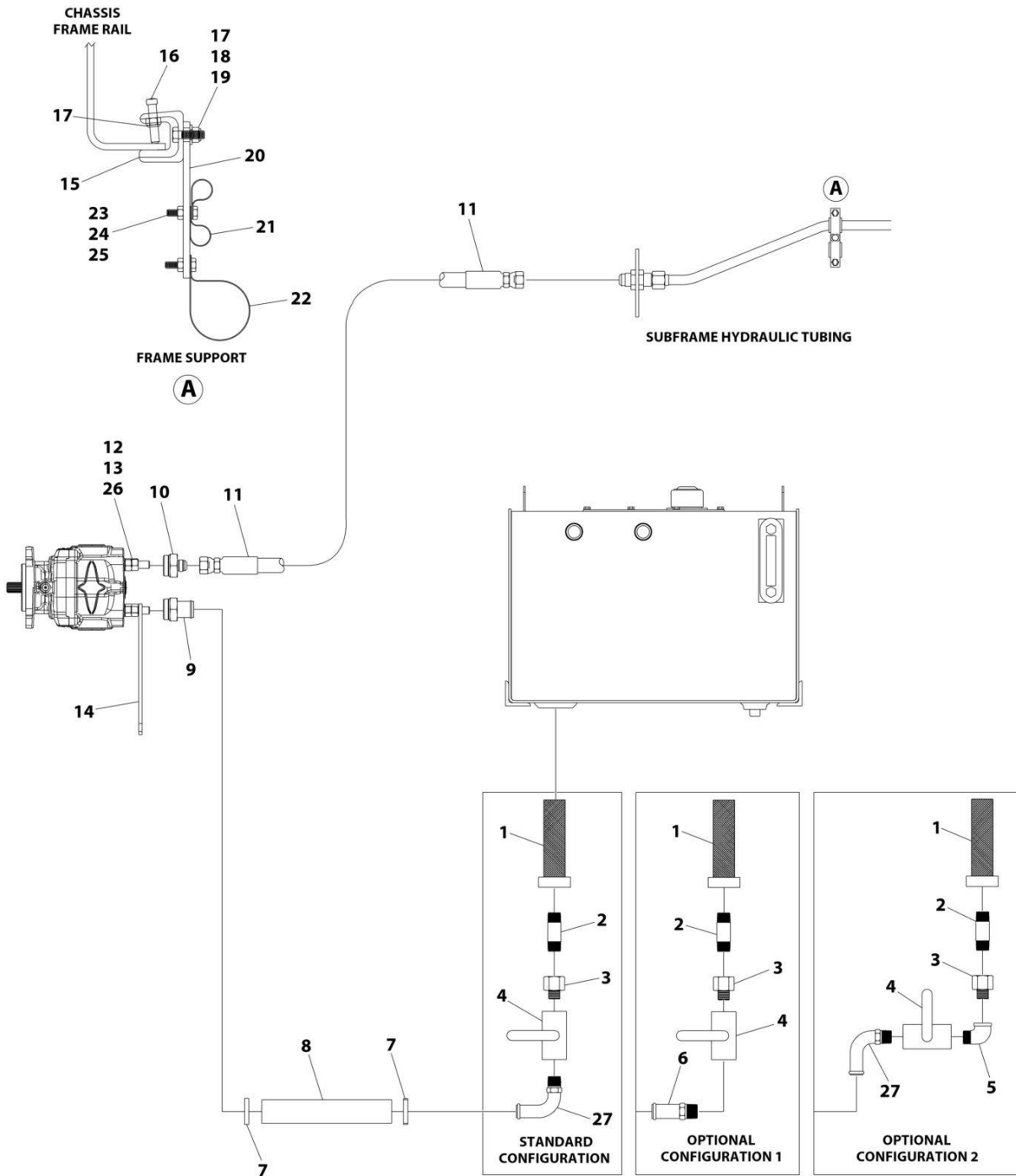
SECTION 6 - HYDRAULIC

FIGURE 6-9. HYDRAULIC SUPPLY INSTALLATION (266-305IN WB)

ITEM	PART NUMBER	QTY	DESCRIPTION	REV
	1001287845	Ref	HYDRAULIC SUPPLY INSTALLATION (266-305IN WB)	A
1	7430000010	1	Filter, Tank	
2	7650100137	1	Fitting, Straight	
3	7444121050	1	Fitting, Straight NPTM/NPTF	
4	7935000116	1	Valve, Ball	
5	7444121271	AR	Fitting, 90	
6	7443000130	AR	Fitting, Straight NPT/TUBE	
7	7274000028	2	Clamp	
8	8565000026	16.5 ft	Hose	
9	1001287856	1	Fitting, Straight BARB/ORB	
10	1001287855	1	Adapter	
11	1001218610	1	Hose	
12	7865182065	4	Stud 1/2 x 2-1/2	
13	7950180000	4	Washer 1/2	
14	4178000349	1	Bracket	
15	7274000076	6	Clamp	
16	7785152420	6	Setscrew 5/16 x 1-1/2	
17	7660152601	12	Nut 5/16	
18	7115151050	6	Bolt 5/16 x 1-1/4	
19	7950150161	6	Washer 5/16	
20	4706003844	6	Plate	
21	7274000041	6	Clamp	
22	7274000071	6	Clamp	
23	7115140850	12	Bolt 1/4 x 1	
24	7950140152	12	Washer 1/4	
25	7660142601	12	Nut 1/4	
26	7660180000	4	Nut 1/2	
27	7443000254	1	Fitting, 90 - NPT/BARBED	

SECTION 6 - HYDRAULIC

FIGURE 6-10. HYDRAULIC SUPPLY INSTALLATION (306-345IN WB)



ART_1001287846

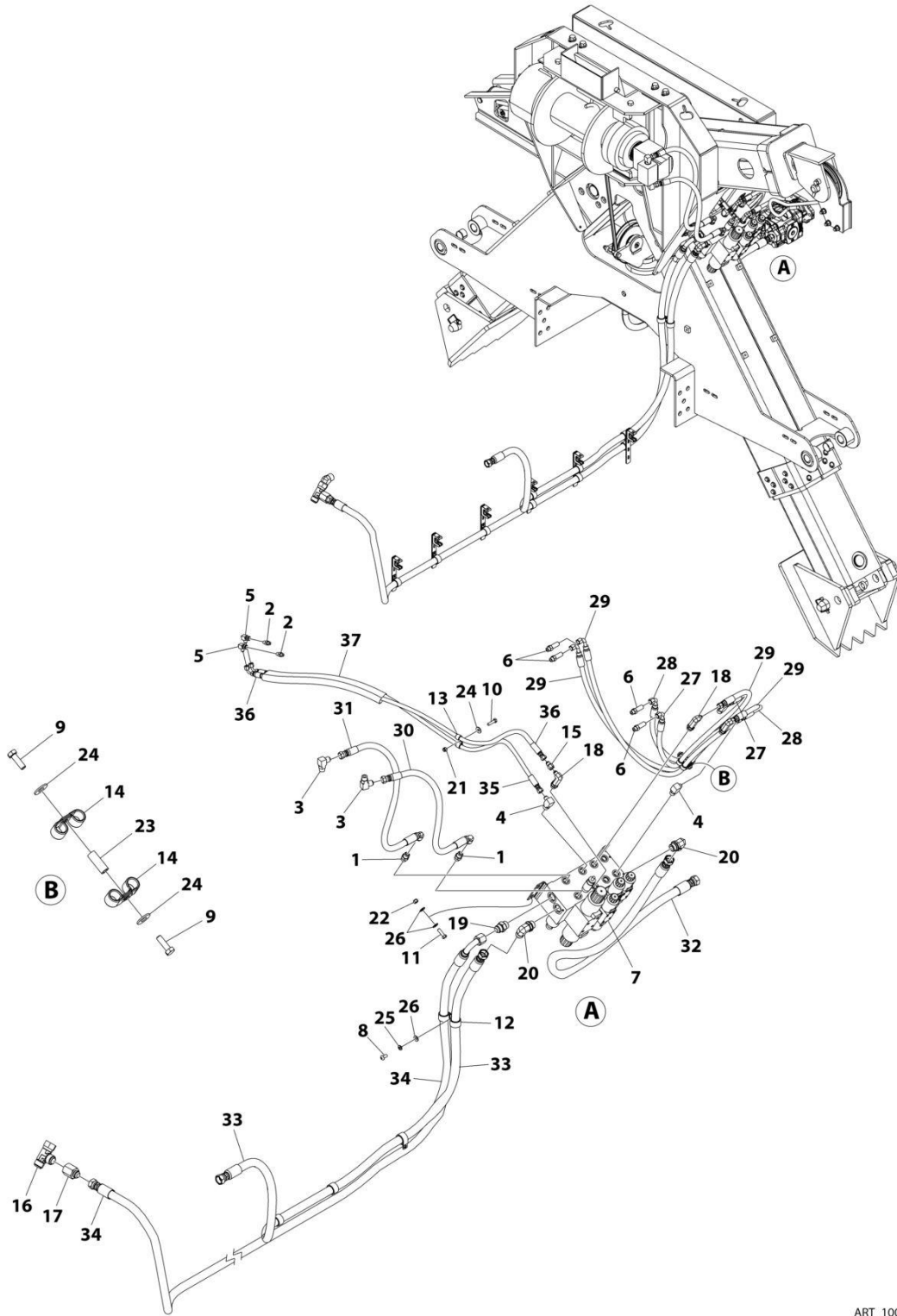
SECTION 6 - HYDRAULIC

FIGURE 6-10. HYDRAULIC SUPPLY INSTALLATION (306-345IN WB)

ITEM	PART NUMBER	QTY	DESCRIPTION	REV
	1001287846	Ref	HYDRAULIC SUPPLY INSTALLATION (306-345IN WB)	A
1	7430000010	1	Filter, Tank	
2	7650100137	1	Fitting, Straight	
3	7444121050	1	Fitting, Straight NPTM/NPTF	
4	7935000116	1	Valve, Ball	
5	7444121271	AR	Fitting, 90	
6	7443000130	AR	Fitting, Straight NPT/TUBE	
7	7274000028	2	Clamp	
8	8565000026	20 ft	Hose	
9	1001287856	1	Fitting, Straight BARB/ORB	
10	1001287855	1	Adapter	
11	1001204565	1	Hose	
12	7865182065	4	Stud 1/2 x 2-1/2	
13	7950180000	4	Washer 1/2	
14	4178000349	1	Bracket	
15	7274000076	6	Clamp	
16	7785152420	6	Setscrew 5/16 x 1-1/2	
17	7660152601	12	Nut 5/16	
18	7115151050	6	Bolt 5/16 x 1-1/4	
19	7950150161	6	Washer 5/16	
20	4706003844	6	Plate	
21	7274000041	6	Clamp	
22	7274000071	6	Clamp	
23	7115140850	12	Bolt 1/4 x 1	
24	7950140152	12	Washer 1/4	
25	7660142601	12	Nut 1/4	
26	7660180000	4	Nut 1/2	
27	7443000254	1	Fitting, 90 - NPT/BARBED	

SECTION 6 - HYDRAULIC

FIGURE 6-11. HYDRAULIC INSTALLATION - SIDE STABILIZER (35K WINCH)



ART_1001291190

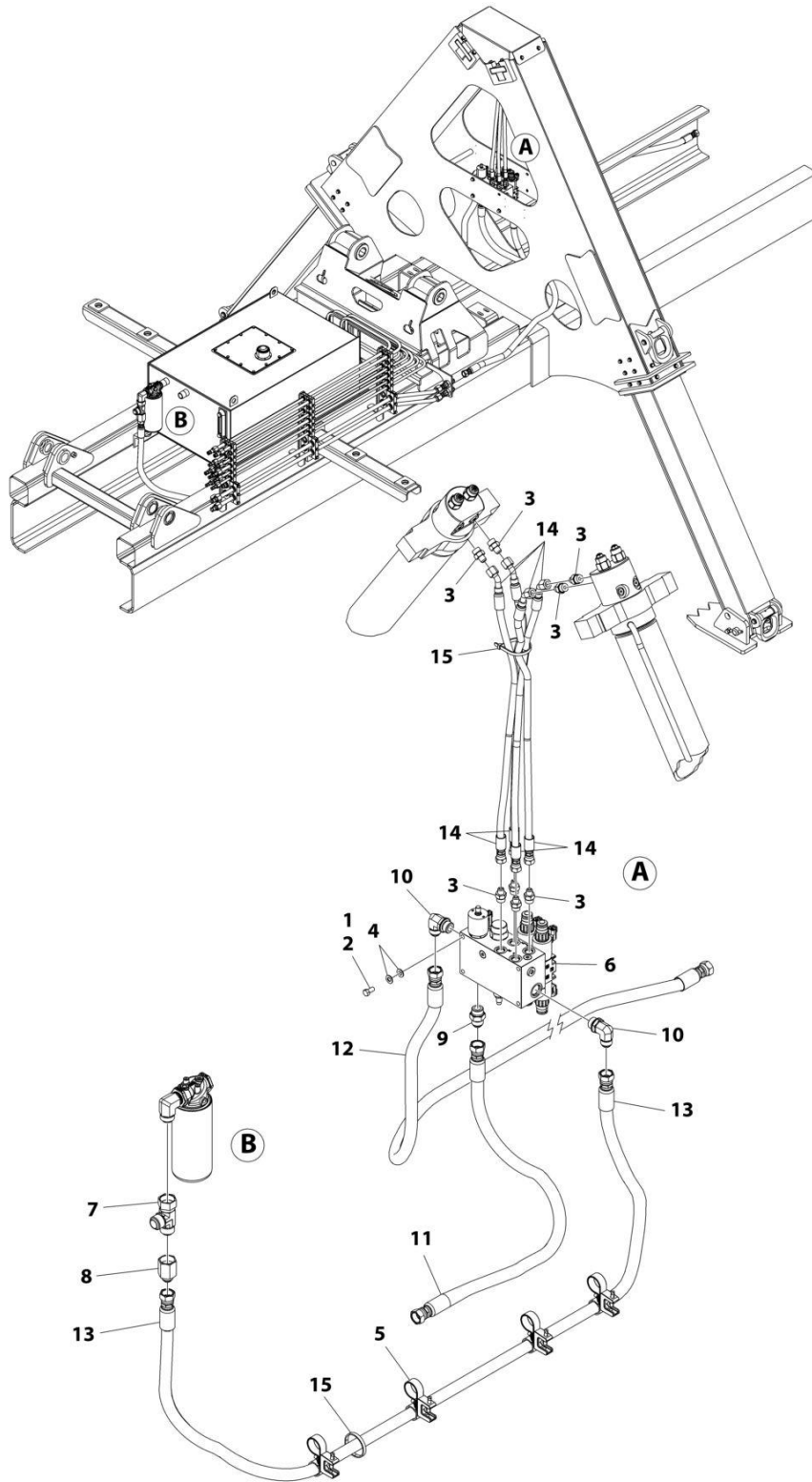
SECTION 6 - HYDRAULIC

FIGURE 6-11. HYDRAULIC INSTALLATION - SIDE STABILIZER (35K WINCH)

ITEM	PART NUMBER	QTY	DESCRIPTION	REV
	1001291190	Ref	HOSE AND FITTING INSTALLATION	A
1	2220373	2	Fitting, Straight	
2	2220415	2	Fitting, Straight	
3	2220596	2	Fitting, 90	
4	2220628	3	Fitting, 90	
5	2220654	2	Fitting, 90	
6	2220998	4	Fitting, Straight	
7	3935000189	1	Valve Assembly (See Separate Breakdown in this Section)	
8	7114160618	1	Screw 3/8 x 3/4	
9	7115150850	2	Capscrew 5/16 x 1	
10	7115151050	1	Capscrew 5/16 x 1-1/4	
11	7115161050	4	Capscrew 3/8 x 1-1/4	
12	7274000041	5	Clamp	
13	7274000053	2	Clamp	
14	7274000063	4	Clamp	
15	7443000108	1	Restrictor	
16	7443000213	1	Fitting, Tee	
17	7443000214	1	Fitting, Reducer	
18	7443000458	3	Fitting, 90	
19	7445121243	1	Fitting, Straight	
20	7445121245	2	Fitting, 90	
21	7660152601	1	Nut 5/16	
22	7660162601	4	Nut 3/8	
23	7661000022	1	Nut 5/16	
24	7950150161	3	Washer 5/16	
25	7950160000	1	Washer 3/8	
26	7950160141	9	Washer 3/8	
27	4567122036	1	Hose	
28	4567122038	1	Hose	
29	4567122056	2	Hose	
30	4567132028	1	Hose	
31	4567132033	1	Hose	
32	4567160129	1	Hose	
33	4567160156	1	Hose	
34	4567162180	1	Hose	
35	4570000337	1	Hose	
36	4570000338	1	Hose	
37	7819000005	1	Sleeve	
38	7894000004	7	Tie-Strap (Not Shown)	

SECTION 6 - HYDRAULIC

FIGURE 6-12. HYDRAULIC INSTALLATION - SIDE STABILIZER (SS-70)



ART_1001243239

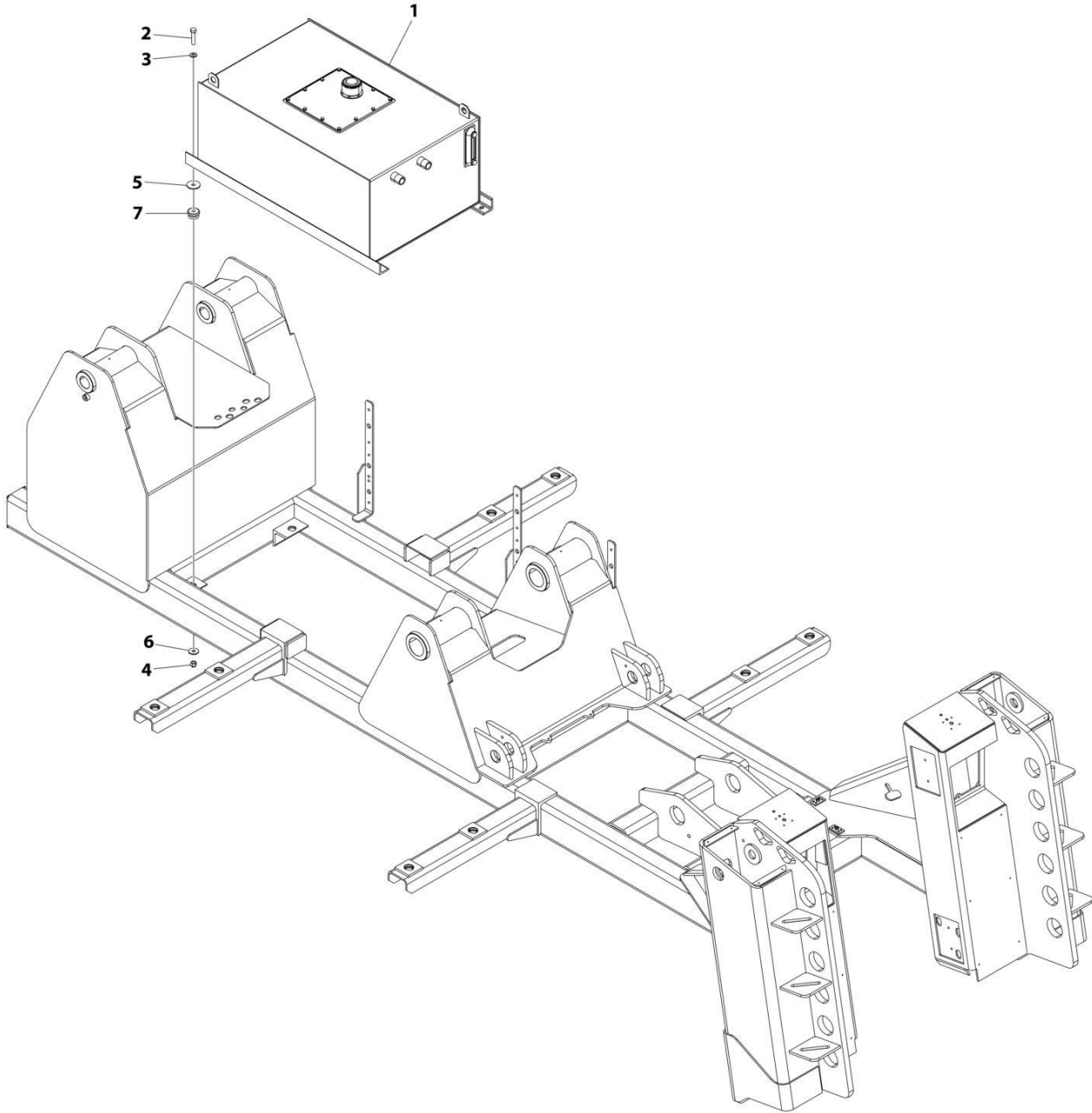
SECTION 6 - HYDRAULIC

FIGURE 6-12. HYDRAULIC INSTALLATION - SIDE STABILIZER (SS-70)

ITEM	PART NUMBER	QTY	DESCRIPTION	REV
	1001243239	Ref	HYDRAULIC SIDE STABILIZER INSTALLATION	A
1	0100011	AR	Compound, Locking	
2	0641606	3	Bolt 3/8 x 3/4	
3	2220372	8	Fitting, Straight JIC/ORB	
4	4711600	6	Washer 3/8	
5	1001132794	4	Clamp Kit	
6	1001243240	1	Valve Assembly (See Separate Breakdown in this Section)	
7	7443000213	1	Fitting, Tee	
8	7443000214	1	Fitting, Reducer	
9	7445121243	1	Fitting, Straight ORB/JIC	
10	7445121245	2	Fitting, 90 JIC/ORB	
11	1001244186	1	Hose	
12	1001244187	1	Hose	
13	1001244188	1	Hose	
14	1001244189	4	Hose	
15	7894000004	15	Tie-Strap	

SECTION 6 - HYDRAULIC

FIGURE 6-13. TANK (HYDRAULIC) INSTALLATION



ART_2507650009

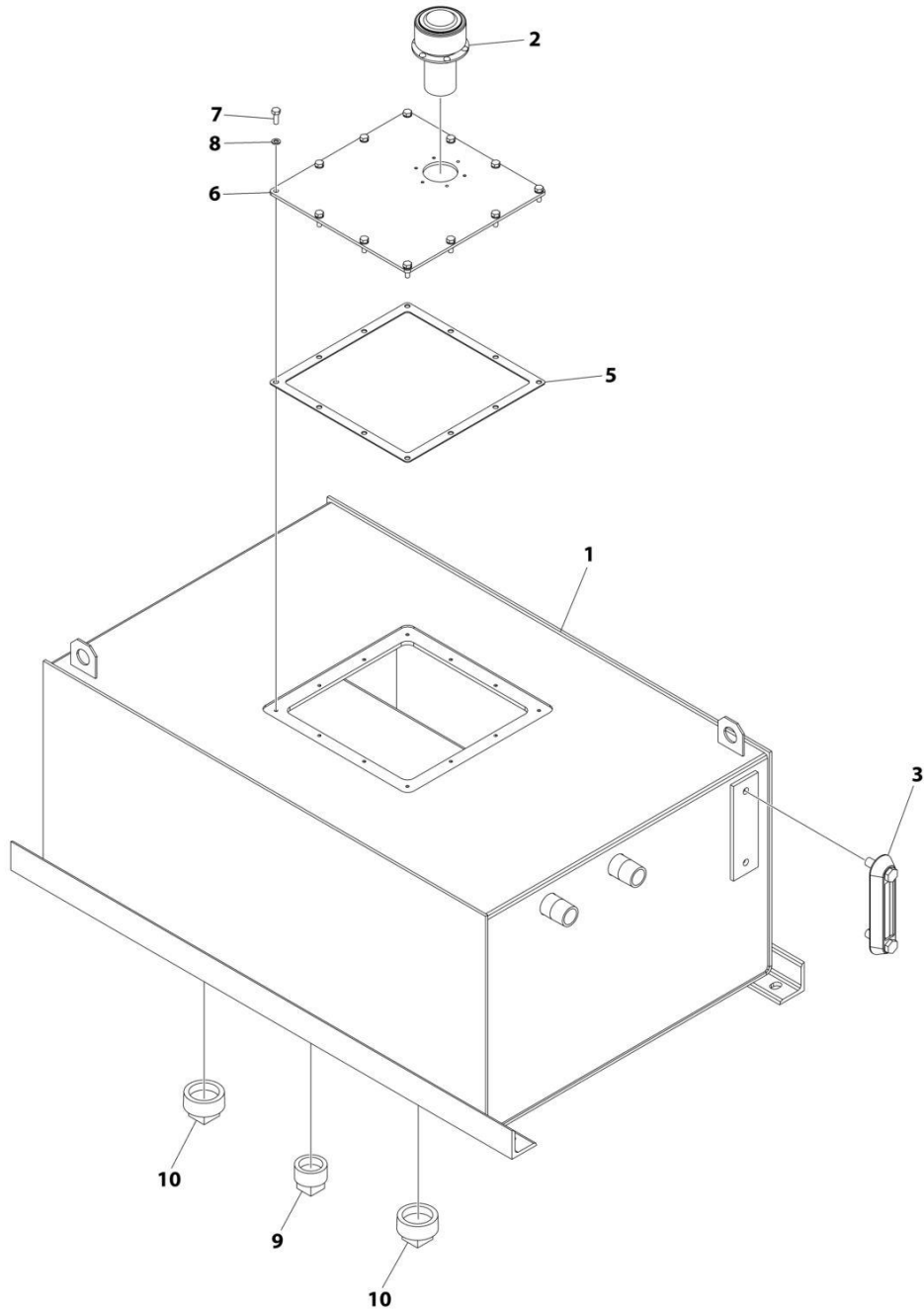
SECTION 6 - HYDRAULIC

FIGURE 6-13. TANK (HYDRAULIC) INSTALLATION

ITEM	PART NUMBER	QTY	DESCRIPTION	REV
	2507650009	Ref	TANK (HYDRAULIC) INSTALLATION	B
1	3750000022	1	Tank Assembly (See Separate Breakdown in this Section)	
2	7115181850	4	Bolt 1/2 x 2-1/4	
3	7950180141	4	Washer 1/2	
4	7660182601	4	Nut 1/2	
5	7949000015	4	Washer	
6	7949000016	4	Washer	
7	7636000006	4	Mount, Center Bonded	

SECTION 6 - HYDRAULIC

FIGURE 6-14. TANK (HYDRAULIC) ASSEMBLY



ART_375000022

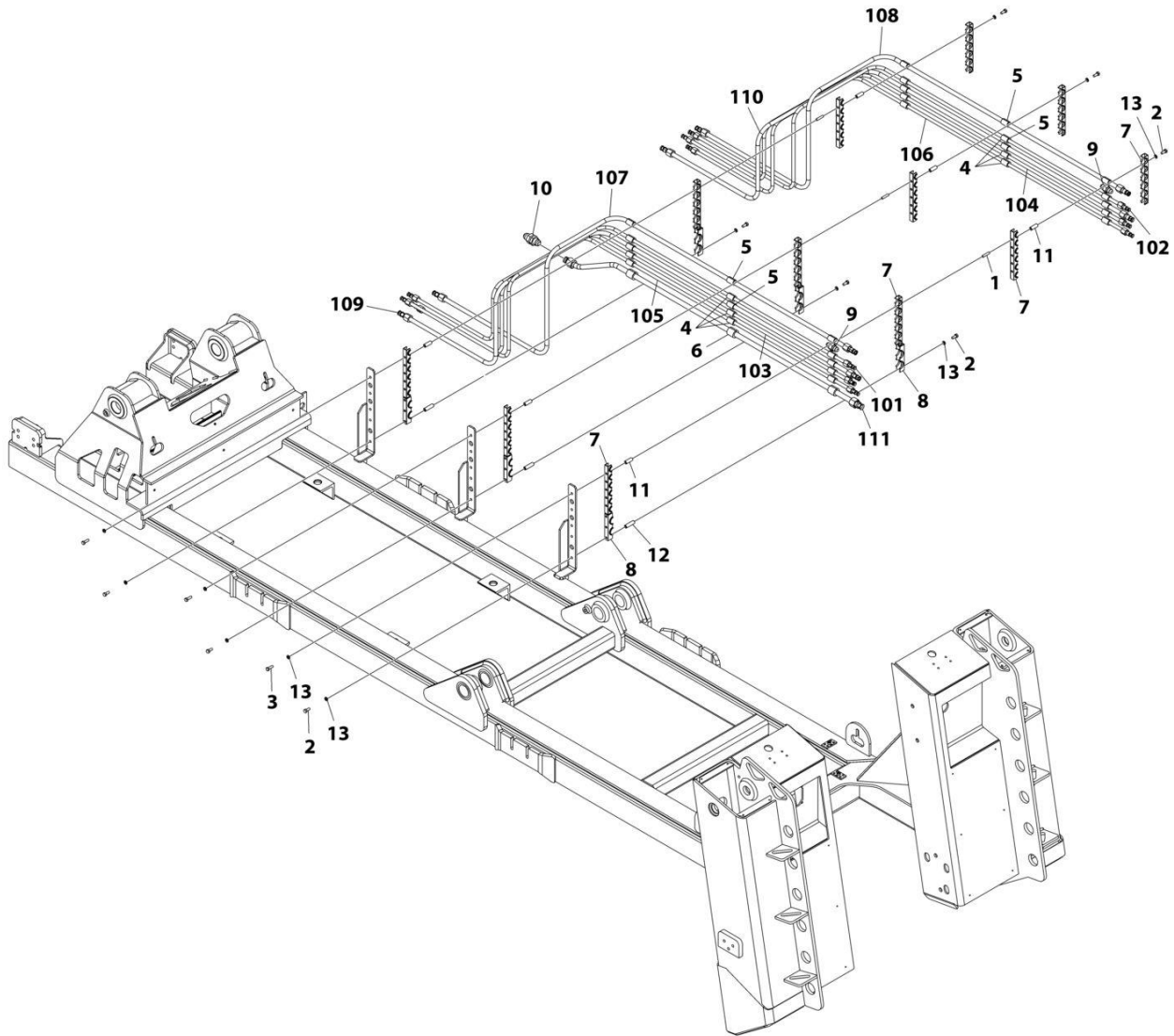
SECTION 6 - HYDRAULIC

FIGURE 6-14. TANK (HYDRAULIC) ASSEMBLY

ITEM	PART NUMBER	QTY	DESCRIPTION	REV
	3750000022	Ref	TANK (HYDRAULIC) ASSEMBLY	C
1	See Note	NSS	Tank, Hydraulic (Note: Purchase PN 3750000022)	
2	7183000004	1	Breather Filter	
3	7470000003	1	Gauge	
5	7796000051	1	Gasket	
6	4706002235	1	Plate	
7	7115140650	12	Bolt 1/4 x 3/4	
8	7950140000	12	Washer 1/4	
9	7444120014	1	Plug	
10	7444160011	2	Plug	

SECTION 6 - HYDRAULIC

FIGURE 6-15. TUBE INSTALLATION - SUBFRAME



ART_1001287125

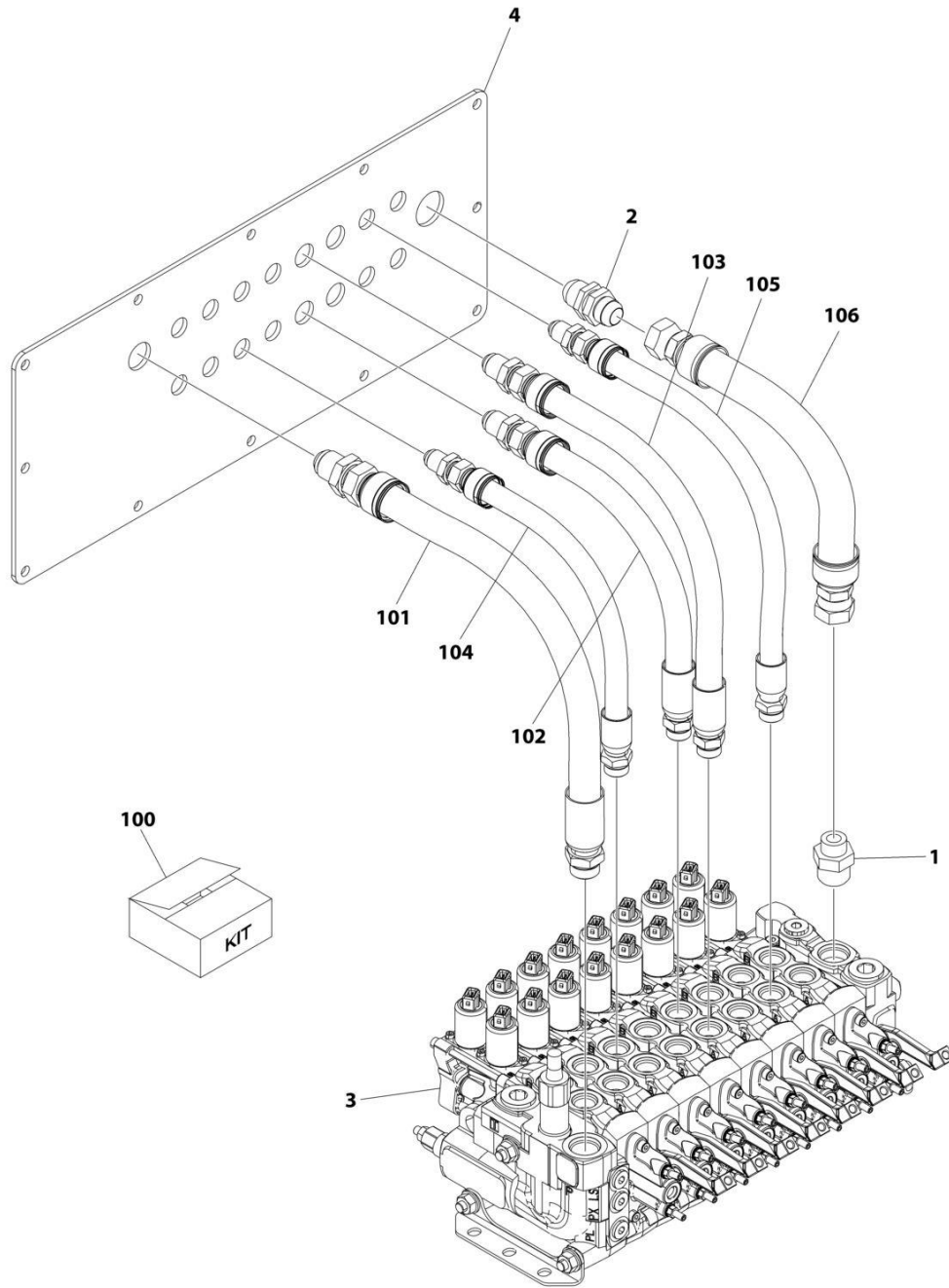
SECTION 6 - HYDRAULIC

FIGURE 6-15. TUBE INSTALLATION - SUBFRAME

ITEM	PART NUMBER	QTY	DESCRIPTION	REV
	1001287125	Ref	TUBE INSTALLATION - SUBFRAME	A
1	7007000036	18	Adapter	
2	7115150650	36	Capscrew 5/16 x 3/4	
3	7115150850	18	Bolt 5/16 x 1	
4	7209000023	24	Bushing	
5	7209000024	16	Bushing	
6	7209000032	3	Bushing	
7	7274000030	8	Clamp	
8	7274000049	3	Clamp	
9	7443000209	2	Fitting, Tube Hydrocraft	
10	7445121225	1	Fitting, Union Bulkhead	
11	7661000022	36	Nut 5/16	
12	7661000027	9	Stacking Nut	
13	7950150000	54	Washer 5/16	
100	1001287124	1	Tube, Kit (Not Shown)	
101	7912000094	1	Tube	
102	7912000095	1	Tube	
103	7912000096	1	Tube	
104	7912000097	1	Tube	
105	7912000098	1	Tube	
106	7912000099	1	Tube	
107	7912000100	1	Tube	
108	7912000101	1	Tube	
109	7912000102	1	Tube	
110	7912000103	1	Tube	
111	7912000104	1	Tube	

SECTION 6 - HYDRAULIC

FIGURE 6-16. VALVE ASSEMBLY - CONTROL 8 SECTION - 8 SOLENOID



ART_1001285927

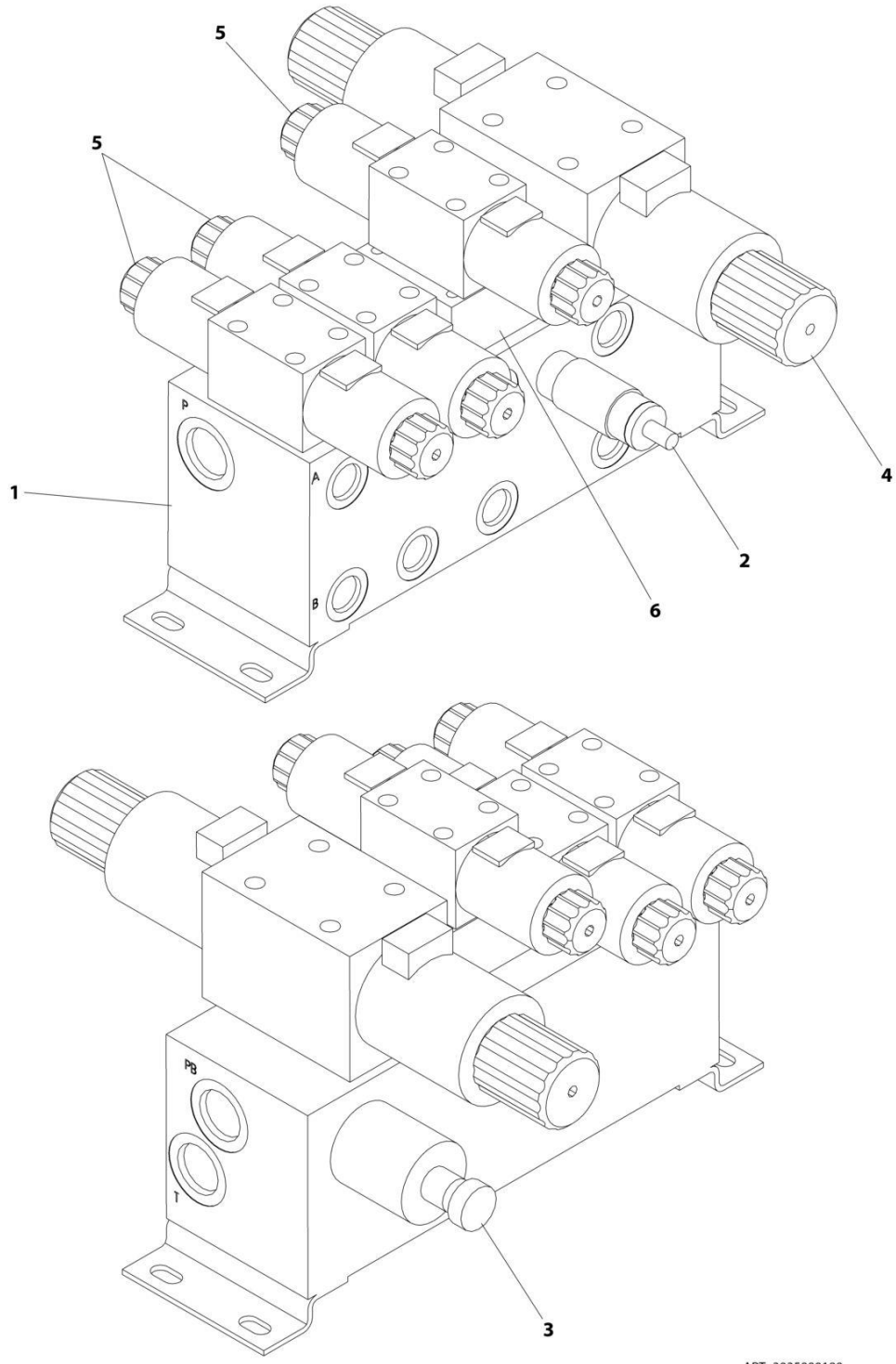
SECTION 6 - HYDRAULIC

FIGURE 6-16. VALVE ASSEMBLY - CONTROL 8 SECTION - 8 SOLENOID

ITEM	PART NUMBER	QTY	DESCRIPTION	REV
	1001285927	Ref	CONTROL VALVE ASSEMBLY	A
1	2220376	1	Fitting, Straight JIC/ORB	
2	2230089	1	Fitting, Union	
3	1001247014	1	Control Valve (See Separate Breakdown in this Section)	
4	1001285928	1	Plate	
100	1001249351	1	Hose, Kit Valve	C
101	1001249346	1	Hose	
102	1001249347	2	Hose	
103	1001249348	2	Hose	
104	1001249349	6	Hose	
105	1001249350	6	Hose	
106	1001262039	1	Hose	

SECTION 6 - HYDRAULIC

FIGURE 6-17. VALVE ASSEMBLY- SIDE RECOVERY SYSTEM (SRS)



ART_3935000189

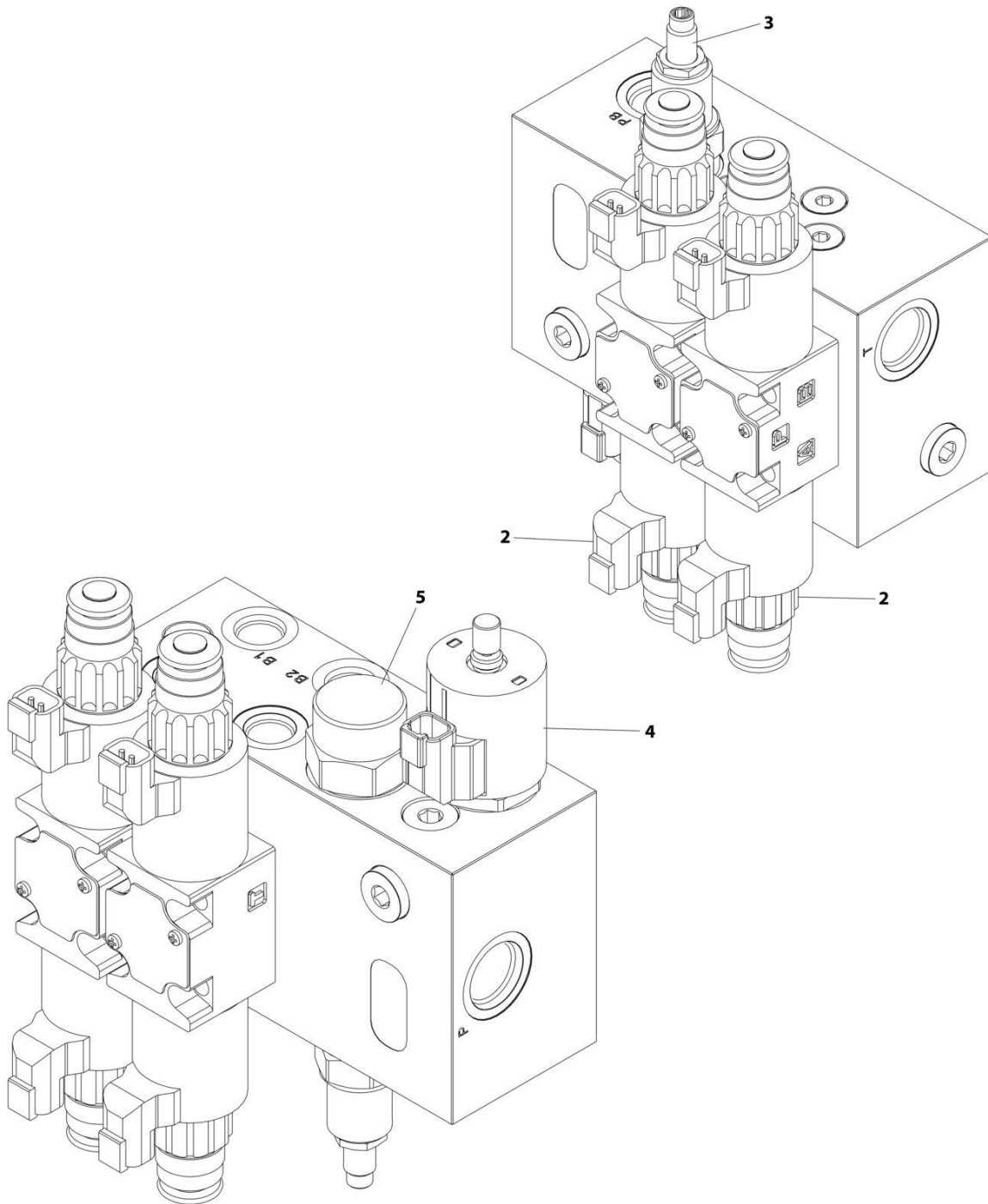
SECTION 6 - HYDRAULIC

FIGURE 6-17. VALVE ASSEMBLY- SIDE RECOVERY SYSTEM (SRS)

ITEM	PART NUMBER	QTY	DESCRIPTION	REV
	3935000189	Ref	VALVE ASSEMBLY	00
1	9619930002	1	Manifold	
2	9935930126	1	Main Relief Valve	
3	9935930127	1	Solenoid Selector Valve	
4	9935930129	1	DO5 Directional Valve	
5	7935000349	3	DO3 Directional Valve	
6	9935930130	1	Valve Adaptor Manifold	

SECTION 6 - HYDRAULIC

FIGURE 6-18. VALVE ASSEMBLY- SIDE STABILIZER (SS-70)



ART_1001243240

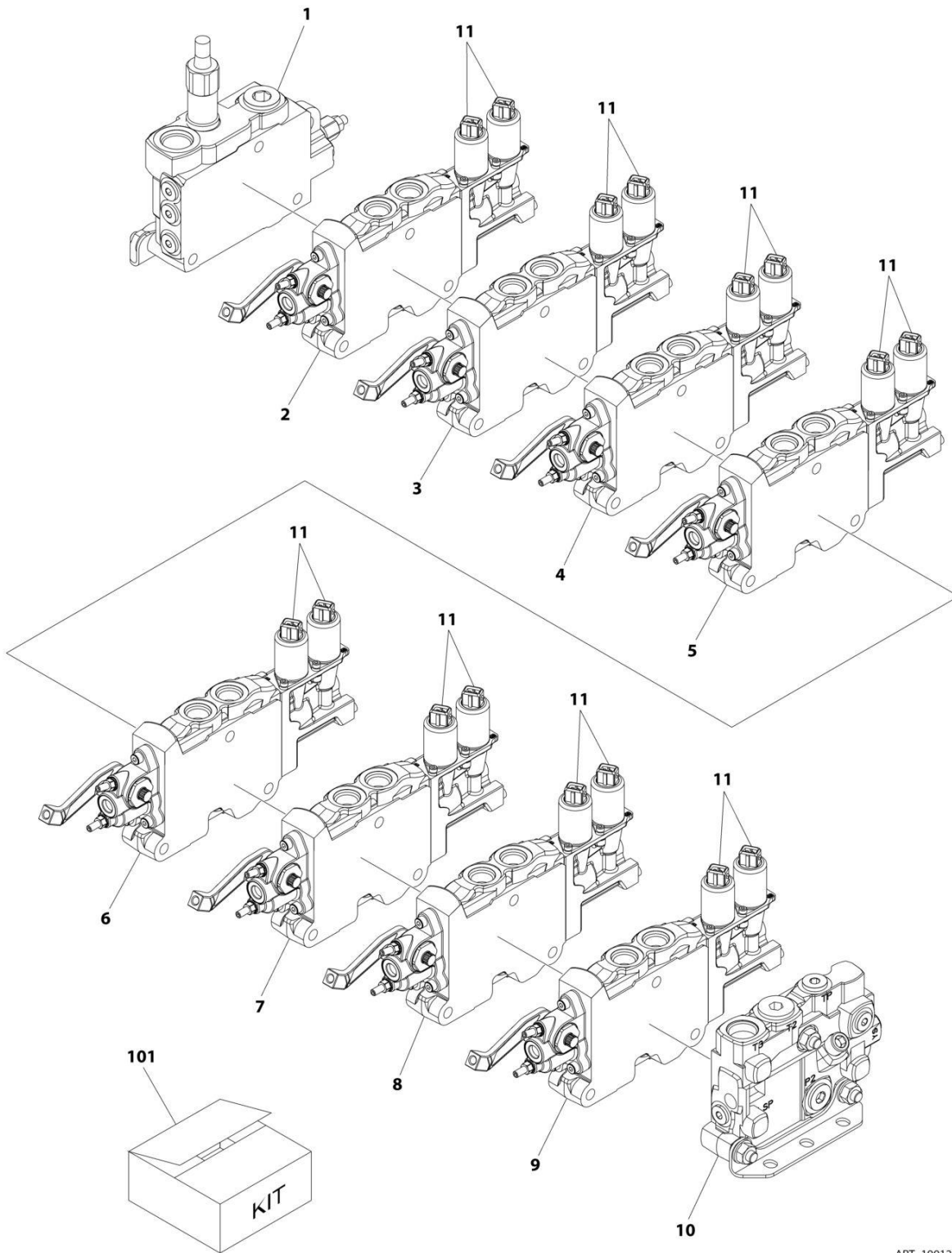
SECTION 6 - HYDRAULIC

FIGURE 6-18. VALVE ASSEMBLY- SIDE STABILIZER (SS-70)

ITEM	PART NUMBER	QTY	DESCRIPTION	REV
	1001243240	Ref	VALVE ASSEMBLY	A
2	70051970	2	Valve Assembly - Directional	
2	70051973	2	Seal Kit - 70051970 Valve	
2	70051971	4	Coil	
2	70051972	4	Nut, Coil	
3	70051974	1	Cartridge, Relief Valve	
3	70051975	1	Seal Kit - 70051974 Valve	
4	70051976	1	Cartridge, Selector Solenoid	
4	7024896	1	Seal Kit - 70051976 Valve	
4	70003788	1	Coil	
4	70003977	1	Nut, Coil	
5	70051977	1	Cartridge, Flow Control	
5	70051978	1	Seal Kit - 70051977 Valve	

SECTION 6 - HYDRAULIC

FIGURE 6-19. VALVE (CONTROL)



ART_1001247014

SECTION 6 - HYDRAULIC

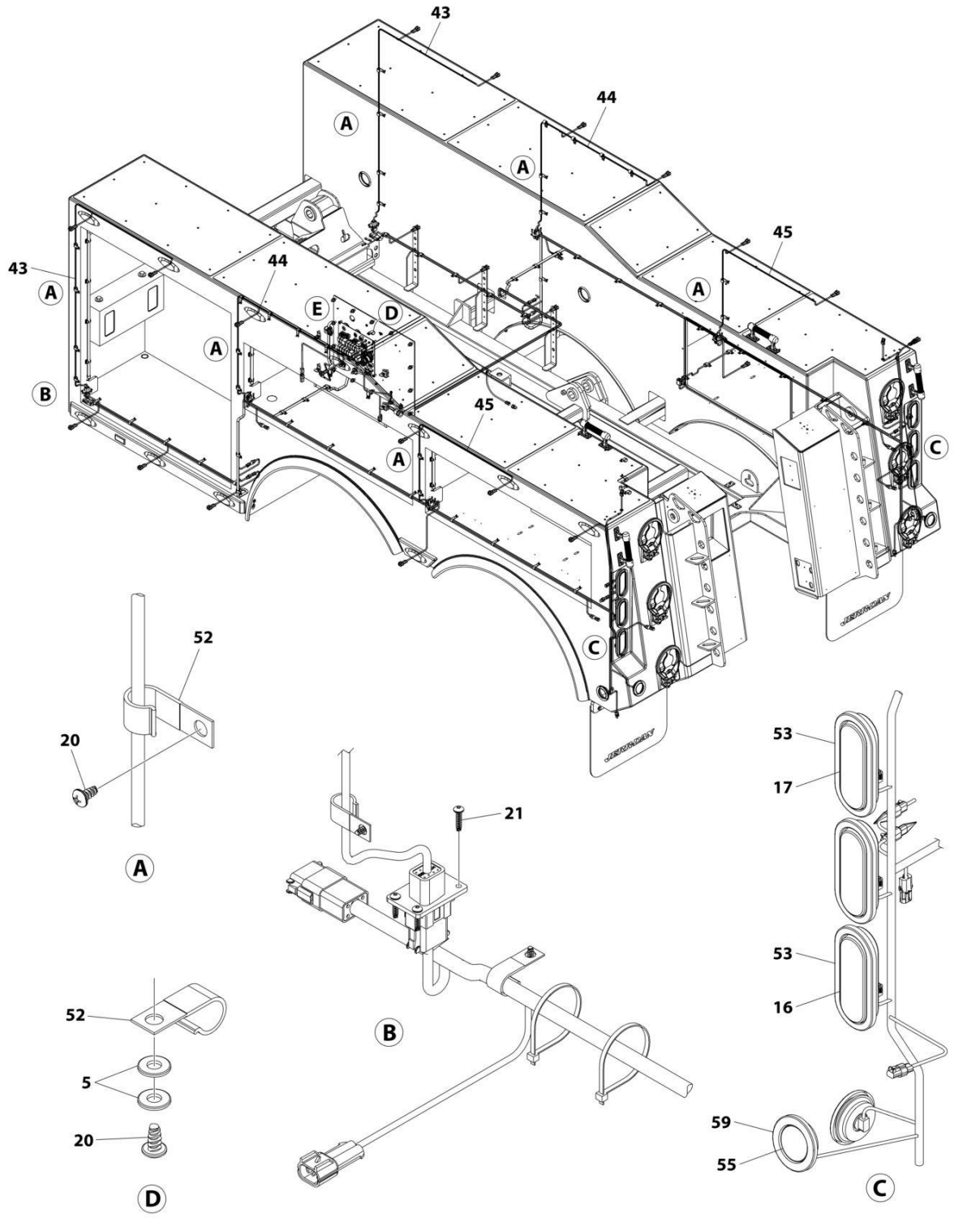
FIGURE 6-19. VALVE (CONTROL)

ITEM	PART NUMBER	QTY	DESCRIPTION	REV
	1001247014	Ref	VALVE, CONTROL 8 SECTION - 8 SOLENOID	E
1	70070142	1	Inlet Section	
2	70070143	1	U/L Tilt/Ext Section	
3	70070143	1	U/L Ext/Tilt Section	
4	70070143	1	Boom Lift Section	
5	70070143	1	Boom Ext Section	
6	70070144	1	LH Winch Section	
7	70070144	1	RH Winch Section	
8	70070145	1	LH Spade Section	
9	70070145	1	RH Spade Section	
10	70070146	1	End Section	
11	70070082	16	Solenoid	
101	70070084	1	Seal Kit, Intersection	

SECTION 7 - ELECTRICAL

SECTION 7 - ELECTRICAL

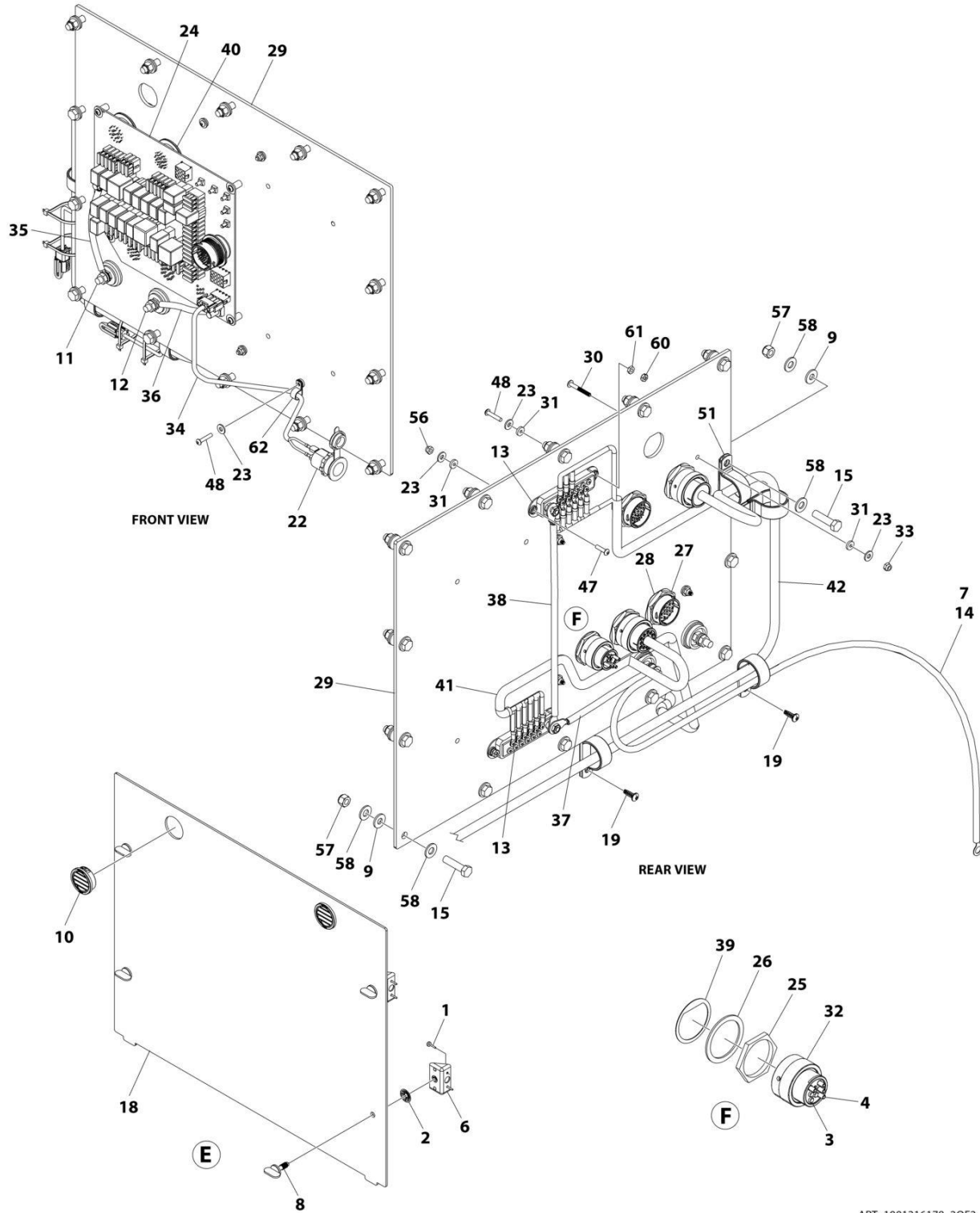
FIGURE 7-1. ELECTRICAL INSTALLATION - TANDEM



ART_1001216178_10F2

SECTION 7 - ELECTRICAL

FIGURE 7-2. ELECTRICAL INSTALLATION - TANDEM



ART_1001216178_20F2

SECTION 7 - ELECTRICAL

FIGURE 7-2. ELECTRICAL INSTALLATION - TANDEM

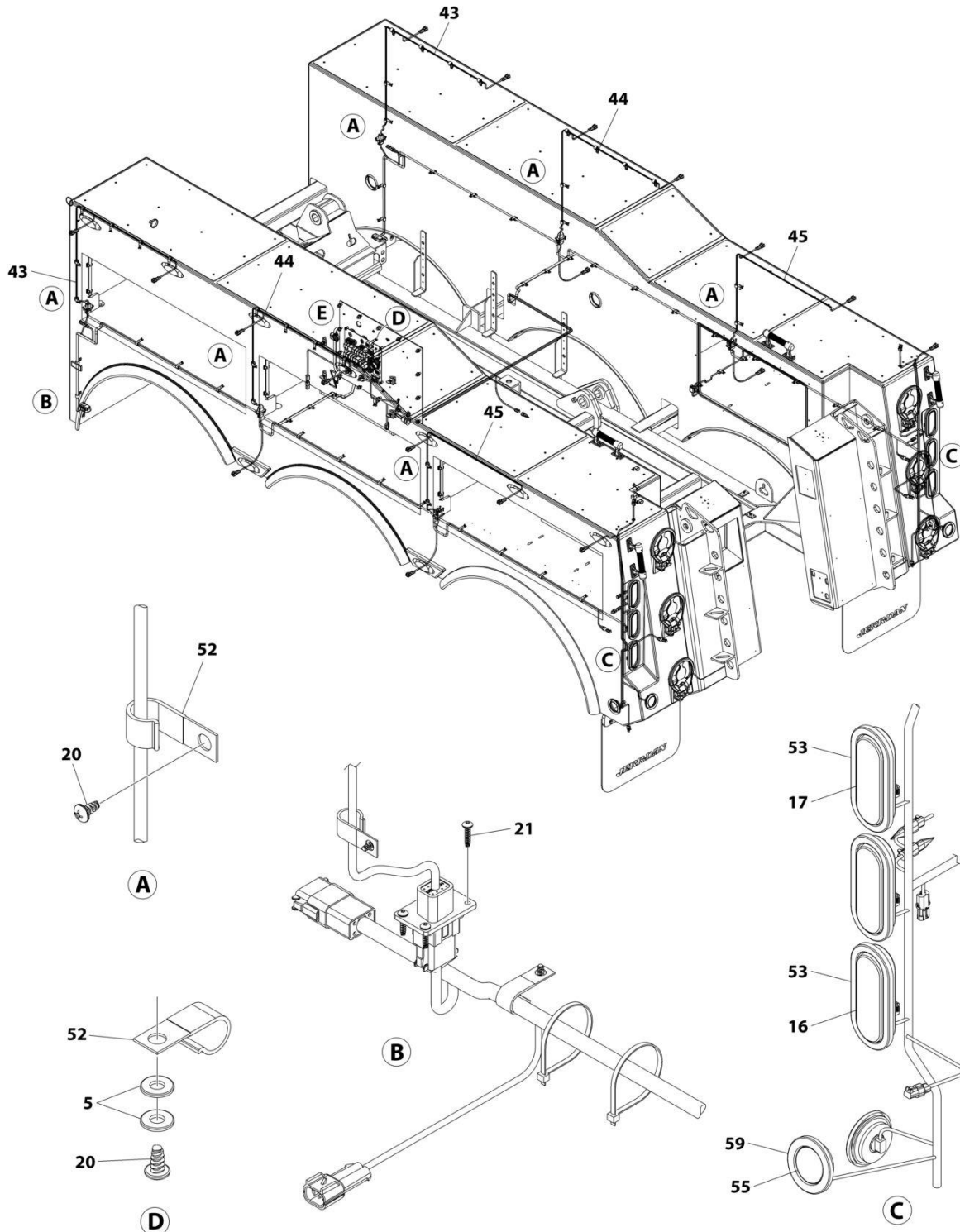
ITEM	PART NUMBER	QTY	DESCRIPTION	REV
	1001216178	Ref	BODY LIGHTS AND WIRING (TANDEM)	D
1	0750604	8	Screw	
2	3760308	4	Ring, Retainer	
3	4460466	3	Terminal	
4	4460509	4	Terminal	
5	4740513	2	Washer 1/4	
6	1001122235	4	Bracket	
7	1001130310	AR	Adhesive	
8	1001166930	4	Latch, Wing Screw	
9	1001166974	14	Washer 3/8	
10	1001167607	2	Plug	
11	1001168320	1	Terminal	
12	1001168321	1	Terminal	
13	1001168322	2	Terminal	
14	1001168328	1	Cable	
15	1001168993	14	Capscrew 3/8 x 1-1/2	
16	1001174680	2	Lamp, Backup LED	
17	7590000370	4	Light	
18	1001191602	1	Panel, Coverplate	
19	1001194676	2	Screw 1/4 x 3/4	
20	1001195257	69	Screw 1/4 x 1/2	
21	1001196552	24	Screw #8 x 3/4	
22	1001201384	1	Socket	
23	1001201926	8	Washer #10	
24	1001203234	1	Power PCB Assembly	
25	1001204788	1	Nut, Terminal	
26	1001204789	1	Washer, Terminal	
27	1001205043	4	Nut, Terminal	
28	1001205044	4	Washer, Terminal	
29	1001206505	1	Plate, Bulkhead Electrical	
30	1001207734	4	Screw	
31	1001207736	8	Washer #10	
32	1001208066	1	Connector, 8 Socket	
33	1001208303	4	Nut #10	
34	1001209031	1	Harness, Tow Light (See Separate Breakdown in this Section)	
35	1001209040	1	Cable	
36	1001209041	1	Cable	
37	1001209042	1	Cable	
38	1001209044	1	Harness, Battery to Bulkhead	
39	1001209365	1	Seal	
40	1001209366	4	Seal	
41	1001216183	1	Harness, Body (LH) (Tandem) (See Separate Breakdown in this Section)	
42	1001216184	1	Harness, Body (RH) (Tandem) (See Separate Breakdown in this Section)	
43	1001216185	2	Harness, Marker Light 1 (Tandem) (See Separate Breakdown in this Section)	
44	1001216186	2	Harness, Marker Light 2 (Tandem) (See Separate Breakdown in this Section)	
45	1001216187	2	Harness, Marker Light 3 (See Separate Breakdown in this Section)	

SECTION 7 - ELECTRICAL

ITEM	PART NUMBER	QTY	DESCRIPTION	REV
46	5526000553	AR	Tie-Strap (Not Shown)	
47	7114100618	2	Screw #10 x 3/4	
48	7114100818	2	Screw #10 x 1	
51	7274000042	4	Clamp	
52	7280000006	68	Clip	
53	7493000026	6	Grommet	
55	7590000343	4	Light	
56	7660102601	2	Nut #10	
57	7660162601	14	Nut 3/8	
58	7950160143	28	Washer 3/8	
59	1001220431	4	Grommet	
60	7661000002	2	Nut #10	
61	3311001	2	Nut #10	
62	7274000036	1	Clamp	

SECTION 7 - ELECTRICAL

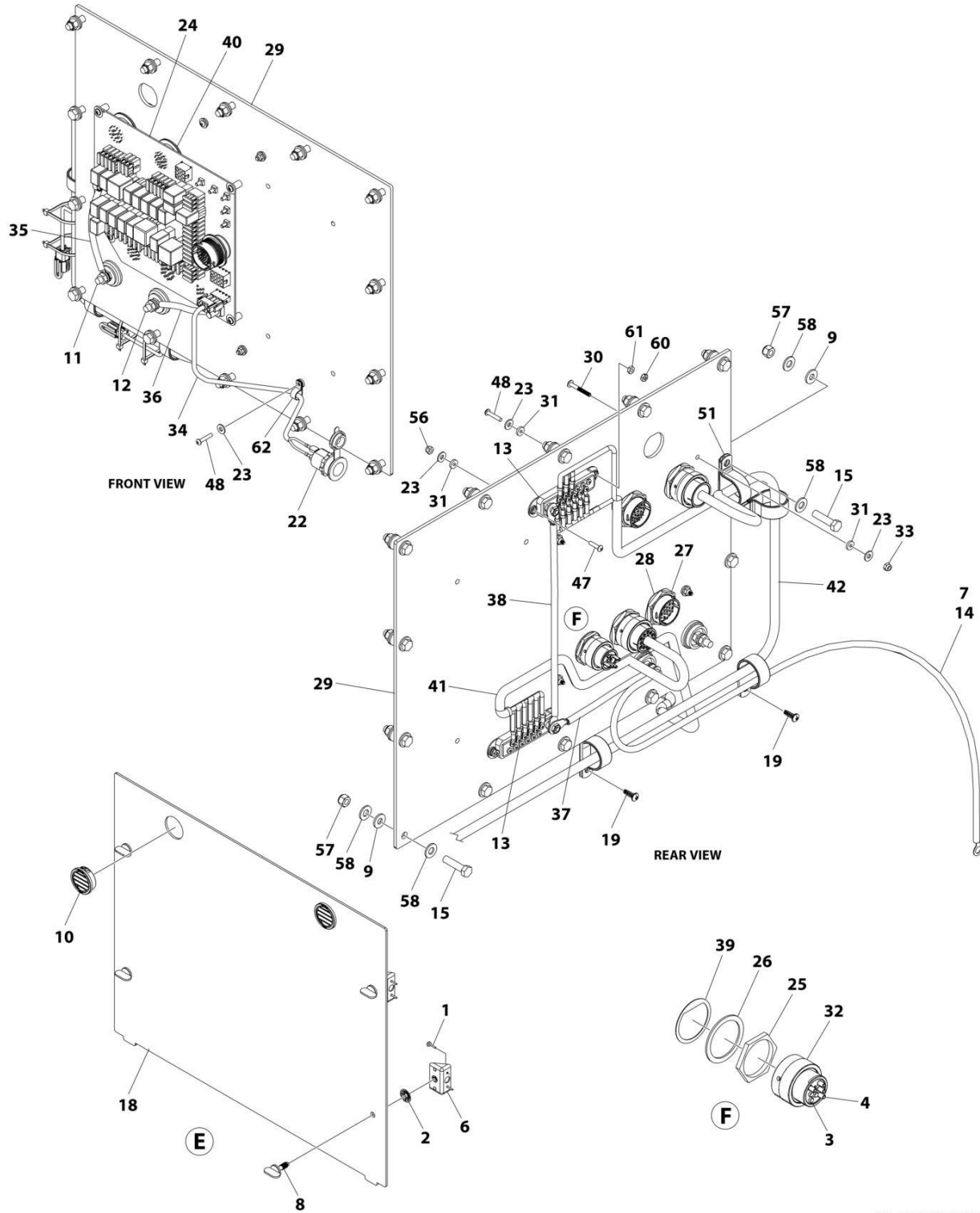
FIGURE 7-3. ELECTRICAL INSTALLATION - TRI-AXLE



ART_1001216179_10F2

SECTION 7 - ELECTRICAL

FIGURE 7-4. ELECTRICAL INSTALLATION - TRI-AXLE



ART_1001216179_20F2

SECTION 7 - ELECTRICAL

FIGURE 7-4. ELECTRICAL INSTALLATION - TRI-AXLE

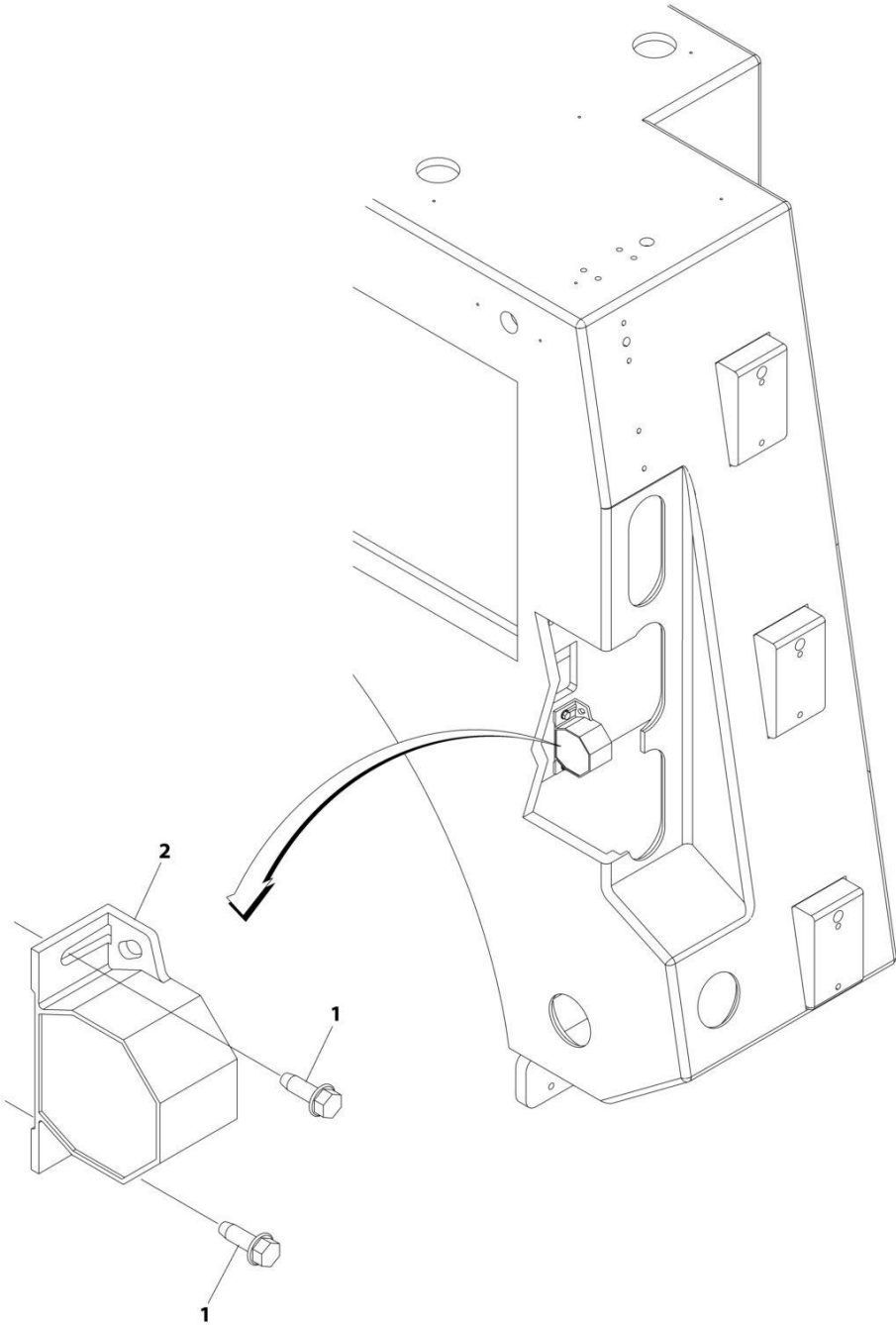
ITEM	PART NUMBER	QTY	DESCRIPTION	REV
	1001216179	Ref	BODY LIGHTS AND WIRING (TRI)	D
1	0750604	8	Screw	
2	3760308	4	Ring, Retainer	
3	4460466	3	Terminal	
4	4460509	4	Terminal	
5	4740513	2	Washer 1/4	
6	1001122235	4	Bracket	
7	1001130310	AR	Adhesive	
8	1001166930	4	Latch, Wing Screw	
9	1001166974	14	Washer 3/8	
10	1001167607	2	Plug	
11	1001168320	1	Terminal	
12	1001168321	1	Terminal	
13	1001168322	2	Terminal	
14	1001168328	1	Cable	
15	1001168993	14	Capscrew 3/8 x 1-1/2	
16	1001174680	2	Lamp, Backup LED	
17	7590000370	4	Light	
18	1001191602	1	Panel, Coverplate	
19	1001194676	2	Screw 1/4 x 3/4	
20	1001195257	69	Screw 1/4 x 1/2	
21	1001196552	24	Screw #8 x 3/4	
22	1001201384	1	Socket	
23	1001201926	8	Washer #10	
24	1001203234	1	Power PCB Assembly	
25	1001204788	1	Nut, Terminal	
26	1001204789	1	Washer, Terminal	
27	1001205043	4	Nut, Terminal	
28	1001205044	4	Washer, Terminal	
29	1001206505	1	Plate, Bulkhead Electrical	
30	1001207734	4	Screw	
31	1001207736	8	Washer #10	
32	1001208066	1	Connector, 8 Socket	
33	1001208303	4	Nut #10	
34	1001209031	1	Harness, Tow Light (See Separate Breakdown in this Section)	
35	1001209040	1	Cable	
36	1001209041	1	Cable	
37	1001209042	1	Cable	
38	1001209044	1	Harness, Battery to Bulkhead	
39	1001209365	1	Seal	
40	1001209366	4	Seal	
41	1001216188	1	Harness, Body (LH) (Tri) (See Separate Breakdown in this Section)	
42	1001216189	1	Harness, Body (RH) (Tri) (See Separate Breakdown in this Section)	
43	1001216190	2	Harness, Marker Light 1 (Tri) (See Separate Breakdown in this Section)	
44	1001216191	2	Harness, Marker Light 2 (Tri) (See Separate Breakdown in this Section)	
45	1001216187	2	Harness, Marker Light 3 (See Separate Breakdown in this Section)	

SECTION 7 - ELECTRICAL

ITEM	PART NUMBER	QTY	DESCRIPTION	REV
46	5526000553	AR	Tie-Strap (Not Shown)	
47	7114100618	2	Screw #10 x 3/4	
48	7114100818	2	Screw #10 x 1	
51	7274000042	4	Clamp	
52	7280000006	68	Clip	
53	7493000026	6	Grommet	
55	7590000343	4	Light	
56	7660102601	2	Nut #10	
57	7660162601	14	Nut 3/8	
58	7950160143	28	Washer 3/8	
59	1001220431	4	Grommet	
60	7661000002	2	Nut #10	
61	3311001	2	Nut #10	
62	7274000036	1	Clamp	

SECTION 7 - ELECTRICAL

FIGURE 7-5. ALARM INSTALLATION - FIXED



ART_1001213538

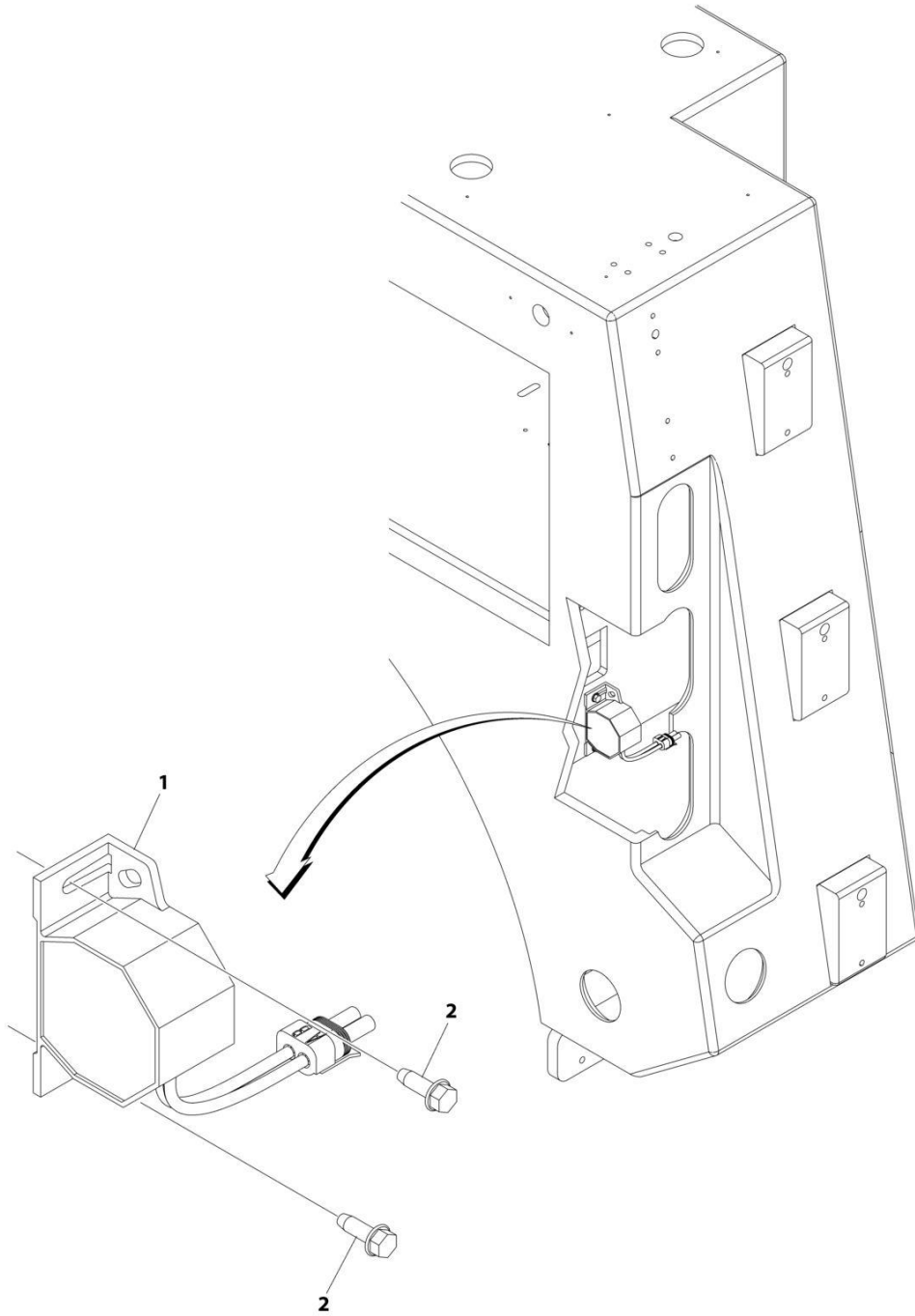
SECTION 7 - ELECTRICAL

FIGURE 7-5. ALARM INSTALLATION - FIXED

ITEM	PART NUMBER	QTY	DESCRIPTION	REV
1	1001213538	Ref	Fixed Back-Up Alarm Installation	A
1	7790141251	2	Screw 1/4 x 3/4	
2	7011000006	1	Alarm	

SECTION 7 - ELECTRICAL

FIGURE 7-6. ALARM INSTALLATION - VARIABLE



ART_1001198729

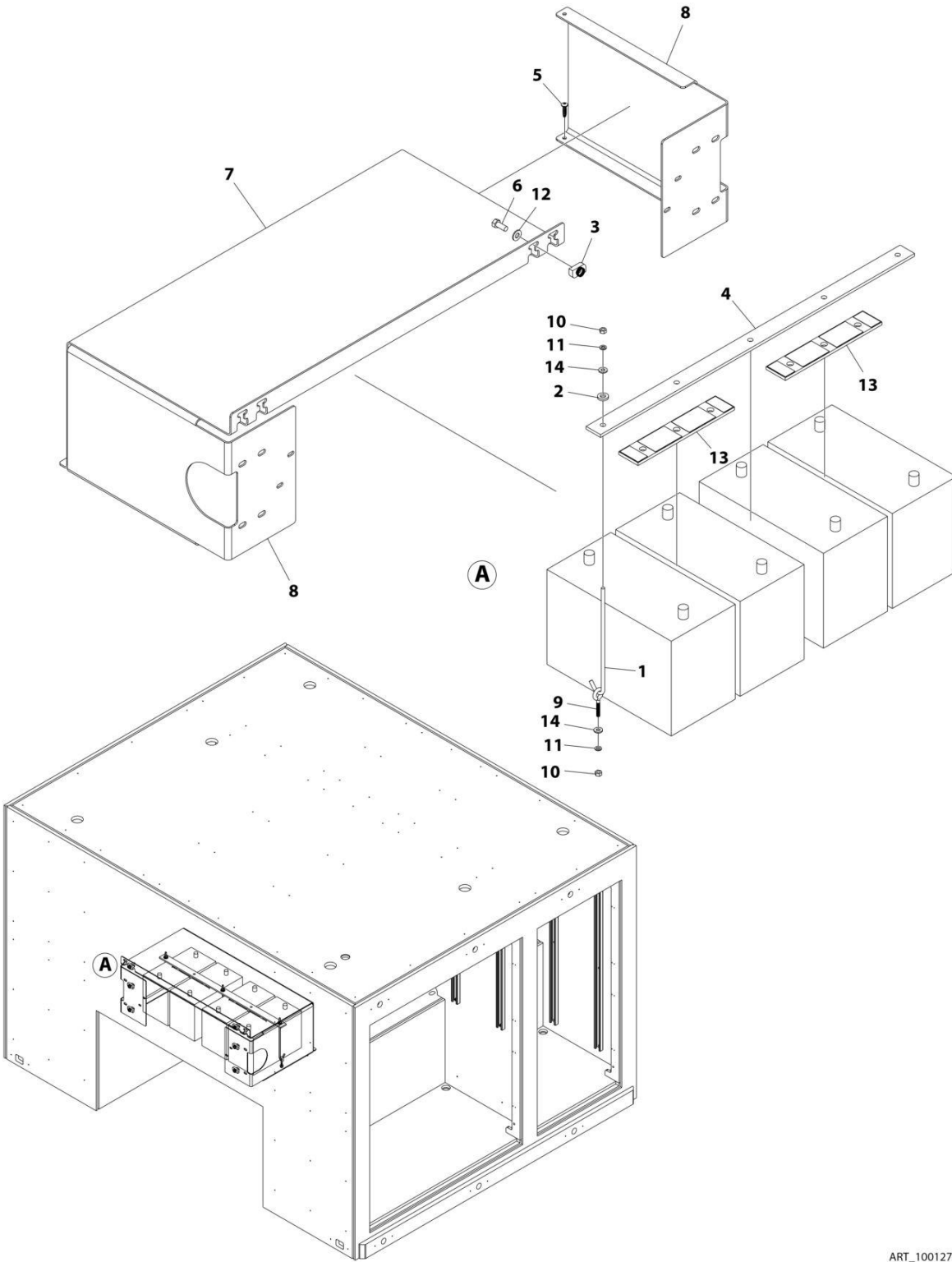
SECTION 7 - ELECTRICAL

FIGURE 7-6. ALARM INSTALLATION - VARIABLE

ITEM	PART NUMBER	QTY	DESCRIPTION	REV
	1001198729	Ref	Variable Back-Up Alarm Installation	B
1	1001175061	1	Alarm	
2	7790141251	2	Screw 1/4 x 3/4	

SECTION 7 - ELECTRICAL

FIGURE 7-7. BATTERY RELOCATION HARDWARE AND WIRE INSTALLATION



ART_1001278523

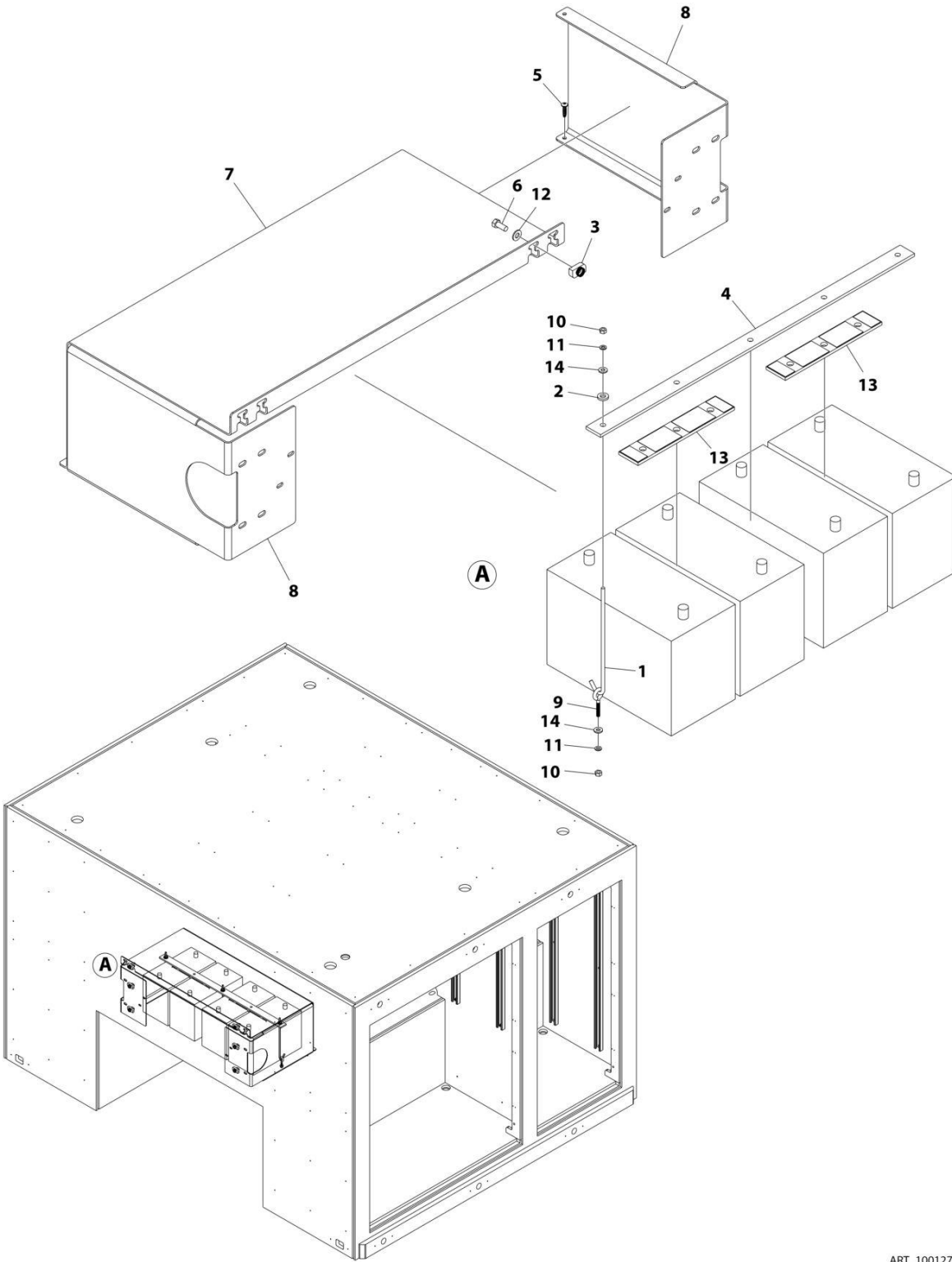
SECTION 7 - ELECTRICAL

FIGURE 7-7. BATTERY RELOCATION HARDWARE AND WIRE INSTALLATION

ITEM	PART NUMBER	QTY	DESCRIPTION	REV
	1001278523	Ref	BATTERY RELOCATION HARDWARE AND WIRE INSTALLATION	B
1	0630552	3	Bolt, Battery Hold Down	
2	4891600	3	Washer 3/8	
3	1001166644	6	Spring Nut 3/8	
4	1001183200	1	Bar, Battery Hold Down	
5	1001195523	2	Screw 1/4 x 1	
6	1001210454	6	Bolt 3/8 x 7/8	
7	1001274985	1	Panel	
8	1001274986	2	Panel	
9	1001278526	3	Eyebolt 1/4	
10	7660140001	6	Nut 1/4	
11	7950140000	6	Washer 1/4	
12	7950160143	6	Washer 3/8	
13	3340898	2	Pad	
14	7950140141	6	Washer 1/4	
15	1060706	8 ft	Cable (Not Shown)	
16	1001188538	8 ft	Cable (Not Shown)	
17	1001210960	4 ft	Wire (Not Shown)	
18	1001217996	2	Connector (Not Shown)	
19	7346000040	1	Tube (Not Shown)	
20	7346000131	8	Connector (Not Shown)	

SECTION 7 - ELECTRICAL

FIGURE 7-8. BATTERY RELOCATION HARDWARE INSTALLATION



ART_1001274987

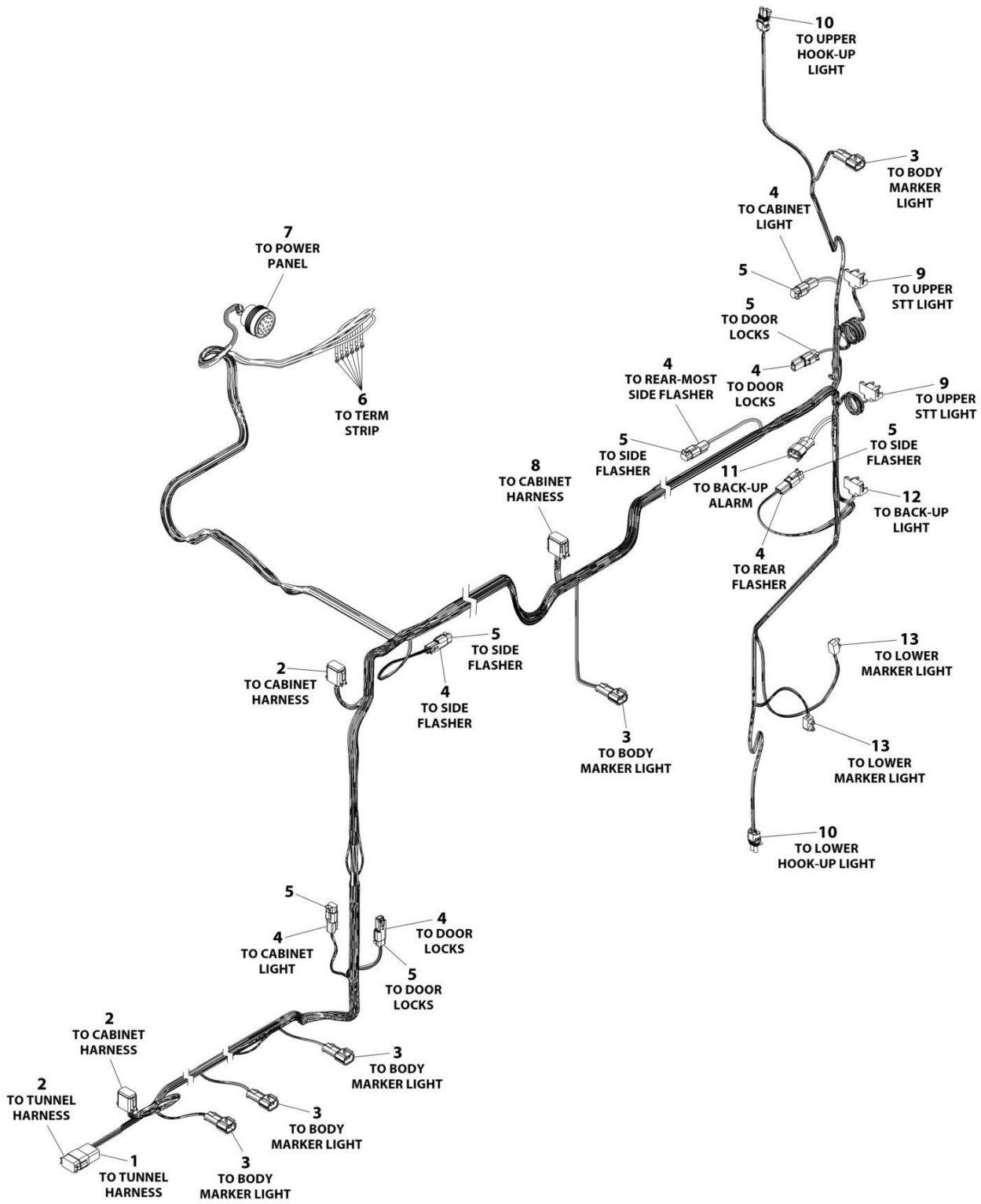
SECTION 7 - ELECTRICAL

FIGURE 7-8. BATTERY RELOCATION HARDWARE INSTALLATION

ITEM	PART NUMBER	QTY	DESCRIPTION	REV
	1001274987	Ref	BATTERY RELOCATION HARDWARE INSTALLATION	B
1	0630552	3	Bolt, Battery Hold Down	
2	4891600	3	Washer 3/8	
3	1001166644	6	Spring Nut 3/8	
4	1001183200	1	Bar, Battery Hold Down	
5	1001195523	2	Screw 1/4 x 1	
6	1001210454	6	Bolt 3/8 x 7/8	
7	1001274985	1	Panel	
8	1001274986	2	Panel	
9	1001278526	3	Eyebolt 1/4	
10	7660140001	6	Nut 1/4	
11	7950140000	6	Washer 1/4	
12	7950160143	6	Washer 3/8	
13	3340898	2	Pad	
14	7950140141	6	Washer 1/4	

SECTION 7 - ELECTRICAL

FIGURE 7-9. BODY HARNESS - TANDEM (LH)



ART_1001216183

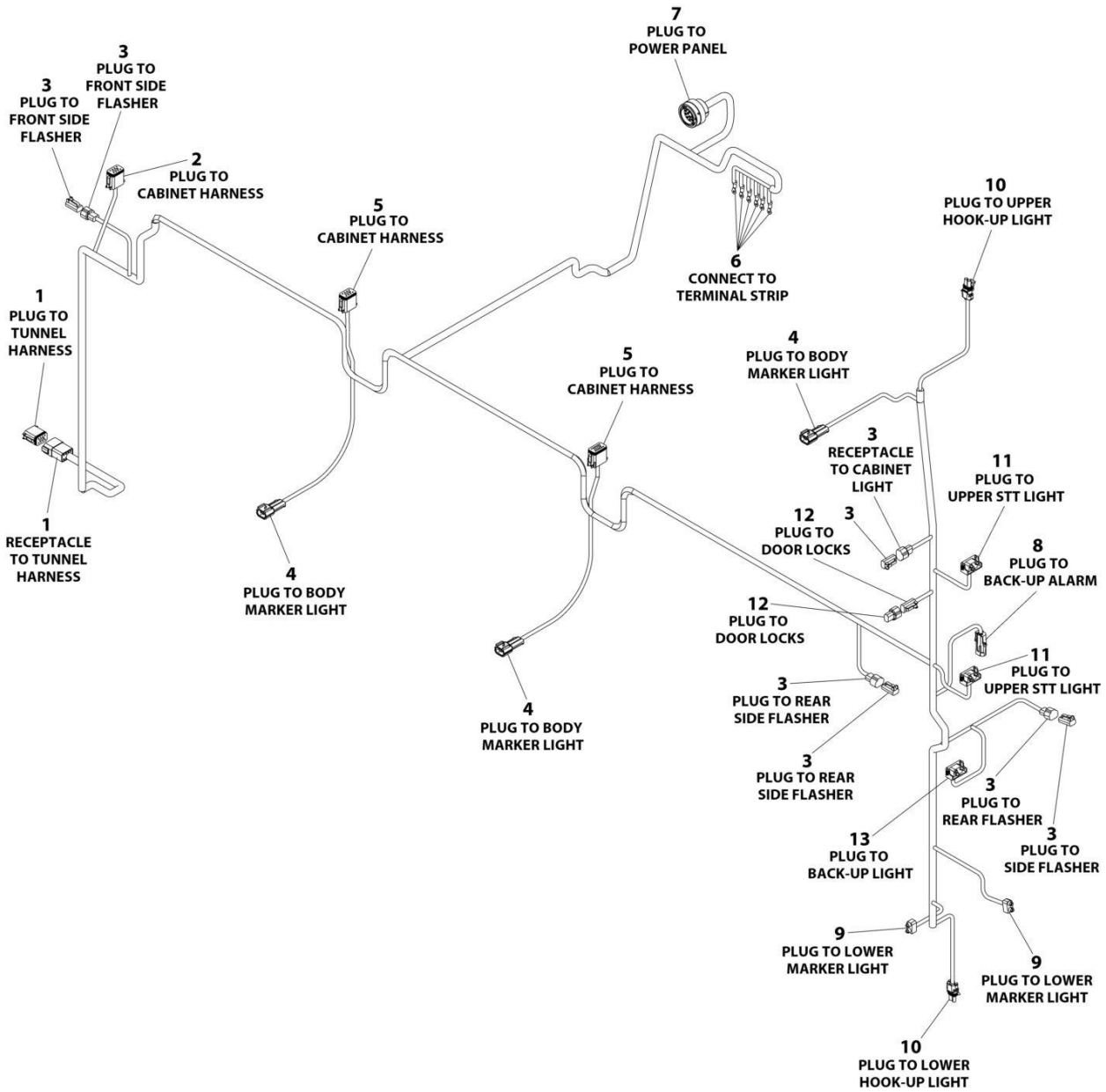
SECTION 7 - ELECTRICAL

FIGURE 7-9. BODY HARNESS - TANDEM (LH)

ITEM	PART NUMBER	QTY	DESCRIPTION	REV
	1001216183	Ref	BODY HARNESS (LH)	B
1	4460931	1	Receptacle, Female - 8 Position	
1	4460941	6	Pin, Male	
1	4460466	2	Plug, Terminal	
2	4460930	3	Plug, Male - 8 Position	
2	4460465	12	Socket, Female	
2	4460466	12	Plug, Terminal	
3	NPN	5	Connector - 2 Position	
3	NPN	10	Terminal	
3	4460458	10	Seal	
4	4460897	7	Receptacle, Female - 2 Position	
4	4460464	10	Pin, Male	
4	4460466	4	Plug, Terminal	
5	4460891	7	Plug, Male - 2 Position	
5	4460465	6	Socket, Female	
5	4460466	8	Plug, Terminal	
6	NPN	6	Terminal, Ring	
7	4461291	1	Connector - 16 Position	
7	4460509	10	Socket, Female	
7	4460466	6	Plug, Terminal	
8	4460933	1	Plug, Male - 12 Position	
8	4460465	10	Socket, Female	
8	4460466	2	Plug, Terminal	
9	NPN	2	Connector - 3 Position	
10	4460742	2	Plug, Male - 2 Position	
10	4460457	4	Socket, Female	
10	4460458	4	Seal	
11	4460867	1	Receptacle, Female - 2 Position	
11	4460475	2	Pin, Male	
11	4460458	2	Seal	
12	NPN	1	Connector - 2 Position	
13	NPN	2	Connector - 2 Position	

SECTION 7 - ELECTRICAL

FIGURE 7-10. BODY HARNESS - TRI-AXLE (LH)



ART_1001216188

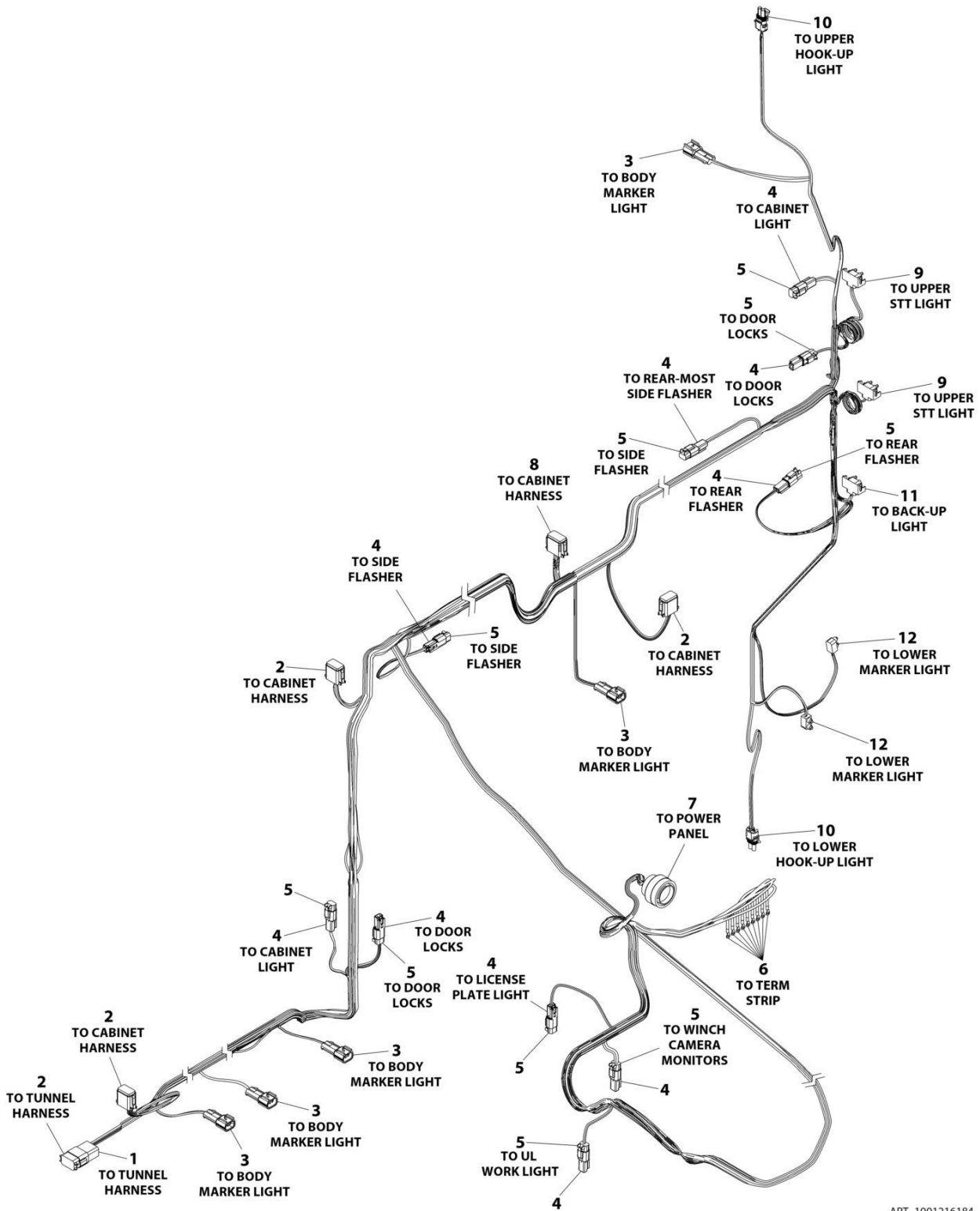
SECTION 7 - ELECTRICAL

FIGURE 7-10. BODY HARNESS - TRI-AXLE (LH)

ITEM	PART NUMBER	QTY	DESCRIPTION	REV
	1001216188	Ref	BODY HARNESS (LH) (TRI)	C
1	4460931	1	Connector	
1	80604024	1	Wedge, Locking	
1	4460941	6	Pin	
1	4460466	10	Plug	
1	4460930	1	Connector, Plug	
1	80604025	1	Wedge, Locking	
2	4460930	1	Connector	
2	80604025	1	Wedge, Locking	
2	4460465	6	Socket	
2	4460466	2	Plug	
3	4460897	4	Connector	
3	80604017	4	Wedge, Locking	
3	4460464	8	Pin	
3	4460891	4	Connector, Plug	
3	80604018	4	Wedge, Locking	
3	4460466	8	Plug	
4	1001117026	3	Connector	
4	NPN	3	Wedge, Locking	
4	1001116745	6	Socket	
4	4460458	6	Seal	
5	4460933	2	Connector	
5	80604016	2	Wedge, Locking	
5	4460465	20	Socket	
5	4460466	4	Plug	
6	NPN	6	Ring, Terminal	
7	4461291	1	Connector	
7	4460509	10	Socket	
7	4460466	6	Plug	
8	4461157	1	Connector	
8	NPN	2	Seal	
8	4460475	2	Pin	
9	1001275791	2	Lead Harness	
10	4460742	2	Connector	
10	NPN	4	Seal	
10	4460457	4	Pin	
11	1001275793	2	Lead Harness	
12	4460891	1	Connector	
12	80604018	1	Wedge, Locking	
12	4460465	2	Socket	
12	4460897	1	Connector, Plug	
12	80604017	1	Wedge, Locking	
12	4460466	2	Plug	
13	1001275792	1	Lead Harness	

SECTION 7 - ELECTRICAL

FIGURE 7-11. BODY HARNESS - TANDEM (RH)



ART_1001216184

SECTION 7 - ELECTRICAL

FIGURE 7-11. BODY HARNESS - TANDEM (RH)

ITEM	PART NUMBER	QTY	DESCRIPTION	REV
	1001216184	Ref	BODY HARNESS (RH)	B
1	4460931	1	Receptacle, Female - 8 Position	
1	4460941	6	Pin, Male	
1	4460466	2	Plug, Terminal	
2	4460930	4	Plug, Male - 8 Position	
2	4460465	22	Socket, Female	
2	4460466	10	Plug, Terminal	
3	NPN	5	Connector - 2 Position	
3	NPN	10	Terminal	
3	4460458	10	Seal	
4	4460897	10	Receptacle, Female - 2 Position	
4	4460464	12	Pin, Male	
4	4460466	8	Plug, Terminal	
5	4460891	10	Plug, Male - 2 Position	
5	4460465	8	Socket, Female	
5	4460466	12	Plug, Terminal	
6	NPN	9	Terminal, Ring	
7	NPN	1	Connector - 21 Position	
7	4460509	14	Socket, Female	
7	4460466	7	Plug, Terminal	
8	4460933	1	Plug, Male - 12 Position	
8	4460465	10	Socket, Female	
8	4460466	2	Plug, Terminal	
9	NPN	2	Connector - 3 Position	
10	4460742	2	Plug, Male - 2 Position	
10	4460457	4	Socket, Female	
10	4460458	4	Seal	
11	NPN	1	Connector - 2 Position	
12	NPN	2	Connector - 2 Position	

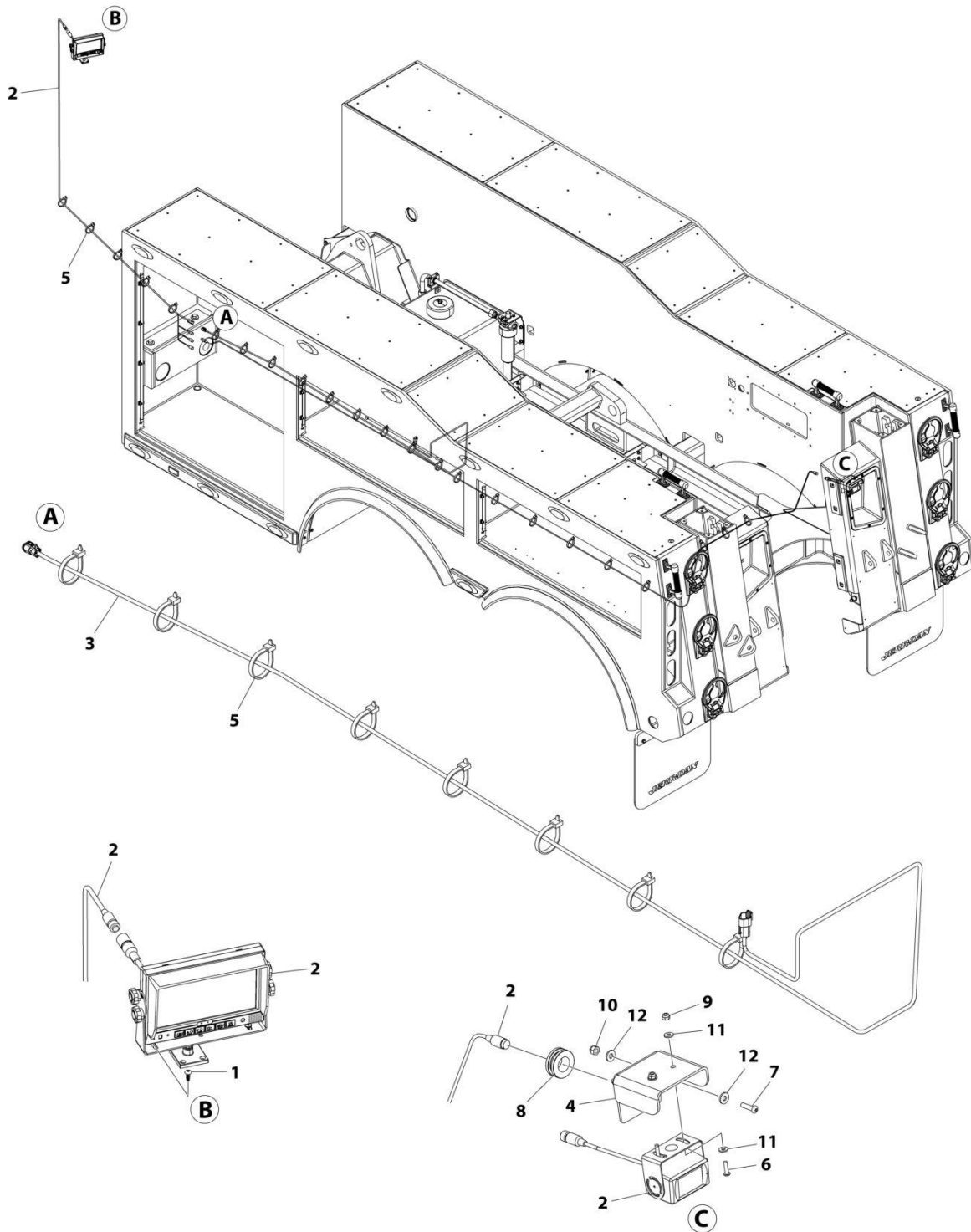
SECTION 7 - ELECTRICAL

FIGURE 7-12. BODY HARNESS - TRI-AXLE (RH)

ITEM	PART NUMBER	QTY	DESCRIPTION	REV
	1001216189	Ref	BODY HARNESS (RH) (TRI)	A
1	4460931	1	Connector	
1	80604024	1	Wedge, Locking	
1	4460941	6	Pin	
2	4460930	1	Connector	
2	80604025	1	Wedge, Locking	
2	4460465	6	Socket	
2	4460466	2	Plug	
3	4460897	4	Connector	
3	80604017	4	Wedge, Locking	
3	4460464	8	Pin	
3	4460891	4	Connector, Plug	
3	80604018	4	Wedge, Locking	
3	4460466	8	Plug	
4	1001117026	3	Connector	
4	NPN	3	Wedge, Locking	
4	1001116745	6	Socket	
4	4460458	6	Seal	
5	4460933	2	Connector	
5	80604016	2	Wedge, Locking	
5	4460465	20	Socket	
5	4460466	4	Plug	
6	4460891	3	Connector	
6	80604018	3	Wedge, Locking	
6	4460465	6	Socket	
6	NPN	3	Connector, Plug	
7	NPN	9	Ring, Terminal	
8	1001263754	1	Connector	
8	4460509	3	Socket (12 AWG)	
8	4460942	8	Socket (14 AWG)	
8	4460465	3	Socket (16 AWG)	
8	4460466	7	Plug	
9	4460884	1	Connector	
9	80604021	1	Wedge, Locking	
9	4460465	4	Socket	
9	NPN	1	Connector, Plug	
10	4460930	1	Connector	
10	80604025	1	Wedge, Locking	
10	4460942	4	Socket	
10	4460466	4	Plug	
11	1001275793	2	Lead Harness	
12	1001275791	2	Lead Harness	
13	4460742	2	Connector	
13	NPN	4	Seal	
13	4460457	4	Pin	
14	1001275792	1	Lead Harness	

SECTION 7 - ELECTRICAL

FIGURE 7-13. CAMERA INSTALLATION - CABINET MOUNTED BACK - UP



ART_1001256894_B

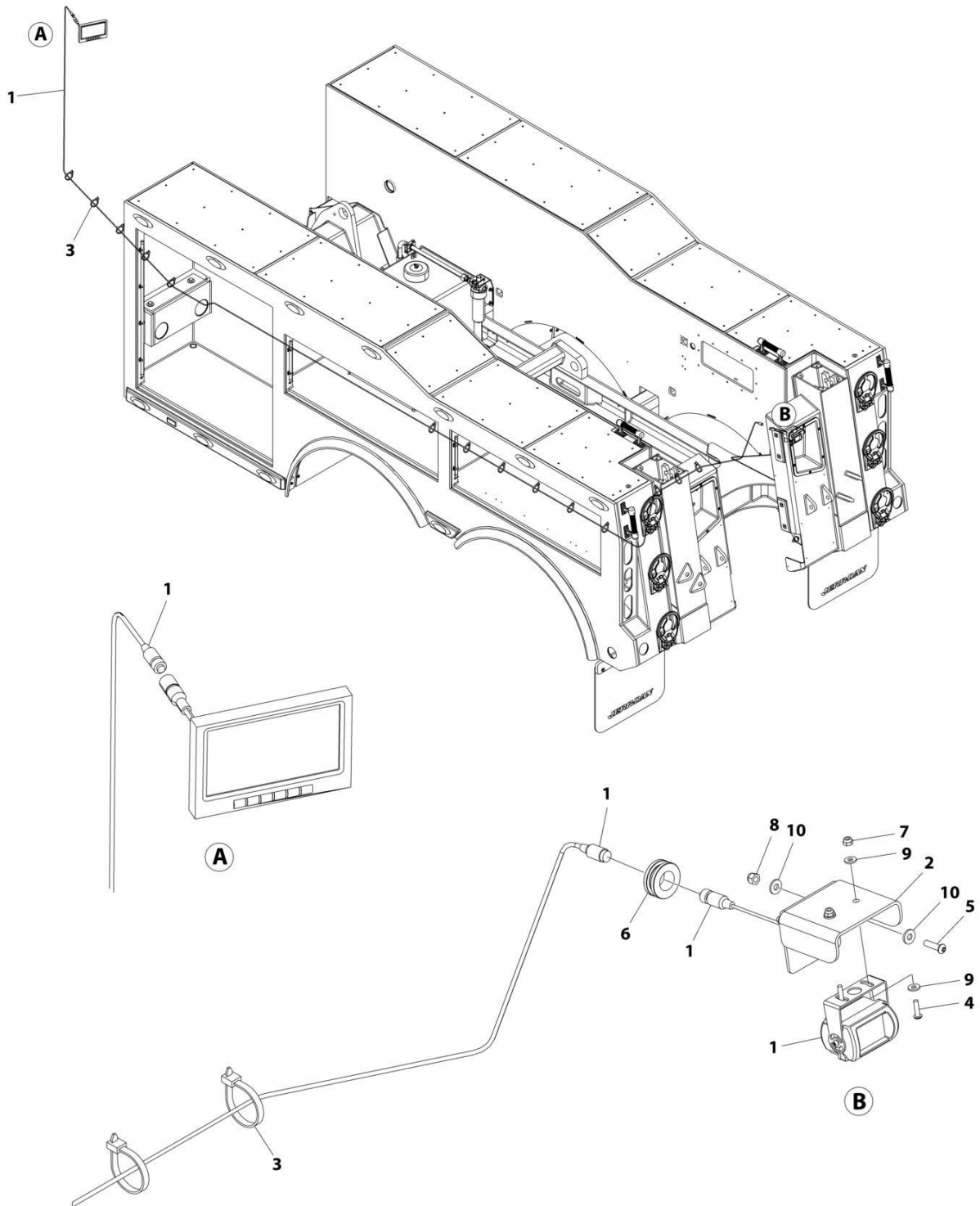
SECTION 7 - ELECTRICAL

FIGURE 7-13. CAMERA INSTALLATION - CABINET MOUNTED BACK - UP

ITEM	PART NUMBER	QTY	DESCRIPTION	REV
	1001256894	Ref	BACK-UP CAMERA INSTALLATION	B
1	1001192958	2	Screw #10 x 1/2	
2	1001219309	1	Accessory Back-Up Camera, Kit	
3	1001215151	1	Harness, Back-Up Camera Monitor (See Separate Breakdown in ELECTRICAL Section)	
4	1001250843	1	Bracket	
5	5526000553	30	Tie-Strap	
6	7114100618	2	Screw #10 x 3/4	
7	7114140818	2	Capscrew 1/4 x 1	
8	7493000003	1	Grommet	
9	7660102601	2	Nut #10	
10	7660142601	2	Nut 1/4	
11	7950100143	4	Washer 3/16	
12	7950140143	4	Washer 1/4	

SECTION 7 - ELECTRICAL

FIGURE 7-14. CAMERA INSTALLATION - CABINET MOUNTED BACK - UP (PACCAR)



ART_1001257696

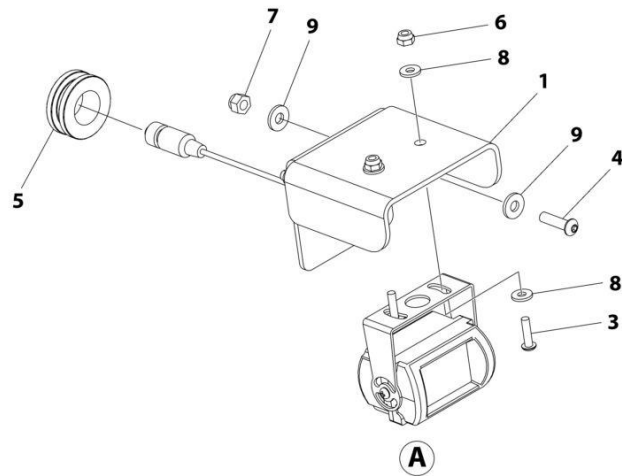
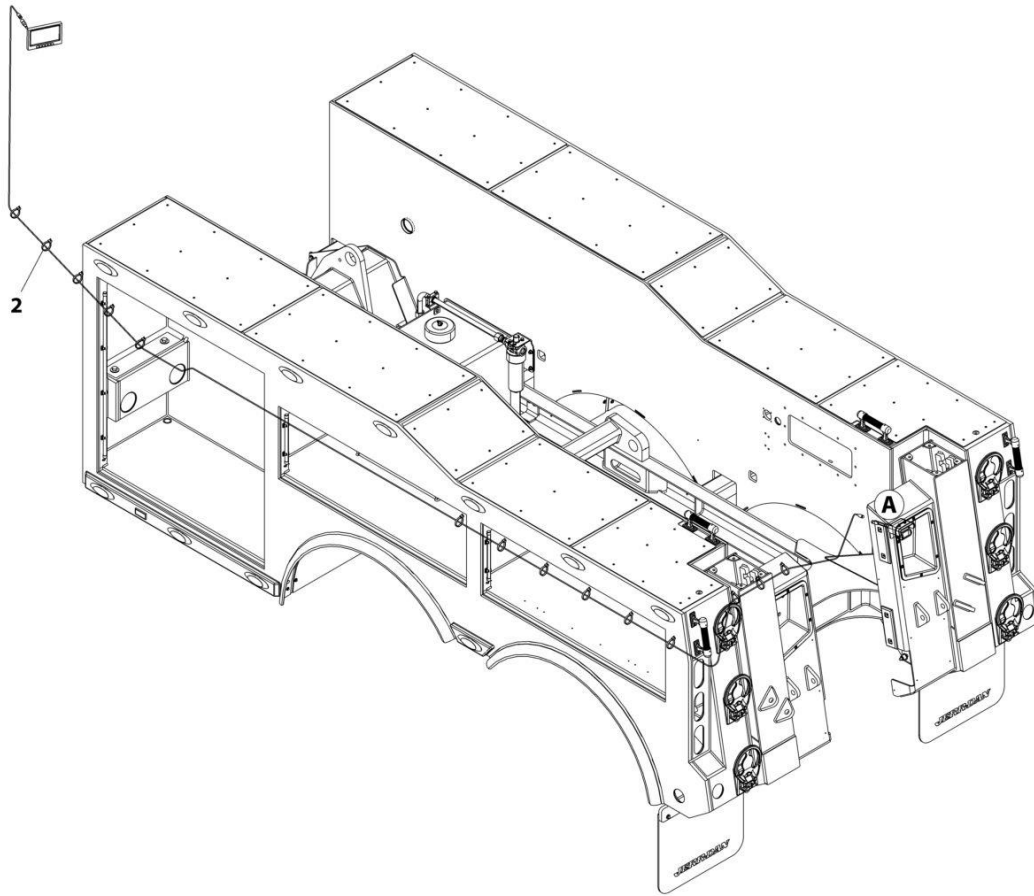
SECTION 7 - ELECTRICAL

FIGURE 7-14. CAMERA INSTALLATION - CABINET MOUNTED BACK - UP (PACCAR)

ITEM	PART NUMBER	QTY	DESCRIPTION	REV
	1001257696	Ref	Back-Up Camera Paccar Installation	A
1	1001204558	1	Accessory Back-Up Camera, Kit	
2	1001250843	1	Bracket	
3	5526000553	30	Tie Strap	
4	7114100618	2	Screw #10 x 3/4	
5	7114140818	2	Capscrew 1/4 x 1	
6	7493000003	1	Grommet	
7	7660102601	2	Nut #10	
8	7660142601	2	Nut 1/4	
9	7950100143	4	Washer 3/16	
10	7950140143	4	Washer 1/4	

SECTION 7 - ELECTRICAL

FIGURE 7-15. CAMERA INSTALLATION - CABINET MOUNTED ONLY



ART_1001257762

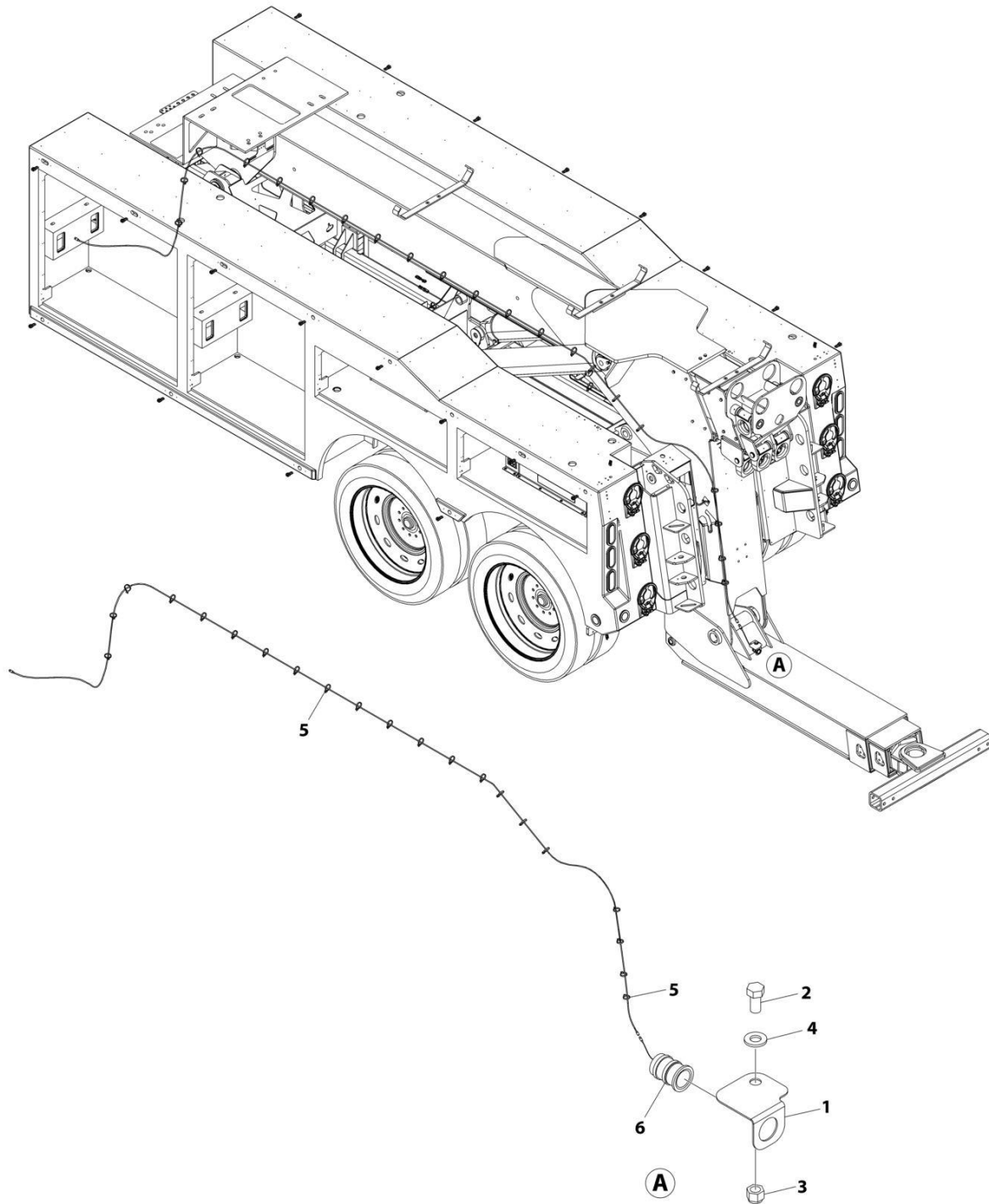
SECTION 7 - ELECTRICAL

FIGURE 7-15. CAMERA INSTALLATION - CABINET MOUNTED ONLY

ITEM	PART NUMBER	QTY	DESCRIPTION	REV
	1001257762	Ref	Back-Up Camera Mount Installation	A
1	1001250843	1	Bracket	
2	5526000553	1	Tie Strap	
3	7114100618	2	Screw #10 x 3/4	
4	7114140818	2	Capscrew 1/4 x 1	
5	7493000003	1	Grommet	
6	7660102601	2	Nut #10	
7	7660142601	2	Nut #10	
8	7950100143	4	Washer 3/16	
9	7950140143	4	Washer 1/4	

SECTION 7 - ELECTRICAL

FIGURE 7-16. CAMERA INSTALLATION - UNDERLIFT MOUNTED



ART_1001212141

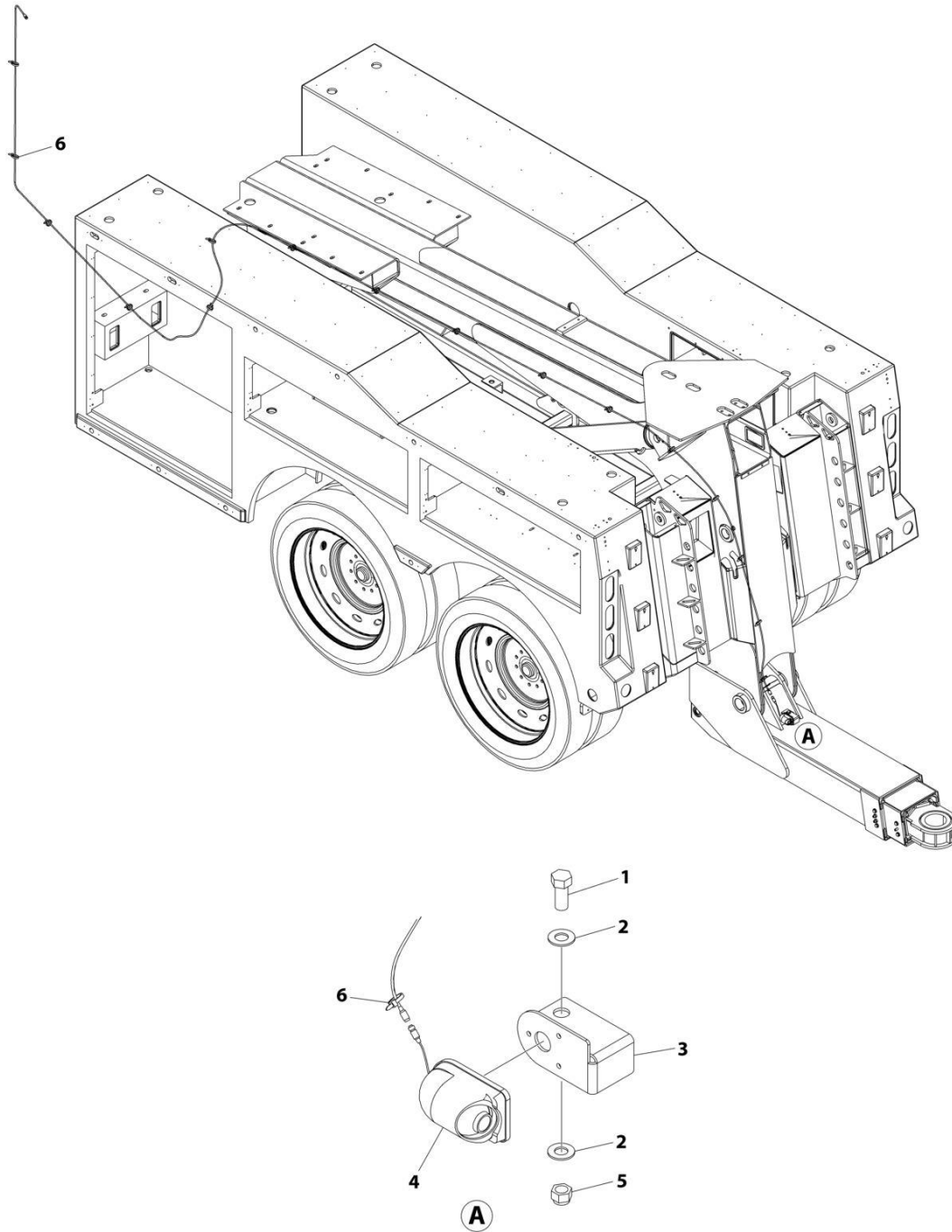
SECTION 7 - ELECTRICAL

FIGURE 7-16. CAMERA INSTALLATION - UNDERLIFT MOUNTED

ITEM	PART NUMBER	QTY	DESCRIPTION	REV
	1001212141	Ref	Underlift Camera Installation	B
1	4178000889	1	Bracket (SN 0230005220 through 0230009593)	
1	1001164102	1	Bracket (SN 0230009594 to Present)	
2	7115180850	1	Capscrew 1/2 x 1	
3	7660182601	1	Nut 1/2	
4	7950100143	1	Washer 3/16	
5	5526000553	21	Tie Strap	
6	7002000555	1	Kit, Camera (Back-up) (SN 0230005220 through 0230009593)	
6	1001273598	1	Kit, Camera (Back-up) (SN 0230009594 to Present)	

SECTION 7 - ELECTRICAL

FIGURE 7-17. CAMERA INSTALLATION - UNDERLIFT MOUNTED (PACCAR)



ART_1001203911

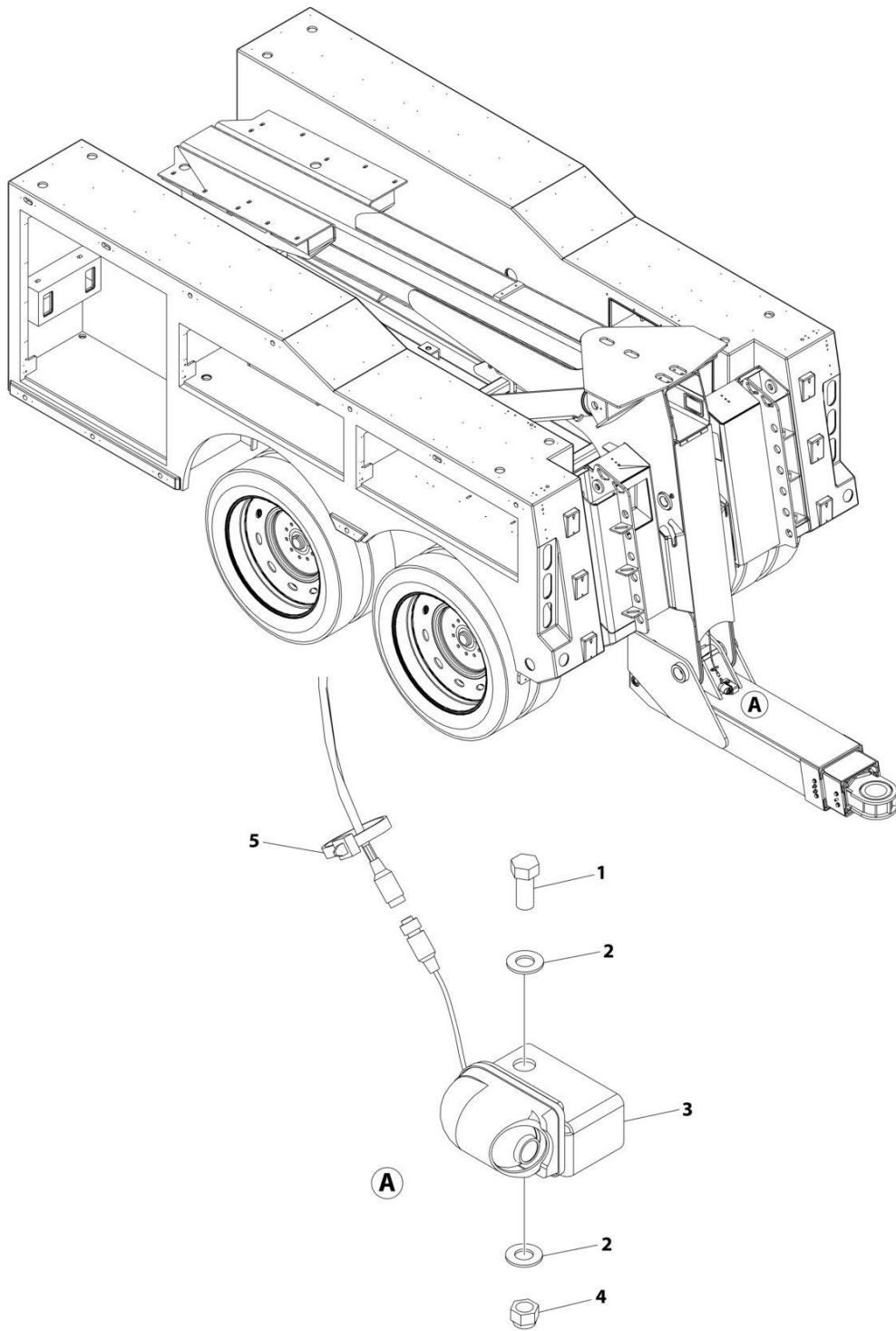
SECTION 7 - ELECTRICAL

FIGURE 7-17. CAMERA INSTALLATION - UNDERLIFT MOUNTED (PACCAR)

ITEM	PART NUMBER	QTY	DESCRIPTION	REV
	1001203911	Ref	Underlift Camera Paccar Installation	A
1	0641708	1	Capscrew 7/16 x 1	
2	4711700	2	Washer 7/16	
3	1001164102	1	Bracket	
4	1001204595	1	Kit, Camera (Underlift) (Paccar)	
5	7660172601	1	Nut 7/16	
6	7854000004	30	Tie Strap	

SECTION 7 - ELECTRICAL

FIGURE 7-18. CAMERA INSTALLATION - UNDERLIFT MOUNTED ONLY



ART_1001218724

SECTION 7 - ELECTRICAL

FIGURE 7-18. CAMERA INSTALLATION - UNDERLIFT MOUNTED ONLY

ITEM	PART NUMBER	QTY	DESCRIPTION	REV
	1001218724	Ref	Underlift Camera Installation - Brackets	A
1	0641708	1	Capscrew 7/16 x 1	
2	4711700	2	Washer 7/16	
3	1001164102	1	Bracket, Underlift Camera Mount	
4	7660172601	1	Nut 7/16	
5	5526000553	40	Tie Strap	

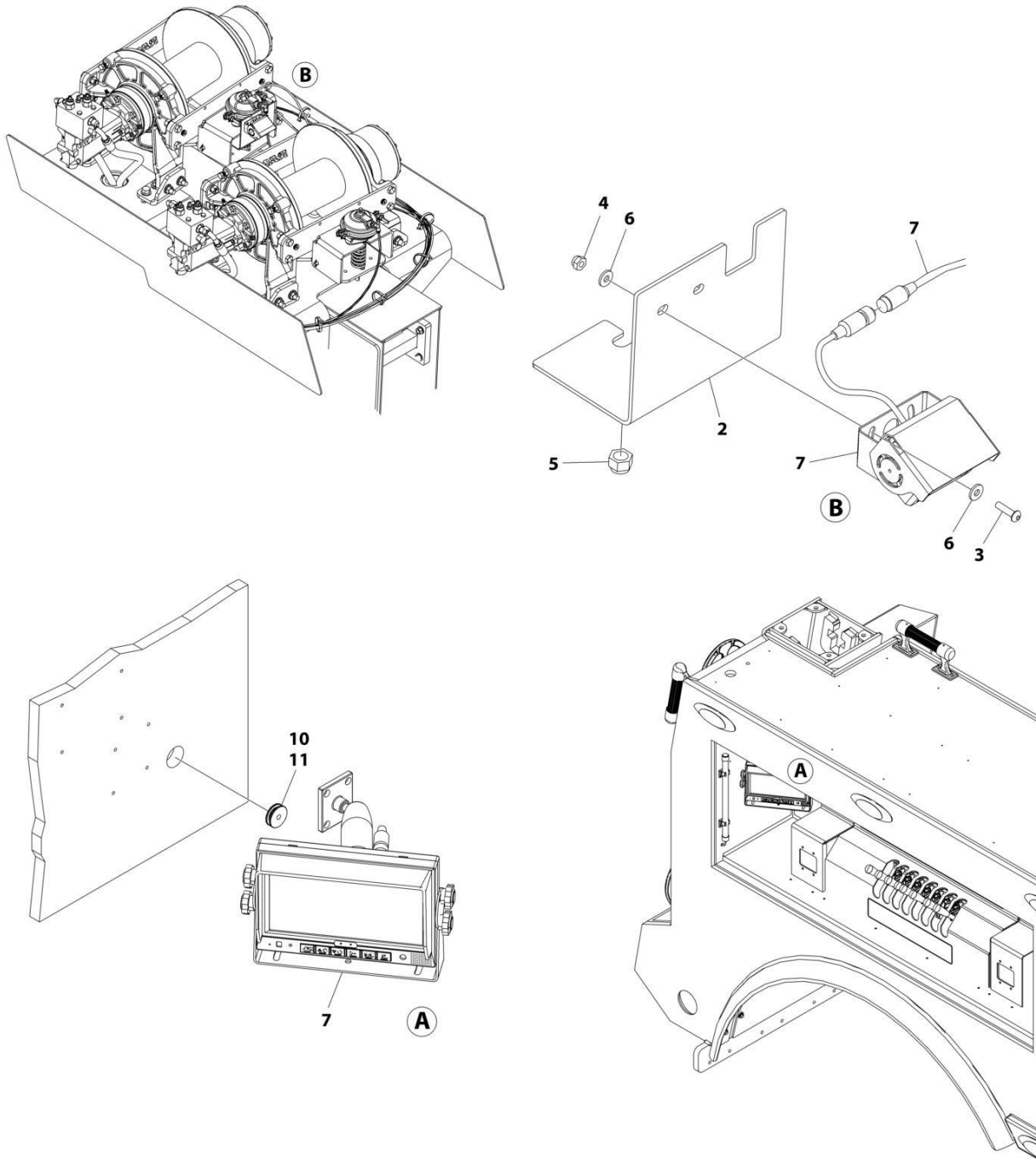
SECTION 7 - ELECTRICAL

FIGURE 7-19. CAMERA INSTALLATION - WINCH MOUNTED (DP)

ITEM	PART NUMBER	QTY	DESCRIPTION	REV
	1001212230	Ref	CAMERA REAR WINCH PS W/CTRL MON, DP INSTALLATION	C
3	1001273756	1	Bracket	
5	1001209036	1	Harness (Not shown)	
5	4460891	2	Plug, Male - 2 Position (at Winch Motor)	
5	4460465	4	Socket, Male (at Winch Motor)	
5	4460897	2	Receptacle, Female - 2 Position (at Winch Motor)	
5	4460464	4	Pin, Male (at Winch Motor)	
5	4460932	1	Receptacle, Female - 4 Position (to Power)	
5	4460464	4	Pin, Male (to Power)	
6	1001219309	1	Accessory Back-Up Camera	
7	7114140618	2	Screw 1/4 x 3/4	
8	7660142600	2	Nut 1/4	
9	7894000004	30	Tie Strap (Not shown)	
10	7950140143	4	Washer 3/16	
11	7493000020	1	Grommet	
12	8798820001	AR	Sealant	

SECTION 7 - ELECTRICAL

FIGURE 7-20. CAMERA INSTALLATION - WINCH MOUNTED (RAMSEY)



ART_1001257916_D

SECTION 7 - ELECTRICAL

FIGURE 7-20. CAMERA INSTALLATION - WINCH MOUNTED (RAMSEY)

ITEM	PART NUMBER	QTY	DESCRIPTION	REV
	1001257916	Ref	CAMERA REAR WINCH PS W/ CTRL RAMSEY	D
2	1001257872	1	Bracket	
3	7114100618	2	Screw #10 x 3/4	
4	7660102601	2	Nut #10	
5	7660172601	2	Nut 7/16	
6	7950100143	4	Washer 3/16	
7	1001219309	1	Accessory Back-Up Camera, Kit	
8	1001209036	1	Harness, Winch Monitor (Not Shown) (See Separate Breakdown in ELECTRICAL Section)	
9	7894000004	6	Tie-Strap (Not shown)	
10	7493000020	1	Grommet	
11	8798820001	AR	Sealant	

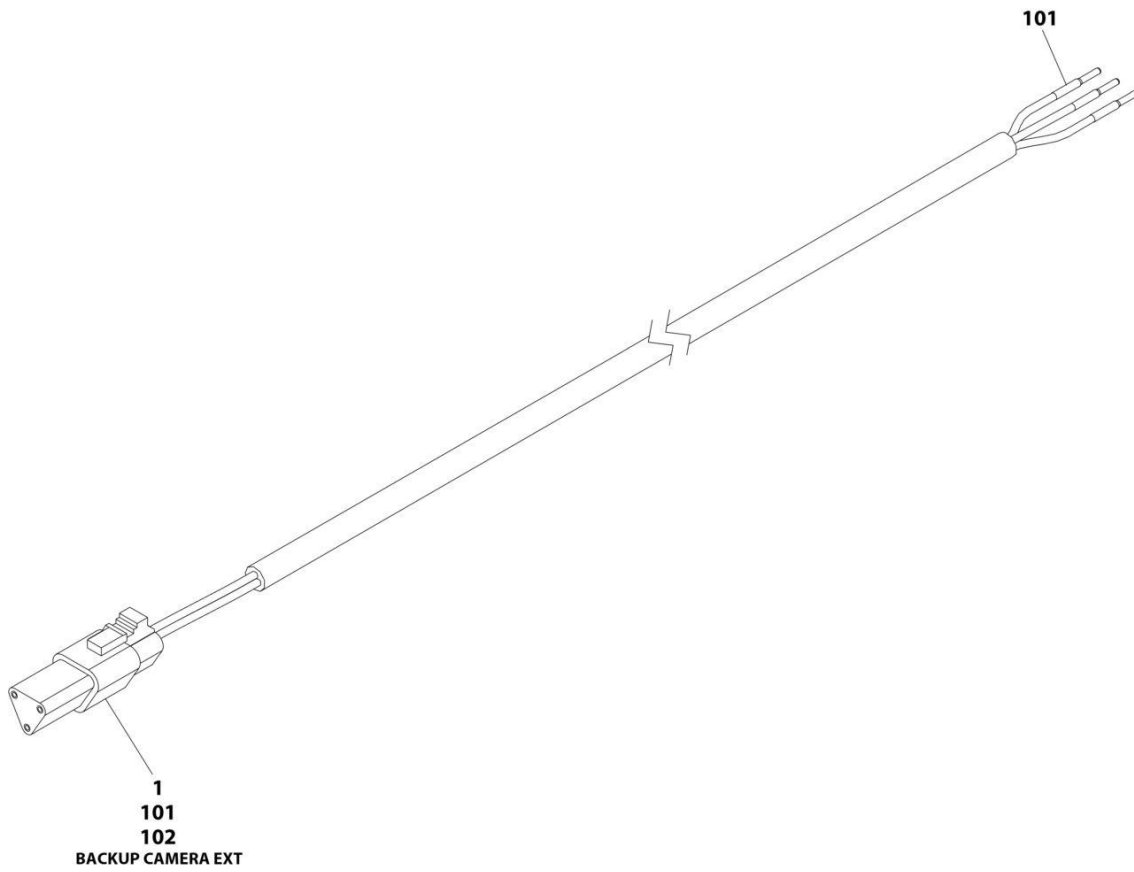
SECTION 7 - ELECTRICAL

FIGURE 7-21. CAMERA INSTALLATION - CONTROLS MOUNTED (DRIVERS SIDE)

ITEM	PART NUMBER	QTY	DESCRIPTION	REV
	1001212231	Ref	CAMERA REAR WINCH DS INSTALLATION	C
1	1001273599	1	Accessory Winch Monitor, Kit	
3	7894000004	15	Tie Strap (Not shown)	
4	7493000020	1	Grommet	
5	8798820001	AR	Sealant	

SECTION 7 - ELECTRICAL

FIGURE 7-22. CAMERA HARNESS - BACK-UP



ART_1001215151

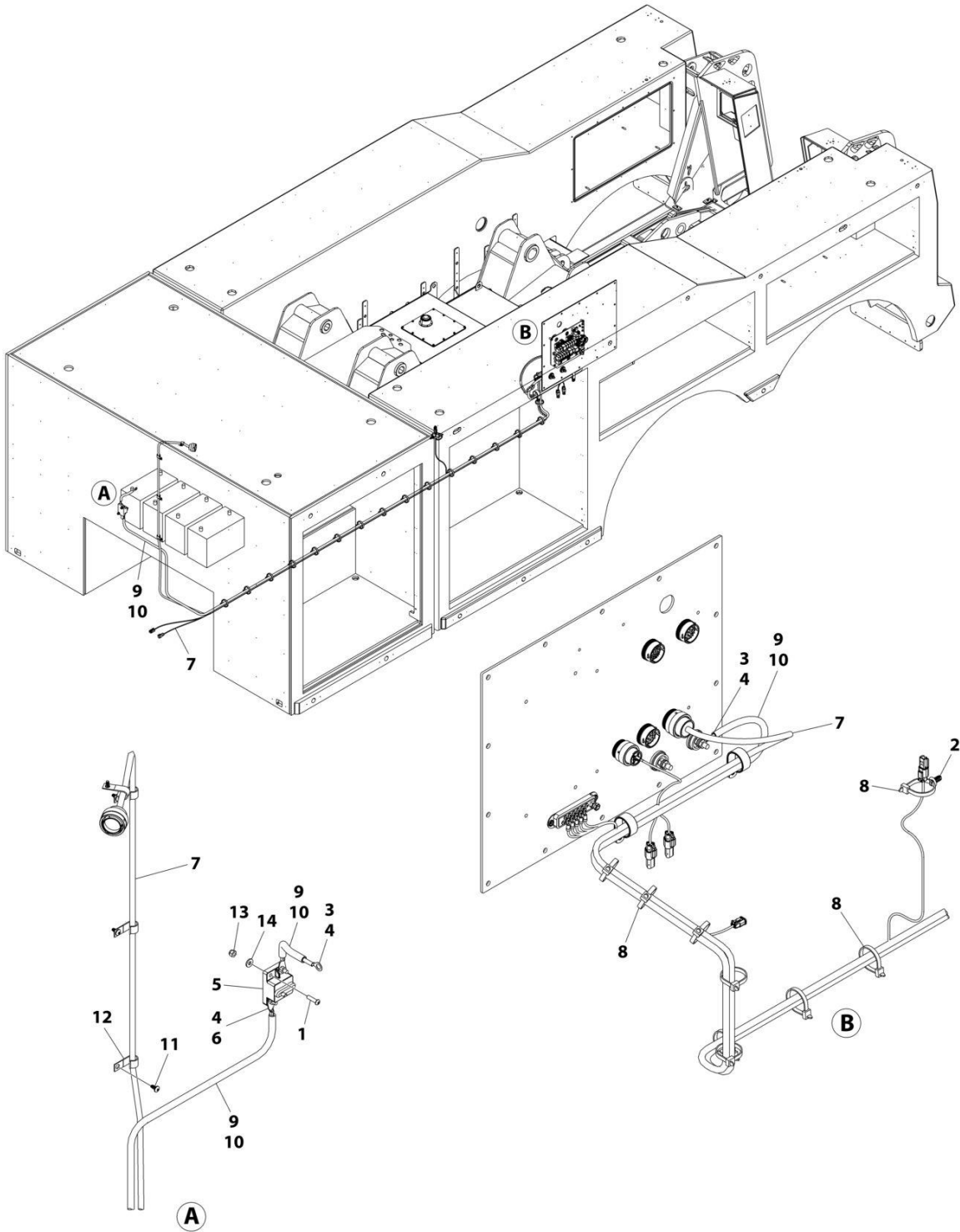
SECTION 7 - ELECTRICAL

FIGURE 7-22. CAMERA HARNESS - BACK-UP

ITEM	PART NUMBER	QTY	DESCRIPTION	REV
	1001215151	Ref	BACK UP CAMERA MONITOR HARNESS	D
1	4460539	1	Pin	
1	4460465	3	Socket (16-20AWG)	
101	4460464	6	Pin	
102	4460536	1	Connector	

SECTION 7 - ELECTRICAL

FIGURE 7-23. CENTER HARNESS INSTALLATION - 236IN WB



ART_1001217426_D

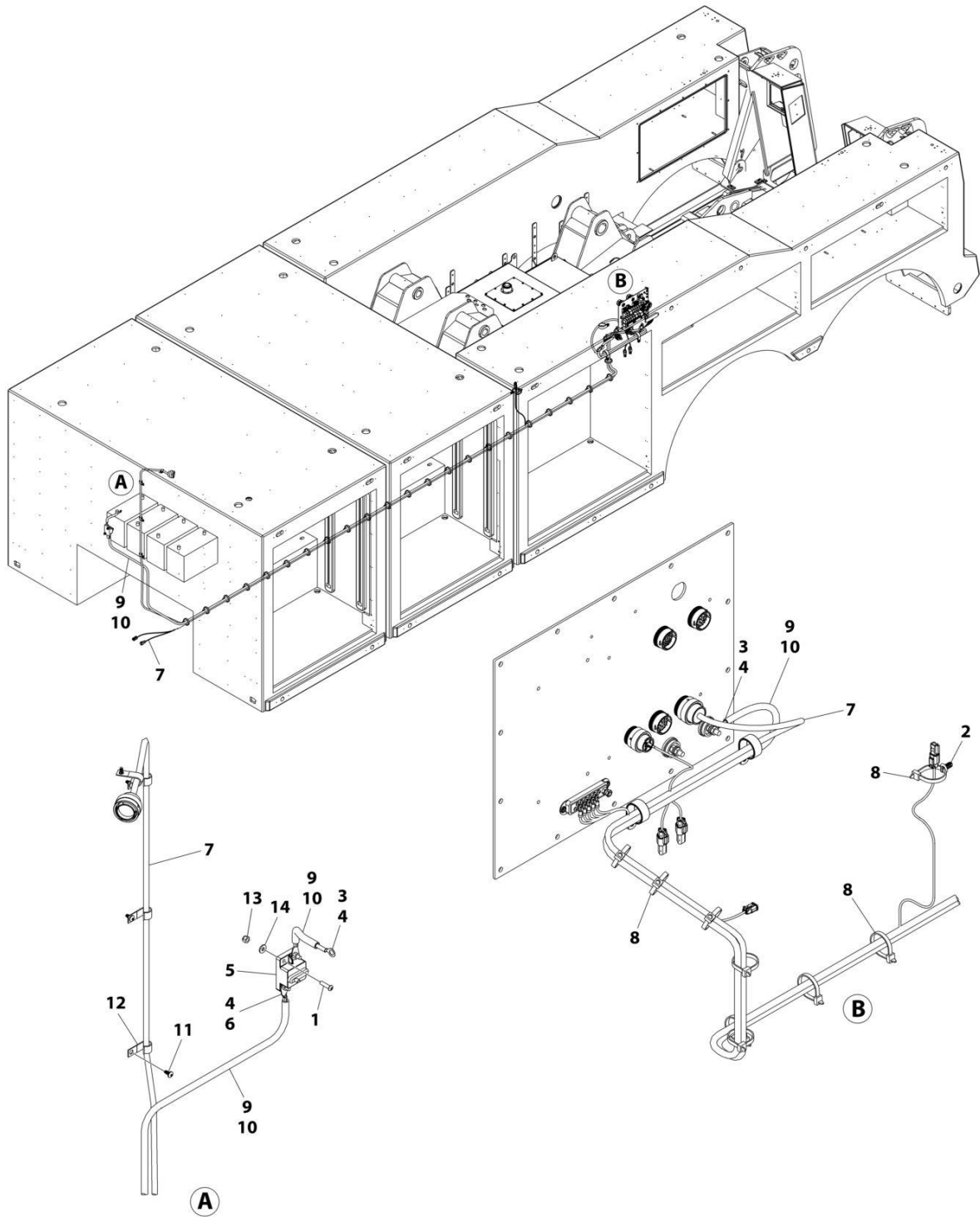
SECTION 7 - ELECTRICAL

FIGURE 7-23. CENTER HARNESS INSTALLATION - 236IN WB

ITEM	PART NUMBER	QTY	DESCRIPTION	REV
	1001217426	Ref	CENTER HARNESS INSTALLATION (142IN CT/236IN WB/1T)	D
1	7114140818	2	Capscrew 1/4 x 1	
2	1001202986	1	Strap	
3	7345242202	2	Terminal	
4	7346000045	0.25 ft	Tubing	
5	7870000043	1	Switch Breaker	
6	1001125479	2	Terminal Ring	
7	1001217442	1	Harness, Center Main (See Separate Breakdown in this Section)	
8	5526000553	21	Tie-Strap	
9	7978000011	25 ft	Cable	
10	8597650001	25 ft	Loom	
11	1001195257	4	Screw 1/4 x 1/2	
12	7280000006	4	Clip	
13	7660142601	2	Nut 1/4	
14	7950140143	2	Washer 1/4	

SECTION 7 - ELECTRICAL

FIGURE 7-24. CENTER HARNESS INSTALLATION - 322IN WB



ART_1001217587_D

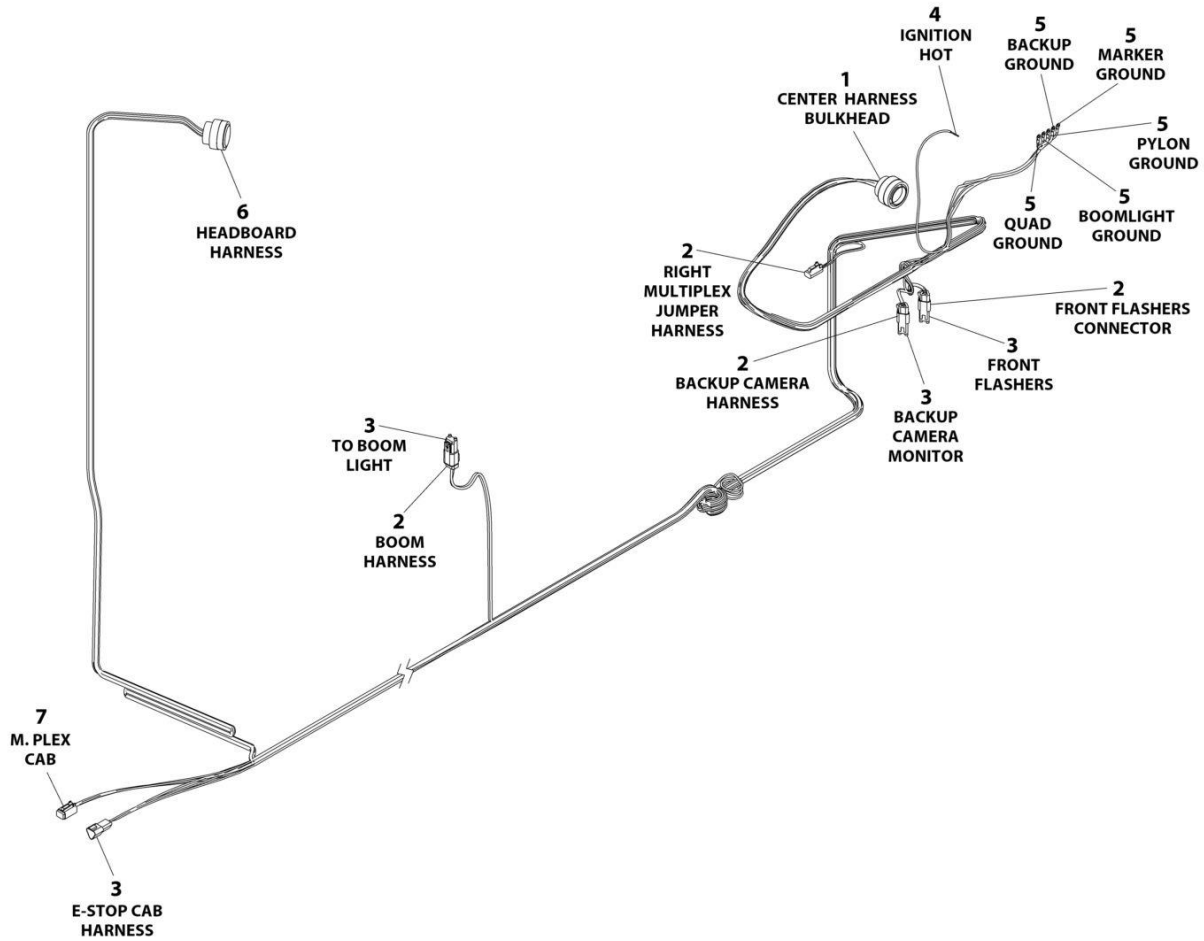
SECTION 7 - ELECTRICAL

FIGURE 7-24. CENTER HARNESS INSTALLATION - 322IN WB

ITEM	PART NUMBER	QTY	DESCRIPTION	REV
	1001217587	Ref	CENTER HARNESS INSTALLATION (191IN CT/285IN WB/2T)	D
1	7114140818	2	Capscrew 1/4 x 1	
2	1001202986	1	Strap	
3	7345242202	2	Terminal	
4	7346000045	0.25 ft	Tubing	
5	7870000043	1	Switch Breaker	
6	1001125479	2	Terminal Ring	
7	1001217589	1	Harness, Center Main (See Separate Breakdown in this Section)	
8	5526000553	28	Tie-Strap	
9	7978000011	29 ft	Cable	
10	8597650001	29 ft	Loom	
11	1001195257	4	Screw 1/4 x 1/2	
12	7280000006	4	Clip	
13	7660142601	2	Nut 1/4	
14	7950140143	2	Washer 1/4	

SECTION 7 - ELECTRICAL

FIGURE 7-25. CENTER HARNESS - 236IN WB



ART_1001217442

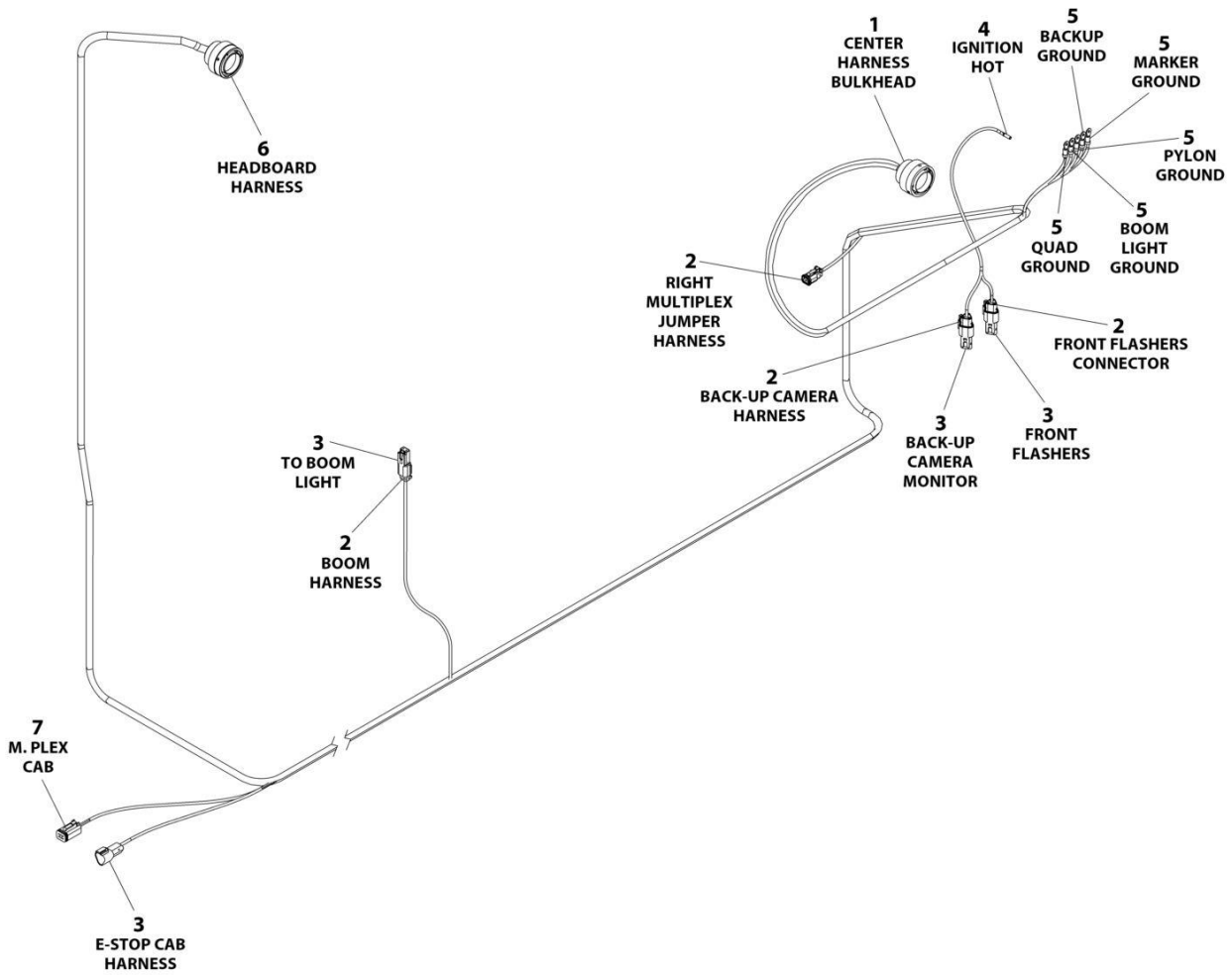
SECTION 7 - ELECTRICAL

FIGURE 7-25. CENTER HARNESS - 236IN WB

ITEM	PART NUMBER	QTY	DESCRIPTION	REV
	1001217442	Ref	CENTER HARNESS (166IN CT)	A
1	NPN	1	Connector - 19 Position	
1	4460942	4	Socket, Female	
1	4460465	9	Socket, Female	
1	4460509	3	Socket, Female	
1	4460466	3	Plug, Terminal	
2	1001116812	4	Plug, Male - 3 Position	
2	4460942	3	Socket, Female	
2	4460465	6	Socket, Female	
2	4460509	3	Socket, Female	
3	4460536	4	Receptacle, Female - 3 Position	
3	4460466	12	Plug, Terminal	
4	4460509	1	Socket, Female	
5	NPN	5	Terminal, Ring	
6	NPN	1	Connector - 18 Position	
6	4460942	2	Socket, Female	
6	4460465	4	Socket, Female	
6	4460509	3	Socket, Female	
6	4460466	9	Plug, Terminal	
7	4460884	1	Plug, Male - 4 Position	
7	4460465	4	Socket, Female	

SECTION 7 - ELECTRICAL

FIGURE 7-26. CENTER HARNESS - 322IN WB



ART_1001217589

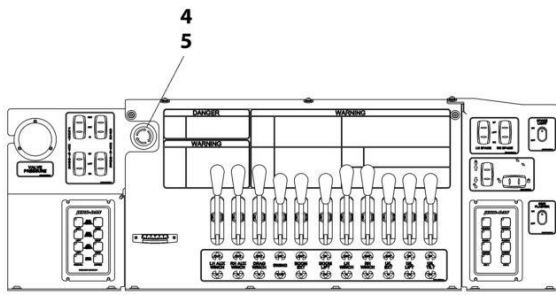
SECTION 7 - ELECTRICAL

FIGURE 7-26. CENTER HARNESS - 322IN WB

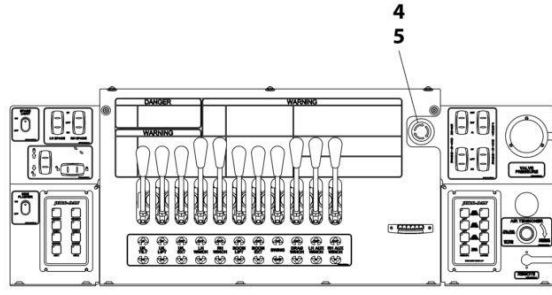
ITEM	PART NUMBER	QTY	DESCRIPTION	REV
	1001217589	Ref	CENTER HARNESS (215IN CT)	A
1	NPN	1	Connector - 19 Position	
1	4460942	4	Socket, Female	
1	4460465	9	Socket, Female	
1	4460509	3	Socket, Female	
1	4460466	3	Plug, Terminal	
2	1001116812	4	Plug, Male - 3 Position	
2	4460942	3	Socket, Female	
2	4460465	6	Socket, Female	
2	4460509	3	Socket, Female	
3	4460536	4	Receptacle, Female - 3 Position	
3	4460466	12	Plug, Terminal	
4	4460509	1	Socket, Female	
5	NPN	5	Terminal, Ring	
6	NPN	1	Connector - 18 Position	
6	4460942	2	Socket, Female	
6	4460465	4	Socket, Female	
6	4460509	3	Socket, Female	
6	4460466	9	Plug, Terminal	
7	4460884	1	Plug, Male - 4 Position	
7	4460465	4	Socket, Female	

SECTION 7 - ELECTRICAL

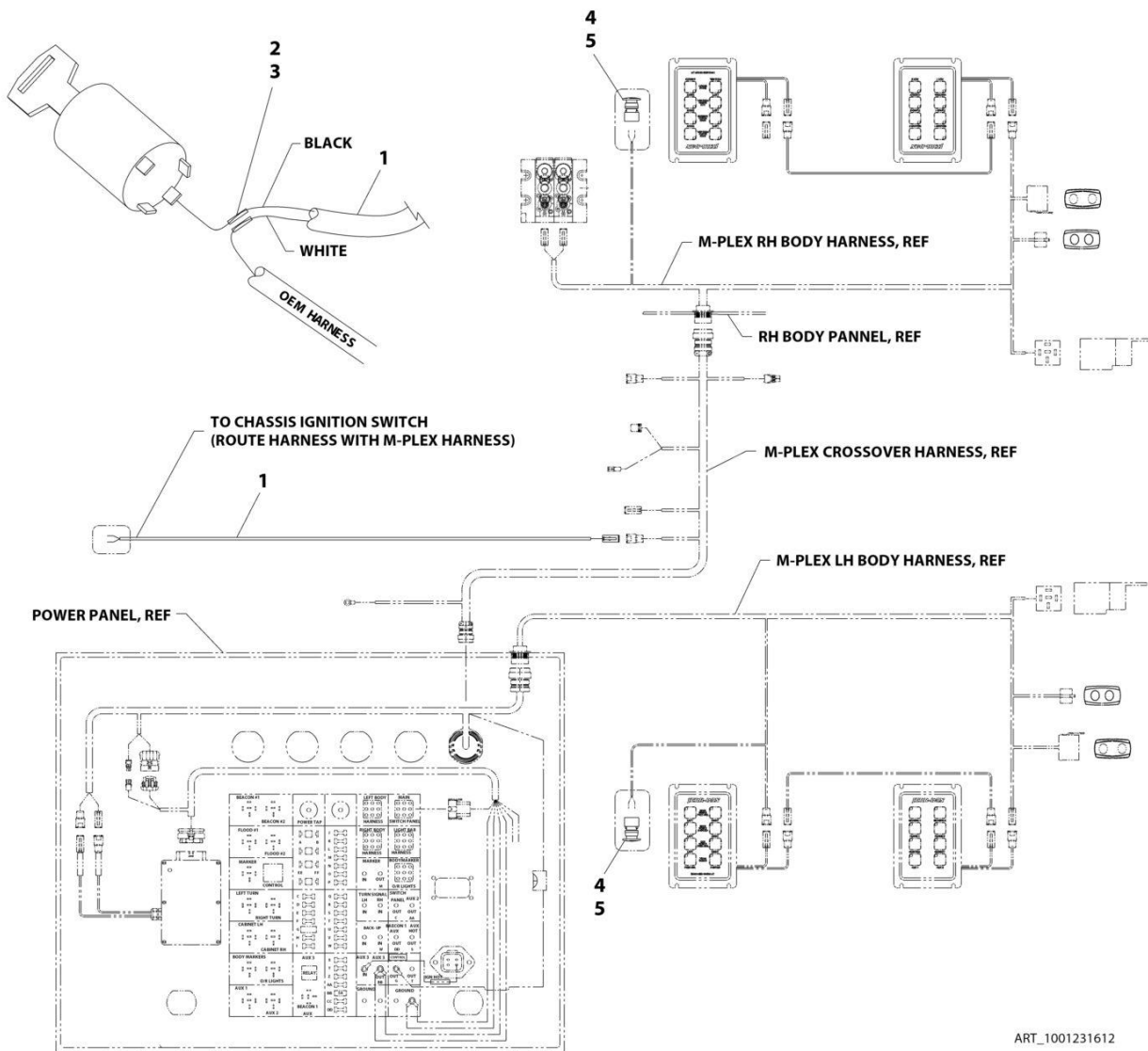
FIGURE 7-27. EMERGENCY STOP INSTALLATION



LH SIDE CONTROL STATION
11 SECTION CONTROLS SHOWN; 9 SECTION OPTIONAL



RH SIDE CONTROL STATION
11 SECTION CONTROLS SHOWN; 9 SECTION OPTIONAL



ART_1001231612

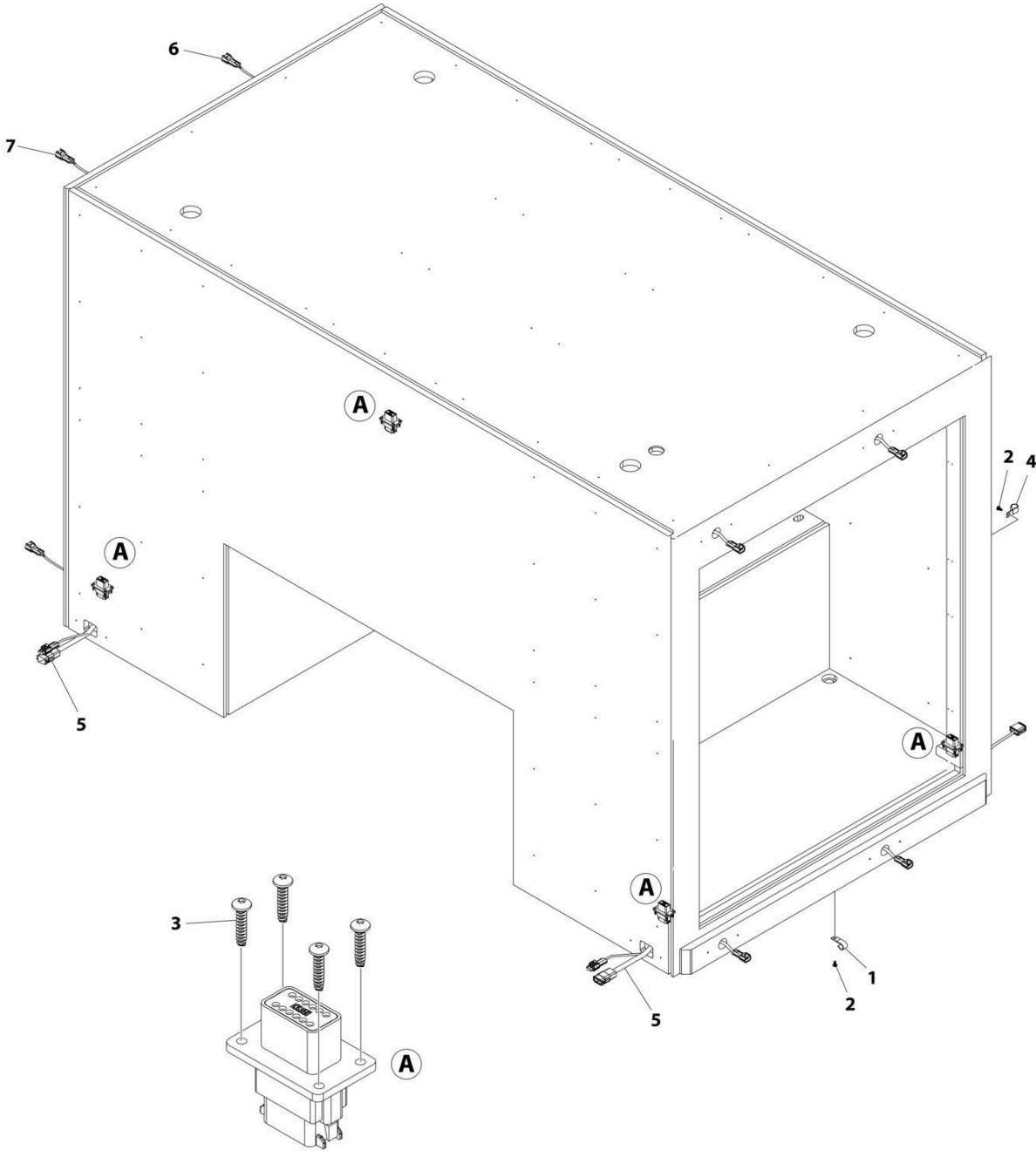
SECTION 7 - ELECTRICAL

FIGURE 7-27. EMERGENCY STOP INSTALLATION

ITEM	PART NUMBER	QTY	DESCRIPTION	REV
	1001231612	Ref	Emergency Stop Installation	A
1	1001215371	1	Harness (See Separate Breakdown in this Section)	
2	7345001714	2	Terminal	
3	7346000039	0.125 ft	Tubing	
4	1001233500	2	Switch, Push Button	
5	1704260	2	Decal	

SECTION 7 - ELECTRICAL

FIGURE 7-28. HARNESS INSTALLATION - TUNNEL



ART_1001281659

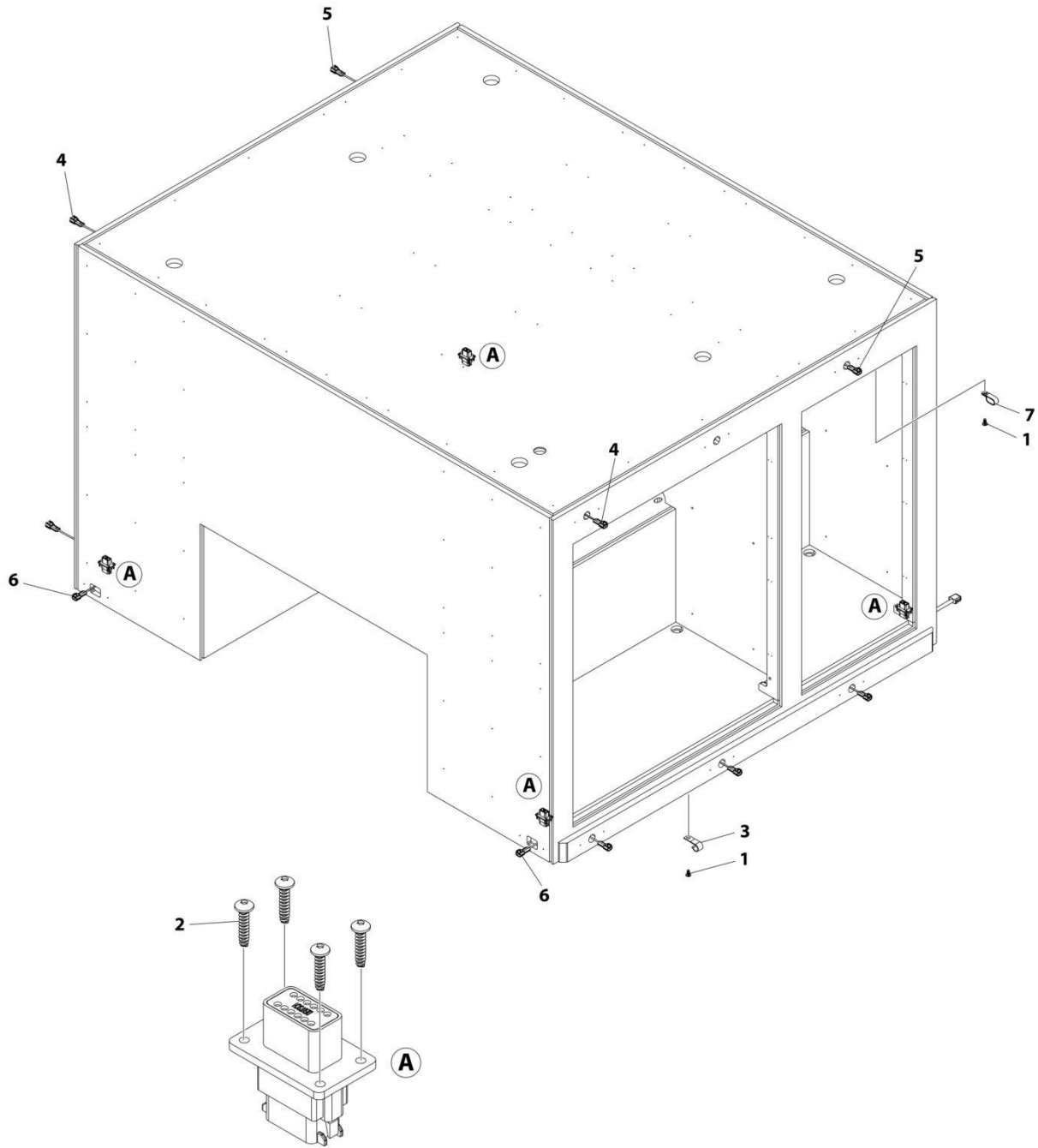
SECTION 7 - ELECTRICAL

FIGURE 7-28. HARNESS INSTALLATION - TUNNEL

ITEM	PART NUMBER	QTY	DESCRIPTION	REV
	1001281659	Ref	HARNESS INSTALLATION - TUNNEL	A
1	1321385	2	Clamp, Hose Retaining	
2	1001195257	24	Screw 1/4 x 1/2	
3	1001196552	16	Screw #8 x 3/4	
4	7280000006	22	Clip	
5	1001209050	2	Main Tunnel Harness (See Separate Breakdown in this Section)	
6	1001229447	2	Rear Tunnel Harness (See Separate Breakdown in this Section)	
7	1001209056	2	Rear Tunnel Harness (See Separate Breakdown in this Section)	
8	5526000553	AR	Tie-Strap (Not Shown)	

SECTION 7 - ELECTRICAL

FIGURE 7-29. HARNESS INSTALLATION - TUNNEL (DOUBLE)



ART_1001270652

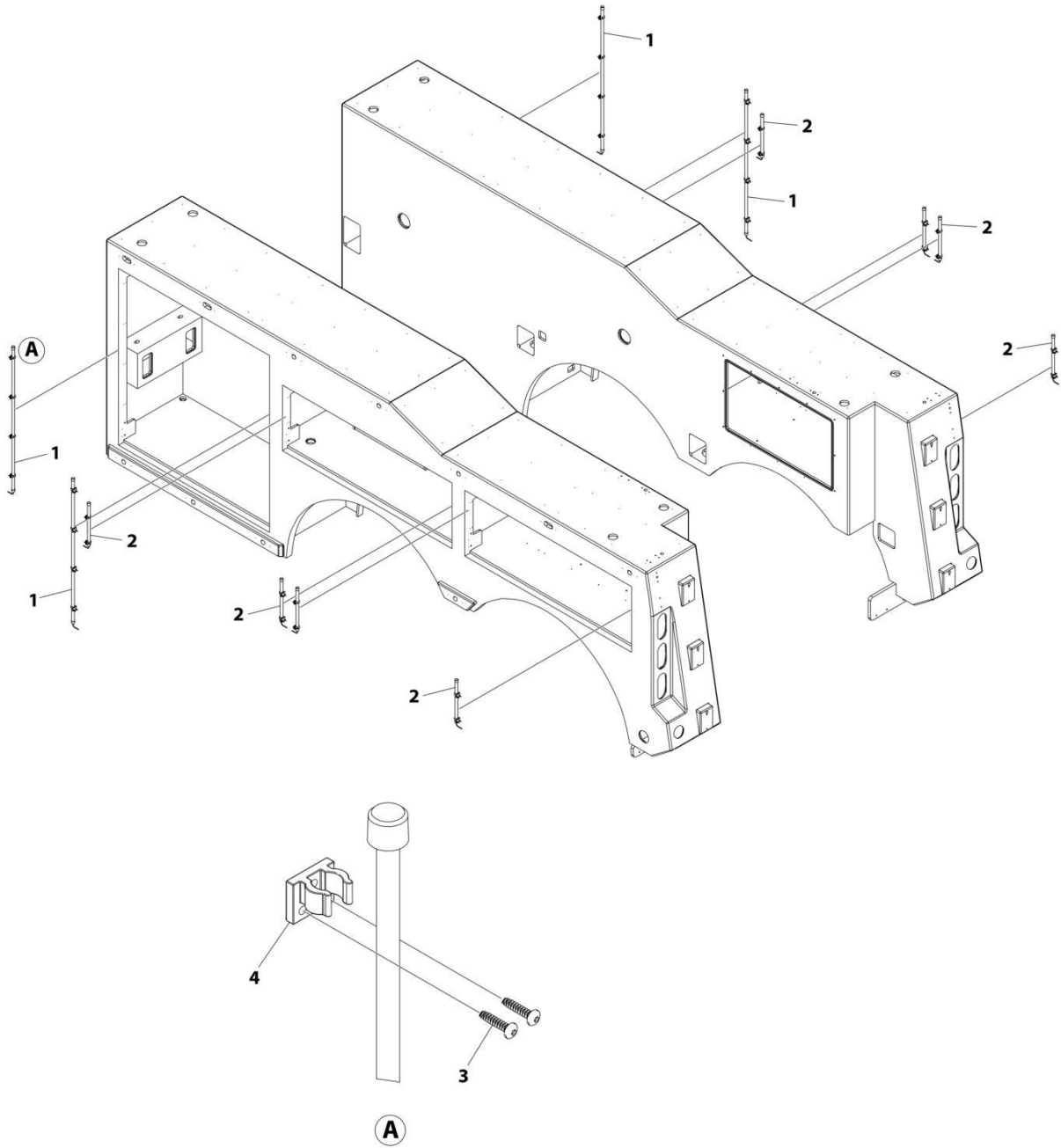
SECTION 7 - ELECTRICAL

FIGURE 7-29. HARNESS INSTALLATION - TUNNEL (DOUBLE)

ITEM	PART NUMBER	QTY	DESCRIPTION	REV
	1001270652	Ref	HARNESS INSTALLATION - TUNNEL (DOUBLE)	A
1	1001195257	32	Screw 1/4 x 1/2	
2	1001196552	24	Screw #8 x 3/4	
3	7280000006	28	Clip	
4	1001209056	2	Rear Tunnel Harness (See Separate Breakdown in this Section)	
5	1001229468	2	Cabinet Mid Body Harness (See Separate Breakdown in this section)	
6	1001270659	2	Main Tunnel Harness (Double) (See Separate Breakdown in this section)	
7	1321385	4	Clamp, Hose Retaining	
8	5526000553	AR	Tie-Strap (Not Shown)	

SECTION 7 - ELECTRICAL

FIGURE 7-30. LIGHTS - COMPARTMENT LIGHTS INSTALLATION (TANDEM)



ART_1001196522

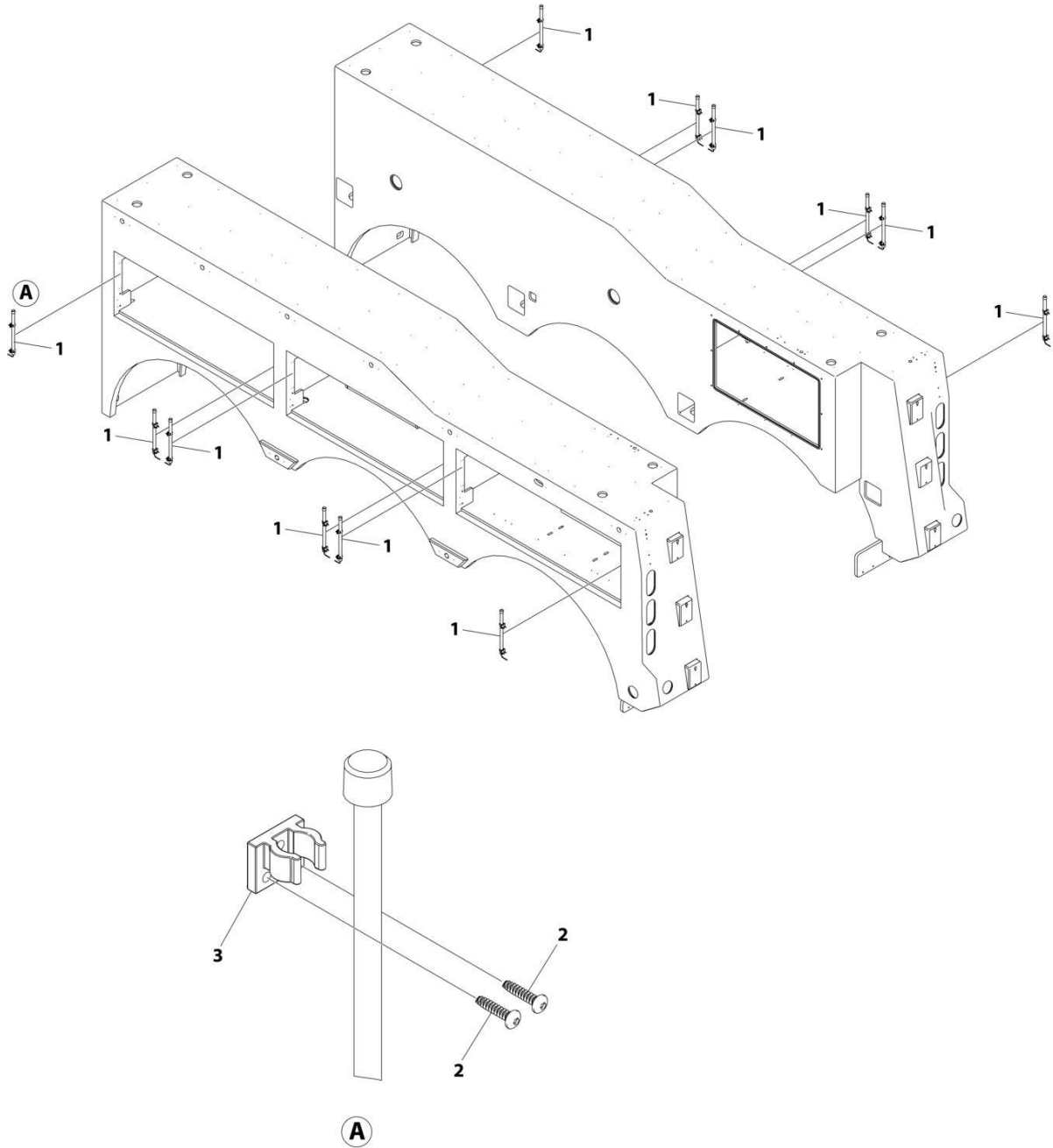
SECTION 7 - ELECTRICAL

FIGURE 7-30. LIGHTS - COMPARTMENT LIGHTS INSTALLATION (TANDEM)

ITEM	PART NUMBER	QTY	DESCRIPTION	REV
	1001196522	Ref	COMPARTMENT LIGHTS INSTALLATION - BODY (TANDEM)	C
1	1001154527	4	Lamp	
2	1001166549	8	Lamp	
3	1001196552	64	Screw #8 x 3/4	
4	1001199081	32	Mount	

SECTION 7 - ELECTRICAL

FIGURE 7-31. LIGHTS - COMPARTMENT LIGHTS INSTALLATION (TRI-AXLE)



ART_1001196523

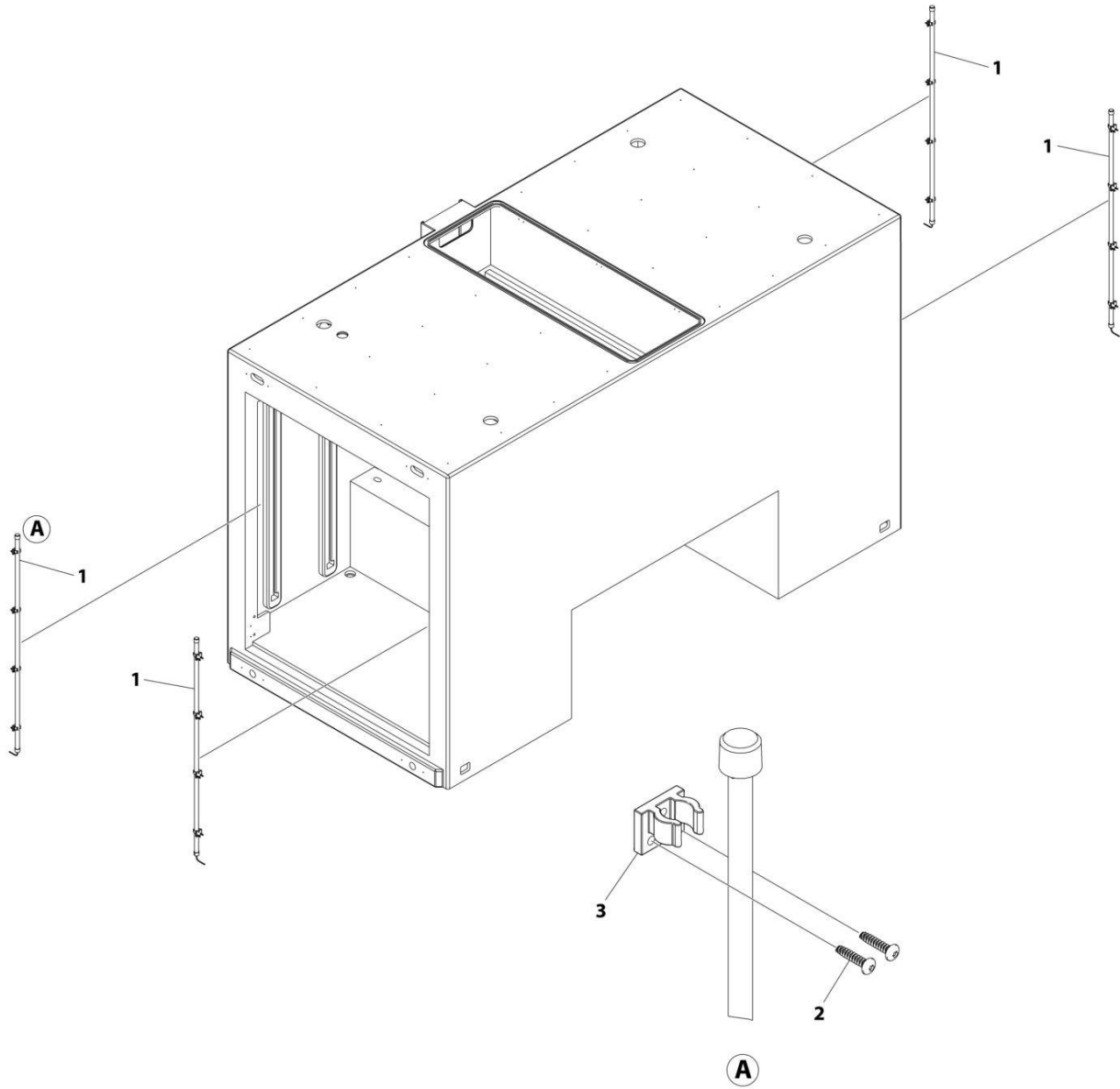
SECTION 7 - ELECTRICAL

FIGURE 7-31. LIGHTS - COMPARTMENT LIGHTS INSTALLATION (TRI-AXLE)

ITEM	PART NUMBER	QTY	DESCRIPTION	REV
	1001196523	Ref	COMPARTMENT LIGHTS INSTALLATION - BODY (TRI-AXLE)	C
1	1001166549	12	LED Light	
2	1001196552	48	Screw #8 x 3/4	
3	1001199081	24	Mount	

SECTION 7 - ELECTRICAL

FIGURE 7-32. LIGHTS - COMPARTMENT LIGHTS INSTALLATION (TUNNEL)



ART_1001196583

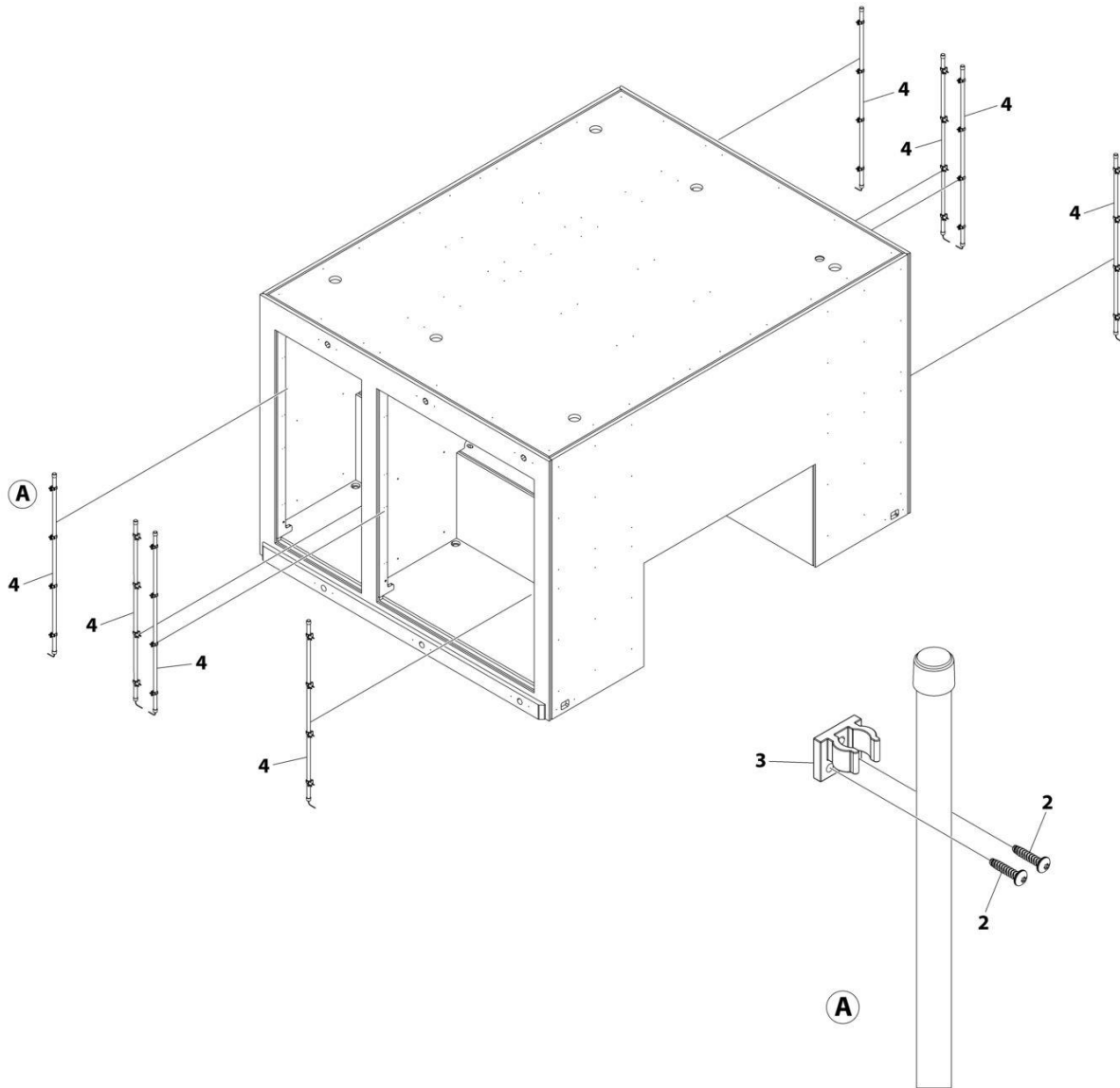
SECTION 7 - ELECTRICAL

FIGURE 7-32. LIGHTS - COMPARTMENT LIGHTS INSTALLATION (TUNNEL)

ITEM	PART NUMBER	QTY	DESCRIPTION	REV
	1001196583	Ref	LIGHTS - COMPARTMENT LIGHTS INSTALLATION, 48IN TUNNEL	C
1	1001154527	4	Lamp	
2	1001196552	32	Screw #8 x 3/4	
3	1001199081	16	Mount	

SECTION 7 - ELECTRICAL

FIGURE 7-33. LIGHTS - COMPARTMENT LIGHTS INSTALLATION (TUNNEL DOUBLE)



ART_1001274383

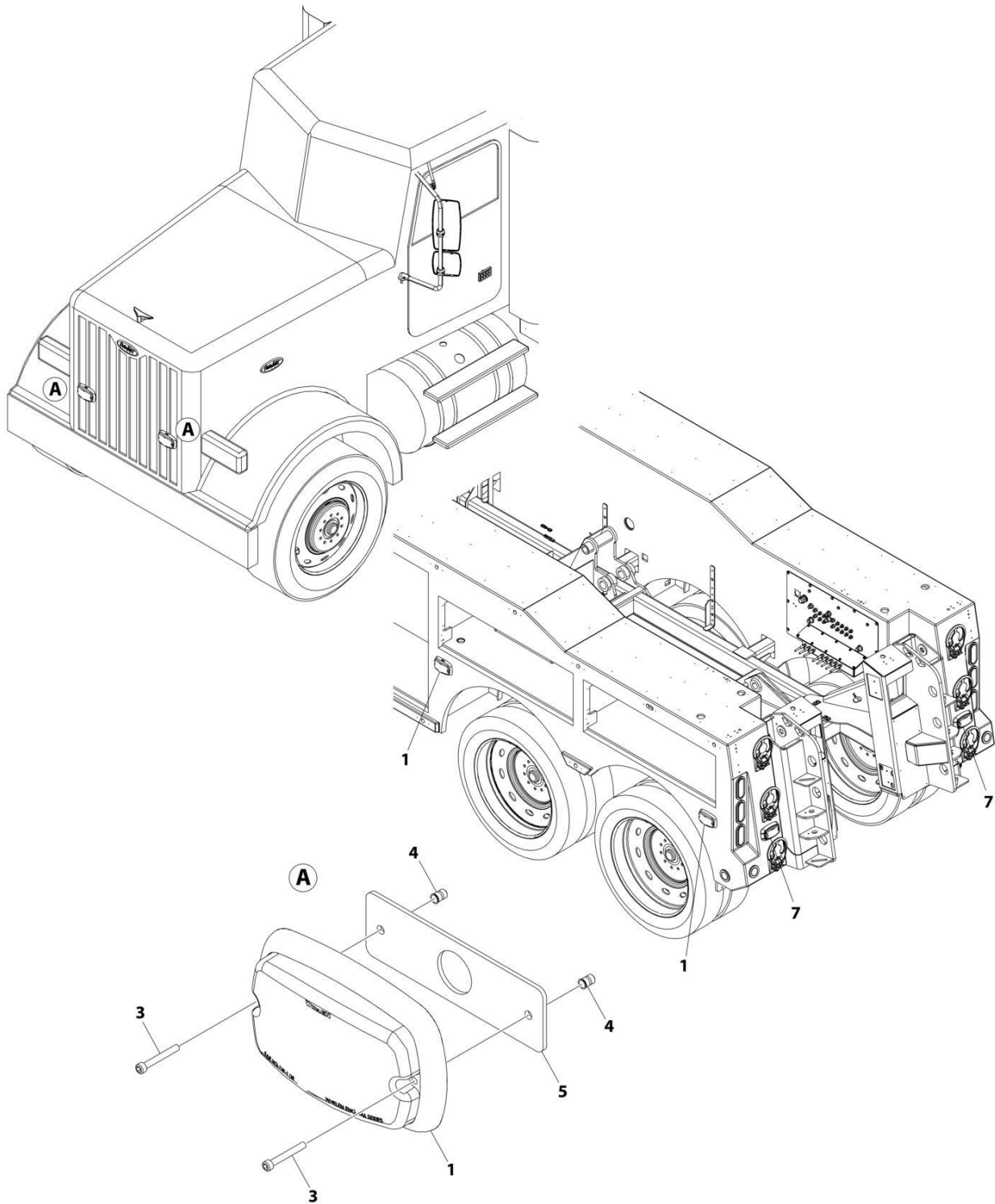
SECTION 7 - ELECTRICAL

FIGURE 7-33. LIGHTS - COMPARTMENT LIGHTS INSTALLATION (TUNNEL DOUBLE)

ITEM	PART NUMBER	QTY	DESCRIPTION	REV
	1001274383	Ref	TUNNEL COMPARTMENT LIGHTS INSTALLATION (DOUBLE)	A
2	1001196552	64	Screw #8 x 3/4	
3	1001199081	32	Mount	
4	1001154527	8	Lamp	

SECTION 7 - ELECTRICAL

FIGURE 7-34. LIGHTS - FLASHER LIGHTS INSTALLATION - TANDEM



ART_1001212220

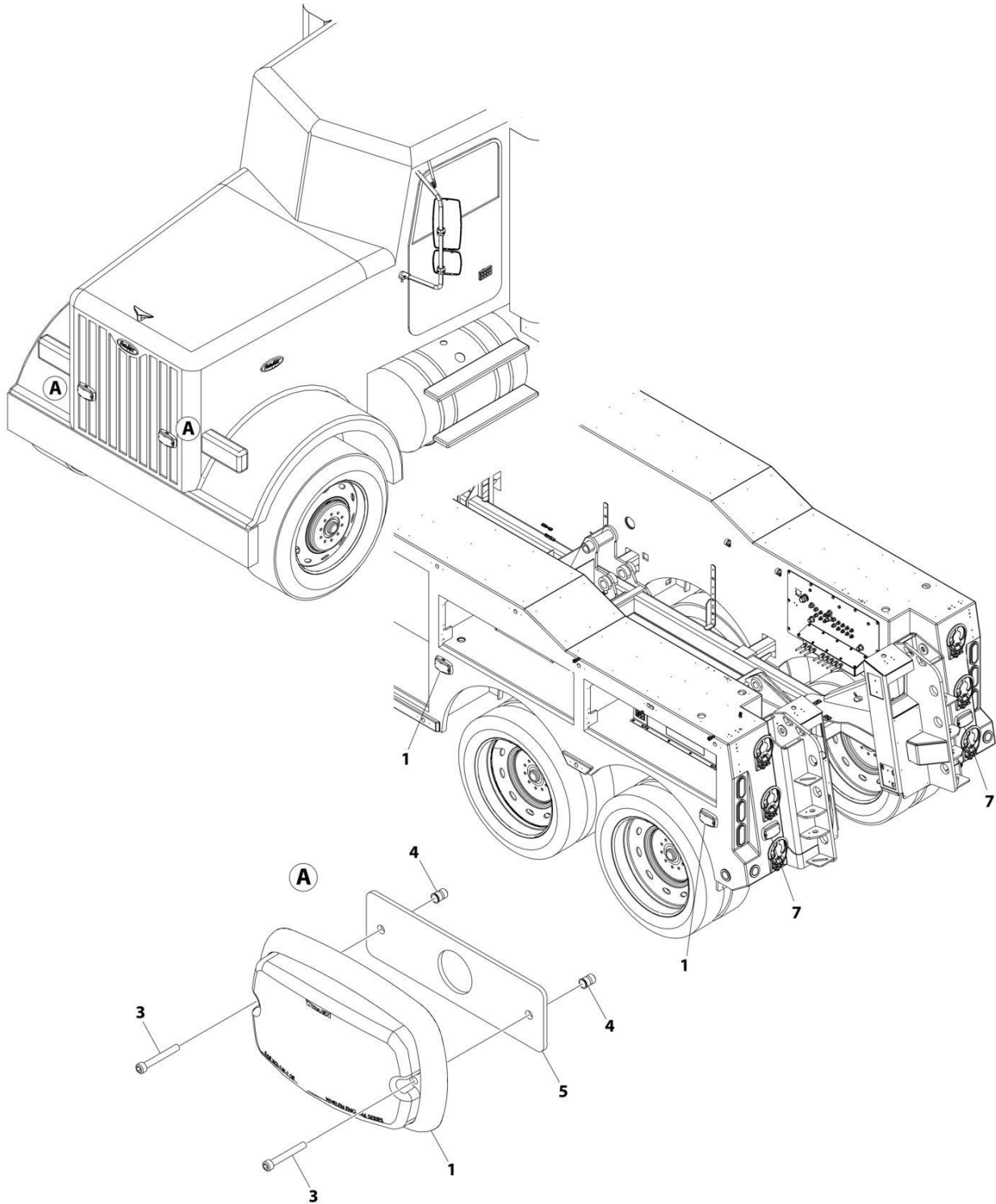
SECTION 7 - ELECTRICAL

FIGURE 7-34. LIGHTS - FLASHER LIGHTS INSTALLATION - TANDEM

ITEM	PART NUMBER	QTY	DESCRIPTION	REV
	1001212220	Ref	SIDE FLASHER LIGHTS INSTALLATION	E
1	1001143284	6	Lamp	
2	1001215157	1	Harness (Not Shown)	
2	4460897	2	Receptacle, Female - 2 Position	
2	4460464	4	Pin, Male	
3	3930820	4	Capscrew #8 x 1-1/4	
4	1001151546	4	Nut #8	
5	1001216586	2	Bar, Grill Mounted	
6	7894000004	20	Tie-Strap (Not Shown)	
7	1001307192	2	Lamp	

SECTION 7 - ELECTRICAL

FIGURE 7-35. LIGHTS - FLASHER LIGHTS INSTALLATION - TRI-AXLE



ART_1001212221

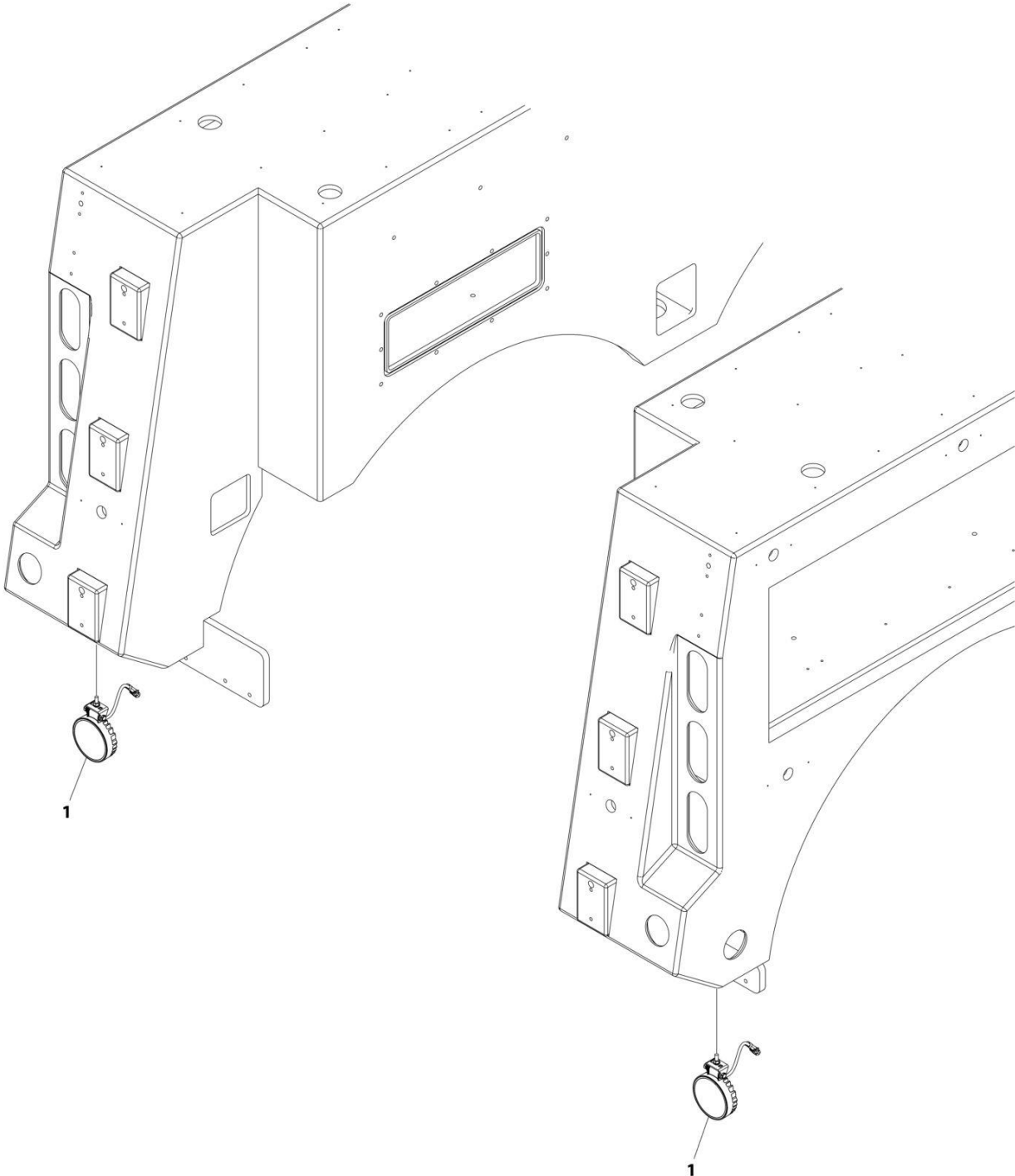
SECTION 7 - ELECTRICAL

FIGURE 7-35. LIGHTS - FLASHER LIGHTS INSTALLATION - TRI-AXLE

ITEM	PART NUMBER	QTY	DESCRIPTION	REV
	1001212221	Ref	LIGHTS - FLASHER LIGHTS INSTALLATION - TRI-AXLE	D
1	1001143284	6	Lamp	
2	1001215157	1	Harness (Not Shown)	
2	4460897	2	Receptacle, Female - 2 Position	
2	4460464	4	Pin, Male	
3	3930820	4	Capscrew #8 x 1-1/4	
4	1001151546	4	Nut #8	
5	1001216586	2	Bar, Grill Mounted	
6	7894000004	20	Tie Strap (Not Shown)	
7	1001307192	2	Lamp	

SECTION 7 - ELECTRICAL

FIGURE 7-36. LIGHTS - HOOK UP LIGHTS INSTALLATION (LOWER)



ART_1001199942

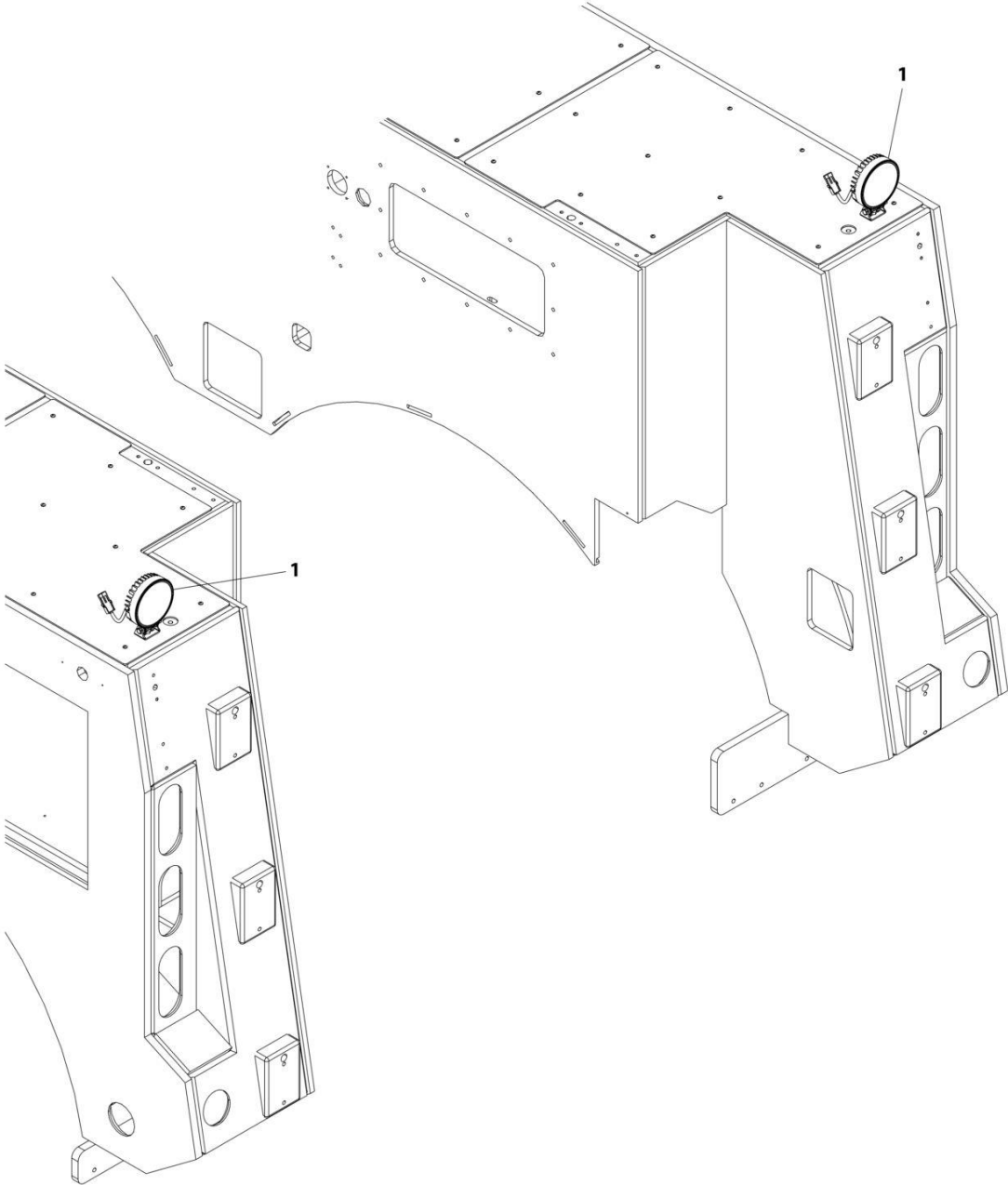
SECTION 7 - ELECTRICAL

FIGURE 7-36. LIGHTS - HOOK UP LIGHTS INSTALLATION (LOWER)

ITEM	PART NUMBER	QTY	DESCRIPTION	REV
1	1001199942 1001273634	Ref 2	LOWER LIGHTS HOOK-UP INSTALLATION Lamp	C

SECTION 7 - ELECTRICAL

FIGURE 7-37. LIGHTS - HOOK UP LIGHTS INSTALLATION (UPPER)



ART_1001258218_C

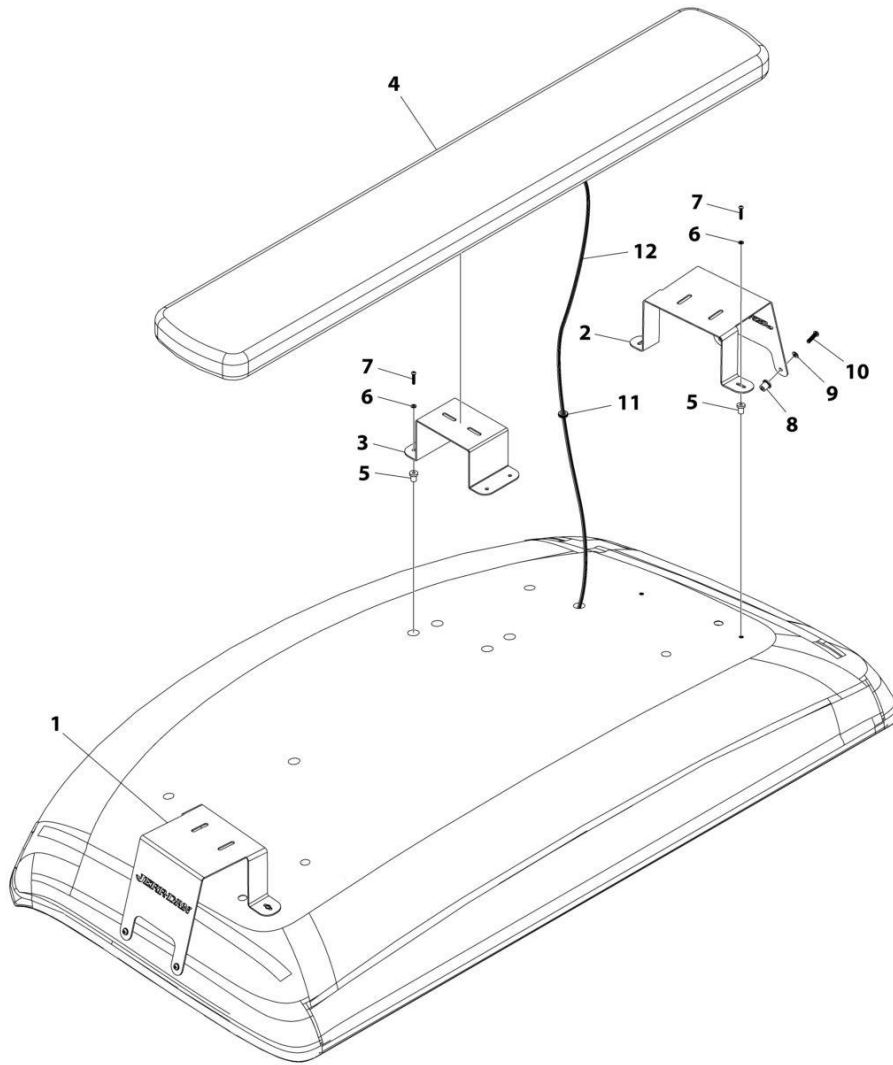
SECTION 7 - ELECTRICAL

FIGURE 7-37. LIGHTS - HOOK UP LIGHTS INSTALLATION (UPPER)

ITEM	PART NUMBER	QTY	DESCRIPTION	REV
	1001258218	Ref	UPPER HOOK-UP LIGHTS INSTALLATION	C
1	1001273634	2	Lamp	
2	8798820001	AR	Sealant (Not Shown)	

SECTION 7 - ELECTRICAL

FIGURE 7-38. LIGHTS - LIGHTBAR INSTALLATION (CAB MOUNTED)



ART_1001216570

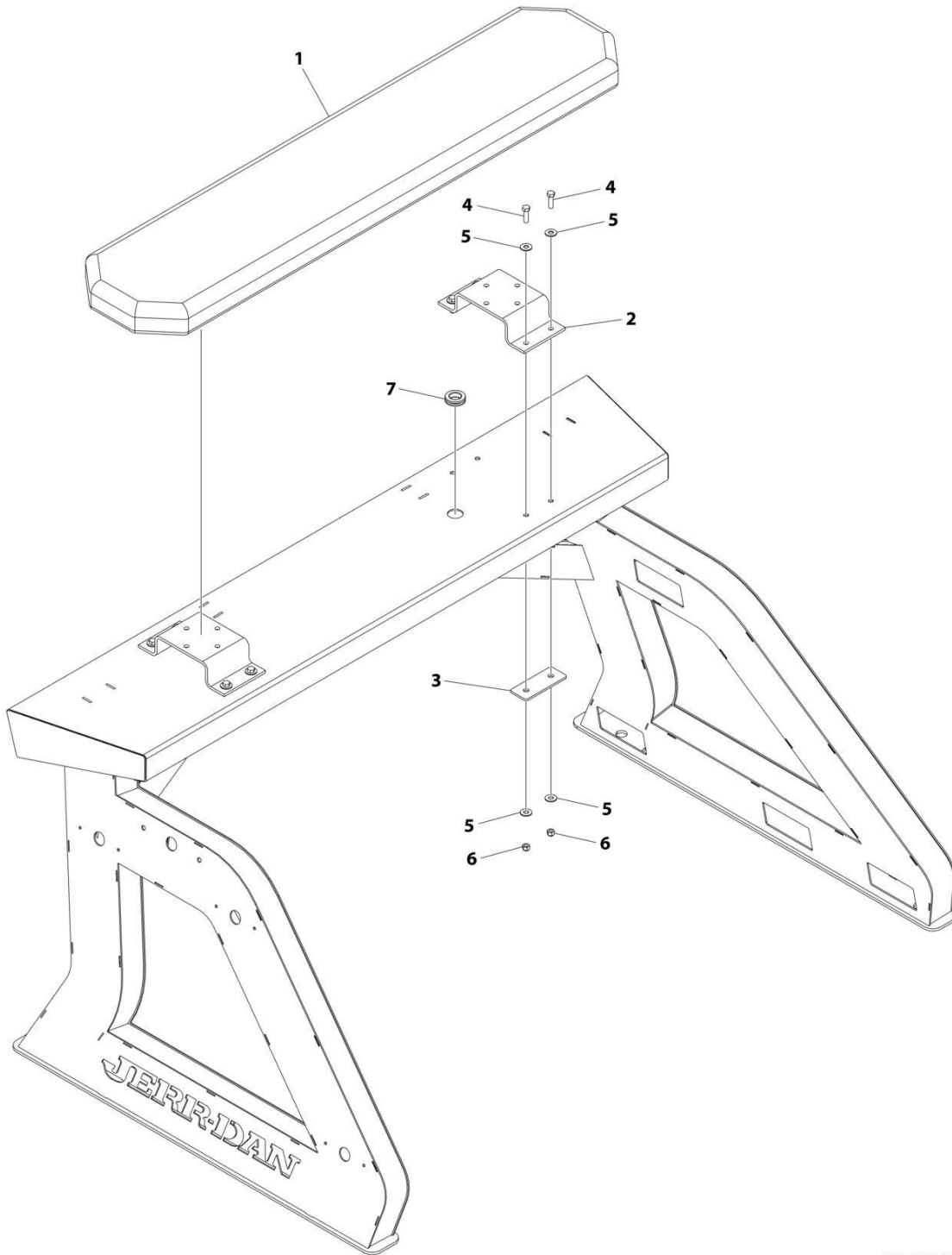
SECTION 7 - ELECTRICAL

FIGURE 7-38. LIGHTS - LIGHTBAR INSTALLATION (CAB MOUNTED)

ITEM	PART NUMBER	QTY	DESCRIPTION	REV
	1001216570	Ref	LIGHTBAR INSTALLATION (CAB MOUNTED)	A
1	1001215955	1	Bracket (LH)	
2	1001215956	1	Bracket (RH)	
3	1001215957	1	Bracket	
4	1001199477	1	Lightbar Assembly (See Separate Breakdown in this Section)	
5	1001213131	8	Nut	
6	1001170307	8	Washer	
7	1001216317	8	Screw	
8	1001216373	4	Nut	
9	1001170329	4	Washer	
10	1001216372	4	Screw	
11	1001101025	1	Grommet	
12	1001216571	1	Lightbar Harness (See Separate Breakdown in this Section)	
13	5526000553	4	Tie-Strap (Not Shown)	

SECTION 7 - ELECTRICAL

FIGURE 7-39. LIGHTS - LIGHTBAR INSTALLATION (PYLON MOUNTED) (CODE 3 & ECCO 60IN AMBER)



ART_1001214376

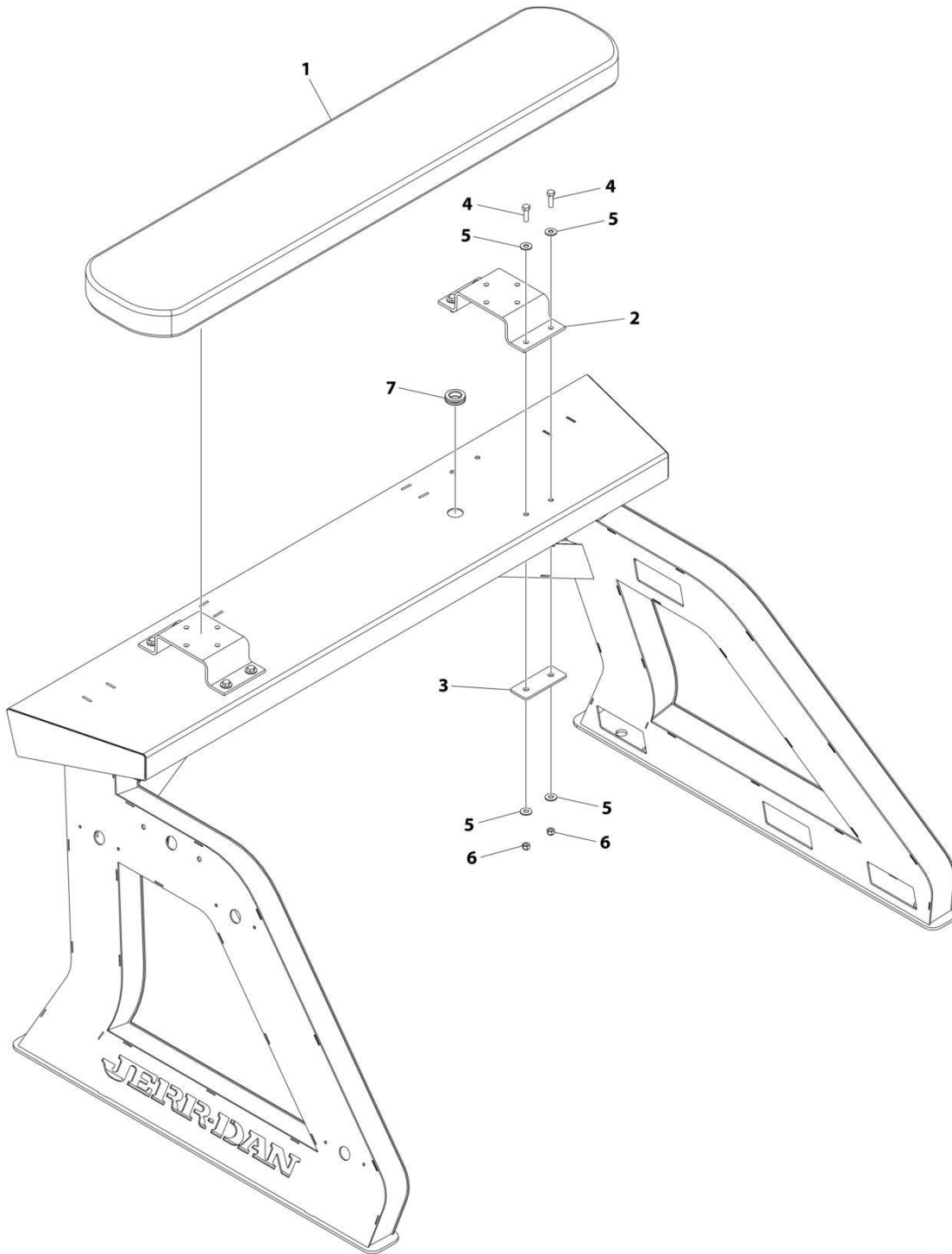
SECTION 7 - ELECTRICAL

FIGURE 7-39. LIGHTS - LIGHTBAR INSTALLATION (PYLON MOUNTED) (CODE 3 & ECCO 60IN AMBER)

ITEM	PART NUMBER	QTY	DESCRIPTION	REV
	1001214376	Ref	LIGHTS - LIGHTBAR INSTALLATION - 58IN AMBER CODE3	B
	1001136990	1	Lightbar Assembly (CODE 3) (See Separate Breakdown in this Section) (SN 0230004275 through 0230009234)	
1	1001247139	1	Lightbar Assembly (ECCO) (See Separate Breakdown in this Section) (SN 0230009235 to Present)	
	4178000234	1	Bracket (SN 0230004275 through 0230009234)	
2	1001267280	2	Bracket (SN 0230009235 to Present)	
3	1001214128	4	Plate	
4	0641610	8	Capscrew 3/8 x 1-1/4	
5	4751600	16	Washer 3/8	
6	7660162601	8	Nut 3/8	
7	7493000011	1	Grommet	

SECTION 7 - ELECTRICAL

FIGURE 7-40. LIGHTS - LIGHTBAR INSTALLATION (PYLON MOUNTED) (WHELEN 60IN)



ART_1001214377

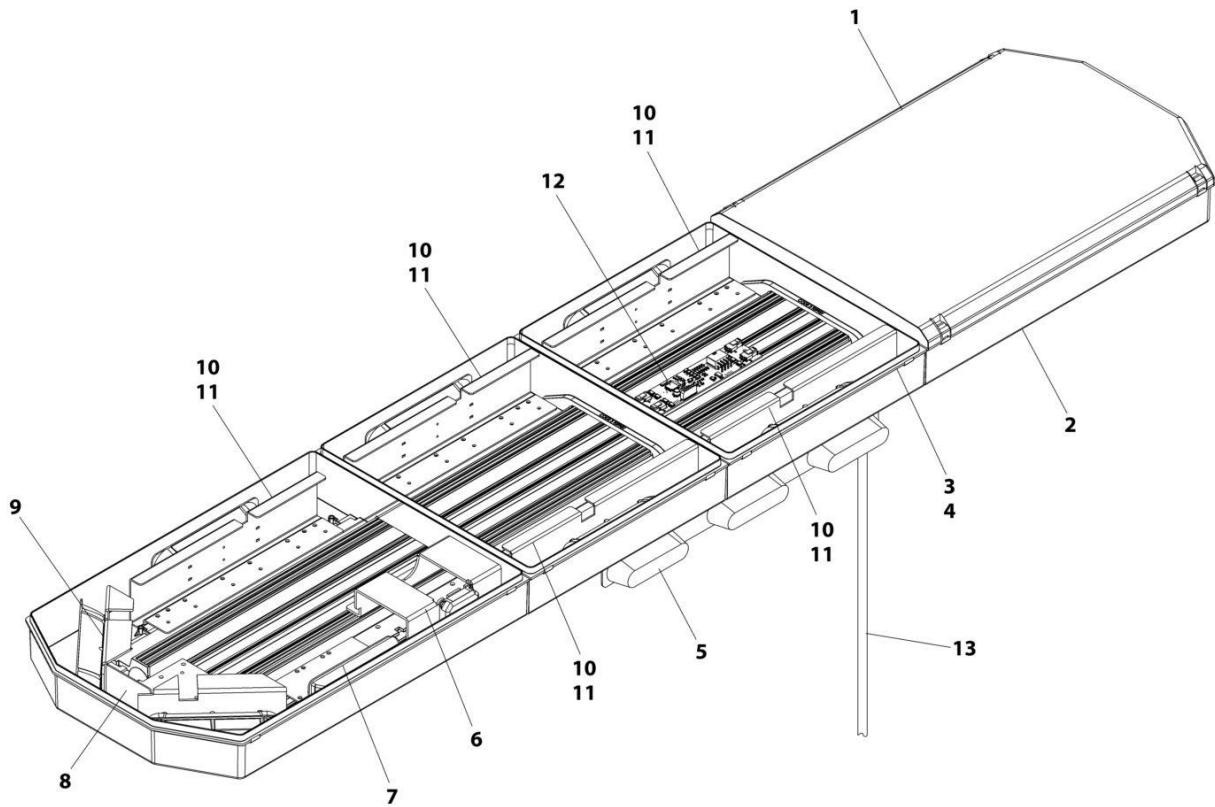
SECTION 7 - ELECTRICAL

FIGURE 7-40. LIGHTS - LIGHTBAR INSTALLATION (PYLON MOUNTED) (WHELEN 60IN)

ITEM	PART NUMBER	QTY	DESCRIPTION	REV
	1001214377	Ref	LIGHTS - LIGHTBAR INSTALLATION - 60IN AMBER WHELEN	B
1	1001199475	1	Lightbar Assembly (See Separate Breakdown in this Section)	
2	1001267280	2	Bracket (SN 0230004275 through 0230009234)	
2	4178000234	1	Bracket (SN 0230009235 to Present)	
3	1001214128	4	Plate	
4	0641610	8	Capscrew 3/8 x 1-1/4	
5	4751600	16	Washer 3/8	
6	7660162601	8	Nut 3/8	
7	7493000011	1	Grommet	

SECTION 7 - ELECTRICAL

FIGURE 7-41. LIGHTS - LIGHTBAR ASSEMBLY - CODE 3 60IN AMBER



ART_1001136990

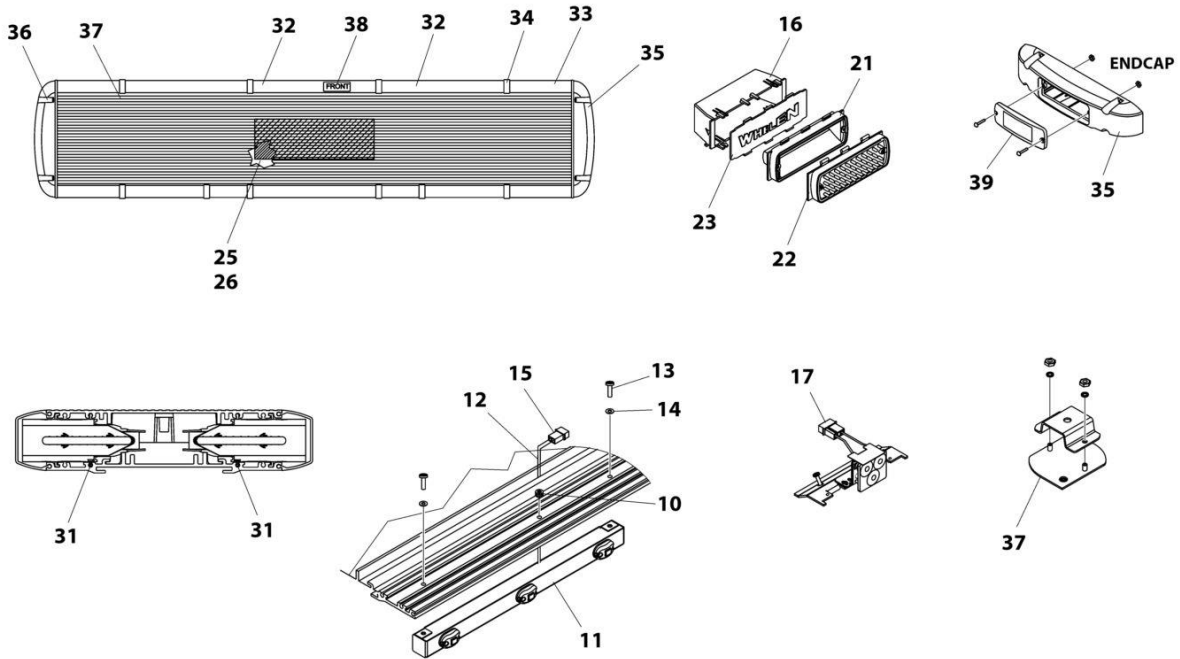
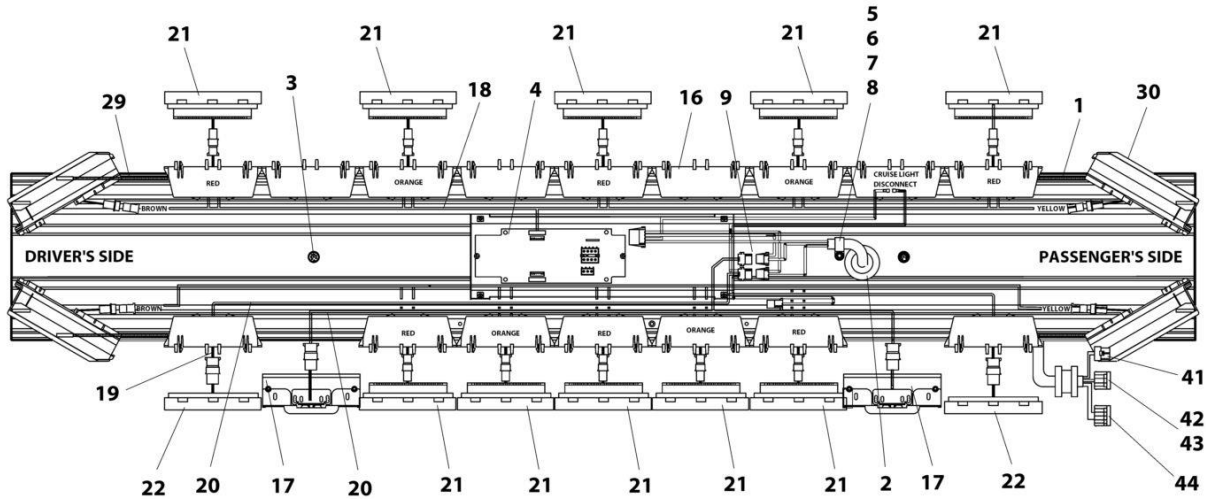
SECTION 7 - ELECTRICAL

FIGURE 7-41. LIGHTS - LIGHTBAR ASSEMBLY - CODE 3 60IN AMBER

ITEM	PART NUMBER	QTY	DESCRIPTION	REV
	1001136990	Ref	LIGHTS - LAMP ASSEMBLY - 58IN AMBER CODE3	D
1	9590310197	2	Lens, Clear Upper Outboard	
2	9590310200	2	Lens, Clear, Lower Outboard	
3	9590310203	2	Lens, Clear Lower Center	
4	9590310195	2	Lens, Clear Upper Center	
5	1001126269	1	3 Light D.O.T. Strip	
6	70050164	2	Worklight, LED	
7	1001130702	2	Module, LED Stop/Tail/Turn	
8	70050166	4	Bracket, Blank	
9	9590310206	4	Module, Bracket	
10	9590310205	6	Module, Led Amber	
11	9590310202	6	Bracket, Mounting	
12	70050167	1	Controller, General	
13	70050165	1	Cable, Jerr-Dan 9 Wire	
14	70050980	1	Harness, Internal Input (Not Shown)	
15	70050981	1	Harness, Internal Output (Not Shown)	

SECTION 7 - ELECTRICAL

FIGURE 7-42. LIGHTS - LIGHTBAR ASSEMBLY - WHELEN (72IN)



ART_1001199477

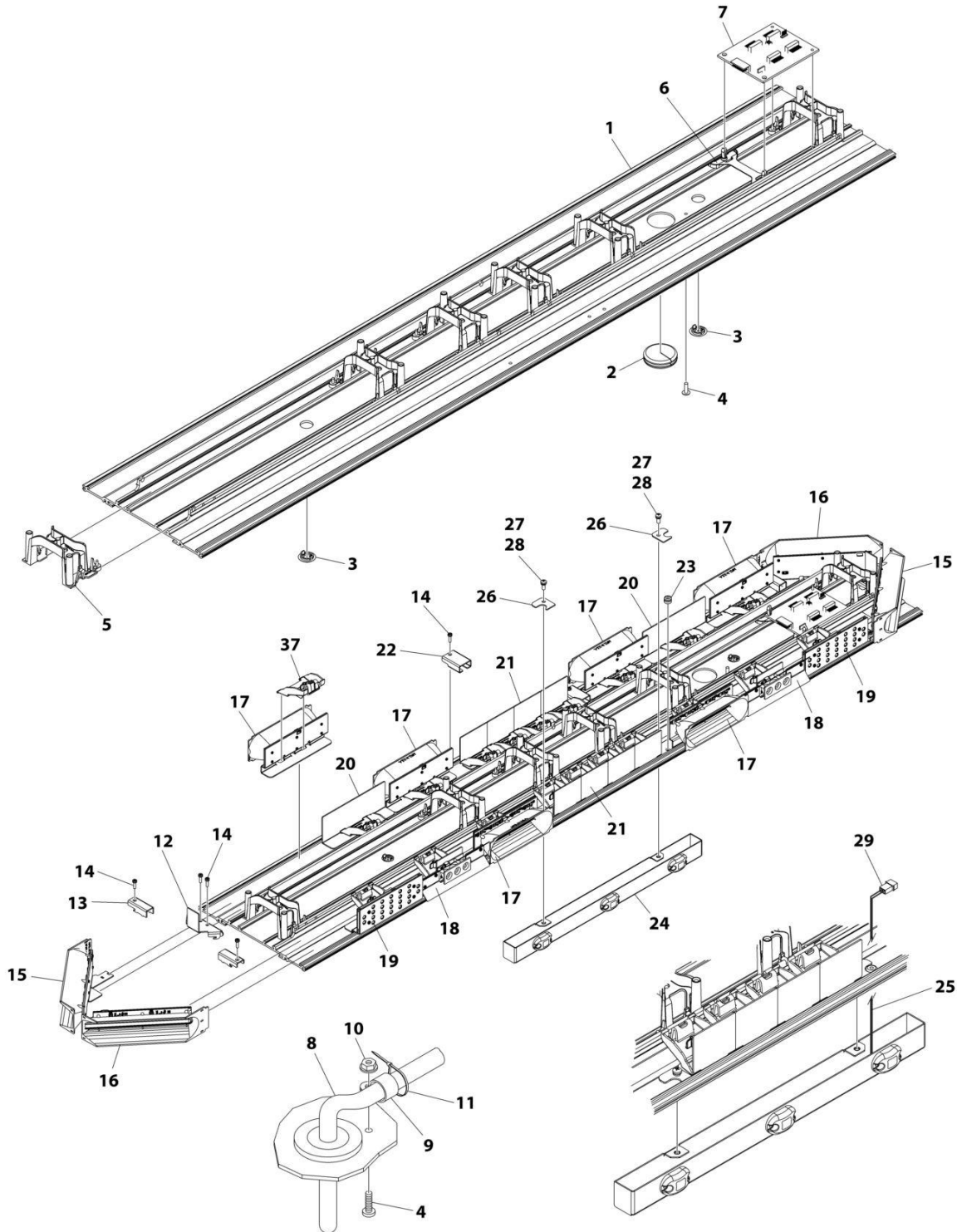
SECTION 7 - ELECTRICAL

FIGURE 7-42. LIGHTS - LIGHTBAR ASSEMBLY - WHELEN (72IN)

ITEM	PART NUMBER	QTY	DESCRIPTION	REV
	1001199477	Ref	Lightbar 72" LED - Whelen	B
1	70050392	1	Base	
2	70050169	1	Grommet	
3	70050170	2	Plug	
4	70050163	1	Assembly, HC I/O Liberty, Jerr-Dan	
5	70050171	1	Cable	
6	70050172	1	Screw #10 x 1	
7	70050393	1	Clamp	
8	70050174	1	Wiznut #10	
9	70050175	2	Housing	
10	70050176	1	Grommet	
11	70050177	1	Light Cluster	
12	70050178	1	Harness	
13	70050179	2	Screw #10 x 1/2	
14	70050180	2	Washer #10	
15	70050181	1	Housing	
16	70050182	16	Housing	
17	70050183	2	LR11 TD Single Full	
18	70050394	2	Harness	
19	70050185	1	Harness	
20	70050186	1	Harness	
21	70050187	10	Light Assembly, LED	
22	70050188	2	500 BTT Max	
23	70050189	4	Panel	
24	70050190	2	End Support Bracket (Not Shown)	
25	70050191	1	Insulator	
26	70050192	1	Decal	
27	70050395	1	Top Cover (Not Shown)	
28	70050194	4	Screw #10 x 3/8 (Not Shown)	
29	70050195	4	Spacer	
30	70050196	4	Corner LED Assembly	
31	70050197	4	Spacer	
32	70050199	6	Lens	
33	70050200	4	Lens	
34	70050201	8	Lens Divider	
35	70050202	2	End Cap	
36	70050203	8	Screw #10 x 1-1/4	
37	70050204	3	Rotational Mtg Adapter	
38	70050205	1	Label, "Front"	
39	70050206	1	Label, Jerr-Dan Logo	
40	70050207	1	Label, Model and Serial Number (Not Shown)	
41	70050208	1	Connector	
42	70050209	1	Connector	
43	70050210	1	Connector	
44	70050211	1	Connector	

SECTION 7 - ELECTRICAL

FIGURE 7-43. LIGHTS - LIGHTBAR ASSEMBLY - WHELEN 60IN

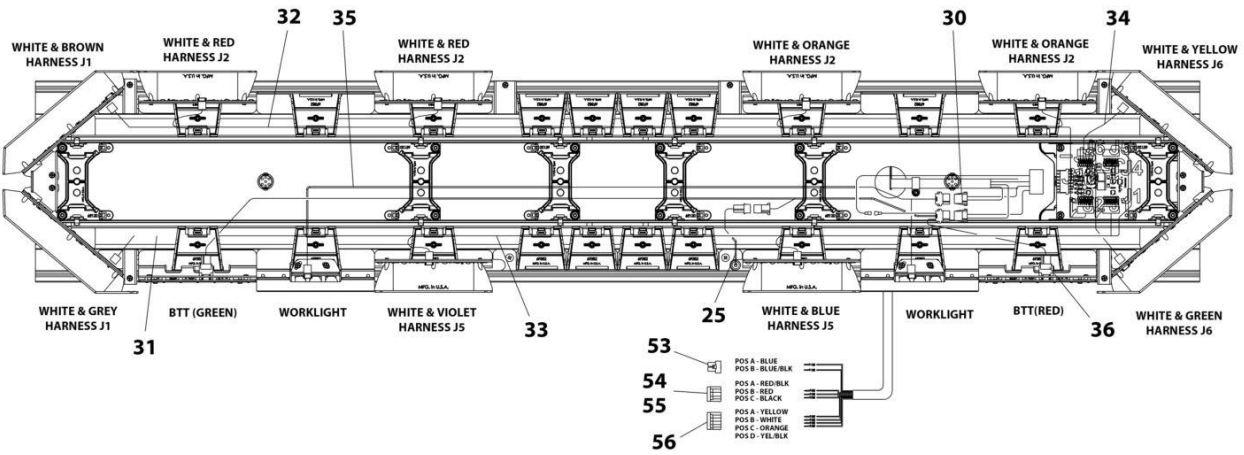
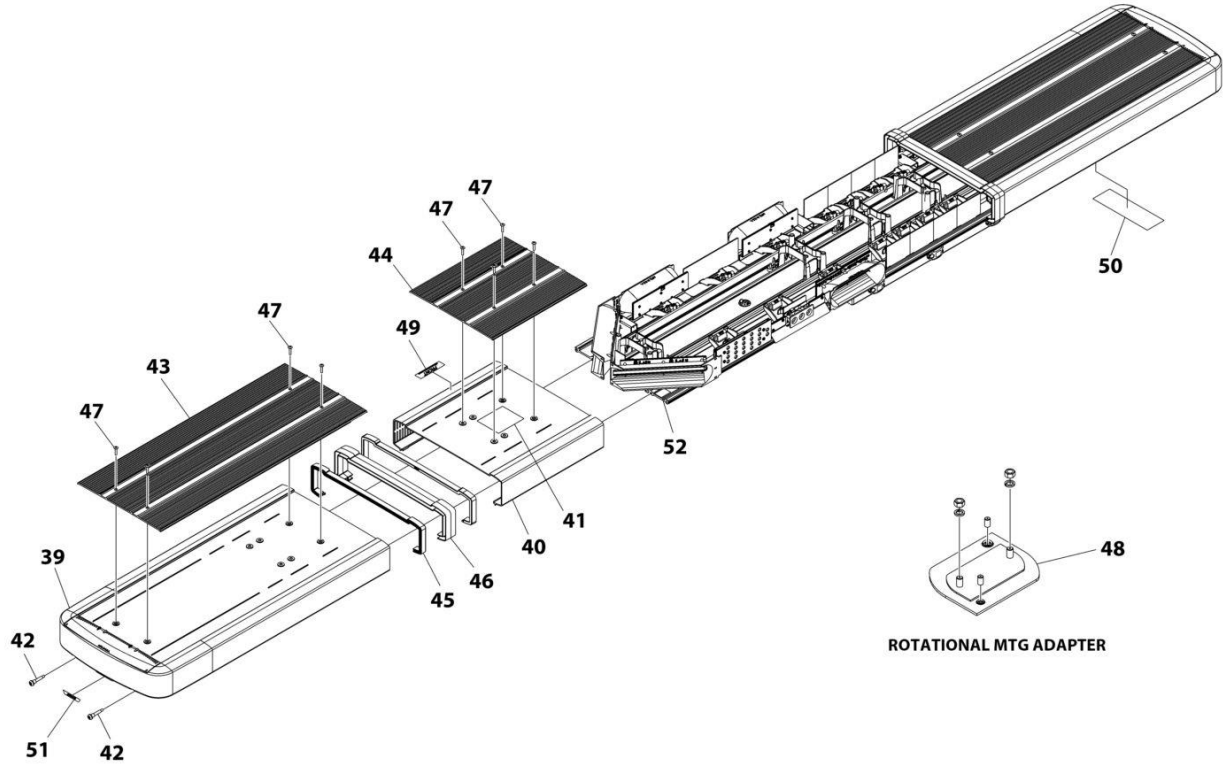


INPUT CABLE DETAIL

ART_1001199475_10F2

SECTION 7 - ELECTRICAL

FIGURE 7-44. LIGHTS - LIGHTBAR ASSEMBLY - WHELEN 60IN



ART_1001199475_20F2

SECTION 7 - ELECTRICAL

FIGURE 7-44. LIGHTS - LIGHTBAR ASSEMBLY - WHELEN 60IN

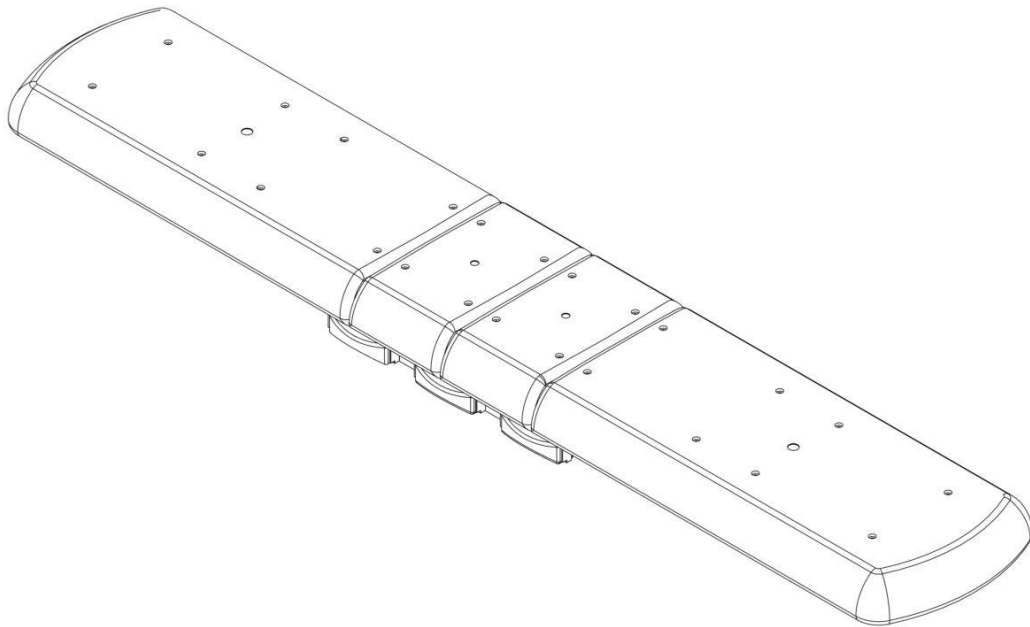
ITEM	PART NUMBER	QTY	DESCRIPTION	REV
	1001199475	Ref	LIGHTS - LAMP ASSEMBLY - 60IN AMBER WHELEN	B
1	70051058	1	Base	
2	70050169	1	Grommet	
3	70050170	2	Plug	
4	70051059	1	Screw #10 x 5/8	
5	70051021	6	Bracket	
6	70051022	1	Bracket	
7	70051023	1	Circuit Board	
8	70051060	1	Cable	
9	70050665	1	Clamp	
10	70050174	1	Nut #10	
11	70051026	AR	Tie Wrap	
12	70051027	2	Bracket	
13	70051035	4	Bracket	
14	70051028	10	Screw #6 x 1/2	
15	70051029	2	Lamp, Rear Amber	
16	70051030	2	Lamp, Front Amber	
17	70051063	6	Lamp, 6 LED	
18	70051064	2	Lamp, 3 LED	
19	70051065	2	Lamp	
20	70051066	2	Bracket	
21	70051036	8	Bracket	
22	70051039	2	Bracket	
23	70050176	1	Grommet	
24	70051068	1	Lamp	
25	70050178	1	Harness	
26	70051069	2	Bracket	
27	70050179	2	Screw #10 x 1/2	
28	70050180	2	Lockwasher #10	
29	70050181	1	Housing	
30	70050175	2	Housing	
31	70051070	1	Harness	
32	70051071	1	Harness	
33	70051072	1	Harness	
34	70051073	1	Harness	
35	70051074	1	Harness	
36	70051075	1	Harness	
37	70051044	20	Bracket	
38	70051045	AR	Tie Wrap (Not Shown)	
39	70051076	1	Lens	
40	70051077	1	Lens	
41	70051078	1	Label	
42	70050203	4	Screw #10 x 1-1/4	
43	70051062	2	Cover	
44	70051061	1	Cover	
45	70051048	4	Seal	
46	70051049	2	Lens	
47	70051053	12	Screw #10 x 7/8	
48	70050204	2	Adapter	
49	70051055	1	Label	

SECTION 7 - ELECTRICAL

ITEM	PART NUMBER	QTY	DESCRIPTION	REV
50	70050207	1	Label	
51	70051056	2	Label	
52	70051057	1	Label	
53	70050208	1	Housing	
54	70050209	1	Connector	
55	70050210	1	Housing	
56	70050211	1	Housing	

SECTION 7 - ELECTRICAL

FIGURE 7-45. LIGHTBAR ASSEMBLY - ECCO AMBER



ART_1001247139

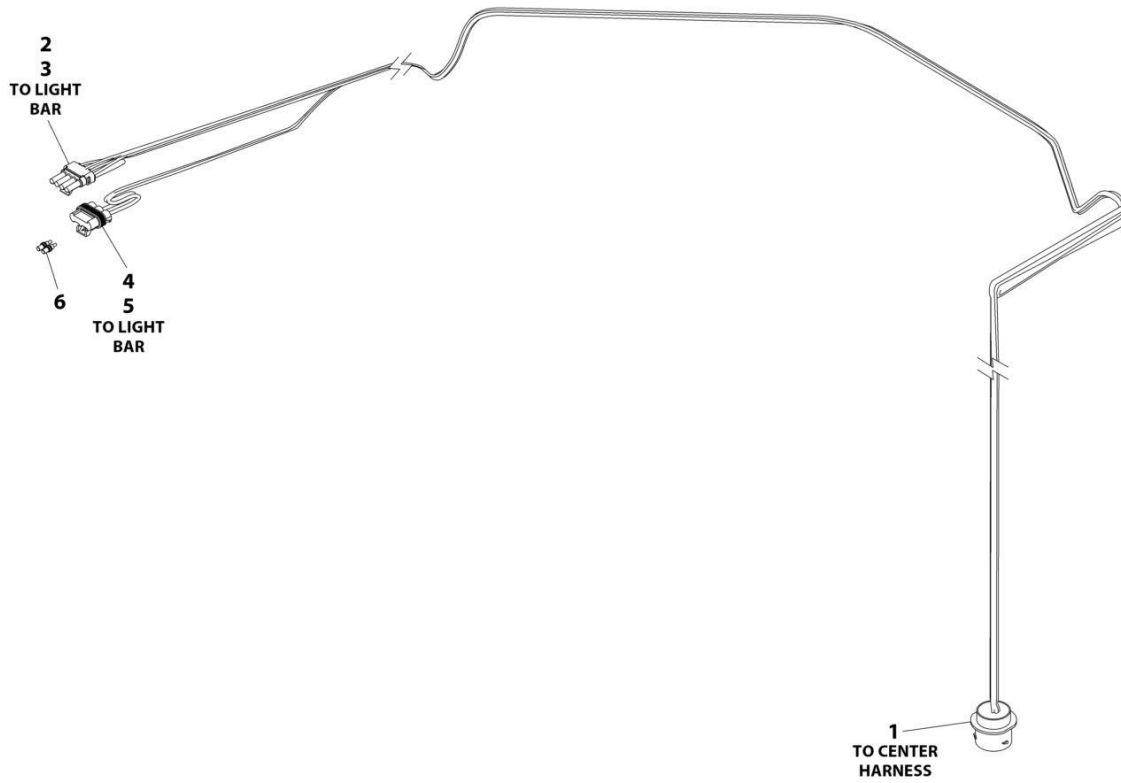
SECTION 7 - ELECTRICAL

FIGURE 7-45. LIGHTBAR ASSEMBLY - ECCO AMBER

ITEM	PART NUMBER	QTY	DESCRIPTION	REV
	1001247139	Ref	LIGHTBAR ASSEMBLY - ECCO	A
	70070000	AR	Module, Amber	
	70070001	1 pr	Light, Work/Alley	
	70070002	1	Cable Kit (Includes 2 Modules, Harness & Stop/Turn/Taillight Cables)	
	70070003	1	PC Board, Driver	

SECTION 7 - ELECTRICAL

FIGURE 7-46. LIGHTS - LIGHTBAR HARNESS (CAB MOUNTED)



ART_1001216571

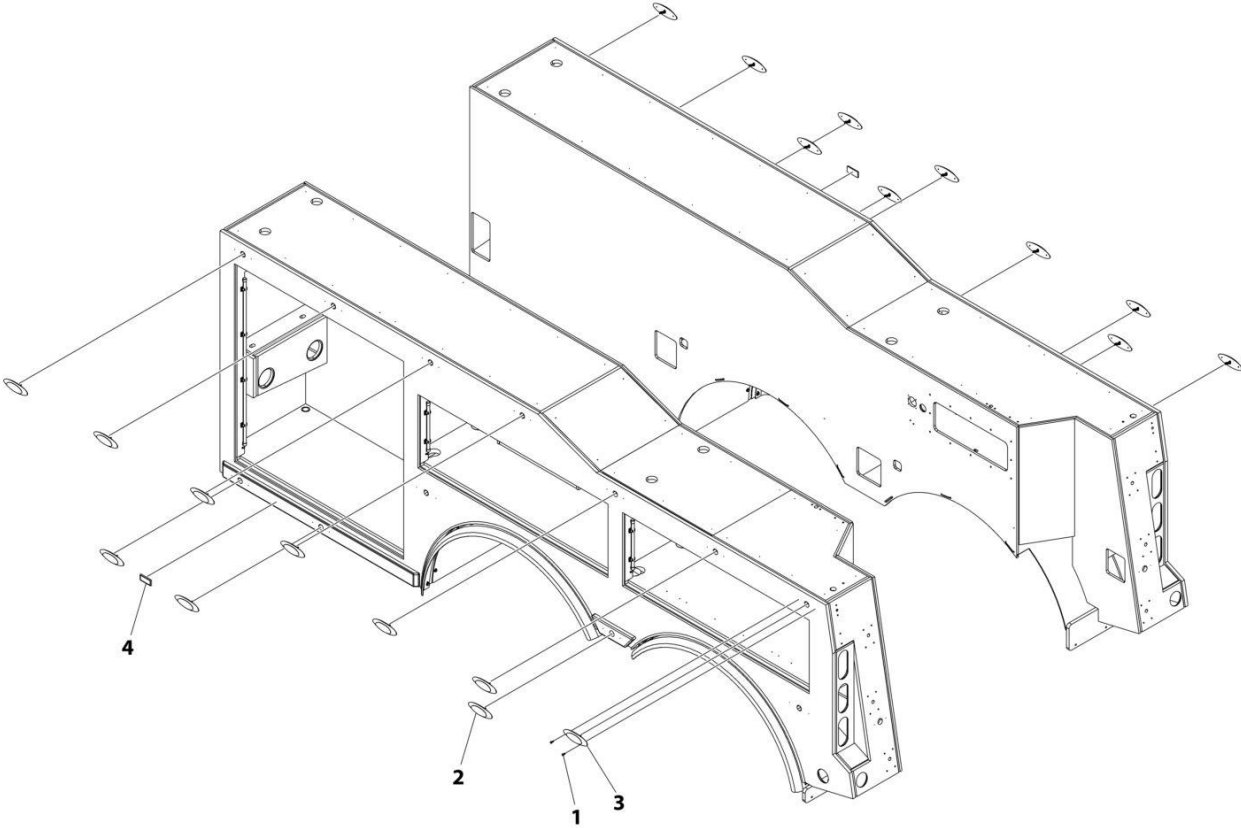
SECTION 7 - ELECTRICAL

FIGURE 7-46. LIGHTS - LIGHTBAR HARNESS (CAB MOUNTED)

ITEM	PART NUMBER	QTY	DESCRIPTION	REV
	1001216571	Ref	LIGHTBAR HARNESS (CAB MOUNTED)	A
1	NPN	1	Connector - 18 Position	
1	91143339	1	Pin, Male	
1	4460464	3	Pin, Male	
1	4460508	1	Pin, Male	
1	4460941	1	Plug, Terminal	
1	4460466	12	Plug, Terminal	
2	4460850	4	Terminal	
3	4460460	1	Connector - 4 Position	
3	4460457	4	Terminal	
3	NPN	4	Seal	
4	NPN	3	Terminal	
5	8220935	1	Connector - 3 Position	
5	8220099	3	Terminal	
5	7346000108	1	Lock	
5	NPN	AR	Seal	
5	NPN	AR	Seal	
6	4460867	1	Connector - 2 Position	
6	1001116727	2	Terminal	

SECTION 7 - ELECTRICAL

FIGURE 7-47. LIGHTS - MARKER LIGHTS INSTALLATION - BODY



ART_1001289474

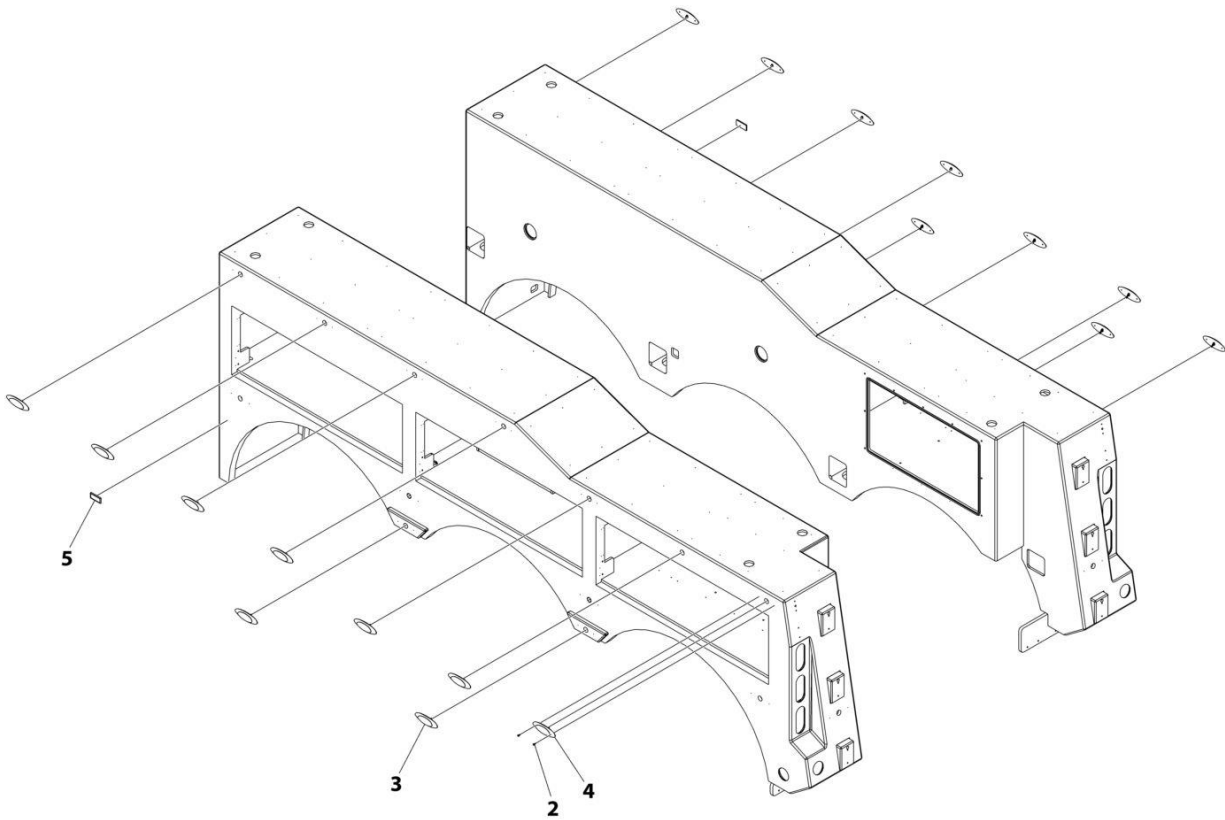
SECTION 7 - ELECTRICAL

FIGURE 7-47. LIGHTS - MARKER LIGHTS INSTALLATION - BODY

ITEM	PART NUMBER	QTY	DESCRIPTION	REV
	1001289474	Ref	MARKER LIGHTS INSTALLATION - BODY (TANDEM)	A
1	1001192958	40	Screw #10 x 1/2	
2	7590000358	18	Light	
3	7590000359	2	Light	
4	7736000001	2	Reflector	

SECTION 7 - ELECTRICAL

FIGURE 7-48. LIGHTS - MARKER LIGHTS INSTALLATION - BODY (TRI-AXLE)



ART_1001196594

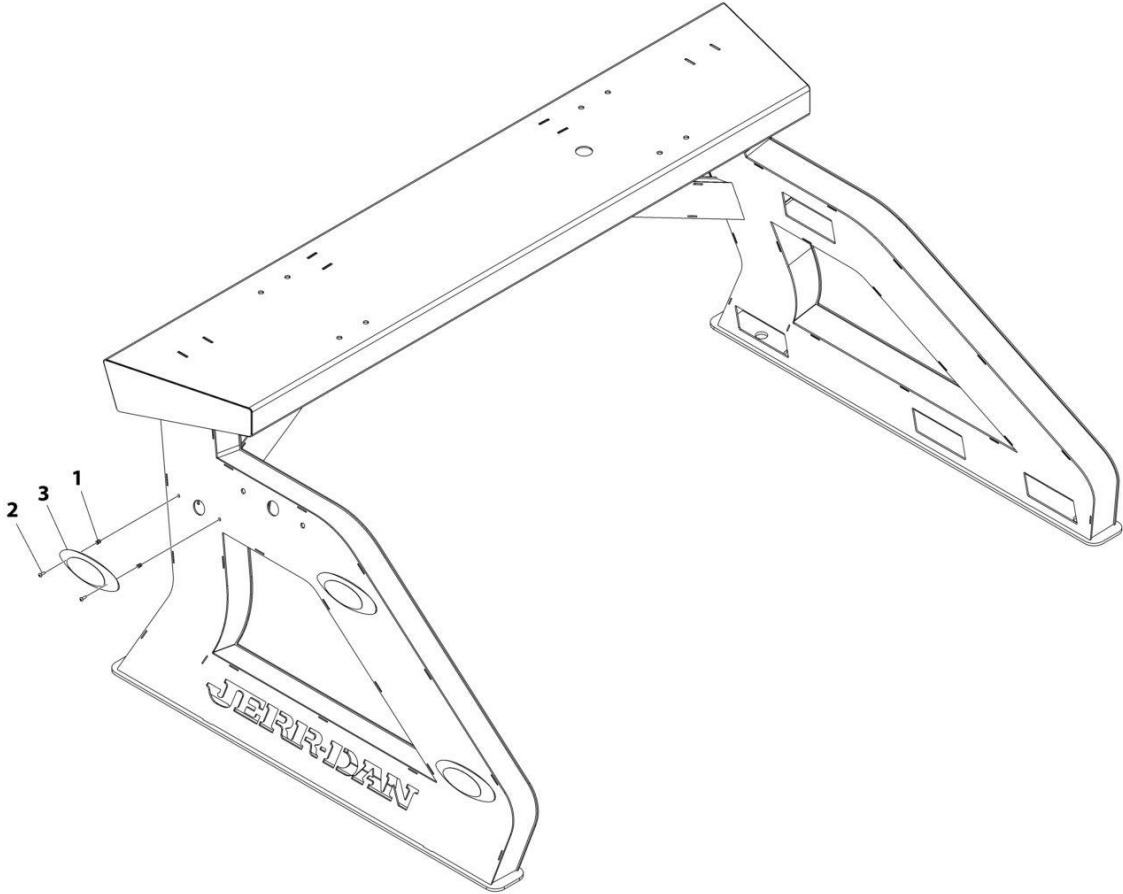
SECTION 7 - ELECTRICAL

FIGURE 7-48. LIGHTS - MARKER LIGHTS INSTALLATION - BODY (TRI-AXLE)

ITEM	PART NUMBER	QTY	DESCRIPTION	REV
	1001196594	Ref	MARKER LIGHTS INSTALLATION - BODY (TRI-AXLE)	D
2	1001192958	36	Screw #10 x 1/2	
3	7590000358	16	Light	
4	7590000359	2	Light	
5	7736000001	2	Reflector	

SECTION 7 - ELECTRICAL

FIGURE 7-49. LIGHTS - MARKER LIGHTS INSTALLATION - PYLON



ART_1001207488

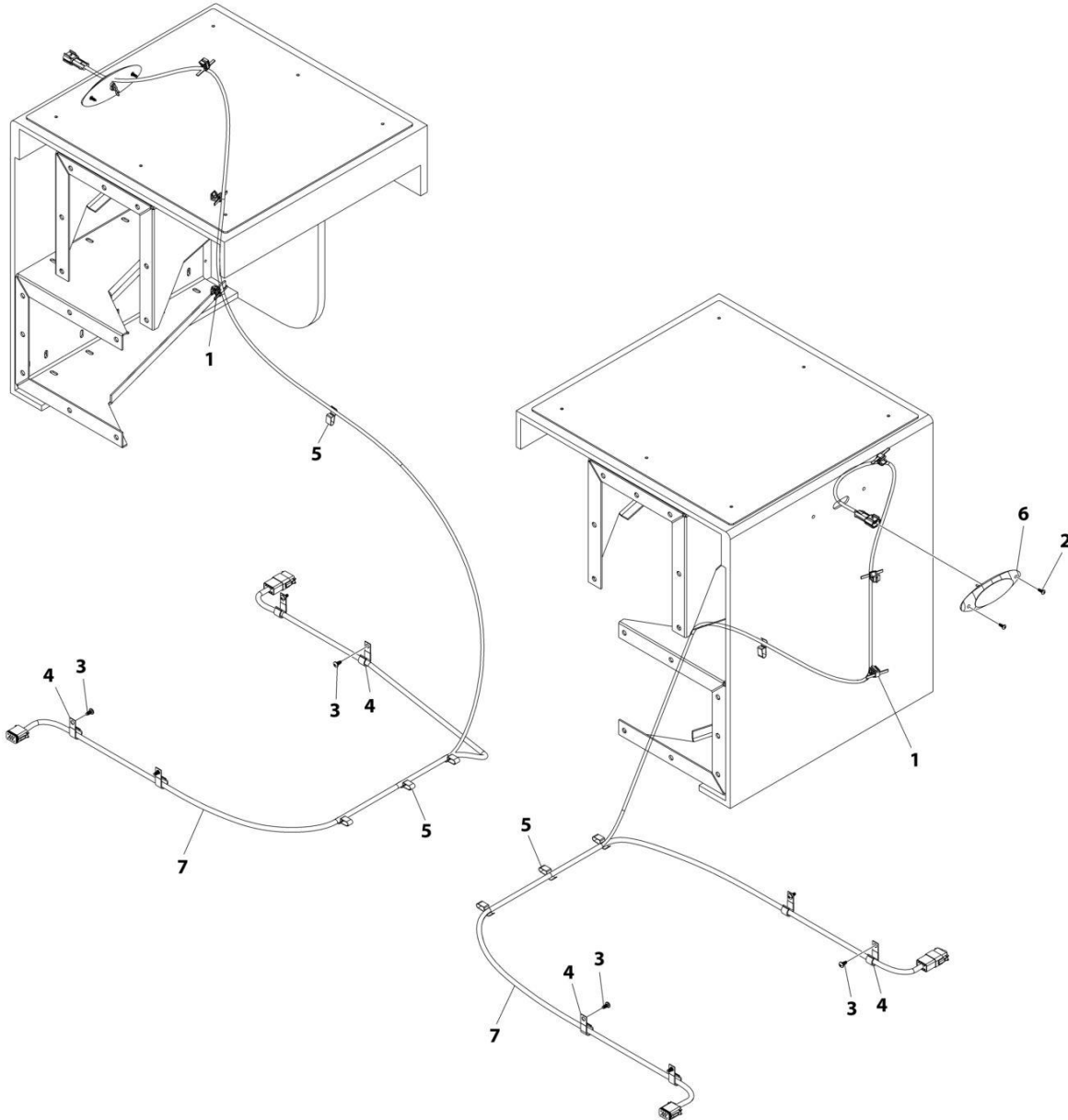
SECTION 7 - ELECTRICAL

FIGURE 7-49. LIGHTS - MARKER LIGHTS INSTALLATION - PYLON

ITEM	PART NUMBER	QTY	DESCRIPTION	REV
	1001207488	Ref	MARKER LIGHTS INSTALLATION - PYLON	B
1	1001151546	12	Nut #8	
2	7114080418	12	Screw #8 x 1/2	
3	7590000358	6	Light, Marker - Amber	

SECTION 7 - ELECTRICAL

FIGURE 7-50. LIGHTS - MARKER LIGHTS INSTALLATION - SS-70 STABILIZER FILLER PANEL



ART_1001244297

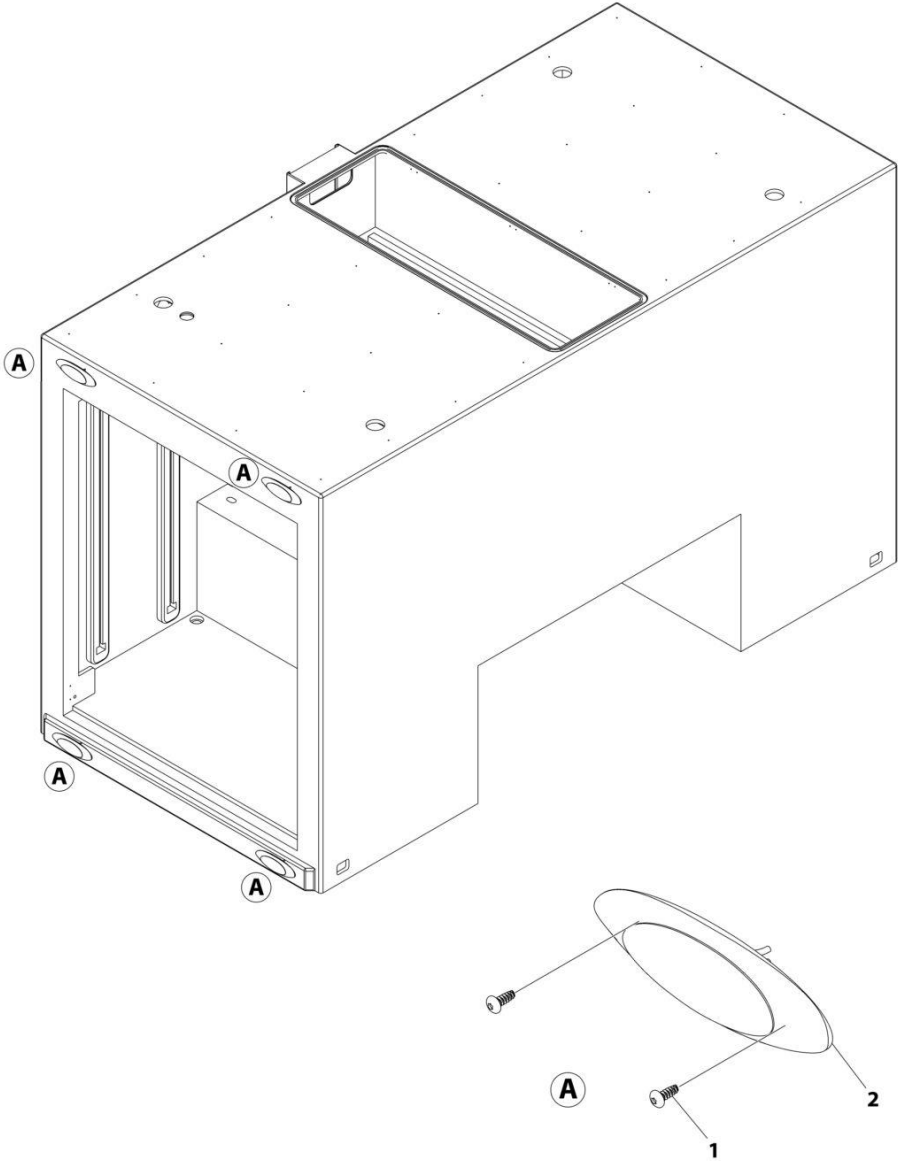
SECTION 7 - ELECTRICAL

FIGURE 7-50. LIGHTS - MARKER LIGHTS INSTALLATION - SS-70 STABILIZER FILLER PANEL

ITEM	PART NUMBER	QTY	DESCRIPTION	REV
	1001244297	Ref	MARKER LIGHT INSTALLATION	A
1	1001152419	6	Clip (Two Piece)	
2	1001192958	4	Screw #10 x 1/2	
3	1001195257	8	Screw 1/4 x 1/2	
4	7280000006	8	Clip	
5	7280000013	8	Clip	
6	7590000358	2	Light, Marker	
7	1001244216	2	Marker Light Harness - SS70 Filler Panel (See Separate Breakdown in this Section)	

SECTION 7 - ELECTRICAL

FIGURE 7-51. LIGHTS - MARKER LIGHTS INSTALLATION - TUNNEL



ART_1001196625

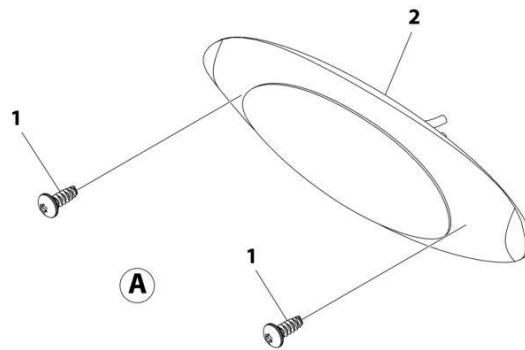
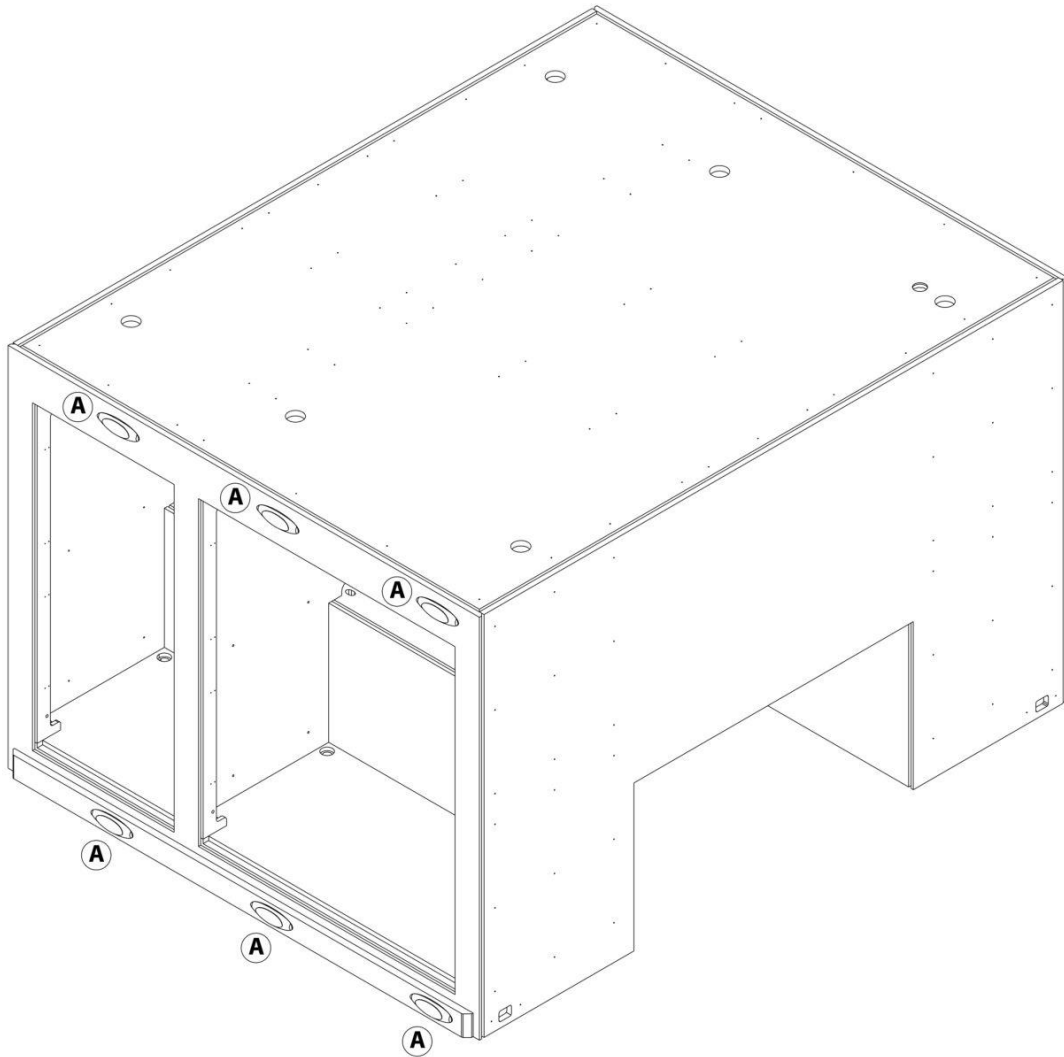
SECTION 7 - ELECTRICAL

FIGURE 7-51. LIGHTS - MARKER LIGHTS INSTALLATION - TUNNEL

ITEM	PART NUMBER	QTY	DESCRIPTION	REV
	1001196625	Ref	LIGHTS - MARKER LIGHTS INSTALLATION, 48IN TUNNEL	D
1	1001192958	16	Screw #10 x 1/2	
2	7590000358	8	Light	

SECTION 7 - ELECTRICAL

FIGURE 7-52. LIGHTS - MARKER LIGHTS INSTALLATION - TUNNEL (DOUBLE)



ART_1001270636

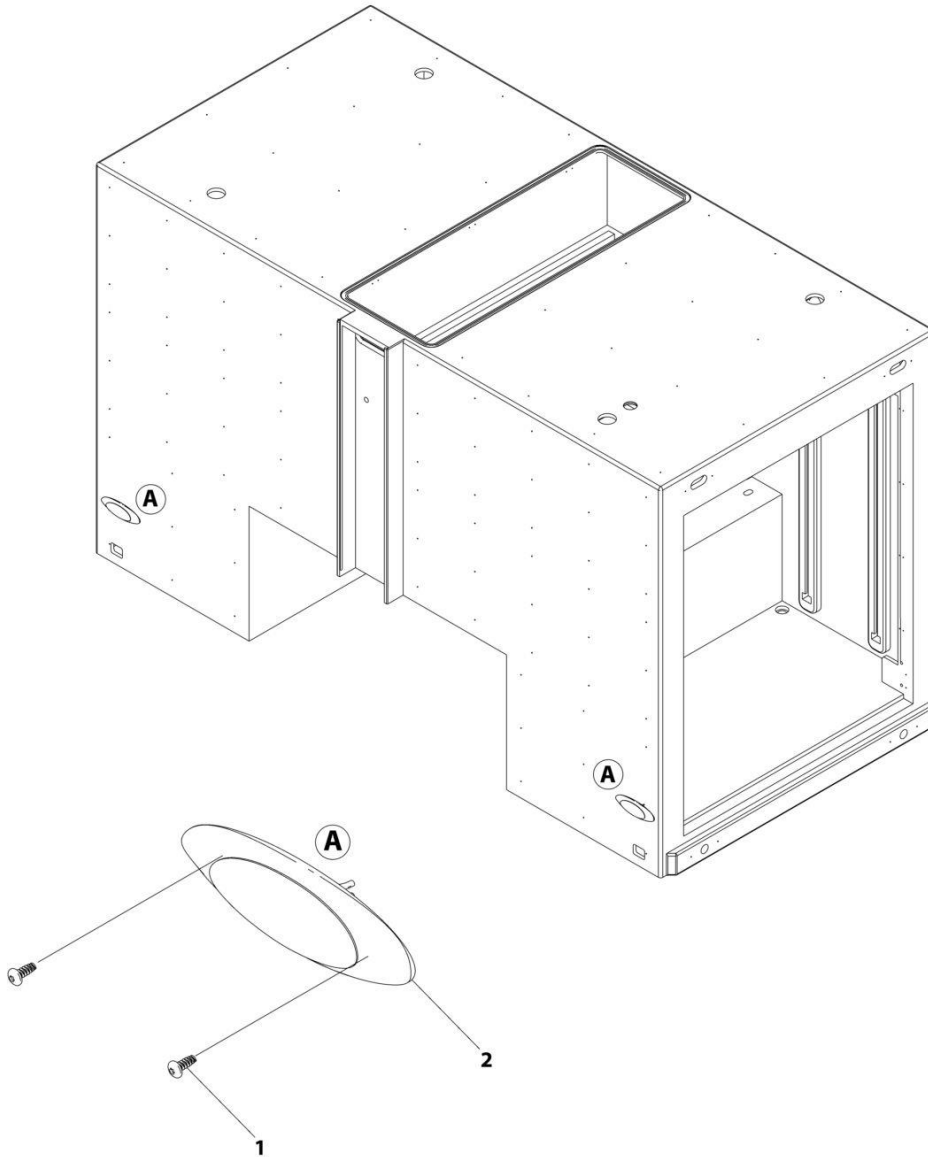
SECTION 7 - ELECTRICAL

FIGURE 7-52. LIGHTS - MARKER LIGHTS INSTALLATION - TUNNEL (DOUBLE)

ITEM	PART NUMBER	QTY	DESCRIPTION	REV
	1001270636	Ref	MARKER LIGHTS INSTALLATION (DOUBLE)	A
1	1001192958	24	Screw #10 x 1/2	
2	7590000358	12	Light	

SECTION 7 - ELECTRICAL

FIGURE 7-53. LIGHTS - MARKER LIGHT INSTALLATION (TUNNEL FRONT WITHOUT DIAMOND)



ART_1001219785

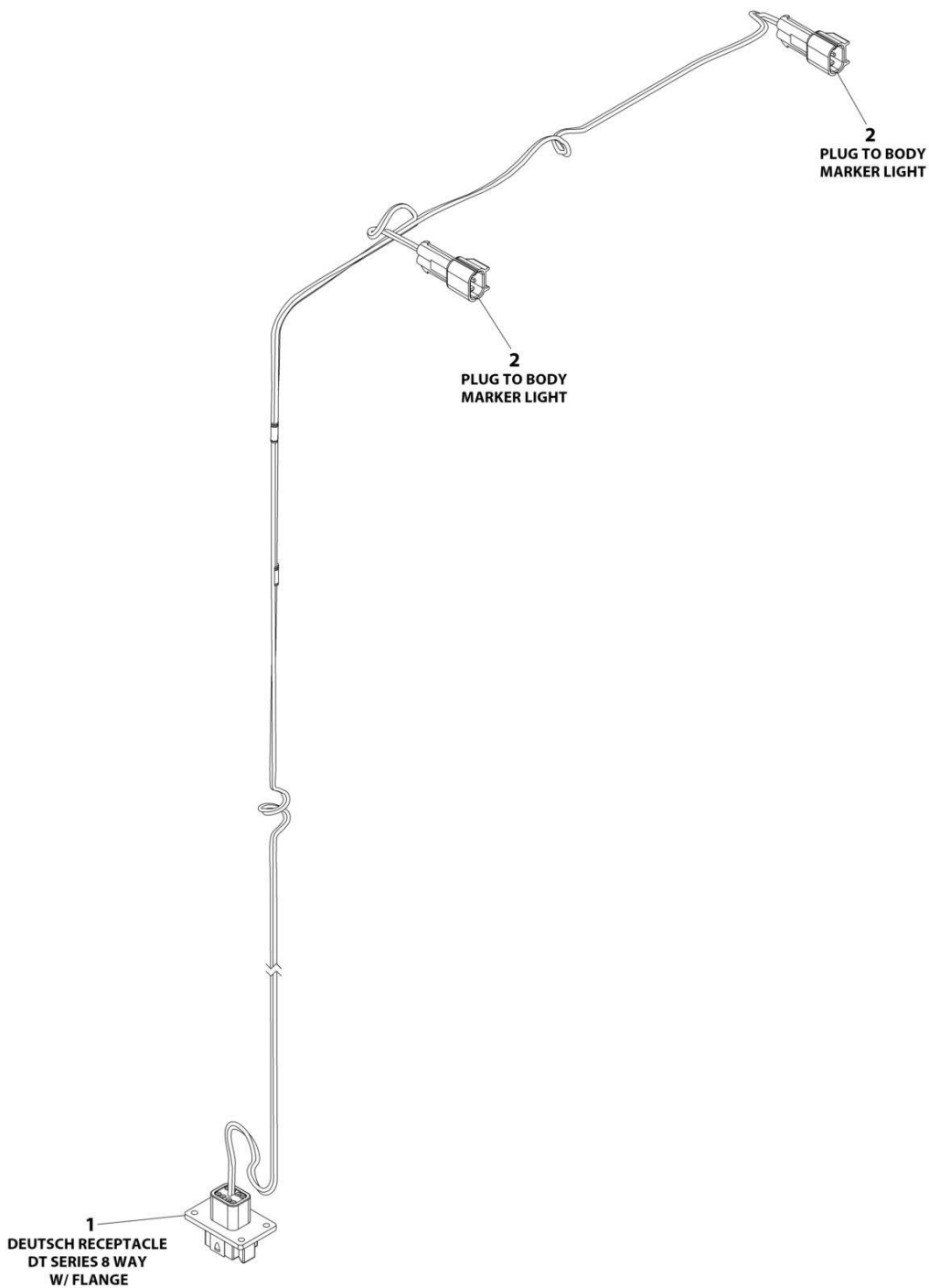
SECTION 7 - ELECTRICAL

FIGURE 7-53. LIGHTS - MARKER LIGHT INSTALLATION (TUNNEL FRONT WITHOUT DIAMOND)

ITEM	PART NUMBER	QTY	DESCRIPTION	REV
	1001219785	Ref	NO FRONT DIAMOND, MARKER ONLY	E
1	1001192958	4	Screw #10 x 1/2	
2	7590000358	2	Light	

SECTION 7 - ELECTRICAL

FIGURE 7-54. LIGHTS - MARKER 1 HARNESS (TANDEM)



ART_1001216185

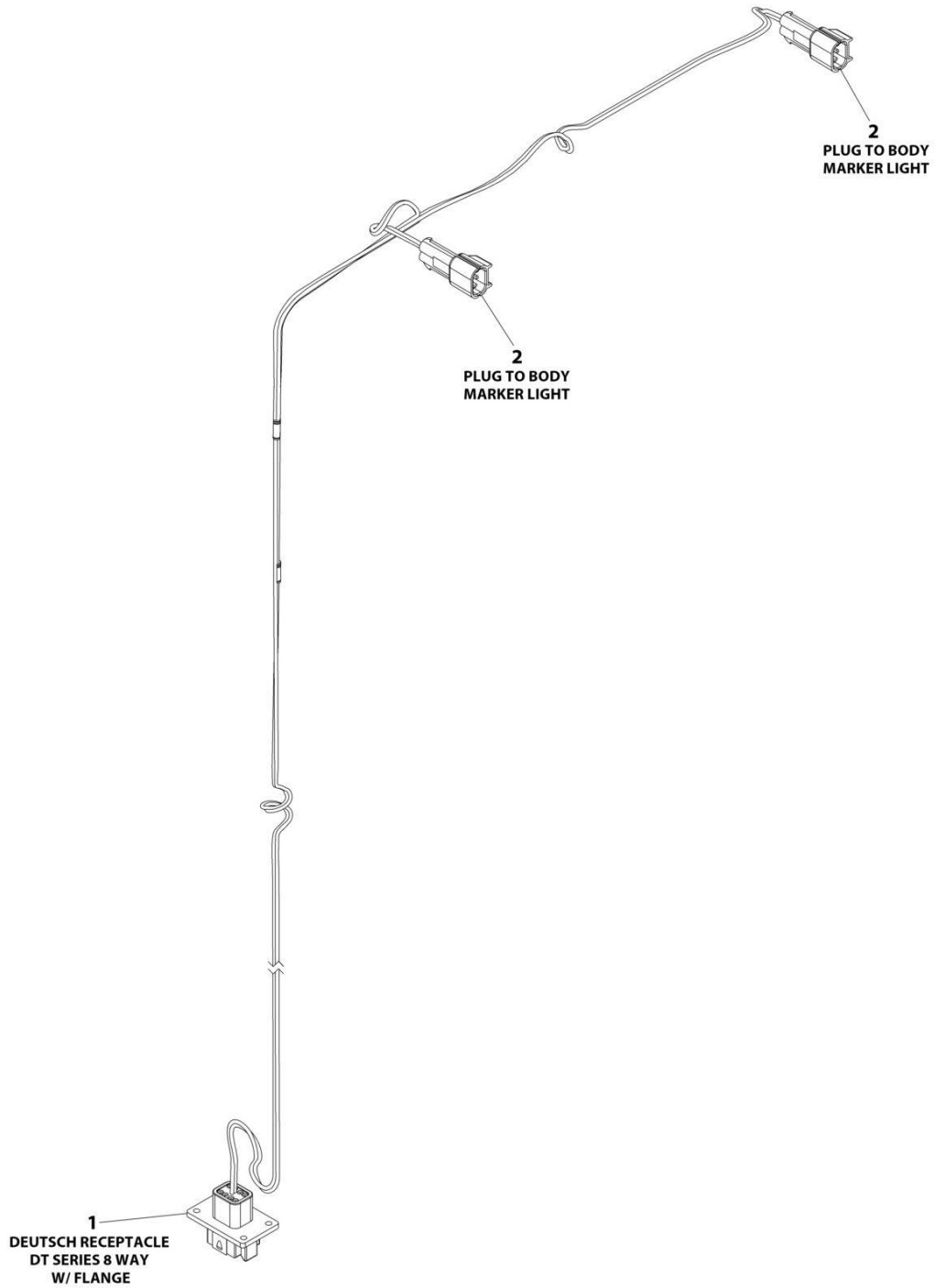
SECTION 7 - ELECTRICAL

FIGURE 7-54. LIGHTS - MARKER 1 HARNESS (TANDEM)

ITEM	PART NUMBER	QTY	DESCRIPTION	REV
	1001216185	Ref	MARKER LIGHT 1 HARNESS (TANDEM)	B
1	1001269275	1	Connector	
1	80604024	1	Wedge, Locking	
1	4460464	2	Pin	
1	4460466	2	Plug	
1	NPN	1	Gasket	
2	1001117026	2	Connector	
2	NPN	1	Wedge, Locking	
2	1001116745	4	Socket	
2	4460458	4	Seal	

SECTION 7 - ELECTRICAL

FIGURE 7-55. LIGHTS - MARKER 1 HARNESS (TRI-AXLE)



ART_1001216190

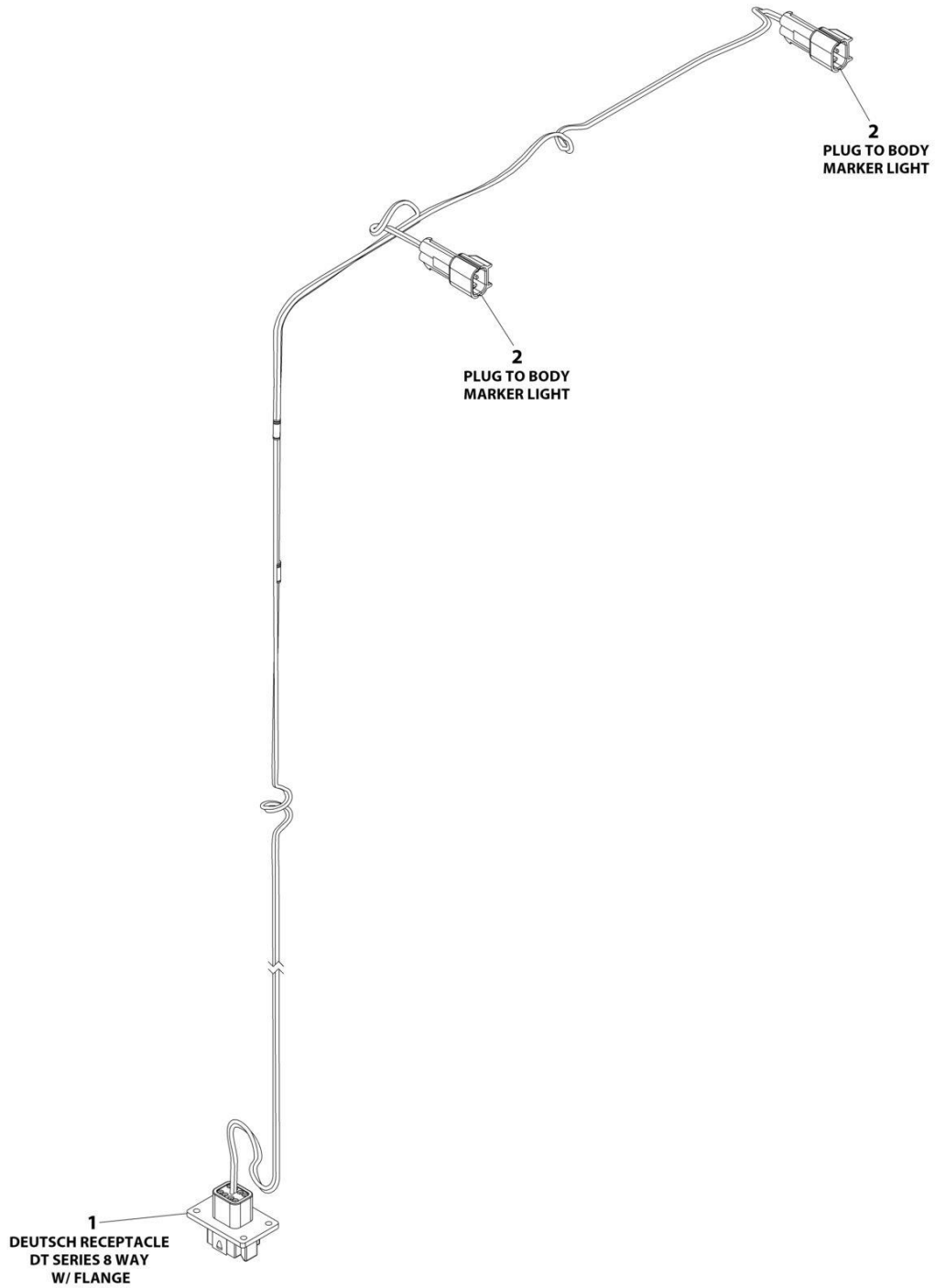
SECTION 7 - ELECTRICAL

FIGURE 7-55. LIGHTS - MARKER 1 HARNESS (TRI-AXLE)

ITEM	PART NUMBER	QTY	DESCRIPTION	REV
	1001216190	Ref	MARKER LIGHT 1 HARNESS (TRI)	A
1	1001269275	1	Connector	
1	80604024	1	Wedge, Locking	
1	4460464	2	Pin	
1	4460466	5	Plug	
1	NPN	1	Gasket	
2	1001117026	2	Connector	
2	NPN	2	Wedge, Locking	
2	1001116745	4	Socket	
2	4460458	4	Seal	

SECTION 7 - ELECTRICAL

FIGURE 7-56. LIGHTS - MARKER 2 HARNESS (TANDEM)



ART_1001216186

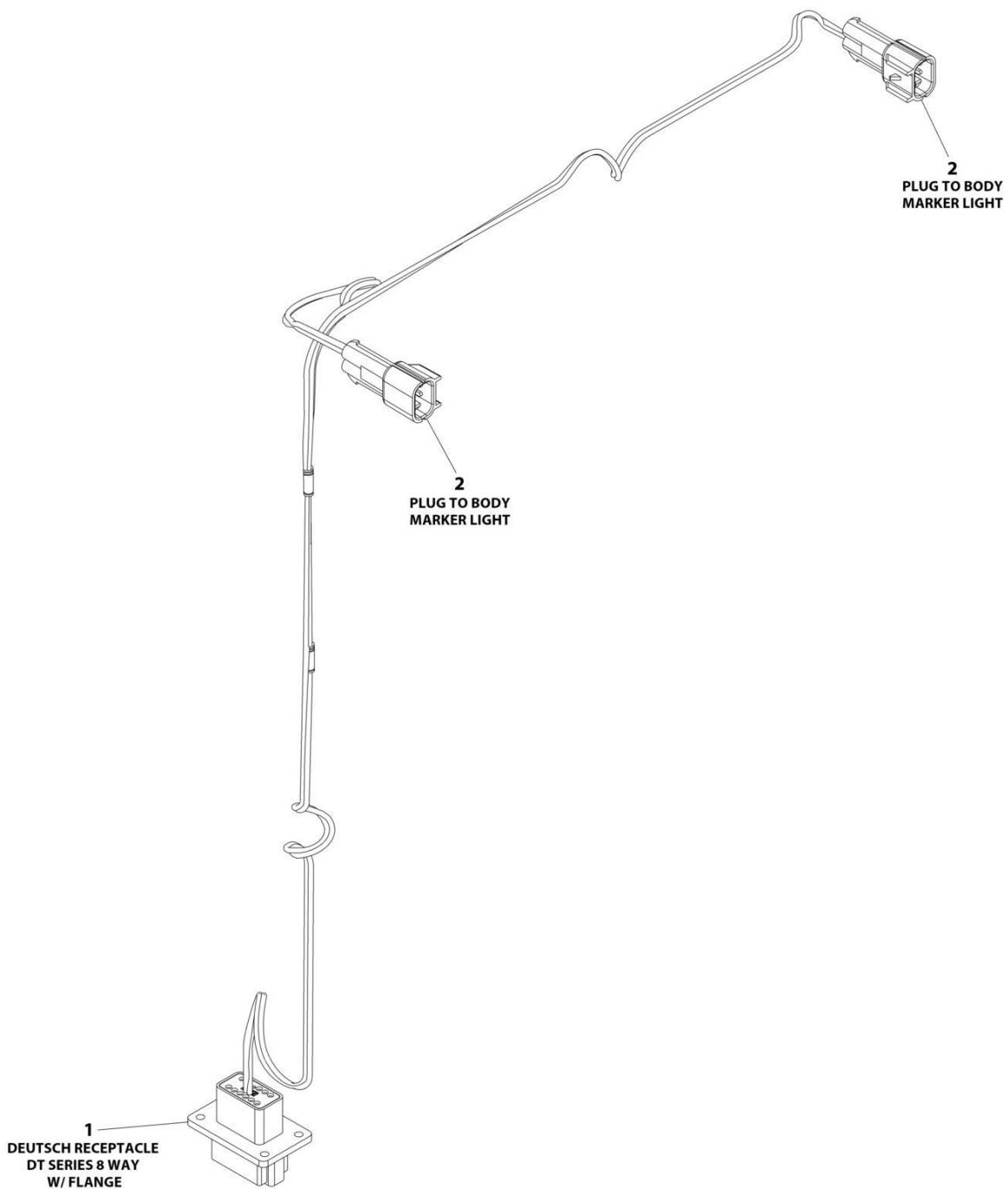
SECTION 7 - ELECTRICAL

FIGURE 7-56. LIGHTS - MARKER 2 HARNESS (TANDEM)

ITEM	PART NUMBER	QTY	DESCRIPTION	REV
	1001216186	Ref	MARKER LIGHT 2 HARNESS (TANDEM)	A
1	1001269275	1	Connector	
1	80604024	1	Wedge, Locking	
1	4460464	2	Pin	
1	4460466	5	Plug	
1	NPN	1	Gasket	
2	1001117026	2	Connector	
2	NPN	1	Wedge, Locking	
2	1001116745	4	Socket	
2	4460458	4	Seal	

SECTION 7 - ELECTRICAL

FIGURE 7-57. LIGHTS - MARKER 2 HARNESS (TRI-AXLE)



ART_1001216191

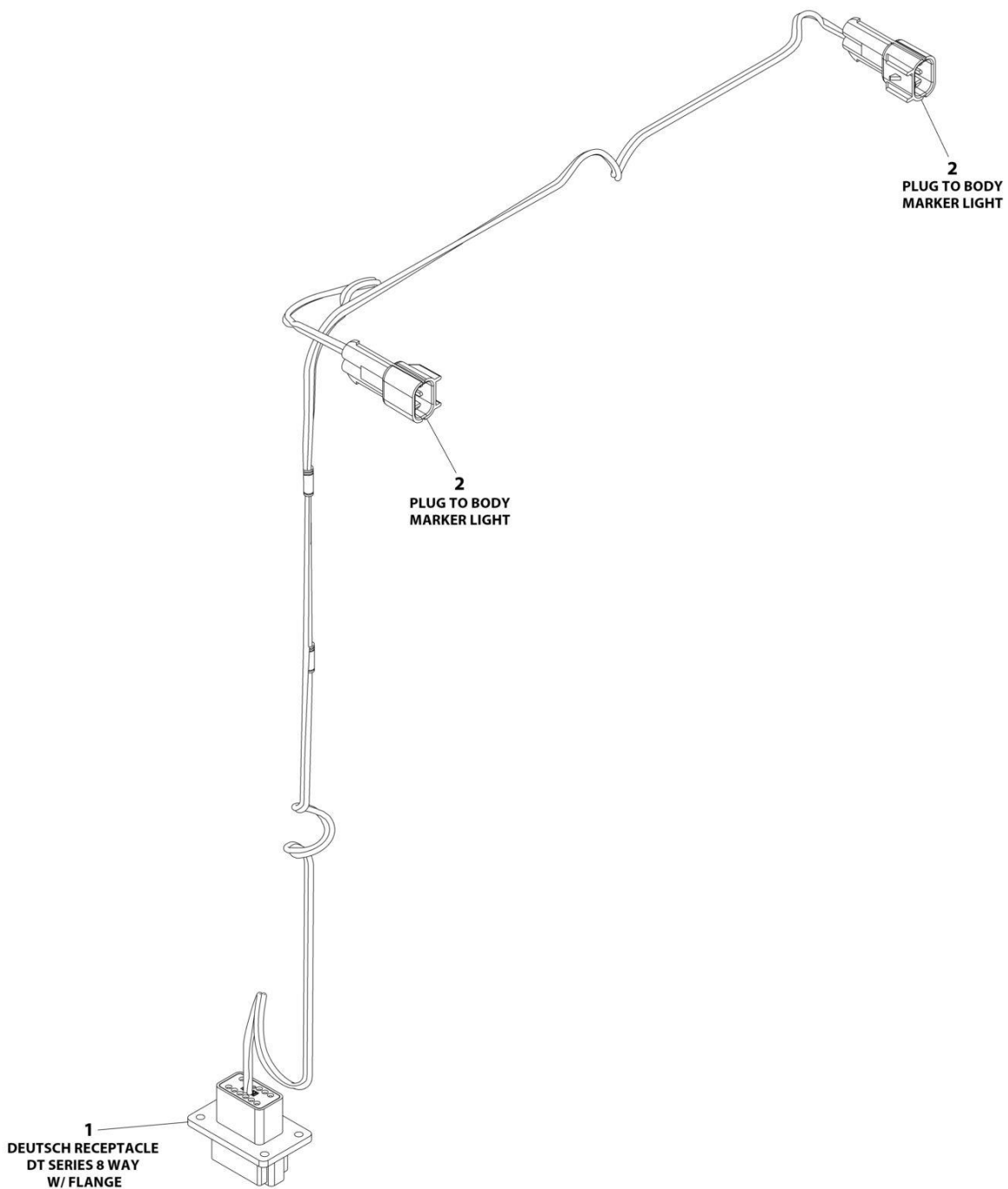
SECTION 7 - ELECTRICAL

FIGURE 7-57. LIGHTS - MARKER 2 HARNESS (TRI-AXLE)

ITEM	PART NUMBER	QTY	DESCRIPTION	REV
	1001216191	Ref	MARKER LIGHT 2 HARNESS (TRI)	A
1	4460939	1	Connector	
1	80363179	1	Wedge, Locking	
1	4460464	2	Pin	
1	4460466	6	Plug	
1	NPN	1	Gasket	
2	1001117026	2	Connector	
2	NPN	2	Wedge, Locking	
2	1001116745	4	Socket	
2	4460458	4	Seal	

SECTION 7 - ELECTRICAL

FIGURE 7-58. LIGHTS - MARKER 3 HARNESS



ART_1001216187

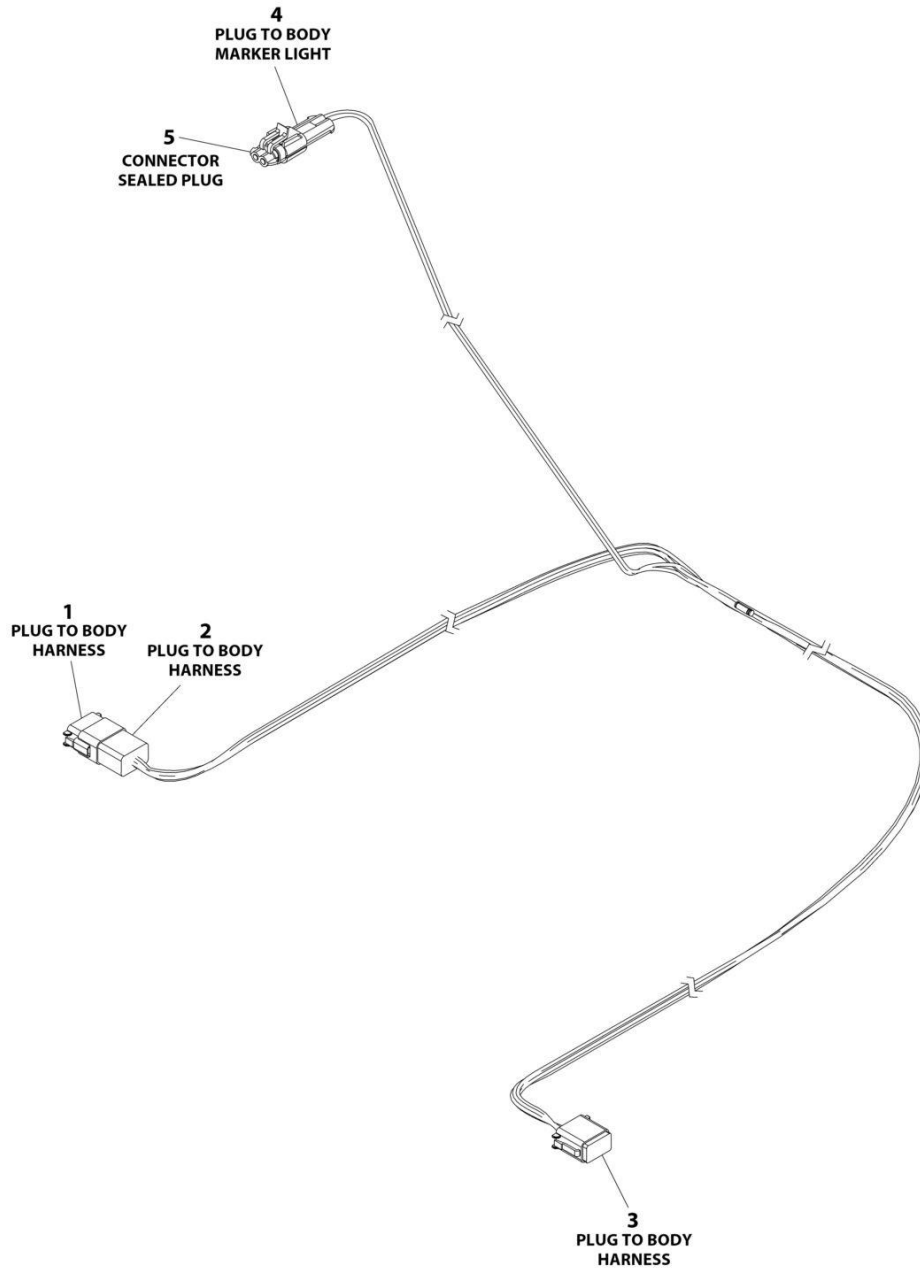
SECTION 7 - ELECTRICAL

FIGURE 7-58. LIGHTS - MARKER 3 HARNESS

ITEM	PART NUMBER	QTY	DESCRIPTION	REV
	1001216187	Ref	MARKER LIGHT 3 HARNESS	A
1	4460939	1	Connector	
1	80604024	1	Wedge, Locking	
1	4460464	1	Pin	
1	4460466	6	Plug	
1	NPN	1	Gasket	
2	1001117026	2	Connector	
2	NPN	1	Wedge, Locking	
2	1001116745	4	Socket	
2	4460458	4	Seal	

SECTION 7 - ELECTRICAL

FIGURE 7-59. LIGHTS - MARKER LIGHT HARNESS WITH SIDE STABILIZER



ART_1001244216

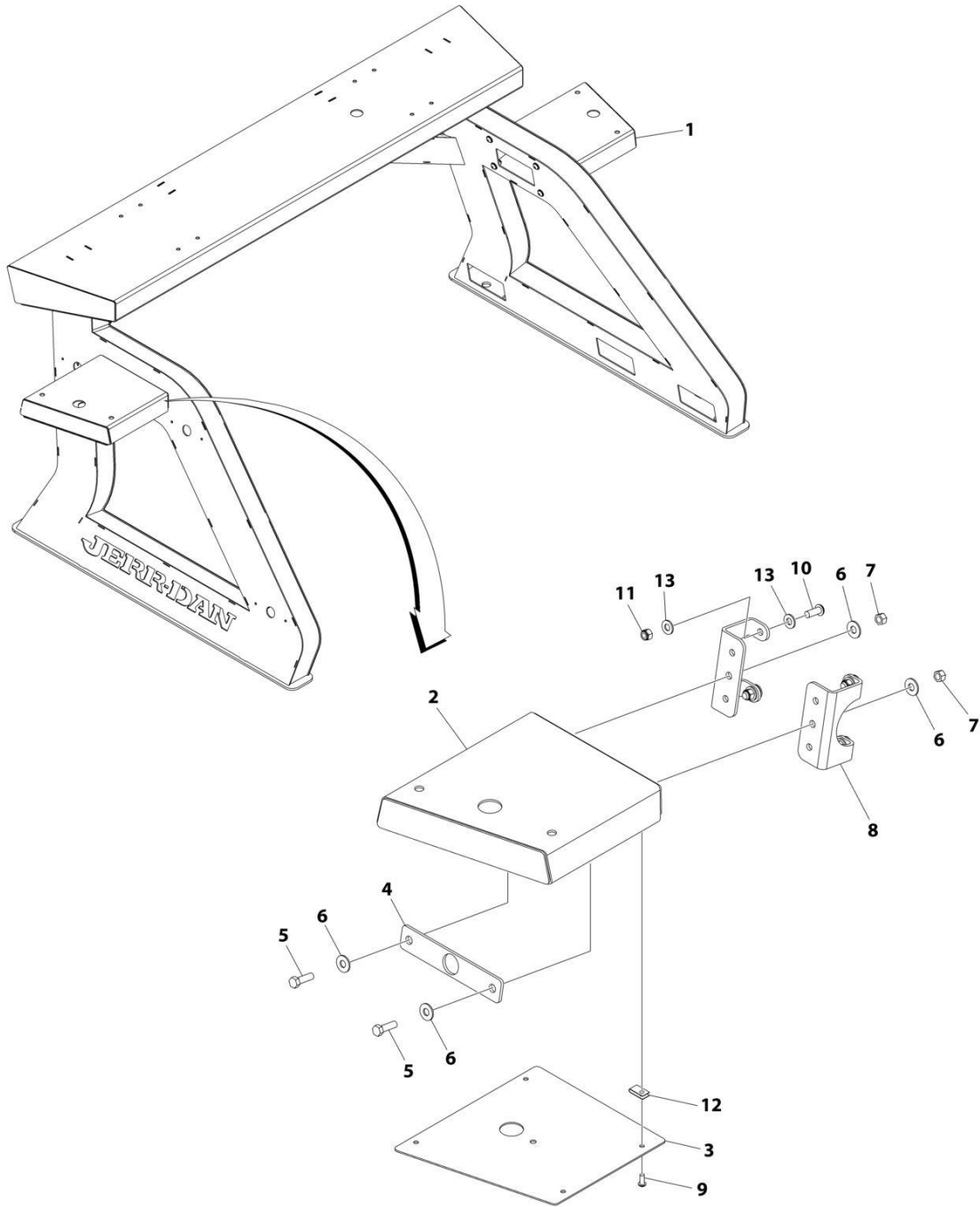
SECTION 7 - ELECTRICAL

FIGURE 7-59. LIGHTS - MARKER LIGHT HARNESS WITH SIDE STABILIZER

ITEM	PART NUMBER	QTY	DESCRIPTION	REV
	1001244216	Ref	LIGHTS - LIGHTING HARNESS (SS-70 NO PANEL)	B
1	4460930	1	Plug, Male - 8 Position	
1	4460466	8	Plug, Terminal	
2	4460931	1	Receptacle, Female - 8 Position	
2	4460464	4	Pin, Male	
2	4460941	2	Pin, Male	
2	4460466	2	Plug, Terminal	
3	4460930	1	Plug, Male - 8 Position	
3	4460465	4	Socket, Female	
3	4460942	2	Socket, Female	
3	4460466	2	Plug, Terminal	
4	NPN	1	Receptacle, Female - 2 Position	
4	NPN	2	Terminal	
5	1001117021	1	Plug, Male	
5	1001116727	2	Terminal	

SECTION 7 - ELECTRICAL

FIGURE 7-60. LIGHTS - WING LIGHTS MOUNT ONLY INSTALLATION



ART_1001228841

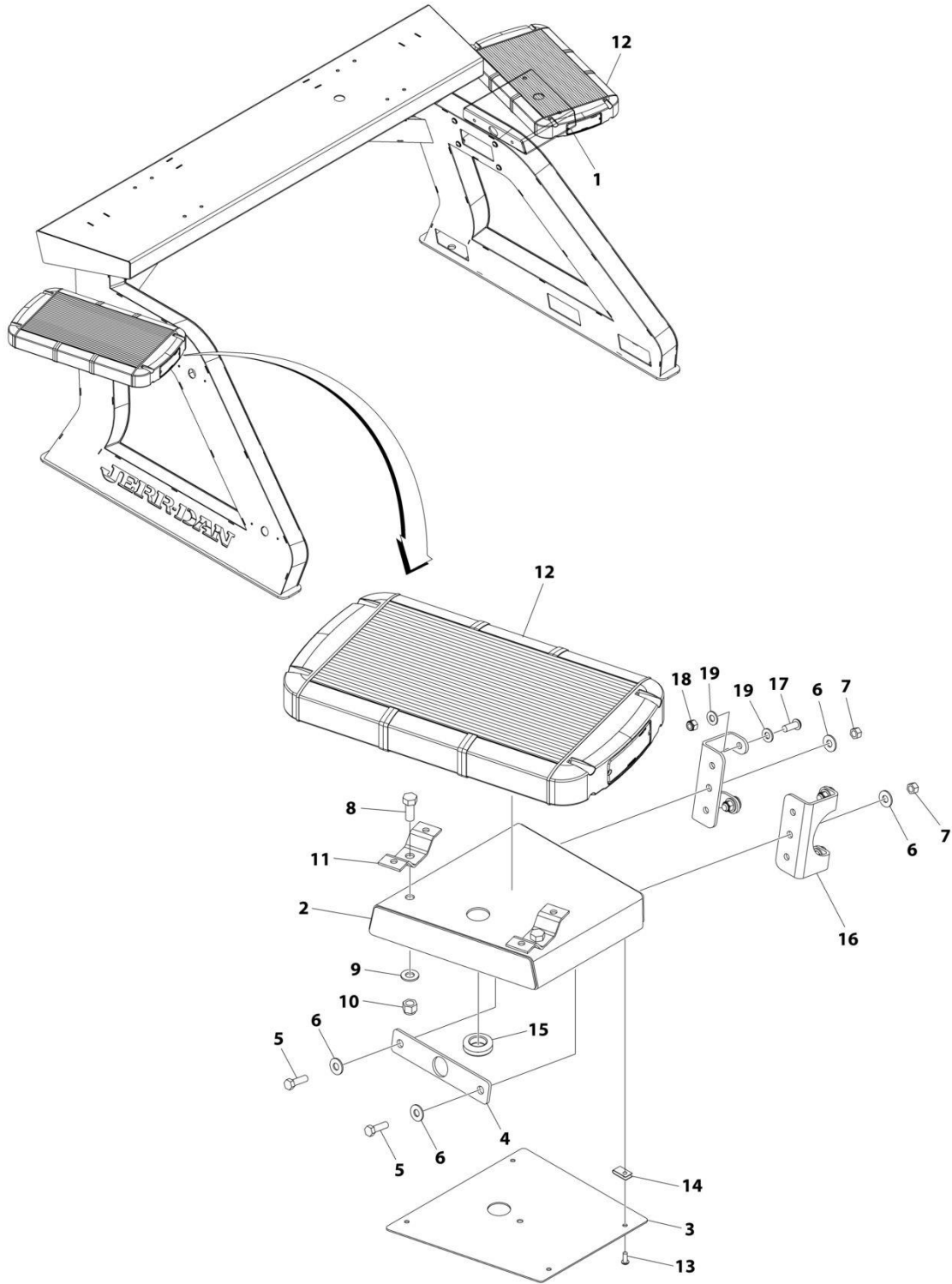
SECTION 7 - ELECTRICAL

FIGURE 7-60. LIGHTS - WING LIGHTS MOUNT ONLY INSTALLATION

ITEM	PART NUMBER	QTY	DESCRIPTION	REV
	1001228841	Ref	Wing Light Bracket Installation	A
1	1001228844	1	Mount, RH	
2	1001228845	1	Mount, LH	
3	1001213110	2	Plate	
4	1001214129	2	Plate	
5	0641610	4	Capscrew 3/8 x 1-1/4	
6	4751600	8	Washer 3/8	
7	3271605	4	Nut 3/8	
8	1001228828	4	Gusset, Support	
9	7114140518	8	Screw 1/4 5/8	
10	7114160818	8	Screw 3/8 x 1	
11	7660162601	8	Nut 3/8	
12	7661000019	8	U-Nut 1/4	
13	7950160143	16	Washer 3/8	

SECTION 7 - ELECTRICAL

FIGURE 7-61. LIGHTS - WING LIGHTS MOUNT INSTALLATION (WHELEN)



ART_1001228843

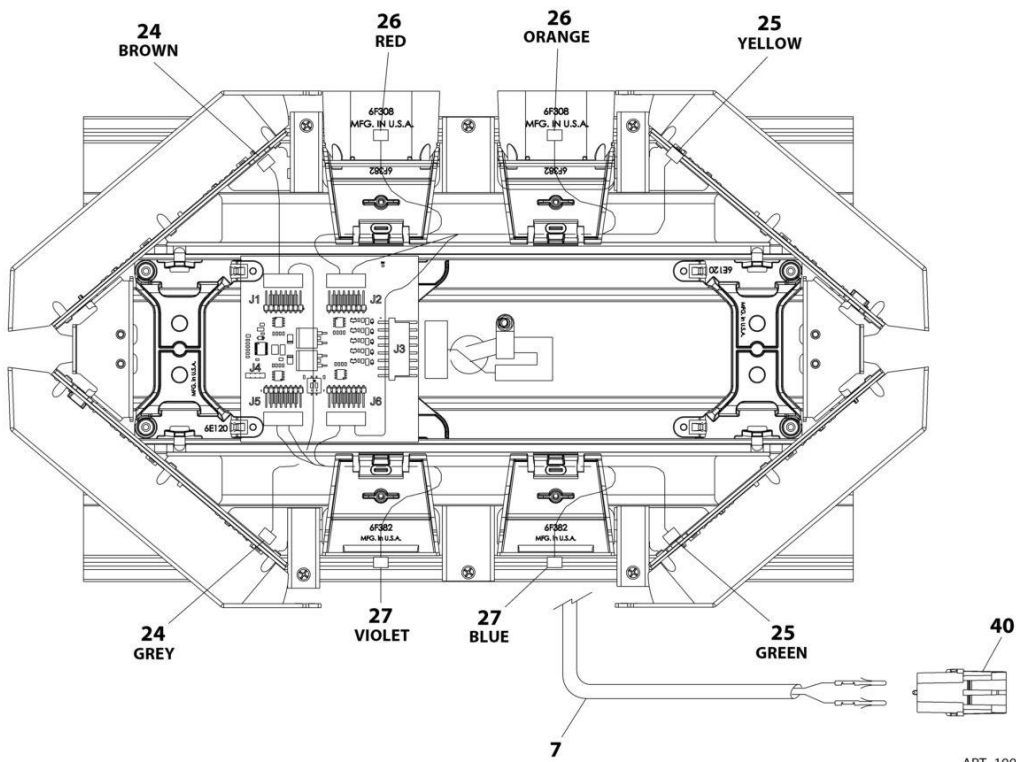
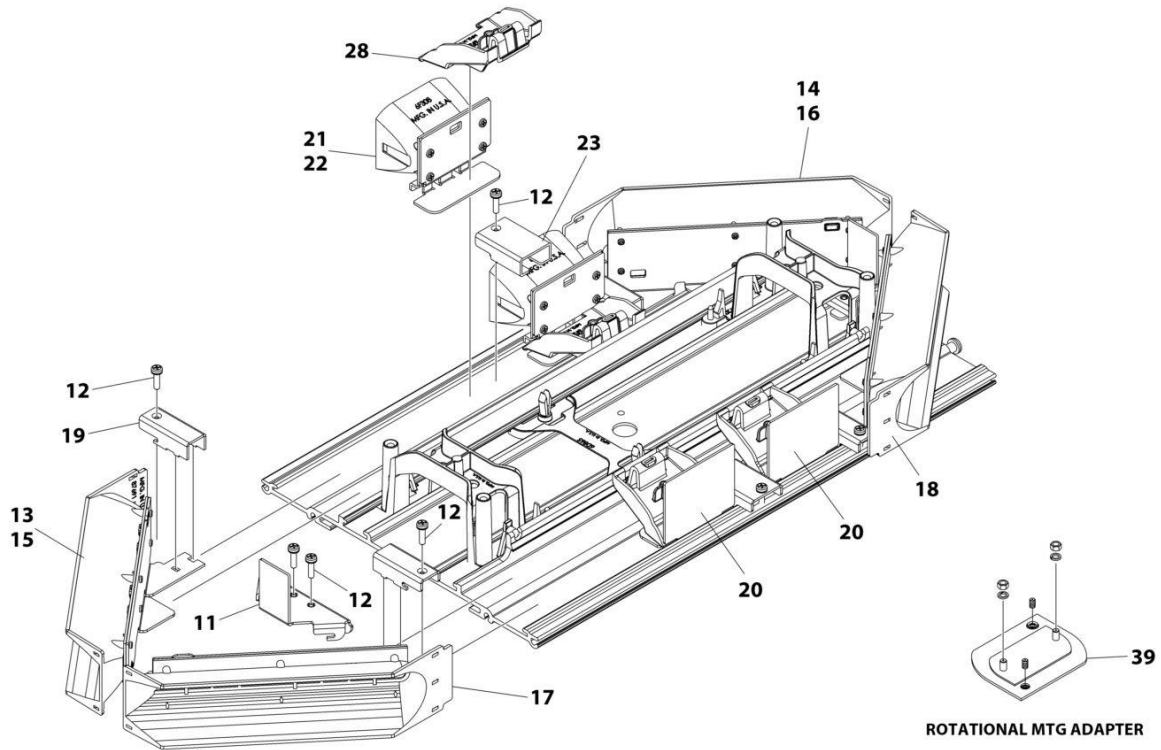
SECTION 7 - ELECTRICAL

FIGURE 7-61. LIGHTS - WING LIGHTS MOUNT INSTALLATION (WHELEN)

ITEM	PART NUMBER	QTY	DESCRIPTION	REV
	1001228843	Ref	LIGHTS - WING LIGHT AMBER WHELEN, 22IN	A
1	1001228844	1	Mount, RH	
2	1001228845	1	Mount, LH	
3	1001213110	2	Plate	
4	1001214129	2	Plate	
5	0641610	4	Capscrew 3/8 x 1-1/4	
6	4751600	8	Washer 3/8	
7	3271605	4	Nut 3/8	
8	0641810	4	Capscrew 1/2 x 1-1/4	
9	4711800	4	Washer 1/2	
10	7660182601	4	Nut 1/2	
11	4178000402	4	Bracket	
12	1001199478	2	Whelen Light Bar (See Separate Breakdown in this Section)	
13	7114140518	8	Screw 1/4 5/8	
14	7661000019	8	U-Nut 1/4	
15	7493000011	2	Grommet	
16	1001228828	4	Gusset, Support	
17	7114160818	4	Screw 3/8 x 1	
18	7660162601	8	Nut 3/8	
19	7950160143	16	Washer 3/8	

SECTION 7 - ELECTRICAL

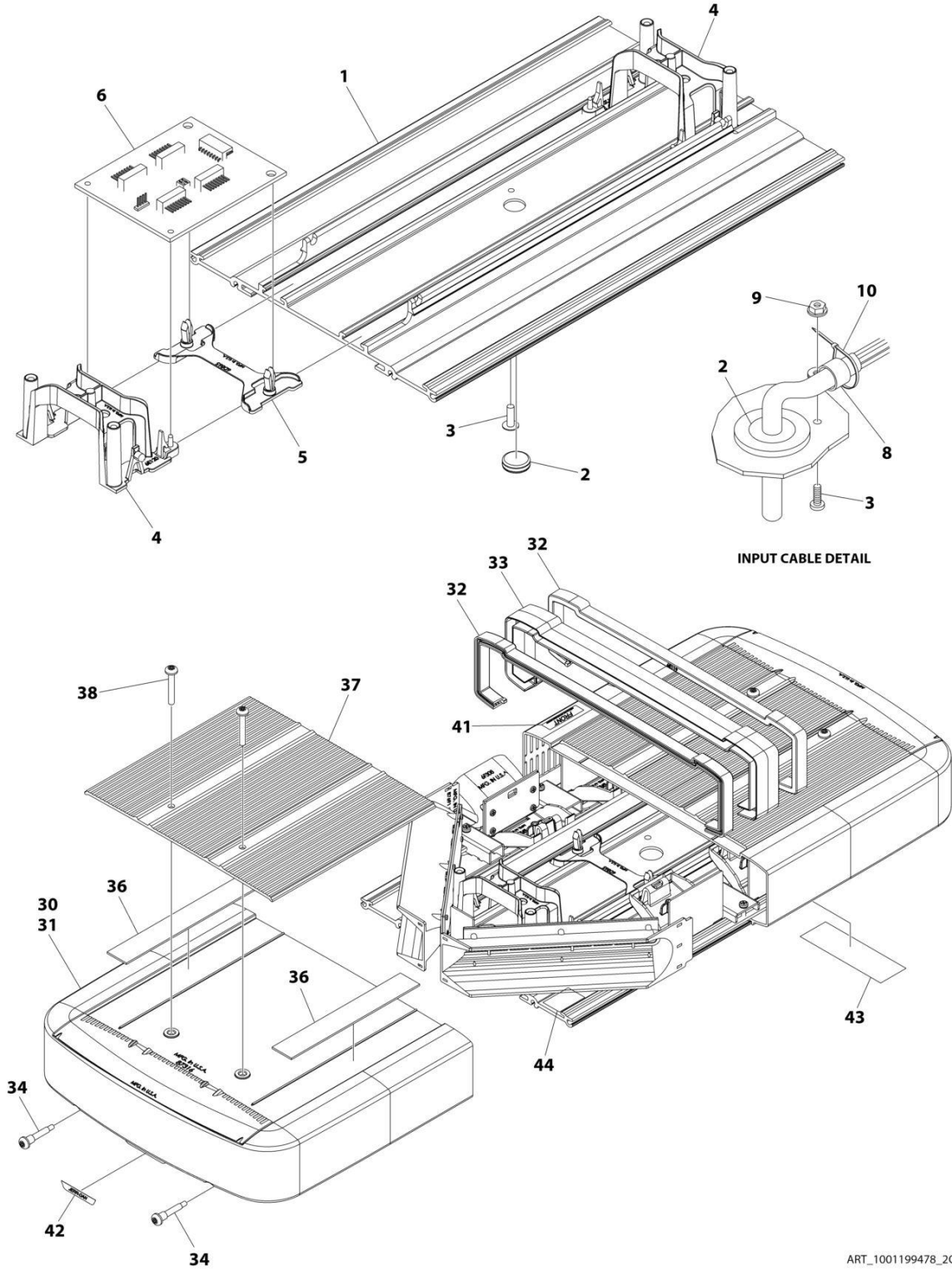
FIGURE 7-62. LIGHTS - WING LIGHTS ASSEMBLY - 22IN AMBER (WHELEN)



ART_1001199478_1OF2

SECTION 7 - ELECTRICAL

FIGURE 7-63. LIGHTS - WING LIGHTS ASSEMBLY - 22IN AMBER (WHELEN)



ART_1001199478_20F2

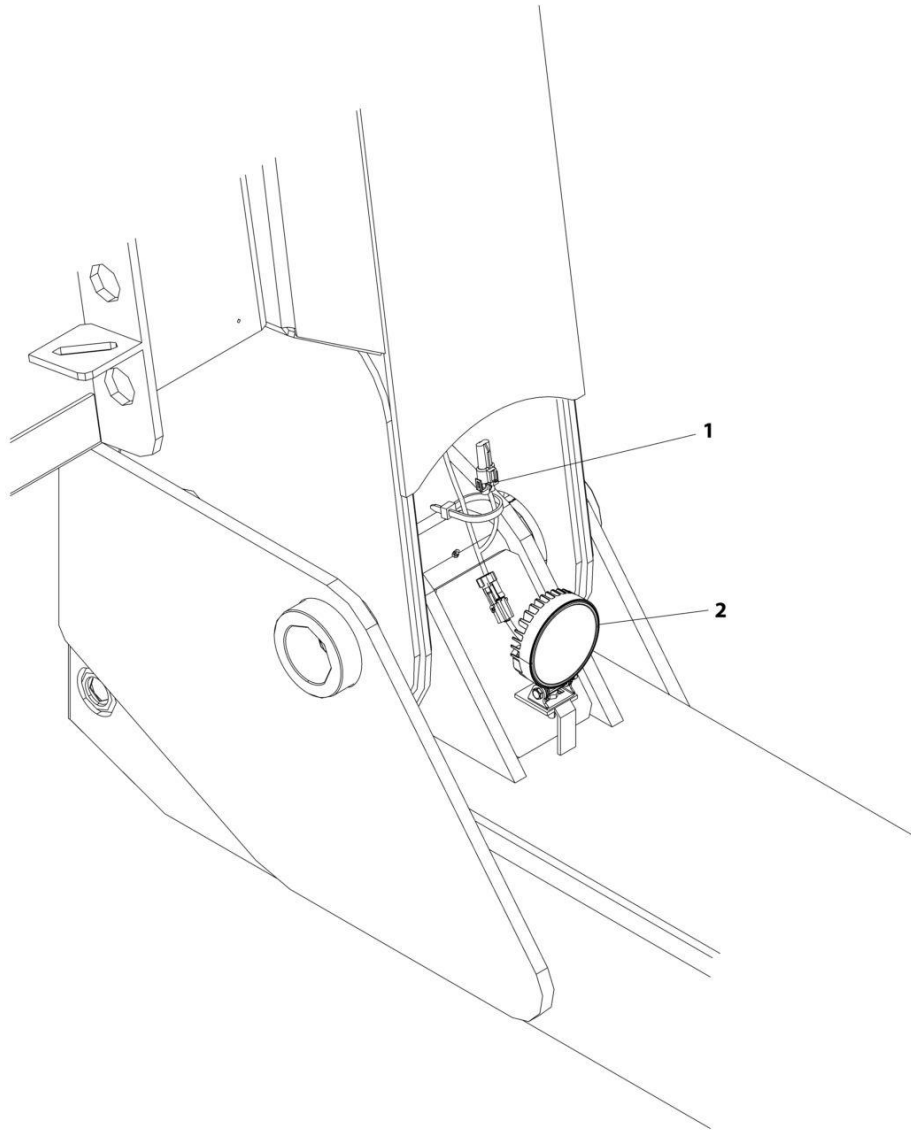
SECTION 7 - ELECTRICAL

FIGURE 7-63. LIGHTS - WING LIGHTS ASSEMBLY - 22IN AMBER (WHELEN)

ITEM	PART NUMBER	QTY	DESCRIPTION	REV
	1001199478	Ref	LIGHTS - LAMP ASSEMBLY - 22IN WHELEN WING LIGHT	B
1	70051019	1	Base	
2	70050169	1	Grommet	
3	70051020	1	Screw #10 x 7/8	
4	70051021	2	Bracket, Bulkhead Lens Mount	
5	70051022	1	Bracket, I/O Anchor	
6	70051023	1	Assembly, I/O BD Mini	
7	70051024	1	Assembly, Cable	
8	70051025	1	Clamp, Cable	
9	70050174	1	Nut #10	
10	70051026	AR	Tie Wrap	
11	70051027	2	Bracket, End Clamp	
12	70051028	10	Screw #6 x 1/2	
13	70051029	1	Assy, Corner L-Front/R-Rear Amber	
14	70051030	1	Assy, Corner L-Rear/R-Front Amber	
15	70051031	1	Assy, Corner L-Front/R-Rear Blue	
16	70051032	1	Assy, Corner L-Rear/R-Front Blue	
17	70051033	1	Assembly, Blank Rear Drvr Corner	
18	70051034	1	Assembly, Blank Rear Pass Corner	
19	70051035	4	Bracket, Corner Clamp	
20	70051036	2	Bracket, Half Filler	
21	70051037	2	Sub Assy, Short Directional Amber	
22	70051038	2	Sub Assy, Short Directional Blue	
23	70051039	2	Bracket, Filler	
24	70051040	1	Assembly, Harness	
25	70051041	1	Assembly, Harness	
26	70051042	1	Assembly, Harness	
27	70051043	1	Assembly, Harness	
28	70051044	4	Bracket, Snap-In	
29	70051045	AR	Tie Wrap (Not Shown)	
30	70051046	2	Sub Assy, Cut Dome Clear	
31	70051047	2	Sub Assy, Cut Dome Blue	
32	70051048	2	Seal, Lens Divider	
33	70051049	1	Divider, Lens	
34	70051050	4	Screw #10 x 1-1/4	
36	70051051	4	Tape, VHB Endcap Trim Mount	
37	70051052	2	Cover	
38	70051053	4	Screw #10 x 7/8	
39	70050204	2	Kit, Rotational MTG Adapter Jerr-Dan	
40	70051054	1	Housing, 2 POS Male Weather-Pack Sealed	
41	70051055	1	Label, "Front" Lightbar Assys	
42	70051056	2	Label, Jerr-Dan Liberty II	
43	70050207	1	Label, MN/SN Jerr-Dan Lightbar	
44	70051057	1	Label, Serial Number Liberty II Series	

SECTION 7 - ELECTRICAL

FIGURE 7-64. LIGHTS - WORKLIGHT LIGHTS INSTALLATION - UNDERLIFT



ART_1001202452

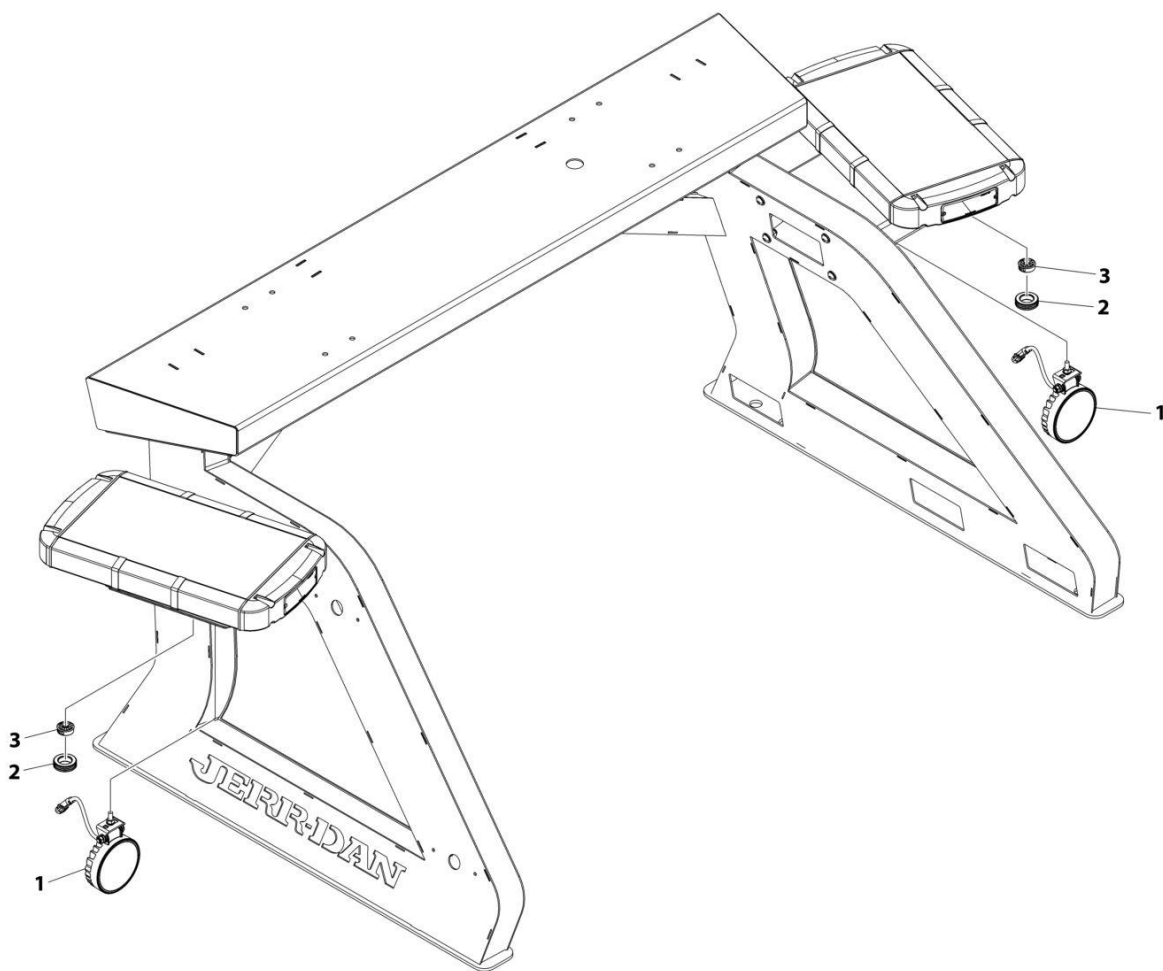
SECTION 7 - ELECTRICAL

FIGURE 7-64. LIGHTS - WORKLIGHT LIGHTS INSTALLATION - UNDERLIFT

ITEM	PART NUMBER	QTY	DESCRIPTION	REV
	1001202452	Ref	LIGHTS - WORKLIGHT LIGHTS INSTALLATION - UNDERLIFT	D
1	1001209033	1	Underlift Worklight Harness (See Separate Breakdown in this Section)	
2	1001202449	1	Lamp (SN 0230004275 through 0230008644)	
2	1001176337	1	Lamp (SN 0230008644 through 0230009234)	
2	1001273634	1	Lamp (SN 0230009235 to Present)	
3	7894000004	40	Tie-Strap (Not Shown)	

SECTION 7 - ELECTRICAL

FIGURE 7-65. LIGHTS - WORKLIGHT LIGHTS INSTALLATION (UPPER)



ART_1001207487

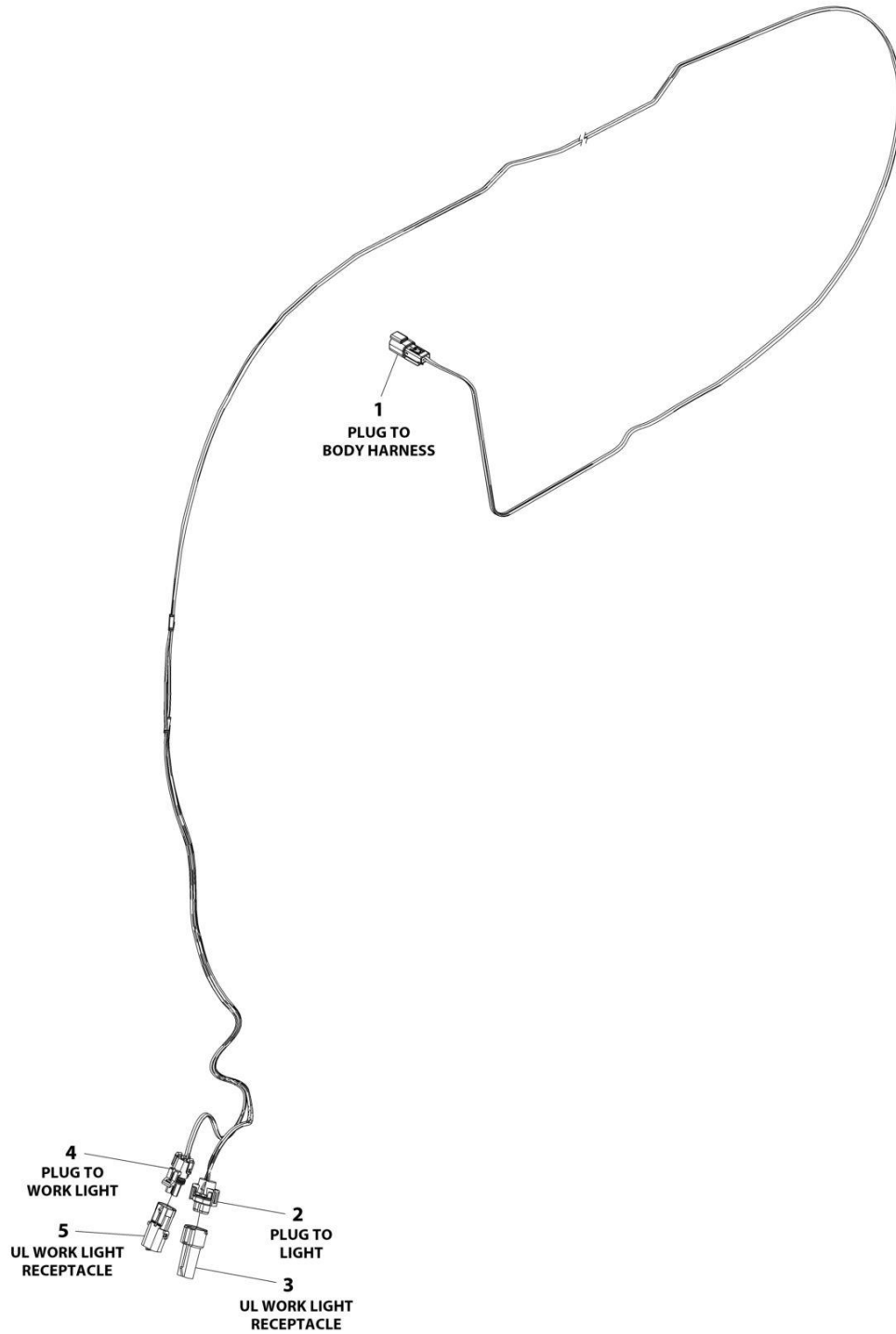
SECTION 7 - ELECTRICAL

FIGURE 7-65. LIGHTS - WORKLIGHT LIGHTS INSTALLATION (UPPER)

ITEM	PART NUMBER	QTY	DESCRIPTION	REV
	1001207487	Ref	UPPER WORK LIGHTS INSTALLATION	D
1	1001176337	2	Lamp (SN 0230004275 through 0230009719)	
1	1001273634	2	Lamp (SN 0230009720 to Present)	
2	7493000011	AR	Grommet	
3	1001169085	AR	Grommet	
4	5526000553	AR	Tie-Strap (Not Shown)	

SECTION 7 - ELECTRICAL

FIGURE 7-66. LIGHTS - WORKLIGHT LIGHTS HARNESS - UNDERLIFT



ART_1001209033

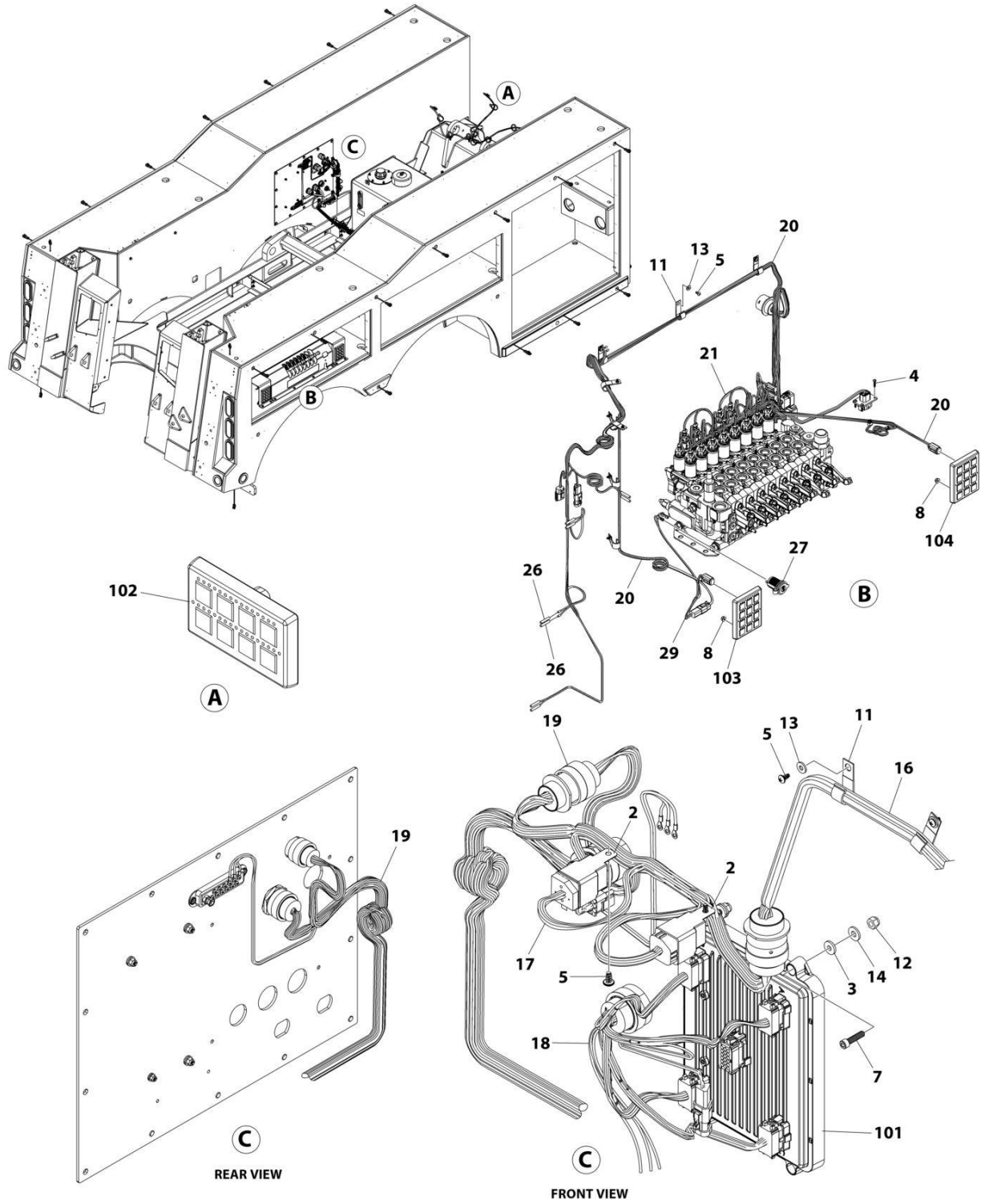
SECTION 7 - ELECTRICAL

FIGURE 7-66. LIGHTS - WORKLIGHT LIGHTS HARNESS - UNDERLIFT

ITEM	PART NUMBER	QTY	DESCRIPTION	REV
	1001209033	Ref	WORKLIGHT LIGHTS HARNESS - UNDERLIFT	C
1	4460897	1	Receptacle, Female - 2 Position	
1	4460464	2	Pin, Male	
2	NPN	1	Plug, Male 2 Position	
2	4460746	2	Terminal	
2	1001190037	2	Seal	
3	NPN	1	Receptacle, Female - 2 Position	
3	1001116727	2	Plug, Terminal	
4	4460742	1	Plug, Male 2 Position	
4	4460457	2	Socket, Female	
4	4460458	2	Seal	
5	4461157	2	Receptacle, Female - 2 Position	
5	1001116727	2	Plug, Terminal	

SECTION 7 - ELECTRICAL

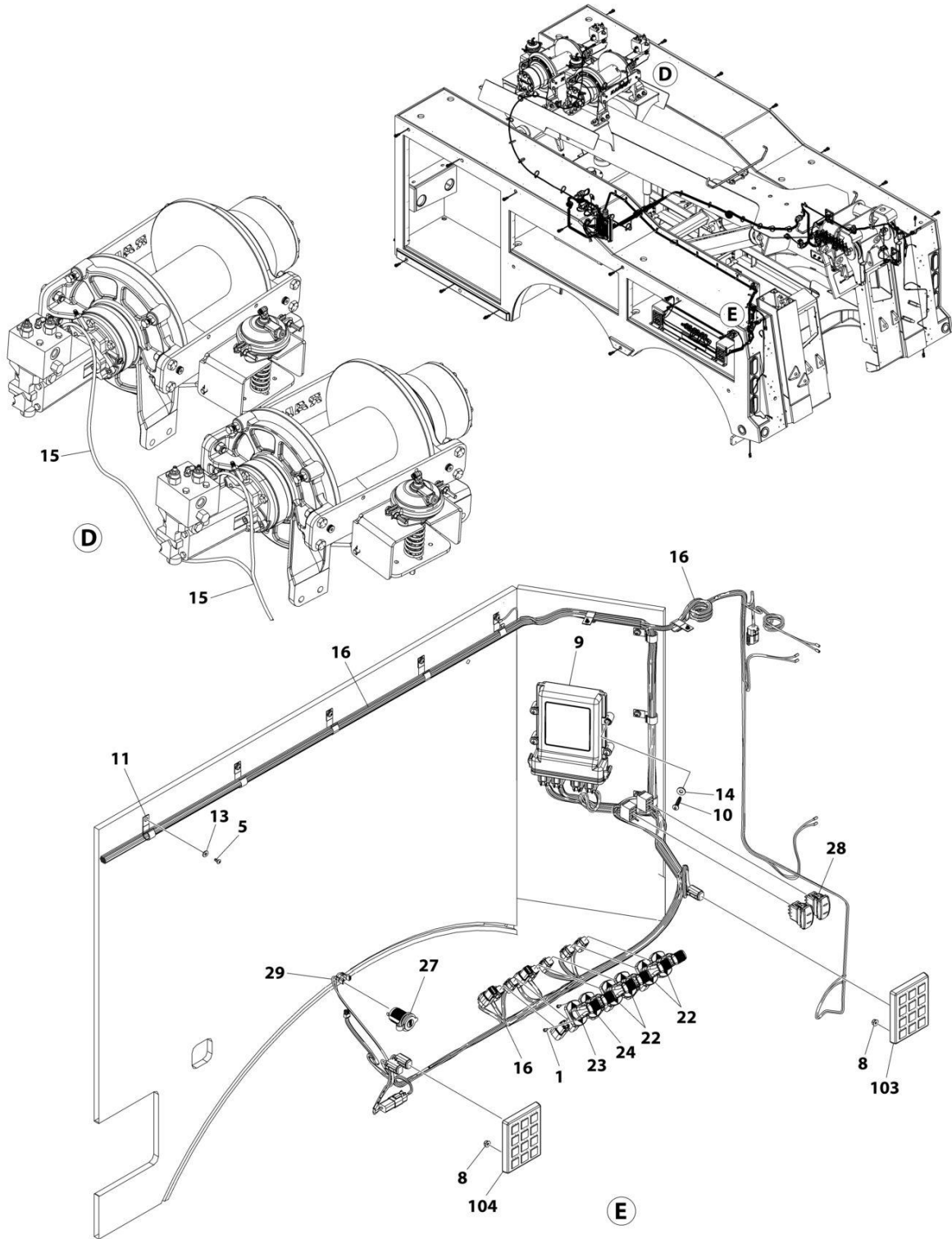
FIGURE 7-67. MULTIPLEX INSTALLATION (WITHOUT DRAG WINCH)



ART_1001288745_10F2

SECTION 7 - ELECTRICAL

FIGURE 7-68. MULTIPLEX INSTALLATION (WITHOUT DRAG WINCH)



ART_1001288745_20F2

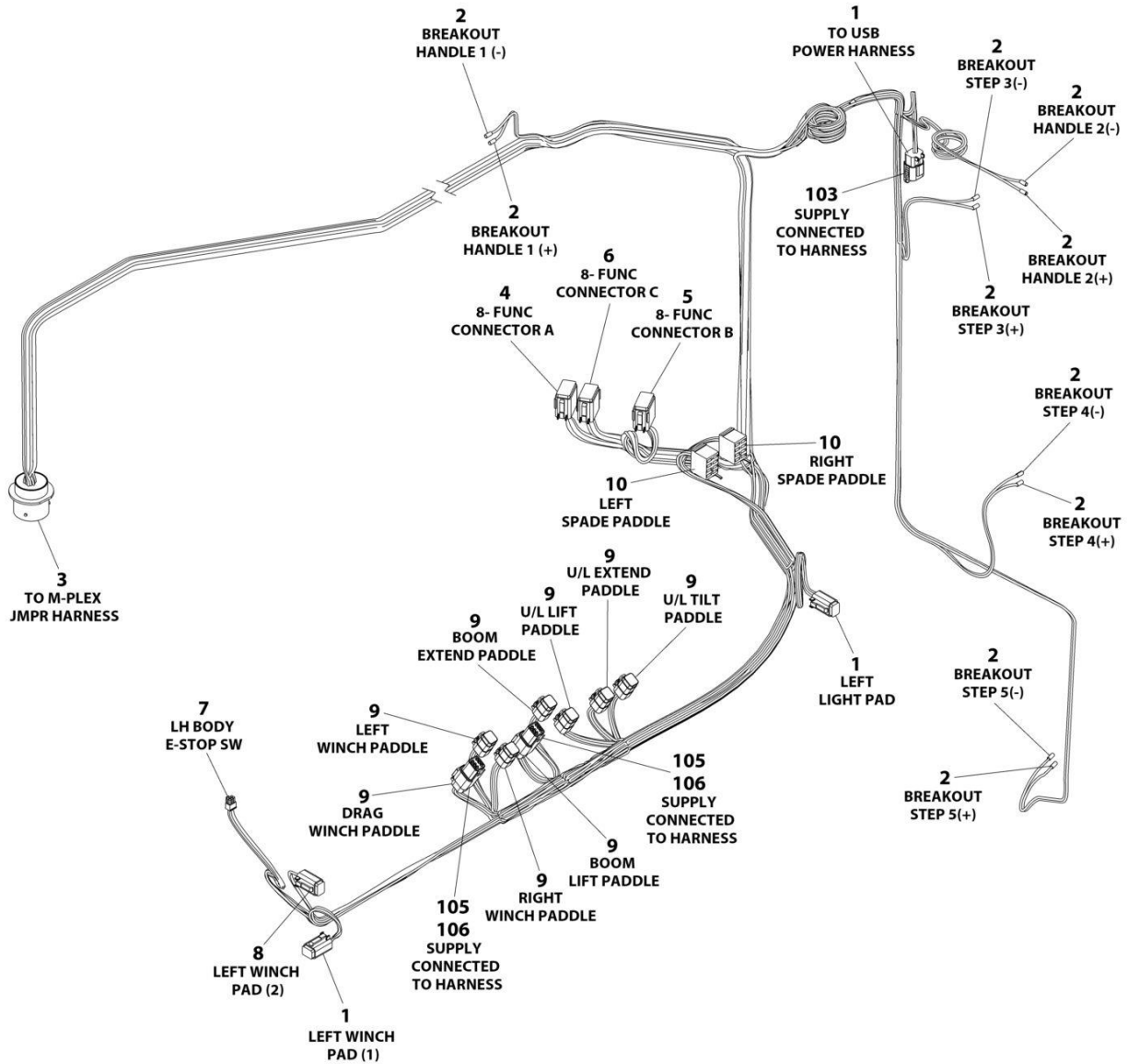
SECTION 7 - ELECTRICAL

FIGURE 7-68. MULTIPLEX INSTALLATION (WITHOUT DRAG WINCH)

ITEM	PART NUMBER	QTY	DESCRIPTION	REV
	1001288745	Ref	MULTIPLEX INSTALLATION (WITHOUT DRAG WINCH)	A
1	0760304	12	Bolt M3 x 8	
2	3740080	2	Relay	
3	1001166978	4	Washer, Rubber	
4	1001196552	4	Screw #8 x 3/4	
5	1001197441	24	Screw #10 x 3/8	
6	1001202986	2	Strap, Fir Tree Push Mount	
7	1001209590	4	Screw 1/4 x 1	
8	1001209616	16	Nut #10	
9	1001250809	1	Module	
10	1001254545	4	Screw 1/4 x 1-1/4	
11	7280000006	22	Clip	
12	7660142601	4	Nut 1/4	
13	7950100143	22	Washer	
14	7950140143	8	Washer 1/4	
15	1001217309	1	Harness, Winch 2 Speed (See Separate Breakdown in ELECTRICAL Section)	
16	1001288768	1	Harness, Multiplex Body (LH) (See Separate Breakdown in ELECTRICAL Section)	
17	1001288770	1	Harness, Multiplex Jumper (See Separate Breakdown in ELECTRICAL Section)	
18	1001250423	1	Harness, Multiplex to PDP (See Separate Breakdown in ELECTRICAL Section)	
19	1001288771	1	Harness, Multiplex Crossover (See Separate Breakdown in ELECTRICAL Section)	
20	1001288769	1	Harness, Multiplex Body (RH) (See Separate Breakdown in ELECTRICAL Section)	
21	1001288772	1	Harness, Valve (See Separate Breakdown in ELECTRICAL Section)	
22	1001253353	4	Switch	
23	1001253354	1	Switch	
24	1001253355	1	Switch	
25	5526000553	29	Tie-Strap (Not Shown)	
26	7346000039	AR	Tubing	
27	1001253800	2	Receptacle, USB	
28	1001136270	2	Switch	
29	1001288422	2	Harness, USB Power (See Separate Breakdown in ELECTRICAL Section)	
100	1001258438	1	Wrecker Touchlink Electrical Assembly (Includes items 101- 104)	
101	1001258439	1	Module, Touchlink	
102	1001211001	1	Keypad, Lighting (Cab)	
103	1001211002	2	Keypad, Lighting (Body)	
104	1001211003	2	Keypad, Winch	

SECTION 7 - ELECTRICAL

FIGURE 7-69. MULTIPLEX HARNESS - BODY (LH)



ART_1001288768

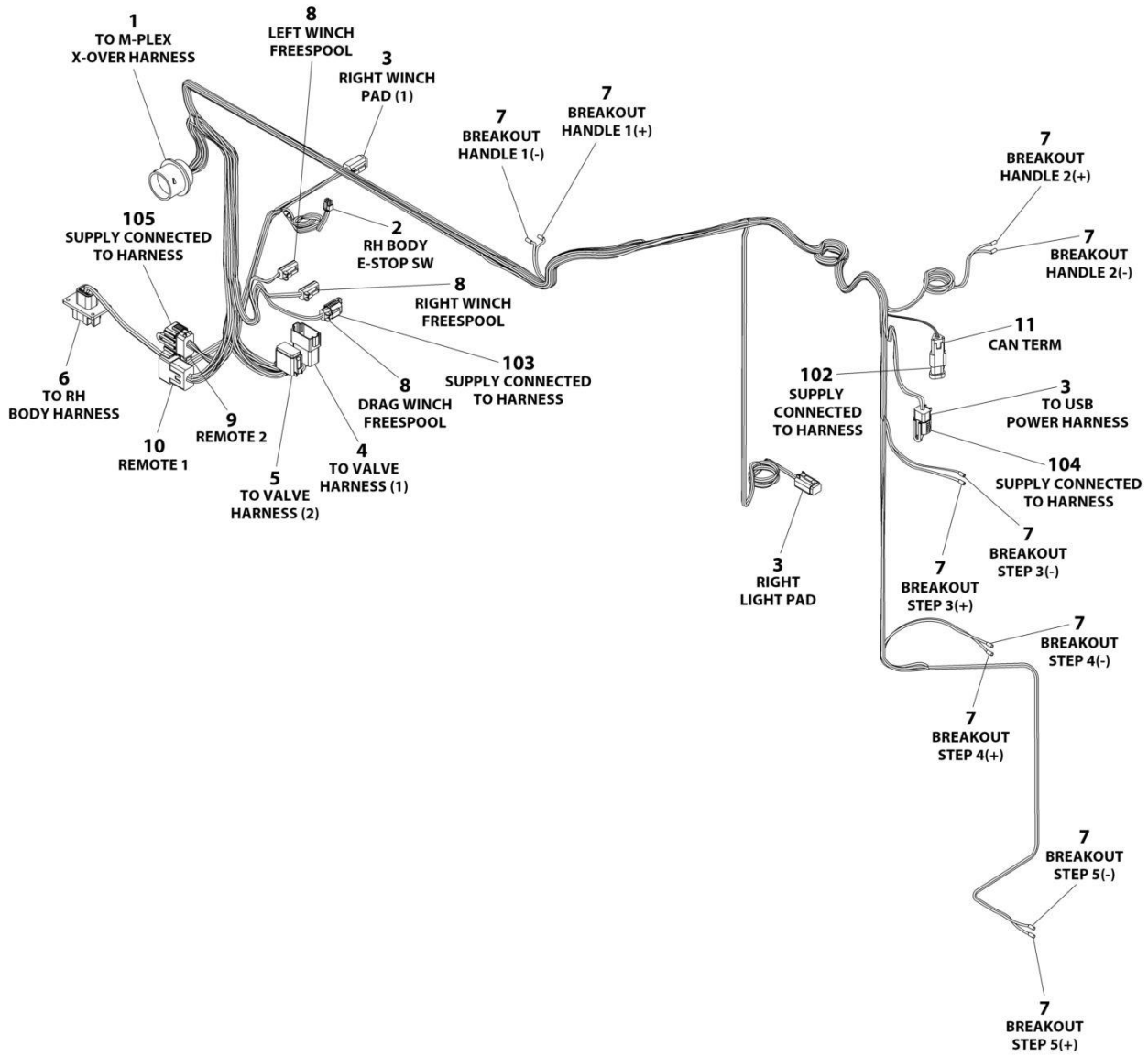
SECTION 7 - ELECTRICAL

FIGURE 7-69. MULTIPLEX HARNESS - BODY (LH)

ITEM	PART NUMBER	QTY	DESCRIPTION	REV
	1001288768	Ref	MULTIPLEX HARNESS - BODY (LH)	C
1	1001262482	3	Connector	
1	4460465	12	Socket	
2	7345001714	10	Terminal	
3	1001116920	1	Connector	
3	4460466	7	Plug	
3	4460464	22	Terminal	
3	4460941	2	Terminal	
4	4460933	1	Connector	
4	4460465	12	Socket	
5	4460836	1	Connector	
5	4460465	8	Socket	
5	4460466	4	Plug	
6	4460934	1	Connector	
6	4460465	12	Socket	
7	1001262746	1	Connector	
7	1001262747	6	Terminal	
8	1001262483	1	Plug, Male	
8	4460465	2	Socket	
8	4460466	2	Plug	
9	4461216	8	Connector	
9	1001126008	48	Terminal	
10	1001262745	2	Connector	
10	4460419	6	Terminal	
101	4460466	1	Plug, Terminal (Not Shown)	
102	4460935	1	Plug (Not Shown)	
103	1001192401	1	Cap, Dust	
105	4461217	2	Connector	
106	4460518	12	Plug	

SECTION 7 - ELECTRICAL

FIGURE 7-70. MULTIPLEX HARNESS - BODY (RH)



ART_1001288769

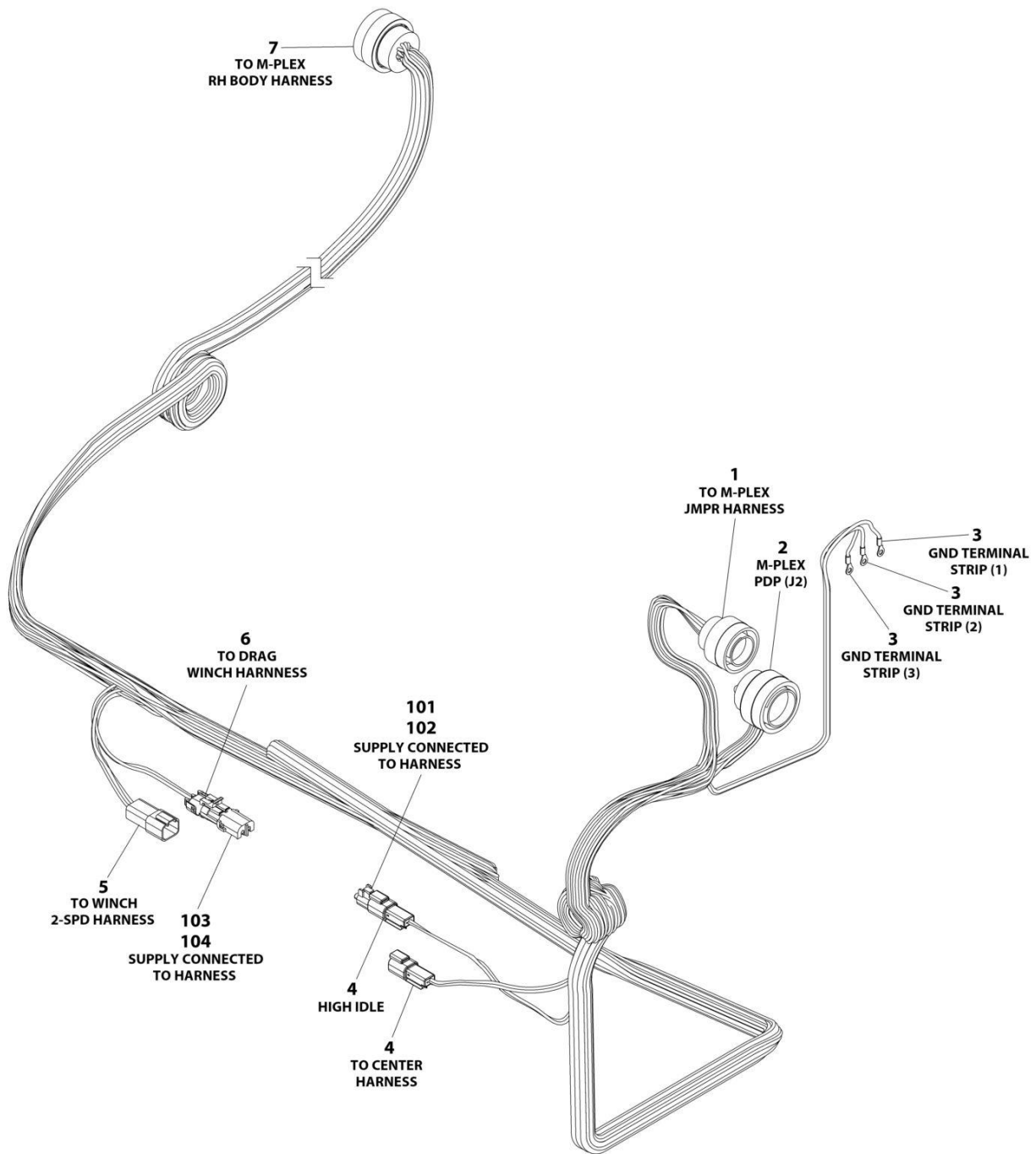
SECTION 7 - ELECTRICAL

FIGURE 7-70. MULTIPLEX HARNESS - BODY (RH)

ITEM	PART NUMBER	QTY	DESCRIPTION	REV
	1001288769	Ref	MULTIPLEX HARNESS - BODY (RH)	B
1	1001289235	1	Connector	
1	4460518	1	Plug	
1	1001126010	31	Terminal	
1	4460941	1	Terminal	
1	4460464	2	Terminal	
2	1001262746	1	Connector	
2	1001262747	6	Terminal	
3	1001262482	3	Connector	
3	4460465	12	Socket	
4	4460970	1	Connector	
4	4460464	10	Terminal	
4	4460941	2	Terminal	
5	4460933	1	Connector	
5	4460465	10	Socket	
5	4460466	2	Plug	
6	1001269275	1	Connector	
6	4460941	4	Terminal	
6	4460466	4	Plug	
7	7345001714	10	Terminal	
8	4460891	3	Connector	
8	4460465	6	Socket	
9	4460933	1	Connector	
9	4460465	12	Socket	
10	4460970	1	Connector	
10	4460941	2	Terminal	
10	4460464	8	Terminal	
10	4460466	2	Plug	
11	1001144147	1	Connector	
11	4460464	2	Terminal	
11	4460466	1	Plug	
101	4460466	1	Plug (Not Shown)	
102	1001116815	1	Connector	
103	1001144295	1	Cap	
104	1001192401	1	Cap, Dust	
105	1001215898	1	Cap, Dust	
106	1001262483	1	Connector (Not Shown)	

SECTION 7 - ELECTRICAL

FIGURE 7-71. MULTIPLEX HARNESS - CROSSOVER



ART_1001288771

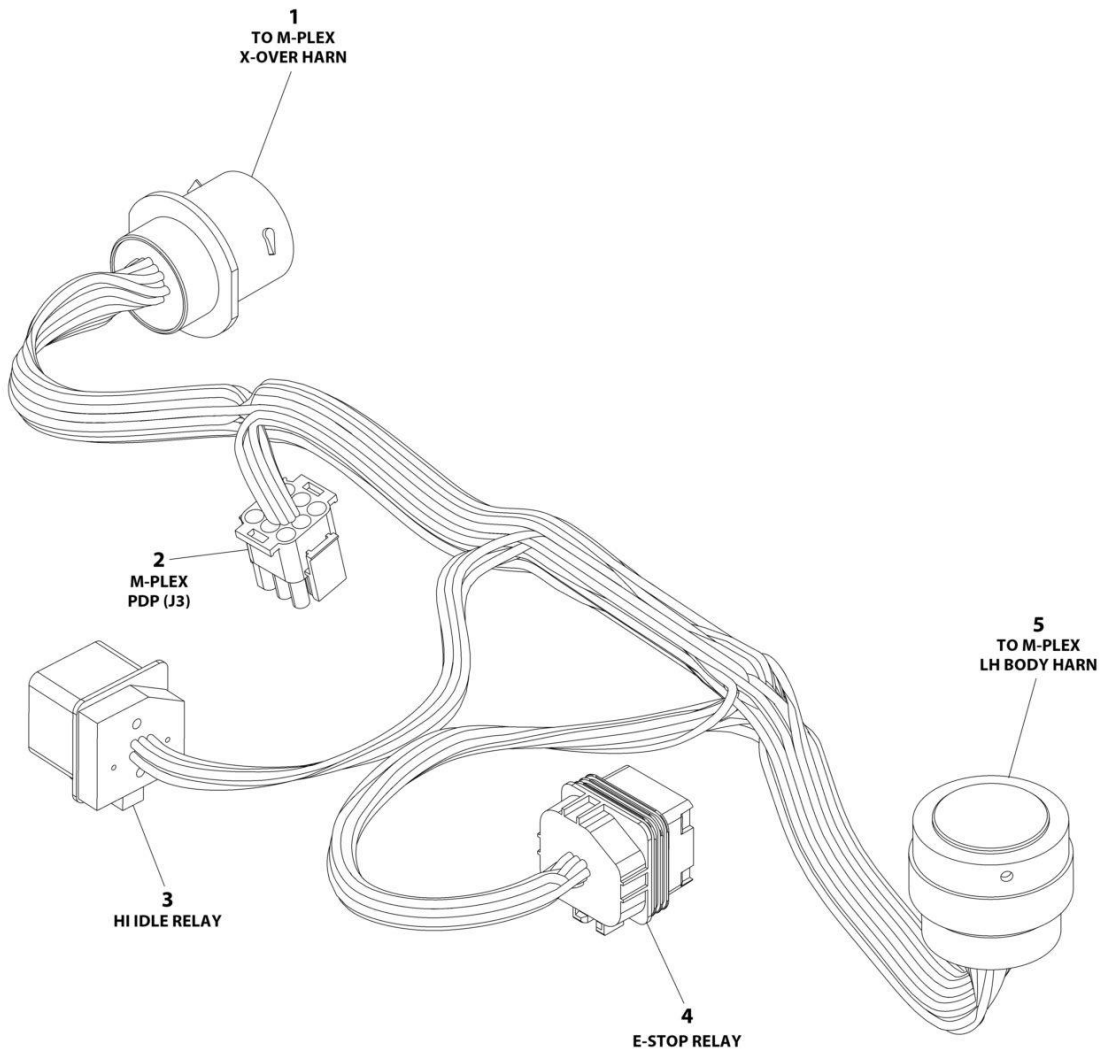
SECTION 7 - ELECTRICAL

FIGURE 7-71. MULTIPLEX HARNESS - CROSSOVER

ITEM	PART NUMBER	QTY	DESCRIPTION	REV
	1001288771	Ref	MULTIPLEX HARNESS - CROSSOVER	B
1	1001269106	1	Connector	
1	1001126011	18	Terminal	
1	4460466	1	Plug	
1	4460464	1	Terminal	
2	1001263483	1	Connector	
2	4460466	4	Plug	
2	4460465	18	Socket	
2	1001126008	1	Terminal	
2	4460518	6	Plug	
3	1001263545	3	Terminal, Ring	
4	4460897	2	Connector, Plug	
4	4460464	4	Terminal	
5	4460932	1	Connector	
5	4460464	4	Terminal	
6	4460742	1	Connector	
6	4460458	2	Seal	
7	1001289234	1	Connector - 35 Position	
7	4460518	1	Plug	
7	1001126008	31	Terminal	
7	4460942	1	Terminal	
7	4460465	2	Socket	
101	4460466	2	Plug	
102	4460891	1	Connector	
103	4461157	1	Connector	
104	1001116727	2	Plug	

SECTION 7 - ELECTRICAL

FIGURE 7-72. MULTIPLEX HARNESS - JUMPER



ART_1001288770

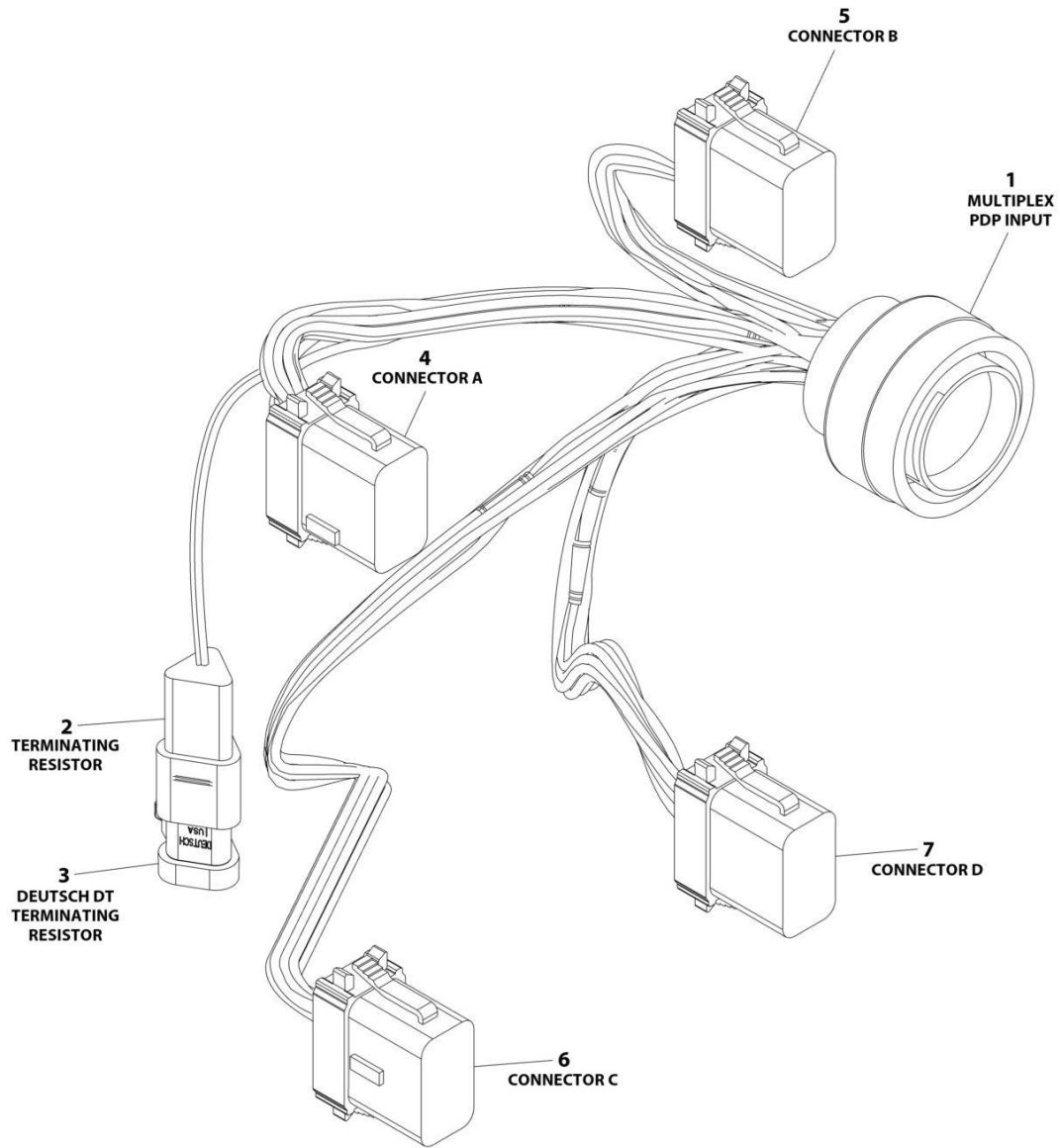
SECTION 7 - ELECTRICAL

FIGURE 7-72. MULTIPLEX HARNESS - JUMPER

ITEM	PART NUMBER	QTY	DESCRIPTION	REV
	1001288770	Ref	MULTIPLEX HARNESS - JUMPER	A
1	1001269625	1	Connector	
1	1001126008	18	Terminal	
1	4460466	1	Plug	
1	4460465	1	Socket	
2	4460265	1	Connector	
2	4460268	7	Terminal	
3	1001117057	1	Plug, Relay	
3	1001116733	4	Terminal	
4	1001210648	1	Connector	
4	1001116733	5	Terminal	
5	1001116921	1	Connector	
5	4460466	7	Plug	
5	4460465	22	Socket	
5	4460942	2	Terminal	

SECTION 7 - ELECTRICAL

FIGURE 7-73. MULTIPLEX TO PDP HARNESS



ART_1001250423

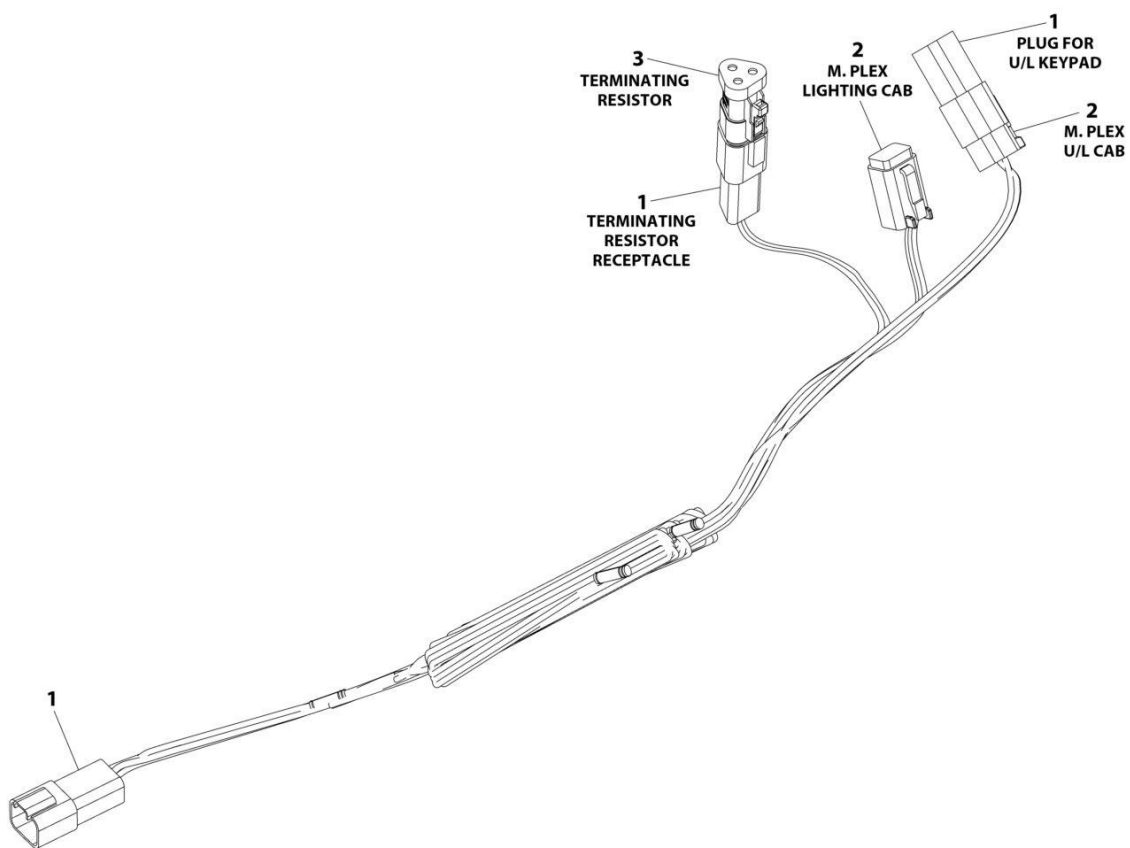
SECTION 7 - ELECTRICAL

FIGURE 7-73. MULTIPLEX TO PDP HARNESS

ITEM	PART NUMBER	QTY	DESCRIPTION	REV
	1001250423	Ref	MULTIPLEX TO PDP HARNESS	A
1	NPN	1	Connector - 47 Position	
1	1001126008	45	Terminal	
1	4460466	2	Plug, Terminal	
2	4460536	1	Receptacle, Female - 3 Position	
2	4460464	2	Pin, Male	
2	4460466	1	Plug, Terminal	
3	1001116815	1	Plug, Male - 3 Position with Resistor	
4	NPN	1	Connector - 18 Position (Gray)	
4	4460465	13	Socket, Female	
4	4460466	5	Plug, Terminal	
5	NPN	1	Connector - 18 Position (Black)	
5	4460465	10	Socket, Female	
5	4460466	8	Plug, Terminal	
6	NPN	1	Connector - 18 Position (Green)	
6	4460465	9	Socket, Female	
6	4460466	9	Plug, Terminal	
7	NPN	1	Connector - 18 Position (Brown)	
7	4460465	13	Socket, Female	
7	4460466	5	Plug, Terminal	

SECTION 7 - ELECTRICAL

FIGURE 7-74. MULTIPLEX IN - CAB CONTROL HARNESS



ART_1001215421

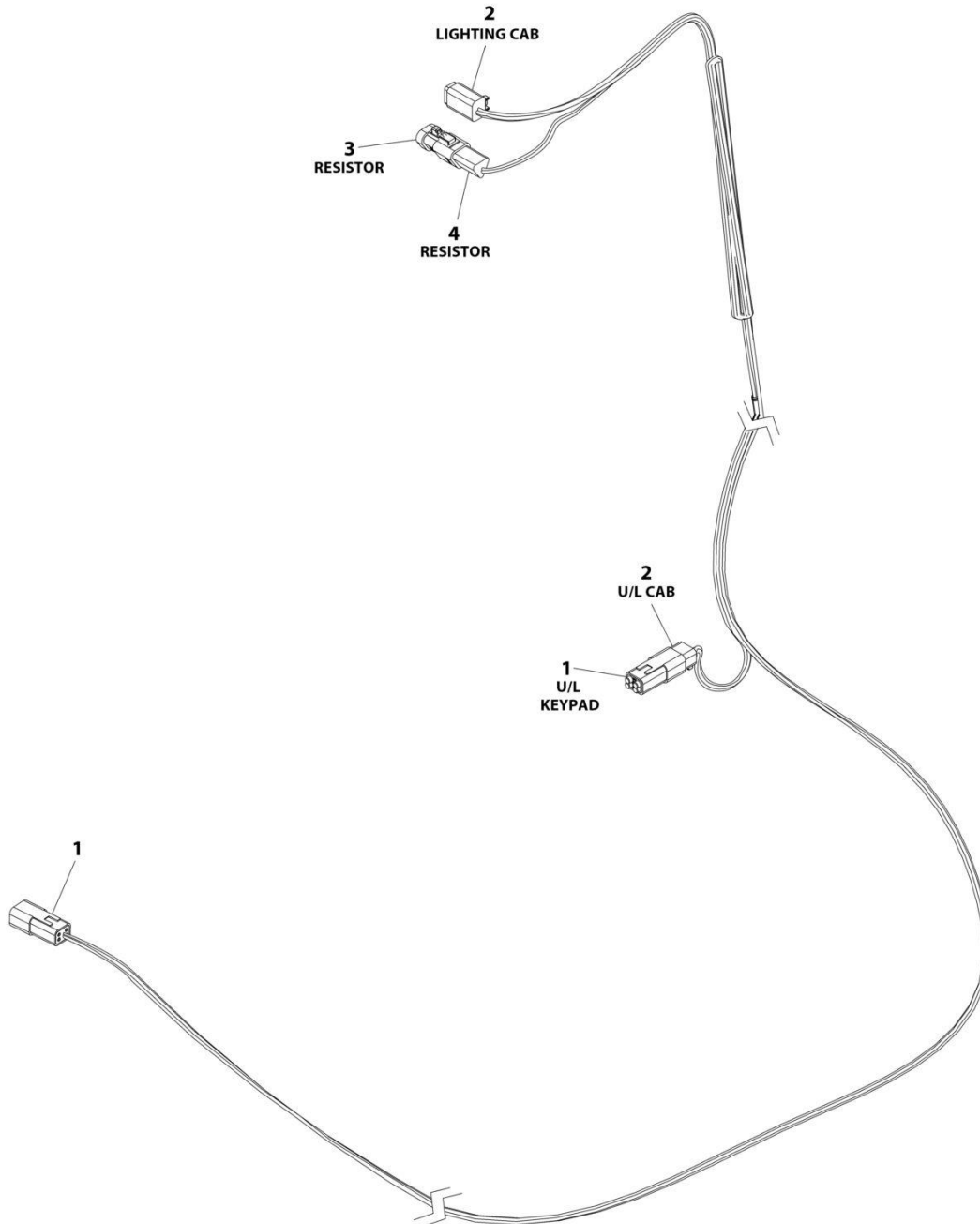
SECTION 7 - ELECTRICAL

FIGURE 7-74. MULTIPLEX IN - CAB CONTROL HARNESS

ITEM	PART NUMBER	QTY	DESCRIPTION	REV
	1001215421	Ref	MULTIPLEX IN - CAB CONTROL HARNESS	A
1	4460932	3	Receptacle, Female - 4 Position	
1	4460464	7	Pin, Male	
1	4460466	5	Plug, Terminal	
2	4460884	2	Plug, Male	
2	4460465	8	Socket, Female	
3	1001166815	1	Resistor	

SECTION 7 - ELECTRICAL

FIGURE 7-75. MULTIPLEX IN-CAB CONTROLS HARNESS (FLOOR MOUNTED)



ART_1001215436

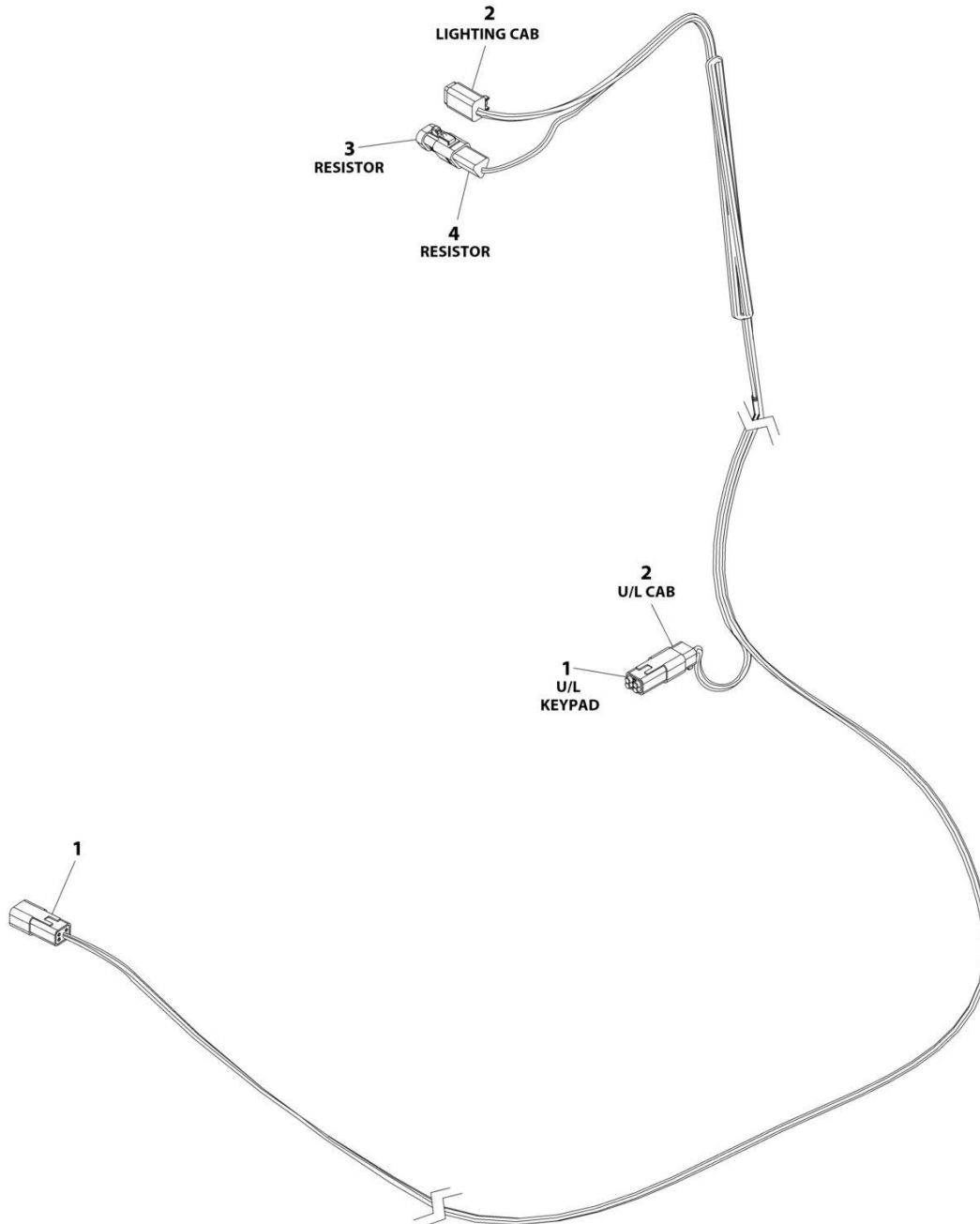
SECTION 7 - ELECTRICAL

FIGURE 7-75. MULTIPLEX IN-CAB CONTROLS HARNESS (FLOOR MOUNTED)

ITEM	PART NUMBER	QTY	DESCRIPTION	REV
	1001215436	Ref	MULTIPLEX IN-CAB CONTROLS HARNESS (FLOOR MOUNTED)	B
1	4460932	2	Receptacle, Female - 4 Position	
1	4460464	4	Pin, Male	
1	4460466	4	Plug, Terminal	
2	4460884	2	Plug, Male - 4 Position	
2	4460465	8	Socket, Female	
3	1001116815	1	Plug, Male - 3 Position with Resistor	
4	4460536	1	Receptacle, Female 3 Position	
4	4460464	2	Pin, Male	
4	4460466	1	Plug, Terminal	

SECTION 7 - ELECTRICAL

FIGURE 7-76. MULTIPLEX IN-CAB CONTROLS HARNESS (CONSOLE MOUNTED)



ART_1001208976

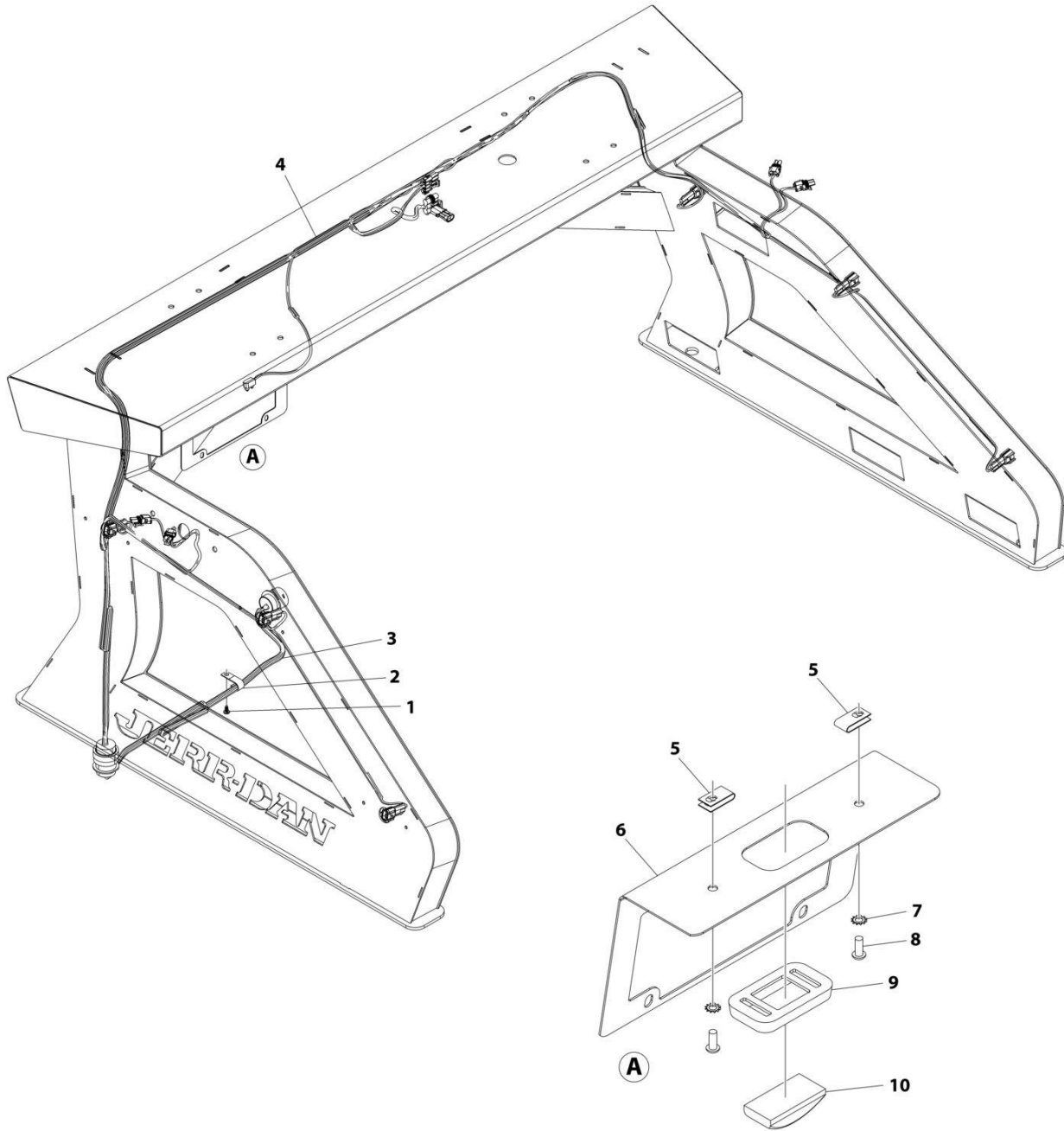
SECTION 7 - ELECTRICAL

FIGURE 7-76. MULTIPLEX IN-CAB CONTROLS HARNESS (CONSOLE MOUNTED)

ITEM	PART NUMBER	QTY	DESCRIPTION	REV
	1001208976	Ref	MULTIPLEX IN-CAB CONTROLS HARNESS (CONSOLE MOUNTED)	D
1	4460932	2	Receptacle, Female - 4 Position	
1	4460464	4	Pin, Male	
1	4460466	4	Plug, Terminal	
2	4460884	2	Plug, Male - 4 Position	
2	4460465	8	Socket, Female	
3	1001116815	1	Plug, Male - 3 Position with Resistor	
4	4460536	1	Receptacle, Female 3 Position	
4	4460464	2	Pin, Male	
4	4460466	1	Plug, Terminal	

SECTION 7 - ELECTRICAL

FIGURE 7-77. PYLON ELECTRICAL INSTALLATION (34IN & 39IN PYLON)



ART_1001215020

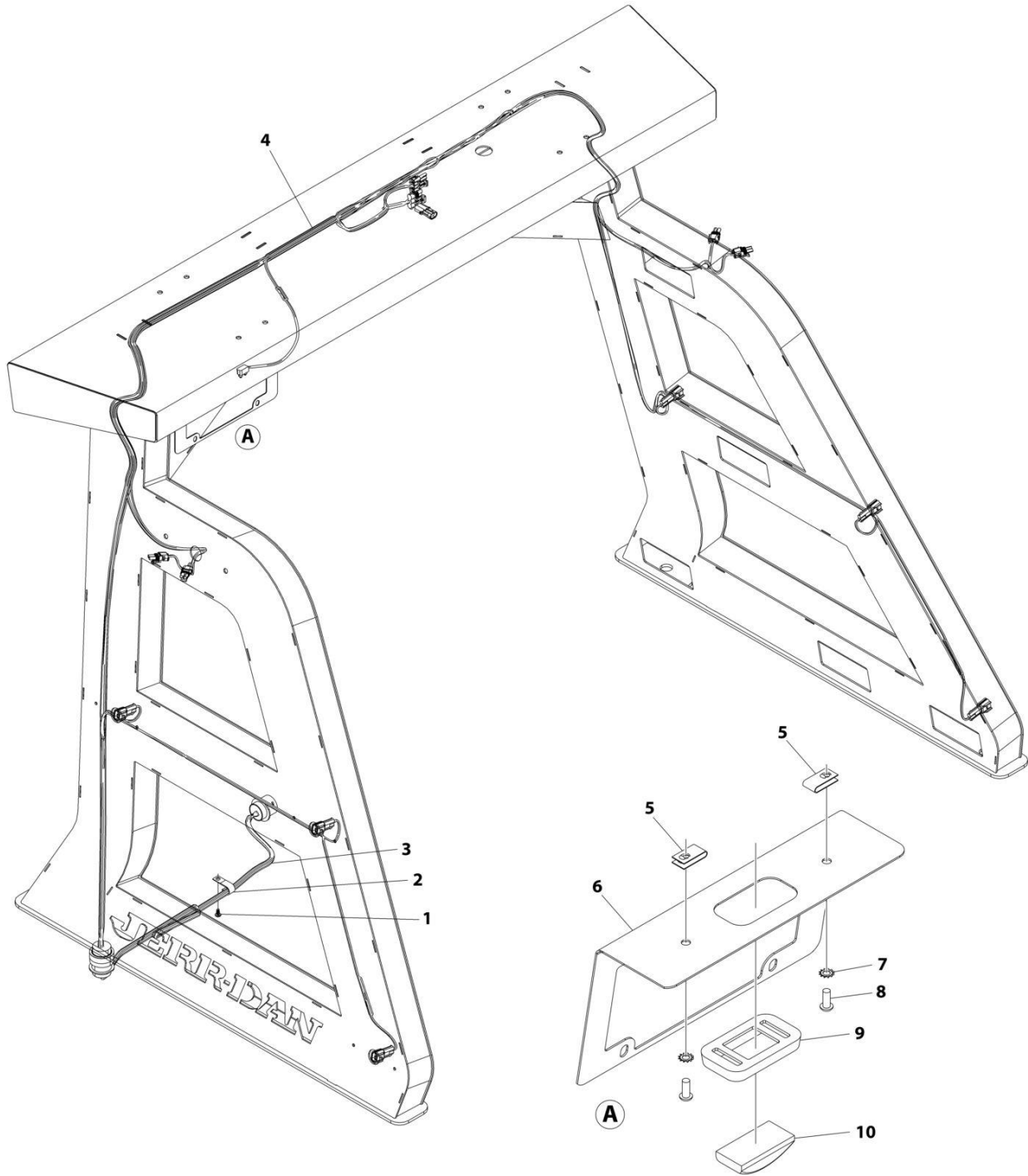
SECTION 7 - ELECTRICAL

FIGURE 7-77. PYLON ELECTRICAL INSTALLATION (34IN & 39IN PYLON)

ITEM	PART NUMBER	QTY	DESCRIPTION	REV
	1001215020	Ref	PYLON ELECTRICAL INSTALLATION (34IN & 39IN PYLON)	D
1	1001195257	3	Screw 1/4 x 1/2	
2	7280000006	3	Clip	
3	1001214605	1	Pylon Harness - Jumper (See Separate Breakdown in this Section)	
4	1001214606	1	Pylon Harness - Main (See Separate Breakdown in this Section)	
5	7661000019	2	U-Nut 1/4	
6	1001249938	1	Bracket, License Plate	
7	1001143686	2	Washer 1/4	
8	7114140518	2	Screw 1/4 x 5/8	
9	7493000010	1	Grommet	
10	1001142771	1	Light, Clear LED	
11	5526000553	1	Tie-Strap (Not Shown)	

SECTION 7 - ELECTRICAL

FIGURE 7-78. PYLON ELECTRICAL INSTALLATION (57IN PYLON)



ART_1001215034

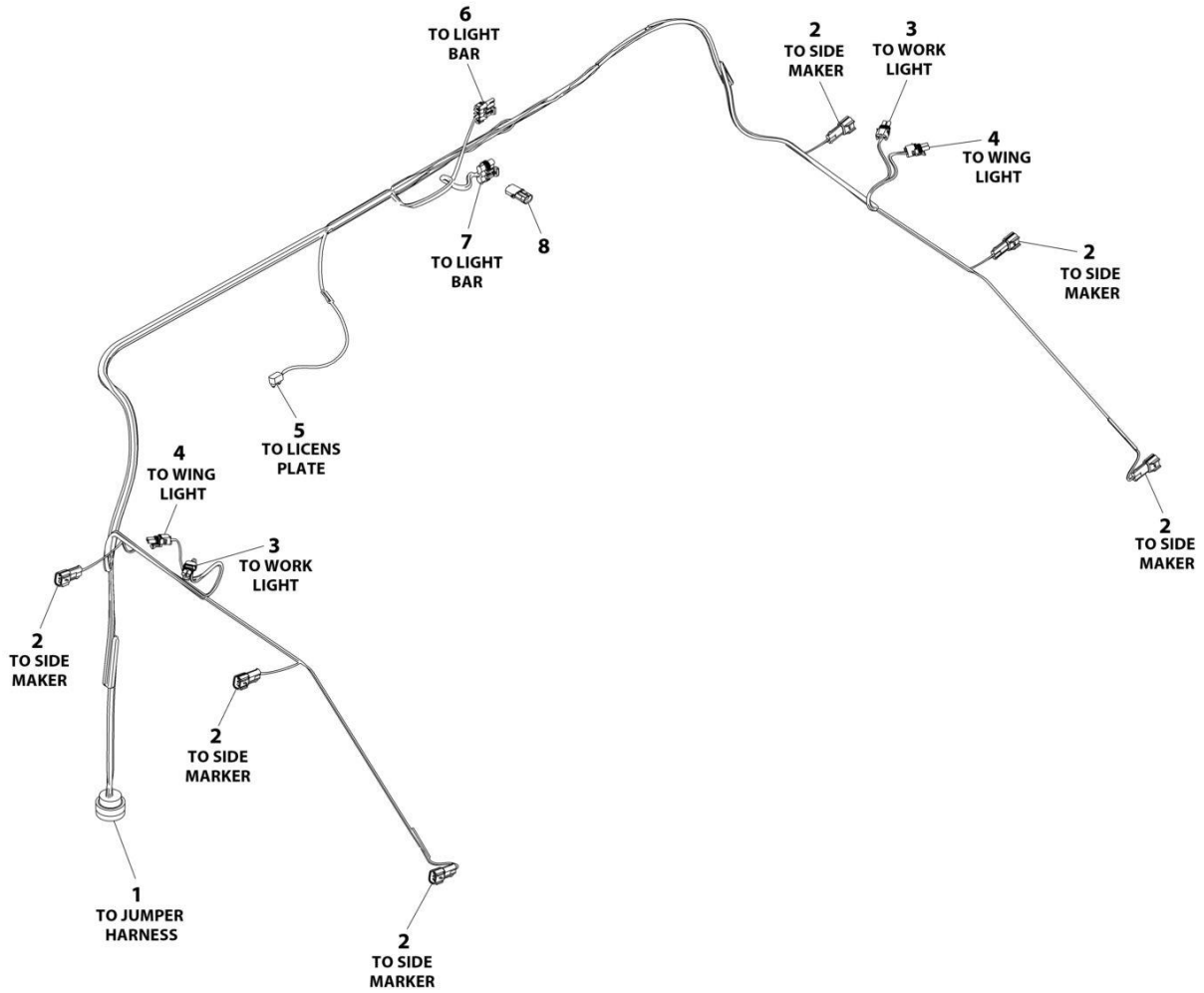
SECTION 7 - ELECTRICAL

FIGURE 7-78. PYLON ELECTRICAL INSTALLATION (57IN PYLON)

ITEM	PART NUMBER	QTY	DESCRIPTION	REV
	1001215034	Ref	PYLON ELECTRICAL INSTALLATION (57IN PYLON)	C
1	1001195257	3	Screw 1/4 x 1/2	
2	7280000006	3	Clip	
3	1001214605	1	Pylon Harness - Jumper (See Separate Breakdown in this Section)	
4	1001215110	1	Pylon Harness - Main (See Separate Breakdown in this Section)	
5	7661000019	2	U-Nut 1/4	
6	1001249938	1	Bracket, License Plate	
7	1001143686	2	Washer 1/4	
8	7114140518	2	Screw 1/4 x 5/8	
9	7493000010	1	Grommet	
10	1001142771	1	Light, Clear LED	
11	5526000553	1	Tie-Strap (Not Shown)	

SECTION 7 - ELECTRICAL

FIGURE 7-79. PYLON HARNESS (34IN & 39IN PYLON)



ART_1001214606

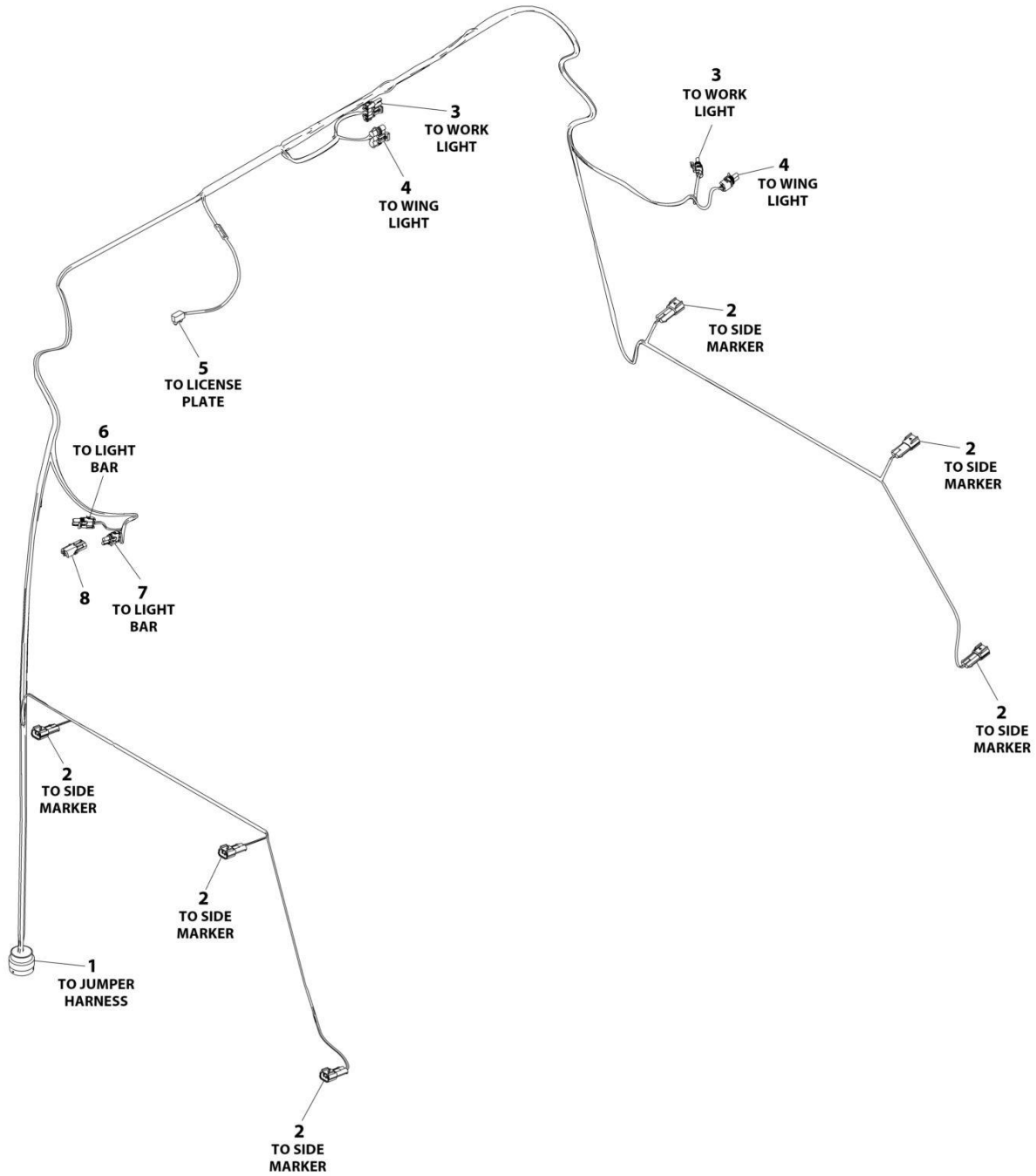
SECTION 7 - ELECTRICAL

FIGURE 7-79. PYLON HARNESS (34IN & 39IN PYLON)

ITEM	PART NUMBER	QTY	DESCRIPTION	REV
	1001214606	Ref	PYLON HARNESS (34IN & 39IN PYLON)	B
1	NPN	1	Connector - 18 Position	
1	91143339	1	Pin, Male	
1	4460464	4	Pin, Male	
1	4460508	2	Pin, Male	
1	4460941	2	Plug, Terminal	
1	4460466	9	Plug, Terminal	
2	NPN	6	Connector - 2 Position	
2	NPN	12	Terminal	
2	4460458	12	Seal	
3	4460742	2	Connector - 2 Position	
3	4460457	4	Terminal	
3	4460458	4	Seal	
4	4460742	2	Connector - 2 Position	
4	4460457	4	Terminal	
4	1001190037	4	Seal	
5	NPN	1	Connector - 2 Position	
6	4460460	1	Connector - 4 Position	
6	4460457	4	Terminal	
6	NPN	4	Seal	
7	8220935	1	Connector - 3 Position	
7	8220099	3	Terminal	
7	7346000108	1	Lock	
7	NPN	AR	Seal	
7	NPN	AR	Seal	
8	4460867	1	Connector - 2 Position	
8	1001116727	2	Terminal	

SECTION 7 - ELECTRICAL

FIGURE 7-80. PYLON HARNESS (57IN PYLON)



ART_1001215110

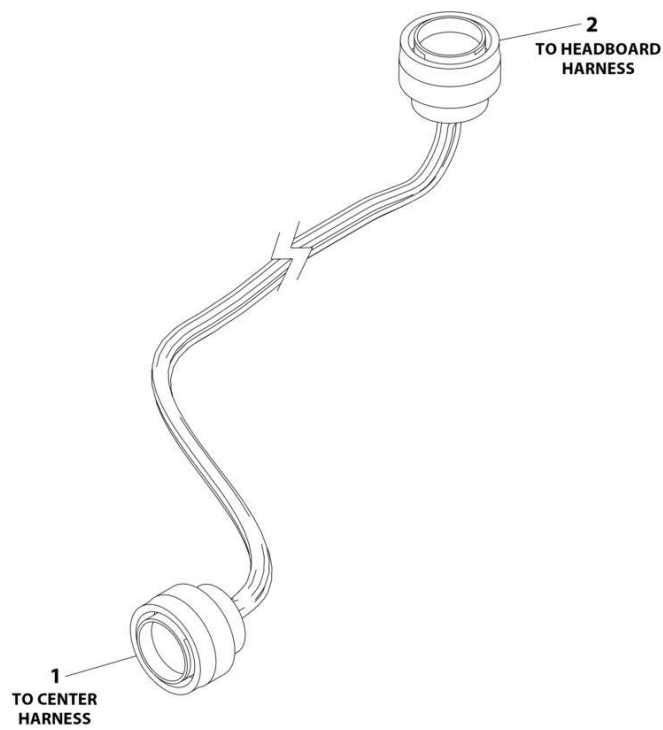
SECTION 7 - ELECTRICAL

FIGURE 7-80. PYLON HARNESS (57IN PYLON)

ITEM	PART NUMBER	QTY	DESCRIPTION	REV
	1001215110	Ref	PYLON HARNESS (57IN PYLON)	B
1	NPN	1	Connector - 18 Position	
1	91143339	1	Pin, Male	
1	4460464	4	Pin, Male	
1	4460508	2	Pin, Male	
1	4460941	2	Plug, Terminal	
1	4460466	9	Plug, Terminal	
2	NPN	6	Connector - 2 Position	
2	NPN	12	Terminal	
2	4460458	12	Seal	
3	4460742	2	Connector - 2 Position	
3	4460457	4	Terminal	
3	4460458	4	Seal	
4	4460742	2	Connector - 2 Position	
4	4460457	4	Terminal	
4	1001190037	4	Seal	
5	NPN	1	Connector - 2 Position	
6	4460460	1	Connector - 4 Position	
6	4460457	4	Terminal	
6	NPN	4	Seal	
7	8220935	1	Connector - 3 Position	
7	8220099	3	Terminal	
7	7346000108	1	Lock	
7	NPN	AR	Seal	
7	NPN	AR	Seal	
8	4460867	1	Connector - 2 Position	
8	1001116727	2	Terminal	

SECTION 7 - ELECTRICAL

FIGURE 7-81. PYLON HARNESS - JUMPER



ART_1001214605

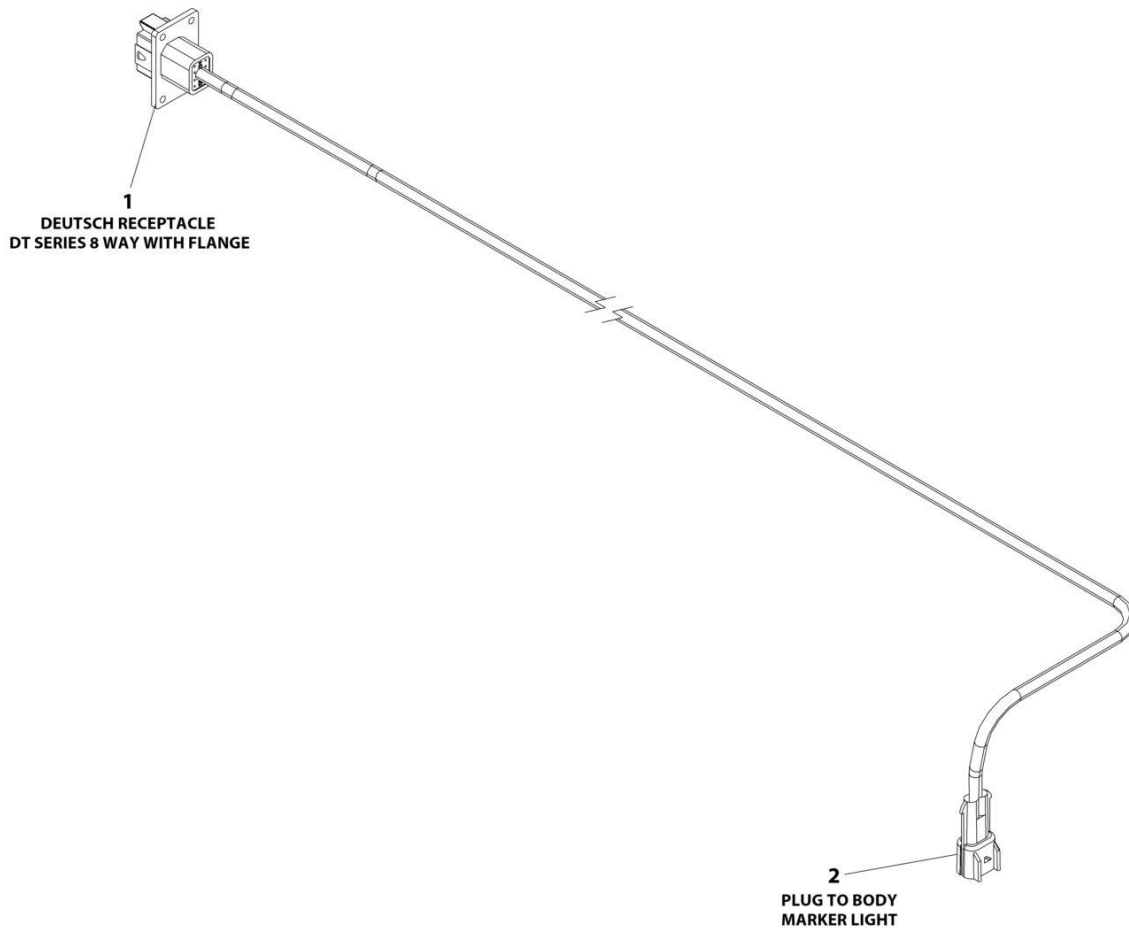
SECTION 7 - ELECTRICAL

FIGURE 7-81. PYLON HARNESS - JUMPER

ITEM	PART NUMBER	QTY	DESCRIPTION	REV
	1001214605	Ref	PYLON JUMPER HARNESS	A
1	NPN	1	Connector - 18 Position	
1	91143339	1	Pin, Male	
1	4460464	4	Pin, Male	
1	4460508	2	Pin, Male	
1	4460941	2	Plug, Terminal	
1	4460466	9	Plug, Terminal	
2	NPN	1	Connector - 18 Position	
2	91143340	1	Socket, Female	
2	4460465	4	Socket, Female	
2	4460509	2	Socket, Female	
2	4460942	2	Socket, Female	
2	4460466	9	Plug, Terminal	

SECTION 7 - ELECTRICAL

FIGURE 7-82. REAR TUNNEL HARNESS



ART_1001229447

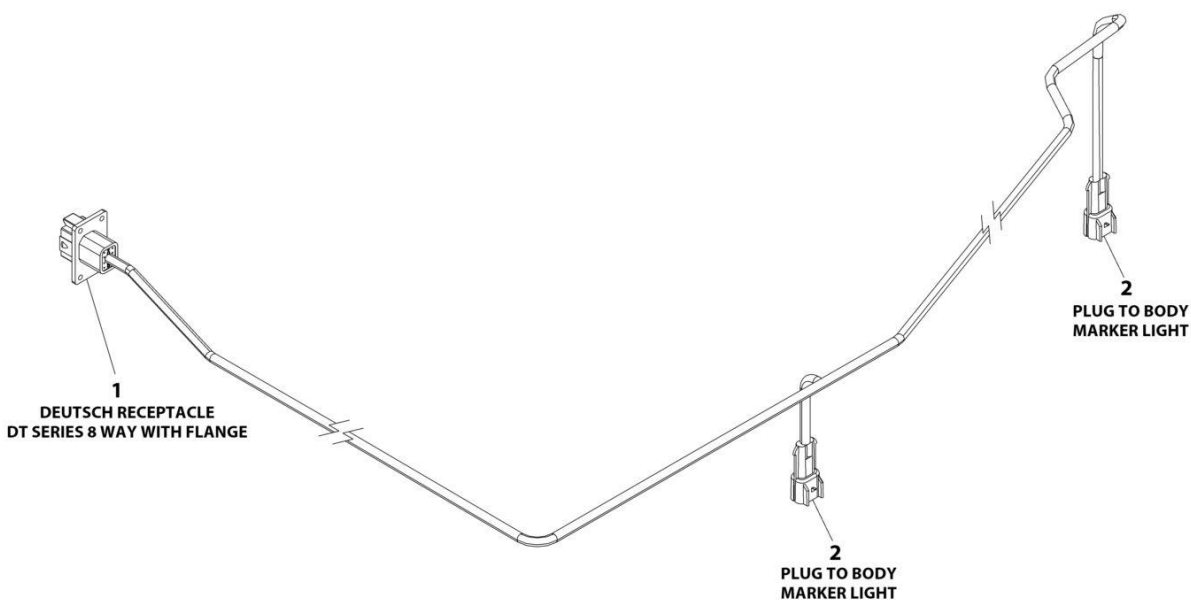
SECTION 7 - ELECTRICAL

FIGURE 7-82. REAR TUNNEL HARNESS

ITEM	PART NUMBER	QTY	DESCRIPTION	REV
	1001229447	Ref	REAR TUNNEL HARNESS	A
1	1001269275	1	Connector	
1	91503106	1	Wedge, Locking	
1	4460464	2	Pin	
1	4460466	4	Plug	
1	NPN	1	Gasket	
2	1001117026	1	Connector	
2	1001116745	2	Socket	
2	4460458	2	Seal	

SECTION 7 - ELECTRICAL

FIGURE 7-83. REAR TUNNEL HARNESS (DOUBLE)



ART_1001229468

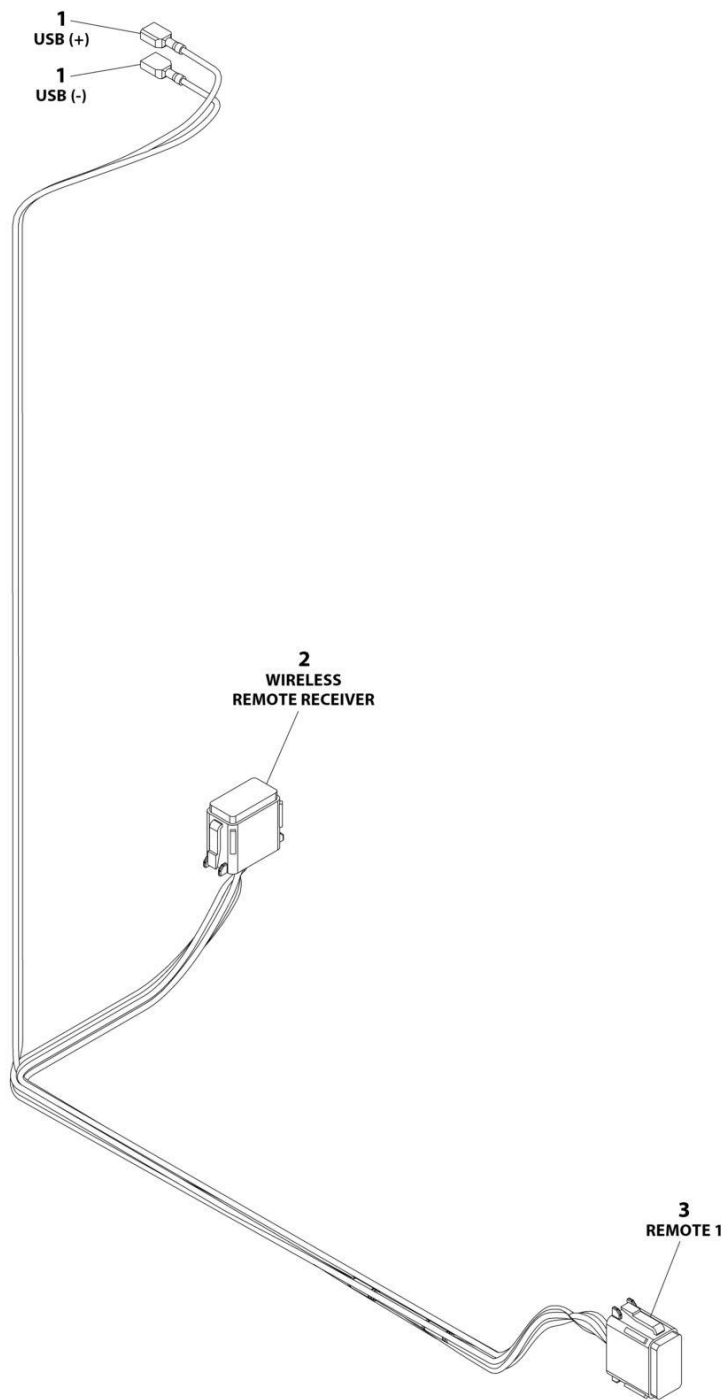
SECTION 7 - ELECTRICAL

FIGURE 7-83. REAR TUNNEL HARNESS (DOUBLE)

ITEM	PART NUMBER	QTY	DESCRIPTION	REV
	1001229468	Ref	CABINET MID BODY HARNESS	A
1	1001269275	1	Connector	
1	91503106	1	Wedge, Locking	
1	4460464	2	Pin	
1	4460466	4	Plug	
2	NPN	1	Gasket	
2	1001117026	1	Connector	
2	1001116745	2	Socket	
2	4460458	2	Seal	

SECTION 7 - ELECTRICAL

FIGURE 7-84. REMOTE 6 FUNCTION NON-PROP HARNESS



ART_100128839

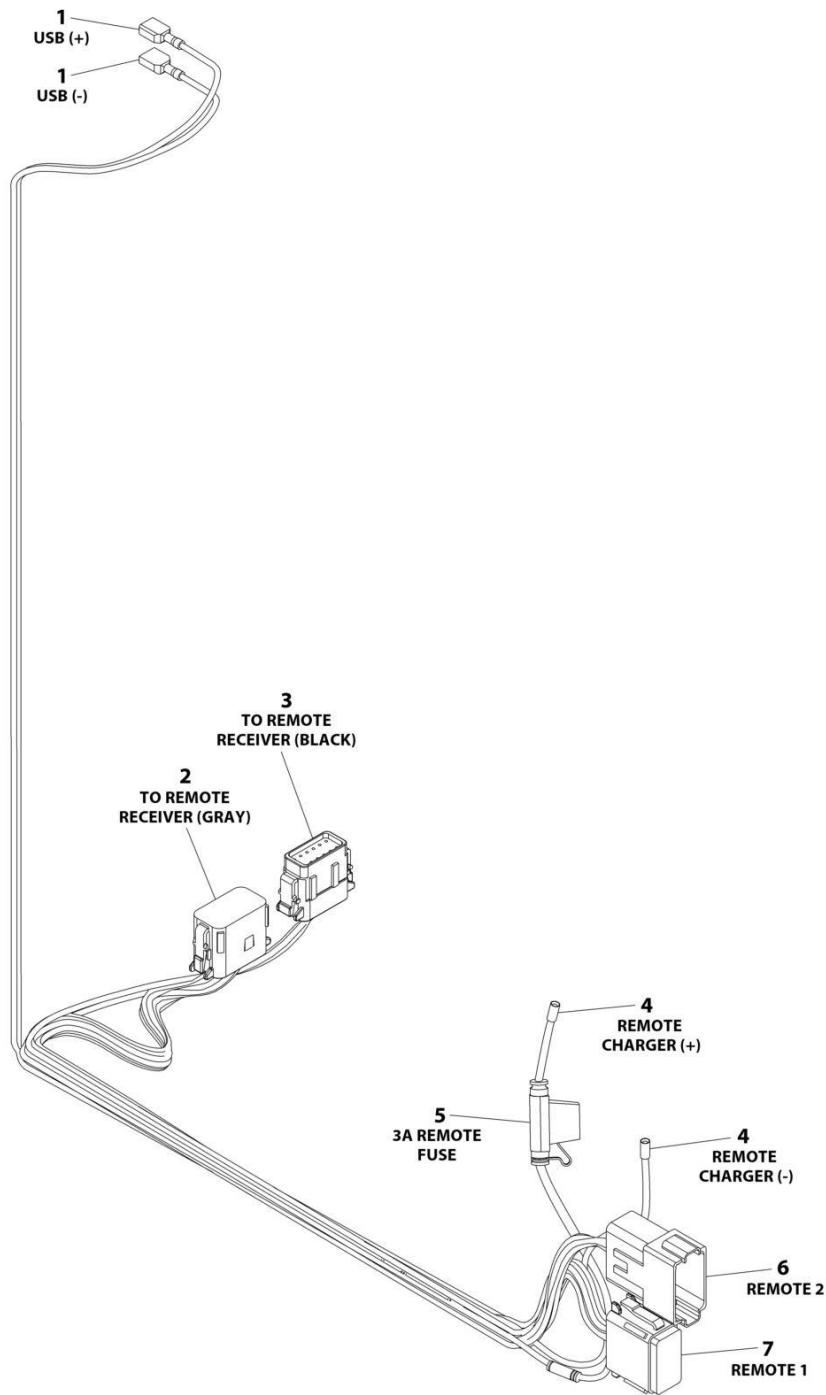
SECTION 7 - ELECTRICAL

FIGURE 7-84. REMOTE 6 FUNCTION NON-PROP HARNESS

ITEM	PART NUMBER	QTY	DESCRIPTION	REV
	1001288839	Ref	REMOTE 6 FUNCTION NON-PROP HARNESS	A
1	8220051	2	Terminal	
2	4460933	1	Connector	
2	4460465	8	Socket	
2	4460466	4	Plug	
3	4460933	1	Connector	
3	4460942	2	Socket	
3	4460465	6	Socket	
3	4460965	1	Terminal	
3	4460466	4	Plug	

SECTION 7 - ELECTRICAL

FIGURE 7-85. REMOTE 12 FUNCTION NON-PROP HARNESS



ART_1001288961

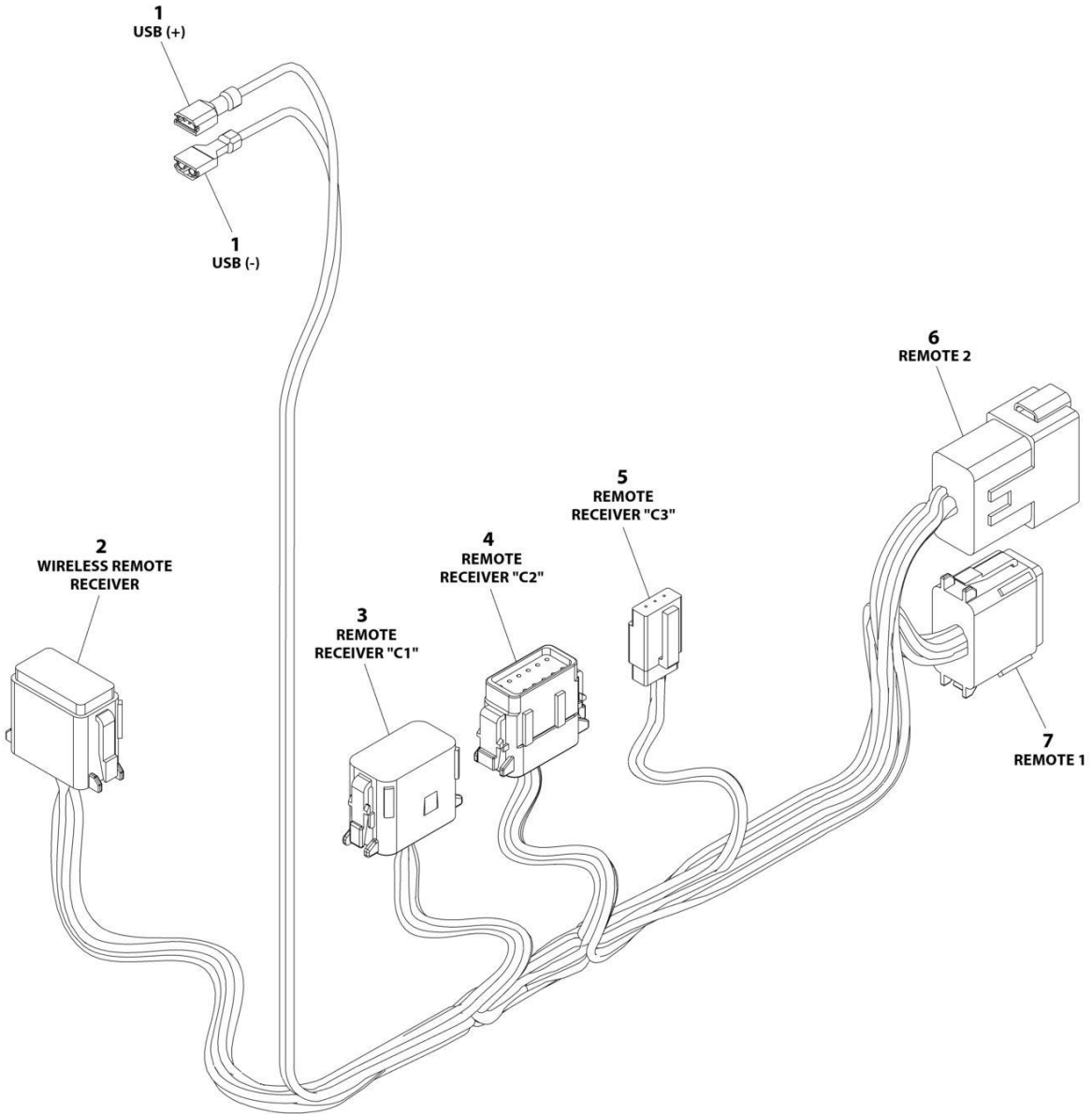
SECTION 7 - ELECTRICAL

FIGURE 7-85. REMOTE 12 FUNCTION NON-PROP HARNESS

ITEM	PART NUMBER	QTY	DESCRIPTION	REV
	1001288961	Ref	REMOTE 12 FUNCTION NON-PROP HARNESS	A
1	8220051	2	Connector	
2	1001116774	1	Connector	
2	4460518	1	Plug	
2	1001116694	11	Terminal	
3	1001116808	1	Connector	
3	4460518	9	Plug	
3	1001116694	3	Terminal	
4	1001201994	2	Connector	
5	1001255901	1	Fuse Holder	
5	1001196635	1	Fuse, 3Amp	
6	4460970	1	Connector	
6	4460466	6	Plug	
6	4460464	6	Terminal	
7	4460933	1	Connector	
7	4460465	7	Terminal	
7	4460466	4	Plug	
7	4460942	1	Terminal	

SECTION 7 - ELECTRICAL

FIGURE 7-86. REMOTE 12 FUNCTION PROP HARNESS



ART_1001288808

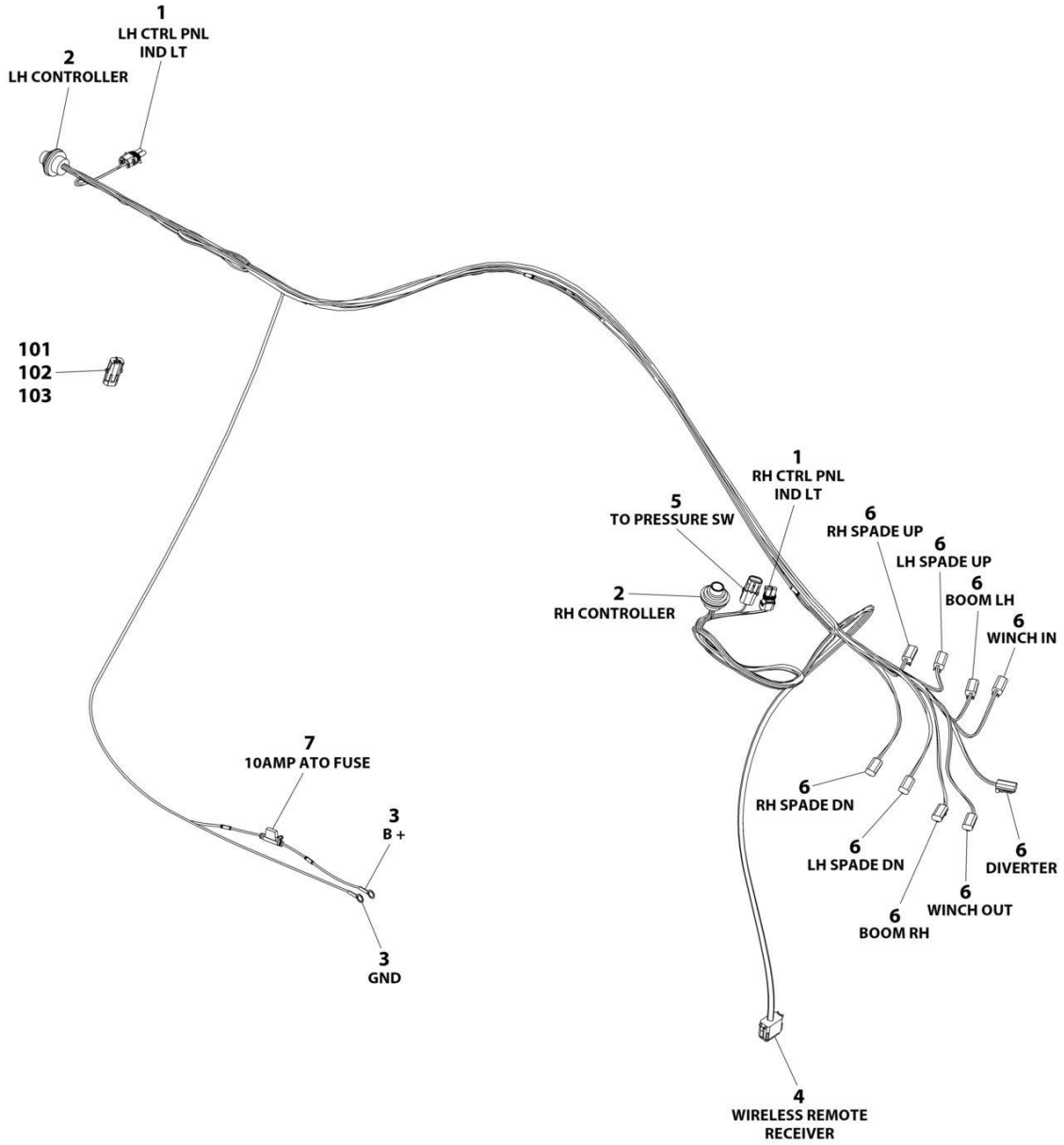
SECTION 7 - ELECTRICAL

FIGURE 7-86. REMOTE 12 FUNCTION PROP HARNESS

ITEM	PART NUMBER	QTY	DESCRIPTION	REV
	1001288808	Ref	REMOTE 12 FUNCTION PROP HARNESS	A
1	8220051	2	Connector	
2	4460933	1	Connector	
2	4460465	8	Terminal	
2	4460466	4	Plug	
3	1001116774	1	Connector	
3	4460518	8	Plug	
3	1001116694	4	Terminal	
4	1001116808	1	Connector	
4	1001116694	7	Terminal	
4	4460518	5	Plug	
5	4460911	1	Connector	
5	1001126008	3	Terminal	
6	4460970	1	Connector	
6	4460464	10	Terminal	
6	4460466	2	Plug	
7	4460933	1	Connector	
7	4460942	2	Terminal	
7	4460465	6	Socket	
7	4460466	4	Plug	

SECTION 7 - ELECTRICAL

FIGURE 7-87. REMOTE CONTROL 8 FUNCTION HARNESS



ART_7552000407

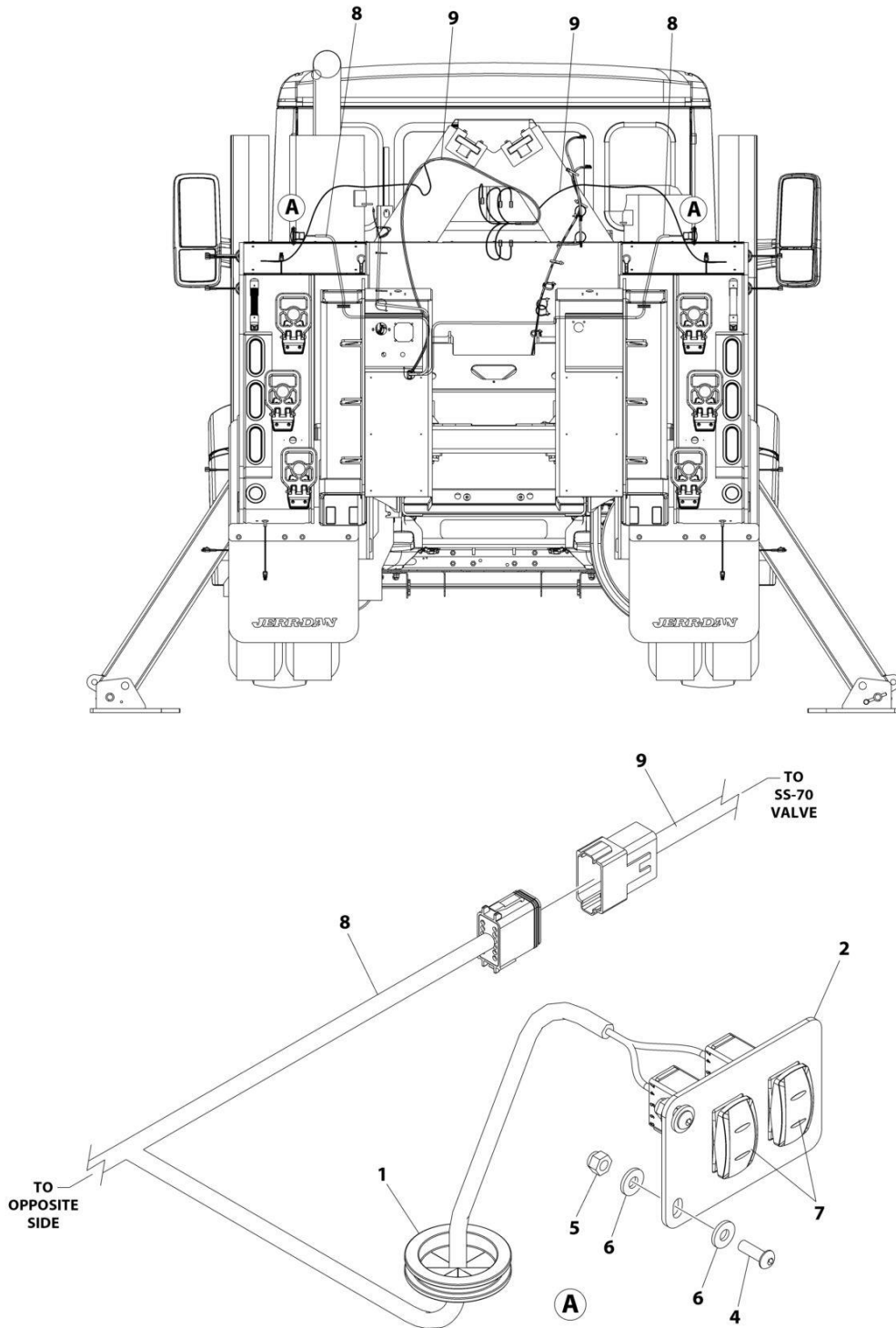
SECTION 7 - ELECTRICAL

FIGURE 7-87. REMOTE CONTROL 8 FUNCTION HARNESS

ITEM	PART NUMBER	QTY	DESCRIPTION	REV
	7552000407	Ref	REMOTE CONTROL 8 FUNCTION HARNESS	E
1	4460742	2	Connector	
1	4460457	4	Socket	
1	4460458	2	Seal	
2	1001271968	2	Connector	
2	1001271970	20	Socket	
2	NPN	2	Strain Relief	
3	4460256	2	Terminal, Ring	
4	4460933	1	Connector	
4	4460465	11	Socket	
4	4460466	1	Plug	
5	4461157	1	Connector	
5	4460475	2	Socket	
5	4460458	2	Seal	
6	4460891	9	Connector	
6	4460465	18	Socket	
7	1001288901	1	Fuseholder	
7	80983191	1	Fuse, 10 AMP	
101	4460458	4	Seal	
102	4460475	4	Pin	
103	4461157	2	Connector	

SECTION 7 - ELECTRICAL

FIGURE 7-88. SIDE STABILIZER ELECTRICAL INSTALLATION (SS-70)



ART_1001291758

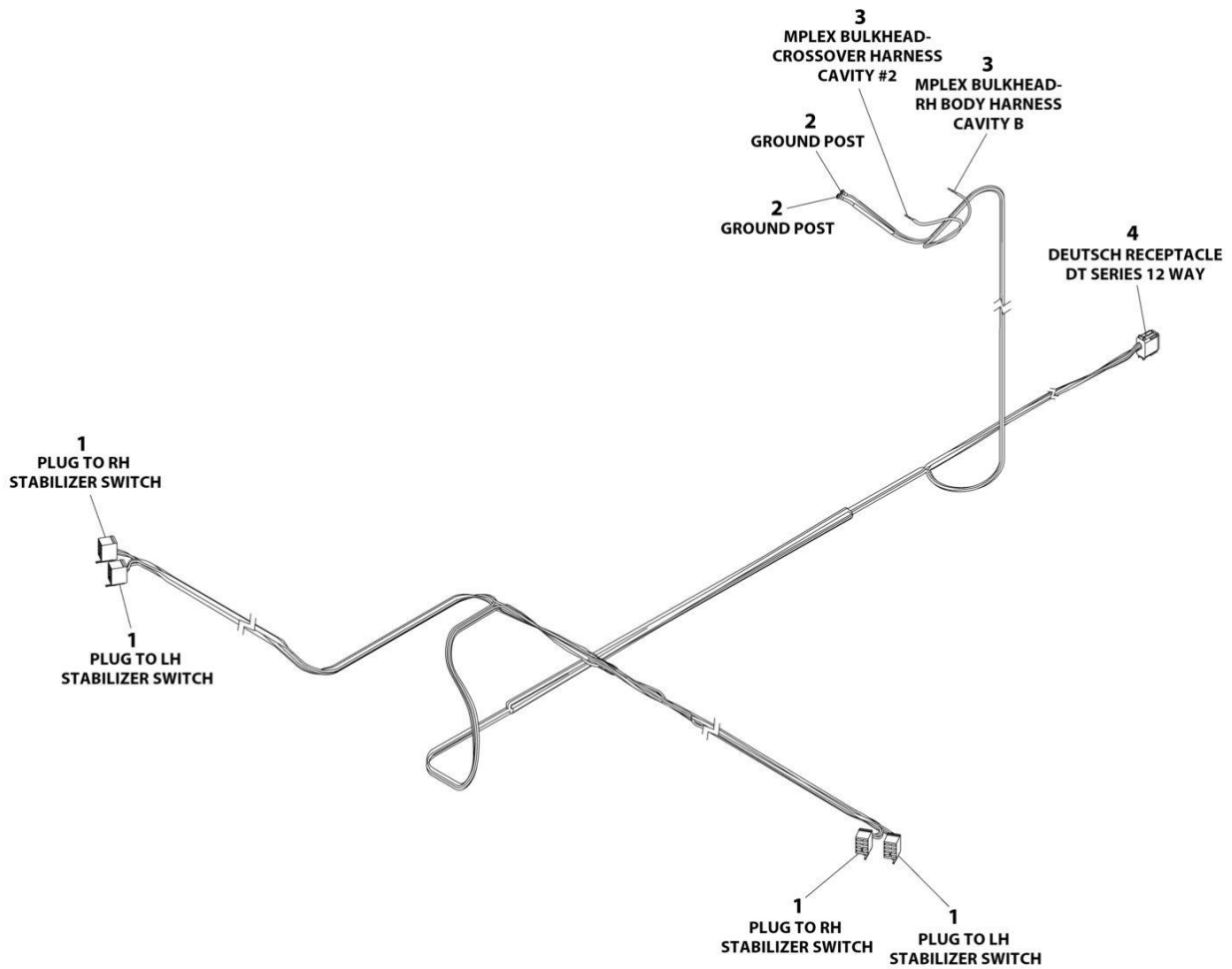
SECTION 7 - ELECTRICAL

FIGURE 7-88. SIDE STABILIZER ELECTRICAL INSTALLATION (SS-70)

ITEM	PART NUMBER	QTY	DESCRIPTION	REV
	1001291758	Ref	ELECTRICAL SIDE STABILIZER INSTALLATION	A
1	2540045	2	Grommet	
2	1001291790	2	Plate	
3	5526000553	19	Tie-Strap (Not Shown)	
4	7114140618	4	Capscrew 1/4 x 3/4	
5	7660142601	4	Nut 1/4	
6	7950140143	8	Washer 1/4	
7	1001136270	4	Switch, Rocker	
8	1001244279	1	Harness, Hydraulic Switching Side Stabilizer (See Separate Breakdown in this Section)	
9	1001244281	1	Harness, Hydraulic Actuation Side Stabilizer (See Separate Breakdown in this Section)	

SECTION 7 - ELECTRICAL

FIGURE 7-89. SIDE STABILIZER (SRS SS-70) SWITCH HARNESS



ART_1001244279

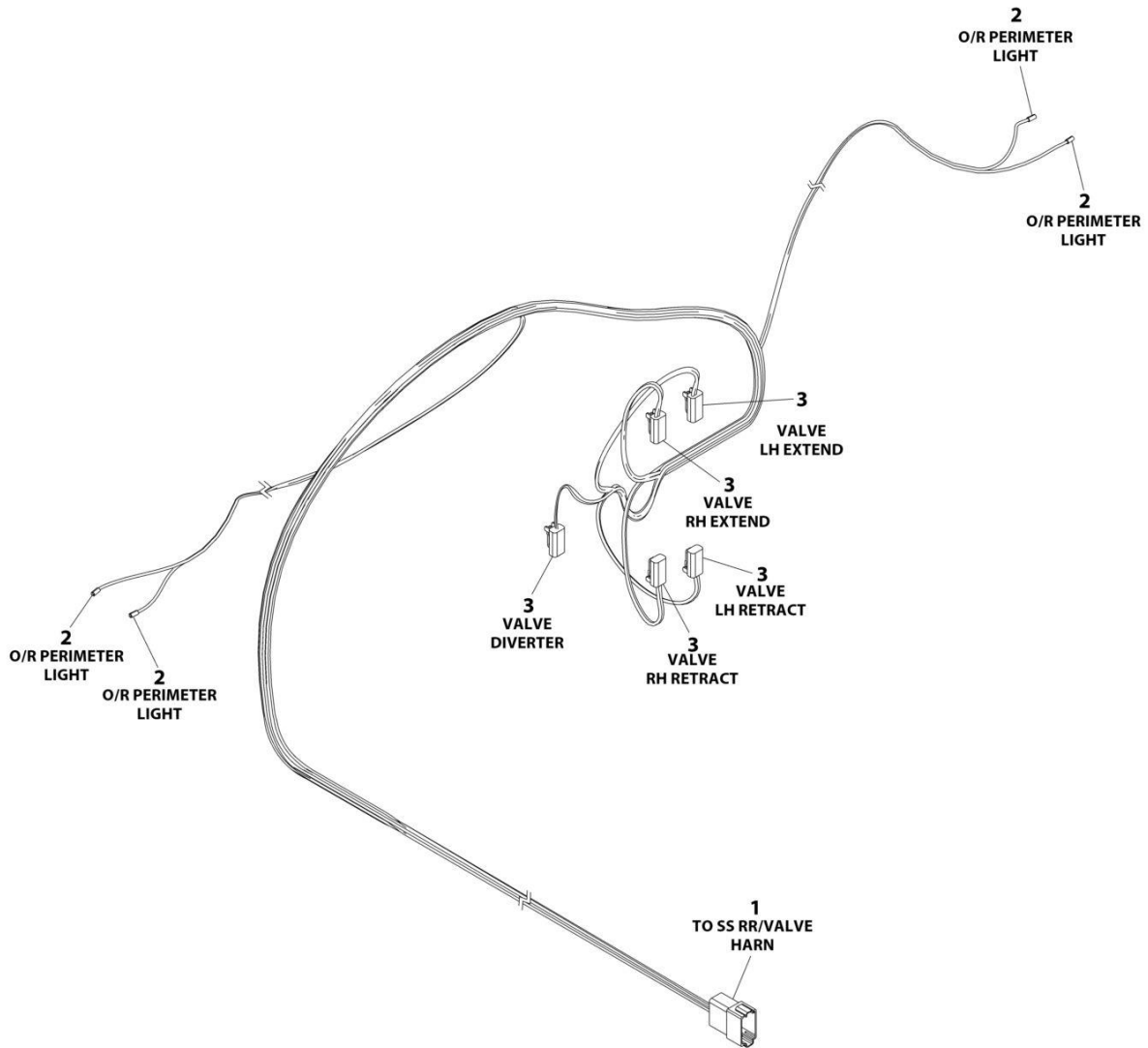
SECTION 7 - ELECTRICAL

FIGURE 7-89. SIDE STABILIZER (SRS SS-70) SWITCH HARNESS

ITEM	PART NUMBER	QTY	DESCRIPTION	REV
	1001244279	Ref	HYDRAULIC SWITCHING SIDE STABILIZER HARNESS	C
1	1001262745	4	Connector	
1	4460419	24	Socket	
2	NPN	2	Terminal, Ring	
3	4460509	2	Socket	
4	4460933	1	Connector	
4	8060416	1	Wedge, Locking	
4	NPN	2	Plug	
4	4460942	7	Socket (14-16AWG)	
4	4460465	3	Socket (16-20AWG)	

SECTION 7 - ELECTRICAL

FIGURE 7-90. SIDE STABILIZER (SRS SS-70) VALVE HARNESS



ART_1001244281

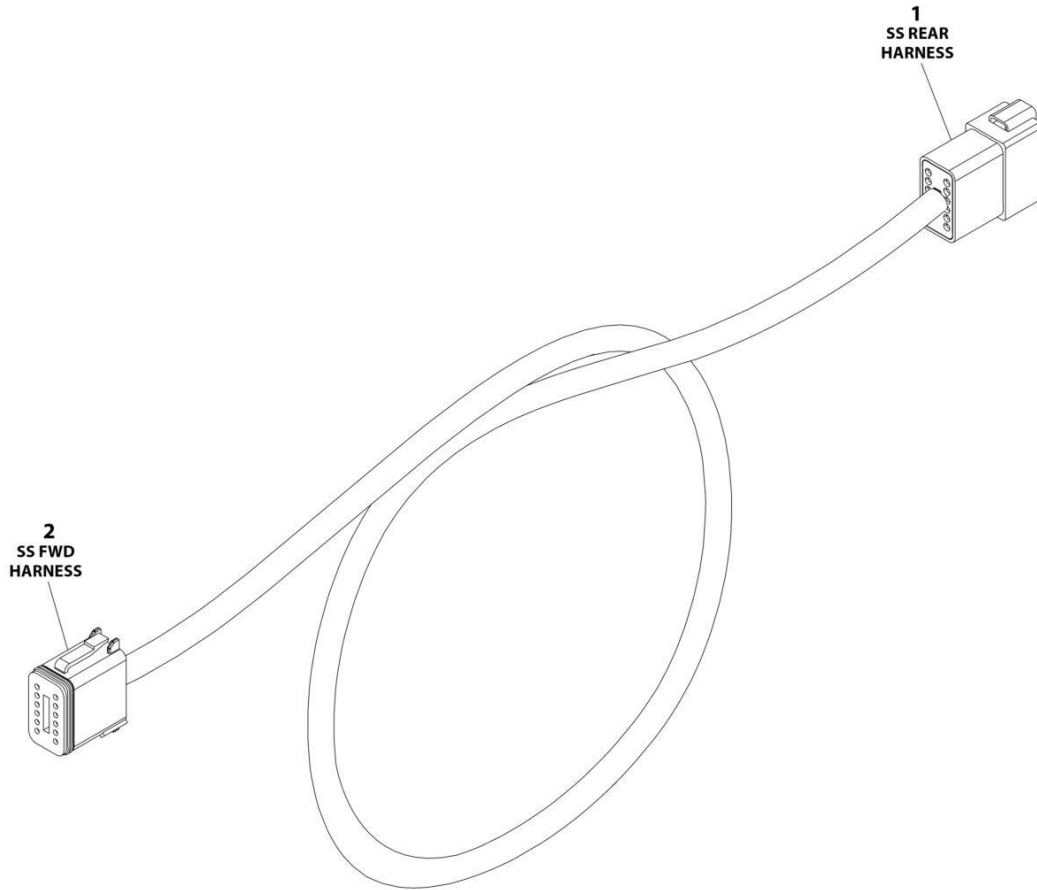
SECTION 7 - ELECTRICAL

FIGURE 7-90. SIDE STABILIZER (SRS SS-70) VALVE HARNESS

ITEM	PART NUMBER	QTY	DESCRIPTION	REV
	1001244281	Ref	STABILIZER (SS-70) VALVE HARNESS	B
1	4460970	1	Receptacle, Female - 12 Position	
1	4460464	3	Pin, Male	
1	4460941	7	Pin, Male	
1	4460466	2	Plug, Terminal	
2	NPN	4	Connector, Butt	
3	4460891	5	Plug, Male - 2 Position	
3	4460942	10	Socket, Female	

SECTION 7 - ELECTRICAL

FIGURE 7-91. SIDE STABILIZER HARNESS EXTENTIONS (SS-70)



ART_1001248215

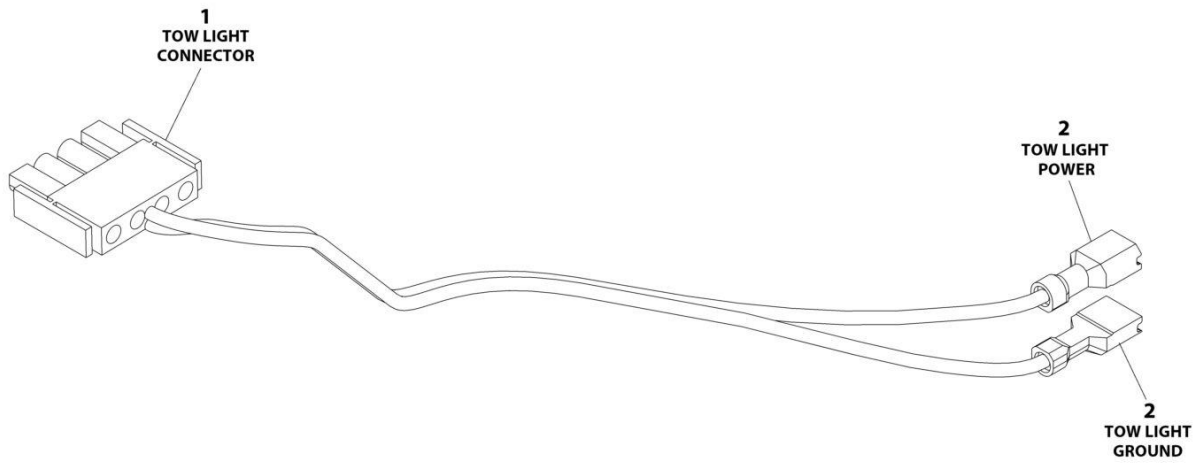
SECTION 7 - ELECTRICAL

FIGURE 7-91. SIDE STABILIZER HARNESS EXTENTIONS (SS-70)

ITEM	PART NUMBER	QTY	DESCRIPTION	REV
	1001248215	Ref	STABILIZER (SS-70) EXTENSION HARNESS INSTALLATION	A
	1001244280	Ref	STABILIZER (SS-70) EXTENSION HARNESS	A
1	4460970	1	Receptacle, Female - 12 Position	
1	4460464	3	Pin, Male	
1	4460941	7	Pin, Male	
1	4460466	2	Plug, Terminal	
2	4460933	1	Plug, Male - 12 Position	
2	4460465	3	Socket, Female	
2	4460942	7	Socket, Female	
2	4460466	2	Plug, Terminal	

SECTION 7 - ELECTRICAL

FIGURE 7-92. TOW LIGHT HARNESS



ART_1001209031

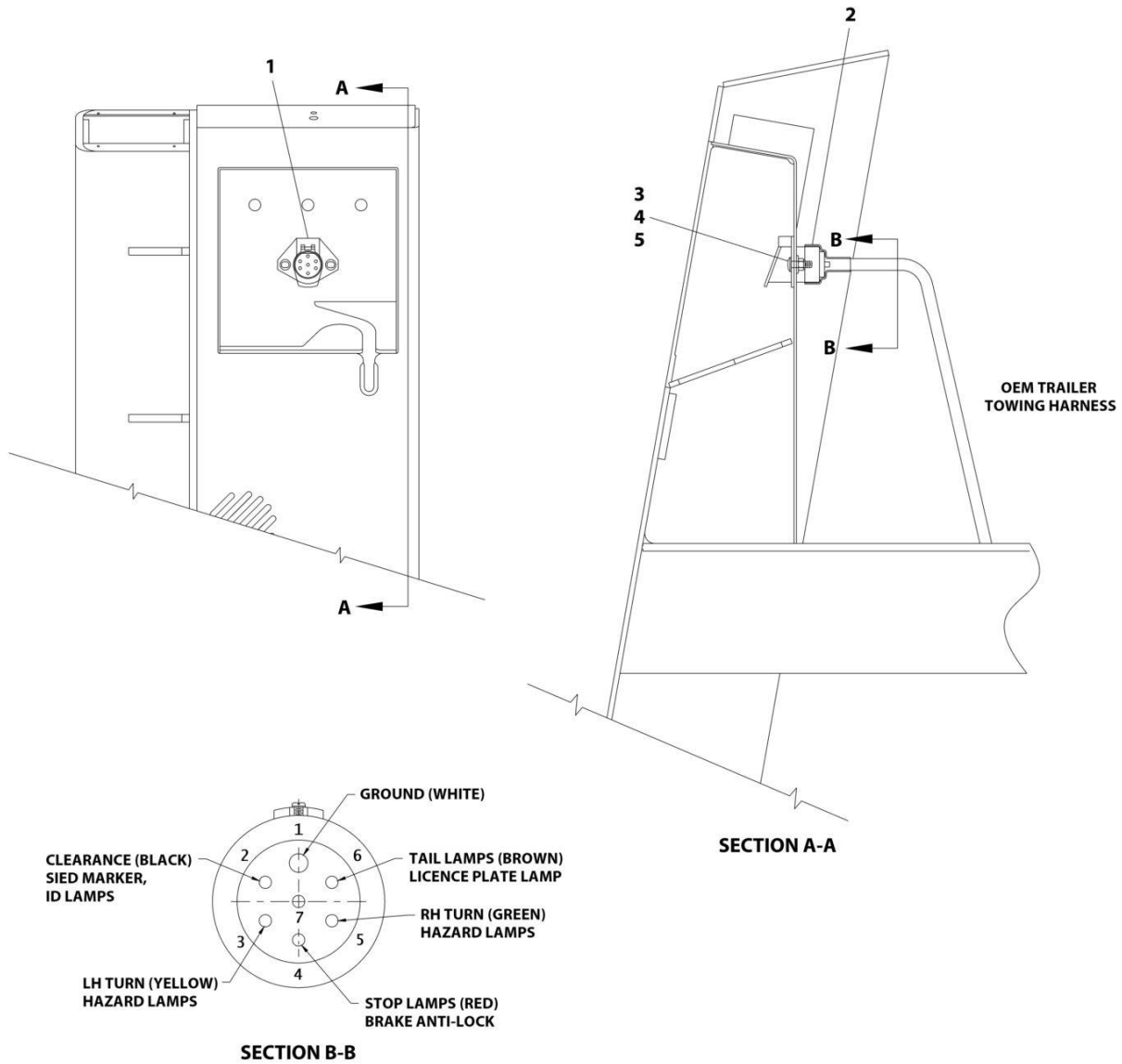
SECTION 7 - ELECTRICAL

FIGURE 7-92. TOW LIGHT HARNESS

ITEM	PART NUMBER	QTY	DESCRIPTION	REV
	1001209031	Ref	TOW LIGHT HARNESS	C
1	4460321	1	Connector	
1	4460268	2	Socket	
2	NPN	2	Connector	

SECTION 7 - ELECTRICAL

FIGURE 7-93. TRAILER PLUG INSTALLATION - 7WAY



ART_2502330145

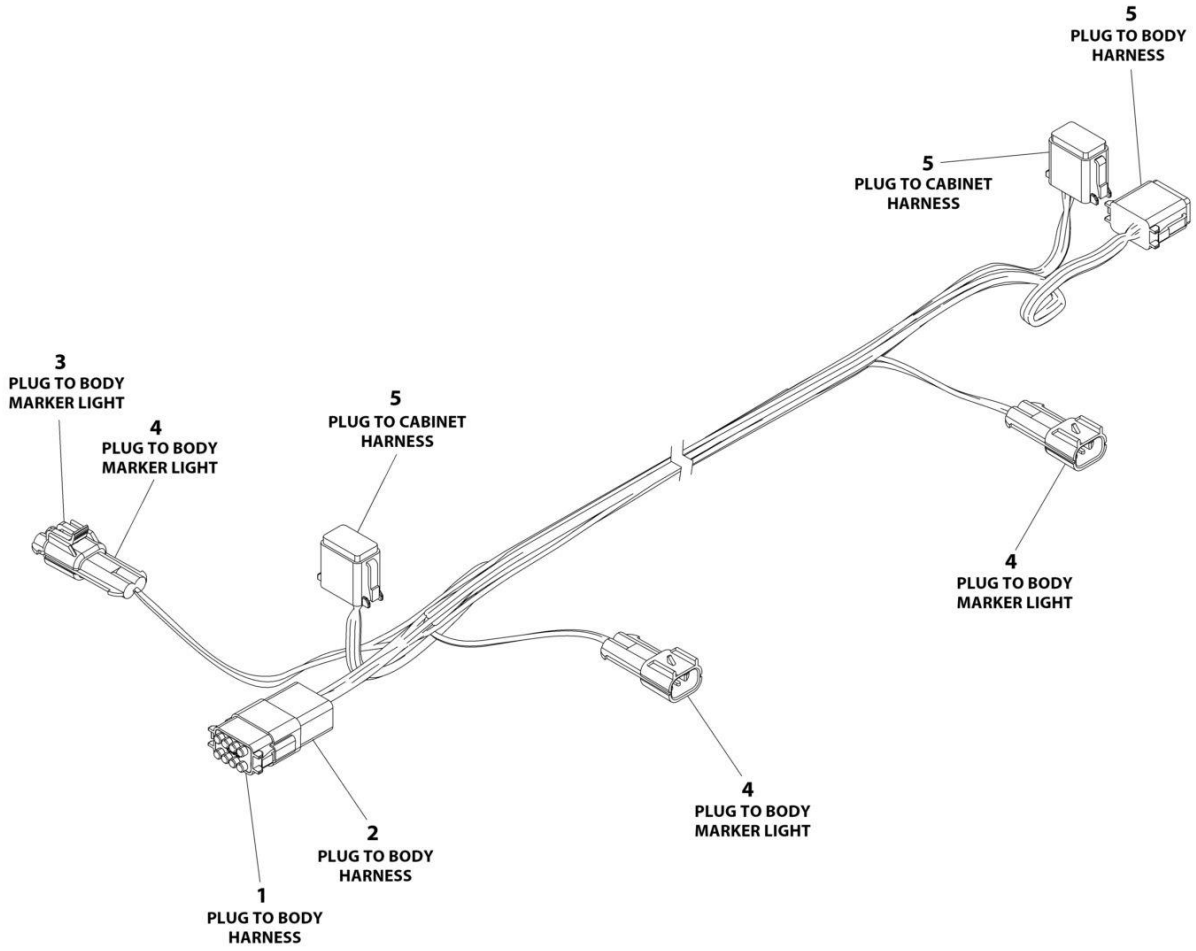
SECTION 7 - ELECTRICAL

FIGURE 7-93. TRAILER PLUG INSTALLATION - 7WAY

ITEM	PART NUMBER	QTY	DESCRIPTION	REV
	2502330145	Ref	7 - Way Trailer Plug Installation	C
1	7346000055	1	7-Way Plug	
2	7346000078	1	7-Way Plug Boot	
3	7115151050	2	Capscrew 5/16 x 1-1/4	
4	7950150161	4	Washer 5/16	
5	7660152601	2	Nut 5/16	

SECTION 7 - ELECTRICAL

FIGURE 7-94. TUNNEL HARNESS - MAIN



ART_1001209050

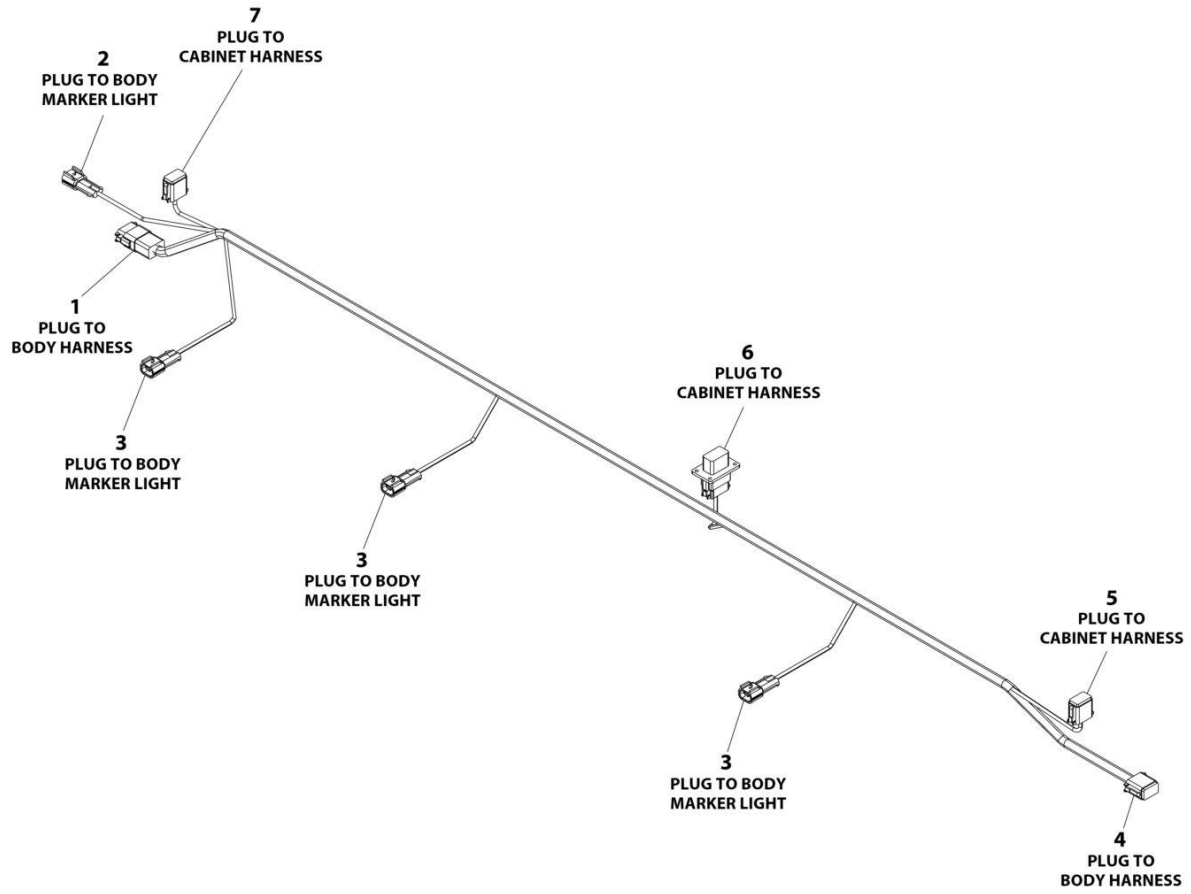
SECTION 7 - ELECTRICAL

FIGURE 7-94. TUNNEL HARNESS - MAIN

ITEM	PART NUMBER	QTY	DESCRIPTION	REV
	1001209050	Ref	TUNNEL HARNESS - MAIN	C
1	4460930	1	Connector - 8 Position	
1	4460466	8	Plug, Terminal	
2	4460931	1	Connector - 8 Position	
2	4460464	6	Socket, Female	
2	4460466	2	Plug, Terminal	
3	NPN	1	Plug, Male - 2 Position	
3	NPN	2	Terminal	
3	4460458	2	Seal	
4	NPN	3	Receptacle, Female - 2 Position	
4	NPN	6	Terminal	
4	1001116727	6	Seal	
5	4460930	3	Connector - 8 Position	
5	4460465	18	Pin, Male	
5	4460466	6	Plug, Terminal	

SECTION 7 - ELECTRICAL

FIGURE 7-95. TUNNEL HARNESS - MAIN (DOUBLE)



ART_1001270659

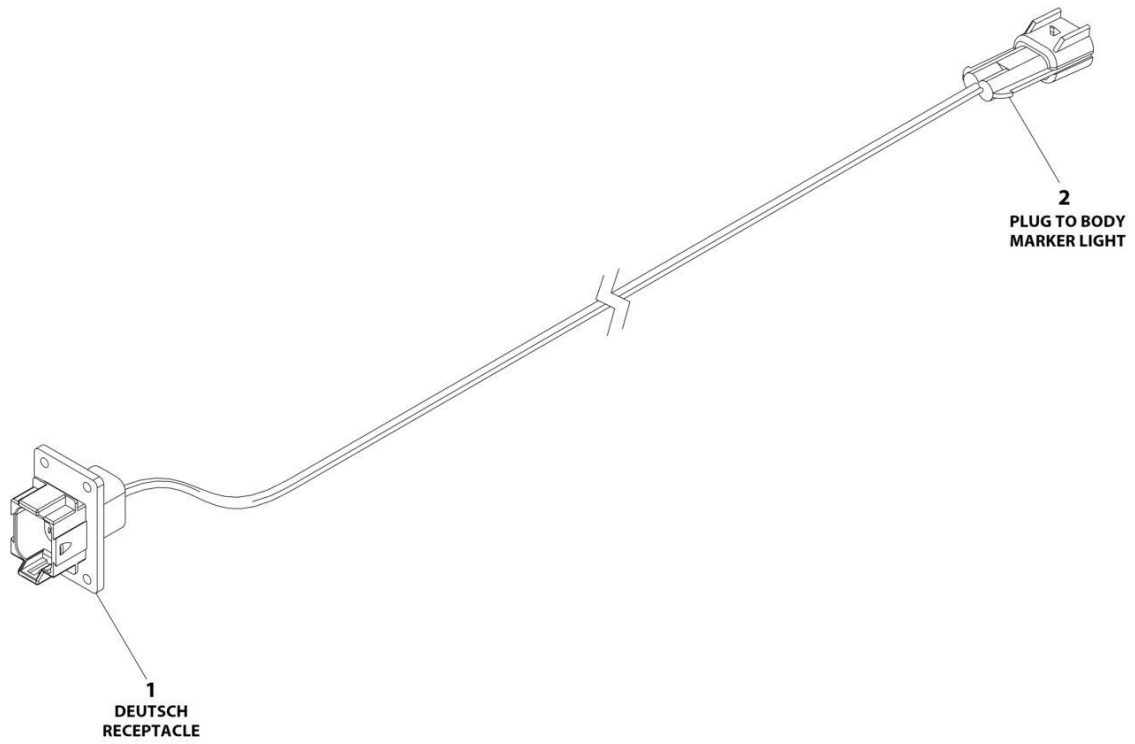
SECTION 7 - ELECTRICAL

FIGURE 7-95. TUNNEL HARNESS - MAIN (DOUBLE)

ITEM	PART NUMBER	QTY	DESCRIPTION	REV
	1001270659	Ref	MAIN TUNNEL HARNESS (DOUBLE)	A
1	4460931	1	Connector	
1	91503104	1	Wedge, Locking	
1	4460464	4	Pin	
1	4460466	4	Plug	
1	4460930	1	Connector, Plug	
1	80604025	1	Wedge, Locking	
1	4460466	8	Plug	
2	1001117026	1	Connector	
2	1001116745	2	Socket	
2	4460458	2	Seal	
2	NPN	1	Connector, Plug	
2	1001116727	2	Plug	
3	1001117026	3	Connector	
3	NPN	3	Wedge, Locking	
3	1001116745	6	Socket	
3	4460458	6	Seal	
4	4460930	1	Connector	
4	80604025	1	Wedge, Locking	
4	4460465	4	Socket	
4	4460466	4	Plug	
5	4460930	1	Connector	
5	80604025	1	Wedge, Locking	
5	4460465	4	Socket	
5	4460466	4	Plug	
6	4460933	1	Connector	
6	80604016	1	Wedge, Locking	
6	4460465	4	Socket	
6	4460466	4	Plug	
6	4460939	1	Connector, Plug	
6	80363179	1	Wedge, Locking	
6	4460464	4	Pin	
6	4460466	8	Plug	
6	NPN	1	Gasket	
7	4460930	1	Connector	
7	80604025	1	Wedge, Locking	
7	4460465	4	Socket	
7	4460466	4	Plug	

SECTION 7 - ELECTRICAL

FIGURE 7-96. TUNNEL HARNESS - REAR



ART_1001209056

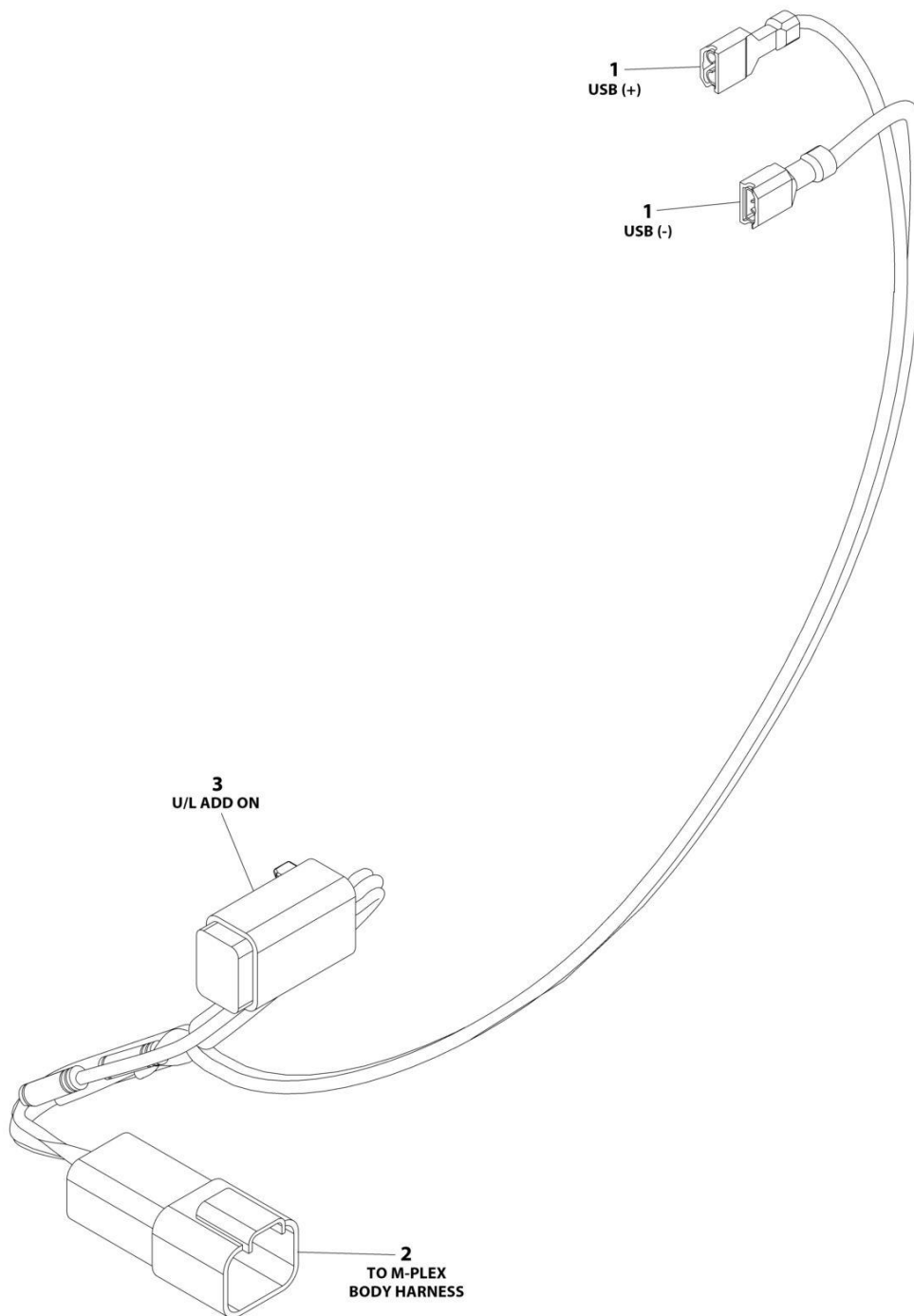
SECTION 7 - ELECTRICAL

FIGURE 7-96. TUNNEL HARNESS - REAR

ITEM	PART NUMBER	QTY	DESCRIPTION	REV
	1001209056	Ref	TUNNEL HARNESS - REAR	A
1	NPN	1	Connector - 8 Position	
1	4640464	2	Socket, Female	
1	4640466	4	Plug, Terminal	
1	NPN	1	Gasket	
2	NPN	1	Connector - 2 Position	
2	NPN	2	Terminal	
2	4640458	2	Seal	

SECTION 7 - ELECTRICAL

FIGURE 7-97. USB POWER HARNESS



ART_1001288422

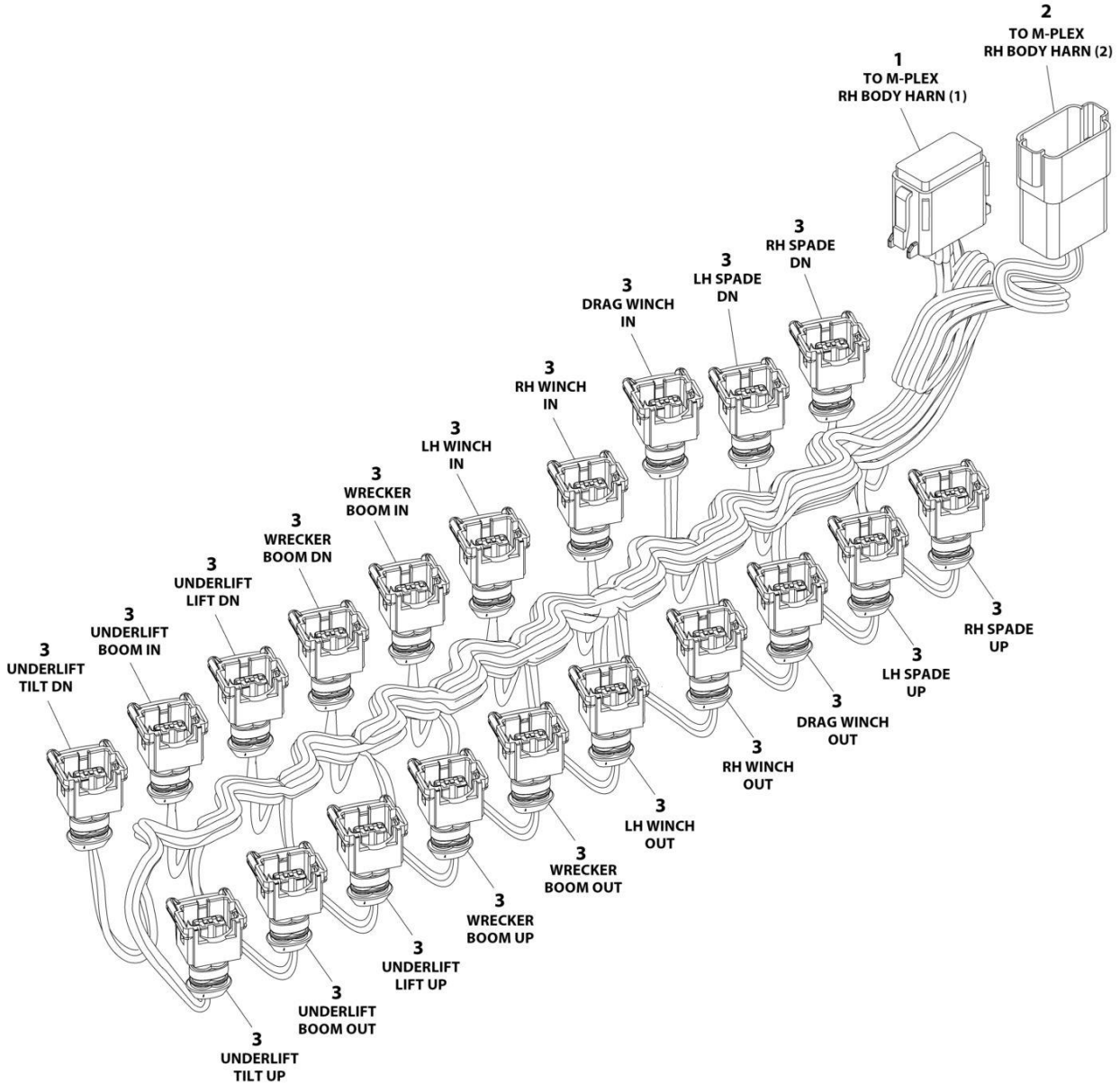
SECTION 7 - ELECTRICAL

FIGURE 7-97. USB POWER HARNESS

ITEM	PART NUMBER	QTY	DESCRIPTION	REV
	1001288422	Ref	USB POWER HARNESS	A
1	8220051	2	Terminal	
2	1001281269	1	Connector	
2	4460464	4	Terminal	
3	1001262482	1	Connector	
3	4460465	4	Socket	

SECTION 7 - ELECTRICAL

FIGURE 7-98. VALVE HARNESS



ART_1001288772

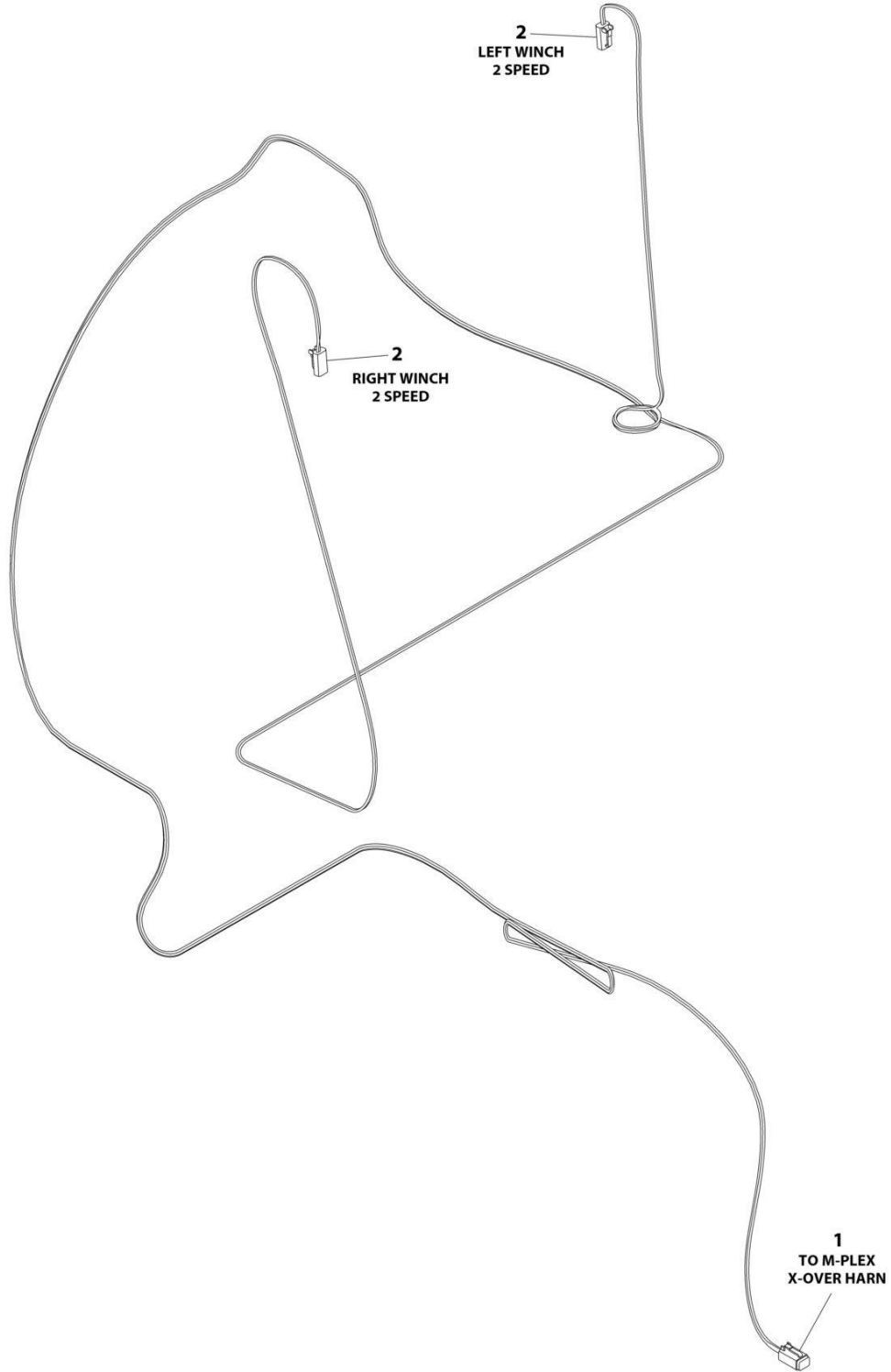
SECTION 7 - ELECTRICAL

FIGURE 7-98. VALVE HARNESS

ITEM	PART NUMBER	QTY	DESCRIPTION	REV
	1001288772	Ref	VALVE HARNESS	A
1	4460933	1	Connector	
1	4460465	10	Socket (16-20AWG)	
1	4460942	2	Socket (14-16AWG)	
2	4460970	1	Connector	
2	4460464	10	Pin	
2	4460466	2	Plug	
3	1001190322	20	Connector	
3	1001166707	40	Socket	

SECTION 7 - ELECTRICAL

FIGURE 7-99. WINCH HARNESS - 2 SPEED



ART_1001217309

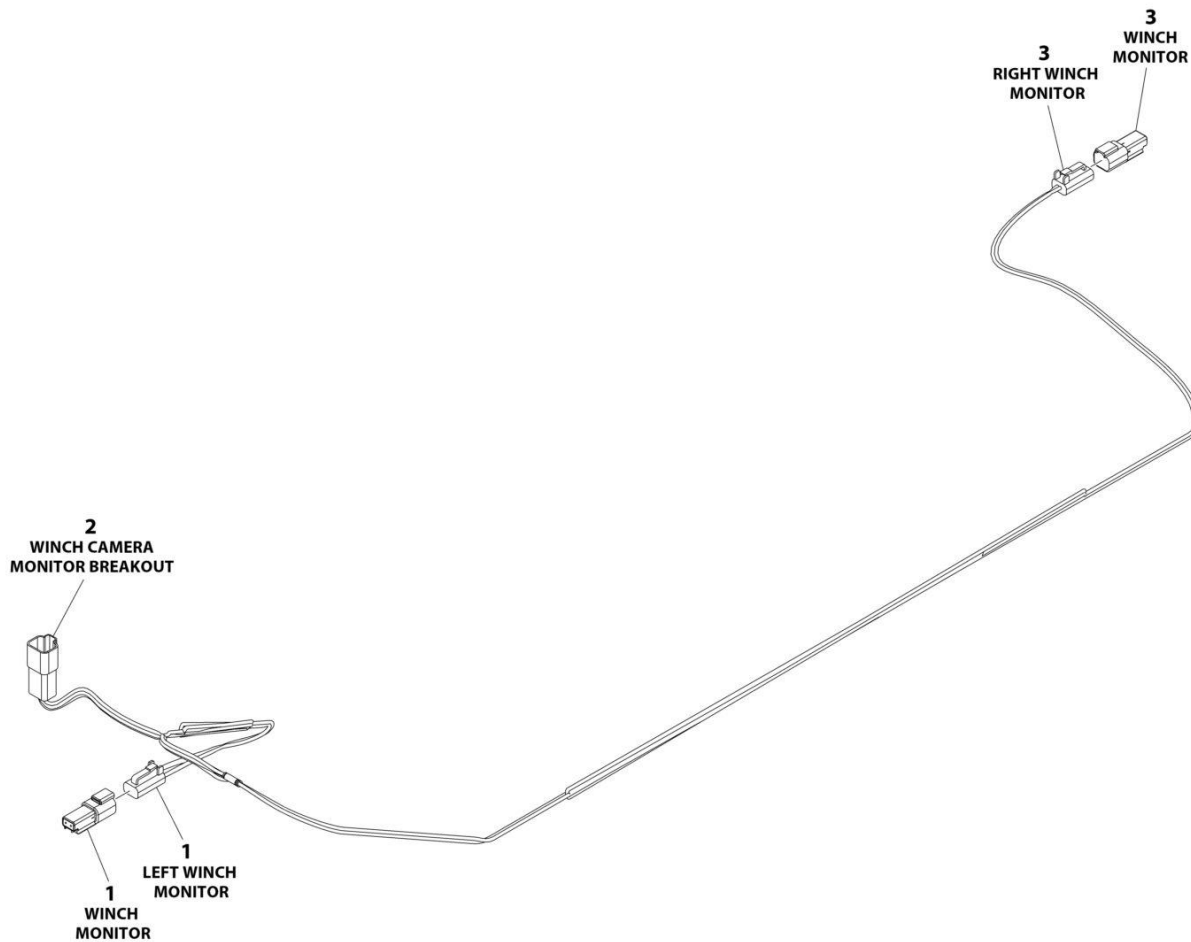
SECTION 7 - ELECTRICAL

FIGURE 7-99. WINCH HARNESS - 2 SPEED

ITEM	PART NUMBER	QTY	DESCRIPTION	REV
	1001217309	Ref	WINCH HARNESS - 2 SPEED	C
1	4460884	1	Plug, Male - 4 Position	
1	4460465	4	Socket, Female	
2	4460891	2	Plug, Male - 2 Position	
2	4460465	4	Socket, Female	

SECTION 7 - ELECTRICAL

FIGURE 7-100. WINCH MONITOR HARNESS



ART_1001209036

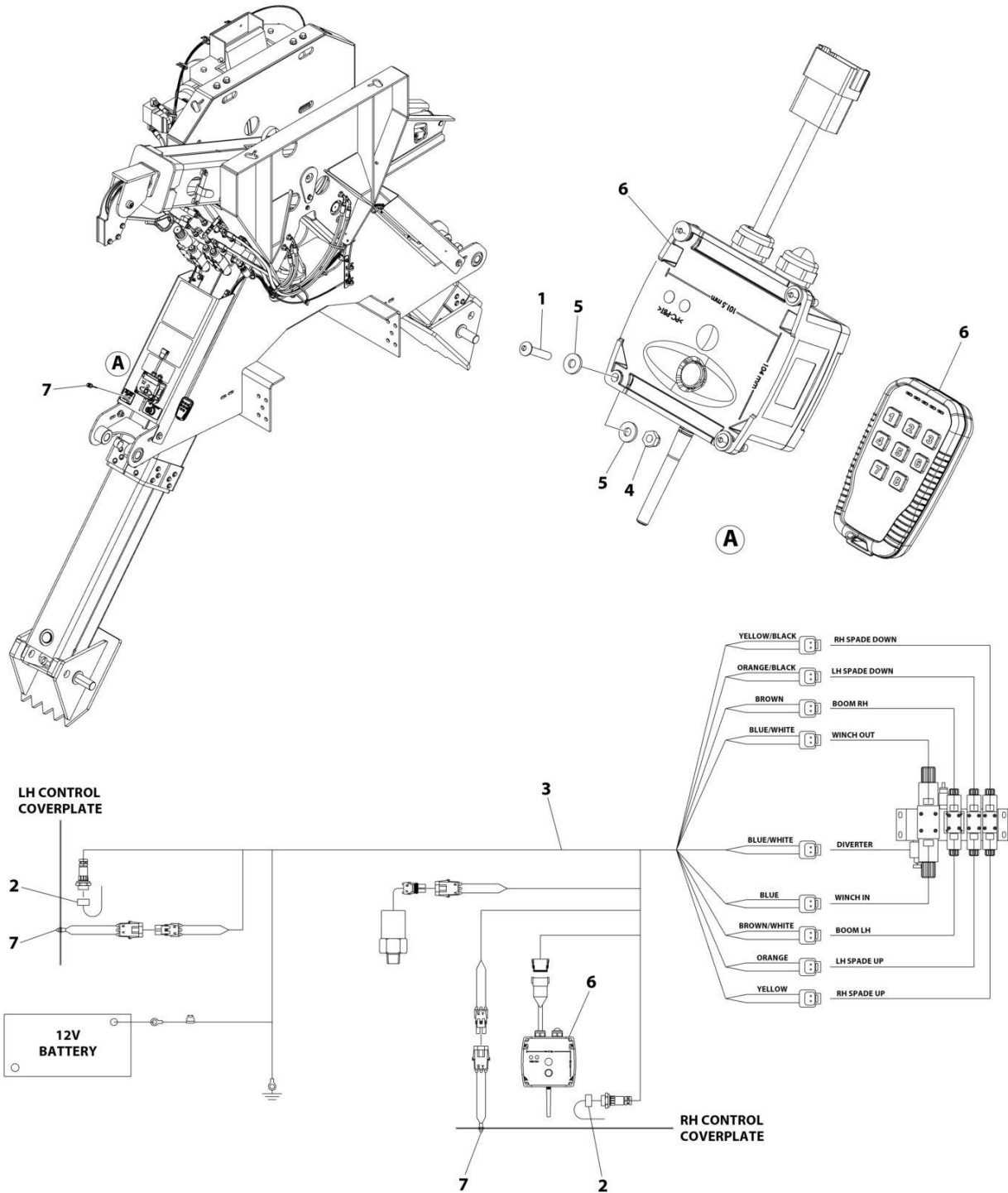
SECTION 7 - ELECTRICAL

FIGURE 7-100. WINCH MONITOR HARNESS

ITEM	PART NUMBER	QTY	DESCRIPTION	REV
	1001209036	Ref	WINCH MONITOR HARNESS	B
1	4460891	1	Connector	
1	80604018	1	Wedge, Locking	
1	4460465	2	Socket	
1	4460897	1	Connector, Plug	
1	80604017	1	Wedge, Locking	
1	4460466	2	Plug	
2	4460932	1	Connector	
2	80604020	1	Wedge, Locking	
2	4460464	4	Pin	
3	4460891	1	Connector	
3	80604018	1	Wedge, Locking	
3	4460465	2	Socket	
3	4460897	1	Connector, Plug	
3	8060417	1	Wedge, Locking	

SECTION 7 - ELECTRICAL

FIGURE 7-101. WINCH ELECTRICAL INSTALLATION - SRS



ART_1001291023

SECTION 7 - ELECTRICAL

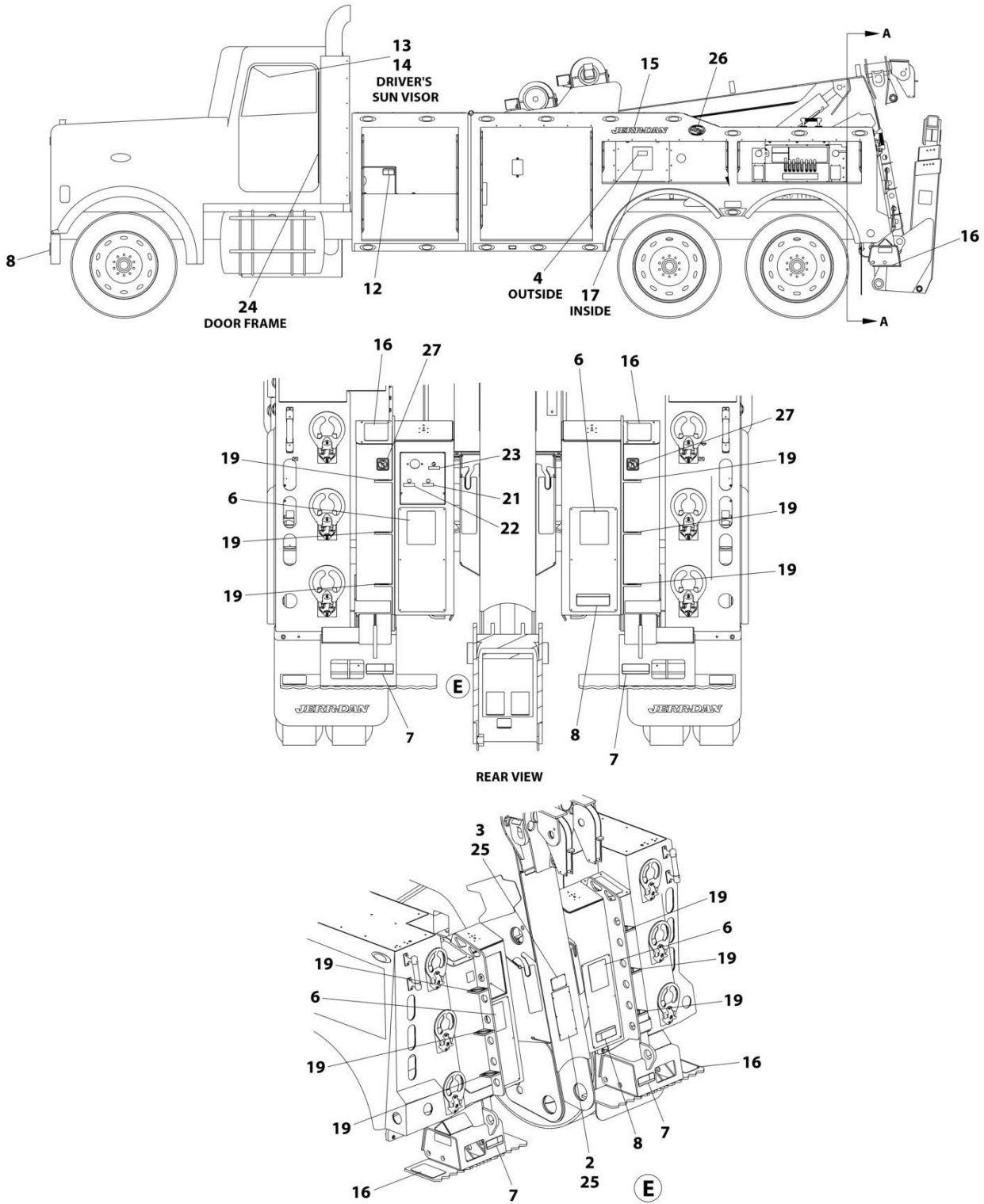
FIGURE 7-101. WINCH ELECTRICAL INSTALLATION - SRS

ITEM	PART NUMBER	QTY	DESCRIPTION	REV
	1001291023	Ref	SINGLE WINCH ELECTRICAL ASSEMBLY	A
1	7114100818	4	Screw #10 x 1	
2	7346000068	2	Cap, Dust	
3	7552000407	1	Harness, Remote Control 8 Function (See Separate Breakdown in ELECTRICAL Section)	
4	7660102601	4	Nut #10	
5	7950100143	8	Washer 3/16	
6	1001291016	1	Remote Control Assembly, 8 Function	
7	7590000364	2	Indicator	

SECTION 8 - DECAL

SECTION 8 - DECAL

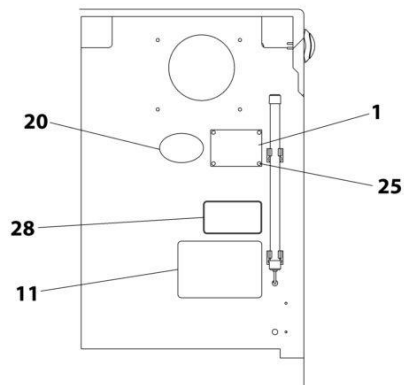
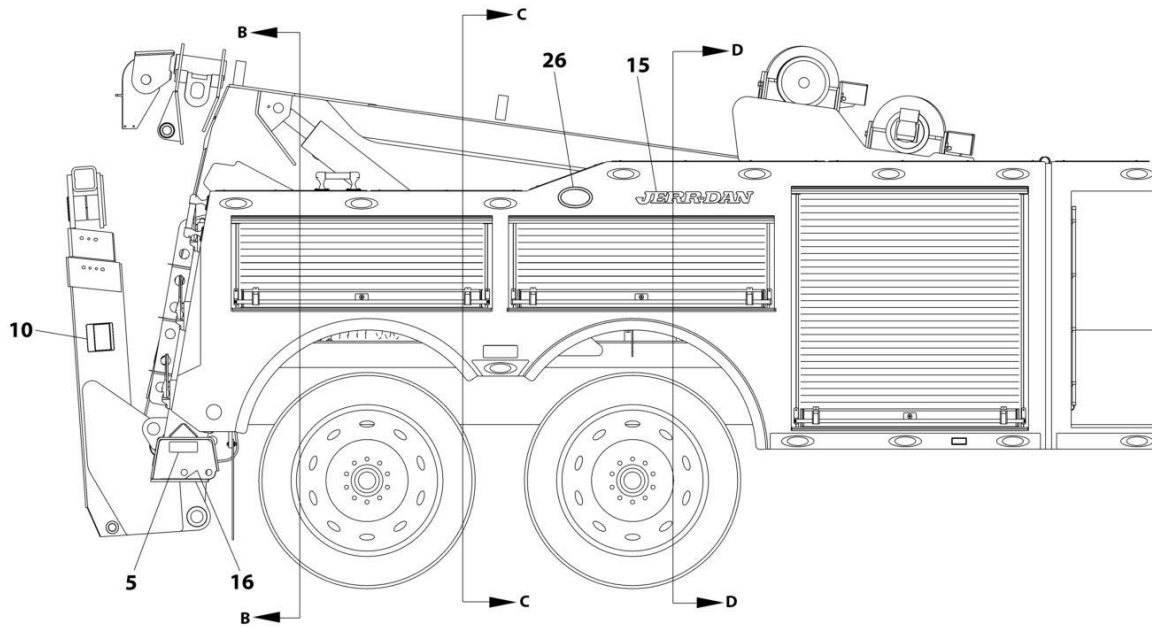
FIGURE 8-1. DECAL INSTALLATION - COMMON



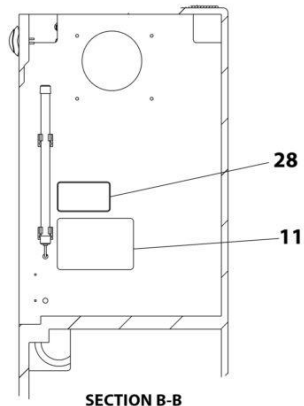
ART_1001198756_1OF2

SECTION 8 - DECAL

FIGURE 8-2. DECAL INSTALLATION - COMMON

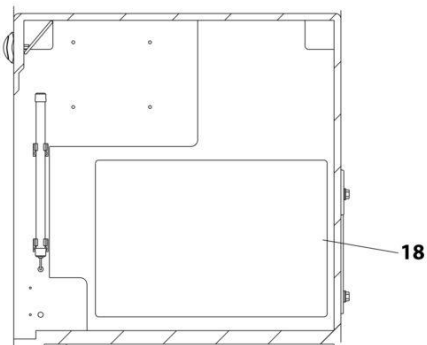


SECTION A-A

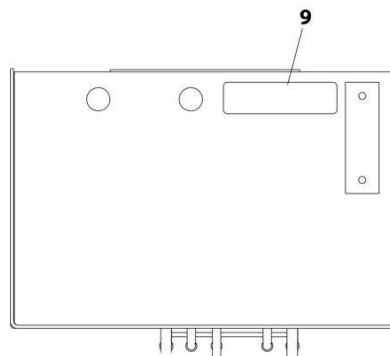


SECTION B-B

REAR FACE OF REARMOST BODY COMPARTMENT
LH & RH REAR BODY



SECTION C-C
LH BODY



SECTION D-D
HYDRAULIC TANK

ART_1001198756_2OF2

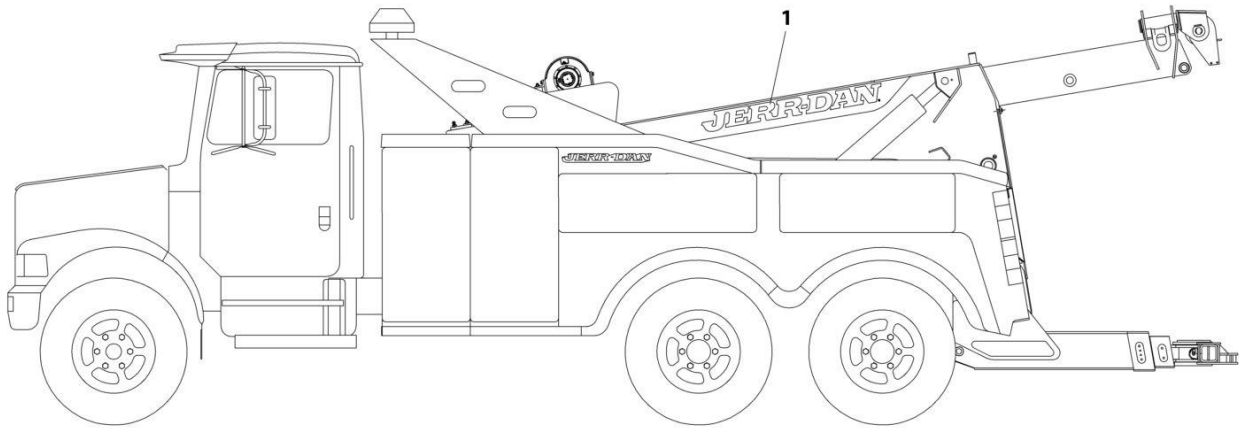
SECTION 8 - DECAL

FIGURE 8-2. DECAL INSTALLATION - COMMON

ITEM	PART NUMBER	QTY	DESCRIPTION	REV
	1001198756	Ref	DECAL INSTALLATION	G
1	1001127220	1	Decal - Indent Tag	
2	See Note	NSS	Decal - Serial Number/Ratng (Note: Not Available for Purchase)	
3	1001132346	1	Decal - Patent	
4	1001136075	1	Decal - Hazardous Voltage Inside	
5	1001136080	2	Decal - Recovery Stability	
6	1001136091	2	Decal - Towed Load Hazard	
7	1001136094	2	Decal - Crushing Hazard	
8	1001136103	4	Decal - Electrocutation Hazard	
9	1001136119	1	Decal - Hydraulic Fluid Level	
10	1001137169	2	Decal - Pinch/Crush Hazard	
11	1001138537	2	Decal - Hook Notice	
12	1001138612	2	Decal - Battery Warning	
13	1001141227	1	Decal - Backing Hazard	
14	1001142828	1	Decal - Fall Hazard	
15	1001206367	2	Decal - Jerr-Dan	
16	1001174346	4	Decal - Spade Step Rectangle	
17	1001212286	1	Decal - Electrical Panel (Prior to SN 0230005539)	
17	1001232870	1	Decal - Electrical Panel (SN 0230005539 to Present)	
18	1001198937	1	Decal - Lubrication Chart	
19	1001199065	6	Decal - Spade Housing Step	
20	7330000143	1	Decal - Made In USA	
21	7330000208	1	Decal - Service Air (Prior to SN 0230008089)	
22	7330000209	1	Decal - Supply Air (Prior to SN 0230008089)	
23	7330000210	1	Decal - Auxiliary Air (Prior to SN 0230008089)	
24	7330000689	1	Decal - Certification	
25	7759000004	14	Rivet	
26	1001206364	2	Decal - JFB Badge	
27	1001142452	2	Decal - No Step	
28	1001231801	2	Decal - Warning Prop 65	

SECTION 8 - DECAL

FIGURE 8-3. DECAL INSTALLATION - JERR-DAN LOGO (RED)



ART_1001143489

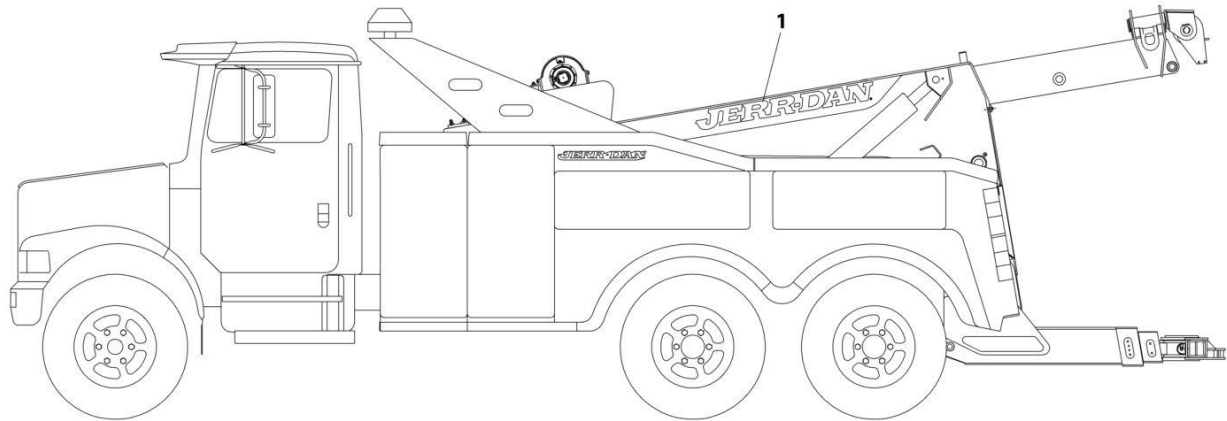
SECTION 8 - DECAL

FIGURE 8-3. DECAL INSTALLATION - JERR-DAN LOGO (RED)

ITEM	PART NUMBER	QTY	DESCRIPTION	REV
1	1001143489	Ref	DECAL INSTALLATION - JERR-DAN LOGO (RED)	A
	7330000294	2	Decal - JERR-DAN Logo (Red)	

SECTION 8 - DECAL

FIGURE 8-4. DECAL INSTALLATION - JERR-DAN LOGO (WHITE)



ART_1001143487

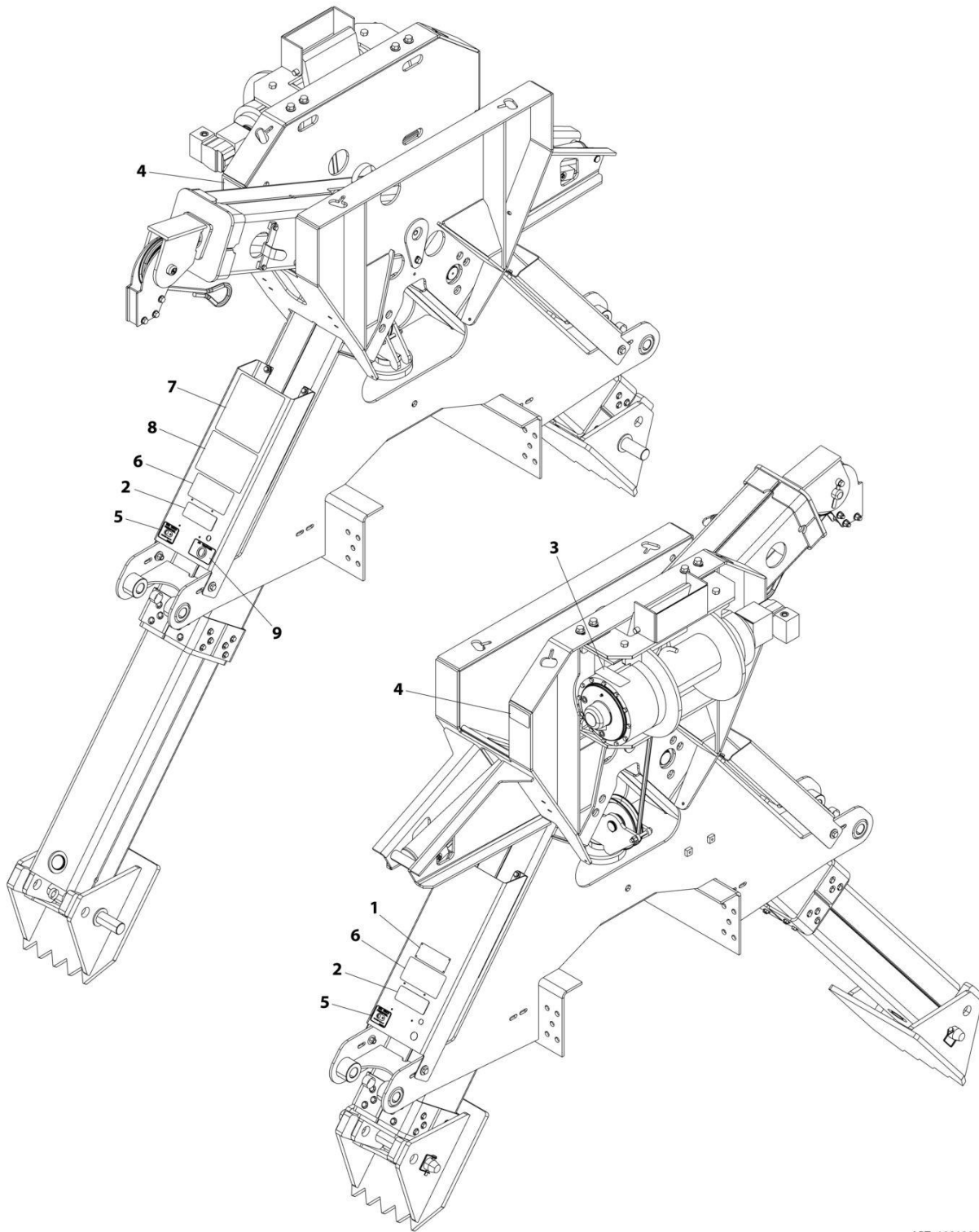
SECTION 8 - DECAL

FIGURE 8-4. DECAL INSTALLATION - JERR-DAN LOGO (WHITE)

ITEM	PART NUMBER	QTY	DESCRIPTION	REV
1	1001143487	Ref	DECAL INSTALLATION - JERR-DAN LOGO (WHITE)	A
	7330000535	2	Decal - JERR-DAN Logo (White)	

SECTION 8 - DECAL

FIGURE 8-5. DECAL INSTALLATION - SRS (35K WINCH)



ART_1001291073

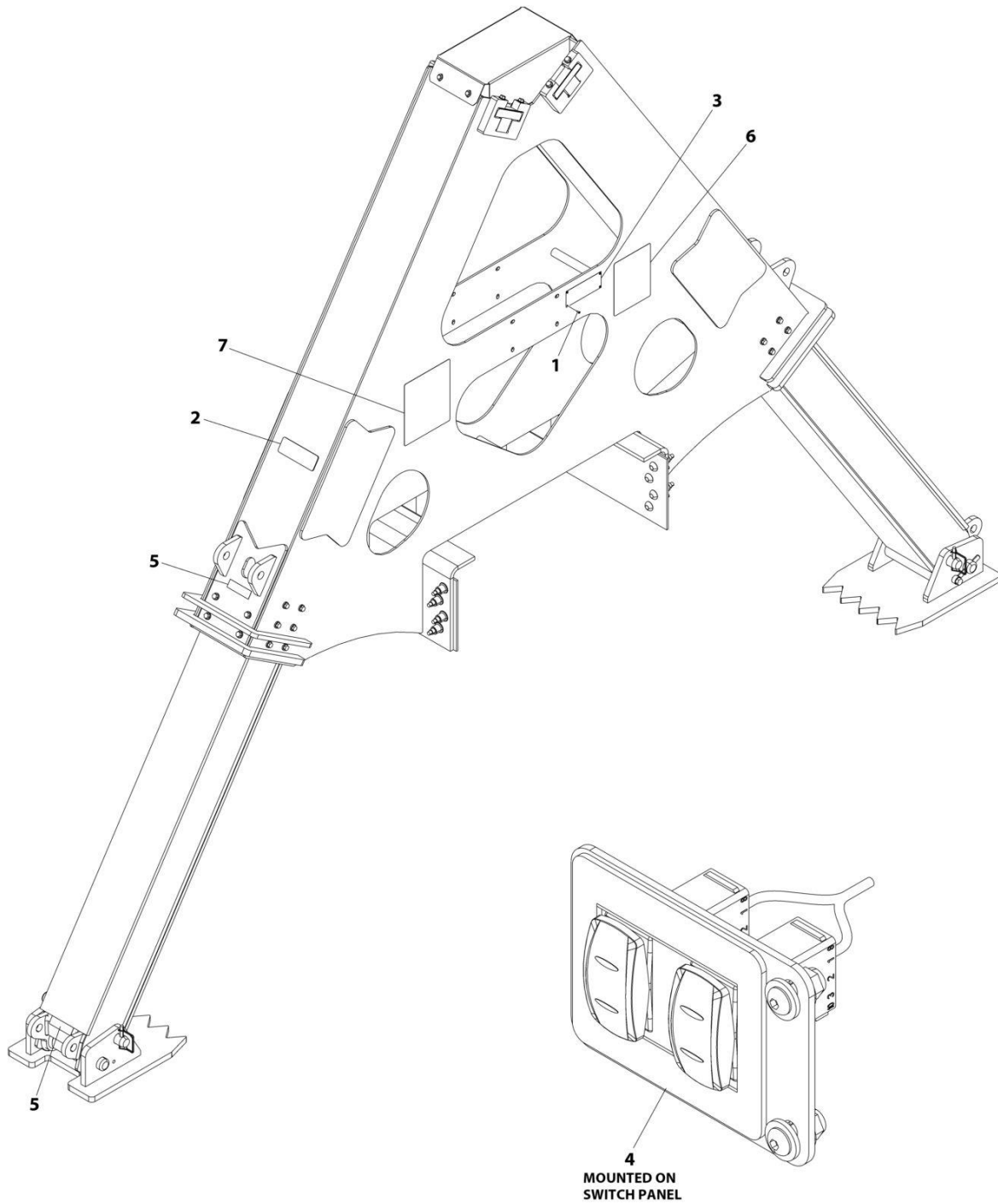
SECTION 8 - DECAL

FIGURE 8-5. DECAL INSTALLATION - SRS (35K WINCH)

ITEM	PART NUMBER	QTY	DESCRIPTION	REV
	1001291073	Ref	DECAL INSTALLATION	A
1	1001127222	1	Decal, Indent Tag	
2	1001136094	2	Decal, Crushing Hazard	
3	1001142812	1	Decal, Pinch Hazard	
4	1001199783	2	Decal, Warning Pinch Point	
5	1001199786	2	Decal, Winch Freespool	
6	1001199787	2	Decal, Winch Warning	
7	1001199789	1	Decal, Valve	
8	1001199790	1	Decal, Lubrication	
9	1001257300	1	Decal, Air Tensioner	

SECTION 8 - DECAL

FIGURE 8-6. DECAL INSTALLATION - SRS (SS-70)



ART_1001291876

SECTION 8 - DECAL

FIGURE 8-6. DECAL INSTALLATION - SRS (SS-70)

ITEM	PART NUMBER	QTY	DESCRIPTION	REV
	1001291876	Ref	DECAL INSTALLATION	A
1	3820031	4	Rivet	
2	1001136094	2	Decal, Crushing Hazard	
3	1001246130	1	Decal, Ident Tag	
4	1001246956	2	Decal, Controls	
5	1001246957	4	Decal, D-Ring	
6	1001247794	1	Decal, Lubrication Chart	
7	1001247795	1	Decal, Override Controls	

SECTION 9 - ACCESSORIES

SECTION 9 - ACCESSORIES

FIGURE 9-1. KITS LIST HD WRECKERS

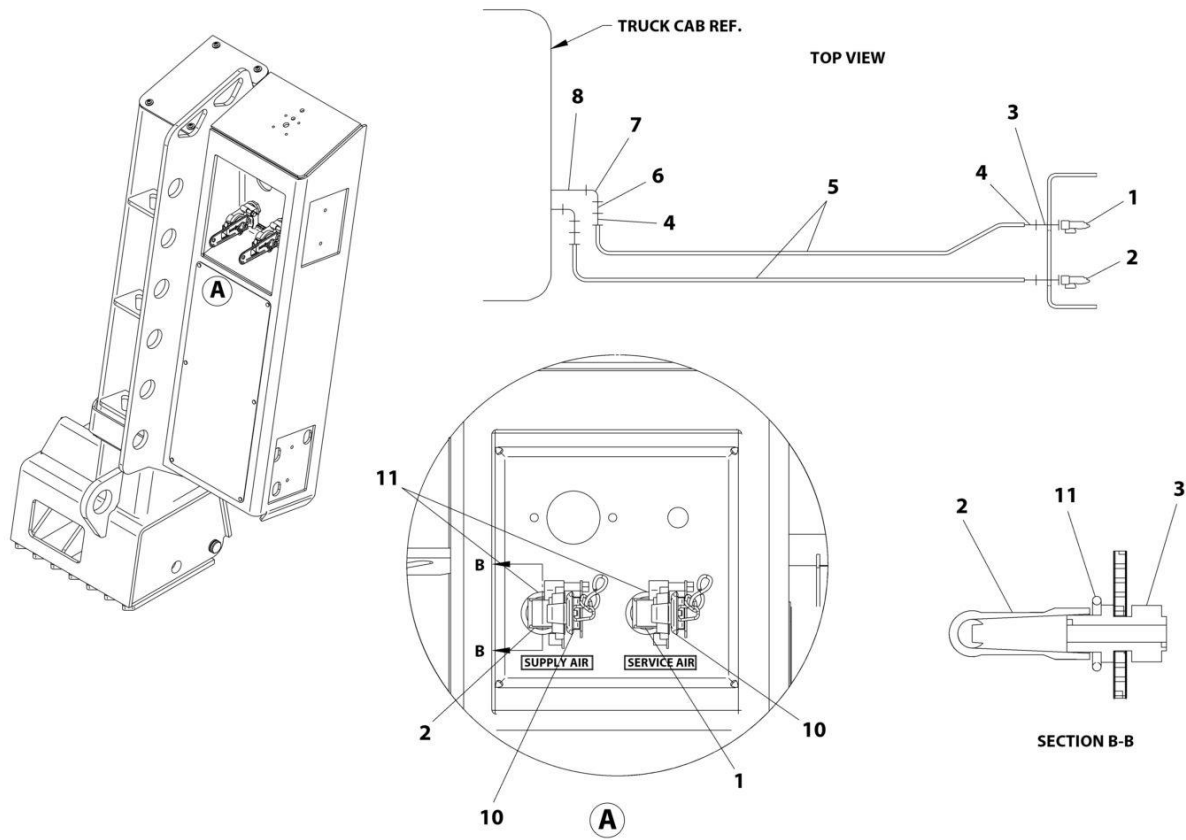
ITEM	PART NUMBER	QTY	DESCRIPTION	REV
	1001241869	Ref	SERVICE & AFTERMARKET KITS LIST	I
		Ref	Note: Contact JERR-DAN Parts Department for exact contents of kits.:	
	7002000505	Ref	Cord, Electrical Extension 25FT (GSA Specs)	
	1001264819	Ref	Kit, Body (Tandem)	
	1001207496	Ref	Kit, Broom Storage	
	1001262538	Ref	Kit, Camera (Back up)	
	1001279212	Ref	Kit, Camera (Rear Winch) (Drivers Side)	
	1001279211	Ref	Kit, Camera (Rear Winch) (Passengers Side)	
	1001279213	Ref	Kit, Camera (Underlift)	
	1001201341	Ref	Kit, Chain Binder Storage (Tandem)	
	1001201164	Ref	Kit, Chain Binder Storage (Tri-Axle)	
	1001207623	Ref	Kit, Chain Binder Storage	
	1001197183	Ref	Kit, Chian Storage (Rotary)	
	1001219776	Ref	Kit, Chian Storage (Rotary)	
	1001207510	Ref	Kit, Cribbing Storage Tandem)	
	1001201514	Ref	Kit, Cribbing Storage (Tri-Axle)	
	1001199998	Ref	Kit, Drawer Storage - Tilt Down (Tandem)	
	1001199999	Ref	Kit, Drawer Storage - Tilt Down (Tri-Axle)	
	1001208631	Ref	Kit, Drawer Storage - Tilt Down (48IN)	
	1001195256	Ref	Kit, Drawer Storage - Tool (Tandem)	
	1001195337	Ref	Kit, Drawer Storage - Tool (Tri-Axle Drivers Side)	
	1001208635	Ref	Kit, Drawer Storage - Tool (Tri-Axle Passengers Side)	
	1001220164	Ref	Kit, Drawer Storage - Tool (BB/Tri-Axle Drivers Side)	
	1001228254	Ref	Kit, Drawer Storage - Tool (BB/Tri-Axle Tunnel)	
	1001195942	Ref	Kit, Fifth Wheel & Pintle Storage (Tandem)	
	1001195943	Ref	Kit, Fifth Wheel & Pintle Storage (Tri-Axle Passengers Side)	
	1001208636	Ref	Kit, Fifth Wheel & Pintle Storage (37IN Tunnel)	
	1001195698	Ref	Kit, Fire & Emergency	
	FEX-GSARB	Ref	Kit, Fire & Emergency (GSA Specs)	
	1001201704	Ref	Kit, Flare Storage	
	1001197683	Ref	Kit, Flashlight Storage	
	1001263856	Ref	Kit, Fork Riser (Frame) Storage (Single Steer)	
	1001263857	Ref	Kit, Fork Riser (Frame) Storage (5 Axle)	
	1001263858	Ref	Kit, Fork Riser (Frame) Storage (Twin Axle)	
	1001195788	Ref	Kit, Fork Riser Storage (35Ton Tandem)	
	1001195825	Ref	Kit, Fork Riser Storage (35Ton Tri-Axle)	
	1001210749	Ref	Kit, Fork Riser Storage (50/60Ton)	
	1001269884	Ref	Kit, Fork Velocity	
	2512880041	Ref	Kit, Frame Forks	
	1001263854	Ref	Kit, Frame Forks Storage (35Ton Tandem)	
	1001263855	Ref	Kit, Frame Forks Storage (35Ton Tri-Axle)	
	1001214175	Ref	Kit, Grizzly Bar Storage	
	3577000156	Ref	Kit, GSA 972 Accessories	
	7262000048	Ref	Chain Assembly	
		Ref	Snatch Block	
	7894000055	1	Steering Wheel Lock Strap	
	1001196215	Ref	Kit, Jack Storage (Tandem)	
	1001196214	Ref	Kit, Jack Storage (Tri-Axle)	

SECTION 9 - ACCESSORIES

ITEM	PART NUMBER	QTY	DESCRIPTION	REV
	1001200001	Ref	Kit, Ladder Storage	
	1001195038	Ref	Kit, Shackle Storage (Tandem)	
	1001195083	Ref	Kit, Shackle Storage (Tri-Axle)	
	1001263822	Ref	Kit, Shelf	
	1001214300	Ref	Kit, Shelf Storage (36IN)	
	1001214299	Ref	Kit, Shelf Storage (48IN)	
	1001214298	Ref	Kit, Shelf Storage - Upper (36IN)	
	1001214264	Ref	Kit, Shelf Storage - Upper (48IN)	
	1001214303	Ref	Kit, Shelf Storage - Upper	
	1001210746	Ref	Kit, Shovel/Grizzly Bar Storage (Tandem)	
	1001210747	Ref	Kit, Shovel/Grizzly Bar Storage (Tri-Axle)	
	1001195088	Ref	Kit, Snatch Block Storage (Tandem 3/2015-11/2016)	
	1001217105	Ref	Kit, Snatch Block Storage (Tandem 11/2016-8/2023)	
	1001217106	Ref	Kit, Snatch Block Storage (Tri-Axle) (25Ton before 11/2018 & 35Ton 11/2016-8/2023)	
	1001195134	Ref	Kit, Snatch Block Storage (Rotary) (35Ton & 50/60Ton 10/2016-8/2023)	
	1001201371	Ref	Kit, Spill Storage (Tandem)	
	1001210748	Ref	Kit, Spill Storage (Tri-Axle)	
	1001207548	Ref	Kit, Spreader Bar Storage (Dual)	
	1001210750	Ref	Kit, Spreader Bar Storage (Single)	
	1001195421	Ref	Kit, Sta-Dry Silo Storage	
	1001207593	Ref	Kit, Strap Storage (Tandem)	
	1001208637	Ref	Kit, Strap Storage (Tri-Axle)	
	1001205796	Ref	Kit, Tire Lift/Arms Storage (36IN)	
	1001196249	Ref	Kit, Tire Lift/Arms Storage (48IN)	
	1001207556	Ref	Kit, Tire Lift/Bus Arms Storage	
	1001201234	Ref	Kit, Tool Storage	
	1001195592	Ref	Kit, Tow Light Storage	
	1001195764	Ref	Kit, Traffic Cone Storage (35Ton)	
	1001207508	Ref	Kit, Traffic Cone Storage (60Ton)	
	1001195520	Ref	Kit, Wheel Chocks Storage	
	1001238159	Ref	Kit, Winch Drag Brake (50K DP Brand Winches)	

SECTION 9 - ACCESSORIES

FIGURE 9-2. AIR, EMERGENCY AND SERVICE GLAD HANDS



ART_2503630028

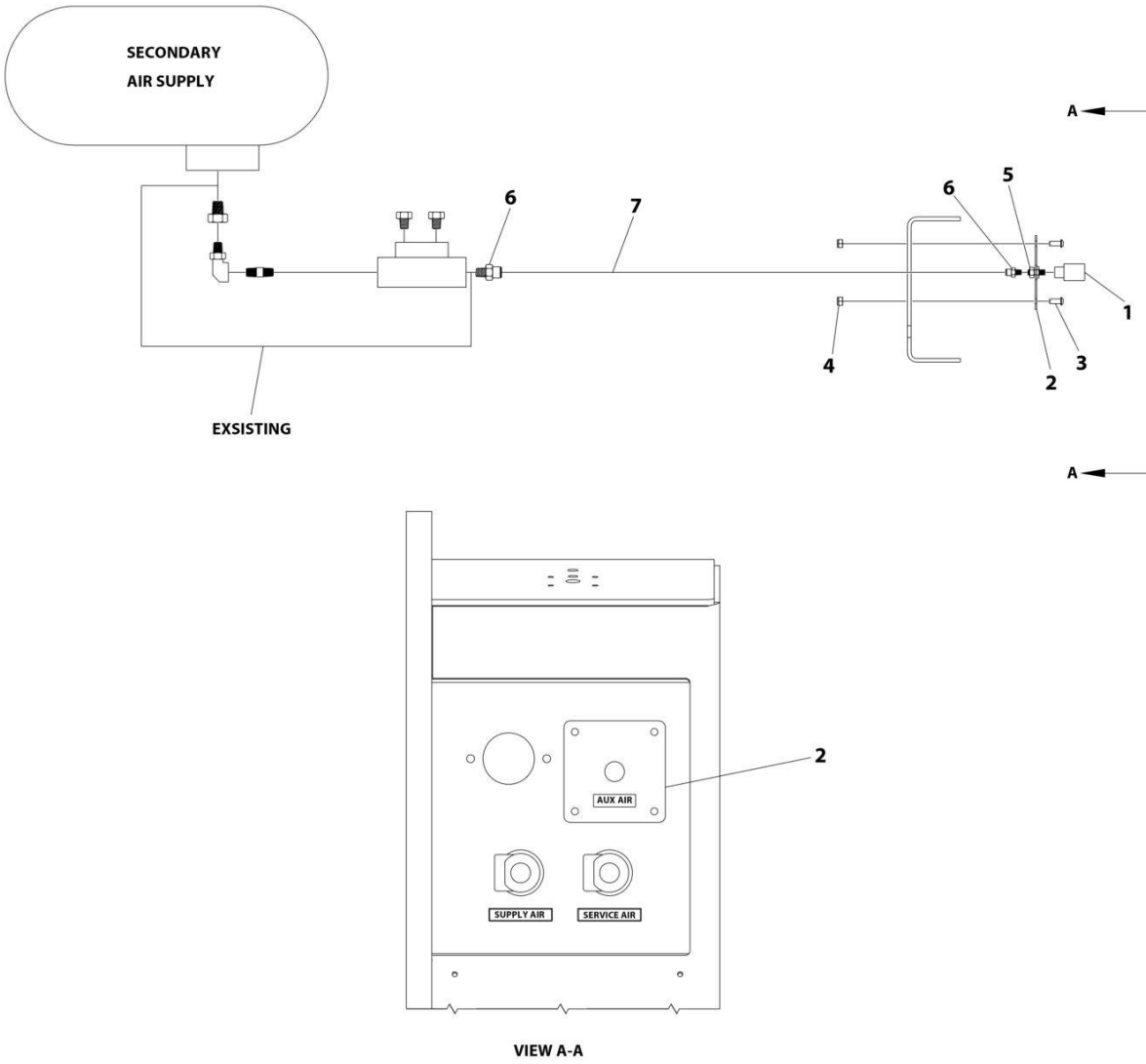
SECTION 9 - ACCESSORIES

FIGURE 9-2. AIR, EMERGENCY AND SERVICE GLAD HANDS

ITEM	PART NUMBER	QTY	DESCRIPTION	REV
	2503630028	Ref	Air, Emergency and Service Glad Hands	F
1	7312000015	1	Gladhand	
2	7312000016	1	Gladhand	
3	7446502518	2	Fitting	
4	7446060435	4	Fitting	
5	7565000014	50 ft	Airline Tubing	
6	7443000148	2	Bushing	
7	7443000146	2	Elbow	
8	7443000145	2	Bushing	
10	1001170036	2	Shield	
11	1001171933	2	Ring	
12	7445040449	1	Nipple (Not Shown)	

SECTION 9 - ACCESSORIES

FIGURE 9-3. AUXILIARY AIR INSTALLATION



ART_1001143867

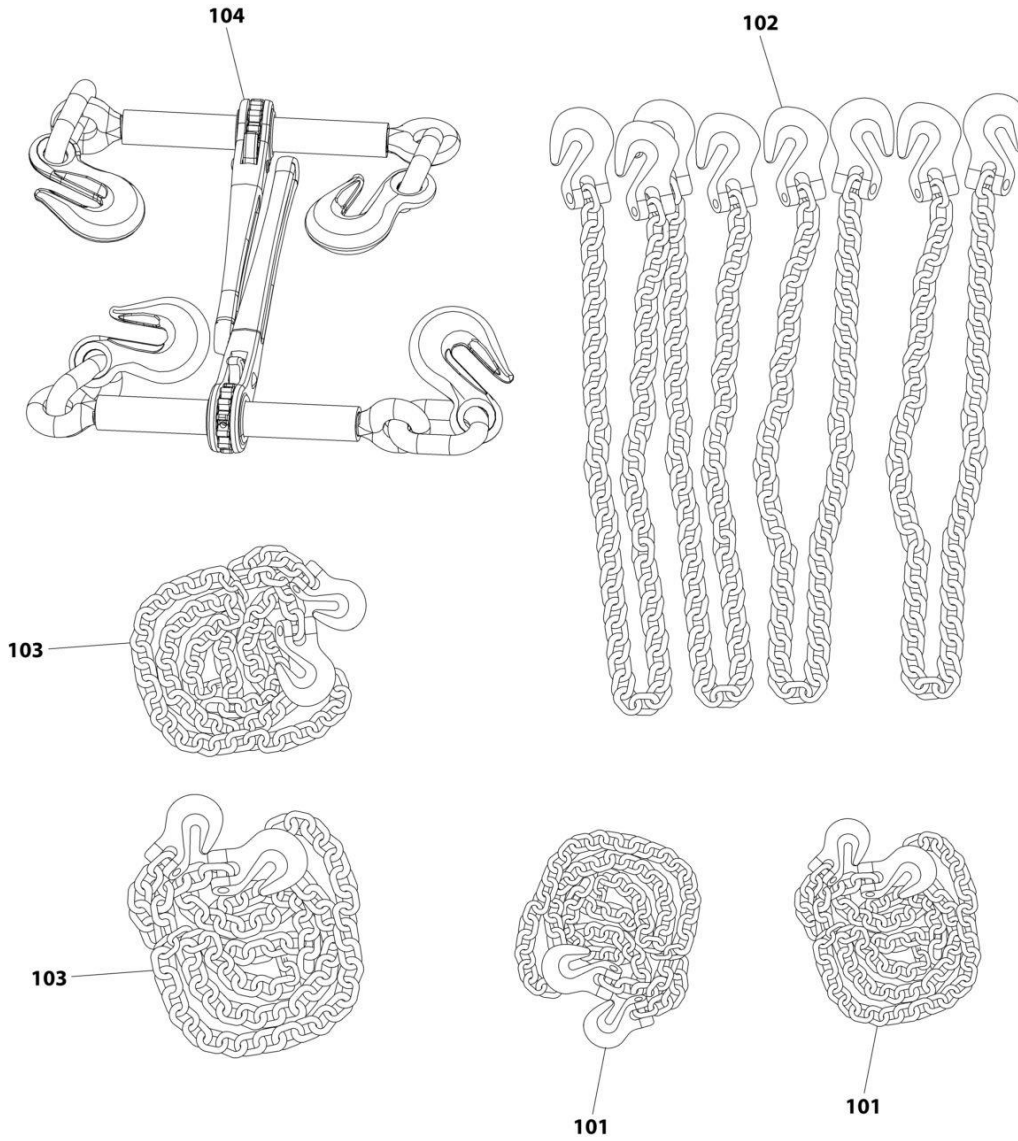
SECTION 9 - ACCESSORIES

FIGURE 9-3. AUXILIARY AIR INSTALLATION

ITEM	PART NUMBER	QTY	DESCRIPTION	REV
	1001143867	Ref	AUXILIARY AIR INSTALLATION	A
1	7312000017	1	Fitting, Disconnect	
2	4811001135	1	Panel	
3	7114140518	4	Bolt 1/4 x 5/8	
4	7660142604	4	Nut 1/4	
5	7446502518	1	Fitting, Bulkhead NPT(M)-NPT(F)	
6	7443000175	2	Fitting, Straight NPTM	
7	7565000014	25 ft	Tubing	

SECTION 9 - ACCESSORIES

FIGURE 9-4. CHAIN KIT - HEAVY DUTY LEVEL 1



ART_1001233644

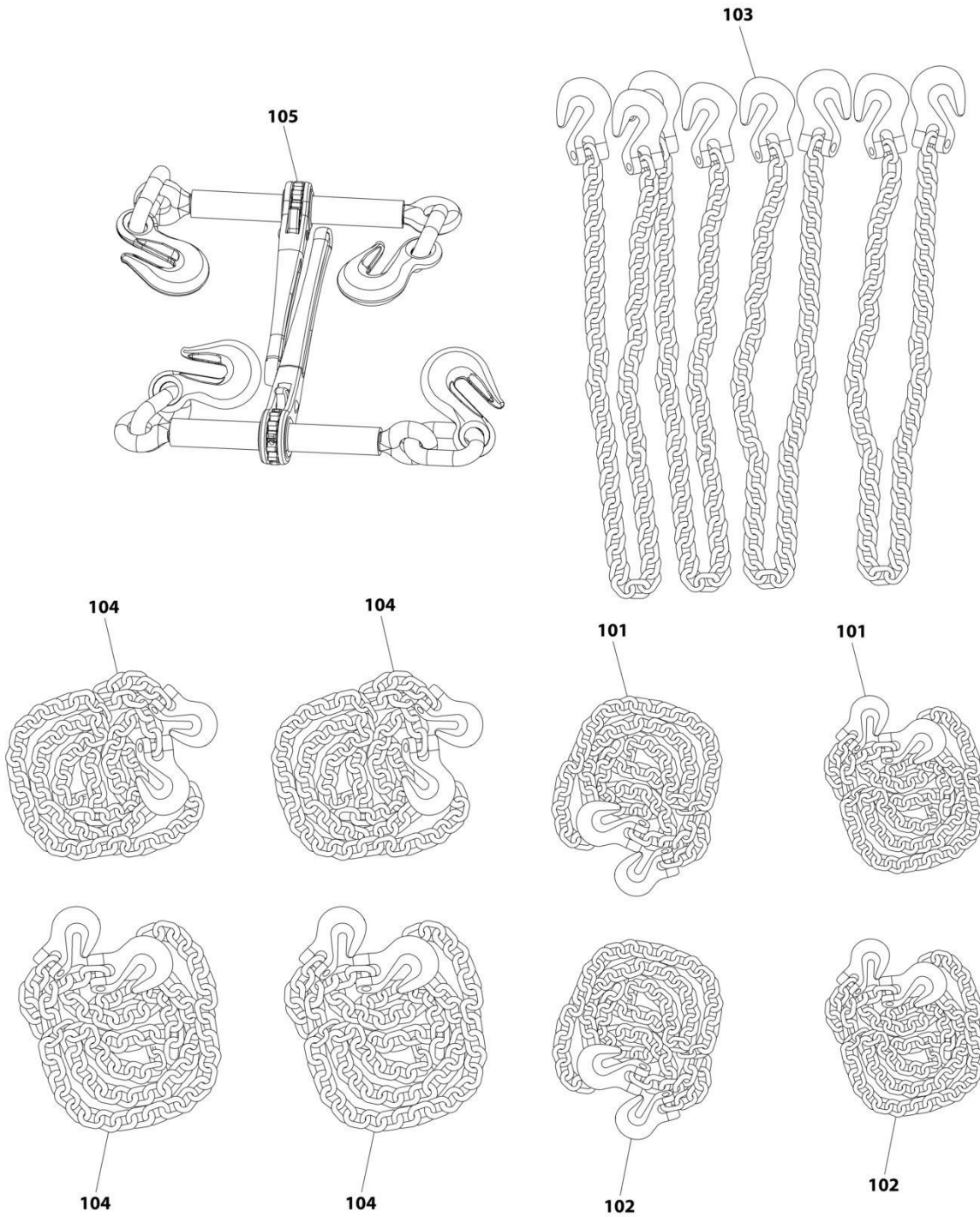
SECTION 9 - ACCESSORIES

FIGURE 9-4. CHAIN KIT - HEAVY DUTY LEVEL 1

ITEM	PART NUMBER	QTY	DESCRIPTION	REV
	1001233644	Ref	CHAIN KIT, LEVEL 1 (HEAVY DUTY)	A
1	1001233072	1	Chain Kit (Not Shown)	
101	Kit	2	3/8IN Chain, G70 x 10FT (clevis each end)	
102	Kit	4	3/8IN Chain, G100 x 10FT 8800#WLL (clevis each end)	
103	Kit	2	0.5IN Chain, G100 x 10FT 15000#WLL (clevis each end)	
104	Kit	2	3/8-0.5 Chain Binder 9200#WLL, 8IN	

SECTION 9 - ACCESSORIES

FIGURE 9-5. CHAIN KIT - HEAVY DUTY LEVEL 2



ART_1001233645

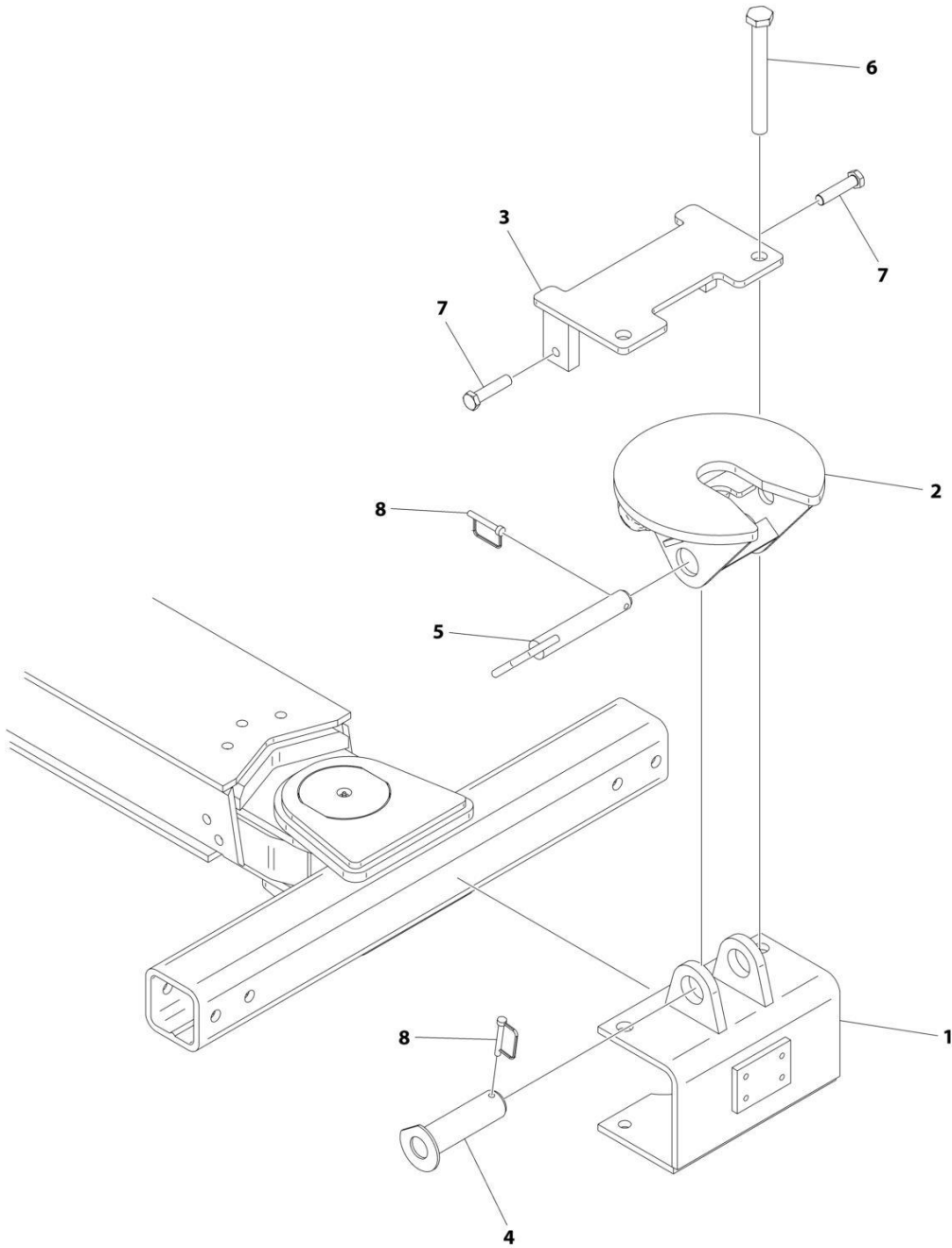
SECTION 9 - ACCESSORIES

FIGURE 9-5. CHAIN KIT - HEAVY DUTY LEVEL 2

ITEM	PART NUMBER	QTY	DESCRIPTION	REV
	1001233645	Ref	CHAIN KIT, LEVEL 2 (HEAVY DUTY)	A
1	1001208360	1	Chain Kit (Not Shown)	
101	Kit	2	3/8IN Chain, 10FT (non cradle grab), GR. 70	
102	Kit	2	3/8IN Chain, 20FT (non cradle grab), GR. 70	
103	Kit	4	3/8IN Chain, 10FT (non cradle grab), GR. 100	
104	Kit	4	1/2IN Chain, 10FT (non cradle grab), GR. 100	
105	Kit	2	Ratcheting Chain Binders	

SECTION 9 - ACCESSORIES

FIGURE 9-6. FIFTH WHEEL TOW ATTACHMENT



ART_2503880033

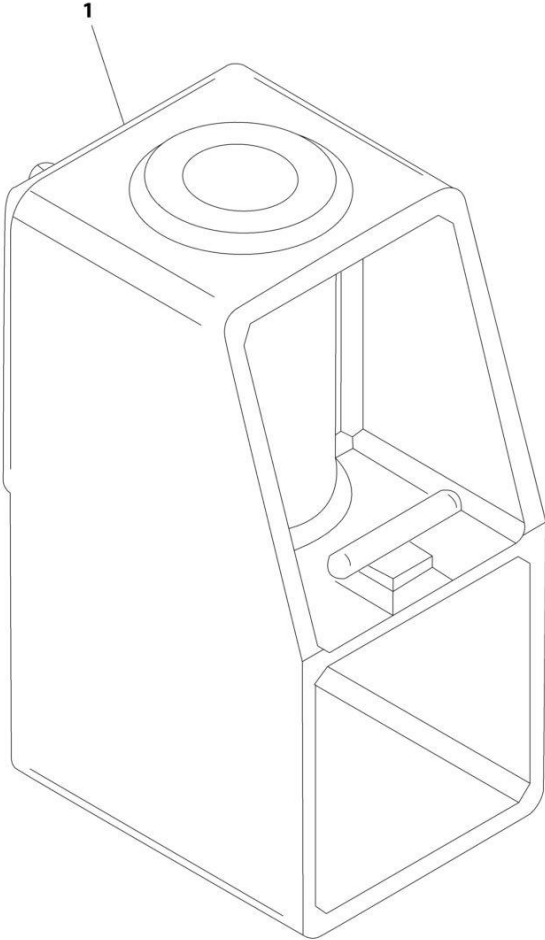
SECTION 9 - ACCESSORIES

FIGURE 9-6. FIFTH WHEEL TOW ATTACHMENT

ITEM	PART NUMBER	QTY	DESCRIPTION	REV
	2503880033	Ref	Underlift Tools - 5th Wheel Installation	C
1	3178000240	1	Bracket	
2	3178000499	1	Bracket	
3	3706000080	1	Plate	
4	3691000144	1	Pin	
5	3691000145	1	Pin	
6	7118267250	2	Capscrew 1 x 9	
7	7120000036	2	Capscrew 3/4 x 3-1/4	
8	7691000025	2	Pin	

SECTION 9 - ACCESSORIES

FIGURE 9-7. FORK RISER ADAPTERS



ART_1001231626

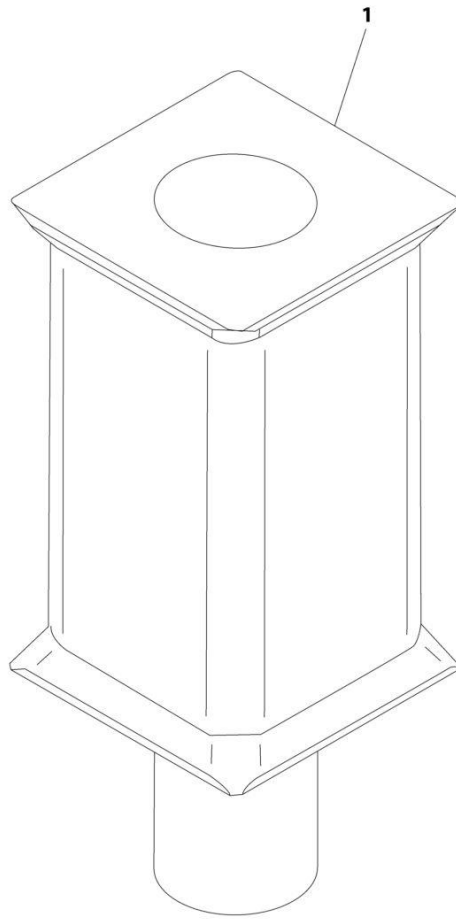
SECTION 9 - ACCESSORIES

FIGURE 9-7. FORK RISER ADAPTERS

ITEM	PART NUMBER	QTY	DESCRIPTION	REV
1	1001231626	Ref	FORK RISER ADAPTER - 7IN	A
	1001170172	2	Accessory Fork Riser	

SECTION 9 - ACCESSORIES

FIGURE 9-8. FORK RISERS - 7IN



ART_1001231627

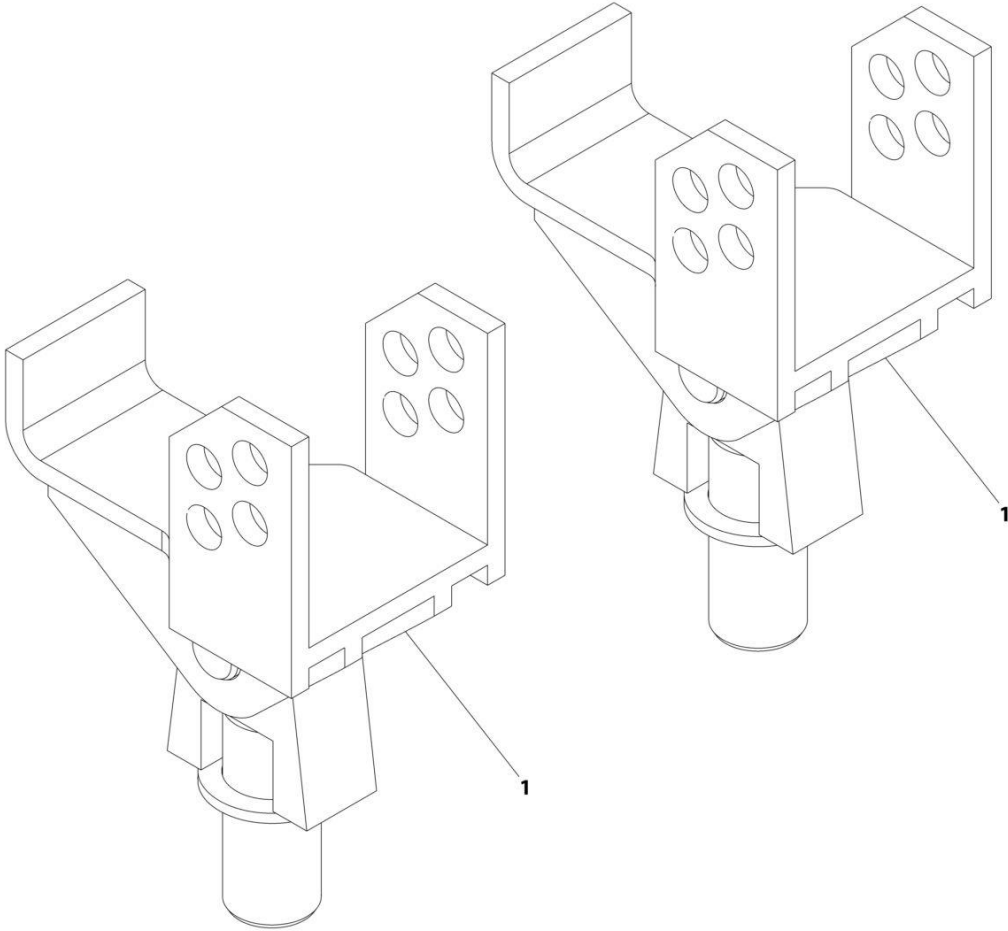
SECTION 9 - ACCESSORIES

FIGURE 9-8. FORK RISERS - 7IN

ITEM	PART NUMBER	QTY	DESCRIPTION	REV
1	1001231627 7002000502	Ref 2	FORK RISER - 7IN Fork Riser Attachment	A

SECTION 9 - ACCESSORIES

FIGURE 9-9. FRAME FORK INSTALLATION (SPRING FORKS)



ART_1001289478

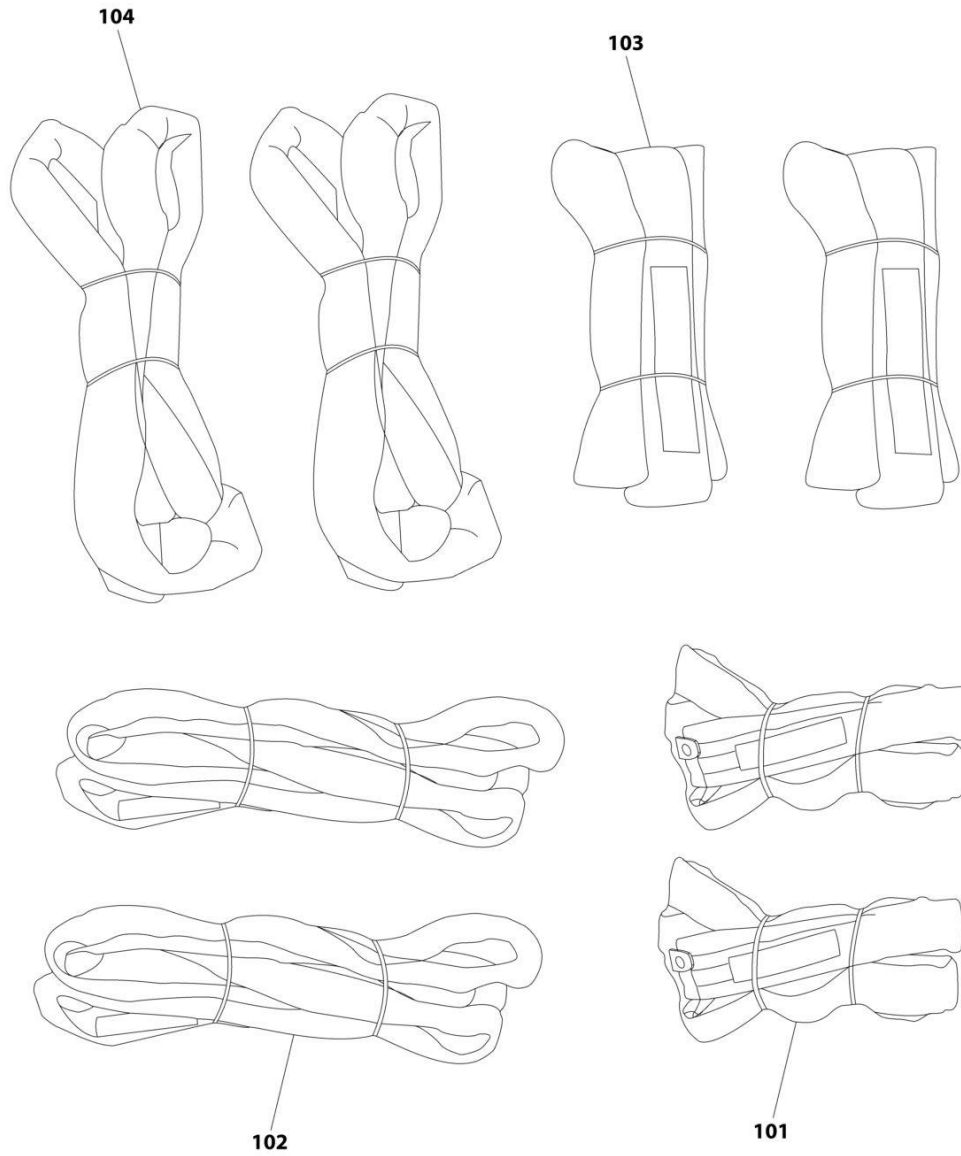
SECTION 9 - ACCESSORIES

FIGURE 9-9. FRAME FORK INSTALLATION (SPRING FORKS)

ITEM	PART NUMBER	QTY	DESCRIPTION	REV
1	1001289478 3178000226	Ref 2	FRAME FORK INSTALLATION (SPRING FORKS) Spring Lift Bracket	A

SECTION 9 - ACCESSORIES

FIGURE 9-10. LOOP SLING KIT LEVEL 1



ART_1001233642

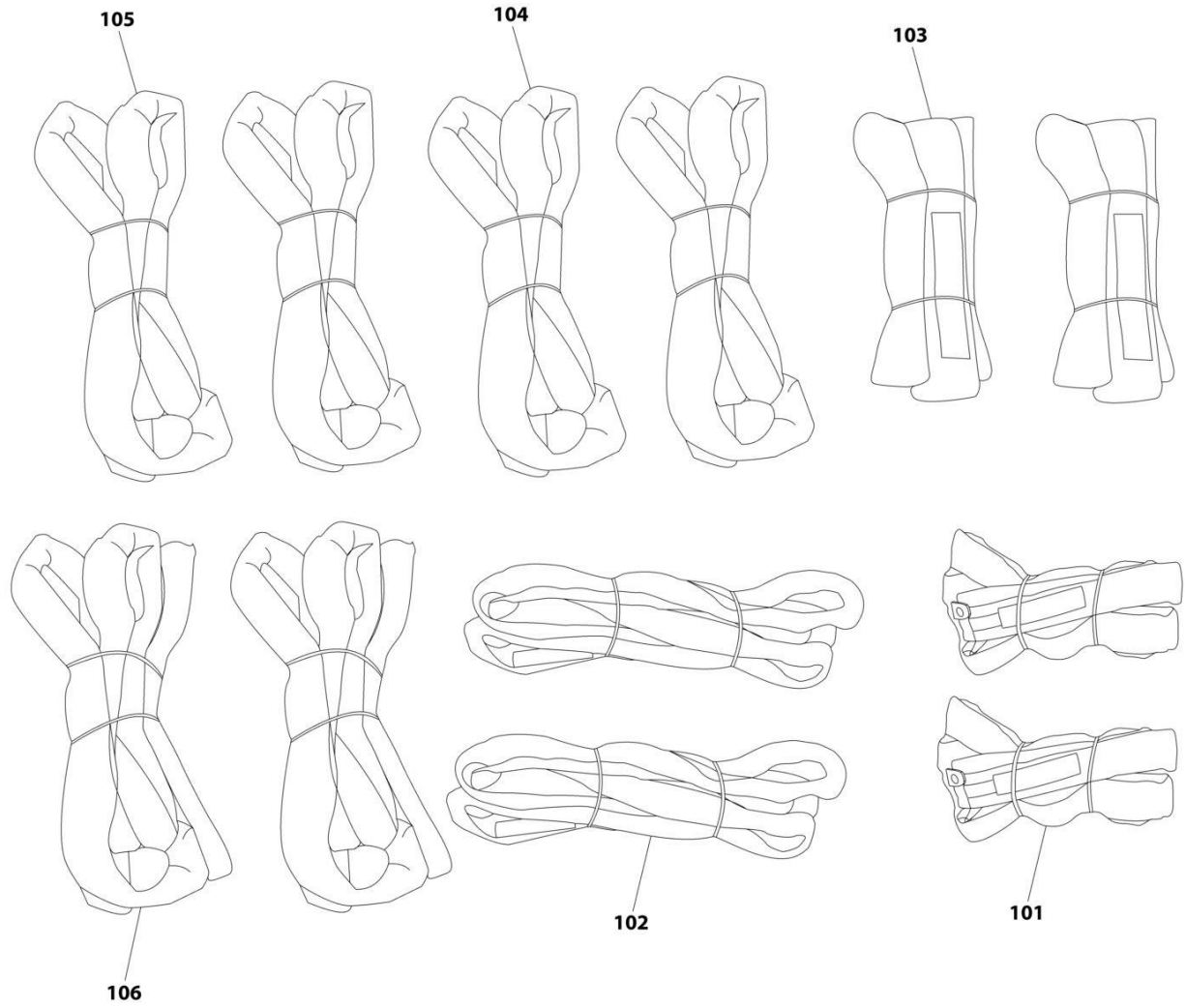
SECTION 9 - ACCESSORIES

FIGURE 9-10. LOOP SLING KIT LEVEL 1

ITEM	PART NUMBER	QTY	DESCRIPTION	REV
	1001233642	Ref	LOOP SLING KIT, LEVEL 1	A
1	1001233070	1	Loop Sling Kit (Not Shown)	
101	Kit	2	4FT Yellow Round Sling, V-8400#	
102	Kit	2	6FT Yellow Round Sling, V-8400#	
103	Kit	2	8FT Red Round Sling, V-13200#	
104	Kit	2	12FT Red Round Sling, V-13200#	

SECTION 9 - ACCESSORIES

FIGURE 9-11. LOOP SLING KIT LEVEL 2



ART_1001233643

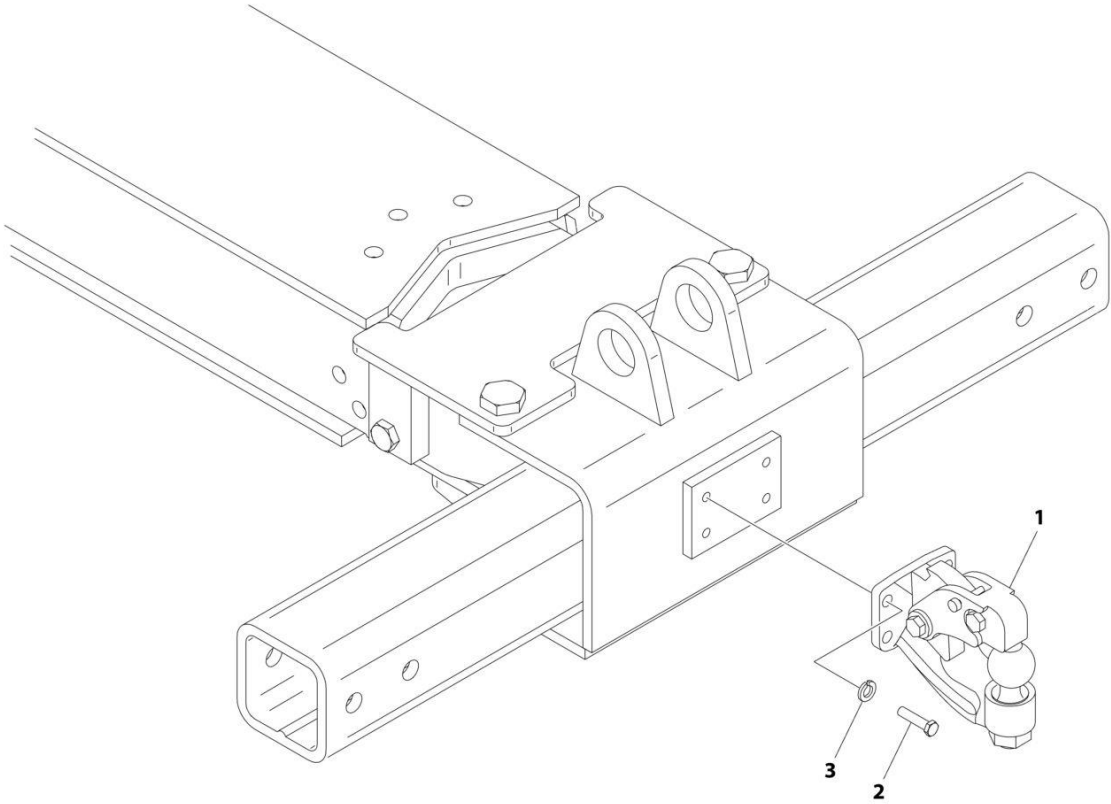
SECTION 9 - ACCESSORIES

FIGURE 9-11. LOOP SLING KIT LEVEL 2

ITEM	PART NUMBER	QTY	DESCRIPTION	REV
	1001233643	Ref	LOOP SLING KIT, LEVEL 2	A
1	1001208359	1	Loop Sling Kit (Not Shown)	
101	Kit	2	4FT Yellow Endless Loop	
102	Kit	2	6FT Yellow Endless Loop	
103	Kit	2	8FT Red Endless Loop	
104	Kit	2	12FT Red Endless Loop	
105	Kit	2	12FT Blue Endless Loop	
106	Kit	2	16FT Blue Endless Loop	

SECTION 9 - ACCESSORIES

FIGURE 9-12. PINTLE HOOK WITH 2IN BALL



ART_2503880043

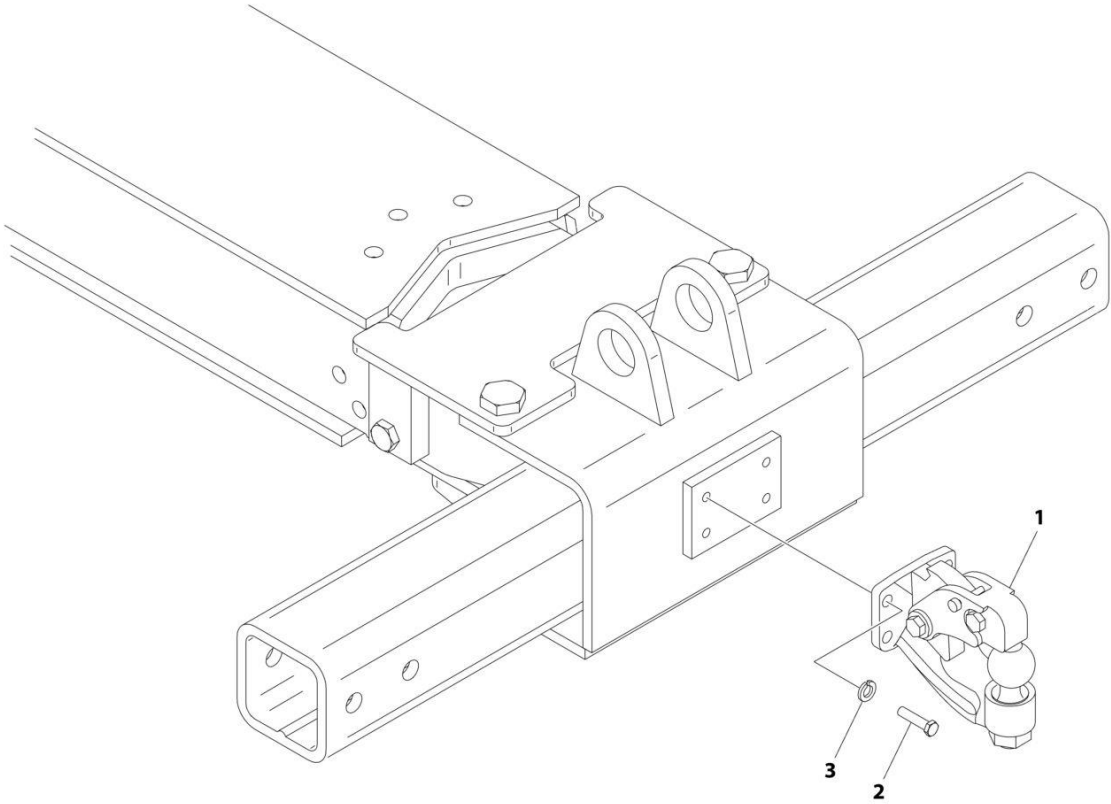
SECTION 9 - ACCESSORIES

FIGURE 9-12. PINTLE HOOK WITH 2IN BALL

ITEM	PART NUMBER	QTY	DESCRIPTION	REV
	2503880043	Ref	UNDERLIFT TOW PINTLE HOOK WITH 2IN DIA BALL	A
1	7561000020	1	Hitch, Pintle Hook with 2IN Dia. Ball	
2	7118181250	4	Capscrew 1/2 x 1-1/2	
3	7950180000	4	Lockwasher 1/2	

SECTION 9 - ACCESSORIES

FIGURE 9-13. PINTLE HOOK WITH 50MM BALL



ART_2503880044

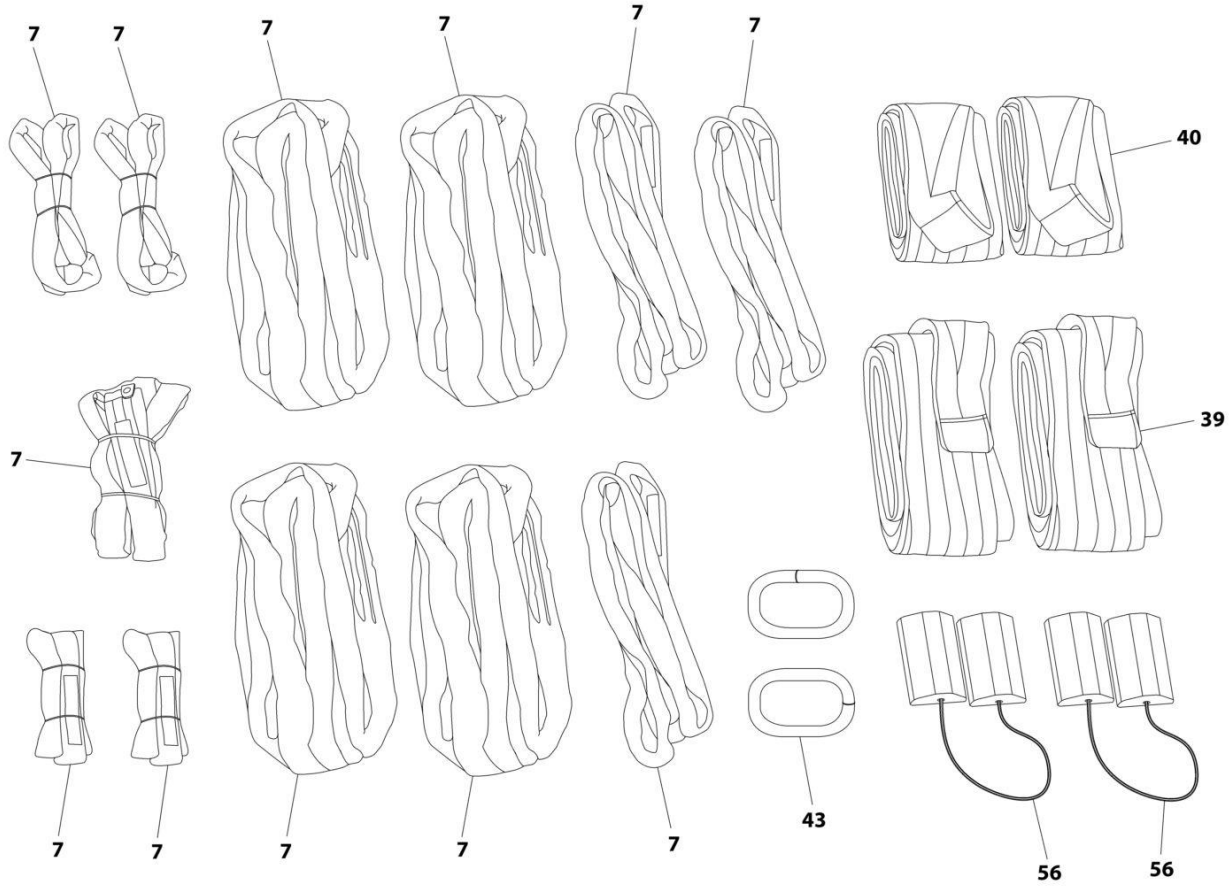
SECTION 9 - ACCESSORIES

FIGURE 9-13. PINTLE HOOK WITH 50MM BALL

ITEM	PART NUMBER	QTY	DESCRIPTION	REV
	2503880044	Ref	Underlift Tools - Pintle Hook With 50mm Dia Ball	A
1	7561000022	1	Hitch, Pintle Hook with 50mm Dia. Ball	
2	7118181250	4	Capscrew 1/2 x 1-1/2	
3	7950180000	4	Lockwasher 1/2	

SECTION 9 - ACCESSORIES

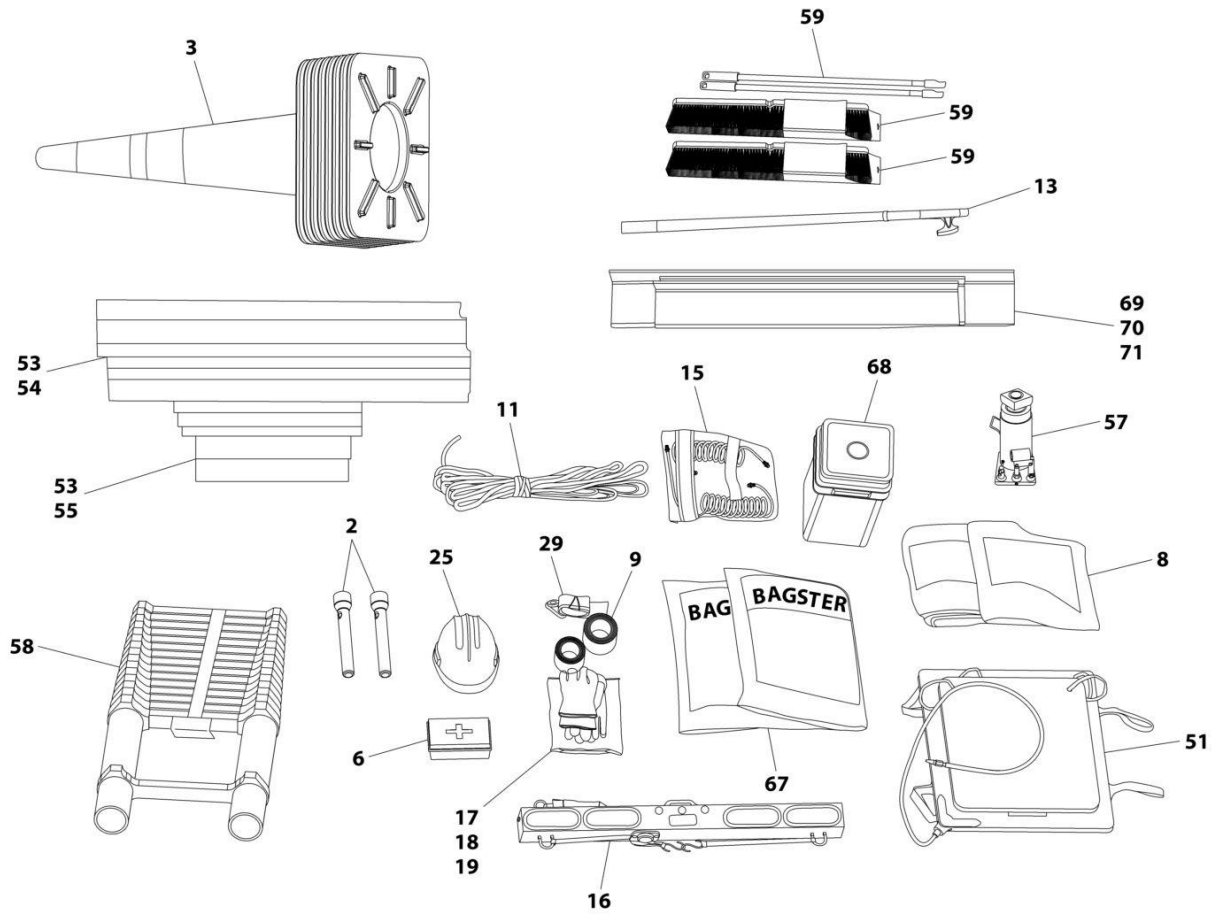
FIGURE 9-14. RISC ACCESSORY PACKAGE (1OF5)



ART_1001174485_1OF5

SECTION 9 - ACCESSORIES

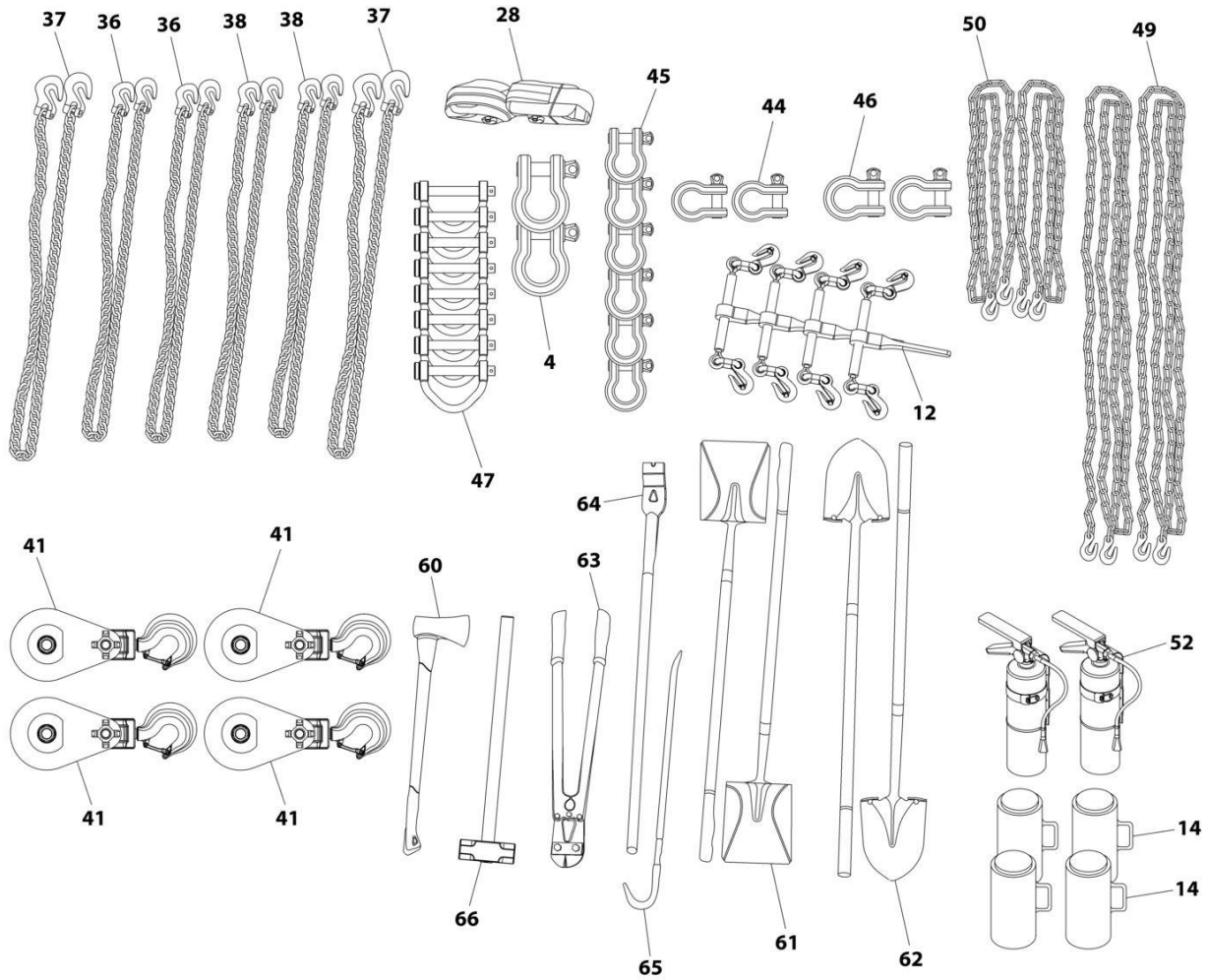
FIGURE 9-15. RISC ACCESSORY PACKAGE (20F5)



ART_1001174485_20F5

SECTION 9 - ACCESSORIES

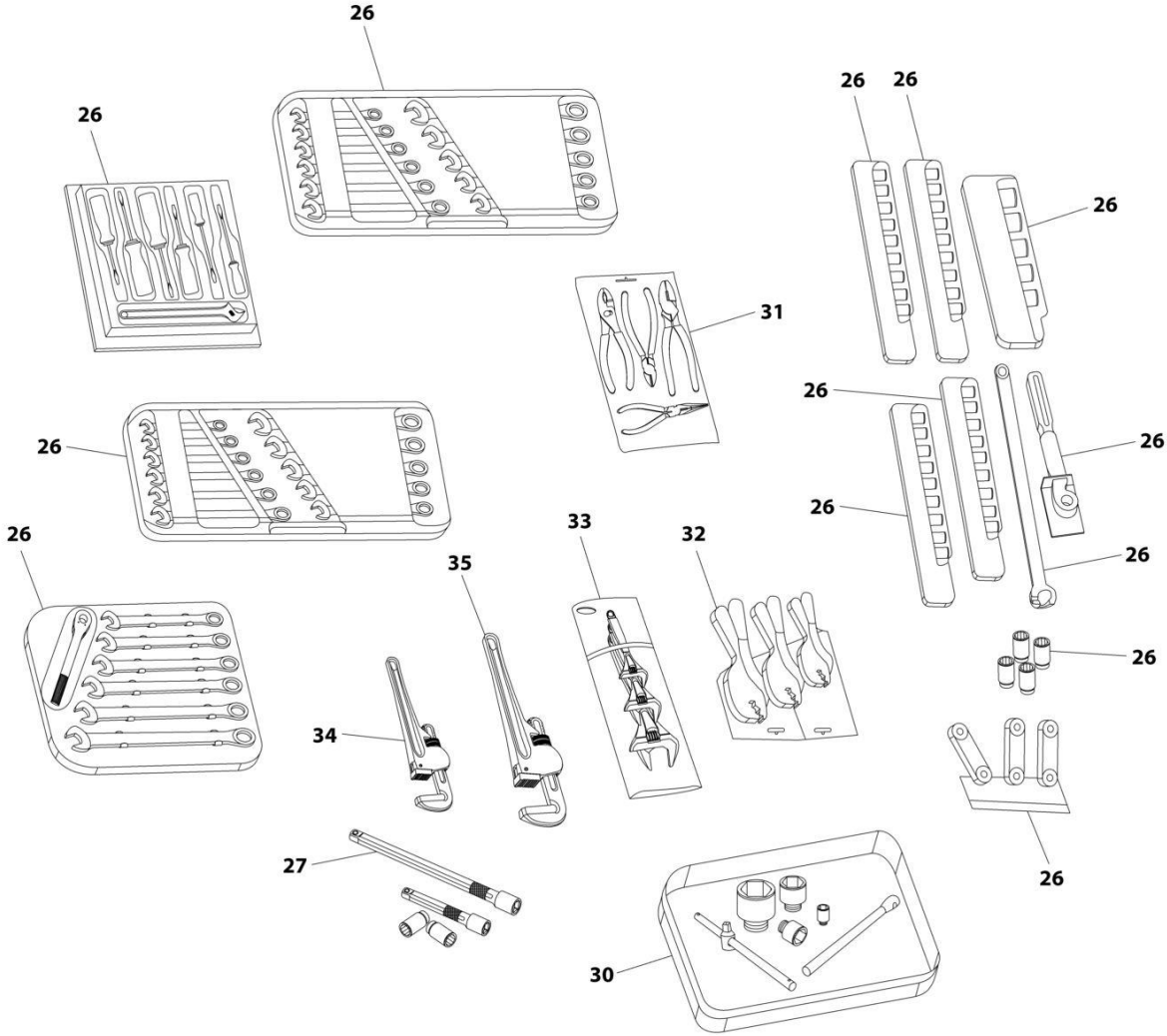
FIGURE 9-16. RISC ACCESSORY PACKAGE (30F5)



ART_1001174485_30F5

SECTION 9 - ACCESSORIES

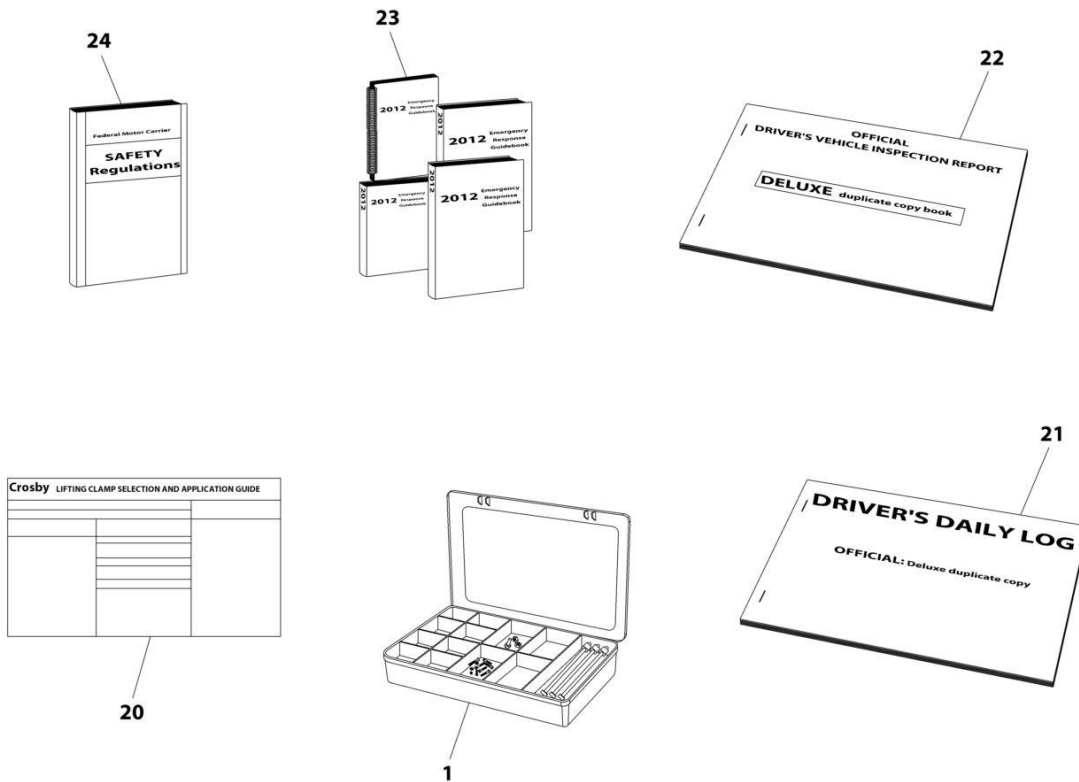
FIGURE 9-17. RISC ACCESSORY PACKAGE (40F5)



ART_1001174485_40F5

SECTION 9 - ACCESSORIES

FIGURE 9-18. RISC ACCESSORY PACKAGE (50F5)



ART_1001174485_50F5

SECTION 9 - ACCESSORIES

FIGURE 9-18. RISC ACCESSORY PACKAGE (50F5)

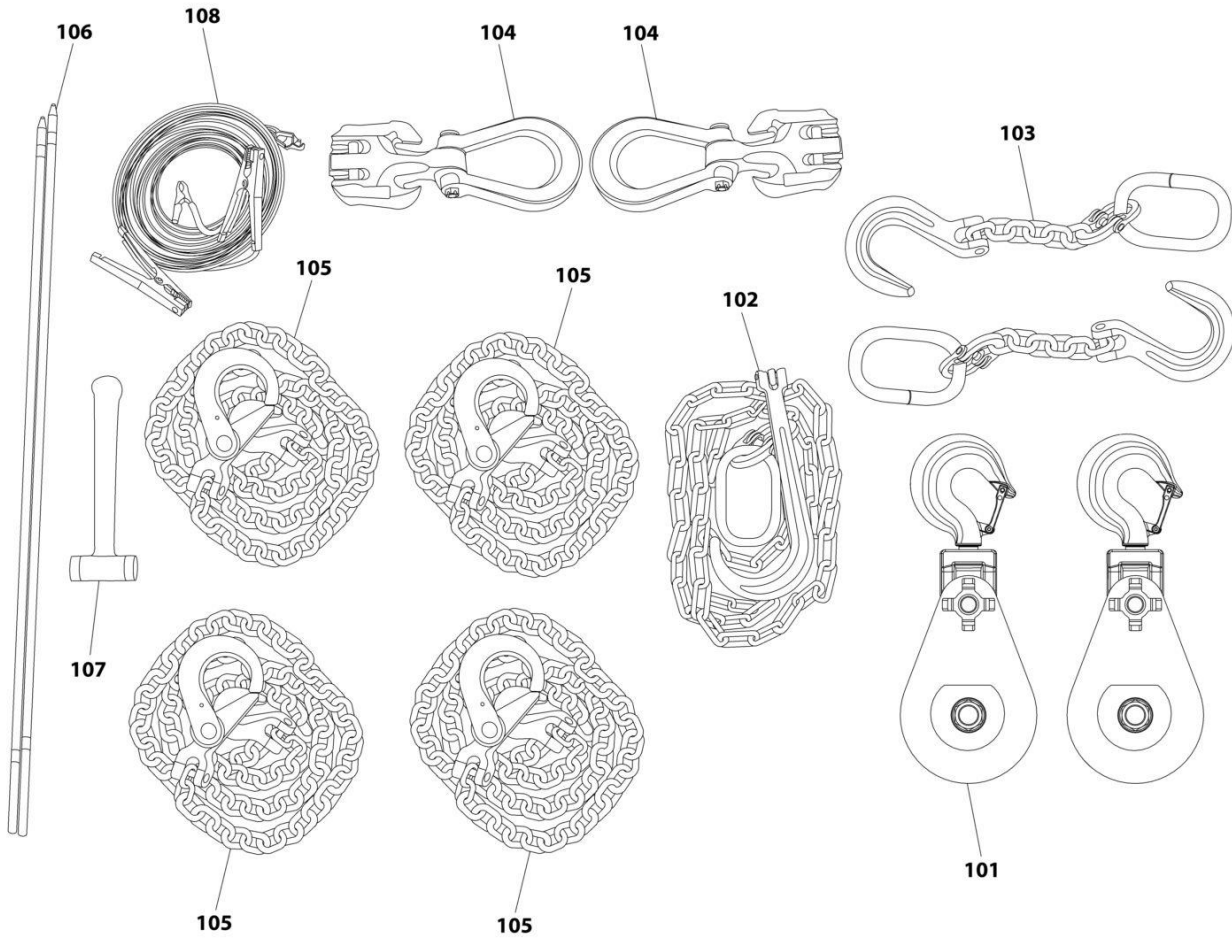
ITEM	PART NUMBER	QTY	DESCRIPTION	REV
	1001174485	Ref	Risc Accessory Package	D
1	70050850	1	Brake Release Kit	
2	70050851	2	Flashlight	
3	70050852	12	Traffic Cone	
4	70050853	2	Crosby Shackle	
5	70050854	2	Spill Absorbent Kit (Not Shown)	
6	70050855	1	First Aid Kit	
7	70050856	1	Endless Round Sling Kit	
8	70050857	2	Tarp	
9	70050858	2	Duct Tape	
10	70050859	2	Sewer Cover Mat (Not Shown)	
11	70050860	1	Rope	
12	70050861	4	Load Binder	
13	70050862	1	Retrieval Tool	
14	70050863	48	Flare	
15	70050864	1	Brake Air Hose Kit	
16	70050865	1	Wireless Tow Light	
17	70050866	2	Reflective Vest	
18	70050867	1	Chemical Gloves	
19	70050868	2	Safety Gloves	
20	70050869	1	Crosby Users Lifting Guide	
21	70050870	1	Log Book	
22	70050871	1	Inspection Book	
23	70050872	1	Emergency Response Book	
24	70050873	1	FMC Safety Regulation Book	
25	70050874	1	New Hire Kit	
26	70050875	1	Tool Set	
27	70050876	6	Drive Shaft Sockets	
28	70050877	2	Under Reach Strap	
29	70050878	1	Steering Wheel Lock	
30	70050879	1	Impact Socket	
31	70050880	1	Pliers Kit	
32	70050881	1	Vise Kit	
33	70050882	1	Adjustable Wrench Kit	
34	70050883	1	Pipe Wrench	
35	70050884	1	Pipe Wrench	
36	70050885	2	Chain	
37	70050886	2	Chain	
38	70050887	2	Chain	
39	70050888	2	Recovery Strap	
40	70050889	2	Recovery Strap	
41	70050890	4	Snatch Block	
42	70050891	1	Shackle Kit (Not Shown)	
43	70050892	2	Master Link	
44	70050893	2	Shackle, 17,000 LB	
45	70050894	6	Shackle, 24,000 LB	
46	70050895	2	Shackle, 34,000 LB	
47	70050896	8	Web Shackle	
48	70050897	1	Transport Chain	
49	70050898	2	Chain	

SECTION 9 - ACCESSORIES

ITEM	PART NUMBER	QTY	DESCRIPTION	REV
50	70050899	2	Chain	
51	70050900	1	Air Cushion	
52	70050901	2	Fire Extinguisher	
53	70050902	1	Cribbing Kit	
54	70050903	4	Cribbing	
55	70050904	8	Cribbing	
56	70050905	4	Wheel Chocks	
57	70050906	1	Hydraulic Jack	
58	70050907	1	Ladder	
59	70050908	2	Push Broom	
60	70050909	1	Axe	
61	70050910	2	Shovel, Flat Blade	
62	70050911	2	Shovel, Round Blade	
63	70050912	1	Bolt Cutter	
64	70050913	1	Grizzley Bar	
65	70050914	1	Crow Bar	
66	70050915	1	Sledge Hammer	
67	70050916	2	Trash Can	
68	70050917	1	Spill Kit	
69	70050918	1	Angle Kit	
70	70050919	2	Angle	
71	70050920	1	Angle	

SECTION 9 - ACCESSORIES

FIGURE 9-19. RUGGED KIT



ART_1001233649

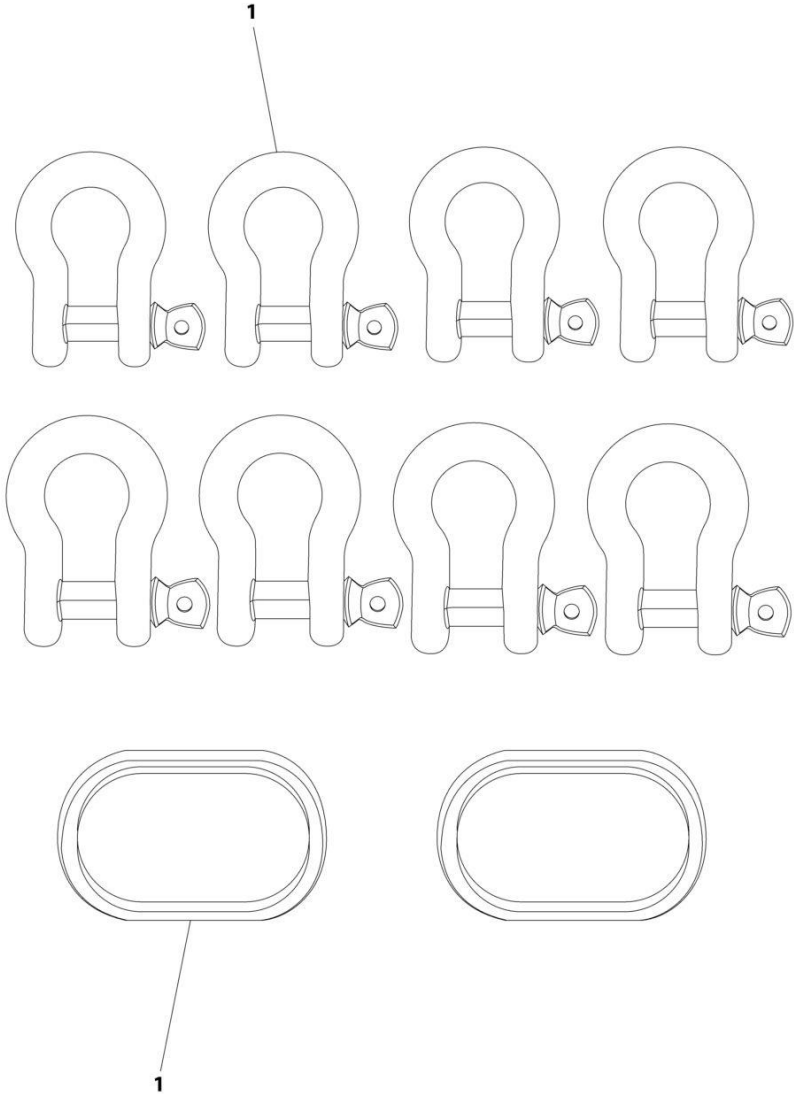
SECTION 9 - ACCESSORIES

FIGURE 9-19. RUGGED KIT

ITEM	PART NUMBER	QTY	DESCRIPTION	REV
	1001233649	Ref	RUGGED KIT, JFB	A
1	1001174490	1	Rugged Package (Not Shown)	
101	Kit	2	7/8 x 8IN Diameter Snatch Block, 30,000#	
102	Kit	1	3/8 x 10FT Recover Chain	
103	Kit	2	1/2IN x 2FT Recovery Chain, 15,000#	
104	Kit	2	1/2IN Double Leg Recovery Sling Eliminator, 30,000#	
105	Kit	4	1/2IN x 10FT Recovery Chain w/Self-Locking Clevis	
106	Kit	2	1/2IN x 48IN Copper Ground Stake	
107	Kit	1	Non-Sparking Brass Mallet	
108	Kit	3	30FT Ground Wire	

SECTION 9 - ACCESSORIES

FIGURE 9-20. SHACKLE KIT LEVEL 1



ART_1001233646

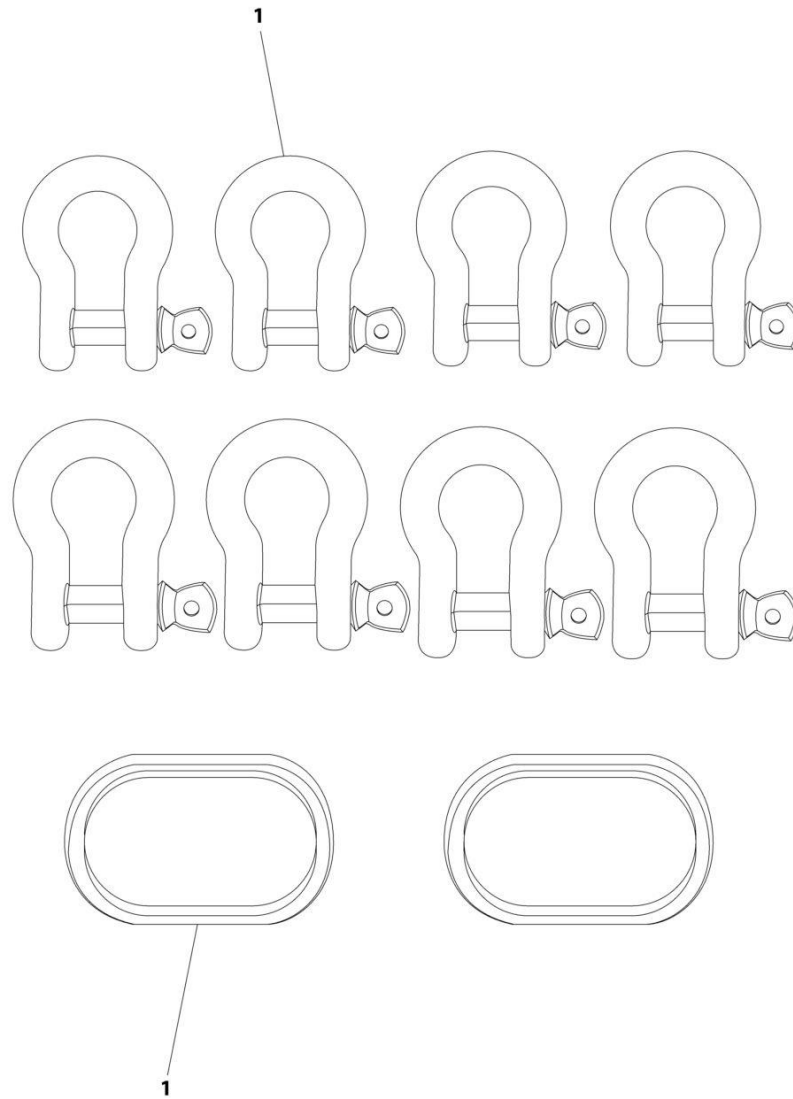
SECTION 9 - ACCESSORIES

FIGURE 9-20. SHACKLE KIT LEVEL 1

ITEM	PART NUMBER	QTY	DESCRIPTION	REV
	1001233646	Ref	SHACKLE KIT, LEVEL 1	A
1	1001233071	1	Shackle Kit	
1	Kit	4	Galvanized 8.5T Shackle, 1IN Pin	
1	Kit	2	Galvanized 12T Shackle, 1.25IN Pin	
1	Kit	2	Master Link Type M GRD 100 17200#WWL, 7/8IN	

SECTION 9 - ACCESSORIES

FIGURE 9-21. SHACKLE KIT LEVEL 2



ART_1001233647

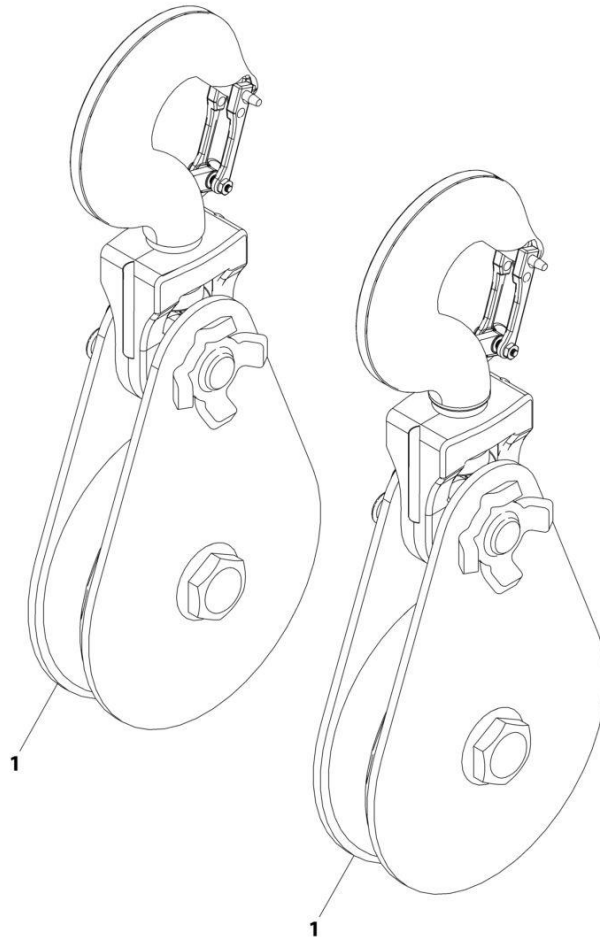
SECTION 9 - ACCESSORIES

FIGURE 9-21. SHACKLE KIT LEVEL 2

ITEM	PART NUMBER	QTY	DESCRIPTION	REV
	1001233647	Ref	SHACKLE KIT, LEVEL 2	A
1	1001208361	1	Shackle Kit	
1	Kit	2	Master Link, 1.25IN Pin	
1	Kit	2	Screw Pin Shackle, 1IN Pin	
1	Kit	6	Screw Pin Shackle, 1.25IN Pin	
1	Kit	2	Screw Pin Shackle, 1.5IN	

SECTION 9 - ACCESSORIES

FIGURE 9-22. SNATCH BLOCK KIT



ART_1001241575

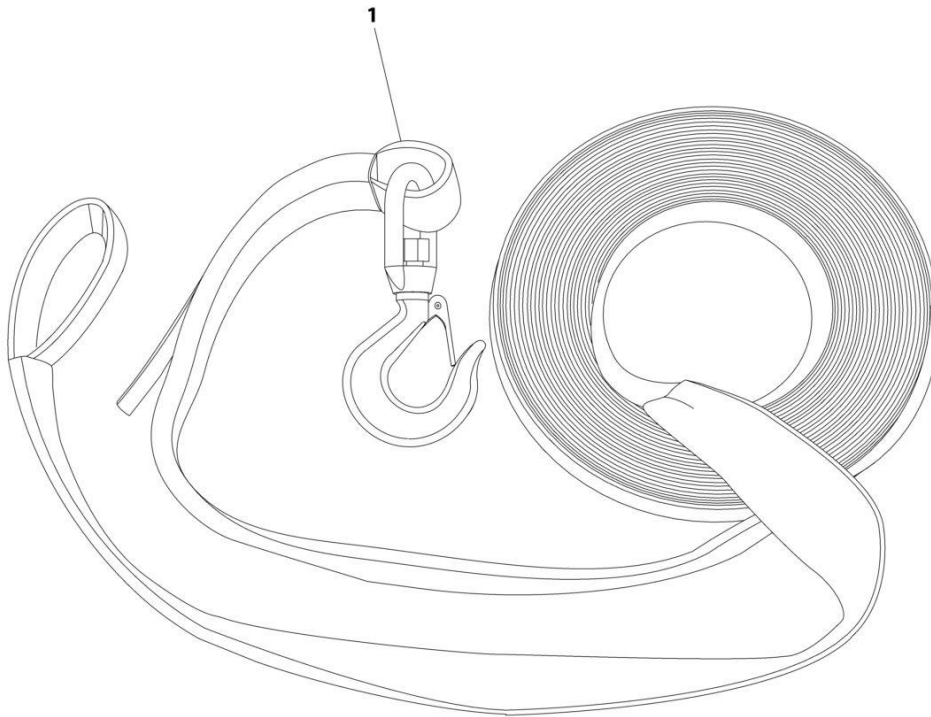
SECTION 9 - ACCESSORIES

FIGURE 9-22. SNATCH BLOCK KIT

ITEM	PART NUMBER	QTY	DESCRIPTION	REV
1	1001241575	Ref	Snatch Block Kit	A
	1001241570	2	Snatch Block	

SECTION 9 - ACCESSORIES

FIGURE 9-23. STRAP EXTENTION ASSEMBLY



ART_1001258250

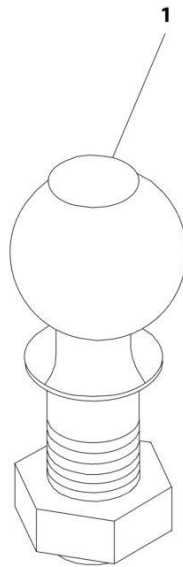
SECTION 9 - ACCESSORIES

FIGURE 9-23. STRAP EXTENTION ASSEMBLY

ITEM	PART NUMBER	QTY	DESCRIPTION	REV
1	1001258250 7894000071	Ref 1	STRAP EXTENSION, 50FT NYLON Strap 50FT Extension W/Swivel	A

SECTION 9 - ACCESSORIES

FIGURE 9-24. TOW BALL - 1,88IN DIA



ART_1001231628

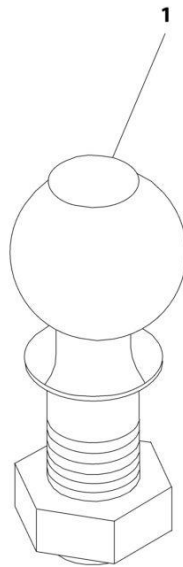
SECTION 9 - ACCESSORIES

FIGURE 9-24. TOW BALL - 1,88IN DIA

ITEM	PART NUMBER	QTY	DESCRIPTION	REV
1	1001231628 7056000003	Ref 1	TOW BALL - 1.88IN DIA Ball, 1.88IN Dia	A

SECTION 9 - ACCESSORIES

FIGURE 9-25. TOW BALL - 2IN DIA



ART_1001231629

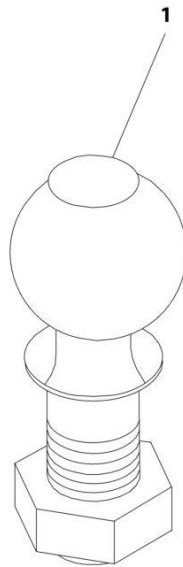
SECTION 9 - ACCESSORIES

FIGURE 9-25. TOW BALL - 2IN DIA

ITEM	PART NUMBER	QTY	DESCRIPTION	REV
1	1001231629 7056000004	Ref 1	TOW BALL - 2IN DIA Ball, 2.00IN Dia	A

SECTION 9 - ACCESSORIES

FIGURE 9-26. TOW BALL - 2.31IN DIA



ART_1001231630

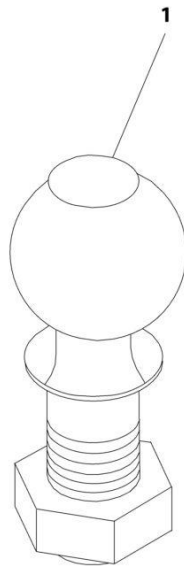
SECTION 9 - ACCESSORIES

FIGURE 9-26. TOW BALL - 2.31IN DIA

ITEM	PART NUMBER	QTY	DESCRIPTION	REV
1	1001231630 7056000005	Ref 1	TOW BALL - 2.31IN DIA Ball, 2.31IN Dia	A

SECTION 9 - ACCESSORIES

FIGURE 9-27. TOW BALL - 50MM DIA



ART_1001231631

SECTION 9 - ACCESSORIES

FIGURE 9-27. TOW BALL - 50MM DIA

ITEM	PART NUMBER	QTY	DESCRIPTION	REV
1	1001231631 7056000006	Ref 1	Tow Acc, 50mm Dia Pintle Hook Ball Ball, 50mm Dia	A

SECTION 10 - BUILD DOCUMENTS

SECTION 10 - BUILD DOCUMENTS

FIGURE 10-1. BUILD DOC_5376000274

ITEM	PART NUMBER	QTY	DESCRIPTION	REV
	Note	Ref	Note: This list is for build tracking purposes only. Parts in this list are not available at this inventory stocking level. Parts in this list may not be applicable to all models. For more specific parts information contact Jerr-Dan Parts Department	
	1001227092	Ref	Body Hole Fill Kit	
	1001274638	Ref	Doors Installation - 38IN ("B" Slot)(Painted Door Only)	
	1001274633	Ref	Doors Installation - 38IN ("B" Slot)(Painted Door Only) (See Separate Breakdown in BODY Section)	
	1001274639	Ref	Doors Installation - 38IN ("B" Slot)(Painted Door & Frame)	
	1001274634	Ref	Doors Installation - 38IN ("B" Slot)(Painted Door & Frame) (See Separate Breakdown in BODY Section)	
	1001274636	Ref	Doors Installation - 50IN ("B" Slot)(Painted Door Only)	
	1001274631	Ref	Doors Installation - 50IN ("B" Slot)(Painted Door Only) (See Separate Breakdown in BODY Section)	
	1001274637	Ref	Doors Installation - 50IN ("B" Slot)(Painted Door & Frame)	
	1001274632	Ref	Doors Installation - 50IN ("B" Slot)(Painted Door & Frame) (See Separate Breakdown in BODY Section)	
	1001134106	Ref	FITTING (AIR TANK)	
	1001270118	Ref	Paint - Main Winch Hooks & Handles	
		Ref	PTO (Installation & replacement is based on individual characteristics of the unit - Contact Jerr-Dan Parts Dept.)	
	TP_REF	Ref	Pump (Installation & replacement is based on individual characteristics of the unit - Contact Jerr-Dan Parts Dept.)	
	1001233648	Ref	RISC Package	
	1001174485	Ref	RISC PACKAGE (See Separate Breakdown in ACCESSORY Section)	
	1001283563	Ref	RUBRAIL TRIM INSTALLATION (38IN TUNNEL)	
	1001283561	Ref	RUBRAIL TRIM INSTALLATION (38IN TUNNEL) (See Separate Breakdown in BODY Section)	
	1001283562	Ref	RUBRAIL TRIM INSTALLATION (50IN TUNNEL)	
	1001283560	Ref	RUBRAIL TRIM INSTALLATION (50IN TUNNEL) (See Separate Breakdown in BODY Section)	
	1001227630	Ref	Ship-Out Crate	
	2636000010	Ref	Ship-Out Stand for Kits Models	
	1001229101	Ref	Ship-Out Stand for Kits Models (Sea Crate)	
	1001227624	Ref	Ship-Out Stand for Tunnel ("A" Tunnel) or (qty1 Tunnel)	
	1001227625	Ref	Ship-Out Stand for Tunnel ("B" Tunnel) or (qty2 Tunnels)	
	1001289247	Ref	STORAGE OPTIONS PACKAGE - BRONZE TANDEM	
	1001289264	Ref	STORAGE OPTIONS PACKAGE - BRONZE TANDEM WITH CWT	
	1001307926	Ref	STORAGE OPTIONS PACKAGE - BRONZE TANDEM (50)	
	1001289224	Ref	STORAGE OPTIONS PACKAGE - BRONZE TRI-AXLE	
	1001289259	Ref	STORAGE OPTIONS PACKAGE - BRONZE TRI-AXLE WITH CWT	
	1001289218	Ref	STORAGE OPTIONS PACKAGE - GOLD TANDEM	
	1001289227	Ref	STORAGE OPTIONS PACKAGE - GOLD TANDEM WITH CWT	
	1001289257	Ref	STORAGE OPTIONS PACKAGE - GOLD TRIAXLE	
	1001289261	Ref	STORAGE OPTIONS PACKAGE - GOLD TRI-AXLE WITH CWT	
	1001289221	Ref	STORAGE OPTIONS PACKAGE - SILVER TANDEM	
	1001289246	Ref	STORAGE OPTIONS PACKAGE - SILVER TANDEM WITH CWT	
	1001307924	Ref	STORAGE OPTIONS PACKAGE - SILVER TANDEM (50)	

SECTION 10 - BUILD DOCUMENTS

ITEM	PART NUMBER	QTY	DESCRIPTION	REV
	1001289258	Ref	STORAGE OPTIONS PACKAGE - SILVER TRI-AXLE	
	1001289263	Ref	STORAGE OPTIONS PACKAGE - SILVER TRI-AXLE WITH CWT	
	1001277036	Ref	Subframe Weldment	
	1001278334	Ref	TUNNEL INSTALLATION - 38IN ("B" Slot)	
	1001278333	Ref	TUNNEL INSTALLATION - 38IN (See Separate Breakdown in BODY Section)	
	1001278335	Ref	TUNNEL INSTALLATION - 50IN ("B" Slot)	
	1001278332	Ref	TUNNEL INSTALLATION - 50IN (See Separate Breakdown in BODY Section)	

PART NUMBER INDEX

SECTION 10 - BUILD DOCUMENTS

0100011.....33, 65, 67, 69, 71, 135, 137, 405	1001127220 635	1001165652 243	1001170331.....245, 247, 249
0561482.....39	1001127222 641	1001165692 311	1001170332.....245, 247, 249
0630552.....439, 441	1001129800 383, 385	1001166401 263	1001170428.....245, 247, 249
0641405.....19	1001130310 425, 431	1001166402 263	1001170839.....259, 261
0641420.....65, 67, 69, 71	1001130491 365	1001166405 263	1001170849.....183
0641514.....193	1001130702 507	1001166531 ... 65, 67, 69, 71, 395	1001171933.....649
0641605.....17	1001131032 365, 387	1001166532 .. 69, 71, 395	1001172004.....371
0641606.....405	1001132265 123	1001166549 485, 487	1001172034.....57
0641610.....503, 505, 547, 549	1001132346 635	1001166644 185, 231, 233, 235, 237, 239, 241, 243, 245, 247, 249, 265, 269, 271, 273, 275, 279, 287, 305, 439, 441	1001172043.....57
0641620.....365	1001132794 405	1001166707 623	1001172168.....55, 57
0641708.....459, 461	1001134106 704	1001166815 575	1001172171.....55
0641712.....135, 137, 229	1001134461 365	1001166930 425, 431	1001173847.....135, 137, 309, 311, 313, 315, 317, 319, 321, 323, 325, 327, 329, 331, 333, 335
0641714.....135, 137	1001134538 99	1001166974 173, 253, 255, 267, 365, 425, 431	1001174051.....193
0641808.....67, 71	1001136075 635	1001166978 181, 183, 255, 563	1001174346.....635
0641810.....135, 137, 549	1001136080 635	1001167286 259, 261, 263, 371	1001174485.....681, 704
0641820.....309, 311, 313, 315, 333, 335	1001136091 635	1001167607 425, 431	1001174490.....685
0642010.....65, 69	1001136094 635, 641, 643	1001168320 425, 431	1001174680.....425, 431
0642024.....135, 137	1001136103 635	1001168321 425, 431	1001175061.....437
0642034.....309, 311, 313, 315, 317, 319, 321, 323, 325, 327, 329, 331, 333, 335	1001136119 635	1001168322 425, 431	1001175231.....265, 305
0642228.....205, 207	1001136270 563, 603	1001168328 425, 431	1001175233.....265
0651606.....39	1001136559 63	1001168544 243, 253, 269, 271, 273, 275	1001175596.....231, 233, 235, 237
0681408.....39	1001136990 503, 507	1001168545 231, 233, 235, 237, 295, 297, 299	1001176337.....555, 557
0681606.....39, 41	1001137169 635	1001168993 253, 267, 365, 425, 431	1001179349.....245, 247, 249
0681608.....41	1001138537 635	1001169054 365	1001183037.....195, 277, 295, 303, 307
0681609.....39	1001138612 635	1001169063 243	1001183200.....439, 441
0681616.....39	1001141227 635	1001169064 243	1001184765.....383
0681808.....39	1001142452 635	1001169076 243	1001187063.....309
0682428001.....17	1001142771 581, 583	1001169078 243	1001188538.....439
0750604.....425, 431	1001142812 641	1001169080 279	1001189776.....185, 239
0760304.....563	1001142828 635	1001169083 243, 253, 255, 365	1001190037.....559, 585, 587
0811810.....65, 67, 69, 71	1001143284 493, 495	1001169085 557	1001190050.....279
1001095650.....39, 41	1001143487 639	1001169609 65, 69	1001190055.....279
1001097942.....341, 343	1001143489 637	1001169616 67, 71	1001190148.....279
1001101025.....501	1001143686 203, 581, 583	1001169617 33	1001190176.....229
1001116694.....597, 599	1001143867 651	1001169893 33, 67, 71	1001190218.....243
1001116727.....519, 545, 559, 569, 585, 587, 615, 617	1001144147 567	1001170036 649	1001190223.....243
1001116733.....571	1001144295 567	1001170037 65, 69	1001190228.....243
1001116745.....445, 449, 535, 537, 539, 541, 543, 591, 593, 617	1001144657 17	1001170090 245, 247, 249	1001190265.....243
1001116774.....597, 599	1001144730 17	1001170091 245, 247, 249	1001190322.....623
1001116808.....597, 599	1001144957 17	1001170172 659	1001190343.....229
1001116812.....475, 477	1001144959 17	1001170305 245, 247, 249	1001190409.....295, 299
1001116815.....567, 573, 577, 579	1001144984 17	1001170307 245, 247, 249, 501	1001190410.....303
1001116920.....565	1001144985 17	1001170328 245, 247, 249	1001190926.....253, 255
1001116921.....571	1001146588 337	1001170329 245, 247, 249, 501	1001191540.....229
1001117021.....545	1001151184 57	1001170330 245, 247, 249	1001191602.....425, 431
1001117026.....445, 449, 535, 537, 539, 541, 543, 591, 593, 617	1001151185 57	1001170330 245, 247, 249	1001191736.....305
1001117057.....571	1001151546 341, 343, 493, 495, 525	1001170330 245, 247, 249	1001192287.....297
1001122235.....425, 431	1001152419 527	1001170330 245, 247, 249	1001192401.....565, 567
1001125479.....471, 473	1001152707 ... 47, 65, 67, 69, 71	1001170330 245, 247, 249	1001192958.....127, 129, 131, 133, 141, 145, 147, 149, 151, 153, 155, 157, 159, 161, 163, 165, 167, 169, 171, 175, 451, 521, 523, 527, 529, 531, 533
1001126008.....565, 569, 571, 573, 599	1001154527 485, 489, 491	1001170330 245, 247, 249	1001193242.....395
1001126010.....567	1001156424 209, 211, 213		
1001126011.....569	1001159568 121		
1001126269.....507	1001160799 253, 255		
	1001164102 457, 459, 461		
	1001164601 267		
	1001164614 267		
	1001165564 243		
	1001165571 243		
	1001165584 243		

SECTION 10 - BUILD DOCUMENTS

1001194676 251, 301, 303, 341, 343, 365, 371, 425, 431	1001197506..... 383	1001207556..... 647	1001214129 547, 549
1001195038 647	1001197683..... 646	1001207593..... 647	1001214130 207
1001195083 647	1001198602..... 149, 151, 153, 155, 157, 159, 161, 163, 165, 167, 169, 171	1001207623..... 646	1001214175 646
1001195088 647	1001198729..... 437	1001207734..... 425, 431	1001214252 197
1001195134 647	1001198756..... 635	1001207736..... 383, 425, 431	1001214262 199, 203
1001195256 646	1001198937..... 635	1001208066..... 425, 431	1001214264 647
1001195257 149, 151, 153, 155, 157, 159, 161, 163, 165, 167, 169, 171, 173, 253, 255, 259, 261, 265, 297, 299, 301, 303, 307, 367, 369, 371, 425, 431, 471, 473, 481, 483, 527, 581, 583	1001199065..... 635	1001208303..... 425, 431	1001214266 269, 271, 273, 275
1001195279 301	1001199081..... 485, 487, 489, 491	1001208359..... 667	1001214267 269, 271, 273, 275
1001195337 646	1001199185..... 23, 229	1001208360..... 655	1001214298 647
1001195341 303	1001199475..... 505, 513	1001208361..... 689	1001214299 647
1001195421 647	1001199477..... 501, 509	1001208631..... 646	1001214300 647
1001195520 647	1001199478..... 549, 553	1001208633..... 646	1001214303 647
1001195523 253, 255, 257, 259, 261, 281, 283, 439, 441	1001199783..... 641	1001208636..... 646	1001214335 207
1001195592 647	1001199786..... 641	1001208637..... 647	1001214336 205
1001195698 646	1001199787..... 641	1001208976..... 345, 347, 351, 353, 355, 357, 359, 361, 363, 579	1001214350 205
1001195764 647	1001199789..... 641	1001209031..... 425, 431, 611	1001214376 503
1001195788 646	1001199790..... 641	1001209033..... 555, 559	1001214377 505
1001195825 646	1001199942..... 497	1001209036..... 462, 465, 627	1001214494 229
1001195838 253, 255	1001199998..... 646	1001209040..... 425, 431	1001214605 581, 583, 589
1001195942 646	1001199999..... 646	1001209041..... 425, 431	1001214606 581, 585
1001195943 646	1001200001..... 647	1001209042..... 425, 431	1001214973 201
1001196214 259, 646	1001200997..... 245, 247, 249	1001209044..... 425, 431	1001215020 197, 199, 581
1001196215 261, 646	1001201164..... 646	1001209050..... 481, 615	1001215034 201, 583
1001196249 647	1001201234..... 647	1001209056..... 481, 483, 619	1001215110 583, 587
1001196522 135, 485	1001201341..... 646	1001209365..... 425, 431	1001215151 451, 469
1001196523 137, 487	1001201371..... 647	1001209366..... 425, 431	1001215157 493, 495
1001196552 187, 189, 191, 347, 371, 425, 431, 481, 483, 485, 487, 489, 491, 563	1001201384..... 367, 369, 371, 425, 431	1001209590..... 563	1001215371 479
1001196583 309, 311, 317, 319, 321, 323, 325, 327, 329, 331, 489	1001201483..... 285	1001209616..... 341, 343, 345, 347, 349, 351, 357, 359, 361, 563	1001215421 341, 343, 575
1001196594 137, 523	1001201514..... 646	1001209616..... 341, 343, 345, 347, 349, 351, 357, 359, 361, 563	1001215432 343
1001196625 309, 311, 317, 319, 321, 323, 325, 327, 329, 331, 529	1001201704..... 646	1001210256..... 65, 67, 75	1001215436 349, 577
1001196635 597	1001201926..... 425, 431	1001210257..... 65, 67, 81	1001215898 567
1001196639 135, 137, 183	1001201994..... 597	1001210454..... 185, 231, 233, 235, 237, 239, 241, 243, 245, 247, 249, 287, 305, 439, 441	1001215955 501
1001196790 135, 137, 193	1001202449..... 555	1001210648..... 571	1001215956 501
1001196802 135, 137, 187	1001202452..... 555	1001210746..... 647	1001215957 501
1001196808 189, 309, 311, 317, 319, 321, 323, 325, 327, 329, 331	1001202986..... 471, 473, 563	1001210748..... 647	1001216178 425
1001196911 365	1001203234..... 425, 431	1001210749..... 646	1001216179 431
1001197183 646	1001203911..... 459	1001210750..... 647	1001216183 425, 443
1001197338 309, 317, 319, 321, 323, 325, 327, 329, 331	1001204558..... 453	1001210960..... 439	1001216184 425, 447
1001197441 563	1001204565..... 401	1001211001..... 563	1001216185 425, 535
1001197456 383	1001204595..... 459	1001211002..... 563	1001216186 425, 539
1001197482 383	1001204788..... 425, 431	1001211003..... 563	1001216187 425, 431, 543
	1001204789..... 425, 431	1001212106..... 341	1001216188 431, 445
	1001205043..... 425, 431	1001212107..... 349	1001216189 431, 449
	1001205044..... 425, 431	1001212141..... 457	1001216190 431, 537
	1001205217..... 395	1001212220..... 493	1001216191 431, 541
	1001205230..... 395	1001212221..... 495	1001216233 341
	1001205796..... 647	1001212230..... 462	1001216239 341
	1001206364..... 635	1001212231..... 466	1001216315 343
	1001206367..... 635	1001212286..... 635	1001216316 343
	1001206505..... 425, 431	1001213110..... 547, 549	1001216317 501
	1001207357..... 65	1001213111..... 207	1001216372 501
	1001207358..... 67	1001213112..... 205	1001216373 501
	1001207487..... 557	1001213131..... 501	1001216570 501
	1001207488..... 197, 199, 201, 525	1001213522..... 203	1001216571 501, 519
	1001207496..... 646	1001213538..... 435	1001216586 493, 495
	1001207499..... 51	1001214128..... 503, 505	1001217105 647
	1001207508..... 647		1001217106 647
	1001207510..... 646		1001217309 563, 625
	1001207548..... 647		1001217426 471
			1001217442 471, 475
			1001217587 473

SECTION 10 - BUILD DOCUMENTS

1001217589.....473, 477	1001228908..... 211	1001243240 405, 417	1001255901.....597
1001217996.....439	1001229101..... 704	1001244186 405	1001256894.....451
1001218610.....399	1001229447 481, 591	1001244187 405	1001257300.....365, 641
1001218724.....461	1001229468 483, 593	1001244188 405	1001257696.....453
1001219188...65, 67, 395	1001230068 367, 369,	1001244189 405	1001257762.....455
1001219189...65, 67, 69,	371	1001244216 527, 545	1001257872.....465
71, 395	1001230127 379	1001244279 603, 605	1001257916.....465
1001219190...65, 67, 395	1001230966 215, 217	1001244280 609	1001258218.....499
1001219309.....451, 462,	1001230987 215, 217,	1001244281 603, 607	1001258243.....47
465	219, 221, 223, 225	1001244297 173, 527	1001258250.....693
1001219776.....646	1001231612 479	1001245044 47	1001258325.....23, 25
1001219785.....533	1001231626 659	1001245230 39	1001258351.....45
1001219790.....387	1001231627 661	1001245737 39	1001258376.....47
1001219916.....317, 319,	1001231628 695	1001246130 643	1001258438.....563
321, 323, 325, 327,	1001231629 697	1001246165 37	1001258439.....563
329, 331	1001231630 699	1001246166 37	1001262039.....413
1001219917.....317, 319,	1001231631 701	1001246167 37	1001262482.....565, 567,
321, 323, 325, 327,	1001231801 635	1001246419 37	621
329, 331	1001231974 357	1001246956 643	1001262483.....565, 567
1001219918.....317, 319,	1001231975 357	1001246957 643	1001262538.....646
321, 323, 325, 327,	1001231976 359	1001246980 37	1001262745.....565, 605
329, 331	1001231977 359	1001246981 37	1001262746.....565, 567
1001219919.....317, 319,	1001232209 345, 351,	1001246982 37	1001262747.....565, 567
321, 323, 325, 327,	357, 359	1001246983 37	1001262814.....135
329, 331	1001232211 351	1001247014 413, 419	1001262815.....135
1001219921.....317, 319,	1001232868 377	1001247139 503, 517	1001262818.....137
321, 323, 325, 327,	1001232870 635	1001247174 37	1001262819.....137
329, 331	1001232956 363	1001247794 643	1001263483.....569
1001220164.....301, 646	1001232957 345	1001247795 643	1001263545.....569
1001220348213	1001232958 347	1001247902 173	1001263754.....449
1001220367213	1001232965 353	1001248215 609	1001263822.....647
1001220368213	1001232966 355	1001249346 413	1001263854.....646
1001220369.....209, 211,	1001232967 361	1001249347 413	1001263855.....646
213	1001232968 363	1001249348 413	1001263856.....646
1001220370.....209, 211,	1001232969 345	1001249349 413	1001263857.....646
213	1001232970 347	1001249350 413	1001263858.....646
1001220371209	1001233070 665	1001249351 413	1001264819.....646
1001220372209	1001233071 687	1001249931 365	1001264864.....267
1001220373211	1001233072 653	1001249938 581, 583	1001266390.....277
1001220374211	1001233500 479	1001249982 365	1001266391.....277
1001220375213	1001233642 665	1001250423 563, 573	1001266882.....69
1001220376213	1001233643 667	1001250809 563	1001266883.....71
1001220431426, 432	1001233644 653	1001250843 451, 453,	1001266903.....69, 71, 85
1001226504377	1001233645 655	455	1001266904.....69, 71, 87
1001226798377	1001233646 687	1001250858 17	1001266915...69, 71, 395
1001227092704	1001233647 689	1001250863 135, 137	1001266946.....301, 303
1001227624704	1001233648 704	1001250864 135, 137	1001267012...69, 71, 395
1001227625704	1001233649 685	1001250873 135, 137	1001267280.....503, 505
1001227630704	1001234480 215	1001250875 135, 137	1001269106.....569
1001228167387	1001234537 363	1001250876 135, 137	1001269143.....89
1001228254646	1001234562 371, 377	1001250915 365	1001269146.....93
1001228805197	1001234723 377	1001250916 365	1001269275535, 537,
1001228818199	1001235386 371	1001252618 387	539, 567, 591, 593
1001228824201	1001235394 351	1001253353 563	1001269625.....571
1001228828547, 549	1001235395 351	1001253354 563	1001269884.....646
1001228841547	1001238159 647	1001253355 563	1001270118.....704
1001228843549	1001239548 19	1001253744 177, 179	1001270606.....131, 313,
1001228844547, 549	1001239626 39	1001253745 145, 147	333
1001228845547, 549	1001239645 39, 41	1001253792 177, 179	1001270607.....131
1001228888197	1001239646 39, 43	1001253800 563	1001270609.....191, 313,
1001228889199	1001239647 39	1001254393 135, 137	315, 333, 335
1001228890201	1001239648 41	1001254545 563	1001270636.....313, 315,
1001228897209	1001239652 39	1001254767 365	333, 335, 531
1001228899211	1001241570 691	1001254768 365	1001270652.....313, 315,
1001228903209	1001241575 691	1001254986 91	333, 335, 483
1001228904209	1001241869 646	1001255377 387	1001270659.....483, 617
1001228907211	1001243239 37, 405	1001255378 145	

SECTION 10 - BUILD DOCUMENTS

1001270829 313, 315, 333, 335	1001275791..... 445, 449	1001281933..... 317, 323	1001285035 239
1001270830 313, 315, 333, 335	1001275792..... 445, 449	1001282655..... 281, 283	1001285053 241
1001271968 601	1001275793..... 445, 449	1001282692..... 231, 233, 235, 237	1001285055 241
1001271970 601	1001276871..... 333, 335	1001282693..... 231, 233, 235, 237	1001285155 265
1001273598 457	1001277036..... 705	1001283315..... 367, 371, 373	1001285308 279
1001273599 466	1001277194..... 305	1001283419..... 373	1001285309 279
1001273634 497, 499, 555, 557	1001277195..... 305	1001283555..... 333	1001285351 295
1001273756 462	1001277196..... 305	1001283556..... 335	1001285352 299
1001274338 313	1001277609..... 313, 315, 333, 335	1001283560..... 221, 704	1001285356 297
1001274339 313, 333	1001277611..... 265, 309, 311, 313, 315, 323, 325, 327, 329, 331, 333, 335	1001283561..... 219, 704	1001285357 295, 297, 299
1001274383 313, 315, 333, 335, 491	1001277612..... 307, 309, 311, 313, 315, 317, 319, 321, 323, 325, 327, 329, 331, 333, 335	1001283562..... 704	1001285503 227
1001274386 129, 131, 133	1001278244..... 315, 335	1001283563..... 704	1001285854 281
1001274387 129, 131, 133	1001278246..... 133, 315, 335	1001283564..... 221	1001285855 283
1001274388 131	1001278332..... 311, 705	1001283565..... 221	1001285911 257
1001274449 153, 157, 161	1001278333..... 309, 705	1001283566..... 219	1001285912 257
1001274450 155, 159, 163	1001278334..... 705	1001283567..... 219	1001285920 365
1001274451 157	1001278335..... 705	1001283778..... 277	1001285927 365, 413
1001274452 159	1001278487..... 129, 311, 323, 325, 327, 329, 331	1001283779..... 277	1001285928 413
1001274453 161	1001278488..... 127, 309, 317, 319, 321	1001283780..... 277	1001285933 365
1001274454 163	1001278517..... 127, 133	1001283855..... 307	1001285970 365
1001274456 157	1001278518..... 127, 133	1001283856..... 307	1001285971 365
1001274457 159	1001278523..... 439	1001283920..... 269	1001285977 365
1001274458 161	1001278526..... 285, 439, 441	1001283921..... 271	1001285979 365
1001274459 163	1001278679..... 315	1001283922..... 273	1001286104 365
1001274548 323, 325, 327, 329, 331	1001278777..... 311	1001283923..... 275	1001286128 19, 21
1001274549 311	1001278917..... 149	1001283924..... 269	1001286132 .. 97, 99, 117
1001274550 309	1001278918..... 151	1001283925..... 271	1001286134 103, 111
1001274623 165	1001279058..... 309	1001283926..... 273	1001286135 107, 115
1001274624 167	1001279211..... 646	1001283927..... 275	1001286140 57, 61
1001274625 169	1001279212..... 646	1001284026..... 293	1001287124 411
1001274626 171	1001279213..... 646	1001284282..... 251	1001287125 411
1001274631 153, 704	1001279492..... 317, 319, 321	1001284283..... 251	1001287544 141
1001274632 155, 704	1001279671..... 317, 319, 321	1001284284..... 251	1001287545 141
1001274633 149, 704	1001279672..... 323, 325, 327, 329, 331	1001284285..... 251	1001287547 141
1001274634 151, 704	1001279673..... 317, 319, 321, 323, 325, 327, 329, 331	1001284293..... 253	1001287548 395
1001274636 704	1001281269..... 621	1001284294..... 255	1001287549 141
1001274637 704	1001281488..... 331	1001284295..... 253	1001287550 141
1001274638 704	1001281489..... 327	1001284296..... 255	1001287551 395
1001274639 704	1001281490..... 325	1001284472..... 287	1001287580 395
1001274653 165	1001281491..... 323	1001284483..... 55, 59	1001287585 395
1001274654 165	1001281492..... 321	1001284524..... 287	1001287586 395
1001274655 165, 169	1001281493..... 319	1001284547..... 285	1001287588 395
1001274656 167	1001281494..... 317	1001284616..... 245	1001287589 395
1001274657 167	1001281659..... 309, 311, 317, 319, 321, 323, 325, 327, 329, 331, 481	1001284617..... 247	1001287648 395
1001274658 167, 171	1001281928..... 329	1001284618..... 249	1001287649 395
1001274662 169	1001281929..... 331	1001284619..... 245	1001287844 397
1001274663 169	1001281930..... 329	1001284620..... 247	1001287845 399
1001274664 171	1001281931..... 321, 327	1001284621..... 249	1001287846 401
1001274665 171	1001281932..... 319, 325	1001284622..... 245, 247, 249	1001287855 397, 399, 401
1001274901 223		1001284623..... 245, 247, 249	1001287856 397, 399, 401
1001274902 225		1001284748..... 243	1001288016 343, 347, 351, 355, 359, 363
1001274903 223		1001284940..... 231	1001288422 563, 621
1001274904 223		1001284941..... 233	1001288629 187, 189, 191
1001274963 225		1001284942..... 235	1001288672 365
1001274964 225		1001284943..... 237	1001288745 563
1001274985 439, 441		1001284944..... 231	1001288768 563, 565
1001274986 439, 441		1001284945..... 233	1001288769 563, 567
1001274987 441		1001284946..... 235	1001288770 563, 571
		1001284947..... 237	1001288771 563, 569
		1001284948..... 231, 233, 235, 237	1001288772 563, 623
		1001284964..... 373	1001288807 371

SECTION 10 - BUILD DOCUMENTS

1001288808.....371, 599	1001292051..... 147	3170000433 99, 105, 107	3912000010.....19
1001288818.....173	1001293407..... 19	3170000448.....27	3912000033.....123
1001288833.....173	1001293533..... 19	3178000226..... 663	3912000038.....123
1001288834.....173	1001297064..... 383	3178000240..... 657	3912000044.....55, 63
1001288838.....367	1001307192..... 493, 495	3178000499..... 657	3913000094.....119
1001288839.....367, 595	1001307924..... 704	3248000002..... 51	3930820.....493, 495
1001288901.....601	1001307926..... 704	3249000001..... 65, 69	3935000189.....403, 415
1001288960.....369	1001312116..... 289	3249000012..... 67, 71	4017001675.....49
1001288961.....369, 597	1001312117..... 291	3249000043..... 33	4062000746.....57
1001288962.....369, 375	1001312118..... 293	3263000067..... 19	4071031.....39
1001288989.....375	1060706..... 439	3263000068..... 19	4178000234.....503, 505
1001288991.....375	1120601..... 135, 137	3263000133..... 25	4178000349.....397, 399, 401
1001288992.....375	1321385..... 481, 483	3263000141..... 49	4178000402.....549
1001288993.....375	1380135.... 295, 297, 299	3271605..... 547, 549	4178000763.....33
1001289091.....173	1704260..... 479	3274000011.... 309, 311, 313, 315, 333, 335	4178000889.....457
1001289218.....704	2002000031..... 379	3311001..... 426, 432	4249000001....65, 67, 69, 71
1001289221.....704	2178000064..... 49	3320000232..... 27, 29	4263000884.....49
1001289224.....704	2200221..... 337	3320000233..... 25, 31	4460256.....601
1001289227.....704	2220357..... 395	3340898..... 439, 441	4460265.....571
1001289234.....569	2220371..... 395	3455000055..... 23	4460268.....571, 611
1001289235.....567	2220372..... 405	3484000072..... 123	4460321.....611
1001289244.....135, 137, 141	2220373..... 403	3484000073..... 123	4460419.....565, 605
1001289246.....704	2220415..... 403	3548100001..... 23, 27	4460457....443, 445, 447, 449, 519, 559, 585, 587, 601
1001289247.....704	2220490..... 395	3548900003..... 23, 33	4460458....443, 445, 447, 449, 535, 537, 539, 541, 543, 559, 569, 585, 587, 591, 593, 601, 615, 617
1001289257.....704	2220501..... 395	3551000036..... 121	4460460.....519, 585, 587
1001289258.....705	2220582..... 395	3561000008..... 123	4460464....443, 445, 447, 449, 462, 469, 493, 495, 519, 535, 537, 539, 541, 543, 545, 559, 565, 567, 569, 573, 575, 577, 579, 585, 587, 589, 591, 593, 597, 599, 607, 609, 615, 617, 621, 623, 627
1001289259.....704	2220596..... 403	3561000015..... 123	4460465....443, 445, 447, 449, 462, 469, 475, 477, 545, 565, 567, 569, 571, 573, 575, 577, 579, 589, 595, 597, 599, 601, 605, 609, 615, 617, 621, 623, 625, 627
1001289261.....704	2220628..... 403	3577000018..... 119	4460466....425, 431, 443, 445, 447, 449, 475, 477, 519, 535, 537, 539, 541, 543, 545, 565, 567, 569, 571, 573, 575, 577, 579, 585, 587, 589, 591, 593, 595, 597, 599, 601, 607, 609, 615, 617, 623, 627
1001289263.....705	2220642..... 387	3577000036..... 17	4460475.....443, 445, 601
1001289264.....704	2220654..... 403	3577000037..... 55	4460508....519, 585, 587, 589
1001289265.....135, 137, 227	2220947..... 69, 71	3577000055..... 17	4460509....425, 431, 443, 445, 447, 449, 475, 477, 589, 605
1001289314.....177, 179	2220998..... 395, 403	3577000129..... 23	
1001289392.....135, 177	2221036..... 69, 71	3577000129..... 23	
1001289474.....135, 521	2221036..... 69, 71	3577000156..... 646	
1001289478.....663	2230021..... 387	3636000068...65, 67, 69, 71	
1001289533.....217	2230035..... 395	3691000126..... 19	
1001289537.....177, 179	2230089..... 413	3691000139..... 19	
1001289538.....177, 179	2249000020..... 33	3691000144..... 657	
1001289544.....217	2502330145..... 613	3691000145..... 657	
1001289545.....217	2502880300..... 123	3691000160..... 97, 99	
1001289596.....137, 179	2503630028..... 649	3691000161..... 55	
1001289597.....179	2503700052..... 143	3691000162..... 55	
1001289598.....179	2503870011.. 97, 99, 121	3691000163..... 55	
1001291016.....629	2503880012.. 97, 99, 119	3691000261..... 33	
1001291023.....23, 629	2503880033..... 657	3691000262..... 27	
1001291036.....23, 139	2503880043..... 669	3691000263..... 25	
1001291038.....139	2503880044..... 671	3706000080..... 657	
1001291070.....23	2506100008..... 97	3706000177 101, 103, 105, 107	
1001291072.....23, 185	2507650009..... 407	3706000178 101, 103, 105, 107	
1001291073.....23, 641	2512880041..... 646	3706000179 101, 103, 105, 107	
1001291074.....185	2540045..... 603	3706000180 101, 103, 105, 107	
1001291149.....181	2636000010..... 704	3706000366..... 25	
1001291190.....23, 403	2900770..... 29, 31	3740080..... 563	
1001291322.....135	3007000004..... 121	3750000022..... 407, 409	
1001291323.....137	3020000119..... 123	3760115..... 47	
1001291480.....23, 337	3020000120..... 123	3760308..... 425, 431	
1001291758.....37, 603	3020029... 243, 245, 247, 249	3790230 187, 189, 191	
1001291790.....603	3020039..... 39, 135, 137	3820031..... 643	
1001291791.....195	3170000148..... 57	3841203 33, 39, 67, 71	
1001291874.....37, 195	3170000220 97, 101, 103	3841258..... 65, 69	
1001291876.....37, 643	3170000221..... 101, 103	3900339 295, 297, 299	
1001291877.....37, 39	3170000223..... 101, 103	3911000068..... 311	
1001291882.....37	3170000224..... 101, 103		
1001292045.....173, 175	3170000430..... 105, 107		
1001292046.....175	3170000431..... 105, 107		
	3170000432..... 105, 107		

SECTION 10 - BUILD DOCUMENTS

<p>4460518 ... 565, 567, 569, 597, 599</p> <p>4460536 ... 469, 475, 477, 573, 577, 579</p> <p>4460539 469</p> <p>4460742 ... 443, 445, 447, 449, 559, 569, 585, 587, 601</p> <p>4460746 559</p> <p>4460836 565</p> <p>4460850 519</p> <p>4460867 ... 443, 519, 585, 587</p> <p>4460884 ... 449, 475, 477, 575, 577, 579, 625</p> <p>4460891 ... 443, 445, 447, 449, 462, 567, 569, 601, 607, 625, 627</p> <p>4460897 ... 443, 445, 447, 449, 462, 493, 495, 559, 569, 627</p> <p>4460911 599</p> <p>4460930 ... 443, 445, 447, 449, 545, 615, 617</p> <p>4460931 ... 443, 445, 447, 449, 545, 615, 617</p> <p>4460932 ... 462, 569, 575, 577, 579, 627</p> <p>4460933 ... 443, 445, 447, 449, 565, 567, 595, 597, 599, 601, 605, 609, 617, 623</p> <p>4460934 565</p> <p>4460935 565</p> <p>4460939 ... 541, 543, 617</p> <p>4460941 ... 443, 445, 447, 449, 519, 545, 565, 567, 585, 587, 589, 607, 609</p> <p>4460942 ... 449, 475, 477, 545, 569, 571, 589, 595, 597, 599, 605, 607, 609, 623</p> <p>4460965 595</p> <p>4460970 ... 567, 597, 599, 607, 609, 623</p> <p>4461157 ... 445, 559, 569, 601</p> <p>4461216 565</p> <p>4461217 565</p> <p>4461291 443, 445</p> <p>4561000012 123</p> <p>4567122023 395</p> <p>4567122036 403</p> <p>4567122038 403</p> <p>4567122056 403</p> <p>4567132028 403</p> <p>4567132033 403</p> <p>4567152018 .. 65, 67, 395</p> <p>4567160129 403</p> <p>4567160146 397</p> <p>4567160156 403</p> <p>4567162180 403</p> <p>4569132026 395</p> <p>4569132063 395</p> <p>4569133028 395</p> <p>4569133064 395</p>	<p>4569160048.....395</p> <p>4570000069.....395</p> <p>4570000254.....395</p> <p>4570000255.....395</p> <p>4570000263.....395</p> <p>4570000264.....395</p> <p>4570000268.....395</p> <p>4570000269.....395</p> <p>4570000311.....395</p> <p>4570000312.....395</p> <p>4570000337.....403</p> <p>4570000338.....403</p> <p>4640458619</p> <p>4640464619</p> <p>4640466619</p> <p>4679000158..... 101, 103, 105, 107</p> <p>4679000159..... 101, 103, 105, 107</p> <p>4679000161..... 101, 103, 105, 107</p> <p>4679000162..... 57</p> <p>4679000163..... 57</p> <p>4679000168..... 57</p> <p>4679000205..... 101, 103, 105, 107</p> <p>4679000206..... 101, 103, 105, 107</p> <p>4679000291..... 25</p> <p>4691000200..... 19</p> <p>4691000208..... 57</p> <p>4691000242..... 119</p> <p>4691000243..... 57</p> <p>4691000274..... 123</p> <p>4691000311..... 97, 99</p> <p>4691000316..... 101, 103, 105, 107</p> <p>4691000317..... 97, 99</p> <p>4691000318..... 101, 103, 105, 107</p> <p>4691000323..... 57</p> <p>4691000574..... 27</p> <p>4691000576..... 25</p> <p>4691000577..... 25</p> <p>4691000578..... 27</p> <p>4691000581..... 45</p> <p>4691000582..... 45</p> <p>4705000705..... 309, 311, 313, 315, 333, 335</p> <p>4706001815..... 193</p> <p>4706002141..... 17</p> <p>4706002142..... 17</p> <p>4706002163..... 17</p> <p>4706002235..... 409</p> <p>4706002417.... 65, 67, 69, 71</p> <p>4706002435..... 57</p> <p>4706002467..... 101, 103, 105, 107</p> <p>4706002491..... 143</p> <p>4706002554..... 17</p> <p>4706002555..... 17</p> <p>4706002556..... 17</p> <p>4706002557..... 17</p> <p>4706003144..... 101, 103, 105, 107</p>	<p>4706003708..... 101, 103, 105, 107</p> <p>4706003709..... 101, 103, 105, 107</p> <p>4706003719..... 101, 103, 105, 107</p> <p>4706003720..... 101, 103, 105, 107</p> <p>4706003721..... 101, 103, 105, 107</p> <p>4706003722..... 101, 103, 105, 107</p> <p>4706003723..... 101, 103, 105, 107</p> <p>4706003724..... 101, 103, 105, 107</p> <p>4706003725..... 101, 103, 105, 107</p> <p>4706003844..... 337, 397, 399, 401</p> <p>4711000..... 367, 369, 371</p> <p>4711600..... 39, 405</p> <p>4711700..... 229, 459, 461</p> <p>471180067, 71, 229, 309, 311, 313, 315, 333, 335, 549</p> <p>4712000..... 65, 69</p> <p>4740513..... 425, 431</p> <p>4751400..... 39, 227</p> <p>4751600.... 503, 505, 547, 549</p> <p>4752000.... 135, 137, 309, 311, 313, 315, 317, 319, 321, 323, 325, 327, 329, 331, 333, 335</p> <p>4752200..... 205, 207</p> <p>4754000003..... 57</p> <p>4754000004..... 45</p> <p>4754000006..... 47</p> <p>4811001135..... 651</p> <p>4812000103..... 33</p> <p>4812000104..... 33</p> <p>4831000061..... 57</p> <p>4831000064..... 57</p> <p>4831000104..... 33</p> <p>4891600.. 17, 39, 41, 439, 441</p> <p>4891800..... 135, 137</p> <p>4949000031 65, 69</p> <p>4949000041 119</p> <p>4949000042 119</p> <p>4949000045 67, 71</p> <p>5526000553..... 387, 426, 432, 451, 453, 455, 457, 461, 471, 473, 481, 483, 501, 557, 563, 581, 583, 603</p> <p>70002412..... 21, 111, 115</p> <p>70003788..... 417</p> <p>70003977..... 417</p> <p>70005153..... 21</p> <p>70005594..... 61</p> <p>70005847..... 111, 115</p> <p>70006319..... 43</p> <p>70007105..... 61</p> <p>70007179..... 43</p> <p>70007180..... 43</p> <p>70007181 43</p> <p>70007182 43</p> <p>70007183 43</p> <p>70007184 43</p> <p>70007185 43</p> <p>70007186 43</p> <p>7002000502 661</p> <p>7002000505 646</p> <p>7002000521 379</p> <p>7002000555 457</p> <p>70021648 109, 113</p> <p>70022564 21, 59, 117</p> <p>70023368 61</p> <p>70023369 59</p> <p>70023370..... 59, 61, 111, 115, 117</p> <p>70023371 61, 111, 115</p> <p>7002337621, 59, 61, 111, 115</p> <p>70023379 59, 117</p> <p>70025619 43</p> <p>70026303 59</p> <p>70027076 43</p> <p>70027084 43</p> <p>70029468 21</p> <p>70029469.. 111, 115, 117</p> <p>7003212 109, 113</p> <p>7003281 109, 113</p> <p>70040300 29, 31</p> <p>70050147 76, 82</p> <p>70050163 509</p> <p>70050164 507</p> <p>70050165 507</p> <p>70050166 507</p> <p>70050167 507</p> <p>70050169.. 509, 513, 553</p> <p>70050170 509, 513</p> <p>70050171 509</p> <p>70050172 509</p> <p>70050174.. 509, 513, 553</p> <p>70050175 509, 513</p> <p>70050176 509, 513</p> <p>70050177 509</p> <p>70050178 509, 513</p> <p>70050179 509, 513</p> <p>70050180 509, 513</p> <p>70050181 509, 513</p> <p>70050182 509</p> <p>70050183 509</p> <p>70050185 509</p> <p>70050186 509</p> <p>70050187 509</p> <p>70050188 509</p> <p>70050189 509</p> <p>70050190 509</p> <p>70050191 509</p> <p>70050192 509</p> <p>70050194 509</p> <p>70050195 509</p> <p>70050196 509</p> <p>70050197 509</p> <p>70050199 509</p> <p>70050200 509</p> <p>70050201 509</p> <p>70050202 509</p> <p>70050203 509, 513</p> <p>70050204.. 509, 513, 553</p>
--	---	--

SECTION 10 - BUILD DOCUMENTS

70050205.....	509	70050884.....	681	70051041.....	553	70070000.....	517
70050206.....	509	70050885.....	681	70051042.....	553	7007000036.....	411
70050207... ..	509, 514, 553	70050886.....	681	70051043.....	553	7007000055.....	121
70050208.....	509, 514	70050887.....	681	70051044.....	513, 553	7007000056.....	121
70050209.....	509, 514	70050888.....	681	70051045.....	513, 553	70070001.....	517
70050210.....	509, 514	70050889.....	681	70051046.....	553	70070002.....	517
70050211.....	509, 514	70050890.....	681	70051047.....	553	70070003.....	517
70050217.....	113	70050891.....	681	70051048.....	513, 553	70070034.....	117
70050218.....	113	70050892.....	681	70051049.....	513, 553	70070035.....	117
70050365.....	109	70050893.....	681	70051050.....	553	70070036.....	117
70050368.....	75, 81	70050894.....	681	70051051.....	553	70070038.....	21, 59, 117
70050370.....	75, 81	70050895.....	681	70051052.....	553	70070054.....	59
70050371.....	75, 81	70050896.....	681	70051053.....	513, 553	70070061.....	59
70050372.....	75, 81	70050897.....	681	70051054.....	553	70070062.....	59
70050384.....	76, 82	70050898.....	681	70051055.....	513, 553	70070063.....	59
70050392.....	509	70050899.....	682	70051056.....	514, 553	70070064.....	59
70050393.....	509	70050900.....	682	70051057.....	514, 553	70070074.....	117
70050394.....	509	70050901.....	682	70051058.....	513	70070075.....	21, 117
70050395.....	509	70050902.....	682	70051059.....	513	70070076.....	117
70050398.....	76, 82	70050903.....	682	70051060.....	513	70070077.....	21
70050399.....	75, 81	70050904.....	682	70051061.....	513	70070078.....	21
70050401.....	75, 81	70050905.....	682	70051062.....	513	70070079.....	21
70050526.....	385	70050906.....	682	70051063.....	513	70070080.....	21, 115
70050527.....	385	70050907.....	682	70051064.....	513	70070081.....	21
70050528.....	385	70050908.....	682	70051065.....	513	70070082.....	419
70050529.....	385	70050909.....	682	70051066.....	513	70070084.....	419
70050530.....	385	70050910.....	682	70051068.....	513	70070089.....	111, 115
70050553.....	113	70050911.....	682	70051069.....	513	70070091.....	111, 115
70050554.....	113	70050912.....	682	70051070.....	513	70070092.....	111, 115
70050555.....	113	70050913.....	682	70051071.....	513	70070093.....	111, 115
70050641.....	29, 31	70050914.....	682	70051072.....	513	70070094.....	115
70050665.....	513	70050915.....	682	70051073.....	513	70070095.....	111
70050795.....	61	70050916.....	682	70051074.....	513	70070096.....	111
70050850.....	681	70050917.....	682	70051075.....	513	70070097.....	115
70050851.....	681	70050918.....	682	70051076.....	513	70070098.....	115
70050852.....	681	70050919.....	682	70051077.....	513	70070099.....	111
70050853.....	681	70050920.....	682	70051078.....	513	70070100.....	111
70050854.....	681	70050980.....	507	70051130.....	31	70070113.....	61
70050855.....	681	70050981.....	507	70051131.....	31	70070114.....	61
70050856.....	681	70050991.....	75, 81	70051133.....	31	70070115.....	61
70050857.....	681	70050992.....	75, 81	70051134.....	31	70070117.....	61
70050858.....	681	70050993.....	76, 82	70051135.....	31	70070118.....	61
70050859.....	681	70050994.....	76, 82	70051137.....	29, 31	70070119.....	61
70050860.....	681	70050995.....	77, 83	70051138.....	29	70070142.....	419
70050861.....	681	70050998.....	77, 83	70051140.....	29	70070143.....	419
70050862.....	681	70051019.....	553	70051141.....	29	70070144.....	419
70050863.....	681	70051020.....	553	70051142.....	29	70070145.....	419
70050864.....	681	70051021.....	513, 553	70051302.....	75, 81	70070146.....	419
70050865.....	681	70051022.....	513, 553	70051303.....	75, 81	7011000006.....	435
70050866.....	681	70051023.....	513, 553	70051304.....	75, 81	7011367.....	43
70050867.....	681	70051024.....	553	70051305.....	75, 81	7019828.....	109, 113
70050868.....	681	70051025.....	553	70051306.....	75, 81	7019844.....	109, 113
70050869.....	681	70051026.....	513, 553	70051307.....	75, 81	7019845.....	109, 113
70050870.....	681	70051027.....	513, 553	70051309.....	75, 81	7019846.....	109, 113
70050871.....	681	70051028.....	513, 553	70051970.....	417	7024896.....	417
70050872.....	681	70051029.....	513, 553	70051971.....	417	7056000003.....	695
70050873.....	681	70051030.....	513, 553	70051972.....	417	7056000004.....	697
70050874.....	681	70051031.....	553	70051973.....	417	7056000005.....	699
70050875.....	681	70051032.....	553	70051974.....	417	7056000006.....	701
70050876.....	681	70051033.....	553	70051975.....	417	7082311.....	17, 39, 41
70050877.....	681	70051034.....	553	70051976.....	417	7082342.....	39, 41
70050878.....	681	70051035.....	513, 553	70051977.....	417	7105180850.....	101, 103, 105, 107
70050879.....	681	70051036.....	513, 553	70051978.....	417	7110201423.....	75, 81
70050880.....	681	70051037.....	553	70052522.....	59, 117	7111572.....	39, 41
70050881.....	681	70051038.....	553	70052577.....	111, 115	7114080418.....	341, 343, 525
70050882.....	681	70051039.....	513, 553	7005348.....	109, 113		
70050883.....	681	70051040.....	553	7005365.....	113		

SECTION 10 - BUILD DOCUMENTS

7114100518 379	7183000004..... 409	7440030400 109, 113	7561000022 671
7114100618 426, 432, 451, 453, 455, 465	7209000023..... 63, 411	7443000108..... 403	7565000014 649, 651
7114100818 277, 426, 432, 629	7209000024..... 411	7443000130..... 397, 399, 401	7565000016 337, 383
7114101018 383	7209000032..... 411	7443000139..... 337, 383	7577000368 123
7114140418 101, 103, 105, 107	7248000078..... 89	7443000145..... 649	7577000658 63
7114140518 105, 107, 203, 279, 369, 547, 549, 581, 583, 651	7248000079..... 91	7443000146..... 649	7577250271 109, 113
7114140618 263, 279, 365, 462, 603	7248000080..... 93	7443000148..... 383, 649	7590000343 426, 432
711414081857, 195, 277, 279, 295, 303, 365, 451, 453, 455, 471, 473	7253000002.... 19, 33, 45, 47, 55, 65, 67, 69, 71, 97, 99, 105, 107	7443000150..... 337	7590000358 145, 147, 521, 523, 525, 527, 529, 531, 533
7114141218 181, 183	7262000025..... 57	7443000154..... 383	7590000359 521, 523
7114141618 227	7262000048..... 646	7443000156..... 383	7590000364 629
7114160618 403	7274000028..... 397, 399, 401	7443000158..... 395	7590000370 425, 431
7114160818 263, 547, 549	7274000030..... 63, 411	7443000173..... 337, 383	7636000006 407
7115140650 101, 103, 105, 107, 409	7274000036..... 371, 426, 432	7443000174..... 337	7636000008 309, 311, 313, 315, 317, 319, 321, 323, 325, 327, 329, 331, 333, 335
7115140850 397, 399, 401	7274000041..... 397, 399, 401, 403	7443000175..... 651	7650100137 397, 399, 401
7115141250 255	7274000042..... 426, 432	7443000176..... 383	7660102601 277, 383, 426, 432, 451, 453, 455, 465, 629
7115150650 63, 411	7274000049..... 411	7443000178..... 383	7660140001 439, 441
7115150850 337, 403, 411	7274000053..... 403	7443000204..... 76, 82	7660142600 183, 462
7115151050 397, 399, 401, 403, 613	7274000063..... 403	7443000205..... 76, 82	7660142601 ... 65, 67, 69, 71, 181, 227, 255, 263, 279, 285, 365, 397, 399, 401, 451, 453, 455, 471, 473, 563, 603
7115151250 383	7274000071..... 397, 399, 401	7443000209..... 411	7660142604 57, 651
7115160650 33, 139	7274000076..... 337, 397, 399, 401	7443000213..... 403, 405	7660152601 193, 337, 383, 397, 399, 401, 403, 613
7115161050 403	7280000006..... 426, 432, 471, 473, 481, 483, 527, 563, 581, 583	7443000214..... 403, 405	7660160000 365
7115161250 19	7280000013..... 527	7443000330..... 337	7660162301 173
7115180723 57	7280000018..... 367, 369, 371	7443000456..... 337	7660162601 19, 243, 253, 255, 263, 267, 365, 403, 426, 432, 503, 505, 547, 549
7115180750 57	7295000029..... 337, 383	7443000458..... 403	7660162604 229
7115180850 ... 27, 33, 55, 57, 97, 99, 457	7312000015..... 649	7444000800 395	7660172601 459, 461, 465
7115181223 57	7312000016..... 649	7444030037 383	7660180000 397, 399, 401
7115181250 139	7312000017 651	7444120014..... 409	7660180230 101, 103, 105, 107
7115181650 76, 82	7320000042..... 101, 109	7444121050..... 397, 399, 401	7660182301 ... 49, 65, 67, 69, 71, 309, 311, 313, 315, 333, 335
7115181850 407	7320000076..... 105, 113	7444121271..... 397, 399, 401	7660182601 33, 139, 407, 457, 549
7115182650 33	7330000143..... 635	7444160011 409	7660200001 . 76, 82, 135, 137, 309, 311, 313, 315, 317, 319, 321, 323, 325, 327, 329, 331, 333, 335
7115201250 57	7330000208..... 635	7445040445..... 75, 81	7660200200 76, 82
7115201650 57	7330000209..... 635	7445040449..... 649	7660202601 57
7115201850 76, 82	7330000210..... 635	7445100843..... 65, 67	7660222308 . 17, 23, 317, 319, 321, 323, 325, 327, 329, 331
7115202250 76, 82	7330000278..... 123	7445121225..... 411	7661000002 426, 432
7115221250 45	7330000294..... 637	7445121243..... 403, 405	7661000006 39
7118170650 25	7330000535..... 243, 639	7445121245..... 403, 405	7661000018 ... 33, 65, 67, 69, 71
7118172050 75, 81	7330000689..... 635	7446060435..... 649	
7118181205 75, 81	7345001714..... 479, 565, 567	7446502518..... 649, 651	
7118181216 49	7345242202..... 471, 473	7454000003..... 121	
7118181250 669, 671	7346000039..... 369, 479, 563	7454000004..... 121, 289	
7118201616 ... 65, 67, 69, 71	7346000040..... 439	7454000005..... 121, 291	
7118202016 ... 33, 65, 67, 69, 71	7346000045..... 471, 473	7454000006..... 121, 291	
7118222016 17, 23	7346000055..... 613	7470000002..... 395	
7118222816 . 17, 23, 317, 319, 321, 323, 325, 327, 329, 331	7346000068..... 629	7470000003..... 409	
7118242050 17	7346000078..... 613	7470000004..... 395	
7118242450 17	7346000108..... 519, 585, 587	7470000006..... 383	
7118267250 657	7346000131..... 439	7470000023..... 387, 395	
7120000036 657	7413000002..... 365	7491000207 19	
	7430000010..... 397, 399, 401	7493000003..... 451, 453, 455	
	7440030000... 19, 27, 33, 45, 47, 55, 65, 67, 69, 71, 97, 99, 101, 103, 105, 107, 119	7493000010..... 581, 583	
		7493000011 503, 505, 549, 557	
		7493000020..... 462, 465, 466	
		7493000026..... 426, 432	
		7550000070..... 181	
		7552000407..... 601, 629	
		7561000020..... 669	

SECTION 10 - BUILD DOCUMENTS

7661000019.....101, 103, 203, 547, 549, 581, 583	351, 353, 355, 357, 359, 361, 363, 383,	7950150143 383	161, 163, 165, 167, 169, 171
7661000021365	403, 405, 462, 465,	7950150153 193	9007250005..... 109, 113
7661000022.63, 403, 411	466, 493, 495, 555	7950150161 397, 399, 401, 403, 613	9020960002..... 76, 82
7661000023.....353, 355, 363	7894000028 123	7950160000 ... 33, 77, 83, 139, 403	9064960007..... 76, 82
7661000027411	7894000037 123	7950160141 185, 305, 403	9073960003..... 76, 82
7661000041337, 383	7894000041 123	7950160143 231, 233, 235, 237, 239, 241, 243, 245, 247, 249, 253, 255, 263, 267, 279, 287, 295, 297, 299, 365, 426, 432, 439, 441, 547, 549	9082960013..... 75, 81
7661000056379	7894000055 646	7950160161 19, 139	9082960018... 75, 76, 81, 82
769014284557, 243	7894000057 123	7950170000 75, 81	91031236..... 39
7691000019 19	7894000060 123	7950170142 25	91033189..... 39
7691000020 123	7894000071 693	7950170153 101, 105	91143339.. 519, 585, 587, 589
7691000021 121	7912000094 411	7950180000 ... 55, 57, 76, 82, 97, 99, 397, 399, 401, 669, 671	91143340..... 589
7691000025...25, 39, 657	7912000095 411	7950180141 33, 407	9120960019..... 76, 82
7691000026 123	7912000096 411	7950180153 . 27, 57, 103, 107	9120960063..... 76, 82
7691000064 281, 283	7912000097 411	7950180161 ... 55, 97, 99, 139	91503104..... 617
7701000003..... 135, 137	7912000098 411	7950200000 76, 82	91503106..... 591, 593
7701000048..... 197, 199, 201, 309, 311, 313, 315, 317, 319, 321, 323, 325, 327, 329, 331, 333, 335	7912000099 411	7950200141 57	9177960003..... 75, 81
7701000049 197, 199, 201	7912000100 411	7950200151 76, 82	9177960004..... 75, 81
7701000056 197, 199, 201	7912000101 411	7970000162 33, 35	9178960011..... 76, 82
7736000001 521, 523	7912000102 411	7978000011 471, 473	9183960001..... 77, 83
7754000008 19	7912000103 411	80363179 541, 617	9209960025..... 76, 82
7754000009..... 281, 283	7912000104 411	80604016 .. 445, 449, 617	9209960026..... 76, 82
7754000018 97, 99	7912000107 63	80604017 .. 445, 449, 627	9254250009..... 113
7754000019 27	7912000313 63	80604018 .. 445, 449, 627	9280960002..... 75, 81
7754000033 19	7935000116 397, 399, 401	80604020 627	9309960011..... 76, 82
7754000042 119	7935000120 383	80604021 449	9314960022..... 76, 82
7754000043 101, 103, 105, 107	7935000349 415	80604024 . 445, 449, 535, 537, 539, 543	9330960006..... 75, 81
7754000048 25, 57	7935000351 337	80604025 .. 445, 449, 617	9443960006..... 75, 81
7754000049 33, 65, 67, 69, 71	7949000015 407	8060416 605	9472960052..... 75, 81
7754000051 97, 99	7949000016 407	8060417 627	9472960054..... 77, 83
7754000056 27	7949000018 45	80983191 601	9553250015..... 109, 113
7754000058 33	7949000019 135, 137, 309, 311, 313, 315, 317, 319, 321, 323, 325, 327, 329, 331, 333, 335	8220051 ... 595, 597, 599, 621	9553250016..... 109
7754000061 57	7949000020 309, 311, 313, 315, 317, 319, 321, 323, 325, 327, 329, 331, 333, 335	8220099 519, 585, 587	9571960006..... 75, 81
7759000004 123, 635	7949000025 19	8220935 519, 585, 587	9575960012..... 75, 81
7759000018 143	7949000056 279	8565000026 397, 399, 401	9577200245..... 29
7785152420 337, 397, 399, 401	7949000061 17	8597650001 471, 473	9577200246..... 31
7786000008 101, 103, 105, 107	7950100143 277, 383, 451, 453, 455, 457, 465, 563, 629	8632000011 309, 311, 313, 315, 317, 319, 321, 323, 325, 327, 329, 331, 333, 335	9590310195..... 507
7790141251 177, 179, 435, 437	7950140000 101, 103, 105, 107, 277, 409, 439, 441	8632000017 173	9590310197..... 507
7790142051 379	7950140003 195, 365	8798820001 127, 129, 131, 133, 141, 149, 151, 153, 155, 157, 159, 161, 163, 165, 167, 169, 171, 173, 183, 187, 189, 191, 383, 462, 465, 466, 499	9590310200..... 507
7796000012 149, 151, 153, 155, 157, 159, 161, 163, 165, 167, 169, 171, 215, 217, 219, 221, 223, 225	7950140141 439, 441	8892040001 149, 151, 153, 155, 157, 159,	9590310202..... 507
7796000051 409	7950140143 173, 181, 183, 195, 251, 255, 257, 259, 261, 263, 265, 277, 281, 283, 285, 295, 303, 307, 341, 343, 365, 367, 369, 371, 451, 453, 455, 462, 471, 473, 563, 603		9590310203..... 507
7809000006 33, 67, 71	7950140152 397, 399, 401		9590310205..... 507
7809000019 65, 69	7950140153 19		9590310206..... 507
7819000005 403	7950140163 177, 179		9619930002..... 415
7854000004 459	7950150000 63, 411		9690960039..... 76, 82
7865182065 397, 399, 401	7950150141 337		9691960019..... 76, 82
7870000043 471, 473			9691960021..... 75, 81
7870000136 337			9698250018..... 109, 113
7894000004 337, 341, 343, 345, 347, 349,			9698250019..... 109, 113

SECTION 10 - BUILD DOCUMENTS

9796250133	109, 113	9796960121....	75, 76, 81, 82	9912250021	109	9949960027	75, 81
9796250135	109, 113	9806960019.....	75, 81	9912960010.....	76, 82	9949960028 ...	75, 76, 81, 82
9796250137	109, 113	9806960021.....	75, 81	9935250025.....	109	9949960050	76, 82
9796250138	109, 113	9831960009.....	76, 82	9935930126.....	415	9970960020	75, 81
9796960089	75, 81	9831960018.....	75, 81	9935930127	415	FEX-GSARB	646
9796960090	75, 81	9843960023.....	76, 82	9935930129.....	415	TP_REF	704
9796960118	76, 82	9843960024.....	75, 81	9935930130.....	415		
9796960119	76, 82	9843960032.....	76, 82	9935960026.....	75, 81		
9796960120	76, 82			9949960012.....	76, 82		

JERR-DAN[®]

***Corporate Office
13224 Fountainhead Plaza
Hagerstown, MD 21742 USA***

***☎ (717) 597-7111 (Corporate)
☎ (800) 926-9666 (Customer Support)***

***Visit our website
www.jerrdan.com***



OSHKOSH™