

JERR-DAN[®]

Illustrated Parts Manual

Model JD 35TON IND HDUL WRECKER

SN 0230004275 to SN 0230011069

Excluding SN's 0230010761, 0230010763 & 0230010765

P/N

5376000274

March 1, 2024 - Rev A

JERR-DAN[®]

An Oshkosh Corporation Company

REVISION LOG

March 1, 2024 - A - Original Issue of Manual (Edited to B/M 1001195084 Revision B to L)

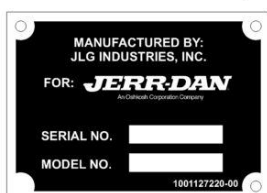
GENERAL INFORMATION

JerrDan, LLC (Jerr-Dan) strives to provide information that is accurate, complete and useful. Descriptions and illustrative material contained within this manual are as accurate as known at the time of publication and are subject to change, without notice, as a result of continuous product improvements. Jerr-Dan reserves the right to amend the information in this document at any time without prior notice.

Information contained in this manual reflects how this vehicle was built at the factory. Modifications or additions by the distributor or owner are not reflected in this manual.

This parts manual does not include service parts information for the commercial chassis (IHC, Ford, GM, etc.). That information is provided by the chassis manufacturer.

When ordering parts, please refer to your unit's Serial Number and Model Number. This information is be found on the aluminum tag riveted to the inside of the driver's side rear compartment of the main body.



Additional or replacement manuals can be ordered by calling Jerr-Dan Parts at 717-597-7111. Price and availability will be quoted at time of the request.

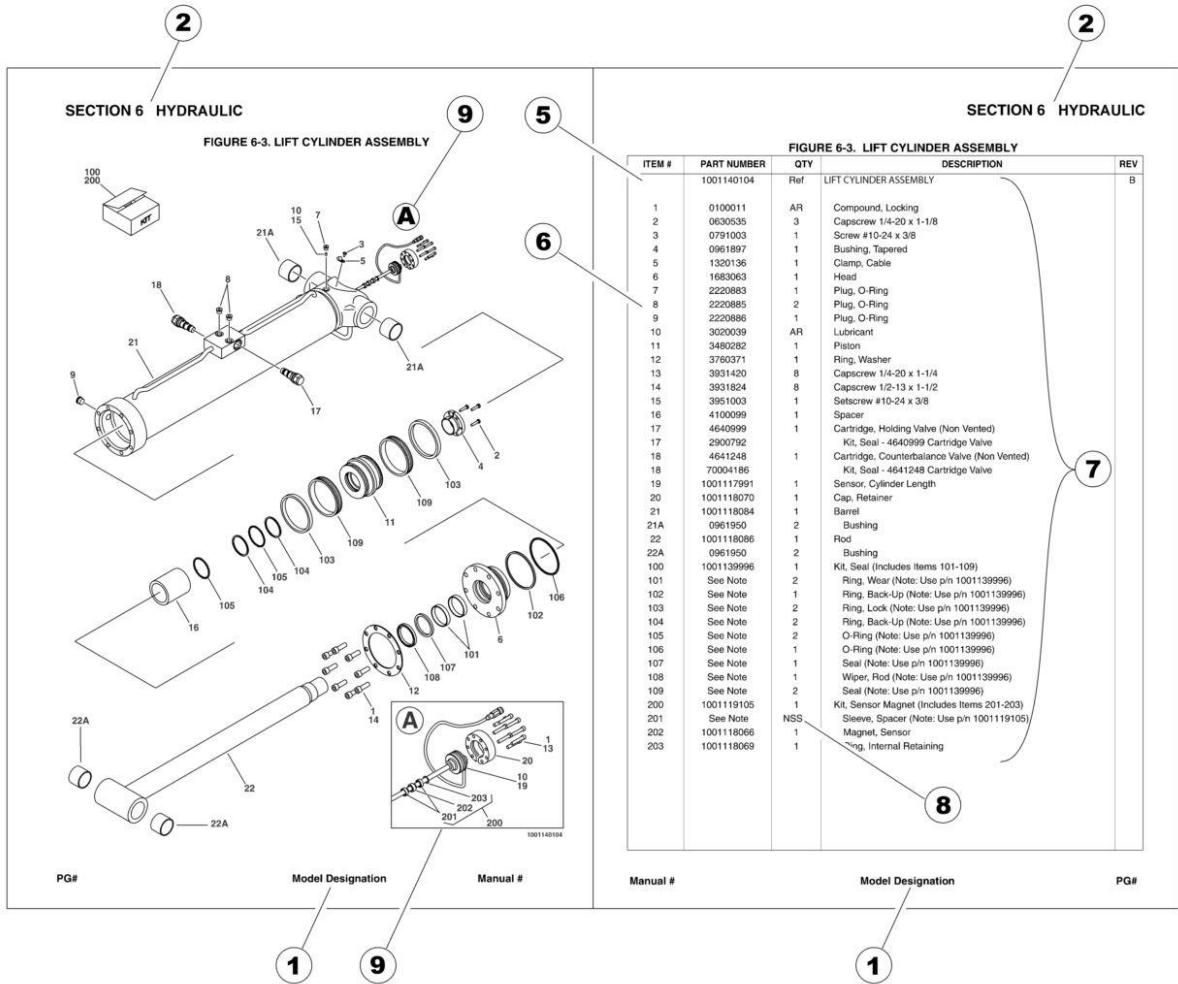
Please report comments and/or errors by contacting Jerr-Dan. Contact numbers are located on rear cover of Manual.

Manufactured under one or more of the following patents: 5,575,606; 5,672,042; 5,697,741; 5,713,714; 5,722,810; 5,782,596; 5,839,775 and 6,315,515 B1 with other Patents Pending.

Jerr-Dan and the Jerr-Dan logo are registered trademarks and Run Hard is a service mark of JerrDan, LLC, Hagerstown, MD USA.

The material in this document is confidential and the property of Jerr-Dan. No part of this document may be photocopied, reproduced or translated to another language without the express written consent of Jerr-Dan.

GENERAL INFORMATION



1) MACHINE IDENTIFICATION

Machines are identified by model and in some cases a combination of models, serial number (SN) or regional standard (i.e ANSI, CE, CSA). Components may also be identified by SN or manufacturer. Common components that may be identified by these characteristics are engines and hydraulic components.

2) PARTS MANUAL ORGANIZATION

Product information in this manual is organized under section titles. Subframe, Hydraulic and Electrical are a few examples. Each section is organized by figure and page number. The information within the Figure is then organized by item number, part number, description and corresponding illustration (s).

3) TABLE OF CONTENTS (NOT SHOWN)

A table of contents is found toward the beginning of the manual. Figure number, description and page number are provided for quick reference to the page containing the related information.

4) BUILD DOCUMENTS (NOT SHOWN)

The Build Documents, located near the end of the manual, reference components not available at the purchase level. These PN's list assembly instructions and assist in the maintenance of the parts manual.

GENERAL INFORMATION

5) NON-SERVICED PARTS

In some instances, it is necessary to display non-serviced parts, assemblies or installations. In the case of assemblies and installations there will be a Ref in the Qty. column. In case of parts that are not available for service within assemblies or components, there will be a NSS (Not Sold Separately) or NLA (No Longer Available) listed in the Qty. column of the manual.

6) PARTS LIST ITEM NUMBERS

Numbers shown in the item# column correspond to numbers used in the associated illustration (s). Item numbers which are missing from the sequence in the parts list are not used on that page.

7) INDENTED PARTS DESCRIPTION

An indented part description is included in the item under which it is indented.

8) ABBREVIATION AND SYMBOLS

AC.....	Alternating Current	L.....	Liter
ALUM.....	Aluminum	LD.....	Light Duty
AG.....	Agricultural	LB(LBS).....	Pounds
ANSI.....	American National Standards Institute	LCD.....	Liquid Crystal Display
AR.....	As Required	LED.....	Light Emitting Diodes
AUS.....	Australias	LH.....	Left Hand
ASSY.....	Assembly	M(m).....	Metric/Meter
AUX.....	Auxiliary	MD.....	Medium Duty
AWG.....	American Wire Gauge	MM (mm).....	Milimeter
CA.....	Cab To Axle	mA.....	Miliamps
CE.....	European Conformity	NLA.....	No Longer Available
CCW.....	Counter Clockwise	NPT.....	National Pipe Threads
CM.....	Centimeter	NSS.....	Not Sold Separately
CT.....	Cab To Tandem	OD.....	Outside Diameter
CW.....	Clockwise	ORB.....	O-Ring Boss
CSA.....	Canadian Standards Association	ORFS.....	O-Ring Face Seal
CYL.....	Cylinder	OZ (oz).....	Ounces
DIA.....	Diameter	PG.....	Page
DC.....	Direct Current	PN.....	Part Number
DOT.....	Department of Transportation	PTO.....	Power Take Off
EMS.....	Emergency Stop	QT(qt.).....	Quarts
ENG.....	Engine	QTY.....	Quantity
FT(ft).....	Feet	REF.....	Reference
GA(Ga).....	Gauge	REV.....	Revision Level
GAL.....	Gallons	RH.....	Right Hand
GVW.....	Gross Vehicle Weight	SAE.....	Society of Automotive Engineers
HD.....	Heavy Duty	SD.....	Standard Duty
HYD.....	Hydraulic	SN.....	Serial Number
Hz.....	Hertz	SPEC(S).....	Specifications
ID.....	Inside Diameter	SS.....	Stainless Steel
IN.....	inches	STD.....	Standards
IND.....	Independent	STL.....	Steel
IRL.....	Independent Reach/Lift	UGM.....	Universal Ground Module
INT.....	Integrated	V.....	Volts
ISO.....	International Organization for Standards	W.....	Watts
JIC.....	Joint Industry Council	WB.....	Wheel Base
KG.....	Kilogram	#.....	Number

9) ILLUSTRATION REFERENCE LETTERS

When necessary, illustrations may contain reference letters that are intended to track information (i. e. hoses, harnesses) from one point to another or to track visual enlargement of components to show details that may be located in another area on the illustration.

Note: Due to continuous product improvements, Jerr-Dan Corporation reserves the right to make specification changes without prior notification. Contact Jerr-Dan for updated information.

TABLE OF CONTENTS

SECTION 1 - SUBFRAME	19
FIGURE 1-1. SUBFRAME INSTALLATION.....	20
FIGURE 1-2. STABILIZER INSTALLATION - REAR.....	22
FIGURE 1-3. CYLINDER ASSEMBLY - REAR STABILIZER.....	24
FIGURE 1-4. SIDE RECOVERY SYSTEM (SRS) INSTALLATION (25K WINCH).....	26
FIGURE 1-5. SIDE RECOVERY SYSTEM (SRS) INSTALLATION (35K WINCH).....	28
FIGURE 1-6. BOOM ASSEMBLY (SRS).....	30
FIGURE 1-7. STABILIZER LEG ASSEMBLY (SIDE RECOVERY SYSTEM - SRS).....	32
FIGURE 1-8. CYLINDER ASSEMBLY - BOOM RECOVERY (SRS STABILIZER).....	34
FIGURE 1-9. CYLINDER ASSEMBLY - EXTEND/RETRACT (SRS STABILIZER).....	36
FIGURE 1-10. WINCH ASSEMBLY (SRS) (25K WINCH).....	38
FIGURE 1-11. WINCH ASSEMBLY (SRS) (35K WINCH).....	40
FIGURE 1-12. WINCH COMPONENTS (SRS) (25K WINCH).....	42
FIGURE 1-13. WINCH COMPONENTS (SRS) (35K WINCH).....	44
FIGURE 1-14. SIDE STABILIZER INSTALLATION.....	46
FIGURE 1-15. SIDE STABILIZER ASSEMBLY.....	48
FIGURE 1-16. SIDE STABILIZER (SRS SS-70) BOOM/LEG ASSEMBLY.....	50
FIGURE 1-17. CYLINDER ASSEMBLY - EXTEND/RETRACT (SS-70 STABILIZER).....	52
FIGURE 1-18. STABILIZER (SRS SS-70) BRACKET INSTALLATION.....	54
FIGURE 1-19. CABLE ASSEMBLY - 5/8 X 200FT (STABILIZERS).....	56
FIGURE 1-20. CABLE ASSEMBLY - 5/8 X 250FT (STABILIZERS).....	58
SECTION 2 - BOOM.....	61
FIGURE 2-1. BOOM INSTALLATION.....	62
FIGURE 2-2. BOOM ASSEMBLY.....	64
FIGURE 2-3. CYLINDER ASSEMBLY - BOOM LIFT.....	66
FIGURE 2-4. CYLINDER ASSEMBLY - BOOM EXTEND/RETRACT.....	68
FIGURE 2-5. WINCH INSTALLATION - MAIN BOOM (DP35 WITH.63IN CABLE).....	70
FIGURE 2-6. WINCH INSTALLATION - MAIN BOOM (DP35 WITH.75IN CABLE).....	72
FIGURE 2-7. WINCH INSTALLATION - MAIN BOOM (RAMSEY WITH.63IN CABLE).....	74
FIGURE 2-8. WINCH INSTALLATION - MAIN BOOM (RAMSEY WITH.75IN CABLE).....	76
FIGURE 2-9. WINCH ASSEMBLY - FRONT LH (DP35).....	78
FIGURE 2-10. WINCH ASSEMBLY - REAR RH (DP35).....	84
FIGURE 2-11. WINCH ASSEMBLY - FRONT LH (RAMSEY).....	90
FIGURE 2-12. WINCH ASSEMBLY - REAR RH (RAMSEY).....	92
FIGURE 2-13. CABLE INSTALLATION - 0.63IN X 200FT WITH EYEHOOK.....	94
FIGURE 2-14. CABLE INSTALLATION - 0.63IN X 200FT WITH SWIVELHOOK (SN 0230004275 through 0230008673, Excluding 0230008645).....	96
FIGURE 2-15. CABLE INSTALLATION - 0.63IN X 200FT WITH SWIVELHOOK (SN 0230008674 to Present, Including 0230008645).....	98
FIGURE 2-16. CABLE INSTALLATION - 0.63IN X 250FT WITH EYEHOOK.....	100
FIGURE 2-17. CABLE INSTALLATION - 0.63IN X 250FT WITH SWIVELHOOK (SN 0230004275 through 0230008673, Excluding 0230008645).....	102
FIGURE 2-18. CABLE INSTALLATION - 0.63IN X 250FT WITH SWIVELHOOK (SN 0230008674 to Present, Including 0230008645).....	104
FIGURE 2-19. CABLE INSTALLATION - 0.75IN X 200FT WITH EYEHOOK.....	106

TABLE OF CONTENTS

FIGURE 2-20. CABLE INSTALLATION - 0.75IN X 200FT WITH SWIVELHOOK (SN 0230004275 through 0230008673, Excluding 0230008645).....	108
FIGURE 2-21. CABLE INSTALLATION - 0.75IN X 200FT WITH SWIVELHOOK (SN 0230008674 to Present, Including 0230008645).....	110
SECTION 3 - UNDERLIFT.....	113
FIGURE 3-1. UNDERLIFT INSTALLATION - 3 PIECE 48000LBS	114
FIGURE 3-2. UNDERLIFT INSTALLATION - 4 PIECE 48000LBS	116
FIGURE 3-3. UNDERLIFT INSTALLATION - 3 PIECE 53000LBS	118
FIGURE 3-4. UNDERLIFT ASSEMBLY - 48000LBS (3 PIECE)	120
FIGURE 3-5. UNDERLIFT ASSEMBLY - 48000LBS (4 PIECE)	122
FIGURE 3-6. UNDERLIFT ASSEMBLY - 53000LBS	124
FIGURE 3-7. CYLINDER ASSEMBLY - EXTENT/RETRACT (48000LBS 3 PIECE)	126
FIGURE 3-8. CYLINDER ASSEMBLY - EXTENT/RETRACT (48000LBS 4 PIECE)	128
FIGURE 3-9. CYLINDER ASSEMBLY - EXTENT/RETRACT (53000LBS).....	130
FIGURE 3-10. CYLINDER ASSEMBLY - LIFT.....	132
FIGURE 3-11. CYLINDER ASSEMBLY - TILT (48000LBS).....	134
FIGURE 3-12. CYLINDER ASSEMBLY - TILT (53000LBS).....	136
FIGURE 3-13. CROSSTUBE INSTALLATION.....	138
FIGURE 3-14. FRAME FORKS INSTALLATION	140
FIGURE 3-15. GRID INSTALLATION - TIRE LIFT (14000LBS)	142
FIGURE 3-16. GRID INSTALLATION - TIRE LIFT (25000LBS)	144
FIGURE 3-17. WINCH INSTALLATION - UNDERLIFT.....	146
FIGURE 3-18. WINCH ASSEMBLY - UNDERLIFT.....	148
FIGURE 3-19. CABLE INSTALLATION - 0.63IN X 250FT WITH EYEHOOK (UNDERLIFT).....	154
FIGURE 3-20. CABLE INSTALLATION - 0.63IN X 250FT WITH SWIVELHOOK (UNDERLIFT)	156
FIGURE 3-21. CABLE INSTALLATION - 0.75IN X 200FT WITH EYEHOOK (UNDERLIFT).....	158
FIGURE 3-22. CABLE INSTALLATION - 0.75IN X 200FT WITH SWIVELHOOK (UNDERLIFT)	160
SECTION 4 - BODY.....	163
FIGURE 4-1. BODY INSTALLATION - TANDEM (SN 0230004275 through 0230006134).....	164
FIGURE 4-2. BODY INSTALLATION - TANDEM (SN 0230006135 to Present)	166
FIGURE 4-3. BODY INSTALLATION - TRI-AXLE (SN 0230004275 through 0230006134).....	168
FIGURE 4-4. BODY INSTALLATION - TRI-AXLE (SN 0230006135 to Present)	170
FIGURE 4-5. COVER INSTALLATION (WITHOUT CAMERA)	172
FIGURE 4-6. COVER PLATE INSTALLATION - SRS TOOLBOX	174
FIGURE 4-7. DIAMOND PLATE INSTALLATION.....	176
FIGURE 4-8. DIAMOND PLATE INSTALLATION - FILLER PANEL.....	178
FIGURE 4-9. DIAMOND PLATE INSTALLATION - REAR.....	180
FIGURE 4-10. DIAMOND PLATE INSTALLATION - SRS	182
FIGURE 4-11. DIAMOND PLATE INSTALLATION - SRS TOOLBOX	184
FIGURE 4-12. DIAMOND PLATE INSTALLATION - TUNNEL FRONT WITH CWT.....	186
FIGURE 4-13. DIAMOND PLATE INSTALLATION - TUNNEL FRONT WITHOUT CWT	188
FIGURE 4-14. DIAMOND PLATE INSTALLATION - TUNNEL TOP WITH PYLON (39IN TUNNEL).....	190
FIGURE 4-15. DIAMOND PLATE INSTALLATION - TUNNEL TOP WITH PYLON (51IN TUNNEL).....	192
FIGURE 4-16. DIAMOND PLATE INSTALLATION - TUNNEL TOP WITHOUT PYLON (39IN TUNNEL)	194
FIGURE 4-17. DIAMOND PLATE INSTALLATION - TUNNEL TOP WITHOUT PYLON (51IN TUNNEL)	196

TABLE OF CONTENTS

FIGURE 4-18. DOORS INSTALLATION - 37IN TUNNEL (PAINTED DOOR & FRAME) (SN 0230004275 through 0230008673, Excluding 0230008645)	198
FIGURE 4-19. DOORS INSTALLATION - 37IN TUNNEL (PAINTED DOOR & FRAME) (SN 0230008674 to Present, Including 0230008645)	200
FIGURE 4-20. DOORS INSTALLATION - 37IN TUNNEL (PAINTED DOOR ONLY)	202
FIGURE 4-21. DOORS INSTALLATION - 39IN TUNNEL (PAINTED DOOR & FRAME) (SN 0230004275 through 0230008673, Excluding 0230008645)	204
FIGURE 4-22. DOORS INSTALLATION - 39IN TUNNEL (PAINTED DOOR & FRAME) (SN 0230008674 to Present, Including 0230008645)	206
FIGURE 4-23. DOORS INSTALLATION - 39IN TUNNEL (PAINTED DOOR ONLY)	208
FIGURE 4-24. DOORS INSTALLATION - 49IN TUNNEL (PAINTED DOOR & FRAME) (SN 0230004275 through 0230008673, Excluding 0230008645)	210
FIGURE 4-25. DOORS INSTALLATION - 49IN TUNNEL (PAINTED DOOR & FRAME) (SN 0230008674 to Present, Including 0230008645)	212
FIGURE 4-26. DOORS INSTALLATION - 49IN TUNNEL (PAINTED DOOR ONLY)	214
FIGURE 4-27. DOORS INSTALLATION - 51IN TUNNEL (PAINTED DOOR & FRAME) (SN 0230004275 through 0230008673, Excluding 0230008645)	216
FIGURE 4-28. DOORS INSTALLATION - 51IN TUNNEL (PAINTED DOOR & FRAME) (SN 0230008674 to Present, Including 0230008645)	218
FIGURE 4-29. DOORS INSTALLATION - 51IN TUNNEL (PAINTED DOOR ONLY)	220
FIGURE 4-30. DOORS INSTALLATION - REAR (PAINTED DOORS & FRAME) (TANDEM) (SN 0230004275 through 0230008673, Excluding 0230008645)	222
FIGURE 4-31. DOORS INSTALLATION - REAR (PAINTED DOORS & FRAME) (TANDEM) (SN 0230008674 to Present, Including 0230008645)	224
FIGURE 4-32. DOORS INSTALLATION - REAR (PAINTED DOORS & FRAME) (TRI-AXLE) (SN 0230004275 through 0230008673, Excluding 0230008645)	226
FIGURE 4-33. DOORS INSTALLATION - REAR (PAINTED DOORS & FRAME) (TRI-AXLE) (SN 0230008674 to Present, Including 0230008645)	228
FIGURE 4-34. DOORS INSTALLATION - REAR (PAINTED DOORS ONLY) (TANDEM)	230
FIGURE 4-35. DOORS INSTALLATION - REAR (PAINTED DOORS ONLY) (TRI-AXLE)	232
FIGURE 4-36. DOORS INSTALLATION - SRS TOOLBOX (PAINTED DOORS ONLY)	234
FIGURE 4-37. DOORS INSTALLATION - SRS TOOLBOX (PAINTED DOORS & FRAMES)	236
FIGURE 4-38. FENDER FLARES INSTALLATION - TANDEM.....	238
FIGURE 4-39. FENDER FLARES INSTALLATION - TRI-AXLE.....	240
FIGURE 4-40. FILLER PANEL ELECTRICAL INSTALLATION.....	242
FIGURE 4-41. FILLER PANEL INSTALLATION - 20IN.....	244
FIGURE 4-42. FILLER PANEL INSTALLATION - 24IN.....	246
FIGURE 4-43. FILLER PANEL INSTALLATION - WITH SIDE STABILIZER.....	248
FIGURE 4-44. GRAB HANDLES INSTALLATION.....	250
FIGURE 4-45. GRAB HANDLES INSTALLATION - SRS.....	252
FIGURE 4-46. LIFTING LUGS INSTALLATION.....	254
FIGURE 4-47. LIFTING LUGS INSTALLATION - BODY (SN 0230008674 to Present, Including 0230008645)	256
FIGURE 4-48. LIFTING LUGS INSTALLATION - SRS.....	258
FIGURE 4-49. LIFTING LUGS INSTALLATION - TUNNEL (SN 0230004275 through 0230008673, Excluding 0230008645)	260
FIGURE 4-50. MUDFLAPS INSTALLATION.....	262
FIGURE 4-51. PIN STORAGE INSTALLATION.....	264
FIGURE 4-52. PYLON INSTALLATION (34IN) (SN 0230004275 through 0230005219)	266
FIGURE 4-53. PYLON INSTALLATION (34IN) (SN 0230005220 to Present)	268
FIGURE 4-54. PYLON INSTALLATION (39IN) (SN 0230004275 through 0230005219)	270

TABLE OF CONTENTS

FIGURE 4-55. PYLON INSTALLATION (39IN) (SN 0230005220 to Present).....	272
FIGURE 4-56. PYLON INSTALLATION (57IN) (SN 0230004275 through 0230005219)	274
FIGURE 4-57. PYLON INSTALLATION (57IN) (SN 0230005220 to Present).....	276
FIGURE 4-58. PYLON COVER INSTALLATION (34IN PYLON)	278
FIGURE 4-59. PYLON COVER INSTALLATION (39IN PYLON)	280
FIGURE 4-60. PYLON COVER INSTALLATION (57IN PYLON)	282
FIGURE 4-61. PYLON ADAPTER INSTALLATION - 39IN TUNNEL	284
FIGURE 4-62. PYLON ADAPTER INSTALLATION - 51IN TUNNEL	286
FIGURE 4-63. PYLON DRESS-UP KIT - 34IN BRUSHED STAINLESS (SN 0230004275 through 0230005219)	288
FIGURE 4-64. PYLON DRESS-UP KIT - 34IN BRUSHED STAINLESS (SN 0230005220 to Present)	290
FIGURE 4-65. PYLON DRESS-UP KIT - 34IN POLISHED STAINLESS (SN 0230004275 through 0230005219).....	292
FIGURE 4-66. PYLON DRESS-UP KIT - 34IN POLISHED STAINLESS (SN 0230005220 to Present)	294
FIGURE 4-67. PYLON DRESS-UP KIT - 39IN BRUSHED STAINLESS (SN 0230004275 through 0230005219)	296
FIGURE 4-68. PYLON DRESS-UP KIT - 39IN BRUSHED STAINLESS (SN 0230005220 to Present)	298
FIGURE 4-69. PYLON DRESS-UP KIT - 39IN POLISHED STAINLESS (SN 0230004275 through 0230005219).....	300
FIGURE 4-70. PYLON DRESS-UP KIT - 39IN POLISHED STAINLESS (SN 0230005220 to Present)	302
FIGURE 4-71. PYLON DRESS-UP KIT - 57IN BRUSHED STAINLESS.....	304
FIGURE 4-72. PYLON DRESS-UP KIT - 57IN POLISHED STAINLESS.....	306
FIGURE 4-73. RUB RAIL DRESS-UP INSTALLATION (37IN TUNNEL).....	308
FIGURE 4-74. RUB RAIL DRESS-UP INSTALLATION (39IN TUNNEL).....	310
FIGURE 4-75. RUB RAIL DRESS-UP INSTALLATION (49IN TUNNEL).....	312
FIGURE 4-76. RUB RAIL DRESS-UP INSTALLATION (51IN TUNNEL).....	314
FIGURE 4-77. RUB RAIL DRESS-UP KIT (SRS TOOLBOX).....	316
FIGURE 4-78. RUB RAIL DRESS-UP KIT (TANDEM).....	318
FIGURE 4-79. RUB RAIL DRESS-UP KIT (TRI-AXLE).....	320
FIGURE 4-80. STEP INSTALLATION.....	322
FIGURE 4-81. STEP INSTALLATION - SRS	324
FIGURE 4-82. STORAGE - CHAIN/ BINDER RACK INSTALLATION (TANDEM)	326
FIGURE 4-83. STORAGE - CHAIN/ BINDER RACK INSTALLATION (TRI-AXLE)	328
FIGURE 4-84. STORAGE - CHAIN/TOOL RACK INSTALLATION (ROTARY RACK)	330
FIGURE 4-85. STORAGE - CRIBBING STORAGE INSTALLATION.....	332
FIGURE 4-86. STORAGE - DRAIN COVER/AIR BAG STORAGE INSTALLATION (36IN).....	334
FIGURE 4-87. STORAGE - DRAIN COVER/AIR BAG STORAGE INSTALLATION (48IN).....	336
FIGURE 4-88. STORAGE - DRAWER INSTALLATION - TILT DOWN (TANDEM)	338
FIGURE 4-89. STORAGE - DRAWER INSTALLATION - TILT DOWN (TRI-AXLE)	340
FIGURE 4-90. STORAGE - FIFTH WHEEL/PINTLE STORAGE INSTALLATION (37IN TUNNEL)	342
FIGURE 4-91. STORAGE - FIFTH WHEEL/PINTLE STORAGE INSTALLATION (TANDEM)	344
FIGURE 4-92. STORAGE - FIFTH WHEEL/PINTLE STORAGE INSTALLATION (TRI-AXLE DRIVERS SIDE)	346
FIGURE 4-93. STORAGE - FIFTH WHEEL/PINTLE STORAGE INSTALLATION (TRI-AXLE PASSENGERS SIDE)	348
FIGURE 4-94. STORAGE - FIRE EXTINGUISHER STORAGE INSTALLATION	350
FIGURE 4-95. STORAGE - FLARE STORAGE INSTALLATION	352
FIGURE 4-96. STORAGE - FLASHLIGHT STORAGE INSTALLATION (SN 0230006135 to Present).....	354
FIGURE 4-97. STORAGE - FLASHLIGHT STORAGE INSTALLATION (SN 0230004275 through 0230006134).....	356
FIGURE 4-98. STORAGE - FORK ORGANIZER INSTALLATION (TANDEM).....	358
FIGURE 4-99. STORAGE - FORK ORGANIZER INSTALLATION (TRI-AXLE).....	360

TABLE OF CONTENTS

FIGURE 4-100. STORAGE - FORK RISERS STORAGE INSTALLATION (TANDEM).....	362
FIGURE 4-101. STORAGE - FORK RISERS STORAGE INSTALLATION (TRI-AXLE).....	364
FIGURE 4-102. STORAGE - GRIZZILY BAR STORAGE INSTALLATION	366
FIGURE 4-103. STORAGE - JACK STORAGE INSTALLATION (TANDEM).....	368
FIGURE 4-104. STORAGE - JACK STORAGE INSTALLATION (TRI-AXLE).....	370
FIGURE 4-105. STORAGE - LADDER STORAGE INSTALLATION	372
FIGURE 4-106. STORAGE - SHACKLE RACK INSTALLATION (TANDEM).....	374
FIGURE 4-107. STORAGE - SHACKLE RACK INSTALLATION (TRI-AXLE).....	376
FIGURE 4-108. STORAGE - SHELF INSTALLATION - 36IN.....	378
FIGURE 4-109. STORAGE - SHELF INSTALLATION - 48IN.....	380
FIGURE 4-110. STORAGE - SHOVEL STORAGE INSTALLATION.....	382
FIGURE 4-111. STORAGE - SILO INSTALLATION - STAY DRY.....	384
FIGURE 4-112. STORAGE - SNATCH BLOCKS INSTALLATION (ROTARY RACK).....	386
FIGURE 4-113. STORAGE - SNATCH BLOCKS INSTALLATION (TANDEM)	388
FIGURE 4-114. STORAGE - SNATCH BLOCKS INSTALLATION (TRI-AXLE)	390
FIGURE 4-115. STORAGE - SPILL CONTAINER STORAGE INSTALLATION.....	392
FIGURE 4-116. STORAGE - TIRE LIFT/BUS ARMS & RATCHETS - 36IN.....	394
FIGURE 4-117. STORAGE - TIRE LIFT/BUS ARMS & RATCHETS - 48IN.....	396
FIGURE 4-118. STORAGE - TIRE LIFT/BUS ARMS & RATCHETS - 51IN.....	398
FIGURE 4-119. STORAGE - TOOL DRAWER INSTALLATION (TANDEM).....	400
FIGURE 4-120. STORAGE - TOOL DRAWER INSTALLATION (TRI-AXLE DRIVERS SIDE).....	402
FIGURE 4-121. STORAGE - TOOL DRAWER INSTALLATION (TRI-AXLE PASSENGERS SIDE).....	404
FIGURE 4-122. STORAGE - TOOL STORAGE INSTALLATION.....	406
FIGURE 4-123. STORAGE - TOW LIGHT STORAGE INSTALLATION.....	408
FIGURE 4-124. STORAGE - TRAFFIC CONE STORAGE INSTALLATION.....	410
FIGURE 4-125. STORAGE - WHEEL CHOCK STORAGE INSTALLATION.....	412
FIGURE 4-126. TOOLBOX INSTALLATION (SRS).....	414
FIGURE 4-127. TUNNEL INSTALLATION - 37IN (SN 0230004275 through 0230008644)	416
FIGURE 4-128. TUNNEL INSTALLATION - 37IN (SN 0230008645 to Present)	418
FIGURE 4-129. TUNNEL INSTALLATION - 39IN (SN 0230004275 through 0230008644)	420
FIGURE 4-130. TUNNEL INSTALLATION - 39IN (SN 0230008645 to Present)	422
FIGURE 4-131. TUNNEL INSTALLATION - 49IN	424
FIGURE 4-132. TUNNEL INSTALLATION - 51IN (3.5K LBS CWT).....	426
FIGURE 4-133. TUNNEL INSTALLATION - 51IN (4.5K LBS CWT).....	428
FIGURE 4-134. TUNNEL INSTALLATION - 51IN (6.5K LBS CWT).....	430
FIGURE 4-135. TUNNEL INSTALLATION - 51IN (NO CWT).....	432
FIGURE 4-136. WINCH AIR INSTALLATION	434
SECTION 5 - CONTROLS	437
FIGURE 5-1. IN-CAB CONTROLS INSTALLATION - FLOOR MOUNTED WITHOUT UNDERLIFT	438
FIGURE 5-2. IN-CAB CONTROLS INSTALLATION - FLOOR MOUNTED WITH UNDERLIFT	440
FIGURE 5-3. IN-CAB CONTROLS INSTALLATION - KENWORTH T440 & T800 & W9 WITHOUT UNDERLIFT	442
FIGURE 5-4. IN-CAB CONTROLS INSTALLATION - KENWORTH T440 & T800 & W9 WITH UNDERLIFT	444
FIGURE 5-5. IN-CAB CONTROLS INSTALLATION - KENWORTH T880 WITHOUT UNDERLIFT.....	446
FIGURE 5-6. IN-CAB CONTROLS INSTALLATION - KENWORTH T880 WITH UNDERLIFT	448
FIGURE 5-7. IN-CAB CONTROLS INSTALLATION - PETERBILT 389 LOW ROOF WITHOUT UNDERLIFT	450

TABLE OF CONTENTS

FIGURE 5-8. IN-CAB CONTROLS INSTALLATION - PETERBILT 389 LOW ROOF WITH UNDERLIFT	452
FIGURE 5-9. IN-CAB CONTROLS INSTALLATION - PETERBILT 389 HIGH ROOF WITHOUT UNDERLIFT.....	454
FIGURE 5-10. IN-CAB CONTROLS INSTALLATION - PETERBILT 389 HIGH ROOF WITH UNDERLIFT	456
FIGURE 5-11. IN-CAB CONTROLS INSTALLATION - PETERBILT 567 WITHOUT UNDERLIFT	458
FIGURE 5-12. IN-CAB CONTROLS INSTALLATION - PETERBILT 567 WITH UNDERLIFT	460
FIGURE 5-13. REMOTE CONTROL INSTALLATION (6 FUNCTION NON-PROP)	462
FIGURE 5-14. REMOTE CONTROL INSTALLATION (14 FUNCTION NON-PROP)	464
FIGURE 5-15. REMOTE CONTROL INSTALLATION (14 FUNCTION PROP) (SN 0230004573 through 0230006134)	466
FIGURE 5-16. REMOTE CONTROL INSTALLATION (14 FUNCTION PROP) (SN 0230006135 to Present).....	468
FIGURE 5-17. REMOTE CONTROL INSTALLATION (16 FUNCTION PROP) (SN 0230004573 through 0230006134)	470
FIGURE 5-18. REMOTE CONTROL INSTALLATION (16 FUNCTION PROP) (SN 0230006135 to Present).....	472
FIGURE 5-19. REMOTE CONTROL ASSEMBLY - WIRELESS (5 PADDLE) (SN 0230004573 through 0230006134)	474
FIGURE 5-20. REMOTE CONTROL ASSEMBLY - WIRELESS (5 PADDLE) (SN 0230006135 to Present).....	476
FIGURE 5-21. REMOTE CONTROL ASSEMBLY - WIRELESS (3 FUNCTION) (SN 0230004573 through 0230006134).....	478
FIGURE 5-22. REMOTE CONTROL ASSEMBLY - WIRELESS (6 FUNCTION)	480
FIGURE 5-23. REMOTE CONTROL ASSEMBLY - WIRELESS (14 FUNCTION)	482
FIGURE 5-24. REMOTE CONTROL ASSEMBLY - HAND HELD (SRS).....	484
FIGURE 5-25. REMOTE CONTROL HOLDER INSTALLATION	486
FIGURE 5-26. CONTROLS INSTALLATION - 9 SECTION/3 SOLENOID (SN 0230004275 through 0230004572).....	488
FIGURE 5-27. CONTROLS INSTALLATION - 9 SECTION/3 SOLENOID (SN 0230004573 through 0230006134).....	492
FIGURE 5-28. CONTROLS INSTALLATION - 9 SECTION/3 SOLENOID (SN 0230006135 to Present)	496
FIGURE 5-29. CONTROLS INSTALLATION - 9 SECTION/7 SOLENOID (SN 0230004275 through 0230004572).....	500
FIGURE 5-30. CONTROLS INSTALLATION - 9 SECTION/7 SOLENOID (SN 0230004573 through 0230006134).....	504
FIGURE 5-31. CONTROLS INSTALLATION - 9 SECTION/7 SOLENOID (SN 0230006135 to Present)	508
FIGURE 5-32. CONTROLS INSTALLATION - 10 SECTION/8 SOLENOID (SN 0230004275 through 0230004572).....	512
FIGURE 5-33. CONTROLS INSTALLATION - 10 SECTION/8 SOLENOID (SN 0230004573 through 0230006134).....	516
FIGURE 5-34. CONTROLS INSTALLATION - 10 SECTION/8 SOLENOID (SN 0230006135 to Present)	520
SECTION 6 - HYDRAULIC	525
FIGURE 6-1. AIR INSTALLATION - DUAL WINCH	526
FIGURE 6-2. AIR INSTALLATION - DRAG.....	528
FIGURE 6-3. GAUGES INSTALLATION - HYDRAULIC (DRIVERS SIDE)	530
FIGURE 6-4. HYDRAULIC LINES & FITTING INSTALLATION - WITHOUT UNDERLIFT	532
FIGURE 6-5. HYDRAULIC LINES & FITTING INSTALLATION - WITH UNDERLIFT.....	540
FIGURE 6-6. HYDRAULIC SUPPLY INSTALLATION - 210IN-265IN WB	548
FIGURE 6-7. HYDRAULIC SUPPLY INSTALLATION - 266IN-305IN WB	550
FIGURE 6-8. HYDRAULIC SUPPLY INSTALLATION - 306IN-345IN WB	552
FIGURE 6-9. HYDRAULIC SUPPLY INSTALLATION - 346IN-385IN WB	554
FIGURE 6-10. HYDRAULIC SUPPLY INSTALLATION - 386IN-425IN WB	556
FIGURE 6-11. HYDRAULIC INSTALLATION - SIDE RECOVERY SYSTEM (SRS)	558
FIGURE 6-12. HYDRAULIC INSTALLATION - SIDE STABILIZER (SS-70)	562
FIGURE 6-13. HYDRAULIC INSTALLATION - UNDERLIFT (48000K UNDERLIFT).....	564
FIGURE 6-14. HYDRAULIC INSTALLATION - UNDERLIFT (53000K UNDERLIFT).....	566
FIGURE 6-15. TUBE INSTALLATION - COMMON (WITHOUT UNDERLIFT).....	568
FIGURE 6-16. TUBE INSTALLATION - COMMON (WITH UNDERLIFT)	570
FIGURE 6-17. TUBE INSTALLATION - UNDERLIFT	572

TABLE OF CONTENTS

FIGURE 6-18. TANK (HYDRAULIC) INSTALLATION	574
FIGURE 6-19. TANK (HYDRAULIC) ASSEMBLY	576
FIGURE 6-20. VALVE ASSEMBLY - AIR 2 SECTION	578
FIGURE 6-21. VALVE ASSEMBLY - AIR 3 SECTION	580
FIGURE 6-22. VALVE SUB-ASSEMBLY - 9 SECTION / 3 SOLENOID	582
FIGURE 6-23. VALVE ASSEMBLY - 9 SECTION / 3 SOLENOID	584
FIGURE 6-24. VALVE SUB-ASSEMBLY - 9 SECTION / 7 SOLENOID	586
FIGURE 6-25. VALVE ASSEMBLY - 9 SECTION / 7 SOLENOID	588
FIGURE 6-26. VALVE SUB-ASSEMBLY - 10 SECTION / 8 SOLENOID	590
FIGURE 6-27. VALVE ASSEMBLY - 10 SECTION / 8 SOLENOID	592
FIGURE 6-28. VALVE ASSEMBLY - SIDE RECOVERY SYSTEM (SRS)	594
FIGURE 6-29. VALVE ASSEMBLY - SIDE STABILIZER (SS-70)	596
SECTION 7 - ELECTRICAL	599
FIGURE 7-1. ELECTRICAL INSTALLATION - TANDEM	600
FIGURE 7-2. ELECTRICAL INSTALLATION - TRI-AXLE	604
FIGURE 7-3. ALARM INSTALLATION - FIXED	608
FIGURE 7-4. ALARM INSTALLATION - VARIABLE	610
FIGURE 7-5. BATTERY COVER INSTALLATION (39IN TUNNEL)	612
FIGURE 7-6. BATTERY COVER INSTALLATION (51IN TUNNEL WITH CWT)	614
FIGURE 7-7. BATTERY COVER INSTALLATION (51IN TUNNEL WITHOUT CWT)	616
FIGURE 7-8. BATTERY RELOCATION (HARDWARE ONLY)	618
FIGURE 7-9. BATTERY RELOCATION (HARDWARE & WRING)	620
FIGURE 7-10. BODY HARNESS (LH) (TANDEM)	622
FIGURE 7-11. BODY HARNESS (LH) (TRI-AXLE)	624
FIGURE 7-12. BODY HARNESS (RH) (TRI-AXLE)	626
FIGURE 7-13. BODY HARNESS (RH) TANDEM)	628
FIGURE 7-14. CAMERA INSTALLATION - CABINET MOUNTED BACK -UP	630
FIGURE 7-15. CAMERA INSTALLATION - CABINET MOUNTED BACK -UP (SN 0230004275 through 0230005219)	632
FIGURE 7-16. CAMERA INSTALLATION - CABINET MOUNTED BACK -UP (PACCAR) (SN 0230005220 to Present)	634
FIGURE 7-17. CAMERA INSTALLATION - CABINET MOUNT ONLY	636
FIGURE 7-18. CAMERA INSTALLATION - UNDERLIFT MOUNTED (SN 0230004275 through 0230005219)	638
FIGURE 7-19. CAMERA INSTALLATION - UNDERLIFT MOUNTED (SN 0230005220 to Present)	640
FIGURE 7-20. CAMERA INSTALLATION - UNDERLIFT MOUNTED (PACCAR)	642
FIGURE 7-21. CAMERA INSTALLATION - UNDERLIFT MOUNT ONLY	644
FIGURE 7-22. CAMERA INSTALLATION - WINCH MOUNTED (SN 0230004275 through 0230005219)	646
FIGURE 7-23. CAMERA INSTALLATION - WINCH MOUNTED (SN 0230005220 to Present)	648
FIGURE 7-24. CAMERA INSTALLATION - CONTROLS MOUNTED (DRIVERS SIDE). (SN 0230004275 through 0230005219)	650
FIGURE 7-25. CAMERA INSTALLATION - CONTROLS MOUNTED (DRIVERS SIDE). (SN 0230005220 to Present)	652
FIGURE 7-26. CENTER HARNESS INSTALLATION - 236IN WB	654
FIGURE 7-27. CENTER HARNESS INSTALLATION - 322IN WB	656
FIGURE 7-28. CENTER HARNESS INSTALLATION - 346IN WB	658
FIGURE 7-29. CENTER HARNESS - 236IN WB	660
FIGURE 7-30. CENTER HARNESS - 322IN WB	662
FIGURE 7-31. CENTER HARNESS - 346IN WB	664

TABLE OF CONTENTS

FIGURE 7-32. EMERGENCY STOP SWITCH INSTALLATION (SN 0230004275 through 0230006134)	666
FIGURE 7-33. EMERGENCY STOP SWITCH INSTALLATION (SN 0230006135 to Present)	668
FIGURE 7-34. EMERGENCY STOP HARNESS	670
FIGURE 7-35. FILLER PANEL ELECTRICAL INSTALLATION	672
FIGURE 7-36. LIGHTS - COMPARTMENT LIGHTS INSTALLATION (SRS TOOLBOX)	674
FIGURE 7-37. LIGHTS - COMPARTMENT LIGHTS INSTALLATION (TANDEM).....	676
FIGURE 7-38. LIGHTS - COMPARTMENT LIGHTS INSTALLATION (TRI-AXLE).....	678
FIGURE 7-39. LIGHTS - COMPARTMENT LIGHTS INSTALLATION (TUNNEL) (SN 0230004275 through 0230008673, Excluding 0230008645).....	680
FIGURE 7-40. LIGHTS - COMPARTMENT LIGHTS INSTALLATION (TUNNEL) (SN 0230008674 to Present, Including 0230008645)	682
FIGURE 7-41. LIGHTS - FILLER PANEL LIGHTS HARNESS	684
FIGURE 7-42. LIGHTS - FLASHER LIGHTS INSTALLATION - SIDE (TANDEM).....	686
FIGURE 7-43. LIGHTS - FLASHER LIGHTS INSTALLATION - SIDE (TRI-AXLE).....	688
FIGURE 7-44. LIGHTS - HOOK UP LIGHTS INSTALLATION (LOWER)	690
FIGURE 7-45. LIGHTS - HOOK UP LIGHTS INSTALLATION (UPPER)	692
FIGURE 7-46. LIGHTS - LIGHTBAR INSTALLATION (CAB MOUNTED)	694
FIGURE 7-47. LIGHTS - LIGHTBAR INSTALLATION (PYLON MOUNTED) (CODE 3 58IN RED)	696
FIGURE 7-48. LIGHTS - LIGHTBAR INSTALLATION (PYLON MOUNTED) (CODE 3 & ECCO 60IN AMBER)	698
FIGURE 7-49. LIGHTS - LIGHTBAR INSTALLATION (PYLON MOUNTED) (WHELEN 60IN)	700
FIGURE 7-50. LIGHTS - LIGHTBAR ASSEMBLY - CODE 3 58IN RED.....	702
FIGURE 7-51. LIGHTS - LIGHTBAR ASSEMBLY - CODE 3 60IN AMBER.....	704
FIGURE 7-52. LIGHTS - LIGHTBAR ASSEMBLY - ECCO AMBER	706
FIGURE 7-53. LIGHTS - LIGHTBAR ASSEMBLY - WHELEN 60IN	708
FIGURE 7-54. LIGHTS - LIGHTBAR ASSEMBLY - WHELEN (72IN).....	712
FIGURE 7-55. LIGHTS - LIGHTBAR HARNESS (CAB MOUNTED).....	714
FIGURE 7-56. LIGHTS - MARKER LIGHTS INSTALLATION (PYLON)	716
FIGURE 7-57. LIGHTS - MARKER LIGHTS INSTALLATION (TANDEM)	718
FIGURE 7-58. LIGHTS - MARKER LIGHTS INSTALLATION (TRI-AXLE)	720
FIGURE 7-59. LIGHTS - MARKER LIGHTS INSTALLATION (TUNNEL SIDE) (SN 0230008674 to Present, Including 0230008645)	722
FIGURE 7-60. LIGHTS - MARKER LIGHTS INSTALLATION (TUNNEL SIDE) (SN 0230004275 through 0230008673, Excluding 0230008645).....	724
FIGURE 7-61. LIGHTS - MARKER LIGHT INSTALLATION (TUNNEL FRONT WITHOUT CWT)	726
FIGURE 7-62. LIGHTS - MARKER LIGHT INSTALLATION (TUNNEL FRONT WITH CWT)	728
FIGURE 7-63. LIGHTS - MARKER LIGHT INSTALLATION (TUNNEL FRONT WITHOUT DIAMOND).....	730
FIGURE 7-64. LIGHTS - MARKER LIGHT INSTALLATION (TUNNEL FRONT WITH SRS).....	732
FIGURE 7-65. LIGHTS - MARKER 1 HARNESS (BODY) (TANDEM)	734
FIGURE 7-66. LIGHTS - MARKER 1 HARNESS (BODY) (TRI-AXLE).....	736
FIGURE 7-67. LIGHTS - MARKER 2 HARNESS (BODY) (TANDEM)	738
FIGURE 7-68. LIGHTS - MARKER 2 HARNESS (BODY) (TRI-AXLE).....	740
FIGURE 7-69. LIGHTS - MARKER 3 HARNESS (BODY)	742
FIGURE 7-70. LIGHTS - MARKER WITH SIDE STABILIZER	744
FIGURE 7-71. LIGHTS - MARKER WITH SIDE RECOVERY SYSTEM (SRS) TOOLBOX	746
FIGURE 7-72. LIGHTS - MARKER LIGHT HARNESS WITH SIDE STABILIZER	748
FIGURE 7-73. LIGHTS - SRS TOOLBOX HARNESS - MAIN	750
FIGURE 7-74. LIGHTS - SRS TOOLBOX HARNESS.....	752

TABLE OF CONTENTS

FIGURE 7-75. LIGHTS - TOW LIGHTS HARNESS	754
FIGURE 7-76. LIGHTS - UNDERLIFT LIGHTS INSTALLATION	756
FIGURE 7-77. LIGHTS - UNDERLIFT LIGHTS HARNESS.....	758
FIGURE 7-78. LIGHTS - WING LIGHTS INSTALLATION (ECCO) (SN 0230004275 through 0230005219)	760
FIGURE 7-79. LIGHTS - WING LIGHTS INSTALLATION (ECCO) (SN 0230005220 to Present).....	762
FIGURE 7-80. LIGHTS - WING LIGHTS INSTALLATION (WHELEN) (SN 0230004275 through 0230005219)	764
FIGURE 7-81. LIGHTS - WING LIGHTS INSTALLATION (WHELEN) (SN 0230005220 to Present).....	766
FIGURE 7-82. LIGHTS - WING LIGHT ASSEMBLY - 22IN AMBER (ECCO)	768
FIGURE 7-83. LIGHTS - WING LIGHT ASSEMBLY - 22IN AMBER (WHELEN)	770
FIGURE 7-84. LIGHTS - WING LIGHTS MOUNT ONLY INSTALLATION (SN 0230005220 to Present).....	774
FIGURE 7-85. LIGHTS - WING LIGHTS MOUNT ONLY INSTALLATION	776
FIGURE 7-86. LIGHTS - WORK LIGHTS INSTALLATION (BOOM)	778
FIGURE 7-87. LIGHTS - WORK LIGHTS INSTALLATION (UPPER).....	780
FIGURE 7-88. MULTIPLEX INSTALLATION (WITHOUT DRAG WINCH) (SN 0230004275 through 0230006134)	782
FIGURE 7-89. MULTIPLEX INSTALLATION (WITHOUT DRAG WINCH) (SN 0230006135 to Present).....	786
FIGURE 7-90. MULTIPLEX INSTALLATION (WITH DRAG WINCH) (SN 0230004275 through 0230006134).....	790
FIGURE 7-91. MULTIPLEX INSTALLATION (WITH DRAG WINCH) (SN 0230006135 to Present)	794
FIGURE 7-92. MULTIPLEX HARNESS - BODY (LH) (SN 0230004275 through 0230005538)	798
FIGURE 7-93. MULTIPLEX HARNESS - BODY (LH) (SN 0230005539 through 0230006134)	800
FIGURE 7-94. MULTIPLEX HARNESS - BODY (LH) (SN 0230006135 to Present)	802
FIGURE 7-95. MULTIPLEX HARNESS - BODY (RH) (SN 0230004275 through 0230005538).....	804
FIGURE 7-96. MULTIPLEX HARNESS - BODY (RH) (SN 0230005539 through 0230006134).....	806
FIGURE 7-97. MULTIPLEX HARNESS - BODY (RH) (SN 0230006135 to Present).....	808
FIGURE 7-98. MULTIPLEX HARNESS - CROSSOVER (SN 0230004275 through 0230005538).....	810
FIGURE 7-99. MULTIPLEX HARNESS - CROSSOVER (SN 0230005539 through 0230006134).....	812
FIGURE 7-100. MULTIPLEX HARNESS - CROSSOVER (SN 0230006135 to Present)	814
FIGURE 7-101. MULTIPLEX HARNESS - IN-CAB CONTROL (CONSOLE MOUNTED)	816
FIGURE 7-102. MULTIPLEX HARNESS - IN-CAB CONTROL (FLOOR MOUNTED)	818
FIGURE 7-103. MULTIPLEX HARNESS - IN-CAB CONTROL (KENWORTH T880).....	820
FIGURE 7-104. MULTIPLEX HARNESS - JUMPER (SN 0230004275 through 0230005538).....	822
FIGURE 7-105. MULTIPLEX HARNESS - JUMPER (SN 0230005539 through 0230006134).....	824
FIGURE 7-106. MULTIPLEX HARNESS - JUMPER (SN 0230006135 to Present).....	826
FIGURE 7-107. MULTIPLEX HARNESS - MULTIPLEX TO PDP (SN 0230004275 through 0230006134)	828
FIGURE 7-108. MULTIPLEX HARNESS - MULTIPLEX TO PDP (SN 0230006135 to Present).....	830
FIGURE 7-109. PYLON ELECTRICAL INSTALLATION ((34IN & 39IN PYLON)	832
FIGURE 7-110. PYLON ELECTRICAL INSTALLATION (57IN PYLON)	834
FIGURE 7-111. PYLON HARNESS - JUMPER.....	836
FIGURE 7-112. PYLON HARNESS - MAIN (34IN & 39IN PYLON).....	838
FIGURE 7-113. PYLON HARNESS - MAIN (57IN PYLON)	840
FIGURE 7-114. REMOTE CONTROL HARNESS ASSEMBLY (6 FUNCTION) (Prior to SN 0230006575)	842
FIGURE 7-115. REMOTE CONTROL HARNESS ASSEMBLY (6 FUNCTION) (SN 0230006575 to Present)	844
FIGURE 7-116. REMOTE CONTROL HARNESS ASSEMBLY (8 FUNCTION) (SRS WINCH)	846
FIGURE 7-117. REMOTE CONTROL HARNESS ASSEMBLY (14 FUNCTION NON-PROPORTIONAL) (Prior to SN 0230006575)	848
FIGURE 7-118. REMOTE CONTROL HARNESS ASSEMBLY (14 FUNCTION NON-PROPORTIONAL) (SN 0230006575 to Present).....	850

TABLE OF CONTENTS

FIGURE 7-119. REMOTE CONTROL HARNESS ASSEMBLY (14 & 16 FUNCTION PROPORTIONAL) (Prior to SN 0230003827)	852
FIGURE 7-120. REMOTE CONTROL HARNESS ASSEMBLY (14 & 16 FUNCTION PROPORTIONAL) (SN 0230003827 through 0230006134)	854
FIGURE 7-121. REMOTE CONTROL HARNESS ASSEMBLY (14 & 16 FUNCTION PROPORTIONAL) (SN 0230006135 to Present).....	856
FIGURE 7-122. SIDE RECOVERY SYSTEM TOOLBOX HARNESS	858
FIGURE 7-123. SIDE STABILIZER ELECTRICAL INSTALLATION	860
FIGURE 7-124. SIDE STABILIZER (SRS SS-70) SWITCH HARNESS (REAR HARNESS)	862
FIGURE 7-125. SIDE STABILIZER (SRS SS-70) VALVE HARNESS (FRONT HARNESS)	864
FIGURE 7-126. SIDE STABILIZER ELECTRICAL INSTALLATION (WITH NO PANEL).....	866
FIGURE 7-127. SIDE STABILIZER HARNESS EXTENSIONS	868
FIGURE 7-128. TAILLIGHT CONVERSION KIT	870
FIGURE 7-129. TRAILER PLUG INSTALLATION - 7 WAY	872
FIGURE 7-130. TUNNEL HARNESS INSTALLATION - 37IN TUNNEL (SN 0230004275 through 0230008673, Excluding 0230008645)	874
FIGURE 7-131. TUNNEL HARNESS INSTALLATION - 37IN & 49IN TUNNELS (SN 0230008674 to Present, Including 0230008645)	876
FIGURE 7-132. TUNNEL HARNESS INSTALLATION - 39IN TUNNEL.....	878
FIGURE 7-133. TUNNEL HARNESS INSTALLATION - 51IN TUNNEL.....	880
FIGURE 7-134. TUNNEL HARNESS - MAIN (SN 0230004275 through 0230008673, Excluding 0230008645)	882
FIGURE 7-135. TUNNEL HARNESS - MAIN (SN 0230008674 to Present, Including 0230008645)	884
FIGURE 7-136. TUNNEL HARNESS - FRONT	886
FIGURE 7-137. TUNNEL HARNESS - REAR.....	888
FIGURE 7-138. WINCH HARNESS - 2 SPEED.....	890
FIGURE 7-139. WINCH HARNESS - DRAG WINCH.....	892
FIGURE 7-140. WINCH ELECTRICAL INSTALLATION (SRS TOOLBOX).....	894
SECTION 8 - DECAL.....	897
FIGURE 8-1. DECAL INSTALLATION - COMMON	898
FIGURE 8-2. DECAL INSTALLATION - JERR-DAN LOGO (RED).....	902
FIGURE 8-3. DECAL INSTALLATION - JERR-DAN LOGO (WHITE).....	904
FIGURE 8-4. DECAL INSTALLATION - SIDE RECOVERY SYSTEM (SRS)	906
FIGURE 8-5. DECAL INSTALLATION - SIDE STABILIZER (SS-70).....	908
SECTION 9 - ACCESSORIES.....	911
FIGURE 9-1. SERVICE & AFTERMARKET KITS LIST	912
FIGURE 9-2. AIR EMERGENCY AND SERVICE GLAD HANDS	914
FIGURE 9-3. AUXILIARY AIR INSTALLATION	916
FIGURE 9-4. CHAIN KIT - HEAVY DUTY (LEVEL 1)	918
FIGURE 9-5. CHAIN KIT - HEAVY DUTY (LEVEL 2)	920
FIGURE 9-6. FIFTH WHEEL TOW ATTACHMENT.....	922
FIGURE 9-7. FORK RISER ADAPTERS	924
FIGURE 9-8. FORK RISERS - 7IN	926
FIGURE 9-9. LOOP SLING KIT (LEVEL 1).....	928
FIGURE 9-10. LOOP SLING KIT (LEVEL 2).....	930
FIGURE 9-11. PINTLE HOOK WITH 2IN BALL	932
FIGURE 9-12. PINTLE HOOK WITH 50MM BALL.....	934

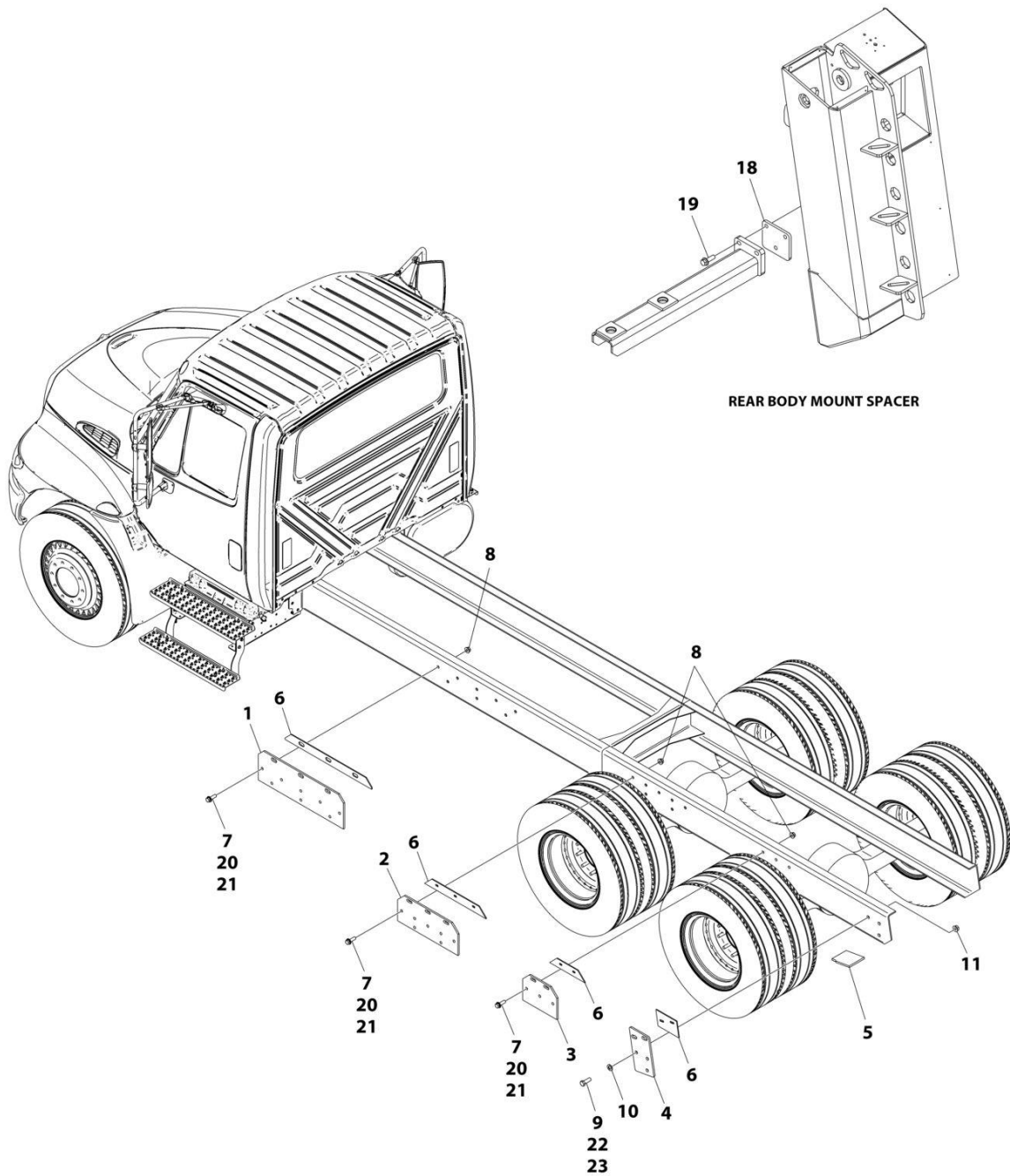
TABLE OF CONTENTS

FIGURE 9-13. RISC ACCESSORY PACKAGE (1OF5)	936
FIGURE 9-14. RUGGED KIT.....	944
FIGURE 9-15. SHACKLE KIT (LEVEL 1)	946
FIGURE 9-16. SHACKLE KIT (LEVEL 2)	948
FIGURE 9-17. SNATCH BLOCK KIT.....	950
FIGURE 9-18. STRAP EXTENSION ASSEMBLY	952
FIGURE 9-19. STRAP KIT - TIRE BASKET	954
FIGURE 9-20. STRAP, TIE-DOWN - 7000 LBS LARGE	956
FIGURE 9-21. STRAP, TIE-DOWN - 7000 LBS SMALL	958
FIGURE 9-22. TOW BALL - 1.88IN DIA	960
FIGURE 9-23. TOW BALL - 2.31IN DIA	962
FIGURE 9-24. TOW BALL - 2IN DIA	964
FIGURE 9-25. TOW BALL - 50MM DIA.....	966
FIGURE 9-26. TOW LIGHTS - MAGNETIC.....	968
FIGURE 9-27. TOW LIGHTS - SUCTION	970
FIGURE 9-28. TRUCK SCALES - ON BOARD	972
SECTION 10 - BUILD DOCUMENTS.....	975
FIGURE 10-1. BUILD DOC_5376000274.....	976
PART NUMBER INDEX	979

SECTION 1 - SUBFRAME

SECTION 1 - SUBFRAME

FIGURE 1-1. SUBFRAME INSTALLATION



ART_3577000117

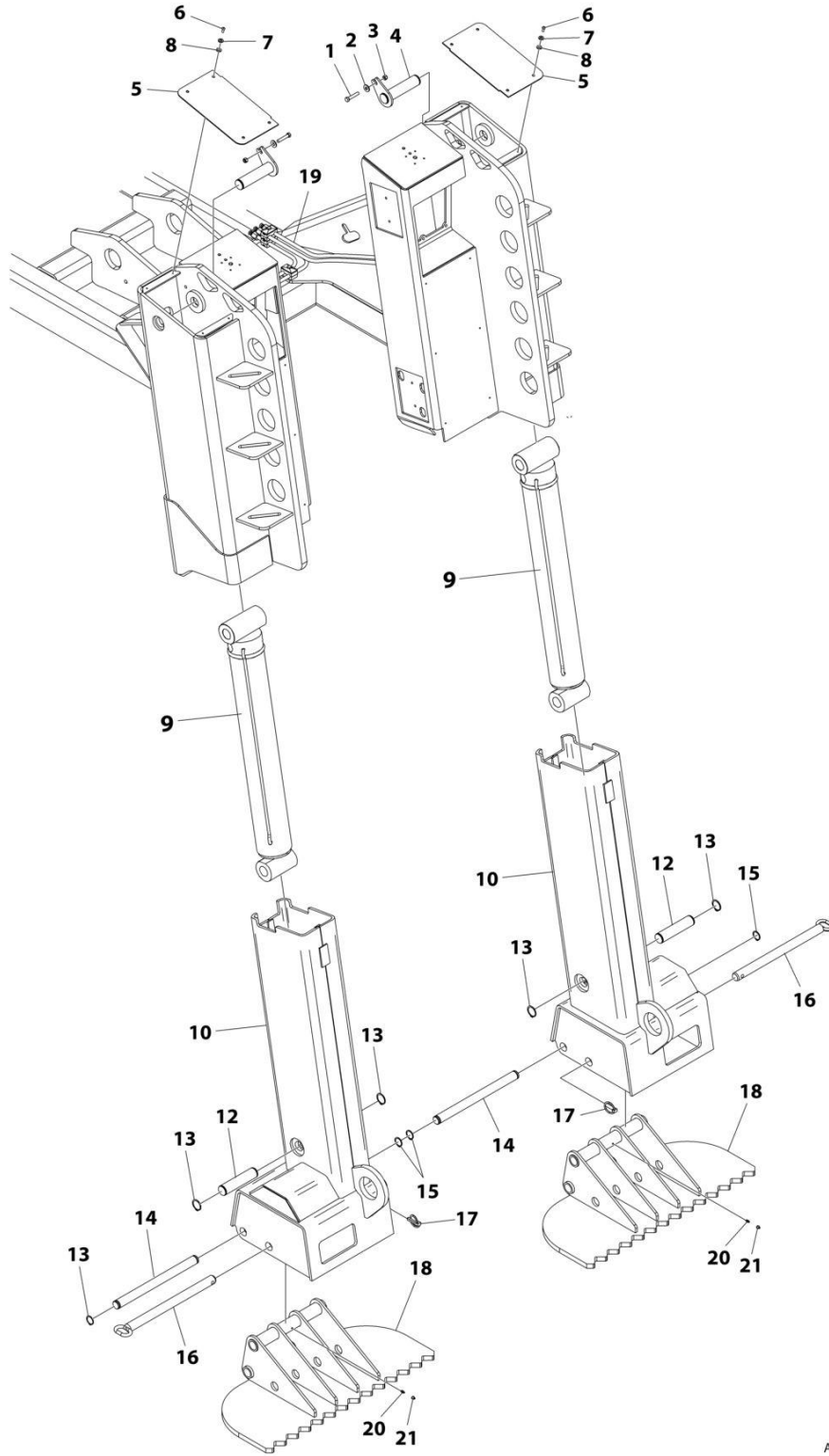
SECTION 1 - SUBFRAME

FIGURE 1-1. SUBFRAME INSTALLATION

ITEM	PART NUMBER	QTY	DESCRIPTION	REV
	3577000117	Ref	WRECKER KIT	H
1	1001144626	2	Plate	
2	1001144657	2	Plate	
3	1001144730	2	Plate	
4	4706002554	2	Plate	
5	4062000688	2	Plate	
6	3577000118	1	Shim Kit	
6	4062000269	2	Bar	
6	4706002163	2	Plate	
6	4706002555	2	Plate	
6	4706002556	2	Plate	
7	7118222416	36	Capscrew 3/4 x 3	
8	7660222308	36	Nut 3/4	
9	7118242450	6	Capscrew 3/4 x 3	
10	7949000061	6	Washer	
11	7660242308	6	Nut 3/4	
18	1001186982	2	Plate	
19	0641813	AR	Bolt 1/2 x 1-5/8	
20	7118222016	AR	Bolt 3/4 x 2-1/2	
21	7118222816	AR	Capscrew 3/4 x 3-1/2	
22	7118242050	AR	Capscrew 7/8 x 2-1/2	
23	0682428001	AR	Bolt 7/8 x 3-1/2	

SECTION 1 - SUBFRAME

FIGURE 1-2. STABILIZER INSTALLATION - REAR



ART_2507690090

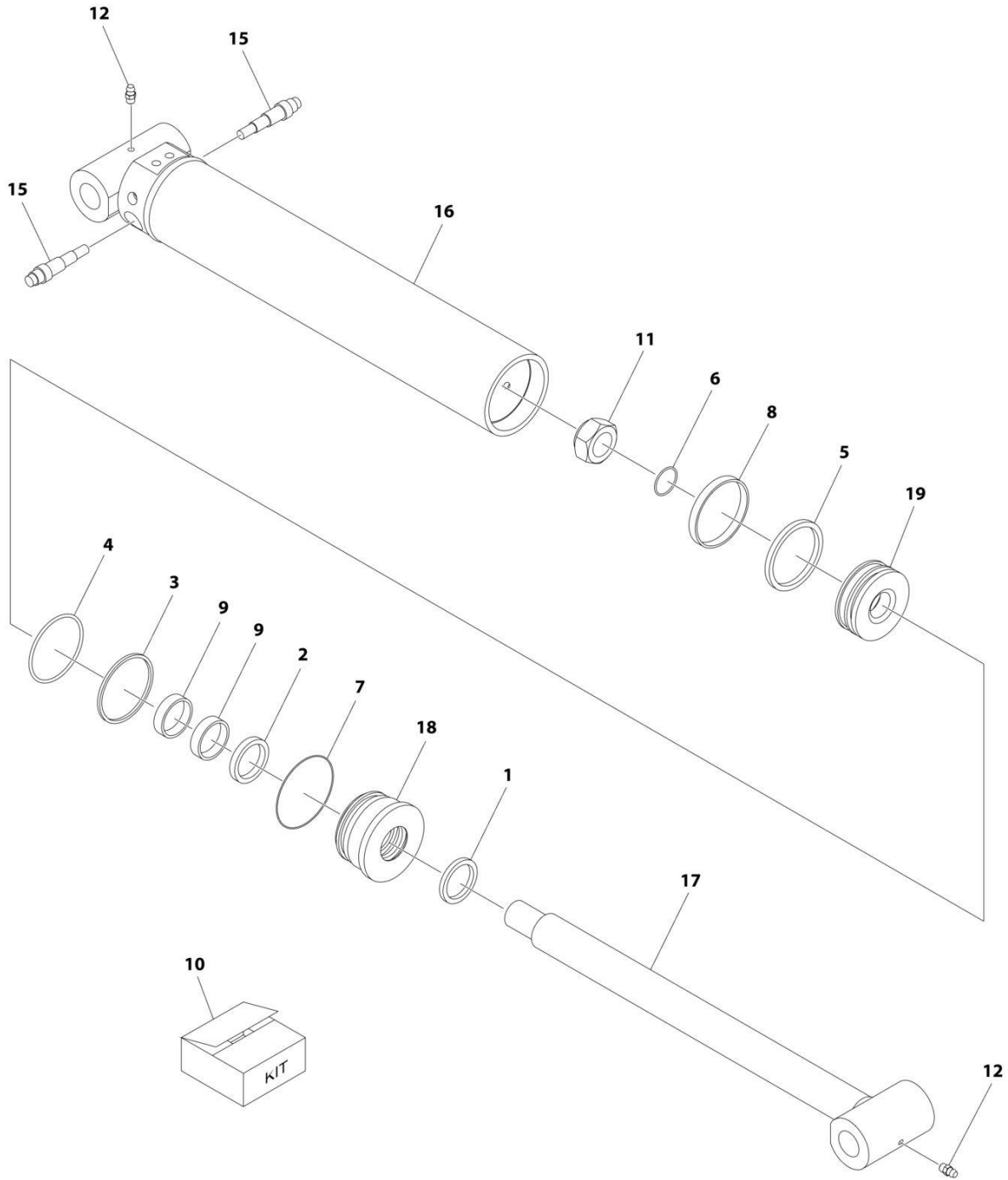
SECTION 1 - SUBFRAME

FIGURE 1-2. STABILIZER INSTALLATION - REAR

ITEM	PART NUMBER	QTY	DESCRIPTION	REV
	2507690090	Ref	STABILIZERS INSTALLATION - REAR	C
1	7115161650	2	Bolt 3/8 x 2	
2	7950160161	2	Washer 3/8	
3	7660162601	2	Nut 3/8	
4	3691000267	2	Pin	
5	4706003716	2	Plate	
6	7114140518	8	Capscrew 1/4 x 5/8	
7	7949000025	8	Washer	
8	7950140153	8	Washer 1/4	
9	7320000006	2	Cylinder Assembly (See Separate Breakdown in this Section)	
10	3263000118	2	Channel Weldment	
12	4691000207	2	Pin	
13	7754000033	4	Ring, Retaining	
14	4691000200	2	Pin	
15	7754000008	4	Ring, Retaining	
16	3691000126	2	Pin	
17	7691000019	2	Pin	
18	3706000261	2	Plate	
19	3912000036	1	Tube Spade Assembly	
20	7440030000	4	Fitting, Straight	
21	7253000002	4	Fitting, Cap	

SECTION 1 - SUBFRAME

FIGURE 1-3. CYLINDER ASSEMBLY - REAR STABILIZER



ART_732000006

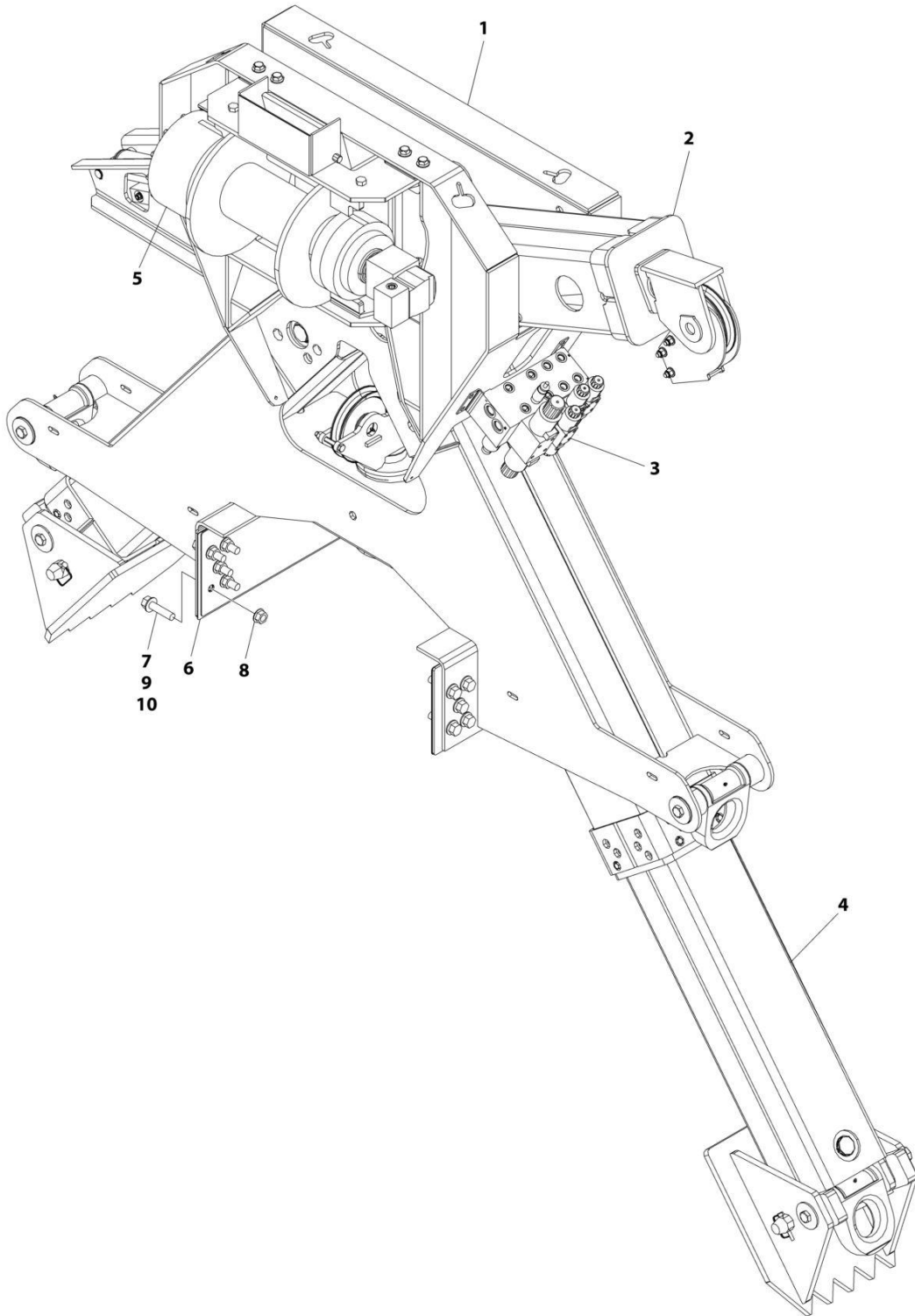
SECTION 1 - SUBFRAME

FIGURE 1-3. CYLINDER ASSEMBLY - REAR STABILIZER

ITEM	PART NUMBER	QTY	DESCRIPTION	REV
	7320000006	Ref	Rear Spade Cylinder	B
1	9796250080	1	Seal, Wiper	
2	7019828	1	Seal	
3	9754250009	1	Ring, Back-up	
4	9796250057	1	Seal, O-Ring	
5	9796250073	1	Seal	
6	9796250061	1	Seal, O-Ring	
7	9796250066	1	Seal, O-Ring	
8	9724250014	1	Ring, Wear	
9	9754250015	2	Ring, Wear	
10	7577000167	1	Kit, Seal	
11	7003212	1	Nut	
12	7005322	2	Grease Fitting	
13	7005365	2	Plug, Port (Not Shown)	
14	70021648	2	Plug, Port (Not Shown)	
15	70050215	2	Valve, Counterbalance	
16	9912250004	1	Assembly, Tube	
17	9763250009	1	Assembly, Rod	
18	9553250009	1	Head	
19	70050531	1	Piston	

SECTION 1 - SUBFRAME

FIGURE 1-4. SIDE RECOVERY SYSTEM (SRS) INSTALLATION (25K WINCH)



ART_1001200002

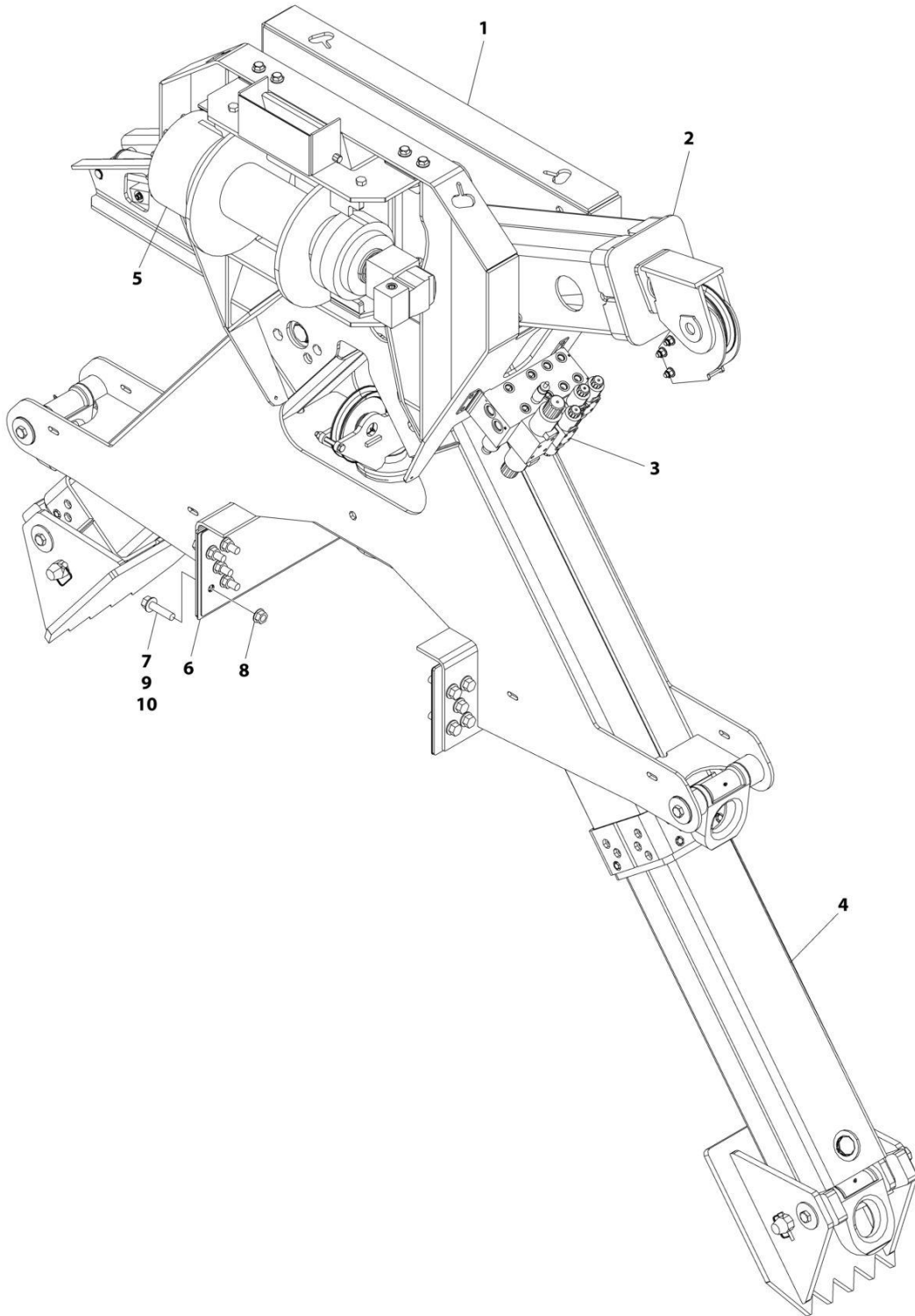
SECTION 1 - SUBFRAME

FIGURE 1-4. SIDE RECOVERY SYSTEM (SRS) INSTALLATION (25K WINCH)

ITEM	PART NUMBER	QTY	DESCRIPTION	REV
	1001200002	Ref	SIDE RECOVERY SYSTEM (SRS) INSTALLATION (25K WINCH)	C
1	3455000055	1	Frame	
2	3548100001	1	Boom Assembly (See Separate Breakdown in this Section)	
3	3548530005	1	Hydraulic Installation (See Separate Breakdown in HYDRAULIC Section)	
4	3548690002	1	Side Stabilizer Assembly (SRS) (See Separate Breakdown in this Section)	
5	3548900004	1	Winch Assembly (See Separate Breakdown in this Section)	
6	3577000129	1	Shim Kit	
7	7118222416	AR	Bolt 3/4 x 3	
8	7660222308	20	Nut 3/4	
9	7118222016	AR	Bolt 3/4 x 2-1/2	
10	7118222816	AR	Bolt 3/4 x 3-1/2	

SECTION 1 - SUBFRAME

FIGURE 1-5. SIDE RECOVERY SYSTEM (SRS) INSTALLATION (35K WINCH)



ART_1001200003

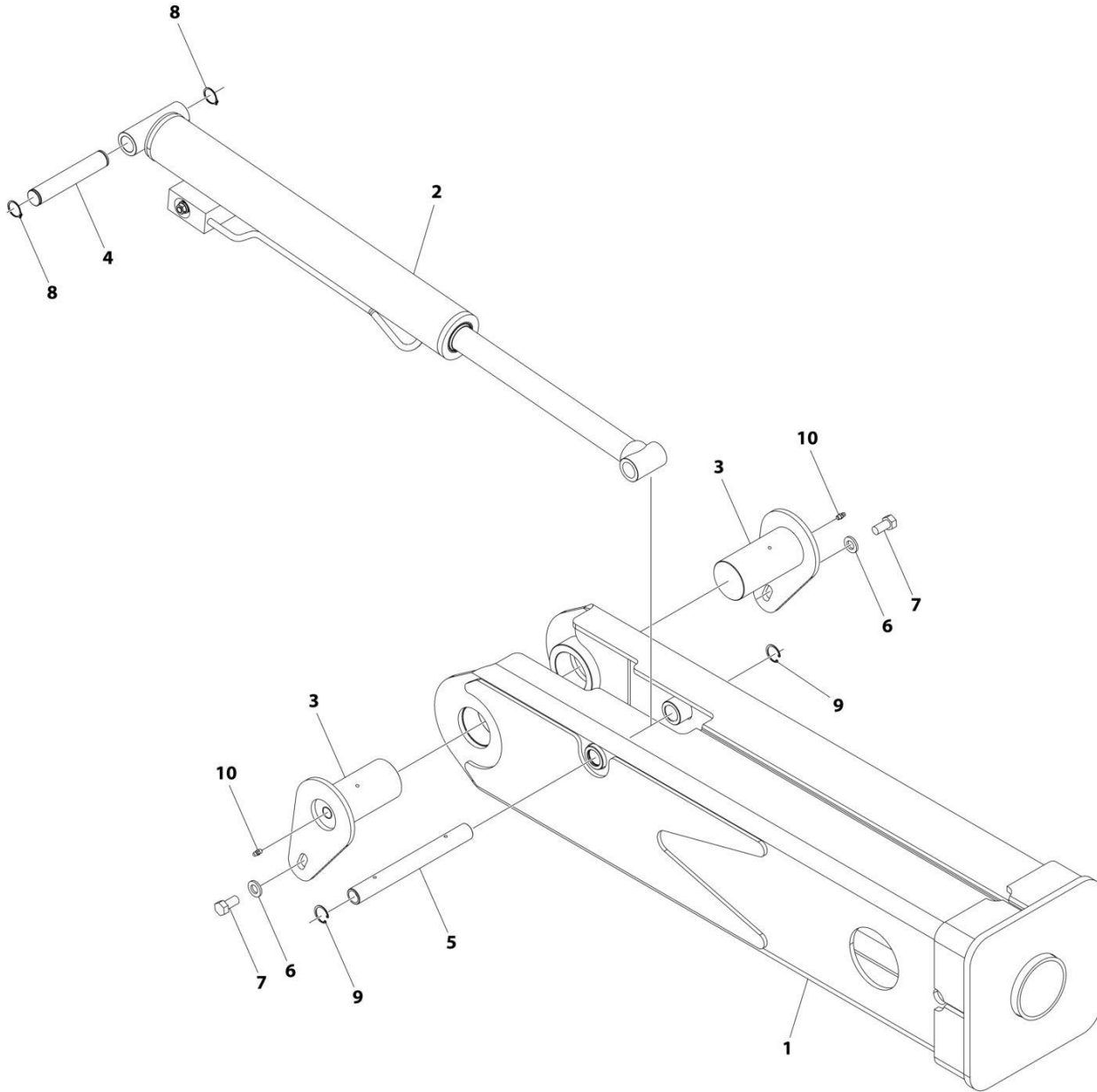
SECTION 1 - SUBFRAME

FIGURE 1-5. SIDE RECOVERY SYSTEM (SRS) INSTALLATION (35K WINCH)

ITEM	PART NUMBER	QTY	DESCRIPTION	REV
	1001200003	Ref	SIDE RECOVERY SYSTEM (SRS) INSTALLATION (35K WINCH)	C
1	3455000055	1	Frame	
2	3548100001	1	Boom Assembly (See Separate Breakdown in this Section)	
3	3548530005	1	Hydraulic Installation (See Separate Breakdown in HYDRAULIC Section)	
4	3548690002	1	Side Stabilizer Assembly (SRS) (See Separate Breakdown in this Section)	
5	3548900003	1	Winch Assembly (See Separate Breakdown in this Section)	
6	3577000129	1	Shim Kit	
7	7118222416	AR	Bolt 3/4 x 3	
8	7660222308	20	Nut 3/4	
9	7118222016	AR	Bolt 3/4 x 2-1/2	
10	7118222816	AR	Bolt 3/4 x 3-1/2	

SECTION 1 - SUBFRAME

FIGURE 1-6. BOOM ASSEMBLY (SRS)



ART_3548100001

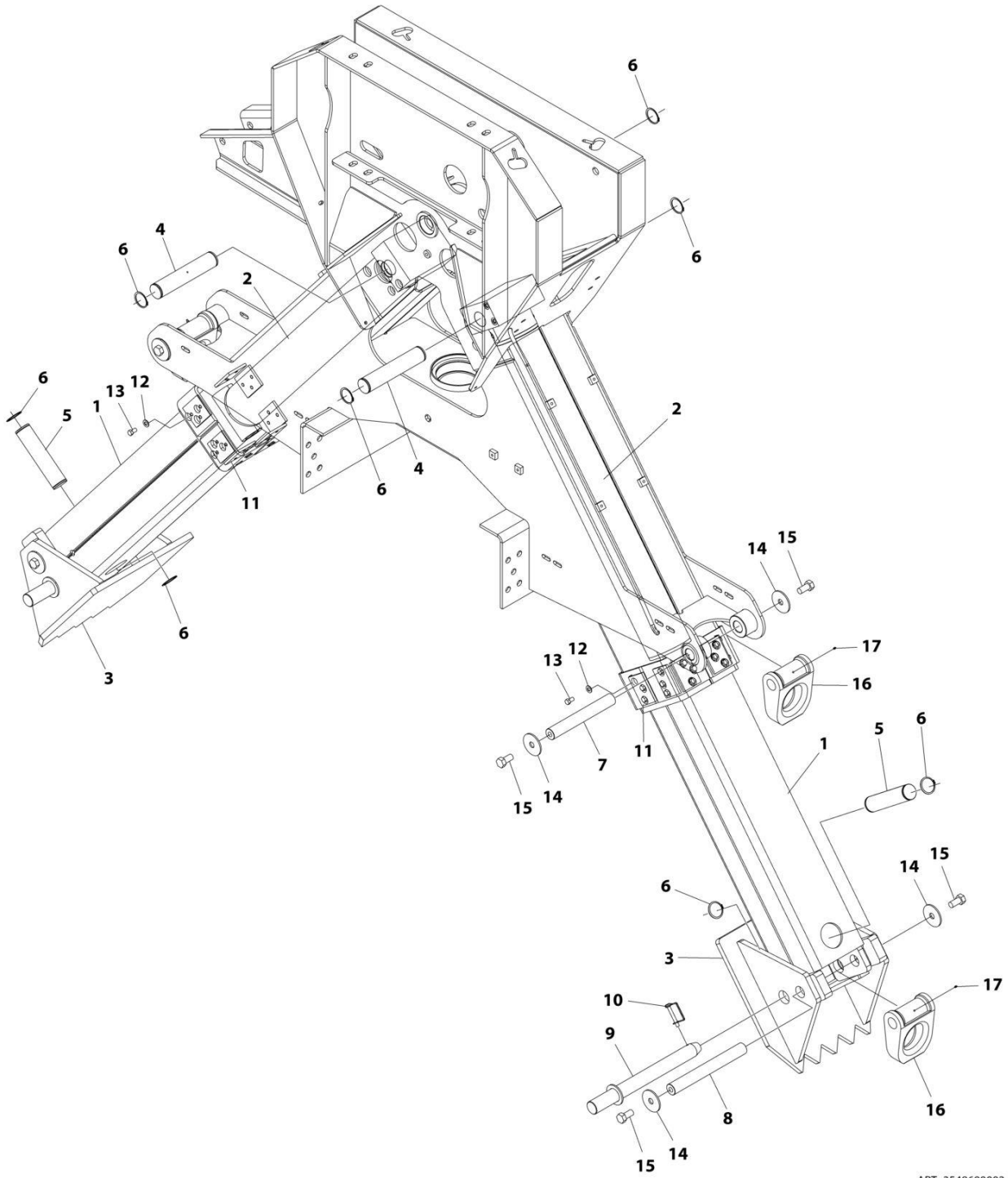
SECTION 1 - SUBFRAME

FIGURE 1-6. BOOM ASSEMBLY (SRS)

ITEM	PART NUMBER	QTY	DESCRIPTION	REV
	3548100001	Ref	BOOM ASSEMBLY (SRS)	0
1	3170000448	1	Boom Weld	
2	3320000232	1	Cylinder Assembly - Boom Recovery (SRS Stabilizer) (See Separate Breakdown in CYLINDER Section)	
3	3691000262	2	Pin	
4	4691000578	1	Pin	
5	4691000574	1	Pin	
6	7950180153	2	Flatwasher 1/2	
7	7115180850	2	Capscrew 1/2 x 1	
8	7754000019	2	Retaining Ring	
9	7754000056	2	Snap Ring	
10	7440030000	4	Fitting	

SECTION 1 - SUBFRAME

FIGURE 1-7. STABILIZER LEG ASSEMBLY (SIDE RECOVERY SYSTEM - SRS)



ART_354869002

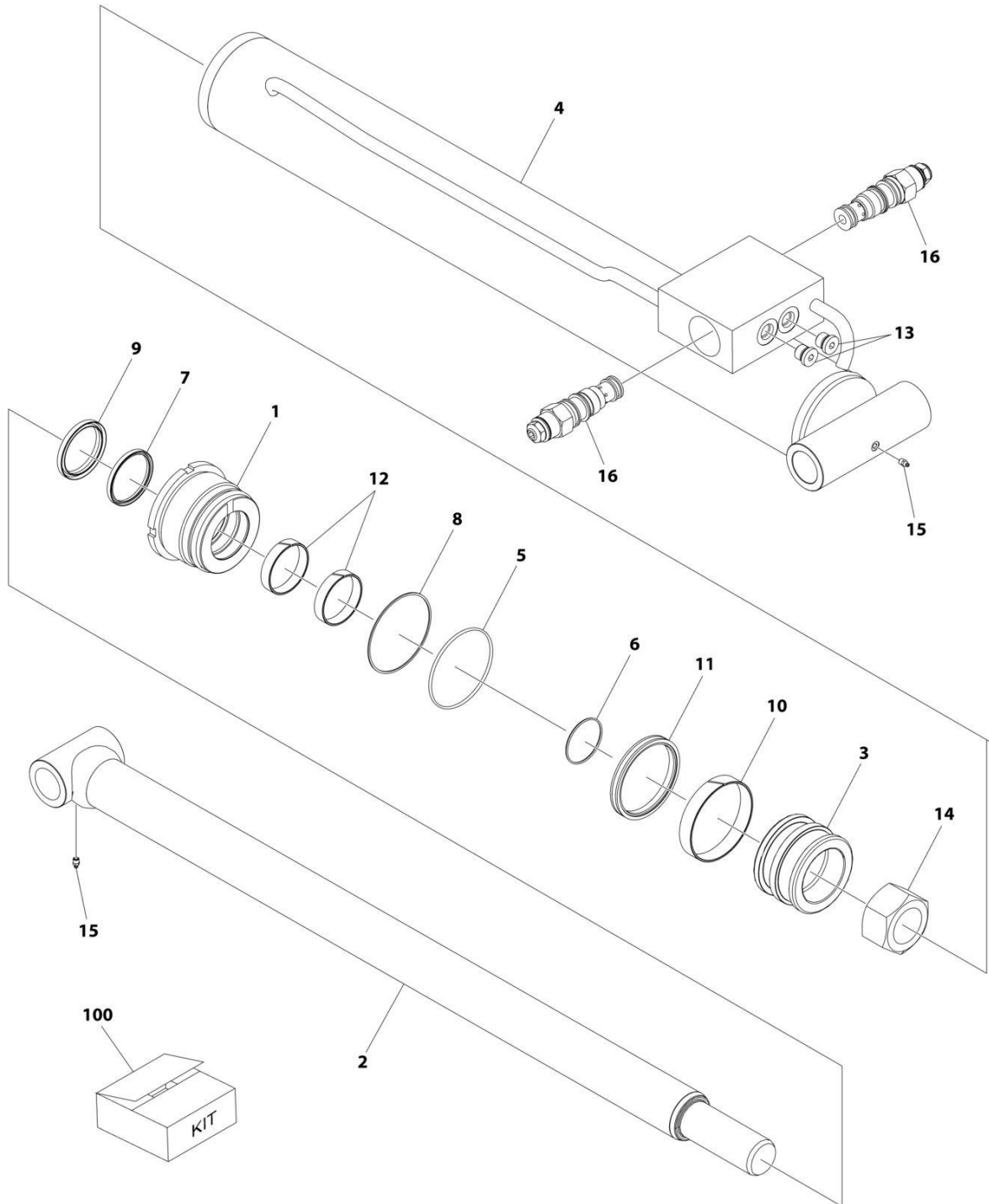
SECTION 1 - SUBFRAME

FIGURE 1-7. STABILIZER LEG ASSEMBLY (SIDE RECOVERY SYSTEM - SRS)

ITEM	PART NUMBER	QTY	DESCRIPTION	REV
	3548690002	Ref	STABILIZER LEG ASSEMBLY (SIDE RECOVERY SYSTEM - SRS)	0
1	3263000133	2	Channel	
2	3320000233	2	Cylinder Assembly - Extend/Retract (Side Stabilizer) (See Separate Breakdown in this Section)	
3	3706000366	2	Plate	
4	4691000576	2	Pin	
5	4691000577	2	Pin	
6	7754000048	8	Ring, Retaining	
7	4691000581	2	Pin	
8	4691000582	2	Pin	
9	3691000263	2	Pin	
10	7691000025	2	Pin	
11	4679000291	16	Pad	
12	7950170142	96	Washer 7/16	
13	7118170650	48	Capscrew 7/16 x 3/4	
14	7949000018	8	Washer	
15	7115221250	8	Capscrew 3/4 x 1-1/2	
16	4754000004	4	D-Ring	
17	7440030000	6	Grease Fitting	

SECTION 1 - SUBFRAME

FIGURE 1-8. CYLINDER ASSEMBLY - BOOM RECOVERY (SRS STABILIZER)



ART_3320000232

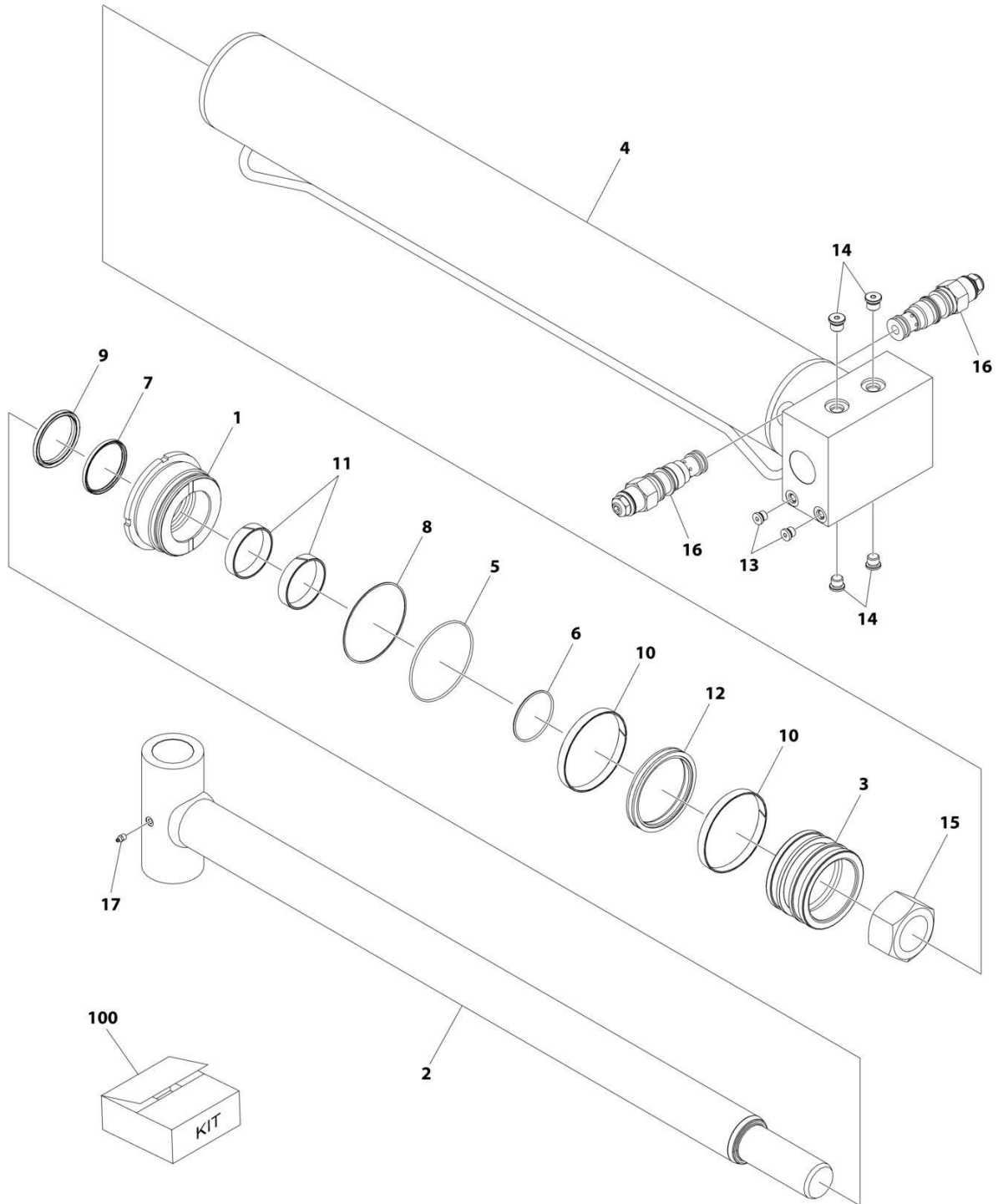
SECTION 1 - SUBFRAME

FIGURE 1-8. CYLINDER ASSEMBLY - BOOM RECOVERY (SRS STABILIZER)

ITEM	PART NUMBER	QTY	DESCRIPTION	REV
	3320000232	Ref	Cylinder Assembly - Boom Recovery (SRS Stabilizer)	0
		Ref	Note: Original Cylinder May Have Been Replaced with Service Replacement. Identify PN Stamped on Cylinder Before Ordering Parts.	
1	70051142	1	Gland	
2	70051141	1	Rod Assembly	
3	70051140	1	Piston	
4	NSS	1	Barrel Assembly	
5	See Note	1	O-Ring (Note: Use Item 100)	
6	See Note	1	O-Ring (Note: Use Item 100)	
7	See Note	1	Rod Seal (Note: Use Item 100)	
8	See Note	1	Back-up Ring (Note: Use Item 100)	
9	See Note	1	Rod Wiper (Note: Use Item 100)	
10	See Note	1	Wear Ring (Note: Use Item 100)	
11	See Note	1	Piston Seal (Note: Use Item 100)	
12	See Note	2	Wear Ring (Note: Use Item 100)	
13	70050641	2	Plug	
14	70051138	1	Nut	
15	70051137	2	Grease Fitting	
16	70040300	2	Cartridge, Counterbalance Valve	
16	2900770	2	Seal Kit - Valve Cartridge (1 Per Cartridge)	
100	9577200245	1	Seal Kit - Cylinder (Includes Items 5-12)	

SECTION 1 - SUBFRAME

FIGURE 1-9. CYLINDER ASSEMBLY - EXTEND/RETRACT (SRS STABILIZER)



ART_3320000233

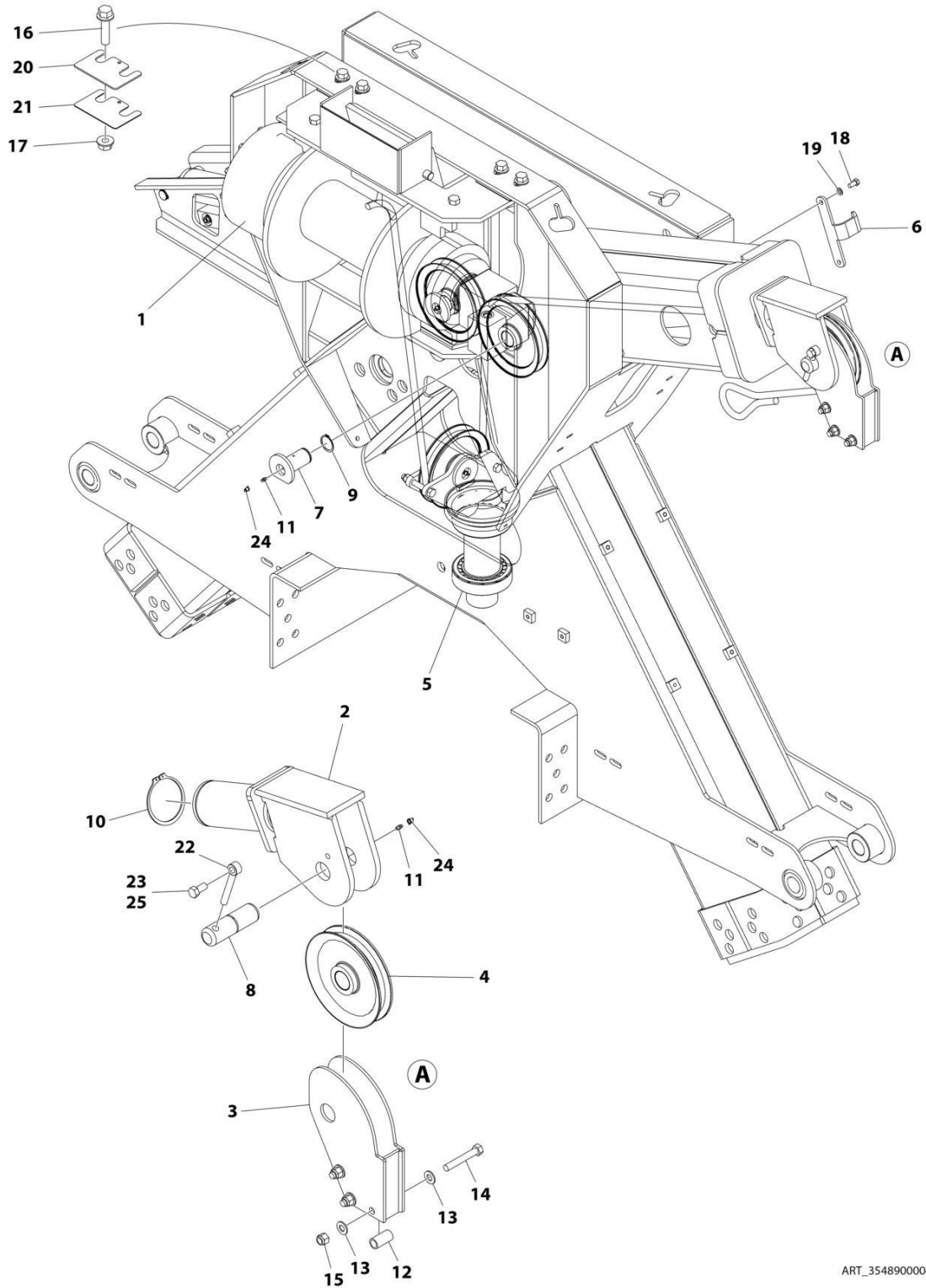
SECTION 1 - SUBFRAME

FIGURE 1-9. CYLINDER ASSEMBLY - EXTEND/RETRACT (SRS STABILIZER)

ITEM	PART NUMBER	QTY	DESCRIPTION	REV
	3320000233	Ref	CYLINDER ASSEMBLY - SRS STABILIZER (SIDE)	0
		Ref	Note: Original Cylinder May Have Been Replaced with Service Replacement. Identify PN Stamped on Cylinder Before Ordering Parts.	
1	70051133	1	Gland	
2	70051134	1	Rod Assembly	
3	70051135	1	Piston	
4	NSS	1	Barrel Assembly	
5	See Note	1	O-Ring (Note: Use Item 100)	
6	See Note	1	O-Ring (Note: Use Item 100)	
7	See Note	1	Rod Seal (Note: Use Item 100)	
8	See Note	1	Back-up Ring (Note: Use Item 100)	
9	See Note	1	Rod Wiper (Note: Use Item 100)	
10	See Note	2	Wear Ring (Note: Use Item 100)	
11	See Note	2	Wear Ring (Note: Use Item 100)	
12	See Note	1	Piston Seal (Note: Use Item 100)	
13	70051130	2	Plug	
14	70050641	4	Plug	
15	70051131	1	Nut	
16	70040300	1	Valve, Counterbalance Cartridge	
16	2900770	1	Seal Kit - Cartridge Valve	
17	70051137	1	Grease Fitting	
100	9577200246	1	Seal Kit - Cylinder (Includes Items 5-12)	

SECTION 1 - SUBFRAME

FIGURE 1-10. WINCH ASSEMBLY (SRS) (25K WINCH)



ART_3548900004

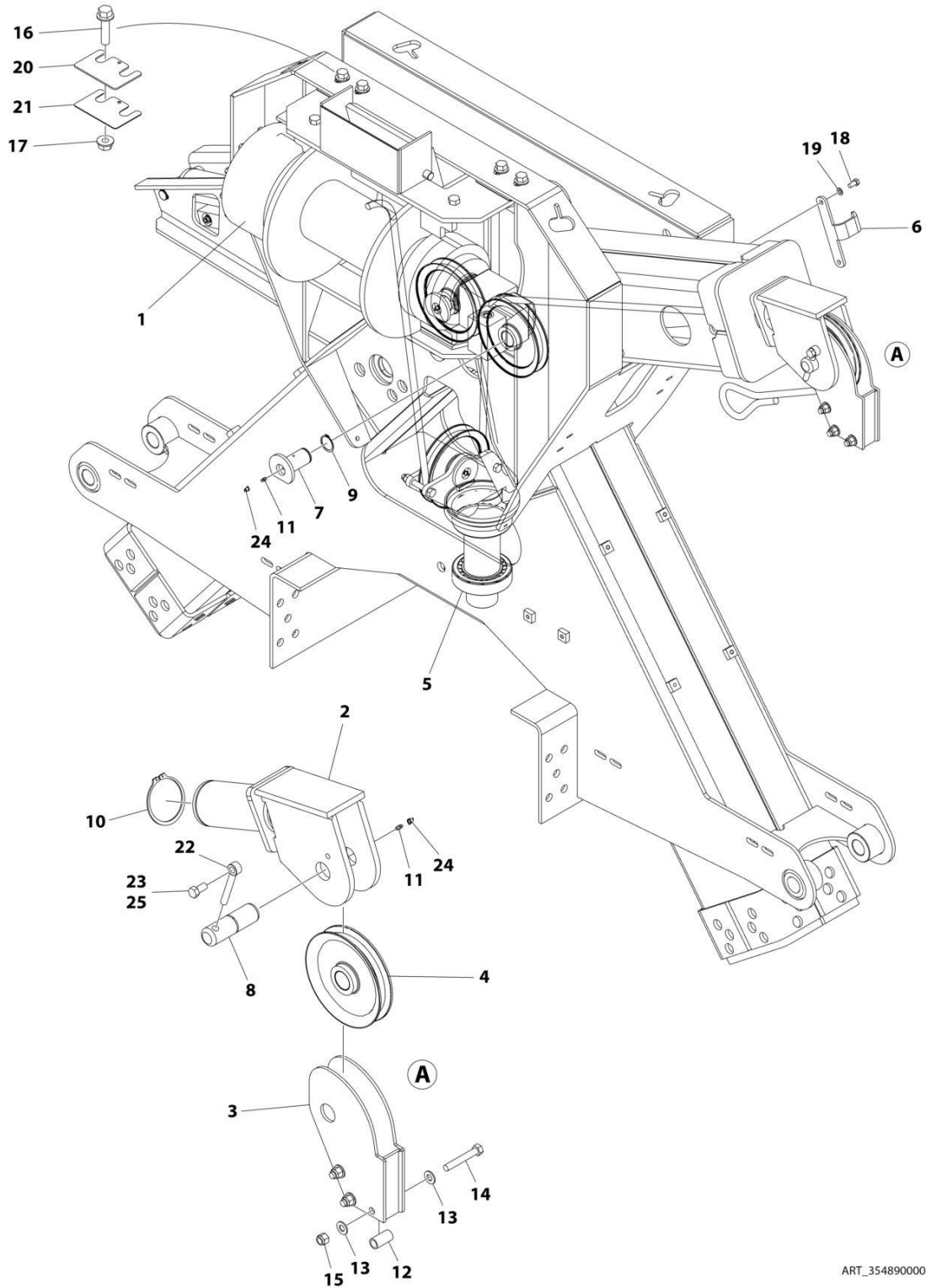
SECTION 1 - SUBFRAME

FIGURE 1-10. WINCH ASSEMBLY (SRS) (25K WINCH)

ITEM	PART NUMBER	QTY	DESCRIPTION	REV
	3548900004	Ref	WINCH ASSEMBLY - SRS 25000 LBS	B
1	7970000163	1	Winch Components 25000 LBS (See Separate Breakdown in this Section)	
2	1001169617	1	Support	
3	3249000043	1	Sheave Guide	
4	7809000006	3	Sheave	
5	2249000020	1	Sheave Assembly	
6	4178000763	1	Bracket	
7	3691000261	2	Pin	
8	1001169893	1	Pin	
9	7754000058	2	Ring	
10	7754000049	1	Ring Retaining	
11	7440030000	4	Grease Fitting	
12	4831000104	3	Spacer	
13	7950180141	6	Washer 1/2	
14	7115182650	3	Capscrew 1/2 x 3-1/4	
15	7660182601	3	Nut 1/2	
16	7118202016	8	Bolt 5/8 x 2-1/2	
17	7661000018	8	Nut 5/8	
18	7115160650	2	Bolt 3/8 x 3/4	
19	7950160000	2	Washer 3/8	
20	4812000103	2	Shim	
21	4812000104	2	Shim	
22	3841203	1	Rod, Keeper	
23	7115180850	1	Capscrew 1/2 x 1	
24	7253000002	4	Fitting	
25	0100011	AR	Compound, Locking	

SECTION 1 - SUBFRAME

FIGURE 1-11. WINCH ASSEMBLY (SRS) (35K WINCH)



ART_354890003

SECTION 1 - SUBFRAME

FIGURE 1-11. WINCH ASSEMBLY (SRS) (35K WINCH)

ITEM	PART NUMBER	QTY	DESCRIPTION	REV
	3548900003	Ref	WINCH ASSEMBLY - SRS 35000 LBS	B
1	7970000162	1	Winch Components 35000 LBS (See Separate Breakdown in this Section)	
2	1001169617	1	Support	
3	3249000043	1	Sheave Guide	
4	7809000006	3	Sheave	
5	2249000020	1	Sheave Assembly	
6	4178000763	1	Bracket	
7	3691000261	2	Pin	
8	1001169893	1	Pin	
9	7754000058	2	Ring	
10	7754000049	1	Ring Retaining	
11	7440030000	4	Grease Fitting	
12	4831000104	3	Spacer	
13	7950180141	6	Washer 1/2	
14	7115182650	3	Capscrew 1/2 x 3-1/4	
15	7660182601	3	Nut 1/2	
16	7118202016	8	Bolt 5/8 x 2-1/2	
17	7661000018	8	Nut 5/8	
18	7115160650	2	Bolt 3/8 x 3/4	
19	7950160000	2	Washer 3/8	
20	4812000103	2	Shim	
21	4812000104	2	Shim	
22	3841203	1	Rod, Keeper	
23	7115180850	1	Capscrew 1/2 x 1	
24	7253000002	4	Fitting	
25	0100011	AR	Compound, Locking	

SECTION 1 - SUBFRAME

FIGURE 1-12. WINCH COMPONENTS (SRS) (25K WINCH)

INFORMATION WAS NOT AVAILABLE AT TIME OF PRINTING.

ART_7970000163

SECTION 1 - SUBFRAME

FIGURE 1-12. WINCH COMPONENTS (SRS) (25K WINCH)

ITEM	PART NUMBER	QTY	DESCRIPTION	REV
	7970000163	Ref Ref	WINCH COMPONENTS - SRS 25000 LBS Note: No Service Parts Available at Time of Printing.	0

SECTION 1 - SUBFRAME

FIGURE 1-13. WINCH COMPONENTS (SRS) (35K WINCH)

INFORMATION WAS NOT AVAILABLE AT TIME OF PRINTING.

ART_7970000162

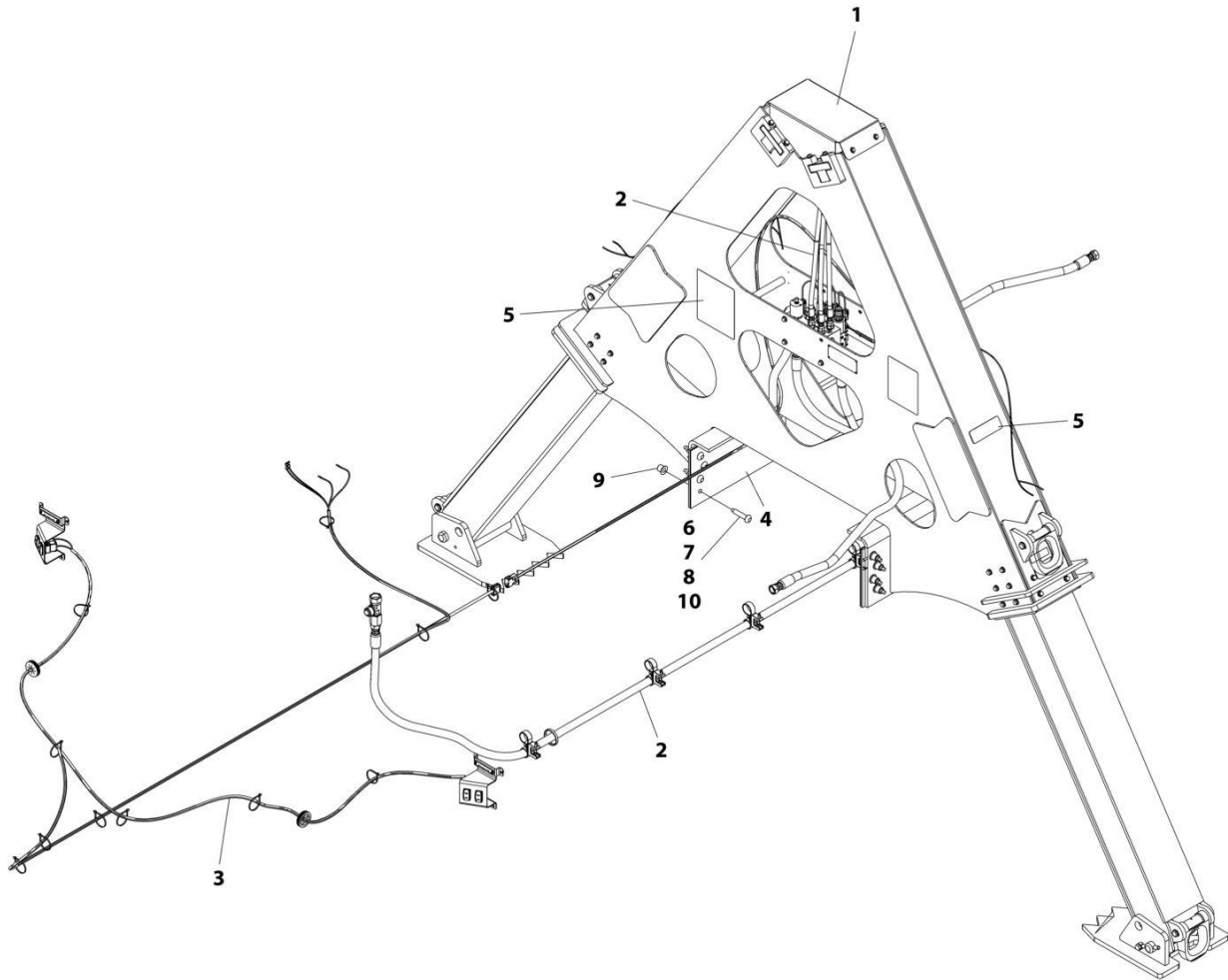
SECTION 1 - SUBFRAME

FIGURE 1-13. WINCH COMPONENTS (SRS) (35K WINCH)

ITEM	PART NUMBER	QTY	DESCRIPTION	REV
	7970000162	Ref Ref	WINCH COMPONENTS - SRS 35000 LBS Note: No Service Parts Available at Time of Printing.	0

SECTION 1 - SUBFRAME

FIGURE 1-14. SIDE STABILIZER INSTALLATION



ART_1001239622

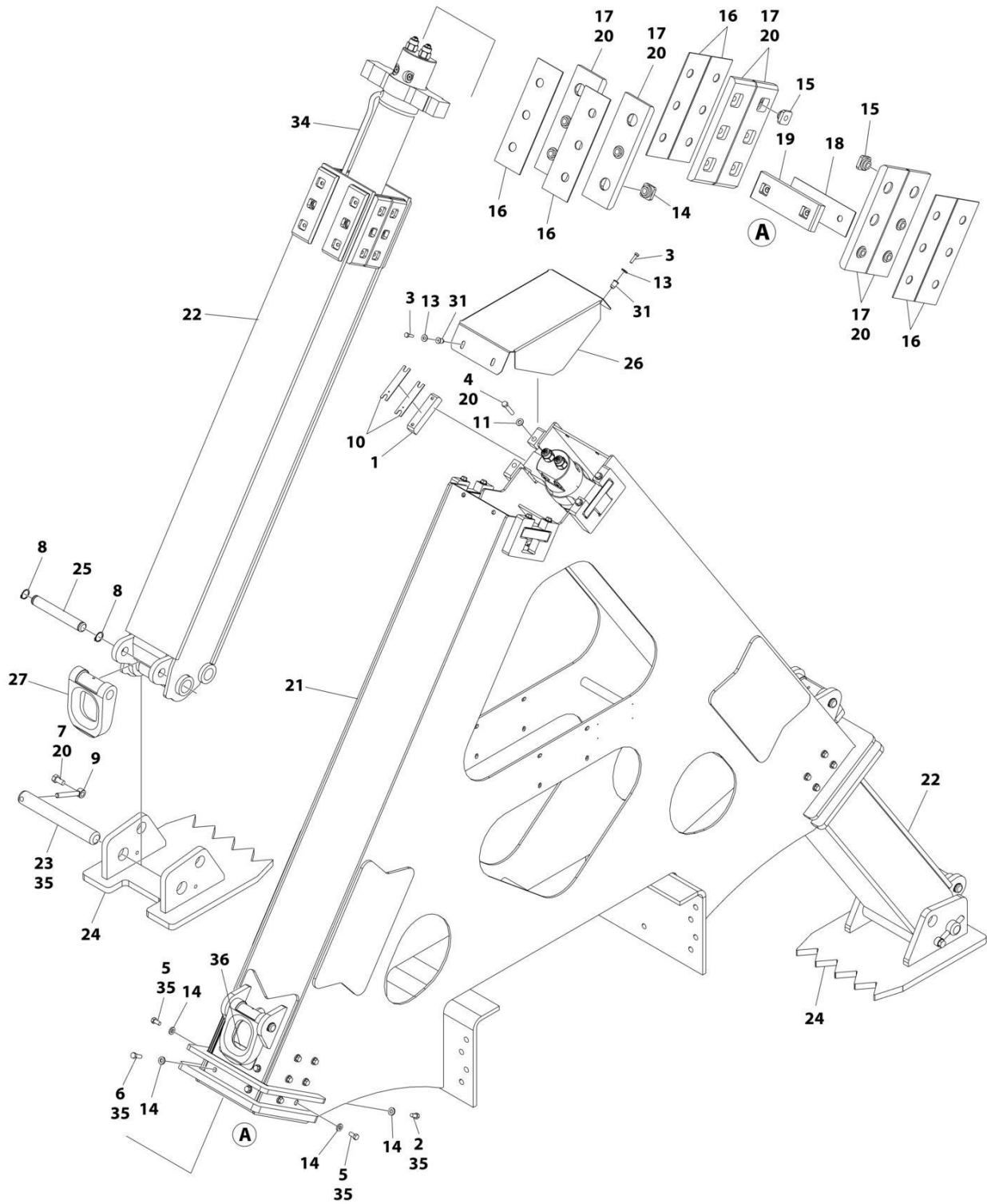
SECTION 1 - SUBFRAME

FIGURE 1-14. SIDE STABILIZER INSTALLATION

ITEM	PART NUMBER	QTY	DESCRIPTION	REV
	1001239622	Ref	SIDE STABILIZER (SS-70) INSTALLATION	C
1	1001239624	1	Stabilizer Assembly (SS-70) (See Separate Breakdown in this Section)	
2	1001243239	1	Hose & Fitting Installation (SS-70) (See Separate Breakdown in HYDRAULIC Section)	
3	1001244142	1	Electrical Installation (SS-70) (See Separate Breakdown in ELECTRICAL Section)	
4	1001246419	1	Frame Shims Installation	
4	1001246165	2	Shim 0.25in	
4	1001246166	2	Shim 11GA	
4	1001246167	2	Shim 16GA	
5	1001246420	1	Decal Installation (SS-70) (See Separate Breakdown in DECAL Section)	
6	1001246980	AR	Bolt 5/8 x 1-3/8	
7	1001246981	16	Bolt 5/8 x 1-5/8	
8	1001246982	AR	Bolt 5/8 x 1-7/8	
9	1001246983	16	Nut 5/8	
10	1001247174	AR	Bolt 5/8 x 2-1/8	

SECTION 1 - SUBFRAME

FIGURE 1-15. SIDE STABILIZER ASSEMBLY



ART_1001239624

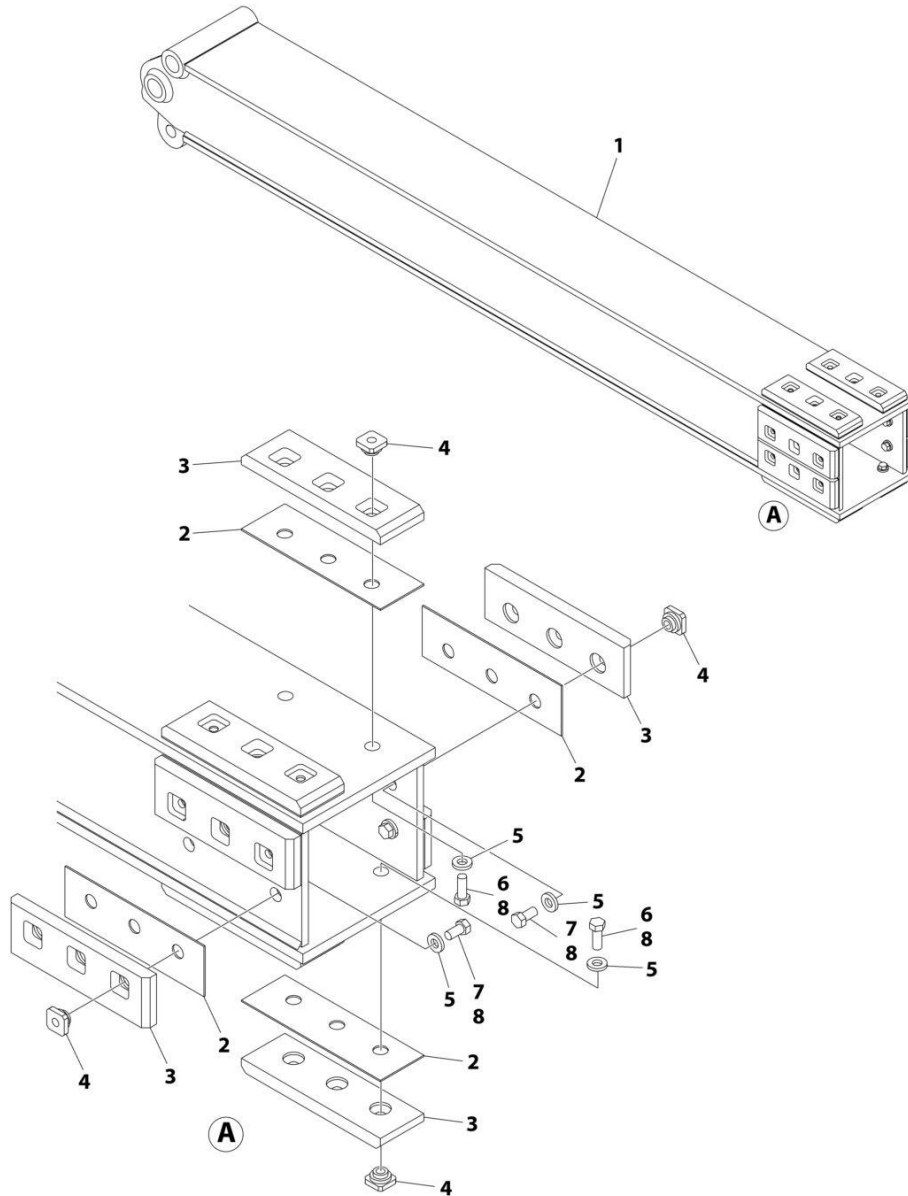
SECTION 1 - SUBFRAME

FIGURE 1-15. SIDE STABILIZER ASSEMBLY

ITEM	PART NUMBER	QTY	DESCRIPTION	REV
	1001239624	Ref	SIDE STABILIZER (SS-70) ASSEMBLY	D
1	0561482	4	Block, Keeper	
2	0651606	4	Bolt 3/8 x 3/4	
3	0681408	4	Bolt 1/4 x 1	
4	0681616	8	Bolt 3/8 x 2	
5	0681606	24	Bolt 3/8 x 3/4	
6	0681609	8	Bolt 3/8 x 1-1/8	
7	0681808	2	Bolt 1/2 x 1	
8	3760115	8	Ring, Retaining	
9	3841203	2	Keeper, Pin	
10	4071031	8	Shim	
11	4711600	8	Washer 3/8	
13	4751400	4	Washer 1/4	
14	4891600	36	Washer 3/8	
15	7082311	32	Insert, Wear Pad	
16	7082342	12	Shim .075	
17	7111572	12	Pad, Wear	
18	91031236	2	Shim	
19	91033189	2	Pad, Bearing	
20	1001095650	AR	Compound, Locking	
21	1001239626	1	Frame, Stabilizer	
22	1001239645	2	Stabilizer (SRS SS-70) Boom/Leg Assembly (See Separate Breakdown In this Section)	
23	1001239647	2	Pin	
24	1001239652	2	Foot	
25	1001245044	4	Pin	
26	1001245230	1	Cover	
27	4754000003	4	D-Ring	
28	1001245737	2	Pin (Not Shown)	
29	1001246753	1	Bracket (Not Shown)	
30	7950140143	4	Washer 1/4 (Not Shown)	
31	7661000006	4	Nut 1/4	
32	1001194676	4	Screw 1/4 x 3/4 (Not Shown)	
33	7691000025	2	Pin (Not Shown)	
34	1001239646	2	Cylinder Assembly - Stabilizer (SS-70) Extend/Retract (See Separate Breakdown in this Section)	
35	3020039	AR	Compound, Locking	
36	1001157348	2	Decal	

SECTION 1 - SUBFRAME

FIGURE 1-16. SIDE STABILIZER (SRS SS-70) BOOM/LEG ASSEMBLY



ART_1001239645

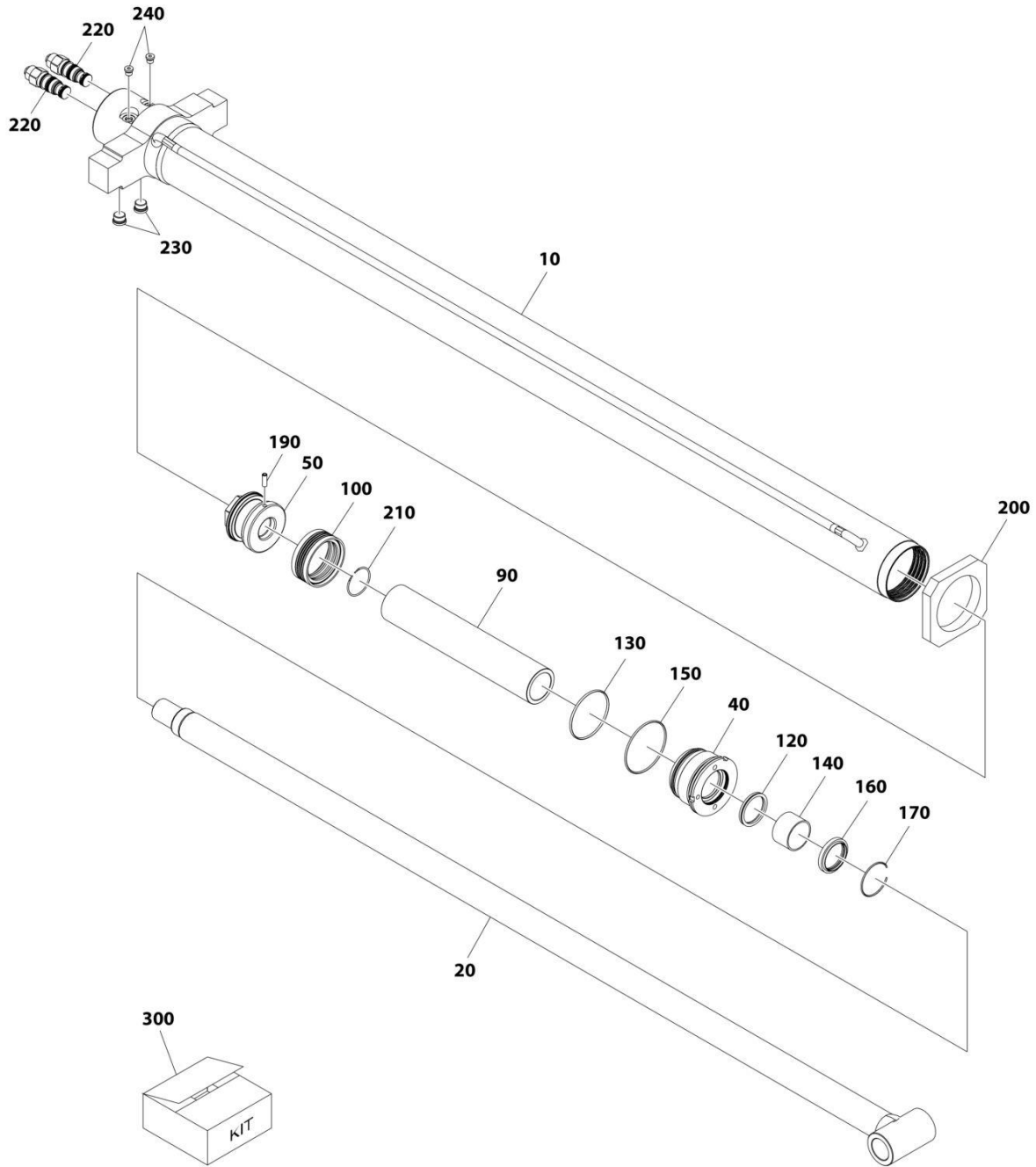
SECTION 1 - SUBFRAME

FIGURE 1-16. SIDE STABILIZER (SRS SS-70) BOOM/LEG ASSEMBLY

ITEM	PART NUMBER	QTY	DESCRIPTION	REV
	1001239645	Ref	STABILIZER (SRS SS-70) BOOM/LEG ASSEMBLY	A
1	1001239648	1	Boom, Leg	
2	7082342	8	Shim .075	
3	7111572	8	Pad, Wear	
4	7082311	16	Insert, Wear Pad	
5	4891600	16	Washer 3/8	
6	0681608	8	Bolt 3/8 x 1	
7	0681606	8	Bolt 3/8 x 3/4	
8	1001095650	AR	Adhesive	

SECTION 1 - SUBFRAME

FIGURE 1-17. CYLINDER ASSEMBLY - EXTEND/RETRACT (SS-70 STABILIZER)



ART_1001239646

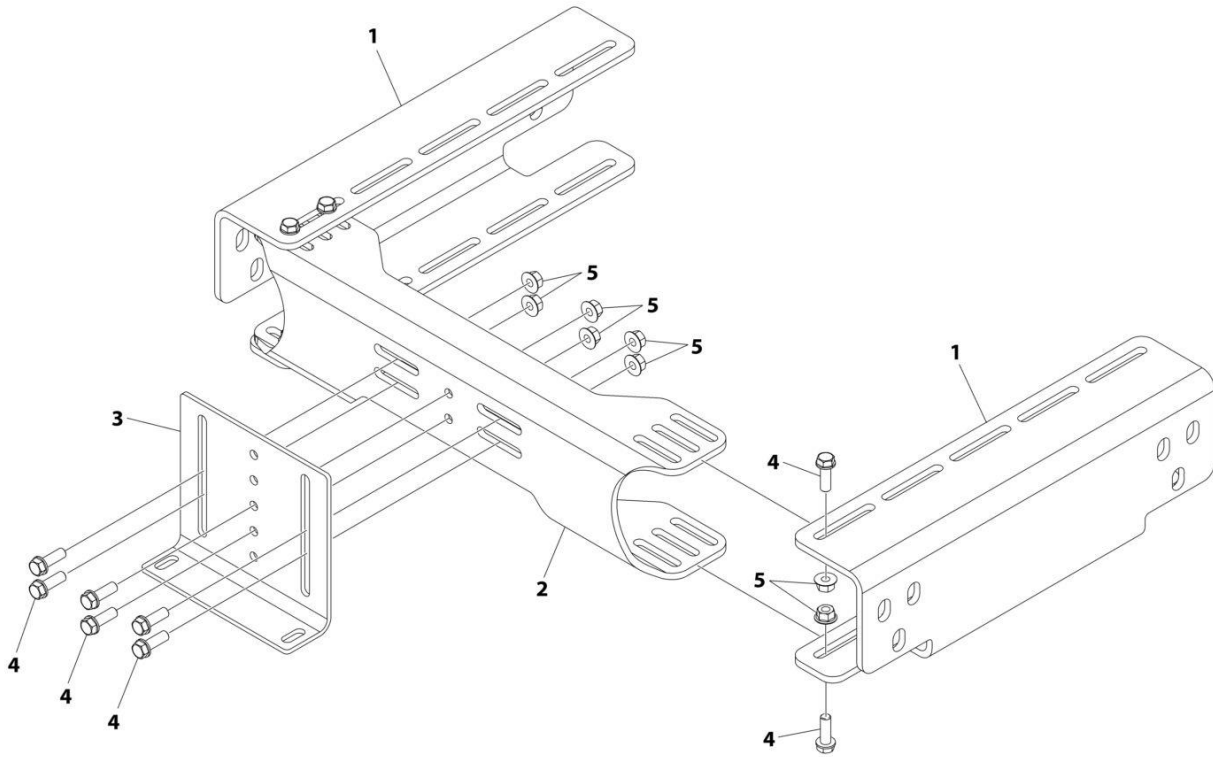
SECTION 1 - SUBFRAME

FIGURE 1-17. CYLINDER ASSEMBLY - EXTEND/RETRACT (SS-70 STABILIZER)

ITEM	PART NUMBER	QTY	DESCRIPTION	REV
	1001239646	Ref	CYLINDER ASSEMBLY	B
10	See Note	NSS	Barrel (Note: Use PN 1001239646)	
20	70007179	1	Rod	
40	70007180	1	Head	
50	70007181	1	Piston	
90	70007182	1	Spacer	
100	See Note	NSS	Seal (Note: Use Item 300)	
120	See Note	NSS	Seal (Note: Use Item 300)	
130	See Note	NSS	O-Ring (Note: Use Item 300)	
140	70007183	1	Bushing	
150	See Note	NSS	O-Ring (Note: Use Item 300)	
160	See Note	NSS	Wiper (Note: Use Item 300)	
170	70027076	1	Ring, Wire	
190	70006319	1	Cap Screw M8 x 25	
200	70007184	1	Plate, Support	
210	70027084	1	Ring, Wire	
220	70007186	1	Valve, Counterbalance	
220	7011367	2	Seal Kit - 70007186 Valve	
230	NPN	NSS	Plug	
240	70025619	2	Plug	
300	70007185	1	Seal Kit - 1001239646 Cylinder (Includes Items 100,120,130,150 & 160)	

SECTION 1 - SUBFRAME

FIGURE 1-18. STABILIZER (SRS SS-70) BRACKET INSTALLATION



ART_217800064

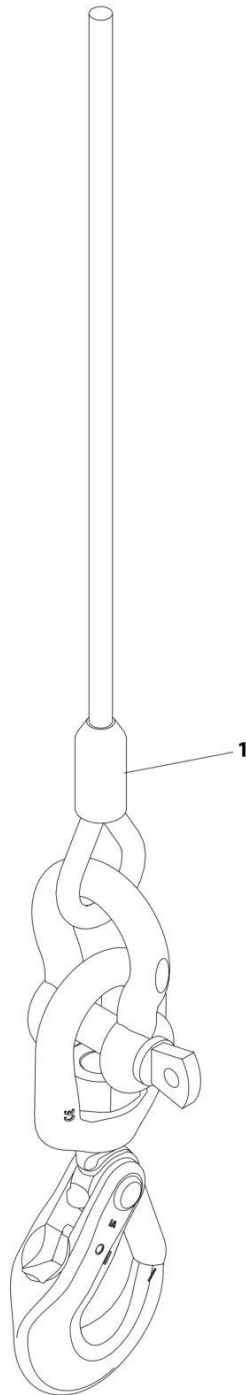
SECTION 1 - SUBFRAME

FIGURE 1-18. STABILIZER (SRS SS-70) BRACKET INSTALLATION

ITEM	PART NUMBER	QTY	DESCRIPTION	REV
	2178000064	Ref	STABILIZER (SRS SS-70) FRAME BRACKET INSTALLATION	00
1	4263000884	2	Channel, Frame Side	
2	3263000141	1	Channel, Cross	
3	4017001675	1	Plate, Angle	
4	7118181216	14	Bolt 1/2 x 1-1/2	
5	7660182301	14	Nut 1/2	

SECTION 1 - SUBFRAME

FIGURE 1-19. CABLE ASSEMBLY - 5/8 X 200FT (STABILIZERS)



ART_1001207498

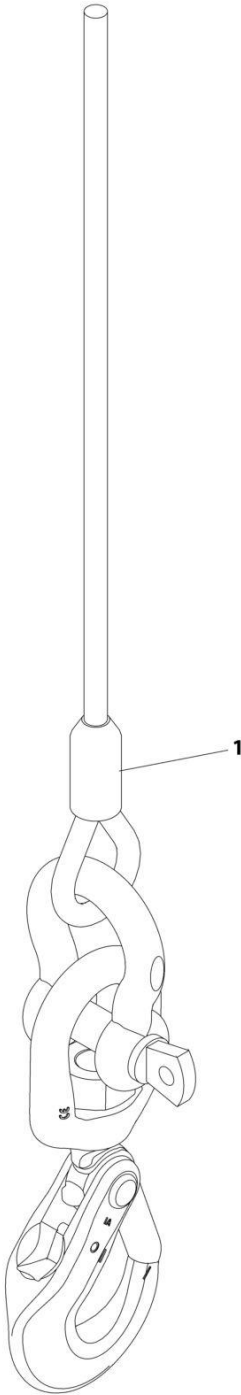
SECTION 1 - SUBFRAME

FIGURE 1-19. CABLE ASSEMBLY - 5/8 X 200FT (STABILIZERS)

ITEM	PART NUMBER	QTY	DESCRIPTION	REV
1	1001207498 3248000001	Ref 1	CABLE ASSEMBLY - 5/8 X 200FT (STABILIZERS) Cable Assembly	A

SECTION 1 - SUBFRAME

FIGURE 1-20. CABLE ASSEMBLY - 5/8 X 250FT (STABILIZERS)



ART_1001207499

SECTION 1 - SUBFRAME

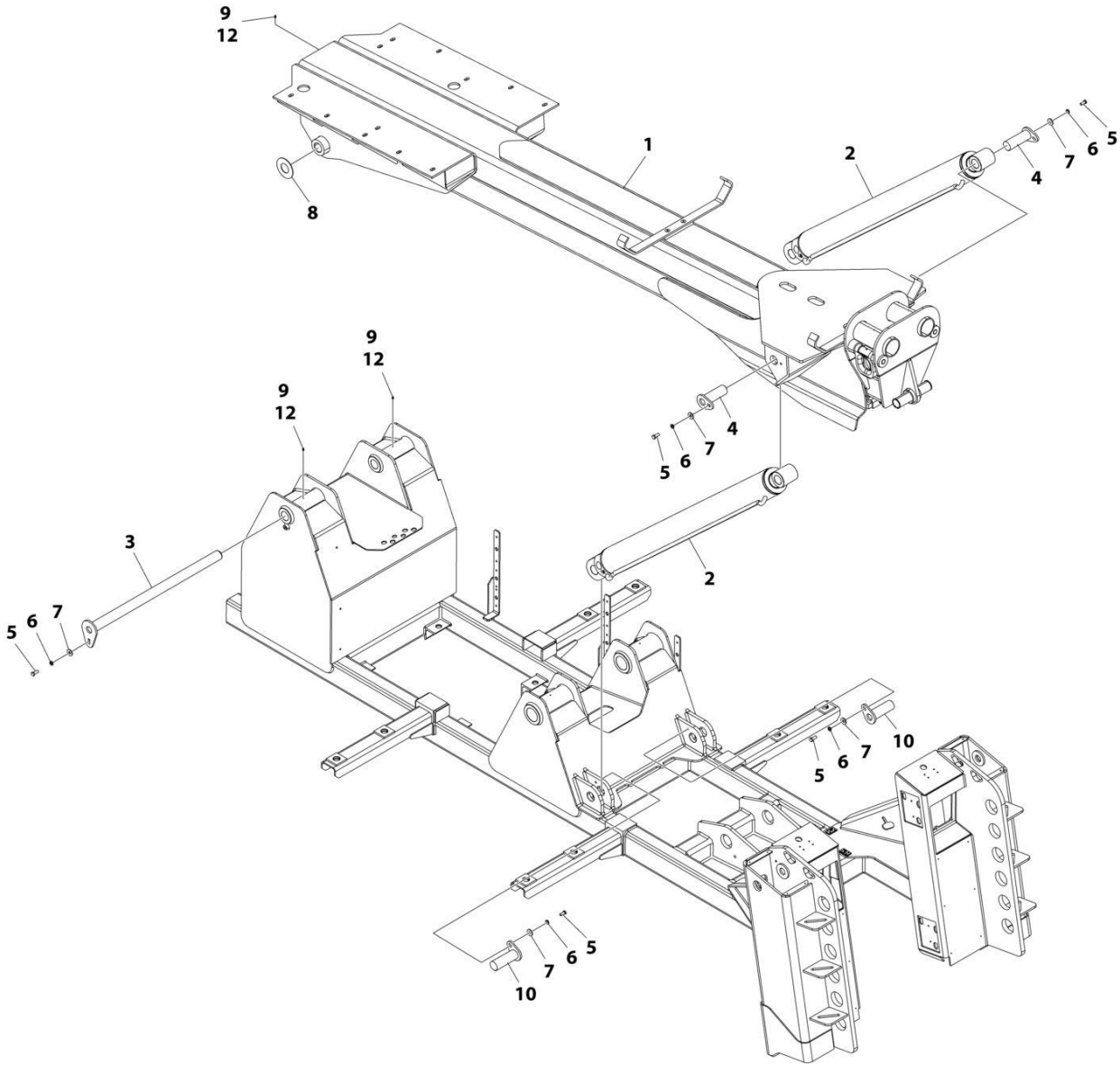
FIGURE 1-20. CABLE ASSEMBLY - 5/8 X 250FT (STABILIZERS)

ITEM	PART NUMBER	QTY	DESCRIPTION	REV
1	1001207499 3248000002	Ref 1	CABLE ASSEMBLY - 5/8 X 250FT (STABILIZERS) Cable Assembly	A

SECTION 2 - BOOM

SECTION 2 - BOOM

FIGURE 2-1. BOOM INSTALLATION



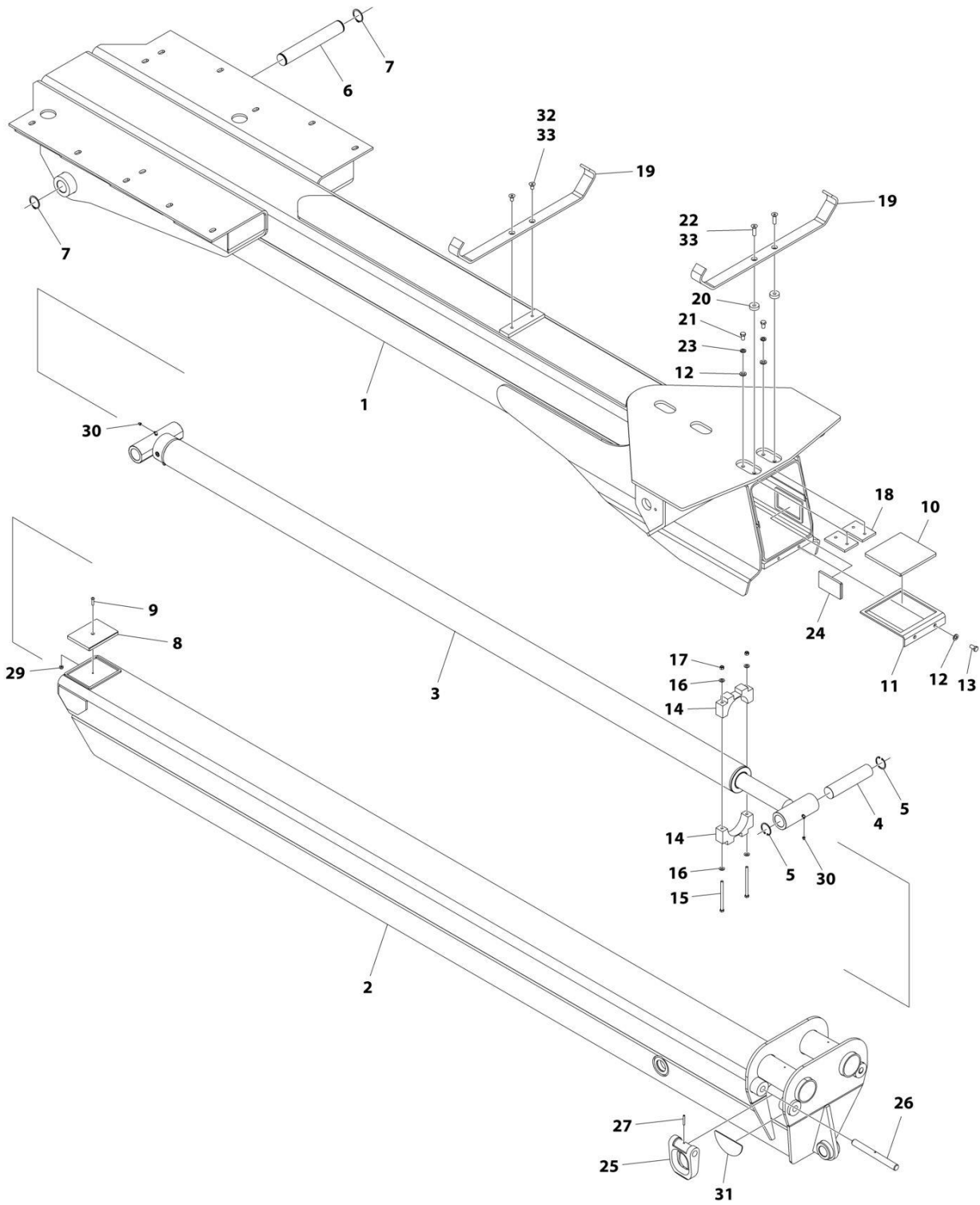
ART_2506100129

FIGURE 2-1. BOOM INSTALLATION

ITEM	PART NUMBER	QTY	DESCRIPTION	REV
	2506100129	Ref	BOOM INSTALLATION	C
1	3170000183	1	Boom Assembly (See Separate Breakdown in this Section)	
2	7320000070	2	Cylinder Assembly (See Separate Breakdown in this Section)	
3	3691000256	1	Pin	
4	3691000255	2	Pin	
5	7115181050	5	Bolt 1/2 x 1-1/4	
6	7950180000	5	Washer 1/2	
7	7950180161	5	Washer 1/2	
8	3577000037	1	Shim	
9	7440030000	3	Fitting, Straight	
10	1001171950	2	Pin	
11	1001172491	1	Strap Cable (Not Shown)	
12	7253000002	7	Fitting, Cap	

SECTION 2 - BOOM

FIGURE 2-2. BOOM ASSEMBLY



ART_3170000183

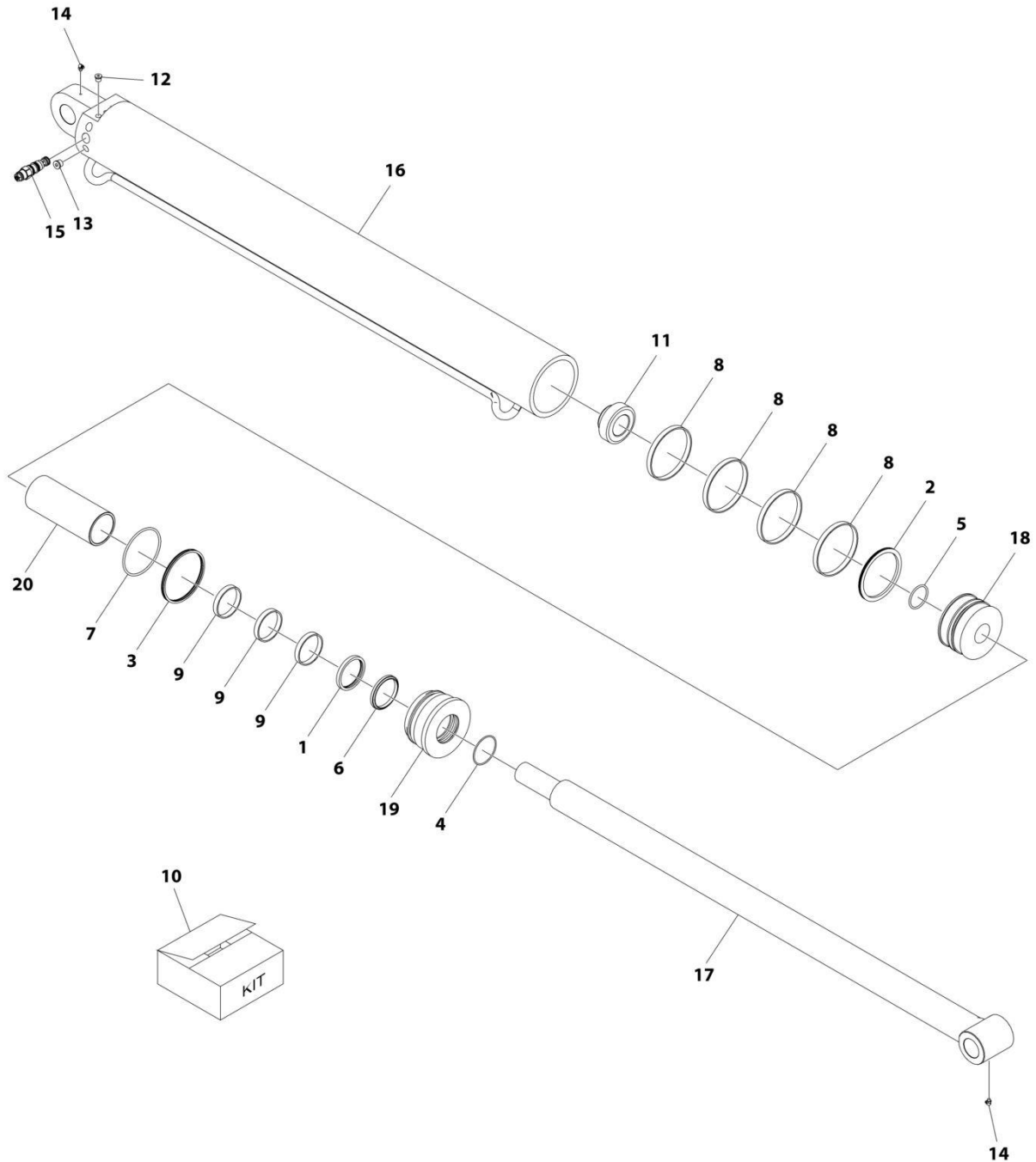
SECTION 2 - BOOM

FIGURE 2-2. BOOM ASSEMBLY

ITEM	PART NUMBER	QTY	DESCRIPTION	REV
	3170000183	Ref	BOOM ASSEMBLY	E
1	3170000182	1	Boom Weldment, Outer	
2	3170000148	1	Boom Weldment, Inner	
3	7320000031	1	Cylinder Assembly (See Separate Breakdown in this Section)	
4	4691000323	1	Pin	
5	7754000061	2	Ring, Retaining	
6	4691000208	1	Pin	
7	7754000048	2	Ring, Retaining	
8	4679000163	1	Pad	
9	7114140818	1	Capscrew 1/4 x 1	
10	4679000162	1	Pad	
11	4706002435	1	Plate	
12	7950180153	4	Washer 1/2	
13	7115180850	2	Bolt 1/2 x 1	
14	4177000033	2	Brace	
15	7115164450	2	Bolt 3/8 x 5-1/2	
16	7950160141	4	Washer 3/8	
17	7660162601	2	Nut 3/8	
18	4831000061	2	Spacer	
19	4062000746	2	Bar	
20	4831000064	2	Spacer	
21	7115180750	2	Bolt 1/2 x 7/8	
22	7115181423	2	Capscrew 1/2 x 1	
23	7950180000	2	Washer 1/2	
24	4679000168	2	Pad	
25	4754000003	2	D-Ring	
26	4691000243	2	Pin	
27	7690142845	2	Pin	
29	7660142604	1	Nut 1/4	
30	7253000002	2	Fitting, Cap	
31	1001151805	2	Decal (Not Shown)	
32	7115180723	2	Capscrew 1/2 x 7/8	
33	0100011	AR	Compound, Locking	

SECTION 2 - BOOM

FIGURE 2-3. CYLINDER ASSEMBLY - BOOM LIFT



ART_XXXXXXXX

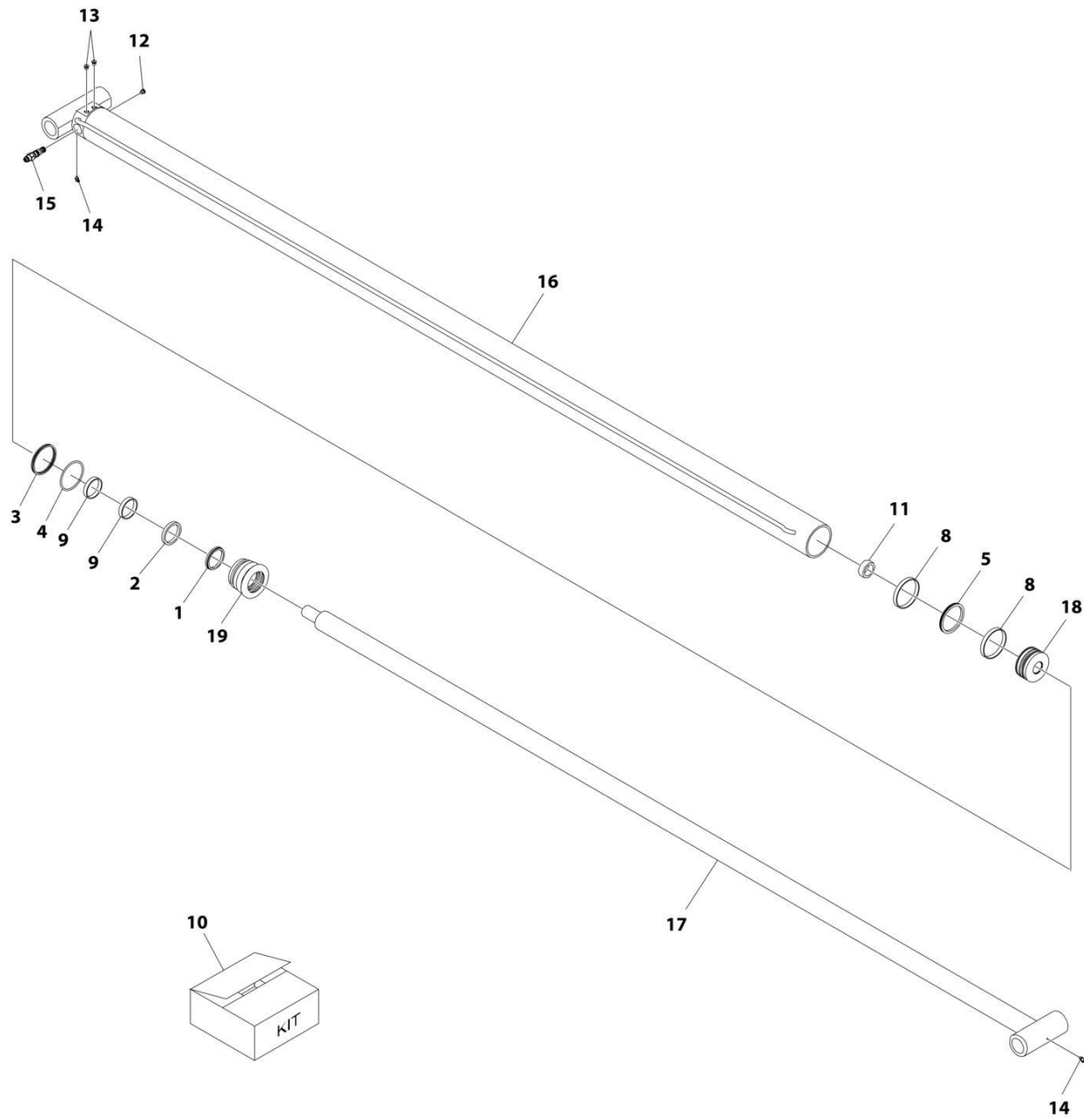
SECTION 2 - BOOM

FIGURE 2-3. CYLINDER ASSEMBLY - BOOM LIFT

ITEM	PART NUMBER	QTY	DESCRIPTION	REV
	732000070	Ref	CYLINDER ASSEMBLY - BOOM LIFT	B
1	9796250071	1	Seal	
2	9754250054	1	Ring, Back-up	
3	9796250149	1	Seal, O-Ring	
4	9796250152	1	O-Ring	
5	9796250150	1	O-Ring	
6	9796250114	1	Wiper	
7	9796250151	1	O-Ring	
8	83304140	4	Ring, Wear	
9	9754250055	3	Ring, Wear	
10	7577250296	1	Kit, Seal (Includes Items 1-9)	
11	9661250027	1	Nut	
12	7005365	4	Plug	
13	70021648	2	Plug	
14	7440030400	2	Grease Fitting	
15	9935250032	2	Counter Balance Valve	
16	70051189	1	Tube Assembly	
17	70051188	1	Rod Assembly	
18	9553250018	1	Piston	
19	9698250020	1	Head	
20	70051187	1	Spacer	

SECTION 2 - BOOM

FIGURE 2-4. CYLINDER ASSEMBLY - BOOM EXTEND/RETRACT



ART_7320000031

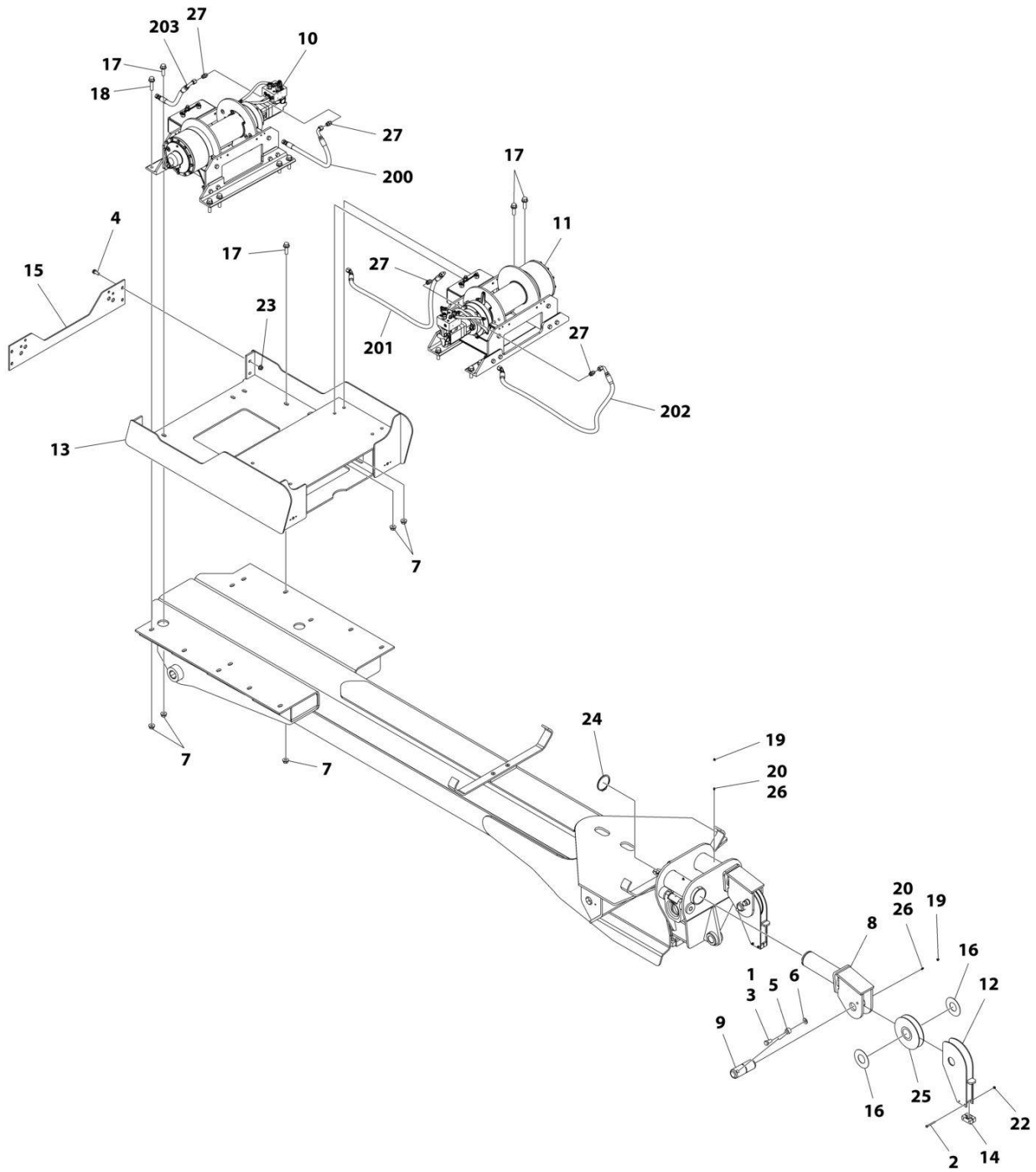
SECTION 2 - BOOM

FIGURE 2-4. CYLINDER ASSEMBLY - BOOM EXTEND/RETRACT

ITEM	PART NUMBER	QTY	DESCRIPTION	REV
	7320000031	Ref	CYLINDER ASSEMBLY - BOOM EXTEND/RETRACT	B
1		Ref	Wiper	
2		Ref	Seal	
3		Ref	Back-Up	
4		Ref	O-Ring	
5		Ref	Seal	
6		Ref	O-Ring (Not Shown)	
7		Ref	O-Ring (Not Shown)	
8		Ref	Wear Ring	
9		Ref	Wear Ring	
10	7577000167	1	Kit, Seal (Includes Items 1-9)	
11	7003116	1	Nut	
12	7005365	1	Plug	
13	70021648	2	Plug	
14	7440030400	2	Fitting, 90	
15	9935250032	1	Counterbalance Valve	
16	9912250014	1	Tube	
17	9763250019	1	Rod	
18	9553250010	1	Head	
19	7698250012	1	Piston	

SECTION 2 - BOOM

FIGURE 2-5. WINCH INSTALLATION - MAIN BOOM (DP35 WITH .63IN CABLE)



ART_1001207357

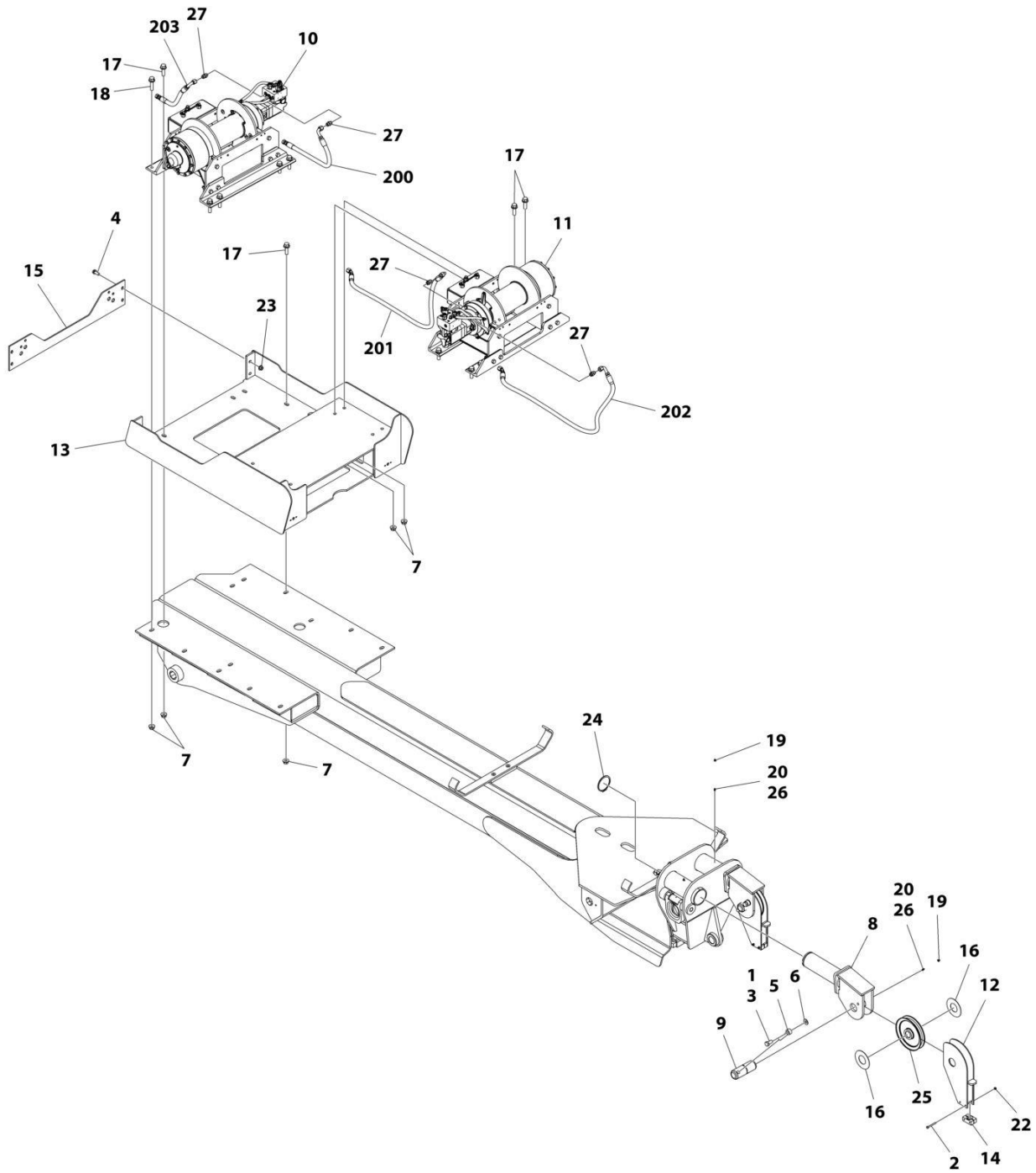
SECTION 2 - BOOM

FIGURE 2-5. WINCH INSTALLATION - MAIN BOOM (DP35 WITH.63IN CABLE)

ITEM	PART NUMBER	QTY	DESCRIPTION	REV
	1001207357	Ref	WINCH INSTALLATION - MAIN BOOM (DP35 0.63IN CABLE)	C
1	0100011	AR	Compound Locking	
2	0641420	4	Bolt 1/4 x 2-1/2	
3	0811810	2	Screw 1/2 x 1-1/4	
4	0642010	4	Bolt 5/8 x 1-1/4	
5	3841258	2	Keeper, Pin	
6	4712000	2	Washer 5/8	
7	7661000018	22	Nut 5/8	
8	1001169609	2	Sheave Support Weldment	
9	1001170037	2	Pin	
10	1001210256	1	Winch Assembly (See Separate Breakdown in this Section)	
11	1001210257	1	Winch Assembly (See Separate Breakdown in this Section)	
12	3249000001	2	Guide, Cable	
13	3636000068	1	Winch Mount	
14	4249000001	4	Guide, Cable	
15	4706002417	1	Plate	
16	4949000031	4	Washer 1/16	
17	7118201616	16	Bolt 5/8 x 2	
18	7118202016	6	Bolt 5/8 x 2-1/2	
19	7253000002	4	Fitting, Cap	
20	7440030000	4	Fitting, Straight	
21	1001219190	1	Hose, Kit (Not Shown) (Includes Items 200-203)	
22	7660142601	4	Nut 1/4	
23	7660182301	4	Nut 1/2	
24	7754000049	2	Ring, Retaining	
25	7809000019	2	Sheave	
26	1001152707	AR	Lubricant	
27	7445100843	4	Fitting, Straight	
200	4567152018	1	Hose	
201	1001166531	1	Hose	
202	1001219188	1	Hose	
203	1001219189	1	Hose	

SECTION 2 - BOOM

FIGURE 2-6. WINCH INSTALLATION - MAIN BOOM (DP35 WITH .75IN CABLE)



ART_1001207358

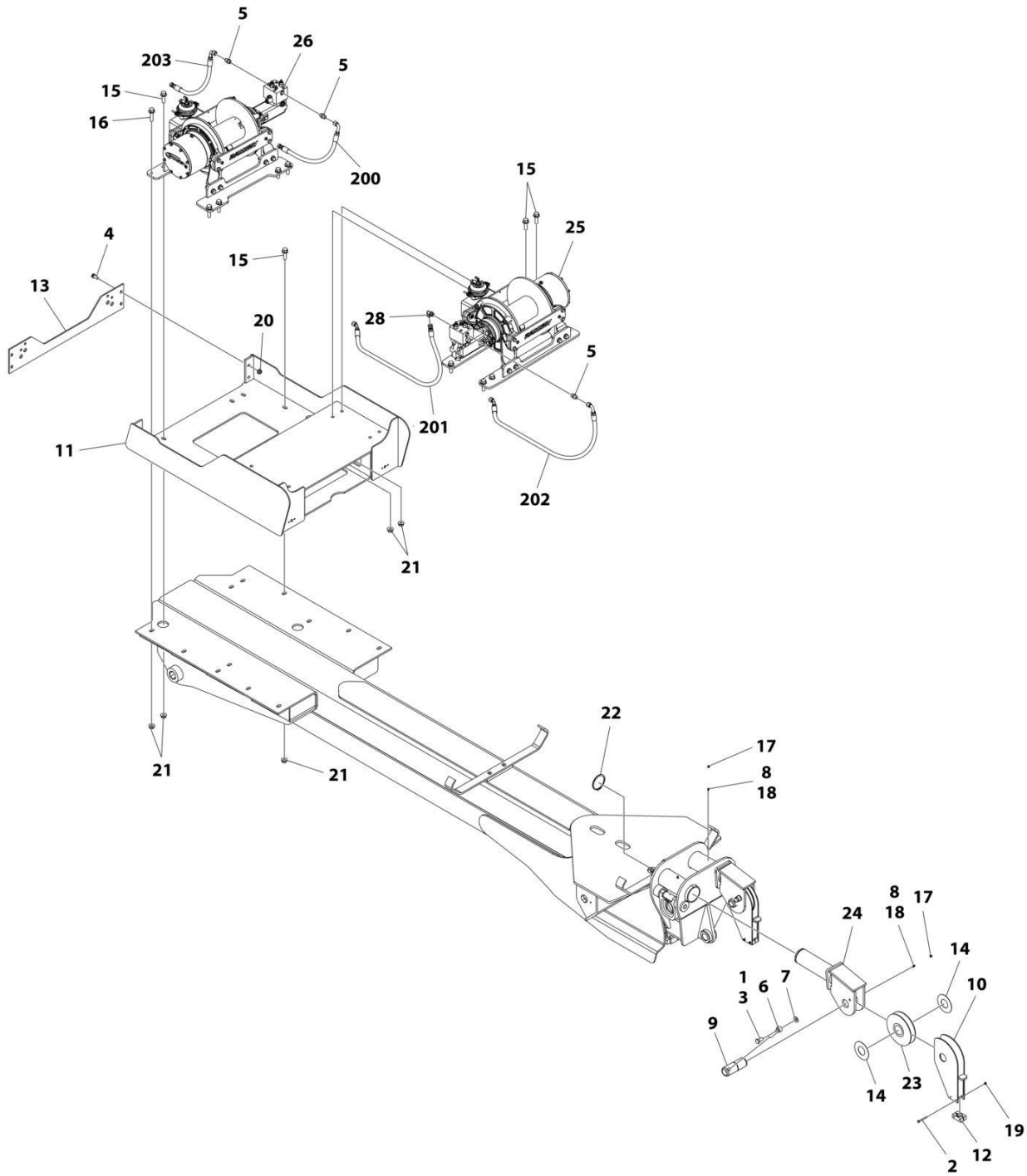
SECTION 2 - BOOM

FIGURE 2-6. WINCH INSTALLATION - MAIN BOOM (DP35 WITH.75IN CABLE)

ITEM	PART NUMBER	QTY	DESCRIPTION	REV
	1001207358	Ref	WINCH INSTALLATION - MAIN BOOM (DP35 0.75IN CABLE)	C
1	0100011	AR	Compound Locking	
2	0641420	4	Bolt 1/4 x 2-1/2	
3	0641808	2	Bolt 1/2 x 1	
4	0811810	4	Screw 1/2 x 1-1/4	
5	3841203	2	Keeper, Pin	
6	4711800	2	Washer 1/2	
7	7661000018	22	Nut 5/8	
8	1001169616	2	Sheave Support Weldment	
9	1001169893	2	Pin	
10	1001210256	1	Winch Assembly (See Separate Breakdown in this Section)	
11	1001210257	1	Winch Assembly (See Separate Breakdown in this Section)	
12	3249000012	2	Guide, Cable	
13	3636000068	1	Winch Mount	
14	4249000001	4	Guide, Cable	
15	4706002417	1	Plate	
16	4949000045	4	Washer 1/16	
17	7118201616	16	Bolt 5/8 x 2	
18	7118202016	6	Bolt 5/8 x 2-1/2	
19	7253000002	4	Fitting, Cap	
20	7440030000	4	Fitting, Straight	
21	1001219190	1	Hose, Kit (Not Shown) (Includes Items 200-203)	
22	7660142601	4	Nut 1/4	
23	7660182301	4	Nut 1/2	
24	7754000049	2	Ring, Retaining	
25	7809000006	2	Sheave	
26	1001152707	AR	Lubricant	
27	7445100843	4	Fitting, Straight	
200	4567152018	1	Hose	
201	1001166531	1	Hose	
202	1001219188	1	Hose	
203	1001219189	1	Hose	

SECTION 2 - BOOM

FIGURE 2-7. WINCH INSTALLATION - MAIN BOOM (RAMSEY WITH .63IN CABLE)



ART_1001266882

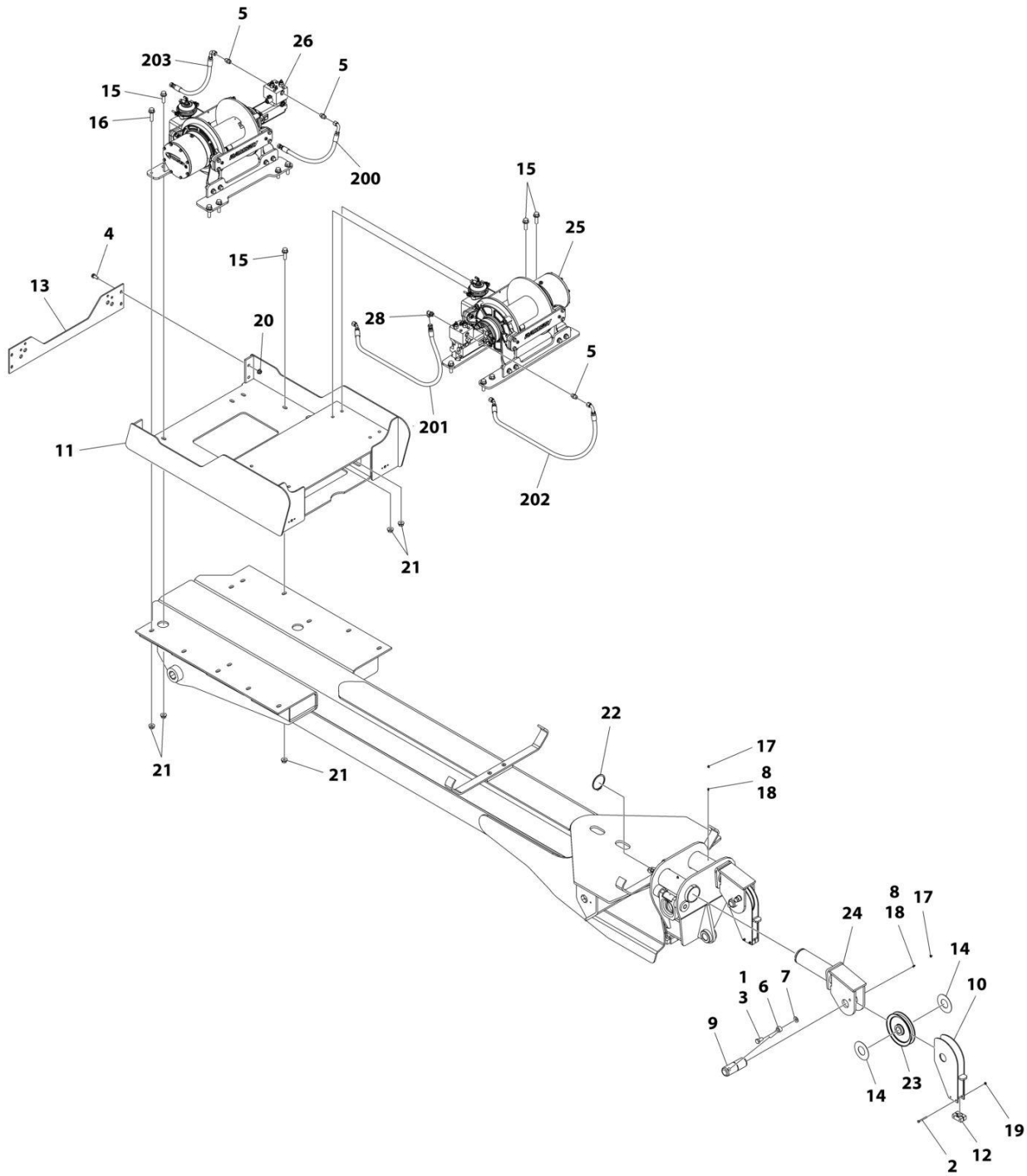
SECTION 2 - BOOM

FIGURE 2-7. WINCH INSTALLATION - MAIN BOOM (RAMSEY WITH.63IN CABLE)

ITEM	PART NUMBER	QTY	DESCRIPTION	REV
	1001266882	Ref	WINCH INSTALLATION - MAIN BOOM (RAMSEY 0.63IN CABLE)	A
1	0100011	AR	Compound Locking	
2	0641420	4	Bolt 1/4 x 2-1/2	
3	0642010	2	Bolt 5/8 x 1-1/4	
4	0811810	4	Screw 1/2 x 1-1/4	
5	2220947	3	Adapter	
6	3841258	2	Keeper, Pin	
7	4712000	2	Washer 5/8	
8	1001152707	AR	Lubricant	
9	1001170037	2	Pin	
10	3249000001	2	Guide, Cable	
11	3636000068	1	Winch Mount	
12	4249000001	4	Guide, Cable	
13	4706002417	1	Plate	
14	4949000031	4	Washer 1/16	
15	7118201616	16	Bolt 5/8 x 2	
16	7118202016	6	Bolt 5/8 x 2-1/2	
17	7253000002	4	Fitting, Cap	
18	7440030000	4	Fitting, Straight	
19	7660142601	4	Nut 1/4	
20	7660182301	4	Nut 1/2	
21	7661000018	22	Nut 5/8	
22	7754000049	2	Ring, Retaining	
23	7809000019	2	Sheave	
24	1001169609	2	Sheave Support Weldment	
25	1001266903	1	Winch Assembly (See Separate Breakdown in this Section)	
26	1001266904	1	Winch Assembly (See Separate Breakdown in this Section)	
27	1001266915	1	Hose, Kit (Not Shown) (Includes Items 200-203)	
28	2221036	1	Fitting, 90	
200	1001166531	1	Hose	
201	1001166532	1	Hose	
202	1001219189	1	Hose	
203	1001267012	1	Hose	

SECTION 2 - BOOM

FIGURE 2-8. WINCH INSTALLATION - MAIN BOOM (RAMSEY WITH .75IN CABLE)



ART_1001266883

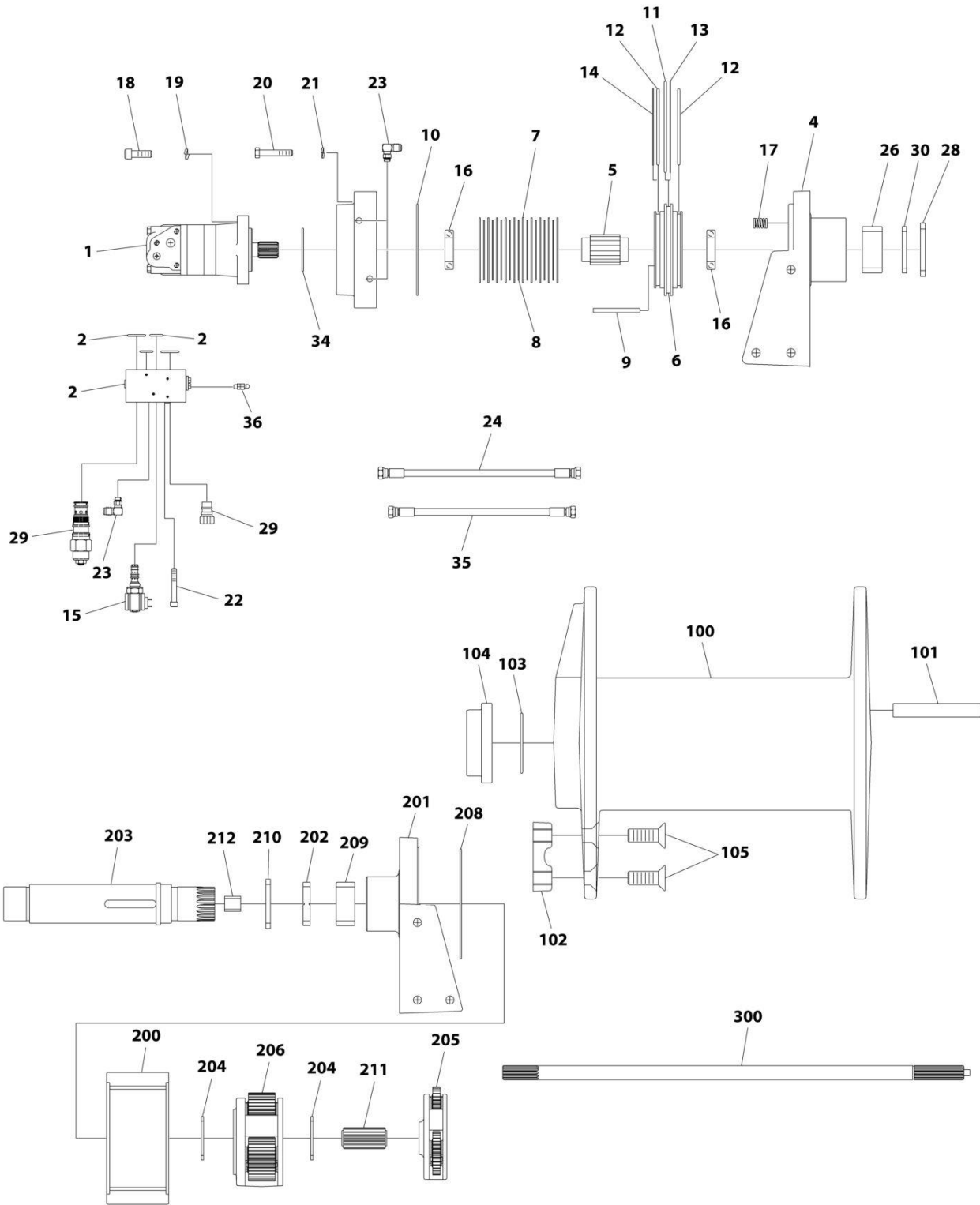
SECTION 2 - BOOM

FIGURE 2-8. WINCH INSTALLATION - MAIN BOOM (RAMSEY WITH.75IN CABLE)

ITEM	PART NUMBER	QTY	DESCRIPTION	REV
	1001266883	Ref	WINCH INSTALLATION - MAIN BOOM (RAMSEY 0.75IN CABLE)	A
1	0100011	AR	Compound Locking	
2	0641420	4	Bolt 1/4 x 2-1/2	
3	0641808	2	Bolt 1/2 x 1	
4	0811810	4	Screw 1/2 x 1-1/4	
5	2220947	3	Adapter	
6	3841203	2	Keeper, Pin	
7	4711800	2	Washer 1/2	
8	1001152707	AR	Lubricant	
9	1001169893	2	Pin	
10	3249000012	2	Guide, Cable	
11	3636000068	1	Winch Mount	
12	4249000001	4	Guide, Cable	
13	4706002417	1	Plate	
14	4949000045	4	Washer 1/16	
15	7118201616	16	Bolt 5/8 x 2	
16	7118202016	6	Bolt 5/8 x 2-1/2	
17	7253000002	4	Fitting, Cap	
18	7440030000	4	Fitting, Straight	
19	7660142601	4	Nut 1/4	
20	7660182301	4	Nut 1/2	
21	7661000018	22	Nut 5/8	
22	7754000049	2	Ring, Retaining	
23	7809000006	2	Sheave	
24	1001169616	2	Sheave Support Weldment	
25	1001266903	1	Winch Assembly (See Separate Breakdown in this Section)	
26	1001266904	1	Winch Assembly (See Separate Breakdown in this Section)	
27	1001266915	1	Hose, Kit (Not Shown) (Includes Items 200-203)	
28	2221036	1	Fitting, 90	
200	1001166531	1	Hose	
201	1001166532	1	Hose	
202	1001219189	1	Hose	
203	1001267012	1	Hose	

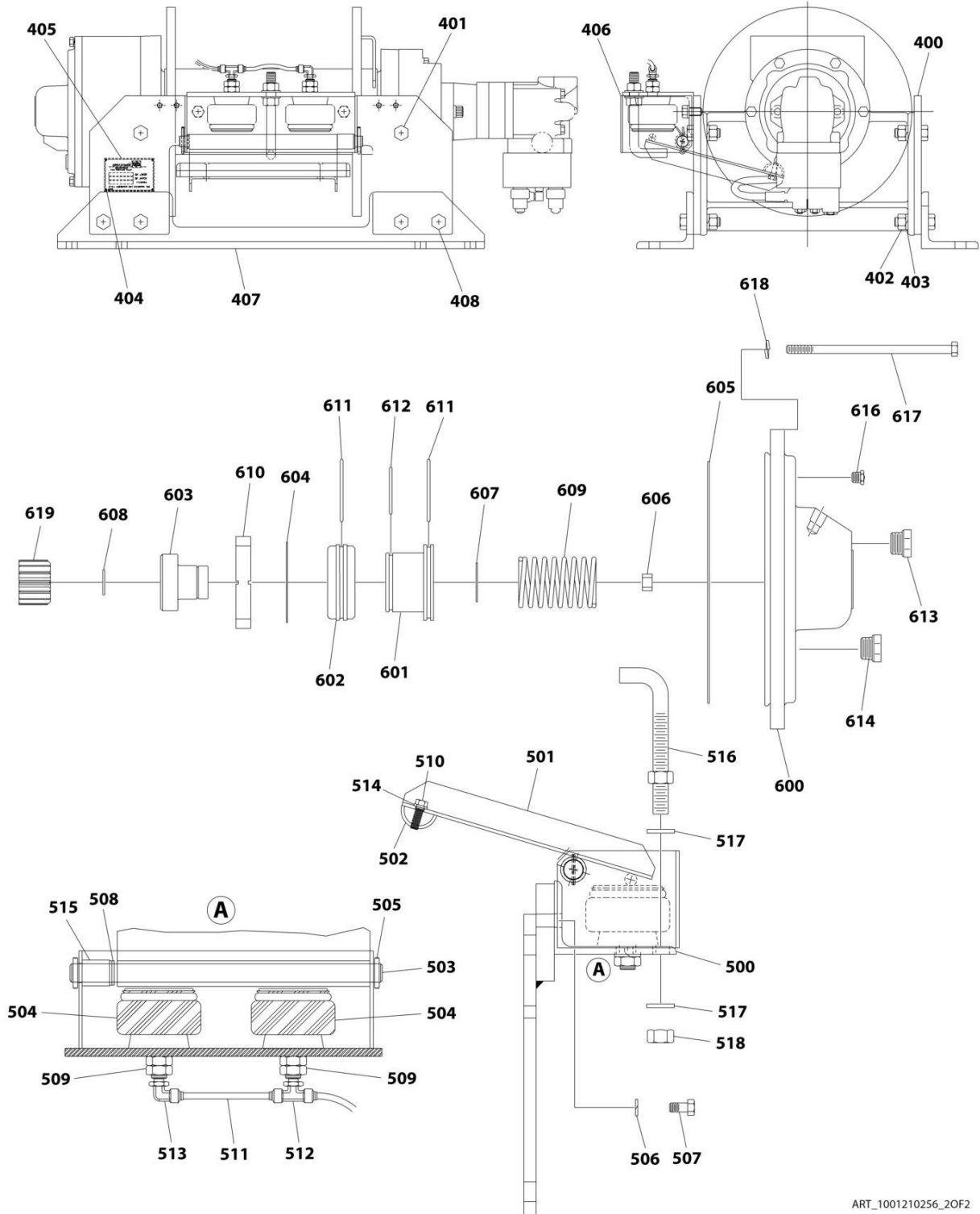
SECTION 2 - BOOM

FIGURE 2-9. WINCH ASSEMBLY - FRONT LH (DP35)



ART_1001210256_10F2

SECTION 2 - BOOM



ART_1001210256_20F2

SECTION 2 - BOOM

FIGURE 2-9. WINCH ASSEMBLY - FRONT LH (DP35)

ITEM	PART NUMBER	QTY	DESCRIPTION	REV
	1001210256	Ref	WINCH ASSEMBLY - FRONT LH (DP35)	A
		Ref	MOTOR END ASSEMBLY	
1	70050399	1	Motor, Hydraulic	
2	70050368	1	Valve, Counterbalance	
3	9571960006	1	Brake Housing	
4	9177960004	1	Support, Motor End	
5	9806960019	1	Shaft Brake	
6	9698960008	1	Piston, Brake	
7	9706960023	10	Plate, Friction Disc	
8	70051302	9	Plate, Brake Drive	
9	9691960021	2	Pin	
10	70051307	1	O-Ring	
11	70051305	1	O-Ring	
12	70051303	2	O-Ring	
13	70051306	1	Backup Ring	
14	70051304	1	Backup Ring	
15	70050371	1	Cartridge, Valve	
16	9082960013	2	Bearing	
17	9843960024	12	Compression Spring	
18	7118181205	2	Capscrew 1/2 x 1-1/2	
19	7950180800	2	Washer 1/2	
20	7118172050	6	Capscrew 7/16 x 2-1/2	
21	7950170000	6	Washer 7/16	
22	70050370	4	Capscrew 3/8 x 2-1/2	
23	7445040445	3	Fitting, 90	
24	70050372	1	Hose	
25	70050401	1	Tag, Warning (Not Shown)	
26	9082960018	1	Bearing	
28	9796960121	1	Seal	
29	9935960026	2	Cartridge, Counterbalance	
30	9949960028	1	Thrust Washer	
34	9796960090	1	O-Ring	
35	70051309	1	Hose	
36	9443960006	1	Fitting, Straight	
		Ref	DRUM ASSEMBLY	
100	9970960020	1	Drum	
101	9575960012	2	Key, Drum	
102	9280960002	1	Clip	
103	9796960089	1	O-Ring	
104	9831960018	1	Spacer	
105	7110201423	2	Capscrew 5/8 x 1-3/4	
		Ref	GEAR END ASSEMBLY	
200	70050991	1	Gear	
201	9177960003	1	Support, Gear End	
202	9949960028	1	Thrust Washer	
203	9806960021	1	Shaft, Output	
204	9949960027	2	Thrust Washer	
205	9472960052	1	Carrier Assembly, Primary	
206	70050992	1	Carrier Assembly, Secondary	
207	9330960006	1	Label, Warning (Not Shown)	

SECTION 2 - BOOM

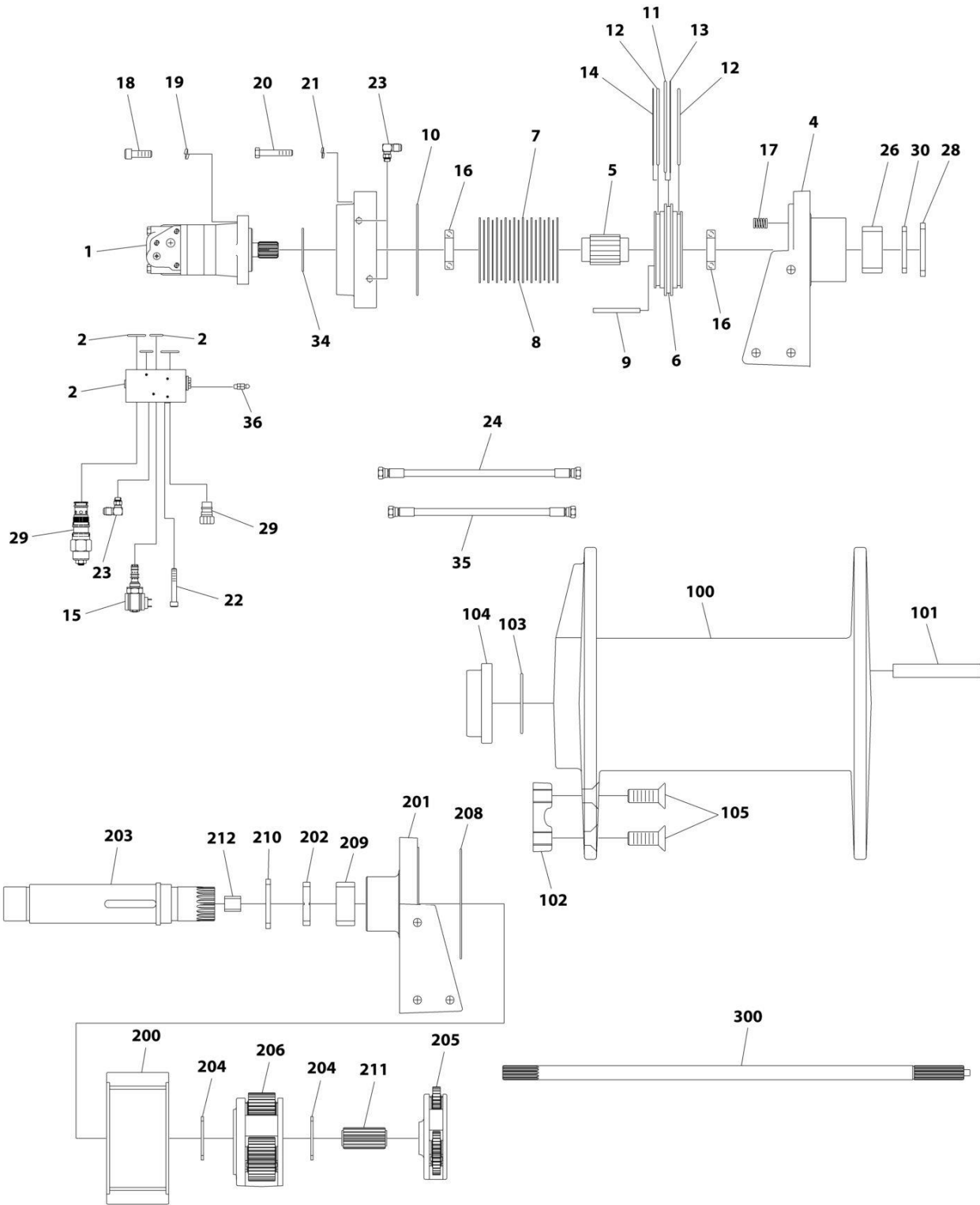
ITEM	PART NUMBER	QTY	DESCRIPTION	REV
208	9796960120	1	O-Ring	
209	9082960018	1	Bearing	
210	9796960121	1	Seal	
211	70050993	1	Gear, Sun Secondary	
212	9209960025	1	Bushing	
		Ref	INPUT SHAFT ASSEMBLY	
300	70050994	1	Input Shaft	
		Ref	BASE MOUNT ASSEMBLY	
400	9073960003	2	Base Mount	
401	7115201850	4	Capscrew 5/8 x 2-1/4	
402	7660200001	12	Nut 5/8	
403	7950200000	12	Washer 5/8	
404	70050147	4	Rivet	
405	70050384	1	Plate, Winch ID	
406	70050398	1	Kit - Cable Hold Down	
407	9073960004	2	Base Mount	
408	7115202250	8	Capscrew 5/8 x 2-3/4	
		Ref	CABLE HOLD DOWN ASSEMBLY	
500	9178960011	1	Mounting Bracket	
501	9020960002	1	Pivot Arm	
502	9064960007	1	Rub Bar	
503	9691960019	1	Pin	
504	9843960023	2	Air Spring	
505	9690960039	2	Cotter Pin	
506	7950180000	2	Washer 1/2	
507	7115181650	2	Capscrew 1/2 x 1	
508	9949960012	2	Thrust Washer	
509	7660200200	4	Nut 5/8	
510	9120960063	2	Capscrew 5/16 x 1	
511	9912960010	3	Tube	
512	7443000205	3	Fitting, Tee	
513	7443000204	1	Fitting, 90	
514	9949960050	2	Washer 5/8	
515	9831960009	1	Spacer	
516	9120960019	1	Bolt 5/8 x 6-1/2	
517	7950200151	2	Washer 5/8	
518	7660200001	1	Nut 5/8	
		Ref	GEAR END COVER ASSEMBLY	
600	9314960022	1	Cover, Gear End	
601	9698960016	1	Piston	
602	9698960015	1	Cylinder, Piston	
603	9309960011	1	Coupling	
604	9754960026	1	Retainer Ring	
605	9796960120	1	O-Ring	
606	9209960026	1	Bushing	
607	9754960046	1	Retainer Ring	
608	9754960047	1	Retainer Ring	
609	9843960032	1	Compression Spring	
610	9949960028	1	Thrust Washer	
611	9796960119	2	O-Ring	
612	9796960118	1	O-Ring	

SECTION 2 - BOOM

ITEM	PART NUMBER	QTY	DESCRIPTION	REV
613	9701960011	1	Plug	
613	70050998	1	O-Ring	
614	9701960012	1	Plug	
614	70050998	1	O-Ring	
615	9701960018	1	Plug (Not Shown)	
616	9183960001	1	Vent	
617	70050995	12	Capscrew 3/8 x 5-1/2	
618	7950160000	12	Washer 3/8	
619	9472960054	1	Gear, 15 Teeth	

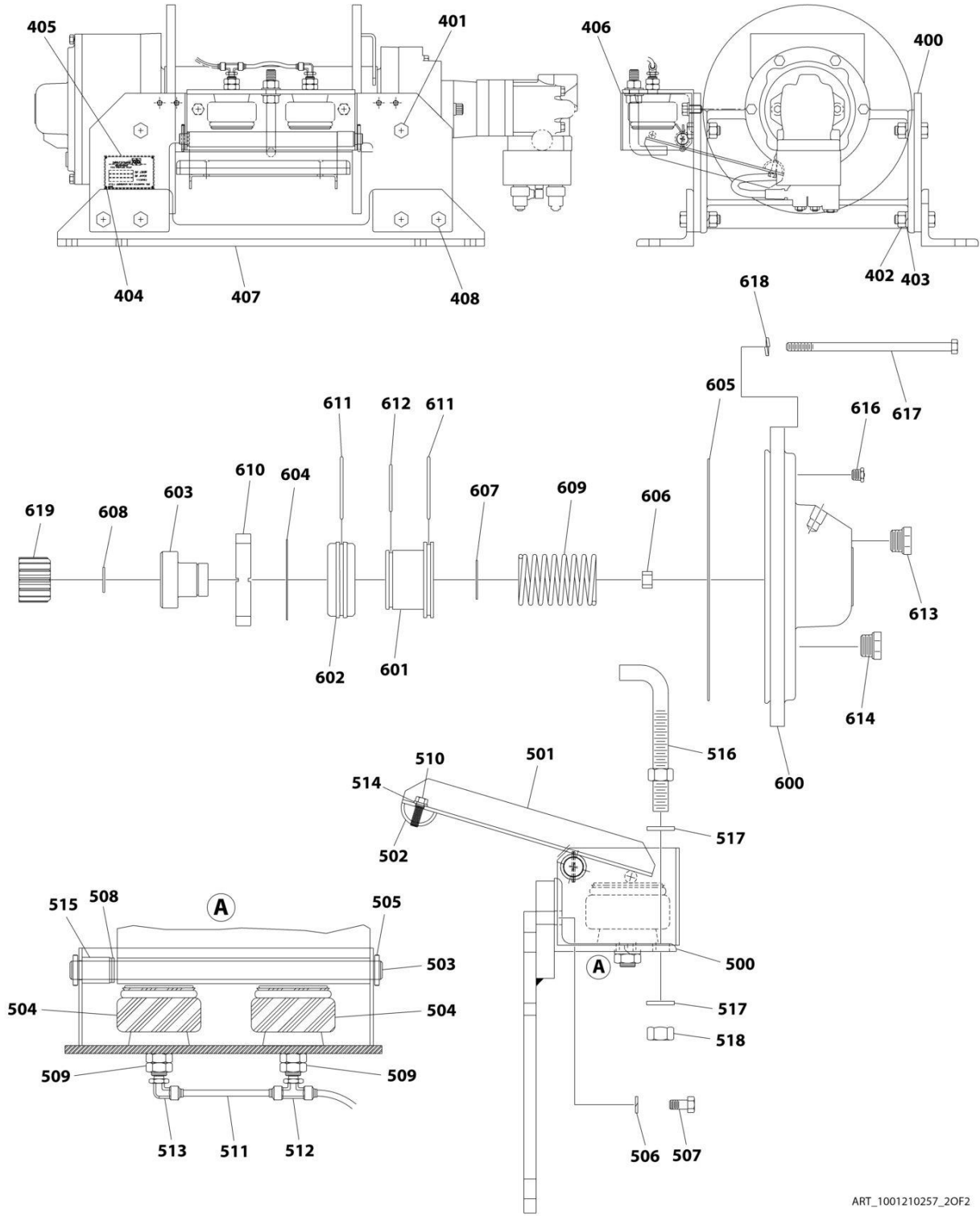
SECTION 2 - BOOM

FIGURE 2-10. WINCH ASSEMBLY - REAR RH (DP35)



ART_1001210257_10F2

SECTION 2 - BOOM



ART_1001210257_20F2

SECTION 2 - BOOM

FIGURE 2-10. WINCH ASSEMBLY - REAR RH (DP35)

ITEM	PART NUMBER	QTY	DESCRIPTION	REV
	1001210257	Ref	WINCH ASSEMBLY - REAR RH (DP35)	A
		Ref	MOTOR END ASSEMBLY	
1	70050399	1	Motor, Hydraulic	
2	70050368	1	Valve, Counterbalance	
3	9571960006	1	Brake Housing	
4	9177960004	1	Support, Motor End	
5	9806960019	1	Shaft Brake	
6	9698960008	1	Piston, Brake	
7	9706960023	10	Plate, Friction Disc	
8	70051302	9	Plate, Brake Drive	
9	9691960021	2	Pin	
10	70051307	1	O-Ring	
11	70051305	1	O-Ring	
12	70051303	2	O-Ring	
13	70051306	1	Backup Ring	
14	70051304	1	Backup Ring	
15	70050371	1	Cartridge, Valve	
16	9082960013	2	Bearing	
17	9843960024	12	Compression Spring	
18	7118181205	2	Capscrew 1/2 x 1-1/2	
19	7950180800	2	Washer 1/2	
20	7118172050	6	Capscrew 7/16 x 2-1/2	
21	7950170000	6	Washer 7/16	
22	70050370	4	Capscrew 3/8 x 2-1/2	
23	7445040445	3	Fitting, 90	
24	70050372	1	Hose	
25	70050401	1	Tag, Warning (Not Shown)	
26	9082960018	1	Bearing	
28	9796960121	1	Seal	
29	9935960026	2	Cartridge, Counterbalance	
30	9949960028	1	Thrust Washer	
34	9796960090	1	O-Ring	
35	70051309	1	Hose	
36	9443960006	1	Fitting, Straight	
		Ref	DRUM ASSEMBLY	
100	9970960020	1	Drum	
101	9575960012	2	Key, Drum	
102	9280960002	1	Clip	
103	9796960089	1	O-Ring	
104	9831960018	1	Spacer	
105	7110201423	2	Capscrew 5/8 x 1-3/4	
		Ref	Gear End Assembly	
200	70050991	1	Gear	
201	9177960003	1	Support, Gear End	
202	9949960028	1	Thrust Washer	
203	9806960021	1	Shaft, Output	
204	9949960027	2	Thrust Washer	
205	9472960052	1	Carrier Assembly, Primary	
206	70050992	1	Carrier Assembly, Secondary	
207	9330960006	1	Label, Warning (Not Shown)	

SECTION 2 - BOOM

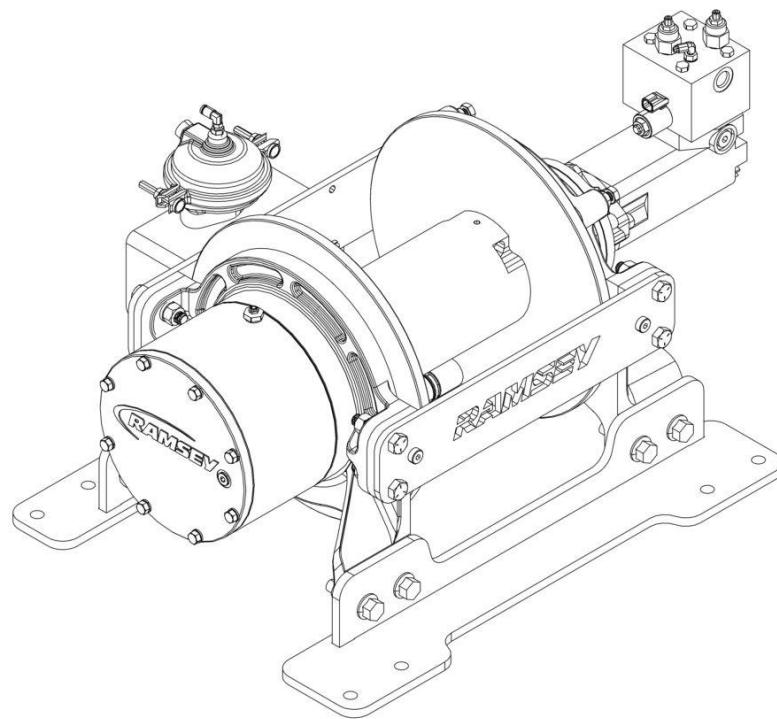
ITEM	PART NUMBER	QTY	DESCRIPTION	REV
208	9796960120	1	O-Ring	
209	9082960018	1	Bearing	
210	9796960121	1	Seal	
211	70050993	1	Gear, Sun Secondary	
212	9209960025	1	Bushing	
		Ref	INPUT SHAFT ASSEMBLY	
300	70050994	1	Input Shaft	
		Ref	BASE MOUNT ASSEMBLY	
400	9073960003	2	Base Mount	
401	7115201850	4	Capscrew 5/8 x 2-1/4	
402	7660200001	12	Nut 5/8	
403	7950200000	12	Washer 5/8	
404	70050147	4	Rivet	
405	70050384	1	Plate, Winch ID	
406	70050398	1	Kit - Cable Hold Down	
407	9073960004	2	Base Mount	
408	7115202250	8	Capscrew 5/8 x 2-3/4	
		Ref	CABLE HOLD DOWN ASSEMBLY	
500	9178960011	1	Mounting Bracket	
501	9020960002	1	Pivot Arm	
502	9064960007	1	Rub Bar	
503	9691960019	1	Pin	
504	9843960023	2	Air Spring	
505	9690960039	2	Cotter Pin	
506	7950180000	2	Washer 1/2	
507	7115181650	2	Capscrew 1/2 x 1	
508	9949960012	2	Thrust Washer	
509	7660200200	4	Nut 5/8	
510	9120960063	2	Capscrew 5/16 x 1	
511	9912960010	3	Tube	
512	7443000205	3	Fitting, Tee	
513	7443000204	1	Fitting, 90	
514	9949960050	2	Washer 5/8	
515	9831960009	1	Spacer	
516	9120960019	1	Bolt 5/8 x 6-1/2	
517	7950200151	2	Washer 5/8	
518	7660200001	1	Nut 5/8	
		Ref	GEAR END COVER ASSEMBLY	
600	9314960022	1	Cover, Gear End	
601	9698960016	1	Piston	
602	9698960015	1	Cylinder, Piston	
603	9309960011	1	Coupling	
604	9754960026	1	Retainer Ring	
605	9796960120	1	O-Ring	
606	9209960026	1	Bushing	
607	9754960046	1	Retainer Ring	
608	9754960047	1	Retainer Ring	
609	9843960032	1	Compression Spring	
610	9949960028	1	Thrust Washer	
611	9796960119	2	O-Ring	
612	9796960118	1	O-Ring	

SECTION 2 - BOOM

ITEM	PART NUMBER	QTY	DESCRIPTION	REV
613	9701960011	1	Plug	
613	70050998	1	O-Ring	
614	9701960012	1	Plug	
614	70050998	1	O-Ring	
615	9701960018	1	Plug (Not Shown)	
616	9183960001	1	Vent	
617	70050995	12	Capscrew 3/8 x 5-1/2	
618	7950160000	12	Washer 3/8	
619	9472960054	1	Gear, 15 Teeth	

SECTION 2 - BOOM

FIGURE 2-11. WINCH ASSEMBLY - FRONT LH (RAMSEY)



ART_1001266904

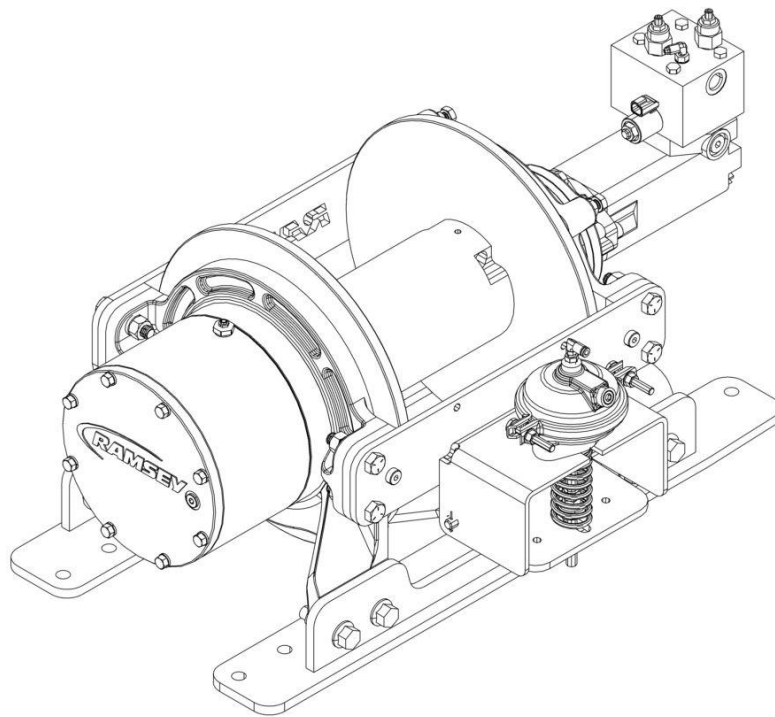
SECTION 2 - BOOM

FIGURE 2-11. WINCH ASSEMBLY - FRONT LH (RAMSEY)

ITEM	PART NUMBER	QTY	DESCRIPTION	REV
	1001266904	Ref	WINCH ASSEMBLY - FRONT LH (RAMSEY)	A
	See Note	Ref	Note: No Service Part Available at the Time of Printing	

SECTION 2 - BOOM

FIGURE 2-12. WINCH ASSEMBLY - REAR RH (RAMSEY)



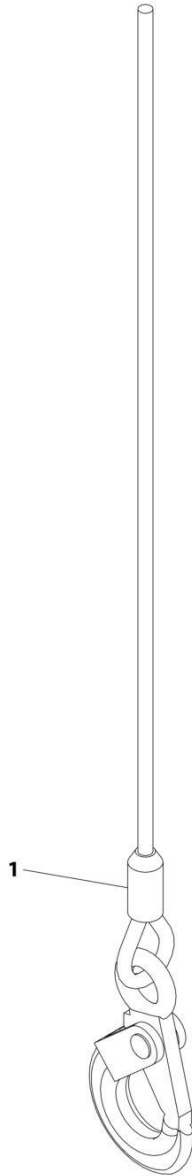
ART_1001266903

FIGURE 2-12. WINCH ASSEMBLY - REAR RH (RAMSEY)

ITEM	PART NUMBER	QTY	DESCRIPTION	REV
	1001266903 See Note	Ref Ref	WINCH ASSEMBLY - REAR RH (RAMSEY) Note: No Service Part Available at the Time of Printing	A

SECTION 2 - BOOM

FIGURE 2-13. CABLE INSTALLATION - 0.63IN X 200FT WITH EYEHOOK



ART_1001207359

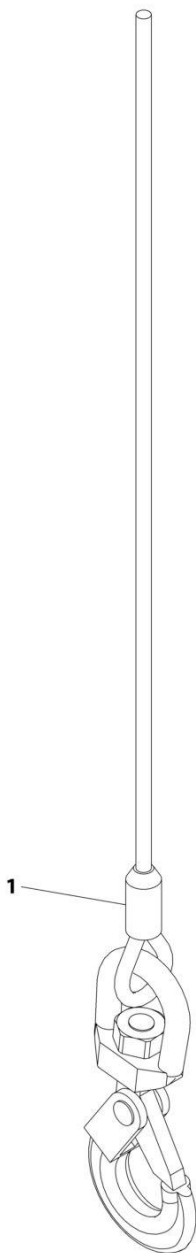
SECTION 2 - BOOM

FIGURE 2-13. CABLE INSTALLATION - 0.63IN X 200FT WITH EYEHOOK

ITEM	PART NUMBER	QTY	DESCRIPTION	REV
1	1001207359 7248000040	Ref 1	CABLE INSTALLATION - 0.63IN X 200FT WITH EYE HOOK Cable Assembly	B

SECTION 2 - BOOM

FIGURE 2-14. CABLE INSTALLATION - 0.63IN X 200FT WITH SWIVELHOOK (SN 0230004275 through 0230008673, Excluding 0230008645)



ART_1001207360

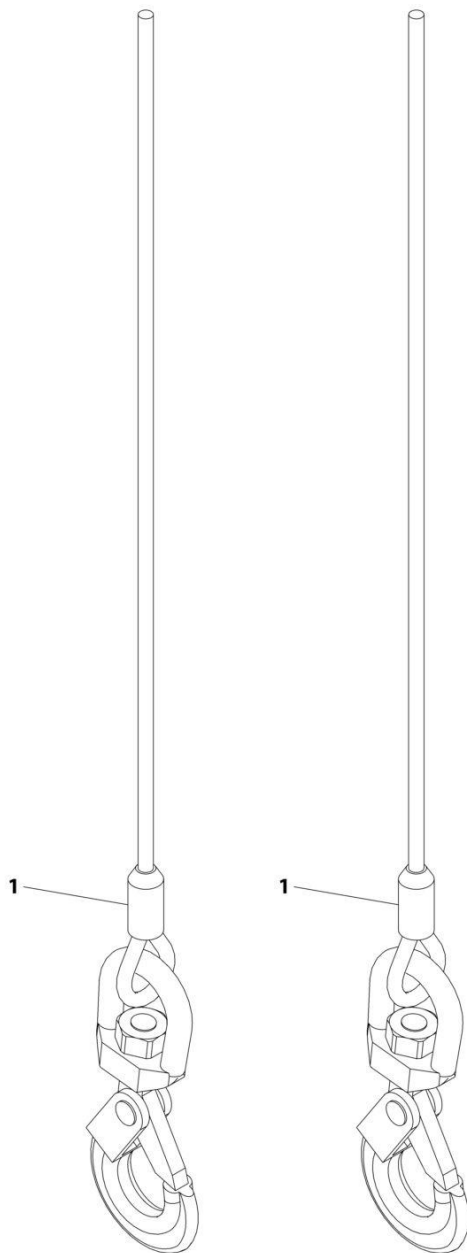
SECTION 2 - BOOM

FIGURE 2-14. CABLE INSTALLATION - 0.63IN X 200FT WITH SWIVELHOOK (SN 0230004275 through 0230008673, Excluding 0230008645)

ITEM	PART NUMBER	QTY	DESCRIPTION	REV
1	1001207360 7248000078	Ref 1	CABLE INSTALLATION - 0.63IN X 200FT WITH SWIVEL HOOK Cable Assembly	B

SECTION 2 - BOOM

FIGURE 2-15. CABLE INSTALLATION - 0.63IN X 200FT WITH SWIVELHOOK (SN 0230008674 to Present, Including 0230008645)



ART_1001269143

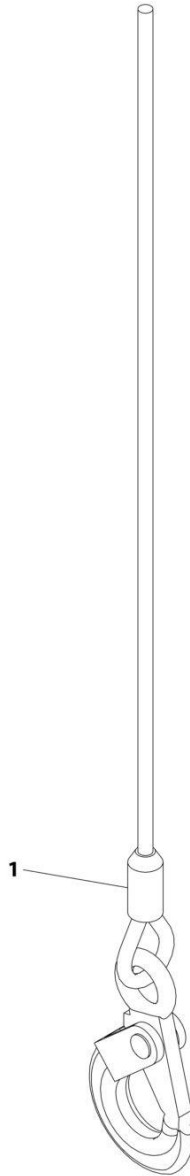
SECTION 2 - BOOM

FIGURE 2-15. CABLE INSTALLATION - 0.63IN X 200FT WITH SWIVELHOOK (SN 0230008674 to Present, Including 0230008645)

ITEM	PART NUMBER	QTY	DESCRIPTION	REV
1	1001269143	Ref	CABLE INSTALLATION - 0.63IN X 200FT WITH SWIVEL HOOK	A
	7248000078	2	Cable Assembly	

SECTION 2 - BOOM

FIGURE 2-16. CABLE INSTALLATION - 0.63IN X 250FT WITH EYEHOOK



ART_1001207361

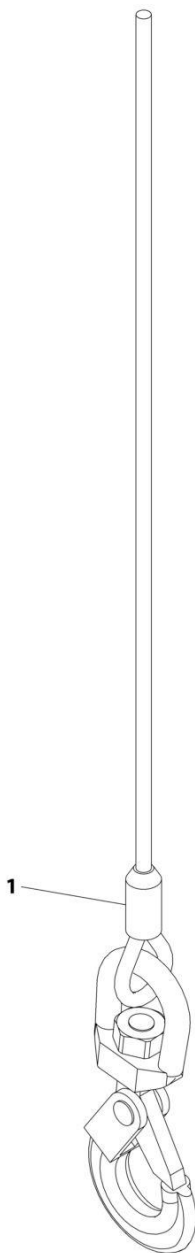
SECTION 2 - BOOM

FIGURE 2-16. CABLE INSTALLATION - 0.63IN X 250FT WITH EYEHOOK

ITEM	PART NUMBER	QTY	DESCRIPTION	REV
1	1001207361 7248000037	Ref 1	CABLE INSTALLATION - 0.63IN X 250FT WITH EYE HOOK Cable Assembly	B

SECTION 2 - BOOM

FIGURE 2-17. CABLE INSTALLATION - 0.63IN X 250FT WITH SWIVELHOOK (SN 0230004275 through 0230008673, Excluding 0230008645)



ART_1001207362

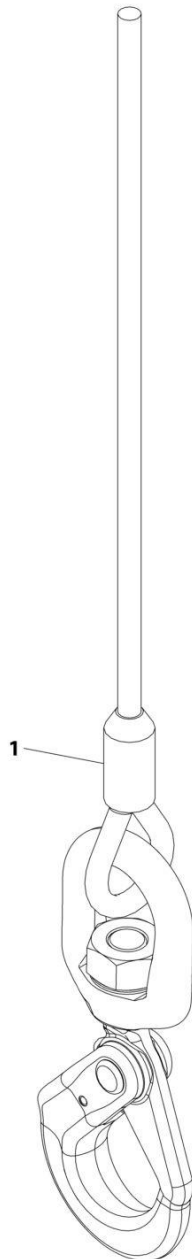
SECTION 2 - BOOM

FIGURE 2-17. CABLE INSTALLATION - 0.63IN X 250FT WITH SWIVELHOOK (SN 0230004275 through 0230008673, Excluding 0230008645)

ITEM	PART NUMBER	QTY	DESCRIPTION	REV
1	1001207362 7248000079	Ref 1	CABLE INSTALLATION - 0.63IN X 250FT WITH SWIVEL HOOK Cable Assembly	B

SECTION 2 - BOOM

FIGURE 2-18. CABLE INSTALLATION - 0.63IN X 250FT WITH SWIVELHOOK (SN 0230008674 to Present, Including 0230008645)



ART_1001254986

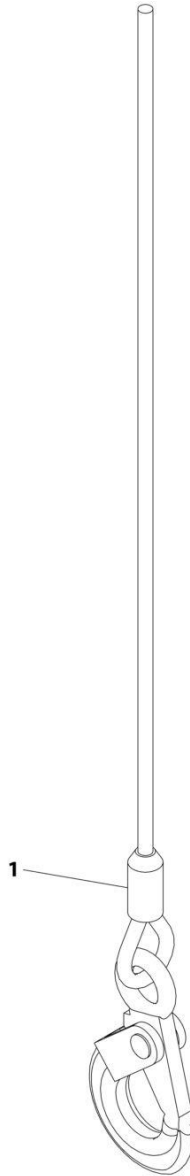
SECTION 2 - BOOM

FIGURE 2-18. CABLE INSTALLATION - 0.63IN X 250FT WITH SWIVELHOOK (SN 0230008674 to Present, Including 0230008645)

ITEM	PART NUMBER	QTY	DESCRIPTION	REV
1	1001254986	Ref	CABLE ASSEMBLY - MAIN BOOM (STD SWIVEL)	C
	7248000079	2	Cable Assembly	

SECTION 2 - BOOM

FIGURE 2-19. CABLE INSTALLATION - 0.75IN X 200FT WITH EYEHOOK



ART_1001207363

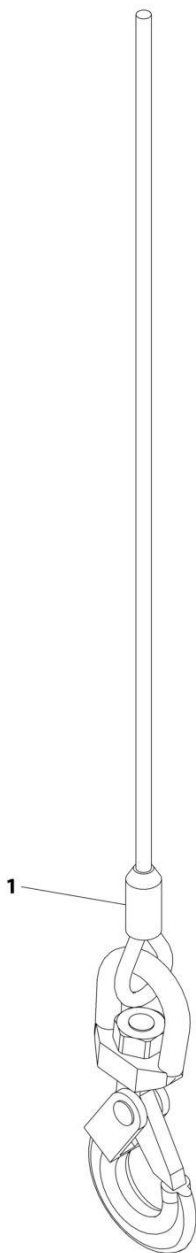
SECTION 2 - BOOM

FIGURE 2-19. CABLE INSTALLATION - 0.75IN X 200FT WITH EYEHOOK

ITEM	PART NUMBER	QTY	DESCRIPTION	REV
1	1001207363 7248000055	Ref 1	CABLE INSTALLATION - 0.75IN X 200FT WITH EYE HOOK Cable Assembly	B

SECTION 2 - BOOM

FIGURE 2-20. CABLE INSTALLATION - 0.75IN X 200FT WITH SWIVELHOOK (SN 0230004275 through 0230008673, Excluding 0230008645)



ART_1001207364

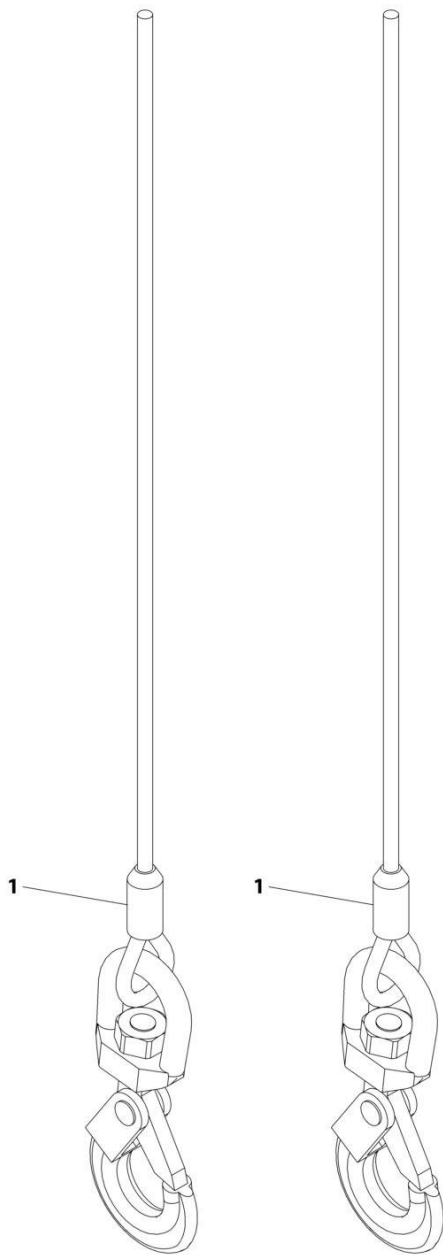
SECTION 2 - BOOM

FIGURE 2-20. CABLE INSTALLATION - 0.75IN X 200FT WITH SWIVELHOOK (SN 0230004275 through 0230008673, Excluding 0230008645)

ITEM	PART NUMBER	QTY	DESCRIPTION	REV
1	1001207364 7248000080	Ref 1	CABLE INSTALLATION - 0.75IN X 200FT WITH SWIVEL HOOK Cable Assembly	B

SECTION 2 - BOOM

FIGURE 2-21. CABLE INSTALLATION - 0.75IN X 200FT WITH SWIVELHOOK (SN 0230008674 to Present, Including 0230008645)



ART_1001269146

SECTION 2 - BOOM

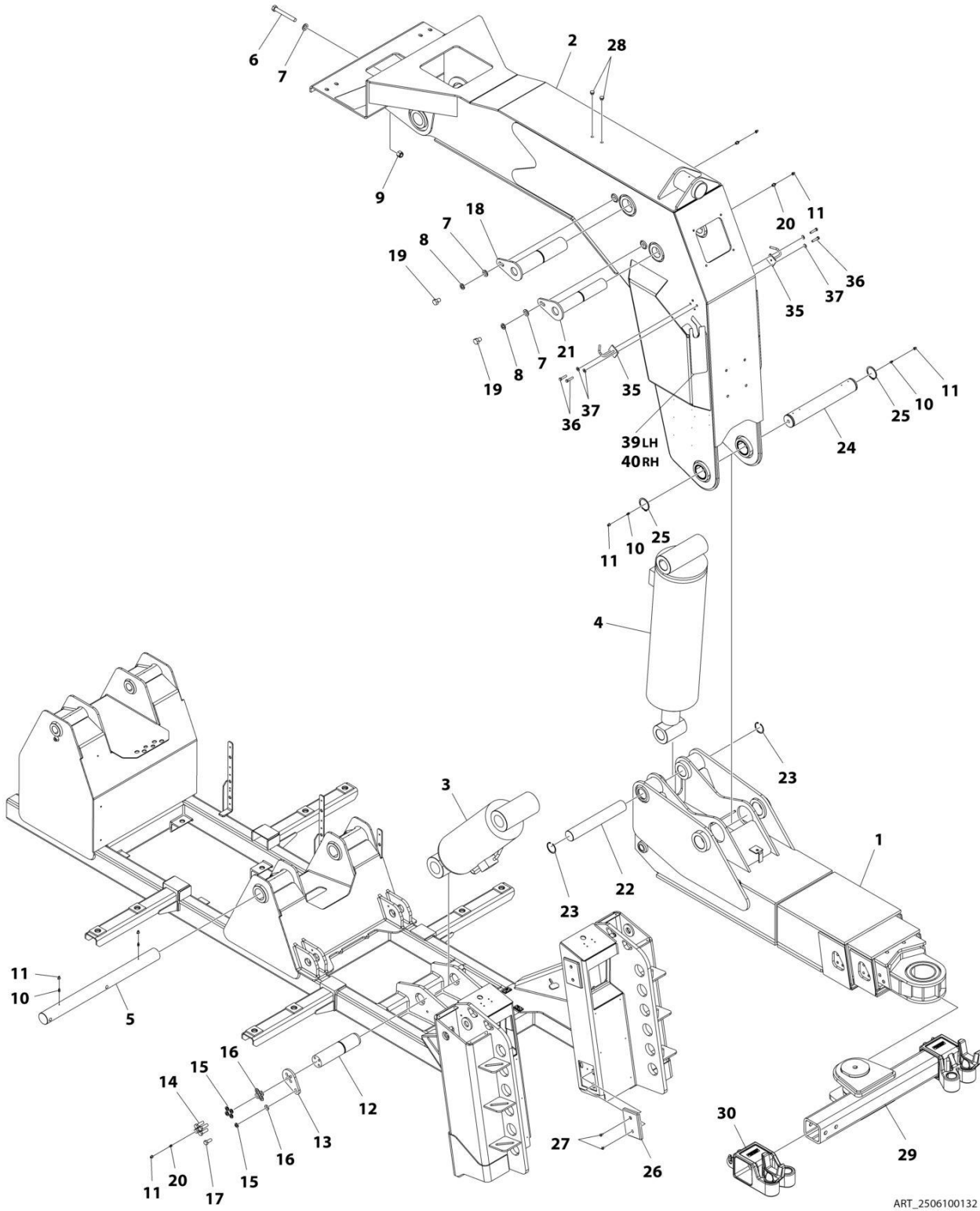
FIGURE 2-21. CABLE INSTALLATION - 0.75IN X 200FT WITH SWIVELHOOK (SN 0230008674 to Present, Including 0230008645)

ITEM	PART NUMBER	QTY	DESCRIPTION	REV
1	1001269146	Ref	CABLE INSTALLATION - 0.75IN X 200FT WITH SWIVEL HOOK	B
	7248000080	2	Cable Assembly	

SECTION 3 - UNDERLIFT

SECTION 3 - UNDERLIFT

FIGURE 3-1. UNDERLIFT INSTALLATION - 3 PIECE 48000LBS



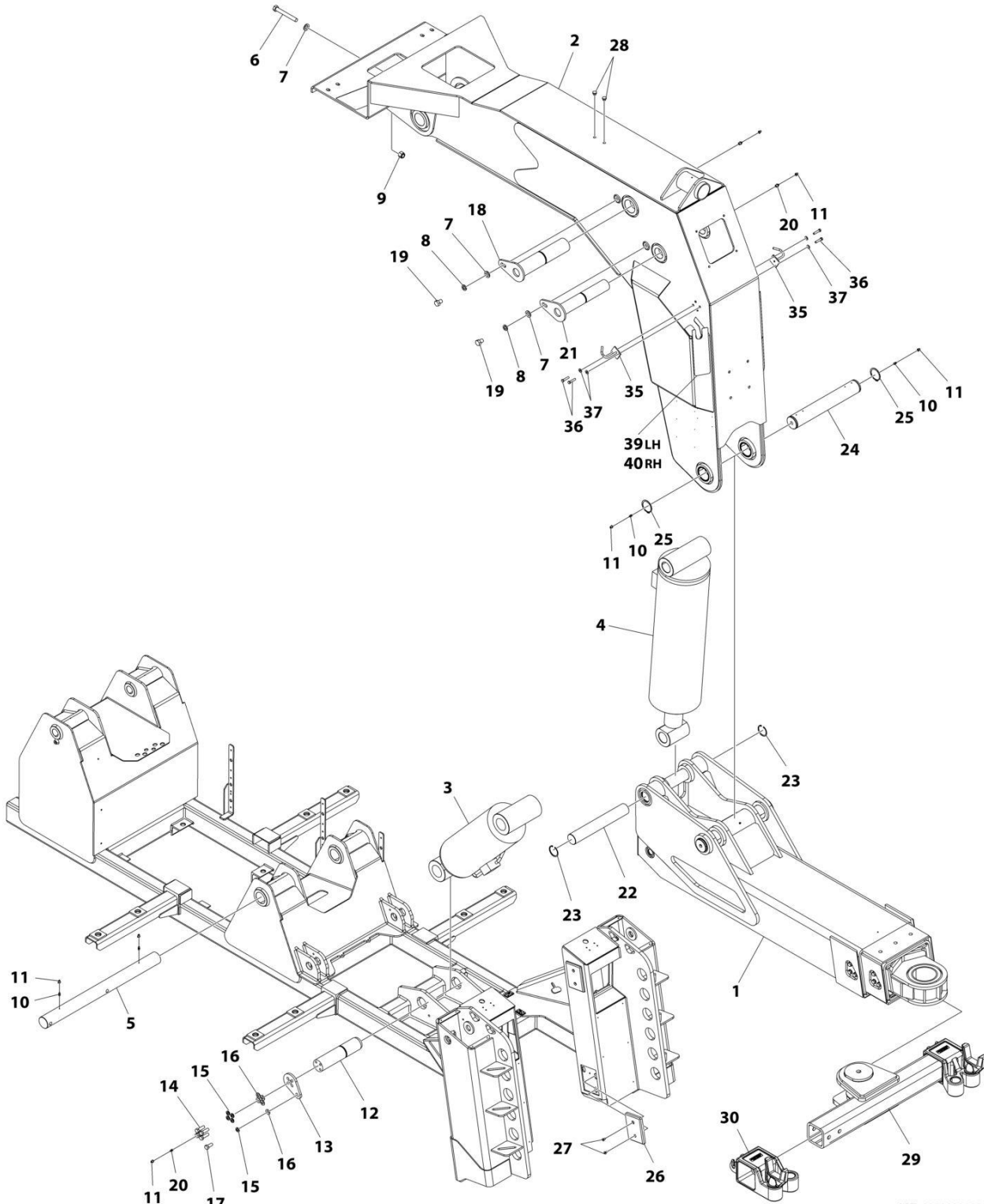
SECTION 3 - UNDERLIFT

FIGURE 3-1. UNDERLIFT INSTALLATION - 3 PIECE 48000LBS

ITEM	PART NUMBER	QTY	DESCRIPTION	REV
	2506100132	Ref	UNDERLIFT INSTALLATION - 3 PIECE 48K LBS	E
1	3170000407	1	Underlift Assembly (See Separate Breakdown in this Section)	
2	3170000423	1	Knee Boom	
3	7320000063	1	Cylinder Assembly - Lift (See Separate Breakdown in this Section)	
4	7320000097	1	Cylinder Assembly - Tilt (See Separate Breakdown in this Section)	
5	4691000563	1	Pin	
6	0682248	1	Bolt 3/4 x 6	
7	7950220141	4	Washer 3/4	
8	7950220000	2	Washer 3/4	
9	7660222601	1	Nut 3/4	
10	7440030000	4	Fitting, Straight	
11	7253000002	7	Fitting, Cap	
12	4691000484	1	Pin	
13	4706004528	1	Plate	
14	7118201650	4	Bolt 5/8 x 6	
15	7950200000	5	Washer 5/8	
16	7950200141	5	Washer 5/8	
17	7118201250	3	Bolt 5/8 x 1-1/2	
18	3691000231	1	Pin	
19	7115220850	2	Bolt 3/4 x 1	
20	7440000000	3	Fitting, Straight	
21	3691000232	1	Pin	
22	4691000290	1	Pin	
23	7754000051	2	Ring, Retaining	
24	4691000291	1	Pin	
25	7754000018	2	Ring, Retaining	
26	4679000127	4	Pad	
27	7115161623	8	Capscrew 3/8 x 2	
28	7189000017	2	Rubber Bumper	
29	2503880012	1	Cross Tube Installation (See Separate Breakdown in this Section)	
30	2503870011	1	Frame Fork Installation (See Separate Breakdown in this Section)	
31	3508530006	1	Hydraulic Tube Installation - Underlift (Not Shown - See Separate Breakdown in HYDRAULIC Section)	
33	7262000025	2	Chain (Not Shown)	
34	7660202601	2	Nut 5/8 (Not Shown)	
35	3561000017	2	Hook Weldment	
36	7115161450	4	Bolt 3/8 x 1-3/4	
37	7950160141	4	Washer 3/8	
38	7577000641	1	Hydraulic Hose Installation - Underlift (Not Shown - See Separate Breakdown in HYDRAULIC Section)	
39	1001151184	1	Decal, Wear - LH	
40	1001151185	1	Decal, Wear - RH	

SECTION 3 - UNDERLIFT

FIGURE 3-2. UNDERLIFT INSTALLATION - 4 PIECE 48000LBS



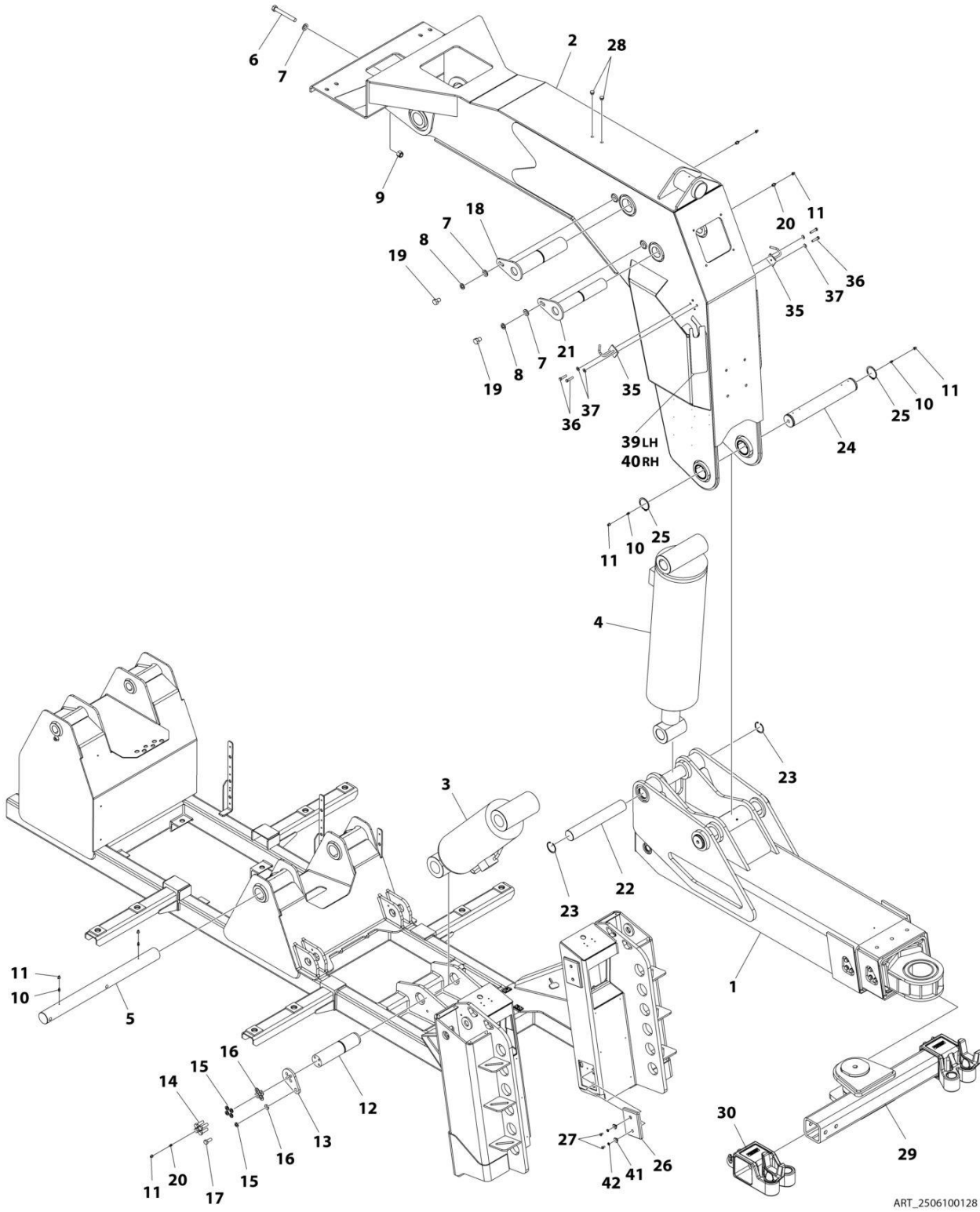
SECTION 3 - UNDERLIFT

FIGURE 3-2. UNDERLIFT INSTALLATION - 4 PIECE 48000LBS

ITEM	PART NUMBER	QTY	DESCRIPTION	REV
	1001139095	Ref	UNDERLIFT INSTALLATION - 4 PIECE 48K LBS	C
1	3170000381	1	Underlift Assembly (See Separate Breakdown in this Section)	
2	3170000423	1	Knee Boom	
3	7320000063	1	Cylinder Assembly - Lift (See Separate Breakdown in this Section)	
4	7320000097	1	Cylinder Assembly - Tilt (See Separate Breakdown in this Section)	
5	4691000563	1	Pin	
6	0682248	1	Bolt 3/4 x 6	
7	7950220141	4	Washer 3/4	
8	7950220000	2	Washer 3/4	
9	7660222601	1	Nut 3/4	
10	7440030000	4	Fitting, Straight	
11	7253000002	7	Fitting, Cap	
12	4691000484	1	Pin	
13	4706004528	1	Plate	
14	7118201650	4	Bolt 5/8 x 6	
15	7950200000	5	Washer 5/8	
16	7950200141	5	Washer 5/8	
17	7118201250	3	Bolt 5/8 x 1-1/2	
18	3691000231	1	Pin	
19	7115220850	2	Bolt 3/4 x 1	
20	7440000000	3	Fitting, Straight	
21	3691000232	1	Pin	
22	4691000290	1	Pin	
23	7754000051	2	Ring, Retaining	
24	4691000291	1	Pin	
25	7754000018	2	Ring, Retaining	
26	4679000127	4	Pad	
27	7115161623	8	Capscrew 3/8 x 2	
28	7189000017	2	Rubber Bumper	
29	2503880012	1	Cross Tube Installation (See Separate Breakdown in this Section)	
30	2503870011	1	Frame Fork Installation (See Separate Breakdown in this Section)	
31	3508530006	1	Hydraulic Tube Installation - Underlift (Not Shown - See Separate Breakdown in HYDRAULIC Section)	
33	7262000025	2	Chain (Not Shown)	
34	7660202601	2	Nut 5/8 (Not Shown)	
35	3561000017	2	Hook Weldment	
36	7115161450	4	Bolt 3/8 x 1-3/4	
37	7950160141	4	Washer 3/8	
38	7577000641	1	Hydraulic Hose Installation - Underlift (Not Shown - See Separate Breakdown in HYDRAULIC Section)	
39	1001151184	1	Decal, Wear - LH	
40	1001151185	1	Decal, Wear - RH	

SECTION 3 - UNDERLIFT

FIGURE 3-3. UNDERLIFT INSTALLATION - 3 PIECE 53000LBS



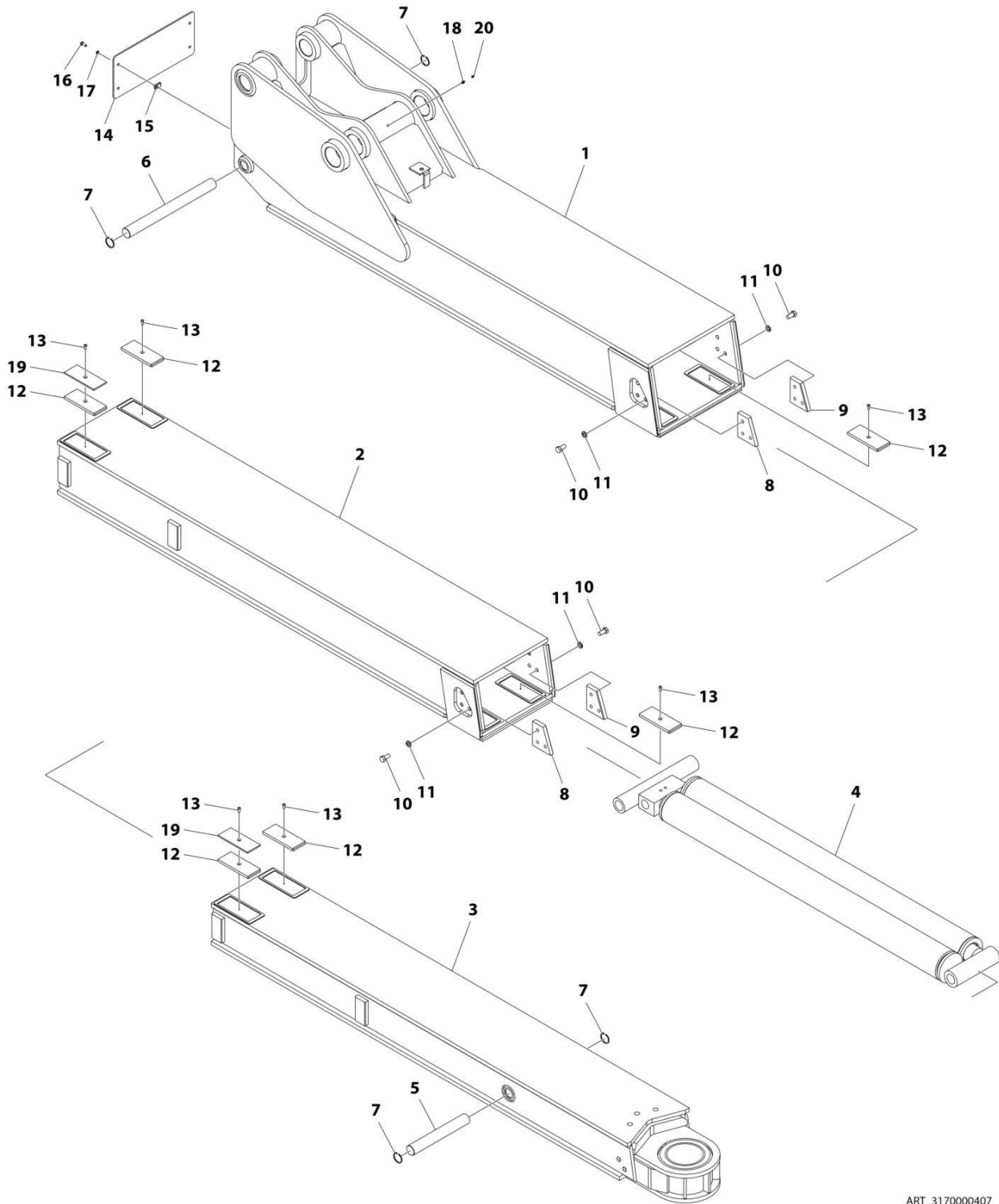
SECTION 3 - UNDERLIFT

FIGURE 3-3. UNDERLIFT INSTALLATION - 3 PIECE 53000LBS

ITEM	PART NUMBER	QTY	DESCRIPTION	REV
	2506100128	Ref	UNDERLIFT INSTALLATION - 3 PIECE 53K LBS	E
1	3507100001	1	Underlift Assembly (See Separate Breakdown in this Section)	
2	3170000423	1	Knee Boom	
3	7320000063	1	Cylinder Assembly - Lift (See Separate Breakdown in this Section)	
4	7320000096	1	Cylinder Assembly - Tilt (See Separate Breakdown in this Section)	
5	4691000563	1	Pin	
6	0682248	1	Bolt 3/4 x 6	
7	7950220141	4	Washer 3/4	
8	7950220000	2	Washer 3/4	
9	7660222601	1	Nut 3/4	
10	7440030000	4	Fitting, Straight	
11	7253000002	7	Fitting, Cap	
12	4691000484	1	Pin	
13	4706004528	1	Plate	
14	7118201650	4	Bolt 5/8 x 6	
15	7950200000	5	Washer 5/8	
16	7950200141	5	Washer 5/8	
17	7118201250	3	Bolt 5/8 x 1-1/2	
18	3691000231	1	Pin	
19	7115220850	2	Bolt 3/4 x 1	
20	7440000000	3	Fitting, Straight	
21	3691000232	1	Pin	
22	4691000290	1	Pin	
23	7754000051	2	Ring, Retaining	
24	4691000291	1	Pin	
25	7754000018	2	Ring, Retaining	
26	1001250858	4	Pad	
27	0641605	8	Bolt 3/8 x 5/8	
28	7189000017	2	Rubber Bumper	
29	2503880012	1	Cross Tube Installation (See Separate Breakdown in this Section)	
30	2503870011	1	Frame Fork Installation (See Separate Breakdown in this Section)	
31	3508530006	1	Hydraulic Tube Installation - Underlift (Not Shown - See Separate Breakdown in HYDRAULIC Section)	
33	7262000025	2	Chain (Not Shown)	
34	7660202601	2	Nut 5/8 (Not Shown)	
35	3561000017	2	Hook Weldment	
36	7115161450	4	Bolt 3/8 x 1-3/4	
37	7950160141	4	Washer 3/8	
38	7577000640	1	Hydraulic Hose Installation - Underlift (Not Shown - See Separate Breakdown in HYDRAULIC Section)	
39	1001151184	1	Decal, Wear - LH	
40	1001151185	1	Decal, Wear - RH	
41	7082311	8	Pad	
42	4891600	8	Washer 3/8	

SECTION 3 - UNDERLIFT

FIGURE 3-4. UNDERLIFT ASSEMBLY - 48000LBS (3 PIECE)



ART_3170000407

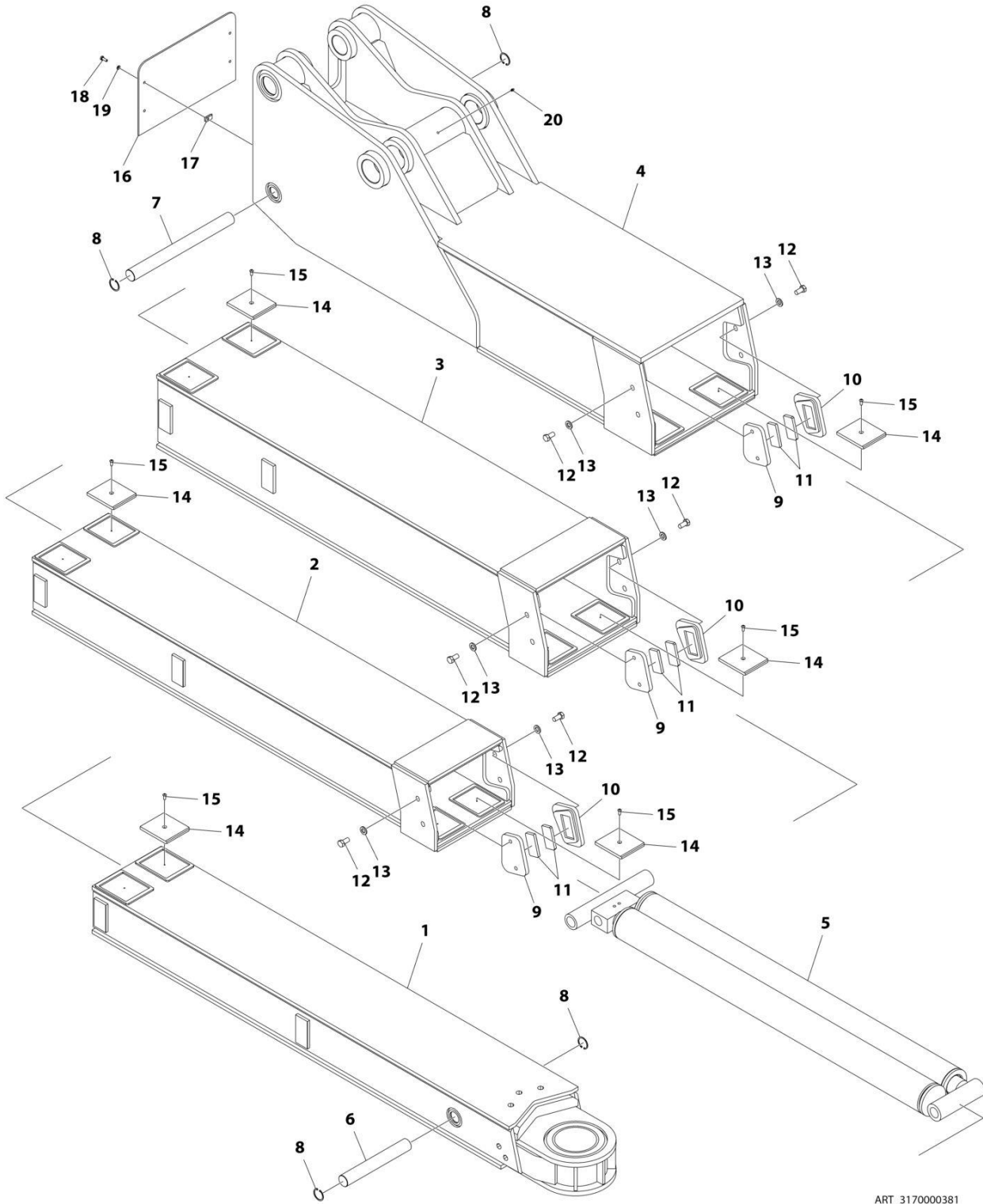
SECTION 3 - UNDERLIFT

FIGURE 3-4. UNDERLIFT ASSEMBLY - 48000LBS (3 PIECE)

ITEM	PART NUMBER	QTY	DESCRIPTION	REV
	3170000407	Ref	UNDERLIFT ASSEMBLY - 3 PIECE 48K LBS	B
1	3170000400	1	Base Section Boom Weldment	
2	3170000401	1	Mid Section Boom Weldment	
3	3170000406	1	Fly Section Boom Weldment	
4	7320000068	1	Underlift Extension Cylinder Assembly (See Separate Breakdown in this Section)	
5	4691000293	1	Pin	
6	4691000321	1	Pin	
7	7754000043	4	Ring, Retaining	
8	4706005262	2	Plate	
9	4706005263	2	Plate	
10	7108180850	12	Capscrew 1/2 x 1	
11	7950180000	12	Washer 19/32	
12	4679000277	8	Pad	
13	7114140518	8	Capscrew 1/4 x 5/8	
14	4706005281	1	Plate	
15	7661000019	4	U-Nut 1/4	
16	7115140650	4	Capscrew 1/4 x 3/4	
17	7950140000	4	Washer 1/4	
18	7440030000	1	Grease Fitting	
19	4679000293	2	Pad	
20	7253000002	3	Grease Fitting Cap	

SECTION 3 - UNDERLIFT

FIGURE 3-5. UNDERLIFT ASSEMBLY - 48000LBS (4 PIECE)



ART_3170000381

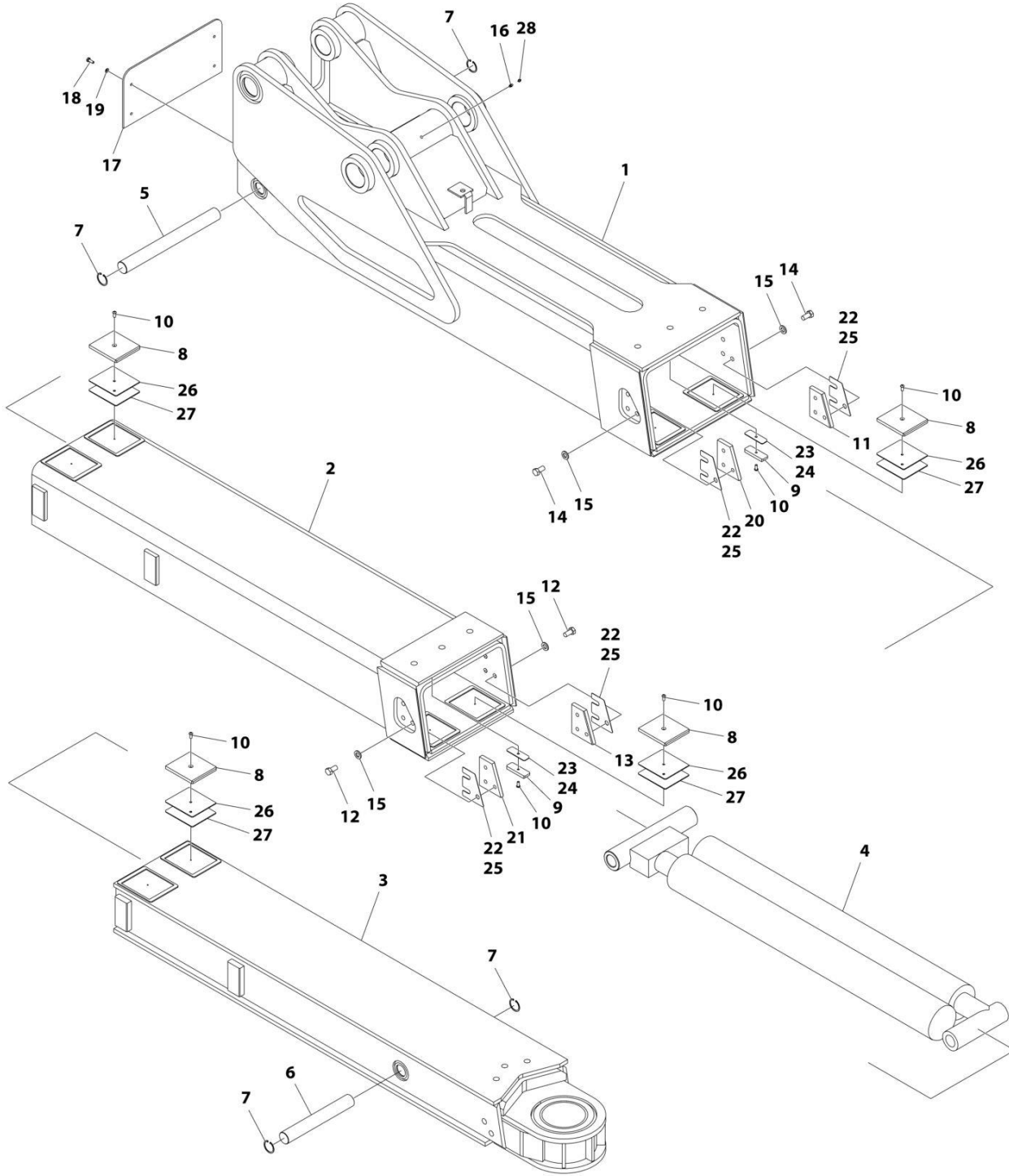
SECTION 3 - UNDERLIFT

FIGURE 3-5. UNDERLIFT ASSEMBLY - 48000LBS (4 PIECE)

ITEM	PART NUMBER	QTY	DESCRIPTION	REV
	3170000381	Ref	BOOM ASSEMBLY 4 PIECE	C
1	3170000379	1	Fly Section Boom Weldment	
2	3170000380	1	2nd Stage Boom Weldment	
3	3170000178	1	3rd Stage Boom Weldment	
4	3170000179	1	Base Section Boom Weldment	
5	7320000038	1	Underlift Extend Cylinder Assembly (See Separate Breakdown in this Section)	
6	4691000293	1	Pin	
7	4691000321	1	Pin	
8	7754000043	1	Ring, Retaining	
9	3178000273	4	Bracket LH	
10	3178000275	3	Bracket RH	
11	4679000170	3	Pad	
12	7108180850	6	Capscrew 1/2 x 1	
13	7950180153	12	Washer 1/2	
14	4679000146	12	Pad	
15	7114140518	12	Capscrew 1/4 x 5/8	
16	4706002428	12	Plate	
17	7661000019	1	U-Nut 1/4	
18	7115140650	4	Capscrew 1/4 x 3/4	
19	7950140000	4	Washer 1/4	
20	7440030000	4	Grease Fitting	

SECTION 3 - UNDERLIFT

FIGURE 3-6. UNDERLIFT ASSEMBLY - 53000LBS



ART_3507100001

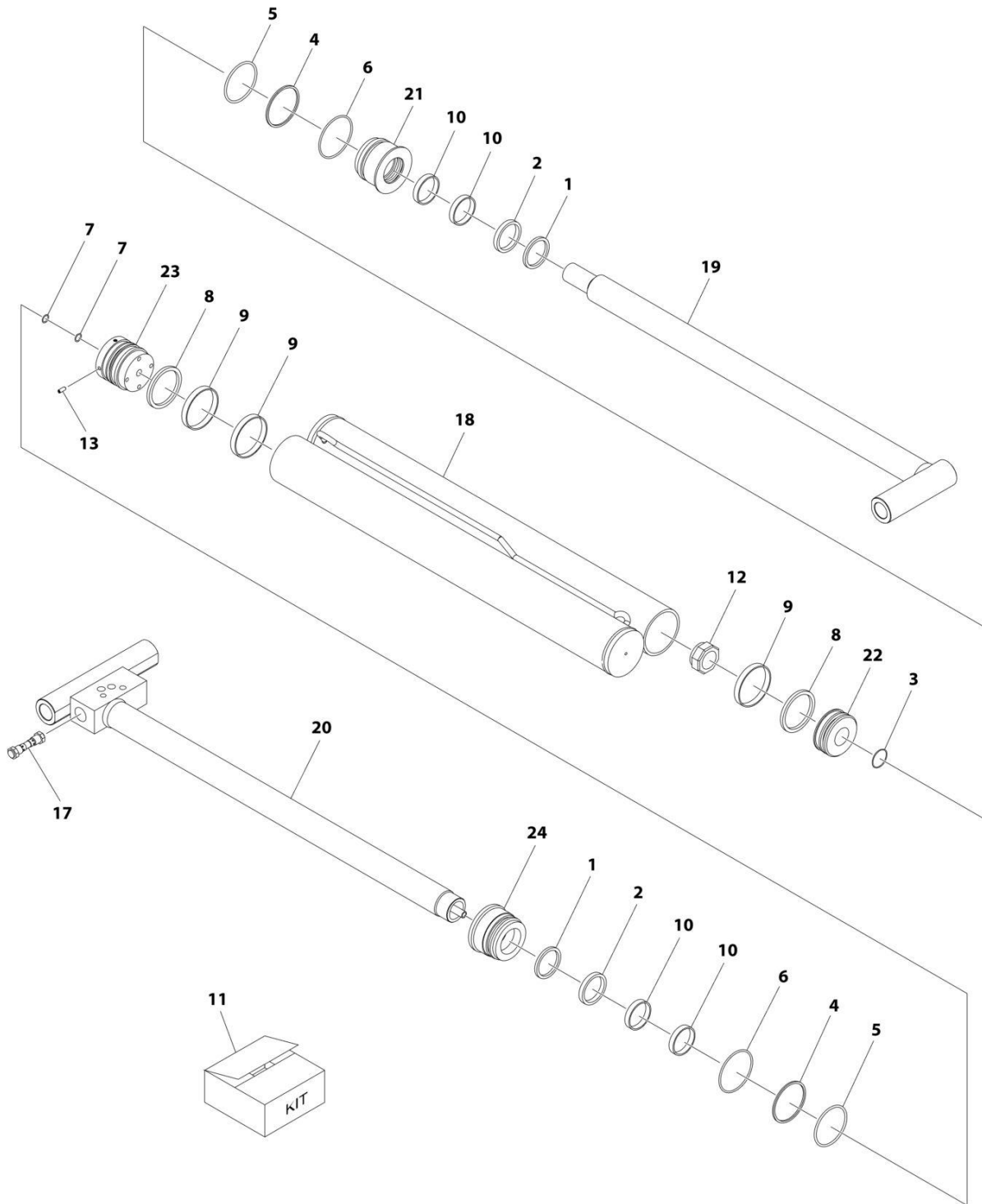
SECTION 3 - UNDERLIFT

FIGURE 3-6. UNDERLIFT ASSEMBLY - 53000LBS

ITEM	PART NUMBER	QTY	DESCRIPTION	REV
	3507100001	Ref	UNDERLIFT ASSEMBLY - 53,000 LBS	B
1	3170000125	1	Base Section Boom Weldment	
2	3170000124	1	Mid Section Boom Weldment	
3	3170000123	1	Fly Section Boom Weldment	
4	7320000026	1	Underlift Extension Cylinder Assembly (See Separate Breakdown in this Section)	
5	4691000292	1	Pin	
6	4691000293	1	Pin	
7	7754000043	4	Ring, Retaining	
8	4679000146	8	Pad	
9	4679000147	2	Pad	
10	7114140518	10	Capscrew 1/4 x 5/8	
11	4706002209	1	Plate	
12	7108181050	6	Capscrew 1/2 x 1-1/4	
13	4706002208	1	Plate	
14	7108180850	6	Capscrew 1/2 x 1	
15	7950180153	12	Washer 1/2	
16	7440030000	1	Grease Fitting	
17	4706002207	1	Plate	
18	7115140650	4	Capscrew 1/4 x 3/4	
19	7950140000	4	Washer 1/4	
20	4706002211	1	Plate	
21	4706002210	1	Plate	
22	4812000057	4	Shim	
23	4706003708	2	Plate	
24	4706003709	2	Plate	
25	4706003710	4	Plate	
26	4706003717	8	Plate	
27	4706003718	8	Plate	
28	7253000002	3	Grease Fitting Cap	

SECTION 3 - UNDERLIFT

FIGURE 3-7. CYLINDER ASSEMBLY - EXTENT/RETRACT (48000LBS 3 PIECE)



ART_732000068

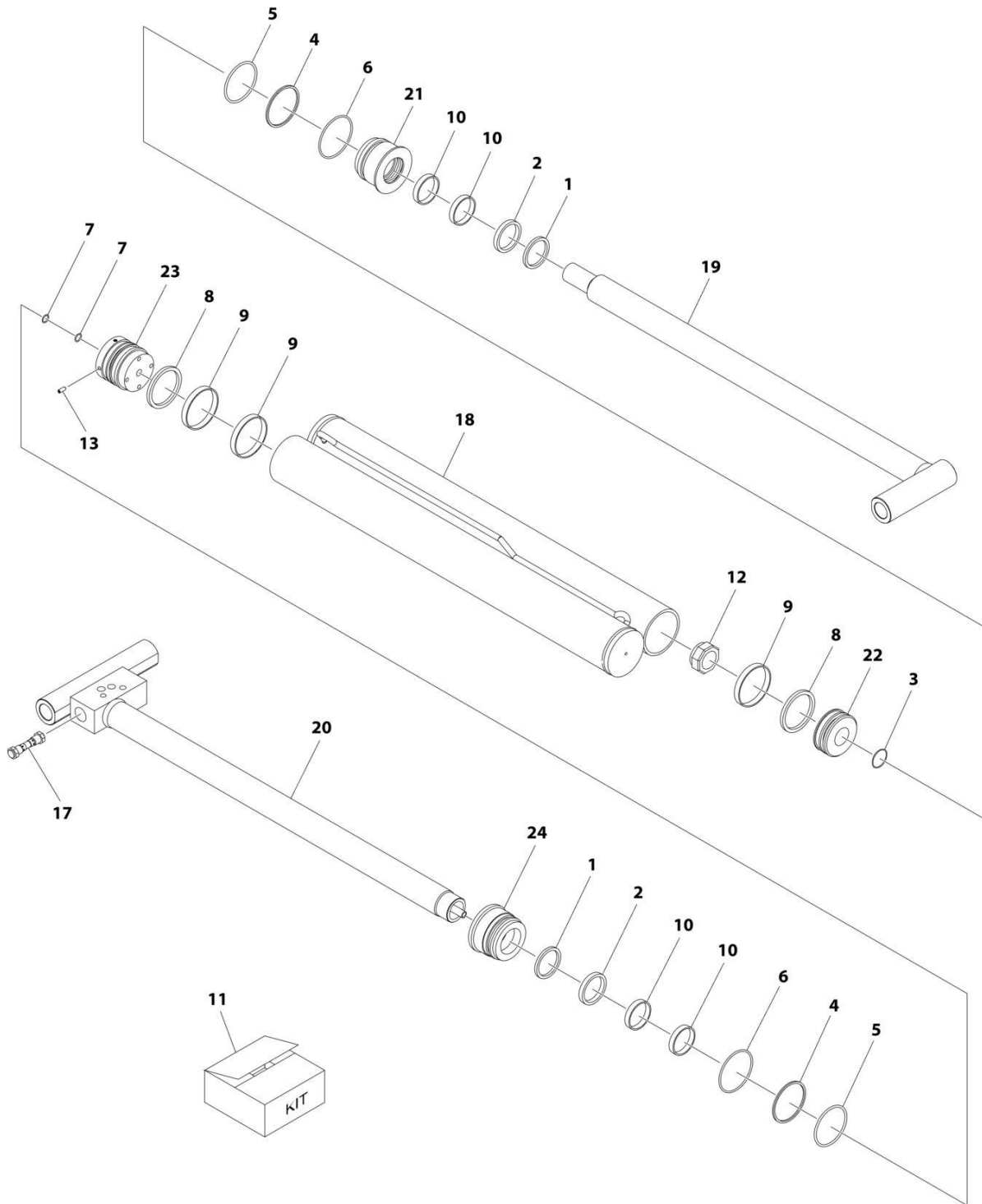
SECTION 3 - UNDERLIFT

FIGURE 3-7. CYLINDER ASSEMBLY - EXTENT/RETRACT (48000LBS 3 PIECE)

ITEM	PART NUMBER	QTY	DESCRIPTION	REV
	732000068	1	UNDERLIFT EXTENSION CYLINDER ASSEMBLY - 56,500 LBS	B
1	9796250081	2	Seal, Wiper	
2	7019829	2	Seal	
3	7023518	1	Seal, O-Ring	
4	9754250009	2	Ring, Back-up	
5	9796250057	2	Seal, O-Ring	
6	9796250058	2	Seal, O-Ring	
7	70050534	2	Seal, O-Ring	
8	9796250073	2	Seal	
9	9754250014	3	Ring, Wear	
10	80004056	4	Ring, Wear	
11	7577250334	1	Kit, Seal (Includes Items 1-10)	
12	7003116	1	Nut	
13	70050535	4	Setscrew	
14	7005348	2	Grease Fitting (Not Shown)	
15	7005365	2	Plug, Port (Not Shown)	
16	70021648	2	Plug, Port (Not Shown)	
17	9935250025	1	Cartridge, Check Valve	
18	70050550	1	Assembly, Tube	
19	70050551	1	Assembly, Rod	
20	70050552	1	Assembly, Rod	
21	9553250010	1	Head	
22	7024101	1	Piston	
23	70050540	1	Piston	
24	70050541	1	Head	

SECTION 3 - UNDERLIFT

FIGURE 3-8. CYLINDER ASSEMBLY - EXTENT/RETRACT (48000LBS 4 PIECE)



ART_732000038

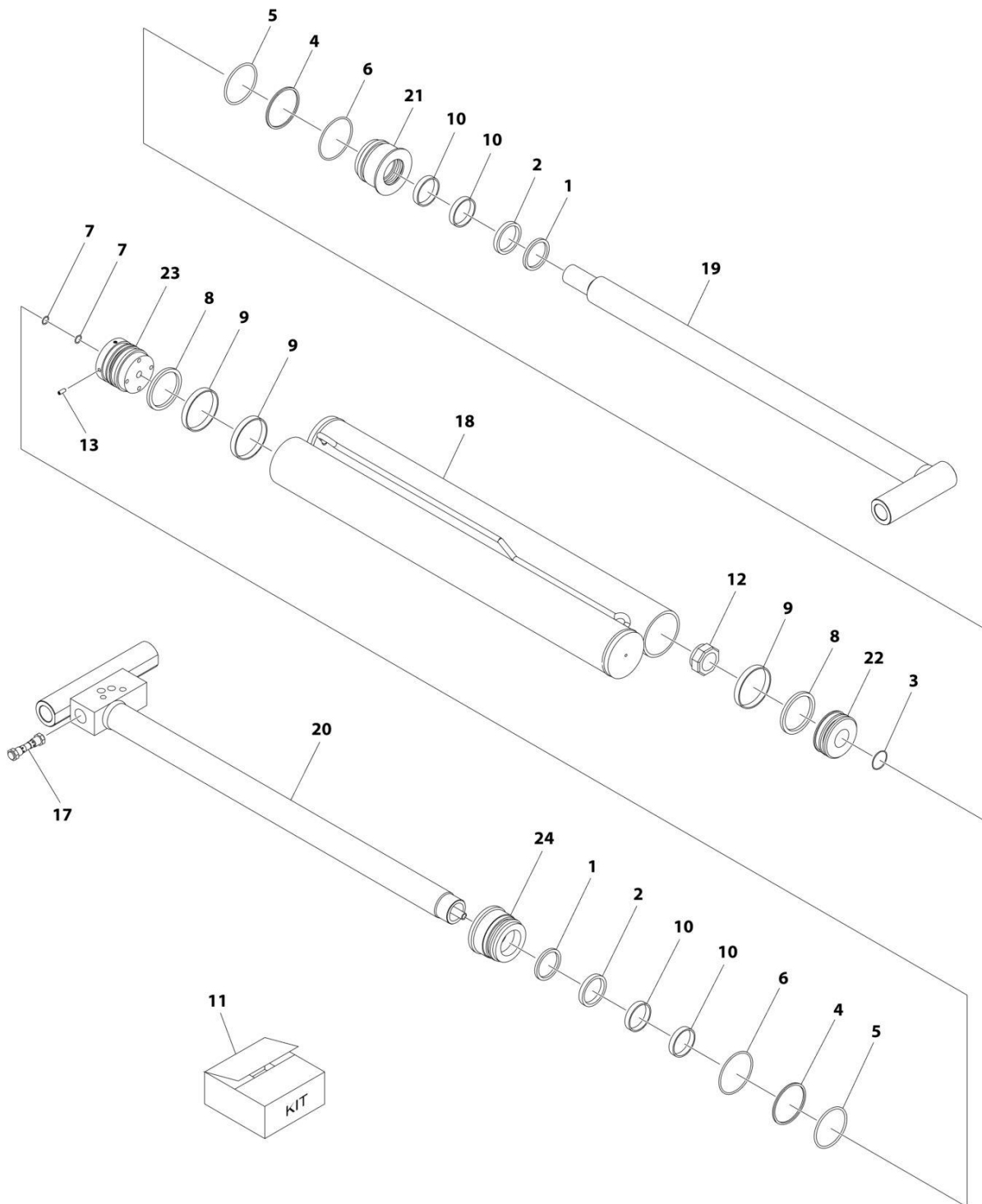
SECTION 3 - UNDERLIFT

FIGURE 3-8. CYLINDER ASSEMBLY - EXTENT/RETRACT (48000LBS 4 PIECE)

ITEM	PART NUMBER	QTY	DESCRIPTION	REV
	732000038	Ref	UNDERLIFT 4-PC EXTENSION CYLINDER ASSEMBLY	C
1	9796250081	2	Seal, Wiper	
2	7019829	2	Seal	
3	7023518	1	Seal, O-Ring	
4	9754250009	2	Ring, Back-up	
5	9796250057	2	Seal, O-Ring	
6	9796250058	2	Seal, O-Ring	
7	70050534	2	Seal, O-Ring	
8	9796250073	2	Seal	
9	9754250014	3	Ring, Wear	
10	70050568	4	Ring, Wear	
11	7577250334	1	Kit, Seal (Includes Items 1-10)	
12	7003116	1	Nut	
13	70050535	4	Setscrew	
14	7005348	2	Grease Fitting (Not Shown)	
15	7005365	2	Plug, Port (Not Shown)	
16	70021648	2	Plug, Port (Not Shown)	
17	9935250025	1	Cartridge, Check Valve	
18	70051197	1	Assembly, Tube	
19	70051196	1	Assembly, Rod	
20	70050075	1	Assembly, Rod	
21	9553250010	1	Head	
22	7024101	1	Piston	
23	70050540	1	Piston	
24	70050541	1	Head	

SECTION 3 - UNDERLIFT

FIGURE 3-9. CYLINDER ASSEMBLY - EXTENT/RETRACT (53000LBS)



ART_732000026

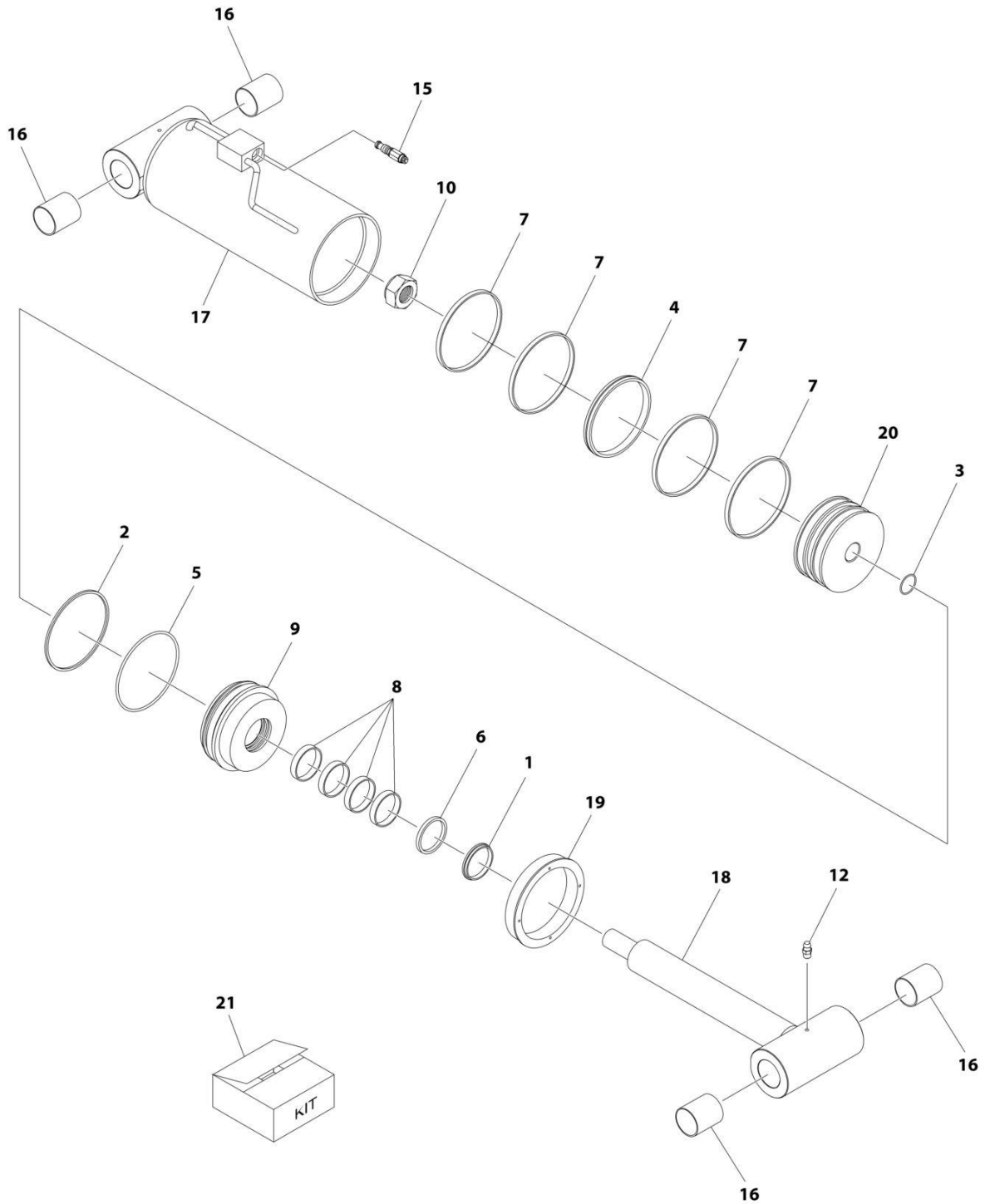
SECTION 3 - UNDERLIFT

FIGURE 3-9. CYLINDER ASSEMBLY - EXTENT/RETRACT (53000LBS)

ITEM	PART NUMBER	QTY	DESCRIPTION	REV
	732000026	Ref	UNDERLIFT EXTENSION CYLINDER ASSEMBLY - 53,000 LBS	B
1	9796250081	2	Seal, Wiper	
2	7019829	2	Seal	
3	7023518	1	Seal, O-Ring	
4	9754250009	2	Ring, Back-up	
5	9796250057	2	Seal, O-Ring	
6	9796250058	2	Seal, O-Ring	
7	70050534	2	Seal, O-Ring	
8	9796250073	2	Seal	
9	9754250014	3	Ring, Wear	
10	70050568	4	Ring, Wear	
11	7577250334	1	Kit, Seal (Includes Items 1-10)	
12	7003116	1	Nut	
13	70050535	4	Setscrew	
14	7005348	2	Grease Fitting (Not Shown)	
15	7005365	2	Plug, Port (Not Shown)	
16	70021648	2	Plug, Port (Not Shown)	
17	9935250025	1	Cartridge, Check Valve	
18	70050536	1	Assembly, Tube	
19	70050537	1	Assembly, Rod	
20	70050538	1	Assembly, Rod	
21	9553250010	1	Head	
22	7024101	1	Piston	
23	70050540	1	Piston	
24	70050541	1	Head	

SECTION 3 - UNDERLIFT

FIGURE 3-10. CYLINDER ASSEMBLY - LIFT



ART_7320000063

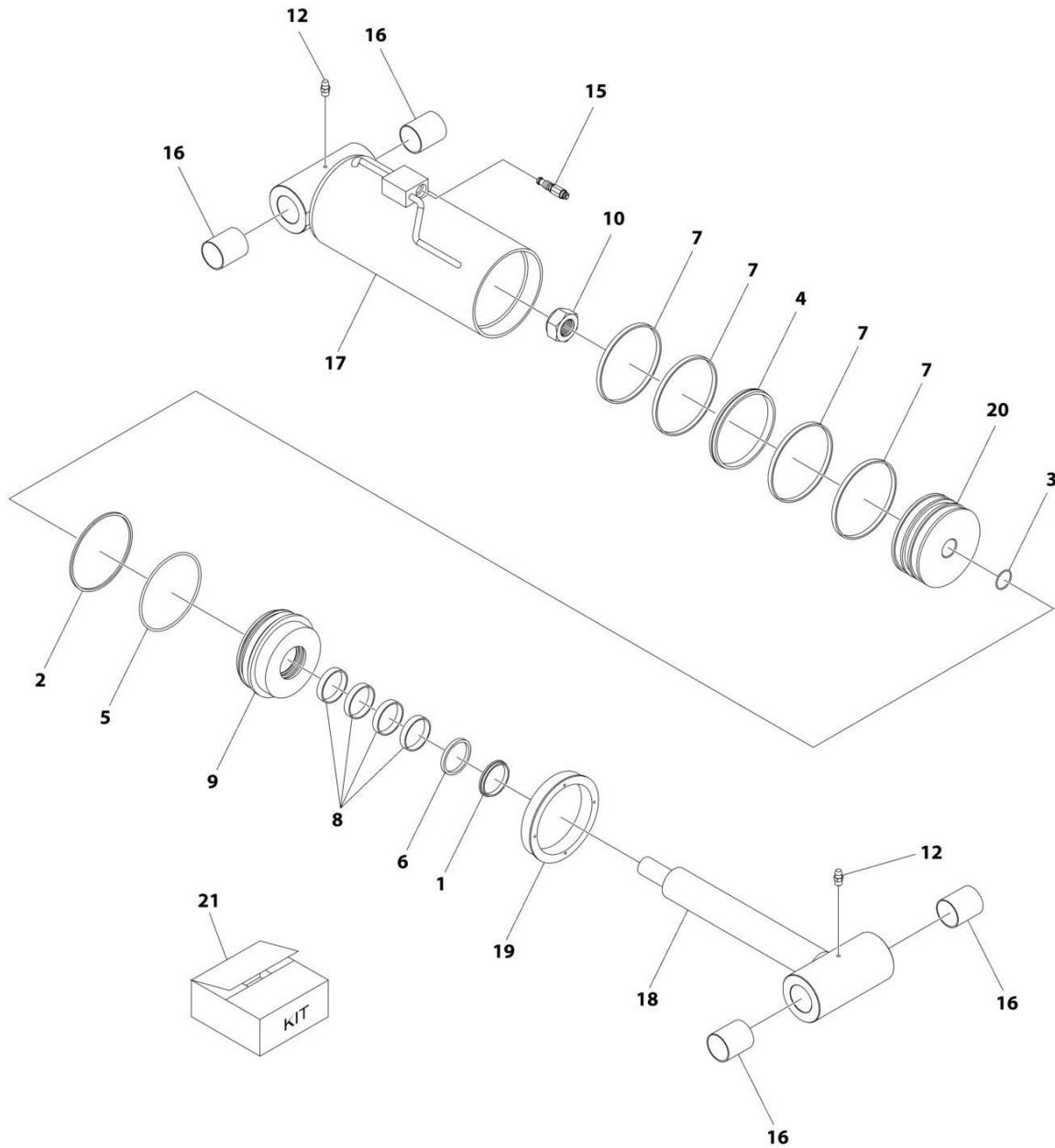
SECTION 3 - UNDERLIFT

FIGURE 3-10. CYLINDER ASSEMBLY - LIFT

ITEM	PART NUMBER	QTY	DESCRIPTION	REV
	7320000063	Ref	UNDERLIFT LIFT CYLINDER ASSEMBLY - 53,000/56,500 LBS	B
1	9796250083	1	Seal, Wiper	
2	9754250011	1	Ring, Back-up	
3	9796250062	1	Seal, O-Ring	
4	70050544	1	Seal	
5	7796250068	1	Seal, O-Ring	
6	70050545	1	Seal	
7	9754250017	4	Ring, Wear	
8	80004049	4	Ring, Wear	
9	70050549	1	Head	
10	7005314	1	Nut	
11	70021757	1	Setscrew (Not Shown)	
12	7005348	2	Grease Fitting	
13	7005365	1	Plug, Port (Not Shown)	
14	70021648	2	Plug, Port (Not Shown)	
15	70050215	1	Valve, Counterbalance	
16	70050232	4	Bushing	
17	70050546	1	Assembly, Tube	
18	70050547	1	Assembly, Rod	
19	9254250007	1	Headcap	
20	70050548	1	Piston	
21	7577000320	1	Kit, Seal (Includes Items 1-8)	

SECTION 3 - UNDERLIFT

FIGURE 3-11. CYLINDER ASSEMBLY - TILT (48000LBS)



ART_732000097

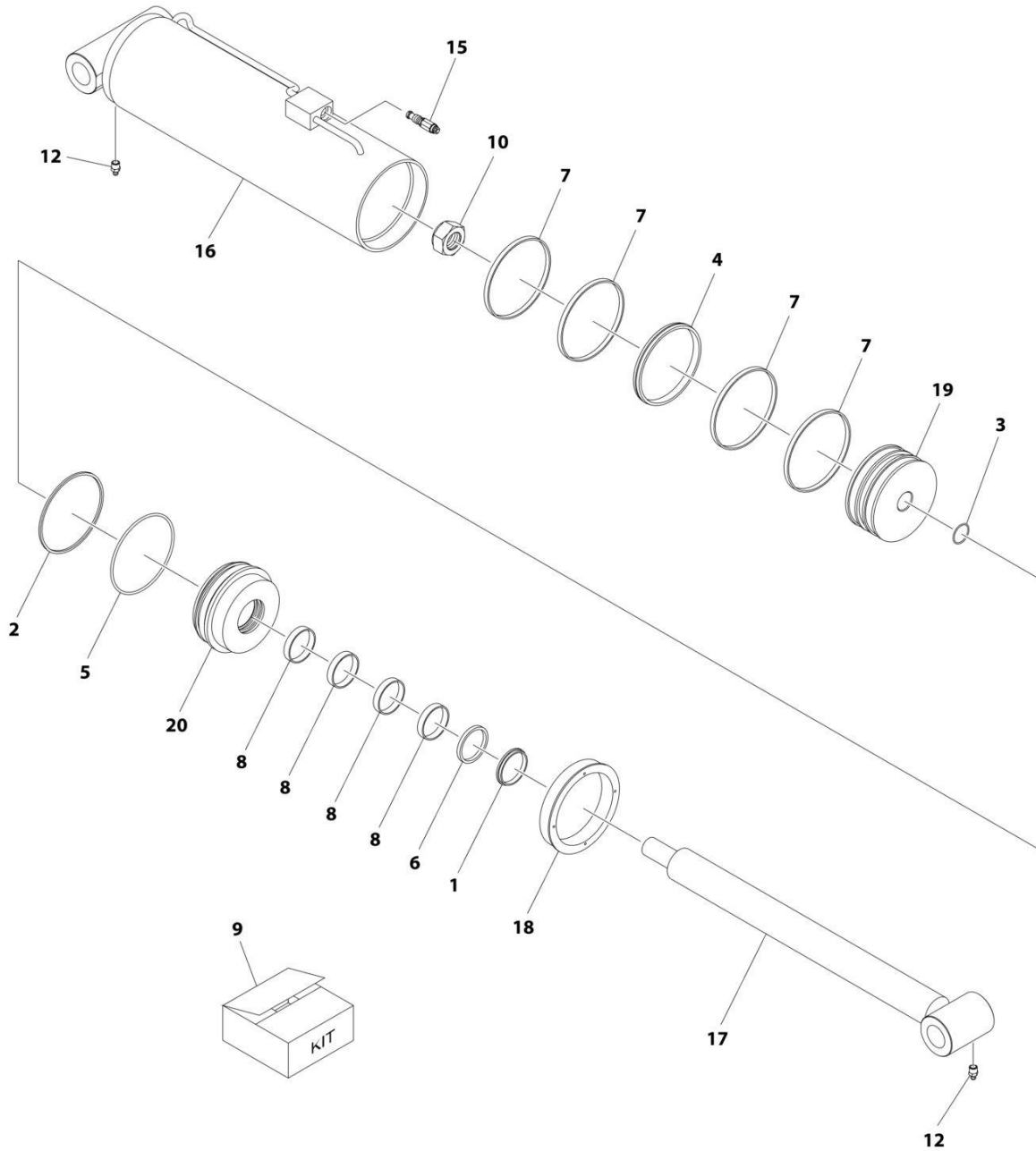
SECTION 3 - UNDERLIFT

FIGURE 3-11. CYLINDER ASSEMBLY - TILT (48000LBS)

ITEM	PART NUMBER	QTY	DESCRIPTION	REV
	7320000097	Ref	CYLINDER ASSEMBLY - UNDERLIFT EXTEND/RETRACT (48K LBS)	C
1	9796250084	1	Wiper	
2	9796250059	1	O-Ring	
3	9796250065	1	O-Ring	
4	9796250077	1	Seal	
5	9754250012	1	Ring, Back-up	
6	9796250078	1	Seal	
7	9754250022	4	Ring, Wear	
8	9754250023	4	Ring, Wear	
9	70051199	1	Piston Head	
10	9661250019	1	Nut	
11	9701250006	2	Nylon Plug (Not Shown)	
12	83304181	2	Fitting, Straight	
13	9786250005	1	Screw (Not Shown)	
14	9786250004	4	Screw (Not Shown)	
15	9935250032	1	Counterbalance	
16	70050232	4	Bushing	
17	9912250008	1	Tube	
18	9763250013	1	Rod	
19	9254250008	1	Headcap	
20	9698250005	1	Piston	
21	7577250188	1	Kit, Seal (Includes Items 1-8)	
22	70021648	2	Plug (Not Shown)	
23	7005365	1	Plug (Not Shown)	

SECTION 3 - UNDERLIFT

FIGURE 3-12. CYLINDER ASSEMBLY - TILT (53000LBS)



ART_7320000096

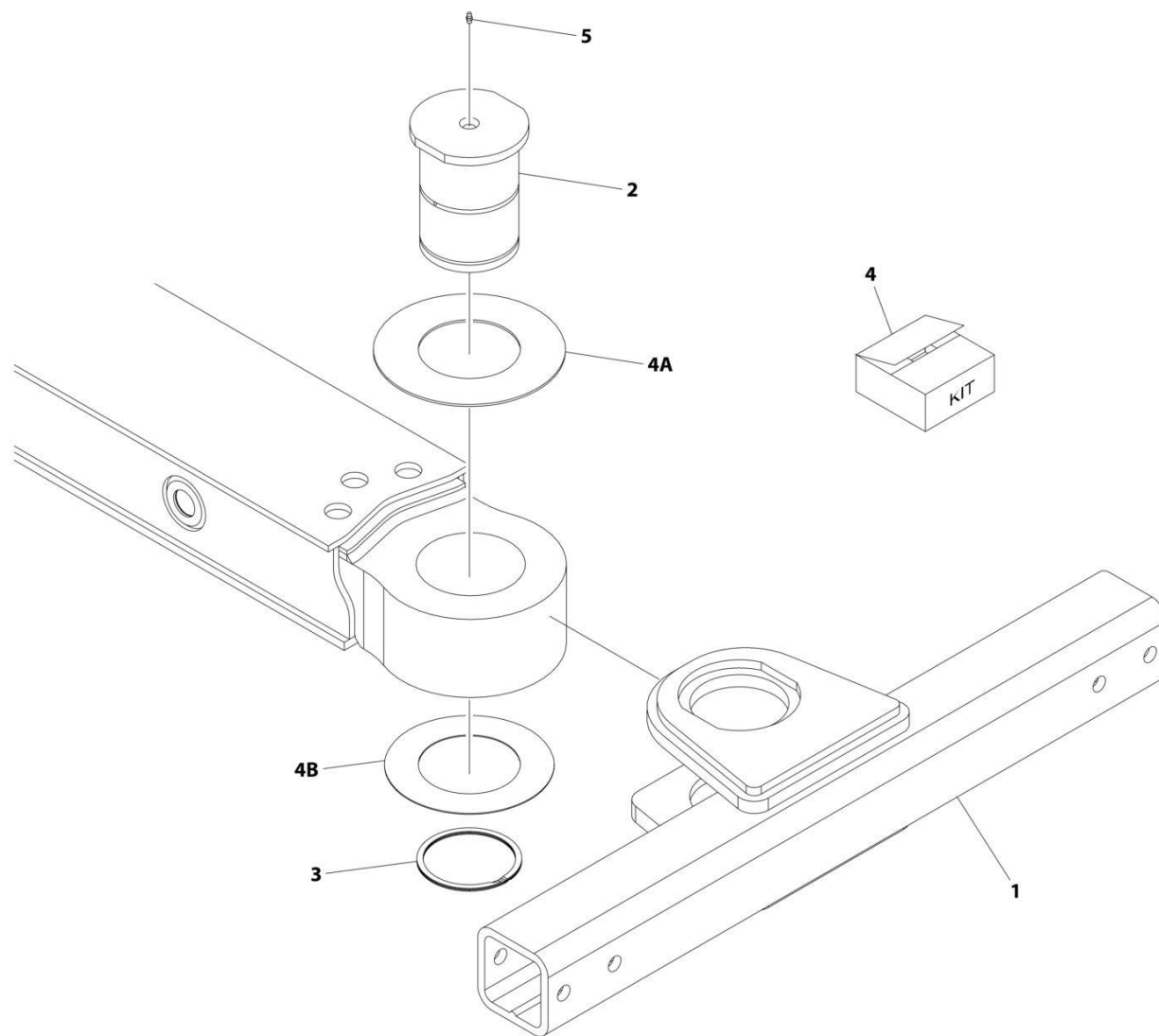
SECTION 3 - UNDERLIFT

FIGURE 3-12. CYLINDER ASSEMBLY - TILT (53000LBS)

ITEM	PART NUMBER	QTY	DESCRIPTION	REV
	7320000096	Ref	UNDERLIFT TILT CYLINDER ASSEMBLY - 53,000/56,500 LBS	B
1	9796250083	1	Seal, Wiper	
2	9754250011	1	Ring, Back-up	
3	9796250062	1	Seal, O-Ring	
4	70050544	1	Seal	
5	9796250068	1	Seal, O-Ring	
6	70050545	1	Seal	
7	9754250017	4	Ring, Wear	
8	80004049	4	Ring, Wear	
9	7577000063	1	Kit, Seal (Includes Items 1-8)	
10	7005314	1	Nut	
11	70021757	1	Setscrew (Not Shown)	
12	7005348	2	Grease Fitting	
13	70021648	2	Plug, Port (Not Shown)	
14	7005365	1	Plug, Port (Not Shown)	
15	70050215	1	Valve, Counterbalance	
16	70050594	1	Assembly, Tube	
17	70050595	1	Assembly, Rod	
18	9254250007	1	Headcap	
19	70050548	1	Piston	
20	70050549	1	Head	

SECTION 3 - UNDERLIFT

FIGURE 3-13. CROSTUBE INSTALLATION



ART_2503880012

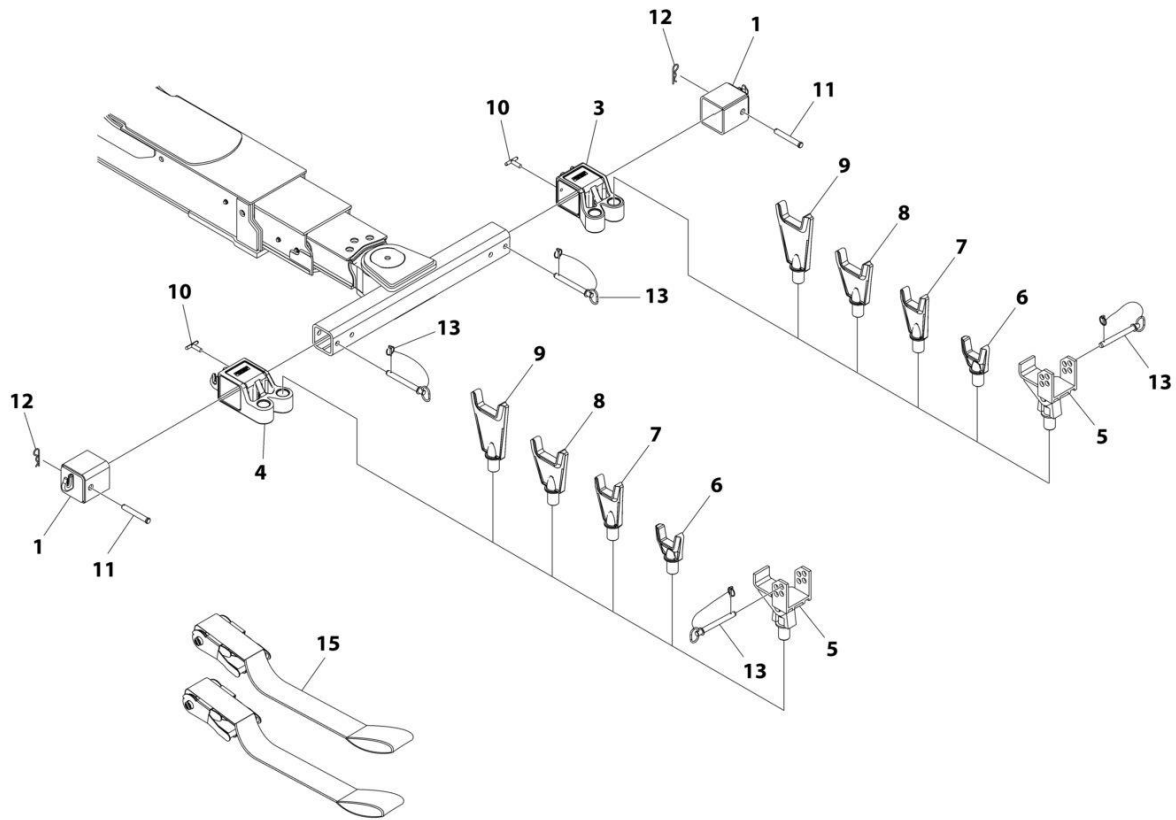
SECTION 3 - UNDERLIFT

FIGURE 3-13. CROSSTUBE INSTALLATION

ITEM	PART NUMBER	QTY	DESCRIPTION	REV
	2503880012	Ref	CROSSTUBE INSTALLATION	A
1	3913000094	1	Crosstube Weldment	
2	4691000242	1	Pin	
3	7754000042	1	Ring, Retaining	
4	3577000018	1	Shim Kit	
4A	4949000041	1	Washer 1/8	
4B	4949000042	1	Washer 1/16	
5	7440030000	1	Grease Fitting	

SECTION 3 - UNDERLIFT

FIGURE 3-14. FRAME FORKS INSTALLATION



ART_2503870011_H

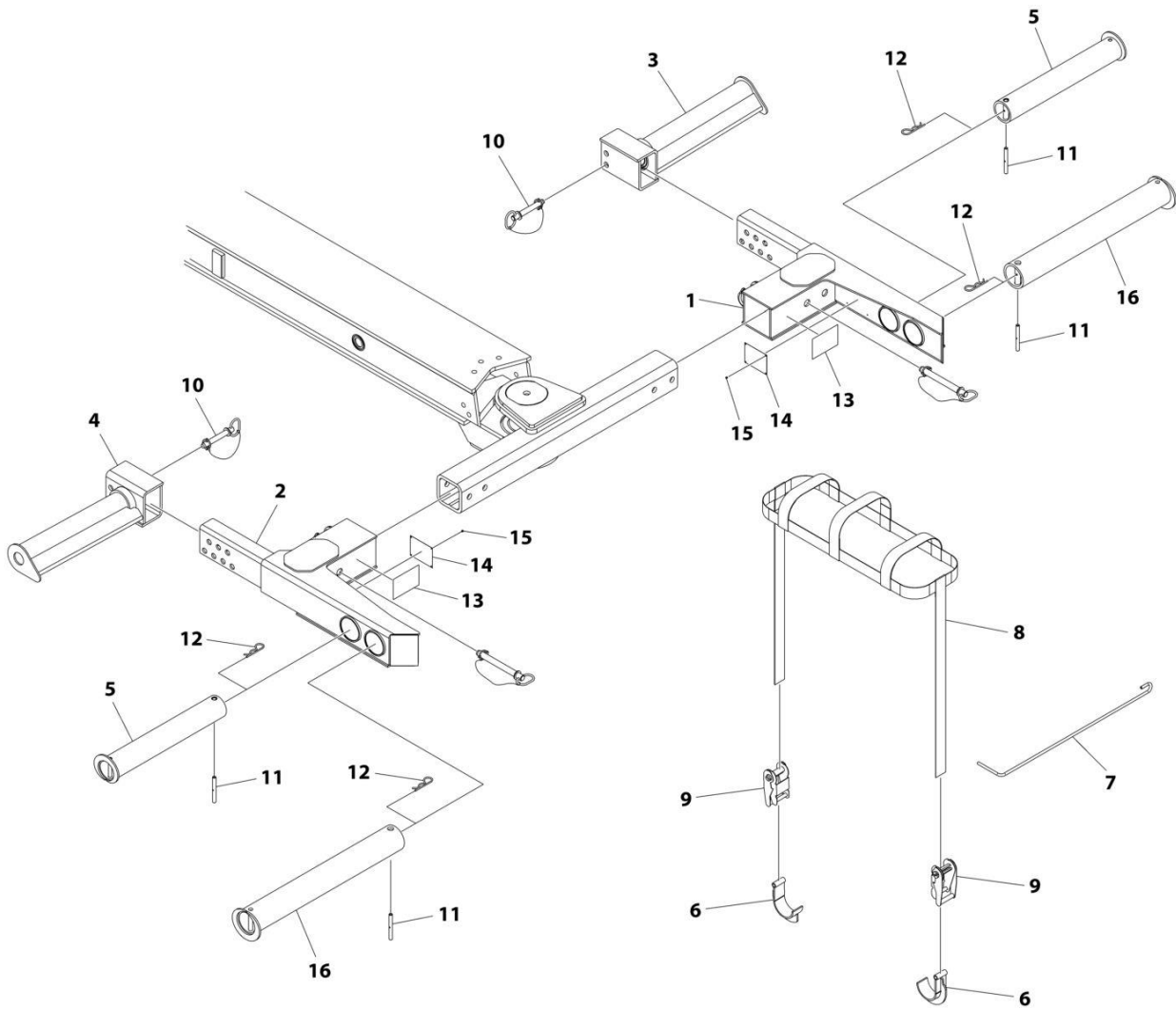
SECTION 3 - UNDERLIFT

FIGURE 3-14. FRAME FORKS INSTALLATION

ITEM	PART NUMBER	QTY	DESCRIPTION	REV
	2503870011	Ref	Frame Fork Installation	H
1	3007000004	2	Chain Hook Adapter	
3	7007000056	1	Frame Fork Adapter, RH	
4	7007000055	1	Frame Fork Adapter, LH	
5	3178000226	2	Spring Lift Bracket	
6	7454000006	2	Fork, Short	
7	7454000005	2	Fork, Medium	
8	7454000003	2	Fork, Medium	
9	7454000004	2	Fork, Long	
10	3551000036	2	T-Handle	
11	7691000022	2	Pin	
12	7691000020	2	Pin	
13	7691000021	4	Pin	
15	1001159568	1	Strap	

SECTION 3 - UNDERLIFT

FIGURE 3-15. GRID INSTALLATION - TIRE LIFT (14000LBS)



ART_2503880088

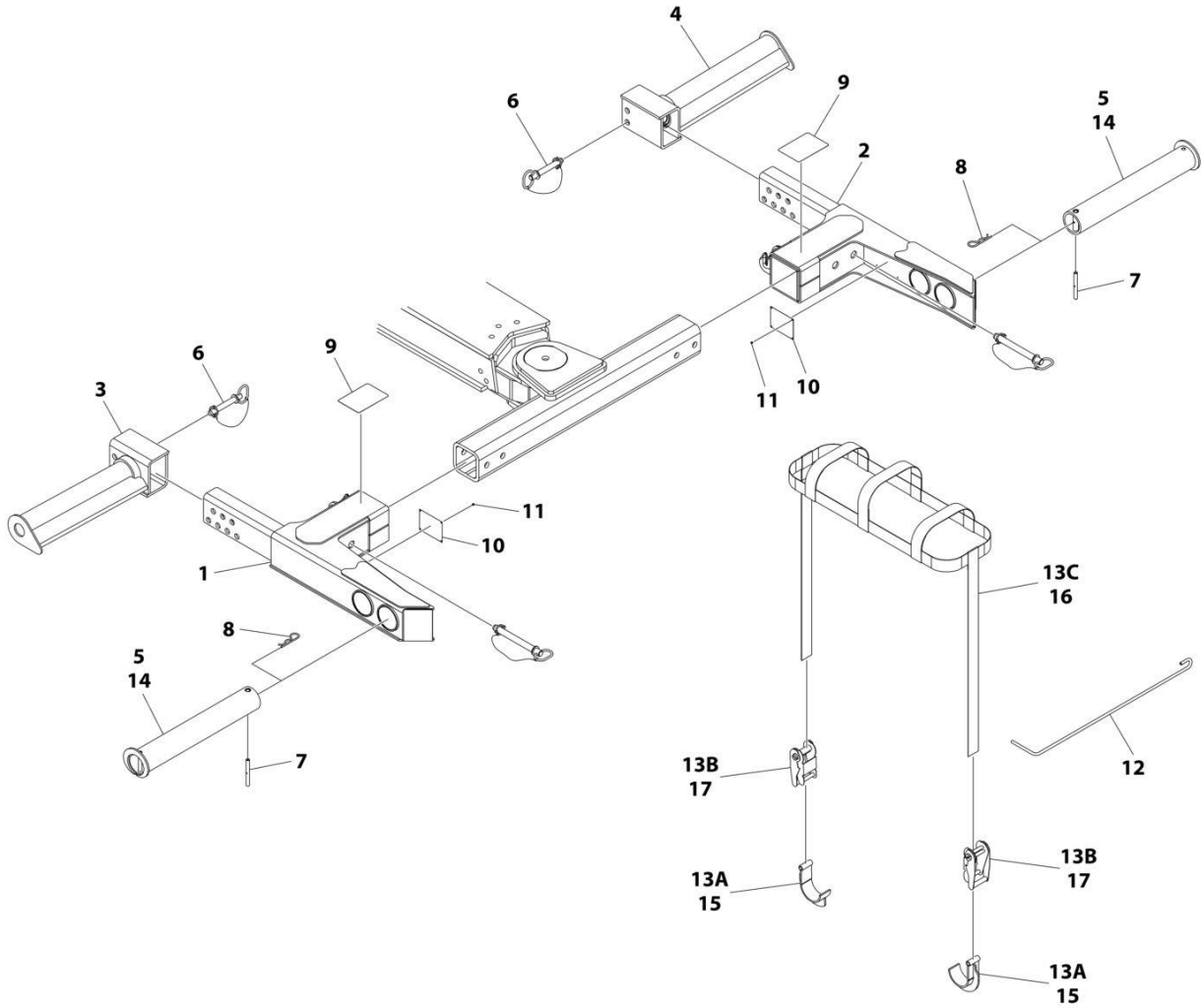
SECTION 3 - UNDERLIFT

FIGURE 3-15. GRID INSTALLATION - TIRE LIFT (14000LBS)

ITEM	PART NUMBER	QTY	DESCRIPTION	REV
	2503880088	Ref	UNDERLIFT GRID TOOLS, 14000 LBS TIRE LIFT	C
1	3484000048	1	Tire Lift Grid, RH	
2	3484000049	1	Tire Lift Grid, LH	
3	3020000120	1	Tire Lift Arm Weldment, RH	
4	3020000119	1	Tire Lift Arm Weldment, LH	
5	3912000038	2	Tire Lift Tube Weldment	
6	3561000008	4	Hook	
7	4561000012	1	Pull Hook	
8	7894000037	2	Strap Assembly Heavy Duty	
9	7894000028	4	Ratchet Strap	
10	7691000026	2	Hitch Pin	
11	4691000274	4	Pin	
12	7691000020	4	Hairpin	
13	7330000278	2	Decal, Caution	
14	1001132268	2	Decal, Rating	
15	7759000004	8	Pop Rivet	
16	3912000033	2	Tire Lift Tube Weldment	

SECTION 3 - UNDERLIFT

FIGURE 3-16. GRID INSTALLATION - TIRE LIFT (25000LBS)



ART_2502880300

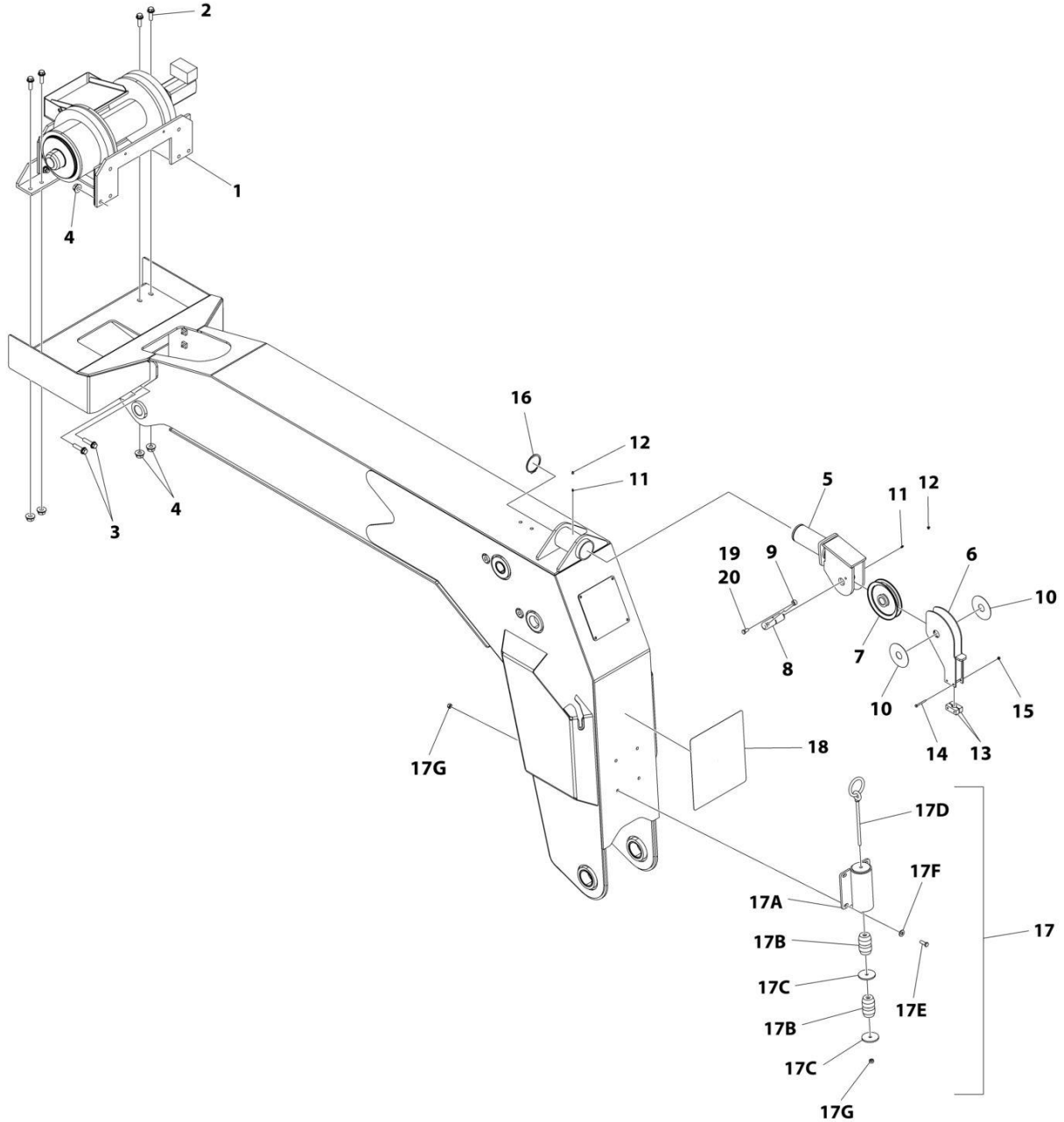
SECTION 3 - UNDERLIFT

FIGURE 3-16. GRID INSTALLATION - TIRE LIFT (25000LBS)

ITEM	PART NUMBER	QTY	DESCRIPTION	REV
	2502880300	Ref	Underlift Tools - 25,000 lbs Tire Lift	D
1	3484000072	1	Tire Lift Grid - LH	
2	3484000073	1	Tire Lift Grid - RH	
3	3020000119	1	Tire Lift Arm Weldment - LH	
4	3020000120	1	Tire Lift Arm Weldment - RH	
5	3912000033	2	Tire Lift Tube Weldment - 27.5" Long	
6	7691000026	2	Hitch Pin	
7	4691000274	4	Pin	
8	7691000020	4	Hairpin	
9	7330000278	2	Decal	
10	1001132265	2	Decal	
11	7759000004	8	Rivet	
12	4561000012	1	Hook, Pull	
13	7577000368	1	Strap Kit	
13A	3561000015	4	Hook, 3" Wide Strap	
13B	7894000060	2	Ratchet, 3" Wide Strap	
13C	7894000057	1	Strap, 3" Wide	
14	3912000038	2	Tire Lift Tube Weldment - 23" Long	
15	3561000008	4	Hook, 2" Wide Strap	
16	7894000037	2	Strap, 2" Wide	
17	7894000028	4	Ratchet, 2" Wide Strap	
18	7894000041	2	Tie-Strap (Not Shown)	

SECTION 3 - UNDERLIFT

FIGURE 3-17. WINCH INSTALLATION - UNDERLIFT



ART_1001145079

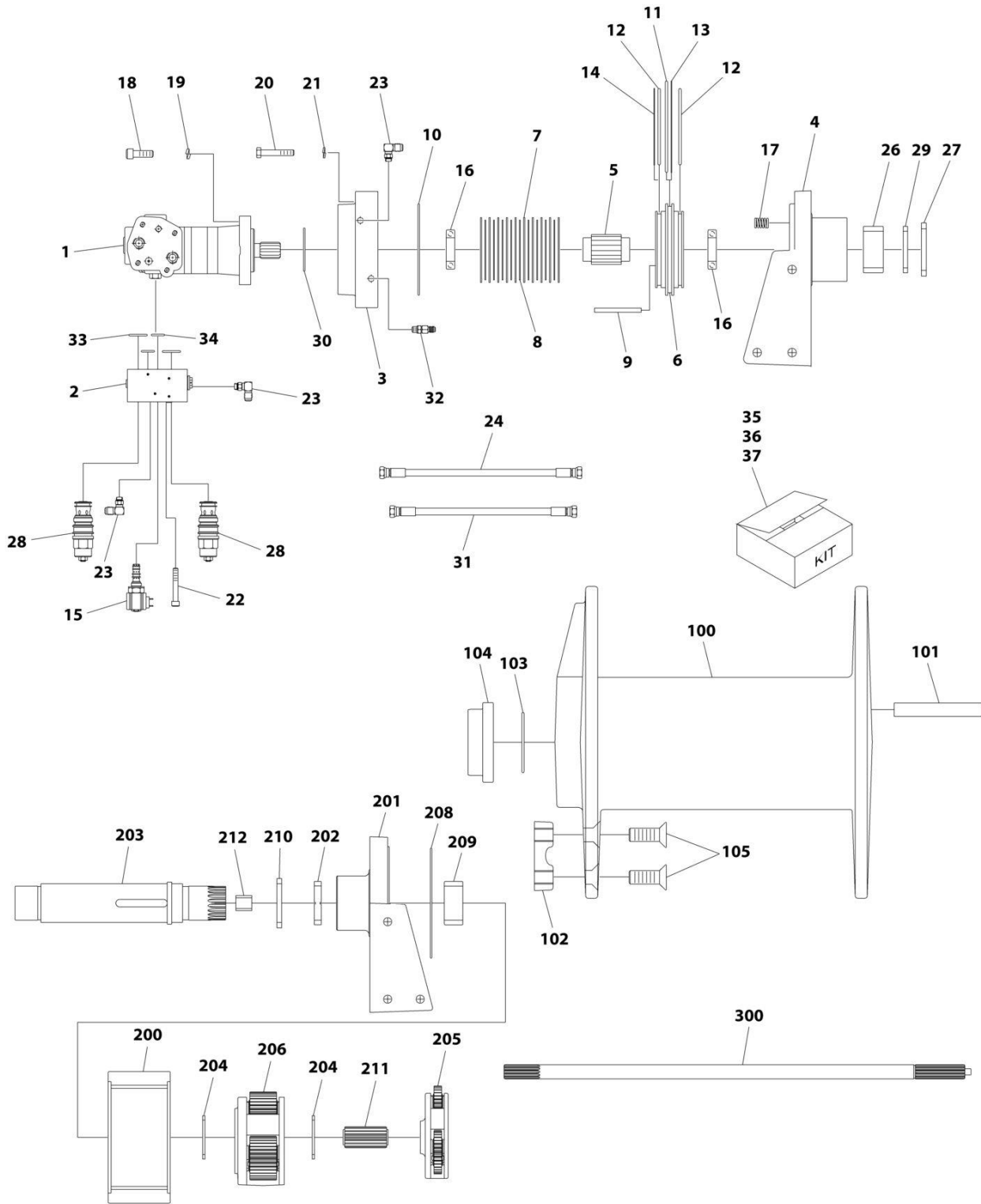
SECTION 3 - UNDERLIFT

FIGURE 3-17. WINCH INSTALLATION - UNDERLIFT

ITEM	PART NUMBER	QTY	DESCRIPTION	REV
	1001145079	Ref	WINCH INSTALLATION - UNDERLIFT	D
1	1001143297	1	Winch Assembly (See Separate Breakdown in this Section)	
2	7118201616	4	Bolt 5/8 x 2	
3	7118202016	4	Bolt 5/8 x 2-1/2	
4	7661000018	8	Nut 5/8	
5	1001169617	1	Sheave Support Weldment	
6	3249000012	1	Guide, Cable	
7	7809000006	1	Sheave	
8	1001169893	1	Pin	
9	3841203	1	Rod	
10	4949000045	2	Washer	
11	7440030000	2	Fitting, Grease	
12	7253000002	2	Cap, Grease Fitting	
13	4249000002	1	Guide, Cable (SN 0230004275 through 0230009234)	
13	4249000001	2	Guide, Cable (SN 0230009235 to Present)	
14	7115142050	2	Bolt 1/4 x 2-1/2	
15	7660142604	2	Nut 1/4	
16	7754000049	1	Ring, Retaining	
17	3249000038	1	Cable Tie Back Assembly	
17A	3912000034	1	Tie Back Tube	
17B	7189000014	2	Spring	
17C	4831000115	2	Spacer	
17D	7120000053	1	Ring Bolt	
17E	7115181250	4	Bolt 1/2 x 1-1/2	
17F	7950180150	4	Washer 1/2	
17G	7660182601	5	Nut 1/2	
18	1001151050	1	Decal, Wear	
19	7115180850	1	Bolt 1/2 x 1	
20	0100011	AR	Compound locking	

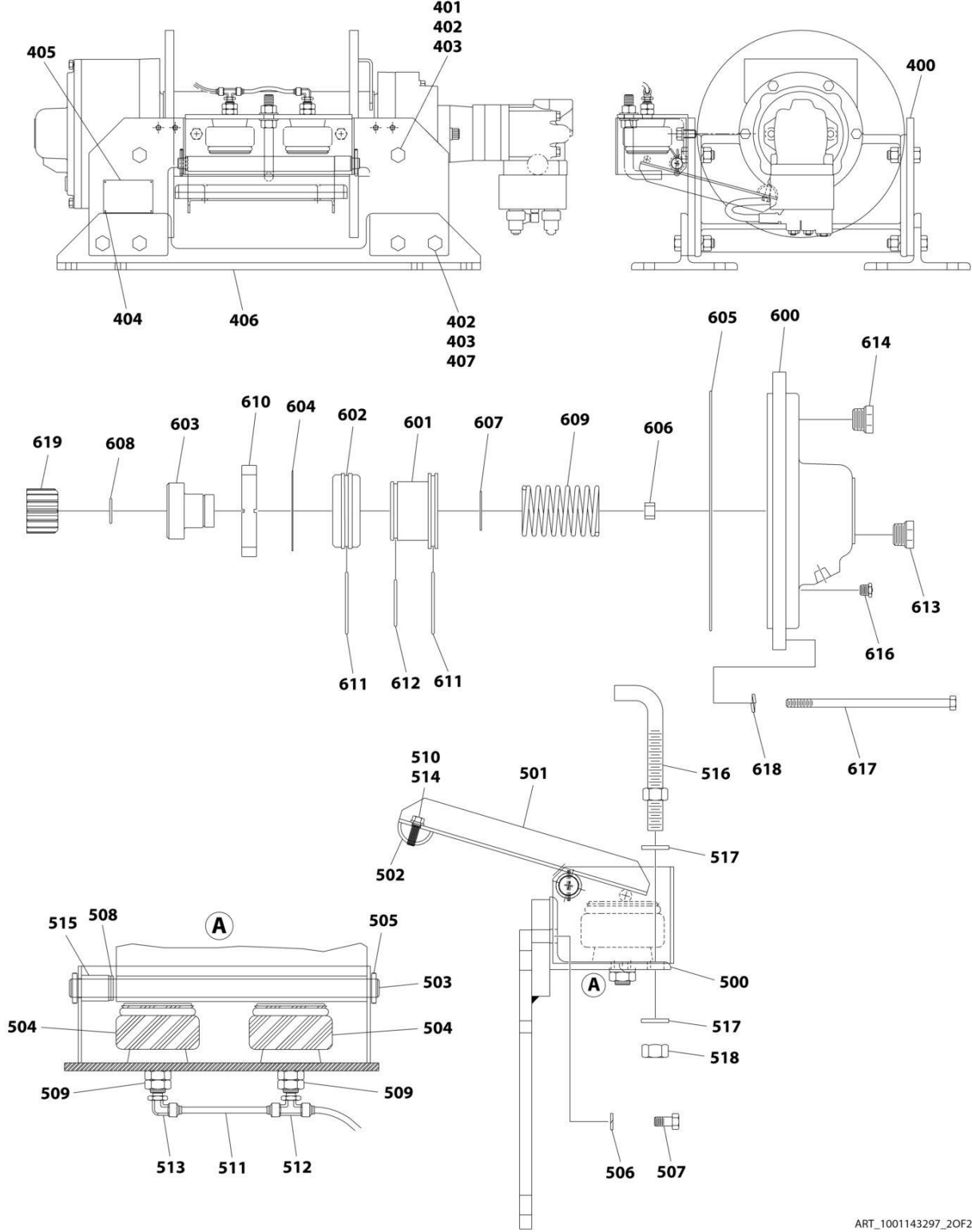
SECTION 3 - UNDERLIFT

FIGURE 3-18. WINCH ASSEMBLY - UNDERLIFT



ART_1001143297_10F2

SECTION 3 - UNDERLIFT



ART_1001143297_2OF2

SECTION 3 - UNDERLIFT

FIGURE 3-18. WINCH ASSEMBLY - UNDERLIFT

ITEM	PART NUMBER	QTY	DESCRIPTION	REV
	1001143297	Ref	WINCH ASSEMBLY - UNDERLIFT	A
		Ref	Motor End Assembly	
1	70050399	1	Motor, Hydraulic	
2	70050368	1	Valve, Counterbalance	
3	9571960006	1	Brake Housing	
4	9177960004	1	Support, Motor End	
5	6906960019	1	Shaft Brake	
6	9698960008	1	Piston, Brake	
7	Kit	10	Plate, Friction Disk	
8	Kit	9	Plate, Brake Drive	
9	9691960021	2	Pin	
10	Kit	1	O-Ring	
11	Kit	1	O-Ring	
12	Kit	2	O-Ring	
13	Kit	1	Ring	
14	Kit	1	Ring	
15	70050371	1	Cartridge	
16	9082960013	2	Bearing	
17	Kit	12	Compression Spring	
18	7118181205	2	Capscrew 1/2 x 1-1/2	
19	7950180800	2	Washer 1/2	
20	7118172050	6	Capscrew 7/16 x 2-1/2	
21	7950170000	6	Washer 7/16	
22	70050370	4	Capscrew 3/8 x 2-1/2	
23	7445040445	3	Adapter	
24	70050400	1	Hose	
25	70050401	1	Tag, Warning (Not Shown)	
26	9082960018	1	Bearing	
27	Kit	1	Seal	
28	9935960026	2	Cartridge	
29	9949960028	1	Thrust Washer	
30	Kit	1	O-Ring	
31	70050372	1	Hose	
32	9443960006	1	Adapter	
33	70050369	2	O-Ring	
34	9796960088	2	O-Ring	
35	9577960139	Ref	Disk and Spring Kit (Includes Items 7, 8 & 17)	
36	9577960120	Ref	Brake Seal Kit (Includes Items 10 to 14)	
37	70050402	Ref	Service Kit (Includes Items 27, 30, 33 & 34)	
		Ref	Drum Assembly	
100	9970960020	1	Drum	
101	9575960012	2	Key, Drum	
102	9280960002	1	Clip	
103	9796960089	1	O-Ring	
104	9831960018	1	Spacer	
105	7110201423	2	Capscrew 5/8 x 1-3/4	
		Ref	Gear End Assembly	
200	9472960056	1	Gear	
201	9177960003	1	Support, Gear End	
202	9949960028	1	Thrust Washer	

SECTION 3 - UNDERLIFT

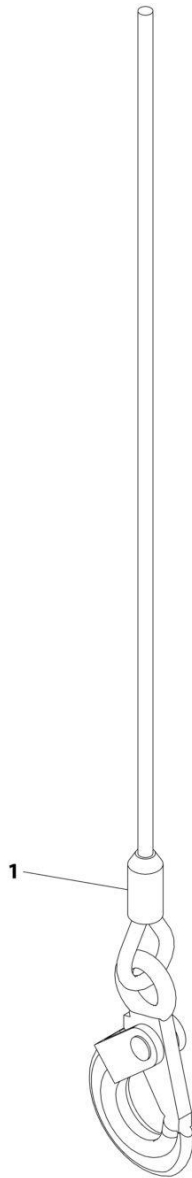
ITEM	PART NUMBER	QTY	DESCRIPTION	REV
203	9806960021	1	Shaft, Output	
204	9949960027	2	Thrust Washer	
205	9472960052	1	Carrier Assembly, Primary	
206	9472960053	1	Carrier Assembly, Secondary	
207	9330960006	1	Label, Warning (Not Shown)	
208	9796960120	1	O-Ring	
209	9082960018	1	Bearing	
210	9796960121	1	Seal	
211	9472960055	1	Gear, Sun Secondary	
212	9209960025	1	Bushing	
		Ref	Input Shaft Assembly	
300	9806960020	1	Input Shaft	
		Ref	Base Mount Assembly	
400	9073960003	2	Base Mount	
401	7115201850	4	Capscrew 5/8 x 2-1/4	
402	7660200001	12	Nut 5/8	
403	7950200000	12	Washer 5/8	
404	70050147	4	Rivet	
405	70050384	1	Plate, Winch ID	
406	9073960004	2	Base Mount	
407	7115202250	8	Capscrew 5/8 x 2-3/4	
		Ref	Cable Hold Down Assembly	
500	9178960011	1	Mounting Bracket	
501	9020960002	1	Pivot Arm	
502	9064960007	1	Rub Bar	
503	9691960019	1	Pin	
504	9843960023	2	Air Spring	
505	9690960039	2	Cotter Pin	
506	7950180000	2	Washer 1/2	
507	7115181650	2	Capscrew 1/2 x 1	
508	9949960012	2	Thrust Washer	
509	7660200200	4	Nut 5/8	
510	9120960063	2	Capscrew 5/16 x 1	
511	9912960010	3	Tubing	
512	7443000205	3	Adapter	
513	7443000204	1	Adapter	
514	9949960050	2	Washer 5/16	
515	9831960009	1	Spacer	
516	9120960019	1	Anchor Bolt	
517	7950200151	2	Washer 5/8	
518	7660200001	1	Nut 5/8	
		Ref	Gear End Cover Assembly	
600	9314960022	1	Cover, Gear End	
601	9698960016	1	Piston	
602	9698960015	1	Cylinder, Piston	
603	9309960011	1	Coupling	
604	9754960026	1	Retainer Ring	
605	9796960120	1	O-Ring	
606	9209960026	1	Bushing	
607	9754960046	1	Retainer Ring	
608	9754960047	1	Retainer Ring	

SECTION 3 - UNDERLIFT

ITEM	PART NUMBER	QTY	DESCRIPTION	REV
609	9843960032	1	Spring	
610	9949960028	1	Thrust Washer	
611	9796960119	2	O-Ring	
612	9796960118	1	O-Ring	
613	9701960011	1	Plug	
614	9701960012	1	Plug	
615	9701960018	1	Plug (Not Shown)	
616	9183960001	1	Vent	
617	7118165250	12	Capscrew 3/8 x 6-1/2	
618	7950160000	12	Washer 3/8	
619	9472960054	1	Gear, 15 Teeth	

SECTION 3 - UNDERLIFT

FIGURE 3-19. CABLE INSTALLATION - 0.63IN X 250FT WITH EYEHOOK (UNDERLIFT)



ART_1001209014

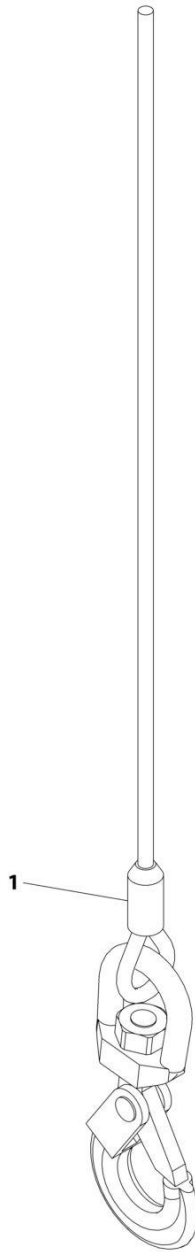
SECTION 3 - UNDERLIFT

FIGURE 3-19. CABLE INSTALLATION - 0.63IN X 250FT WITH EYEHOOK (UNDERLIFT)

ITEM	PART NUMBER	QTY	DESCRIPTION	REV
1	1001209014 7248000037	Ref 1	CABLE INSTALLATION - 0.63IN X 250FT WITH EYE HOOK Cable Assembly	A

SECTION 3 - UNDERLIFT

FIGURE 3-20. CABLE INSTALLATION - 0.63IN X 250FT WITH SWIVELHOOK (UNDERLIFT)



ART_1001209015

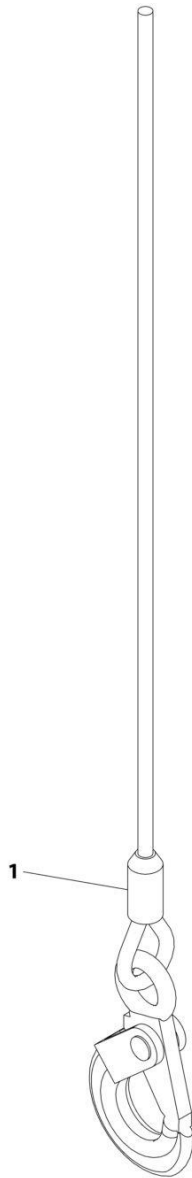
SECTION 3 - UNDERLIFT

FIGURE 3-20. CABLE INSTALLATION - 0.63IN X 250FT WITH SWIVELHOOK (UNDERLIFT)

ITEM	PART NUMBER	QTY	DESCRIPTION	REV
1	1001209015 7248000079	Ref 1	CABLE INSTALLATION - 0.63IN X 250FT WITH SWIVEL HOOK Cable Assembly	A

SECTION 3 - UNDERLIFT

FIGURE 3-21. CABLE INSTALLATION - 0.75IN X 200FT WITH EYEHOOK (UNDERLIFT)



ART_1001209024

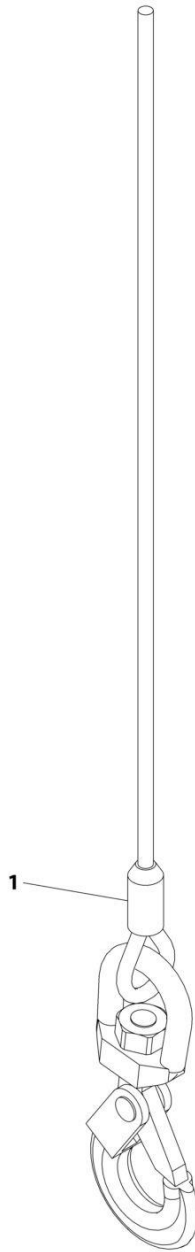
SECTION 3 - UNDERLIFT

FIGURE 3-21. CABLE INSTALLATION - 0.75IN X 200FT WITH EYEHOOK (UNDERLIFT)

ITEM	PART NUMBER	QTY	DESCRIPTION	REV
1	1001209024 7248000055	Ref 1	CABLE INSTALLATION - 0.75IN X 200FT WITH EYE HOOK Cable Assembly	A

SECTION 3 - UNDERLIFT

FIGURE 3-22. CABLE INSTALLATION - 0.75IN X 200FT WITH SWIVELHOOK (UNDERLIFT)



ART_1001209025

SECTION 3 - UNDERLIFT

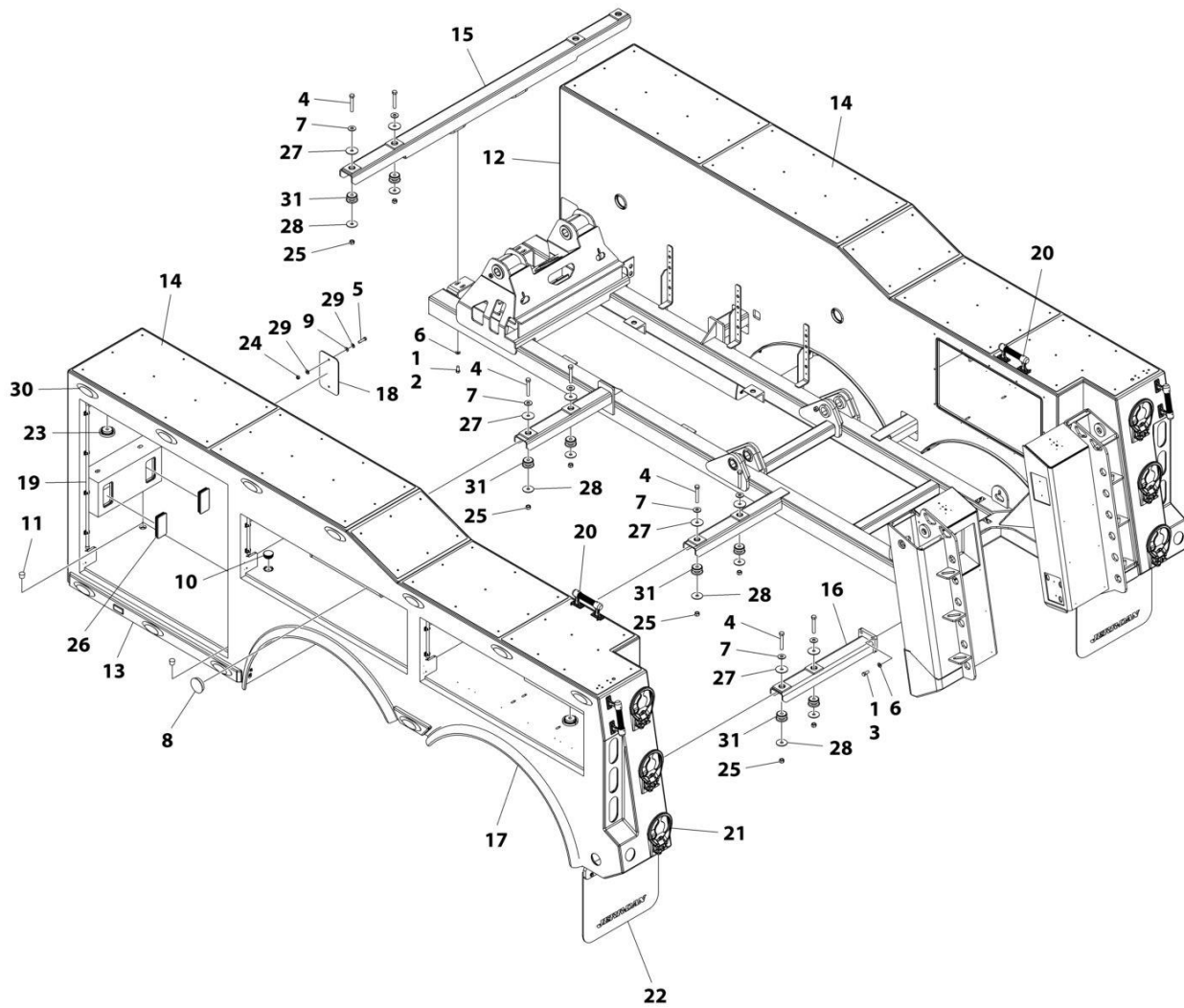
FIGURE 3-22. CABLE INSTALLATION - 0.75IN X 200FT WITH SWIVELHOOK (UNDERLIFT)

ITEM	PART NUMBER	QTY	DESCRIPTION	REV
1	1001209025 7248000080	Ref 1	CABLE INSTALLATION - 0.75IN X 200FT WITH SWIVEL HOOK Cable Assembly	A

SECTION 4 - BODY

SECTION 4 - BODY

FIGURE 4-1. BODY INSTALLATION - TANDEM (SN 0230004275 through 0230006134)



ART_1001220340

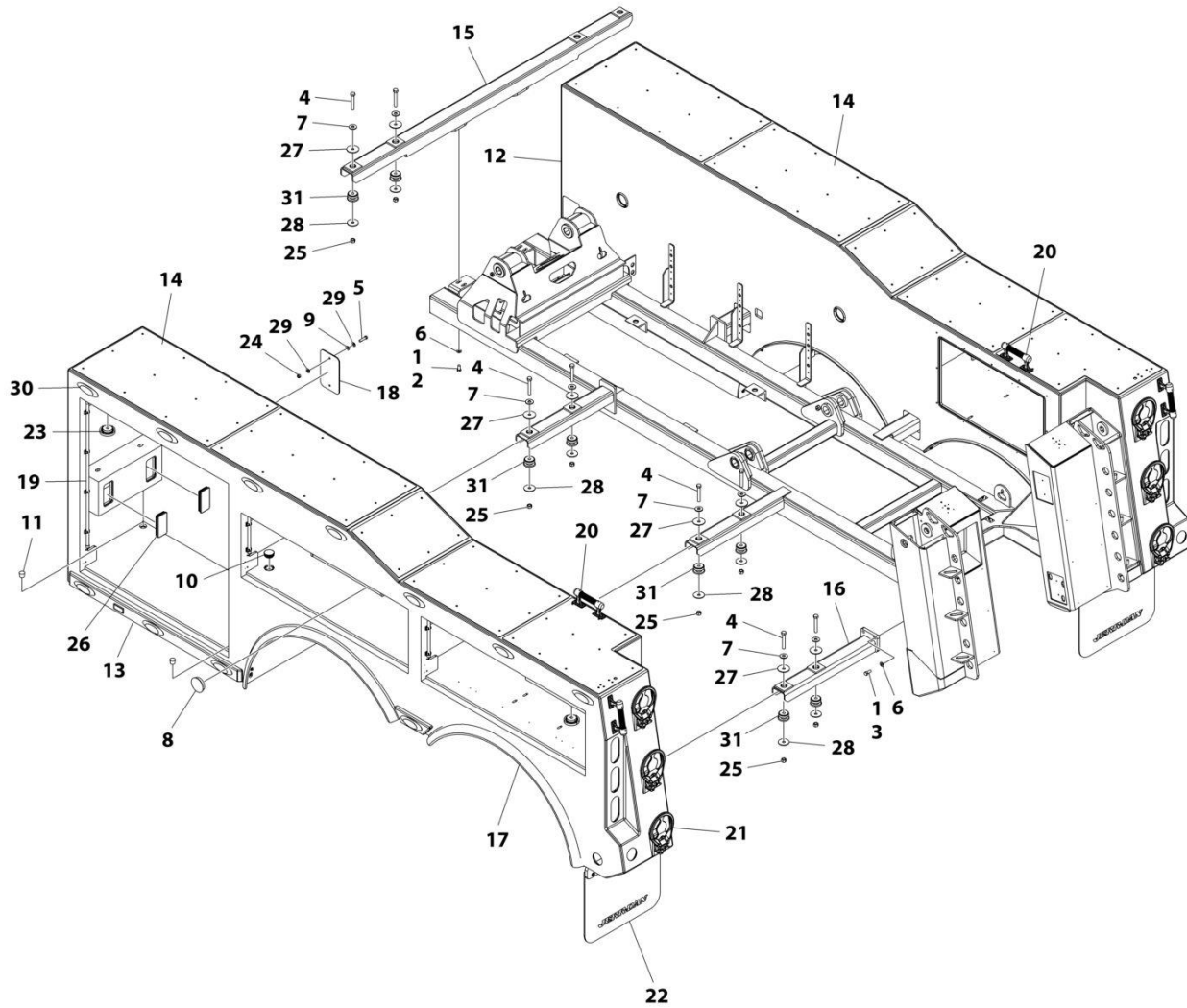
SECTION 4 - BODY

FIGURE 4-1. BODY INSTALLATION - TANDEM (SN 0230004275 through 0230006134)

ITEM	PART NUMBER	QTY	DESCRIPTION	REV
	1001220340	Ref	BODY INSTALLATION - TANDEM	B
1	0100011	AR	Compound, Locking	
2	0641809	4	Bolt 1/2 x 1-1/8	
3	0641810	6	Bolt 1/2 x 1-1/4	
4	0642032	16	Bolt 5/8 x 4	
5	1001168993	2	Bolt 3/8 x 1-1/2	
6	4711800	10	Washer 1/2	
7	4752000	16	Washer 5/8	
8	1001151789	3	Plug	
9	1001166974	2	Washer	
10	1001169078	4	Plug	
11	1001173847	4	Plug	
12	1001200919	1	Body, Tandem RH	
13	1001219798	1	Body, Tandem LH	
14	1001186842	1	Body Diamond Plate Installation (See Separate Breakdown in this Section)	
15	1001186935	1	Mount	
16	1001186968	2	Mount	
17	1001187182	1	Fender Flare Plate Installation (See Separate Breakdown in this Section)	
18	1001190557	1	Panel	
19	1001196522	1	Body Compartment Lights Installation (See Separate Breakdown in ELECTRICAL Section)	
20	1001196639	1	Grab Handles Installation (See Separate Breakdown in this Section)	
21	1001196666	1	Steps Installation (See Separate Breakdown in this Section)	
22	1001196790	1	Mudflaps Installation (See Separate Breakdown in this Section)	
23	1001196802	1	Lifting Lugs Installation (See Separate Breakdown in this Section)	
24	7660162601	2	Nut 3/8	
25	7660200001	16	Nut 5/8	
26	7701000048	4	Plug	
27	7949000019	16	Washer	
28	7949000020	16	Washer	
29	7950160143	4	Washer 3/8	
30	1001196592	1	Marker Lights Installation (See Separate Breakdown in ELECTRICAL Section)	
31	7636000008	16	Mount	

SECTION 4 - BODY

FIGURE 4-2. BODY INSTALLATION - TANDEM (SN 0230006135 to Present)



ART_1001235743

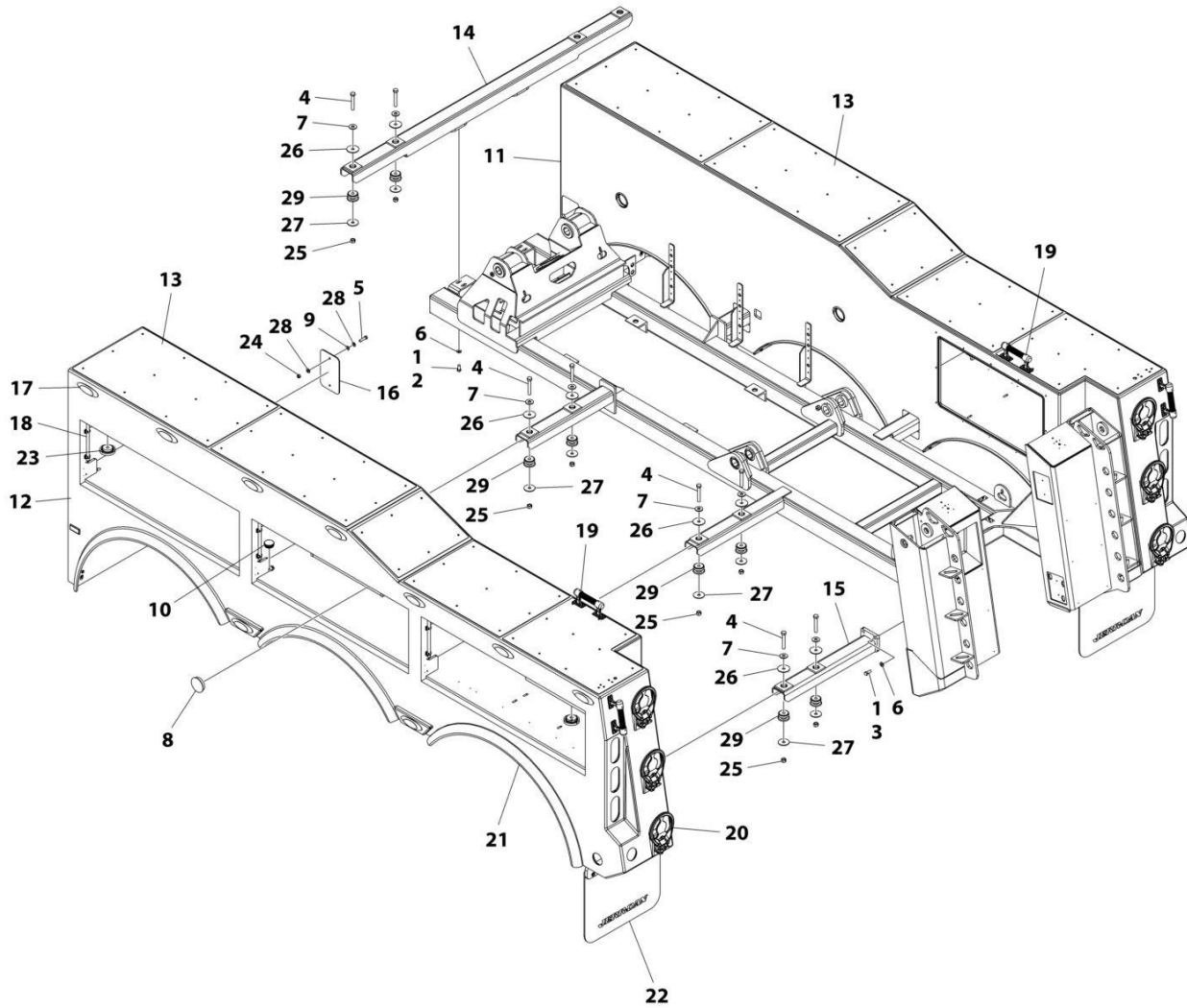
SECTION 4 - BODY

FIGURE 4-2. BODY INSTALLATION - TANDEM (SN 0230006135 to Present)

ITEM	PART NUMBER	QTY	DESCRIPTION	REV
	1001235743	Ref	BODY INSTALLATION - TANDEM	C
1	0100011	AR	Compound, Locking	
2	0641809	4	Bolt 1/2 x 1-1/8	
3	0641810	6	Bolt 1/2 x 1-1/4	
4	0642032	16	Bolt 5/8 x 4	
5	1001168993	2	Bolt 3/8 x 1-1/2	
6	4711800	10	Washer 1/2	
7	4752000	16	Washer 5/8	
8	1001151789	3	Plug	
9	1001166974	2	Washer	
10	1001169078	4	Plug	
11	1001173847	4	Plug	
12	1001235724	1	Body, Tandem RH	
13	1001219798	1	Body, Tandem LH	
14	1001186842	1	Body Diamond Plate Installation (See Separate Breakdown in this Section)	
15	1001186935	1	Mount	
16	1001186968	2	Mount	
17	1001187182	1	Fender Flare Plate Installation (See Separate Breakdown in this Section)	
18	1001190557	1	Panel	
19	1001196522	1	Body Compartment Lights Installation (See Separate Breakdown in ELECTRICAL Section)	
20	1001196639	1	Grab Handles Installation (See Separate Breakdown in this Section)	
21	1001196666	1	Steps Installation (See Separate Breakdown in this Section)	
22	1001196790	1	Mudflaps Installation (See Separate Breakdown in this Section)	
23	1001196802	1	Lifting Lugs Installation (See Separate Breakdown in this Section)	
24	7660162601	2	Nut 3/8	
25	7660200001	16	Nut 5/8	
26	7701000048	4	Plug	
27	7949000019	16	Washer	
28	7949000020	16	Washer	
29	7950160143	4	Washer 3/8	
30	1001196592	1	Marker Lights Installation (See Separate Breakdown in ELECTRICAL Section)	
31	7636000008	16	Mount	

SECTION 4 - BODY

FIGURE 4-3. BODY INSTALLATION - TRI-AXLE (SN 0230004275 through 0230006134)



ART_1001220342

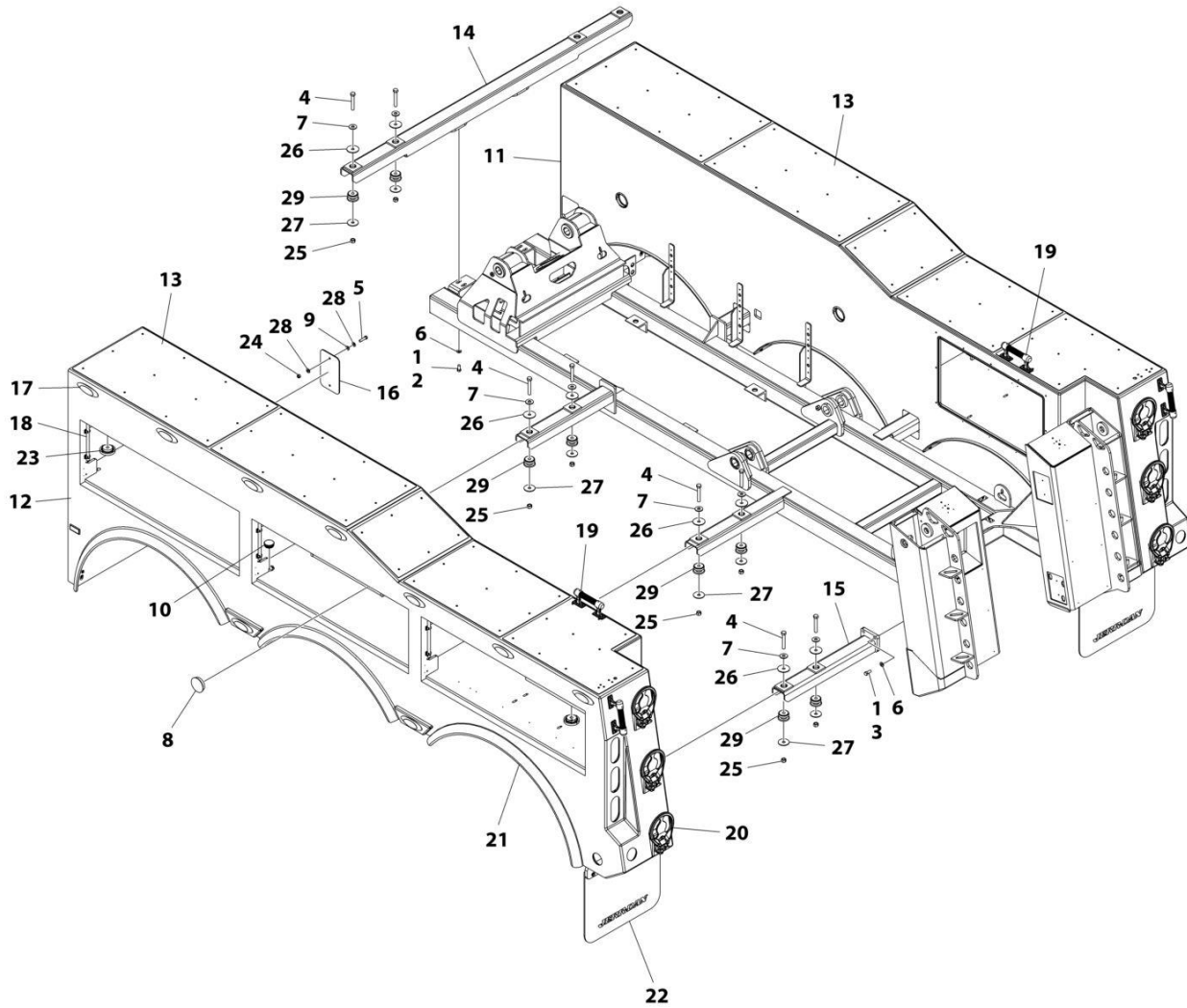
SECTION 4 - BODY

FIGURE 4-3. BODY INSTALLATION - TRI-AXLE (SN 0230004275 through 0230006134)

ITEM	PART NUMBER	QTY	DESCRIPTION	REV
	1001220342	Ref	BODY INSTALLATION - TRI-AXLE	B
1	0100011	AR	Compound, Locking	
2	0641809	4	Bolt 1/2 x 1-1/8	
3	0641810	6	Bolt 1/2 x 1-1/4	
4	0642032	16	Bolt 5/8 x 4	
5	1001168993	2	Bolt 3/8 x 1-1/2	
6	4711800	10	Washer 1/2	
7	4752000	16	Washer 5/8	
8	1001151789	3	Plug	
9	1001166974	2	Washer	
10	1001169078	4	Plug	
11	1001200921	1	Body, Tandem RH	
12	1001219799	1	Body, Tandem LH	
13	1001186842	1	Body Diamond Plate Installation (See Separate Breakdown in this Section)	
14	1001186935	1	Mount	
15	1001186968	2	Mount	
16	1001190557	1	Panel	
17	1001196523	1	Body Compartment Lights Installation (See Separate Breakdown in ELECTRICAL Section)	
18	1001196594	1	Marker Lights Installation (See Separate Breakdown in ELECTRICAL Section)	
19	1001196639	1	Grab Handles Installation (See Separate Breakdown in this Section)	
20	1001196666	1	Steps Installation (See Separate Breakdown in this Section)	
21	1001196730	1	Fender Flare Plate Installation (See Separate Breakdown in this Section)	
22	1001196790	1	Mudflaps Installation (See Separate Breakdown in this Section)	
23	1001196802	1	Lifting Lugs Installation (See Separate Breakdown in this Section)	
24	7660162601	2	Nut 3/8	
25	7660200001	16	Nut 5/8	
26	7949000019	16	Washer	
27	7949000020	16	Washer	
28	7950160143	4	Washer 3/8	
29	7636000008	16	Mount	

SECTION 4 - BODY

FIGURE 4-4. BODY INSTALLATION - TRI-AXLE (SN 0230006135 to Present)



ART_1001235744

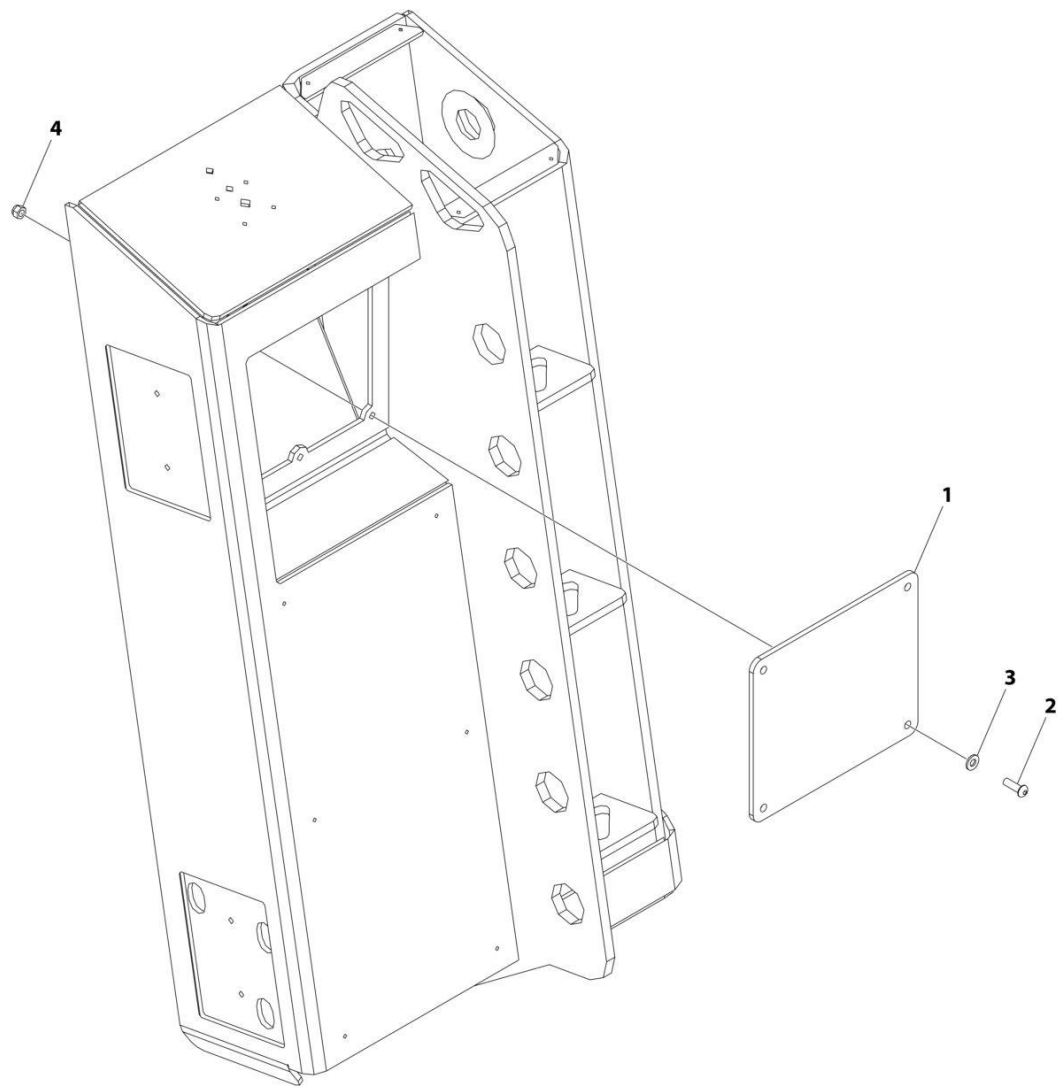
SECTION 4 - BODY

FIGURE 4-4. BODY INSTALLATION - TRI-AXLE (SN 0230006135 to Present)

ITEM	PART NUMBER	QTY	DESCRIPTION	REV
	1001235744	Ref	BODY INSTALLATION - TRI-AXLE	B
1	0100011	AR	Compound, Locking	
2	0641809	4	Bolt 1/2 x 1-1/8	
3	0641810	6	Bolt 1/2 x 1-1/4	
4	0642032	16	Bolt 5/8 x 4	
5	1001168993	2	Bolt 3/8 x 1-1/2	
6	4711800	10	Washer 1/2	
7	4752000	16	Washer 5/8	
8	1001151789	3	Plug	
9	1001166974	2	Washer	
10	1001169078	4	Plug	
11	1001235730	1	Body, Tandem RH	
12	1001219799	1	Body, Tandem LH	
13	1001186842	1	Body Diamond Plate Installation (See Separate Breakdown in this Section)	
14	1001186935	1	Mount	
15	1001186968	2	Mount	
16	1001190557	1	Panel	
17	1001196523	1	Body Compartment Lights Installation (See Separate Breakdown in ELECTRICAL Section)	
18	1001196594	1	Marker Lights Installation (See Separate Breakdown in ELECTRICAL Section)	
19	1001196639	1	Grab Handles Installation (See Separate Breakdown in this Section)	
20	1001196666	1	Steps Installation (See Separate Breakdown in this Section)	
21	1001196730	1	Fender Flare Plate Installation (See Separate Breakdown in this Section)	
22	1001196790	1	Mudflaps Installation (See Separate Breakdown in this Section)	
23	1001196802	1	Lifting Lugs Installation (See Separate Breakdown in this Section)	
24	7660162601	2	Nut 3/8	
25	7660200001	16	Nut 5/8	
26	7949000019	16	Washer	
27	7949000020	16	Washer	
28	7950160143	4	Washer 3/8	
29	7636000008	16	Mount	

SECTION 4 - BODY

FIGURE 4-5. COVER INSTALLATION (WITHOUT CAMERA)



ART_1001134265

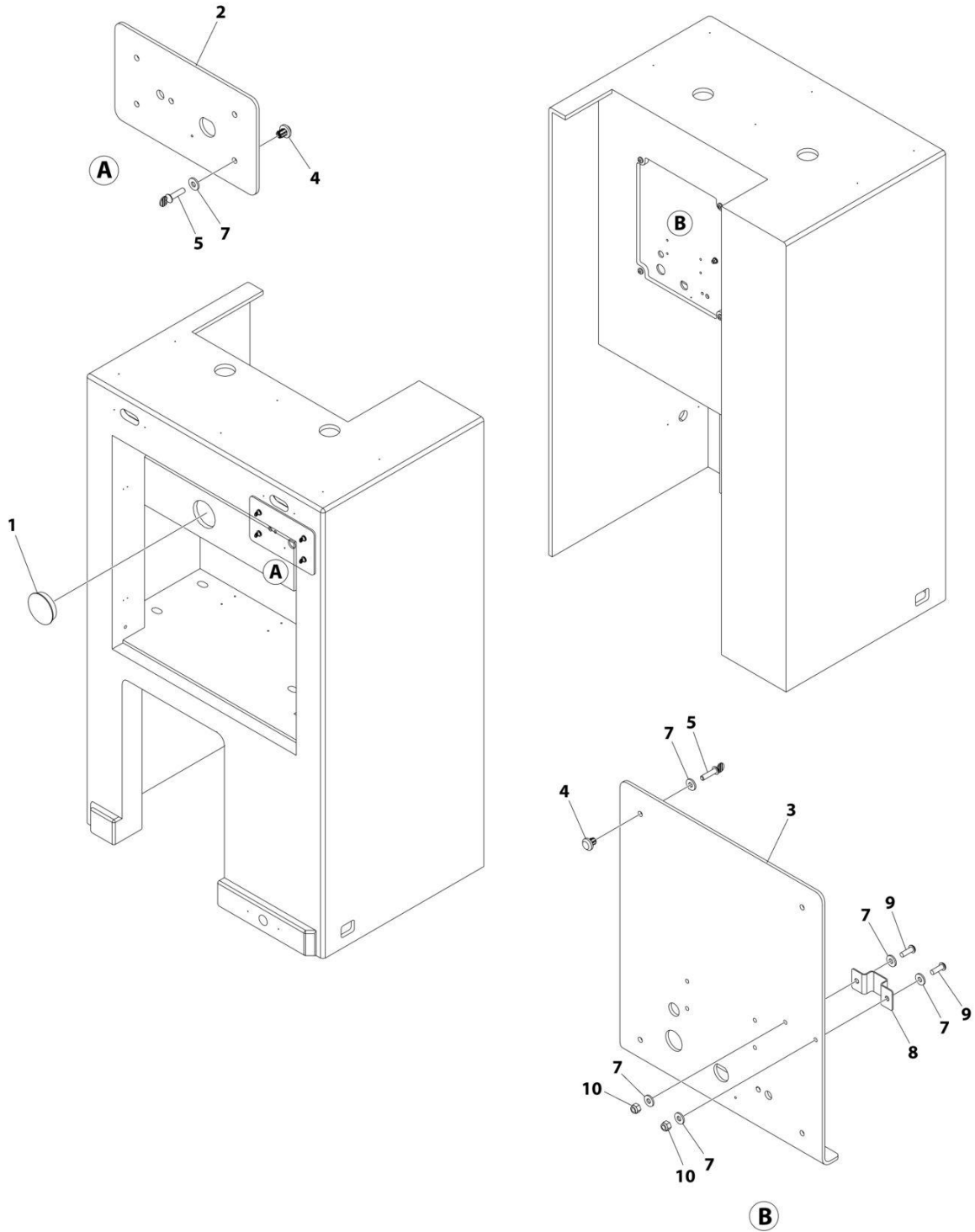
SECTION 4 - BODY

FIGURE 4-5. COVER INSTALLATION (WITHOUT CAMERA)

ITEM	PART NUMBER	QTY	DESCRIPTION	REV
	1001134265	Ref	COVER INSTALLATION (WITHOUT CAMERA), A.1 (De	A
1	1001134266	1	Plate	
2	7114150818	4	Capscrew 5/16 x 1	
3	7950150143	4	Washer 5/16	
4	7660152604	4	Nut 5/16	

SECTION 4 - BODY

FIGURE 4-6. COVER PLATE INSTALLATION - SRS TOOLBOX



ART_1001199098

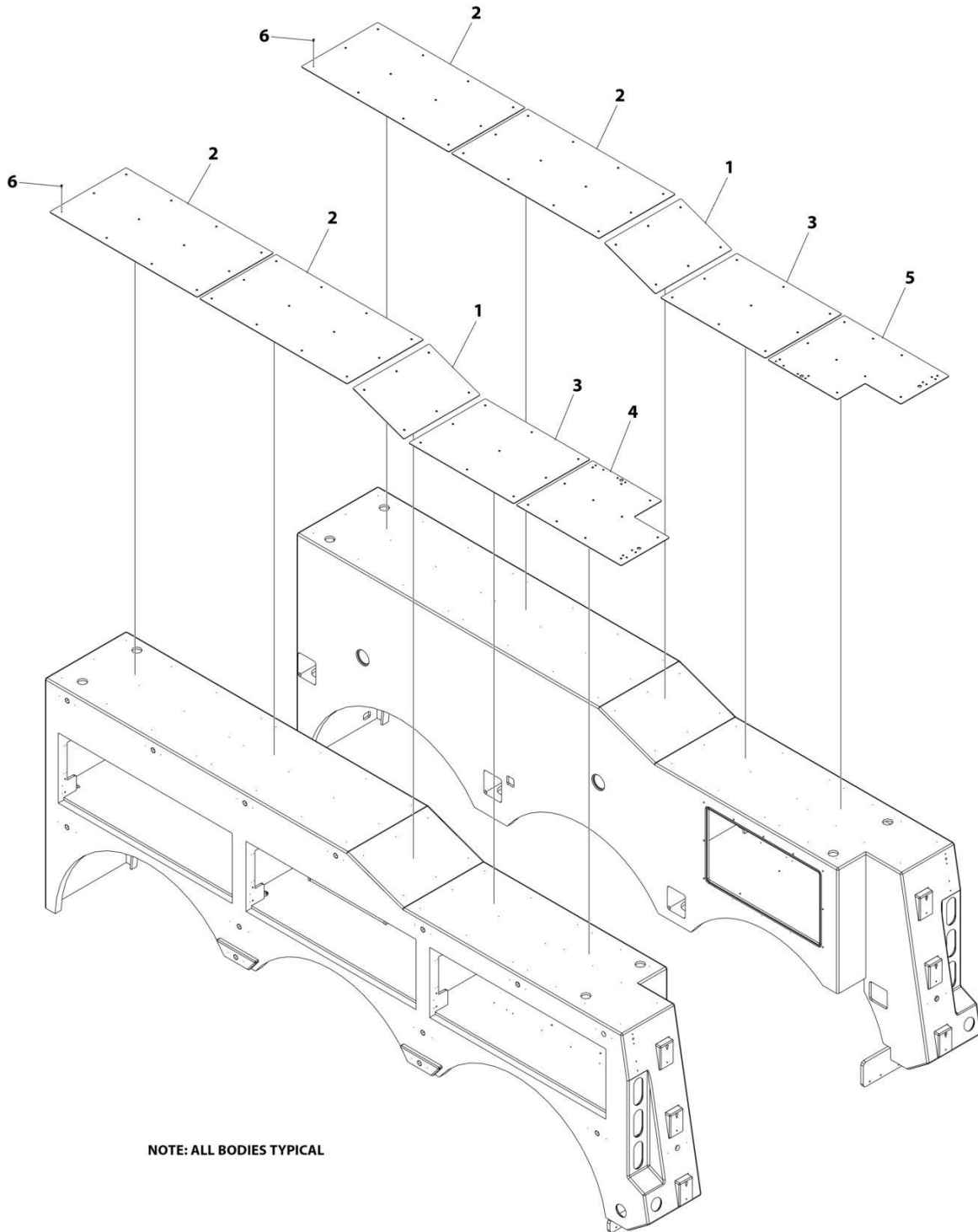
SECTION 4 - BODY

FIGURE 4-6. COVER PLATE INSTALLATION - SRS TOOLBOX

ITEM	PART NUMBER	QTY	DESCRIPTION	REV
	1001199098	Ref	COVER PLATE INSTALLATION	C
1	1001151789	1	Plug	
2	1001189750	1	LH Plate	
3	1001189751	1	RH Plate	
4	1001199082	8	Nut 1/4	
5	1001214908	8	Screw	
7	7950140143	12	Washer 1/4	
8	1001214900	1	Bracket	
9	7114140618	2	Screw 1/4 x 3/4	
10	7660142604	2	Nut 1/4	

SECTION 4 - BODY

FIGURE 4-7. DIAMOND PLATE INSTALLATION



NOTE: ALL BODIES TYPICAL

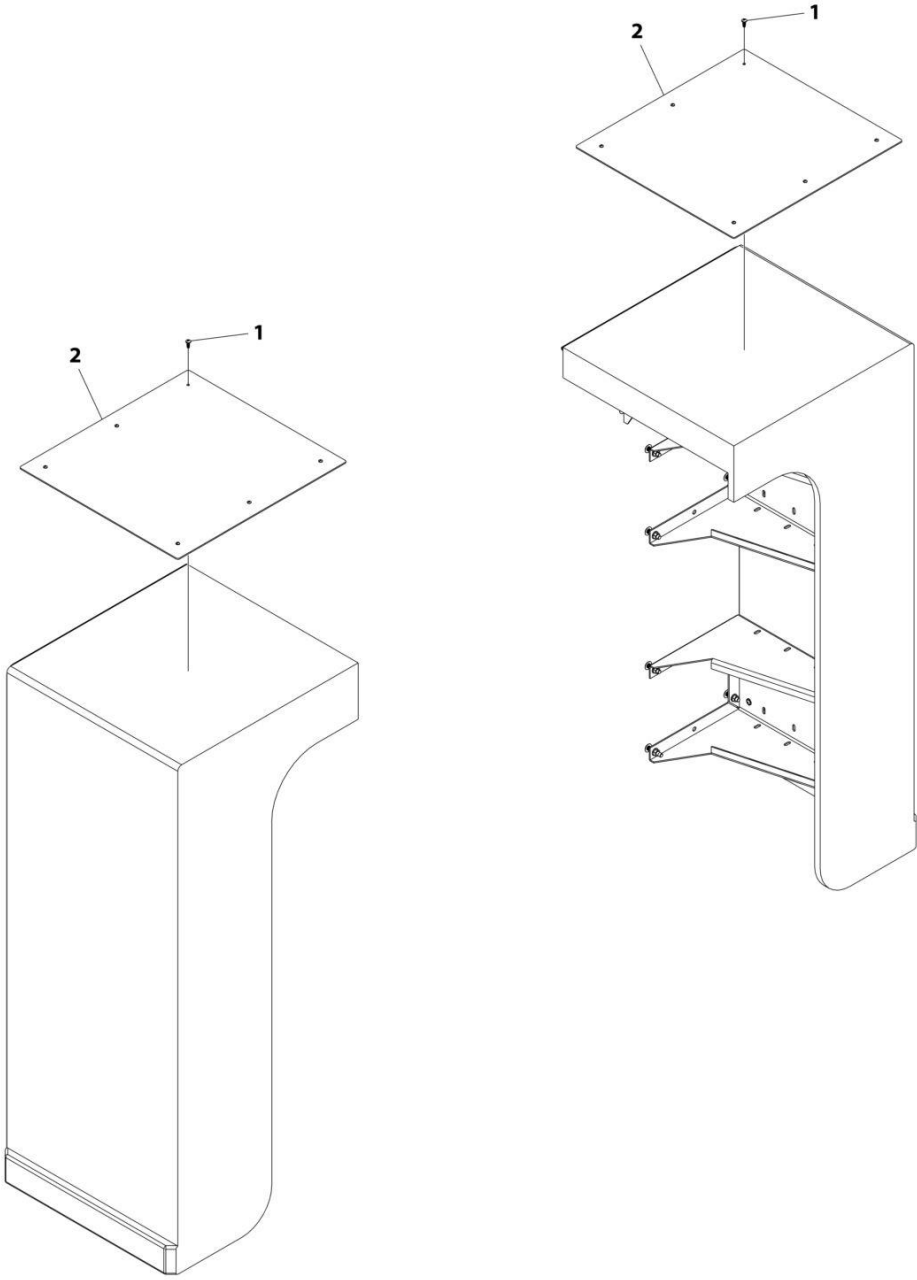
ART_1001186842

FIGURE 4-7. DIAMOND PLATE INSTALLATION

ITEM	PART NUMBER	QTY	DESCRIPTION	REV
	1001186842	Ref	DIAMOND PLATE INSTALLATION	C
1	1001186725	2	Plate	
2	1001186726	4	Plate	
3	1001186727	2	Plate	
4	1001186728	1	Plate	
5	1001186835	1	Plate	
6	1001192958	100	Screw #10 x 1/2	

SECTION 4 - BODY

FIGURE 4-8. DIAMOND PLATE INSTALLATION - FILLER PANEL



ART_1001245742

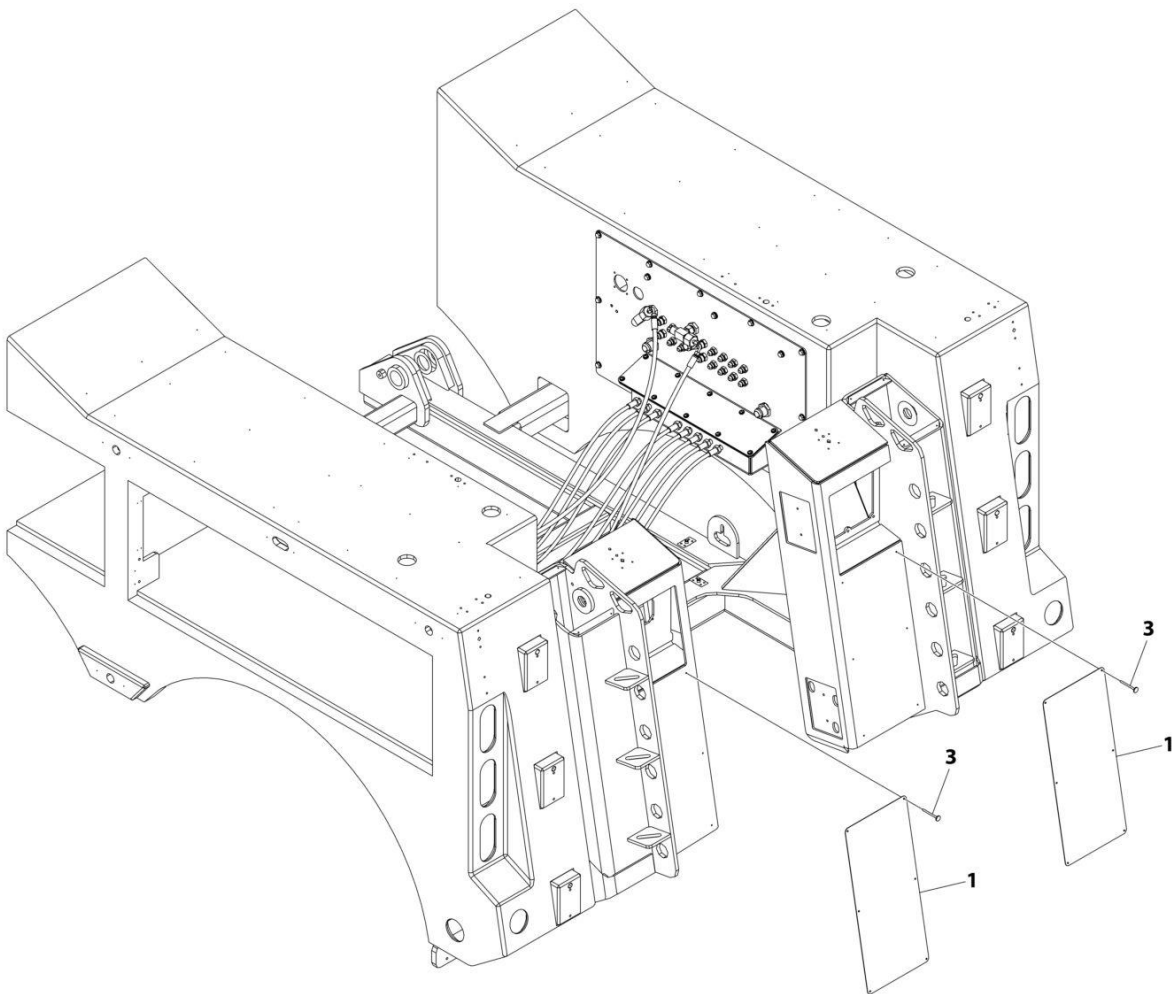
SECTION 4 - BODY

FIGURE 4-8. DIAMOND PLATE INSTALLATION - FILLER PANEL

ITEM	PART NUMBER	QTY	DESCRIPTION	REV
	1001245742	Ref	DIAMOND PLATE INSTALLATION (TOP OF 24IN FILLER BOX)	A
1	1001192958	12	Screw #10 x 1/2	
2	1001245740	2	Plate	

SECTION 4 - BODY

FIGURE 4-9. DIAMOND PLATE INSTALLATION - REAR



ART_2507700089

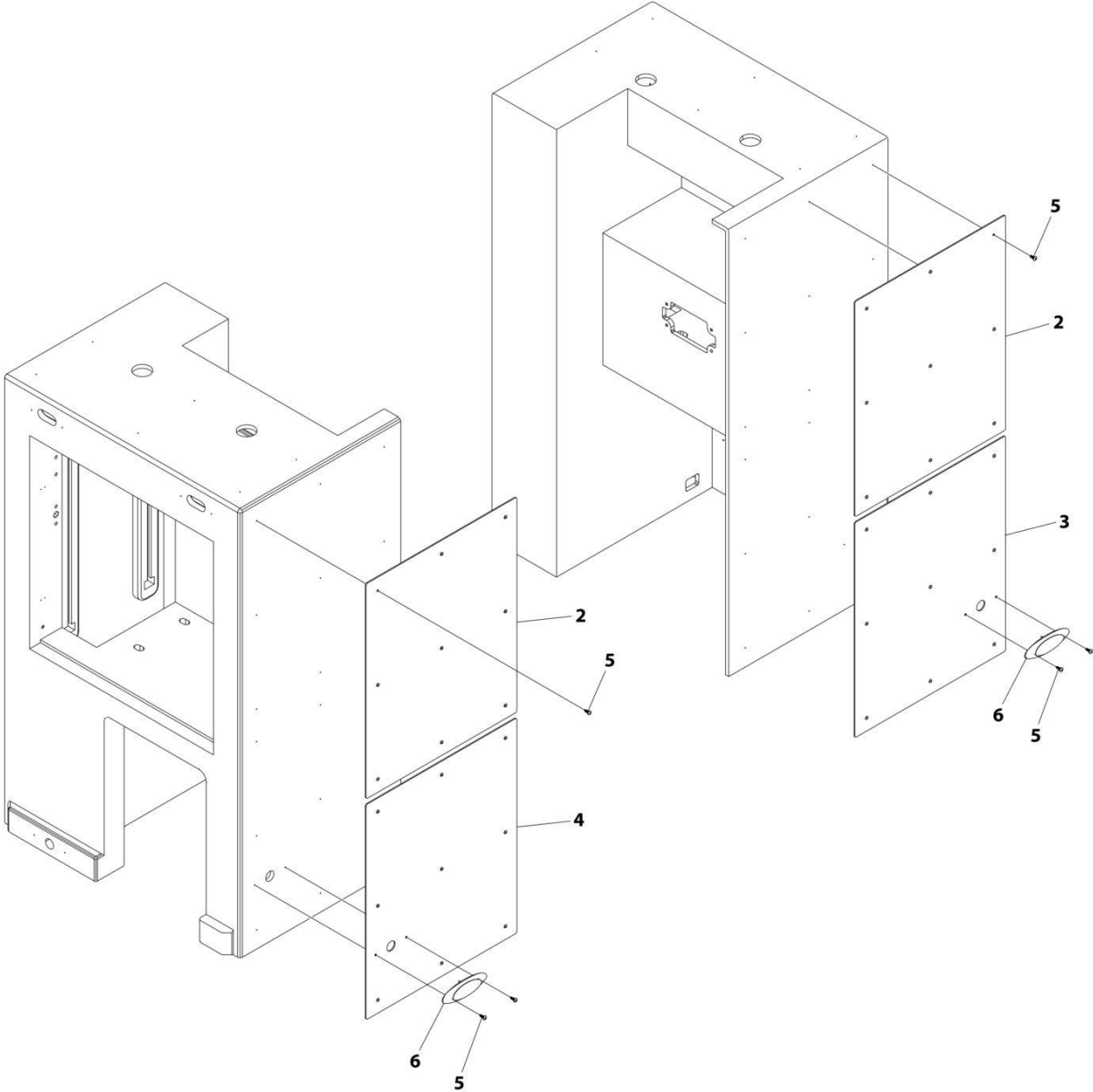
SECTION 4 - BODY

FIGURE 4-9. DIAMOND PLATE INSTALLATION - REAR

ITEM	PART NUMBER	QTY	DESCRIPTION	REV
	2507700089	Ref	DIAMOND PLATE INSTALLATION - REAR	A
1	4706005772	2	Plate	
3	7759000018	12	Rivet	

SECTION 4 - BODY

FIGURE 4-10. DIAMOND PLATE INSTALLATION - SRS



ART_1001199405

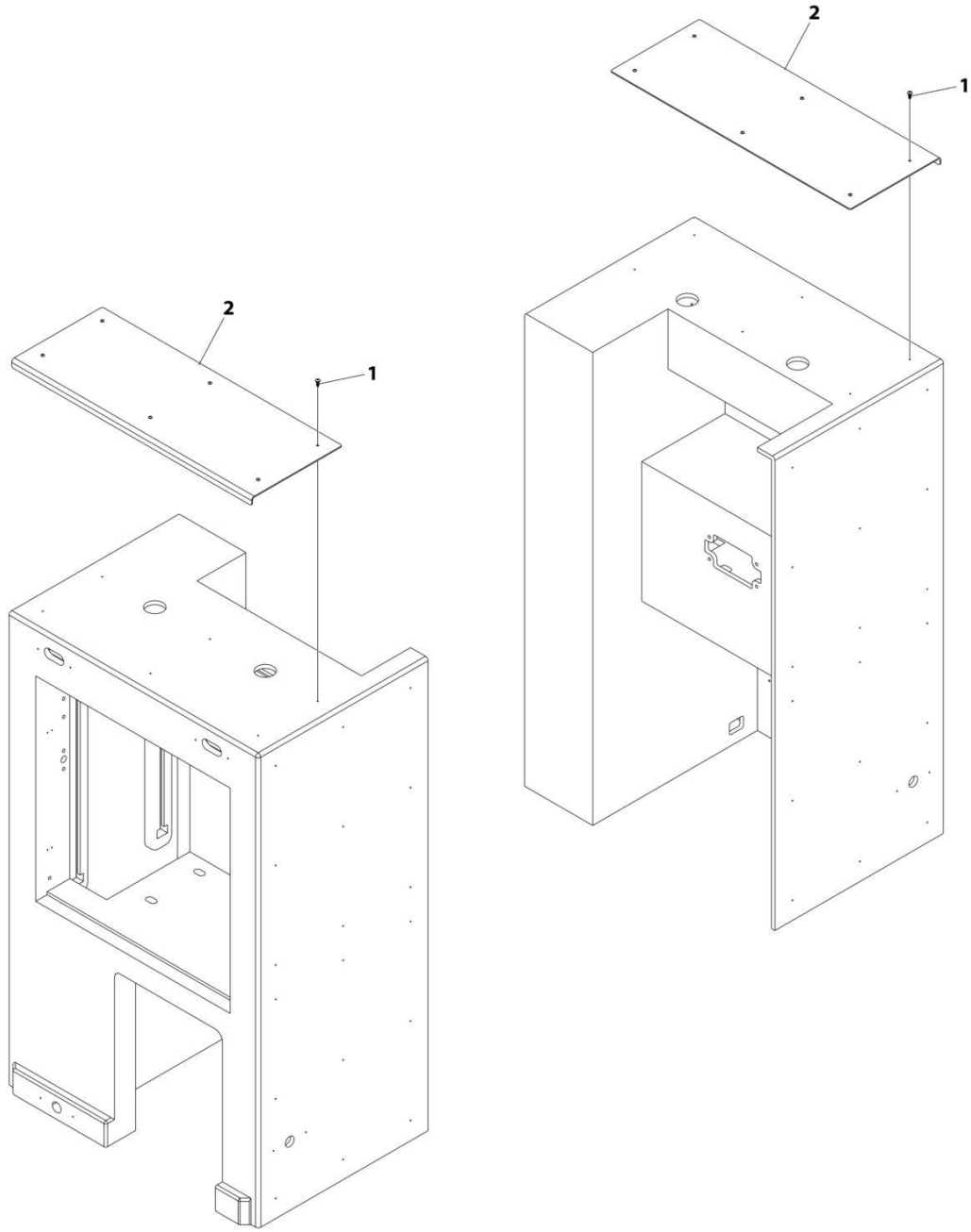
SECTION 4 - BODY

FIGURE 4-10. DIAMOND PLATE INSTALLATION - SRS

ITEM	PART NUMBER	QTY	DESCRIPTION	REV
	1001199405	Ref	DIAMOND PLATE INSTALLATION WITH MARKER	D
2	1001189507	2	SRS Box Front	
3	1001189508	1	SRS Box LH	
4	1001189510	1	SRS Box RH	
5	1001192958	40	Screw #10 x 1/2	
6	7590000358	2	Light	

SECTION 4 - BODY

FIGURE 4-11. DIAMOND PLATE INSTALLATION - SRS TOOLBOX



ART_1001258511

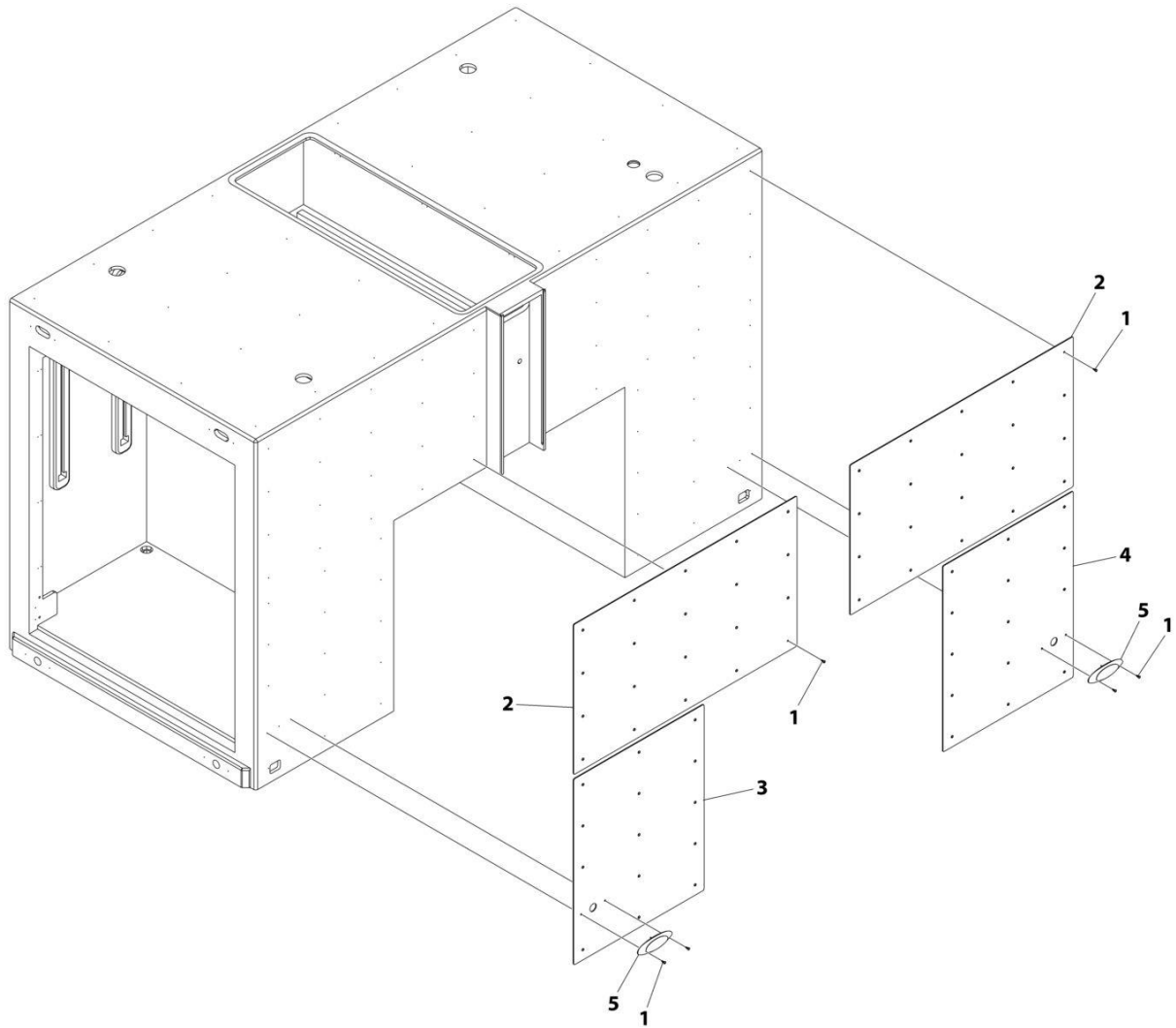
SECTION 4 - BODY

FIGURE 4-11. DIAMOND PLATE INSTALLATION - SRS TOOLBOX

ITEM	PART NUMBER	QTY	DESCRIPTION	REV
	1001258511	Ref	DIAMOND PLATE INSTALLATION (TOP)	A
1	1001192958	12	Screw #10 x 1/2	
2	1001258518	2	Plate	

SECTION 4 - BODY

FIGURE 4-12. DIAMOND PLATE INSTALLATION - TUNNEL FRONT WITH CWT



ART_1001219747

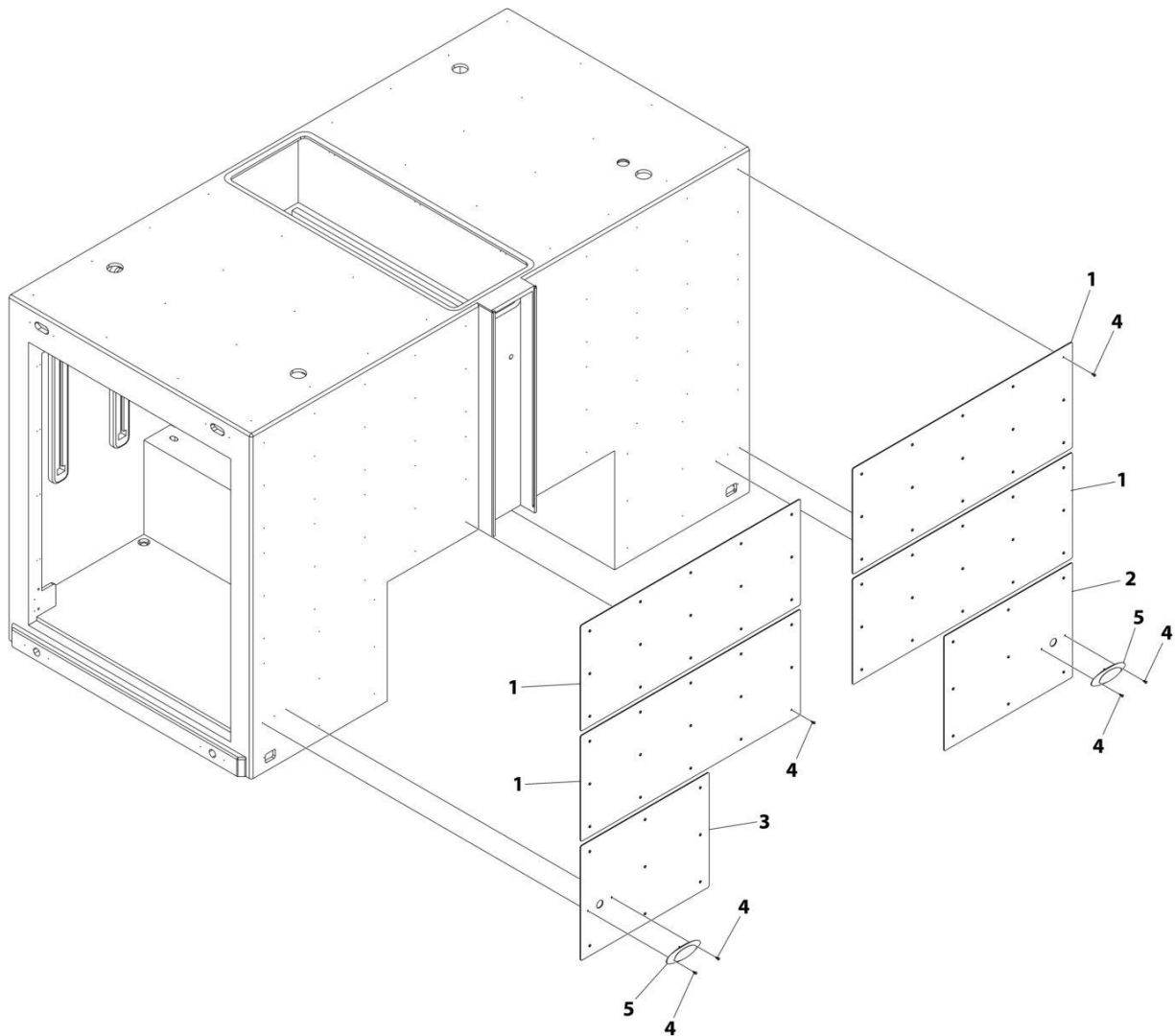
SECTION 4 - BODY

FIGURE 4-12. DIAMOND PLATE INSTALLATION - TUNNEL FRONT WITH CWT

ITEM	PART NUMBER	QTY	DESCRIPTION	REV
	1001219747	Ref	DIAMOND PLATE INSTALLATION - CWT TUNNEL FRONT (WITH MARKER LIGHT)	C
1	1001192958	72	Screw #10 x 1/2	
2	1001219748	2	Plate	
3	1001219749	1	Plate	
4	1001219750	1	Plate	
5	7590000358	2	Light, Amber	

SECTION 4 - BODY

FIGURE 4-13. DIAMOND PLATE INSTALLATION - TUNNEL FRONT WITHOUT CWT



ART_1001196586

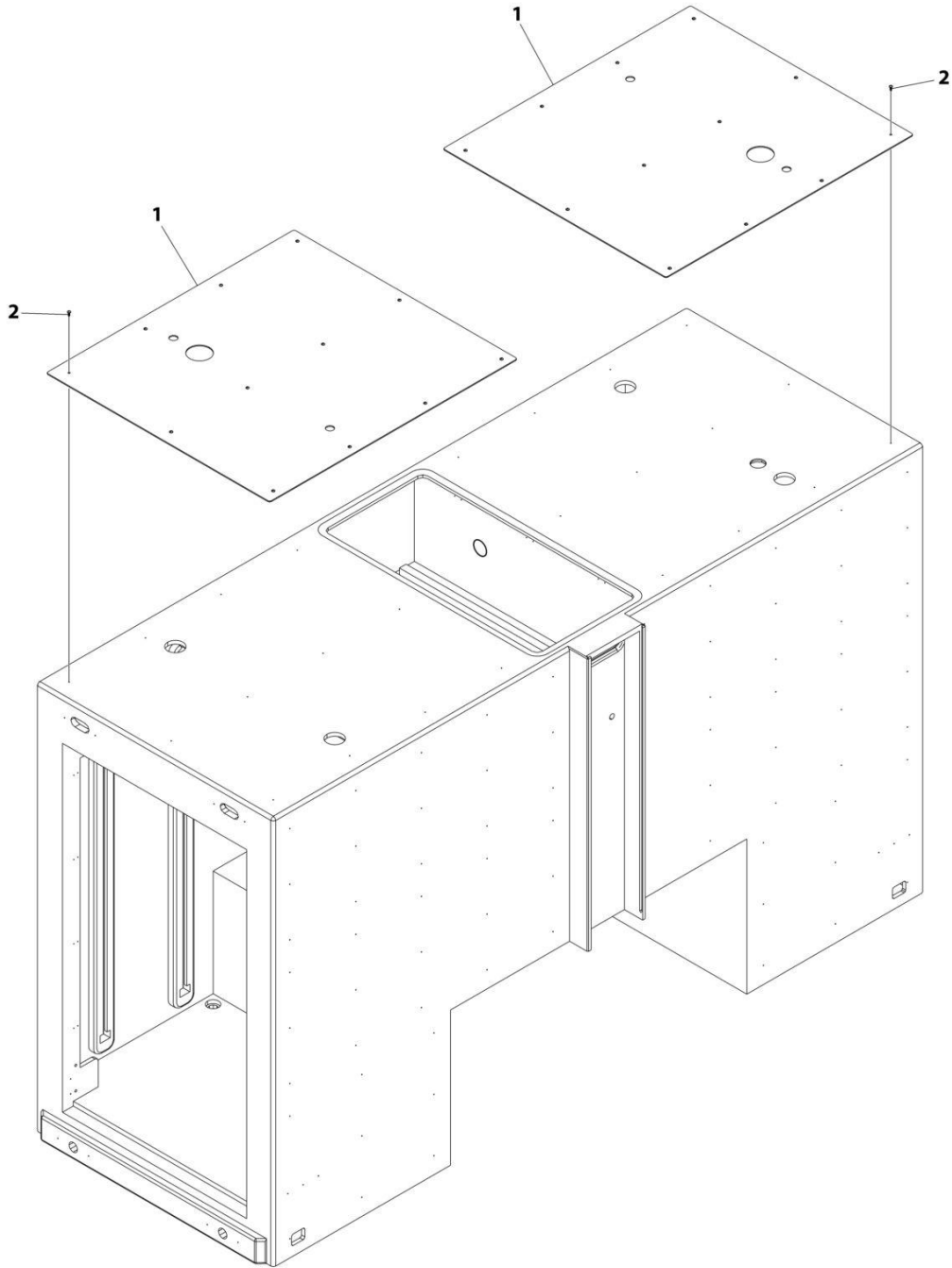
SECTION 4 - BODY

FIGURE 4-13. DIAMOND PLATE INSTALLATION - TUNNEL FRONT WITHOUT CWT

ITEM	PART NUMBER	QTY	DESCRIPTION	REV
	1001196586	Ref	DIAMOND PLATE INSTALLATION - TUNNEL FRONT (WITH MARKER LIGHT)	E
1	1001188156	4	Plate	
2	1001188157	1	Plate	
3	1001188158	1	Plate	
4	1001192958	80	Screw #10 x 1/2	
5	7590000358	2	Light, Amber	

SECTION 4 - BODY

FIGURE 4-14. DIAMOND PLATE INSTALLATION - TUNNEL TOP WITH PYLON (39IN TUNNEL)



ART_1001214328

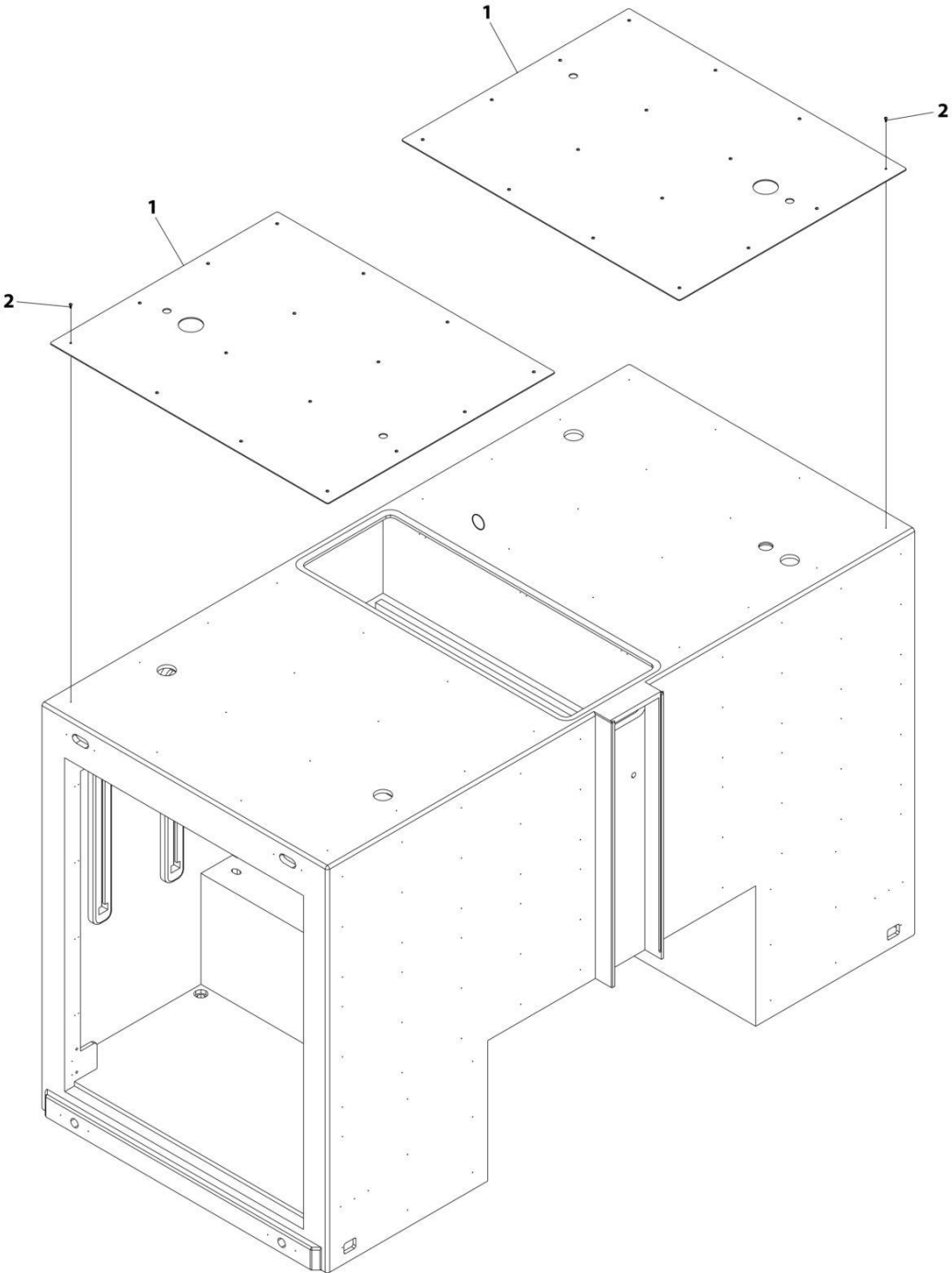
SECTION 4 - BODY

FIGURE 4-14. DIAMOND PLATE INSTALLATION - TUNNEL TOP WITH PYLON (39IN TUNNEL)

ITEM	PART NUMBER	QTY	DESCRIPTION	REV
	1001214328	Ref	DIAMOND PLATE INSTALLATION - TUNNEL TOP (39IN) (WITH PYLON)	B
1	1001214330	2	Plate	
2	1001192958	24	Screw #10 x 1/2	

SECTION 4 - BODY

FIGURE 4-15. DIAMOND PLATE INSTALLATION - TUNNEL TOP WITH PYLON (51IN TUNNEL)



ART_1001214327

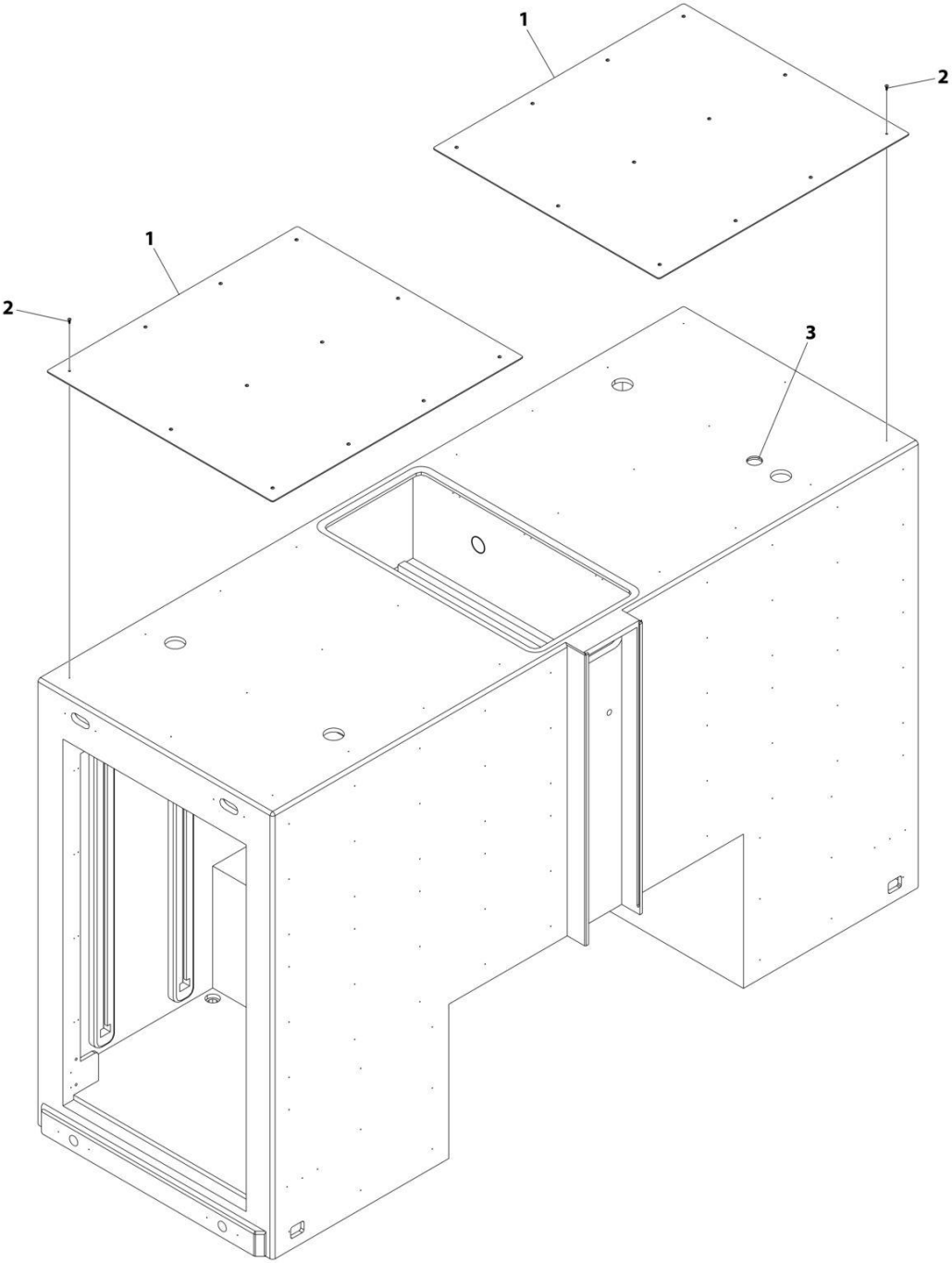
SECTION 4 - BODY

FIGURE 4-15. DIAMOND PLATE INSTALLATION - TUNNEL TOP WITH PYLON (51IN TUNNEL)

ITEM	PART NUMBER	QTY	DESCRIPTION	REV
	1001214327	Ref	DIAMOND PLATE INSTALLATION - TUNNEL TOP (51IN) (WITH PYLON)	B
1	1001214329	2	Plate	
2	1001192958	32	Screw #10 x 1/2	

SECTION 4 - BODY

FIGURE 4-16. DIAMOND PLATE INSTALLATION - TUNNEL TOP WITHOUT PYLON (39IN TUNNEL)



ART_1001186994

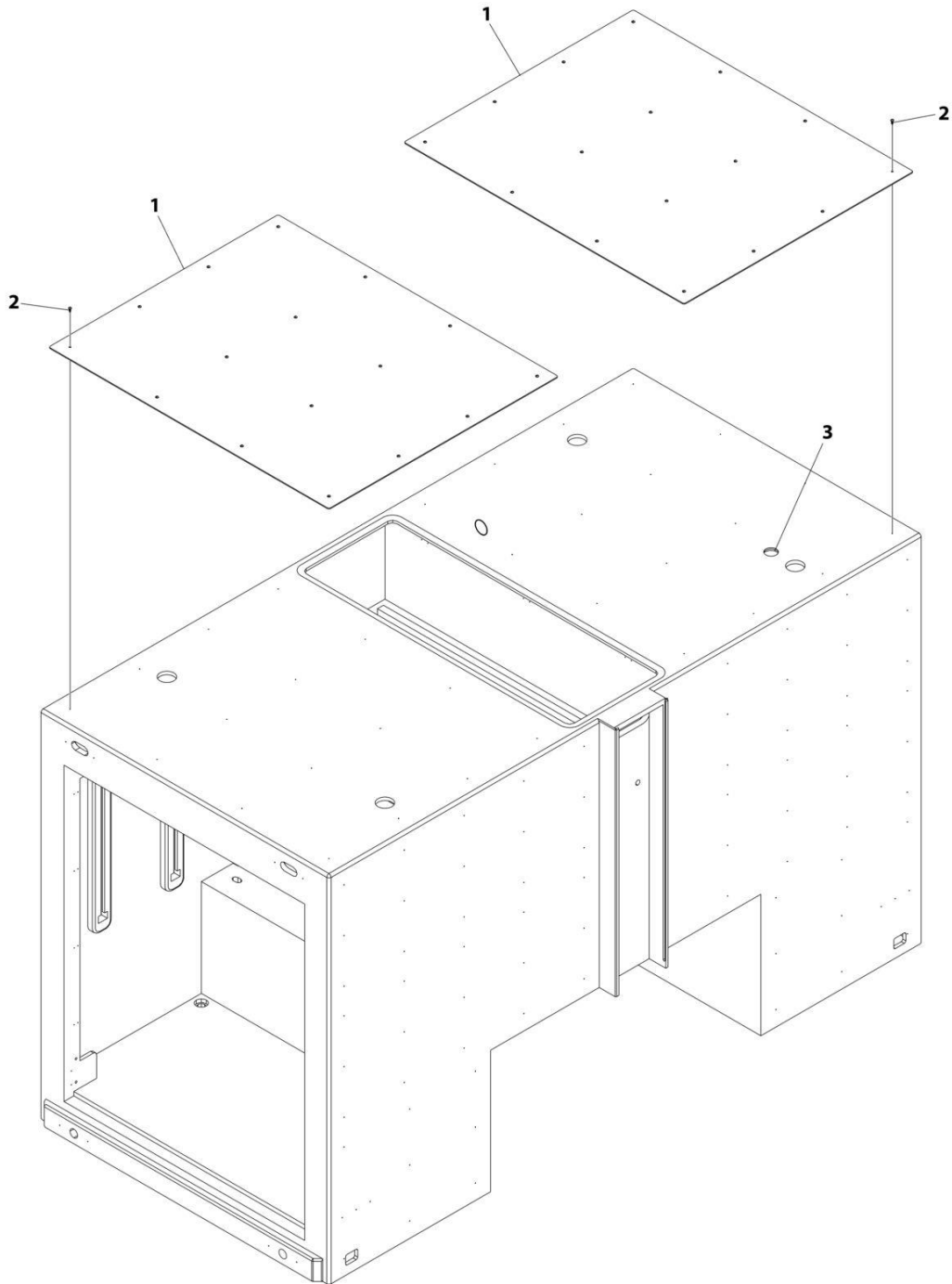
SECTION 4 - BODY

FIGURE 4-16. DIAMOND PLATE INSTALLATION - TUNNEL TOP WITHOUT PYLON (39IN TUNNEL)

ITEM	PART NUMBER	QTY	DESCRIPTION	REV
	1001186994	Ref	DIAMOND PLATE INSTALLATION - TUNNEL TOP (39IN) (WITHOUT PYLON)	C
1	1001186993	2	Plate	
2	1001192958	24	Screw #10 x 1/2	
3	8798820001	AR	Sealant	

SECTION 4 - BODY

FIGURE 4-17. DIAMOND PLATE INSTALLATION - TUNNEL TOP WITHOUT PYLON (51IN TUNNEL)



ART_1001187001

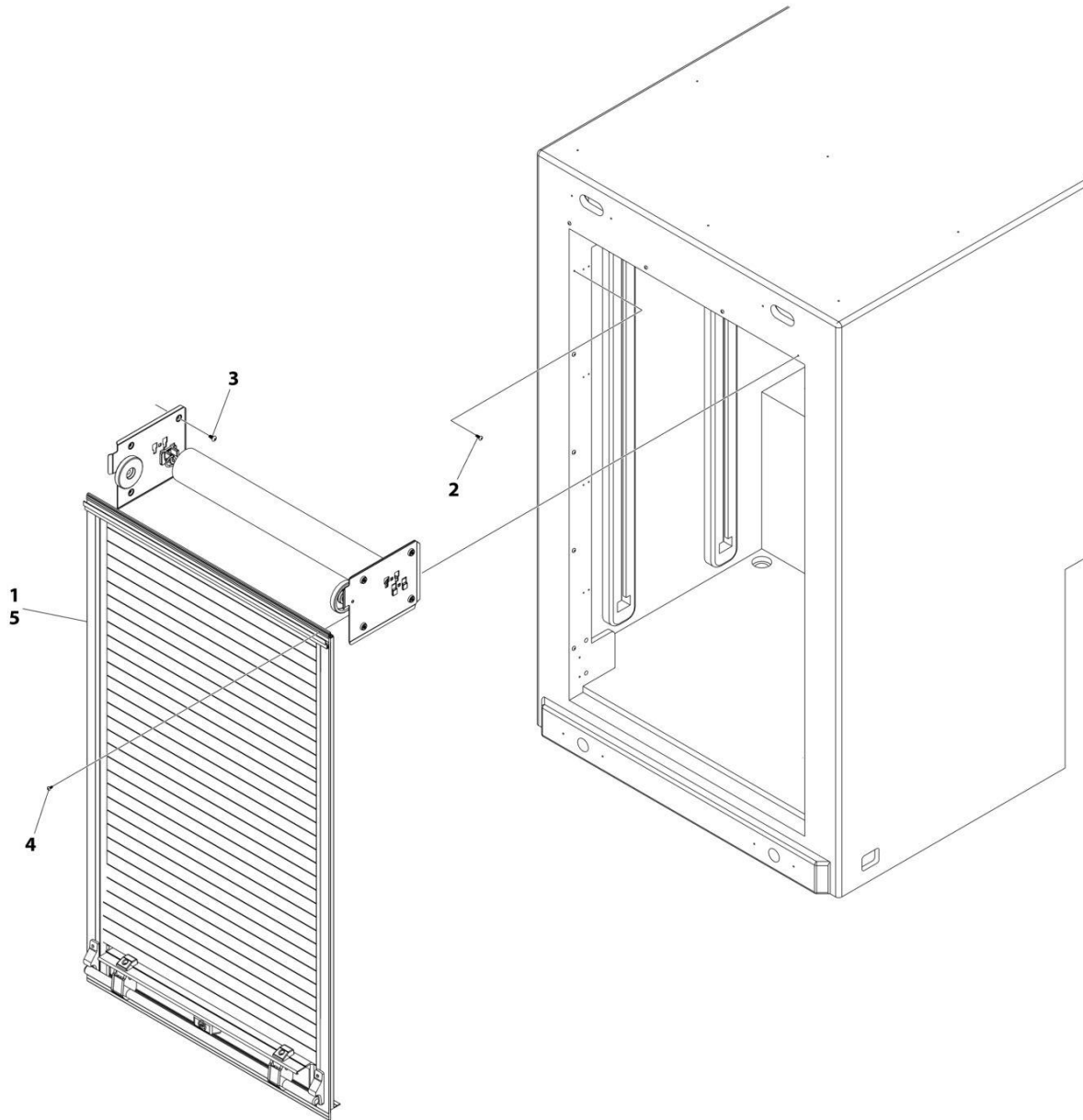
SECTION 4 - BODY

FIGURE 4-17. DIAMOND PLATE INSTALLATION - TUNNEL TOP WITHOUT PYLON (51IN TUNNEL)

ITEM	PART NUMBER	QTY	DESCRIPTION	REV
	1001187001	Ref	DIAMOND PLATE INSTALLATION - TUNNEL TOP (51IN) (WITHOUT PYLON)	C
1	1001187000	2	Plate	
2	1001192958	32	Screw #10 x 1/2	
3	8798820001	AR	Sealant	

SECTION 4 - BODY

FIGURE 4-18. DOORS INSTALLATION - 37IN TUNNEL (PAINTED DOOR & FRAME) (SN 0230004275 through 0230008673, Excluding 0230008645)



ART_1001208342

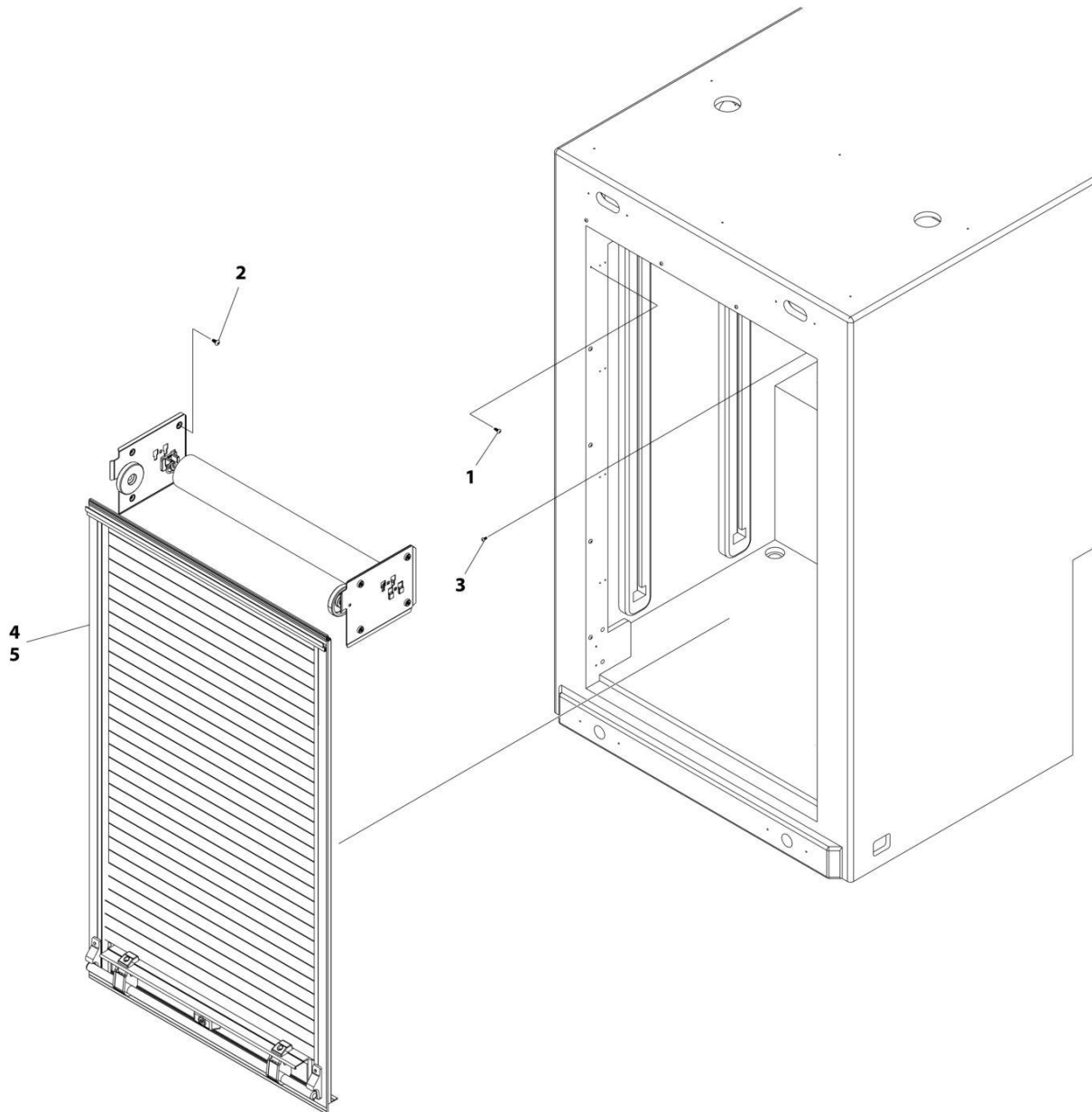
SECTION 4 - BODY

FIGURE 4-18. DOORS INSTALLATION - 37IN TUNNEL (PAINTED DOOR & FRAME) (SN 0230004275 through 0230008673, Excluding 0230008645)

ITEM	PART NUMBER	QTY	DESCRIPTION	REV
	1001208342	Ref	DOORS AND FRAME INSTALLATION - 37IN TUNNEL (PAINTED)	A
	1001197568	Ref	Door Installation, 36IN	B
1	1001186986	2	Door	
2	1001192958	20	Screw #10 x 1/2	
3	1001195257	16	Screw 1/4 x 1/2	
4	1001198602	8	Screw #8 x 3/8	
5	8798820001	AR	Sealant	

SECTION 4 - BODY

FIGURE 4-19. DOORS INSTALLATION - 37IN TUNNEL (PAINTED DOOR & FRAME) (SN 0230008674 to Present, Including 0230008645)



ART_1001255364

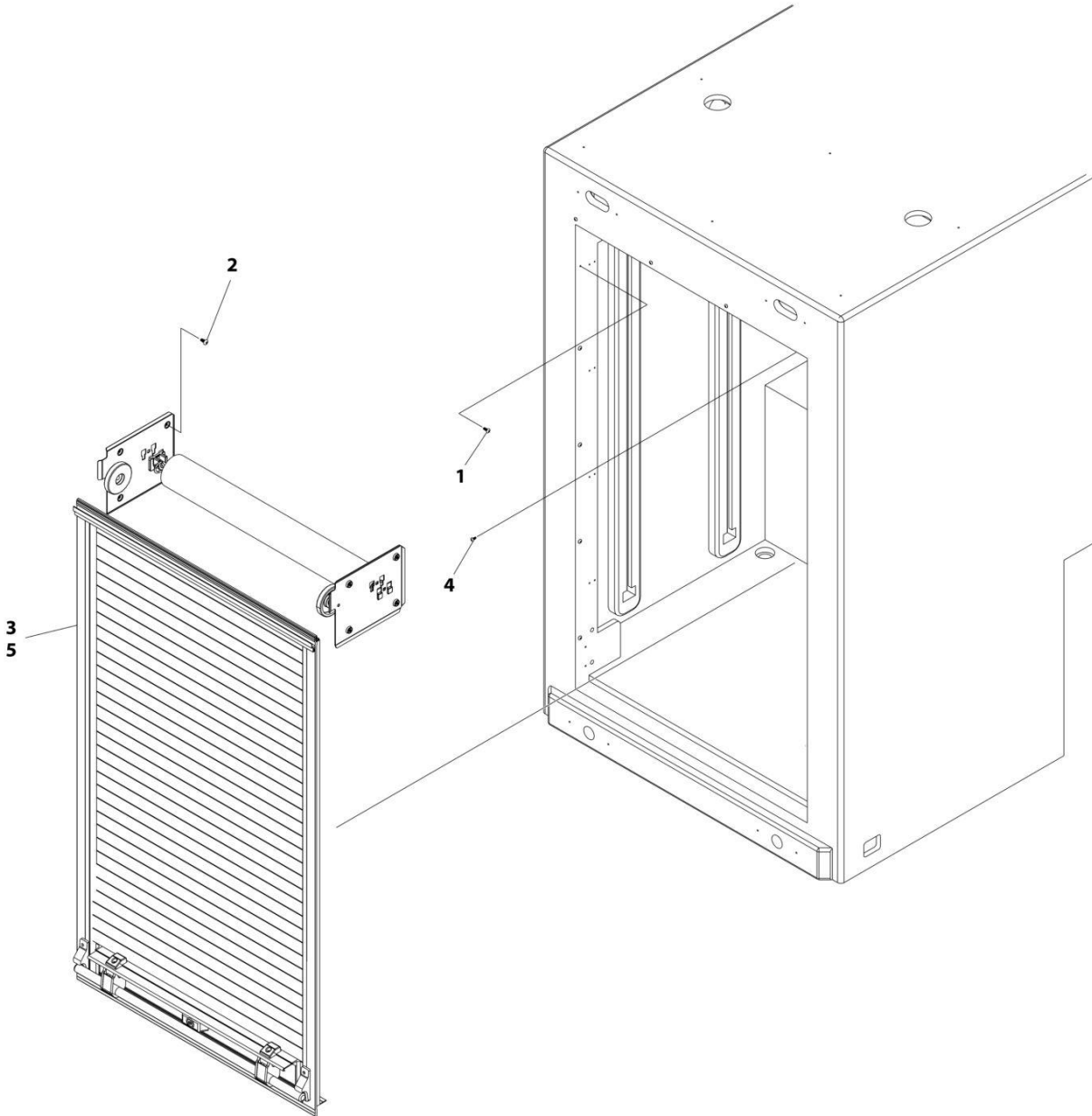
SECTION 4 - BODY

FIGURE 4-19. DOORS INSTALLATION - 37IN TUNNEL (PAINTED DOOR & FRAME) (SN 0230008674 to Present, Including 0230008645)

ITEM	PART NUMBER	QTY	DESCRIPTION	REV
	1001255364	Ref	DOOR INSTALLATION W/TUNNEL, 37IN (PAINTED DOOR AND FRAME)	A
	1001255362	Ref	Door Installation W/Tunnel, 39IN	B
1	1001192958	20	Screw #10 x 1/2	
2	1001195257	16	Screw 1/4 x 1/2	
3	1001198602	8	Screw #8 x 3/8	
4	1001253561	2	Door	
5	8798820001	AR	Sealant	

SECTION 4 - BODY

FIGURE 4-20. DOORS INSTALLATION - 37IN TUNNEL (PAINTED DOOR ONLY)



ART_1001208334

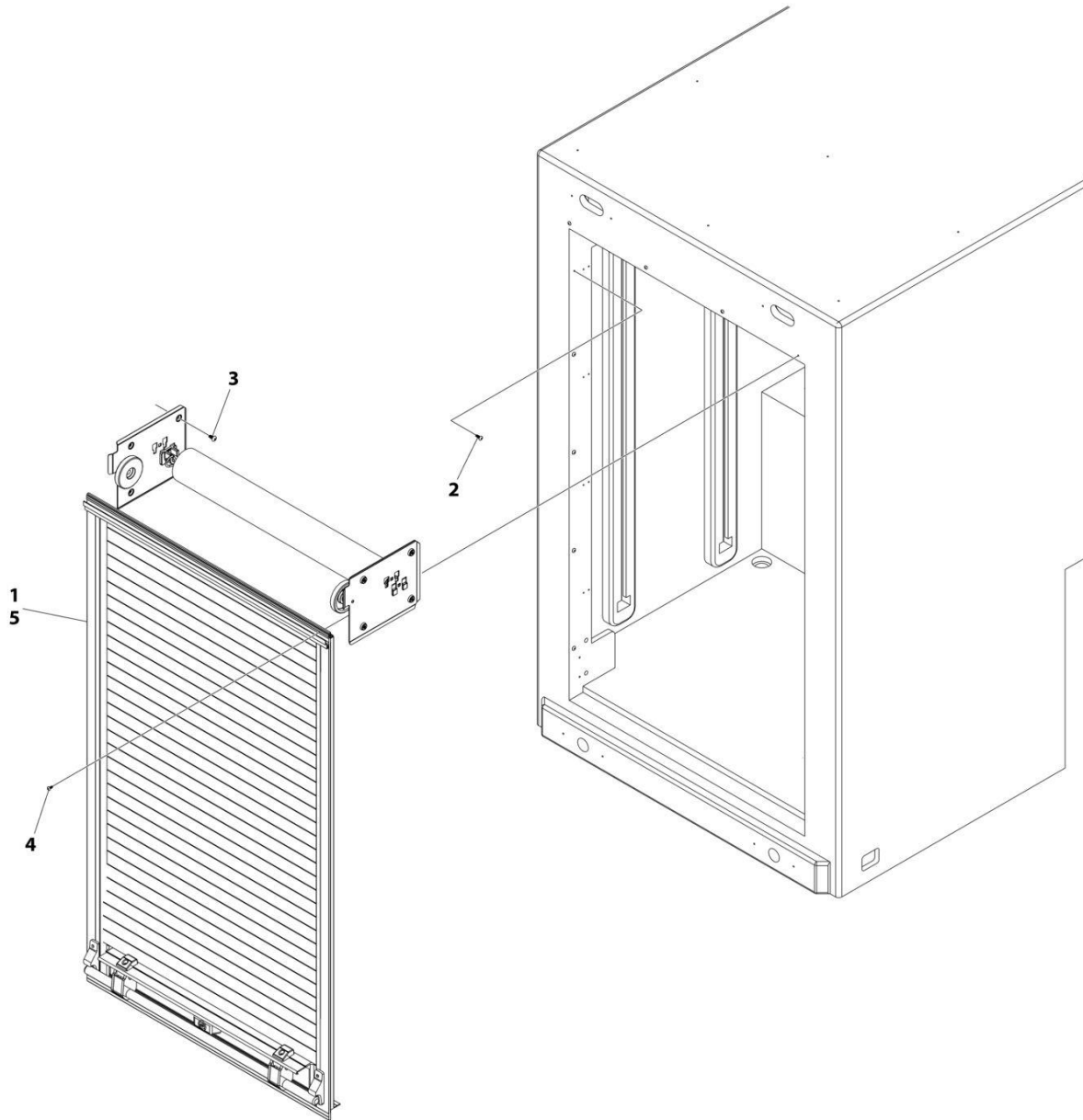
SECTION 4 - BODY

FIGURE 4-20. DOORS INSTALLATION - 37IN TUNNEL (PAINTED DOOR ONLY)

ITEM	PART NUMBER	QTY	DESCRIPTION	REV
	1001208334	Ref	DOOR INSTALLATION W/TUNNEL, 37IN (PAINTED DOOR)	A
	1001197567	Ref	Door Installation W/Tunnel (Painted Door)	A
1	1001192958	20	Screw #10 x 1/2	
2	1001195257	16	Screw 1/4 x 1/2	
3	1001197181	2	Door	
4	1001198602	8	Screw #8 x 3/8	
5	8798820001	AR	Sealant	

SECTION 4 - BODY

FIGURE 4-21. DOORS INSTALLATION - 39IN TUNNEL (PAINTED DOOR & FRAME) (SN 0230004275 through 0230008673, Excluding 0230008645)



ART_1001197568

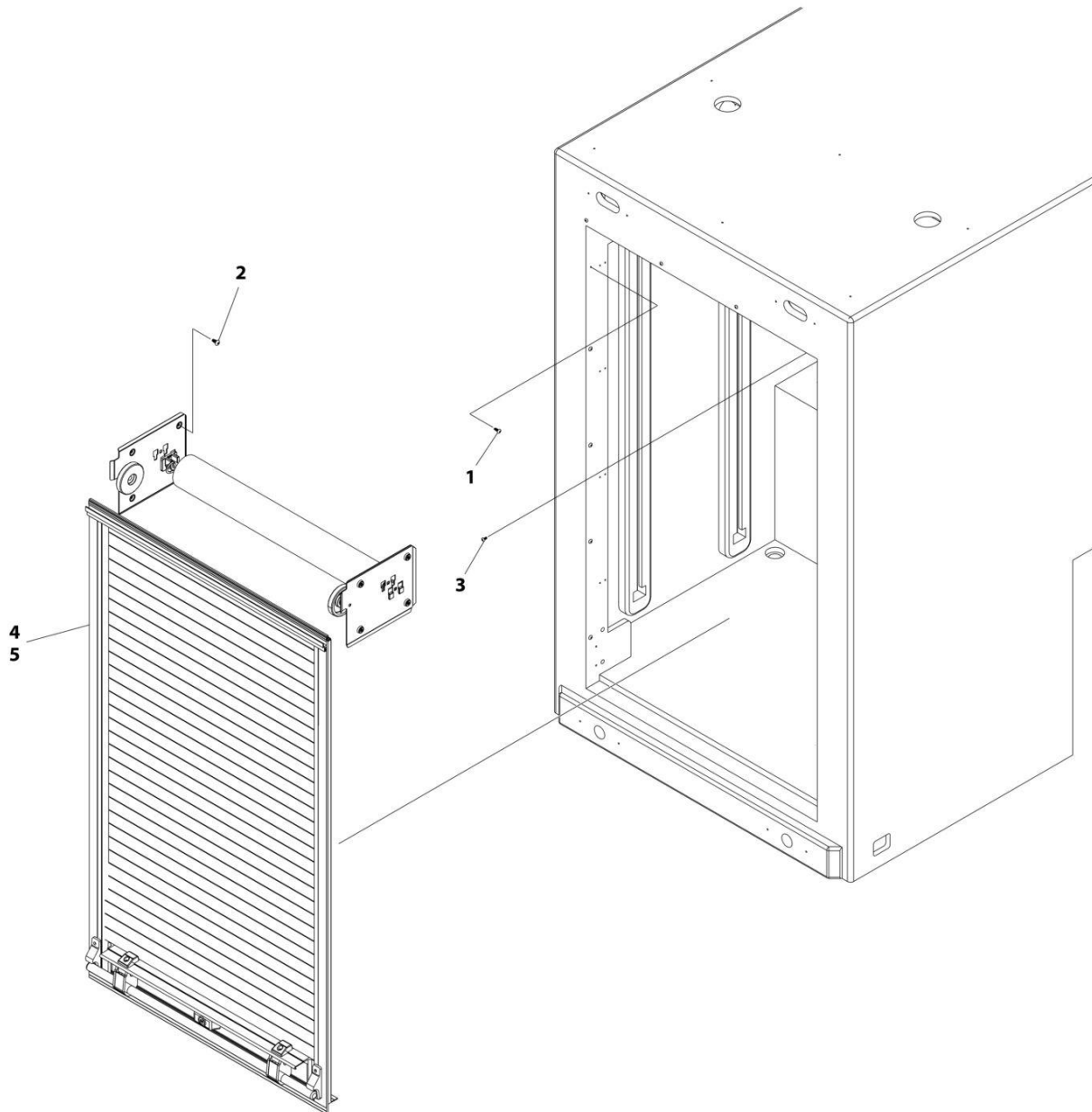
SECTION 4 - BODY

FIGURE 4-21. DOORS INSTALLATION - 39IN TUNNEL (PAINTED DOOR & FRAME) (SN 0230004275 through 0230008673, Excluding 0230008645)

ITEM	PART NUMBER	QTY	DESCRIPTION	REV
	1001197568	Ref	DOORS AND FRAME INSTALLATION - 39IN TUNNEL (PAINTED)	B
1	1001186986	2	Door	
2	1001192958	20	Screw #10 x 1/2	
3	1001195257	16	Screw 1/4 x 1/2	
4	1001198602	8	Screw #8 x 3/8	
5	8798820001	AR	Sealant	

SECTION 4 - BODY

FIGURE 4-22. DOORS INSTALLATION - 39IN TUNNEL (PAINTED DOOR & FRAME) (SN 0230008674 to Present, Including 0230008645)



ART_1001255362

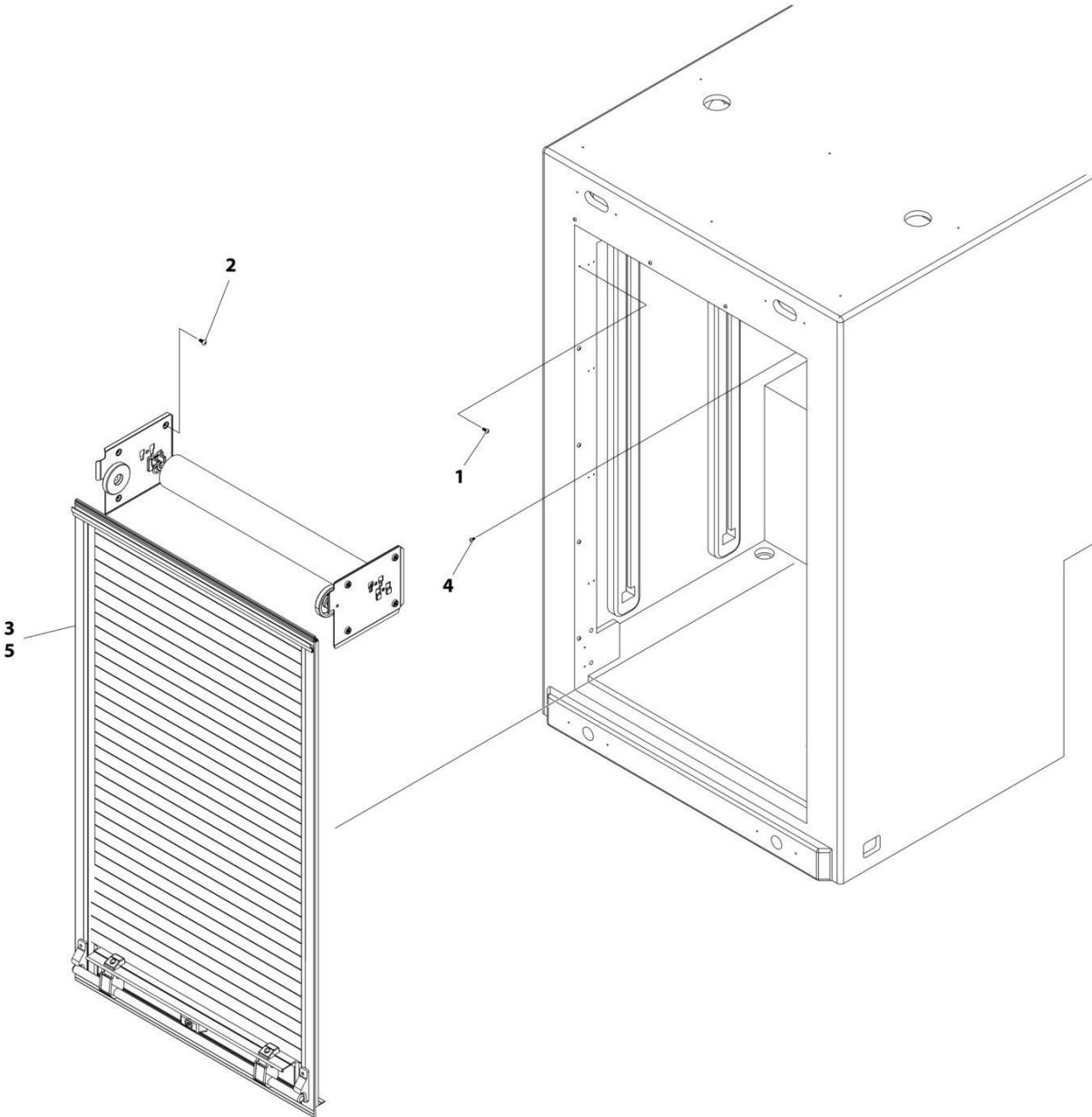
SECTION 4 - BODY

FIGURE 4-22. DOORS INSTALLATION - 39IN TUNNEL (PAINTED DOOR & FRAME) (SN 0230008674 to Present, Including 0230008645)

ITEM	PART NUMBER	QTY	DESCRIPTION	REV
	1001255362	Ref	DOOR INSTALLATION W/TUNNEL, 39IN (PAINTED DOOR AND FRAME)	B
1	1001192958	20	Screw #10 x 1/2	
2	1001195257	16	Screw 1/4 x 1/2	
3	1001198602	8	Screw #8 x 3/8	
4	1001253561	2	Door	
5	8798820001	AR	Sealant	

SECTION 4 - BODY

FIGURE 4-23. DOORS INSTALLATION - 39IN TUNNEL (PAINTED DOOR ONLY)



ART_1001197567

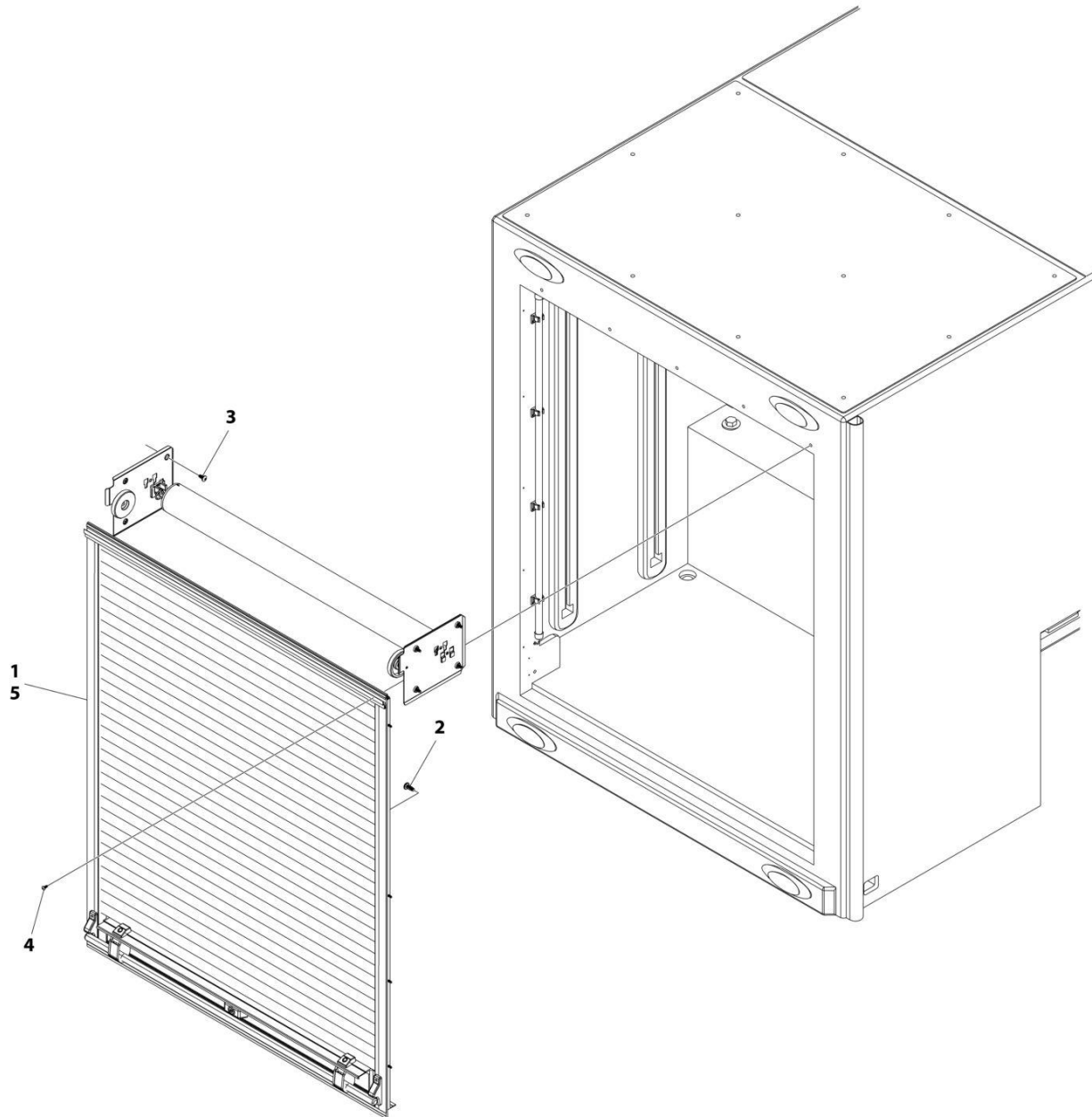
SECTION 4 - BODY

FIGURE 4-23. DOORS INSTALLATION - 39IN TUNNEL (PAINTED DOOR ONLY)

ITEM	PART NUMBER	QTY	DESCRIPTION	REV
	1001197567	Ref	DOOR INSTALLATION W/TUNNEL, 39IN (PAINTED DOOR)	A
1	1001192958	20	Screw #10 x 1/2	
2	1001195257	16	Screw 1/4 x 1/2	
3	1001197181	2	Door	
4	1001198602	8	Screw #8 x 3/8	
5	8798820001	AR	Sealant	

SECTION 4 - BODY

FIGURE 4-24. DOORS INSTALLATION - 49IN TUNNEL (PAINTED DOOR & FRAME) (SN 0230004275 through 0230008673, Excluding 0230008645)



ART_1001208332

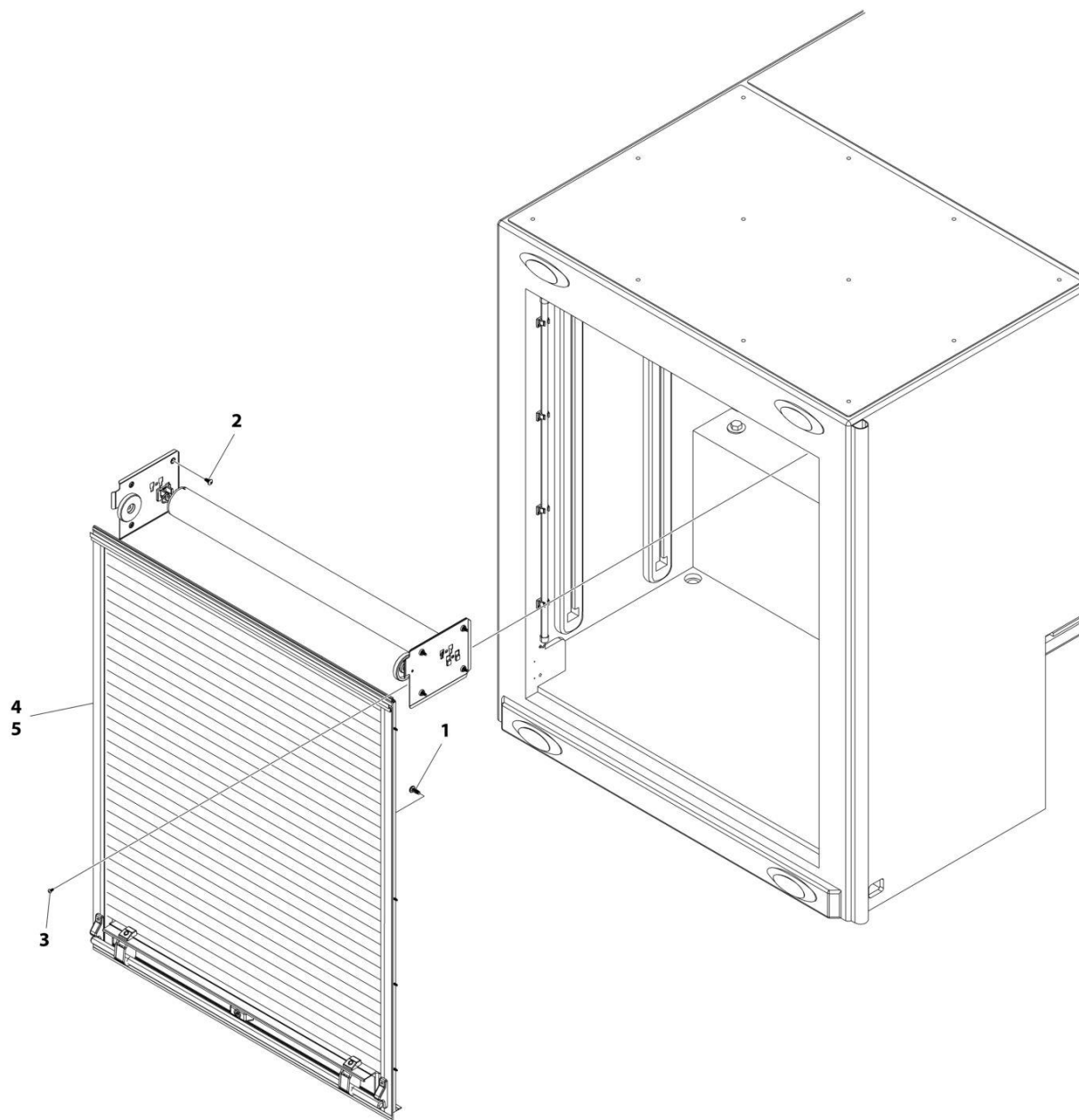
SECTION 4 - BODY

FIGURE 4-24. DOORS INSTALLATION - 49IN TUNNEL (PAINTED DOOR & FRAME) (SN 0230004275 through 0230008673, Excluding 0230008645)

ITEM	PART NUMBER	QTY	DESCRIPTION	REV
	1001208332	Ref	DOORS AND FRAME INSTALLATION - 49IN TUNNEL (PAINTED)	A
	1001197688	Ref	Door Installation, 49IN	B
1	1001186987	2	Door	
2	1001192958	20	Screw #10 x 1/2	
3	1001195257	16	Screw 1/4 x 1/2	
4	1001198602	8	Screw #8 x 3/8	
5	8798820001	AR	Sealant	

SECTION 4 - BODY

FIGURE 4-25. DOORS INSTALLATION - 49IN TUNNEL (PAINTED DOOR & FRAME) (SN 0230008674 to Present, Including 0230008645)



ART_1001255363

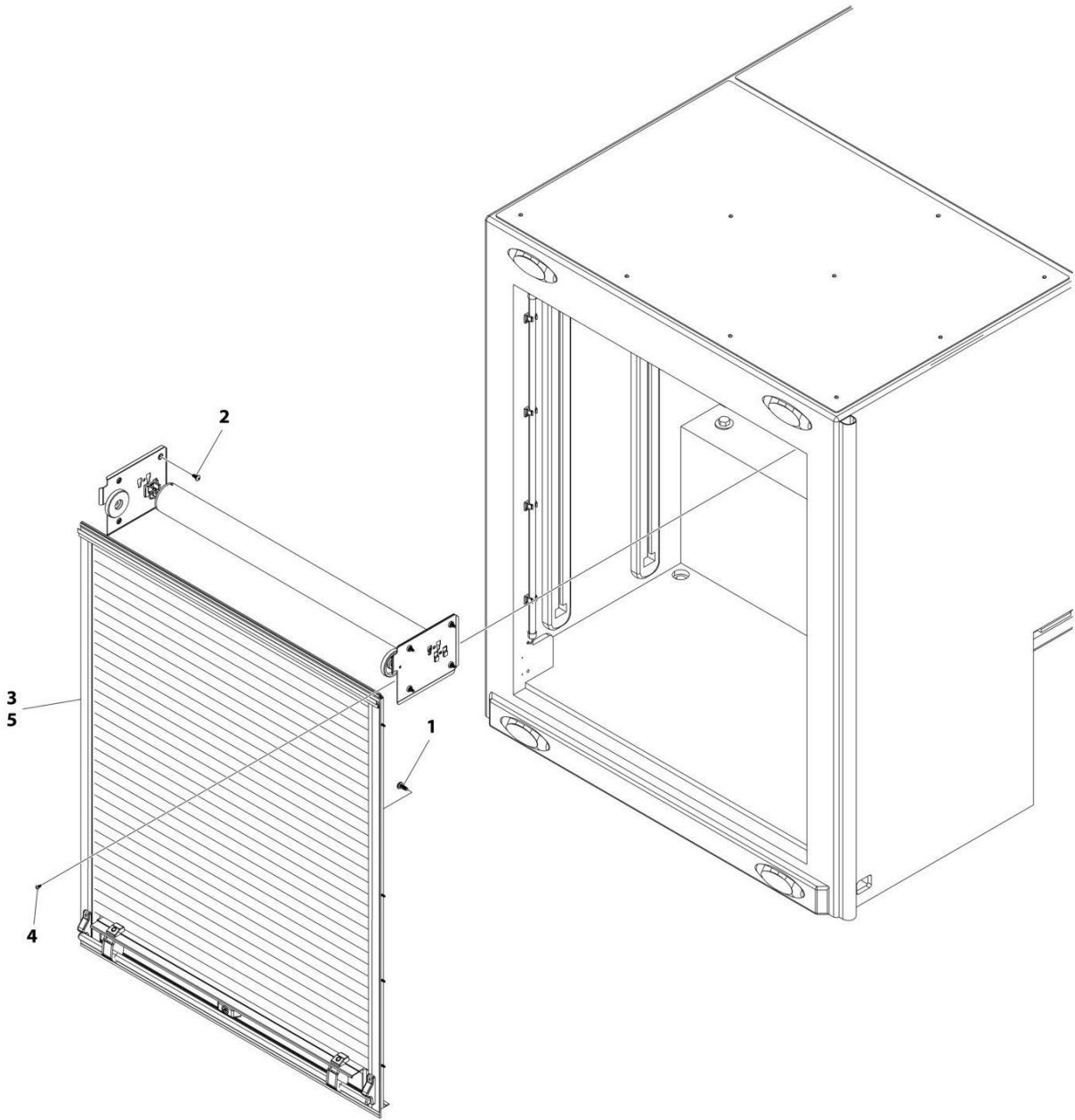
SECTION 4 - BODY

FIGURE 4-25. DOORS INSTALLATION - 49IN TUNNEL (PAINTED DOOR & FRAME) (SN 0230008674 to Present, Including 0230008645)

ITEM	PART NUMBER	QTY	DESCRIPTION	REV
	1001255363	Ref	DOOR INSTALLATION W/TUNNEL, 49IN (PAINTED DOOR AND FRAME)	A
	1001255361	Ref	Door Installation W/Tunnel (Painted Door and Frame)	B
1	1001192958	20	Screw #10 x 1/2	
2	1001195257	16	Screw 1/4 x 1/2	
3	1001198602	8	Screw #8 x 3/8	
4	1001253560	2	Door	
5	8798820001	AR	Sealant	

SECTION 4 - BODY

FIGURE 4-26. DOORS INSTALLATION - 49IN TUNNEL (PAINTED DOOR ONLY)



ART_1001208330

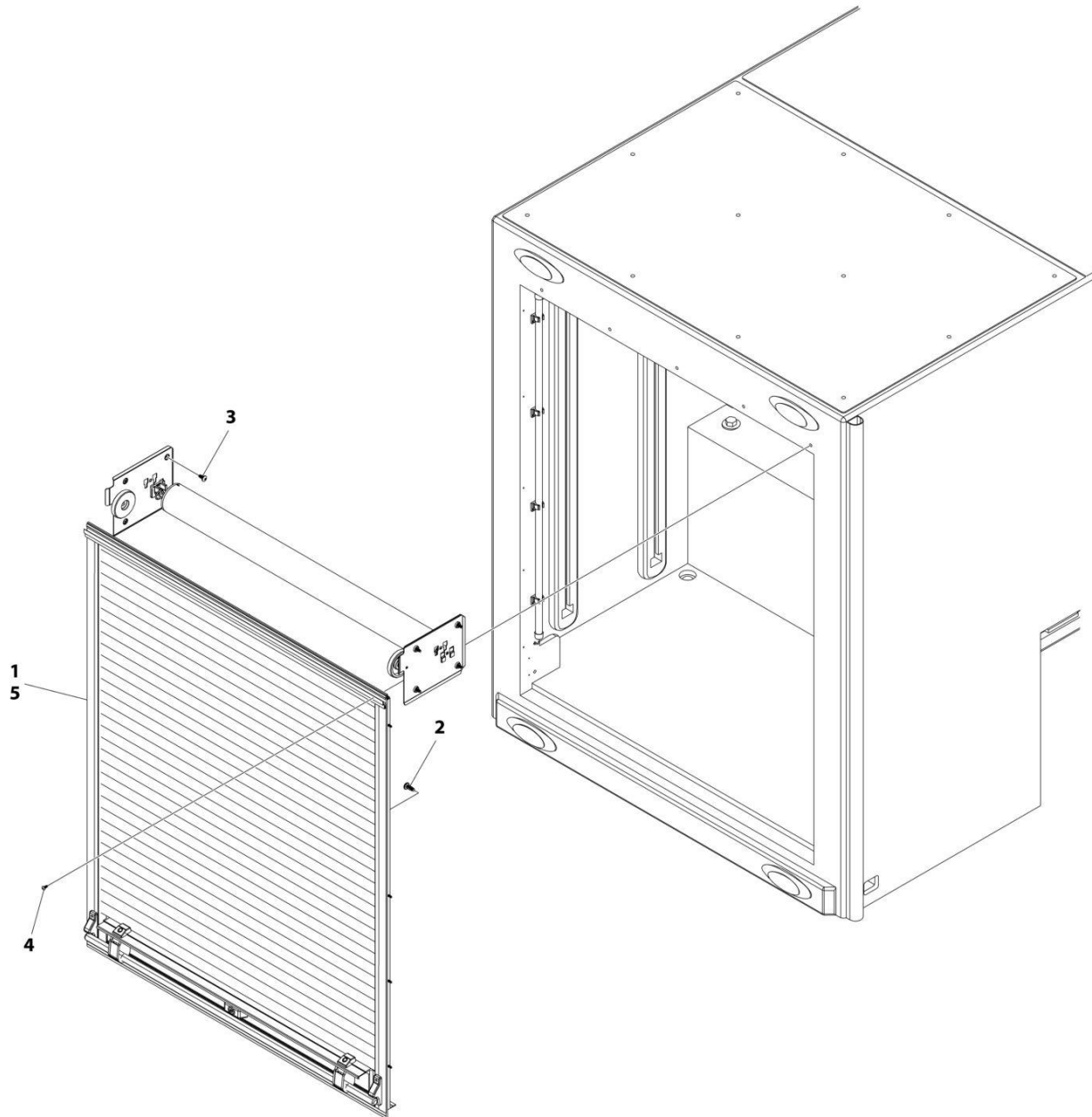
SECTION 4 - BODY

FIGURE 4-26. DOORS INSTALLATION - 49IN TUNNEL (PAINTED DOOR ONLY)

ITEM	PART NUMBER	QTY	DESCRIPTION	REV
	1001208330	Ref	DOOR INSTALLATION W/TUNNEL, 49IN (PAINTED DOOR)	A
	1001197687	Ref	Door Installation W/Tunnel (Painted Door Only)	A
1	1001192958	20	Screw #10 x 1/2	
2	1001195257	16	Screw 1/4 x 1/2	
3	1001197158	2	Door	
4	1001198602	8	Screw #8 x 3/8	
5	8798820001	AR	Sealant	

SECTION 4 - BODY

FIGURE 4-27. DOORS INSTALLATION - 51IN TUNNEL (PAINTED DOOR & FRAME) (SN 0230004275 through 0230008673, Excluding 0230008645)



ART_1001197688

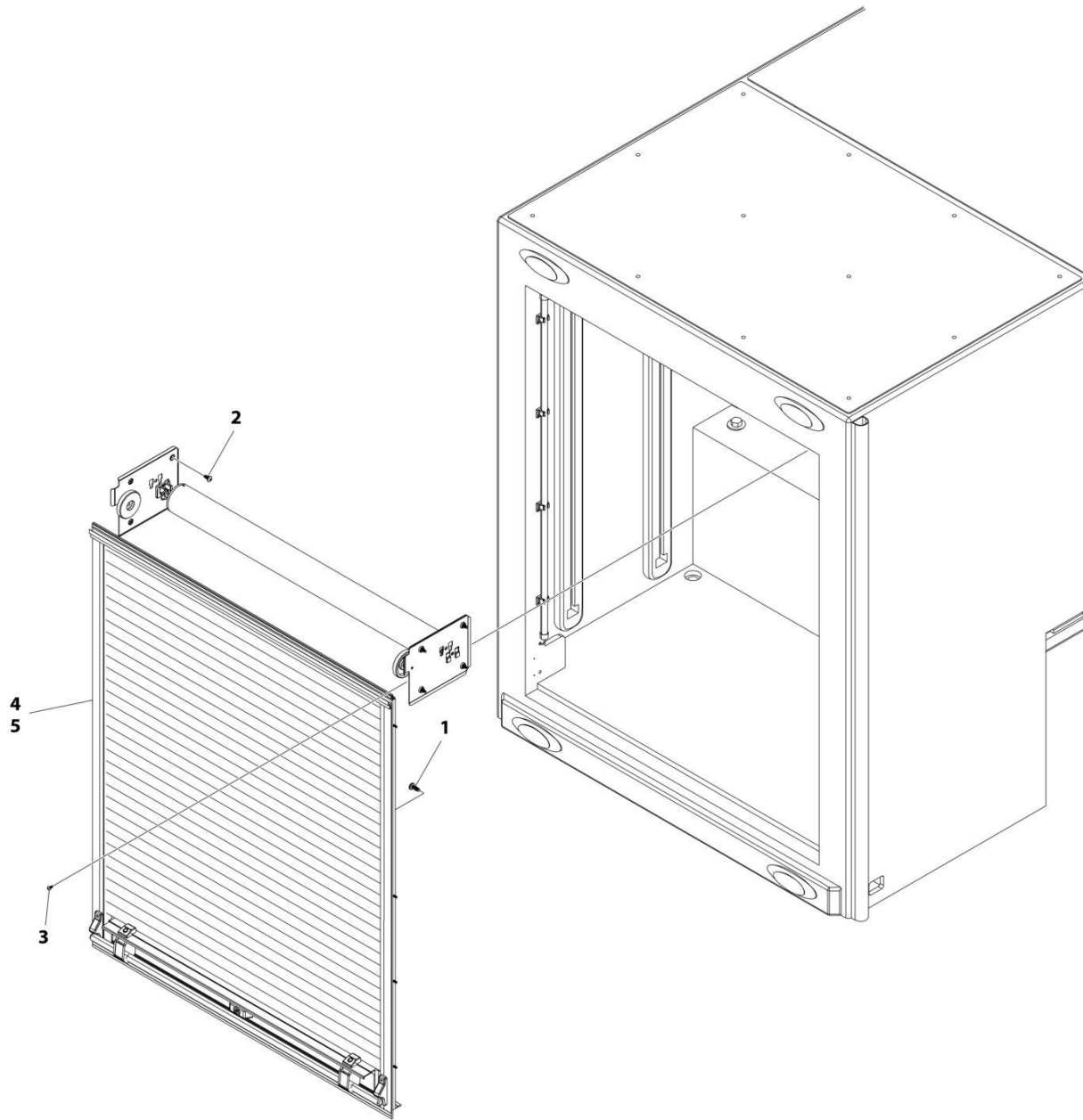
SECTION 4 - BODY

FIGURE 4-27. DOORS INSTALLATION - 51IN TUNNEL (PAINTED DOOR & FRAME) (SN 0230004275 through 0230008673, Excluding 0230008645)

ITEM	PART NUMBER	QTY	DESCRIPTION	REV
	1001197688	Ref	DOORS AND FRAME INSTALLATION - 51IN TUNNEL (PAINTED)	B
1	1001186987	2	Door	
2	1001192958	20	Screw #10 x 1/2	
3	1001195257	16	Screw 1/4 x 1/2	
4	1001198602	8	Screw #8 x 3/8	
5	8798820001	AR	Sealant	

SECTION 4 - BODY

FIGURE 4-28. DOORS INSTALLATION - 51IN TUNNEL (PAINTED DOOR & FRAME) (SN 0230008674 to Present, Including 0230008645)



ART_1001255361

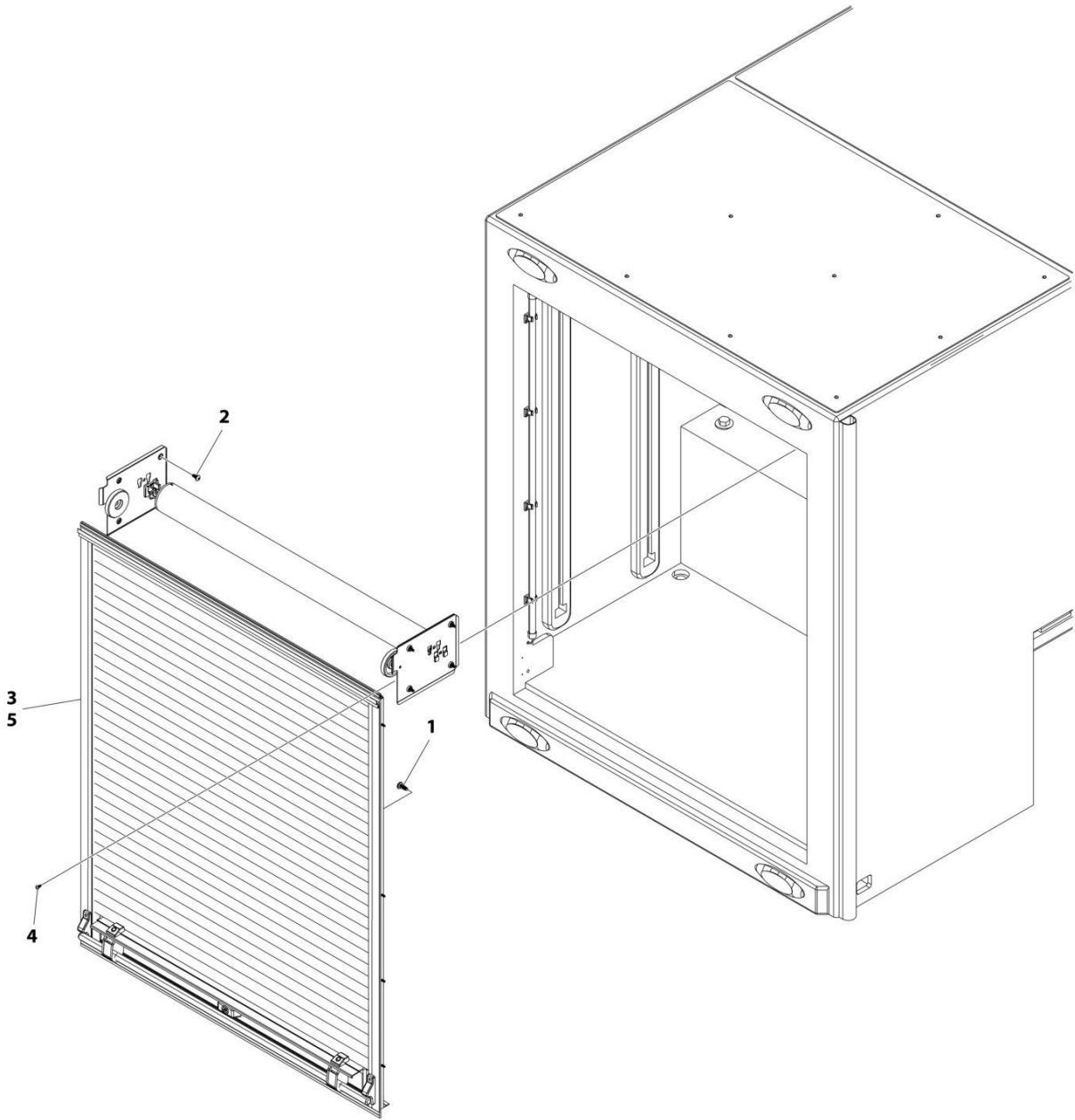
SECTION 4 - BODY

FIGURE 4-28. DOORS INSTALLATION - 51IN TUNNEL (PAINTED DOOR & FRAME) (SN 0230008674 to Present, Including 0230008645)

ITEM	PART NUMBER	QTY	DESCRIPTION	REV
	1001255361	Ref	Door Installation W/Tunnel, 48IN (Painted Door and Frame)	B
1	1001192958	20	Screw #10 x 1/2	
2	1001195257	16	Screw 1/4 x 1/2	
3	1001198602	8	Screw #8 x 3/8	
4	1001253560	2	Door	
5	8798820001	AR	Sealant	

SECTION 4 - BODY

FIGURE 4-29. DOORS INSTALLATION - 51IN TUNNEL (PAINTED DOOR ONLY)



ART_1001197687

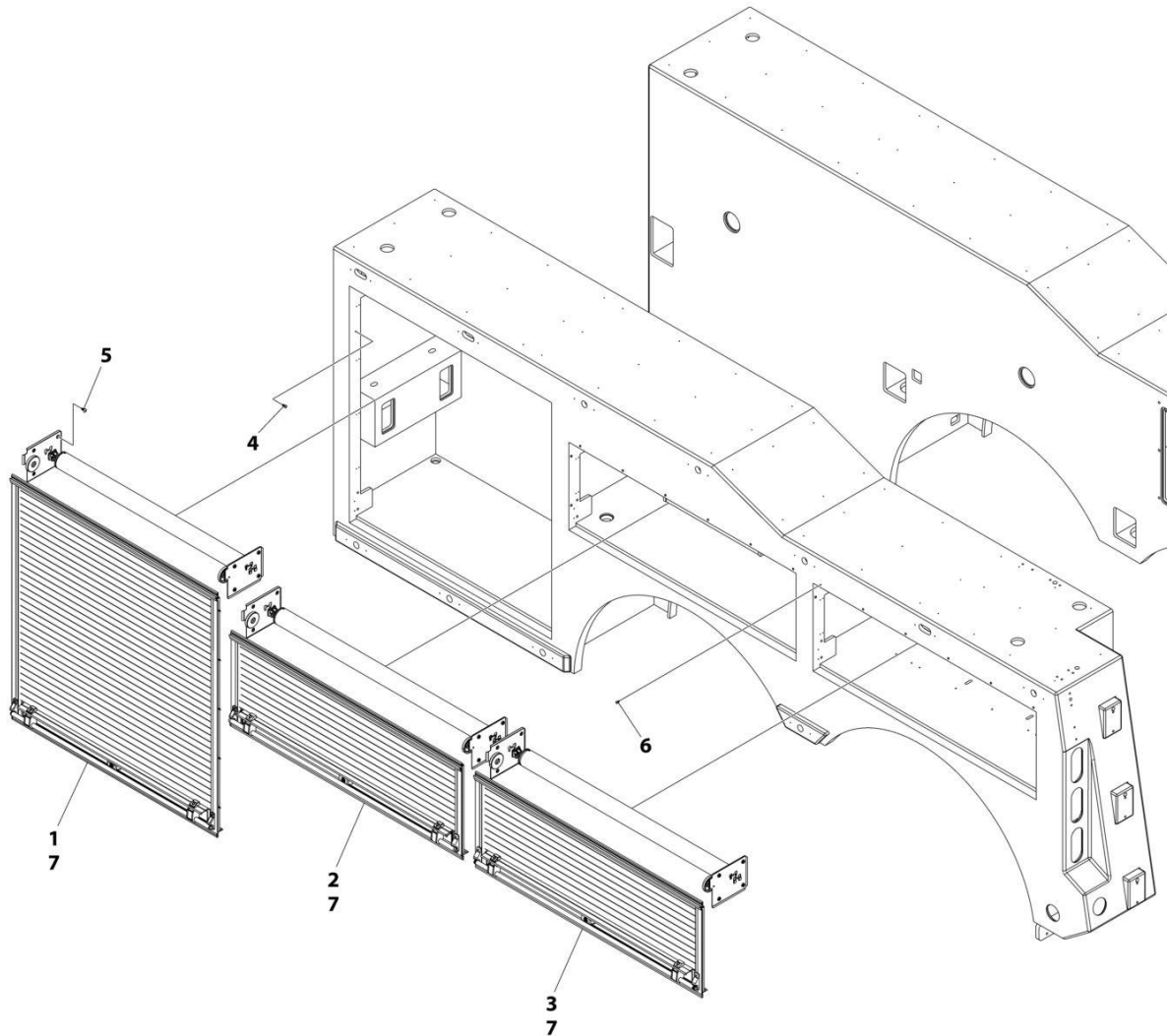
SECTION 4 - BODY

FIGURE 4-29. DOORS INSTALLATION - 51IN TUNNEL (PAINTED DOOR ONLY)

ITEM	PART NUMBER	QTY	DESCRIPTION	REV
	1001197687	Ref	DOOR INSTALLATION W/TUNNEL, 48IN (PAINTED DOOR)	A
1	1001192958	20	Screw #10 x 1/2	
2	1001195257	16	Screw 1/4 x 1/2	
3	1001197158	2	Door	
4	1001198602	8	Screw #8 x 3/8	
5	8798820001	AR	Sealant	

SECTION 4 - BODY

FIGURE 4-30. DOORS INSTALLATION - REAR (PAINTED DOORS & FRAME) (TANDEM) (SN 0230004275 through 0230008673, Excluding 0230008645)



ART_1001197636

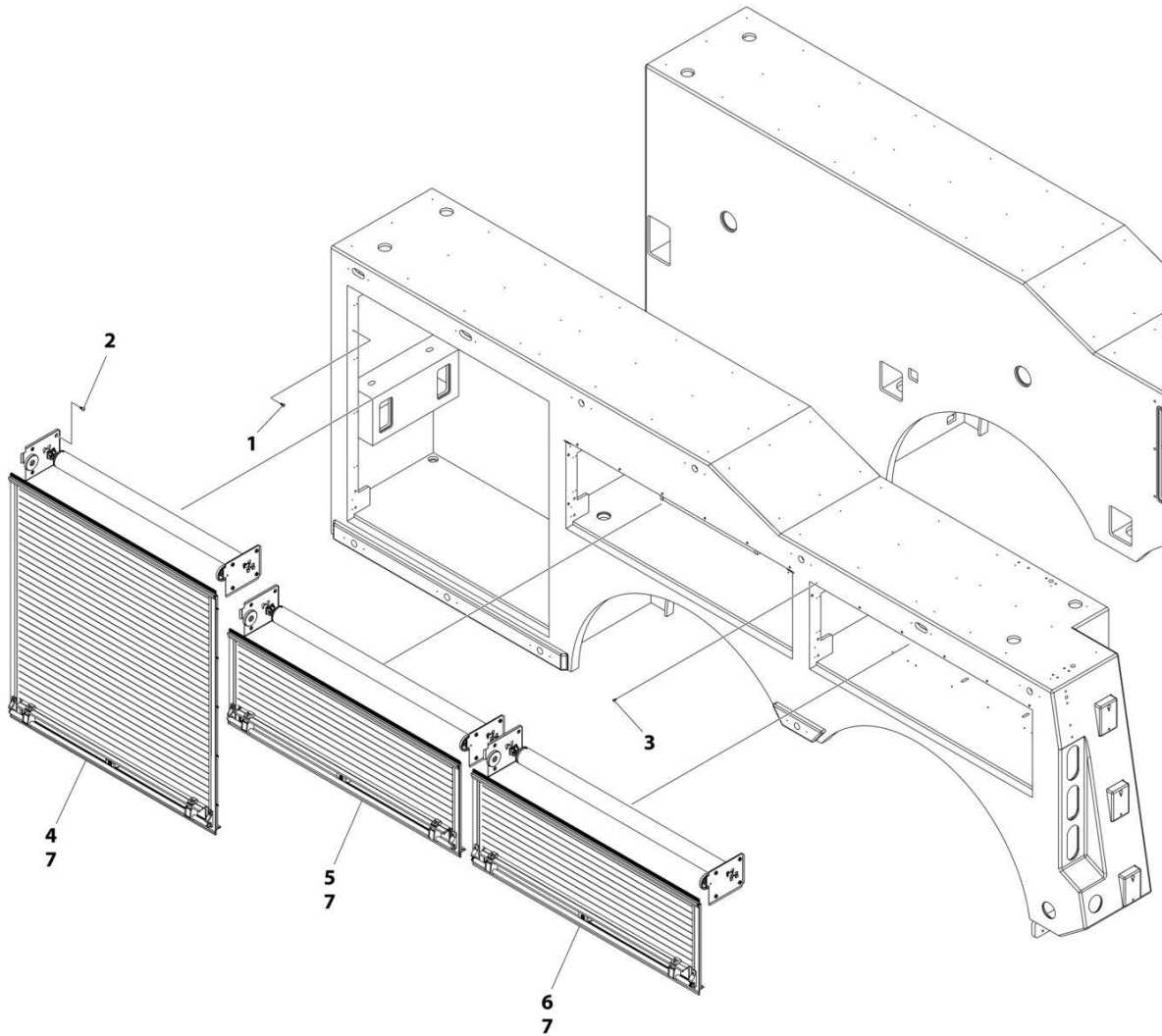
SECTION 4 - BODY

FIGURE 4-30. DOORS INSTALLATION - REAR (PAINTED DOORS & FRAME) (TANDEM) (SN 0230004275 through 0230008673, Excluding 0230008645)

ITEM	PART NUMBER	QTY	DESCRIPTION	REV
	1001197636	Ref	DOORS & FRAME INSTALLATION - REAR TANDEM BODY (PAINTED)	B
1	1001186988	2	Door	
2	1001186989	2	Door	
3	1001186990	2	Door	
4	1001192958	36	Screw #10 x 1/2	
5	1001195257	48	Screw 1/4 x 1/2	
6	1001198602	34	Screw #8 x 3/8	
7	8798820001	AR	Sealant	

SECTION 4 - BODY

FIGURE 4-31. DOORS INSTALLATION - REAR (PAINTED DOORS & FRAME) (TANDEM) (SN 0230008674 to Present, Including 0230008645)



ART_1001255709

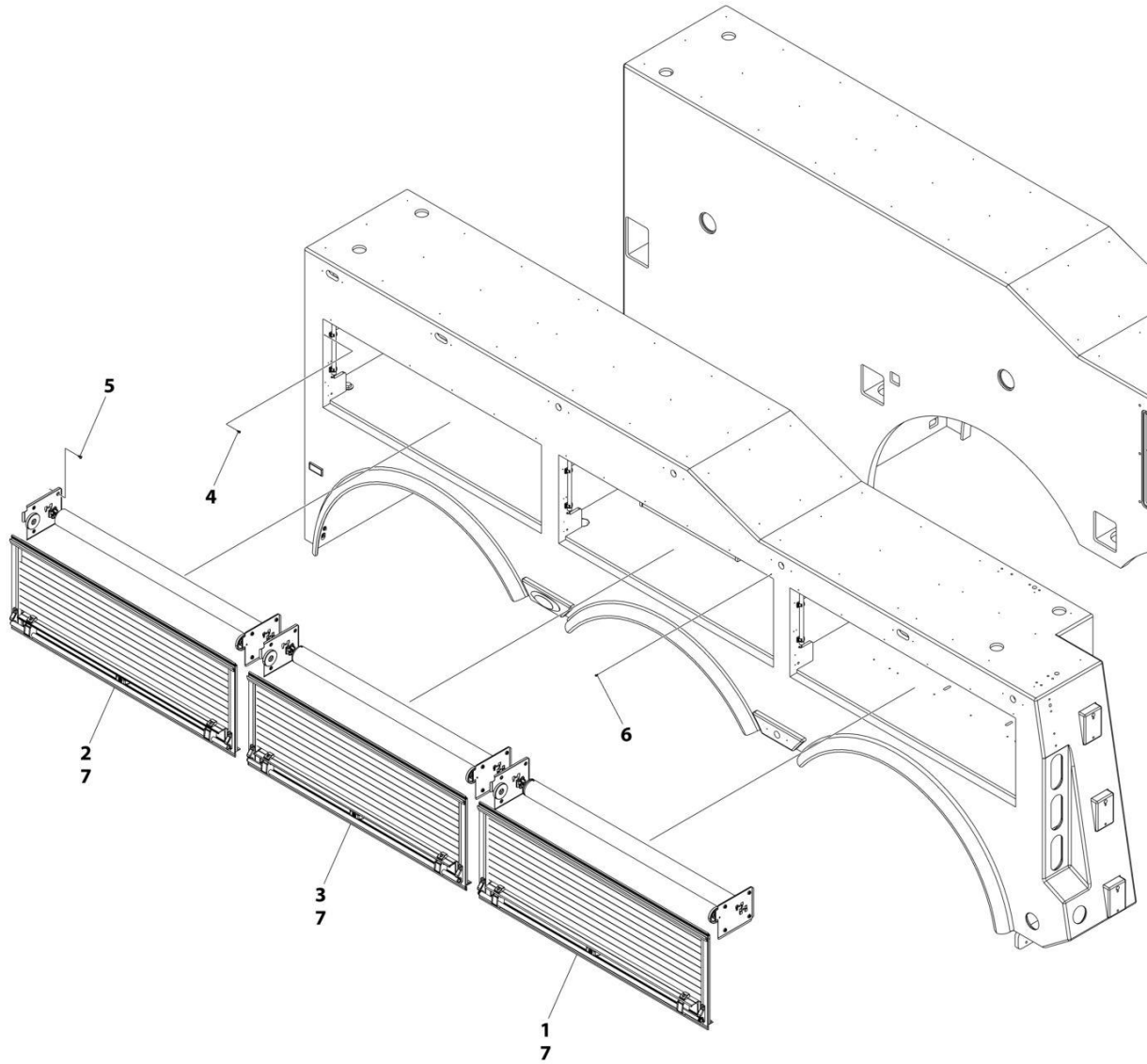
SECTION 4 - BODY

FIGURE 4-31. DOORS INSTALLATION - REAR (PAINTED DOORS & FRAME) (TANDEM) (SN 0230008674 to Present, Including 0230008645)

ITEM	PART NUMBER	QTY	DESCRIPTION	REV
	1001255709	Ref	Door and Frame Installation, Rear (Painted)	B
1	1001192958	36	Screw #10 x 1/2	
2	1001195257	48	Screw 1/4 x 1/2	
3	1001198602	34	Screw #8 x 3/8	
4	1001253557	2	Door	
5	1001253558	2	Door	
6	1001253559	2	Door	
7	8798820001	AR	Sealant	

SECTION 4 - BODY

FIGURE 4-32. DOORS INSTALLATION - REAR (PAINTED DOORS & FRAME) (TRI-AXLE) (SN 0230004275 through 0230008673, Excluding 0230008645)



ART_1001197658

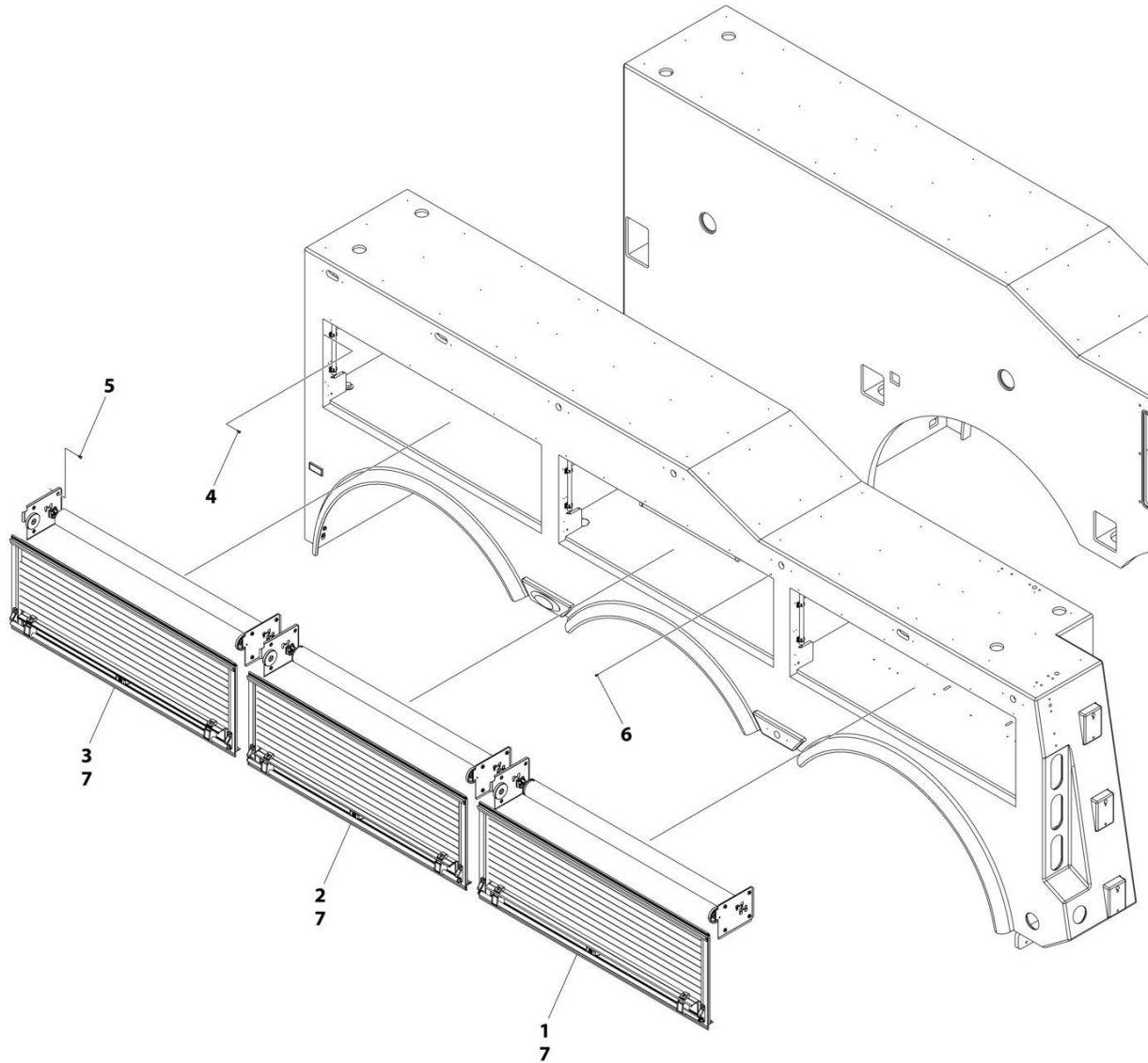
SECTION 4 - BODY

FIGURE 4-32. DOORS INSTALLATION - REAR (PAINTED DOORS & FRAME) (TRI-AXLE) (SN 0230004275 through 0230008673, Excluding 0230008645)

ITEM	PART NUMBER	QTY	DESCRIPTION	REV
	1001197658	Ref	DOORS & FRAME INSTALLATION - REAR TRI-AXLE BODY (PAINTED)	B
1	1001186990	2	Door	
2	1001186991	2	Door	
3	1001186992	2	Door	
4	1001192958	24	Screw #10 x 1/2	
5	1001195257	48	Screw 1/4 x 1/2	
6	1001198602	36	Screw #8 x 3/8	
7	8798820001	AR	Sealant	

SECTION 4 - BODY

FIGURE 4-33. DOORS INSTALLATION - REAR (PAINTED DOORS & FRAME) (TRI-AXLE) (SN 0230008674 to Present, Including 0230008645)



ART_1001269102

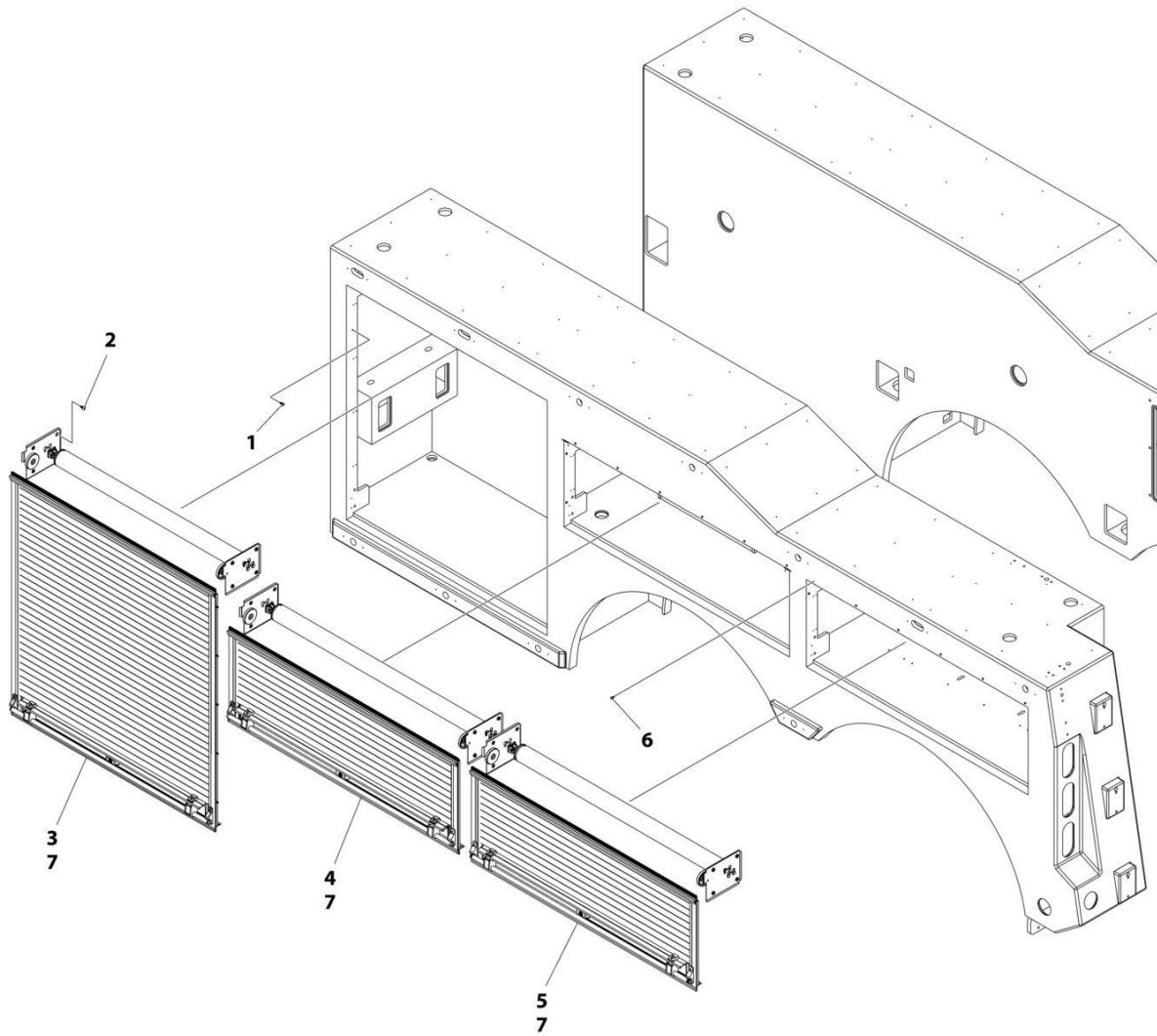
SECTION 4 - BODY

FIGURE 4-33. DOORS INSTALLATION - REAR (PAINTED DOORS & FRAME) (TRI-AXLE) (SN 0230008674 to Present, Including 0230008645)

ITEM	PART NUMBER	QTY	DESCRIPTION	REV
	1001269102	Ref	DOORS & FRAME INSTALLATION - REAR TRI-AXLE BODY (PAINTED)	B
1	1001253559	2	Door	
2	1001261523	2	Door	
3	1001261522	2	Door	
4	1001192958	24	Screw #10 x 1/2	
5	1001195257	48	Screw 1/4 x 1/2	
6	1001198602	36	Screw #8 x 3/8	
7	8798820001	AR	Sealant	

SECTION 4 - BODY

FIGURE 4-34. DOORS INSTALLATION - REAR (PAINTED DOORS ONLY) (TANDEM)



ART_1001197635

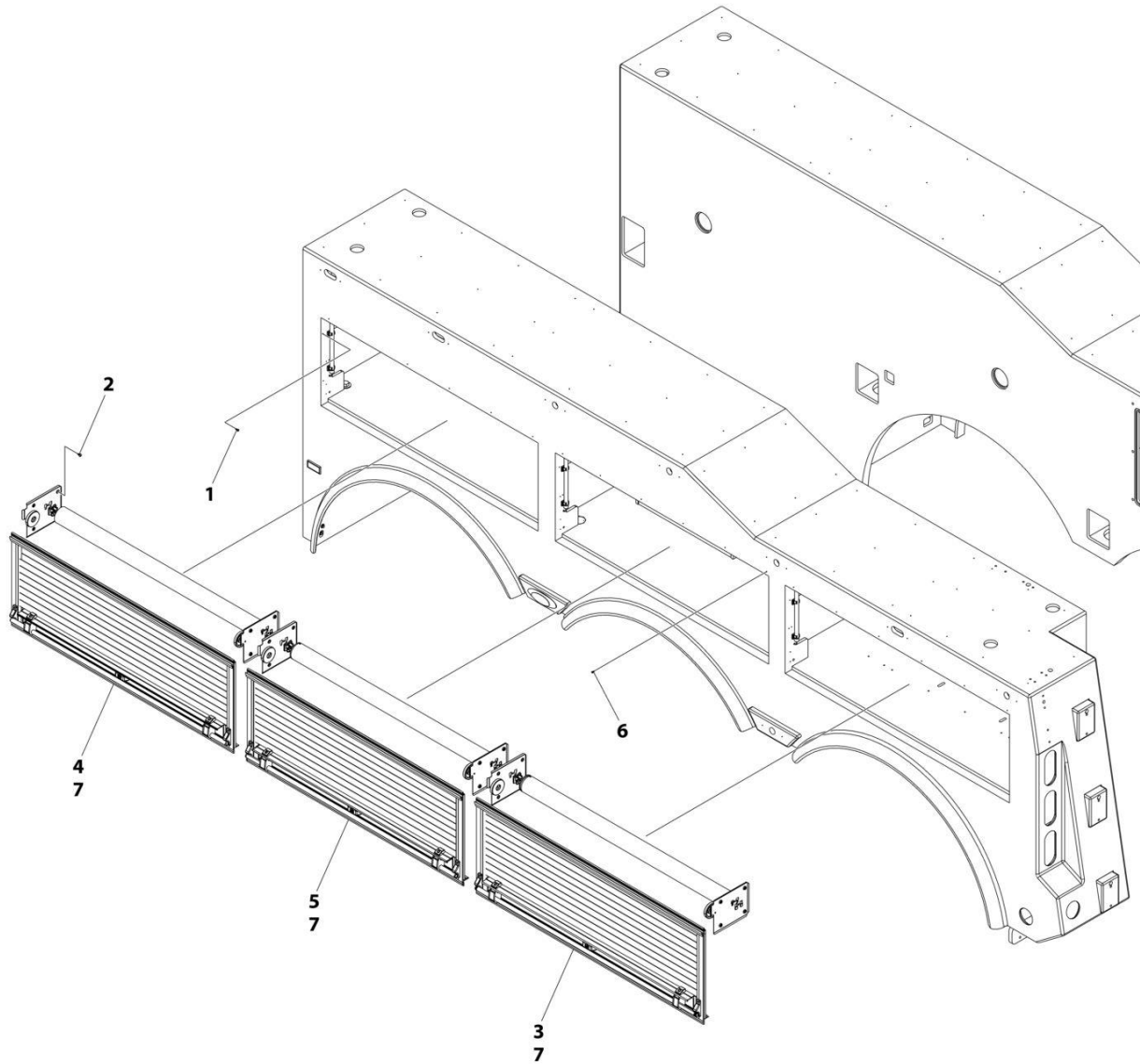
SECTION 4 - BODY

FIGURE 4-34. DOORS INSTALLATION - REAR (PAINTED DOORS ONLY) (TANDEM)

ITEM	PART NUMBER	QTY	DESCRIPTION	REV
	1001197635	Ref	Door Installation, Rear (Painted)	A
1	1001192658	36	Screw #10 x 1/2	
2	1001195257	48	Screw 1/4 x 1/2	
3	1001197159	2	Door	
4	1001197160	2	Door	
5	1001197161	2	Door	
6	1001198602	34	Screw #8 x 3/8	
7	8798820001	AR	Sealant	

SECTION 4 - BODY

FIGURE 4-35. DOORS INSTALLATION - REAR (PAINTED DOORS ONLY) (TRI-AXLE)



ART_1001197656

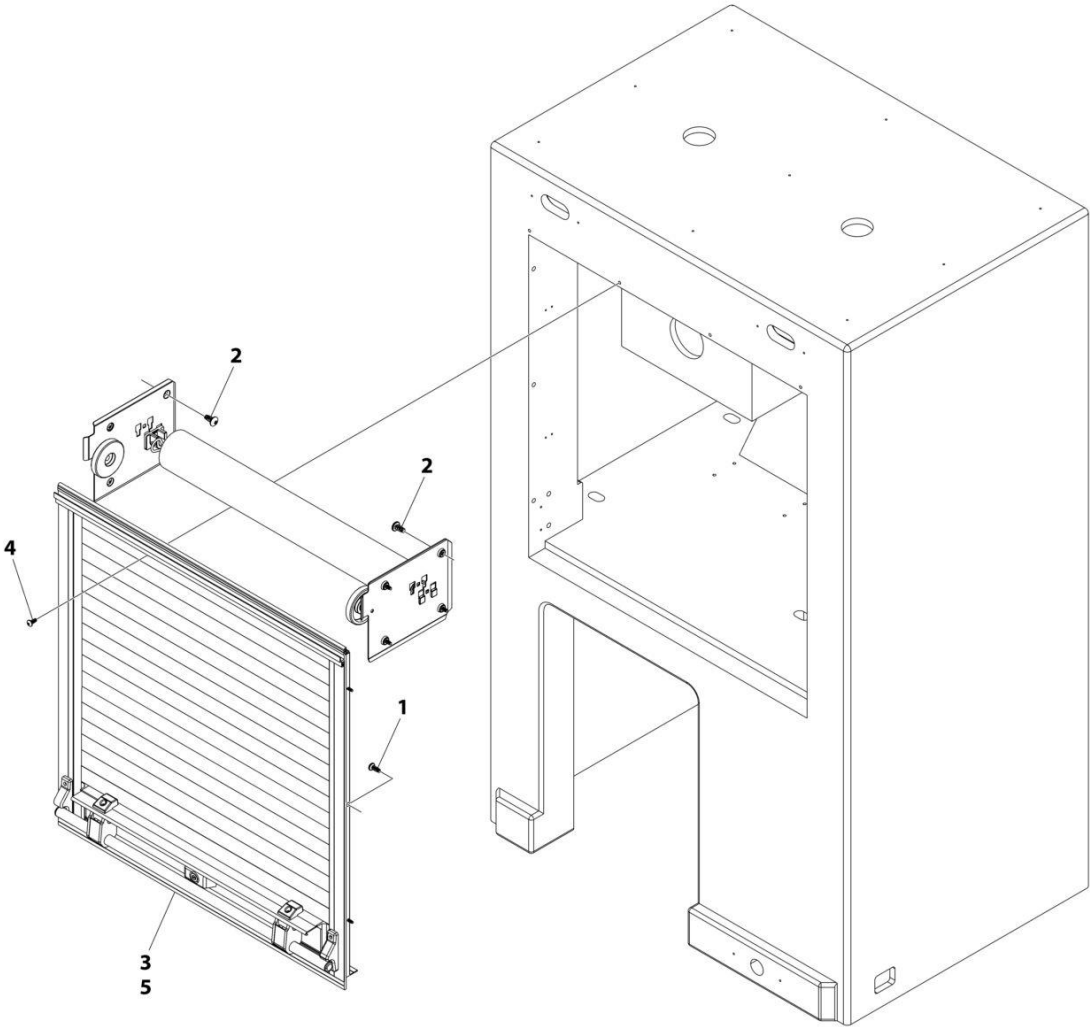
SECTION 4 - BODY

FIGURE 4-35. DOORS INSTALLATION - REAR (PAINTED DOORS ONLY) (TRI-AXLE)

ITEM	PART NUMBER	QTY	DESCRIPTION	REV
	1001197656	Ref	DOORS INSTALLATION - REAR TRI-AXLE BODY (PAINTED)	B
1	1001192958	24	Screw #10 x 1/2	
2	1001195257	48	Screw 1/4 x 1/2	
3	1001197161	2	Door	
4	1001197162	2	Door	
5	1001197163	2	Door	
6	1001198602	36	Screw #8 x 3/8	
7	8798820001	AR	Sealant	

SECTION 4 - BODY

FIGURE 4-36. DOORS INSTALLATION - SRS TOOLBOX (PAINTED DOORS ONLY)



ART_1001197791

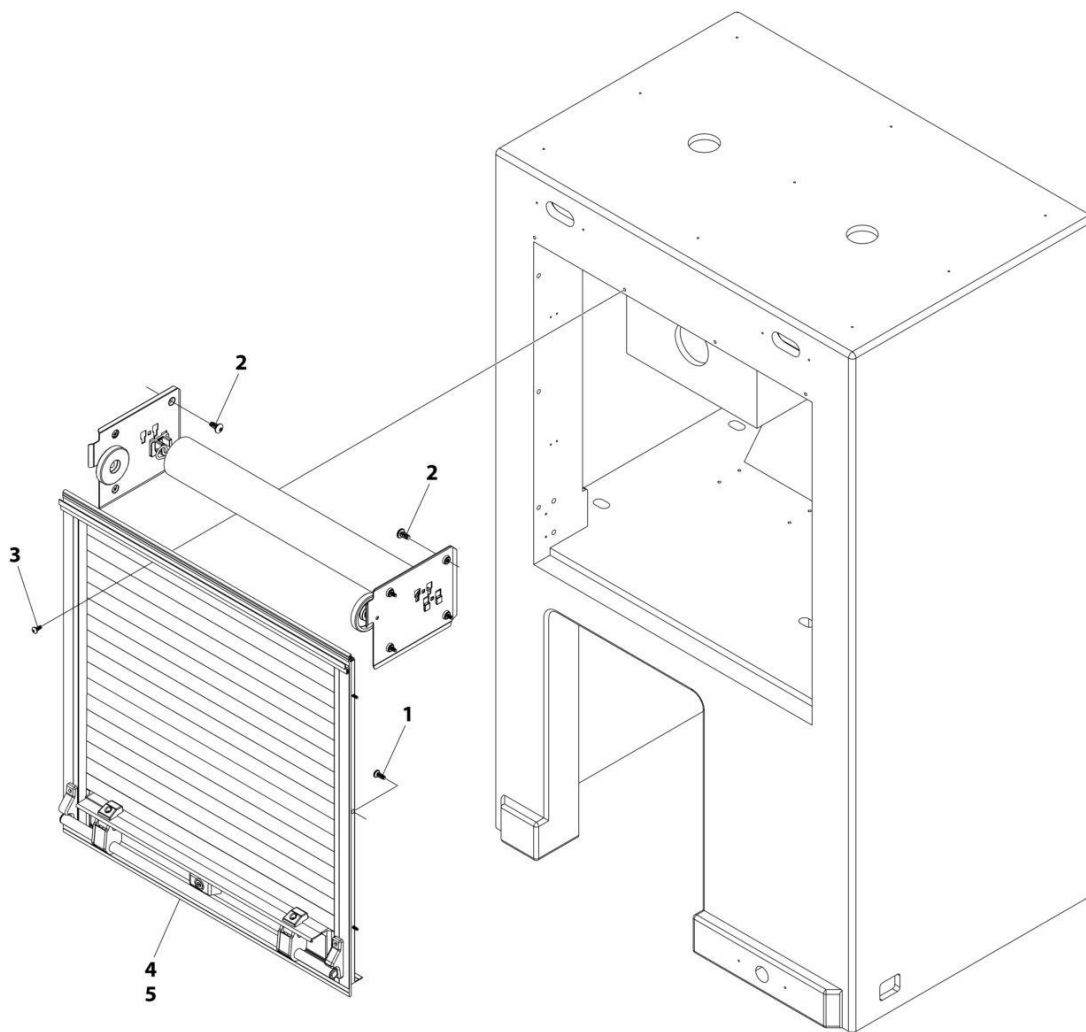
SECTION 4 - BODY

FIGURE 4-36. DOORS INSTALLATION - SRS TOOLBOX (PAINTED DOORS ONLY)

ITEM	PART NUMBER	QTY	DESCRIPTION	REV
	1001197791	Ref	DOORS INSTALLATION - SRS TOOLBOX (PAINTED DOORS ONLY)	B
1	1001192958	12	Screw #10 x 1/2	
2	1001195257	16	Screw 1/4 x 1/2	
3	1001197164	2	Frame Cover	
4	1001198602	8	Screw #8 x 3/8	
5	8798820001	AR	Sealant	

SECTION 4 - BODY

FIGURE 4-37. DOORS INSTALLATION - SRS TOOLBOX (PAINTED DOORS & FRAMES)



ART_1001258415

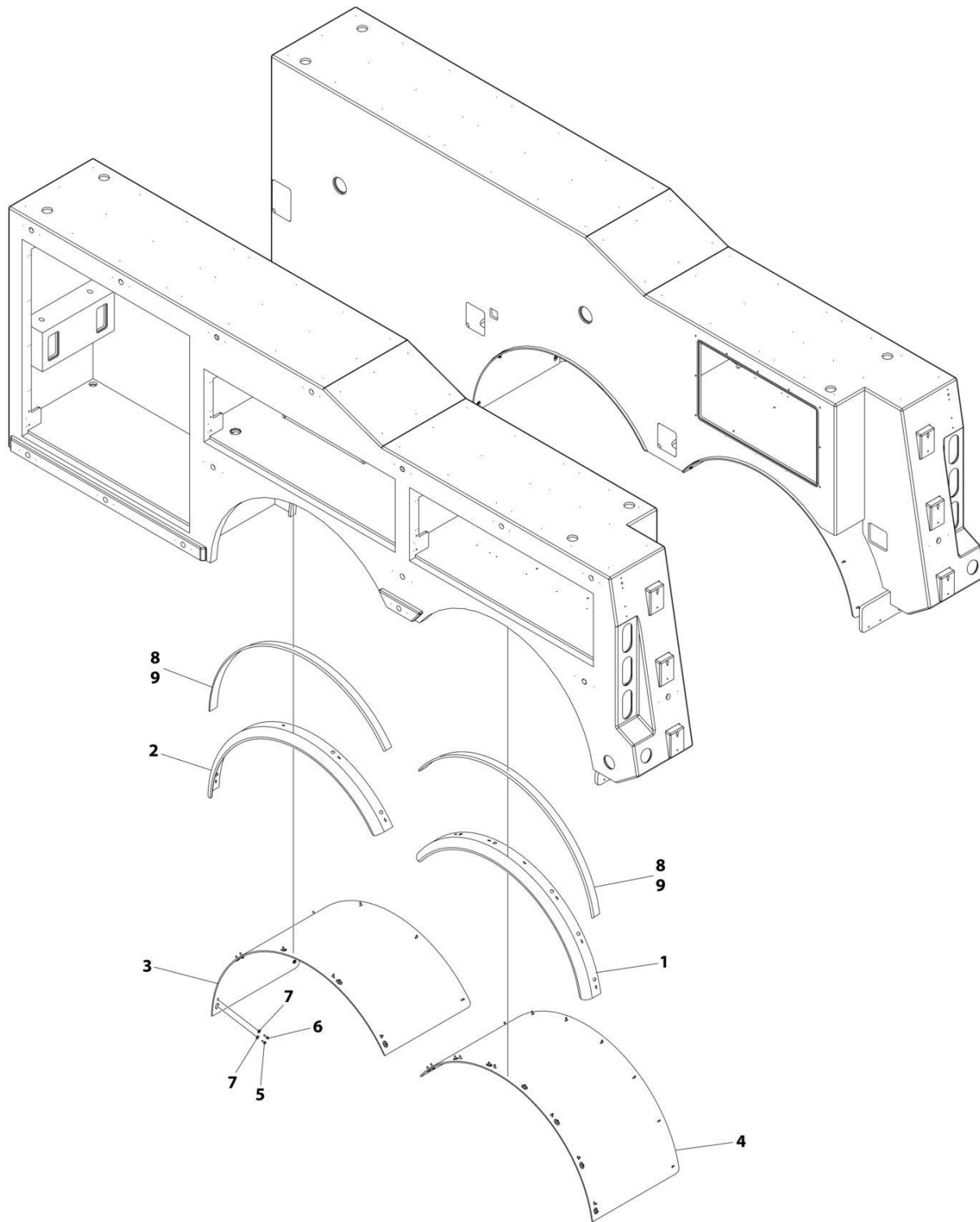
SECTION 4 - BODY

FIGURE 4-37. DOORS INSTALLATION - SRS TOOLBOX (PAINTED DOORS & FRAMES)

ITEM	PART NUMBER	QTY	DESCRIPTION	REV
	1001258415	Ref	DOOR INSTALLATION (PAINTED FRAME)	A
1	1001192958	12	Screw #10 x 1/2	
2	1001195257	16	Screw 1/4 x 1/2	
3	1001198602	8	Screw #8 x 3/8	
4	1001258416	2	Frame Cover	
5	8798820001	AR	Sealant	

SECTION 4 - BODY

FIGURE 4-38. FENDER FLARES INSTALLATION - TANDEM



ART_1001187182

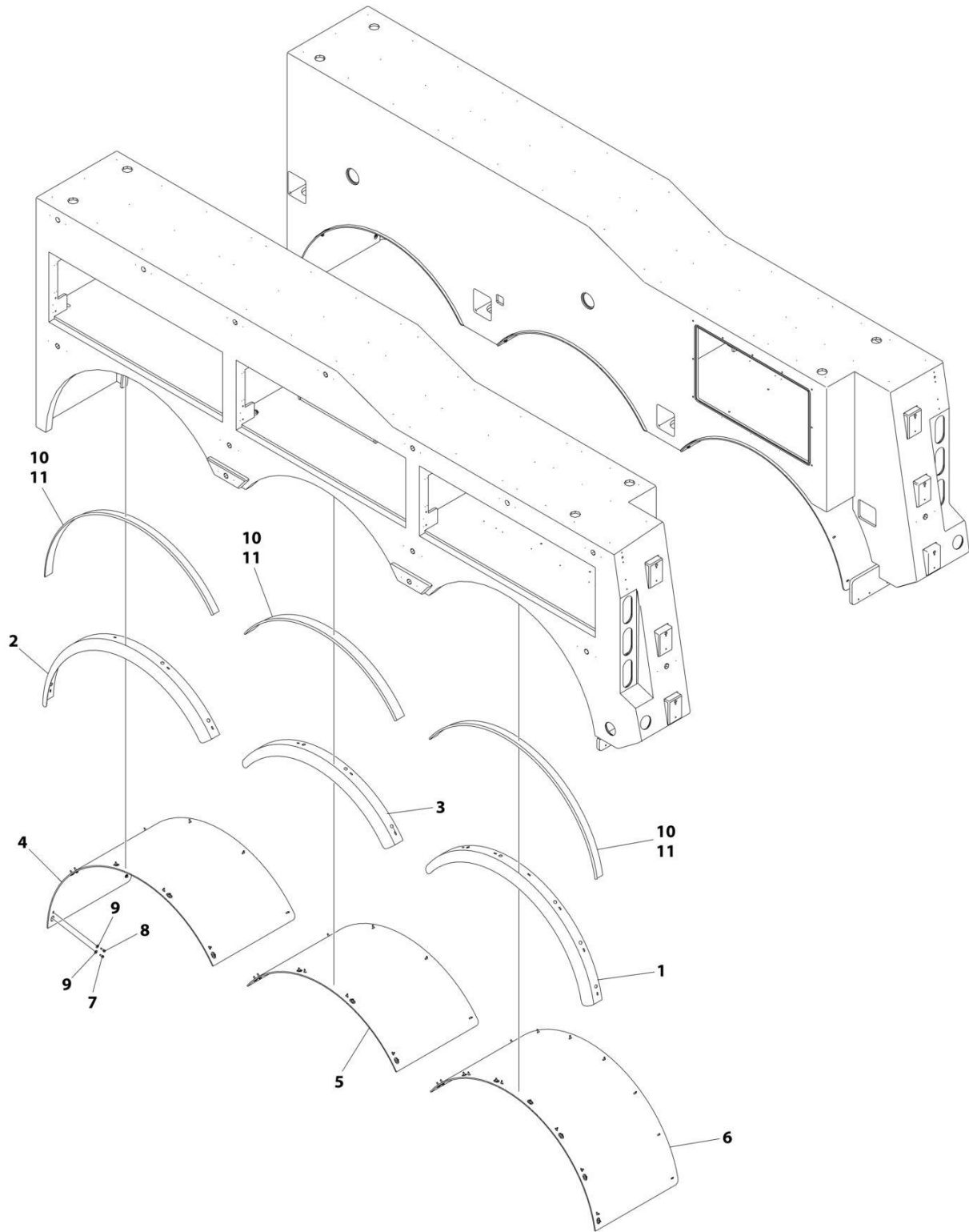
SECTION 4 - BODY

FIGURE 4-38. FENDER FLARES INSTALLATION - TANDEM

ITEM	PART NUMBER	QTY	DESCRIPTION	REV
	1001187182	Ref	FENDER FLARES INSTALLATION - TANDEM	C
1	1001163358	2	Fender, Rear Body	
2	1001186584	2	Fender Wrecker, Front Body	
3	1001186606	2	Fender Liner, Front Body	
4	1001186608	2	Fender Liner, Rear Body	
5	7790141251	24	Screw 1/4 x 3/4	
6	7790141651	42	Screw 1/4 x 1	
7	7950140163	66	Washer 1/4	
8	1001167358	AR	Moulding, Fender (Prior to SN 0230009202)	
8	1001253744	23 ft	Moulding, Fender (SN 0230009202 to Present)	
9	1001217088	AR	Tape, Double sided (Prior to SN 0230009202)	

SECTION 4 - BODY

FIGURE 4-39. FENDER FLARES INSTALLATION - TRI-AXLE



ART_1001196730

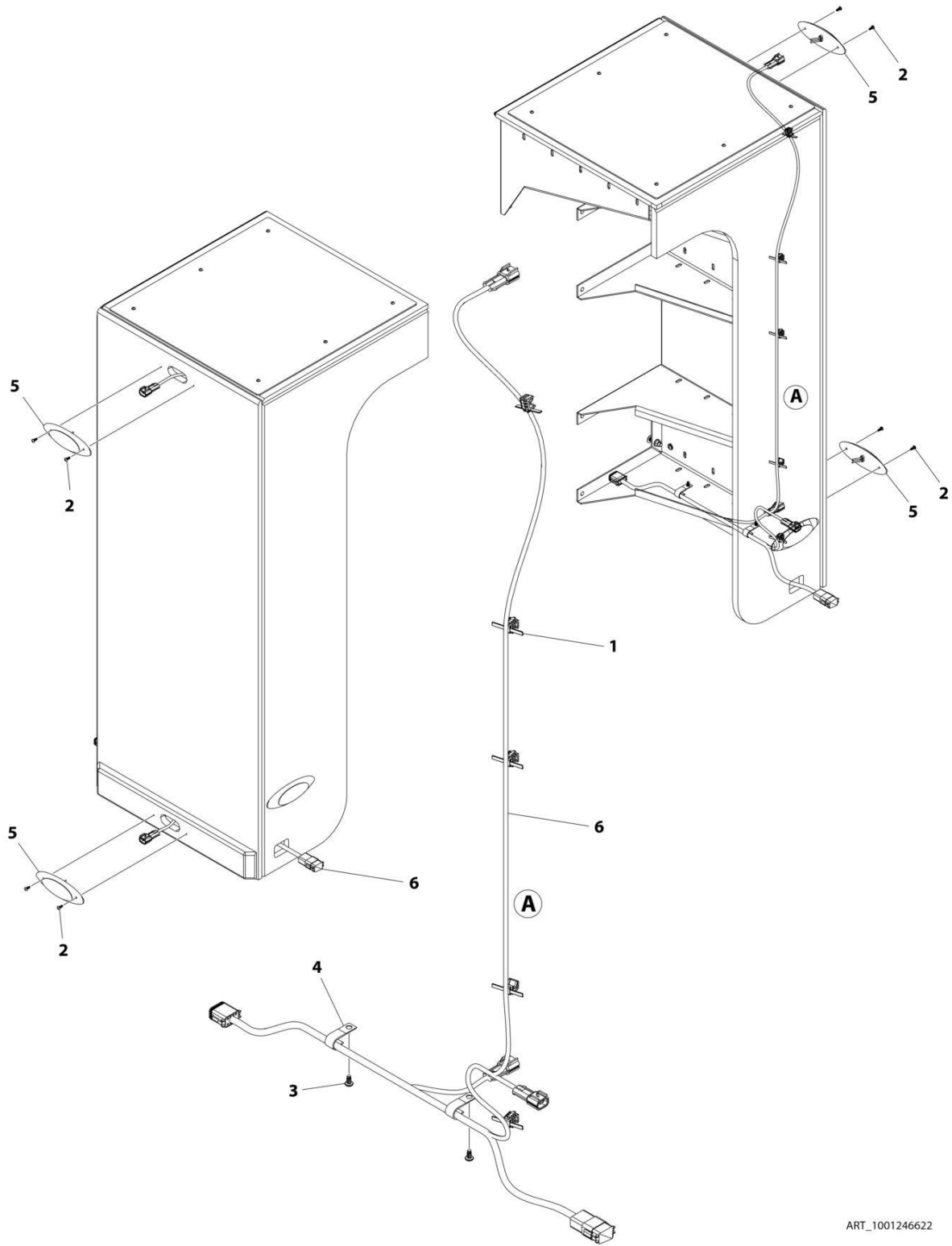
SECTION 4 - BODY

FIGURE 4-39. FENDER FLARES INSTALLATION - TRI-AXLE

ITEM	PART NUMBER	QTY	DESCRIPTION	REV
	1001196730	Ref	FENDER FLARES INSTALLATION - TRI-AXLE	C
1	1001163358	2	Fender, Rear Body	
2	1001186584	2	Fender Wrecker, Front Body	
3	1001186585	2	Fender Wrecker, Middle Body	
4	1001186606	2	Fender Liner, Front Body	
5	1001186607	2	Fender Liner, Middle Body	
6	1001186608	2	Fender Liner, Rear Body	
7	7790141251	32	Screw 1/4 x 3/4	
8	7790141651	56	Screw 1/4 x 1	
9	7950140163	88	Washer 1/4	
10	1001167358	AR	Moulding, Fender (Prior to SN 0230009202)	
10	1001253744	32 ft	Moulding, Fender (SN 0230009202 to Present)	
11	1001217088	AR	Tape, Double sided (Prior to SN 0230009202)	

SECTION 4 - BODY

FIGURE 4-40. FILLER PANEL ELECTRICAL INSTALLATION



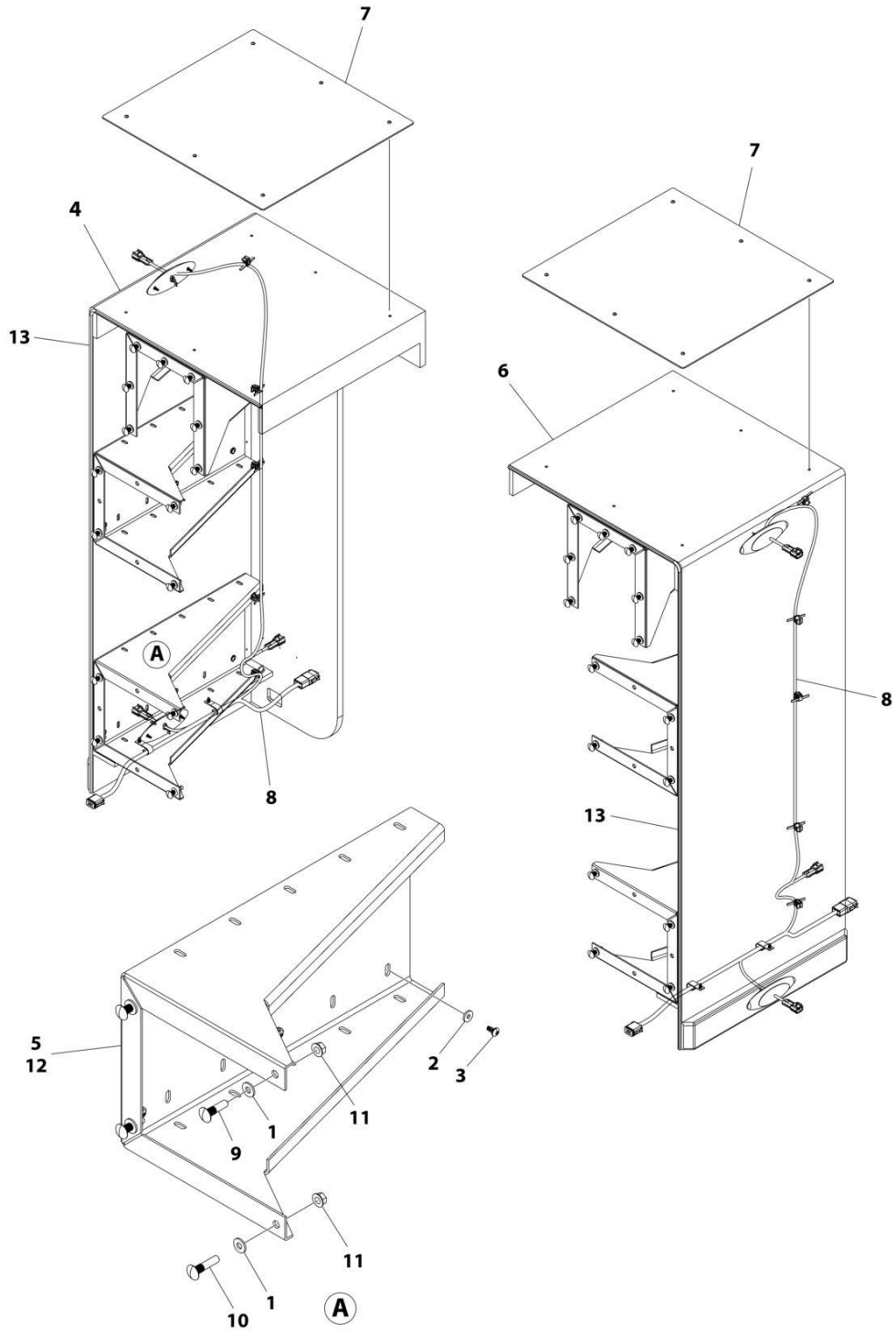
ART_1001246622

FIGURE 4-40. FILLER PANEL ELECTRICAL INSTALLATION

ITEM	PART NUMBER	QTY	DESCRIPTION	REV
	1001246622	Ref	FILLER PANEL INSTALLATION - 24IN ELECTRICAL ENCLOSURE	A
1	1001152419	10	Clip	
2	1001192958	8	Screw #10 x 1/2	
3	1001195257	4	Screw 1/4 x 1/2	
4	7280000006	4	Clip	
5	7590000358	4	LED	
6	1001244217	2	Lighting Filler Panel Harness (See Separate Breakdown in ELECTRICAL Section)	

SECTION 4 - BODY

FIGURE 4-41. FILLER PANEL INSTALLATION - 20IN



ART_1001248216

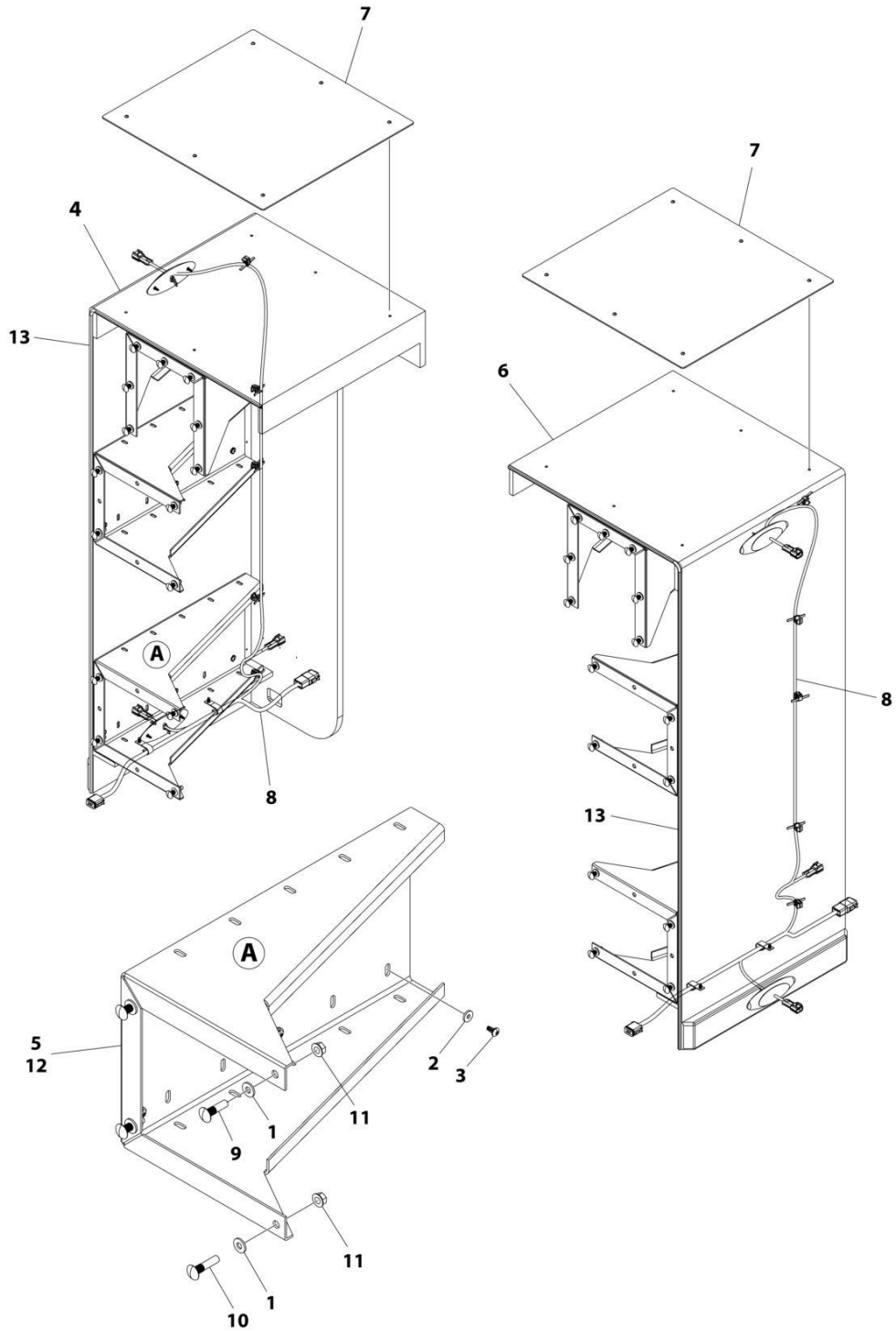
SECTION 4 - BODY

FIGURE 4-41. FILLER PANEL INSTALLATION - 20IN

ITEM	PART NUMBER	QTY	DESCRIPTION	REV
	1001248216	Ref	FILLER PANEL INSTALLATION - 24IN FRONT "A" TUNNEL	A
	1001244580	Ref	FILLER PANEL INSTALLATION	B
1	1001166974	30	Washer 3/8	
2	7950140143	43	Washer 1/4	
3	1001195257	43	Screw 1/4 x 1/2	
4	1001244556	1	Cover	
5	1001244564	6	Support	
6	1001244578	1	Cover	
7	1001245742	1	Top Diamond Filler Installation (See Separate Breakdown in this Section)	
8	1001246622	1	Electrical Filler Panel Installation (See Separate Breakdown in this Section)	
9	1001247902	30	Bolt 3/8 x 1-1/2	
10	1001247903	AR	Bolt 3/8 x 1-3/4	
11	7660162301	30	Nut 3/8	
12	8798820001	AR	Sealant	
13	8632000017	14 ft	Seal	

SECTION 4 - BODY

FIGURE 4-42. FILLER PANEL INSTALLATION - 24IN



ART_1001248217

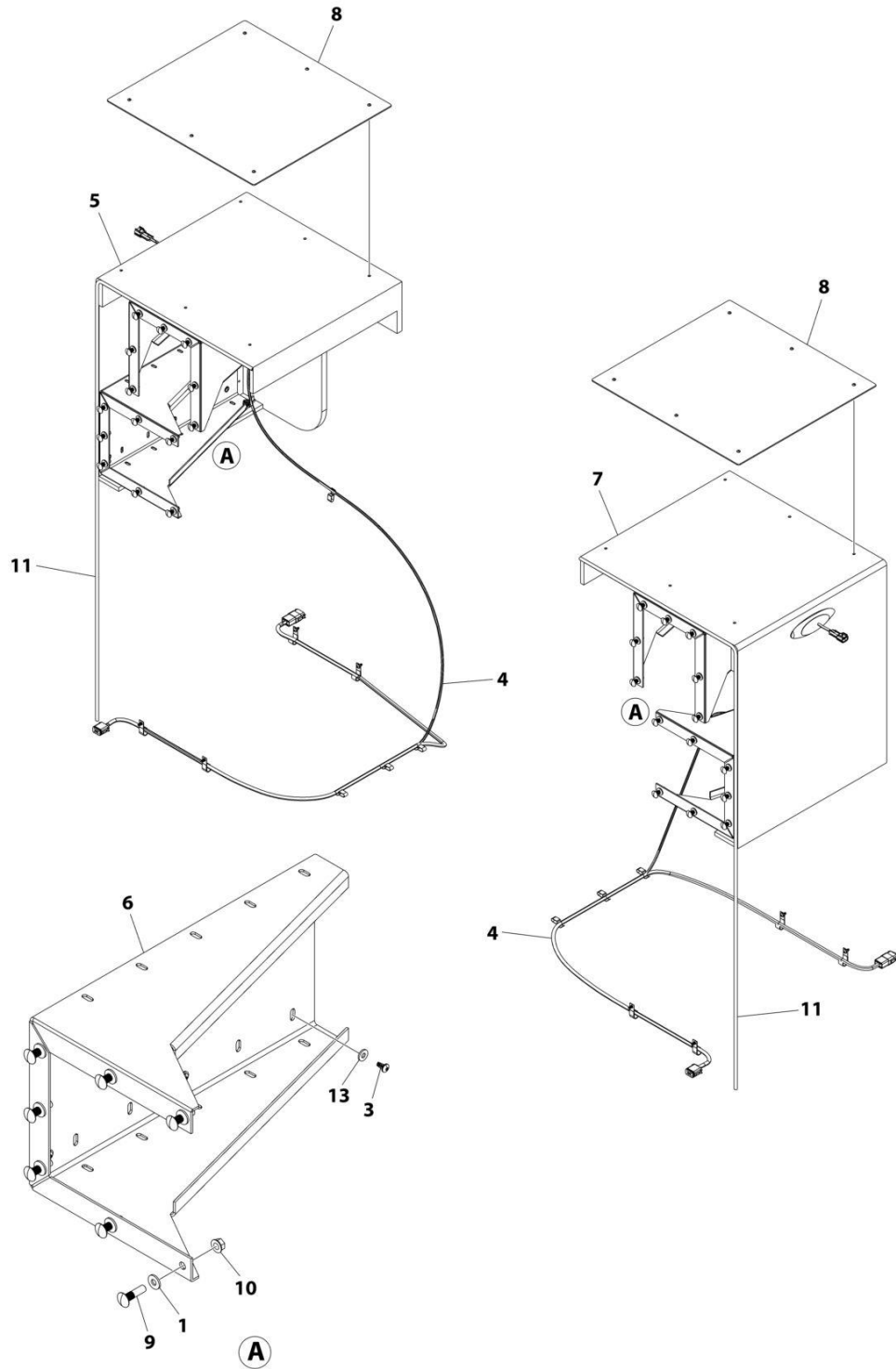
SECTION 4 - BODY

FIGURE 4-42. FILLER PANEL INSTALLATION - 24IN

ITEM	PART NUMBER	QTY	DESCRIPTION	REV
	1001248217	Ref	FILLER PANEL INSTALLATION - 24IN FRONT MAIN BODY	A
	1001244580	Ref	FILLER PANEL INSTALLATION	B
1	1001166974	30	Washer 3/8	
2	7950140143	43	Washer 1/4	
3	1001195257	43	Screw 1/4 x 1/2	
4	1001244556	1	Cover	
5	1001244564	6	Support	
6	1001244578	1	Cover	
7	1001245742	1	Top Diamond Filler Installation (See Separate Breakdown in this Section)	
8	1001246622	1	Electrical Filler Panel Installation (See Separate Breakdown in this Section)	
9	1001247902	30	Bolt 3/8 x 1-1/2	
10	1001247903	AR	Bolt 3/8 x 1-3/4	
11	7660162301	30	Nut 3/8	
12	8798820001	AR	Sealant	
13	8632000017	14 ft	Seal	

SECTION 4 - BODY

FIGURE 4-43. FILLER PANEL INSTALLATION - WITH SIDE STABILIZER



ART_1001244581

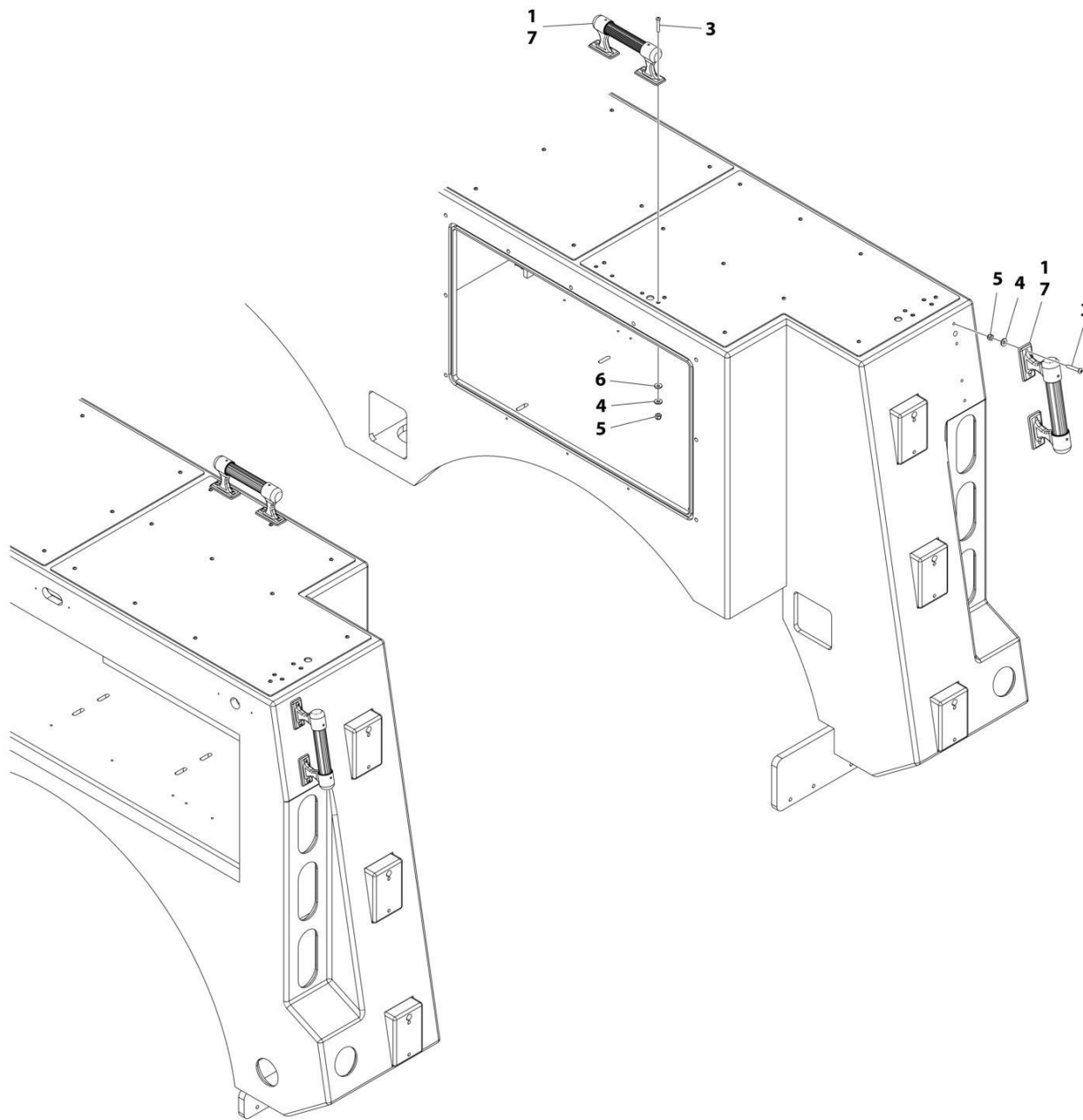
SECTION 4 - BODY

FIGURE 4-43. FILLER PANEL INSTALLATION - WITH SIDE STABILIZER

ITEM	PART NUMBER	QTY	DESCRIPTION	REV
	1001244581	Ref	STABILIZER FILLER PANEL INSTALLATION	C
1	1001166974	28	Washer, Rubber 3/8	
3	1001195257	28	Screw 1/4 x 1/2	
4	1001244297	1	Marker Light - Electrical Installation - SS 70 (See Separate Breakdown in ELECTRICAL Section)	
5	1001244557	1	Cover (LH)	
6	1001244564	4	Support	
7	1001244579	1	Cover (RH)	
8	1001245742	1	Diamond Plate Installation - Top (Not Shown)	
8	1001192958	12	Screw #10 x 1/2	
8	1001255740	2	Plate, Diamond (Top)	
9	1001247902	28	Bolt 3/8 x 1-1/2	
10	7660162301	28	Nut 3/8	
11	8632000017	14 ft	Seal	
12	8798820001	AR	Sealant	
13	7950140143	28	Washer 1/4	

SECTION 4 - BODY

FIGURE 4-44. GRAB HANDLES INSTALLATION



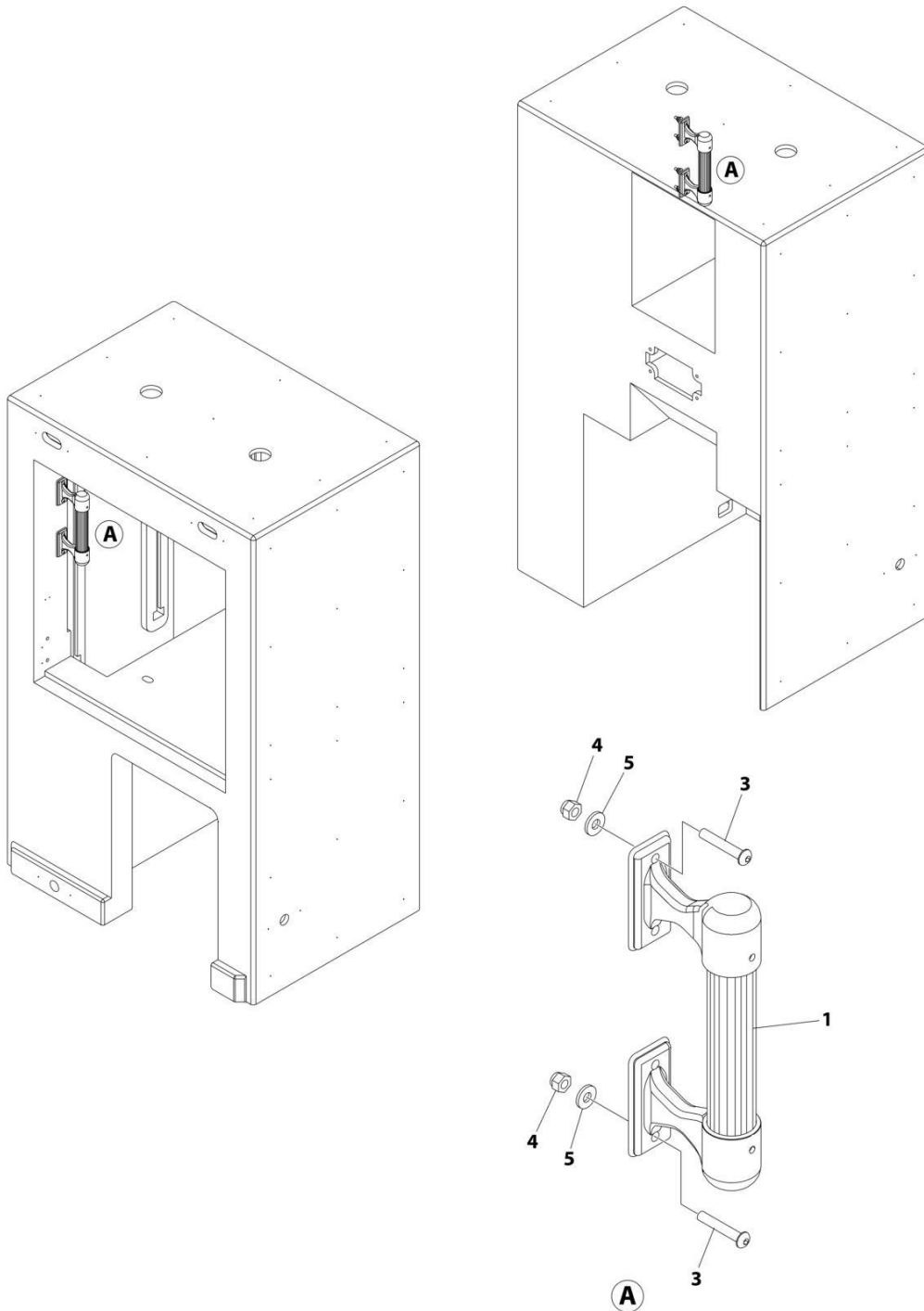
ART_1001196639_C

FIGURE 4-44. GRAB HANDLES INSTALLATION

ITEM	PART NUMBER	QTY	DESCRIPTION	REV
	1001196639	Ref	Grab Handle Installation	C
1	1001170849	4	Grab Handle	
3	7114141218	16	Capscrew 1/4 x 1-1/2	
4	7660142600	16	Nut 1/4	
5	7950140143	16	Washer 1/2	
6	1001166978	8	Washer, Rubber 1/4	
7	8798820001	AR	Sealant	

SECTION 4 - BODY

FIGURE 4-45. GRAB HANDLES INSTALLATION - SRS



ART_1001198964

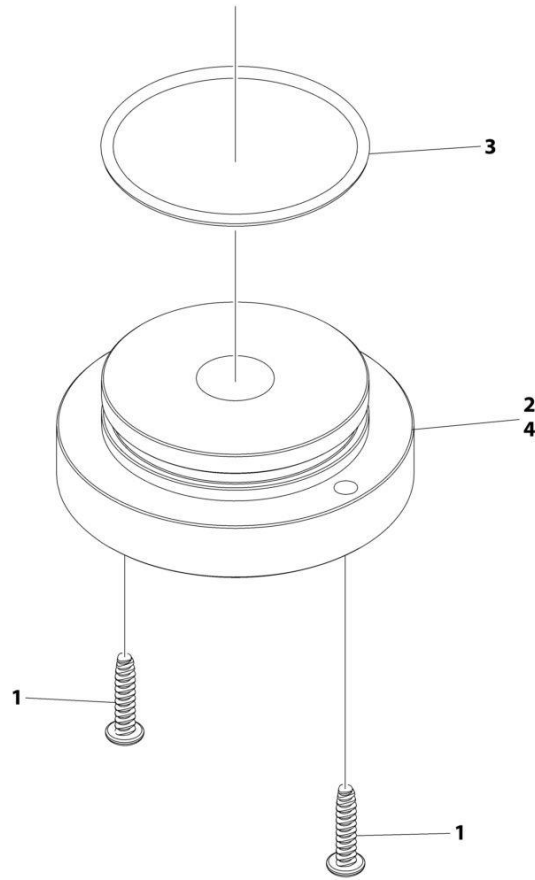
SECTION 4 - BODY

FIGURE 4-45. GRAB HANDLES INSTALLATION - SRS

ITEM	PART NUMBER	QTY	DESCRIPTION	REV
	1001198964	Ref	GRAB HANDLE INSTALLATION	B
1	1001170849	2	Grab Handle	
3	7114141218	8	Capscrew 1/4 x 1-1/2	
4	7660142600	8	Nut 1/4	
5	7950140143	8	Washer 1/4	

SECTION 4 - BODY

FIGURE 4-46. LIFTING LUGS INSTALLATION



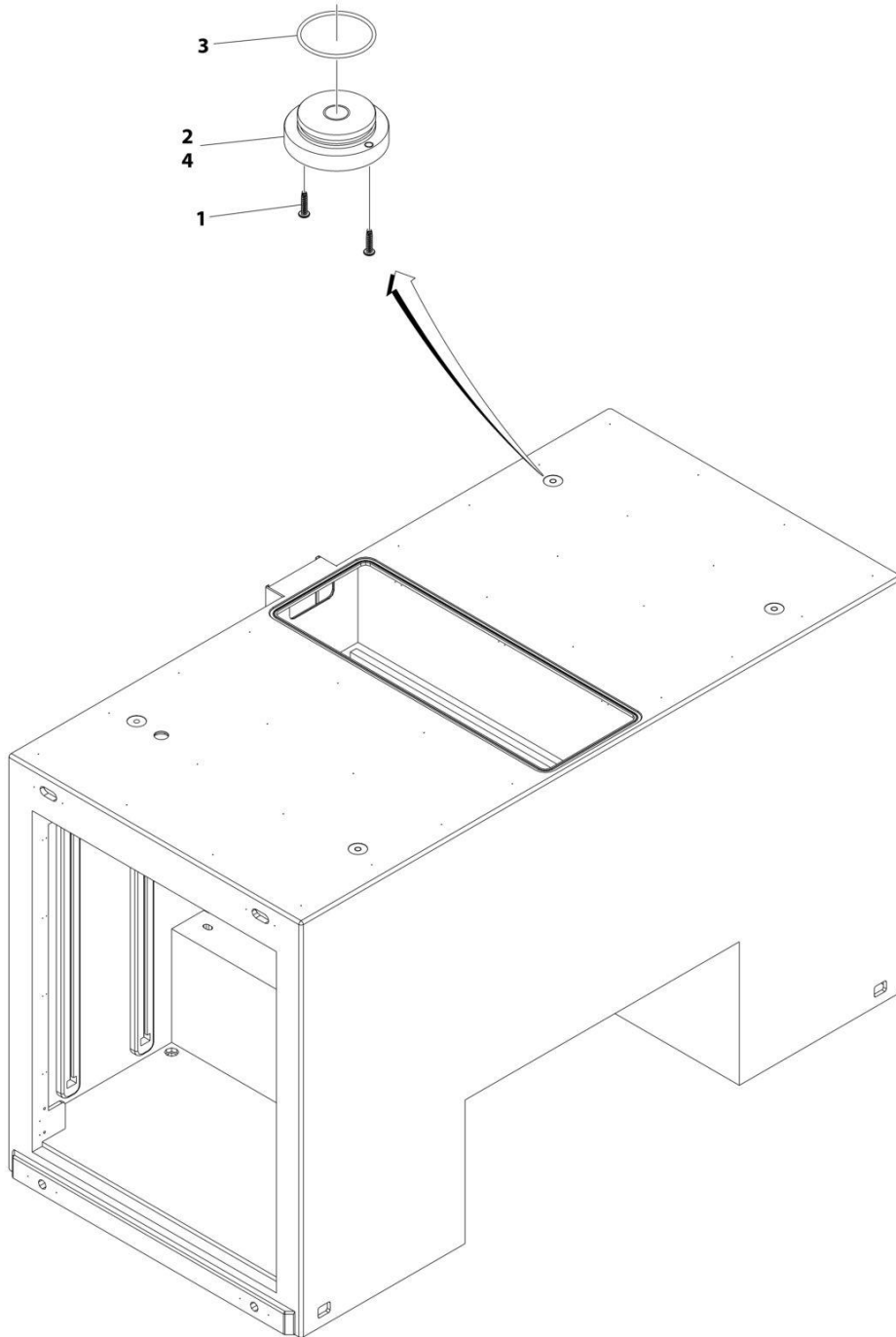
ART_1001196802

FIGURE 4-46. LIFTING LUGS INSTALLATION

ITEM	PART NUMBER	QTY	DESCRIPTION	REV
	1001196802	Ref	LIFTING LUGS INSTALLATION - BODY	C
1	1001196552	32	Screw #8 x 3/4	
2	1001288629	8	Nut	
3	3790230	8	O-Ring	
4	8798820001	AR	Sealant	

SECTION 4 - BODY

FIGURE 4-47. LIFTING LUGS INSTALLATION - BODY (SN 0230008674 to Present, Including 0230008645)



ART_1001196808

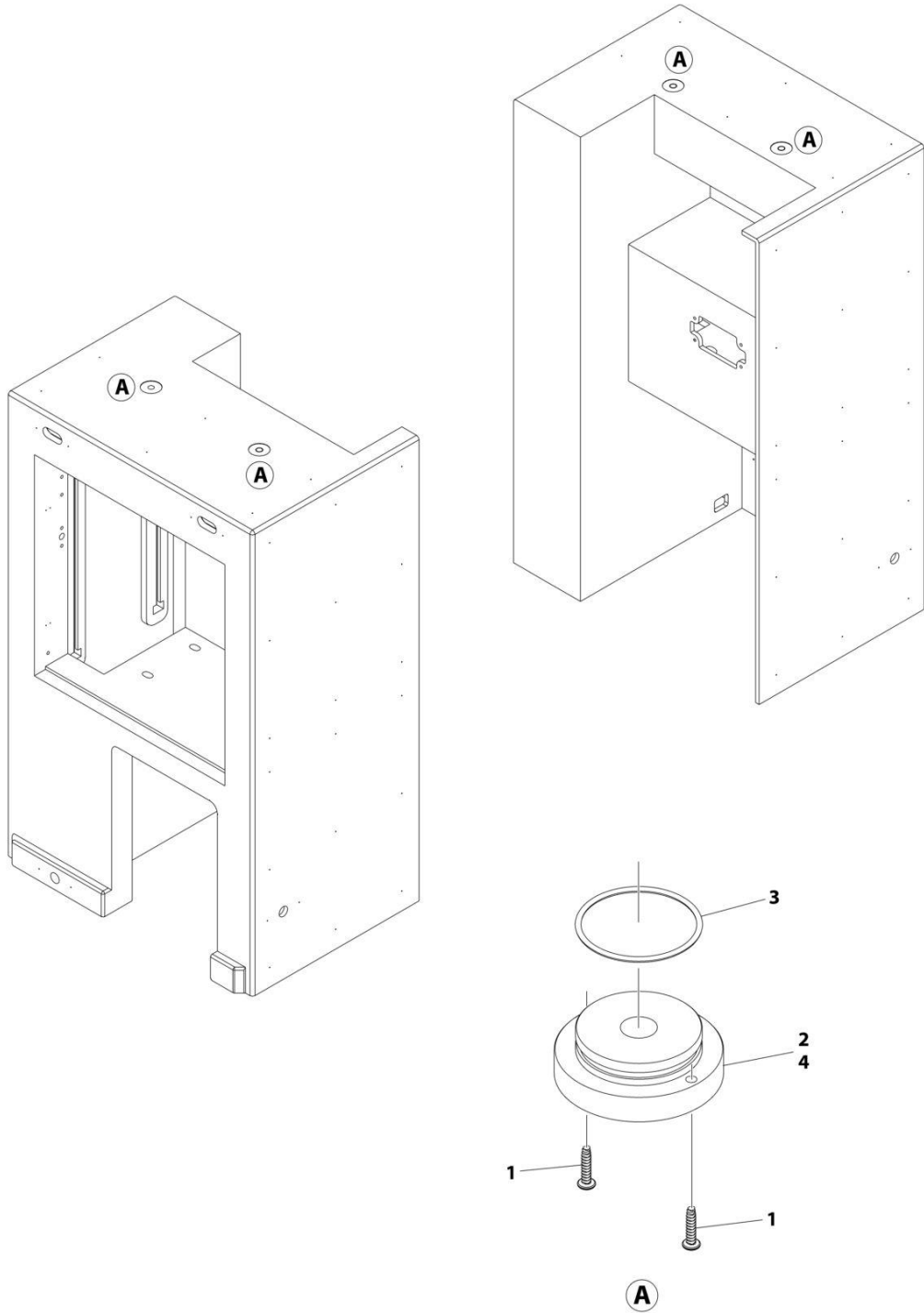
SECTION 4 - BODY

FIGURE 4-47. LIFTING LUGS INSTALLATION - BODY (SN 0230008674 to Present, Including 0230008645)

ITEM	PART NUMBER	QTY	DESCRIPTION	REV
	1001196808	Ref	BODY LIFTING LUGS INSTALLATION	C
1	1001196552	8	Screw #8 x 3/4	
2	1001189283	4	Nut	
3	1001189321	4	O-Ring	
4	8798820001	AR	Sealant	

SECTION 4 - BODY

FIGURE 4-48. LIFTING LUGS INSTALLATION - SRS



ART_1001197896

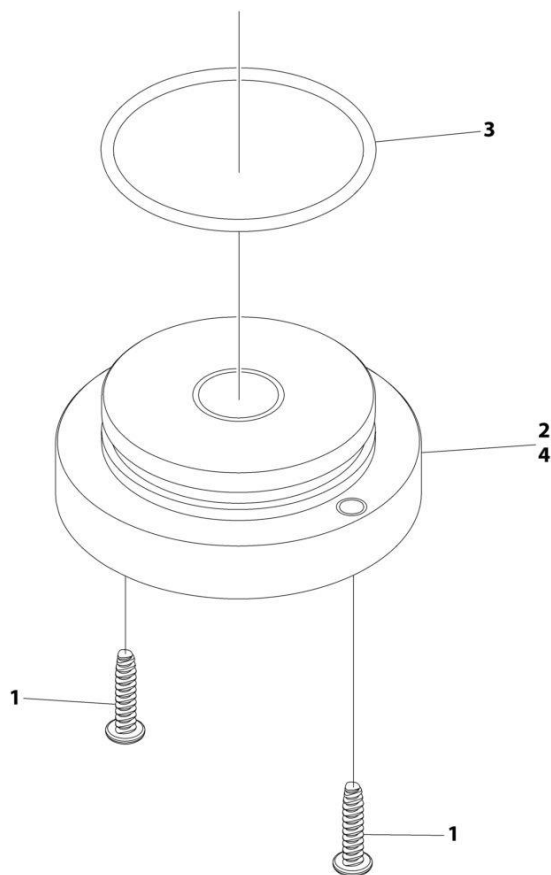
SECTION 4 - BODY

FIGURE 4-48. LIFTING LUGS INSTALLATION - SRS

ITEM	PART NUMBER	QTY	DESCRIPTION	REV
	1001197896	Ref	LIFTING LUGS INSTALLATION	B
1	1001196552	8	Screw #8 x 3/4	
2	1001189283	4	Nut	
3	1001189321	4	O-Ring	
4	8798820001	AR	Sealant	

SECTION 4 - BODY

FIGURE 4-49. LIFTING LUGS INSTALLATION - TUNNEL (SN 0230004275 through 0230008673, Excluding 0230008645)



ART_1001196807

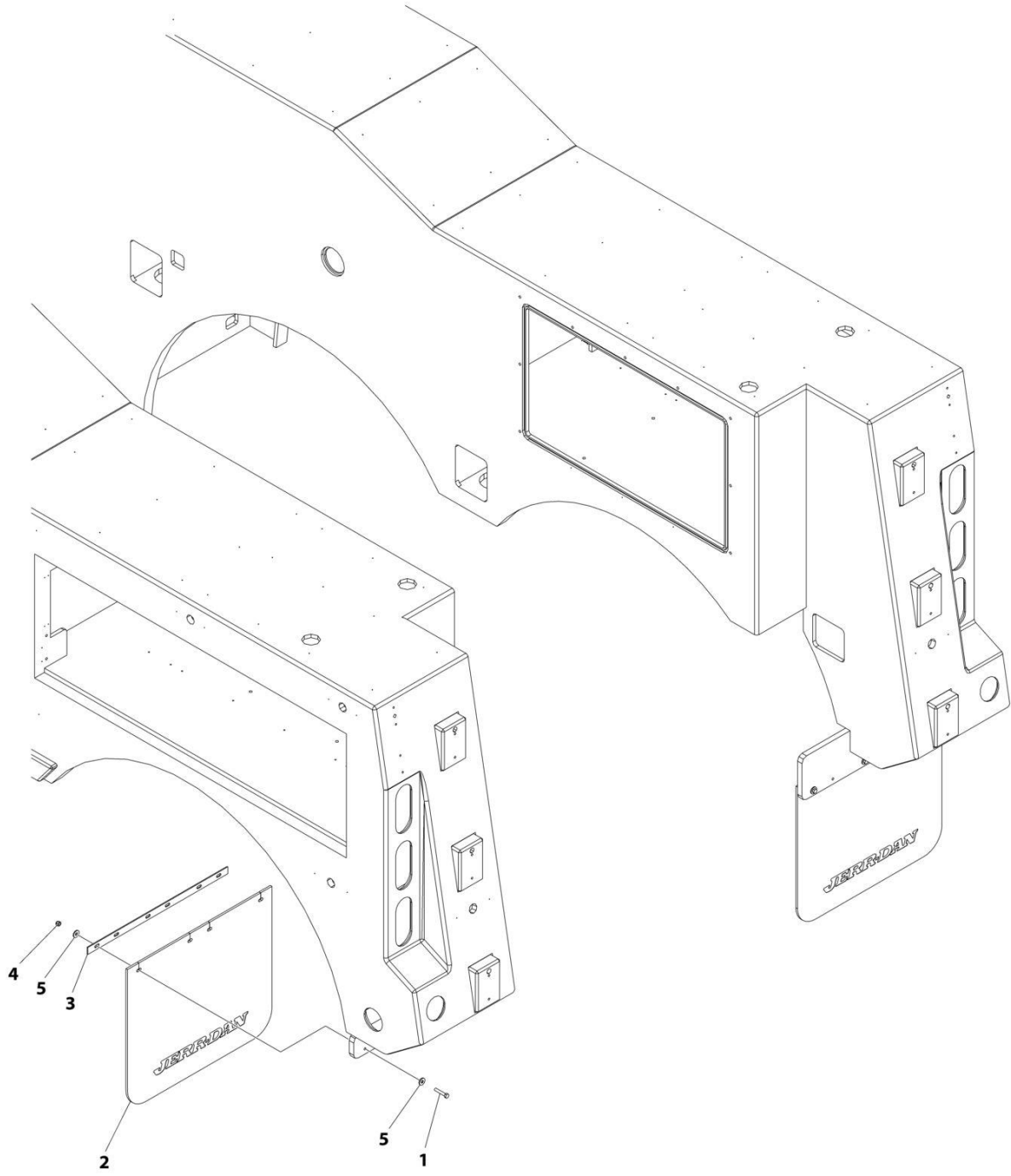
SECTION 4 - BODY

FIGURE 4-49. LIFTING LUGS INSTALLATION - TUNNEL (SN 0230004275 through 0230008673, Excluding 0230008645)

ITEM	PART NUMBER	QTY	DESCRIPTION	REV
	1001196807	Ref	LIFTING LUGS INSTALLATION - TUNNEL	C
1	1001196552	8	Screw #8 x 3/4	
2	1001189283	4	Nut	
3	1001189321	4	O-Ring	
4	8798820001	AR	Sealant	

SECTION 4 - BODY

FIGURE 4-50. MUDFLAPS INSTALLATION



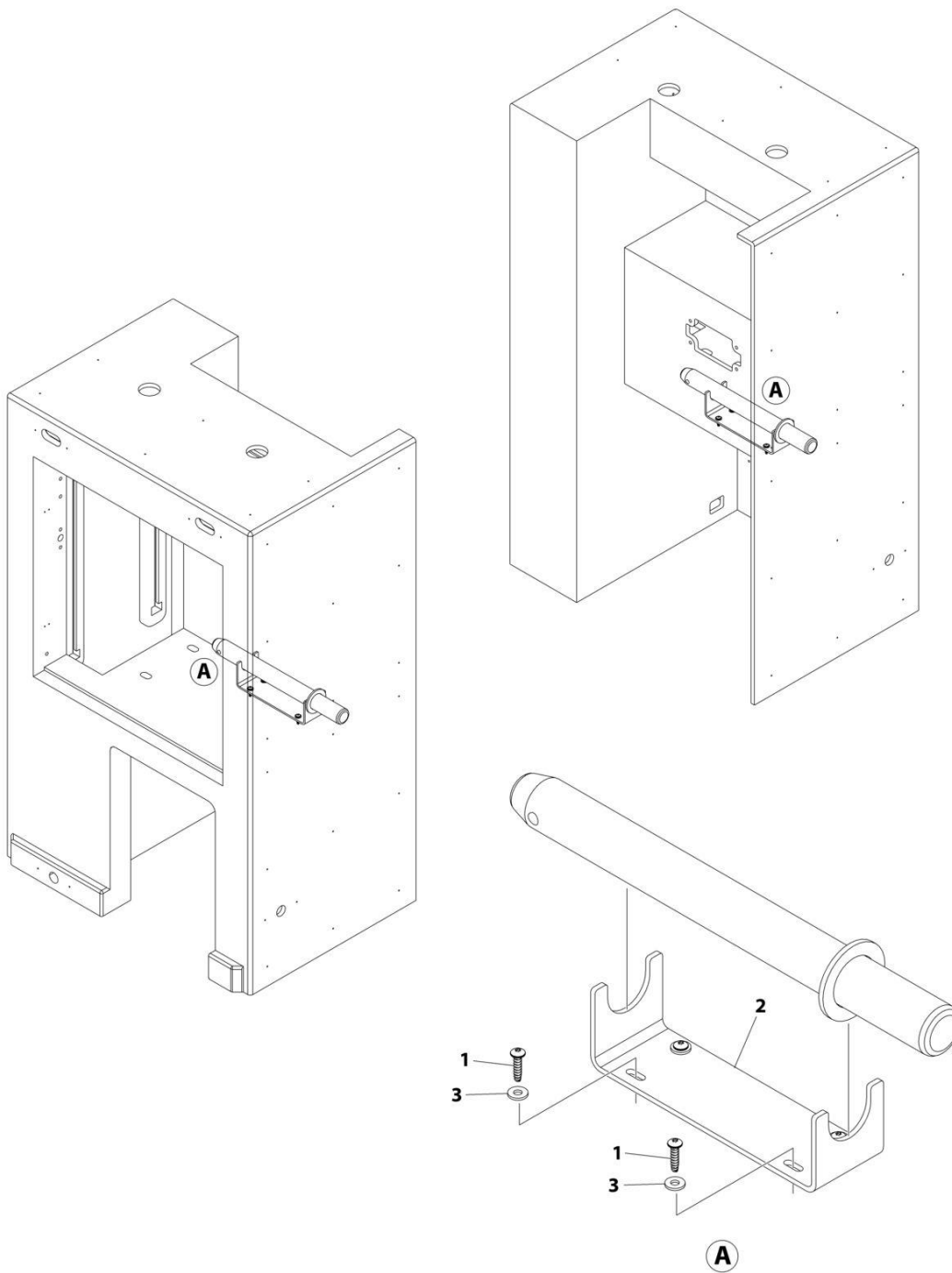
ART_1001196790

FIGURE 4-50. MUDFLAPS INSTALLATION

ITEM	PART NUMBER	QTY	DESCRIPTION	REV
	1001196790	Ref	MUD FLAP INSTALLATION	C
1	0641514	8	Bolt 5/16 x 1-3/4	
2	1001174051	2	Mud Flap	
3	4706001815	2	Plate	
4	7660152601	8	Nut 5/16	
5	7950150153	16	Washer 5/16	

SECTION 4 - BODY

FIGURE 4-51. PIN STORAGE INSTALLATION



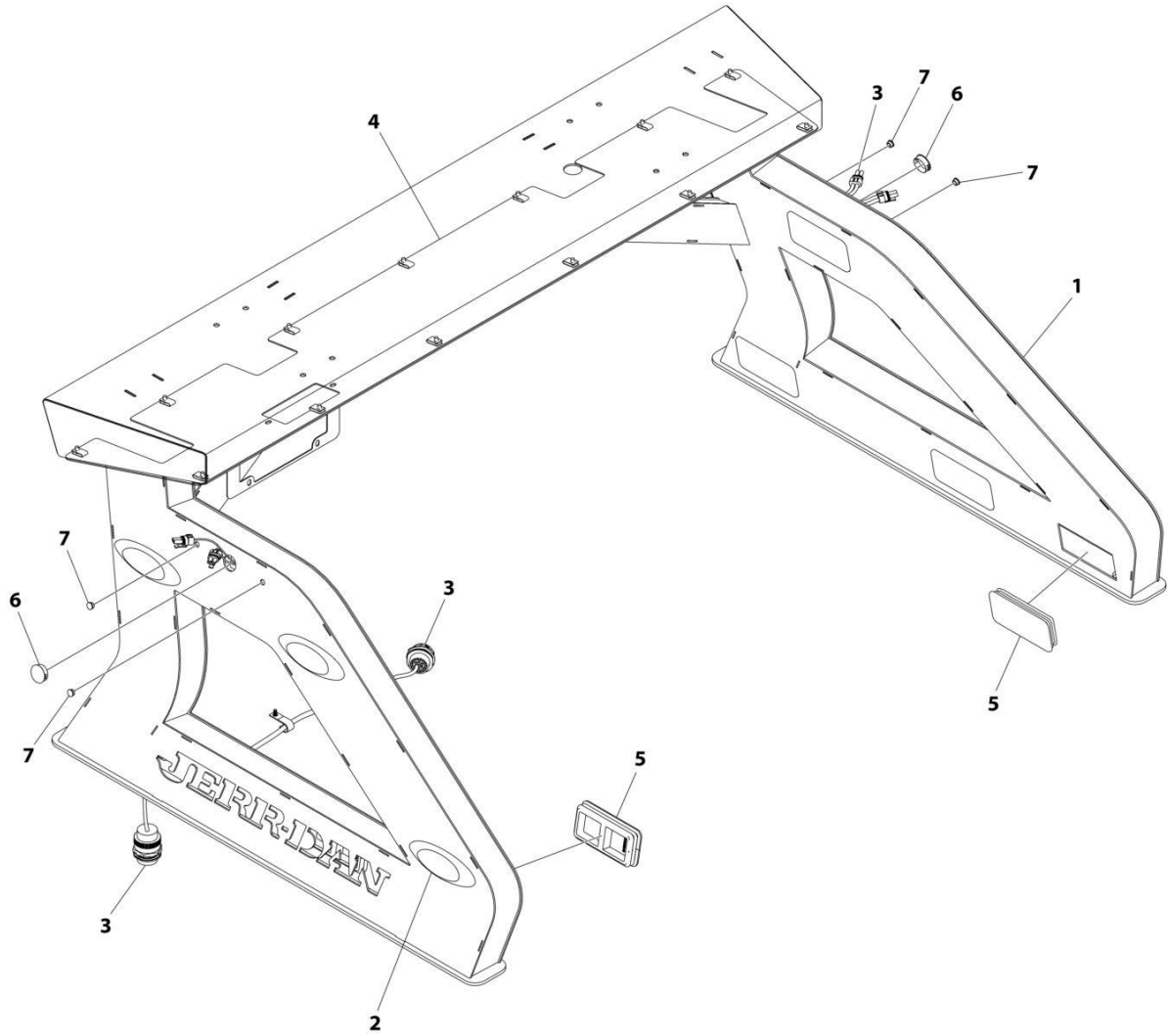
ART_1001213909

FIGURE 4-51. PIN STORAGE INSTALLATION

ITEM	PART NUMBER	QTY	DESCRIPTION	REV
	1001213909	Ref	PIN STORAGE INSTALLATION	A
1	1001195523	8	Screw 1/4 x 1	
2	1001213912	2	Bracket	
3	7950140143	8	Washer 1/4	

SECTION 4 - BODY

FIGURE 4-52. PYLON INSTALLATION (34IN) (SN 0230004275 through 0230005219)



ART_1001215031

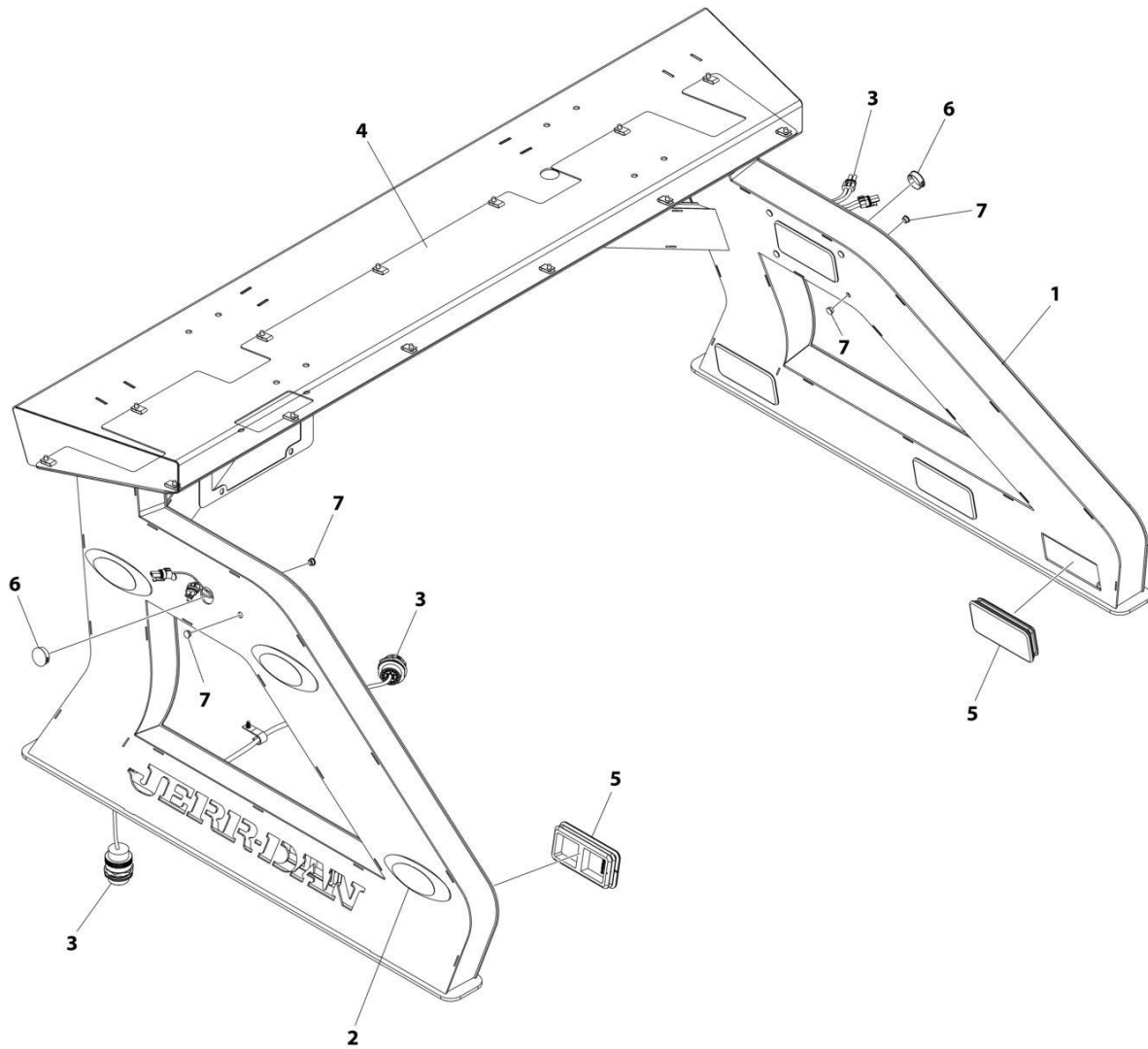
SECTION 4 - BODY

FIGURE 4-52. PYLON INSTALLATION (34IN) (SN 0230004275 through 0230005219)

ITEM	PART NUMBER	QTY	DESCRIPTION	REV
	1001215031	Ref	PYLON INSTALLATION (34IN)	B
1	1001213102	1	Support	
2	1001207488	1	Marker Lights Installation - Pylon (See Separate Breakdown in ELECTRICAL Section)	
3	1001215020	1	Pylon Electrical Installation (See Separate Breakdown in ELECTRICAL Section)	
4	1001214252	1	Pylon Cover Installation (See Separate Breakdown in this Section)	
5	7701000048	8	Plug	
6	7701000049	2	Plug	
7	7701000056	4	Plug	

SECTION 4 - BODY

FIGURE 4-53. PYLON INSTALLATION (34IN) (SN 0230005220 to Present)



ART_1001228888

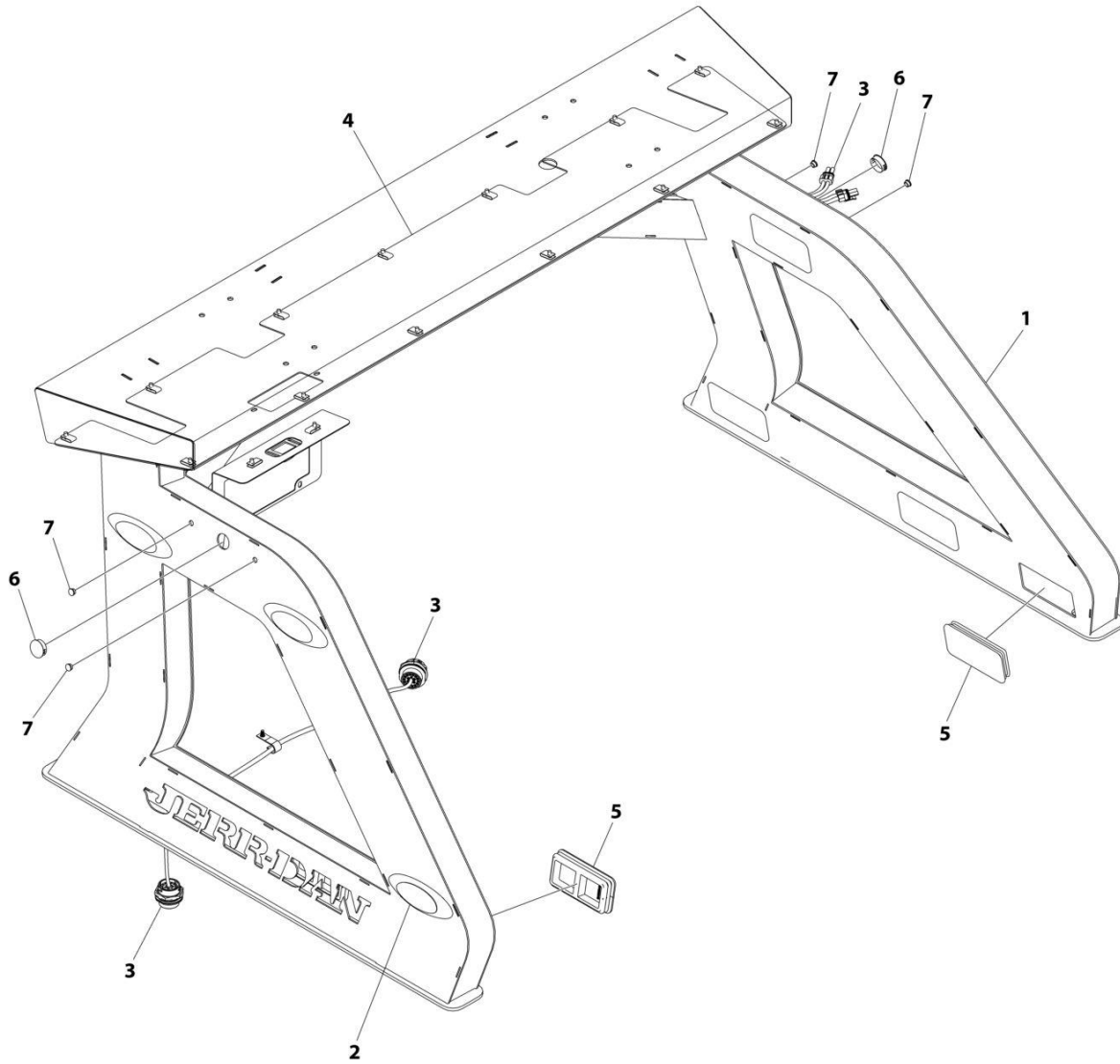
SECTION 4 - BODY

FIGURE 4-53. PYLON INSTALLATION (34IN) (SN 0230005220 to Present)

ITEM	PART NUMBER	QTY	DESCRIPTION	REV
	1001228888	Ref	PYLON INSTALLATION (34IN)	A
1	1001228805	1	Support	
2	1001207488	1	Marker Lights Installation - Pylon (See Separate Breakdown in ELECTRICAL Section)	
3	1001215020	1	Pylon Electrical Installation (See Separate Breakdown in ELECTRICAL Section)	
4	1001214252	1	Pylon Cover Installation	
5	7701000048	8	Plug	
6	7701000049	2	Plug	
7	7701000056	12	Plug	

SECTION 4 - BODY

FIGURE 4-54. PYLON INSTALLATION (39IN) (SN 0230004275 through 0230005219)



ART_1001215032

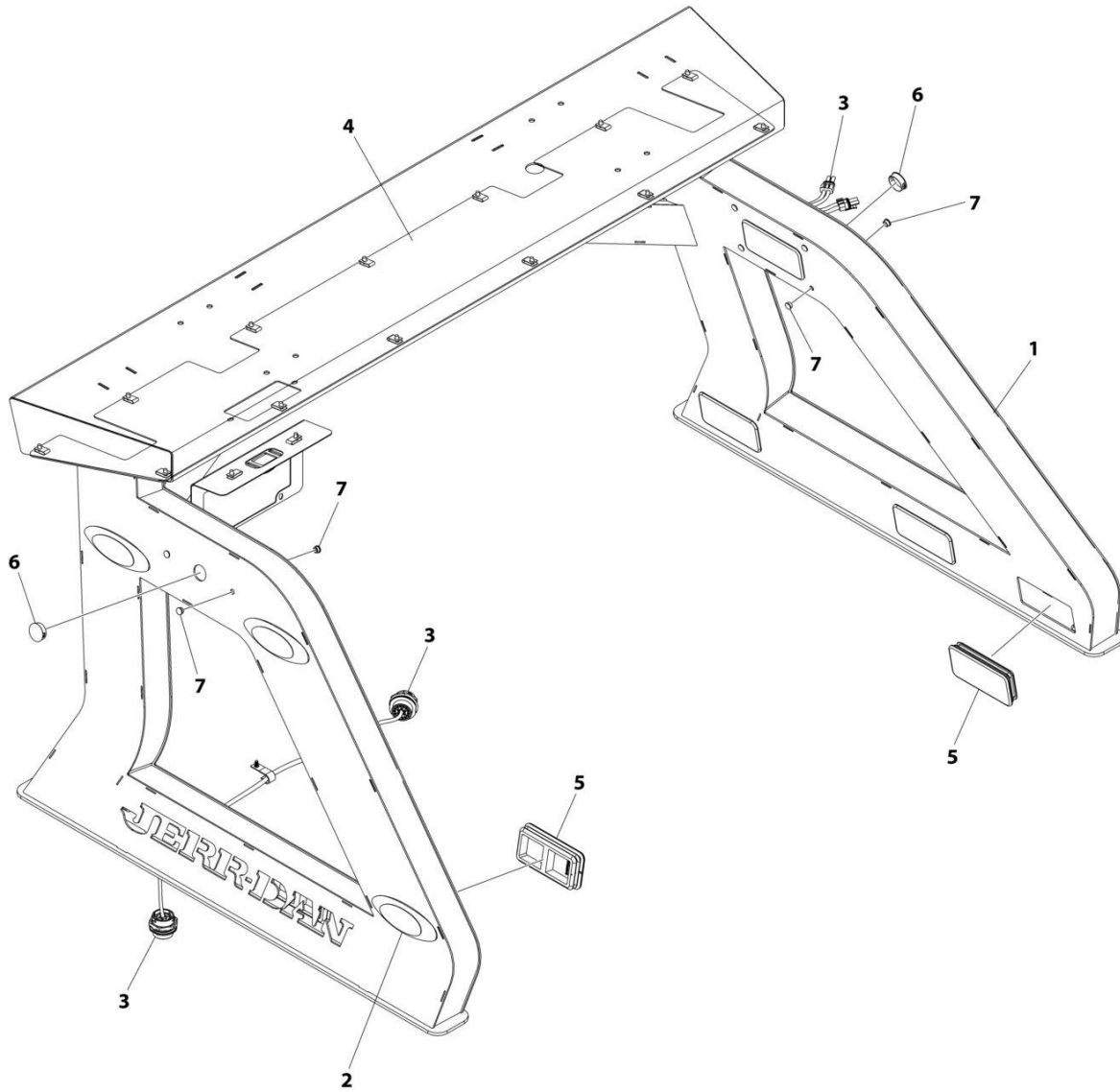
SECTION 4 - BODY

FIGURE 4-54. PYLON INSTALLATION (39IN) (SN 0230004275 through 0230005219)

ITEM	PART NUMBER	QTY	DESCRIPTION	REV
	1001215032	Ref	PYLON INSTALLATION (39IN)	B
1	1001213509	1	Support	
2	1001207488	1	Marker Lights Installation - Pylon (See Separate Breakdown in ELECTRICAL Section)	
3	1001215020	1	Pylon Electrical Installation (See Separate Breakdown in ELECTRICAL Section)	
4	1001214262	1	Pylon Cover Installation (See Separate Breakdown in this Section)	
5	7701000048	8	Plug	
6	7701000049	2	Plug	
7	7701000056	4	Plug	

SECTION 4 - BODY

FIGURE 4-55. PYLON INSTALLATION (39IN) (SN 0230005220 to Present)



ART_1001228889

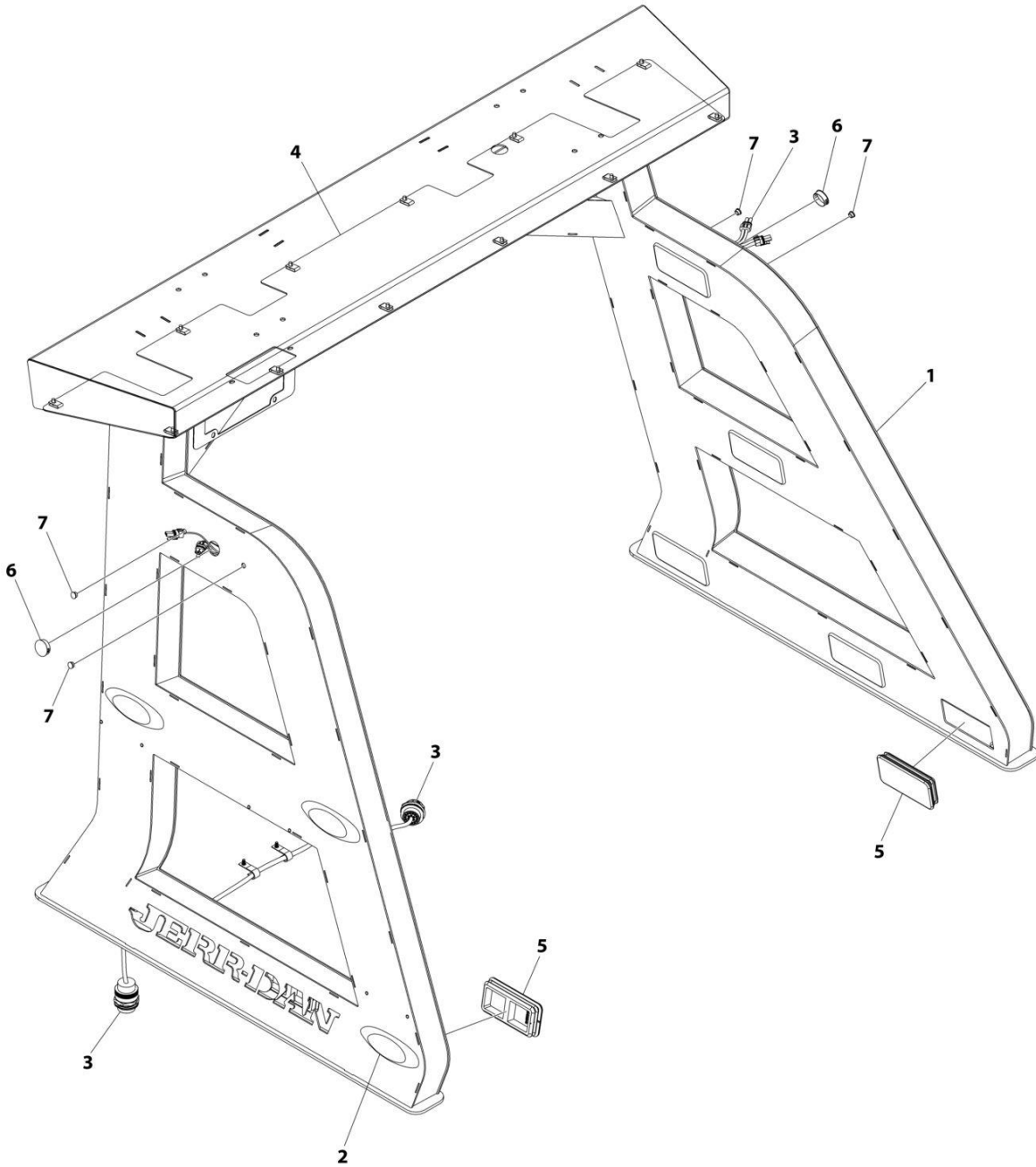
SECTION 4 - BODY

FIGURE 4-55. PYLON INSTALLATION (39IN) (SN 0230005220 to Present)

ITEM	PART NUMBER	QTY	DESCRIPTION	REV
	1001228889	Ref	PYLON INSTALLATION (39IN)	A
1	1001228818	1	Support	
2	1001207488	1	Marker Lights Installation - Pylon (See Separate Breakdown in ELECTRICAL Section)	
3	1001215020	1	Pylon Electrical Installation (See Separate Breakdown in ELECTRICAL Section)	
4	1001214262	1	Pylon Cover Installation (See Separate Breakdown in this Section)	
5	7701000048	8	Plug	
6	7701000049	2	Plug	
7	7701000056	12	Plug	

SECTION 4 - BODY

FIGURE 4-56. PYLON INSTALLATION (57IN) (SN 0230004275 through 0230005219)



ART_1001215033

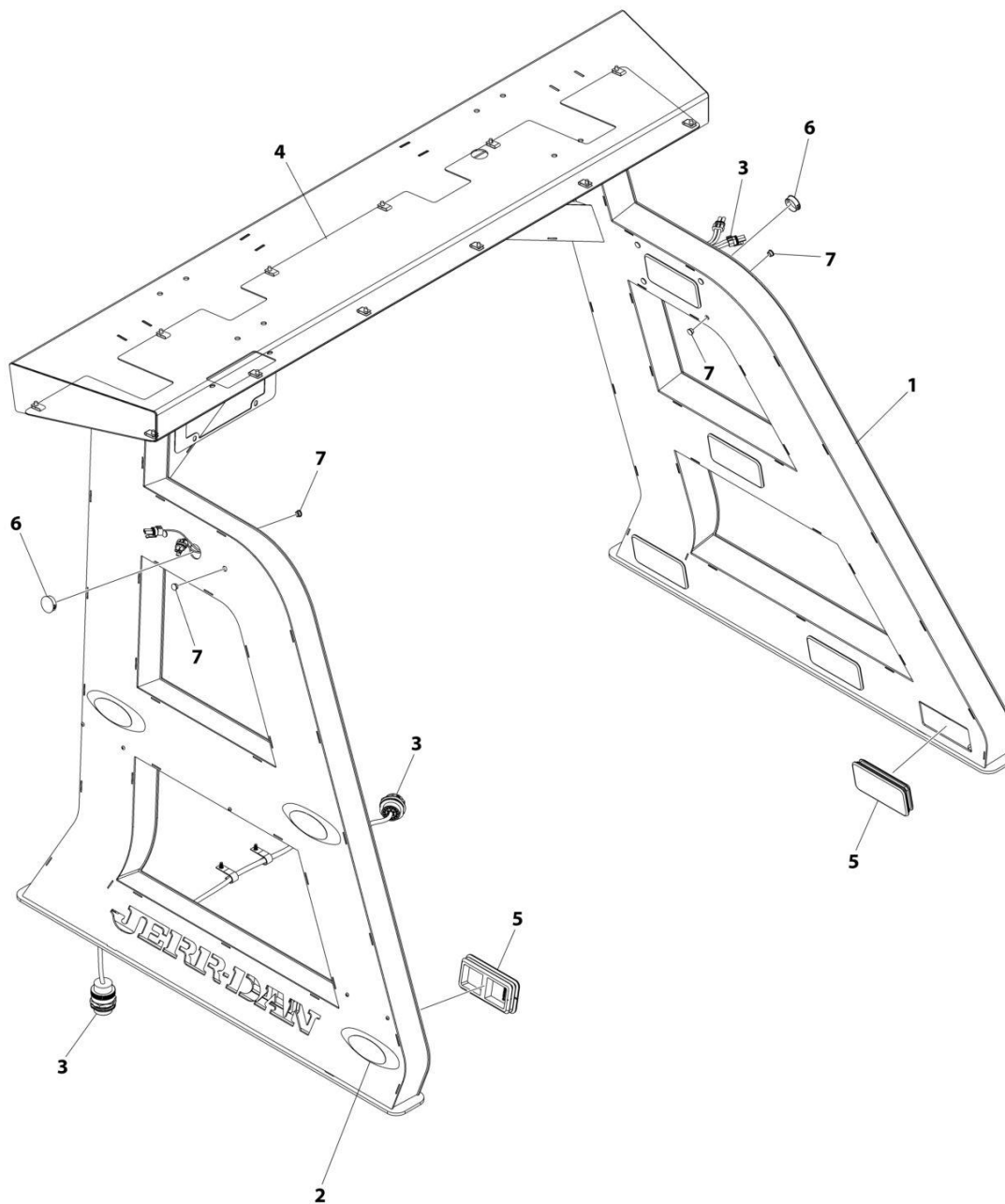
SECTION 4 - BODY

FIGURE 4-56. PYLON INSTALLATION (57IN) (SN 0230004275 through 0230005219)

ITEM	PART NUMBER	QTY	DESCRIPTION	REV
	1001215033	Ref	PYLON INSTALLATION (57IN)	B
1	1001214577	1	Support	
2	1001207488	1	Marker Lights Installation - Pylon (See Separate Breakdown in ELECTRICAL Section)	
3	1001215034	1	Pylon Electrical Installation (See Separate Breakdown in ELECTRICAL Section)	
4	1001214973	1	Pylon Cover Installation (See Separate Breakdown in this Section)	
5	7701000048	10	Plug	
6	7701000049	2	Plug	
7	7701000056	4	Plug	

SECTION 4 - BODY

FIGURE 4-57. PYLON INSTALLATION (57IN) (SN 0230005220 to Present)



ART_1001228890

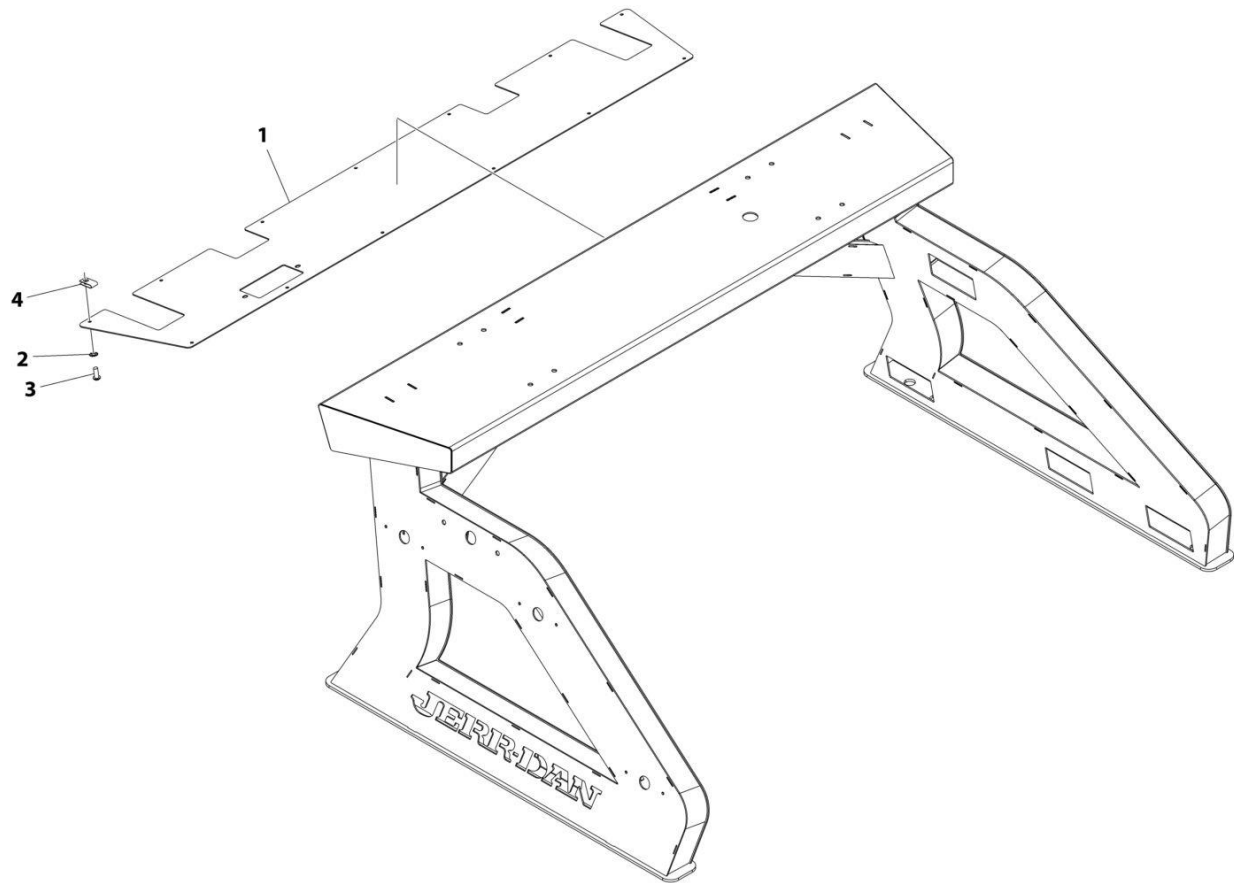
SECTION 4 - BODY

FIGURE 4-57. PYLON INSTALLATION (57IN) (SN 0230005220 to Present)

ITEM	PART NUMBER	QTY	DESCRIPTION	REV
	1001228890	Ref	PYLON INSTALLATION (57IN)	A
1	1001228824	1	Support	
2	1001207488	1	Marker Lights Installation - Pylon (See Separate Breakdown in ELECTRICAL Section)	
3	1001215034	1	Pylon Electrical Installation (See Separate Breakdown in ELECTRICAL Section)	
4	1001214973	1	Pylon Cover Installation (See Separate Breakdown in this Section)	
5	7701000048	10	Plug	
6	7701000049	2	Plug	
7	7701000056	12	Plug	

SECTION 4 - BODY

FIGURE 4-58. PYLON COVER INSTALLATION (34IN PYLON)



ART_1001214252

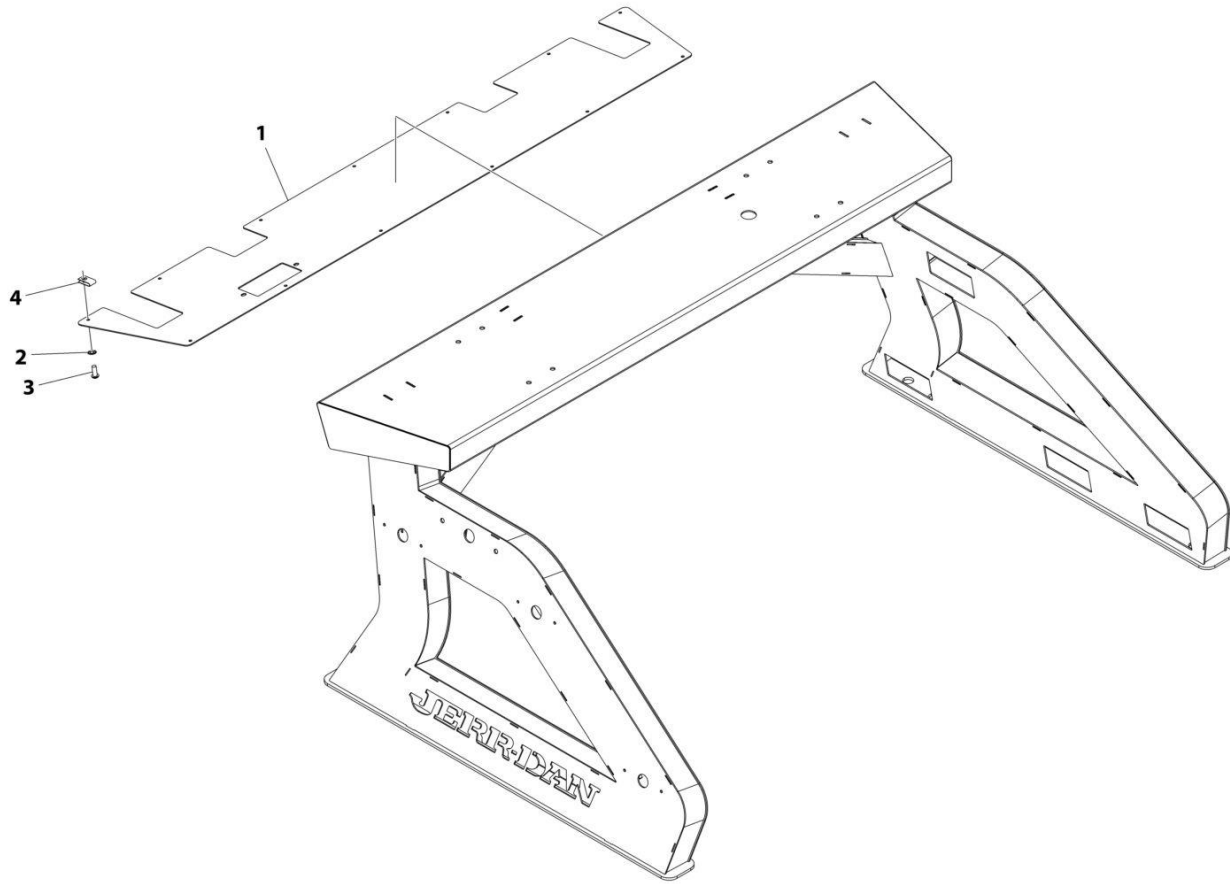
SECTION 4 - BODY

FIGURE 4-58. PYLON COVER INSTALLATION (34IN PYLON)

ITEM	PART NUMBER	QTY	DESCRIPTION	REV
	1001214252	Ref	PYLON COVER INSTALLATION (34IN)	B
1	1001213093	1	Cover	
2	1001143686	13	Star Washer 1/4	
3	7114140518	13	Screw 1/4 x 5/8	
4	7661000019	13	U-Nut 1/4	

SECTION 4 - BODY

FIGURE 4-59. PYLON COVER INSTALLATION (39IN PYLON)



ART_1001214262

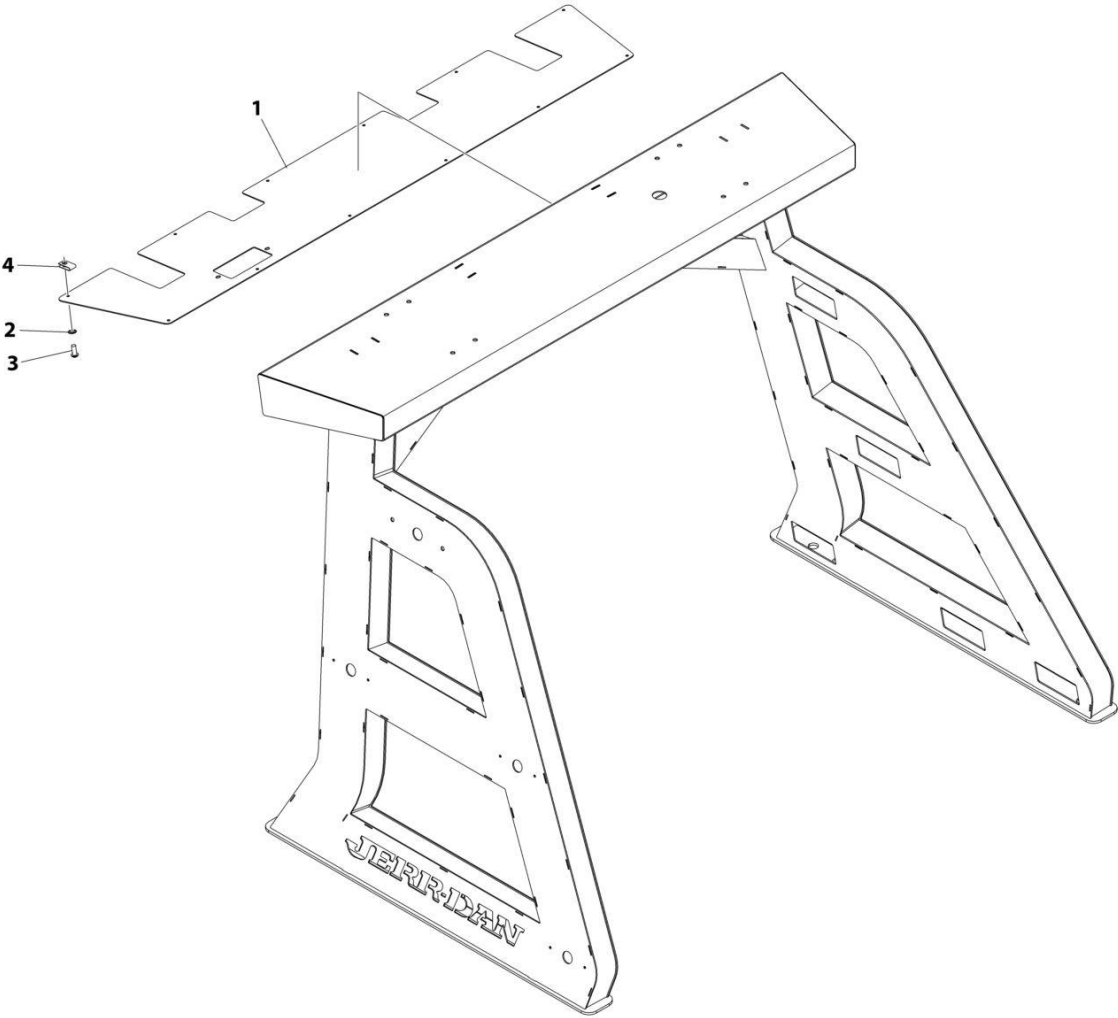
SECTION 4 - BODY

FIGURE 4-59. PYLON COVER INSTALLATION (39IN PYLON)

ITEM	PART NUMBER	QTY	DESCRIPTION	REV
	1001214262	Ref	PYLON COVER INSTALLATION (39IN)	B
1	1001213522	1	Cover	
2	1001143686	13	Star Washer 1/4	
3	7114140518	13	Screw 1/4 x 5/8	
4	7661000019	13	U-Nut 1/4	

SECTION 4 - BODY

FIGURE 4-60. PYLON COVER INSTALLATION (57IN PYLON)



ART_1001214973

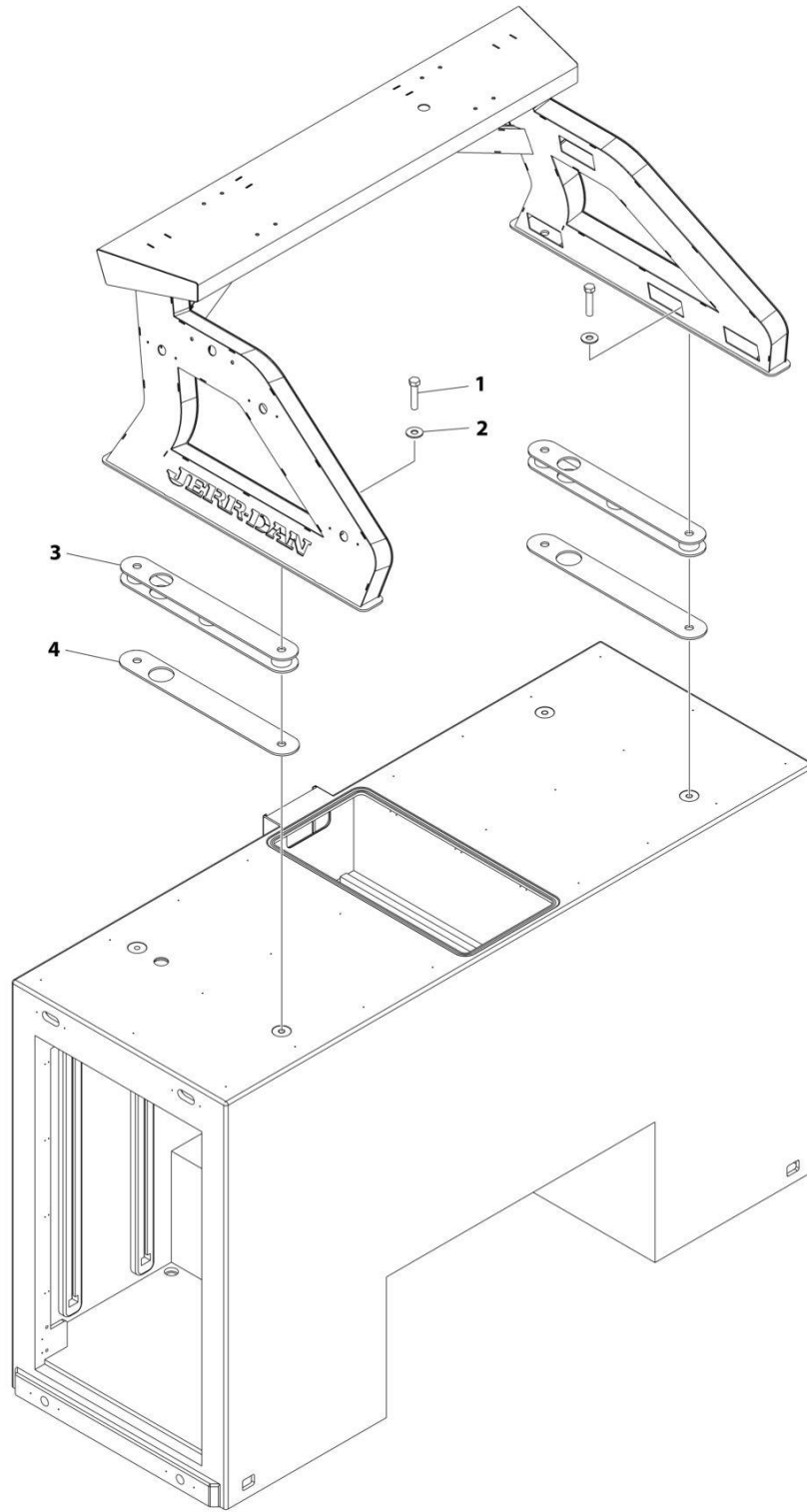
SECTION 4 - BODY

FIGURE 4-60. PYLON COVER INSTALLATION (57IN PYLON)

ITEM	PART NUMBER	QTY	DESCRIPTION	REV
	1001214973	Ref	PYLON COVER INSTALLATION (57IN)	B
1	1001214590	1	Cover	
2	1001143686	12	Star Washer 1/4	
3	7114140518	12	Screw 1/4 x 5/8	
4	7661000019	12	U-Nut 1/4	

SECTION 4 - BODY

FIGURE 4-61. PYLON ADAPTER INSTALLATION - 39IN TUNNEL



ART_1001214336

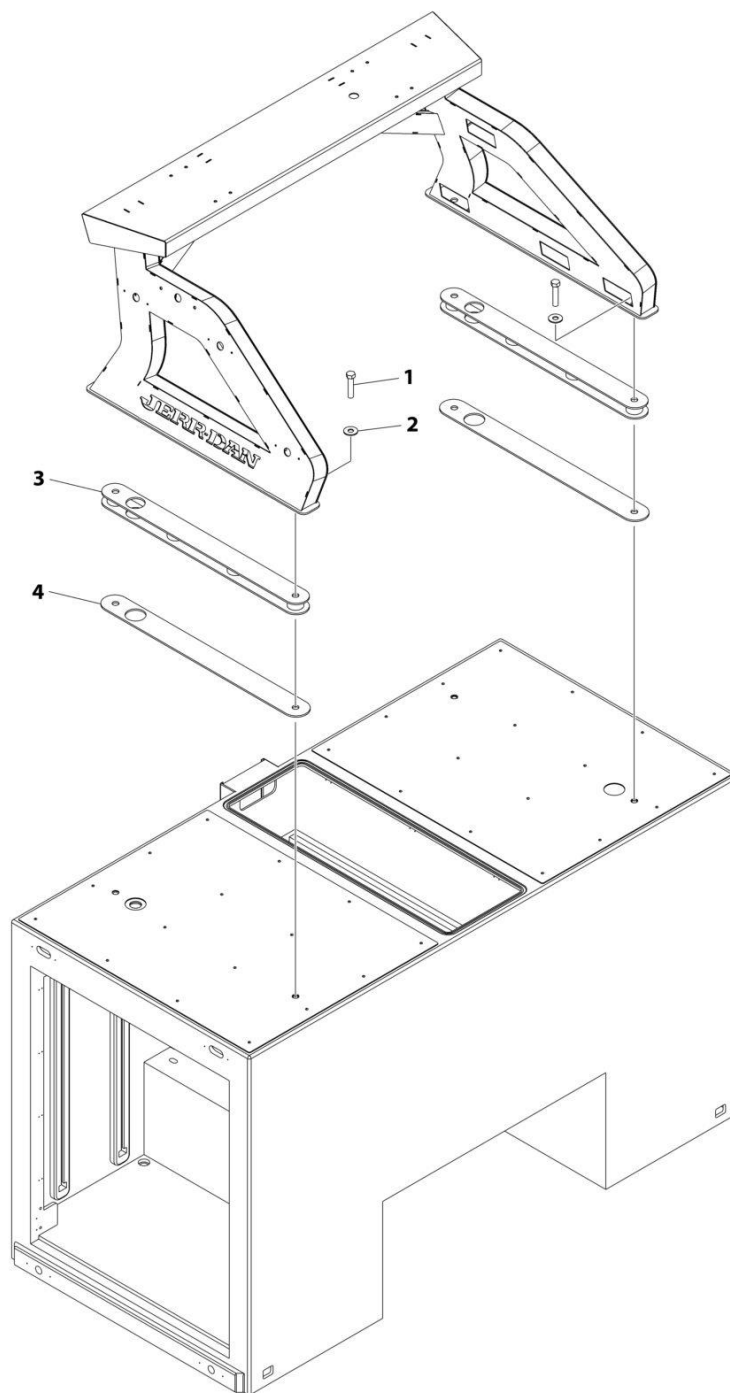
SECTION 4 - BODY

FIGURE 4-61. PYLON ADAPTER INSTALLATION - 39IN TUNNEL

ITEM	PART NUMBER	QTY	DESCRIPTION	REV
	1001214336	Ref	PYLON ADAPTER INSTALLATION - 39IN TUNNEL	A
1	0642228	4	Capscrew 3/4 x 3-1/2	
2	4752200	4	Washer 3/4	
3	1001213112	2	Mount	
4	1001214350	2	Seal	

SECTION 4 - BODY

FIGURE 4-62. PYLON ADAPTER INSTALLATION - 51IN TUNNEL



ART_1001214335

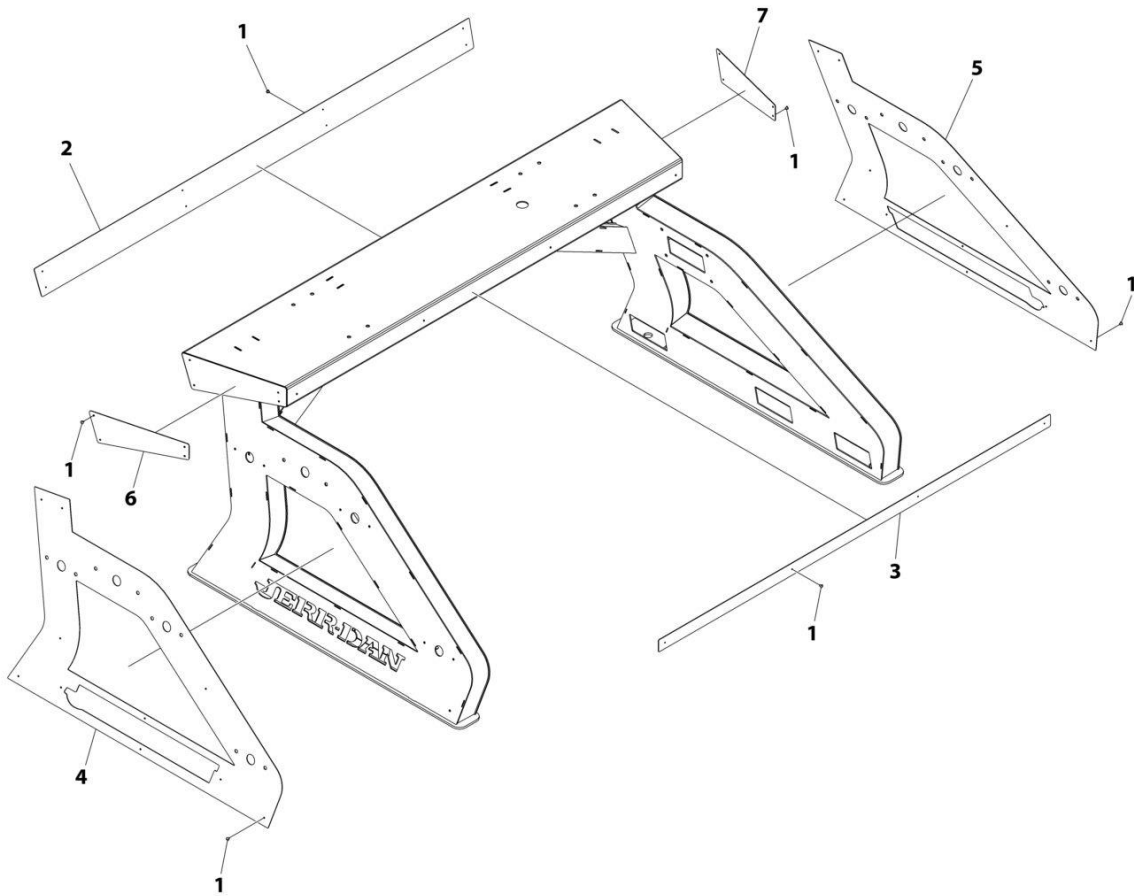
SECTION 4 - BODY

FIGURE 4-62. PYLON ADAPTER INSTALLATION - 51IN TUNNEL

ITEM	PART NUMBER	QTY	DESCRIPTION	REV
	1001214335	Ref	PYLON ADAPTER INSTALLATION - 51IN TUNNEL	A
1	0642228	4	Capscrew 3/4 x 3-1/2	
2	4752200	4	Washer 3/4	
3	1001213111	2	Mount	
4	1001214130	2	Seal	

SECTION 4 - BODY

FIGURE 4-63. PYLON DRESS-UP KIT - 34IN BRUSHED STAINLESS (SN 0230004275 through 0230005219)



ART_1001220184

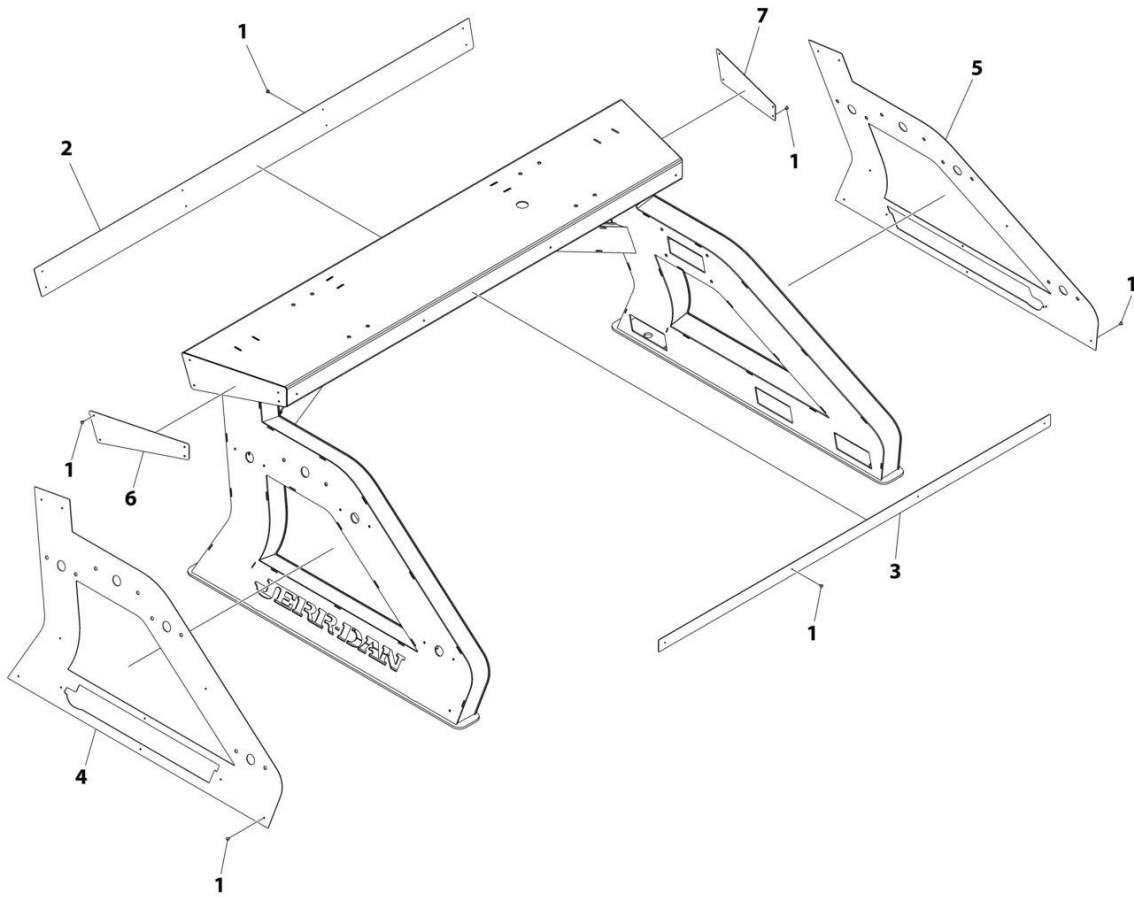
SECTION 4 - BODY

FIGURE 4-63. PYLON DRESS-UP KIT - 34IN BRUSHED STAINLESS (SN 0230004275 through 0230005219)

ITEM	PART NUMBER	QTY	DESCRIPTION	REV
	1001220184	Ref	PYLON DRESS-UP KIT - BRUSHED SS (34IN)	B
1	1001156424	46	Rivet	
2	1001220169	1	Cover (Front)	
3	1001220234	1	Cover (Top Back)	
4	1001220345	1	Cover (LH)	
5	1001220349	1	Cover (RH)	
6	1001220352	1	Cover (Side LH)	
7	1001220353	1	Cover (Side RH)	

SECTION 4 - BODY

FIGURE 4-64. PYLON DRESS-UP KIT - 34IN BRUSHED STAINLESS (SN 0230005220 to Present)



ART_1001228895

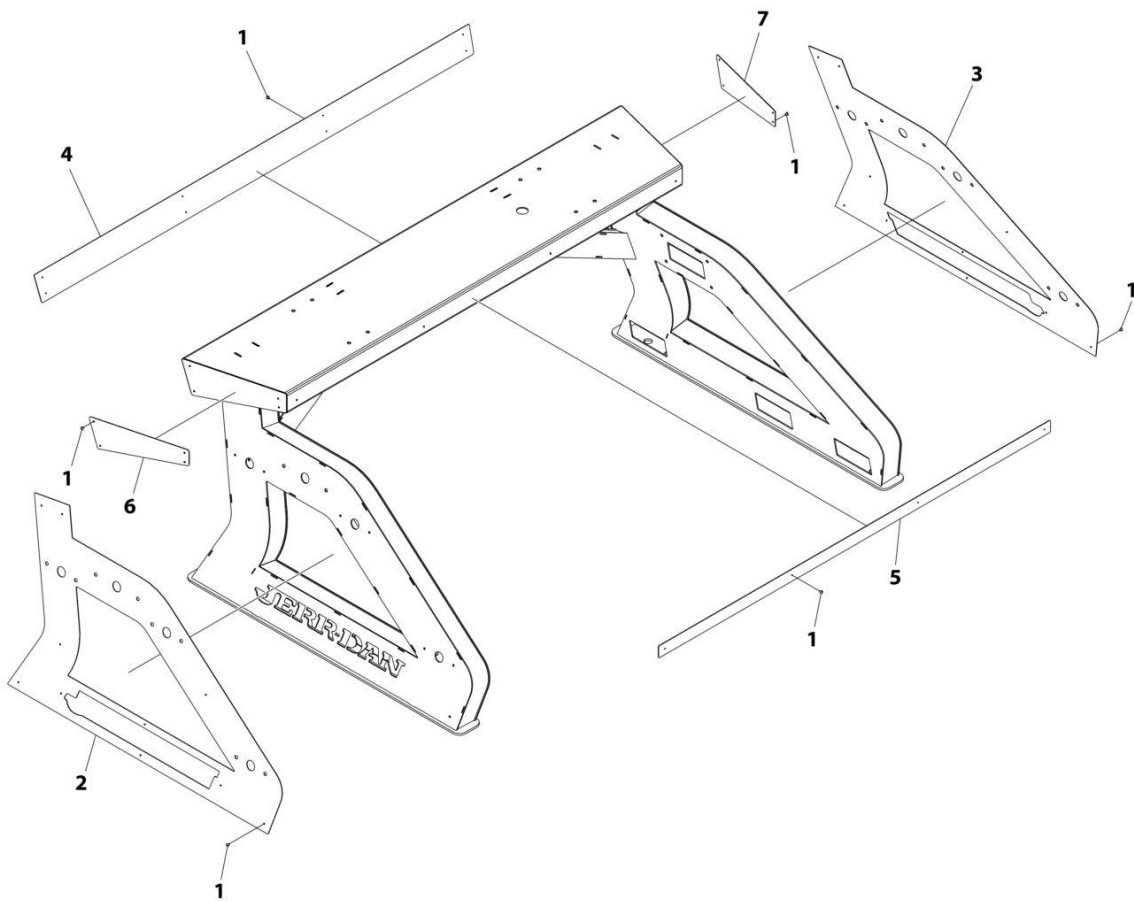
SECTION 4 - BODY

FIGURE 4-64. PYLON DRESS-UP KIT - 34IN BRUSHED STAINLESS (SN 0230005220 to Present)

ITEM	PART NUMBER	QTY	DESCRIPTION	REV
	1001228895	Ref	PYLON DRESS-UP KIT - BRUSHED SS (34IN)	B
1	1001156424	46	Rivet	
2	1001220169	1	Cover (Front)	
3	1001220234	1	Cover (Top Back)	
4	1001228901	1	Cover (LH)	
5	1001228902	1	Cover (RH)	
6	1001220352	1	Cover (Side LH)	
7	1001220353	1	Cover (Side RH)	

SECTION 4 - BODY

FIGURE 4-65. PYLON DRESS-UP KIT - 34IN POLISHED STAINLESS (SN 0230004275 through 0230005219)



ART_1001220346

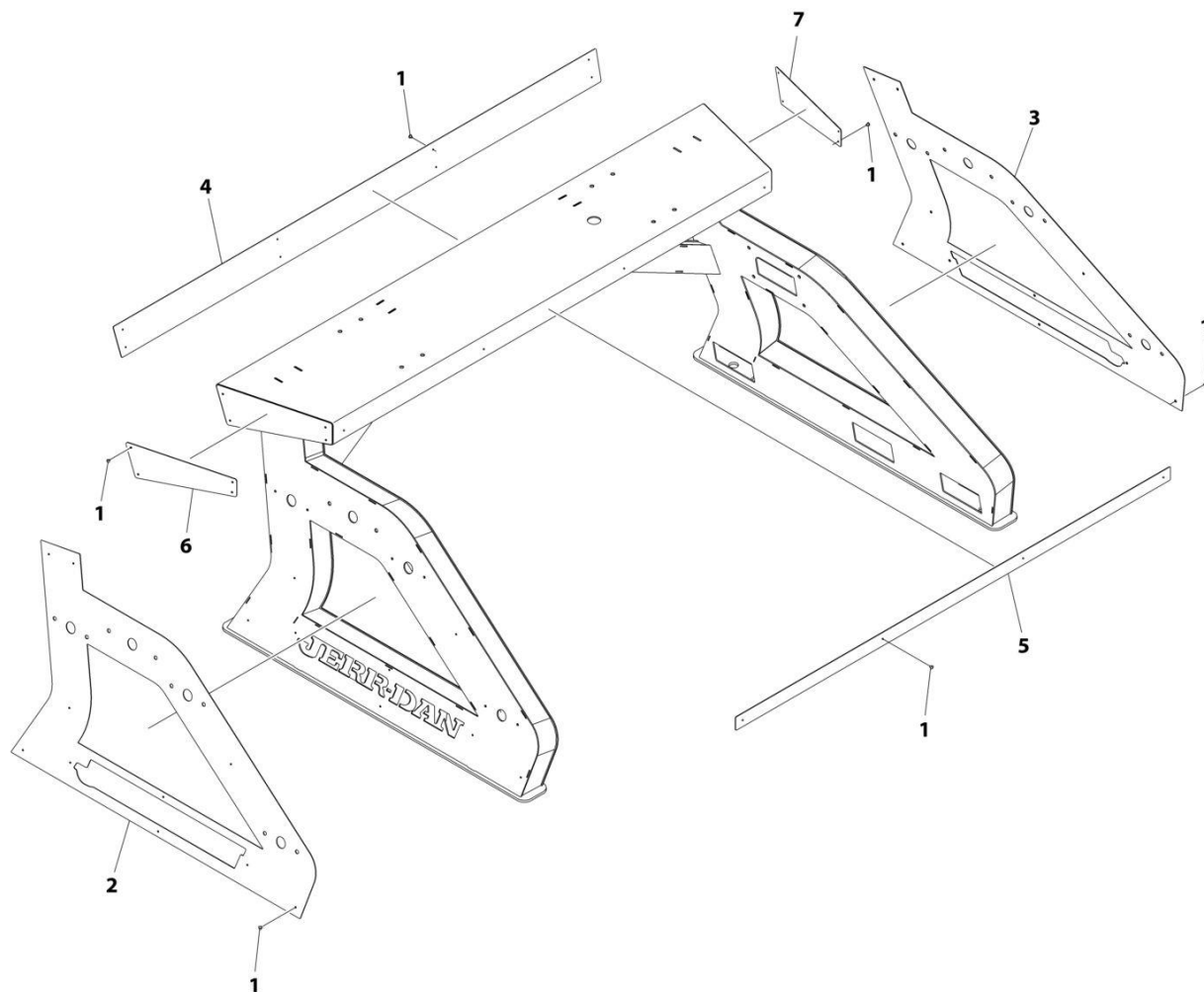
SECTION 4 - BODY

FIGURE 4-65. PYLON DRESS-UP KIT - 34IN POLISHED STAINLESS (SN 0230004275 through 0230005219)

ITEM	PART NUMBER	QTY	DESCRIPTION	REV
	1001220346	Ref	PYLON DRESS-UP KIT - POLISHED SS (34IN)	B
1	1001156424	46	Rivet	
2	1001220363	1	Cover (LH)	
3	1001220364	1	Cover (RH)	
4	1001220369	1	Cover (Front)	
5	1001220370	1	Cover (Top Back)	
6	1001220371	1	Cover (Side LH)	
7	1001220372	1	Cover (Side RH)	

SECTION 4 - BODY

FIGURE 4-66. PYLON DRESS-UP KIT - 34IN POLISHED STAINLESS (SN 0230005220 to Present)



ART_1001228897

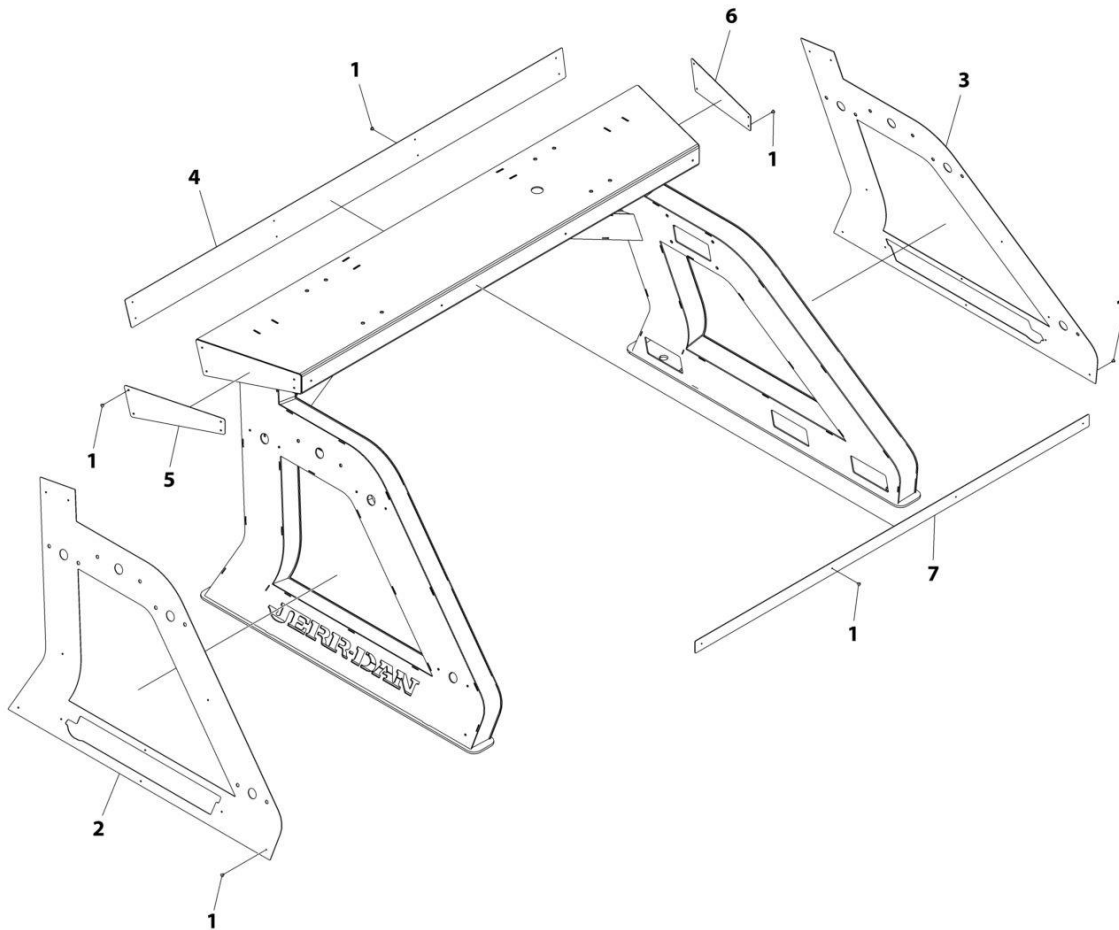
SECTION 4 - BODY

FIGURE 4-66. PYLON DRESS-UP KIT - 34IN POLISHED STAINLESS (SN 0230005220 to Present)

ITEM	PART NUMBER	QTY	DESCRIPTION	REV
	1001228897	Ref	PYLON DRESS-UP KIT - POLISHED SS (34IN)	A
1	1001156424	46	Rivet	
2	1001228903	1	Cover (LH)	
3	1001228904	1	Cover (RH)	
4	1001220369	1	Cover (Front)	
5	1001220370	1	Cover (Back)	
6	1001220371	1	Cover (Side LH)	
7	1001220372	1	Cover (Side RH)	

SECTION 4 - BODY

FIGURE 4-67. PYLON DRESS-UP KIT - 39IN BRUSHED STAINLESS (SN 0230004275 through 0230005219)



ART_1001220185

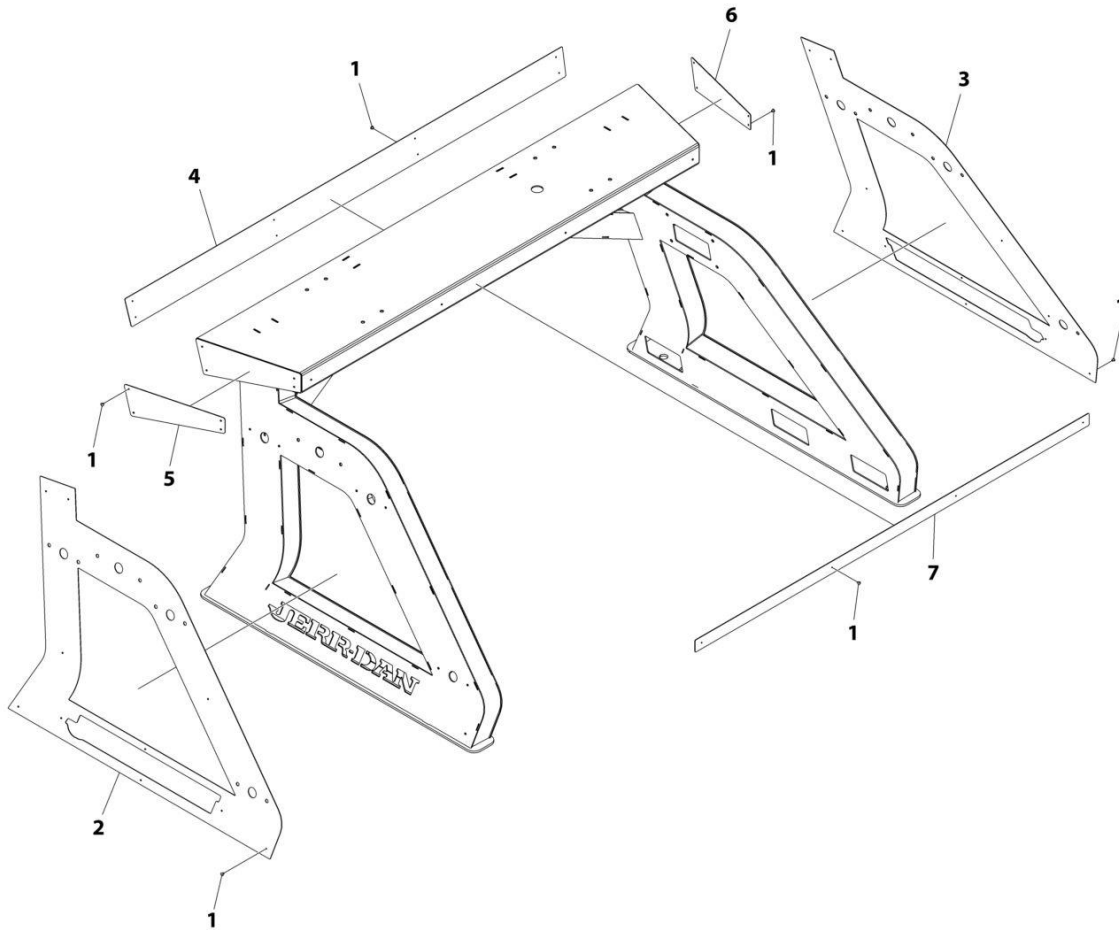
SECTION 4 - BODY

FIGURE 4-67. PYLON DRESS-UP KIT - 39IN BRUSHED STAINLESS (SN 0230004275 through 0230005219)

ITEM	PART NUMBER	QTY	DESCRIPTION	REV
	1001220185	Ref	PYLON DRESS-UP KIT - BRUSHED SS (39IN)	B
1	1001156424	46	Rivet	
2	1001220167	1	Cover (LH)	
3	1001220168	1	Cover (RH)	
4	1001220169	1	Cover (Front)	
5	1001220170	1	Cover (Side LH)	
6	1001220171	1	Cover (Side RH)	
7	1001220234	1	Cover (Top Back)	

SECTION 4 - BODY

FIGURE 4-68. PYLON DRESS-UP KIT - 39IN BRUSHED STAINLESS (SN 0230005220 to Present)



ART_1001228898

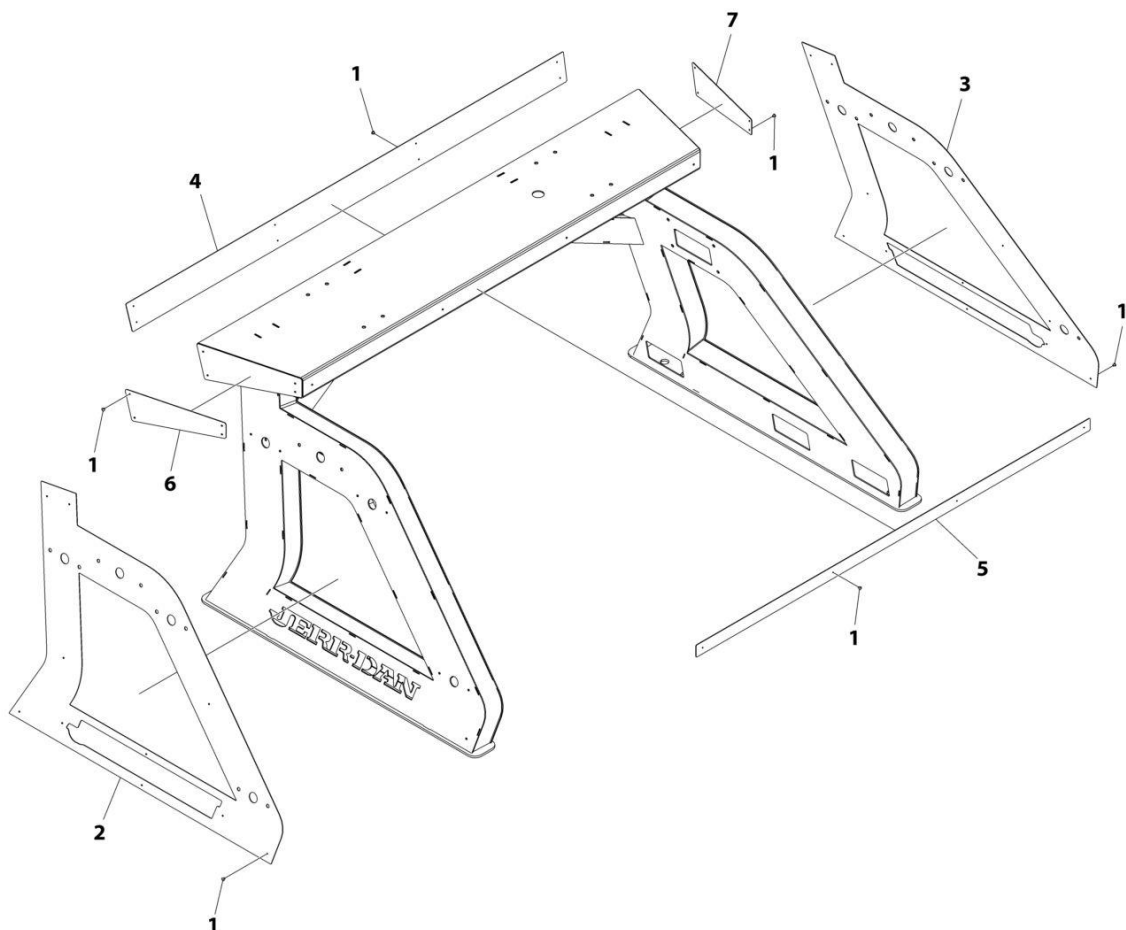
SECTION 4 - BODY

FIGURE 4-68. PYLON DRESS-UP KIT - 39IN BRUSHED STAINLESS (SN 0230005220 to Present)

ITEM	PART NUMBER	QTY	DESCRIPTION	REV
	1001228898	Ref	PYLON DRESS-UP KIT - BRUSHED SS (39IN)	B
1	1001156424	48	Rivet	
2	1001228905	1	Cover (LH)	
3	1001228906	1	Cover (RH)	
4	1001220169	1	Cover (Front)	
5	1001220170	1	Cover (Side LH)	
6	1001220171	1	Cover (Side RH)	
7	1001220234	1	Cover (Top Back)	

SECTION 4 - BODY

FIGURE 4-69. PYLON DRESS-UP KIT - 39IN POLISHED STAINLESS (SN 0230004275 through 0230005219)



ART_1001220347

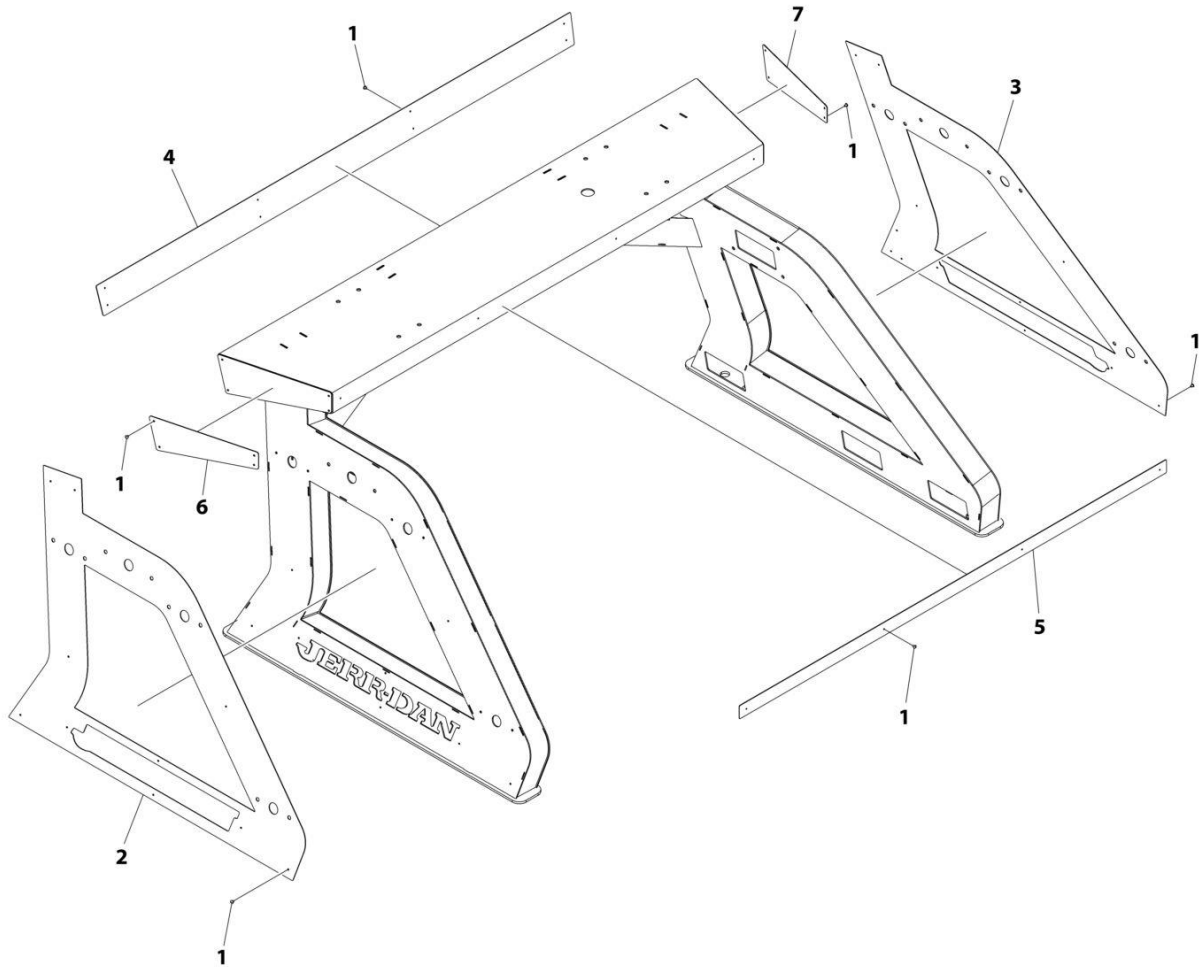
SECTION 4 - BODY

FIGURE 4-69. PYLON DRESS-UP KIT - 39IN POLISHED STAINLESS (SN 0230004275 through 0230005219)

ITEM	PART NUMBER	QTY	DESCRIPTION	REV
	1001220347	Ref	PYLON DRESS-UP KIT - POLISHED SS (39IN)	B
1	1001156424	46	Rivet	
2	1001220365	1	Cover (LH)	
3	1001220366	1	Cover (RH)	
4	1001220369	1	Cover (Front)	
5	1001220370	1	Cover (Top Back)	
6	1001220373	1	Cover (Side LH)	
7	1001220374	1	Cover (Side RH)	

SECTION 4 - BODY

FIGURE 4-70. PYLON DRESS-UP KIT - 39IN POLISHED STAINLESS (SN 0230005220 to Present)



ART_1001228899

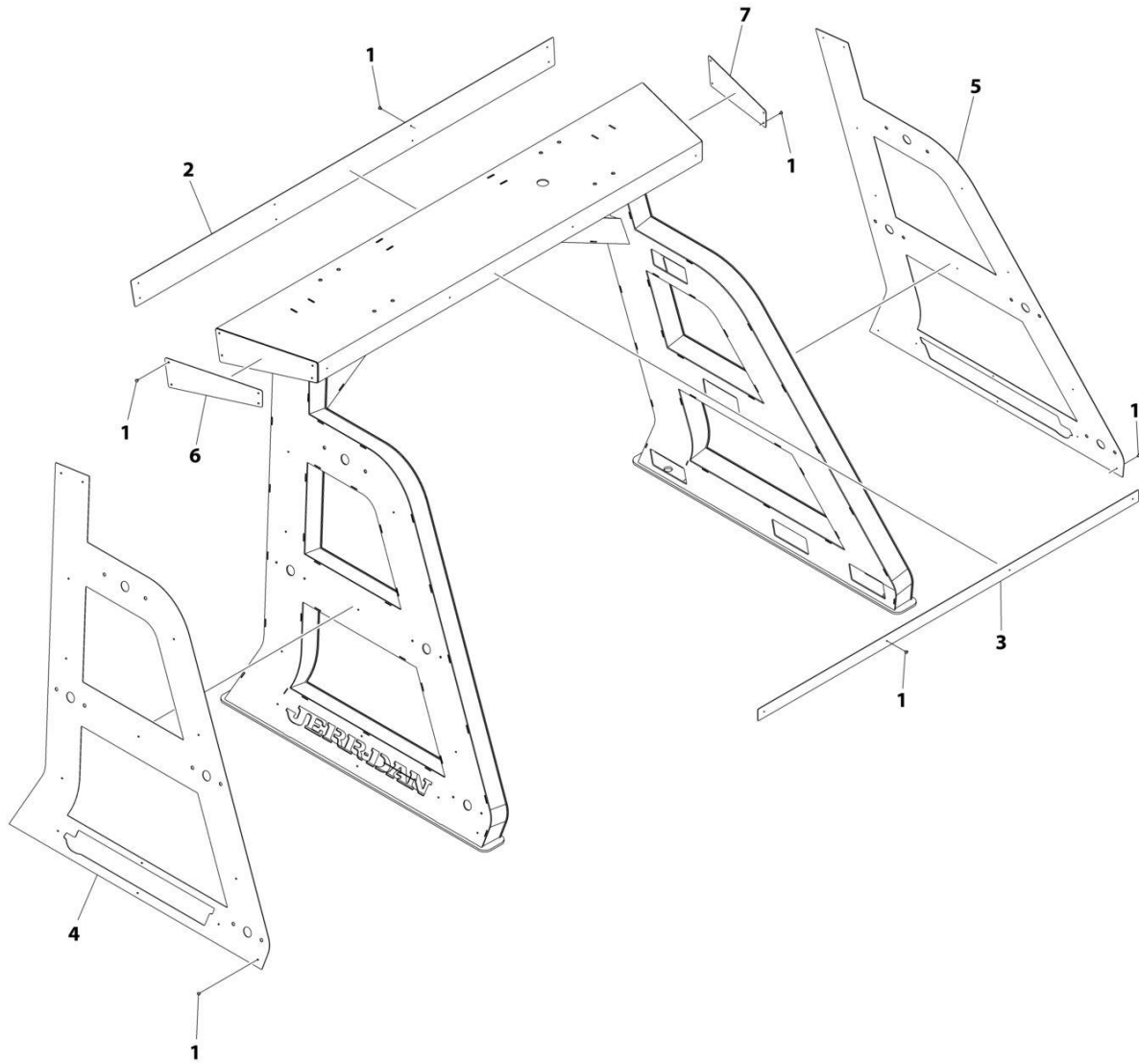
SECTION 4 - BODY

FIGURE 4-70. PYLON DRESS-UP KIT - 39IN POLISHED STAINLESS (SN 0230005220 to Present)

ITEM	PART NUMBER	QTY	DESCRIPTION	REV
	1001228899	Ref	PYLON DRESS-UP KIT - POLISHED SS (39IN)	A
1	1001156424	48	Rivet	
2	1001228907	1	Cover (LH)	
3	1001228908	1	Cover (RH)	
4	1001220369	1	Cover (Front)	
5	1001220370	1	Cover (Back)	
6	1001220373	1	Cover (Side LH)	
7	1001220374	1	Cover (Side RH)	

SECTION 4 - BODY

FIGURE 4-71. PYLON DRESS-UP KIT - 57IN BRUSHED STAINLESS



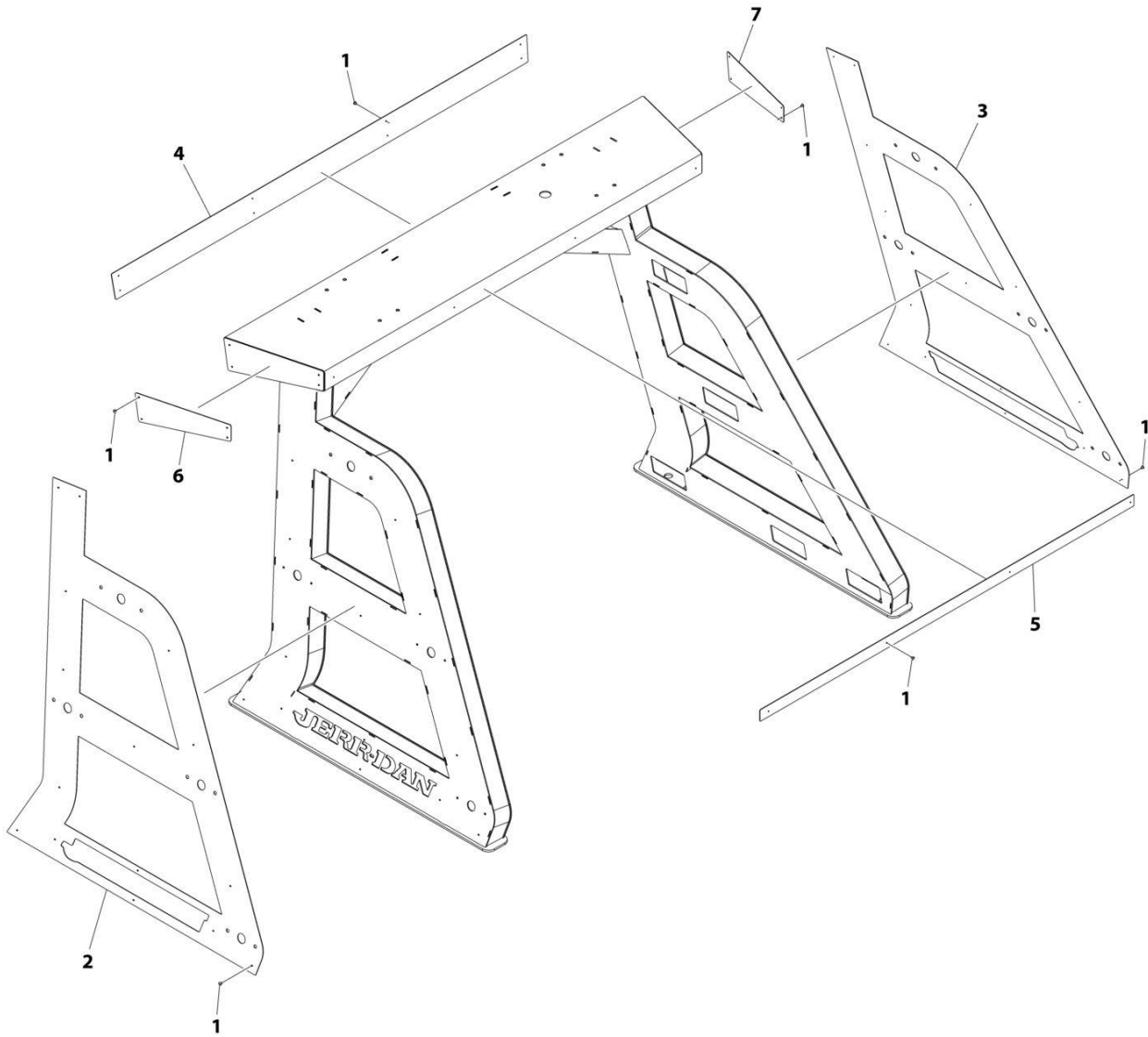
ART_1001220186

SECTION 4 - BODY**FIGURE 4-71. PYLON DRESS-UP KIT - 57IN BRUSHED STAINLESS**

ITEM	PART NUMBER	QTY	DESCRIPTION	REV
	1001220186	Ref	PYLON DRESS-UP KIT - BRUSHED SS (57IN)	C
1	1001156424	58	Rivet	
2	1001220169	1	Cover (Front)	
3	1001220234	1	Cover (Top Back)	
4	1001220350	1	Cover (LH)	
5	1001220351	1	Cover (RH)	
6	1001220354	1	Cover (Side LH)	
7	1001220355	1	Cover (Side RH)	

SECTION 4 - BODY

FIGURE 4-72. PYLON DRESS-UP KIT - 57IN POLISHED STAINLESS



ART_1001220348

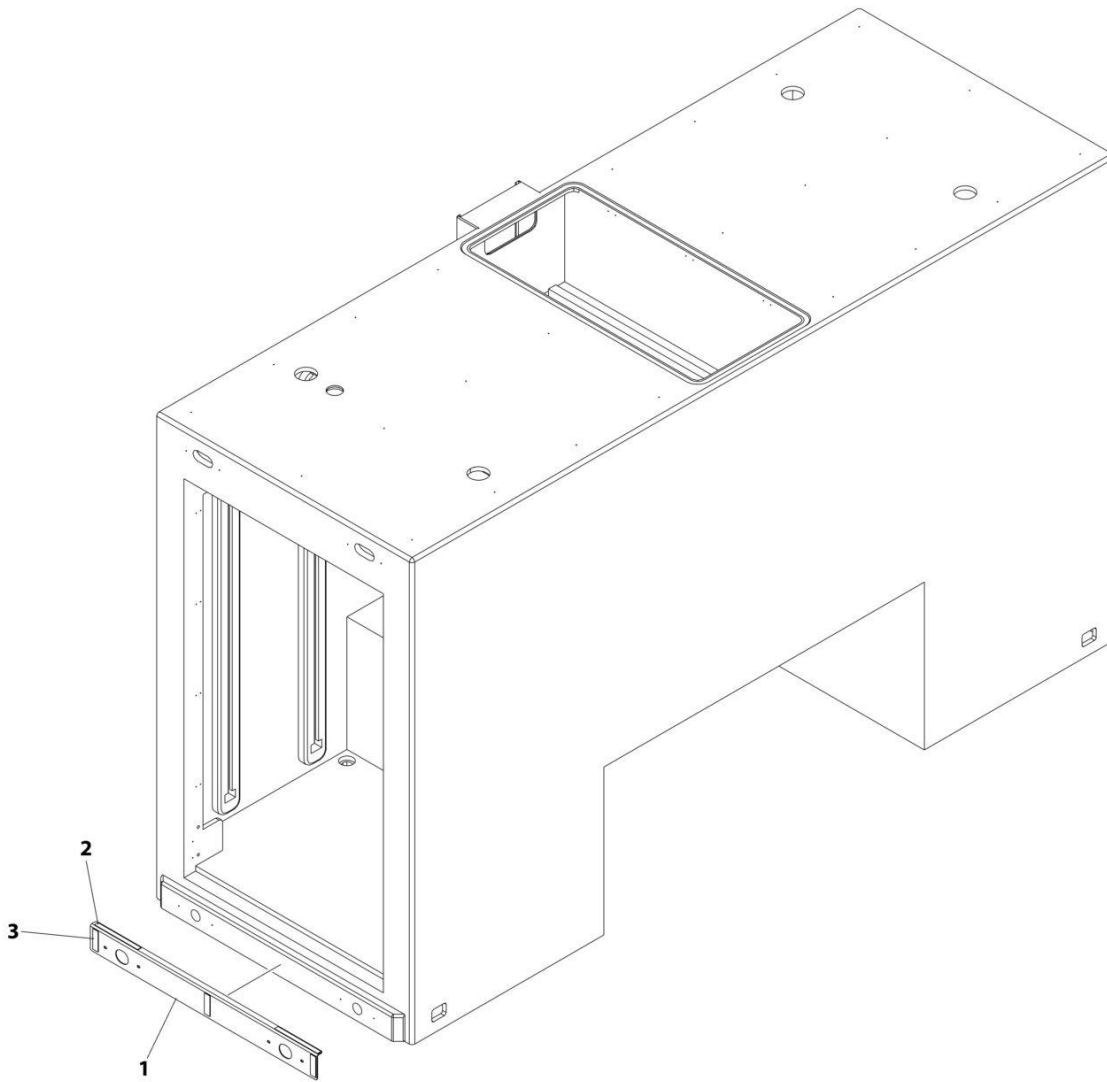
SECTION 4 - BODY

FIGURE 4-72. PYLON DRESS-UP KIT - 57IN POLISHED STAINLESS

ITEM	PART NUMBER	QTY	DESCRIPTION	REV
	1001220348	Ref	PYLON DRESS-UP KIT - POLISHED SS (57IN)	B
1	1001156424	58	Rivet	
2	1001220367	1	Cover (LH)	
3	1001220368	1	Cover (RH)	
4	1001220369	1	Cover (Front)	
5	1001220370	1	Cover (Back)	
6	1001220375	1	Cover (Side LH)	
7	1001220376	1	Cover (Side RH)	

SECTION 4 - BODY

FIGURE 4-73. RUB RAIL DRESS-UP INSTALLATION (37IN TUNNEL)



ART_1001237531

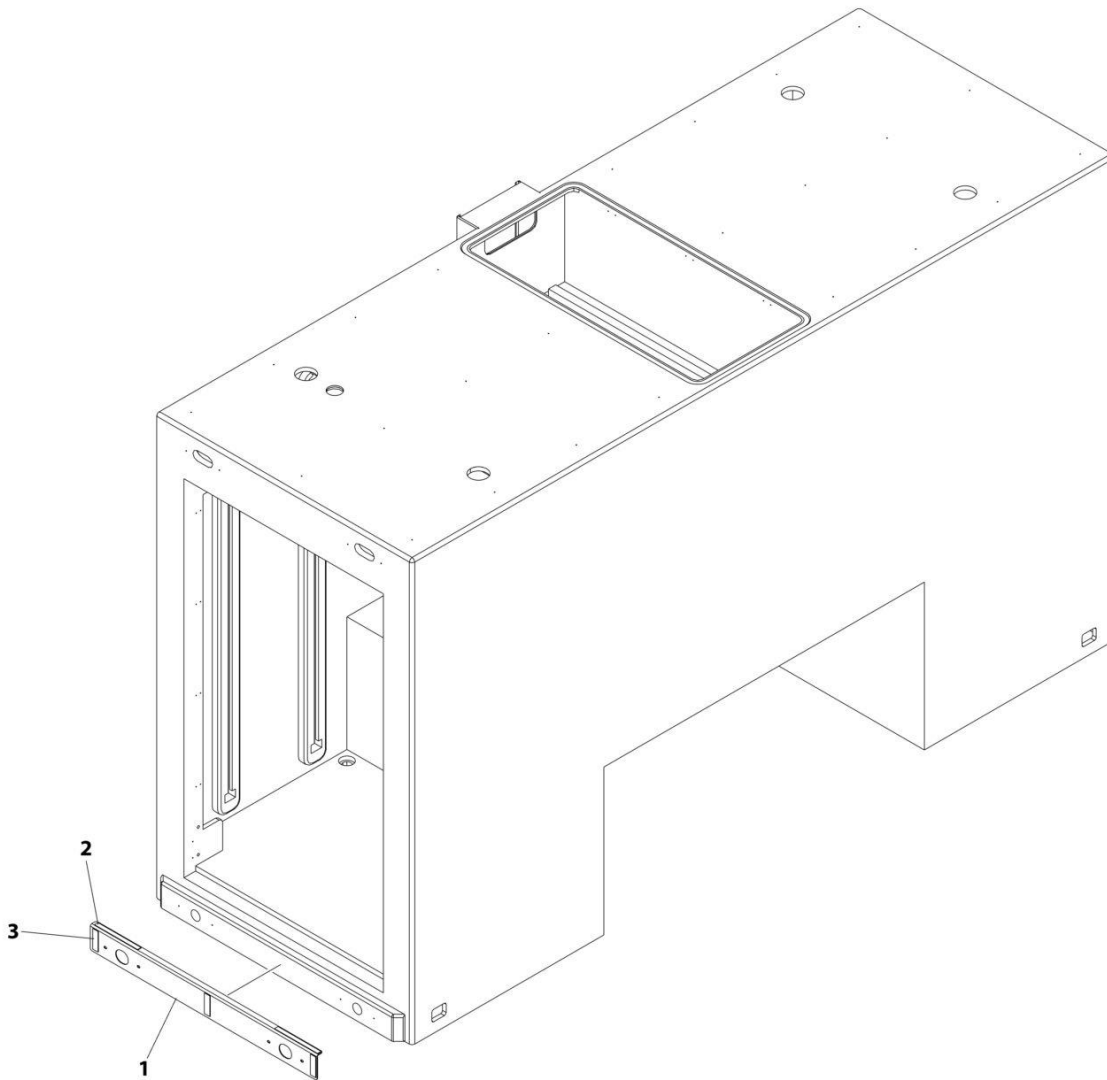
SECTION 4 - BODY

FIGURE 4-73. RUB RAIL DRESS-UP INSTALLATION (37IN TUNNEL)

ITEM	PART NUMBER	QTY	DESCRIPTION	REV
	1001237531	Ref	RUB RAIL DRESS-UP INSTALLATION	B
	1001234549	Ref	RUB RAIL DRESS-UP INSTALLATION	B
1	1001230977	2	Angle	
2	1001230987	2 ft	Tape	
3	7796000012	1.3 ft	Seal	

SECTION 4 - BODY

FIGURE 4-74. RUB RAIL DRESS-UP INSTALLATION (39IN TUNNEL)



ART_1001234549

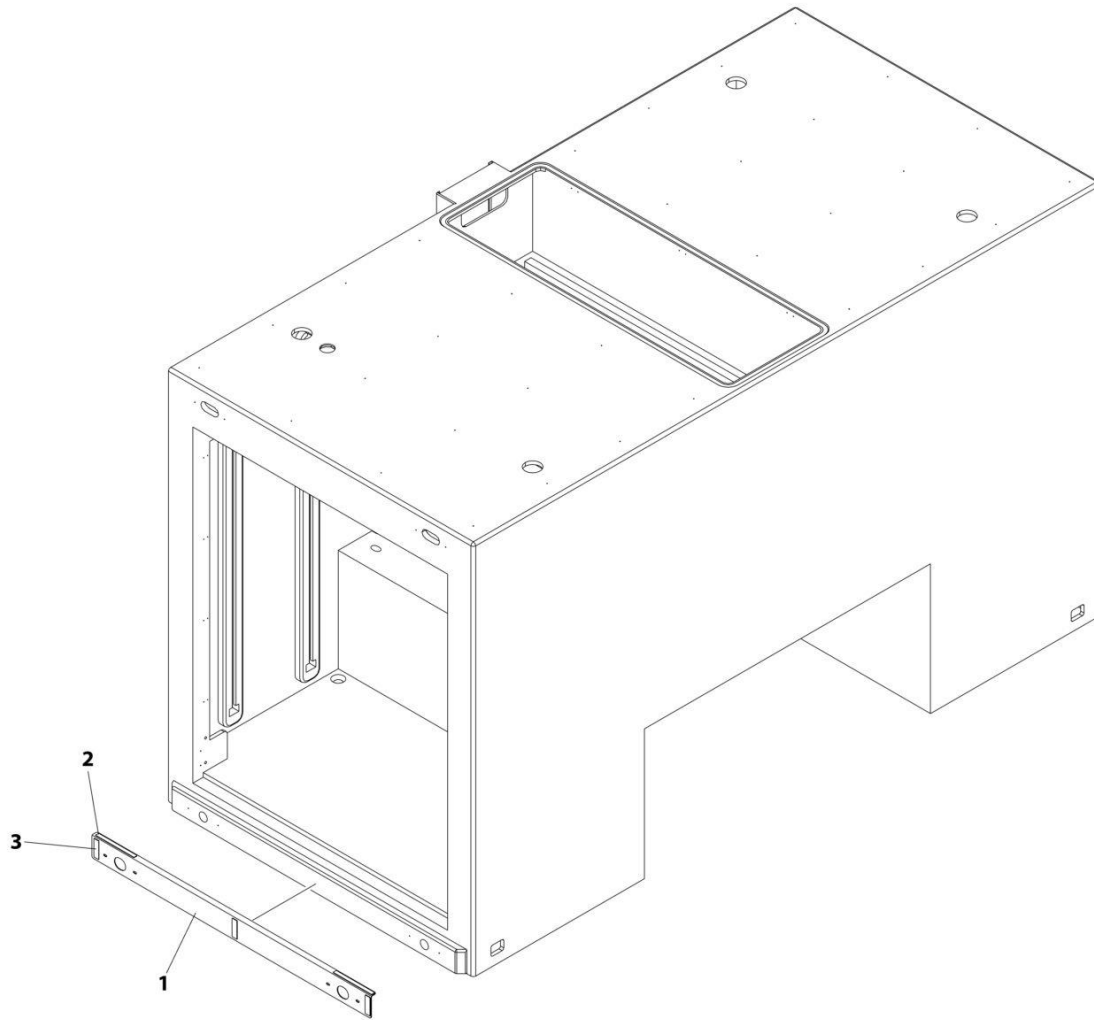
SECTION 4 - BODY

FIGURE 4-74. RUB RAIL DRESS-UP INSTALLATION (39IN TUNNEL)

ITEM	PART NUMBER	QTY	DESCRIPTION	REV
	1001234549	Ref	RUB RAIL DRESS-UP INSTALLATION	B
1	1001230977	2	Angle	
2	1001230987	2 ft	Tape	
3	7796000012	1.3 ft	Seal	

SECTION 4 - BODY

FIGURE 4-75. RUB RAIL DRESS-UP INSTALLATION (49IN TUNNEL)



ART_1001237532

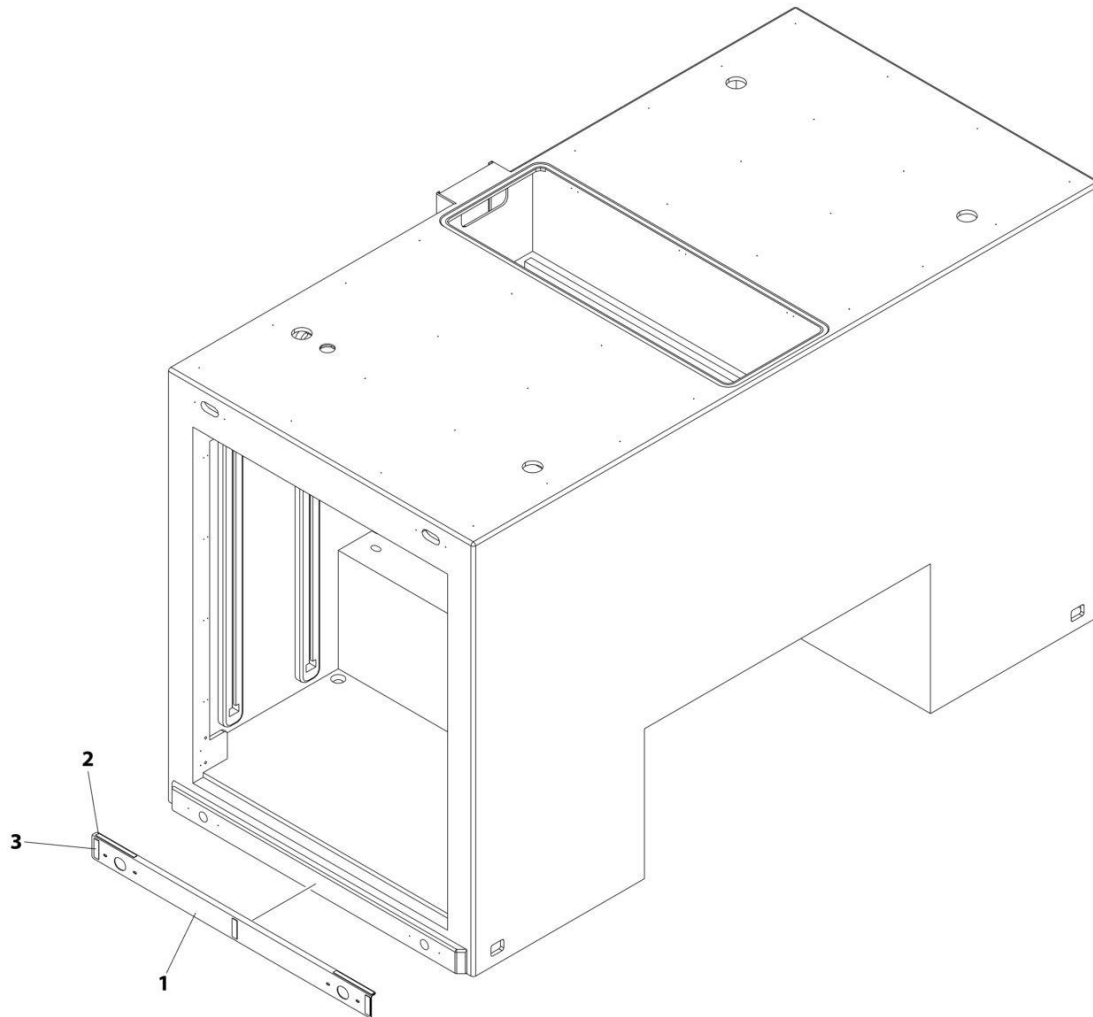
SECTION 4 - BODY

FIGURE 4-75. RUB RAIL DRESS-UP INSTALLATION (49IN TUNNEL)

ITEM	PART NUMBER	QTY	DESCRIPTION	REV
	1001237532	Ref	RUB RAIL DRESS-UP INSTALLATION	B
	1001234536	Ref	RUB RAIL DRESS-UP INSTALLATION	B
1	1001230976	2	Angle	
2	1001230987	2 ft	Tape	
3	7796000012	1.3 ft	Seal	

SECTION 4 - BODY

FIGURE 4-76. RUB RAIL DRESS-UP INSTALLATION (51IN TUNNEL)



ART_1001234536

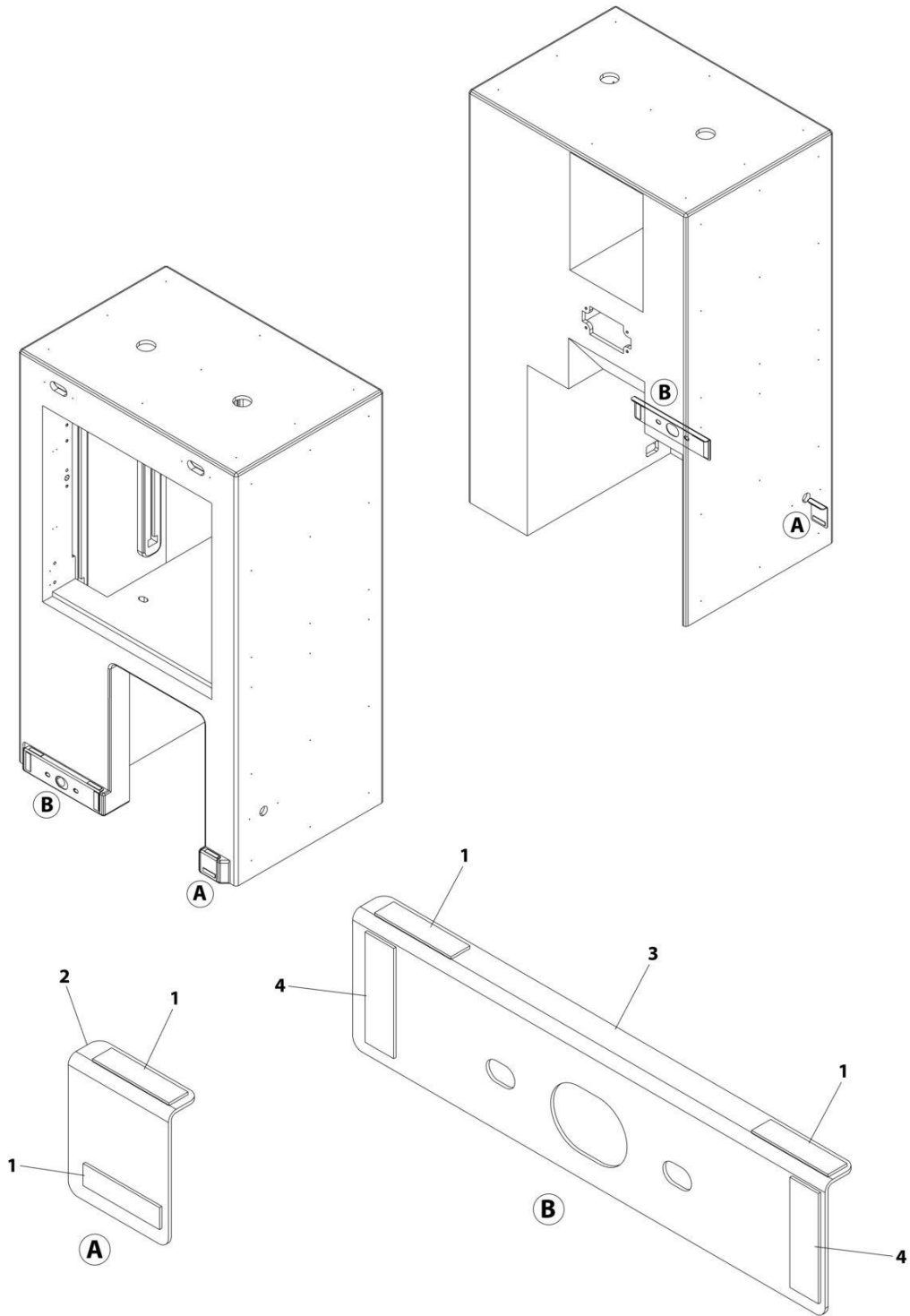
SECTION 4 - BODY

FIGURE 4-76. RUB RAIL DRESS-UP INSTALLATION (51IN TUNNEL)

ITEM	PART NUMBER	QTY	DESCRIPTION	REV
	1001234536	Ref	RUB RAIL DRESS-UP INSTALLATION (51IN TUNNEL) (A SLOT)	B
1	1001230976	2	Angle	
2	1001230987	2 ft	Tape	
3	7796000012	1.3 ft	Seal	

SECTION 4 - BODY

FIGURE 4-77. RUB RAIL DRESS-UP KIT (SRS TOOLBOX)



ART_1001234557

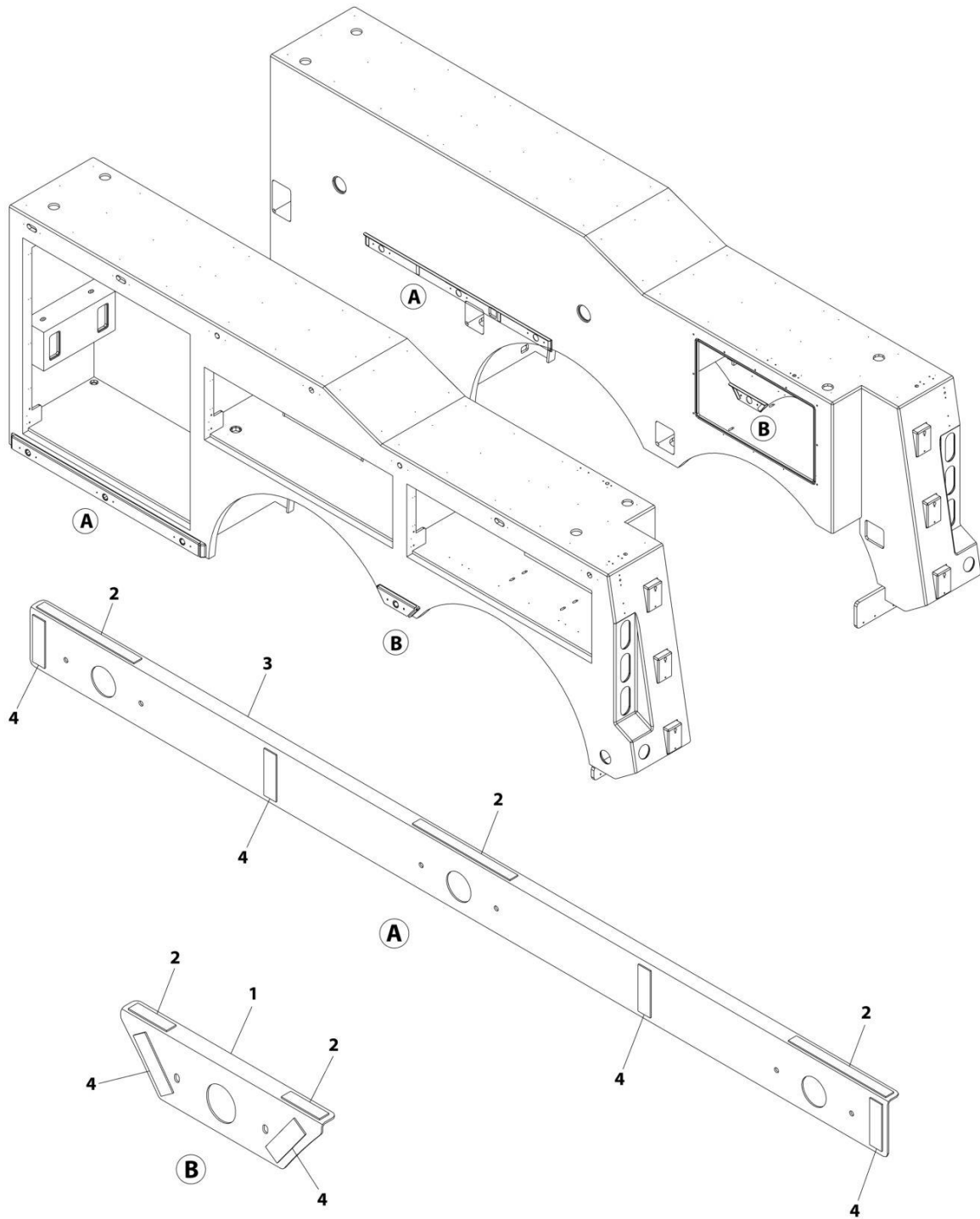
SECTION 4 - BODY

FIGURE 4-77. RUB RAIL DRESS-UP KIT (SRS TOOLBOX)

ITEM	PART NUMBER	QTY	DESCRIPTION	REV
	1001234557	Ref	RUB RAIL DRESS-UP INSTALLATION (SRS BOX)	B
1	1001230987	1.3 ft	Tape	
2	1001234558	2	Angle	
3	1001234559	2	Angle	
4	7796000012	1 ft	Seal	

SECTION 4 - BODY

FIGURE 4-78. RUB RAIL DRESS-UP KIT (TANDEM)



ART_1001234375

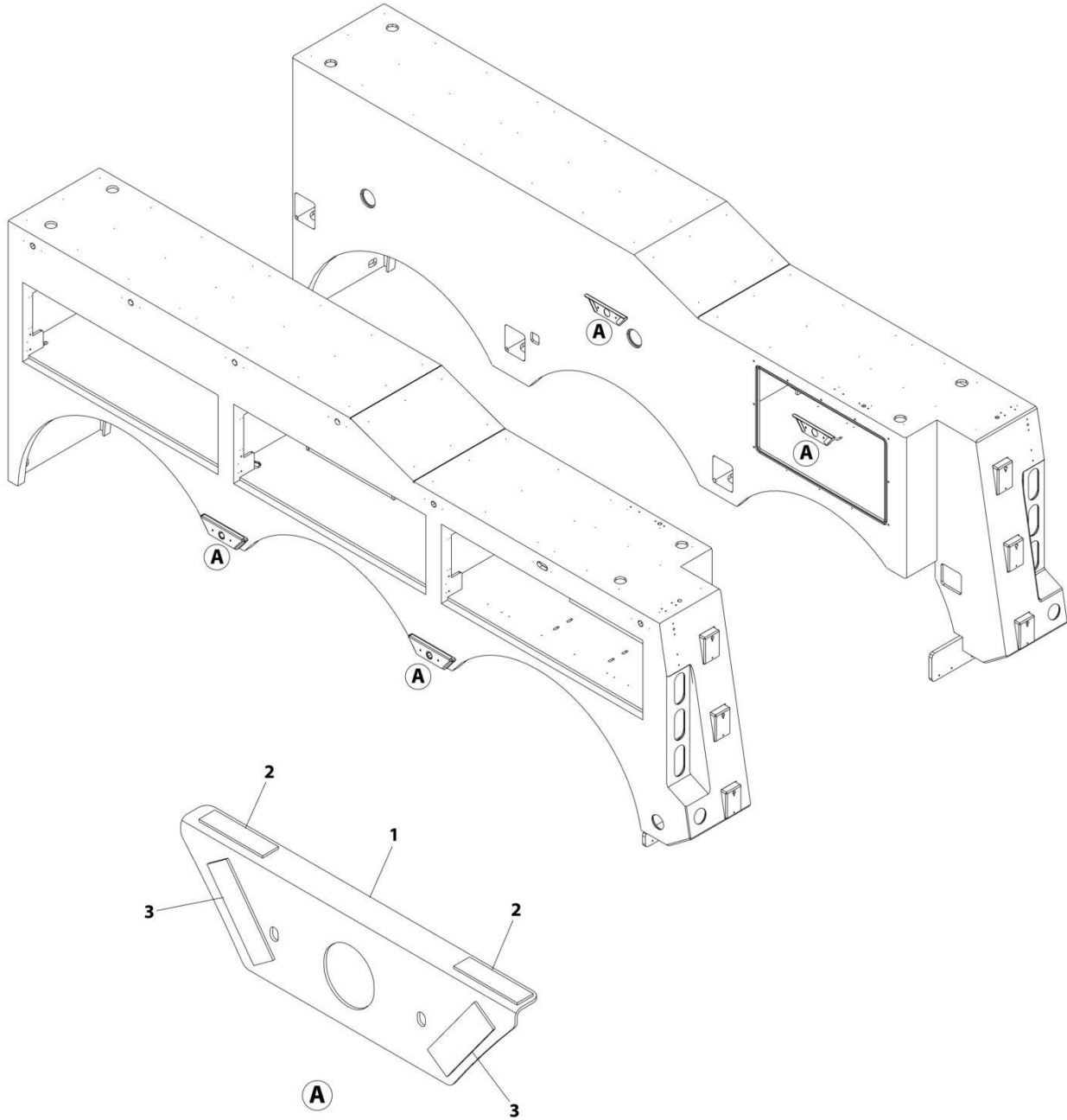
SECTION 4 - BODY

FIGURE 4-78. RUB RAIL DRESS-UP KIT (TANDEM)

ITEM	PART NUMBER	QTY	DESCRIPTION	REV
	1001234375	Ref	RUB RAIL DRESS-UP INSTALLATION (TANDEM AXLE)	A
1	1001230966	2	Angle	
2	1001230987	3.7 ft	Tape	
3	1001234388	2	Angle	
4	7796000012	2.5 ft	Seal	

SECTION 4 - BODY

FIGURE 4-79. RUB RAIL DRESS-UP KIT (TRI-AXLE)



ART_1001234480

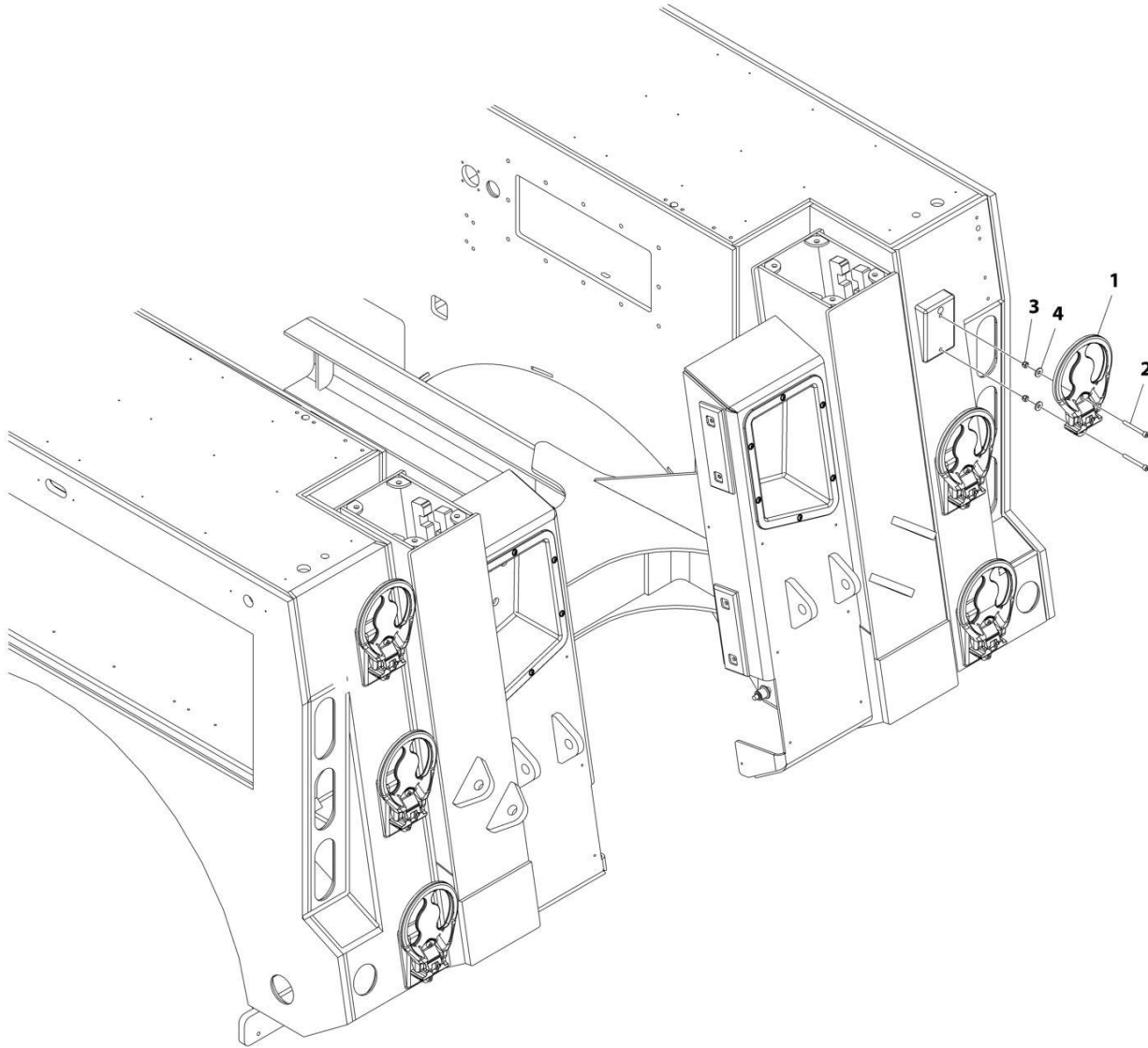
SECTION 4 - BODY

FIGURE 4-79. RUB RAIL DRESS-UP KIT (TRI-AXLE)

ITEM	PART NUMBER	QTY	DESCRIPTION	REV
	1001234480	Ref	RUB RAIL DRESS-UP INSTALLATION (TRI-AXLE)	A
1	1001230966	4	Angle	
2	1001230987	2 ft	Tape	
4	7796000012	2 ft	Seal	

SECTION 4 - BODY

FIGURE 4-80. STEP INSTALLATION



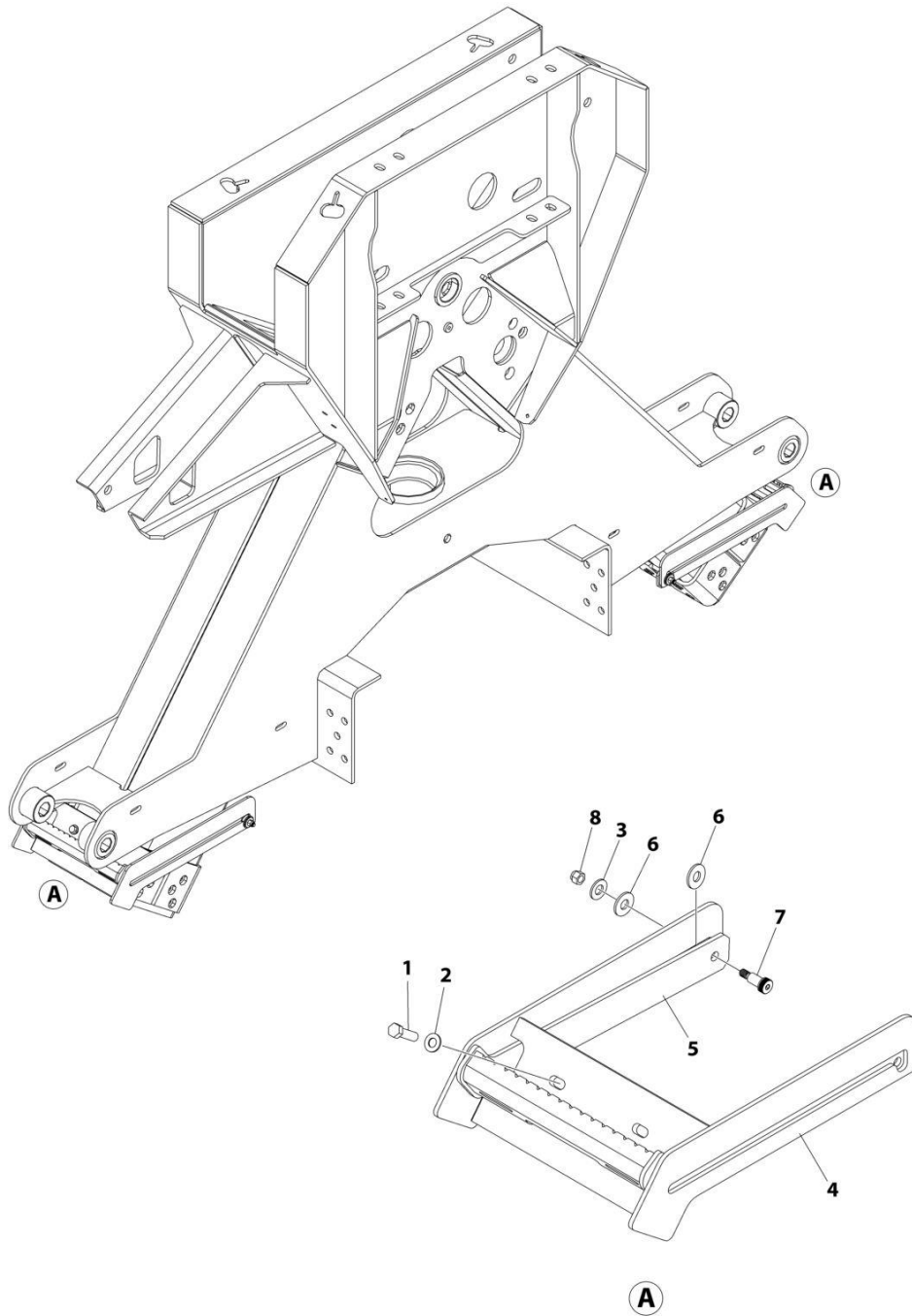
ART_1001196666

FIGURE 4-80. STEP INSTALLATION

ITEM	PART NUMBER	QTY	DESCRIPTION	REV
	1001196666	Ref	Step Installation	B
1	1001167456	6	Step	
2	1001231751	12	Screw 5/16 x 2-3/4	
3	7660152601	12	Nut 5/16	
4	7950150153	12	Washer 5/16	

SECTION 4 - BODY

FIGURE 4-81. STEP INSTALLATION - SRS



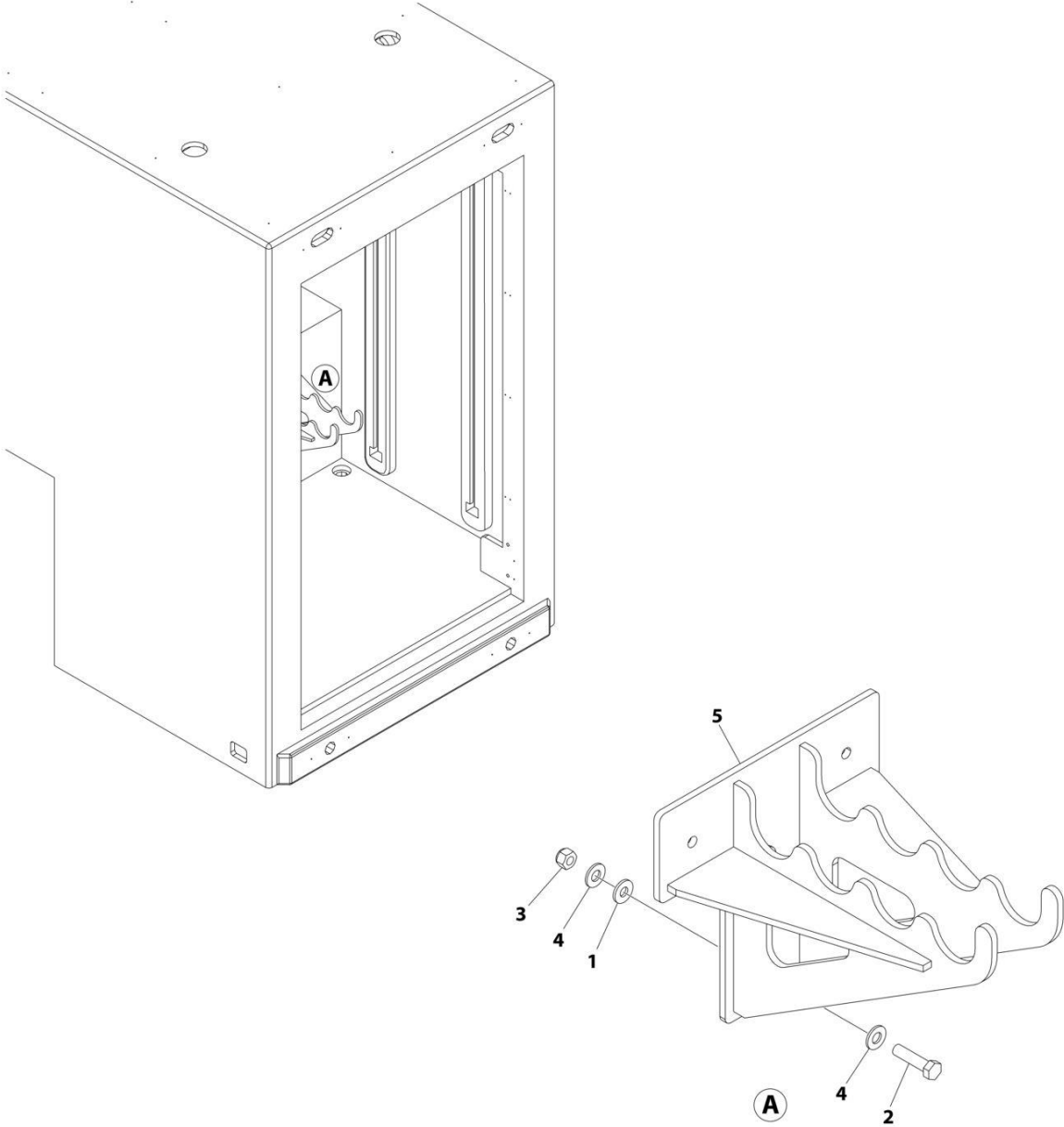
ART_1001199185

FIGURE 4-81. STEP INSTALLATION - SRS

ITEM	PART NUMBER	QTY	DESCRIPTION	REV
	1001199185	Ref	STEP INSTALLATION	B
1	0641712	4	Capscrew 7/16 x 1-1/2	
2	4711700	4	Washer 7/16	
3	4711800	4	Washer 1/2	
4	1001190176	2	Mount	
5	1001214494	2	Ladder	
6	1001190343	8	Washer 1/2	
7	1001191540	4	Bolt 1/2 x 7/8	
8	7660162604	4	Nut 3/8	

SECTION 4 - BODY

FIGURE 4-82. STORAGE - CHAIN/ BINDER RACK INSTALLATION (TANDEM)



ART_1001201341

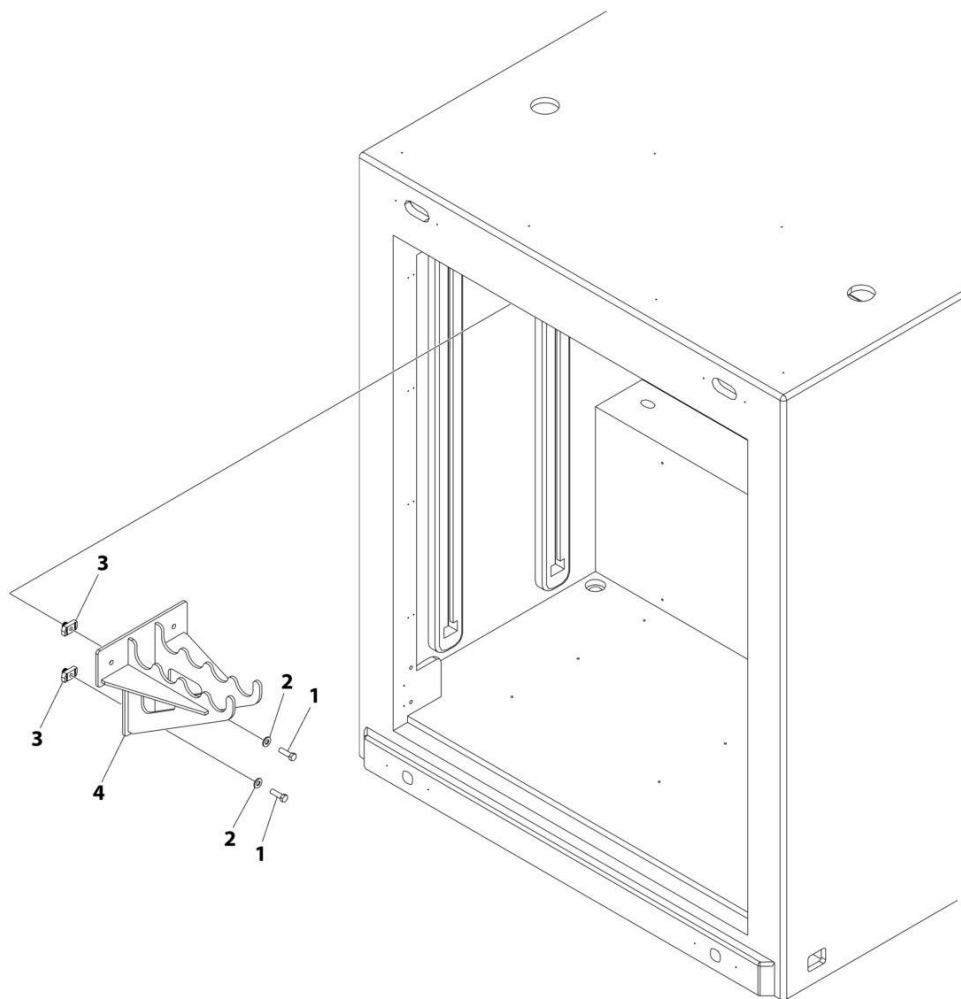
SECTION 4 - BODY

FIGURE 4-82. STORAGE - CHAIN/ BINDER RACK INSTALLATION (TANDEM)

ITEM	PART NUMBER	QTY	DESCRIPTION	REV
	1001201341	Ref	CHAIN BINDER RACK INSTALLATION (TANDEM)	B
1	1001166974	2	Washer 3/8	
2	1001168993	2	Bolt 3/8 x 1-1/2	
3	7660162601	2	Nut 3/8	
4	7950160143	4	Washer 3/8	
5	1001182853	1	Support	

SECTION 4 - BODY

FIGURE 4-83. STORAGE - CHAIN/ BINDER RACK INSTALLATION (TRI-AXLE)



ART_1001201164

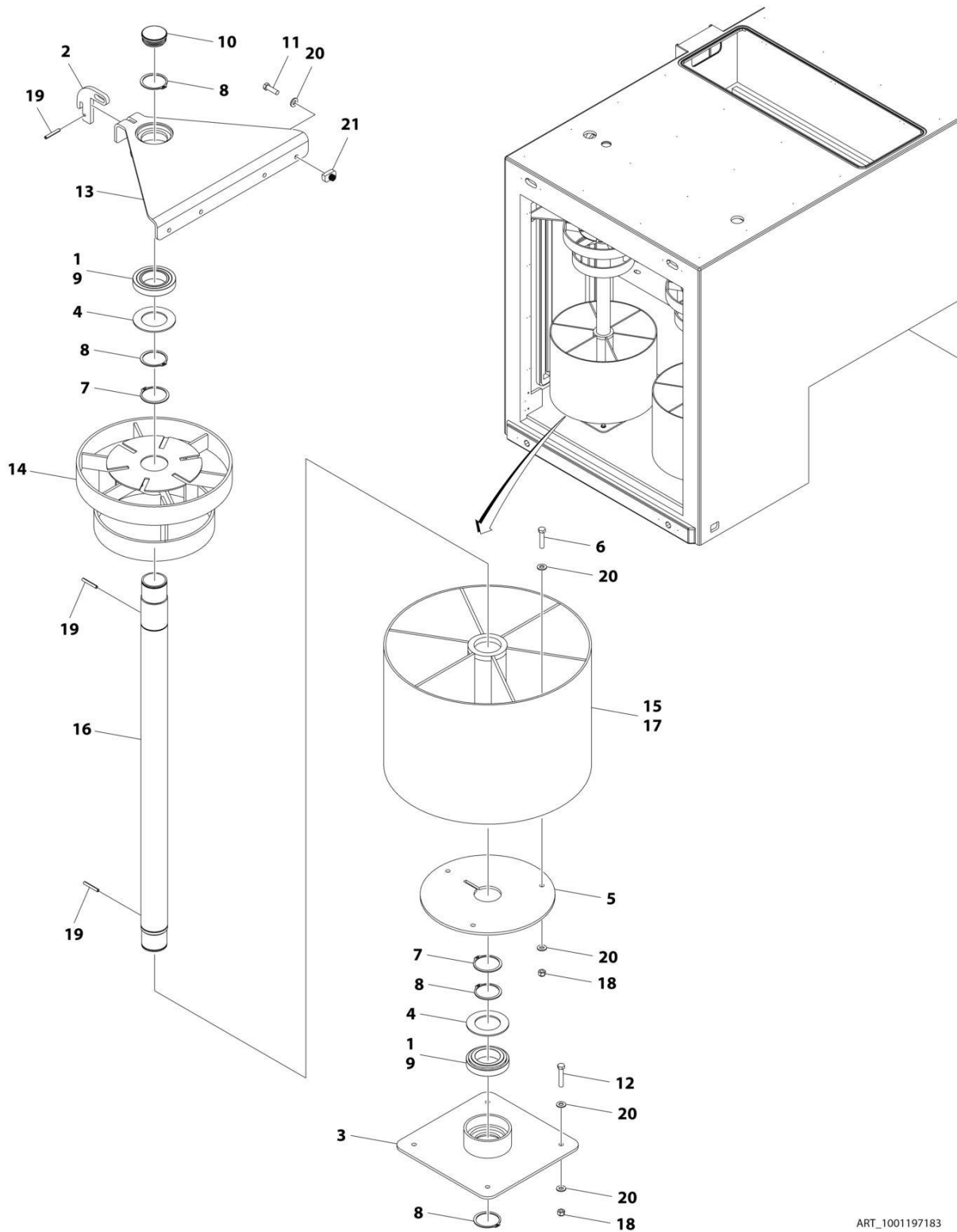
SECTION 4 - BODY

FIGURE 4-83. STORAGE - CHAIN/ BINDER RACK INSTALLATION (TRI-AXLE)

ITEM	PART NUMBER	QTY	DESCRIPTION	REV
	1001201164	Ref	CHAIN BINDER RACK INSTALLATION (TRI-AXLE)	B
1	1001169080	2	Bolt 3/8 x 1/4	
2	7950160143	2	Washer 3/8	
3	1001166644	2	Spring Nut 3/8	
4	1001182853	1	Support, Binder	

SECTION 4 - BODY

FIGURE 4-84. STORAGE - CHAIN/TOOL RACK INSTALLATION (ROTARY RACK)



ART_1001197183

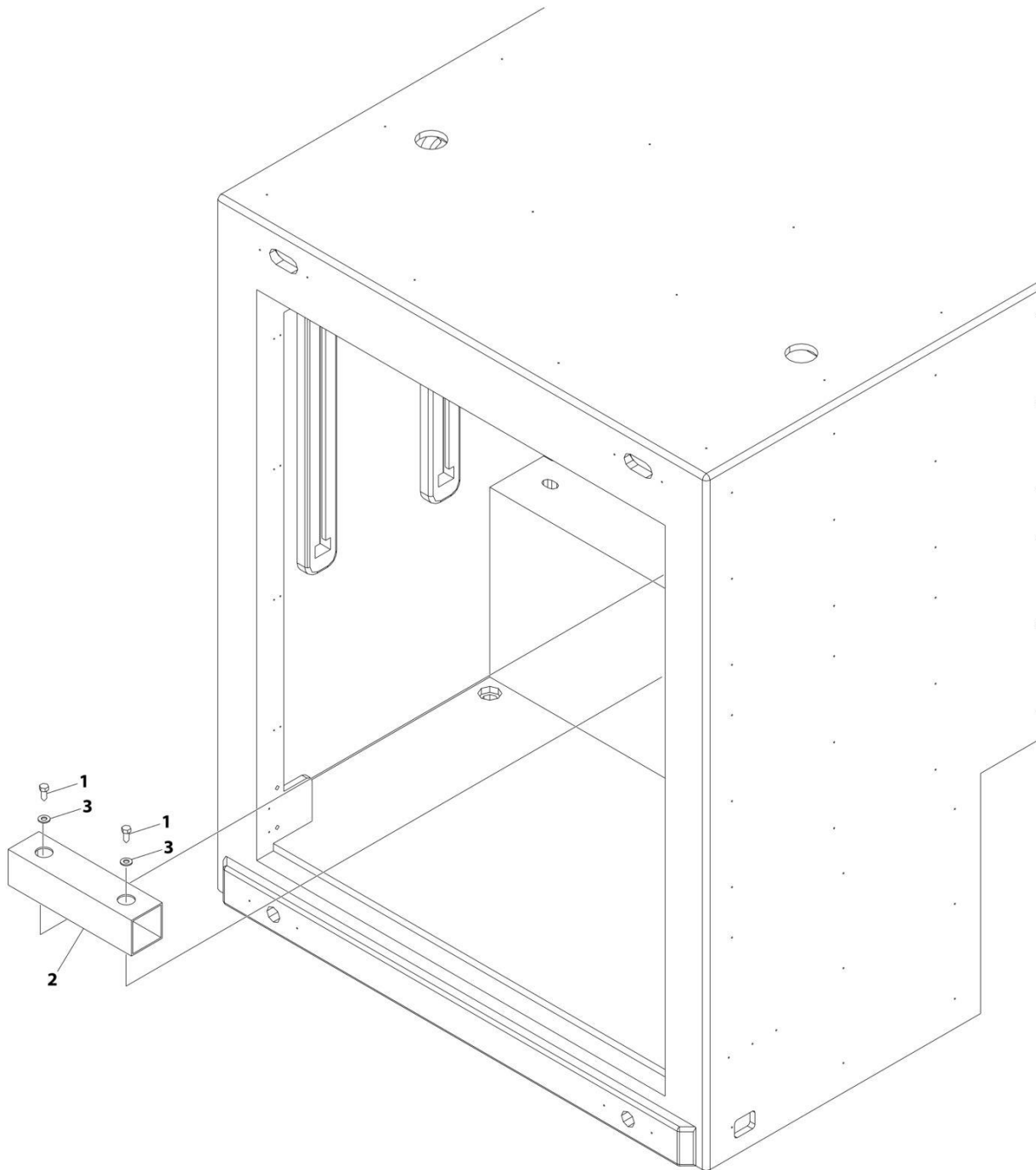
SECTION 4 - BODY

FIGURE 4-84. STORAGE - CHAIN/TOOL RACK INSTALLATION (ROTARY RACK)

ITEM	PART NUMBER	QTY	DESCRIPTION	REV
	1001197183	Ref	Rotary Tool Rack Installation	E
1	3020029	1	Bearing Grease	
2	1001165564	1	Plate	
3	1001165571	1	Bracket	
4	1001165584	2	Plate	
5	1001165652	1	Support	
6	1001168544	3	Screw 3/4 x 1-3/4	
7	1001169063	2	Retaining Ring	
8	1001169064	4	Retaining Ring	
9	1001169076	2	Bearing	
10	1001169078	1	Plug	
11	1001169080	2	Capscrew 3/8 x 1/4	
12	1001169083	4	Capscrew 3/8 x 2	
13	1001190218	1	Bracket	
14	1001190223	1	Bracket	
15	1001190228	1	Tray	
16	1001190265	1	Tube	
17	7330000535	1	Decal	
18	7660162601	7	Nut 3/8	
19	7690142845	3	Pin	
20	7950160143	16	Washer 3/8	
21	1001166644	2	Nut 3/8	

SECTION 4 - BODY

FIGURE 4-85. STORAGE - CRIBBING STORAGE INSTALLATION



ART_1001201514

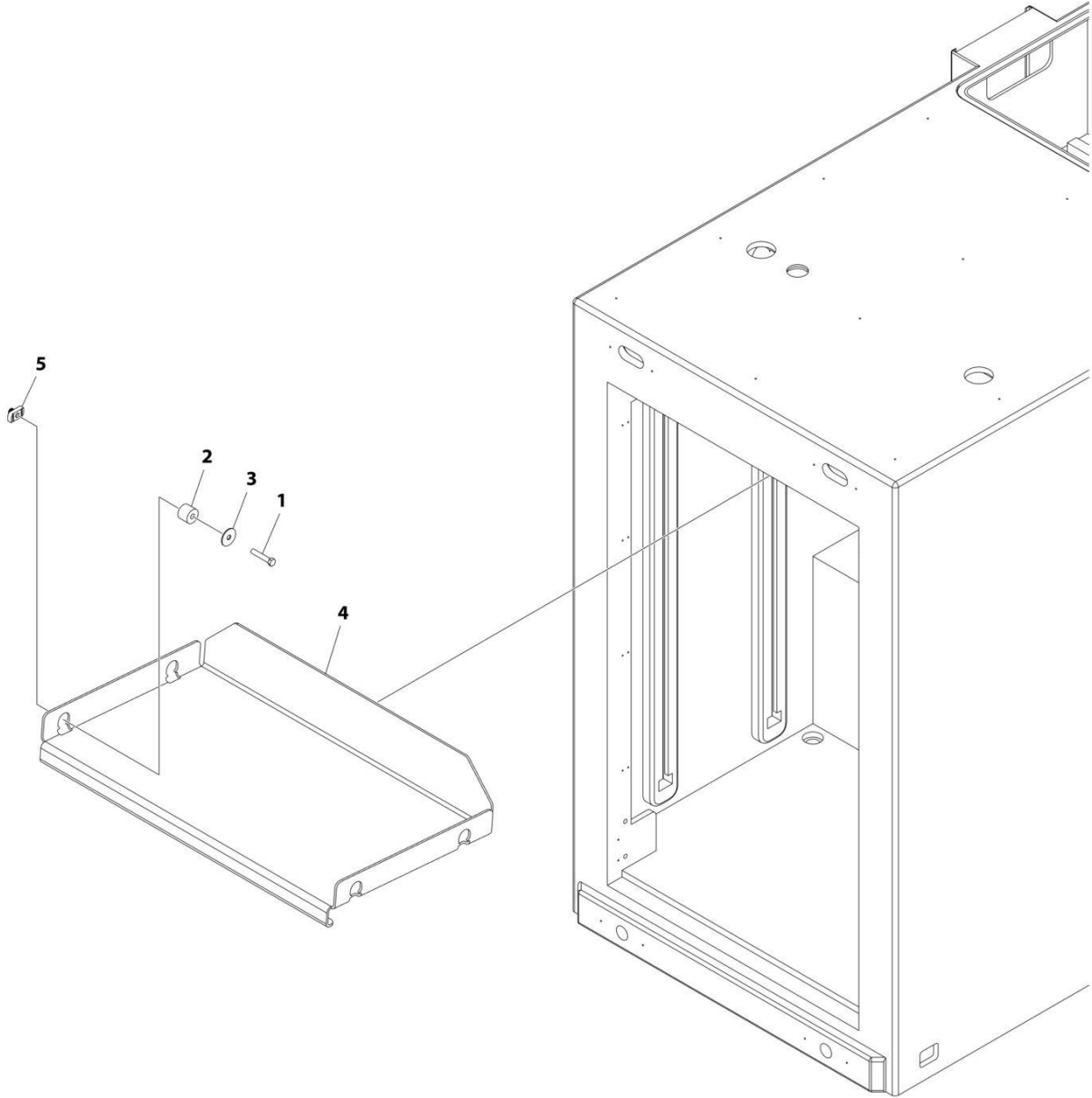
SECTION 4 - BODY

FIGURE 4-85. STORAGE - CRIBBING STORAGE INSTALLATION

ITEM	PART NUMBER	QTY	DESCRIPTION	REV
	1001201514	Ref	CRIBBING STORAGE INSTALLATION	C
1	1001168428	2	Screw 3/8 x 1	
2	1001201519	1	Bracket	
3	7950160143	2	Washer 3/8	

SECTION 4 - BODY

FIGURE 4-86. STORAGE - DRAIN COVER/AIR BAG STORAGE INSTALLATION (36IN)



ART_1001214298

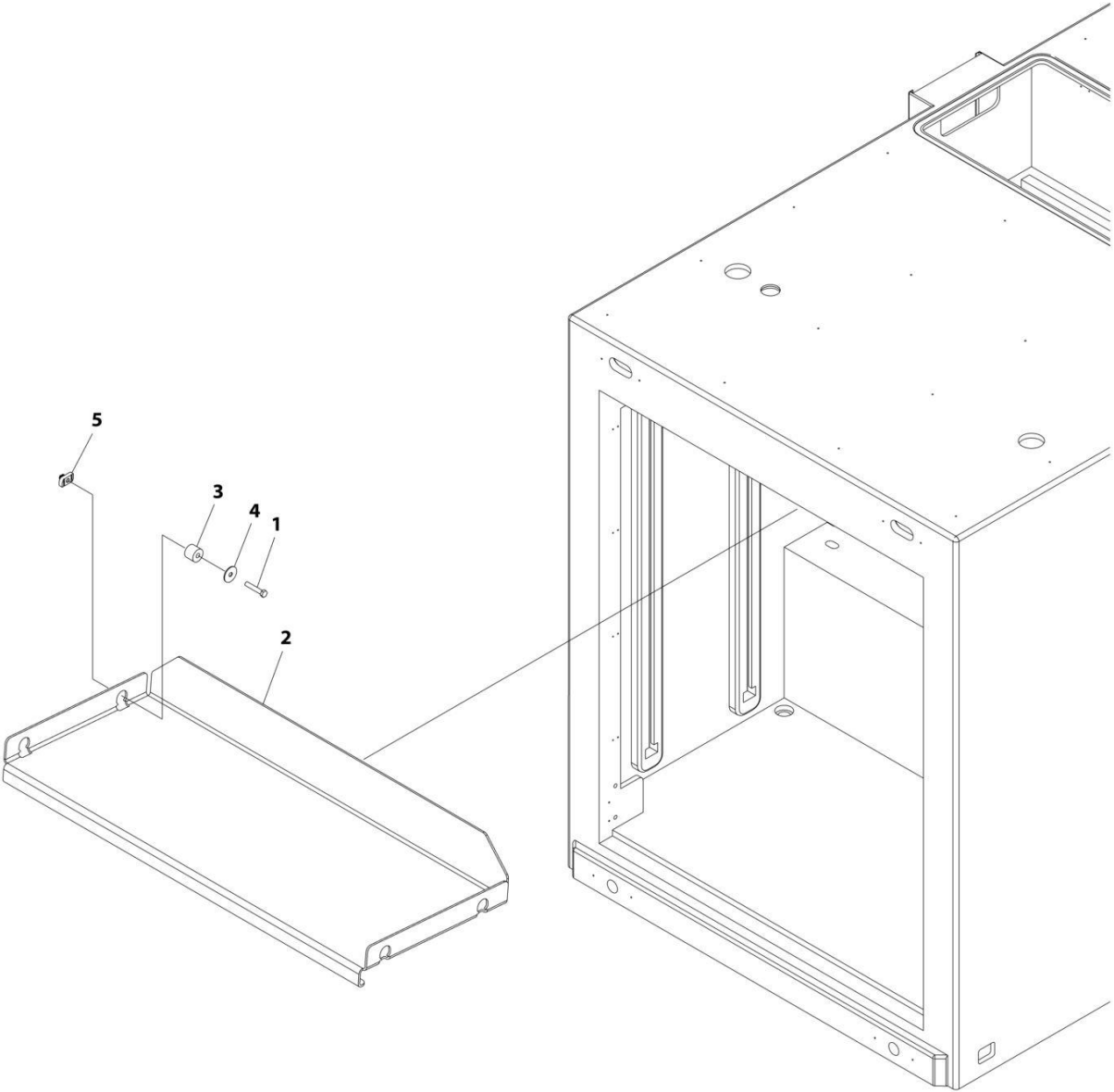
SECTION 4 - BODY

FIGURE 4-86. STORAGE - DRAIN COVER/AIR BAG STORAGE INSTALLATION (36IN)

ITEM	PART NUMBER	QTY	DESCRIPTION	REV
	1001214298	Ref	UPPER SHELF INSTALLATION - 36IN (39IN JFB)	A
1	1001169083	8	Capscrew 3/8 x 2	
2	1001214266	8	Mount	
3	1001214267	8	Washer 3/8	
4	1001214301	2	Panel	
5	1001166644	8	Nut 3/8	

SECTION 4 - BODY

FIGURE 4-87. STORAGE - DRAIN COVER/AIR BAG STORAGE INSTALLATION (48IN)



ART_1001214264

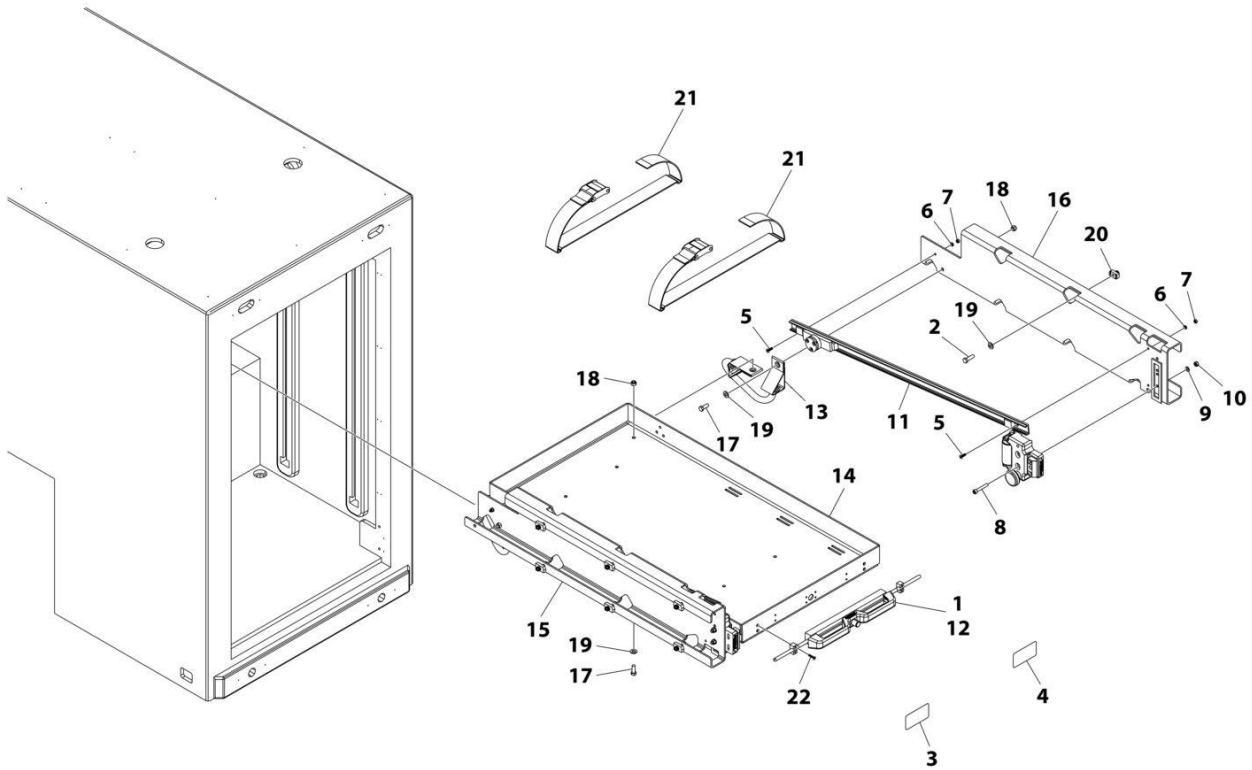
SECTION 4 - BODY

FIGURE 4-87. STORAGE - DRAIN COVER/AIR BAG STORAGE INSTALLATION (48IN)

ITEM	PART NUMBER	QTY	DESCRIPTION	REV
	1001214264	Ref	UPPER SHELF INSTALLATION - 48IN (51IN JFB)	A
1	1001169083	8	Capscrew 3/8 x 2	
2	1001214265	2	Panel	
3	1001214266	8	Mount	
4	1001214267	8	Washer 3/8	
5	1001166644	8	Nut 3/8	

SECTION 4 - BODY

FIGURE 4-88. STORAGE - DRAWER INSTALLATION - TILT DOWN (TANDEM)



ART_1001199998

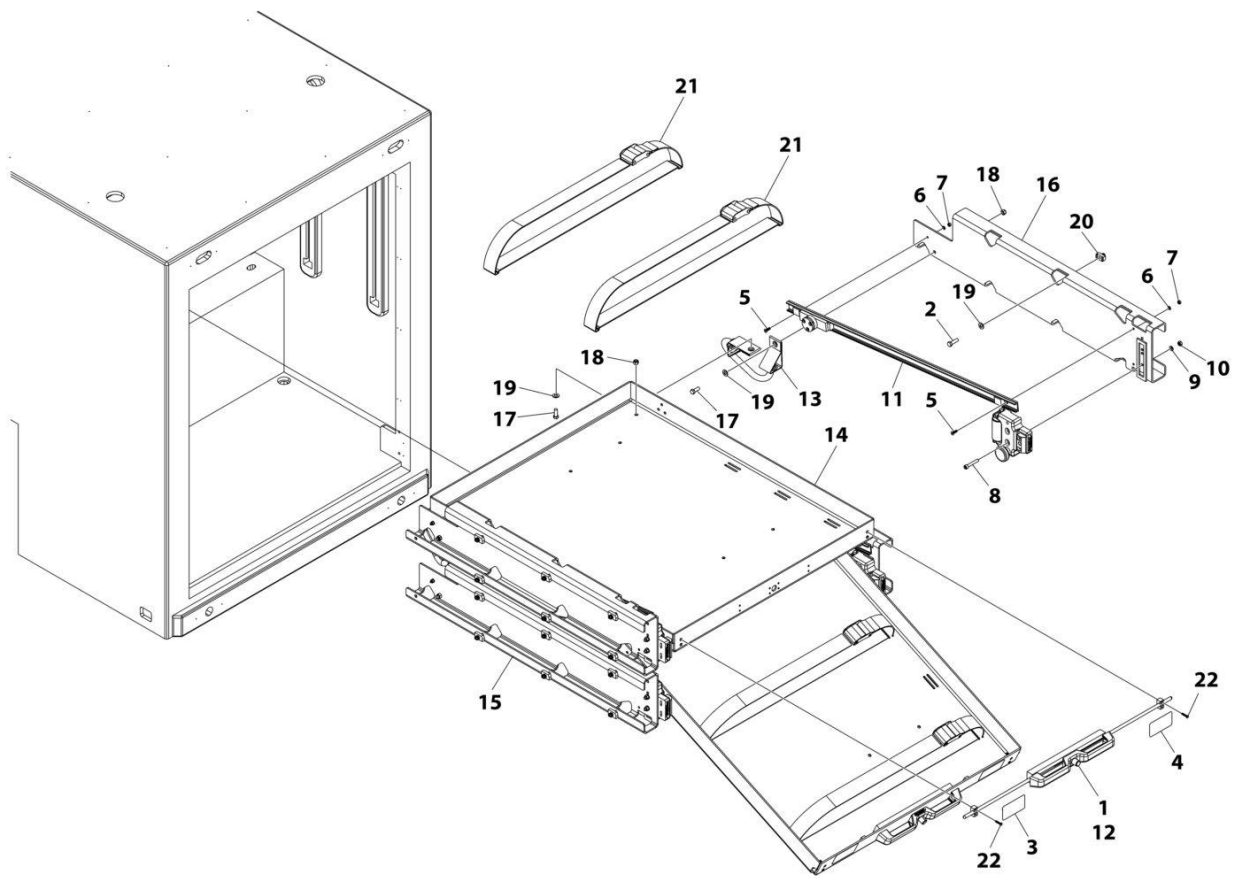
SECTION 4 - BODY

FIGURE 4-88. STORAGE - DRAWER INSTALLATION - TILT DOWN (TANDEM)

ITEM	PART NUMBER	QTY	DESCRIPTION	REV
	1001199998	Ref	DRAWER INSTALLATION - TILT DOWN (TANDEM)	C
1	3020029	AR	Bearing Grease	
2	1001169080	36	Bolt 3/8 x 1-1/4	
3	1001170090	3	Decal, Warning	
4	1001170091	3	Decal, Capacity	
5	1001170305	12	Bolt	
6	1001170307	12	Washer	
7	1001170310	12	Nut	
8	1001170328	12	Screw	
9	1001170329	12	Washer	
10	1001170330	12	Nut	
11	1001170331	3	Roller Assembly	
12	1001170332	3	Handle and Latch Assembly	
13	1001179349	6	Strap	
14	1001182841	3	Drawer, Tilt-Down	
15	1001183735	3	Bracket LH	
16	1001183736	3	Bracket RH	
17	7114160850	12	Capscrew 3/8 x 1	
18	7660162601	12	Nut 3/8	
19	7950160141	48	Washer 3/8	
20	1001166644	36	Spring Nut 3/8	
21	1001170428	6	Strap	
22	1001200997	12	Screw M5 x 25	

SECTION 4 - BODY

FIGURE 4-89. STORAGE - DRAWER INSTALLATION - TILT DOWN (TRI-AXLE)



ART_1001199999

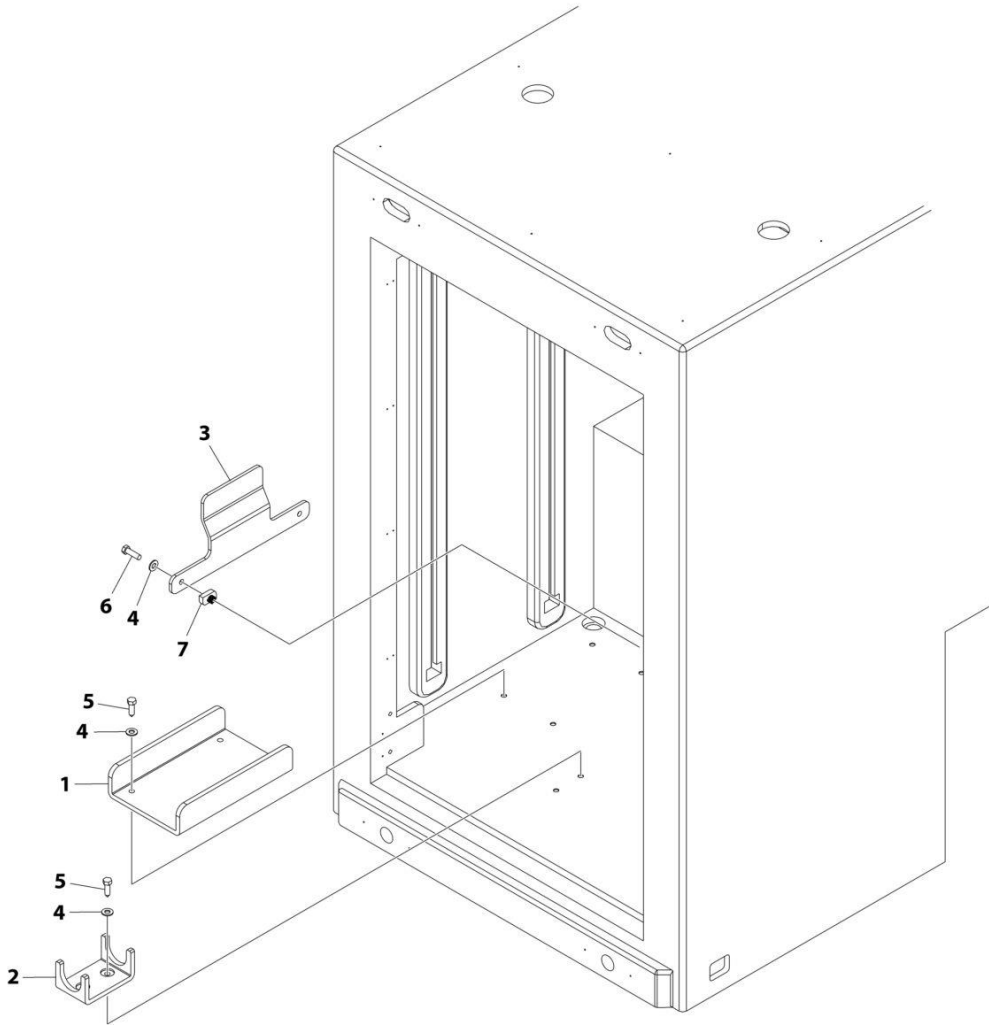
SECTION 4 - BODY

FIGURE 4-89. STORAGE - DRAWER INSTALLATION - TILT DOWN (TRI-AXLE)

ITEM	PART NUMBER	QTY	DESCRIPTION	REV
	1001199999	Ref	DRAWER INSTALLATION - TILT DOWN (TRI-AXLE)	C
1	3020029	AR	Bearing Grease	
2	1001169080	24	Bolt 3/8 x 1-1/4	
3	1001170090	2	Decal, Warning	
4	1001170091	2	Decal, Capacity	
5	1001170305	8	Bolt	
6	1001170307	8	Washer	
7	1001170310	8	Nut	
8	1001170328	8	Screw	
9	1001170329	8	Washer	
10	1001170330	8	Nut	
11	1001170331	2	Roller Assembly	
12	1001170332	2	Handle and Latch Assembly	
13	1001179349	4	Strap	
14	1001197693	2	Drawer, Tilt-Down	
15	1001183735	2	Bracket LH	
16	1001183736	2	Bracket RH	
17	7114160850	8	Capscrew 3/8 x 1	
18	7660162601	8	Nut 3/8	
19	7950160141	32	Washer 3/8	
20	1001166644	24	Spring Nut 3/8	
21	1001170428	4	Strap	
22	1001200997	8	Screw M5 x 25	

SECTION 4 - BODY

FIGURE 4-90. STORAGE - FIFTH WHEEL/PINTLE STORAGE INSTALLATION (37IN TUNNEL)



ART_1001208636

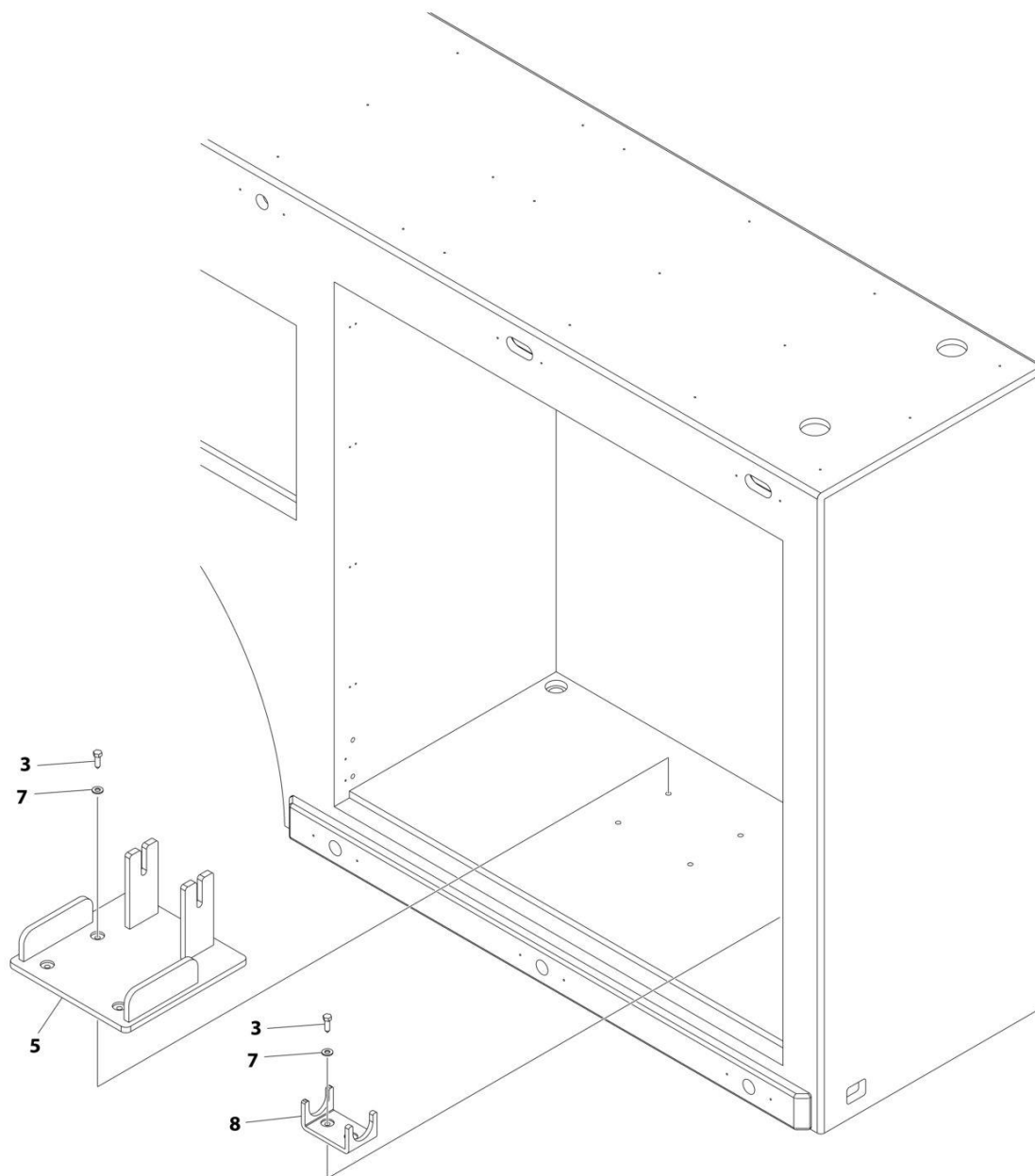
SECTION 4 - BODY

FIGURE 4-90. STORAGE - FIFTH WHEEL/PINTLE STORAGE INSTALLATION (37IN TUNNEL)

ITEM	PART NUMBER	QTY	DESCRIPTION	REV
	1001208636	Ref	FIFTH WHEEL STORAGE INSTALLATION (WITH PINTEL)	B
1	1001183001	1	Channel	
2	1001191810	1	Bracket	
3	1001208652	1	Bracket	
4	7950160143	8	Washer 3/8	
5	1001168545	6	Screw 3/8 x 1-1/4	
6	1001169080	2	Bolt 3/8 x 1-1/4	
7	1001166644	2	Spring Nut 3/8	

SECTION 4 - BODY

FIGURE 4-91. STORAGE - FIFTH WHEEL/PINTLE STORAGE INSTALLATION (TANDEM)



ART_1001195942

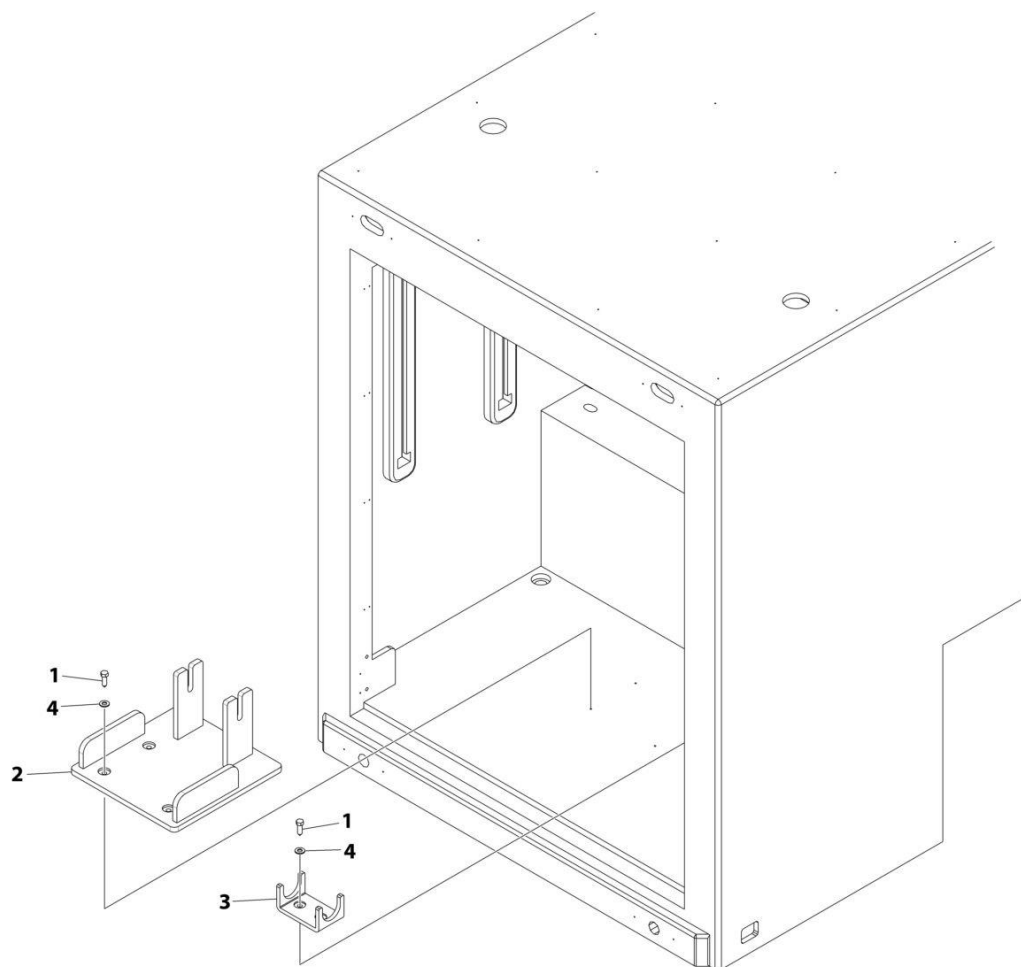
SECTION 4 - BODY

FIGURE 4-91. STORAGE - FIFTH WHEEL/PINTLE STORAGE INSTALLATION (TANDEM)

ITEM	PART NUMBER	QTY	DESCRIPTION	REV
	1001195942	Ref	Fifth Wheel Storage Installation	C
3	1001168545	6	Screw 3/8 x 1-1/4	
5	1001190568	1	Bracket	
7	7950160143	6	Washer 3/8	
8	1001191810	1	Bracket	

SECTION 4 - BODY

FIGURE 4-92. STORAGE - FIFTH WHEEL/PINTLE STORAGE INSTALLATION (TRI-AXLE DRIVERS SIDE)



ART_1001224072

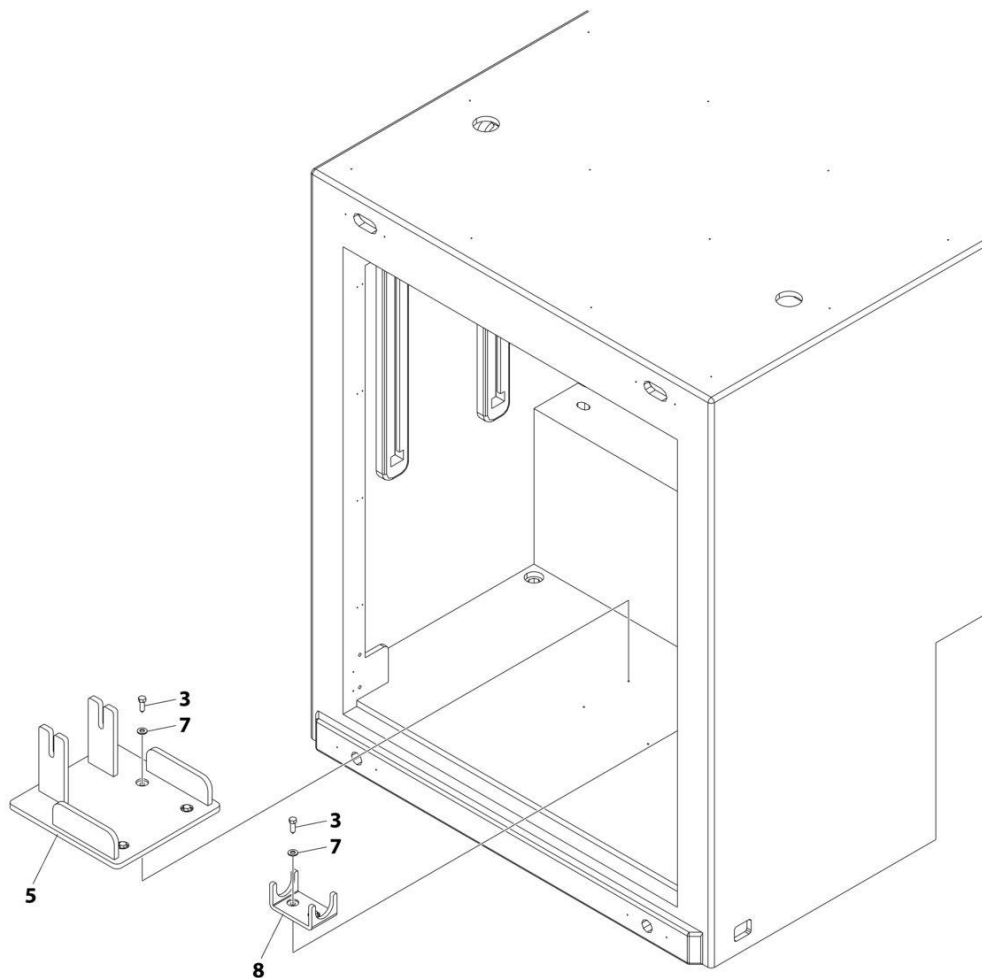
SECTION 4 - BODY

FIGURE 4-92. STORAGE - FIFTH WHEEL/PINTLE STORAGE INSTALLATION (TRI-AXLE DRIVERS SIDE)

ITEM	PART NUMBER	QTY	DESCRIPTION	REV
	1001224072	Ref	FIFTH WHEEL STORAGE INSTALLATION	B
1	1001168545	6	Screw 3/8 x 1-1/4	
2	1001190568	1	Bracket	
3	1001191810	1	Bracket	
4	7950160143	6	Washer 3/8	

SECTION 4 - BODY

FIGURE 4-93. STORAGE - FIFTH WHEEL/PINTLE STORAGE INSTALLATION (TRI-AXLE PASSENGERS SIDE)



ART_1001195943

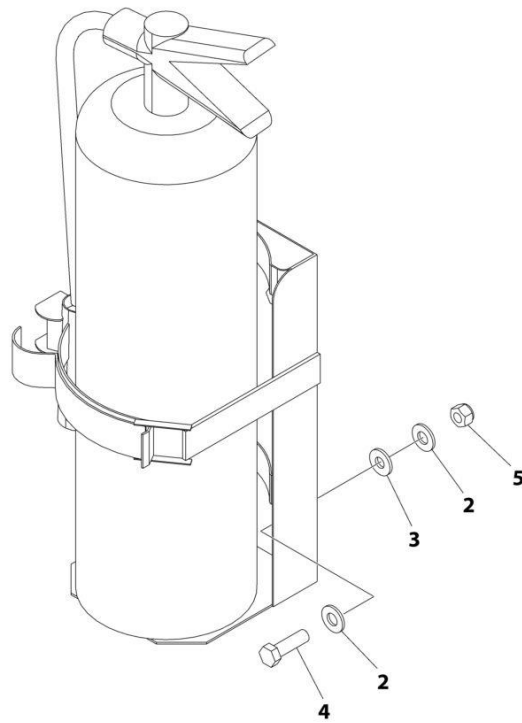
SECTION 4 - BODY

FIGURE 4-93. STORAGE - FIFTH WHEEL/PINTLE STORAGE INSTALLATION (TRI-AXLE PASSENGERS SIDE)

ITEM	PART NUMBER	QTY	DESCRIPTION	REV
	1001195943	Ref	Fifth Wheel Storage Installation	C
3	1001168545	6	Screw 3/8 x 1-1/4	
5	1001190568	1	Bracket	
7	7950160143	6	Washer 3/8	
8	1001191810	1	Bracket	

SECTION 4 - BODY

FIGURE 4-94. STORAGE - FIRE EXTINGUISHER STORAGE INSTALLATION



ART_1001195698

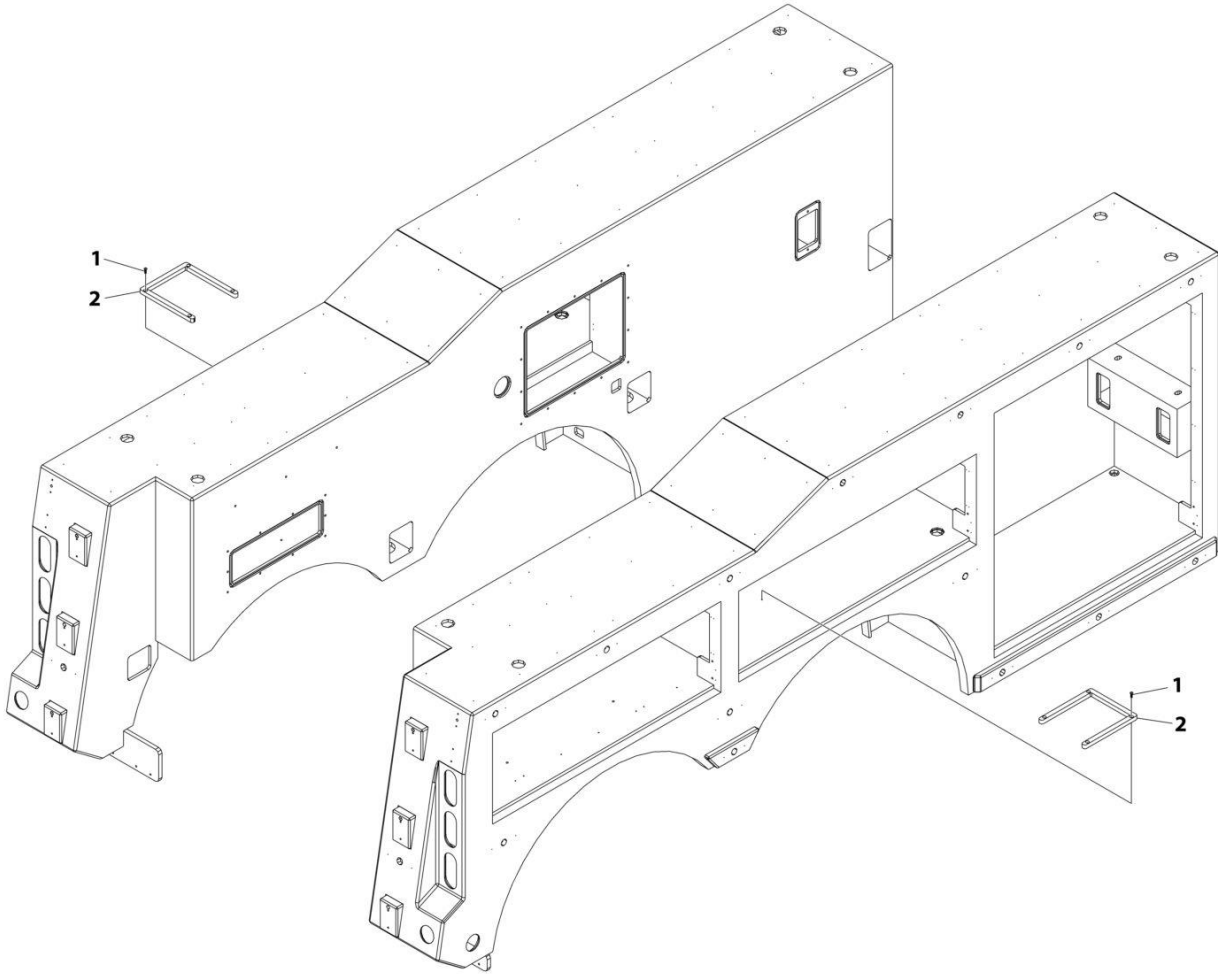
SECTION 4 - BODY

FIGURE 4-94. STORAGE - FIRE EXTINGUISHER STORAGE INSTALLATION

ITEM	PART NUMBER	QTY	DESCRIPTION	REV
	1001195698	Ref	FIRE EXTINGUISHER STORAGE INSTALLATION	D
2	7950160143	16	Washer 3/8	
3	1001166974	8	Washer 3/8	
4	1001169080	8	Bolt 3/8 x 1/4	
5	7660162601	8	Nut 3/8	

SECTION 4 - BODY

FIGURE 4-95. STORAGE - FLARE STORAGE INSTALLATION



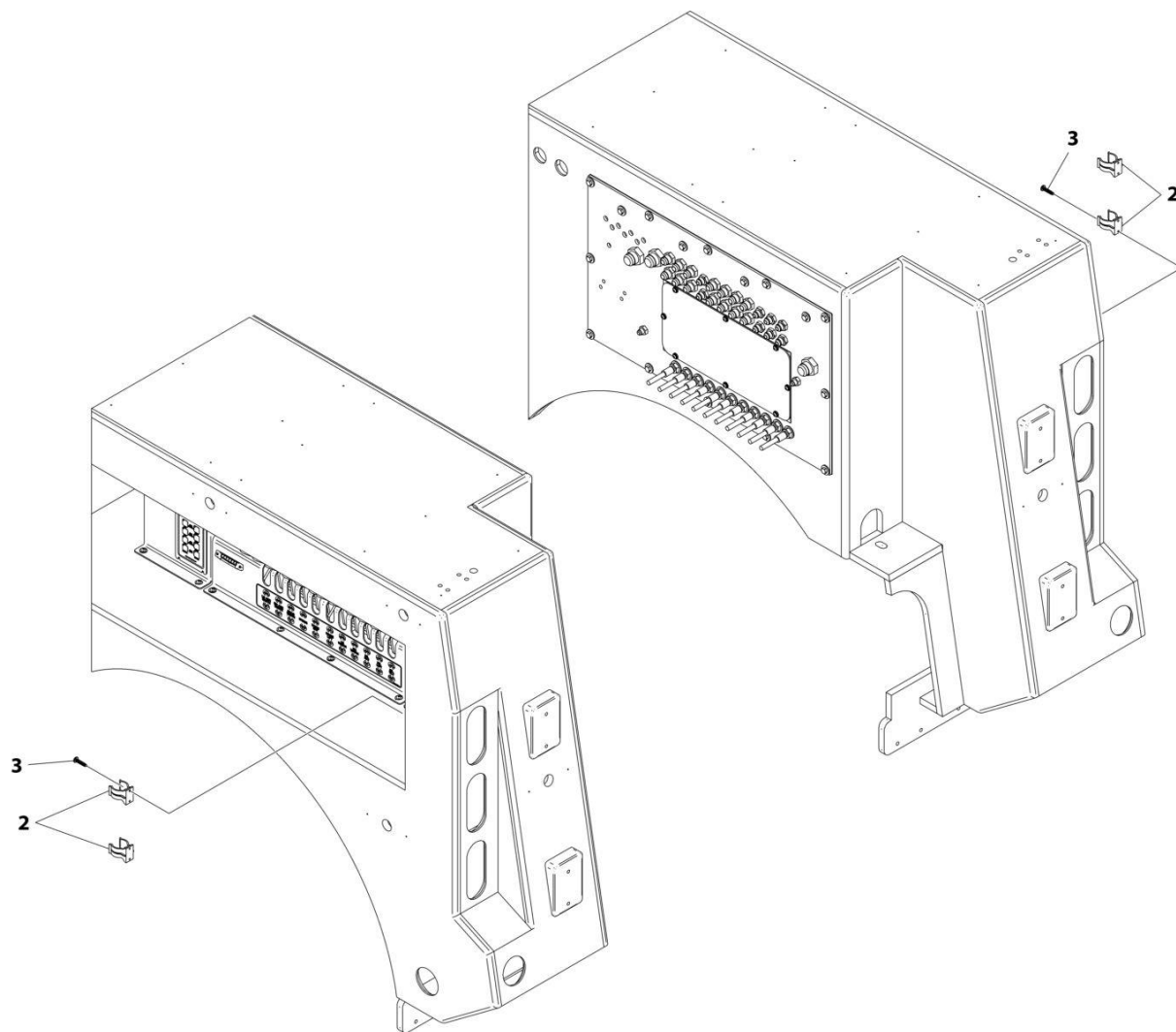
ART_1001201704

FIGURE 4-95. STORAGE - FLARE STORAGE INSTALLATION

ITEM	PART NUMBER	QTY	DESCRIPTION	REV
	1001201704	Ref	FLARE STORAGE INSTALLATION	B
1	1001195523	8	Screw 1/4 x 1	
2	1001201695	2	Bracket	

SECTION 4 - BODY

FIGURE 4-96. STORAGE - FLASHLIGHT STORAGE INSTALLATION (SN 0230006135 to Present)



ART_1001170727

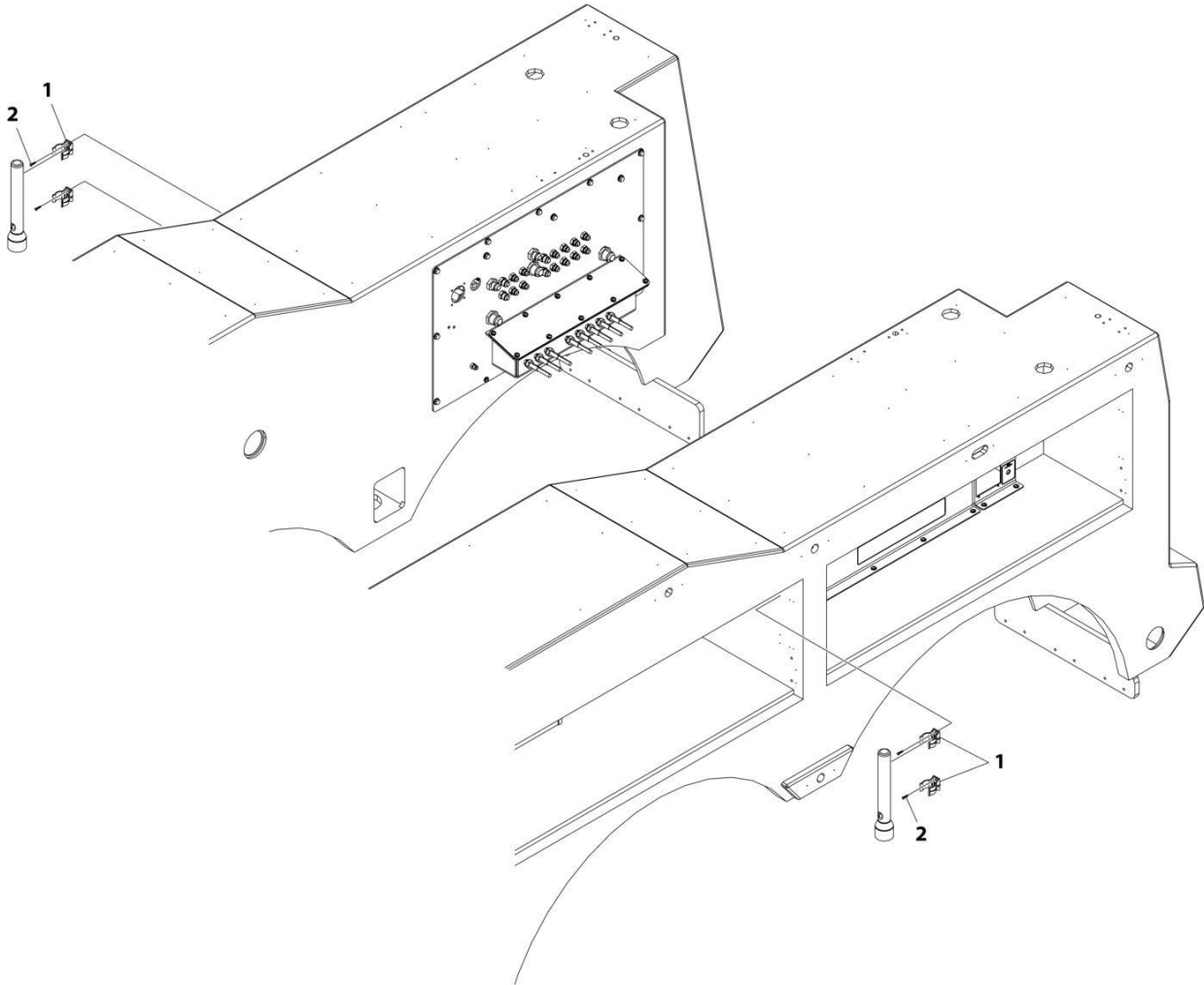
SECTION 4 - BODY

FIGURE 4-96. STORAGE - FLASHLIGHT STORAGE INSTALLATION (SN 0230006135 to Present)

ITEM	PART NUMBER	QTY	DESCRIPTION	REV
	1001170727	Ref	Flashlight Mount Installation	D
2	1001170725	2	Mount, Flashlight	
3	1001196552	8	Screw #8 x 3/4	

SECTION 4 - BODY

FIGURE 4-97. STORAGE - FLASHLIGHT STORAGE INSTALLATION (SN 0230004275 through 0230006134)



ART_1001197683

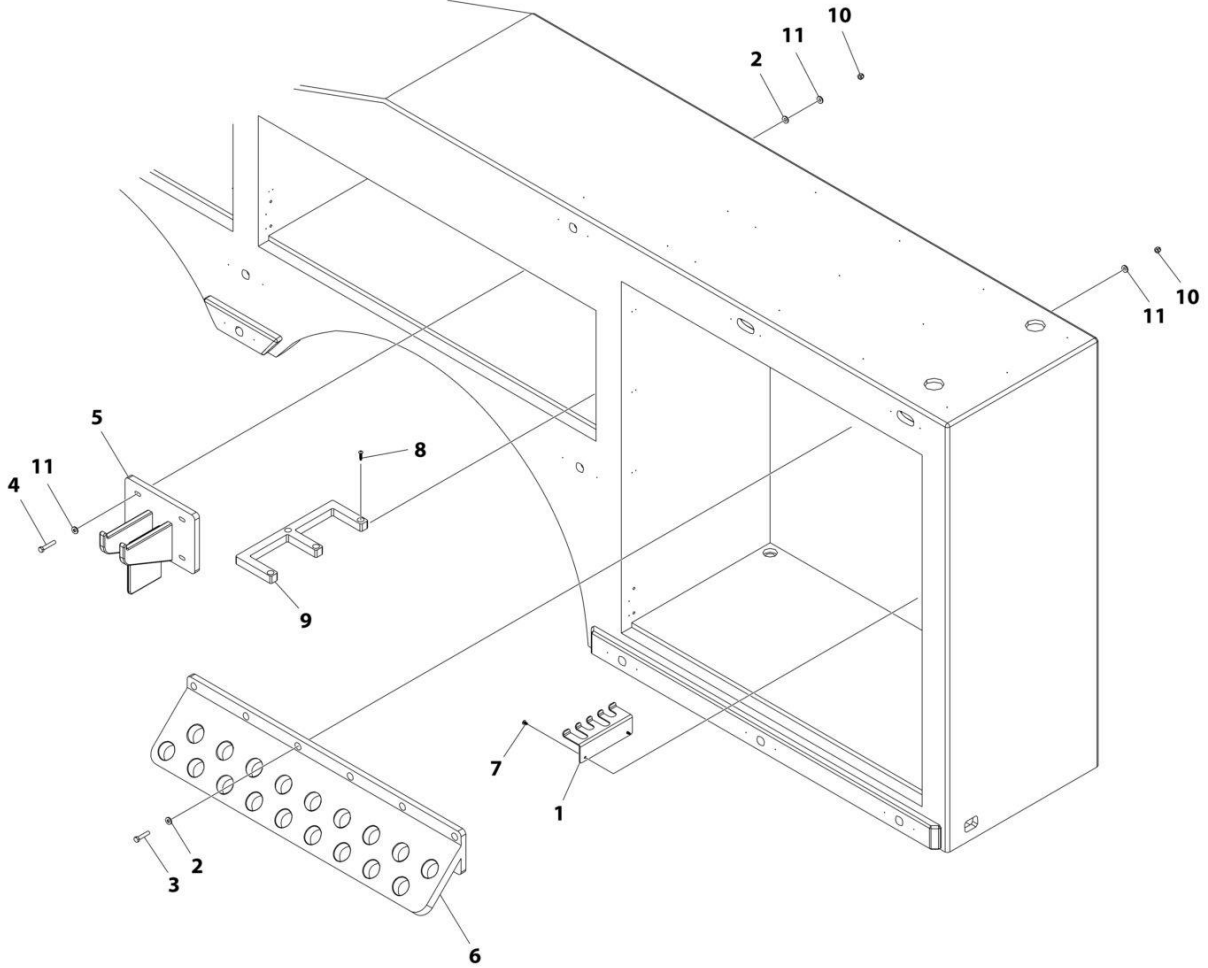
SECTION 4 - BODY

FIGURE 4-97. STORAGE - FLASHLIGHT STORAGE INSTALLATION (SN 0230004275 through 0230006134)

ITEM	PART NUMBER	QTY	DESCRIPTION	REV
	1001197683	Ref	STORAGE INSTALLATION - FLASHLIGHTS	C
1	1001170725	2	Mount, Flashlight	
2	1001196552	8	Screw #8 x 3/4	

SECTION 4 - BODY

FIGURE 4-98. STORAGE - FORK ORGANIZER INSTALLATION (TANDEM)



ART_1001195839

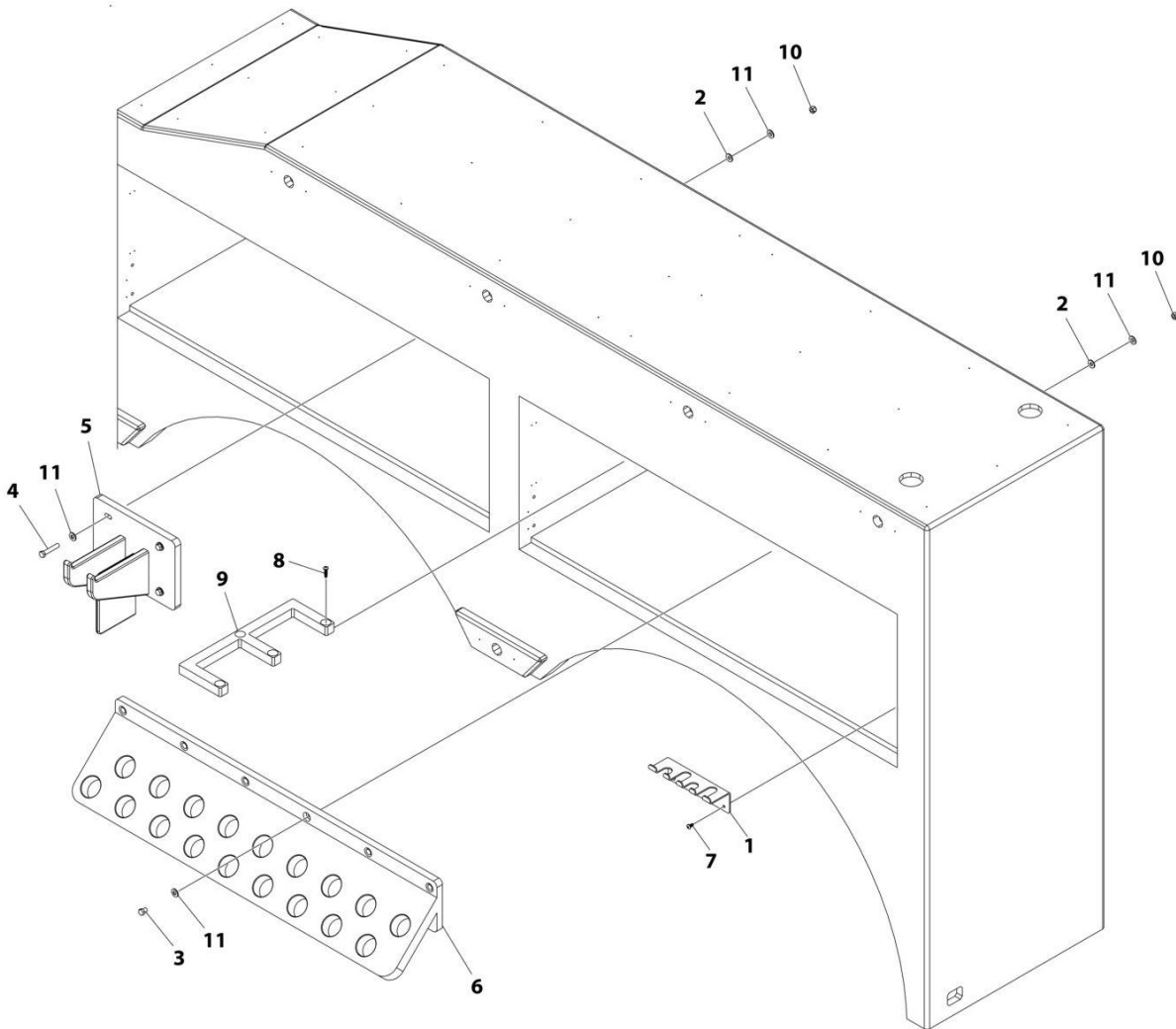
SECTION 4 - BODY

FIGURE 4-98. STORAGE - FORK ORGANIZER INSTALLATION (TANDEM)

ITEM	PART NUMBER	QTY	DESCRIPTION	REV
	1001195839	Ref	Frame Fork Storage Installation	C
1	1001160799	1	Bracket	
2	1001166974	10	Washer 3/8	
3	1001168544	6	Screw 3/4 x 1-3/4	
4	1001169083	4	Capscrew 3/8 x 2	
5	1001190926	1	Bracket	
6	1001190988	1	Bracket	
7	1001195257	2	Screw 1/4 x 1/2	
8	1001195523	4	Screw 1/4 x 1	
9	1001195838	1	Bracket	
10	7660162601	10	Nut 3/8	
11	7950160143	20	Washer 3/8	

SECTION 4 - BODY

FIGURE 4-99. STORAGE - FORK ORGANIZER INSTALLATION (TRI-AXLE)



ART_1001195840

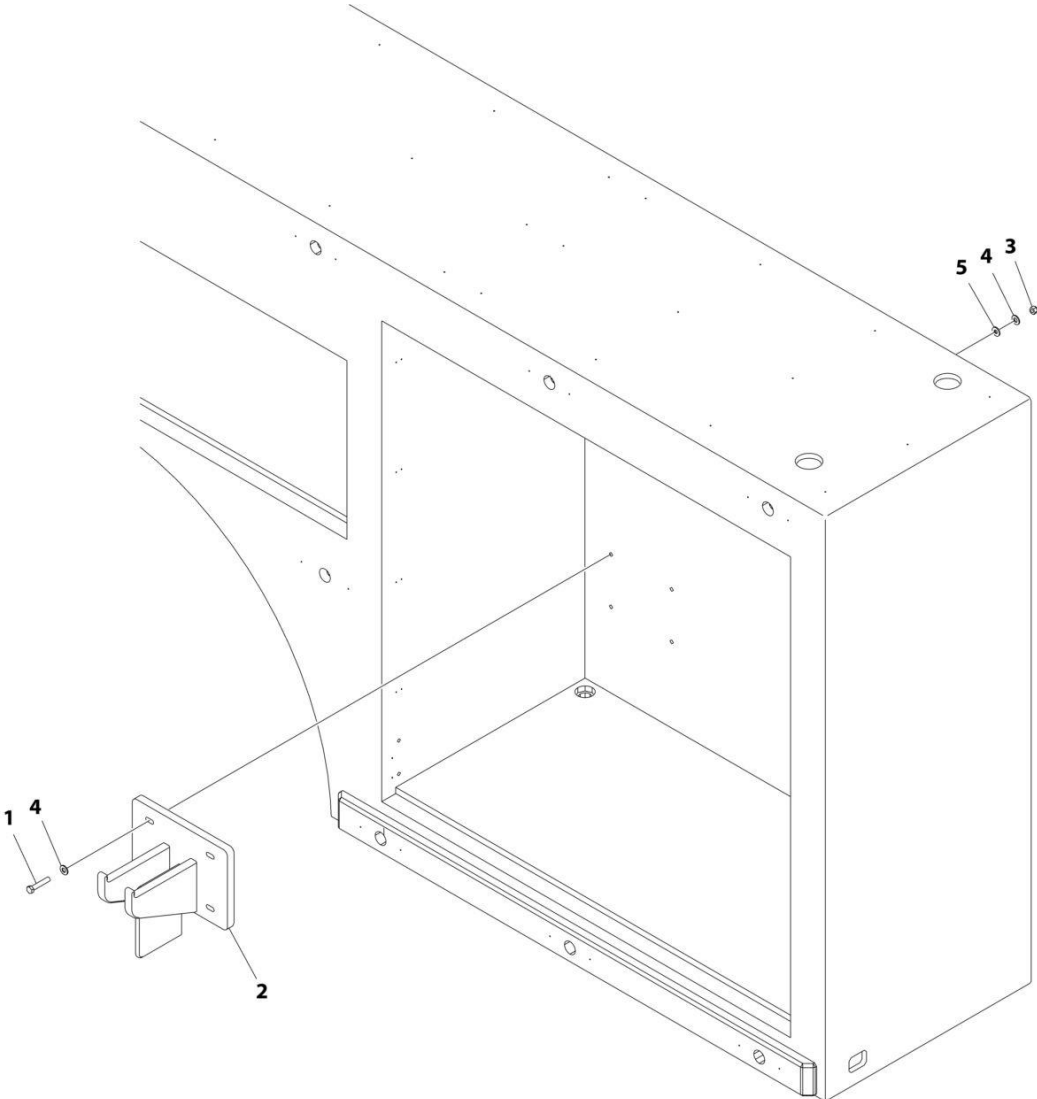
SECTION 4 - BODY

FIGURE 4-99. STORAGE - FORK ORGANIZER INSTALLATION (TRI-AXLE)

ITEM	PART NUMBER	QTY	DESCRIPTION	REV
	1001195840	Ref	STORAGE INSTALLATION - FORK ORGANIZER (TRI-AXLE)	C
1	1001160799	1	Bracket	
2	1001166974	10	Washer 3/8	
3	1001168544	6	Screw 3/4 x 1-3/4	
4	1001169083	4	Capscrew 3/8 x 2	
5	1001190926	1	Bracket	
6	1001190988	1	Bracket	
7	1001195257	2	Screw 1/4 x 1/2	
8	1001195523	4	Screw 1/4 x 1	
9	1001195838	1	Bracket	
10	7660162601	10	Nut 3/8	
11	7950160143	20	Washer 3/8	

SECTION 4 - BODY

FIGURE 4-100. STORAGE - FORK RISERS STORAGE INSTALLATION (TANDEM)



ART_1001195788

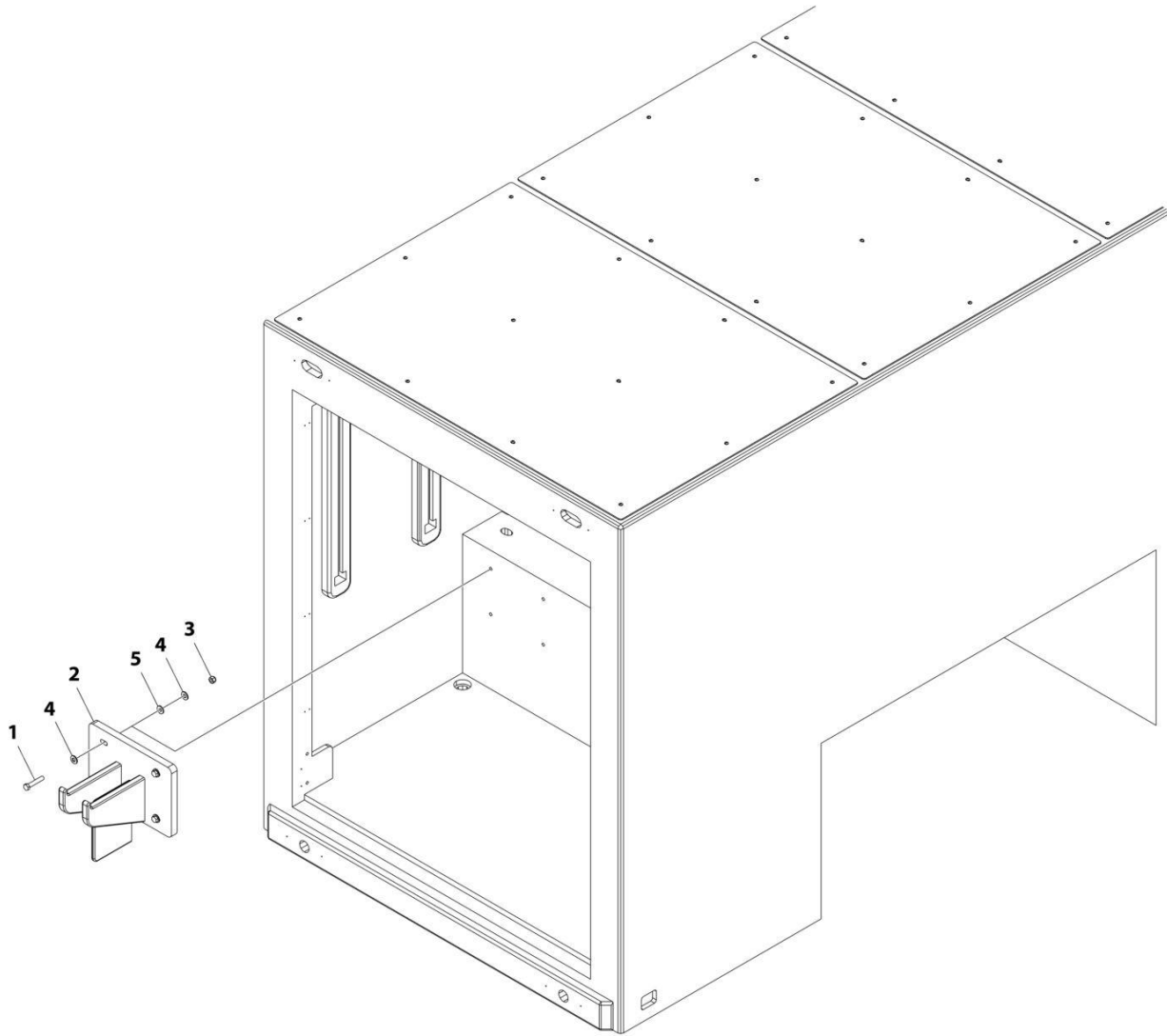
SECTION 4 - BODY

FIGURE 4-100. STORAGE - FORK RISERS STORAGE INSTALLATION (TANDEM)

ITEM	PART NUMBER	QTY	DESCRIPTION	REV
	1001195788	Ref	FORK RISERS STORAGE INSTALLATION	C
1	1001169083	4	Bolt 3/8 x 2	
2	1001190926	1	Bracket, Storage	
3	7660162601	4	Nut 3/8	
4	7950160143	8	Washer 3/8	
5	1001166974	4	Washer, Rubber	

SECTION 4 - BODY

FIGURE 4-101. STORAGE - FORK RISERS STORAGE INSTALLATION (TRI-AXLE)



ART_1001195825

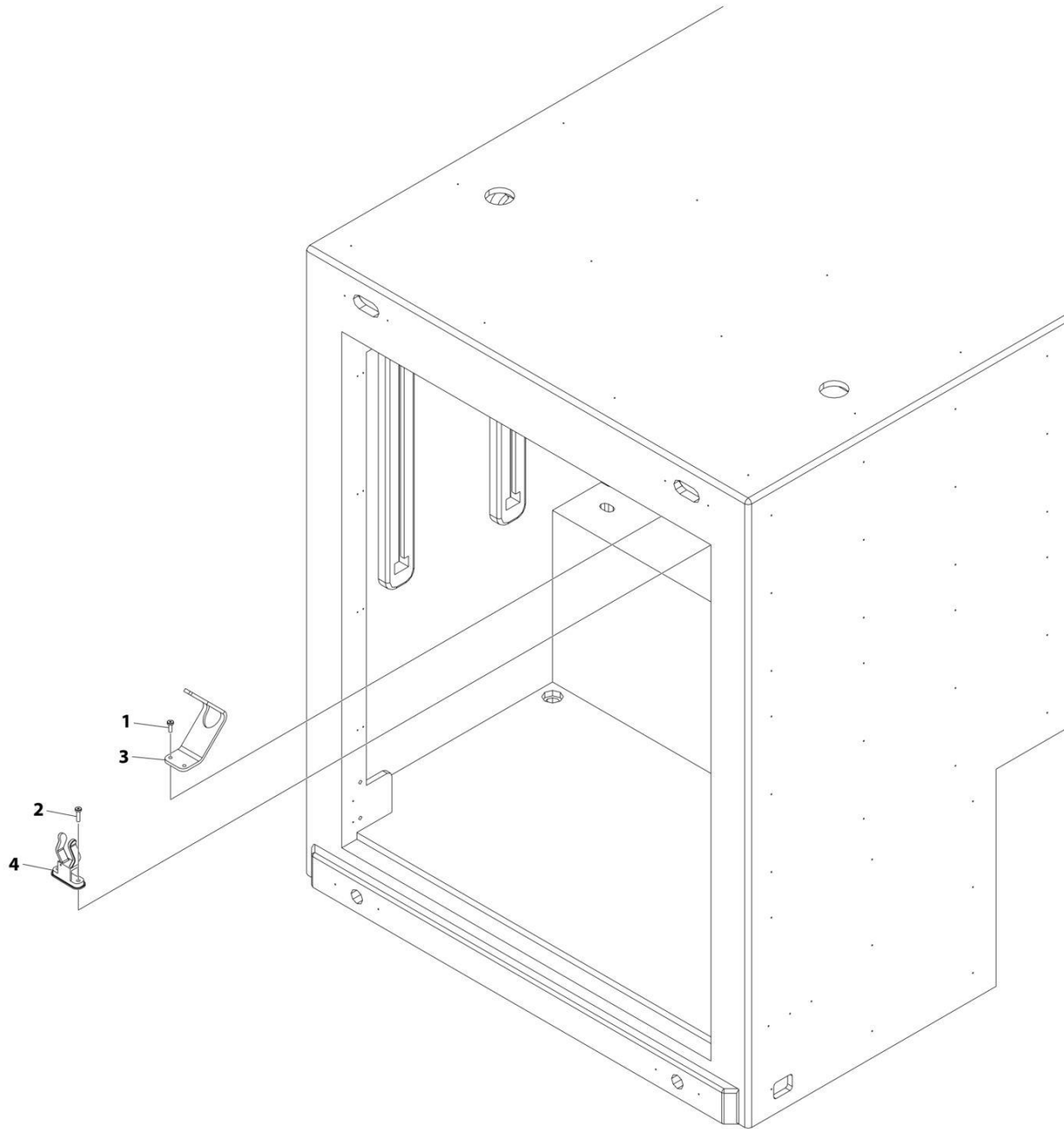
SECTION 4 - BODY

FIGURE 4-101. STORAGE - FORK RISERS STORAGE INSTALLATION (TRI-AXLE)

ITEM	PART NUMBER	QTY	DESCRIPTION	REV
	1001195825	Ref	STORAGE INSTALLATION - FORK RISERS (TRI-AXLE)	D
1	1001169083	4	Bolt 3/8 x 2	
2	1001190926	1	Bracket, Storage	
3	7660162601	4	Nut 3/8	
4	7950160143	8	Washer 3/8	
5	1001166974	4	Washer 3/8	

SECTION 4 - BODY

FIGURE 4-102. STORAGE - GRIZZILY BAR STORAGE INSTALLATION



ART_1001214175

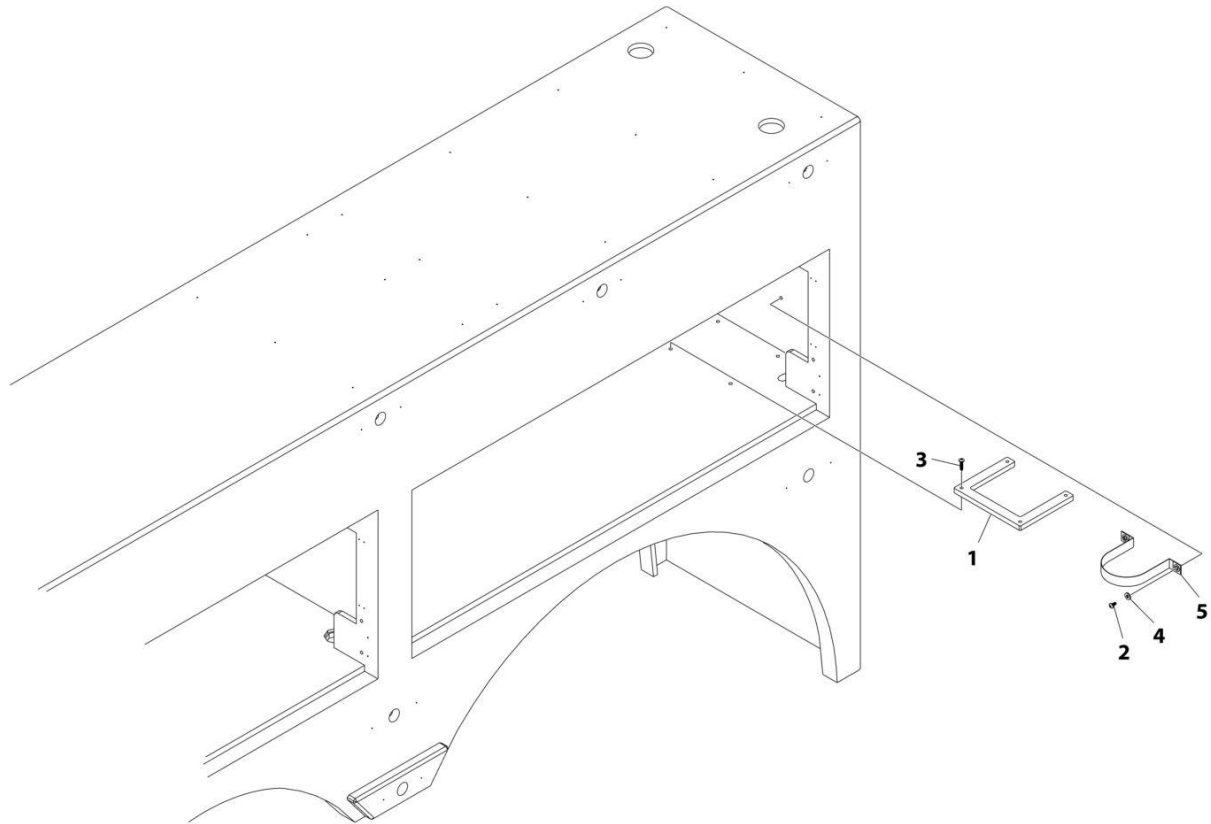
SECTION 4 - BODY

FIGURE 4-102. STORAGE - GRIZZILY BAR STORAGE INSTALLATION

ITEM	PART NUMBER	QTY	DESCRIPTION	REV
	1001214175	Ref	GRIZZILY BAR STORAGE INSTALLATION	B
1	0751406	2	Screw 1/4 x 3/4	
2	0751408	2	Screw 1/4 x 1	
3	1001174992	1	Bracket	
4	1001175059	1	Clamp	

SECTION 4 - BODY

FIGURE 4-103. STORAGE - JACK STORAGE INSTALLATION (TANDEM)



ART_1001196215

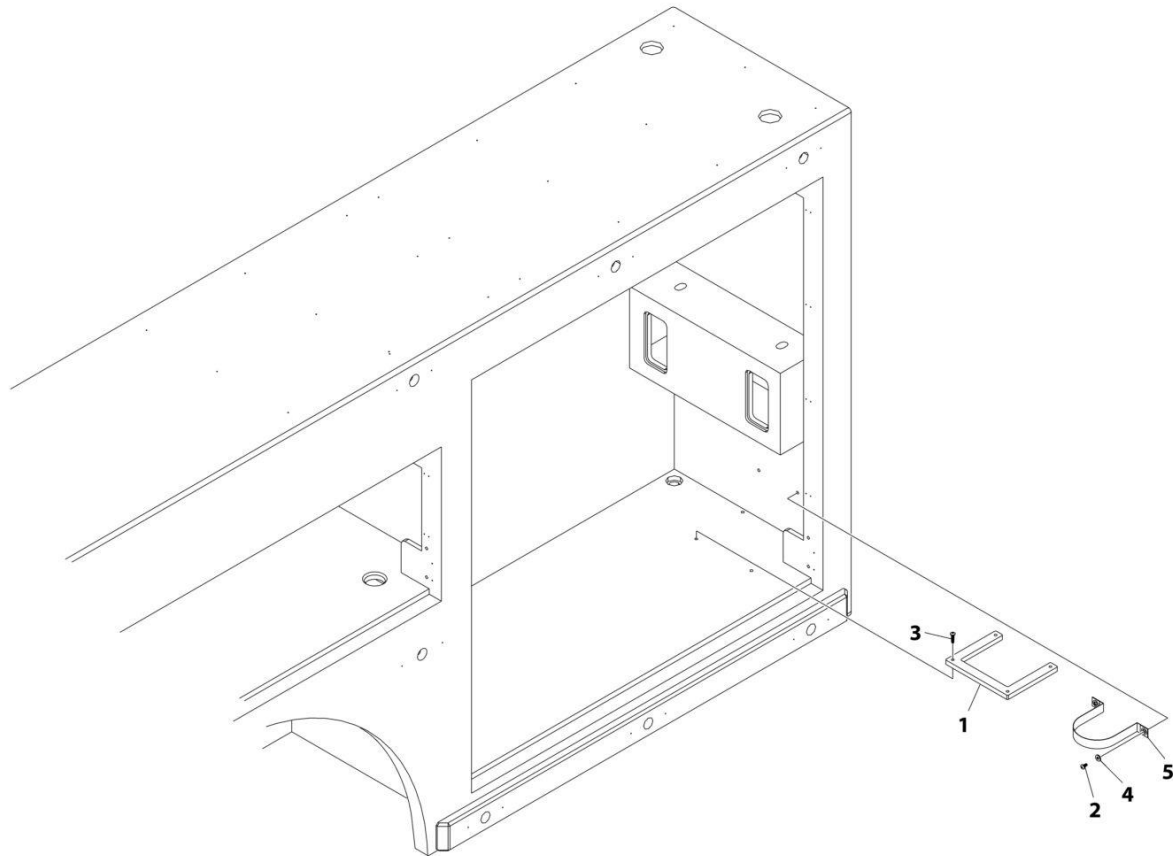
SECTION 4 - BODY

FIGURE 4-103. STORAGE - JACK STORAGE INSTALLATION (TANDEM)

ITEM	PART NUMBER	QTY	DESCRIPTION	REV
	1001196215	Ref	JACK STORAGE INSTALLATION (TANDEM)	C
1	1001170839	1	Bracket	
2	1001195257	2	Screw 1/4 x 1/2	
3	1001195523	4	Screw 1/4 x 1	
4	7950140143	2	Washer 1/4	
5	1001167286	2	Tie-Strap	

SECTION 4 - BODY

FIGURE 4-104. STORAGE - JACK STORAGE INSTALLATION (TRI-AXLE)



ART_1001196214

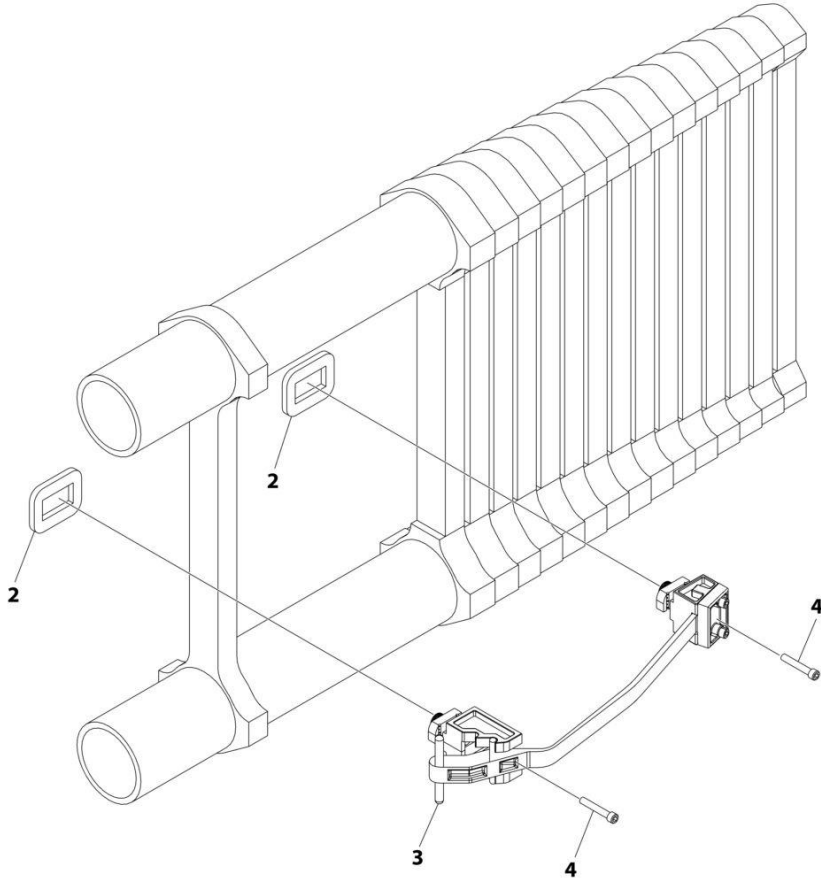
SECTION 4 - BODY

FIGURE 4-104. STORAGE - JACK STORAGE INSTALLATION (TRI-AXLE)

ITEM	PART NUMBER	QTY	DESCRIPTION	REV
	1001196214	Ref	JACK STORAGE INSTALLATION (TRI-AXLE)	B
1	1001170839	1	Bracket	
2	1001195257	2	Screw 1/4 x 1/2	
3	1001195523	4	Screw 1/4 x 1	
4	7950140143	2	Washer 1/4	
5	1001167286	2	Tie-Strap	

SECTION 4 - BODY

FIGURE 4-105. STORAGE - LADDER STORAGE INSTALLATION



ART_1001200001

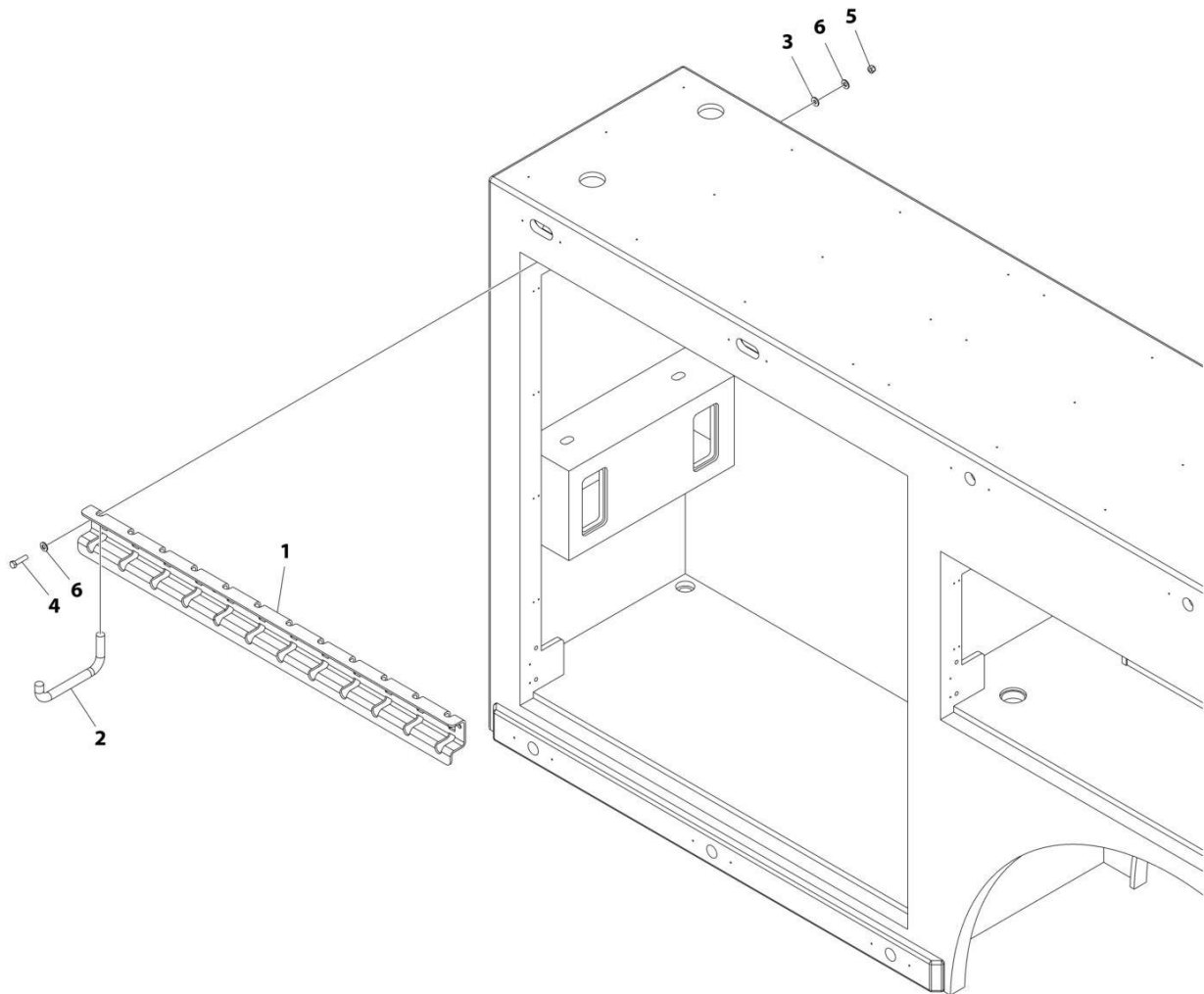
SECTION 4 - BODY

FIGURE 4-105. STORAGE - LADDER STORAGE INSTALLATION

ITEM	PART NUMBER	QTY	DESCRIPTION	REV
	1001200001	Ref	LADDER STORAGE INSTALLATION	C
2	1001213971	2	Plate	
3	1001201534	1	Bracket	
4	3931424	2	Capscrew 1/4 x 1-1/2	

SECTION 4 - BODY

FIGURE 4-106. STORAGE - SHACKLE RACK INSTALLATION (TANDEM)



ART_1001195038

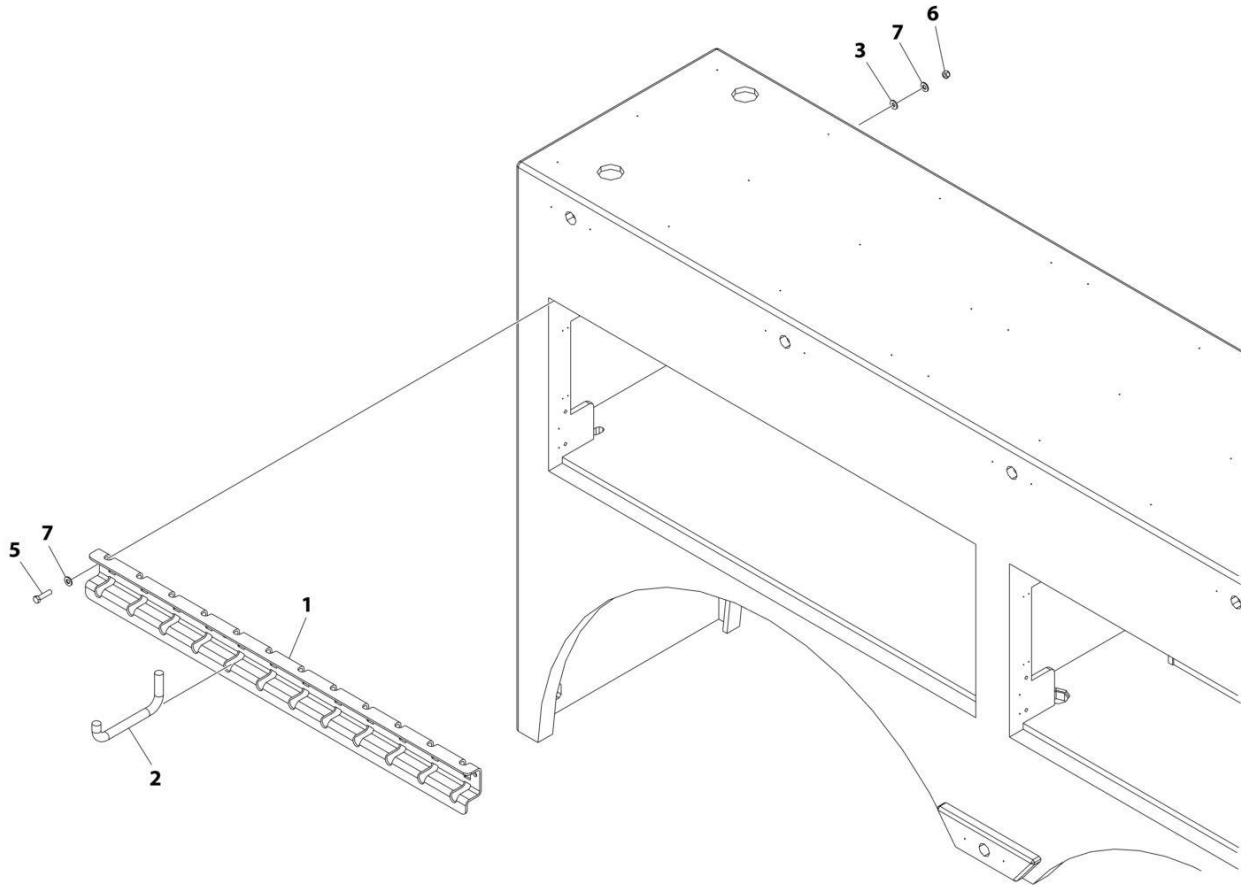
SECTION 4 - BODY

FIGURE 4-106. STORAGE - SHACKLE RACK INSTALLATION (TANDEM)

ITEM	PART NUMBER	QTY	DESCRIPTION	REV
	1001195038	Ref	Shackle Rack Installation	D
1	1001164601	2	Bracket	
2	1001164614	16	Rod	
3	1001166974	10	Washer 3/8	
4	1001168993	10	Capscrew 3/8 x 1-1/2	
5	7660162601	10	Nut 3/8	
6	7950160143	20	Washer 3/8	

SECTION 4 - BODY

FIGURE 4-107. STORAGE - SHACKLE RACK INSTALLATION (TRI-AXLE)



ART_1001195083

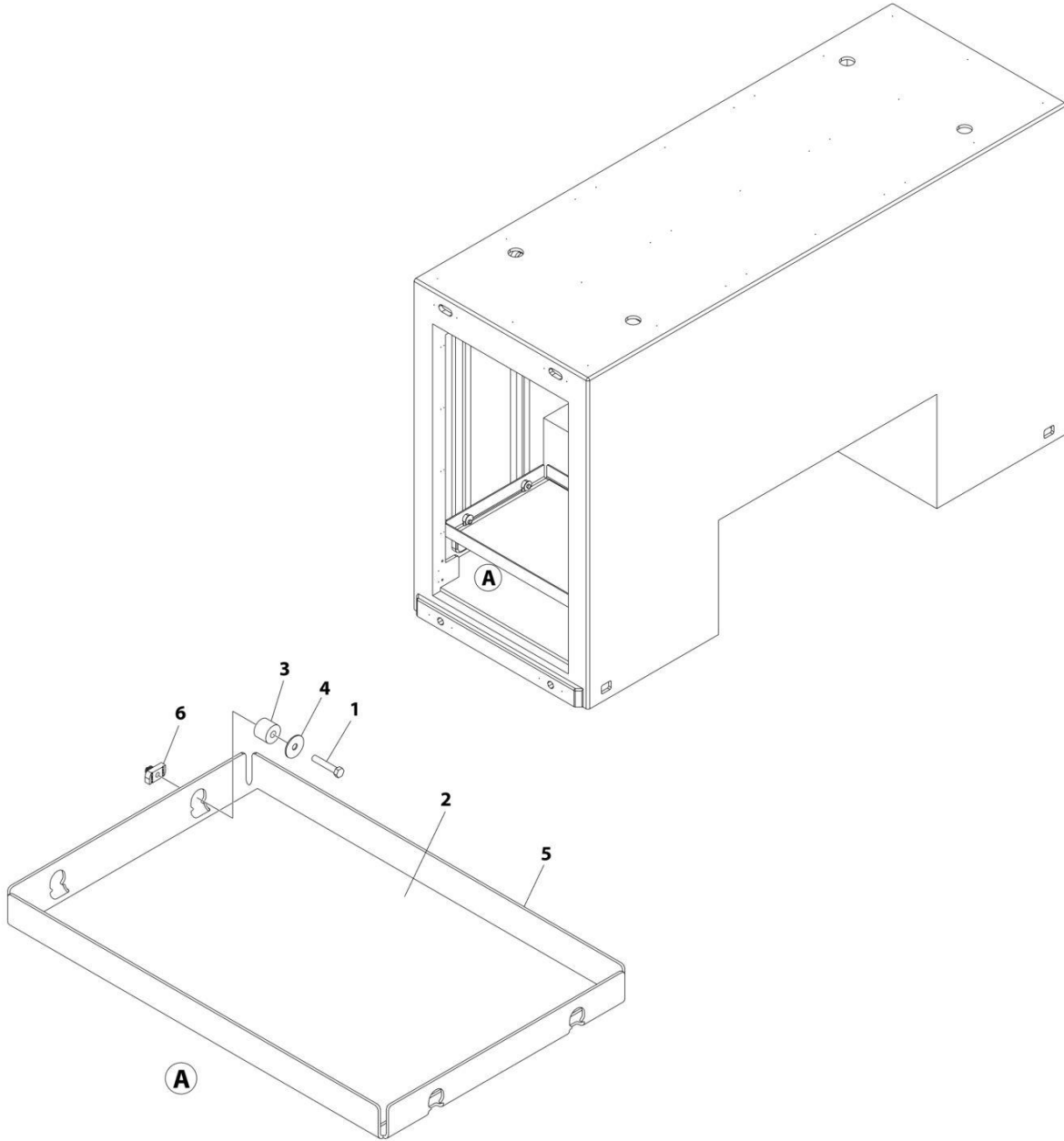
SECTION 4 - BODY

FIGURE 4-107. STORAGE - SHACKLE RACK INSTALLATION (TRI-AXLE)

ITEM	PART NUMBER	QTY	DESCRIPTION	REV
	1001195083	Ref	SHACKLE RACK INSTALLATION	E
1	1001164601	2	Bracket	
2	1001164614	16	Rod	
3	1001166974	10	Washer 3/8	
5	1001168993	10	Capscrew 3/8 x 1-1/2	
6	7660162601	10	Nut 3/8	
7	7950160143	20	Washer 3/8	

SECTION 4 - BODY

FIGURE 4-108. STORAGE - SHELF INSTALLATION - 36IN



ART_1001214300

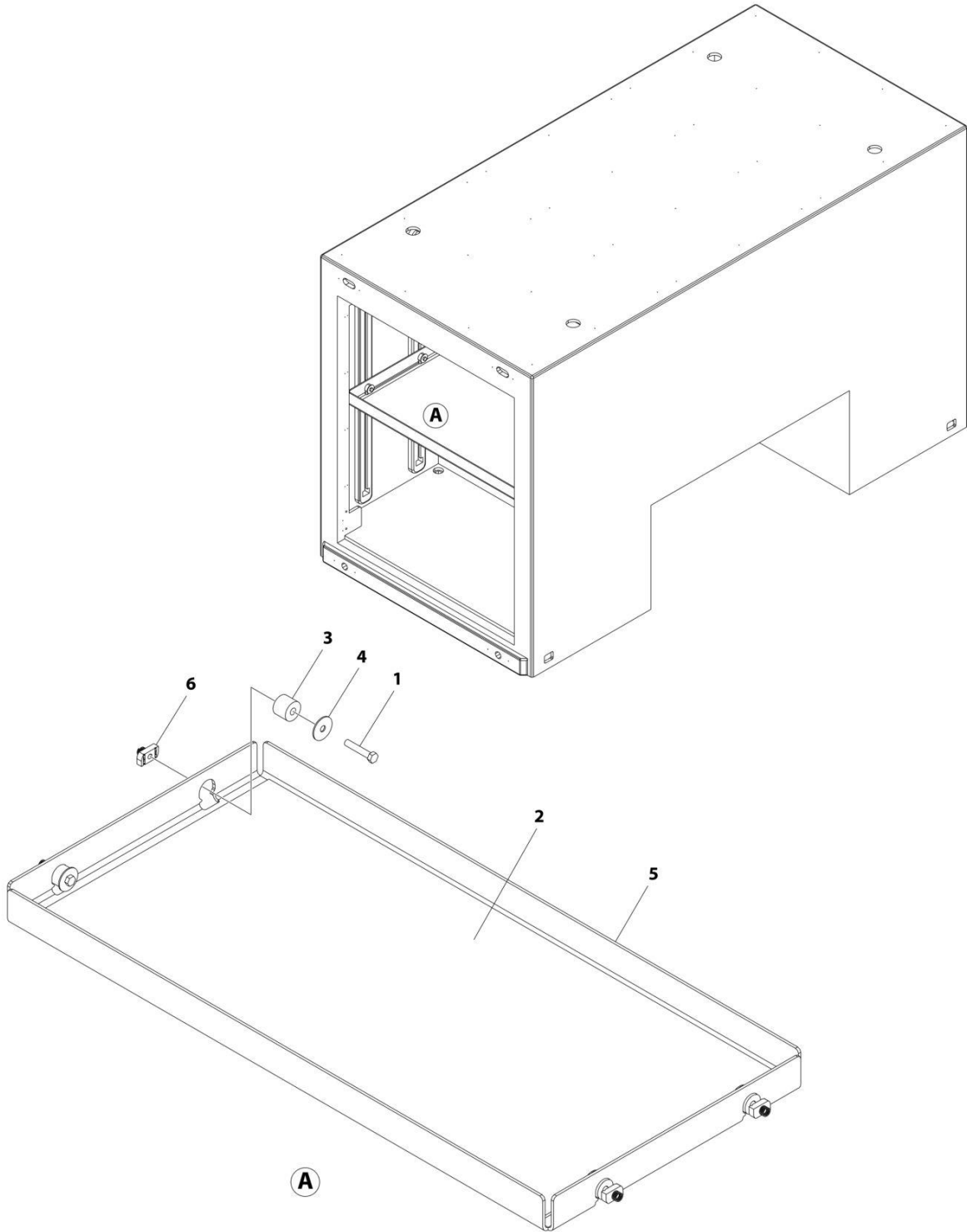
SECTION 4 - BODY

FIGURE 4-108. STORAGE - SHELF INSTALLATION - 36IN

ITEM	PART NUMBER	QTY	DESCRIPTION	REV
	1001214300	Ref	SHELF INSTALLATION - 36IN LOWER	B
1	1001169083	4	Capscrew 3/8 x 2	
2	1001196386	1	Pad	
3	1001214266	4	Mount	
4	1001214267	4	Washer 3/8	
5	1001214354	1	Panel	
6	1001166644	4	Spring Nut 3/8	

SECTION 4 - BODY

FIGURE 4-109. STORAGE - SHELF INSTALLATION - 48IN



ART_1001214299

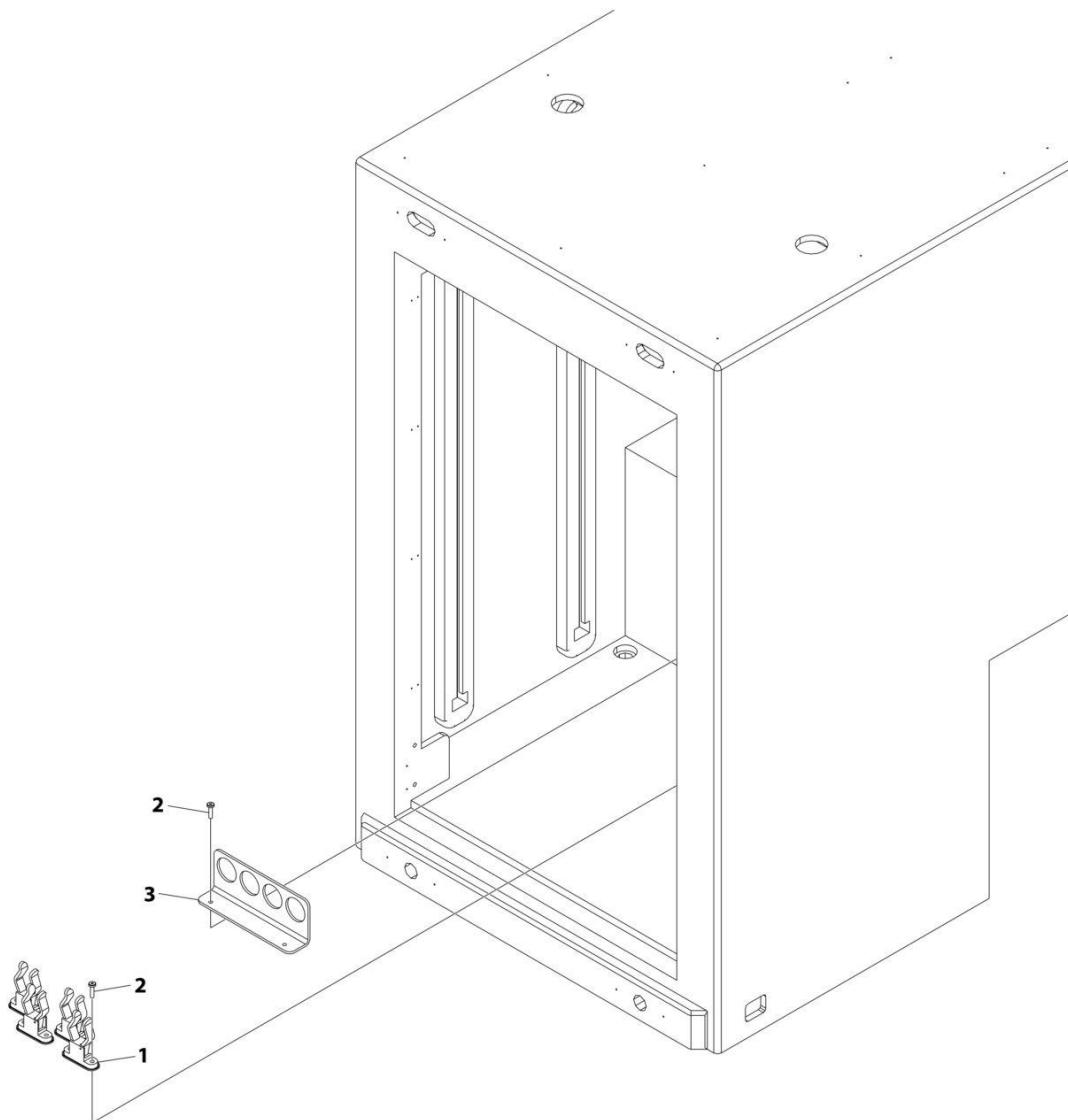
SECTION 4 - BODY

FIGURE 4-109. STORAGE - SHELF INSTALLATION - 48IN

ITEM	PART NUMBER	QTY	DESCRIPTION	REV
	1001214299	Ref	SHELF INSTALLATION - 48IN	B
1	1001169083	8	Capscrew 3/8 x 2	
2	1001196387	2	Pad	
3	1001214266	8	Mount	
4	1001214267	8	Washer 3/8	
5	1001214353	2	Panel	
6	1001166644	8	Spring Nut 3/8	

SECTION 4 - BODY

FIGURE 4-110. STORAGE - SHOVEL STORAGE INSTALLATION



ART_1001196503

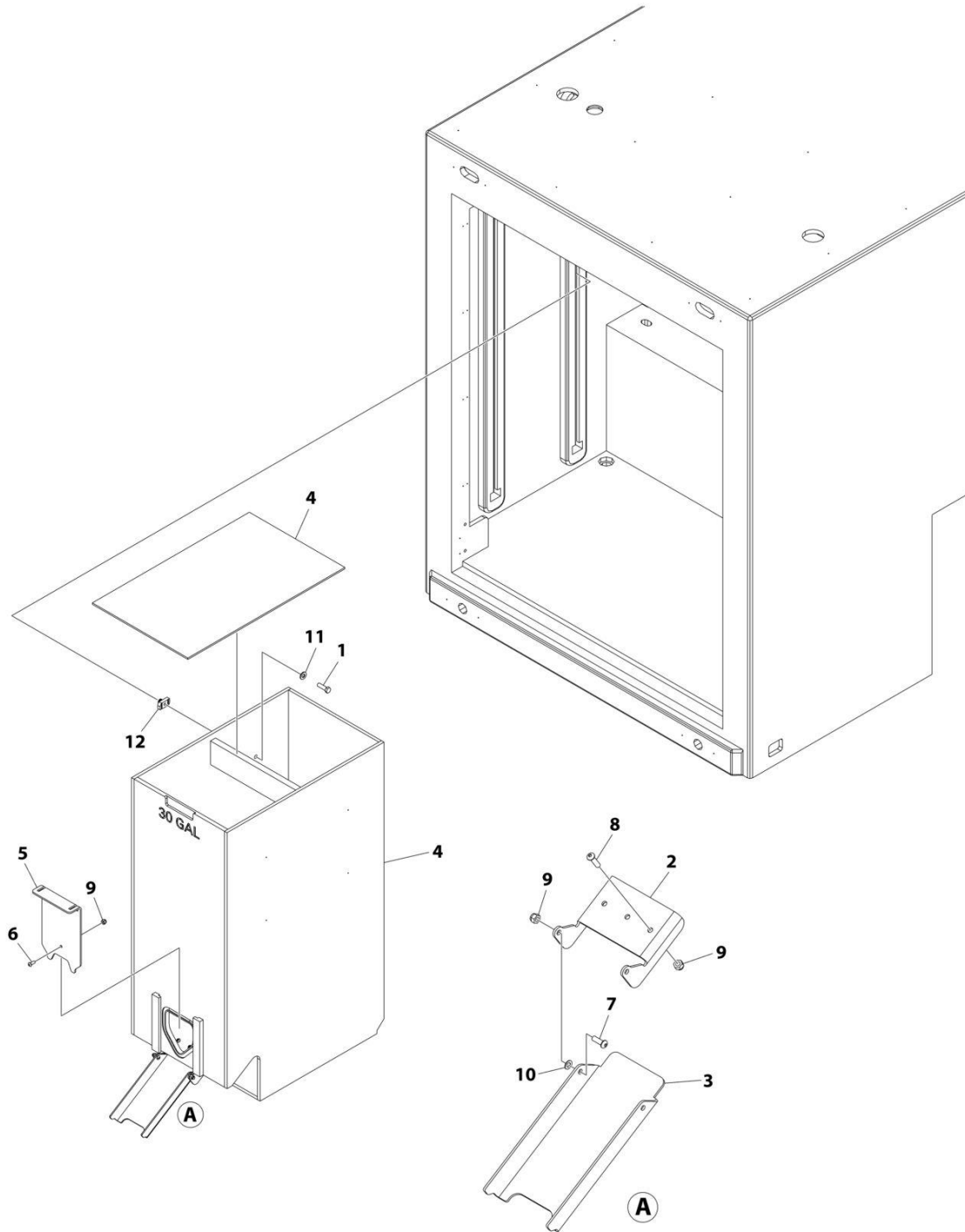
SECTION 4 - BODY

FIGURE 4-110. STORAGE - SHOVEL STORAGE INSTALLATION

ITEM	PART NUMBER	QTY	DESCRIPTION	REV
	1001196503	Ref	SHOVEL STORAGE INSTALLATION	E
1	1001175059	4	Clamp	
2	0751408	10	Screw 1/4 x 1	
3	1001190366	1	Angle	

SECTION 4 - BODY

FIGURE 4-111. STORAGE - SILO INSTALLATION - STAY DRY



ART_1001195421

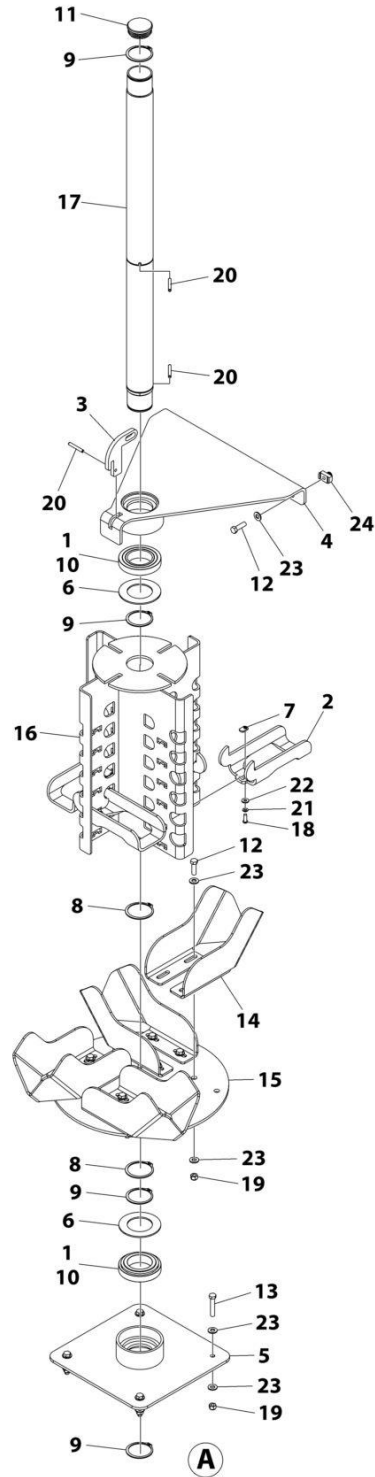
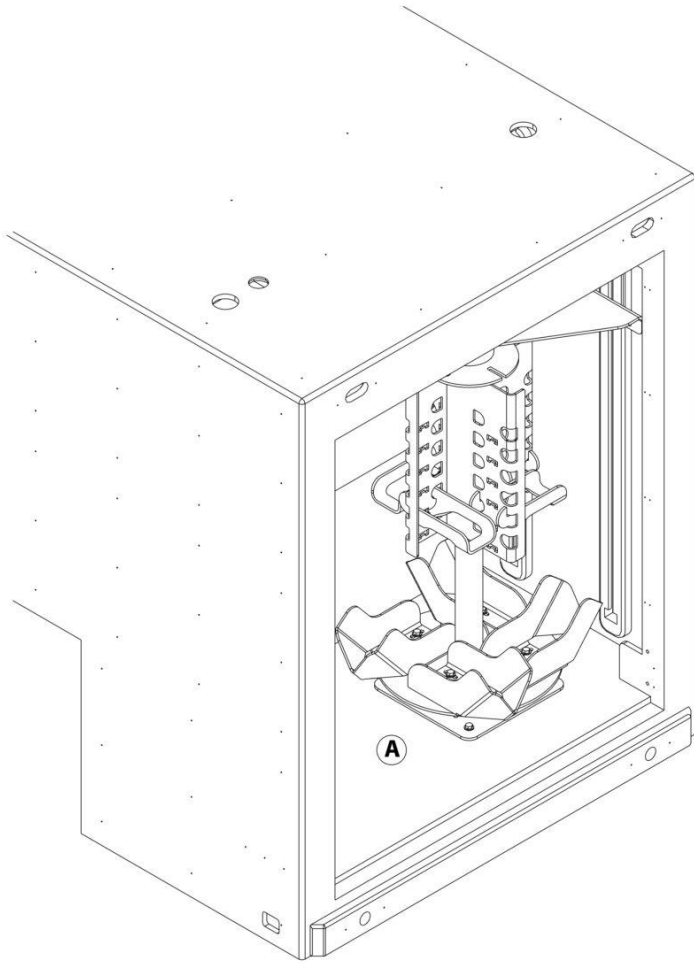
SECTION 4 - BODY

FIGURE 4-111. STORAGE - SILO INSTALLATION - STAY DRY

ITEM	PART NUMBER	QTY	DESCRIPTION	REV
	1001195421	Ref	SILO INSTALLATION - STAY DRY	C
1	1001169080	4	Bolt 3/8 x 1-1/4	
2	1001190050	1	Bracket	
3	1001190055	1	Bracket	
4	1001190128	1	Container	
5	1001190148	1	Cover	
6	7114140518	1	Capscrew 1/4 x 5/8	
7	7114140618	2	Capscrew 1/4 x 3/4	
8	7114140818	3	Bolt 1/4 x 1	
9	7660142600	6	Nut 1/4	
10	7949000056	2	Washer 1/2	
11	7950160143	4	Washer 3/8	
12	1001166644	4	Spring Nut 3/8	

SECTION 4 - BODY

FIGURE 4-112. STORAGE - SNATCH BLOCKS INSTALLATION (ROTARY RACK)



ART_1001195134

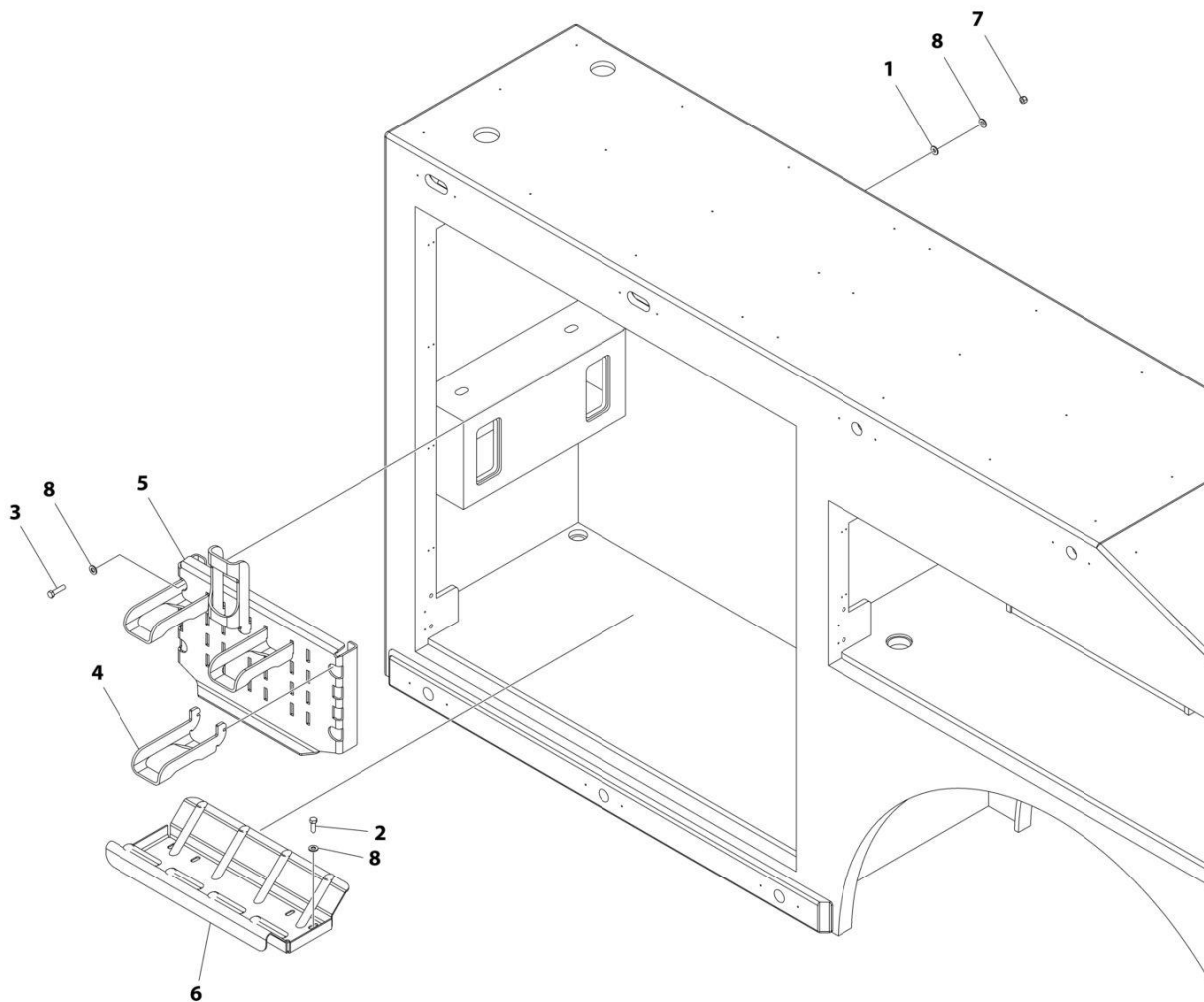
SECTION 4 - BODY

FIGURE 4-112. STORAGE - SNATCH BLOCKS INSTALLATION (ROTARY RACK)

ITEM	PART NUMBER	QTY	DESCRIPTION	REV
	1001195134	Ref	SNATCH BLOCKS STORAGE INSTALLATION	B
1	3020029	AR	Bearing Grease	
2	1001164560	4	Bracket	
3	1001165564	1	Plate	
4	1001165570	1	Bracket	
5	1001165571	1	Bracket	
6	1001165584	2	Plate	
7	1001168733	4	Nut 1/4	
8	1001169063	2	Retaining Ring	
9	1001169064	4	Retaining Ring	
10	1001169076	2	Bearing	
11	1001169078	1	Plug	
12	1001169080	18	Bolt 3/8 x 1-1/4	
13	1001169083	4	Bolt 3/8 x 2	
14	1001190342	4	Bracket	
15	1001190359	1	Support	
16	1001190361	1	Bracket	
17	1001192126	1	Tube	
18	7114140618	4	Capscrew 1/4 x 3/4	
19	7660162601	20	Nut 3/8	
20	7690142845	3	Pin	
21	7950140003	4	Washer 1/4	
22	7950140143	4	Washer 1/4	
23	7950160143	42	Washer 3/8	
24	1001166644	2	Spring Nut 3/8	

SECTION 4 - BODY

FIGURE 4-113. STORAGE - SNATCH BLOCKS INSTALLATION (TANDEM)



ART_1001217105

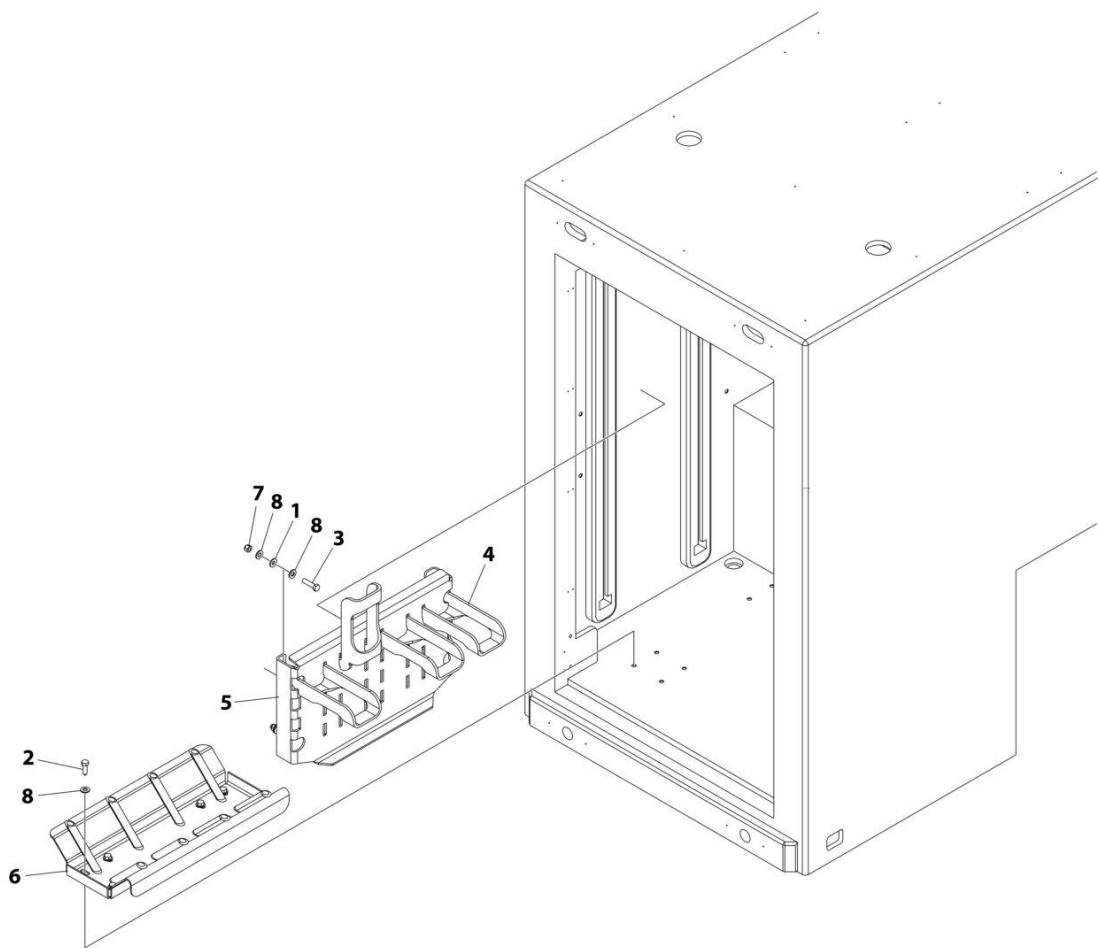
SECTION 4 - BODY

FIGURE 4-113. STORAGE - SNATCH BLOCKS INSTALLATION (TANDEM)

ITEM	PART NUMBER	QTY	DESCRIPTION	REV
	1001217105	Ref	Snatch Blocks Installation, Tandem	B
1	1001166974	4	Washer 3/8	
2	1001168545	8	Capscrew 3/8 x 1-1/4	
3	1001168993	4	Capscrew 3/8 x 1-1/2	
4	1001217101	4	Bracket	
5	1001217102	1	Bracket	
6	1001217103	1	Tray	
7	7660162601	4	Nut 3/8	
8	7950160143	16	Washer 3/8	

SECTION 4 - BODY

FIGURE 4-114. STORAGE - SNATCH BLOCKS INSTALLATION (TRI-AXLE)



ART_1001217106

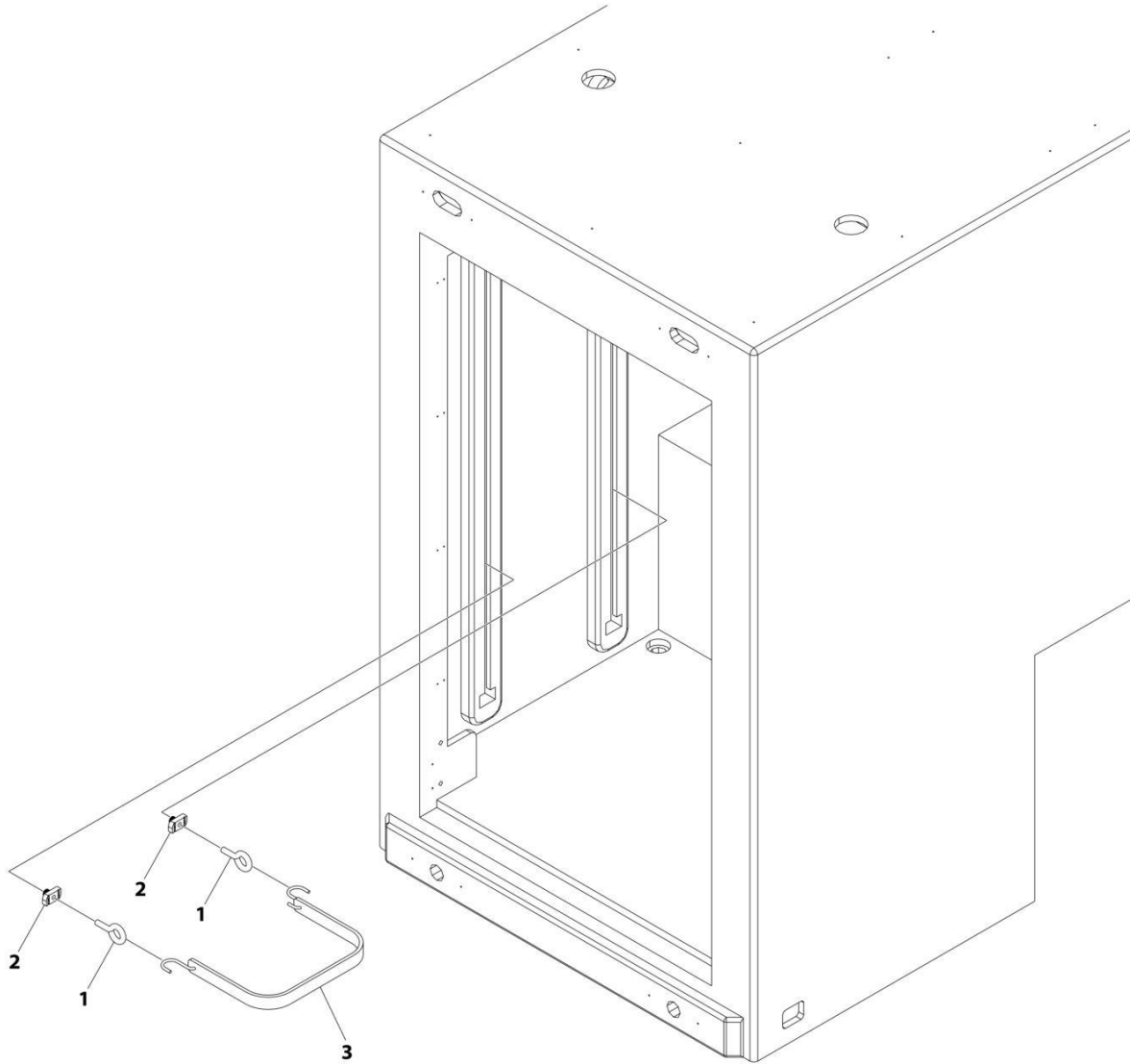
SECTION 4 - BODY

FIGURE 4-114. STORAGE - SNATCH BLOCKS INSTALLATION (TRI-AXLE)

ITEM	PART NUMBER	QTY	DESCRIPTION	REV
	1001217106	Ref	SNATCH BLOCKS STORAGE INSTALLATION (TUNNEL WALL)	C
1	1001166974	4	Washer 3/8	
2	1001168545	8	Screw 3/8 x 1-1/4	
3	1001168993	4	Screw 3/8 x 1-1/2	
4	1001217101	4	Bracket	
5	1001217102	1	Bracket	
6	1001217103	1	Tray	
7	7660162601	4	Nut 3/8	
8	7950160143	16	Washer 3/8	

SECTION 4 - BODY

FIGURE 4-115. STORAGE - SPILL CONTAINER STORAGE INSTALLATION



ART_1001201371

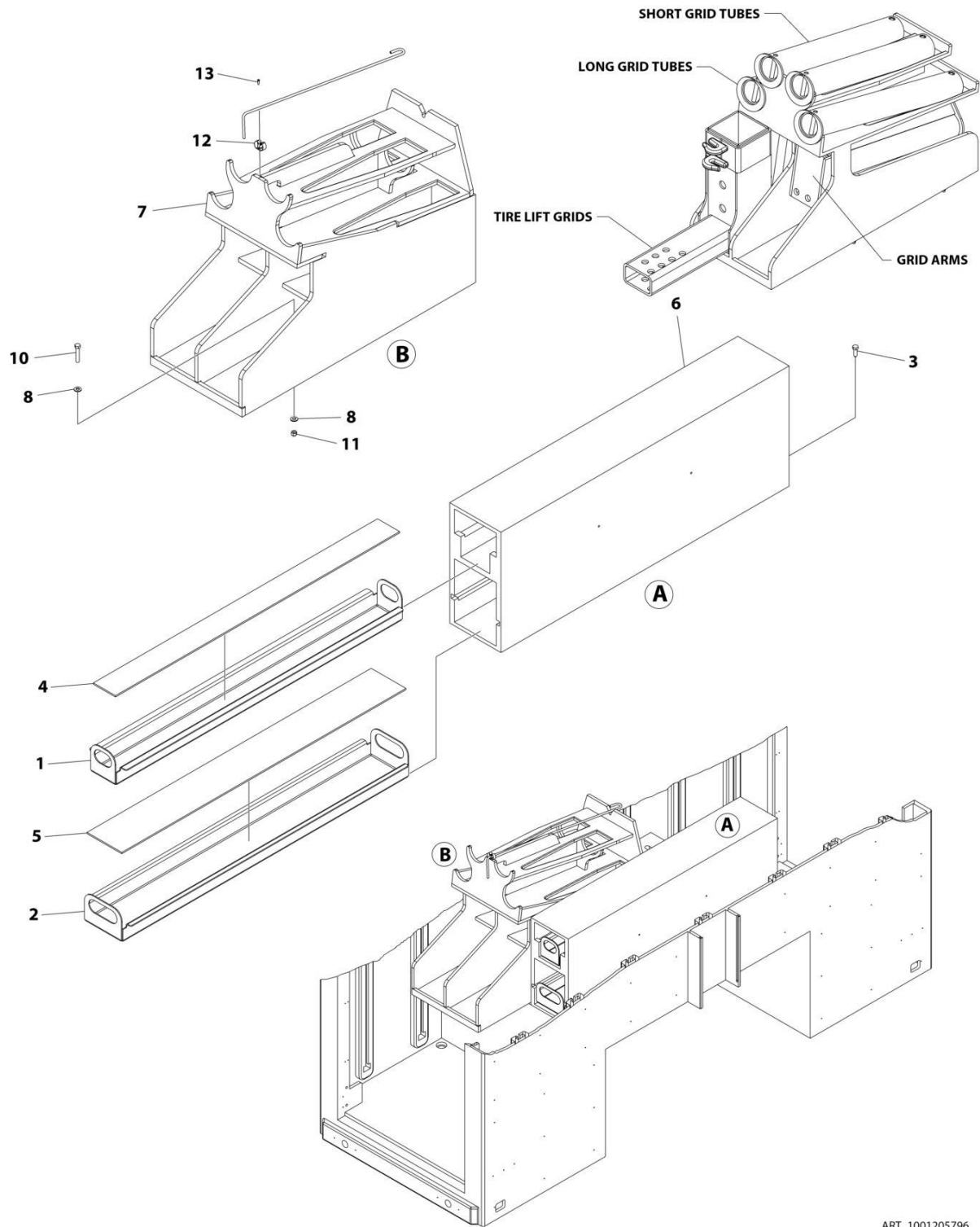
SECTION 4 - BODY

FIGURE 4-115. STORAGE - SPILL CONTAINER STORAGE INSTALLATION

ITEM	PART NUMBER	QTY	DESCRIPTION	REV
	1001201371	Ref	SPILL CONTAINER STORAGE INSTALLATION	B
1	1001175231	2	Eyebolt 3/8	
2	1001166644	2	Spring Nut 3/8	
3	1001201483	1	Strap, Bungee	

SECTION 4 - BODY

FIGURE 4-116. STORAGE - TIRE LIFT/BUS ARMS & RATCHETS - 36IN



ART_1001205796

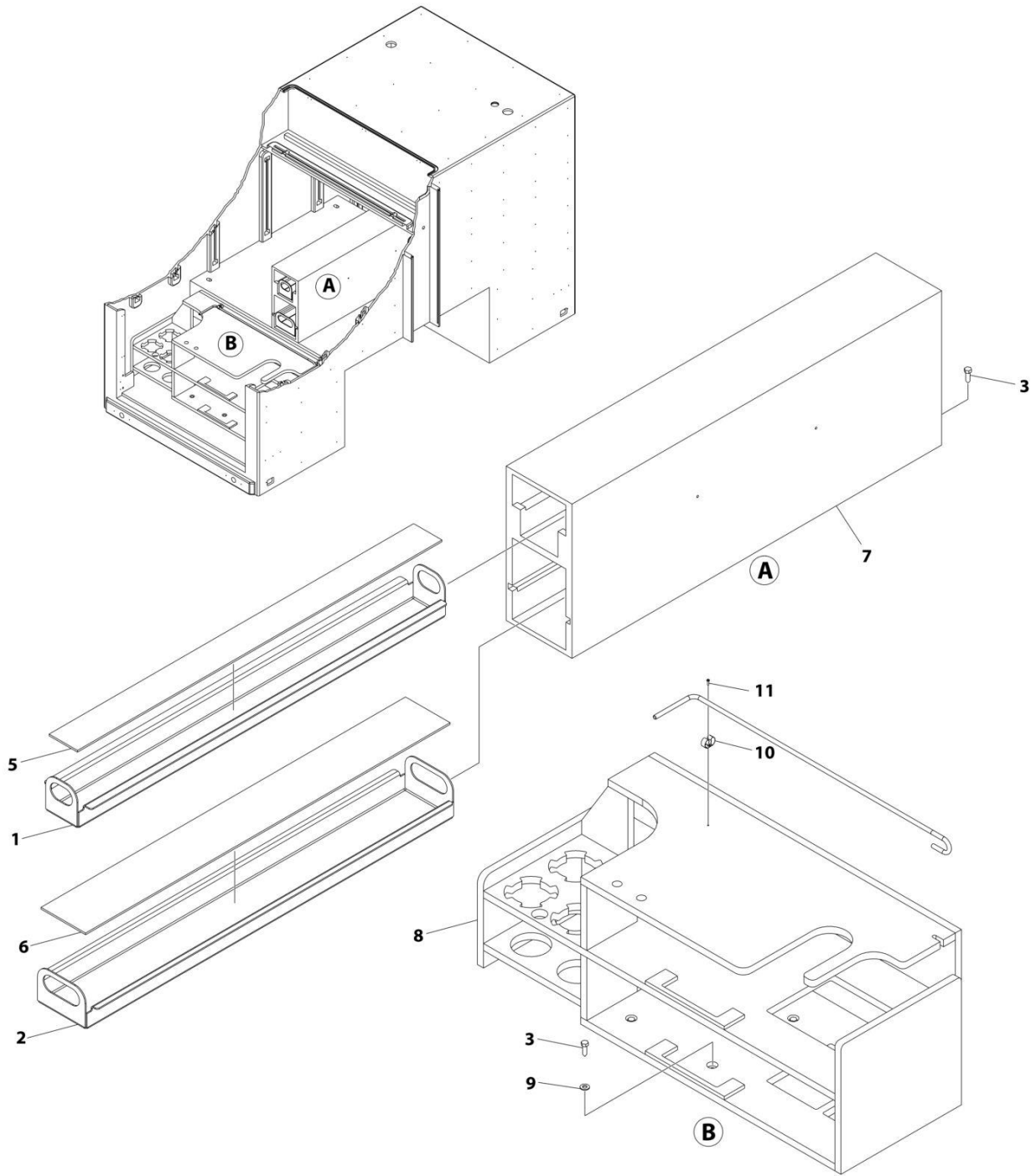
SECTION 4 - BODY

FIGURE 4-116. STORAGE - TIRE LIFT/BUS ARMS & RATCHETS - 36IN

ITEM	PART NUMBER	QTY	DESCRIPTION	REV
	1001205796	Ref	TIRE STORAGE INSTALLATION, 36IN	B
1	1001165862	1	Tray, Small	
2	1001165863	1	Tray, Large	
3	1001168545	4	Capscrew 3/8 x 1-1/4	
4	1001170968	1	Pad, Small	
5	1001170970	1	Pad, Large	
6	1001170971	1	Bracket	
7	1001192287	1	Storage	
8	7950160143	8	Washer 3/8	
10	7115161650	4	Capscrew 3/8 x 2	
11	7660162601	4	Nut 3/8	
12	1380135	1	Clip	
13	3900339	1	Screw #6 x 1/2	

SECTION 4 - BODY

FIGURE 4-117. STORAGE - TIRE LIFT/BUS ARMS & RATCHETS - 48IN



ART_1001196249

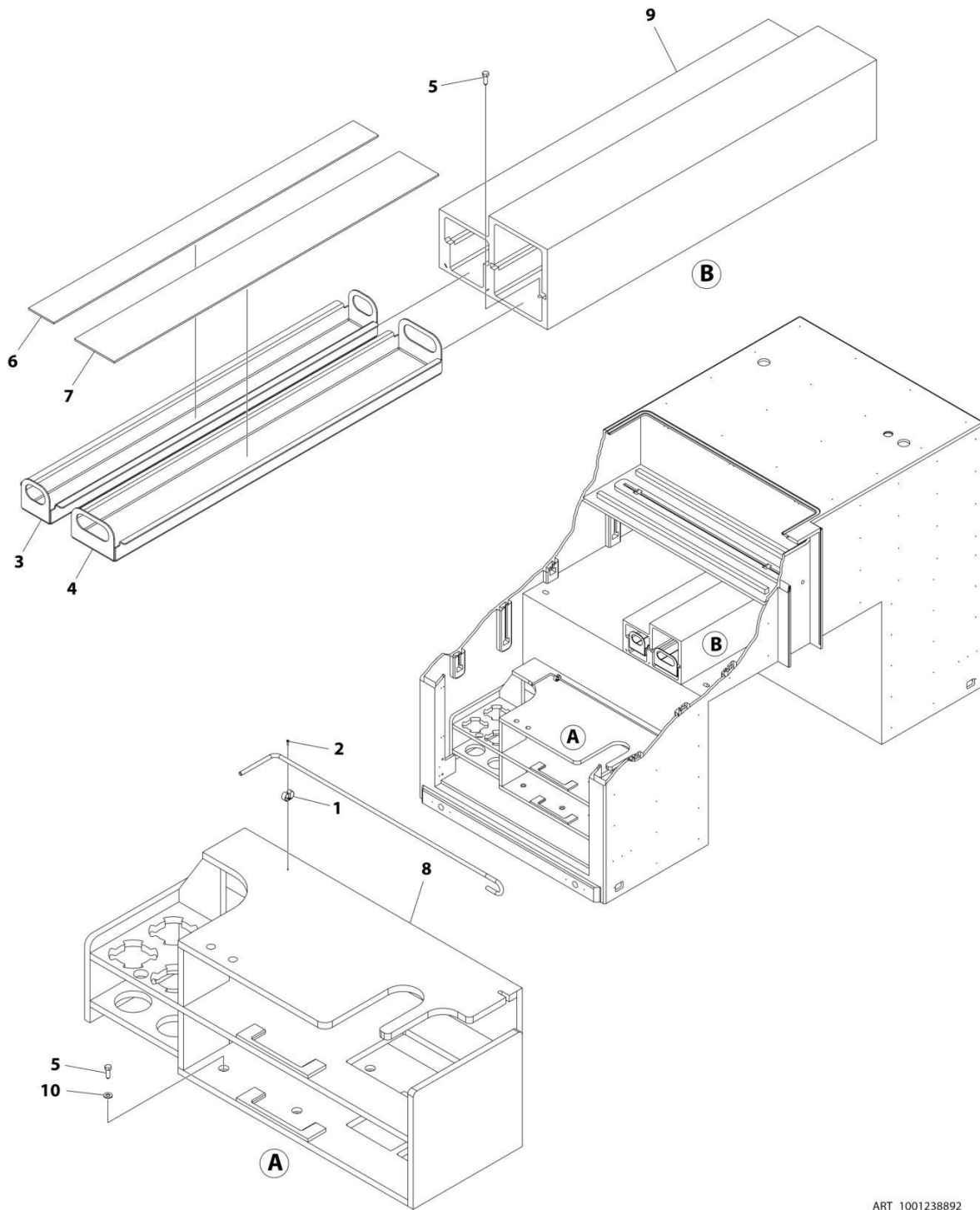
SECTION 4 - BODY

FIGURE 4-117. STORAGE - TIRE LIFT/BUS ARMS & RATCHETS - 48IN

ITEM	PART NUMBER	QTY	DESCRIPTION	REV
	1001196249	Ref	TIRE LIFT STORAGE INSTALLATION, 48IN	E
1	1001165862	1	Tray, Small	
2	1001165863	1	Tray, Large	
3	1001168545	10	Capscrew 3/8 x 1-1/4	
5	1001170968	1	Pad, Small	
6	1001170970	1	Pad, Large	
7	1001170971	1	Bracket	
8	1001190409	1	Storage	
9	7950160143	4	Washer 3/8	
10	1380135	1	Clip	
11	3900339	1	Screw #6 x 1/2	

SECTION 4 - BODY

FIGURE 4-118. STORAGE - TIRE LIFT/BUS ARMS & RATCHETS - 51IN



ART_1001238892

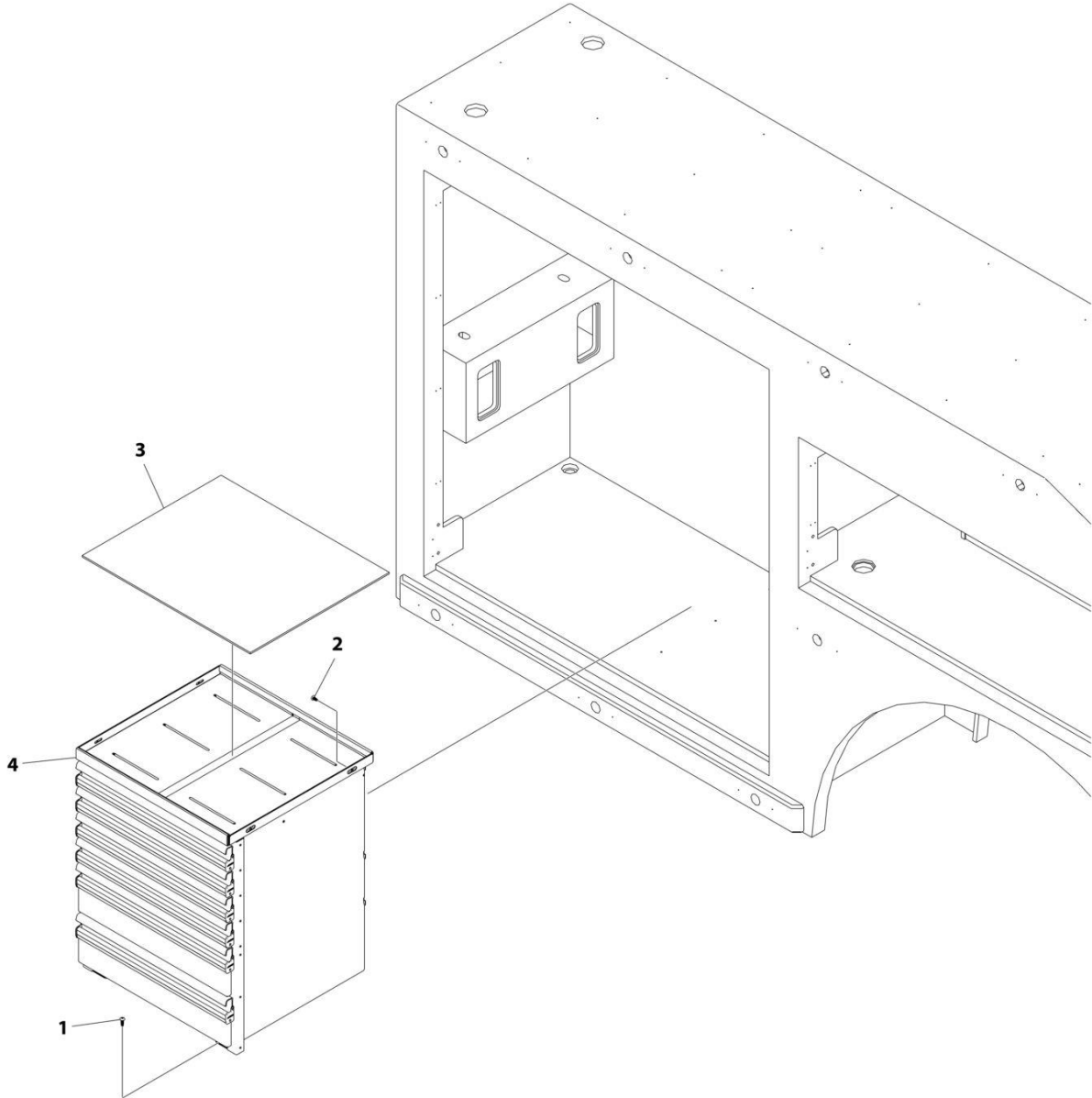
SECTION 4 - BODY

FIGURE 4-118. STORAGE - TIRE LIFT/BUS ARMS & RATCHETS - 51IN

ITEM	PART NUMBER	QTY	DESCRIPTION	REV
	1001238892	Ref	Tire Lift Installation	A
1	1380135	1	Clip	
2	3900339	1	Screw #6 x 1/2	
3	1001165862	1	Tray, Small	
4	1001165863	1	Tray, Large	
5	1001168545	8	Capscrew 3/8 x 1-1/4	
6	1001170968	1	Pad, Small	
7	1001170970	1	Pad, Large	
8	1001190409	1	Storage	
9	1001238891	1	Bracket	
10	7950160143	4	Washer 3/8	

SECTION 4 - BODY

FIGURE 4-119. STORAGE - TOOL DRAWER INSTALLATION (TANDEM)



ART_1001195256

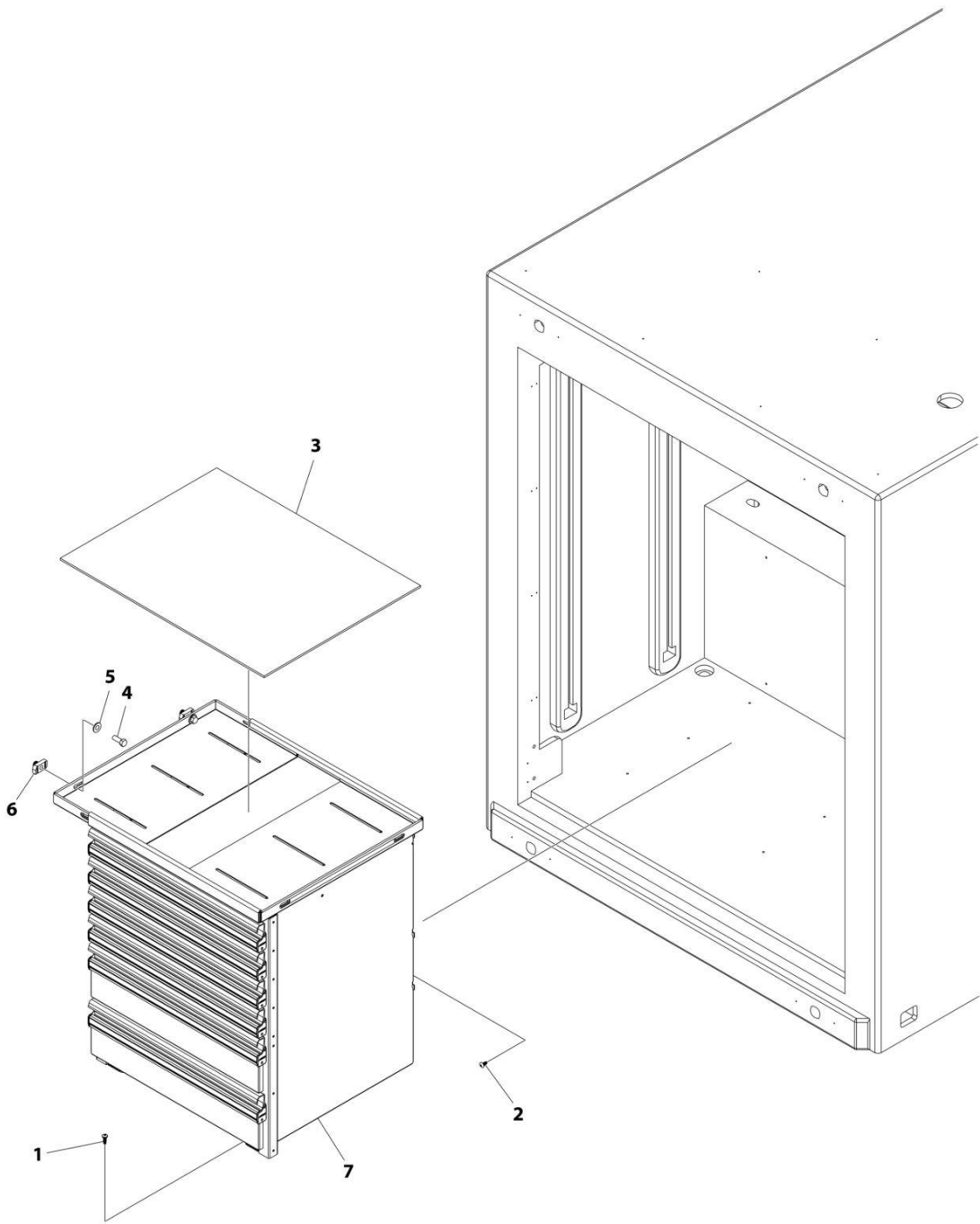
SECTION 4 - BODY

FIGURE 4-119. STORAGE - TOOL DRAWER INSTALLATION (TANDEM)

ITEM	PART NUMBER	QTY	DESCRIPTION	REV
	1001195256	Ref	Tool Drawer Installation, Tandem	B
1	1001194676	6	Screw 1/4 x 3/4	
2	1001195257	8	Screw 1/4 x 1/2	
3	1001195279	1	Pad	
3	1001190410	1	Toolbox (SN 0230004275 through 0230008203)	
4	1001266946	1	Toolbox (SN 0230008204 to Present)	

SECTION 4 - BODY

FIGURE 4-120. STORAGE - TOOL DRAWER INSTALLATION (TRI-AXLE DRIVERS SIDE)



ART_1001195337

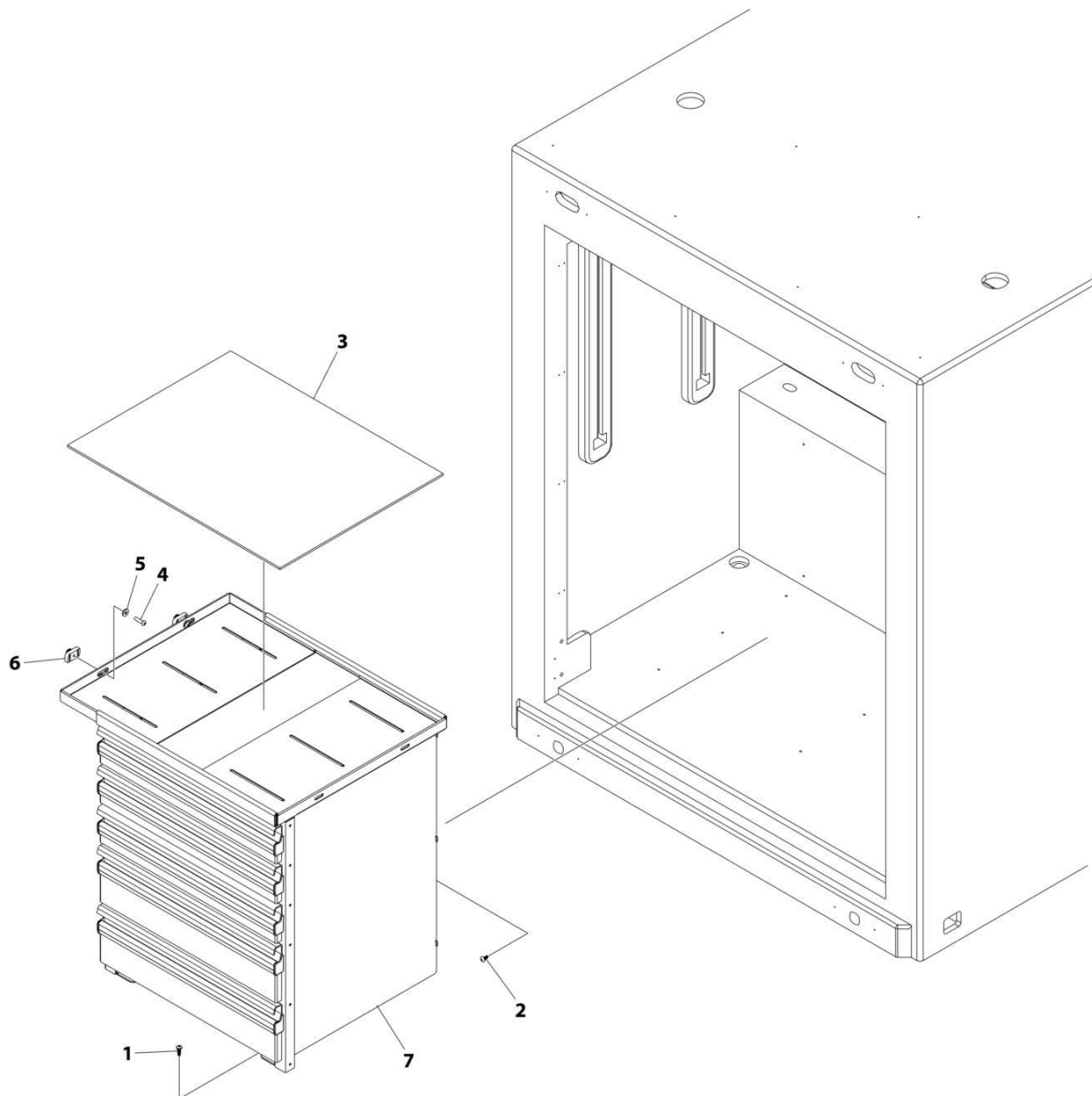
SECTION 4 - BODY

FIGURE 4-120. STORAGE - TOOL DRAWER INSTALLATION (TRI-AXLE DRIVERS SIDE)

ITEM	PART NUMBER	QTY	DESCRIPTION	REV
	1001195337	Ref	Tool Drawer Installation, Tri-Axle	C
1	1001194676	6	Screw 1/4 x 3/4	
2	1001195257	4	Screw 1/4 x 1/2	
3	1001195341	1	Pad	
4	7114140818	2	Capscrew 1/2 x 1	
5	7950140143	2	Washer 1/4	
6	1001183037	2	Nut 1/4	
7	1001190410	1	Toolbox (SN 0230004275 through 0230008203)	
7	1001266946	1	BOX, TOOL DRAWER (SN 0230008204 to Present)	

SECTION 4 - BODY

FIGURE 4-121. STORAGE - TOOL DRAWER INSTALLATION (TRI-AXLE PASSENGERS SIDE)



ART_1001208635

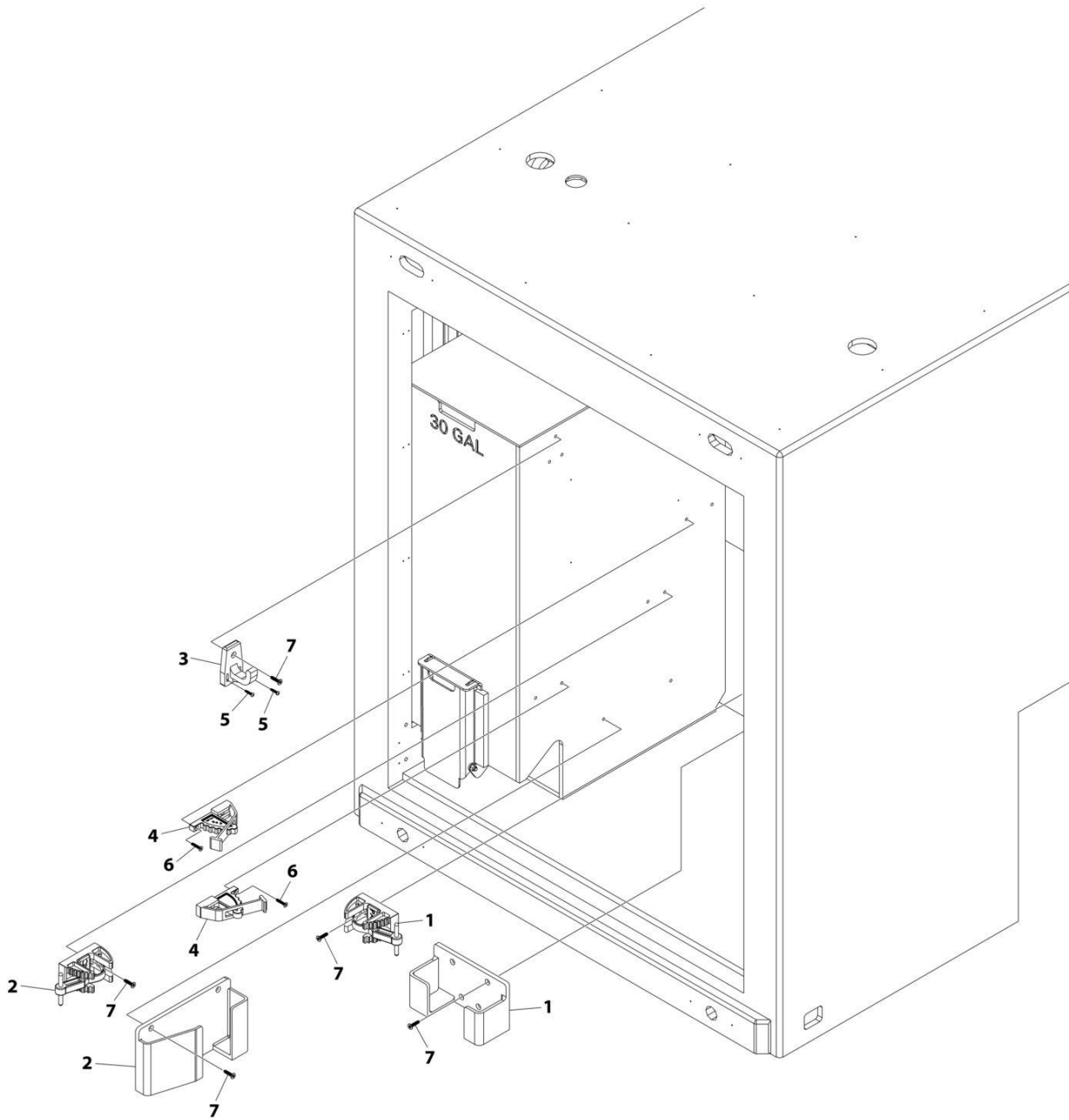
SECTION 4 - BODY

FIGURE 4-121. STORAGE - TOOL DRAWER INSTALLATION (TRI-AXLE PASSENGERS SIDE)

ITEM	PART NUMBER	QTY	DESCRIPTION	REV
	1001208635	Ref	TOOLBOX/DRAWER INSTALLATION	C
1	1001194676	6	Screw 1/4 x 3/4	
2	1001195257	4	Screw 1/4 x 1/2	
3	1001195341	1	Pad	
4	7114140818	2	Capscrew 1/2 x 1	
5	7950140143	2	Washer 1/4	
6	1001183037	2	Nut 1/4	
7	1001190410	1	Toolbox (SN 0230004275 through 0230008203)	
7	1001266946	1	Toolbox (SN 0230008204 to Present)	

SECTION 4 - BODY

FIGURE 4-122. STORAGE - TOOL STORAGE INSTALLATION



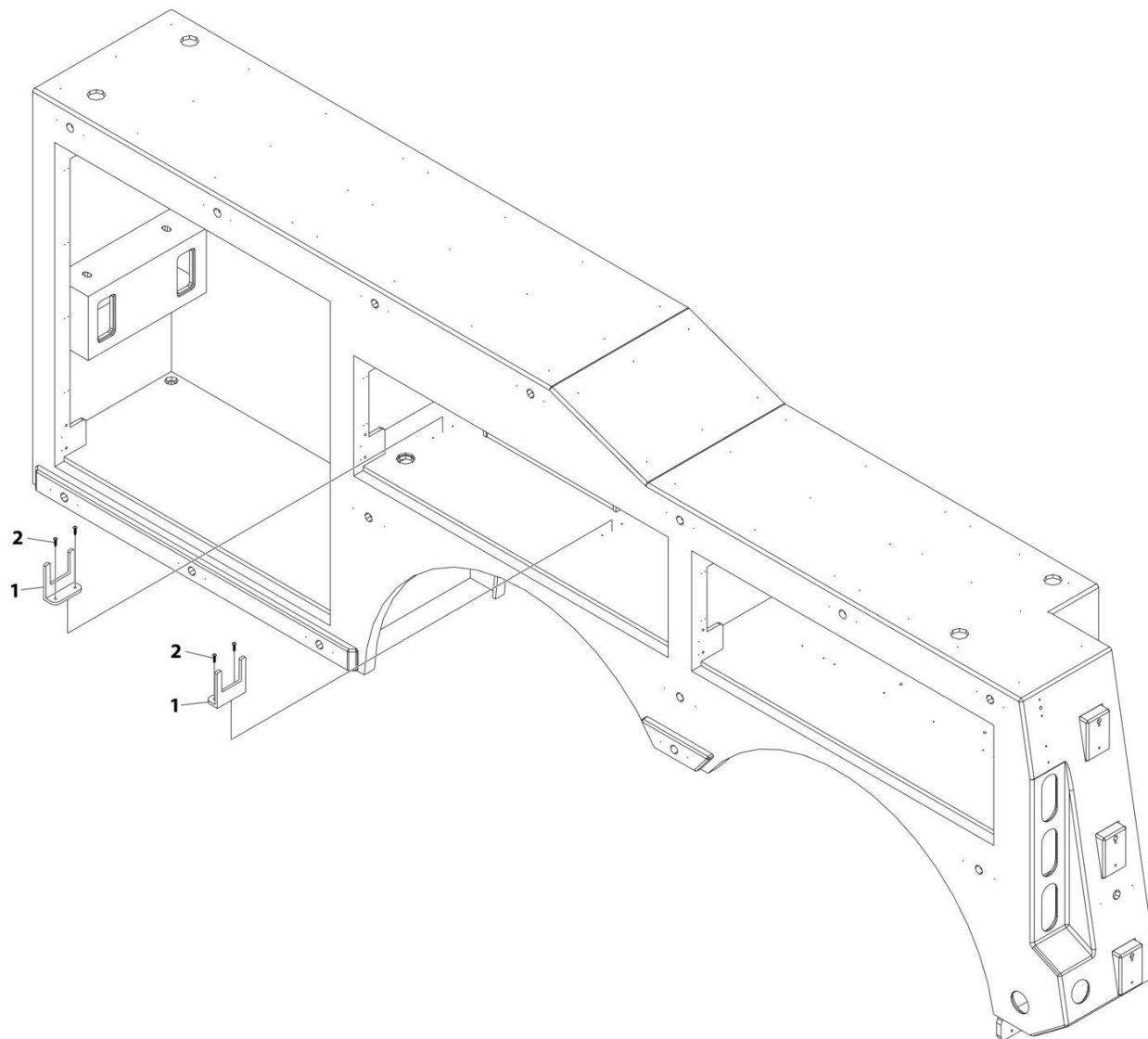
ART_1001201234

FIGURE 4-122. STORAGE - TOOL STORAGE INSTALLATION

ITEM	PART NUMBER	QTY	DESCRIPTION	REV
	1001201234	Ref	TOOL STORAGE INSTALLATION	C
1	1001201215	1	Bracket	
2	1001201216	1	Bracket	
3	1001201217	1	Bracket	
4	1001201218	2	Bracket	
5	1001196552	2	Screw #8 x 3/4	
6	1001201366	4	Screw #10 x 1	
7	1001201367	11	Screw 1/4 x 1	

SECTION 4 - BODY

FIGURE 4-123. STORAGE - TOW LIGHT STORAGE INSTALLATION



ART_1001195592

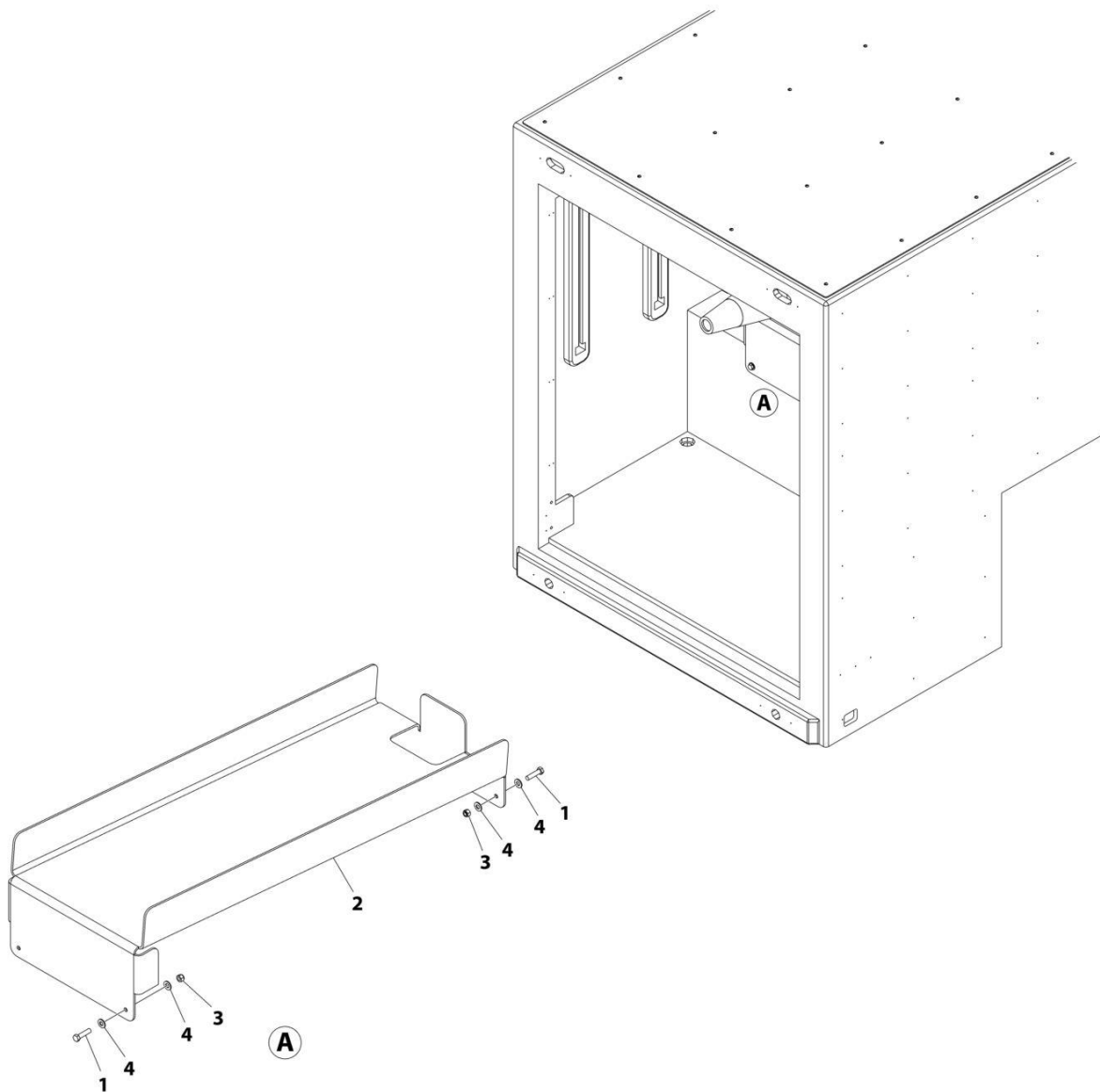
SECTION 4 - BODY

FIGURE 4-123. STORAGE - TOW LIGHT STORAGE INSTALLATION

ITEM	PART NUMBER	QTY	DESCRIPTION	REV
	1001195592	Ref	TOW LIGHT STORAGE INSTALLATION	B
1	1001170618	2	Bracket	
2	1001195523	4	Screw 1/4 x 1	

SECTION 4 - BODY

FIGURE 4-124. STORAGE - TRAFFIC CONE STORAGE INSTALLATION



ART_1001195764

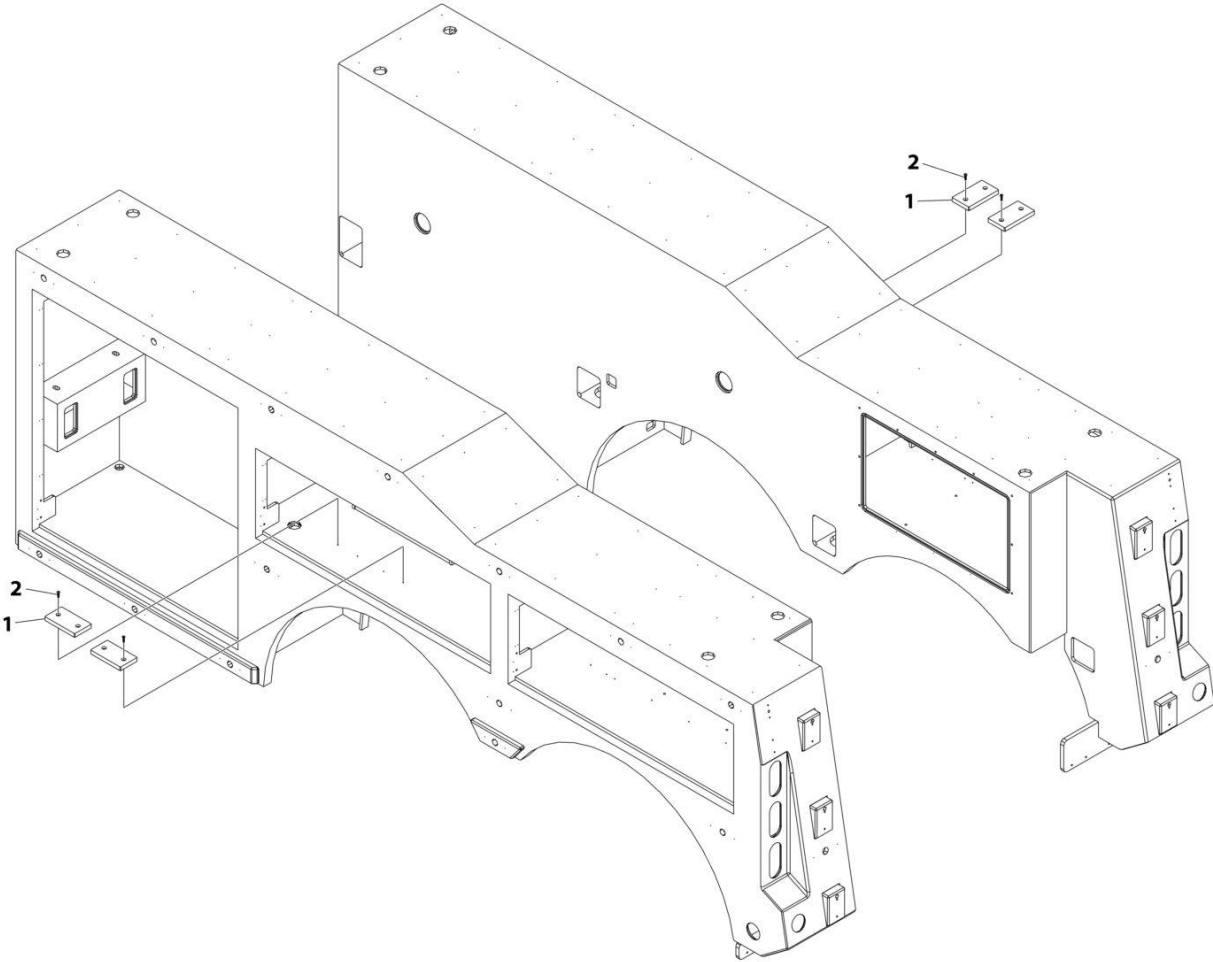
SECTION 4 - BODY

FIGURE 4-124. STORAGE - TRAFFIC CONE STORAGE INSTALLATION

ITEM	PART NUMBER	QTY	DESCRIPTION	REV
	1001195764	Ref	TRAFFIC CONE STORAGE INSTALLATION	B
1	1001168993	4	Bolt 3/8 x 1-1/2	
2	1001190551	1	Bracket	
3	7660162601	4	Nut 3/8	
4	7950160143	8	Washer 3/8	

SECTION 4 - BODY

FIGURE 4-125. STORAGE - WHEEL CHOCK STORAGE INSTALLATION



ART_1001195520

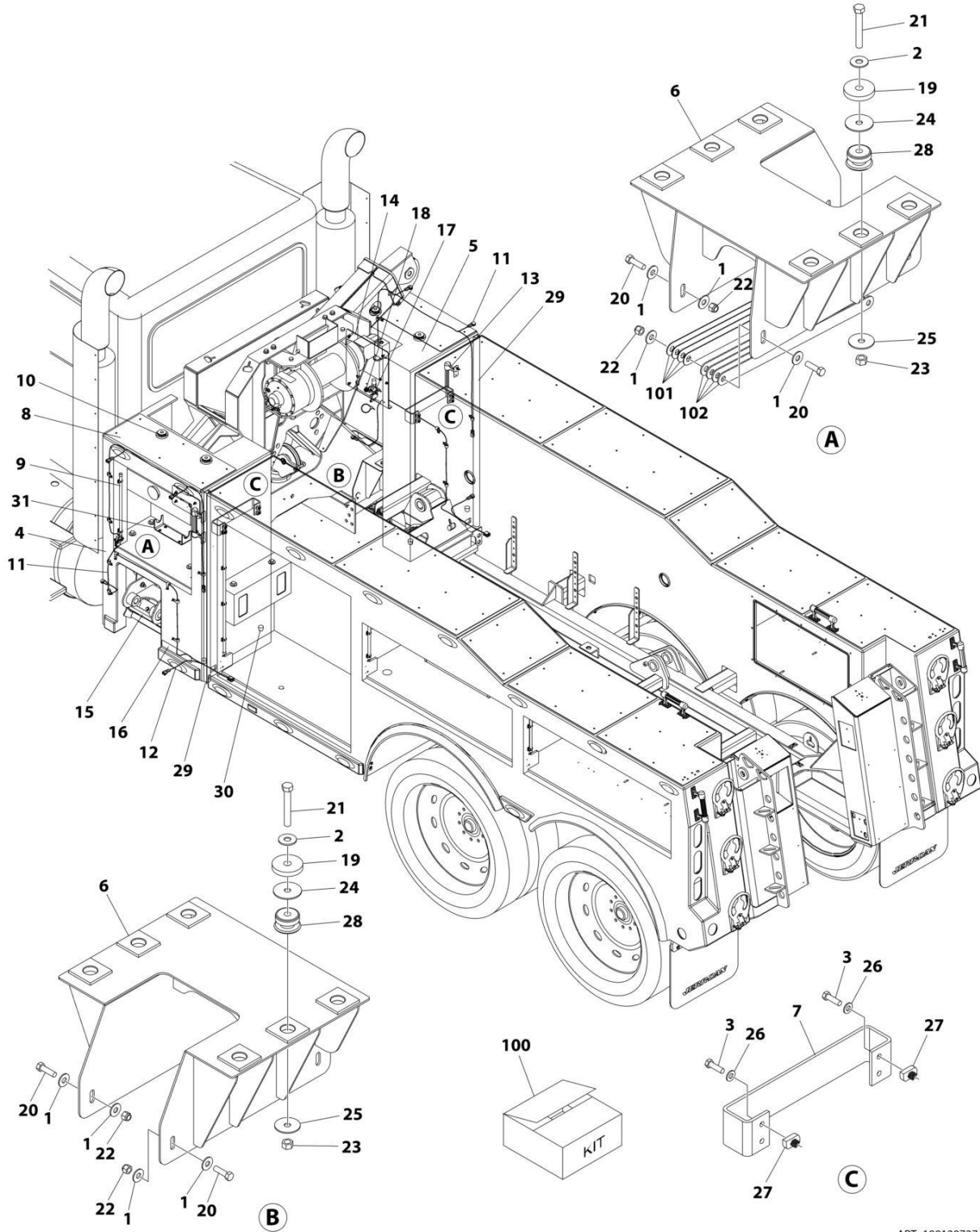
SECTION 4 - BODY

FIGURE 4-125. STORAGE - WHEEL CHOCK STORAGE INSTALLATION

ITEM	PART NUMBER	QTY	DESCRIPTION	REV
	1001195520	Ref	WHEEL CHOCK STORAGE INSTALLATION	C
1	1001170707	4	Wheel Chock Stops	
2	1001195523	8	Screw 1/4 x 1	

SECTION 4 - BODY

FIGURE 4-126. TOOLBOX INSTALLATION (SRS)



ART_1001207274

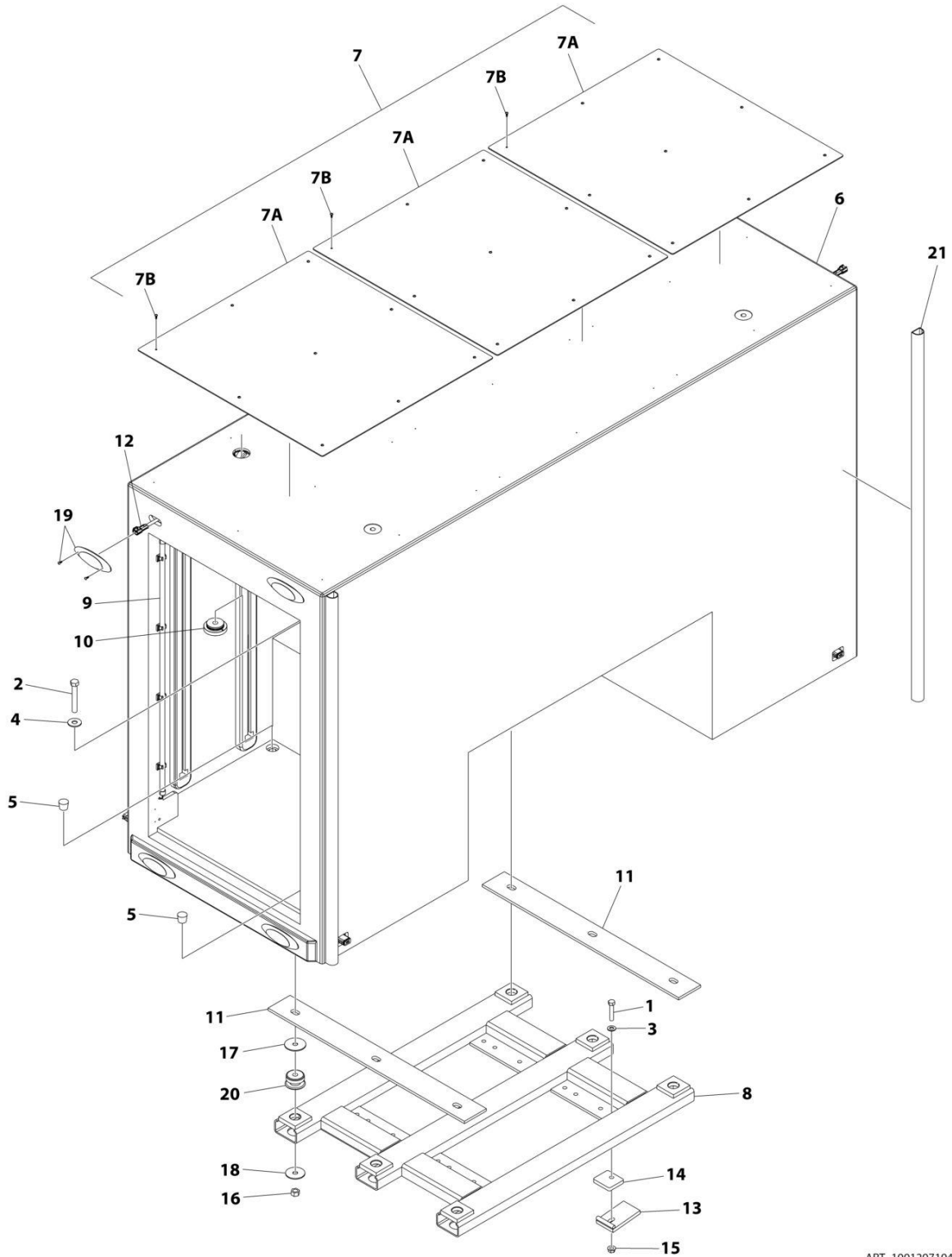
SECTION 4 - BODY

FIGURE 4-126. TOOLBOX INSTALLATION (SRS)

ITEM	PART NUMBER	QTY	DESCRIPTION	REV
	1001207274	Ref	TOOLBOX AT SRS STABILIZER INSTALLATION	C
1	4751800	16	Washer 1/2	
2	4752000	8	Washer 5/8	
3	1001169080	8	Capscrew 3/8 x 1-1/4	
	1001189455	1	Box, SRS (LH) (SN 0230004275 through 0230007822)	
4	1001258816	1	Box, SRS (LH) (SN 0230007823 to Present)	
	1001189457	1	Box, SRS (RH) (SN 0230004275 through 0230007822)	
5	1001258817	1	Box, SRS (RH) (SN 0230007823 to Present)	
6	1001189532	2	Mount	
7	1001189776	2	Plate	
8	1001258511	1	Diamond Top Installation (See Separate Breakdown in this Section)	
9	1001197895	1	Compartment Lights Installation (See Separate Breakdown in ELECTRICAL Section)	
10	1001197896	1	Lifting Lugs Installation (See Separate Breakdown in this Section)	
11	1001207275	1	SRS Toolbox Harness (See Separate Breakdown ELECTRICAL Section)	
12	1001197898	1	Marker Lights Installation (See Separate Breakdown in ELECTRICAL Section)	
13	1001198964	1	Grab Handle Installation (See Separate Breakdown in this Section)	
14	1001199098	1	Cover Plate Installation (See Separate Breakdown in this Section)	
15	1001199185	1	Step Installation (See Separate Breakdown in this Section)	
16	1001199196	1	Decal Installation (See Separate Breakdown in DECAL Section)	
17	1001199291	1	Winch Air Installation (See Separate Breakdown in this Section)	
18	3548330007	1	Single Winch Electrical Assembly (See Separate Breakdown in ELECTRICAL Section)	
19	4831000128	8	Spacer	
20	7115181450	8	Capscrew 1/2 x 1-3/4	
21	0642034	8	Capscrew 5/8 x 4-1/4	
22	7660182601	8	Nut 1/2	
23	7660200001	8	Nut 5/8	
24	7949000019	8	Washer	
25	7949000020	8	Washer	
26	7950160143	8	Washer 3/8	
27	1001166644	8	Nut 3/8	
28	7636000008	8	Mount	
29	8632000011	2	Seal	
30	1001173847	4	Plug	
31	1001213909	1	Pin Storage Installation (See Separate Breakdown in this Section)	
100	1001214802	1	Shim Kit	
101	1001214806	4	Shim	
102	1001214807	4	Shim	

SECTION 4 - BODY

FIGURE 4-127. TUNNEL INSTALLATION - 37IN (SN 0230004275 through 0230008644)



ART_1001207194_B

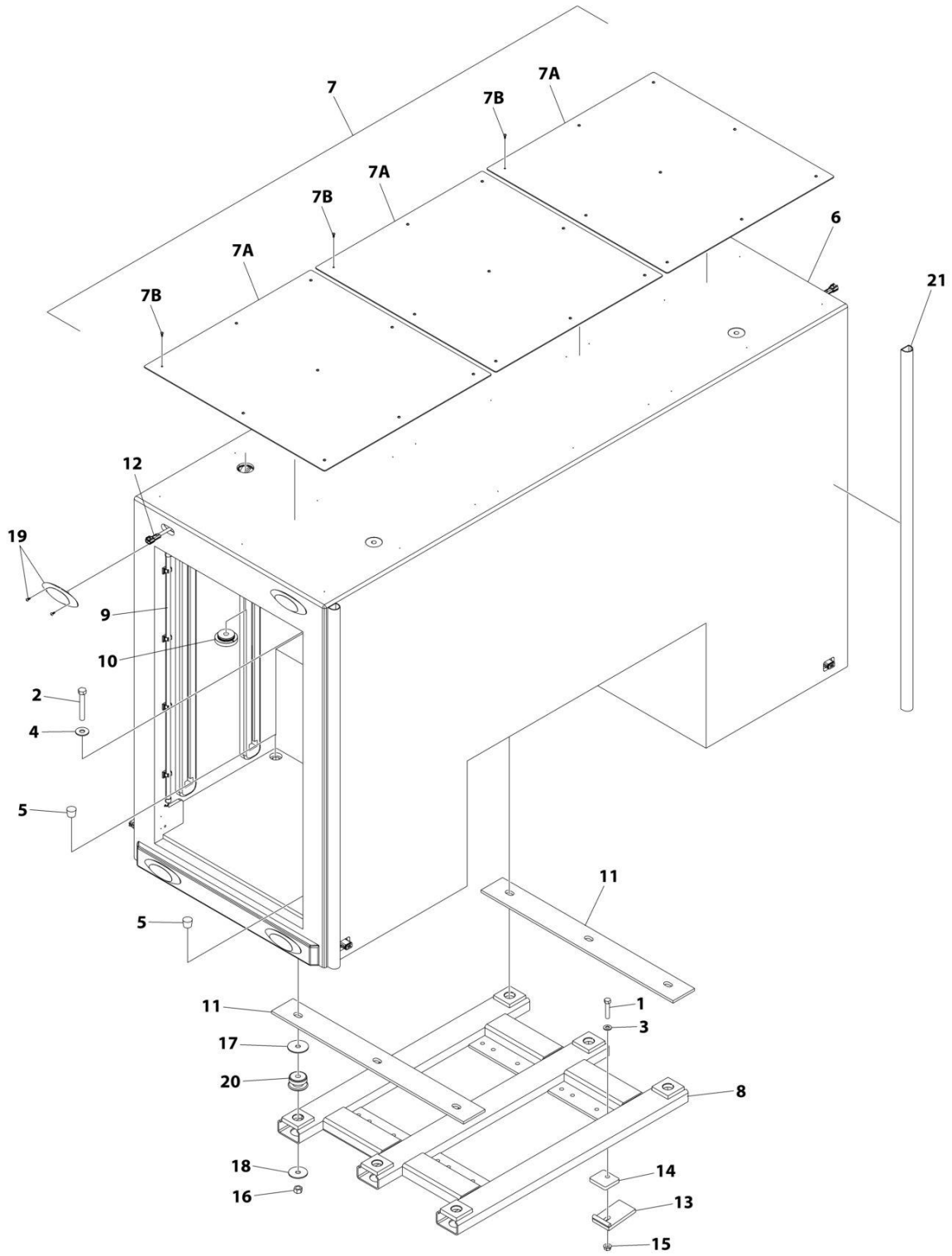
SECTION 4 - BODY

FIGURE 4-127. TUNNEL INSTALLATION - 37IN (SN 0230004275 through 0230008644)

ITEM	PART NUMBER	QTY	DESCRIPTION	REV
	1001207194	Ref	TUNNEL INSTALLATION - 37IN	B
1	0641820	8	Bolt 1/2 x 2-1/2	
2	0642034	6	Bolt 5/8 x 4-1/4	
3	4711800	8	Washer 1/2	
4	4752000	6	Washer 5/8	
5	1001173847	4	Plug	
6	1001185600	1	Tunnel Toolbox	
7	1001186995	1	Tunnel Assembly	
7A	1001186997	3	Plate	
7B	1001192958	27	Screw #10 x 1/2	
8	1001187063	1	Toolbox Mount	
9	1001196582	1	Tunnel Compartment Lights Installation (See Separate Breakdown in ELECTRICAL Section)	
10	1001196807	1	Lifting Lugs Installation (See Separate Breakdown in this Section)	
11	1001197338	2	Support	
12	1001207198	1	Harness Installation - Tunnel (See Separate Breakdown in this Section)	
13	3274000011	8	Clamp Weldment	
14	4705000705	8	Plate	
15	7660182301	8	Nut 1/2	
16	7660200001	6	Nut 5/8	
17	7949000019	6	Washer	
18	7949000020	6	Washer	
19	1001196624	1	Marker Lights Installation (See Separate Breakdown in ELECTRICAL Section)	
20	7636000008	6	Mount	
21	8632000011	10 ft	Seal	

SECTION 4 - BODY

FIGURE 4-128. TUNNEL INSTALLATION - 37IN (SN 0230008645 to Present)



ART_1001207194

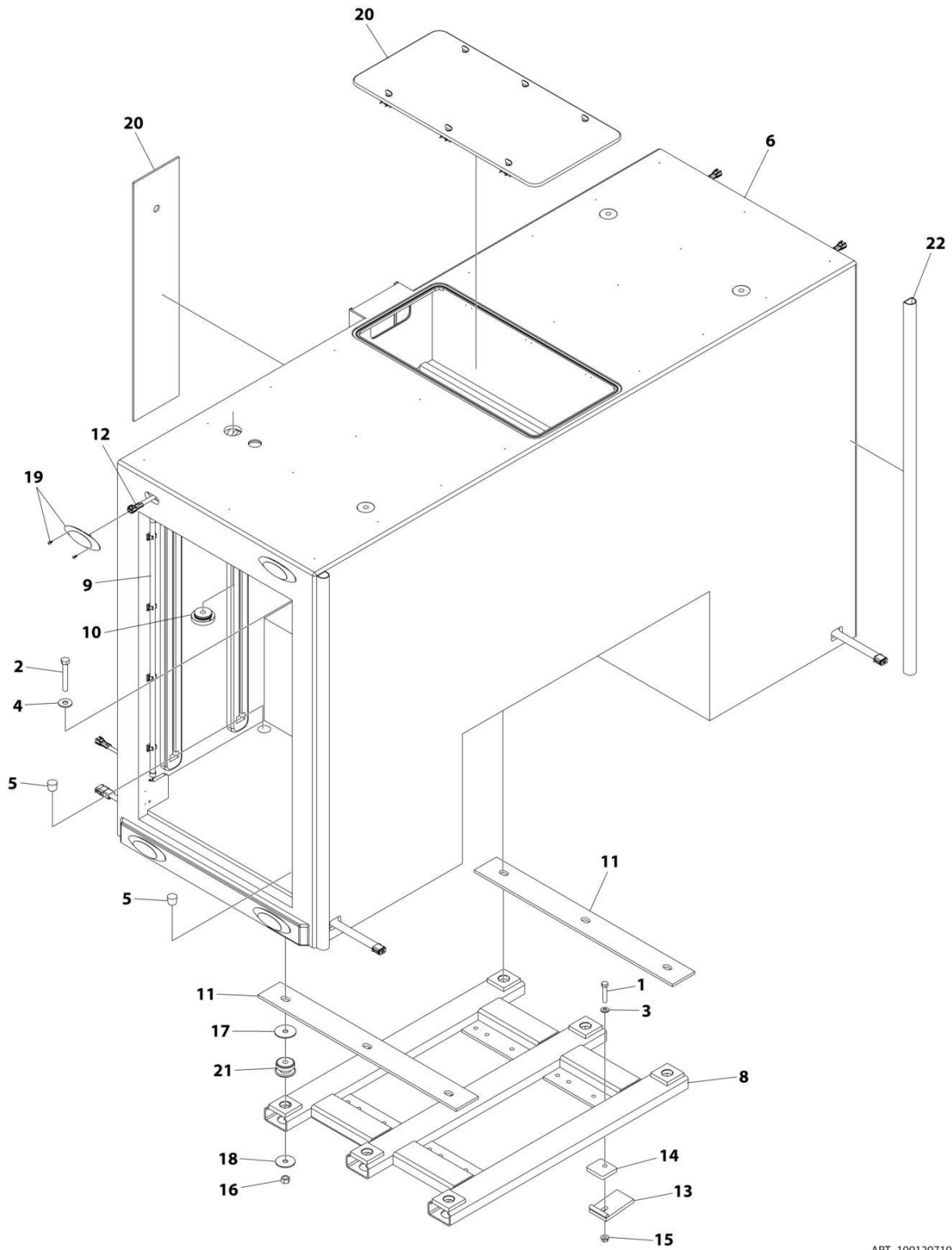
SECTION 4 - BODY

FIGURE 4-128. TUNNEL INSTALLATION - 37IN (SN 0230008645 to Present)

ITEM	PART NUMBER	QTY	DESCRIPTION	REV
	1001207194	Ref	TUNNEL INSTALLATION - 37IN	D
1	0641820	8	Bolt 1/2 x 2-1/2	
2	0642034	6	Bolt 5/8 x 4-1/4	
3	4711800	8	Washer 1/2	
4	4752000	6	Washer 5/8	
5	1001173847	4	Plug	
6	1001185600	1	Tunnel Toolbox	
7	1001186995	1	Tunnel Assembly	
7A	1001186997	3	Plate	
7B	1001192958	27	Screw #10 x 1/2	
8	1001187063	1	Toolbox Mount	
9	1001196583	1	Tunnel Compartment Lights Installation (See Separate Breakdown in ELECTRICAL Section)	
10	1001196808	1	Lifting Lugs Installation (See Separate Breakdown in this Section)	
11	1001197338	2	Support	
12	1001207200	1	Harness Installation - Tunnel (See Separate Breakdown in this Section)	
13	3274000011	8	Clamp Weldment	
14	4705000705	8	Plate	
15	7660182301	8	Nut 1/2	
16	7660200001	6	Nut 5/8	
17	7949000019	6	Washer	
18	7949000020	6	Washer	
19	1001196625	1	Marker Lights Installation (See Separate Breakdown in ELECTRICAL Section)	
20	7636000008	6	Mount	
21	8632000011	10 ft	Seal	

SECTION 4 - BODY

FIGURE 4-129. TUNNEL INSTALLATION - 39IN (SN 0230004275 through 0230008644)



ART_1001207193_C

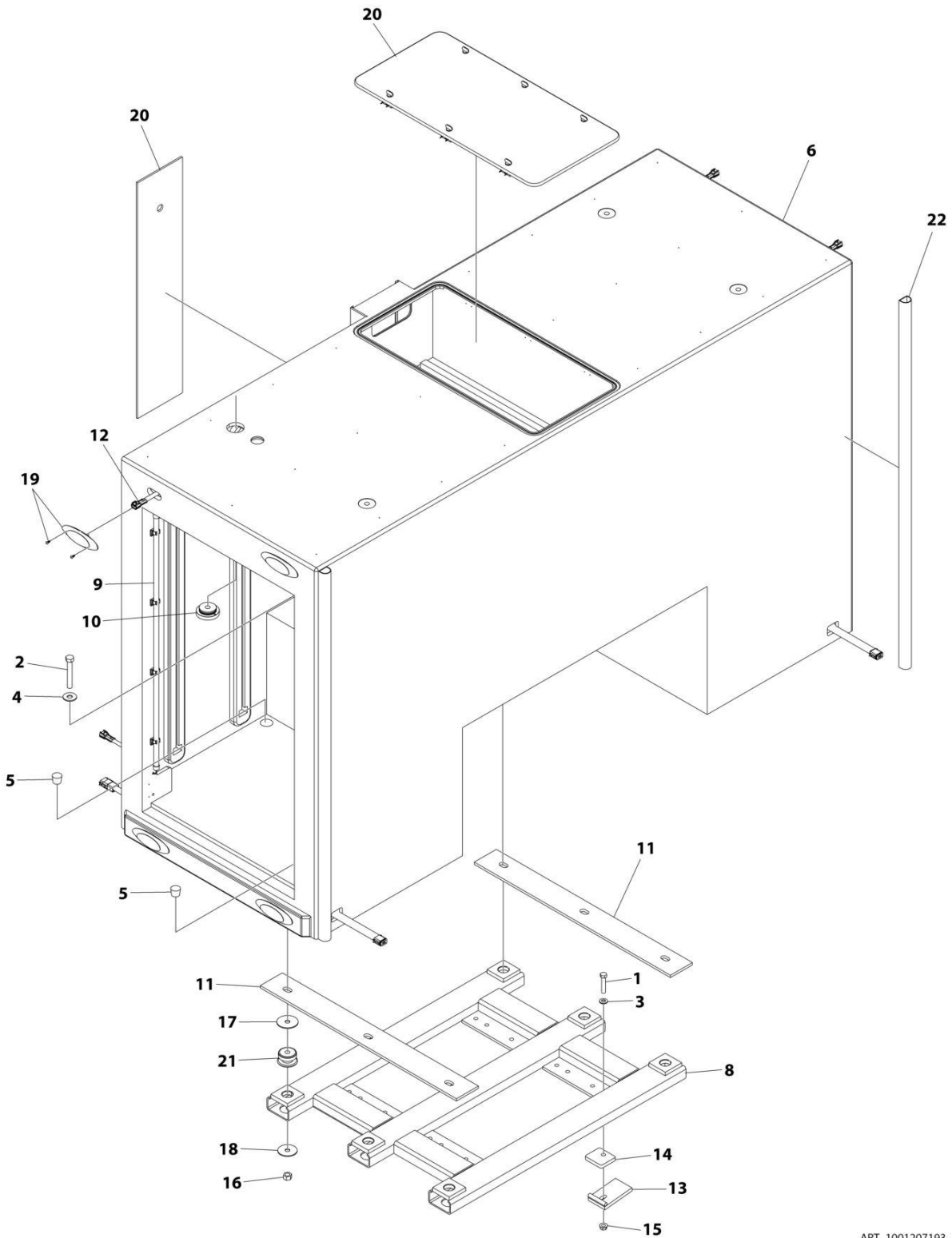
SECTION 4 - BODY

FIGURE 4-129. TUNNEL INSTALLATION - 39IN (SN 0230004275 through 0230008644)

ITEM	PART NUMBER	QTY	DESCRIPTION	REV
	1001207193	Ref	TUNNEL INSTALLATION - 39IN	C
1	0641820	8	Bolt 1/2 x 2-1/2	
2	0642034	6	Bolt 5/8 x 4-1/4	
3	4711800	8	Washer 1/2	
4	4752000	6	Washer 5/8	
5	1001173847	4	Plug	
6	1001186491	1	Tunnel Toolbox	
8	1001187063	1	Toolbox Mount	
9	1001196582	1	Tunnel Compartment Lights Installation (See Separate Breakdown in ELECTRICAL Section)	
10	1001196807	1	Lifting Lugs Installation (See Separate Breakdown in this Section)	
11	1001197338	2	Support	
12	1001207197	1	Harness Installation - Tunnel (See Separate Breakdown in this Section)	
13	3274000011	8	Clamp Weldment	
14	4705000705	8	Plate	
15	7660182301	8	Nut 1/2	
16	7660200001	6	Nut 5/8	
17	7949000019	6	Washer	
18	7949000020	6	Washer	
19	1001196624	1	Marker Lights Installation (See Separate Breakdown in ELECTRICAL Section)	
20	1001197133	1	Battery Cover Installation (See Separate Breakdown in ELECTRICAL Section)	
21	7636000008	6	Mount	
22	8632000011	10 ft	Seal	

SECTION 4 - BODY

FIGURE 4-130. TUNNEL INSTALLATION - 39IN (SN 0230008645 to Present)



ART_1001207193_E

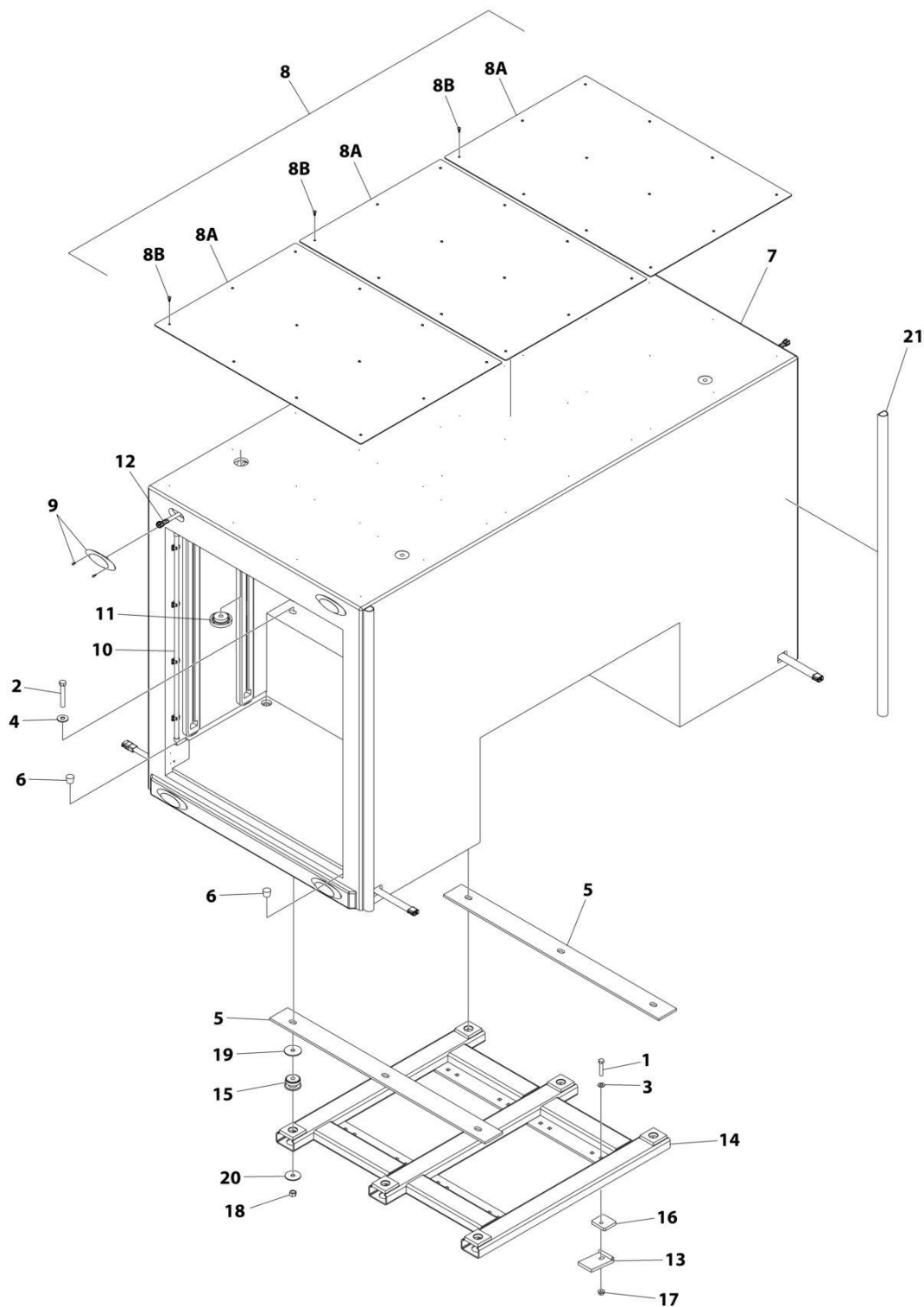
SECTION 4 - BODY

FIGURE 4-130. TUNNEL INSTALLATION - 39IN (SN 0230008645 to Present)

ITEM	PART NUMBER	QTY	DESCRIPTION	REV
	1001207193	Ref	TUNNEL INSTALLATION - 39IN	E
1	0641820	8	Bolt 1/2 x 2-1/2	
2	0642034	6	Bolt 5/8 x 4-1/4	
3	4711800	8	Washer 1/2	
4	4752000	6	Washer 5/8	
5	1001173847	4	Plug	
6	1001186491	1	Tunnel Toolbox	
8	1001187063	1	Toolbox Mount	
9	1001196583	1	Tunnel Compartment Lights Installation (See Separate Breakdown in ELECTRICAL Section)	
10	1001196808	1	Lifting Lugs Installation (See Separate Breakdown in this Section)	
11	1001197338	2	Support	
12	1001207199	1	Harness Installation - Tunnel (See Separate Breakdown in this Section)	
13	3274000011	8	Clamp Weldment	
14	4705000705	8	Plate	
15	7660182301	8	Nut 1/2	
16	7660200001	6	Nut 5/8	
17	7949000019	6	Washer	
18	7949000020	6	Washer	
19	1001196625	1	Marker Lights Installation (See Separate Breakdown in ELECTRICAL Section)	
20	1001197133	1	Battery Cover Installation (See Separate Breakdown in ELECTRICAL Section)	
21	7636000008	6	Mount	
22	8632000011	10 ft	Seal	

SECTION 4 - BODY

FIGURE 4-131. TUNNEL INSTALLATION - 49IN



ART_1001207196

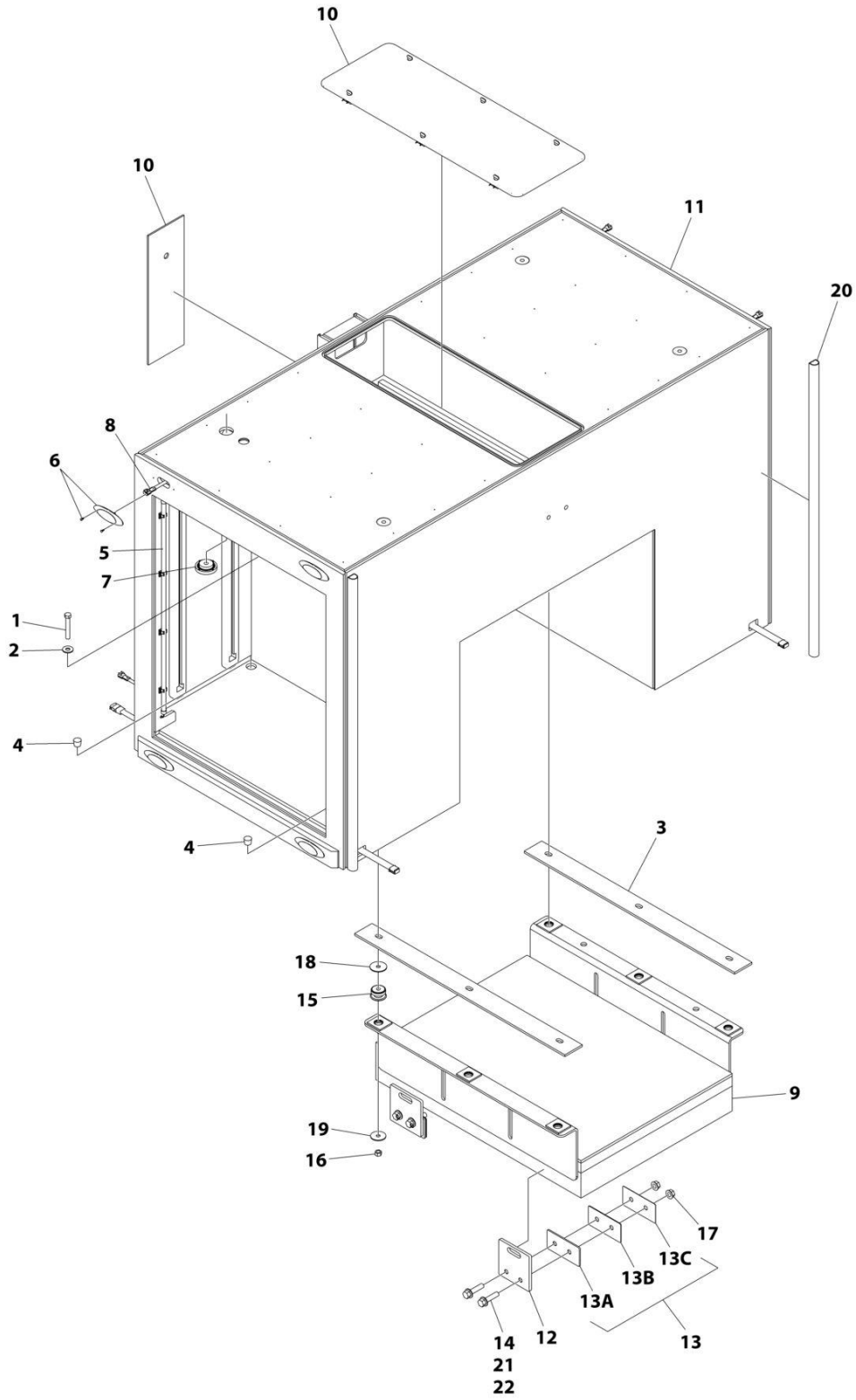
SECTION 4 - BODY

FIGURE 4-131. TUNNEL INSTALLATION - 49IN

ITEM	PART NUMBER	QTY	DESCRIPTION	REV
	1001207196	Ref	TUNNEL INSTALLATION - 48IN	C
1	0641820	8	Bolt 1/2 x 2-1/2	
2	0642034	6	Bolt 5/8 x 4-1/4	
3	4711800	8	Washer 1/2	
4	4752000	6	Washer 5/8	
5	1001165692	2	Support	
6	1001173847	4	Plug	
7	1001186416	1	Tunnel Toolbox	
8	1001187008	1	Tunnel Assembly	
8A	1001187009	3	Plate	
8B	1001192958	36	Screw #10 x 1/2	
9	1001196625	1	Marker Lights Installation (See Separate Breakdown in ELECTRICAL Section)	
10	1001196583	1	Tunnel Compartment Lights Installation (See Separate Breakdown in ELECTRICAL Section)	
11	1001196808	1	Lifting Lugs Installation (See Separate Breakdown in this Section)	
12	1001207200	1	Harness Installation - Tunnel (See Separate Breakdown in ELECTRICAL Section)	
13	3274000011	8	Clamp Weldment	
14	3911000068	1	Toolbox Mount	
15	7636000008	6	Mount	
16	4705000705	8	Plate	
17	7660182301	8	Nut 1/2	
18	7660200001	6	Nut 5/8	
19	7949000019	6	Washer	
20	7949000020	6	Washer	
21	8632000011	10 ft	Seal	

SECTION 4 - BODY

FIGURE 4-132. TUNNEL INSTALLATION - 51IN (3.5K LBS CWT)



ART_1001211490

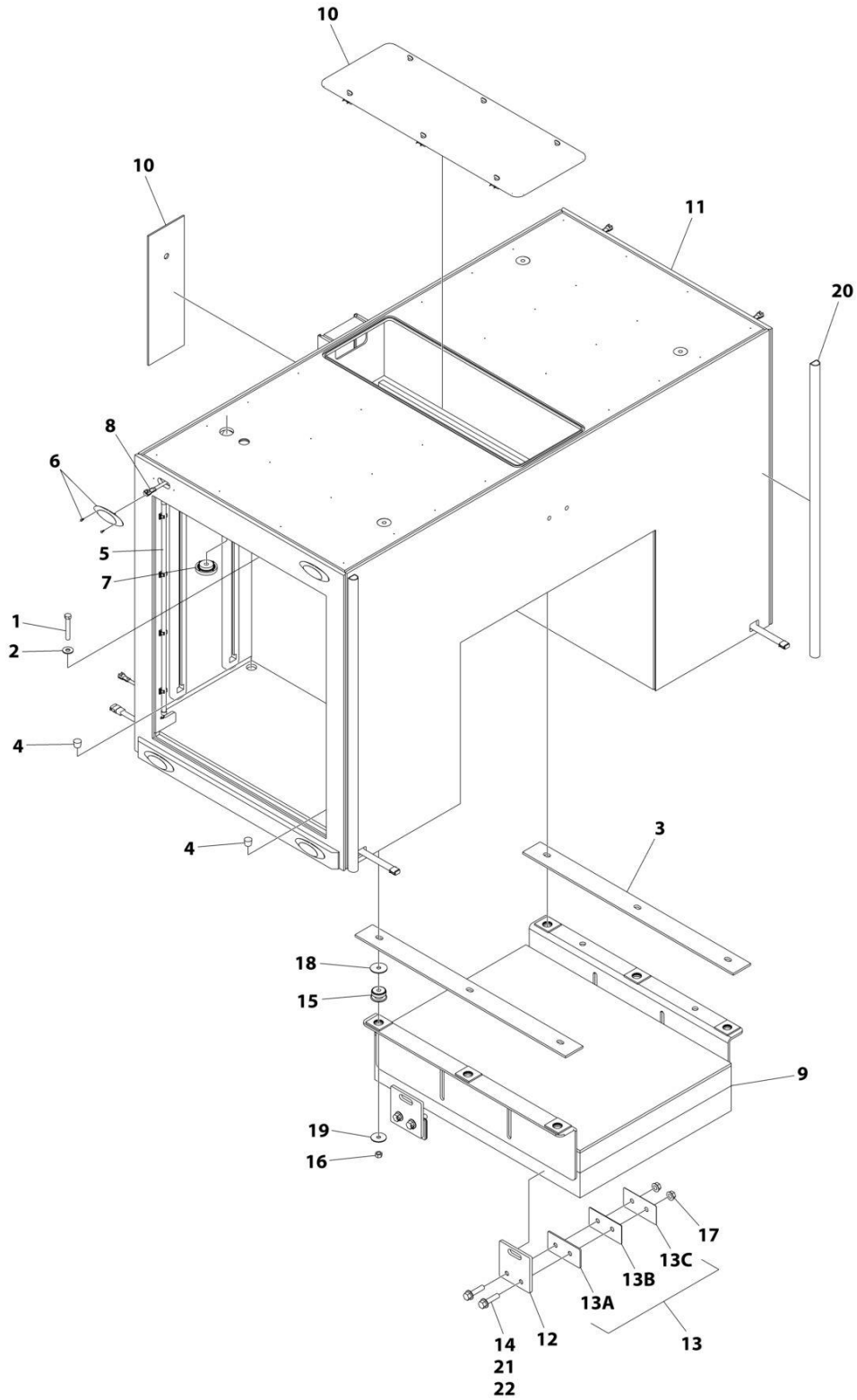
SECTION 4 - BODY

FIGURE 4-132. TUNNEL INSTALLATION - 51IN (3.5K LBS CWT)

ITEM	PART NUMBER	QTY	DESCRIPTION	REV
	1001211490	Ref	TUNNEL INSTALLATION - 51IN WITH 3.5K CWT	C
1	0642034	6	Bolt 5/8 x 4-1/4	
2	4752000	6	Washer 5/8	
3	1001165692	2	Support	
4	1001173847	4	Plug	
5	1001196583	1	Tunnel Compartment Lights Installation (See Separate Breakdown in ELECTRICAL Section)	
6	1001196625	1	Marker Lights Installation (See Separate Breakdown in ELECTRICAL Section)	
7	1001196808	1	Lifting Lugs Installation (See Separate Breakdown in this Section)	
8	1001207199	1	Harness Installation - Tunnel (See Separate Breakdown in ELECTRICAL Section)	
9	1001211486	1	Tunnel Weight	
10	1001219741	1	Battery Cover Installation (See Separate Breakdown in this Section)	
11	1001219833	1	Tunnel Toolbox	
12	1001219916	1	Plate	
13	1001219921	1	Shim Kit	
13A	1001219917	4	Shim 1/4	
13B	1001219918	4	Shim 11 ga	
13C	1001219919	4	Shim 16 ga	
14	7118222416	8	Bolt 3/4 x 3	
15	7636000008	6	Mount	
16	7660200001	6	Nut 5/8	
17	7660222308	8	Nut 3/4	
18	7949000019	6	Washer	
19	7949000020	6	Washer	
20	8632000011	10 ft	Seal	
21	7118222016	AR	Bolt 3/4 x 2-1/2	
22	7118222816	AR	Bolt 3/4 x 3-1/2	

SECTION 4 - BODY

FIGURE 4-133. TUNNEL INSTALLATION - 51IN (4.5K LBS CWT)



ART_1001211491

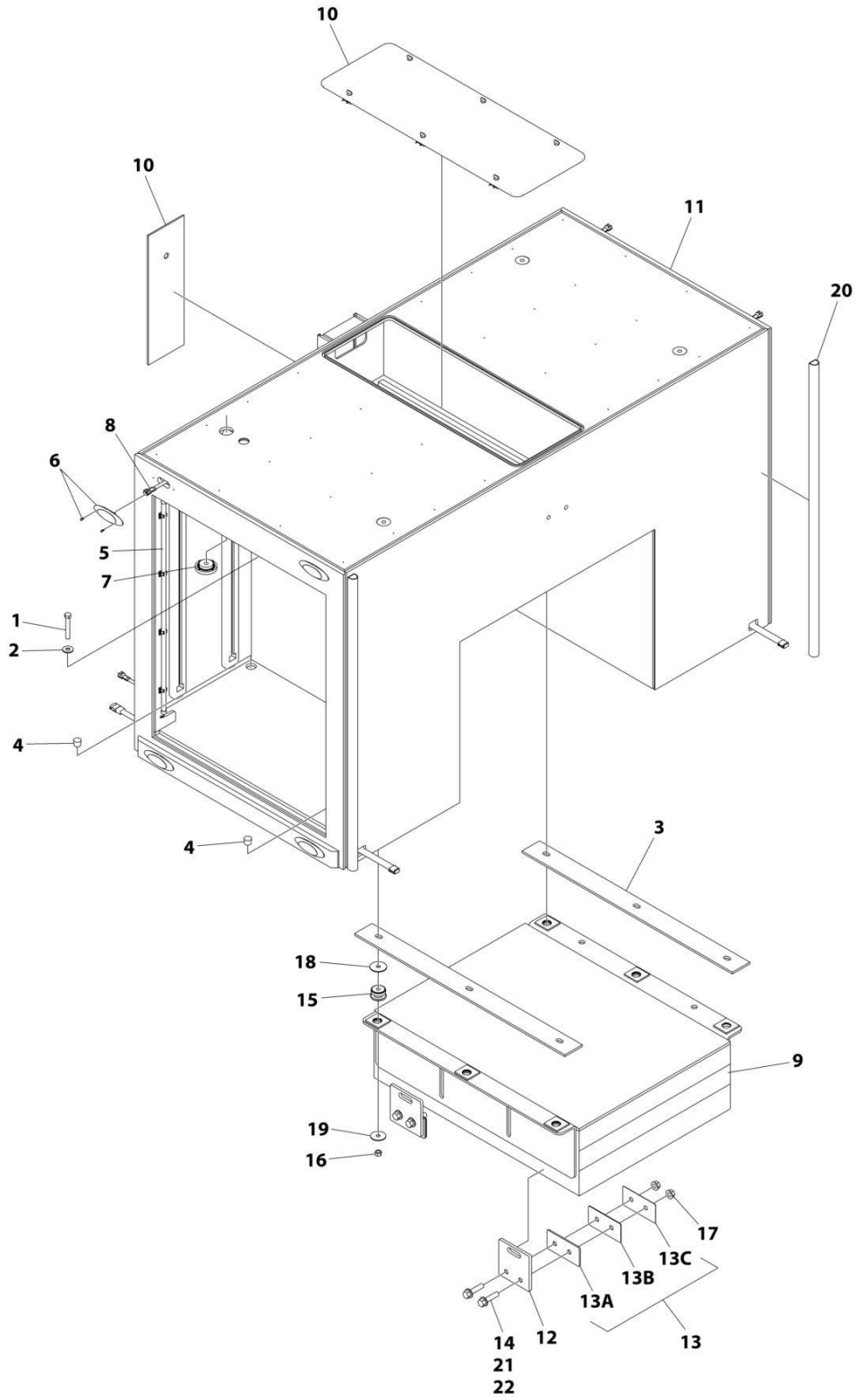
SECTION 4 - BODY

FIGURE 4-133. TUNNEL INSTALLATION - 51IN (4.5K LBS CWT)

ITEM	PART NUMBER	QTY	DESCRIPTION	REV
	1001211491	Ref	TUNNEL INSTALLATION - 51IN WITH 4.5K CWT	D
1	0642034	6	Bolt 5/8 x 4-1/4	
2	4752000	6	Washer 5/8	
3	1001165692	2	Support	
4	1001173847	4	Plug	
5	1001196583	1	Tunnel Compartment Lights Installation (See Separate Breakdown in ELECTRICAL Section)	
6	1001196625	1	Marker Lights Installation (See Separate Breakdown in ELECTRICAL Section)	
7	1001196808	1	Lifting Lugs Installation (See Separate Breakdown in this Section)	
8	1001207199	1	Harness Installation - Tunnel (See Separate Breakdown in ELECTRICAL Section)	
9	1001211487	1	Tunnel Weight	
10	1001219741	1	Battery Cover Installation (See Separate Breakdown in this Section)	
11	1001219833	1	Tunnel Toolbox	
12	1001219916	1	Plate	
13	1001219921	1	Shim Kit	
13A	1001219917	4	Shim 1/4	
13B	1001219918	4	Shim 11 ga	
13C	1001219919	4	Shim 16 ga	
14	7118222416	8	Bolt 3/4 x 3	
15	7636000008	6	Mount	
16	7660200001	6	Nut 5/8	
17	7660222308	8	Nut 3/4	
18	7949000019	6	Washer	
19	7949000020	6	Washer	
20	8632000011	10 ft	Seal	
21	7118222016	AR	Bolt 3/4 x 2-1/2	
22	7118222816	AR	Bolt 3/4 x 3-1/2	

SECTION 4 - BODY

FIGURE 4-134. TUNNEL INSTALLATION - 51IN (6.5K LBS CWT)



ART_1001219832

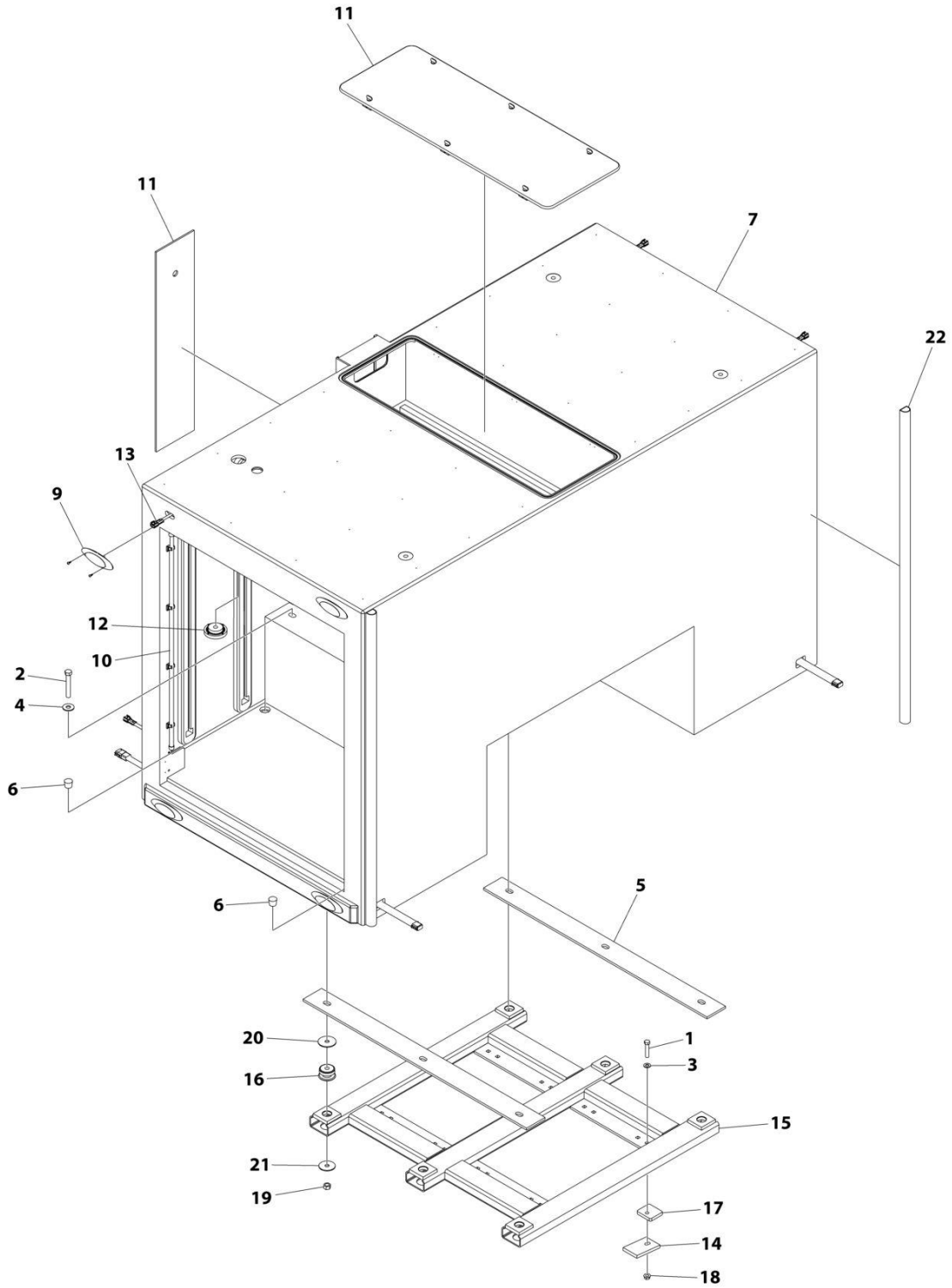
SECTION 4 - BODY

FIGURE 4-134. TUNNEL INSTALLATION - 51IN (6.5K LBS CWT)

ITEM	PART NUMBER	QTY	DESCRIPTION	REV
	1001219832	Ref	TUNNEL INSTALLATION - 51IN WITH 6.5K CWT	C
1	0642034	6	Bolt 5/8 x 4-1/4	
2	4752000	6	Washer 5/8	
3	1001165692	2	Support	
4	1001173847	4	Plug	
5	1001196583	1	Tunnel Compartment Lights Installation (See Separate Breakdown in ELECTRICAL Section)	
6	1001196625	1	Marker Lights Installation (See Separate Breakdown in ELECTRICAL Section)	
7	1001196808	1	Lifting Lugs Installation (See Separate Breakdown in this Section)	
8	1001207199	1	Harness Installation - Tunnel (See Separate Breakdown in ELECTRICAL Section)	
9	1001219831	1	Tunnel Weight	
10	1001219741	1	Battery Cover Installation (See Separate Breakdown in this Section)	
11	1001219833	1	Tunnel Toolbox	
12	1001219916	1	Plate	
13	1001219921	1	Shim Kit	
13A	1001219917	4	Shim 1/4	
13B	1001219918	4	Shim 11 ga	
13C	1001219919	4	Shim 16 ga	
14	7118222416	8	Bolt 3/4 x 3	
15	7636000008	6	Mount	
16	7660200001	6	Nut 5/8	
17	7660222308	8	Nut 3/4	
18	7949000019	6	Washer	
19	7949000020	6	Washer	
20	8632000011	10 ft	Seal	
21	7118222016	AR	Bolt 3/4 x 2-1/2	
22	7118222816	AR	Bolt 3/4 x 3-1/2	

SECTION 4 - BODY

FIGURE 4-135. TUNNEL INSTALLATION - 51IN (NO CWT)



ART_1001207195

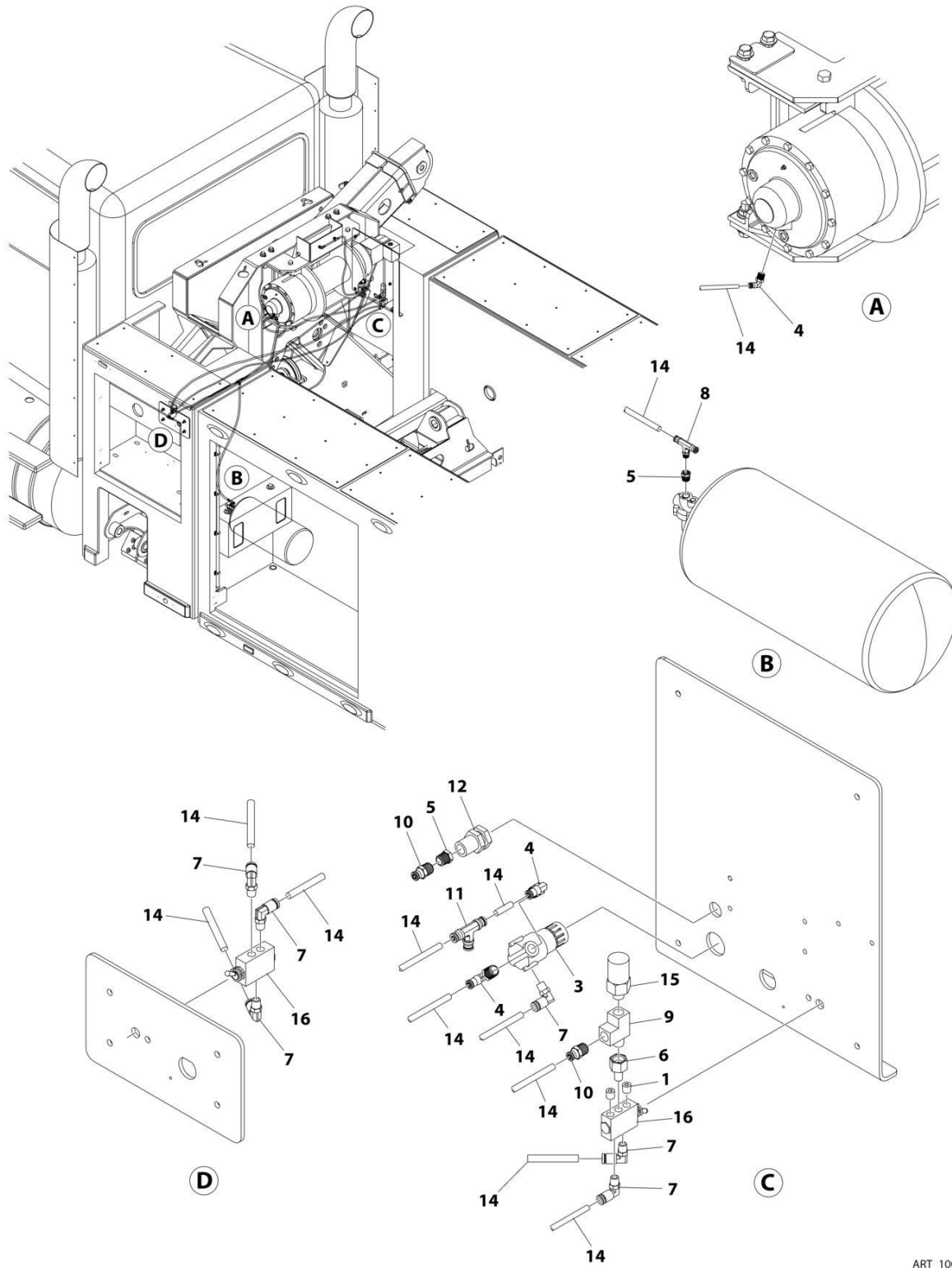
SECTION 4 - BODY

FIGURE 4-135. TUNNEL INSTALLATION - 51IN (NO CWT)

ITEM	PART NUMBER	QTY	DESCRIPTION	REV
	1001207195	Ref	TUNNEL INSTALLATION - 51IN	D
1	0641820	8	Bolt 1/2 x 2-1/2	
2	0642034	6	Bolt 5/8 x 4-1/4	
3	4711800	8	Washer 1/2	
4	4752000	6	Washer 5/8	
5	1001165692	2	Support	
6	1001173847	4	Plug	
7	1001185657	1	Tunnel Toolbox	
9	1001196625	1	Marker Lights Installation (See Separate Breakdown in ELECTRICAL Section)	
10	1001196583	1	Tunnel Compartment Lights Installation (See Separate Breakdown in ELECTRICAL Section)	
11	1001197134	1	Battery Cover 6 Installation (See Separate Breakdown in this Section)	
12	1001196808	1	Lifting Lugs Installation (See Separate Breakdown in this Section)	
13	1001207199	1	Harness Installation - Tunnel (See Separate Breakdown in ELECTRICAL Section)	
14	3274000011	8	Clamp Weldment	
15	3911000068	1	Toolbox Mount	
16	7636000008	6	Mount	
17	4705000705	8	Plate	
18	7660182301	8	Nut 1/2	
19	7660200001	6	Nut 5/8	
20	7949000019	6	Washer	
21	7949000020	6	Washer	
22	8632000011	10 ft	Seal	

SECTION 4 - BODY

FIGURE 4-136. WINCH AIR INSTALLATION



ART_1001199291

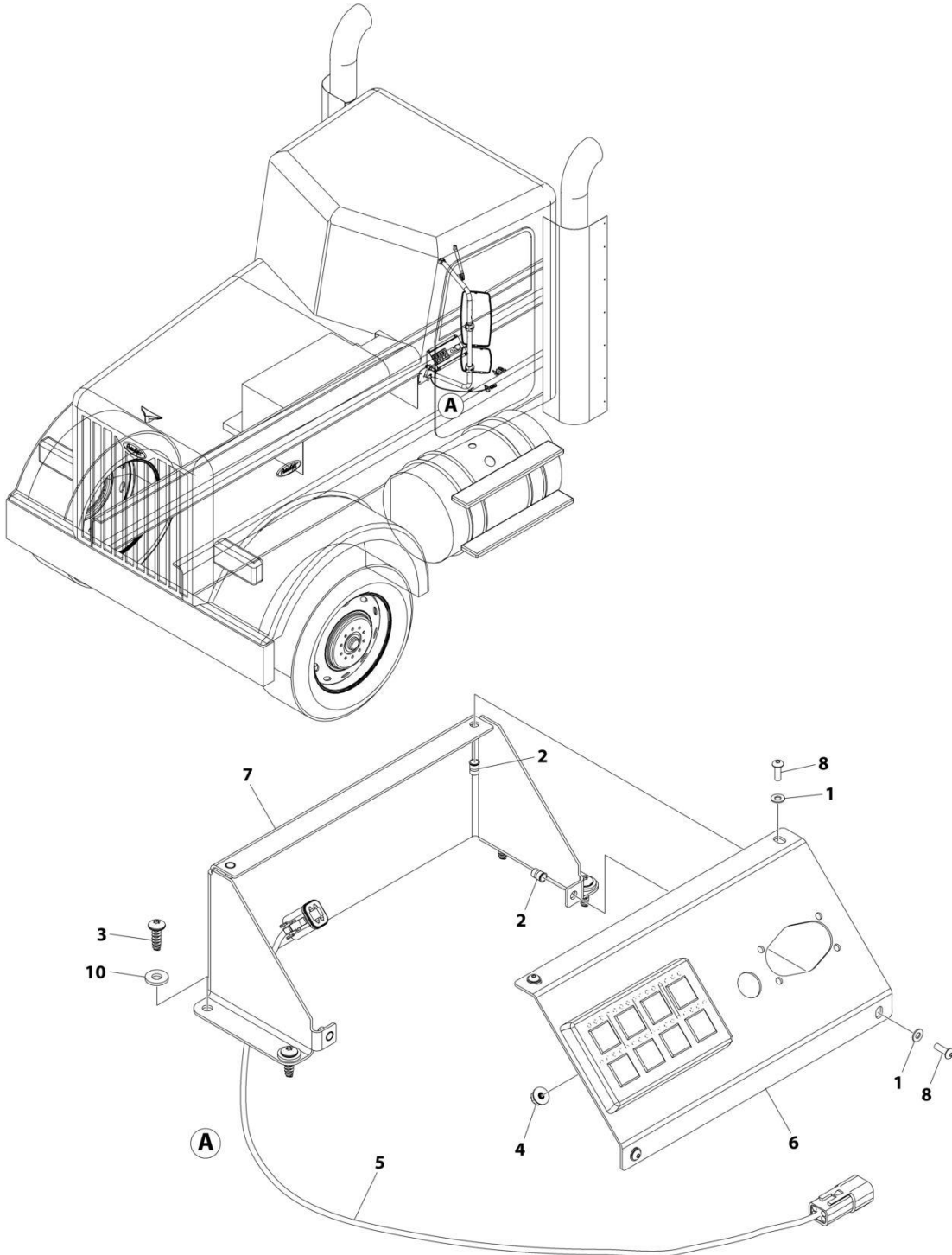
FIGURE 4-136. WINCH AIR INSTALLATION

ITEM	PART NUMBER	QTY	DESCRIPTION	REV
	1001199291	Ref	WINCH AIR INSTALLATION	C
1	2200221	2	Plug	
3	7295000029	1	Air Regulator	
4	7443000139	3	Fitting	
5	7443000149	2	Bushing	
6	7443000150	1	Adapter	
7	7443000173	6	Fitting	
8	7443000174	1	Fitting	
9	7443000287	1	Fitting	
10	7443000329	2	Fitting	
11	7443000330	1	Fitting	
12	7443000456	1	Fitting	
14	7565000016	40 ft	Airline Tubing	
15	7870000136	1	Switch Pressure	
16	7935000351	2	Valve 4 way	
17	7894000004	10	Tie Strap (Not Shown)	

SECTION 5 - CONTROLS

SECTION 5 - CONTROLS

FIGURE 5-1. IN-CAB CONTROLS INSTALLATION - FLOOR MOUNTED WITHOUT UNDERLIFT



ART_1001212106

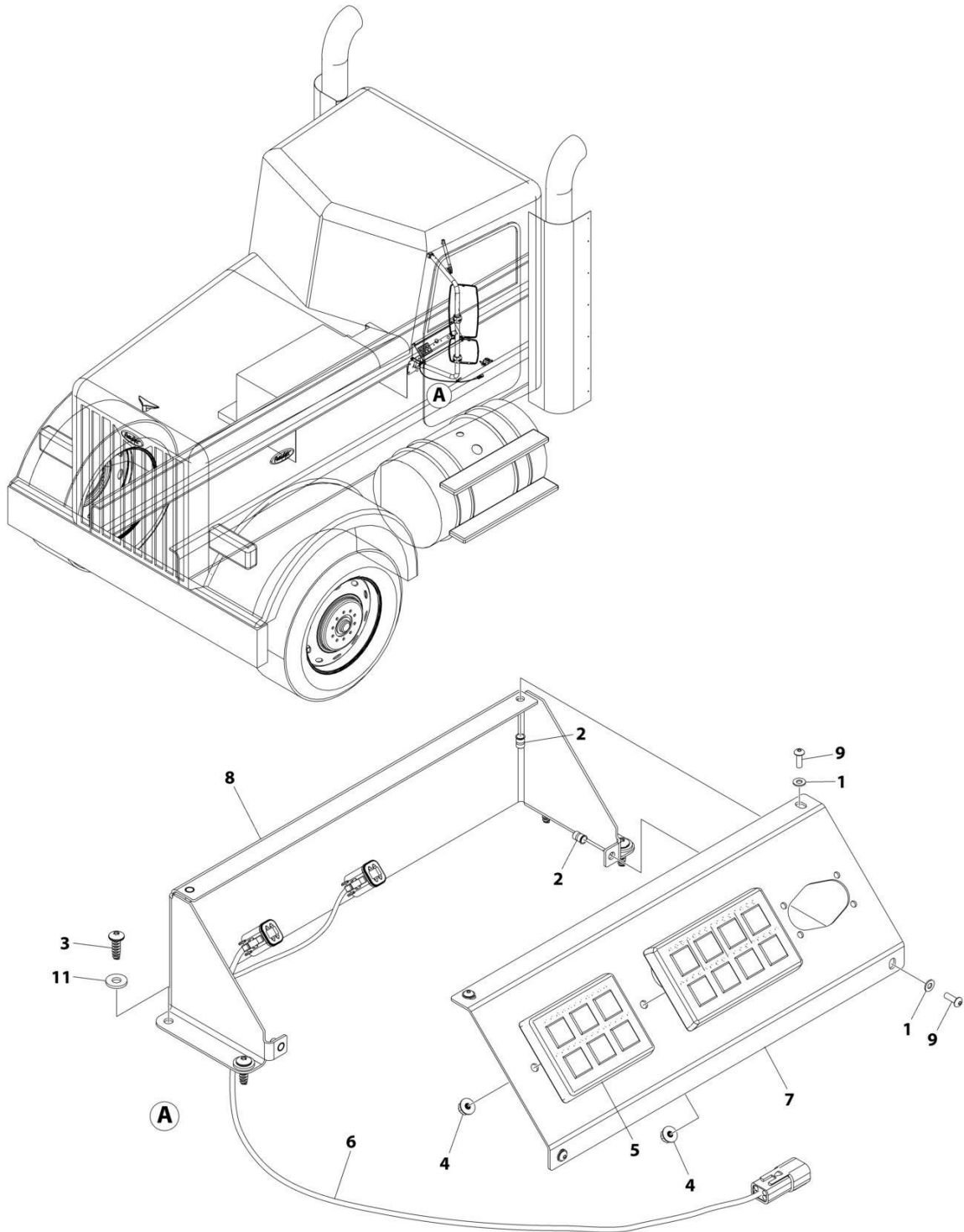
SECTION 5 - CONTROLS

FIGURE 5-1. IN-CAB CONTROLS INSTALLATION - FLOOR MOUNTED WITHOUT UNDERLIFT

ITEM	PART NUMBER	QTY	DESCRIPTION	REV
	1001212106	Ref	CONTROLS (IN-CAB) INSTALLATION (FLOOR MOUNTED)	A
1	1001097942	4	Washer #8	
2	1001151546	4	Nut #8	
3	1001194676	4	Screw 1/4 x 3/4	
4	1001209616	2	Nut #10	
5	1001215421	1	Multiplex In-Cab Control Harness (See Separate Breakdown in ELECTRICAL Section)	
6	1001216233	1	Panel	
7	1001216239	1	Panel	
8	7114080418	4	Screw #8 x 1/2	
9	7894000004	6	Tie-Strap (Not Shown)	
10	7950140143	4	Washer 1/4	

SECTION 5 - CONTROLS

FIGURE 5-2. IN-CAB CONTROLS INSTALLATION - FLOOR MOUNTED WITH UNDERLIFT



ART_1001215432

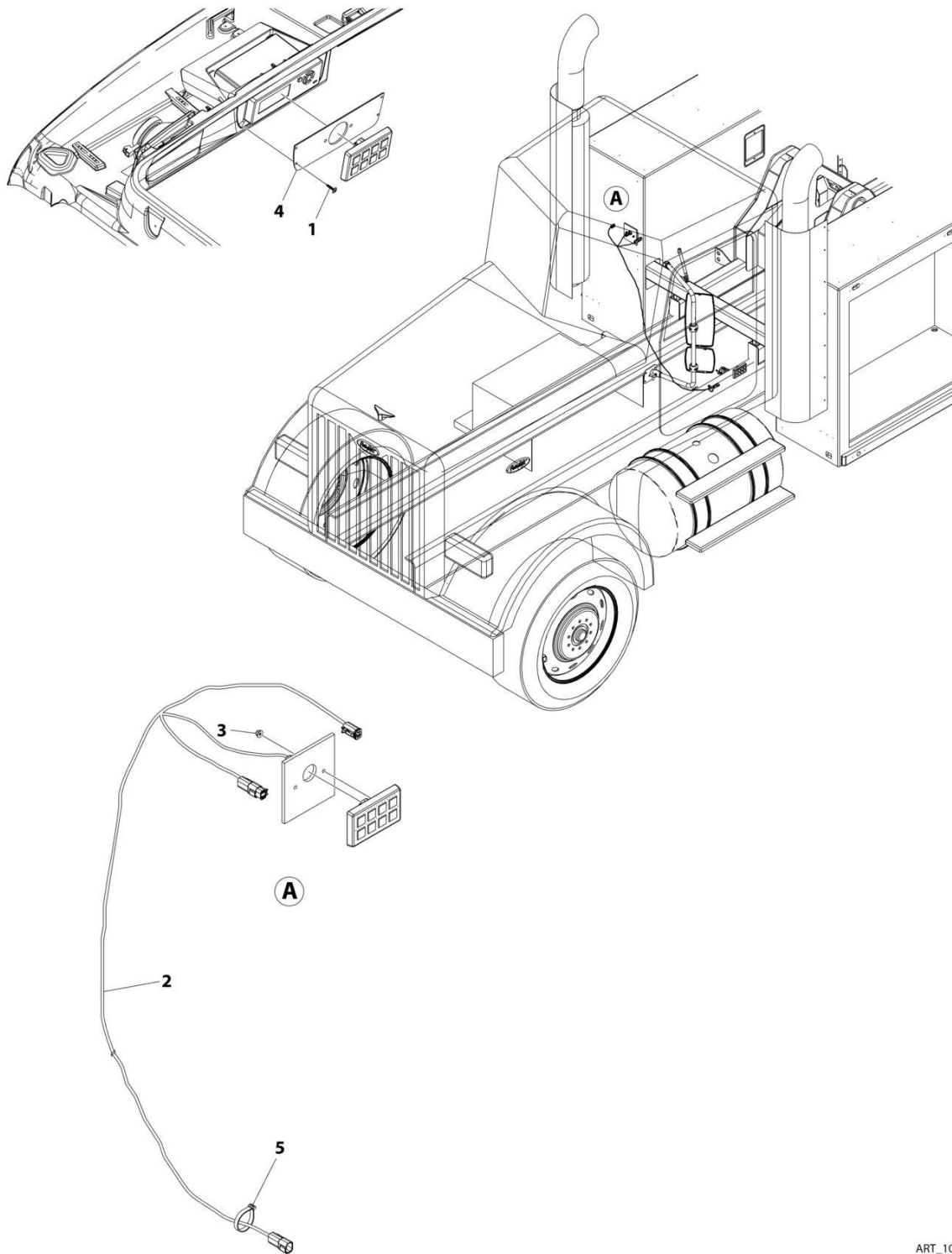
SECTION 5 - CONTROLS

FIGURE 5-2. IN-CAB CONTROLS INSTALLATION - FLOOR MOUNTED WITH UNDERLIFT

ITEM	PART NUMBER	QTY	DESCRIPTION	REV
	1001215432	Ref	CONTROLS (IN-CAB) INSTALLATION (FLOOR MOUNTED WITH UNDERLIFT)	B
1	1001097942	4	Washer #8	
2	1001151546	4	Nut #8	
3	1001194676	4	Screw 1/4 x 3/4	
4	1001209616	4	Nut #10	
5	1001288016	1	Keypad, Underlift	
6	1001215421	1	Multiplex In-Cab Control Harness (See Separate Breakdown in ELECTRICAL Section)	
7	1001216315	1	Panel	
8	1001216316	1	Panel	
9	7114080418	4	Screw #8 x 1/2	
10	7894000004	6	Tie-Strap (Not Shown)	
11	7950140143	4	Washer 1/4	

SECTION 5 - CONTROLS

FIGURE 5-3. IN-CAB CONTROLS INSTALLATION - KENWORTH T440 & T800 & W9 WITHOUT UNDERLIFT



ART_1001232969

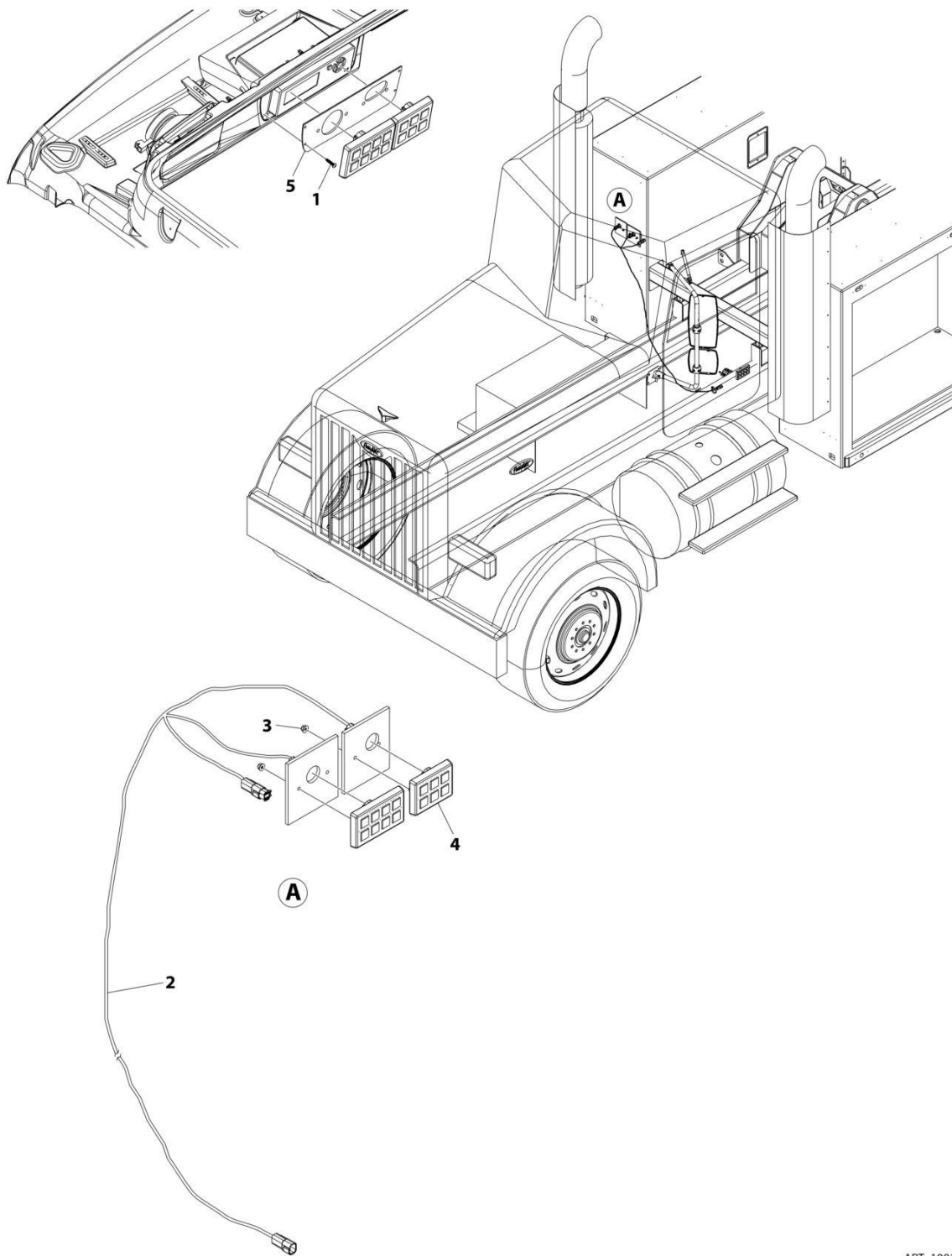
SECTION 5 - CONTROLS

FIGURE 5-3. IN-CAB CONTROLS INSTALLATION - KENWORTH T440 & T800 & W9 WITHOUT UNDERLIFT

ITEM	PART NUMBER	QTY	DESCRIPTION	REV
	1001232969	Ref	SWITCH PANEL KW T800, W9, T440, SINGLE LIGHTING INSTALLATION	B
1	1001232209	4	Screw #8	
2	1001208976	1	Harness (See Separate Breakdown in ELECTRICAL Section)	
3	1001209616	2	Nut #10	
4	1001232957	1	Support, Switch Panel	
5	7894000004	7	Tie Strap	

SECTION 5 - CONTROLS

FIGURE 5-4. IN-CAB CONTROLS INSTALLATION - KENWORTH T440 & T800 & W9 WITH UNDERLIFT



ART_1001232970

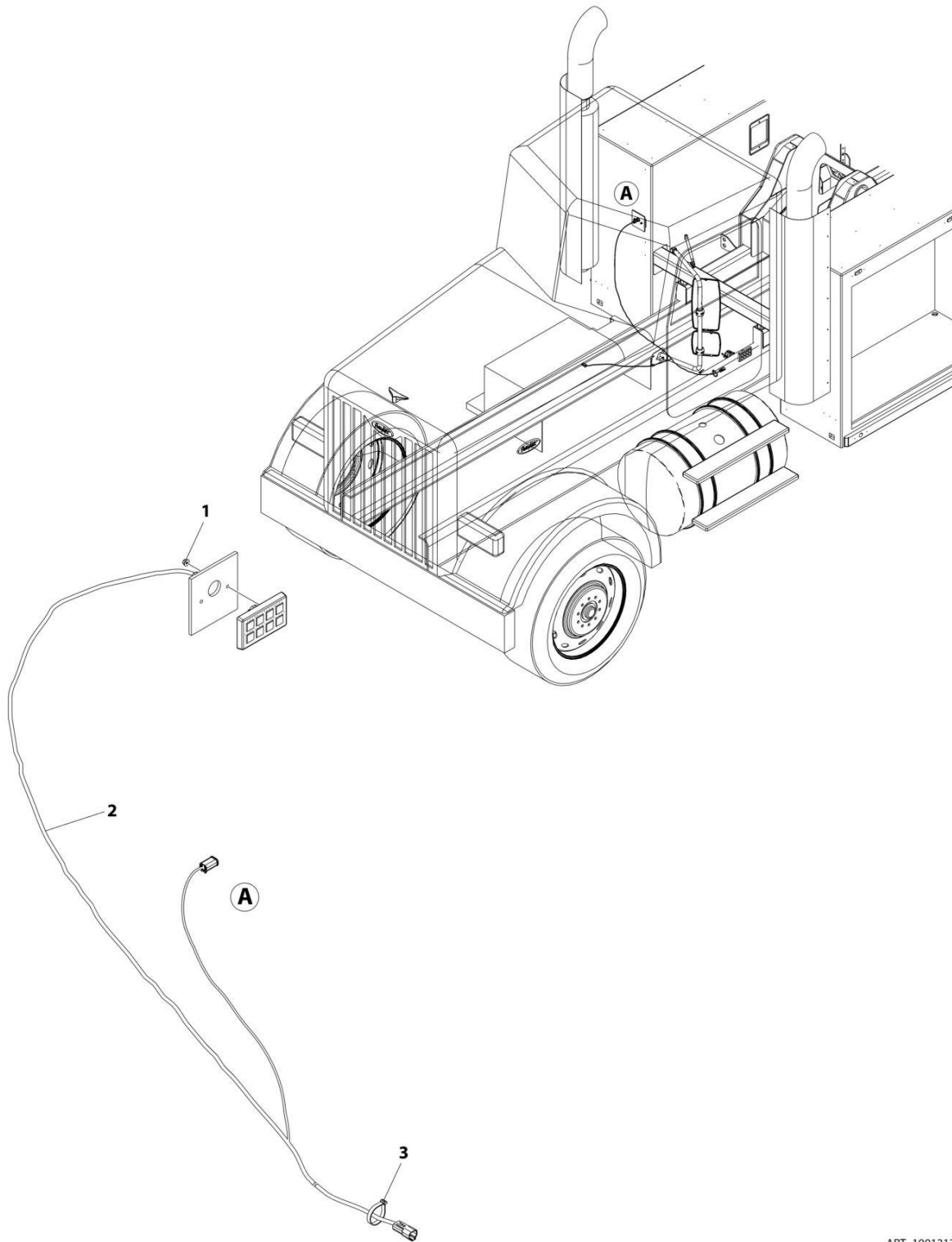
SECTION 5 - CONTROLS

FIGURE 5-4. IN-CAB CONTROLS INSTALLATION - KENWORTH T440 & T800 & W9 WITH UNDERLIFT

ITEM	PART NUMBER	QTY	DESCRIPTION	REV
	1001232970	Ref	CONTROLS (IN-CAB) INSTALLATION (CONSOLE MOUNTED)	B
1	1001196552	4	Screw #8 x 3/4	
2	1001208976	1	Multiplex In-Cab Control Harness (See Separate Breakdown in ELECTRICAL Section)	
3	1001209616	4	Nut #10	
4	1001288016	1	Keypad, Underlift	
5	1001232958	1	Support	
6	7894000004	7	Tie-Strap (Not Shown)	

SECTION 5 - CONTROLS

FIGURE 5-5. IN-CAB CONTROLS INSTALLATION - KENWORTH T880 WITHOUT UNDERLIFT



ART_1001212107

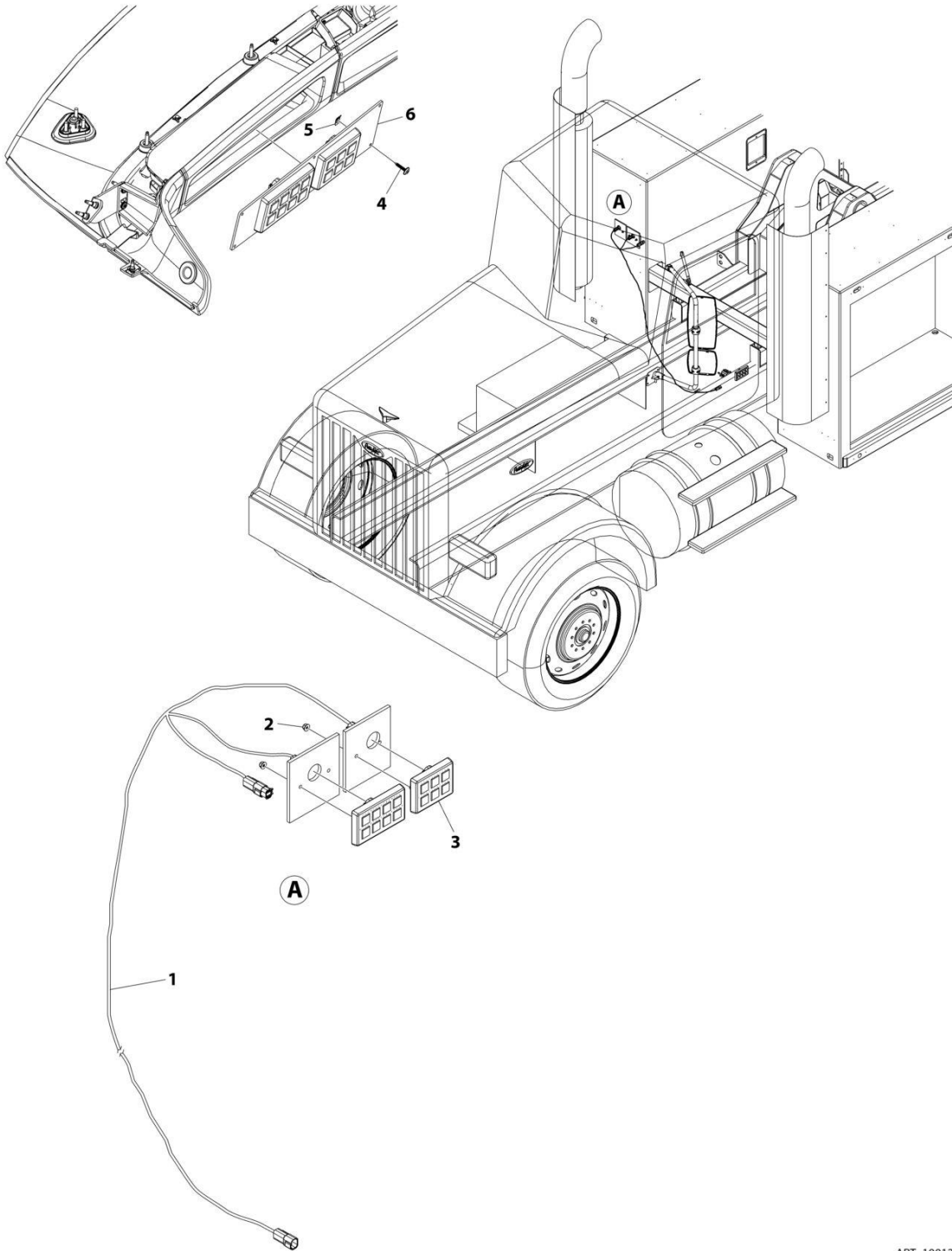
SECTION 5 - CONTROLS

FIGURE 5-5. IN-CAB CONTROLS INSTALLATION - KENWORTH T880 WITHOUT UNDERLIFT

ITEM	PART NUMBER	QTY	DESCRIPTION	REV
	1001212107	Ref	Switch Panel KW T880 Lighting Installation	B
1	1001209616	2	Nut #10	
2	1001215436	1	Harness (See Separate Breakdown in ELECTRICAL Section)	
3	7894000004	5	Tie Strap	

SECTION 5 - CONTROLS

FIGURE 5-6. IN-CAB CONTROLS INSTALLATION - KENWORTH T880 WITH UNDERLIFT



ART_1001235395

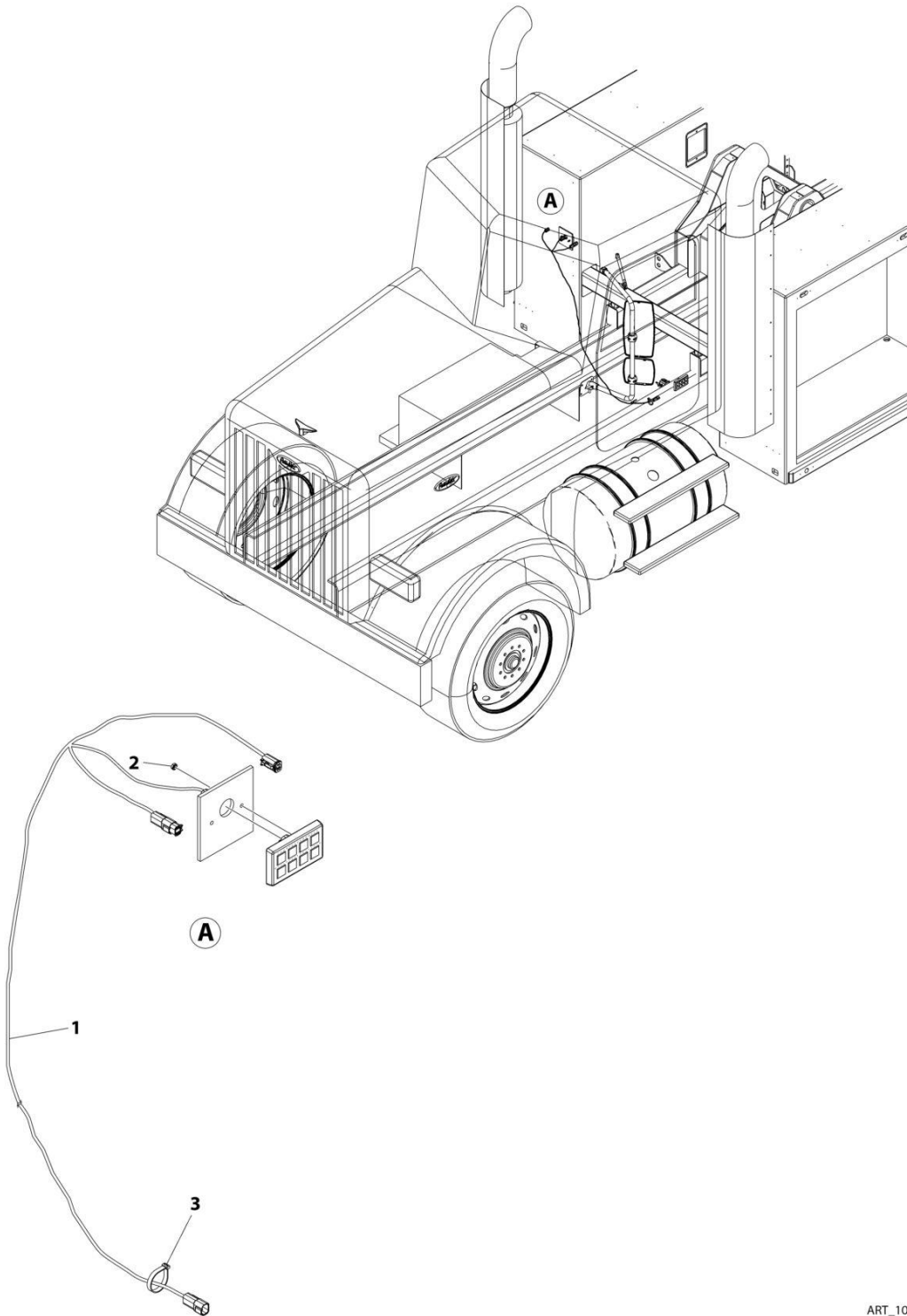
SECTION 5 - CONTROLS

FIGURE 5-6. IN-CAB CONTROLS INSTALLATION - KENWORTH T880 WITH UNDERLIFT

ITEM	PART NUMBER	QTY	DESCRIPTION	REV
	1001235395	Ref	CONTROLS (IN-CAB) INSTALLATION (CONSOLE MOUNTED)	B
1	1001208976	1	Multiplex In-Cab Control Harness (See Separate Breakdown in ELECTRICAL Section)	
2	1001209616	4	Nut #10	
3	1001288016	1	Keypad, Underlift	
4	1001232209	6	Screw #8	
5	1001232211	6	Nut #8	
6	1001235394	1	Support	
7	7894000004	7	Tie-Strap (Not Shown)	

SECTION 5 - CONTROLS

FIGURE 5-7. IN-CAB CONTROLS INSTALLATION - PETERBILT 389 LOW ROOF WITHOUT UNDERLIFT



ART_1001232965

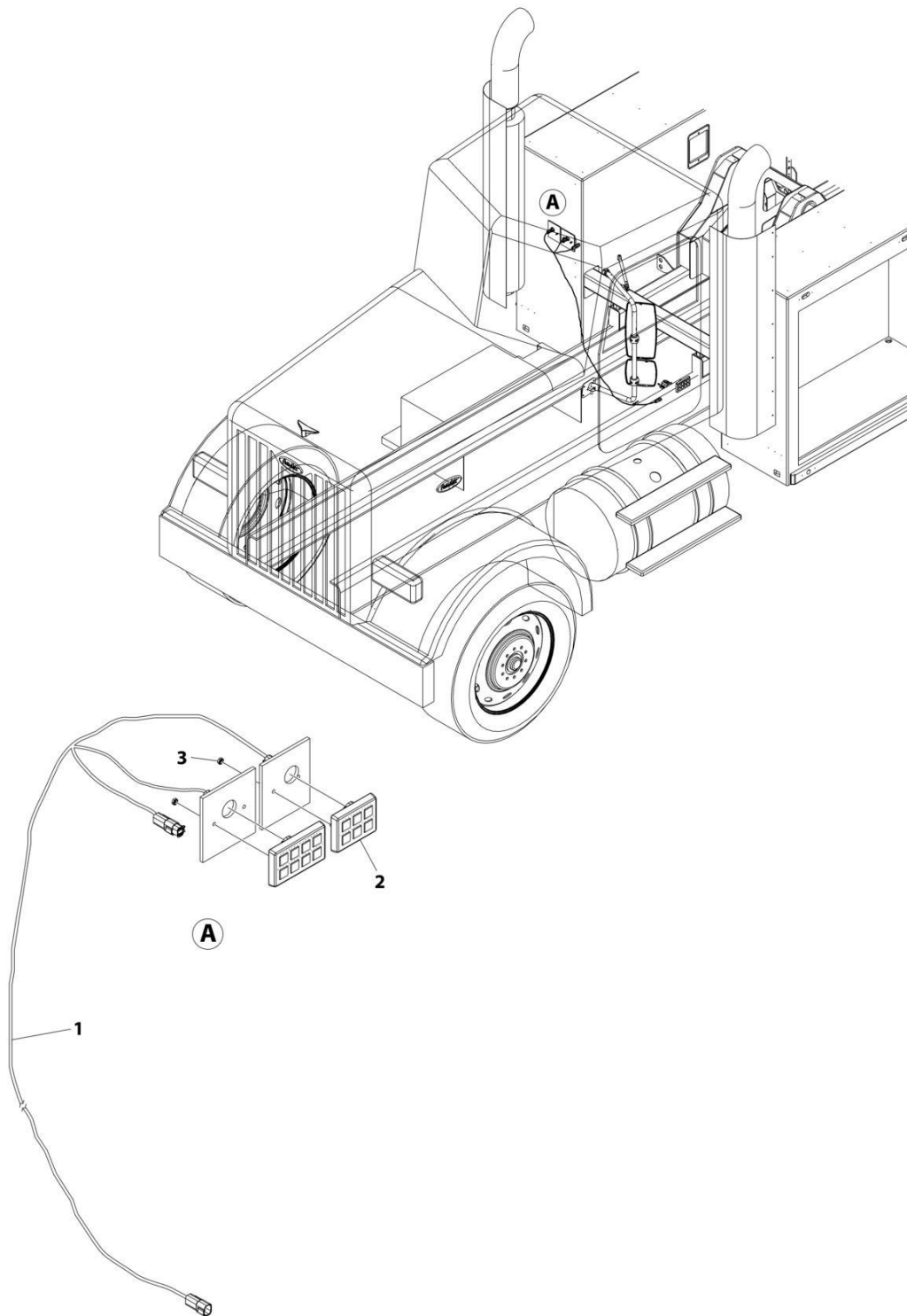
SECTION 5 - CONTROLS

FIGURE 5-7. IN-CAB CONTROLS INSTALLATION - PETERBILT 389 LOW ROOF WITHOUT UNDERLIFT

ITEM	PART NUMBER	QTY	DESCRIPTION	REV
	1001232965	Ref	Switch Panel Pete 389 Low Single Lighting Installation	A
1	1001208976	1	Harness (See Separatae Breakdown in ELECTRICAL Section)	
2	7661000023	2	Nut #10	
3	7894000004	7	Tie Strap	

SECTION 5 - CONTROLS

FIGURE 5-8. IN-CAB CONTROLS INSTALLATION - PETERBILT 389 LOW ROOF WITH UNDERLIFT



ART_1001232966

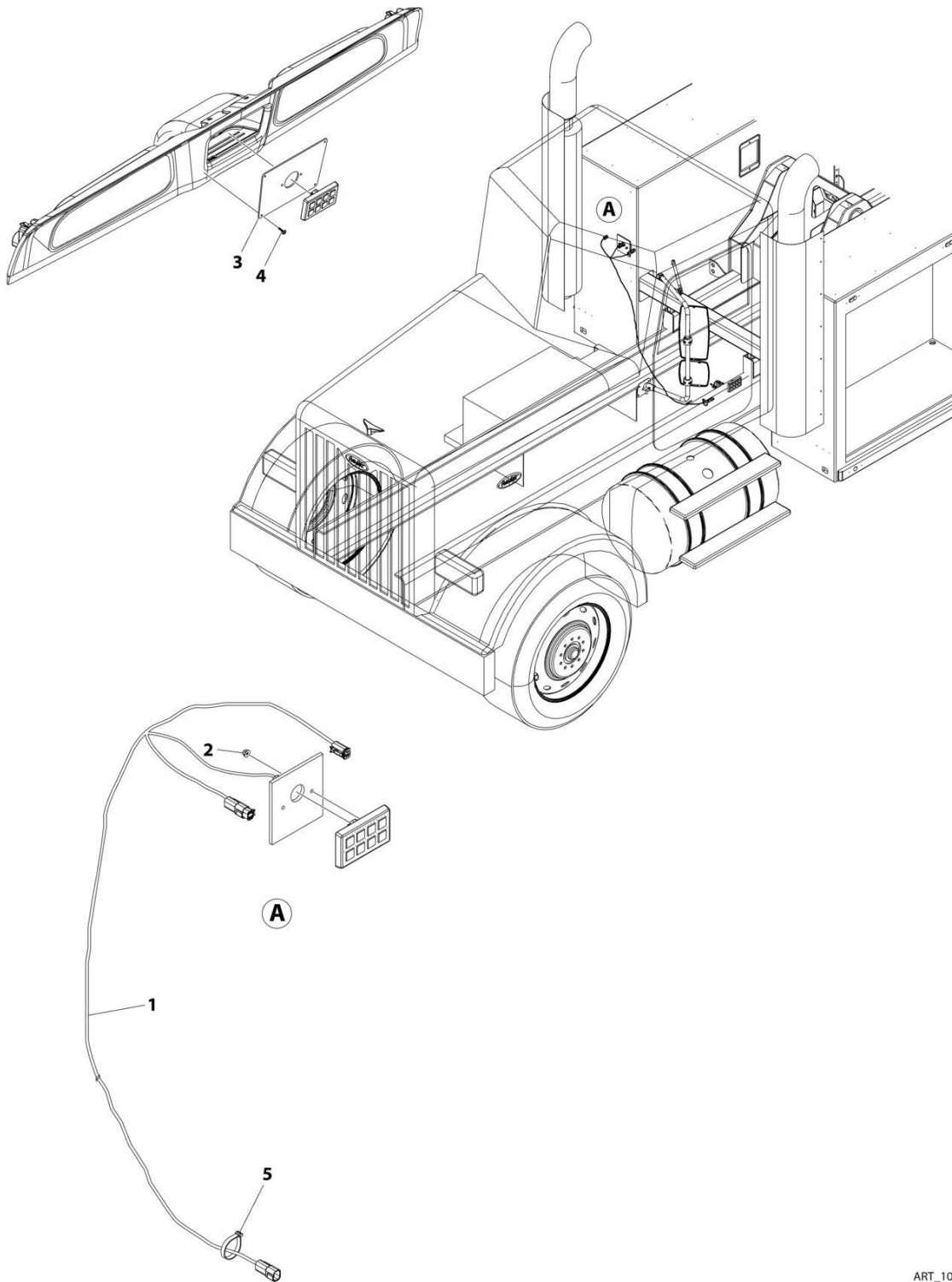
SECTION 5 - CONTROLS

FIGURE 5-8. IN-CAB CONTROLS INSTALLATION - PETERBILT 389 LOW ROOF WITH UNDERLIFT

ITEM	PART NUMBER	QTY	DESCRIPTION	REV
1	1001232966	Ref	CONTROLS (IN-CAB) INSTALLATION (CONSOLE MOUNTED)	B
	1001208976	1	Multiplex In-Cab Control Harness (See Separate Breakdown in ELECTRICAL Section)	
2	1001288016	1	Keypad, Underlift	
3	7661000023	4	Nut #10	
4	7894000004	7	Tie-Strap (Not Shown)	

SECTION 5 - CONTROLS

FIGURE 5-9. IN-CAB CONTROLS INSTALLATION - PETERBILT 389 HIGH ROOF WITHOUT UNDERLIFT



ART_1001231975

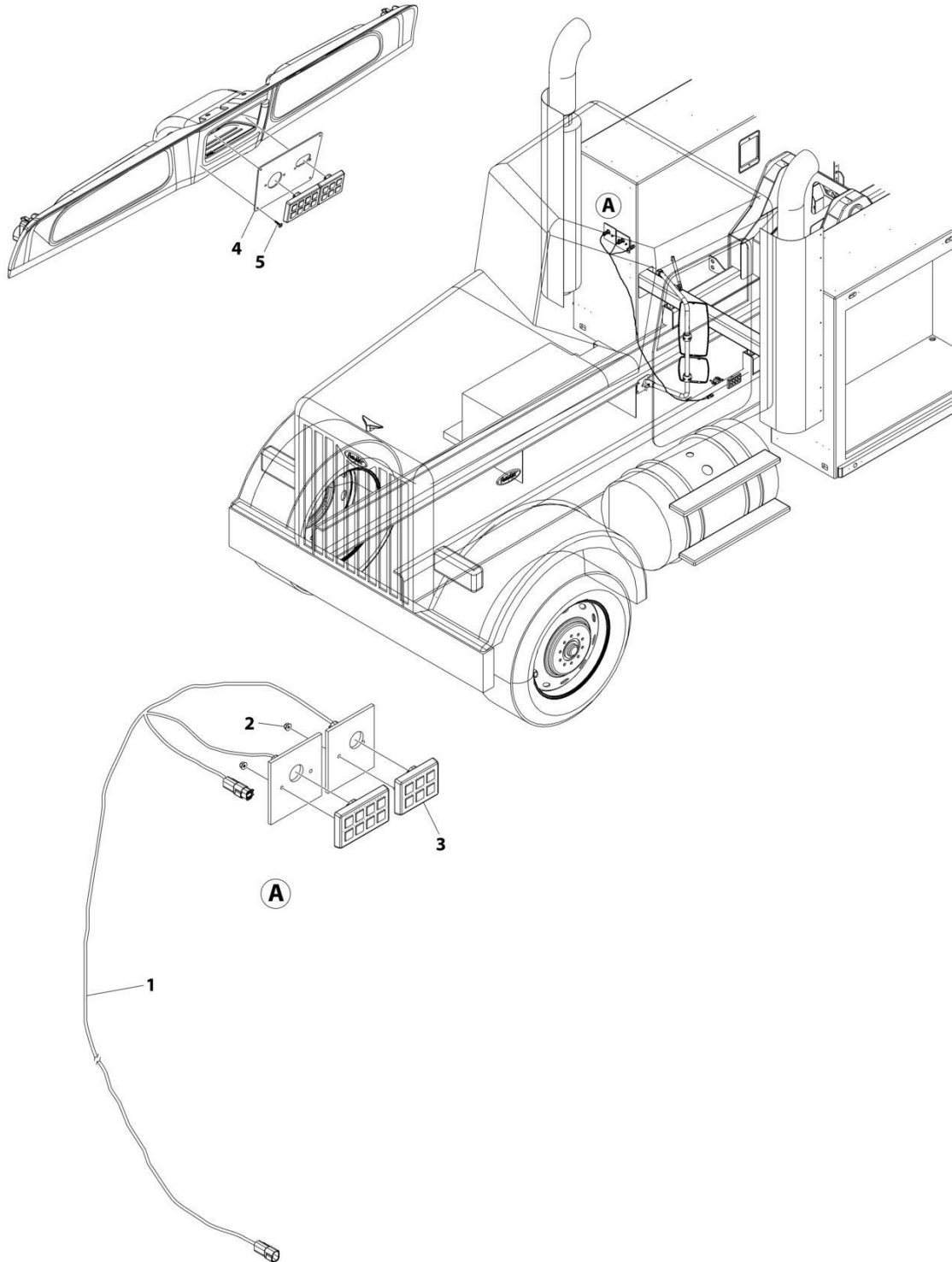
SECTION 5 - CONTROLS

FIGURE 5-9. IN-CAB CONTROLS INSTALLATION - PETERBILT 389 HIGH ROOF WITHOUT UNDERLIFT

ITEM	PART NUMBER	QTY	DESCRIPTION	REV
	1001231975	Ref	Switch Panel Pete 389 High Single Lighting Installation	A
1	1001208976	1	Harness (See Separate Breakdown in ELECTRICAL Section)	
2	1001209616	2	Nut #10	
3	1001231974	1	Support, Switch Panel	
4	1001232209	4	Screw #8	
5	7894000004	7	Tie Strap	

SECTION 5 - CONTROLS

FIGURE 5-10. IN-CAB CONTROLS INSTALLATION - PETERBILT 389 HIGH ROOF WITH UNDERLIFT



ART_1001231977

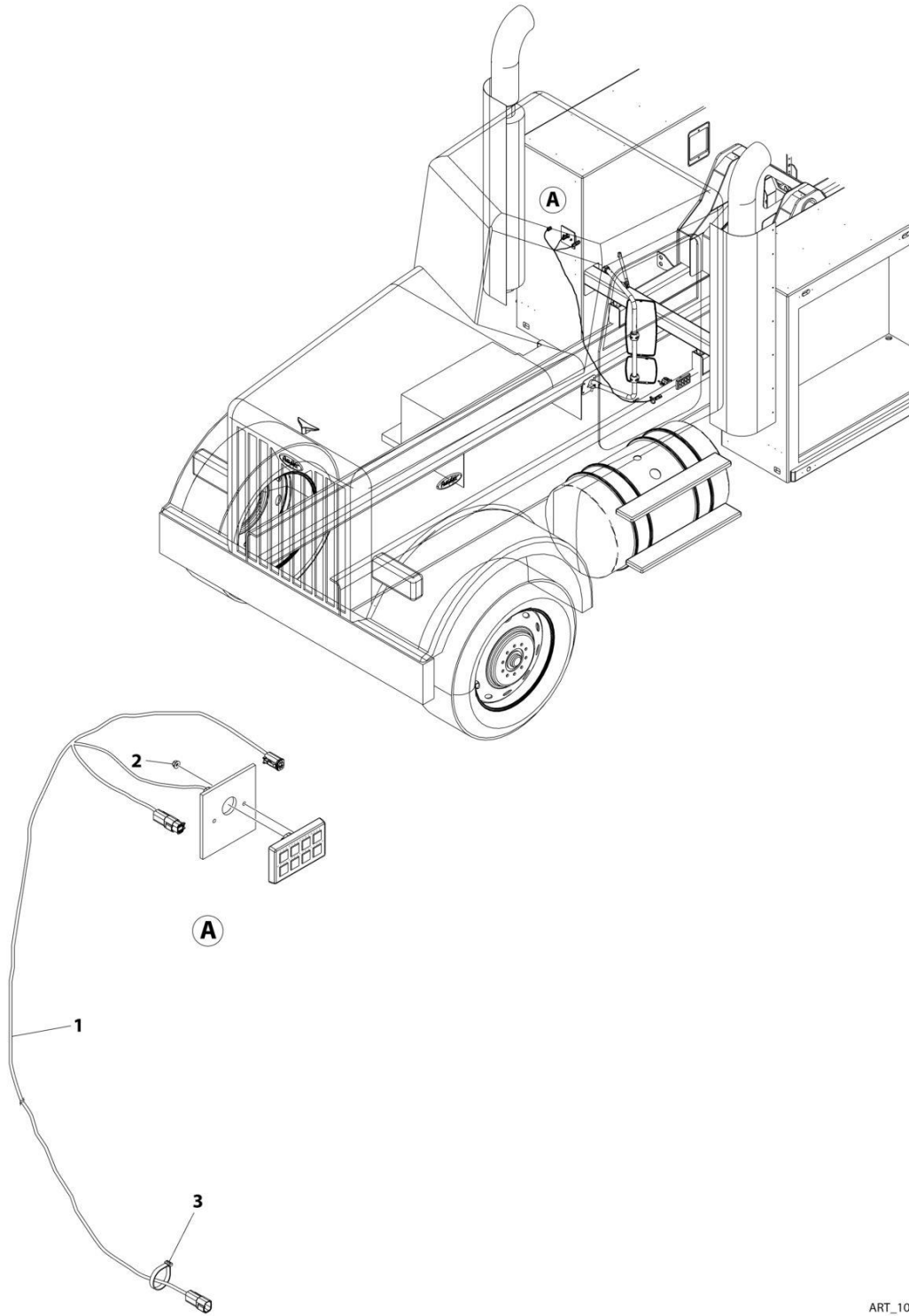
SECTION 5 - CONTROLS

FIGURE 5-10. IN-CAB CONTROLS INSTALLATION - PETERBILT 389 HIGH ROOF WITH UNDERLIFT

ITEM	PART NUMBER	QTY	DESCRIPTION	REV
	1001231977	Ref	CONTROLS (IN-CAB) INSTALLATION (CONSOLE MOUNTED)	B
1	1001208976	1	Multiplex In-Cab Control Harness (See Separate Breakdown in ELECTRICAL Section)	
2	1001209616	4	Nut #10	
3	1001288016	1	Keypad, Underlift	
4	1001231976	1	Support	
5	1001232209	4	Screw #8	
6	7894000004	7	Tie-Strap (Not Shown)	

SECTION 5 - CONTROLS

FIGURE 5-11. IN-CAB CONTROLS INSTALLATION - PETERBILT 567 WITHOUT UNDERLIFT



ART_1001232967

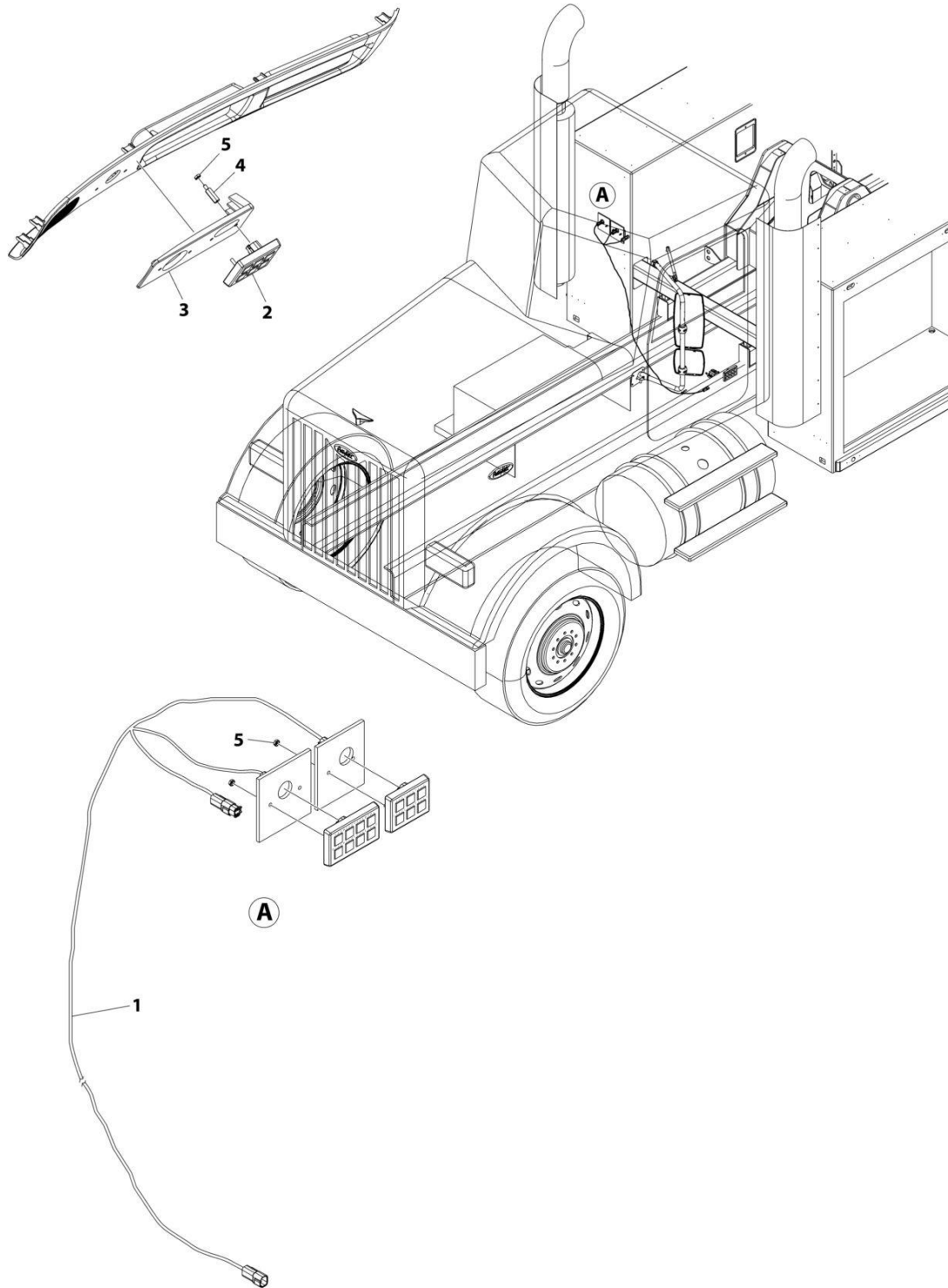
SECTION 5 - CONTROLS

FIGURE 5-11. IN-CAB CONTROLS INSTALLATION - PETERBILT 567 WITHOUT UNDERLIFT

ITEM	PART NUMBER	QTY	DESCRIPTION	REV
	1001232967	Ref	Switch Panel PETE 567 Lighting Installation	A
1	1001208976	1	Harness (See Separate Breakdown in ELECTRICAL Section)	
2	1001209616	2	Nut #10	
3	7894000004	7	Tie Strap	

SECTION 5 - CONTROLS

FIGURE 5-12. IN-CAB CONTROLS INSTALLATION - PETERBILT 567 WITH UNDERLIFT



ART_1001232968

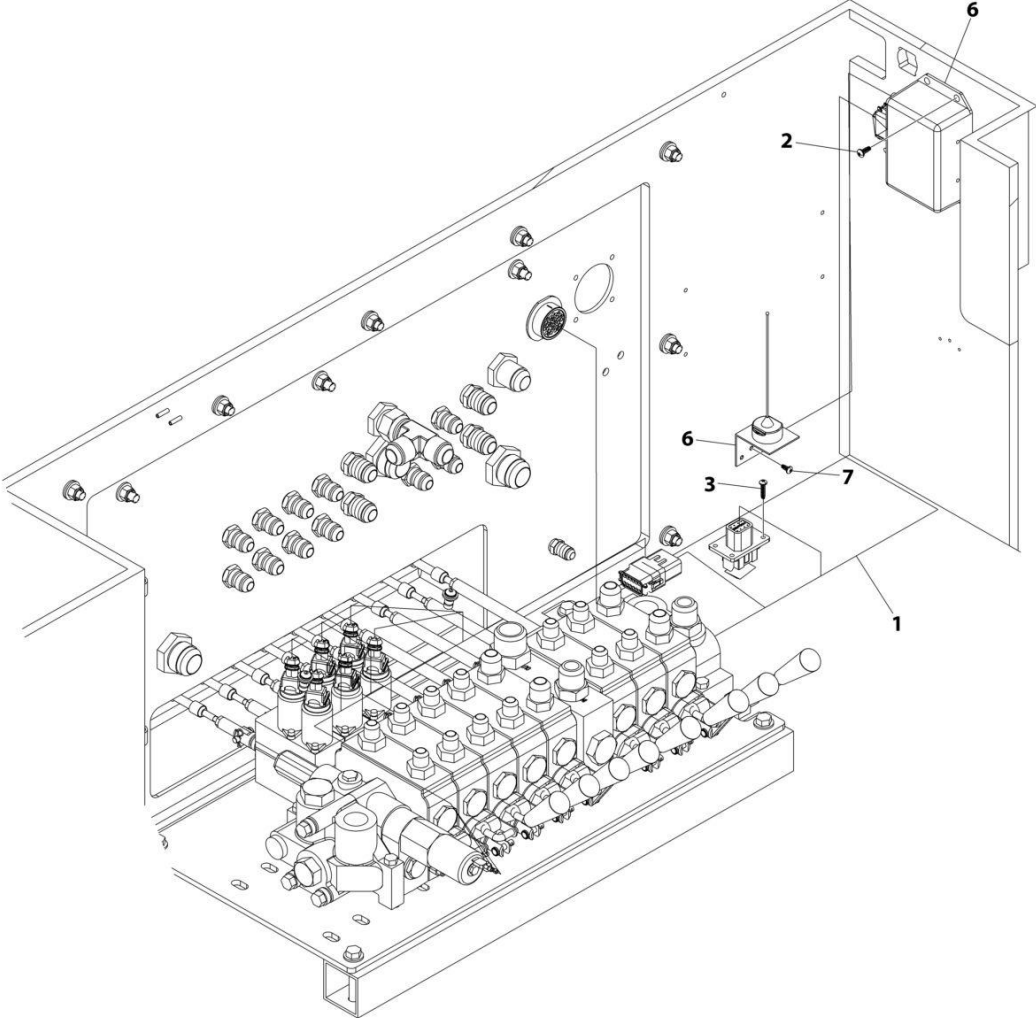
SECTION 5 - CONTROLS

FIGURE 5-12. IN-CAB CONTROLS INSTALLATION - PETERBILT 567 WITH UNDERLIFT

ITEM	PART NUMBER	QTY	DESCRIPTION	REV
	1001232968	Ref	CONTROLS (IN-CAB) INSTALLATION (CONSOLE MOUNTED)	B
1	1001208976	1	Multiplex In-Cab Control Harness (See Separate Breakdown in ELECTRICAL Section)	
2	1001288016	1	Keypad, Underlift	
3	1001232956	1	Support	
4	1001234537	1	Stud	
5	7661000023	4	Nut #10	
6	7894000004	7	Tie-Strap (Not Shown)	

SECTION 5 - CONTROLS

FIGURE 5-13. REMOTE CONTROL INSTALLATION (6 FUNCTION NON-PROP)



ART_1001212003

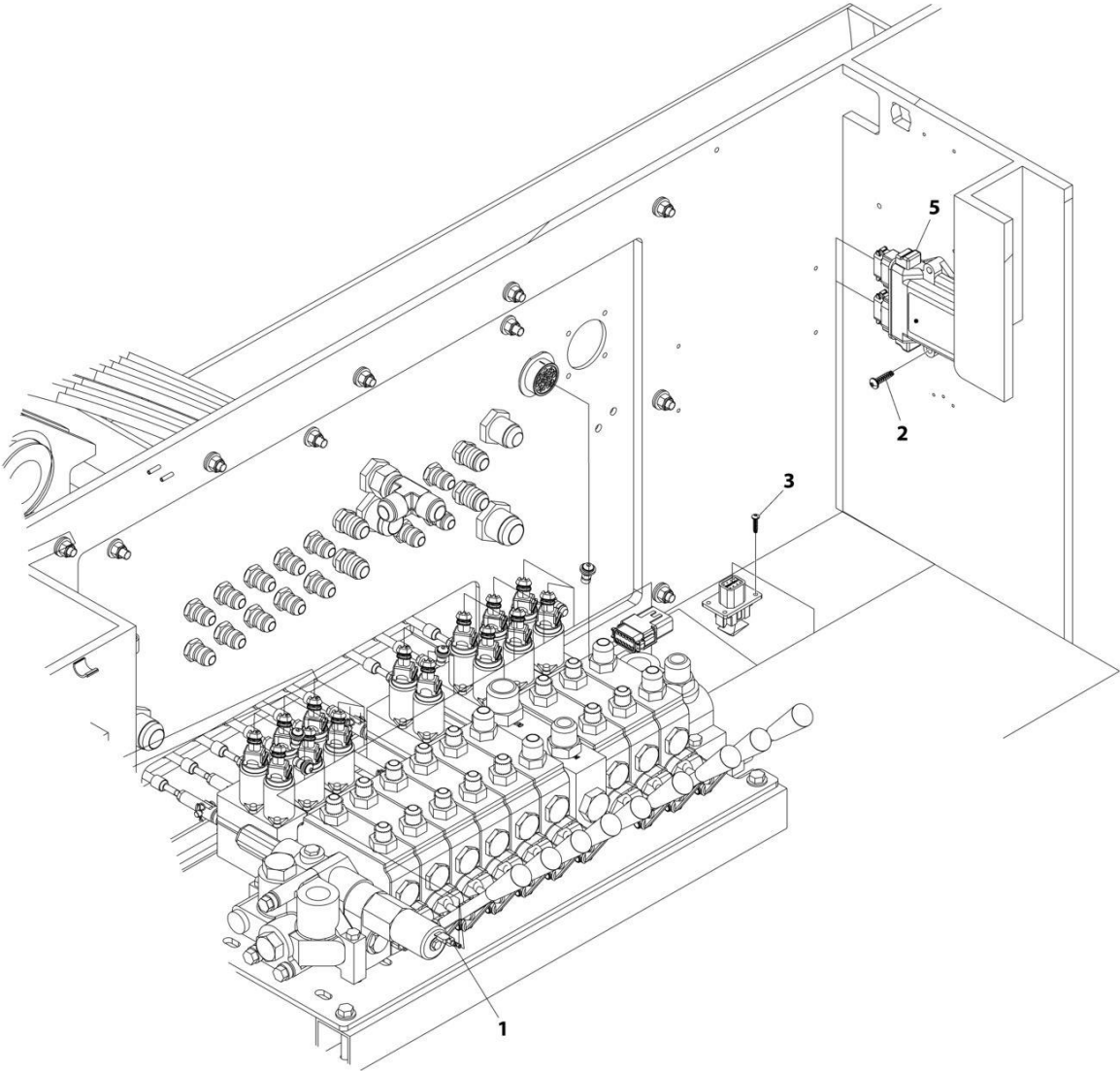
SECTION 5 - CONTROLS

FIGURE 5-13. REMOTE CONTROL INSTALLATION (6 FUNCTION NON-PROP)

ITEM	PART NUMBER	QTY	DESCRIPTION	REV
	1001212003	Ref	REMOTE CONTROL INSTALLATION - WIRELESS	D
1	1001209022	1	Harness Assembly - Remote Control (See Separate Breakdown in ELECTRICAL Section) (Prior to SN 0230006575)	
1	1001246829	1	Harness Assembly - Remote Control (See Separate Breakdown in ELECTRICAL Section) (SN 0230006575 to Present)	
2	1001192958	4	Screw #10 x 1/2	
3	1001196552	4	Screw #8	
4	7075000003	1	Battery 9V (Not Shown)	
5	5526000553	AR	Tie Strap (Not Shown)	
6	7295000146	1	Remote Control Assembly (See Separate Breakdown in this Section)	
7	1001198602	3	Screw #8 x 3/8	

SECTION 5 - CONTROLS

FIGURE 5-14. REMOTE CONTROL INSTALLATION (14 FUNCTION NON-PROP)



ART_1001212004

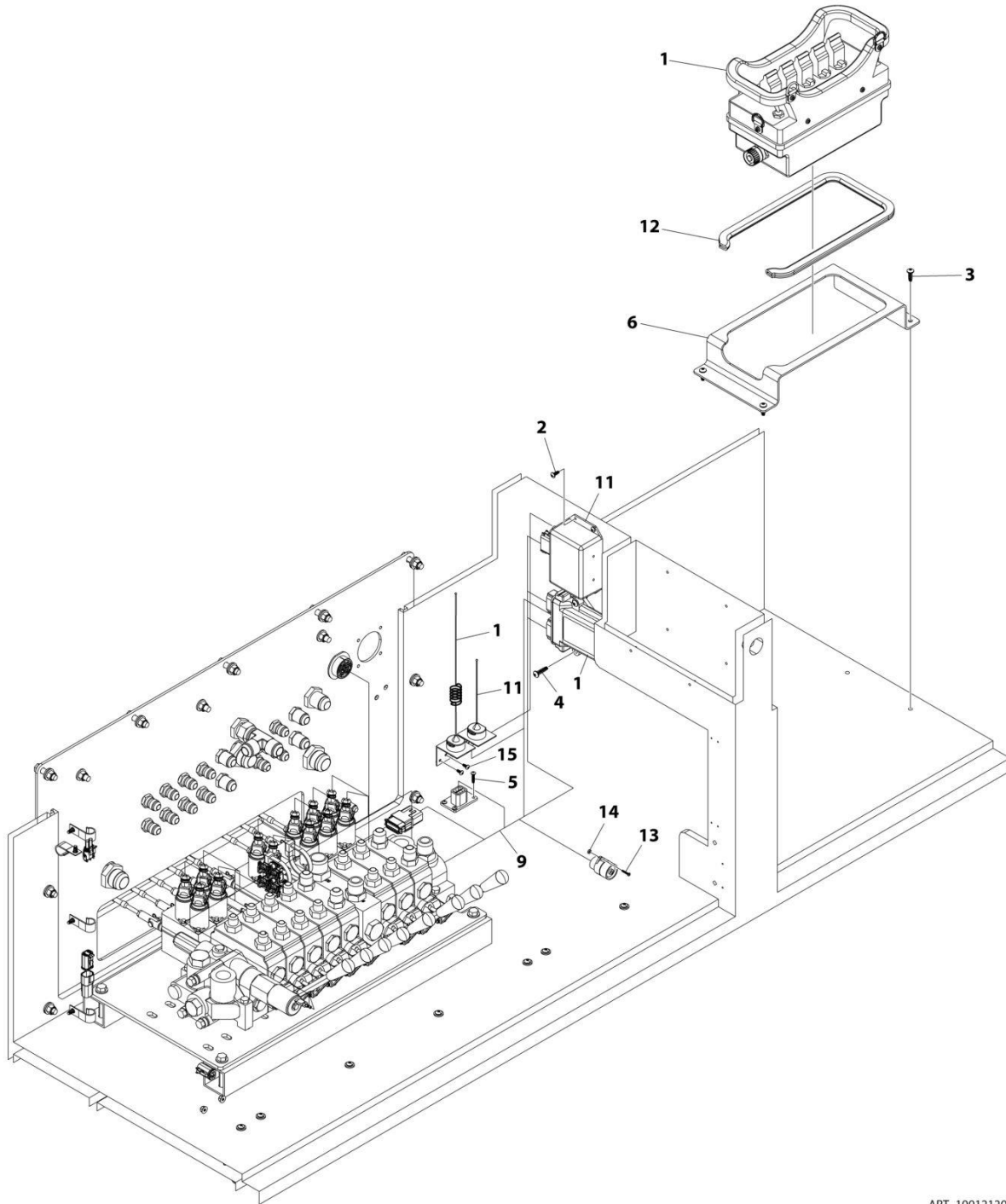
SECTION 5 - CONTROLS

FIGURE 5-14. REMOTE CONTROL INSTALLATION (14 FUNCTION NON-PROP)

ITEM	PART NUMBER	QTY	DESCRIPTION	REV
	1001212004	Ref	REMOTE CONTROL INSTALLATION - WIRELESS	D
1	1001209020	1	Harness Assembly - Remote Control (See Separate Breakdown in ELECTRICAL Section) (Prior to SN 0230006575)	
1	1001246828	1	Harness Assembly - Remote Control (See Separate Breakdown in ELECTRICAL Section) (SN 0230006575 to Present)	
2	1001195523	2	Screw 1/4 x 1	
3	1001196552	4	Screw #8	
4	7075000003	1	Battery 9V (Not Shown)	
5	7295000124	1	Remote Control Assembly (See Separate Breakdown in this Section)	

SECTION 5 - CONTROLS

FIGURE 5-15. REMOTE CONTROL INSTALLATION (14 FUNCTION PROP) (SN 0230004573 through 0230006134)



ART_1001212005

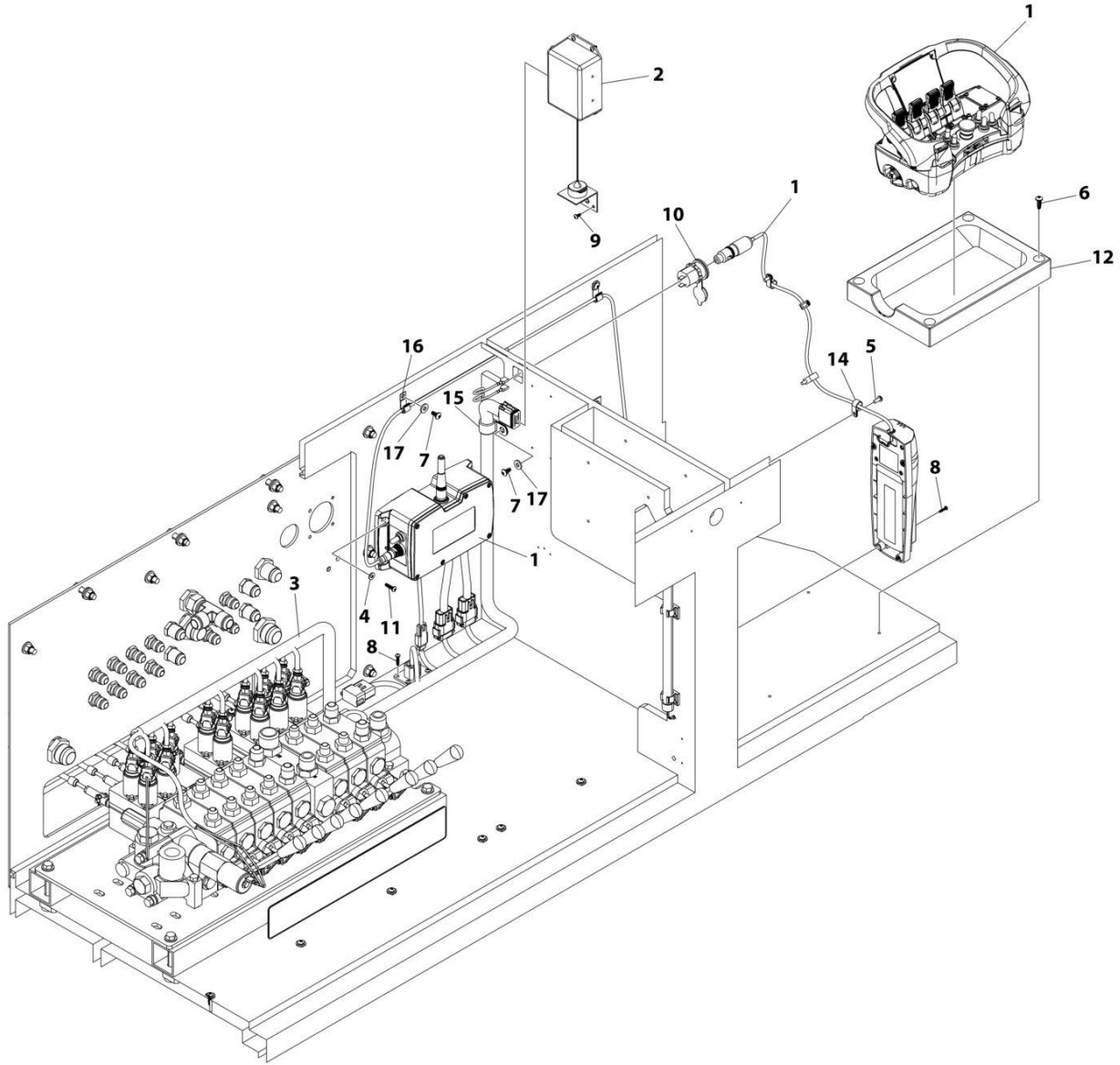
SECTION 5 - CONTROLS

FIGURE 5-15. REMOTE CONTROL INSTALLATION (14 FUNCTION PROP) (SN 0230004573 through 0230006134)

ITEM	PART NUMBER	QTY	DESCRIPTION	REV
	1001212005	Ref	REMOTE CONTROL INSTALLATION - WIRELESS	C
1	1001145240	1	Remote Control Assembly - 5 Paddle (See Separate Breakdown in this Section)	
2	1001192958	4	Screw #10 x 1/2	
3	1001194676	4	Screw 1/4 x 3/4	
4	1001195523	2	Screw 1/4 x 1	
5	1001196552	4	Screw #8	
6	4178000699	1	Bracket	
7	7075000003	1	Battery 9V (Not Shown)	
8	7075000006	3	Battery D 1.5V (Not Shown)	
9	1001189167	1	Harness Assembly - Remote Control (See Separate Breakdown in ELECTRICAL Section) (Prior to SN 0230003827)	
9	1001209021	1	Harness Assembly - Remote Control (See Separate Breakdown in ELECTRICAL Section) (SN 0230003827 to SN 0230006134)	
10	5526000553	AR	Tie Strap (Not Shown)	
11	7295000146	1	Remote Control Assembly - 6 Function (See Separate Breakdown in this Section)	
12	8632000012	1	Trim lock	
13	7120000047	2	Screw #4 x 5/8	
14	7660040000	2	Nut #4	
15	1001198602	6	Screw #8 x 3/8	

SECTION 5 - CONTROLS

FIGURE 5-16. REMOTE CONTROL INSTALLATION (14 FUNCTION PROP) (SN 0230006135 to Present)



ART_1001235707

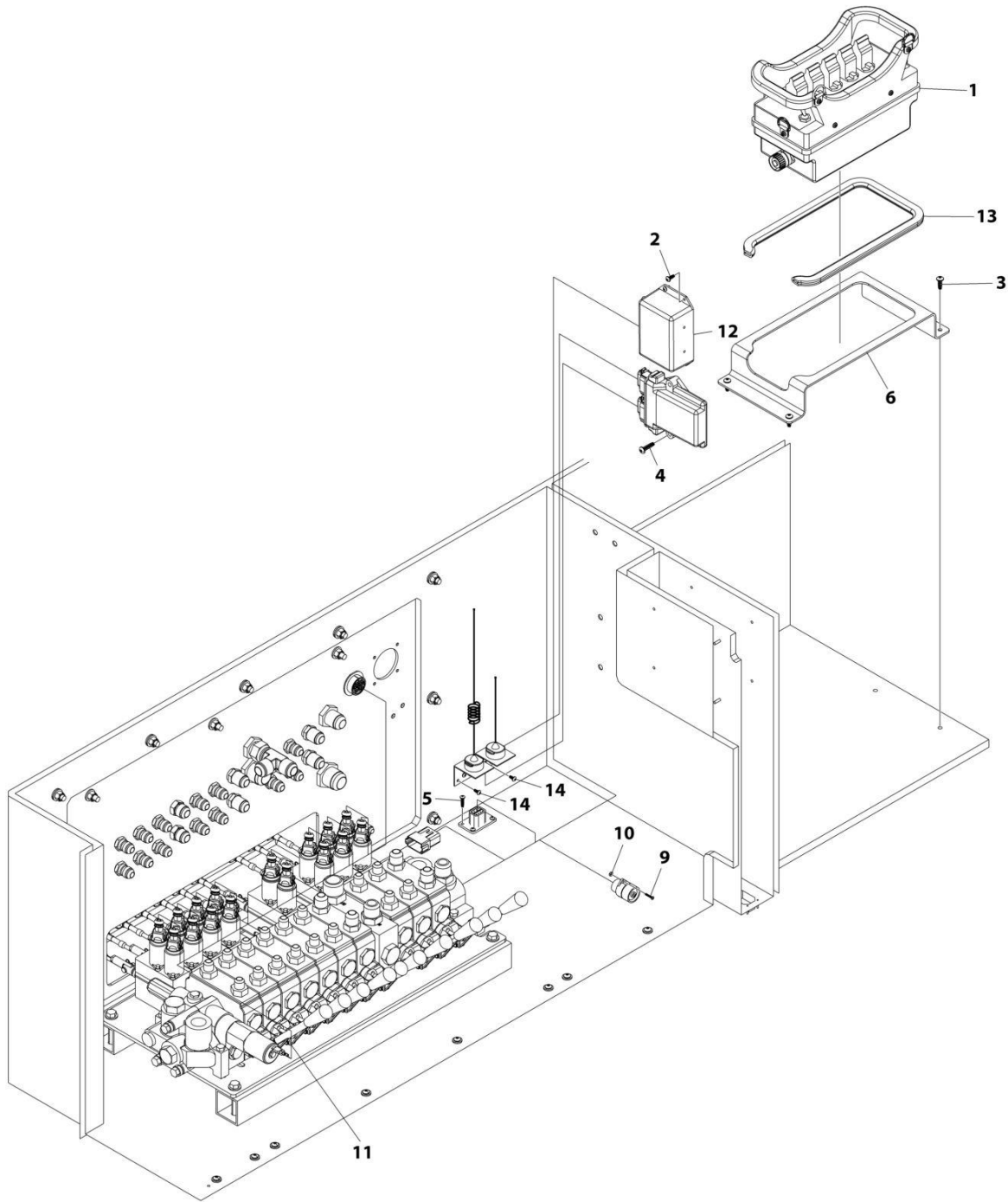
SECTION 5 - CONTROLS

FIGURE 5-16. REMOTE CONTROL INSTALLATION (14 FUNCTION PROP) (SN 0230006135 to Present)

ITEM	PART NUMBER	QTY	DESCRIPTION	REV
	1001235707	Ref	REMOTE CONTROL INSTALLATION - WIRELESS	B
1	1001234563	1	Remote Control Assembly (See Separate Breakdown in this Section)	
2	7295000146	1	Remote Control Assembly (See Separate Breakdown in this Section)	
3	1001236497	1	Harness Assembly - Remote Control (See Separate Breakdown in ELECTRICAL Section)	
4	4711000	4	Washer #10	
5	1001172004	4	Screw #10 x 1/2	
6	1001194676	4	Screw 1/4 x 3/4	
7	1001195257	4	Screw 1/4 x 1/2	
8	1001196552	8	Screw #8	
9	1001198602	7	Screw #8 x 3/8	
10	1001201384	1	Socket	
11	1001230068	4	Screw #10 x 3/4	
12	1001235386	1	Tray	
13	7075000003	1	Battery 9V (Not Shown)	
14	7274000036	4	Clamp	
15	7274000040	1	Clamp	
16	7280000018	2	Clip	
17	7950140143	4	Washer 1/4	
18	1001167286	AR	Tie Strap (Not Shown)	

SECTION 5 - CONTROLS

FIGURE 5-17. REMOTE CONTROL INSTALLATION (16 FUNCTION PROP) (SN 0230004573 through 0230006134)



ART_1001212006

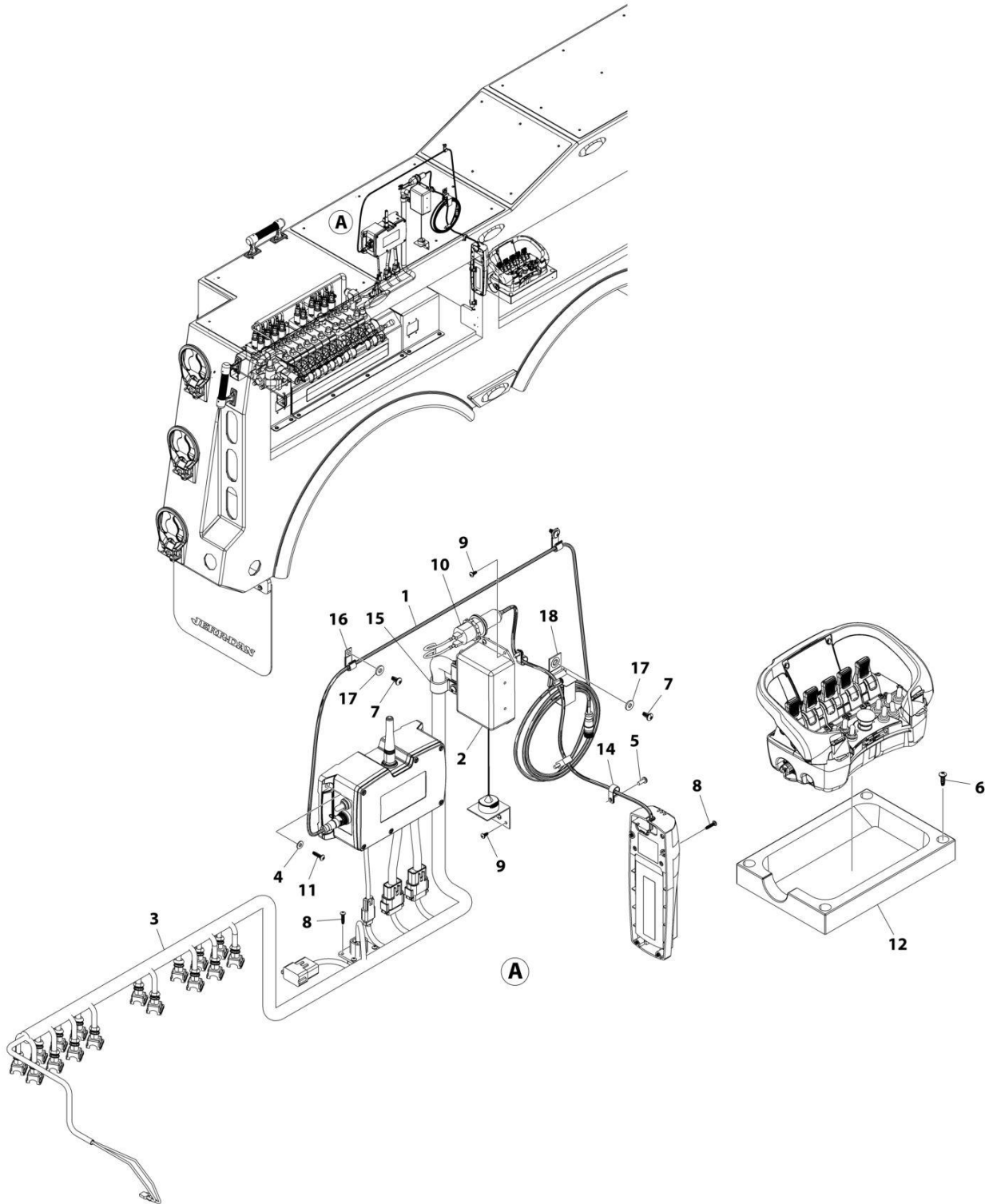
SECTION 5 - CONTROLS

FIGURE 5-17. REMOTE CONTROL INSTALLATION (16 FUNCTION PROP) (SN 0230004573 through 0230006134)

ITEM	PART NUMBER	QTY	DESCRIPTION	REV
	1001212006	Ref	REMOTE CONTROL INSTALLATION - WIRELESS	C
1	1001145240	1	Remote Control Assembly - 5 Paddle (See Separate Breakdown in this Section)	
2	1001192958	4	Screw #10 x 1/2	
3	1001194676	4	Screw 1/4 x 3/4	
4	1001195523	2	Screw 1/4 x 1	
5	1001196552	4	Screw #8	
6	4178000699	1	Bracket	
7	7075000003	1	Battery 9V (Not Shown)	
8	7075000006	3	Battery D 1.5V (Not Shown)	
9	7120000047	2	Screw #4 x 5/8	
10	7660040000	2	Nut #4	
11	1001189167	1	Harness Assembly - Remote Control (See Separate Breakdown in ELECTRICAL Section) (Prior to SN 0230003827)	
11	1001209021	1	Harness Assembly - Remote Control (See Separate Breakdown in ELECTRICAL Section) (SN 0230003827 through 0230006134)	
12	7295000146	1	Remote Control Assembly - 6 Function (See Separate Breakdown in this Section)	
13	8632000012	1	Trim lock	
14	1001198602	6	Screw #8 x 3/8	

SECTION 5 - CONTROLS

FIGURE 5-18. REMOTE CONTROL INSTALLATION (16 FUNCTION PROP) (SN 0230006135 to Present)



ART_1001235708

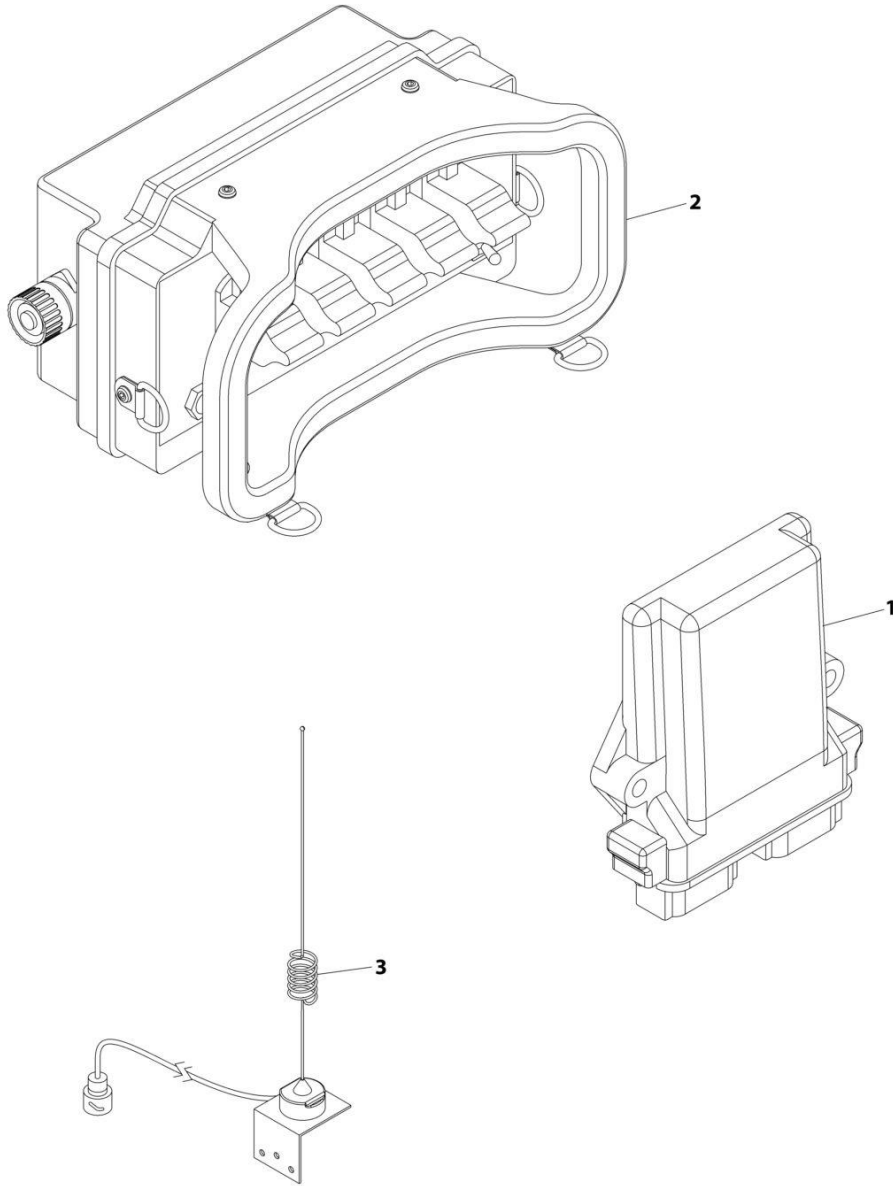
SECTION 5 - CONTROLS

FIGURE 5-18. REMOTE CONTROL INSTALLATION (16 FUNCTION PROP) (SN 0230006135 to Present)

ITEM	PART NUMBER	QTY	DESCRIPTION	REV
	1001235708	Ref	REMOTE CONTROL INSTALLATION - WIRELESS	B
1	1001234563	1	Remote Control Assembly - 5 Paddle (See Separate Breakdown in this Section)	
2	7295000146	1	Remote Control Assembly - 6 Function (See Separate Breakdown in this Section)	
3	1001236497	1	Harness Assembly - Remote Control (See Separate Breakdown in ELECTRICAL Section)	
4	4711000	4	Washer #10	
5	1001172004	4	Screw #10 x 1/2	
6	1001194676	4	Screw 1/4 x 3/4	
7	1001195257	4	Screw 1/4 x 1/2	
8	1001196552	8	Screw #8	
9	1001198602	7	Screw #8 x 3/8	
10	1001201384	1	Socket	
11	1001230068	4	Screw #10 x 3/4	
12	1001235386	1	Tray	
13	7075000003	1	Battery 9V (Not Shown)	
14	7274000036	4	Clamp	
15	7274000040	1	Clamp	
16	7280000018	2	Clip	
17	7950140143	4	Washer 1/4	
18	1001167286	1	Tie Strap	

SECTION 5 - CONTROLS

FIGURE 5-19. REMOTE CONTROL ASSEMBLY - WIRELESS (5 PADDLE) (SN 0230004573 through 0230006134)



ART_1001145240

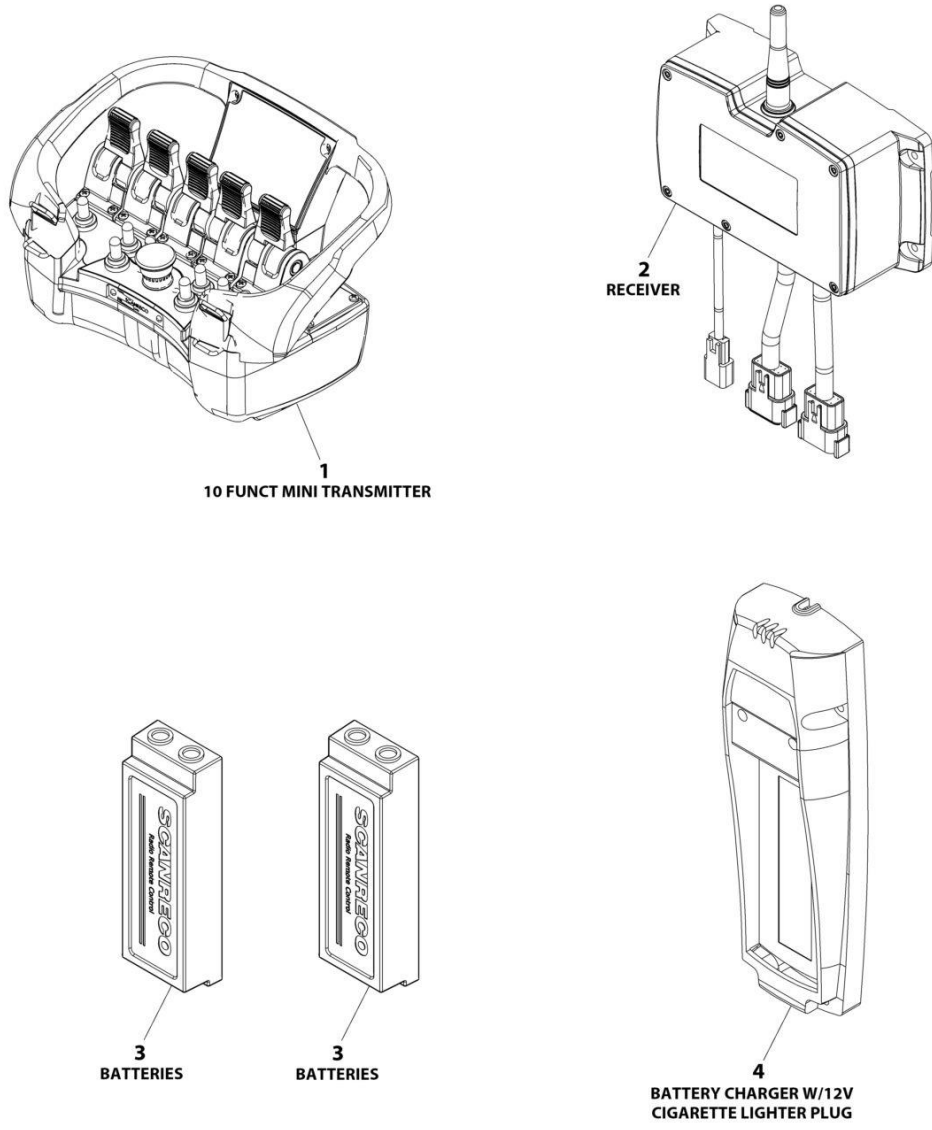
SECTION 5 - CONTROLS

FIGURE 5-19. REMOTE CONTROL ASSEMBLY - WIRELESS (5 PADDLE) (SN 0230004573 through 0230006134)

ITEM	PART NUMBER	QTY	DESCRIPTION	REV
	1001145240	Ref	REMOTE CONTROL ASSEMBLY	B
1	70050106	1	Receiver	
2	70050107	1	Transmitter	
3	9295310061	1	Antenna Kit	
4	9552310033	1	Tether - 25 FT (Not Shown)	

SECTION 5 - CONTROLS

FIGURE 5-20. REMOTE CONTROL ASSEMBLY - WIRELESS (5 PADDLE) (SN 0230006135 to Present)



ART_1001234563

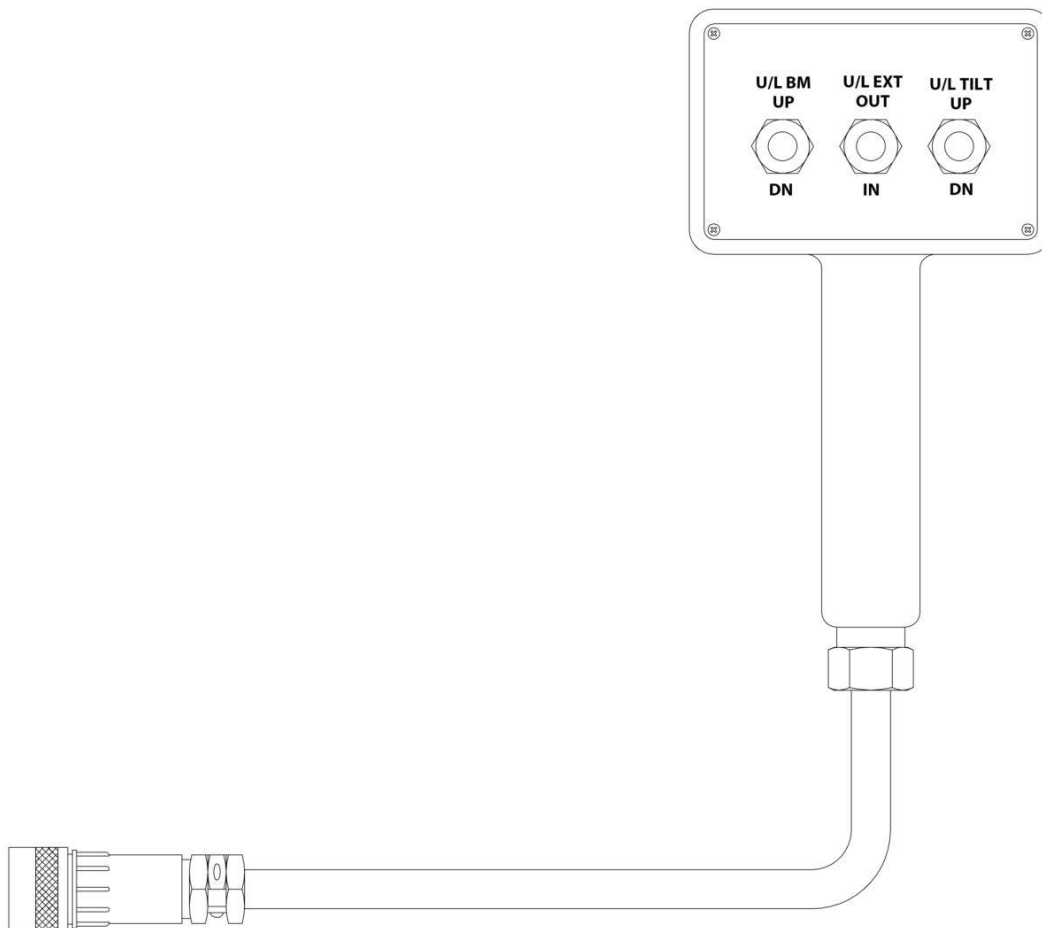
SECTION 5 - CONTROLS

FIGURE 5-20. REMOTE CONTROL ASSEMBLY - WIRELESS (5 PADDLE) (SN 0230006135 to Present)

ITEM	PART NUMBER	QTY	DESCRIPTION	REV
	1001234563	Ref	REMOTE CONTROL ASSEMBLY	C
1	1001234724	1	Transmitter Assembly	
2	1001226504	1	Receiver Assembly	
3	1001232868	2	Battery	
4	1001226798	1	Charger, Battery	
5	1001230715	1	Cable, Control (Not Shown)	
6	1001232869	1	Strap, Transmitter (Not Shown)	

SECTION 5 - CONTROLS

FIGURE 5-21. REMOTE CONTROL ASSEMBLY - WIRELESS (3 FUNCTION) (SN 0230004573 through 0230006134)



ART_7295000105

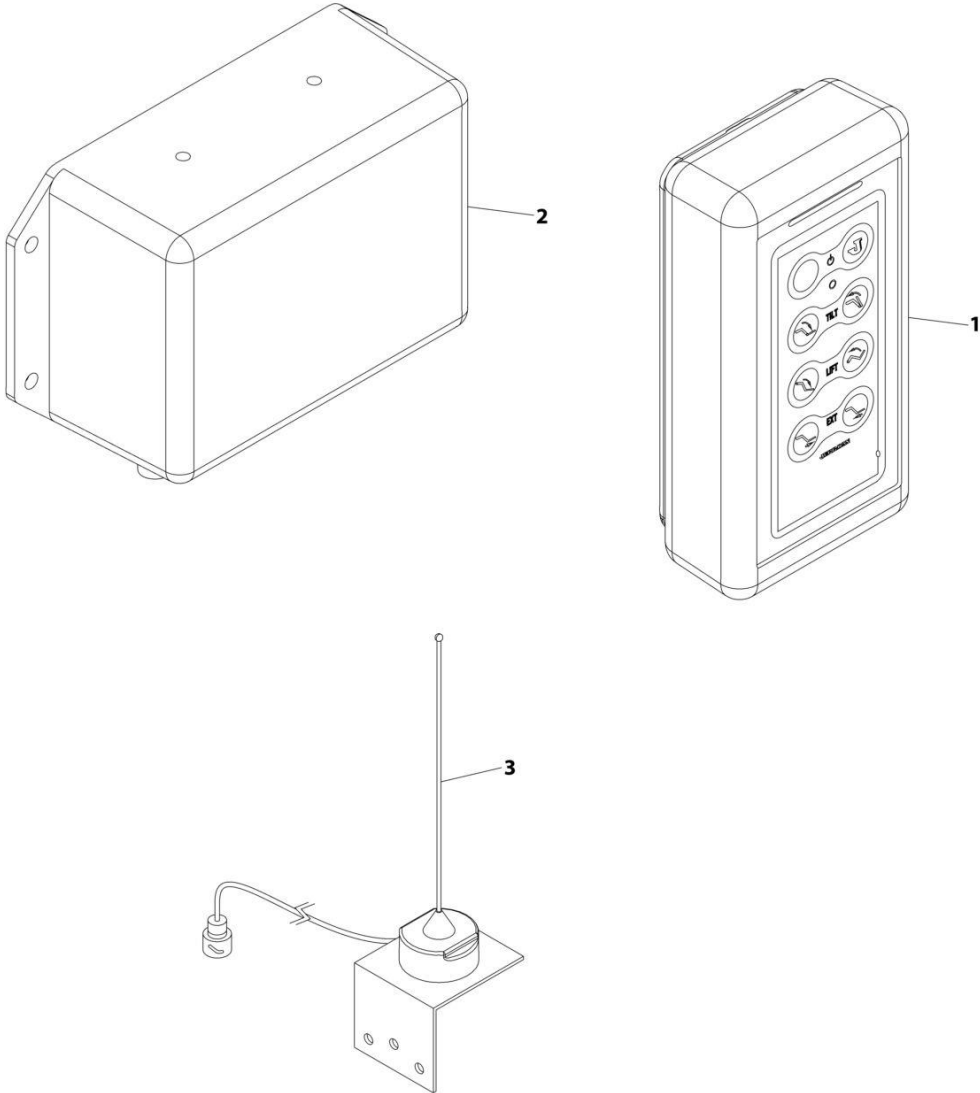
SECTION 5 - CONTROLS

FIGURE 5-21. REMOTE CONTROL ASSEMBLY - WIRELESS (3 FUNCTION) (SN 0230004573 through 0230006134)

ITEM	PART NUMBER	QTY	DESCRIPTION	REV
	7295000105	Ref Ref	REMOTE CONTROL ASSEMBLY - HAND HELD Note: No Service Parts Available. Purchase Complete Assembly.	0

SECTION 5 - CONTROLS

FIGURE 5-22. REMOTE CONTROL ASSEMBLY - WIRELESS (6 FUNCTION)



ART_7295000146

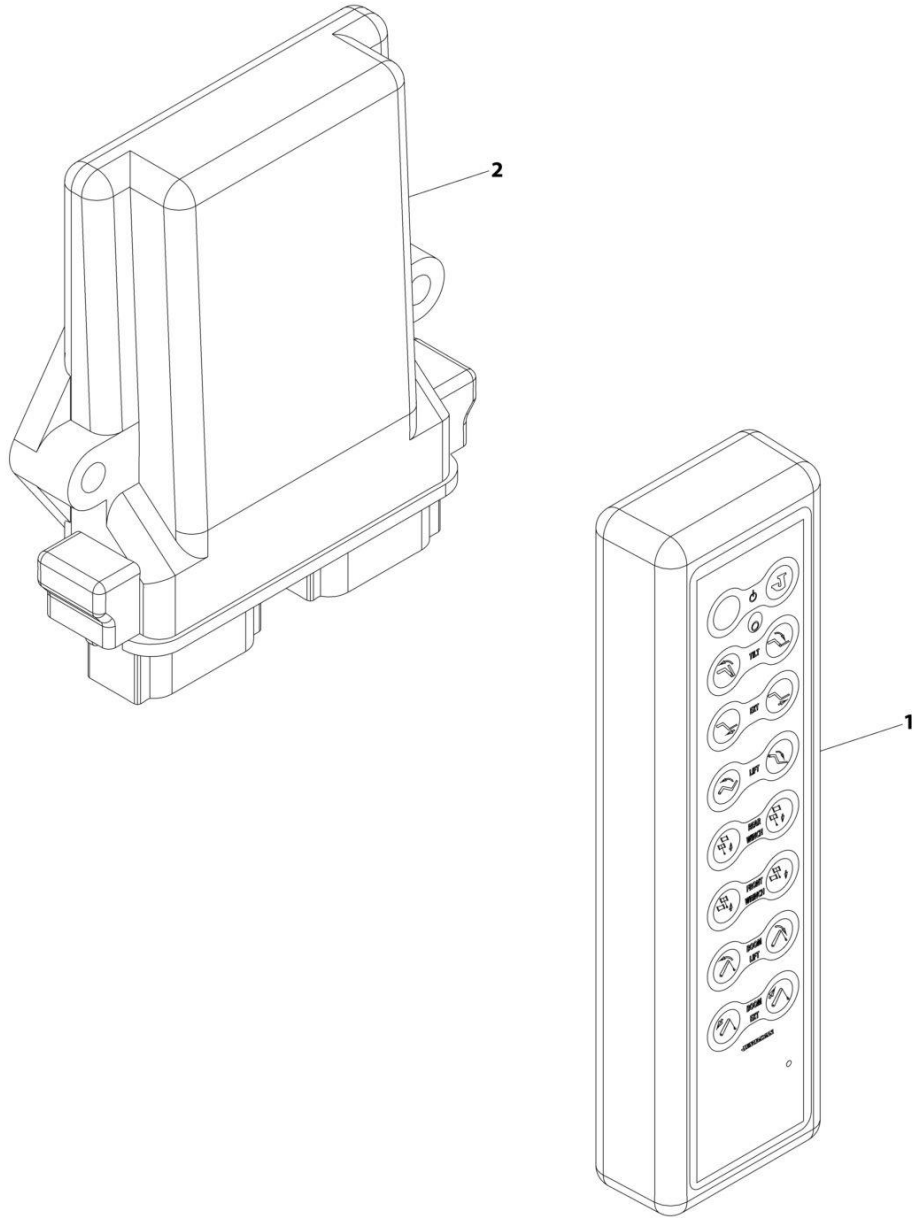
SECTION 5 - CONTROLS

FIGURE 5-22. REMOTE CONTROL ASSEMBLY - WIRELESS (6 FUNCTION)

ITEM	PART NUMBER	QTY	DESCRIPTION	REV
	7295000146	Ref	REMOTE CONTROL ASSEMBLY (6 FUNCTION HANDHELD)	B
1	70051481	1	Transmitter, Handheld	
1	70051465	1	Clip, Belt	
1	70051466	1	Boot, Transmitter Rubber	
2	9295310068	1	Receiver	
3	9295310069	1	Antenna with Bracket & Cable	

SECTION 5 - CONTROLS

FIGURE 5-23. REMOTE CONTROL ASSEMBLY - WIRELESS (14 FUNCTION)



ART_7295000124

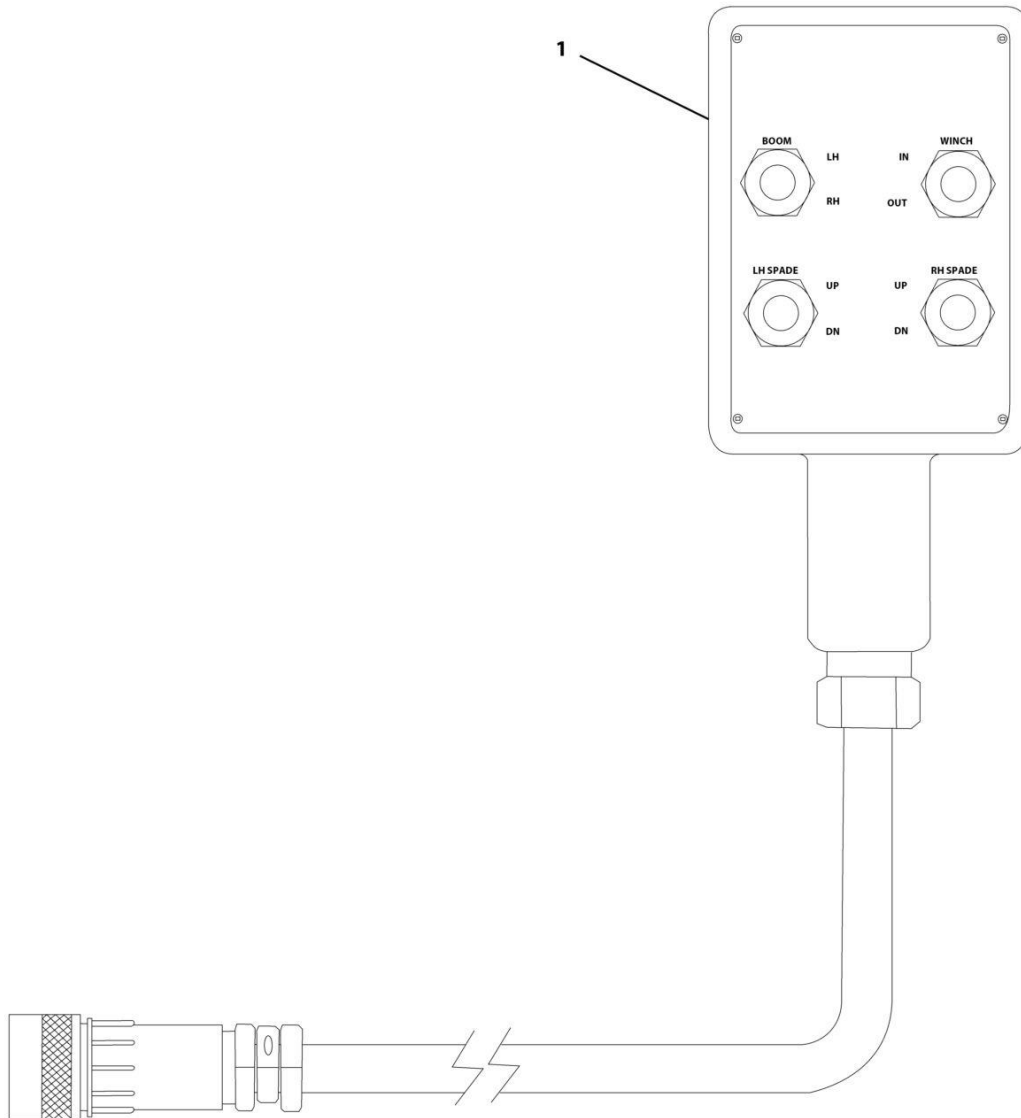
SECTION 5 - CONTROLS

FIGURE 5-23. REMOTE CONTROL ASSEMBLY - WIRELESS (14 FUNCTION)

ITEM	PART NUMBER	QTY	DESCRIPTION	REV
	7295000124	Ref	REMOTE CONTROL ASSEMBLY (14 FUNCTION HANDHELD)	B
1	70051480	1	Transmitter, Handheld	
1	70051465	1	Clip, Belt	
2	1001139464	1	Receiver	

SECTION 5 - CONTROLS

FIGURE 5-24. REMOTE CONTROL ASSEMBLY - HAND HELD (SRS)



ART_7295000126

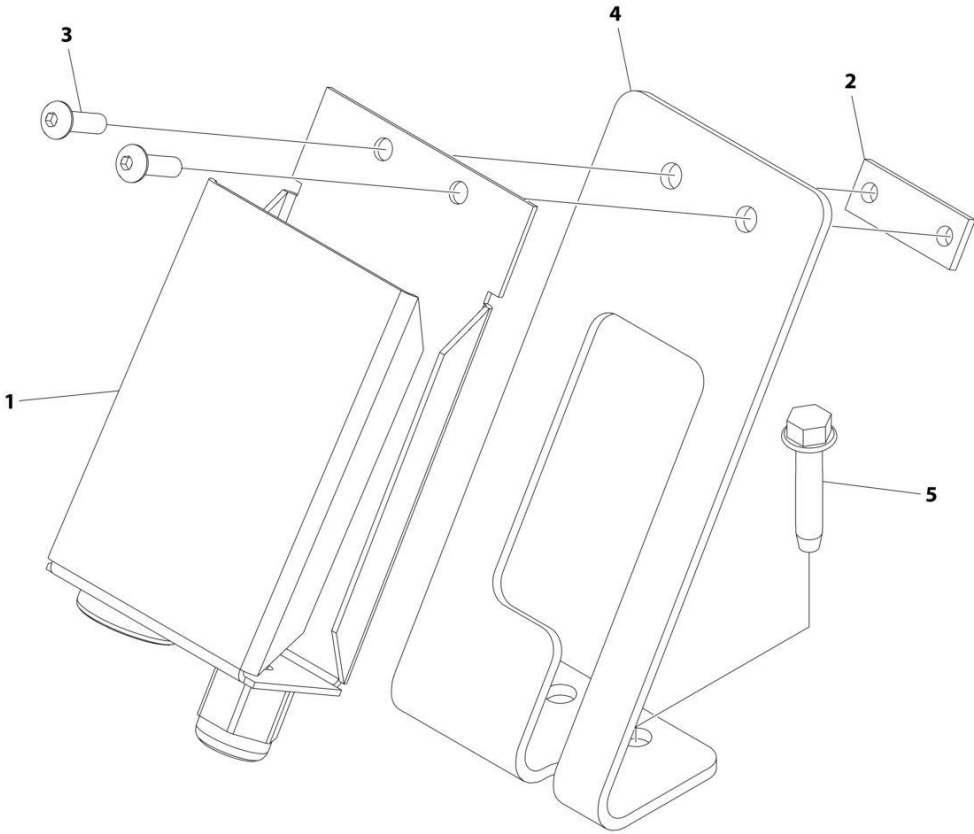
SECTION 5 - CONTROLS

FIGURE 5-24. REMOTE CONTROL ASSEMBLY - HAND HELD (SRS)

ITEM	PART NUMBER	QTY	DESCRIPTION	REV
1	7295000126 7295000126	Ref 1	REMOTE CONTROL ASSEMBLY - HAND HELD (SRS) Controller - 8 Function	A

SECTION 5 - CONTROLS

FIGURE 5-25. REMOTE CONTROL HOLDER INSTALLATION



ART_2002000031

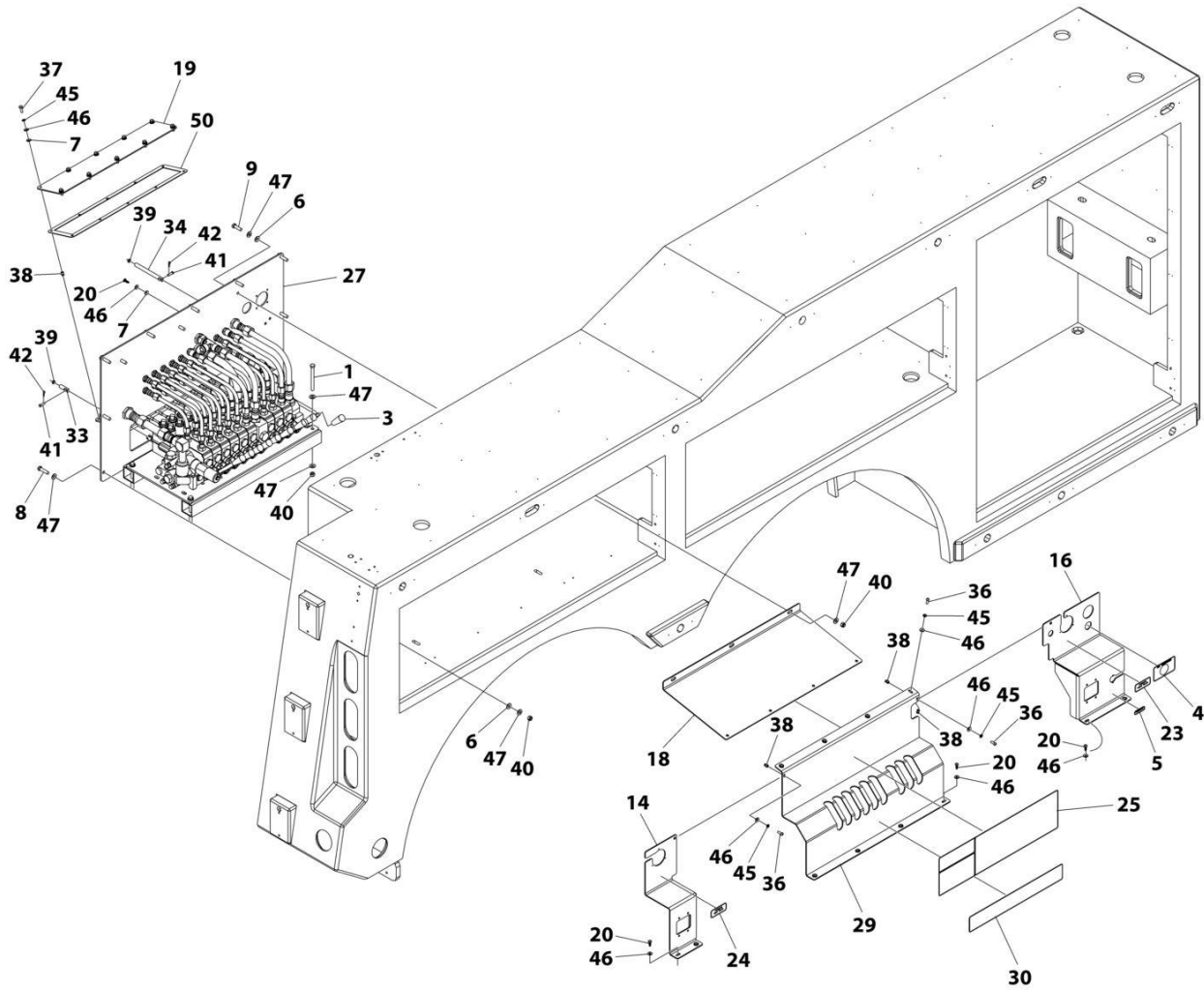
SECTION 5 - CONTROLS

FIGURE 5-25. REMOTE CONTROL HOLDER INSTALLATION

ITEM	PART NUMBER	QTY	DESCRIPTION	REV
	2002000031	Ref	Remote Control Transmitter Holder	D
1	7002000521	1	Holder, Box	
2	7661000056	1	Nut #10	
3	7114100518	2	Screw #10 x 5/8	
4	1001230127	1	Mount	
5	7790142051	2	Screw 1/4 x 1-1/4	

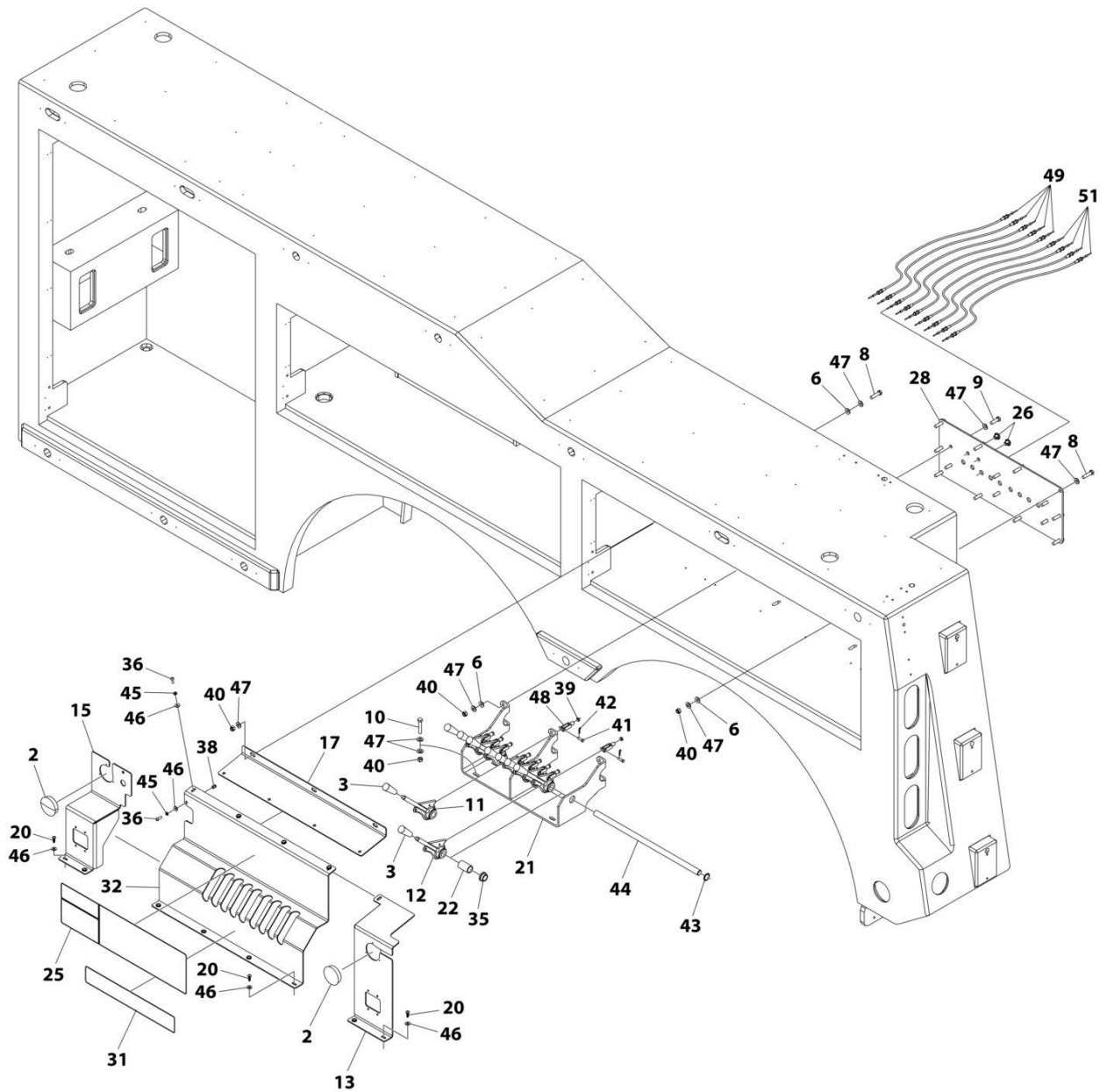
SECTION 5 - CONTROLS

FIGURE 5-26. CONTROLS INSTALLATION - 9 SECTION/3 SOLENOID (SN 0230004275 through 0230004572)



ART_1001207715_1OF2

SECTION 5 - CONTROLS



ART_1001207715_20F2

SECTION 5 - CONTROLS

FIGURE 5-26. CONTROLS INSTALLATION - 9 SECTION/3 SOLENOID (SN 0230004275 through 0230004572)

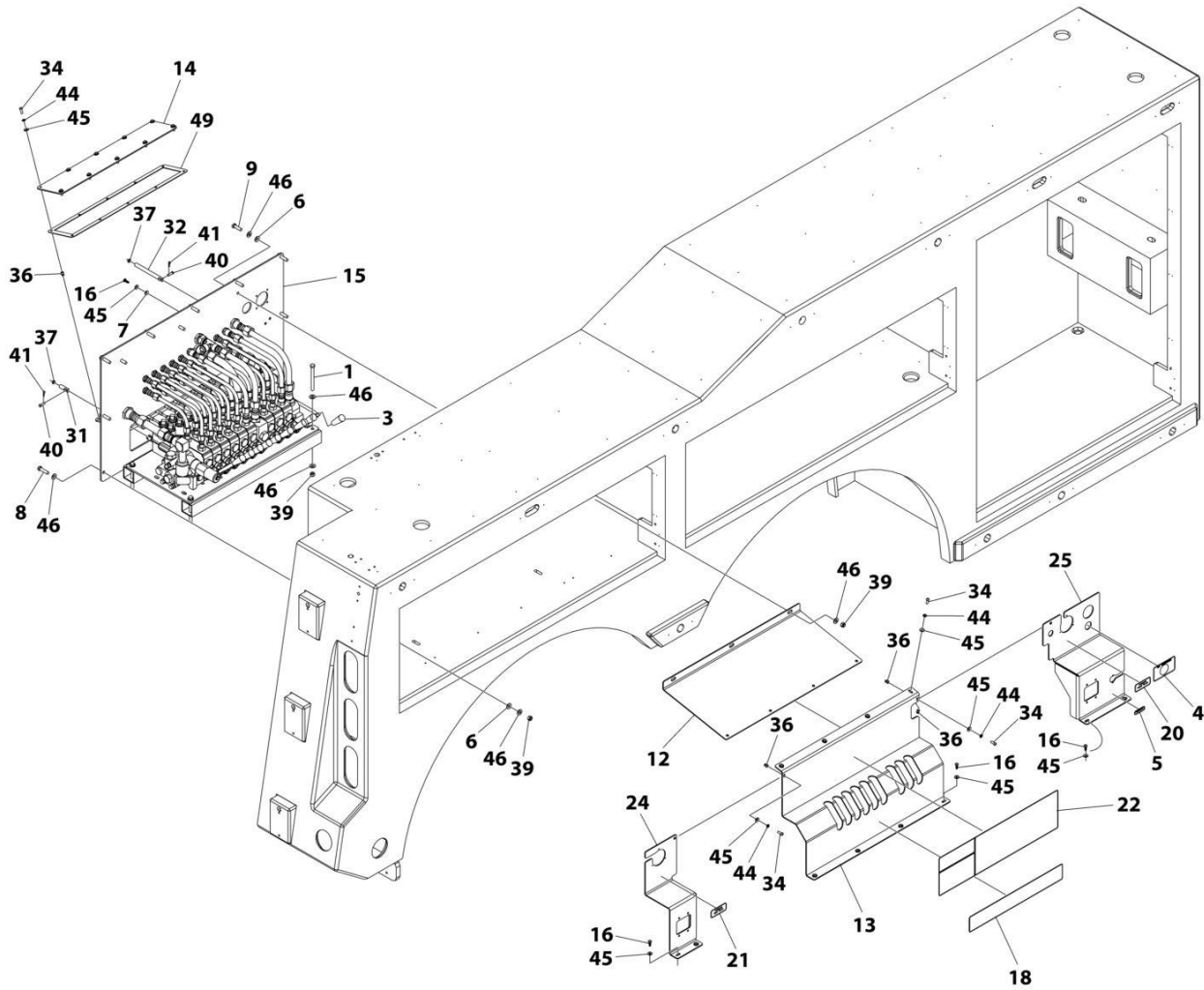
ITEM	PART NUMBER	QTY	DESCRIPTION	REV
	1001207715	Ref	CONTROLS INSTALLATION - 9 SECTION/3 SOLENOID	B
1	0641632	4	Bolt 3/8 x 4	
2	3520064	2	Plug	
3	1001130491	18	Knob, Control	
4	1001134433	1	Decal	
5	1001154277	1	Decal	
6	1001166974	31	Washer 3/8	
7	1001166978	13	Washer 1/4	
8	1001168993	22	Bolt 3/8 x 1-1/2	
9	1001169080	9	Bolt 3/8 x 1-1/4	
10	1001169083	4	Bolt 3/8 x 2	
11	1001184827	2	Handle, Long	
12	1001184828	7	Handle, Short	
13	1001199318	1	Panel, Controls Rear LH	
14	1001199322	1	Panel, Controls Rear RH	
15	1001199311	1	Panel, Controls Front LH	
16	1001199324	1	Panel, Controls Front RH	
17	1001189783	1	Panel, Controls Top LH	
18	1001189784	1	Panel, Controls Top RH	
19	1001189993	1	Panel, Cover	
20	1001194676	19	Screw 1/4 x 3/4	
21	1001212427	1	Bracket, Controls Handles LH	
22	1001194736	1	Spacer	
23	1001196909	1	Decal	
24	1001196910	1	Decal	
25	1001196911	2	Decal	
26	1001201079	2	Plug	
27	1001202432	1	Valve Sub-Assembly (See Separate Breakdown in HYDRAULIC Section)	
28	1001202499	1	Plate, Bulkhead 9 Section LH	
29	1001202508	1	Panel, Controls 9 Section RH	
30	1001202517	1	Decal	
31	1001202518	1	Decal	
32	1001202680	1	Panel, Controls 9 Section LH	
33	4309000001	3	Coupling	
34	4309000007	6	Coupling	
35	7082000005	2	Bearing	
36	7114140618	11	Capscrew 1/4 x 3/4	
37	7114140650	10	Bolt 1/4 x 3/4	
38	7413000002	21	Nutsert 1/4	
39	7660140230	18	Nut 1/4	
40	7660162601	39	Nut 3/8	
41	7690141200	18	Pin	
42	7691000075	18	Pin	
43	7754000009	2	Ring, Retaining	
44	7806000008	1	Shaft	
45	7950140003	21	Washer 1/4	
46	7950140143	40	Washer 1/4	
47	7950160143	78	Washer 3/8	

SECTION 5 - CONTROLS

ITEM	PART NUMBER	QTY	DESCRIPTION	REV
48	7990000003	9	Yoke	
49	1001202741	5	Cable, Push-Pull	
50	7796000012	4 ft	Seal	
51	1001206801	4	Cable, Push-Pull	

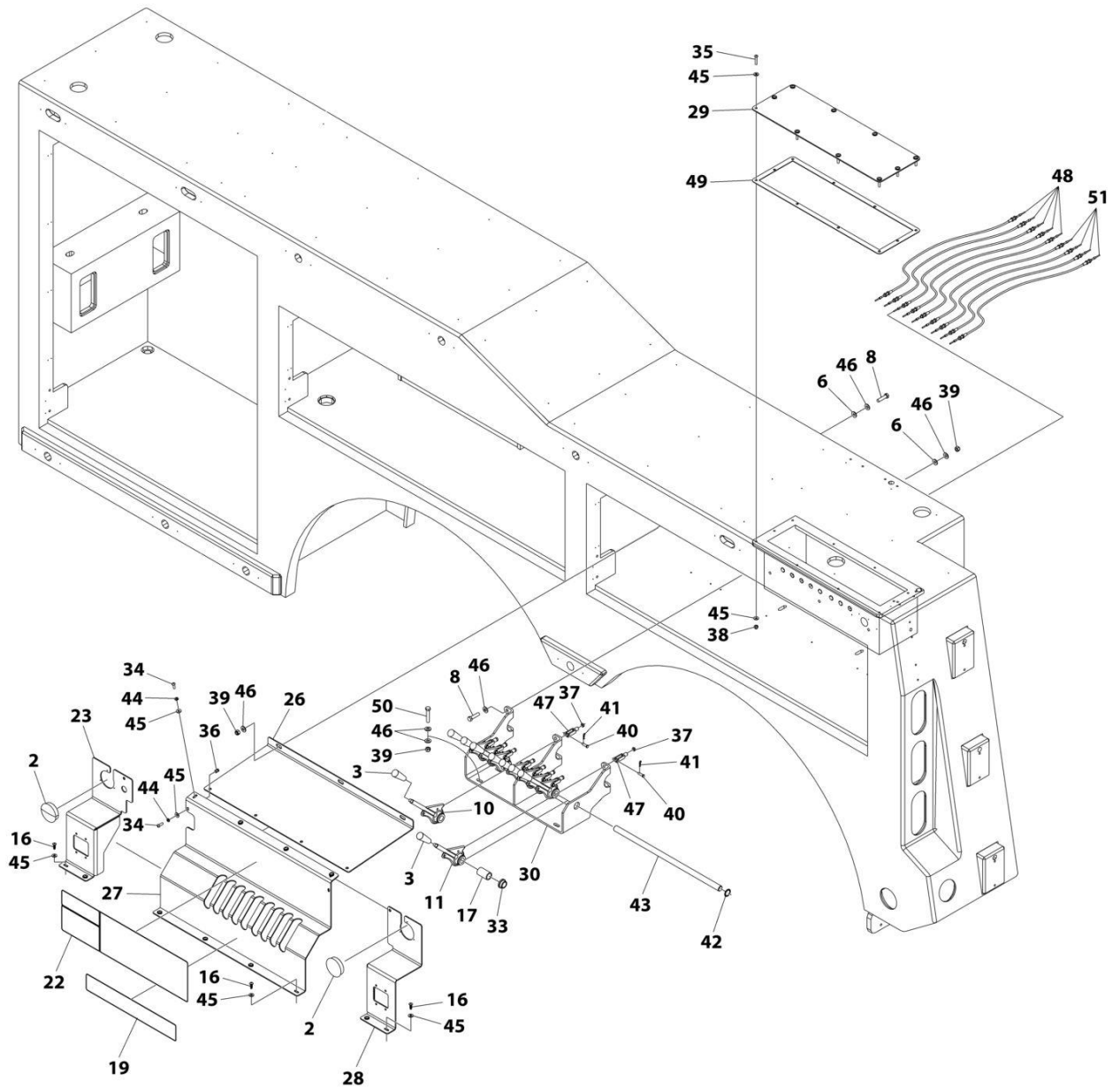
SECTION 5 - CONTROLS

FIGURE 5-27. CONTROLS INSTALLATION - 9 SECTION/3 SOLENOID (SN 0230004573 through 0230006134)



ART_1001219699_1OF2

SECTION 5 - CONTROLS



ART_1001219699_20F2

SECTION 5 - CONTROLS

FIGURE 5-27. CONTROLS INSTALLATION - 9 SECTION/3 SOLENOID (SN 0230004573 through 0230006134)

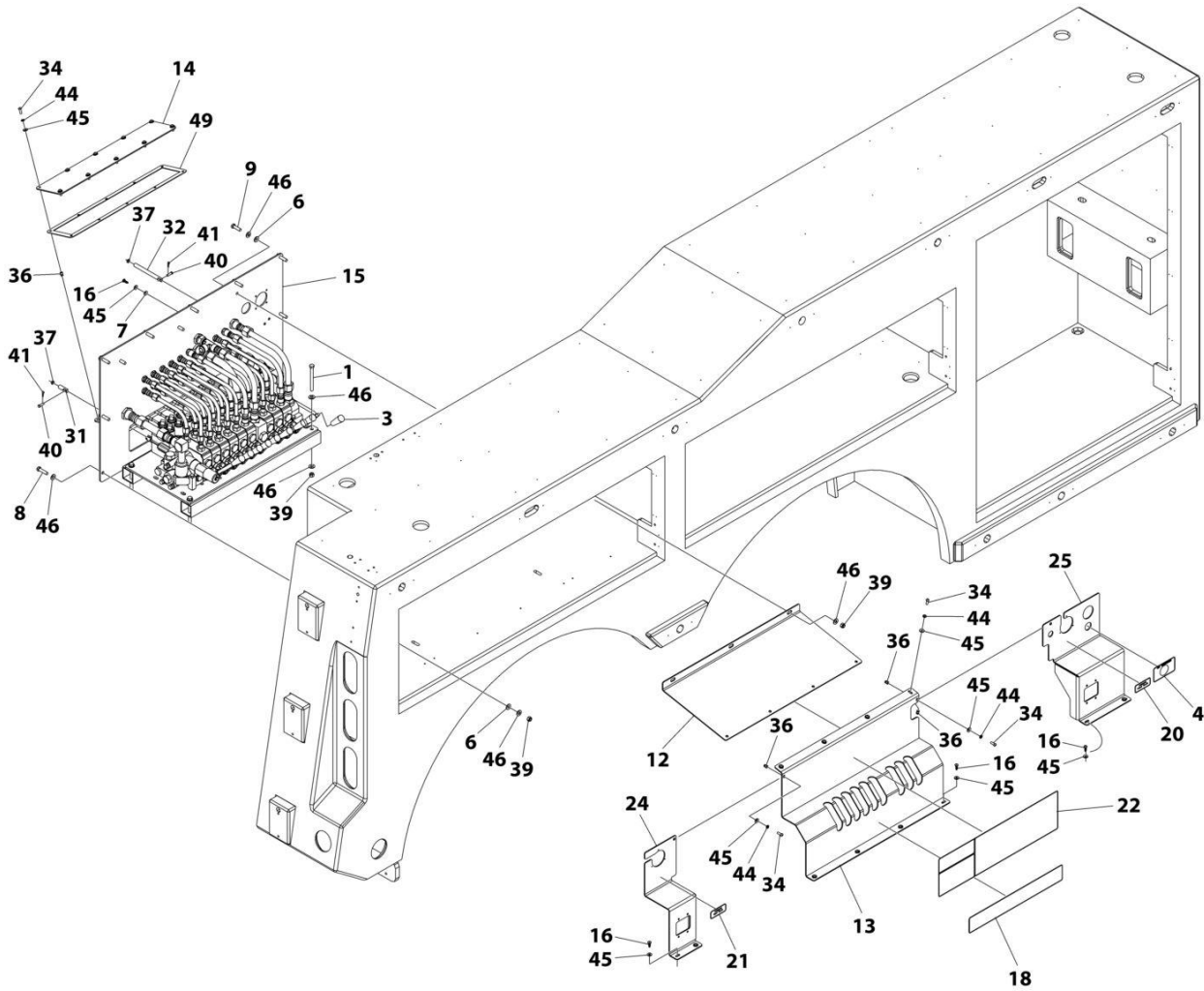
ITEM	PART NUMBER	QTY	DESCRIPTION	REV
	1001219699	Ref	CONTROLS INSTALLATION - 9 SECTION/3 SOLENOID	
1	0641632	4	Bolt 3/8 x 4	
2	3520064	2	Plug	
3	1001130491	18	Knob, Control	
4	1001134433	1	Decal	
5	1001154277	1	Decal	
6	1001166974	21	Washer 3/8	
7	1001166978	3	Washer 1/4	
8	1001168993	18	Bolt 3/8 x 1-1/2	
9	1001169080	3	Bolt 3/8 x 1-1/4	
10	1001184827	2	Handle, Long	
11	1001184828	7	Handle, Short	
12	1001189784	1	Panel, Controls Top RH	
13	1001202508	1	Panel, Controls 9 Section RH	
14	1001189993	1	Panel, Cover	
15	1001202432	1	Valve Sub-Assembly (See Separate Breakdown in HYDRAULIC Section)	
16	1001194676	19	Screw 1/4 x 3/4	
17	1001194736	1	Spacer	
18	1001202517	1	Decal	
19	1001202518	1	Decal	
20	1001196909	1	Decal	
21	1001196910	1	Decal	
22	1001196911	2	Decal	
23	1001199311	1	Panel, Controls Front LH	
24	1001199322	1	Panel, Controls Rear RH	
25	1001199324	1	Panel, Controls Front RH	
26	1001214902	1	Panel, Controls Top LH	
27	1001219743	1	Panel, Controls 9 Section LH	
28	1001219691	1	Panel, Controls Rear LH	
29	1001219937	1	Plate, Cover	
30	1001220068	1	Bracket	
31	4309000001	3	Coupling	
32	4309000007	6	Coupling	
33	7082000005	2	Bearing	
34	7114140618	22	Capscrew 1/4 x 3/4	
35	7114141018	10	Capscrew 1/4 x 1-1/4	
36	7413000002	22	Nutsert 1/4	
37	7660140230	18	Nut 1/4	
38	7660142601	10	Nut 1/4	
39	7660162601	29	Nut 3/8	
40	7690141200	18	Pin	
41	7691000075	18	Pin	
42	7754000009	2	Ring, Retaining	
43	7806000008	1	Shaft	
44	7990000003	22	Yoke	
45	7950140143	61	Washer 1/4	
46	7950160143	58	Washer 3/8	
47	7950140003	9	Washer 1/4	

SECTION 5 - CONTROLS

ITEM	PART NUMBER	QTY	DESCRIPTION	REV
48	1001202741	5	Cable, Push-Pull	
49	7796000012	9 ft	Seal	
50	1001169083	4	Bolt 3/8 x 2	
51	1001206801	4	Cable, Push-Pull	

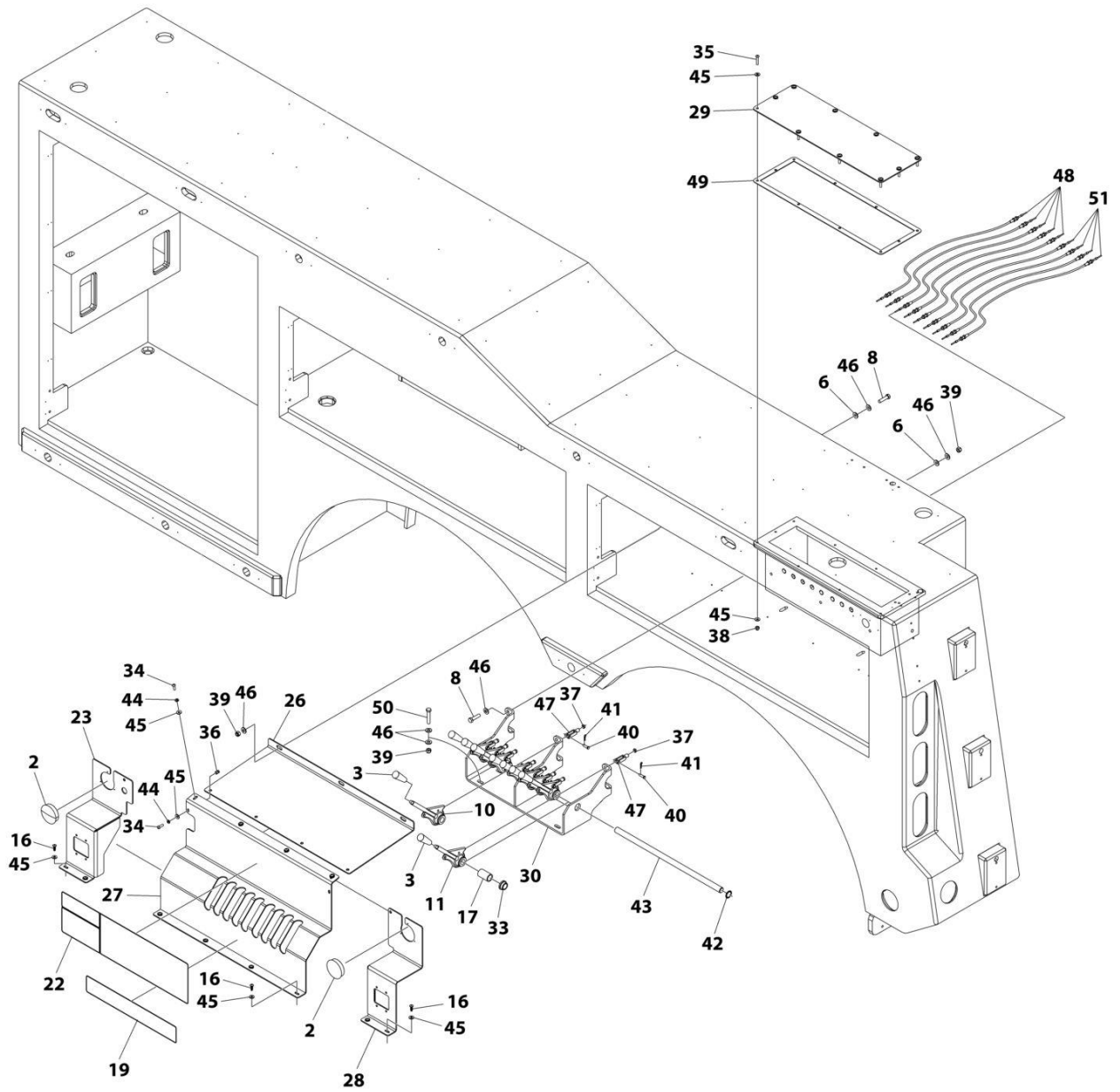
SECTION 5 - CONTROLS

FIGURE 5-28. CONTROLS INSTALLATION - 9 SECTION/3 SOLENOID (SN 0230006135 to Present)



ART_1001235578_1OF2

SECTION 5 - CONTROLS



ART_1001235578_20F2

SECTION 5 - CONTROLS

FIGURE 5-28. CONTROLS INSTALLATION - 9 SECTION/3 SOLENOID (SN 0230006135 to Present)

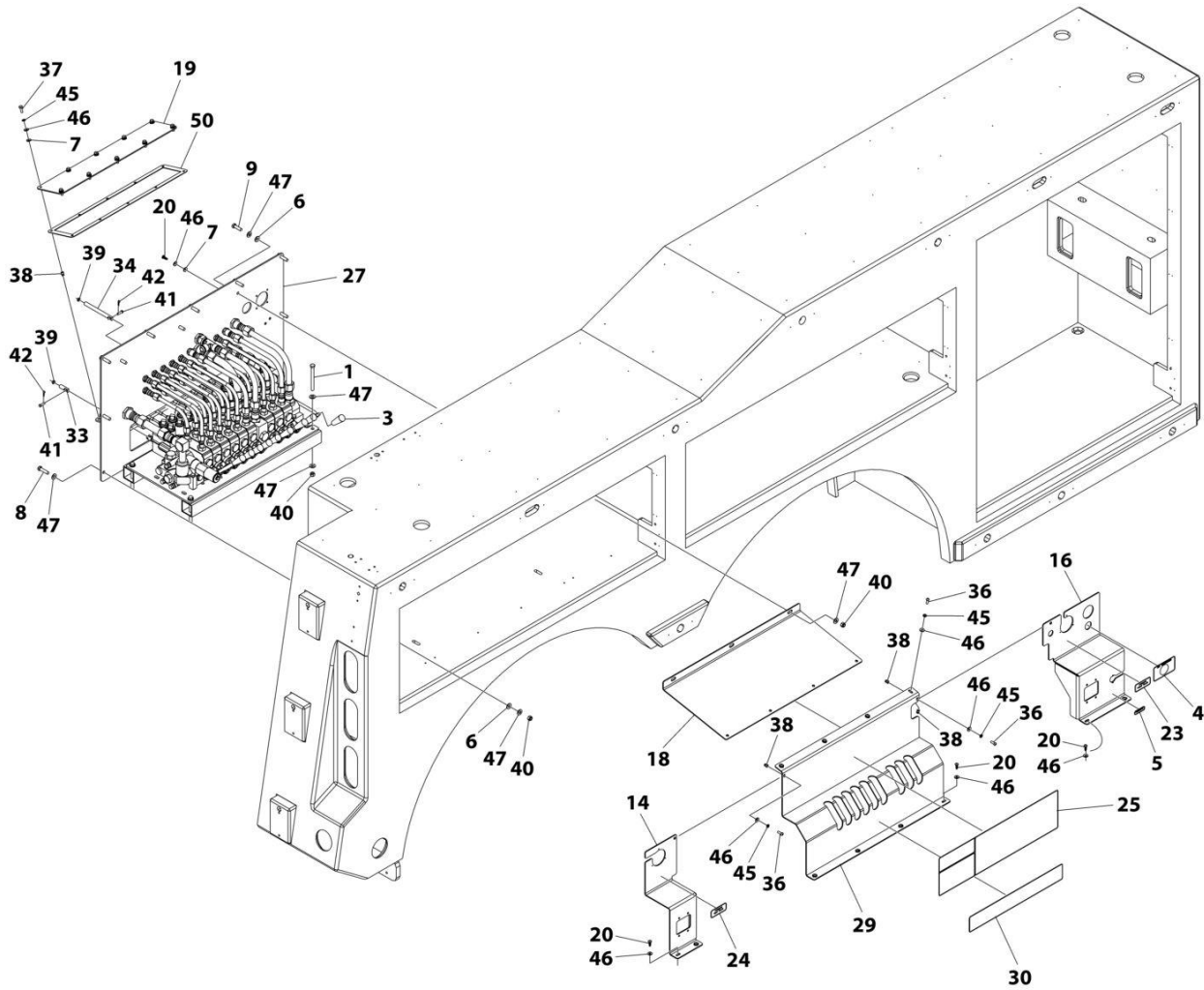
ITEM	PART NUMBER	QTY	DESCRIPTION	REV
	1001235578	Ref	CONTROLS INSTALLATION - 9 SECTION/3 SOLENOID	C
1	0641632	4	Bolt 3/8 x 4	
2	3520064	2	Plug	
3	1001130491	18	Knob, Control	
4	1001257300	1	Decal	
6	1001166974	21	Washer 3/8	
7	1001166978	3	Washer 1/4	
8	1001168993	18	Bolt 3/8 x 1-1/2	
9	1001169080	3	Bolt 3/8 x 1-1/4	
10	1001184827	2	Handle, Long	
11	1001184828	7	Handle, Short	
12	1001189784	1	Panel, Controls Top RH	
13	1001202508	1	Panel, Controls 9 Section RH	
14	1001189993	1	Panel, Cover	
15	1001202432	1	Valve Sub-Assembly (See Separate Breakdown in HYDRAULIC Section)	
16	1001194676	19	Screw 1/4 x 3/4	
17	1001194736	1	Spacer	
18	1001202517	1	Decal	
19	1001202518	1	Decal	
20	1001196909	1	Decal	
21	1001196910	1	Decal	
22	1001196911	2	Decal	
23	1001235583	1	Panel, Controls Front LH	
24	1001199322	1	Panel, Controls Rear RH	
25	1001235584	1	Panel, Controls Front RH	
26	1001214902	1	Panel, Controls Top LH	
27	1001219743	1	Panel, Controls 9 Section LH	
28	1001219691	1	Panel, Controls Rear LH	
29	1001219937	1	Plate, Cover	
30	1001220068	1	Bracket, Controls Handles LH	
31	4309000001	3	Coupling	
32	4309000007	6	Coupling	
33	7082000005	2	Bearing	
34	7114140618	22	Capscrew 1/4 x 3/4	
35	7114141018	10	Capscrew 1/4 x 1-1/4	
36	7413000002	22	Nutsert 1/4	
37	7660140230	18	Nut 1/4	
38	7660142601	10	Nut 1/4	
39	7660162601	29	Nut 3/8	
40	7690141200	18	Pin	
41	7691000075	18	Pin	
42	7754000009	2	Ring, Retaining	
43	7806000008	1	Shaft	
44	7950140003	22	Washer 1/4	
45	7950140143	61	Washer 1/4	
46	7950160143	58	Washer 3/8	
47	7990000003	9	Yoke	
48	1001202741	5	Cable, Push-Pull	
49	7796000012	9 ft	Seal	

SECTION 5 - CONTROLS

ITEM	PART NUMBER	QTY	DESCRIPTION	REV
50	1001169083	4	Bolt 3/8 x 2	
51	1001206801	4	Cable, Push-Pull	

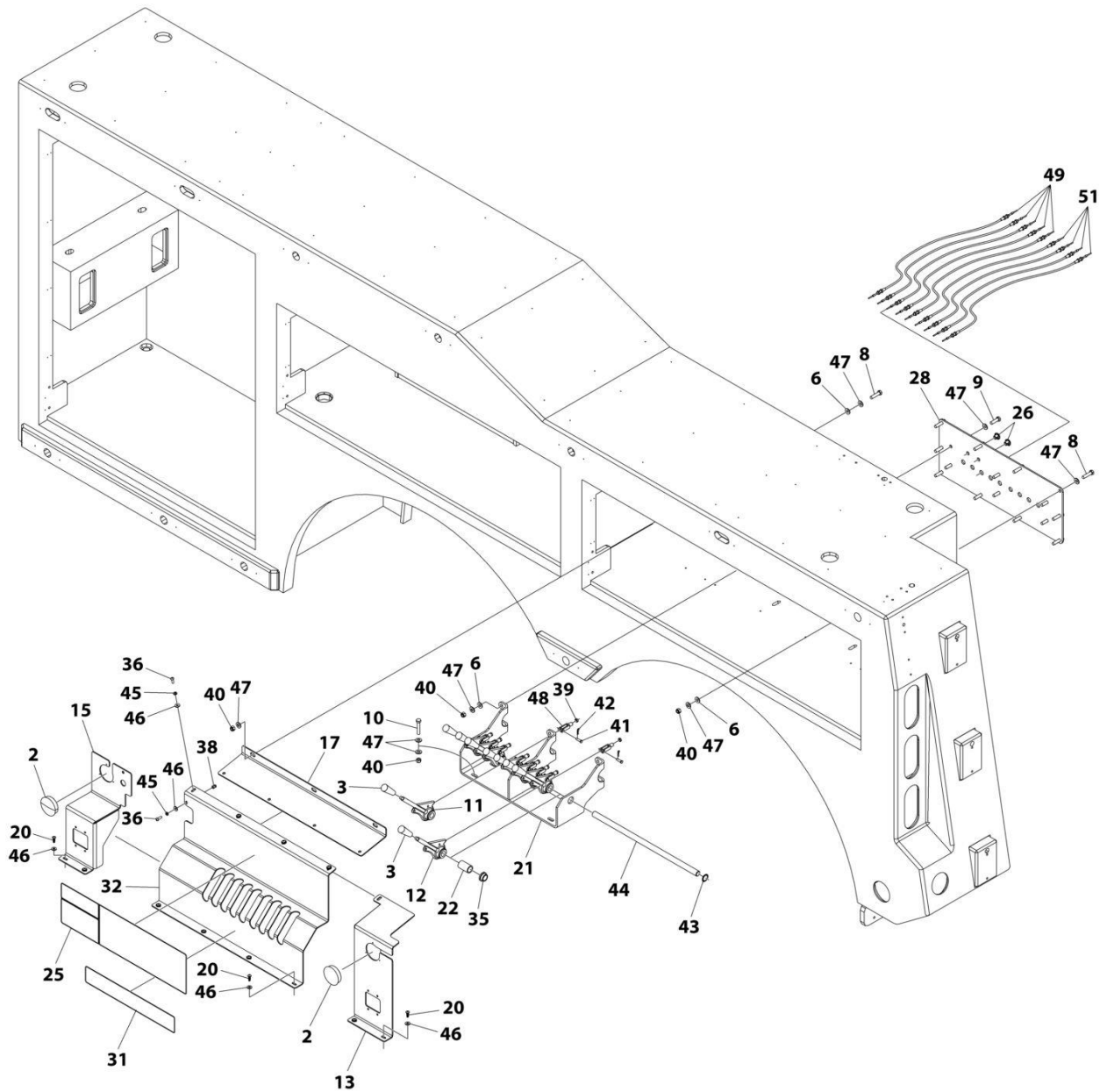
SECTION 5 - CONTROLS

FIGURE 5-29. CONTROLS INSTALLATION - 9 SECTION/7 SOLENOID (SN 0230004275 through 0230004572)



ART_1001207716_1OF2

SECTION 5 - CONTROLS



ART_1001207716_20F2

SECTION 5 - CONTROLS

FIGURE 5-29. CONTROLS INSTALLATION - 9 SECTION/7 SOLENOID (SN 0230004275 through 0230004572)

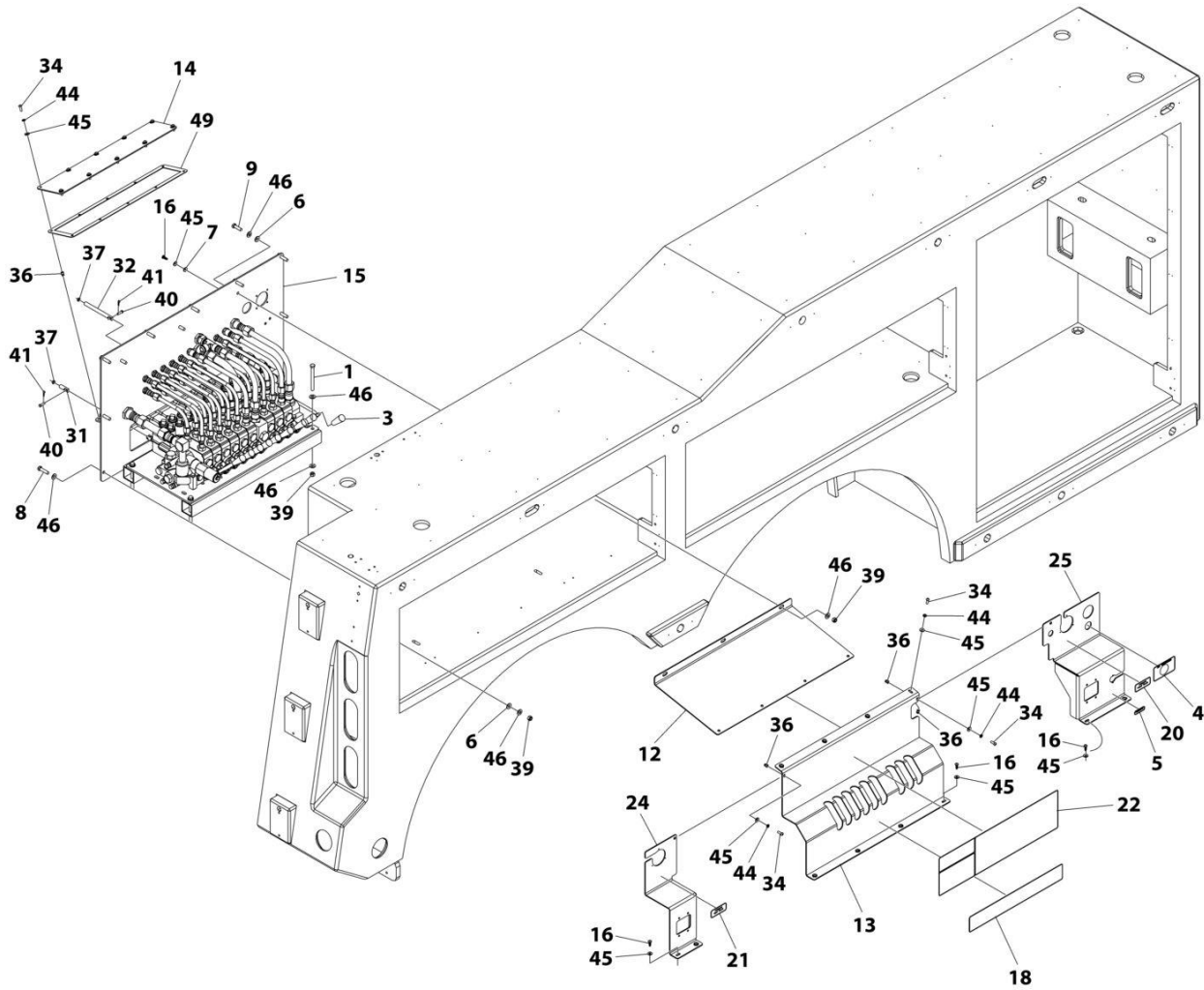
ITEM	PART NUMBER	QTY	DESCRIPTION	REV
	1001207716	Ref	CONTROLS INSTALLATION - 9 SECTION/7 SOLENOID	B
1	0641632	4	Bolt 3/8 x 4	
2	3520064	2	Plug	
3	1001130491	18	Knob, Control	
4	1001134433	1	Decal	
5	1001154277	1	Decal	
6	1001166974	31	Washer 3/8	
7	1001166978	13	Washer 1/4	
8	1001168993	22	Bolt 3/8 x 1-1/2	
9	1001169080	9	Bolt 3/8 x 1-1/4	
10	1001169083	4	Bolt 3/8 x 2	
11	1001184827	2	Handle, Long	
12	1001184828	7	Handle, Short	
13	1001199318	1	Panel, Controls Rear LH	
14	1001199322	1	Panel, Controls Rear RH	
15	1001199311	1	Panel, Controls Front LH	
16	1001199324	1	Panel, Controls Front RH	
17	1001189783	1	Panel, Controls Top LH	
18	1001189784	1	Panel, Controls Top RH	
19	1001189993	1	Panel, Cover	
20	1001194676	19	Screw 1/4 x 3/4	
21	1001212427	1	Bracket, Controls Handles LH	
22	1001194736	1	Spacer	
23	1001196909	1	Decal	
24	1001196910	1	Decal	
25	1001196911	2	Decal	
26	1001201079	2	Plug	
27	1001202433	1	Valve Sub-Assembly (See Separate Breakdown in HYDRAULIC Section)	
28	1001202499	1	Panel, Controls 9 Section LH	
29	1001202508	1	Panel, Controls 9 Section RH	
30	1001202517	1	Decal	
31	1001202518	1	Decal	
32	1001202680	1	Panel, Controls 9 Section LH	
33	4309000001	7	Coupling	
34	4309000007	2	Coupling	
35	7082000005	2	Bearing	
36	7114140618	11	Capscrew 1/4 x 3/4	
37	7114140650	10	Capscrew 1/4 x 3/4	
38	7413000002	21	Nutsert 1/4	
39	7660140230	18	Nut 1/4	
40	7660162601	39	Nut 3/8	
41	7690141200	18	Pin	
42	7691000075	18	Pin	
43	7754000009	2	Ring, Retaining	
44	7806000008	1	Shaft	
45	7950140003	21	Washer 1/4	
46	7950140143	40	Washer 1/4	
47	7950160143	78	Washer 3/8	

SECTION 5 - CONTROLS

ITEM	PART NUMBER	QTY	DESCRIPTION	REV
48	7990000003	9	Yoke	
49	1001202741	5	Cable, Push-Pull	
50	7796000012	4 ft	Seal	
51	1001206801	4	Cable, Push-Pull	

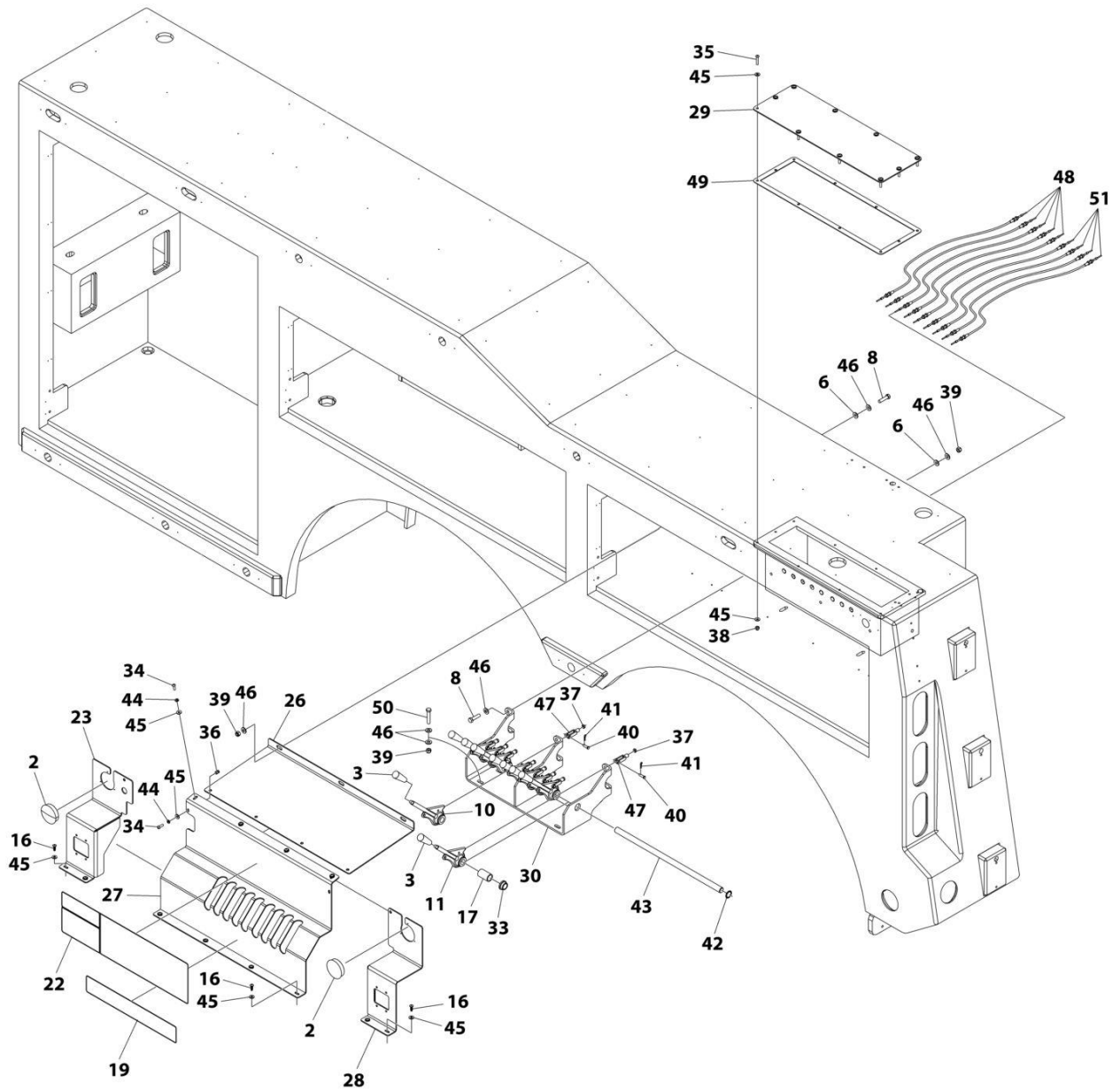
SECTION 5 - CONTROLS

FIGURE 5-30. CONTROLS INSTALLATION - 9 SECTION/7 SOLENOID (SN 0230004573 through 0230006134)



ART_1001219700_1OF2

SECTION 5 - CONTROLS



ART_1001219700_20F2

SECTION 5 - CONTROLS

FIGURE 5-30. CONTROLS INSTALLATION - 9 SECTION/7 SOLENOID (SN 0230004573 through 0230006134)

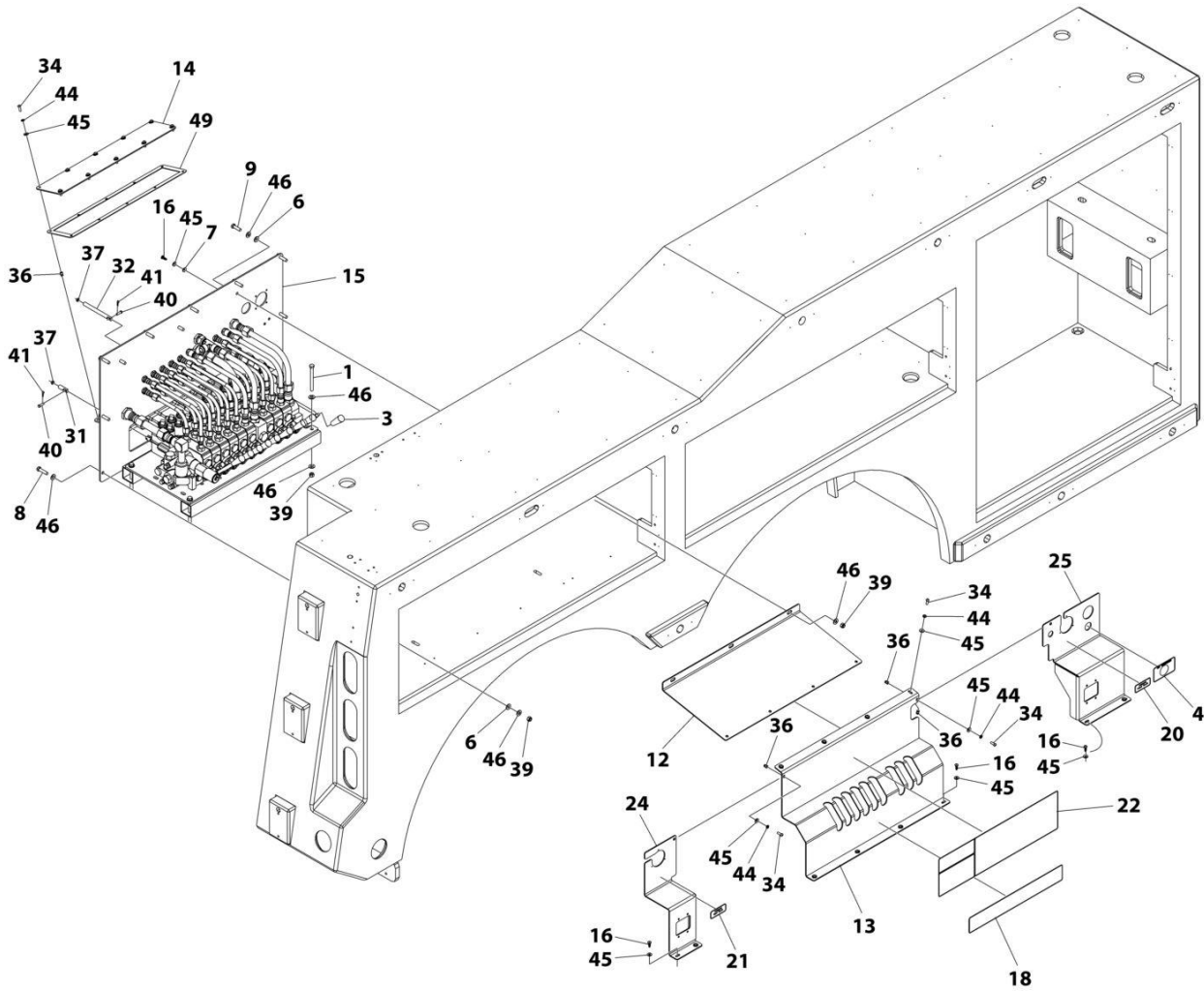
ITEM	PART NUMBER	QTY	DESCRIPTION	REV
	1001219700	Ref	CONTROLS INSTALLATION - 9 SECTION/7 SOLENOID	B
1	0641632	4	Bolt 3/8 x 4	
2	3520064	2	Plug	
3	1001130491	18	Knob, Control	
4	1001134433	1	Decal	
5	1001154277	1	Decal	
6	1001166974	21	Washer 3/8	
7	1001166978	3	Washer 1/4	
8	1001168993	18	Bolt 3/8 x 1-1/2	
9	1001169080	3	Bolt 3/8 x 1-1/4	
10	1001184827	2	Handle, Long	
11	1001184828	7	Handle, Short	
12	1001189784	1	Panel, Controls Top RH	
13	1001202508	1	Panel, Controls 9 Section RH	
14	1001189993	1	Panel, Cover	
15	1001202433	1	Valve Sub-Assembly (See Separate Breakdown in HYDRAULIC Section)	
16	1001194676	19	Screw 1/4 x 3/4	
17	1001194736	1	Spacer	
18	1001202517	1	Decal	
19	1001202518	1	Decal	
20	1001196909	1	Decal	
21	1001196910	1	Decal	
22	1001196911	2	Decal	
23	1001199311	1	Panel, Controls Front LH	
24	1001199322	1	Panel, Controls Rear RH	
25	1001199324	1	Panel, Controls Front RH	
26	1001214902	1	Panel, Controls Top LH	
27	1001219743	1	Panel, Controls 9 Section LH	
28	1001219691	1	Panel, Controls Rear LH	
29	1001219937	1	Plate, Cover	
30	1001220068	1	Bracket, Controls Handles LH	
31	4309000001	7	Coupling	
32	4309000007	2	Coupling	
33	7082000005	2	Bearing	
34	7114140618	22	Capscrew 1/4 x 3/4	
35	7114141018	10	Capscrew 1/4 x 1-1/4	
36	7413000002	22	Nutsert 1/4	
37	7660140230	18	Nut 1/4	
38	7660142601	10	Nut 1/4	
39	7660162601	29	Nut 3/8	
40	7690141200	18	Pin	
41	7691000075	18	Pin	
42	7754000009	2	Ring, Retaining	
43	7806000008	1	Shaft	
44	7950140003	22	Washer 1/4	
45	7950140143	61	Washer 1/4	
46	7950160143	58	Washer 3/8	
47	7990000003	9	Yoke	

SECTION 5 - CONTROLS

ITEM	PART NUMBER	QTY	DESCRIPTION	REV
48	1001202741	5	Cable, Push-Pull	
49	7796000012	9 ft	Seal	
50	1001169083	4	Bolt 3/8 x 2	
51	1001206801	4	Cable, Push-Pull	

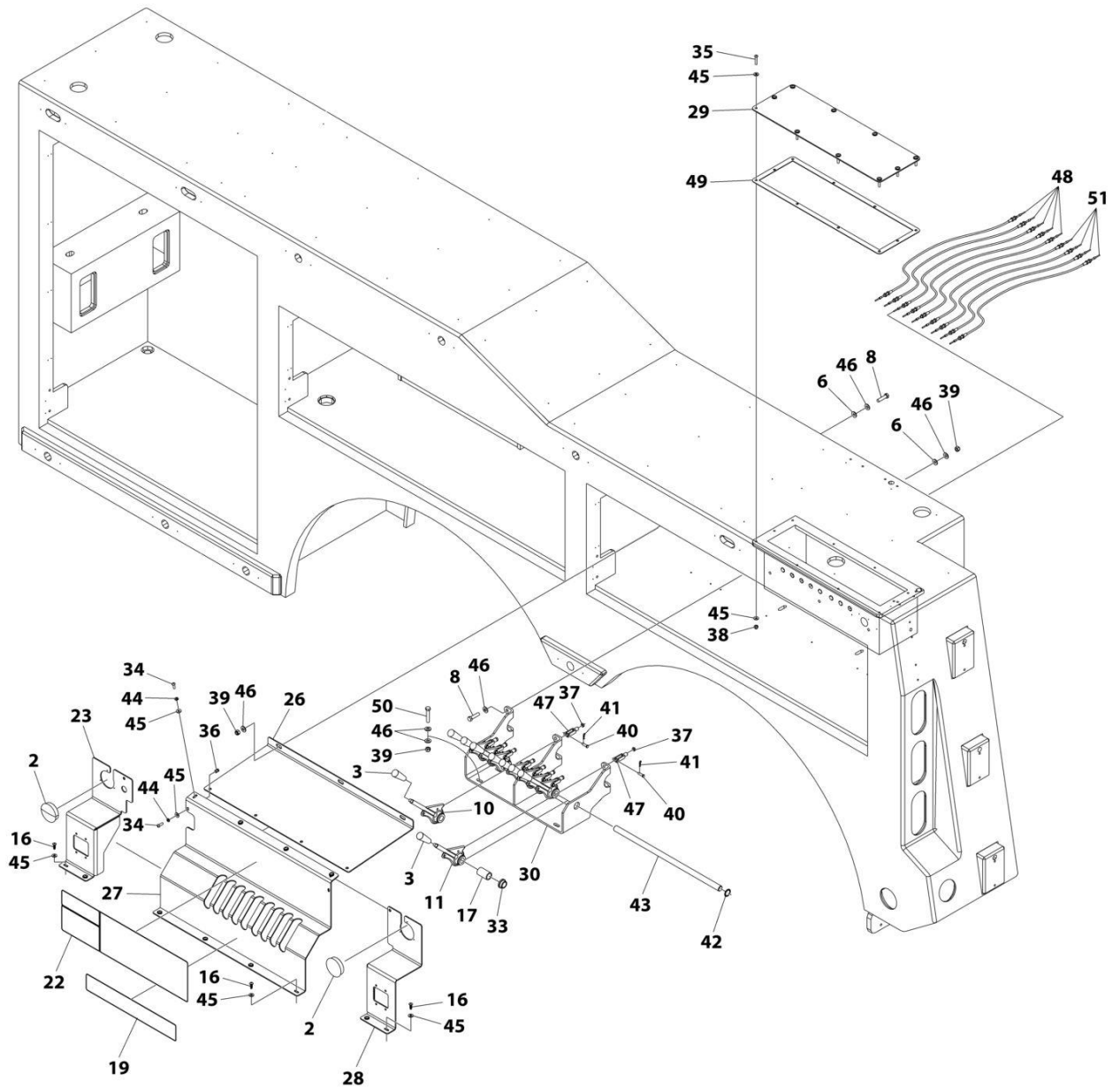
SECTION 5 - CONTROLS

FIGURE 5-31. CONTROLS INSTALLATION - 9 SECTION/7 SOLENOID (SN 0230006135 to Present)



ART_1001235579_1OF2

SECTION 5 - CONTROLS



ART_1001235579_20F2

SECTION 5 - CONTROLS

FIGURE 5-31. CONTROLS INSTALLATION - 9 SECTION/7 SOLENOID (SN 0230006135 to Present)

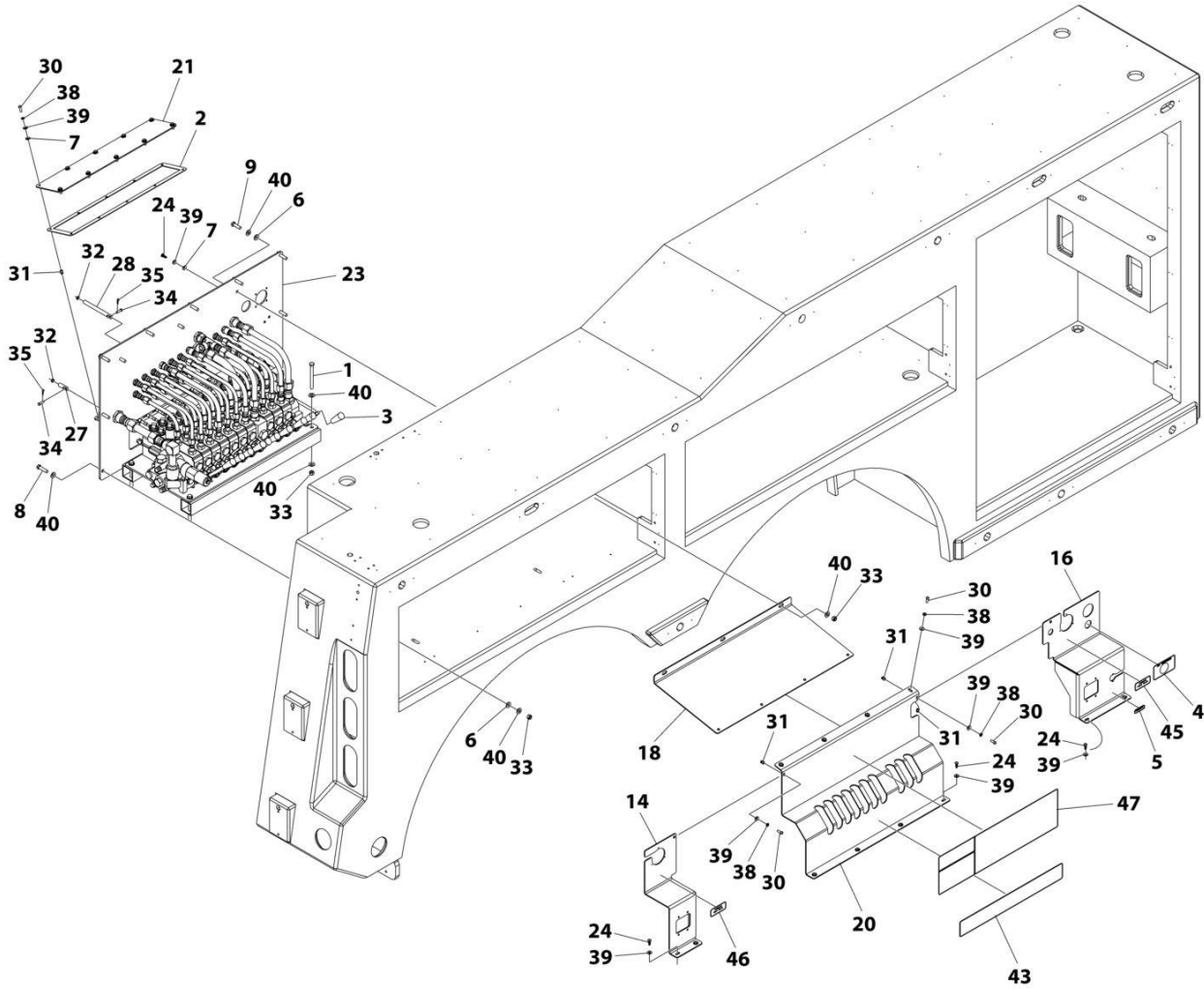
ITEM	PART NUMBER	QTY	DESCRIPTION	REV
	1001235579	Ref	CONTROLS INSTALLATION - 9 SECTION/7 SOLENOID	C
1	0641632	4	Bolt 3/8 x 4	
2	3520064	2	Plug	
3	1001130491	18	Knob, Control	
4	1001257300	1	Decal	
6	1001166974	21	Washer 3/8	
7	1001166978	3	Washer 1/4	
8	1001168993	18	Bolt 3/8 x 1-1/2	
9	1001169080	3	Bolt 3/8 x 1-1/4	
10	1001184827	2	Handle, Long	
11	1001184828	7	Handle, Short	
12	1001189784	1	Panel, Controls Top RH	
13	1001202508	1	Panel, Controls 9 Section RH	
14	1001189993	1	Panel, Cover	
15	1001202433	1	Valve Sub-Assembly (See Separate Breakdown in HYDRAULIC Section)	
16	1001194676	19	Screw 1/4 x 3/4	
17	1001194736	1	Spacer	
18	1001202517	1	Decal	
19	1001202518	1	Decal	
20	1001196909	1	Decal	
21	1001196910	1	Decal	
22	1001196911	2	Decal	
23	1001235583	1	Panel, Controls Front LH	
24	1001199322	1	Panel, Controls Rear RH	
25	1001235584	1	Panel, Controls Front RH	
26	1001214902	1	Panel, Controls Top LH	
27	1001219743	1	Panel, Controls 9 Section LH	
28	1001219691	1	Panel, Controls Rear LH	
29	1001219937	1	Plate, Cover	
30	1001220068	1	Bracket, Controls Handles LH	
31	4309000001	7	Coupling	
32	4309000007	2	Coupling	
33	7082000005	2	Bearing	
34	7114140618	22	Capscrew 1/4 x 3/4	
35	7114141018	10	Capscrew 1/4 x 1-1/4	
36	7413000002	22	Nutsert 1/4	
37	7660140230	18	Nut 1/4	
38	7660142601	10	Nut 1/4	
39	7660162601	29	Nut 3/8	
40	7690141200	18	Pin	
41	7691000075	18	Pin	
42	7754000009	2	Ring, Retaining	
43	7806000008	1	Shaft	
44	7950140003	22	Washer 1/4	
45	7950140143	61	Washer 1/4	
46	7950160143	58	Washer 3/8	
47	7990000003	9	Yoke	
48	1001202741	5	Cable, Push-Pull	
49	7796000012	9 ft	Seal	

SECTION 5 - CONTROLS

ITEM	PART NUMBER	QTY	DESCRIPTION	REV
50	1001169083	4	Bolt 3/8 x 2	
51	1001206801	4	Cable, Push-Pull	

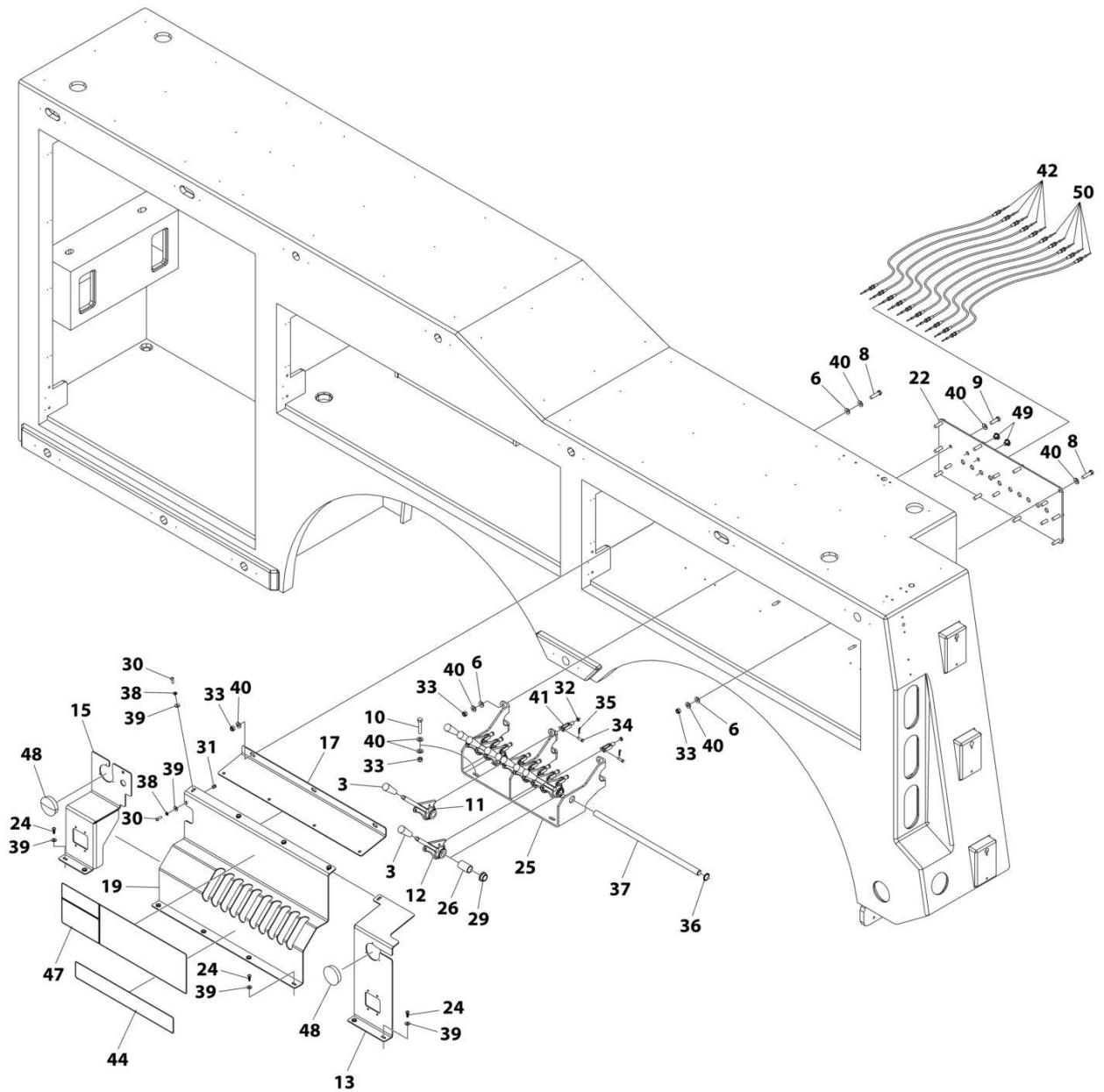
SECTION 5 - CONTROLS

FIGURE 5-32. CONTROLS INSTALLATION - 10 SECTION/8 SOLENOID (SN 0230004275 through 0230004572)



ART_1001207717_1OF2

SECTION 5 - CONTROLS



ART_1001207717_20F2

SECTION 5 - CONTROLS

FIGURE 5-32. CONTROLS INSTALLATION - 10 SECTION/8 SOLENOID (SN 0230004275 through 0230004572)

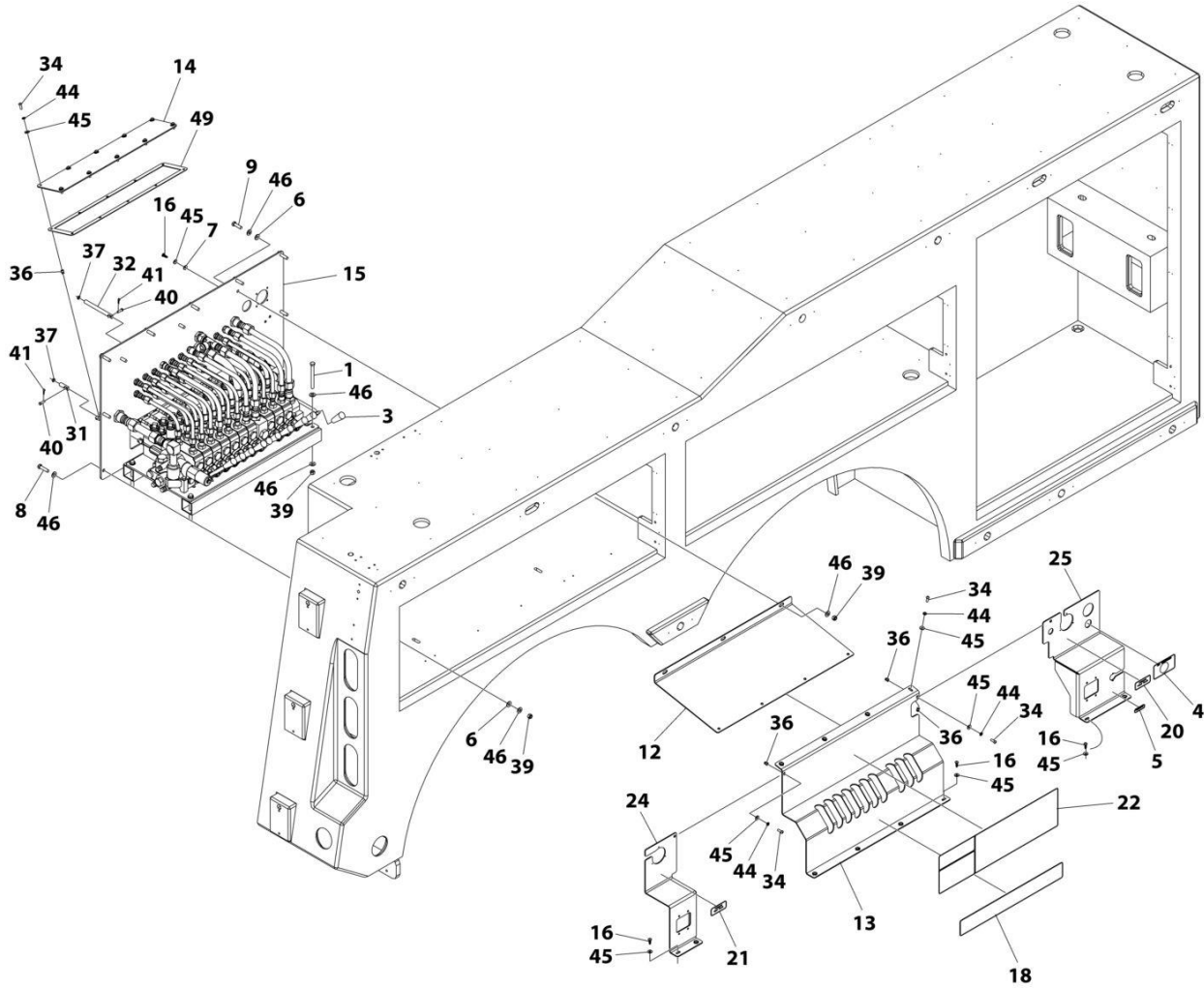
ITEM	PART NUMBER	QTY	DESCRIPTION	REV
	1001207717	Ref	CONTROLS INSTALLATION - 10 SECTION/8 SOLENOID	B
1	0641632	4	Bolt 3/8 x 4	
2	7796000012	4 ft	Seal	
3	1001130491	20	Knob, Control	
4	1001134433	1	Decal	
5	1001154277	1	Decal	
6	1001166974	31	Washer 3/8	
7	1001166978	13	Washer 1/4	
8	1001168993	22	Bolt 3/8 x 1-1/2	
9	1001169080	9	Bolt 3/8 x 1-1/4	
10	1001169083	4	Bolt 3/8 x 2	
11	1001184827	3	Handle, Long	
12	1001184828	7	Handle, Short	
13	1001199318	1	Panel, Controls Rear LH	
14	1001199322	1	Panel, Controls Rear RH	
15	1001199311	1	Panel, Controls Front LH	
16	1001199324	1	Panel, Controls Front RH	
17	1001189783	1	Panel, Controls Top LH	
18	1001189784	1	Panel, Controls Top RH	
19	1001203231	1	Panel, Controls Section LH	
20	1001203229	1	Panel, Controls Section RH	
21	1001189993	1	Panel, Cover	
22	1001203233	1	Plate, Bulkhead 10 Section LH	
23	1001202434	1	Valve Sub-Assembly (See Separate Breakdown in HYDRAULIC Section)	
24	1001194676	19	Screw 1/4 x 3/4	
25	1001212427	1	Bracket, Controls Handles LH	
26	1001194736	2	Spacer	
27	4309000001	8	Coupling	
28	4309000007	2	Coupling	
29	7082000005	2	Bearing	
30	7114140618	21	Capscrew 1/4 x 3/4	
31	7413000002	21	Nutsert 1/4	
32	7660140230	20	Nut 1/4	
33	7660162601	39	Nut 3/8	
34	7690141200	20	Pin	
35	7691000075	20	Pin	
36	7754000009	2	Ring, Retaining	
37	7806000008	1	Shaft	
38	7950140003	21	Washer 1/4	
39	7950140143	40	Washer 1/4	
40	7950160143	78	Washer 3/8	
41	7990000003	10	Yoke	
42	1001202741	5	Cable, Push-Pull	
43	1001203235	1	Decal	
44	1001203236	1	Decal	
45	1001196909	1	Decal	
46	1001196910	1	Decal	
47	1001196911	2	Decal	

SECTION 5 - CONTROLS

ITEM	PART NUMBER	QTY	DESCRIPTION	REV
48	3520064	2	Plug	
49	1001201079	2	Plug	
50	1001206801	5	Cable, Push-Pull	

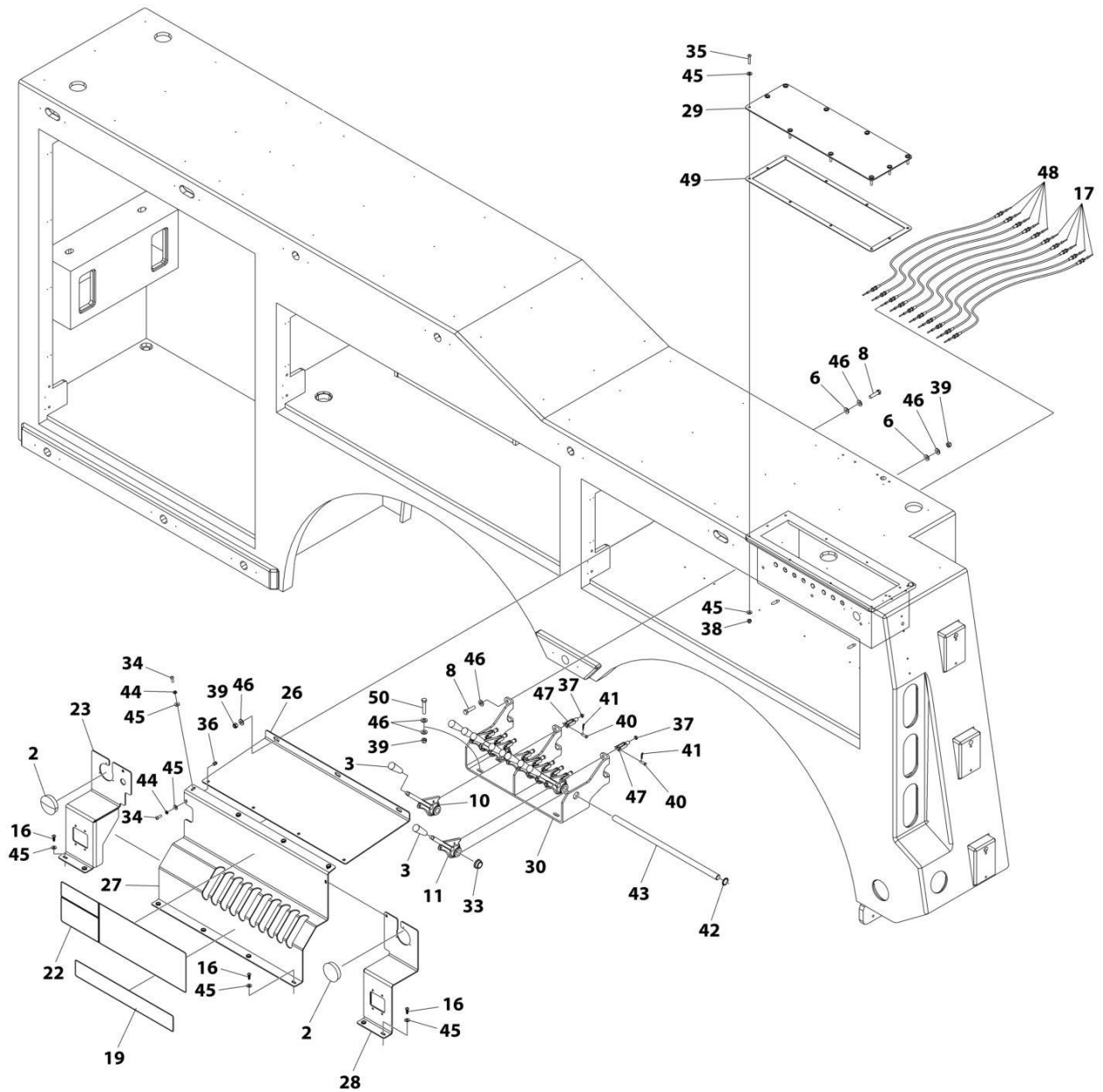
SECTION 5 - CONTROLS

FIGURE 5-33. CONTROLS INSTALLATION - 10 SECTION/8 SOLENOID (SN 0230004573 through 0230006134)



ART_1001219701_1OF2

SECTION 5 - CONTROLS



ART_1001219701_20F2

SECTION 5 - CONTROLS

FIGURE 5-33. CONTROLS INSTALLATION - 10 SECTION/8 SOLENOID (SN 0230004573 through 0230006134)

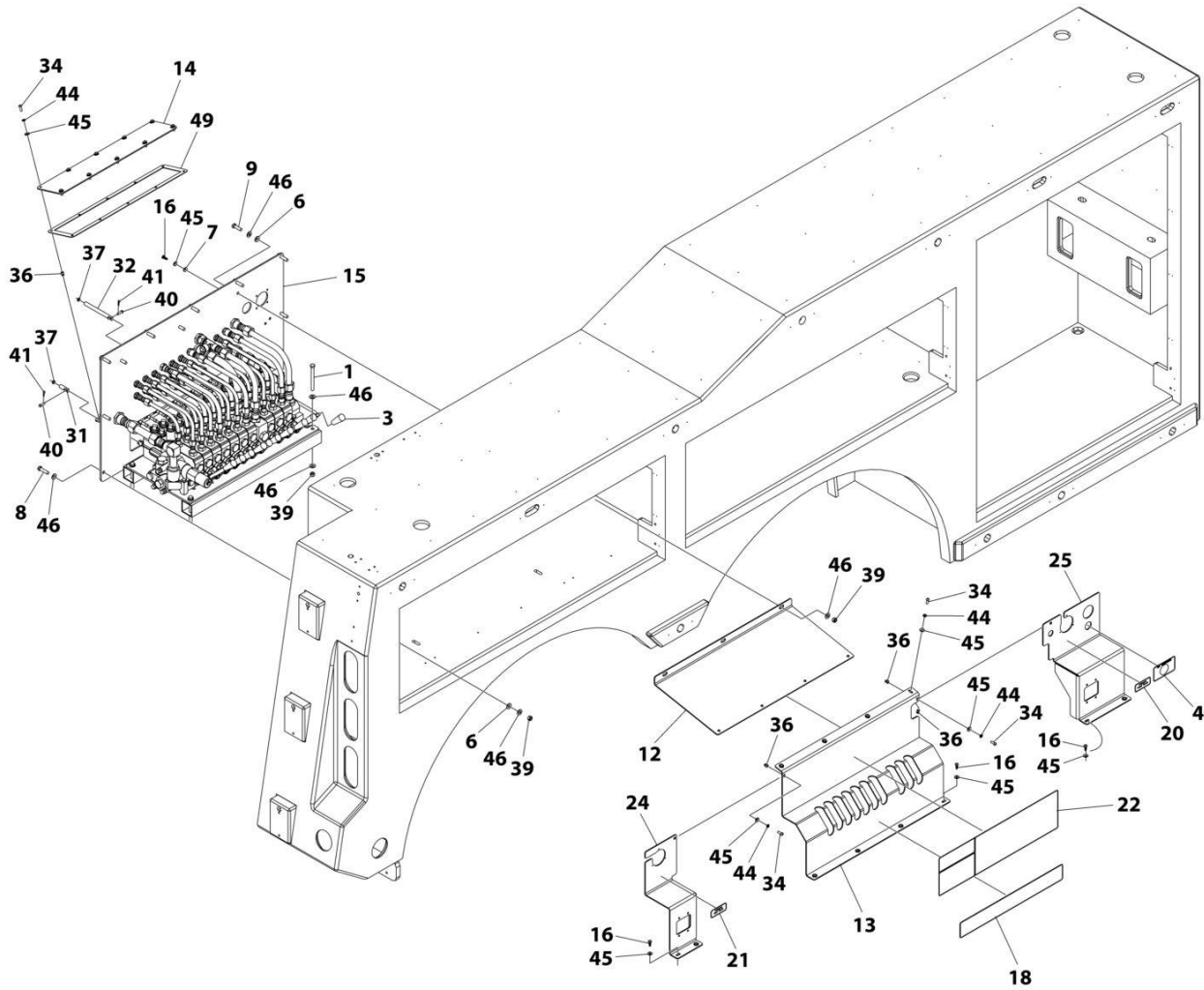
ITEM	PART NUMBER	QTY	DESCRIPTION	REV
	1001219701	Ref	CONTROLS INSTALLATION - 10 SECTION/8 SOLENOID	B
1	0641632	4	Bolt 3/8 x 4	
2	3520064	2	Plug	
3	1001130491	20	Knob, Control	
4	1001134433	1	Decal	
5	1001154277	1	Decal	
6	1001166974	21	Washer 3/8	
7	1001166978	3	Washer 1/4	
8	1001168993	18	Bolt 3/8 x 1-1/2	
9	1001169080	3	Bolt 3/8 x 1-1/4	
10	1001184827	3	Handle, Long	
11	1001184828	7	Handle, Short	
12	1001189784	1	Panel, Controls Top RH	
13	1001203229	1	Panel, Controls 10 Section RH	
14	1001189993	1	Panel, Cover	
15	1001202434	1	Valve Sub-Assembly (See Separate Breakdown in HYDRAULIC Section)	
16	1001194676	19	Screw 1/4 x 3/4	
17	1001206801	5	Cable, Push-Pull	
18	1001203235	1	Decal	
19	1001203236	1	Decal	
20	1001196909	1	Decal	
21	1001196910	1	Decal	
22	1001196911	2	Decal	
23	1001199311	1	Panel, Controls Front LH	
24	1001199322	1	Panel, Controls Rear RH	
25	1001199324	1	Panel, Controls Front RH	
26	1001214902	1	Panel, Controls Top LH	
27	1001219744	1	Panel, Controls 10 Section RH	
28	1001219691	1	Panel, Controls Rear LH	
29	1001219937	1	Plate, Cover	
30	1001220068	1	Bracket, Controls Handles LH	
31	4309000001	8	Coupling	
32	4309000007	2	Coupling	
33	7082000005	2	Bearing	
34	7114140618	22	Capscrew 1/4 x 3/4	
35	7114141018	10	Capscrew 1/4 x 1-1/4	
36	7413000002	22	Nutsert 1/4	
37	7660140230	20	Nut 1/4	
38	7660142601	10	Nut 1/4	
39	7660162601	29	Nut 3/8	
40	7690141200	20	Pin	
41	7691000075	20	Pin	
42	7754000009	2	Ring, Retaining	
43	7806000008	1	Shaft	
44	7950140003	22	Washer 1/4	
45	7950140143	61	Washer 1/4	
46	7950160143	58	Washer 3/8	
47	7990000003	10	Yoke	

SECTION 5 - CONTROLS

ITEM	PART NUMBER	QTY	DESCRIPTION	REV
48	1001202741	5	Cable, Push-Pull	
49	7796000012	9 ft	Seal	
50	1001169083	4	Bolt 3/8 x 2	

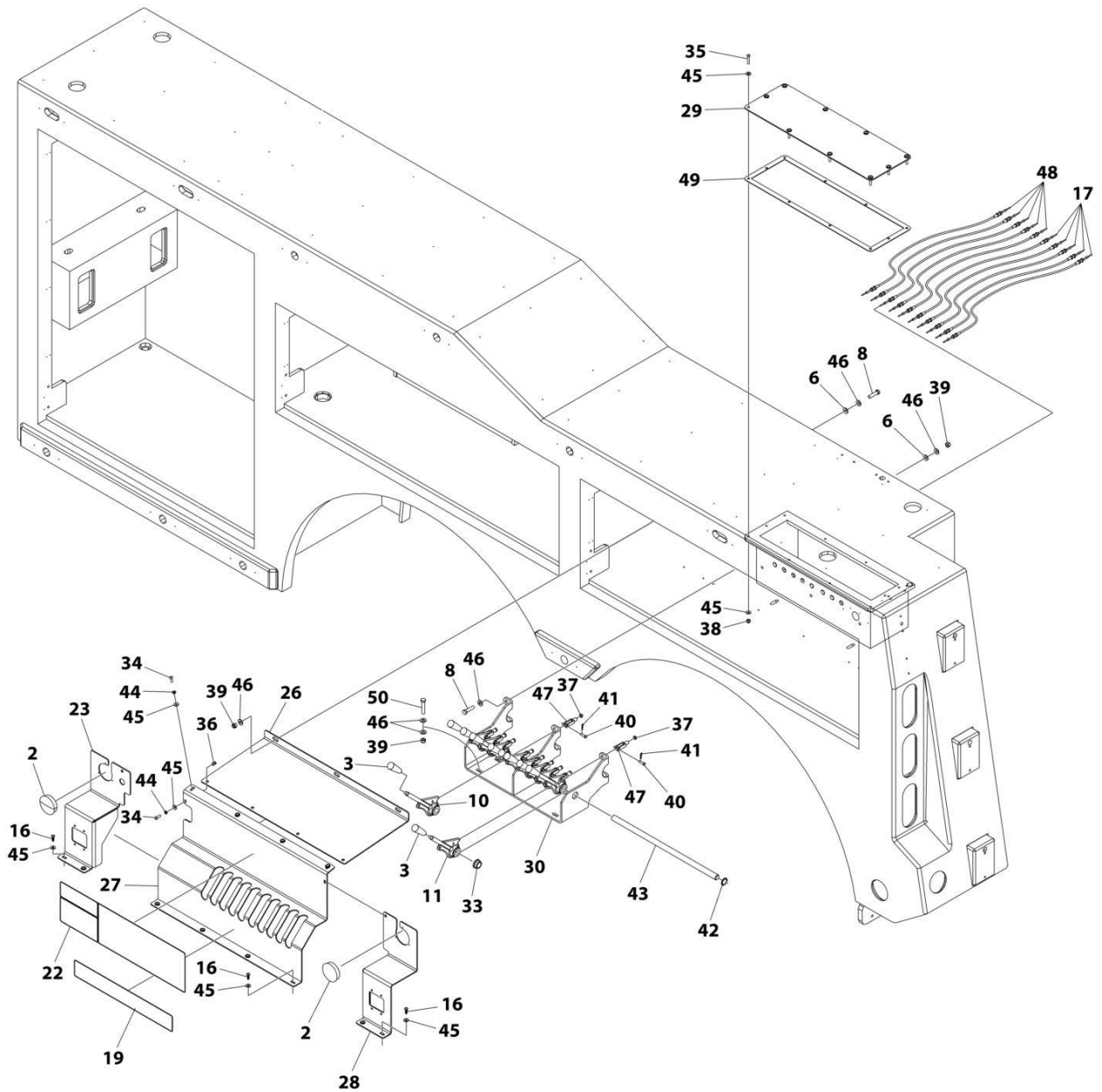
SECTION 5 - CONTROLS

FIGURE 5-34. CONTROLS INSTALLATION - 10 SECTION/8 SOLENOID (SN 0230006135 to Present)



ART_1001235580_1OF2

SECTION 5 - CONTROLS



ART_1001235580_20F2

SECTION 5 - CONTROLS

FIGURE 5-34. CONTROLS INSTALLATION - 10 SECTION/8 SOLENOID (SN 0230006135 to Present)

ITEM	PART NUMBER	QTY	DESCRIPTION	REV
	1001235580	Ref	CONTROLS INSTALLATION - 10 SECTION/8 SOLENOID	C
1	0641632	4	Bolt 3/8 x 4	
2	3520064	2	Plug	
3	1001130491	20	Knob, Control	
4	1001257300	1	Decal	
6	1001166974	21	Washer 3/8	
7	1001166978	3	Washer 1/4	
8	1001168993	18	Bolt 3/8 x 1-1/2	
9	1001169080	3	Bolt 3/8 x 1-1/4	
10	1001184827	3	Handle, Long	
11	1001184828	7	Handle, Short	
12	1001189784	1	Panel, Controls Top RH	
13	1001203229	1	Panel, Controls 10 Section RH	
14	1001189993	1	Panel, Cover	
15	1001202434	1	Valve Sub-Assembly (See Separate Breakdown in HYDRAULIC Section)	
16	1001194676	19	Screw 1/4 x 3/4	
17	1001206801	5	Cable, Push-Pull	
18	1001203235	1	Decal	
19	1001203236	1	Decal	
20	1001196909	1	Decal	
21	1001196910	1	Decal	
22	1001196911	2	Decal	
23	1001235583	1	Panel, Controls Front LH	
24	1001199322	1	Panel, Controls Rear RH	
25	1001235584	1	Panel, Controls Front RH	
26	1001214902	1	Panel, Controls Top LH	
27	1001219744	1	Panel, Controls 10 Section LH	
28	1001219691	1	Panel, Controls Rear LH	
29	1001219937	1	Plate, Cover	
30	1001220068	1	Bracket, Controls Handles LH	
31	4309000001	8	Coupling	
32	4309000007	2	Coupling	
33	7082000005	2	Bearing	
34	7114140618	22	Capscrew 1/4 x 3/4	
35	7114141018	10	Capscrew 1/4 x 1-1/4	
36	7413000002	22	Nutsert 1/4	
37	7660140230	20	Nut 1/4	
38	7660142601	10	Nut 1/4	
39	7660162601	29	Nut 3/8	
40	7690141200	20	Pin	
41	7691000075	20	Pin	
42	7754000009	2	Ring, Retaining	
43	7806000008	1	Shaft	
44	7950140003	22	Washer 1/4	
45	7950140143	61	Washer 1/4	
46	7950160143	58	Washer 3/8	
47	7990000003	10	Yoke	
48	1001202741	5	Cable, Push-Pull	
49	7796000012	9 ft	Seal	

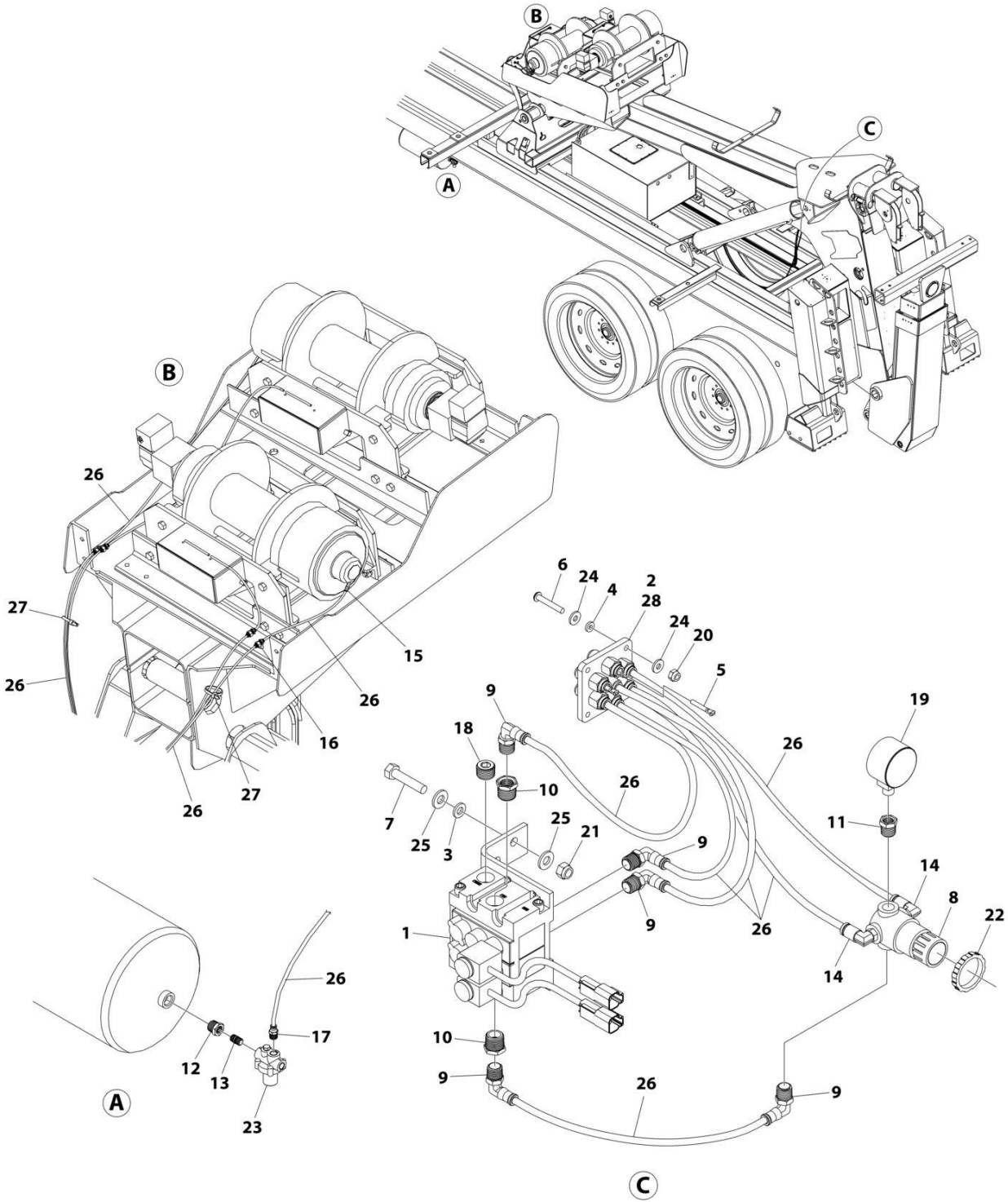
SECTION 5 - CONTROLS

ITEM	PART NUMBER	QTY	DESCRIPTION	REV
50	1001169083	4	Bolt 3/8 x 2	

SECTION 6 - HYDRAULIC

SECTION 6 - HYDRAULIC

FIGURE 6-1. AIR INSTALLATION - DUAL WINCH



ART_1001197456

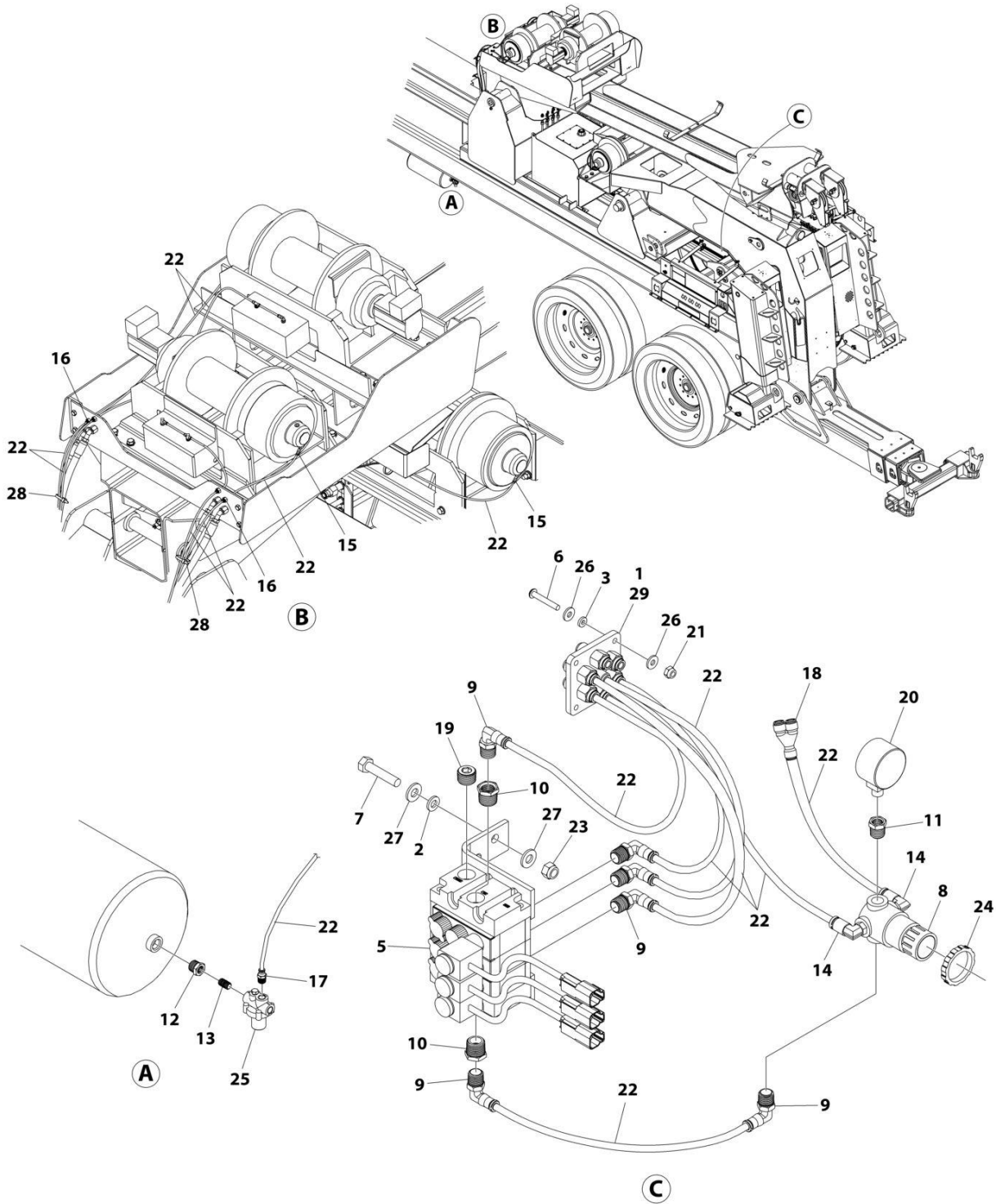
SECTION 6 - HYDRAULIC

FIGURE 6-1. AIR INSTALLATION - DUAL WINCH

ITEM	PART NUMBER	QTY	DESCRIPTION	REV
	1001197456	Ref	AIR INSTALLATION - DUAL WINCH	E
1	1001129800	1	Air Valve Assembly (See Separate Breakdown in this Section)	
2	1001184765	1	Bulkhead (SN 0230004275 through 0230010713)	
2	1001297064	1	Bulkhead (SN 0230010714 to Present)	
3	1001197482	4	Washer 5/16	
4	1001207736	4	Washer #10	
5	1001197506	4	Seal	
6	7114101018	AR	Screw #10 x 1-1/4	
7	7115151250	4	Capscrew 5/16 x 1-1/2	
8	7295000029	1	Air Regulator	
9	7443000139	5	Fitting	
10	7443000148	2	Fitting, Straight	
11	7443000149	1	Fitting, Straight	
12	7443000154	1	Fitting, Straight	
13	7443000156	1	Fitting, Straight	
14	7443000173	2	Fitting, 90	
15	7443000176	2	Fitting	
16	7443000178	4	Fitting, Straight	
17	7443000329	1	Fitting	
18	7444030037	1	Plug	
19	7470000006	1	Air Pressure Gauge	
20	7660102601	4	Nut #10	
21	7660152601	4	Nut 5/16	
22	7661000041	1	Nut	
23	7935000120	1	Valve	
24	7950100143	8	Washer 3/16	
25	7950150143	8	Washer 5/16	
26	7565000016	125 ft	Airline Tubing	
27	7894000004	35	Tie Strap	
28	8798820001	AR	Sealant	

SECTION 6 - HYDRAULIC

FIGURE 6-2. AIR INSTALLATION - DRAG



ART_1001202137

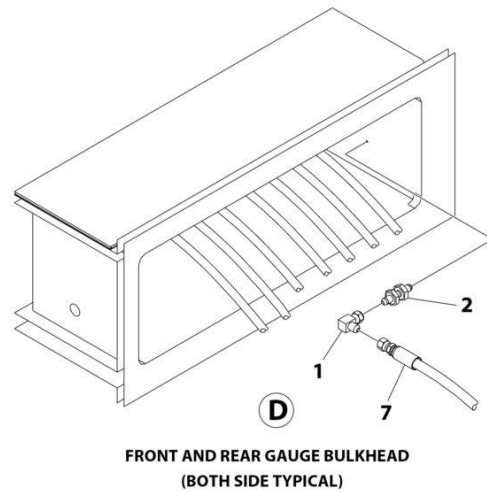
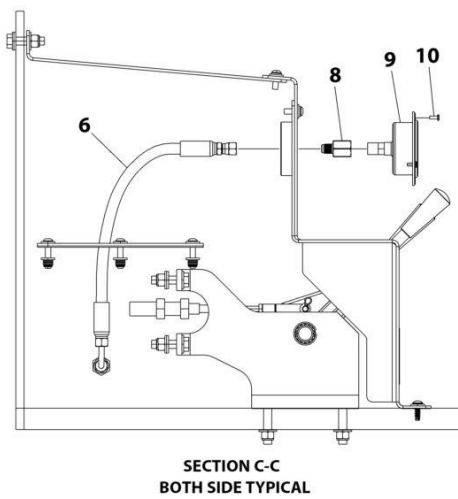
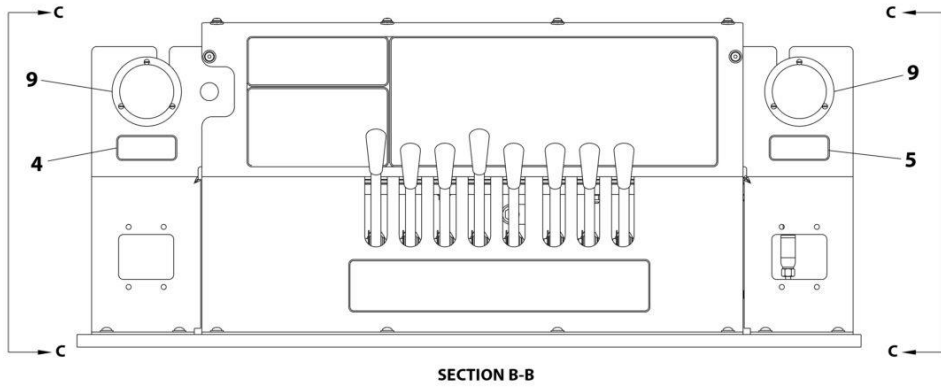
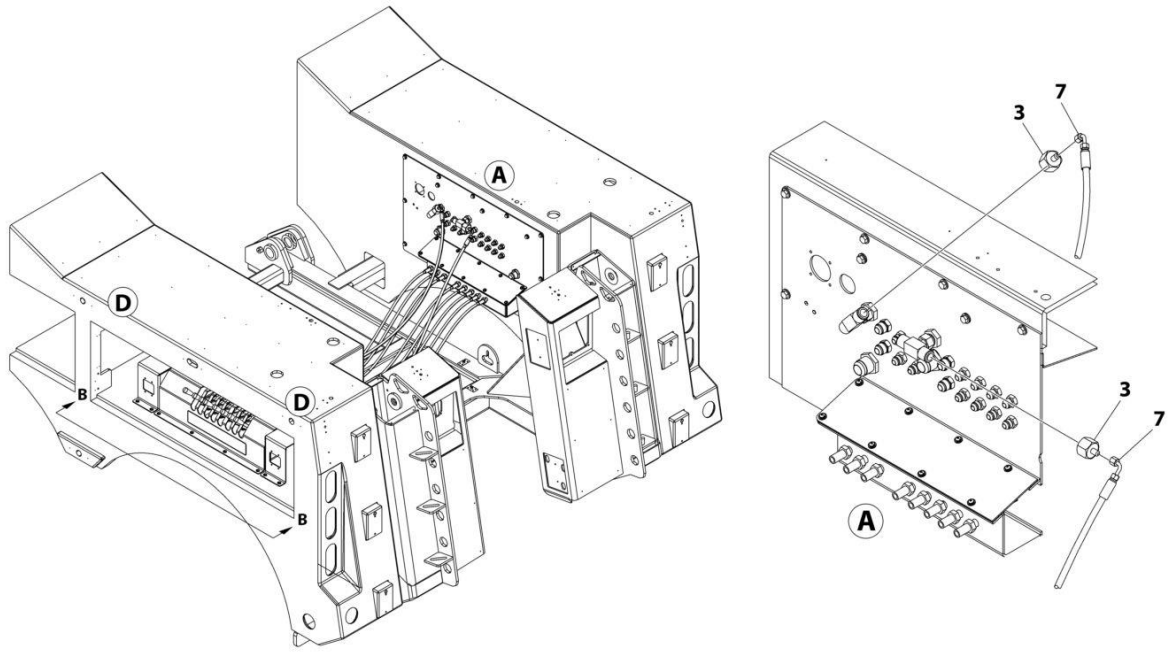
SECTION 6 - HYDRAULIC

FIGURE 6-2. AIR INSTALLATION - DRAG

ITEM	PART NUMBER	QTY	DESCRIPTION	REV
	1001202137	Ref	AIR INSTALLATION - DRAG LINE	E
1	1001297064	1	Bulkhead	
2	1001197482	4	Washer 5/16	
3	1001207736	4	Washer #10	
5	1001202056	1	Air Valve Assembly (See Separate Breakdown in this Section)	
6	7114101018	4	Screw #10 x 1-1/4	
7	7115151250	4	Capscrew 5/16 x 1-1/2	
8	7295000029	1	Air Regulator	
9	7443000139	6	Fitting	
10	7443000148	2	Fitting, Straight	
11	7443000149	1	Fitting, Straight	
12	7443000154	1	Fitting, Straight	
13	7443000156	1	Fitting, Straight	
14	7443000173	2	Fitting, 90	
15	7443000176	3	Fitting	
16	7443000178	4	Fitting, Straight	
17	7443000329	1	Fitting	
18	7443000448	1	Fitting	
19	7444030037	1	Plug	
20	7470000006	1	Air Pressure Gauge	
21	7660102601	4	Nut #10	
22	7565000016	134 ft	Airline Tubing	
23	7660152601	4	Nut 5/16	
24	7661000041	1	Nut	
25	7935000120	1	Valve	
26	7950100143	8	Washer 3/16	
27	7950150143	8	Washer 5/16	
28	7894000004	AR	Tie Strap	
29	8798820001	AR	Sealant	

SECTION 6 - HYDRAULIC

FIGURE 6-3. GAUGES INSTALLATION - HYDRAULIC (DRIVERS SIDE)



ART_1001220219

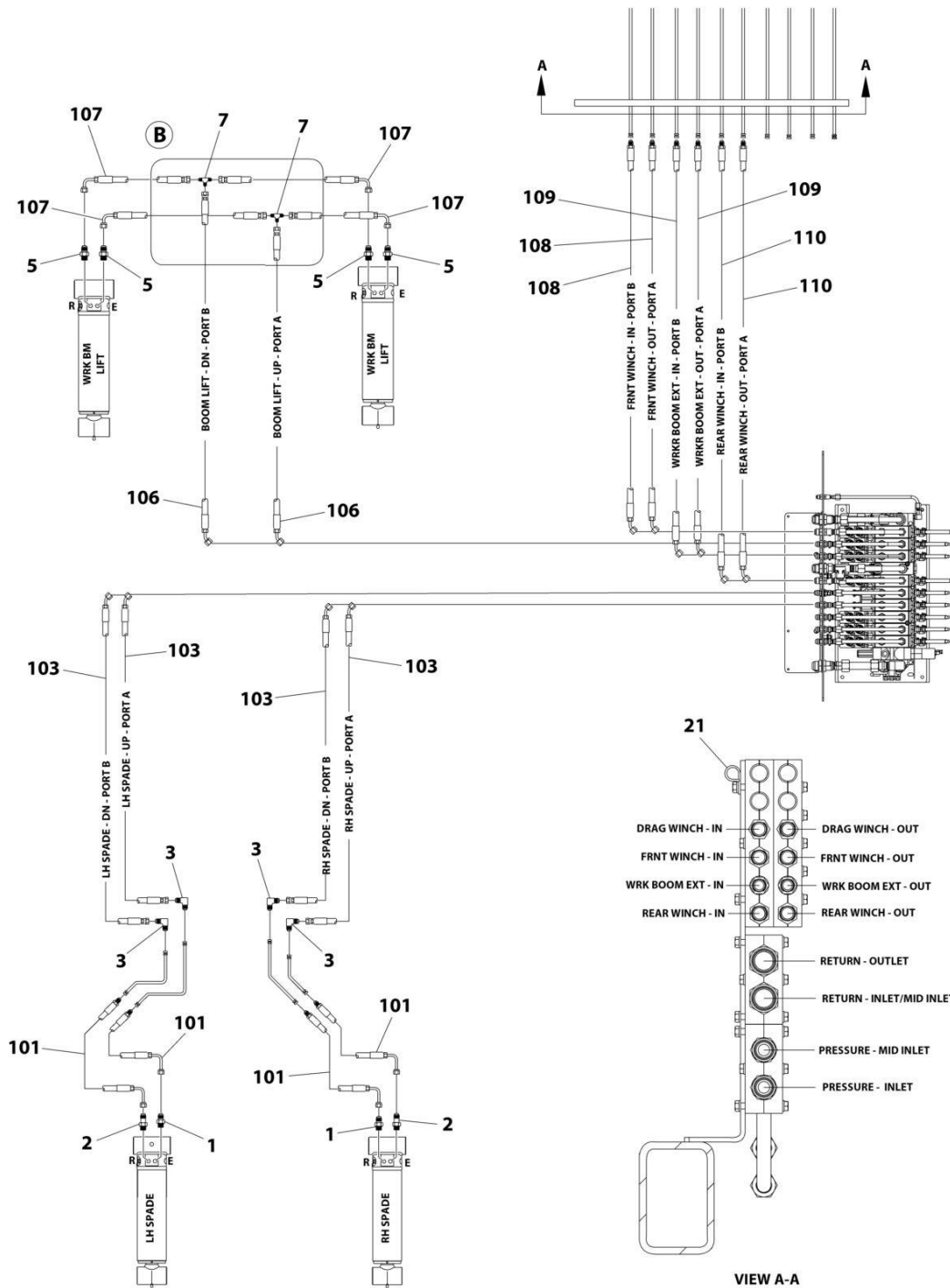
SECTION 6 - HYDRAULIC

FIGURE 6-3. GAUGES INSTALLATION - HYDRAULIC (DRIVERS SIDE)

ITEM	PART NUMBER	QTY	DESCRIPTION	REV
	1001220219	Ref	GAUGES INSTALLATION - HYDRAULIC (DRIVERS SIDE)	B
1	2220654	2	Fitting, 90 - JIC/FSJIC	
2	2230021	2	Fitting, Straight JIC/JIC	
3	1001094694	2	Fitting, Straight JIC/FSJIC	
4	1001196909	1	Decal - Pressure Front Valve	
5	1001196910	1	Decal - Pressure Rear Valve	
6	1001219790	2	Hose	
7	1001220268	2	Hose	
8	7445040421	2	Fitting, Straight - NPT/JIC	
9	7470000004	2	Gauge, Pressure	
10	7790060676	6	Screw #6 x 3/8	

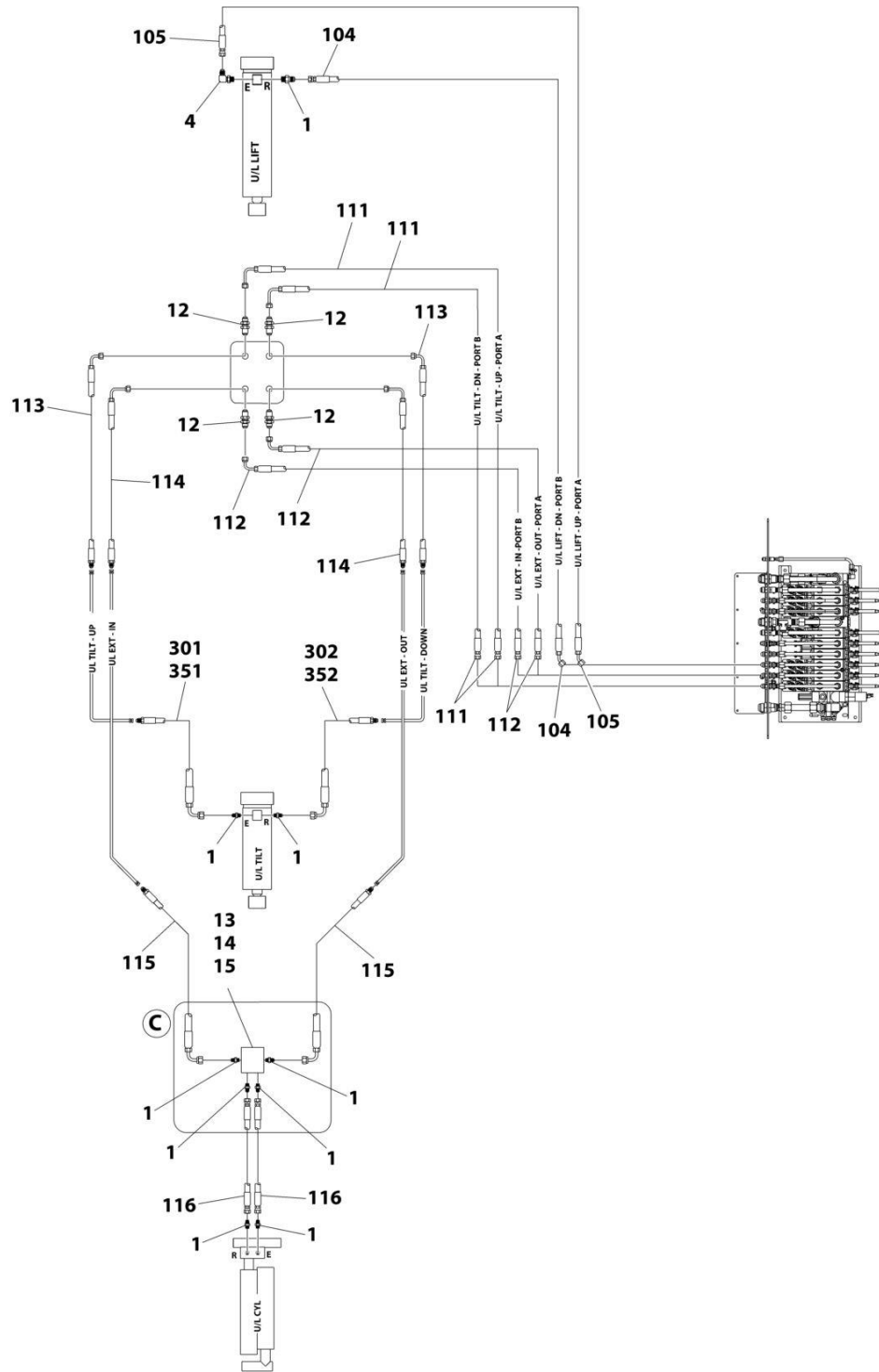
SECTION 6 - HYDRAULIC

FIGURE 6-4. HYDRAULIC LINES & FITTING INSTALLATION - WITHOUT UNDERLIFT



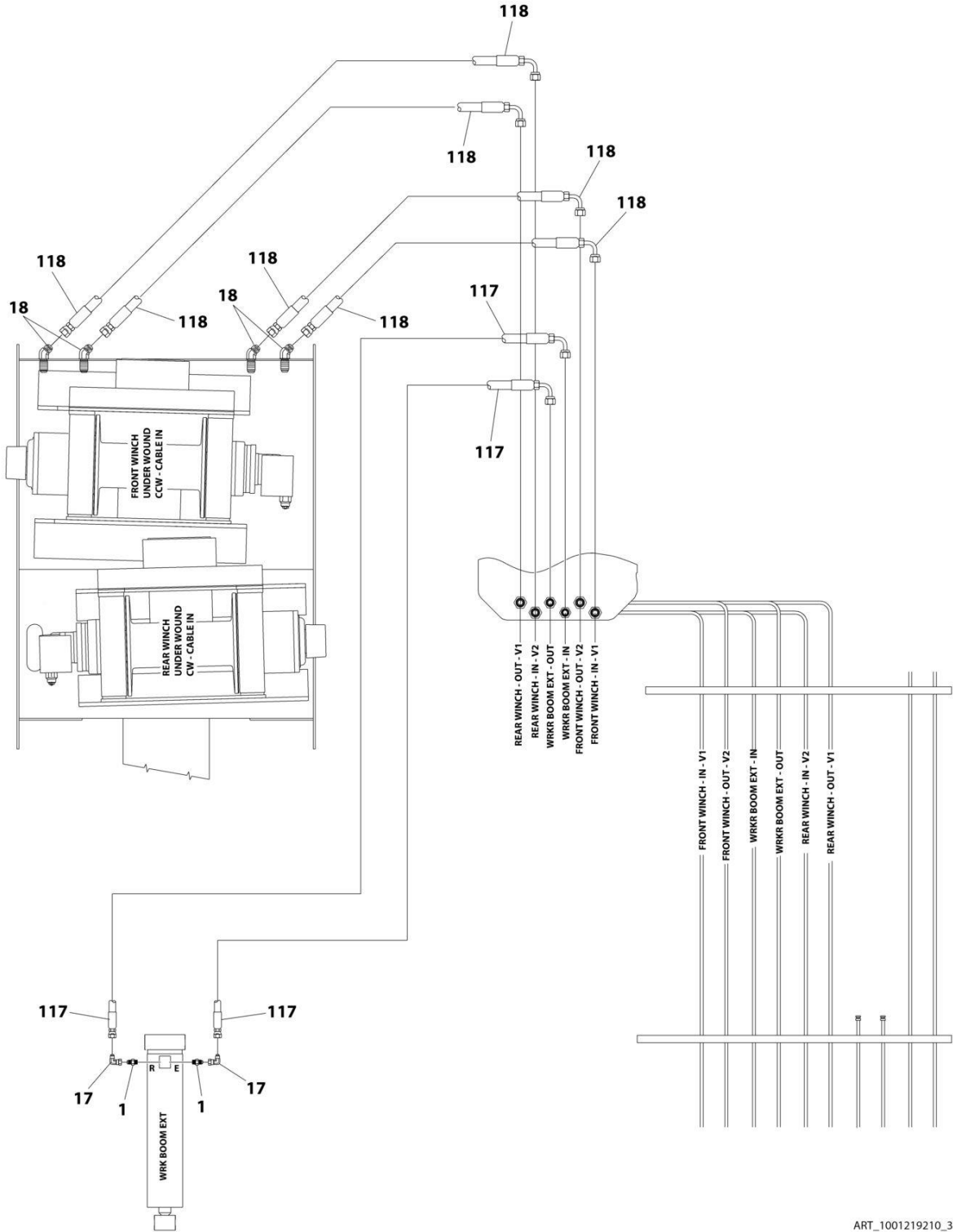
ART_1001219210_10F6

SECTION 6 - HYDRAULIC



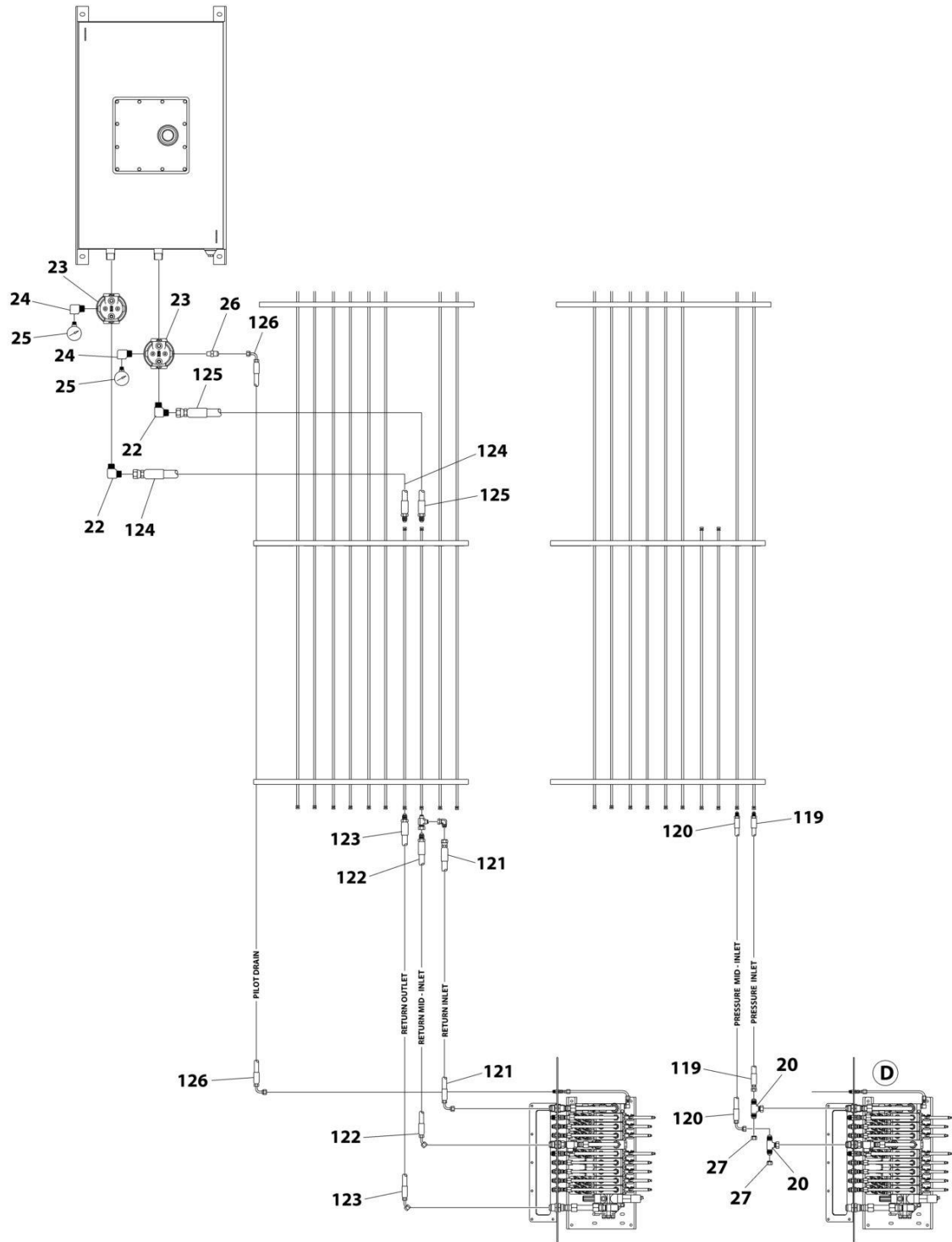
ART_1001219210_2OF6

SECTION 6 - HYDRAULIC



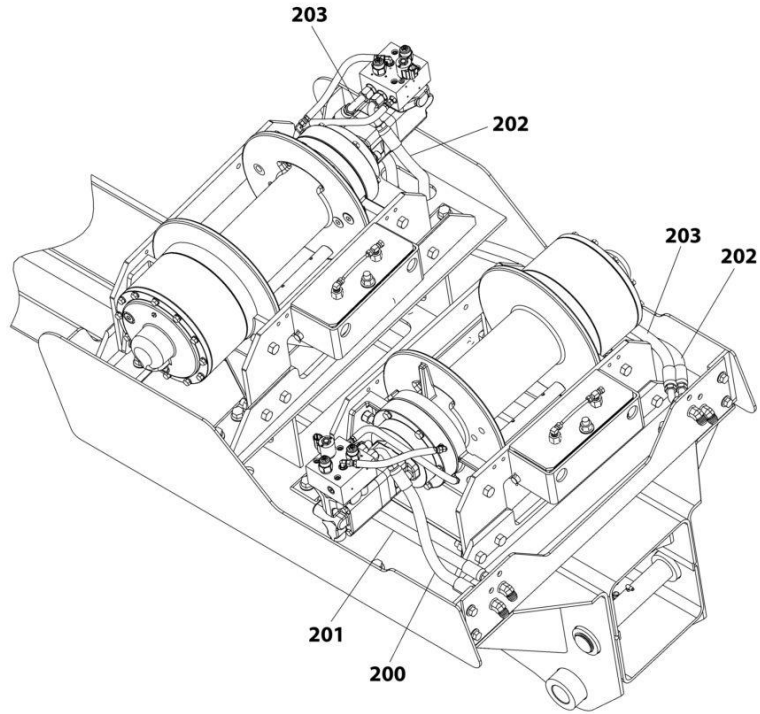
ART_1001219210_30F6

SECTION 6 - HYDRAULIC

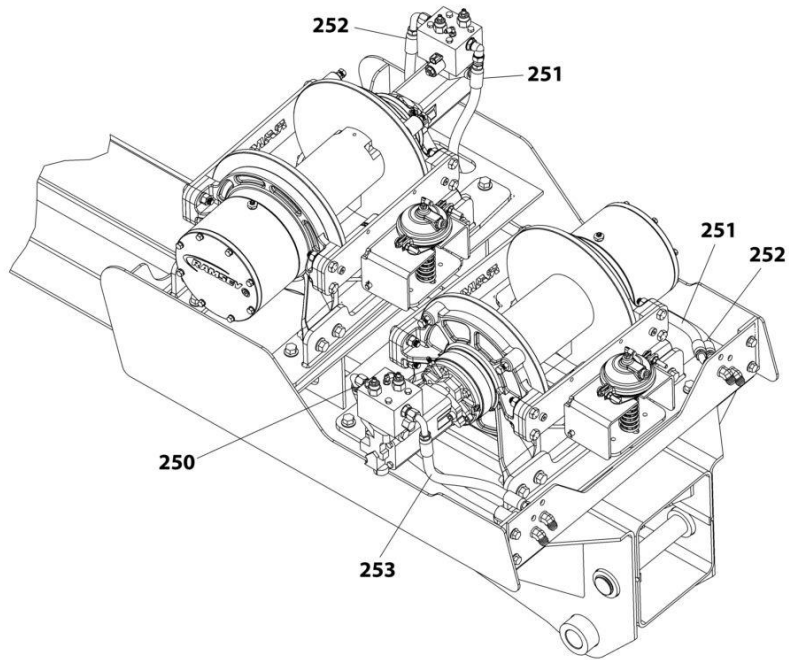


ART_1001219210_40F6

SECTION 6 - HYDRAULIC



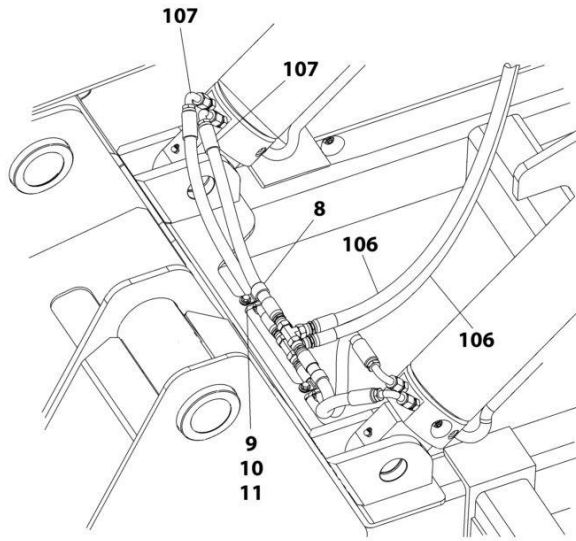
DP 2-SPD WINCH



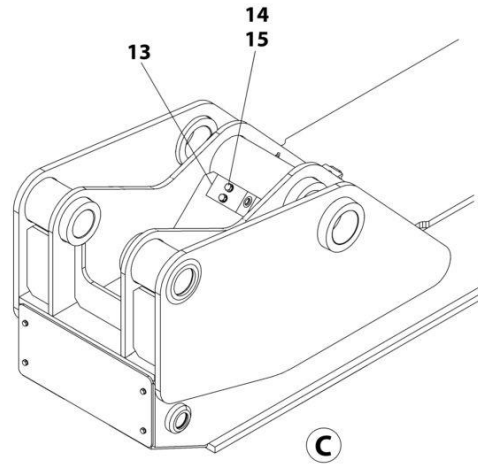
RAMSEY 2-SPD WINCH

ART_1001219210_5OF6

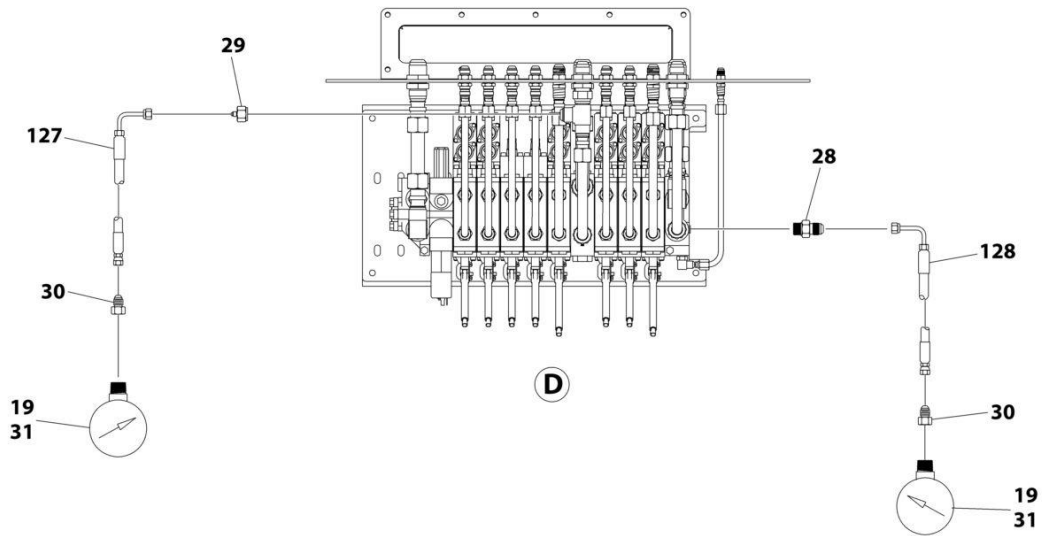
SECTION 6 - HYDRAULIC



B



C



D

ART_1001219210_60F6

SECTION 6 - HYDRAULIC

FIGURE 6-4. HYDRAULIC LINES & FITTING INSTALLATION - WITHOUT UNDERLIFT

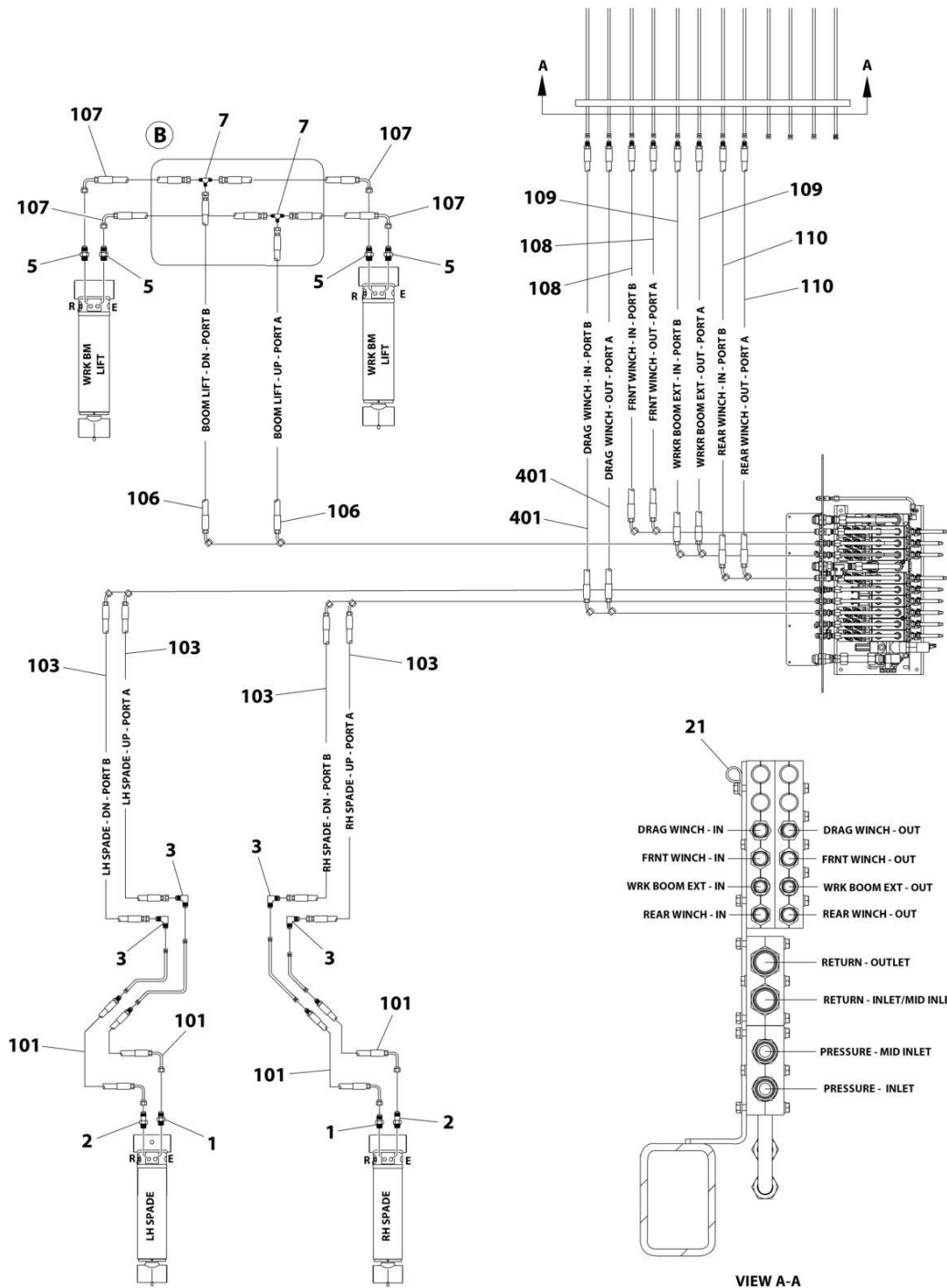
ITEM	PART NUMBER	QTY	DESCRIPTION	REV
	1001219210	Ref	HYDRAULIC LINES AND FITTINGS INSTALLATION (WITH UNDERLIFT WINCH)	E
1	2220371	13	Fitting, Straight - JIC/ORB	
2	2220998	2	Fitting, Straight - O-Ring/JIC	
3	7445080830	4	Fitting, 90 - JIC/JIC	
4	2220473	1	Fitting, 90 - JIC/ORB	
5	2220600	4	Fitting, Straight - JIC/ORB	
6	1001204564	Ref	Hose Kit (Not Shown) (See Items 101-128)	
7	2220362	2	Fitting, Tee - JIC/JIC/JIC	
8	7274000040	2	Clamp	
9	7115141050	2	Bolt 1/4 x 1-1/4	
10	7950140161	4	Washer 1/4	
11	7660142601	2	Nut 1/4	
12	2230025	4	Fitting, Straight - JIC/JIC	
13	4619000006	1	Manifold	
14	7115161650	2	Bolt 3/8 x 2	
15	7950160000	2	Washer 3/8	
17	8760268	2	Fitting, 90 - JIC/JIC	
18	2230035	4	Fitting, 45 - JIC/JIC	
19	7790060676	2	Screw #6 x 3/8	
20	2220682	2	Fitting, Tee - JIC/JIC/JIC	
21	1320224	2	Clamp	
22	7445161620	2	Fitting, 90	
23	7430000004	2	Filter Assembly - Hydraulic Oil	
23	7430000003	2	Element, Filter (1 Per Assembly)	
24	7443000158	2	Fitting, 90 - NPT/NPT	
25	7470000002	2	Gauge, Oil Filter	
26	7445060219	1	Fitting, Straight - JIC/NPT	
27	2220518	2	Fitting, Cap - JIC	
28	2220415	1	Fitting, Straight - JIC/ORB	
29	1001094694	1	Fitting, Straight - JIC/JIC	
30	7445040421	2	Fitting, Straight - NPT/JIC	
31	7470000004	2	Gauge, Pressure	
	1001204564	Ref	HOSE KIT	D
101	4570000138	4	Hose	
103	1001204597	4	Hose	
104	1001204601	1	Hose	
105	1001204639	1	Hose	
106	1001204706	2	Hose	
107	4567132019	4	Hose	
108	1001213132	2	Hose	
109	1001214086	2	Hose	
110	1001204803	2	Hose	
111	1001205217	2	Hose	
112	1001205230	2	Hose	
113	4569132019	2	Hose	
114	4569133020	2	Hose	
115	4570000271	2	Hose	
116	4567120017	2	Hose	
117	4570000260	2	Hose	

SECTION 6 - HYDRAULIC

ITEM	PART NUMBER	QTY	DESCRIPTION	REV
118	4567152052	4	Hose	
119	1001226699	1	Hose	
120	1001205671	1	Hose	
121	1001205677	1	Hose	
122	1001214090	1	Hose	
123	1001205678	1	Hose	
124	4569180022	1	Hose	
125	4569180026	1	Hose	
126	4570000329	1	Hose	
127	4567112025	1	Hose	
128	4567113031	1	Hose	
	1001219190	Ref	WINCH HOSE KIT (DP WINCH)	A
200	4567152018	1	Hose	
201	1001166531	1	Hose	
202	1001219188	1	Hose	
203	1001219189	1	Hose	
	1001266915	Ref	HOSE KIT (RAMSEY WINCH)	A
250	1001166531	1	Hose	
251	1001166532	1	Hose	
252	1001219189	1	Hose	
253	1001267012	1	Hose	
	7577000640	Ref	HOSE KIT (UNDERLIFT - 530)	B
301	4570000336	1	Hose (33in Length)	
302	4570000335	1	Hose (34in Length)	
	7577000641	Ref	HOSE KIT (UNDERLIFT - 565)	B
351	4570000177	1	Hose (16in Length)	
352	4570000176	1	Hose (17in Length)	

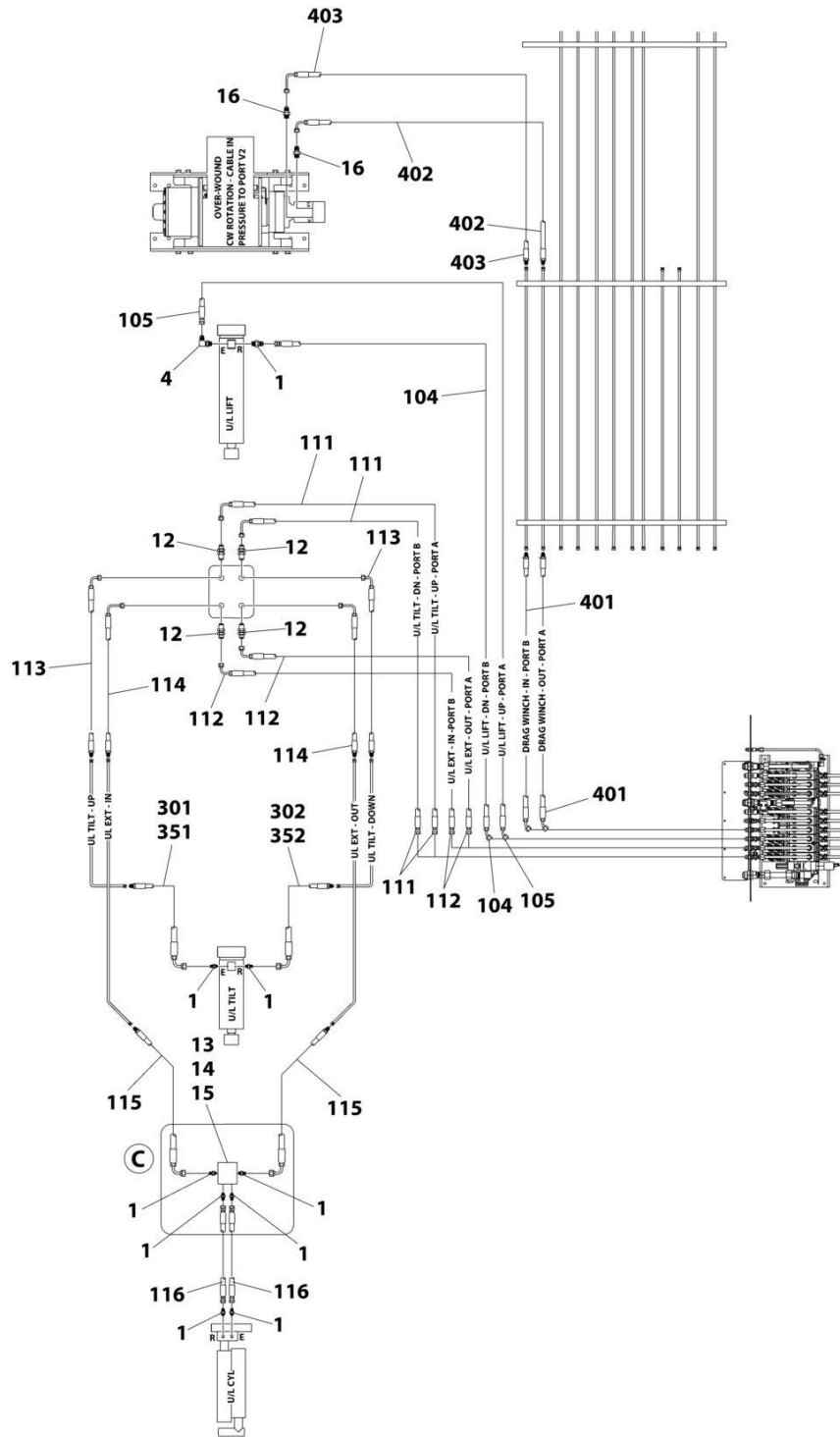
SECTION 6 - HYDRAULIC

FIGURE 6-5. HYDRAULIC LINES & FITTING INSTALLATION - WITH UNDERLIFT



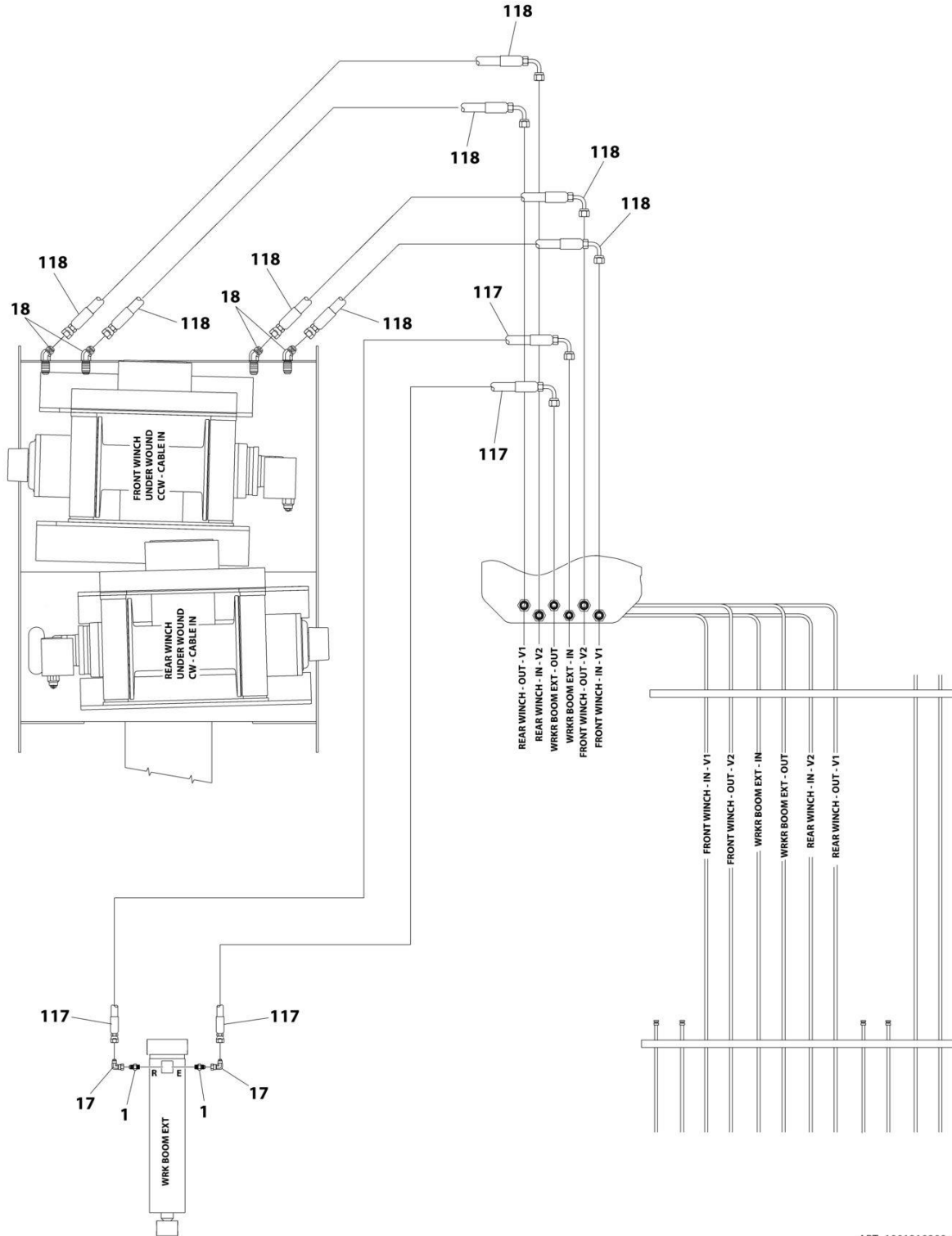
ART_1001219200_10F6

SECTION 6 - HYDRAULIC



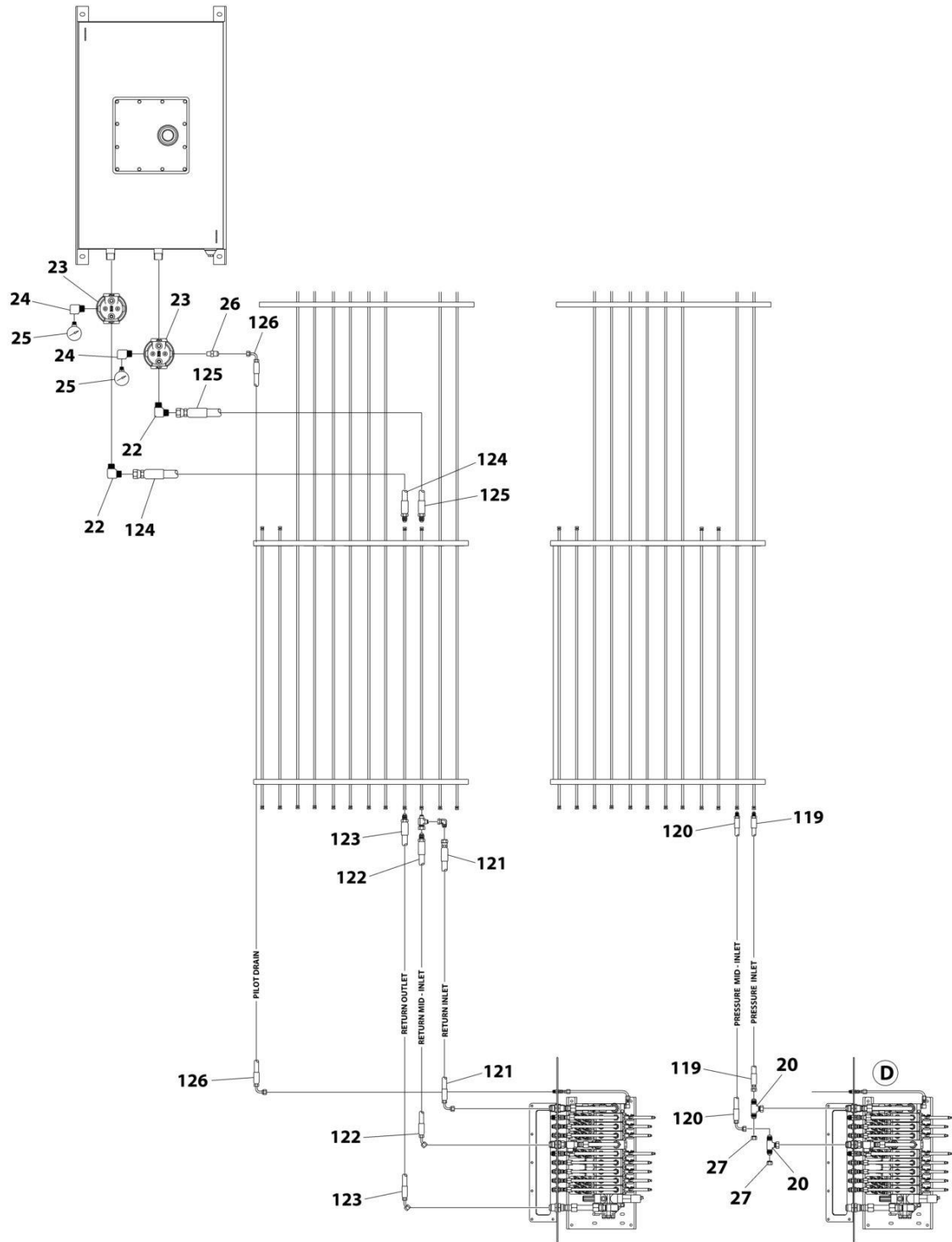
ART_1001219200_20F6

SECTION 6 - HYDRAULIC



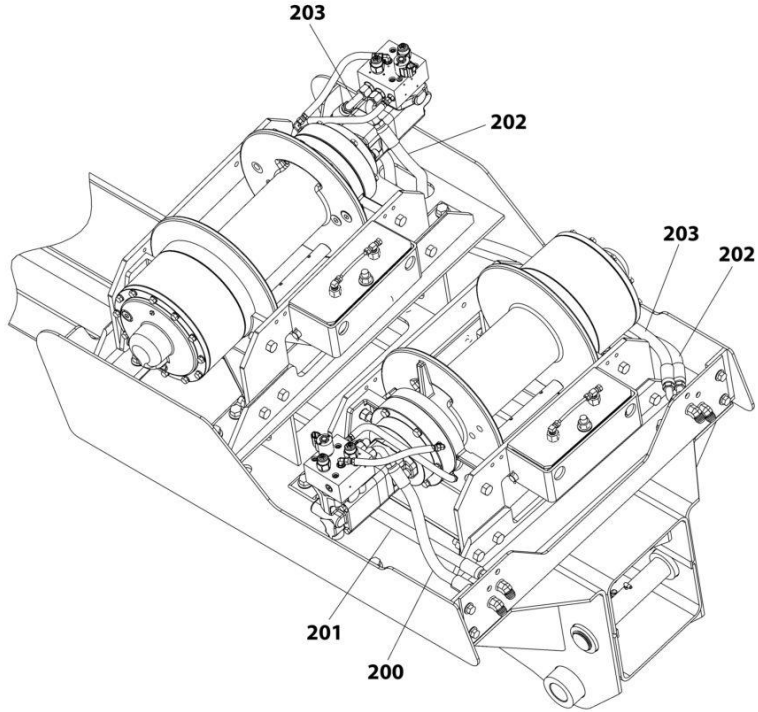
ART_1001219200_3OF6

SECTION 6 - HYDRAULIC

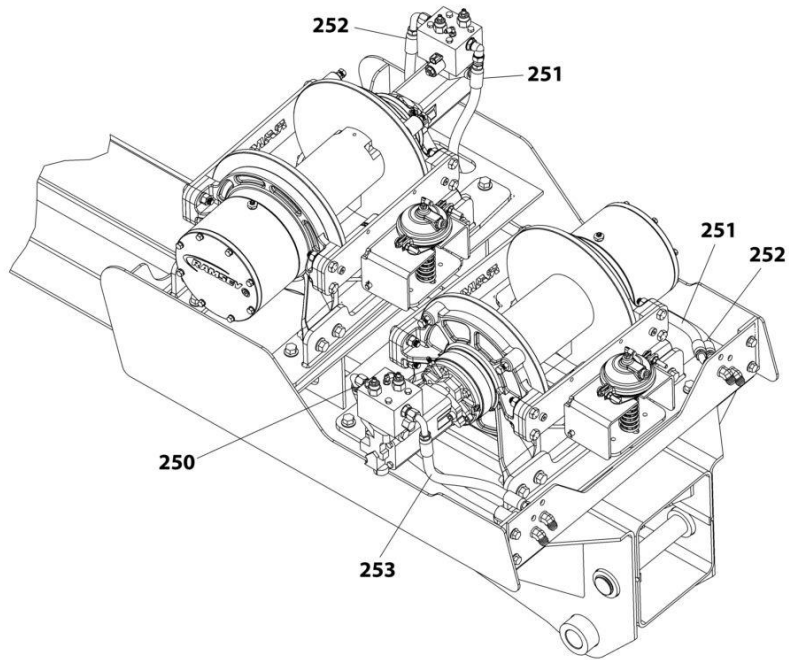


ART_1001219200_4OF6

SECTION 6 - HYDRAULIC



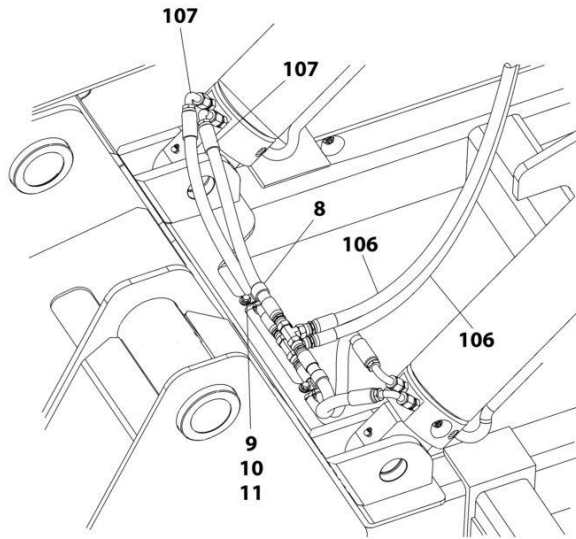
DP 2-SPD WINCH



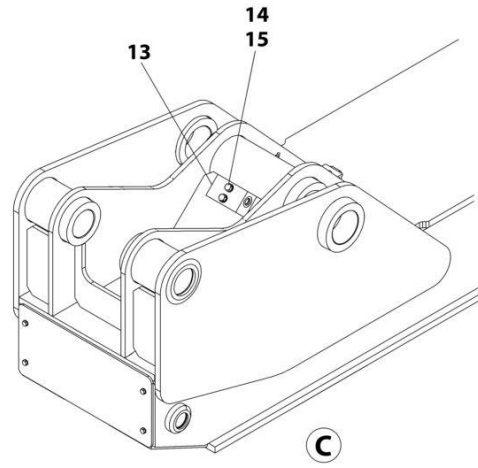
RAMSEY 2-SPD WINCH

ART_1001219200_5OF6

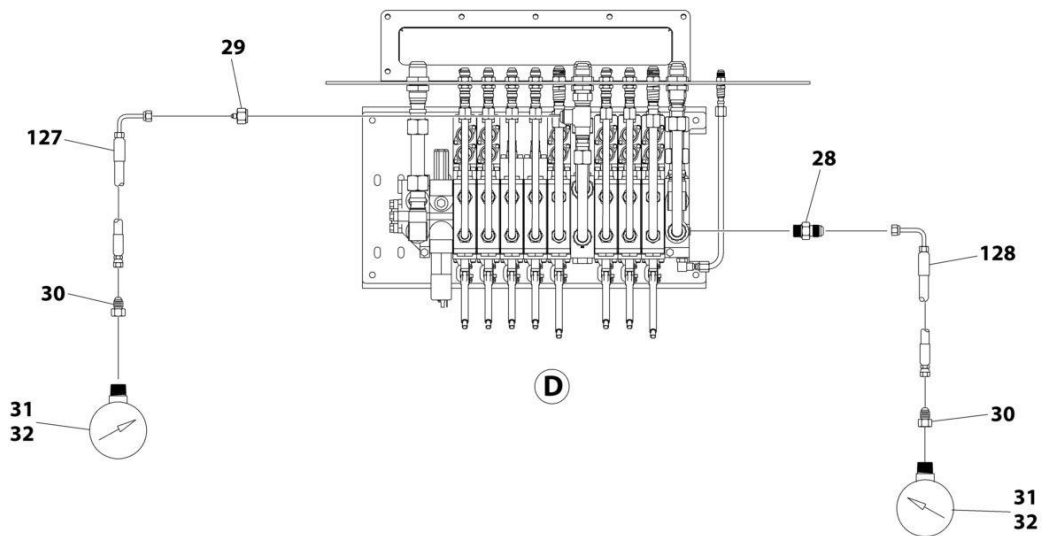
SECTION 6 - HYDRAULIC



B



C



D

ART_1001219200_60F6

SECTION 6 - HYDRAULIC

FIGURE 6-5. HYDRAULIC LINES & FITTING INSTALLATION - WITH UNDERLIFT

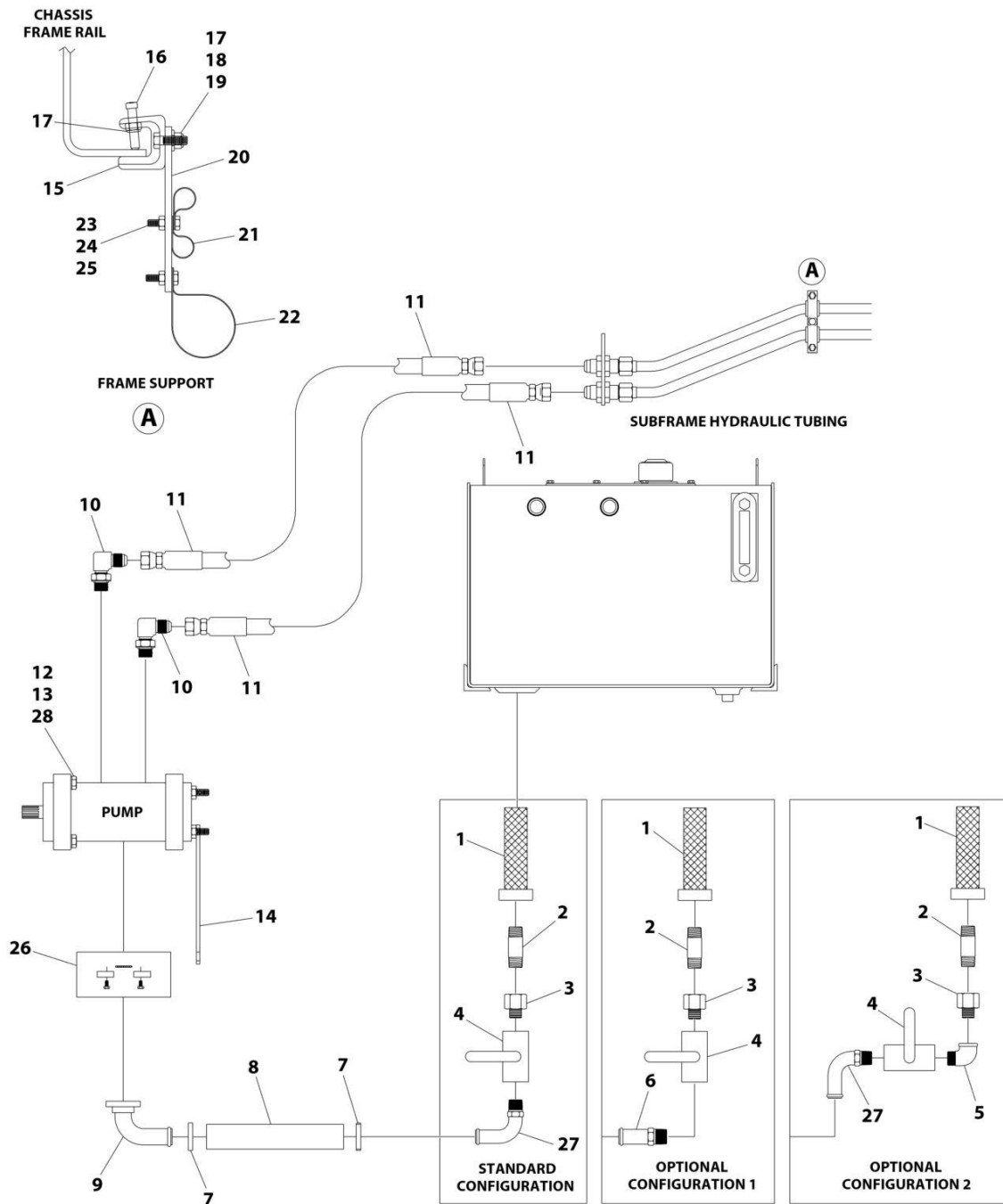
ITEM	PART NUMBER	QTY	DESCRIPTION	REV
	1001219200	Ref	HYDRAULIC LINES AND FITTINGS INSTALLATION (WITH UNDERLIFT WINCH)	E
1	2220371	13	Fitting, Straight - JIC/ORB	
2	2220998	2	Fitting, Straight - O-Ring/JIC	
3	7445080830	4	Fitting, 90 - JIC/JIC	
4	2220473	1	Fitting, 90 - JIC/ORB	
5	2220600	4	Fitting, Straight - JIC/ORB	
6	1001204564	Ref	Hose Kit (Not Shown) (See Items 101-128)	
7	2220362	2	Fitting, Tee - JIC/JIC/JIC	
8	7274000040	2	Clamp	
9	7115141050	2	Bolt 1/4 x 1-1/4	
10	7950140161	4	Washer 1/4	
11	7660142601	2	Nut 1/4	
12	2230025	4	Fitting, Straight - JIC/JIC	
13	4619000006	1	Manifold	
14	7115161650	2	Bolt 3/8 x 2	
15	7950160000	2	Washer 3/8	
16	7445100843	2	Fitting, Straight - JIC/O-Ring	
17	8760268	2	Fitting, 90 - JIC/JIC	
18	2230035	4	Fitting, 45 - JIC/JIC	
19	1001219229	Ref	Hose Kit (Not Shown) (See Items 401-403)	
20	2220682	2	Fitting, Tee - JIC/JIC/JIC	
21	1320224	2	Clamp	
22	7445161620	2	Fitting, 90	
23	7430000004	2	Filter Assembly - Hydraulic Oil	
23	7430000003	2	Element, Filter (1 Per Assembly)	
24	7443000158	2	Fitting, 90 - NPT/NPT	
25	7470000002	2	Gauge, Oil Filter	
26	7445060219	1	Fitting, Straight - JIC/NPT	
27	2220518	2	Fitting, Cap - JIC	
28	2220415	1	Fitting, Straight - JIC/ORB	
29	1001094694	1	Fitting, Straight - JIC/JIC	
30	7445040421	2	Fitting, Straight - NPT/JIC	
31	7470000004	2	Gauge, Pressure	
32	7790060676	2	Screw #6 x 3/8	
	1001204564	Ref	HOSE KIT	D
101	4570000138	4	Hose	
103	1001204597	4	Hose	
104	1001204601	1	Hose	
105	1001204639	1	Hose	
106	1001204706	2	Hose	
107	4567132019	4	Hose	
108	1001213132	2	Hose	
109	1001214086	2	Hose	
110	1001204803	2	Hose	
111	1001205217	2	Hose	
112	1001205230	2	Hose	
113	4569132019	2	Hose	
114	4569133020	2	Hose	
115	4570000271	2	Hose	

SECTION 6 - HYDRAULIC

ITEM	PART NUMBER	QTY	DESCRIPTION	REV
116	4567120017	2	Hose	
117	4570000260	2	Hose	
118	4567152052	4	Hose	
119	1001226699	1	Hose	
120	1001205671	1	Hose	
121	1001205677	1	Hose	
122	1001214090	1	Hose	
123	1001205678	1	Hose	
124	4569180022	1	Hose	
125	4569180026	1	Hose	
126	4570000329	1	Hose	
127	4567112025	1	Hose	
128	4567113031	1	Hose	
	1001219190	Ref	WINCH HOSE KIT (DP WINCH)	A
200	4567152018	1	Hose	
201	1001166531	1	Hose	
202	1001219188	1	Hose	
203	1001219189	1	Hose	
	1001266915	Ref	HOSE KIT (RAMSEY WINCH)	A
250	1001166531	1	Hose	
251	1001166532	1	Hose	
252	1001219189	1	Hose	
253	1001267012	1	Hose	
	7577000640	Ref	HOSE KIT (UNDERLIFT - 530)	B
301	4570000336	1	Hose (33in Length)	
302	4570000335	1	Hose (34in Length)	
	7577000641	Ref	HOSE KIT (UNDERLIFT - 565)	B
351	4570000177	1	Hose (16in Length)	
352	4570000176	1	Hose (17in Length)	
	1001219229	Ref	HOSE KIT (DRAG WINCH)	C
401	1001204875	2	Hose	
402	4569162030	1	Hose	
403	1001219320	1	Hose	

SECTION 6 - HYDRAULIC

FIGURE 6-6. HYDRAULIC SUPPLY INSTALLATION - 210IN-265IN WB



ART_1001218585

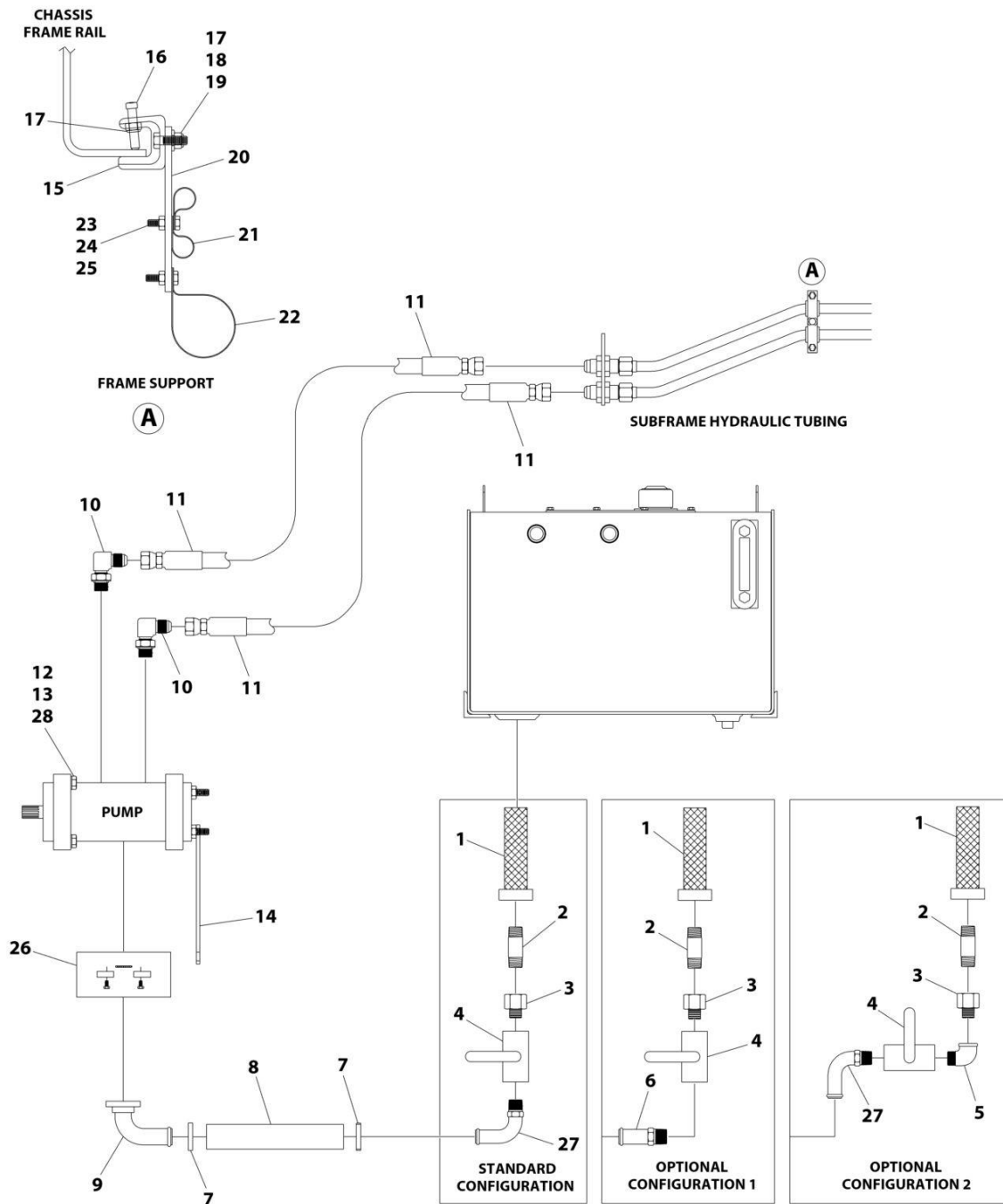
SECTION 6 - HYDRAULIC

FIGURE 6-6. HYDRAULIC SUPPLY INSTALLATION - 210IN-265IN WB

ITEM	PART NUMBER	QTY	DESCRIPTION	REV
	1001218585	Ref	HYDRAULIC SUPPLY INSTALLATION	D
1	743000010	1	Filter, Tank	
2	7650100137	1	Fitting, Straight	
3	7444121050	1	Fitting, Straight NPTM/NPTF	
4	7935000116	1	Valve, Ball	
5	7444121271	AR	Fitting, 90	
6	7443000130	AR	Fitting, Straight NPT/TUBE	
7	7274000028	2	Clamp	
8	8565000026	13 ft	Hose	
9	1001145056	1	Fitting, 90	
10	7445121645	2	Fitting, 90 - JIC	
11	4567160146	2	Hose	
12	7865182065	4	Stud 1/2 x 2-1/2	
13	7950180000	4	Washer 1/2	
14	4178000349	1	Bracket	
15	7274000076	6	Clamp	
16	7785152420	6	Setscrew 5/16 x 1-1/2	
17	7660152601	12	Nut 5/16	
18	7115151050	6	Bolt 5/16 x 1-1/4	
19	7950150161	6	Washer 5/16	
20	4706003844	6	Plate	
21	7274000041	12	Clamp	
22	7274000071	6	Clamp	
23	7115140850	12	Bolt 1/4 x 1	
24	7950140152	12	Washer 1/4	
25	7660142601	12	Nut 1/4	
26	7577000213	1	Kit Split Flange	
27	7443000254	1	Fitting, 90 - NPT/BARBED	
28	7660180000	4	Nut 1/2	

SECTION 6 - HYDRAULIC

FIGURE 6-7. HYDRAULIC SUPPLY INSTALLATION - 266IN-305IN WB



ART_1001218586

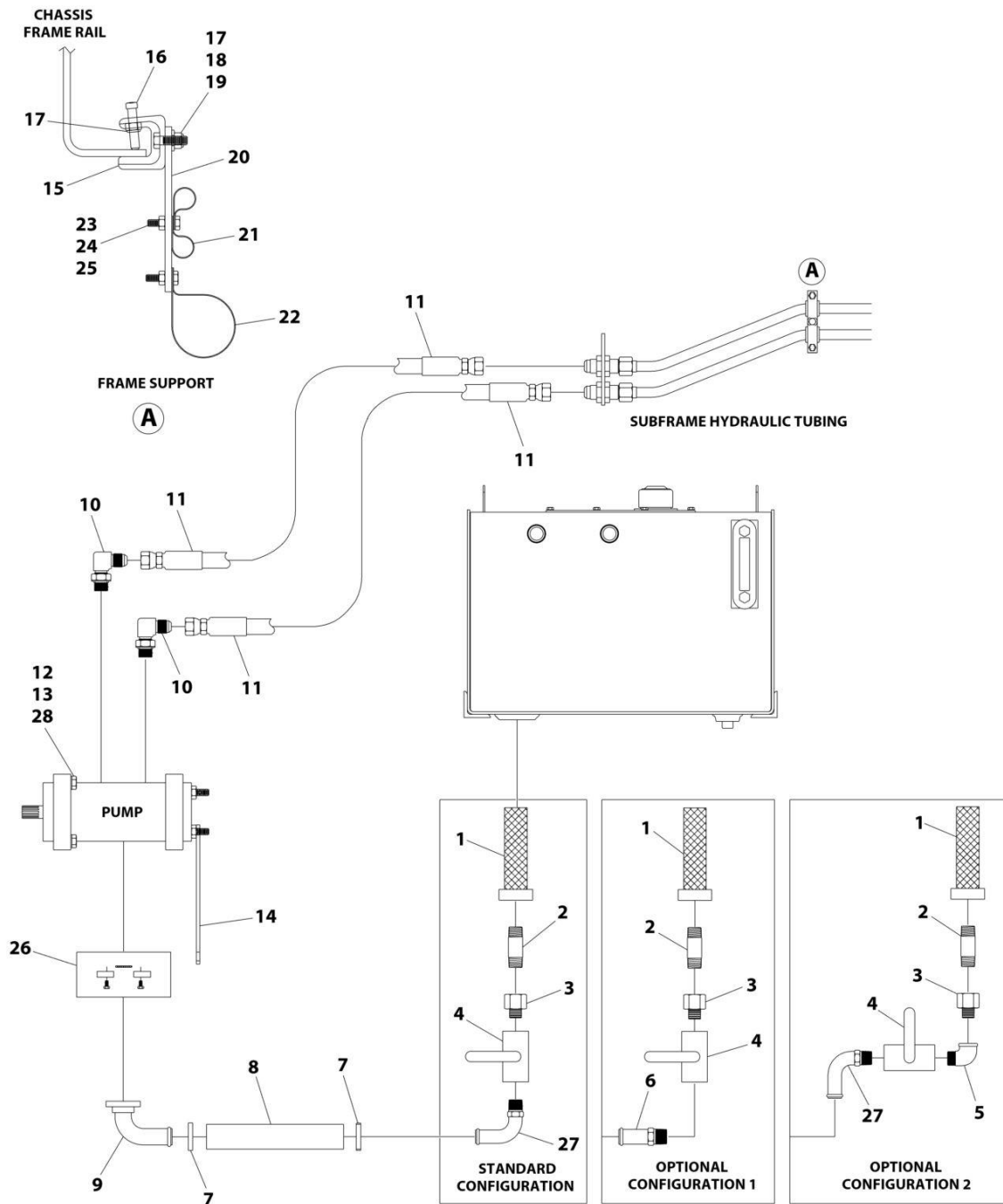
SECTION 6 - HYDRAULIC

FIGURE 6-7. HYDRAULIC SUPPLY INSTALLATION - 266IN-305IN WB

ITEM	PART NUMBER	QTY	DESCRIPTION	REV
	1001218586	Ref	HYDRAULIC SUPPLY INSTALLATION	D
1	743000010	1	Filter, Tank	
2	7650100137	1	Fitting, Straight	
3	7444121050	1	Fitting, Straight NPTM/NPTF	
4	7935000116	1	Valve, Ball	
5	7444121271	AR	Fitting, 90	
6	7443000130	AR	Fitting, Straight NPT/TUBE	
7	7274000028	2	Clamp	
8	8565000026	16.5 ft	Hose	
9	1001145056	1	Fitting, 90	
10	7445121645	2	Fitting, 90 - JIC	
11	1001218610	2	Hose	
12	7865182065	4	Stud 1/2 x 2-1/2	
13	7950180000	4	Washer 1/2	
14	4178000349	1	Bracket	
15	7274000076	8	Clamp	
16	7785152420	8	Setscrew 5/16 x 1-1/2	
17	7660152601	16	Nut 5/16	
18	7115151050	8	Bolt 5/16 x 1-1/4	
19	7950150161	8	Washer 5/16	
20	4706003844	8	Plate	
21	7274000041	16	Clamp	
22	7274000071	8	Clamp	
23	7115140850	16	Bolt 1/4 x 1	
24	7950140152	16	Washer 1/4	
25	7660142601	16	Nut 1/4	
26	7577000213	1	Kit Split Flange	
27	7443000254	1	Fitting, 90 - NPT/BARBED	
28	7660180000	4	Nut 1/2	

SECTION 6 - HYDRAULIC

FIGURE 6-8. HYDRAULIC SUPPLY INSTALLATION - 306IN-345IN WB



ART_1001218587

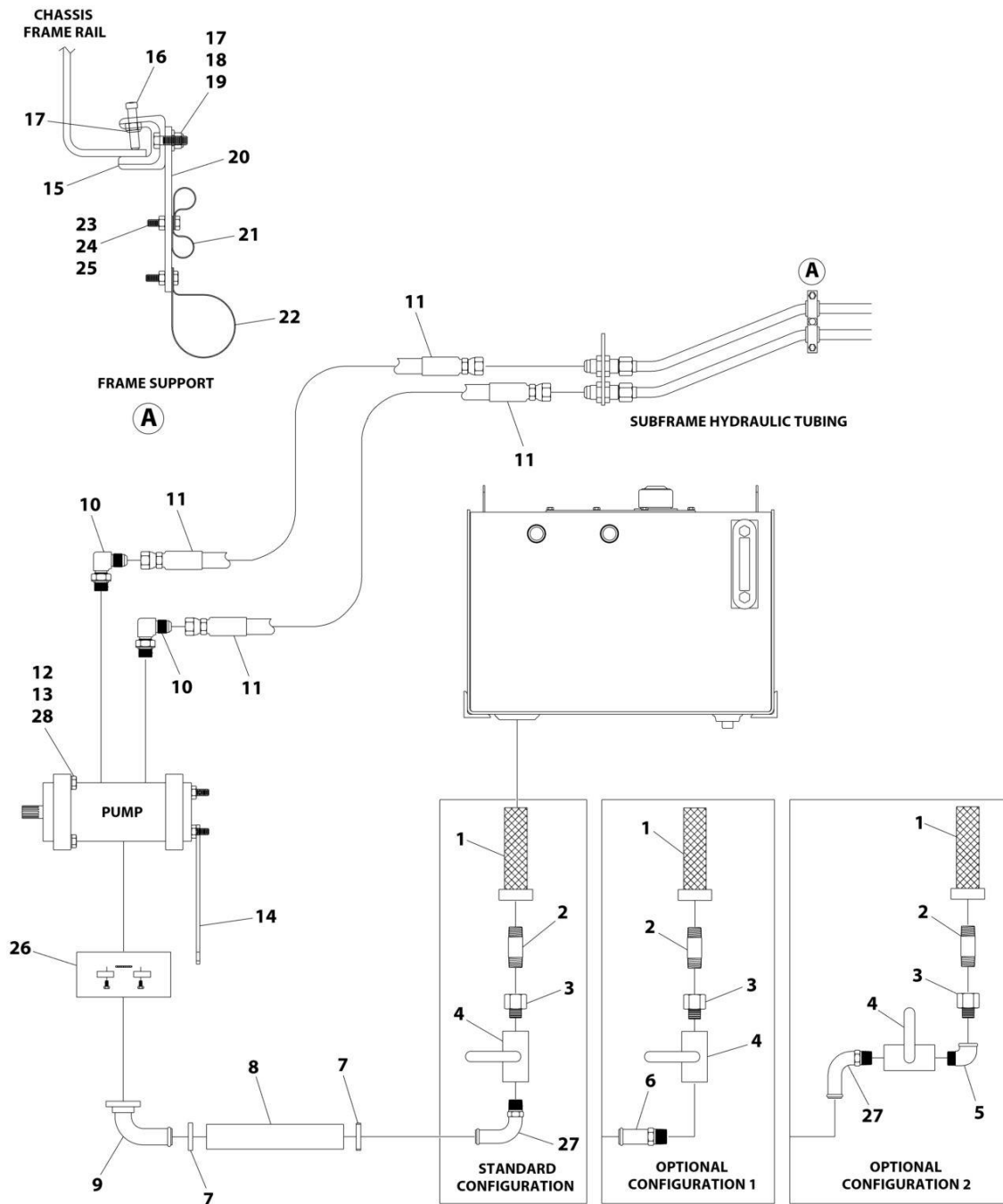
SECTION 6 - HYDRAULIC

FIGURE 6-8. HYDRAULIC SUPPLY INSTALLATION - 306IN-345IN WB

ITEM	PART NUMBER	QTY	DESCRIPTION	REV
	1001218587	Ref	HYDRAULIC SUPPLY INSTALLATION	D
1	743000010	1	Filter, Tank	
2	7650100137	1	Fitting, Straight	
3	7444121050	1	Fitting, Straight NPTM/NPTF	
4	7935000116	1	Valve, Ball	
5	7444121271	AR	Fitting, 90	
6	7443000130	AR	Fitting, Straight NPT/TUBE	
7	7274000028	2	Clamp	
8	8565000026	20 ft	Hose	
9	1001145056	1	Fitting, 90	
10	7445121645	2	Fitting, 90 - JIC	
11	1001204565	2	Hose	
12	7865182065	4	Stud 1/2 x 2-1/2	
13	7950180000	4	Washer 1/2	
14	4178000349	1	Bracket	
15	7274000076	10	Clamp	
16	7785152420	10	Setscrew 5/16 x 1-1/2	
17	7660152601	20	Nut 5/16	
18	7115151050	10	Bolt 5/16 x 1-1/4	
19	7950150161	10	Washer 5/16	
20	4706003844	10	Plate	
21	7274000041	20	Clamp	
22	7274000071	10	Clamp	
23	7115140850	20	Bolt 1/4 x 1	
24	7950140152	20	Washer 1/4	
25	7660142601	20	Nut 1/4	
26	7577000213	1	Kit Split Flange	
27	7443000254	1	Fitting, 90 - NPT/BARBED	
28	7660180000	4	Nut 1/2	

SECTION 6 - HYDRAULIC

FIGURE 6-9. HYDRAULIC SUPPLY INSTALLATION - 346IN-385IN WB



ART_1001218588

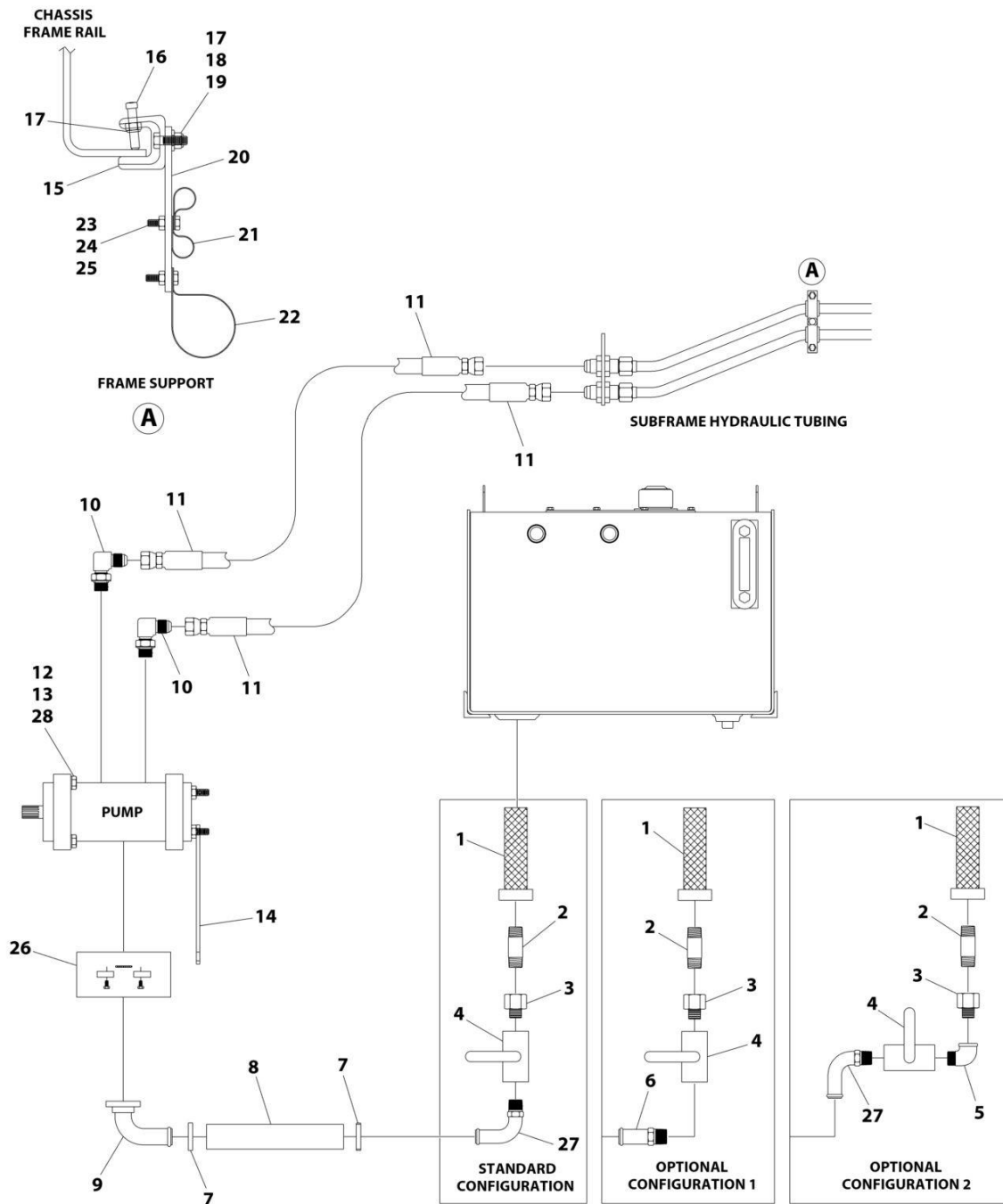
SECTION 6 - HYDRAULIC

FIGURE 6-9. HYDRAULIC SUPPLY INSTALLATION - 346IN-385IN WB

ITEM	PART NUMBER	QTY	DESCRIPTION	REV
	1001218588	Ref	HYDRAULIC SUPPLY INSTALLATION	D
1	743000010	1	Filter, Tank	
2	7650100137	1	Fitting, Straight	
3	7444121050	1	Fitting, Straight NPTM/NPTF	
4	7935000116	1	Valve, Ball	
5	7444121271	AR	Fitting, 90	
6	7443000130	AR	Fitting, Straight NPT/TUBE	
7	7274000028	2	Clamp	
8	8565000026	23.5 ft	Hose	
9	1001145056	1	Fitting, 90	
10	7445121645	2	Fitting, 90 - JIC	
11	1001218611	2	Hose	
12	7865182065	4	Stud 1/2 x 2-1/2	
13	7950180000	4	Washer 1/2	
14	4178000349	1	Bracket	
15	7274000076	11	Clamp	
16	7785152420	11	Setscrew 5/16 x 1-1/2	
17	7660152601	22	Nut 5/16	
18	7115151050	11	Bolt 5/16 x 1-1/4	
19	7950150161	11	Washer 5/16	
20	4706003844	11	Plate	
21	7274000041	22	Clamp	
22	7274000071	11	Clamp	
23	7115140850	22	Bolt 1/4 x 1	
24	7950140152	22	Washer 1/4	
25	7660142601	22	Nut 1/4	
26	7577000213	1	Kit Split Flange	
27	7443000254	1	Fitting, 90 - NPT/BARBED	
28	7660180000	4	Nut 1/2	

SECTION 6 - HYDRAULIC

FIGURE 6-10. HYDRAULIC SUPPLY INSTALLATION - 386IN-425IN WB



ART_1001218589

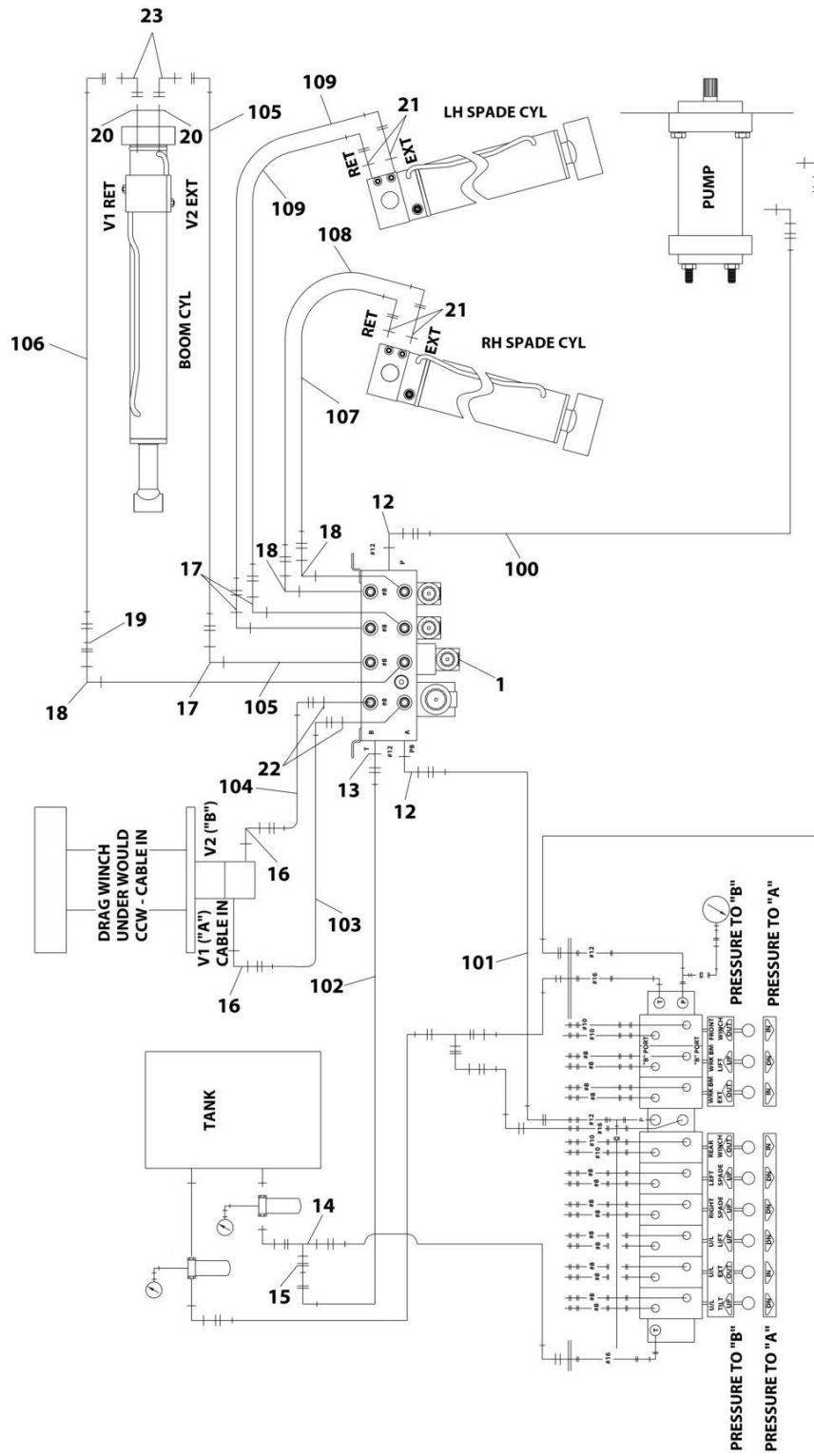
SECTION 6 - HYDRAULIC

FIGURE 6-10. HYDRAULIC SUPPLY INSTALLATION - 386IN-425IN WB

ITEM	PART NUMBER	QTY	DESCRIPTION	REV
	1001218589	Ref	HYDRAULIC SUPPLY INSTALLATION	D
1	743000010	1	Filter, Tank	
2	7650100137	1	Fitting, Straight	
3	7444121050	1	Fitting, Straight NPTM/NPTF	
4	7935000116	1	Valve, Ball	
5	7444121271	AR	Fitting, 90	
6	7443000130	AR	Fitting, Straight NPT/TUBE	
7	7274000028	2	Clamp	
8	8565000026	26.5 ft	Hose	
9	1001145056	1	Fitting, 90	
10	7445121645	2	Fitting, 90	
11	1001218612	2	Hose	
12	7865182065	4	Stud 1/2 x 2-1/2	
13	7950180000	4	Washer 19/32	
14	4178000349	1	Bracket	
15	7274000076	13	Clamp	
16	7785152420	13	Setscrew 5/16 x 1-1/2	
17	7660152601	26	Nut 5/16	
18	7115151050	13	Bolt 5/16 x 1-1/4	
19	7950150161	13	Washer 5/16	
20	4706003844	13	Plate	
21	7274000041	26	Clamp	
22	7274000071	13	Clamp	
23	7115140850	26	Bolt 1/4 x 1	
24	7950140152	26	Washer 1/4	
25	7660142601	26	Nut 1/4	
26	7577000213	1	Kit Split Flange	
27	7443000254	1	Fitting, 90 - NPT/BARBED	
28	7660180000	4	Nut 1/2	

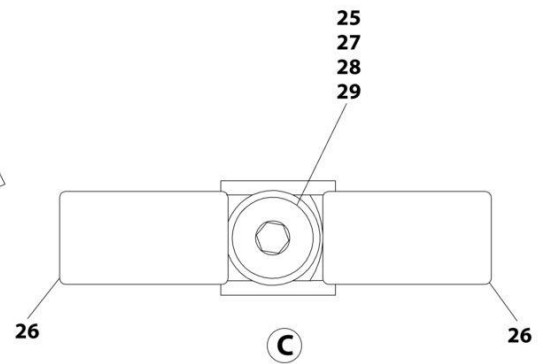
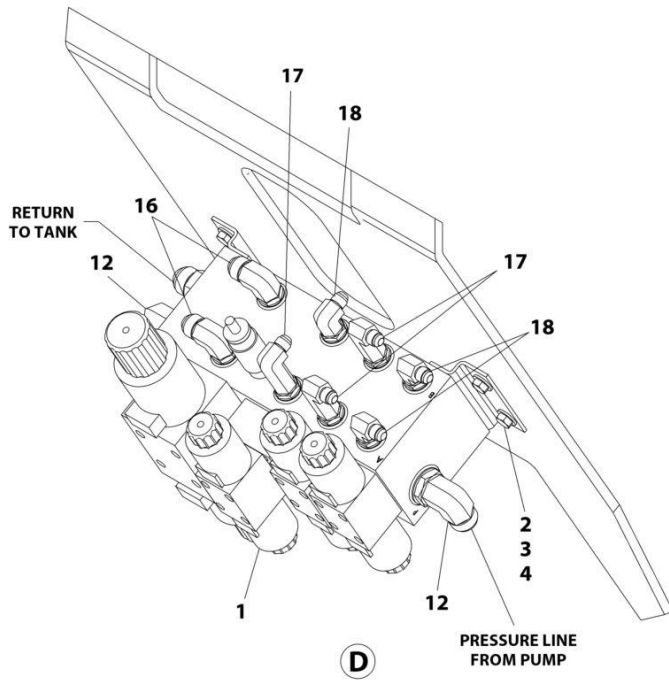
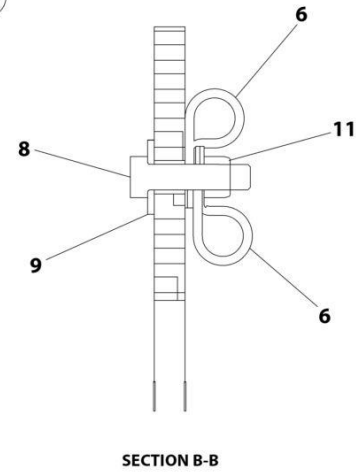
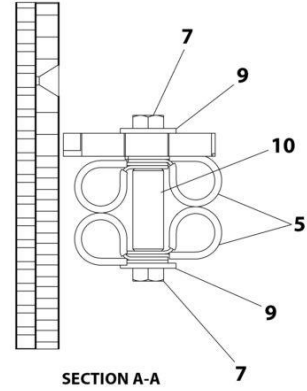
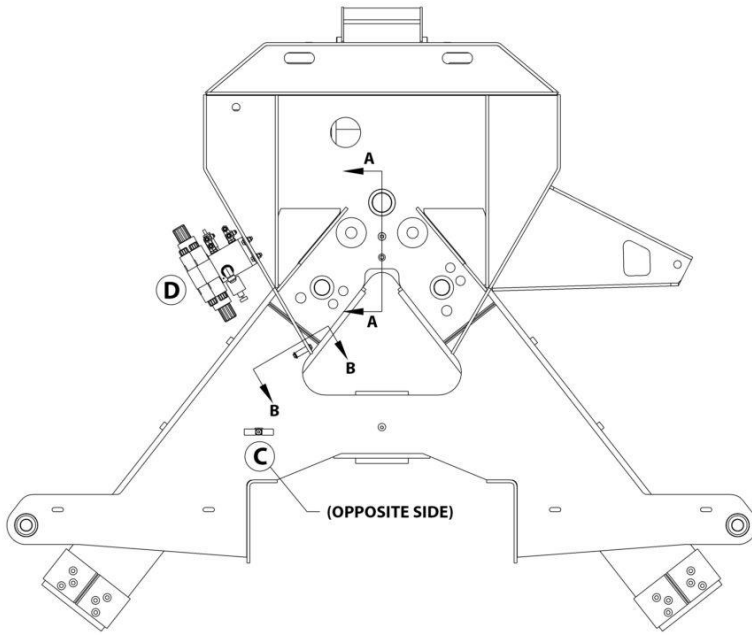
SECTION 6 - HYDRAULIC

FIGURE 6-11. HYDRAULIC INSTALLATION - SIDE RECOVERY SYSTEM (SRS)



ART_3548530005_1OF2

SECTION 6 - HYDRAULIC



ART_3548530005_2OF2

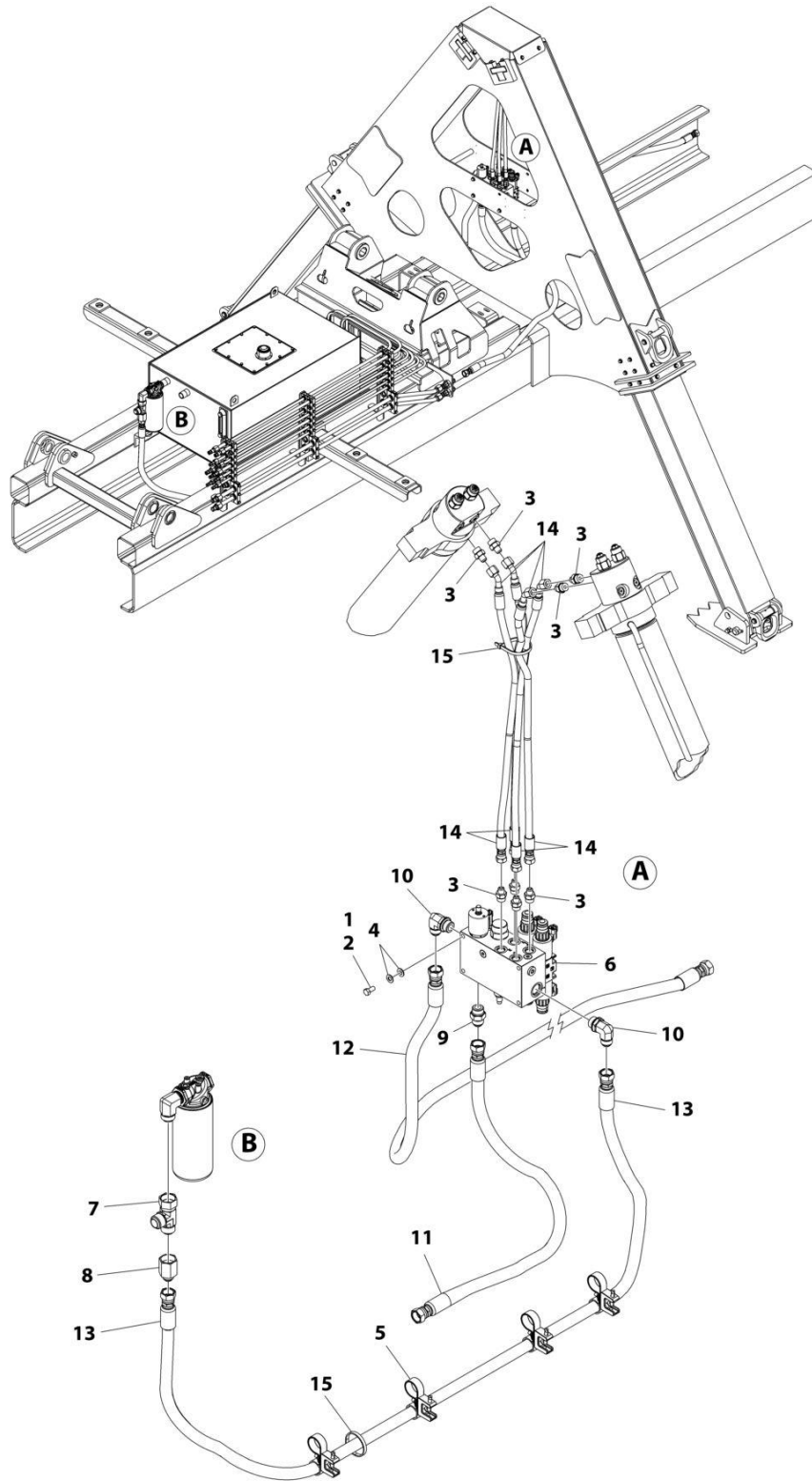
SECTION 6 - HYDRAULIC

FIGURE 6-11. HYDRAULIC INSTALLATION - SIDE RECOVERY SYSTEM (SRS)

ITEM	PART NUMBER	QTY	DESCRIPTION	REV
	3548530005	Ref	HYDRAULIC INSTALLATION (SRS)	C
1	3935000189	1	Valve Assembly (See Separate Breakdown in this Section)	
2	7115161050	4	Capscrew 3/8 x 1-1/4	
3	7950160141	8	Washer 3/8	
4	7660162601	4	Nut 3/8	
5	7274000063	4	Clamp	
6	7274000053	2	Clamp	
7	7115150850	2	Capscrew 5/16 x 1	
8	7115151050	1	Capscrew 5/16 x 1-1/4	
9	7950150161	3	Washer 5/16	
10	7661000022	1	Nut 5/16	
11	7660152601	1	Nut 5/16	
12	7445121245	2	Fitting, 90	
13	7445121243	1	Fitting, Straight	
14	7443000213	1	Fitting, Tee	
15	7443000214	1	Fitting, Reducer	
16	7445080845	2	Fitting, 90	
17	7443000458	3	Fitting	
18	7445060845	3	Fitting, 90	
19	7443000108	1	Restrictor	
20	7445040443	2	Fitting, Straight	
21	7445060644	4	Fitting	
22	7445080843	2	Fitting, Straight	
23	7445040472	2	Fitting, 90	
24	7819000005	1	Sleeve (Not Shown)	
25	7114160618	1	Capscrew 3/8 x 3/4	
26	7274000041	2	Clamp	
27	7894000004	5	Tie Strap (Not Shown)	
28	7950160000	1	Washer 3/8	
29	7950160143	1	Washer 3/8	
100	4567160129	1	Hose	
101	4567160156	1	Hose	
102	4567162180	1	Hose	
103	4567132028	1	Hose	
104	4567132033	1	Hose	
105	4570000337	1	Hose	
106	4570000338	1	Hose	
107	4567122038	1	Hose	
108	4567122036	1	Hose	
109	4567122056	2	Hose	

SECTION 6 - HYDRAULIC

FIGURE 6-12. HYDRAULIC INSTALLATION - SIDE STABILIZER (SS-70)



ART_1001243239

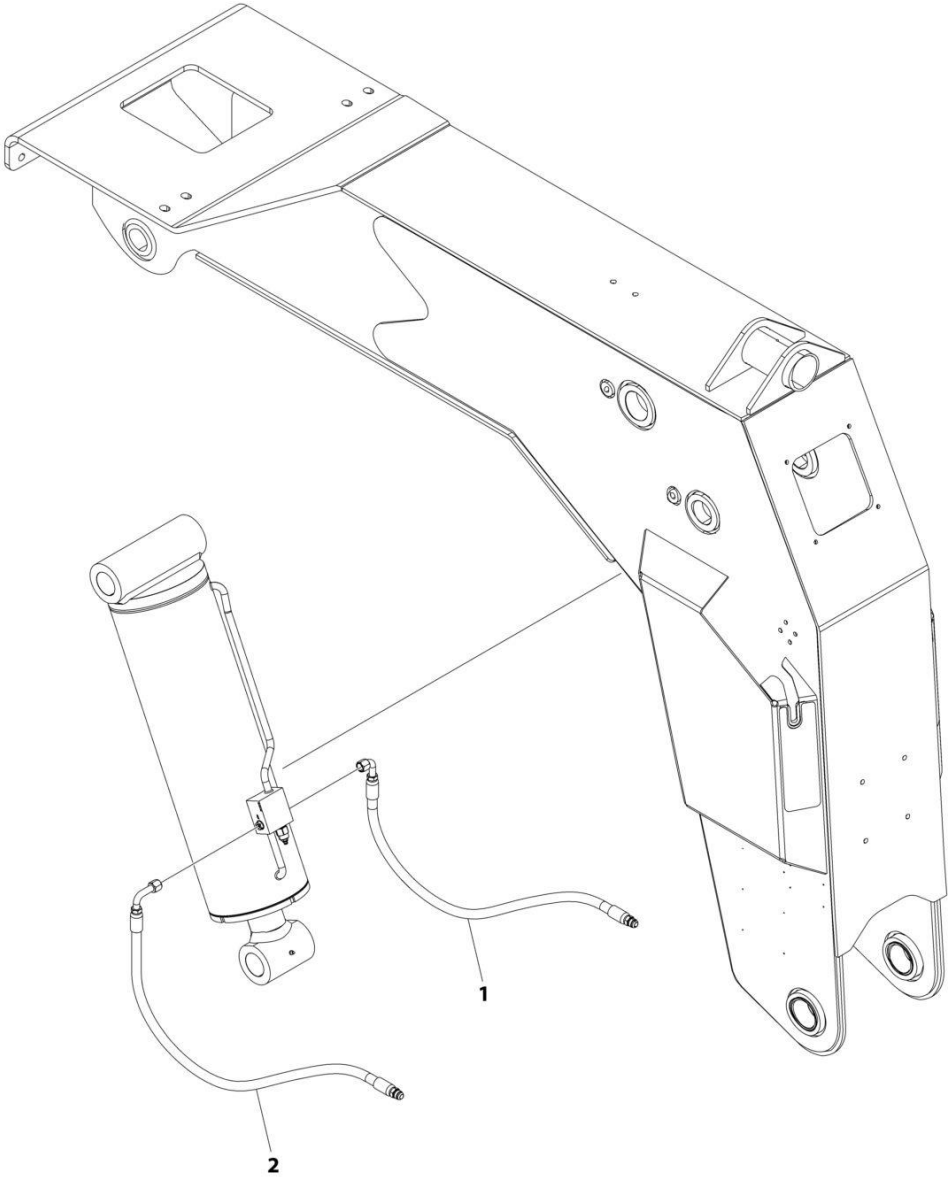
SECTION 6 - HYDRAULIC

FIGURE 6-12. HYDRAULIC INSTALLATION - SIDE STABILIZER (SS-70)

ITEM	PART NUMBER	QTY	DESCRIPTION	REV
	1001243239	Ref	HYDRAULIC SIDE STABILIZER INSTALLATION	A
1	0100011	AR	Compound, Locking	
2	0641606	3	Bolt 3/8 x 3/4	
3	2220372	8	Fitting, Straight JIC/ORB	
4	4711600	6	Washer 3/8	
5	1001132794	4	Clamp Kit	
6	1001243240	1	Valve Assembly (See Separate Breakdown in this Section)	
7	7443000213	1	Fitting, Tee	
8	7443000214	1	Fitting, Reducer	
9	7445121243	1	Fitting, Straight ORB/JIC	
10	7445121245	2	Fitting, 90 JIC/ORB	
11	1001244186	1	Hose	
12	1001244187	1	Hose	
13	1001244188	1	Hose	
14	1001244189	4	Hose	
15	7894000004	15	Tie-Strap	

SECTION 6 - HYDRAULIC

FIGURE 6-13. HYDRAULIC INSTALLATION - UNDERLIFT (48000K UNDERLIFT)



ART_7577000641

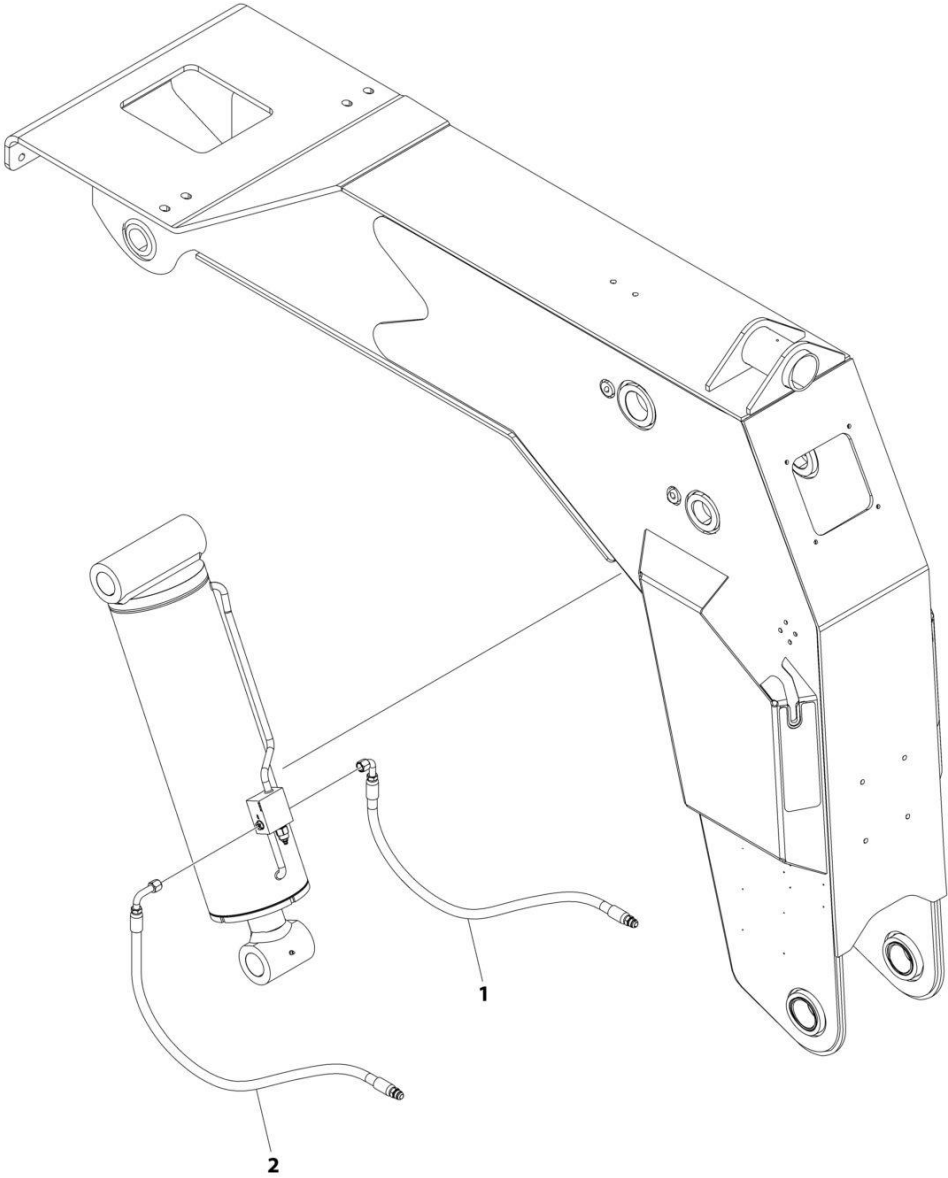
SECTION 6 - HYDRAULIC

FIGURE 6-13. HYDRAULIC INSTALLATION - UNDERLIFT (48000K UNDERLIFT)

ITEM	PART NUMBER	QTY	DESCRIPTION	REV
	7577000641	Ref	UNDERLIFT HYDRAULIC HOSE INSTALLATION (48K LBS)	B
1	4570000177	1	Hose	
2	4570000176	1	Hose	

SECTION 6 - HYDRAULIC

FIGURE 6-14. HYDRAULIC INSTALLATION - UNDERLIFT (53000K UNDERLIFT)



ART_7577000640

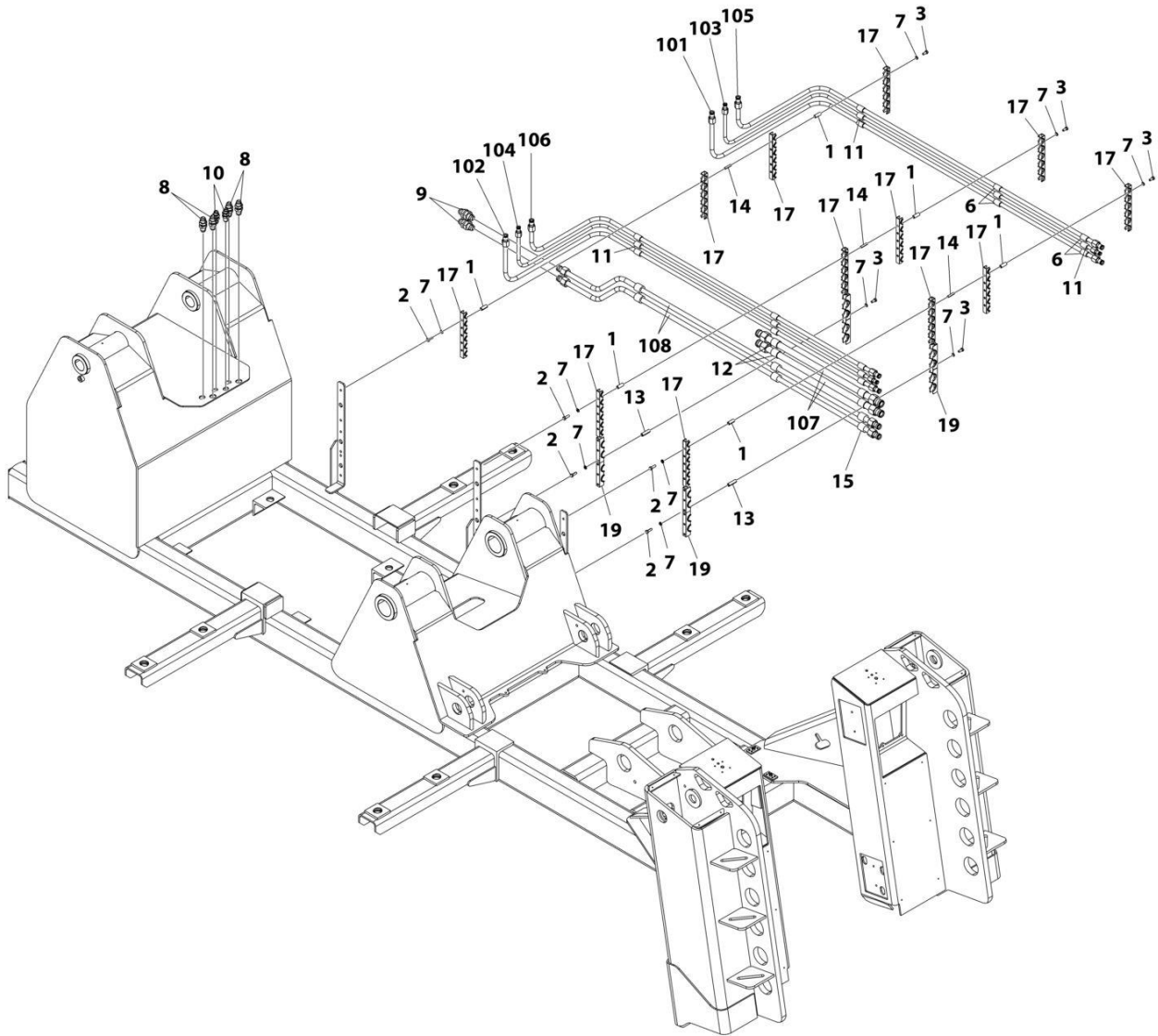
SECTION 6 - HYDRAULIC

FIGURE 6-14. HYDRAULIC INSTALLATION - UNDERLIFT (53000K UNDERLIFT)

ITEM	PART NUMBER	QTY	DESCRIPTION	REV
	7577000640	Ref	UNDERLIFT HYDRAULIC HOSE INSTALLATION (53K LBS)	B
1	4570000336	1	Hose	
2	4570000335	1	Hose	

SECTION 6 - HYDRAULIC

FIGURE 6-15. TUBE INSTALLATION - COMMON (WITHOUT UNDERLIFT)



ART_3912000039

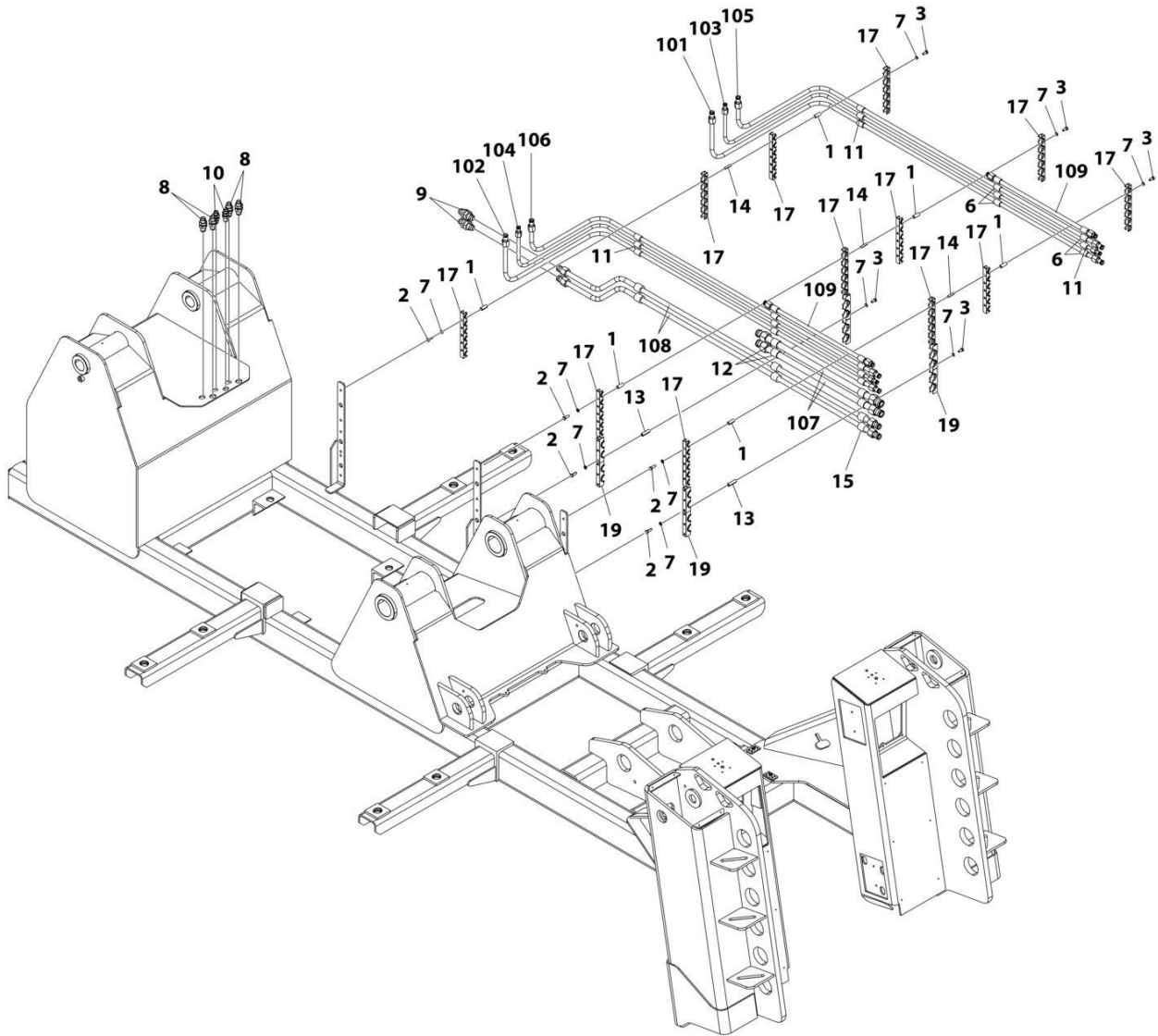
SECTION 6 - HYDRAULIC

FIGURE 6-15. TUBE INSTALLATION - COMMON (WITHOUT UNDERLIFT)

ITEM	PART NUMBER	QTY	DESCRIPTION	REV
	3912000039	Ref	TUBE INSTALLATION (WITHOUT UL WINCH)	B
1	7661000022	30	Nut 5/16	
2	7115150850	16	Bolt 5/16 x 1	
3	7115150650	38	Capscrew 5/16 x 3/4	
6	7209000024	14	Bushing	
7	7950150000	54	Washer 5/16	
8	7445101025	4	Fitting, Union Bulkhead	
9	7445121225	2	Fitting, Union Bulkhead	
10	7445080825	2	Fitting, Union Bulkhead	
11	7209000023	6	Bushing	
12	7209000033	4	Bushing	
13	7661000027	15	Stacking Nut	
14	7007000036	15	Adapter	
15	7209000032	6	Bushing	
17	7274000030	6	Clamp	
19	7274000049	5	Clamp	
25	7577000659	Ref	Tube Kit	
101	7912000280	1	Tube	
102	7912000281	1	Tube	
103	7912000282	1	Tube	
104	7912000283	1	Tube	
105	7912000284	1	Tube	
106	7912000285	1	Tube	
107	7912000287	2	Tube	
108	7912000288	2	Tube	

SECTION 6 - HYDRAULIC

FIGURE 6-16. TUBE INSTALLATION - COMMON (WITH UNDERLIFT)



ART_3912000040

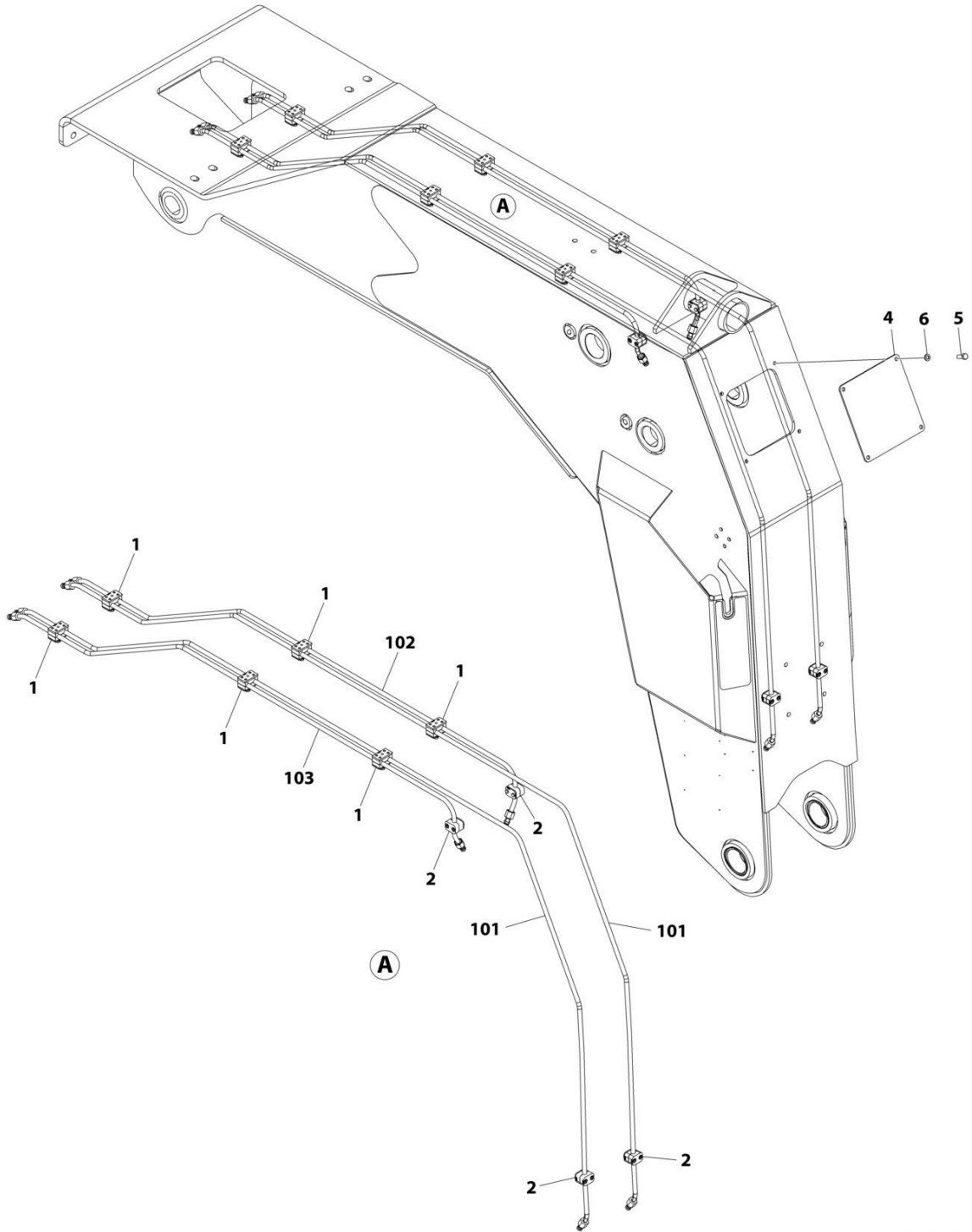
SECTION 6 - HYDRAULIC

FIGURE 6-16. TUBE INSTALLATION - COMMON (WITH UNDERLIFT)

ITEM	PART NUMBER	QTY	DESCRIPTION	REV
	3912000040	Ref	TUBE INSTALLATION (WITH UL WINCH)	B
1	7661000022	30	Nut 5/16	
2	7115150850	16	Bolt 5/16 x 1	
3	7115150650	38	Capscrew 5/16 x 3/4	
6	7209000024	16	Bushing	
7	7950150000	54	Washer 5/16	
8	7445101025	4	Fitting, Union Bulkhead	
9	7445121225	2	Fitting, Union Bulkhead	
10	7445080825	2	Fitting, Union Bulkhead	
11	7209000023	6	Bushing	
12	7209000033	4	Bushing	
13	7661000027	15	Stacking Nut	
14	7007000036	15	Adapter	
15	7209000032	6	Bushing	
17	7274000030	6	Clamp	
19	7274000049	5	Clamp	
25	7577000660	Ref	Tube Kit	
101	7912000280	1	Tube	
102	7912000281	1	Tube	
103	7912000282	1	Tube	
104	7912000283	1	Tube	
105	7912000284	1	Tube	
106	7912000285	1	Tube	
107	7912000287	2	Tube	
108	7912000288	2	Tube	
109	7912000289	2	Tube	

SECTION 6 - HYDRAULIC

FIGURE 6-17. TUBE INSTALLATION - UNDERLIFT



ART_3508530006

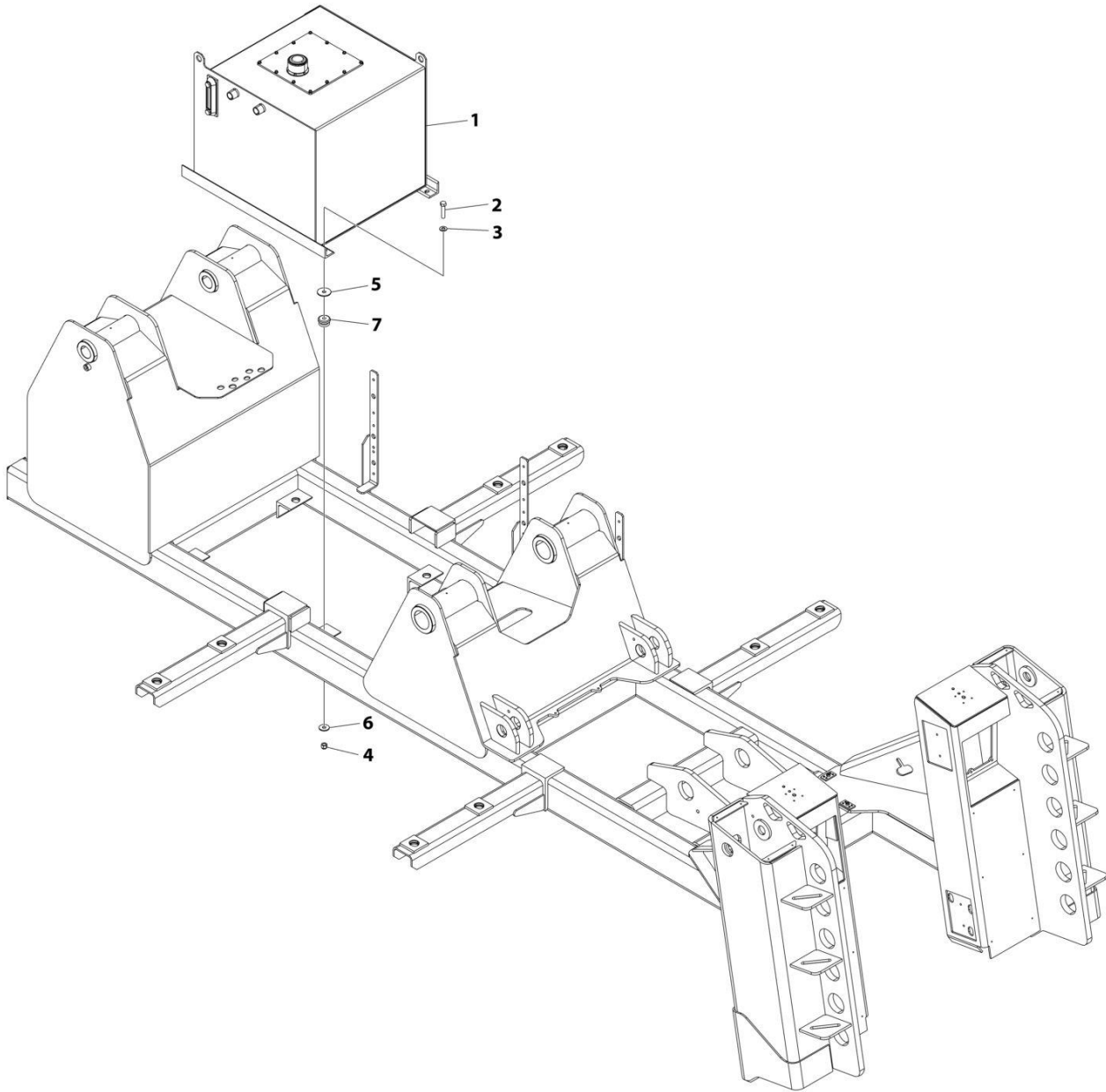
SECTION 6 - HYDRAULIC

FIGURE 6-17. TUBE INSTALLATION - UNDERLIFT

ITEM	PART NUMBER	QTY	DESCRIPTION	REV
	3508530006	Ref	UNDERLIFT HYDRAULIC TUBE INSTALLATION	B
1	1001136447	6	Clamp	
2	1001136559	4	Clamp	
4	4706002206	1	Plate	
5	7115160850	4	Bolt 3/8 x 1	
6	7950160000	4	Washer 3/8	
7	7577000661	1	Tube Kit	
101	7912000239	2	Tube	
102	7912000240	1	Tube	
103	7912000241	1	Tube	

SECTION 6 - HYDRAULIC

FIGURE 6-18. TANK (HYDRAULIC) INSTALLATION



ART_2507650077

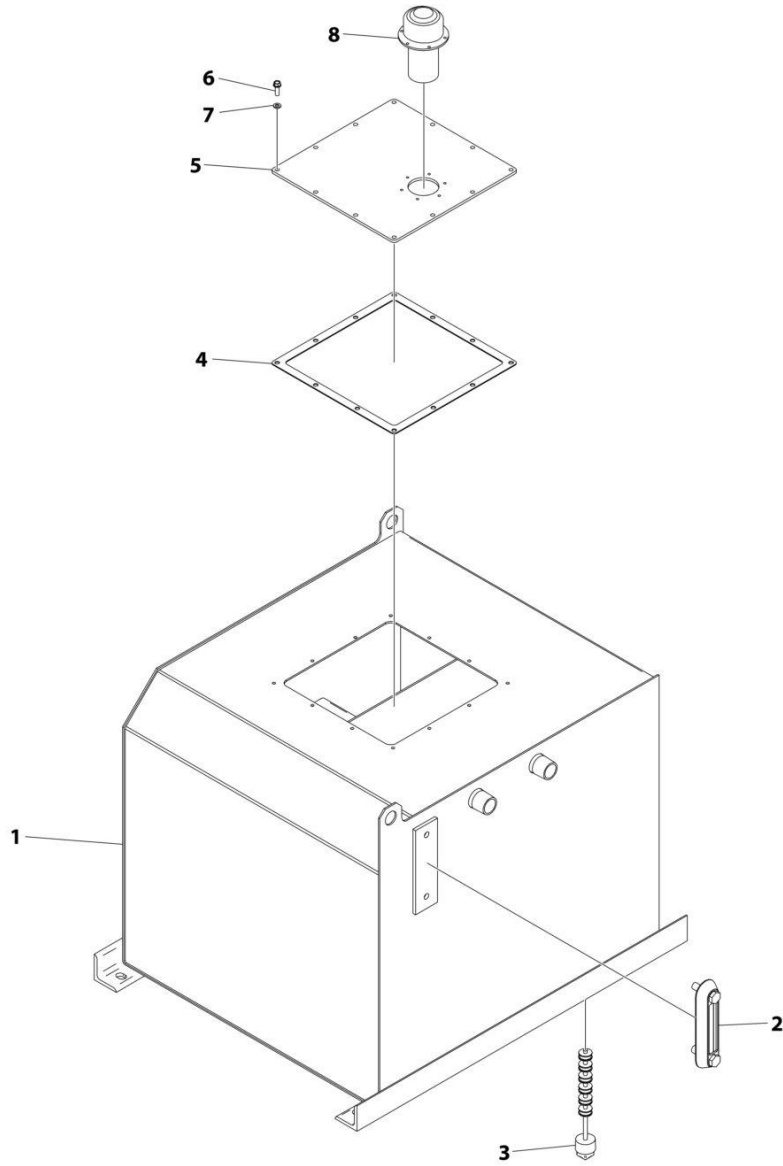
SECTION 6 - HYDRAULIC

FIGURE 6-18. TANK (HYDRAULIC) INSTALLATION

ITEM	PART NUMBER	QTY	DESCRIPTION	REV
	2507650077	Ref	TANK (HYDRAULIC) INSTALLATION	B
1	3750000055	1	Tank Assembly (See Separate Breakdown in this Section)	
2	7115181850	4	Capscrew 1/2 x 2-1/4	
3	7950180141	4	Washer 1/2	
4	7660182601	4	Nut 1/2	
5	7949000015	4	Washer	
6	7949000016	4	Washer	
7	7636000006	4	Mount, Center Bonded	

SECTION 6 - HYDRAULIC

FIGURE 6-19. TANK (HYDRAULIC) ASSEMBLY



ART_375000055

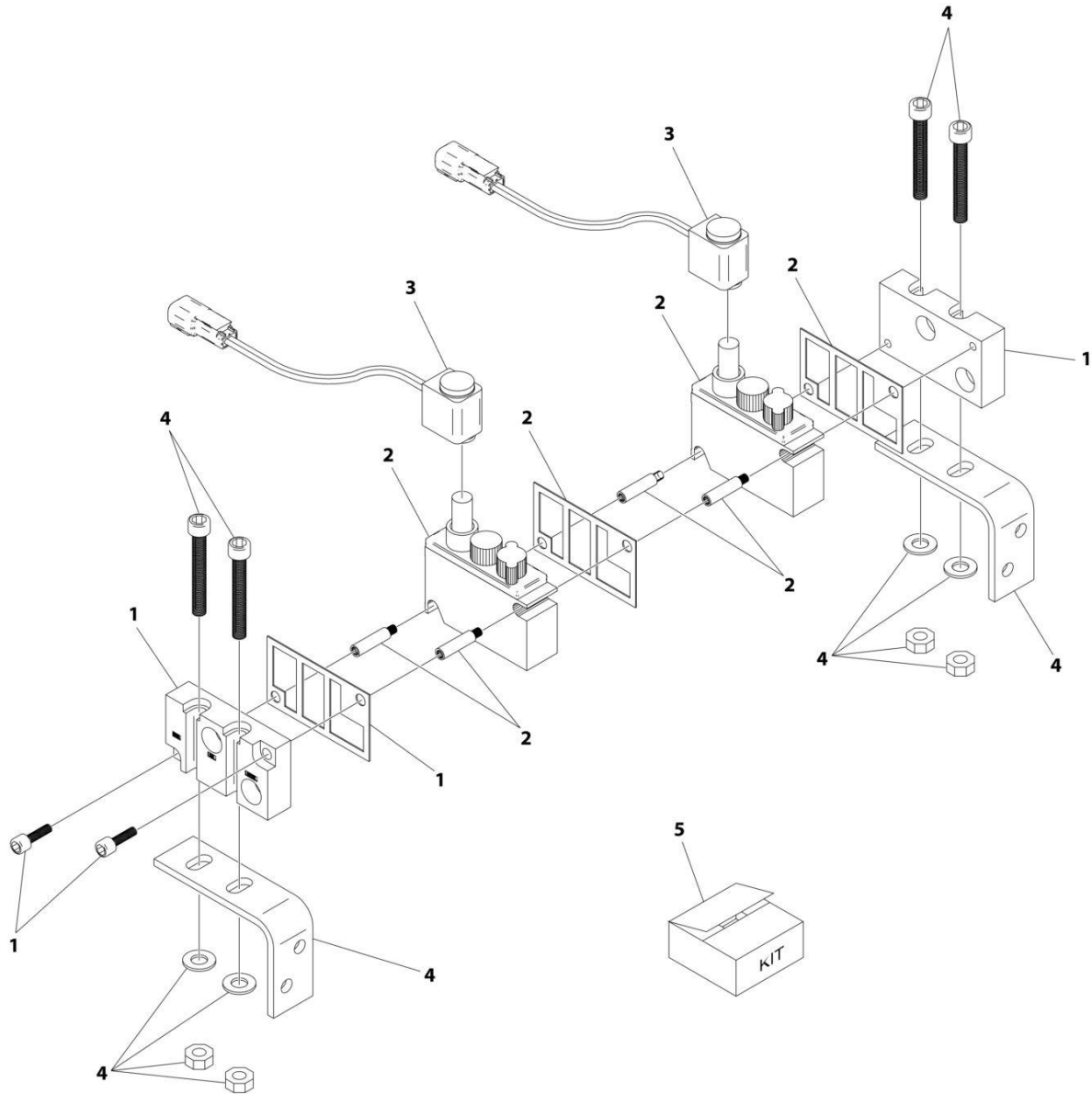
SECTION 6 - HYDRAULIC

FIGURE 6-19. TANK (HYDRAULIC) ASSEMBLY

ITEM	PART NUMBER	QTY	DESCRIPTION	REV
	3750000055	Ref	TANK (HYDRAULIC) ASSEMBLY	C
1	3750000056	1	Hydraulic Tank	
2	7470000003	1	Gauge	
3	7701000025	1	Plug	
4	7796000051	1	Gasket	
5	4706002235	1	Plate	
6	7790141253	12	Screw 1/4 x 3/4	
7	7950140000	12	Washer 1/4	
8	7183000004	1	Breather Filter	

SECTION 6 - HYDRAULIC

FIGURE 6-20. VALVE ASSEMBLY - AIR 2 SECTION



ART_1001129800

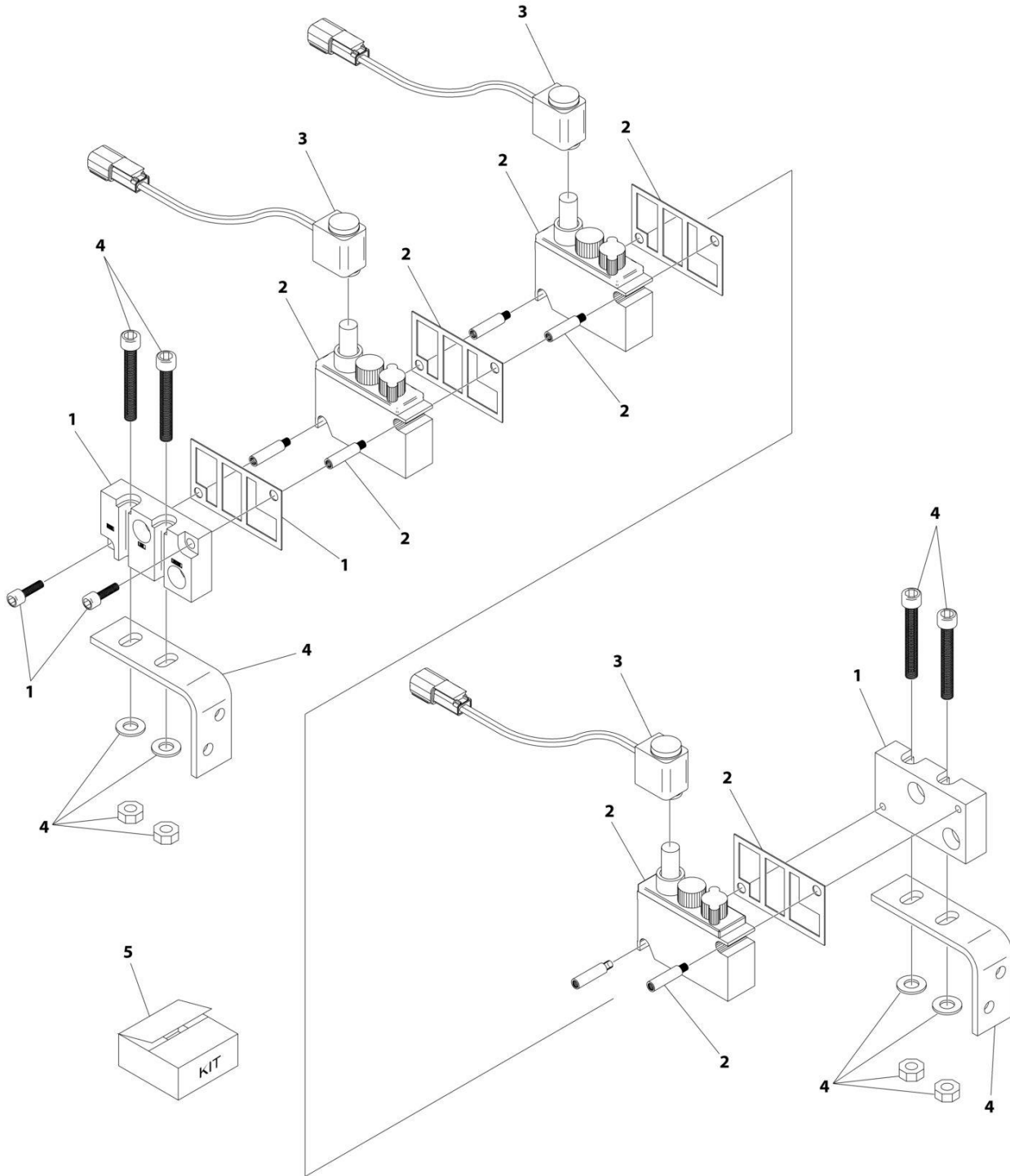
SECTION 6 - HYDRAULIC

FIGURE 6-20. VALVE ASSEMBLY - AIR 2 SECTION

ITEM	PART NUMBER	QTY	DESCRIPTION	REV
	1001129800	Ref	Air Valve 2 Section Assembly	B
1	70050526	1	Kit, Stacking (Includes Inlet, Outlet, Gaskets & Assembly Hardware)	
2	70050527	2	Valve Assembly	
3	70050528	2	Coil	
4	70050529	1	Kit, Mounting Bracket	
5	70050530	2	Kit, Spool Seal	

SECTION 6 - HYDRAULIC

FIGURE 6-21. VALVE ASSEMBLY - AIR 3 SECTION



ART_1001202056

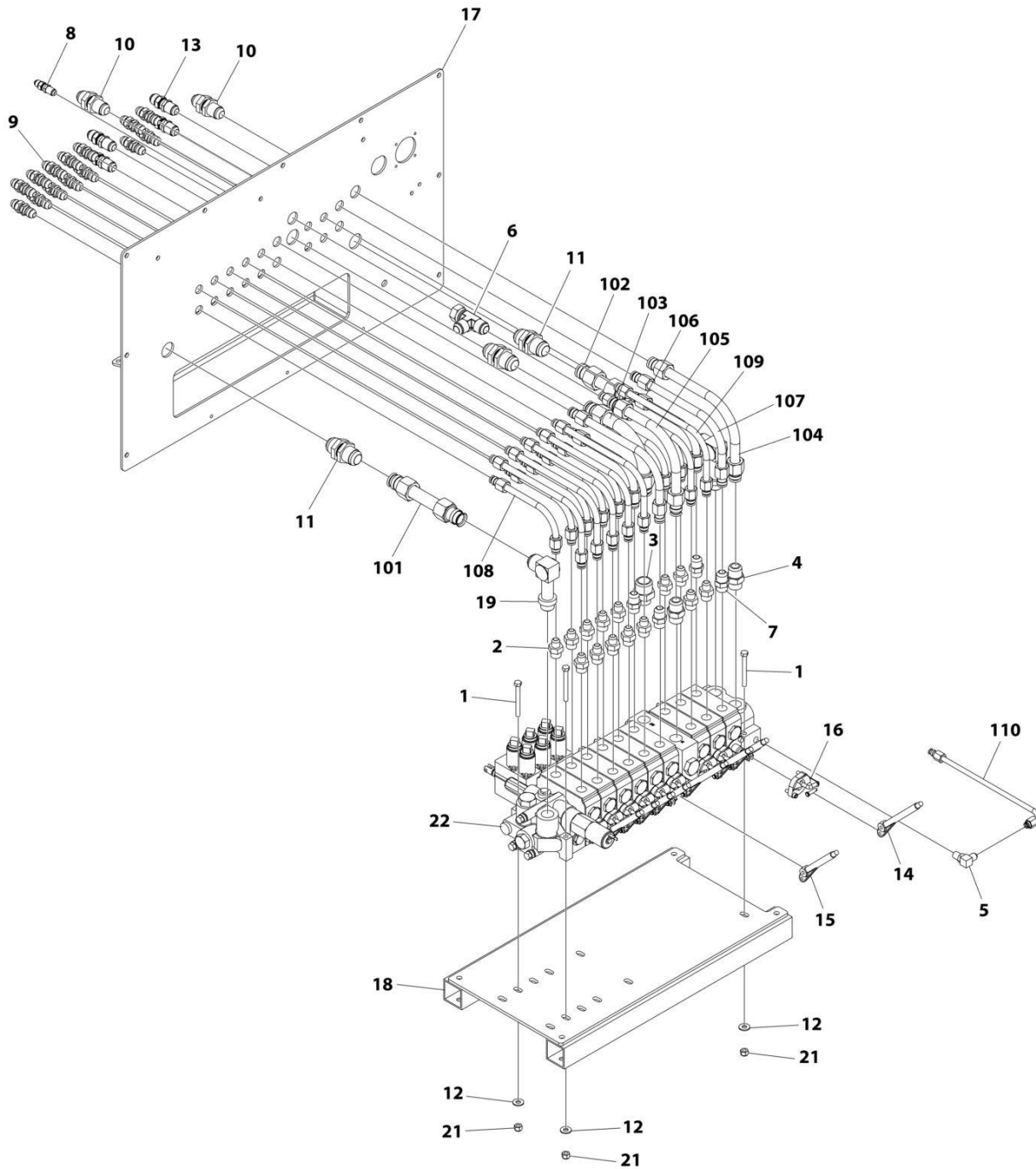
SECTION 6 - HYDRAULIC

FIGURE 6-21. VALVE ASSEMBLY - AIR 3 SECTION

ITEM	PART NUMBER	QTY	DESCRIPTION	REV
	1001202056	Ref	VALVE ASSEMBLY - AIR 3 SECTION	A
1	70050526	1	Kit, Stacking	
2	70050527	3	Valve	
3	70050528	3	Coil	
4	70050529	1	Kit, Mounting Bracket	
5	70050530	3	Kit, Spool Seal	

SECTION 6 - HYDRAULIC

FIGURE 6-22. VALVE SUB-ASSEMBLY - 9 SECTION / 3 SOLENOID



ART_1001202432

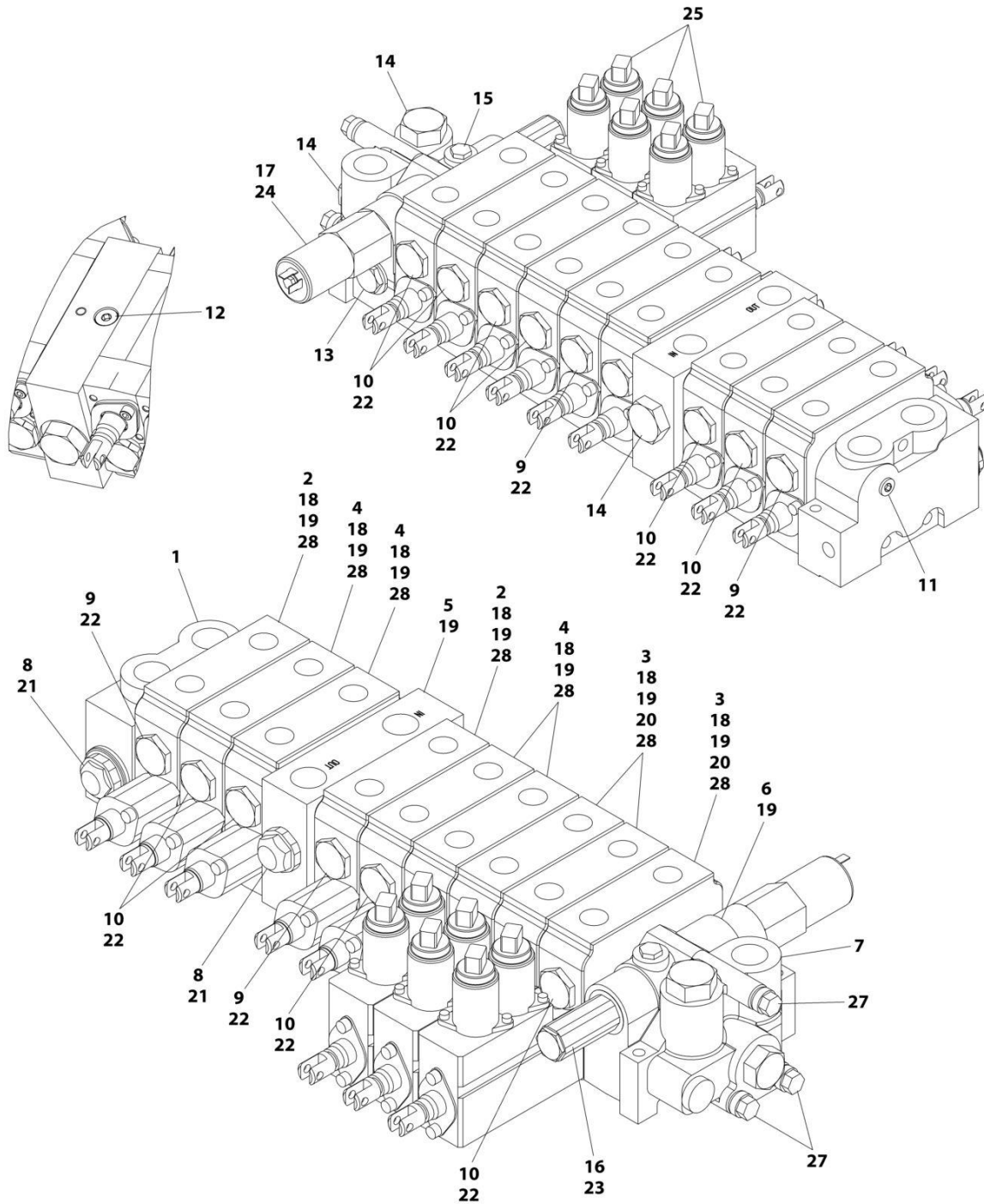
SECTION 6 - HYDRAULIC

FIGURE 6-22. VALVE SUB-ASSEMBLY - 9 SECTION / 3 SOLENOID

ITEM	PART NUMBER	QTY	DESCRIPTION	REV
	1001202432	Ref	VALVE SUB-ASSEMBLY - 9 SECTION/3 SOLENOID	C
1	0641524	3	Bolt 5/16 x 3	
2	2220374	14	Fitting, Straight JIC/ORB	
3	2220376	1	Fitting, Straight JIC/ORB	
4	2220451	2	Fitting, Straight JIC/ORB	
5	2220473	1	Fitting, 90 JIC/ORB	
6	2220700	1	Fitting, Tee JIC/FSJIC/JIC	
7	2220947	4	Fitting, Straight	
8	2230024	1	Fitting, Straight JIC/JIC	
9	2230025	14	Fitting, Straight JIC/JIC	
10	2230027	2	Fitting, Straight	
11	2230089	3	Fitting, Straight	
12	4751500	3	Washer 5/16	
13	8760037	4	Union, Straight	
14	1001184772	2	Handle, Long	
15	1001184773	7	Handle, Short	
16	1001194069	9	Linkage, Handle	
17	1001200355	1	Panel	
18	3177000060	1	Mount, Valve	
19	7443000211	2	Fitting #16 JIC	
20	7577000669	1	Tube Kit (Includes Items 101-110)	
21	7660162601	3	Nut 3/8	
22	7935000313	1	Valve Assembly (See Separate Breakdown in this Section)	
	7577000669	Ref	TUBE KIT	C
101	7912000301	1	Tube, Outlet	
102	7912000302	1	Tube, Outlet	
103	7912000303	1	Tube, Mid Outlet	
104	7912000304	1	Tube, Inlet	
105	7912000305	1	Tube, Mid Inlet	
106	7912000306	2	Tube, Winch	
107	7912000307	2	Tube, Winch	
108	7912000308	7	Tube	
109	7912000309	7	Tube	
110	7912000310	1	Tube, Pilot	

SECTION 6 - HYDRAULIC

FIGURE 6-23. VALVE ASSEMBLY - 9 SECTION / 3 SOLENOID



ART_7935000313

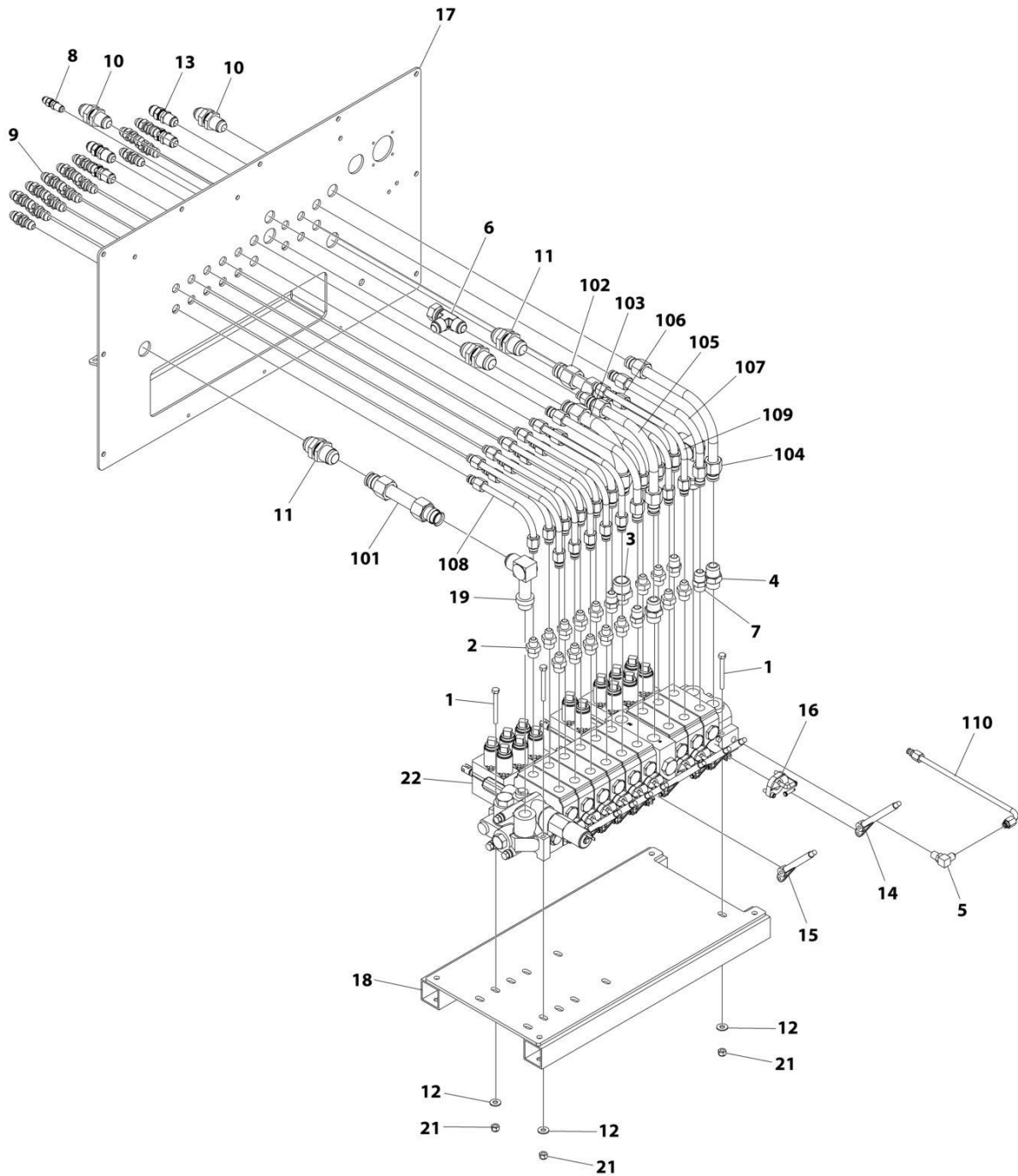
SECTION 6 - HYDRAULIC

FIGURE 6-23. VALVE ASSEMBLY - 9 SECTION / 3 SOLENOID

ITEM	PART NUMBER	QTY	DESCRIPTION	REV
	7935000313	Ref	VALVE ASSEMBLY - 9 SECTION/3 SOLENOID	B
1	7935000315	1	Cover, Inlet	
2	9935930122	2	Valve Section	
3	9935930119	3	Valve Section	
4	7935000320	4	Valve Section	
5	7935000316	1	Inlet	
6	7935000323	1	Utility Section	
7	7935000317	1	Cover, Outlet	
8	91084009	2	Cartridge, Relief	
9	70050243	4	Plug	
10	7006847	14	Plug	
11	70050245	1	Plug	
12	70050246	2	Plug	
13	70050247	1	Plug	
14	91084017	3	Plug	
15	70050249	1	Plug	
16	70050241	1	Cartridge, Pressure	
17	70050242	1	Solenoid	
18	70050250	15	Seal	
19	70050251	44	O-Ring	
20	70050252	6	O-Ring	
21	70051081	2	Seal Kit	
22	7029865	18	Seal Kit	
23	70051080	1	Seal Kit	
24	70050256	1	Seal Kit	
25	9346930086	6	Solenoid	
26	70051079	1	Seal (Not Shown)	
27	70050239	1	Stud Assembly	
28	70050257	18	Wiper	

SECTION 6 - HYDRAULIC

FIGURE 6-24. VALVE SUB-ASSEMBLY - 9 SECTION / 7 SOLENOID



ART_1001202433

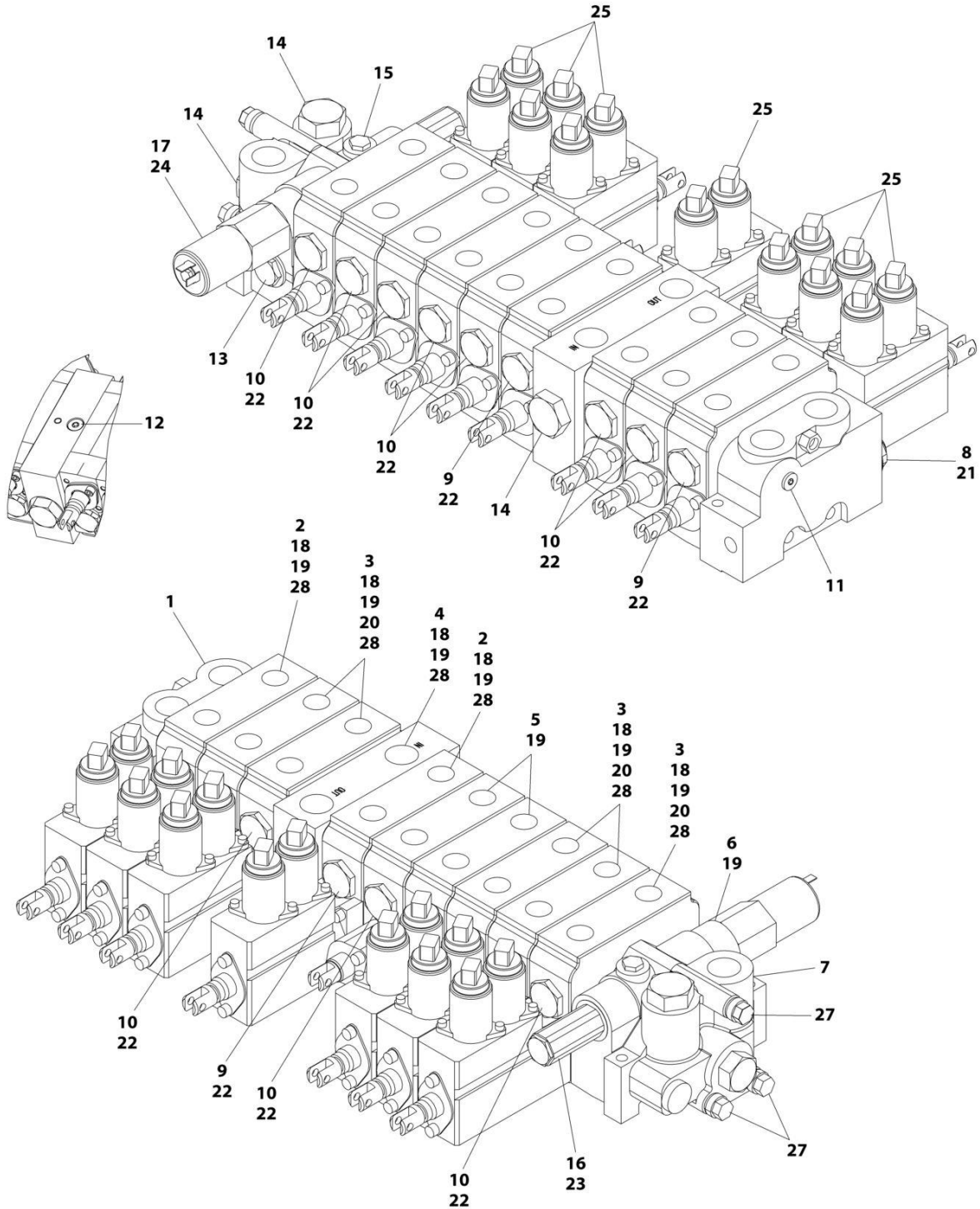
SECTION 6 - HYDRAULIC

FIGURE 6-24. VALVE SUB-ASSEMBLY - 9 SECTION / 7 SOLENOID

ITEM	PART NUMBER	QTY	DESCRIPTION	REV
	1001202433	Ref	VALVE SUB-ASSEMBLY - 9 SECTION/7 SOLENOID	C
1	0641524	3	Bolt 5/16 x 3	
2	2220374	14	Fitting, Straight JIC/ORB	
3	2220376	1	Fitting, Straight JIC/ORB	
4	2220451	2	Fitting, Straight JIC/ORB	
5	2220473	1	Fitting, 90 JIC/ORB	
6	2220700	1	Fitting, Tee JIC/FSJIC/JIC	
7	2220947	4	Fitting, Straight	
8	2230024	1	Fitting, Straight JIC/JIC	
9	2230025	14	Fitting, Straight JIC/JIC	
10	2230027	2	Fitting, Straight	
11	2230089	3	Fitting, Straight	
12	4751500	3	Washer 5/16	
13	8760037	4	Union, Straight	
14	1001184772	2	Handle, Long	
15	1001184773	7	Handle, Short	
16	1001194069	9	Linkage, Handle	
17	1001200355	1	Panel	
18	3177000060	1	Mount, Valve	
19	7443000211	2	Fitting #16 JIC	
20	7577000669	1	Tube Kit (Includes Items 101-110)	
21	7660162601	3	Nut 3/8	
22	1001203506	1	Valve Assembly (See Separate Breakdown in this Section)	
	7577000669	Ref	TUBE KIT	C
101	7912000301	1	Tube, Outlet	
102	7912000302	1	Tube, Outlet	
103	7912000303	1	Tube, Mid Outlet	
104	7912000304	1	Tube, Inlet	
105	7912000305	1	Tube, Mid Inlet	
106	7912000306	2	Tube, Winch	
107	7912000307	2	Tube, Winch	
108	7912000308	7	Tube	
109	7912000309	7	Tube	
110	7912000310	1	Tube, Pilot	

SECTION 6 - HYDRAULIC

FIGURE 6-25. VALVE ASSEMBLY - 9 SECTION / 7 SOLENOID



ART_1001203506

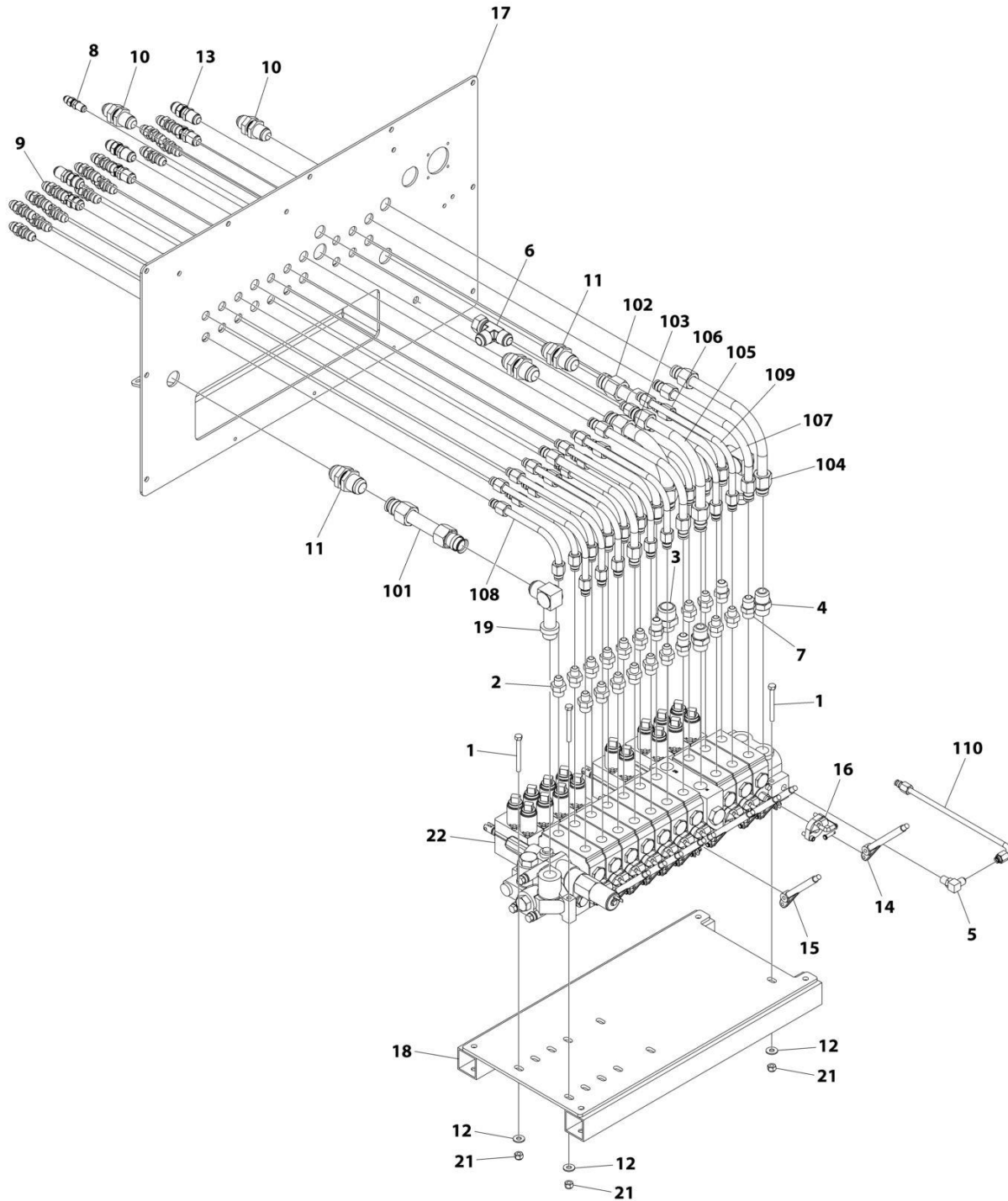
SECTION 6 - HYDRAULIC

FIGURE 6-25. VALVE ASSEMBLY - 9 SECTION / 7 SOLENOID

ITEM	PART NUMBER	QTY	DESCRIPTION	REV
	1001203506	Ref	VALVE ASSEMBLY - 9 SECTION/7 SOLENOID	B
1	7935000315	1	Cover, Inlet	
2	9935930120	2	Valve Section	
3	9935930119	5	Valve Section	
4	7935000316	1	Inlet	
5	7935000320	2	Valve Section	
6	7935000323	1	Utility Section	
7	7935000317	1	Cover, Outlet	
8	91084009	2	Cartridge, Relief	
9	70050243	4	Plug	
10	7006847	14	Plug	
11	70050245	1	Plug	
12	70050246	2	Plug	
13	70050247	1	Plug	
14	91084017	3	Plug	
15	70050249	1	Plug	
16	70050241	1	Cartridge, Pressure	
17	70050242	1	Solenoid	
18	70050250	15	Seal	
19	70050251	44	O-Ring	
20	70050252	6	O-Ring	
21	70051081	2	Seal Kit	
22	7029865	18	Seal Kit	
23	70051080	1	Seal Kit	
24	70050256	1	Seal Kit	
25	9346930086	8	Solenoid	
26	70051079	1	Seal (Not Shown)	
27	70050239	1	Stud Assembly	
28	70050257	18	Wiper	

SECTION 6 - HYDRAULIC

FIGURE 6-26. VALVE SUB-ASSEMBLY - 10 SECTION / 8 SOLENOID



ART_1001202434

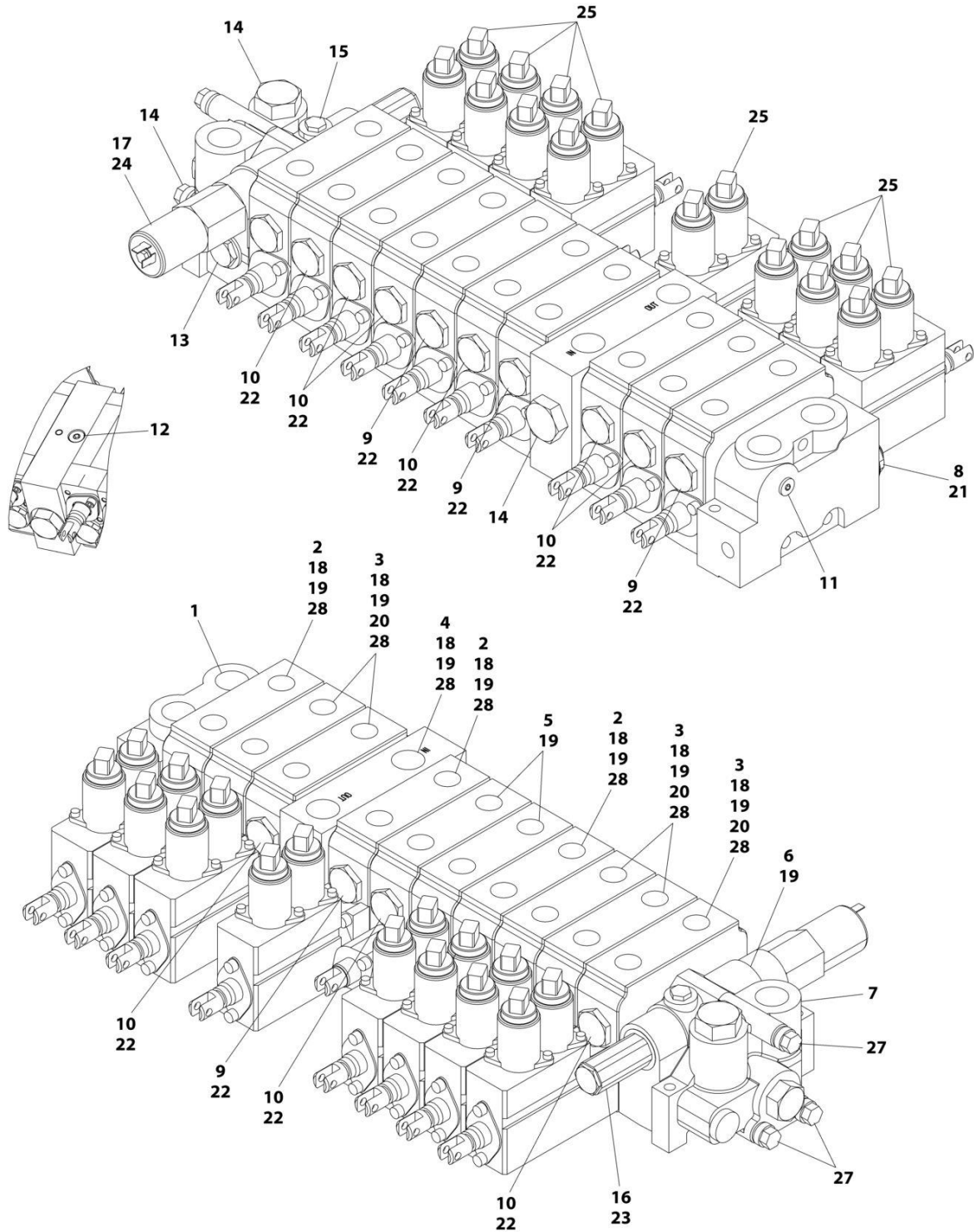
SECTION 6 - HYDRAULIC

FIGURE 6-26. VALVE SUB-ASSEMBLY - 10 SECTION / 8 SOLENOID

ITEM	PART NUMBER	QTY	DESCRIPTION	REV
	1001202434	Ref	VALVE SUB-ASSEMBLY - 10 SECTION/8 SOLENOID	C
1	0641524	3	Bolt 5/16 x 3	
2	2220374	16	Fitting, Straight JIC/ORB	
3	2220376	1	Fitting, Straight JIC/ORB	
4	2220451	2	Fitting, Straight JIC/ORB	
5	2220473	1	Fitting, 90 JIC/ORB	
6	2220700	1	Fitting, Tee JIC/FSJIC/JIC	
7	2220947	4	Fitting, Straight	
8	2230024	1	Fitting, Straight JIC/JIC	
9	2230025	14	Fitting, Straight JIC/JIC	
10	2230027	2	Fitting, Straight	
11	2230089	3	Fitting, Straight	
12	4751500	3	Washer 5/16	
13	8760037	6	Union, Straight	
14	1001184772	3	Handle, Long	
15	1001184773	7	Handle, Short	
16	1001194069	10	Linkage, Handle	
17	1001200356	1	Panel	
18	3177000060	1	Mount, Valve	
19	7443000211	2	Fitting #16 JIC	
20	7577000670	1	Tube Kit (Includes Items 101-110)	
21	7660162601	3	Nut 3/8	
22	7935000374	1	Valve Assembly (See Separate Breakdown in this Section)	
	7577000670	Ref	TUBE KIT	C
101	7912000301	1	Tube, Outlet	
102	7912000302	1	Tube, Outlet	
103	7912000303	1	Tube, Mid Outlet	
104	7912000304	1	Tube, Inlet	
105	7912000305	1	Tube, Mid Inlet	
106	7912000306	3	Tube, Winch	
107	7912000307	3	Tube, Winch	
108	7912000308	7	Tube	
109	7912000309	7	Tube	
110	7912000310	1	Tube, Pilot	

SECTION 6 - HYDRAULIC

FIGURE 6-27. VALVE ASSEMBLY - 10 SECTION / 8 SOLENOID



ART_7935000374

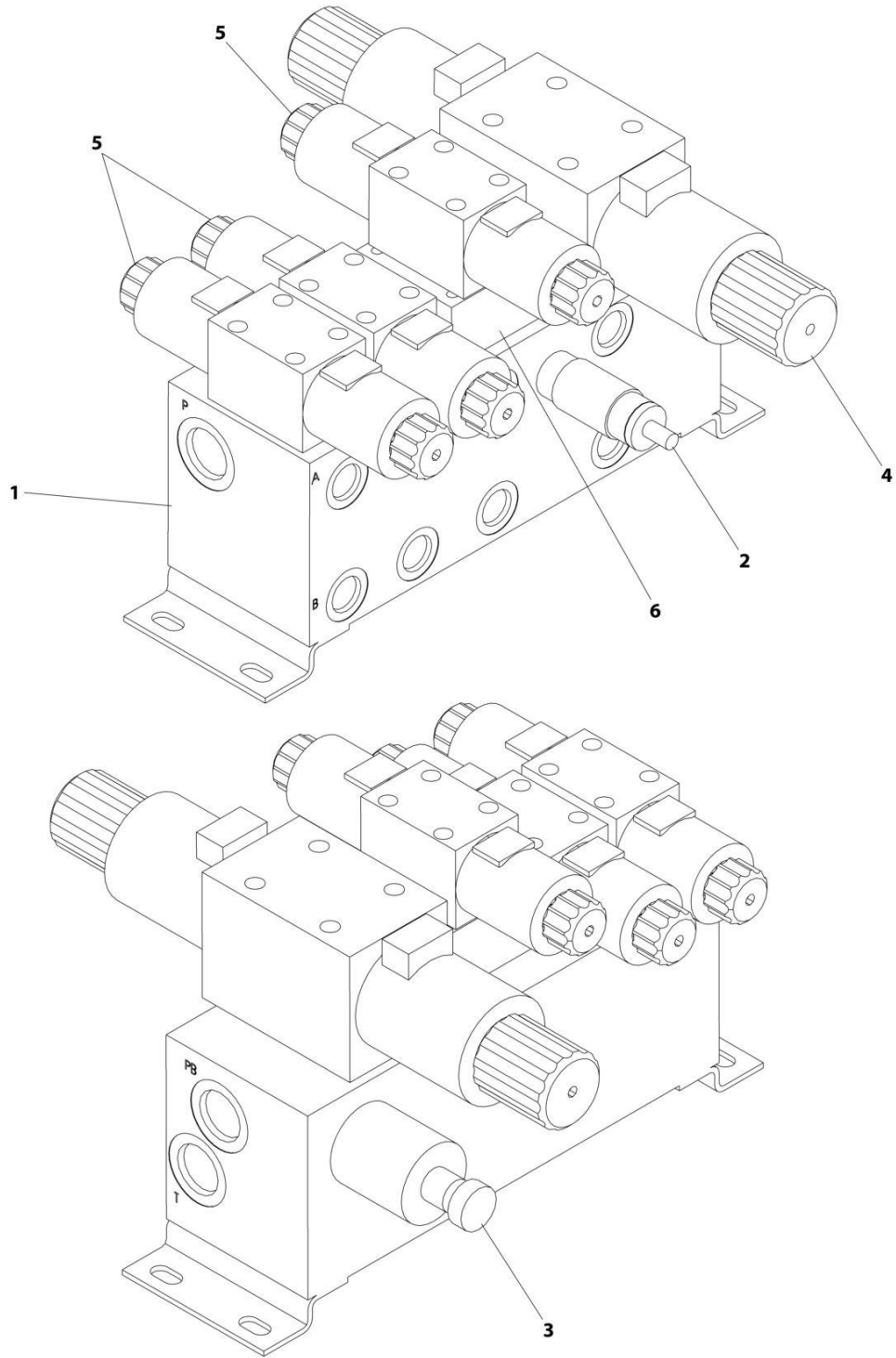
SECTION 6 - HYDRAULIC

FIGURE 6-27. VALVE ASSEMBLY - 10 SECTION / 8 SOLENOID

ITEM	PART NUMBER	QTY	DESCRIPTION	REV
	7935000374	Ref	VALVE ASSEMBLY - 10 SECTION/8 SOLENOID	C
1	7935000315	1	Cover, Inlet	
2	9935930120	2	Valve Section	
3	9935930119	4	Valve Section	
4	7935000316	1	Inlet	
5	7935000320	2	Valve Section	
6	7935000323	1	Utility Section	
7	7935000317	1	Cover, Outlet	
8	91084009	2	Cartridge, Relief	
9	70050243	6	Plug	
10	7006847	12	Plug	
11	70050245	1	Plug	
12	70050246	2	Plug	
13	70050247	1	Plug	
14	91084017	3	Plug	
15	70050249	1	Plug	
16	70050241	1	Cartridge, Pressure	
17	70050242	1	Solenoid	
18	70050250	18	Seal	
19	70050251	40	O-Ring	
20	70050252	6	O-Ring	
21	70051081	2	Seal Kit	
22	7029865	20	Seal Kit	
23	70051080	1	Seal Kit	
24	70050256	1	Seal Kit	
25	9346930086	16	Solenoid	
26	70051079	1	Seal (Not Shown)	
27	70050239	1	Stud Assembly	
28	70050257	18	Wiper	

SECTION 6 - HYDRAULIC

FIGURE 6-28. VALVE ASSEMBLY - SIDE RECOVERY SYSTEM (SRS)



ART_3935000189

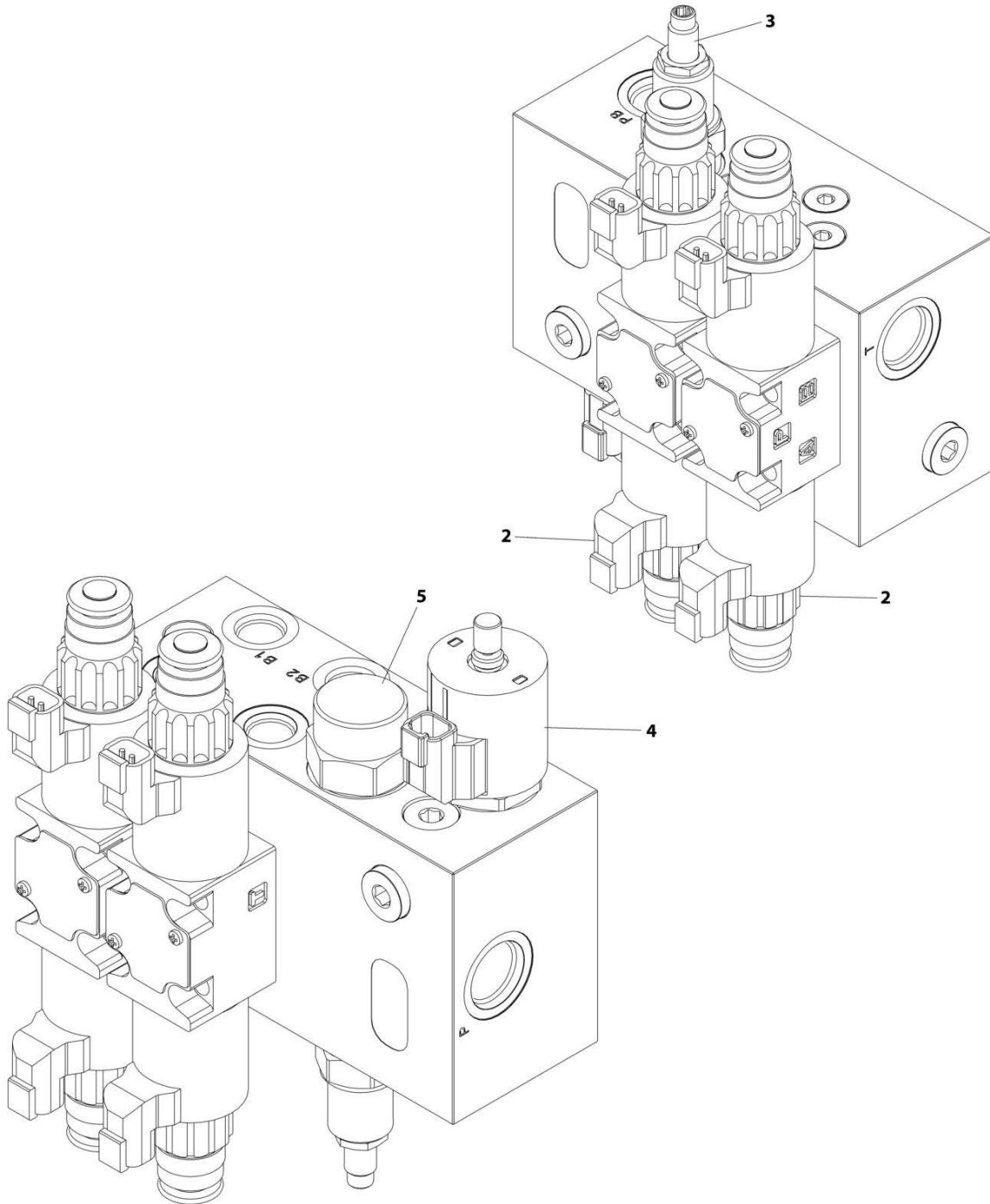
SECTION 6 - HYDRAULIC

FIGURE 6-28. VALVE ASSEMBLY - SIDE RECOVERY SYSTEM (SRS)

ITEM	PART NUMBER	QTY	DESCRIPTION	REV
	3935000189	Ref	VALVE ASSEMBLY	00
1	9619930002	1	Manifold	
2	9935930126	1	Main Relief Valve	
3	9935930127	1	Solenoid Selector Valve	
4	9935930129	1	DO5 Directional Valve	
5	7935000349	3	DO3 Directional Valve	
6	9935930130	1	Valve Adaptor Manifold	

SECTION 6 - HYDRAULIC

FIGURE 6-29. VALVE ASSEMBLY - SIDE STABILIZER (SS-70)



ART_1001243240

SECTION 6 - HYDRAULIC

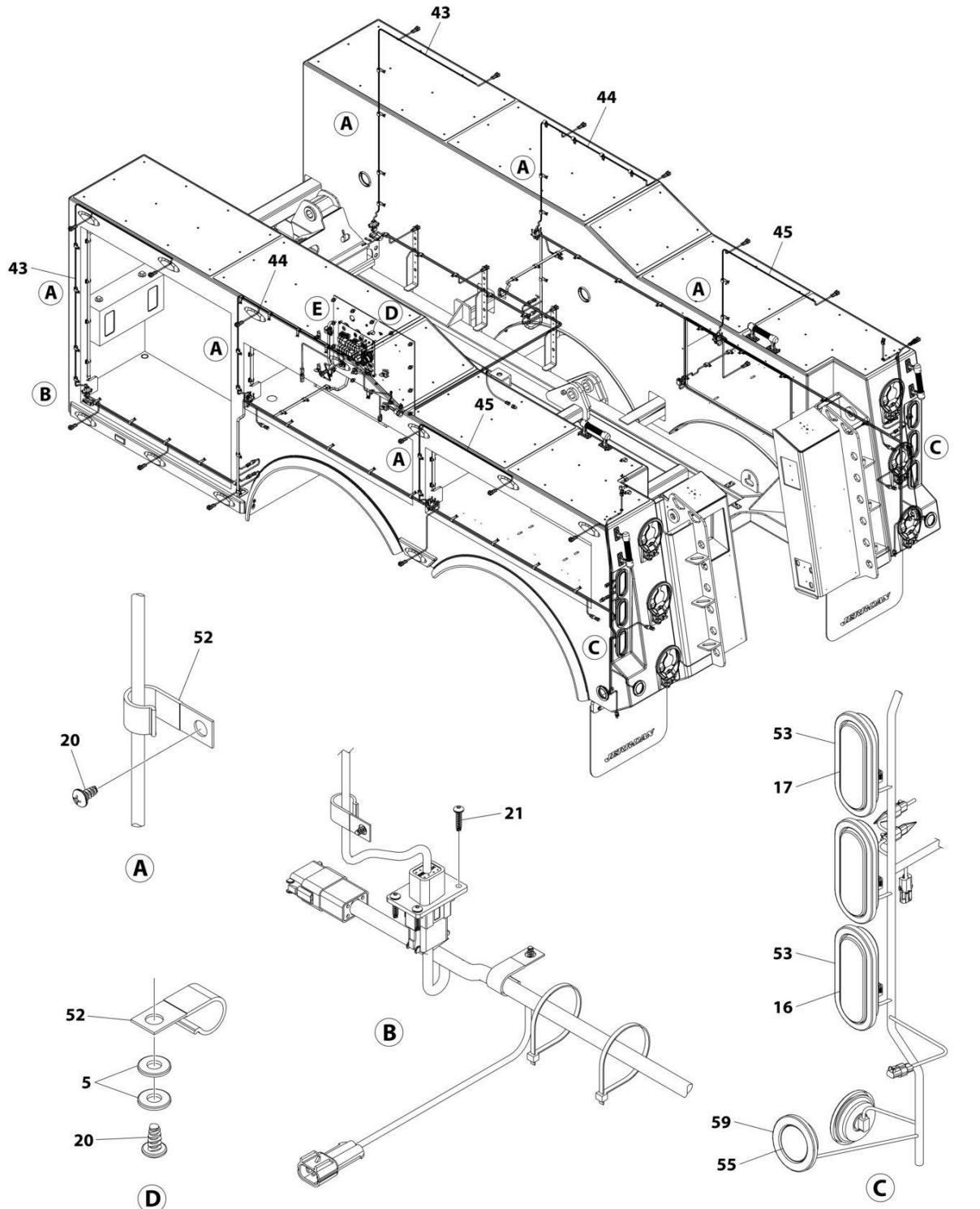
FIGURE 6-29. VALVE ASSEMBLY - SIDE STABILIZER (SS-70)

ITEM	PART NUMBER	QTY	DESCRIPTION	REV
	1001243240	Ref	VALVE ASSEMBLY	A
2	70051970	2	Valve Assembly - Directional	
2	70051973	2	Seal Kit - 70051970 Valve	
2	70051971	4	Coil	
2	70051972	4	Nut, Coil	
3	70051974	1	Cartridge, Relief Valve	
3	70051975	1	Seal Kit - 70051974 Valve	
4	70051976	1	Cartridge, Selector Solenoid	
4	7024896	1	Seal Kit - 70051976 Valve	
4	70003788	1	Coil	
4	70003977	1	Nut, Coil	
5	70051977	1	Cartridge, Flow Control	
5	70051978	1	Seal Kit - 70051977 Valve	

SECTION 7 - ELECTRICAL

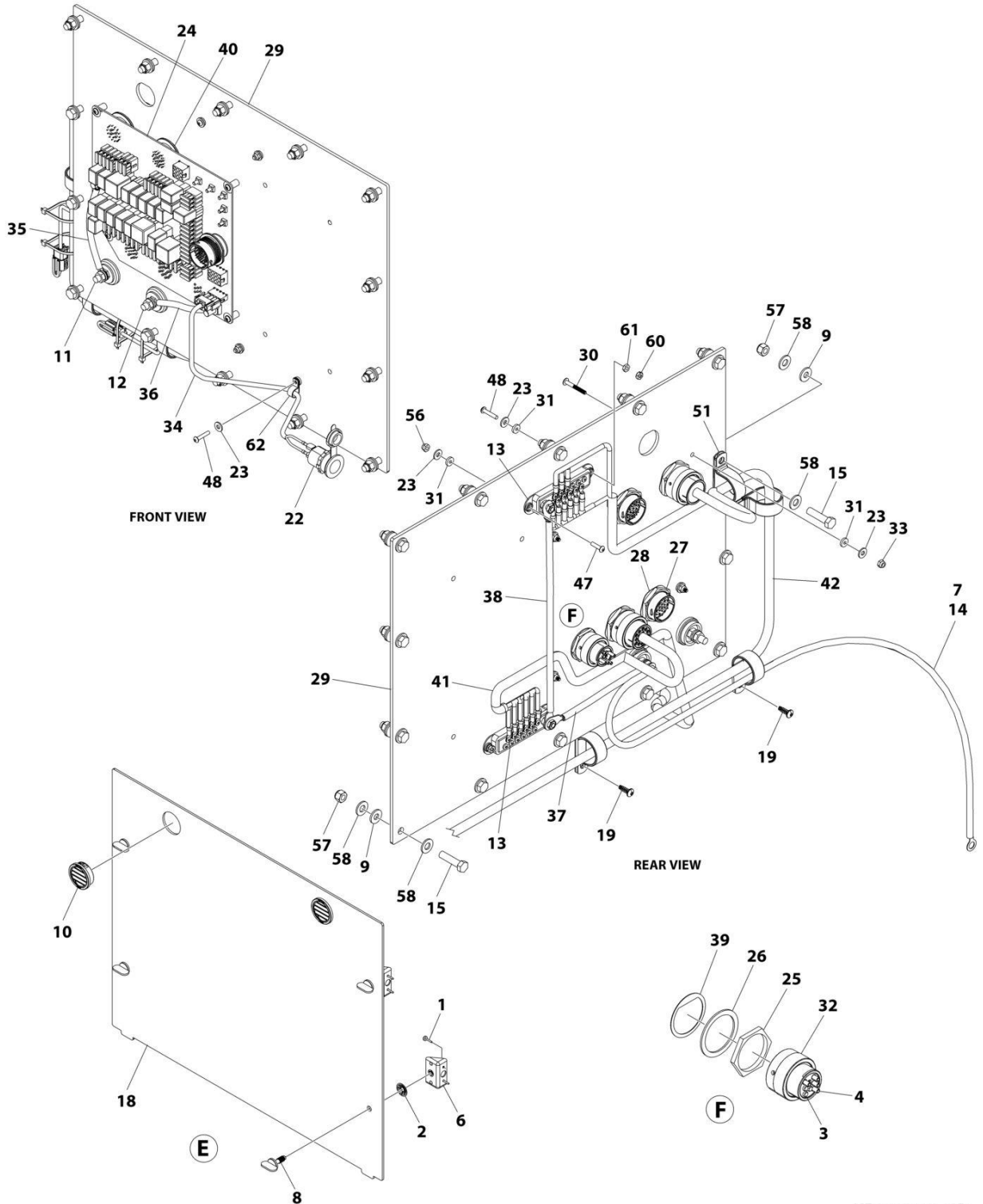
SECTION 7 - ELECTRICAL

FIGURE 7-1. ELECTRICAL INSTALLATION - TANDEM



ART_1001216178_10F2

SECTION 7 - ELECTRICAL



ART_1001216178_20F2

SECTION 7 - ELECTRICAL

FIGURE 7-1. ELECTRICAL INSTALLATION - TANDEM

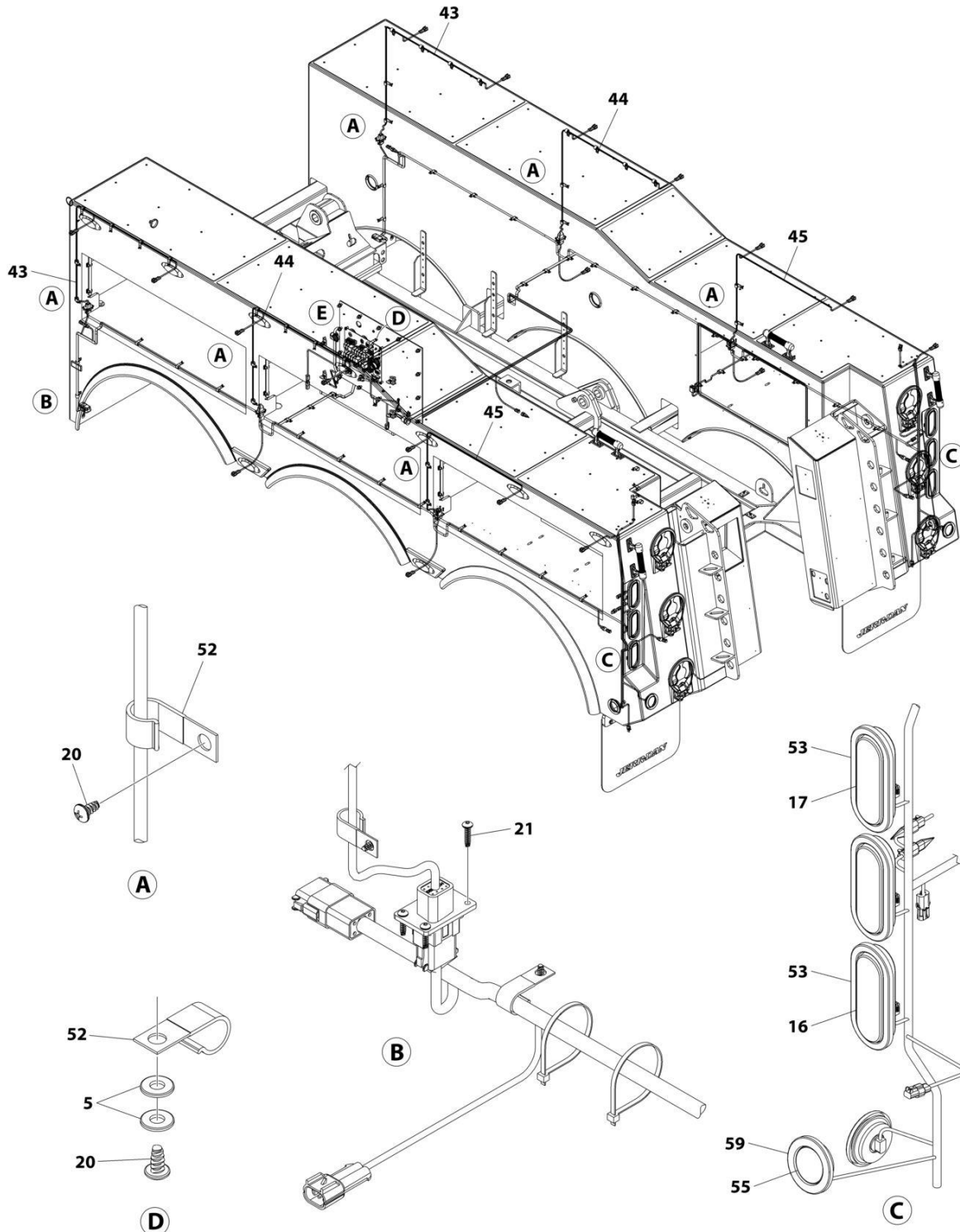
ITEM	PART NUMBER	QTY	DESCRIPTION	REV
	1001216178	Ref	BODY LIGHTS AND WIRING (TANDEM)	D
1	0750604	8	Screw	
2	3760308	4	Ring, Retainer	
3	4460466	3	Terminal	
4	4460509	4	Terminal	
5	4740513	2	Washer 1/4	
6	1001122235	4	Bracket	
7	1001130310	AR	Adhesive	
8	1001166930	4	Latch, Wing Screw	
9	1001166974	14	Washer 3/8	
10	1001167607	2	Plug	
11	1001168320	1	Terminal	
12	1001168321	1	Terminal	
13	1001168322	2	Terminal	
14	1001168328	1	Cable	
15	1001168993	14	Capscrew 3/8 x 1-1/2	
16	1001174680	2	Lamp, Backup LED	
17	7590000370	4	Light	
18	1001191602	1	Panel, Coverplate	
19	1001194676	2	Screw 1/4 x 3/4	
20	1001195257	69	Screw 1/4 x 1/2	
21	1001196552	24	Screw #8 x 3/4	
22	1001201384	1	Socket	
23	1001201926	8	Washer #10	
24	1001203234	1	Power PCB Assembly	
25	1001204788	1	Nut, Terminal	
26	1001204789	1	Washer, Terminal	
27	1001205043	4	Nut, Terminal	
28	1001205044	4	Washer, Terminal	
29	1001206505	1	Plate, Bulkhead Electrical	
30	1001207734	4	Screw	
31	1001207736	8	Washer #10	
32	1001208066	1	Connector, 8 Socket	
33	1001208303	4	Nut #10	
34	1001209031	1	Harness, Tow Light (See Separate Breakdown in this Section)	
35	1001209040	1	Cable	
36	1001209041	1	Cable	
37	1001209042	1	Cable	
38	1001209044	1	Harness, Battery to Bulkhead	
39	1001209365	1	Seal	
40	1001209366	4	Seal	
41	1001216183	1	Harness, Body (LH) (Tandem) (See Separate Breakdown in this Section)	
42	1001216184	1	Harness, Body (RH) (Tandem) (See Separate Breakdown in this Section)	
43	1001216185	2	Harness, Marker Light 1 (Tandem) (See Separate Breakdown in this Section)	
44	1001216186	2	Harness, Marker Light 2 (Tandem) (See Separate Breakdown in this Section)	
45	1001216187	2	Harness, Marker Light 3 (See Separate Breakdown in this Section)	

SECTION 7 - ELECTRICAL

ITEM	PART NUMBER	QTY	DESCRIPTION	REV
46	5526000553	AR	Tie-Strap (Not Shown)	
47	7114100618	2	Screw #10 x 3/4	
48	7114100818	2	Screw #10 x 1	
51	7274000042	4	Clamp	
52	7280000006	68	Clip	
53	7493000026	6	Grommet	
55	7590000343	4	Light	
56	7660102601	2	Nut #10	
57	7660162601	14	Nut 3/8	
58	7950160143	28	Washer 3/8	
59	1001220431	4	Grommet	
60	7661000002	2	Nut #10	
61	3311001	2	Nut #10	
62	7274000036	1	Clamp	

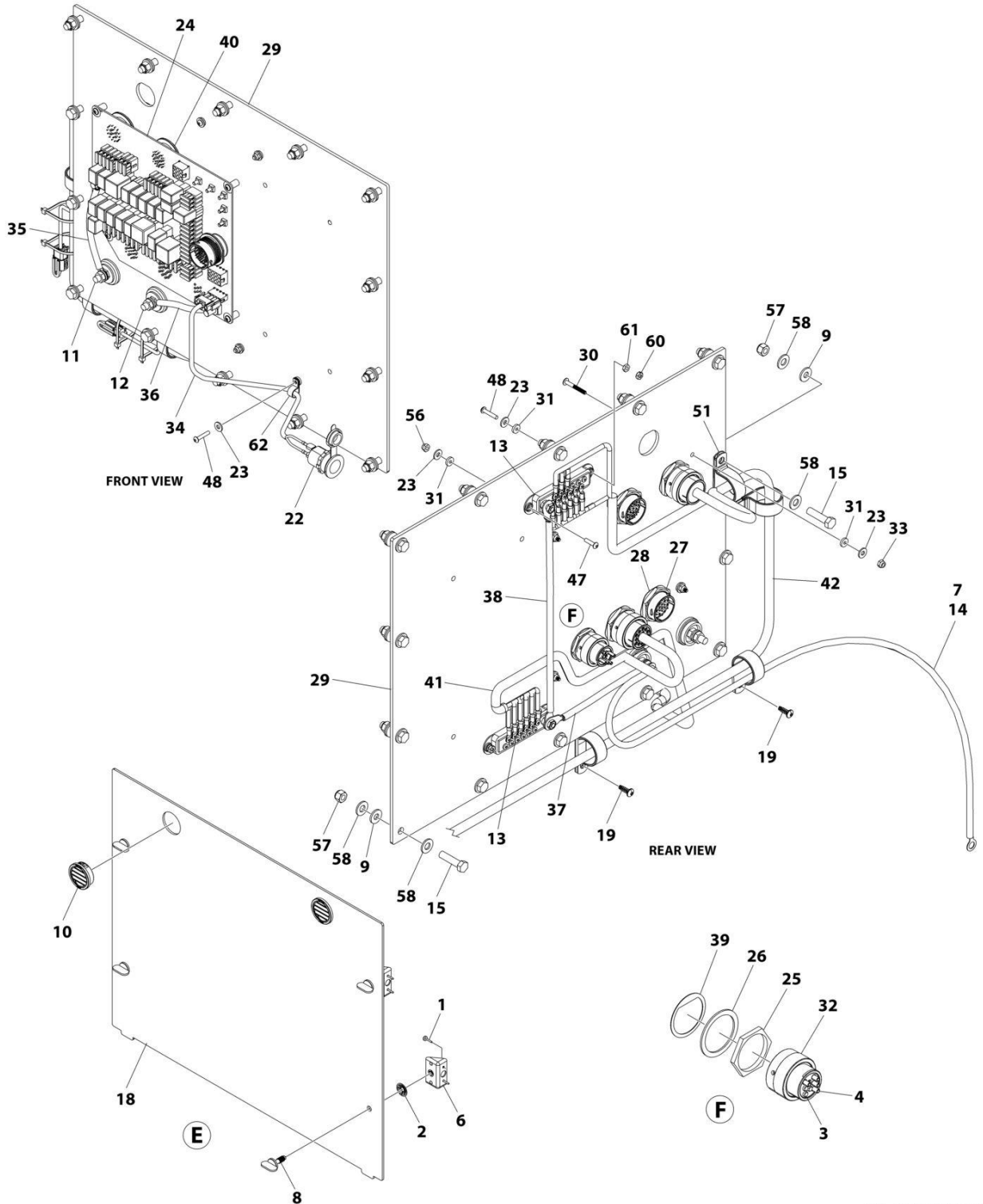
SECTION 7 - ELECTRICAL

FIGURE 7-2. ELECTRICAL INSTALLATION - TRI-AXLE



ART_1001216179_10F2

SECTION 7 - ELECTRICAL



ART_1001216179_20F2

SECTION 7 - ELECTRICAL

FIGURE 7-2. ELECTRICAL INSTALLATION - TRI-AXLE

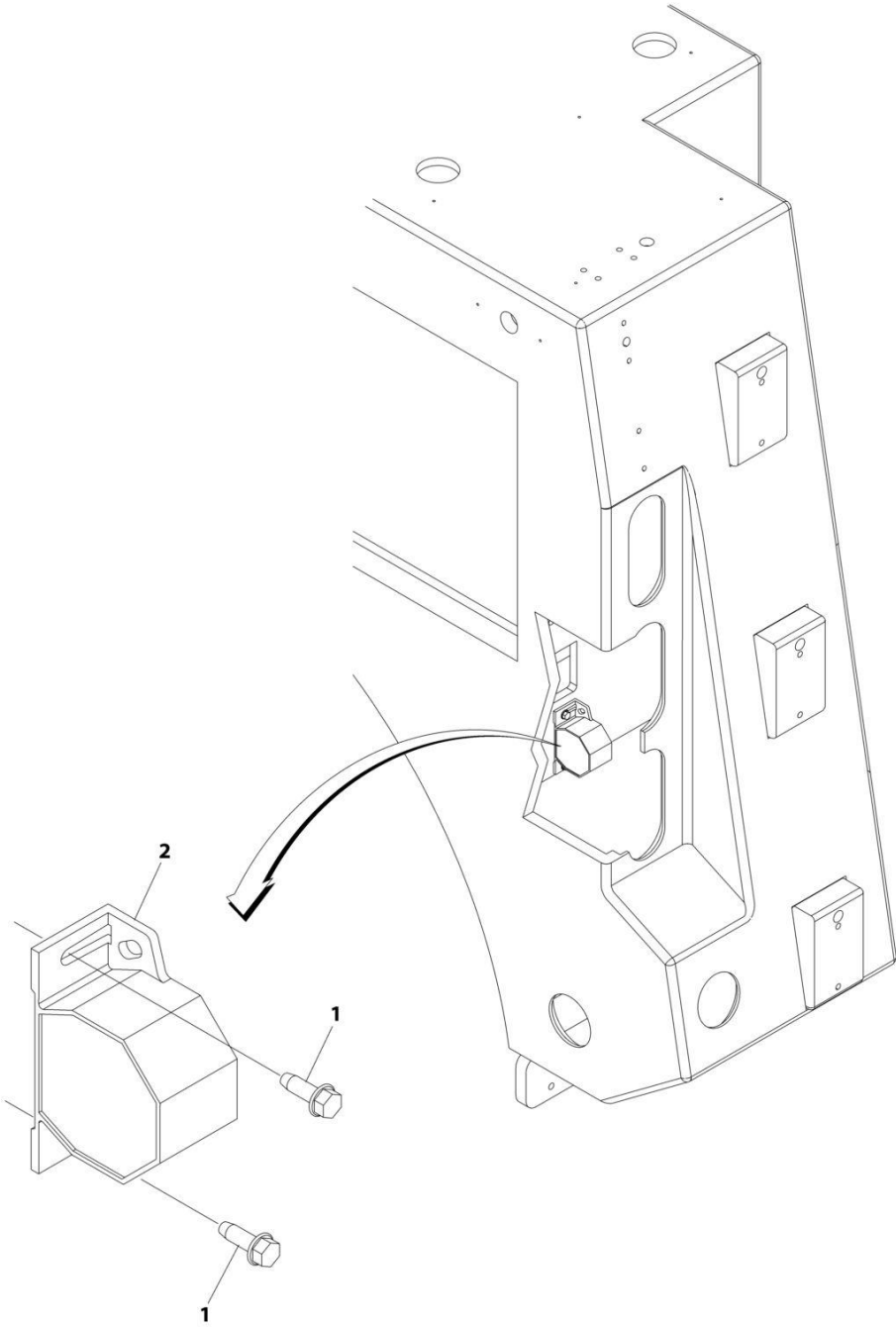
ITEM	PART NUMBER	QTY	DESCRIPTION	REV
	1001216179	Ref	BODY LIGHTS AND WIRING (TRI)	D
1	0750604	8	Screw	
2	3760308	4	Ring, Retainer	
3	4460466	3	Terminal	
4	4460509	4	Terminal	
5	4740513	2	Washer 1/4	
6	1001122235	4	Bracket	
7	1001130310	AR	Adhesive	
8	1001166930	4	Latch, Wing Screw	
9	1001166974	14	Washer 3/8	
10	1001167607	2	Plug	
11	1001168320	1	Terminal	
12	1001168321	1	Terminal	
13	1001168322	2	Terminal	
14	1001168328	1	Cable	
15	1001168993	14	Capscrew 3/8 x 1-1/2	
16	1001174680	2	Lamp, Backup LED	
17	7590000370	4	Light	
18	1001191602	1	Panel, Coverplate	
19	1001194676	2	Screw 1/4 x 3/4	
20	1001195257	69	Screw 1/4 x 1/2	
21	1001196552	24	Screw #8 x 3/4	
22	1001201384	1	Socket	
23	1001201926	8	Washer #10	
24	1001203234	1	Power PCB Assembly	
25	1001204788	1	Nut, Terminal	
26	1001204789	1	Washer, Terminal	
27	1001205043	4	Nut, Terminal	
28	1001205044	4	Washer, Terminal	
29	1001206505	1	Plate, Bulkhead Electrical	
30	1001207734	4	Screw	
31	1001207736	8	Washer #10	
32	1001208066	1	Connector, 8 Socket	
33	1001208303	4	Nut #10	
34	1001209031	1	Harness, Tow Light (See Separate Breakdown in this Section)	
35	1001209040	1	Cable	
36	1001209041	1	Cable	
37	1001209042	1	Cable	
38	1001209044	1	Harness, Battery to Bulkhead	
39	1001209365	1	Seal	
40	1001209366	4	Seal	
41	1001216188	1	Harness, Body (LH) (Tri) (See Separate Breakdown in this Section)	
42	1001216189	1	Harness, Body (RH) (Tri) (See Separate Breakdown in this Section)	
43	1001216190	2	Harness, Marker Light 1 (Tri) (See Separate Breakdown in this Section)	
44	1001216191	2	Harness, Marker Light 2 (Tri) (See Separate Breakdown in this Section)	
45	1001216187	2	Harness, Marker Light 3 (See Separate Breakdown in this Section)	

SECTION 7 - ELECTRICAL

ITEM	PART NUMBER	QTY	DESCRIPTION	REV
46	5526000553	AR	Tie-Strap (Not Shown)	
47	7114100618	2	Screw #10 x 3/4	
48	7114100818	2	Screw #10 x 1	
51	7274000042	4	Clamp	
52	7280000006	68	Clip	
53	7493000026	6	Grommet	
55	7590000343	4	Light	
56	7660102601	2	Nut #10	
57	7660162601	14	Nut 3/8	
58	7950160143	28	Washer 3/8	
59	1001220431	4	Grommet	
60	7661000002	2	Nut #10	
61	3311001	2	Nut #10	
62	7274000036	1	Clamp	

SECTION 7 - ELECTRICAL

FIGURE 7-3. ALARM INSTALLATION - FIXED



ART_1001213538

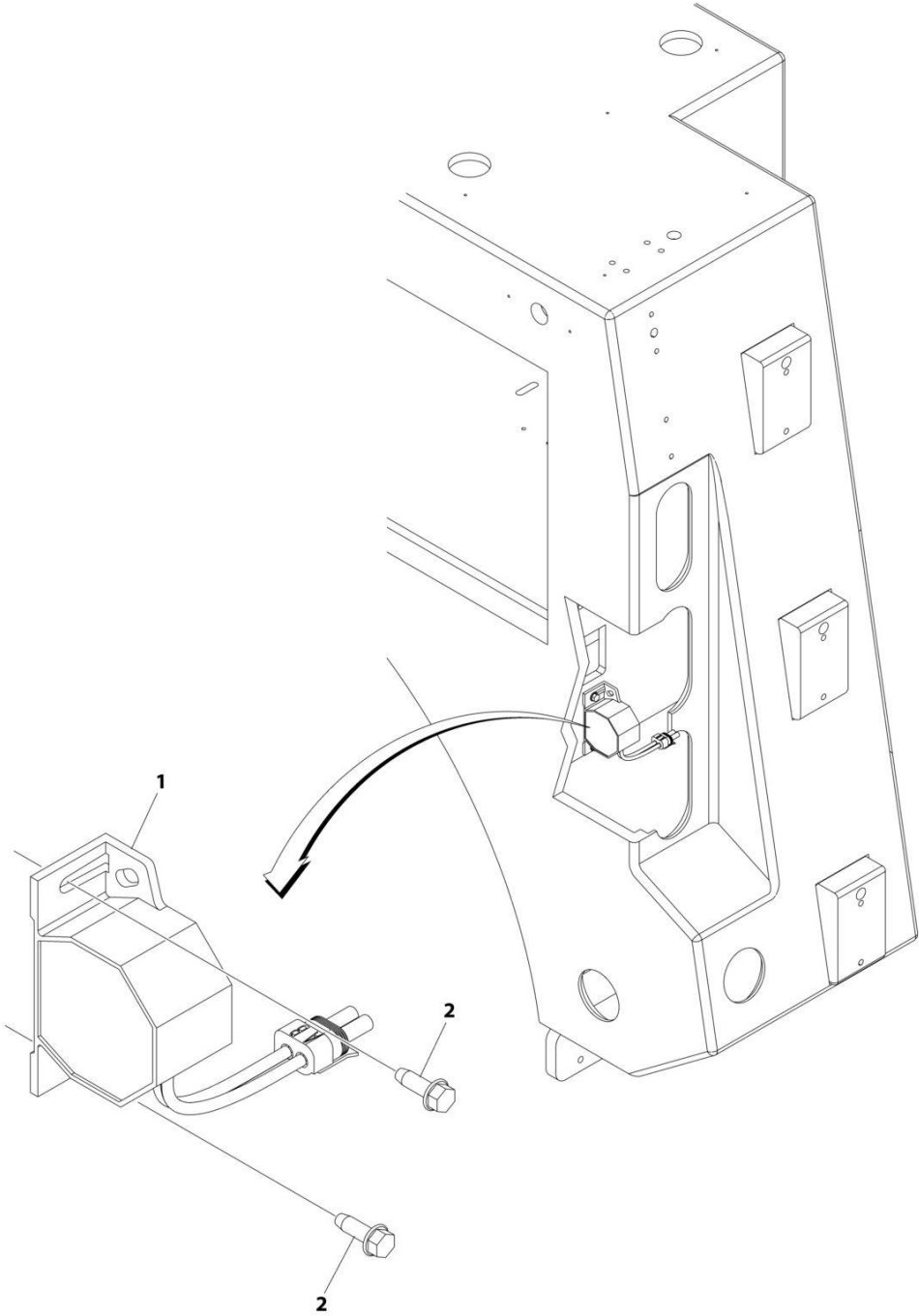
SECTION 7 - ELECTRICAL

FIGURE 7-3. ALARM INSTALLATION - FIXED

ITEM	PART NUMBER	QTY	DESCRIPTION	REV
1	1001213538	Ref	Fixed Back-Up Alarm Installation	A
1	7790141251	2	Screw 1/4 x 3/4	
2	7011000006	1	Alarm	

SECTION 7 - ELECTRICAL

FIGURE 7-4. ALARM INSTALLATION - VARIABLE



ART_1001198729

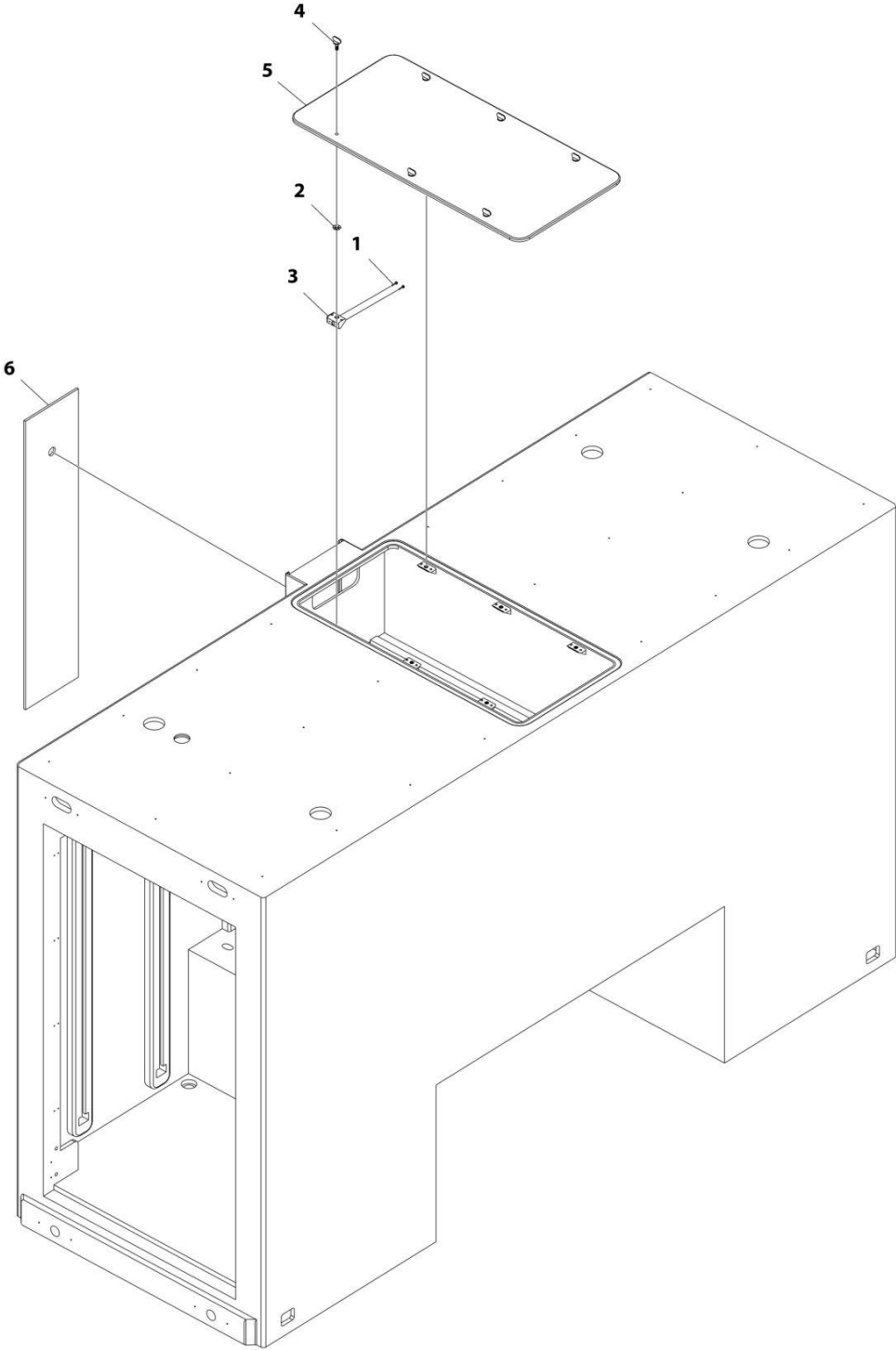
SECTION 7 - ELECTRICAL

FIGURE 7-4. ALARM INSTALLATION - VARIABLE

ITEM	PART NUMBER	QTY	DESCRIPTION	REV
	1001198729	Ref	Variable Back-Up Alarm Installation	B
1	1001175061	1	Alarm	
2	7790141251	2	Screw 1/4 x 3/4	

SECTION 7 - ELECTRICAL

FIGURE 7-5. BATTERY COVER INSTALLATION (39IN TUNNEL)



ART_1001197133

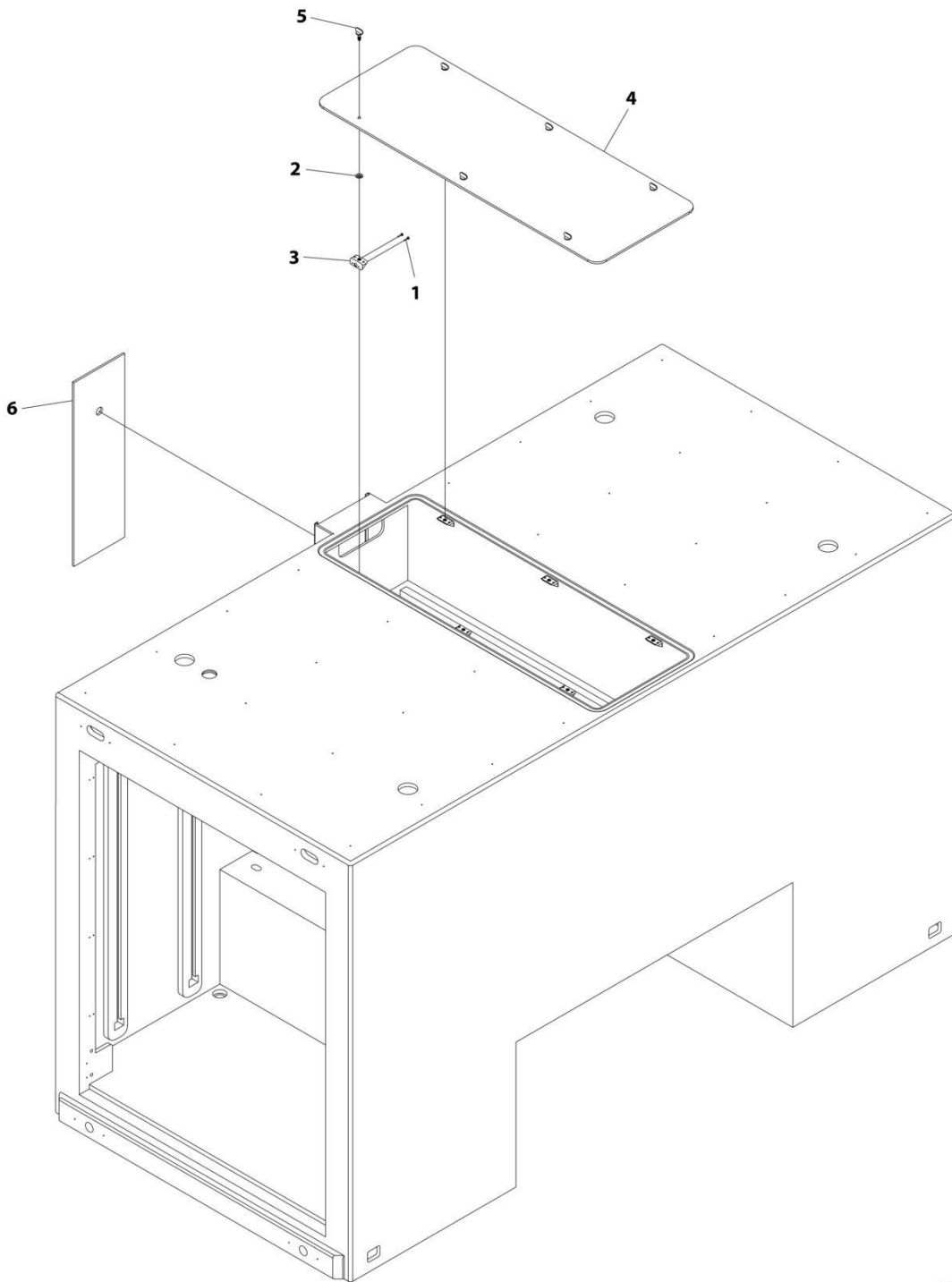
SECTION 7 - ELECTRICAL

FIGURE 7-5. BATTERY COVER INSTALLATION (39IN TUNNEL)

ITEM	PART NUMBER	QTY	DESCRIPTION	REV
	1001197133	Ref	BATTERY COVER INSTALLATION (39IN TUNNEL WITH BATTERY)	C
1	0750605	12	Screw	
2	3760308	6	Retainer	
3	1001122235	6	Bracket	
4	1001166930	6	Latch	
5	1001182569	1	Battery Cover	
6	1001185654	1	Battery Cover	

SECTION 7 - ELECTRICAL

FIGURE 7-6. BATTERY COVER INSTALLATION (51IN TUNNEL WITH CWT)



ART_1001219741

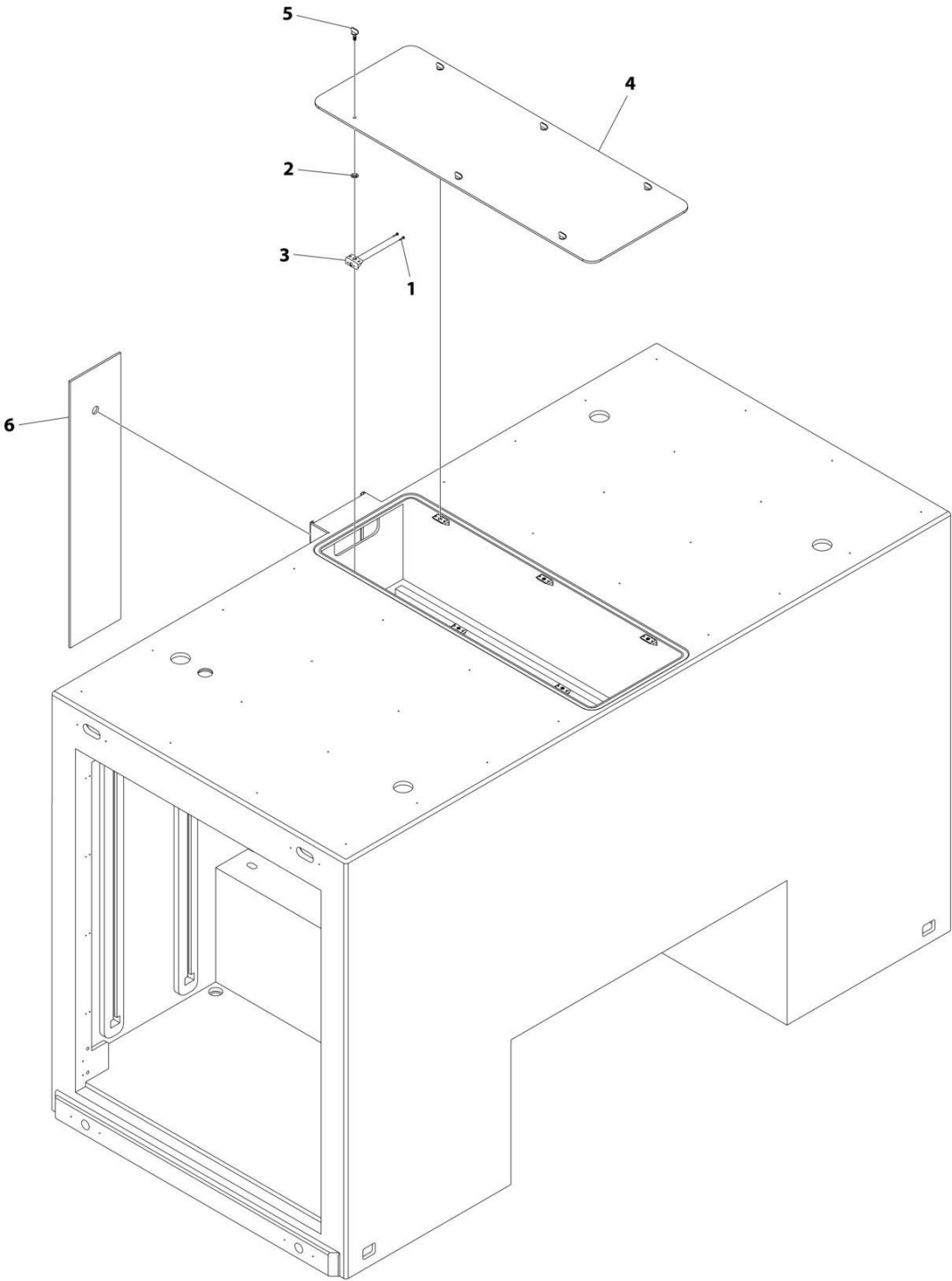
SECTION 7 - ELECTRICAL

FIGURE 7-6. BATTERY COVER INSTALLATION (51IN TUNNEL WITH CWT)

ITEM	PART NUMBER	QTY	DESCRIPTION	REV
	1001219741	Ref	BATTERY COVER INSTALLATION (51IN TUNNEL WITH COUNTERWEIGHT)	A
1	0750605	12	Screw	
2	3760308	6	Retainer	
3	1001122235	6	Bracket	
4	1001166674	1	Battery Cover	
5	1001166930	6	Latch	
6	1001219742	1	Battery Cover	

SECTION 7 - ELECTRICAL

FIGURE 7-7. BATTERY COVER INSTALLATION (51IN TUNNEL WITHOUT CWT)



ART_1001197134

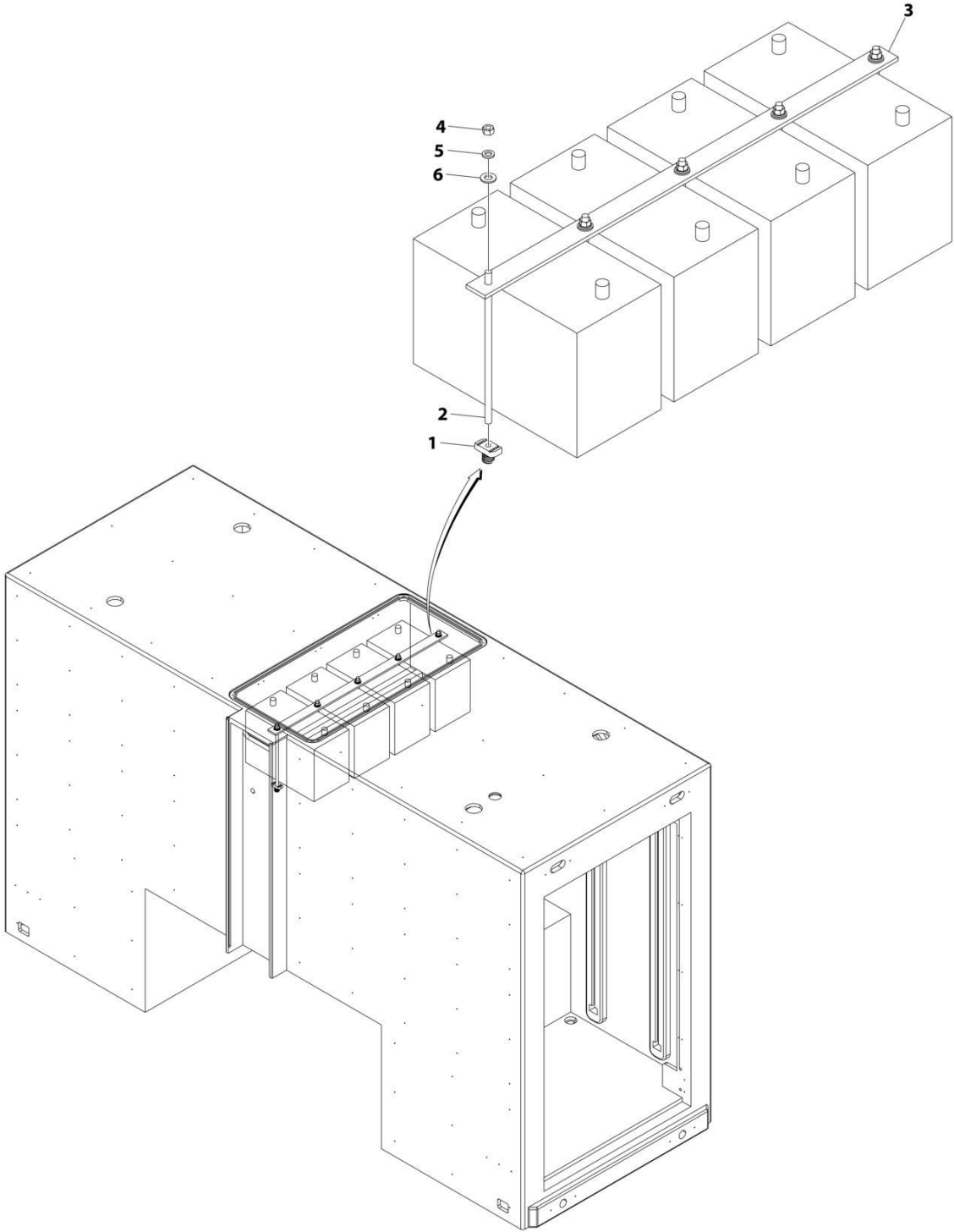
SECTION 7 - ELECTRICAL

FIGURE 7-7. BATTERY COVER INSTALLATION (51IN TUNNEL WITHOUT CWT)

ITEM	PART NUMBER	QTY	DESCRIPTION	REV
	1001197134	Ref	BATTERY COVER INSTALLATION (51IN TUNNEL WITH BATTERY)	C
1	0750605	12	Screw	
2	3760308	6	Retainer	
3	1001122235	6	Bracket	
4	1001166674	1	Battery Cover	
5	1001166930	6	Latch	
6	1001185654	1	Battery Cover	

SECTION 7 - ELECTRICAL

FIGURE 7-8. BATTERY RELOCATION (HARDWARE ONLY)



ART_1001270484

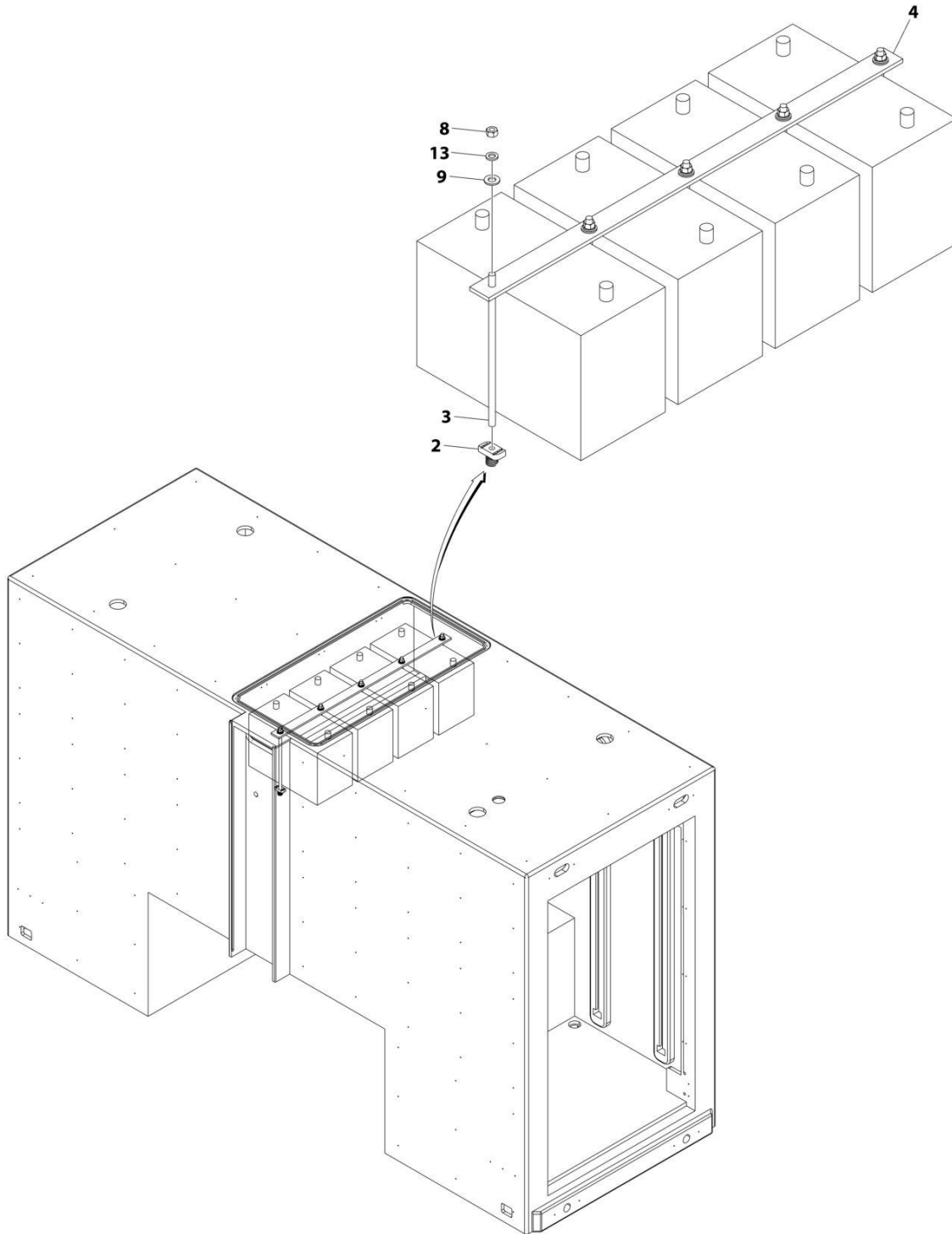
SECTION 7 - ELECTRICAL

FIGURE 7-8. BATTERY RELOCATION (HARDWARE ONLY)

ITEM	PART NUMBER	QTY	DESCRIPTION	REV
	1001270484	Ref	BATTERY RELOCATION HARDWARE INSTALLATION	A
1	1001166644	5	Nut 3/8	
2	1001166670	5	Rod	
3	1001183200	1	Bar	
4	7660160000	5	Nut 3/8	
5	7950160000	5	Lockwasher 3/8	
6	7950160153	5	Washer 3/8	

SECTION 7 - ELECTRICAL

FIGURE 7-9. BATTERY RELOCATION (HARDWARE & WRING)



ART_1001197419

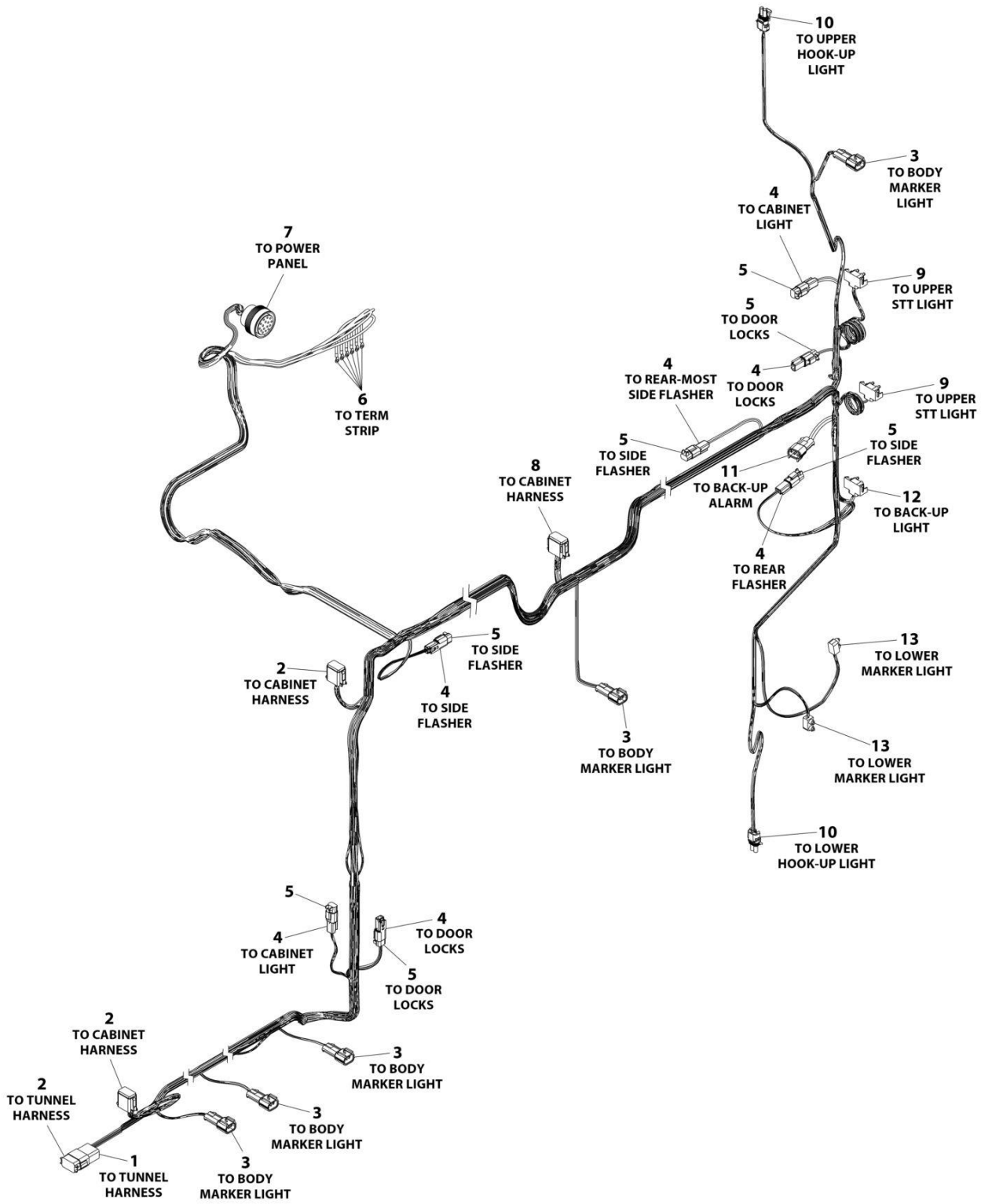
SECTION 7 - ELECTRICAL

FIGURE 7-9. BATTERY RELOCATION (HARDWARE & WRING)

ITEM	PART NUMBER	QTY	DESCRIPTION	REV
	1001197419	Ref	Battery Relocation Hardware Installation	D
1	1060706	8 ft	Cable (Not Shown)	
2	1001166644	5	Nut 3/8	
3	1001166670	5	Rod	
4	1001183200	1	Bar	
6	1001188538	8 ft	Cable (Not Shown)	
8	7660160000	5	Nut 3/8	
9	7950160153	5	Washer 3/8	
11	7346000131	8	Connector (Not Shown)	
12	7346000040	1	Tube (Not Shown)	
13	7950160000	5	Lockwasher 3/8	
14	1001217996	2	Connector (Not Shown)	
15	1001210960	4 ft	Wire (Not Shown)	

SECTION 7 - ELECTRICAL

FIGURE 7-10. BODY HARNESS (LH) (TANDEM)



ART_1001216183

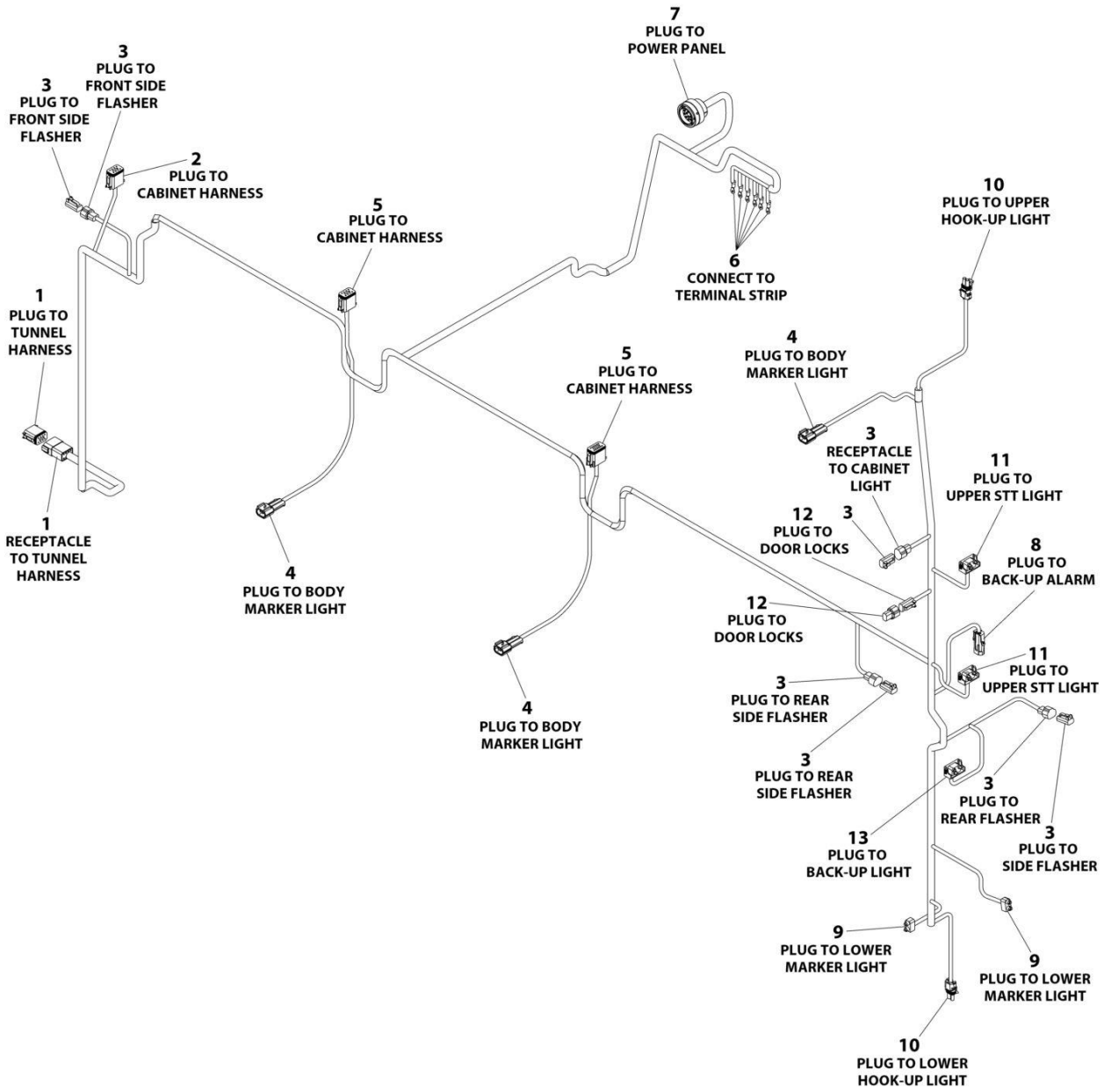
SECTION 7 - ELECTRICAL

FIGURE 7-10. BODY HARNESS (LH) (TANDEM)

ITEM	PART NUMBER	QTY	DESCRIPTION	REV
	1001216183	Ref	BODY HARNESS (LH)	B
1	4460931	1	Receptacle, Female - 8 Position	
1	4460941	6	Pin, Male	
1	4460466	2	Plug, Terminal	
2	4460930	3	Plug, Male - 8 Position	
2	4460465	12	Socket, Female	
2	4460466	12	Plug, Terminal	
3	NPN	5	Connector - 2 Position	
3	NPN	10	Terminal	
3	4460458	10	Seal	
4	4460897	7	Receptacle, Female - 2 Position	
4	4460464	10	Pin, Male	
4	4460466	4	Plug, Terminal	
5	4460891	7	Plug, Male - 2 Position	
5	4460465	6	Socket, Female	
5	4460466	8	Plug, Terminal	
6	NPN	6	Terminal, Ring	
7	4461291	1	Connector - 16 Position	
7	4460509	10	Socket, Female	
7	4460466	6	Plug, Terminal	
8	4460933	1	Plug, Male - 12 Position	
8	4460465	10	Socket, Female	
8	4460466	2	Plug, Terminal	
9	NPN	2	Connector - 3 Position	
10	4460742	2	Plug, Male - 2 Position	
10	4460457	4	Socket, Female	
10	4460458	4	Seal	
11	4460867	1	Receptacle, Female - 2 Position	
11	4460475	2	Pin, Male	
11	4460458	2	Seal	
12	NPN	1	Connector - 2 Position	
13	NPN	2	Connector - 2 Position	

SECTION 7 - ELECTRICAL

FIGURE 7-11. BODY HARNESS (LH) (TRI-AXLE)



ART_1001216188

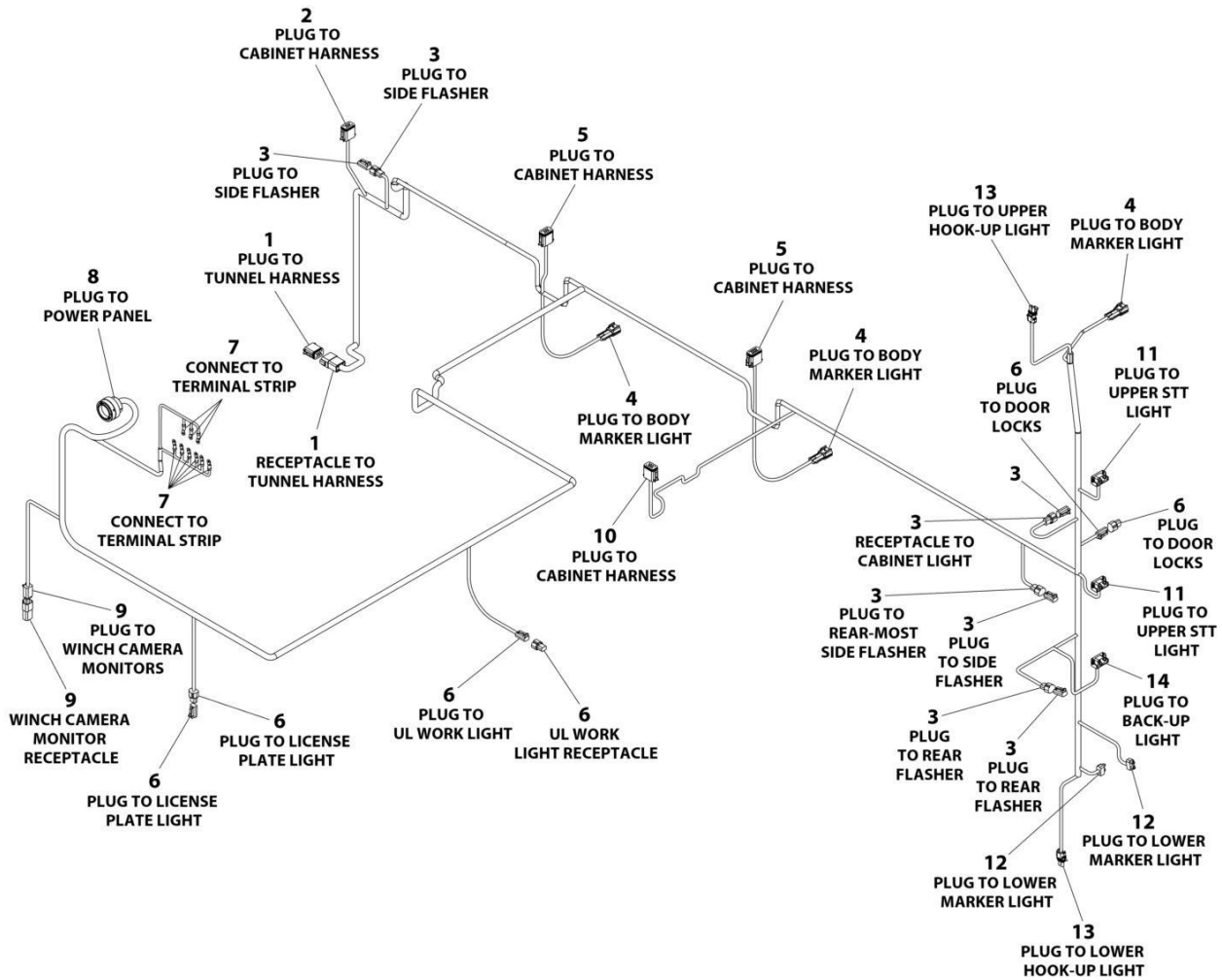
SECTION 7 - ELECTRICAL

FIGURE 7-11. BODY HARNESS (LH) (TRI-AXLE)

ITEM	PART NUMBER	QTY	DESCRIPTION	REV
	1001216188	Ref	BODY HARNESS (LH) (TRI)	C
1	4460931	1	Connector	
1	80604024	1	Wedge, Locking	
1	4460941	6	Pin	
1	4460466	10	Plug	
1	4460930	1	Connector, Plug	
1	80604025	1	Wedge, Locking	
2	4460930	1	Connector	
2	80604025	1	Wedge, Locking	
2	4460465	6	Socket	
2	4460466	2	Plug	
3	4460897	4	Connector	
3	80604017	4	Wedge, Locking	
3	4460464	8	Pin	
3	4460891	4	Connector, Plug	
3	80604018	4	Wedge, Locking	
3	4460466	8	Plug	
4	1001117026	3	Connector	
4	NPN	3	Wedge, Locking	
4	1001116745	6	Socket	
4	4460458	6	Seal	
5	4460933	2	Connector	
5	80604016	2	Wedge, Locking	
5	4460465	20	Socket	
5	4460466	4	Plug	
6	NPN	6	Ring, Terminal	
7	4461291	1	Connector	
7	4460509	10	Socket	
7	4460466	6	Plug	
8	4461157	1	Connector	
8	NPN	2	Seal	
8	4460475	2	Pin	
9	1001275791	2	Lead Harness	
10	4460742	2	Connector	
10	NPN	4	Seal	
10	4460457	4	Pin	
11	1001275793	2	Lead Harness	
12	4460891	1	Connector	
12	80604018	1	Wedge, Locking	
12	4460465	2	Socket	
12	4460897	1	Connector, Plug	
12	80604017	1	Wedge, Locking	
12	4460466	2	Plug	
13	1001275792	1	Lead Harness	

SECTION 7 - ELECTRICAL

FIGURE 7-12. BODY HARNESS (RH) (TRI-AXLE)



ART_1001216189

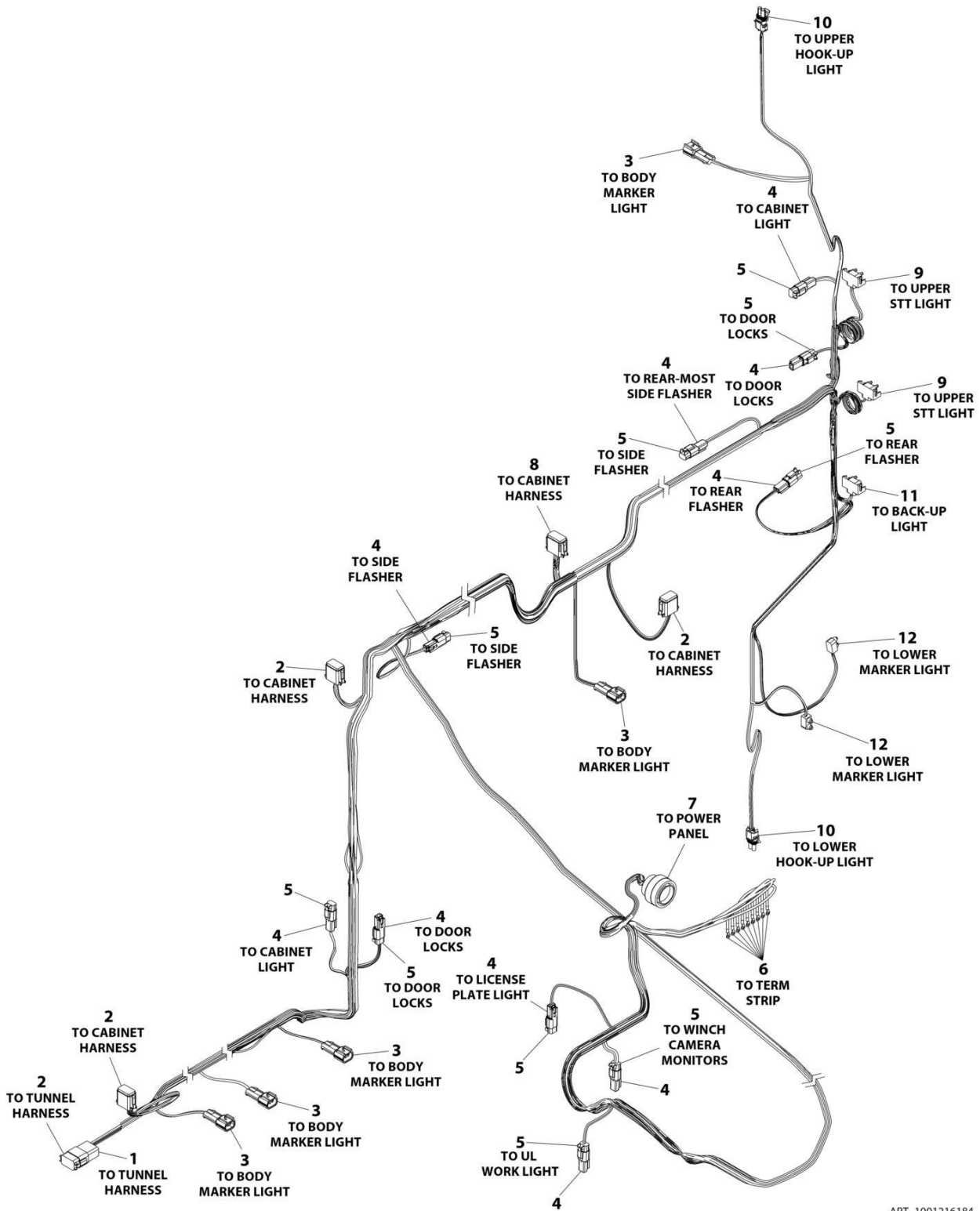
SECTION 7 - ELECTRICAL

FIGURE 7-12. BODY HARNESS (RH) (TRI-AXLE)

ITEM	PART NUMBER	QTY	DESCRIPTION	REV
	1001216189	Ref	BODY HARNESS (RH) (TRI)	A
1	4460931	1	Connector	
1	80604024	1	Wedge, Locking	
1	4460941	6	Pin	
2	4460930	1	Connector	
2	80604025	1	Wedge, Locking	
2	4460465	6	Socket	
2	4460466	2	Plug	
3	4460897	4	Connector	
3	80604017	4	Wedge, Locking	
3	4460464	8	Pin	
3	4460891	4	Connector, Plug	
3	80604018	4	Wedge, Locking	
3	4460466	8	Plug	
4	1001117026	3	Connector	
4	NPN	3	Wedge, Locking	
4	1001116745	6	Socket	
4	4460458	6	Seal	
5	4460933	2	Connector	
5	80604016	2	Wedge, Locking	
5	4460465	20	Socket	
5	4460466	4	Plug	
6	4460891	3	Connector	
6	80604018	3	Wedge, Locking	
6	4460465	6	Socket	
6	NPN	3	Connector, Plug	
7	NPN	9	Ring, Terminal	
8	1001263754	1	Connector	
8	4460509	3	Socket (12 AWG)	
8	4460942	8	Socket (14 AWG)	
8	4460465	3	Socket (16 AWG)	
8	4460466	7	Plug	
9	4460884	1	Connector	
9	80604021	1	Wedge, Locking	
9	4460465	4	Socket	
9	NPN	1	Connector, Plug	
10	4460930	1	Connector	
10	80604025	1	Wedge, Locking	
10	4460942	4	Socket	
10	4460466	4	Plug	
11	1001275793	2	Lead Harness	
12	1001275791	2	Lead Harness	
13	4460742	2	Connector	
13	NPN	4	Seal	
13	4460457	4	Pin	
14	1001275792	1	Lead Harness	

SECTION 7 - ELECTRICAL

FIGURE 7-13. BODY HARNESS (RH) TANDEM



ART_1001216184

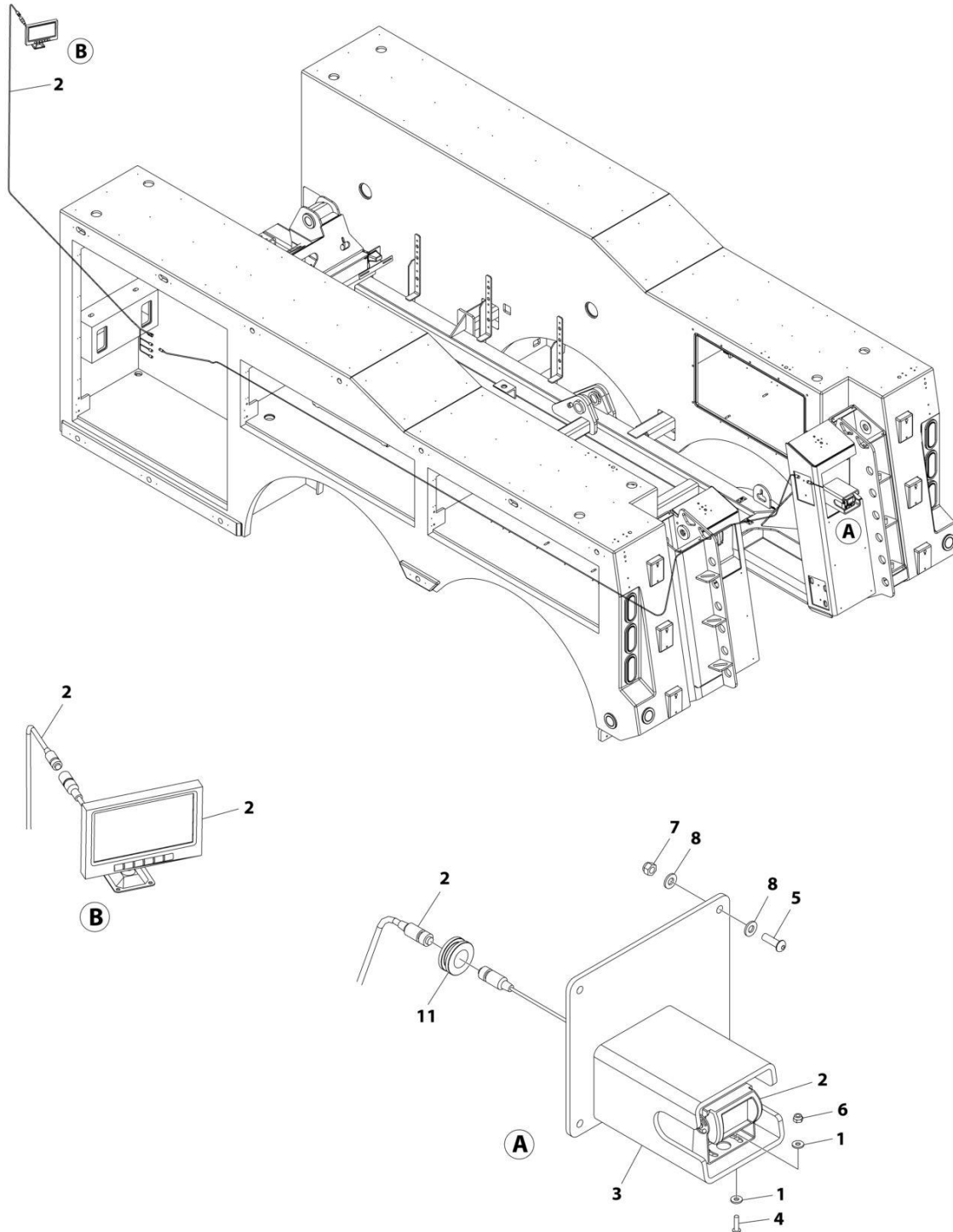
SECTION 7 - ELECTRICAL

FIGURE 7-13. BODY HARNESS (RH) TANDEM)

ITEM	PART NUMBER	QTY	DESCRIPTION	REV
	1001216184	Ref	BODY HARNESS (RH)	B
1	4460931	1	Receptacle, Female - 8 Position	
1	4460941	6	Pin, Male	
1	4460466	2	Plug, Terminal	
2	4460930	4	Plug, Male - 8 Position	
2	4460465	22	Socket, Female	
2	4460466	10	Plug, Terminal	
3	NPN	5	Connector - 2 Position	
3	NPN	10	Terminal	
3	4460458	10	Seal	
4	4460897	10	Receptacle, Female - 2 Position	
4	4460464	12	Pin, Male	
4	4460466	8	Plug, Terminal	
5	4460891	10	Plug, Male - 2 Position	
5	4460465	8	Socket, Female	
5	4460466	12	Plug, Terminal	
6	NPN	9	Terminal, Ring	
7	NPN	1	Connector - 21 Position	
7	4460509	14	Socket, Female	
7	4460466	7	Plug, Terminal	
8	4460933	1	Plug, Male - 12 Position	
8	4460465	10	Socket, Female	
8	4460466	2	Plug, Terminal	
9	NPN	2	Connector - 3 Position	
10	4460742	2	Plug, Male - 2 Position	
10	4460457	4	Socket, Female	
10	4460458	4	Seal	
11	NPN	1	Connector - 2 Position	
12	NPN	2	Connector - 2 Position	

SECTION 7 - ELECTRICAL

FIGURE 7-14. CAMERA INSTALLATION - CABINET MOUNTED BACK-UP



ART_1001203912

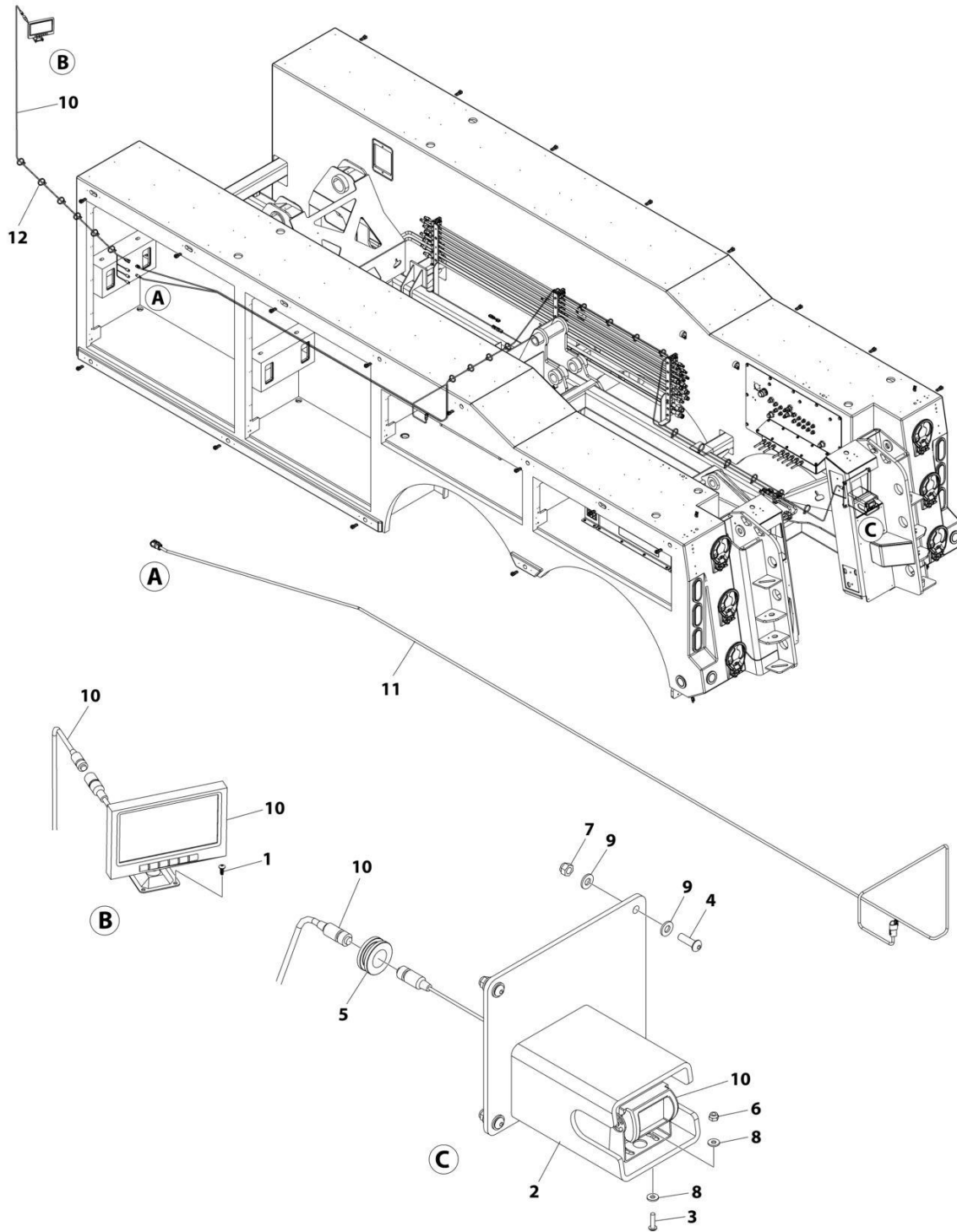
SECTION 7 - ELECTRICAL

FIGURE 7-14. CAMERA INSTALLATION - CABINET MOUNTED BACK -UP

ITEM	PART NUMBER	QTY	DESCRIPTION	REV
	1001203912	Ref	CAMERA INSTALLATION - CABINET MOUNTED BACK-UP	D
1	1001197483	4	Washer #10	
2	1001204070	1	Kit, Camera (Back-up)	
3	3178000547	1	Bracket	
4	7114100618	2	Capscrew #10 x 3/4	
5	7114150818	4	Capscrew 5/16 x 1	
6	7660102601	2	Nut #10	
7	7660152604	4	Nut 5/16	
8	7950150143	8	Washer 5/16	
9	1001203953	1	Harness (Not Shown)	
10	7274000042	12	Clamp	
11	7493000003	1	Grommet	

SECTION 7 - ELECTRICAL

FIGURE 7-15. CAMERA INSTALLATION - CABINET MOUNTED BACK -UP (SN 0230004275 through 0230005219)



ART_1001212140

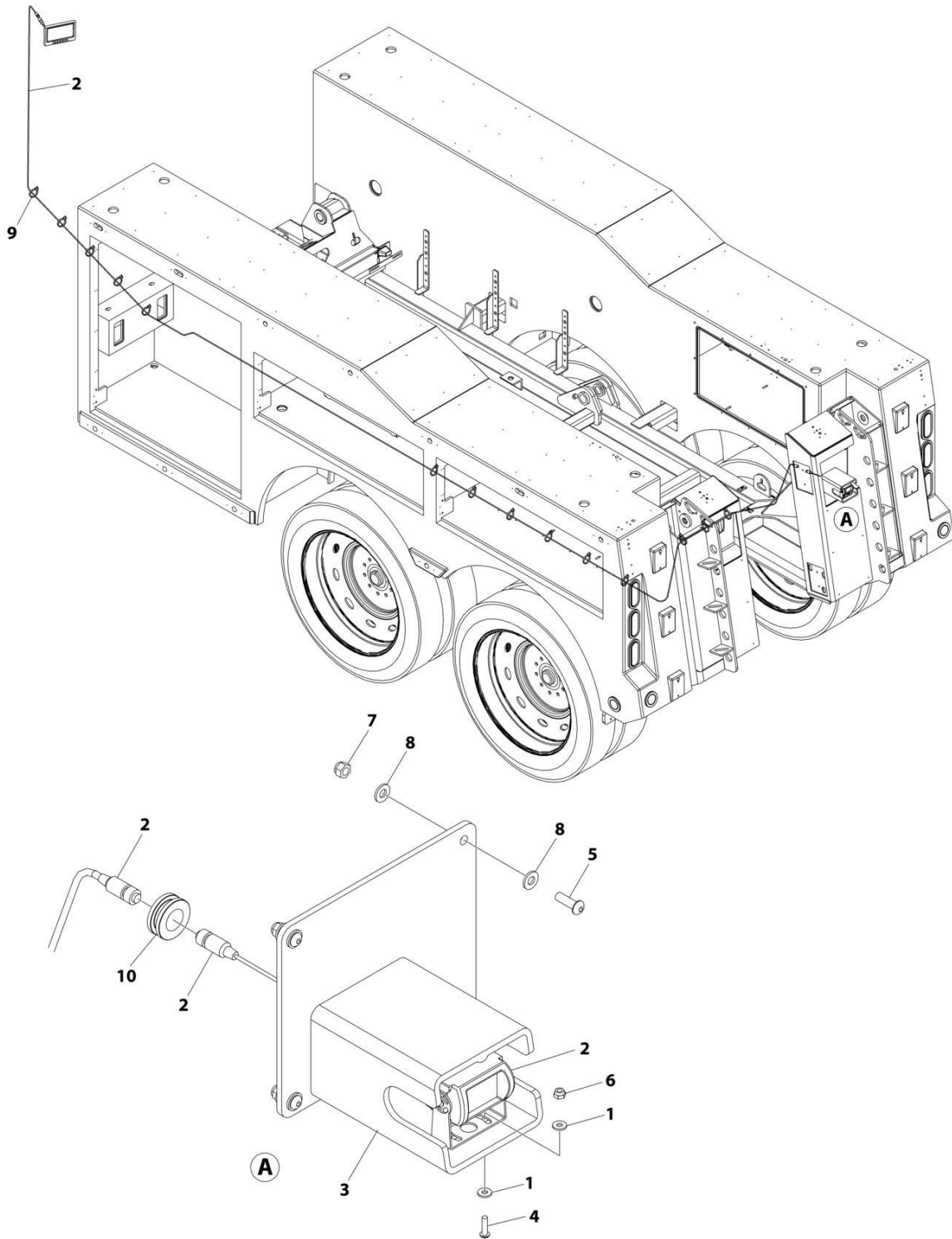
SECTION 7 - ELECTRICAL

FIGURE 7-15. CAMERA INSTALLATION - CABINET MOUNTED BACK -UP (SN 0230004275 through 0230005219)

ITEM	PART NUMBER	QTY	DESCRIPTION	REV
	1001212140	Ref	Back-Up Camera Spade Cab Mount Installation	B
1	1001192958	4	Screw, #10 x 1/2	
2	3178000547	1	Bracket	
3	7114100618	2	Capscrew #10 x 3/4	
4	7114150818	4	Capscrew 5/16 x 1	
5	7493000003	1	Grommet	
6	7660102601	2	Nut #10	
7	1660152601	4	Nut 5/16	
8	7950100143	4	Washer 3/16	
9	7950150143	8	Washer 5/16	
10	1001219309	1	Kit, Camera (Back-up)	
11	1001215151	1	Harness	D
11	4460539	1	Connector 3 Position	
11	4460465	3	Terminal	
12	5526000553	30	Tie Strap	

SECTION 7 - ELECTRICAL

FIGURE 7-16. CAMERA INSTALLATION - CABINET MOUNTED BACK -UP (PACCAR) (SN 0230005220 to Present)



ART_1001203889

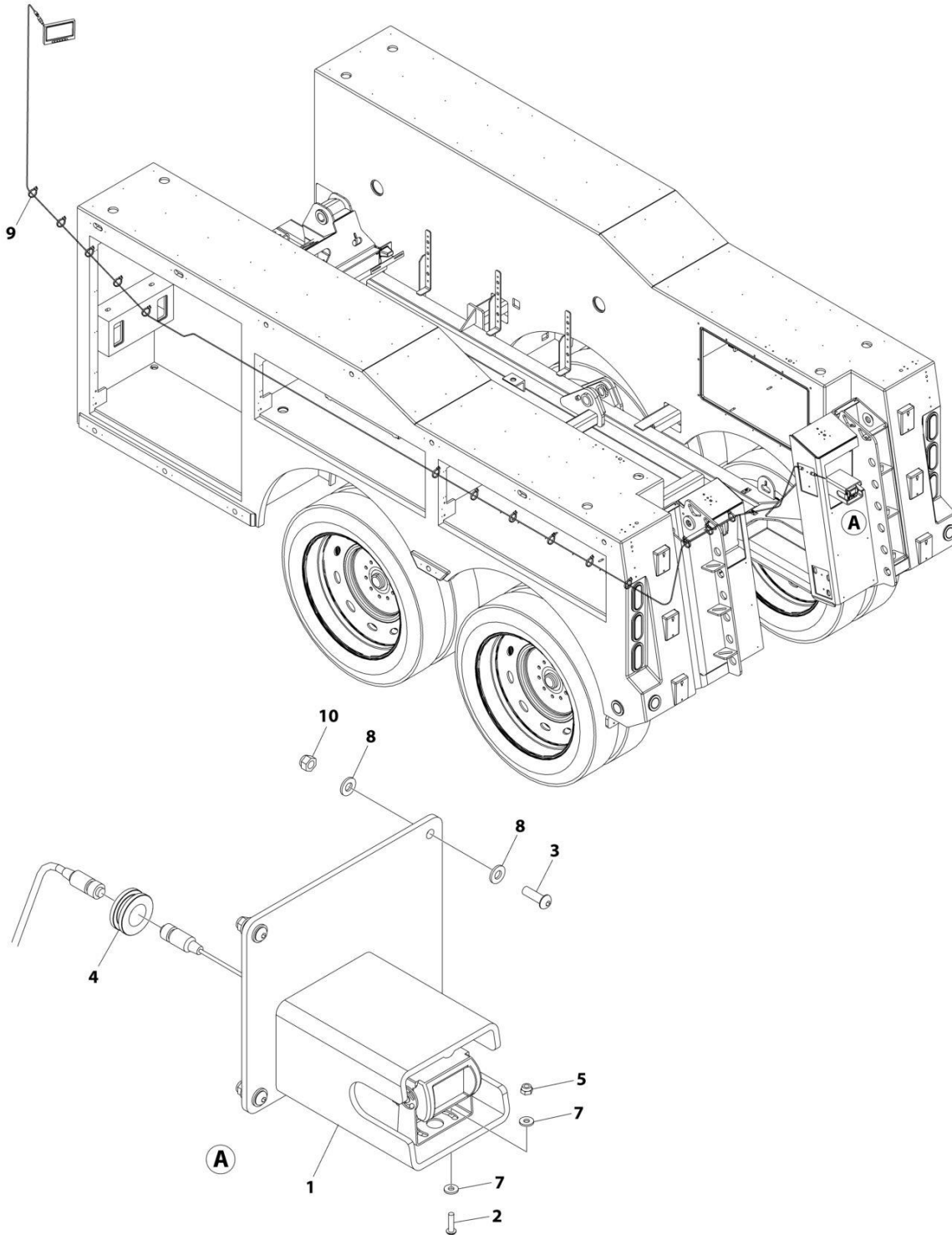
SECTION 7 - ELECTRICAL

**FIGURE 7-16. CAMERA INSTALLATION - CABINET MOUNTED BACK -UP (PACCAR) (SN
0230005220 to Present)**

ITEM	PART NUMBER	QTY	DESCRIPTION	REV
	1001203889	Ref	Back-Up Camera Paccar Installation	C
1	7950100143	4	Washer 3/16	
2	1001204558	1	Kit, Camera (Back-up)	
3	3178000547	1	Bracket	
4	7114100618	2	Capscrew #10 x 3/4	
5	7114150818	4	Capscrew 5/16 x 1	
6	7660102601	2	Nut #10	
7	7660152601	4	Nut 5/16	
8	7950150143	8	Washer 5/16	
9	5526000553	30	Tie Strap	
10	7493000003	1	Grommet	

SECTION 7 - ELECTRICAL

FIGURE 7-17. CAMERA INSTALLATION - CABINET MOUNT ONLY



ART_1001218723

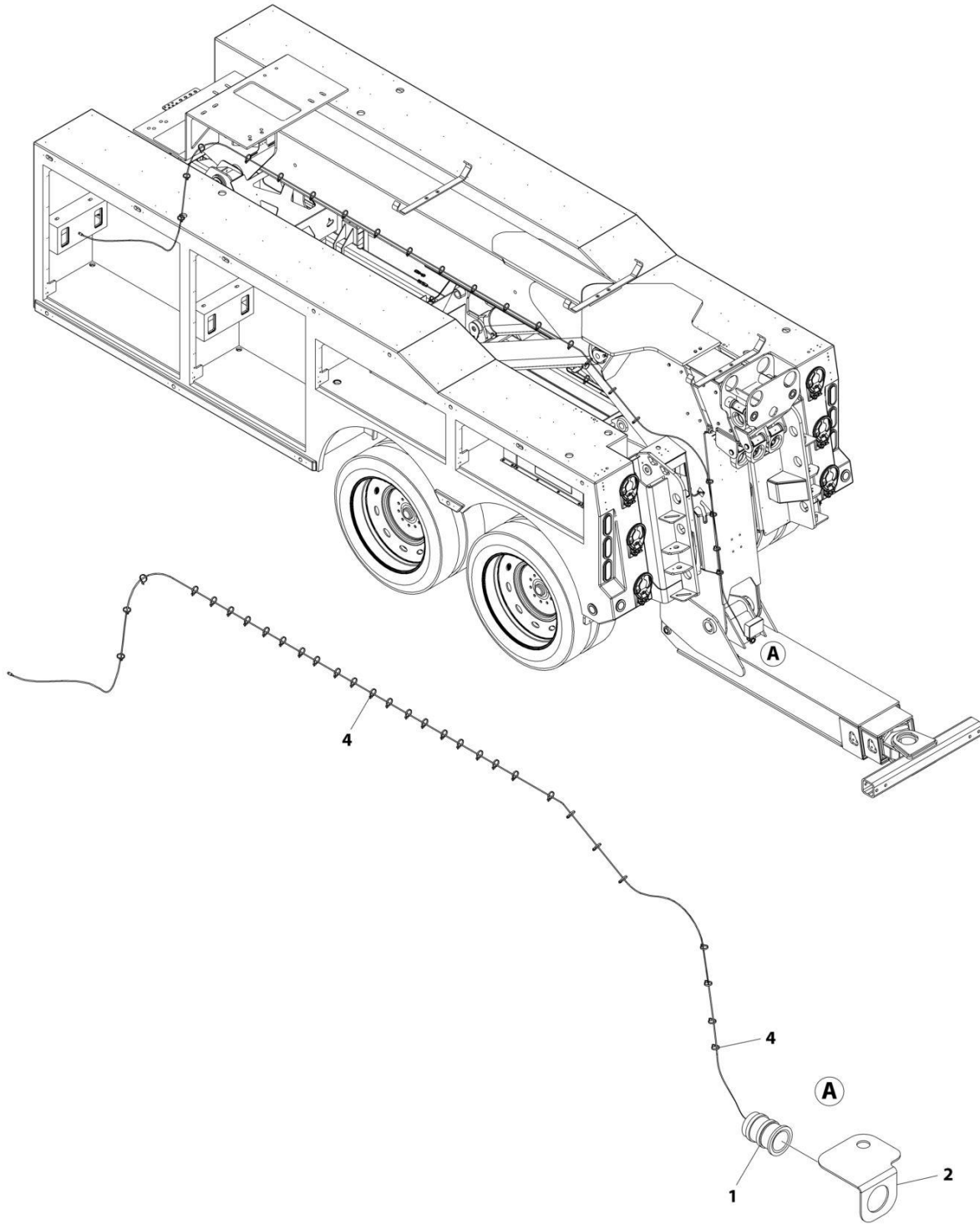
SECTION 7 - ELECTRICAL

FIGURE 7-17. CAMERA INSTALLATION - CABINET MOUNT ONLY

ITEM	PART NUMBER	QTY	DESCRIPTION	REV
	1001218723	Ref	Back-Up Camera Installation	A
1	3178000547	1	Bracket	
2	7114100618	2	Capscrew #10 x 3/4	
3	7114150818	4	Capscrew 5/16 x 1	
4	7493000003	1	Grommet	
5	7660102601	2	Nut #10	
7	7950100143	4	Washer 3/16	
8	7950150143	8	Washer 5/16	
9	5526000553	30	Tie Strap	
10	7660152601	4	Nut 5/16	

SECTION 7 - ELECTRICAL

FIGURE 7-18. CAMERA INSTALLATION - UNDERLIFT MOUNTED (SN 0230004275 through 0230005219)



ART_2002000056

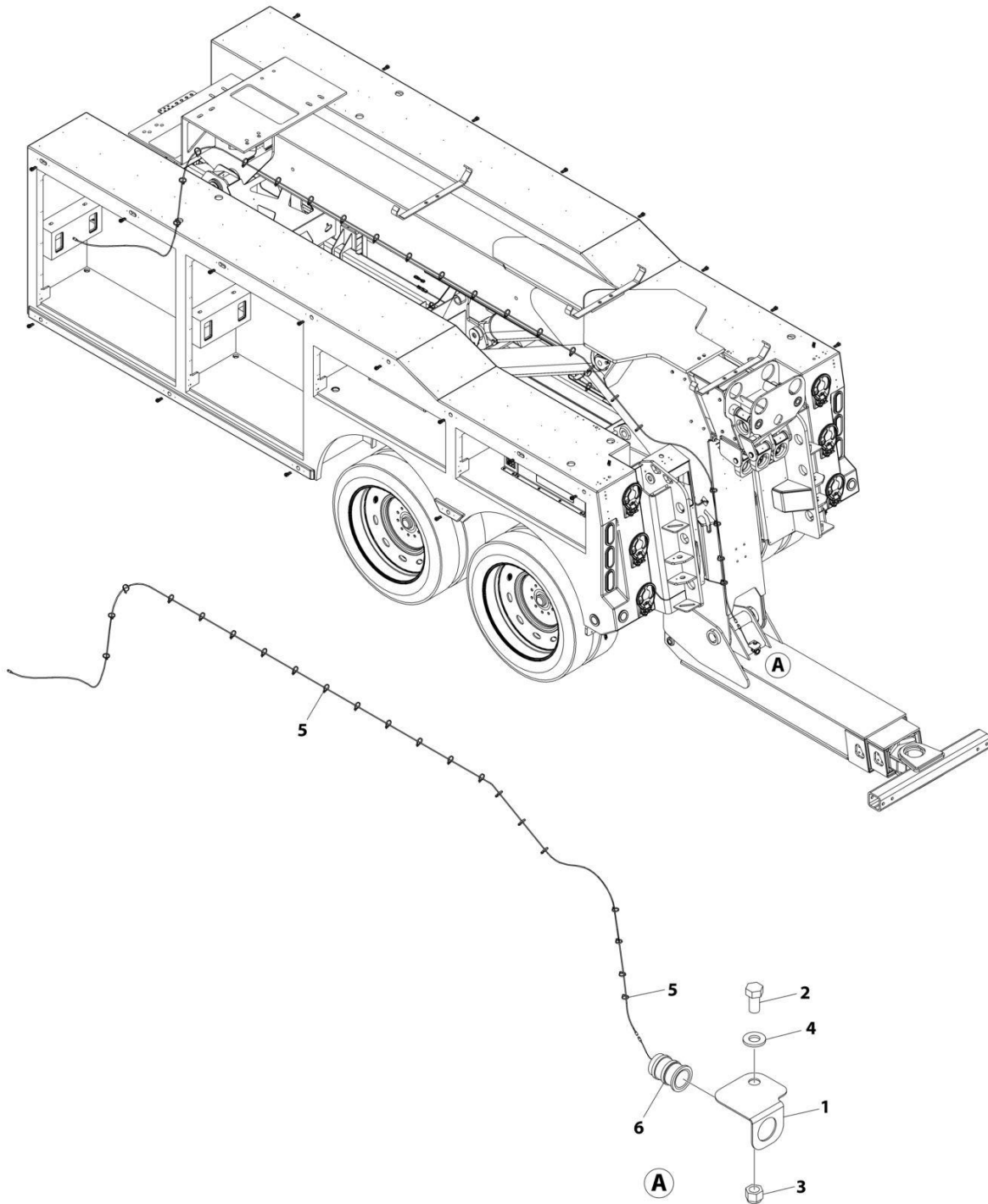
SECTION 7 - ELECTRICAL

FIGURE 7-18. CAMERA INSTALLATION - UNDERLIFT MOUNTED (SN 0230004275 through 0230005219)

ITEM	PART NUMBER	QTY	DESCRIPTION	REV
	2002000056	Ref	CAMERA INSTALLATION - UNDERLIFT MOUNTED	C
1	7002000555	1	Kit, Camera (Back-Up)	
2	4178000889	1	Bracket	
4	5526000553	30	Tie-Strap	

SECTION 7 - ELECTRICAL

FIGURE 7-19. CAMERA INSTALLATION - UNDERLIFT MOUNTED (SN 0230005220 to Present)



ART_1001212141

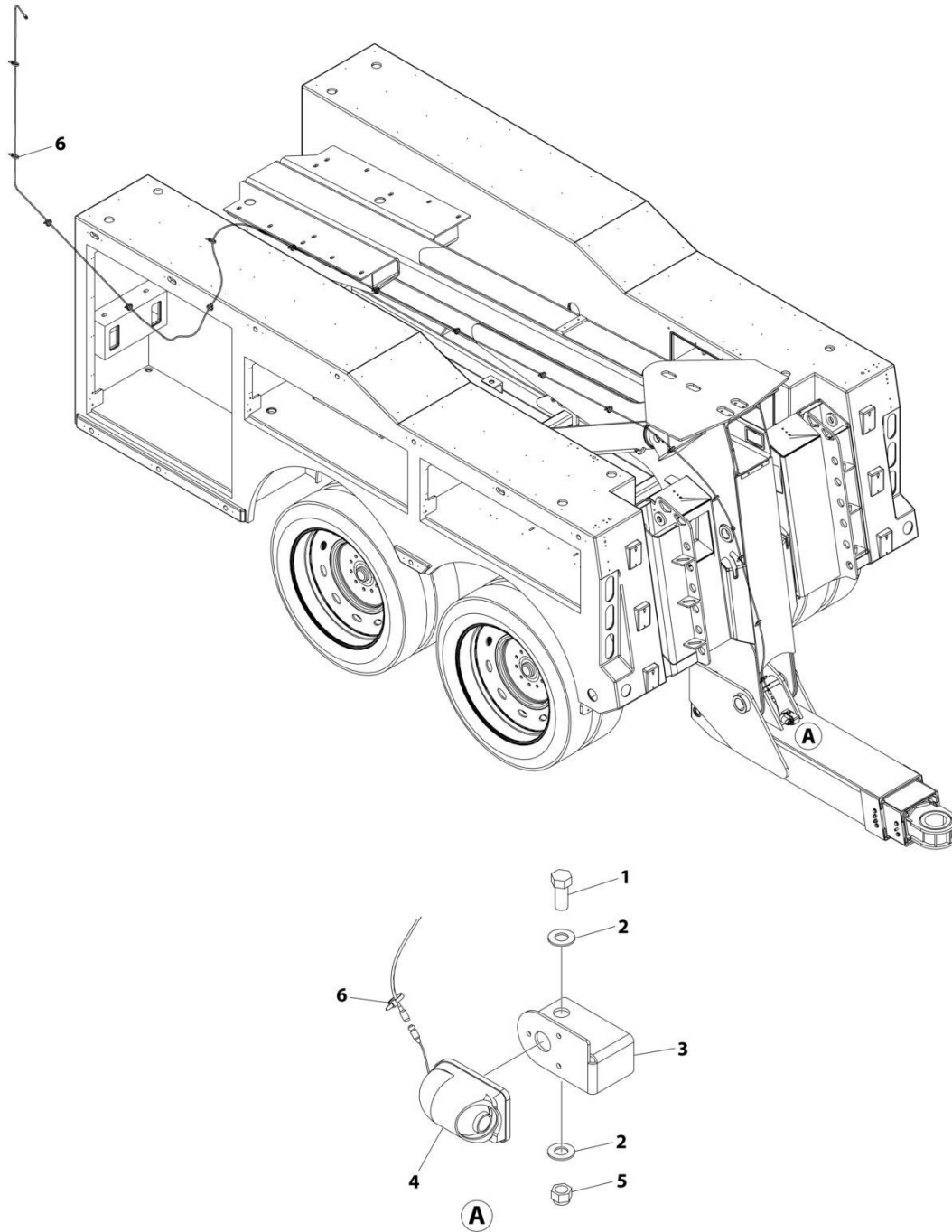
SECTION 7 - ELECTRICAL

FIGURE 7-19. CAMERA INSTALLATION - UNDERLIFT MOUNTED (SN 0230005220 to Present)

ITEM	PART NUMBER	QTY	DESCRIPTION	REV
	1001212141	Ref	Underlift Camera Installation	B
1	4178000889	1	Bracket (SN 0230005220 through 0230009593)	
1	1001164102	1	Bracket (SN 0230009594 to Present)	
2	7115180850	1	Capscrew 1/2 x 1	
3	7660182601	1	Nut 1/2	
4	7950100143	1	Washer 3/16	
5	5526000553	21	Tie Strap	
6	7002000555	1	Kit, Camera (Back-up) (SN 0230005220 through 0230009593)	
6	1001273598	1	Kit, Camera (Back-up) (SN 0230009594 to Present)	

SECTION 7 - ELECTRICAL

FIGURE 7-20. CAMERA INSTALLATION - UNDERLIFT MOUNTED (PACCAR)



ART_1001203911

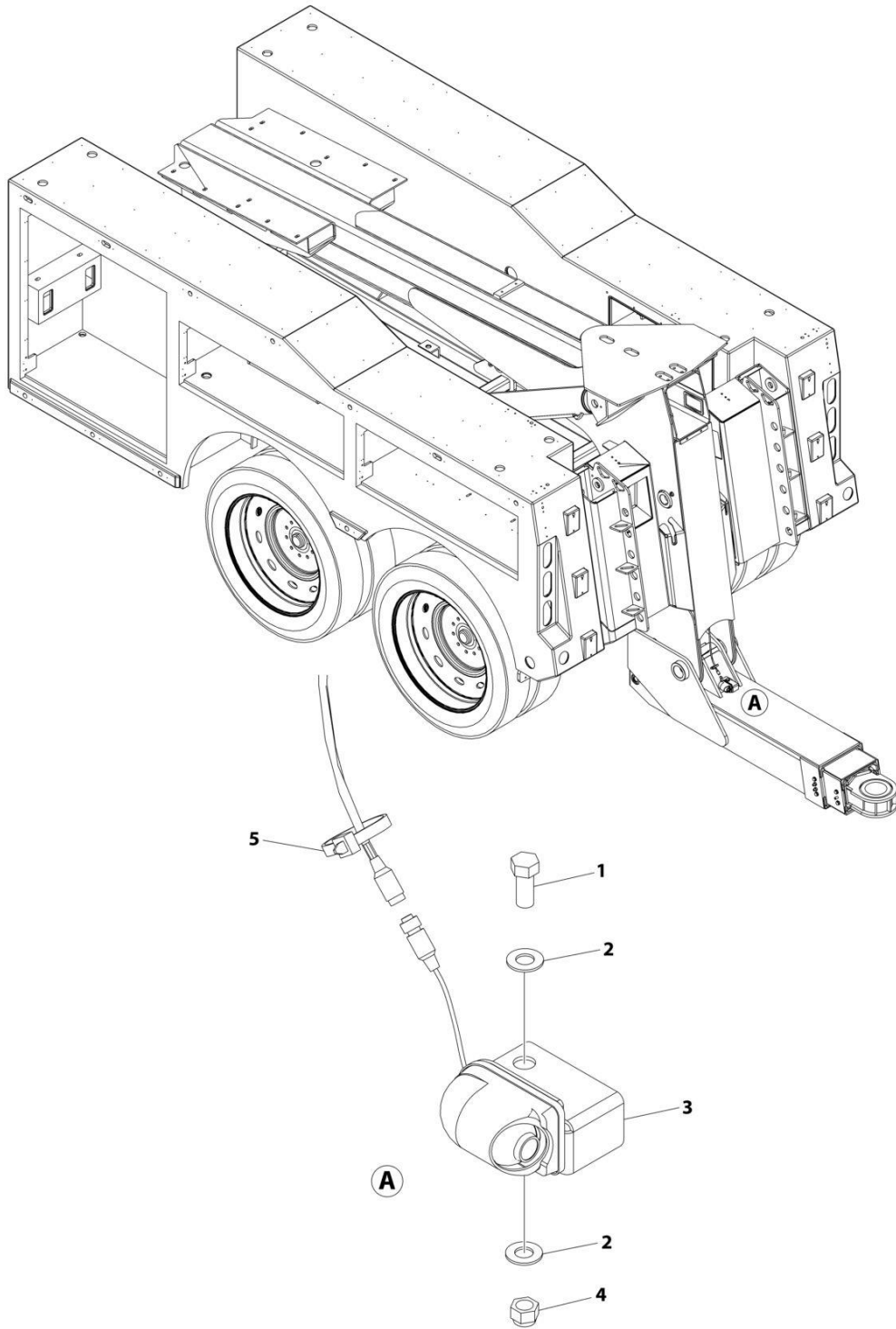
SECTION 7 - ELECTRICAL

FIGURE 7-20. CAMERA INSTALLATION - UNDERLIFT MOUNTED (PACCAR)

ITEM	PART NUMBER	QTY	DESCRIPTION	REV
	1001203911	Ref	Underlift Camera Paccar Installation	A
1	0641708	1	Capscrew 7/16 x 1	
2	4711700	2	Washer 7/16	
3	1001164102	1	Bracket	
4	1001204595	1	Kit, Camera (Underlift) (Paccar)	
5	7660172601	1	Nut 7/16	
6	7854000004	30	Tie Strap	

SECTION 7 - ELECTRICAL

FIGURE 7-21. CAMERA INSTALLATION - UNDERLIFT MOUNT ONLY



ART_1001218724

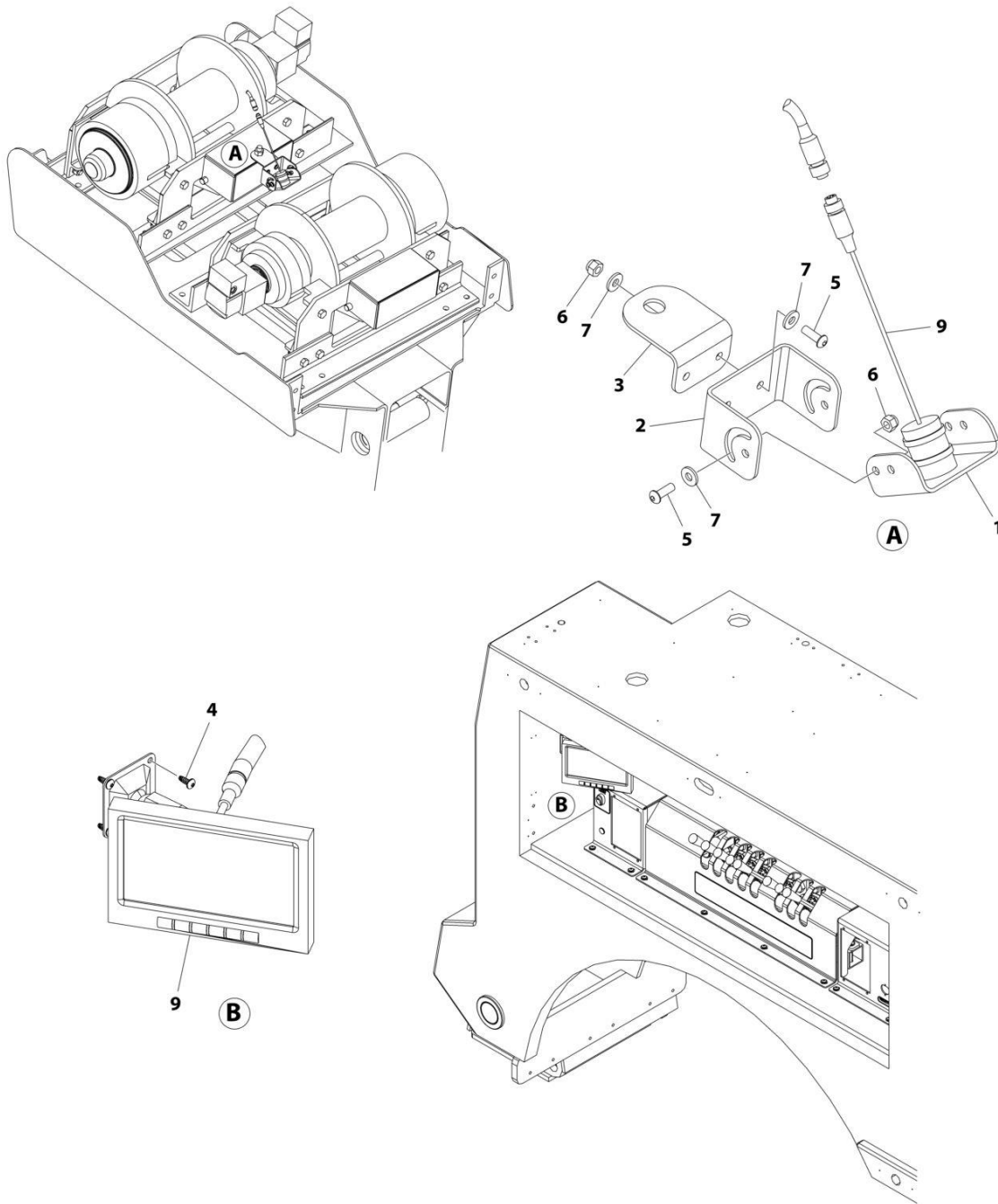
SECTION 7 - ELECTRICAL

FIGURE 7-21. CAMERA INSTALLATION - UNDERLIFT MOUNT ONLY

ITEM	PART NUMBER	QTY	DESCRIPTION	REV
	1001218724	Ref	Underlift Camera Installation - Brackets	A
1	0641708	1	Capscrew 7/16 x 1	
2	4711700	2	Washer 7/16	
3	1001164102	1	Bracket, Underlift Camera Mount	
4	7660172601	1	Nut 7/16	
5	5526000553	40	Tie Strap	

SECTION 7 - ELECTRICAL

FIGURE 7-22. CAMERA INSTALLATION - WINCH MOUNTED (SN 0230004275 through 0230005219)



ART_1001203590

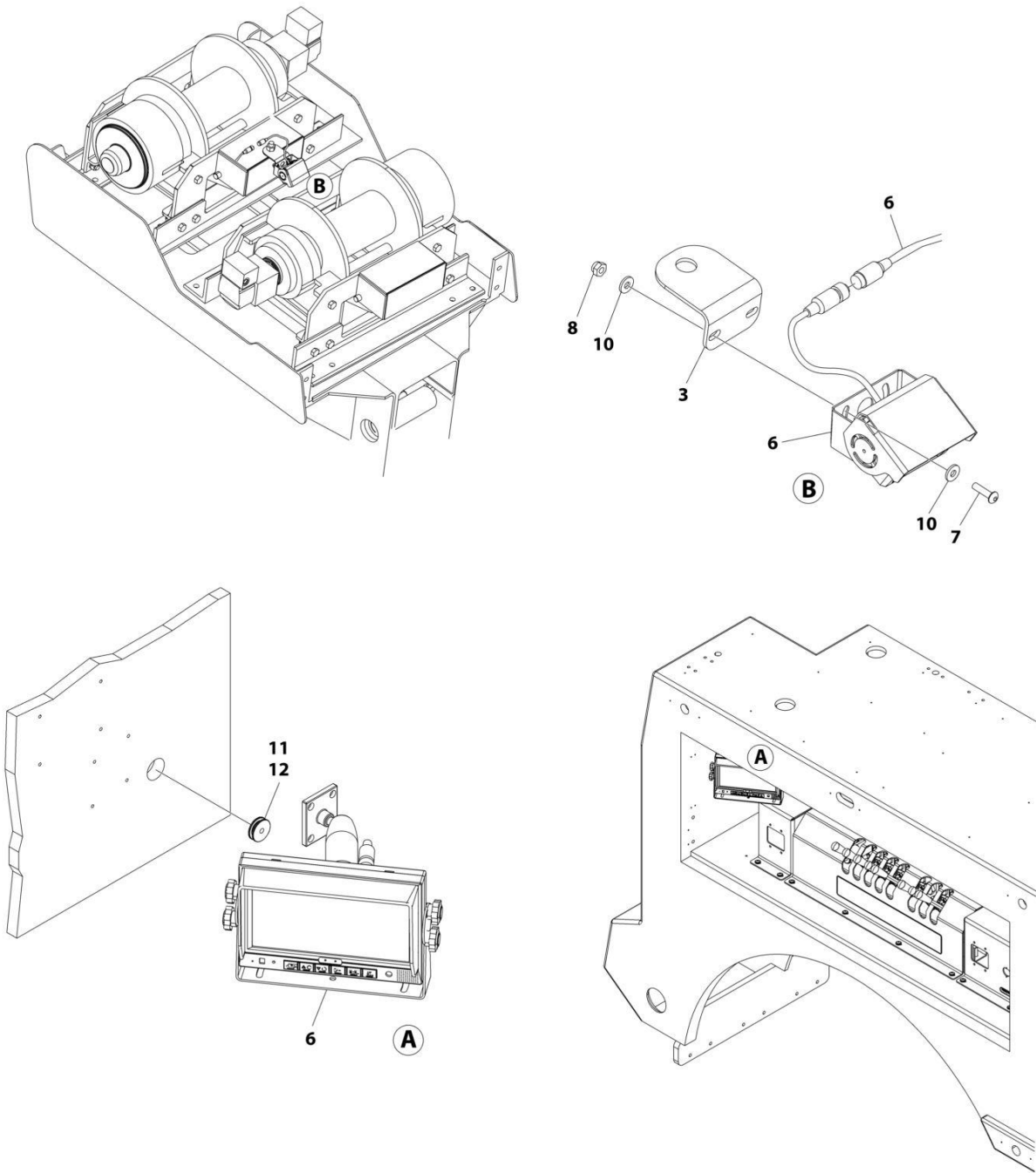
SECTION 7 - ELECTRICAL

FIGURE 7-22. CAMERA INSTALLATION - WINCH MOUNTED (SN 0230004275 through 0230005219)

ITEM	PART NUMBER	QTY	DESCRIPTION	REV
	1001203590	Ref	CAMERA INSTALLATION - WINCH MOUNTED	B
1	1001126973	1	Plate	
2	1001126987	1	Plate	
3	1001126995	1	Plate	
4	1001192958	4	Screw #10 x 1/2	
5	7114140618	6	Screw 1/4 x 3/4	
6	7660142600	6	Nut 1/4	
7	7950140143	8	Washer 1/4	
8	1001203629	1	Harness (Not Shown)	
9	7002000554	1	Kit, Camera (Back-up)	
10	7894000004	30	Tie-Strap (Not shown)	

SECTION 7 - ELECTRICAL

FIGURE 7-23. CAMERA INSTALLATION - WINCH MOUNTED (SN 0230005220 to Present)



ART_1001212230

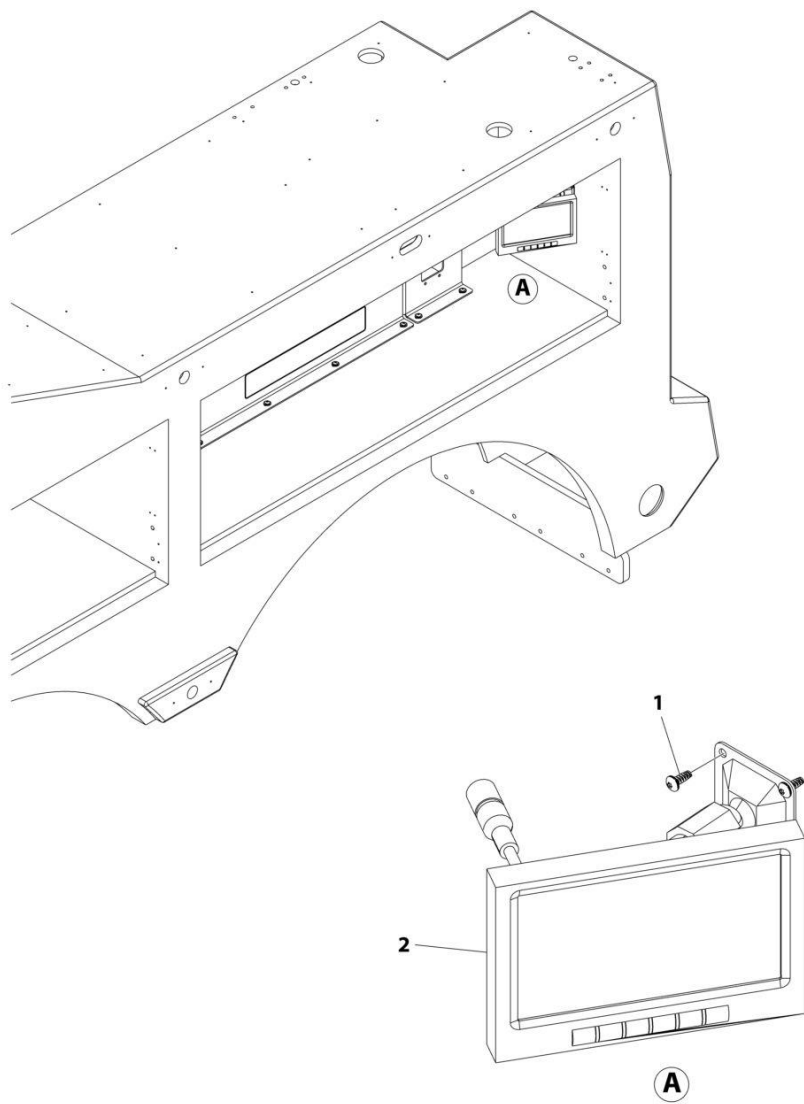
SECTION 7 - ELECTRICAL

FIGURE 7-23. CAMERA INSTALLATION - WINCH MOUNTED (SN 0230005220 to Present)

ITEM	PART NUMBER	QTY	DESCRIPTION	REV
	1001212230	Ref	CAMERA REAR WINCH PS W/CTRL MON, DP INSTALLATION	C
1	1001126973	1	Plate (SN 0230005220 through 0230009593)	
2	1001126987	1	Plate (SN 0230005220 through 0230009593)	
3	1001126995	1	Plate (SN 0230005220 through 0230009593)	
3	1001273756	1	Bracket (SN 0230009594 to Present)	
4	1001192958	4	Screw #10 x 1/2 (SN 0230005220 through 0230009593)	
5	1001209036	1	Harness (Not shown)	
5	4460891	2	Plug, Male - 2 Position (at Winch Motor)	
5	4460465	4	Socket, Male (at Winch Motor)	
5	4460897	2	Receptacle, Female - 2 Position (at Winch Motor)	
5	4460464	4	Pin, Male (at Winch Motor)	
5	4460932	1	Receptacle, Female - 4 Position (to Power)	
5	4460464	4	Pin, Male (to Power)	
6	7002000554	1	Kit, Camera (Winch)	
6	1001219309	1	Kit, Camera (Winch) (SN 0230005220 through 0230009593)	
7	7114140618	6	Screw 1/4 x 3/4 (SN 0230009594 to Present)	
8	7660142600	6	Nut 1/4	
9	7894000004	30	Tie Strap (Not shown)	
10	7950140143	8	Washer 3/16	
11	7493000020	1	Grommet	
12	8798820001	AR	Sealant	

SECTION 7 - ELECTRICAL

FIGURE 7-24. CAMERA INSTALLATION - CONTROLS MOUNTED (DRIVERS SIDE). (SN 0230004275 through 0230005219)



ART_1001203862

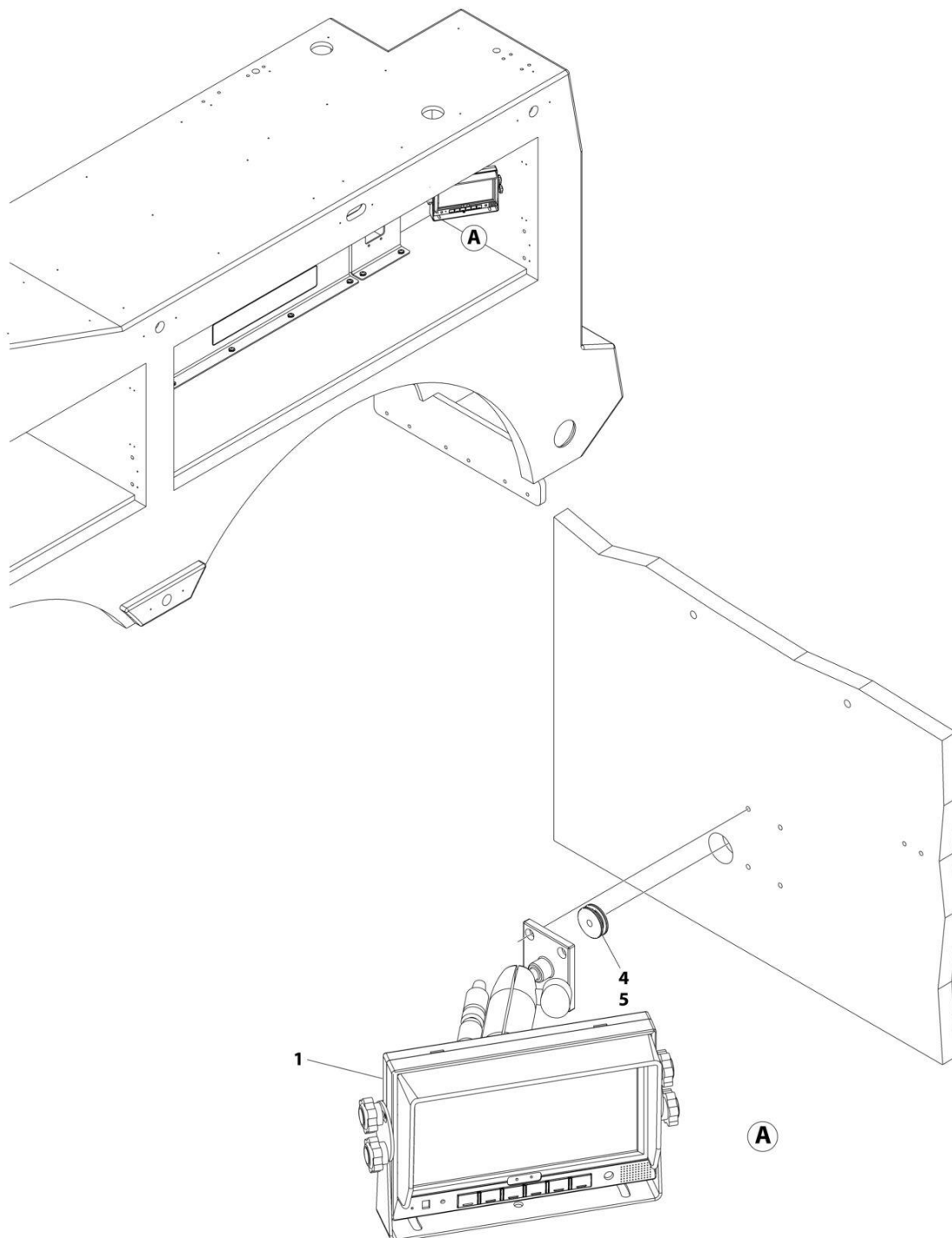
SECTION 7 - ELECTRICAL

FIGURE 7-24. CAMERA INSTALLATION - CONTROLS MOUNTED (DRIVERS SIDE). (SN 0230004275 through 0230005219)

ITEM	PART NUMBER	QTY	DESCRIPTION	REV
	1001203862	Ref	CAMERA INSTALLATION - CONTROLS MOUNTED	B
1	1001192958	4	Screw #10 x 1/2	
2	1001126658	1	Kit, Camera (Winch)	
3	7894000004	15	Tie-Strap (Not shown)	

SECTION 7 - ELECTRICAL

FIGURE 7-25. CAMERA INSTALLATION - CONTROLS MOUNTED (DRIVERS SIDE). (SN 0230005220 to Present)



ART_1001212231

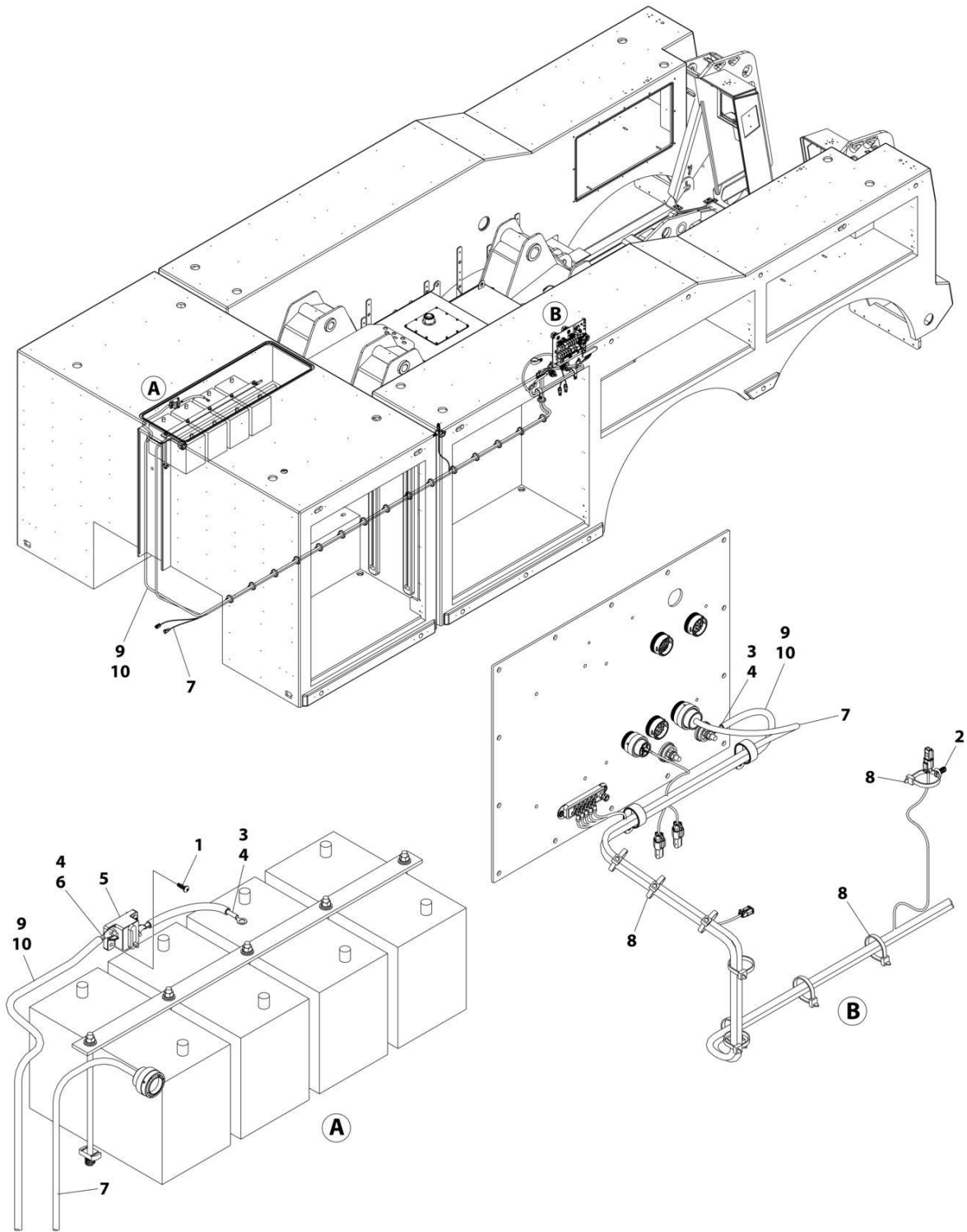
SECTION 7 - ELECTRICAL

FIGURE 7-25. CAMERA INSTALLATION - CONTROLS MOUNTED (DRIVERS SIDE). (SN 0230005220 to Present)

ITEM	PART NUMBER	QTY	DESCRIPTION	REV
	1001212231	Ref	CAMERA REAR WINCH DS INSTALLATION	C
1	1001126658	1	Kit, Camera (Winch) (SN 0230005220 through 0230009593)	
1	1001273599	1	Kit, Camera (Winch) (SN 0230009594 to Present)	
2	1001192958	4	Screw #10 x 1/2 (SN 0230005220 through 0230009593)	
3	7894000004	15	Tie Strap (Not shown)	
4	7493000020	1	Grommet	
5	8798820001	AR	Sealant	

SECTION 7 - ELECTRICAL

FIGURE 7-26. CENTER HARNESS INSTALLATION - 236IN WB



ART_1001217426

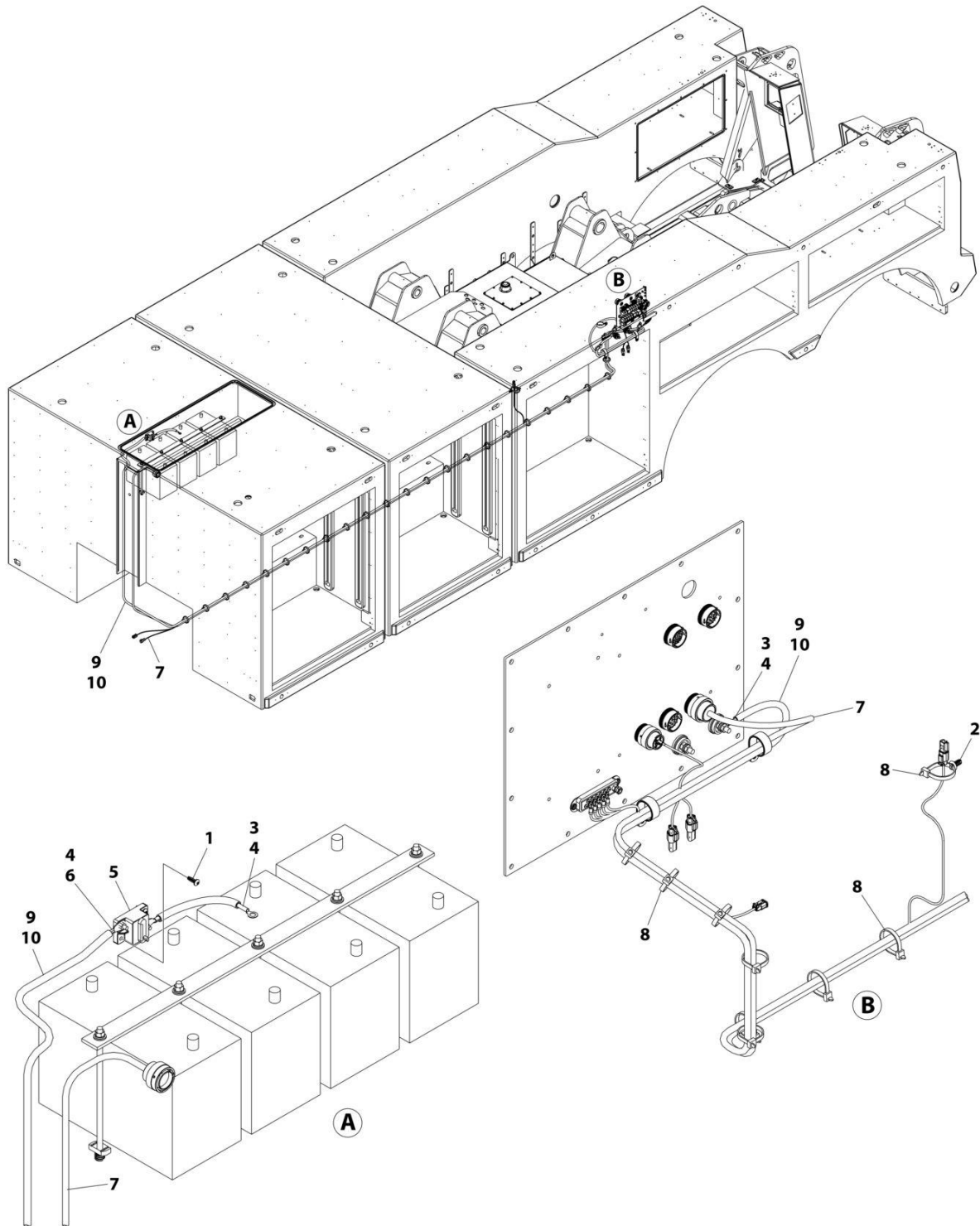
SECTION 7 - ELECTRICAL

FIGURE 7-26. CENTER HARNESS INSTALLATION - 236IN WB

ITEM	PART NUMBER	QTY	DESCRIPTION	REV
	1001217426	Ref	HARNESS - CENTER HARNESS INSTALLATION (142IN CT/236IN WB/1T)	C
1	1001194676	2	Screw 1/4 x 3/4	
2	1001202986	1	Strap	
3	7345242202	2	Terminal	
4	7346000045	0.25 ft	Tubing	
5	7870000043	1	Switch Breaker	
6	1001125479	2	Terminal Ring	
7	1001217442	1	Center Main Harness (See Separate Breakdown in this Section)	
8	5526000553	21	Tie Strap	
9	7978000011	25 ft	Cable	
10	8597650001	25 ft	Loom	

SECTION 7 - ELECTRICAL

FIGURE 7-27. CENTER HARNESS INSTALLATION - 322IN WB



ART_1001217587

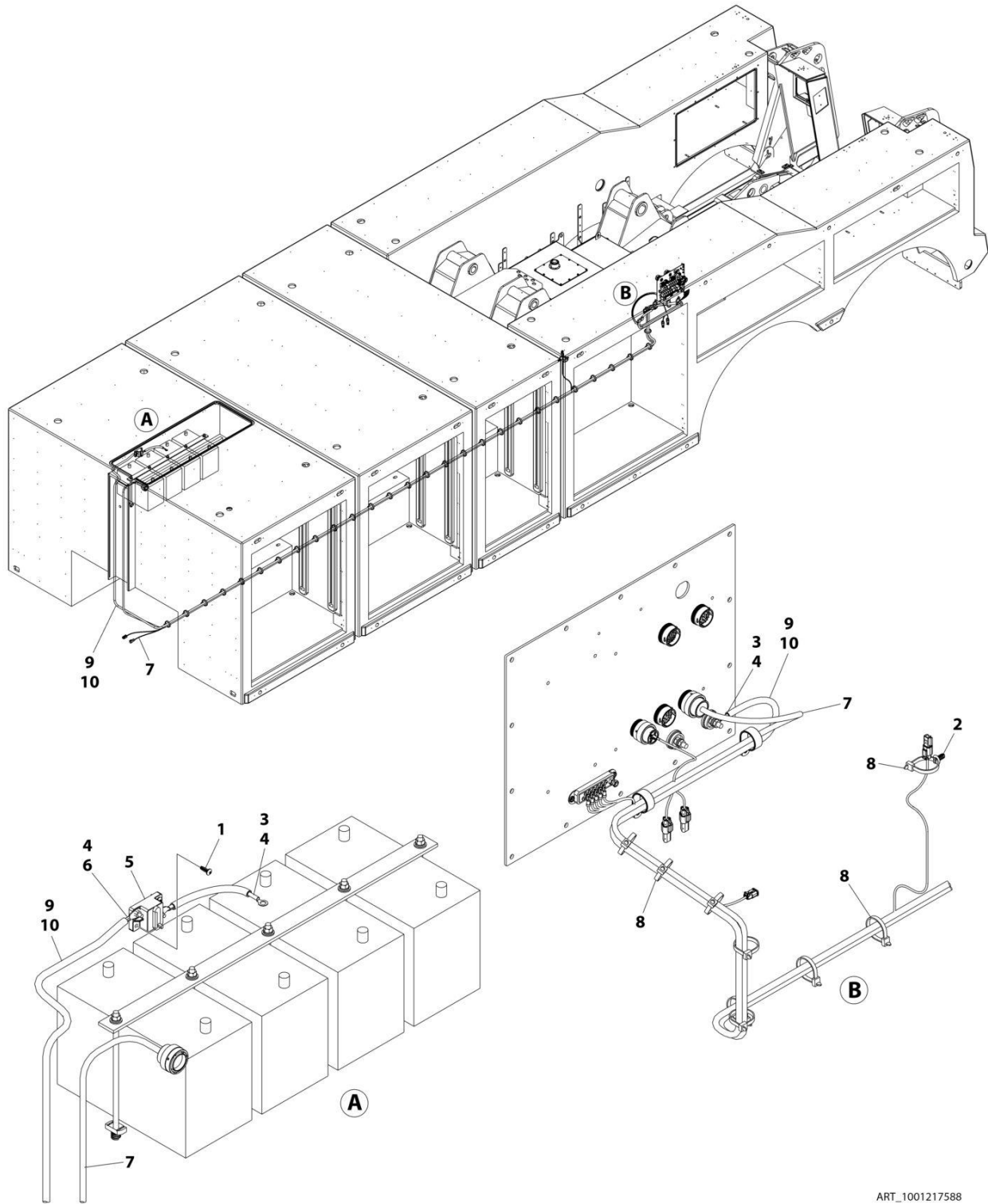
SECTION 7 - ELECTRICAL

FIGURE 7-27. CENTER HARNESS INSTALLATION - 322IN WB

ITEM	PART NUMBER	QTY	DESCRIPTION	REV
	1001217587	Ref	HARNESS - CENTER HARNESS INSTALLATION (191IN CT/285IN WB/2T)	C
1	1001194676	2	Screw 1/4 x 3/4	
2	1001202986	1	Strap	
3	7345242202	2	Terminal	
4	7346000045	0.25 ft	Tubing	
5	7870000043	1	Switch Breaker	
6	1001125479	2	Terminal Ring	
7	1001217589	1	Center Main Harness (See Separate Breakdown in this Section)	
8	5526000553	28	Tie Strap	
9	7978000011	29 ft	Cable	
10	8597650001	29 ft	Loom	

SECTION 7 - ELECTRICAL

FIGURE 7-28. CENTER HARNESS INSTALLATION - 346IN WB



ART_1001217588

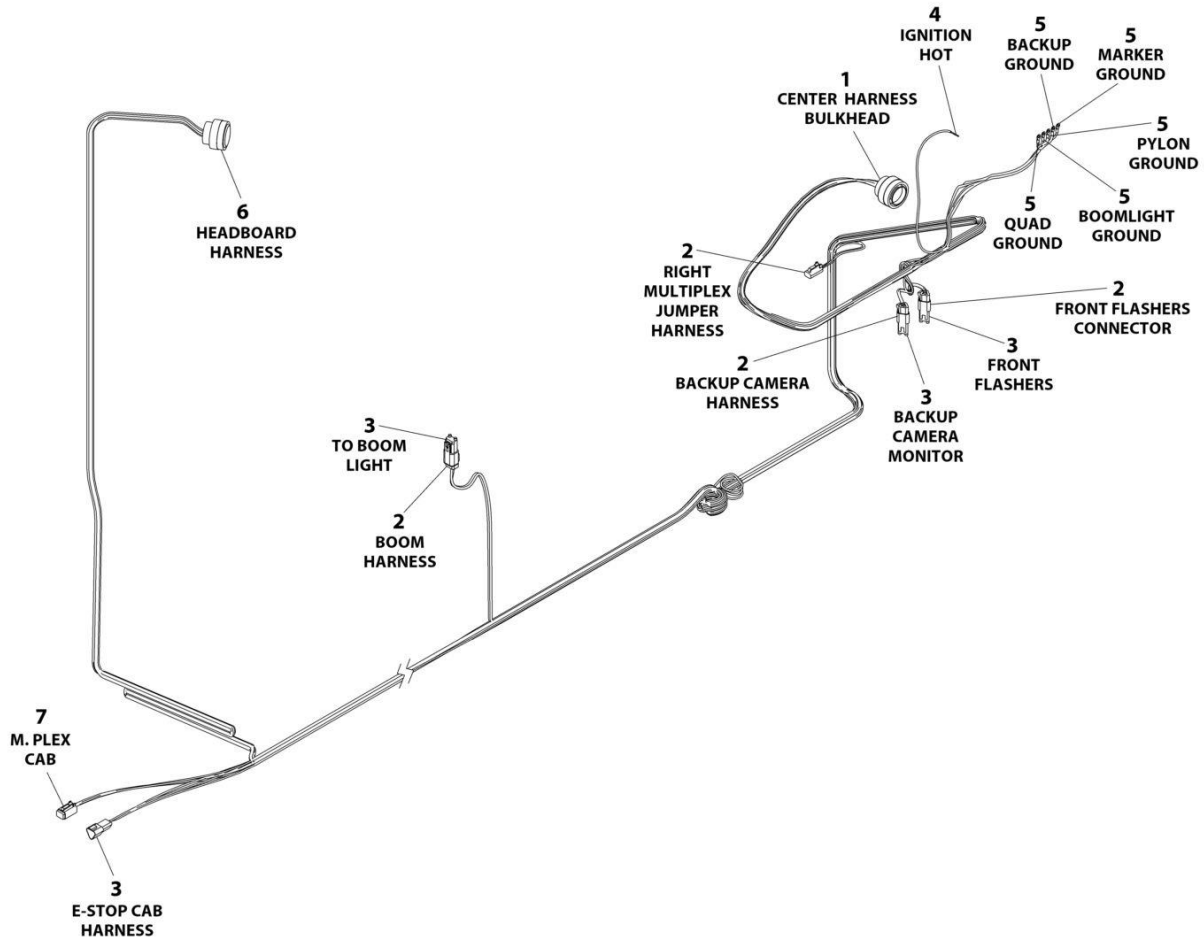
SECTION 7 - ELECTRICAL

FIGURE 7-28. CENTER HARNESS INSTALLATION - 346IN WB

ITEM	PART NUMBER	QTY	DESCRIPTION	REV
	1001217588	Ref	HARNESS - CENTER HARNESS INSTALLATION (228IN CT/322IN WB/3T)	C
1	1001194676	2	Screw 1/4 x 3/4	
2	1001202986	1	Strap	
3	7345242202	2	Terminal	
4	7346000045	0.25 ft	Tubing	
5	7870000043	1	Switch Breaker	
6	1001125479	2	Terminal Ring	
7	1001217590	1	Harness, Center (See Separate Breakdown in this Section)	
8	5526000553	33	Harness Tie Strap	
9	7978000011	32 ft	Cable	
10	8597650001	32 ft	Loom	

SECTION 7 - ELECTRICAL

FIGURE 7-29. CENTER HARNESS - 236IN WB



ART_1001217442

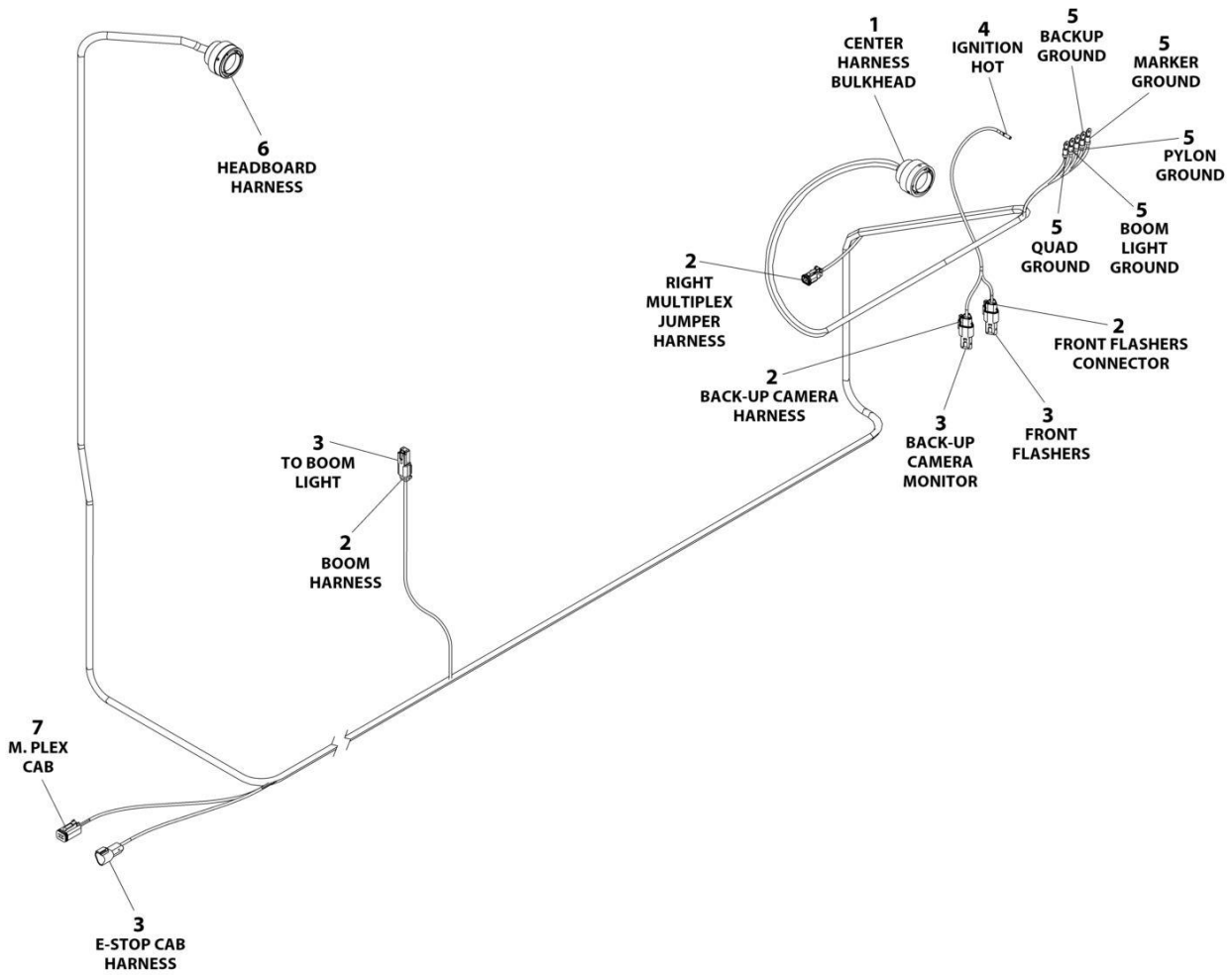
SECTION 7 - ELECTRICAL

FIGURE 7-29. CENTER HARNESS - 236IN WB

ITEM	PART NUMBER	QTY	DESCRIPTION	REV
	1001217442	Ref	CENTER HARNESS (166IN CT)	A
1	NPN	1	Connector - 19 Position	
1	4460942	4	Socket, Female	
1	4460465	9	Socket, Female	
1	4460509	3	Socket, Female	
1	4460466	3	Plug, Terminal	
2	1001116812	4	Plug, Male - 3 Position	
2	4460942	3	Socket, Female	
2	4460465	6	Socket, Female	
2	4460509	3	Socket, Female	
3	4460536	4	Receptacle, Female - 3 Position	
3	4460466	12	Plug, Terminal	
4	4460509	1	Socket, Female	
5	NPN	5	Terminal, Ring	
6	NPN	1	Connector - 18 Position	
6	4460942	2	Socket, Female	
6	4460465	4	Socket, Female	
6	4460509	3	Socket, Female	
6	4460466	9	Plug, Terminal	
7	4460884	1	Plug, Male - 4 Position	
7	4460465	4	Socket, Female	

SECTION 7 - ELECTRICAL

FIGURE 7-30. CENTER HARNESS - 322IN WB



ART_1001217589

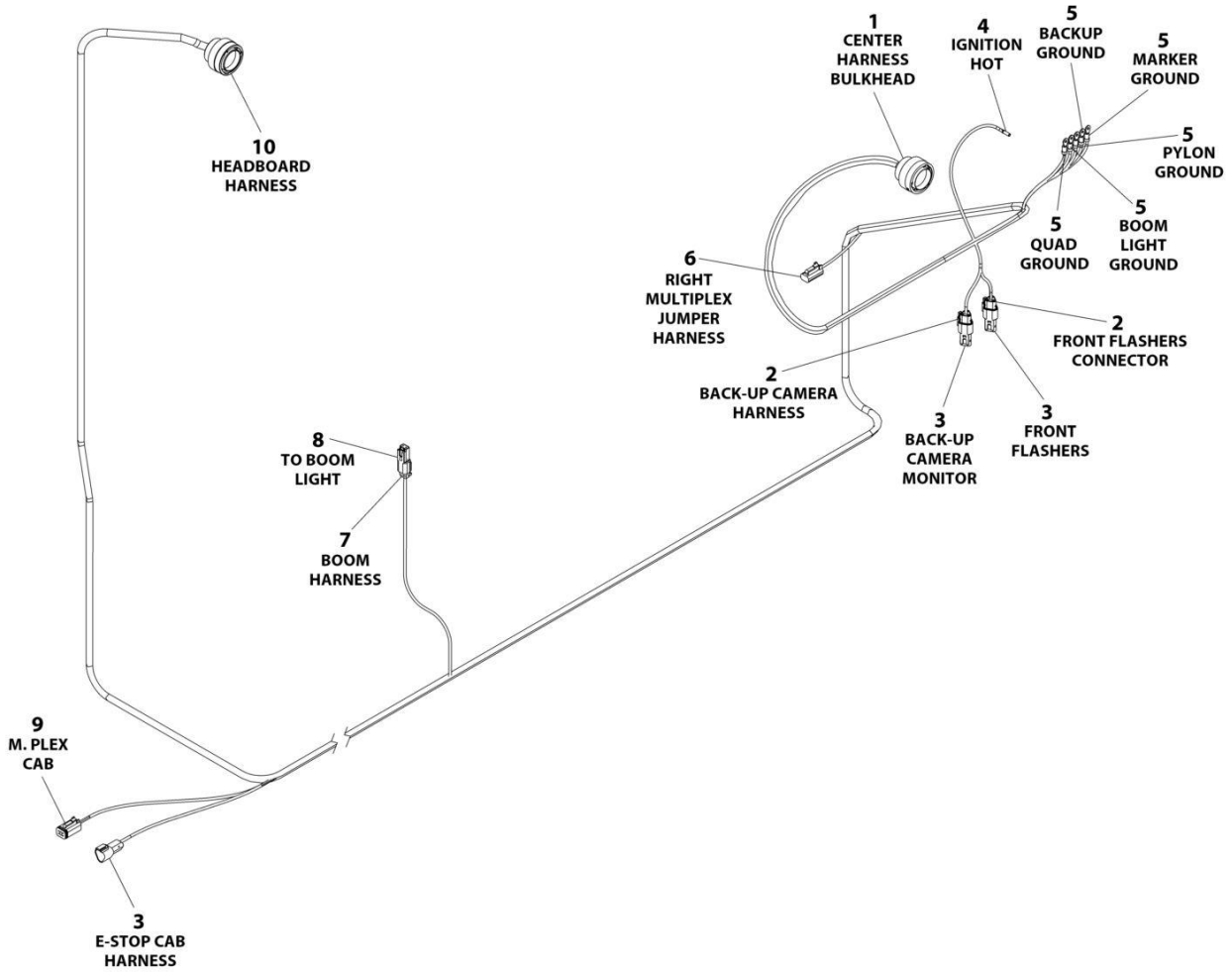
SECTION 7 - ELECTRICAL

FIGURE 7-30. CENTER HARNESS - 322IN WB

ITEM	PART NUMBER	QTY	DESCRIPTION	REV
	1001217589	Ref	CENTER HARNESS (215IN CT)	A
1	NPN	1	Connector - 19 Position	
1	4460942	4	Socket, Female	
1	4460465	9	Socket, Female	
1	4460509	3	Socket, Female	
1	4460466	3	Plug, Terminal	
2	1001116812	4	Plug, Male - 3 Position	
2	4460942	3	Socket, Female	
2	4460465	6	Socket, Female	
2	4460509	3	Socket, Female	
3	4460536	4	Receptacle, Female - 3 Position	
3	4460466	12	Plug, Terminal	
4	4460509	1	Socket, Female	
5	NPN	5	Terminal, Ring	
6	NPN	1	Connector - 18 Position	
6	4460942	2	Socket, Female	
6	4460465	4	Socket, Female	
6	4460509	3	Socket, Female	
6	4460466	9	Plug, Terminal	
7	4460884	1	Plug, Male - 4 Position	
7	4460465	4	Socket, Female	

SECTION 7 - ELECTRICAL

FIGURE 7-31. CENTER HARNESS - 346IN WB



ART_1001217590

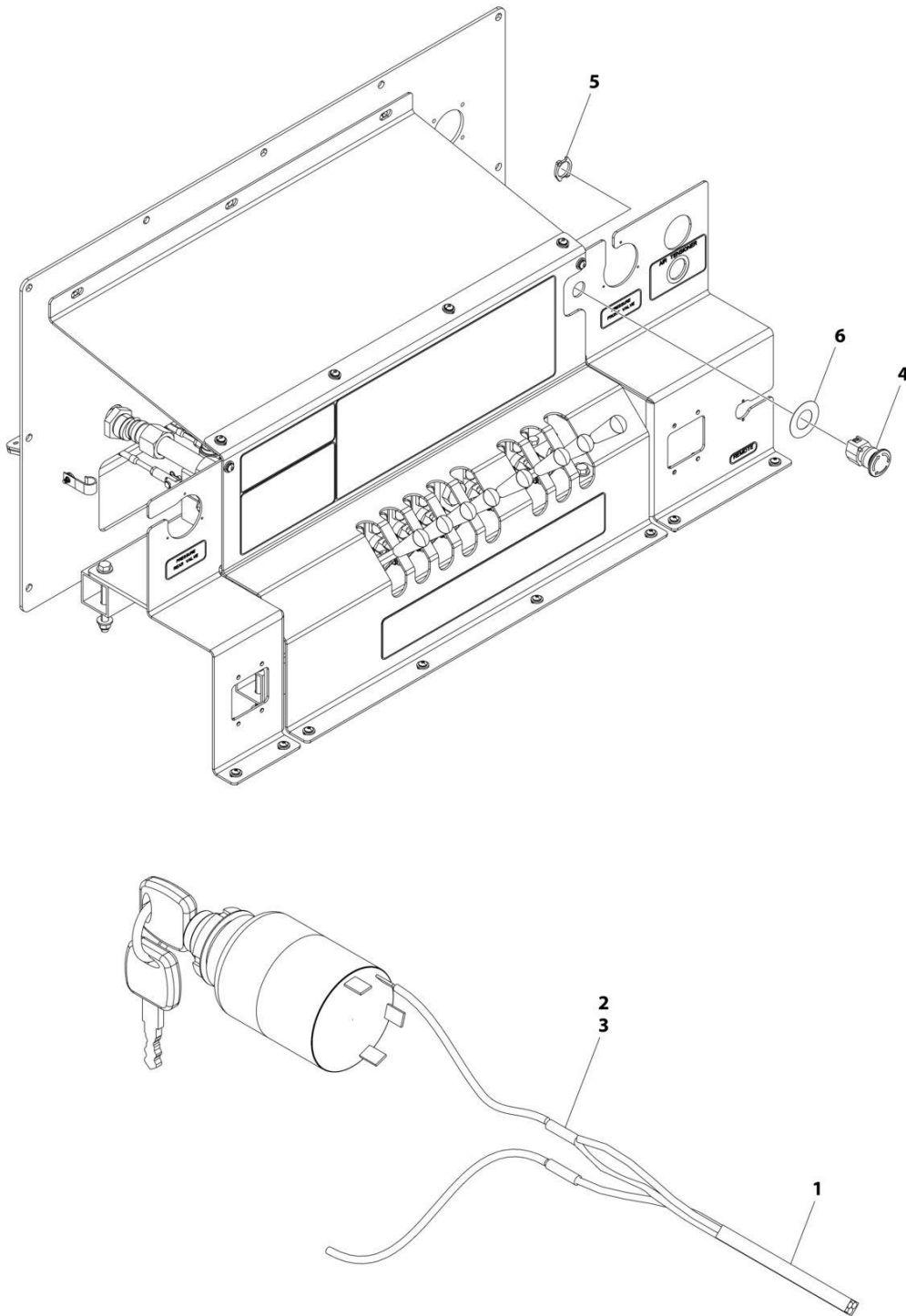
SECTION 7 - ELECTRICAL

FIGURE 7-31. CENTER HARNESS - 346IN WB

ITEM	PART NUMBER	QTY	DESCRIPTION	REV
	1001217590	Ref	CENTER HARNESS (252IN CT)	A
1	NPN	1	Connector - 19 Position	
1	4460942	4	Socket, Female	
1	4460465	9	Socket, Female	
1	4460509	3	Socket, Female	
1	4460466	3	Plug, Terminal	
2	1001116812	2	Plug, Male - 3 Position	
2	4460942	3	Socket, Female	
2	4460465	3	Socket, Female	
3	4460536	3	Receptacle, Female - 3 Position	
3	4460466	6	Plug, Terminal	
4	4460465	1	Socket, Female	
5	NPN	5	Terminal, Ring	
6	4460891	1	Plug, Male - 2 Position	
6	4460465	2	Socket, Female	
7	4461018	1	Plug, Male - 2 Position	
7	4460509	2	Terminal	
8	4461017	1	Receptacle, Female - 2 Position	
8	4460466	2	Plug, Terminal	
9	4460884	1	Plug, Male - 4 Position	
9	4460465	4	Socket, Female	
10	1001269277	1	Receptacle, Female - 18 Position	
10	NPN	3	Socket, Female	
10	4460465	4	Socket, Female	
10	4460509	2	Socket, Female	
10	4460466	9	Plug, Terminal	

SECTION 7 - ELECTRICAL

FIGURE 7-32. EMERGENCY STOP SWITCH INSTALLATION (SN 0230004275 through 0230006134)



ART_1001212210

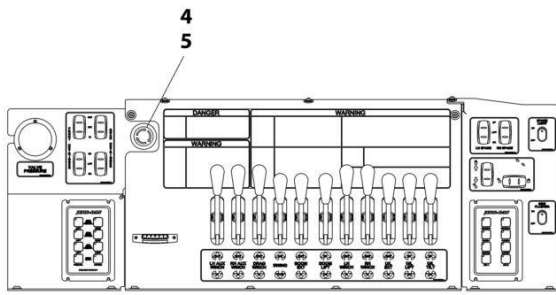
SECTION 7 - ELECTRICAL

FIGURE 7-32. EMERGENCY STOP SWITCH INSTALLATION (SN 0230004275 through 0230006134)

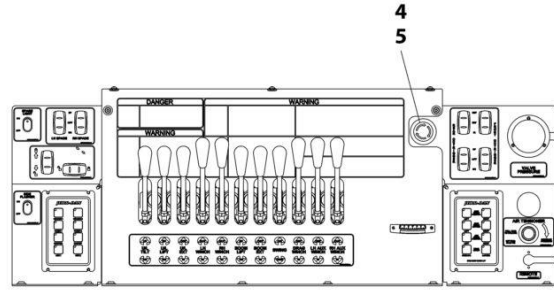
ITEM	PART NUMBER	QTY	DESCRIPTION	REV
	1001212210	Ref	EMERGENCY STOP INSTALLATION	D
1	1001215371	1	Emergency Stop Harness (See Separate Breakdown in this Section)	
2	7345001714	2	Terminal	
3	7346000039	AR	Tube	
4	7870000128	2	Switch	
5	7870000129	2	Switch	
6	1704260	2	Decal, EMS	

SECTION 7 - ELECTRICAL

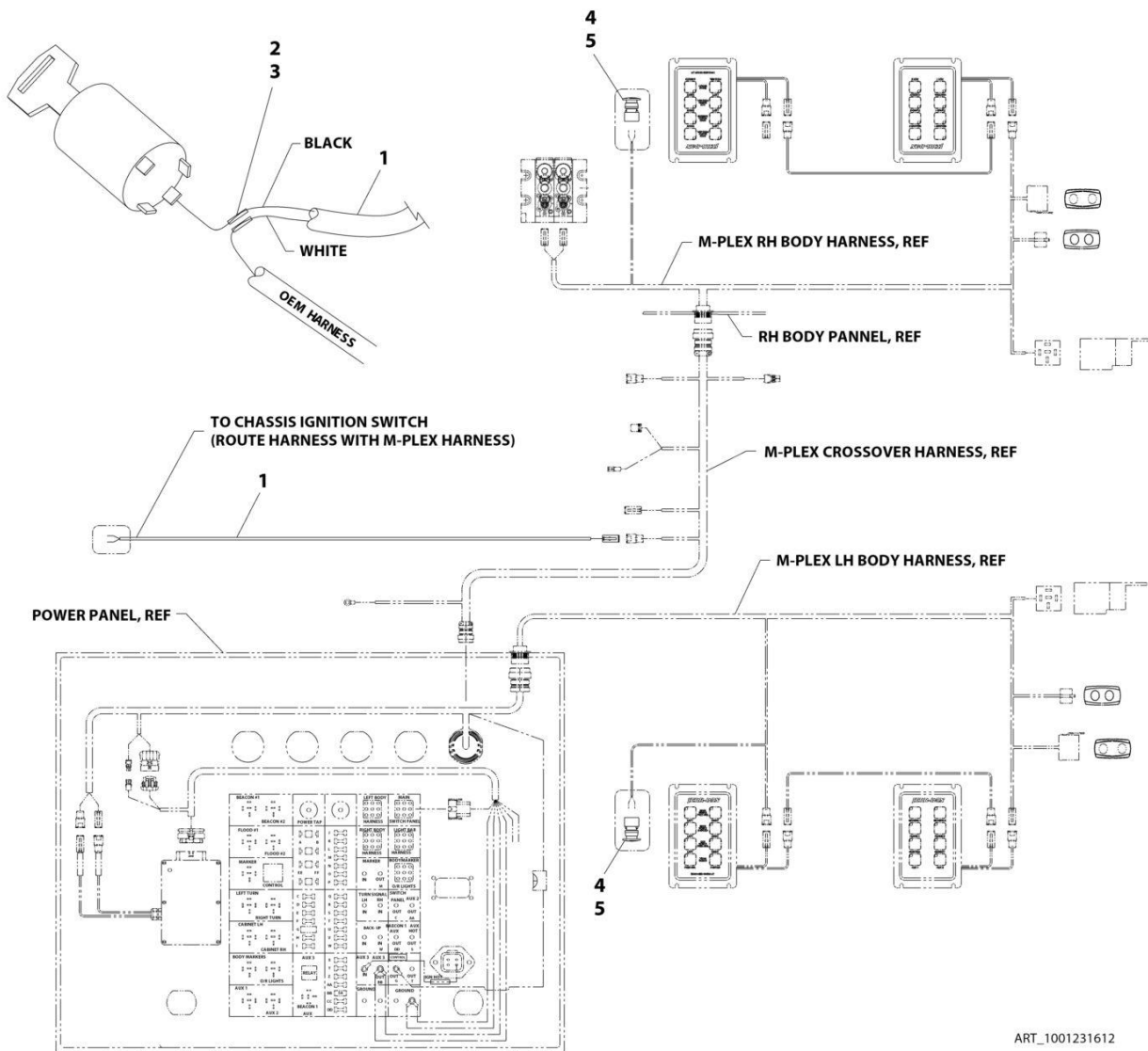
FIGURE 7-33. EMERGENCY STOP SWITCH INSTALLATION (SN 0230006135 to Present)



LH SIDE CONTROL STATION
11 SECTION CONTROLS SHOWN; 9 SECTION OPTIONAL



RH SIDE CONTROL STATION
11 SECTION CONTROLS SHOWN; 9 SECTION OPTIONAL



ART_1001231612

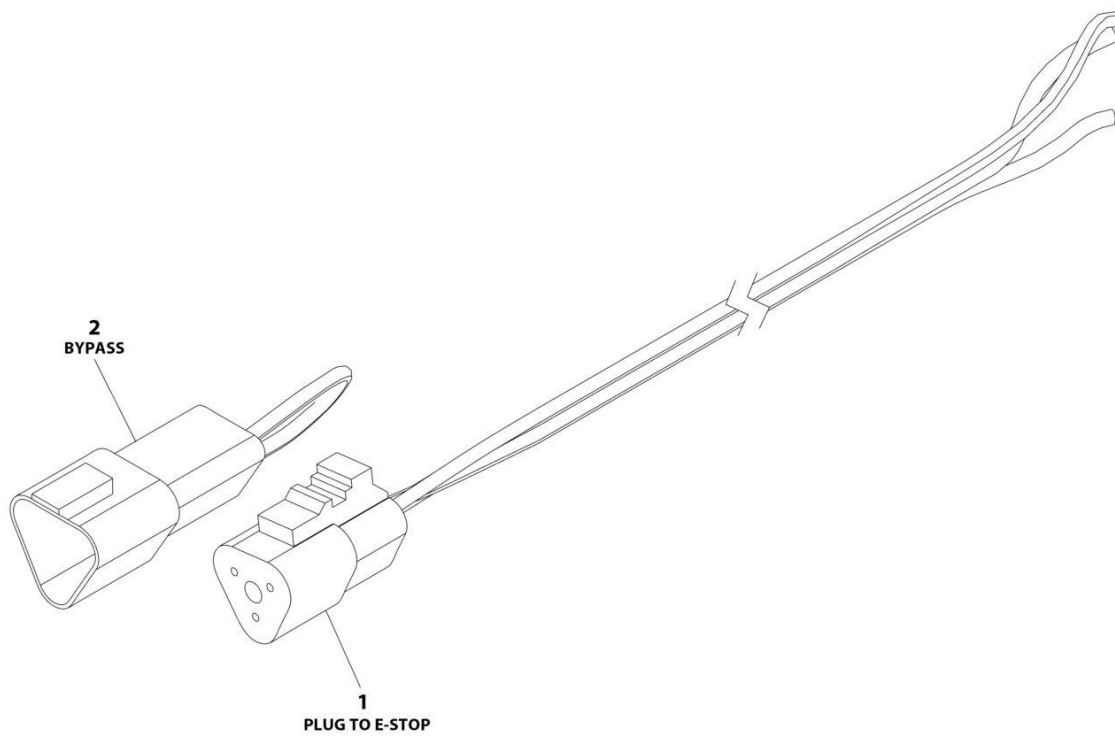
SECTION 7 - ELECTRICAL

FIGURE 7-33. EMERGENCY STOP SWITCH INSTALLATION (SN 0230006135 to Present)

ITEM	PART NUMBER	QTY	DESCRIPTION	REV
	1001231612	Ref	Emergency Stop Installation	A
1	1001215371	1	Harness (See Separate Breakdown in this Section)	
2	7345001714	2	Terminal	
3	7346000039	0.125 ft	Tubing	
4	1001233500	2	Switch, Push Button	
5	1704260	2	Decal	

SECTION 7 - ELECTRICAL

FIGURE 7-34. EMERGENCY STOP HARNESS



ART_1001215371

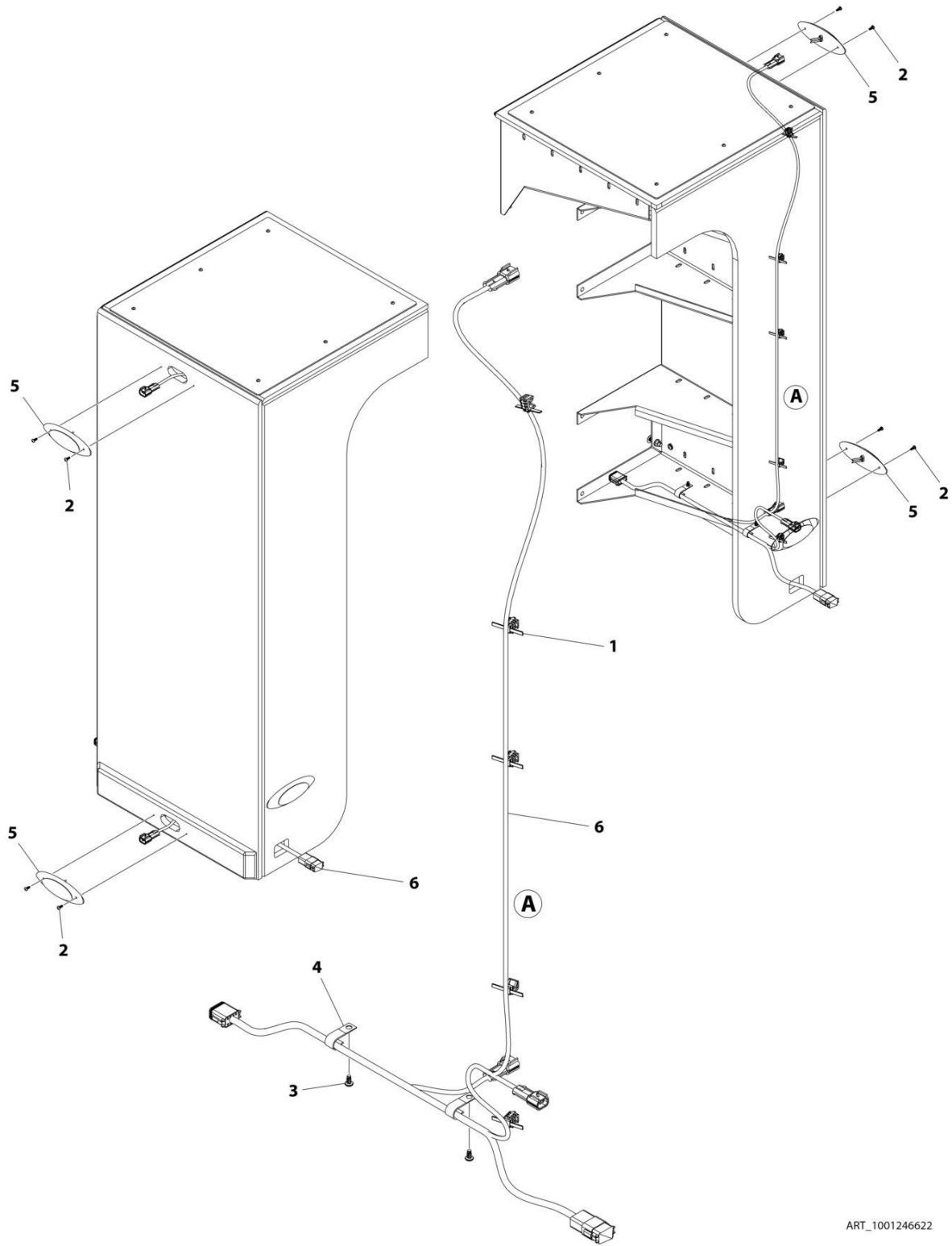
SECTION 7 - ELECTRICAL

FIGURE 7-34. EMERGENCY STOP HARNESS

ITEM	PART NUMBER	QTY	DESCRIPTION	REV
	1001215371	Ref	EMERGENCY STOP HARNESS	A
1	1001116812	1	Plug, Male - 3 Position	
1	4460465	2	Socket, Female	
1	4460942	1	Socket, Female	
2	4460536	1	Receptacle, Female - 3 Position	
2	4460464	2	Pin, Male	
2	4460466	1	Plug, Terminal	

SECTION 7 - ELECTRICAL

FIGURE 7-35. FILLER PANEL ELECTRICAL INSTALLATION



ART_1001246622

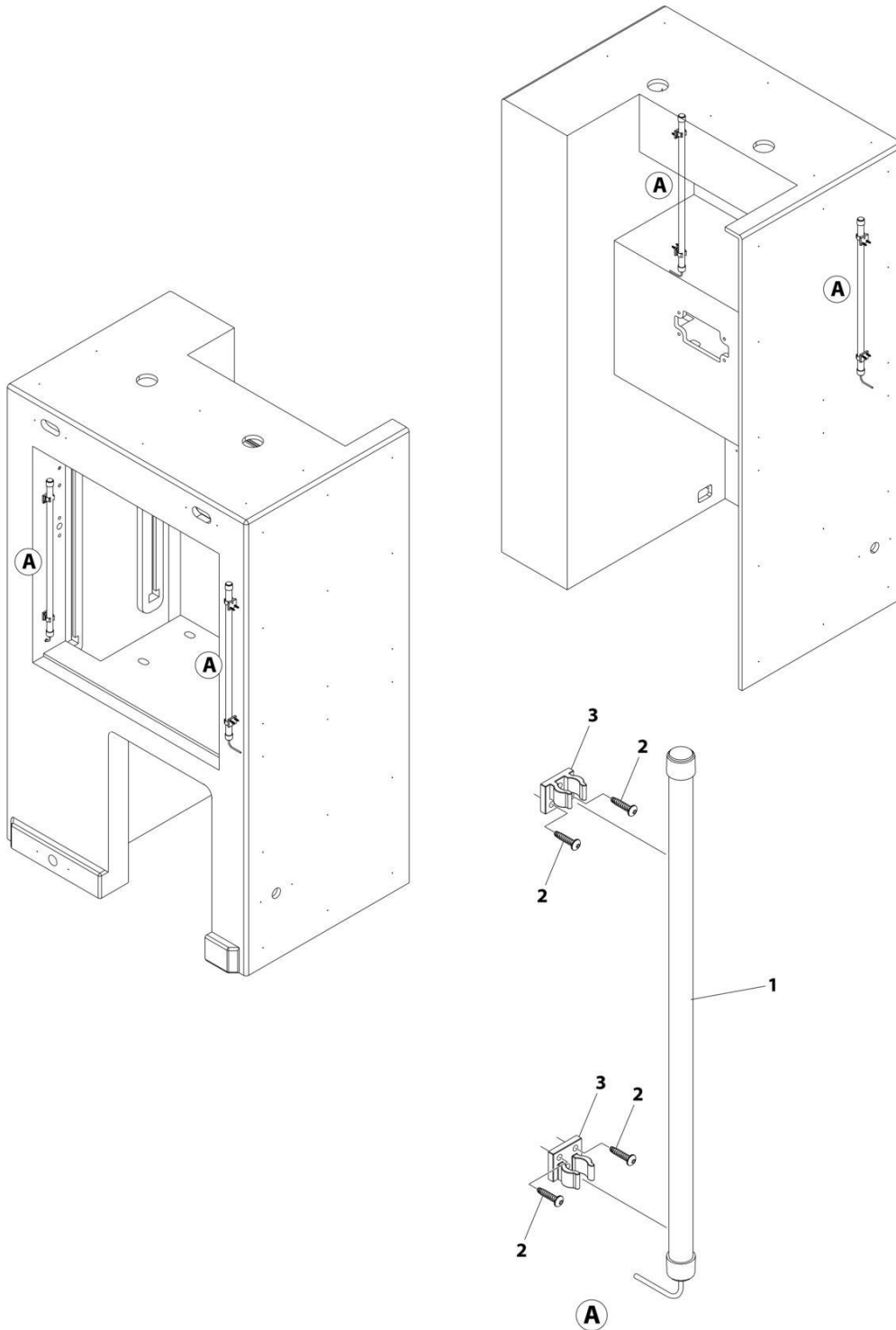
SECTION 7 - ELECTRICAL

FIGURE 7-35. FILLER PANEL ELECTRICAL INSTALLATION

ITEM	PART NUMBER	QTY	DESCRIPTION	REV
	1001246622	Ref	FILLER PANEL INSTALLATION - 24IN ELECTRICAL ENCLOSURE	A
1	1001152419	10	Clip	
2	1001192958	8	Screw #10 x 1/2	
3	1001195257	4	Screw 1/4 x 1/2	
4	7280000006	4	Clip	
5	7590000358	4	LED	
6	1001244217	2	Lighting Filler Panel Harness (See Separate Breakdown in ELECTRICAL Section)	

SECTION 7 - ELECTRICAL

FIGURE 7-36. LIGHTS - COMPARTMENT LIGHTS INSTALLATION (SRS TOOLBOX)



ART_1001197895

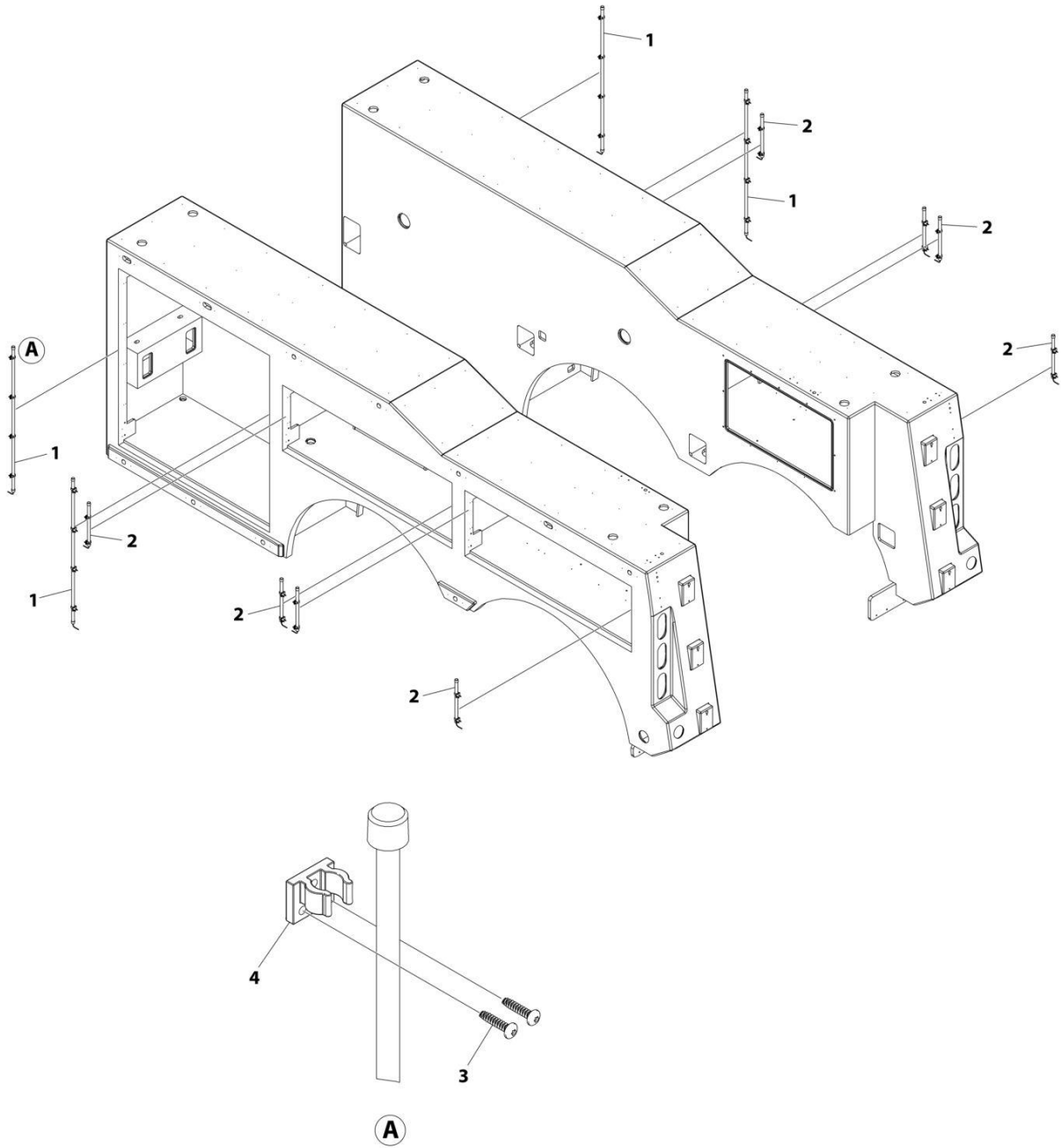
SECTION 7 - ELECTRICAL

FIGURE 7-36. LIGHTS - COMPARTMENT LIGHTS INSTALLATION (SRS TOOLBOX)

ITEM	PART NUMBER	QTY	DESCRIPTION	REV
	1001197895	Ref	COMPARTMENT LIGHTS INSTALLATION	B
1	1001189906	4	Lamp	
2	1001196552	16	Screw #8 x 3/4	
3	1001199081	8	Mount	

SECTION 7 - ELECTRICAL

FIGURE 7-37. LIGHTS - COMPARTMENT LIGHTS INSTALLATION (TANDEM)



ART_1001196522

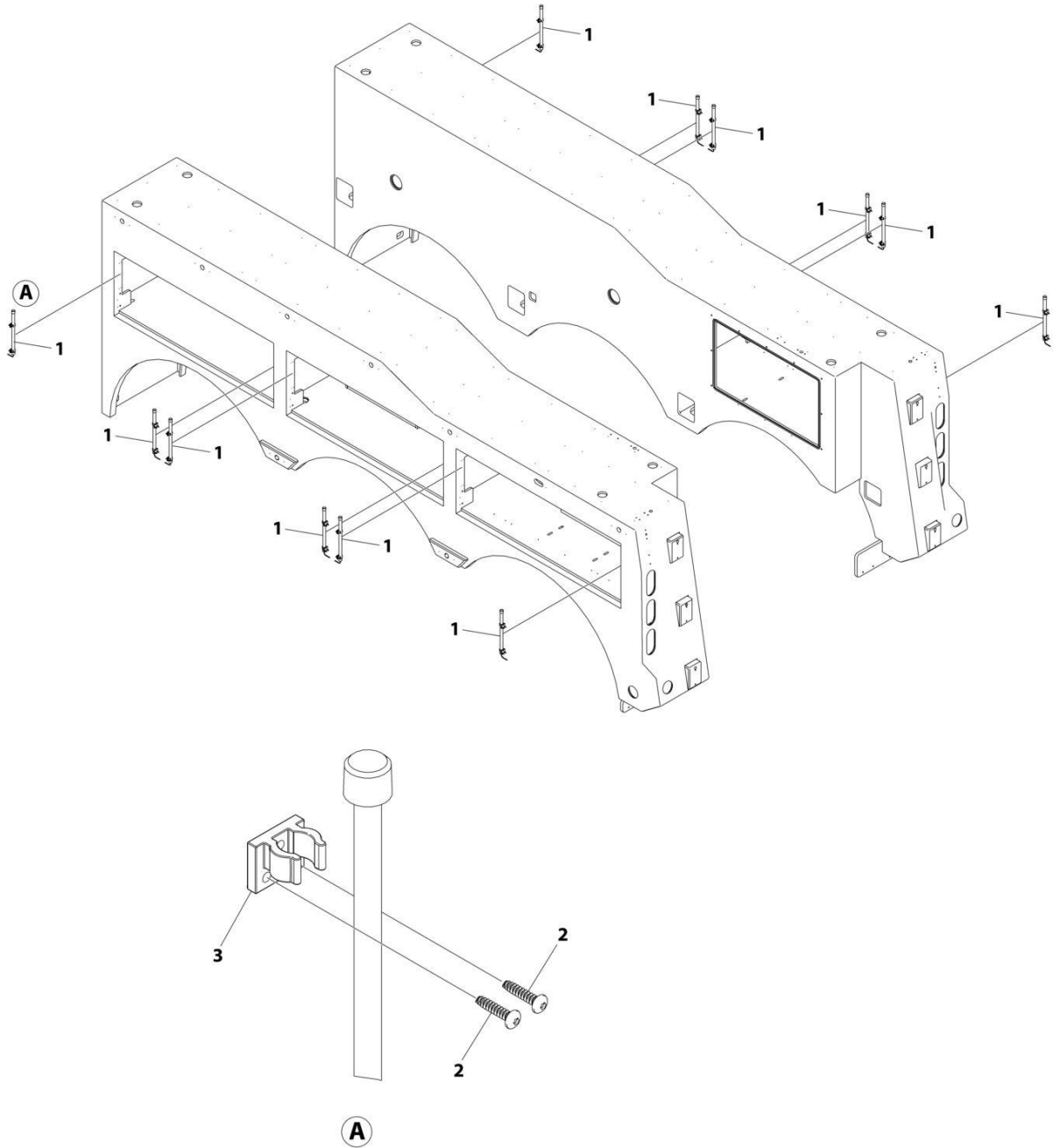
SECTION 7 - ELECTRICAL

FIGURE 7-37. LIGHTS - COMPARTMENT LIGHTS INSTALLATION (TANDEM)

ITEM	PART NUMBER	QTY	DESCRIPTION	REV
	1001196522	Ref	COMPARTMENT LIGHTS INSTALLATION - BODY (TANDEM)	C
1	1001154527	4	Lamp	
2	1001166549	8	Lamp	
3	1001196552	64	Screw #8 x 3/4	
4	1001199081	32	Mount	

SECTION 7 - ELECTRICAL

FIGURE 7-38. LIGHTS - COMPARTMENT LIGHTS INSTALLATION (TRI-AXLE)



ART_1001196523

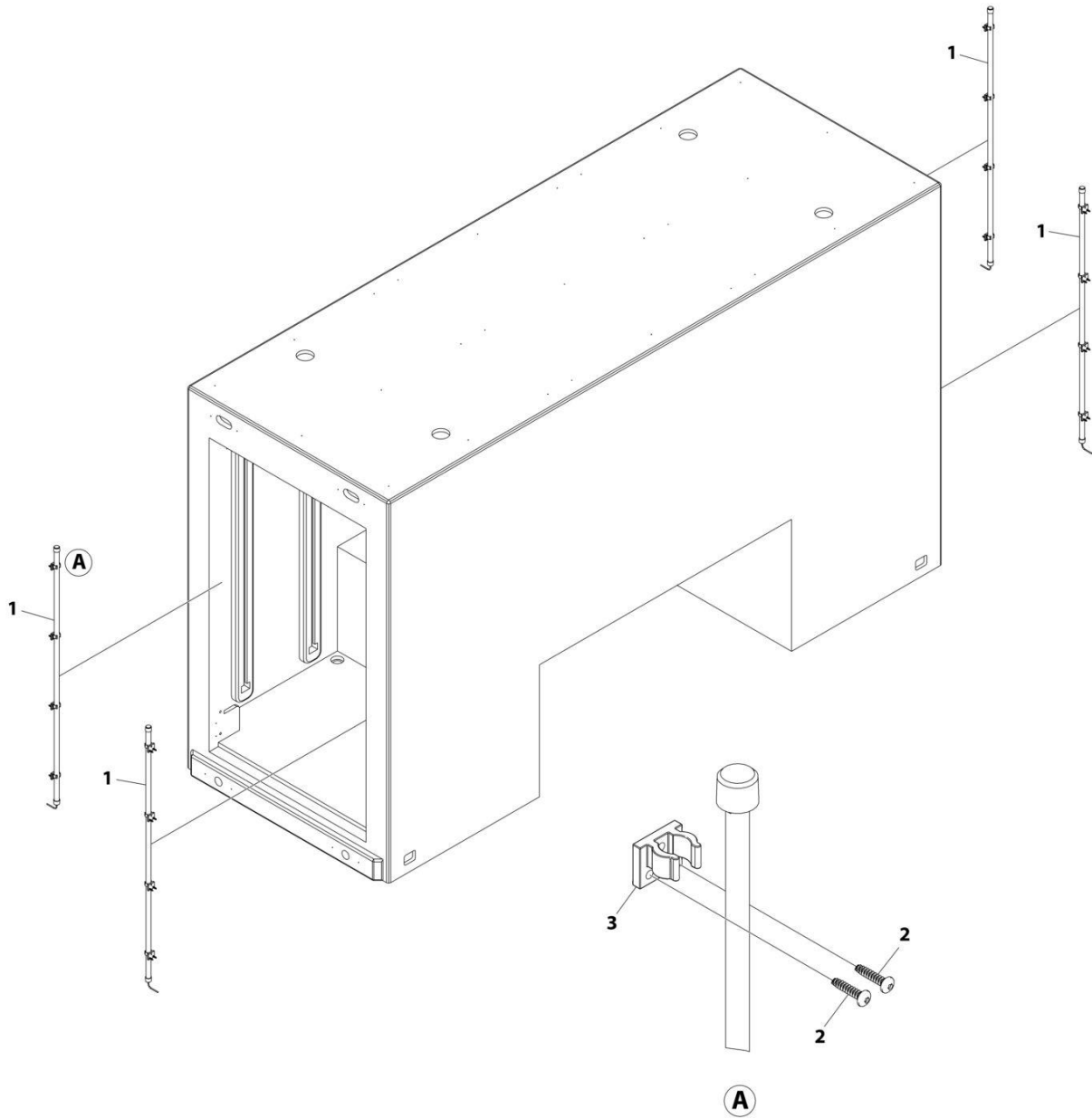
SECTION 7 - ELECTRICAL

FIGURE 7-38. LIGHTS - COMPARTMENT LIGHTS INSTALLATION (TRI-AXLE)

ITEM	PART NUMBER	QTY	DESCRIPTION	REV
	1001196523	Ref	COMPARTMENT LIGHTS INSTALLATION - BODY (TRI-AXLE)	C
1	1001166549	12	LED Light	
2	1001196552	48	Screw #8 x 3/4	
3	1001199081	24	Mount	

SECTION 7 - ELECTRICAL

FIGURE 7-39. LIGHTS - COMPARTMENT LIGHTS INSTALLATION (TUNNEL) (SN 0230004275 through 0230008673, Excluding 0230008645)



ART_1001196582

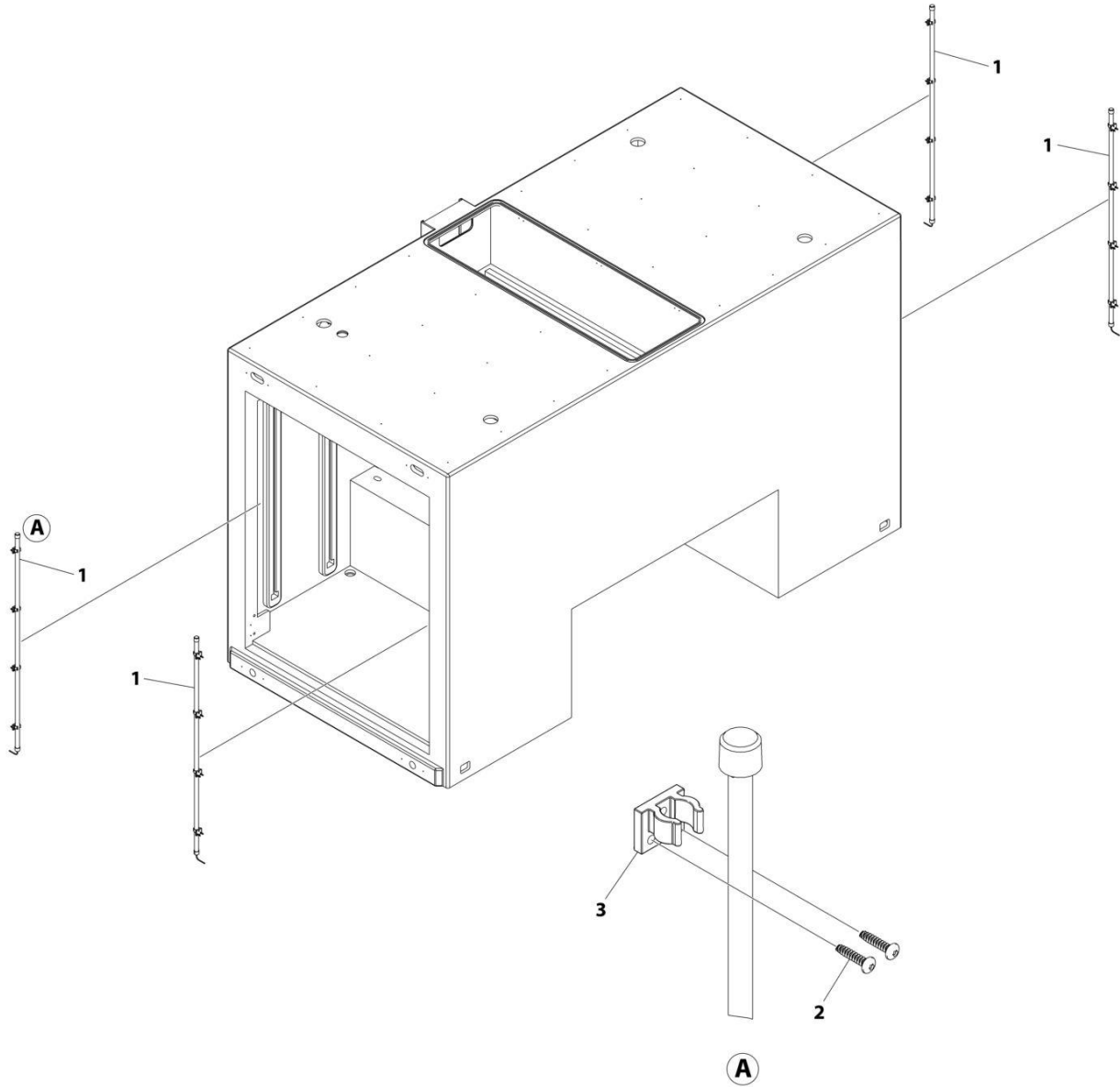
SECTION 7 - ELECTRICAL

FIGURE 7-39. LIGHTS - COMPARTMENT LIGHTS INSTALLATION (TUNNEL) (SN 0230004275 through 0230008673, Excluding 0230008645)

ITEM	PART NUMBER	QTY	DESCRIPTION	REV
	1001196582	Ref	COMPARTMENT LIGHTS INSTALLATION - TUNNEL 37IN	C
1	1001154527	4	LED Light	
2	1001196552	32	Screw #8 x 3/4	
3	1001199081	16	Mount	

SECTION 7 - ELECTRICAL

FIGURE 7-40. LIGHTS - COMPARTMENT LIGHTS INSTALLATION (TUNNEL) (SN 0230008674 to Present, Including 0230008645)



ART_1001196583

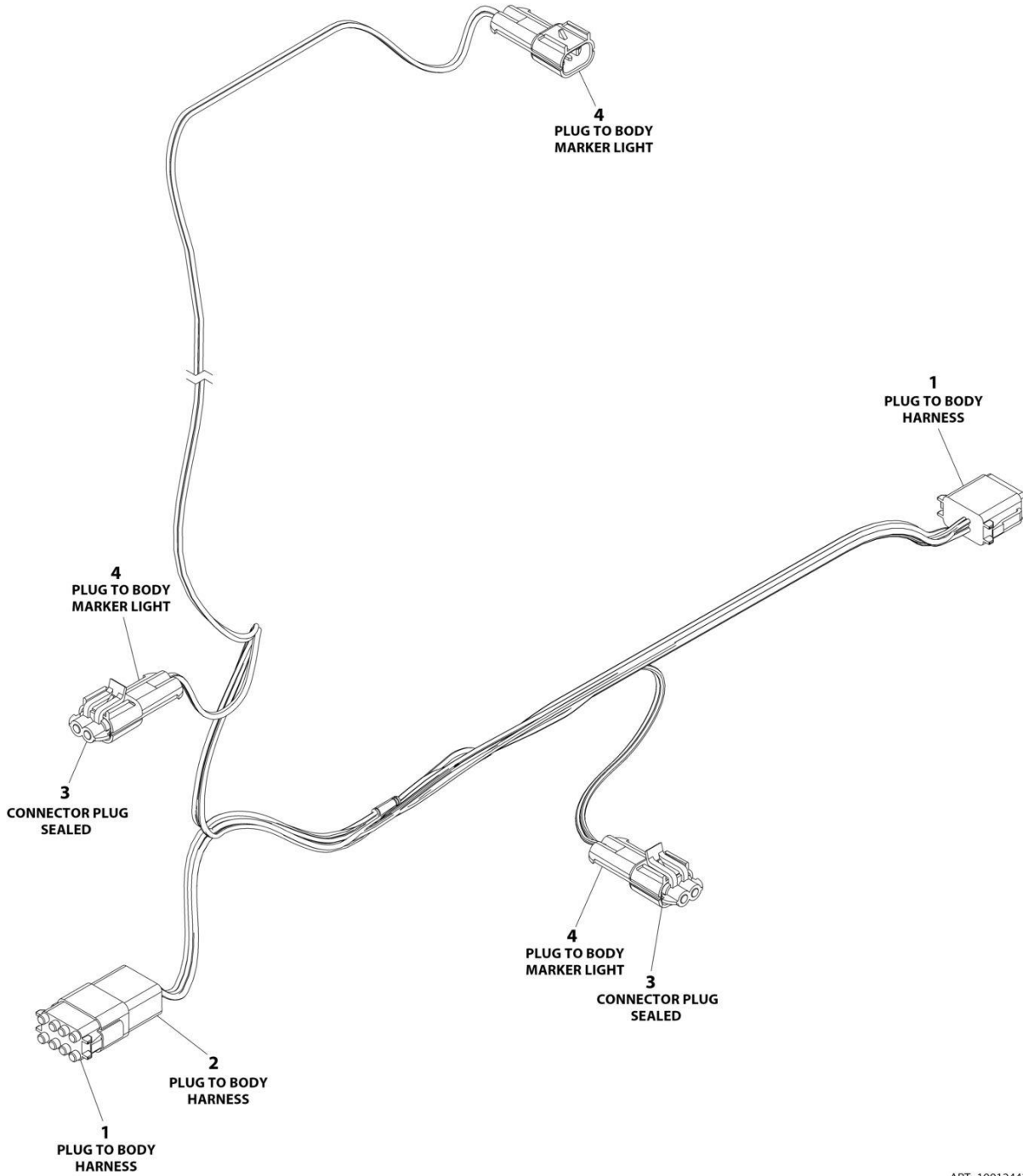
SECTION 7 - ELECTRICAL

FIGURE 7-40. LIGHTS - COMPARTMENT LIGHTS INSTALLATION (TUNNEL) (SN 0230008674 to Present, Including 0230008645)

ITEM	PART NUMBER	QTY	DESCRIPTION	REV
	1001196583	Ref	LIGHTS - COMPARTMENT LIGHTS INSTALLATION, 48IN TUNNEL	C
1	1001154527	4	Lamp	
2	1001196552	32	Screw #8 x 3/4	
3	1001199081	16	Mount	

SECTION 7 - ELECTRICAL

FIGURE 7-41. LIGHTS - FILLER PANEL LIGHTS HARNESS



ART_1001244217

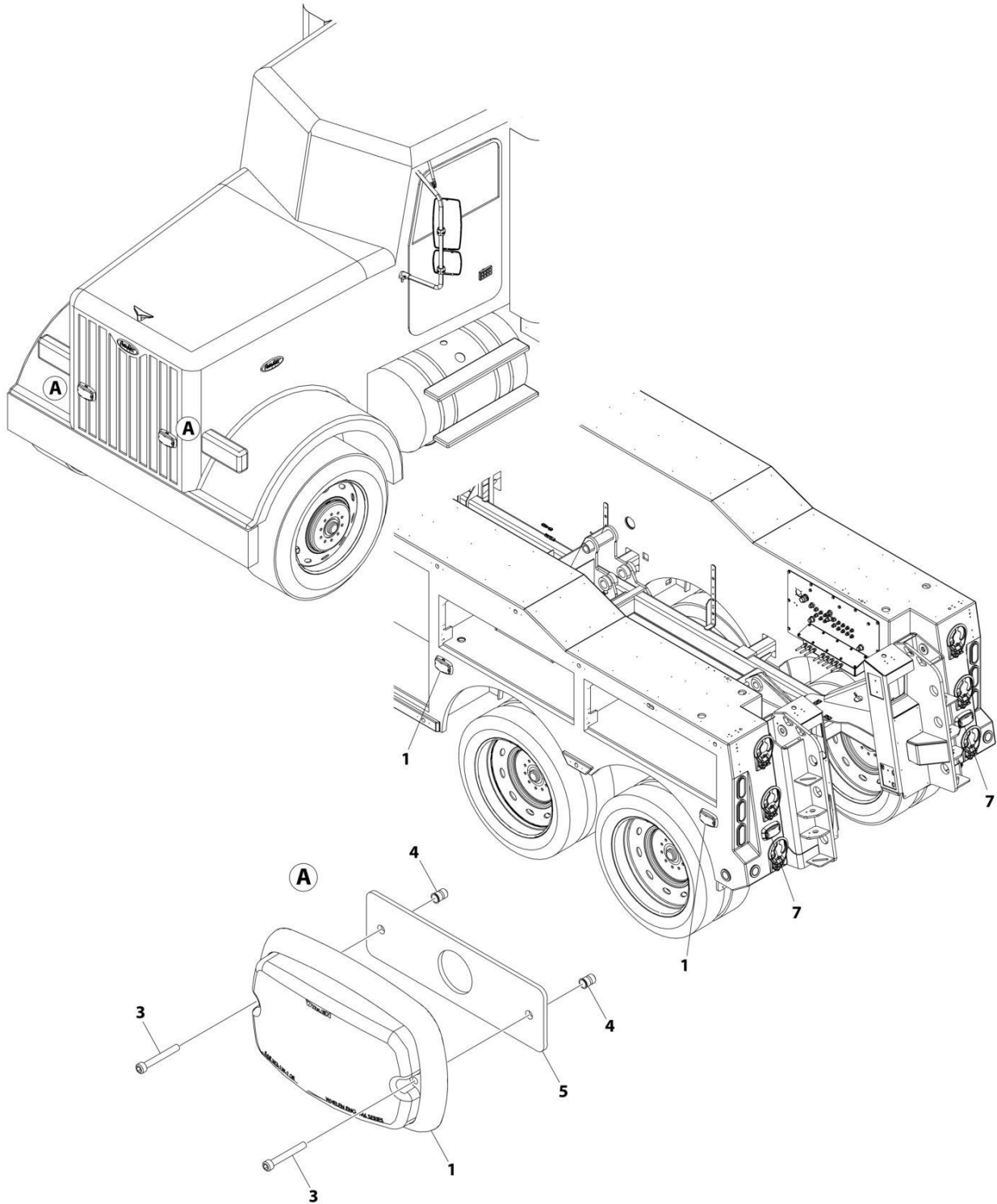
SECTION 7 - ELECTRICAL

FIGURE 7-41. LIGHTS - FILLER PANEL LIGHTS HARNESS

ITEM	PART NUMBER	QTY	DESCRIPTION	REV
	1001244217	Ref	LIGHTS HARNESS - FILLER PANEL	B
1	4460930	2	Plug, Male - 8 Position	
1	4460465	6	Socket, Female	
1	4460466	10	Plug, Terminal	
2	4460931	1	Receptacle, Female - 8 Position	
2	4460464	8	Pin, Male	
2	4460466	2	Plug, Terminal	
3	1001117021	2	Plug, Male - 2 Position	
3	4460748	4	Plug, Terminal	
4	1001117026	3	Receptacle, Female - 2 Position	
4	1001116745	6	Terminal	
4	4460458	6	Seal	

SECTION 7 - ELECTRICAL

FIGURE 7-42. LIGHTS - FLASHER LIGHTS INSTALLATION - SIDE (TANDEM)



ART_1001212220

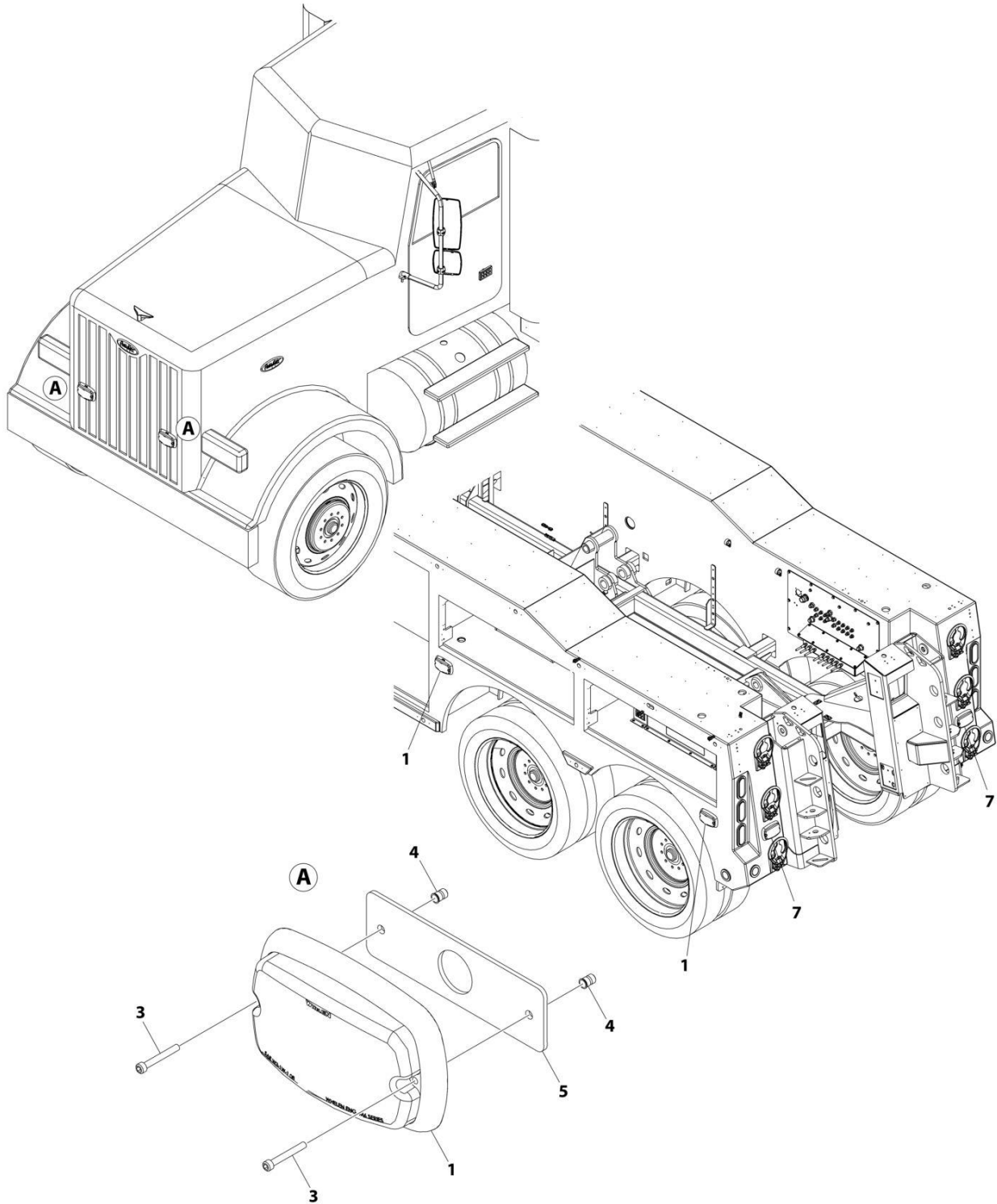
SECTION 7 - ELECTRICAL

FIGURE 7-42. LIGHTS - FLASHER LIGHTS INSTALLATION - SIDE (TANDEM)

ITEM	PART NUMBER	QTY	DESCRIPTION	REV
	1001212220	Ref	SIDE FLASHER LIGHTS INSTALLATION	E
1	1001143284	6	Lamp	
2	1001215157	1	Harness (Not Shown)	
2	4460897	2	Receptacle, Female - 2 Position	
2	4460464	4	Pin, Male	
3	3930820	4	Capscrew #8 x 1-1/4	
4	1001151546	4	Nut #8	
5	1001216586	2	Bar, Grill Mounted	
6	7894000004	20	Tie-Strap (Not Shown)	
7	1001307192	2	Lamp	

SECTION 7 - ELECTRICAL

FIGURE 7-43. LIGHTS - FLASHER LIGHTS INSTALLATION - SIDE (TRI-AXLE)



ART_1001212221

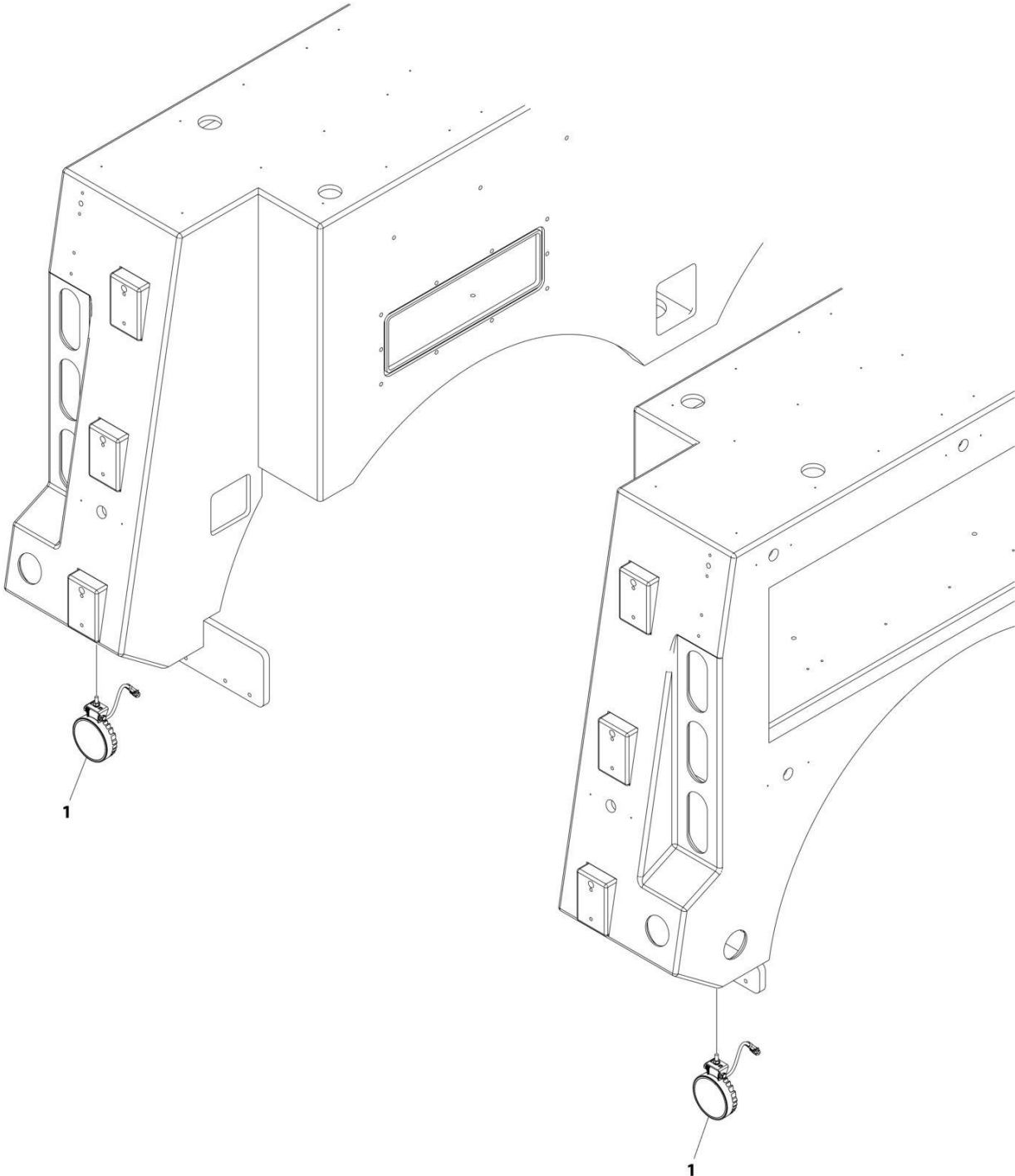
SECTION 7 - ELECTRICAL

FIGURE 7-43. LIGHTS - FLASHER LIGHTS INSTALLATION - SIDE (TRI-AXLE)

ITEM	PART NUMBER	QTY	DESCRIPTION	REV
	1001212221	Ref	LIGHTS - FLASHER LIGHTS INSTALLATION - TRI-AXLE	D
1	1001143284	6	Lamp	
2	1001215157	1	Harness (Not Shown)	
2	4460897	2	Receptacle, Female - 2 Position	
2	4460464	4	Pin, Male	
3	3930820	4	Capscrew #8 x 1-1/4	
4	1001151546	4	Nut #8	
5	1001216586	2	Bar, Grill Mounted	
6	7894000004	20	Tie Strap (Not Shown)	
7	1001307192	2	Lamp	

SECTION 7 - ELECTRICAL

FIGURE 7-44. LIGHTS - HOOK UP LIGHTS INSTALLATION (LOWER)



ART_1001199942

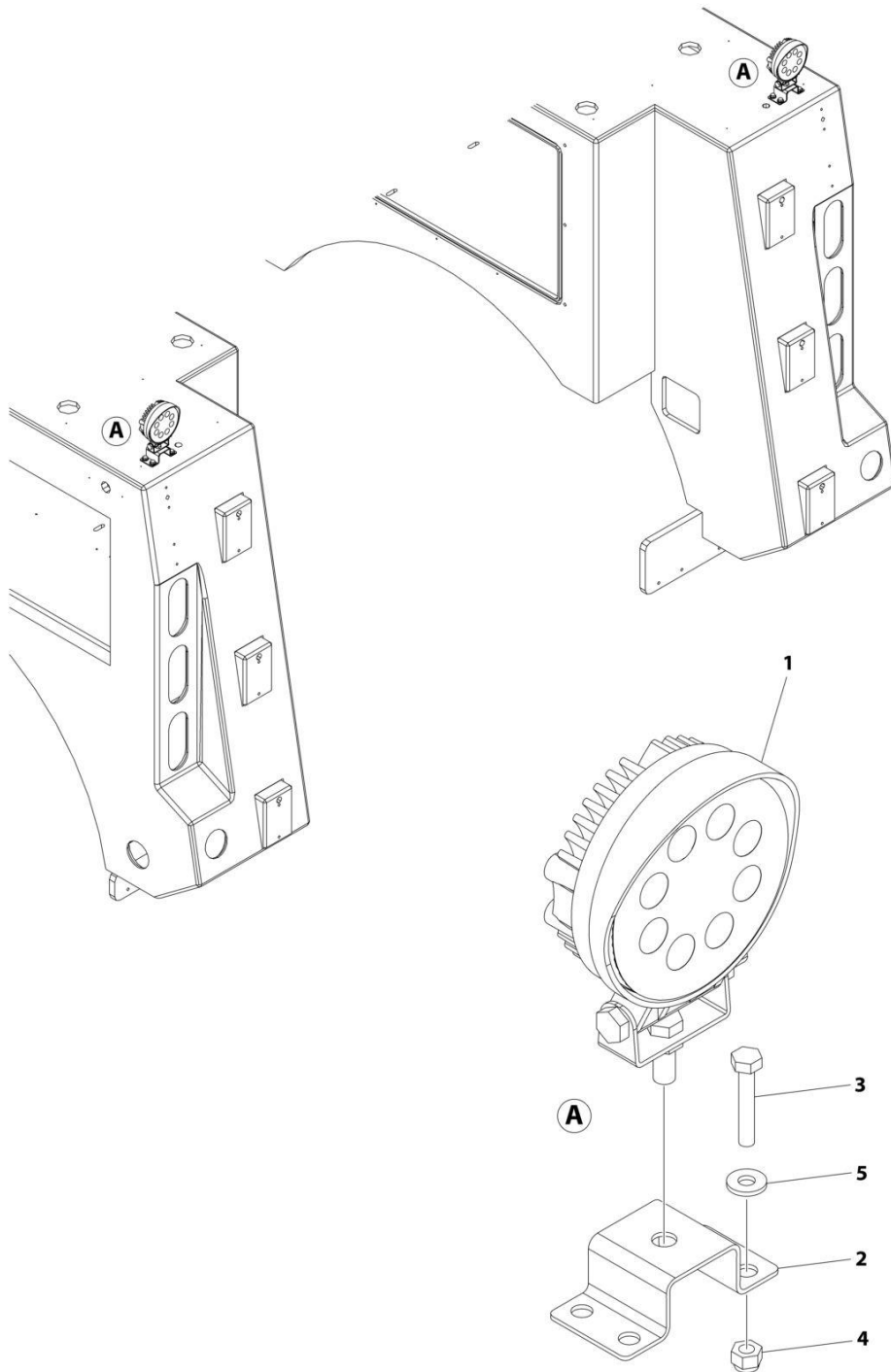
SECTION 7 - ELECTRICAL

FIGURE 7-44. LIGHTS - HOOK UP LIGHTS INSTALLATION (LOWER)

ITEM	PART NUMBER	QTY	DESCRIPTION	REV
1	1001199942	Ref	LOWER LIGHTS HOOK-UP INSTALLATION	C
	1001273634	2	Lamp	

SECTION 7 - ELECTRICAL

FIGURE 7-45. LIGHTS - HOOK UP LIGHTS INSTALLATION (UPPER)



ART_1001199946

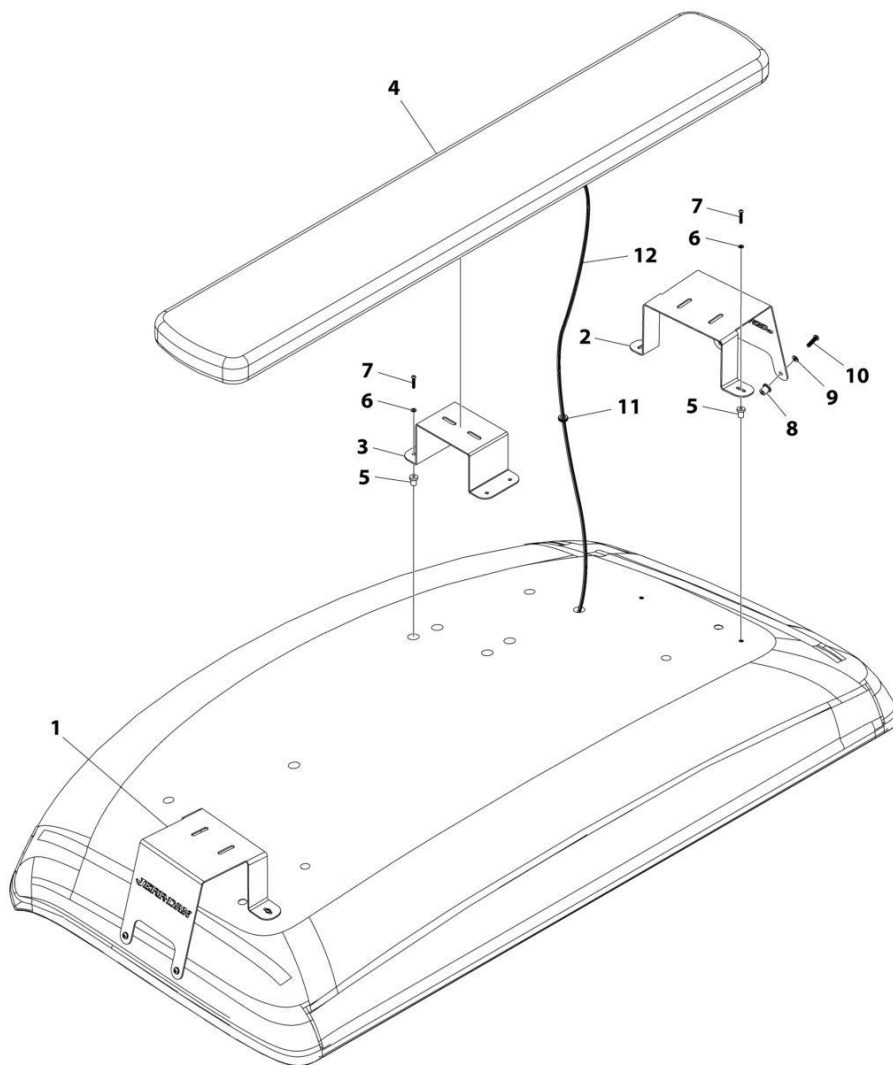
SECTION 7 - ELECTRICAL

FIGURE 7-45. LIGHTS - HOOK UP LIGHTS INSTALLATION (UPPER)

ITEM	PART NUMBER	QTY	DESCRIPTION	REV
	1001199946	Ref	Upper Hook-Up Lights Installation	C
1	1001176337	2	Lamp (SN 0230004275 through 0230009719)	
1	1001273634	2	Lamp (SN 0230009720 to Present)	
2	1001199950	2	Plate	
3	7115141250	8	Capscrew 1/4 x 1-1/2	
4	7660142604	8	Nut 1/4	
5	7950140143	8	Washer 1/4	

SECTION 7 - ELECTRICAL

FIGURE 7-46. LIGHTS - LIGHTBAR INSTALLATION (CAB MOUNTED)



ART_1001216570

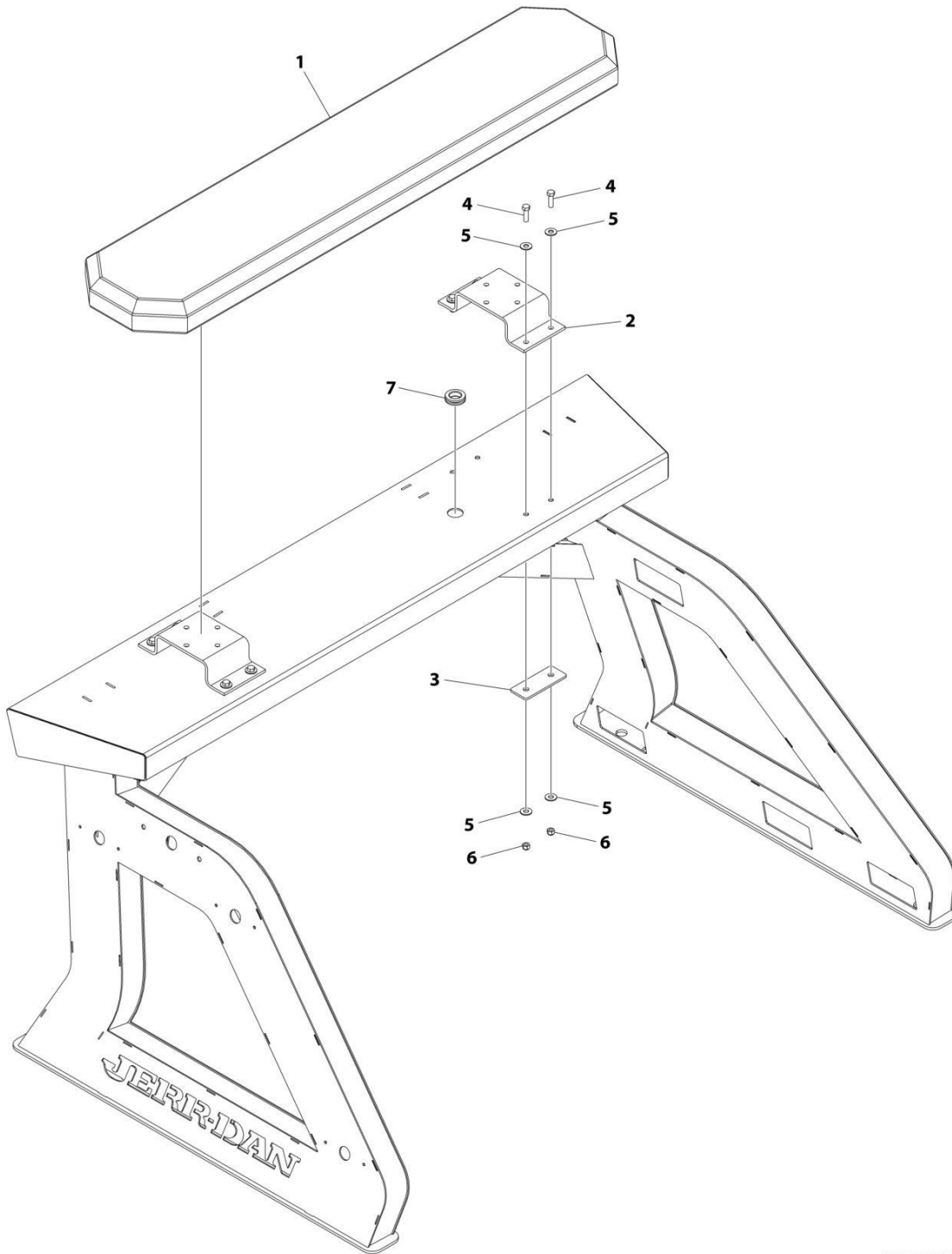
SECTION 7 - ELECTRICAL

FIGURE 7-46. LIGHTS - LIGHTBAR INSTALLATION (CAB MOUNTED)

ITEM	PART NUMBER	QTY	DESCRIPTION	REV
	1001216570	Ref	LIGHTBAR INSTALLATION (CAB MOUNTED)	A
1	1001215955	1	Bracket (LH)	
2	1001215956	1	Bracket (RH)	
3	1001215957	1	Bracket	
4	1001199477	1	Lightbar Assembly (See Separate Breakdown in this Section)	
5	1001213131	8	Nut	
6	1001170307	8	Washer	
7	1001216317	8	Screw	
8	1001216373	4	Nut	
9	1001170329	4	Washer	
10	1001216372	4	Screw	
11	1001101025	1	Grommet	
12	1001216571	1	Lightbar Harness (See Separate Breakdown in this Section)	
13	5526000553	4	Tie-Strap (Not Shown)	

SECTION 7 - ELECTRICAL

FIGURE 7-47. LIGHTS - LIGHTBAR INSTALLATION (PYLON MOUNTED) (CODE 3 58IN RED)



ART_1001214378

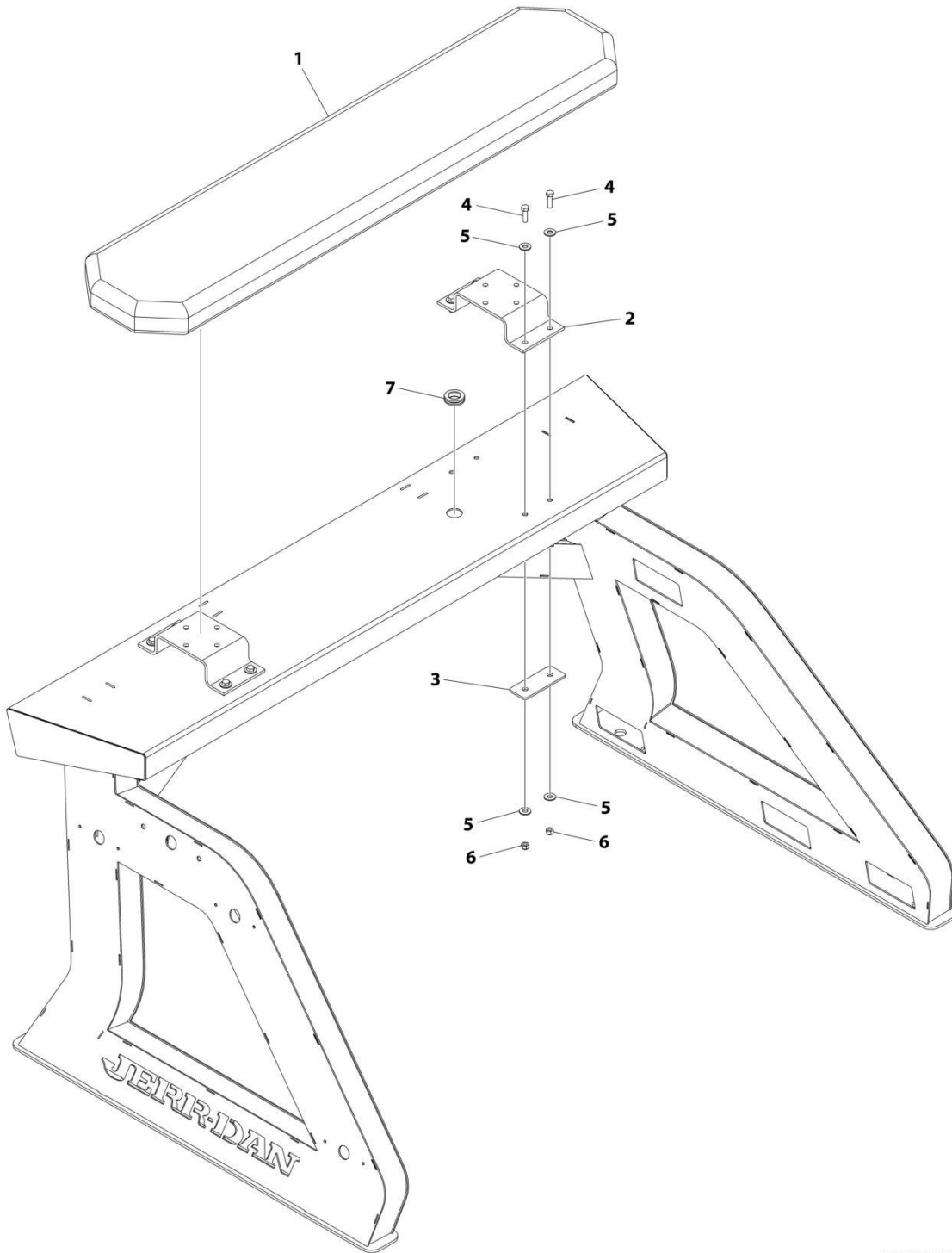
SECTION 7 - ELECTRICAL

FIGURE 7-47. LIGHTS - LIGHTBAR INSTALLATION (PYLON MOUNTED) (CODE 3 58IN RED)

ITEM	PART NUMBER	QTY	DESCRIPTION	REV
	1001214378	Ref	LIGHTS - LIGHTBAR INSTALLATION - 58IN RED CODE3	B
1	1001152815	1	Lamp (See Separate Breakdown in this Section)	
2	4178000234	2	Bracket	
3	1001214128	4	Plate	
4	0641610	8	Bolt 38 x 1-1/4	
5	4751600	16	Washer 3/8	
6	7660162601	8	Nut 3/8	
7	7493000011	1	Grommet	

SECTION 7 - ELECTRICAL

FIGURE 7-48. LIGHTS - LIGHTBAR INSTALLATION (PYLON MOUNTED) (CODE 3 & ECCO 60IN AMBER)



ART_1001214376

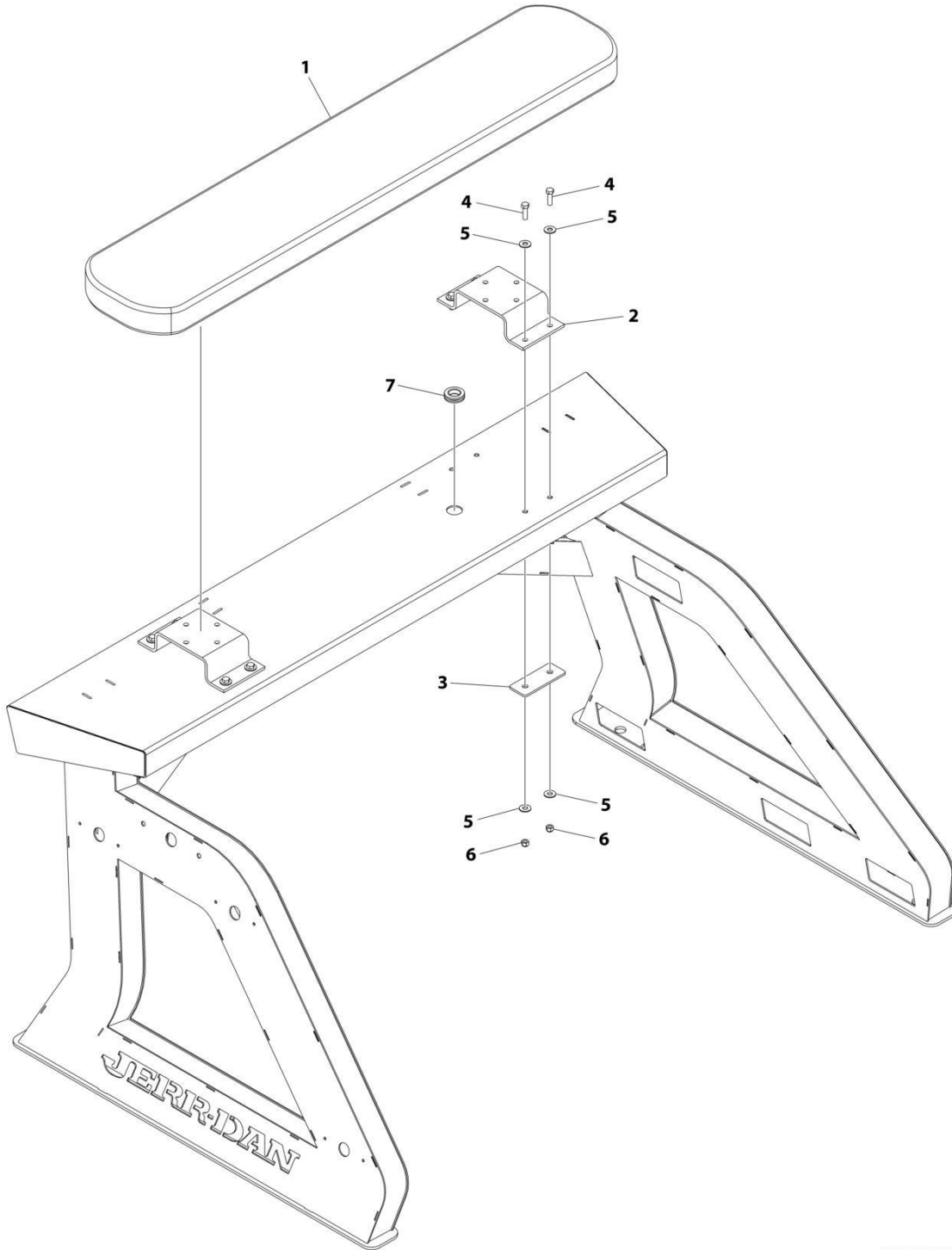
SECTION 7 - ELECTRICAL

FIGURE 7-48. LIGHTS - LIGHTBAR INSTALLATION (PYLON MOUNTED) (CODE 3 & ECCO 60IN AMBER)

ITEM	PART NUMBER	QTY	DESCRIPTION	REV
	1001214376	Ref	LIGHTS - LIGHTBAR INSTALLATION - 58IN AMBER CODE3	B
	1001136990	1	Lightbar Assembly (CODE 3) (See Separate Breakdown in this Section) (SN 0230004275 through 0230009234)	
1	1001247139	1	Lightbar Assembly (ECCO) (See Separate Breakdown in this Section) (SN 0230009235 to Present)	
	4178000234	1	Bracket (SN 0230004275 through 0230009234)	
2	1001267280	2	Bracket (SN 0230009235 to Present)	
3	1001214128	4	Plate	
4	0641610	8	Capscrew 3/8 x 1-1/4	
5	4751600	16	Washer 3/8	
6	7660162601	8	Nut 3/8	
7	7493000011	1	Grommet	

SECTION 7 - ELECTRICAL

FIGURE 7-49. LIGHTS - LIGHTBAR INSTALLATION (PYLON MOUNTED) (WHELEN 60IN)



ART_1001214377

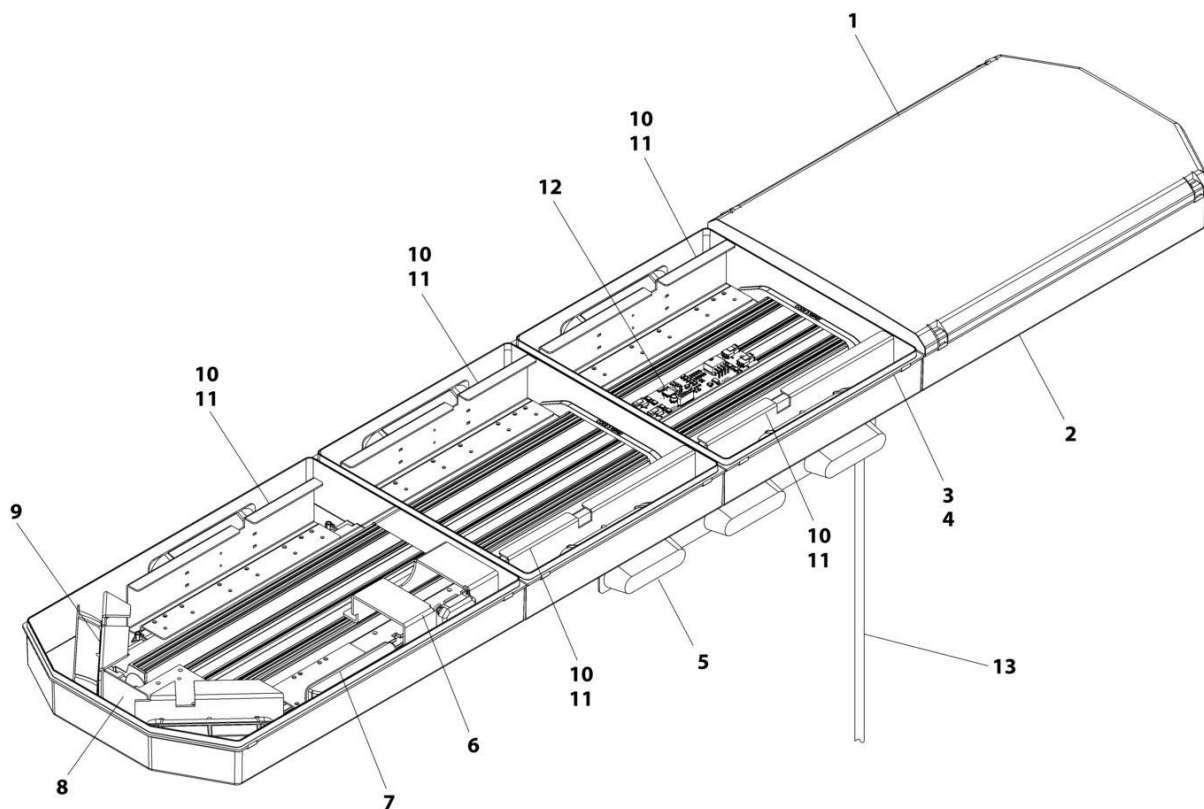
SECTION 7 - ELECTRICAL

FIGURE 7-49. LIGHTS - LIGHTBAR INSTALLATION (PYLON MOUNTED) (WHELEN 60IN)

ITEM	PART NUMBER	QTY	DESCRIPTION	REV
	1001214377	Ref	LIGHTS - LIGHTBAR INSTALLATION - 60IN AMBER WHELEN	B
1	1001199475	1	Lightbar Assembly (See Separate Breakdown in this Section)	
2	1001267280	2	Bracket (SN 0230004275 through 0230009234)	
2	4178000234	1	Bracket (SN 0230009235 to Present)	
3	1001214128	4	Plate	
4	0641610	8	Capscrew 3/8 x 1-1/4	
5	4751600	16	Washer 3/8	
6	7660162601	8	Nut 3/8	
7	7493000011	1	Grommet	

SECTION 7 - ELECTRICAL

FIGURE 7-50. LIGHTS - LIGHTBAR ASSEMBLY - CODE 3 58IN RED



ART_1001152815

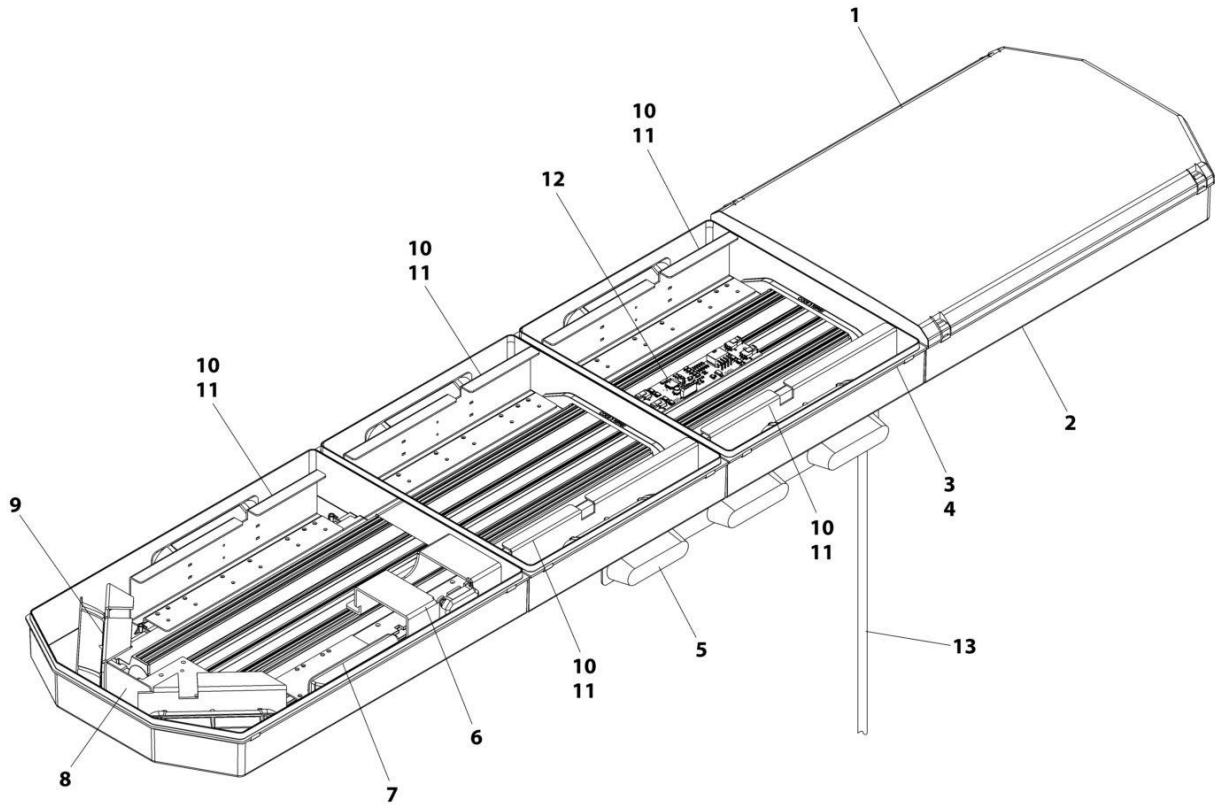
SECTION 7 - ELECTRICAL

FIGURE 7-50. LIGHTS - LIGHTBAR ASSEMBLY - CODE 3 58IN RED

ITEM	PART NUMBER	QTY	DESCRIPTION	REV
	1001152815	Ref	LIGHTS - LAMP ASSEMBLY - 58IN RED CODE3	B
1	9590310197	2	Lens, Clear Upper Outboard	
2	9590310200	2	Lens, Clear, Lower Outboard	
3	9590310203	2	Lens, Clear Lower Center	
4	9590310195	2	Lens, Clear Upper Center	
5	1001126269	1	3 Light D.O.T. Strip	
6	70050164	2	Worklight, LED	
7	1001130702	2	Module, LED Stop/Tail/Turn	
8	70050166	4	Bracket, Blank	
9	70050979	6	Bracket	
10	70050722	6	Module	
11	9590310202	6	Bracket, Mounting	
12	70050167	1	Controller, General	
13	70050165	1	Cable, Jerr-Dan 9 Wire	
14	70050980	1	Harness, Internal Input (Not Shown)	
15	70050981	1	Harness, Internal Output (Not Shown)	

SECTION 7 - ELECTRICAL

FIGURE 7-51. LIGHTS - LIGHTBAR ASSEMBLY - CODE 3 60IN AMBER



ART_1001136990

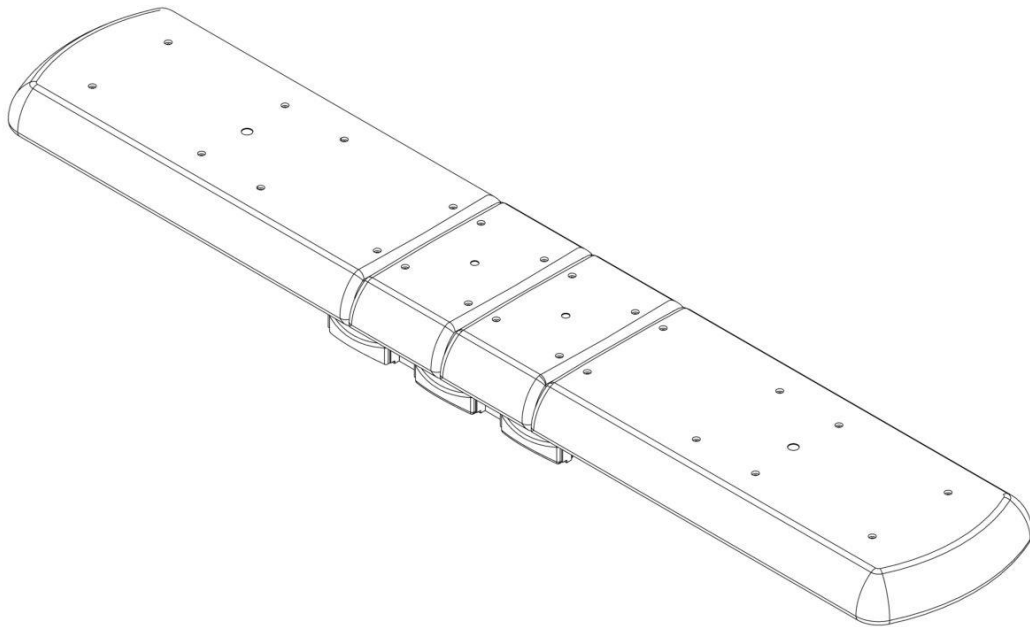
SECTION 7 - ELECTRICAL

FIGURE 7-51. LIGHTS - LIGHTBAR ASSEMBLY - CODE 3 60IN AMBER

ITEM	PART NUMBER	QTY	DESCRIPTION	REV
	1001136990	Ref	LIGHTS - LAMP ASSEMBLY - 58IN AMBER CODE3	D
1	9590310197	2	Lens, Clear Upper Outboard	
2	9590310200	2	Lens, Clear, Lower Outboard	
3	9590310203	2	Lens, Clear Lower Center	
4	9590310195	2	Lens, Clear Upper Center	
5	1001126269	1	3 Light D.O.T. Strip	
6	70050164	2	Worklight, LED	
7	1001130702	2	Module, LED Stop/Tail/Turn	
8	70050166	4	Bracket, Blank	
9	9590310206	4	Module, Bracket	
10	9590310205	6	Module, Led Amber	
11	9590310202	6	Bracket, Mounting	
12	70050167	1	Controller, General	
13	70050165	1	Cable, Jerr-Dan 9 Wire	
14	70050980	1	Harness, Internal Input (Not Shown)	
15	70050981	1	Harness, Internal Output (Not Shown)	

SECTION 7 - ELECTRICAL

FIGURE 7-52. LIGHTS - LIGHTBAR ASSEMBLY - ECCO AMBER



ART_1001247139

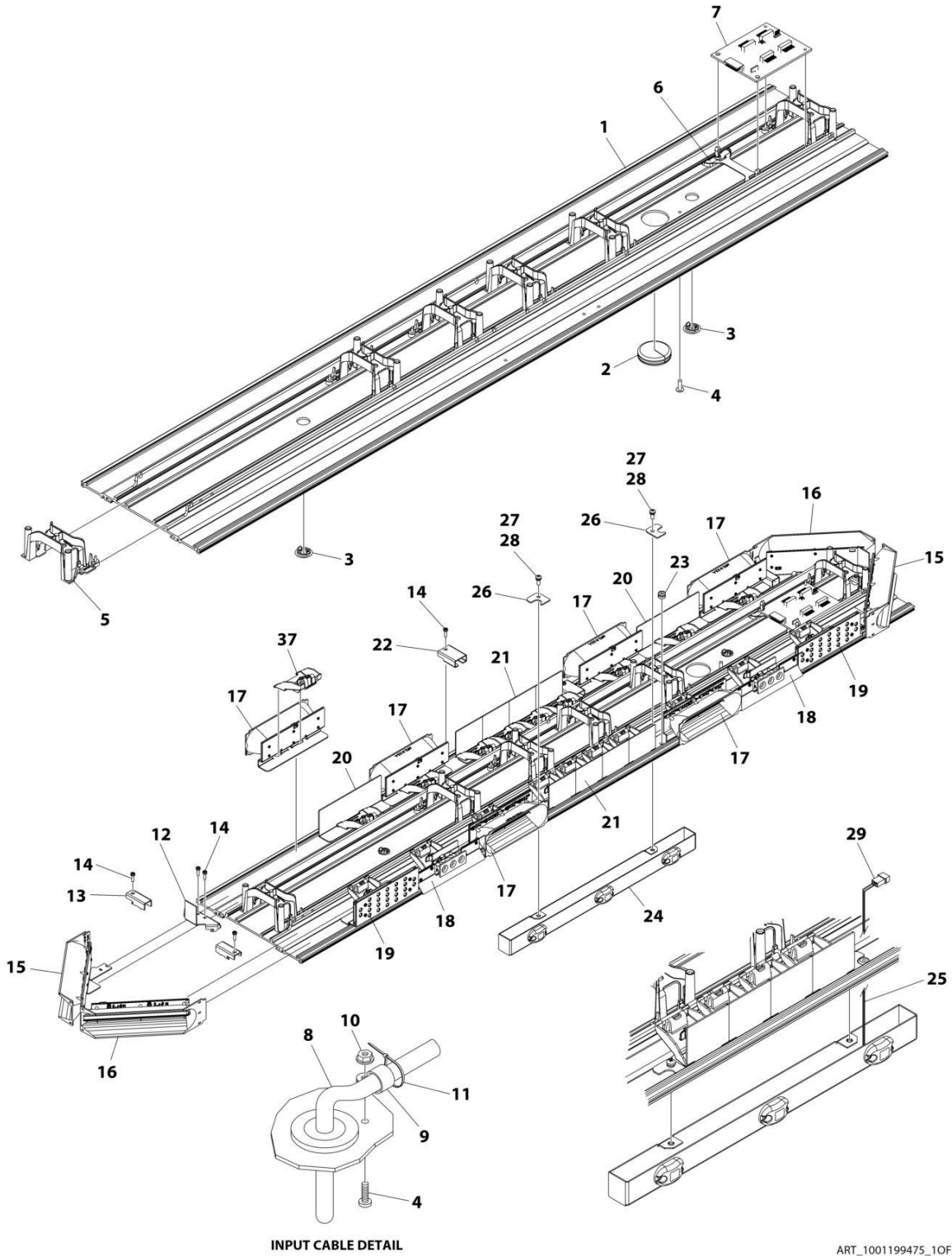
SECTION 7 - ELECTRICAL

FIGURE 7-52. LIGHTS - LIGHTBAR ASSEMBLY - ECCO AMBER

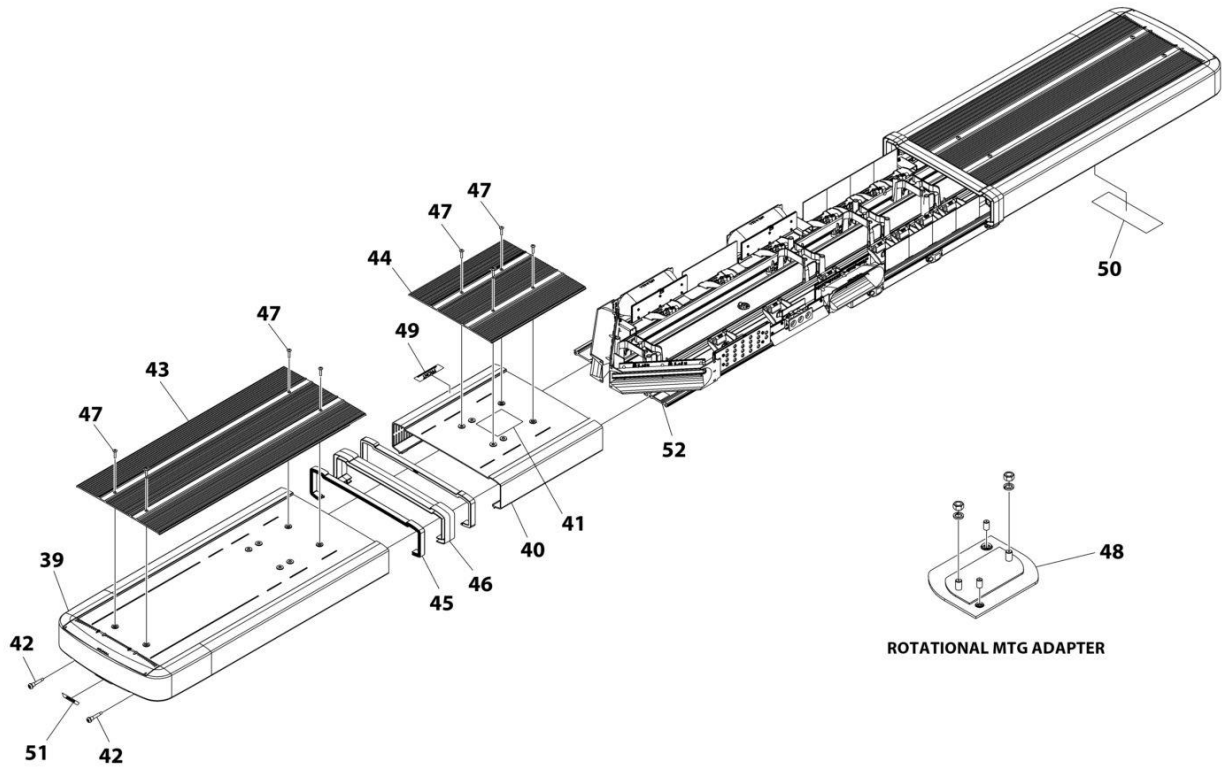
ITEM	PART NUMBER	QTY	DESCRIPTION	REV
	1001247139	Ref	LIGHTBAR ASSEMBLY - ECCO	A
	70070000	AR	Module, Amber	
	70070001	1 pr	Light, Work/Alley	
	70070002	1	Cable Kit (Includes 2 Modules, Harness & Stop/Turn/Taillight Cables)	
	70070003	1	PC Board, Driver	

SECTION 7 - ELECTRICAL

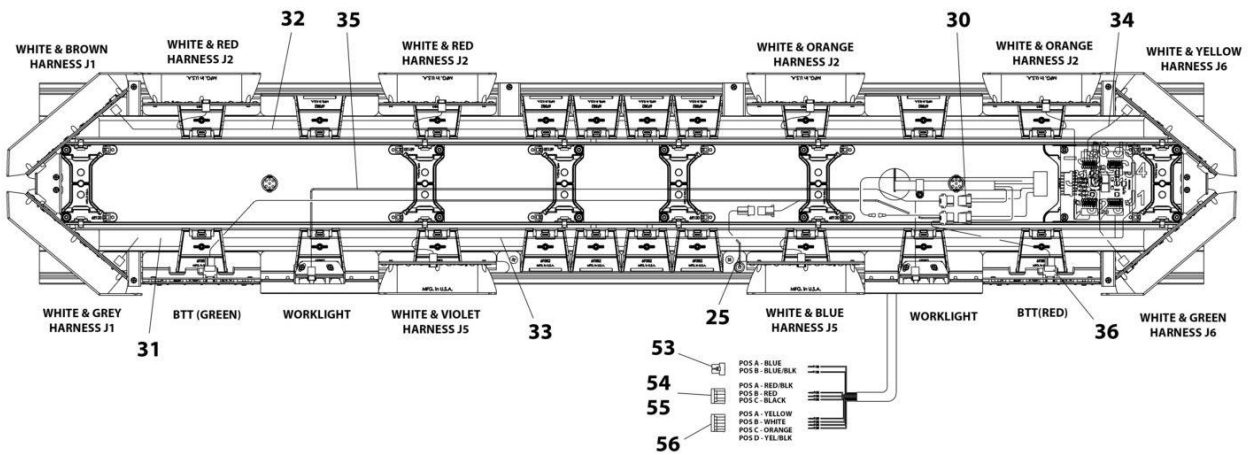
FIGURE 7-53. LIGHTS - LIGHTBAR ASSEMBLY - WHELEN 60IN



SECTION 7 - ELECTRICAL



ROTATIONAL MTG ADAPTER



ART_1001199475_20F2

SECTION 7 - ELECTRICAL

FIGURE 7-53. LIGHTS - LIGHTBAR ASSEMBLY - WHELEN 60IN

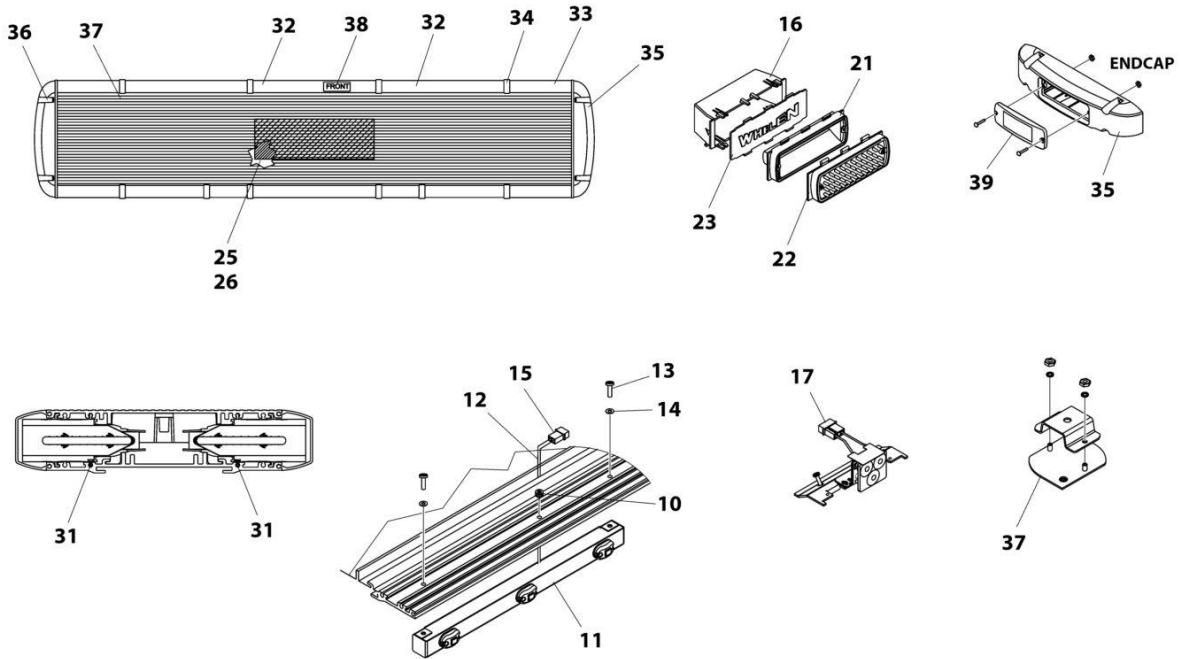
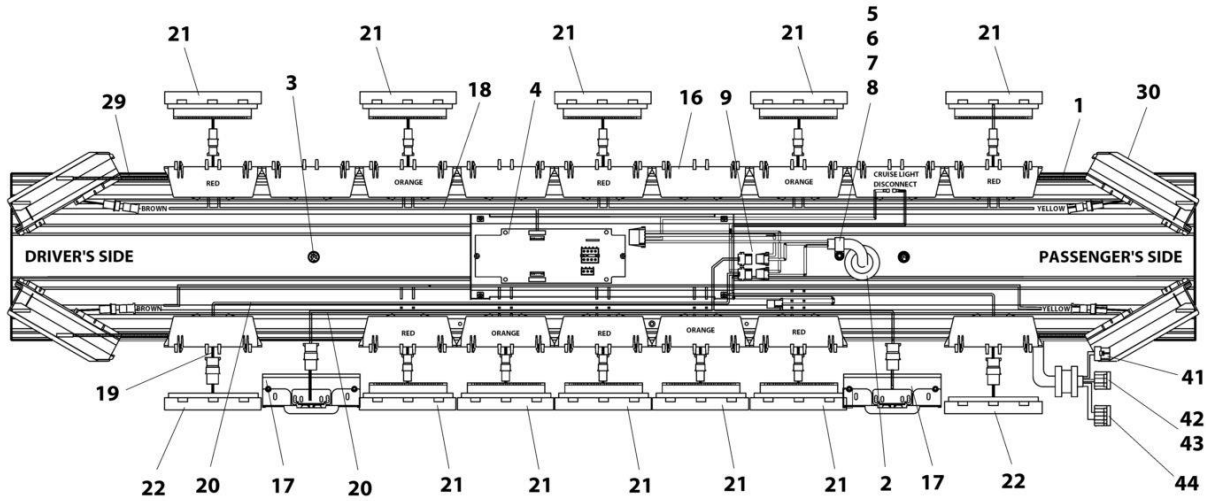
ITEM	PART NUMBER	QTY	DESCRIPTION	REV
	1001199475	Ref	LIGHTS - LAMP ASSEMBLY - 60IN AMBER WHELEN	B
1	70051058	1	Base	
2	70050169	1	Grommet	
3	70050170	2	Plug	
4	70051059	1	Screw #10 x 5/8	
5	70051021	6	Bracket	
6	70051022	1	Bracket	
7	70051023	1	Circuit Board	
8	70051060	1	Cable	
9	70050665	1	Clamp	
10	70050174	1	Nut #10	
11	70051026	AR	Tie Wrap	
12	70051027	2	Bracket	
13	70051035	4	Bracket	
14	70051028	10	Screw #6 x 1/2	
15	70051029	2	Lamp, Rear Amber	
16	70051030	2	Lamp, Front Amber	
17	70051063	6	Lamp, 6 LED	
18	70051064	2	Lamp, 3 LED	
19	70051065	2	Lamp	
20	70051066	2	Bracket	
21	70051036	8	Bracket	
22	70051039	2	Bracket	
23	70050176	1	Grommet	
24	70051068	1	Lamp	
25	70050178	1	Harness	
26	70051069	2	Bracket	
27	70050179	2	Screw #10 x 1/2	
28	70050180	2	Lockwasher #10	
29	70050181	1	Housing	
30	70050175	2	Housing	
31	70051070	1	Harness	
32	70051071	1	Harness	
33	70051072	1	Harness	
34	70051073	1	Harness	
35	70051074	1	Harness	
36	70051075	1	Harness	
37	70051044	20	Bracket	
38	70051045	AR	Tie Wrap (Not Shown)	
39	70051076	1	Lens	
40	70051077	1	Lens	
41	70051078	1	Label	
42	70050203	4	Screw #10 x 1-1/4	
43	70051062	2	Cover	
44	70051061	1	Cover	
45	70051048	4	Seal	
46	70051049	2	Lens	
47	70051053	12	Screw #10 x 7/8	
48	70050204	2	Adapter	
49	70051055	1	Label	

SECTION 7 - ELECTRICAL

ITEM	PART NUMBER	QTY	DESCRIPTION	REV
50	70050207	1	Label	
51	70051056	2	Label	
52	70051057	1	Label	
53	70050208	1	Housing	
54	70050209	1	Connector	
55	70050210	1	Housing	
56	70050211	1	Housing	

SECTION 7 - ELECTRICAL

FIGURE 7-54. LIGHTS - LIGHTBAR ASSEMBLY - WHELEN (72IN)



ART_1001199477

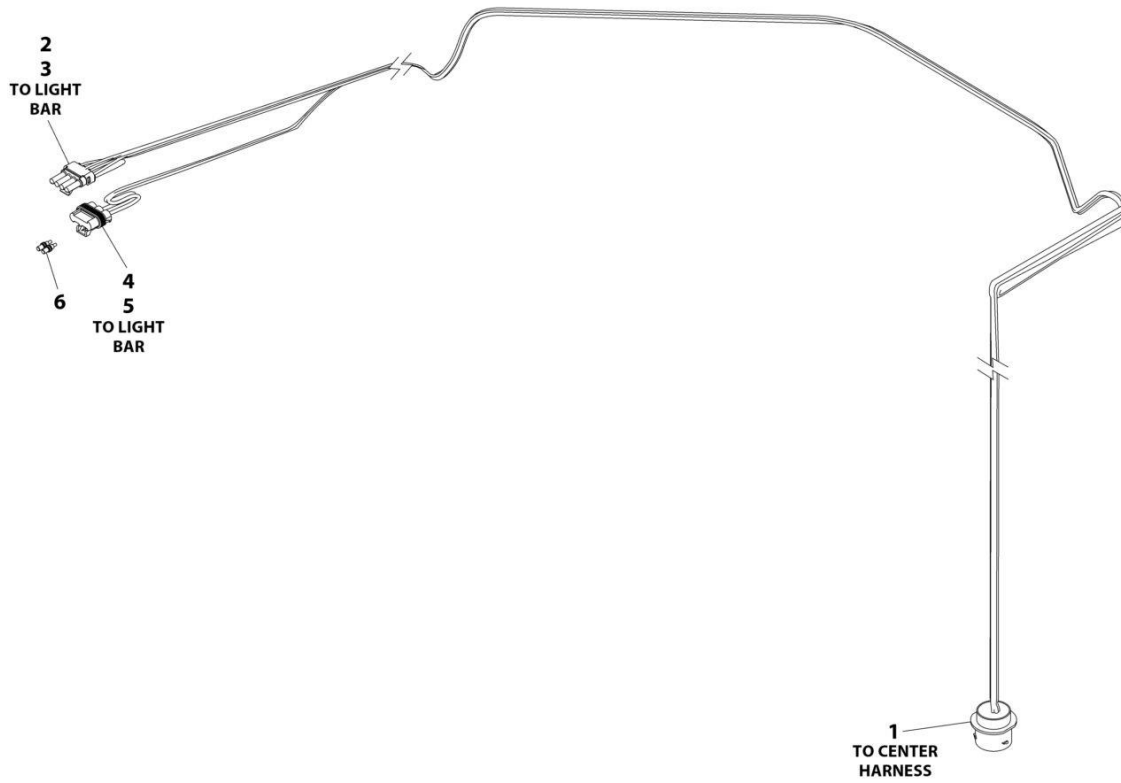
SECTION 7 - ELECTRICAL

FIGURE 7-54. LIGHTS - LIGHTBAR ASSEMBLY - WHELEN (72IN)

ITEM	PART NUMBER	QTY	DESCRIPTION	REV
	1001199477	Ref	Lightbar 72" LED - Whelen	B
1	70050392	1	Base	
2	70050169	1	Grommet	
3	70050170	2	Plug	
4	70050163	1	Assembly, HC I/O Liberty, Jerr-Dan	
5	70050171	1	Cable	
6	70050172	1	Screw #10 x 1	
7	70050393	1	Clamp	
8	70050174	1	Wiznut #10	
9	70050175	2	Housing	
10	70050176	1	Grommet	
11	70050177	1	Light Cluster	
12	70050178	1	Harness	
13	70050179	2	Screw #10 x 1/2	
14	70050180	2	Washer #10	
15	70050181	1	Housing	
16	70050182	16	Housing	
17	70050183	2	LR11 TD Single Full	
18	70050394	2	Harness	
19	70050185	1	Harness	
20	70050186	1	Harness	
21	70050187	10	Light Assembly, LED	
22	70050188	2	500 BTT Max	
23	70050189	4	Panel	
24	70050190	2	End Support Bracket (Not Shown)	
25	70050191	1	Insulator	
26	70050192	1	Decal	
27	70050395	1	Top Cover (Not Shown)	
28	70050194	4	Screw #10 x 3/8 (Not Shown)	
29	70050195	4	Spacer	
30	70050196	4	Corner LED Assembly	
31	70050197	4	Spacer	
32	70050199	6	Lens	
33	70050200	4	Lens	
34	70050201	8	Lens Divider	
35	70050202	2	End Cap	
36	70050203	8	Screw #10 x 1-1/4	
37	70050204	3	Rotational Mtg Adapter	
38	70050205	1	Label, "Front"	
39	70050206	1	Label, Jerr-Dan Logo	
40	70050207	1	Label, Model and Serial Number (Not Shown)	
41	70050208	1	Connector	
42	70050209	1	Connector	
43	70050210	1	Connector	
44	70050211	1	Connector	

SECTION 7 - ELECTRICAL

FIGURE 7-55. LIGHTS - LIGHTBAR HARNESS (CAB MOUNTED)



ART_1001216571

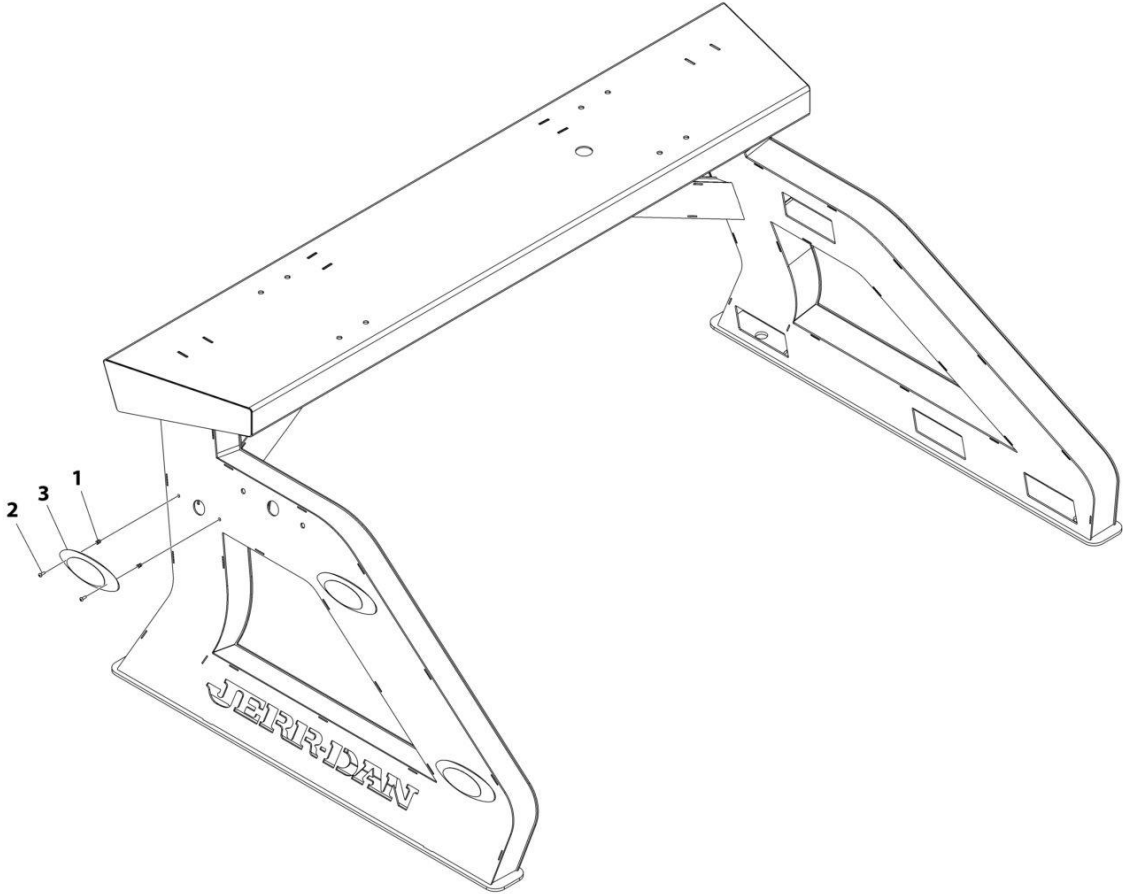
SECTION 7 - ELECTRICAL

FIGURE 7-55. LIGHTS - LIGHTBAR HARNESS (CAB MOUNTED)

ITEM	PART NUMBER	QTY	DESCRIPTION	REV
	1001216571	Ref	LIGHTBAR HARNESS (CAB MOUNTED)	A
1	NPN	1	Connector - 18 Position	
1	91143339	1	Pin, Male	
1	4460464	3	Pin, Male	
1	4460508	1	Pin, Male	
1	4460941	1	Plug, Terminal	
1	4460466	12	Plug, Terminal	
2	4460850	4	Terminal	
3	4460460	1	Connector - 4 Position	
3	4460457	4	Terminal	
3	NPN	4	Seal	
4	NPN	3	Terminal	
5	8220935	1	Connector - 3 Position	
5	8220099	3	Terminal	
5	7346000108	1	Lock	
5	NPN	AR	Seal	
5	NPN	AR	Seal	
6	4460867	1	Connector - 2 Position	
6	1001116727	2	Terminal	

SECTION 7 - ELECTRICAL

FIGURE 7-56. LIGHTS - MARKER LIGHTS INSTALLATION (PYLON)



ART_1001207488

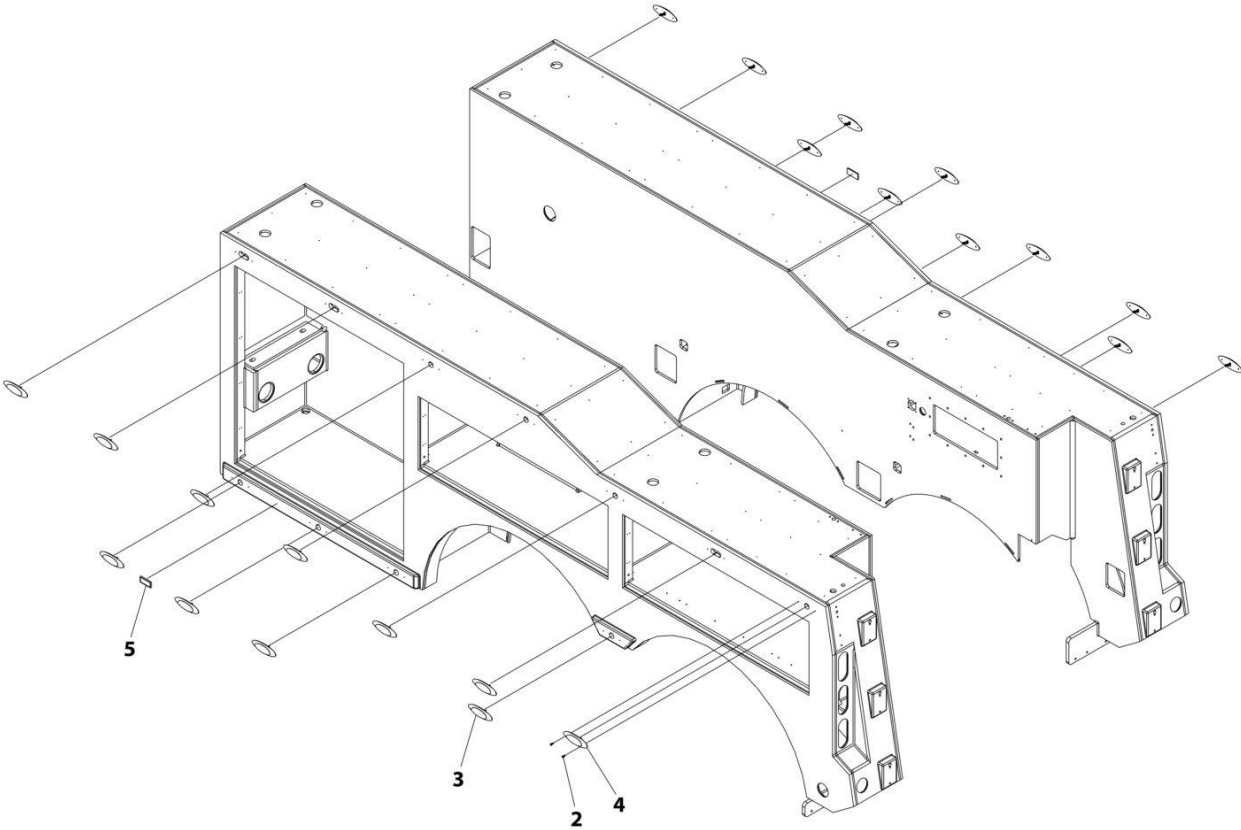
SECTION 7 - ELECTRICAL

FIGURE 7-56. LIGHTS - MARKER LIGHTS INSTALLATION (PYLON)

ITEM	PART NUMBER	QTY	DESCRIPTION	REV
	1001207488	Ref	MARKER LIGHTS INSTALLATION - PYLON	B
1	1001151546	12	Nut #8	
2	7114080418	12	Screw #8 x 1/2	
3	7590000358	6	Light, Marker - Amber	

SECTION 7 - ELECTRICAL

FIGURE 7-57. LIGHTS - MARKER LIGHTS INSTALLATION (TANDEM)



ART_1001196592

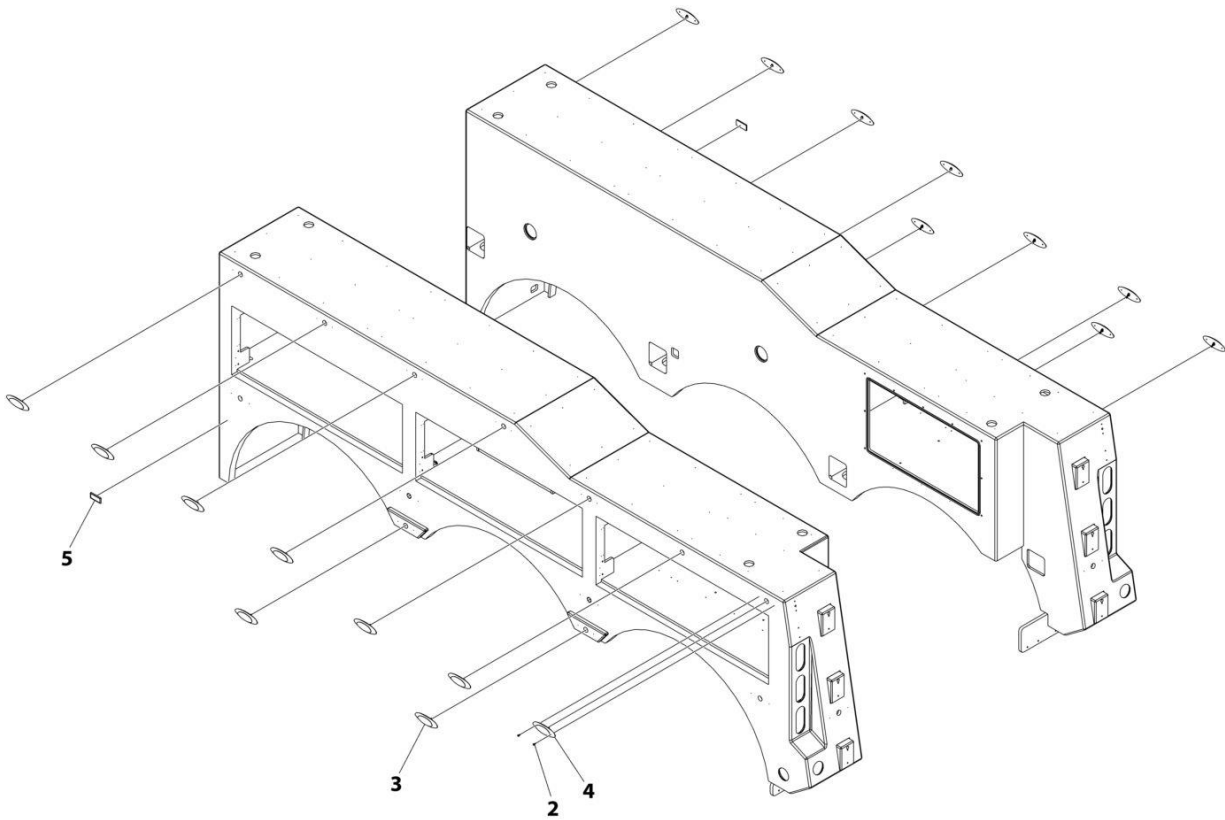
SECTION 7 - ELECTRICAL

FIGURE 7-57. LIGHTS - MARKER LIGHTS INSTALLATION (TANDEM)

ITEM	PART NUMBER	QTY	DESCRIPTION	REV
	1001196592	Ref	Marker Lights Installation, Tandem Axle	D
2	1001192958	44	Screw #10 x 1/2	
3	7590000358	20	Light	
4	7590000359	2	Light	
5	7736000001	2	Reflector	

SECTION 7 - ELECTRICAL

FIGURE 7-58. LIGHTS - MARKER LIGHTS INSTALLATION (TRI-AXLE)



ART_1001196594

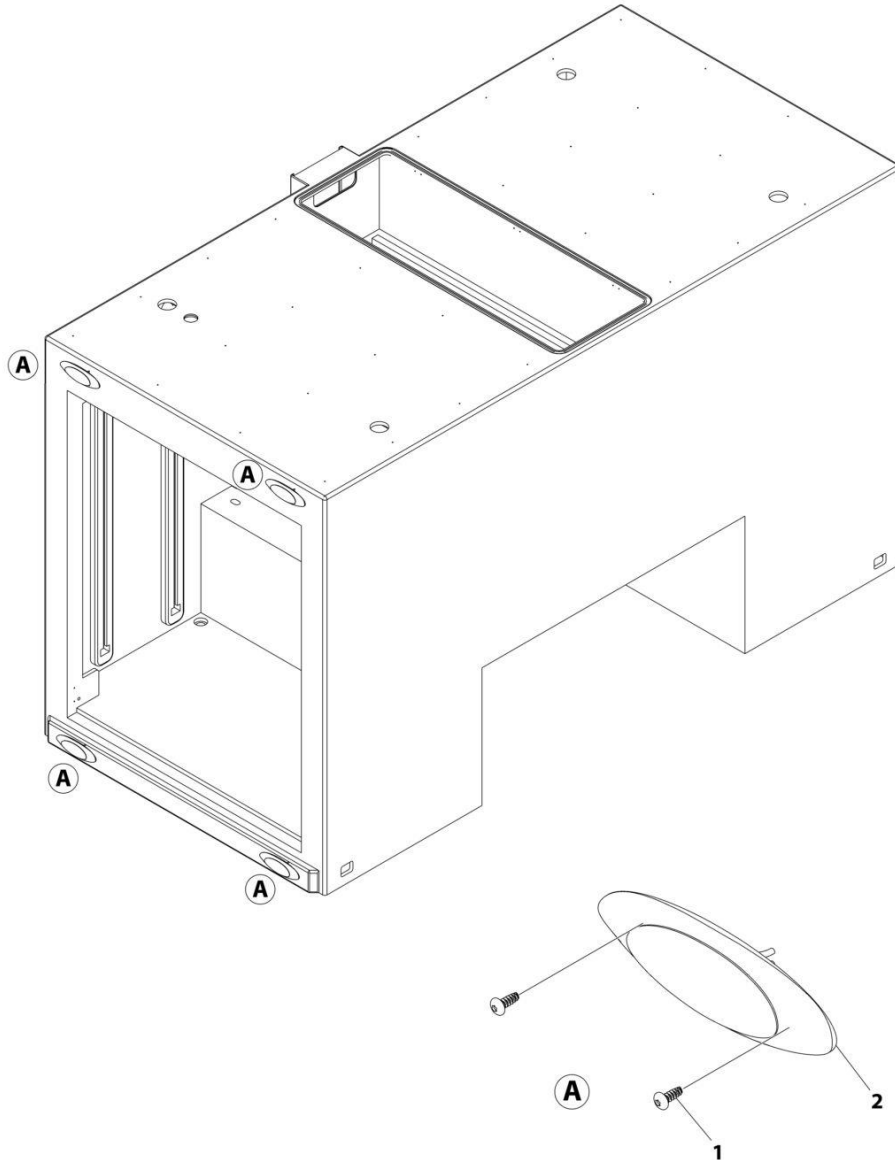
SECTION 7 - ELECTRICAL

FIGURE 7-58. LIGHTS - MARKER LIGHTS INSTALLATION (TRI-AXLE)

ITEM	PART NUMBER	QTY	DESCRIPTION	REV
	1001196594	Ref	MARKER LIGHTS INSTALLATION - BODY (TRI-AXLE)	D
2	1001192958	36	Screw #10 x 1/2	
3	7590000358	16	Light	
4	7590000359	2	Light	
5	7736000001	2	Reflector	

SECTION 7 - ELECTRICAL

FIGURE 7-59. LIGHTS - MARKER LIGHTS INSTALLATION (TUNNEL SIDE) (SN 0230008674 to Present, Including 0230008645)



ART_1001196625

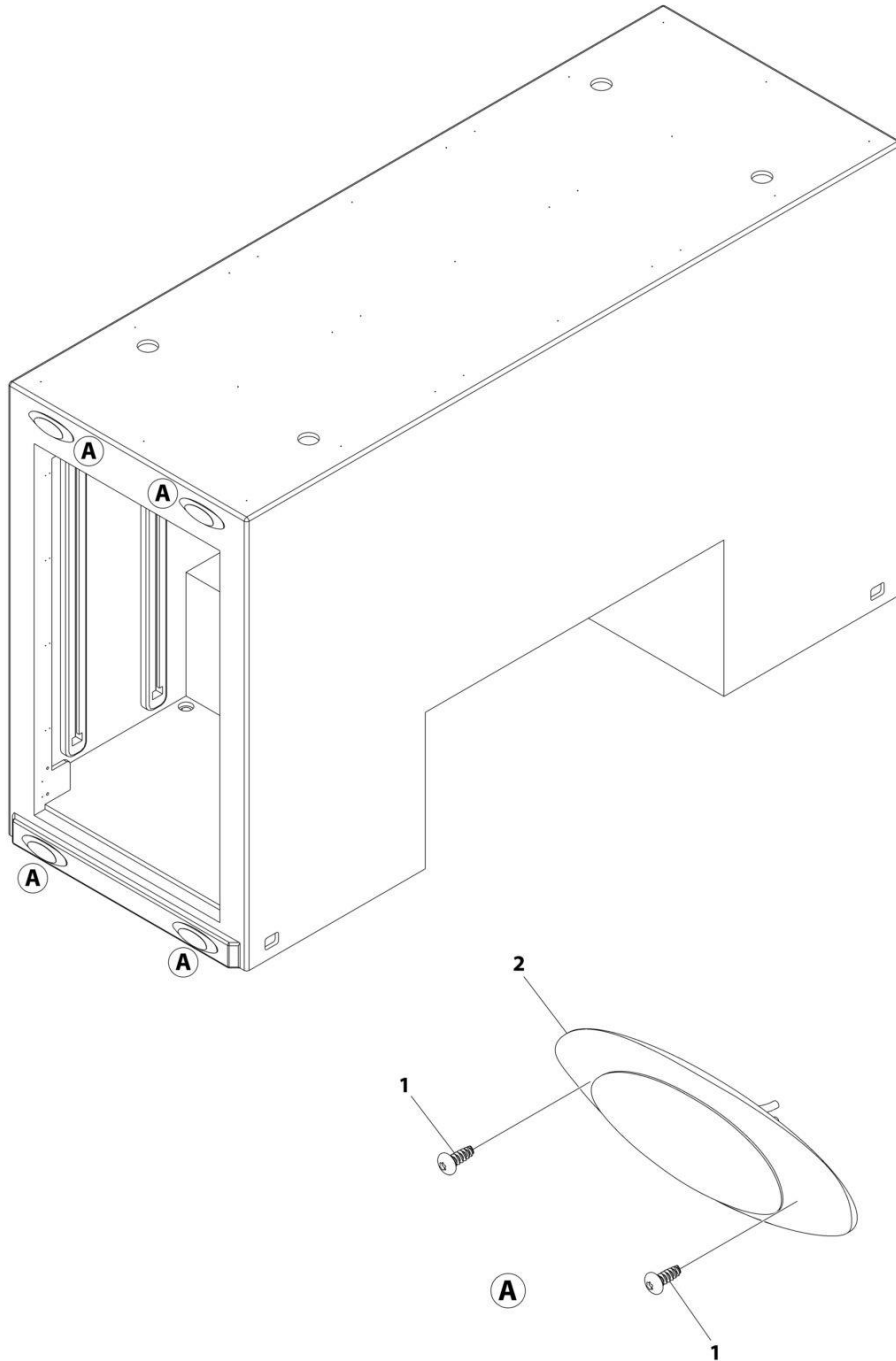
SECTION 7 - ELECTRICAL

FIGURE 7-59. LIGHTS - MARKER LIGHTS INSTALLATION (TUNNEL SIDE) (SN 0230008674 to Present, Including 0230008645)

ITEM	PART NUMBER	QTY	DESCRIPTION	REV
	1001196625	Ref	LIGHTS - MARKER LIGHTS INSTALLATION, 48IN TUNNEL	D
1	1001192958	16	Screw #10 x 1/2	
2	7590000358	8	Light	

SECTION 7 - ELECTRICAL

FIGURE 7-60. LIGHTS - MARKER LIGHTS INSTALLATION (TUNNEL SIDE) (SN 0230004275 through 0230008673, Excluding 0230008645)



ART_1001196624

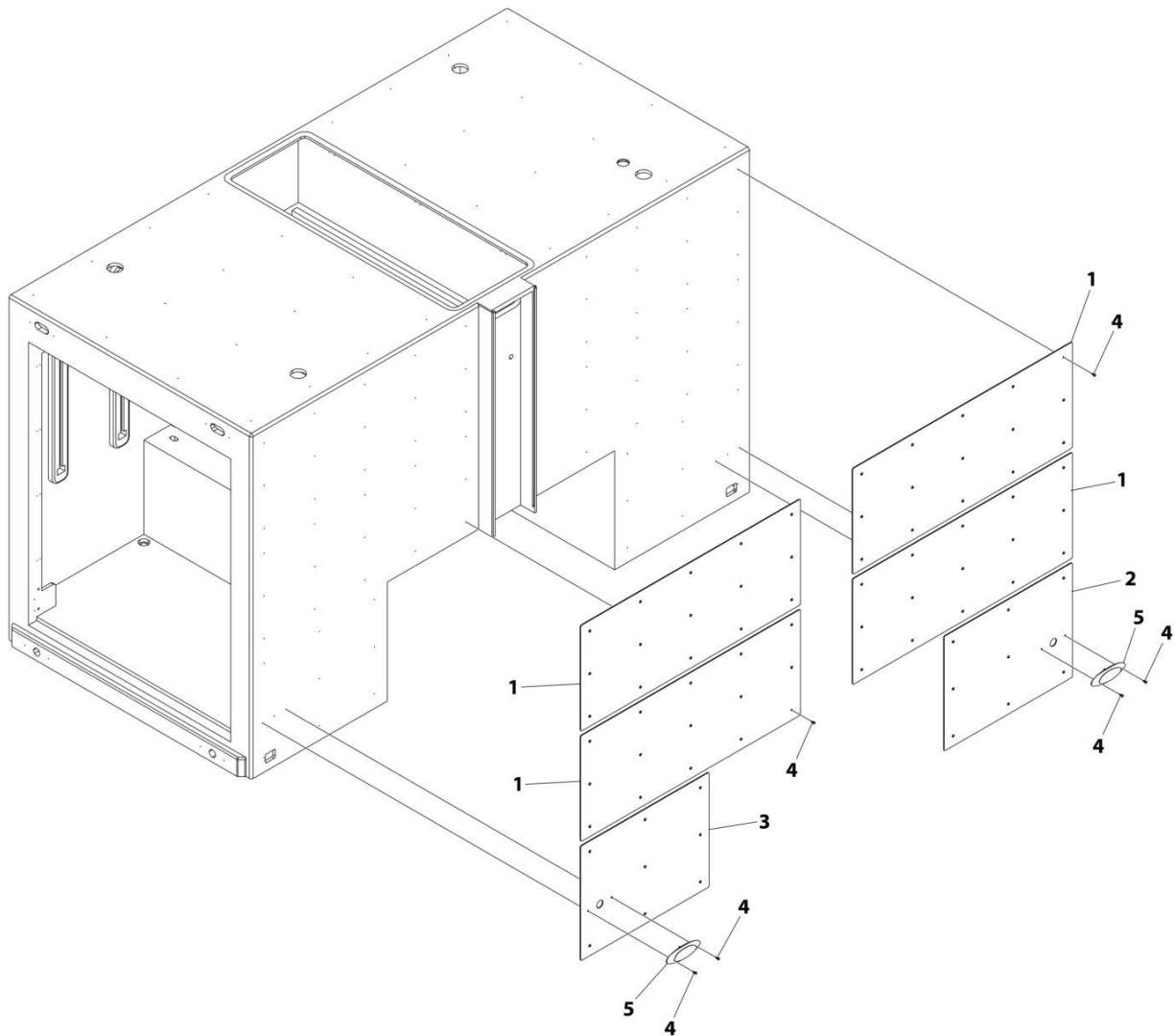
SECTION 7 - ELECTRICAL

FIGURE 7-60. LIGHTS - MARKER LIGHTS INSTALLATION (TUNNEL SIDE) (SN 0230004275 through 0230008673, Excluding 0230008645)

ITEM	PART NUMBER	QTY	DESCRIPTION	REV
	1001196624	Ref	MARKER LIGHTS INSTALLATION - TUNNEL	D
1	1001192958	16	Screw #10 x 1/2	
2	7590000262	8	Light, Marker (Prior to SN 0230005360)	
2	7590000358	8	Light, Marker	

SECTION 7 - ELECTRICAL

FIGURE 7-61. LIGHTS - MARKER LIGHT INSTALLATION (TUNNEL FRONT WITHOUT CWT)



ART_1001196586

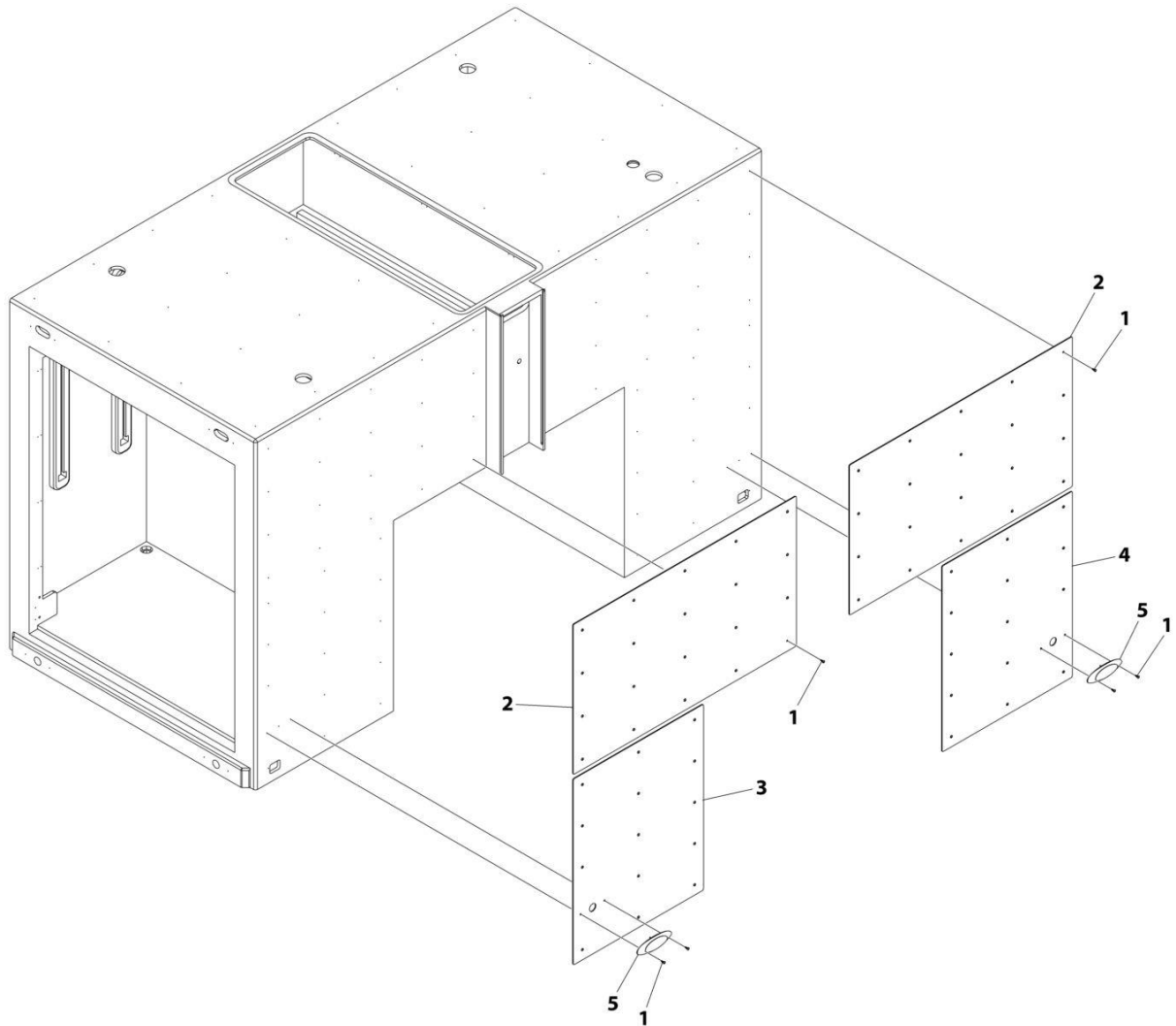
SECTION 7 - ELECTRICAL

FIGURE 7-61. LIGHTS - MARKER LIGHT INSTALLATION (TUNNEL FRONT WITHOUT CWT)

ITEM	PART NUMBER	QTY	DESCRIPTION	REV
	1001196586	Ref	DIAMOND PLATE INSTALLATION - TUNNEL FRONT (WITH MARKER LIGHT)	E
1	1001188156	4	Plate	
2	1001188157	1	Plate	
3	1001188158	1	Plate	
4	1001192958	80	Screw #10 x 1/2	
5	7590000358	2	Light, Amber	

SECTION 7 - ELECTRICAL

FIGURE 7-62. LIGHTS - MARKER LIGHT INSTALLATION (TUNNEL FRONT WITH CWT)



ART_1001219747

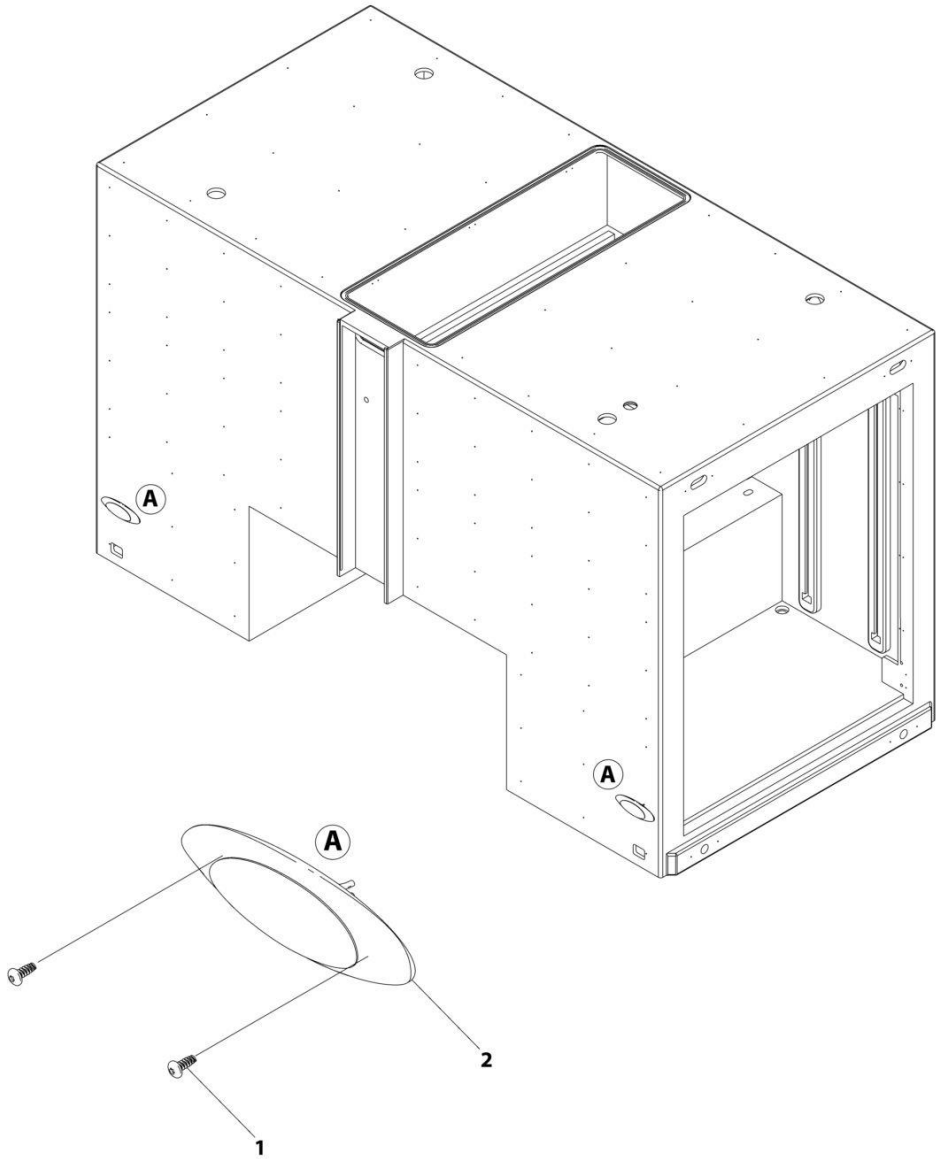
SECTION 7 - ELECTRICAL

FIGURE 7-62. LIGHTS - MARKER LIGHT INSTALLATION (TUNNEL FRONT WITH CWT)

ITEM	PART NUMBER	QTY	DESCRIPTION	REV
	1001219747	Ref	DIAMOND PLATE INSTALLATION - CWT TUNNEL FRONT (WITH MARKER LIGHT)	C
1	1001192958	72	Screw #10 x 1/2	
2	1001219748	2	Plate	
3	1001219749	1	Plate	
4	1001219750	1	Plate	
5	7590000358	2	Light, Amber	

SECTION 7 - ELECTRICAL

FIGURE 7-63. LIGHTS - MARKER LIGHT INSTALLATION (TUNNEL FRONT WITHOUT DIAMOND)



ART_1001219785

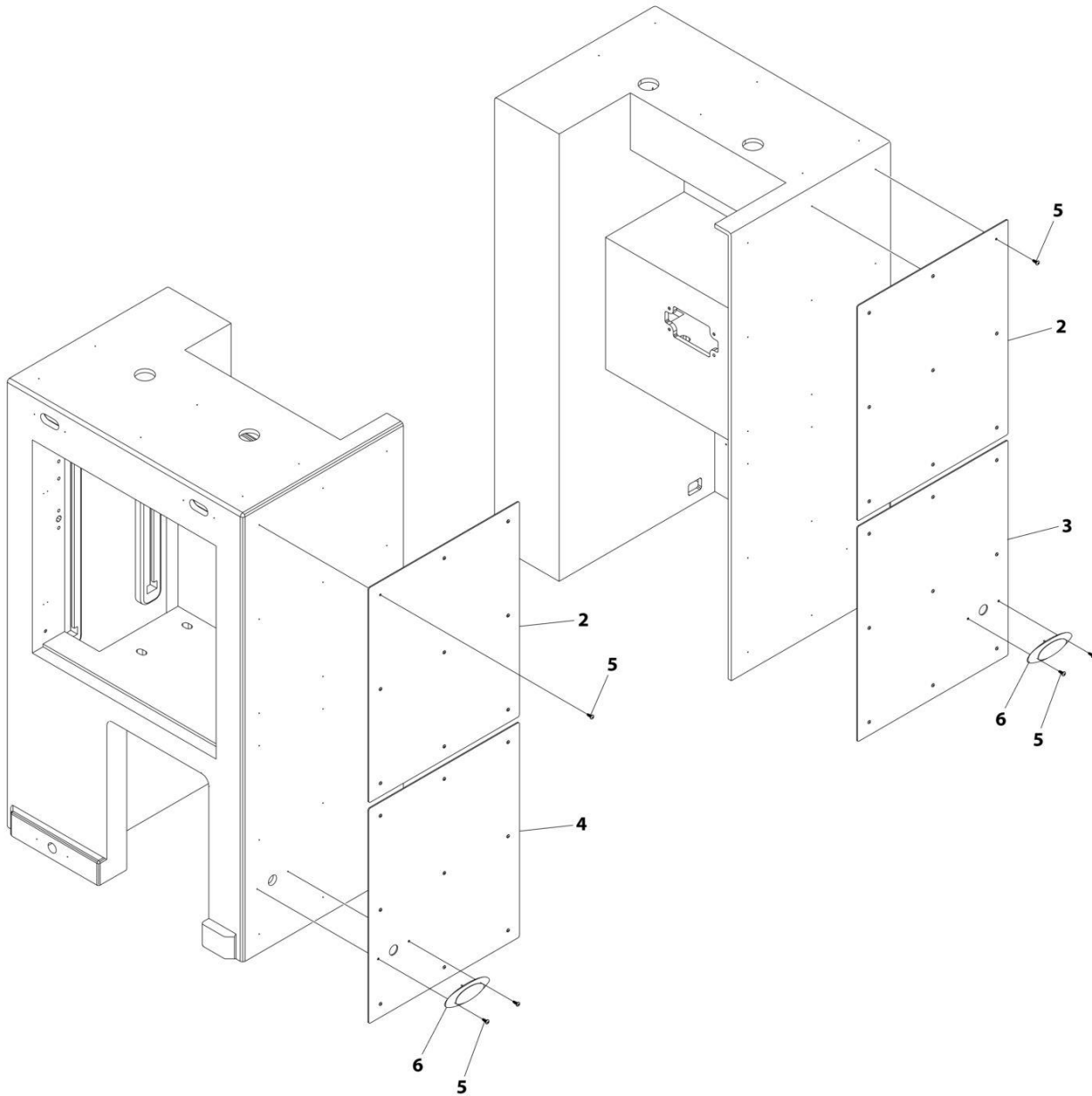
SECTION 7 - ELECTRICAL

FIGURE 7-63. LIGHTS - MARKER LIGHT INSTALLATION (TUNNEL FRONT WITHOUT DIAMOND)

ITEM	PART NUMBER	QTY	DESCRIPTION	REV
	1001219785	Ref	NO FRONT DIAMOND, MARKER ONLY	E
1	1001192958	4	Screw #10 x 1/2	
2	7590000358	2	Light	

SECTION 7 - ELECTRICAL

FIGURE 7-64. LIGHTS - MARKER LIGHT INSTALLATION (TUNNEL FRONT WITH SRS)



ART_1001199405

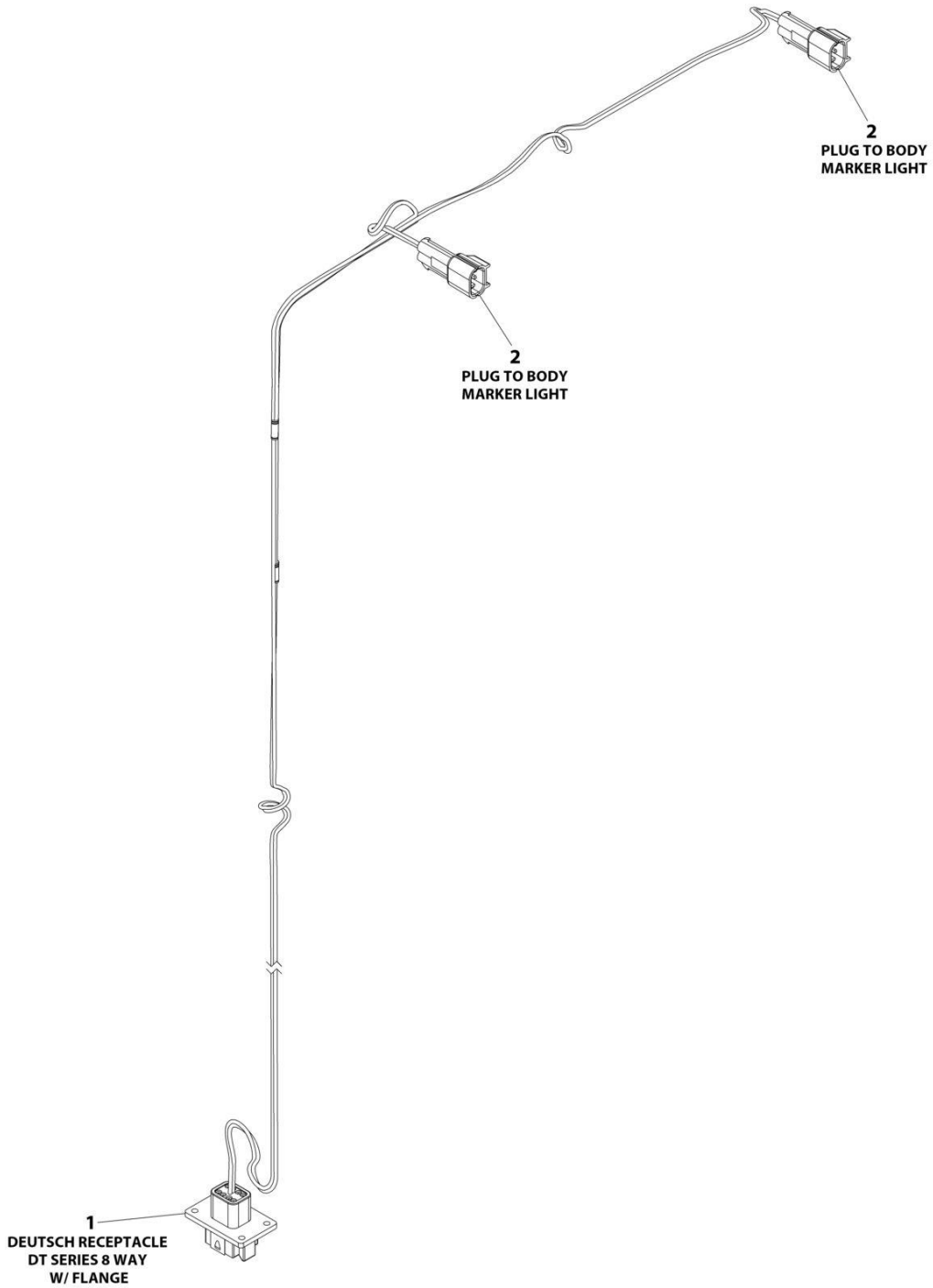
SECTION 7 - ELECTRICAL

FIGURE 7-64. LIGHTS - MARKER LIGHT INSTALLATION (TUNNEL FRONT WITH SRS)

ITEM	PART NUMBER	QTY	DESCRIPTION	REV
	1001199405	Ref	DIAMOND PLATE INSTALLATION WITH MARKER	D
2	1001189507	2	SRS Box Front	
3	1001189508	1	SRS Box LH	
4	1001189510	1	SRS Box RH	
5	1001192958	40	Screw #10 x 1/2	
6	7590000358	2	Light	

SECTION 7 - ELECTRICAL

FIGURE 7-65. LIGHTS - MARKER 1 HARNESS (BODY) (TANDEM)



ART_1001216185

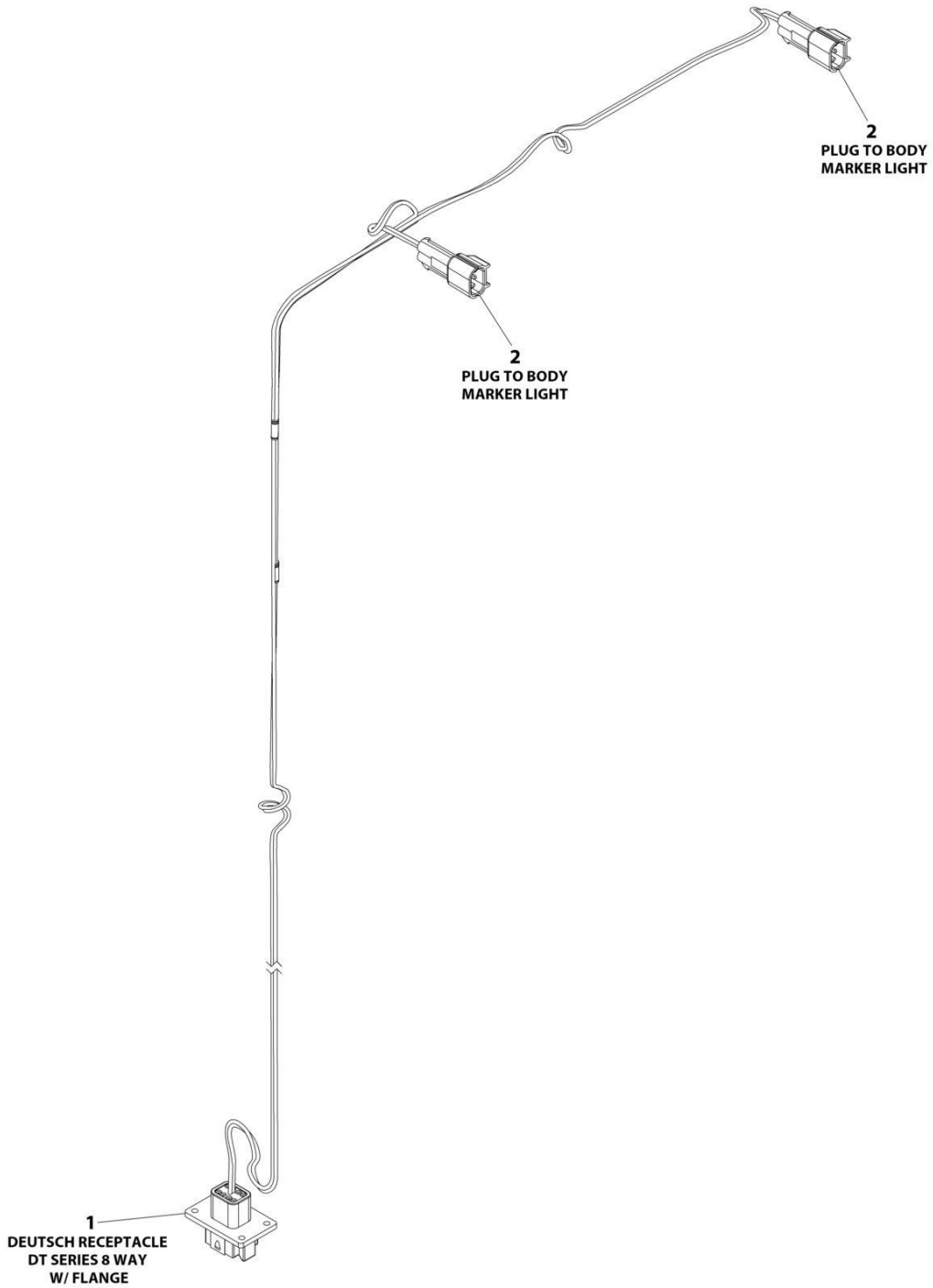
SECTION 7 - ELECTRICAL

FIGURE 7-65. LIGHTS - MARKER 1 HARNESS (BODY) (TANDEM)

ITEM	PART NUMBER	QTY	DESCRIPTION	REV
	1001216185	Ref	MARKER LIGHT 1 HARNESS (TANDEM)	B
1	1001269275	1	Connector	
1	80604024	1	Wedge, Locking	
1	4460464	2	Pin	
1	4460466	2	Plug	
1	NPN	1	Gasket	
2	1001117026	2	Connector	
2	NPN	1	Wedge, Locking	
2	1001116745	4	Socket	
2	4460458	4	Seal	

SECTION 7 - ELECTRICAL

FIGURE 7-66. LIGHTS - MARKER 1 HARNESS (BODY) (TRI-AXLE)



ART_1001216190

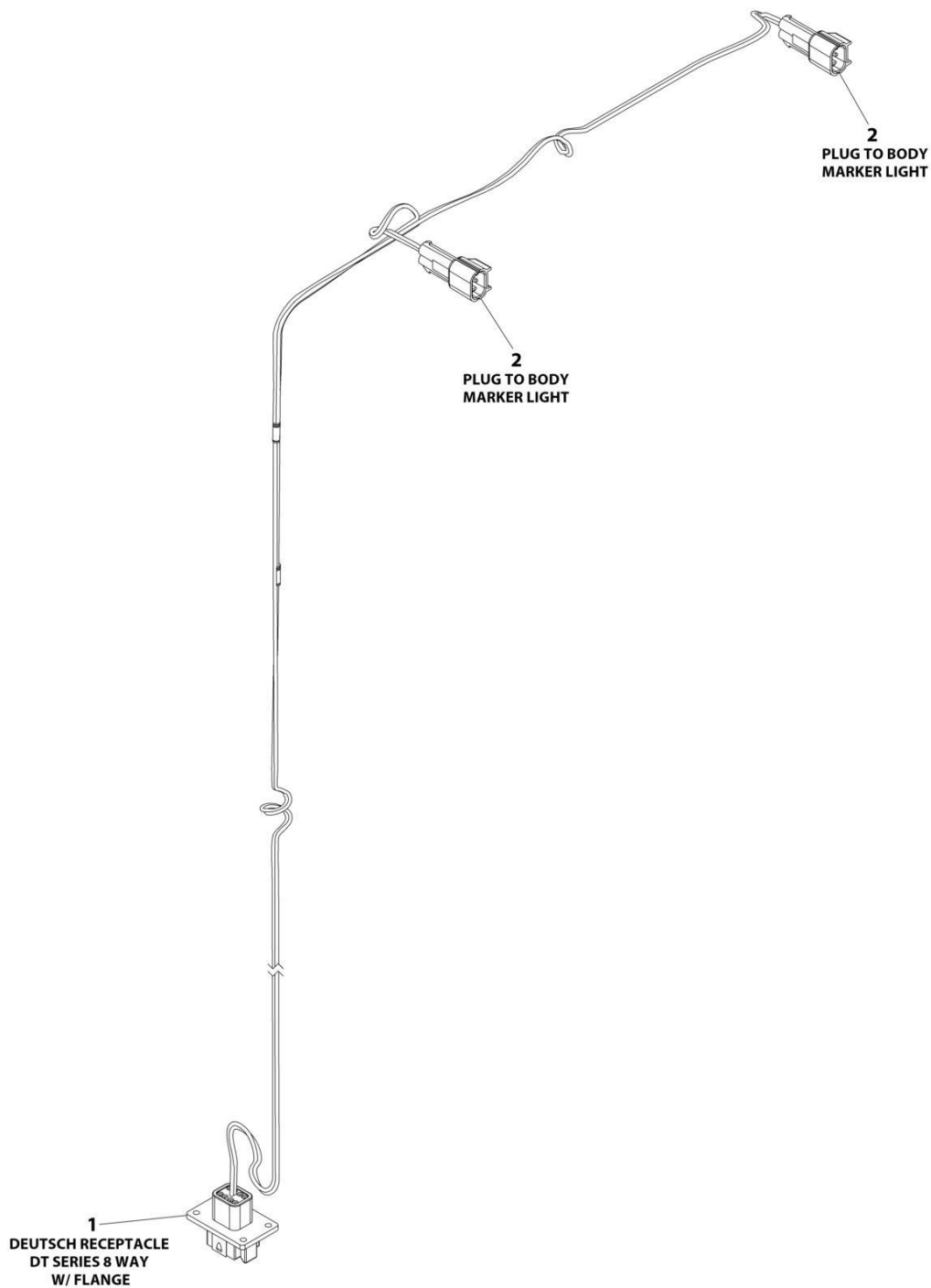
SECTION 7 - ELECTRICAL

FIGURE 7-66. LIGHTS - MARKER 1 HARNESS (BODY) (TRI-AXLE)

ITEM	PART NUMBER	QTY	DESCRIPTION	REV
	1001216190	Ref	MARKER LIGHT 1 HARNESS (TRI)	A
1	1001269275	1	Connector	
1	80604024	1	Wedge, Locking	
1	4460464	2	Pin	
1	4460466	5	Plug	
1	NPN	1	Gasket	
2	1001117026	2	Connector	
2	NPN	2	Wedge, Locking	
2	1001116745	4	Socket	
2	4460458	4	Seal	

SECTION 7 - ELECTRICAL

FIGURE 7-67. LIGHTS - MARKER 2 HARNESS (BODY) (TANDEM)



ART_1001216186

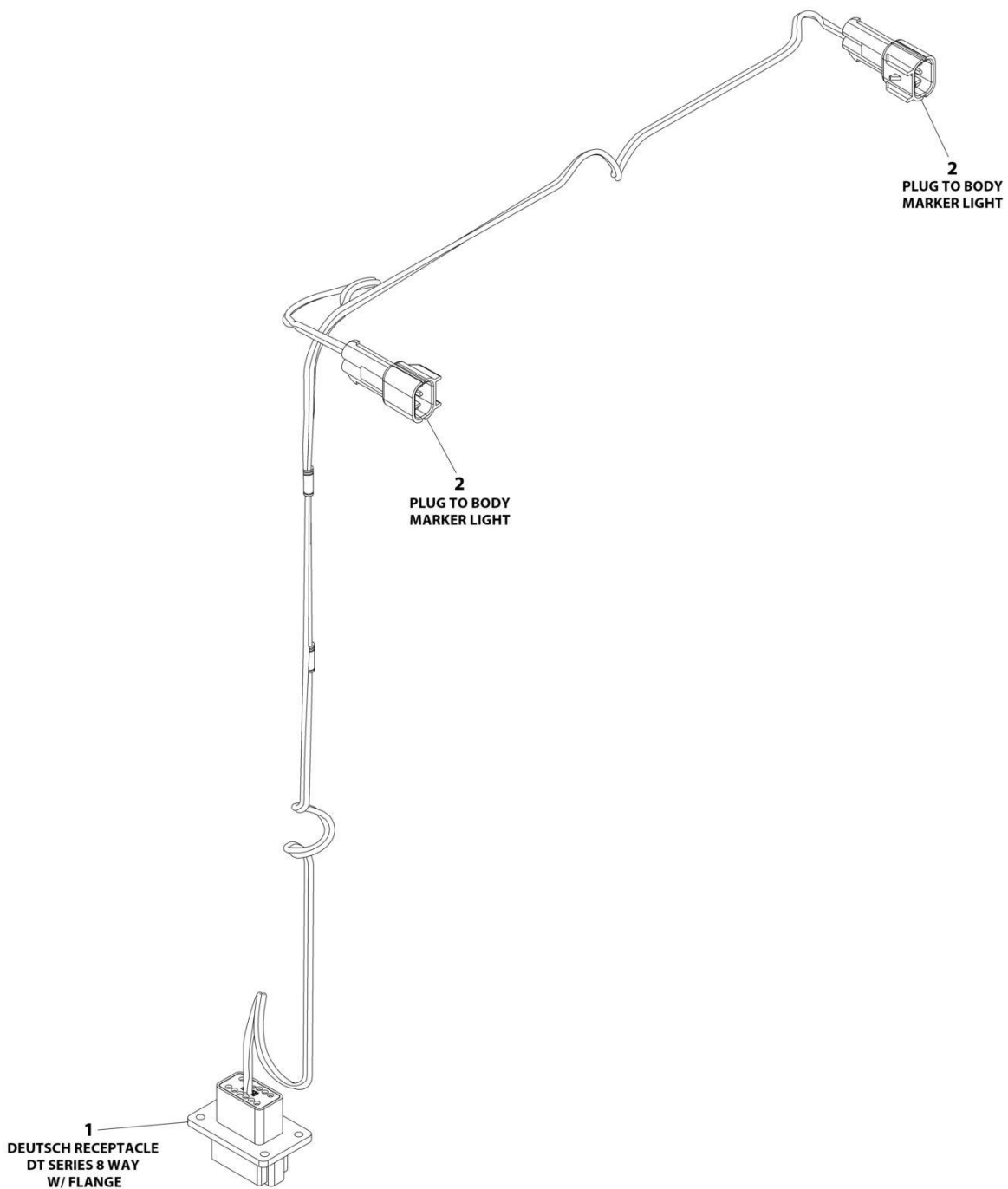
SECTION 7 - ELECTRICAL

FIGURE 7-67. LIGHTS - MARKER 2 HARNESS (BODY) (TANDEM)

ITEM	PART NUMBER	QTY	DESCRIPTION	REV
	1001216186	Ref	MARKER LIGHT 2 HARNESS (TANDEM)	A
1	1001269275	1	Connector	
1	80604024	1	Wedge, Locking	
1	4460464	2	Pin	
1	4460466	5	Plug	
1	NPN	1	Gasket	
2	1001117026	2	Connector	
2	NPN	1	Wedge, Locking	
2	1001116745	4	Socket	
2	4460458	4	Seal	

SECTION 7 - ELECTRICAL

FIGURE 7-68. LIGHTS - MARKER 2 HARNESS (BODY) (TRI-AXLE)



ART_1001216191

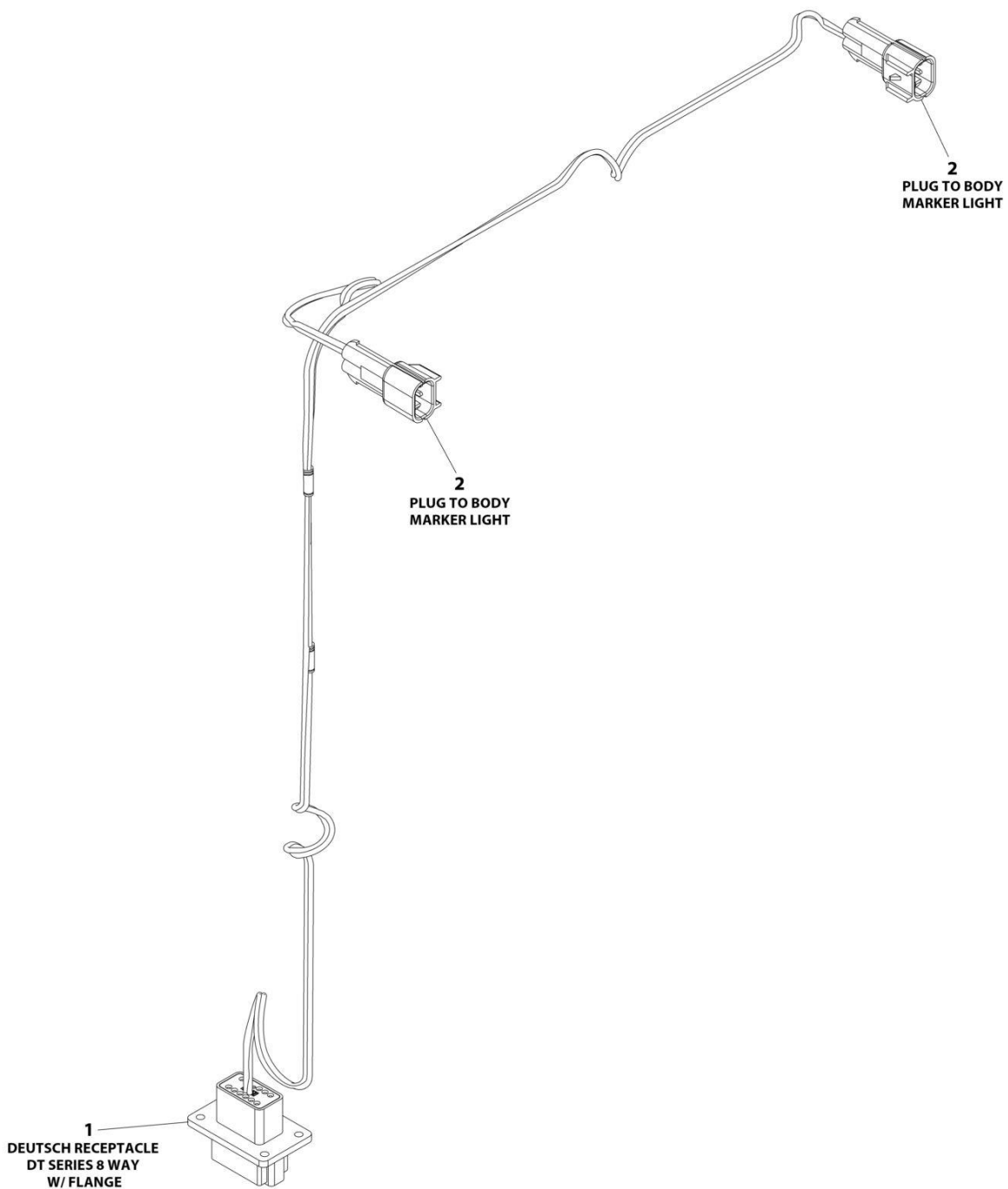
SECTION 7 - ELECTRICAL

FIGURE 7-68. LIGHTS - MARKER 2 HARNESS (BODY) (TRI-AXLE)

ITEM	PART NUMBER	QTY	DESCRIPTION	REV
	1001216191	Ref	MARKER LIGHT 2 HARNESS (TRI)	A
1	4460939	1	Connector	
1	80363179	1	Wedge, Locking	
1	4460464	2	Pin	
1	4460466	6	Plug	
1	NPN	1	Gasket	
2	1001117026	2	Connector	
2	NPN	2	Wedge, Locking	
2	1001116745	4	Socket	
2	4460458	4	Seal	

SECTION 7 - ELECTRICAL

FIGURE 7-69. LIGHTS - MARKER 3 HARNESS (BODY)



ART_1001216187

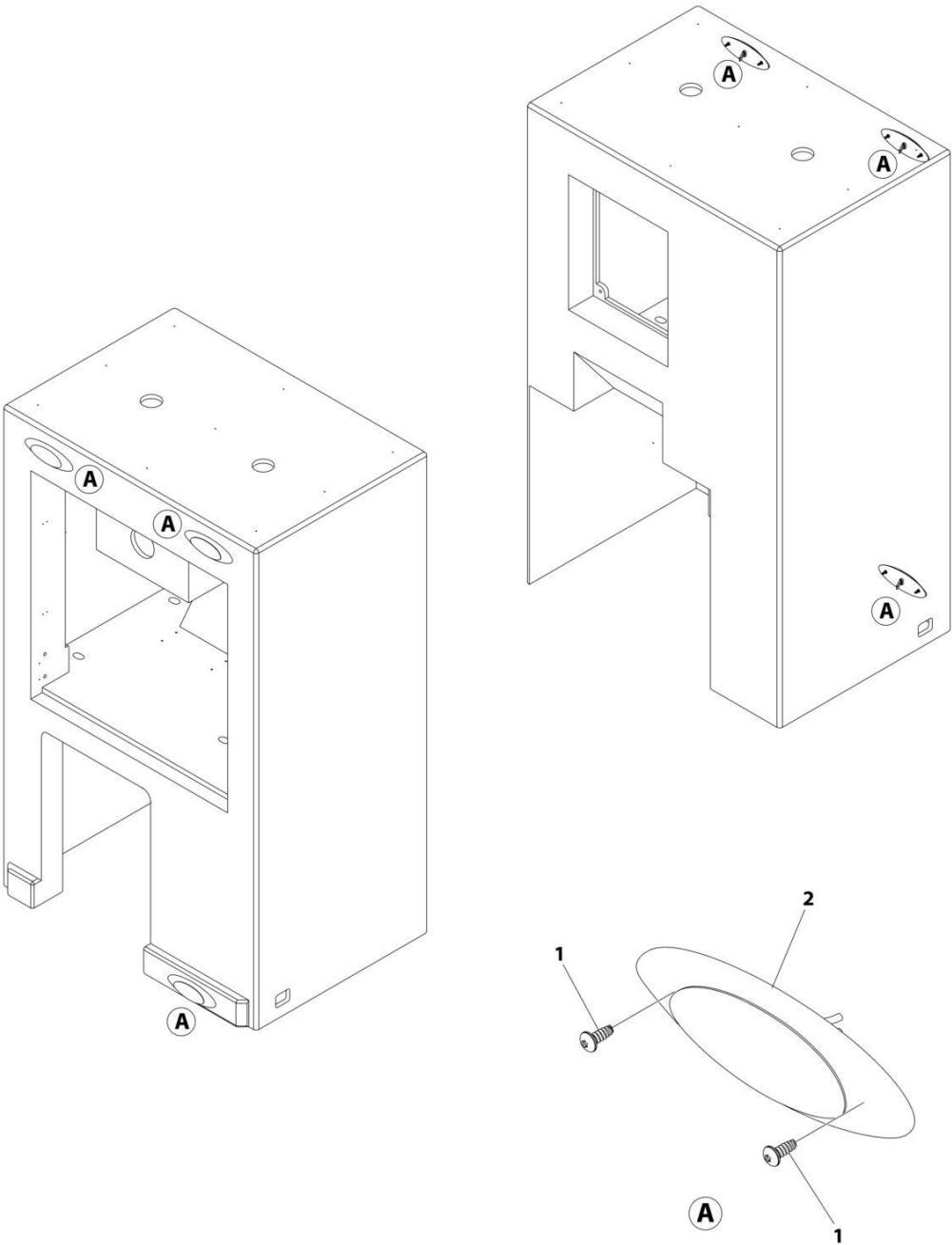
SECTION 7 - ELECTRICAL

FIGURE 7-69. LIGHTS - MARKER 3 HARNESS (BODY)

ITEM	PART NUMBER	QTY	DESCRIPTION	REV
	1001216187	Ref	MARKER LIGHT 3 HARNESS	A
1	4460939	1	Connector	
1	80604024	1	Wedge, Locking	
1	4460464	1	Pin	
1	4460466	6	Plug	
1	NPN	1	Gasket	
2	1001117026	2	Connector	
2	NPN	1	Wedge, Locking	
2	1001116745	4	Socket	
2	4460458	4	Seal	

SECTION 7 - ELECTRICAL

FIGURE 7-70. LIGHTS - MARKER WITH SIDE STABILIZER



ART_1001197898

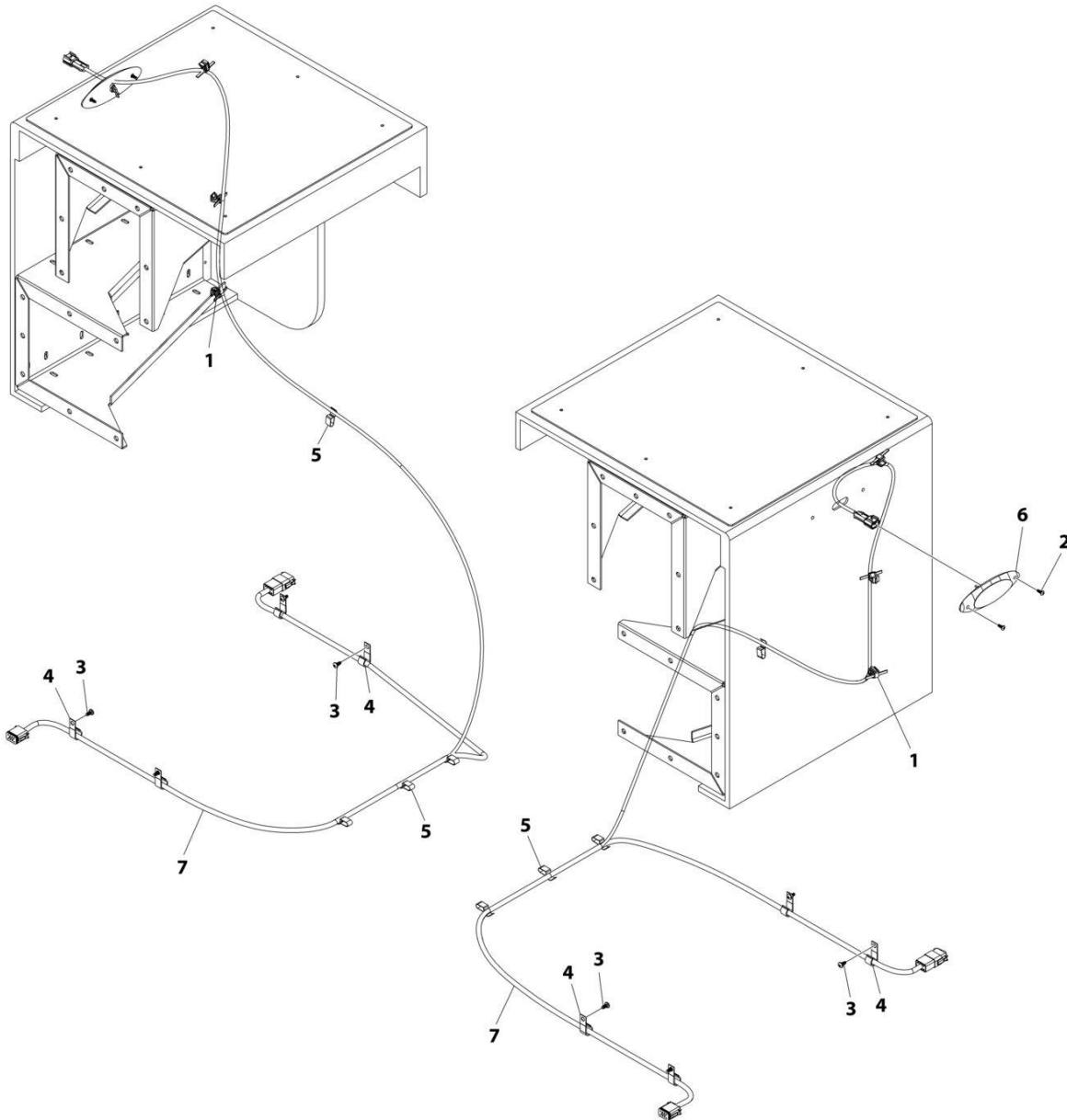
SECTION 7 - ELECTRICAL

FIGURE 7-70. LIGHTS - MARKER WITH SIDE STABILIZER

ITEM	PART NUMBER	QTY	DESCRIPTION	REV
	1001197898	Ref	MARKER LIGHTS INSTALLATION, SRS TOOLBOX	B
1	1001192958	12	Screw #10 x 1/2	
2	7590000262	6	Light	

SECTION 7 - ELECTRICAL

FIGURE 7-71. LIGHTS - MARKER WITH SIDE RECOVERY SYSTEM (SRS) TOOLBOX



ART_1001244297

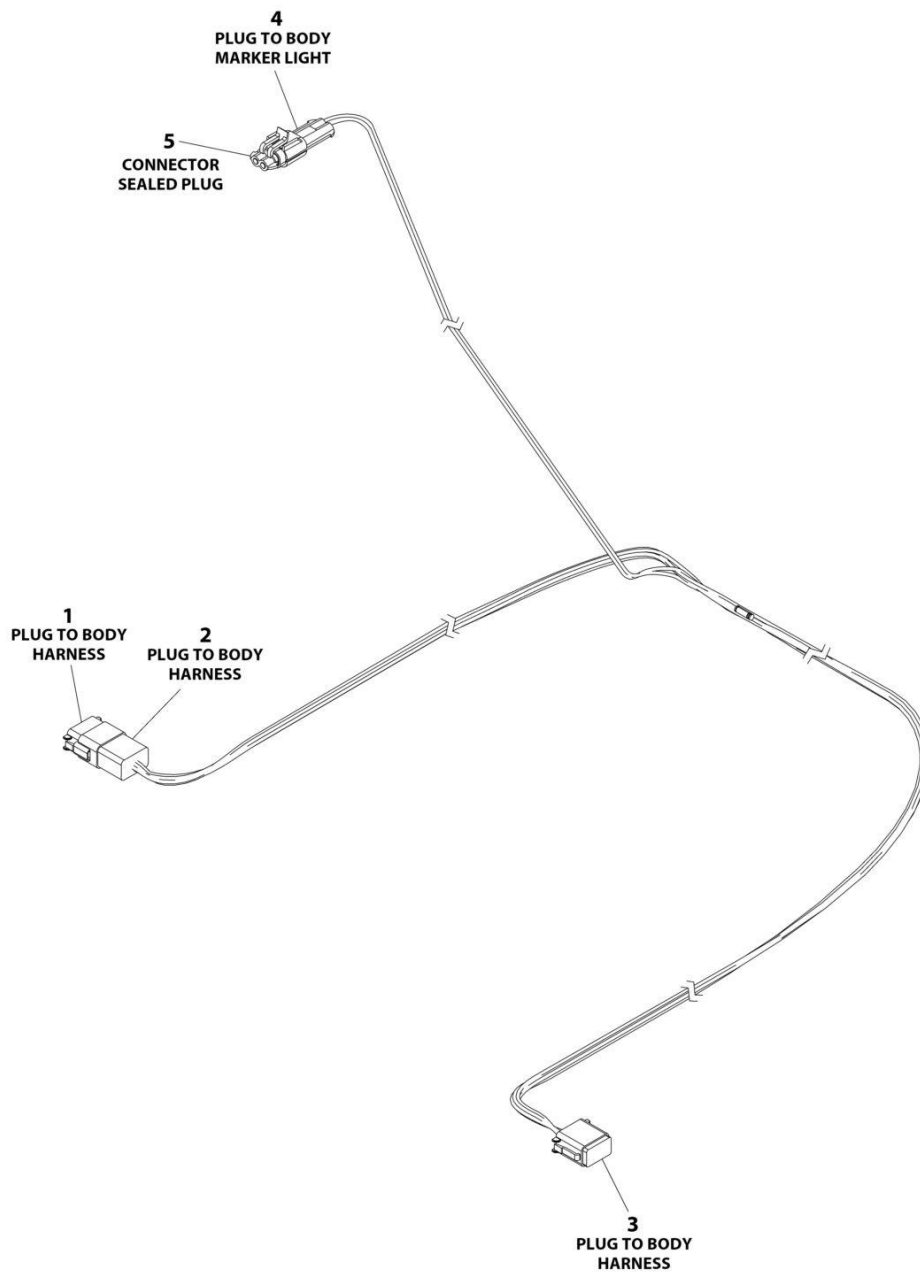
SECTION 7 - ELECTRICAL

FIGURE 7-71. LIGHTS - MARKER WITH SIDE RECOVERY SYSTEM (SRS) TOOLBOX

ITEM	PART NUMBER	QTY	DESCRIPTION	REV
	1001244297	Ref	MARKER LIGHT INSTALLATION	A
1	1001152419	6	Clip (Two Piece)	
2	1001192958	4	Screw #10 x 1/2	
3	1001195257	8	Screw 1/4 x 1/2	
4	7280000006	8	Clip	
5	7280000013	8	Clip	
6	7590000358	2	Light, Marker	
7	1001244216	2	Marker Light Harness - SS70 Filler Panel (See Separate Breakdown in this Section)	

SECTION 7 - ELECTRICAL

FIGURE 7-72. LIGHTS - MARKER LIGHT HARNESS WITH SIDE STABILIZER



ART_1001244216

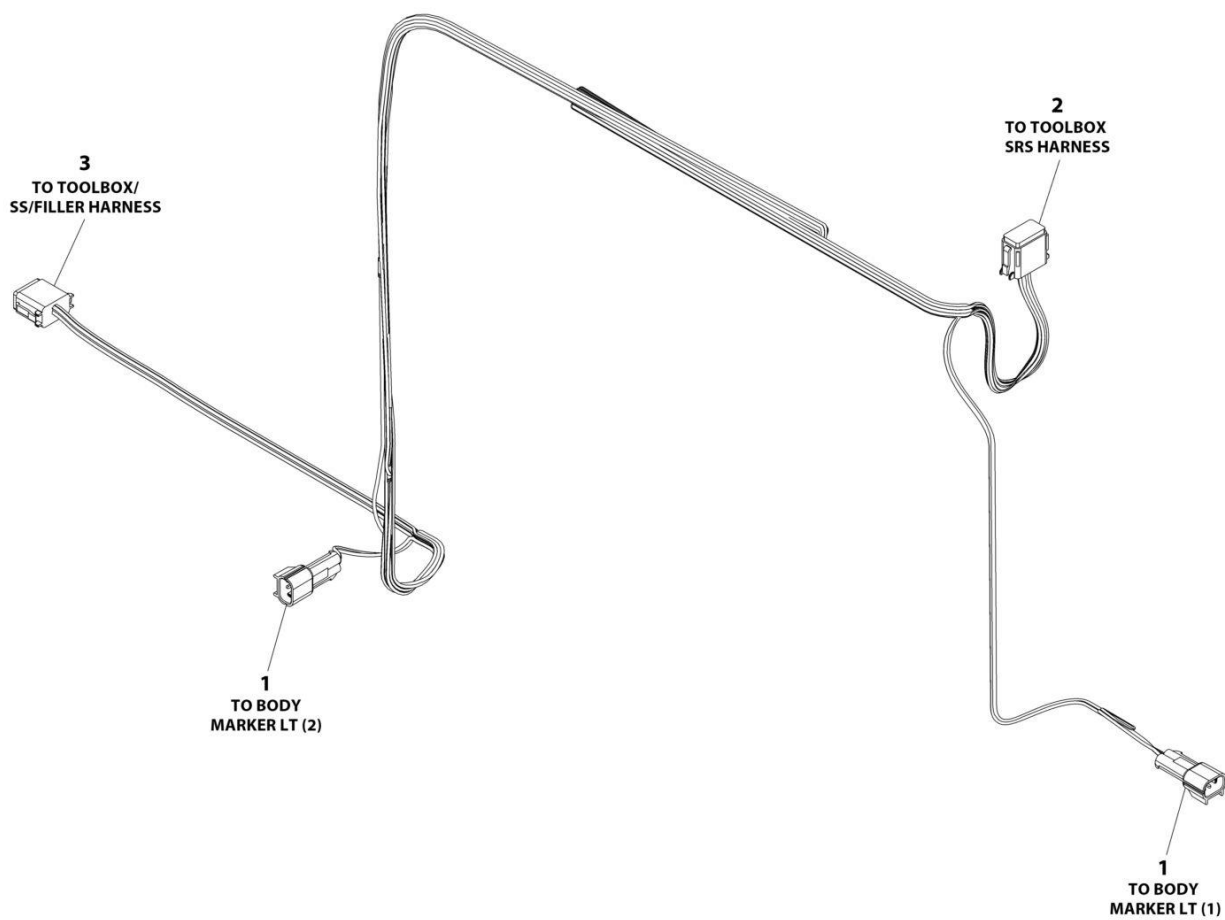
SECTION 7 - ELECTRICAL

FIGURE 7-72. LIGHTS - MARKER LIGHT HARNESS WITH SIDE STABILIZER

ITEM	PART NUMBER	QTY	DESCRIPTION	REV
	1001244216	Ref	LIGHTS - LIGHTING HARNESS (SS-70 NO PANEL)	B
1	4460930	1	Plug, Male - 8 Position	
1	4460466	8	Plug, Terminal	
2	4460931	1	Receptacle, Female - 8 Position	
2	4460464	4	Pin, Male	
2	4460941	2	Pin, Male	
2	4460466	2	Plug, Terminal	
3	4460930	1	Plug, Male - 8 Position	
3	4460465	4	Socket, Female	
3	4460942	2	Socket, Female	
3	4460466	2	Plug, Terminal	
4	NPN	1	Receptacle, Female - 2 Position	
4	NPN	2	Terminal	
5	1001117021	1	Plug, Male	
5	1001116727	2	Terminal	

SECTION 7 - ELECTRICAL

FIGURE 7-73. LIGHTS - SRS TOOLBOX HARNESS - MAIN



ART_1001207276

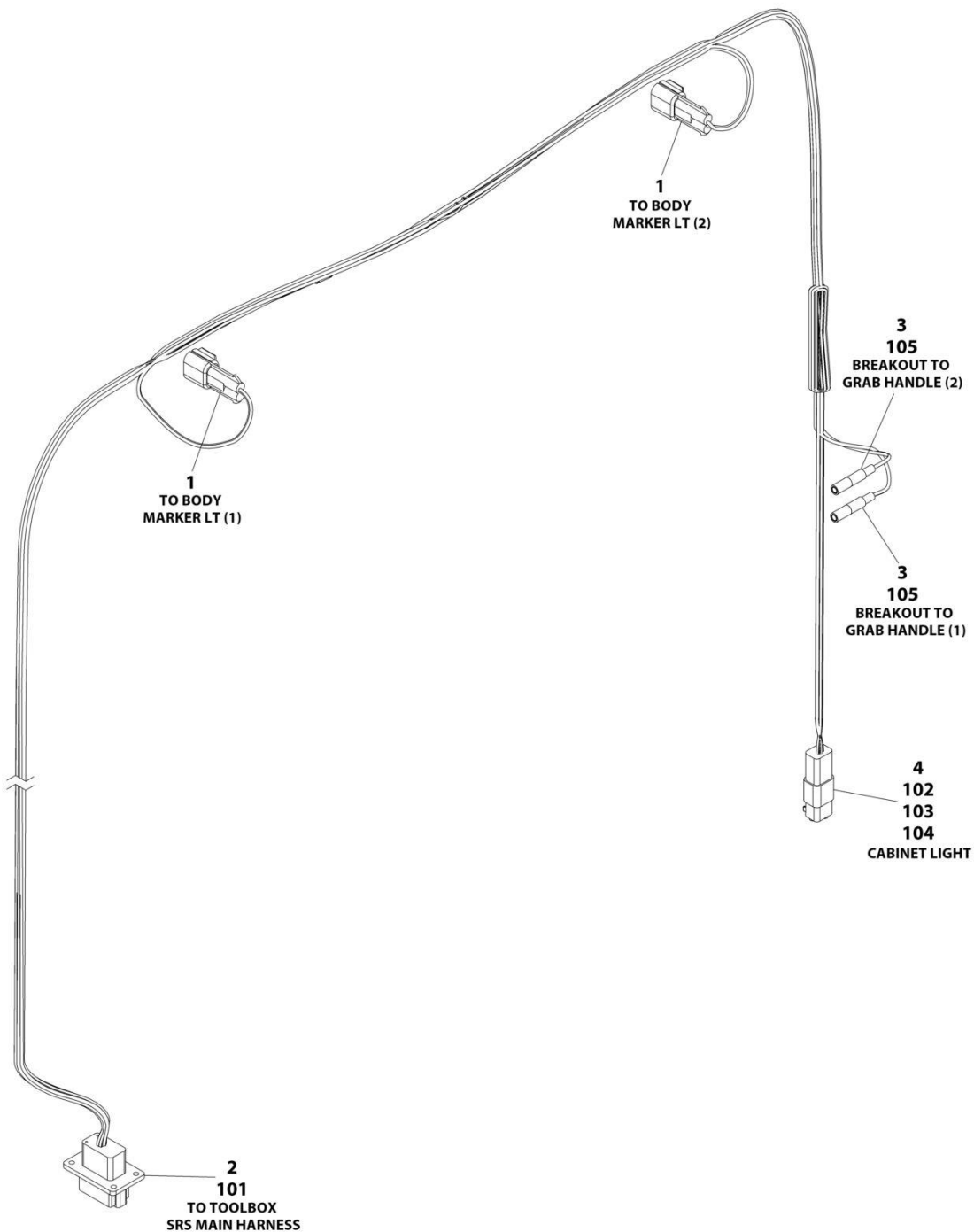
SECTION 7 - ELECTRICAL

FIGURE 7-73. LIGHTS - SRS TOOLBOX HARNESS - MAIN

ITEM	PART NUMBER	QTY	DESCRIPTION	REV
	1001207276	Ref	TOOLBOX HARNESS - MAIN (SRS)	C
1	1001117026	2	Connector 2 Position	
1	1001116745	4	Terminal	
2	4460933	1	Connector 12 Position	
2	4460465	10	Terminal	
2	4460466	2	Plug, Terminal	
3	4460930	1	Connector 8 Position	
3	4460465	4	Terminal	
3	4460942	2	Terminal	
3	4460466	2	Plug, Terminal	

SECTION 7 - ELECTRICAL

FIGURE 7-74. LIGHTS - SRS TOOLBOX HARNESS



ART_1001207277

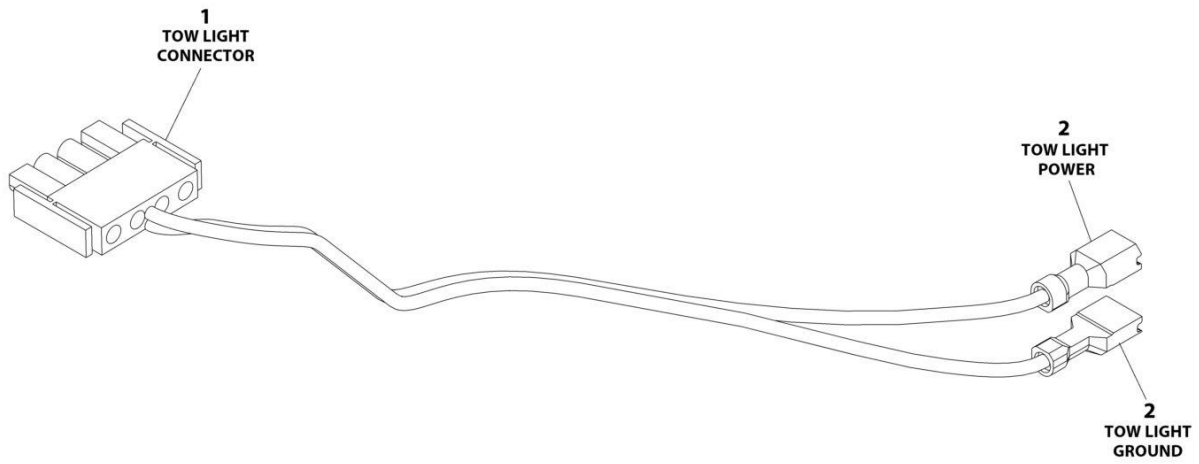
SECTION 7 - ELECTRICAL

FIGURE 7-74. LIGHTS - SRS TOOLBOX HARNESS

ITEM	PART NUMBER	QTY	DESCRIPTION	REV
	1001207277	Ref	TOOLBOX HARNESS (SRS)	C
1	1001117026	2	Connector 2 Position	
1	1001116745	4	Terminal	
2	4460939	1	Connector 12 Position	
2	4460464	6	Terminal	
2	4460466	4	Plug, Terminal	
3	8220068	2	Connector 1 Position	
4	4460932	1	Connector 4 Position	
4	4460464	4	Terminal	
101	4460464	2	Terminal	
102	4460465	4	Terminal	
103	4460466	2	Plug, Terminal	
104	4460884	1	Connector 4 Position	
105	8220080	2	Plug, Terminal	

SECTION 7 - ELECTRICAL

FIGURE 7-75. LIGHTS - TOW LIGHTS HARNESS



ART_1001209031

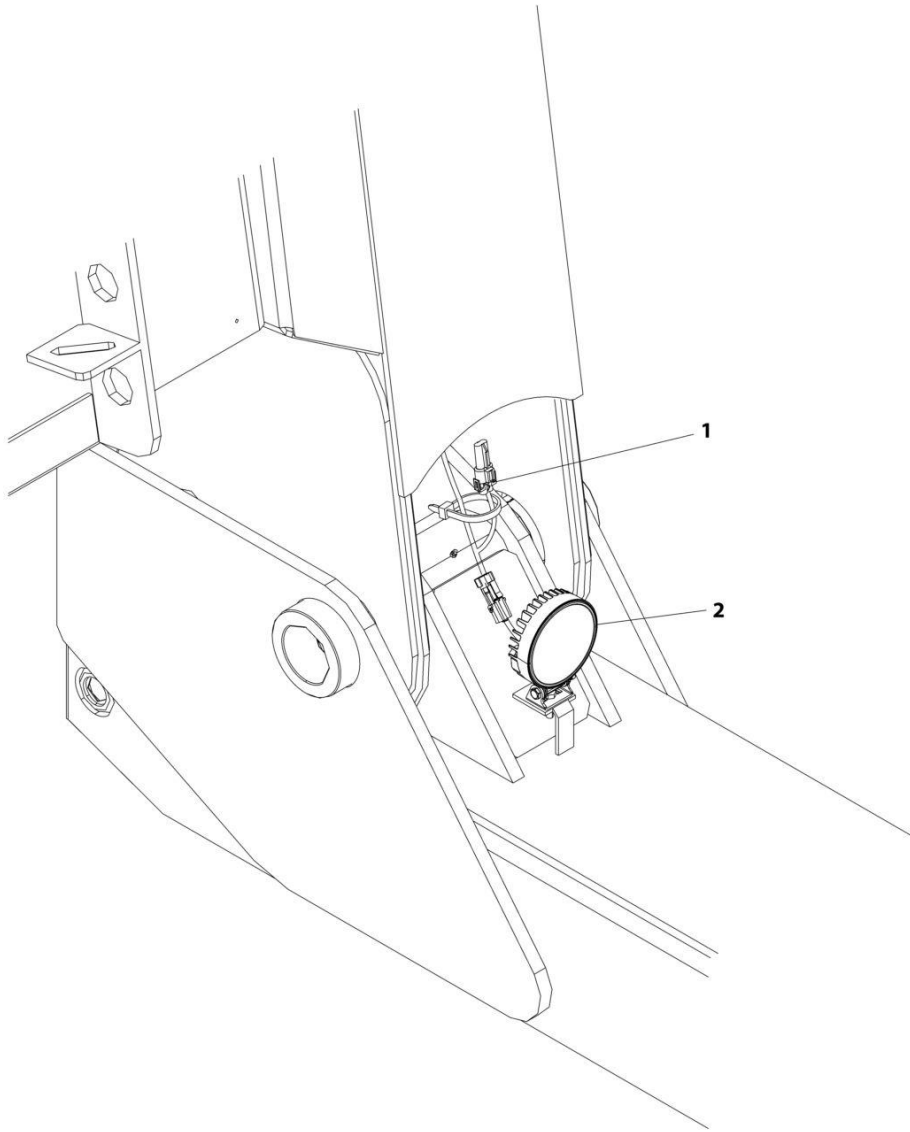
SECTION 7 - ELECTRICAL

FIGURE 7-75. LIGHTS - TOW LIGHTS HARNESS

ITEM	PART NUMBER	QTY	DESCRIPTION	REV
	1001209031	Ref	TOW LIGHT HARNESS	C
1	4460321	1	Connector	
1	4460268	2	Socket	
2	NPN	2	Connector	

SECTION 7 - ELECTRICAL

FIGURE 7-76. LIGHTS - UNDERLIFT LIGHTS INSTALLATION



ART_1001202452

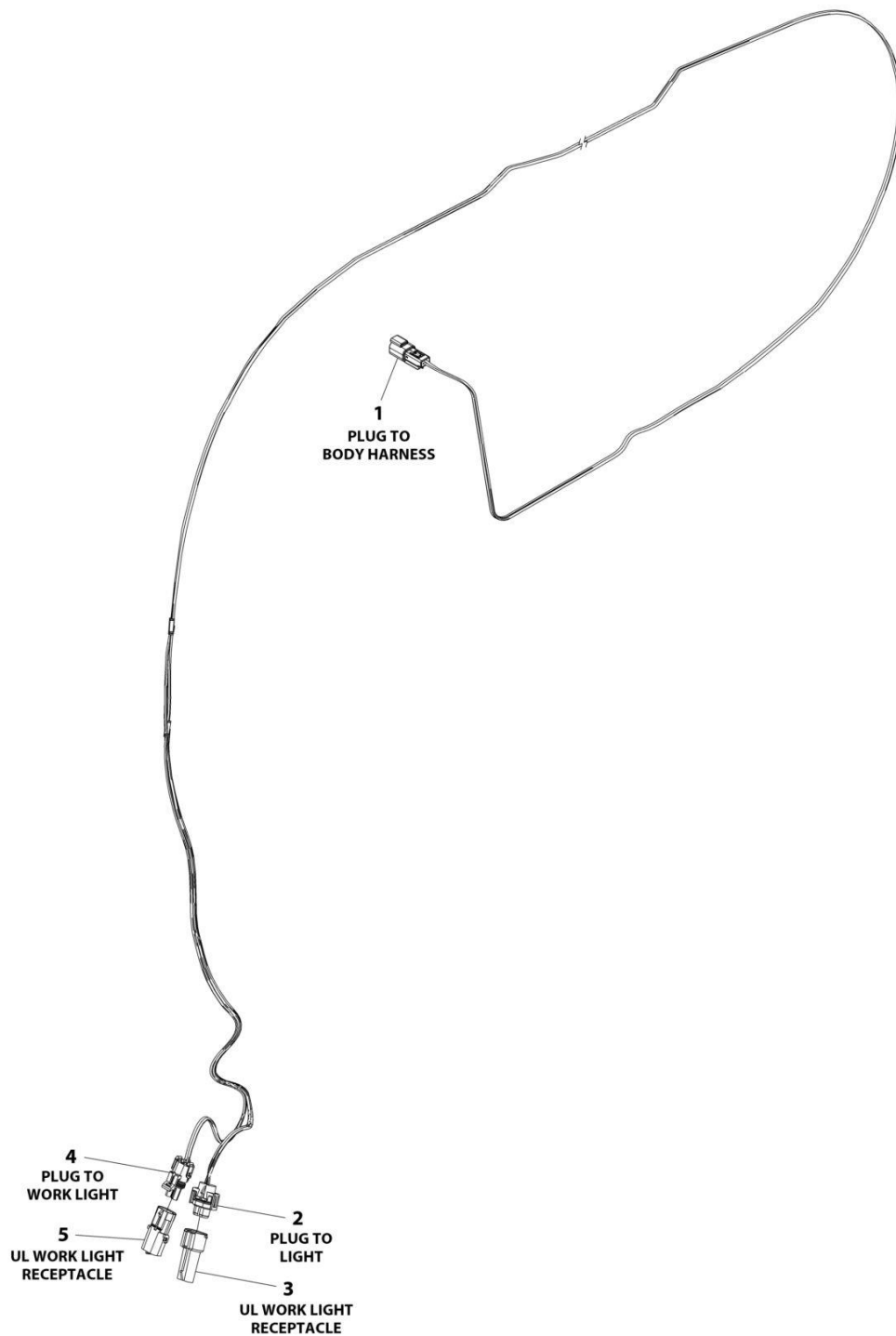
SECTION 7 - ELECTRICAL

FIGURE 7-76. LIGHTS - UNDERLIFT LIGHTS INSTALLATION

ITEM	PART NUMBER	QTY	DESCRIPTION	REV
1	1001202452	Ref	LIGHTS - WORKLIGHT LIGHTS INSTALLATION - UNDERLIFT	D
	1001209033	1	Underlift Worklight Harness (See Separate Breakdown in this Section)	
2	1001202449	1	Lamp (SN 0230004275 through 0230008644)	
2	1001176337	1	Lamp (SN 0230008644 through 0230009234)	
2	1001273634	1	Lamp (SN 0230009235 to Present)	
3	7894000004	40	Tie-Strap (Not Shown)	

SECTION 7 - ELECTRICAL

FIGURE 7-77. LIGHTS - UNDERLIFT LIGHTS HARNESS



ART_1001209033

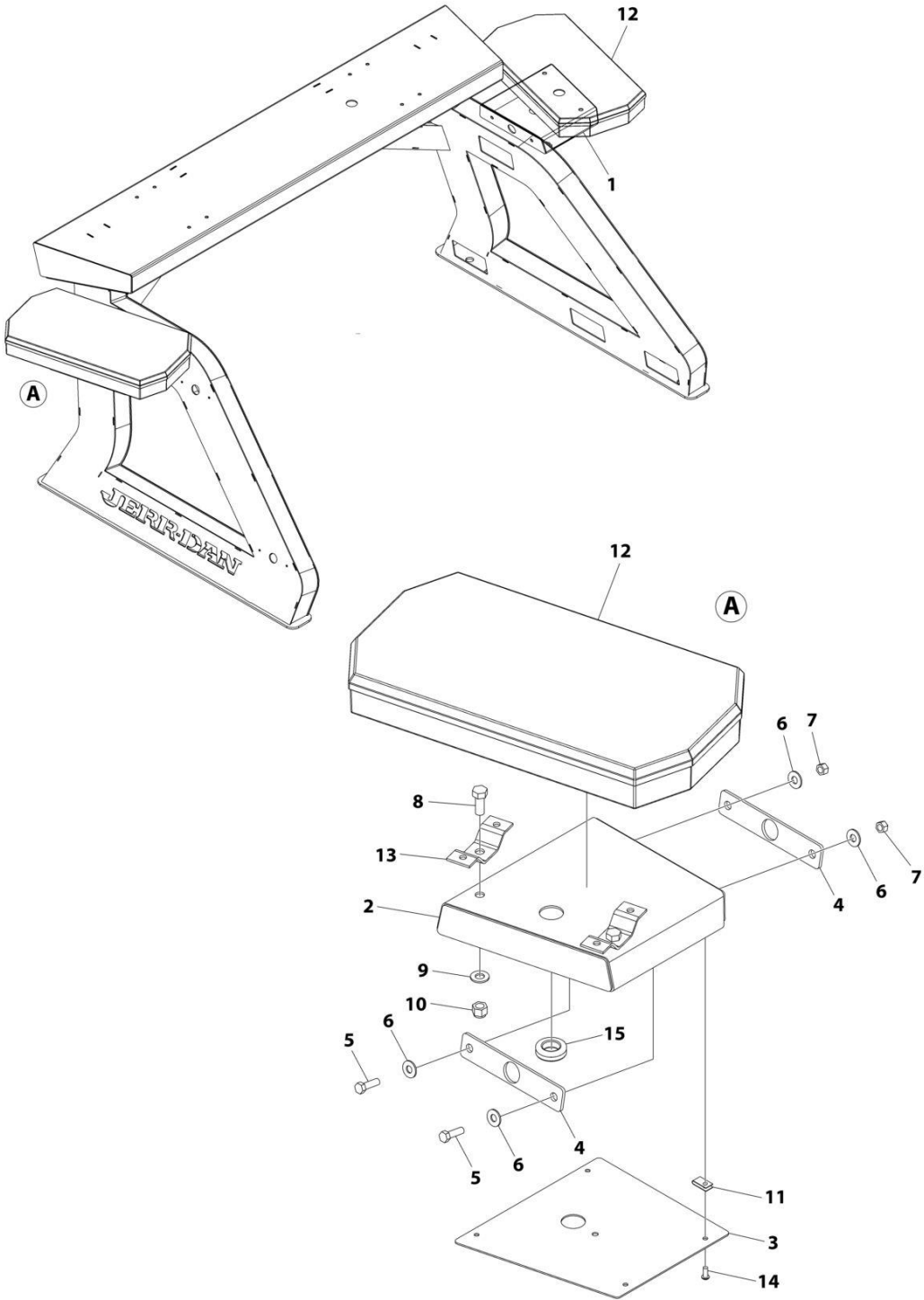
SECTION 7 - ELECTRICAL

FIGURE 7-77. LIGHTS - UNDERLIFT LIGHTS HARNESS

ITEM	PART NUMBER	QTY	DESCRIPTION	REV
	1001209033	Ref	WORKLIGHT LIGHTS HARNESS - UNDERLIFT	C
1	4460897	1	Receptacle, Female - 2 Position	
1	4460464	2	Pin, Male	
2	NPN	1	Plug, Male 2 Position	
2	4460746	2	Terminal	
2	1001190037	2	Seal	
3	NPN	1	Receptacle, Female - 2 Position	
3	1001116727	2	Plug, Terminal	
4	4460742	1	Plug, Male 2 Position	
4	4460457	2	Socket, Female	
4	4460458	2	Seal	
5	4461157	2	Receptacle, Female - 2 Position	
5	1001116727	2	Plug, Terminal	

SECTION 7 - ELECTRICAL

FIGURE 7-78. LIGHTS - WING LIGHTS INSTALLATION (ECCO) (SN 0230004275 through 0230005219)



ART_1001214379

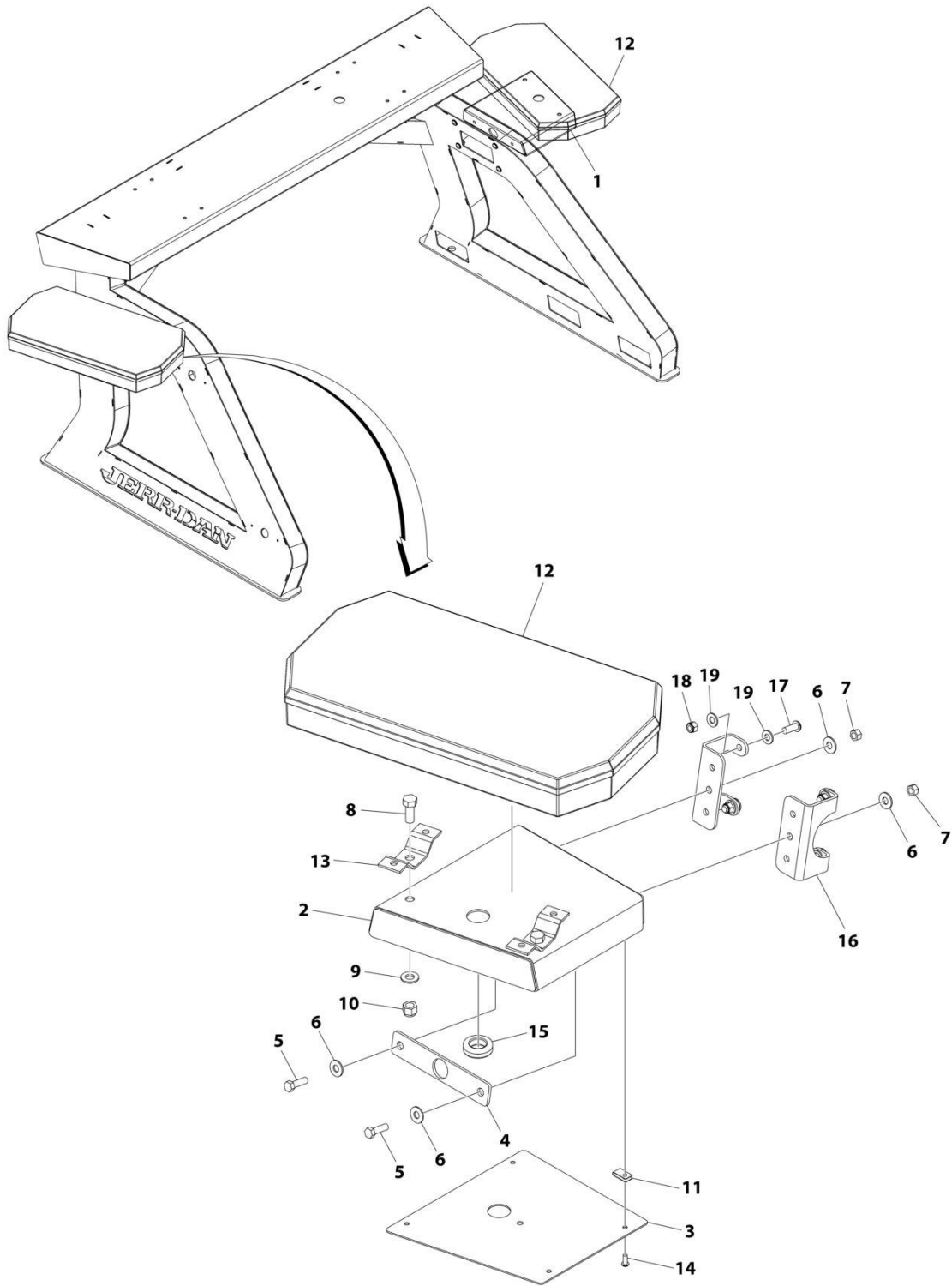
SECTION 7 - ELECTRICAL

FIGURE 7-78. LIGHTS - WING LIGHTS INSTALLATION (ECCO) (SN 0230004275 through 0230005219)

ITEM	PART NUMBER	QTY	DESCRIPTION	REV
	1001214379	Ref	LIGHTS - WING LIGHTS INSTALLATION - 22IN AMBER (ECCO BRAND)	C
1	1001213104	1	Mount, RH	
2	1001213105	1	Mount, LH	
3	1001213110	2	Plate	
4	1001214129	4	Plate	
5	0641610	4	Bolt 3/8 x 1-1/4	
6	4751600	8	Washer 3/8	
7	3271605	4	Nut 3/8	
8	0641810	4	Bolt 1/2 x 1-1/4	
9	4711800	4	Washer 1/2	
10	7660182601	4	Nut 1/2	
11	7661000019	8	U-Nut 1/4	
12	1001133591	2	Wing Lightbar Assembly (See Separate Breakdown in this Section)	
13	4178000402	4	Bracket	
14	7114140518	8	Screw 1/4 x 5/8	
15	7493000011	2	Grommet	

SECTION 7 - ELECTRICAL

FIGURE 7-79. LIGHTS - WING LIGHTS INSTALLATION (ECCO) (SN 0230005220 to Present)



ART_1001228842

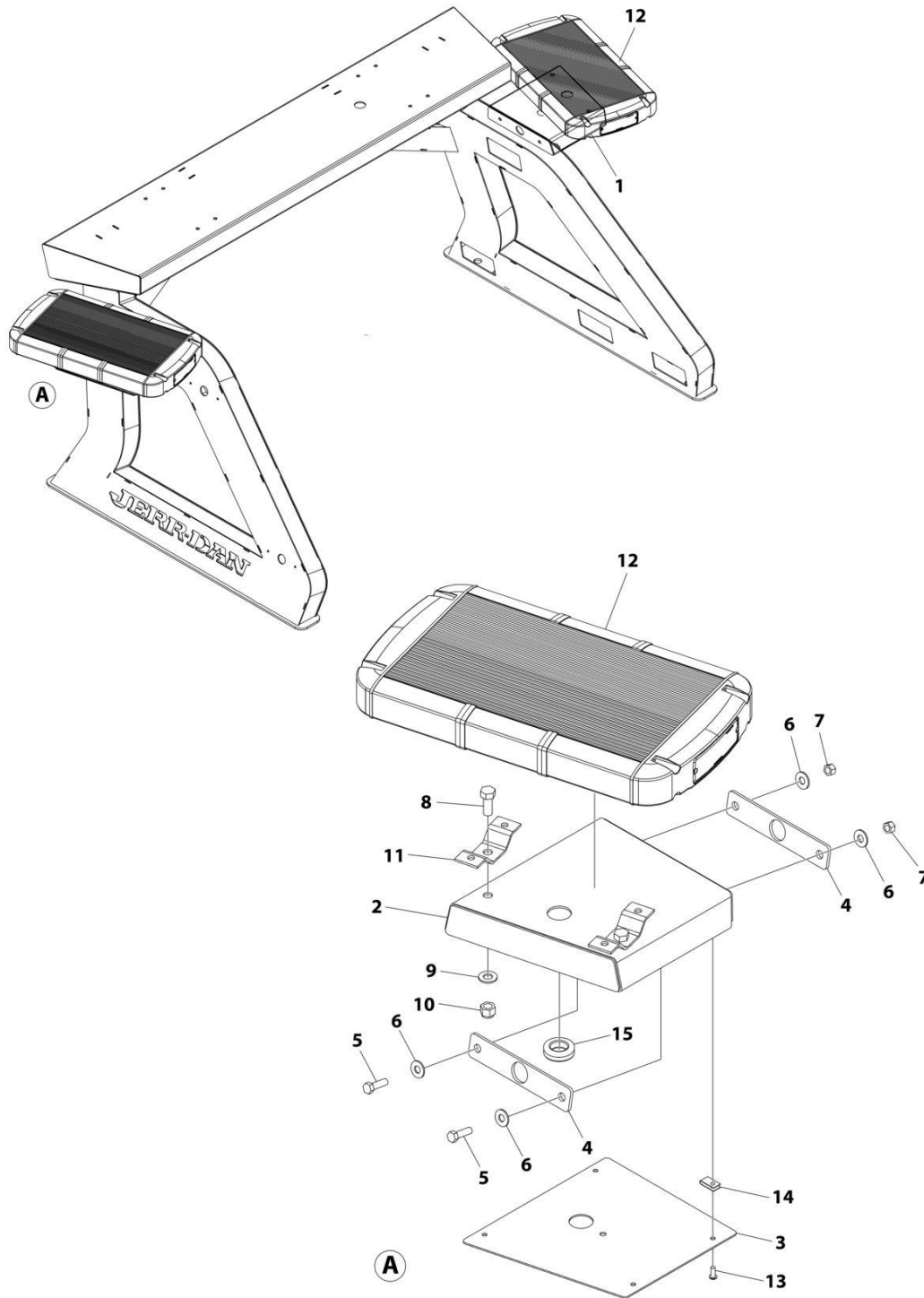
SECTION 7 - ELECTRICAL

FIGURE 7-79. LIGHTS - WING LIGHTS INSTALLATION (ECCO) (SN 0230005220 to Present)

ITEM	PART NUMBER	QTY	DESCRIPTION	REV
	1001228842	Ref	LIGHTS - WING LIGHT AMBER CODE3, 22IN	A
1	1001228844	1	Mount, RH	
2	1001228845	1	Mount, LH	
3	1001213110	2	Plate	
4	1001214129	2	Plate	
5	0641610	4	Capscrew 3/8 x 1-1/4	
6	4751600	8	Washer 3/8	
7	3271605	4	Nut 3/8	
8	0641810	4	Capscrew 1/2 x 1-1/4	
9	4711800	4	Washer 1/2	
10	7660182601	4	Nut 1/2	
11	7661000019	8	U-Nut 1/4	
12	1001133591	2	Light, Amber (See Separate Breakdown in this Section)	
13	4178000402	4	Bracket	
14	7114140518	8	Screw 1/4 5/8	
15	7493000011	2	Grommet	
16	1001228828	4	Gusset, Support	
17	7114160818	8	Screw 3/8 x 1	
18	7660162601	8	Nut 3/8	
19	7950160143	16	Washer 3/8	

SECTION 7 - ELECTRICAL

FIGURE 7-80. LIGHTS - WING LIGHTS INSTALLATION (WHELEN) (SN 0230004275 through 0230005219)



ART_1001214380

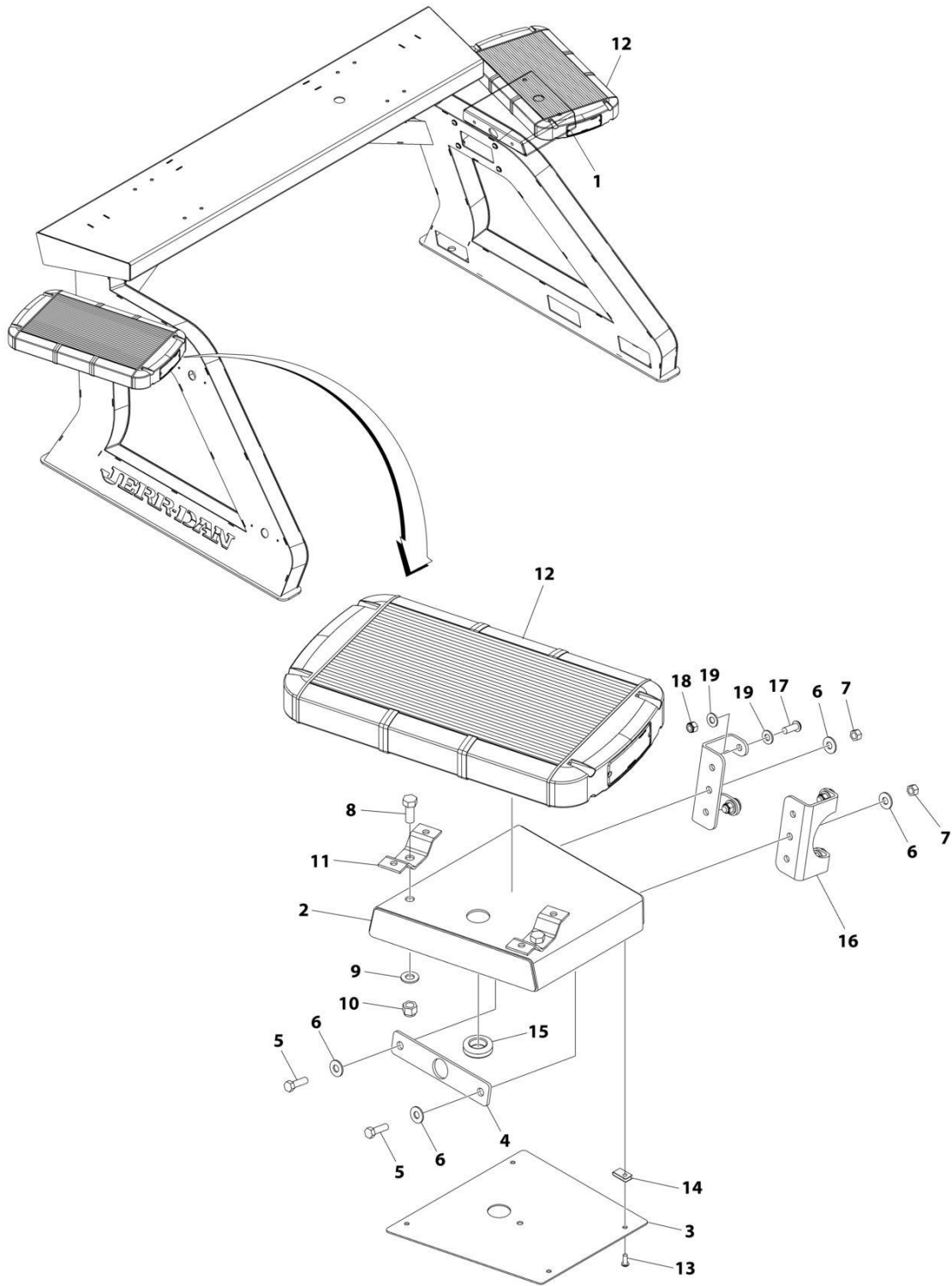
SECTION 7 - ELECTRICAL

FIGURE 7-80. LIGHTS - WING LIGHTS INSTALLATION (WHELEN) (SN 0230004275 through 0230005219)

ITEM	PART NUMBER	QTY	DESCRIPTION	REV
	1001214380	Ref	LIGHTS - WING LIGHTS INSTALLATION - 22IN AMBER	D
1	1001213104	1	Mount, RH	
2	1001213105	1	Mount, LH	
3	1001213110	2	Plate	
4	1001214129	4	Plate	
5	0641610	4	Bolt 3/8 x 1-1/4	
6	4751600	8	Washer 3/8	
7	3271605	4	Nut 3/8	
8	0641810	4	Bolt 1/2 x 1-1/4	
9	4711800	4	Washer 1/2	
10	7660182601	4	Nut 1/2	
11	4178000402	4	Bracket	
12	1001199478	2	Wing Lightbar Assembly (See Separate Breakdown in this Section)	
13	7114160818	8	Screw 1/4 x 5/8	
14	7661000019	8	U-Nut 1/4	
15	7493000011	2	Grommet	

SECTION 7 - ELECTRICAL

FIGURE 7-81. LIGHTS - WING LIGHTS INSTALLATION (WHELEN) (SN 0230005220 to Present)



ART_1001228843

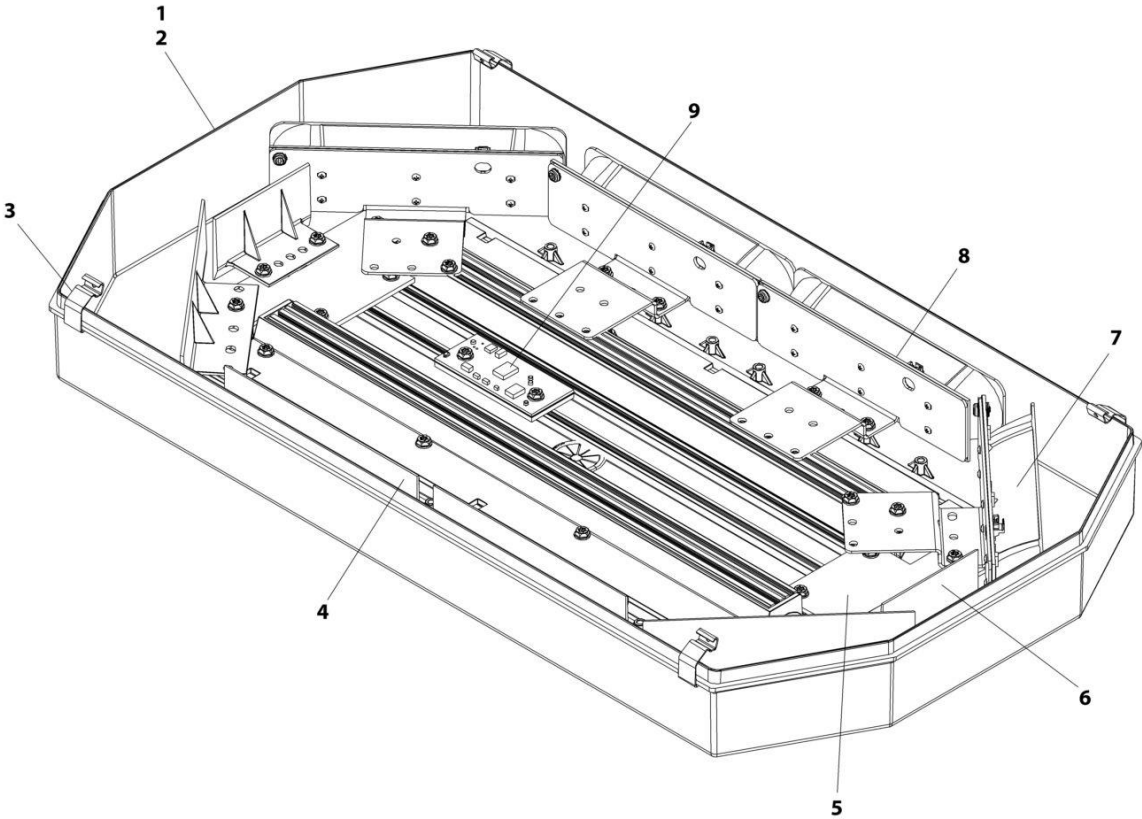
SECTION 7 - ELECTRICAL

FIGURE 7-81. LIGHTS - WING LIGHTS INSTALLATION (WHELEN) (SN 0230005220 to Present)

ITEM	PART NUMBER	QTY	DESCRIPTION	REV
	1001228843	Ref	LIGHTS - WING LIGHT AMBER WHELEN, 22IN	A
1	1001228844	1	Mount, RH	
2	1001228845	1	Mount, LH	
3	1001213110	2	Plate	
4	1001214129	2	Plate	
5	0641610	4	Capscrew 3/8 x 1-1/4	
6	4751600	8	Washer 3/8	
7	3271605	4	Nut 3/8	
8	0641810	4	Capscrew 1/2 x 1-1/4	
9	4711800	4	Washer 1/2	
10	7660182601	4	Nut 1/2	
11	4178000402	4	Bracket	
12	1001199478	2	Whelen Light Bar (See Separate Breakdown in this Section)	
13	7114140518	8	Screw 1/4 5/8	
14	7661000019	8	U-Nut 1/4	
15	7493000011	2	Grommet	
16	1001228828	4	Gusset, Support	
17	7114160818	4	Screw 3/8 x 1	
18	7660162601	8	Nut 3/8	
19	7950160143	16	Washer 3/8	

SECTION 7 - ELECTRICAL

FIGURE 7-82. LIGHTS - WING LIGHT ASSEMBLY - 22IN AMBER (ECCO)



ART_1001133591

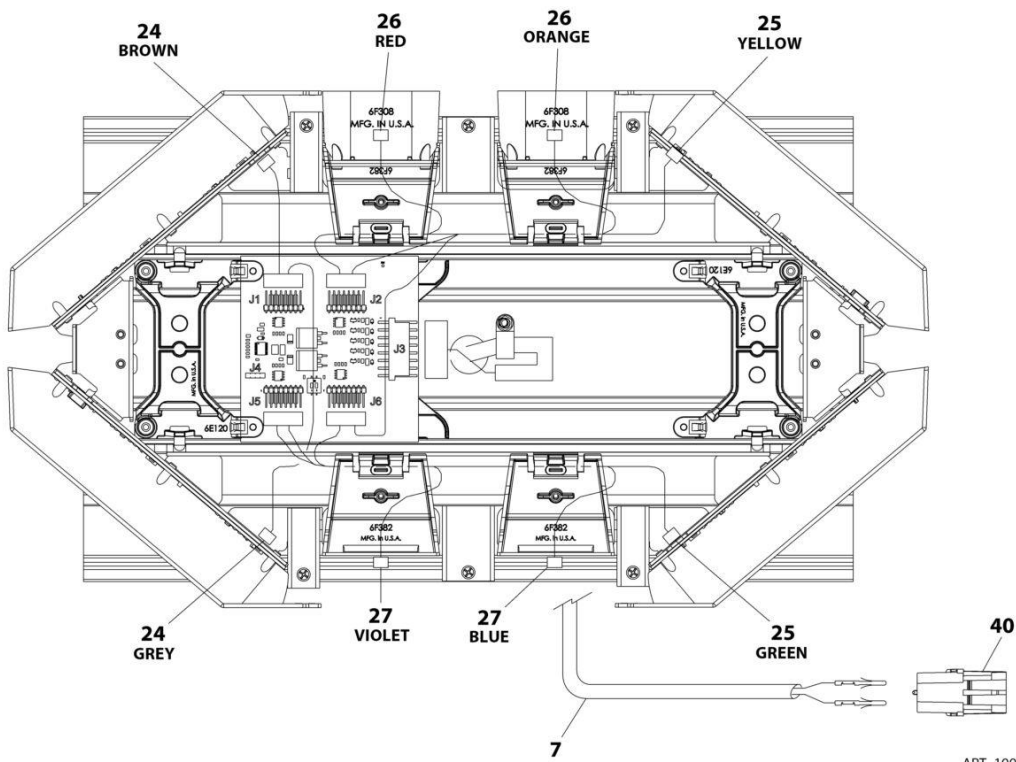
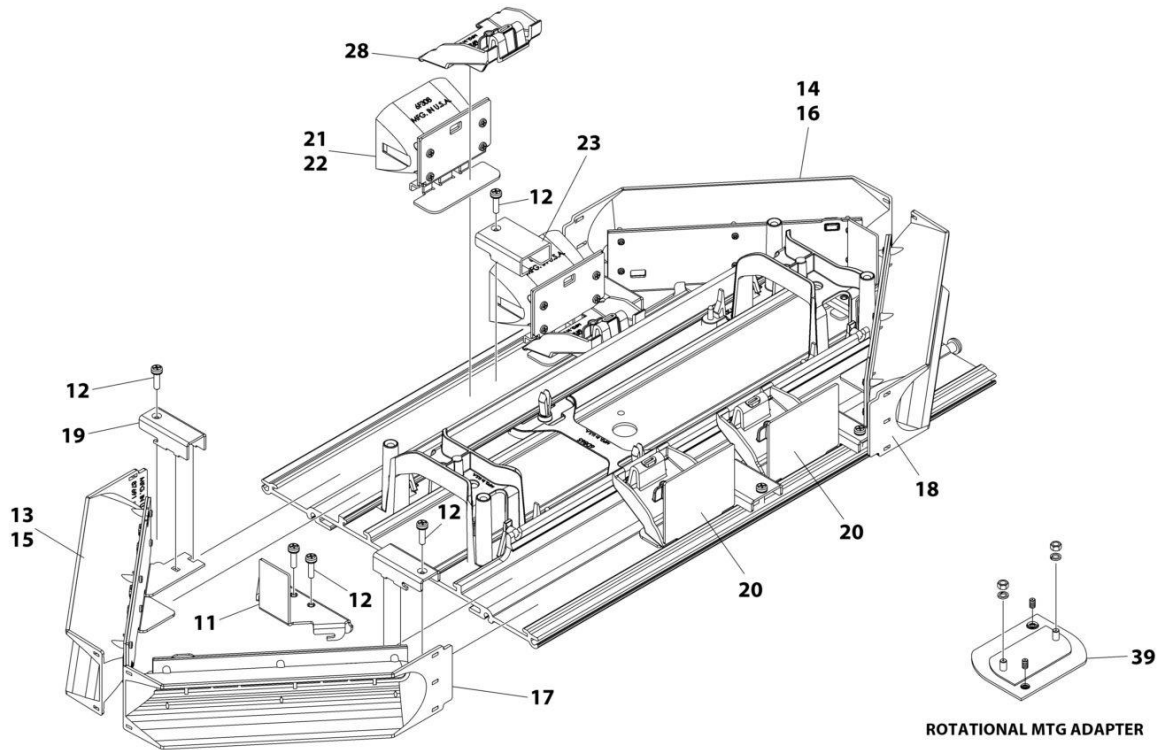
SECTION 7 - ELECTRICAL

FIGURE 7-82. LIGHTS - WING LIGHT ASSEMBLY - 22IN AMBER (ECCO)

ITEM	PART NUMBER	QTY	DESCRIPTION	REV
	1001133591	Ref	LIGHTS - WING LIGHT ASSEMBLY - 22IN AMBER (ECCO BRAND)	C
1	NPN	1	Lens - Clear (Lower)	
2	NPN	1	Lens - Clear (Upper)	
3	70052802	4	Clip	
4	NPN	4	Bracket, Blanking	
5	NPN	2	Plate, Adapter	
6	70052796	1	Bracket, Blanking	
7	70052795	2	Module and Bracket - Amber (Corner)	
8	70052898	2	Module and Bracket - Amber (Side)	
9	NPN	1	Flasher (Control PC Board)	
10	NPN	1	Harness (Not Shown)	

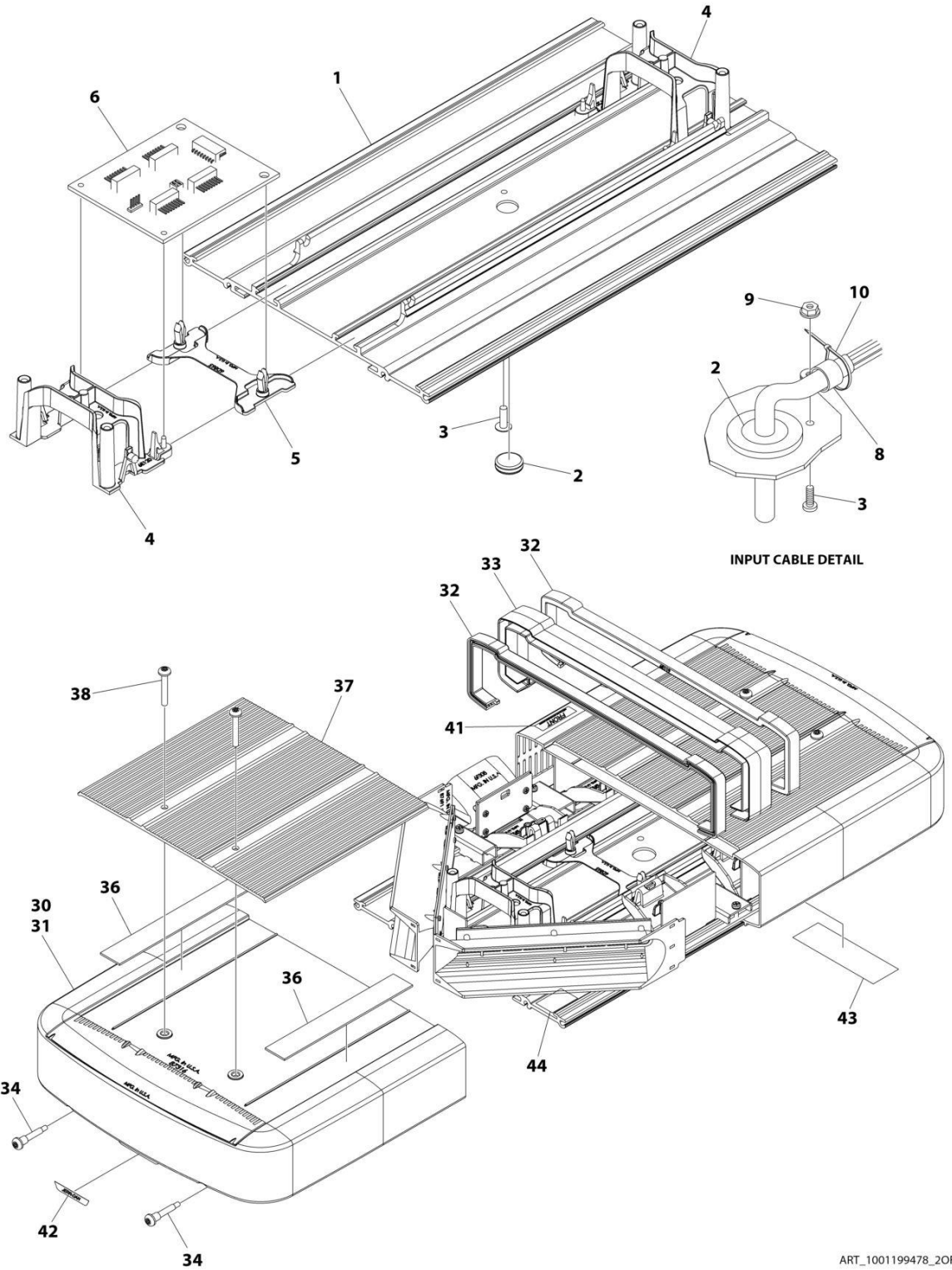
SECTION 7 - ELECTRICAL

FIGURE 7-83. LIGHTS - WING LIGHT ASSEMBLY - 22IN AMBER (WHELEN)



ART_1001199478_1OF2

SECTION 7 - ELECTRICAL



ART_1001199478_20F2

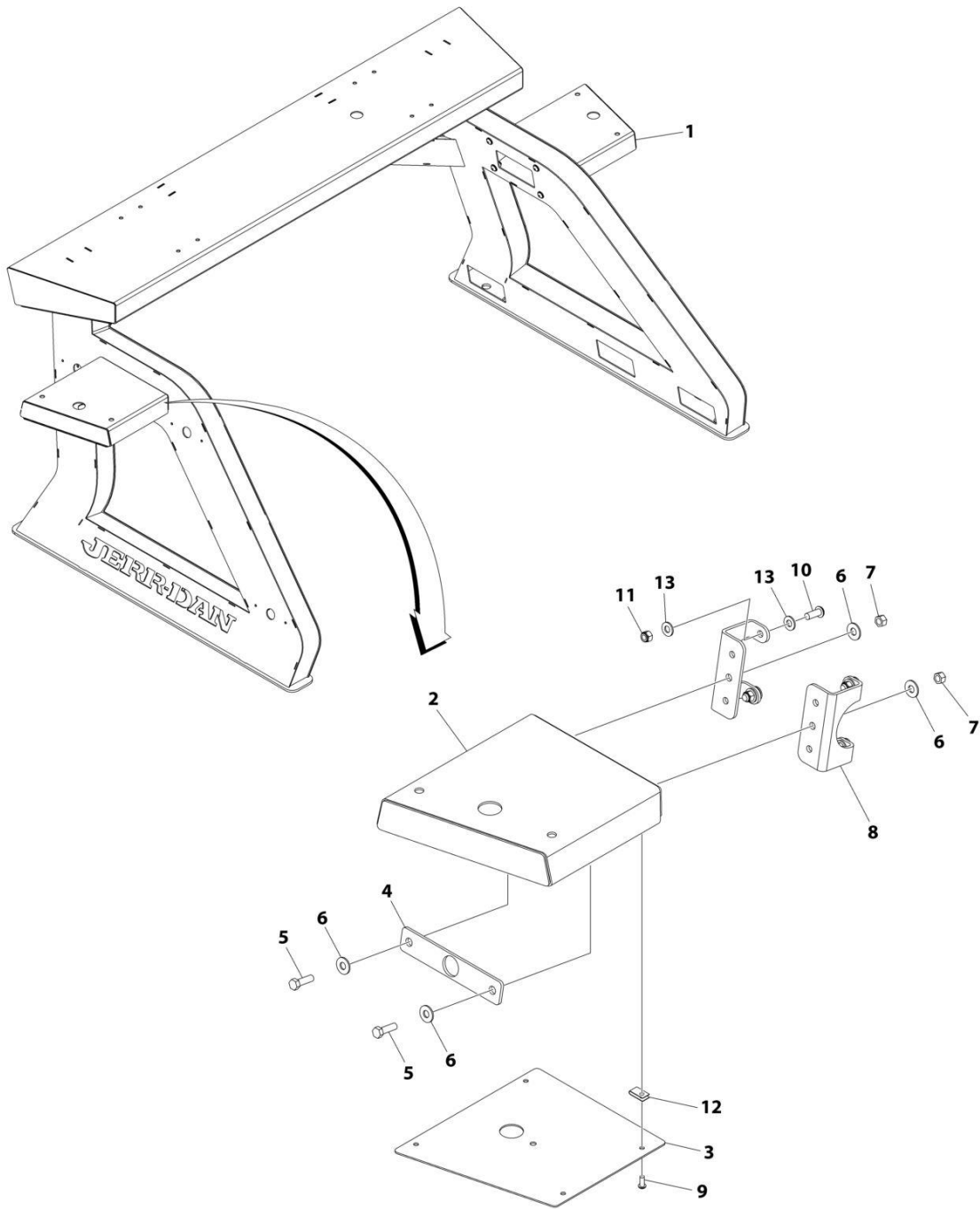
SECTION 7 - ELECTRICAL

FIGURE 7-83. LIGHTS - WING LIGHT ASSEMBLY - 22IN AMBER (WHELEN)

ITEM	PART NUMBER	QTY	DESCRIPTION	REV
	1001199478	Ref	LIGHTS - LAMP ASSEMBLY - 22IN WHELEN WING LIGHT	B
1	70051019	1	Base	
2	70050169	1	Grommet	
3	70051020	1	Screw #10 x 7/8	
4	70051021	2	Bracket, Bulkhead Lens Mount	
5	70051022	1	Bracket, I/O Anchor	
6	70051023	1	Assembly, I/O BD Mini	
7	70051024	1	Assembly, Cable	
8	70051025	1	Clamp, Cable	
9	70050174	1	Nut #10	
10	70051026	AR	Tie Wrap	
11	70051027	2	Bracket, End Clamp	
12	70051028	10	Screw #6 x 1/2	
13	70051029	1	Assy, Corner L-Front/R-Rear Amber	
14	70051030	1	Assy, Corner L-Rear/R-Front Amber	
15	70051031	1	Assy, Corner L-Front/R-Rear Blue	
16	70051032	1	Assy, Corner L-Rear/R-Front Blue	
17	70051033	1	Assembly, Blank Rear Drvr Corner	
18	70051034	1	Assembly, Blank Rear Pass Corner	
19	70051035	4	Bracket, Corner Clamp	
20	70051036	2	Bracket, Half Filler	
21	70051037	2	Sub Assy, Short Directional Amber	
22	70051038	2	Sub Assy, Short Directional Blue	
23	70051039	2	Bracket, Filler	
24	70051040	1	Assembly, Harness	
25	70051041	1	Assembly, Harness	
26	70051042	1	Assembly, Harness	
27	70051043	1	Assembly, Harness	
28	70051044	4	Bracket, Snap-In	
29	70051045	AR	Tie Wrap (Not Shown)	
30	70051046	2	Sub Assy, Cut Dome Clear	
31	70051047	2	Sub Assy, Cut Dome Blue	
32	70051048	2	Seal, Lens Divider	
33	70051049	1	Divider, Lens	
34	70051050	4	Screw #10 x 1-1/4	
36	70051051	4	Tape, VHB Endcap Trim Mount	
37	70051052	2	Cover	
38	70051053	4	Screw #10 x 7/8	
39	70050204	2	Kit, Rotational MTG Adapter Jerr-Dan	
40	70051054	1	Housing, 2 POS Male Weather-Pack Sealed	
41	70051055	1	Label, "Front" Lightbar Assys	
42	70051056	2	Label, Jerr-Dan Liberty II	
43	70050207	1	Label, MN/SN Jerr-Dan Lightbar	
44	70051057	1	Label, Serial Number Liberty II Series	

SECTION 7 - ELECTRICAL

FIGURE 7-84. LIGHTS - WING LIGHTS MOUNT ONLY INSTALLATION (SN 0230005220 to Present)



ART_1001228841

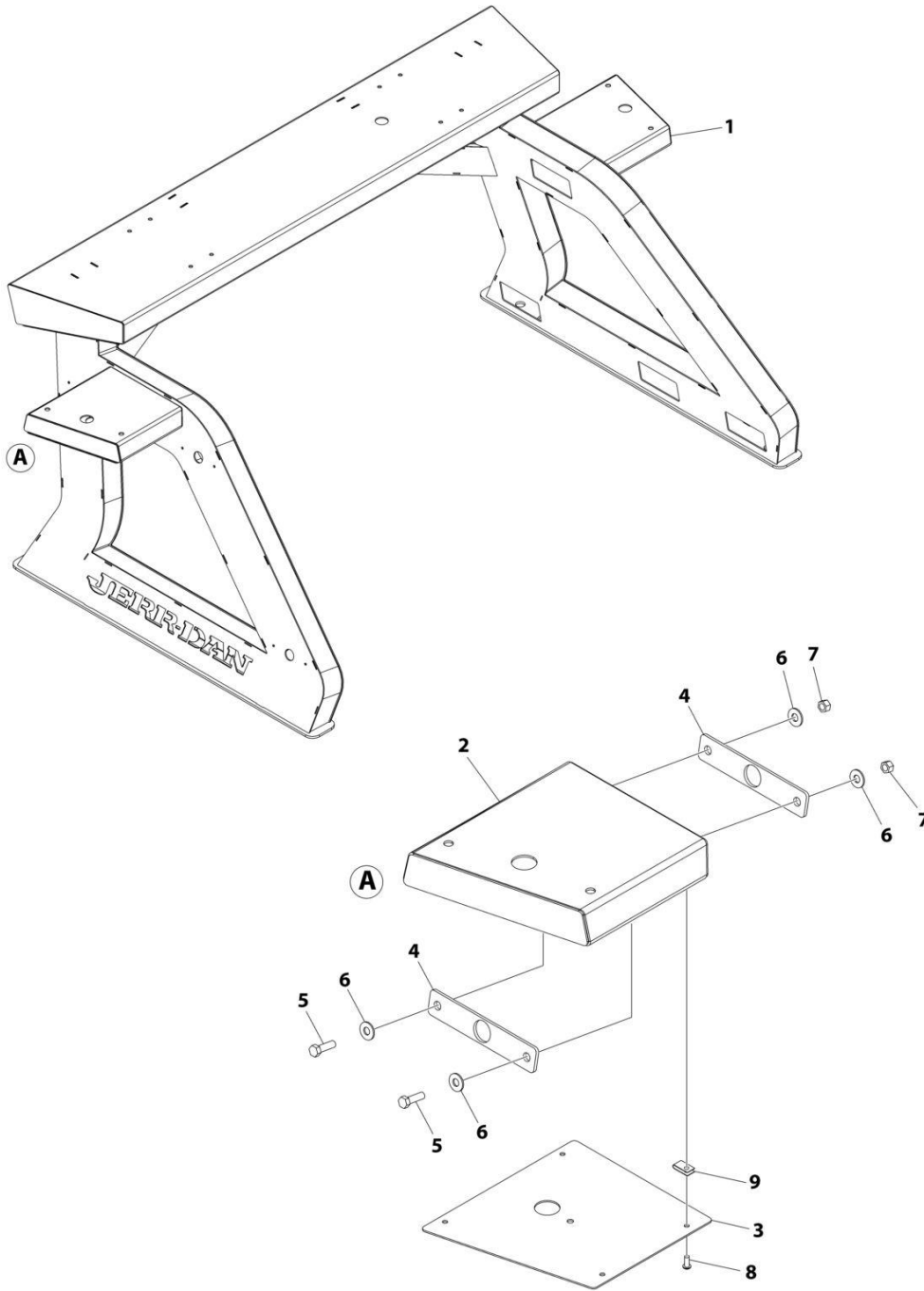
SECTION 7 - ELECTRICAL

FIGURE 7-84. LIGHTS - WING LIGHTS MOUNT ONLY INSTALLATION (SN 0230005220 to Present)

ITEM	PART NUMBER	QTY	DESCRIPTION	REV
	1001228841	Ref	Wing Light Bracket Installation	A
1	1001228844	1	Mount, RH	
2	1001228845	1	Mount, LH	
3	1001213110	2	Plate	
4	1001214129	2	Plate	
5	0641610	4	Capscrew 3/8 x 1-1/4	
6	4751600	8	Washer 3/8	
7	3271605	4	Nut 3/8	
8	1001228828	4	Gusset, Support	
9	7114140518	8	Screw 1/4 5/8	
10	7114160818	8	Screw 3/8 x 1	
11	7660162601	8	Nut 3/8	
12	7661000019	8	U-Nut 1/4	
13	7950160143	16	Washer 3/8	

SECTION 7 - ELECTRICAL

FIGURE 7-85. LIGHTS - WING LIGHTS MOUNT ONLY INSTALLATION



ART_1001214318

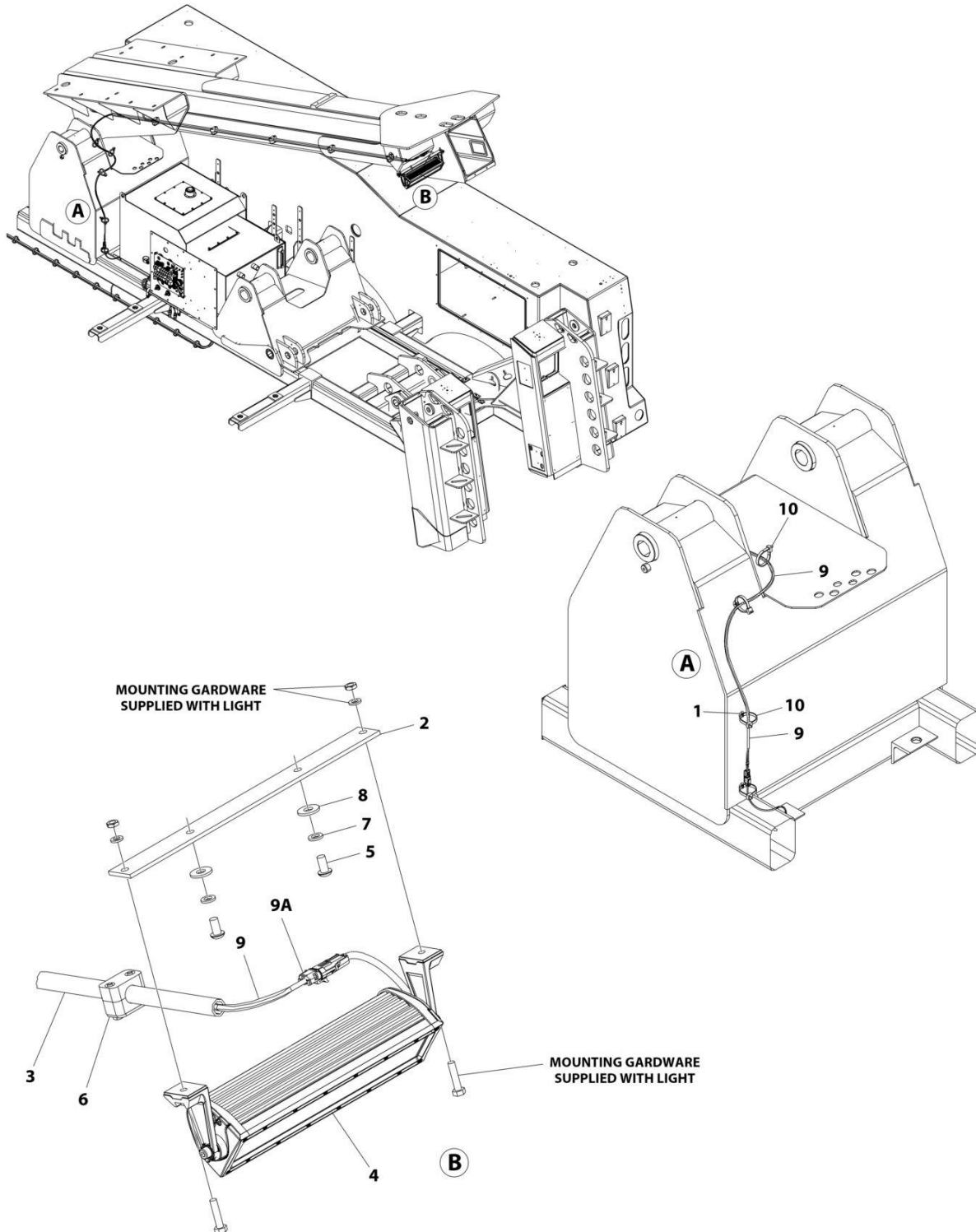
SECTION 7 - ELECTRICAL

FIGURE 7-85. LIGHTS - WING LIGHTS MOUNT ONLY INSTALLATION

ITEM	PART NUMBER	QTY	DESCRIPTION	REV
	1001214318	1	LIGHTS - WING LIGHTS MOUNT ONLY INSTALLATION	C
1	1001213104	1	Mount, RH	
2	1001213105	1	Mount, LH	
3	1001213110	2	Plate	
4	1001214129	4	Plate	
5	0641610	4	Bolt 3/8 x 1-1/4	
6	4751600	8	Washer 3/8	
7	3271605	4	Nut 3/8	
8	7114140518	8	Screw 1/4 5/8	
9	7661000019	8	U-Nut 1/4	

SECTION 7 - ELECTRICAL

FIGURE 7-86. LIGHTS - WORK LIGHTS INSTALLATION (BOOM)



ART_1001217624

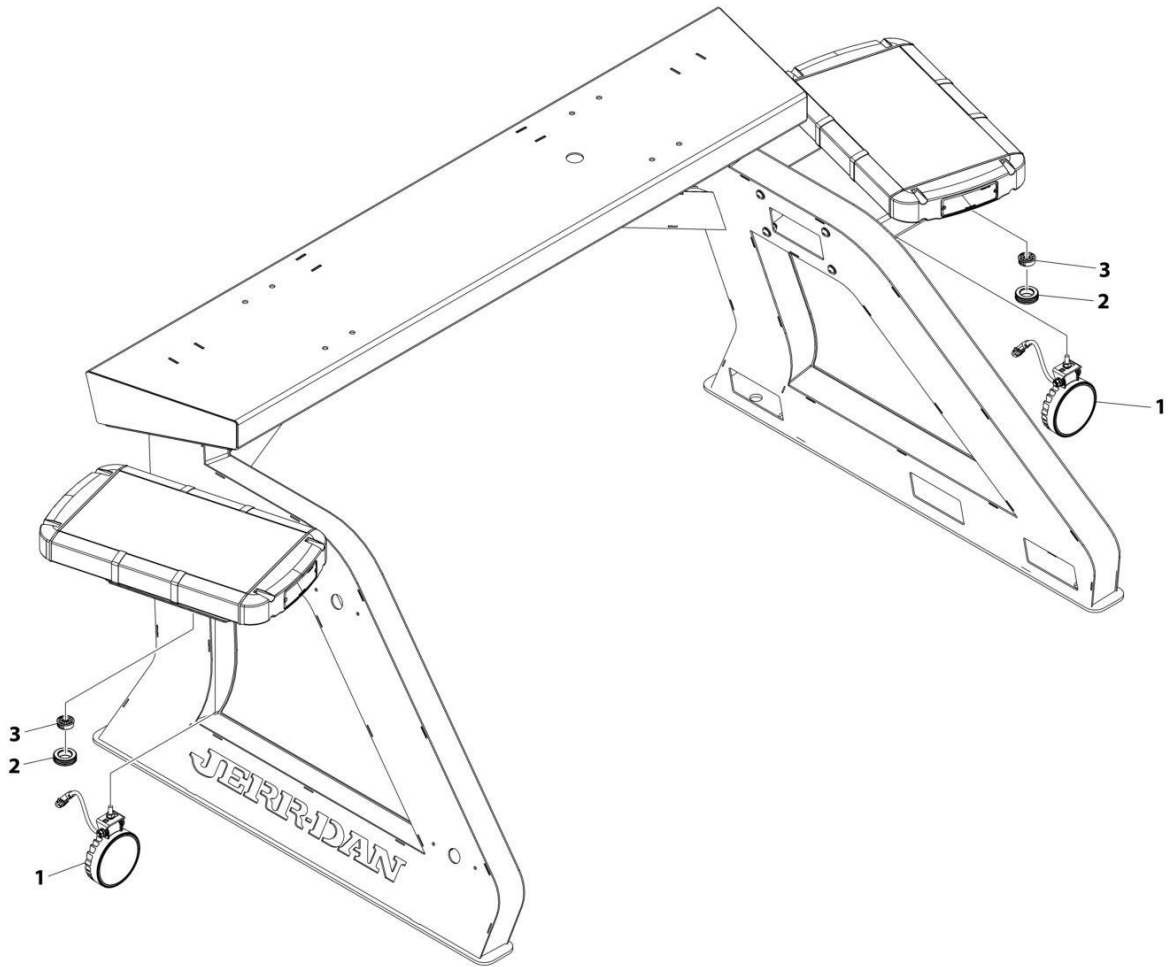
SECTION 7 - ELECTRICAL

FIGURE 7-86. LIGHTS - WORK LIGHTS INSTALLATION (BOOM)

ITEM	PART NUMBER	QTY	DESCRIPTION	REV
	1001217624	Ref	WORKLIGHT INSTALLATION - BOOM	B
1	1001202986	2	Mount, Tie-Strap	
2	1001206241	1	Mount, Work Light (Prior to SN 0230008750, Except Prior to SN 0230008750)	
2	1001270464	1	Mount, Work Light (SN 0230008750 to Present)	
3	1001206319	1	Tube	
4	1001206401	1	Light (Prior to SN 0230008750)	
4	1001270479	1	Light (SN 0230008750 to Present, Except Prior to SN 0230008750)	
5	7114160618	2	Screw 3/8 x 3/4	
6	7274000095	5	Clamp	
7	7950160003	2	Washer 3/8	
8	7950160163	2	Washer 3/8	
9	1001212488	1	Harness, Boom Light	
9A	4460742	1	Plug, Male - 2 Position	
9A	4460457	2	Socket, Female	
9A	1001190037	2	Seal	
10	5526000553	4	Tie-Strap	

SECTION 7 - ELECTRICAL

FIGURE 7-87. LIGHTS - WORK LIGHTS INSTALLATION (UPPER)



ART_1001207487

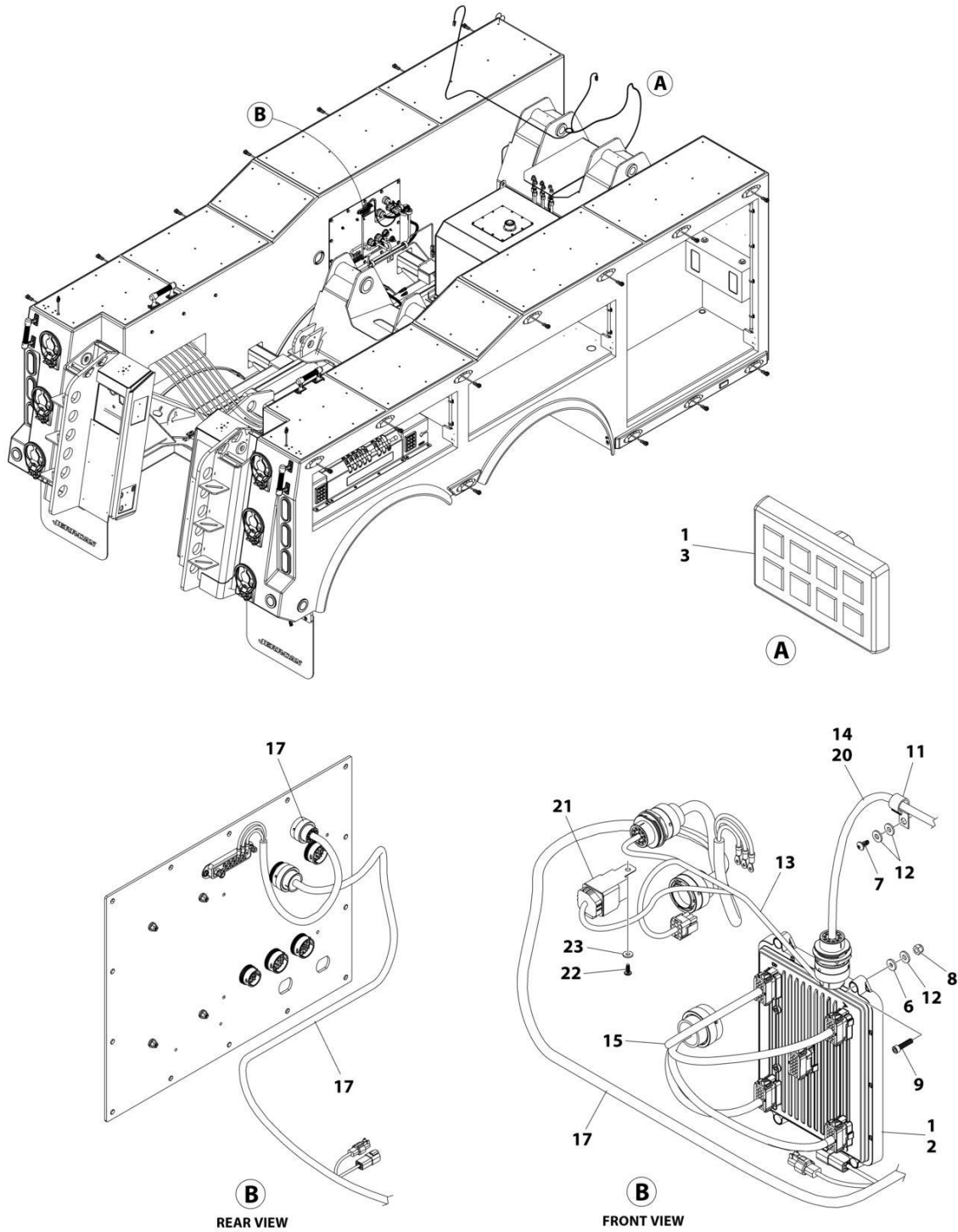
SECTION 7 - ELECTRICAL

FIGURE 7-87. LIGHTS - WORK LIGHTS INSTALLATION (UPPER)

ITEM	PART NUMBER	QTY	DESCRIPTION	REV
	1001207487	Ref	UPPER WORK LIGHTS INSTALLATION	D
1	1001176337	2	Lamp (SN 0230004275 through 0230009719)	
1	1001273634	2	Lamp (SN 0230009720 to Present)	
2	7493000011	AR	Grommet	
3	1001169085	AR	Grommet	
4	5526000553	AR	Tie-Strap (Not Shown)	

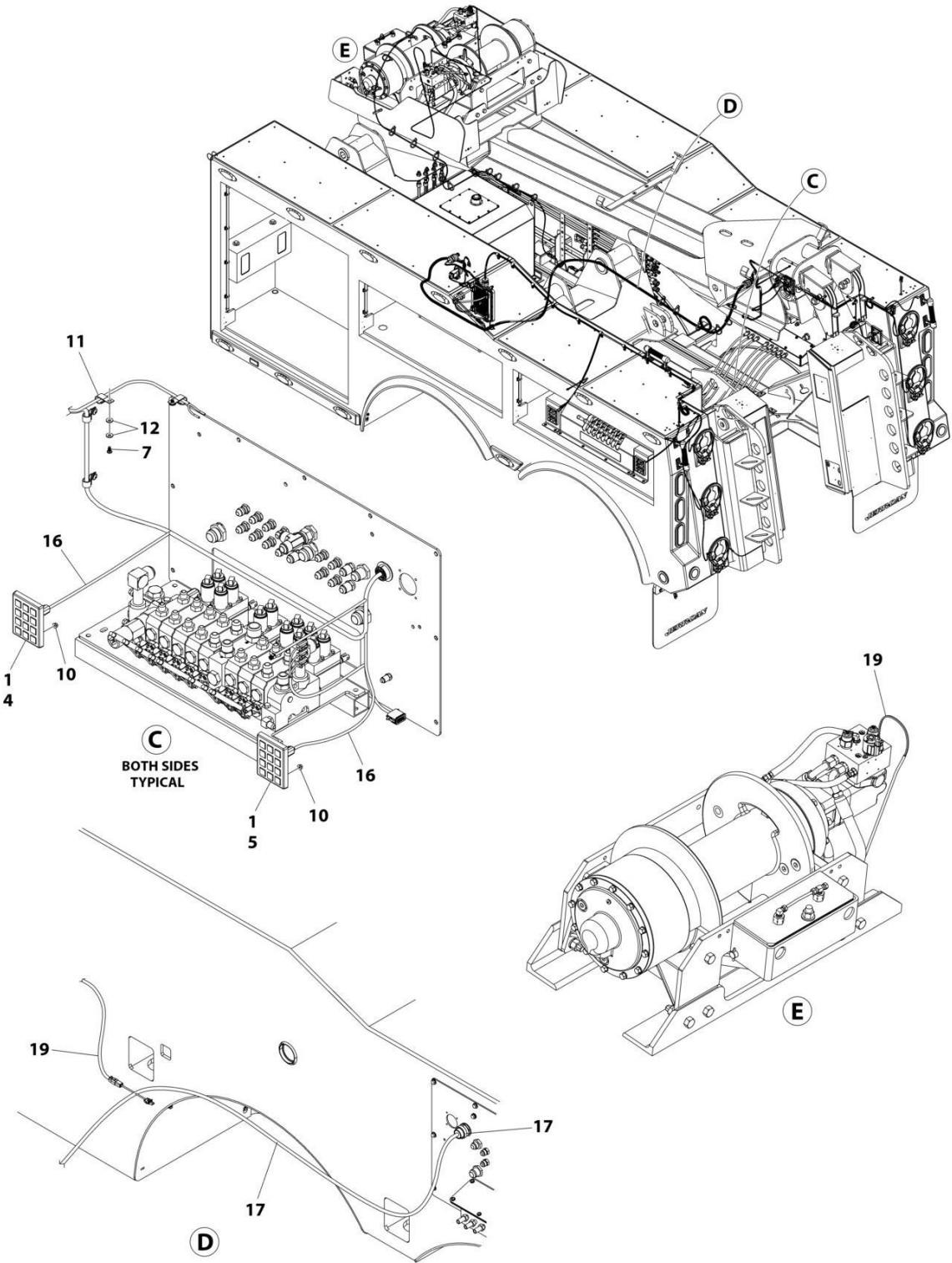
SECTION 7 - ELECTRICAL

FIGURE 7-88. MULTIPLEX INSTALLATION (WITHOUT DRAG WINCH) (SN 0230004275 through 0230006134)



ART_1001216170_10F2

SECTION 7 - ELECTRICAL



ART_1001216170_20F2

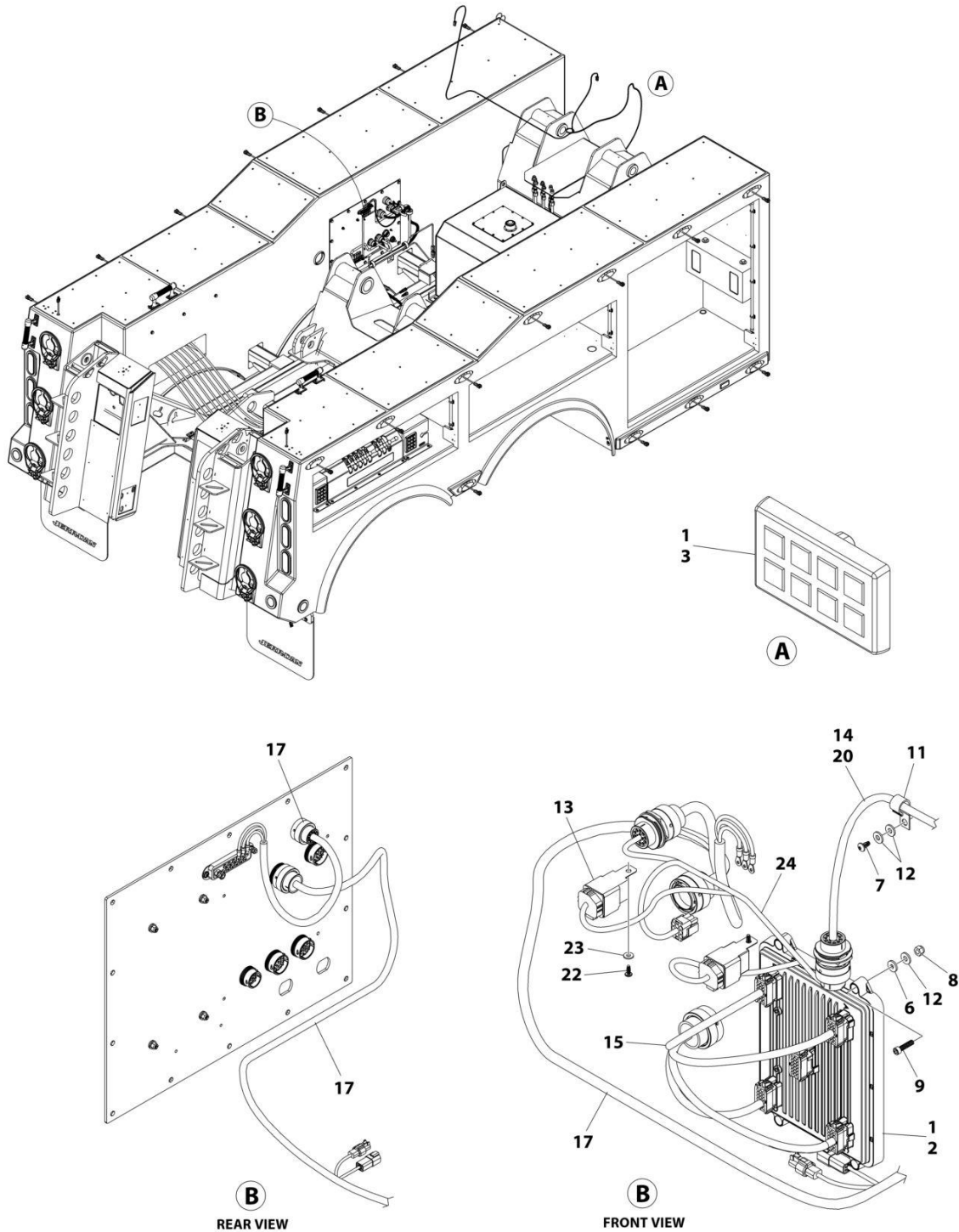
SECTION 7 - ELECTRICAL

FIGURE 7-88. MULTIPLEX INSTALLATION (WITHOUT DRAG WINCH) (SN 0230004275 through 0230006134)

ITEM	PART NUMBER	QTY	DESCRIPTION	REV
	1001216170	Ref	MULTIPLEX INSTALLATION	D
1	1001205244	1	Multiplex Kit	
2	1001211000	1	Module, Multiplex	
3	1001211001	1	Keypad, Lighting (Cab)	
4	1001211002	2	Keypad, Lighting (Body)	
5	1001211003	2	Keypad, Winch (Body)	
6	1001166978	4	Washer, Rubber	
7	1001195257	20	Screw 1/4 x 1/2	
8	7660142601	4	Nut 1/4	
9	1001209590	4	Screw 1/4 x 1	
10	1001209616	16	Nut #10	
11	7280000006	20	Clip	
12	7950140143	44	Washer 1/4	
13	1001208950	1	Harness, Multiplex Jumper (See Separate Breakdown in this Section) (SN 0230004275 through 0230005538)	
13	1001232594	1	Harness, Multiplex Jumper (See Separate Breakdown in this Section) (SN 0230005539 through 0230006134)	
14	1001208951	1	Harness, Multiplex Body (LH) (See Separate Breakdown in this Section) (SN 0230004275 through 0230005538)	
14	1001232593	1	Harness, Multiplex Body (LH) (See Separate Breakdown in this Section) (SN 0230005539 through 0230006134)	
15	1001208952	1	Harness, Multiplex To PDP (See Separate Breakdown in this Section)	
16	1001215100	1	Harness, Multiplex Body (RH) (See Separate Breakdown in this Section) (SN 0230004275 through 0230005538)	
16	1001232595	1	Harness, Multiplex Body (RH) (See Separate Breakdown in this Section) (SN 0230005539 through 0230006134)	
17	1001216916	1	Harness, Multiplex Crossover (See Separate Breakdown in this Section) (SN 0230004275 through 0230005538)	
17	1001232596	1	Harness, Multiplex Crossover (See Separate Breakdown in this Section) (SN 0230005539 through 0230006134)	
18	5526000553	35	Tie-Strap (Not Shown)	
19	1001217309	1	Harness, Winch (See Separate Breakdown in this Section)	
20	7346000039	AR	Tubing	
21	3740080	1	Relay	
22	1001192958	1	Screw #10 x 1/2	
23	7950100143	1	Washer	

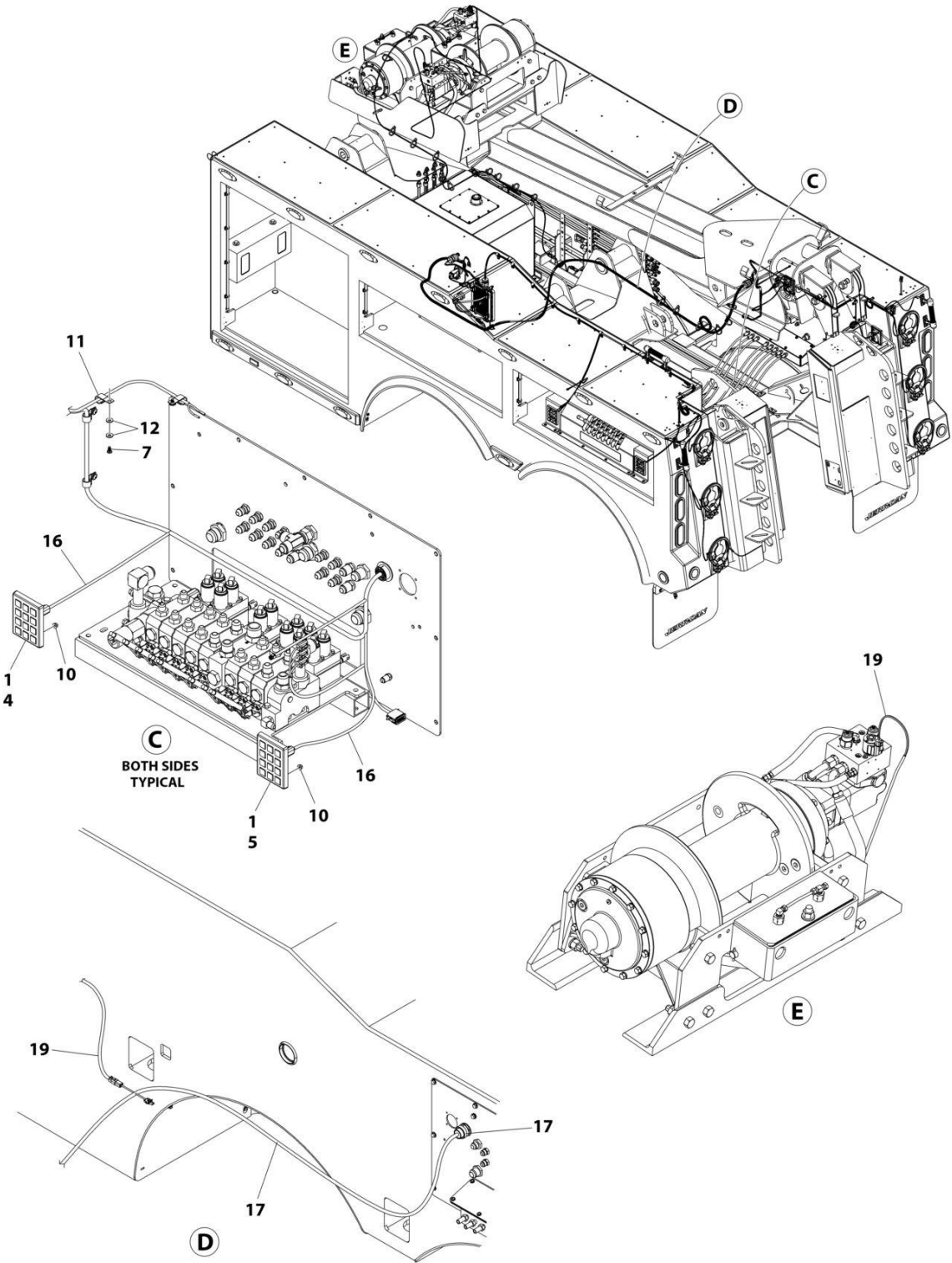
SECTION 7 - ELECTRICAL

FIGURE 7-89. MULTIPLEX INSTALLATION (WITHOUT DRAG WINCH) (SN 0230006135 to Present)



ART_1001236662_10F2

SECTION 7 - ELECTRICAL



ART_1001236662_2OF2

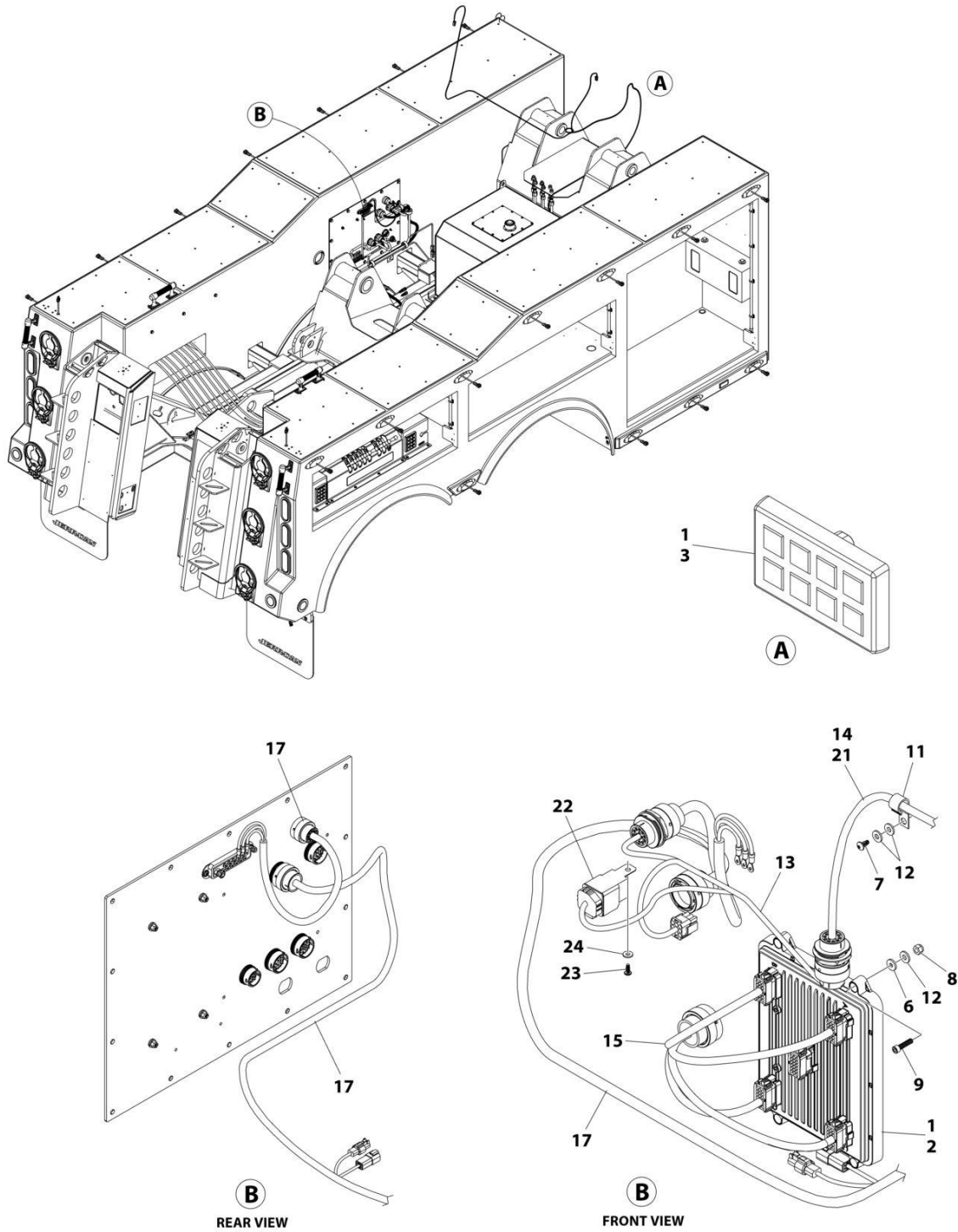
SECTION 7 - ELECTRICAL

FIGURE 7-89. MULTIPLEX INSTALLATION (WITHOUT DRAG WINCH) (SN 0230006135 to Present)

ITEM	PART NUMBER	QTY	DESCRIPTION	REV
	1001236662	Ref	MULTIPLEX INSTALLATION (WITHOUT DRAG WINCH)	F
1	1001258438	1	Wrecker Touchlink	
2	1001258439	1	Module, Touchlink	
3	1001211001	1	Keypad, Lighting (Cab)	
4	1001211002	2	Keypad, Lighting (Body)	
5	1001211003	2	Keypad, Winch (Body)	
6	1001166978	4	Washer, Rubber	
7	1001195257	20	Screw 1/4 x 1/2	
8	7660142601	4	Nut 1/4	
9	1001209590	4	Screw 1/4 x 1	
10	1001209616	16	Nut #10	
11	7280000006	20	Clip	
12	7950140143	44	Washer 1/4	
13	3740080	2	Relay	
14	1001236610	1	Harness, Multiplex Body (LH) (See Separate Breakdown in this Section)	
15	1001208952	1	Harness, Multiplex To PDP (See Separate Breakdown in this Section) (Prior to SN 0230006135)	
15	1001260451	1	Harness, Multiplex To PDP(See Separate Breakdown in this Section) (SN 0230006135 to Present)	
16	1001236612	1	Harness, Multiplex Body (RH) (See Separate Breakdown in this Section)	
17	1001236614	1	Harness, Multiplex Crossover (See Separate Breakdown in this Section)	
18	5526000553	35	Tie-Strap (Not Shown)	
19	1001217309	1	Harness, Winch (See Separate Breakdown in this Section)	
20	7346000039	AR	Tubing	
22	1001192958	2	Screw #10 x 1/2	
23	7950100143	2	Washer	
24	1001236611	1	Harness, Multiplex Jumper (See Separate Breakdown in this Section)	

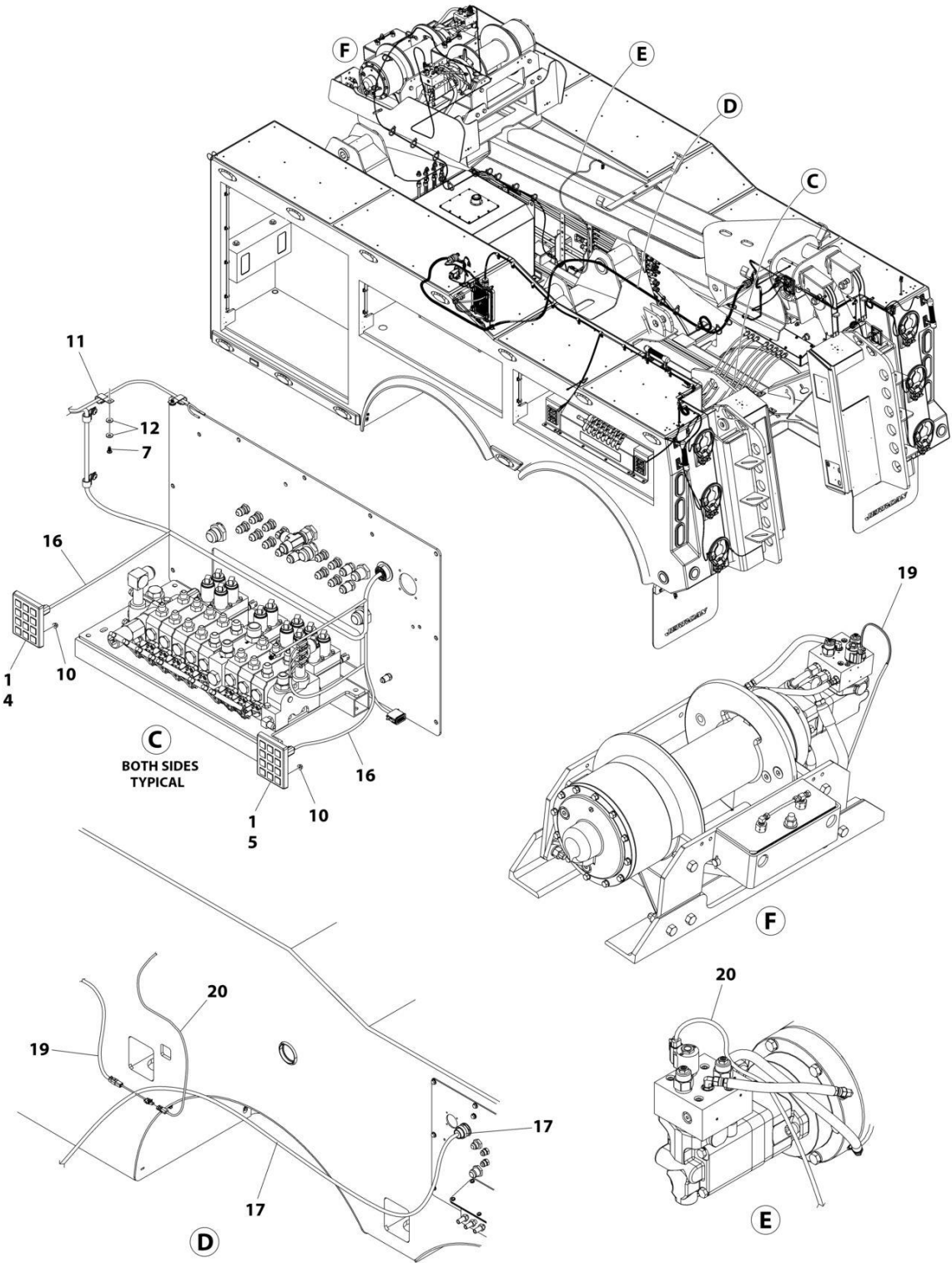
SECTION 7 - ELECTRICAL

FIGURE 7-90. MULTIPLEX INSTALLATION (WITH DRAG WINCH) (SN 0230004275 through 0230006134)



ART_1001216174_10F2

SECTION 7 - ELECTRICAL



ART_1001216174_2OF2

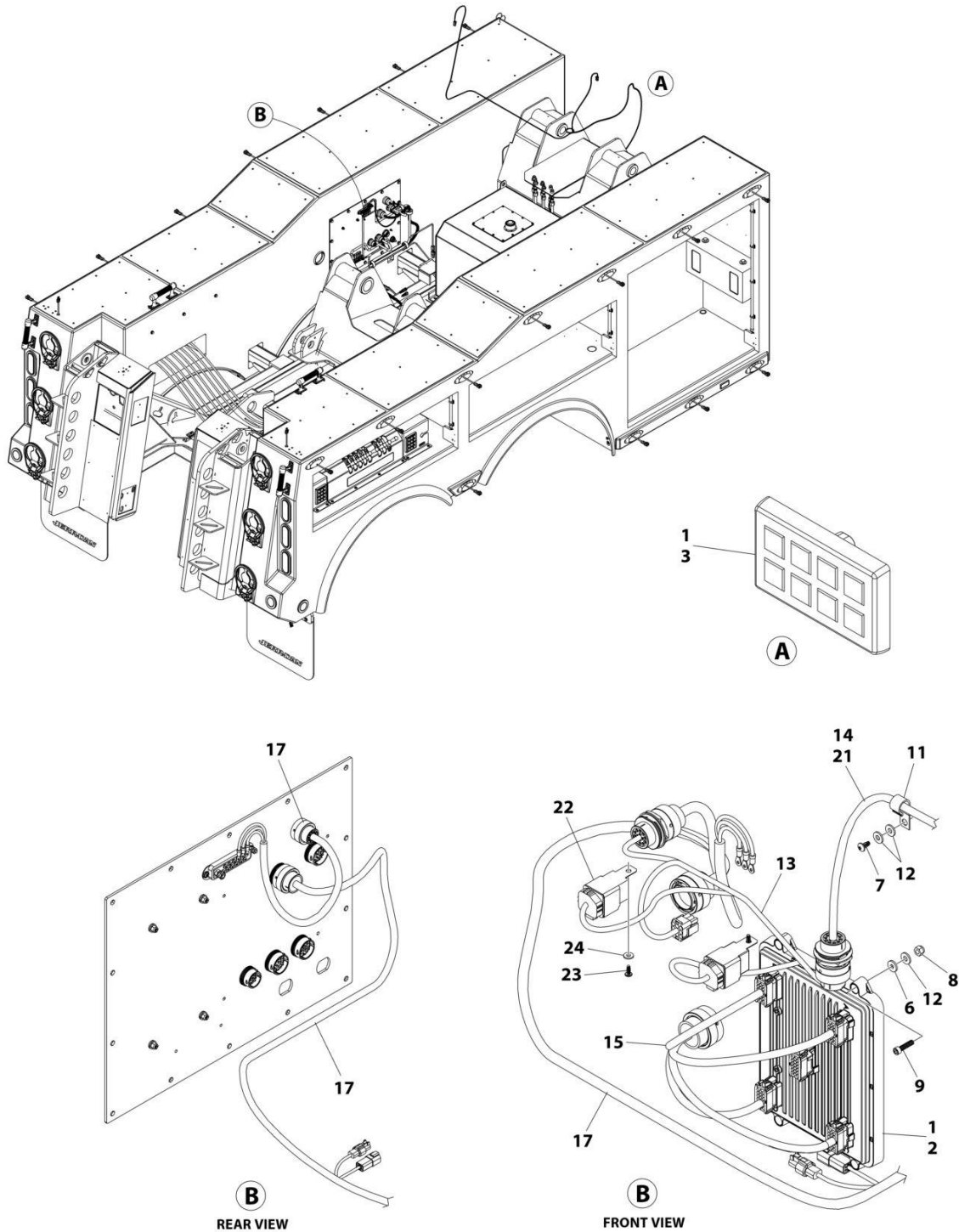
SECTION 7 - ELECTRICAL

FIGURE 7-90. MULTIPLEX INSTALLATION (WITH DRAG WINCH) (SN 0230004275 through 0230006134)

ITEM	PART NUMBER	QTY	DESCRIPTION	REV
	1001216174	Ref	MULTIPLEX INSTALLATION (WITH DRAG WINCH)	D
1	1001205244	1	Multiplex Kit	
2	1001211000	1	Module, Multiplex	
3	1001211001	1	Keypad, Lighting (Cab)	
4	1001211002	2	Keypad, Lighting (Body)	
5	1001211003	2	Keypad, Winch (Body)	
6	1001166978	4	Washer, Rubber	
7	1001195257	20	Screw 1/4 x 1/2	
8	7660142601	4	Nut 1/4	
9	1001209590	4	Screw 1/4 x 1	
10	1001209616	16	Nut #10	
11	7280000006	20	Clip	
12	7950140143	44	Washer 1/4	
13	1001208950	1	Harness, Multiplex Jumper (See Separate Breakdown in this Section) (SN 0230004275 through 0230005538)	
13	1001232594	1	Harness, Multiplex Jumper (See Separate Breakdown in this Section) (SN 0230005539 through 0230006134)	
14	1001208951	1	Harness, Multiplex Body (LH) (See Separate Breakdown in this Section) (SN 0230004275 through 0230005538)	
14	1001232593	1	Harness, Multiplex Body (LH) (See Separate Breakdown in this Section) (SN 0230005539 through 0230006134)	
15	1001208952	1	Harness, Multiplex To PDP(See Separate Breakdown in this Section)	
16	1001215100	1	Harness, Multiplex Body (RH) (See Separate Breakdown in this Section) (SN 0230004275 through 0230005538)	
16	1001232595	1	Harness, Multiplex Body (RH) (See Separate Breakdown in this Section) (SN 0230005539 through 0230006134)	
17	1001216916	1	Harness, Multiplex Crossover (See Separate Breakdown in this Section) (SN 0230004275 through 0230005538)	
17	1001232596	1	Harness, Multiplex Crossover (See Separate Breakdown in this Section) (SN 0230005539 through 0230006134)	
18	5526000553	42	Tie-Strap (Not Shown)	
19	1001217309	1	Harness, Winch (See Separate Breakdown in this Section)	
20	1001209035	1	Harness, Drag (See Separate Breakdown in this Section)	
21	7346000039	AR	Tubing	
22	3740080	1	Relay	
23	1001192958	1	Screw #10 x 1/2	
24	7950100143	1	Washer	

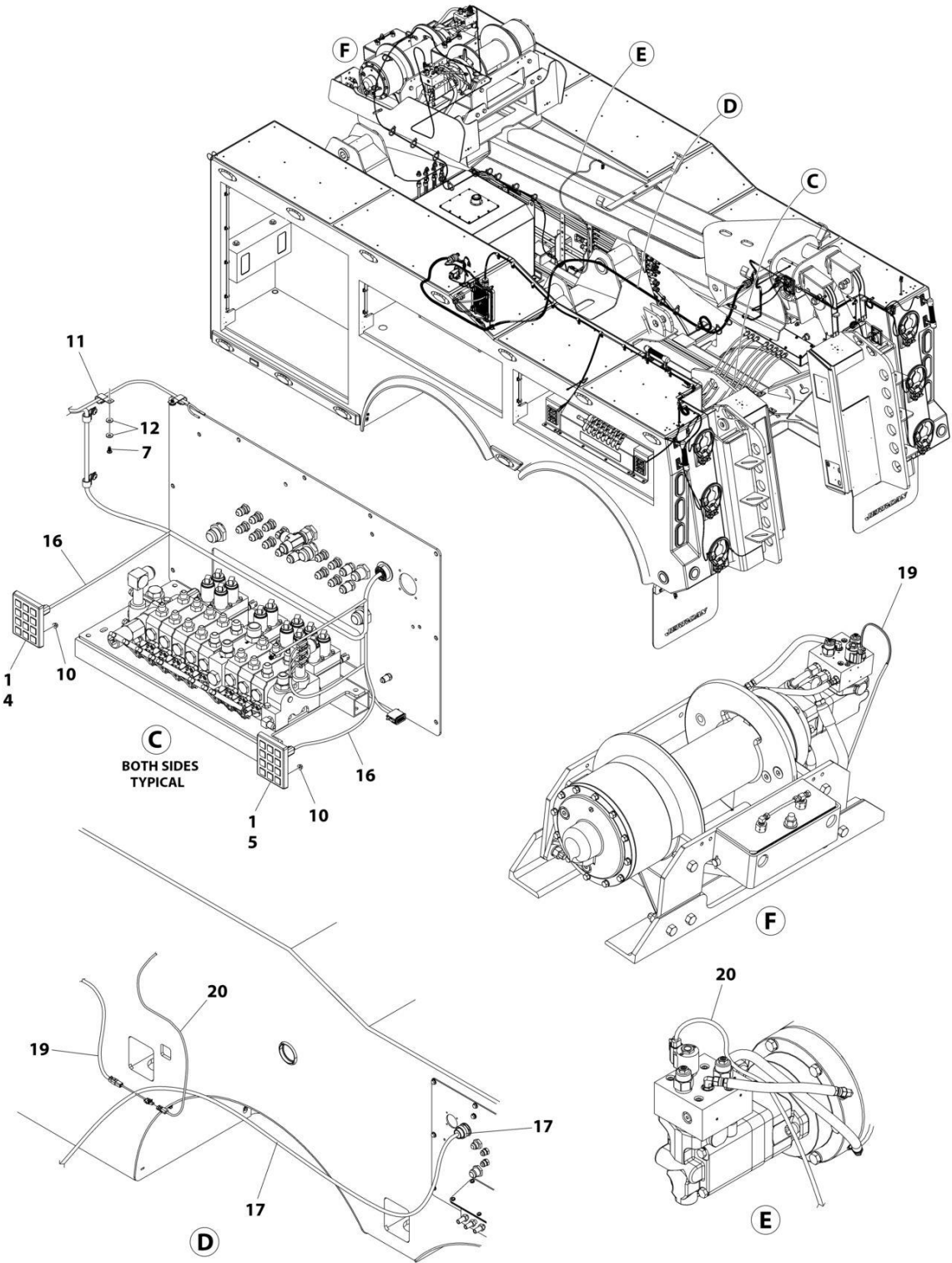
SECTION 7 - ELECTRICAL

FIGURE 7-91. MULTIPLEX INSTALLATION (WITH DRAG WINCH) (SN 0230006135 to Present)



ART_1001236663_10F2

SECTION 7 - ELECTRICAL



ART_1001236663_2OF2

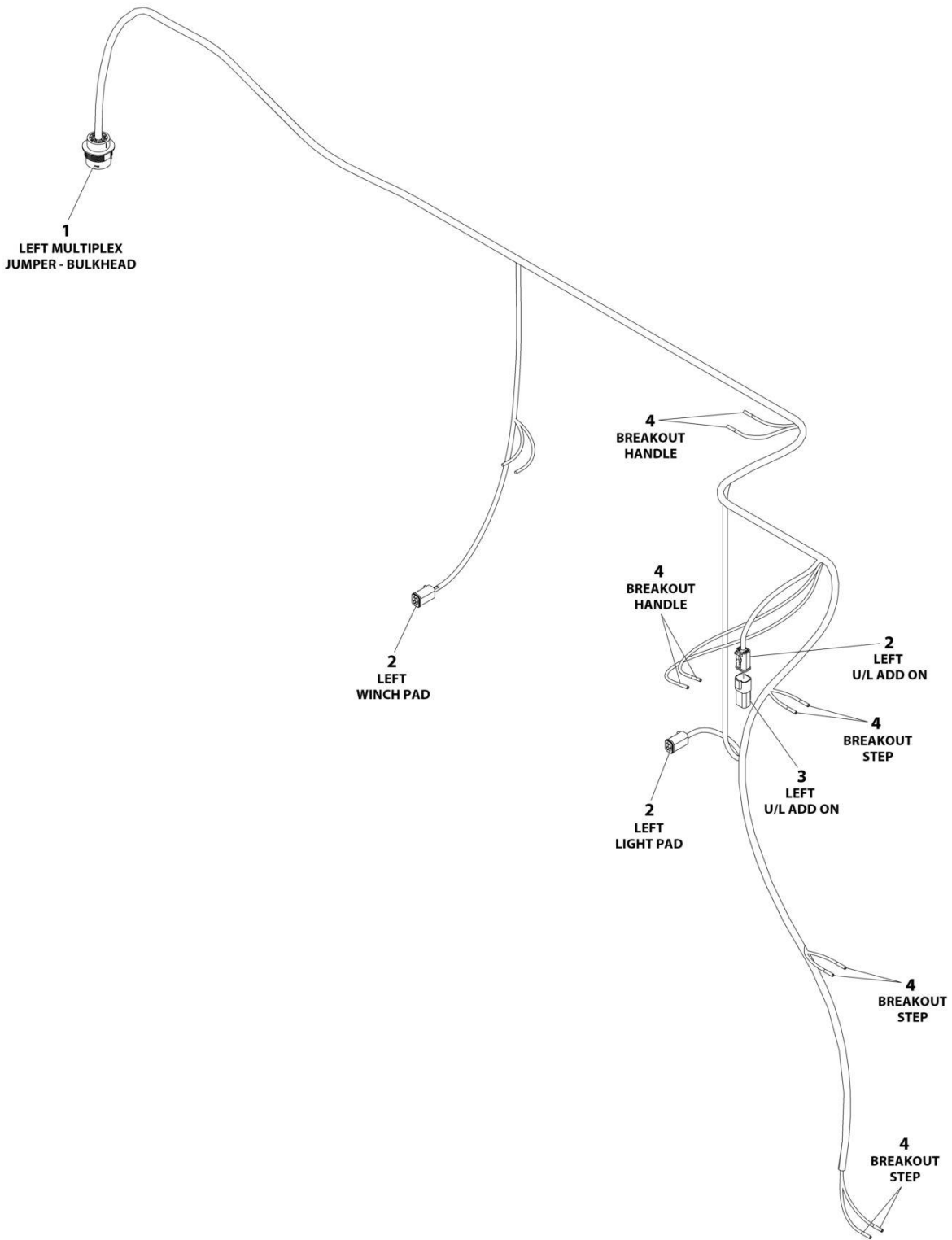
SECTION 7 - ELECTRICAL

FIGURE 7-91. MULTIPLEX INSTALLATION (WITH DRAG WINCH) (SN 0230006135 to Present)

ITEM	PART NUMBER	QTY	DESCRIPTION	REV
	1001236663	Ref	MULTIPLEX INSTALLATION (WITH DRAG WINCH)	F
1	1001258438	1	Wrecker Touchlink	
2	1001258439	1	Module, Touchlink	
3	1001211001	1	Keypad, Lighting (Cab)	
4	1001211002	2	Keypad, Lighting (Body)	
5	1001211003	2	Keypad, Winch (Body)	
6	1001166978	4	Washer, Rubber	
7	1001195257	20	Screw 1/4 x 1/2	
8	7660142601	4	Nut 1/4	
9	1001209590	4	Screw 1/4 x 1	
10	1001209616	16	Nut #10	
11	7280000006	20	Clip	
12	7950140143	44	Washer 1/4	
13	1001236611	1	Harness, Multiplex Jumper (See Separate Breakdown in this Section)	
14	1001236610	1	Harness, Multiplex Body (LH) (See Separate Breakdown in this Section)	
15	1001208952	1	Harness, Multiplex To PDP (See Separate Breakdown in this Section) (Prior to SN 0230006135)	
15	1001260451	1	Harness, Multiplex To PDP (See Separate Breakdown in this Section) (SN 0230006135 to Present)	
16	1001236612	1	Harness, Multiplex Body (RH) (See Separate Breakdown in this Section)	
17	1001236614	1	Harness, Multiplex Crossover (See Separate Breakdown in this Section)	
18	5526000553	42	Tie-Strap (Not Shown)	
19	1001217309	1	Harness, Winch (See Separate Breakdown in this Section)	
20	1001209035	1	Harness, Drag (See Separate Breakdown in this Section)	
21	7346000039	AR	Tubing	
22	3740080	2	Relay	
23	1001192958	2	Screw #10 x 1/2	
24	7950100143	2	Washer	

SECTION 7 - ELECTRICAL

FIGURE 7-92. MULTIPLEX HARNESS - BODY (LH) (SN 0230004275 through 0230005538)



ART_1001208951

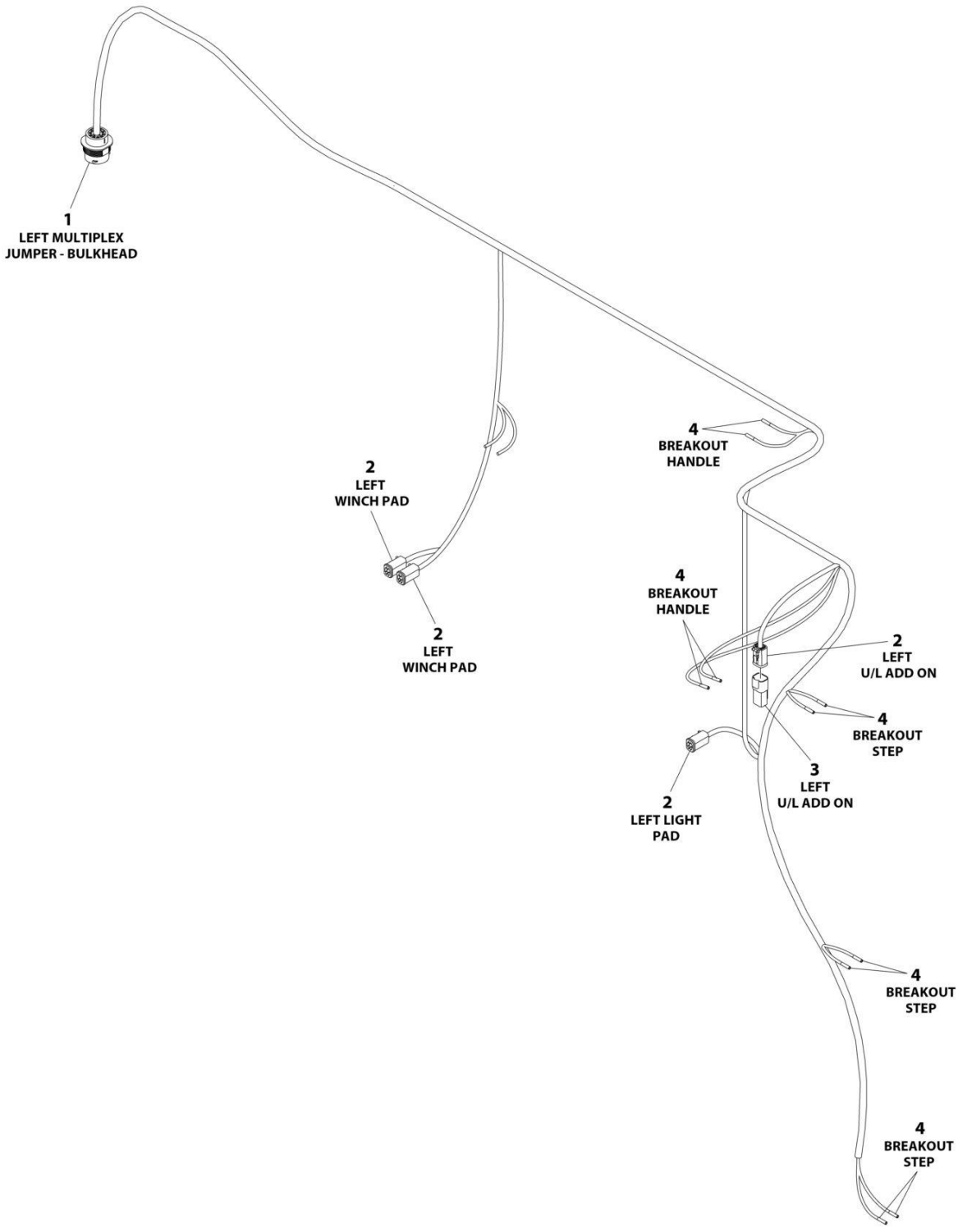
SECTION 7 - ELECTRICAL

FIGURE 7-92. MULTIPLEX HARNESS - BODY (LH) (SN 0230004275 through 0230005538)

ITEM	PART NUMBER	QTY	DESCRIPTION	REV
	1001208951	Ref	MULTIPLEX HARNESS - BODY (LH)	D
1	1001109484	1	Connector - 14 Position	
1	NPN	1	Gasket	
1	NPN	1	Washer	
1	NPN	1	Nut	
1	4460465	8	Socket, Female	
1	4460466	6	Plug, Terminal	
2	4460884	3	Plug, Male - 4 Position	
2	4460465	12	Socket, Female	
3	4460932	1	Receptacle, Female - 4 Position	
3	4460466	4	Plug, Terminal	
4	NPN	10	Connector	

SECTION 7 - ELECTRICAL

FIGURE 7-93. MULTIPLEX HARNESS - BODY (LH) (SN 0230005539 through 0230006134)



ART_1001232593

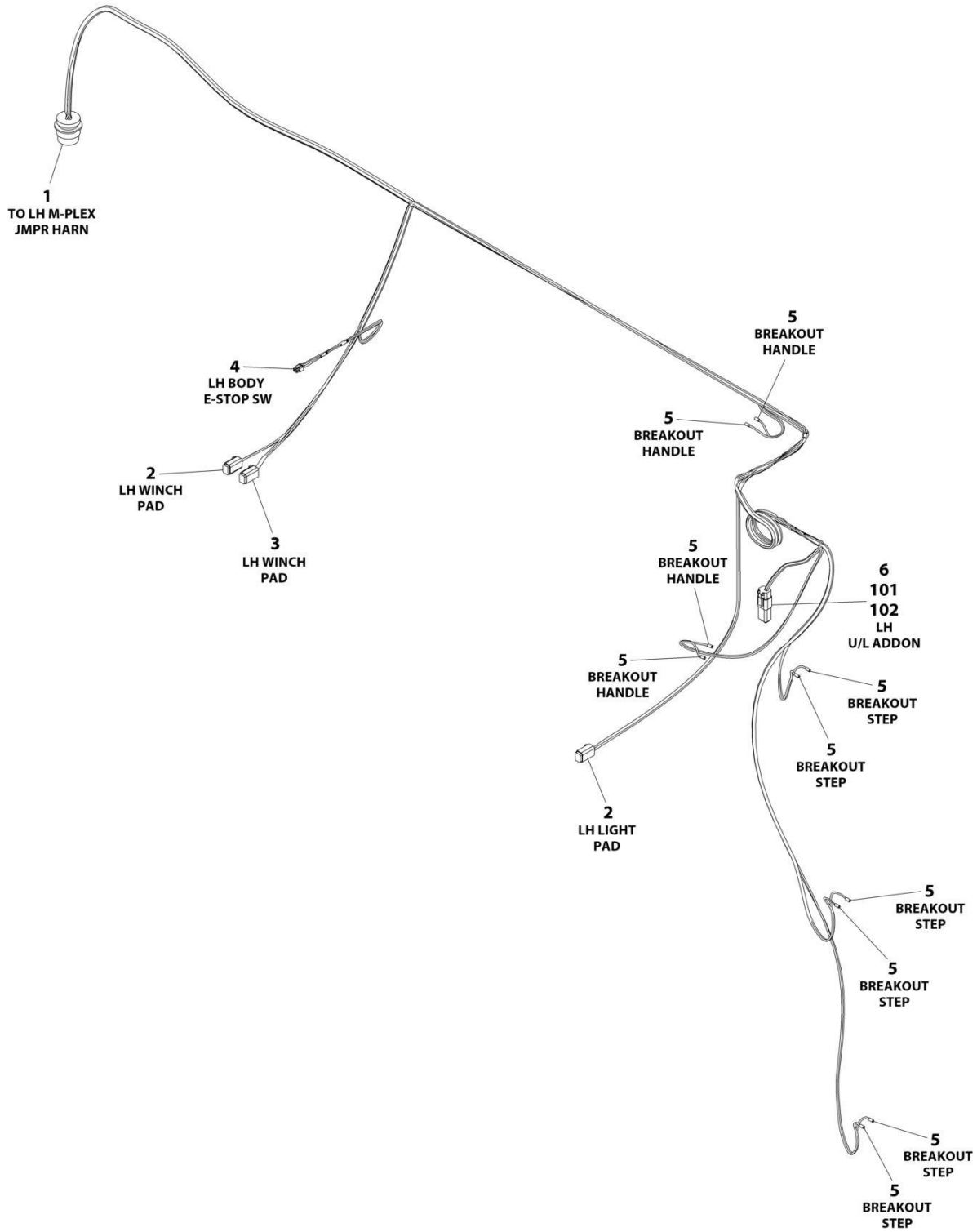
SECTION 7 - ELECTRICAL

FIGURE 7-93. MULTIPLEX HARNESS - BODY (LH) (SN 0230005539 through 0230006134)

ITEM	PART NUMBER	QTY	DESCRIPTION	REV
	1001232593	Ref	MULTIPLEX HARNESS - BODY (LH)	B
1	1001109484	1	Connector - 14 Position	
1	NPN	1	Gasket	
1	NPN	1	Washer	
1	NPN	1	Nut	
1	4460465	8	Socket, Female	
1	4460466	6	Plug, Terminal	
2	4460884	4	Plug, Male - 4 Position	
2	4460465	16	Socket, Female	
3	4460932	1	Receptacle, Female - 4 Position	
3	4460466	4	Plug, Terminal	
4	NPN	10	Connector	

SECTION 7 - ELECTRICAL

FIGURE 7-94. MULTIPLEX HARNESS - BODY (LH) (SN 0230006135 to Present)



ART_1001236610

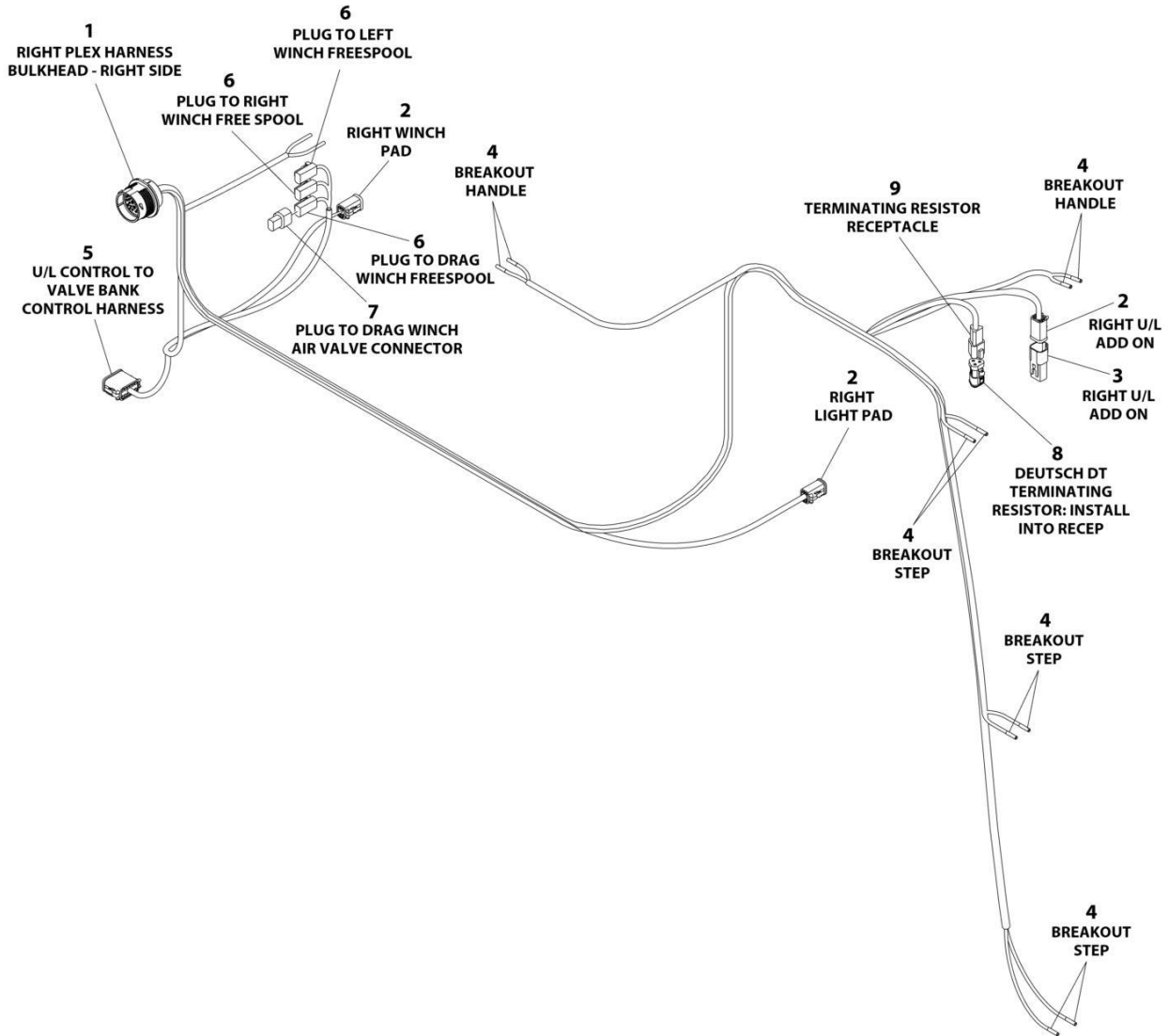
SECTION 7 - ELECTRICAL

FIGURE 7-94. MULTIPLEX HARNESS - BODY (LH) (SN 0230006135 to Present)

ITEM	PART NUMBER	QTY	DESCRIPTION	REV
	1001236610	Ref	MULTIPLEX HARNESS - BODY (LH)	E
1	1001109484	1	Connector - 14 Position	
1	NPN	1	Gasket	
1	NPN	1	Washer	
1	NPN	1	Nut	
1	4460464	9	Pin, Male	
1	4460943	2	Pin, Male	
1	4460466	3	Plug, Terminal	
2	1001262482	2	Plug, Male - 4 Position	
2	4460465	4	Socket, Female	
2	4460944	4	Socket, Female	
3	1001262483	1	Plug, Male - 4 Position	
3	4460465	2	Socket, Female	
3	4460466	2	Plug, Terminal	
4	1001262746	1	Connector - 6 Position	
4	1001262747	6	Terminal	
5	1001201994	10	Terminal	
6	4460884	1	Plug, Male - 4 Position	
6	4460465	2	Socket, Female	
6	4460944	2	Socket, Female	
101	4460466	4	Plug, Terminal	
102	4460932	1	Receptacle, Female - 4 Position	

SECTION 7 - ELECTRICAL

FIGURE 7-95. MULTIPLEX HARNESS - BODY (RH) (SN 0230004275 through 0230005538)



ART_1001215100

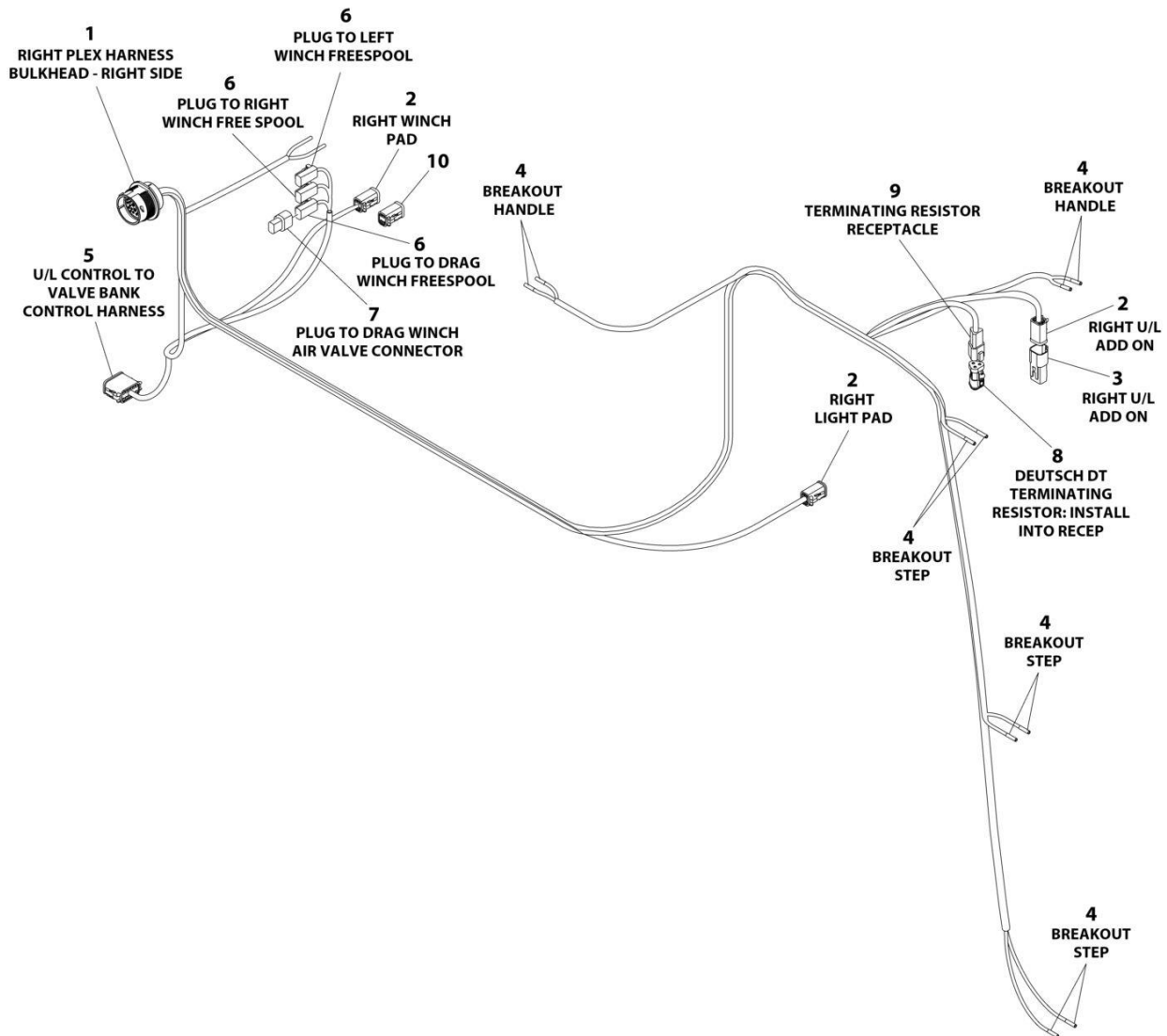
SECTION 7 - ELECTRICAL

FIGURE 7-95. MULTIPLEX HARNESS - BODY (RH) (SN 0230004275 through 0230005538)

ITEM	PART NUMBER	QTY	DESCRIPTION	REV
	1001215100	Ref	MULTIPLEX HARNESS - BODY (RH)	C
1	1001263566	1	Connector - 29 Position	
1	NPN	1	Gasket	
1	NPN	1	Washer	
1	NPN	1	Nut	
1	4460508	1	Pin, Male	
1	4460464	14	Pin, Male	
1	NPN	4	Pin, Male	
1	4460916	2	Plug, Terminal	
1	4460466	8	Plug, Terminal	
2	4460884	3	Plug, Male - 4 Position	
2	4460465	12	Socket, Female	
3	4460932	1	Receptacle, Female - 4 Position	
3	4460466	4	Plug, Terminal	
4	NPN	8	Connector	
5	4460930	1	Connector - 8 Position	
5	4460465	7	Socket, Female	
5	4460466	1	Plug, Terminal	
6	4460891	3	Plug, Male - 2 Position	
6	4460465	6	Socket, Female	
7	4460897	1	Receptacle, Female - 2 Position	
7	4460466	2	Plug, Terminal	
8	1001116815	1	Plug, Resistor - 2 Position	
9	4460536	1	Receptacle, Female - 3 Position	
9	4460464	2	Pin, Male	
9	4460466	1	Plug, Terminal	

SECTION 7 - ELECTRICAL

FIGURE 7-96. MULTIPLEX HARNESS - BODY (RH) (SN 0230005539 through 0230006134)



ART_1001232595

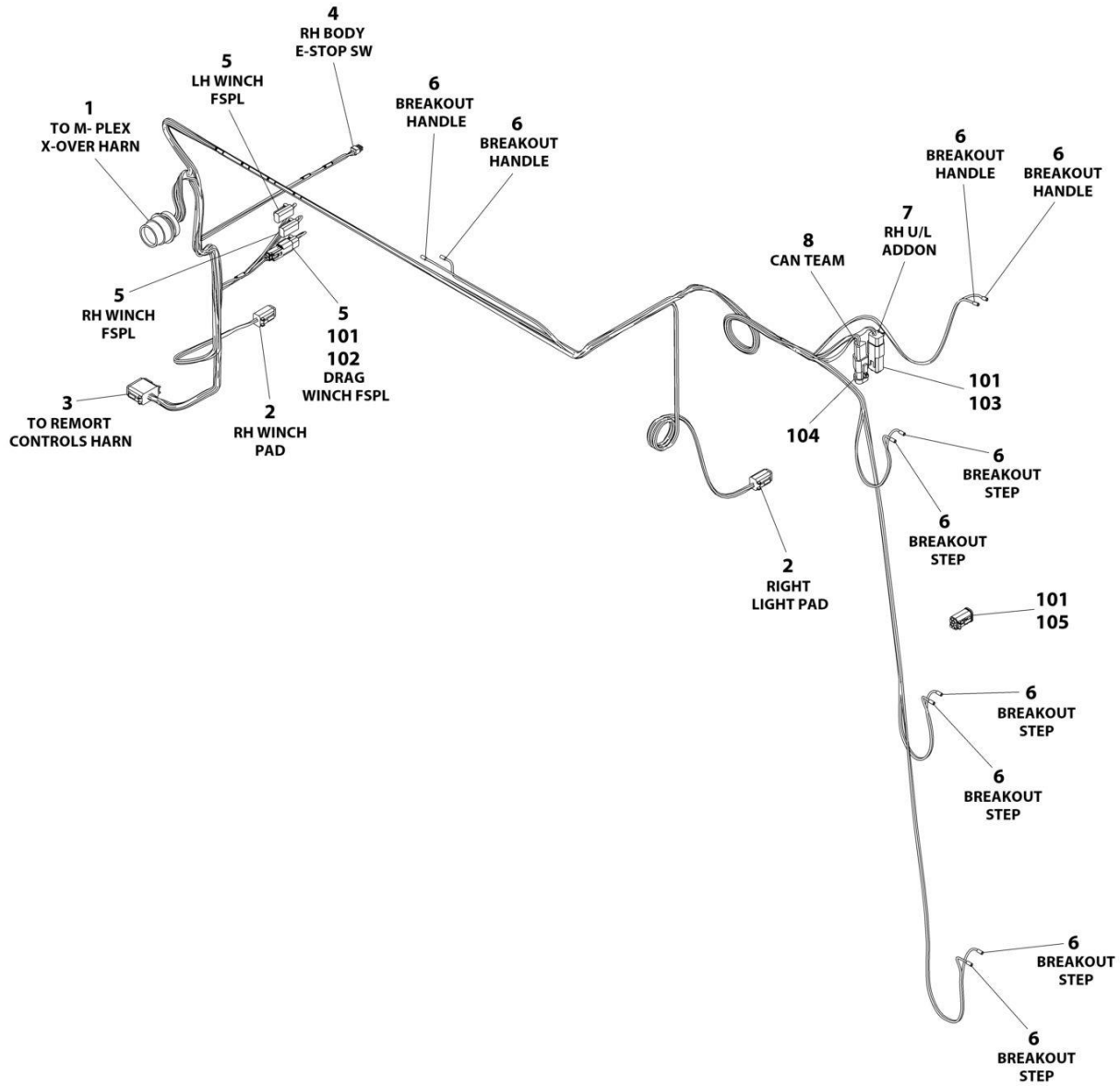
SECTION 7 - ELECTRICAL

FIGURE 7-96. MULTIPLEX HARNESS - BODY (RH) (SN 0230005539 through 0230006134)

ITEM	PART NUMBER	QTY	DESCRIPTION	REV
	1001232595	Ref	MULTIPLEX HARNESS - BODY (RH)	B
1	1001263566	1	Connector - 29 Position	
1	NPN	1	Gasket	
1	NPN	1	Washer	
1	NPN	1	Nut	
1	4460508	1	Pin, Male	
1	4460464	14	Pin, Male	
1	NPN	4	Pin, Male	
1	4460916	2	Plug, Terminal	
1	4460466	8	Plug, Terminal	
2	4460884	3	Plug, Male - 4 Position	
2	4460465	12	Socket, Female	
3	4460932	1	Receptacle, Female - 4 Position	
3	4460466	4	Plug, Terminal	
4	NPN	8	Connector	
5	4460930	1	Connector - 8 Position	
5	4460465	7	Socket, Female	
5	4460466	1	Plug, Terminal	
6	4460891	3	Plug, Male - 2 Position	
6	4460465	6	Socket, Female	
7	4460897	1	Receptacle, Female - 2 Position	
7	4460466	2	Plug, Terminal	
8	1001116815	1	Plug, Resistor - 2 Position	
9	4460536	1	Receptacle, Female - 3 Position	
9	4460464	2	Pin, Male	
9	4460466	1	Plug, Terminal	
10	4460884	1	Plug, Male - 4 Position (Supplied Separately)	
10	4460466	4	Plug, Terminal	

SECTION 7 - ELECTRICAL

FIGURE 7-97. MULTIPLEX HARNESS - BODY (RH) (SN 0230006135 to Present)



ART_1001236612

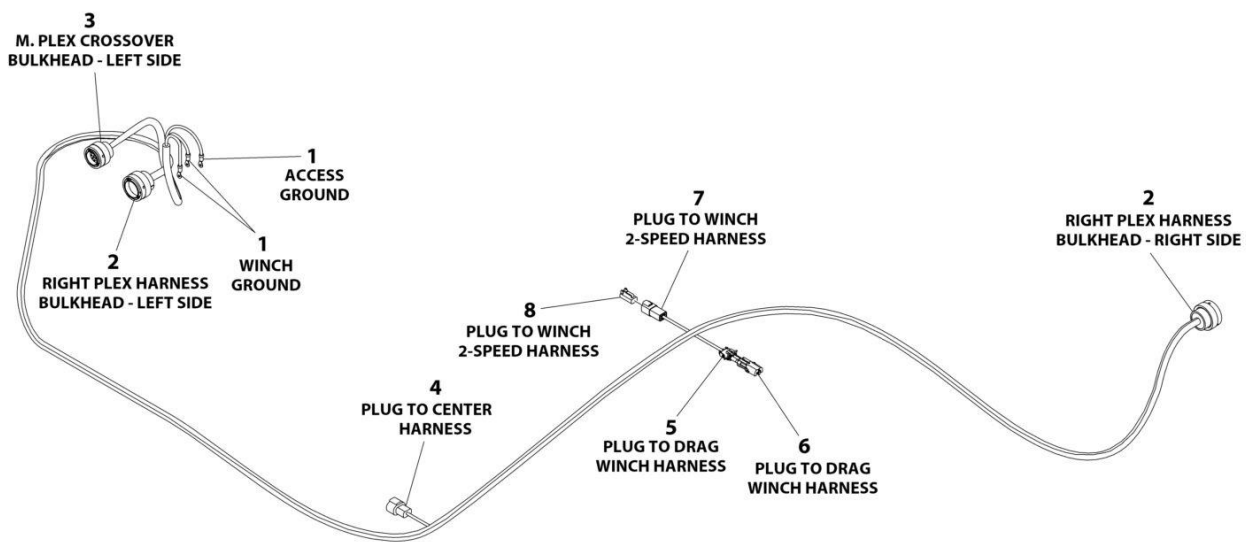
SECTION 7 - ELECTRICAL

FIGURE 7-97. MULTIPLEX HARNESS - BODY (RH) (SN 0230006135 to Present)

ITEM	PART NUMBER	QTY	DESCRIPTION	REV
	1001236612	Ref	MULTIPLEX HARNESS - BODY (LH)	D
1	1001263566	1	Connector - 29 Position	
1	NPN	1	Gasket	
1	NPN	1	Washer	
1	NPN	1	Nut	
1	4460508	1	Pin, Male	
1	4460464	14	Pin, Male	
1	4460943	1	Pin, Male	
1	1001126010	1	Pin, Male	
1	1001126011	4	Pin, Male	
1	4460466	8	Plug, Terminal	
2	1001262482	2	Plug, Male - 4 Position	
2	4460465	4	Socket, Female	
2	4460944	4	Socket, Female	
3	4460836	1	Plug, Male - 12 Position	
3	4460465	11	Socket, Female	
3	4460466	1	Plug, Terminal	
4	1001262746	1	Connector - 6 Position	
4	1001262747	6	Terminal	
5	4460891	3	Plug, Male - 2 Position	
5	4460465	6	Socket, Female	
6	1001201994	10	Terminal	
7	4460884	1	Plug, Male - 4 Position	
7	4460465	2	Socket, Female	
7	4460944	2	Socket, Female	
8	1001144147	1	Receptacle, Female - 3 Position	
8	4460464	2	Pin, Male	
8	4460466	1	Plug, Terminal	
101	4460466	10	Plug, Terminal	
102	4460897	1	Receptacle, Female - 2 Position	
103	4460932	1	Receptacle, Female - 4 Position	
104	1001116815	1	Plug, Resistor - 2 Position	
105	1001262483	1	Plug, Male - 4 Position	

SECTION 7 - ELECTRICAL

FIGURE 7-98. MULTIPLEX HARNESS - CROSSOVER (SN 0230004275 through 0230005538)



ART_1001216916

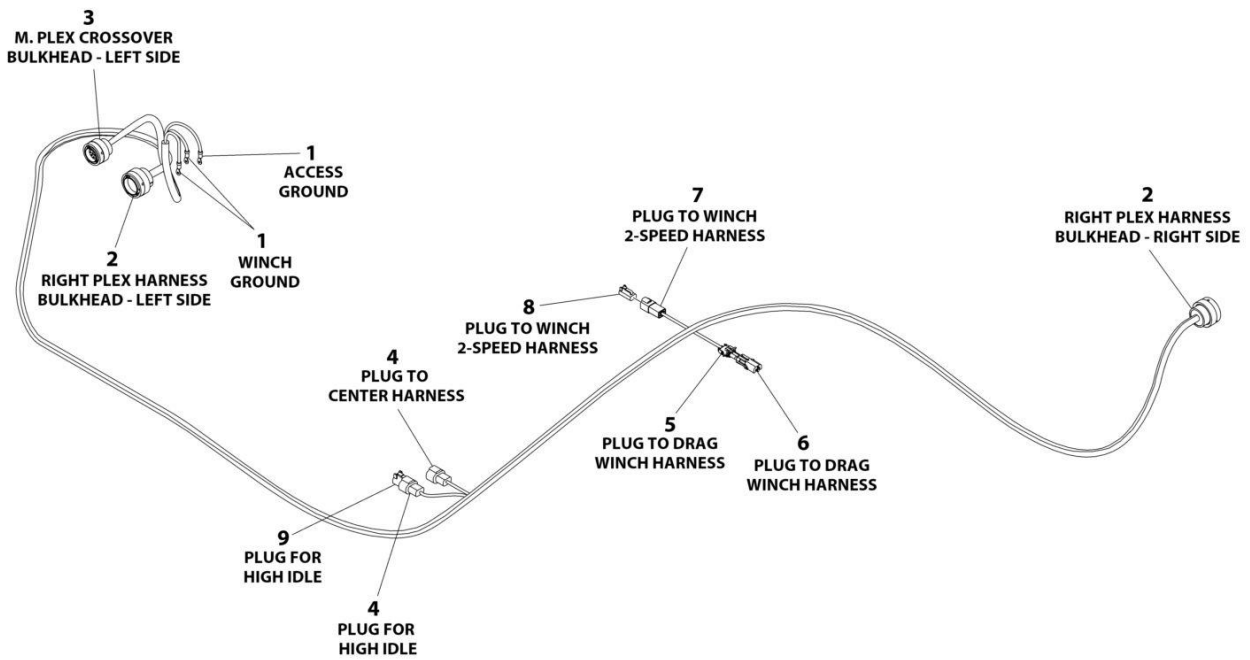
SECTION 7 - ELECTRICAL

FIGURE 7-98. MULTIPLEX HARNESS - CROSSOVER (SN 0230004275 through 0230005538)

ITEM	PART NUMBER	QTY	DESCRIPTION	REV
	1001216916	Ref	MULTIPLEX HARNESS - CROSSOVER	B
1	NPN	3	Terminal, Ring	
2	1001263483	2	Connector - 29 Position	
2	4460916	7	Plug, Terminal	
2	4460466	14	Plug, Terminal	
2	4460465	32	Socket, Female	
2	1001126008	4	Socket, Female	
3	NPN	1	Connector - 14 Position	
3	4460464	3	Pin, Male	
3	4460466	11	Plug, Terminal	
4	4460897	1	Receptacle, Female - 2 Position	
4	4460464	2	Pin, Male	
5	4460742	1	Plug, Male - 2 Position	
5	4460457	2	Terminal	
5	NPN	2	Seal	
6	4460867	1	Receptacle, Female - 2 Position	
6	4460466	2	Plug, Terminal	
7	4460932	1	Receptacle, Female - 4 Position	
7	4460464	4	Pin, Male	
8	4460884	1	Plug, Male - 4 Position	
8	4460466	4	Plug, Terminal	

SECTION 7 - ELECTRICAL

FIGURE 7-99. MULTIPLEX HARNESS - CROSSOVER (SN 0230005539 through 0230006134)



ART_1001232596

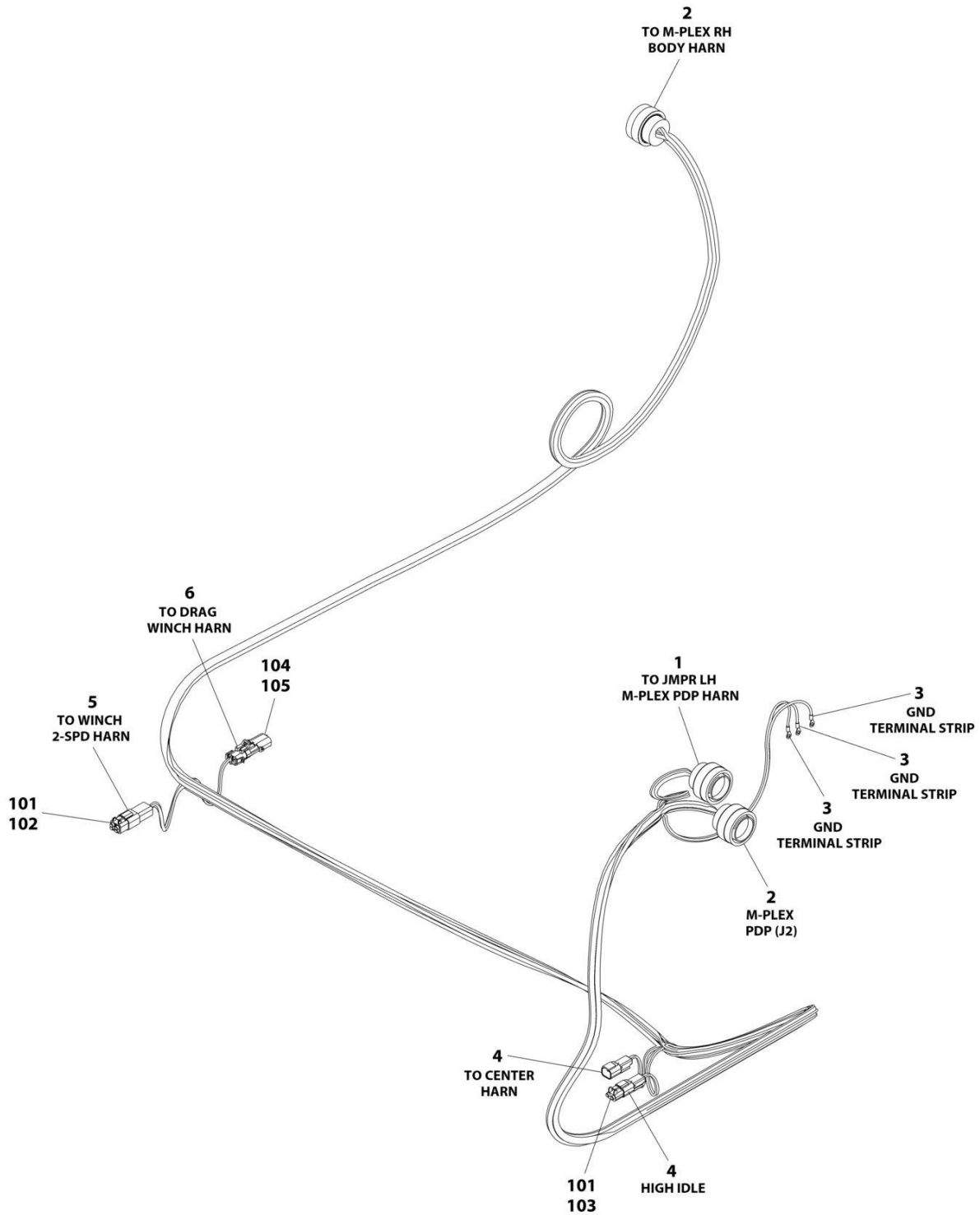
SECTION 7 - ELECTRICAL

FIGURE 7-99. MULTIPLEX HARNESS - CROSSOVER (SN 0230005539 through 0230006134)

ITEM	PART NUMBER	QTY	DESCRIPTION	REV
	1001232596	Ref	MULTIPLEX HARNESS - CROSSOVER	B
1	NPN	3	Terminal, Ring	
2	1001263483	2	Connector - 29 Position	
2	4460916	7	Plug, Terminal	
2	4460466	14	Plug, Terminal	
2	4460465	32	Socket, Female	
2	1001126008	4	Socket, Female	
3	NPN	1	Connector - 14 Position	
3	4460464	5	Pin, Male	
3	4460466	9	Plug, Terminal	
4	4460897	2	Receptacle, Female - 2 Position	
4	4460464	4	Pin, Male	
5	4460742	1	Plug, Male - 2 Position	
5	4460457	2	Terminal	
5	NPN	2	Seal	
6	4460867	1	Receptacle, Female - 2 Position	
6	4460466	2	Plug, Terminal	
7	4460932	1	Receptacle, Female - 4 Position	
7	4460464	4	Pin, Male	
8	4460884	1	Plug, Male - 4 Position	
8	4460466	4	Plug, Terminal	
9	4460891	1	Plug, Male - 2 Position	
9	4460466	2	Plug, Terminal	

SECTION 7 - ELECTRICAL

FIGURE 7-100. MULTIPLEX HARNESS - CROSSOVER (SN 0230006135 to Present)



ART_1001236614

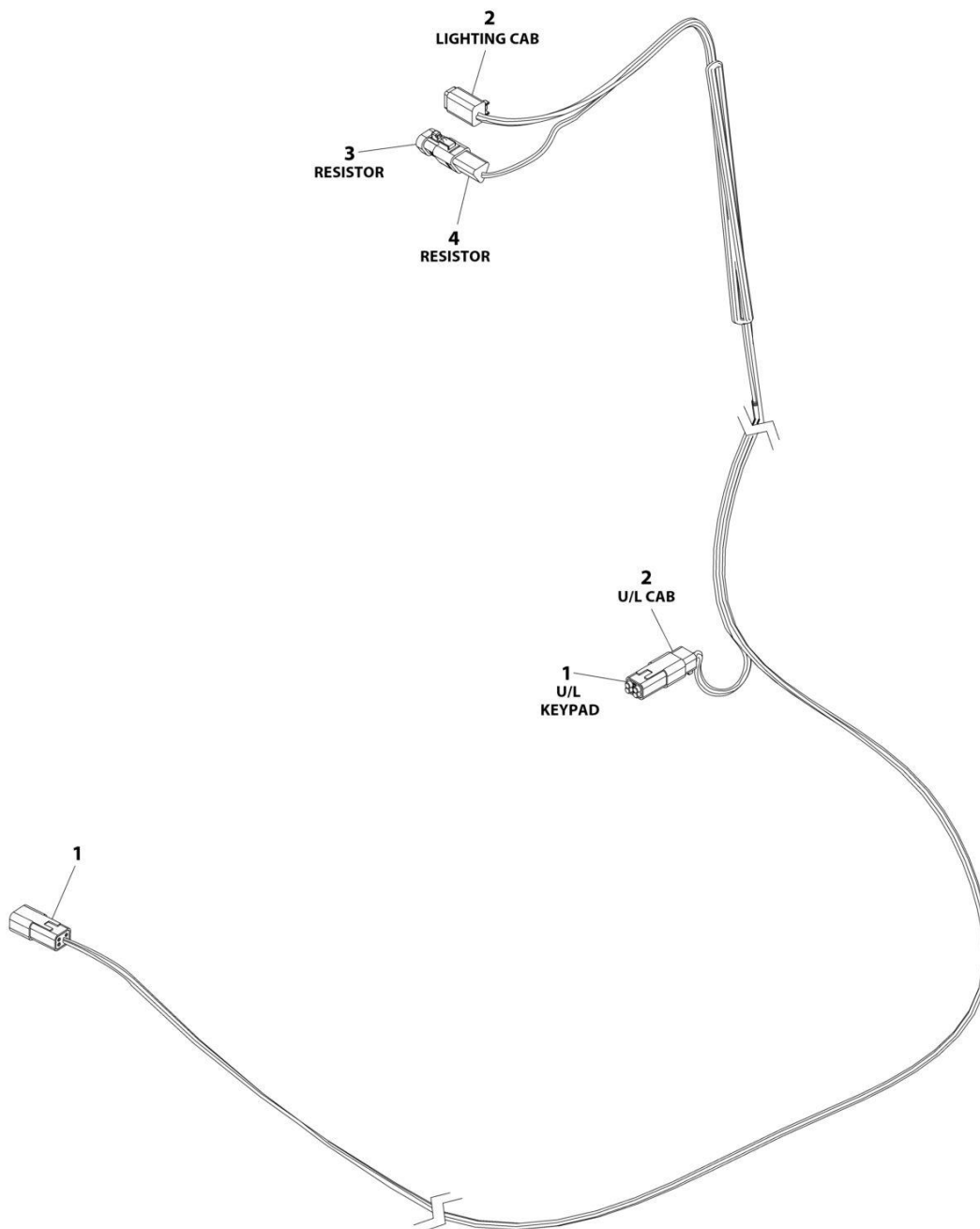
SECTION 7 - ELECTRICAL

FIGURE 7-100. MULTIPLEX HARNESS - CROSSOVER (SN 0230006135 to Present)

ITEM	PART NUMBER	QTY	DESCRIPTION	REV
	1001236614	Ref	MULTIPLEX HARNESS - CROSSOVER	C
1	1001263765	1	Connector - 14 Position	
1	4460464	8	Pin, Male	
1	4460466	6	Plug, Terminal	
2	1001263483	2	Connector - 29 Position	
2	4460465	29	Socket, Female	
2	4460944	2	Socket, Female	
2	1001126008	4	Socket, Female	
2	1001126009	2	Socket, Female	
2	4460509	1	Socket, Female	
2	4460518	6	Plug, Terminal	
2	4460466	13	Plug, Terminal	
3	1001263545	3	Terminal, Ring	
4	4460897	2	Receptacle, Female - 2 Position	
4	4460464	4	Pin, Male	
5	4460932	1	Receptacle, Female - 4 Position	
5	4460464	4	Pin, Male	
6	4460742	1	Plug, Male - 2 Position	
6	4460457	2	Terminal	
101	4460466	6	Plug, Terminal	
102	4460884	1	Plug, Male - 4 Position	
103	4460891	1	Plug, Male - 2 Position	
104	4461157	1	Receptacle, Female - 2 Position	
105	1001116727	1	Plug, Male - 4 Position	

SECTION 7 - ELECTRICAL

FIGURE 7-101. MULTIPLEX HARNESS - IN-CAB CONTROL (CONSOLE MOUNTED)



ART_1001208976

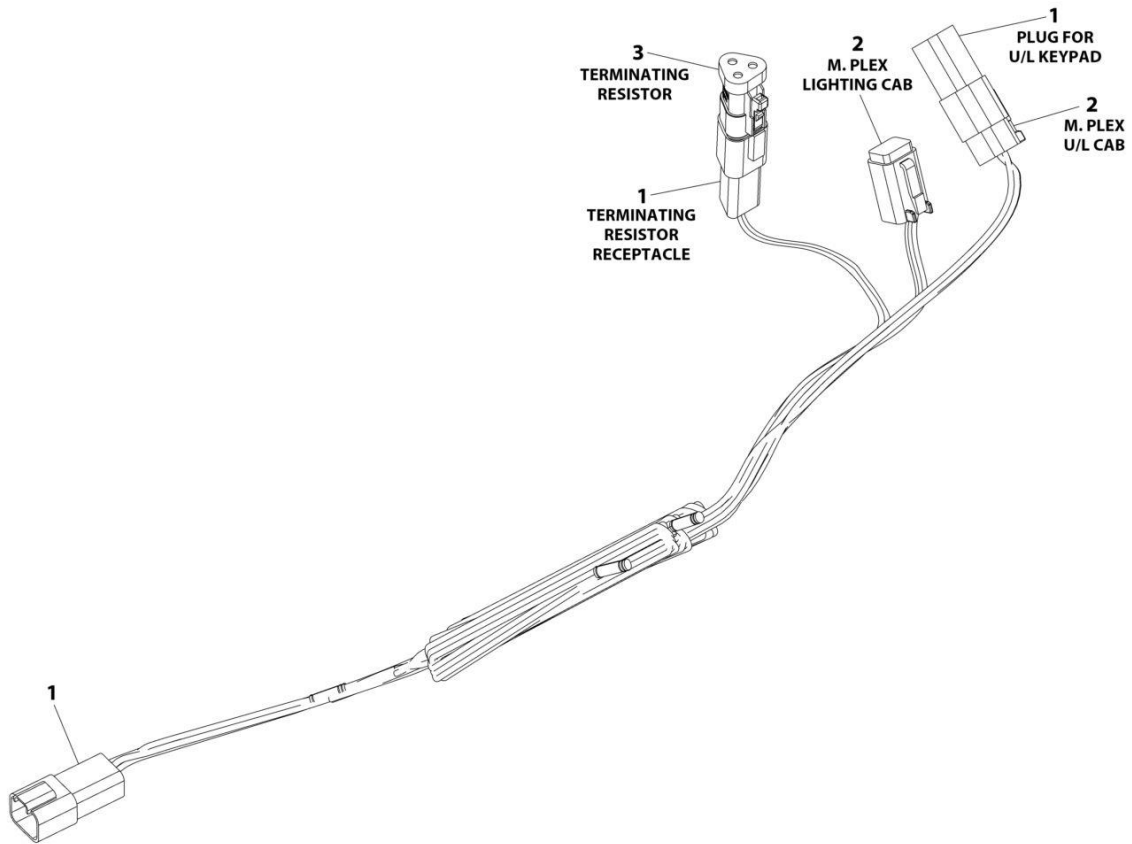
SECTION 7 - ELECTRICAL

FIGURE 7-101. MULTIPLEX HARNESS - IN-CAB CONTROL (CONSOLE MOUNTED)

ITEM	PART NUMBER	QTY	DESCRIPTION	REV
	1001208976	Ref	MULTIPLEX IN-CAB CONTROLS HARNESS (CONSOLE MOUNTED)	D
1	4460932	2	Receptacle, Female - 4 Position	
1	4460464	4	Pin, Male	
1	4460466	4	Plug, Terminal	
2	4460884	2	Plug, Male - 4 Position	
2	4460465	8	Socket, Female	
3	1001116815	1	Plug, Male - 3 Position with Resistor	
4	4460536	1	Receptacle, Female 3 Position	
4	4460464	2	Pin, Male	
4	4460466	1	Plug, Terminal	

SECTION 7 - ELECTRICAL

FIGURE 7-102. MULTIPLEX HARNESS - IN-CAB CONTROL (FLOOR MOUNTED)



ART_1001215421

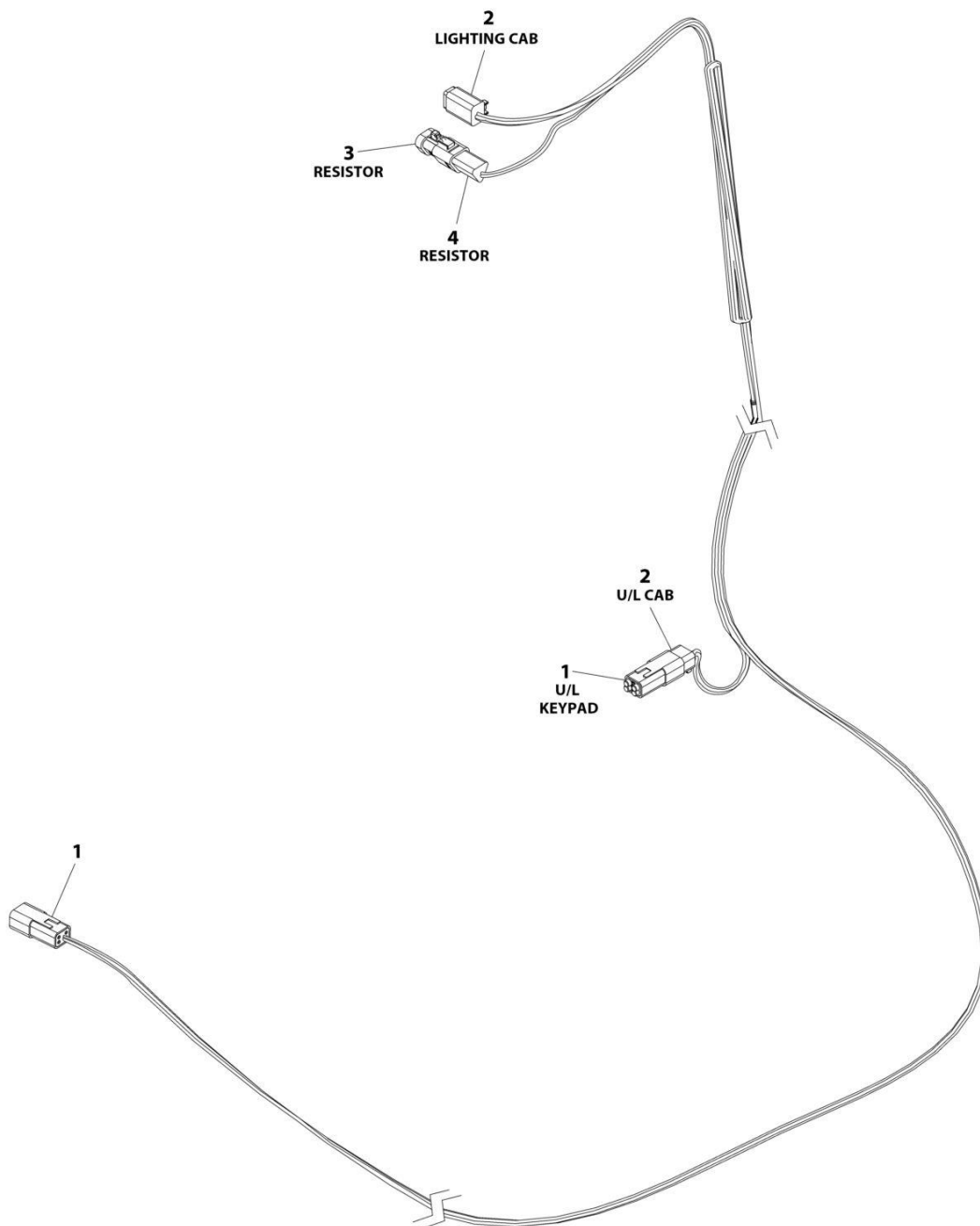
SECTION 7 - ELECTRICAL

FIGURE 7-102. MULTIPLEX HARNESS - IN-CAB CONTROL (FLOOR MOUNTED)

ITEM	PART NUMBER	QTY	DESCRIPTION	REV
	1001215421	Ref	MULTIPLEX IN - CAB CONTROL HARNESS	A
1	4460932	3	Receptacle, Female - 4 Position	
1	4460464	7	Pin, Male	
1	4460466	5	Plug, Terminal	
2	4460884	2	Plug, Male	
2	4460465	8	Socket, Female	
3	1001166815	1	Resistor	

SECTION 7 - ELECTRICAL

FIGURE 7-103. MULTIPLEX HARNESS - IN-CAB CONTROL (KENWORTH T880)



ART_1001215436

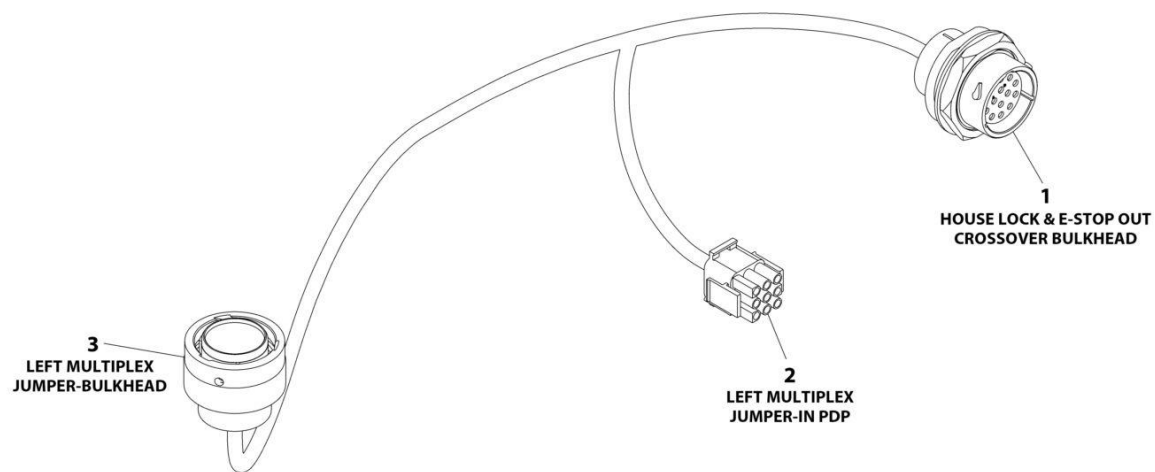
SECTION 7 - ELECTRICAL

FIGURE 7-103. MULTIPLEX HARNESS - IN-CAB CONTROL (KENWORTH T880)

ITEM	PART NUMBER	QTY	DESCRIPTION	REV
	1001215436	Ref	MULTIPLEX IN-CAB CONTROLS HARNESS (FLOOR MOUNTED)	B
1	4460932	2	Receptacle, Female - 4 Position	
1	4460464	4	Pin, Male	
1	4460466	4	Plug, Terminal	
2	4460884	2	Plug, Male - 4 Position	
2	4460465	8	Socket, Female	
3	1001116815	1	Plug, Male - 3 Position with Resistor	
4	4460536	1	Receptacle, Female 3 Position	
4	4460464	2	Pin, Male	
4	4460466	1	Plug, Terminal	

SECTION 7 - ELECTRICAL

FIGURE 7-104. MULTIPLEX HARNESS - JUMPER (SN 0230004275 through 0230005538)



ART_1001208950

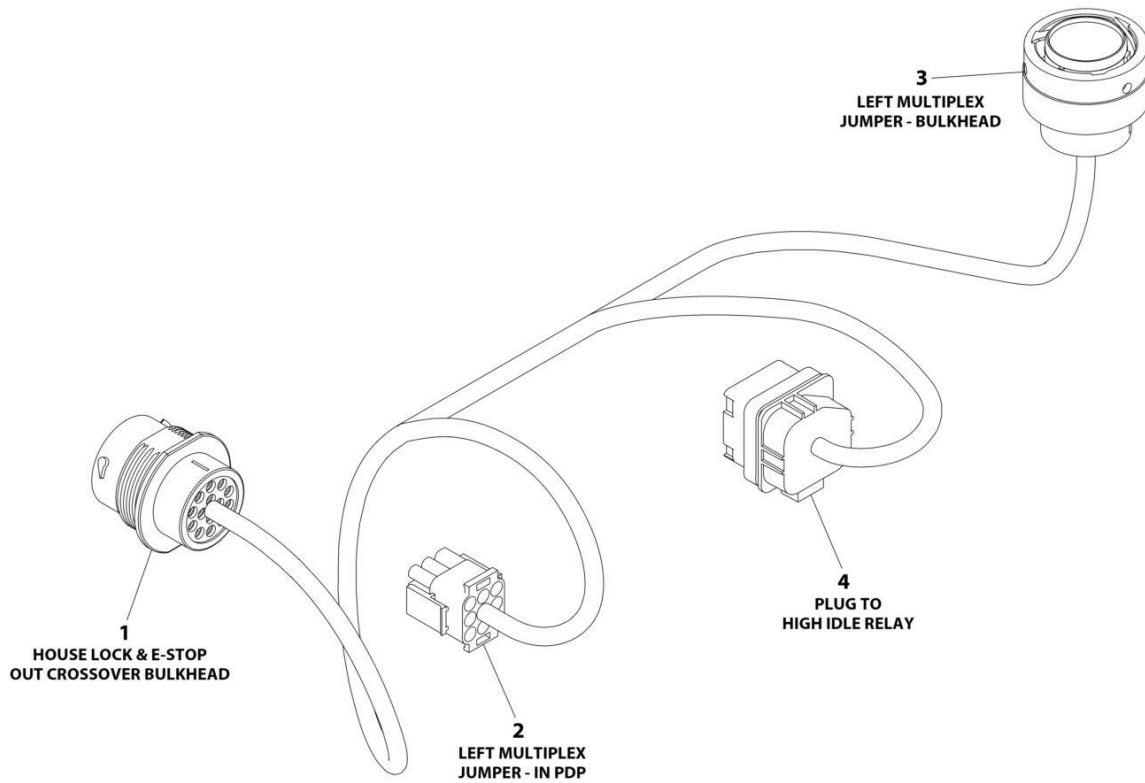
SECTION 7 - ELECTRICAL

FIGURE 7-104. MULTIPLEX HARNESS - JUMPER (SN 0230004275 through 0230005538)

ITEM	PART NUMBER	QTY	DESCRIPTION	REV
	1001208950	Ref	MULTIPLEX HARNESS - JUMPER	C
1	1001109484	1	Connector - 14 Position	
1	NPN	1	Gasket	
1	NPN	1	Washer	
1	NPN	1	Nut	
1	4460465	3	Socket, Female	
1	4460466	11	Plug, Terminal	
2	4460265	1	Plug, Male - 9 Position	
2	4460268	2	Socket, Female	
2	NPN	3	Socket, Female	
3	1001109485	1	Connector - 14 Position	
3	4460465	8	Socket, Female	
3	4460466	6	Plug, Terminal	

SECTION 7 - ELECTRICAL

FIGURE 7-105. MULTIPLEX HARNESS - JUMPER (SN 0230005539 through 0230006134)



ART_1001232594

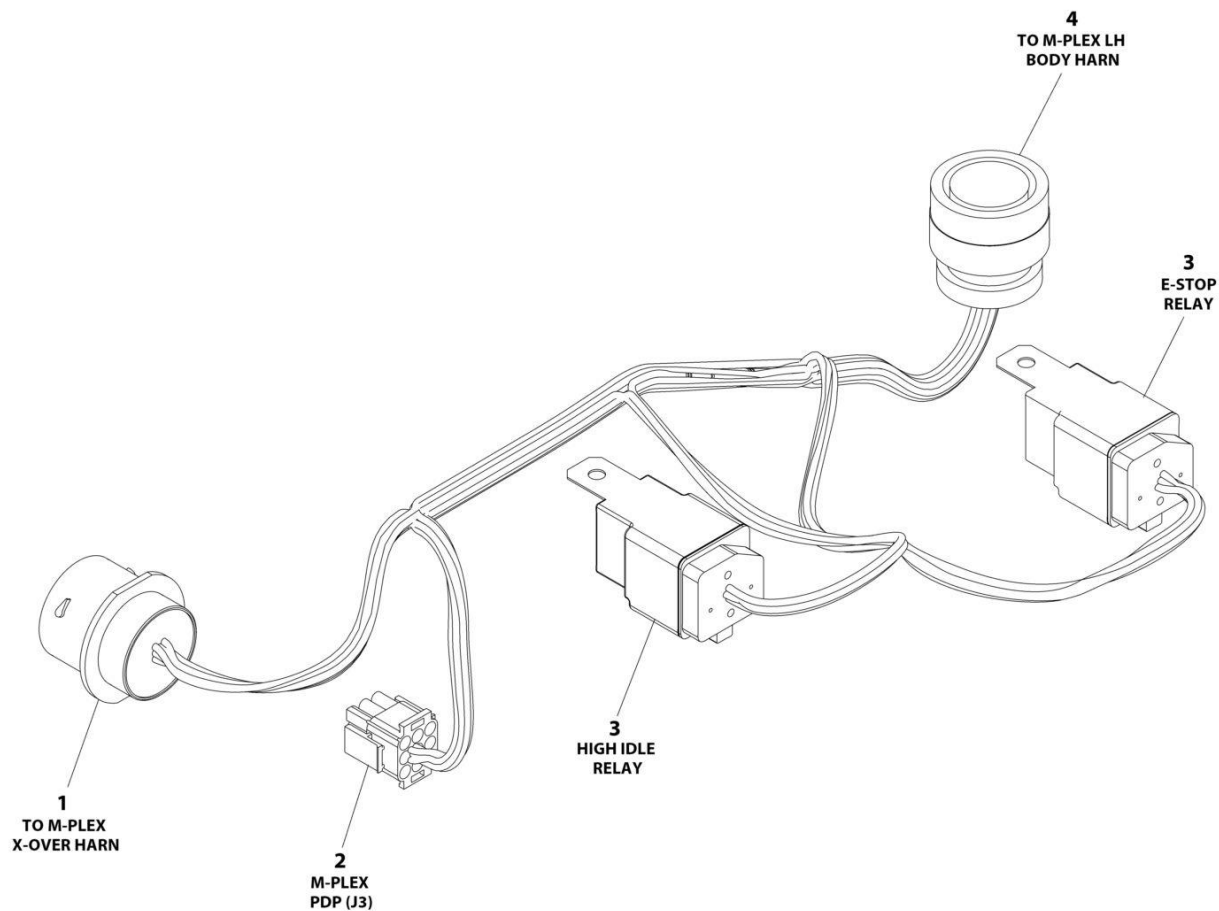
SECTION 7 - ELECTRICAL

FIGURE 7-105. MULTIPLEX HARNESS - JUMPER (SN 0230005539 through 0230006134)

ITEM	PART NUMBER	QTY	DESCRIPTION	REV
	1001232594	Ref	MULTIPLEX HARNESS - JUMPER	B
1	1001109484	1	Connector - 14 Position	
1	NPN	1	Gasket	
1	NPN	1	Washer	
1	NPN	1	Nut	
1	4460465	5	Socket, Female	
1	4460466	9	Plug, Terminal	
2	4460265	1	Plug, Male - 9 Position	
2	4460268	2	Socket, Female	
2	NPN	3	Socket, Female	
3	1001109485	1	Connector - 14 Position	
3	4460465	5	Socket, Female	
3	4460466	9	Plug, Terminal	
4	NPN	1	Connector - 5 Position	
4	1001096137	4	Terminal	

SECTION 7 - ELECTRICAL

FIGURE 7-106. MULTIPLEX HARNESS - JUMPER (SN 0230006135 to Present)



ART_1001236611

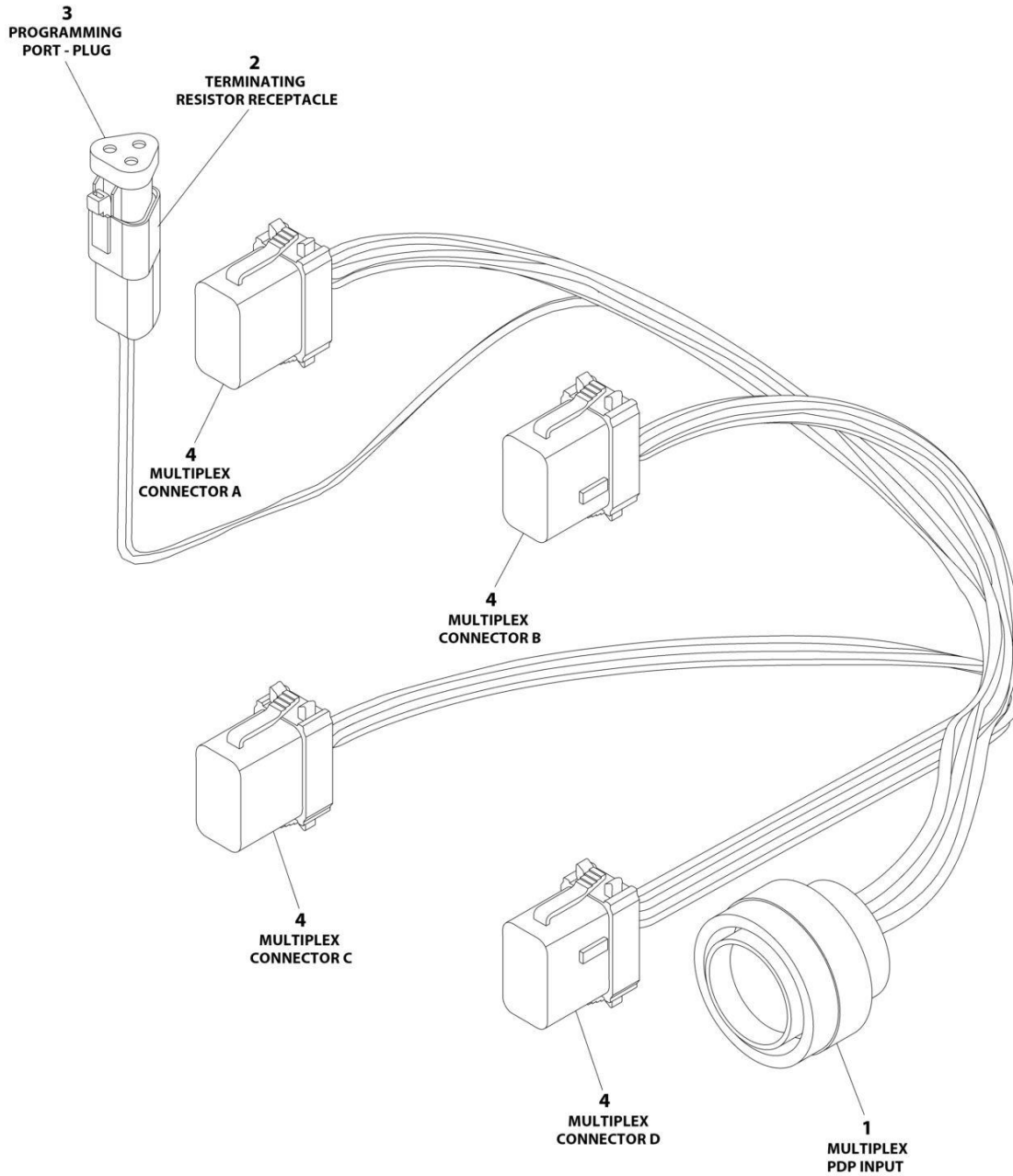
SECTION 7 - ELECTRICAL

FIGURE 7-106. MULTIPLEX HARNESS - JUMPER (SN 0230006135 to Present)

ITEM	PART NUMBER	QTY	DESCRIPTION	REV
	1001236611	Ref	MULTIPLEX HARNESS - JUMPER	C
1	1001263763	1	Connector - 14 Position	
1	NPN	1	Gasket	
1	NPN	1	Washer	
1	NPN	1	Nut	
1	4460465	7	Socket, Female	
1	4460466	7	Plug, Terminal	
2	4460265	1	Plug, Male - 9 Position	
2	4460268	6	Socket, Female	
3	1001118282	2	Connector - 5 Position (Relay)	
3	1001116733	9	Terminal	
3	1001128128	1	Plug, Terminal	
4	1001109485	1	Connector - 14 Position	
4	4460465	11	Socket, Female	
4	4460466	3	Plug, Terminal	

SECTION 7 - ELECTRICAL

FIGURE 7-107. MULTIPLEX HARNESS - MULTIPLEX TO PDP (SN 0230004275 through 0230006134)



ART_1001208952

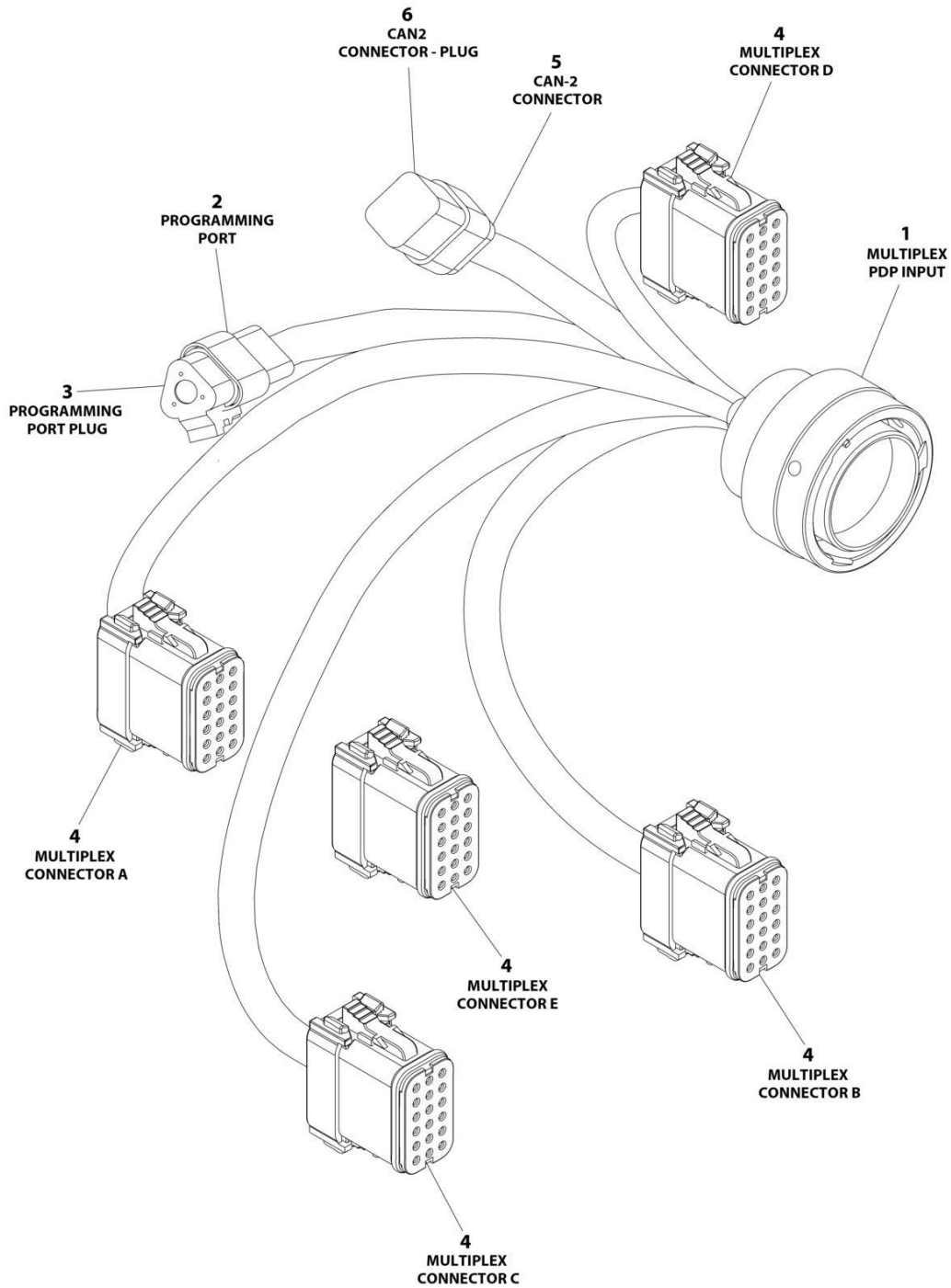
SECTION 7 - ELECTRICAL

FIGURE 7-107. MULTIPLEX HARNESS - MULTIPLEX TO PDP (SN 0230004275 through 0230006134)

ITEM	PART NUMBER	QTY	DESCRIPTION	REV
	1001208952	Ref	MULTIPLEX HARNESS - MULTIPLEX TO PDP	F
1	1001262043	1	Connector - 47 Position	
1	4460465	5	Socket, Female	
1	1001126008	41	Socket, Female	
1	4460466	1	Plug, Terminal	
2	4460536	1	Connector - 3 Position	
2	4460464	2	Pin, Male	
2	4460466	1	Plug, Terminal	
3	1001116812	1	Plug, Male - 3 Position	
3	4460466	3	Plug, Terminal	
4	NPN	4	Connector - 18 Position	
4	4460465	44	Socket, Female	
4	4460466	28	Plug, Terminal	
5	NPN	1	Connector - 18 Position (Not Shown - Supplied Separately)	
5	4460466	18	Plug, Terminal	

SECTION 7 - ELECTRICAL

FIGURE 7-108. MULTIPLEX HARNESS - MULTIPLEX TO PDP (SN 0230006135 to Present)



ART_1001260451

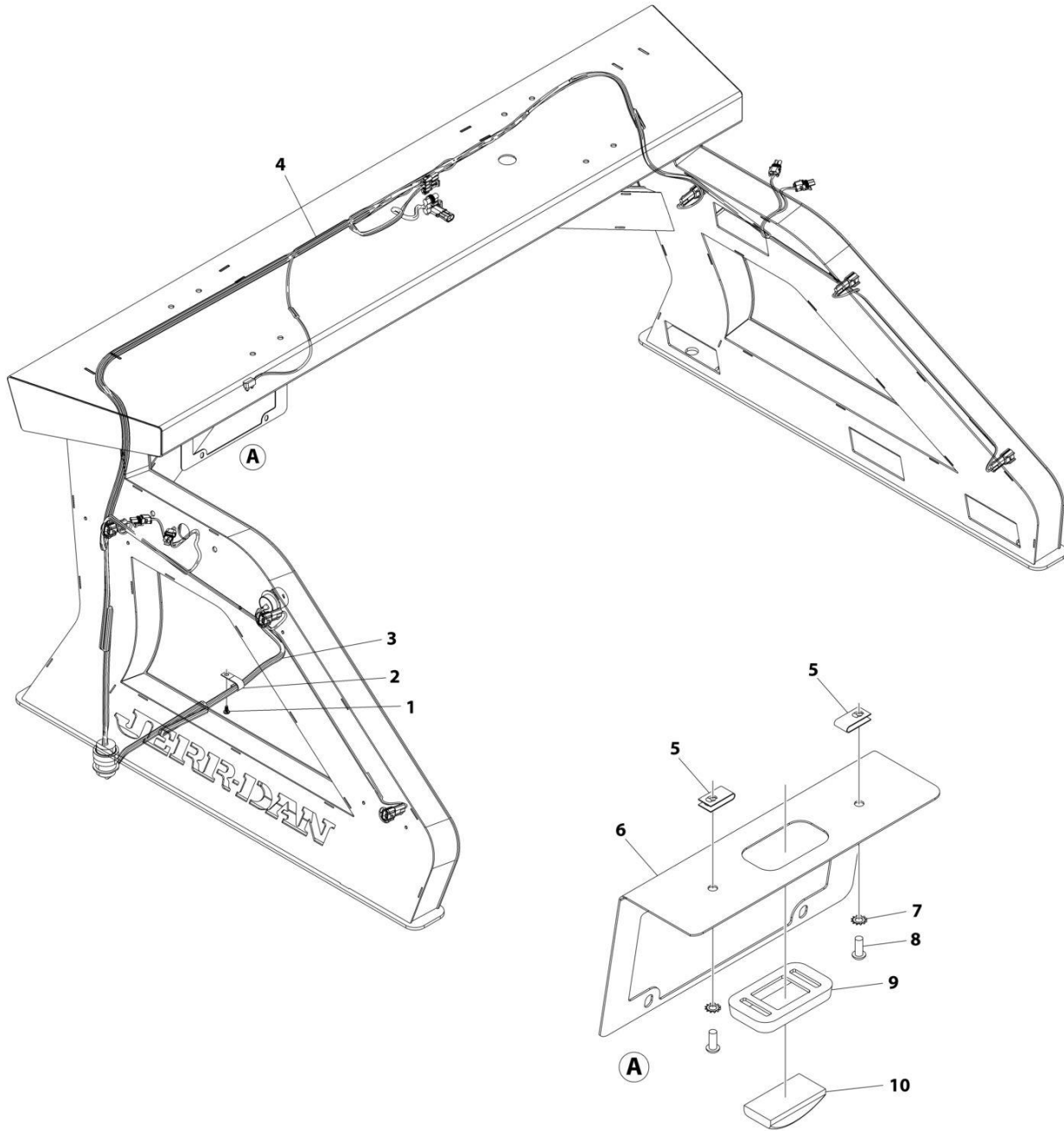
SECTION 7 - ELECTRICAL

FIGURE 7-108. MULTIPLEX HARNESS - MULTIPLEX TO PDP (SN 0230006135 to Present)

ITEM	PART NUMBER	QTY	DESCRIPTION	REV
	1001260451	Ref	MULTIPLEX HARNESS - MULTIPLEX TO PDP	A
1	1001262043	1	Connector - 47 Position	
1	4460465	29	Socket, Female	
1	NPN	15	Socket, Female	
1	4460466	3	Plug, Terminal	
2	4460536	1	Connector - 3 Position	
2	4460464	2	Pin, Male	
2	4460466	1	Plug, Terminal	
3	4460539	1	Plug, Male - 3 Position	
3	4460466	3	Plug, Terminal	
4	NPN	4	Connector - 18 Position	
4	4460465	30	Socket, Female	
4	NPN	17	Socket, Female	
4	4460466	43	Plug, Terminal	
5	4460894	1	Plug, Male - 6 Position	
5	4460465	3	Socket, Female	
5	NPN	2	Socket, Female	
5	4460466	1	Plug, Terminal	
6	4460899	1	Receptacle, Female - 6 Position	
6	4460466	6	Plug, Terminal	

SECTION 7 - ELECTRICAL

FIGURE 7-109. PYLON ELECTRICAL INSTALLATION ((34IN & 39IN PYLON))



ART_1001215020

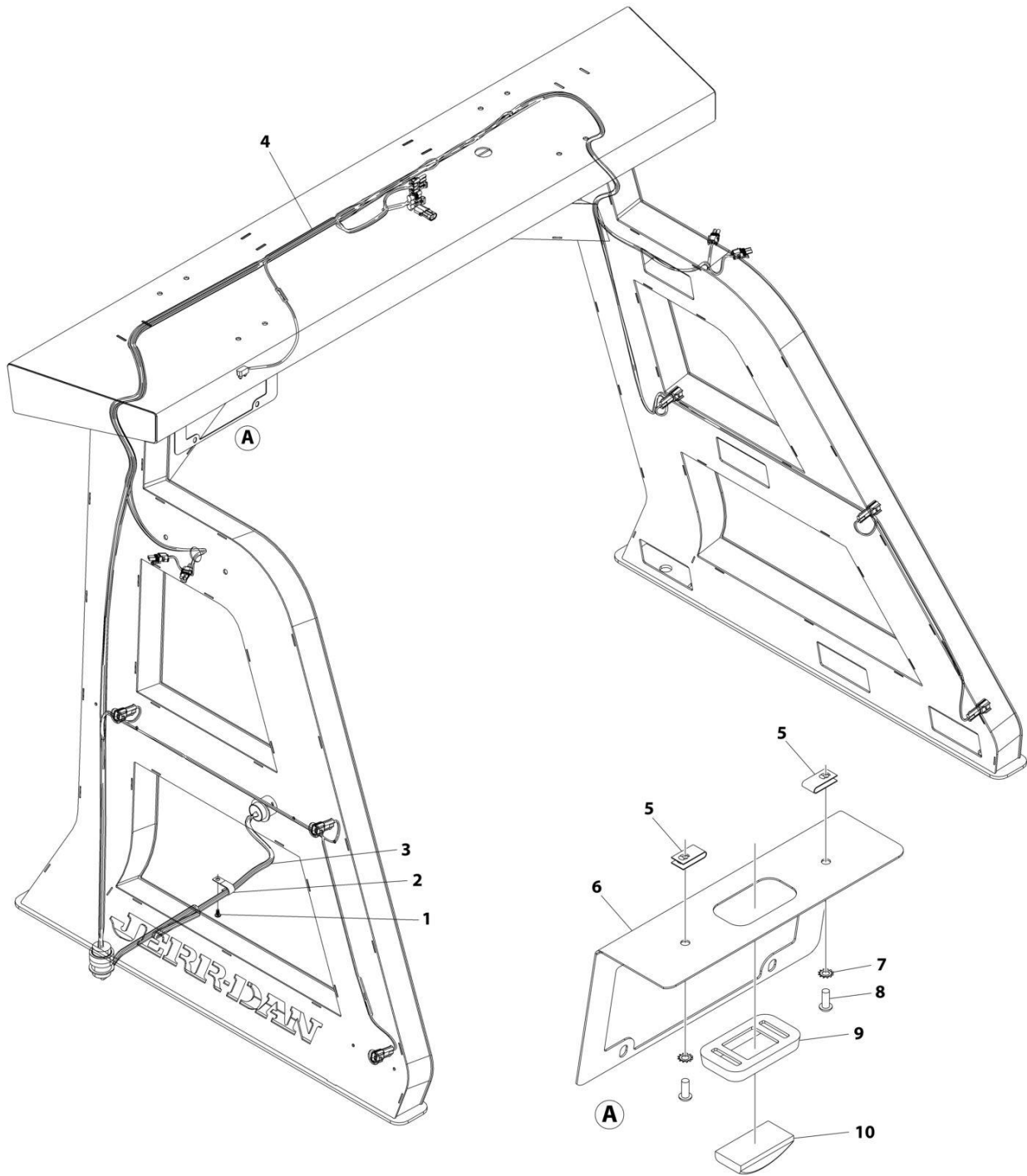
SECTION 7 - ELECTRICAL

FIGURE 7-109. PYLON ELECTRICAL INSTALLATION ((34IN & 39IN PYLON)

ITEM	PART NUMBER	QTY	DESCRIPTION	REV
	1001215020	Ref	PYLON ELECTRICAL INSTALLATION (34IN & 39IN PYLON)	D
1	1001195257	3	Screw 1/4 x 1/2	
2	7280000006	3	Clip	
3	1001214605	1	Pylon Harness - Jumper (See Separate Breakdown in this Section)	
4	1001214606	1	Pylon Harness - Main (See Separate Breakdown in this Section)	
5	7661000019	2	U-Nut 1/4	
6	1001249938	1	Bracket, License Plate	
7	1001143686	2	Washer 1/4	
8	7114140518	2	Screw 1/4 x 5/8	
9	7493000010	1	Grommet	
10	1001142771	1	Light, Clear LED	
11	5526000553	1	Tie-Strap (Not Shown)	

SECTION 7 - ELECTRICAL

FIGURE 7-110. PYLON ELECTRICAL INSTALLATION (57IN PYLON)



ART_1001215034

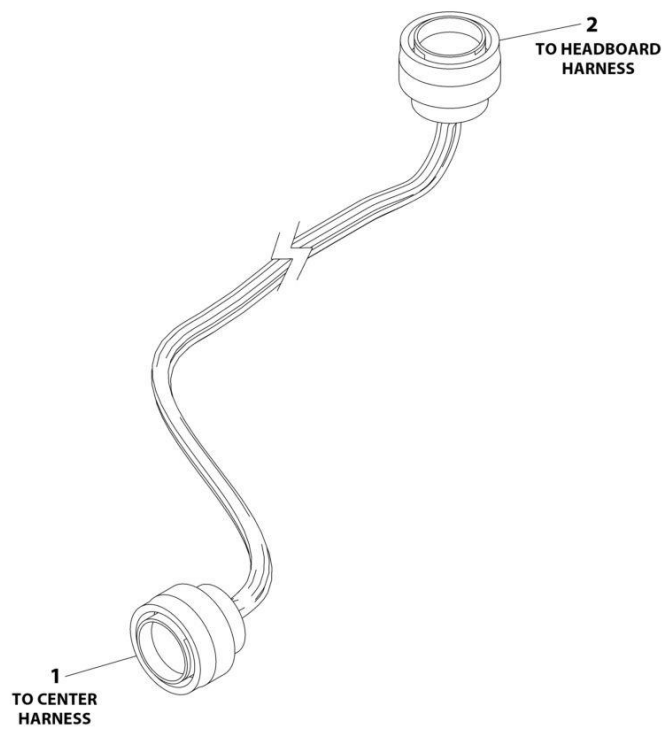
SECTION 7 - ELECTRICAL

FIGURE 7-110. PYLON ELECTRICAL INSTALLATION (57IN PYLON)

ITEM	PART NUMBER	QTY	DESCRIPTION	REV
	1001215034	Ref	PYLON ELECTRICAL INSTALLATION (57IN PYLON)	C
1	1001195257	3	Screw 1/4 x 1/2	
2	7280000006	3	Clip	
3	1001214605	1	Pylon Harness - Jumper (See Separate Breakdown in this Section)	
4	1001215110	1	Pylon Harness - Main (See Separate Breakdown in this Section)	
5	7661000019	2	U-Nut 1/4	
6	1001249938	1	Bracket, License Plate	
7	1001143686	2	Washer 1/4	
8	7114140518	2	Screw 1/4 x 5/8	
9	7493000010	1	Grommet	
10	1001142771	1	Light, Clear LED	
11	5526000553	1	Tie-Strap (Not Shown)	

SECTION 7 - ELECTRICAL

FIGURE 7-111. PYLON HARNESS - JUMPER



ART_1001214605

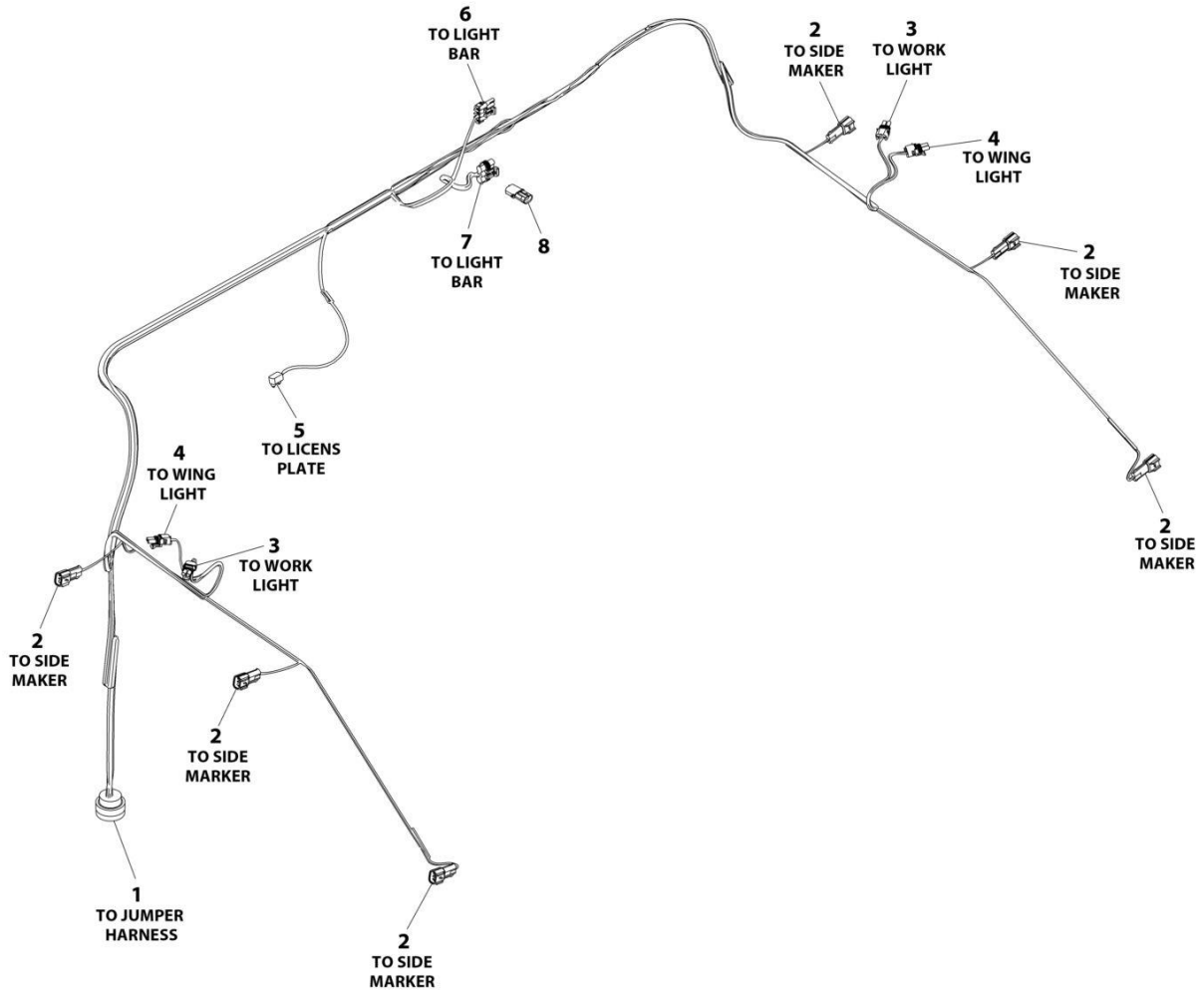
SECTION 7 - ELECTRICAL

FIGURE 7-111. PYLON HARNESS - JUMPER

ITEM	PART NUMBER	QTY	DESCRIPTION	REV
	1001214605	Ref	PYLON JUMPER HARNESS	A
1	NPN	1	Connector - 18 Position	
1	91143339	1	Pin, Male	
1	4460464	4	Pin, Male	
1	4460508	2	Pin, Male	
1	4460941	2	Plug, Terminal	
1	4460466	9	Plug, Terminal	
2	NPN	1	Connector - 18 Position	
2	91143340	1	Socket, Female	
2	4460465	4	Socket, Female	
2	4460509	2	Socket, Female	
2	4460942	2	Socket, Female	
2	4460466	9	Plug, Terminal	

SECTION 7 - ELECTRICAL

FIGURE 7-112. PYLON HARNESS - MAIN (34IN & 39IN PYLON)



ART_1001214606

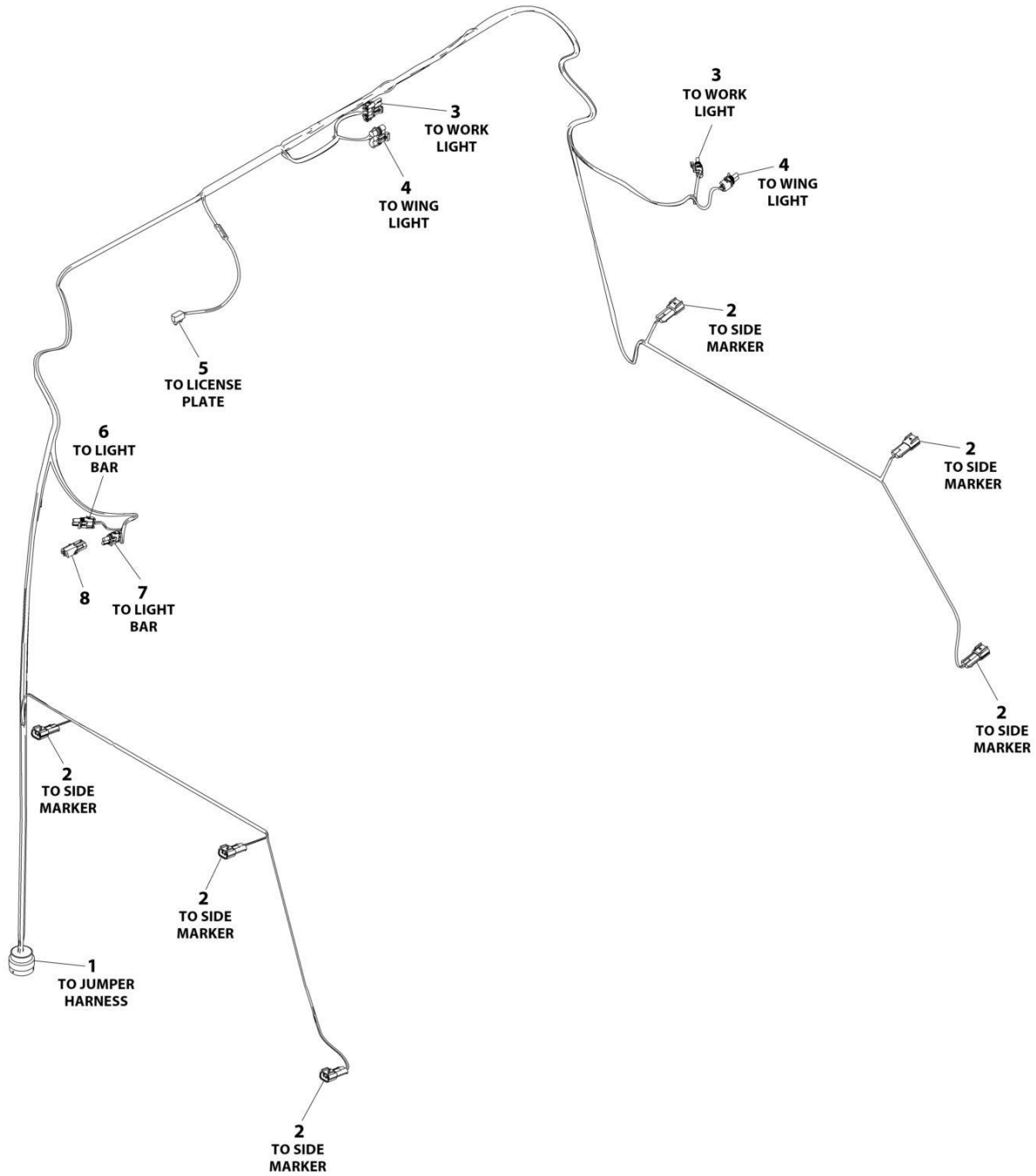
SECTION 7 - ELECTRICAL

FIGURE 7-112. PYLON HARNESS - MAIN (34IN & 39IN PYLON)

ITEM	PART NUMBER	QTY	DESCRIPTION	REV
	1001214606	Ref	PYLON HARNESS (34IN & 39IN PYLON)	B
1	NPN	1	Connector - 18 Position	
1	91143339	1	Pin, Male	
1	4460464	4	Pin, Male	
1	4460508	2	Pin, Male	
1	4460941	2	Plug, Terminal	
1	4460466	9	Plug, Terminal	
2	NPN	6	Connector - 2 Position	
2	NPN	12	Terminal	
2	4460458	12	Seal	
3	4460742	2	Connector - 2 Position	
3	4460457	4	Terminal	
3	4460458	4	Seal	
4	4460742	2	Connector - 2 Position	
4	4460457	4	Terminal	
4	1001190037	4	Seal	
5	NPN	1	Connector - 2 Position	
6	4460460	1	Connector - 4 Position	
6	4460457	4	Terminal	
6	NPN	4	Seal	
7	8220935	1	Connector - 3 Position	
7	8220099	3	Terminal	
7	7346000108	1	Lock	
7	NPN	AR	Seal	
7	NPN	AR	Seal	
8	4460867	1	Connector - 2 Position	
8	1001116727	2	Terminal	

SECTION 7 - ELECTRICAL

FIGURE 7-113. PYLON HARNESS - MAIN (57IN PYLON)



ART_1001215110

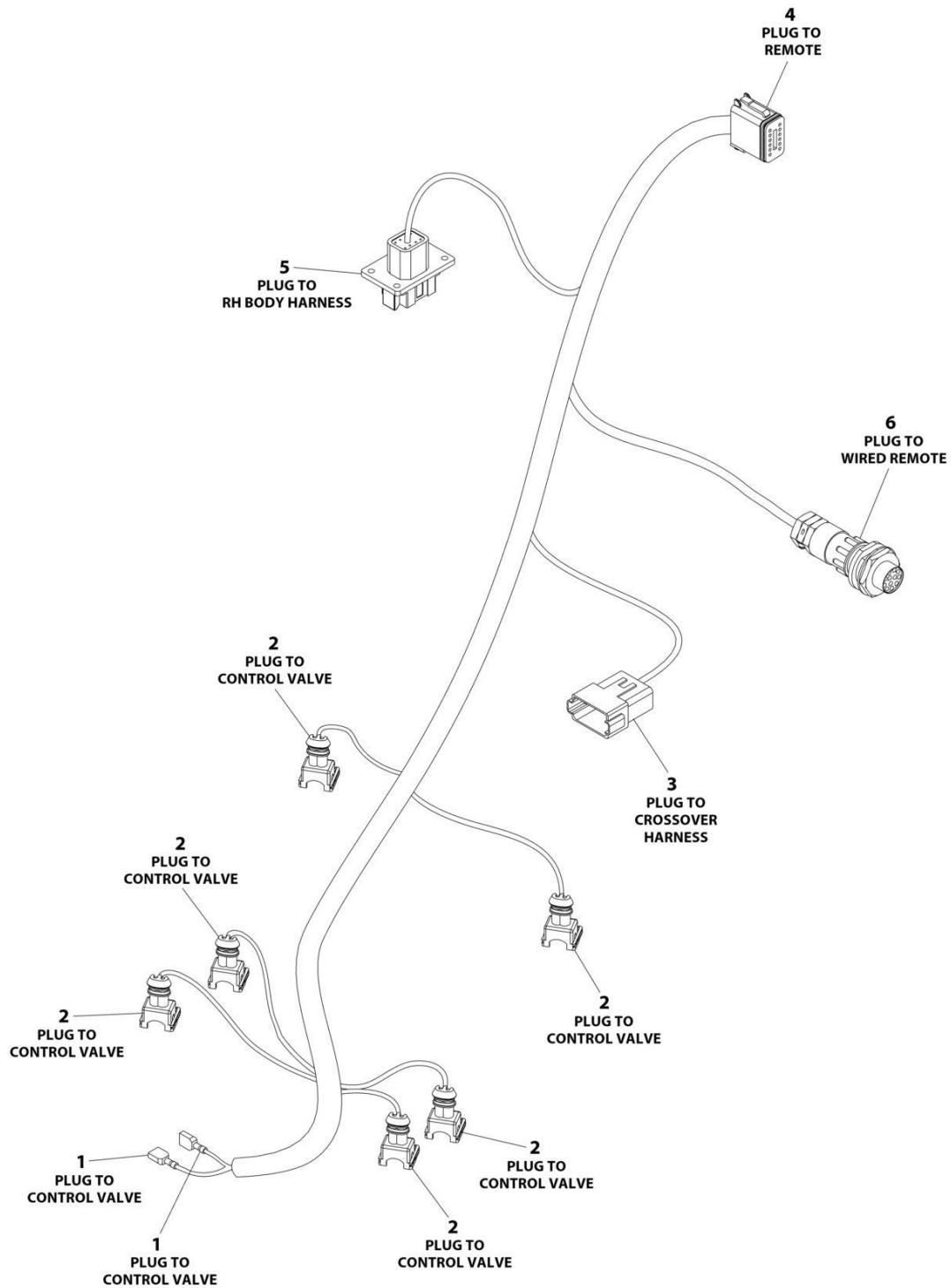
SECTION 7 - ELECTRICAL

FIGURE 7-113. PYLON HARNESS - MAIN (57IN PYLON)

ITEM	PART NUMBER	QTY	DESCRIPTION	REV
	1001215110	Ref	PYLON HARNESS (57IN PYLON)	B
1	NPN	1	Connector - 18 Position	
1	91143339	1	Pin, Male	
1	4460464	4	Pin, Male	
1	4460508	2	Pin, Male	
1	4460941	2	Plug, Terminal	
1	4460466	9	Plug, Terminal	
2	NPN	6	Connector - 2 Position	
2	NPN	12	Terminal	
2	4460458	12	Seal	
3	4460742	2	Connector - 2 Position	
3	4460457	4	Terminal	
3	4460458	4	Seal	
4	4460742	2	Connector - 2 Position	
4	4460457	4	Terminal	
4	1001190037	4	Seal	
5	NPN	1	Connector - 2 Position	
6	4460460	1	Connector - 4 Position	
6	4460457	4	Terminal	
6	NPN	4	Seal	
7	8220935	1	Connector - 3 Position	
7	8220099	3	Terminal	
7	7346000108	1	Lock	
7	NPN	AR	Seal	
7	NPN	AR	Seal	
8	4460867	1	Connector - 2 Position	
8	1001116727	2	Terminal	

SECTION 7 - ELECTRICAL

FIGURE 7-114. REMOTE CONTROL HARNESS ASSEMBLY (6 FUNCTION) (Prior to SN 0230006575)



ART_1001209022

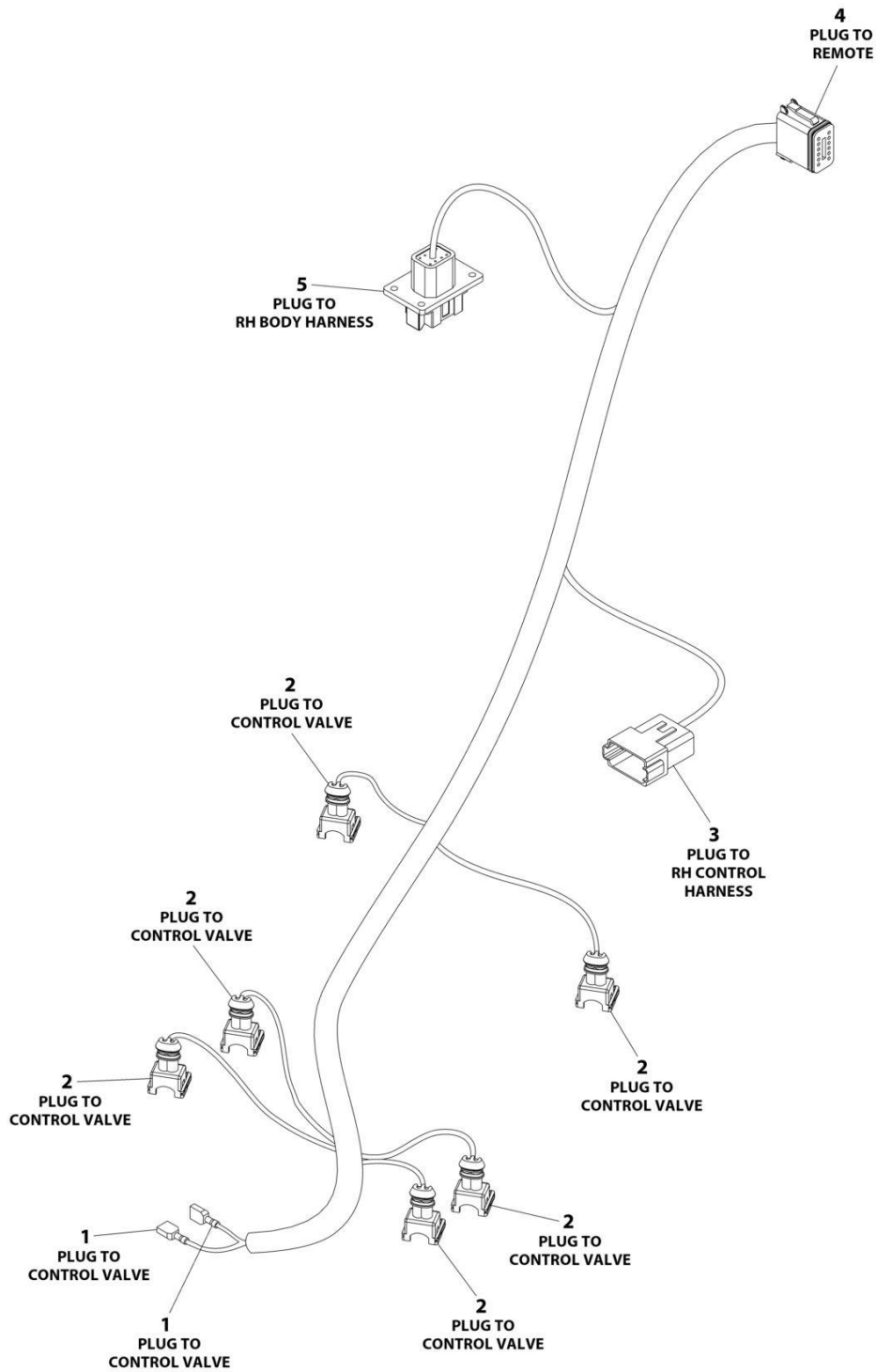
SECTION 7 - ELECTRICAL

FIGURE 7-114. REMOTE CONTROL HARNESS ASSEMBLY (6 FUNCTION) (Prior to SN 0230006575)

ITEM	PART NUMBER	QTY	DESCRIPTION	REV
	1001209022	Ref	HARNESS ASSEMBLY - REMOTE CONTROL	C
1		Ref	Terminal	
2	1001116983	6	Receptacle, Female - 2 Position	
2	1001283166	12	Terminal	
2	4461054	12	Seal	
3	4460931	1	Receptacle, Female - 8 Position	
3	4640464	7	Pin, Male	
3	4460466	1	Plug, Terminal	
4	4460933	1	Plug, Male - 12 Position	
4	4460942	12	Socket, Female	
5	1001269275	1	Receptacle, Female - 8 Position	
5	4460941	4	Pin, Male	
5	4460466	4	Plug, Terminal	
5		Ref	Gasket	
6	1001271968	1	Connector - 12 Position	
6	1001271970	9	Terminal	
6		Ref	Connector, Strain Relief	

SECTION 7 - ELECTRICAL

FIGURE 7-115. REMOTE CONTROL HARNESS ASSEMBLY (6 FUNCTION) (SN 0230006575 to Present)



ART_1001246829

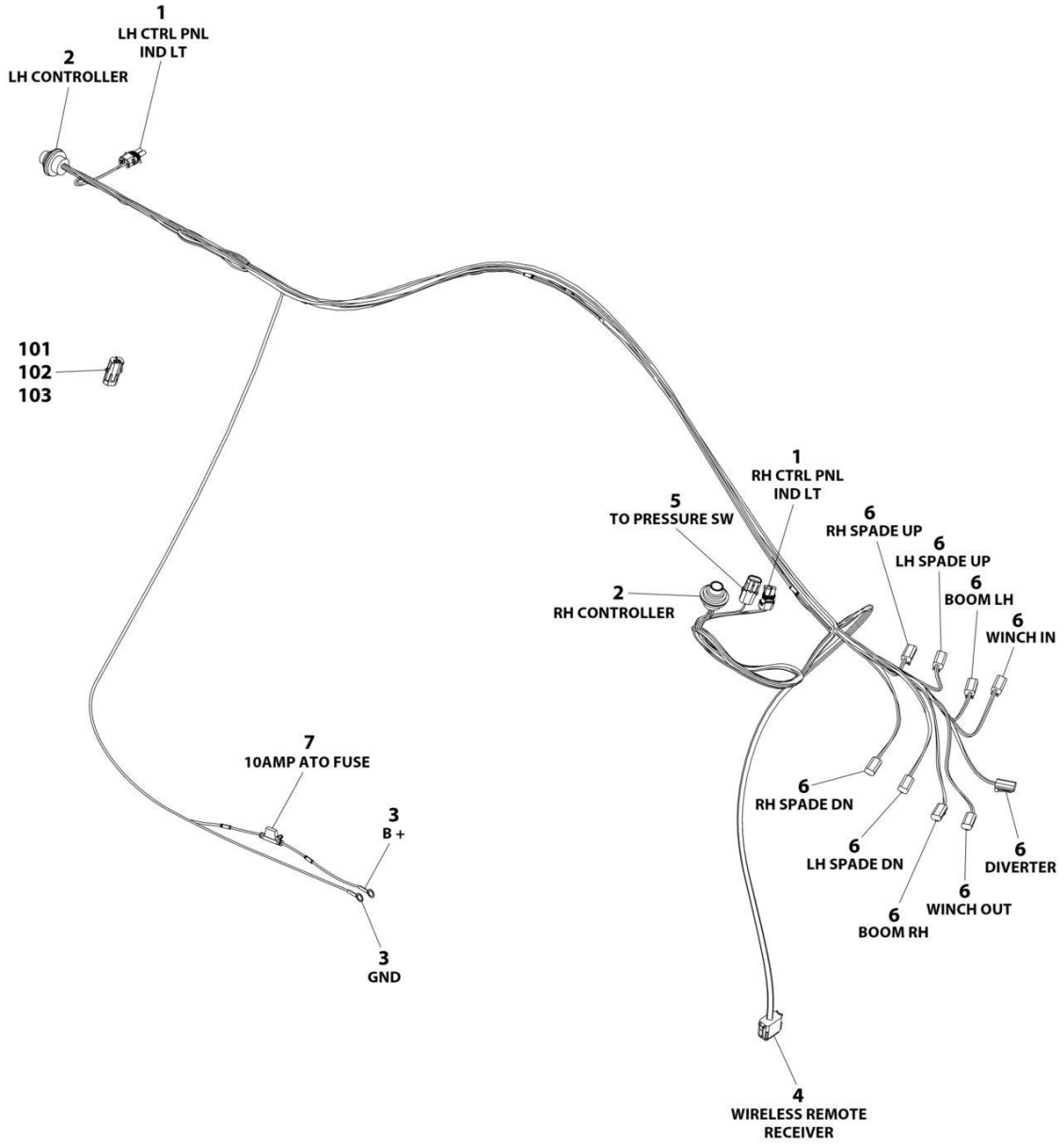
SECTION 7 - ELECTRICAL

FIGURE 7-115. REMOTE CONTROL HARNESS ASSEMBLY (6 FUNCTION) (SN 0230006575 to Present)

ITEM	PART NUMBER	QTY	DESCRIPTION	REV
	1001246829	Ref	HARNESS ASSEMBLY - REMOTE CONTROL	B
1		Ref	Terminal	
2	1001116983	6	Receptacle, Female - 2 Position	
2	1001283166	12	Terminal	
2	4461054	12	Seal	
3	4460950	1	Receptacle, Female - 8 Position	
3	4640464	7	Pin, Male	
3	4460466	1	Plug, Terminal	
4	4460933	1	Plug, Male - 12 Position	
4	4460942	12	Socket, Female	
5	1001269275	1	Receptacle, Female - 8 Position	
5	4460941	4	Pin, Male	
5	4460466	4	Plug, Terminal	
5		Ref	Gasket	

SECTION 7 - ELECTRICAL

FIGURE 7-116. REMOTE CONTROL HARNESS ASSEMBLY (8 FUNCTION) (SRS WINCH)



ART_7552000407

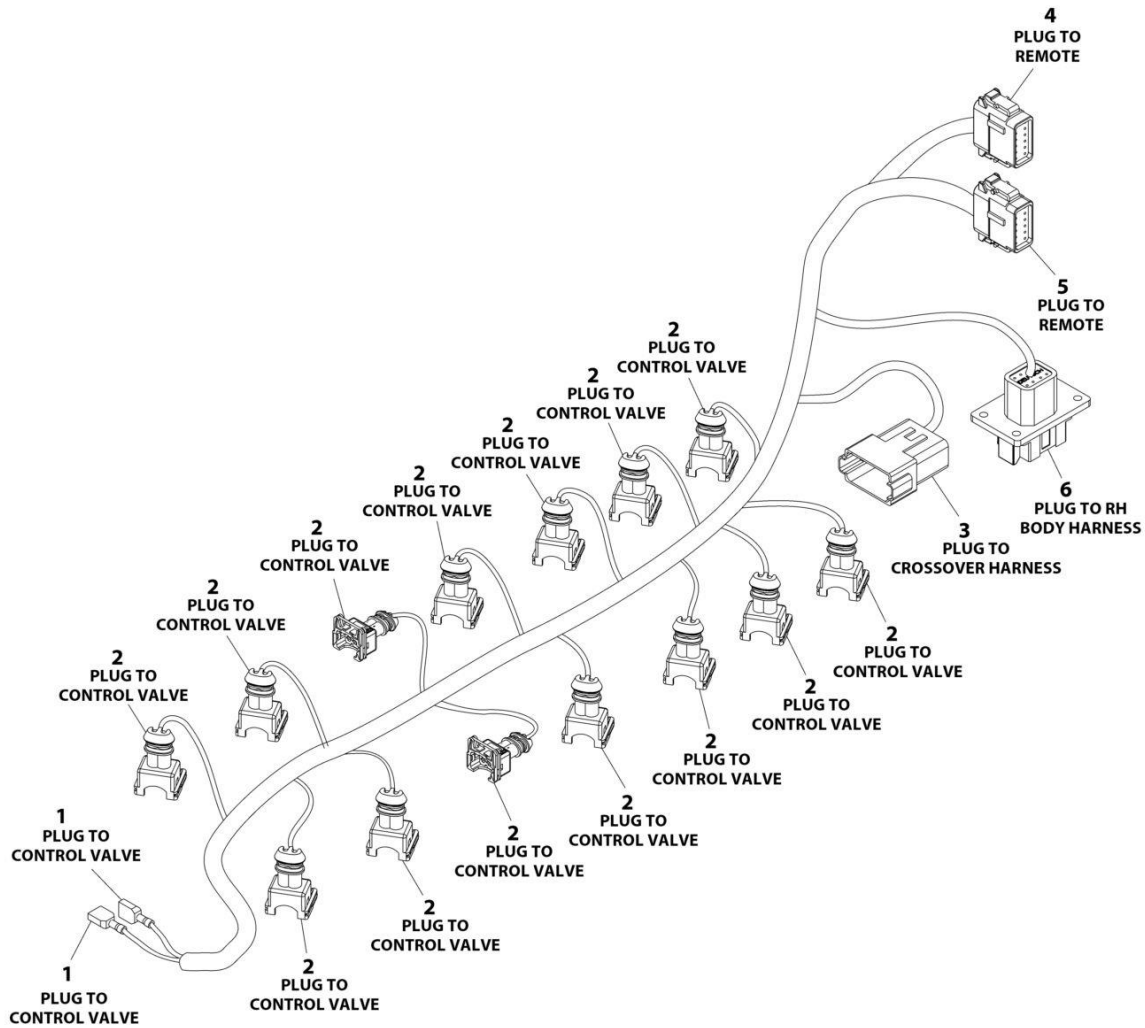
SECTION 7 - ELECTRICAL

FIGURE 7-116. REMOTE CONTROL HARNESS ASSEMBLY (8 FUNCTION) (SRS WINCH)

ITEM	PART NUMBER	QTY	DESCRIPTION	REV
	7552000407	Ref	REMOTE CONTROL 8 FUNCTION HARNESS	E
1	4460742	2	Connector	
1	4460457	4	Socket	
1	4460458	2	Seal	
2	1001271968	2	Connector	
2	1001271970	20	Socket	
2	NPN	2	Strain Relief	
3	4460256	2	Terminal, Ring	
4	4460933	1	Connector	
4	4460465	11	Socket	
4	4460466	1	Plug	
5	4461157	1	Connector	
5	4460475	2	Socket	
5	4460458	2	Seal	
6	4460891	9	Connector	
6	4460465	18	Socket	
7	1001288901	1	Fuseholder	
7	80983191	1	Fuse, 10 AMP	
101	4460458	4	Seal	
102	4460475	4	Pin	
103	4461157	2	Connector	

SECTION 7 - ELECTRICAL

FIGURE 7-117. REMOTE CONTROL HARNESS ASSEMBLY (14 FUNCTION NON-PROPORTIONAL)
(Prior to SN 0230006575)



ART_1001189120

SECTION 7 - ELECTRICAL

**FIGURE 7-117. REMOTE CONTROL HARNESS ASSEMBLY (14 FUNCTION NON-PROPORTIONAL)
(Prior to SN 0230006575)**

ITEM	PART NUMBER	QTY	DESCRIPTION	REV
	1001209020	Ref	HARNESS ASSEMBLY - REMOTE CONTROL	C
1		Ref	Terminal	
2	1001116983	14	Receptacle, Female - 2 Position	
2	1001283166	28	Terminal	
2	4461054	28	Seal	
3	4460931	1	Receptacle, Female - 8 Position	
3	4460464	7	Plug, Terminal	
3	4460466	1	Plug, Terminal	
4	4460909	1	Plug, Male - 12 Position (Black)	
4	1001116994	6	Socket, Female	
4	4460916	6	Plug, Terminal	
5	4460908	1	Plug, Male - 12 Position (Gray)	
5	1001116994	12	Socket, Female	
6	1001269275	1	Receptacle, Female - 8 Position	
6	4460941	4	Pin, Male	
6	4460466	4	Plug, Terminal	
6		Ref	Gasket	

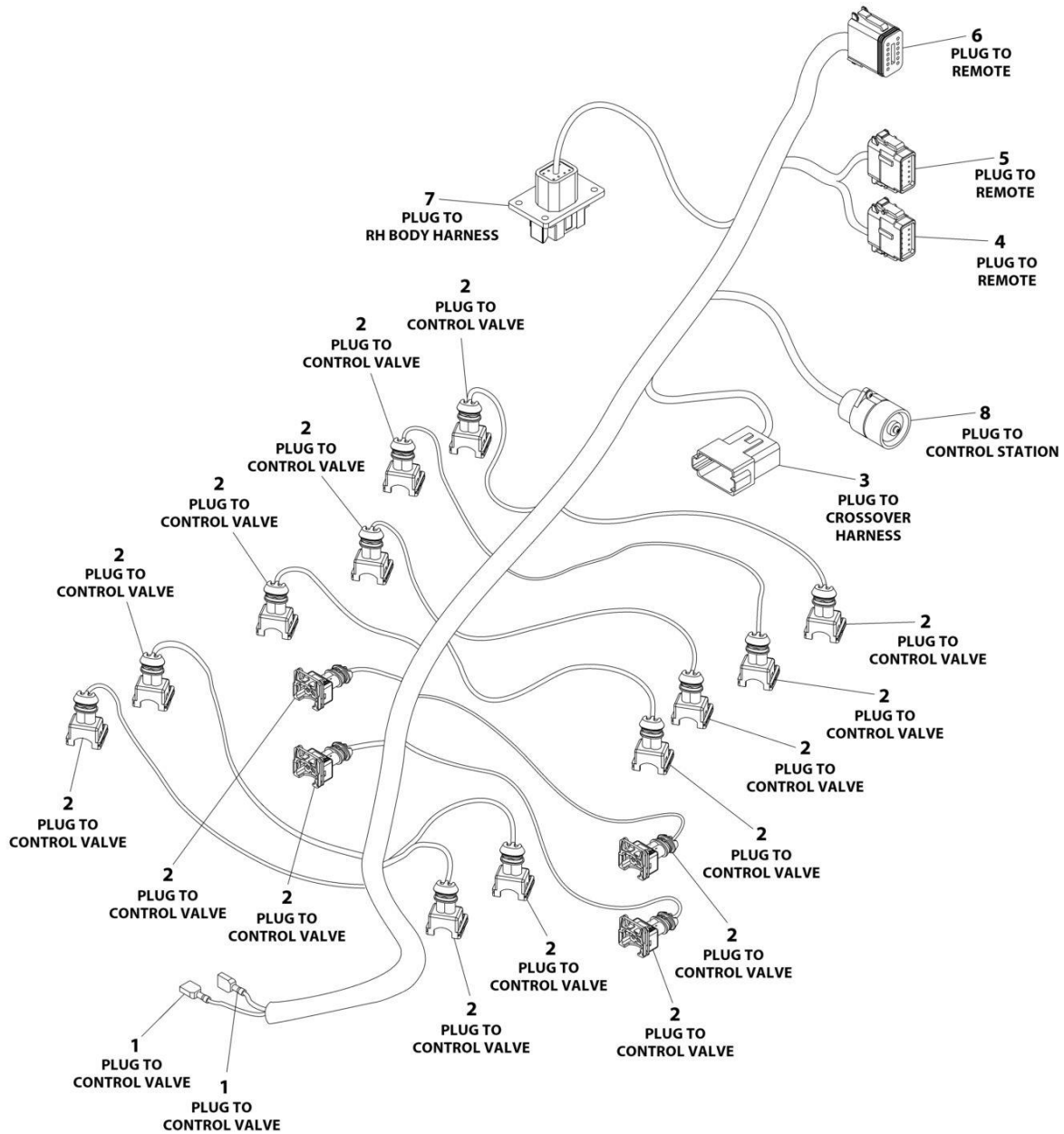
SECTION 7 - ELECTRICAL

**FIGURE 7-118. REMOTE CONTROL HARNESS ASSEMBLY (14 FUNCTION NON-PROPORTIONAL)
(SN 0230006575 to Present)**

ITEM	PART NUMBER	QTY	DESCRIPTION	REV
	1001246828	Ref	HARNESS ASSEMBLY - REMOTE CONTROL	B
1		Ref	Terminal	
2	1001116983	14	Receptacle, Female - 2 Position	
2	1001283166	28	Terminal	
2	4461054	28	Seal	
3	4460950	1	Receptacle, Female - 12 Position	
3	4460464	9	Pin, Male	
3	4460466	3	Plug, Terminal	
4	4460909	1	Plug, Male - 12 Position (Black)	
4	1001116994	6	Socket, Female	
4	4460916	6	Plug, Terminal	
5	4460908	1	Plug, Male - 12 Position (Gray)	
5	1001116994	12	Socket, Female	
6	1001269275	1	Receptacle, Female - 8 Position	
6	4460941	4	Pin, Male	
6	4460466	4	Plug, Terminal	
6		Ref	Gasket	

SECTION 7 - ELECTRICAL

FIGURE 7-119. REMOTE CONTROL HARNESS ASSEMBLY (14 & 16 FUNCTION PROPORTIONAL) (Prior to SN 0230003827)



ART_1001189167

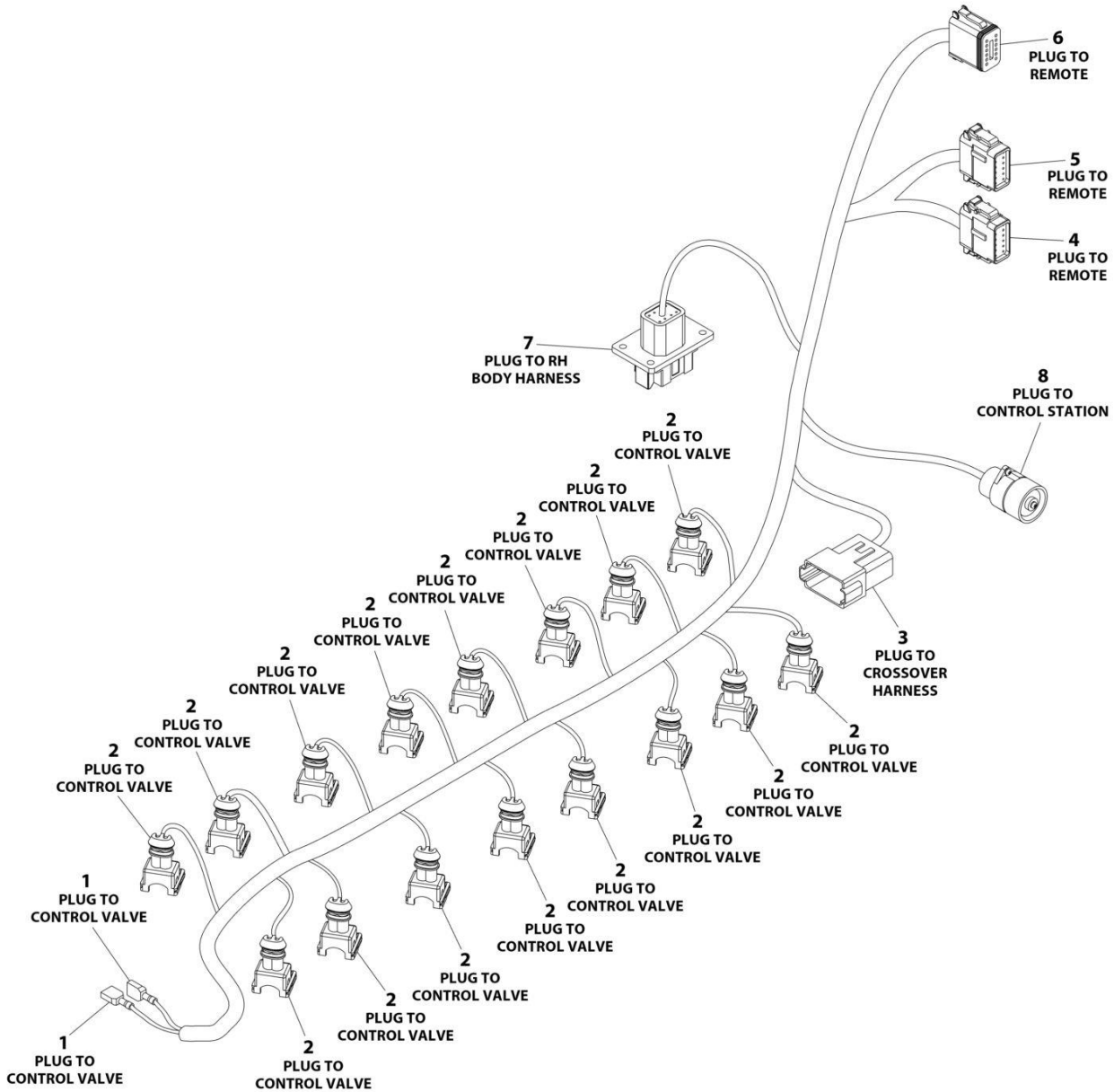
SECTION 7 - ELECTRICAL

**FIGURE 7-119. REMOTE CONTROL HARNESS ASSEMBLY (14 & 16 FUNCTION PROPORTIONAL)
(Prior to SN 0230003827)**

ITEM	PART NUMBER	QTY	DESCRIPTION	REV
	1001189167	Ref	HARNESS ASSEMBLY - REMOTE CONTROL	B
1		Ref	Terminal	
2	1001116983	16	Receptacle, Female - 2 Position	
2	1001283166	32	Terminal	
2	4461054	32	Seal	
3	4460970	1	Receptacle, Female - 12 Position	
3	4640941	9	Pin, Male	
3	4460466	3	Plug, Terminal	
4	4460908	1	Plug, Male - 12 Position (Gray)	
4	1001116994	12	Socket, Female	
5	4460909	1	Plug, Male - 12 Position (Black)	
5	1001116994	6	Socket, Female	
5	4460916	6	Plug, Terminal	
6	4460933	1	Plug, Male - 12 Position (Gray)	
6	4460465	12	Socket, Female	
7	1001269275	1	Receptacle, Female - 8 Position	
7	4460941	4	Pin, Male	
7	4460466	4	Plug, Terminal	
7		Ref	Gasket	
8		Ref	Connector - 4 Position	
8		Ref	Terminal	
8		Ref	Cap, Dust	

SECTION 7 - ELECTRICAL

FIGURE 7-120. REMOTE CONTROL HARNESS ASSEMBLY (14 & 16 FUNCTION PROPORTIONAL)
(SN 0230003827 through 0230006134)



ART_1001209021

SECTION 7 - ELECTRICAL

**FIGURE 7-120. REMOTE CONTROL HARNESS ASSEMBLY (14 & 16 FUNCTION PROPORTIONAL)
(SN 0230003827 through 0230006134)**

ITEM	PART NUMBER	QTY	DESCRIPTION	REV
	1001209021	Ref	HARNESS ASSEMBLY - REMOTE CONTROL	C
1		Ref	Terminal	
2	1001116983	12	Receptacle, Female - 2 Position	
2	1001283166	32	Terminal	
2	4461054	32	Seal	
3	4460931	1	Receptacle, Female - 8 Position	
3	4640941	7	Pin, Male	
3	4460466	1	Plug, Terminal	
4	4460908	1	Plug, Male - 12 Position (Gray)	
4	1001116994	12	Socket, Female	
5	4460909	1	Plug, Male - 12 Position (Black)	
5	1001116994	6	Socket, Female	
5	4460916	6	Plug, Terminal	
6	4460933	1	Plug, Male - 12 Position (Gray)	
6	4460465	12	Socket, Female	
7	1001269275	1	Receptacle, Female - 8 Position	
7	4460941	4	Pin, Male	
7	4460466	4	Plug, Terminal	
7		Ref	Gasket	
8		Ref	Connector - 4 Position	
8		Ref	Terminal	
8		Ref	Cap, Dust	

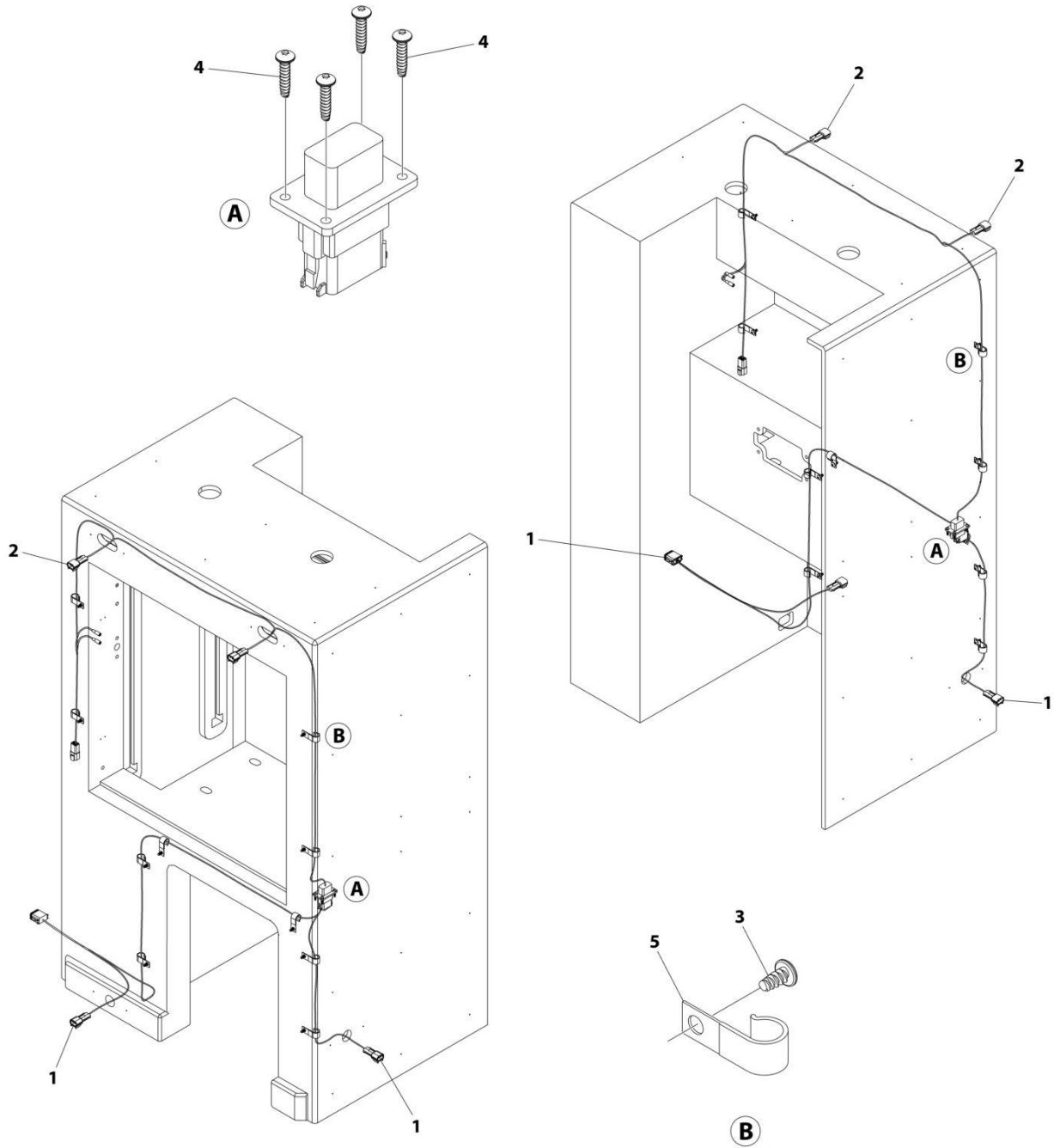
SECTION 7 - ELECTRICAL

**FIGURE 7-121. REMOTE CONTROL HARNESS ASSEMBLY (14 & 16 FUNCTION PROPORTIONAL)
(SN 0230006135 to Present)**

ITEM	PART NUMBER	QTY	DESCRIPTION	REV
	1001236497	Ref	HARNESS ASSEMBLY - REMOTE CONTROL	C
1		Ref	Terminal	
2	1001116983	15	Receptacle, Female - 2 Position	
2	1001283166	32	Terminal	
2	4461054	32	Seal	
3	4460911	1	Plug, Male - 3 Position	
3	4460517	3	Socket, Female	
4	4460909	1	Plug, Male - 12 Position (Black)	
4	1001116994	8	Socket, Female	
4	4460916	4	Plug, Terminal	
5	4460908	1	Plug, Male - 12 Position (Gray)	
5	1001116994	6	Socket, Female	
5	4460916	6	Plug, Terminal	
6	4460933	1	Plug, Male - 12 Position (Gray)	
6	4460465	12	Socket, Female	
7	1001269275	1	Receptacle, Female - 8 Position	
7	4460941	4	Pin, Male	
7	4460466	4	Plug, Terminal	
7		Ref	Gasket	
8	4460950	1	Receptacle, Female - 12 Position	
8	4460464	7	Pin, Male	
8	4460466	1	Plug, Terminal	

SECTION 7 - ELECTRICAL

FIGURE 7-122. SIDE RECOVERY SYSTEM TOOLBOX HARNESS



ART_1001207275

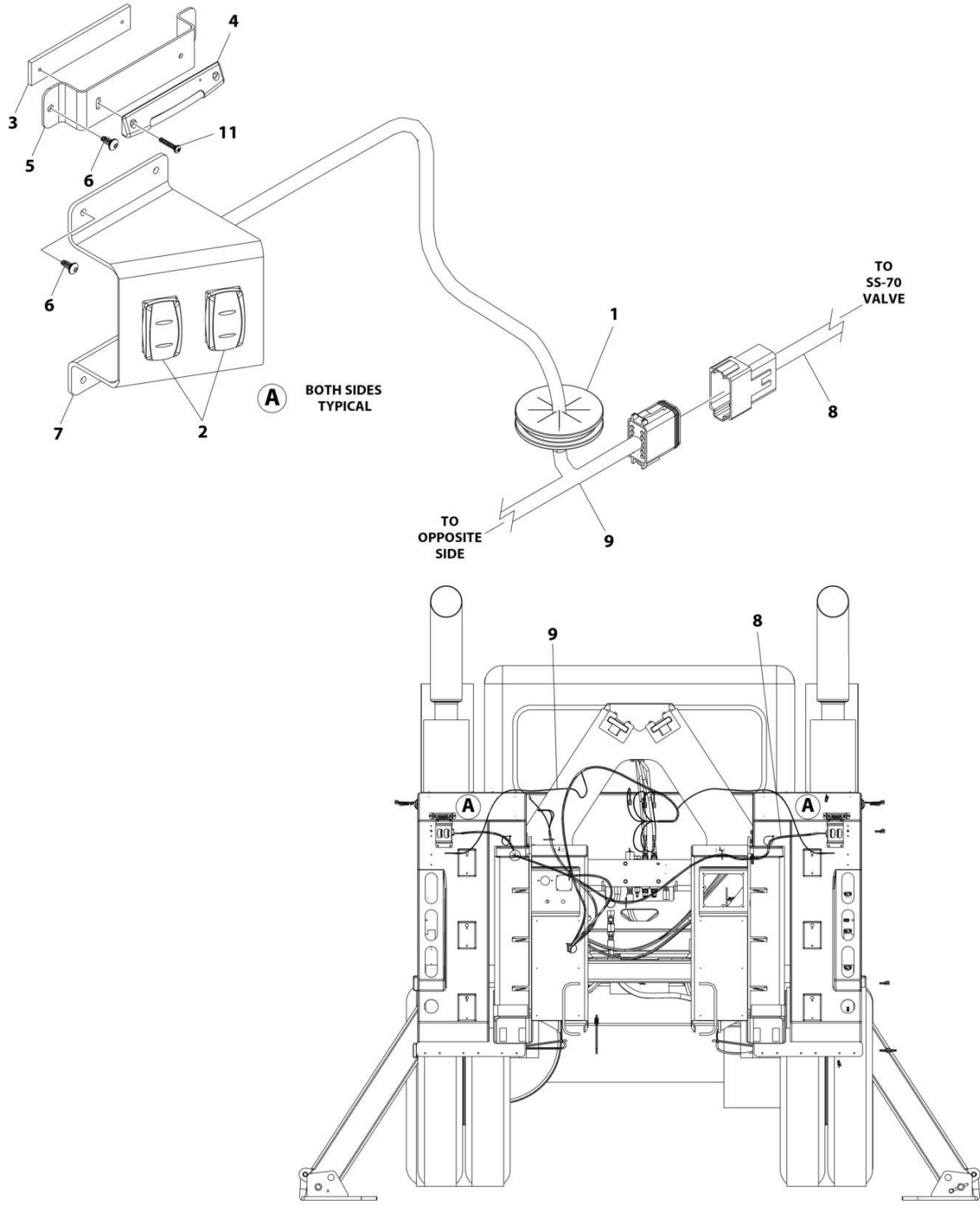
SECTION 7 - ELECTRICAL

FIGURE 7-122. SIDE RECOVERY SYSTEM TOOLBOX HARNESS

ITEM	PART NUMBER	QTY	DESCRIPTION	REV
	1001207275	Ref	TOOLBOX HARNESS INSTALLATION	A
1	1001207276	2	Harness, ToolBox Main (See Separate Breakdown in this Section)	
2	1001207277	2	Harness, ToolBox (See Separate Breakdown in this Section)	
3	1001195257	20	Screw 1/4 x 1/2	
4	1001196552	8	Screw #8 x 3/4	
5	7280000006	20	Clip	

SECTION 7 - ELECTRICAL

FIGURE 7-123. SIDE STABILIZER ELECTRICAL INSTALLATION



ART_1001244142

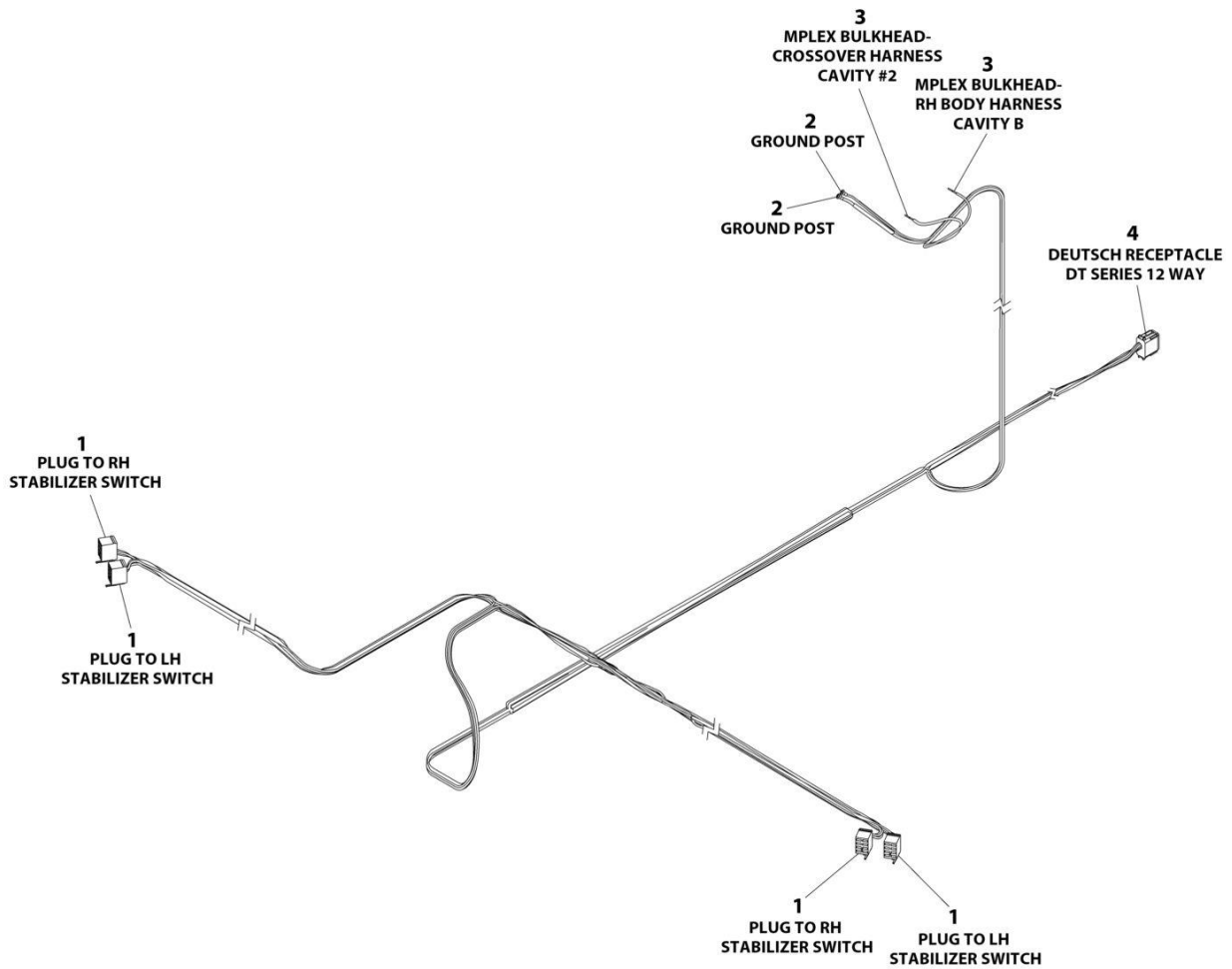
SECTION 7 - ELECTRICAL

FIGURE 7-123. SIDE STABILIZER ELECTRICAL INSTALLATION

ITEM	PART NUMBER	QTY	DESCRIPTION	REV
	1001244142	Ref	STABILIZER (SS-70) ELECTRICAL INSTALLATION	B
1	2540045	2	Grommet	
2	1001136270	4	Switch	
3	1001156079	2	Bar	
4	1001156279	2	Inclinometer	
5	1001167099	2	Level	
6	1001198602	12	Screw #8 x 3/8	
7	1001244185	2	Mount, Switch	
8	1001244279	1	Stabilizer (SS-70) Switch Harness (See Separate Breakdown in this Section) (Rear Harness)	
9	1001244281	1	Stabilizer (SS-70) Valve Harness (See Separate Breakdown in this Section) (Front Harness)	
10	5526000553	15	Tie-Strap (Not Shown)	
11	7120000047	4	Screw #4 x 5/8	
12	7894000004	20	Tie-Strap (Not Shown)	

SECTION 7 - ELECTRICAL

FIGURE 7-124. SIDE STABILIZER (SRS SS-70) SWITCH HARNESS (REAR HARNESS)



ART_1001244279

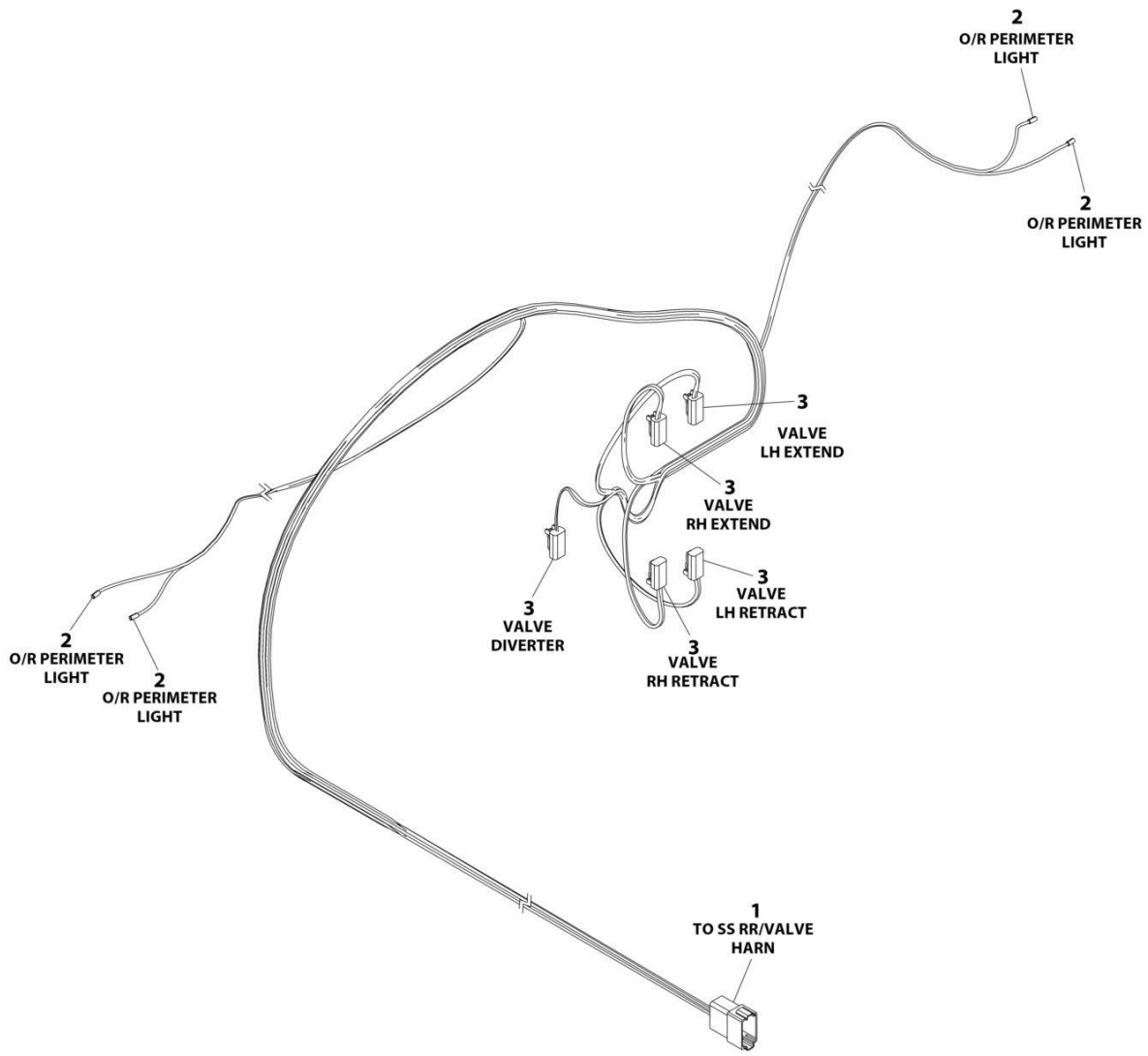
SECTION 7 - ELECTRICAL

FIGURE 7-124. SIDE STABILIZER (SRS SS-70) SWITCH HARNESS (REAR HARNESS)

ITEM	PART NUMBER	QTY	DESCRIPTION	REV
	1001244279	Ref	HYDRAULIC SWITCHING SIDE STABILIZER HARNESS	C
1	1001262745	4	Connector	
1	4460419	24	Socket	
2	NPN	2	Terminal, Ring	
3	4460509	2	Socket	
4	4460933	1	Connector	
4	8060416	1	Wedge, Locking	
4	NPN	2	Plug	
4	4460942	7	Socket (14-16AWG)	
4	4460465	3	Socket (16-20AWG)	

SECTION 7 - ELECTRICAL

FIGURE 7-125. SIDE STABILIZER (SRS SS-70) VALVE HARNESS (FRONT HARNESS)



ART_1001244281

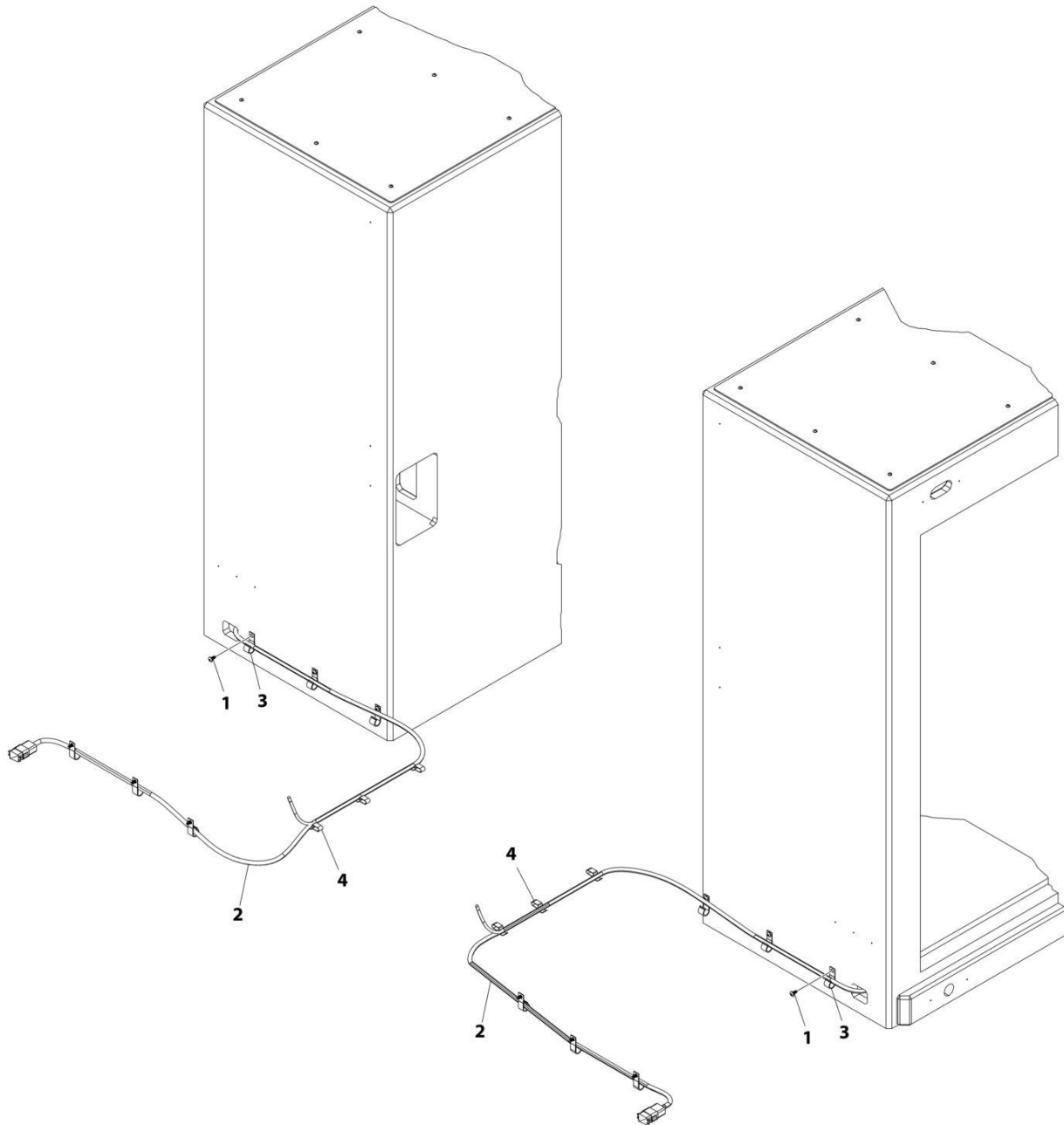
SECTION 7 - ELECTRICAL

FIGURE 7-125. SIDE STABILIZER (SRS SS-70) VALVE HARNESS (FRONT HARNESS)

ITEM	PART NUMBER	QTY	DESCRIPTION	REV
	1001244281	Ref	STABILIZER (SS-70) VALVE HARNESS	B
1	4460970	1	Receptacle, Female - 12 Position	
1	4460464	3	Pin, Male	
1	4460941	7	Pin, Male	
1	4460466	2	Plug, Terminal	
2	NPN	4	Connector, Butt	
3	4460891	5	Plug, Male - 2 Position	
3	4460942	10	Socket, Female	

SECTION 7 - ELECTRICAL

FIGURE 7-126. SIDE STABILIZER ELECTRICAL INSTALLATION (WITH NO PANEL)



ART_1001248346

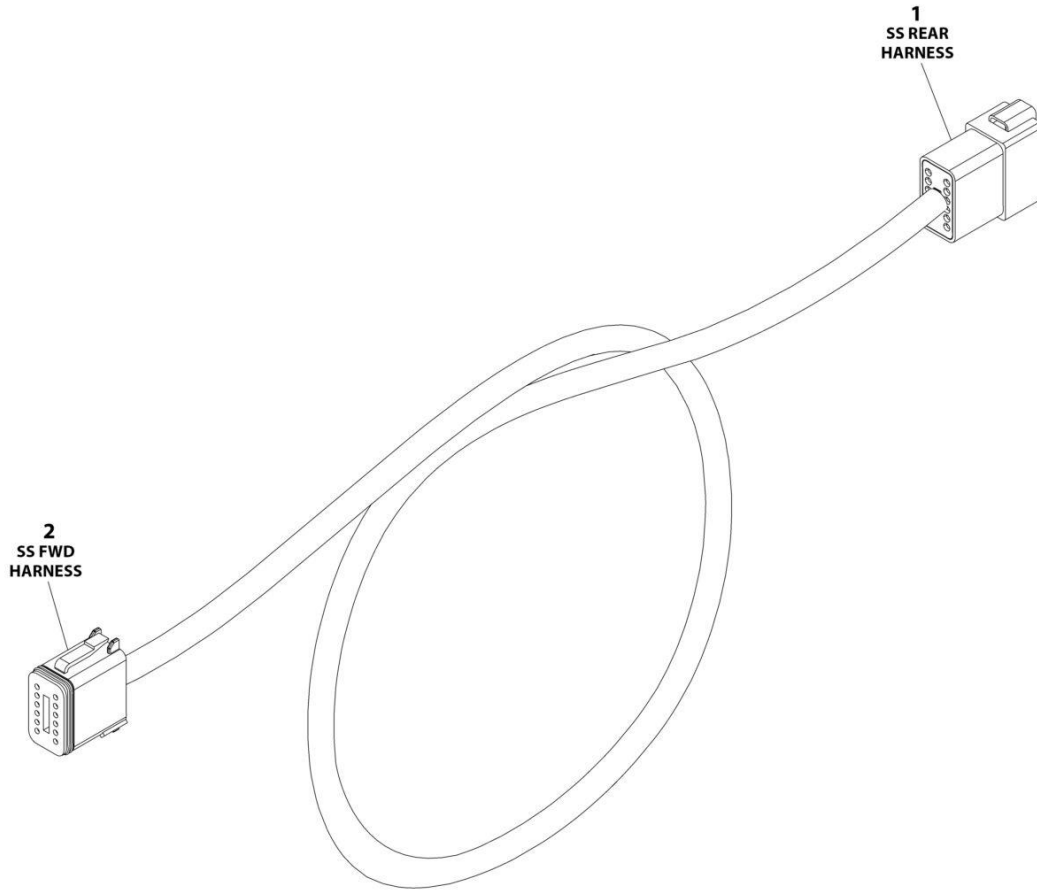
SECTION 7 - ELECTRICAL

FIGURE 7-126. SIDE STABILIZER ELECTRICAL INSTALLATION (WITH NO PANEL)

ITEM	PART NUMBER	QTY	DESCRIPTION	REV
	1001248346	Ref	ELECTRICAL INSTALLATION (SS-70 WITH NO PANEL)	C
1	1001195257	12	Screw 1/4 x 1/2	
2	1001244216	2	Marker Light Harness (SS-70) (See Separate Breakdown in this Section)	
3	7280000006	12	Clip	
4	7280000013	8	Clip	
5	7346000039	AR	Tubing (Not Shown)	

SECTION 7 - ELECTRICAL

FIGURE 7-127. SIDE STABILIZER HARNESS EXTENSIONS



ART_1001248215

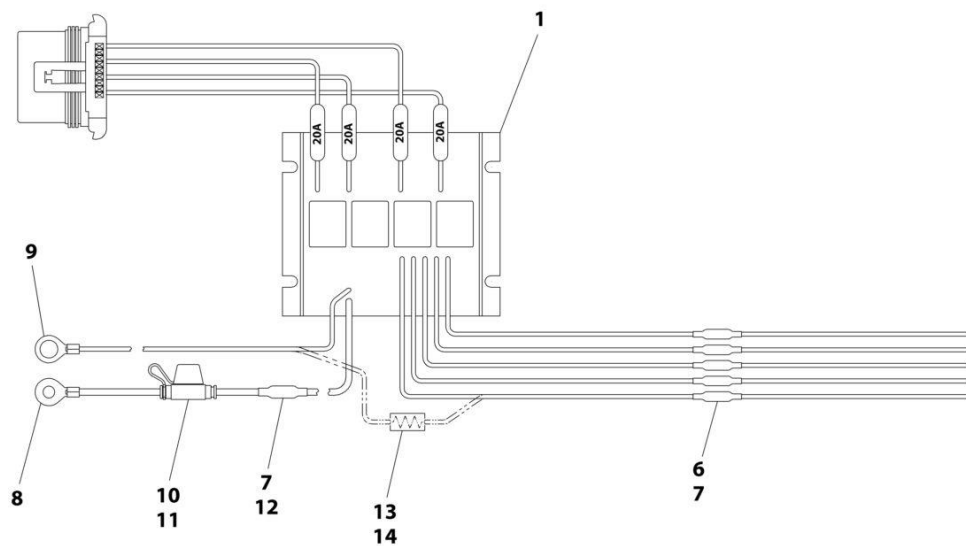
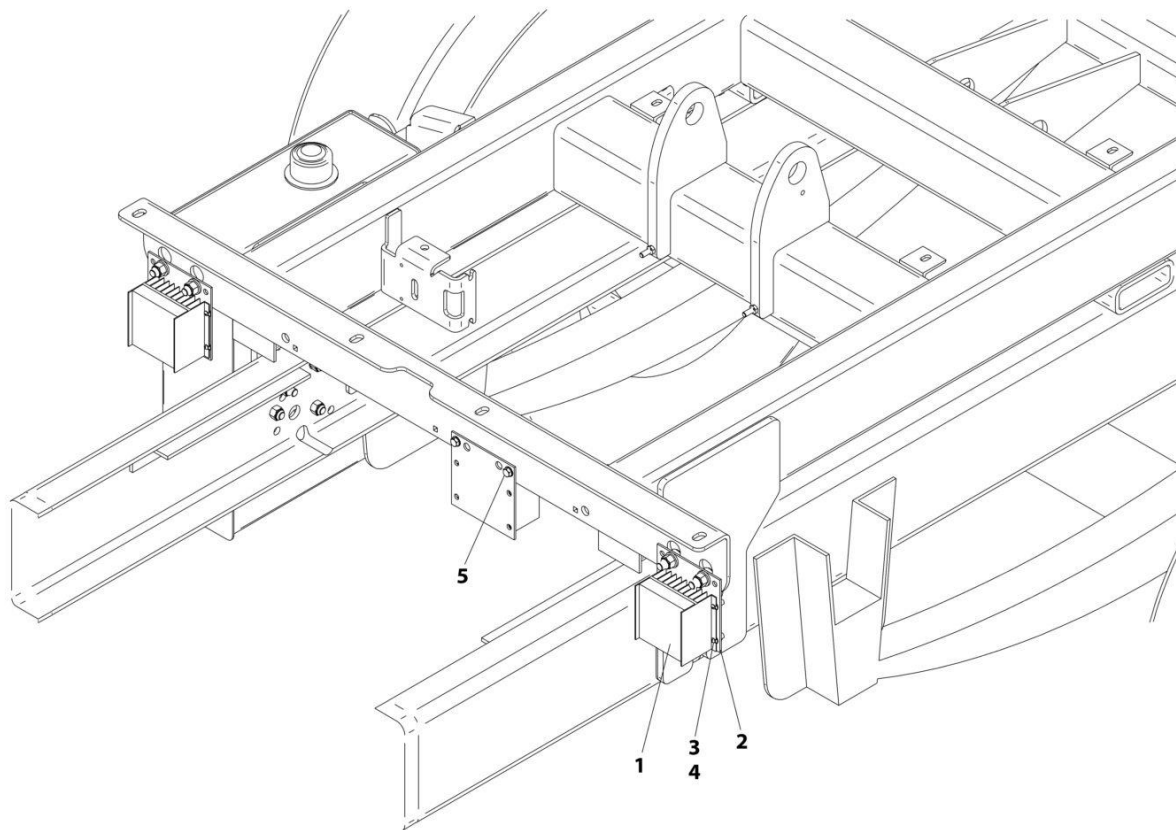
SECTION 7 - ELECTRICAL

FIGURE 7-127. SIDE STABILIZER HARNESS EXTENSIONS

ITEM	PART NUMBER	QTY	DESCRIPTION	REV
	1001248215	Ref	STABILIZER (SS-70) EXTENSION HARNESS INSTALLATION	A
	1001244280	Ref	STABILIZER (SS-70) EXTENSION HARNESS	A
1	4460970	1	Receptacle, Female - 12 Position	
1	4460464	3	Pin, Male	
1	4460941	7	Pin, Male	
1	4460466	2	Plug, Terminal	
2	4460933	1	Plug, Male - 12 Position	
2	4460465	3	Socket, Female	
2	4460942	7	Socket, Female	
2	4460466	2	Plug, Terminal	

SECTION 7 - ELECTRICAL

FIGURE 7-128. TAILLIGHT CONVERSION KIT



ART_234600003

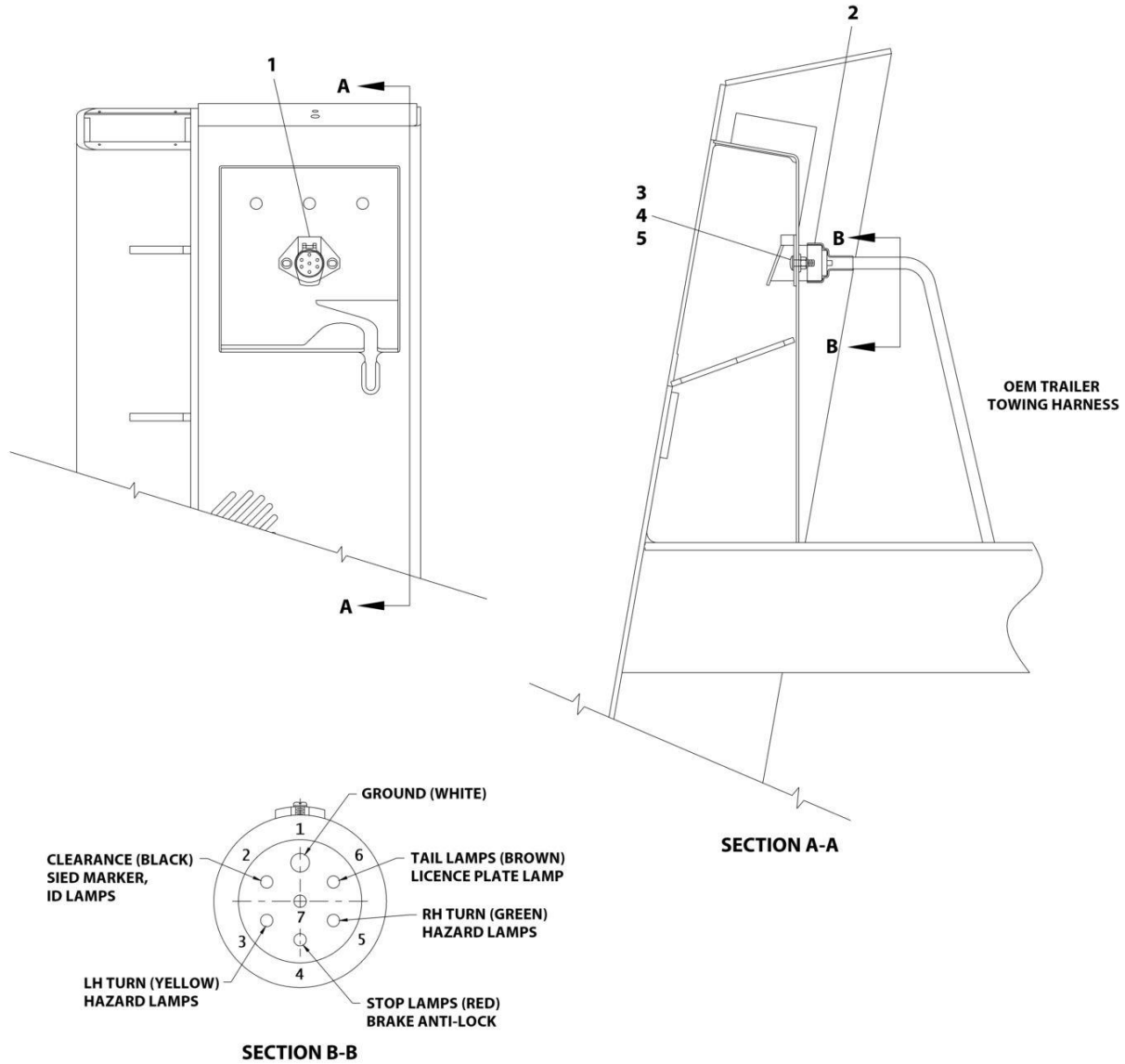
SECTION 7 - ELECTRICAL

FIGURE 7-128. TAILLIGHT CONVERSION KIT

ITEM	PART NUMBER	QTY	DESCRIPTION	REV
	2346000003	Ref	TAIL LIGHT CONVERTER	D
1	7297000008	1	Tail Light Converter	
2	4706002990	1	Plate	
3	7661000007	4	Nut #10	
4	7104100613	4	Capscrew #10 x 3/4	
5	7790151253	2	Bolt 5/16 x 3/4	
6	7345001714	5	Terminal	
7	7346000039	0.33 ft / 0.1m	Tube, 25in ID	
8	7345221902	1	Terminal	
9	7345241902	1	Terminal	
10	7346000126	1	Fuse Holder	
11	7457000017	1	Fuse - 30 amp	
12	7345001914	1	Terminal	
13	7346000209	1	Resistor (UD Chassis with Incandes't Lights)	
14	7346000220	1	Resistor (UD Chassis with Incandes't Lights)	

SECTION 7 - ELECTRICAL

FIGURE 7-129. TRAILER PLUG INSTALLATION - 7 WAY



ART_2502330145

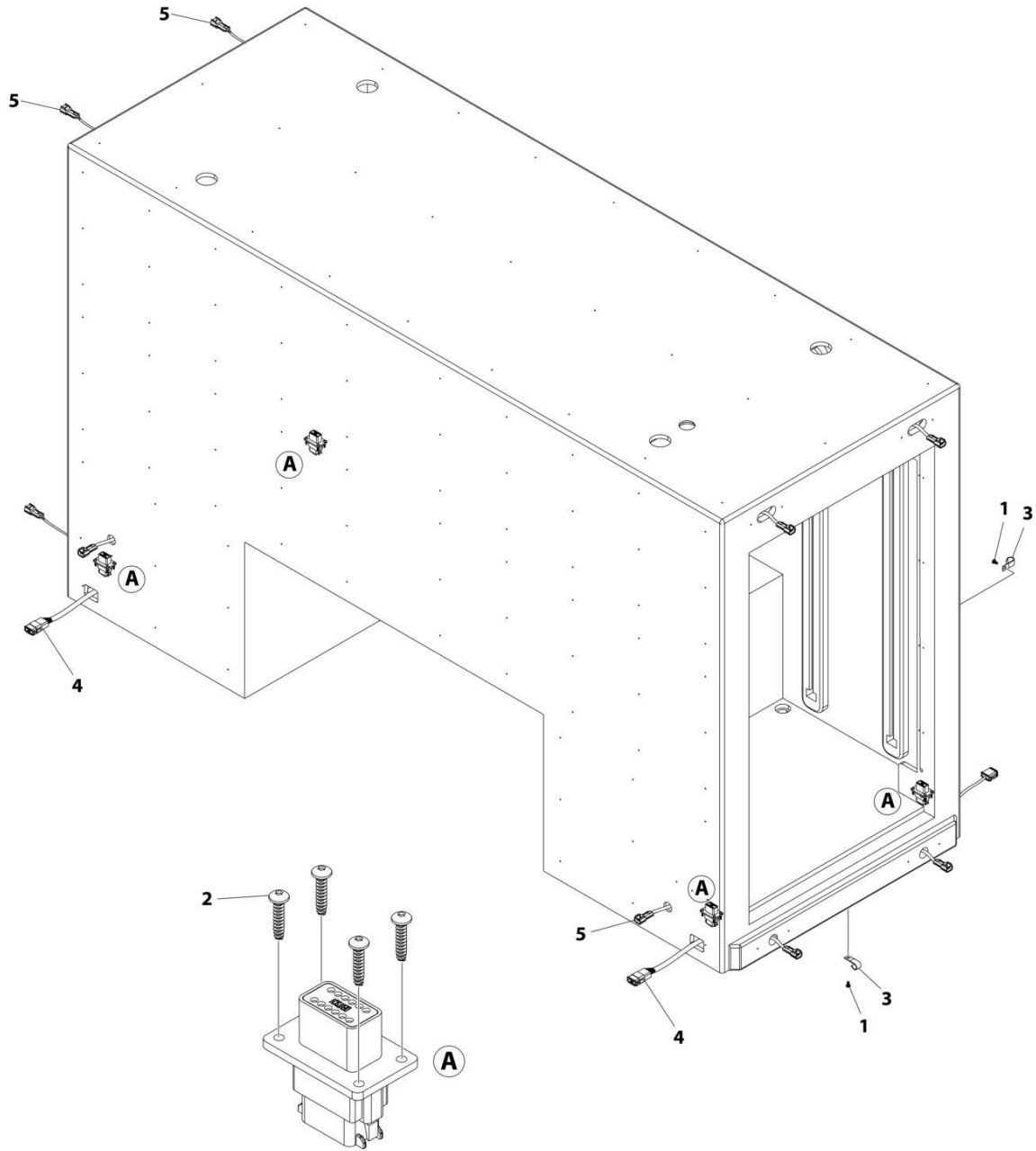
SECTION 7 - ELECTRICAL

FIGURE 7-129. TRAILER PLUG INSTALLATION - 7 WAY

ITEM	PART NUMBER	QTY	DESCRIPTION	REV
	2502330145	Ref	7 - Way Trailer Plug Installation	C
1	7346000055	1	7-Way Plug	
2	7346000078	1	7-Way Plug Boot	
3	7115151050	2	Capscrew 5/16 x 1-1/4	
4	7950150161	4	Washer 5/16	
5	7660152601	2	Nut 5/16	

SECTION 7 - ELECTRICAL

FIGURE 7-130. TUNNEL HARNESS INSTALLATION - 37IN TUNNEL (SN 0230004275 through 0230008673, Excluding 0230008645)



ART_1001207198

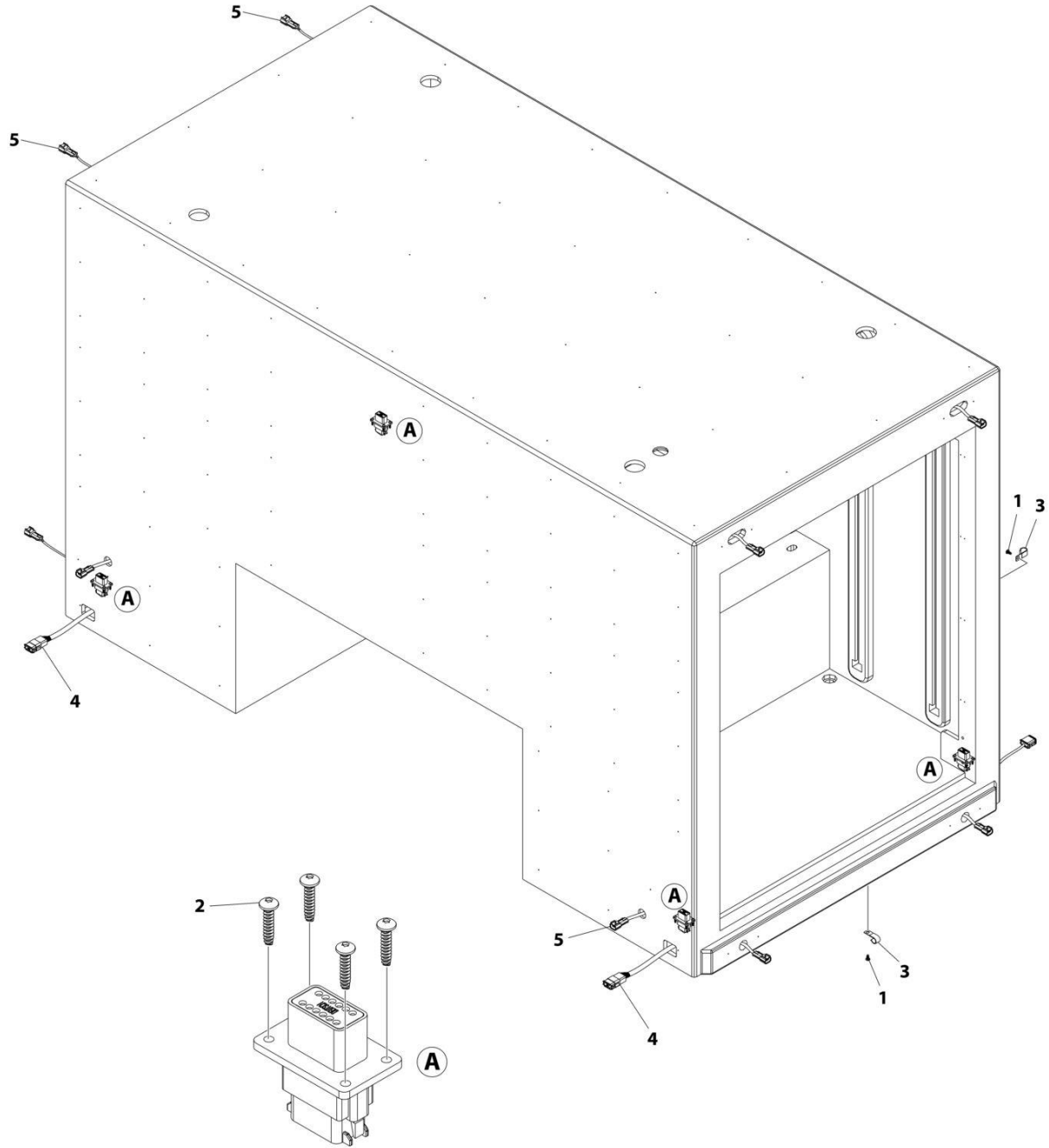
SECTION 7 - ELECTRICAL

FIGURE 7-130. TUNNEL HARNESS INSTALLATION - 37IN TUNNEL (SN 0230004275 through 0230008673, Excluding 0230008645)

ITEM	PART NUMBER	QTY	DESCRIPTION	REV
	1001207198	Ref	TUNNEL HARNESS INSTALLATION (36IN & 37IN TUNNELS WITHOUT BATTERY)	B
1	1001195257	18	Screw 1/4 x 1/2	
2	1001196552	16	Screw #8 x 3/4	
3	7280000006	18	Clip	
4	1001207216	2	Harness, Tunnel Main (See Separate Breakdown in this Section)	
5	1001209056	4	Harness, Tunnel Rear (See Separate Breakdown in this Section)	

SECTION 7 - ELECTRICAL

FIGURE 7-131. TUNNEL HARNESS INSTALLATION - 37IN & 49IN TUNNELS (SN 0230008674 to Present, Including 0230008645)



ART_1001207200

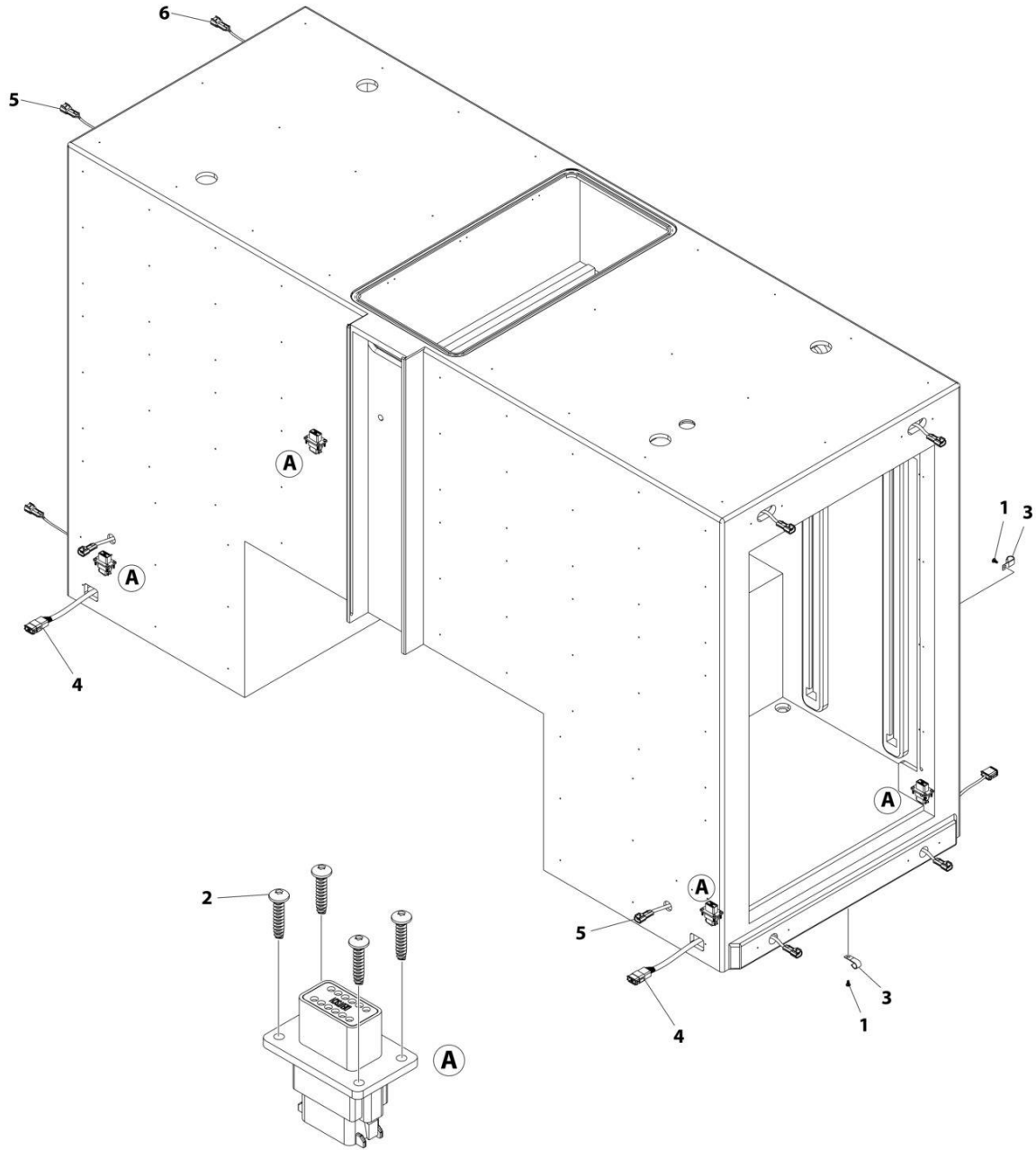
SECTION 7 - ELECTRICAL

FIGURE 7-131. TUNNEL HARNESS INSTALLATION - 37IN & 49IN TUNNELS (SN 0230008674 to Present, Including 0230008645)

ITEM	PART NUMBER	QTY	DESCRIPTION	REV
	1001207200	Ref	TUNNEL HARNESS INSTALLATION (48IN & 49IN TUNNEL WITHOUT BATTERY)	B
1	1001195257	20	Screw 1/4 x 1/2	
2	1001196552	16	Screw #8 x 3/4	
3	7280000006	20	Clip	
4	1001209050	2	Harness, Tunnel Main (See Separate Breakdown in this Section)	
5	1001209056	4	Harness, Tunnel Rear (See Separate Breakdown in this Section)	

SECTION 7 - ELECTRICAL

FIGURE 7-132. TUNNEL HARNESS INSTALLATION - 39IN TUNNEL



ART_10011207197

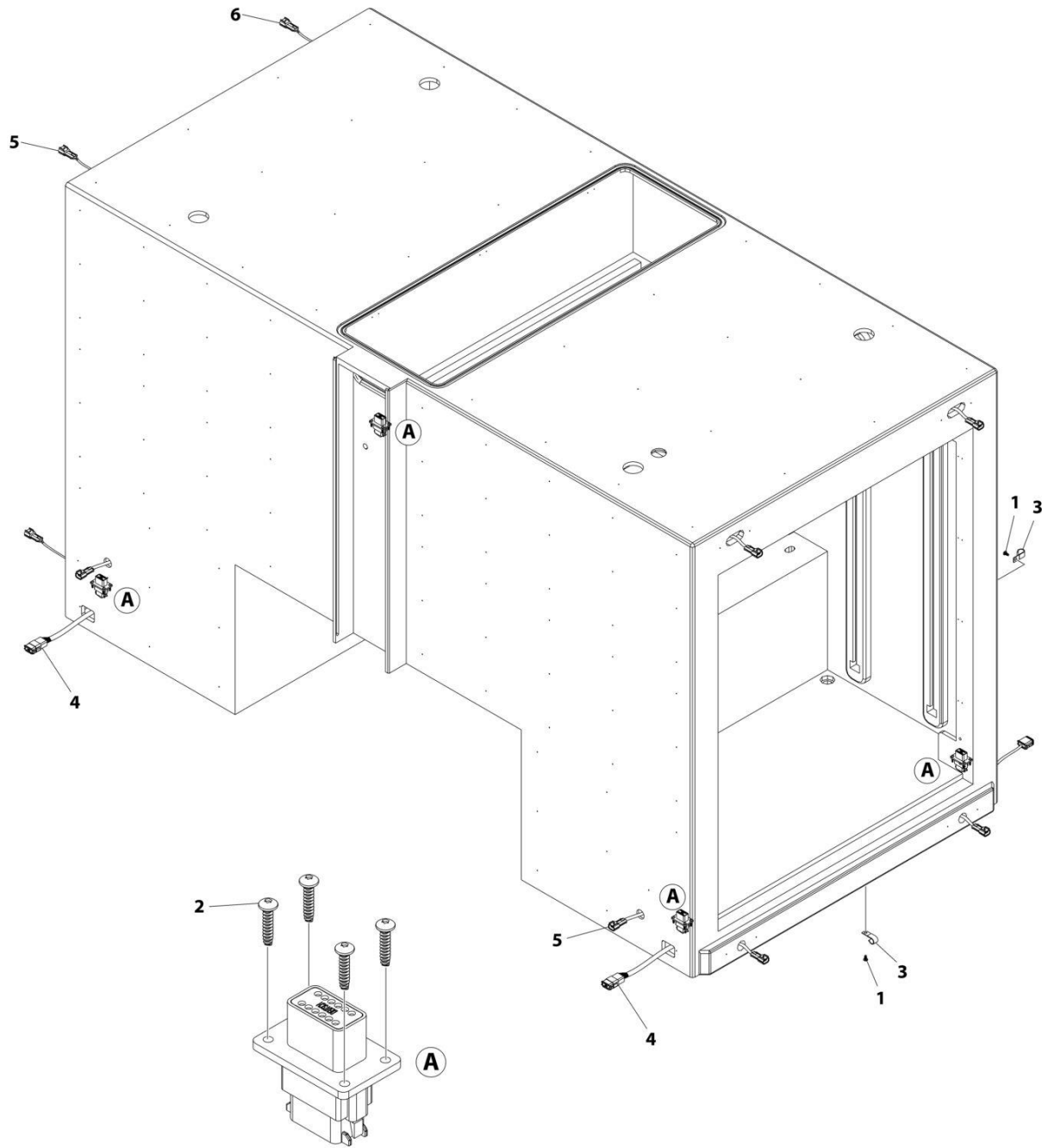
SECTION 7 - ELECTRICAL

FIGURE 7-132. TUNNEL HARNESS INSTALLATION - 39IN TUNNEL

ITEM	PART NUMBER	QTY	DESCRIPTION	REV
	1001207197	Ref	TUNNEL HARNESS INSTALLATION (39IN & 36IN TUNNELS)	B
1	1001195257	18	Screw 1/4 x 1/2	
2	1001196552	16	Screw #8 x 3/4	
3	7280000006	18	Clip	
4	1001207216	2	Harness, Tunnel Main (See Separate Breakdown in this Section)	
5	1001209055	2	Harness, Tunnel Front (See Separate Breakdown in this Section)	
6	1001209056	2	Harness, Tunnel Rear (See Separate Breakdown in this Section)	

SECTION 7 - ELECTRICAL

FIGURE 7-133. TUNNEL HARNESS INSTALLATION - 51IN TUNNEL



ART_10011207199

SECTION 7 - ELECTRICAL

FIGURE 7-133. TUNNEL HARNESS INSTALLATION - 51IN TUNNEL

ITEM	PART NUMBER	QTY	DESCRIPTION	REV
	1001207199	Ref	TUNNEL HARNESS INSTALLATION (48IN & 51IN TUNNELS)	B
1	1001195257	20	Screw 1/4 x 1/2	
2	1001196552	16	Screw #8 x 3/4	
3	7280000006	20	Clip	
4	1001209050	2	Harness, Tunnel Main (See Separate Breakdown in this Section)	
5	1001209055	2	Harness, Tunnel Front (See Separate Breakdown in this Section)	
6	1001209056	2	Harness, Tunnel Rear (See Separate Breakdown in this Section)	

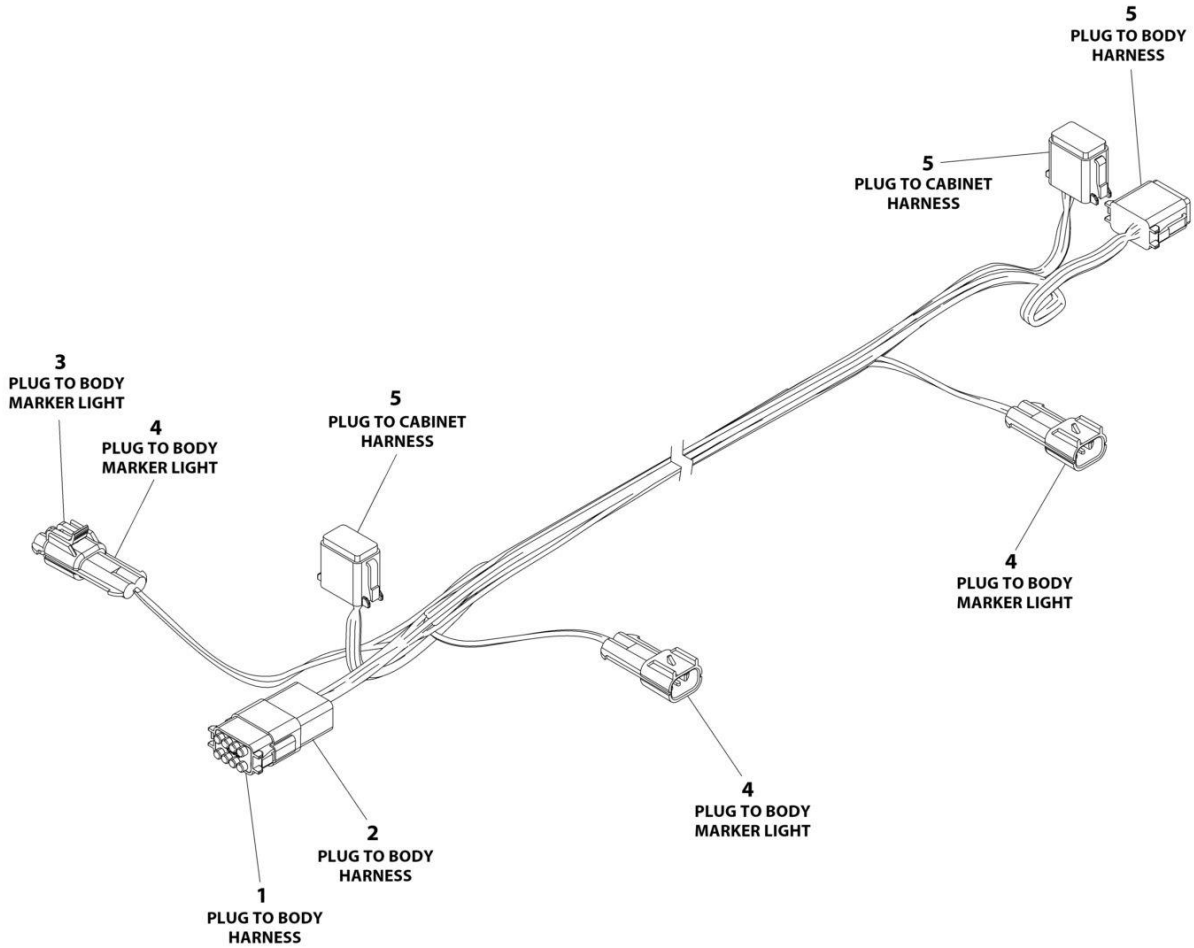
SECTION 7 - ELECTRICAL

FIGURE 7-134. TUNNEL HARNESS - MAIN (SN 0230004275 through 0230008673, Excluding 0230008645)

ITEM	PART NUMBER	QTY	DESCRIPTION	REV
	1001207216	Ref	TUNNEL HARNESS - MAIN	C
1	4460930	1	Connector - 8 Position	
1	4460466	8	Plug, Terminal	
2	4460931	1	Connector - 8 Position	
2	4460464	6	Socket, Female	
2	4460466	2	Plug, Terminal	
3	NPN	1	Plug, Male - 2 Position	
3	NPN	2	Terminal	
3	4460458	2	Seal	
4	NPN	3	Receptacle, Female - 2 Position	
4	NPN	6	Terminal	
4	1001116727	6	Seal	
5	4460930	3	Connector - 8 Position	
5	4460465	18	Pin, Male	
5	4460466	6	Plug, Terminal	

SECTION 7 - ELECTRICAL

FIGURE 7-135. TUNNEL HARNESS - MAIN (SN 0230008674 to Present, Including 0230008645)



ART_1001209050

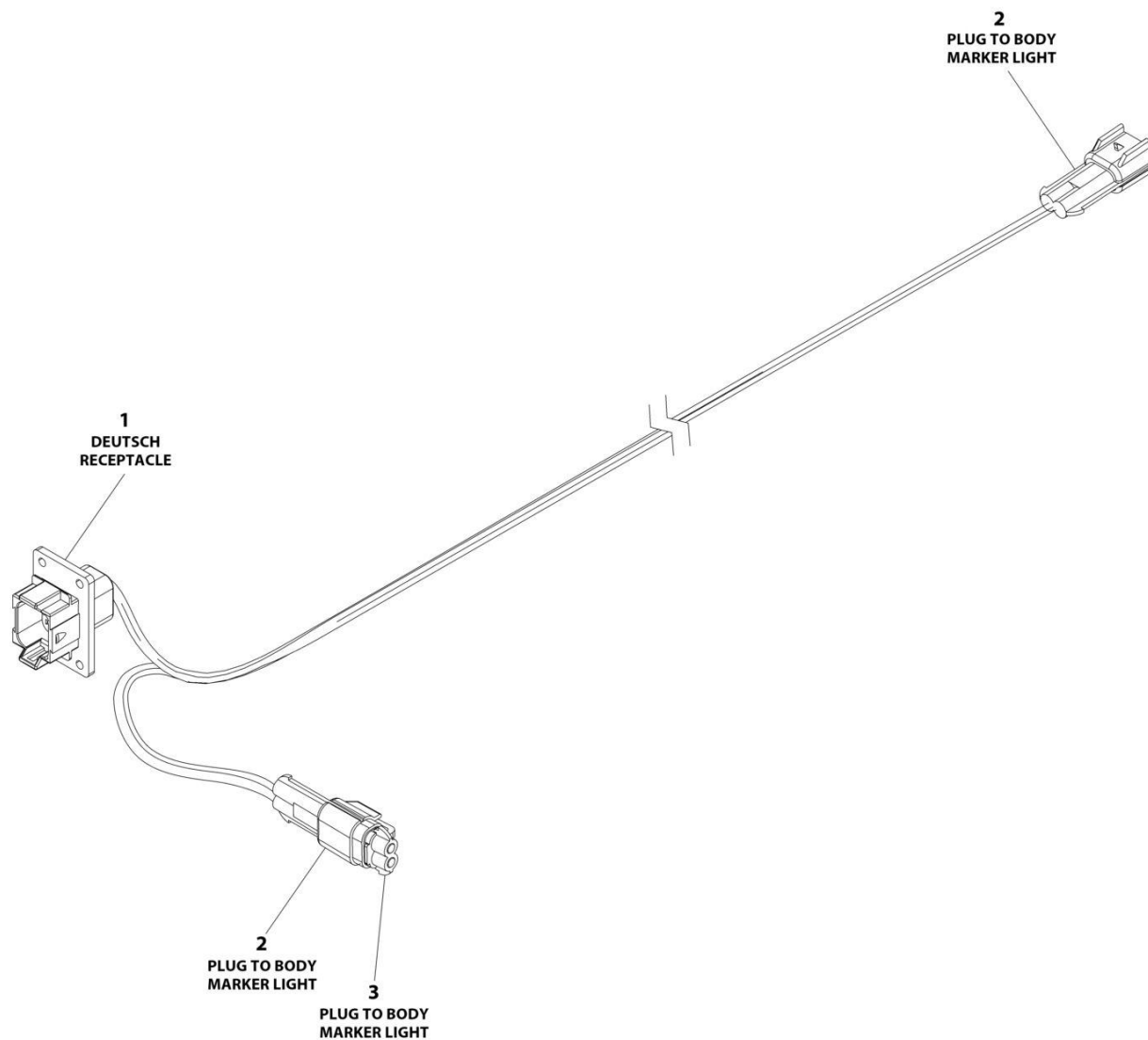
SECTION 7 - ELECTRICAL

FIGURE 7-135. TUNNEL HARNESS - MAIN (SN 0230008674 to Present, Including 0230008645)

ITEM	PART NUMBER	QTY	DESCRIPTION	REV
	1001209050	Ref	TUNNEL HARNESS - MAIN	C
1	4460930	1	Connector - 8 Position	
1	4460466	8	Plug, Terminal	
2	4460931	1	Connector - 8 Position	
2	4460464	6	Socket, Female	
2	4460466	2	Plug, Terminal	
3	NPN	1	Plug, Male - 2 Position	
3	NPN	2	Terminal	
3	4460458	2	Seal	
4	NPN	3	Receptacle, Female - 2 Position	
4	NPN	6	Terminal	
4	1001116727	6	Seal	
5	4460930	3	Connector - 8 Position	
5	4460465	18	Pin, Male	
5	4460466	6	Plug, Terminal	

SECTION 7 - ELECTRICAL

FIGURE 7-136. TUNNEL HARNESS - FRONT



ART_1001209055

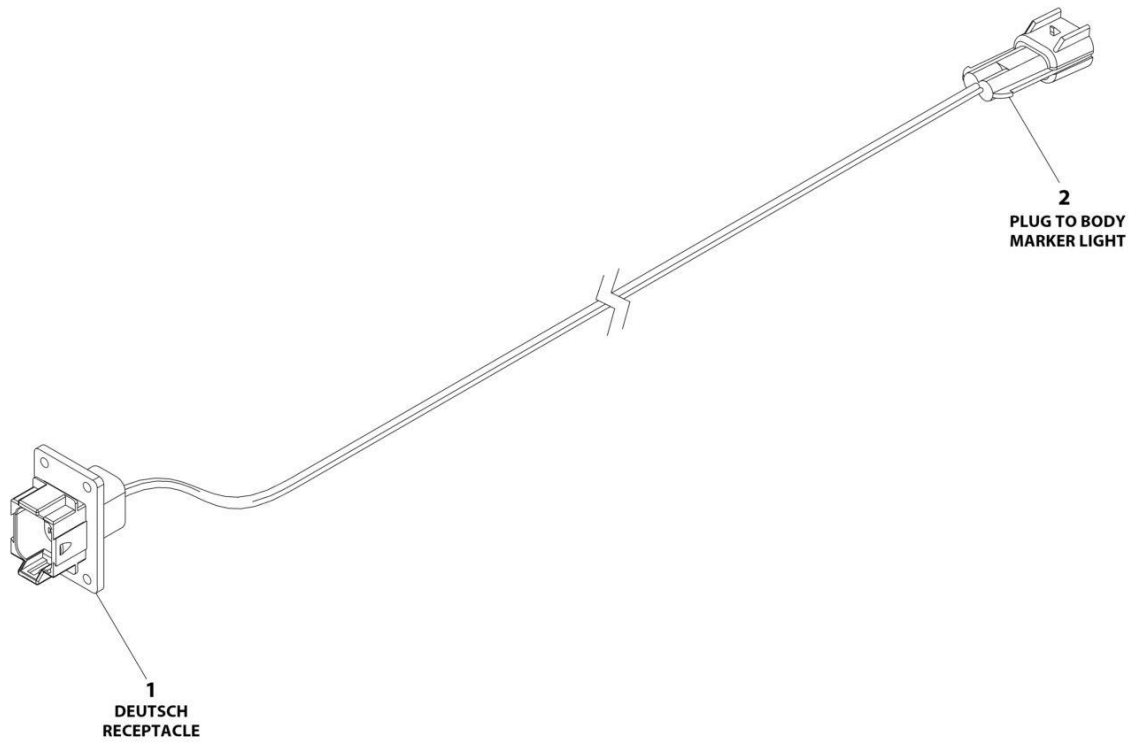
SECTION 7 - ELECTRICAL

FIGURE 7-136. TUNNEL HARNESS - FRONT

ITEM	PART NUMBER	QTY	DESCRIPTION	REV
	1001209055	Ref	TUNNEL HARNESS - FRONT	B
1	NPN	1	Connector - 8 Position	
1	4640464	2	Socket, Female	
1	4640466	4	Plug, Terminal	
1	NPN	1	Gasket	
2	NPN	2	Connector - 2 Position	
2	NPN	4	Terminal	
2	4640458	4	Seal	
3	NPN	1	Connector - 2 Position	
3	NPN	2	Terminal	
3	1001116727	2	Seal	

SECTION 7 - ELECTRICAL

FIGURE 7-137. TUNNEL HARNESS - REAR



ART_1001209056

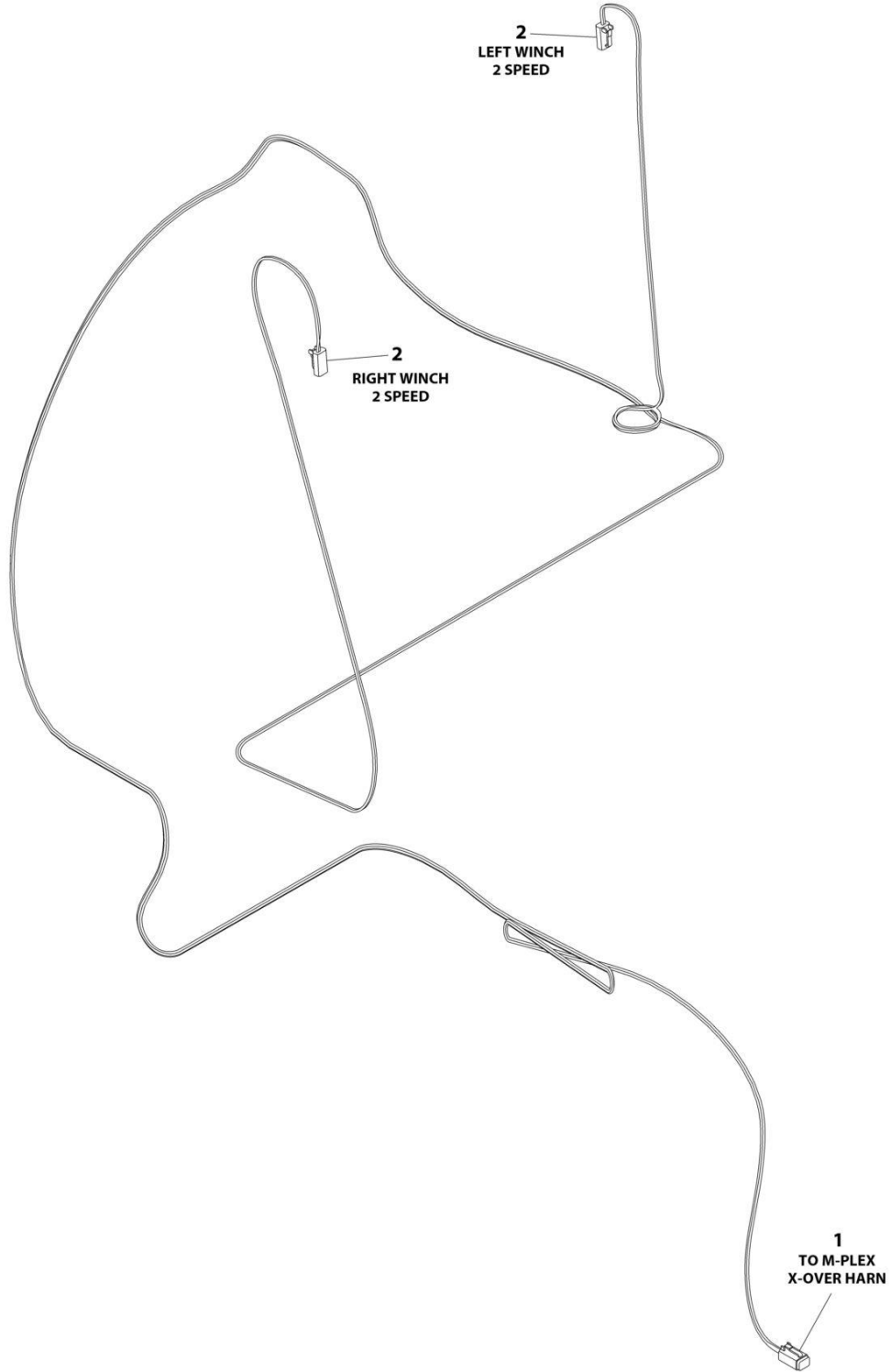
SECTION 7 - ELECTRICAL

FIGURE 7-137. TUNNEL HARNESS - REAR

ITEM	PART NUMBER	QTY	DESCRIPTION	REV
	1001209056	Ref	TUNNEL HARNESS - REAR	A
1	NPN	1	Connector - 8 Position	
1	4640464	2	Socket, Female	
1	4640466	4	Plug, Terminal	
1	NPN	1	Gasket	
2	NPN	1	Connector - 2 Position	
2	NPN	2	Terminal	
2	4640458	2	Seal	

SECTION 7 - ELECTRICAL

FIGURE 7-138. WINCH HARNESS - 2 SPEED



ART_1001217309

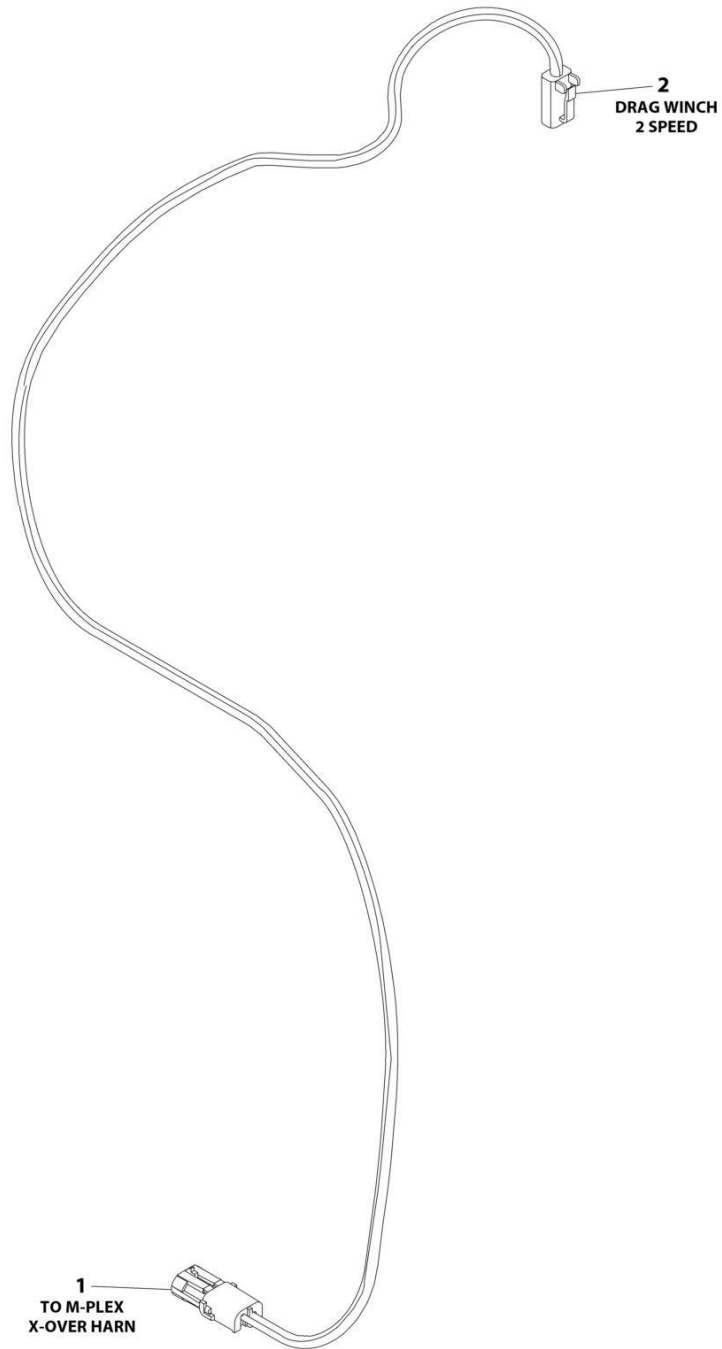
SECTION 7 - ELECTRICAL

FIGURE 7-138. WINCH HARNESS - 2 SPEED

ITEM	PART NUMBER	QTY	DESCRIPTION	REV
	1001217309	Ref	WINCH HARNESS - 2 SPEED	C
1	4460884	1	Plug, Male - 4 Position	
1	4460465	4	Socket, Female	
2	4460891	2	Plug, Male - 2 Position	
2	4460465	4	Socket, Female	

SECTION 7 - ELECTRICAL

FIGURE 7-139. WINCH HARNESS - DRAG WINCH



ART_1001209035

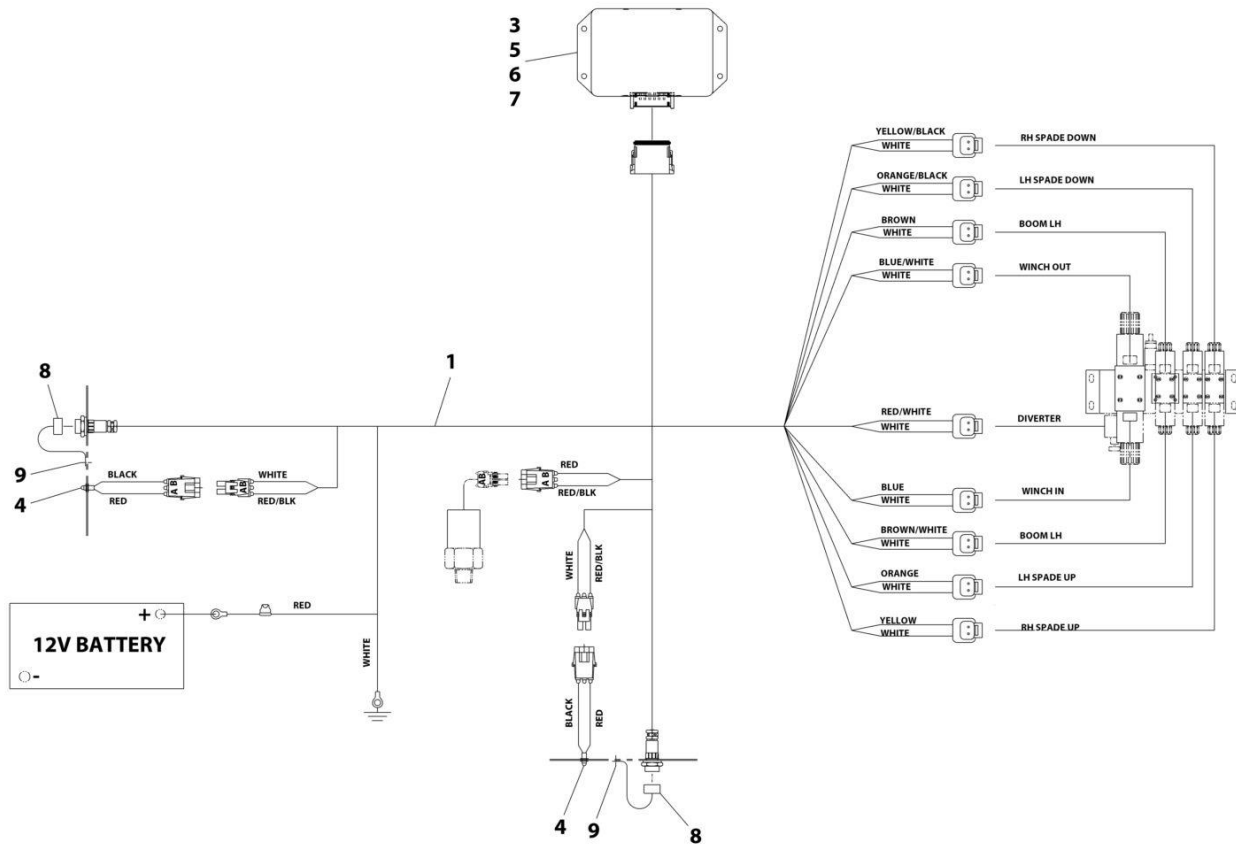
SECTION 7 - ELECTRICAL

FIGURE 7-139. WINCH HARNESS - DRAG WINCH

ITEM	PART NUMBER	QTY	DESCRIPTION	REV
	1001209035	Ref	DRAG WINCH ELECTRICAL 2 SPEED HARNESS	B
1	4461157	1	Connector	
1	4460475	2	Pin	
1	4460458	2	Seal	
2	4460891	1	Connector	
2	4460465	2	Socket	

SECTION 7 - ELECTRICAL

FIGURE 7-140. WINCH ELECTRICAL INSTALLATION (SRS TOOLBOX)



ART_3548330007

SECTION 7 - ELECTRICAL

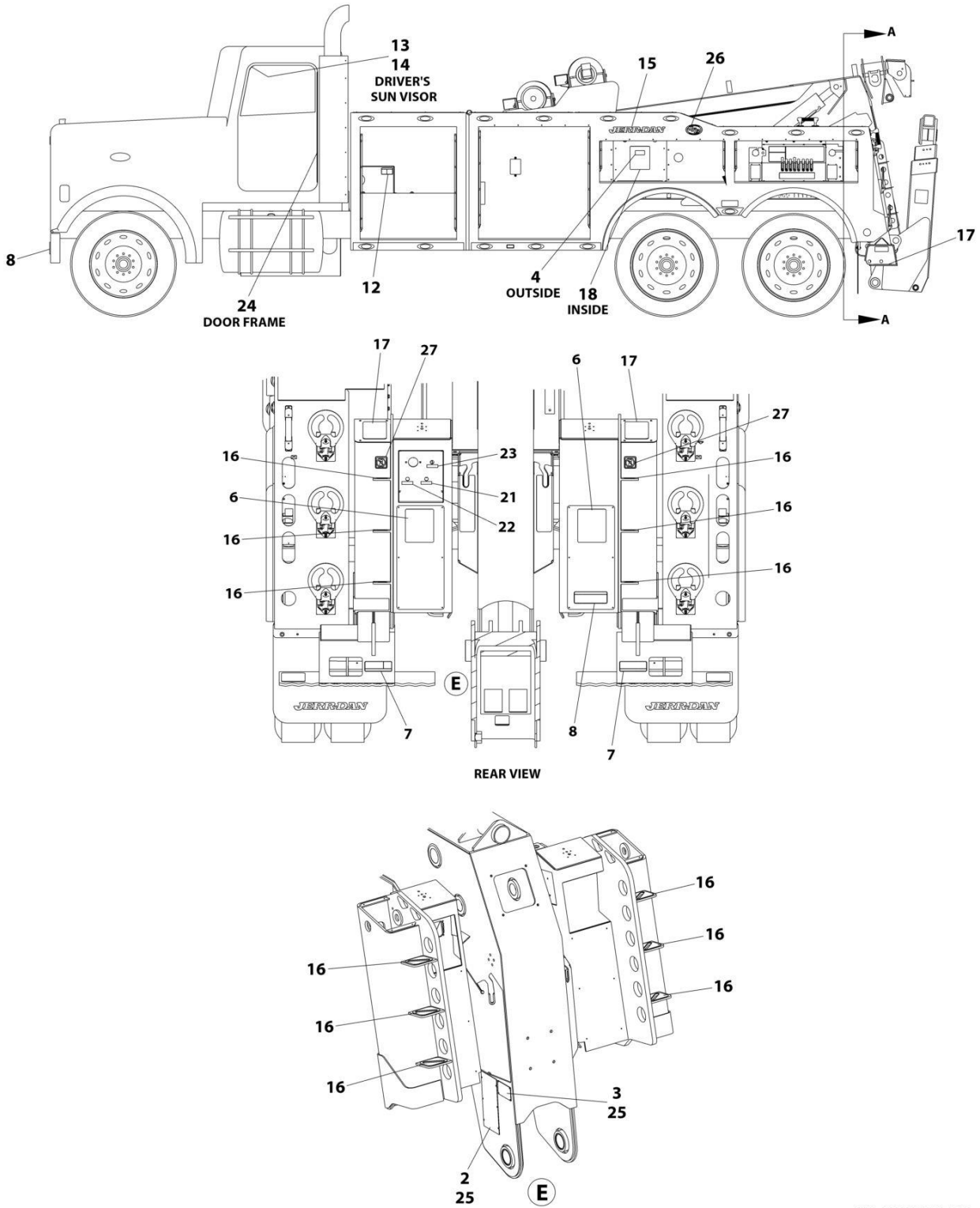
FIGURE 7-140. WINCH ELECTRICAL INSTALLATION (SRS TOOLBOX)

ITEM	PART NUMBER	QTY	DESCRIPTION	REV
	3548330007	Ref	SINGLE WINCH ELECTRICAL ASSEMBLY	B
1	7552000407	1	Harness Remote Control 8 Function (See Separate Breakdown in this Section)	
3	7295000121	1	Controller, Wireless	
4	7590000364	2	Indicator	
5	7114100518	4	Capscrew #10 x 5/8	
6	7660102604	4	Nut #10	
7	7950100103	4	Washer #10	
8	7346000068	2	Dust Cap	
9	7759000004	4	Rivet	

SECTION 8 - DECAL

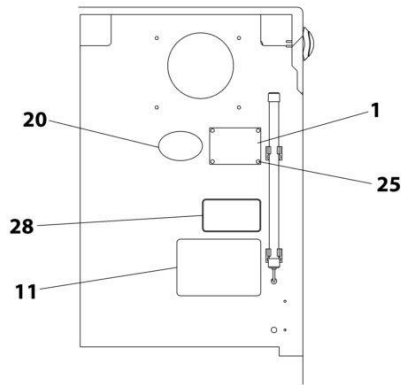
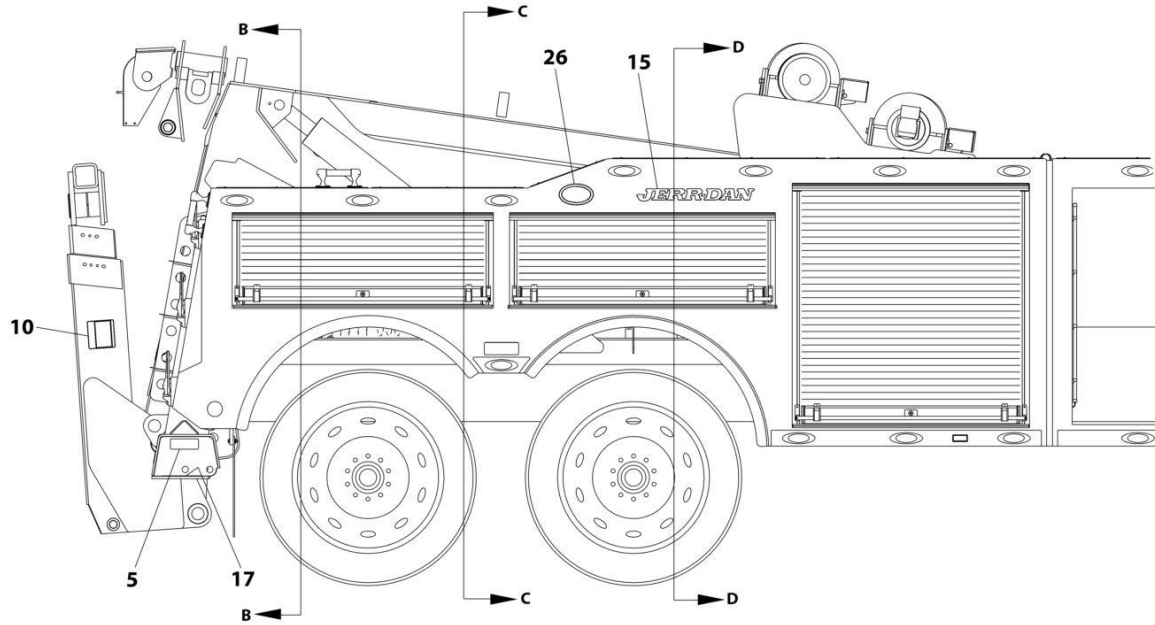
SECTION 8 - DECAL

FIGURE 8-1. DECAL INSTALLATION - COMMON

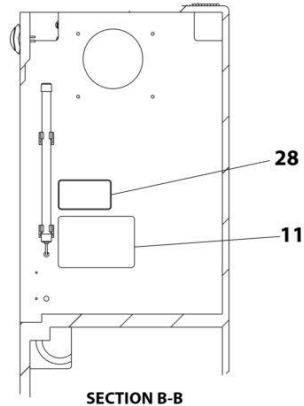


ART_1001205404_10F2

SECTION 8 - DECAL

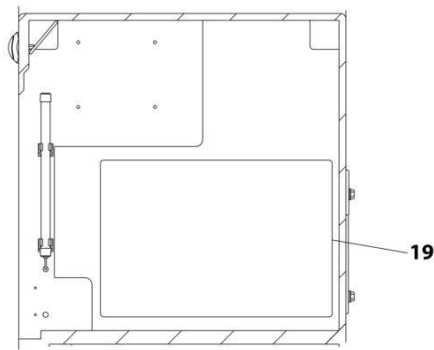


SECTION A-A

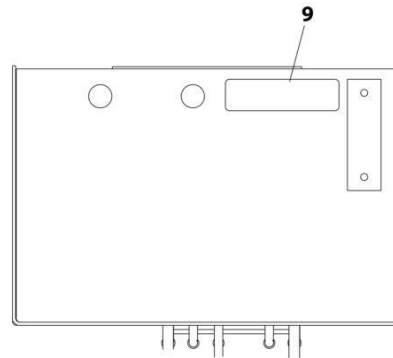


SECTION B-B

REAR FACE OF REARMOST BODY COMPARTMENT
LH & RH REAR BODY



SECTION C-C
LH BODY



SECTION D-D
HYDRAULIC TANK

ART_1001205404_20F2

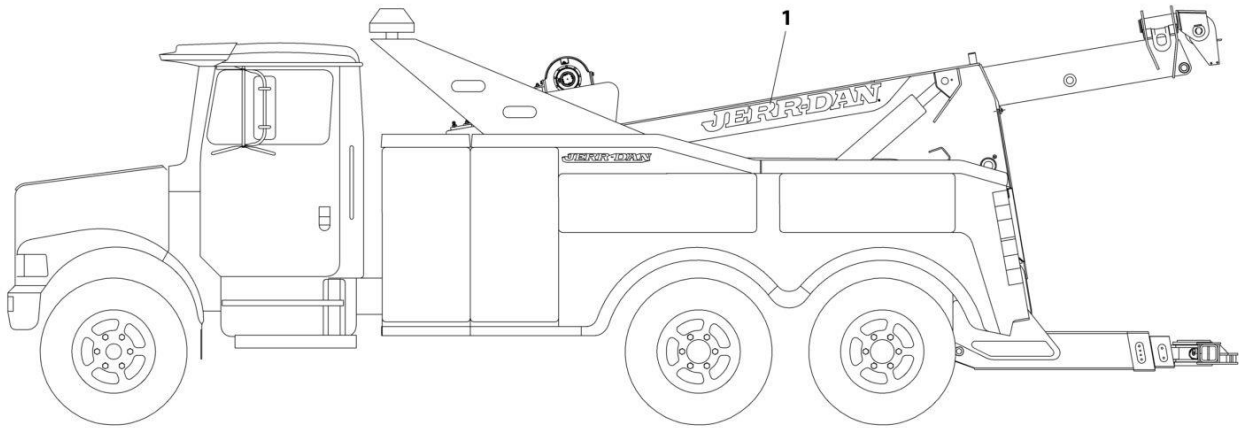
SECTION 8 - DECAL

FIGURE 8-1. DECAL INSTALLATION - COMMON

ITEM	PART NUMBER	QTY	DESCRIPTION	REV
	1001205404	Ref	DECAL INSTALLATION	H
1	1001127220	1	Decal - Indent Tag	
2	See Note	NSS	Decal - Serial Number/Ratng (Note: Not Available for Purchase)	
3	1001132346	1	Decal - Patent	
4	1001136075	1	Decal - Hazardous Voltage Inside	
5	1001136080	2	Decal - Recovery Stability	
6	1001136091	2	Decal - Towed Load Hazard	
7	1001136094	2	Decal - Crushing Hazard	
8	1001136103	4	Decal - Electrocution Hazard	
9	1001136119	1	Decal - Hydraulic Fluid Level	
10	1001137169	2	Decal - Pinch/Crush Hazard	
11	1001138537	2	Decal - Hook Notice	
12	1001138612	2	Decal - Battery Warning	
13	1001141227	1	Decal - Backing Hazard	
14	1001142828	1	Decal - Fall Hazard	
15	1001206367	2	Decal - Jerr-Dan	
16	1001174339	6	Decal - Spade Housing Step	
17	1001174346	4	Decal - Spade Step Rectangle	
18	1001212286	1	Decal - Electrical Panel (Prior to SN 0230005539)	
18	1001232870	1	Decal - Electrical Panel (SN 0230005539 to Present)	
19	1001205331	1	Decal - Lubrication Chart	
20	7330000143	1	Decal - Made In USA	
21	7330000208	1	Decal - Service Air (Prior to SN 0230008089)	
22	7330000209	1	Decal - Supply Air (Prior to SN 0230008089)	
23	7330000210	1	Decal - Auxiliary Air (Prior to SN 0230008089)	
24	7330000689	1	Decal - Certification	
25	7759000004	14	Rivet	
26	1001206364	2	Decal - JFB Badge	
27	1001142452	2	Decal - No Step	
28	1001231801	2	Decal - Warning Prop 65	

SECTION 8 - DECAL

FIGURE 8-2. DECAL INSTALLATION - JERR-DAN LOGO (RED)



ART_1001143489

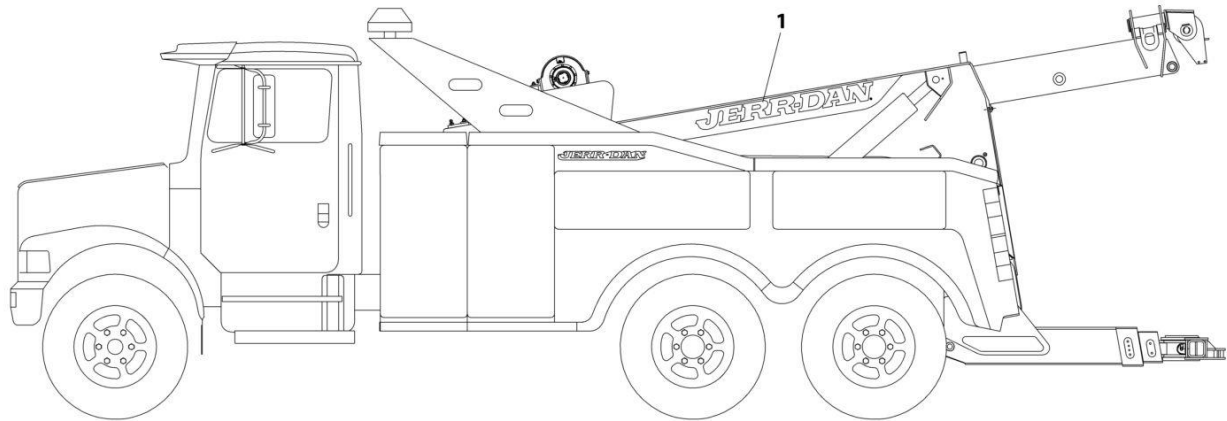
SECTION 8 - DECAL

FIGURE 8-2. DECAL INSTALLATION - JERR-DAN LOGO (RED)

ITEM	PART NUMBER	QTY	DESCRIPTION	REV
1	1001143489 7330000294	Ref 2	DECAL INSTALLATION - JERR-DAN LOGO (RED) Decal - JERR-DAN Logo (Red)	A

SECTION 8 - DECAL

FIGURE 8-3. DECAL INSTALLATION - JERR-DAN LOGO (WHITE)



ART_1001143487

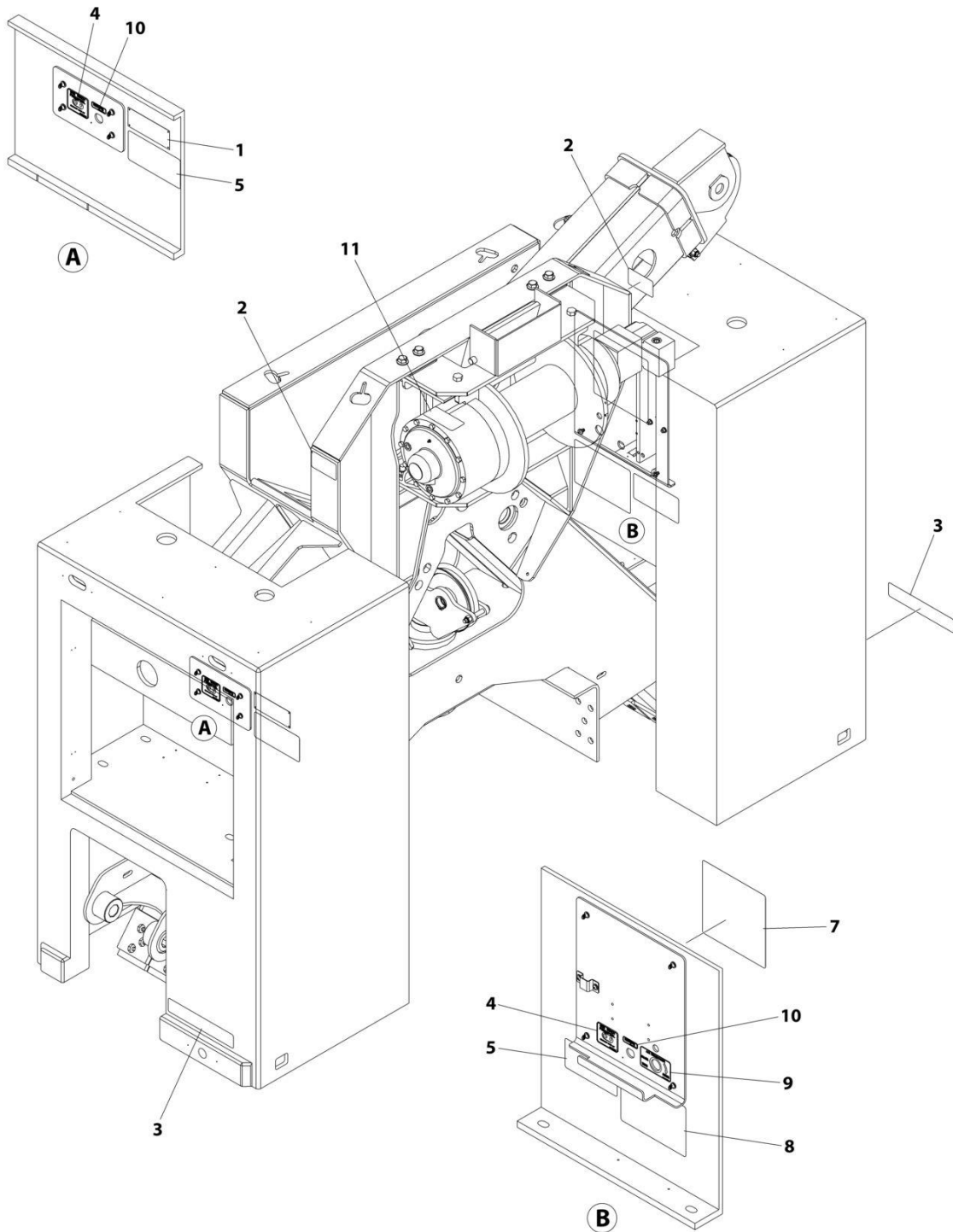
SECTION 8 - DECAL

FIGURE 8-3. DECAL INSTALLATION - JERR-DAN LOGO (WHITE)

ITEM	PART NUMBER	QTY	DESCRIPTION	REV
1	1001143487	Ref	DECAL INSTALLATION - JERR-DAN LOGO (WHITE)	A
	7330000535	2	Decal - JERR-DAN Logo (White)	

SECTION 8 - DECAL

FIGURE 8-4. DECAL INSTALLATION - SIDE RECOVERY SYSTEM (SRS)



ART_1001199196

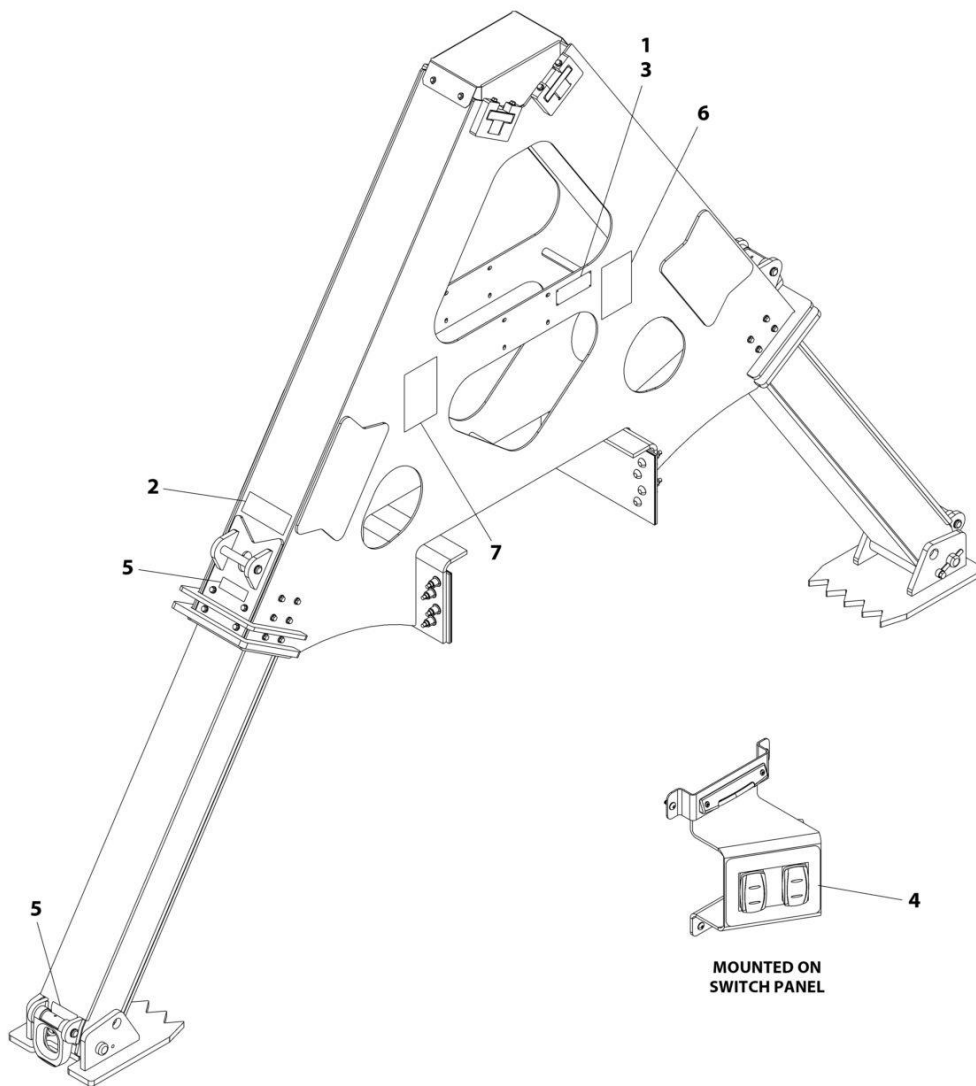
SECTION 8 - DECAL

FIGURE 8-4. DECAL INSTALLATION - SIDE RECOVERY SYSTEM (SRS)

ITEM	PART NUMBER	QTY	DESCRIPTION	REV
	1001199196	Ref	DECAL INSTALLATION, SRS	D
1	1001127222	1	Decal, Indent Tag	
2	1001199783	2	Decal, Warning Pinch Point	
3	1001199785	2	Decal, Outrigger/Stabilizer Warning	
4	1001199786	2	Decal, Winch Freespool	
5	1001199787	2	Decal, Winch Warning	
7	1001199789	1	Decal, Valve	
8	1001199790	1	Decal, Lubrication	
8	1001134433	1	Decal, Air Tensioner (SN 0230004275 through 0230009234)	
9	1001257300	1	Decal, Air Tensioner (SN 0230009235 to Present)	
10	1001154277	2	Decal, Remote	
11	1001142812	1	Decal, Pinch Hazard	

SECTION 8 - DECAL

FIGURE 8-5. DECAL INSTALLATION - SIDE STABILIZER (SS-70)



ART_1001246420

SECTION 8 - DECAL

FIGURE 8-5. DECAL INSTALLATION - SIDE STABILIZER (SS-70)

ITEM	PART NUMBER	QTY	DESCRIPTION	REV
	1001246420	Ref	INSTALL, DECALS SS	C
1	3820031	4	Rivet	
2	1001136094	2	Decal, Crushing Hazard	
3	1001246130	1	Decal, Ident Tag	
4	1001246956	2	Decal, Controls	
5	1001246957	4	Decal, D-Ring	
6	1001247794	1	Decal, Lubrication Chart	
7	1001247795	1	Decal, Override Controls	

SECTION 9 - ACCESSORIES

SECTION 9 - ACCESSORIES

FIGURE 9-1. SERVICE & AFTERMARKET KITS LIST

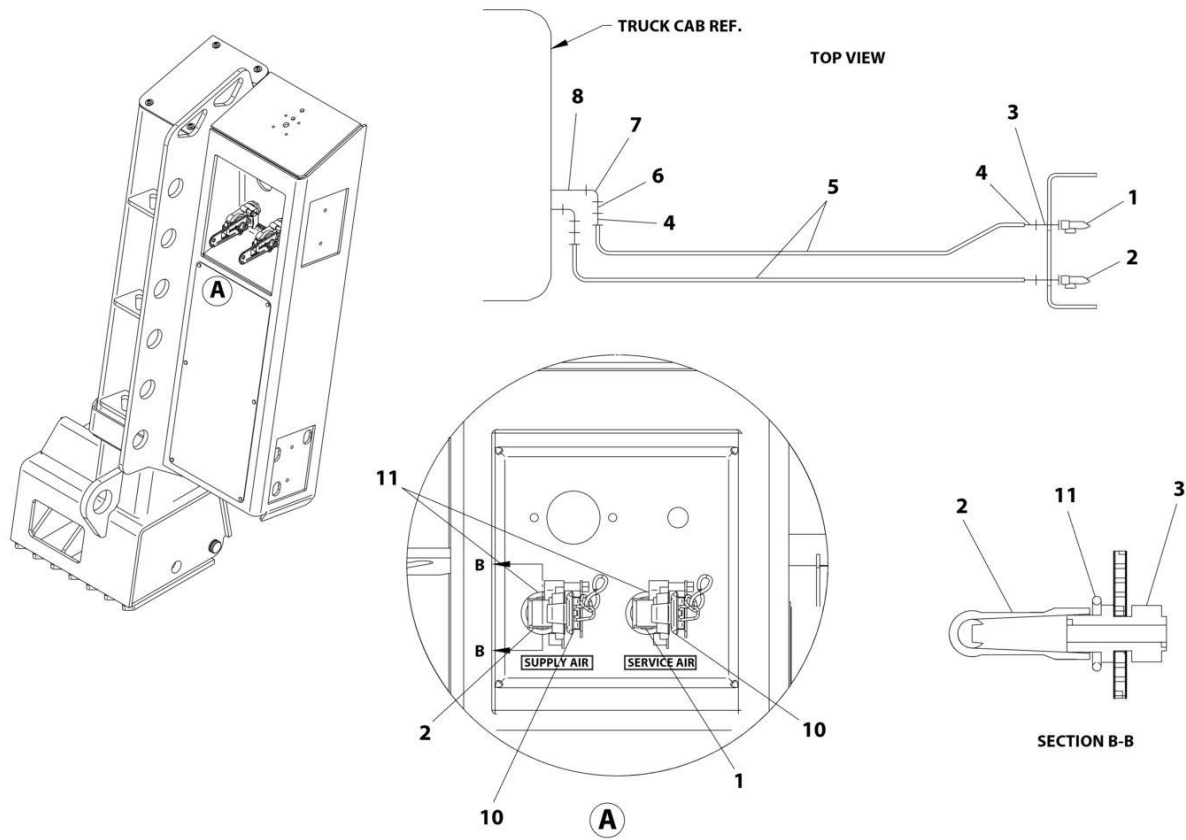
ITEM	PART NUMBER	QTY	DESCRIPTION	REV
	1001241869	Ref	SERVICE & AFTERMARKET KITS LIST	I
		Ref	Note: Contact JERR-DAN Parts Department for exact contents of kits.:	
	7002000505	Ref	Cord, Electrical Extension 25FT (GSA Specs)	
	1001264819	Ref	Kit, Body (Tandem)	
	1001207496	Ref	Kit, Broom Storage	
	1001262538	Ref	Kit, Camera (Back up)	
	1001279212	Ref	Kit, Camera (Rear Winch) (Drivers Side)	
	1001279211	Ref	Kit, Camera (Rear Winch) (Passengers Side)	
	1001279213	Ref	Kit, Camera (Underlift)	
	1001201341	Ref	Kit, Chain Binder Storage (Tandem)	
	1001201164	Ref	Kit, Chain Binder Storage (Tri-Axle)	
	1001207623	Ref	Kit, Chain Binder Storage	
	1001197183	Ref	Kit, Chian Storage (Rotary)	
	1001219776	Ref	Kit, Chian Storage (Rotary)	
	1001207510	Ref	Kit, Cribbing Storage Tandem)	
	1001201514	Ref	Kit, Cribbing Storage (Tri-Axle)	
	1001199998	Ref	Kit, Drawer Storage - Tilt Down (Tandem)	
	1001199999	Ref	Kit, Drawer Storage - Tilt Down (Tri-Axle)	
	1001208631	Ref	Kit, Drawer Storage - Tilt Down (48IN)	
	1001195256	Ref	Kit, Drawer Storage - Tool (Tandem)	
	1001195337	Ref	Kit, Drawer Storage - Tool (Tri-Axle Drivers Side)	
	1001208635	Ref	Kit, Drawer Storage - Tool (Tri-Axle Passengers Side)	
	1001220164	Ref	Kit, Drawer Storage - Tool (BB/Tri-Axle Drivers Side)	
	1001228254	Ref	Kit, Drawer Storage - Tool (BB/Tri-Axle Tunnel)	
	1001195942	Ref	Kit, Fifth Wheel & Pintle Storage (Tandem)	
	1001195943	Ref	Kit, Fifth Wheel & Pintle Storage (Tri-Axle Passengers Side)	
	1001208636	Ref	Kit, Fifth Wheel & Pintle Storage (37IN Tunnel)	
	1001195698	Ref	Kit, Fire & Emergency	
	FEX-GSARB	Ref	Kit, Fire & Emergency (GSA Specs)	
	1001201704	Ref	Kit, Flare Storage	
	1001197683	Ref	Kit, Flashlight Storage	
	1001263856	Ref	Kit, Fork Riser (Frame) Storage (Single Steer)	
	1001263857	Ref	Kit, Fork Riser (Frame) Storage (5 Axle)	
	1001263858	Ref	Kit, Fork Riser (Frame) Storage (Twin Axle)	
	1001195788	Ref	Kit, Fork Riser Storage (35Ton Tandem)	
	1001195825	Ref	Kit, Fork Riser Storage (35Ton Tri-Axle)	
	1001210749	Ref	Kit, Fork Riser Storage (50/60Ton)	
	1001269884	Ref	Kit, Fork Velocity	
	2512880041	Ref	Kit, Frame Forks	
	1001263854	Ref	Kit, Frame Forks Storage (35Ton Tandem)	
	1001263855	Ref	Kit, Frame Forks Storage (35Ton Tri-Axle)	
	1001214175	Ref	Kit, Grizzly Bar Storage	
	3577000156	Ref	Kit, GSA 972 Accessories	
	7262000048	Ref	Chain Assembly	
		Ref	Snatch Block	
	7894000055	1	Steering Wheel Lock Strap	
	1001196215	Ref	Kit, Jack Storage (Tandem)	
	1001196214	Ref	Kit, Jack Storage (Tri-Axle)	

SECTION 9 - ACCESSORIES

ITEM	PART NUMBER	QTY	DESCRIPTION	REV
	1001200001	Ref	Kit, Ladder Storage	
	1001195038	Ref	Kit, Shackle Storage (Tandem)	
	1001195083	Ref	Kit, Shackle Storage (Tri-Axle)	
	1001263822	Ref	Kit, Shelf	
	1001214300	Ref	Kit, Shelf Storage (36IN)	
	1001214299	Ref	Kit, Shelf Storage (48IN)	
	1001214298	Ref	Kit, Shelf Storage - Upper (36IN)	
	1001214264	Ref	Kit, Shelf Storage - Upper (48IN)	
	1001214303	Ref	Kit, Shelf Storage - Upper	
	1001210746	Ref	Kit, Shovel/Grizzly Bar Storage (Tandem)	
	1001210747	Ref	Kit, Shovel/Grizzly Bar Storage (Tri-Axle)	
	1001195088	Ref	Kit, Snatch Block Storage (Tandem 3/2015-11/2016)	
	1001217105	Ref	Kit, Snatch Block Storage (Tandem 11/2016-8/2023)	
	1001217106	Ref	Kit, Snatch Block Storage (Tri-Axle) (25Ton before 11/2018 & 35Ton 11/2016-8/2023)	
	1001195134	Ref	Kit, Snatch Block Storage (Rotary) (35Ton & 50/60Ton 10/2016-8/2023)	
	1001201371	Ref	Kit, Spill Storage (Tandem)	
	1001210748	Ref	Kit, Spill Storage (Tri-Axle)	
	1001207548	Ref	Kit, Spreader Bar Storage (Dual)	
	1001210750	Ref	Kit, Spreader Bar Storage (Single)	
	1001195421	Ref	Kit, Sta-Dry Silo Storage	
	1001207593	Ref	Kit, Strap Storage (Tandem)	
	1001208637	Ref	Kit, Strap Storage (Tri-Axle)	
	1001205796	Ref	Kit, Tire Lift/Arms Storage (36IN)	
	1001196249	Ref	Kit, Tire Lift/Arms Storage (48IN)	
	1001207556	Ref	Kit, Tire Lift/Bus Arms Storage	
	1001201234	Ref	Kit, Tool Storage	
	1001195592	Ref	Kit, Tow Light Storage	
	1001195764	Ref	Kit, Traffic Cone Storage (35Ton)	
	1001207508	Ref	Kit, Traffic Cone Storage (60Ton)	
	1001195520	Ref	Kit, Wheel Chocks Storage	
	1001238159	Ref	Kit, Winch Drag Brake (50K DP Brand Winches)	

SECTION 9 - ACCESSORIES

FIGURE 9-2. AIR EMERGENCY AND SERVICE GLAD HANDS



ART_2503630028

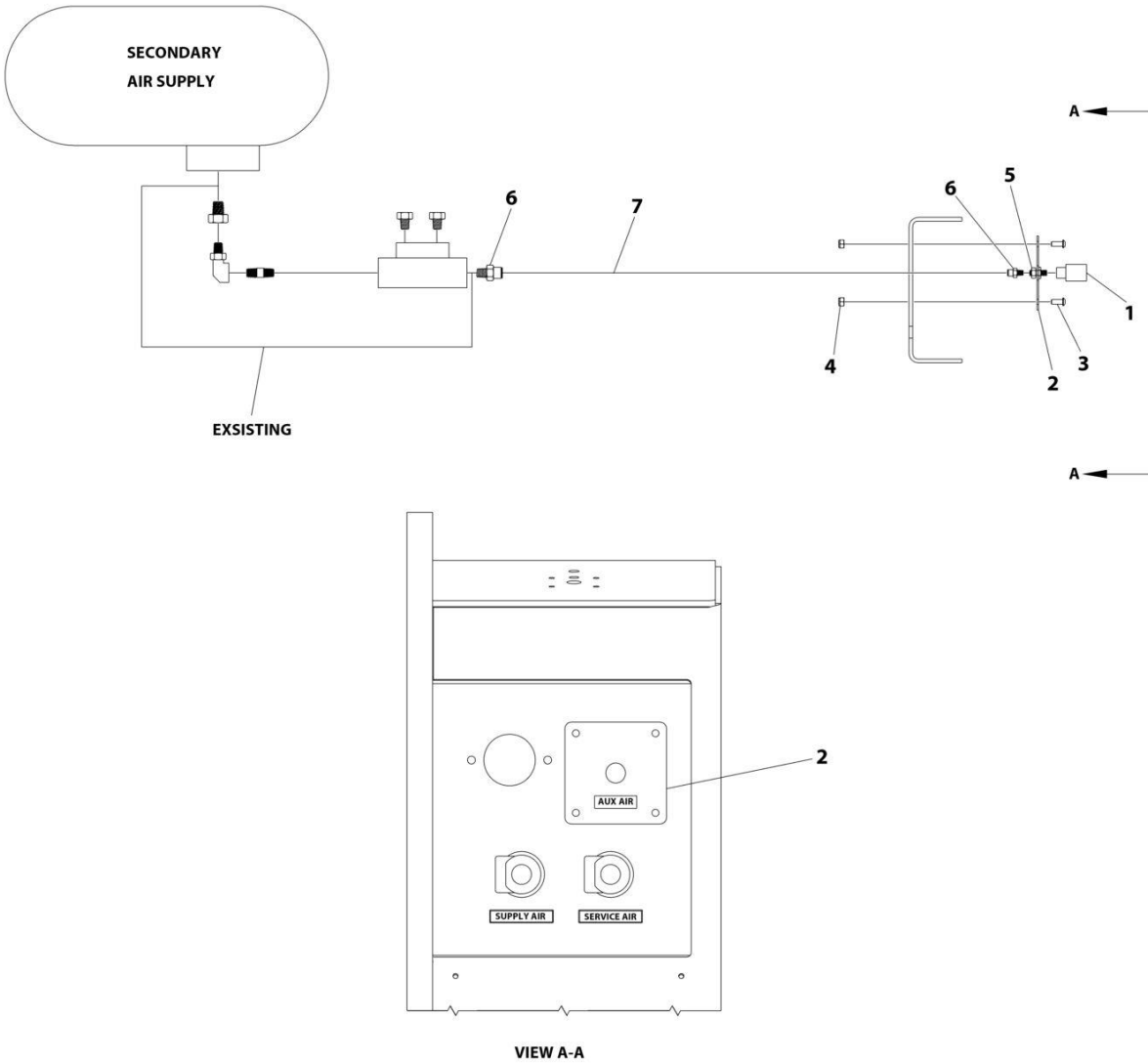
SECTION 9 - ACCESSORIES

FIGURE 9-2. AIR EMERGENCY AND SERVICE GLAD HANDS

ITEM	PART NUMBER	QTY	DESCRIPTION	REV
	2503630028	Ref	Air, Emergency and Service Glad Hands	F
1	7312000015	1	Gladhand	
2	7312000016	1	Gladhand	
3	7446502518	2	Fitting	
4	7446060435	4	Fitting	
5	7565000014	50 ft	Airline Tubing	
6	7443000148	2	Bushing	
7	7443000146	2	Elbow	
8	7443000145	2	Bushing	
10	1001170036	2	Shield	
11	1001171933	2	Ring	
12	7445040449	1	Nipple (Not Shown)	

SECTION 9 - ACCESSORIES

FIGURE 9-3. AUXILIARY AIR INSTALLATION



ART_1001143867

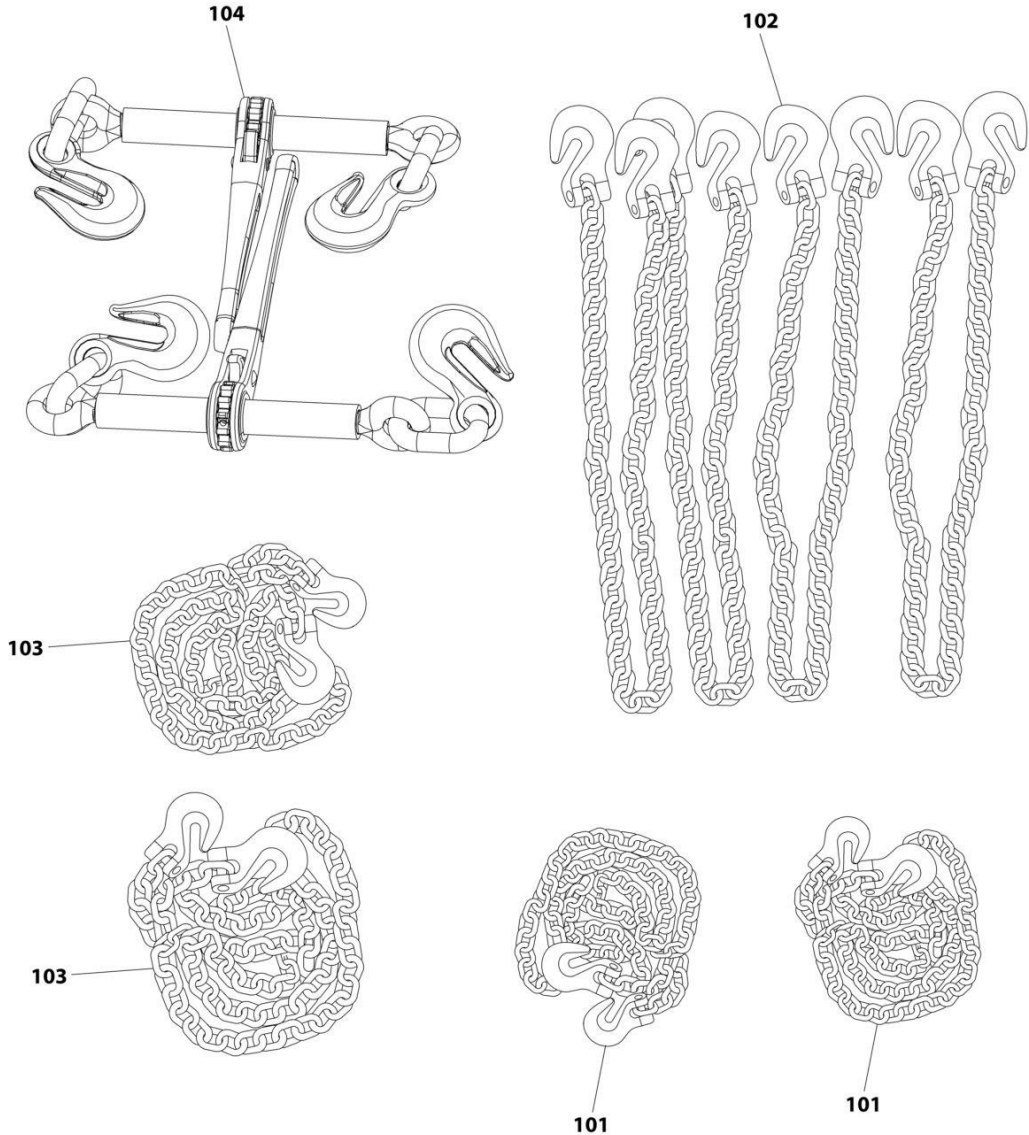
SECTION 9 - ACCESSORIES

FIGURE 9-3. AUXILIARY AIR INSTALLATION

ITEM	PART NUMBER	QTY	DESCRIPTION	REV
	1001143867	Ref	AUXILIARY AIR INSTALLATION	A
1	7312000017	1	Fitting, Disconnect	
2	4811001135	1	Panel	
3	7114140518	4	Bolt 1/4 x 5/8	
4	7660142604	4	Nut 1/4	
5	7446502518	1	Fitting, Bulkhead NPT(M)-NPT(F)	
6	7443000175	2	Fitting, Straight NPTM	
7	7565000014	25 ft	Tubing	

SECTION 9 - ACCESSORIES

FIGURE 9-4. CHAIN KIT - HEAVY DUTY (LEVEL 1)



ART_1001233644

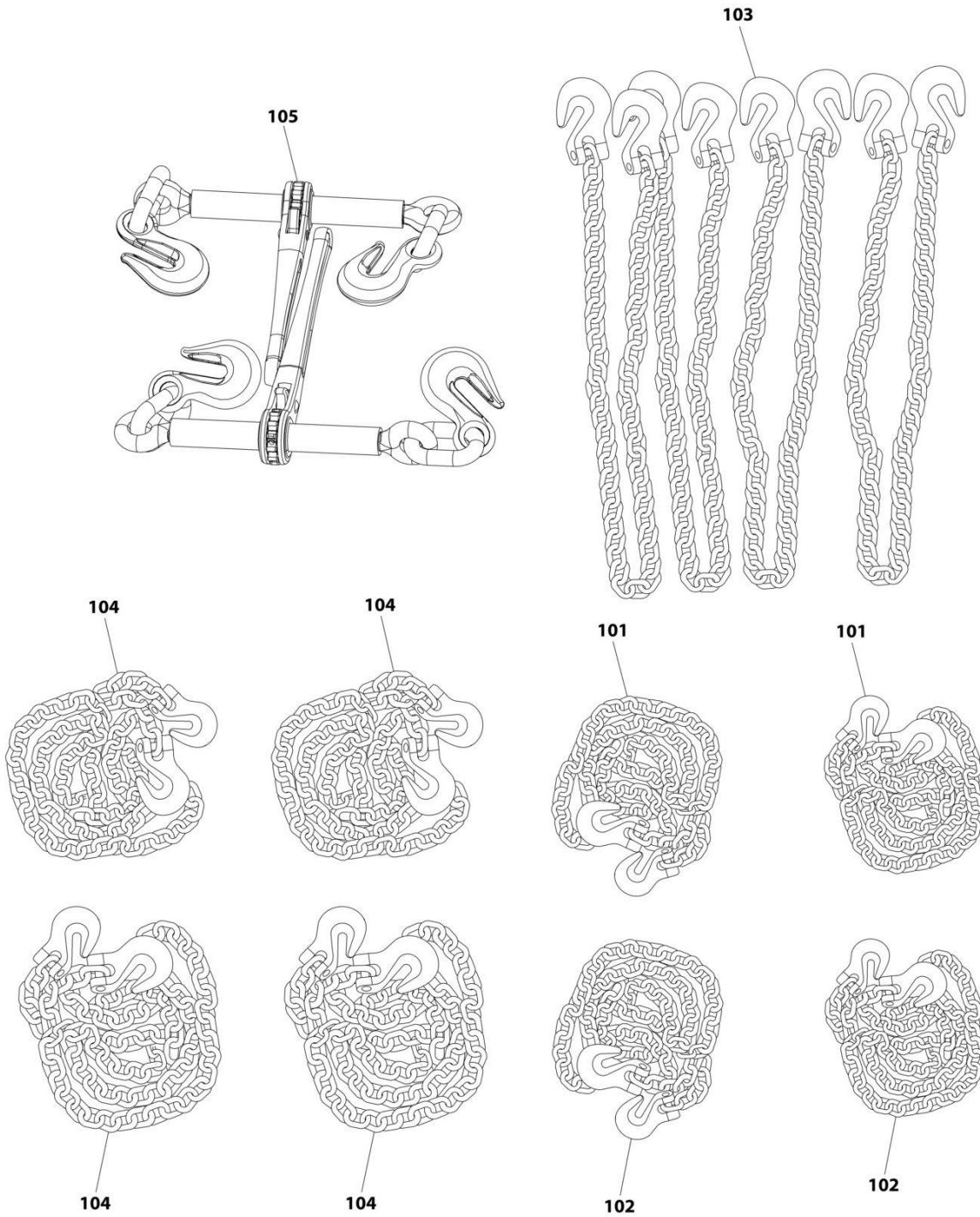
SECTION 9 - ACCESSORIES

FIGURE 9-4. CHAIN KIT - HEAVY DUTY (LEVEL 1)

ITEM	PART NUMBER	QTY	DESCRIPTION	REV
	1001233644	Ref	CHAIN KIT, LEVEL 1 (HEAVY DUTY)	A
1	1001233072	1	Chain Kit (Not Shown)	
101	Kit	2	3/8IN Chain, G70 x 10FT (clevis each end)	
102	Kit	4	3/8IN Chain, G100 x 10FT 8800#WLL (clevis each end)	
103	Kit	2	0.5IN Chain, G100 x 10FT 15000#WLL (clevis each end)	
104	Kit	2	3/8-0.5 Chain Binder 9200#WLL, 8IN	

SECTION 9 - ACCESSORIES

FIGURE 9-5. CHAIN KIT - HEAVY DUTY (LEVEL 2)



ART_1001233645

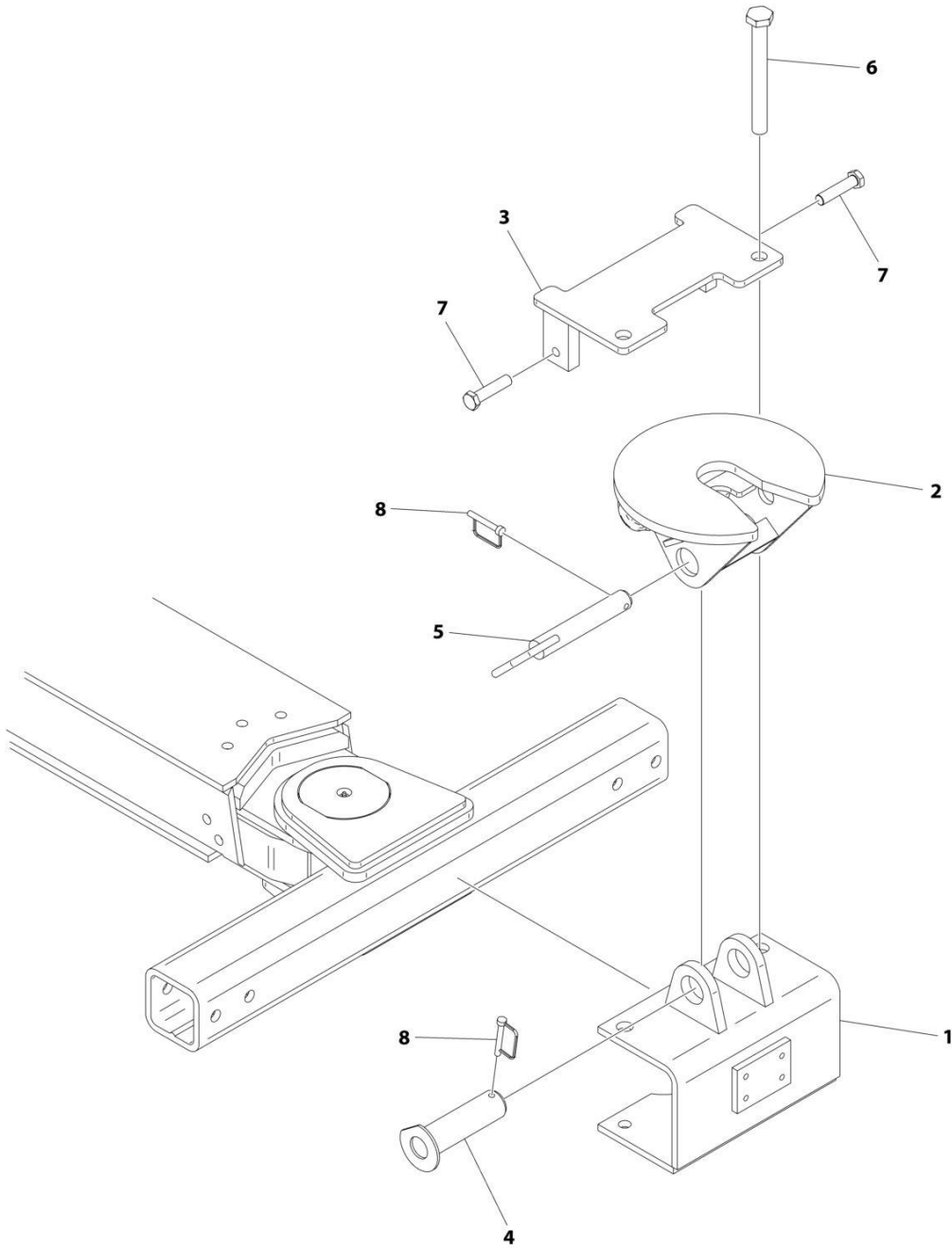
SECTION 9 - ACCESSORIES

FIGURE 9-5. CHAIN KIT - HEAVY DUTY (LEVEL 2)

ITEM	PART NUMBER	QTY	DESCRIPTION	REV
	1001233645	Ref	CHAIN KIT, LEVEL 2 (HEAVY DUTY)	A
1	1001208360	1	Chain Kit (Not Shown)	
101	Kit	2	3/8IN Chain, 10FT (non cradle grab), GR. 70	
102	Kit	2	3/8IN Chain, 20FT (non cradle grab), GR. 70	
103	Kit	4	3/8IN Chain, 10FT (non cradle grab), GR. 100	
104	Kit	4	1/2IN Chain, 10FT (non cradle grab), GR. 100	
105	Kit	2	Ratcheting Chain Binders	

SECTION 9 - ACCESSORIES

FIGURE 9-6. FIFTH WHEEL TOW ATTACHMENT



ART_2503880033

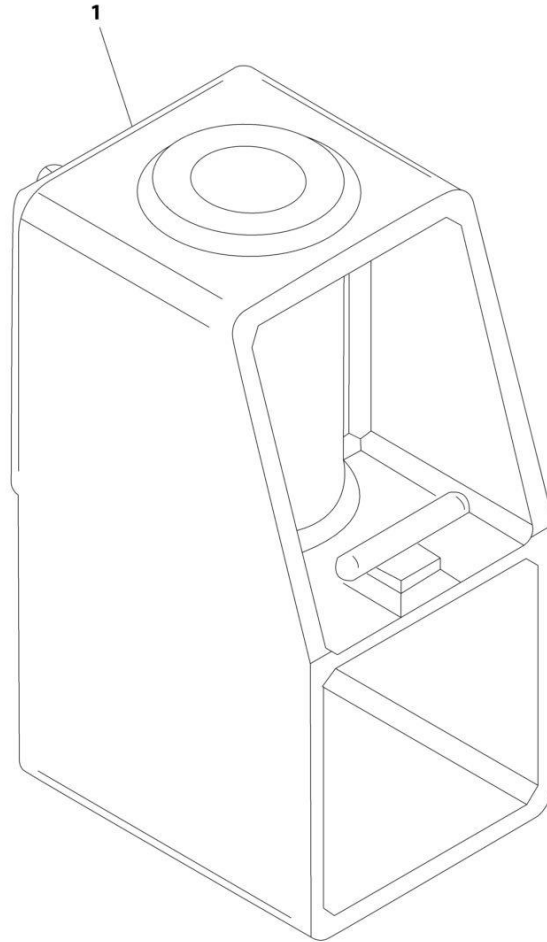
SECTION 9 - ACCESSORIES

FIGURE 9-6. FIFTH WHEEL TOW ATTACHMENT

ITEM	PART NUMBER	QTY	DESCRIPTION	REV
	2503880033	Ref	Underlift Tools - 5th Wheel Installation	C
1	3178000240	1	Bracket	
2	3178000499	1	Bracket	
3	3706000080	1	Plate	
4	3691000144	1	Pin	
5	3691000145	1	Pin	
6	7118267250	2	Capscrew 1 x 9	
7	7120000036	2	Capscrew 3/4 x 3-1/4	
8	7691000025	2	Pin	

SECTION 9 - ACCESSORIES

FIGURE 9-7. FORK RISER ADAPTERS



ART_1001231626

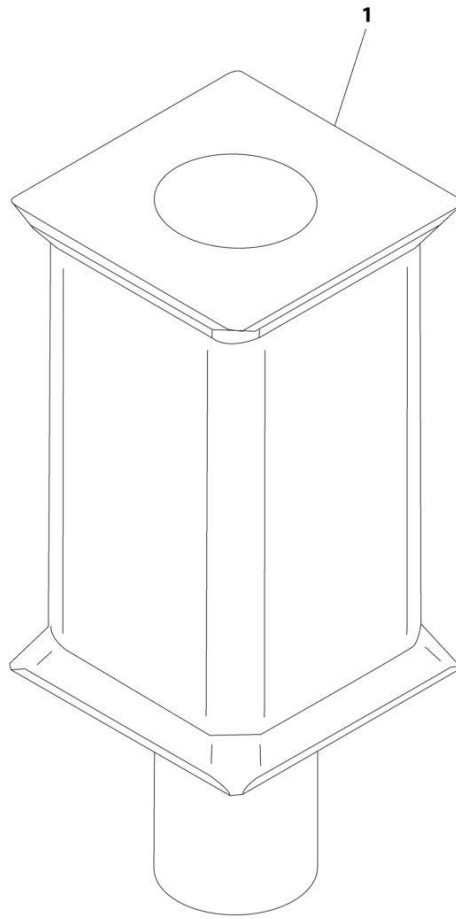
SECTION 9 - ACCESSORIES

FIGURE 9-7. FORK RISER ADAPTERS

ITEM	PART NUMBER	QTY	DESCRIPTION	REV
1	1001231626	Ref	FORK RISER ADAPTER - 7IN	A
	1001170172	2	Accessory Fork Riser	

SECTION 9 - ACCESSORIES

FIGURE 9-8. FORK RISERS - 7IN



ART_1001231627

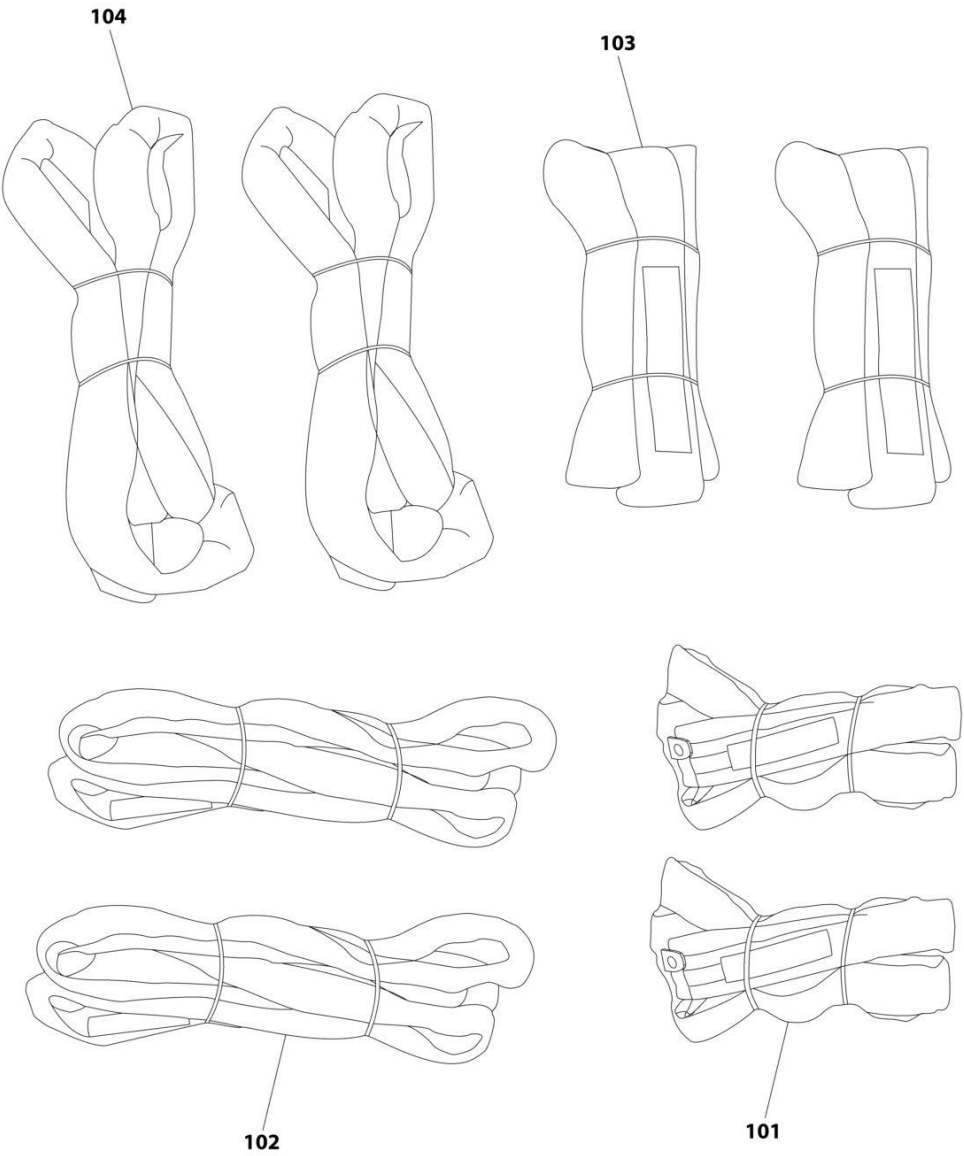
SECTION 9 - ACCESSORIES

FIGURE 9-8. FORK RISERS - 7IN

ITEM	PART NUMBER	QTY	DESCRIPTION	REV
1	1001231627	Ref	FORK RISER - 7IN	A
	7002000502	2	Fork Riser Attachment	

SECTION 9 - ACCESSORIES

FIGURE 9-9. LOOP SLING KIT (LEVEL 1)



ART_1001233642

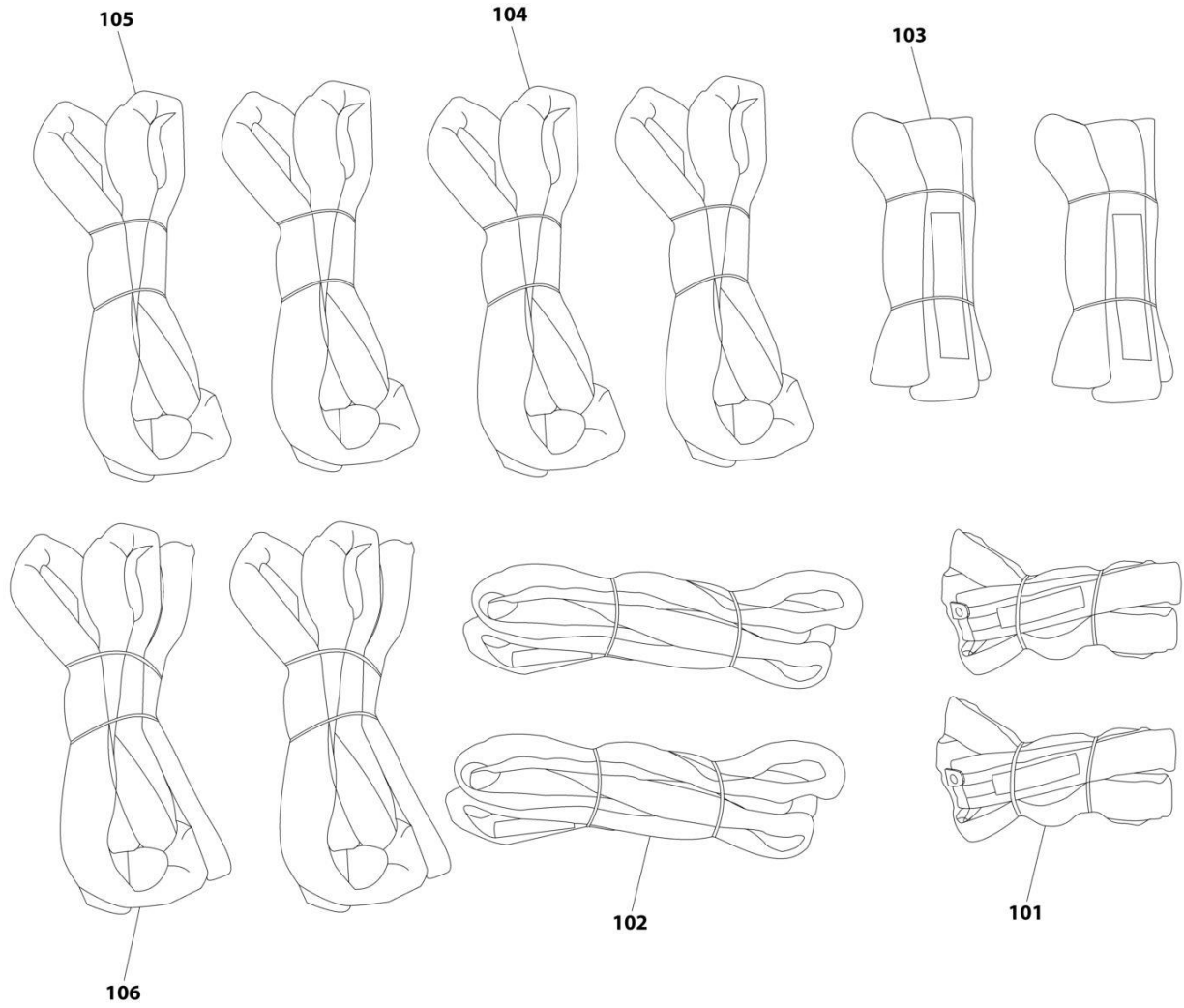
SECTION 9 - ACCESSORIES

FIGURE 9-9. LOOP SLING KIT (LEVEL 1)

ITEM	PART NUMBER	QTY	DESCRIPTION	REV
	1001233642	Ref	LOOP SLING KIT, LEVEL 1	A
1	1001233070	1	Loop Sling Kit (Not Shown)	
101	Kit	2	4FT Yellow Round Sling, V-8400#	
102	Kit	2	6FT Yellow Round Sling, V-8400#	
103	Kit	2	8FT Red Round Sling, V-13200#	
104	Kit	2	12FT Red Round Sling, V-13200#	

SECTION 9 - ACCESSORIES

FIGURE 9-10. LOOP SLING KIT (LEVEL 2)



ART_1001233643

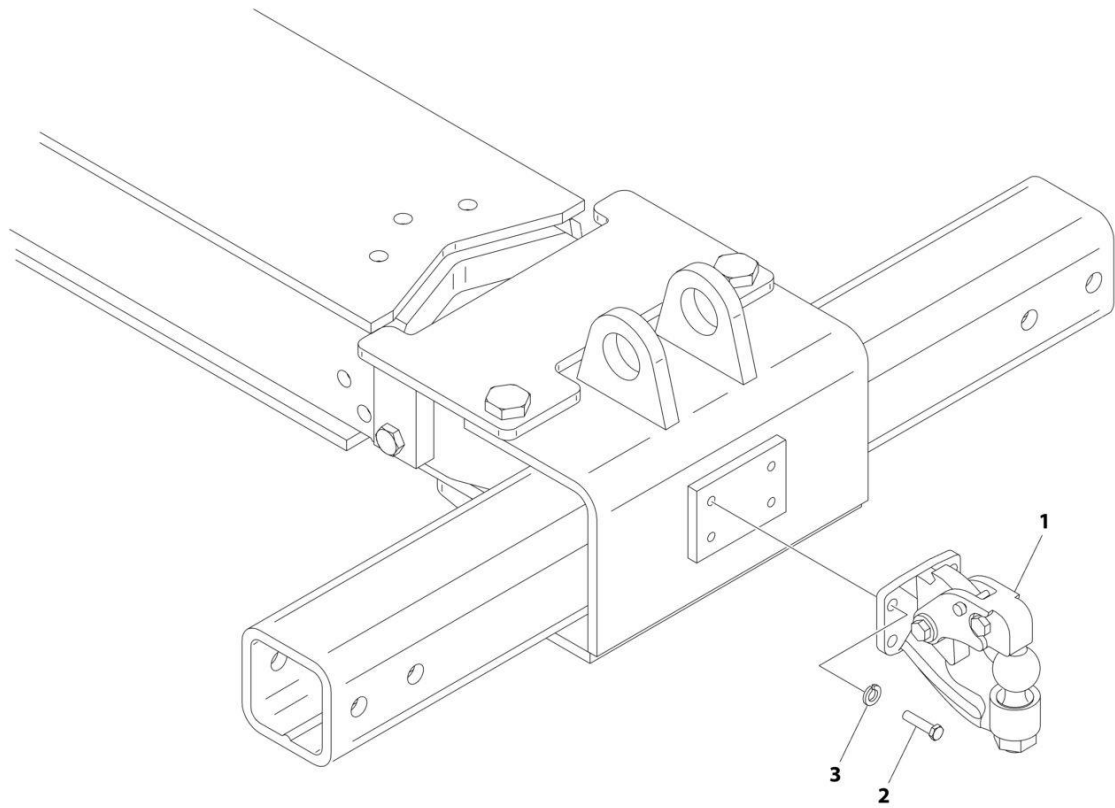
SECTION 9 - ACCESSORIES

FIGURE 9-10. LOOP SLING KIT (LEVEL 2)

ITEM	PART NUMBER	QTY	DESCRIPTION	REV
	1001233643	Ref	LOOP SLING KIT, LEVEL 2	A
1	1001208359	1	Loop Sling Kit (Not Shown)	
101	Kit	2	4FT Yellow Endless Loop	
102	Kit	2	6FT Yellow Endless Loop	
103	Kit	2	8FT Red Endless Loop	
104	Kit	2	12FT Red Endless Loop	
105	Kit	2	12FT Blue Endless Loop	
106	Kit	2	16FT Blue Endless Loop	

SECTION 9 - ACCESSORIES

FIGURE 9-11. PINTLE HOOK WITH 2IN BALL



ART_2503880043

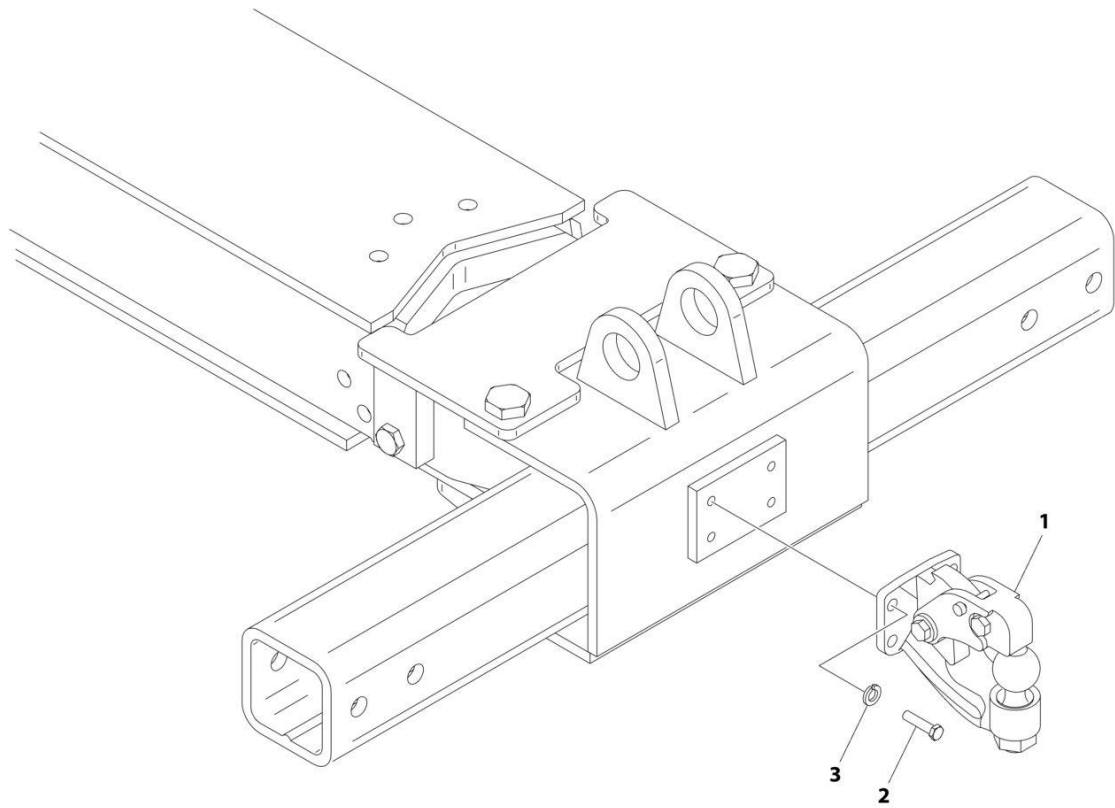
SECTION 9 - ACCESSORIES

FIGURE 9-11. PINTLE HOOK WITH 2IN BALL

ITEM	PART NUMBER	QTY	DESCRIPTION	REV
	2503880043	Ref	UNDERLIFT TOW PINTLE HOOK WITH 2IN DIA BALL	A
1	7561000020	1	Hitch, Pintle Hook with 2IN Dia. Ball	
2	7118181250	4	Capscrew 1/2 x 1-1/2	
3	7950180000	4	Lockwasher 1/2	

SECTION 9 - ACCESSORIES

FIGURE 9-12. PINTLE HOOK WITH 50MM BALL



ART_2503880044

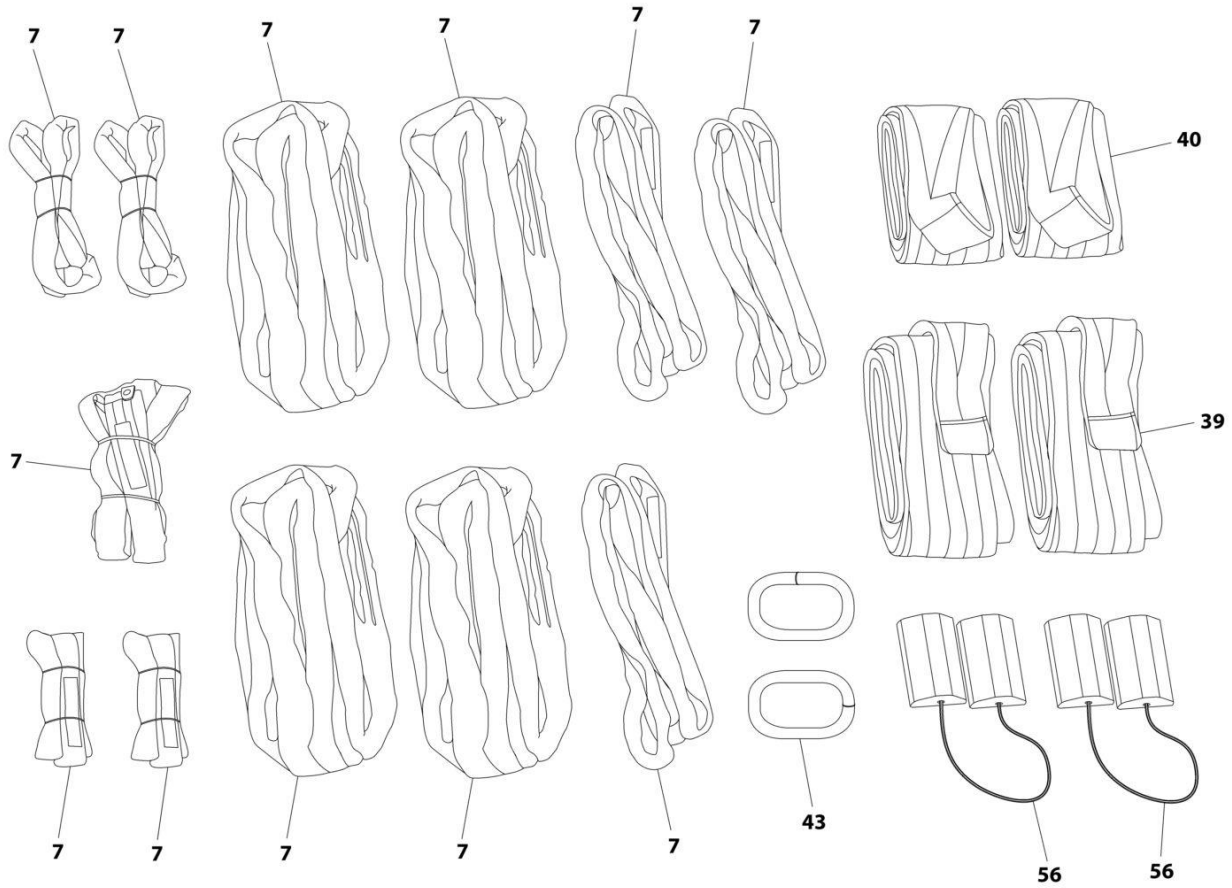
SECTION 9 - ACCESSORIES

FIGURE 9-12. PINTLE HOOK WITH 50MM BALL

ITEM	PART NUMBER	QTY	DESCRIPTION	REV
	2503880044	Ref	Underlift Tools - Pintle Hook With 50mm Dia Ball	A
1	7561000022	1	Hitch, Pintle Hook with 50mm Dia. Ball	
2	7118181250	4	Capscrew 1/2 x 1-1/2	
3	7950180000	4	Lockwasher 1/2	

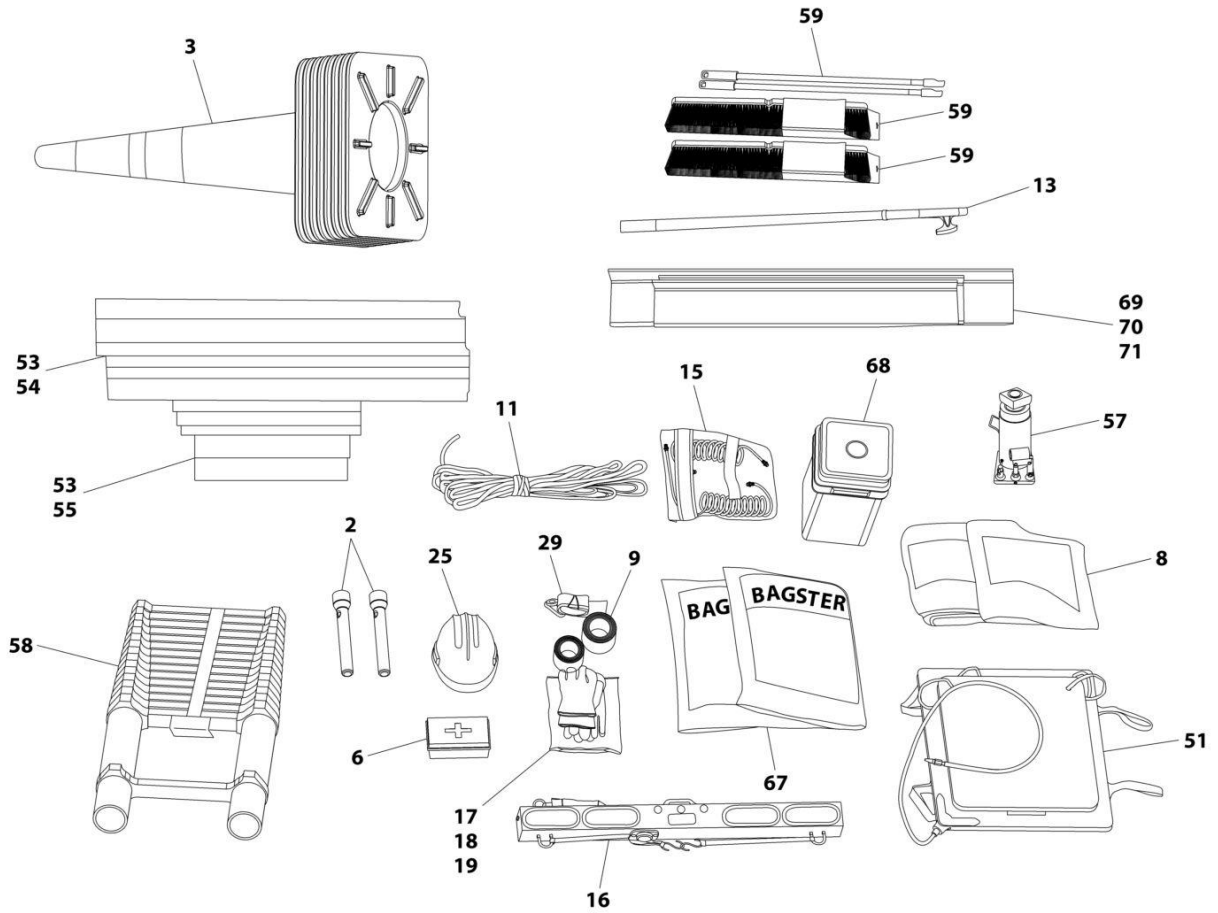
SECTION 9 - ACCESSORIES

FIGURE 9-13. RISC ACCESSORY PACKAGE (1OF5)



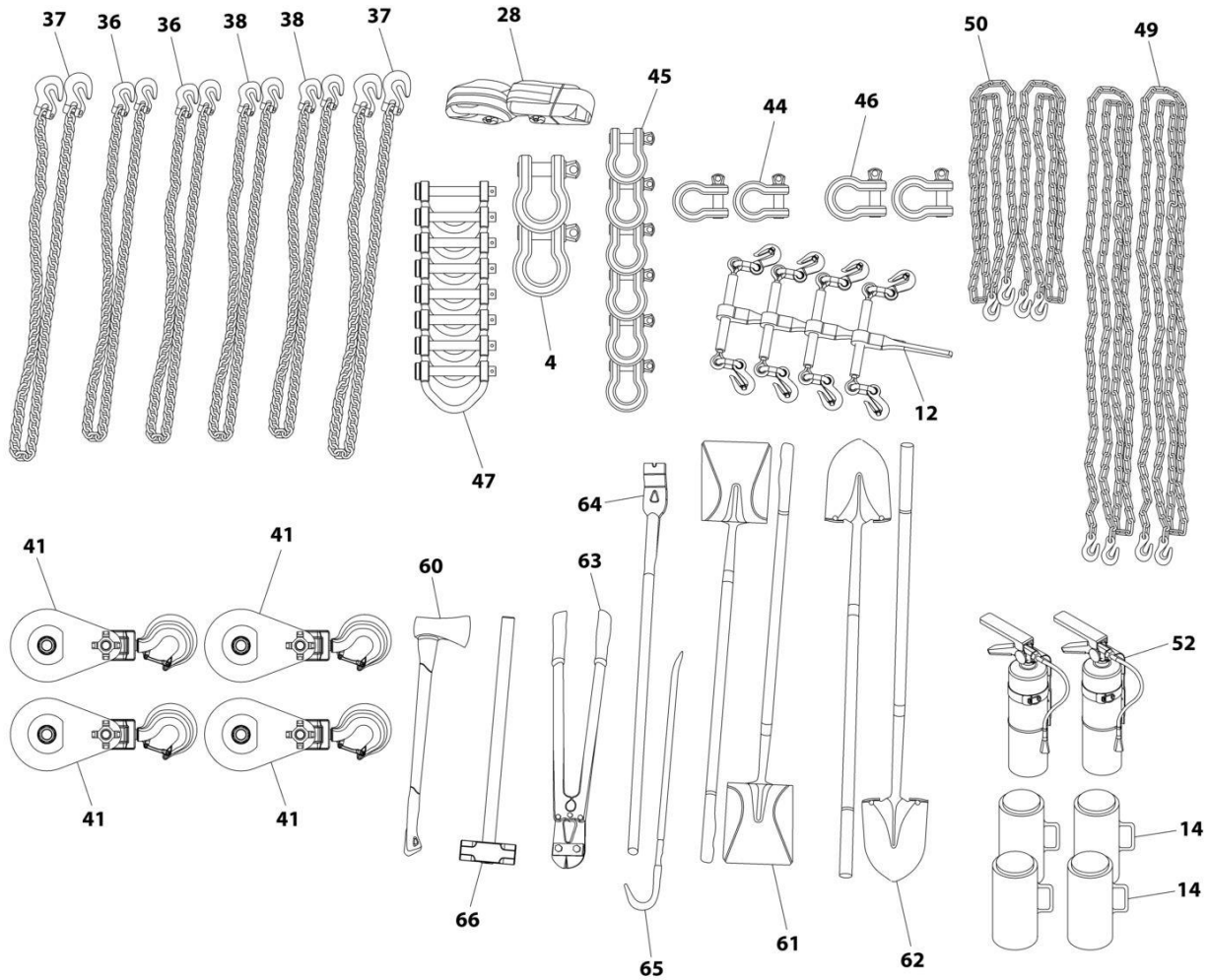
ART_1001174485_1OF5

SECTION 9 - ACCESSORIES



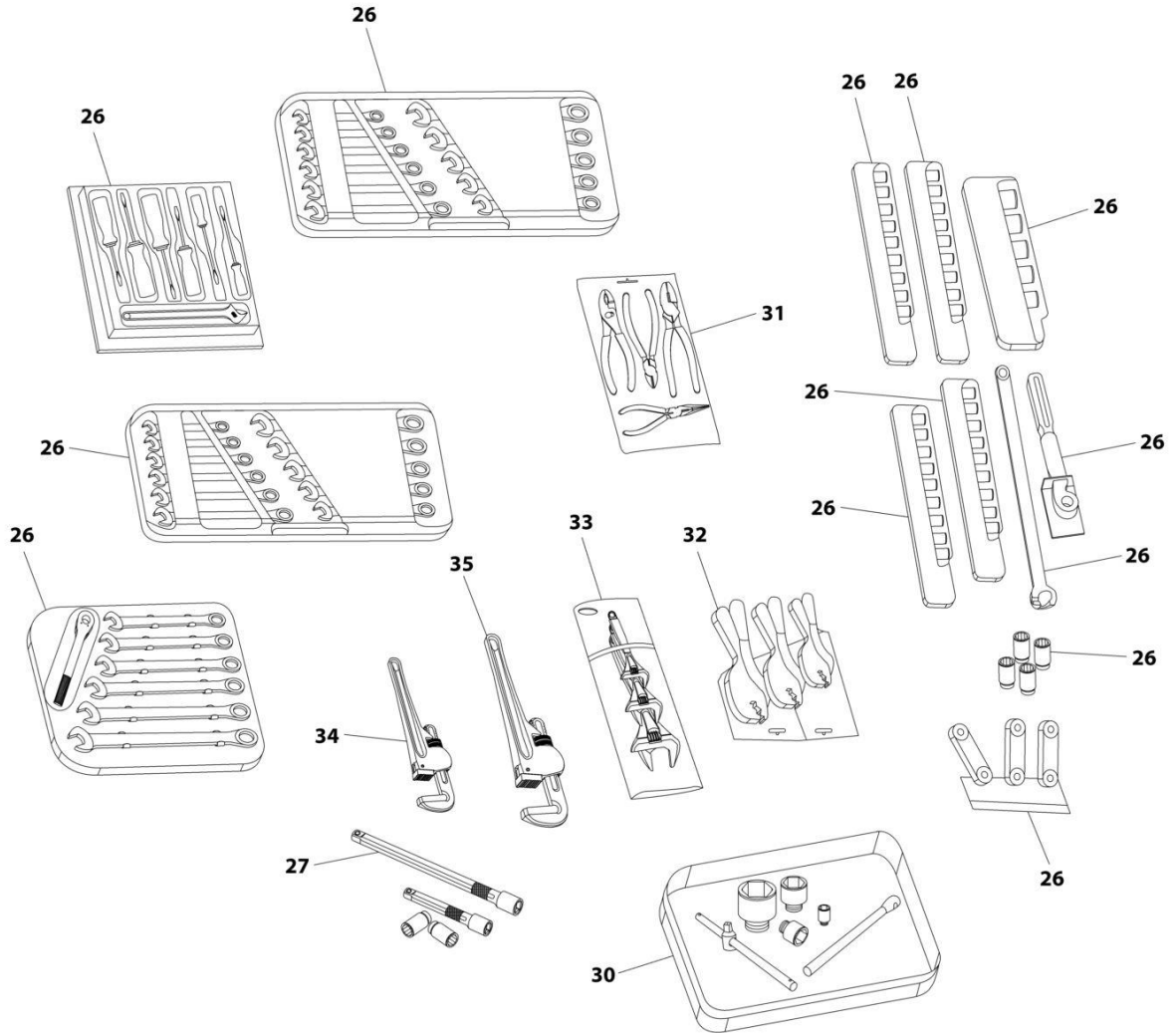
ART_1001174485_20F5

SECTION 9 - ACCESSORIES



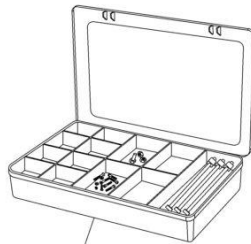
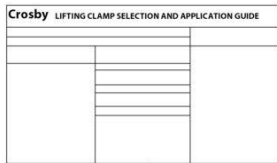
ART_1001174485_30F5

SECTION 9 - ACCESSORIES



ART_1001174485_40F5

SECTION 9 - ACCESSORIES



ART_1001174485_50F5

SECTION 9 - ACCESSORIES

FIGURE 9-13. RISC ACCESSORY PACKAGE (50F5)

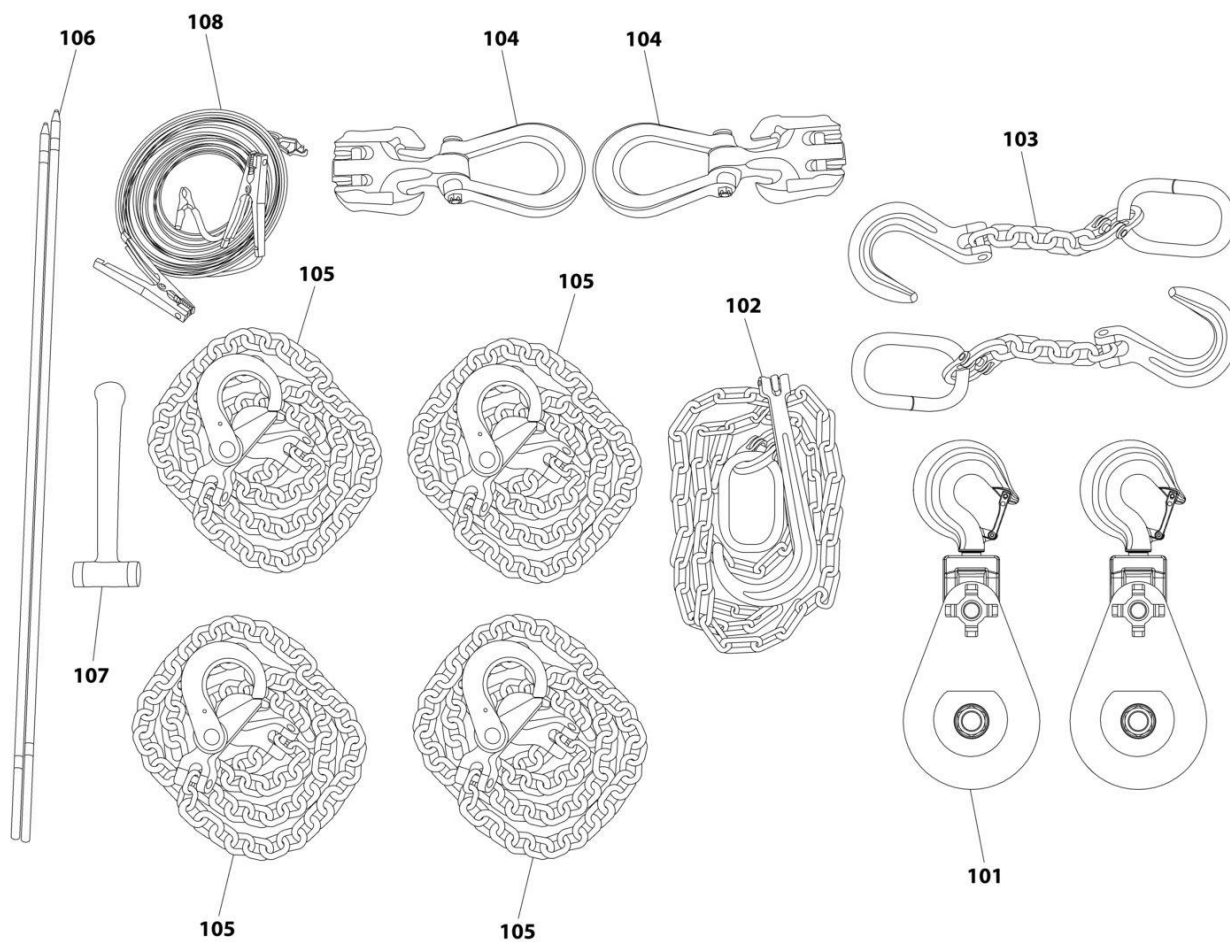
ITEM	PART NUMBER	QTY	DESCRIPTION	REV
	1001174485	Ref	Risc Accessory Package	D
1	70050850	1	Brake Release Kit	
2	70050851	2	Flashlight	
3	70050852	12	Traffic Cone	
4	70050853	2	Crosby Shackle	
5	70050854	2	Spill Absorbent Kit (Not Shown)	
6	70050855	1	First Aid Kit	
7	70050856	1	Endless Round Sling Kit	
8	70050857	2	Tarp	
9	70050858	2	Duct Tape	
10	70050859	2	Sewer Cover Mat (Not Shown)	
11	70050860	1	Rope	
12	70050861	4	Load Binder	
13	70050862	1	Retrieval Tool	
14	70050863	48	Flare	
15	70050864	1	Brake Air Hose Kit	
16	70050865	1	Wireless Tow Light	
17	70050866	2	Reflective Vest	
18	70050867	1	Chemical Gloves	
19	70050868	2	Safety Gloves	
20	70050869	1	Crosby Users Lifting Guide	
21	70050870	1	Log Book	
22	70050871	1	Inspection Book	
23	70050872	1	Emergency Response Book	
24	70050873	1	FMC Safety Regulation Book	
25	70050874	1	New Hire Kit	
26	70050875	1	Tool Set	
27	70050876	6	Drive Shaft Sockets	
28	70050877	2	Under Reach Strap	
29	70050878	1	Steering Wheel Lock	
30	70050879	1	Impact Socket	
31	70050880	1	Pliers Kit	
32	70050881	1	Vise Kit	
33	70050882	1	Adjustable Wrench Kit	
34	70050883	1	Pipe Wrench	
35	70050884	1	Pipe Wrench	
36	70050885	2	Chain	
37	70050886	2	Chain	
38	70050887	2	Chain	
39	70050888	2	Recovery Strap	
40	70050889	2	Recovery Strap	
41	70050890	4	Snatch Block	
42	70050891	1	Shackle Kit (Not Shown)	
43	70050892	2	Master Link	
44	70050893	2	Shackle, 17,000 LB	
45	70050894	6	Shackle, 24,000 LB	
46	70050895	2	Shackle, 34,000 LB	
47	70050896	8	Web Shackle	
48	70050897	1	Transport Chain	
49	70050898	2	Chain	

SECTION 9 - ACCESSORIES

ITEM	PART NUMBER	QTY	DESCRIPTION	REV
50	70050899	2	Chain	
51	70050900	1	Air Cushion	
52	70050901	2	Fire Extinguisher	
53	70050902	1	Cribbing Kit	
54	70050903	4	Cribbing	
55	70050904	8	Cribbing	
56	70050905	4	Wheel Chocks	
57	70050906	1	Hydraulic Jack	
58	70050907	1	Ladder	
59	70050908	2	Push Broom	
60	70050909	1	Axe	
61	70050910	2	Shovel, Flat Blade	
62	70050911	2	Shovel, Round Blade	
63	70050912	1	Bolt Cutter	
64	70050913	1	Grizzley Bar	
65	70050914	1	Crow Bar	
66	70050915	1	Sledge Hammer	
67	70050916	2	Trash Can	
68	70050917	1	Spill Kit	
69	70050918	1	Angle Kit	
70	70050919	2	Angle	
71	70050920	1	Angle	

SECTION 9 - ACCESSORIES

FIGURE 9-14. RUGGED KIT



ART_1001233649

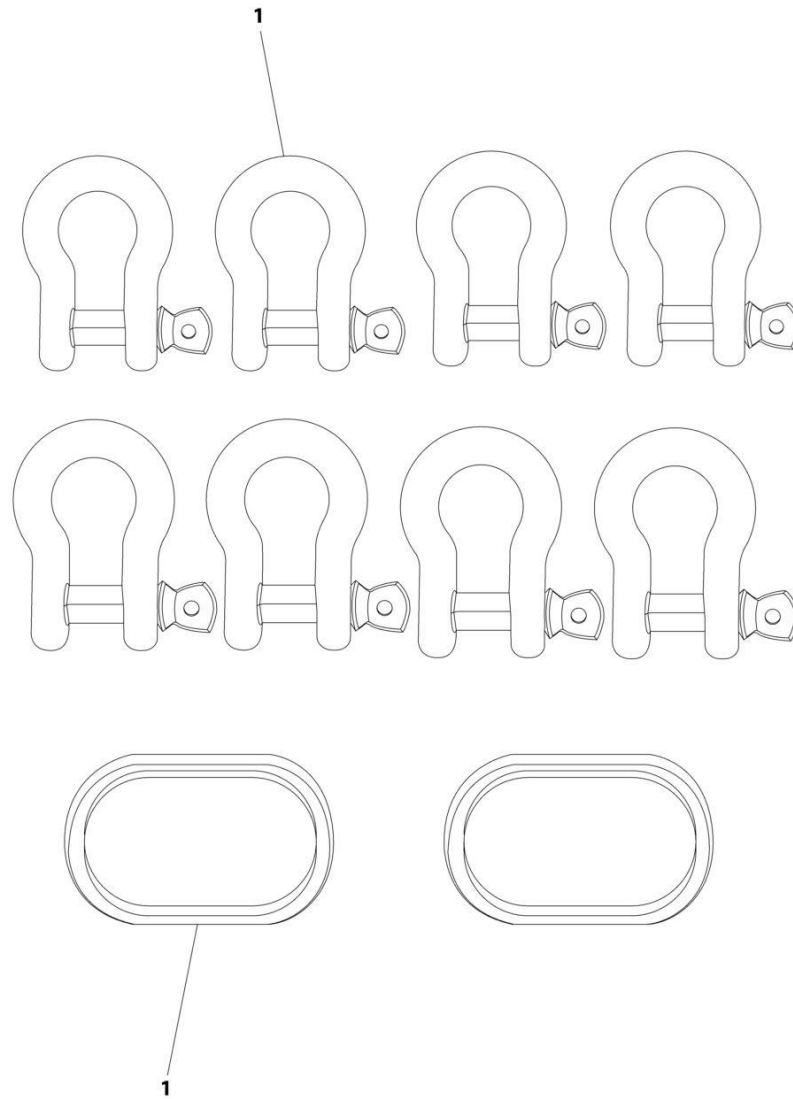
SECTION 9 - ACCESSORIES

FIGURE 9-14. RUGGED KIT

ITEM	PART NUMBER	QTY	DESCRIPTION	REV
	1001233649	Ref	RUGGED KIT, JFB	A
1	1001174490	1	Rugged Package (Not Shown)	
101	Kit	2	7/8 x 8IN Diameter Snatch Block, 30,000#	
102	Kit	1	3/8 x 10FT Recover Chain	
103	Kit	2	1/2IN x 2FT Recovery Chain, 15,000#	
104	Kit	2	1/2IN Double Leg Recovery Sling Eliminator, 30,000#	
105	Kit	4	1/2IN x 10FT Recovery Chain w/Self-Locking Clevis	
106	Kit	2	1/2IN x 48IN Copper Ground Stake	
107	Kit	1	Non-Sparking Brass Mallet	
108	Kit	3	30FT Ground Wire	

SECTION 9 - ACCESSORIES

FIGURE 9-15. SHACKLE KIT (LEVEL 1)



ART_1001233646

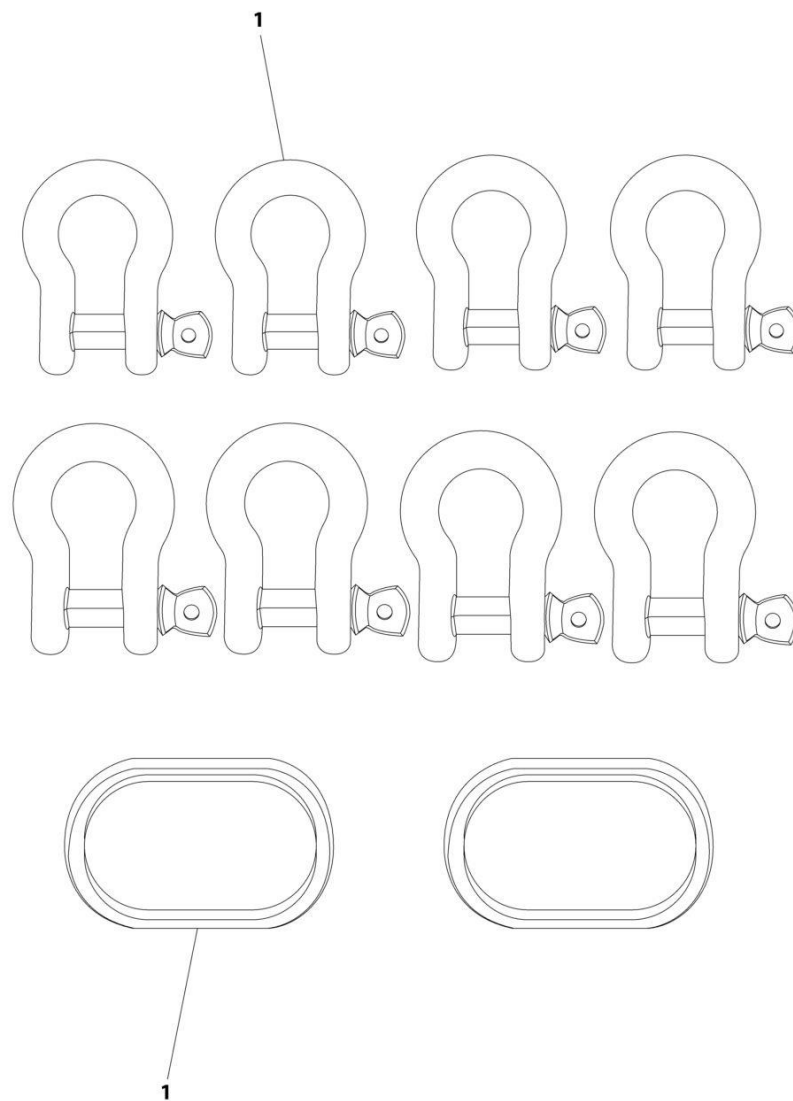
SECTION 9 - ACCESSORIES

FIGURE 9-15. SHACKLE KIT (LEVEL 1)

ITEM	PART NUMBER	QTY	DESCRIPTION	REV
	1001233646	Ref	SHACKLE KIT, LEVEL 1	A
1	1001233071	1	Shackle Kit	
1	Kit	4	Galvanized 8.5T Shackle, 1IN Pin	
1	Kit	2	Galvanized 12T Shackle, 1.25IN Pin	
1	Kit	2	Master Link Type M GRD 100 17200#WWL, 7/8IN	

SECTION 9 - ACCESSORIES

FIGURE 9-16. SHACKLE KIT (LEVEL 2)



ART_1001233647

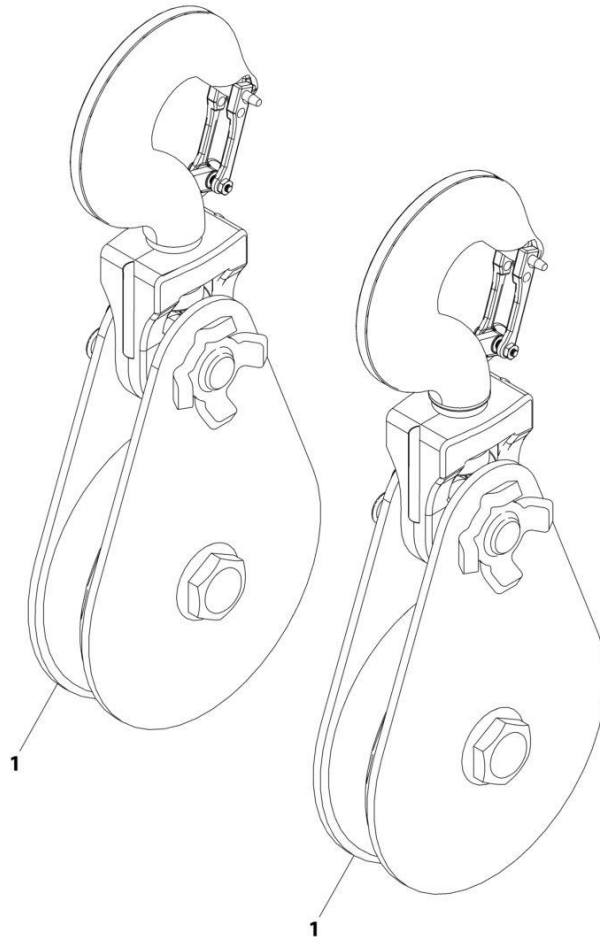
SECTION 9 - ACCESSORIES

FIGURE 9-16. SHACKLE KIT (LEVEL 2)

ITEM	PART NUMBER	QTY	DESCRIPTION	REV
	1001233647	Ref	SHACKLE KIT, LEVEL 2	A
1	1001208361	1	Shackle Kit	
1	Kit	2	Master Link, 1.25IN Pin	
1	Kit	2	Screw Pin Shackle, 1IN Pin	
1	Kit	6	Screw Pin Shackle, 1.25IN Pin	
1	Kit	2	Screw Pin Shackle, 1.5IN	

SECTION 9 - ACCESSORIES

FIGURE 9-17. SNATCH BLOCK KIT



ART_1001241575

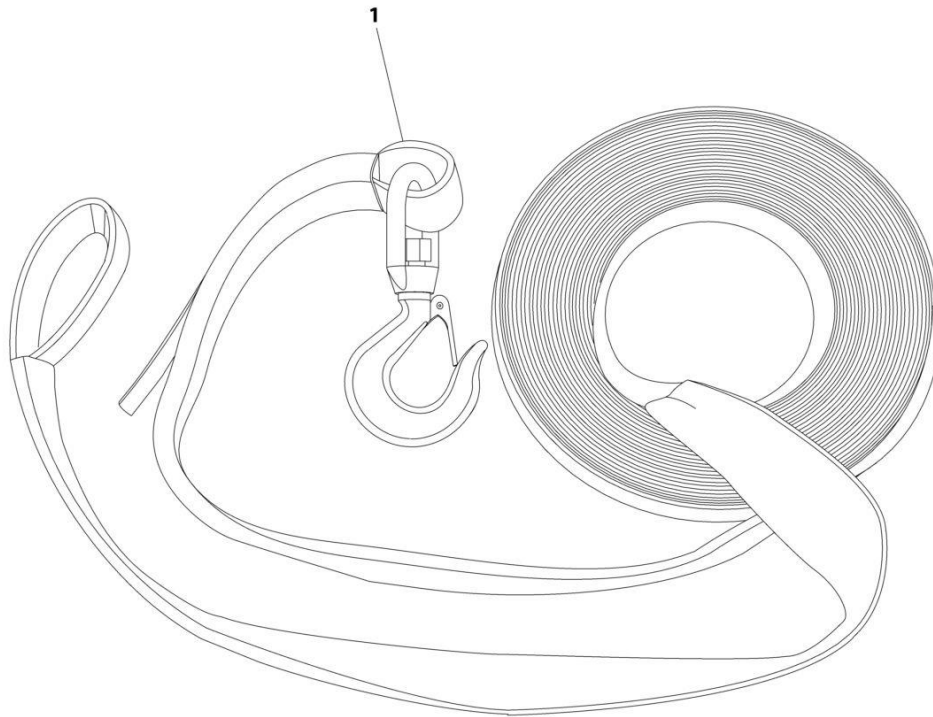
SECTION 9 - ACCESSORIES

FIGURE 9-17. SNATCH BLOCK KIT

ITEM	PART NUMBER	QTY	DESCRIPTION	REV
1	1001241575	Ref	Snatch Block Kit	A
	1001241570	2	Snatch Block	

SECTION 9 - ACCESSORIES

FIGURE 9-18. STRAP EXTENSION ASSEMBLY



ART_7894000071

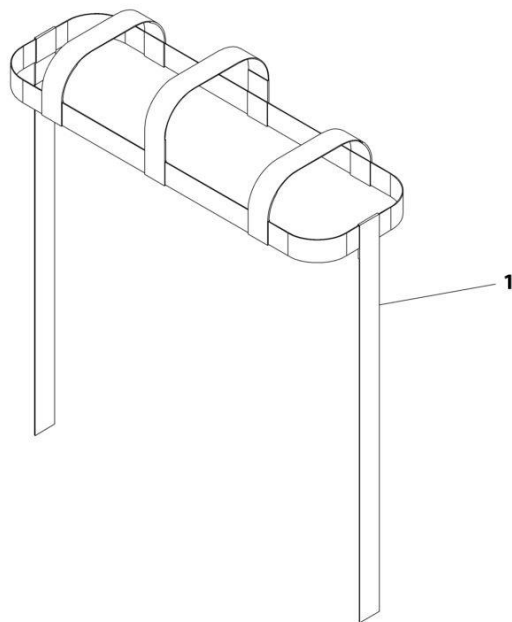
SECTION 9 - ACCESSORIES

FIGURE 9-18. STRAP EXTENSION ASSEMBLY

ITEM	PART NUMBER	QTY	DESCRIPTION	REV
1	7894000071	Ref	STRAP EXTENSION ASSEMBLY	0

SECTION 9 - ACCESSORIES

FIGURE 9-19. STRAP KIT - TIRE BASKET



ART_1001236897

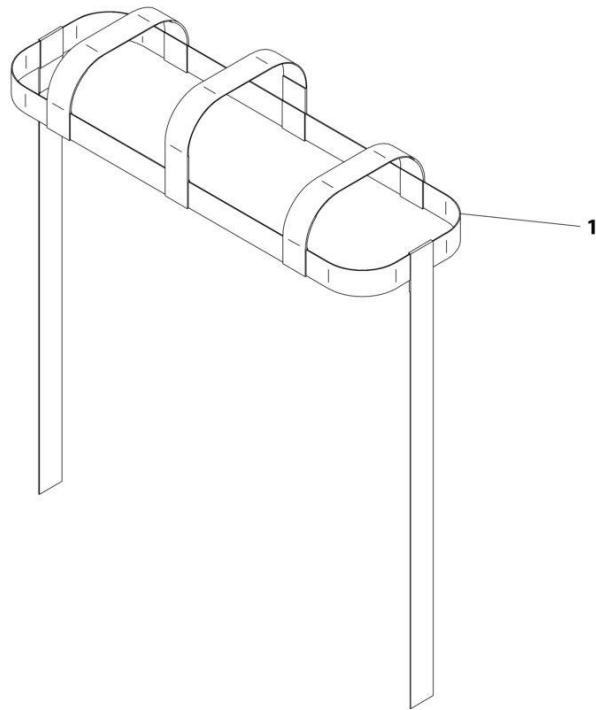
SECTION 9 - ACCESSORIES

FIGURE 9-19. STRAP KIT - TIRE BASKET

ITEM	PART NUMBER	QTY	DESCRIPTION	REV
1	1001236897 7894000057	Ref 2	TIE-STRAP KIT - TIRE BASKET Tie-Strap	A

SECTION 9 - ACCESSORIES

FIGURE 9-20. STRAP, TIE-DOWN - 7000 LBS LARGE



ART_1001236896

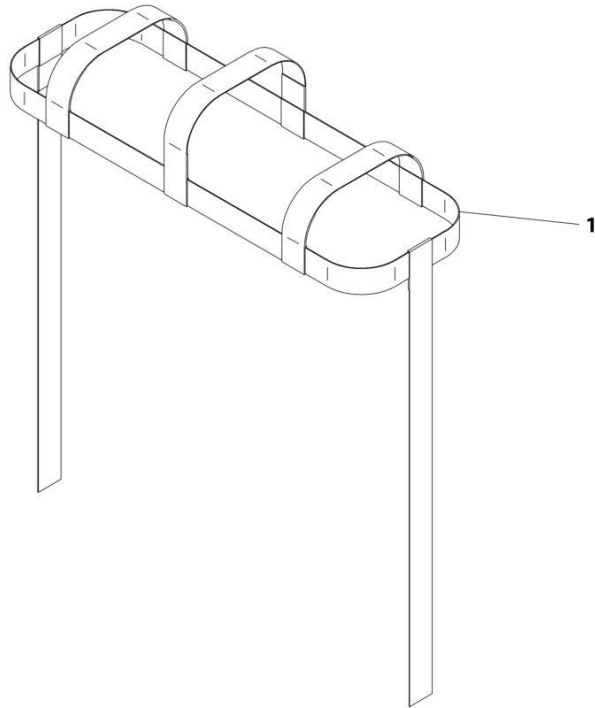
SECTION 9 - ACCESSORIES

FIGURE 9-20. STRAP, TIE-DOWN - 7000 LBS LARGE

ITEM	PART NUMBER	QTY	DESCRIPTION	REV
1	1001236896 7894000037	Ref 2	STRAP, TIE-DOWN - 7000 LBS LARGE Strap Assembly Heavy Duty	A

SECTION 9 - ACCESSORIES

FIGURE 9-21. STRAP, TIE-DOWN - 7000 LBS SMALL



ART_1001209071

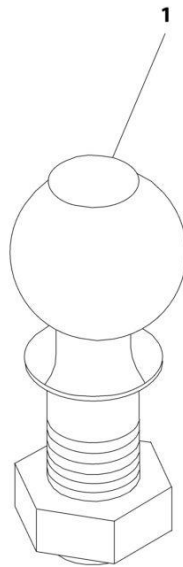
SECTION 9 - ACCESSORIES

FIGURE 9-21. STRAP, TIE-DOWN - 7000 LBS SMALL

ITEM	PART NUMBER	QTY	DESCRIPTION	REV
1	1001209071	Ref	STRAP, TIE-DOWN - 7000 LBS SMALL	A
	7894000041	2	Tie Strap Assembly Med Duty	

SECTION 9 - ACCESSORIES

FIGURE 9-22. TOW BALL - 1.88IN DIA



ART_705600003

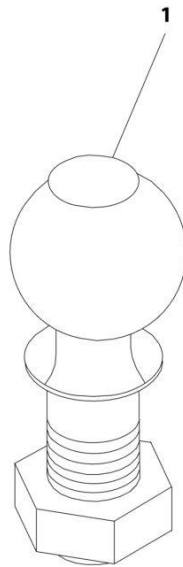
SECTION 9 - ACCESSORIES

FIGURE 9-22. TOW BALL - 1.88IN DIA

ITEM	PART NUMBER	QTY	DESCRIPTION	REV
1	7056000003	1	TOW BALL - 1.88IN DIA	0

SECTION 9 - ACCESSORIES

FIGURE 9-23. TOW BALL - 2.31IN DIA



ART_705600005

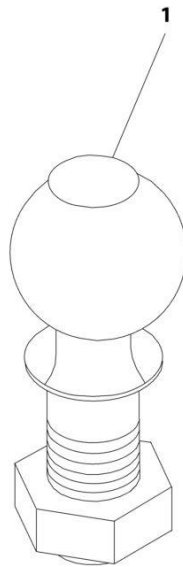
SECTION 9 - ACCESSORIES

FIGURE 9-23. TOW BALL - 2.31IN DIA

ITEM	PART NUMBER	QTY	DESCRIPTION	REV
1	7056000005	1	BALL - 2.31IN DIA	0

SECTION 9 - ACCESSORIES

FIGURE 9-24. TOW BALL - 2IN DIA



ART_705600004

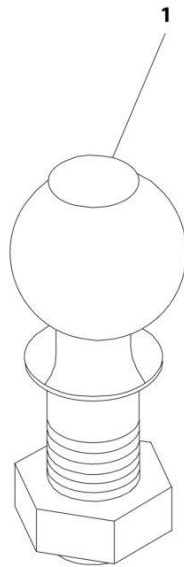
SECTION 9 - ACCESSORIES

FIGURE 9-24. TOW BALL - 2IN DIA

ITEM	PART NUMBER	QTY	DESCRIPTION	REV
1	7056000004	1	TOW BALL - 2IN DIA	0

SECTION 9 - ACCESSORIES

FIGURE 9-25. TOW BALL - 50MM DIA



ART_705600006

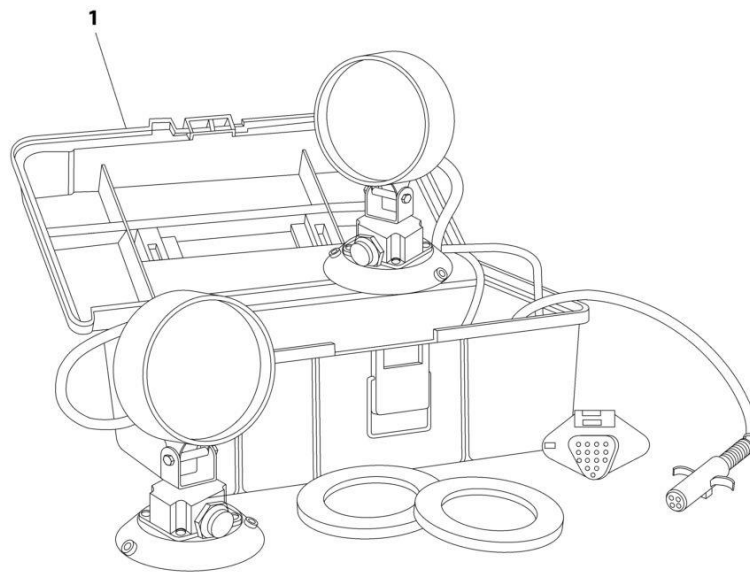
SECTION 9 - ACCESSORIES

FIGURE 9-25. TOW BALL - 50MM DIA

ITEM	PART NUMBER	QTY	DESCRIPTION	REV
1	7056000006	1	TOW BALL - 50MM DIA	0

SECTION 9 - ACCESSORIES

FIGURE 9-26. TOW LIGHTS - MAGNETIC



ART_5525000752

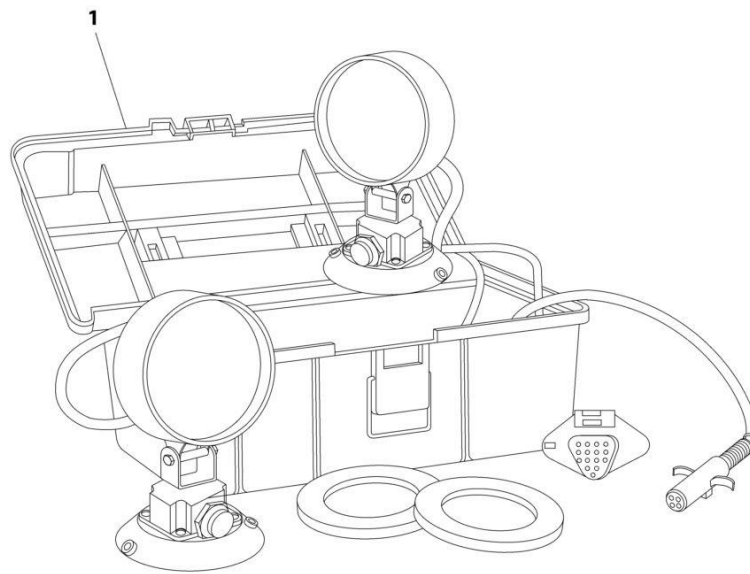
SECTION 9 - ACCESSORIES

FIGURE 9-26. TOW LIGHTS - MAGNETIC

ITEM	PART NUMBER	QTY	DESCRIPTION	REV
1	5525000752	1	TOW LIGHT - MAGNETIC MOUNTED	A

SECTION 9 - ACCESSORIES

FIGURE 9-27. TOW LIGHTS - SUCTION



ART_7002000449

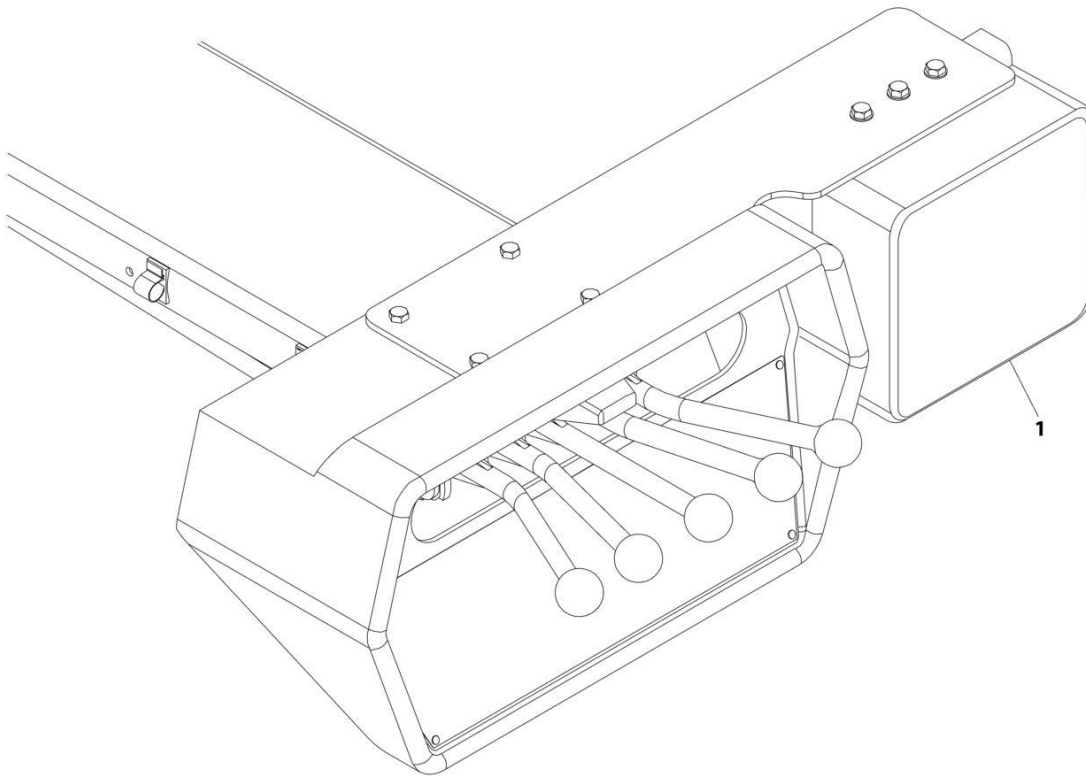
SECTION 9 - ACCESSORIES

FIGURE 9-27. TOW LIGHTS - SUCTION

ITEM	PART NUMBER	QTY	DESCRIPTION	REV
1	7002000449	1	TOW LIGHT - SUCTION MOUNTED	0

SECTION 9 - ACCESSORIES

FIGURE 9-28. TRUCK SCALES - ON BOARD



ART_7577000211

SECTION 9 - ACCESSORIES

FIGURE 9-28. TRUCK SCALES - ON BOARD

ITEM	PART NUMBER	QTY	DESCRIPTION	REV
1	7577000211	1	TRUCK SCALES - ON-BOARD (AIR WEIGH)	0

SECTION 10 - BUILD DOCUMENTS

SECTION 10 - BUILD DOCUMENTS

FIGURE 10-1. BUILD DOC_5376000274

ITEM	PART NUMBER	QTY	DESCRIPTION	REV
	Note	Ref	Note: This list is for build tracking purposes only. Parts in this list are not available at this inventory stocking level. Parts in this list may not be applicable to all models. For more specific parts information contact Jerr-Dan Parts Department	
	1001227092	Ref	Body Hole Fill Kit	
	1001199186	Ref	Counterweight Installation - Main (Front of Unit) (1700LBS)	
	1001226838	Ref	Counterweight Installation - Main with Blanking Plate (Front of Unit) (1700LBS)	
	1001209119	Ref	Counterweight Installation - Package 1 (Front of Unit) (2100LLBS)	
	1001209120	Ref	Counterweight Installation - Package 2 (Front of Unit) (2500LLBS)	
	1001209121	Ref	Counterweight Installation - Package 3 (Front of Unit) (3000LLBS)	
	1001209122	Ref	Counterweight Installation - Package 4 (Front of Unit) (3600LLBS)	
	1001210345	Ref	Counterweight Adapter Installation - Main (Front of Unit) (KW T880)	
	1001225596	Ref	Counterweight Adapter Installation - Main (Front of Unit) (Peterbilt 389)	
	1001210346	Ref	Counterweight Adapter Installation - Main (Front of Unit) (Peterbilt 567)	
	1001208348	Ref	Doors Installation - 37IN ("C" Slot) (Painted Doors Only)	
	1001197567	Ref	Doors Installation - 37IN ("C" Slot) (Painted Doors Only) (See Separate Breakdown in BODY Section)	
	1001208350	Ref	Doors Installation - 37IN ("C" Slot) (Painted Doors & Frames)	
	1001197568	Ref	Doors Installation - 37IN ("C" Slot) (Painted Doors & Frames) (See Separate Breakdown in BODY Section)	
	1001208356	Ref	Doors Installation - 37IN ("D" Slot) (Painted Doors Only)	
	1001197567	Ref	Doors Installation - 37IN ("D" Slot) (Painted Doors Only) (See Separate Breakdown in BODY Section)	
	1001208358	Ref	Doors Installation - 37IN ("D" Slot) (Painted Doors & Frames)	
	1001197568	Ref	Doors Installation - 37IN ("D" Slot) (Painted Doors & Frames) (See Separate Breakdown in BODY Section)	
	1001208344	Ref	Doors Installation - 49IN ("C" Slot) (Painted Doors Only)	
	1001197687	Ref	Doors Installation - 49IN ("C" Slot) (Painted Doors Only) (See Separate Breakdown in BODY Section)	
	1001208346	Ref	Doors Installation - 49IN ("C" Slot) (Painted Doors & Frames)	
	1001197688	Ref	Doors Installation - 49IN ("C" Slot) (Painted Doors & Frames) (See Separate Breakdown in BODY Section)	
	1001208352	Ref	Doors Installation - 49IN ("D" Slot) (Painted Doors Only)	
	1001197687	Ref	Doors Installation - 49IN ("D" Slot) (Painted Doors Only) (See Separate Breakdown in BODY Section)	
	1001208354	Ref	Doors Installation - 49IN ("D" Slot) (Painted Doors & Frames)	
	1001197688	Ref	Doors Installation - 49IN ("D" Slot) (Painted Doors & Frames) (See Separate Breakdown in BODY Section)	
	1001134106	Ref	Fitting (Air Tank)	
	1001248344	Ref	Harness Extensions - Side Stabilizer (Qty 3 Toolboxes / Qty 2 of PN 1001248215 Harness)	
	1001248345	Ref	Harness Extensions - Side Stabilizer (Qty 4 Toolboxes / Qty 3 of PN 1001248215 Harness)	
	1001224076	Ref	Options Package - Bronze Tandem with Tow (BB/39IN)	
	1001224077	Ref	Options Package - Bronze Tandem with Tow (BB/51IN)	
	1001238963	Ref	Options Package - Bronze Tandem with Tow (BB/51IN w/CWT)	
	1001224078	Ref	Options Package - Bronze Tri-Axle with Tow (BB/39IN)	
	1001224079	Ref	Options Package - Bronze Tri-Axle with Tow (BB/51IN)	

SECTION 10 - BUILD DOCUMENTS

ITEM	PART NUMBER	QTY	DESCRIPTION	REV
	1001238964	Ref	Options Package - Bronze Tri-Axle with Tow (BB/51IN w/CWT)	
	1001215940	Ref	Options Package - Gold Tandem (BB/39IN/49IN)	
	1001207503	Ref	Options Package - Gold Tandem (BB/51IN/37IN)	
	1001224086	Ref	Options Package - Gold Tandem with Tow (BB/39IN/49IN)	
	1001224085	Ref	Options Package - Gold Tandem with Tow (BB/51IN/37IN)	
	1001207504	Ref	Options Package - Gold Tri-Axle (BB/51IN/49IN)	
	1001224087	Ref	Options Package - Gold Tri-Axle with Tow (BB/51IN/49IN)	
	1001217721	Ref	Options Package - Silver Tandem (BB/39IN)	
	1001218613	Ref	Options Package - Silver Tandem (BB/51IN)	
	1001224080	Ref	Options Package - Silver Tandem with Tow (BB/39IN)	
	1001224081	Ref	Options Package - Silver Tandem with Tow (BB/51IN)	
	1001238916	Ref	Options Package - Silver Tandem with Tow (BB/51INw/CWT)	
	1001217722	Ref	Options Package - Silver Tri-Axle (BB/39IN)	
	1001218614	Ref	Options Package - Silver Tri-Axle (BB/51IN)	
	1001224082	Ref	Options Package - Silver Tri-Axle with Tow (BB/39IN/37IN)	
	1001224083	Ref	Options Package - Silver Tri-Axle with Tow (BB/51IN/37IN)	
	1001238918	Ref	Options Package - Silver Tri-Axle with Tow (BB/51INw/CWT/37IN)	
	1001224084	Ref	Options Package - Silver Tri-Axle with Tow (BB/51IN/49IN)	
	1001239050	Ref	Options Package - Silver Tri-Axle with Tow (BB/51INw/CWT/49IN)	
	1001220173	Ref	Paint - Main Winch Hooks & Handles (SN 0230004275 through 0230008673, Excluding 0230008645)	
	1001270118	Ref	Paint - Main Winch Hooks & Handles (SN 0230008674 to Present, Including 0230008645)	
	1001270119	Ref	Paint - Main Winch Hooks & Handles & Drag Hooks	
		Ref	PTO (Installation & replacement is based on individual characteristics of the unit - Contact Jerr-Dan Parts Dept.)	
		Ref	Pump (Installation & replacement is based on individual characteristics of the unit - Contact Jerr-Dan Parts Dept.)	
	1001237533	Ref	Rub Rail Dress-up Installation (37IN Tunnel) (C Slot)	
	1001234549	Ref	Rub Rail Dress-up Installation (37IN Tunnel) (C Slot)	
	1001237535	Ref	Rub Rail Dress-up Installation (37IN Tunnel) (D Slot)	
	1001234549	Ref	Rub Rail Dress-up Installation (37IN Tunnel) (D Slot)	
	1001237534	Ref	Rub Rail Dress-up Installation (49IN Tunnel) (C Slot)	
	1001234536	Ref	Rub Rail Dress-up Installation (49IN Tunnel) (C Slot)	
	1001237536	Ref	Rub Rail Dress-up Installation (49IN Tunnel) (D Slot)	
	1001234536	Ref	Rub Rail Dress-up Installation (49IN Tunnel) (D Slot)	
	1001233648	Ref	RISC Package	
	1001174485	Ref	RISC Package (See Separate Breakdown in ACCESSORY Section)	
	1001227630	Ref	Ship-Out Crate	
	1001225110	Ref	Ship-Out Stand for CWT	
	2636000010	Ref	Ship-Out Stand for Kits Models	
	1001229101	Ref	Ship-Out Stand for Kits Models (Sea Crate) (SN 0230005220 to Present)	
	1001141169	Ref	Ship-Out Stand for Kits Models (146 Body) (SN 0230004275 through 0230005219)	
	1001227624	Ref	Ship-Out Stand for Tunnel ("A" Tunnel) or (qty1 Tunnel)	
	1001227625	Ref	Ship-Out Stand for Tunnel ("B" Tunnel) or (qty2 Tunnels)	
	1001227626	Ref	Ship-Out Stand for Tunnel ("C" Tunnel) (SN 0230004275 through 0230008673, Excluding 0230008645)	
	1001227627	Ref	Ship-Out Stand for Tunnel ("D" Tunnel) (SN 0230004275 through 0230008673, Excluding 0230008645)	
	7894000037	Ref	Strap, Tie-Down - 7000 LBS Large (Use PN 1001236896)	

SECTION 10 - BUILD DOCUMENTS

ITEM	PART NUMBER	QTY	DESCRIPTION	REV
	7894000057	Ref	Strap, Tie-Down - 9800 LBS Large (Use PN 1001236897)	
	1001248211	Ref	Side Stabilizer - "A" Tunnel - No Panel 17IN	
	1001239622	Ref	Side Stabilizer (See Separate Breakdown in SUBFRAME Section)	
	1001248212	Ref	Side Stabilizer - "A" Tunnel - Body Panel 20IN	
	1001244581	Ref	Panel Installation (See Separate Breakdown in BODY Section)	
	1001239622	Ref	Side Stabilizer (See Separate Breakdown in SUBFRAME Section)	
	1001248213	Ref	Side Stabilizer - Front Main Body - No Panel 19IN	
	1001239622	Ref	Side Stabilizer (See Separate Breakdown in SUBFRAME Section)	
	1001248346	Ref	Electrical Installation (See Separate Breakdown in ELECTRICAL Section)	
	1001248214	Ref	Side Stabilizer - Front Main Body - Body Panel 24IN	
	1001239622	Ref	Side Stabilizer (See Separate Breakdown in SUBFRAME Section)	
	1001244581	Ref	Panel Installation (See Separate Breakdown in BODY Section)	
	1001202800	Ref	Subframe Weldment	
	1001210723	Ref	Tunnel Installation - 37IN ("C" Slot) (SN 0230004275 through 0230008673, Excluding 0230008645)	
	1001207194	Ref	Tunnel Installation -37IN (see Separate Breakdown in BODY Section)	
	1001210725	Ref	Tunnel Installation - 37IN ("D" Slot) (SN 0230004275 through 0230008673, Excluding 0230008645)	
	1001207194	Ref	Tunnel Installation -37IN (see Separate Breakdown in BODY Section)	
	1001210722	Ref	Tunnel Installation - 49IN ("C" Slot) (SN 0230004275 through 0230008673, Excluding 0230008645)	
	1001207196	Ref	Tunnel Installation -49IN (see Separate Breakdown in BODY Section)	
	1001210724	Ref	Tunnel Installation - 49IN ("D" Slot) (SN 0230004275 through 0230008673, Excluding 0230008645)	
	1001207196	Ref	Tunnel Installation - 49IN (see Separate Breakdown in BODY Section)	

PART NUMBER INDEX

SECTION 10 - BUILD DOCUMENTS

0100011.....39, 41, 65, 71, 73, 75, 77, 147, 165, 167, 169, 171, 563	1001116983..... 843, 845, 849, 851, 853, 855, 857	1001143489 903	1001166674.....615, 617
0561482.....49	1001116994..... 849, 851, 853, 855, 857	1001143686 279, 281, 283, 833, 835	1001166815.....819
0641420.....71, 73, 75, 77	1001117021 685, 749	1001143867 917	1001166930.....602, 606, 613, 615, 617
0641514.....263	1001117026 625, 627, 685, 735, 737, 739, 741, 743, 751, 753	1001144147 809	1001166974..... 165, 167, 169, 171, 245, 247, 249, 327, 351, 359, 361, 363, 365, 375, 377, 389, 391, 490, 494, 498, 502, 506, 510, 514, 518, 522, 602, 606
0641524.....583, 587, 591	1001118282 827	1001144626 21	1001166978.....251, 490, 494, 498, 502, 506, 510, 514, 518, 522, 784, 788, 792, 796
0641605.....119	1001122235 602, 606, 613, 615, 617	1001144657 21	1001167099.....861
0641606.....563	1001125479 655, 657, 659	1001144730 21	1001167286.....369, 371, 469, 473
0641610.....697, 699, 701, 761, 763, 765, 767, 775, 777	1001126008 811, 813, 815, 829	1001145056 549, 551, 553, 555, 557	1001167358.....239, 241
0641632.....490, 494, 498, 502, 506, 510, 514, 518, 522	1001126009 815	1001145079 147	1001167456.....323
0641708.....643, 645	1001126010 809	1001145240 467, 471, 475	1001167607.....602, 606
0641712.....325	1001126011 809	1001151050 147	1001168320.....602, 606
0641808.....73, 77	1001126269 703, 705	1001151184 115, 117, 119	1001168321.....602, 606
0641809.....165, 167, 169, 171	1001126658 651, 653	1001151185 115, 117, 119	1001168322.....602, 606
0641810.....165, 167, 169, 171, 761, 763, 765, 767	1001126973 647, 649	1001151546 439, 441, 687, 689, 717	1001168328.....602, 606
0641813.....21	1001126987 647, 649	1001151789 165, 167, 169, 171, 175	1001168428.....333
0641820.....417, 419, 421, 423, 425, 433	1001126995 647, 649	1001151805 65	1001168544.....331, 359, 361
0642010.....71, 75	1001127220 900	1001152419 243, 673, 747	1001168545.....343, 345, 347, 349, 389, 391, 395, 397, 399
0642032.....165, 167, 169, 171	1001127222 907	1001152707 ... 71, 73, 75, 77	1001168733.....387
0642034.....415, 417, 419, 421, 423, 425, 427, 429, 431, 433	1001128128 827	1001152815 697, 703	1001168993..... 165, 167, 169, 171, 327, 375, 377, 389, 391, 411, 490, 494, 498, 502, 506, 510, 514, 518, 522, 602, 606
0642228.....285, 287	1001129800 527, 579	1001154277 490, 494, 502, 506, 514, 518, 907	1001169063.....331, 387
0651606.....49	1001130310 602, 606	1001154527 677, 681, 683	1001169064.....331, 387
0681408.....49	1001130491 490, 494, 498, 502, 506, 510, 514, 518, 522	1001156079 861	1001169076.....331, 387
0681606.....49, 51	1001130702 703, 705	1001156279 861	1001169078..... 165, 167, 169, 171, 331, 387
0681608.....51	1001132265 145	1001156424 289, 291, 293, 295, 297, 299, 301, 303, 305, 307	1001169080.....329, 331, 339, 341, 343, 351, 385, 387, 415, 490, 494, 498, 502, 506, 510, 514, 518, 522
0681609.....49	1001132268 143	1001157348 49	1001169083.....331, 335, 337, 359, 361, 363, 365, 379, 381, 387, 490, 495, 499, 502, 507, 511, 514, 519, 523
0681616.....49	1001132346 900	1001159568 141	1001169085.....781
0681808.....49	1001132794 563	1001160799 359, 361	1001169609.....71, 75
0682248.....115, 117, 119	1001133591 761, 763, 769	1001163358 239, 241	1001169616.....73, 77
0682428001.....21	1001134106 976	1001164102 641, 643, 645	1001169617...39, 41, 147
0750604.....602, 606	1001134265 173	1001164560 387	1001169893...39, 41, 73, 77, 147
0750605.....613, 615, 617	1001134266 173	1001164601 375, 377	1001170036.....915
0751406.....367	1001134433 490, 494, 502, 506, 514, 518, 907	1001164614 375, 377	1001170037.....71, 75
0751408.....367, 383	1001136075 900	1001165564 331, 387	1001170090.....339, 341
0811810.....71, 73, 75, 77	1001136080 900	1001165570 387	1001170091.....339, 341
1001094694.....531, 538, 546	1001136091 900	1001165571 331, 387	1001170172.....925
1001095650.....49, 51	1001136094 900, 909	1001165584 331, 387	1001170305.....339, 341
1001096137825	1001136103 900	1001165652 331	
1001097942.....439, 441	1001136119 900	1001165692 425, 427, 429, 431, 433	
1001101025.....695	1001136270 861	1001165862 395, 397, 399	
1001109484.....799, 801, 803, 823, 825	1001136447 573	1001165863 395, 397, 399	
1001109485.....823, 825, 827	1001136559 573	1001166531 ... 71, 73, 75, 77, 539, 547	
1001116727715, 749, 759, 815, 839, 841, 883, 885, 887	1001136990 699, 705	1001166532 .75, 77, 539, 547	
1001116733.....827	1001137169 900	1001166549 677, 679	
1001116745.....625, 627, 685, 735, 737, 739, 741, 743, 751, 753	1001138537 900	1001166644 329, 331, 335, 337, 339, 341, 343, 379, 381, 385, 387, 393, 415, 619, 621	
1001116812.....661, 663, 665, 671, 829	1001138612 900	1001166670 619, 621	
1001116815.....805, 807, 809, 817, 821	1001139095 117		
	1001139464 483		
	1001141169 977		
	1001141227 900		
	1001142452 900		
	1001142771 833, 835		
	1001142812 907		
	1001142828 900		
	1001143284 687, 689		
	1001143297 147, 150		
	1001143487 905		

SECTION 10 - BUILD DOCUMENTS

1001170307 339, 341, 695	1001186585.....241	1001190128.....385	369, 371, 401, 403,
1001170310 339, 341	1001186606.....239, 241	1001190148.....385	405, 469, 473, 602,
1001170328 339, 341	1001186607.....241	1001190176.....325	606, 673, 747, 784,
1001170329 339, 341, 695	1001186608.....239, 241	1001190218.....331	788, 792, 796, 833,
1001170330 339, 341	1001186725.....177	1001190223.....331	835, 859, 867, 875,
1001170331 339, 341	1001186726.....177	1001190228.....331	877, 879, 881
1001170332 339, 341	1001186727.....177	1001190265.....331	1001195279 401
1001170428 339, 341	1001186728.....177	1001190342.....387	1001195337 403, 912
1001170618 409	1001186835.....177	1001190343.....325	1001195341 403, 405
1001170707 413	1001186842.....165, 167, 169, 171, 177	1001190359.....387	1001195421 385, 913
1001170725 355, 357	1001186935.....165, 167, 169, 171	1001190361.....387	1001195520 413, 913
1001170727 355	1001186968.....165, 167, 169, 171	1001190366.....383	1001195523 265, 353, 359, 361, 369, 371, 409, 413, 465, 467, 471
1001170839 369, 371	1001186982.....21	1001190409.....397, 399	1001195592 409, 913
1001170849 251, 253	1001186986.....199, 205	1001190410.....401, 403, 405	1001195698 351, 912
1001170968 395, 397, 399	1001186987.....211, 217	1001190551.....411	1001195764 411, 913
1001170970 395, 397, 399	1001186988.....223	1001190557.....165, 167, 169, 171	1001195788 363, 912
1001170971 395, 397	1001186989.....223	1001190568.....345, 347, 349	1001195825 365, 912
1001171933 915	1001186990.....223, 227	1001190926.....359, 361, 363, 365	1001195838 359, 361
1001171950 63	1001186991.....227	1001190988.....359, 361	1001195839 359
1001172004 469, 473	1001186992.....227	1001191540.....325	1001195840 361
1001172491 63	1001186993.....195	1001191602.....602, 606	1001195942 345, 912
1001173847 165, 167, 415, 417, 419, 421, 423, 425, 427, 429, 431, 433	1001186994.....195	1001191810.....343, 345, 347, 349	1001195943 349, 912
1001174051 263	1001186995.....417, 419	1001192126.....387	1001196214 371, 912
1001174339 900	1001186997.....417, 419	1001192287.....395	1001196215 369, 912
1001174346 900	1001187000.....197	1001192658.....231	1001196249 397, 913
1001174485 941, 977	1001187001.....197	1001192958.....177, 179, 183, 185, 187, 189, 191, 193, 195, 197, 199, 201, 203, 205, 207, 209, 211, 213, 215, 217, 219, 221, 223, 225, 227, 229, 233, 235, 237, 243, 249, 417, 419, 425, 463, 467, 471, 633, 647, 649, 651, 653, 673, 719, 721, 723, 725, 727, 729, 731, 733, 745, 747, 784, 788, 792, 796	1001196386 379
1001174490 945	1001187008.....425	1001194069.....583, 587, 591	1001196387 381
1001174680 602, 606	1001187009.....425	1001194676 49, 401, 403, 405, 439, 441, 467, 469, 471, 473, 490, 494, 498, 502, 506, 510, 514, 518, 522, 602, 606, 655, 657, 659	1001196503 383
1001174992 367	1001187063.....417, 419, 421, 423	1001194736.....490, 494, 498, 502, 506, 510, 514	1001196522 165, 167, 677
1001175059 367, 383	1001187182.....165, 167, 239	1001195038.....375, 913	1001196523 169, 171, 679
1001175061 611	1001188156.....189, 727	1001195083.....377, 913	1001196552 255, 257, 259, 261, 355, 357, 407, 445, 463, 465, 467, 469, 471, 473, 602, 606, 675, 677, 679, 681, 683, 859, 875, 877, 879, 881
1001175231 393	1001188157.....189, 727	1001195088.....913	1001196582 417, 421, 681
1001176337 693, 757, 781	1001188158.....189, 727	1001195134.....387, 913	1001196583 419, 423, 425, 427, 429, 431, 433, 683
1001179349 339, 341	1001188538.....621	1001195256.....401, 912	1001196586 189, 727
1001182569 613	1001189167.....467, 471, 853	1001195257.....199, 201, 203, 205, 207, 209, 211, 213, 215, 217, 219, 221, 223, 225, 227, 229, 231, 233, 235, 237, 243, 245, 247, 249, 359, 361,	1001196592 165, 167, 719
1001182841 339	1001189283.....257, 259, 261		1001196594 169, 171, 721
1001182853 327, 329	1001189321.....257, 259, 261		1001196624 417, 421, 725
1001183001 343	1001189455.....415		1001196625 419, 423, 425, 427, 429, 431, 433, 723
1001183037 403, 405	1001189457.....415		1001196639 165, 167, 169, 171, 251
1001183200 619, 621	1001189507.....183, 733		1001196666 165, 167, 169, 171, 323
1001183735 339, 341	1001189508.....183, 733		1001196730 169, 171, 241
1001183736 339, 341	1001189510.....183, 733		1001196790 165, 167, 169, 171, 263
1001184765 527	1001189532.....415		1001196802 165, 167, 169, 171, 255
1001184772 583, 587, 591	1001189570.....175		
1001184773 583, 587, 591	1001189751.....175		
1001184827 490, 494, 498, 502, 506, 510, 514, 518, 522	1001189776.....415		
1001184828 490, 494, 498, 502, 506, 510, 514, 518, 522	1001189783.....490, 502, 514		
1001185600 417, 419	1001189784.....490, 494, 498, 502, 506, 510, 514, 518, 522		
1001185654 613, 617	1001189906.....675		
1001185657 433	1001189993.....490, 494, 498, 502, 506, 510, 514, 518, 522		
1001186416 425	1001190037.....759, 779, 839, 841		
1001186491 421, 423	1001190050.....385		
1001186584 239, 241	1001190055.....385		

SECTION 10 - BUILD DOCUMENTS

1001196807.....261, 417, 421	1001199291 415, 435	1001202508 490, 494, 498, 502, 506, 510	1001207196.....425, 978
1001196808.....257, 419, 423, 425, 427, 429, 431, 433	1001199311 490, 494, 502, 506, 514, 518	1001202517 490, 494, 498, 502, 506, 510	1001207197.....421, 879
1001196909.....490, 494, 498, 502, 506, 510, 514, 518, 522, 531	1001199318 490, 502, 514	1001202518 490, 494, 498, 502, 506, 510	1001207198.....417, 875
1001196910.....490, 494, 498, 502, 506, 510, 514, 518, 522, 531	1001199322 490, 494, 498, 502, 506, 510, 514, 518, 522	1001202680 490, 502	1001207199.....423, 427, 429, 431, 433, 881
1001196911.....490, 494, 498, 502, 506, 510, 514, 518, 522	1001199324 490, 494, 502, 506, 514, 518	1001202741 491, 495, 498, 503, 507, 510, 514, 519, 522	1001207200.....419, 425, 877
1001197133.....421, 423, 613	1001199405 183, 733	1001202800 978	1001207216.....875, 879, 883
1001197134.....433, 617	1001199475 701, 710	1001202986 655, 657, 659, 779	1001207274.....415
1001197158.....215, 221	1001199477 695, 713	1001203229 514, 518, 522	1001207275.....415, 859
1001197159.....231	1001199478 765, 767, 772	1001203231 514	1001207276.....751, 859
1001197160.....231	1001199783 907	1001203233 514	1001207277.....753, 859
1001197161 231, 233	1001199785 907	1001203234 602, 606	1001207357.....71
1001197162.....233	1001199786 907	1001203235 514, 518, 522	1001207358.....73
1001197163.....233	1001199787 907	1001203236 514, 518, 522	1001207359.....95
1001197164.....235	1001199789 907	1001203506 587, 589	1001207360.....97
1001197181.....203, 209	1001199790 907	1001203590 647	1001207361.....101
1001197183.....331, 912	1001199942 693	1001203629 647	1001207362.....103
1001197338.....417, 419, 421, 423	1001199946 693	1001203862 651	1001207363.....107
1001197419.....621	1001199950 693	1001203889 635	1001207364.....109
1001197456.....527	1001199998 339, 912	1001203911 643	1001207487.....781
1001197482.....527, 529	1001199999 341, 912	1001203912 631	1001207488.....267, 269, 271, 273, 275, 277, 717
1001197483.....631	1001200001 373, 913	1001203953 631	1001207496.....912
1001197506.....527	1001200002 27	1001204070 631	1001207498.....57
1001197567.....203, 209, 976	1001200003 29	1001204558 635	1001207499.....59
1001197568.....199, 205, 976	1001200355 583, 587	1001204564 538, 546	1001207503.....977
1001197635.....231	1001200356 591	1001204565 553	1001207504.....977
1001197636.....223	1001200919 165	1001204595 643	1001207508.....913
1001197656.....233	1001200921 169	1001204597 538, 546	1001207510.....912
1001197658.....227	1001200997 339, 341	1001204601 538, 546	1001207548.....913
1001197683.....357, 912	1001201079 490, 502, 515	1001204639 538, 546	1001207556.....913
1001197687 215, 221, 976	1001201164 329, 912	1001204706 538, 546	1001207593.....913
1001197688.....211, 217, 976	1001201215 407	1001204788 602, 606	1001207623.....912
1001197693.....341	1001201216 407	1001204789 602, 606	1001207715.....490
1001197791 235	1001201217 407	1001204803 538, 546	1001207716.....502
1001197895.....415, 675	1001201218 407	1001204875 547	1001207717.....514
1001197896.....259, 415	1001201234 407, 913	1001205043 602, 606	1001207734.....602, 606
1001197898.....415, 745	1001201341 327, 912	1001205044 602, 606	1001207736.....527, 529, 602, 606
1001198602.....199, 201, 203, 205, 207, 209, 211, 213, 215, 217, 219, 221, 223, 225, 227, 229, 231, 233, 235, 237, 463, 467, 469, 471, 473, 861	1001201366 407	1001205045 602, 606	1001208066.....602, 606
1001198729.....611	1001201367 407	1001205217 538, 546	1001208303.....602, 606
1001198964.....253, 415	1001201371 393, 913	1001205230 538, 546	1001208330.....215
1001199081 675, 677, 679, 681, 683	1001201384 469, 473, 602, 606	1001205244 784, 792	1001208332.....211
1001199082.....175	1001201483 393	1001205331 900	1001208334.....203
1001199098.....175, 415	1001201514 333, 912	1001205404 900	1001208342.....199
1001199185.....325, 415	1001201519 333	1001205671 539, 547	1001208344.....976
1001199186.....976	1001201534 373	1001205677 539, 547	1001208346.....976
1001199196.....415, 907	1001201695 353	1001205678 539, 547	1001208348.....976
	1001201704 353, 912	1001205796 395, 913	1001208350.....976
	1001201926 602, 606	1001206241 779	1001208352.....976
	1001201994 803, 809	1001206319 779	1001208354.....976
	1001202056 529, 581	1001206364 900	1001208356.....976
	1001202137 529	1001206401 779	1001208358.....976
	1001202432 490, 494, 498, 583	1001206505 602, 606	1001208359.....931
	1001202433 502, 506, 510, 587	1001206801 491, 495, 499, 503, 507, 511, 515, 518, 522	1001208360.....921
	1001202434 514, 518, 522, 591	1001207193 421, 423	1001208361.....949
	1001202449 757	1001207194 417, 419, 978	1001208363.....912
	1001202452 757	1001207195 433	1001208635.....405, 912
	1001202499 490, 502		1001208636.....343, 912

SECTION 10 - BUILD DOCUMENTS

1001219916.....427, 429, 431	1001224083 977	1001232593 784, 792, 801	1001236611.....788, 796, 827
1001219917.....427, 429, 431	1001224084 977	1001232594 784, 792, 825	1001236612.....788, 796, 809
1001219918.....427, 429, 431	1001224085 977	1001232595 784, 792, 807	1001236614.....788, 796, 815
1001219919.....427, 429, 431	1001224086 977	1001232596 784, 792, 813	1001236662.....788
1001219921.....427, 429, 431	1001224087 977	1001232868 477	1001236663.....796
1001219937.....494, 498, 506, 510, 518, 522	1001225110 977	1001232869 477	1001236896.....957
1001220068.....494, 498, 506, 510, 518, 522	1001225596 976	1001232870 900	1001236897.....955
1001220164.....912	1001226504 477	1001232956 461	1001237531.....309
1001220167.....297	1001226699 539, 547	1001232957 443	1001237532.....313
1001220168.....297	1001226798 477	1001232958 445	1001237533.....977
1001220169.....289, 291, 297, 299, 305	1001226838 976	1001232965 451	1001237534.....977
1001220170.....297, 299	1001227092 976	1001232966 453	1001237535.....977
1001220171.....297, 299	1001227624 977	1001232967 459	1001238159.....913
1001220173.....977	1001227625 977	1001232968 461	1001238891.....399
1001220184.....289	1001227626 977	1001232969 443	1001238892.....399
1001220185.....297	1001227627 977	1001232970 445	1001238916.....977
1001220186.....305	1001227630 977	1001233070 929	1001238918.....977
1001220219.....531	1001228254 912	1001233071 947	1001238963.....976
1001220234.....289, 291, 297, 299, 305	1001228805 269	1001233072 919	1001238964.....977
1001220268.....531	1001228818 273	1001233500 669	1001239050.....977
1001220340.....165	1001228824 277	1001233642 929	1001239622.....47, 978
1001220342.....169	1001228828 763, 767, 775	1001233643 931	1001239624.....47, 49
1001220345.....289	1001228841 775	1001233644 919	1001239626.....49
1001220346.....293	1001228842 763	1001233645 921	1001239645.....49, 51
1001220347.....301	1001228843 767	1001233646 947	1001239646.....49, 53
1001220348.....307	1001228844 763, 767, 775	1001233647 949	1001239647.....49
1001220349.....289	1001228845 763, 767, 775	1001233648 977	1001239648.....51
1001220350.....305	1001228888 269	1001233649 945	1001239652.....49
1001220351.....305	1001228889 273	1001234375 319	1001241570.....951
1001220352.....289, 291	1001228890 277	1001234388 319	1001241575.....951
1001220353.....289, 291	1001228895 291	1001234480 321	1001241869.....912
1001220354.....305	1001228897 295	1001234536 313, 315, 977	1001243239.....47, 563
1001220355.....305	1001228898 299	1001234537 461	1001243240.....563, 597
1001220363.....293	1001228899 303	1001234549 309, 311, 977	1001244142.....47, 861
1001220364.....293	1001228901 291	1001234557 317	1001244185.....861
1001220365.....301	1001228902 291	1001234558 317	1001244186.....563
1001220366.....301	1001228903 295	1001234559 317	1001244187.....563
1001220367.....307	1001228904 295	1001234563 469, 473, 477	1001244188.....563
1001220368.....307	1001228905 299	1001234724 477	1001244189.....563
1001220369.....293, 295, 301, 303, 307	1001228906 299	1001235386 469, 473	1001244216.....747, 749, 867
1001220370.....293, 295, 301, 303, 307	1001228907 303	1001235394 449	1001244217.....243, 673, 685
1001220371.....293, 295	1001228908 303	1001235395 449	1001244279.....861, 863
1001220372.....293, 295	1001229101 977	1001235578 498	1001244280.....869
1001220373.....301, 303	1001230068 469, 473	1001235579 510	1001244281.....861, 865
1001220374.....301, 303	1001230127 487	1001235580 522	1001244297.....249, 747
1001220375.....307	1001230715 477	1001235583 498, 510, 522	1001244556.....245, 247
1001220376.....307	1001230966 319, 321	1001235584 498, 510, 522	1001244557.....249
1001220431.....603, 607	1001230976 313, 315	1001235707 469	1001244564.....245, 247, 249
1001224072.....347	1001230977 309, 311	1001235708 473	1001244578.....245, 247
1001224076.....976	1001230987 309, 311, 313, 315, 317, 319, 321	1001235724 167	1001244579.....249
1001224077.....976	1001231612 669	1001235730 171	1001244580.....245, 247
1001224078.....976	1001231626 925	1001235743 167	1001244581.....249, 978
1001224079.....976	1001231627 927	1001235744 171	1001245044.....49
1001224080.....977	1001231751 323	1001236497 469, 473, 857	1001245230.....49
1001224081.....977	1001231801 900	1001236610 788, 796, 803	1001245737.....49
1001224082.....977	1001231974 455		1001245740.....179
	1001231975 455		1001245742.....179, 245, 247, 249
	1001231976 457		1001246130.....909
	1001231977 457		1001246165.....47
	1001232209 443, 449, 455, 457		
	1001232211 449		

SECTION 10 - BUILD DOCUMENTS

1001246166 47	1001262747..... 803, 809	2002000056..... 639	3170000381 117, 123
1001246167 47	1001263483..... 811, 813, 815	2178000064..... 55	3170000400 121
1001246419 47	1001263545..... 815	2200221 435	3170000401 121
1001246420 47, 909	1001263566..... 805, 807, 809	2220362..... 538, 546	3170000406 121
1001246622 243, 245, 247, 673	1001263754..... 627	2220371..... 538, 546	3170000407 115, 121
1001246753 49	1001263763..... 827	2220372..... 563	3170000423 115, 117, 119
1001246828 465, 851	1001263765..... 815	2220374..... 583, 587, 591	3170000448 31
1001246829 463, 845	1001263822..... 913	2220415..... 538, 546	3177000060 583, 587, 591
1001246956 909	1001263854..... 912	2220451..... 583, 587, 591	3178000226 141
1001246957 909	1001263855..... 912	2220473..... 538, 546, 583, 587, 591	3178000240 923
1001246980 47	1001263856..... 912	2220518..... 538, 546	3178000273 123
1001246981 47	1001263857..... 912	2220600..... 538, 546	3178000275 123
1001246982 47	1001263858..... 912	2220654..... 531	3178000499 923
1001246983 47	1001264819..... 912	2220682..... 538, 546	3178000547 631, 633, 635, 637
1001247139 699, 707	1001266882..... 75	2220700..... 583, 587, 591	3248000001 57
1001247174 47	1001266883..... 77	222094775, 77, 583, 587, 591	3248000002 59
1001247794 909	1001266903..... 75, 77, 93	2220998..... 538, 546	3249000001 71, 75
1001247795 909	1001266904..... 75, 77, 91	2221036..... 75, 77	3249000012 .. 73, 77, 147
1001247902 245, 247, 249	1001266915.. 75, 77, 539, 547	2230021..... 531	3249000038 147
1001247903 245, 247	1001266946..... 401, 403, 405	2230024..... 583, 587, 591	3249000043 39, 41
1001248211 978	1001267012.. 75, 77, 539, 547	2230025..... 538, 546, 583, 587, 591	3263000118 23
1001248212 978	1001267280..... 699, 701	2230027..... 583, 587, 591	3263000133 33
1001248213 978	1001269102..... 229	2230035..... 538, 546	3263000141 55
1001248214 978	1001269143..... 99	2230089..... 583, 587, 591	3271605 ... 761, 763, 765, 767, 775, 777
1001248215 869	1001269146..... 111	2249000020..... 39, 41	3274000011 417, 419, 421, 423, 425, 433
1001248216 245	1001269275..... 735, 737, 739, 843, 845, 849, 851, 853, 855, 857	2346000003..... 871	3311001 603, 607
1001248217 247	1001269277..... 665	2502330145..... 873	3320000232 31, 35
1001248344 976	1001269884..... 912	2502880300..... 145	3320000233 33, 37
1001248345 976	1001270118..... 977	2503630028..... 915	3455000055 27, 29
1001248346 867, 978	1001270119..... 977	2503870011 115, 117, 119, 141	3484000048 143
1001249938 833, 835	1001270464..... 779	2503880012..... 115, 117, 119, 139	3484000049 143
1001250858 119	1001270479..... 779	2503880033..... 923	3484000073 145
1001253557 225	1001270484..... 619	2503880043..... 933	3507100001 119, 125
1001253558 225	1001271968..... 843, 847	2503880044..... 935	3508530006 115, 117, 119, 573
1001253559 225, 229	1001271970..... 843, 847	2503880088..... 143	3520064 ... 490, 494, 498, 502, 506, 510, 515, 518, 522
1001253560 213, 219	1001273598..... 641	2506100128..... 119	3548100001 27, 29, 31
1001253561 201, 207	1001273599..... 653	2506100129..... 63	3548330007 415, 895
1001253744 239, 241	1001273634..... 691, 693, 757, 781	2506100132..... 115	3548530005 .. 27, 29, 560
1001254986 105	1001273756..... 649	2507650077..... 575	3548690002 ... 27, 29, 33
1001255361 213, 219	1001275791..... 625, 627	2507690090 23	3548900003 29, 41
1001255362 201, 207	1001275792..... 625, 627	2507700089..... 181	3548900004 27, 39
1001255363 213	1001275793..... 625, 627	2512880041..... 912	3551000036 141
1001255364 201	1001279211..... 912	2540045..... 861	3561000008 143, 145
1001255709 225	1001279212..... 912	2636000010..... 977	3561000015 145
1001255740 249	1001279213..... 912	2900770..... 35, 37	3561000017 115, 117, 119
1001257300 498, 510, 522, 907	1001283166..... 843, 845, 849, 851, 853, 855, 857	3007000004..... 141	3577000018 139
1001258415 237	1001288016..... 441, 445, 449, 453, 457, 461	3020000119..... 143, 145	3577000037 63
1001258416 237	1001288629..... 255	3020000120..... 143, 145	3577000117 21
1001258438 788, 796	1001288901..... 847	3020029..... 331, 339, 341, 387	3577000118 21
1001258439 788, 796	1001297064..... 527, 529	3020039..... 49	3577000129 27, 29
1001258511 185, 415	1001307192..... 687, 689	3170000123..... 125	3577000156 912
1001258518 185	1060706 621	3170000124..... 125	3636000068 ... 71, 73, 75, 77
1001258816 415	1320224 538, 546	3170000125..... 125	3691000126 23
1001258817 415	1380135 ... 395, 397, 399	3170000148..... 65	3691000144 923
1001260451 788, 796, 831	1660152601..... 633	3170000178..... 123	3691000145 923
1001261522 229	1704260 667, 669	3170000179..... 123	
1001261523 229	2002000031..... 487	3170000182..... 65	
1001262043 829, 831		3170000183..... 63, 65	
1001262482 803, 809		3170000379..... 123	
1001262483 803, 809		3170000380..... 123	
1001262538 912			
1001262745 863			
1001262746 803, 809			

SECTION 10 - BUILD DOCUMENTS

3691000231.....115, 117, 119	4460419.....863	4460884 ... 627, 661, 663, 665, 753, 799, 801, 803, 805, 807, 809, 811, 813, 815, 817, 819, 821, 891	4567132033.....560
3691000232.....115, 117, 119	4460457 ... 623, 625, 627, 629, 715, 759, 779, 811, 813, 815, 839, 841, 847	4460891 ... 623, 625, 627, 629, 649, 665, 805, 807, 809, 813, 815, 847, 865, 891, 893	4567152018..71, 73, 539, 547
3691000255.....63	4460458 ... 623, 625, 627, 629, 685, 735, 737, 739, 741, 743, 759, 839, 841, 847, 883, 885, 893	4460894 831	4567152052.....539, 547
3691000256.....63	4460460 715, 839, 841	4460897 ... 623, 625, 627, 629, 649, 687, 689, 759, 805, 807, 809, 811, 813, 815	4567160129.....560
3691000261.....39, 41	4460464 ... 623, 625, 627, 629, 649, 671, 685, 687, 689, 715, 735, 737, 739, 741, 743, 749, 753, 759, 803, 805, 807, 809, 811, 813, 815, 817, 819, 821, 829, 831, 837, 839, 841, 849, 851, 857, 865, 869, 883, 885	4460908 ... 849, 851, 853, 855, 857	4567160146.....549
3691000262.....31	4460465 ... 623, 625, 627, 629, 633, 649, 661, 663, 665, 671, 685, 749, 751, 753, 799, 801, 803, 805, 807, 809, 811, 813, 815, 817, 819, 821, 823, 825, 827, 829, 831, 837, 847, 853, 855, 857, 863, 869, 883, 885, 891, 893	4460909 ... 849, 851, 853, 855, 857	4567160156.....560
3691000263.....33	4460466 ... 602, 606, 623, 625, 627, 629, 661, 663, 665, 671, 685, 715, 735, 737, 739, 741, 743, 749, 751, 753, 799, 801, 803, 805, 807, 809, 811, 813, 815, 817, 819, 821, 823, 825, 827, 829, 831, 837, 839, 841, 843, 845, 847, 849, 851, 853, 855, 857, 865, 869, 883, 885	4460911 857	4567162180.....560
3691000267.....23	4460475 ... 623, 625, 847, 893	4460916 ... 805, 807, 811, 813, 849, 851, 853, 855, 857	4569132019.....538, 546
3706000080.....923	4460508 ... 715, 805, 807, 809, 837, 839, 841	4460930 ... 623, 625, 627, 629, 685, 749, 751, 805, 807, 883, 885	4569133020.....538, 546
3706000261.....23	4460509 ... 602, 606, 623, 625, 627, 629, 661, 663, 665, 815, 837, 863	4460931 ... 623, 625, 627, 629, 685, 749, 843, 849, 855, 883, 885	4569162030.....547
3706000366.....33	4460517 857	4460932 ... 649, 753, 799, 801, 803, 805, 807, 809, 811, 813, 815, 817, 819, 821	4569180022.....539, 547
3740080....784, 788, 792, 796	4460518 815	4460942 ... 627, 661, 663, 665, 671, 749, 751, 837, 843, 845, 863, 865, 869	4569180026.....539, 547
3750000055.....575, 577	4460536 ... 661, 663, 665, 671, 805, 807, 817, 821, 829, 831	4460943 803, 809	4570000138.....538, 546
3750000056.....577	4460539 633, 831	4460944 803, 809, 815	4570000176.....539, 547, 565
3760115.....49	4460742 ... 623, 625, 627, 629, 759, 779, 811, 813, 815, 839, 841, 847	4460949 845, 851, 857	4570000177.....539, 547, 565
3760308....602, 606, 613, 615, 617	4460746 759	4460950 853, 865, 869	4570000260.....538, 547
3790230.....255	4460748 685	4461017 665	4570000271.....538, 546
3820031.....909	4460836 809	4461018 665	4570000329.....539, 547
3841203....39, 41, 49, 73, 77, 147	4460850 715	4461054 ... 843, 845, 849, 851, 853, 855, 857	4570000335.....539, 547, 567
3841258.....71, 75	4460867 ... 623, 715, 811, 813, 839, 841	4461157 ... 625, 759, 815, 847, 893	4570000336.....539, 547, 567
3900339.....395, 397, 399	4460539 633, 831	4461291 623, 625	4570000337.....560
3911000068.....425, 433	4460742 ... 623, 625, 627, 629, 759, 779, 811, 813, 815, 839, 841, 847	4561000012 143, 145	4570000338.....560
3912000033.....143, 145	4460746 759	4567112025 539, 547	4619000006.....538, 546
3912000034.....147	4460748 685	456713031 539, 547	4640458.....887, 889
3912000036.....23	4460836 809	4567120017 538, 547	4640464....843, 845, 887, 889
3912000038.....143, 145	4460850 715	4567122036 560	4640466.....887, 889
3912000039.....569	4460867 ... 623, 715, 811, 813, 839, 841	4567122038 560	4640941.....853, 855
3912000040.....571	4460884 ... 627, 661, 663, 665, 753, 799, 801, 803, 805, 807, 809, 811, 813, 815, 817, 819, 821, 823, 825, 827, 829, 831, 837, 839, 841, 843, 845, 847, 849, 851, 853, 855, 857, 863, 869, 883, 885	4567122056 560	4679000127.....115, 117
3913000094.....139	4460908 ... 849, 851, 853, 855, 857	4567132019 538, 546	4679000146.....123, 125
3930820.....687, 689	4460909 ... 849, 851, 853, 855, 857	4570000176.....539, 547, 565	4679000147.....125
3931424.....373	4460911 857	4570000177.....539, 547, 565	4679000162.....65
3935000189.....560, 595	4460916 ... 805, 807, 811, 813, 849, 851, 853, 855, 857	4570000336.....539, 547, 567	4679000163.....65
4017001675.....55	4460930 ... 623, 625, 627, 629, 685, 749, 751, 805, 807, 883, 885	4570000337.....560	4679000168.....65
4062000269.....21	4460931 ... 623, 625, 627, 629, 685, 749, 843, 849, 855, 883, 885	4619000006.....538, 546	4679000170.....123
4062000688.....21	4460932 ... 649, 753, 799, 801, 803, 805, 807, 809, 811, 813, 815, 817, 819, 821	4640458.....887, 889	4679000177.....121
4062000746.....65	4460942 ... 627, 661, 663, 665, 671, 749, 751, 837, 843, 845, 863, 865, 869	4640464....843, 845, 887, 889	4679000277.....121
4071031.....49	4460943 803, 809	4640941.....853, 855	4679000291.....33
4177000033.....65	4460944 803, 809, 815	4679000127.....115, 117	4679000293.....121
4178000234.....697, 699, 701	4460950 845, 851, 857	4679000146.....123, 125	4691000200.....23
4178000349.....549, 551, 553, 555, 557	4460970 853, 865, 869	4679000147.....125	4691000207.....23
4178000402.....761, 763, 765, 767	4461017 665	4679000162.....65	4691000208.....65
4178000699.....467, 471	4461018 665	4679000163.....65	4691000242.....139
4178000763.....39, 41	4461054 ... 843, 845, 849, 851, 853, 855, 857	4679000168.....65	4691000243.....65
4178000889.....639, 641	4461157 ... 625, 759, 815, 847, 893	4679000170.....123	4691000274.....143, 145
4249000001....71, 73, 75, 77, 147	4461291 623, 625	4679000177.....125	4691000290.....115, 117, 119
4249000002.....147	4561000012 143, 145	4691000162.....65	4691000291.....115, 117, 119
4263000884.....55	4567112025 539, 547	4691000163.....65	4691000292.....125
4309000001.....490, 494, 498, 502, 506, 510, 514, 518, 522	456713031 539, 547	4691000168.....65	4691000293.....121, 123, 125
4309000007.....490, 494, 498, 502, 506, 510, 514, 518, 522	4567120017 538, 547	4691000170.....123	4691000321.....121, 123
4460256.....847	4567120017 538, 547	4691000177.....125	4691000323.....65
4460265....823, 825, 827	4567122036 560	4691000180.....560	4691000484.....115, 117, 119
4460268....755, 823, 825, 827	4567122038 560	4691000189.....538, 546	4691000563.....115, 117, 119
4460321.....755	4567122056 560	4691000200.....23	4691000574.....31
	4567132019 538, 546	4691000207.....23	4691000576.....33
	4567132028 560	4691000291.....115, 117, 119	4691000577.....33
		4691000292.....125	4691000578.....31
		4691000293.....121, 123, 125	4691000581.....33

SECTION 10 - BUILD DOCUMENTS

4691000582	33	4949000041.....	139	70050191.....	713	70050549.....	133, 137
4705000705	417, 419,	4949000042.....	139	70050192.....	713	70050550.....	127
421, 423, 425, 433		4949000045... 73, 77, 147		70050194.....	713	70050551.....	127
4706001815	263	5525000752.....	969	70050195.....	713	70050552.....	127
4706002163	21	5526000553..... 463, 467,		70050196.....	713	70050568.....	129, 131
4706002206	573	603, 607, 633, 635,		70050197.....	713	70050594.....	137
4706002207	125	637, 639, 641, 645,		70050199.....	713	70050595.....	137
4706002208	125	655, 657, 659, 695,		70050200.....	713	70050641.....	35, 37
4706002209	125	779, 781, 784, 788,		70050201.....	713	70050665.....	710
4706002210	125	792, 796, 833, 835, 861		70050202.....	713	70050722.....	703
4706002211	125	6906960019.....	150	70050203.....	710, 713	70050850.....	941
4706002235	577	70003788	597	70050204... 710, 713, 772		70050851.....	941
4706002417 ... 71, 73, 75,		70003977	597	70050205.....	713	70050852.....	941
77		70006319	53	70050206.....	713	70050853.....	941
4706002428	123	70007179	53	70050207... 711, 713, 772		70050854.....	941
4706002435	65	70007180	53	70050208.....	711, 713	70050855.....	941
4706002554	21	70007181	53	70050209.....	711, 713	70050856.....	941
4706002555	21	70007182	53	70050210.....	711, 713	70050857.....	941
4706002556	21	70007183	53	70050211.....	711, 713	70050858.....	941
4706002990	871	70007184	53	70050215.....	25, 133, 137	70050859.....	941
4706003708	125	70007185	53	70050232.....	133, 135	70050860.....	941
4706003709	125	70007186	53	70050239... 585, 589, 593		70050861.....	941
4706003710	125	7002000449.....	971	70050241... 585, 589, 593		70050862.....	941
4706003716	23	7002000502.....	927	70050242... 585, 589, 593		70050863.....	941
4706003717	125	7002000505.....	912	70050243... 585, 589, 593		70050864.....	941
4706003718	125	7002000521.....	487	70050245... 585, 589, 593		70050865.....	941
4706003844 549, 551,		7002000554..... 647, 649		70050246... 585, 589, 593		70050866.....	941
553, 555, 557		7002000555..... 639, 641		70050247... 585, 589, 593		70050867.....	941
4706004528 115, 117,		7002164825, 67, 69, 127,		70050249... 585, 589, 593		70050868.....	941
119		129, 131, 133, 135, 137		70050250... 585, 589, 593		70050869.....	941
4706005262	121	70021757	133, 137	70050251... 585, 589, 593		70050870.....	941
4706005263	121	70025619	53	70050252... 585, 589, 593		70050871.....	941
4706005281	121	70027076	53	70050256... 585, 589, 593		70050872.....	941
4706005772	181	70027084	53	70050257... 585, 589, 593		70050873.....	941
4711000	469, 473	7003116 69, 127, 129,		70050368.....	80, 86, 150	70050874.....	941
4711600	49, 563	131		70050369.....	150	70050875.....	941
4711700 325, 643, 645		7003212	25	70050370.....	80, 86, 150	70050876.....	941
4711800 73, 77, 165, 167,		70040300	35, 37	70050371.....	80, 86, 150	70050877.....	941
169, 171, 325, 417,		70050075	129	70050372.....	80, 86, 150	70050878.....	941
419, 421, 423, 425,		70050106	475	70050384.....	81, 87, 151	70050879.....	941
433, 761, 763, 765, 767		70050107	475	70050392.....	713	70050880.....	941
4712000	71, 75	70050147 81, 87, 151		70050393.....	713	70050881.....	941
4740513	602, 606	70050163	713	70050394.....	713	70050882.....	941
4751400	49	70050164	703, 705	70050395.....	713	70050883.....	941
4751500 583, 587, 591		70050165	703, 705	70050398.....	81, 87	70050884.....	941
4751600 ... 697, 699, 701,		70050166	703, 705	70050399.....	80, 86, 150	70050885.....	941
761, 763, 765, 767,		70050167	703, 705	70050400.....	150	70050886.....	941
775, 777		70050169 .. 710, 713, 772		70050401.....	80, 86, 150	70050887.....	941
4751800	415	70050170	710, 713	70050402.....	150	70050888.....	941
4752000 ... 165, 167, 169,		70050171	713	70050526.....	579, 581	70050889.....	941
171, 415, 417, 419,		70050172	713	70050527.....	579, 581	70050890.....	941
421, 423, 425, 427,		70050174 .. 710, 713, 772		70050528.....	579, 581	70050891.....	941
429, 431, 433		70050175	710, 713	70050529.....	579, 581	70050892.....	941
4752200	285, 287	70050176	710, 713	70050530.....	579, 581	70050893.....	941
4754000003	49, 65	70050177	713	70050531.....	25	70050894.....	941
4754000004	33	70050178	710, 713	70050534... 127, 129, 131		70050895.....	941
4811001135	917	70050179	710, 713	70050535... 127, 129, 131		70050896.....	941
4812000057	125	70050180	710, 713	70050536.....	131	70050897.....	941
4812000103	39, 41	70050181	710, 713	70050537.....	131	70050898.....	941
4812000104	39, 41	70050182	713	70050538.....	131	70050899.....	942
4831000061	65	70050183	713	70050540... 127, 129, 131		70050900.....	942
4831000064	65	70050185	713	70050541... 127, 129, 131		70050901.....	942
4831000104	39, 41	70050186	713	70050544.....	133, 137	70050902.....	942
4831000115	147	70050187	713	70050545.....	133, 137	70050903.....	942
4831000128	415	70050188	713	70050546.....	133	70050904.....	942
4891600	49, 51, 119	70050189	713	70050547.....	133	70050905.....	942
4949000031	71, 75	70050190	713	70050548.....	133, 137	70050906.....	942

SECTION 10 - BUILD DOCUMENTS

70050907.....	942	70051063.....	710	7007000055	141	7115150850.....	560, 569, 571
70050908.....	942	70051064.....	710	7007000056	141	7115151050.....	549, 551, 553, 555, 557, 560, 873
70050909.....	942	70051065.....	710	700700001	707	7115151250.....	527, 529
70050910.....	942	70051066.....	710	700700002	707	7115160650.....	39, 41
70050911.....	942	70051068.....	710	700700003	707	7115160850.....	573
70050912.....	942	70051069.....	710	7011000006	609	7115161050.....	560
70050913.....	942	70051070.....	710	7011367	53	7115161450.....	115, 117, 119
70050914.....	942	70051071.....	710	7019828	25	7115161623.....	115, 117
70050915.....	942	70051072.....	710	7019829	127, 129, 131	7115161650 23,	395, 538, 546
70050916.....	942	70051073.....	710	7023518	127, 129, 131	7115164450.....	65
70050917.....	942	70051074.....	710	7024101	127, 129, 131	7115180723.....	65
70050918.....	942	70051075.....	710	7024896	597	7115180750.....	65
70050919.....	942	70051076.....	710	7029865	585, 589, 593	7115180850....	31, 39, 41, 65, 147, 641
70050920.....	942	70051077.....	710	7056000003	961	7115181050.....	63
70050979.....	703	70051078.....	710	7056000004	965	7115181250.....	147
70050980.....	703, 705	70051079 ..	585, 589, 593	7056000005	963	7115181423.....	65
70050981.....	703, 705	70051080 ..	585, 589, 593	7056000006	967	7115181450.....	415
70050991.....	80, 86	70051081 ..	585, 589, 593	7075000003	463, 465, 467, 469, 471, 473	7115181650...81, 87, 151	
70050992.....	80, 86	70051130.....	37	7075000006	467, 471	7115181850.....	575
70050993.....	81, 87	70051131.....	37	7082000005	490, 494, 498, 502, 506, 510, 514, 518, 522	7115182650.....	39, 41
70050994.....	81, 87	70051133.....	37	7082311	49, 51, 119	7115201850...81, 87, 151	
70050995.....	82, 88	70051134.....	37	7082342	49, 51	7115202250...81, 87, 151	
70050998.....	82, 88	70051135.....	37	7104100613	871	7115220850.....	115, 117, 119
70051019.....	772	70051137.....	35, 37	7108180850	121, 123, 125	7115221250.....	33
70051020.....	772	70051138.....	35	7108181050	125	7118165250.....	152
70051021.....	710, 772	70051140.....	35	7110201423 ..	80, 86, 150	7118170650.....	33
70051022.....	710, 772	70051141.....	35	7111572	49, 51	7118172050...80, 86, 150	
70051023.....	710, 772	70051142.....	35	7114080418	439, 441, 717	7118181205...80, 86, 150	
70051024.....	772	70051187.....	67	7114100518	487, 895	7118181216.....	55
70051025.....	772	70051188.....	67	7114100618	603, 607, 631, 633, 635, 637	7118181250.....	933, 935
70051026.....	710, 772	70051189.....	67	7114100818	603, 607	7118201250.....	115, 117, 119
70051027.....	710, 772	70051196.....	129	7114101018	527, 529	7118201616....	71, 73, 75, 77, 147
70051028.....	710, 772	70051197.....	129	7114140518 23,	121, 123, 125, 279, 281, 283, 385, 761, 763, 767, 775, 777, 833, 835, 917	7118201650.....	115, 117, 119
70051029.....	710, 772	70051199.....	135	7114140618	175, 385, 387, 490, 494, 498, 502, 506, 510, 514, 518, 522, 647, 649	7118202016....	39, 41, 71, 73, 75, 77, 147
70051030.....	710, 772	70051302.....	80, 86	7114100818	603, 607	7118222016....	21, 27, 29, 427, 429, 431
70051031.....	772	70051303.....	80, 86	7114101018	527, 529	7118222416....	21, 27, 29, 427, 429, 431
70051032.....	772	70051304.....	80, 86	7114140518 23,	121, 123, 125, 279, 281, 283, 385, 761, 763, 767, 775, 777, 833, 835, 917	7118222816....	21, 27, 29, 427, 429, 431
70051033.....	772	70051305.....	80, 86	7114140618	175, 385, 387, 490, 494, 498, 502, 506, 510, 514, 518, 522, 647, 649	7118242050.....	21
70051034.....	772	70051306.....	80, 86	7114141218	251, 253	7118242450.....	21
70051035.....	710, 772	70051307.....	80, 86	7114150818	173, 631, 633, 635, 637	7118267250.....	923
70051036.....	710, 772	70051309.....	80, 86	7114160618	560, 779	7120000036.....	923
70051037.....	772	70051465.....	481, 483	7114160818	763, 765, 767, 775	7120000047.....	467, 471, 861
70051038.....	772	70051466.....	481	7114160850	339, 341	7120000053.....	147
70051039.....	710, 772	70051480.....	483	7115140650	121, 123, 125	7183000004.....	577
70051040.....	772	70051481.....	481	7115140850	549, 551, 553, 555, 557	7189000014.....	147
70051041.....	772	70051970.....	597	7115141018	494, 498, 506, 510, 518, 522	7189000017.....	115, 117, 119
70051042.....	772	70051971.....	597	7114141218	251, 253	7209000023.....	569, 571
70051043.....	772	70051972.....	597	7114150818	173, 631, 633, 635, 637	7209000024.....	569, 571
70051044.....	710, 772	70051973.....	597	7114160618	560, 779	7209000032.....	569, 571
70051045.....	710, 772	70051974.....	597	7114160818	763, 765, 767, 775	7209000033.....	569, 571
70051046.....	772	70051975.....	597	7114160850	339, 341	7248000037.....	101, 155
70051047.....	772	70051976.....	597	7115140650	121, 123, 125	7248000040.....	95
70051048.....	710, 772	70051977.....	597	7115140850	549, 551, 553, 555, 557		
70051049.....	710, 772	70051978.....	597	7115141050	538, 546		
70051050.....	772	70052795.....	769	7115141250	693		
70051051.....	772	70052796.....	769	7115142050	147		
70051052.....	772	70052798.....	769	7115150650	569, 571		
70051053.....	710, 772	70052802.....	769				
70051054.....	772	70052898.....	769				
70051055.....	710, 772	7005314	133, 137				
70051056.....	711, 772	7005322	25				
70051057.....	711, 772	7005348 ...	127, 129, 131, 133, 137				
70051058.....	710	7005365 .	25, 67, 69, 127, 129, 131, 133, 135, 137				
70051059.....	710	7006847 ...	585, 589, 593				
70051060.....	710	70070000	707				
70051061.....	710	7007000036	569, 571				
70051062.....	710						

SECTION 10 - BUILD DOCUMENTS

7248000055 107, 159	7330000294..... 903	7443000254..... 549, 551,	7577000368 145
7248000078 97, 99	7330000535..... 331, 905	553, 555, 557	7577000640 119, 539,
7248000079 103, 105,	7330000689..... 900	7443000287 435	547, 567
157	7345001714..... 667, 669,	7443000329..... 435, 527,	7577000641 115, 117,
7248000080 109, 111,	871	529	539, 547, 565
161	7345001914..... 871	7443000330..... 435	7577000659 569
7253000002 ... 23, 39, 41,	7345221902..... 871	7443000448..... 529	7577000660 571
63, 65, 71, 73, 75, 77,	7345241902..... 871	7443000456..... 435	7577000661 573
115, 117, 119, 121,	7345242202..... 655, 657,	7443000458..... 560	7577000669 583, 587
125, 147	659	7444030037 527, 529	7577000670 591
7262000025 115, 117,	7346000039..... 667, 669,	7444121050..... 549, 551,	7577250188 135
119	784, 788, 792, 796,	553, 555, 557	7577250296 67
7262000048 912	867, 871	7444121271 549, 551,	7577250334 127, 129,
7274000028 549, 551,	7346000040..... 621	553, 555, 557	131
553, 555, 557	7346000045..... 655, 657,	7445040421 531, 538,	7590000262 725, 745
7274000030 569, 571	659	546	7590000343 603, 607
7274000036 469, 473,	7346000055..... 873	7445040443..... 560	7590000358 183, 187,
603, 607	7346000068..... 895	7445040445... 80, 86, 150	189, 243, 673, 717,
7274000040 469, 473,	7346000078..... 873	7445040449..... 915	719, 721, 723, 725,
538, 546	7346000108..... 715, 839,	7445040472..... 560	727, 729, 731, 733, 747
7274000041 549, 551,	841	7445060219..... 538, 546	7590000359 719, 721
553, 555, 557, 560	7346000126..... 871	7445060644..... 560	7590000364 895
7274000042 603, 607,	7346000131..... 621	7445060845..... 560	7590000370 602, 606
631	7346000209..... 871	7445080825 569, 571	7636000006 575
7274000049 569, 571	7346000220..... 871	7445080830..... 538, 546	7636000008 165, 167,
7274000053 560	7413000002..... 490, 494,	7445080843..... 560	169, 171, 415, 417,
7274000063 560	498, 502, 506, 510,	7445080845..... 560	419, 421, 423, 425,
7274000071 549, 551,	514, 518, 522	7445100843... 71, 73, 546	427, 429, 431, 433
553, 555, 557	7430000003..... 538, 546	7445101025..... 569, 571	7650100137 549, 551,
7274000076 549, 551,	7430000004..... 538, 546	7445121225..... 569, 571	553, 555, 557
553, 555, 557	7430000010..... 549, 551,	7445121243..... 560, 563	7660040000 467, 471
7274000095 779	553, 555, 557	7445121245..... 560, 563	7660102601 527, 529,
7280000006 243, 603,	7440000000..... 115, 117,	7445121645..... 549, 551,	603, 607, 631, 633,
607, 673, 747, 784,	119	553, 555, 557	635, 637
788, 792, 796, 833,	7440030000... 23, 31, 33,	7445161620..... 538, 546	7660102604 895
835, 859, 867, 875,	39, 41, 63, 71, 73, 75,	7446060435..... 915	7660140230 490, 494,
877, 879, 881	77, 115, 117, 119, 121,	7446502518..... 915, 917	498, 502, 506, 510,
7280000013 747, 867	123, 125, 139, 147	7454000003..... 141	514, 518, 522
7280000018 469, 473	7440030400..... 67, 69	7454000004..... 141	7660142600 251, 253,
7295000029 435, 527,	7443000108..... 560	7454000005..... 141	385, 647, 649
529	7443000130..... 549, 551,	7454000006..... 141	7660142601 ... 71, 73, 75,
7295000105 479	553, 555, 557	7457000017 871	77, 494, 498, 506, 510,
7295000121 895	7443000139..... 435, 527,	7470000002..... 538, 546	518, 522, 538, 546,
7295000124 465, 483	529	7470000003..... 577	549, 551, 553, 555,
7295000126 485	7443000145..... 915	7470000004..... 531, 538,	557, 784, 788, 792, 796
7295000146 463, 467,	7443000146..... 915	546	7660142604 65, 147, 175,
469, 471, 473, 481	7443000148..... 527, 529,	7470000006..... 527, 529	693, 917
7297000008 871	915	7493000003..... 631, 633,	7660152601 263, 323,
7312000015 915	7443000149..... 435, 527,	635, 637	527, 529, 549, 551,
7312000016 915	529	7493000010..... 833, 835	553, 555, 557, 560,
7312000017 917	7443000150..... 435	7493000011..... 697, 699,	635, 637, 873
7320000006 23, 25	7443000154..... 527, 529	701, 761, 763, 765,	7660152604 173, 631
7320000026 125, 131	7443000156..... 527, 529	767, 781	7660160000 619, 621
7320000031 65, 69	7443000158..... 538, 546	7493000020..... 649, 653	7660162301 245, 247,
7320000038 123, 129	7443000173..... 435, 527,	7493000026..... 603, 607	249
7320000063 115, 117,	529	7552000407 847, 895	7660162601 . 23, 65, 165,
119, 133	7443000174..... 435	7561000020..... 933	167, 169, 171, 327,
7320000068 121, 127	7443000175..... 917	7561000022..... 935	331, 339, 341, 351,
7320000070 63, 67	7443000176..... 527, 529	7565000014..... 915, 917	359, 361, 363, 365,
7320000096 119, 137	7443000178..... 527, 529	7565000016..... 435, 527,	375, 377, 387, 389,
7320000097 115, 117,	7443000204... 81, 87, 151	529	391, 395, 411, 490,
135	7443000205... 81, 87, 151	7577000063..... 137	494, 498, 502, 506,
7330000143 900	7443000211..... 583, 587,	7577000167 25, 69	510, 514, 518, 522,
7330000208 900	591	7577000211 973	560, 583, 587, 591,
7330000209 900	7443000213..... 560, 563	7577000213..... 549, 551,	603, 607, 697, 699,
7330000210 900	7443000214..... 560, 563	553, 555, 557	701, 763, 767, 775
7330000278 143, 145		7577000320 133	7660162604 325

SECTION 10 - BUILD DOCUMENTS

7660172601.....643, 645	7754000018 115, 117, 119	7912000240 573	7950140000..... 121, 123, 125, 577
7660180000.....549, 551, 553, 555, 557	7754000019..... 31	7912000241 573	7950140003..... 387, 490, 494, 498, 502, 506, 510, 514, 518, 522
7660182301....55, 71, 73, 75, 77, 417, 419, 421, 423, 425, 433	7754000033 23	7912000280 569, 571	7950140143 49, 175, 245, 247, 249, 251, 253, 265, 369, 371, 387, 403, 405, 439, 441, 469, 473, 490, 494, 498, 502, 506, 510, 514, 518, 522, 647, 649, 693, 784, 788, 792, 796
7660182601...39, 41, 147, 415, 575, 641, 761, 763, 765, 767	7754000042 139	7912000281 569, 571	7950140152..... 549, 551, 553, 555, 557
7660200001..81, 87, 151, 165, 167, 169, 171, 415, 417, 419, 421, 423, 425, 427, 429, 431, 433	7754000043 121, 123, 125	7912000282 569, 571	7950140153..... 23
7660200200...81, 87, 151	7754000048 33, 65	7912000283 569, 571	7950140161..... 538, 546
7660202601..... 115, 117, 119	7754000049 ... 39, 41, 71, 73, 75, 77, 147	7912000284 569, 571	7950140163..... 239, 241
7660222308....21, 27, 29, 427, 429, 431	7754000051 115, 117, 119	7912000285 569, 571	7950150000..... 569, 571
7660222601..... 115, 117, 119	7754000056 31	7912000287 569, 571	7950150143..... 173, 527, 529, 631, 633, 635, 637
7660242308..... 21	7754000058 39, 41	7912000288 569, 571	7950150153..... 263, 323
7661000002..... 603, 607	7754000061 65	7912000289 571	7950150161..... 549, 551, 553, 555, 557, 560, 873
7661000006..... 49	7754000064 143, 145, 895, 900	7912000301 583, 587, 591	7950160000.... 39, 41, 82, 88, 152, 538, 546, 560, 573, 619, 621
7661000007 871	7759000004 181	7912000302 583, 587, 591	7950160003..... 779
7661000018.... 39, 41, 71, 73, 75, 77, 147	7785152420 549, 551, 553, 555, 557	7912000303 583, 587, 591	7950160141 65, 115, 117, 119, 339, 341, 560
7661000019..... 121, 123, 279, 281, 283, 761, 763, 765, 767, 775, 777, 833, 835	7790060676 531, 538, 546	7912000304 583, 587, 591	7950160143..... 165, 167, 169, 171, 327, 329, 331, 333, 343, 345, 347, 349, 351, 359, 361, 363, 365, 375, 377, 385, 387, 389, 391, 395, 397, 399, 411, 415, 490, 494, 498, 502, 506, 510, 514, 518, 522, 560, 603, 607, 763, 767, 775
7661000022 560, 569, 571	7790141251 239, 241, 609, 611	7912000305 583, 587, 591	7950160153..... 619, 621
7661000023 451, 453, 461	7790141253 577	7912000306 583, 587, 591	7950170000... 80, 86, 150
7661000027 569, 571	7790141651 239, 241	7912000307 583, 587, 591	7950170142..... 33
7661000041 527, 529	7790142051 487	7912000308 583, 587, 591	7950180000.... 63, 65, 81, 87, 121, 151, 549, 551, 553, 555, 557, 933, 935
7661000056 487	7790151253 871	7912000309 583, 587, 591	7950180141... 39, 41, 575
7690141200..... 490, 494, 498, 502, 506, 510, 514, 518, 522	7796000012 309, 311, 313, 315, 317, 319, 321, 491, 495, 498, 503, 507, 510, 514, 519, 522	7912000310 583, 587, 591	7950180150..... 147
7690142845.65, 331, 387	7796000051 577	7935000116 549, 551, 553, 555, 557	7950180153... 31, 65, 123, 125
7691000019..... 23	7796250068 133	7935000120 527, 529	7950180161..... 63
7691000020..... 141, 143, 145	7806000008 490, 494, 498, 502, 506, 510, 514, 518, 522	7935000133 583, 585	7950180800... 80, 86, 150
7691000021 141	7809000006 ... 39, 41, 73, 77, 147	7935000315 585, 589, 593	7950200000..81, 87, 115, 117, 119, 151
7691000022 141	7809000019 71, 75	7935000316 585, 589, 593	7950200141..... 115, 117, 119
7691000025 ... 33, 49, 923	7819000005 560	7935000320 585, 589, 593	7950200151... 81, 87, 151
7691000026 143, 145	7854000004 643	7935000323 585, 589, 593	7950220000..... 115, 117, 119
7691000027 490, 494, 498, 502, 506, 510, 514, 518, 522	7865182065 549, 551, 553, 555, 557	7935000349 595	7950220141..... 115, 117, 119
7691000028 69	7870000043 655, 657, 659	7935000351 435	7970000162..... 41, 45
7701000025 577	7870000128 667	7935000374 591, 593	7970000163..... 39, 43
7701000048 165, 167, 267, 269, 271, 273, 275, 277	7870000129 667	7949000015 575	
7701000049 267, 269, 271, 273, 275, 277	7870000136 435	7949000016 575	
7701000056 267, 269, 271, 273, 275, 277	7894000004 435, 439, 441, 443, 445, 447, 449, 451, 453, 455, 457, 459, 461, 527, 529, 560, 563, 647, 649, 651, 653, 687, 689, 757, 861	7949000018 33	
7736000001 719, 721	7894000008 143, 145	7949000019 165, 167, 169, 171, 415, 417, 419, 421, 423, 425, 427, 429, 431, 433	
7754000008 23	7894000037 143, 145, 957, 977	7949000020 165, 167, 169, 171, 415, 417, 419, 421, 423, 425, 427, 429, 431, 433	
7754000009..... 490, 494, 498, 502, 506, 510, 514, 518, 522	7894000041 145, 959	7949000025 23	
	7894000055 912	7949000056 385	
	7894000057 145, 955, 978	7949000061 21	
	7894000060 145	7950100103 895	
	7894000071 953	7950100143 527, 529, 633, 635, 637, 641, 784, 788, 792, 796	
	7912000239 573		

SECTION 10 - BUILD DOCUMENTS

7978000011 655, 657, 659	91031236 49	9661250019 135	9796250080 25
7990000003 491, 494, 498, 503, 506, 510, 514, 518, 522	91033189 49	9661250027 67	9796250081 127, 129, 131
80004049 133, 137	91084009 .. 585, 589, 593	9690960039... 81, 87, 151	9796250083 133, 137
80004056 127	91084017 .. 585, 589, 593	9691960019... 81, 87, 151	9796250084 135
80363179 741	91143339 . 715, 837, 839, 841	9691960021... 80, 86, 150	9796250114 67
80604016 625, 627	91143340 837	9698250005 135	9796250149 67
80604017 625, 627	9120960019... 81, 87, 151	9698250020 67	9796250150 67
80604018 625, 627	9120960063... 81, 87, 151	9698960008... 80, 86, 150	9796250151 67
80604021 627	9177960003... 80, 86, 150	9698960015... 81, 87, 151	9796250152 67
80604024 . 625, 627, 735, 737, 739, 743	9177960004... 80, 86, 150	9698960016... 81, 87, 151	9796960088 150
80604025 625, 627	9178960011... 81, 87, 151	9701250006 135	9796960089 .. 80, 86, 150
8060416 863	9183960001... 82, 88, 152	9701960011... 82, 88, 152	9796960090 80, 86
80983191 847	9209960025... 81, 87, 151	9701960012... 82, 88, 152	9796960118 .. 81, 87, 152
8220068 753	9209960026... 81, 87, 151	9706960018... 82, 88, 152	9796960119 .. 81, 87, 152
8220080 753	9254250007 133, 137	9706960023 80, 86	9796960120 .. 81, 87, 151
8220099 715, 839, 841	9254250008 135	9724250014 25	9796960121 ... 80, 81, 86, 87, 151
8220935 715, 839, 841	9280960002... 80, 86, 150	9754250009 25, 127, 129, 131	9806960019 80, 86
83304140 67	9295310061 475	9754250011 133, 137	9806960020 151
83304181 135	9295310068 481	9754250012 135	9806960021 .. 80, 86, 151
8565000026 549, 551, 553, 555, 557	9295310069 481	9754250014 127, 129, 131	9831960009 .. 81, 87, 151
8597650001 655, 657, 659	9309960011... 81, 87, 151	9754250015 25	9831960018 .. 80, 86, 150
8632000011 415, 417, 419, 421, 423, 425, 427, 429, 431, 433	9314960022... 81, 87, 151	9754250017 133, 137	9843960023 .. 81, 87, 151
8632000012 467, 471	9330960006... 80, 86, 151	9754250022 135	9843960024 80, 86
8632000017 245, 247, 249	9346930086 585, 589, 593	9754250023 135	9843960032 .. 81, 87, 152
8760037 583, 587, 591	9443960006... 80, 86, 150	9754250024 67	9912250004 25
8760268 538, 546	9472960052... 80, 86, 151	9754250025 67	9912250008 135
8798820001 195, 197, 199, 201, 203, 205, 207, 209, 211, 213, 215, 217, 219, 221, 223, 225, 227, 229, 231, 233, 235, 237, 245, 247, 249, 251, 255, 257, 259, 261, 527, 529, 649, 653	9472960053 151	9754250026... 81, 87, 151	9912250014 69
9020960002 .. 81, 87, 151	9472960054... 82, 88, 152	9754250027 67	9912960010 .. 81, 87, 151
9064960007 .. 81, 87, 151	9472960055 151	9754250028 67	9935250025 127, 129, 131
9073960003 .. 81, 87, 151	9472960056 150	9754250029 67	9935250032 .. 67, 69, 135
9073960004 .. 81, 87, 151	9552310033 475	9754250030 67	9935930119 585, 589, 593
9082960013 .. 80, 86, 150	9553250009 25	9754250031 67	9935930120 589, 593
9082960018 ... 80, 81, 86, 87, 150, 151	9553250010 69, 127, 129, 131	9754250032 67	9935930122 585
	9553250018 67	9754250033 67	9935930126 595
	9571960006... 80, 86, 150	9754250034 67	9935930127 595
	9575960012... 80, 86, 150	9754250035 67	9935930129 595
	9577200245 35	9754250036 67	9935930130 595
	9577200246 37	9754250037 67	9935960026 .. 80, 86, 150
	9577960120 150	9754250038 67	9949960012 .. 81, 87, 151
	9577960139 150	9754250039 67	9949960027 .. 80, 86, 151
	9590310195 703, 705	9754250040 67	9949960028 ... 80, 81, 86, 87, 150, 152
	9590310197 703, 705	9754250041 67	9949960050 .. 81, 87, 151
	9590310200 703, 705	9754250042 67	9970960020 .. 80, 86, 150
	9590310202 703, 705	9754250043 67	FEX-GSARB 912
	9590310203 703, 705	9754250044 67	
	9590310205 705	9754250045 67	
	9590310206 705	9754250046 67	
	9619930002 595	9754250047 67	
		9754250048 67	
		9754250049 67	
		9754250050 67	
		9754250051 67	
		9754250052 67	
		9754250053 67	
		9754250054 67	
		9754250055 67	
		9754250056 67	
		9754250057 67	
		9754250058 67	
		9754250059 67	
		9754250060 67	
		9754250061 67	
		9754250062 67	
		9754250063 67	
		9754250064 67	
		9754250065 67	
		9754250066 67	
		9754250067 67	
		9754250068 67	
		9754250069 67	
		9754250070 67	
		9754250071 67	
		9754250072 67	
		9754250073 67	
		9754250074 67	
		9754250075 67	
		9754250076 67	
		9754250077 67	
		9754250078 67	

JERR-DAN[®]

***Corporate Office
13224 Fountainhead Plaza
Hagerstown, MD 21742 USA***

***☎ (717) 597-7111 (Corporate)
☎ (800) 926-9666 (Customer Support)***

***Visit our website
www.jerrdan.com***



OSHKOSH™