

JERR-DAN[®]

Illustrated Parts Manual

Model
JD 25 TON INT
(NO BODY) HEAVY DUTY
WRECKER

SN 0230005915 to Present

P/N
5376000325

April 1, 2024 - Rev A

JERR-DAN[®]

An Oshkosh Corporation Company

REVISION LOG

April 1, 2024 - A - Original Issue of Manual (Edited to B/M 1001195085 Revision D to J)

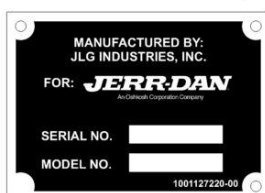
GENERAL INFORMATION

JerrDan, LLC (Jerr-Dan) strives to provide information that is accurate, complete and useful. Descriptions and illustrative material contained within this manual are as accurate as known at the time of publication and are subject to change, without notice, as a result of continuous product improvements. Jerr-Dan reserves the right to amend the information in this document at any time without prior notice.

Information contained in this manual reflects how this vehicle was built at the factory. Modifications or additions by the distributor or owner are not reflected in this manual.

This parts manual does not include service parts information for the commercial chassis (IHC, Ford, GM, etc.). That information is provided by the chassis manufacturer.

When ordering parts, please refer to your unit's Serial Number and Model Number. This information is be found on the aluminum tag riveted to the inside of the driver's side rear compartment of the main body.



Additional or replacement manuals can be ordered by calling Jerr-Dan Parts at 717-597-7111. Price and availability will be quoted at time of the request.

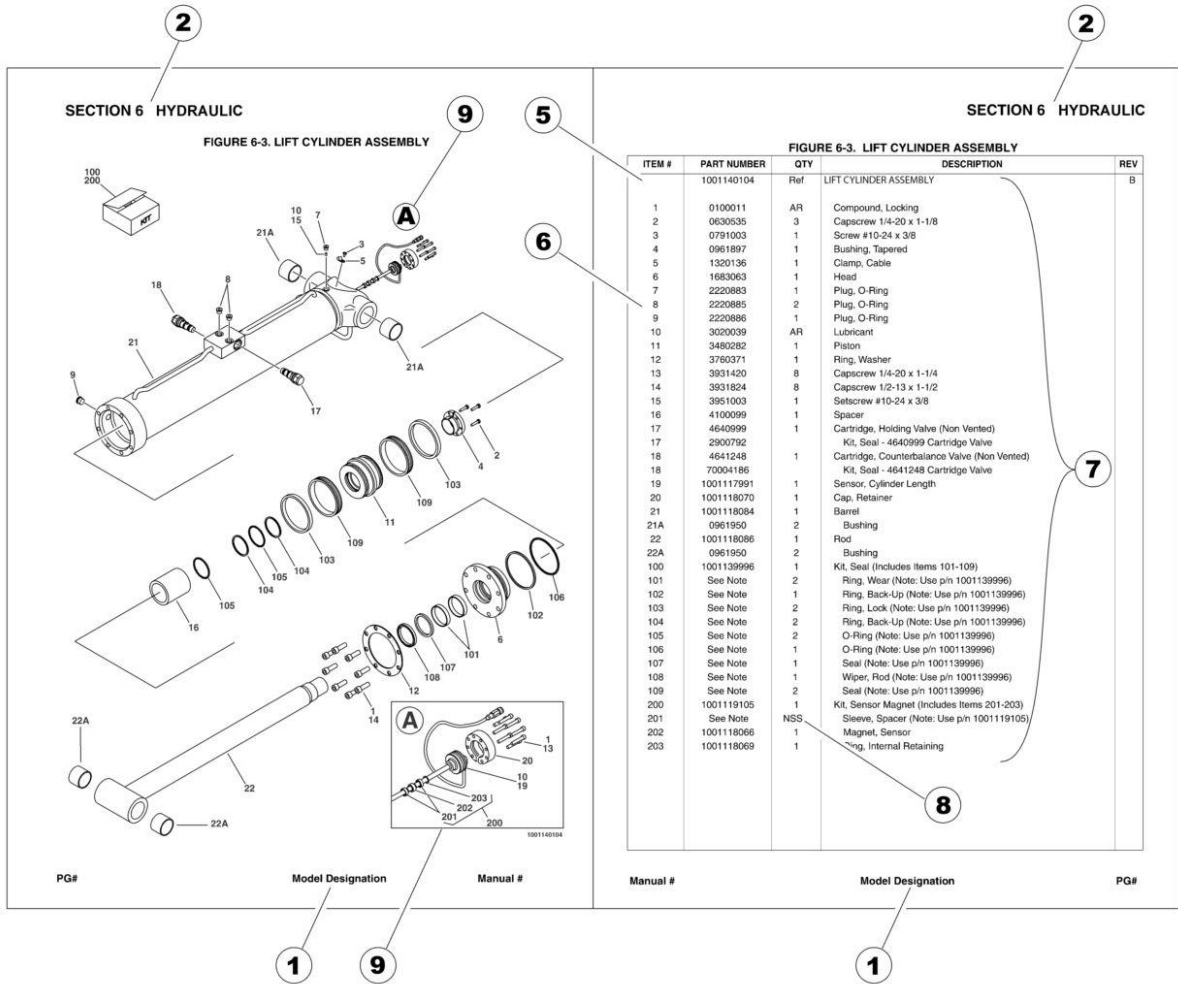
Please report comments and/or errors by contacting Jerr-Dan. Contact numbers are located on rear cover of Manual.

Manufactured under one or more of the following patents: 5,575,606; 5,672,042; 5,697,741; 5,713,714; 5,722,810; 5,782,596; 5,839,775 and 6,315,515 B1 with other Patents Pending.

Jerr-Dan and the Jerr-Dan logo are registered trademarks and Run Hard is a service mark of JerrDan, LLC, Hagerstown, MD USA.

The material in this document is confidential and the property of Jerr-Dan. No part of this document may be photocopied, reproduced or translated to another language without the express written consent of Jerr-Dan.

GENERAL INFORMATION



1) MACHINE IDENTIFICATION

Machines are identified by model and in some cases a combination of models, serial number (SN) or regional standard (i.e ANSI, CE, CSA). Components may also be identified by SN or manufacturer. Common components that may be identified by these characteristics are engines and hydraulic components.

2) PARTS MANUAL ORGANIZATION

Product information in this manual is organized under section titles. Subframe, Hydraulic and Electrical are a few examples. Each section is organized by figure and page number. The information within the Figure is then organized by item number, part number, description and corresponding illustration (s).

3) TABLE OF CONTENTS (NOT SHOWN)

A table of contents is found toward the beginning of the manual. Figure number, description and page number are provided for quick reference to the page containing the related information.

4) BUILD DOCUMENTS (NOT SHOWN)

The Build Documents, located near the end of the manual, reference components not available at the purchase level. These PN's list assembly instructions and assist in the maintenance of the parts manual.

GENERAL INFORMATION

5) NON-SERVICED PARTS

In some instances, it is necessary to display non-serviced parts, assemblies or installations. In the case of assemblies and installations there will be a Ref in the Qty. column. In case of parts that are not available for service within assemblies or components, there will be a NSS (Not Sold Separately) or NLA (No Longer Available) listed in the Qty. column of the manual.

6) PARTS LIST ITEM NUMBERS

Numbers shown in the item# column correspond to numbers used in the associated illustration (s). Item numbers which are missing from the sequence in the parts list are not used on that page.

7) INDENTED PARTS DESCRIPTION

An indented part description is included in the item under which it is indented.

8) ABBREVIATION AND SYMBOLS

AC.....	Alternating Current	L.....	Liter
ALUM.....	Aluminum	LD.....	Light Duty
AG.....	Agricultural	LB(LBS).....	Pounds
ANSI.....	American National Standards Institute	LCD.....	Liquid Crystal Display
AR.....	As Required	LED.....	Light Emitting Diodes
AUS.....	Australias	LH.....	Left Hand
ASSY.....	Assembly	M(m).....	Metric/Meter
AUX.....	Auxiliary	MD.....	Medium Duty
AWG.....	American Wire Gauge	MM (mm).....	Milimeter
CA.....	Cab To Axle	mA.....	Miliamps
CE.....	European Conformity	NLA.....	No Longer Available
CCW.....	Counter Clockwise	NPT.....	National Pipe Threads
CM.....	Centimeter	NSS.....	Not Sold Separately
CT.....	Cab To Tandem	OD.....	Outside Diameter
CW.....	Clockwise	ORB.....	O-Ring Boss
CSA.....	Canadian Standards Association	ORFS.....	O-Ring Face Seal
CYL.....	Cylinder	OZ (oz).....	Ounces
DIA.....	Diameter	PG.....	Page
DC.....	Direct Current	PN.....	Part Number
DOT.....	Department of Transportation	PTO.....	Power Take Off
EMS.....	Emergency Stop	QT(qt.).....	Quarts
ENG.....	Engine	QTY.....	Quantity
FT(ft).....	Feet	REF.....	Reference
GA(Ga).....	Gauge	REV.....	Revision Level
GAL.....	Gallons	RH.....	Right Hand
GVW.....	Gross Vehicle Weight	SAE.....	Society of Automotive Engineers
HD.....	Heavy Duty	SD.....	Standard Duty
HYD.....	Hydraulic	SN.....	Serial Number
Hz.....	Hertz	SPEC(S).....	Specifications
ID.....	Inside Diameter	SS.....	Stainless Steel
IN.....	inches	STD.....	Standards
IND.....	Independent	STL.....	Steel
IRL.....	Independent Reach/Lift	UGM.....	Universal Ground Module
INT.....	Integrated	V.....	Volts
ISO.....	International Organization for Standards	W.....	Watts
JIC.....	Joint Industry Council	WB.....	Wheel Base
KG.....	Kilogram	#.....	Number

9) ILLUSTRATION REFERENCE LETTERS

When necessary, illustrations may contain reference letters that are intended to track information (i. e. hoses, harnesses) from one point to another or to track visual enlargement of components to show details that may be located in another area on the illustration.

Note: Due to continuous product improvements, Jerr-Dan Corporation reserves the right to make specification changes without prior notification. Contact Jerr-Dan for updated information.

TABLE OF CONTENTS

SECTION 1 - SUBFRAME	9
FIGURE 1-1. SUBFRAME INSTALLATION.....	10
FIGURE 1-2. REAR STABILIZERS INSTALLATION (Prior to SN 0230009827)	12
FIGURE 1-3. REAR STABILIZERS INSTALLATION (SN 0230009827 to Present)	14
FIGURE 1-4. CYLINDER ASSEMBLY - TILT (Prior to SN 0230009827)	16
FIGURE 1-5. CYLINDER ASSEMBLY - TILT (SN 0230009827 to Present).....	18
FIGURE 1-6. TAILPLATE INSTALLATION.....	20
FIGURE 1-7. WRECKER ASSEMBLY KIT.....	22
SECTION 2 - BOOM	25
FIGURE 2-1. MAIN BOOM INSTALLATION - 2 PIECE (Prior to SN 0230009827)	26
FIGURE 2-2. MAIN BOOM INSTALLATION - 2 PIECE (SN 0230009827 to Present)	28
FIGURE 2-3. MAIN BOOM ASSEMBLY (Prior to SN 0230009827)	30
FIGURE 2-4. MAIN BOOM ASSEMBLY (SN 0230009827 to Present)	32
FIGURE 2-5. CYLINDER ASSEMBLY - EXTEND/RETRACT	34
FIGURE 2-6. CYLINDER ASSEMBLY - LIFT	36
FIGURE 2-7. BOOM WINCH INSTALLATION - 5 SPEED	38
FIGURE 2-8. CABLE INSTALLATION - 0.63IN X 250FT WITH EYE HOOK.....	40
FIGURE 2-9. CABLE INSTALLATION - 0.63IN X 250FT WITH SWIVEL HOOK	42
FIGURE 2-10. DUAL WINCH AIR INSTALLATION.....	44
SECTION 3 - UNDERLIFT	47
FIGURE 3-1. UNDERLIFT INSTALLATION - 3 PIECE (UL280) (Prior to SN 0230009827)	48
FIGURE 3-2. UNDERLIFT INSTALLATION - 3 PIECE (UL280) (SN 0230009827 to Present)	50
FIGURE 3-3. UNDERLIFT ASSEMBLY - 3 PIECE (UL280) (Prior to SN 0230009827)	52
FIGURE 3-4. UNDERLIFT ASSEMBLY - 3 PIECE (UL280) (SN 0230009827 to Present)	54
FIGURE 3-5. CYLINDER ASSEMBLY - TILT (Prior to SN 0230009827)	56
FIGURE 3-6. CYLINDER ASSEMBLY - TILT (SN 0230009827 to Present).....	58
FIGURE 3-7. CYLINDER ASSEMBLY - EXTEND/RETRACT (UL280)	60
FIGURE 3-8. UNDERLIFT INSTALLATION - 3 PIECE (UL350) (Prior to SN 0230009827)	62
FIGURE 3-9. UNDERLIFT INSTALLATION - 3 PIECE (UL350) (SN 0230009827 to Present)	64
FIGURE 3-10. UNDERLIFT ASSEMBLY - 3 PIECE (UL350) (Prior to SN 0230009827)	66
FIGURE 3-11. UNDERLIFT ASSEMBLY - 3 PIECE (UL350) (SN 0230009827 to Present)	68
FIGURE 3-12. CYLINDER ASSEMBLY - EXTEND/RETRACT (UL350) (Prior to SN 0230009827).....	70
FIGURE 3-13. CYLINDER ASSEMBLY - EXTEND/RETRACT (UL350) (SN 0230009827 to Present).....	72
FIGURE 3-14. FRAME FORK INSTALLATION	74
FIGURE 3-15. CROSSTUBE INSTALLATION	76
SECTION 4 - CONTROLS	79
FIGURE 4-1. CONTROLS VALVE INSTALLATION, 8 SECTION - 6 SOLENOID.....	80
FIGURE 4-2. CONTROLS VALVE INSTALLATION, 8 SECTION - 6 SOLENOID.....	82
FIGURE 4-3. CONTROLS VALVE INSTALLATION, 8 SECTION - 6 SOLENOID.....	84
FIGURE 4-4. REMOTE CONTROLS INSTALLATION - 12 FUNCTION (WIRELESS)	88
FIGURE 4-5. REMOTE CONTROL ASSEMBLY (12 FUNCTION HANDHELD).....	90
SECTION 5 - HYDRAULIC	93

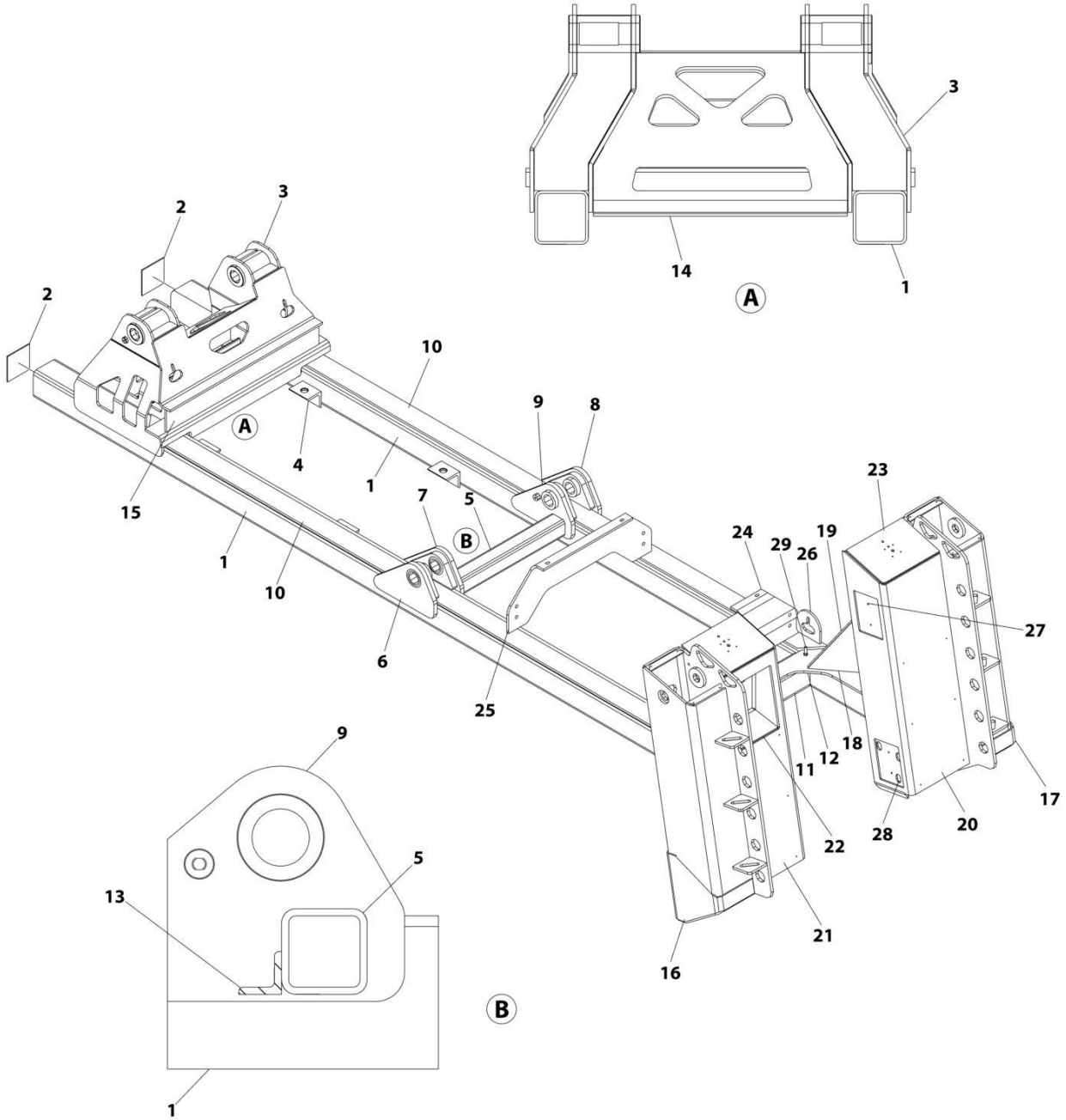
TABLE OF CONTENTS

FIGURE 5-1. AUX AIR, QUICK DISCONNECT	94
FIGURE 5-2. HYDRAULIC LINES AND FITTINGS, BASE 25T INT	96
FIGURE 5-3. HYDRAULIC LINES AND FITTINGS, BASE 25T INT	98
FIGURE 5-4. HYDRAULIC LINES AND FITTINGS, BASE 25T INT	100
FIGURE 5-5. HYDRAULIC INSTALLATION - 186-241 WB	104
FIGURE 5-6. HYDRAULIC INSTALLATION - 242-281 WB	106
FIGURE 5-7. HYDRAULIC INSTALLATION - 282-321 WB	108
FIGURE 5-8. HYDRAULIC INSTALLATION - 322-361 WB	110
FIGURE 5-9. HYDRAULIC INSTALLATION - 362-401 WB	112
FIGURE 5-10. TUBE INSTALLATION - SUBFRAME.....	114
FIGURE 5-11. TANK (HYDRAULIC) INSTALLATION.....	116
FIGURE 5-12. TANK (HYDRAULIC) ASSEMBLY	118
FIGURE 5-13. VALVE ASSEMBLY - 8 SECTION/6 SOLENOID	120
SECTION 6 - ELECTRICAL.....	123
FIGURE 6-1. SWITCH PANEL INSTALLATION - MAIN WINCH	124
FIGURE 6-2. EMERGENCY STOP INSTALLATION	126
FIGURE 6-3. TRAILER PLUG INSTALLATION - 7-WAY.....	128
FIGURE 6-4. ALARM INSTALLATION - BACK-UP (FIXED).....	130
SECTION 7 - DECAL.....	133
FIGURE 7-1. DECAL INSTALLATION - COMMON	134
FIGURE 7-2. DECAL INSTALLATION - COMMON	136
FIGURE 7-3. DECAL INSTALLATION - JERR-DAN LOGO (RED).....	138
FIGURE 7-4. DECAL INSTALLATION - JERR-DAN LOGO (WHITE).....	140
SECTION 8 - ACCESSORIES.....	143
FIGURE 8-1. SERVICE & AFTERMARKET KITS LIST	144
FIGURE 8-2. AIR, EMERGENCY AND SERVICE GLAD HANDS	146
FIGURE 8-3. COVER INSTALLATION (WITHOUT CAMERA)	148
SECTION 9 - BUILD DOCUMENTS	151
FIGURE 9-1. BUILD DOCUMENT	152
PART NUMBER INDEX.....	153

SECTION 1 - SUBFRAME

SECTION 1 - SUBFRAME

FIGURE 1-1. SUBFRAME INSTALLATION



ART_1001161693

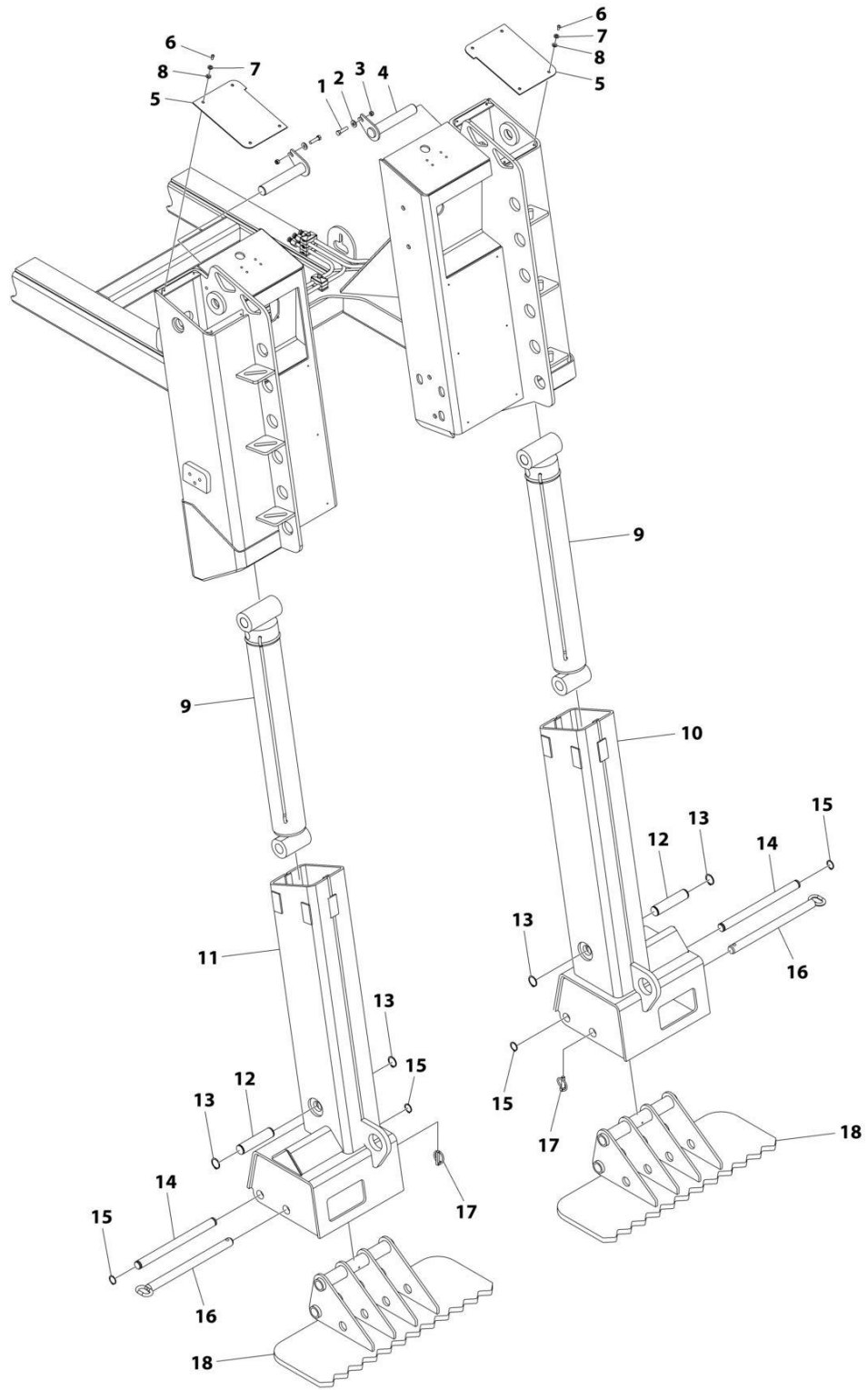
SECTION 1 - SUBFRAME

FIGURE 1-1. SUBFRAME INSTALLATION

ITEM	PART NUMBER	QTY	DESCRIPTION	REV
	1001161693	Ref	SUBFRAME INSTALLATION	A
1	4913000273	2	Tube	
2	4314000042	2	Plate	
3	3868000174	1	Frame Weldment	
4	4017000896	4	Angle	
5	4913000242	1	Tube	
6	3706000114	1	Plate	
7	3706000116	1	Plate	
8	3706000115	1	Plate	
9	3706000117	1	Plate	
10	4706002613	2	Plate	
11	4263000294	1	Channel	
12	4706002457	2	Plate	
13	4017001050	1	Angle	
14	4017001048	1	Angle	
15	4706002612	1	Plate	
16	3868000172	1	Spade, Housing	
17	3868000173	1	Spade, Housing	
18	4706002632	2	Plate	
19	4706002633	2	Plate	
20	4706002386	1	Plate	
21	4706002385	1	Plate	
22	4706001562	1	Plate	
23	4706002129	2	Plate	
24	1001162729	1	Bracket	
25	1001162728	1	Bracket	
26	4606000091	2	Lug	
27	4706001875	2	Plate	
28	4706002553	2	Plate	
29	7115161050	4	Bolt 3/8 x 1-1/4	

SECTION 1 - SUBFRAME

FIGURE 1-2. REAR STABILIZERS INSTALLATION (Prior to SN 0230009827)



ART_2506690012_D

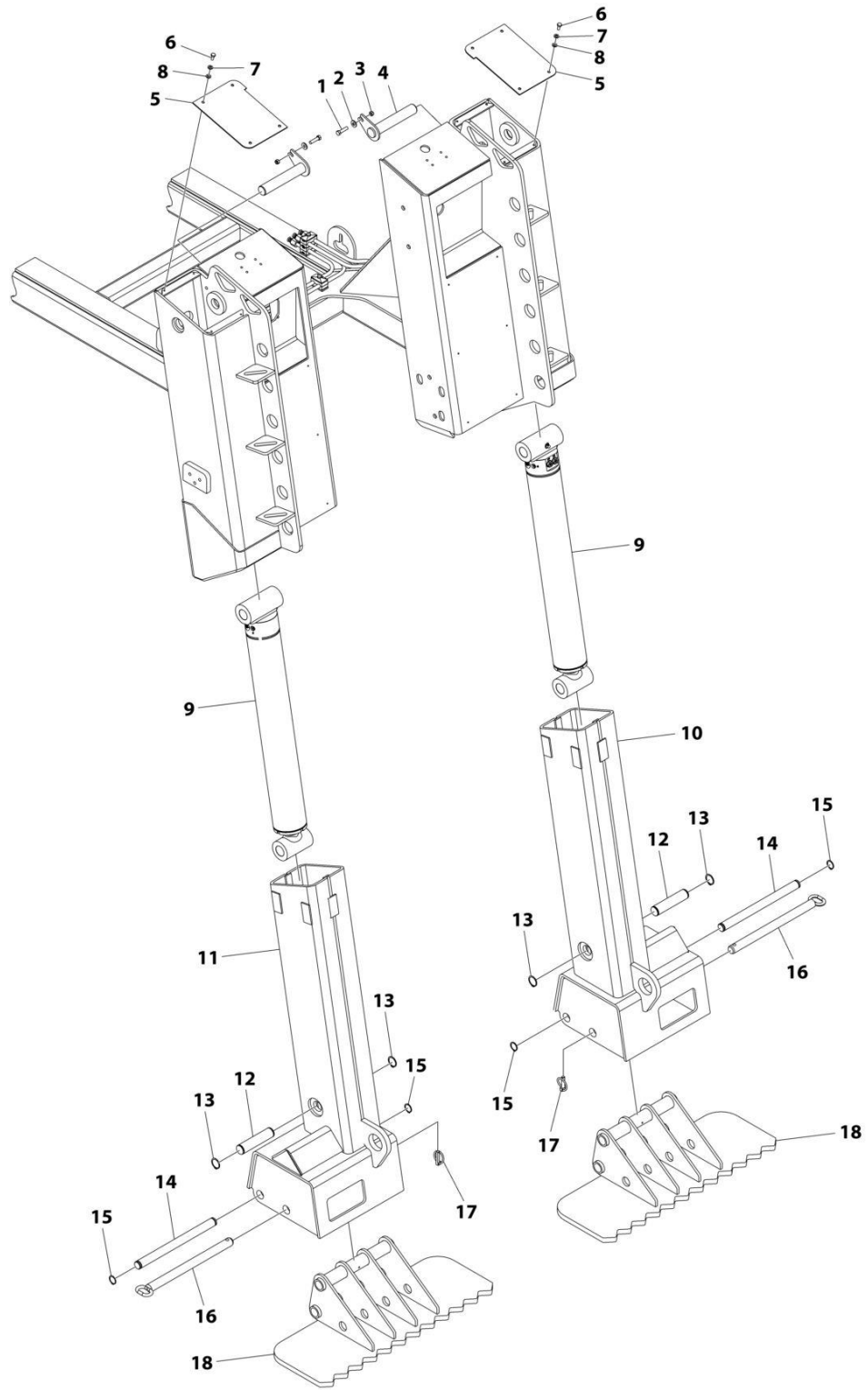
SECTION 1 - SUBFRAME

FIGURE 1-2. REAR STABLIZERS INSTALLATION (Prior to SN 0230009827)

ITEM	PART NUMBER	QTY	DESCRIPTION	REV
	2506690012	Ref	STABILIZERS INSTALLATION - REAR	D
1	7115161250	2	Bolt 3/8 x 1-1/2	
2	7950160161	2	Washer 3/8	
3	7660162601	2	Nut 3/8	
4	3691000139	2	Pin	
5	4706003714	2	Plate	
6	7114140518	8	Capscrew 1/4 x 5/8	
7	7949000025	8	Washer	
8	7950140153	8	Washer 1/4	
9	7320000006	2	Cylinder Assembly, Spade (See Separate Breakdown in this Section)	
10	3263000068	1	Channel (RH)	
11	3263000067	1	Channel (LH)	
12	4691000207	2	Pin	
13	7754000033	4	Ring, Retaining	
14	4691000200	2	Pin	
15	7754000008	4	Ring, Retaining	
16	3691000126	2	Pin	
17	7691000019	2	Pin	
18	1001239548	2	Plate	

SECTION 1 - SUBFRAME

FIGURE 1-3. REAR STABILIZERS INSTALLATION (SN 0230009827 to Present)



ART_2506690012_E

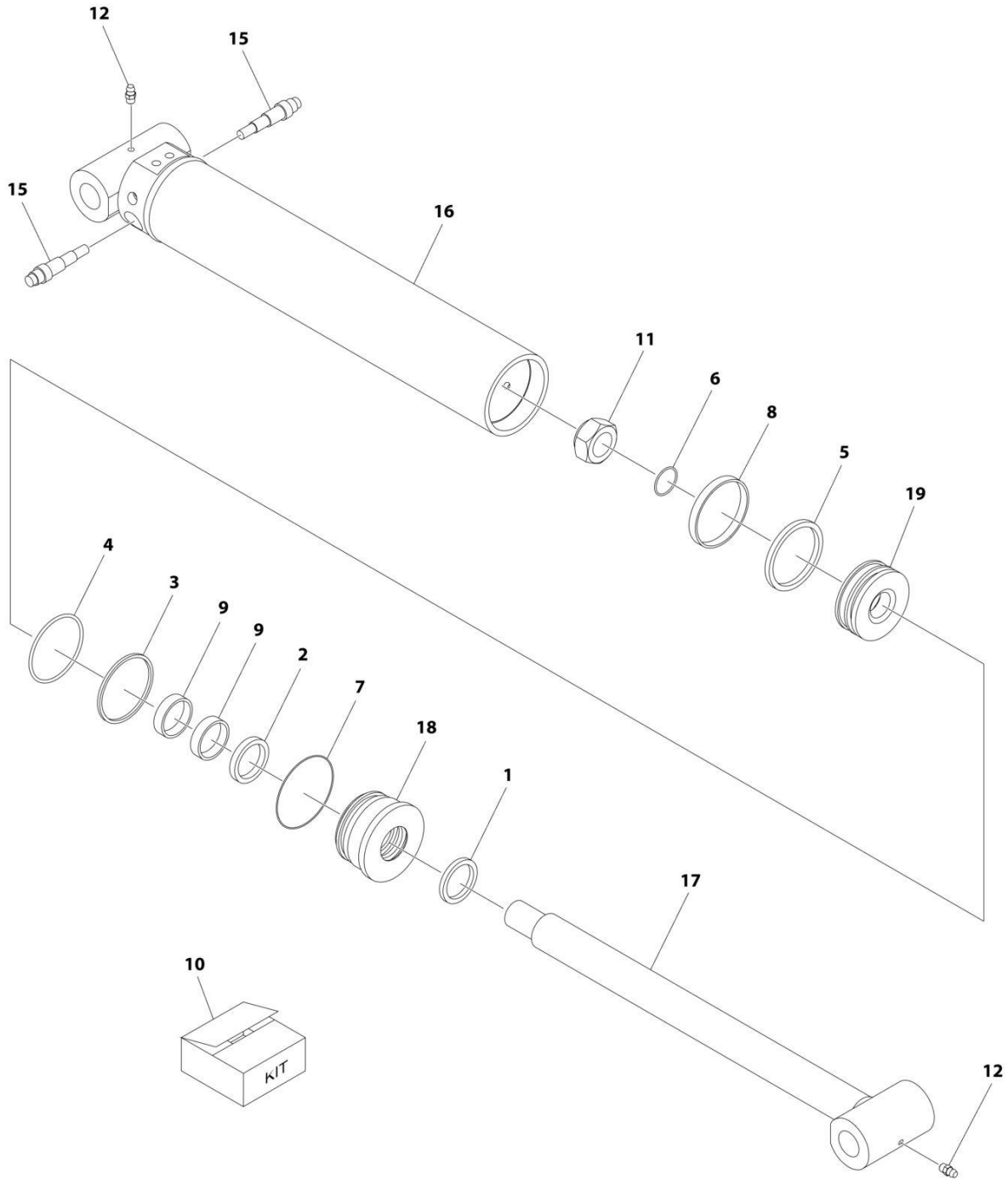
SECTION 1 - SUBFRAME

FIGURE 1-3. REAR STABLIZERS INSTALLATION (SN 0230009827 to Present)

ITEM	PART NUMBER	QTY	DESCRIPTION	REV
	2506690012	Ref	STABILIZERS INSTALLATION - REAR	E
1	7115161250	2	Bolt 3/8 x 1-1/2	
2	7950160161	2	Washer 3/8	
3	7660162601	2	Nut 3/8	
4	3691000139	2	Pin	
5	4706003714	2	Plate	
6	0641405	8	Bolt 1/4 x 5/8	
7	7949000025	8	Washer	
8	7950140153	8	Washer 1/4	
9	1001286128	2	Cylinder Assembly, Spade (See Separate Breakdown in this Section)	
10	3263000068	1	Channel (RH)	
11	3263000067	1	Channel (LH)	
12	4691000207	2	Pin	
13	7754000033	4	Ring, Retaining	
14	4691000200	2	Pin	
15	7754000008	4	Ring, Retaining	
16	3691000126	2	Pin	
17	7691000019	2	Pin	
18	1001239548	2	Plate	

SECTION 1 - SUBFRAME

FIGURE 1-4. CYLINDER ASSEMBLY - TILT (Prior to SN 0230009827)



ART_732000006

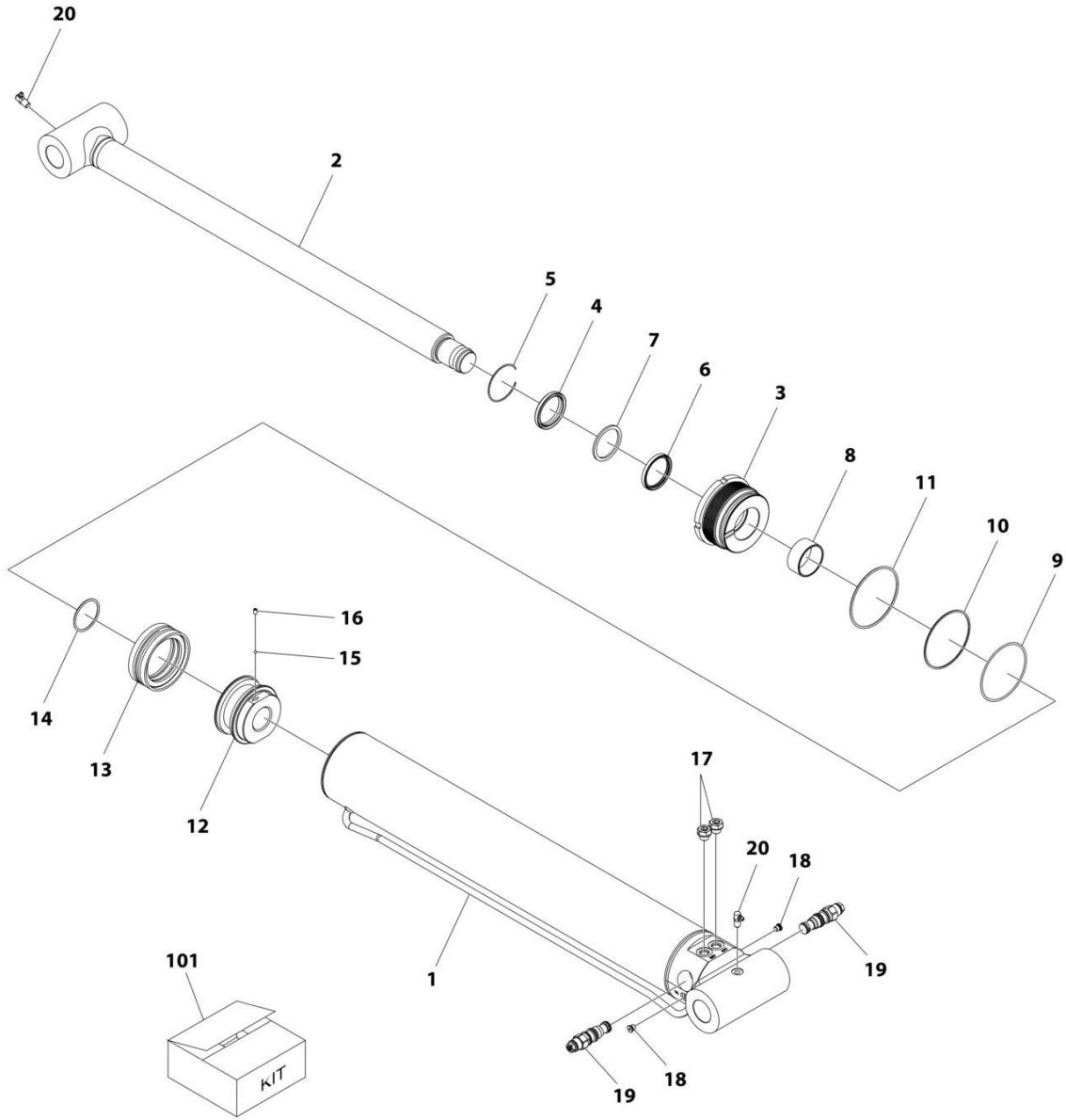
SECTION 1 - SUBFRAME

FIGURE 1-4. CYLINDER ASSEMBLY - TILT (Prior to SN 0230009827)

ITEM	PART NUMBER	QTY	DESCRIPTION	REV
	7320000006	Ref	Rear Spade Cylinder	B
1	9796250080	1	Seal, Wiper	
2	7019828	1	Seal	
3	9754250009	1	Ring, Back-up	
4	9796250057	1	Seal, O-Ring	
5	9796250073	1	Seal	
6	9796250061	1	Seal, O-Ring	
7	9796250066	1	Seal, O-Ring	
8	9724250014	1	Ring, Wear	
9	9754250015	2	Ring, Wear	
10	7577000167	1	Kit, Seal	
11	7003212	1	Nut	
12	7005322	2	Grease Fitting	
13	7005365	2	Plug, Port (Not Shown)	
14	70021648	2	Plug, Port (Not Shown)	
15	70050215	2	Valve, Counterbalance	
16	9912250004	1	Assembly, Tube	
17	9763250009	1	Assembly, Rod	
18	9553250009	1	Head	
19	70050531	1	Piston	

SECTION 1 - SUBFRAME

FIGURE 1-5. CYLINDER ASSEMBLY - TILT (SN 0230009827 to Present)



ART_1001286128

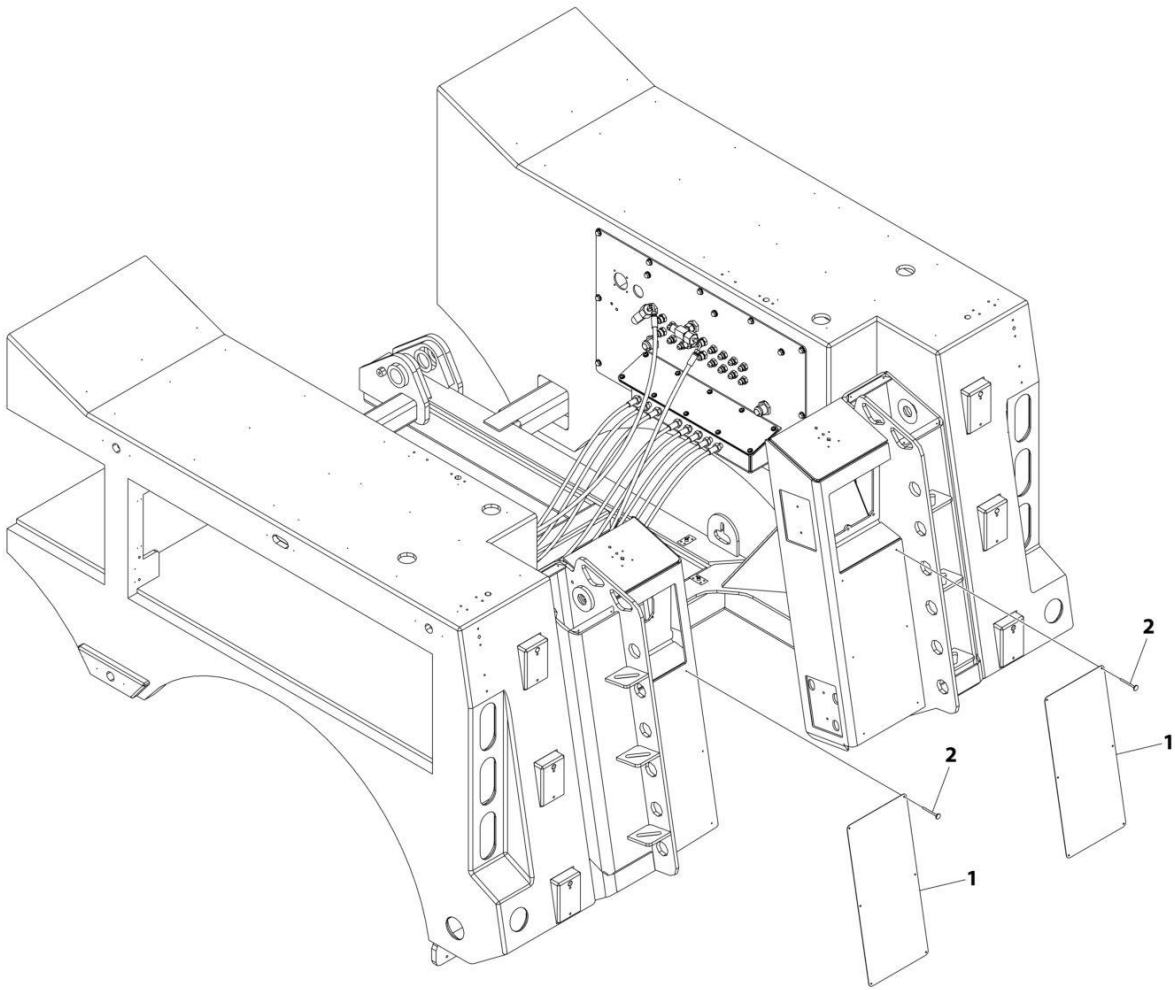
SECTION 1 - SUBFRAME

FIGURE 1-5. CYLINDER ASSEMBLY - TILT (SN 0230009827 to Present)

ITEM	PART NUMBER	QTY	DESCRIPTION	REV
	1001286128	Ref	CYLINDER ASSEMBLY - TILT	A
	See Note	Ref	Note: Original Cylinder May Have Been Replaced with Service Replacement. Identify PN Stamped on Cylinder Before Ordering Parts.	
1	See Note	NSS	Barrel (Note: Not Available for Purchase)	
2	70070077	1	Rod	
3	70070078	1	Gland	
4	See Note	NSS	Wiper, Dust (Note: Use Item 101)	
5	70002412	1	Ring, Retaining	
6	See Note	NSS	Seal, Rod (Note: Use Item 101)	
7	See Note	NSS	Ring, Backup (Note: Use Item 101)	
8	70005153	1	Bushing	
9	See Note	NSS	O-Ring (Note: Use Item 101)	
10	See Note	NSS	Ring, Backup (Note: Use Item 101)	
11	See Note	NSS	O-Ring (Note: Use Item 101)	
12	70070079	1	Piston	
13	See Note	NSS	Seal, Piston (Note: Use Item 101)	
14	See Note	NSS	O-Ring (Note: Use Item 101)	
15	70022564	1	Ball, Steel	
16	70029468	1	Screw, Set	
17	70070038	2	Plug, Dust	
18	70070080	2	Plug	
19	70070075	2	Valve, Counterbalance	
20	70023376	2	Grease Nipple	
101	70070081	1	Seal Kit (Includes Items 4, 6, 7, 9-11 & 13, 14)	

SECTION 1 - SUBFRAME

FIGURE 1-6. TAILPLATE INSTALLATION



ART_2503700052

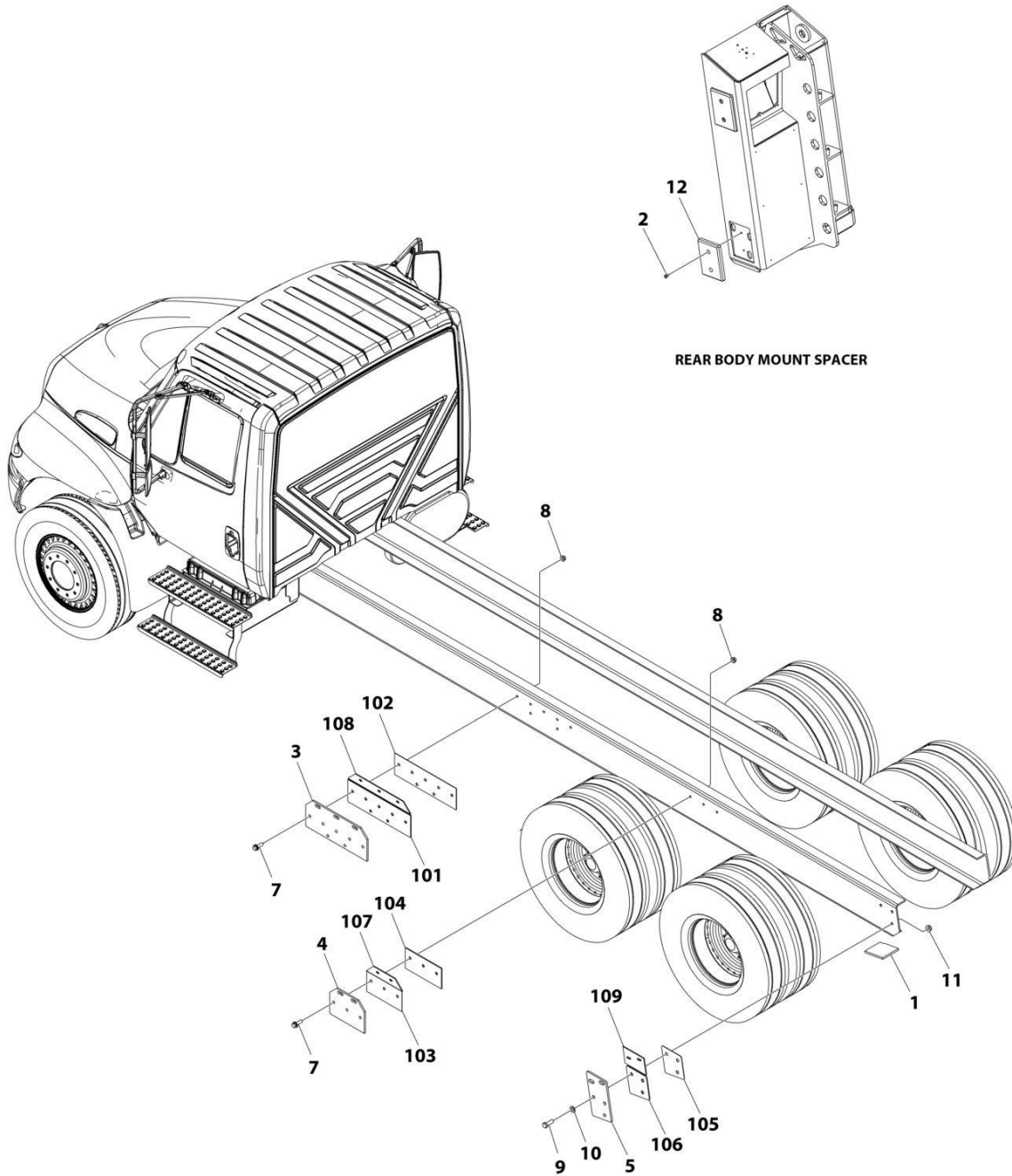
SECTION 1 - SUBFRAME

FIGURE 1-6. TAILPLATE INSTALLATION

ITEM	PART NUMBER	QTY	DESCRIPTION	REV
	2503700052	Ref	DIAMOND PLATE INSTALLATION - REAR	B
1	4706002491	2	Plate	
2	7759000018	12	Rivet	

SECTION 1 - SUBFRAME

FIGURE 1-7. WRECKER ASSEMBLY KIT



ART_1001227900

SECTION 1 - SUBFRAME

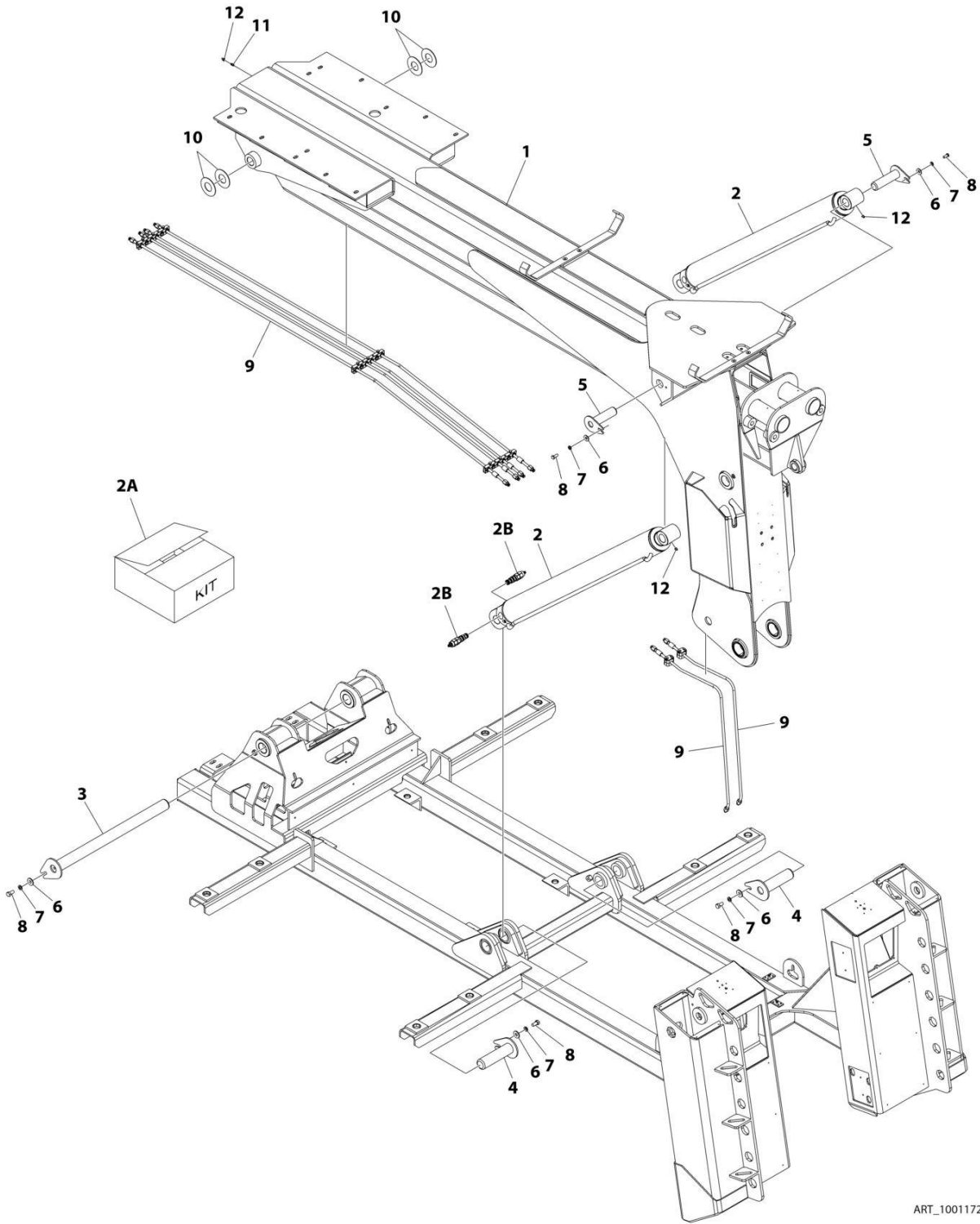
FIGURE 1-7. WRECKER ASSEMBLY KIT

ITEM	PART NUMBER	QTY	DESCRIPTION	REV
	1001227900	Ref	WRECKER ASSEMBLY KIT	C
1	4706002557	2	Plate	
2	0741606	8	Bolt 3/8 x 3/4	
3	1001186312	2	Plate	
4	1001144730	2	Plate	
5	4706002554	2	Plate	
6	1001186801	1	Shim, Kit (Not Shown) (Includes Items 101-109)	
7	7118222416	20	Capscrew 3/4 x 3	
8	7660222308	20	Nut 3/4	
9	7118242450	6	Capscrew 7/8 x 3	
10	4892400	6	Washer 7/8	
11	7660242308	6	Nut 7/8	
12	4679000127	4	Pad	
13	7118222016	AR	Bolt 3/4 x 2-1/2 (Not Shown)	
14	7118222816	AR	Capscrew 3/4 x 3-1/2 (Not Shown)	
15	7118242050	AR	Capscrew 7/8 x 2-1/2 (Not Shown)	
16	0682428001	AR	Bolt 7/8 x 3-1/2 (Not Shown)	
101	1001144957	2	Shim	
102	1001144959	2	Shim	
103	1001144984	2	Shim	
104	1001144985	2	Shim	
105	4706002141	2	Plate	
106	4706002142	2	Plate	
107	4706002555	2	Plate	
108	1001186540	2	Plate	
109	4706002556	2	Plate	

SECTION 2 - BOOM

SECTION 2 - BOOM

FIGURE 2-1. MAIN BOOM INSTALLATION - 2 PIECE (Prior to SN 0230009827)



ART_1001172169

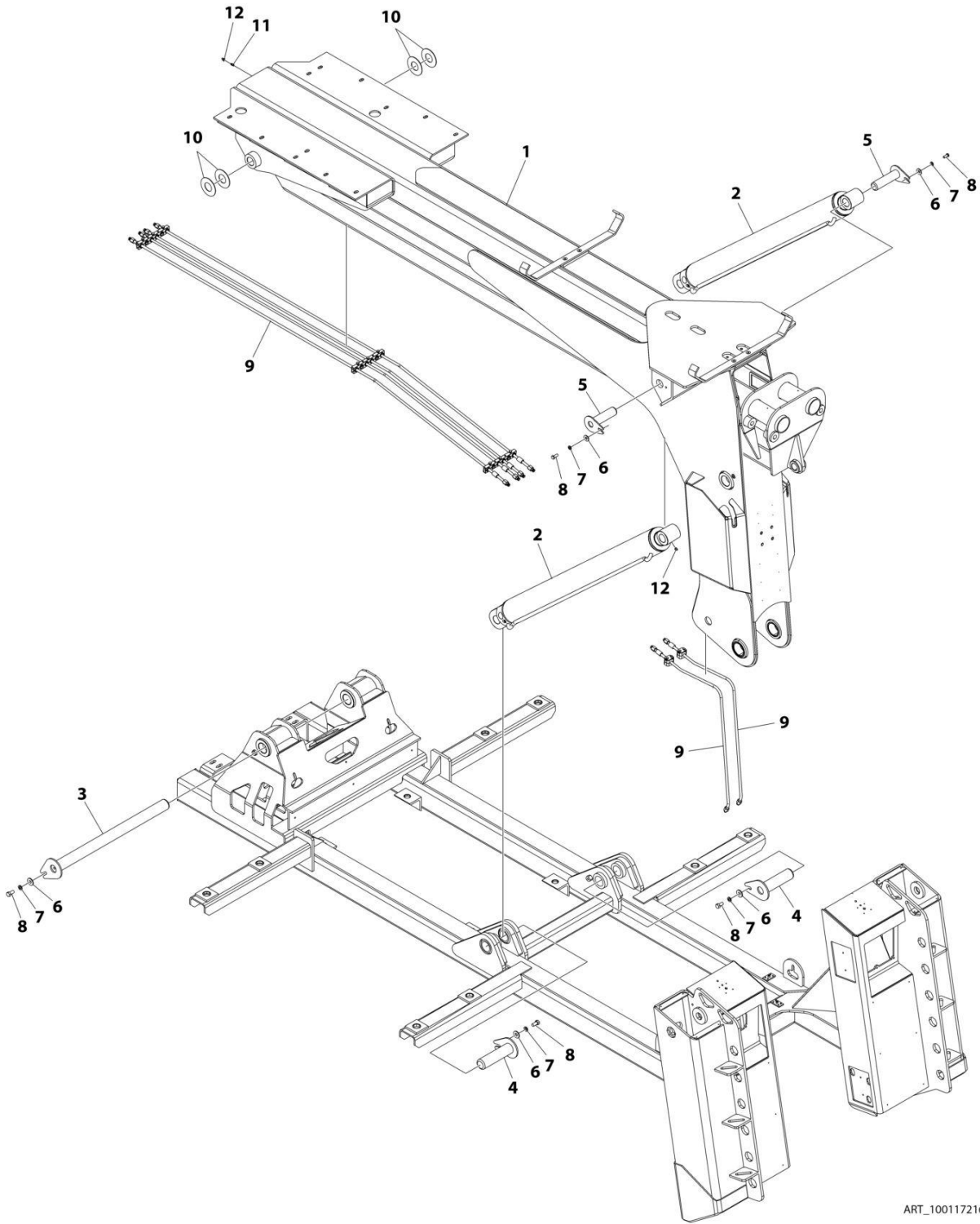
SECTION 2 - BOOM

FIGURE 2-1. MAIN BOOM INSTALLATION - 2 PIECE (Prior to SN 0230009827)

ITEM	PART NUMBER	QTY	DESCRIPTION	REV
	1001172169	Ref	MAIN BOOM INSTALLATION - 2 PIECE	A
1	1001172167	1	Boom Assembly (See Separate Breakdown in this Section)	
2	7320000035	2	Cylinder Assembly - Lift	
2A	7577250296	2	Kit, Seal	
2B	9935250032	4	Valve, Counterbalance	
3	3691000163	1	Pin	
4	3691000162	2	Pin	
5	3691000161	2	Pin	
6	7950180161	5	Washer 1/2	
7	7950180000	5	Washer 1/2	
8	7115180850	5	Bolt 1/2 x 1	
9	3912000006	1	Tube Assembly	
10	3577000037	1	Shim, Kit	
10	4949000031	2	Washer 5/8	
10	4949000032	2	Washer 15/16	
11	7440030000	1	Fitting, Straight	
12	7253000002	5	Fitting, Cap	

SECTION 2 - BOOM

FIGURE 2-2. MAIN BOOM INSTALLATION - 2 PIECE (SN 0230009827 to Present)



ART_1001172169_B

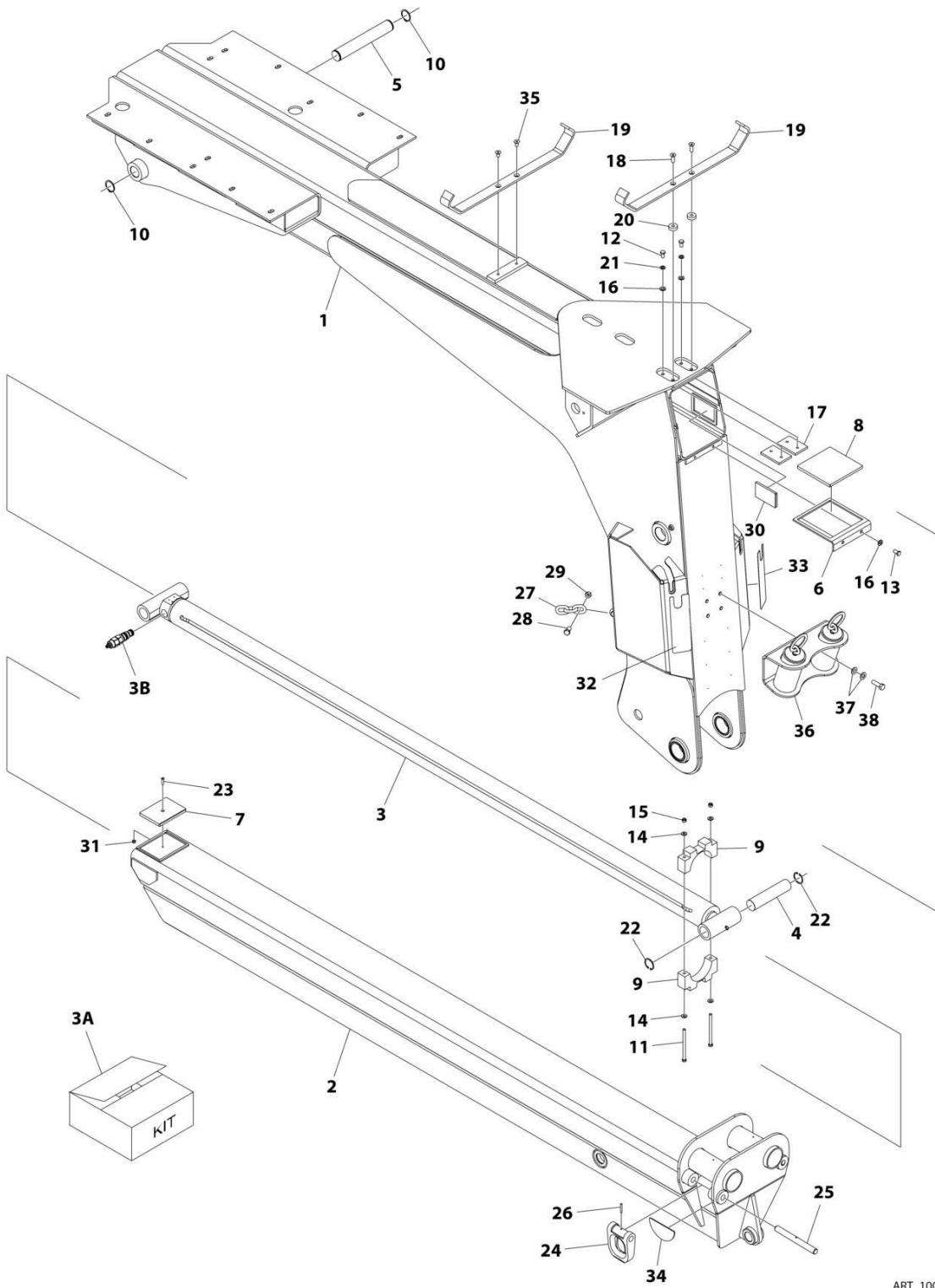
SECTION 2 - BOOM

FIGURE 2-2. MAIN BOOM INSTALLATION - 2 PIECE (SN 0230009827 to Present)

ITEM	PART NUMBER	QTY	DESCRIPTION	REV
	1001172169	Ref	MAIN BOOM INSTALLATION - 2 PIECE	B
1	1001172167	1	Boom Assembly (See Separate Breakdown in this Section)	
2	1001284484	2	Cylinder Assembly - Lift (See Separate Breakdown in this Section)	
3	3691000163	1	Pin	
4	3691000162	2	Pin	
5	3691000161	2	Pin	
6	7950180161	5	Washer 1/2	
7	7950180000	5	Washer 1/2	
8	7115180850	5	Bolt 1/2 x 1	
9	3912000006	1	Tube Assembly	
10	3577000037	1	Shim, Kit	
10	4949000031	2	Washer 5/8	
10	4949000032	2	Washer 15/16	
11	7440030000	1	Fitting, Straight	
12	7253000002	5	Fitting, Cap	

SECTION 2 - BOOM

FIGURE 2-3. MAIN BOOM ASSEMBLY (Prior to SN 0230009827)



ART_1001172167

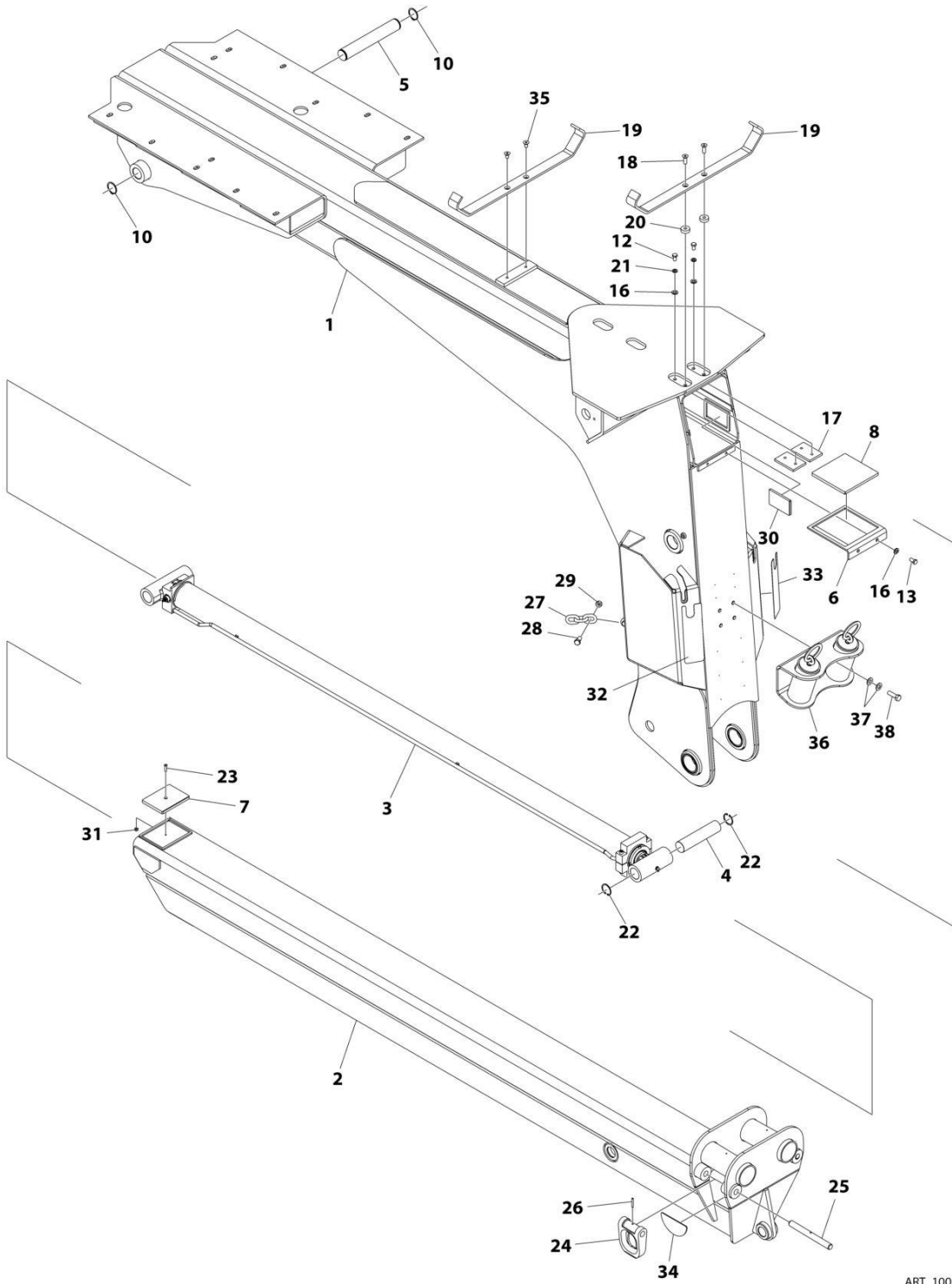
SECTION 2 - BOOM

FIGURE 2-3. MAIN BOOM ASSEMBLY (Prior to SN 0230009827)

ITEM	PART NUMBER	QTY	DESCRIPTION	REV
	1001172167	Ref	WRECKER BOOM ASSEMBLY	A
1	1001172042	1	Boom Weldment, Outer	
2	3170000258	1	Boom Weldment, Inner	
3	7320000037	1	Cylinder Assembly	
3A	7577250228	1	Kit, Seal	
3B	9935250032	1	Valve, Counterbalance	
4	4691000323	1	Pin	
5	4691000208	1	Pin	
6	4706002435	1	Plate	
7	4679000163	1	Pad	
8	4679000162	1	Pad	
9	4177000033	2	Brace	
10	7754000048	2	Ring, Retaining	
11	7115164450	2	Bolt 3/8 x 5-1/2	
12	7115180750	2	Bolt 1/2 x 7/8	
13	7115180850	2	Bolt 1/2 x 1	
14	7950160251	4	Washer 3/8	
15	7660161600	2	Nut 3/8	
16	7950180153	4	Washer 1/2	
17	4831000061	2	Spacer	
18	7115181223	2	Screw 1/2 x 1-1/2	
19	4062000746	2	Bar	
20	4831000064	2	Spacer	
21	7950180000	2	Washer 1/2	
22	7754000061	2	Ring, Retaining	
23	7114140818	1	Capscrew 1/4 x 1	
24	4754000003	2	D-Ring	
25	4691000243	2	Pin	
26	7690142845	2	Pin	
27	7262000025	2	Chain	
28	7115201250	2	Bolt 5/8 x 1-1/2	
29	7660142601	6	Nut 1/4	
30	4679000168	2	Pad	
31	7660142604	1	Nut 1/4	
32	1001151184	1	Decal, Wear - LH	
33	1001151185	1	Decal, Wear - RH	
34	1001151805	2	Decal	
35	7115180723	2	Screw 1/2 x 7/8	
36	1001172034	1	Bracket	
37	7950200141	8	Washer 5/8	
38	7115201650	4	Bolt 5/8 x 2	

SECTION 2 - BOOM

FIGURE 2-4. MAIN BOOM ASSEMBLY (SN 0230009827 to Present)



ART_1001172167_B

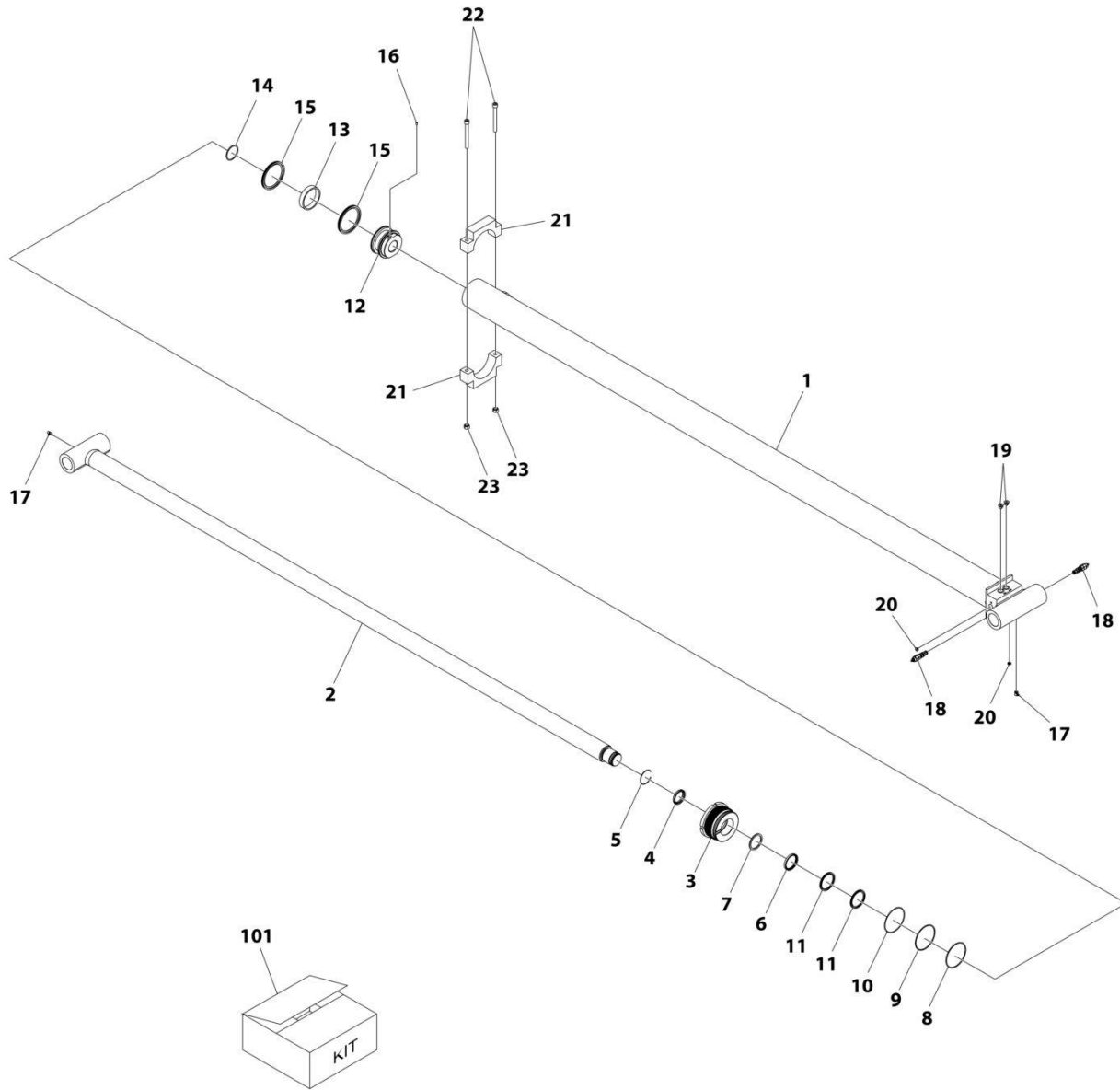
SECTION 2 - BOOM

FIGURE 2-4. MAIN BOOM ASSEMBLY (SN 0230009827 to Present)

ITEM	PART NUMBER	QTY	DESCRIPTION	REV
	1001172167	Ref	WRECKER BOOM ASSEMBLY	B
1	1001172042	1	Boom Weldment, Outer	
2	3170000258	1	Boom Weldment, Inner	
3	1001286141	1	Cylinder Assembly (See Separate Breakdown in this Section)	
4	4691000323	1	Pin	
5	4691000208	1	Pin	
6	4706002435	1	Plate	
7	4679000163	1	Pad	
8	4679000162	1	Pad	
10	7754000048	2	Ring, Retaining	
12	7115180750	2	Bolt 1/2 x 7/8	
13	7115180850	2	Bolt 1/2 x 1	
16	7950180153	4	Washer 1/2	
17	4831000061	2	Spacer	
18	7115181223	2	Screw 1/2 x 1-1/2	
19	4062000746	2	Bar	
20	4831000064	2	Spacer	
21	7950180000	2	Washer 1/2	
22	7754000061	2	Ring, Retaining	
23	7114140818	1	Capscrew 1/4 x 1	
24	4754000003	2	D-Ring	
25	4691000243	2	Pin	
26	7690142845	2	Pin	
27	7262000025	2	Chain	
28	7115201250	2	Bolt 5/8 x 1-1/2	
29	7660142601	6	Nut 1/4	
30	4679000168	2	Pad	
31	7660142604	1	Nut 1/4	
32	1001151184	1	Decal, Wear - LH	
33	1001151185	1	Decal, Wear - RH	
34	1001151805	2	Decal	
35	7115180723	2	Screw 1/2 x 7/8	
36	1001172034	1	Bracket	
37	7950200141	8	Washer 5/8	
38	7115201650	4	Bolt 5/8 x 2	

SECTION 2 - BOOM

FIGURE 2-5. CYLINDER ASSEMBLY - EXTEND/RETRACT



ART_1001286141

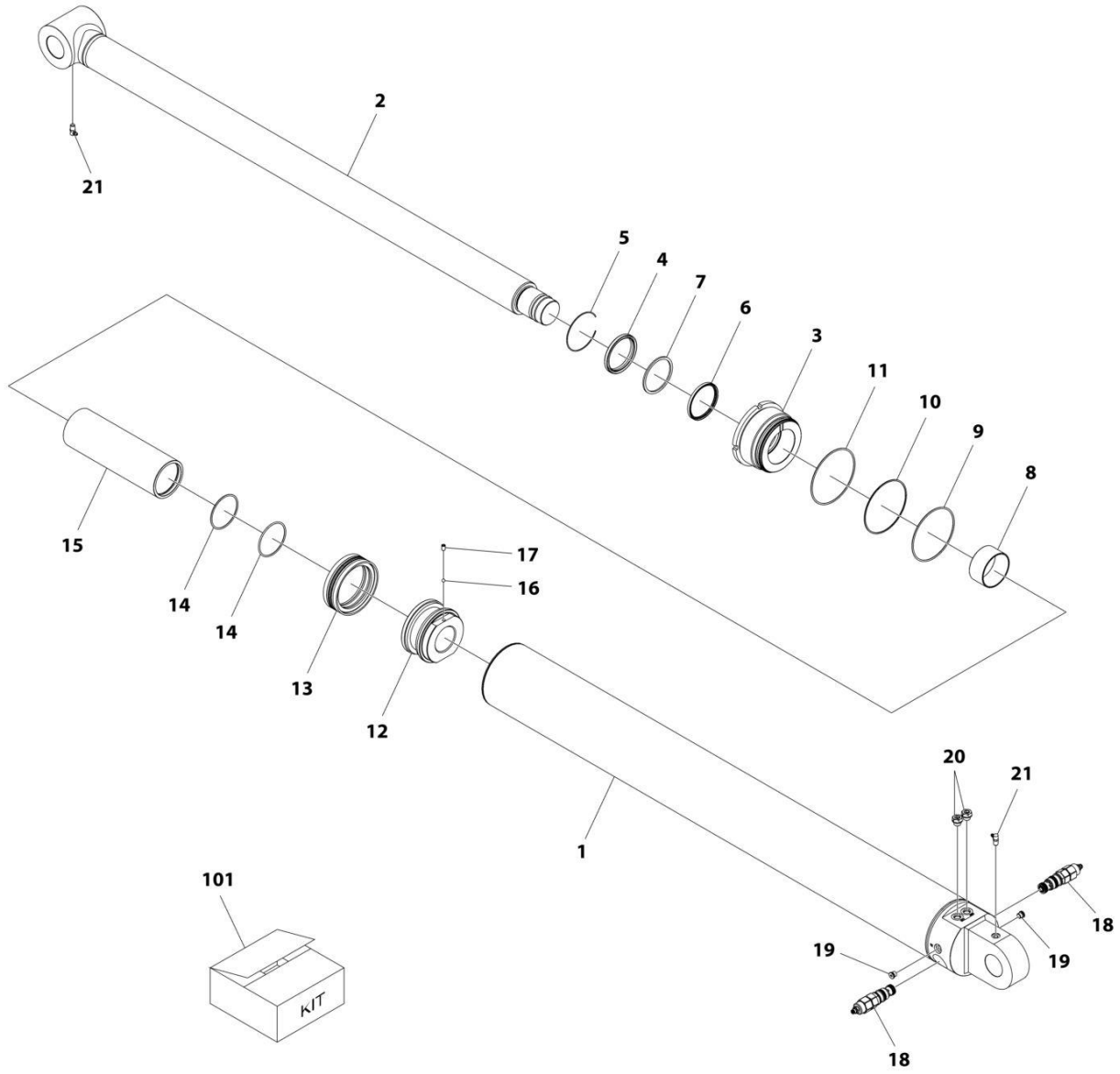
SECTION 2 - BOOM

FIGURE 2-5. CYLINDER ASSEMBLY - EXTEND/RETRACT

ITEM	PART NUMBER	QTY	DESCRIPTION	REV
	1001286141	Ref	CYLINDER ASSEMBLY - EXTEND/RETRACT	A
		Ref	Note: Original Cylinder May Have Been Replaced with Service Replacement. Identify PN Stamped on Cylinder Before Ordering Parts.	
1	See Note	NSS	Barrel (Note: Not available for purchase)	
2	70070112	1	Rod	
3	70070113	1	Gland	
4	See Note	NSS	Wiper, Dust (Note: Use Item 101)	
5	70050795	1	Ring, Retaining	
6	See Note	NSS	Seal, Rod (Note: Use Item 101)	
7	See Note	NSS	Ring, Back-up (Note: Use Item 101)	
8	See Note	NSS	O-Ring (Note: Use Item 101)	
9	See Note	NSS	Ring, Back-up (Note: Use Item 101)	
10	See Note	NSS	O-Ring (Note: Use Item 101)	
11	See Note	NSS	Ring, Wear (Note: Use Item 101)	
12	70070114	1	Piston	
13	See Note	NSS	Seal, Piston (Note: Use Item 101)	
14	See Note	NSS	O-Ring (Note: Use Item 101)	
15	See Note	NSS	Ring, Wear (Note: Use Item 101)	
16	70007105	1	Set Screw	
17	70023376	2	Grease Nipple	
18	70070054	2	Valve, Counterbalance	
19	70023371	2	Plug	
20	70023370	2	Plug	
21	70070115	2	Bracket	
22	70023368	2	Bolt	
23	70005594	2	Nut	
101	70070116	1	Seal Kit (Includes Items 4, 6-11, 13-15)	

SECTION 2 - BOOM

FIGURE 2-6. CYLINDER ASSEMBLY - LIFT



ART_1001284484

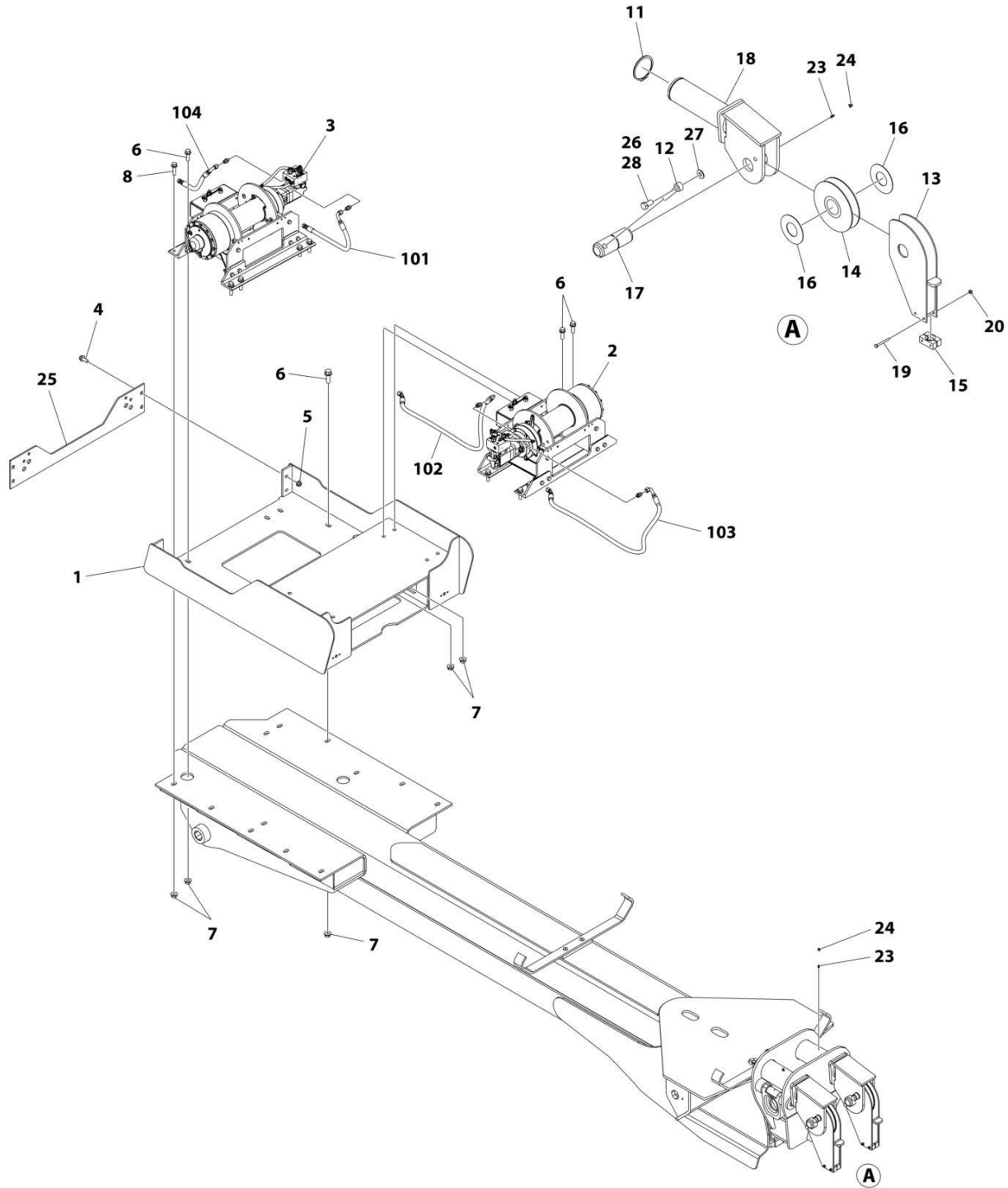
SECTION 2 - BOOM

FIGURE 2-6. CYLINDER ASSEMBLY - LIFT

ITEM	PART NUMBER	QTY	DESCRIPTION	REV
	1001284484	Ref	CYLINDER ASSEMBLY - LIFT	A
	See Note	Ref	Note: Original Cylinder May Have Been Replaced with Service Replacement. Identify PN Stamped on Cylinder Before Ordering Parts.	
1	See Note	NSS	Barrel (Note: Not Available for Purchase)	
2	70070056	1	Rod	
3	70070057	1	Gland	
4	See Note	NSS	Wiper, Dust (Note: Use Item 101)	
5	70023379	1	Ring, Retaining	
6	See Note	NSS	Seal, Rod (Note: Use Item 101)	
7	See Note	NSS	Ring, Backup (Note: Use Item 101)	
8	70052522	1	Bushing	
9	See Note	NSS	O-Ring (Note: Use Item 101)	
10	See Note	NSS	Ring, Backup (Note: Use Item 101)	
11	See Note	NSS	O-Ring (Note: Use Item 101)	
12	70070058	1	Piston	
13	See Note	NSS	Seal, Piston (Note: Use Item 101)	
14	See Note	NSS	O-Ring (Note: Use Item 101)	
15	70070059	1	Spacer	
16	70022564	1	Ball, Steel	
17	70006596	1	Screw, Set	
18	70070054	2	Valve, Counterbalance	
19	70023370	2	Plug	
20	70070038	2	Plug, Dust	
21	70023376	2	Grease Nipple	
101	70070060	1	Seal Kit (Includes Items 4, 6, 7, 9-11 & 13, 14)	

SECTION 2 - BOOM

FIGURE 2-7. BOOM WINCH INSTALLATION - 5 SPEED



ART_2503900079

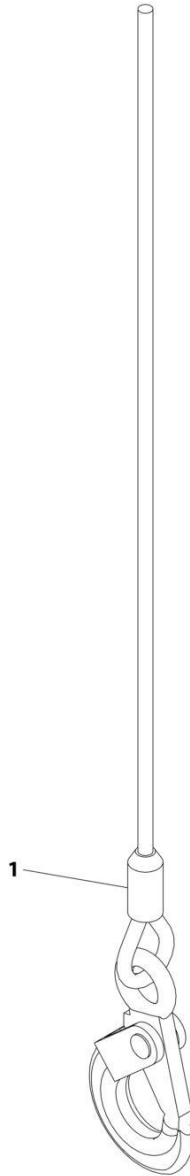
SECTION 2 - BOOM

FIGURE 2-7. BOOM WINCH INSTALLATION - 5 SPEED

ITEM	PART NUMBER	QTY	DESCRIPTION	REV
	2503900079	Ref	BOOM WINCH INSTALLATION - 5 SPEED	H
1	3636000068	1	Winch Mount	
2	7970000050	1	Winch Assembly	
3	7970000049	1	Winch Assembly	
4	7118181016	4	Bolt 1/2 x 1-1/4	
5	7660182301	4	Nut 1/2	
6	7118201616	16	Bolt 5/8 x 2	
7	7661000018	22	Nut 1/4	
8	7118202016	6	Bolt 5/8 x 2-1/2	
10	7577000648	1	Hose, Kit (Not Shown) (Includes Items 101-104)	
11	7754000049	2	Ring Retaining	
12	3841258	2	Keeper, Rod	
13	3249000001	2	Guide, Cable	
14	7809000019	2	Sheave	
15	4249000001	4	Cable Guide	
16	4949000031	4	Washer 1/16	
17	1001170037	2	Pin	
18	1001169609	2	Sheave Support Weldment	
19	7115142050	4	Bolt 1/4 x 2-1/2	
20	7660142601	4	Nut 1/4	
23	7440030000	4	Grease Fitting	
24	7253000002	4	Grease Cap	
25	4706002417	1	Plate	
26	7115201050	2	Bolt 5/8 x 1-1/4	
27	7950200141	2	Washer 5/8	
28	0100011	AR	Compound Locking	
	7577000648	Ref	HOSE, KIT	B
101	1001166531	1	Hose	
102	4567152018	1	Hose	
103	1001166532	1	Hose	
104	1001166533	1	Hose	

SECTION 2 - BOOM

FIGURE 2-8. CABLE INSTALLATION - 0.63IN X 250FT WITH EYE HOOK



ART_1001207361

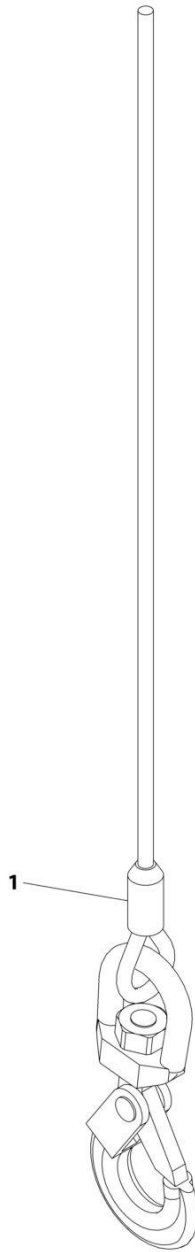
SECTION 2 - BOOM

FIGURE 2-8. CABLE INSTALLATION - 0.63IN X 250FT WITH EYE HOOK

ITEM	PART NUMBER	QTY	DESCRIPTION	REV
1	1001207361 7248000037	Ref 1	CABLE INSTALLATION - 0.63IN X 250FT WITH EYE HOOK Cable Assembly	B

SECTION 2 - BOOM

FIGURE 2-9. CABLE INSTALLATION - 0.63IN X 250FT WITH SWIVEL HOOK



ART_1001207362

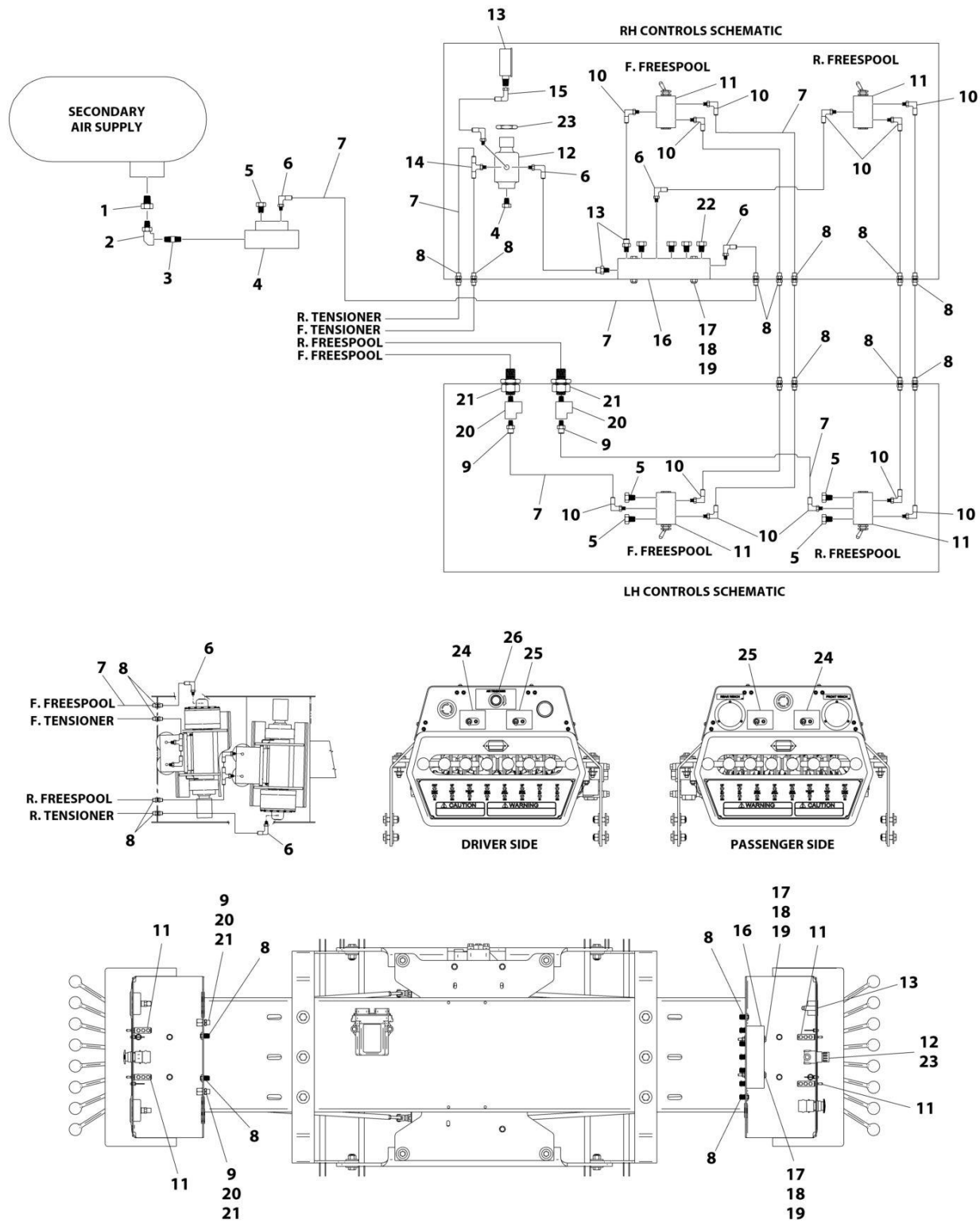
SECTION 2 - BOOM

FIGURE 2-9. CABLE INSTALLATION - 0.63IN X 250FT WITH SWIVEL HOOK

ITEM	PART NUMBER	QTY	DESCRIPTION	REV
1	1001207362 7248000079	Ref 1	CABLE INSTALLATION - 0.63IN X 250FT WITH SWIVEL HOOK Cable Assembly	B

SECTION 2 - BOOM

FIGURE 2-10. DUAL WINCH AIR INSTALLATION



ART_1001162411

SECTION 2 - BOOM

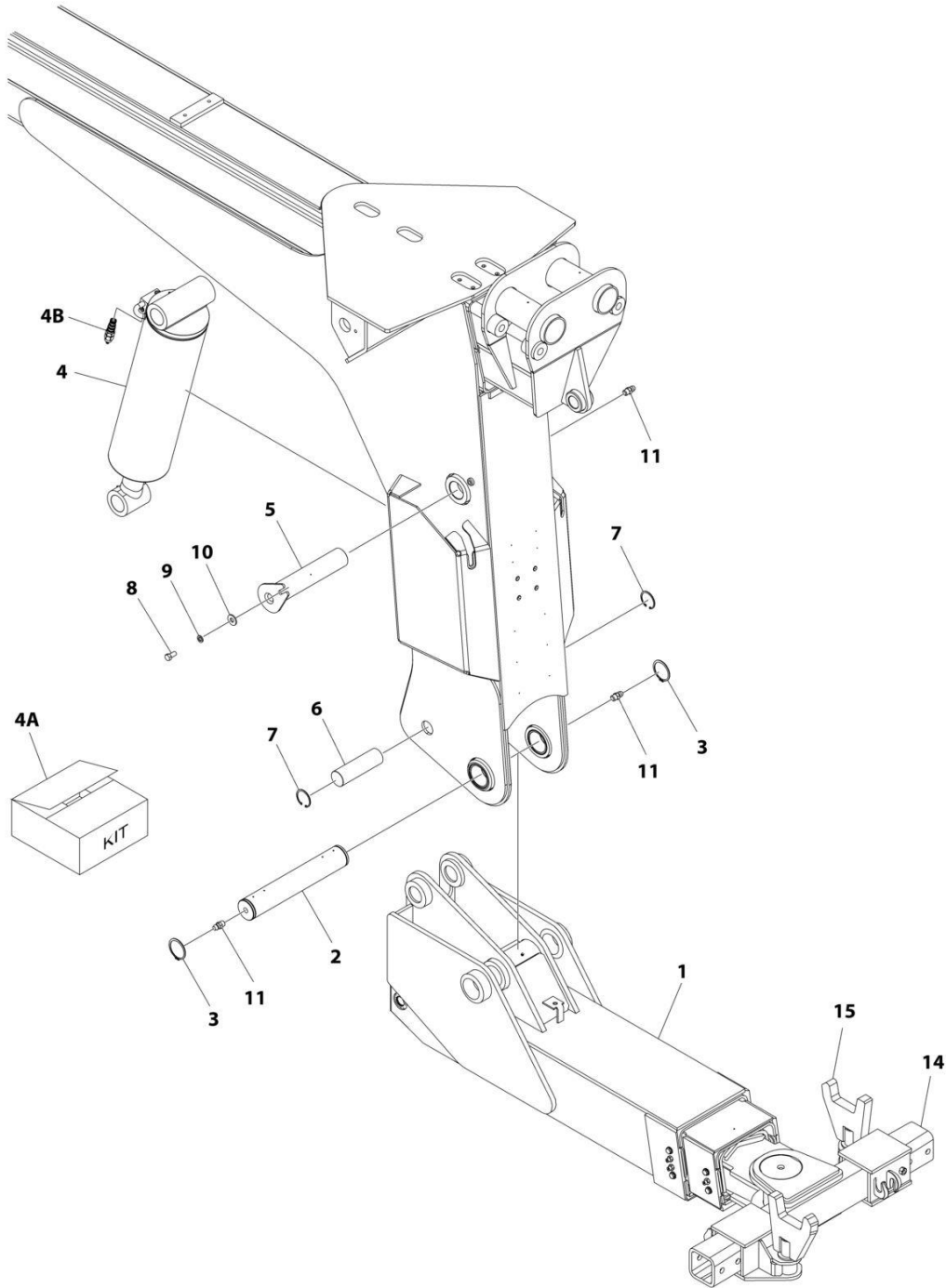
FIGURE 2-10. DUAL WINCH AIR INSTALLATION

ITEM	PART NUMBER	QTY	DESCRIPTION	REV
	1001162411	Ref	DUAL WINCH AIR INSTALLATION	B
1	7443000154	1	Bushing	
2	7443000155	1	Fitting, 90	
3	7443000156	1	Fitting	
4	7935000120	1	Valve	
5	7443000152	5	Plug	
6	7443000139	6	Fitting	
7	7565000016	150 ft	Airline Tubing	
8	7443000178	15	Tube, Bulkhead	
9	7443000329	2	Fitting	
10	7443000173	12	Fitting	
11	7935000351	4	Valve 4 way	
12	7295000029	1	Air Regulator	
13	1001127976	1	Gauge, Panel Mount	
14	7443000174	1	Fitting	
15	1001127985	1	Fitting, 90	
16	4619000005	1	Manifold	
17	7115142450	2	Bolt 1/4 x 3	
18	7660142601	2	Nut 1/4	
19	7950140161	4	Washer 1/4	
20	7443000287	2	Fitting	
21	7443000243	2	Fitting, Straight	
22	7444020014	4	Pipe	
23	7661000041	1	Nut	
24	1001162544	2	Decal	
25	1001162545	2	Decal	
26	7330000445	1	Decal	

SECTION 3 - UNDERLIFT

SECTION 3 - UNDERLIFT

FIGURE 3-1. UNDERLIFT INSTALLATION - 3 PIECE (UL280) (Prior to SN 0230009827)



ART_2503100051

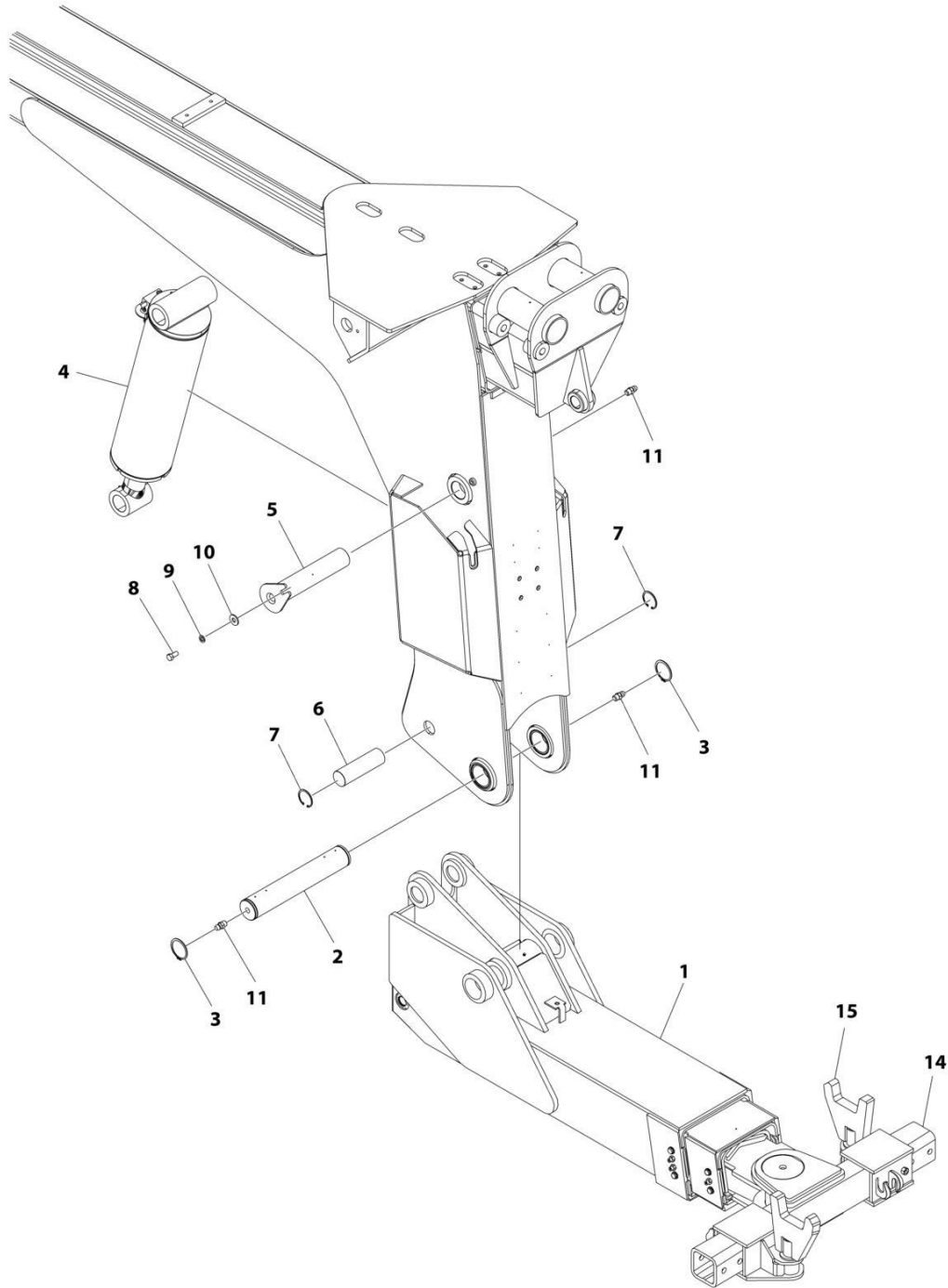
SECTION 3 - UNDERLIFT

FIGURE 3-1. UNDERLIFT INSTALLATION - 3 PIECE (UL280) (Prior to SN 0230009827)

ITEM	PART NUMBER	QTY	DESCRIPTION	REV
	2503100051	Ref	BOOM UNDERLIFT INSTALLATION - 3 PIECE	C
1	3170000225	1	Underlift Assembly (See Separate Breakdown in this Section)	
2	4691000311	1	Pin	
3	7754000018	2	Ring, Retaining	
4	7320000036	1	Cylinder Assembly - Tilt (Underlift)	
4A	7577250295	1	Kit, Seal	
4B	70050231	1	Counterbalance Valve	
5	3691000160	1	Pin	
6	4691000317	1	Pin	
7	7754000051	2	Ring, Retaining	
8	7115180850	1	Bolt 1/2 x 1	
9	7950180000	1	Washer 1/2	
10	7950180161	1	Washer 1/2	
11	7440030000	3	Fitting, Straight	
14	2503880012	1	Cross Tube Installation (See Separate Breakdown in this Section)	
15	2503870011	1	Frame Fork Installation (See Separate Breakdown in this Section)	

SECTION 3 - UNDERLIFT

FIGURE 3-2. UNDERLIFT INSTALLATION - 3 PIECE (UL280) (SN 0230009827 to Present)



ART_2503100051_D

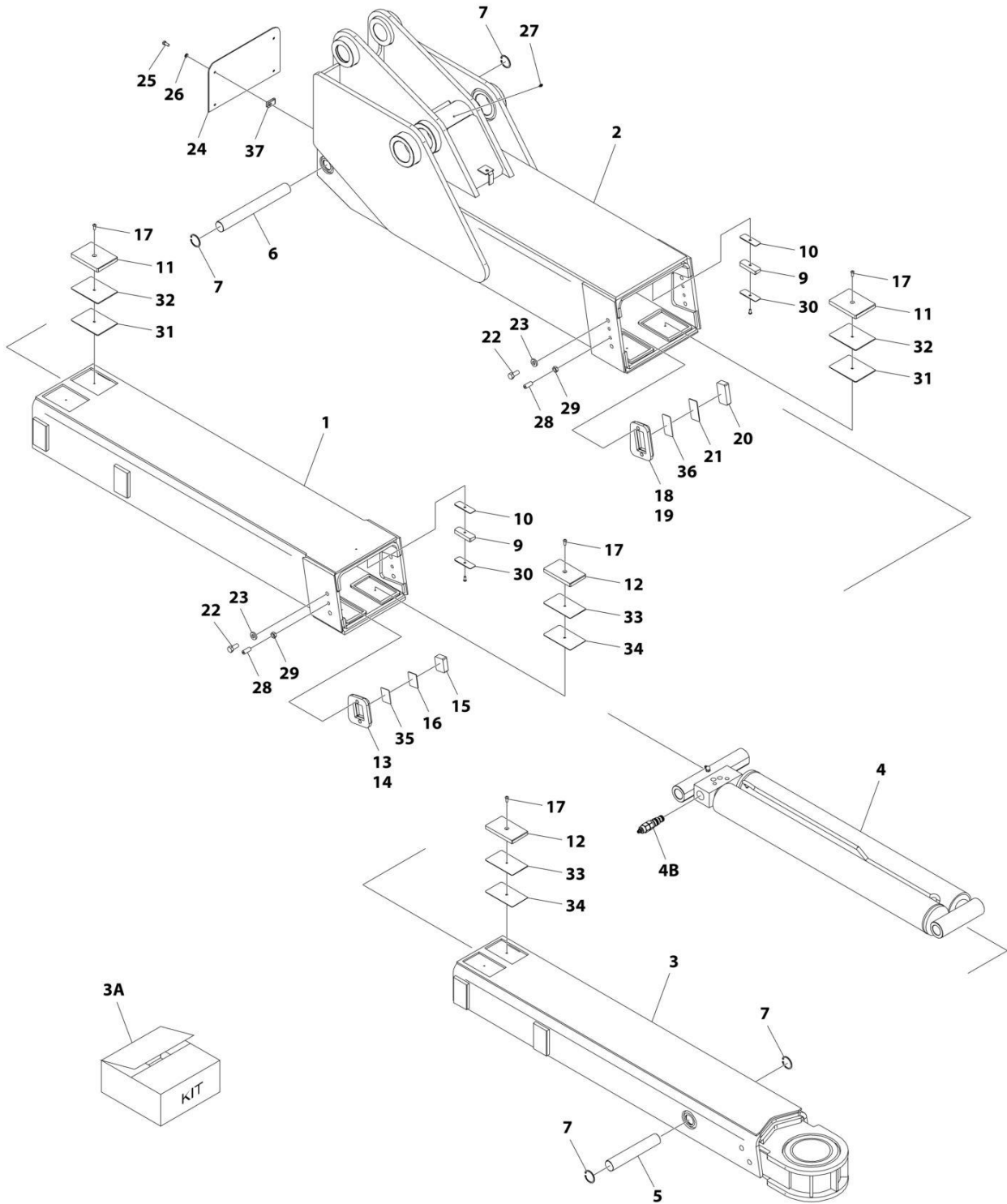
SECTION 3 - UNDERLIFT

FIGURE 3-2. UNDERLIFT INSTALLATION - 3 PIECE (UL280) (SN 0230009827 to Present)

ITEM	PART NUMBER	QTY	DESCRIPTION	REV
	2503100051	Ref	BOOM UNDERLIFT INSTALLATION - 3 PIECE	D
1	3170000225	1	Underlift Assembly (See Separate Breakdown in this Section)	
2	4691000311	1	Pin	
3	7754000018	2	Ring, Retaining	
4	1001286132	1	Cylinder Assembly - Tilt (Underlift) (See Separate Breakdown in this Section)	
5	3691000160	1	Pin	
6	4691000317	1	Pin	
7	7754000051	2	Ring, Retaining	
8	7115180850	1	Bolt 1/2 x 1	
9	7950180000	1	Washer 1/2	
10	7950180161	1	Washer 1/2	
11	7440030000	3	Fitting, Straight	
14	2503880012	1	Cross Tube Installation (See Separate Breakdown in this Section)	
15	2503870011	1	Frame Fork Installation (See Separate Breakdown in this Section)	

SECTION 3 - UNDERLIFT

FIGURE 3-3. UNDERLIFT ASSEMBLY - 3 PIECE (UL280) (Prior to SN 0230009827)



ART_3170000225

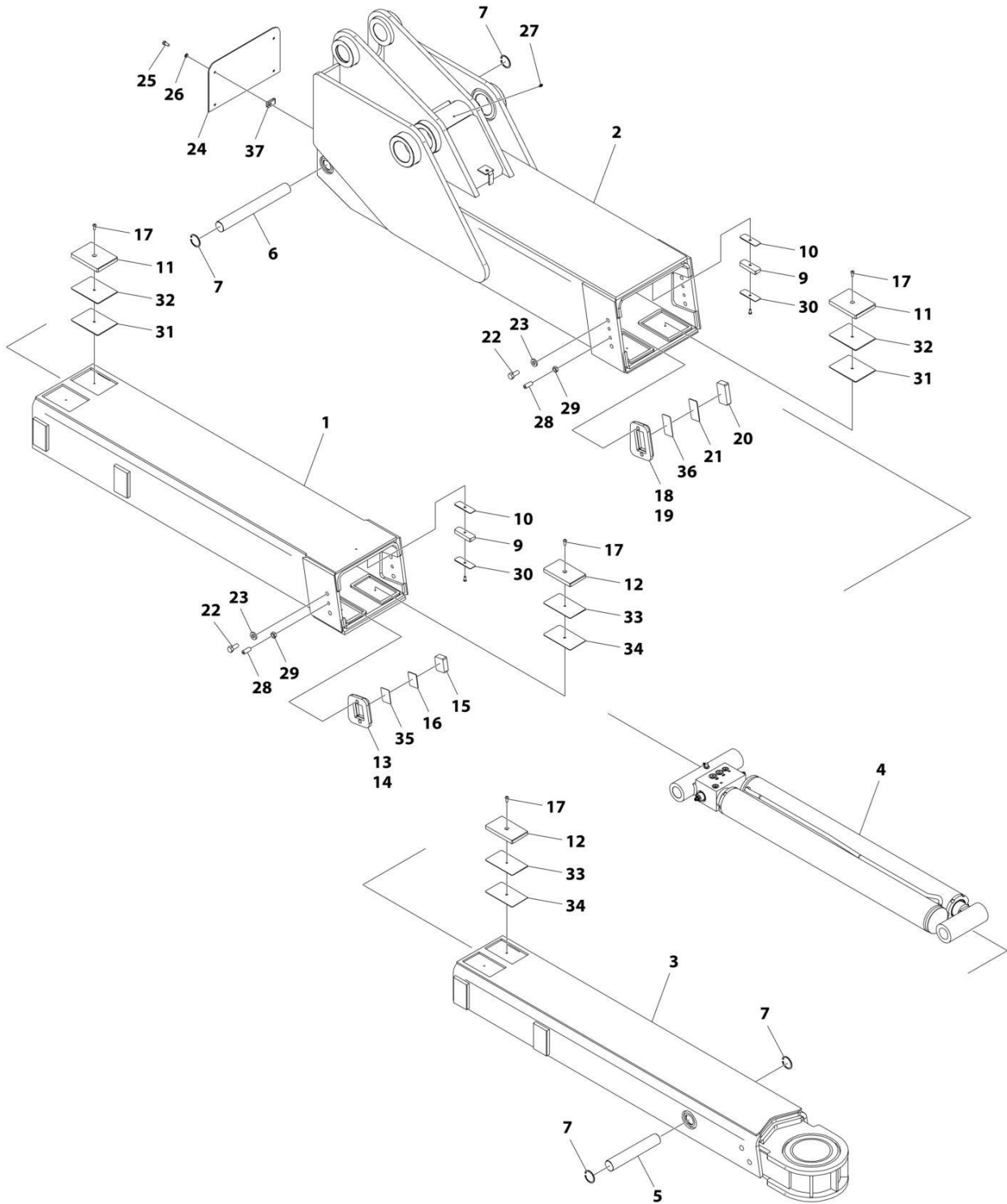
SECTION 3 - UNDERLIFT

FIGURE 3-3. UNDERLIFT ASSEMBLY - 3 PIECE (UL280) (Prior to SN 0230009827)

ITEM	PART NUMBER	QTY	DESCRIPTION	REV
	3170000225	Ref	UNDERLIFT ASSEMBLY - 35000 LBS	D
1	3170000223	1	Mid Section Boom Weldment	
2	3170000224	1	Base Section Boom Weldment	
3	3170000222	1	Fly Section Boom Weldment	
4	7320000034	1	Underlift Extension Cylinder Assembly	
4A	7577250297	1	Kit, Seal	
4B	9935250035	1	Valve, Counterbalance	
5	4691000318	1	Pin	
6	4691000316	1	Pin	
7	7754000043	4	Ring, Retaining	
9	4679000159	2	Pad	
10	4706003708	2	Plate	
11	4679000161	4	Pad	
12	4679000158	4	Pad	
13	3706000177	1	Plate	
14	3706000178	1	Plate	
15	4679000206	2	Pad	
16	4706003144	2	Plate	
17	7114140418	8	Capscrew 1/4 x 1/2	
18	3706000179	1	Plate - LH	
19	3706000180	1	Plate - RH	
20	4679000205	2	Pad	
21	4706003719	2	Plate	
22	7105180850	8	Capscrew 1/2 x 1	
23	7950180153	8	Washer 1/2	
24	4706002467	1	Plate	
25	7115140650	4	Capscrew 1/4 x 3/4	
26	7950140000	4	Washer 1/4	
27	7440030000	1	Fitting, Grease	
28	7786000008	6	Screw 1/2 x 1-1/4	
29	7660180230	6	Nut 1/2	
30	4706003709	2	Plate	
31	4706003721	4	Plate	
32	4706003722	4	Plate	
33	4706003723	4	Plate	
34	4706003724	4	Plate	
35	4706003725	2	Plate	
36	4706003720	2	Plate	
37	7661000019	4	U-Nut 1/4	

SECTION 3 - UNDERLIFT

FIGURE 3-4. UNDERLIFT ASSEMBLY - 3 PIECE (UL280) (SN 0230009827 to Present)



ART_3170000225_E

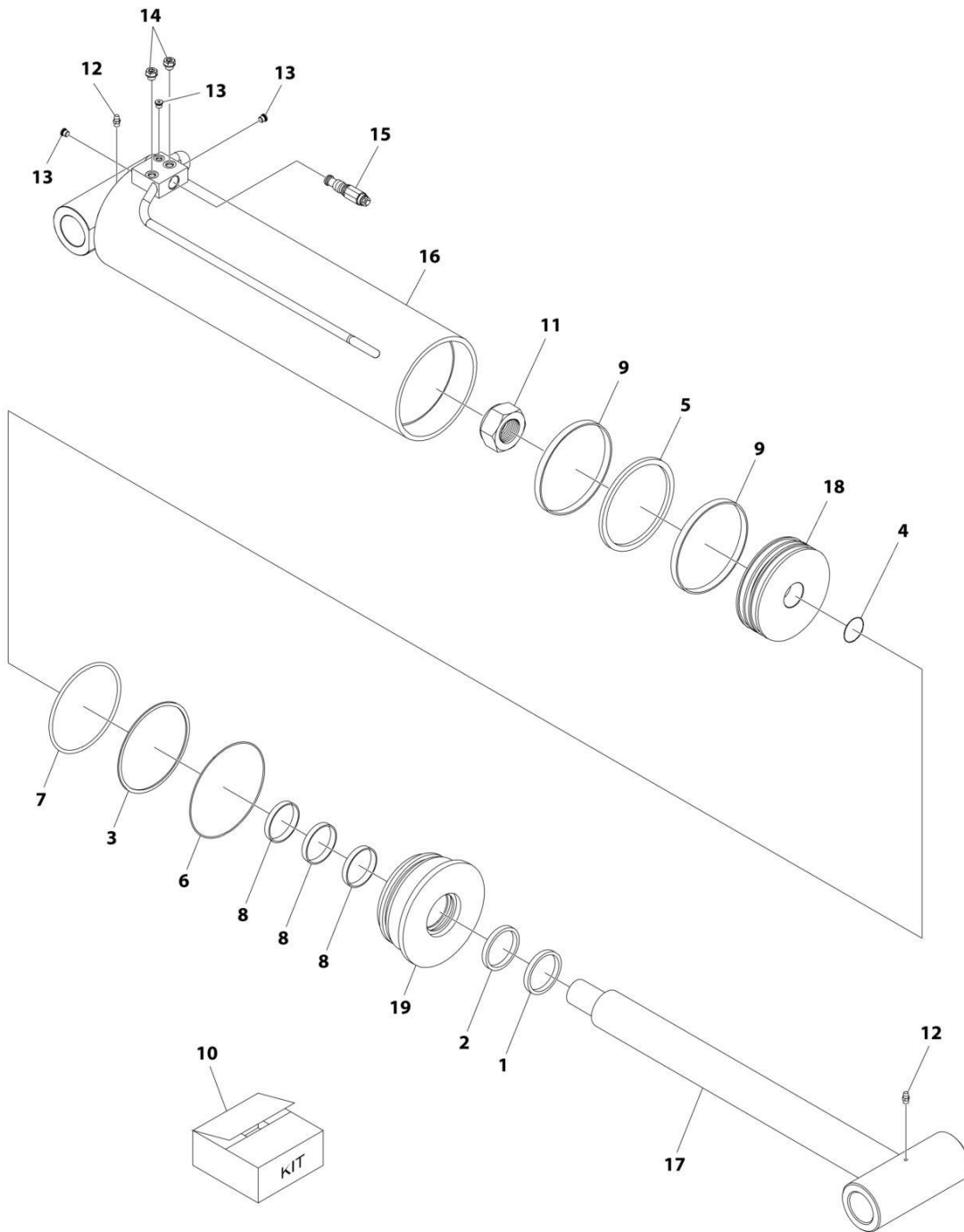
SECTION 3 - UNDERLIFT

FIGURE 3-4. UNDERLIFT ASSEMBLY - 3 PIECE (UL280) (SN 0230009827 to Present)

ITEM	PART NUMBER	QTY	DESCRIPTION	REV
	3170000225	Ref	UNDERLIFT ASSEMBLY - 35000 LBS	E
1	3170000223	1	Mid Section Boom Weldment	
2	3170000224	1	Base Section Boom Weldment	
3	3170000222	1	Fly Section Boom Weldment	
4	1001286133	1	Underlift Extension Cylinder Assembly (See Separate Breakdown in this Section)	
5	4691000318	1	Pin	
6	4691000316	1	Pin	
7	7754000043	4	Ring, Retaining	
9	4679000159	2	Pad	
10	4706003708	2	Plate	
11	4679000161	4	Pad	
12	4679000158	4	Pad	
13	3706000177	1	Plate	
14	3706000178	1	Plate	
15	4679000206	2	Pad	
16	4706003144	2	Plate	
17	7114140418	8	Capscrew 1/4 x 1/2	
18	3706000179	1	Plate - LH	
19	3706000180	1	Plate - RH	
20	4679000205	2	Pad	
21	4706003719	2	Plate	
22	7105180850	8	Capscrew 1/2 x 1	
23	7950180153	8	Washer 1/2	
24	4706002467	1	Plate	
25	7115140650	4	Capscrew 1/4 x 3/4	
26	7950140000	4	Washer 1/4	
27	7440030000	1	Fitting, Grease	
28	7786000008	6	Screw 1/2 x 1-1/4	
29	7660180230	6	Nut 1/2	
30	4706003709	2	Plate	
31	4706003721	4	Plate	
32	4706003722	4	Plate	
33	4706003723	4	Plate	
34	4706003724	4	Plate	
35	4706003725	2	Plate	
36	4706003720	2	Plate	
37	7661000019	4	U-Nut 1/4	

SECTION 3 - UNDERLIFT

FIGURE 3-5. CYLINDER ASSEMBLY - TILT (Prior to SN 0230009827)



ART_732000098

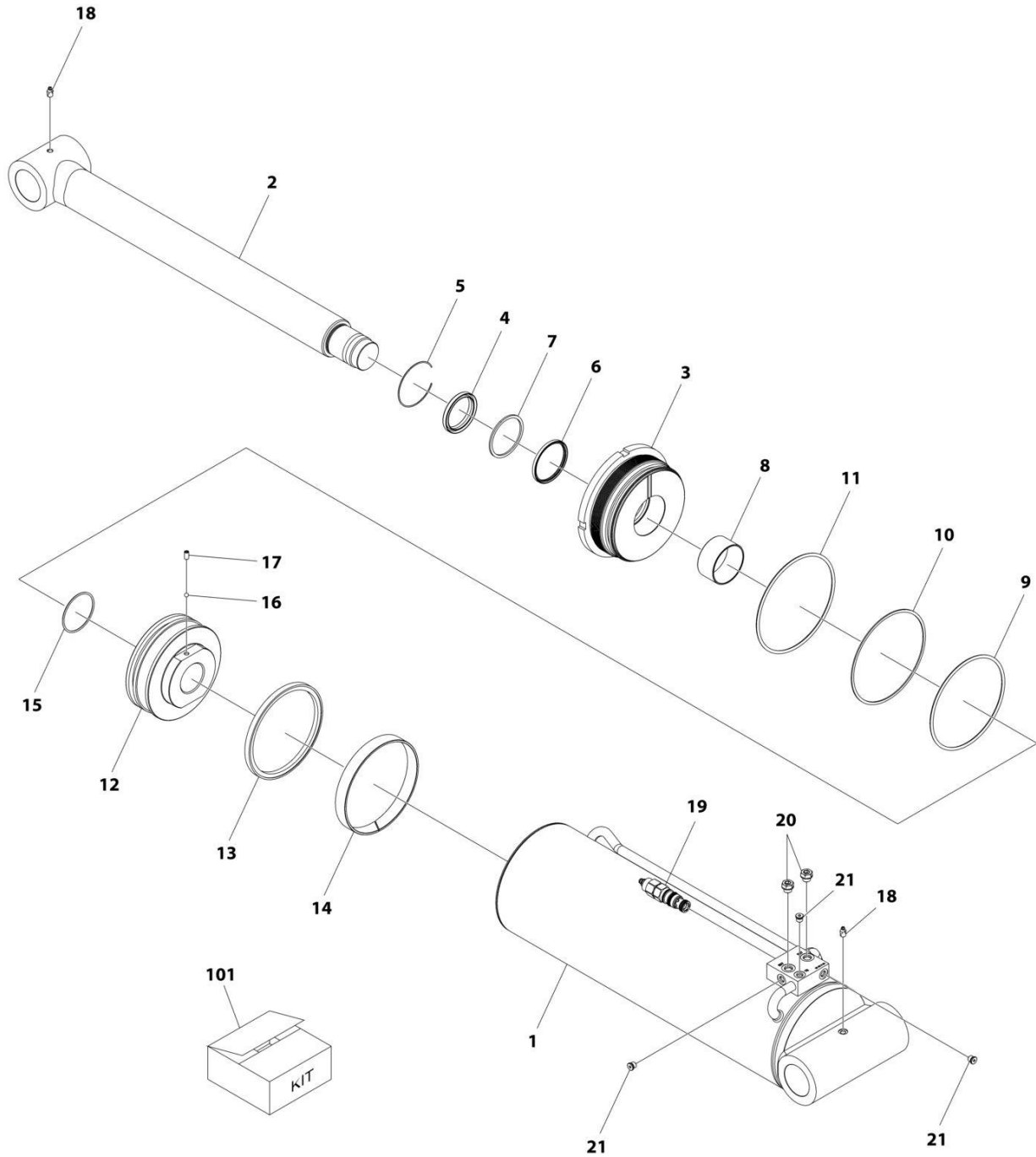
SECTION 3 - UNDERLIFT

FIGURE 3-5. CYLINDER ASSEMBLY - TILT (Prior to SN 0230009827)

ITEM	PART NUMBER	QTY	DESCRIPTION	REV
	7320000098	Ref	CYLINDER ASSEMBLY - UNDERLIFT LIFT	C
1	See Note	NSS	Wiper (Note: Use Item 10)	
2	See Note	NSS	Seal (Note: Use Item 10)	
3	See Note	NSS	Ring, Back-up (Note: Use Item 10)	
4	See Note	NSS	O-Ring (Note: Use Item 10)	
5	See Note	NSS	Seal (Note: Use Item 10)	
6	See Note	NSS	O-Ring (Note: Use Item 10)	
7	See Note	NSS	O-Ring (Note: Use Item 10)	
8	See Note	NSS	Ring, Wear (Note: Use Item 10)	
9	See Note	NSS	Ring, Wear (Note: Use Item 10)	
10	7577250204	1	Kit, Seal - 7320000098 Cylinder (Includes Items 1-9)	
11	7005314	1	Nut	
12	7005348	2	Fitting, Lube	
13	7005365	3	Plug	
14	70021648	2	Plug	
15	70050231	1	Valve, Counter Balance	
16	70051012	1	Tube	
17	70051013	1	Rod	
18	9698250014	1	Piston	
19	7019892	1	Head	

SECTION 3 - UNDERLIFT

FIGURE 3-6. CYLINDER ASSEMBLY - TILT (SN 0230009827 to Present)



ART_1001286132

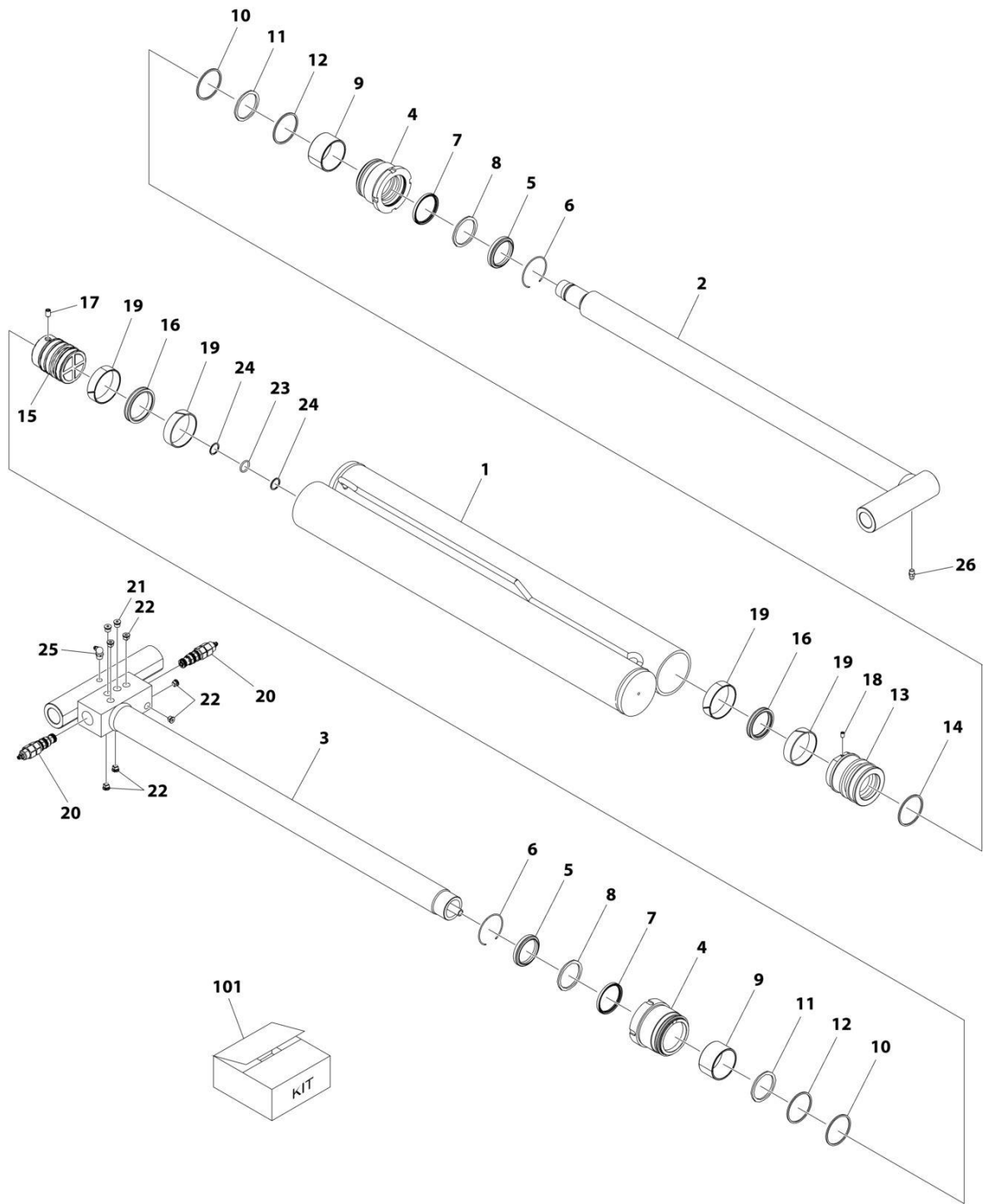
SECTION 3 - UNDERLIFT

FIGURE 3-6. CYLINDER ASSEMBLY - TILT (SN 0230009827 to Present)

ITEM	PART NUMBER	QTY	DESCRIPTION	REV
	1001286132	Ref	CYLINDER ASSEMBLY - TILT	A
	See Note	Ref	Note: Original Cylinder May Have Been Replaced with Service Replacement. Identify PN Stamped on Cylinder Before Ordering Parts.	
1	See Note	NSS	Barrel (Note: Not Available for Purchase)	
2	70070074	1	Rod	
3	70070034	1	Gland	
4	See Note	NSS	Wiper, Dust (Note: Use Item 101)	
5	70023379	1	Ring, Retaining	
6	See Note	NSS	Seal, Rod (Note: Use Item 101)	
7	See Note	NSS	Ring, Backup (Note: Use Item 101)	
8	70052522	1	Bushing	
9	See Note	NSS	O-Ring (Note: Use Item 101)	
10	See Note	NSS	Ring, Backup (Note: Use Item 101)	
11	See Note	NSS	O-Ring (Note: Use Item 101)	
12	70070035	1	Piston	
13	See Note	NSS	Seal, Piston (Note: Use Item 101)	
14	See Note	1	Ring, Wear (Note: Use Item 101)	
15	See Note	NSS	O-Ring (Note: Use Item 101)	
16	70022564	1	Ball, Steel	
17	70070036	1	Screw, Set	
18	70029469	2	Grease Nipple	
19	70070075	1	Valve, Counterbalance	
20	70070038	2	Plug, Dust	
21	70023370	3	Plug	
101	70070076	1	Seal Kit (Includes Items 4, 6, 7, 9-11 & 13-15)	

SECTION 3 - UNDERLIFT

FIGURE 3-7. CYLINDER ASSEMBLY - EXTEND/RETRACT (UL280)



ART_1001286133

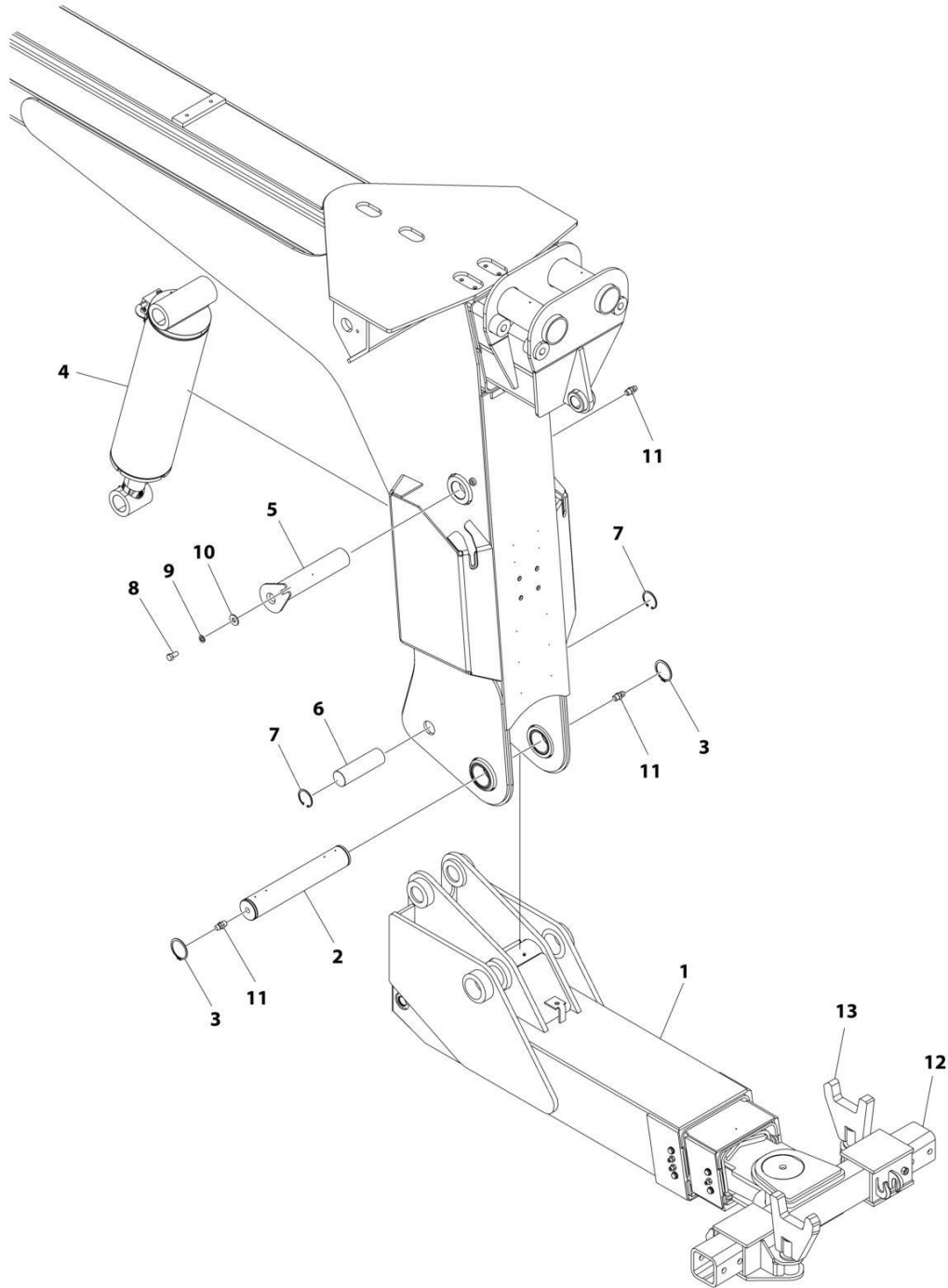
SECTION 3 - UNDERLIFT

FIGURE 3-7. CYLINDER ASSEMBLY - EXTEND/RETRACT (UL280)

ITEM	PART NUMBER	QTY	DESCRIPTION	REV
	1001286133	Ref	CYLINDER ASSEMBLY - EXTEND/RETRACT	A
		Ref	Note: Original Cylinder May Have Been Replaced with Service Replacement. Identify PN Stamped on Cylinder Before Ordering Parts.	
1	See Note	NSS	Barrel (Note: Not available for purchase)	
2	70070085	1	Rod	
3	70070086	1	Rod	
4	70008165	2	Gland	
5	See Note	NSS	Wiper, Dust (Note: Use Item 101)	
6	70002412	2	Ring, Retaining	
7	See Note	NSS	Seal, Rod (Note: Use Item 101)	
8	See Note	NSS	Ring, Back-up (Note: Use Item 101)	
9	70052577	2	Bushing	
10	See Note	NSS	O-Ring (Note: Use Item 101)	
11	See Note	NSS	Ring, Back-up (Note: Use Item 101)	
12	See Note	NSS	O-Ring (Note: Use Item 101)	
13	70070087	1	Piston	
14	See Note	NSS	O-Ring (Note: Use Item 101)	
15	70070088	1	Piston	
16	See Note	NSS	Seal, Piston (Note: Use Item 101)	
17	70005866	1	Set Screw	
18	70005847	1	Set Screw	
19	See Note	NSS	Ring, Wear (Note: Use Item 101)	
20	70070089	2	Valve, Counterbalance	
21	70023371	2	Plug	
22	70023370	6	Plug	
23	See Note	NSS	O-Ring (Note: Use Item 101)	
24	See Note	NSS	Ring, Back-up (Note: Use Item 101)	
25	70023376	1	Grease Nipple	
26	70029469	1	Grease Nipple	
101	70070090	1	Seal Kit (Includes Items 5, 7, 8, 10-12, 14, 16, 19, 23, 24)	

SECTION 3 - UNDERLIFT

FIGURE 3-8. UNDERLIFT INSTALLATION - 3 PIECE (UL350) (Prior to SN 0230009827)



ART_2503100073

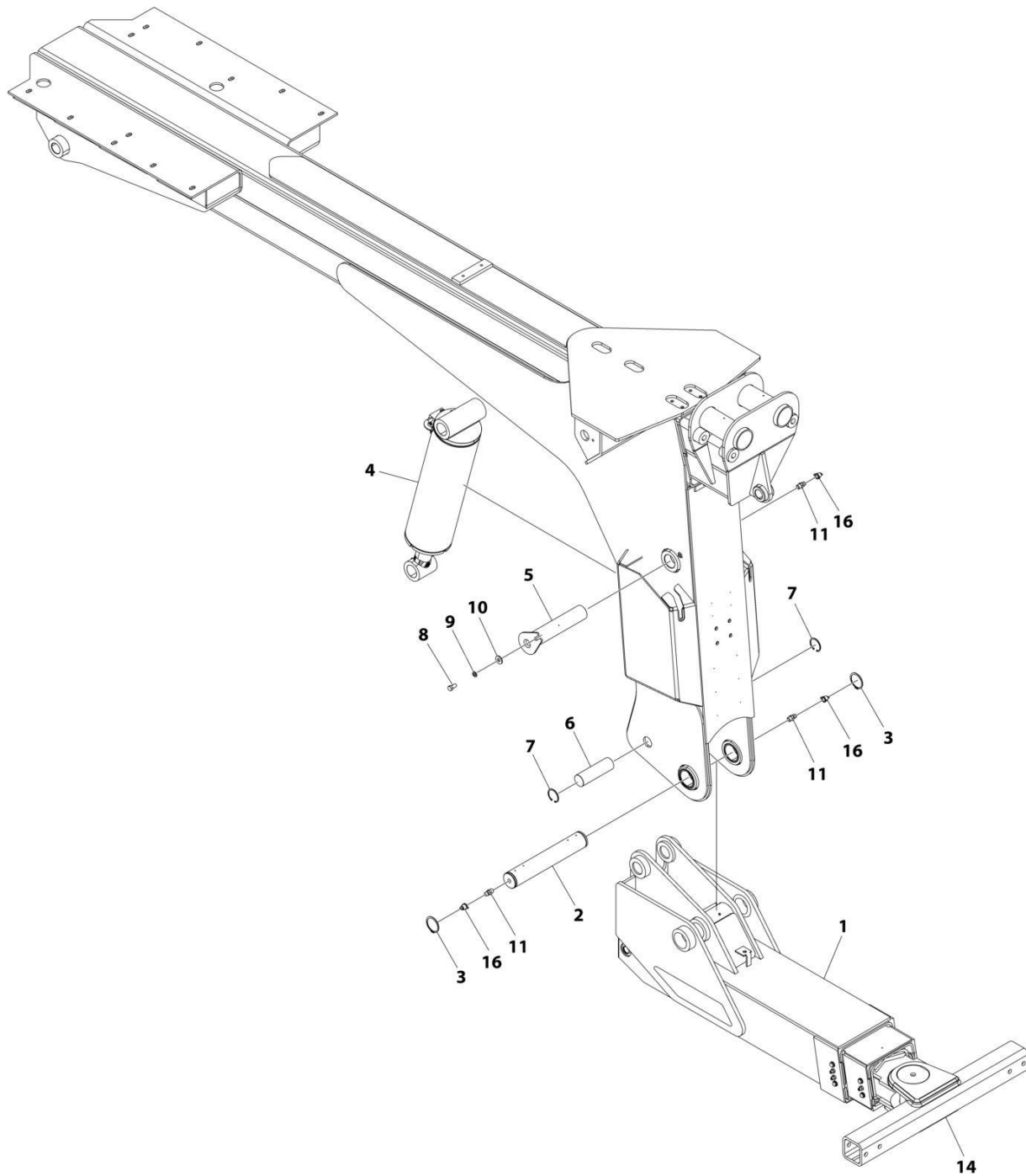
SECTION 3 - UNDERLIFT

FIGURE 3-8. UNDERLIFT INSTALLATION - 3 PIECE (UL350) (Prior to SN 0230009827)

ITEM	PART NUMBER	QTY	DESCRIPTION	REV
	2503100073	Ref	UNDERLIFT INSTALLATION - 3 PIECE 35000 LBS (UL350)	C
1	3170000220	1	Underlift Boom Assembly (See Separate Breakdown in this Section)	
2	4691000311	1	Pin	
3	7754000018	2	Ring, Retaining	
4	1001286132	1	Cylinder Assembly - Tilt (Underlift) (See Separate Breakdown in this Section)	
5	3691000160	1	Pin	
6	4691000317	1	Pin	
7	7754000051	2	Ring, Retaining	
8	7115180850	1	Bolt 1/2 x 1	
9	7950180000	1	Washer 1/2	
10	7950180161	1	Washer 1/2	
11	7440030000	3	Fitting, Straight	
12	2503880012	1	Cross Tube Installation (See Separate Breakdown in this Section)	
13	2503870011	1	Frame Fork Installation (See Separate Breakdown in this Section)	

SECTION 3 - UNDERLIFT

FIGURE 3-9. UNDERLIFT INSTALLATION - 3 PIECE (UL350) (SN 0230009827 to Present)



ART_2506100008_H

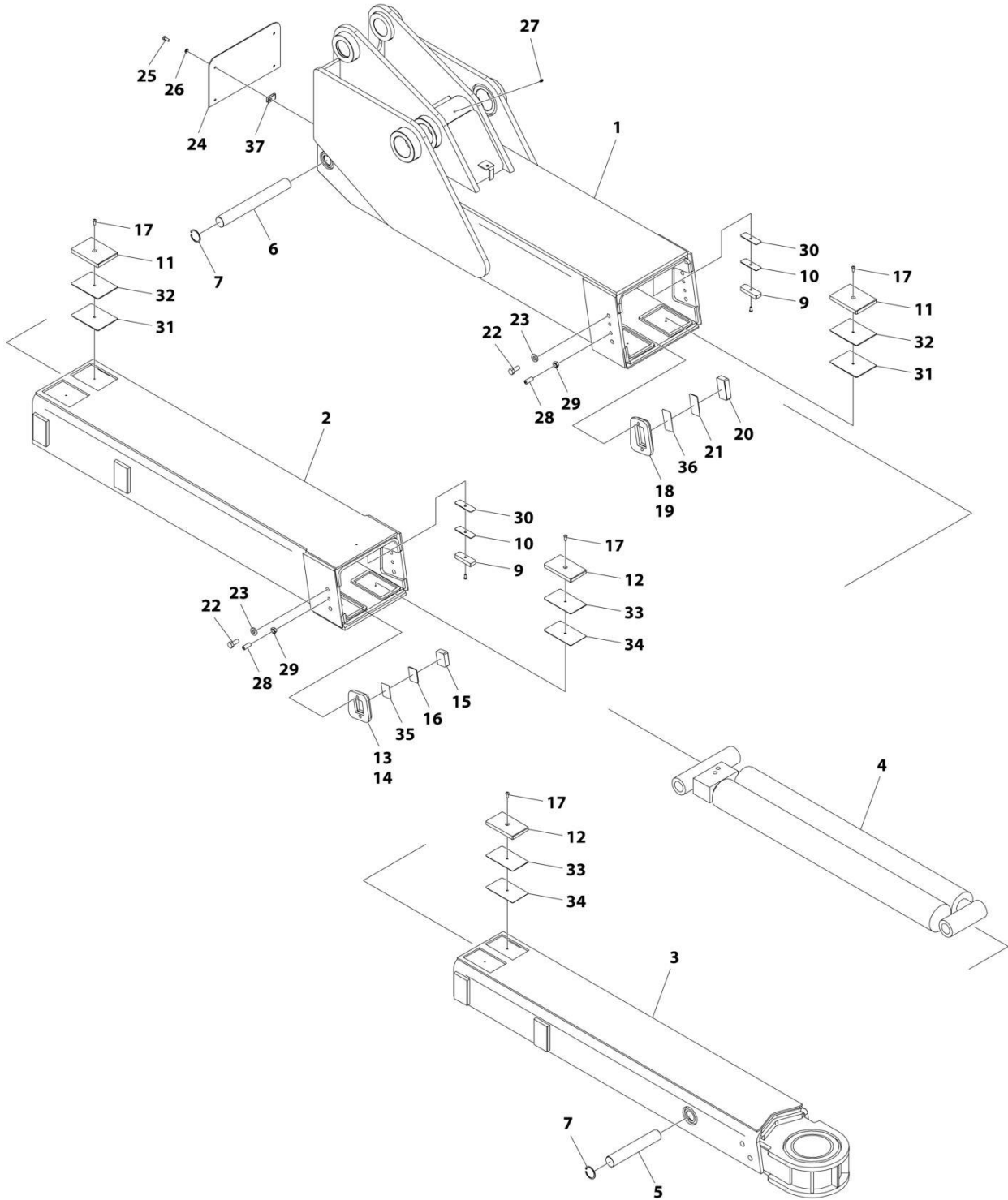
SECTION 3 - UNDERLIFT

FIGURE 3-9. UNDERLIFT INSTALLATION - 3 PIECE (UL350) (SN 0230009827 to Present)

ITEM	PART NUMBER	QTY	DESCRIPTION	REV
	2506100008	Ref	UNDERLIFT INSTALLATION - 3 PIECE 35000 LBS (UL350)	H
1	3170000220	1	Underlift Boom Assembly (See Separate Breakdown in this Section)	
2	4691000311	1	Pin	
3	7754000018	2	Ring, Retaining	
4	1001286132	1	Cylinder Assembly - Tilt (Underlift) (See Separate Breakdown in this Section)	
5	3691000160	1	Pin	
6	4691000317	1	Pin	
7	7754000051	2	Ring, Retaining	
8	7115180850	1	Bolt 1/2 x 1	
9	7950180000	1	Washer 1/2	
10	7950180161	1	Washer 1/2	
11	7440030000	3	Fitting, Straight	
14	2503880012	1	Cross Tube Installation (See Separate Breakdown in this Section)	
15	2503870011	1	Frame Fork Installation (Not Shown) (See Separate Breakdown in this Section)	
16	7253000002	5	Cap, Fitting	

SECTION 3 - UNDERLIFT

FIGURE 3-10. UNDERLIFT ASSEMBLY - 3 PIECE (UL350) (Prior to SN 0230009827)



ART_3170000220

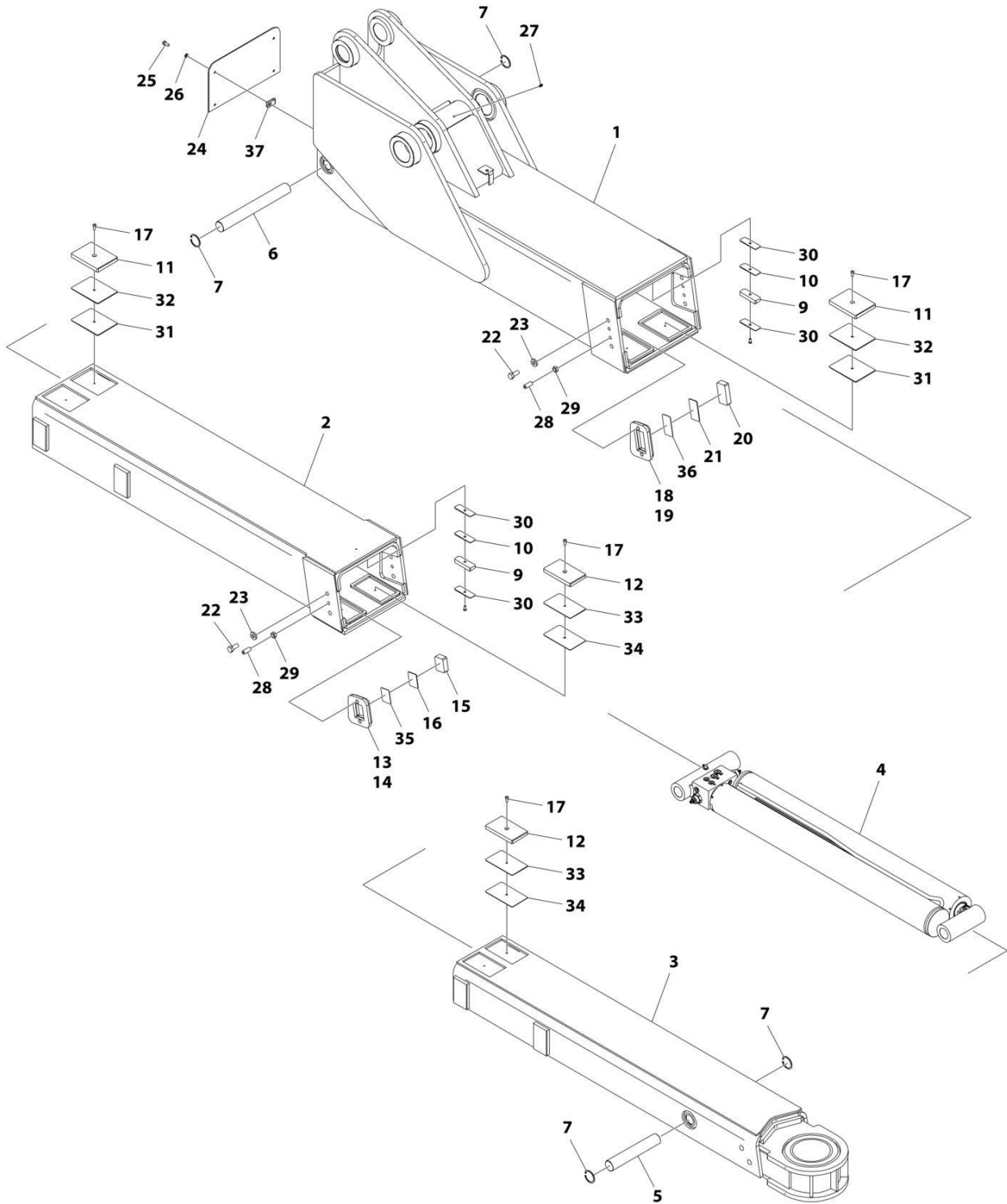
SECTION 3 - UNDERLIFT

FIGURE 3-10. UNDERLIFT ASSEMBLY - 3 PIECE (UL350) (Prior to SN 0230009827)

ITEM	PART NUMBER	QTY	DESCRIPTION	REV
	3170000220	Ref	Underlift Assembly - 35,000 lbs	E
1	3170000224	1	Base Section Boom Weldment	
2	3170000223	1	Mid Section Boom Weldment	
3	3170000221	1	Fly Section Boom Weldment	
4	7320000042	1	Underlift Extension Cylinder Assembly (See Separate Breakdown in this Section)	
5	4691000318	1	Pin	
6	4691000316	1	Pin	
7	7754000043	4	Retaining Ring	
9	4679000159	2	Pad	
10	4706003708	2	Plate	
11	4679000161	4	Pad	
12	4679000158	4	Pad	
13	3706000177	1	Plate	
14	3706000178	1	Plate	
15	4679000206	2	Pad	
16	4706003144	2	Plate	
17	7114140418	8	Capscrew 1/4 x 1/2	
18	3706000179	1	Plate - LH	
19	3706000180	1	Plate - RH	
20	4679000205	2	Pad	
21	4706003719	2	Plate	
22	7105180850	8	Capscrew 1/4 x 1	
23	7950170153	8	Washer 1/4	
24	4706002467	1	Plate	
25	7115140650	4	Capscrew 1/4 x 3/4	
26	7950140000	4	Washer 1/4	
27	7440030000	1	Grease Fitting	
28	7786000008	6	Screw 1/2 x 1-1/4	
29	7660180230	6	Nut 1/2	
30	4706003709	4	Plate	
31	4706003721	4	Plate	
32	4706003722	4	Plate	
33	4706003723	4	Plate	
34	4706003724	4	Plate	
35	4706003725	2	Plate	
36	4706003720	2	Plate	
37	7661000019	4	U-Nut 1/4	

SECTION 3 - UNDERLIFT

FIGURE 3-11. UNDERLIFT ASSEMBLY - 3 PIECE (UL350) (SN 0230009827 to Present)



ART_3170000220_F

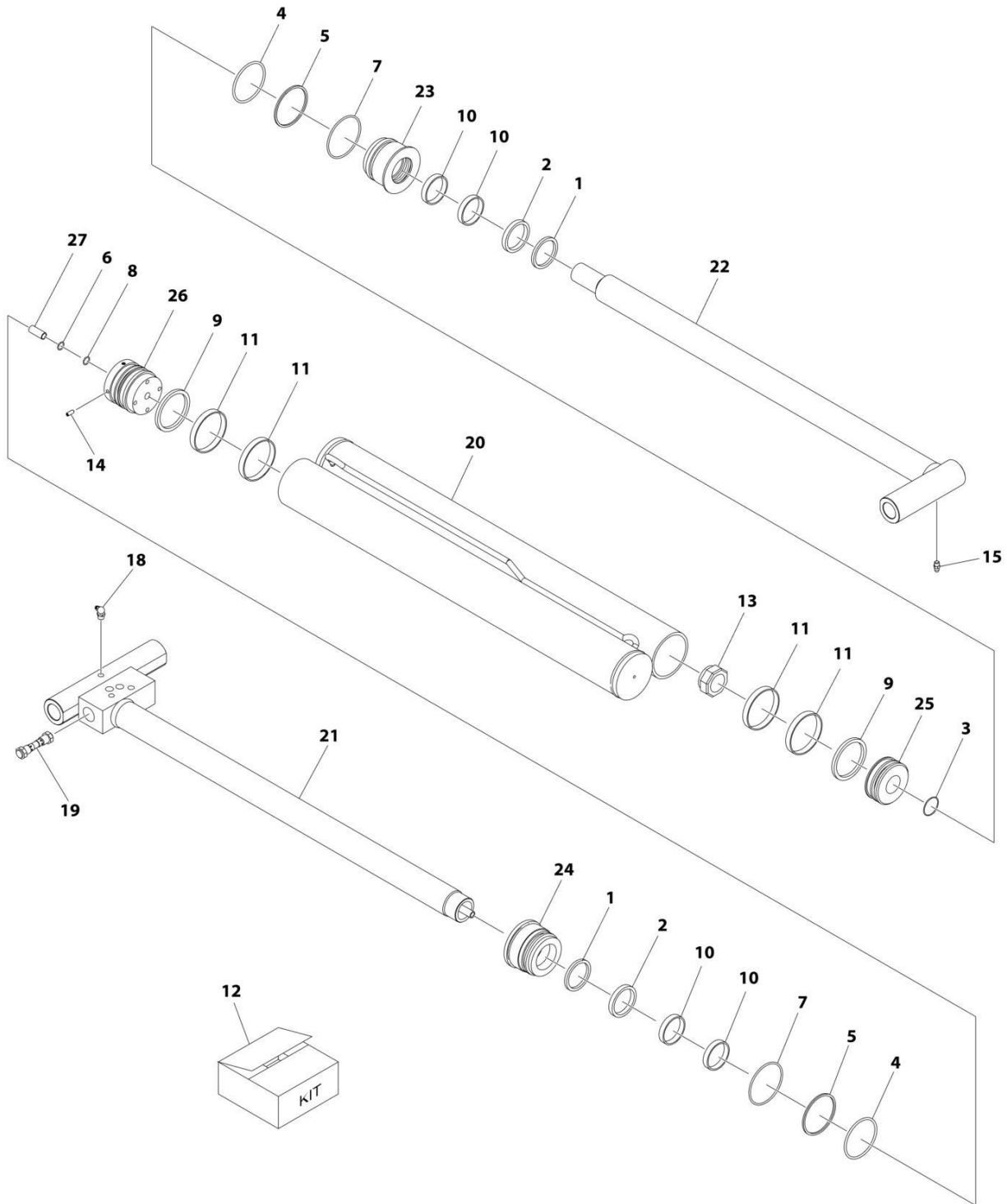
SECTION 3 - UNDERLIFT

FIGURE 3-11. UNDERLIFT ASSEMBLY - 3 PIECE (UL350) (SN 0230009827 to Present)

ITEM	PART NUMBER	QTY	DESCRIPTION	REV
	3170000220	Ref	UNDERLIFT ASSEMBLY - 35,000 LBS	F
1	3170000224	1	Base Section Boom Weldment	
2	3170000223	1	Mid Section Boom Weldment	
3	3170000221	1	Fly Section Boom Weldment	
4	1001286134	1	Underlift Extension Cylinder Assembly (See Separate Breakdown in this Section)	
5	4691000318	1	Pin	
6	4691000316	1	Pin	
7	7754000043	4	Ring, Retaining	
9	4679000159	2	Pad	
10	4706003708	2	Plate	
11	4679000161	4	Pad	
12	4679000158	4	Pad	
13	3706000177	1	Plate	
14	3706000178	1	Plate	
15	4679000206	2	Pad	
16	4706003144	2	Plate	
17	7114140418	8	Capscrew 1/4 x 1/2	
18	3706000179	1	Plate - LH	
19	3706000180	1	Plate - RH	
20	4679000205	2	Pad	
21	4706003719	2	Plate	
22	7105180850	8	Capscrew 1/2 x 1	
23	7950180153	8	Washer 1/2	
24	4706002467	1	Plate	
25	7115140650	4	Capscrew 1/4 x 3/4	
26	7950140000	4	Washer 1/4	
27	7440030000	1	Fitting, Grease	
28	7786000008	6	Screw 1/2 x 1-1/4	
29	7660180230	6	Nut 1/2	
30	4706003709	4	Plate	
31	4706003721	4	Plate	
32	4706003722	4	Plate	
33	4706003723	4	Plate	
34	4706003724	4	Plate	
35	4706003725	2	Plate	
36	4706003720	2	Plate	
37	7661000019	4	U-Nut 1/4	

SECTION 3 - UNDERLIFT

FIGURE 3-12. CYLINDER ASSEMBLY - EXTEND/RETRACT (UL350) (Prior to SN 0230009827)



ART_732000042

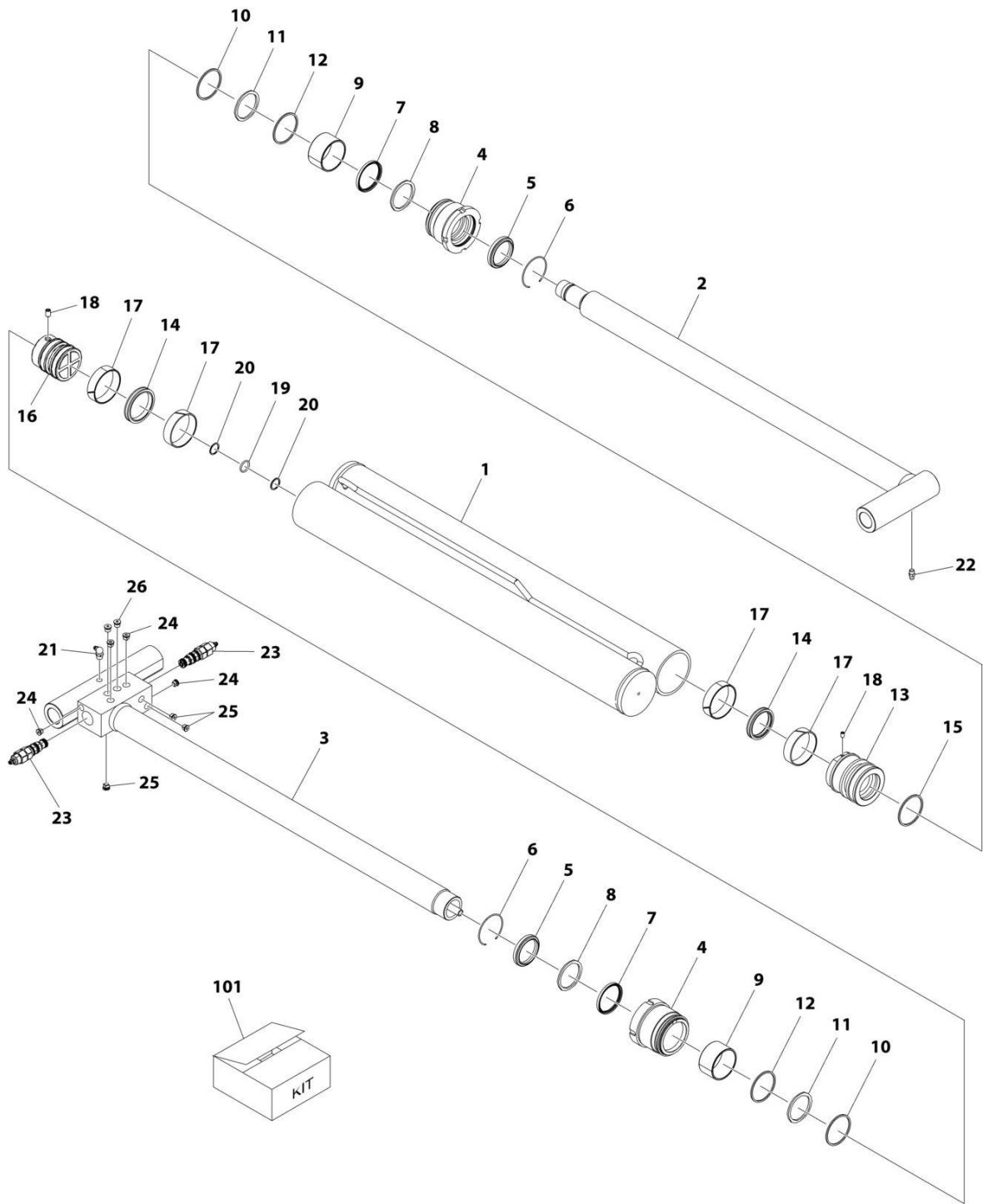
SECTION 3 - UNDERLIFT

FIGURE 3-12. CYLINDER ASSEMBLY - EXTEND/RETRACT (UL350) (Prior to SN 0230009827)

ITEM	PART NUMBER	QTY	DESCRIPTION	REV
	732000042	Ref	Underlift Extension Cylinder Assembly - 35,000 lbs	B
1	9796250080	2	Seal, Wiper	
2	7019828	2	Seal	
3	9796250133	1	Seal, O-Ring	
4	7019846	2	Seal, O-Ring	
5	7019845	2	Ring, Back-up	
6	9796250135	2	Seal, O-Ring	
7	7019844	2	Seal, O-Ring	
8	9796250137	2	Seal, O-Ring	
9	9796250138	2	Seal	
10	9754250015	4	Ring, Wear	
11	9754250049	4	Ring, Wear	
12	7577250271	1	Kit, Seal	
13	7003212	1	Nut	
14	7003281	4	Setscrew	
15	7005348	1	Grease Fitting	
16	70050365	2	Plug, Port (Not Shown)	
17	70021648	2	Plug, Port (Not Shown)	
18	7440030400	1	Grease Fitting	
19	9935250025	1	Kit, Check Cartridge	
20	9912250021	1	Assembly, Tube	
21	9763250025	1	Assembly, Rod	
22	9763250026	1	Assembly, Rod-Tube	
23	9553250015	1	Head	
24	9553250016	1	Head	
25	9698250018	1	Piston	
26	9698250019	1	Piston	
27	9007250005	1	Adapter, RT Tube	

SECTION 3 - UNDERLIFT

FIGURE 3-13. CYLINDER ASSEMBLY - EXTEND/RETRACT (UL350) (SN 0230009827 to Present)



ART_1001286134

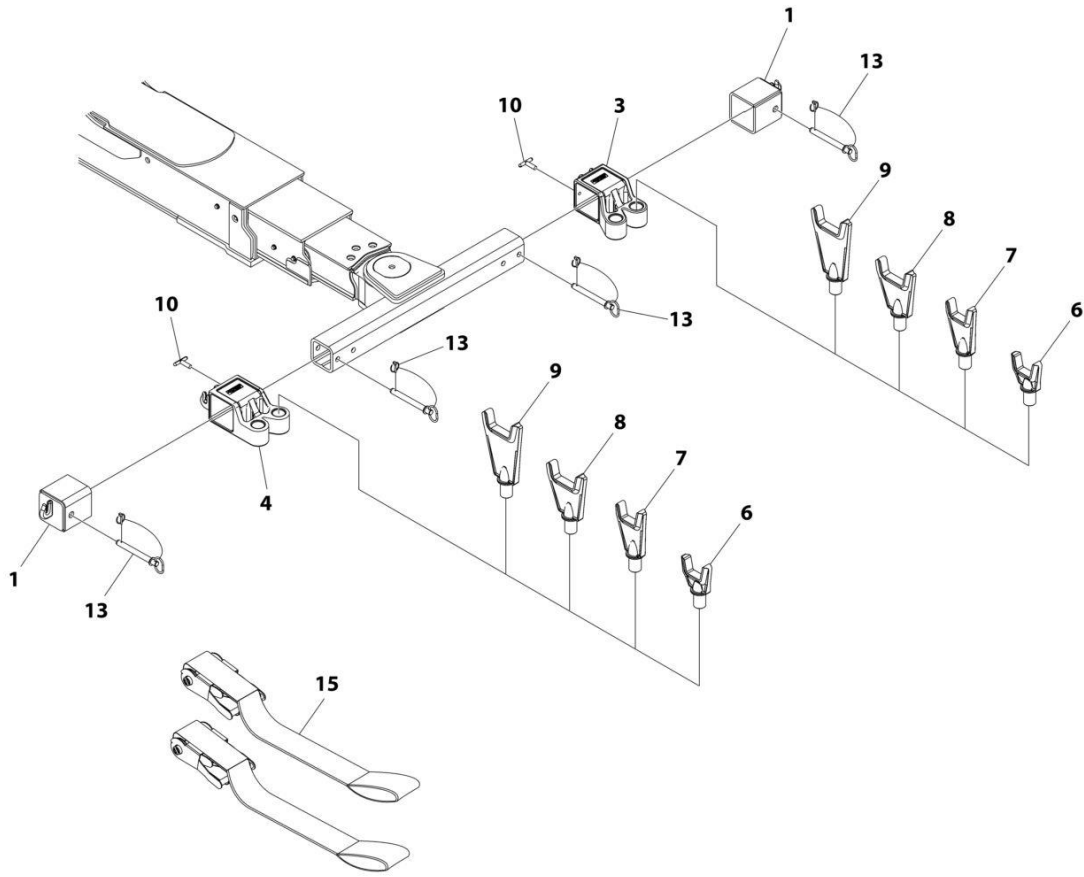
SECTION 3 - UNDERLIFT

FIGURE 3-13. CYLINDER ASSEMBLY - EXTEND/RETRACT (UL350) (SN 0230009827 to Present)

ITEM	PART NUMBER	QTY	DESCRIPTION	REV
	1001286134	Ref	CYLINDER ASSEMBLY - EXTEND/RETRACT	A
		Ref	Note: Original Cylinder May Have Been Replaced with Service Replacement. Identify PN Stamped on Cylinder Before Ordering Parts.	
1	See Note	NSS	Barrel (Note: Not available for purchase)	
2	70070099	1	Rod	
3	70070100	1	Rod	
4	70070091	2	Gland	
5	See Note	NSS	Wiper, Dust (Note: Use Item 101)	
6	70002412	2	Ring, Retaining	
7	See Note	NSS	Seal, Rod (Note: Use Item 101)	
8	See Note	NSS	Ring, Back-up (Note: Use Item 101)	
9	70052577	2	Bushing	
10	See Note	NSS	O-Ring (Note: Use Item 101)	
11	See Note	NSS	Ring, Back-up (Note: Use Item 101)	
12	See Note	NSS	O-Ring (Note: Use Item 101)	
13	70070093	1	Piston	
14	See Note	NSS	Seal, Piston (Note: Use Item 101)	
15	See Note	NSS	O-Ring (Note: Use Item 101)	
16	70070092	1	Piston	
17	See Note	NSS	Ring, Wear (Note: Use Item 101)	
18	70005847	2	Set Screw	
19	See Note	NSS	O-Ring (Note: Use Item 101)	
20	See Note	NSS	Ring, Back-up (Note: Use Item 101)	
21	70023376	1	Grease Nipple	
22	70029469	1	Grease Nipple	
23	70070089	2	Valve, Counterbalance	
24	70023370	4	Plug	
25	70070095	3	Plug	
26	70023371	2	Plug	
101	70070096	1	Seal Kit (Includes Items 5, 7, 8, 10-12, 14, 15, 17, 19-20)	

SECTION 3 - UNDERLIFT

FIGURE 3-14. FRAME FORK INSTALLATION



ART_2503870011_J

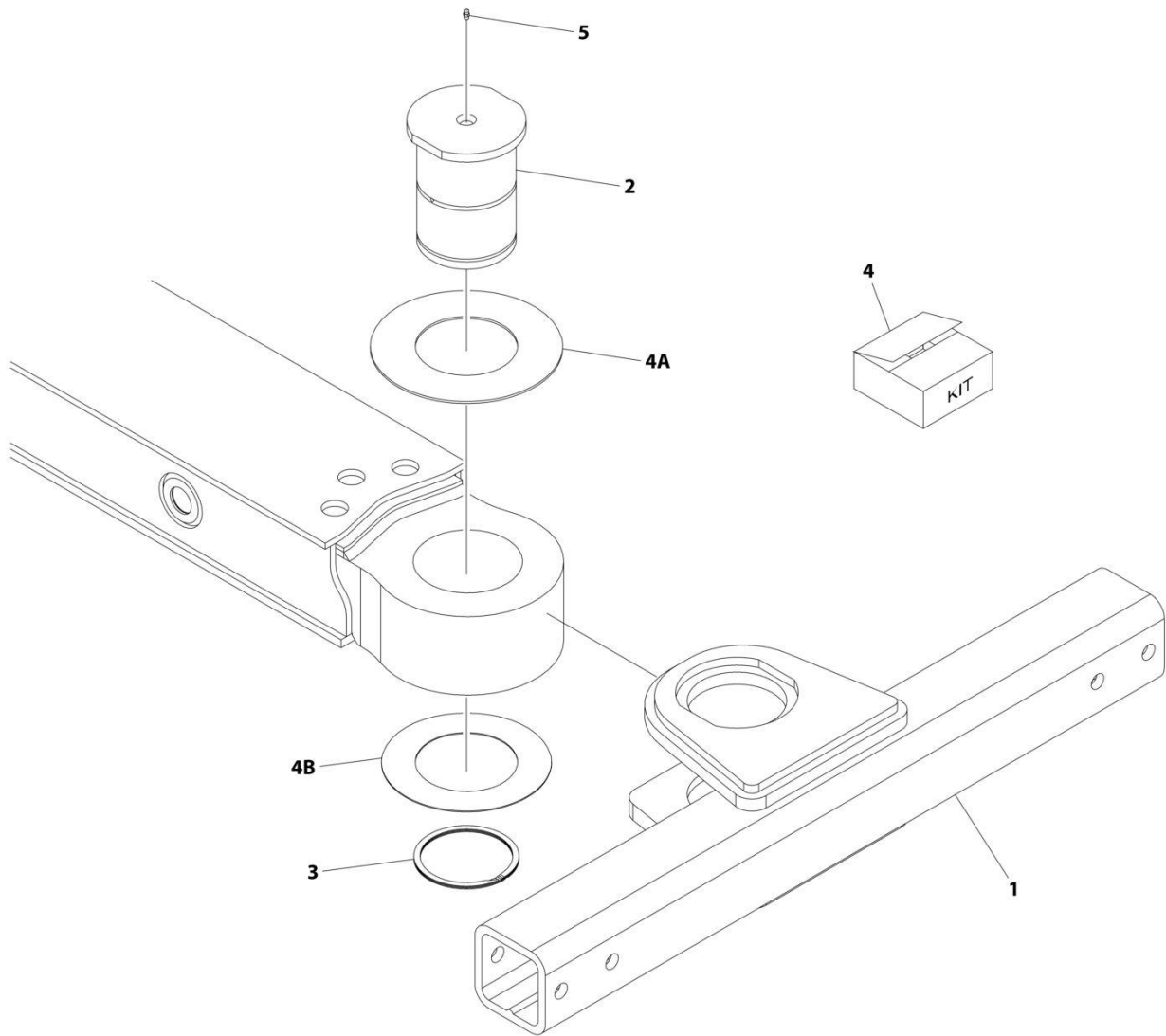
SECTION 3 - UNDERLIFT

FIGURE 3-14. FRAME FORK INSTALLATION

ITEM	PART NUMBER	QTY	DESCRIPTION	REV
	2503870011	Ref	FRAME FORK INSTALLATION	I
1	3007000004	2	Chain Hook Adapter	
3	7007000056	1	Frame Fork Adapter, RH	
4	7007000055	1	Frame Fork Adapter, LH	
6	7454000006	2	Fork, Short	
7	7454000005	2	Fork, Medium	
8	7454000003	2	Fork, Medium	
9	7454000004	2	Fork, Long	
10	3551000036	2	T-Handle	
13	7691000021	4	Pin	
15	1001159568	2	Strap	

SECTION 3 - UNDERLIFT

FIGURE 3-15. CROSTUBE INSTALLATION



ART_2503880012

SECTION 3 - UNDERLIFT

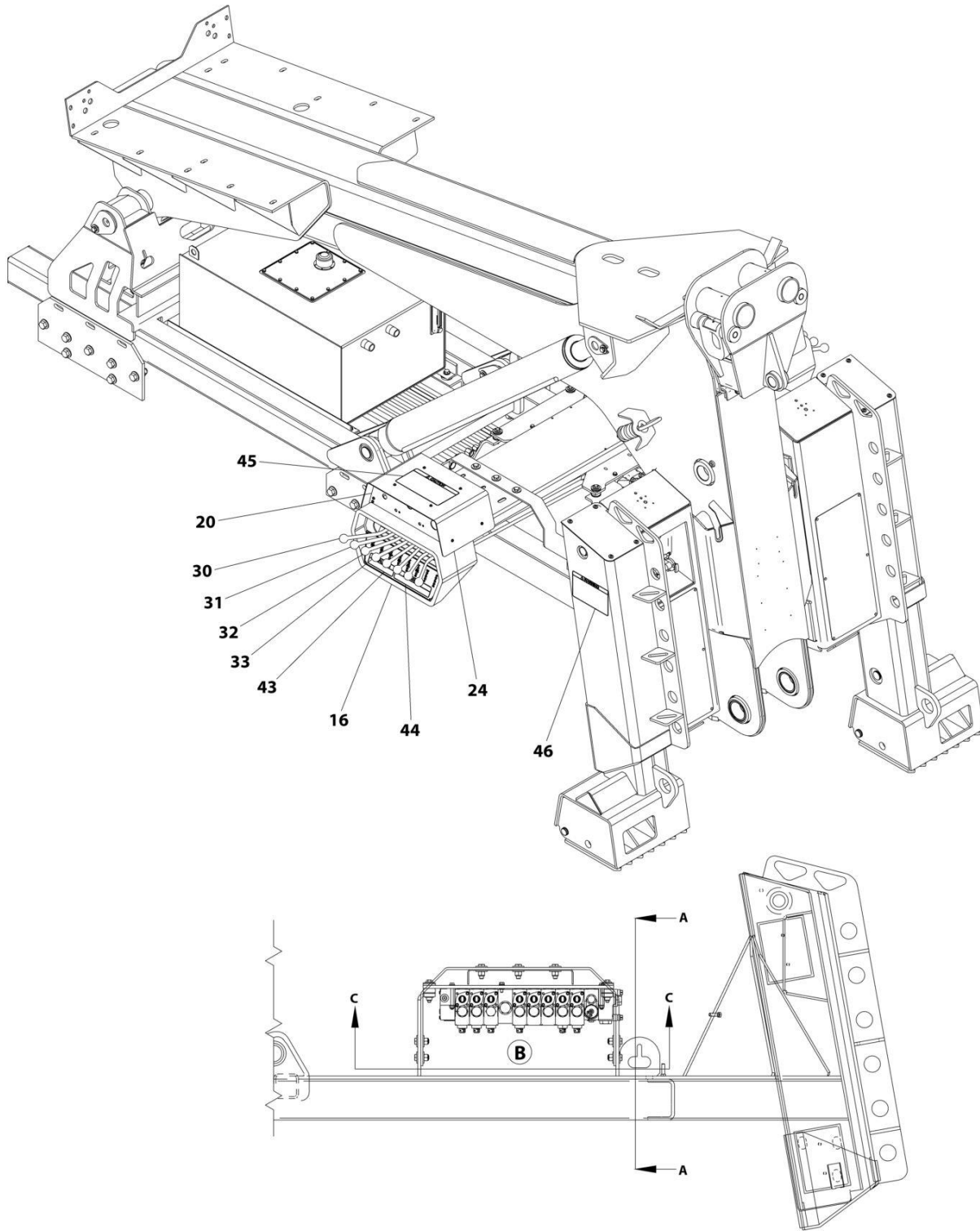
FIGURE 3-15. CROSSTUBE INSTALLATION

ITEM	PART NUMBER	QTY	DESCRIPTION	REV
	2503880012	Ref	CROSSTUBE INSTALLATION	A
1	3913000094	1	Crosstube Weldment	
2	4691000242	1	Pin	
3	7754000042	1	Ring, Retaining	
4	3577000018	1	Shim Kit	
4A	4949000041	1	Washer 1/8	
4B	4949000042	1	Washer 1/16	
5	7440030000	1	Grease Fitting	

SECTION 4 - CONTROLS

SECTION 4 - CONTROLS

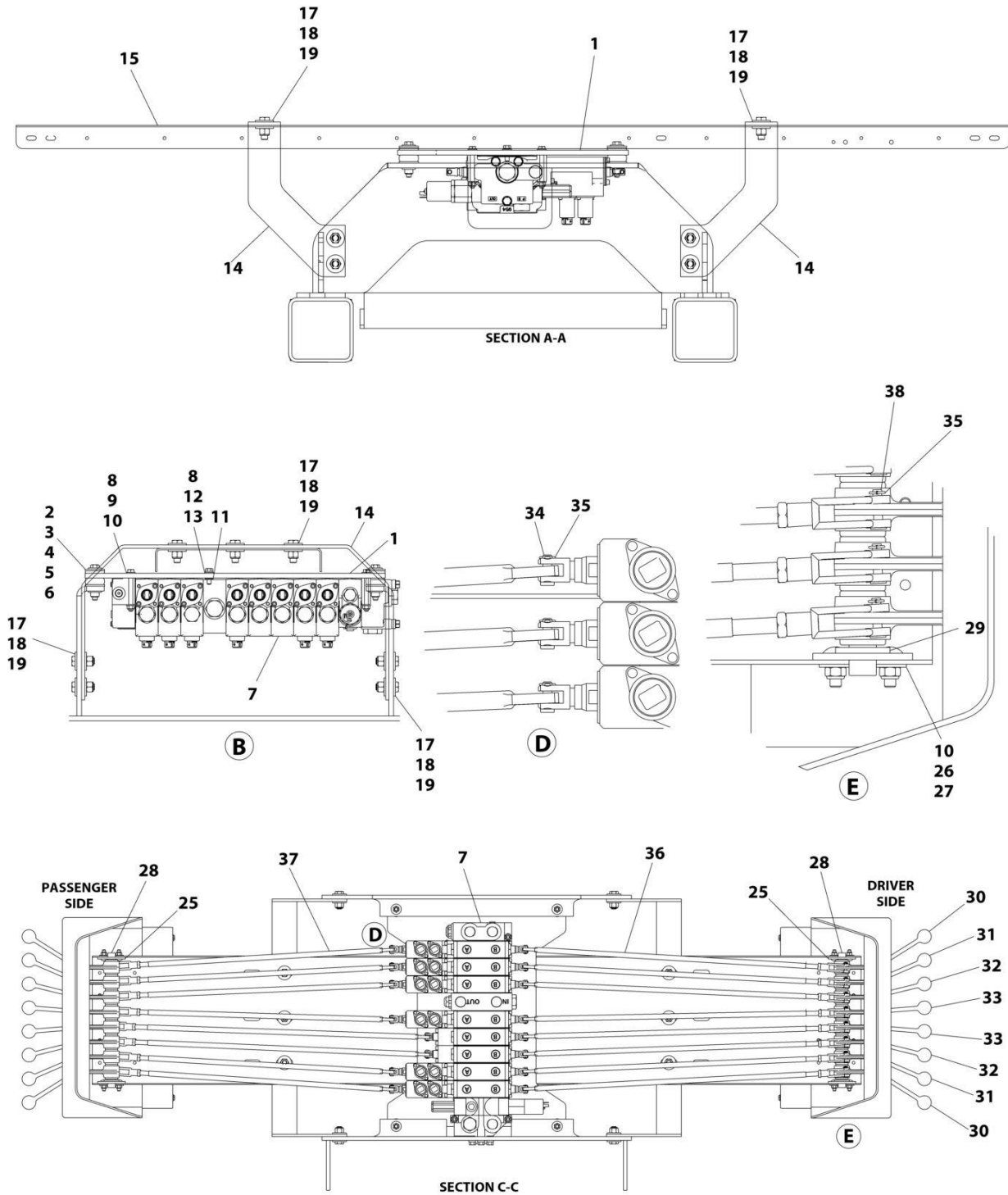
FIGURE 4-1. CONTROLS VALVE INSTALLATION, 8 SECTION - 6 SOLENOID



ART_1001161802_10F3

SECTION 4 - CONTROLS

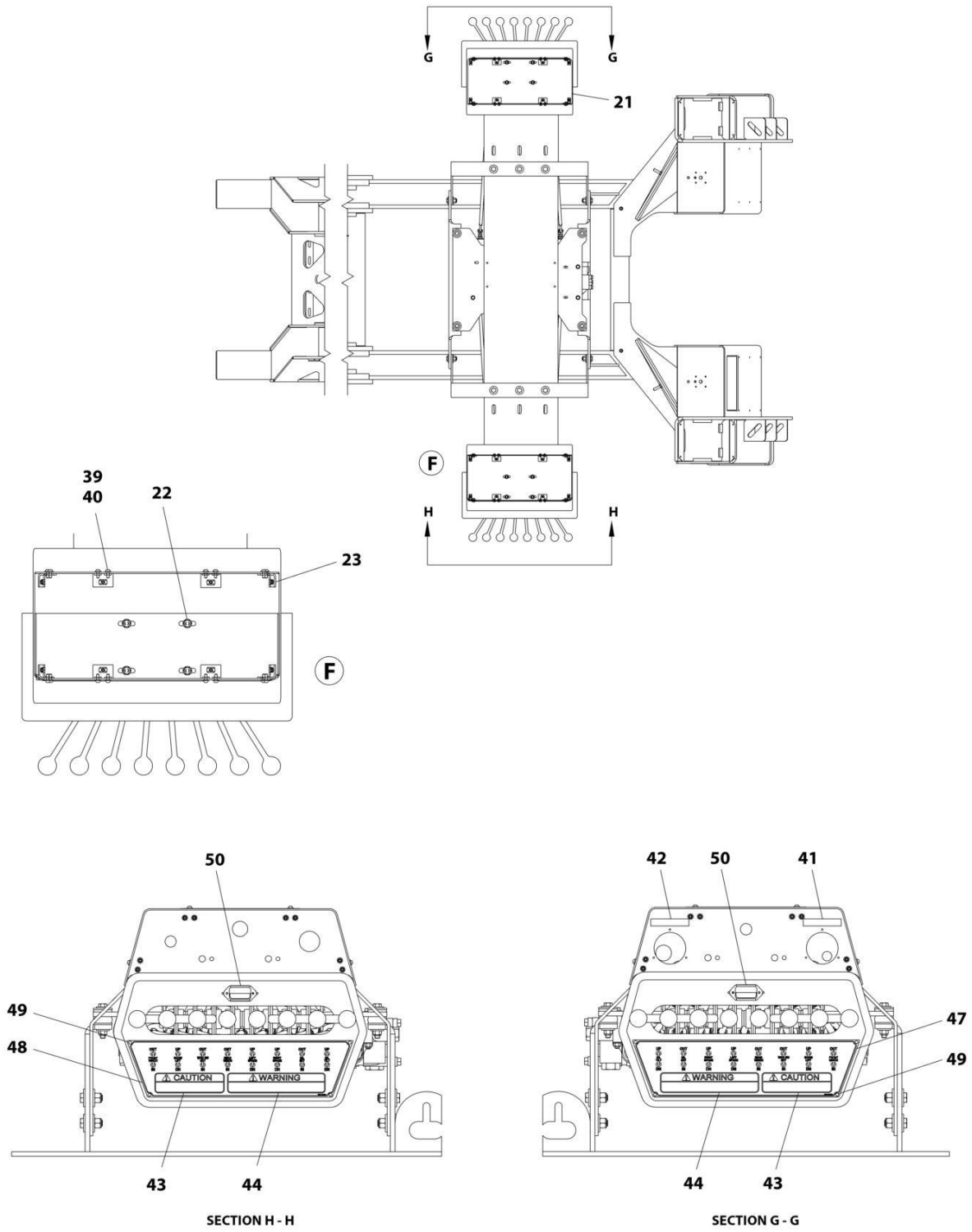
FIGURE 4-2. CONTROLS VALVE INSTALLATION, 8 SECTION - 6 SOLENOID



ART_1001161802_2OF3

SECTION 4 - CONTROLS

FIGURE 4-3. CONTROLS VALVE INSTALLATION, 8 SECTION - 6 SOLENOID



ART_1001161802_30F3

SECTION 4 - CONTROLS

FIGURE 4-3. CONTROLS VALVE INSTALLATION, 8 SECTION - 6 SOLENOID

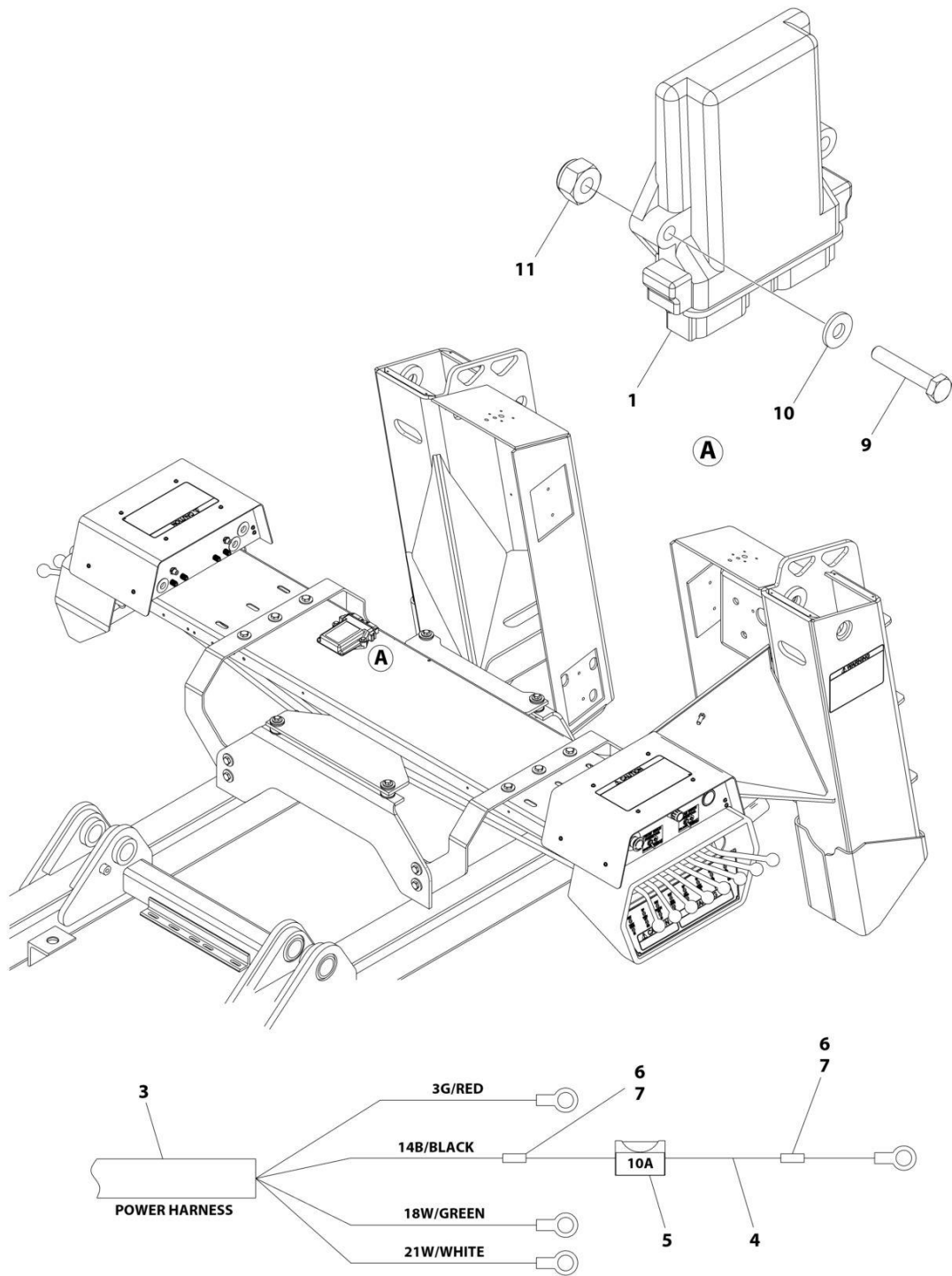
ITEM	PART NUMBER	QTY	DESCRIPTION	REV
	1001161802	Ref	CONTROLS VALVE INSTALLATION, 8 SECTION - 6 SOLENOID	B
1	4706006066	1	Plate	
2	7949000073	8	Washer 1-1/2	
3	7636000021	4	Mount, Center Bonded	
4	7950160161	8	Washer 3/8	
5	7115162050	4	Capscrew 3/8 x 2-1/2	
6	7660162601	4	Nut 3/8	
7	7935000330	1	Valve Assembly (See Separate Breakdown in HYDRAULIC Section)	
8	7950150141	7	Washer 5/16	
9	7115152450	3	Capscrew 5/16 x 3	
10	7660152601	11	Nut 3/8	
11	7812000006	2	Shim	
12	7950150000	1	Washer 5/16	
13	7115150850	1	Bolt 5/16 x 1	
14	1001127969	2	Bracket	
15	4263000463	1	Channel	
16	7560000007	2	Control Hood, RH	
17	7950180161	28	Washer 1/2	
18	7115181250	14	Bolt 1/2 x 1-1/2	
19	7660182601	14	Nut 1/2	
20	1001162482	1	Panel, Controls	
21	1001162483	1	Panel, Controls	
22	7790151253	8	Screw 5/16 x 3/4	
23	1001127981	16	Control Mount	
24	1001127975	2	Control Hood	
25	4606000217	4	Lug	
26	7115150664	8	Bolt 5/16 x 3/4	
27	7950150161	8	Washer 5/16	
28	7691000066	2	Pin	
29	7950220141	2	Washer 3/4	
30	7551000022	4	Control Handle	
31	7551000021	4	Control Handle	
32	7551000020	4	Control Handle	
33	7551000019	4	Control Handle	
34	7690141200	16	Clevis Pin	
35	7690000810	32	Pin	
36	4763000424	10	Rod	
37	4763000422	6	Rod	
38	7690141600	16	Clevis Pin	
39	7950100143	48	Washer	
40	7114100418	48	Capscrew #10 x 1/2	
41	7330000245	1	Decal	
42	7330000246	1	Decal	
43	7330000253	2	Decal	
44	7330000262	2	Decal	
45	7330000200	2	Decal	
46	7330000199	2	Decal	
47	1001127970	1	Decal	
48	1001127971	1	Decal	

SECTION 4 - CONTROLS

ITEM	PART NUMBER	QTY	DESCRIPTION	REV
49	7759000004	8	Rivet	
50	1001143764	2	Lamp	

SECTION 4 - CONTROLS

FIGURE 4-4. REMOTE CONTROLS INSTALLATION - 12 FUNCTION (WIRELESS)



ART_1001162647

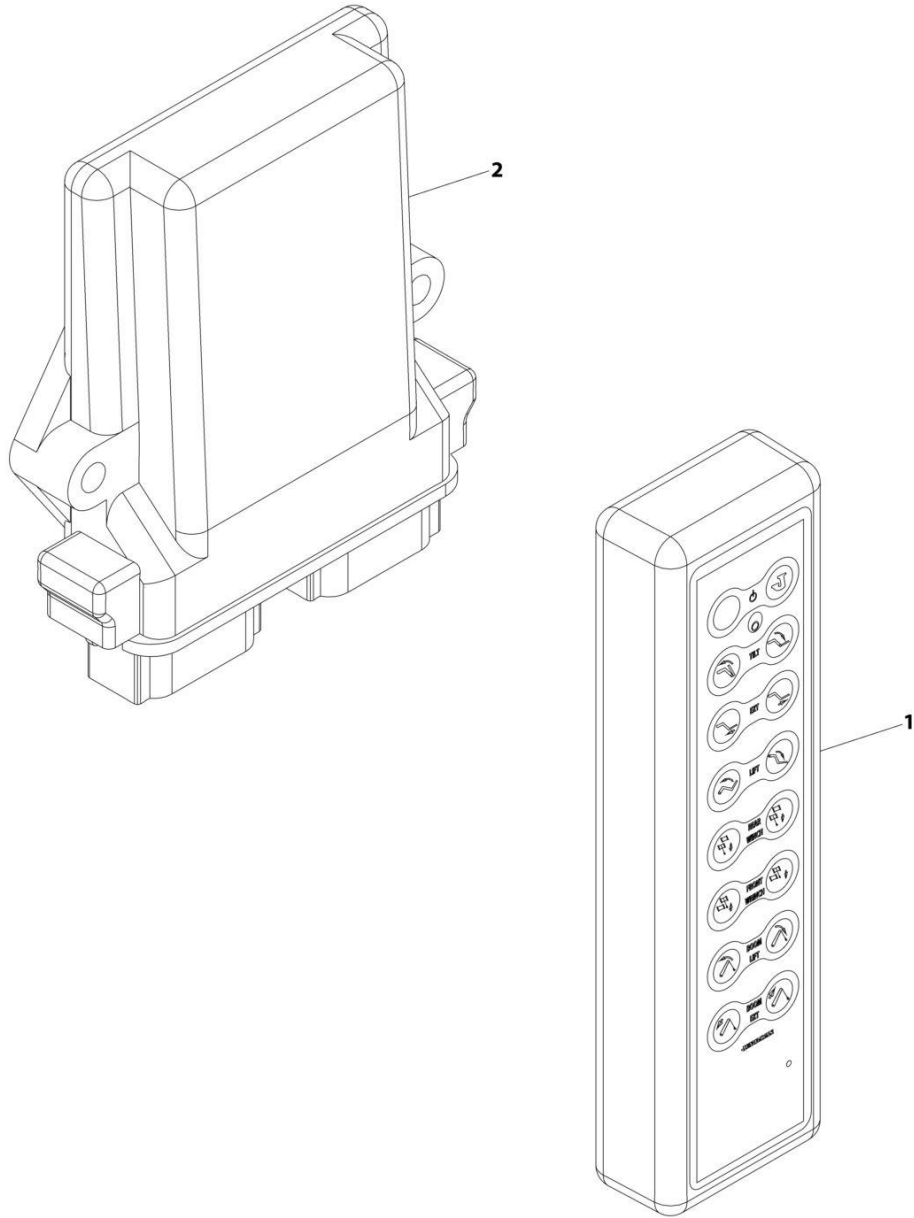
SECTION 4 - CONTROLS

FIGURE 4-4. REMOTE CONTROLS INSTALLATION - 12 FUNCTION (WIRELESS)

ITEM	PART NUMBER	QTY	DESCRIPTION	REV
	1001162647	Ref	CONTROLS, WIRELESS REMOTE 12 FUNC PROP, 8 SECTION	A
1	7295000124	1	Wireless Remote Assembly (See Separate Breakdown in this Section)	
2	7552000371	1	Remote Harness (Not Shown)	
3	7552000148	1	Wireless Remote Harness	
4	7346000126	1	Fuse Holder	
5	7457000014	1	Fuse	
6	7345001714	2	Terminal	
7	7346000039	0.25 ft	Tubing	
8	7894000042	2	Tie Strap (Not Shown)	
9	7115141250	2	Screw 1/4 x 1-1/2	
10	7950140161	4	Washer 1/4	
11	7660142600	2	Nut 1/4	
12	5526000553	5	Tie Strap (Not Shown)	

SECTION 4 - CONTROLS

FIGURE 4-5. REMOTE CONTROL ASSEMBLY (12 FUNCTION HANDHELD)



ART_7295000124

SECTION 4 - CONTROLS

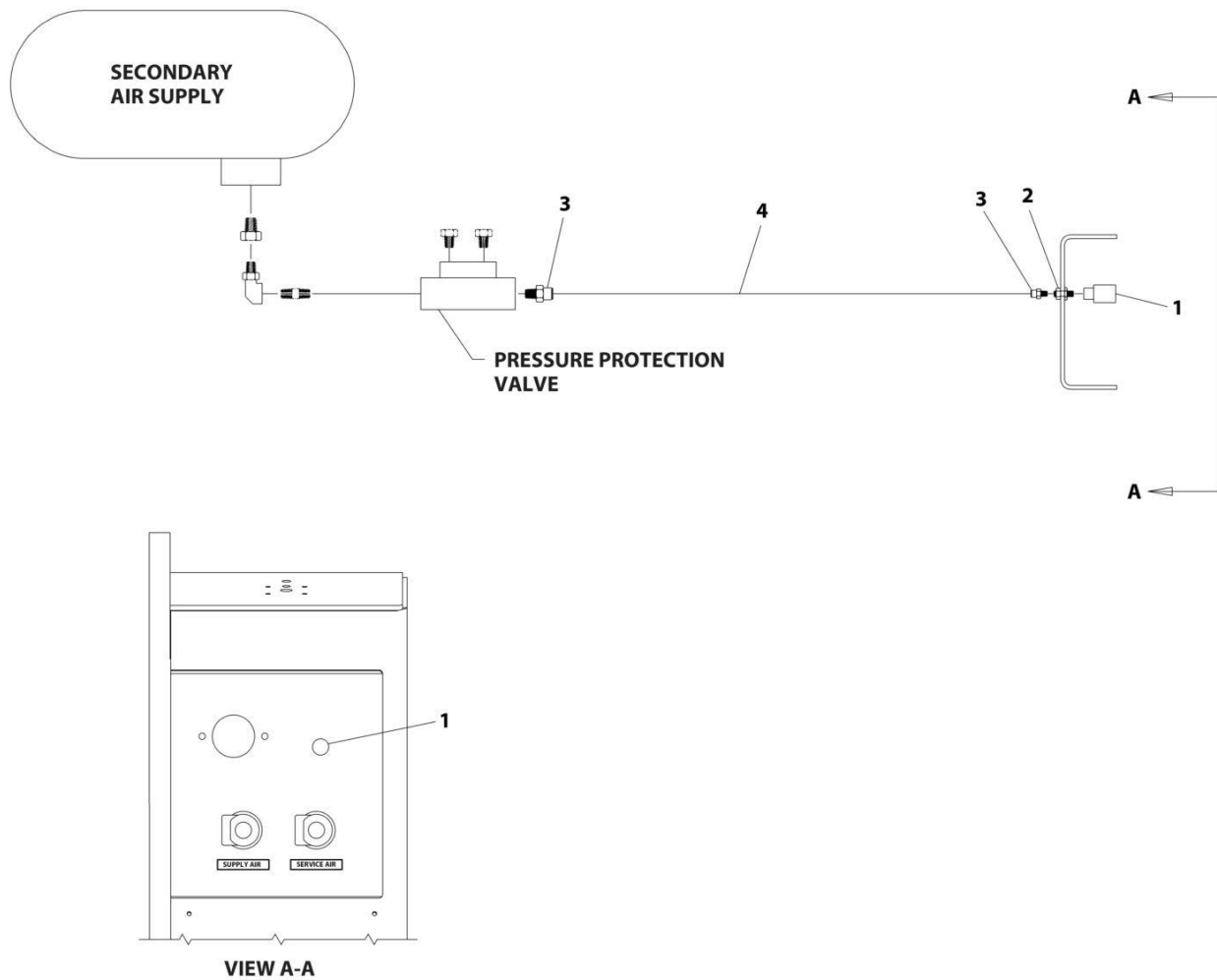
FIGURE 4-5. REMOTE CONTROL ASSEMBLY (12 FUNCTION HANDHELD)

ITEM	PART NUMBER	QTY	DESCRIPTION	REV
	7295000124	Ref	REMOTE CONTROL ASSEMBLY (14 FUNCTION HANDHELD)	B
1	70051480	1	Transmitter, Handheld	
1	70051465	1	Clip, Belt	
2	1001139464	1	Receiver	

SECTION 5 - HYDRAULIC

SECTION 5 - HYDRAULIC

FIGURE 5-1. AUX AIR, QUICK DISCONNECT



ART_1001143869

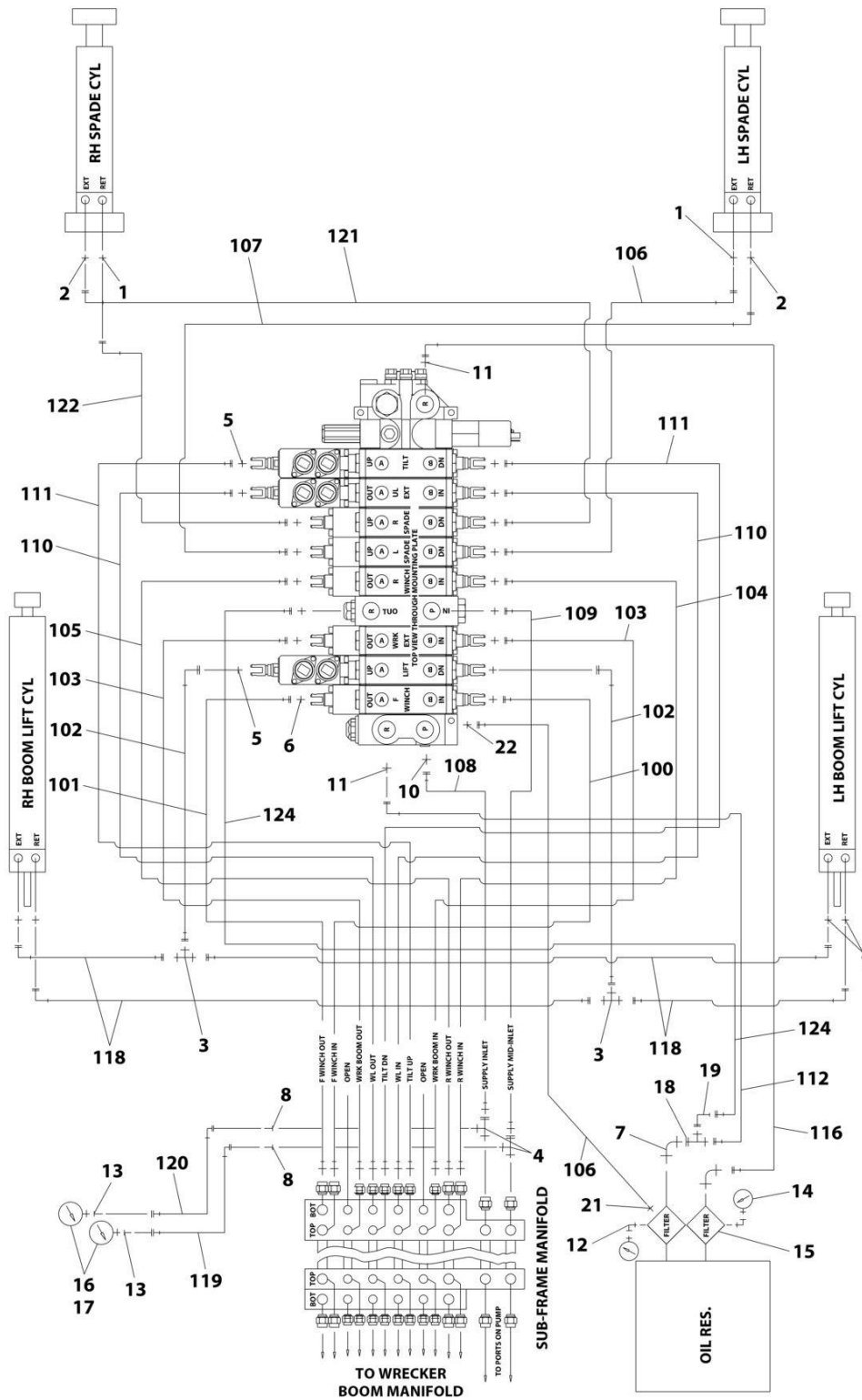
SECTION 5 - HYDRAULIC

FIGURE 5-1. AUX AIR, QUICK DISCONNECT

ITEM	PART NUMBER	QTY	DESCRIPTION	REV
	1001143869	Ref	Aux Air, Quick Disconnect	A
1	7312000017	1	Coupling	
2	7446502518	1	Fitting	
3	7443000175	2	Fitting	
4	7565000014	25 ft	Airline Tubing	

SECTION 5 - HYDRAULIC

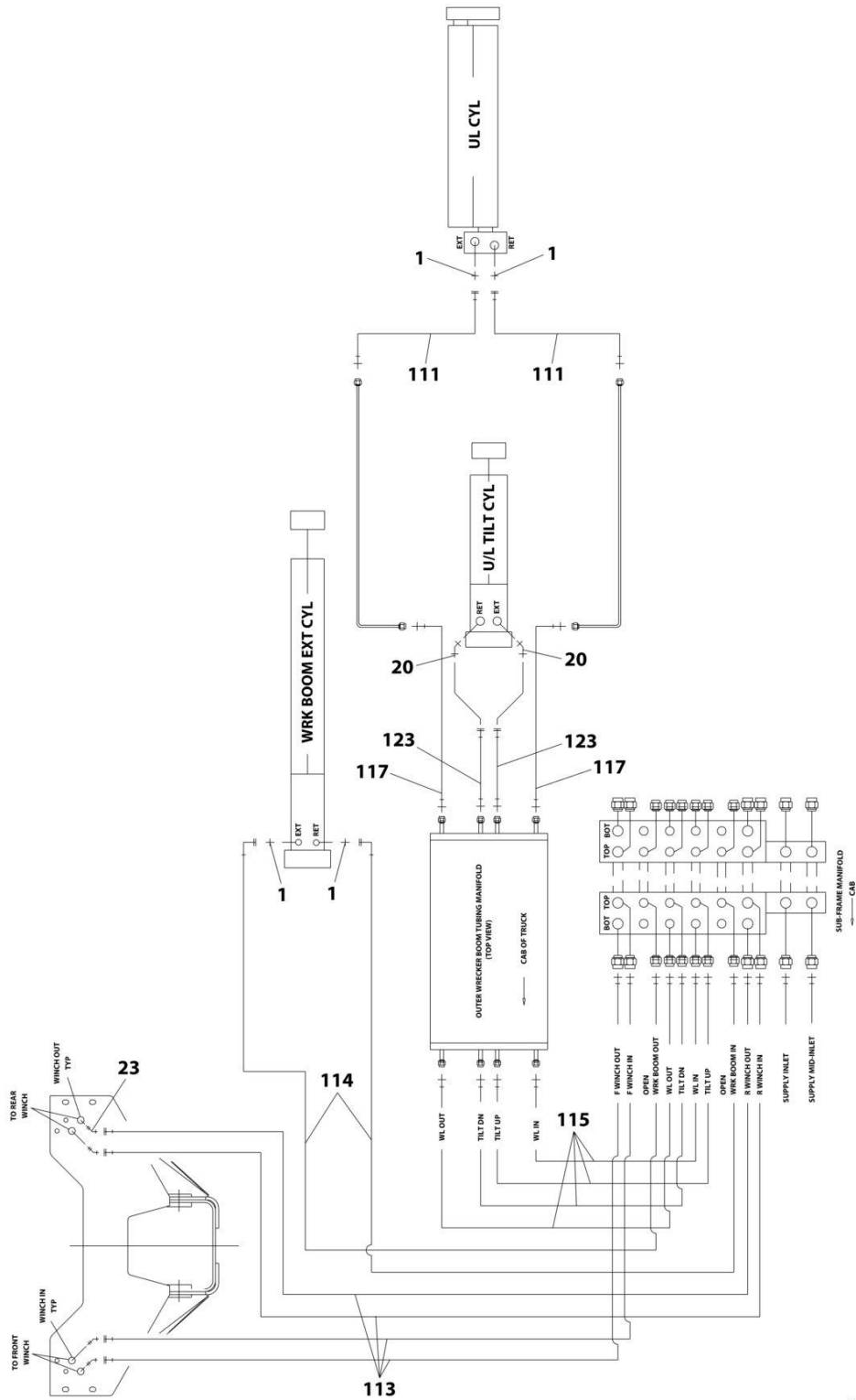
FIGURE 5-2. HYDRAULIC LINES AND FITTINGS, BASE 25T INT



ART_2503530106_1OF3

SECTION 5 - HYDRAULIC

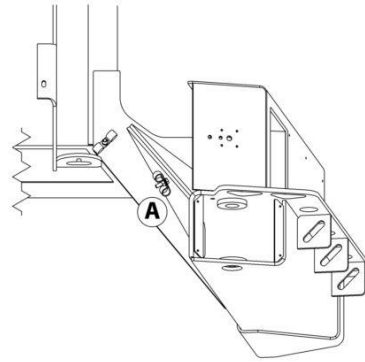
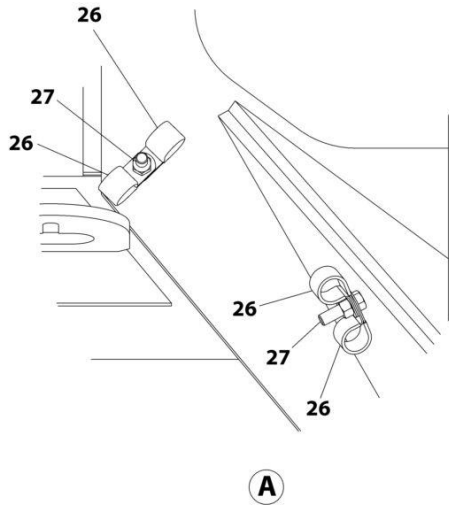
FIGURE 5-3. HYDRAULIC LINES AND FITTINGS, BASE 25T INT



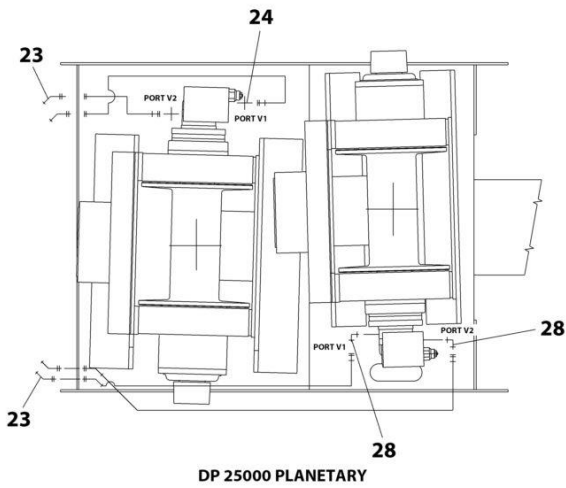
ART_2503530106_20F3

SECTION 5 - HYDRAULIC

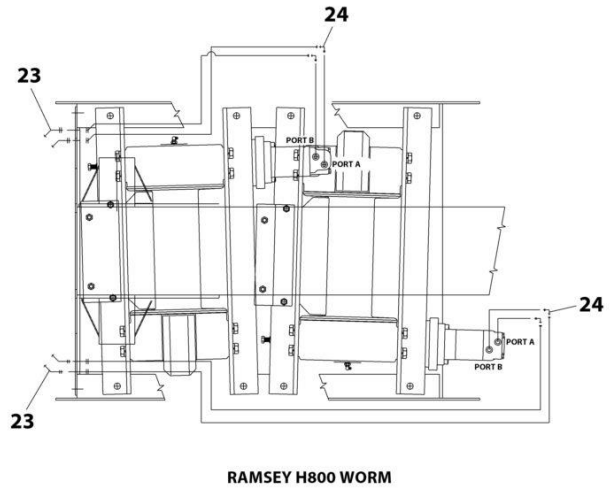
FIGURE 5-4. HYDRAULIC LINES AND FITTINGS, BASE 25T INT



LEFT REAR OF SUBFRAME



DP 25000 PLANETARY



RAMSEY H800 WORM

ART_2503530106_3OF3

SECTION 5 - HYDRAULIC

FIGURE 5-4. HYDRAULIC LINES AND FITTINGS, BASE 25T INT

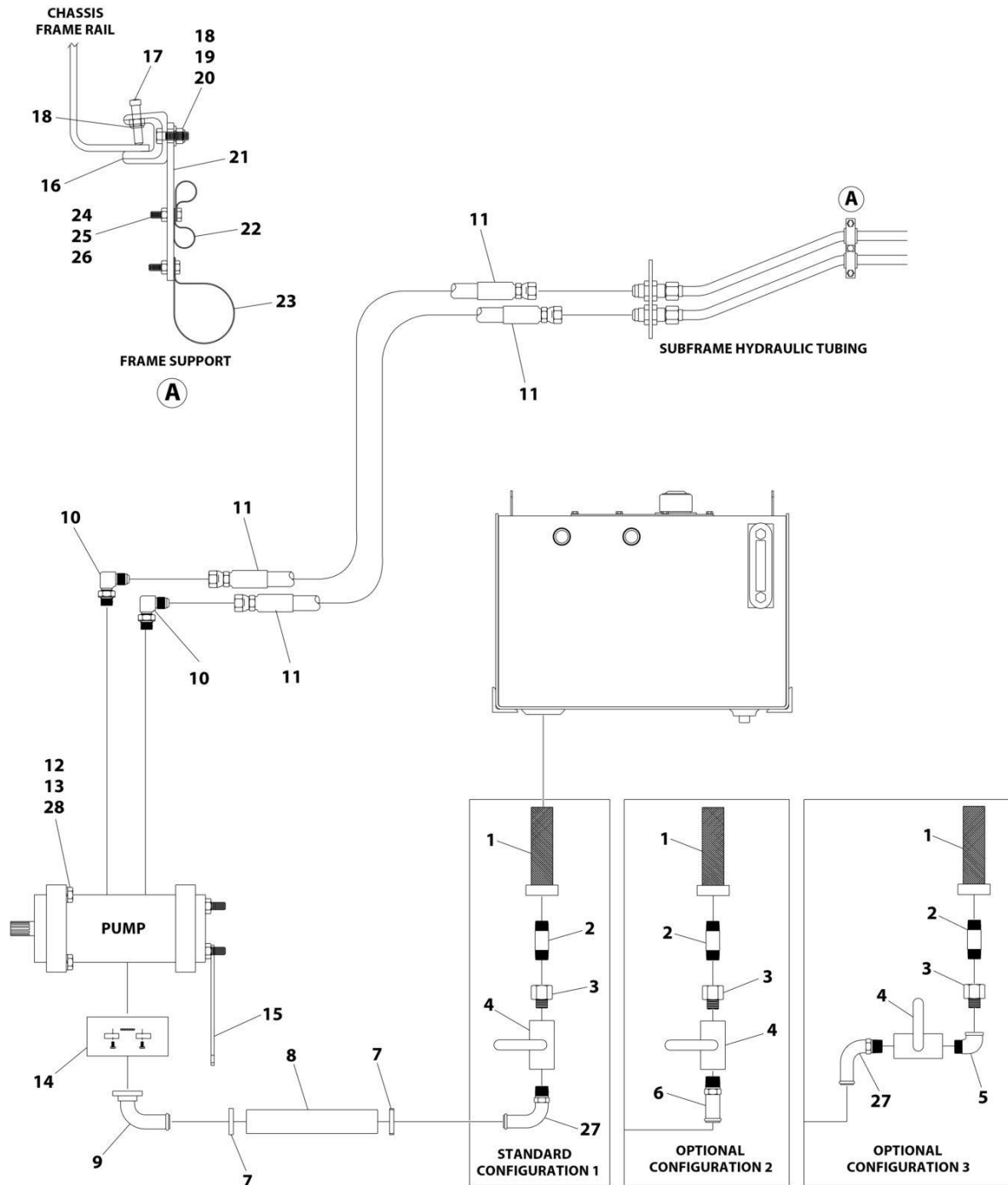
ITEM	PART NUMBER	QTY	DESCRIPTION	REV
	2503530106	Ref	HYDRAULIC LINES AND FITTINGS, BASE 25T INT	C
1	7445060643	10	Fitting, Straight - O-Ring	
2	7443000109	2	Fitting, Straight - JIC	
3	7445060637	2	Union, Tee	
4	7443000012	2	Fitting, Tee	
5	7445061043	12	Fitting, Straight - O-Ring/JIC	
6	7445101043	4	Fitting, Straight - O-Ring/JIC	
7	7445161620	2	Fitting, 90	
8	7443000207	2	Reducer	
10	7445121243	2	Fitting	
11	7445161243	3	Fitting, Straight	
12	7443000158	2	Fitting, 90	
13	7445040421	2	Fitting	
14	7470000002	2	Gauge, Oil Filter	
15	7430000004	2	Filter Assembly - Hydraulic Oil	
16	7470000004	2	Gauge, Pressure	
17	7790060676	6	Screw #6 x 3/8	
18	7443000213	1	Fitting, Tee	
19	7445161672	1	Fitting, 90	
20	7445060646	2	Fitting, 45	
21	7445060219	1	Fitting, Straight - NPT/JIC	
22	7445060645	1	Fitting, 90	
23	7445101032	4	Fitting, Bulkhead	
24	7445100843	2	Fitting, Straight	
25	7577000412	1	Hose, Kit (Not Shown) (Includes items 100-124)	
26	7274000040	8	Clamp	
27	7660160001	4	Nut 3/8	
28	7445100845	2	Fitting, 90 - JIC/O-Ring	
	7577000412	Ref	HOSE, KIT	D
100	4569160026	1	Hose	
101	4569160025	1	Hose	
102	4567122028	2	Hose	
103	4570000252	2	Hose	
104	4569160032	1	Hose	
105	4569160031	1	Hose	
106	4567123056	2	Hose	
107	4567123058	1	Hose	
108	4569170021	1	Hose	
109	4569170029	1	Hose	
110	4570000253	2	Hose	
111	4570000254	4	Hose	
112	4567182046	1	Hose	
113	4569160048	4	Hose	
114	4570000255	2	Hose	
115	4570000069	4	Hose	
116	4567182065	1	Hose	
117	1001155650	2	Hose	
118	4567122017	4	Hose	
119	4567112053	1	Hose	
120	4567112050	1	Hose	

SECTION 5 - HYDRAULIC

ITEM	PART NUMBER	QTY	DESCRIPTION	REV
121	4567123059	1	Hose	
122	4567123057	1	Hose	
123	1001155649	2	Hose	
124	4567182053	1	Hose	

SECTION 5 - HYDRAULIC

FIGURE 5-5. HYDRAULIC INSTALLATION - 186-241 WB



ART_1001228256

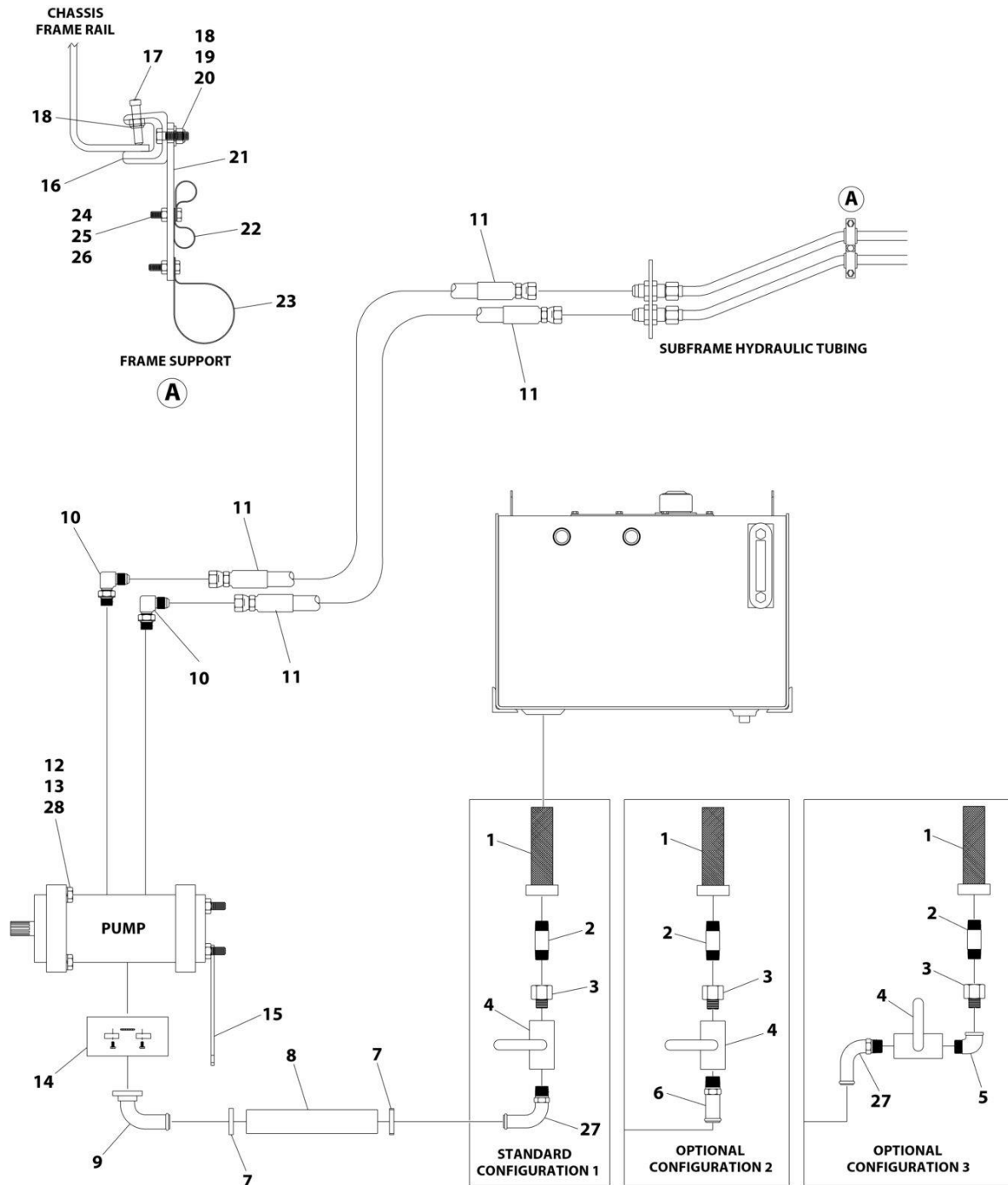
SECTION 5 - HYDRAULIC

FIGURE 5-5. HYDRAULIC INSTALLATION - 186-241 WB

ITEM	PART NUMBER	QTY	DESCRIPTION	REV
	1001228256	Ref	HYDRAULIC INSTALLATION - 186-241 WB	C
1	7430000010	1	Filter, Tank	
2	7650100137	1	Fitting, Straight	
3	7444121050	1	Fitting, Straight NPTM/NPTF	
4	7935000116	1	Valve, Ball	
5	7444121271	AR	Fitting, 90	
6	7443000130	AR	Fitting, Straight NPT/TUBE	
7	7274000028	2	Clamp	
8	8565000026	11.5 ft	Hose	
9	1001145056	1	Fitting, 90	
10	7445121645	2	Fitting, 90 - JIC	
11	1001228281	2	Hose	
12	7865182065	4	Stud	
13	7950180000	4	Washer 1/2	
14	7577000213	1	Kit Split Flange	
15	4178000349	1	Bracket	
16	7274000076	10	Clamp	
17	7785152420	10	Screw 5/16 x 1-1/2	
18	7660152601	20	Nut 5/16	
19	7115151050	10	Bolt 5/16 x 1-1/4	
20	7950150161	10	Washer 5/16	
21	4706003844	10	Plate	
22	7274000041	20	Clamp	
23	7274000071	10	Clamp	
24	7115140850	20	Bolt 1/4 x 1	
25	7950140152	20	Washer 1/4	
26	7660142601	20	Nut 1/4	
27	7443000254	1	Fitting, 90 - NPT/BARBED	
28	7660180000	4	Nut 1/2	

SECTION 5 - HYDRAULIC

FIGURE 5-6. HYDRAULIC INSTALLATION - 242-281 WB



ART_1001228257

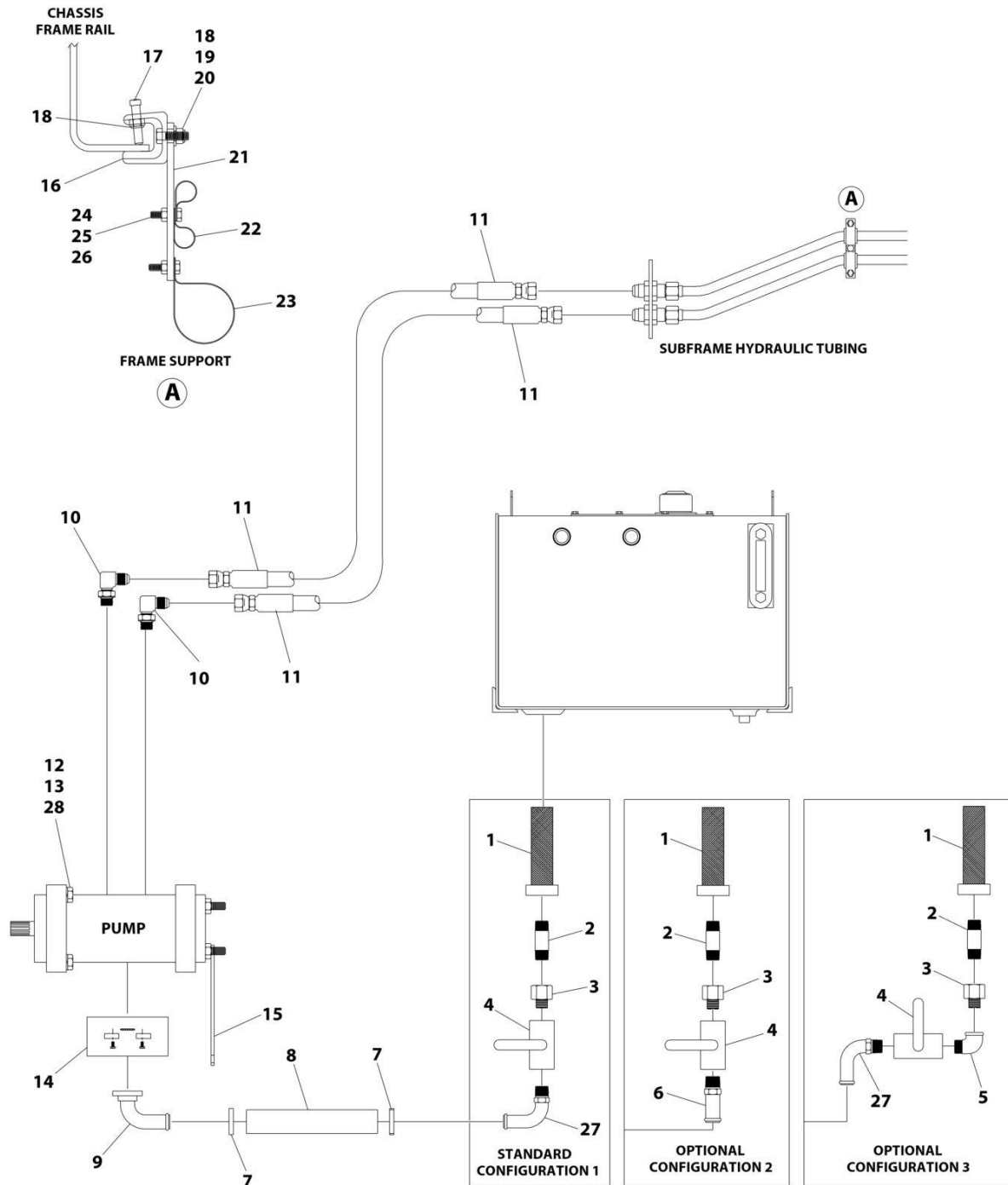
SECTION 5 - HYDRAULIC

FIGURE 5-6. HYDRAULIC INSTALLATION - 242-281 WB

ITEM	PART NUMBER	QTY	DESCRIPTION	REV
	1001228257	Ref	HYDRAULIC INSTALLATION - 242-281 WB	C
1	7430000010	1	Filter, Tank	
2	7650100137	1	Fitting, Straight	
3	7444121050	1	Fitting, Straight NPTM/NPTF	
4	7935000116	1	Valve, Ball	
5	7444121271	AR	Fitting, 90	
6	7443000130	AR	Fitting, Straight NPT/TUBE	
7	7274000028	2	Clamp	
8	8565000026	15 ft	Hose	
9	1001145056	1	Fitting, 90	
10	7445121645	2	Fitting, 90 - JIC	
11	1001228332	2	Hose	
12	7865182065	4	Stud	
13	7950180000	4	Washer 1/2	
14	7577000213	1	Kit Split Flange	
15	4178000349	1	Bracket	
16	7274000076	10	Clamp	
17	7785152420	10	Screw 5/16 x 1-1/2	
18	7660152601	20	Nut 5/16	
19	7115151050	10	Bolt 5/16 x 1-1/4	
20	7950150161	10	Washer 5/16	
21	4706003844	10	Plate	
22	7274000041	20	Clamp	
23	7274000071	10	Clamp	
24	7115140850	20	Bolt 1/4 x 1	
25	7950140152	20	Washer 1/4	
26	7660142601	20	Nut 1/4	
27	7443000254	1	Fitting, 90 - NPT/BARBED	
28	7660180000	4	Nut 1/2	

SECTION 5 - HYDRAULIC

FIGURE 5-7. HYDRAULIC INSTALLATION - 282-321 WB



ART_1001228258

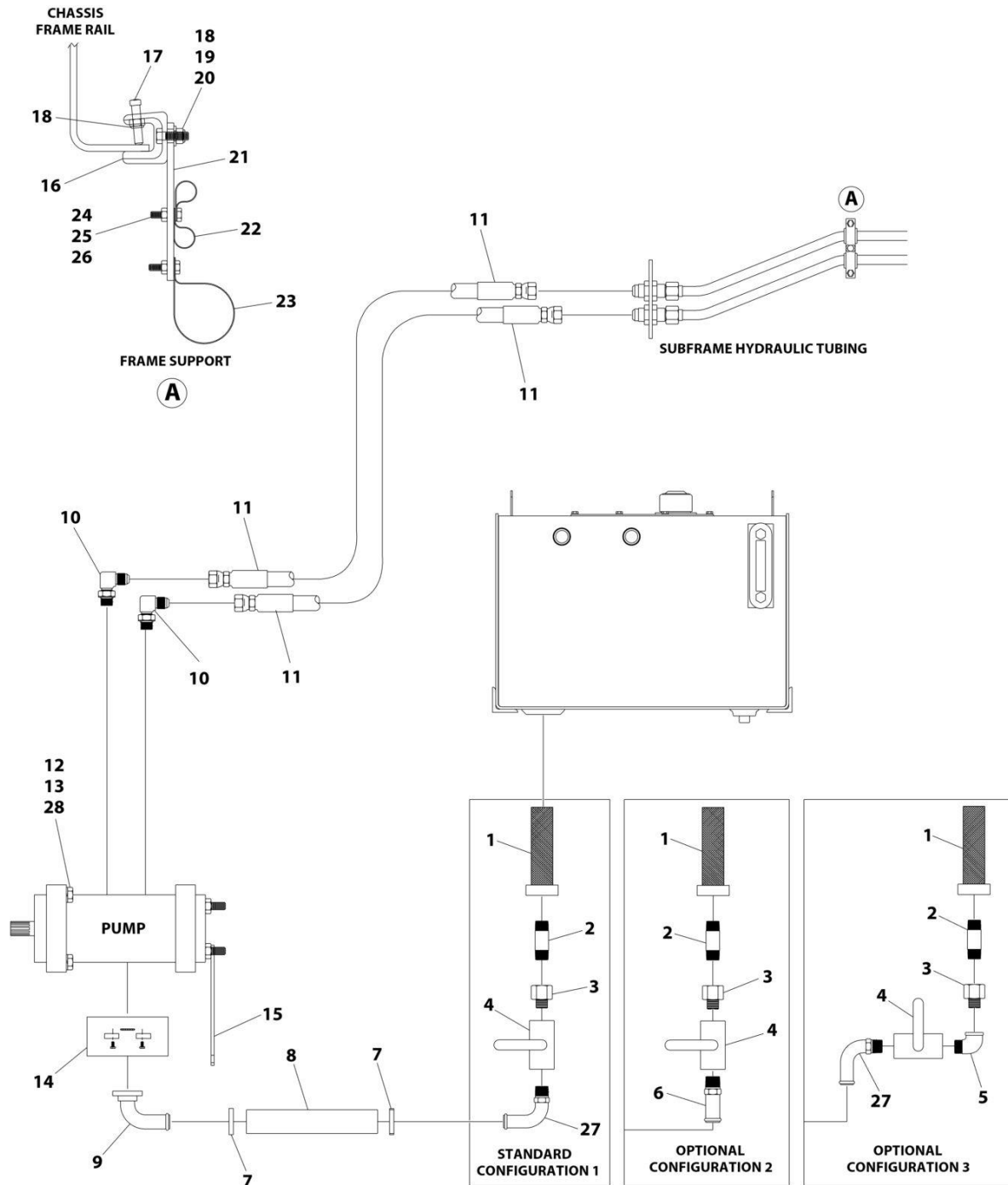
SECTION 5 - HYDRAULIC

FIGURE 5-7. HYDRAULIC INSTALLATION - 282-321 WB

ITEM	PART NUMBER	QTY	DESCRIPTION	REV
	1001228258	Ref	HYDRAULIC INSTALLATION - 282-321 WB	C
1	7430000010	1	Filter, Tank	
2	7650100137	1	Fitting, Straight	
3	7444121050	1	Fitting, Straight NPTM/NPTF	
4	7935000116	1	Valve, Ball	
5	7444121271	AR	Fitting, 90	
6	7443000130	AR	Fitting, Straight NPT/TUBE	
7	7274000028	2	Clamp	
8	8565000026	18.5 ft	Hose	
9	1001145056	1	Fitting, 90	
10	7445121645	2	Fitting, 90 - JIC	
11	1001228333	2	Hose	
12	7865182065	4	Stud	
13	7950180000	4	Washer 1/2	
14	7577000213	1	Kit Split Flange	
15	4178000349	1	Bracket	
16	7274000076	10	Clamp	
17	7785152420	10	Screw 5/16 x 1-1/2	
18	7660152601	20	Nut 5/16	
19	7115151050	10	Bolt 5/16 x 1-1/4	
20	7950150161	10	Washer 5/16	
21	4706003844	10	Plate	
22	7274000041	20	Clamp	
23	7274000071	10	Clamp	
24	7115140850	20	Bolt 1/4 x 1	
25	7950140152	20	Washer 1/4	
26	7660142601	20	Nut 1/4	
27	7443000254	1	Fitting, 90 - NPT/BARBED	
28	7660180000	4	Nut 1/2	

SECTION 5 - HYDRAULIC

FIGURE 5-8. HYDRAULIC INSTALLATION - 322-361 WB



ART_1001228259

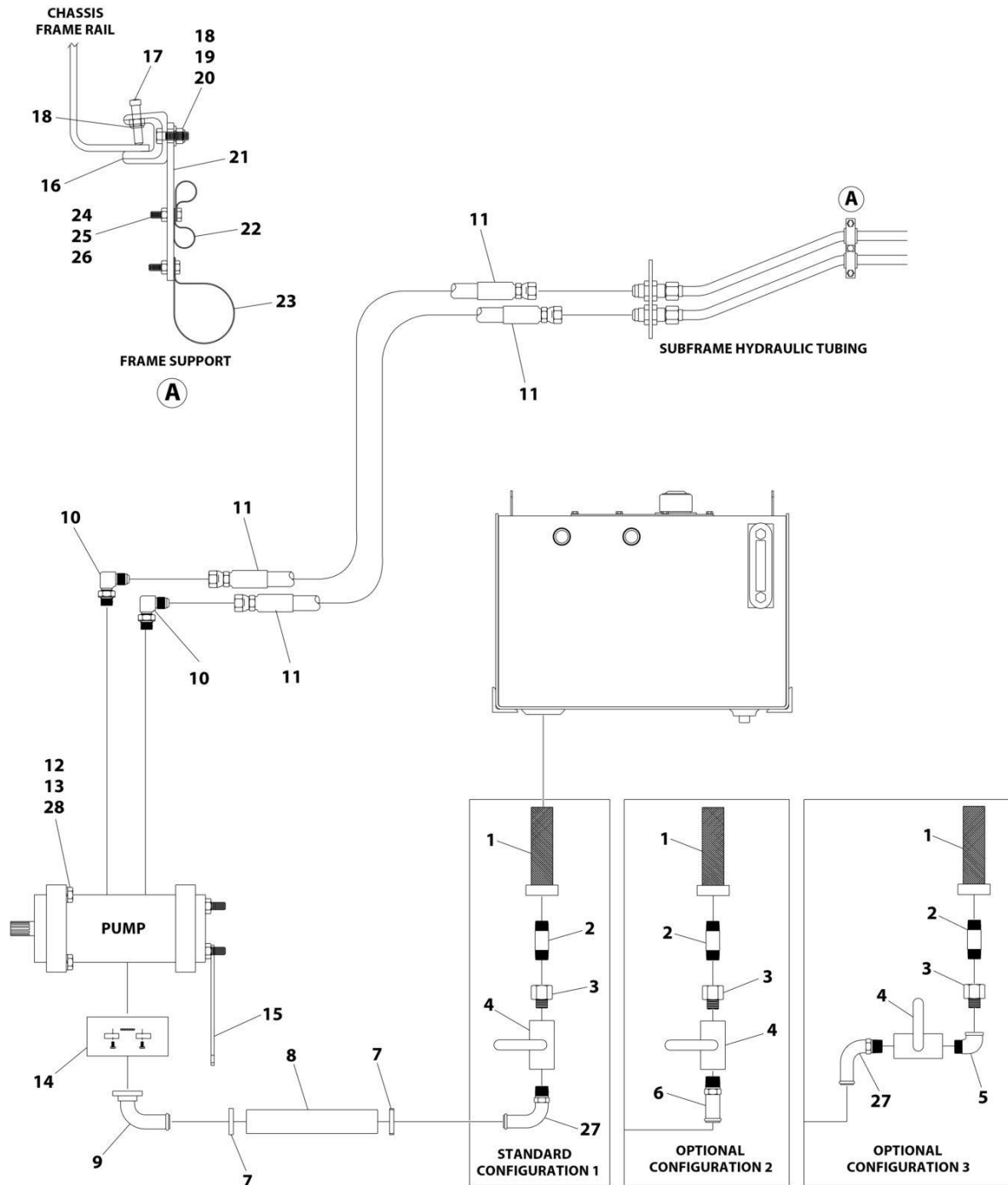
SECTION 5 - HYDRAULIC

FIGURE 5-8. HYDRAULIC INSTALLATION - 322-361 WB

ITEM	PART NUMBER	QTY	DESCRIPTION	REV
	1001228259	Ref	HYDRAULIC INSTALLATION - 322-361 WB	C
1	743000010	1	Filter, Tank	
2	7650100137	1	Fitting, Straight	
3	7444121050	1	Fitting, Straight NPTM/NPTF	
4	7935000116	1	Valve, Ball	
5	7444121271	AR	Fitting, 90	
6	7443000130	AR	Fitting, Straight NPT/TUBE	
7	7274000028	2	Clamp	
8	8565000026	22 ft	Hose	
9	1001145056	1	Fitting, 90	
10	7445121645	2	Fitting, 90 - JIC	
11	1001228334	2	Hose	
12	7865182065	4	Stud	
13	7950180000	4	Washer 1/2	
14	7577000213	1	Kit Split Flange	
15	4178000349	1	Bracket	
16	7274000076	10	Clamp	
17	7785152420	10	Screw 5/16 x 1-1/2	
18	7660152601	20	Nut 5/16	
19	7115151050	10	Bolt 5/16 x 1-1/4	
20	7950150161	10	Washer 5/16	
21	4706003844	10	Plate	
22	7274000041	20	Clamp	
23	7274000071	10	Clamp	
24	7115140850	20	Bolt 1/4 x 1	
25	7950140152	20	Washer 1/4	
26	7660142601	20	Nut 1/4	
27	7443000254	1	Fitting, 90 - NPT/BARBED	
28	7660180000	4	Nut 1/2	

SECTION 5 - HYDRAULIC

FIGURE 5-9. HYDRAULIC INSTALLATION - 362-401 WB



ART_1001228261

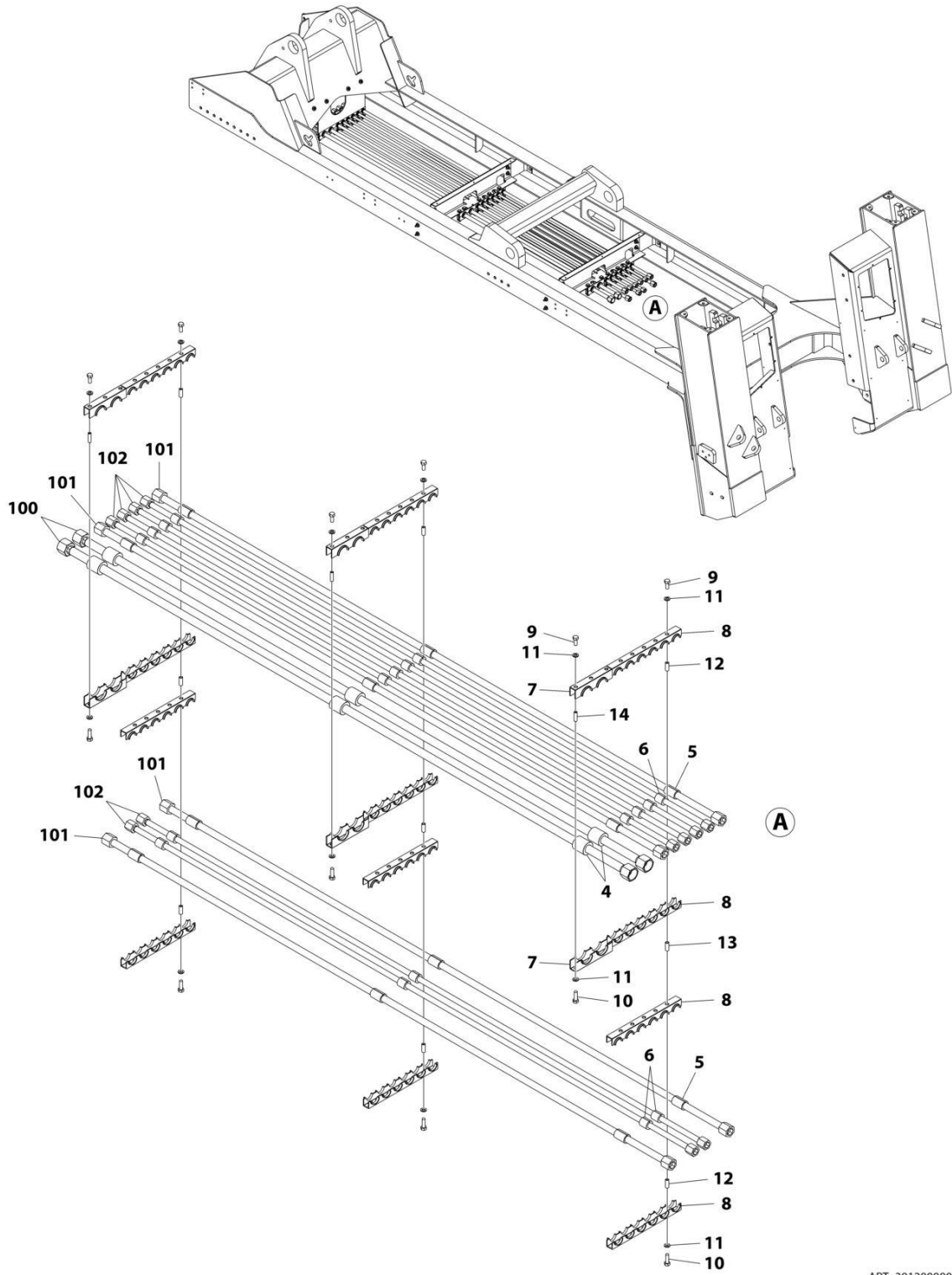
SECTION 5 - HYDRAULIC

FIGURE 5-9. HYDRAULIC INSTALLATION - 362-401 WB

ITEM	PART NUMBER	QTY	DESCRIPTION	REV
	1001228261	Ref	HYDRAULIC INSTALLATION - 362-401 WB	C
1	7430000010	1	Filter, Tank	
2	7650100137	1	Fitting, Straight	
3	7444121050	1	Fitting, Straight NPTM/NPTF	
4	7935000116	1	Valve, Ball	
5	7444121271	AR	Fitting, 90	
6	7443000130	AR	Fitting, Straight NPT/TUBE	
7	7274000028	2	Clamp	
8	8565000026	25 ft	Hose	
9	1001145056	1	Fitting, 90	
10	7445121645	2	Fitting, 90 - JIC	
11	1001228335	2	Hose	
12	7865182065	4	Stud	
13	7950180000	4	Washer 1/2	
14	7577000213	1	Kit Split Flange	
15	4178000349	1	Bracket	
16	7274000076	10	Clamp	
17	7785152420	10	Screw 5/16 x 1-1/2	
18	7660152601	20	Nut 5/16	
19	7115151050	10	Bolt 5/16 x 1-1/4	
20	7950150161	10	Washer 5/16	
21	4706003844	10	Plate	
22	7274000041	20	Clamp	
23	7274000071	10	Clamp	
24	7115140850	20	Bolt 1/4 x 1	
25	7950140152	20	Washer 1/4	
26	7660142601	20	Nut 1/4	
27	7443000254	1	Fitting, 90 - NPT/BARBED	
28	7660180000	4	Nut 1/2	

SECTION 5 - HYDRAULIC

FIGURE 5-10. TUBE INSTALLATION - SUBFRAME



ART_3912000007

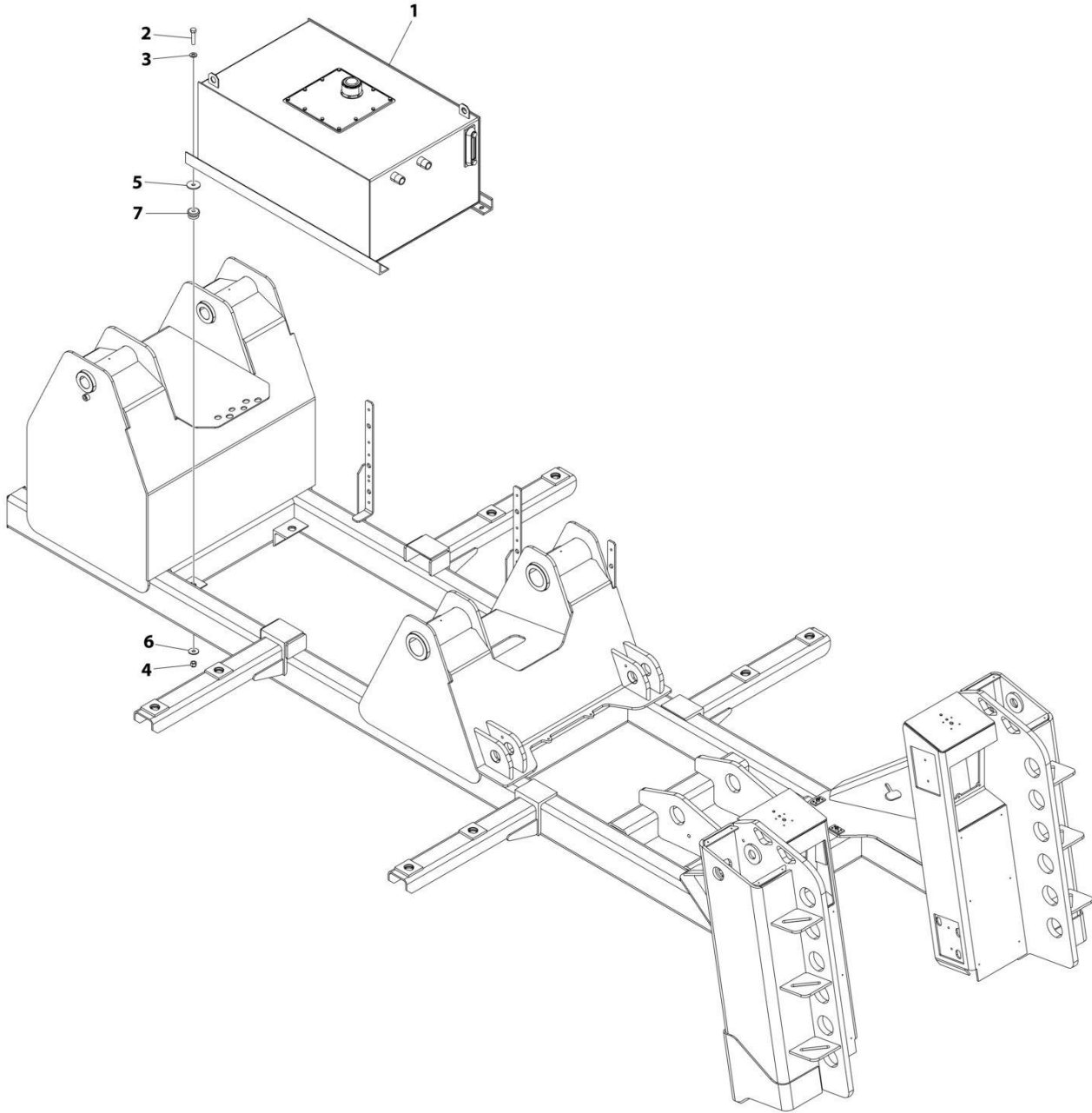
SECTION 5 - HYDRAULIC

FIGURE 5-10. TUBE INSTALLATION - SUBFRAME

ITEM	PART NUMBER	QTY	DESCRIPTION	REV
	3912000007	Ref	SUBFRAME TUBE ASSEMBLY	B
4	7209000032	6	Bushing	
5	7209000024	12	Bushing	
6	7209000023	18	Bushing	
7	7274000049	3	Clamp	
8	7274000030	6	Clamping	
9	7115150850	10	Capscrew 5/16 x 1	
10	7115150650	20	Capscrew 5/16 x 3/4	
11	7950150000	30	Washer 5/16	
12	7661000022	18	Nut 5/16	
13	7007000036	9	Adapter	
14	7661000027	6	Stacking Nut	
15	7577000646	1	Tube, Kit (Not Shown)	
100	7912000109	2	Tube	
101	7912000036	4	Tube	
102	7912000035	6	Tube	

SECTION 5 - HYDRAULIC

FIGURE 5-11. TANK (HYDRAULIC) INSTALLATION



ART_2507650009

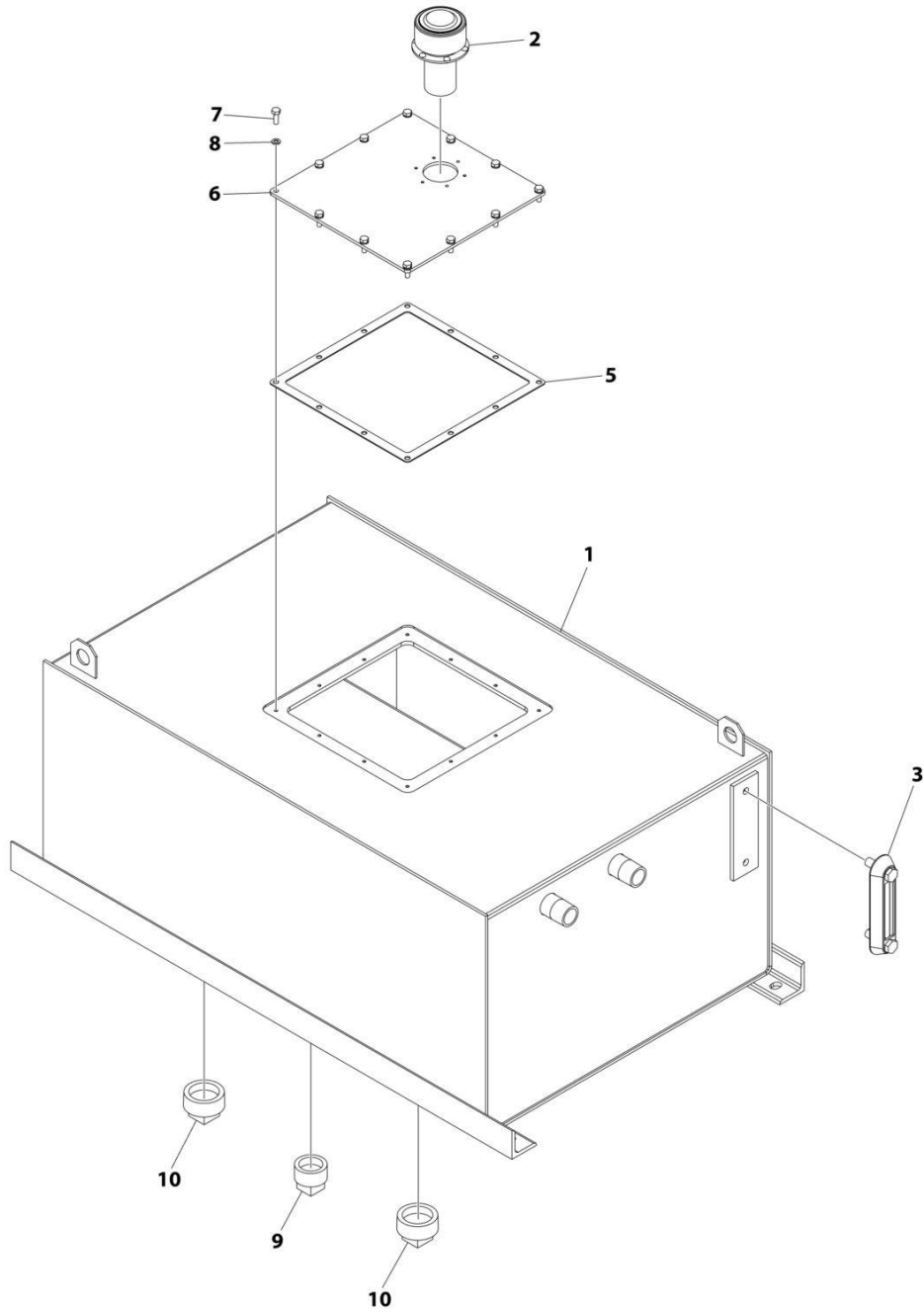
SECTION 5 - HYDRAULIC

FIGURE 5-11. TANK (HYDRAULIC) INSTALLATION

ITEM	PART NUMBER	QTY	DESCRIPTION	REV
	2507650009	Ref	TANK (HYDRAULIC) INSTALLATION	B
1	3750000022	1	Tank Assembly (See Separate Breakdown in this Section)	
2	7115181850	4	Bolt 1/2 x 2-1/4	
3	7950180141	4	Washer 1/2	
4	7660182601	4	Nut 1/2	
5	7949000015	4	Washer	
6	7949000016	4	Washer	
7	7636000006	4	Mount, Center Bonded	

SECTION 5 - HYDRAULIC

FIGURE 5-12. TANK (HYDRAULIC) ASSEMBLY



ART_375000022

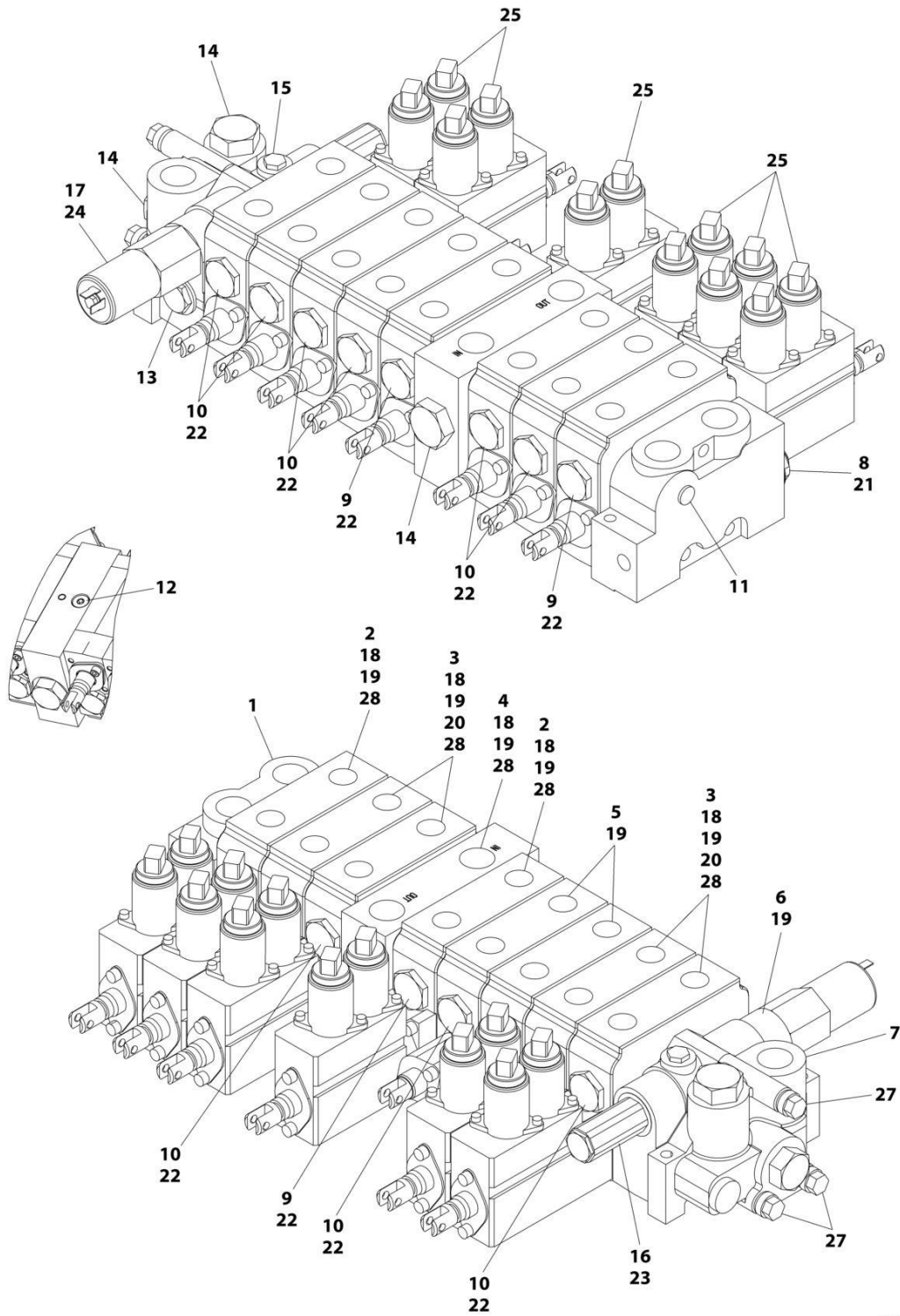
SECTION 5 - HYDRAULIC

FIGURE 5-12. TANK (HYDRAULIC) ASSEMBLY

ITEM	PART NUMBER	QTY	DESCRIPTION	REV
	3750000022	Ref	TANK (HYDRAULIC) ASSEMBLY	C
1	See Note	NSS	Tank, Hydraulic (Note: Purchase PN 3750000022)	
2	7183000004	1	Breather Filter	
3	7470000003	1	Gauge	
5	7796000051	1	Gasket	
6	4706002235	1	Plate	
7	7115140650	12	Bolt 1/4 x 3/4	
8	7950140000	12	Washer 1/4	
9	7444120014	1	Plug	
10	7444160011	2	Plug	

SECTION 5 - HYDRAULIC

FIGURE 5-13. VALVE ASSEMBLY - 8 SECTION/6 SOLENOID



ART_7935000330

SECTION 5 - HYDRAULIC

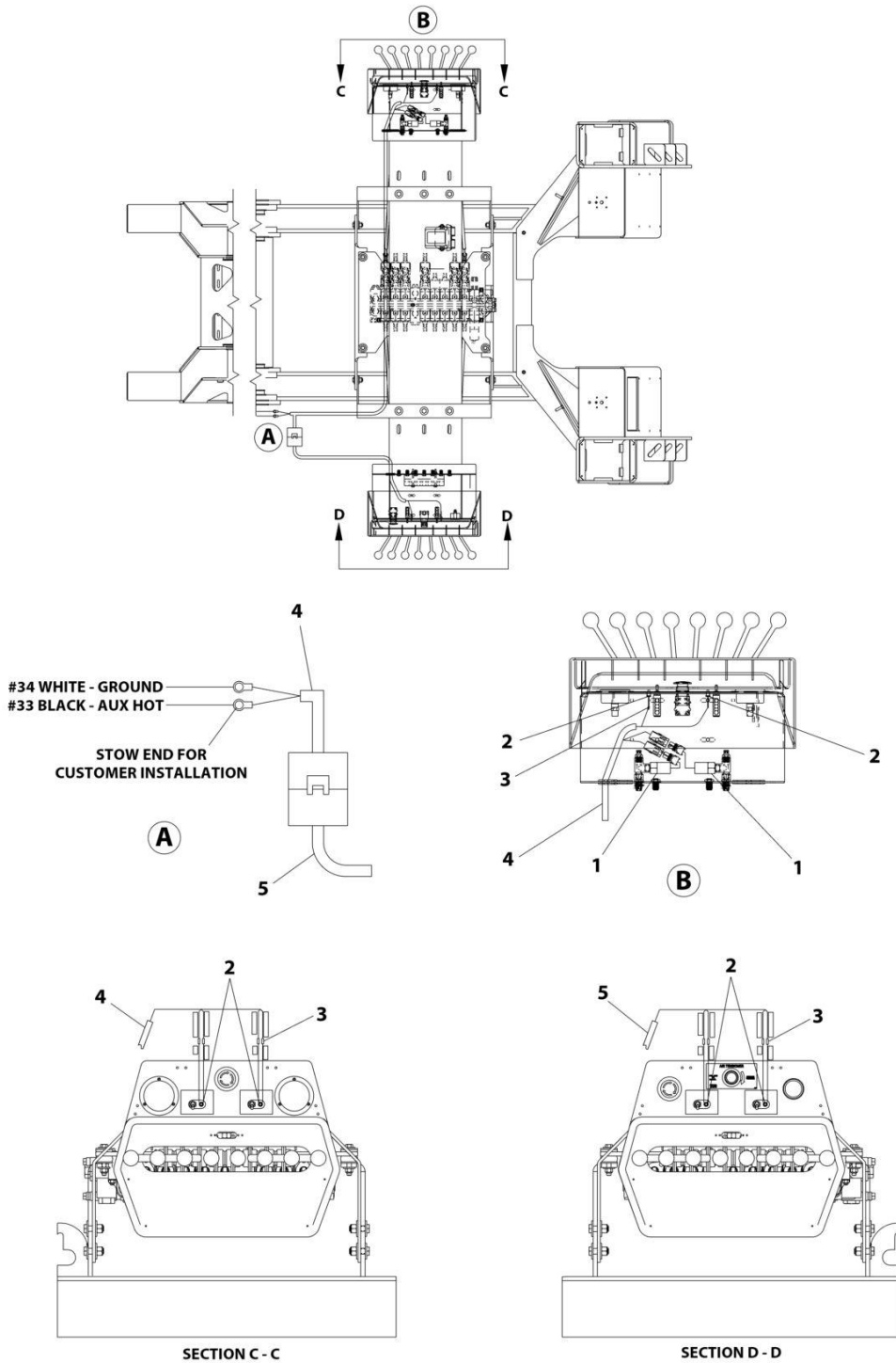
FIGURE 5-13. VALVE ASSEMBLY - 8 SECTION/6 SOLENOID

ITEM	PART NUMBER	QTY	DESCRIPTION	REV
	7935000330	Ref	VALVE ASSEMBLY - 8 SECTION/6 SOLENOID	1
1	7935000315	1	Inlet Cover	
2	9935930120	2	Valve Section	
3	9935930119	4	Valve Section	
4	7935000316	1	Inlet	
5	7935000320	2	Valve Section	
6	7935000323	1	Utility Section	
7	7935000317	1	Outlet Cover	
8	91084009	2	Relief	
9	70050243	4	Plug	
10	7006847	12	Plug	
11	70050245	1	Plug	
12	70050246	2	Plug	
13	70050247	1	Plug	
14	91084017	3	Plug	
15	70050249	1	Plug	
16	70050241	1	Pressure Cartridge	
17	70050242	1	Solenoid	
18	70050250	13	Seal	
19	70050251	40	O-Ring	
20	70050252	6	O-Ring	
21	70051081	2	Seal Kit	
22	7029865	16	Seal Kit	
23	70051080	1	Seal Kit	
24	70050256	1	Seal Kit	
25	9346930086	6	Solenoid	
26	70051079	1	Seal (Not Shown)	
27	70050239	1	Stud Assembly	
28	70050257	16	Wiper	

SECTION 6 - ELECTRICAL

SECTION 6 - ELECTRICAL

FIGURE 6-1. SWITCH PANEL INSTALLATION - MAIN WINCH



ART_1001162412

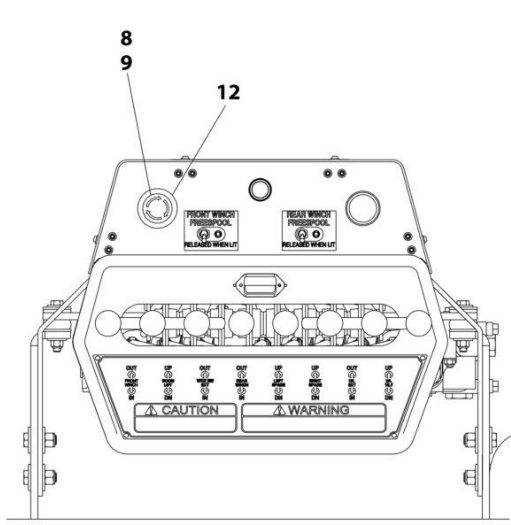
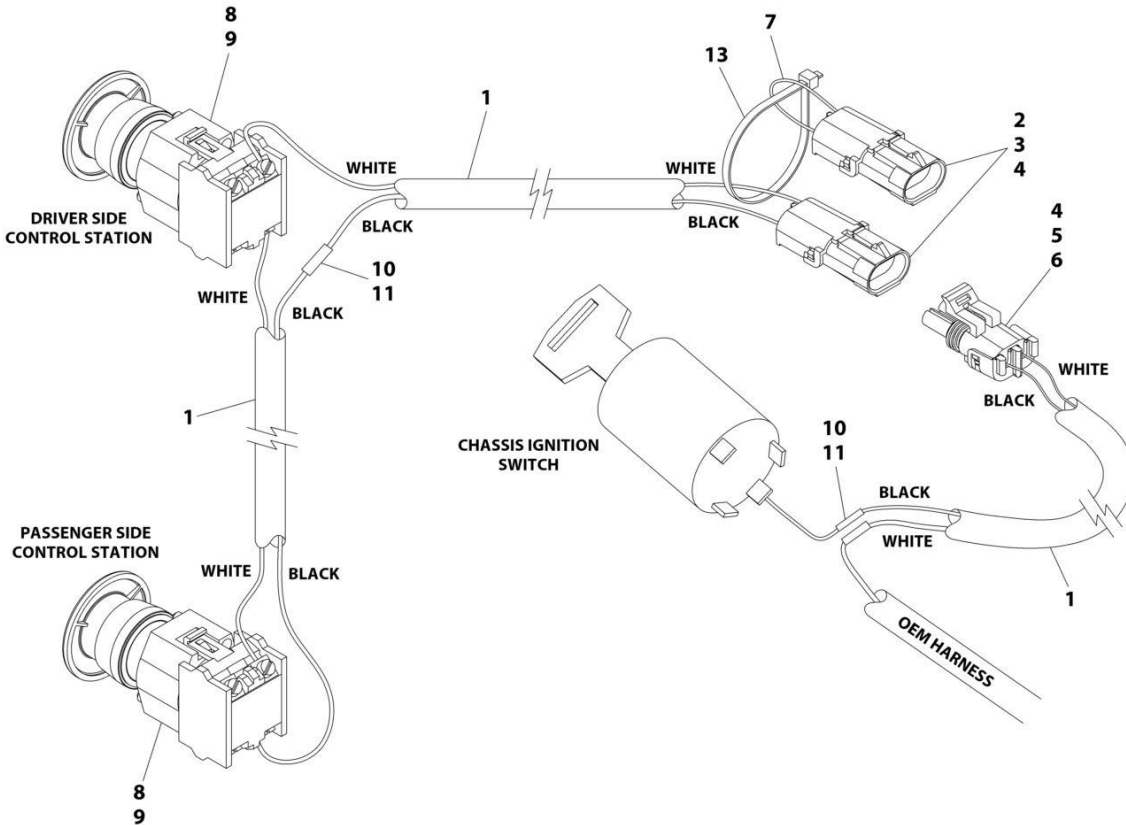
SECTION 6 - ELECTRICAL

FIGURE 6-1. SWITCH PANEL INSTALLATION - MAIN WINCH

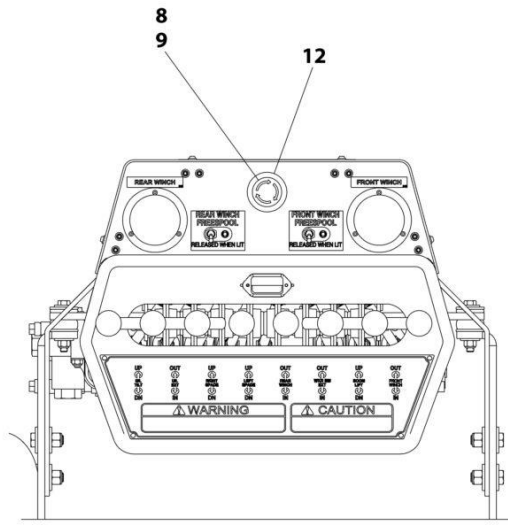
ITEM	PART NUMBER	QTY	DESCRIPTION	REV
	1001162412	Ref	MAIN WINCH 1 - SPD, SWITCH PANEL INSTALLATION	A
1	7870000136	2	Switch	
2	7590000364	4	Indicator	
3	7346000039	AR	Tubing	
4	7552000414	1	Harness Panel Indicator Lights - LH	
5	7552000415	1	Harness Panel Indicator Lights - RH	
6	7457000019	1	Fuse	

SECTION 6 - ELECTRICAL

FIGURE 6-2. EMERGENCY STOP INSTALLATION



DRIVER SIDE CONTROL STATION



PASSENGER SIDE CONTROL STATION

ART_1001162409

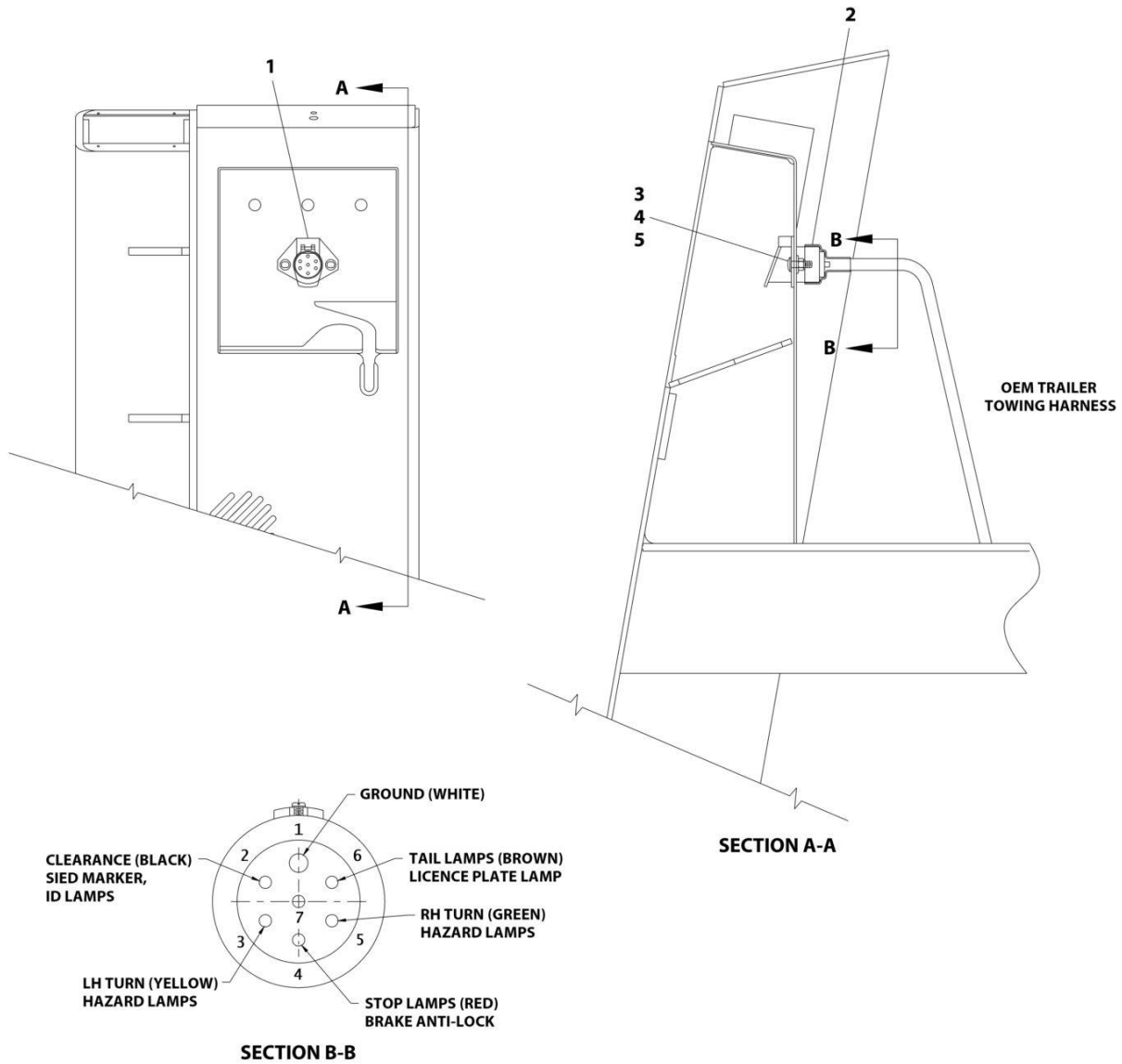
SECTION 6 - ELECTRICAL

FIGURE 6-2. EMERGENCY STOP INSTALLATION

ITEM	PART NUMBER	QTY	DESCRIPTION	REV
	1001162409	Ref	EMERGENCY STOP INSTALLATION	A
1	8977010103	40	Wire #16 GA 2-Conductor	
2	7346000094	1	Connector	
3	7346000035	2	Pin, Male	
4	7346000037	6	Seal	
5	7346000087	2	Connector	
6	7346000099	4	Pin, Female	
7	8977500100	0.25 ft	Wire	
8	7870000128	2	Switch	
9	7870000129	2	Switch	
10	7345001714	3	Terminal	
11	7346000039	0.13 ft	Tubing	
12	1704260	2	Decal	
13	5526000553	1	Tie-Strap	

SECTION 6 - ELECTRICAL

FIGURE 6-3. TRAILER PLUG INSTALLATION - 7-WAY



ART_2502330145

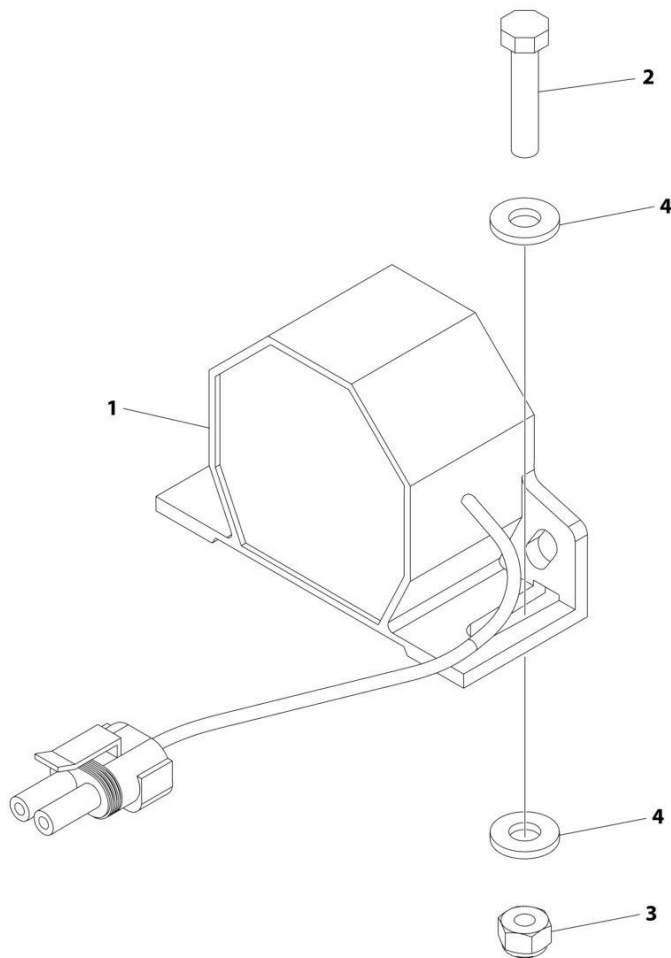
SECTION 6 - ELECTRICAL

FIGURE 6-3. TRAILER PLUG INSTALLATION - 7-WAY

ITEM	PART NUMBER	QTY	DESCRIPTION	REV
	2502330145	Ref	7 - Way Trailer Plug Installation	C
1	7346000055	1	7-Way Plug	
2	7346000078	1	7-Way Plug Boot	
3	7115151050	2	Capscrew 5/16 x 1-1/4	
4	7950150161	4	Washer 5/16	
5	7660152601	2	Nut 5/16	

SECTION 6 - ELECTRICAL

FIGURE 6-4. ALARM INSTALLATION - BACK-UP (FIXED)



ART_2011000002

SECTION 6 - ELECTRICAL

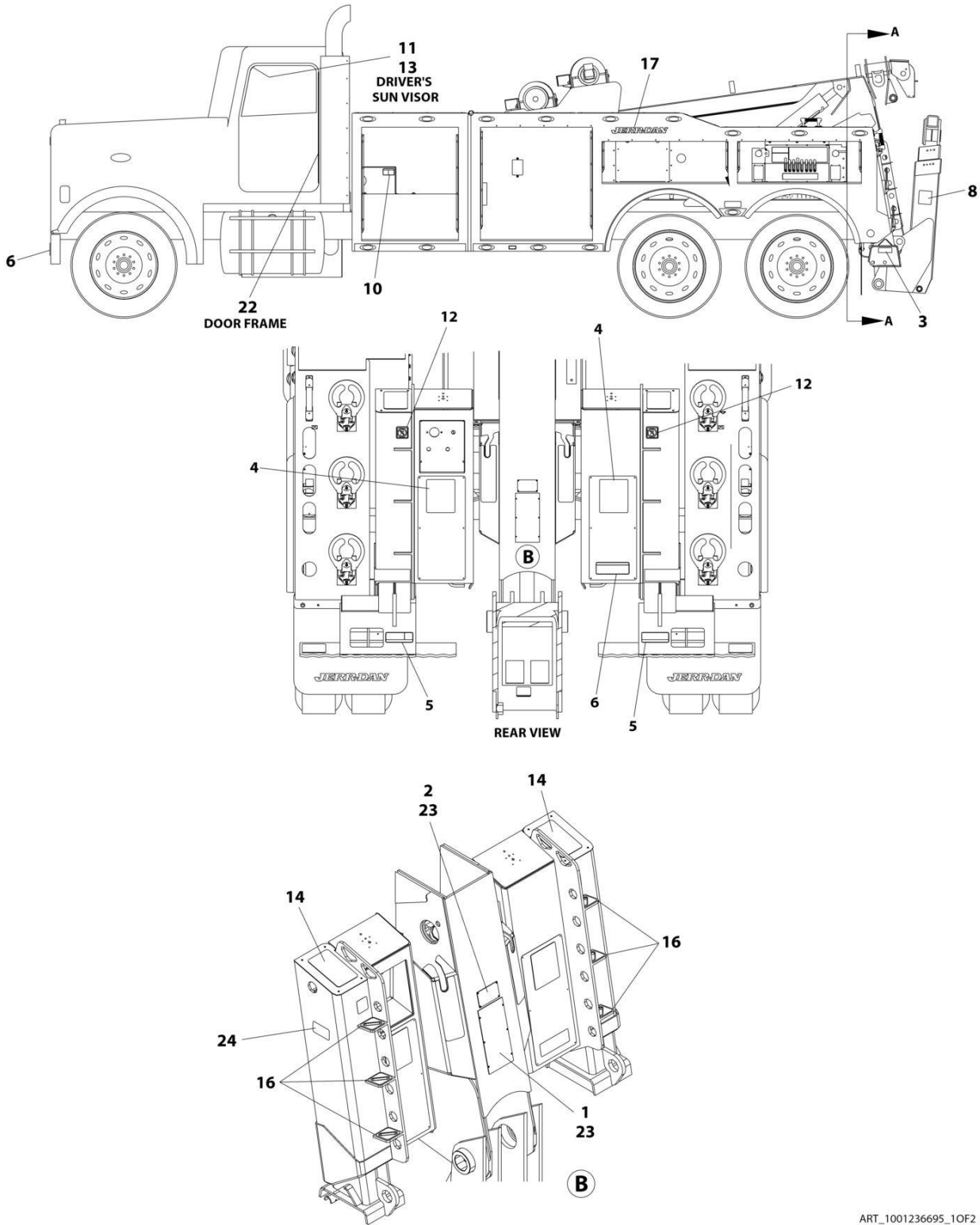
FIGURE 6-4. ALARM INSTALLATION - BACK-UP (FIXED)

ITEM	PART NUMBER	QTY	DESCRIPTION	REV
	2011000002	Ref	ALARM INSTALLATION - BACK-UP (FIXED)	B
1	7011000006	1	Alarm	
2	7111141050	2	Bolt 1/4 x 1-1/4	
3	7660142600	2	Nut 1/4	
4	7950140141	4	Washer 1/4	

SECTION 7 - DECAL

SECTION 7 - DECAL

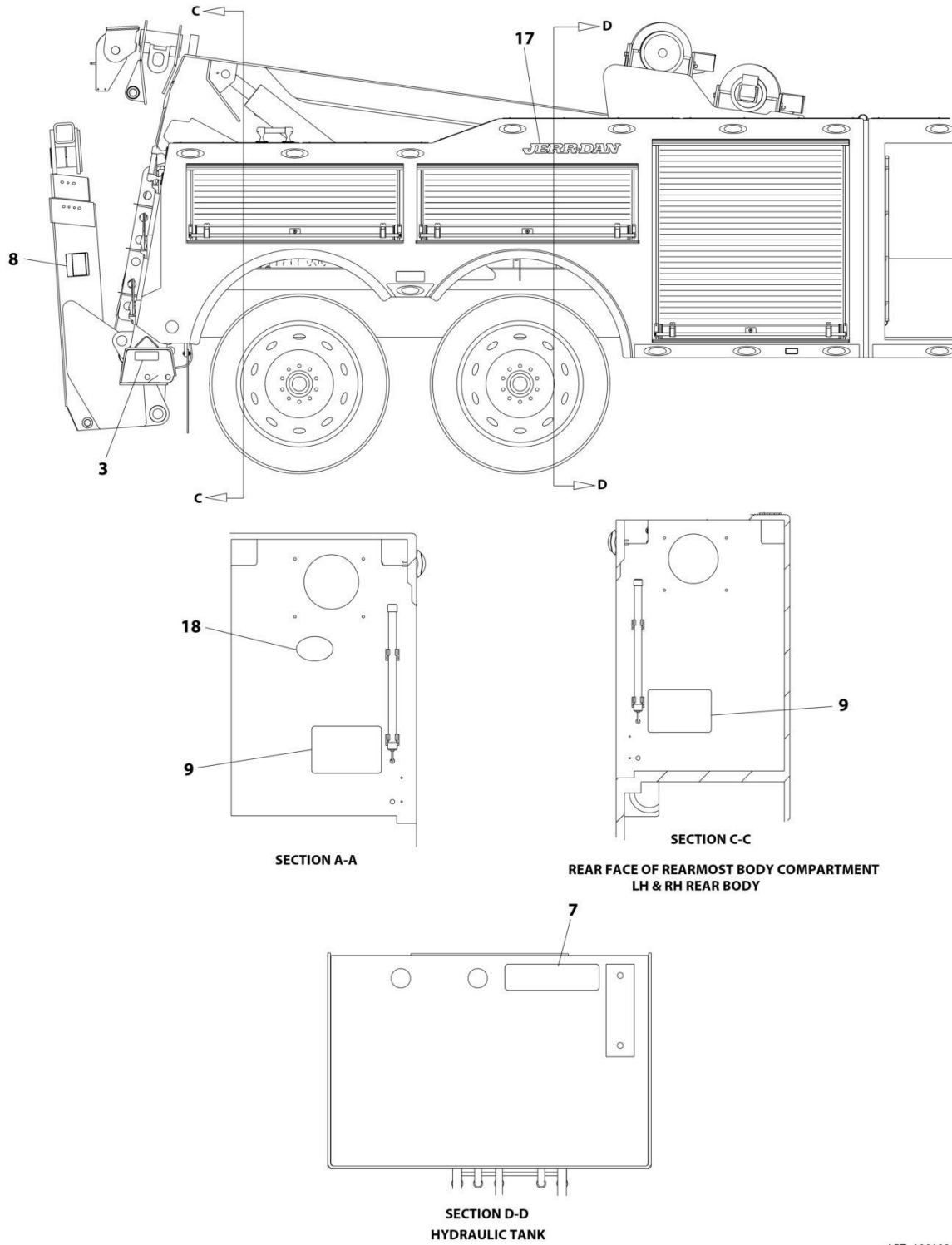
FIGURE 7-1. DECAL INSTALLATION - COMMON



ART_1001236695_10F2

SECTION 7 - DECAL

FIGURE 7-2. DECAL INSTALLATION - COMMON



ART_1001236695_2OF2

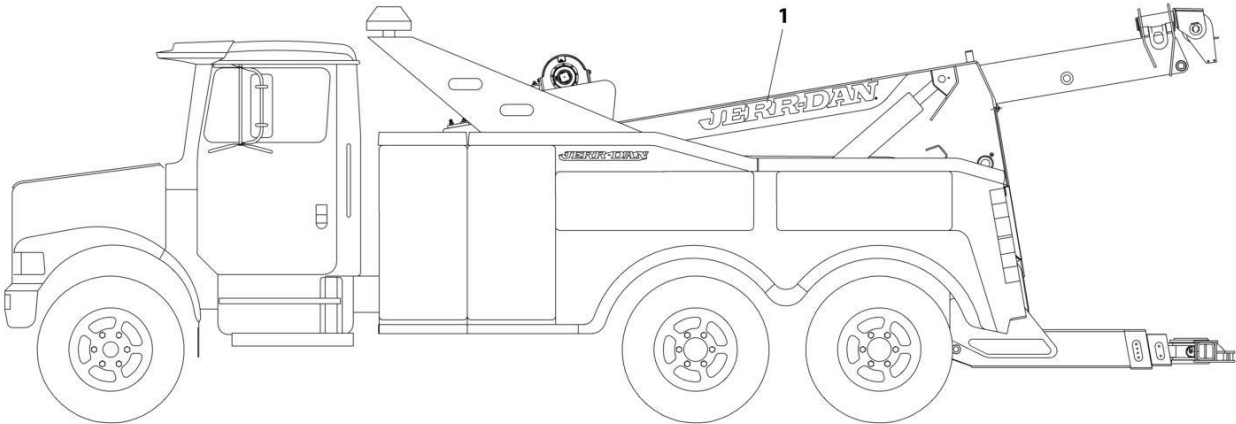
SECTION 7 - DECAL

FIGURE 7-2. DECAL INSTALLATION - COMMON

ITEM	PART NUMBER	QTY	DESCRIPTION	REV
	1001236695	Ref	DECAL INSTALLATION - COMMON	C
1	1001132328	1	Decal, Placard Serial Number/Ratng	
2	1001132346	1	Patent Placard	
3	1001136080	2	Decal, Recovery Stability	
4	1001136091	2	Decal, Towed Load Hazard	
5	1001136094	2	Decal, Crushing Hazard	
6	1001136103	4	Decal, Electrocutation Hazard	
7	1001136119	1	Decal, Hydraulic Fluid Level	
8	1001137169	2	Decal, Pinch/Crush Hazard	
9	1001138537	2	Decal, Hook Notice	
10	1001138612	1	Decal, Battery Warning	
11	1001141227	1	Decal, Backing Hazard	
12	1001142452	2	Decal - No Step	
13	1001142828	1	Decal, Fall Hazard	
14	1001174346	4	Decal, Spade Step Rectangle	
15	1001198937	1	Decal - Lubrication Chart	
16	1001199065	6	Decal - Spade Housing Step	
17	1001206367	2	Decal, Jerr-Dan Nameplate	
18	7330000143	1	Decal, Made In USA	
22	7330000689	1	Decal	
23	7759000004	10	Rivet	
24	1001231801	2	Decal, Warning Prop 65	

SECTION 7 - DECAL

FIGURE 7-3. DECAL INSTALLATION - JERR-DAN LOGO (RED)



ART_1001143489

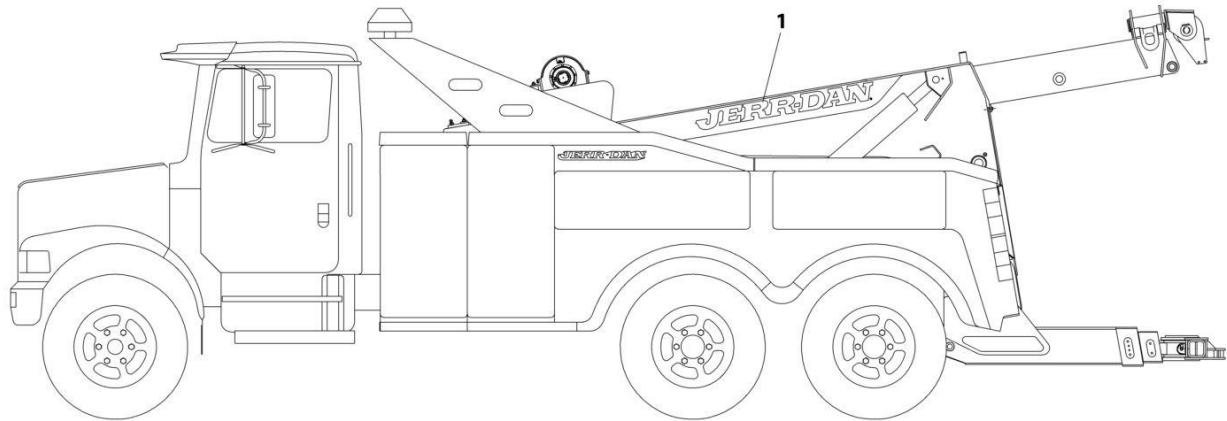
SECTION 7 - DECAL

FIGURE 7-3. DECAL INSTALLATION - JERR-DAN LOGO (RED)

ITEM	PART NUMBER	QTY	DESCRIPTION	REV
1	1001143489	Ref	DECAL INSTALLATION - JERR-DAN LOGO (RED)	A
	7330000294	2	Decal - JERR-DAN Logo (Red)	

SECTION 7 - DECAL

FIGURE 7-4. DECAL INSTALLATION - JERR-DAN LOGO (WHITE)



ART_1001143487

SECTION 7 - DECAL

FIGURE 7-4. DECAL INSTALLATION - JERR-DAN LOGO (WHITE)

ITEM	PART NUMBER	QTY	DESCRIPTION	REV
1	1001143487	Ref	DECAL INSTALLATION - JERR-DAN LOGO (WHITE)	A
	7330000535	2	Decal - JERR-DAN Logo (White)	

SECTION 8 - ACCESSORIES

SECTION 8 - ACCESSORIES

FIGURE 8-1. SERVICE & AFTERMARKET KITS LIST

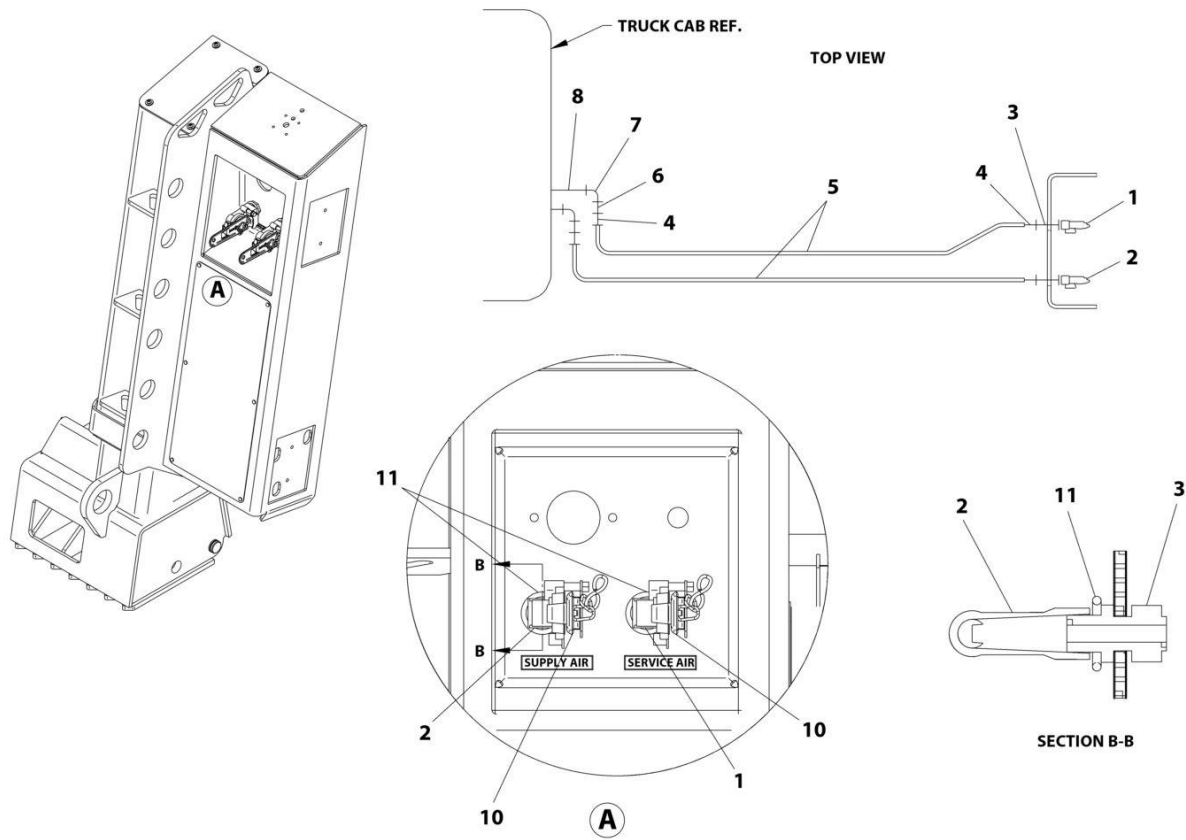
ITEM	PART NUMBER	QTY	DESCRIPTION	REV
	1001241869	Ref	SERVICE & AFTERMARKET KITS LIST	I
		Ref	Note: Contact JERR-DAN Parts Department for exact contents of kits.:	
	7002000505	Ref	Cord, Electrical Extension 25FT (GSA Specs)	
	1001264819	Ref	Kit, Body (Tandem)	
	1001207496	Ref	Kit, Broom Storage	
	1001262538	Ref	Kit, Camera (Back up)	
	1001279212	Ref	Kit, Camera (Rear Winch) (Drivers Side)	
	1001279211	Ref	Kit, Camera (Rear Winch) (Passengers Side)	
	1001279213	Ref	Kit, Camera (Underlift)	
	1001201341	Ref	Kit, Chain Binder Storage (Tandem)	
	1001201164	Ref	Kit, Chain Binder Storage (Tri-Axle)	
	1001207623	Ref	Kit, Chain Binder Storage	
	1001197183	Ref	Kit, Chian Storage (Rotary)	
	1001219776	Ref	Kit, Chian Storage (Rotary)	
	1001207510	Ref	Kit, Cribbing Storage Tandem)	
	1001201514	Ref	Kit, Cribbing Storage (Tri-Axle)	
	1001199998	Ref	Kit, Drawer Storage - Tilt Down (Tandem)	
	1001199999	Ref	Kit, Drawer Storage - Tilt Down (Tri-Axle)	
	1001208631	Ref	Kit, Drawer Storage - Tilt Down (48IN)	
	1001195256	Ref	Kit, Drawer Storage - Tool (Tandem)	
	1001195337	Ref	Kit, Drawer Storage - Tool (Tri-Axle Drivers Side)	
	1001208635	Ref	Kit, Drawer Storage - Tool (Tri-Axle Passengers Side)	
	1001220164	Ref	Kit, Drawer Storage - Tool (BB/Tri-Axle Drivers Side)	
	1001228254	Ref	Kit, Drawer Storage - Tool (BB/Tri-Axle Tunnel)	
	1001195942	Ref	Kit, Fifth Wheel & Pintle Storage (Tandem)	
	1001195943	Ref	Kit, Fifth Wheel & Pintle Storage (Tri-Axle Passengers Side)	
	1001208636	Ref	Kit, Fifth Wheel & Pintle Storage (37IN Tunnel)	
	1001195698	Ref	Kit, Fire & Emergency	
	FEX-GSARB	Ref	Kit, Fire & Emergency (GSA Specs)	
	1001201704	Ref	Kit, Flare Storage	
	1001197683	Ref	Kit, Flashlight Storage	
	1001263856	Ref	Kit, Fork Riser (Frame) Storage (Single Steer)	
	1001263857	Ref	Kit, Fork Riser (Frame) Storage (5 Axle)	
	1001263858	Ref	Kit, Fork Riser (Frame) Storage (Twin Axle)	
	1001195788	Ref	Kit, Fork Riser Storage (35Ton Tandem)	
	1001195825	Ref	Kit, Fork Riser Storage (35Ton Tri-Axle)	
	1001210749	Ref	Kit, Fork Riser Storage (50/60Ton)	
	1001269884	Ref	Kit, Fork Velocity	
	2512880041	Ref	Kit, Frame Forks	
	1001263854	Ref	Kit, Frame Forks Storage (35Ton Tandem)	
	1001263855	Ref	Kit, Frame Forks Storage (35Ton Tri-Axle)	
	1001214175	Ref	Kit, Grizzly Bar Storage	
	3577000156	Ref	Kit, GSA 972 Accessories	
	7262000048	Ref	Chain Assembly	
		Ref	Snatch Block	
	7894000055	1	Steering Wheel Lock Strap	
	1001196215	Ref	Kit, Jack Storage (Tandem)	
	1001196214	Ref	Kit, Jack Storage (Tri-Axle)	

SECTION 8 - ACCESSORIES

ITEM	PART NUMBER	QTY	DESCRIPTION	REV
	1001200001	Ref	Kit, Ladder Storage	
	1001195038	Ref	Kit, Shackle Storage (Tandem)	
	1001195083	Ref	Kit, Shackle Storage (Tri-Axle)	
	1001263822	Ref	Kit, Shelf	
	1001214300	Ref	Kit, Shelf Storage (36IN)	
	1001214299	Ref	Kit, Shelf Storage (48IN)	
	1001214298	Ref	Kit, Shelf Storage - Upper (36IN)	
	1001214264	Ref	Kit, Shelf Storage - Upper (48IN)	
	1001214303	Ref	Kit, Shelf Storage - Upper	
	1001210746	Ref	Kit, Shovel/Grizzly Bar Storage (Tandem)	
	1001210747	Ref	Kit, Shovel/Grizzly Bar Storage (Tri-Axle)	
	1001195088	Ref	Kit, Snatch Block Storage (Tandem 3/2015-11/2016)	
	1001217105	Ref	Kit, Snatch Block Storage (Tandem 11/2016-8/2023)	
	1001217106	Ref	Kit, Snatch Block Storage (Tri-Axle) (25Ton before 11/2018 & 35Ton 11/2016-8/2023)	
	1001195134	Ref	Kit, Snatch Block Storage (Rotary) (35Ton & 50/60Ton 10/2016-8/2023)	
	1001201371	Ref	Kit, Spill Storage (Tandem)	
	1001210748	Ref	Kit, Spill Storage (Tri-Axle)	
	1001207548	Ref	Kit, Spreader Bar Storage (Dual)	
	1001210750	Ref	Kit, Spreader Bar Storage (Single)	
	1001195421	Ref	Kit, Sta-Dry Silo Storage	
	1001207593	Ref	Kit, Strap Storage (Tandem)	
	1001208637	Ref	Kit, Strap Storage (Tri-Axle)	
	1001205796	Ref	Kit, Tire Lift/Arms Storage (36IN)	
	1001196249	Ref	Kit, Tire Lift/Arms Storage (48IN)	
	1001207556	Ref	Kit, Tire Lift/Bus Arms Storage	
	1001201234	Ref	Kit, Tool Storage	
	1001195592	Ref	Kit, Tow Light Storage	
	1001195764	Ref	Kit, Traffic Cone Storage (35Ton)	
	1001207508	Ref	Kit, Traffic Cone Storage (60Ton)	
	1001195520	Ref	Kit, Wheel Chocks Storage	
	1001238159	Ref	Kit, Winch Drag Brake (50K DP Brand Winches)	

SECTION 8 - ACCESSORIES

FIGURE 8-2. AIR, EMERGENCY AND SERVICE GLAD HANDS



ART_2503630028

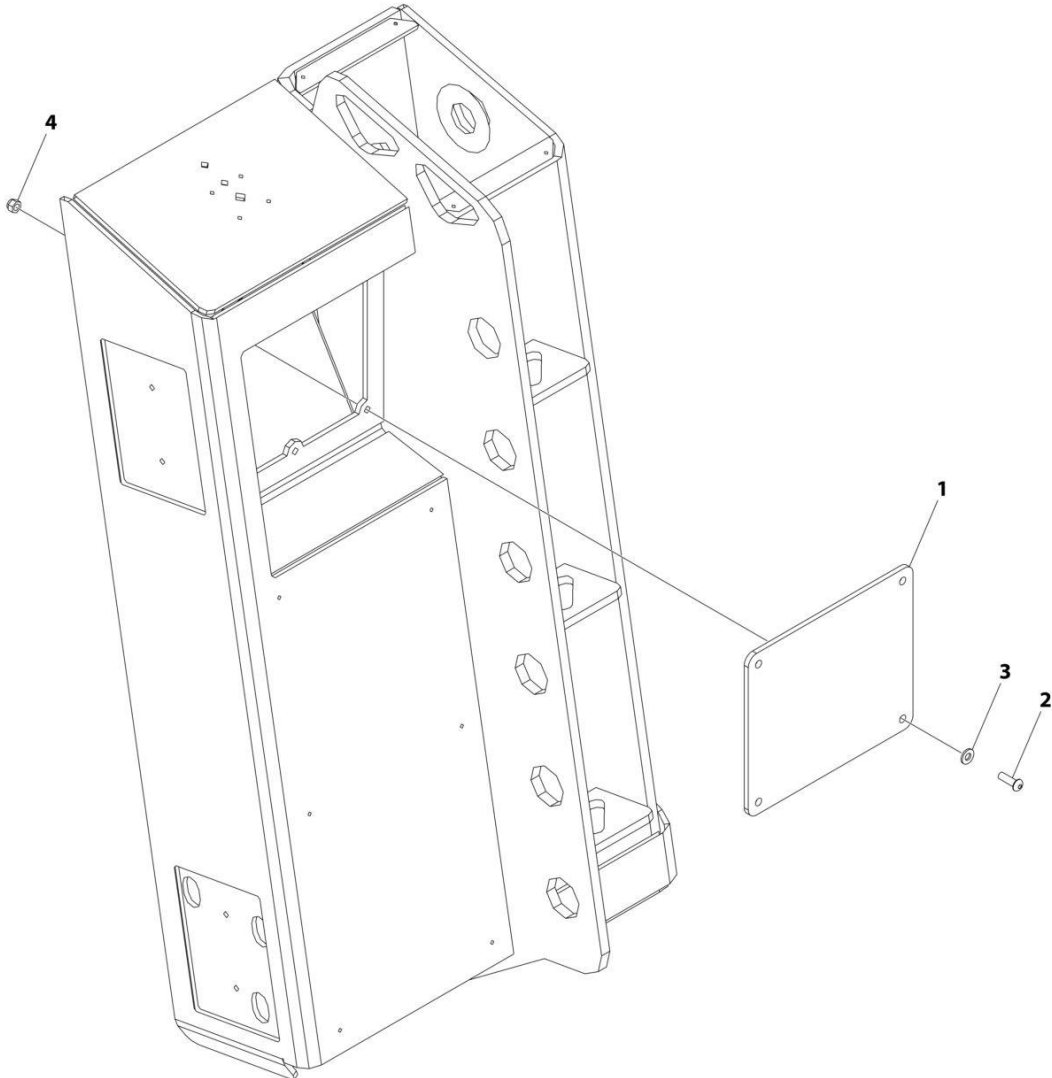
SECTION 8 - ACCESSORIES

FIGURE 8-2. AIR, EMERGENCY AND SERVICE GLAD HANDS

ITEM	PART NUMBER	QTY	DESCRIPTION	REV
	2503630028	Ref	Air, Emergency and Service Glad Hands	F
1	7312000015	1	Gladhand	
2	7312000016	1	Gladhand	
3	7446502518	2	Fitting	
4	7446060435	4	Fitting	
5	7565000014	50 ft	Airline Tubing	
6	7443000148	2	Bushing	
7	7443000146	2	Elbow	
8	7443000145	2	Bushing	
10	1001170036	2	Shield	
11	1001171933	2	Ring	
12	7445040449	1	Nipple (Not Shown)	

SECTION 8 - ACCESSORIES

FIGURE 8-3. COVER INSTALLATION (WITHOUT CAMERA)



ART_1001134265

SECTION 8 - ACCESSORIES

FIGURE 8-3. COVER INSTALLATION (WITHOUT CAMERA)

ITEM	PART NUMBER	QTY	DESCRIPTION	REV
	1001134265	Ref	COVER INSTALLATION (WITHOUT CAMERA)	A
1	1001134266	1	Plate	
2	7114150818	4	Capscrew 5/16 x 1	
3	7950150143	4	Washer 5/16	
4	7660152604	4	Nut 5/16	

SECTION 9 - BUILD DOCUMENTS

SECTION 9 - BUILD DOCUMENTS

FIGURE 9-1. BUILD DOCUMENT

ITEM	PART NUMBER	QTY	DESCRIPTION	REV
	Note	Ref	Note: This list is for build tracking purposes only. Parts in this list are not available at this inventory stocking level. Parts in this list may not be applicable to all models. For more specific parts information contact Jerr-Dan Parts Department	
		Ref	PTO (Installation & replacement is based on individual characteristics of the unit - Contact Jerr-Dan Parts Dept.)	
		Ref	Pump (Installation & replacement is based on individual characteristics of the unit - Contact Jerr-Dan Parts Dept.)	
	1001227630	Ref	Ship-Out Crate	
	2636000010	Ref	Ship-Out Stand for Kit Models	

PART NUMBER INDEX

SECTION 9 - BUILD DOCUMENTS

0100011.....	39	1001172169.....	27, 29	1001227900.....	23	3263000067.....	13, 15
0641405.....	15	1001174346.....	137	1001228254.....	144	3263000068.....	13, 15
0682428001.....	23	1001186312.....	23	1001228256.....	105	3551000036.....	75
0741606.....	23	1001186540.....	23	1001228257.....	107	3577000018.....	77
1001127969.....	85	1001186801.....	23	1001228258.....	109	3577000037.....	27, 29
1001127970.....	85	1001195038.....	145	1001228259.....	111	3577000156.....	144
1001127971.....	85	1001195083.....	145	1001228261.....	113	3636000068.....	39
1001127975.....	85	1001195088.....	145	1001228281.....	105	3691000126.....	13, 15
1001127976.....	45	1001195134.....	145	1001228332.....	107	3691000139.....	13, 15
1001127981.....	85	1001195256.....	144	1001228333.....	109	3691000160.....	49, 51, 63,
1001127985.....	45	1001195337.....	144	1001228334.....	111	65	
1001132328.....	137	1001195421.....	145	1001228335.....	113	3691000161.....	27, 29
1001132346.....	137	1001195520.....	145	1001231801.....	137	3691000162.....	27, 29
1001134265.....	149	1001195592.....	145	1001236695.....	137	3691000163.....	27, 29
1001134266.....	149	1001195698.....	144	1001238159.....	145	3706000114.....	11
1001136080.....	137	1001195764.....	145	1001239548.....	13, 15	3706000115.....	11
1001136091.....	137	1001195788.....	144	1001241869.....	144	3706000116.....	11
1001136094.....	137	1001195825.....	144	1001262538.....	144	3706000117.....	11
1001136103.....	137	1001195942.....	144	1001263822.....	145	3706000177.....	53, 55, 67,
1001136119.....	137	1001195943.....	144	1001263854.....	144	69	
1001137169.....	137	1001196214.....	144	1001263855.....	144	3706000178.....	53, 55, 67,
1001138537.....	137	1001196215.....	144	1001263856.....	144	69	
1001138612.....	137	1001196249.....	145	1001263857.....	144	3706000179.....	53, 55, 67,
1001139464.....	91	1001197183.....	144	1001263858.....	144	69	
1001141227.....	137	1001197683.....	144	1001264819.....	144	3706000180.....	53, 55, 67,
1001142452.....	137	1001198937.....	137	1001269884.....	144	69	
1001142828.....	137	1001199065.....	137	1001279211.....	144	3750000022.....	117, 119
1001143487.....	141	1001199998.....	144	1001279212.....	144	3841258.....	39
1001143489.....	139	1001199999.....	144	1001279213.....	144	3868000172.....	11
1001143764.....	86	1001200001.....	145	1001284484.....	29, 37	3868000173.....	11
1001143869.....	95	1001201164.....	144	1001286128.....	15, 19	3868000174.....	11
1001144730.....	23	1001201234.....	145	1001286132.....	51, 59, 63,	3912000006.....	27, 29
1001144957.....	23	1001201341.....	144	65		3912000007.....	115
1001144959.....	23	1001201371.....	145	1001286133.....	55, 61	3913000094.....	77
1001144984.....	23	1001201514.....	144	1001286134.....	69, 73	4017000896.....	11
1001144985.....	23	1001201704.....	144	1001286141.....	33, 35	4017001048.....	11
1001145056.....	105, 107,	1001205796.....	145	1704260.....	127	4017001050.....	11
109, 111, 113		1001206367.....	137	2011000002.....	131	4062000746.....	31, 33
1001151184.....	31, 33	1001207361.....	41	2502330145.....	129	4177000033.....	31
1001151185.....	31, 33	1001207362.....	43	2503100051.....	49, 51	4178000349.....	105, 107,
1001151805.....	31, 33	1001207496.....	144	2503100073.....	63	109, 111, 113	
1001155649.....	102	1001207508.....	145	2503530106.....	101	4249000001.....	39
1001155650.....	101	1001207510.....	144	2503630028.....	147	4263000294.....	11
1001159568.....	75	1001207548.....	145	2503700052.....	21	4263000463.....	85
1001161693.....	11	1001207556.....	145	2503870011.....	49, 51, 63,	4314000042.....	11
1001161802.....	85	1001207593.....	145	65, 75		4567112050.....	101
1001162409.....	127	1001207623.....	144	2503880012.....	49, 51, 63,	4567112053.....	101
1001162411.....	45	1001208631.....	144	65, 77		4567122017.....	101
1001162412.....	125	1001208635.....	144	2503900079.....	39	4567122028.....	101
1001162482.....	85	1001208636.....	144	2506100008.....	65	4567123056.....	101
1001162483.....	85	1001208637.....	145	2506690012.....	13, 15	4567123057.....	102
1001162544.....	45	1001210746.....	145	2507650009.....	117	4567123058.....	101
1001162545.....	45	1001210747.....	145	2512880041.....	144	4567123059.....	102
1001162647.....	89	1001210748.....	145	2636000010.....	152	4567152018.....	39
1001162728.....	11	1001210749.....	144	3007000004.....	75	4567182046.....	101
1001162729.....	11	1001210750.....	145	3170000220.....	63, 65, 67,	4567182053.....	102
1001166531.....	39	1001214175.....	144	69		4567182065.....	101
1001166532.....	39	1001214264.....	145	3170000221.....	67, 69	4569160025.....	101
1001166533.....	39	1001214298.....	145	3170000222.....	53, 55	4569160026.....	101
1001169609.....	39	1001214299.....	145	3170000223.....	53, 55, 67,	4569160031.....	101
1001170036.....	147	1001214300.....	145	69		4569160032.....	101
1001170037.....	39	1001214303.....	145	3170000224.....	53, 55, 67,	4569160048.....	101
1001171933.....	147	1001217105.....	145	69		4569170021.....	101
1001172034.....	31, 33	1001217106.....	145	3170000225.....	49, 51, 53,	4569170029.....	101
1001172042.....	31, 33	1001219776.....	144	55		4570000069.....	101
1001172167.....	27, 29, 31,	1001220164.....	144	3170000258.....	31, 33	4570000252.....	101
33		1001227630.....	152	3249000001.....	39	4570000253.....	101

SECTION 9 - BUILD DOCUMENTS

4570000254 101	4706003721.... 53, 55, 67, 69	70051013.....57	7114150818 149
4570000255 101	4706003722.... 53, 55, 67, 69	70051079.....121	7115140650 ... 53, 55, 67, 69, 119
4606000091 11	4706003723.... 53, 55, 67, 69	70051080.....121	7115140850 105, 107, 109, 111, 113
4606000217 85	4706003724.... 53, 55, 67, 69	70051081.....121	7115141250 89
4619000005 45	4706003725.... 53, 55, 67, 69	70051465.....91	7115142050 39
4679000127 23	4706003844..... 105, 107, 109, 111, 113	70051480.....91	7115142450 45
4679000158 ... 53, 55, 67, 69	4754000003..... 31, 33	70052522.....37, 59	7115150650 115
4679000159 ... 53, 55, 67, 69	4763000422..... 85	70052577.....61, 73	7115150664 85
4679000161 ... 53, 55, 67, 69	4763000424..... 85	7005314.....57	7115150850 85, 115
4679000162 31, 33	4831000061..... 31, 33	7005322.....17	7115151050 105, 107, 109, 111, 113, 129
4679000163 31, 33	4831000064..... 31, 33	7005348.....57, 71	7115152450 85
4679000168 31, 33	4892400 23	7005365.....17, 57	7115161050 11
4679000205 ... 53, 55, 67, 69	4913000242..... 11	7006847.....121	7115161250 13, 15
4679000206 ... 53, 55, 67, 69	4913000273..... 11	7007000036.....115	7115162050 85
4691000200 13, 15	4949000031.... 27, 29, 39	7007000055.....75	7115164450 31
4691000207 13, 15	4949000032..... 27, 29	7007000056.....75	7115180723 31, 33
4691000208 31, 33	4949000041..... 77	700700034.....59	7115180750 31, 33
4691000242 77	4949000042..... 77	700700035.....59	7115180850 ... 27, 29, 31, 33, 49, 51, 63, 65
4691000243 31, 33	5526000553..... 89, 127	700700036.....59	7115181223 31, 33
4691000311 ... 49, 51, 63, 65	70002412 19, 61, 73	700700038.....19, 37, 59	7115181250 85
4691000316 ... 53, 55, 67, 69	70005153 19	700700054.....35, 37	7115181850 117
4691000317 ... 49, 51, 63, 65	70005594 35	700700056.....37	7115201050 39
4691000318 ... 53, 55, 67, 69	70005847 61, 73	700700057.....37	7115201250 31, 33
4691000323 31, 33	70005866 61	700700058.....37	7115201650 31, 33
4706001562 11	70006596 37	700700059.....37	7118181016 39
4706001875 11	70007105 35	700700060.....37	7118201616 39
4706002129 11	70008165 61	700700074.....59	7118202016 39
4706002141 23	7002000505..... 144	700700075.....19, 59	7118222016 23
4706002142 23	70021648 17, 57, 71	700700076.....59	7118222416 23
4706002235 119	70022564 19, 37, 59	700700077.....19	7118222816 23
4706002385 11	70023368 35	700700078.....19	7118242050 23
4706002386 11	70023370 . 35, 37, 59, 61, 73	700700079.....19	7118242450 23
4706002417 39	70023371 35, 61, 73	700700080.....19	7183000004 119
4706002435 31, 33	70023376 . 19, 35, 37, 61, 73	700700081.....19	7209000023 115
4706002457 11	70023379 37, 59	700700085.....61	7209000024 115
4706002467 ... 53, 55, 67, 69	70029468 19	700700086.....61	7209000032 115
4706002491 21	70029469 59, 61, 73	700700087.....61	7248000037 41
4706002553 11	7003212 17, 71	700700088.....61	7248000079 43
4706002554 23	7003281 71	700700089.....61, 73	7253000002 ... 27, 29, 39, 65
4706002555 23	70050215 17	700700090.....61	7262000025 31, 33
4706002556 23	70050231 49, 57	700700091.....73	7262000048 144
4706002557 23	70050239 121	700700092.....73	7274000028 105, 107, 109, 111, 113
4706002612 11	70050241 121	700700093.....73	7274000030 115
4706002613 11	70050242 121	700700095.....73	7274000040 101
4706002632 11	70050243 121	700700096.....73	7274000041 105, 107, 109, 111, 113
4706002633 11	70050245 121	700700099.....73	7274000049 115
4706003144 ... 53, 55, 67, 69	70050246 121	70070100.....73	7274000071 105, 107, 109, 111, 113
4706003708 ... 53, 55, 67, 69	70050247 121	70070112.....35	7274000076 105, 107, 109, 111, 113
4706003709 ... 53, 55, 67, 69	70050249 121	70070113.....35	7295000029 45
4706003714 13, 15	70050250 121	70070114.....35	7295000124 89, 91
4706003719 ... 53, 55, 67, 69	70050251 121	70070115.....35	7312000015 147
4706003720 ... 53, 55, 67, 69	70050252 121	70070116.....35	7312000016 147
	70050256 121	701000006.....131	7312000017 95
	70050257 121	7019828.....17, 71	7320000006 13, 17
	70050365 71	7019844.....71	7320000034 53
	70050531 17	7019845.....71	7320000035 27
	70050795 35	7019846.....71	7320000036 49
	70051012 57	7019892.....57	7320000037 31
		7029865.....121	
		7105180850....53, 55, 67, 69	
		7111141050.....131	
		7114100418.....85	
		7114140418....53, 55, 67, 69	
		7114140518.....13	
		7114140818.....31, 33	

SECTION 9 - BUILD DOCUMENTS

7320000042.....	67, 71	7445060645.....	101	7660180230 ...	53, 55, 67, 69	7950100143.....	85
7320000098.....	57	7445060646.....	101	7660182301	39	7950140000....	53, 55, 67, 69, 119
7330000143.....	137	7445061043.....	101	7660182601	85, 117	7950140141.....	131
7330000199.....	85	7445100843.....	101	7660222308	23	7950140152.....	105, 107, 109, 111, 113
7330000200.....	85	7445100845.....	101	7660242308	23	7950140153.....	13, 15
7330000245.....	85	7445101032.....	101	7661000018	39	7950140161.....	45, 89
7330000246.....	85	7445101043.....	101	7661000019 ...	53, 55, 67, 69	7950150000.....	85, 115
7330000253.....	85	7445121243.....	101	7661000022	115	7950150141.....	85
7330000262.....	85	7445121645.....	105, 107, 109, 111, 113	7661000027	115	7950150143.....	149
7330000294.....	139	7445161243.....	101	7661000041	45	7950150161 85,	105, 107, 109, 111, 113, 129
7330000445.....	45	7445161620.....	101	7690000810	85	7950160161.....	13, 15, 85
7330000535.....	141	7445161672.....	101	7690141200	85	7950160251.....	31
7330000689.....	137	7446060435.....	147	7690141600	85	7950170153.....	67
7345001714.....	89, 127	7446502518.....	95, 147	7691000019	13, 15	7950180000....	27, 29, 31, 33, 49, 51, 63, 65, 105, 107, 109, 111, 113
7346000035.....	127	7454000003.....	75	7691000021	75	7950180141.....	117
7346000037.....	127	7454000004.....	75	7691000066	85	7950180153....	31, 33, 53, 55, 69
7346000039.....	89, 125, 127	7454000005.....	75	7754000008	13, 15	7950180161....	27, 29, 49, 51, 63, 65, 85
7346000055.....	129	7454000006.....	75	7754000043 ...	53, 55, 67, 69	7950200141....	31, 33, 39
7346000078.....	129	7457000014.....	89	7754000048	31, 33	7950220141.....	85
7346000087.....	127	7457000019.....	125	7754000049	39	7970000049.....	39
7346000094.....	127	7470000002.....	101	7754000051 ...	49, 51, 63, 65	7970000050.....	39
7346000099.....	127	7470000003.....	119	7754000061	31, 33	8565000026....	105, 107, 109, 111, 113
7346000126.....	89	7470000004.....	101	7759000004	86, 137	8977010103.....	127
7430000004.....	101	7551000019.....	85	7759000018	21	8977500100.....	127
7430000010.....	105, 107, 109, 111, 113	7551000020.....	85	7785152420	105, 107, 109, 111, 113	9007250005.....	71
7440030000....	27, 29, 39, 49, 51, 53, 55, 63, 65, 67, 69, 77	7551000021.....	85	7785152420	105, 107, 109, 111, 113	91084009.....	121
7440030400.....	71	7551000022.....	85	7786000008 ...	53, 55, 67, 69	91084017.....	121
7443000012.....	101	7552000148.....	89	7790060676	101	9346930086.....	121
7443000109.....	101	7552000371.....	89	7790151253	85	9553250009.....	17
7443000130.....	105, 107, 109, 111, 113	7552000414.....	125	7796000051	119	9553250015.....	71
7443000139.....	45	7552000415.....	125	7809000019	39	9553250016.....	71
7443000145.....	147	7560000007.....	85	7812000006	85	9698250014.....	57
7443000146.....	147	7565000014.....	95, 147	7865182065	105, 107, 109, 111, 113	9698250018.....	71
7443000148.....	147	7565000016.....	45	7870000128	127	9698250019.....	71
7443000152.....	45	7577000167.....	17	7870000129	127	9724250014.....	17
7443000154.....	45	7577000213....	105, 107, 109, 111, 113	7870000136	125	9754250009.....	17
7443000155.....	45	7577000412.....	101	7870000136	125	9754250015.....	17, 71
7443000156.....	45	7577000646.....	115	7870000129	127	9754250049.....	71
7443000158.....	101	7577000648.....	39	7870000136	125	9763250009.....	17
7443000173.....	45	7577250204.....	57	7894000042	89	9763250025.....	71
7443000174.....	45	7577250228.....	31	7894000055.....	144	9763250026.....	71
7443000175.....	95	7577250271.....	71	7912000035	115	9796250057.....	17
7443000178.....	45	7577250295.....	49	7912000036	115	9796250061.....	17
7443000207.....	101	7577250296.....	27	7912000109	115	9796250066.....	17
7443000213.....	101	7577250297.....	53	7935000116	105, 107, 109, 111, 113	9796250073.....	17
7443000213.....	101	7590000364.....	125	7935000120	45	9796250080.....	17, 71
7443000243.....	45	7636000006.....	117	7935000315	121	9796250133.....	71
7443000254....	105, 107, 109, 111, 113	7636000021.....	85	7935000316	121	9796250135.....	71
7443000287.....	45	7650100137	105, 107, 109, 111, 113	7935000317	121	9796250137.....	71
7443000329.....	45	7660142600	89, 131	7935000320	121	9796250138.....	71
7444020014.....	45	7660142601 ...	31, 33, 39, 45, 105, 107, 109, 111, 113	7935000323	121	9912250004.....	17
7444120014.....	119	7660142604	31, 33	7935000330	85, 121	9912250021.....	71
7444121050....	105, 107, 109, 111, 113	7660152601 85,	105, 107, 109, 111, 113, 129	7935000351	45	9935250025.....	71
7444121271....	105, 107, 109, 111, 113	7660152604	149	7949000015	117	9935250032.....	27, 31
7444160011.....	119	7660160001.....	101	7949000016	117	9935250035.....	53
7445040421.....	101	7660161600.....	31	7949000025	13, 15	9935930119.....	121
7445040449.....	147	7660162601	13, 15, 85	7949000073	85	9935930120.....	121
7445060219.....	101	7660180000....	105, 107, 109, 111, 113			FEX-GSARB.....	144
7445060637.....	101						
7445060643.....	101						

JERR-DAN[®]

***Corporate Office
13224 Fountainhead Plaza
Hagerstown, MD 21742 USA***

***☎ (717) 597-7111 (Corporate)
☎ (800) 926-9666 (Customer Support)***

***Visit our website
www.jerrdan.com***



OSHKOSH™