

# ***JERR-DAN***<sup>®</sup>

---

## **Illustrated Parts Manual**

### ***Model JD 25 TON INT HEAVY DUTY WRECKER***

SN 0230011034 to Present  
Including 0230010775,0230010821,0230010823

**P/N  
5376000324**

**March 1, 2024 - Rev A**

---

# ***JERR-DAN***<sup>®</sup>

An Oshkosh Corporation Company





## **REVISION LOG**

March 1, 2024 - A - Original Issue of Manual (Edited to B/M 1001254353 Revision F to H)

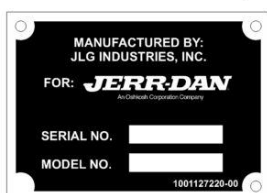
## GENERAL INFORMATION

JerrDan, LLC (Jerr-Dan) strives to provide information that is accurate, complete and useful. Descriptions and illustrative material contained within this manual are as accurate as known at the time of publication and are subject to change, without notice, as a result of continuous product improvements. Jerr-Dan reserves the right to amend the information in this document at any time without prior notice.

Information contained in this manual reflects how this vehicle was built at the factory. Modifications or additions by the distributor or owner are not reflected in this manual.

This parts manual does not include service parts information for the commercial chassis (IHC, Ford, GM, etc.). That information is provided by the chassis manufacturer.

When ordering parts, please refer to your unit's Serial Number and Model Number. This information is be found on the aluminum tag riveted to the inside of the driver's side rear compartment of the main body.



Additional or replacement manuals can be ordered by calling Jerr-Dan Parts at 717-597-7111. Price and availability will be quoted at time of the request.

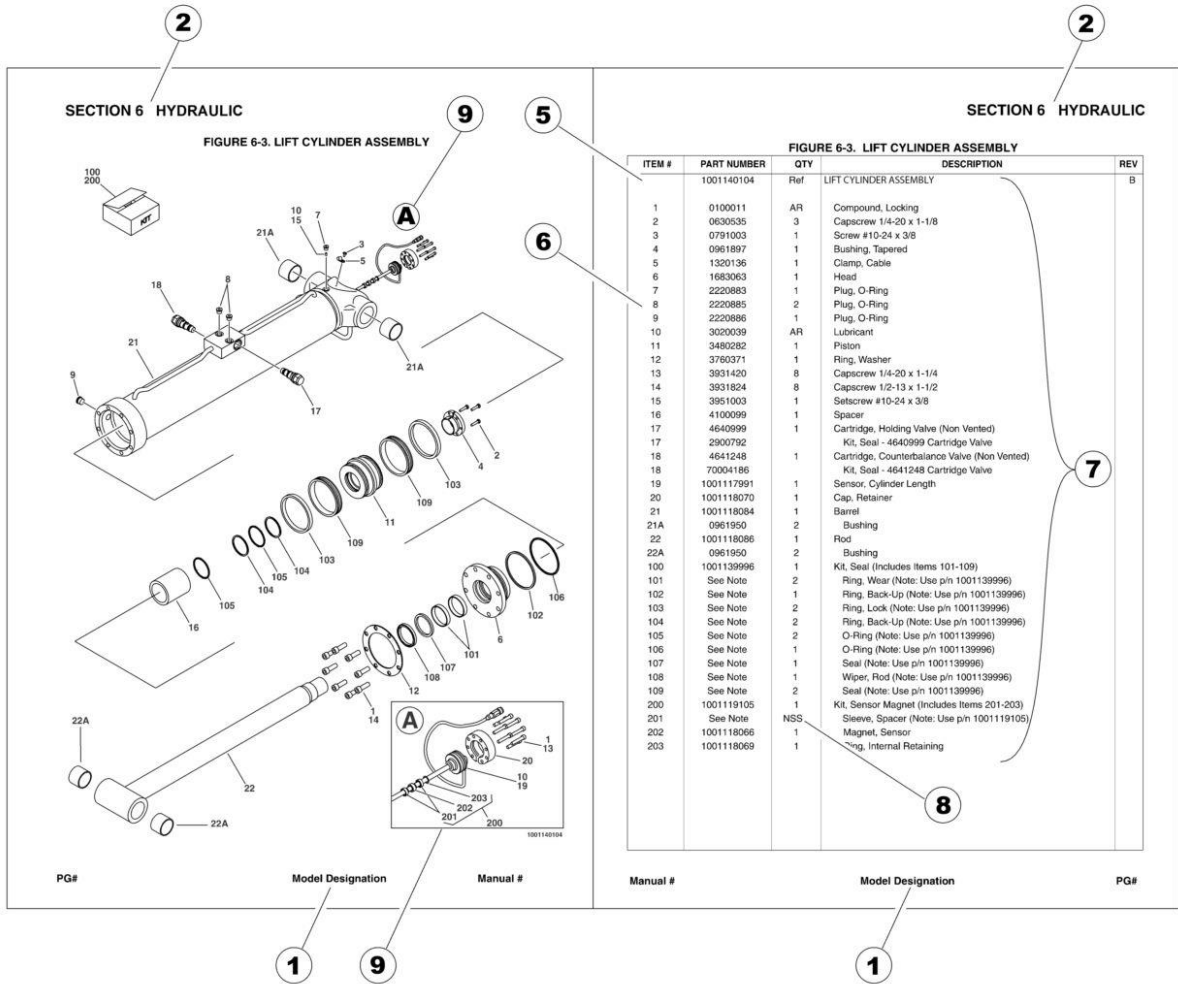
Please report comments and/or errors by contacting Jerr-Dan. Contact numbers are located on rear cover of Manual.

Manufactured under one or more of the following patents: 5,575,606; 5,672,042; 5,697,741; 5,713,714; 5,722,810; 5,782,596; 5,839,775 and 6,315,515 B1 with other Patents Pending.

Jerr-Dan and the Jerr-Dan logo are registered trademarks and Run Hard is a service mark of JerrDan, LLC, Hagerstown, MD USA.

The material in this document is confidential and the property of Jerr-Dan. No part of this document may be photocopied, reproduced or translated to another language without the express written consent of Jerr-Dan.

# GENERAL INFORMATION



## 1) MACHINE IDENTIFICATION

Machines are identified by model and in some cases a combination of models, serial number (SN) or regional standard (i.e ANSI, CE, CSA). Components may also be identified by SN or manufacturer. Common components that may be identified by these characteristics are engines and hydraulic components.

## 2) PARTS MANUAL ORGANIZATION

Product information in this manual is organized under section titles. Subframe, Hydraulic and Electrical are a few examples. Each section is organized by figure and page number. The information within the Figure is then organized by item number, part number, description and corresponding illustration (s).

## 3) TABLE OF CONTENTS (NOT SHOWN)

A table of contents is found toward the beginning of the manual. Figure number, description and page number are provided for quick reference to the page containing the related information.

## 4) BUILD DOCUMENTS (NOT SHOWN)

The Build Documents, located near the end of the manual, reference components not available at the purchase level. These PN lists assembly instructions and assist in the maintenance of the parts manual.

## GENERAL INFORMATION

### 5) NON-SERVICED PARTS

In some instances, it is necessary to display non-serviced parts, assemblies or installations. In the case of assemblies and installations there will be a Ref in the Qty. column. In case of parts that are not available for service within assemblies or components, there will be a NSS (Not Sold Separately) or NLA (No Longer Available) listed in the Qty. column of the manual.

### 6) PARTS LIST ITEM NUMBERS

Numbers shown in the item# column correspond to numbers used in the associated illustration (s). Item numbers which are missing from the sequence in the parts list are not used on that page.

### 7) INDENTED PARTS DESCRIPTION

An indented part description is included in the item under which it is indented.

### 8) ABBREVIATION AND SYMBOLS

AC.....	Alternating Current	L.....	Liter
ALUM.....	Aluminum	LD.....	Light Duty
AG.....	Agricultural	LB(LBS).....	Pounds
ANSI.....	American National Standards Institute	LCD.....	Liquid Crystal Display
AR.....	As Required	LED.....	Light Emitting Diodes
AUS.....	Australias	LH.....	Left Hand
ASSY.....	Assembly	M(m).....	Metric/Meter
AUX.....	Auxiliary	MD.....	Medium Duty
AWG.....	American Wire Gauge	MM (mm).....	Milimeter
CA.....	Cab To Axle	mA.....	Miliamps
CE.....	European Conformity	NLA.....	No Longer Available
CCW.....	Counter Clockwise	NPT.....	National Pipe Threads
CM.....	Centimeter	NSS.....	Not Sold Separately
CT.....	Cab To Tandem	OD.....	Outside Diameter
CW.....	Clockwise	ORB.....	O-Ring Boss
CSA.....	Canadian Standards Association	ORFS.....	O-Ring Face Seal
CYL.....	Cylinder	OZ (oz).....	Ounces
DIA.....	Diameter	PG.....	Page
DC.....	Direct Current	PN.....	Part Number
DOT.....	Department of Transportation	PTO.....	Power Take Off
EMS.....	Emergency Stop	QT(qt.).....	Quarts
ENG.....	Engine	QTY.....	Quantity
FT(ft).....	Feet	REF.....	Reference
GA(Ga).....	Gauge	REV.....	Revision Level
GAL.....	Gallons	RH.....	Right Hand
GVW.....	Gross Vehicle Weight	SAE.....	Society of Automotive Engineers
HD.....	Heavy Duty	SD.....	Standard Duty
HYD.....	Hydraulic	SN.....	Serial Number
Hz.....	Hertz	SPEC(S).....	Specifications
ID.....	Inside Diameter	SS.....	Stainless Steel
IN.....	inches	STD.....	Standards
IND.....	Independent	STL.....	Steel
IRL.....	Independent Reach/Lift	UGM.....	Universal Ground Module
INT.....	Integrated	V.....	Volts
ISO.....	International Organization for Standards	W.....	Watts
JIC.....	Joint Industry Council	WB.....	Wheel Base
KG.....	Kilogram	#.....	Number

### 9) ILLUSTRATION REFERENCE LETTERS

When necessary, illustrations may contain reference letters that are intended to track information (i. e. hoses, harnesses) from one point to another or to track visual enlargement of components to show details that may be located in another area on the illustration.

*Note: Due to continuous product improvements, Jerr-Dan Corporation reserves the right to make specification changes without prior notification. Contact Jerr-Dan for updated information.*

# TABLE OF CONTENTS

SECTION 1 - SUBFRAME .....	15
FIGURE 1-1. SUBFRAME INSTALLATION.....	16
FIGURE 1-2. SADDLE SHIMS KIT.....	18
FIGURE 1-3. TAILPLATE INSTALLATION.....	20
FIGURE 1-4. REAR STABILIZERS INSTALLATION.....	22
FIGURE 1-5. REAR STABILIZER CYLINDER .....	24
FIGURE 1-6. D-RINGS INSTALLATION (ON REAR STABILIZER) .....	26
SECTION 2 - BOOM .....	29
FIGURE 2-1. MAIN BOOM INSTALLATION.....	30
FIGURE 2-2. MAIN BOOM ASSEMBLY.....	32
FIGURE 2-3. CYLINDER ASSEMBLY - LIFT (MAIN BOOM).....	36
FIGURE 2-4. CYLINDER ASSEMBLY - EXTEND/RETRACT (MAIN BOOM).....	38
FIGURE 2-5. BOOM WINCH INSTALLATION - DP .....	40
FIGURE 2-6. BOOM WINCH INSTALLATION - RAMSEY .....	42
FIGURE 2-7. BOOM WINCH ASSEMBLY - DP.....	44
FIGURE 2-8. BOOM WINCH ASSEMBLY - RAMSEY .....	46
FIGURE 2-9. DUAL WINCH AIR INSTALLATION .....	48
FIGURE 2-10. AIR VALVE ASSEMBLY .....	50
FIGURE 2-11. CABLE ASSEMBLY - MAIN BOOM (STD SWIVEL).....	52
FIGURE 2-12. CABLE ASSEMBLY - MAIN BOOM (SYNTHETIC SWIVEL).....	54
SECTION 3 - UNDERLIFT .....	57
FIGURE 3-1. UNDERLIFT INSTALLATION .....	58
FIGURE 3-2. UNDERLIFT ASSEMBLY.....	60
FIGURE 3-3. BOOM UNDERLIFT CYLINDER ASSEMBLY.....	62
FIGURE 3-4. UNDERLIFT TILT CYLINDER ASSEMBLY .....	64
FIGURE 3-5. CROSSTUBE INSTALLATION .....	66
FIGURE 3-6. GRID & TOOLS INSTALLATION - UNDERLIFT.....	68
FIGURE 3-7. D-RINGS INSTALLATION .....	70
SECTION 4 - BODY .....	73
FIGURE 4-1. AIR, EMERGENCY AND SERVICE GLAD HANDS.....	74
FIGURE 4-2. BATTERY COVER INSTALLATION (38IN) .....	76
FIGURE 4-3. BATTERY COVER INSTALLATION (50IN) .....	78
FIGURE 4-4. BATTERY COVER INSTALLATION (76IN) .....	80
FIGURE 4-5. BATTERY COVER INSTALLATION (88IN) .....	82
FIGURE 4-6. BODY INSTALLATION - SINGLE AXLE .....	84
FIGURE 4-7. BODY INSTALLATION - TANDEM AXLE .....	86
FIGURE 4-8. BODY INSTALLATION - TRI-AXLE .....	88
FIGURE 4-9. BUS ARM STORAGE INSTALLATION.....	90
FIGURE 4-10. DIAMOND PLATE INSTALLATION (TOP OF BODY).....	92
FIGURE 4-11. DIAMOND PLATE INSTALLATION - TUNNEL (36IN & 37IN WITH BATTERY) .....	94
FIGURE 4-12. DIAMOND PLATE INSTALLATION - TUNNEL (48IN & 49IN TUNNELS) .....	96
FIGURE 4-13. DIAMOND PLATE INSTALLATION WITH MARKER (FRONT OF TUNNEL) .....	98

# TABLE OF CONTENTS

FIGURE 4-14. DOORS INSTALLATION - REAR PAINTED DOOR ONLY (SINGLE/TANDEM) .....	100
FIGURE 4-15. DOORS INSTALLATION - REAR PAINTED DOOR & FRAME (SINGLE/TANDEM) .....	102
FIGURE 4-16. DOORS INSTALLATION - REAR PAINTED DOOR ONLY (TRI) .....	104
FIGURE 4-17. DOORS INSTALLATION - REAR PAINTED DOOR & FRAME (TRI).....	106
FIGURE 4-18. DOOR INSTALLATION WITH TUNNEL 38IN (PAINTED DOOR) .....	108
FIGURE 4-19. DOOR INSTALLATION WITH TUNNEL 38IN (PAINTED DOOR AND FRAME).....	110
FIGURE 4-20. DOOR INSTALLATION WITH TUNNEL 50IN (PAINTED DOOR) .....	112
FIGURE 4-21. DOOR INSTALLATION WITH TUNNEL 50IN (PAINTED DOOR AND FRAME).....	114
FIGURE 4-22. DOOR INSTALLATION WITH TUNNEL 76IN (PAINTED DOOR) .....	116
FIGURE 4-23. DOOR INSTALLATION WITH TUNNEL 76IN (PAINTED DOOR AND FRAME).....	118
FIGURE 4-24. DOOR INSTALLATION WITH TUNNEL 88IN (PAINTED DOOR) .....	120
FIGURE 4-25. DOOR INSTALLATION WITH TUNNEL 88IN (PAINTED DOOR AND FRAME).....	122
FIGURE 4-26. FENDER FLARE AND LINER INSTALLATION (SINGLE-AXLE) .....	124
FIGURE 4-27. FENDER FLARE & LINER INSTALLATION (TANDEM).....	126
FIGURE 4-28. FENDER FLARE & LINER INSTALLATION (TRI-AXLE).....	128
FIGURE 4-29. GRAB HANDLE INSTALLATION .....	130
FIGURE 4-30. LIFTING LUGS INSTALLATION - BODY .....	132
FIGURE 4-31. LIFTING LUGS INSTALLATION - TUNNEL .....	134
FIGURE 4-32. MUD FLAP INSTALLATION .....	136
FIGURE 4-33. PYLON INSTALLATION (34IN) .....	138
FIGURE 4-34. PYLON INSTALLATION (39IN) .....	140
FIGURE 4-35. PYLON INSTALLATION (57IN) .....	142
FIGURE 4-36. PYLON COVER INSTALLATION (34IN) .....	144
FIGURE 4-37. PYLON COVER INSTALLATION (39IN) .....	146
FIGURE 4-38. PYLON COVER INSTALLATION (57IN) .....	148
FIGURE 4-39. PYLON DRESS-UP KIT - POLISHED SS (34IN) .....	150
FIGURE 4-40. PYLON DRESS-UP KIT - POLISHED SS (39IN) .....	152
FIGURE 4-41. PYLON DRESS-UP KIT - POLISHED SS (57IN) .....	154
FIGURE 4-42. PYLON ADAPTER INSTALLATION - 39IN TUNNEL .....	156
FIGURE 4-43. PYLON ADAPTER INSTALLATION - 51IN TUNNEL .....	158
FIGURE 4-44. STEP INSTALLATION (SINGLE AXLE BODY) .....	160
FIGURE 4-45. STORAGE - CHAIN RACK INSTALLATION (38IN) .....	162
FIGURE 4-46. STORAGE - CHAIN RACK INSTALLATION (50IN) .....	164
FIGURE 4-47. STORAGE - CHAIN RACK INSTALLATION (76IN) .....	166
FIGURE 4-48. STORAGE - CHAIN RACK INSTALLATION (88IN) .....	168
FIGURE 4-49. STORAGE - CHAIN RACK INSTALLATION (SIDE WALL) .....	170
FIGURE 4-50. STORAGE - CHAIN/BINDER RACK INSTALLATION (TANDEM) .....	172
FIGURE 4-51. STORAGE - DRAWER INSTALLATION - TILT DOWN 38IN .....	174
FIGURE 4-52. STORAGE - DRAWER INSTALLATION - TILT DOWN 51IN .....	176
FIGURE 4-53. STORAGE - DRAWER INSTALLATION - TILT DOWN 88IN .....	178
FIGURE 4-54. STORAGE - FIFTH WHEEL/PINTLE STORAGE INSTALLATION.....	180
FIGURE 4-55. STORAGE - FORK ORGANIZER INSTALLATION (VERTICLE) .....	182
FIGURE 4-56. STORAGE - FORK ORGANIZER INSTALLATION (HORIZONTAL).....	184
FIGURE 4-57. STORAGE - FORK RISERS STORAGE INSTALLATION.....	186
FIGURE 4-58. STORAGE - JACK STORAGE INSTALLATION - VERTICLE .....	188

# TABLE OF CONTENTS

FIGURE 4-59. STORAGE - JACK STORAGE INSTALLATION - HORIZONTAL .....	190
FIGURE 4-60. STORAGE - LADDER STORAGE INSTALLATION (DRAWER MOUNT).....	192
FIGURE 4-61. STORAGE - LADDER STORAGE INSTALLATION (WALL MOUNT).....	194
FIGURE 4-62. STORAGE - ROTARY TOOL RACK INSTALLATION .....	196
FIGURE 4-63. STORAGE - SHACKLE INSTALLATION .....	198
FIGURE 4-64. STORAGE - SHELF INSTALLATION 38IN.....	200
FIGURE 4-65. STORAGE - SHELF INSTALLATION 50IN.....	202
FIGURE 4-66. STORAGE - SHELF INSTALLATION 76IN.....	204
FIGURE 4-67. STORAGE - SHELF INSTALLATION 88IN.....	206
FIGURE 4-68. STORAGE - SHOVEL/BROOM/GRIZZLY BAR STORAGE INSTALLATION .....	208
FIGURE 4-69. STORAGE - SILO INSTALLATION - STAY DRY.....	210
FIGURE 4-70. STORAGE - SNATCH BLOCK INSTALLATION - 2 BLOCKS .....	212
FIGURE 4-71. STORAGE - SNATCH BLOCK INSTALLATION - 4 BLOCKS .....	214
FIGURE 4-72. STORAGE - SPILL CONTAINER STORAGE INSTALLATION.....	216
FIGURE 4-73. STORAGE - SPRING FORK STORAGE INSTALLATION.....	218
FIGURE 4-74. STORAGE - TIRE LIFT/BUS ARMS & RATCHETS - 38IN.....	220
FIGURE 4-75. STORAGE - TIRE LIFT/BUS ARMS & RATCHETS - 50IN.....	222
FIGURE 4-76. STORAGE - TIRE LIFT/BUS ARMS & RATCHETS - BB.....	224
FIGURE 4-77. STORAGE - TOOL DRAWER INSTALLATION (TANDEM).....	226
FIGURE 4-78. STORAGE - TOOL DRAWER INSTALLATION (TRI-AXLE PASSENGERS SIDE).....	228
FIGURE 4-79. STORAGE - TOOL INSTALLATION .....	230
FIGURE 4-80. STORAGE - TOW LIGHT STORAGE INSTALLATION.....	232
FIGURE 4-81. RUB RAIL DRESS UP- INSTALLATION (SINGLE AXLE) .....	234
FIGURE 4-82. RUB RAIL DRESS - UP INSTALLATION (TANDEM AXLE).....	236
FIGURE 4-83. RUB RAIL DRESS-UP INSTALLATION (TRI-AXLE) .....	238
FIGURE 4-84. RUBRAIL TRIM 38IN TUNNEL INSTALLATION .....	240
FIGURE 4-85. RUBRAIL TRIM 50IN TUNNEL INSTALLATION .....	242
FIGURE 4-86. RUBRAIL TRIM 76IN TUNNEL INSTALLATION .....	244
FIGURE 4-87. RUBRAIL TRIM 88IN TUNNEL INSTALLATION .....	246
FIGURE 4-88. TIRE LIFT INSTALLATION (JFB) .....	248
FIGURE 4-89. TIRE LIFT INSTALLATION (SIL LITE).....	250
FIGURE 4-90. TIRE STORAGE INSTALLATION, 36IN .....	252
FIGURE 4-91. TOOL DRAWER INSTALLATION, TANDEM.....	254
FIGURE 4-92. TUNNEL INSTALLATION - 38IN .....	256
FIGURE 4-93. TUNNEL INSTALLATION - 50IN .....	258
FIGURE 4-94. TUNNEL INSTALLATION - 76IN .....	260
FIGURE 4-95. TUNNEL INSTALLATION - 88IN .....	262
FIGURE 4-96. TUNNEL INSTALLATION - 38IN WITH 2K CWT.....	264
FIGURE 4-97. TUNNEL INSTALLATION - 38IN WITH 3K CWT.....	266
FIGURE 4-98. TUNNEL INSTALLATION - 38IN WITH 4K CWT .....	268
FIGURE 4-99. TUNNEL INSTALLATION - 50IN WITH 2K CWT.....	270
FIGURE 4-100. TUNNEL INSTALLATION - 50IN WITH 3K CWT .....	272
FIGURE 4-101. TUNNEL INSTALLATION - 50IN WITH 4K CWT.....	274
FIGURE 4-102. TUNNEL INSTALLATION - 50IN WITH 5K CWT .....	276
FIGURE 4-103. TUNNEL INSTALLATION - 50IN WITH 6K CWT.....	278

# TABLE OF CONTENTS

FIGURE 4-104. TUNNEL INSTALLATION - 76IN WITH 1.4K CWT .....	280
FIGURE 4-105. TUNNEL INSTALLATION - 88IN WITH 1.4K CWT .....	282
SECTION 5 - CONTROLS.....	285
FIGURE 5-1. CONTROLS VALVE INSTALLATION, 8 SECTION - 8 SOLENOID .....	286
FIGURE 5-2. CONTROLS (IN-CAB) INSTALLATION (CONSOLE MOUNTED) (KENWORTH T880).....	288
FIGURE 5-3. CONTROLS (IN-CAB) INSTALLATION (CONSOLE MOUNTED) (KENWORTH T880, W9 & T440).....	290
FIGURE 5-4. CONTROLS (IN-CAB) INSTALLATION (CONSOLE MOUNTED) (PETERBILT 567) .....	292
FIGURE 5-5. CONTROLS (IN-CAB) INSTALLATION (CONSOLE MOUNTED) (PETERBILT 389 LOW ROOF).....	294
FIGURE 5-6. CONTROLS (IN-CAB) INSTALLATION (CONSOLE MOUNTED) (PETERBILT 389 HIGH ROOF).....	296
FIGURE 5-7. CONTROLS (IN-CAB) INSTALLATION (FLOOR MOUNTED) .....	298
FIGURE 5-8. CONTROLS (IN-CAB) INSTALLATION (FLOOR MOUNTED WITH UNDERLIFT).....	300
FIGURE 5-9. REMOTE CONTROL INSTALLATION (6 FUNCTION NON-PROP 8 SECTION) .....	302
FIGURE 5-10. REMOTE CONTROL INSTALLATION (12 FUNCTION NON-PROP 8 SECTION).....	304
FIGURE 5-11. REMOTE CONTROL INSTALLATION (12 FUNCTION PROP 8 SECTION).....	306
FIGURE 5-12. REMOTE CONTROL ASSEMBLY - WIRELESS (6 FUNCTION NON-PROP 8 SECTION).....	308
FIGURE 5-13. REMOTE CONTROL ASSEMBLY - WIRELESS (12 FUNCTION NON-PROP 8 SECTION).....	310
FIGURE 5-14. REMOTE CONSOLE ASSEMBLY.....	312
SECTION 6 - HYDRAULIC.....	315
FIGURE 6-1. AUX AIR, QUICK DISCONNECT .....	316
FIGURE 6-2. DRIVER SIDE GAUGES INSTALLATION .....	318
FIGURE 6-3. HYDRAULIC INSTALLATION - 266-305 WB .....	320
FIGURE 6-4. HYDRAULIC INSTALLATION - 306-345 WB .....	322
FIGURE 6-5. HYDRAULIC INSTALLATION - BASE 25T INT.....	324
FIGURE 6-6. HYDRAULIC INSTALLATION - BASE 25T INT.....	326
FIGURE 6-7. HYDRAULIC INSTALLATION - MAIN BOOM .....	330
FIGURE 6-8. OIL COOLER INSTALLATION .....	332
FIGURE 6-9. OIL COOLER RADIATOR ASSEMBLY .....	334
FIGURE 6-10. OIL HEATER INSTALLATION.....	336
FIGURE 6-11. TANK (HYDRAULIC) INSTALLATION.....	338
FIGURE 6-12. TANK (HYDRAULIC) ASSEMBLY.....	340
FIGURE 6-13. TUBE INSTALLATION - SUBFRANE .....	342
FIGURE 6-14. VALVE ASSEMBLY - CONTROL 8 SECTION - 8 SOLENOID.....	344
FIGURE 6-15. CONTROL VALVE, 8 SECT 8 SOL.....	346
SECTION 7 - ELECTRICAL.....	349
FIGURE 7-1. ELECTRICAL INSTALLATION - SINGLE/TANDEM.....	350
FIGURE 7-2. ELECTRICAL INSTALLATION - SINGLE/TANDEM.....	352
FIGURE 7-3. ELECTRICAL INSTALLATION - TRI-AXLE.....	356
FIGURE 7-4. ELECTRICAL INSTALLATION - TRI-AXLE.....	358
FIGURE 7-5. ALARM INSTALLATION - FIXED BACK-UP .....	362
FIGURE 7-6. ALARM INSTALLATION - VARIABLE BACK-UP .....	364
FIGURE 7-7. BACK UP CAMERA MONITOR HARNESS .....	366
FIGURE 7-8. BATTERY RELOCATION HARDWARE AND WIRE INSTALLATION.....	368
FIGURE 7-9. BATTERY RELOCATION HARDWARE INSTALLATION.....	370



# TABLE OF CONTENTS

FIGURE 7-10. BODY HARNESS - SINGLE/TANDEM (LH) .....	372
FIGURE 7-11. BODY HARNESS - SINGLE/TANDEM (RH).....	374
FIGURE 7-12. BODY HARNESS - TRI-AXLE (LH) .....	376
FIGURE 7-13. BODY HARNESS - TRI-AXLE (RH).....	378
FIGURE 7-14. CENTER HARNESS INSTALLATION (142IN CT/236IN WB/1T) .....	380
FIGURE 7-15. CENTER HARNESS INSTALLATION (191IN CT/285IN WB/2T) .....	382
FIGURE 7-16. CENTER HARNESS INSTALLATION (252IN CT) .....	384
FIGURE 7-17. CENTER HARNESS (166IN CT) .....	386
FIGURE 7-18. CENTER HARNESS (215IN CT) .....	388
FIGURE 7-19. CENTER HARNESS (346IN WB) .....	390
FIGURE 7-20. EMERGENCY STOP INSTALLATION.....	392
FIGURE 7-21. EMERGENCY STOP HARNESS.....	394
FIGURE 7-22. LIGHTS - COMPARTMENT LIGHTS INSTALLATION.....	396
FIGURE 7-23. LIGHTS - COMPARTMENT LIGHTS INSTALLATION (TRI-AXLE) .....	398
FIGURE 7-24. LIGHTS - COMPARTMENT LIGHTS INSTALLATION, 35IN TANDEM.....	400
FIGURE 7-25. LIGHTS - COMPARTMENT LIGHTS INSTALLATION, 48IN TUNNEL.....	402
FIGURE 7-26. LIGHTS - COMPARTMENT LIGHTS INSTALLATION (TUNNEL DOUBLE) .....	404
FIGURE 7-27. LIGHTS - FLASHER LIGHTS INSTALLATION - SINGLE/TANDEM.....	406
FIGURE 7-28. LIGHTS - FLASHER LIGHTS INSTALLATION - TRI-AXLE .....	408
FIGURE 7-29. LIGHTS HARNESS - FILLER PANEL.....	410
FIGURE 7-30. LIGHTS - HOOK-UP LIGHTS INSTALLATION - REAR UPPER.....	412
FIGURE 7-31. LIGHTS - HOOK-UP LIGHTS INSTALLATION - REAR LOWER.....	414
FIGURE 7-32. LIGHTS - LIGHTBAR INSTALLATION - ECCO .....	416
FIGURE 7-33. LIGHTS - LAMP ASSEMBLY - ECCO .....	418
FIGURE 7-34. LIGHTS - LAMP ASSEMBLY - CODE 3 .....	420
FIGURE 7-35. LIGHTS - LIGHTBAR INSTALLATION - 60IN AMBER WHELEN.....	422
FIGURE 7-36. LIGHTBAR INSTALLATION (CAB MOUNTED).....	424
FIGURE 7-37. LIGHT BAR HARNESS (CAB MOUNTED) .....	426
FIGURE 7-38. LIGHTS - LAMP ASSEMBLY - 58IN RED CODE3 .....	428
FIGURE 7-39. LIGHTS - LAMP ASSEMBLY - 60IN AMBER WHELEN .....	430
FIGURE 7-40. LIGHTS - LIGHTBAR ASSEMBLY (CAB MOUNTED) .....	434
FIGURE 7-41. LIGHTS - LIGHT SWITCH PANEL INSTALLATION - SINGLE.....	436
FIGURE 7-42. LIGHTS - MARKER LIGHTS INSTALLATION - SINGLE AXLE.....	438
FIGURE 7-43. MARKER LIGHTS INSTALLATION - BODY (TANDEM).....	440
FIGURE 7-44. MARKER LIGHTS INSTALLATION - PYLON .....	442
FIGURE 7-45. LIGHTS - MARKER LIGHTS INSTALLATION - BODY (TRI-AXLE).....	444
FIGURE 7-46. LIGHTS - MARKER LIGHTS INSTALLATION, 48IN TUNNEL .....	446
FIGURE 7-47. LIGHTS - MARKER LIGHTS INSTALLATION - TUNNEL (DOUBLE).....	448
FIGURE 7-48. LIGHTS - MARKER LIGHT INSTALLATION (WITH NO FRONT DIAMOND PLATE) .....	450
FIGURE 7-49. LIGHTS - MARKER 1 HARNESS (TANDEM).....	452
FIGURE 7-50. LIGHTS - MARKER 2 HARNESS (TANDEM).....	454
FIGURE 7-51. LIGHTS - MARKER 1 HARNESS (TRI-AXLE).....	456
FIGURE 7-52. LIGHTS - MARKER 2 HARNESS (TRI-AXLE).....	458
FIGURE 7-53. LIGHTS - MARKER 3 HARNESS .....	460
FIGURE 7-54. LIGHTS - UNDERLIFT LIGHTS INSTALLATION .....	462

# TABLE OF CONTENTS

FIGURE 7-55. LIGHTS - WING LIGHT BRACKET INSTALLATION .....	464
FIGURE 7-56. LIGHTS - WING LIGHT AMBER CODE3, 22IN.....	466
FIGURE 7-57. LIGHTS - WING LIGHT AMBER WHELEN, 22IN.....	468
FIGURE 7-58. LIGHTS - WING LIGHT ASSEMBLY - 22IN AMBER (ECCO BRAND) .....	470
FIGURE 7-59. LIGHTS - LAMP ASSEMBLY - 22IN WHELEN WING LIGHT .....	472
FIGURE 7-60. LIGHTS - WORK LIGHTS INSTALLATION - UPPER.....	476
FIGURE 7-61. LIGHTS - WORKLIGHT LIGHTS HARNESS - UNDERLIFT .....	478
FIGURE 7-62. PYLON ELECTRICAL INSTALLATION (34IN & 39IN PYLON) .....	480
FIGURE 7-63. PYLON ELECTRICAL INSTALLATION (57IN PYLON) .....	482
FIGURE 7-64. PYLON HARNESS (34IN & 39IN PYLON) .....	484
FIGURE 7-65. PYLON HARNESS (57IN PYLON) .....	486
FIGURE 7-66. PYLON HARNESS - JUMPER .....	488
FIGURE 7-67. MULTIPLEX INSTALLATION (WITHOUT DRAG WINCH).....	490
FIGURE 7-68. MULTIPLEX INSTALLATION (WITHOUT DRAG WINCH).....	492
FIGURE 7-69. MULTIPLEX HARNESS - BODY (LH) .....	494
FIGURE 7-70. MULTIPLEX HARNESS - BODY (RH).....	496
FIGURE 7-71. MULTIPLEX HARNESS - CROSSOVER .....	498
FIGURE 7-72. MULTIPLEX HARNESS - JUMPER.....	500
FIGURE 7-73. MULTIPLEX TO PDP HARNESS .....	502
FIGURE 7-74. MULTIPLEX IN-CAB CONTROLS HARNESS (CONSOLE MOUNTED).....	504
FIGURE 7-75. MULTIPLEX IN-CAB CONTROLS HARNESS (FLOOR MOUNTED).....	506
FIGURE 7-76. MULTIPLEX IN-CAB CONTROLS HARNESS (FLOOR MOUNTED).....	508
FIGURE 7-77. REMOTE CONTROL 8 FUNCTION HARNESS .....	510
FIGURE 7-78. REMOTE 6 FUNCTION NON-PROP HARNESS .....	512
FIGURE 7-79. REMOTE 12 FUNCTION PROP HARNESS .....	514
FIGURE 7-80. REMOTE 12 FUNCTION NON-PROP HARNESS .....	516
FIGURE 7-81. TOW LIGHT HARNESS .....	518
FIGURE 7-82. TRAILER PLUG INSTALLATION - 7-WAY.....	520
FIGURE 7-83. TUNNEL HARNESS INSTALLATION (36IN & 37IN TUNNELS WITHOUT BATTERY).....	522
FIGURE 7-84. TUNNEL HARNESS INSTALLATION (39IN & 36IN TUNNELS) .....	524
FIGURE 7-85. TUNNEL HARNESS INSTALLATION (48IN & 49IN TUNNEL WITHOUT BATTERY) .....	526
FIGURE 7-86. TUNNEL HARNESS INSTALLATION (48IN & 51IN TUNNELS) .....	528
FIGURE 7-87. TUNNEL HARNESS - 50IN .....	530
FIGURE 7-88. TUNNEL HARNESS - FRONT .....	532
FIGURE 7-89. TUNNEL HARNESS - MAIN (36IN & 37IN TUNNELS) .....	534
FIGURE 7-90. TUNNEL HARNESS - MAIN (48N & 49IN TUNNELS) .....	536
FIGURE 7-91. TUNNEL HARNESS - REAR.....	538
FIGURE 7-92. TUNNEL HARNESS - REAR.....	540
FIGURE 7-93. TUNNEL HARNESS INSTALLATION - (DOUBLE) .....	542
FIGURE 7-94. TUNNEL HARNESS - CABINET (DOUBLE).....	544
FIGURE 7-95. TUNNEL HARNESS - MAIN (DOUBLE).....	546
FIGURE 7-96. USB POWER HARNESS .....	548
FIGURE 7-97. WINCH ELECTRICAL ASSEMBLY - SINGLE WINCH.....	550
FIGURE 7-98. WINCH MONITOR HARNESS .....	552
FIGURE 7-99. WINCH HARNESS - 2 SPEED.....	554

# TABLE OF CONTENTS

FIGURE 7-100. VALVE HARNESS .....	556
SECTION 8 - DECAL .....	559
FIGURE 8-1. DECAL INSTALLATION.....	560
FIGURE 8-2. DECAL INSTALLATION.....	562
FIGURE 8-3. JERR-DAN RED LOGO INSTALLATION.....	564
FIGURE 8-4. JERR-DAN WHITE LOGO INSTALLATION.....	566
FIGURE 8-5. DECAL INSTALLATION, SRS .....	568
FIGURE 8-6. DECAL INSTALLATION, SRS SS .....	570
SECTION 9 - ACCESSORIES .....	573
FIGURE 9-1. SERVICE & AFTERMARKET KITS LIST.....	574
FIGURE 9-2. CAMERA INSTALLATION - UNDERLIFT .....	576
FIGURE 9-3. CAMERA INSTALLATION - BACK-UP .....	578
FIGURE 9-4. CAMERA MOUNT INSTALLATION - BACK-UP .....	580
FIGURE 9-5. CAMERA PACCAR INSTALLATION, BACK-UP .....	582
FIGURE 9-6. CAMERA MOUNT INSTALLATION - UNDERLIFT .....	584
FIGURE 9-7. CAMERA PACCAR INSTALLATION - UNDERLIFT .....	586
FIGURE 9-8. CAMERA REAR WINCH DS INSTALLATION .....	588
FIGURE 9-9. CAMERA REAR WINCH PS W/CTRL MON, DP INSTALLATION.....	590
FIGURE 9-10. CAMERA REAR WINCH PS W/CTRL MON - RAMSEY INSTALLATION .....	592
FIGURE 9-11. CHAIN KIT, LEVEL 1 (HEAVY DUTY) .....	594
FIGURE 9-12. CHAIN KIT, LEVEL 2 (HEAVY DUTY) .....	596
FIGURE 9-13. FORK RISER - 7IN .....	598
FIGURE 9-14. FORK RISER ADAPTER - 7IN .....	600
FIGURE 9-15. FRAME FORK INSTALLATION .....	602
FIGURE 9-16. FRAME FORK INSTALLATION (SPRING FORKS).....	604
FIGURE 9-17. GLADHANDS INSTALLATION - AIR & EMERGENCY SERVICE .....	606
FIGURE 9-18. LIFTING LUGS INSTALLATION .....	608
FIGURE 9-19. LOOP SLING KIT, LEVEL 1.....	610
FIGURE 9-20. LOOP SLING KIT, LEVEL 2.....	612
FIGURE 9-21. RUGGED KIT, JFB .....	614
FIGURE 9-22. SHACKLE KIT, LEVEL 1.....	616
FIGURE 9-23. SHACKLE KIT, LEVEL 2.....	618
FIGURE 9-24. SNATCH BLOCK KIT.....	620
FIGURE 9-25. TIRE LIFT STORAGE INSTALLATION, 48IN .....	622
FIGURE 9-26. TOOL DRAWER INSTALLATION, TRI-AXLE .....	624
FIGURE 9-27. TOW BALL - 1.88IN DIA .....	626
FIGURE 9-28. TOW BALL - 2IN DIA .....	628
FIGURE 9-29. TOW BALL - 2.31IN DIA .....	630
FIGURE 9-30. TOW BALL - 50MM DIA.....	632
FIGURE 9-31. UNDERLIFT GRID TOOLS, 14000 LBS TIRE LIFT.....	634
FIGURE 9-32. UNDERLIFT TOW 5TH WHEEL INSTALLATION.....	636
FIGURE 9-33. UNDERLIFT TOW PINTLE HOOK WITH 2IN DIA BALL .....	638
FIGURE 9-34. UNDERLIFT TOW PINTLE HOOK WITH 50MM DIA BALL.....	640
FIGURE 9-35. WINCH AIR INSTALLATION .....	642

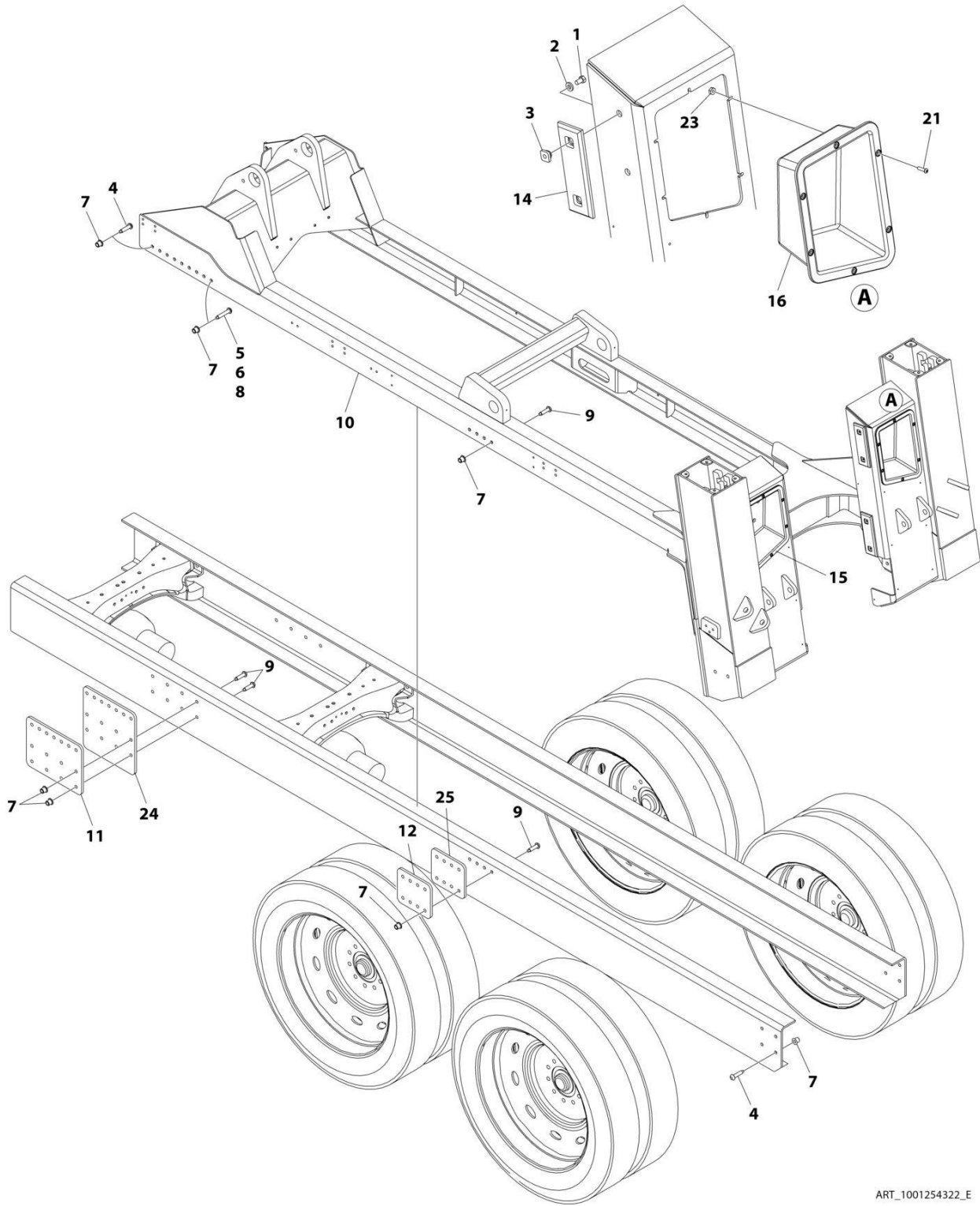
# TABLE OF CONTENTS

SECTION 10 - BUILD DOCUMENTS .....	645
FIGURE 10-1. BUILD DOCUMENT .....	646
PART NUMBER INDEX.....	649

**SECTION 1 - SUBFRAME**

# SECTION 1 - SUBFRAME

## FIGURE 1-1. SUBFRAME INSTALLATION



ART\_1001254322\_E

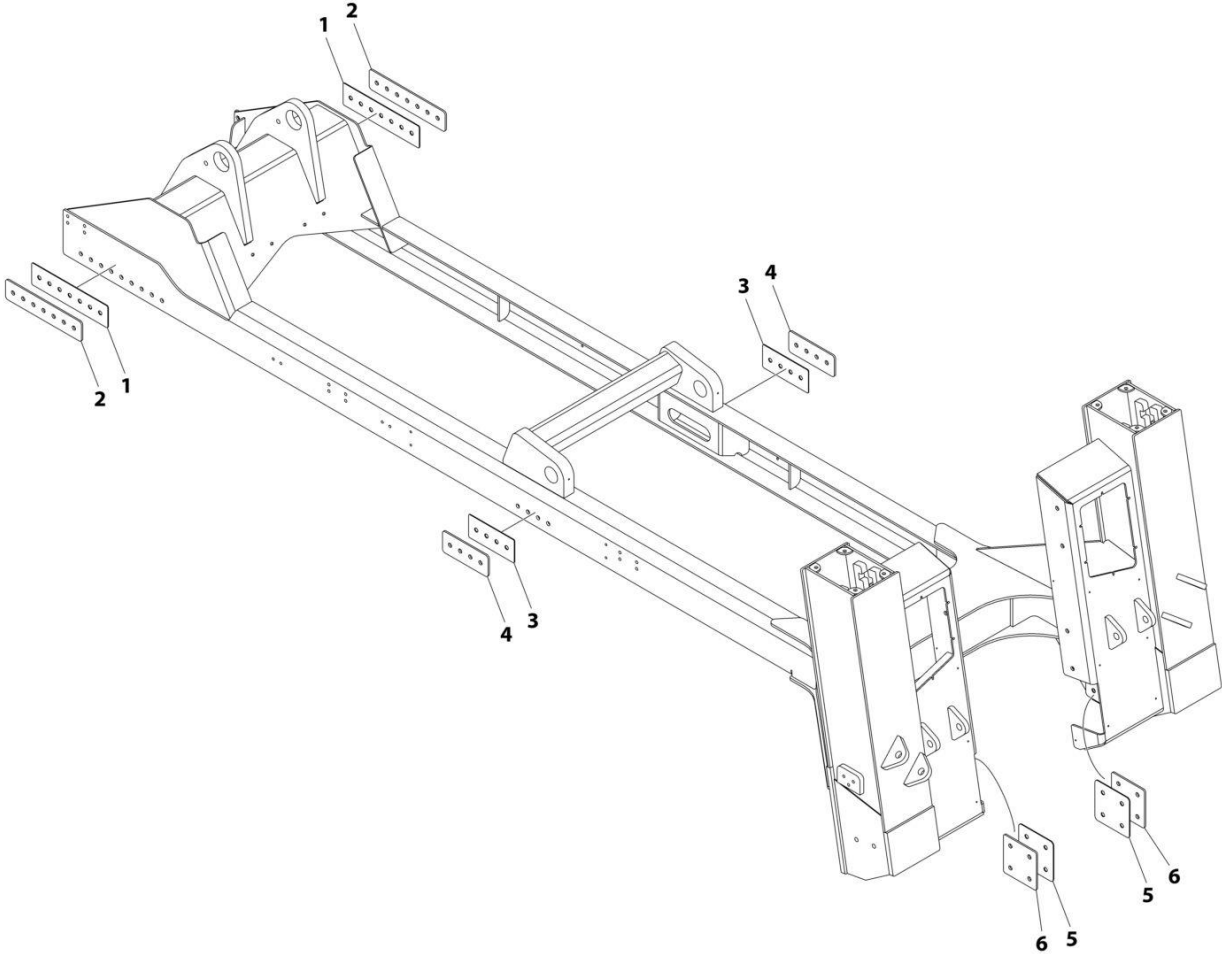
## SECTION 1 - SUBFRAME

### FIGURE 1-1. SUBFRAME INSTALLATION

ITEM	PART NUMBER	QTY	DESCRIPTION	REV
	1001254322	Ref	SUBFRAME INSTALLATION	E
1	0641605	8	Bolt 3/8 x 5/8	
2	4891600	8	Washer 3/8	
3	7082311	8	Wear Pad	
4	1001246980	22	Bolt 5/8 x 1-3/8	
5	1001246981	AR	Bolt 5/8 x 1-5/8	
6	1001246982	AR	Bolt 5/8 x 1-7/8	
7	1001246983	54	Nut 5/8	
8	1001247174	AR	Bolt 5/8 x 2-1/8	
9	1001248303	32	Bolt 5/8 x 1-1/8	
10	1001250222	1	Frame Weldment	
11	1001250840	2	Plate	
12	1001250841	2	Plate	
14	1001250858	4	Pad	
15	1001258635	1	Cover	
16	1001258636	1	Cover	
21	7114140818	12	Capscrew 1/4 x 1	
23	7660142301	12	Nut 1/4	
24	1001264615	AR	Plate	
25	1001264616	AR	Plate	

**SECTION 1 - SUBFRAME**

**FIGURE 1-2. SADDLE SHIMS KIT**



ART\_1001254458



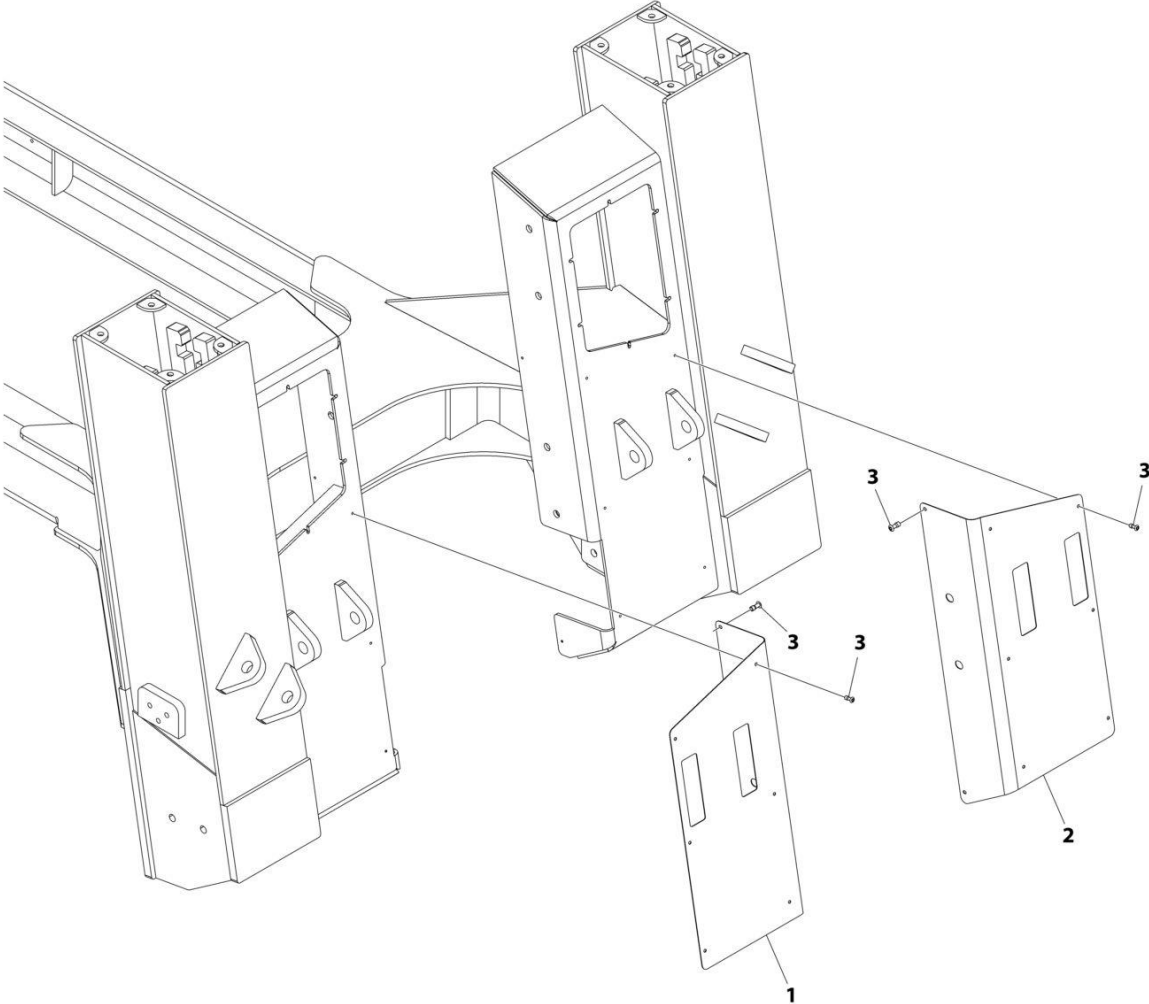
**SECTION 1 - SUBFRAME**

**FIGURE 1-2. SADDLE SHIMS KIT**

<b>ITEM</b>	<b>PART NUMBER</b>	<b>QTY</b>	<b>DESCRIPTION</b>	<b>REV</b>
	1001254458	Ref	Saddle Shims Kit	A
1	1001254332	2	Shim	
2	1001254333	2	Shim	
3	1001254334	2	Shim	
4	1001254335	2	Shim	
5	1001254336	2	Shim	
6	1001254337	2	Shim	

**SECTION 1 - SUBFRAME**

**FIGURE 1-3. TAILPLATE INSTALLATION**



ART\_1001254459

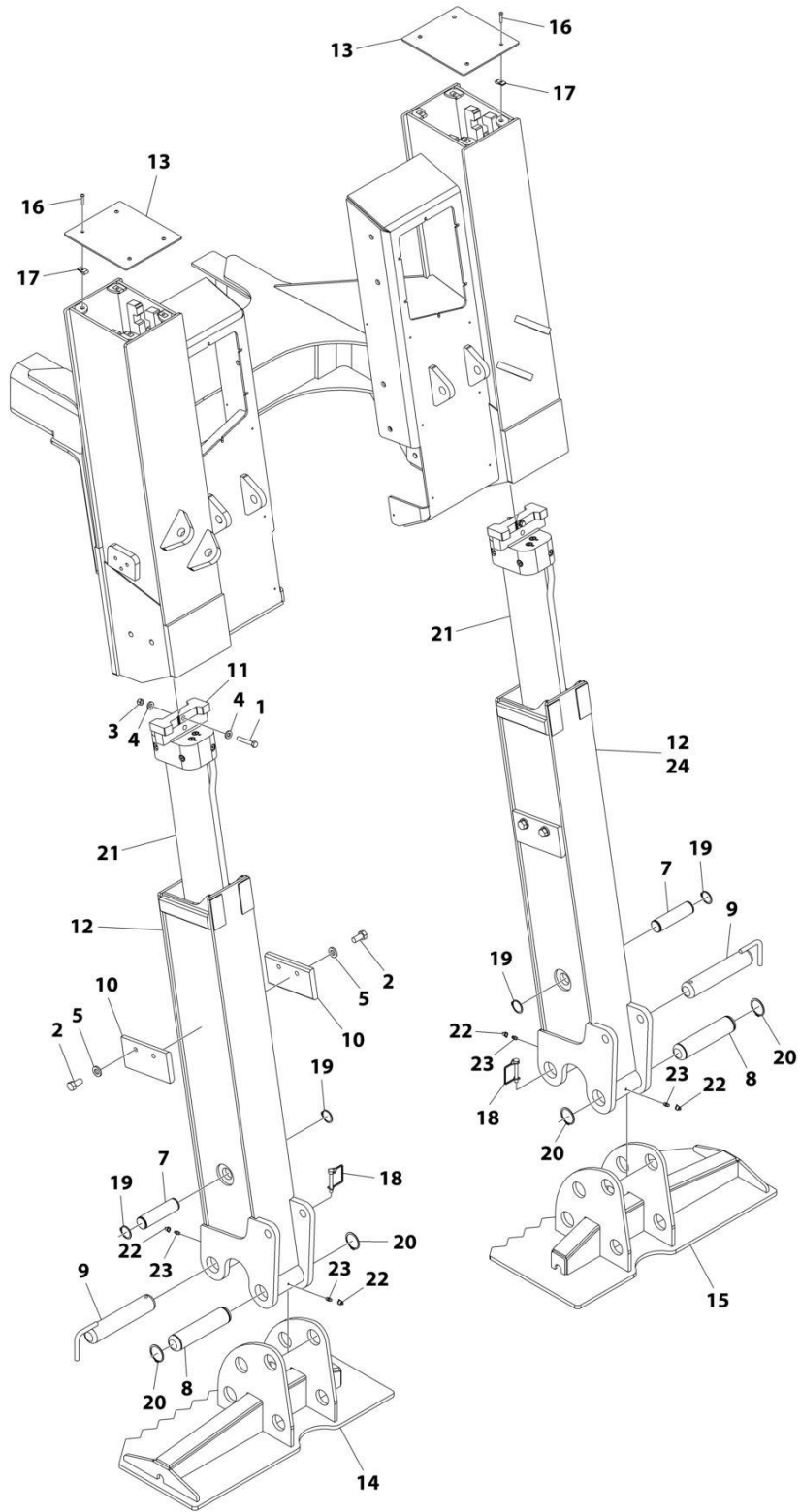
**SECTION 1 - SUBFRAME**

**FIGURE 1-3. TAILPLATE INSTALLATION**

<b>ITEM</b>	<b>PART NUMBER</b>	<b>QTY</b>	<b>DESCRIPTION</b>	<b>REV</b>
	1001254459	Ref	Tailplate Installation	A
1	1001250855	1	Cover	
2	1001250856	1	Cover	
3	77590000018	16	Rivet	

# SECTION 1 - SUBFRAME

## FIGURE 1-4. REAR STABILIZERS INSTALLATION



ART\_1001253719\_C

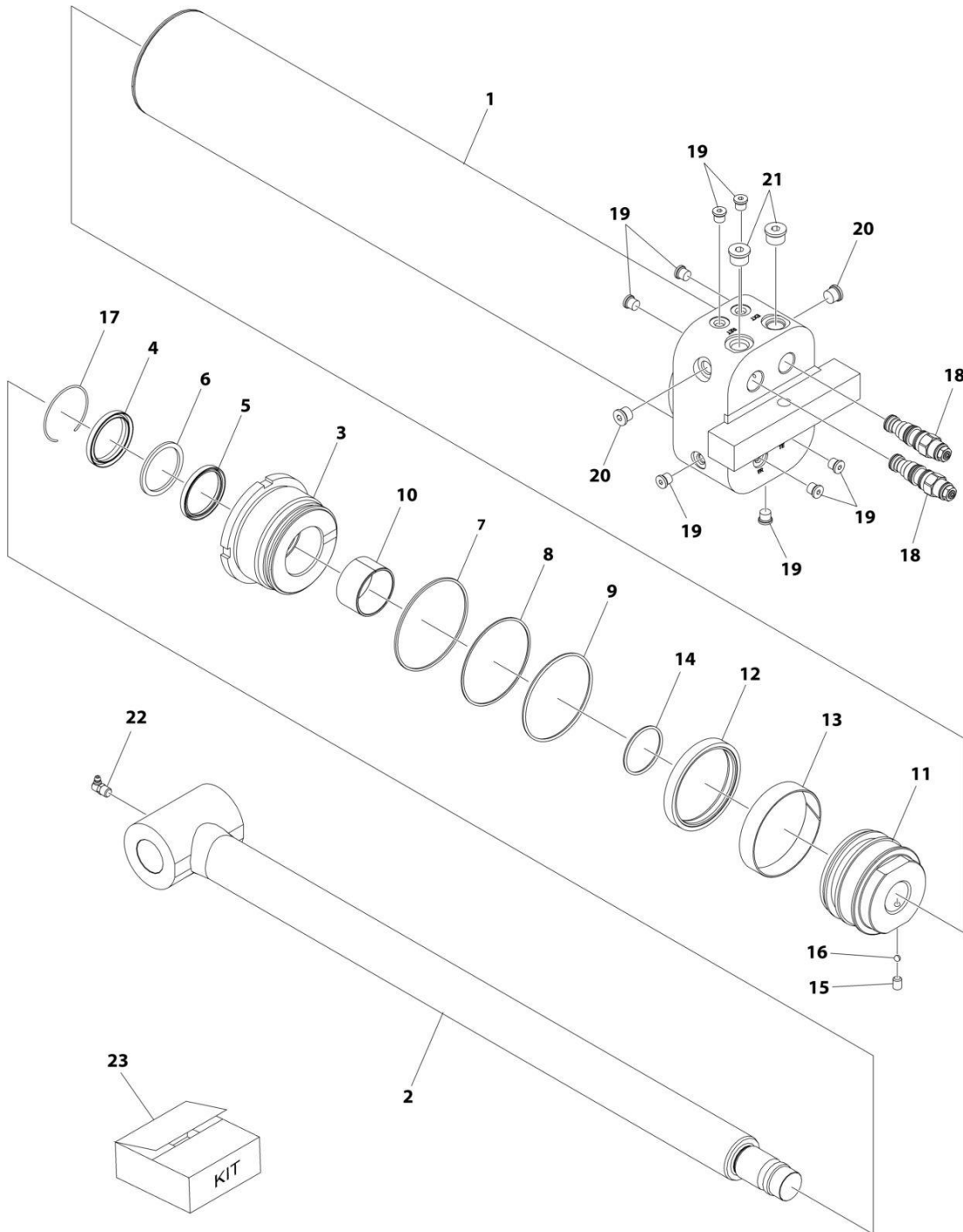
## SECTION 1 - SUBFRAME

### FIGURE 1-4. REAR STABILIZERS INSTALLATION

ITEM	PART NUMBER	QTY	DESCRIPTION	REV
	1001253719	Ref	SPADE STABILIZERS INSTALLATION (REAR)	C
1	0641618	2	Bolt 3/8 x 2-1/4	
2	0642010	8	Bolt 5/8 x 1-1/4	
3	7660162601	2	Nut 3/8	
4	4891600	4	Washer 3/8	
5	4892000	8	Washer 5/8	
6	1001152707	AR	Lubricant (Not Shown)	
7	1001250391	2	Pin	
8	1001250392	2	Pin	
9	1001250396	2	Pin	
10	1001264341	4	Pad	
11	1001250845	4	Block	
12	1001250846	2	Stabilizer	
13	1001250860	2	Cover	
14	1001250865	1	Stabilizer, Spade Foot LH	
15	1001250872	1	Stabilizer, Spade Foot RH	
16	7114141018	8	Screw 1/4 x 1-1/4	
17	7661000064	8	U-Nut 1/4	
18	7691000025	2	Pin	
19	7754000033	4	Ring Retaining	
20	7754000048	4	Ring Retaining	
21	1001247840	2	Cylinder Assembly - Spade Stabilizer (See Separate Breakdown in CYLINDER Section)	
22	7253000002	4	Grease Cap	
23	7440030000	4	Fitting, Straight	
24	1001116761	AR	Lubricant	

# SECTION 1 - SUBFRAME

## FIGURE 1-5. REAR STABILIZER CYLINDER



ART\_1001247840

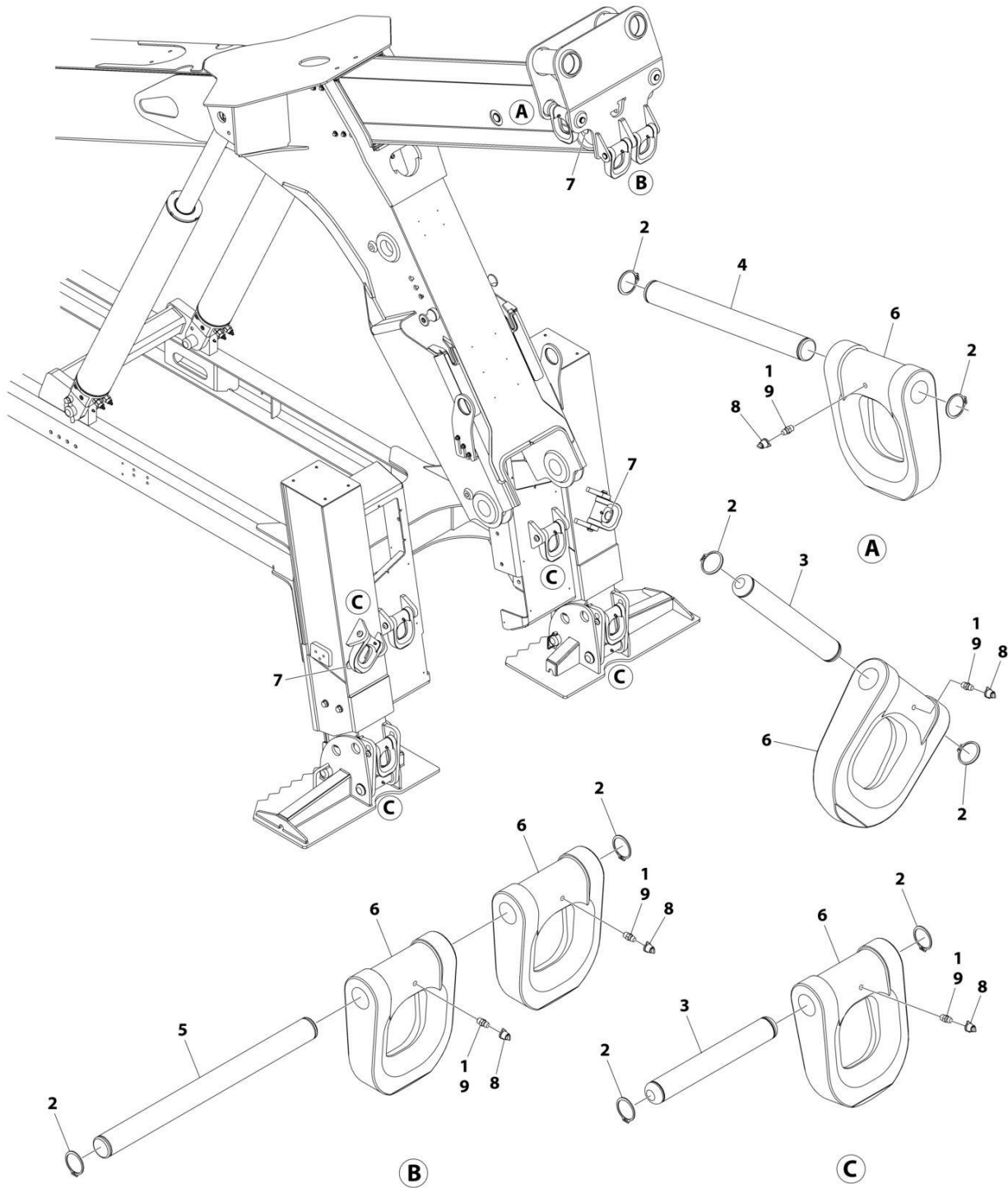
## SECTION 1 - SUBFRAME

### FIGURE 1-5. REAR STABILIZER CYLINDER

ITEM	PART NUMBER	QTY	DESCRIPTION	REV
	1001247840	Ref	CYLINDER ASSEMBLY - SPADE STABILIZER (REAR)	B
		Ref	Note: Original Cylinder May Have Been Replaced with Service Replacement. Identify PN Stamped on Cylinder Before Ordering Parts.	
1	NSS	1	Tube Assembly	
2	70052575	1	Rod Assembly	
3	70052576	1	Gland	
4	See Note	NSS	Dust Wiper (Note: Use Item 23)	
5	See Note	NSS	Rod Seal (Note: Use Item 23)	
6	See Note	NSS	Back-up Ring (Note: Use Item 23)	
7	See Note	NSS	O-Ring (Note: Use Item 23)	
8	See Note	NSS	Back-up Ring (Note: Use Item 23)	
9	See Note	NSS	O-Ring (Note: Use Item 23)	
10	70052577	1	Dry Bearing	
11	70052578	1	Piston	
12	See Note	NSS	Piston Seal (Note: Use Item 23)	
13	See Note	NSS	Wear Ring (Note: Use Item 23)	
14	See Note	NSS	O-Ring (Note: Use Item 23)	
15	70006596	1	Set Screw	
16	70022564	1	Steel Ball	
17	70002412	1	Retaining Ring	
18	70050215	2	Valve, Counterbalance Cartridge	
18	2900770	2	Seal Kit - Valve Cartridge (1 Per Cartridge)	
19	2220883	8	Plug	
20	2220885	2	Plug	
21	2220886	2	Plug	
22	70052526	1	Grease Fitting	
23	70052579	1	Seal Kit (Includes Items 4-9 & 12-14)	

# SECTION 1 - SUBFRAME

## FIGURE 1-6. D-RINGS INSTALLATION (ON REAR STABILIZER)



ART\_1001255323



**SECTION 1 - SUBFRAME**

**FIGURE 1-6. D-RINGS INSTALLATION (ON REAR STABILIZER)**

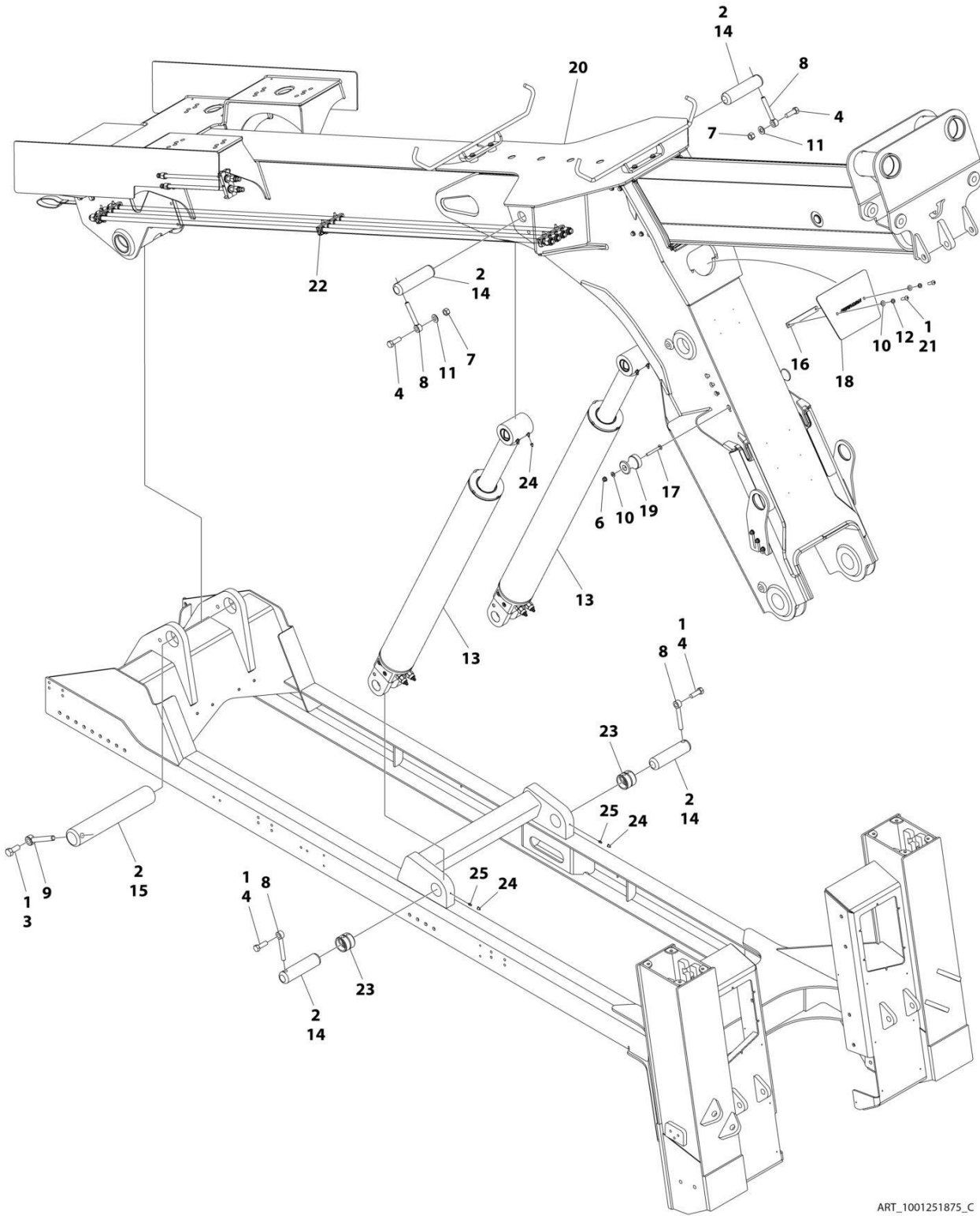
<b>ITEM</b>	<b>PART NUMBER</b>	<b>QTY</b>	<b>DESCRIPTION</b>	<b>REV</b>
	1001255323	Ref	D-Rings Installation	B
1	1001152707	AR	Lubricant	
2	3760115	18	Retaining Ring	
3	1001250393	6	O-Ring	
4	1001250399	2	Pin	
5	1001250400	1	Pin	
6	4754000006	10	D-Ring	
7	1001258243	8	Decal	
8	7253000002	10	Cap	
9	7440030000	10	Fitting	



**SECTION 2 - BOOM**

# SECTION 2 - BOOM

## FIGURE 2-1. MAIN BOOM INSTALLATION



ART\_1001251875\_C

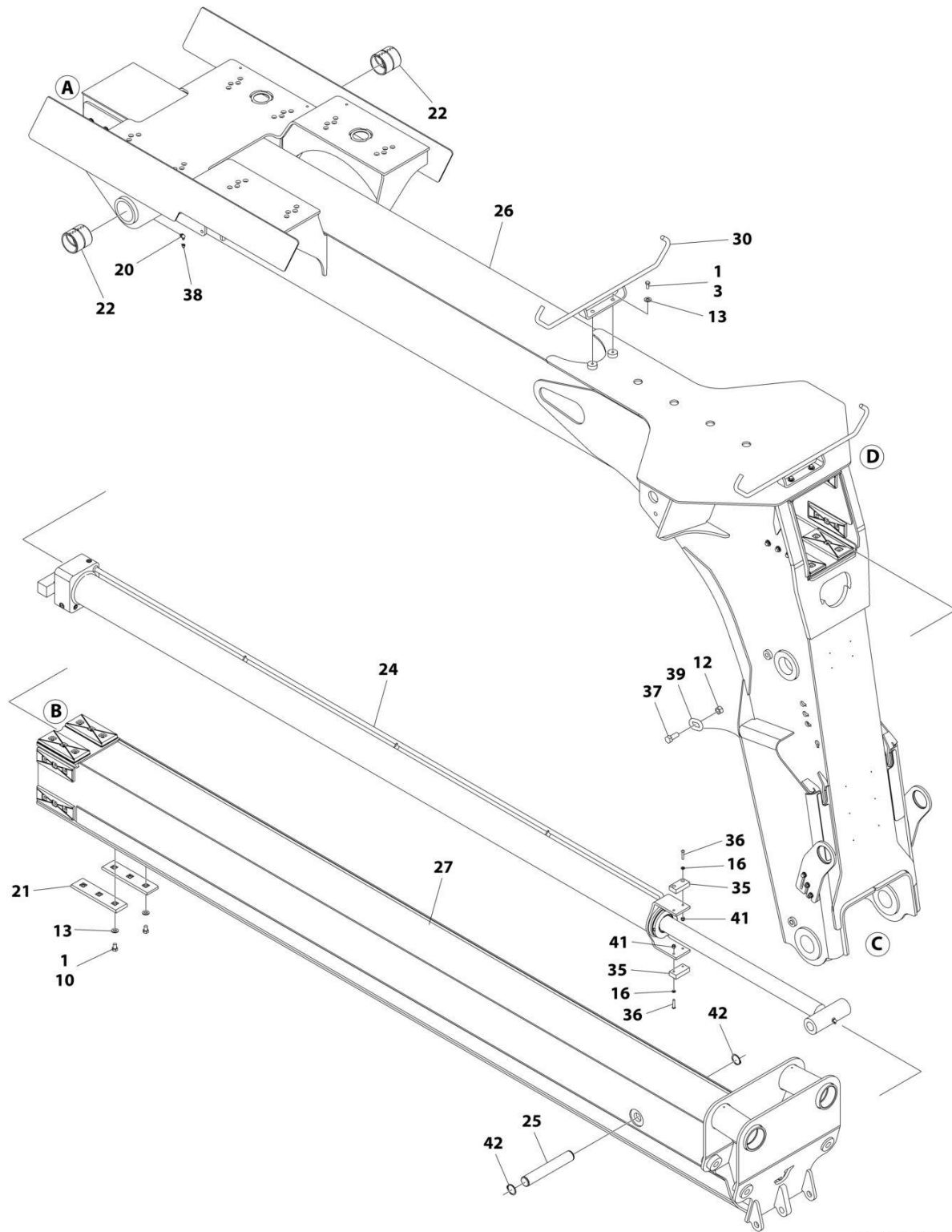
## SECTION 2 - BOOM

### FIGURE 2-1. MAIN BOOM INSTALLATION

ITEM	PART NUMBER	QTY	DESCRIPTION	REV
	1001251875	Ref	MAIN BOOM INSTALLATION	C
1	0100011	AR	Compound Locking	
2	1001152707	AR	Lubricant	
3	0642214	1	Bolt 3/4 x 1-3/4	
4	0682015	4	Bolt 5/8 x 1-7/8	
6	7660162301	2	Nut 3/8	
7	3272005	2	Nut 5/8	
8	3841258	4	Keeper, Rod	
9	3841287	1	Keeper, Rod	
10	4711600	4	Washer 3/8	
11	4712000	2	Washer 5/8	
12	4761600	2	Washer 3/8	
13	1001247791	2	Cylinder Assembly - Lift (Main Boom) (See Separate Breakdown in CYLINDER Section)	
14	1001250388	4	Pin	
15	1001250390	1	Pin	
16	1001251626	1	Plate, Rear Cover Bracket	
17	1001251627	2	Bolt 3/8 x 3	
18	1001251632	1	Plate Rear Cover	
19	1001251870	2	Roller, Chain	
20	1001251876	1	Main Boom Assembly (See Separate Breakdown in this Section)	
21	7114161018	2	Screw 3/8 x 1-1/4	
22	1001254498	1	Main Boom Hydraulic Installation (See Separate Breakdown in HYDRAULIC Section)	
23	1001249337	2	Bearing	
24	7253000002	6	Grease Cap	
25	7440030000	2	Fitting, Straight	

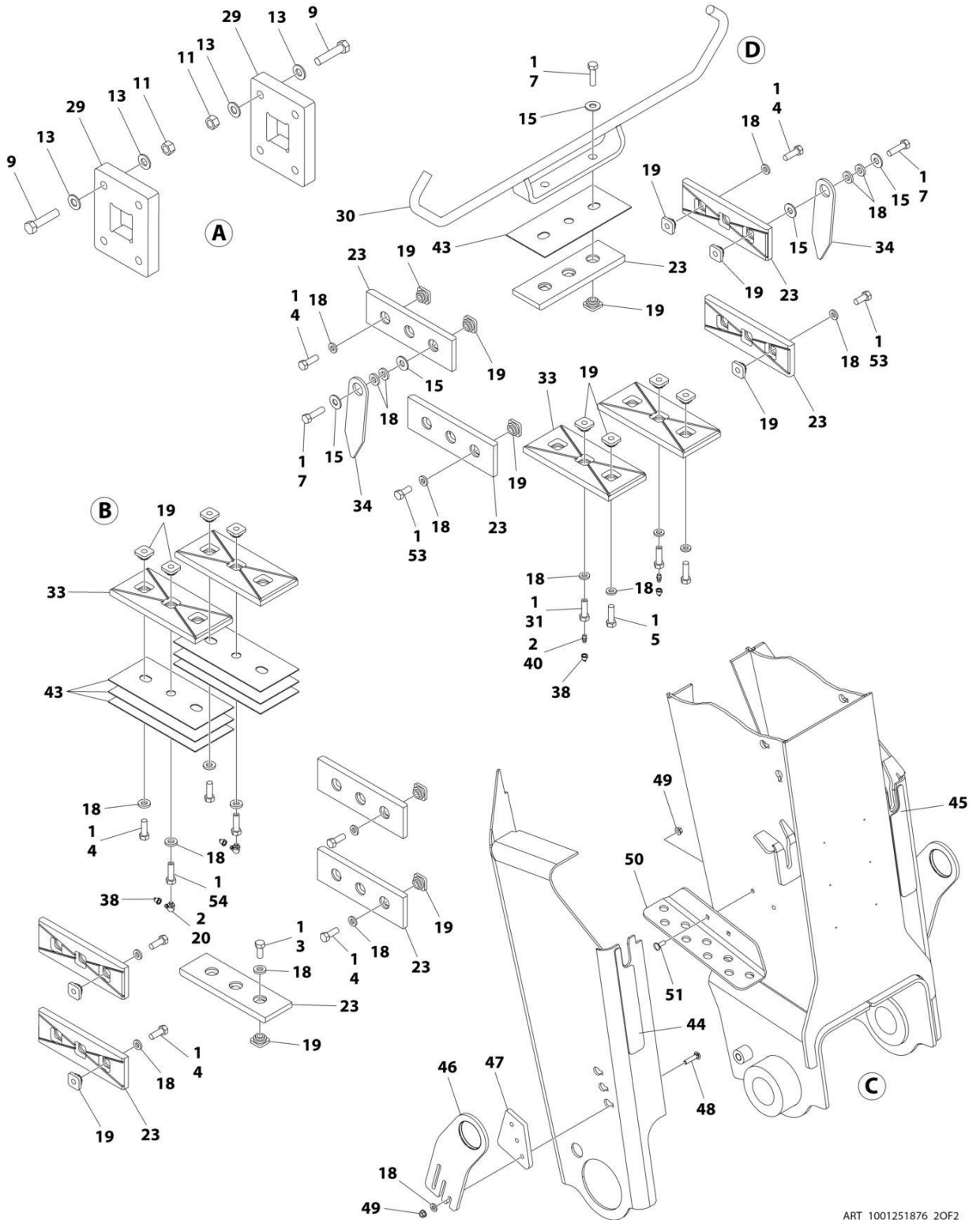
# SECTION 2 - BOOM

## FIGURE 2-2. MAIN BOOM ASSEMBLY



ART\_1001251876\_1OF2

# SECTION 2 - BOOM



ART\_1001251876\_20F2

## SECTION 2 - BOOM

**FIGURE 2-2. MAIN BOOM ASSEMBLY**

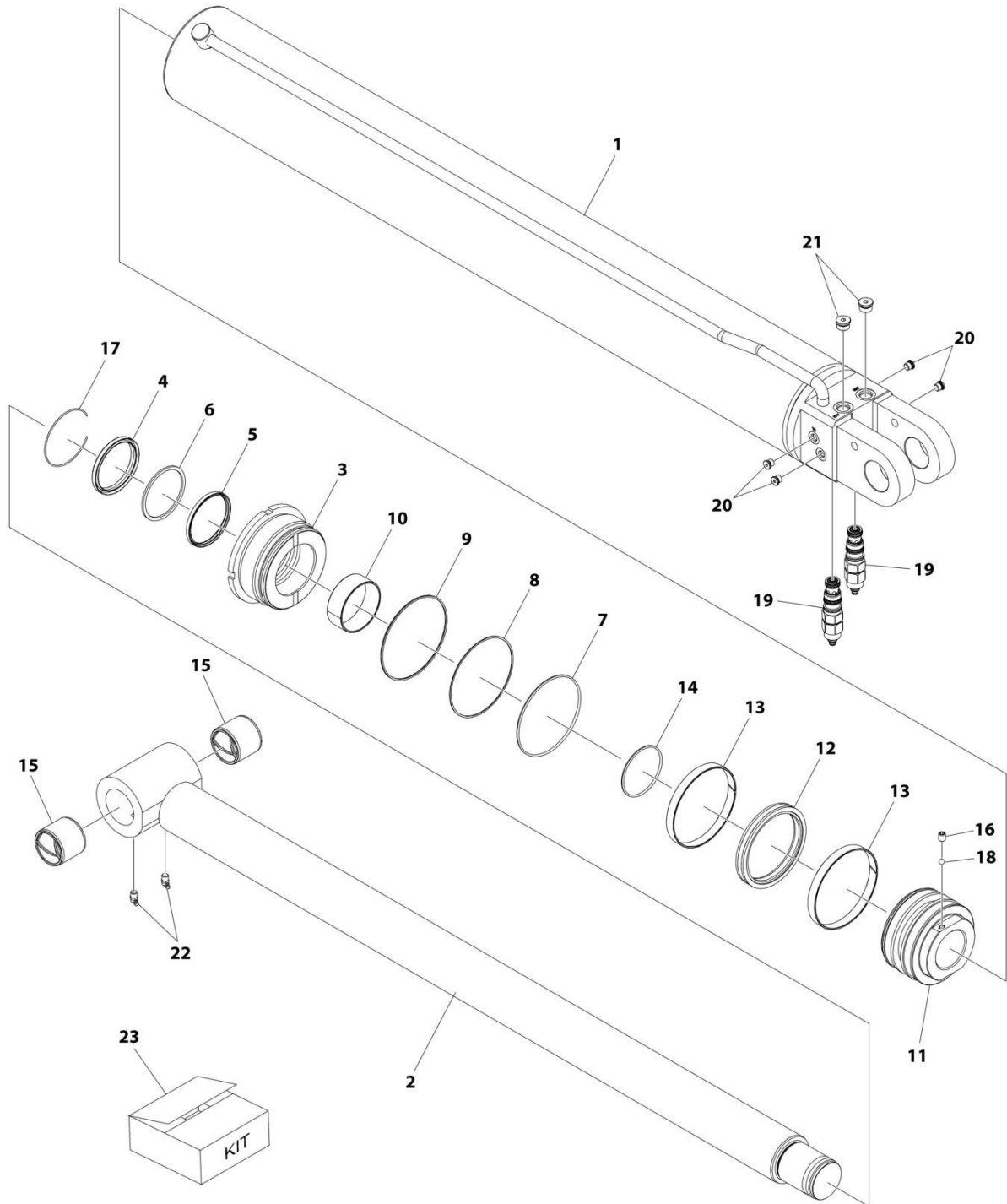
ITEM	PART NUMBER	QTY	DESCRIPTION	REV
	1001251876	Ref	MAIN BOOM ASSEMBLY	J
1	0100011	AR	Compound Locking	
2	1001116761	AR	Lubricant	
3	0641607	5	Bolt 3/8 x 7/8	
4	0641608	20	Bolt 3/8 x 1	
5	0641609	4	Bolt 3/8 x 1-1/8	
7	0641611	4	Bolt 3/8 x 1/3/8	
9	0681818	8	Bolt 1/2 x 2-1/4	
10	0651806	6	Bolt 1/2 x 3/4	
11	3271805	8	Nut 1/2	
12	7660202601	2	Nut 5/8	
13	4711800	22	Washer 1/2	
15	4751600	8	Washer 3/8	
16	4761400	4	Washer 1/4	
18	4891600	49	Washer 3/8	
19	1001257687	41	Pad	
20	88671027	4	Grease Fitting	
21	1001117656	2	Pad, Wear	
22	1001246818	2	Bearing	
23	1001246889	10	Pad, Wear	
24	1001248145	1	Cylinder Assembly - Extend/Retract (Main Boom) (See Separate Breakdown in CYLINDER Section)	
25	1001250389	1	Pin	
26	1001250997	1	Base, Boom	
27	1001251108	1	Fly, Boom	
29	1001251631	2	Plate	
30	1001251640	2	Bracket	
31	1001251642	2	Bolt 3/8 x 1-1/4	
33	1001251649	4	Pad, Wear	
34	1001251652	2	Plate, Angle Indicator	
35	4679000319	2	Pad	
36	7114141018	4	Screw 1/4 x 1-1/4	
37	7115201250	2	Bolt 5/8 x 1-1/2	
38	7253000002	6	Grease Cap	
39	7262000025	2	Chain	
40	7440030000	2	Grease Fitting	
41	7660142601	4	Nut 1/4	
42	7754000033	2	Ring Retaining	
43	1001254942	7	Shim	
44	1001255253	1	Decal, Wear LH	
45	1001255254	1	Decal, Wear RH	
46	1001257980	2	Plate	
47	1001257981	2	Plate	
48	1001137203	6	Bolt 3/8 x 1-3/4	
49	7660162301	10	Nut 3/8	
50	1001257985	2	Plate	
51	0630485	4	Bolt	
52	1001172320	2	Strap (Not Shown)	
53	0641606	6	Bolt 3/8 x 3/4	
54	1001246903	2	Bolt 5-3/8 x 7/8	





# SECTION 2 - BOOM

## FIGURE 2-3. CYLINDER ASSEMBLY - LIFT (MAIN BOOM)



ART\_1001247791

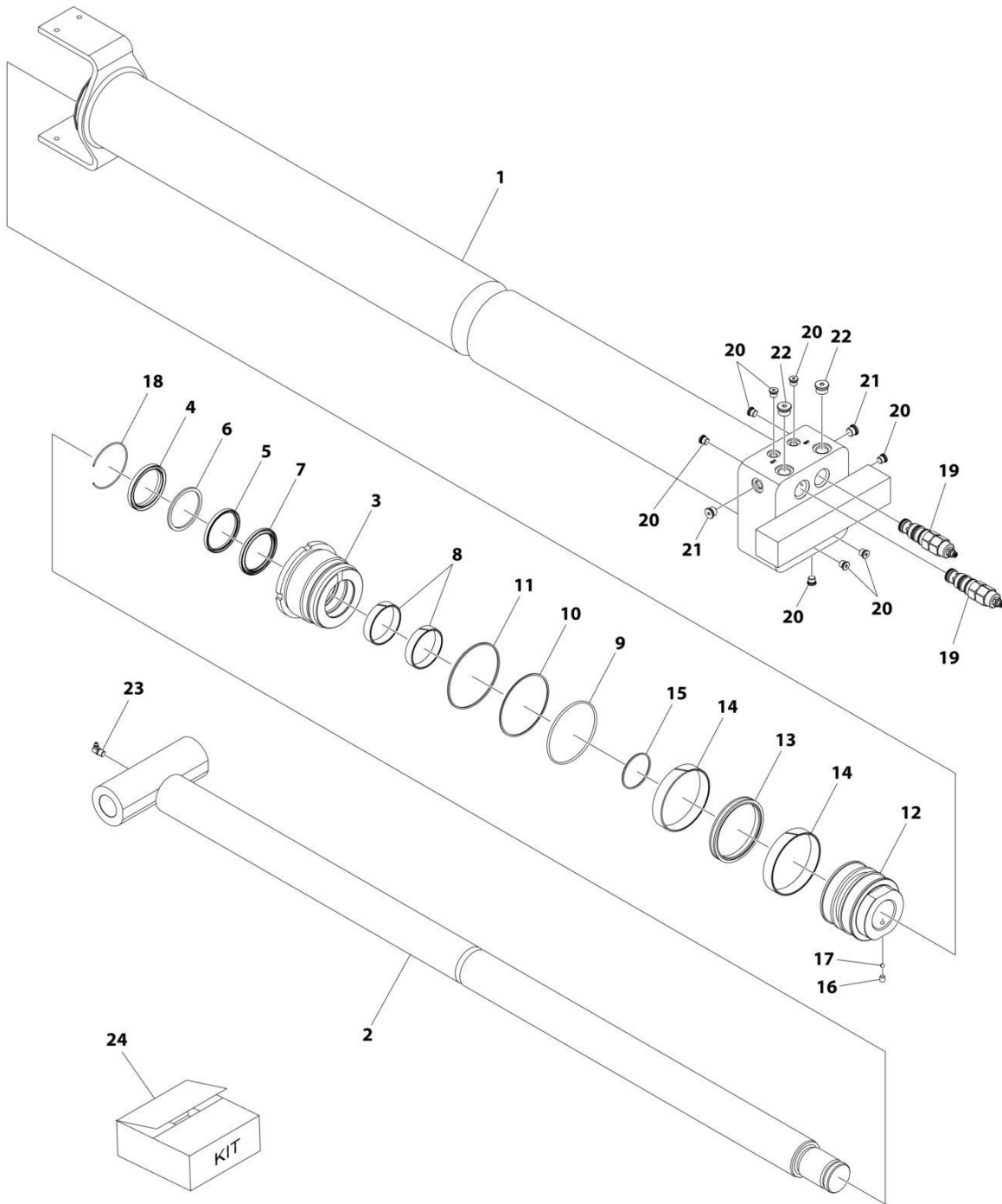
## SECTION 2 - BOOM

**FIGURE 2-3. CYLINDER ASSEMBLY - LIFT (MAIN BOOM)**

ITEM	PART NUMBER	QTY	DESCRIPTION	REV
	1001247791	Ref	25 TON LIFT CYLINDER ASSEMBLY	D
		Ref	Note: Original Cylinder May Have Been Replaced with Service Replacement. Identify PN Stamped on Cylinder Before Ordering Parts.	
1	See Note	NSS	Barrel Assembly (Note; Purchase PN 1001247791)	
2	70052593	1	Rod Assembly	
3	70052594	1	Gland	
4	See Note	NSS	Dust Wiper (Note: Use Item 23)	
5	See Note	NSS	Rod Seal (Note: Use Item 23)	
6	See Note	NSS	Back-up Ring (Note: Use Item 23)	
7	See Note	NSS	O-Ring (Note: Use Item 23)	
8	See Note	NSS	Back-up Ring (Note: Use Item 23)	
9	See Note	NSS	O-Ring (Note: Use Item 23)	
10	70027751	1	Dry Bearing	
11	70052595	1	Piston	
12	See Note	NSS	Piston Seal (Note: Use Item 23)	
13	See Note	NSS	Wear Ring (Note: Use Item 23)	
14	See Note	NSS	O-Ring (Note: Use Item 23)	
15	70052596	2	Pin Bush (Bearing)	
16	70023369	1	Set Screw	
17	See Note	NSS	Retaining Ring (Note: Use Item 23)	
18	70022564	1	Steel Ball	
19	70052584	2	Cartridge, Counterbalance Valve	
19	7011371	2	Seal Kit - Valve Cartridge (1 Per Cartridge)	
20	2220883	4	Plug	
21	2220886	2	Plug	
22	70052597	2	Grease Fitting	
23	70052598	1	Seal Kit (Includes Items 4-9, 12-15 & 17)	

# SECTION 2 - BOOM

## FIGURE 2-4. CYLINDER ASSEMBLY - EXTEND/RETRACT (MAIN BOOM)



ART\_1001248145

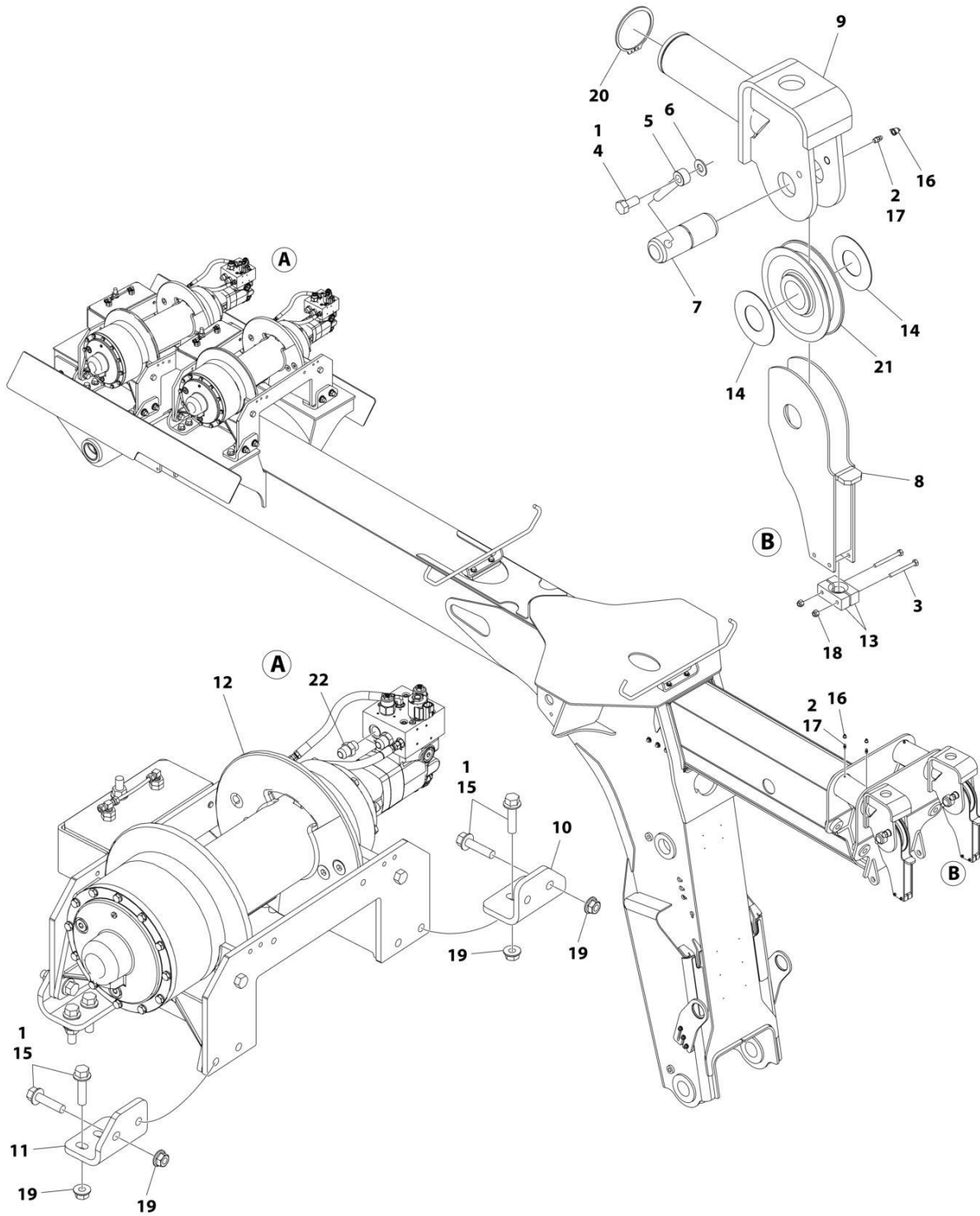
## SECTION 2 - BOOM

**FIGURE 2-4. CYLINDER ASSEMBLY - EXTEND/RETRACT (MAIN BOOM)**

ITEM	PART NUMBER	QTY	DESCRIPTION	REV
	1001248145	Ref	25 TON EXTEND CYLINDER ASSEMBLY	E
		Ref	Note: Original Cylinder May Have Been Replaced with Service Replacement. Identify PN Stamped on Cylinder Before Ordering Parts.	
1	See Note	NSS	Barrel Assembly (Note: Use PN 1001248145)	
2	70052580	1	Rod Assembly	
3	70052581	1	Gland	
4	See Note	NSS	Dust Wiper (Note: Use Item 24)	
5	See Note	NSS	Rod Seal (Note: Use Item 24)	
6	See Note	NSS	Back-up Ring (Note: Use Item 24)	
7	See Note	NSS	Buffer Ring (Note: Use Item 24)	
8	See Note	NSS	Wear Ring (Note: Use Item 24)	
9	See Note	NSS	O-Ring (Note: Use Item 24)	
10	See Note	NSS	Back-up Ring (Note: Use Item 24)	
11	See Note	NSS	O-Ring (Note: Use Item 24)	
12	70052582	1	Piston	
13	See Note	NSS	Piston Seal (Note: Use Item 24)	
14	See Note	NSS	Wear Ring (Note: Use Item 24)	
15	See Note	NSS	O-Ring (Note: Use Item 24)	
16	70007246	1	Set Screw	
17	70022564	1	Steel Ball	
18	70050795	1	Retaining Ring	
19	70052584	2	Cartridge, Counterbalance Valve	
19	7011371	2	Seal Kit - Valve (1 Per Cartridge)	
20	2220883	8	Plug	
21	2220885	2	Plug	
22	2220886	2	Plug	
23	70052526	2	Grease Fitting	
24	70052583	1	Seal Kit (Includes Items 4-11 & 13-15)	

# SECTION 2 - BOOM

## FIGURE 2-5. BOOM WINCH INSTALLATION - DP



ART\_1001253380

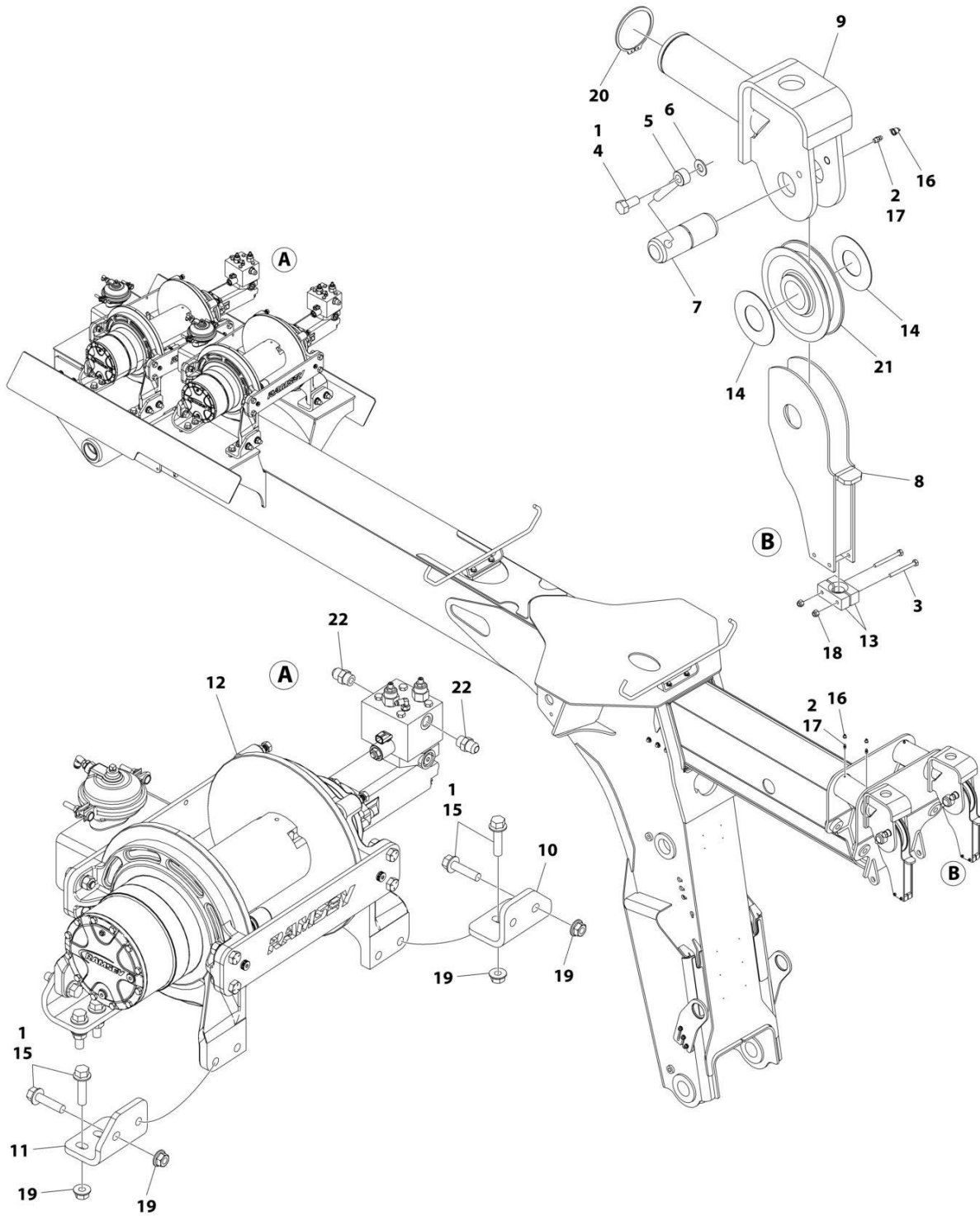
## SECTION 2 - BOOM

**FIGURE 2-5. BOOM WINCH INSTALLATION - DP**

ITEM	PART NUMBER	QTY	DESCRIPTION	REV
	1001253380	Ref	Boom Winch Installation, 2 Speed	B
1	0100011	AR	Compound Locking	
2	1001152707	AR	Lubricant	
3	0641420	4	Capscrew 1/4 x 2-1/2	
4	0642010	2	Capscrew 5/8 x 1-1/4	
5	3841258	2	Keeper, Rod	
6	4712000	2	Washer 5/8	
7	1001170037	2	Pin	
8	1001251634	2	Support, Cable Guide	
9	1001251637	2	Sheave Support Weldment	
10	1001251643	4	Bracket, Left Winch	
11	1001251644	4	Bracket, Right Winch	
12	1001254692	2	Boom Winch Assembly (See Separate Breakdown in this Section)	
13	4249000001	4	Cable Guide	
14	4949000031	4	Washer 4-1/2 x 1/16	
15	7118202016	32	Bolt 5/8 x 2-1/2	
16	7253000002	6	Grease Cap	
17	7440030000	6	Grease Fitting	
18	7660142601	4	Nut 1/4	
19	7661000018	32	Nut 1/4	
20	7754000049	2	Ring Retaining	
21	7809000019	2	Sheave	
22	2220852	4	Adapter	

# SECTION 2 - BOOM

## FIGURE 2-6. BOOM WINCH INSTALLATION - RAMSEY



ART\_1001253379



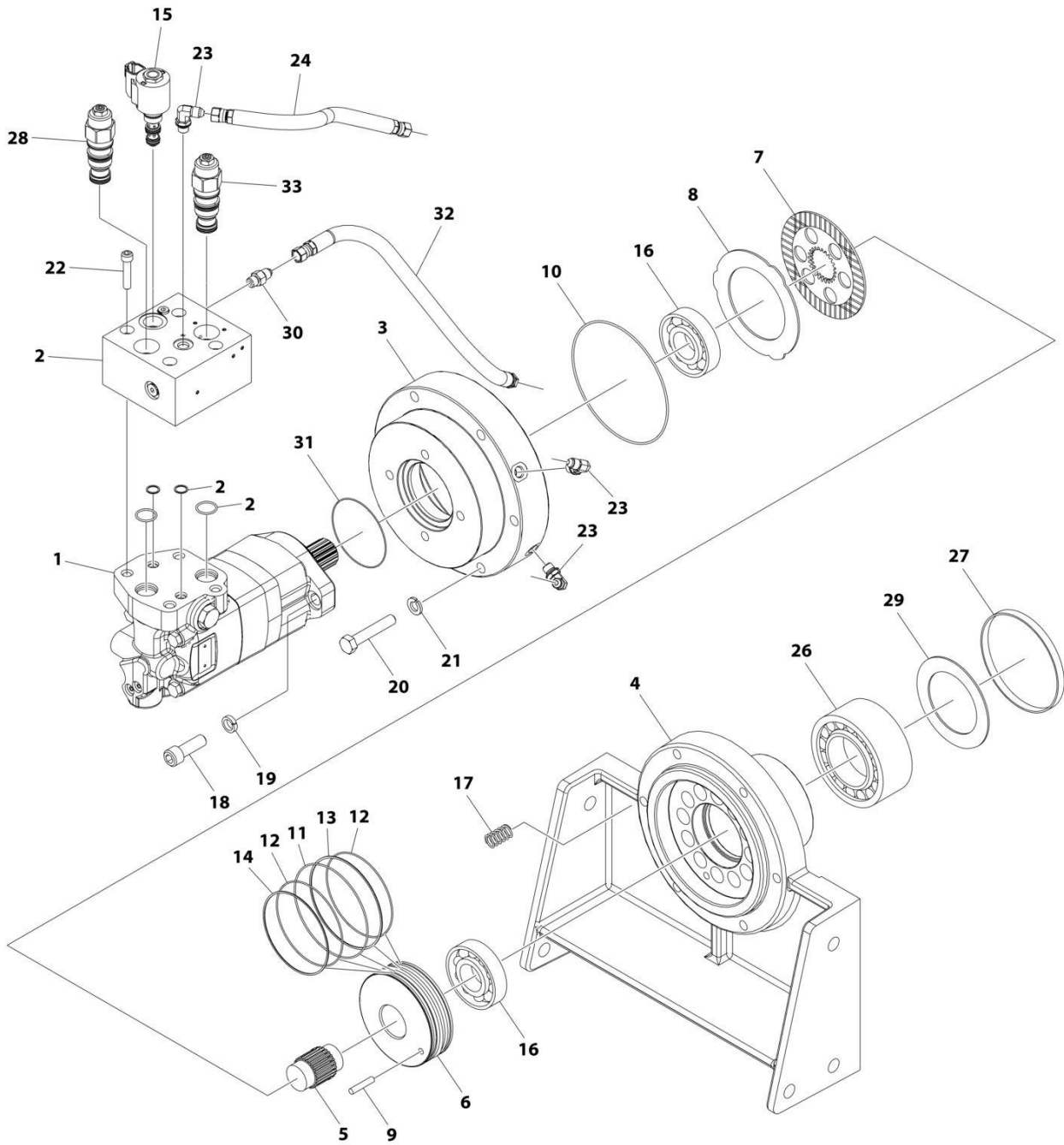
## SECTION 2 - BOOM

**FIGURE 2-6. BOOM WINCH INSTALLATION - RAMSEY**

ITEM	PART NUMBER	QTY	DESCRIPTION	REV
	1001253379	Ref	Boom Winch Installation, 5 Speed	C
1	0100011	AR	Compound Locking	
2	1001152707	AR	Lubricant	
3	0641420	4	Capscrew 1/4 x 2-1/2	
4	0642010	2	Capscrew 5/8 x 1-1/4	
5	3841258	2	Keeper, Rod	
6	4712000	2	Washer 5/8	
7	1001170037	2	Pin	
8	1001251634	2	Support, Cable Guide	
9	1001251637	2	Sheave Support Weldment	
10	1001251643	4	Bracket, Left Winch	
11	1001251644	4	Bracket, Right Winch	
12	1001253381	2	Boom Winch Assembly (See Separate Breakdown in this Section)	
13	4249000001	4	Cable Guide	
14	4949000031	4	Washer 4-1/2 x 1/16	
15	7118202016	32	Bolt 5/8 x 2-1/2	
16	7253000002	6	Grease Cap	
17	7440030000	6	Grease Fitting	
18	7660142601	4	Nut 1/4	
19	7661000018	32	Nut 1/4	
20	7754000049	2	Ring Retaining	
21	7809000019	2	Sheave	
22	2220947	4	Adapter	

# SECTION 2 - BOOM

## FIGURE 2-7. BOOM WINCH ASSEMBLY - DP



ART\_1001254692

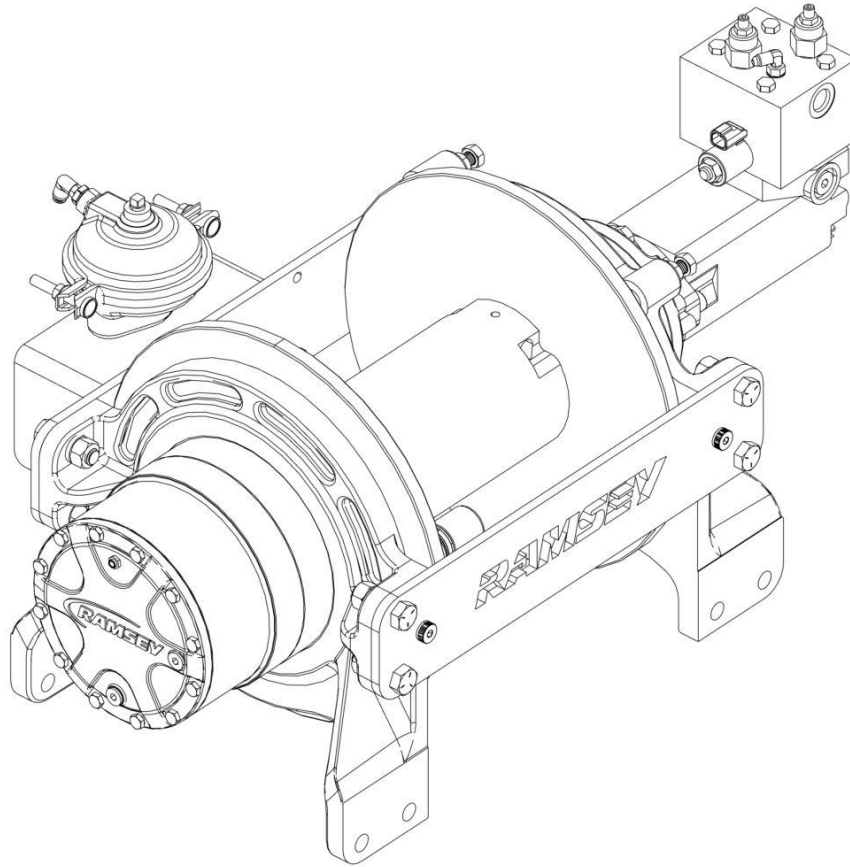
## SECTION 2 - BOOM

### FIGURE 2-7. BOOM WINCH ASSEMBLY - DP

ITEM	PART NUMBER	QTY	DESCRIPTION	REV
	1001254692	Ref	Boom Winch Assembly - DP	A
1	70051679	1	Hydraulic Motor	
2	70050368	1	Manifold, Counterbalance Valve	
2	70050369	2	O-Ring	
2	9796960088	2	O-Ring	
3	9571960006	1	Brake Housing	
4	9177960004	1	Motor End Support	
5	9806960019	1	Brake Shaft	
6	9698960008	1	Brake Piston	
7	9706960023	10	Friction Disc Plate	
8	70051302	9	Brake Drive Plate	
9	9691960021	2	Pin	
10	70051307	1	O-Ring	
11	70051305	1	O-Ring	
12	70051303	2	O-Ring	
13	70051306	1	Backup Ring	
14	70051304	1	Backup Ring	
15	9626960013	1	Cartridge Valve	
16	9082960013	2	Ball Bearing	
17	9843960024	1	Spring	
18	7118181205	2	Socket HD Capscrew 1/2 x 1-1/2	
19	7950180800	2	Lockwasher 1/2	
20	7118172050	6	Hex HD Capscrew 7/16 x 2-1/2	
21	7950170000	6	Lockwasher 7/16	
22	70050370	4	Socket HD Capscrew 3/8-24 x 2-1/2	
23	7445040445	3	Adapter	
24	70051309	1	Hose	
25	70050401	1	Tag (Not Shown)	
26	9082960018	1	Roller Bearing	
27	9796960121	1	Seal	
28	9935960026	1	Cartridge, Counterbalance Valve	
29	9949960028	1	Thrust Washer	
30	9443960006	1	Adapter, Straight	
31	9796960090	1	O-Ring	
32	70050372	1	Hose	
33	9701960013	1	Cartridge, Counterbalance Valve	

## SECTION 2 - BOOM

FIGURE 2-8. BOOM WINCH ASSEMBLY - RAMSEY



ART\_1001253381

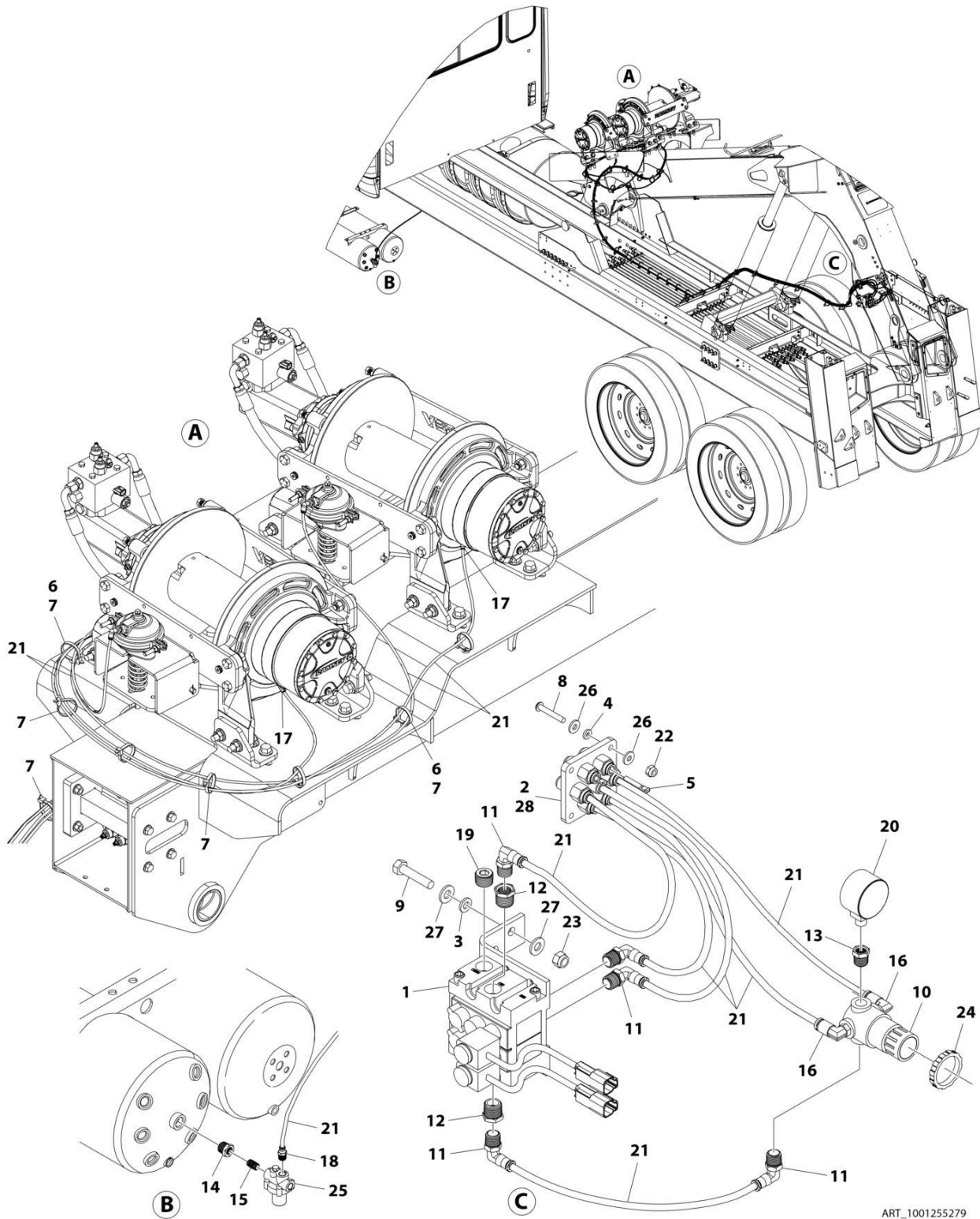
## SECTION 2 - BOOM

### FIGURE 2-8. BOOM WINCH ASSEMBLY - RAMSEY

ITEM	PART NUMBER	QTY	DESCRIPTION	REV
	1001253381	Ref Ref	Boom Winch Assembly - Ramsey Note: No Service Parts Available at Time of Printing.	A

# SECTION 2 - BOOM

## FIGURE 2-9. DUAL WINCH AIR INSTALLATION



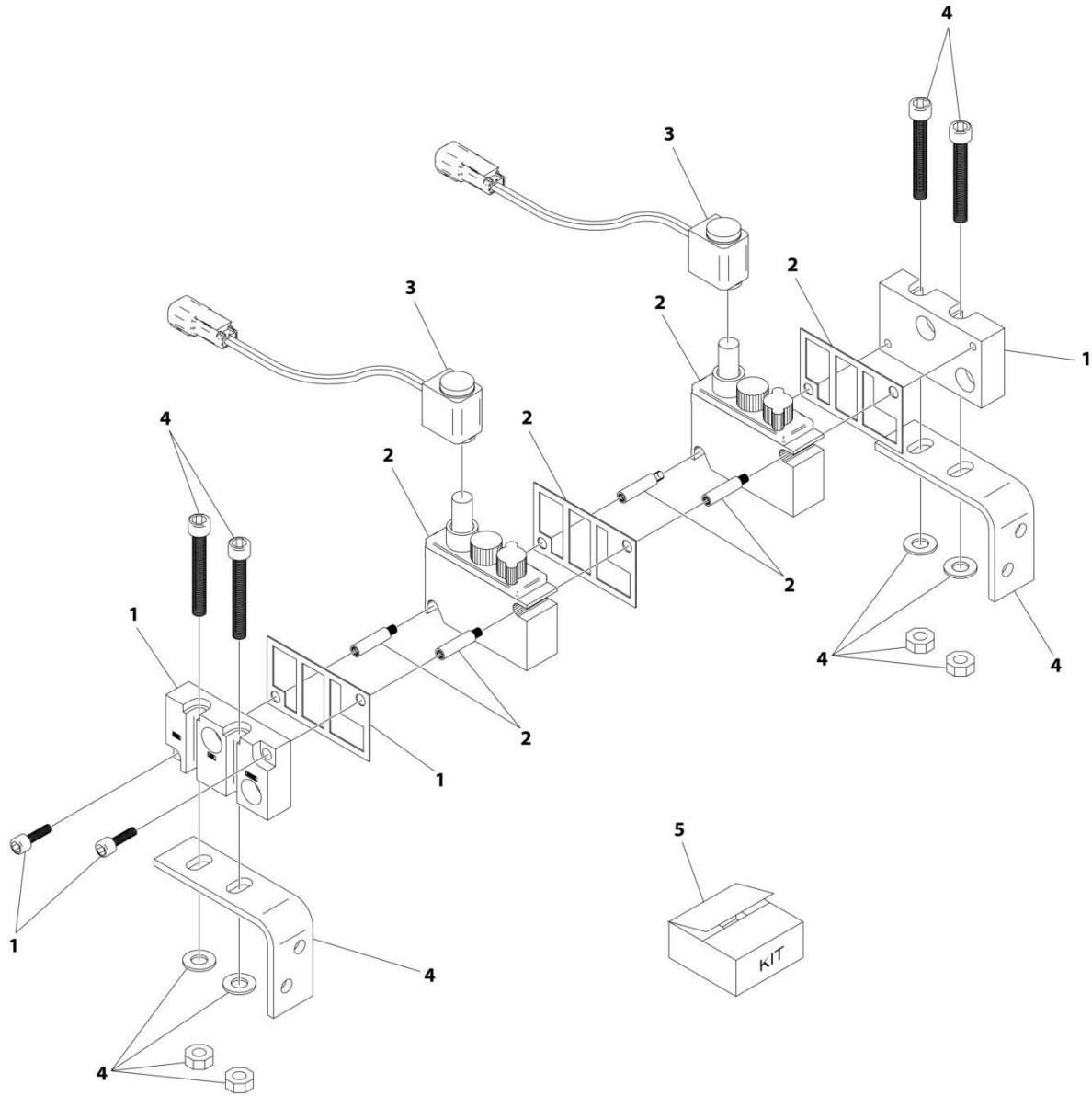
ART\_1001255279

FIGURE 2-9. DUAL WINCH AIR INSTALLATION

ITEM	PART NUMBER	QTY	DESCRIPTION	REV
	1001255279	Ref	DUAL WINCH AIR INSTALLATION	C
1	1001129800	1	Air Valve Assembly (See Separate Breakdown in this Section)	
2	1001297064	1	Bulkhead	
3	1001197482	4	Washer 5/16	
4	1001207736	4	Washer #10	
5	1001197506	2	Seal	
6	1001202986	4	Strap, Push Mount	
7	5526000553	50	Tie Strap	
8	7114101018	4	Screw #10 x 1-1/4	
9	7115151250	4	Capscrew 5/16 x 1-1/2	
10	7295000029	1	Air Regulator	
11	7443000139	5	Fitting	
12	7443000148	2	Bushing	
13	7443000149	1	Bushing	
14	7443000154	1	Bushing	
15	7443000156	1	Fitting	
16	7443000173	2	Fitting	
17	7443000176	2	Elbow	
18	7443000329	1	Fitting	
19	7444030037	1	Plug	
20	7470000006	1	Air Pressure Gauge	
21	7565000016	120 ft	Airline Tubing	
22	7660102601	4	Nut #10	
23	7660152601	4	Nut 5/16	
24	7661000041	1	Nut	
25	7935000120	1	Valve	
26	7950100143	8	Washer 3/16	
27	7950150143	8	Washer 5/16	
28	8798820001	AR	Sealant	

# SECTION 2 - BOOM

## FIGURE 2-10. AIR VALVE ASSEMBLY



ART\_1001129800

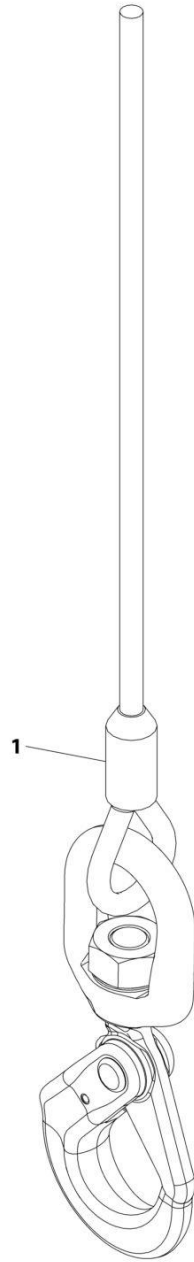


**FIGURE 2-10. AIR VALVE ASSEMBLY**

ITEM	PART NUMBER	QTY	DESCRIPTION	REV
	1001129800	Ref	Air Valve 2 Section Assembly	B
1	70050526	1	Kit, Stacking (Includes Inlet, Outlet, Gaskets & Assembly Hardware)	
2	70050527	2	Valve Assembly	
3	70050528	2	Coil	
4	70050529	1	Kit, Mounting Bracket	
5	70050530	2	Kit, Spool Seal	

## SECTION 2 - BOOM

FIGURE 2-11. CABLE ASSEMBLY - MAIN BOOM (STD SWIVEL)



ART\_1001254986

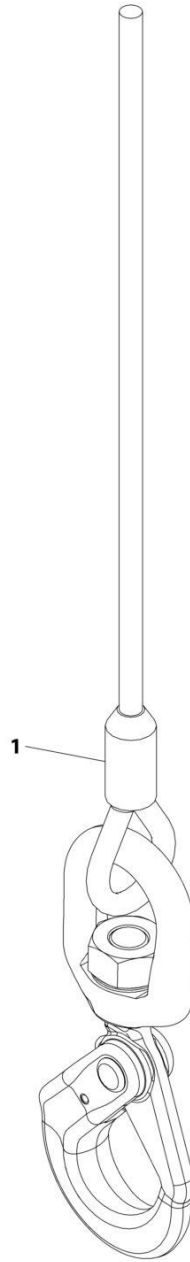
## SECTION 2 - BOOM

**FIGURE 2-11. CABLE ASSEMBLY - MAIN BOOM (STD SWIVEL)**

ITEM	PART NUMBER	QTY	DESCRIPTION	REV
1	1001254986	Ref	CABLE ASSEMBLY - MAIN BOOM (STD SWIVEL)	C
	7248000079	2	Cable Assembly	

## SECTION 2 - BOOM

FIGURE 2-12. CABLE ASSEMBLY - MAIN BOOM (SYNTHETIC SWIVEL)



ART\_1001255355

## SECTION 2 - BOOM

**FIGURE 2-12. CABLE ASSEMBLY - MAIN BOOM (SYNTHETIC SWIVEL)**

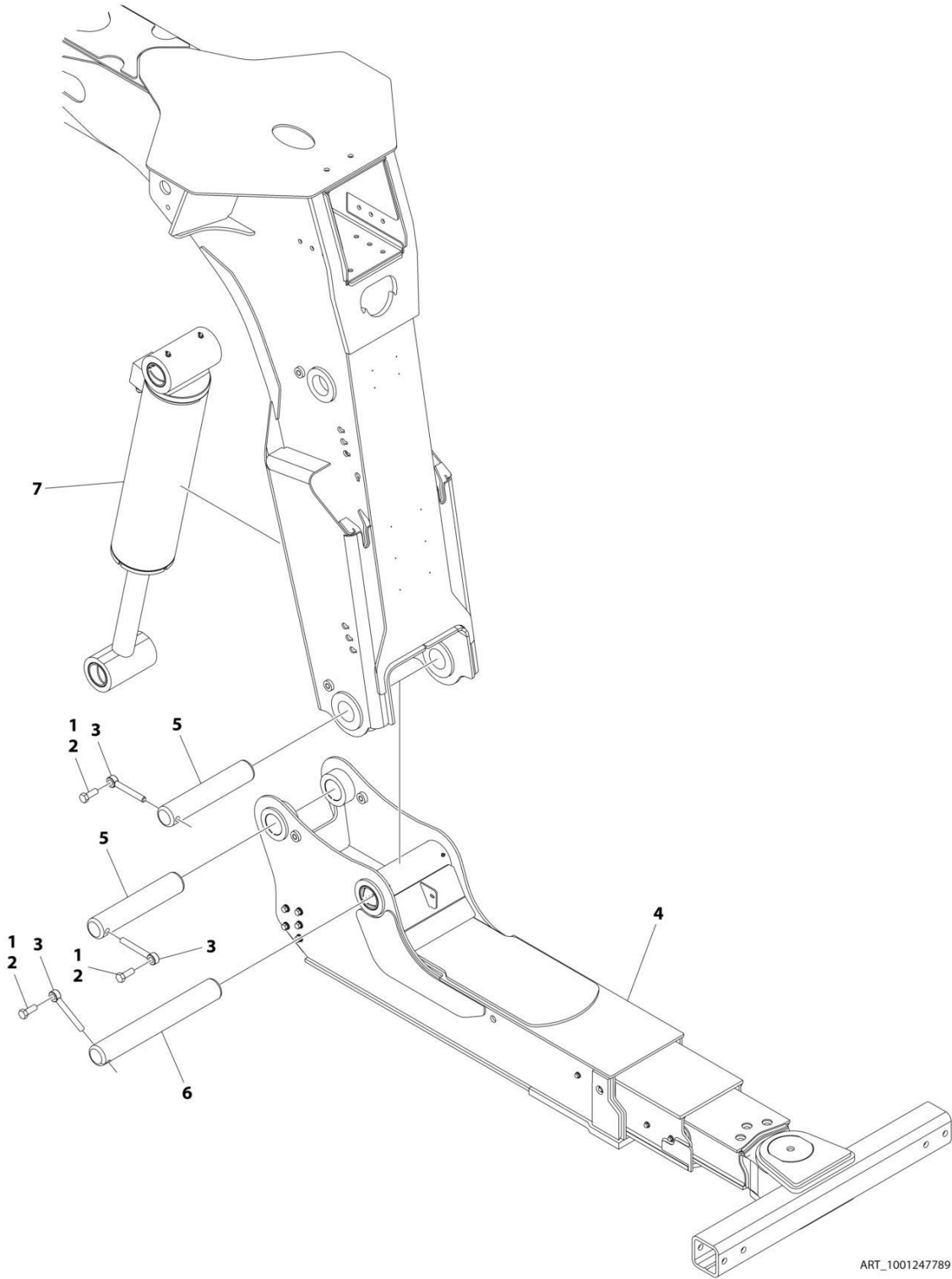
ITEM	PART NUMBER	QTY	DESCRIPTION	REV
1	1001255355	Ref	CABLE ASSEMBLY - MAIN BOOM (SYNTHETIC SWIVEL)	A
	1001258130	2	Cable Assembly	



**SECTION 3 - UNDERLIFT**

# SECTION 3 - UNDERLIFT

## FIGURE 3-1. UNDERLIFT INSTALLATION



ART\_1001247789



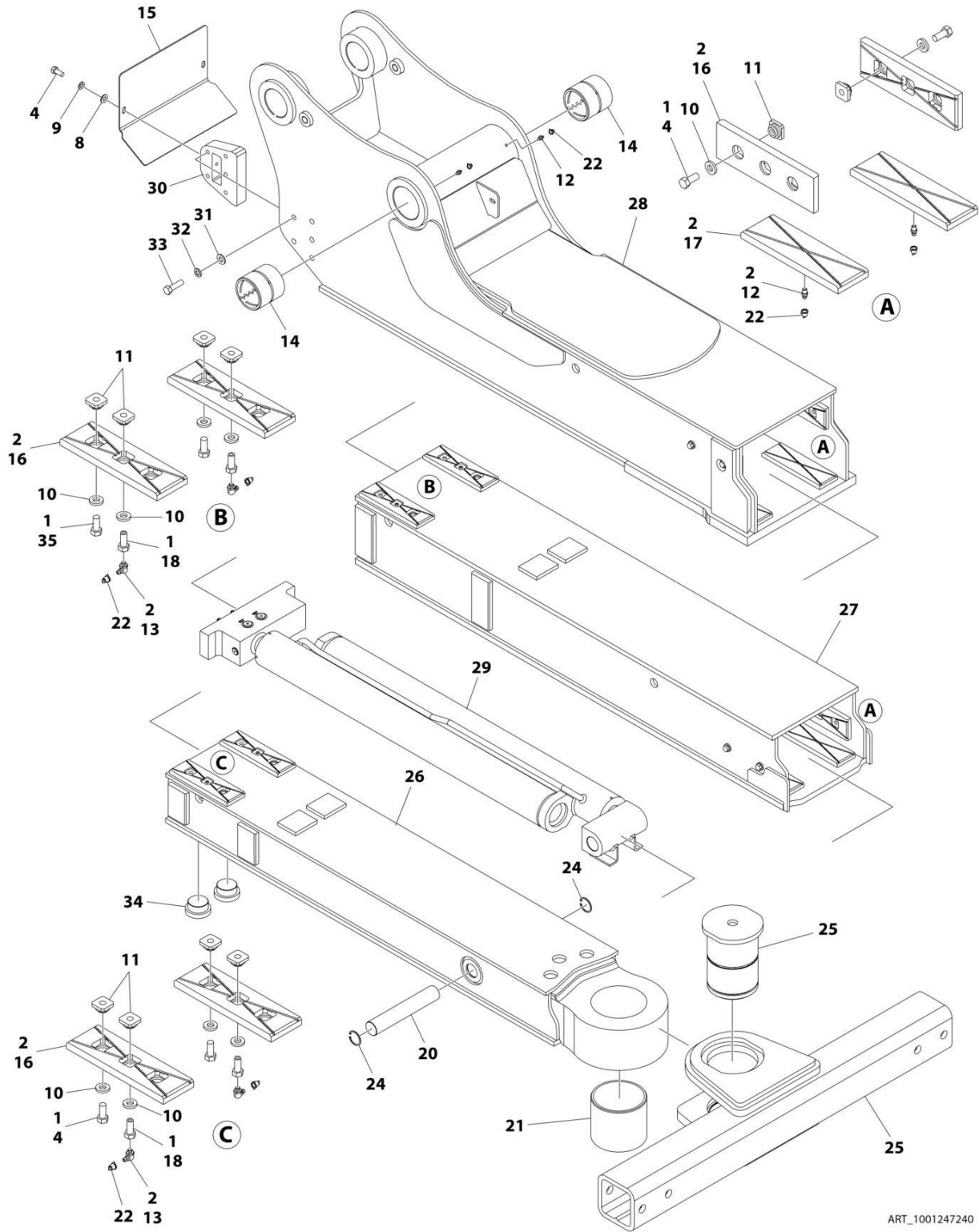
**SECTION 3 - UNDERLIFT**

**FIGURE 3-1. UNDERLIFT INSTALLATION**

<b>ITEM</b>	<b>PART NUMBER</b>	<b>QTY</b>	<b>DESCRIPTION</b>	<b>REV</b>
	1001247789	Ref	UNDERLIFT INSTALLATION	B
1	0100011	AR	Compound Locking	
2	0642216	3	Capscrew 3/4 x 2	
3	3841287	3	Keeper, Rod	
4	1001247240	1	Underlift Assembly (See Separate Breakdown in this Section)	
5	1001247268	2	Pin	
6	1001247287	1	Pin	
7	1001247790	1	Cylinder Assembly - Tilt (Underlift) (See Separate Breakdown in this Section)	

# SECTION 3 - UNDERLIFT

## FIGURE 3-2. UNDERLIFT ASSEMBLY



ART\_1001247240

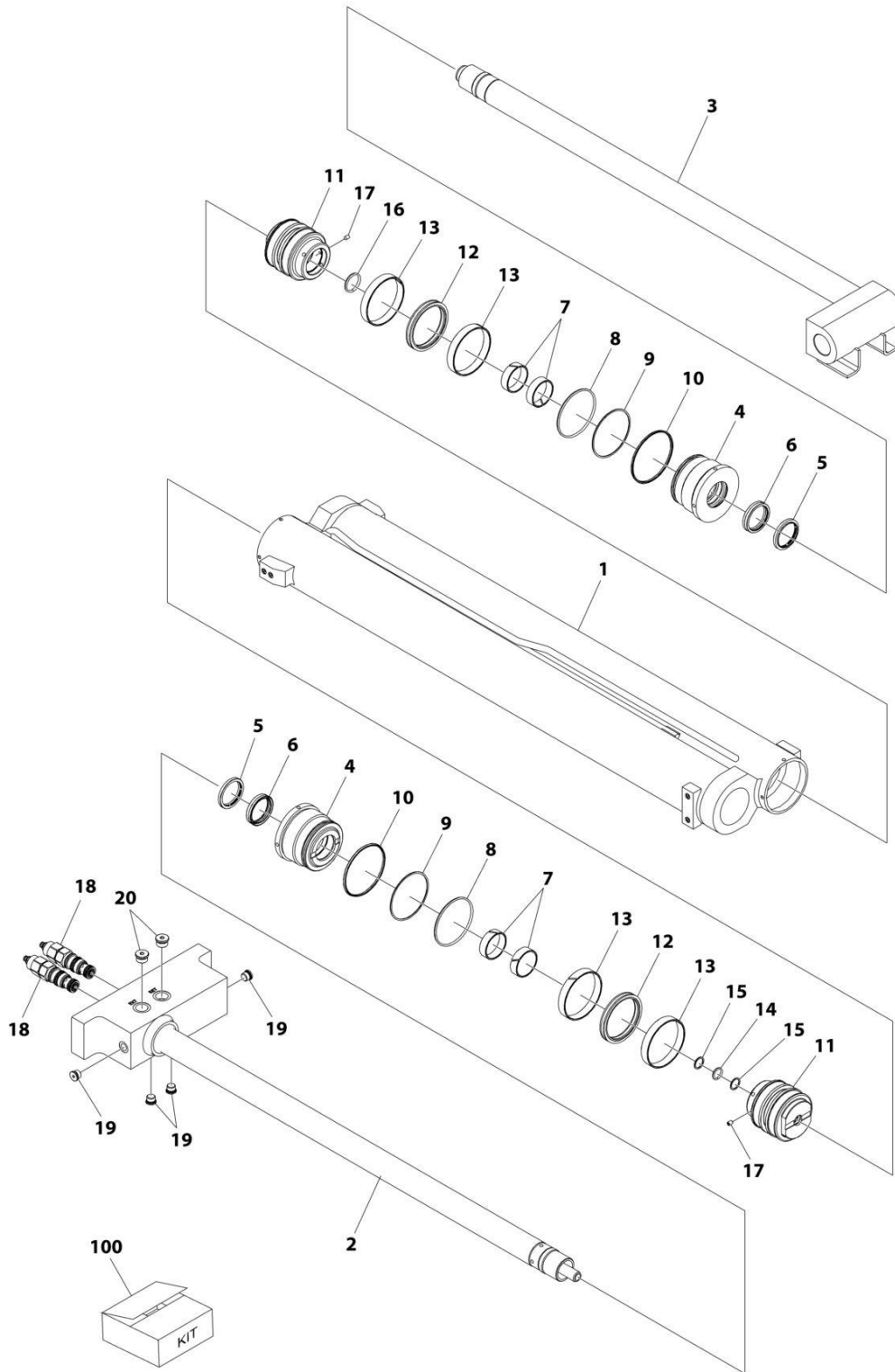
## SECTION 3 - UNDERLIFT

### FIGURE 3-2. UNDERLIFT ASSEMBLY

ITEM	PART NUMBER	QTY	DESCRIPTION	REV
	1001247240	Ref	UNDERLIFT ASSEMBLY	H
1	0100011	AR	Compound Locking	
2	1001116761	AR	Lubricant	
4	0641607	12	Bolt 3/8 x 7/8	
8	4711600	2	Washer 3/8	
9	4761600	2	Washer 3/8	
10	4891600	16	Washer 3/8	
11	1001257687	16	Pad	
12	88671008	6	Grease Fitting	
13	88671027	4	Grease Fitting	
14	1001246818	2	Bearing	
15	1001257882	1	Panel, UL Cover	
16	1001246889	8	Pad, Wear	
17	1001246893	4	Pad, Wear	
18	1001246903	4	Bolt 5-3/8 x 7/8	
20	4691000318	1	Pin	
21	7209000022	1	Bushing	
22	7253000002	10	Grease Cap	
24	7754000043	2	Ring	
25	2503880012	1	Crosstube Installation (See Separate Breakdown in this Section)	
26	1001246872	1	Fly, Underlift Boom	
27	1001245690	1	Mid, Underlift Boom	
28	1001245824	1	Base, Underlift Boom	
29	1001263851	1	Cylinder Assembly - Extend/Retract (Underlift) (See Separate Breakdown in this Section)	
30	1001266446	2	Mount, UL Base	
31	4711800	10	Washer 1/2	
32	4761800	10	Washer 1/2	
33	0641814	10	Bolt 1/2 x 1-3/4	
34	1001263992	2	Pad, Underlift Fly	
35	0641608	2	Bolt 3/8 x 1	

# SECTION 3 - UNDERLIFT

## FIGURE 3-3. BOOM UNDERLIFT CYLINDER ASSEMBLY



ART\_1001263851

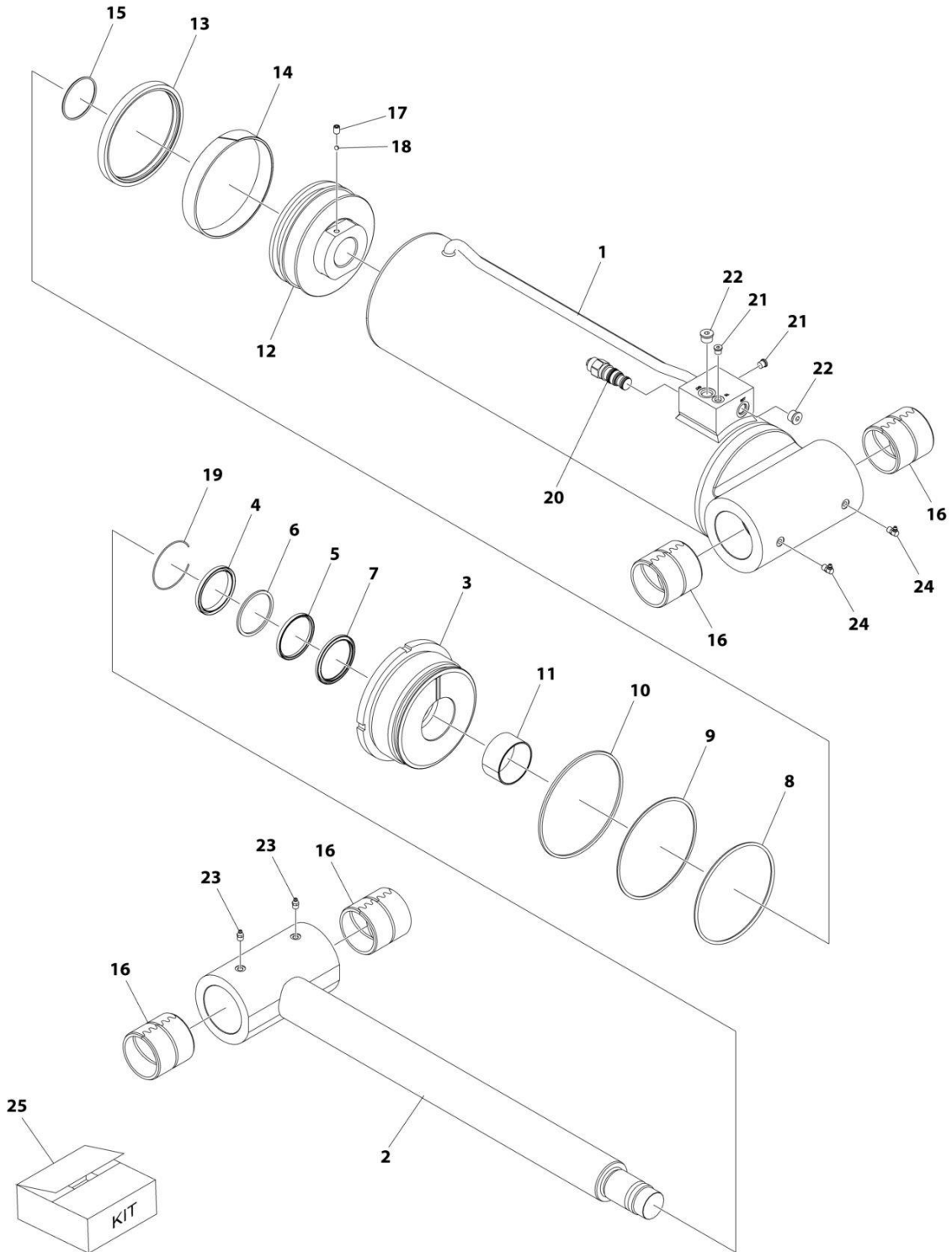
## SECTION 3 - UNDERLIFT

### FIGURE 3-3. BOOM UNDERLIFT CYLINDER ASSEMBLY

ITEM	PART NUMBER	QTY	DESCRIPTION	REV
	1001263851	Ref	CYLINDER ASSEMBLY - EXTEND/RETRACT (UNDERLIFT)	C
1	See Note	NSS	Tube Assembly Barrel (Note: Use PN 1001263851)	
2	70052753	1	Rod, 1st	
3	70052754	1	Rod, 2nd	
4	70052755	2	Head	
5	See Note	2	Wiper (Note: Use Item 100)	
6	See Note	2	Seal, Rod (Note: Use Item 100)	
7	See Note	4	Ring, Wear (Note: Use Item 100)	
8	See Note	2	O-Ring (Note: Use Item 100)	
9	See Note	2	Ring, Back-Up (Note: Use Item 100)	
10	See Note	2	O-Ring (Note: Use Item 100)	
11	70052756	2	Piston	
12	See Note	2	Seal, Piston (Note: Use Item 100)	
13	See Note	4	Ring, Wear (Note: Use Item 100)	
14	See Note	1	O-Ring (Note: Use Item 100)	
15	See Note	2	Ring, Back-Up (Note: Use Item 100)	
16	See Note	1	O-Ring (Note: Use Item 100)	
17	70005847	2	Set Screw	
18	70052584	2	Valve, Counterbalance	
18	7011371	2	Seal Kit - 70052584 Valve	
19	2220883	4	Plug	
20	2220886	2	Plug	
100	70052757	1	Seal Kit - 1001263851 Cylinder (Includes Items 5-10 & 12-16)	

# SECTION 3 - UNDERLIFT

## FIGURE 3-4. UNDERLIFT TILT CYLINDER ASSEMBLY



ART\_1001247790

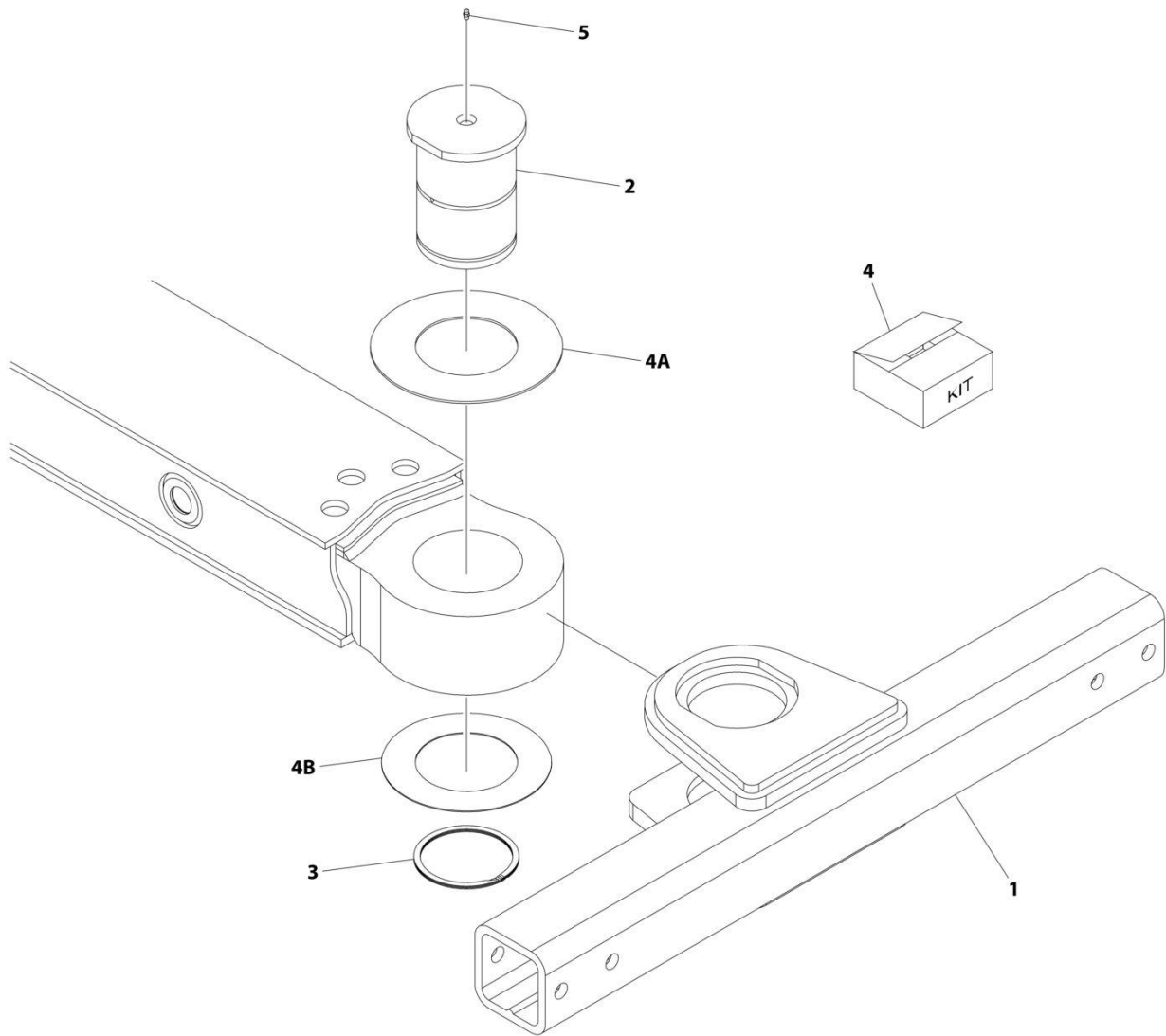
## SECTION 3 - UNDERLIFT

**FIGURE 3-4. UNDERLIFT TILT CYLINDER ASSEMBLY**

ITEM	PART NUMBER	QTY	DESCRIPTION	REV
	1001247790	Ref	UNDERLIFT TILT CYLINDER ASSEMBLY	D
		Ref	Note: Original Cylinder May Have Been Replaced with Service Replacement. Identify PN Stamped on Cylinder Before Ordering Parts.	
1	See Note	NSS	Barrels Assembly (Note: Use PN 1001247790)	
2	70052520	1	Rod Assembly	
3	70052521	1	Gland	
4	See Note	NSS	Dust Wiper (Note: Use Item 25)	
5	See Note	NSS	Rod Seal (Note: Use Item 25)	
6	See Note	NSS	Back-up Ring (Note: Use Item 25)	
7	See Note	NSS	Buffer Ring (Note: Use Item 25)	
8	See Note	NSS	O-Ring (Note: Use Item 25)	
9	See Note	NSS	Back-up Ring (Note: Use Item 25)	
10	See Note	NSS	O-Ring (Note: Use Item 25)	
11	70052522	1	Dry Bearing	
12	70052523	1	Piston	
13	See Note	NSS	Piston Seal (Note: Use Item 25)	
14	See Note	NSS	Wear Ring (Note: Use Item 25)	
15	See Note	NSS	O-Ring (Note: Use Item 25)	
16	70052524	4	Pin Bush	
17	70052525	1	Set Screw	
18	70026286	1	Steel Ball	
19	70023379	1	Retaining Ring	
20	70052528	1	Counterbalance Valve	
21	2220883	1	Plug	
22	2220886	1	Plug	
23	70022566	1	Grease Fitting	
24	70052526	1	Grease Fitting	
25	70052527	1	Seal Kit (Includes Items 4-10 & 13-15)	

# SECTION 3 - UNDERLIFT

## FIGURE 3-5. CROSSTUBE INSTALLATION



ART\_2503880012



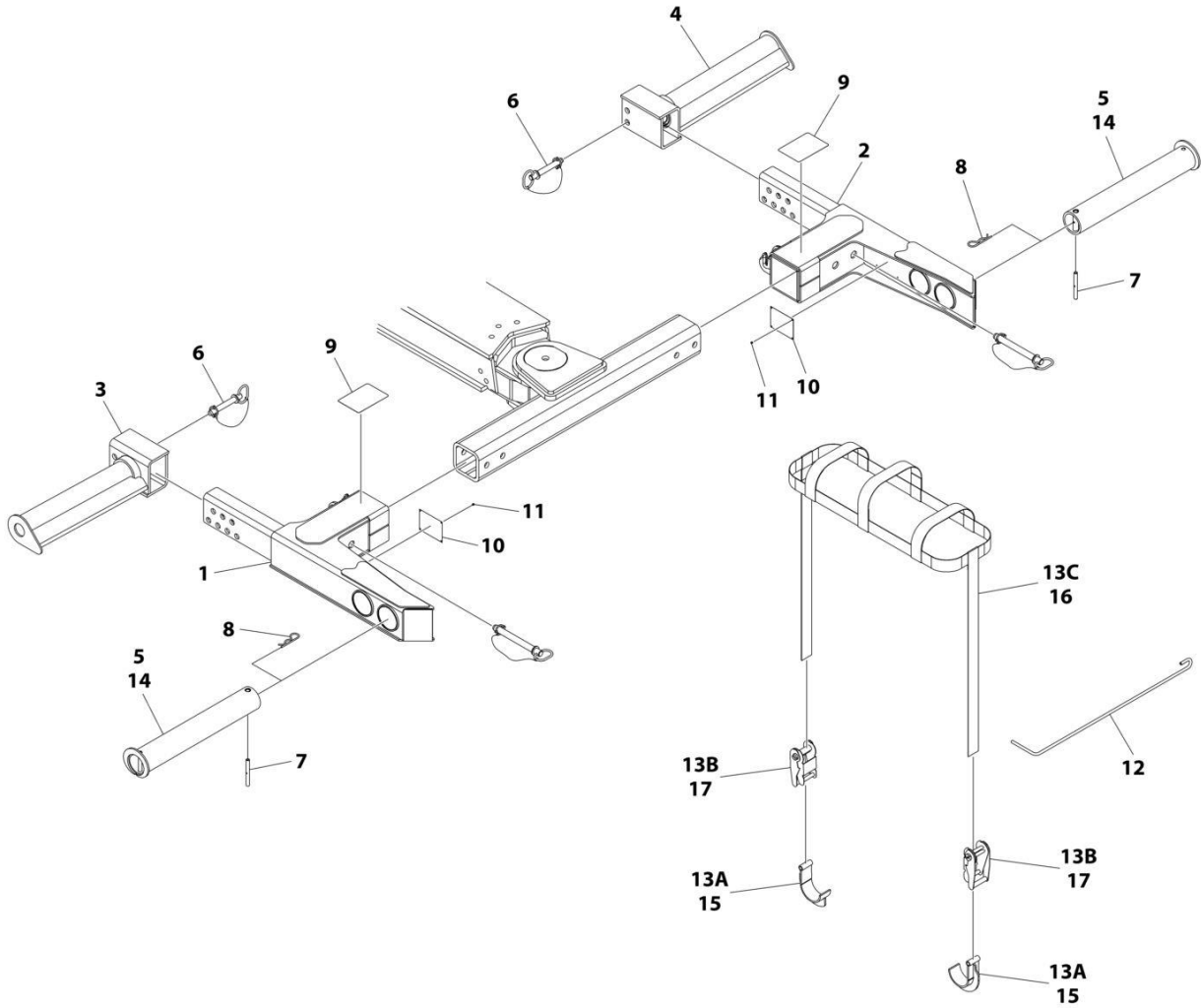
**SECTION 3 - UNDERLIFT**

**FIGURE 3-5. CROSSTUBE INSTALLATION**

<b>ITEM</b>	<b>PART NUMBER</b>	<b>QTY</b>	<b>DESCRIPTION</b>	<b>REV</b>
	2503880012	Ref	CROSSTUBE INSTALLATION	A
1	3913000094	1	Crosstube Weldment	
2	4691000242	1	Pin	
3	7754000042	1	Ring, Retaining	
4	3577000018	1	Shim Kit	
4A	4949000041	1	Washer 1/8	
4B	4949000042	1	Washer 1/16	
5	7440030000	1	Grease Fitting	

# SECTION 3 - UNDERLIFT

## FIGURE 3-6. GRID & TOOLS INSTALLATION - UNDERLIFT



ART\_2502880300

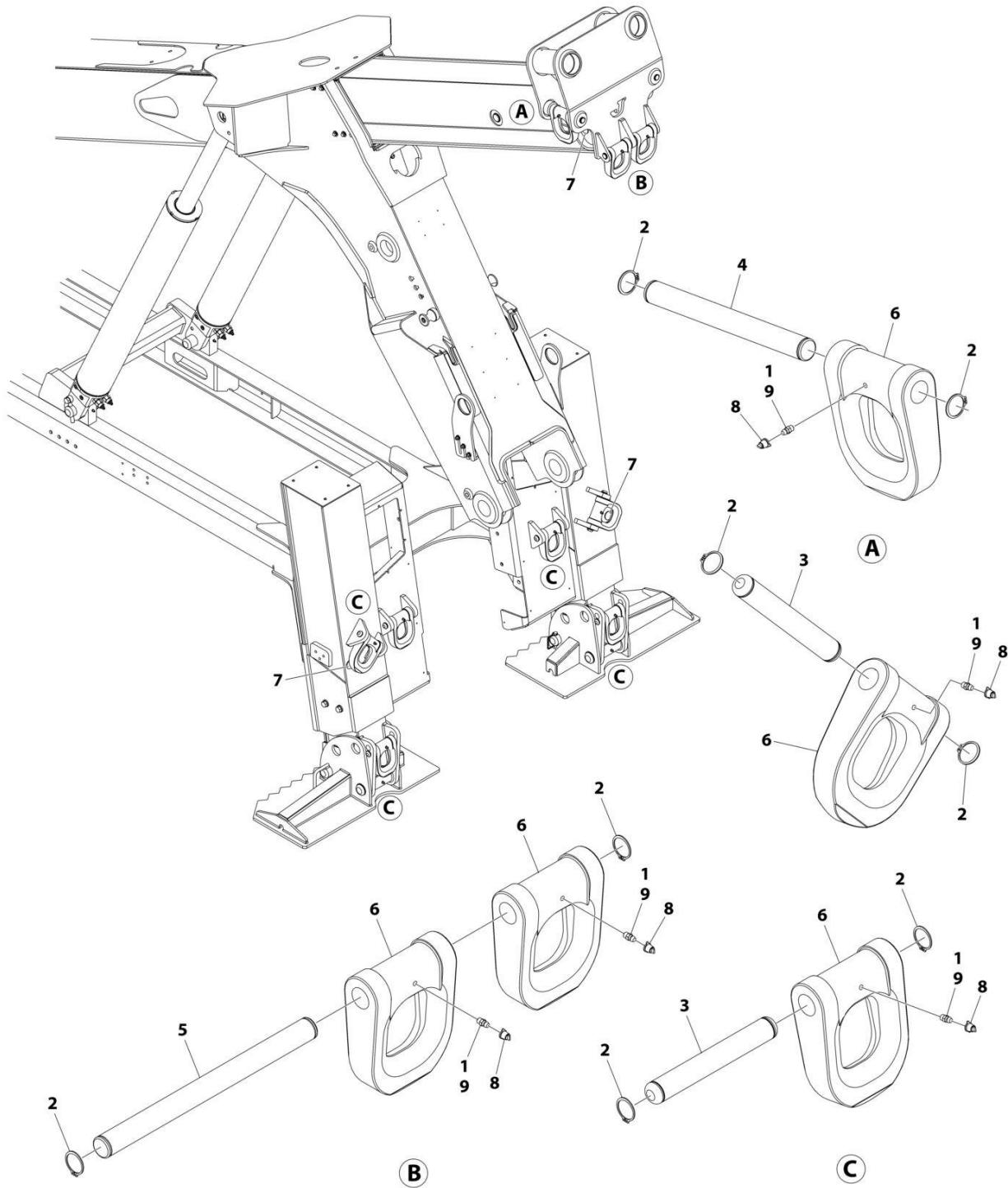
## SECTION 3 - UNDERLIFT

**FIGURE 3-6. GRID & TOOLS INSTALLATION - UNDERLIFT**

ITEM	PART NUMBER	QTY	DESCRIPTION	REV
	2502880300	Ref	Underlift Tools - 25,000 lbs Tire Lift	D
1	3484000072	1	Tire Lift Grid - LH	
2	3484000073	1	Tire Lift Grid - RH	
3	3020000119	1	Tire Lift Arm Weldment - LH	
4	3020000120	1	Tire Lift Arm Weldment - RH	
5	3912000033	2	Tire Lift Tube Weldment - 27.5" Long	
6	7691000026	2	Hitch Pin	
7	4691000274	4	Pin	
8	7691000020	4	Hairpin	
9	7330000278	2	Decal	
10	1001132265	2	Decal	
11	7759000004	8	Rivet	
12	4561000012	1	Hook, Pull	
13	7577000368	1	Strap Kit	
13A	3561000015	4	Hook, 3" Wide Strap	
13B	7894000060	2	Ratchet, 3" Wide Strap	
13C	7894000057	1	Strap, 3" Wide	
14	3912000038	2	Tire Lift Tube Weldment - 23" Long	
15	3561000008	4	Hook, 2" Wide Strap	
16	7894000037	2	Strap, 2" Wide	
17	7894000028	4	Ratchet, 2" Wide Strap	
18	7894000041	2	Tie-Strap (Not Shown)	

# SECTION 3 - UNDERLIFT

## FIGURE 3-7. D-RINGS INSTALLATION



ART\_1001255323

**SECTION 3 - UNDERLIFT**

**FIGURE 3-7. D-RINGS INSTALLATION**

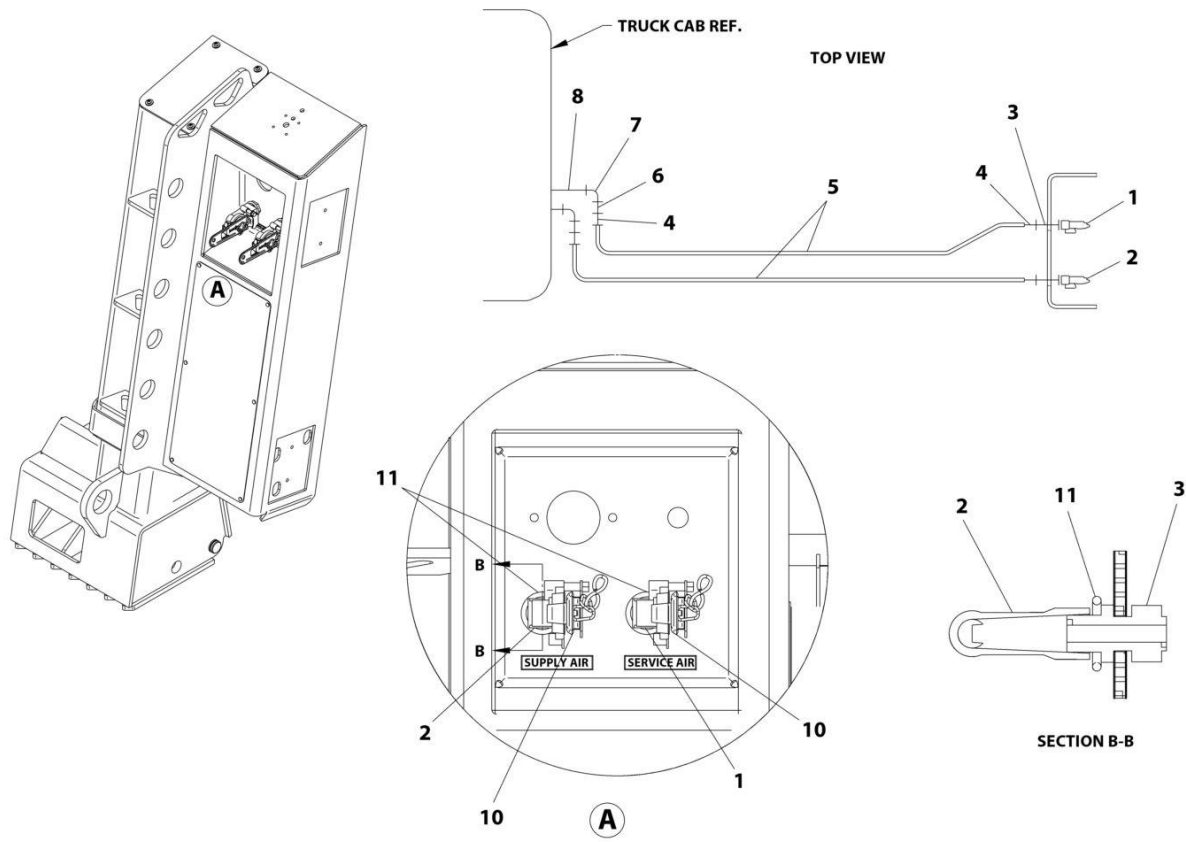
<b>ITEM</b>	<b>PART NUMBER</b>	<b>QTY</b>	<b>DESCRIPTION</b>	<b>REV</b>
	1001255323	Ref	D-Rings Installation	B
1	1001152707	AR	Lubricant	
2	3760115	18	Retaining Ring	
3	1001250393	6	O-Ring	
4	1001250399	2	Pin	
5	1001250400	1	Pin	
6	4754000006	10	D-Ring	
7	1001258243	8	Decal	
8	7253000002	10	Cap	
9	7440030000	10	Fitting	



**SECTION 4 - BODY**

# SECTION 4 - BODY

## FIGURE 4-1. AIR, EMERGENCY AND SERVICE GLAD HANDS



ART\_2503630028



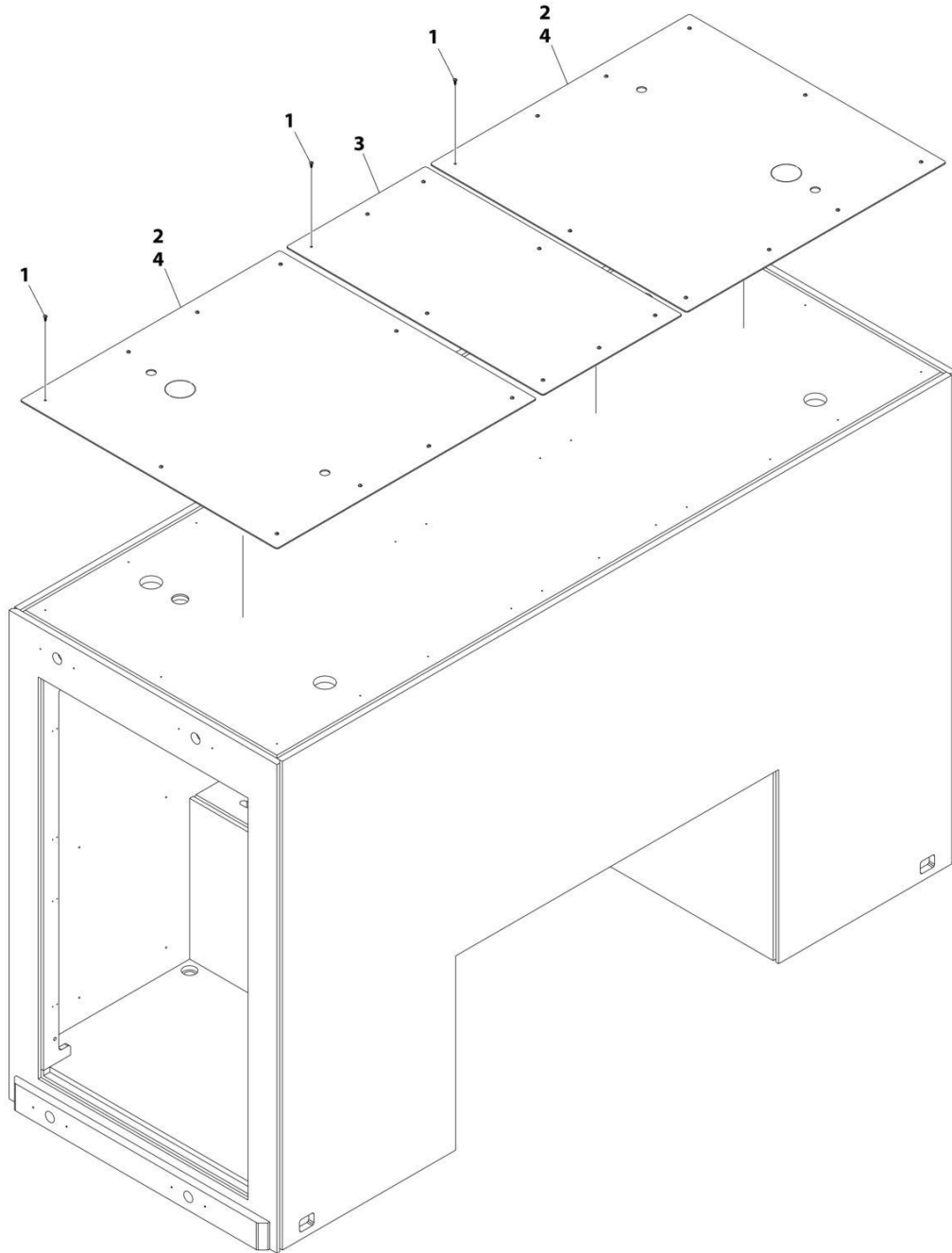
## SECTION 4 - BODY

**FIGURE 4-1. AIR, EMERGENCY AND SERVICE GLAD HANDS**

ITEM	PART NUMBER	QTY	DESCRIPTION	REV
	2503630028	Ref	Air, Emergency and Service Glad Hands	F
1	7312000015	1	Gladhand	
2	7312000016	1	Gladhand	
3	7446502518	2	Fitting	
4	7446060435	4	Fitting	
5	7565000014	50 ft	Airline Tubing	
6	7443000148	2	Bushing	
7	7443000146	2	Elbow	
8	7443000145	2	Bushing	
10	1001170036	2	Shield	
11	1001171933	2	Ring	
12	7445040449	1	Nipple (Not Shown)	

# SECTION 4 - BODY

## FIGURE 4-2. BATTERY COVER INSTALLATION (38IN)



ART\_1001278488

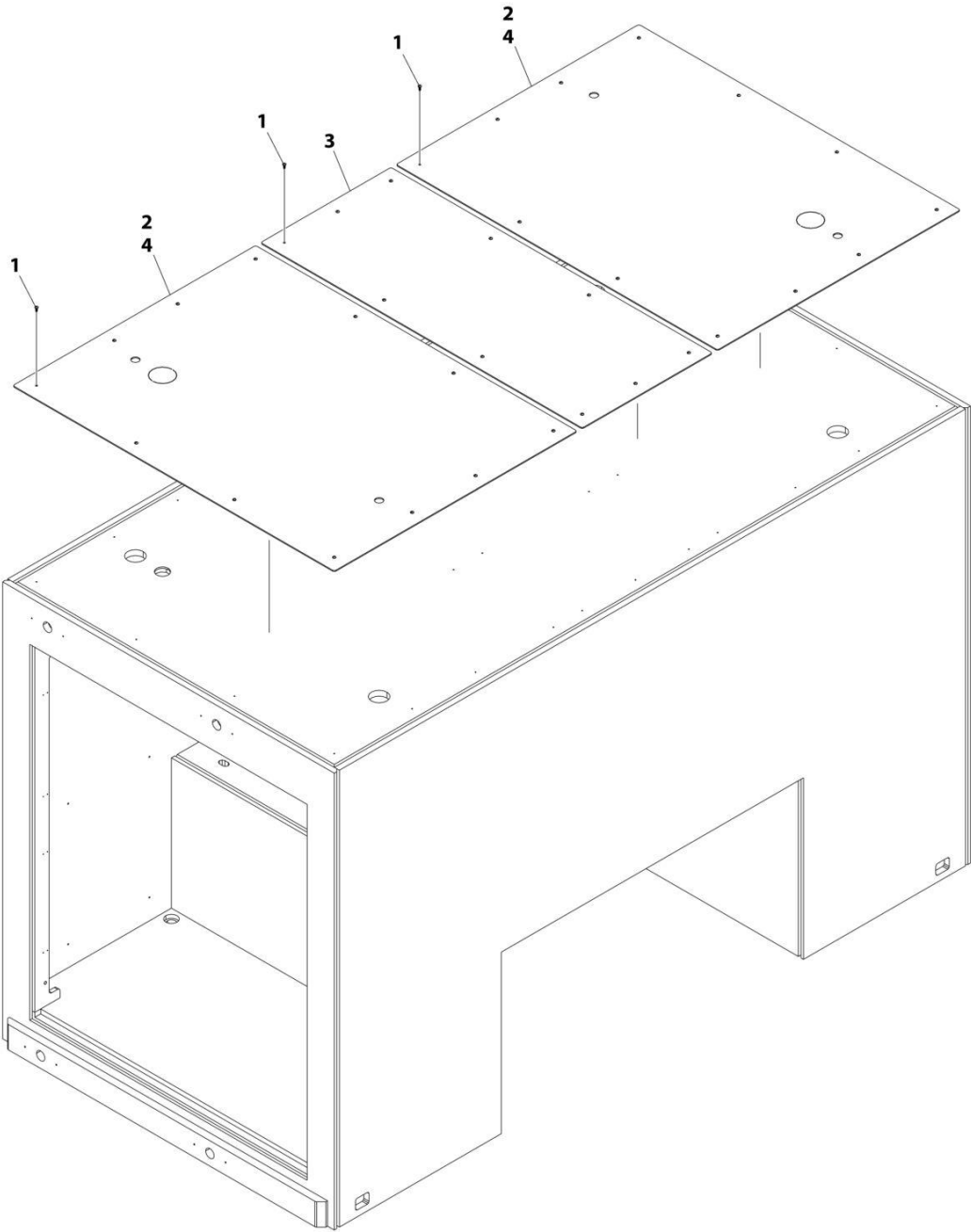
## SECTION 4 - BODY

### FIGURE 4-2. BATTERY COVER INSTALLATION (38IN)

ITEM	PART NUMBER	QTY	DESCRIPTION	REV
	1001278488	Ref	BATTERY COVER INSTALLATION (38IN)	A
1	1001192958	28	Screw #10 x 1/2	
2	1001278517	2	Plate	
3	1001278518	1	Plate	
4	8798820001	AR	Sealant	

**SECTION 4 - BODY**

**FIGURE 4-3. BATTERY COVER INSTALLATION (50IN)**



ART\_1001278487

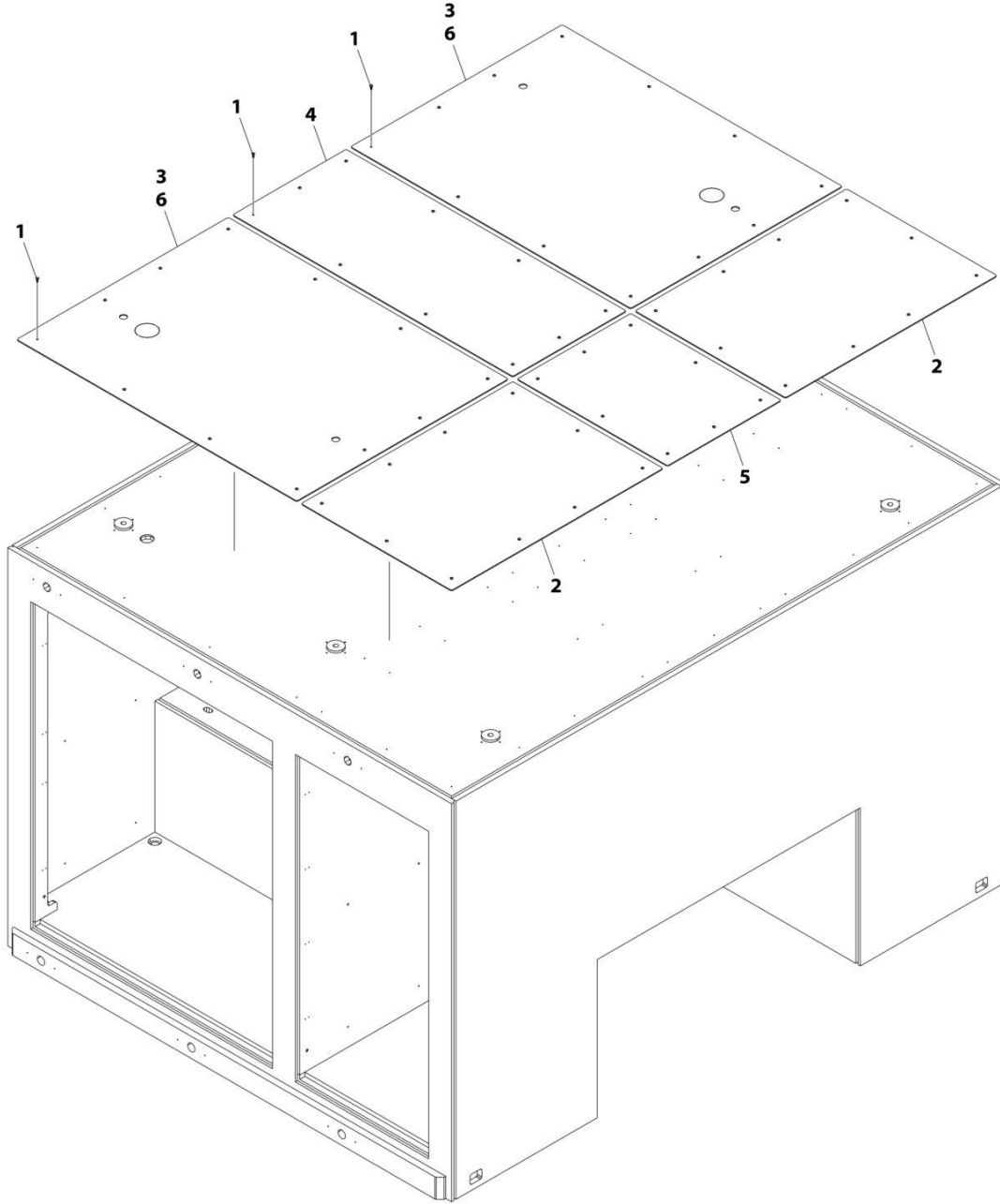
## SECTION 4 - BODY

### FIGURE 4-3. BATTERY COVER INSTALLATION (50IN)

ITEM	PART NUMBER	QTY	DESCRIPTION	REV
	1001278487	Ref	BATTERY COVER INSTALLATION (50IN)	A
1	1001192958	34	Screw #10 x 1/2	
2	1001274386	2	Plate	
3	1001274387	1	Plate	
4	8798820001	AR	Sealant	

# SECTION 4 - BODY

## FIGURE 4-4. BATTERY COVER INSTALLATION (76IN)



ART\_1001270606

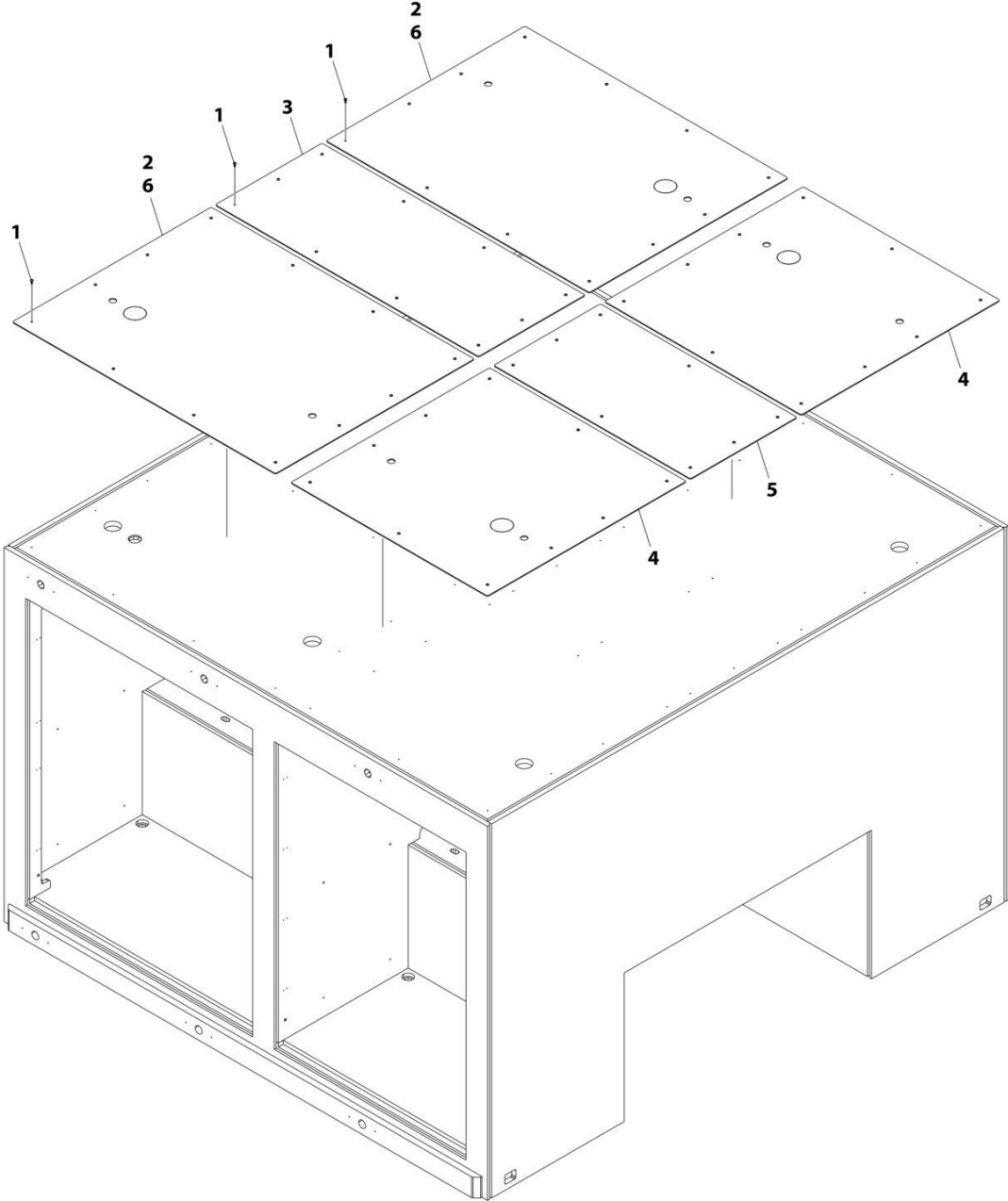
## SECTION 4 - BODY

### FIGURE 4-4. BATTERY COVER INSTALLATION (76IN)

ITEM	PART NUMBER	QTY	DESCRIPTION	REV
	1001270606	Ref	BATTERY COVER INSTALLATION (76IN)	A
1	1001192958	62	Screw #10 x 1/2	
2	1001270607	2	Plate	
3	1001274386	2	Plate	
4	1001274387	1	Plate	
5	1001274388	1	Plate	
6	8798820001	AR	Sealant	

**SECTION 4 - BODY**

**FIGURE 4-5. BATTERY COVER INSTALLATION (88IN)**



ART\_1001278246



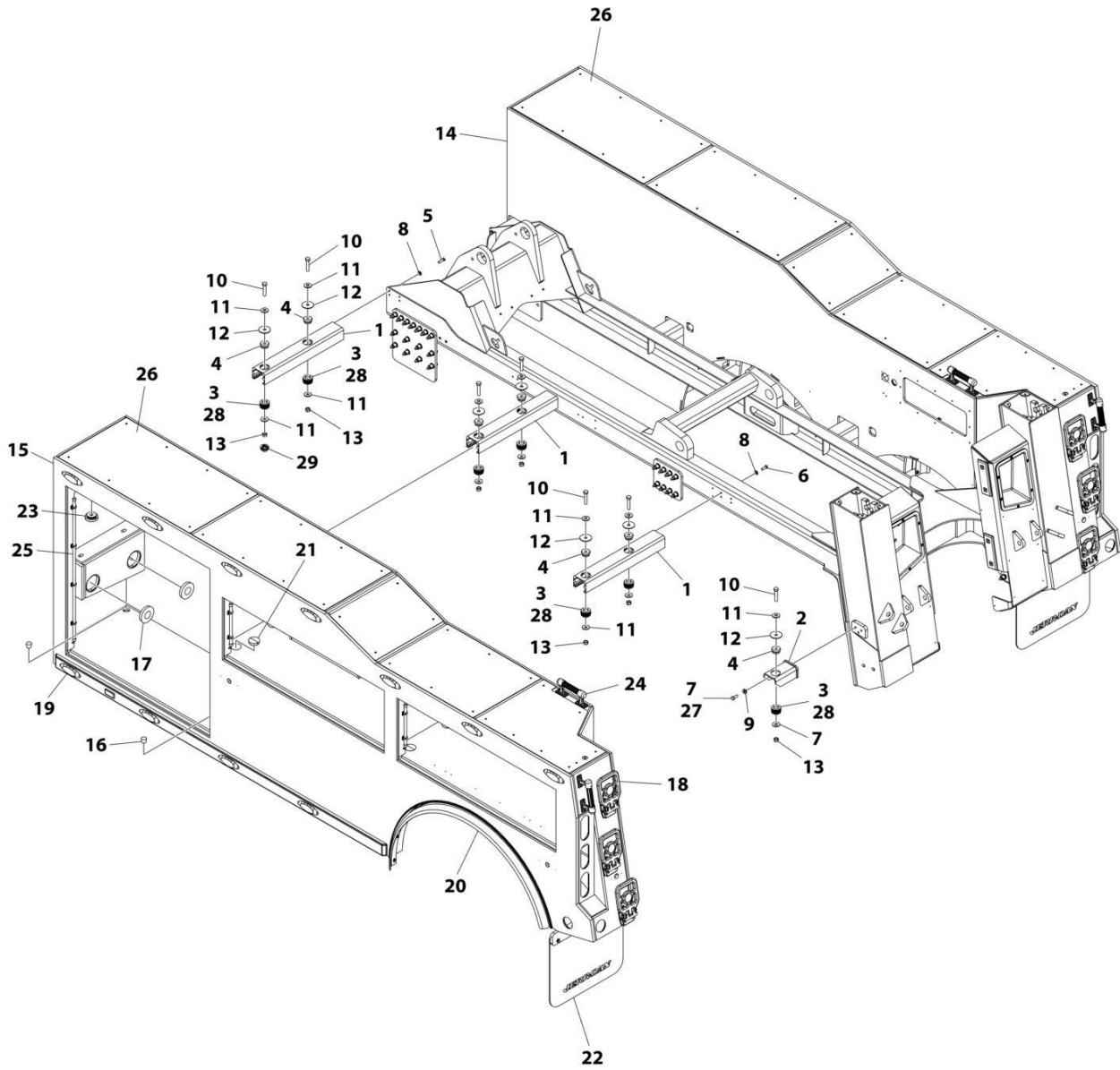
## SECTION 4 - BODY

### FIGURE 4-5. BATTERY COVER INSTALLATION (88IN)

ITEM	PART NUMBER	QTY	DESCRIPTION	REV
	1001278246	Ref	BATTERY COVER INSTALLATION (88IN)	A
1	1001192958	62	Screw #10 x 1/2	
2	1001274386	2	Plate	
3	1001274387	1	Plate	
4	1001278517	2	Plate	
5	1001278518	1	Plate	
6	8798820001	AR	Sealant	

# SECTION 4 - BODY

## FIGURE 4-6. BODY INSTALLATION - SINGLE AXLE



ART\_1001282598

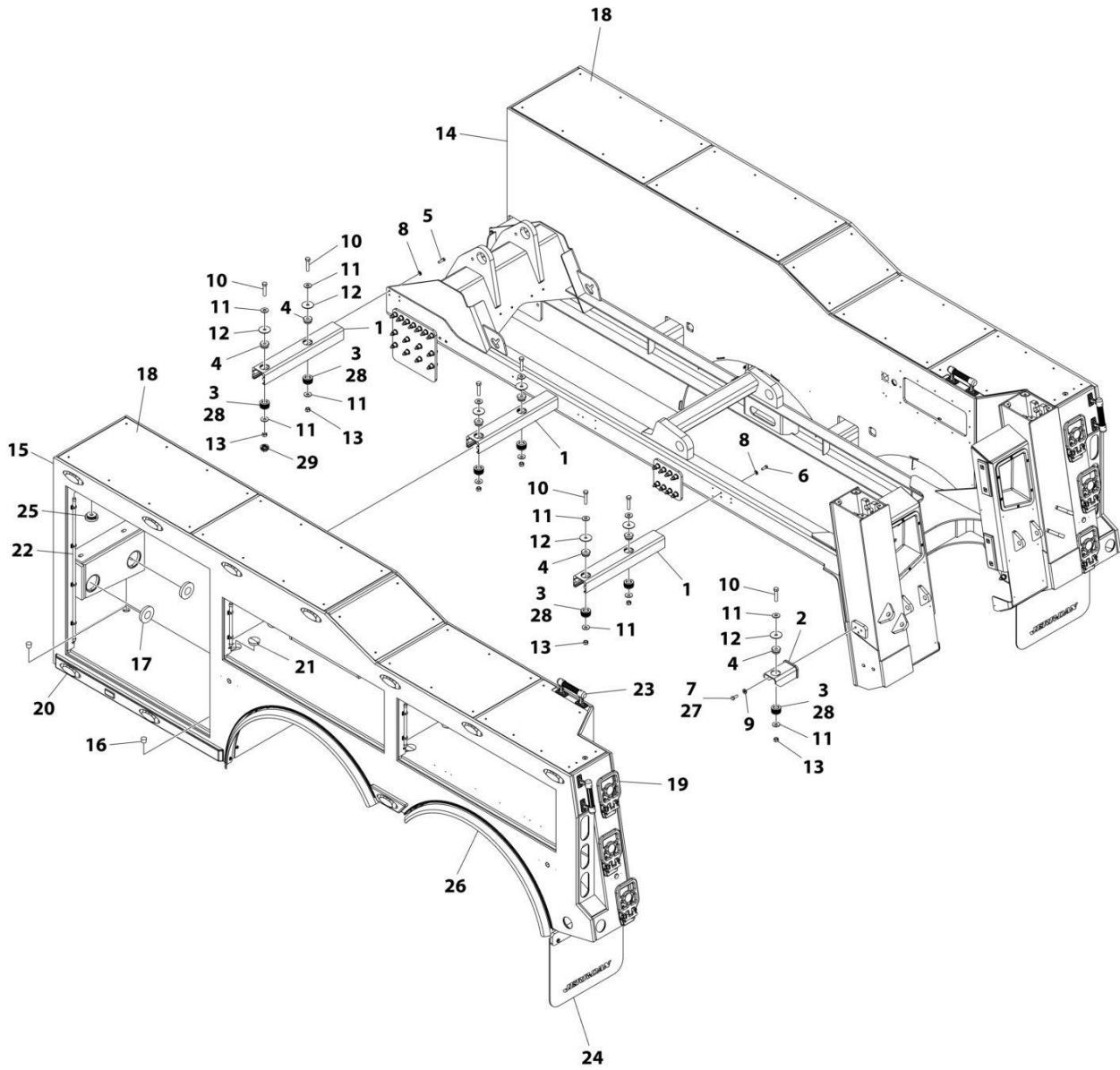
## SECTION 4 - BODY

**FIGURE 4-6. BODY INSTALLATION - SINGLE AXLE**

ITEM	PART NUMBER	QTY	DESCRIPTION	REV
	1001282598	Ref	BODY INSTALLATION - SINGLE AXLE	A
1	1001250864	6	Bracket	
2	1001250876	2	Bracket	
3	1001250863	14	Mount	
4	1001250873	14	Mount	
5	0641712	8	Bolt 7/16 x 1-1/2	
6	0641710	16	Bolt 7/16 x 1-1/4	
7	0641810	6	Bolt 1/2 x 1-1/4	
8	1001250875	24	Washer	
9	4891800	6	Washer 1/2	
10	0642024	14	Bolt 5/8 x 3	
11	4752000	28	Washer 5/8	
12	7949000019	14	Washer	
13	7660200001	14	Nut 5/8	
14	1001282398	1	Box	
15	1001282399	1	Box	
16	1001173847	11	Plug	
17	1120601	6	Plug Cap	
18	1001289265	1	Step Installation (See Separate Breakdown in this Section)	
19	1001289266	1	Marker Lights Installation (See Separate Breakdown in ELECTRICAL Section)	
20	1001289306	1	Fender Flare and Liner Installation (See Separate Breakdown in this Section)	
21	7701000003	8	Plug	
22	1001196790	1	Mud Flap Installation (See Separate Breakdown in this Section)	
23	1001196802	1	Lifting Lugs (See Separate Breakdown in this Section)	
24	1001196639	1	Grab Handle Installation (See Separate Breakdown in this Section)	
25	1001196522	1	Compartment Lights Installation (See Separate Breakdown in ELECTRICAL Section)	
26	1001289244	1	Diamond Plate Installation (See Separate Breakdown in this Section)	
27	0100011	AR	Compound, Locking	
28	3020039	AR	Lubricant	
29	1001254393	1	Nut	

# SECTION 4 - BODY

## FIGURE 4-7. BODY INSTALLATION - TANDEM AXLE



ART\_1001282599

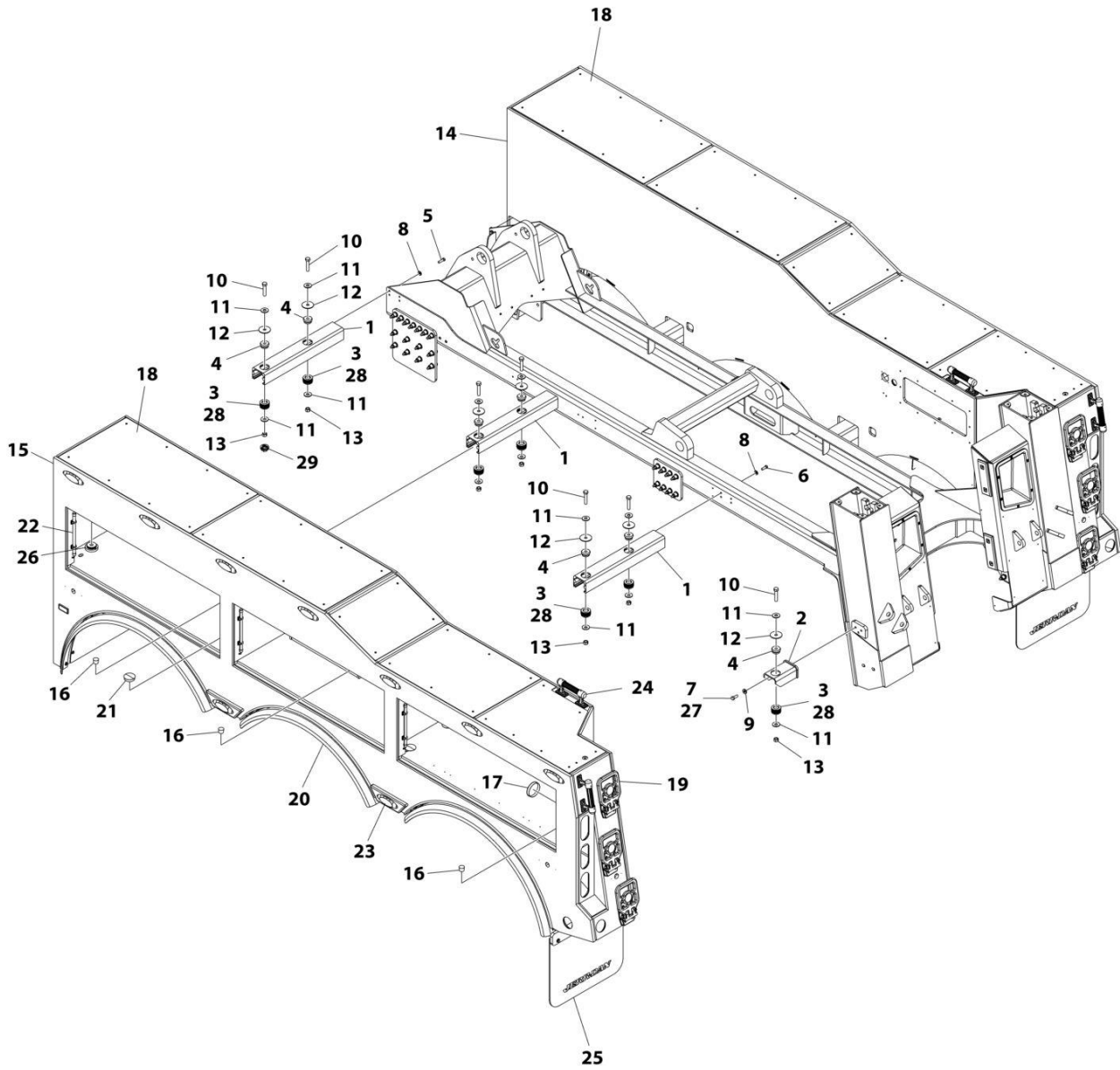
## SECTION 4 - BODY

### FIGURE 4-7. BODY INSTALLATION - TANDEM AXLE

ITEM	PART NUMBER	QTY	DESCRIPTION	REV
	1001282599	Ref	BODY INSTALLATION - TANDEM AXLE	A
1	1001250864	6	Bracket	
2	1001250876	2	Bracket	
3	1001250863	14	Mount	
4	1001250873	14	Mount	
5	0641712	8	Bolt 7/16 x 1-1/2	
6	0641710	16	Bolt 7/16 x 1-1/4	
7	0641810	6	Bolt 1/2 x 1-1/4	
8	1001250875	24	Washer	
9	4891800	6	Washer 1/2	
10	0642024	14	Bolt 5/8 x 3	
11	4752000	28	Washer 5/8	
12	7949000019	14	Washer	
13	7660200001	14	Nut 5/8	
14	1001262814	1	Box	
15	1001262815	1	Box	
16	1001173847	11	Plug	
17	1120601	6	Plug Cap	
18	1001289244	1	Diamond Plate Installation (See Separate Breakdown in this Section)	
19	1001289265	1	Step Installation (See Separate Breakdown in this Section)	
20	1001289474	1	Marker Lights Installation (See Separate Breakdown in ELECTRICAL Section)	
21	7701000003	8	Plug	
22	1001196522	1	Compartment Lights Installation (See Separate Breakdown in ELECTRICAL Section)	
23	1001196639	1	Grab Handle Installation (See Separate Breakdown in this Section)	
24	1001196790	1	Mud Flap Installation (See Separate Breakdown in this Section)	
25	1001196802	1	Lifting Lugs (See Separate Breakdown in this Section)	
26	1001289392	1	Fender Flare and Liner Installation (See Separate Breakdown in this Section)	
27	0100011	AR	Compound, Locking	
28	3020039	AR	Lubricant	
29	1001254393	1	Nut	

# SECTION 4 - BODY

## FIGURE 4-8. BODY INSTALLATION - TRI-AXLE



ART\_1001282600

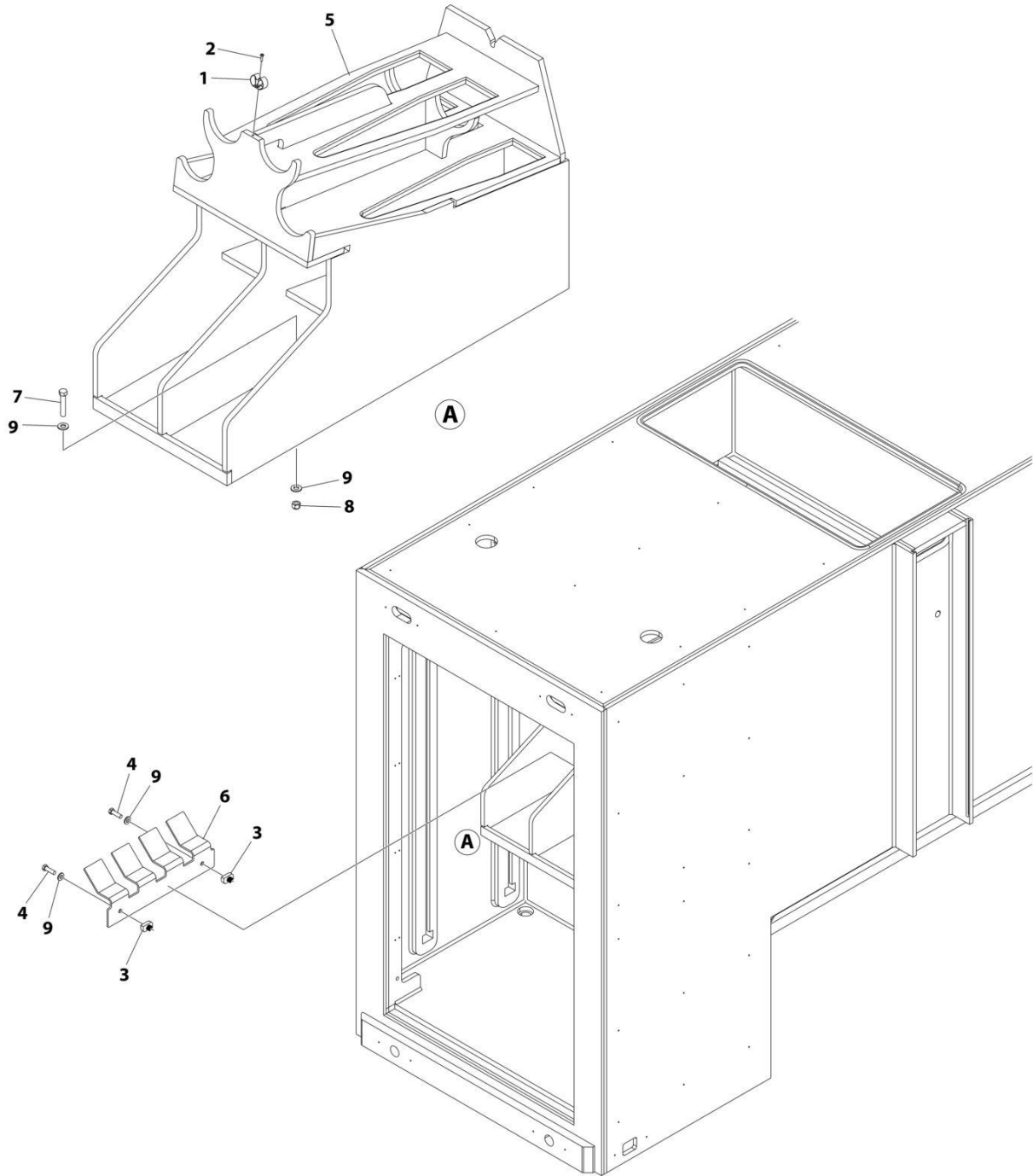
## SECTION 4 - BODY

**FIGURE 4-8. BODY INSTALLATION - TRI-AXLE**

ITEM	PART NUMBER	QTY	DESCRIPTION	REV
	1001282600	Ref	BODY INSTALLATION - TRI-AXLE	B
1	1001250864	6	Bracket	
2	1001250876	2	Bracket	
3	1001250863	14	Mount	
4	1001250873	14	Mount	
5	0641712	8	Bolt 7/16 x 1-1/2	
6	0641710	16	Bolt 7/16 x 1-1/4	
7	0641810	6	Bolt 1/2 x 1-1/4	
8	1001250875	24	Washer	
9	4891800	6	Washer 1/2	
10	0642024	14	Bolt 5/8 x 3	
11	4752000	28	Washer 5/8	
12	7949000019	14	Washer	
13	7660200001	14	Nut 5/8	
14	1001262818	1	Box	
15	1001262819	1	Box	
16	1001173847	9	Plug	
17	1120601	2	Plug Cap	
18	1001289244	1	Diamond Plate Installation (See Separate Breakdown in this Section)	
19	1001289265	1	Step Installation (See Separate Breakdown in this Section)	
20	1001289596	1	Fender Flare and Liner Installation (See Separate Breakdown in this Section)	
21	7701000003	8	Plug	
22	1001196523	1	Compartment Lights Installation (See Separate Breakdown in ELECTRICAL Section)	
23	1001196594	1	Marker Lights Installation (See Separate Breakdown in ELECTRICAL Section)	
24	1001196639	1	Grab Handle Installation (See Separate Breakdown in this Section)	
25	1001196790	1	Mud Flap Installation (See Separate Breakdown in this Section)	
26	1001196802	1	Lifting Lugs (See Separate Breakdown in this Section)	
27	0100011	AR	Compound, Locking	
28	3020039	AR	Lubricant	
29	1001254393	1	Nut	

# SECTION 4 - BODY

## FIGURE 4-9. BUS ARM STORAGE INSTALLATION



ART\_1001265033



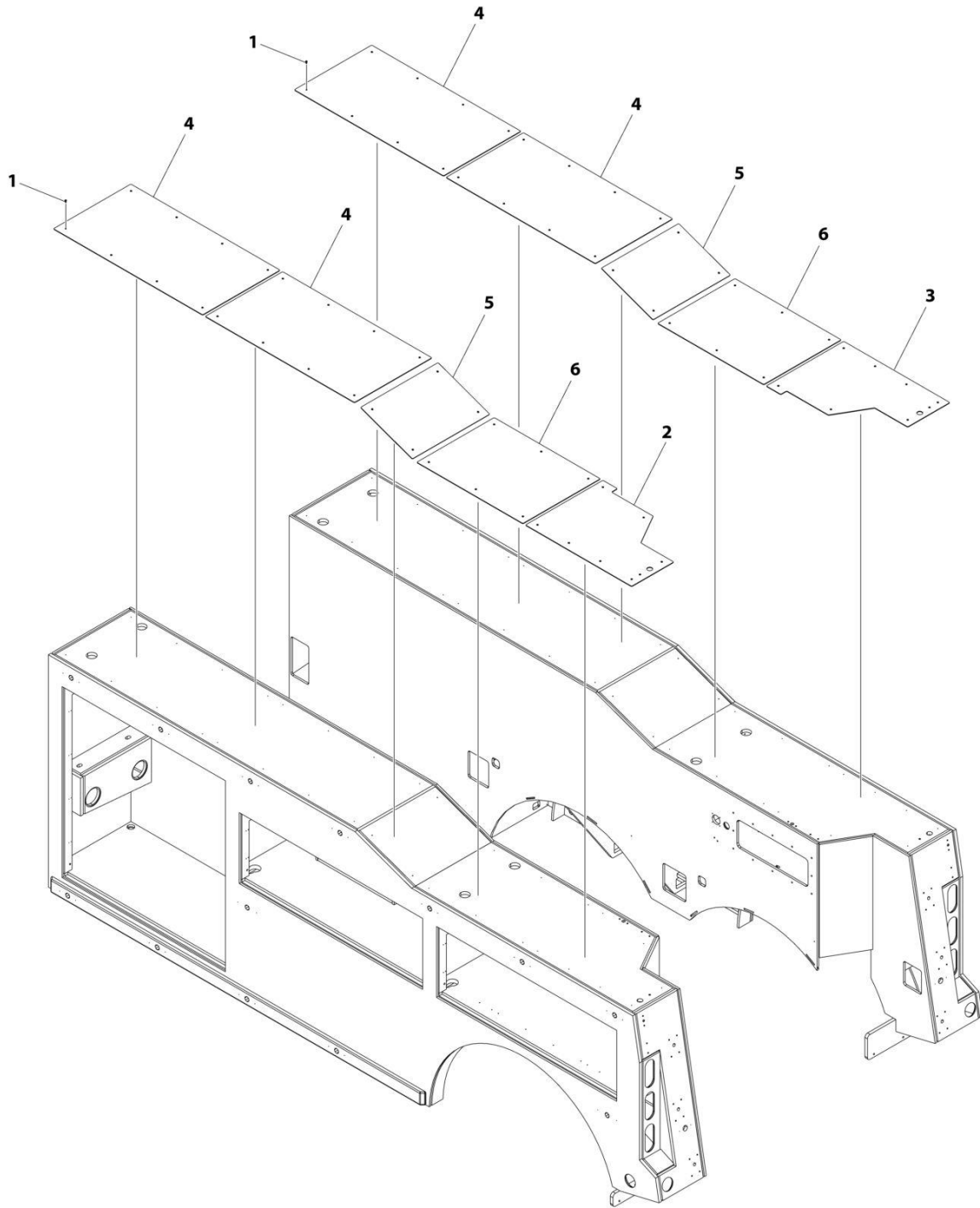
## SECTION 4 - BODY

### FIGURE 4-9. BUS ARM STORAGE INSTALLATION

ITEM	PART NUMBER	QTY	DESCRIPTION	REV
	1001265033	Ref	SIL LITE STORAGE COMPONENTS INSTALLATION - 39IN WITH TOW	A
1	1380135	1	Clip	
2	3900339	1	Screw #6 x 1/2	
3	1001166644	2	Nut 3/8	
4	1001169080	2	Capscrew 3/8 x 1-1/4	
5	1001192287	1	Storage	
6	1001207624	1	Bracket	
7	7115161650	4	Capscrew 3/8 x 2	
8	7660162601	4	Nut 3/8	
9	7950160143	10	Washer 3/8	

# SECTION 4 - BODY

## FIGURE 4-10. DIAMOND PLATE INSTALLATION (TOP OF BODY)



ART\_1001289244

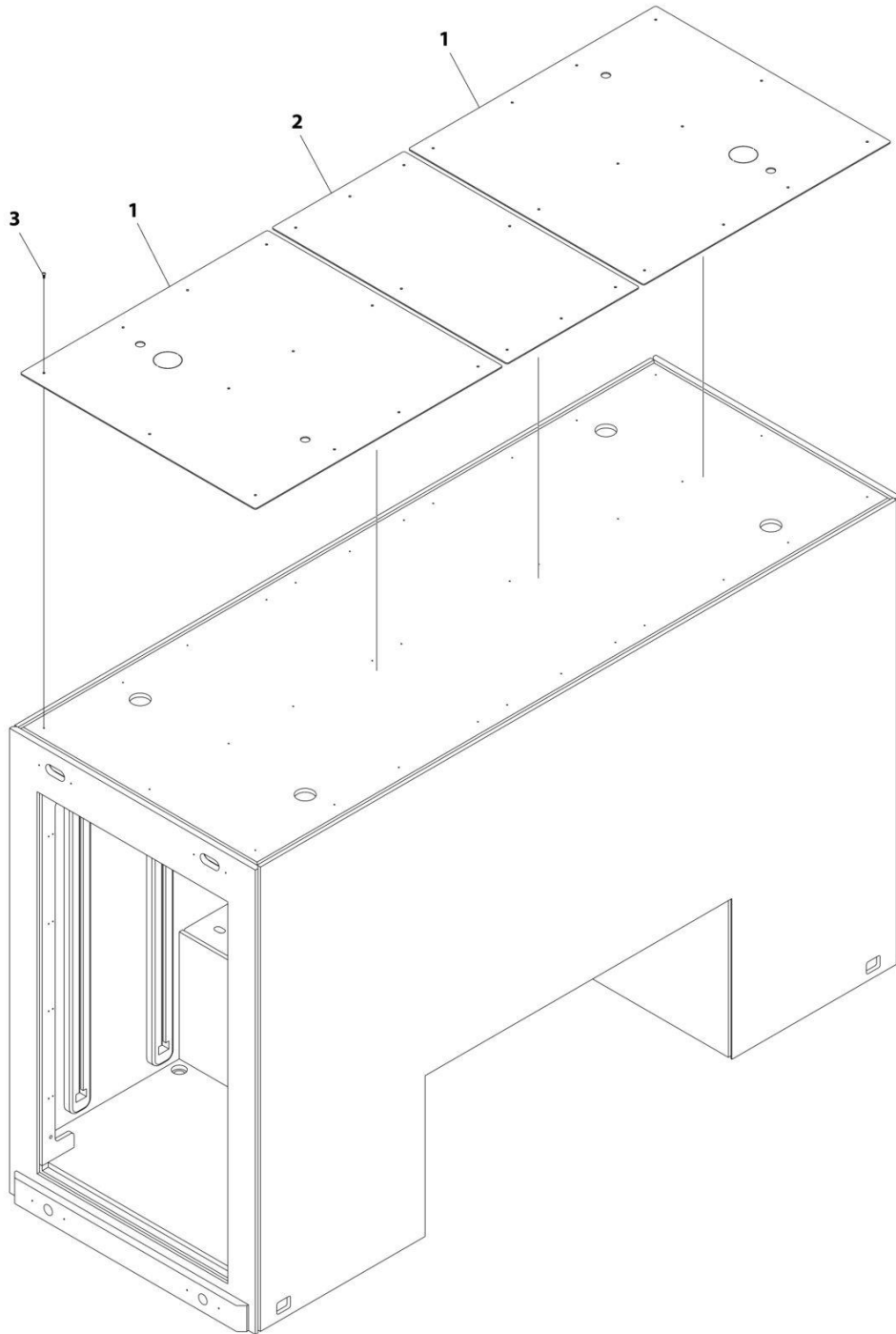
## SECTION 4 - BODY

**FIGURE 4-10. DIAMOND PLATE INSTALLATION (TOP OF BODY)**

ITEM	PART NUMBER	QTY	DESCRIPTION	REV
	1001289244	Ref	DIAMOND PLATE INSTALLATION	A
1	1001192958	66	Screw #10 x 1/2	
2	1001287544	1	Plate	
3	1001287545	1	Plate	
4	1001287547	4	Plate	
5	1001287549	2	Plate	
6	1001287550	2	Plate	
7	8798820001	AR	Sealant (Not Shown)	

# SECTION 4 - BODY

FIGURE 4-11. DIAMOND PLATE INSTALLATION - TUNNEL (36IN & 37IN WITH BATTERY)



ART\_1001255679

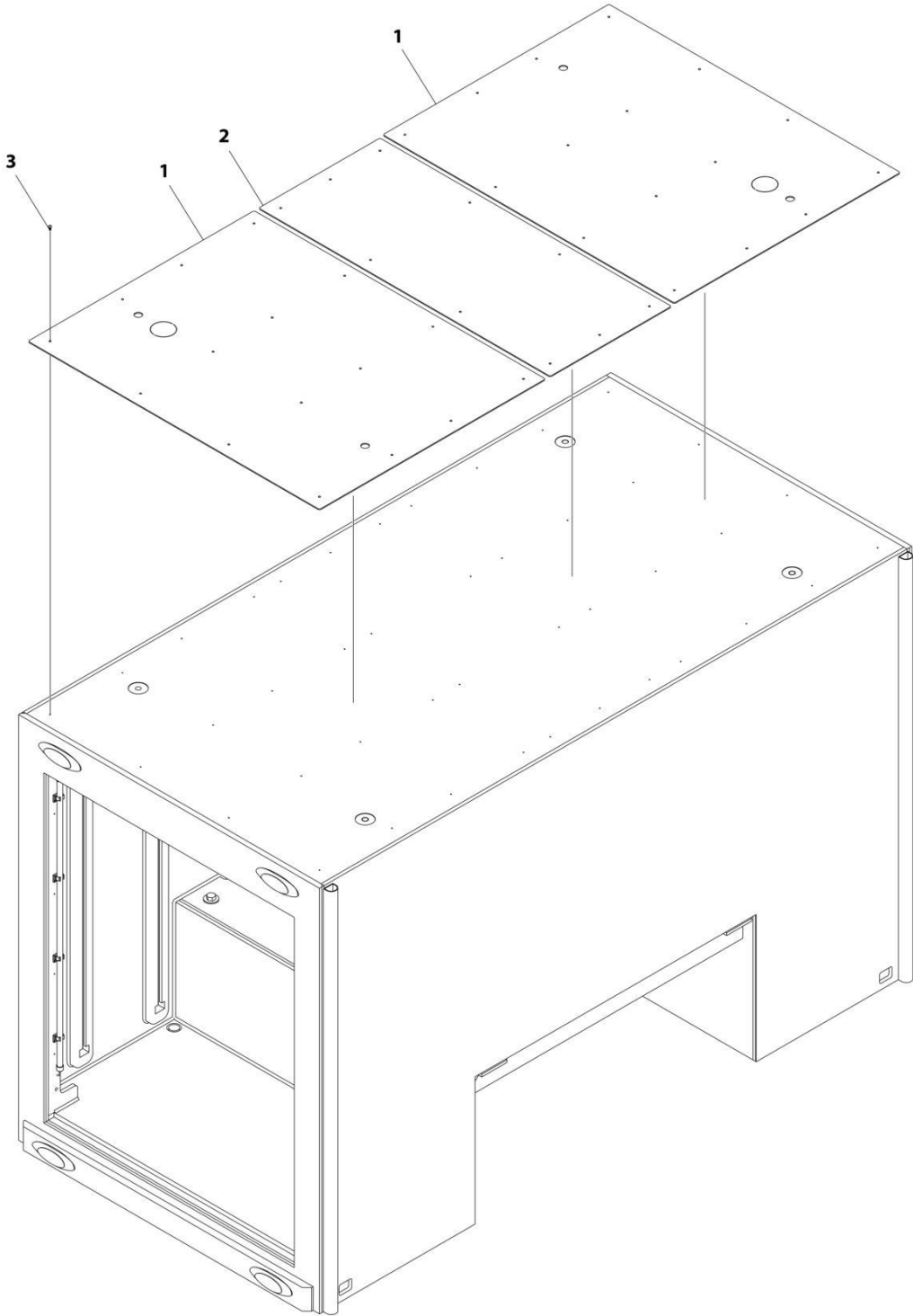
## SECTION 4 - BODY

**FIGURE 4-11. DIAMOND PLATE INSTALLATION - TUNNEL (36IN & 37IN WITH BATTERY)**

ITEM	PART NUMBER	QTY	DESCRIPTION	REV
	1001255679	Ref	DIAMOND PLATE INSTALLATION - TUNNEL (36IN & 37IN WITH BATTERY)	A
1	1001253601	2	Plate	
2	1001253747	1	Plate	
3	1001192958	32	Screw #10 x 1/2	

**SECTION 4 - BODY**

**FIGURE 4-12. DIAMOND PLATE INSTALLATION - TUNNEL (48IN & 49IN TUNNELS)**



ART\_1001255674

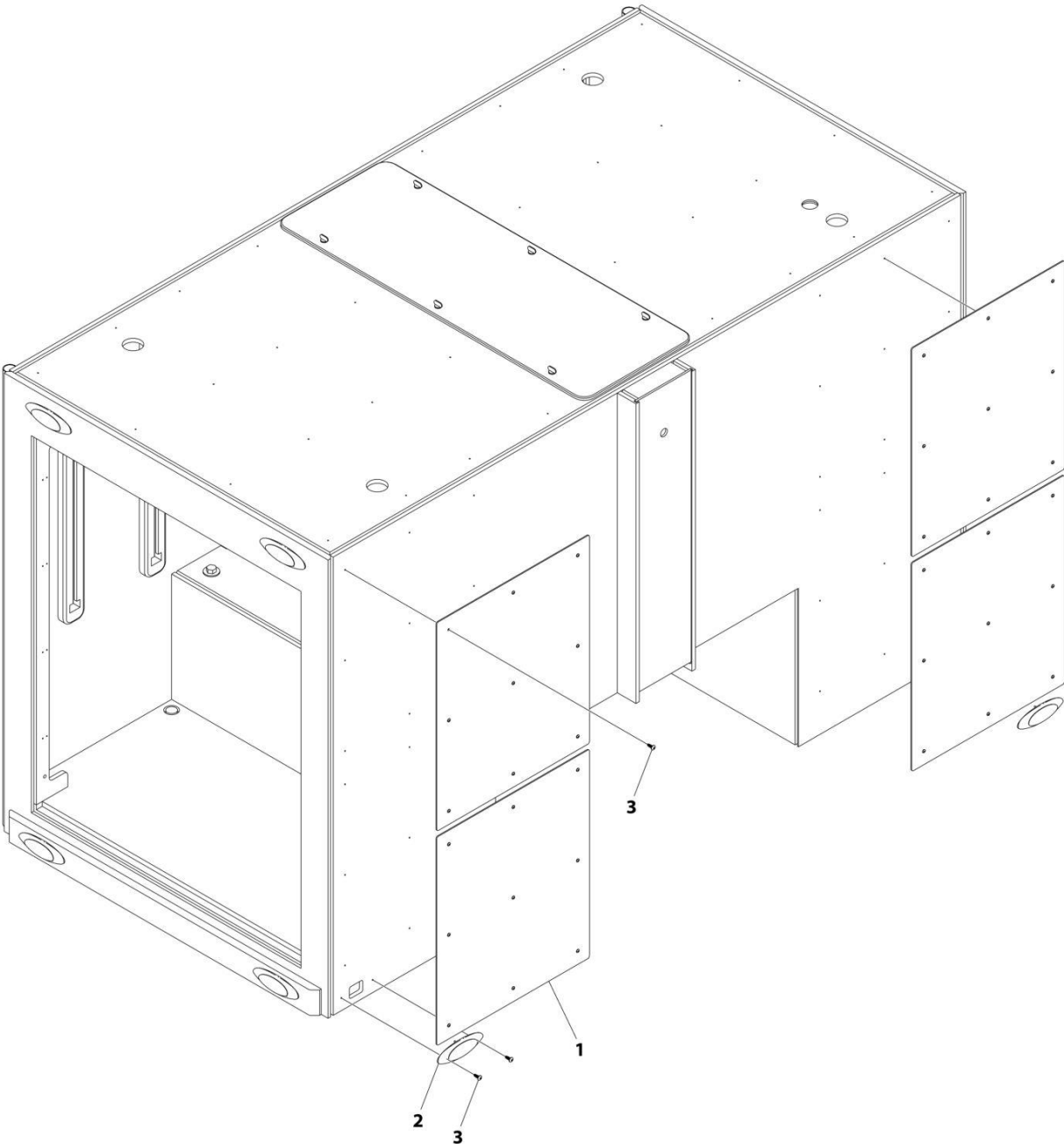
## SECTION 4 - BODY

**FIGURE 4-12. DIAMOND PLATE INSTALLATION - TUNNEL (48IN & 49IN TUNNELS)**

ITEM	PART NUMBER	QTY	DESCRIPTION	REV
	1001255674	Ref	DIAMOND PLATE INSTALLATION - TUNNEL (48IN & 49IN TUNNELS)	A
1	1001253602	2	Plate	
2	1001253746	1	Plate	
3	1001192958	42	Screw #10 x 1/2	

**SECTION 4 - BODY**

**FIGURE 4-13. DIAMOND PLATE INSTALLATION WITH MARKER (FRONT OF TUNNEL)**



ART\_1001255378



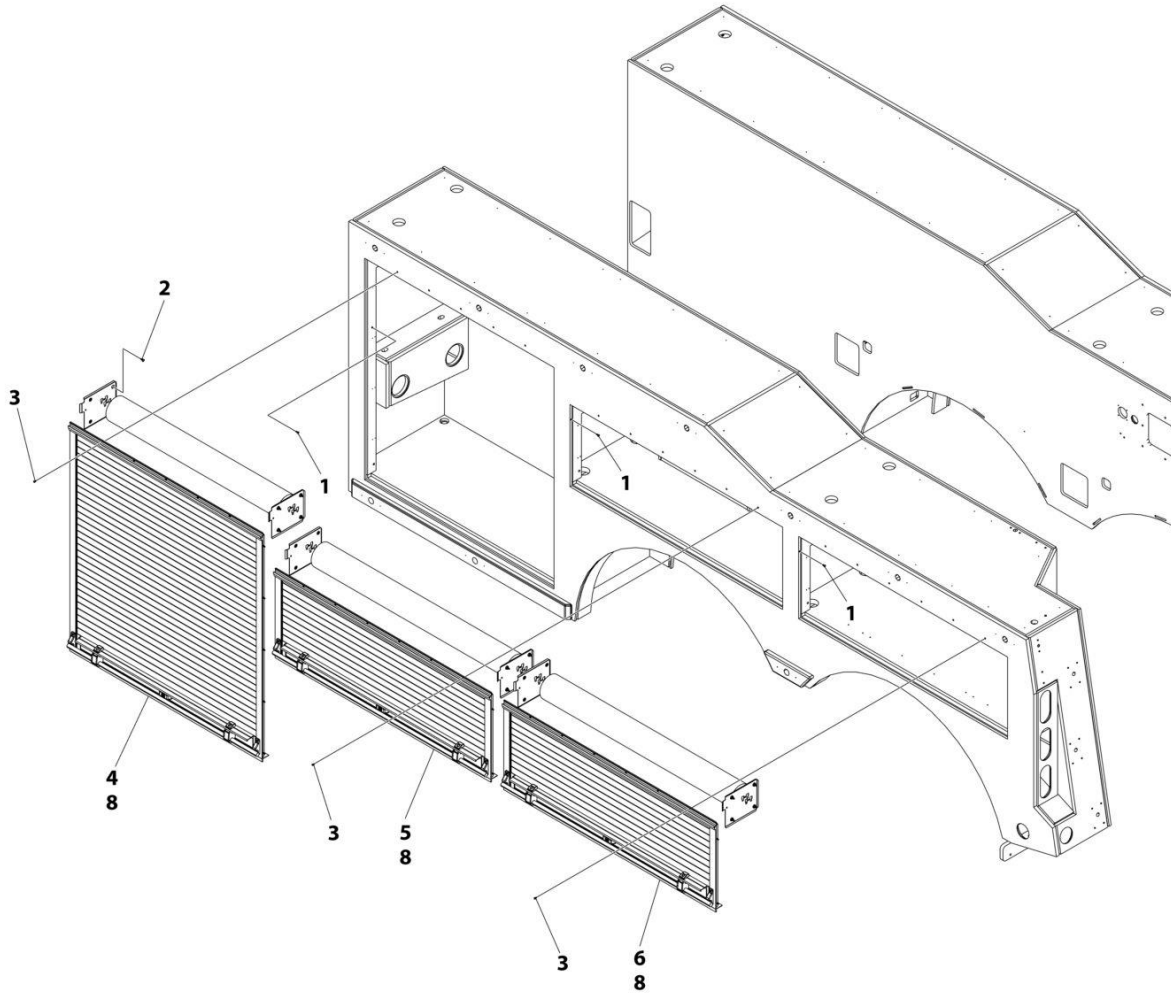
## SECTION 4 - BODY

**FIGURE 4-13. DIAMOND PLATE INSTALLATION WITH MARKER (FRONT OF TUNNEL)**

ITEM	PART NUMBER	QTY	DESCRIPTION	REV
	1001255378	Ref	DIAMOND PLATE INSTALLATION WITH MARKER (FRONT OF TUNNEL)	A
1	1001253745	4	Plate	
2	7590000358	2	Light	
3	1001192958	40	Screw #10 x 1/2	

# SECTION 4 - BODY

FIGURE 4-14. DOORS INSTALLATION - REAR PAINTED DOOR ONLY (SINGLE/TANDEM)



ART\_1001274623

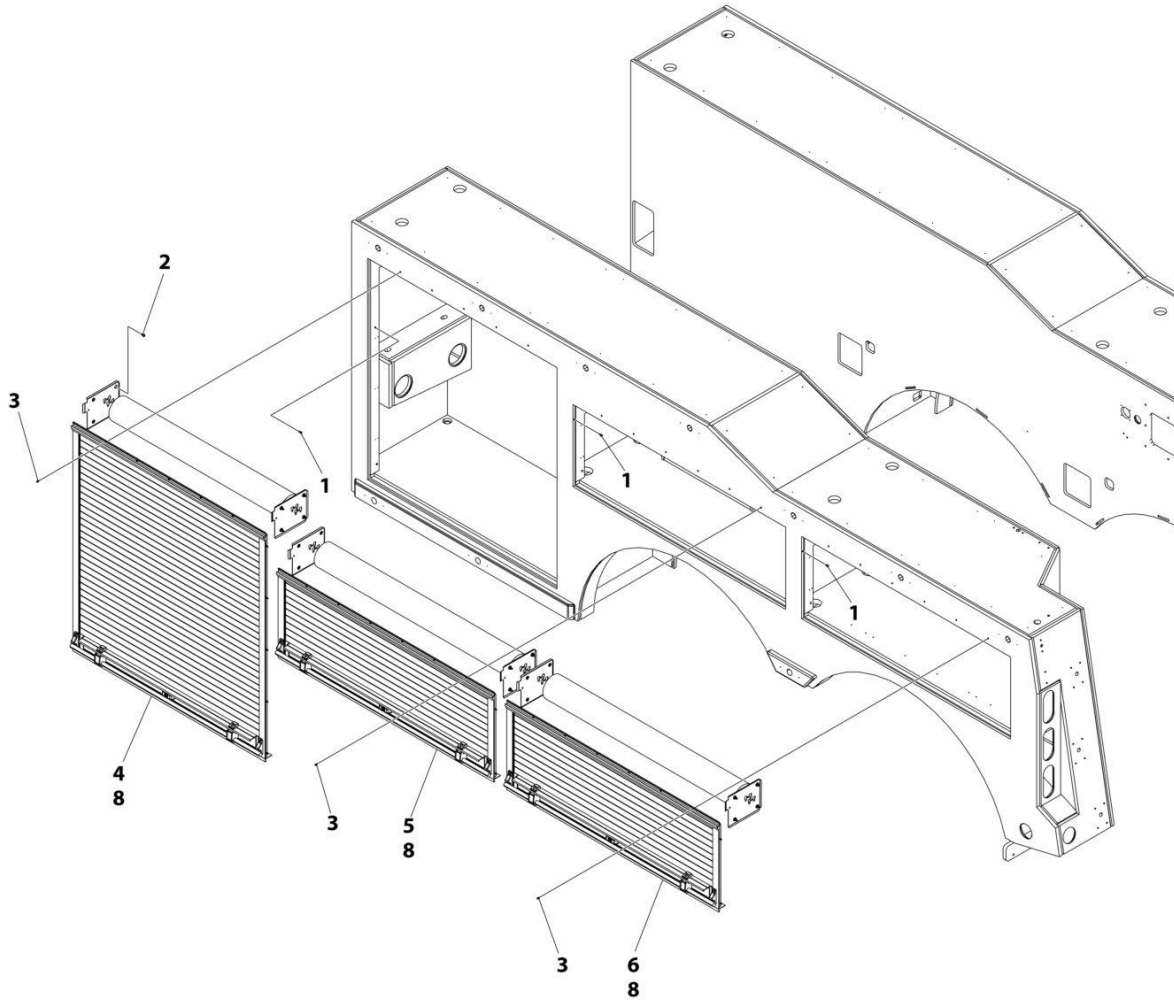
## SECTION 4 - BODY

**FIGURE 4-14. DOORS INSTALLATION - REAR PAINTED DOOR ONLY (SINGLE/TANDEM)**

ITEM	PART NUMBER	QTY	DESCRIPTION	REV
	1001274623	Ref	DOORS INSTALLATION - REAR TANDEM BODY (PAINTED)	A
1	1001192958	36	Screw #10 x 1/2	
2	1001195257	48	Screw 1/4 x 1/2	
6	1001198602	34	Screw #8 x 3/8	
4	1001274653	2	Door	
5	1001274654	2	Door	
6	1001274655	2	Door	
7	7796000012	6 ft	Seal (Not Shown)	
8	8798820001	AR	Sealant	
9	8892040001	AR	Tape (Not Shown)	

# SECTION 4 - BODY

FIGURE 4-15. DOORS INSTALLATION - REAR PAINTED DOOR & FRAME (SINGLE/TANDEM)



ART\_1001274624

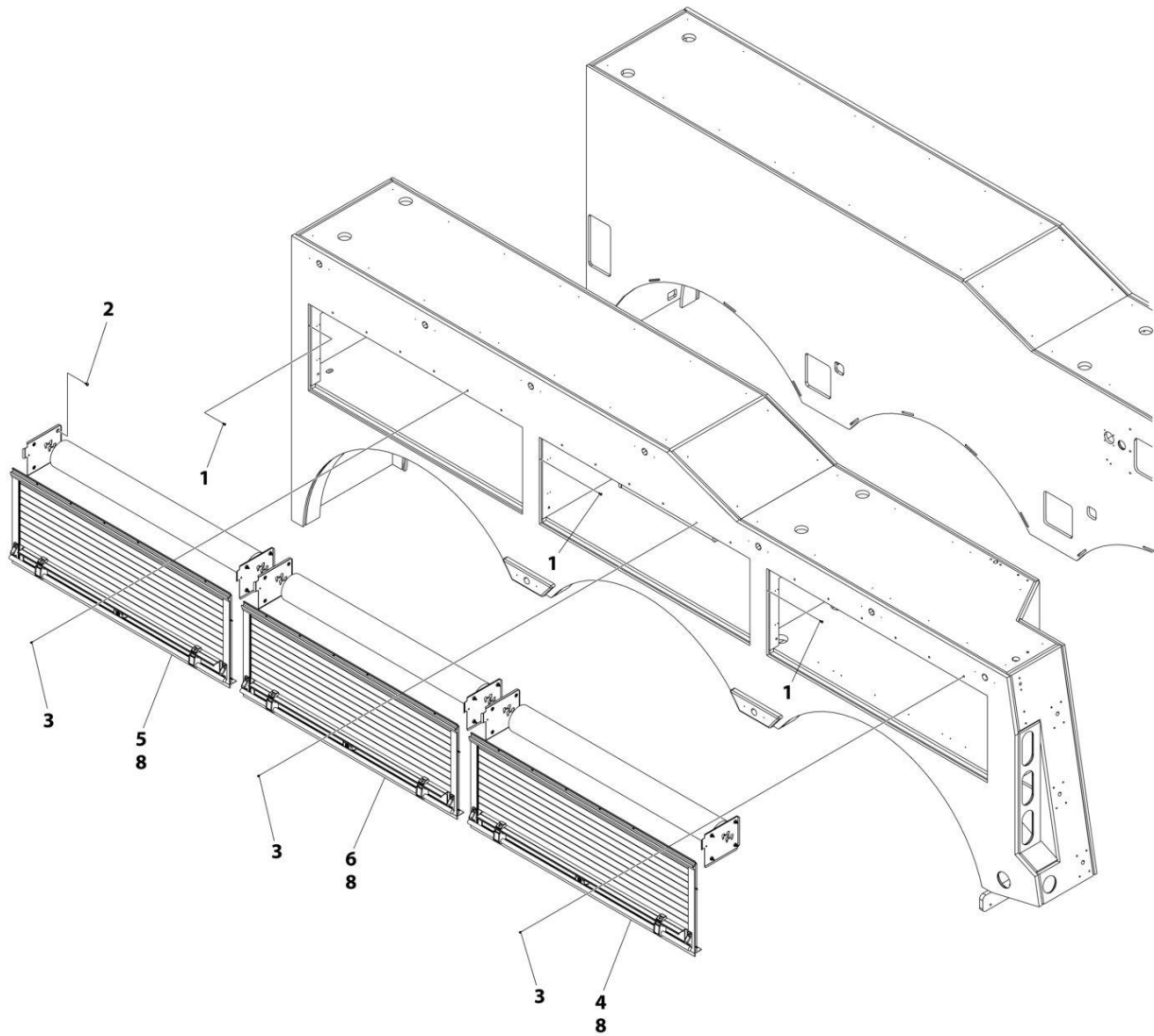
## SECTION 4 - BODY

**FIGURE 4-15. DOORS INSTALLATION - REAR PAINTED DOOR & FRAME (SINGLE/TANDEM)**

ITEM	PART NUMBER	QTY	DESCRIPTION	REV
	1001274624	Ref	DOORS & FRAME INSTALLATION - REAR TANDEM BODY (PAINTED)	A
1	1001192958	36	Screw #10 x 1/2	
2	1001195257	48	Screw 1/4 x 1/2	
3	1001198602	34	Screw #8 x 3/8	
4	1001274656	2	Door	
5	1001274657	2	Door	
6	1001274658	2	Door	
7	7796000012	6 ft	Seal (Not Shown)	
8	8798820001	AR	Sealant	
9	8892040001	AR	Tape (Not Shown)	

# SECTION 4 - BODY

FIGURE 4-16. DOORS INSTALLATION - REAR PAINTED DOOR ONLY (TRI)



ART\_1001274625

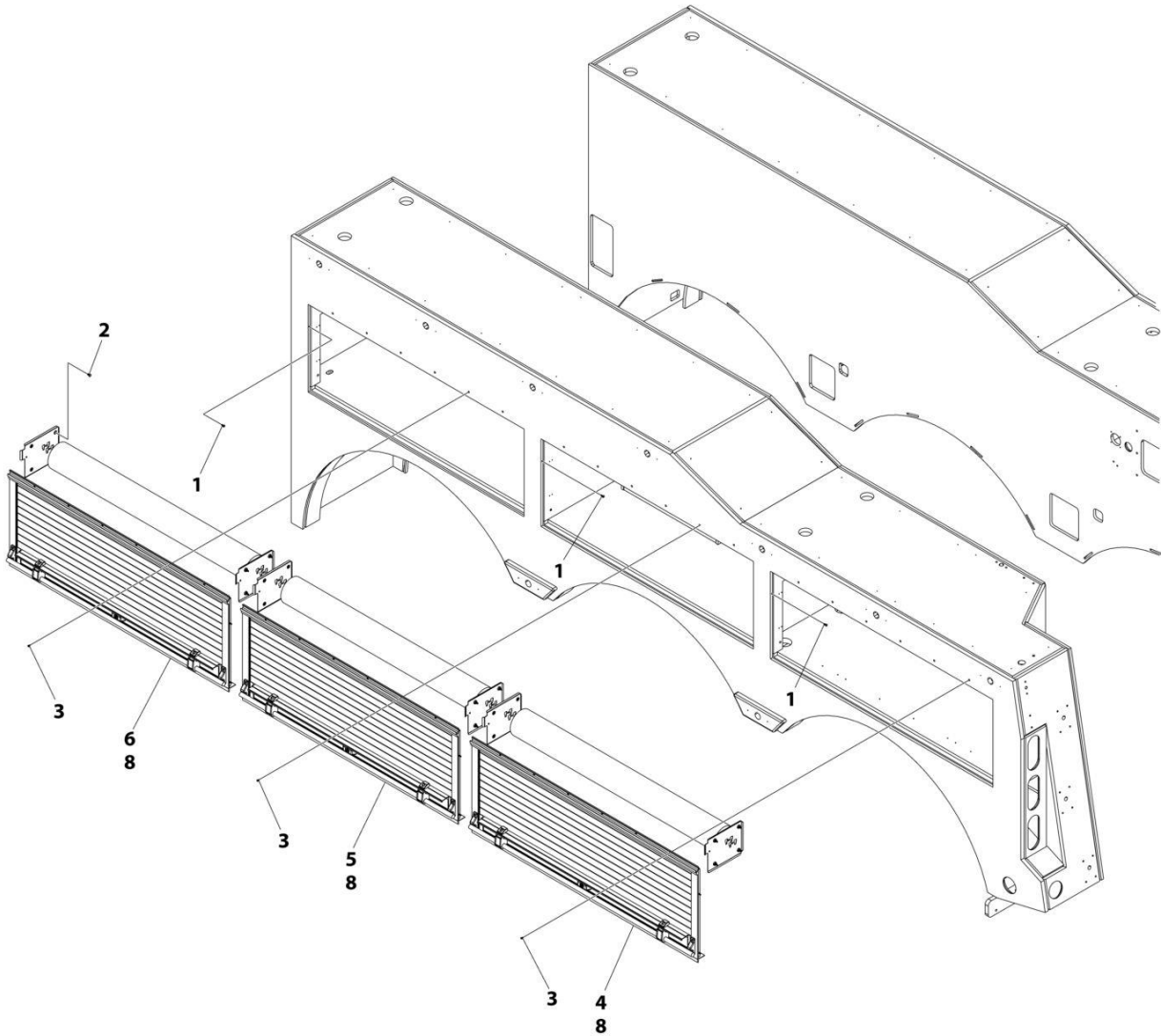
## SECTION 4 - BODY

**FIGURE 4-16. DOORS INSTALLATION - REAR PAINTED DOOR ONLY (TRI)**

ITEM	PART NUMBER	QTY	DESCRIPTION	REV
	1001274625	Ref	DOORS INSTALLATION - REAR TRI-AXLE BODY (PAINTED)	A
1	1001192958	24	Screw #10 x 1/2	
2	1001195257	48	Screw 1/4 x 1/2	
3	1001198602	36	Screw #8 x 3/8	
4	1001274655	2	Door	
5	1001274662	2	Door	
6	1001274663	2	Door	
7	7796000012	6 ft	Seal (Not Shown)	
8	8798820001	AR	Sealant	
9	8892040001	AR	Tape (Not Shown)	

**SECTION 4 - BODY**

**FIGURE 4-17. DOORS INSTALLATION - REAR PAINTED DOOR & FRAME (TRI)**



ART\_1001274626



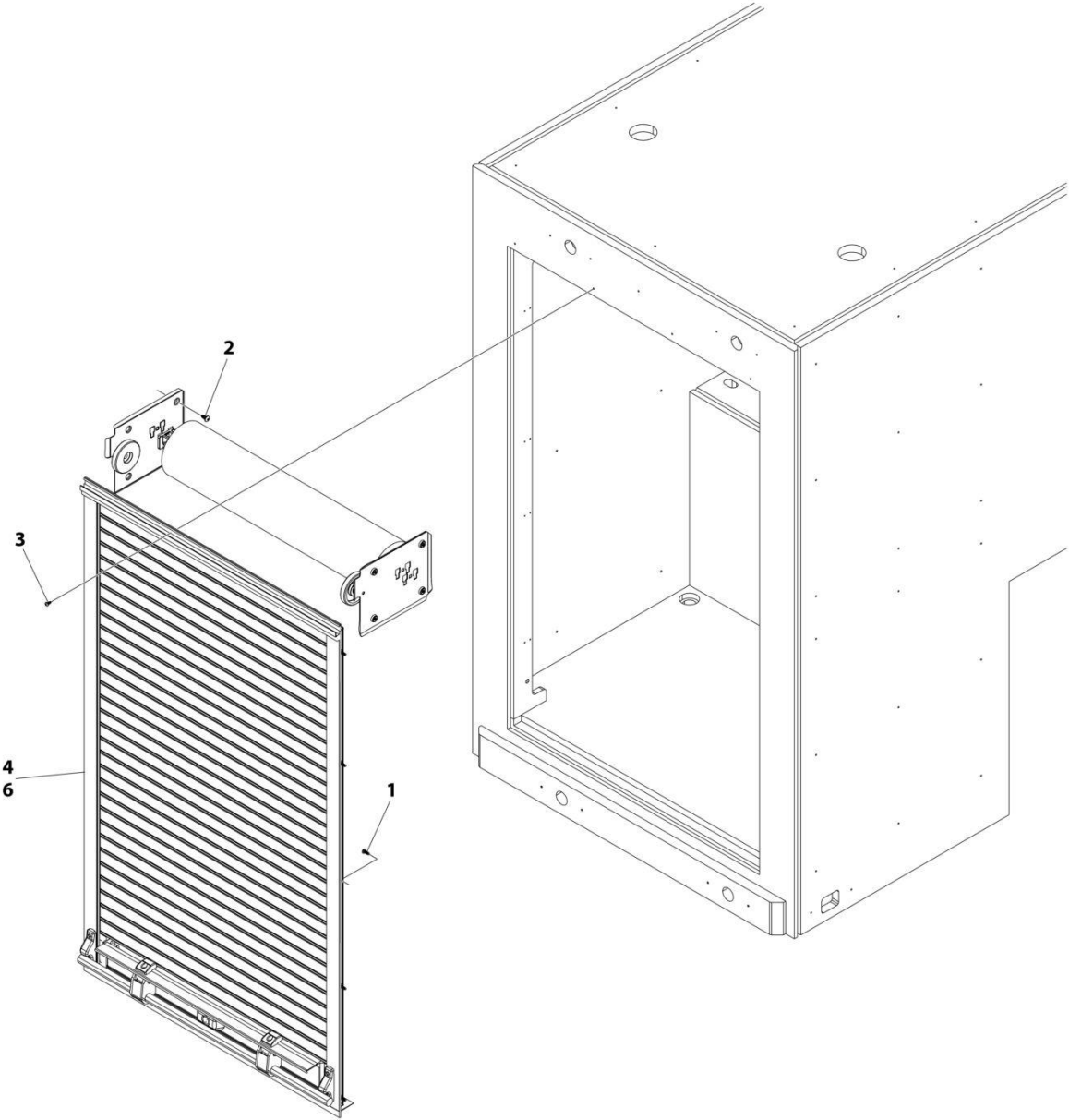
## SECTION 4 - BODY

**FIGURE 4-17. DOORS INSTALLATION - REAR PAINTED DOOR & FRAME (TRI)**

ITEM	PART NUMBER	QTY	DESCRIPTION	REV
	1001274626	Ref	DOORS & FRAME INSTALLATION - REAR TRI-AXLE BODY (PAINTED)	A
1	1001192958	24	Screw #10 x 1/2	
2	1001195257	48	Screw 1/4 x 1/2	
3	1001198602	36	Screw #8 x 3/8	
4	1001274658	2	Door	
5	1001274664	2	Door	
6	1001274665	2	Door	
7	7796000012	6 ft	Seal (Not Shown)	
8	8798820001	AR	Sealant	
9	8892040001	AR	Tape (Not Shown)	

**SECTION 4 - BODY**

**FIGURE 4-18. DOOR INSTALLATION WITH TUNNEL 38IN (PAINTED DOOR)**



ART\_1001274633

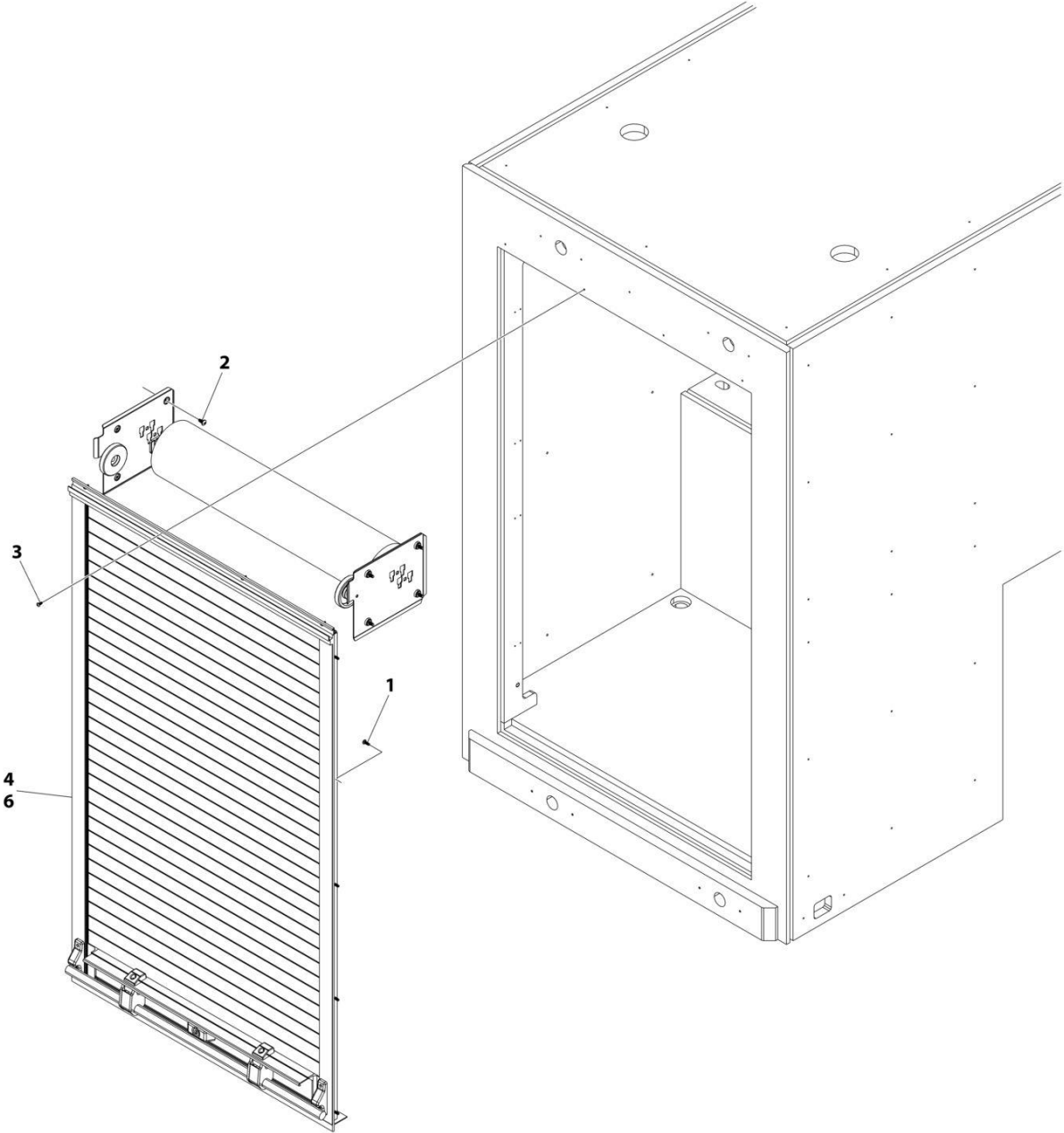
## SECTION 4 - BODY

**FIGURE 4-18. DOOR INSTALLATION WITH TUNNEL 38IN (PAINTED DOOR)**

ITEM	PART NUMBER	QTY	DESCRIPTION	REV
	1001274633	Ref	DOOR INSTALLATION WITH TUNNEL 38IN (PAINTED DOOR)	A
1	1001192958	20	Screw #10 x 1/2	
2	1001195257	16	Screw 1/4 x 1/2	
3	1001198602	8	Screw #8 x 3/8	
4	1001278917	2	Door	
5	7796000012	2 ft	Seal (Not Shown)	
6	8798820001	AR	Sealant	
7	8892040001	AR	Tape (Not Shown)	

# SECTION 4 - BODY

FIGURE 4-19. DOOR INSTALLATION WITH TUNNEL 38IN (PAINTED DOOR AND FRAME)



ART\_1001274634

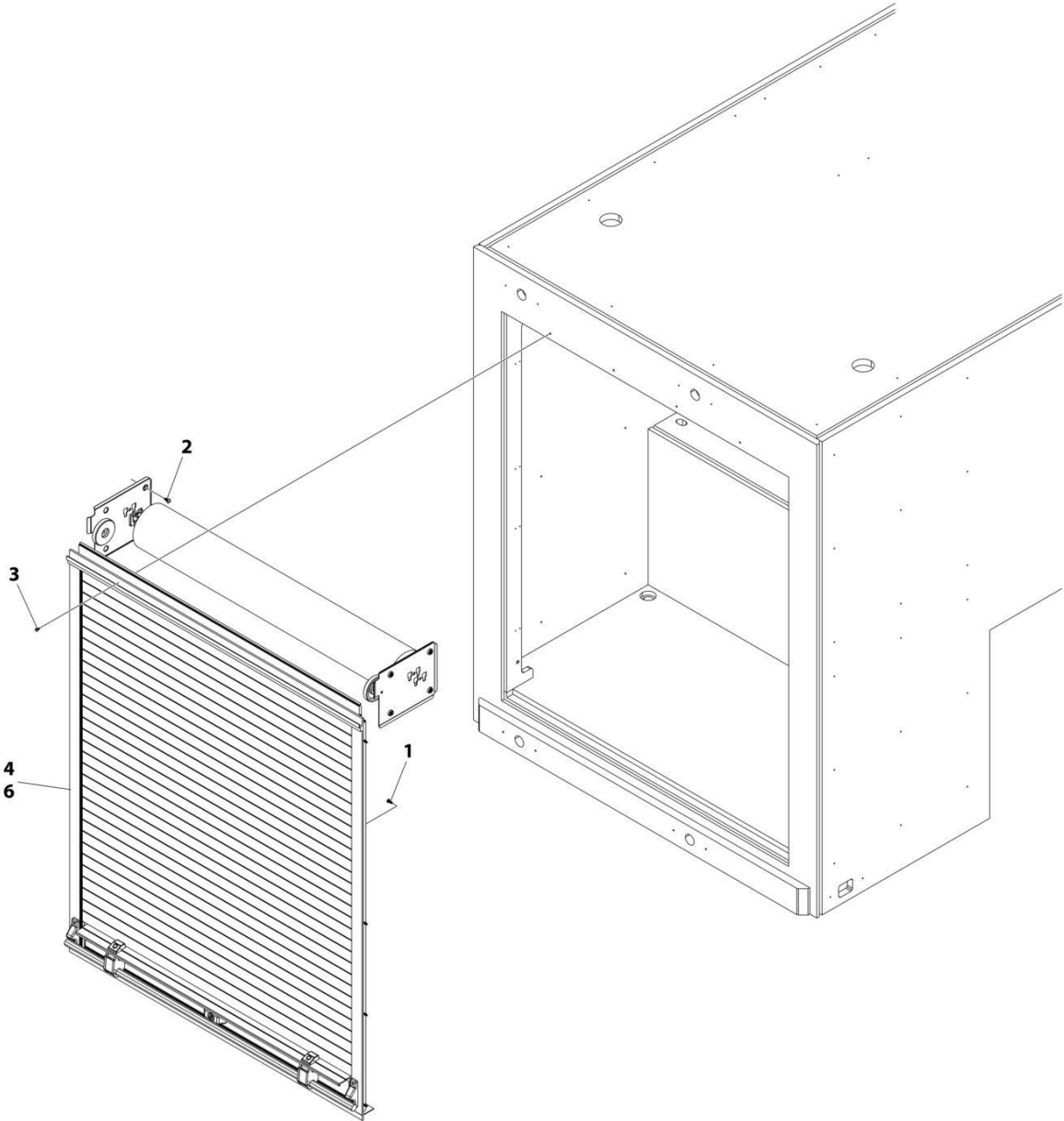
## SECTION 4 - BODY

**FIGURE 4-19. DOOR INSTALLATION WITH TUNNEL 38IN (PAINTED DOOR AND FRAME)**

ITEM	PART NUMBER	QTY	DESCRIPTION	REV
	1001274634	Ref	DOOR INSTALLATION WITH TUNNEL 38IN (PAINTED DOOR AND FRAME)	A
1	1001192958	20	Screw #10 x 1/2	
2	1001195257	16	Screw 1/4 x 1/2	
3	1001198602	8	Screw #8 x 3/8	
4	1001278918	2	Door	
5	7796000012	2 ft	Seal (Not Shown)	
6	8798820001	AR	Sealant	
7	8892040001	AR	Tape (Not Shown)	

**SECTION 4 - BODY**

**FIGURE 4-20. DOOR INSTALLATION WITH TUNNEL 50IN (PAINTED DOOR)**



ART\_1001274631

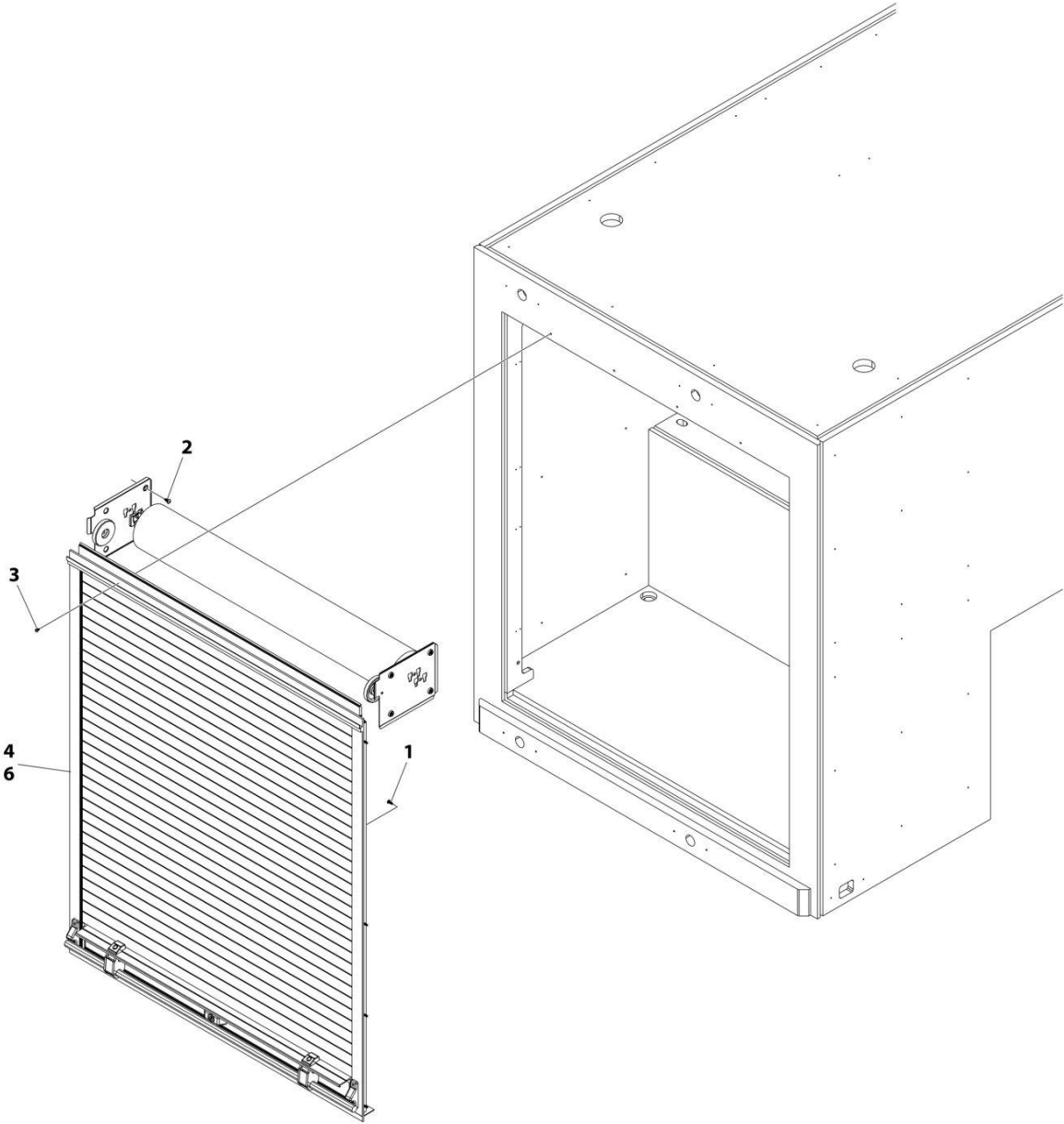
## SECTION 4 - BODY

**FIGURE 4-20. DOOR INSTALLATION WITH TUNNEL 50IN (PAINTED DOOR)**

ITEM	PART NUMBER	QTY	DESCRIPTION	REV
	1001274631	Ref	DOOR INSTALLATION WITH TUNNEL 50IN (PAINTED DOOR)	A
1	1001192958	20	Screw #10 x 1/2	
2	1001195257	16	Screw 1/4 x 1/2	
3	1001198602	8	Screw #8 x 3/8	
4	1001274449	2	Door	
5	7796000012	2 ft	Seal (Not Shown)	
6	8798820001	AR	Sealant	
7	8892040001	AR	Tape (Not Shown)	

**SECTION 4 - BODY**

**FIGURE 4-21. DOOR INSTALLATION WITH TUNNEL 50IN (PAINTED DOOR AND FRAME)**



ART\_1001274632



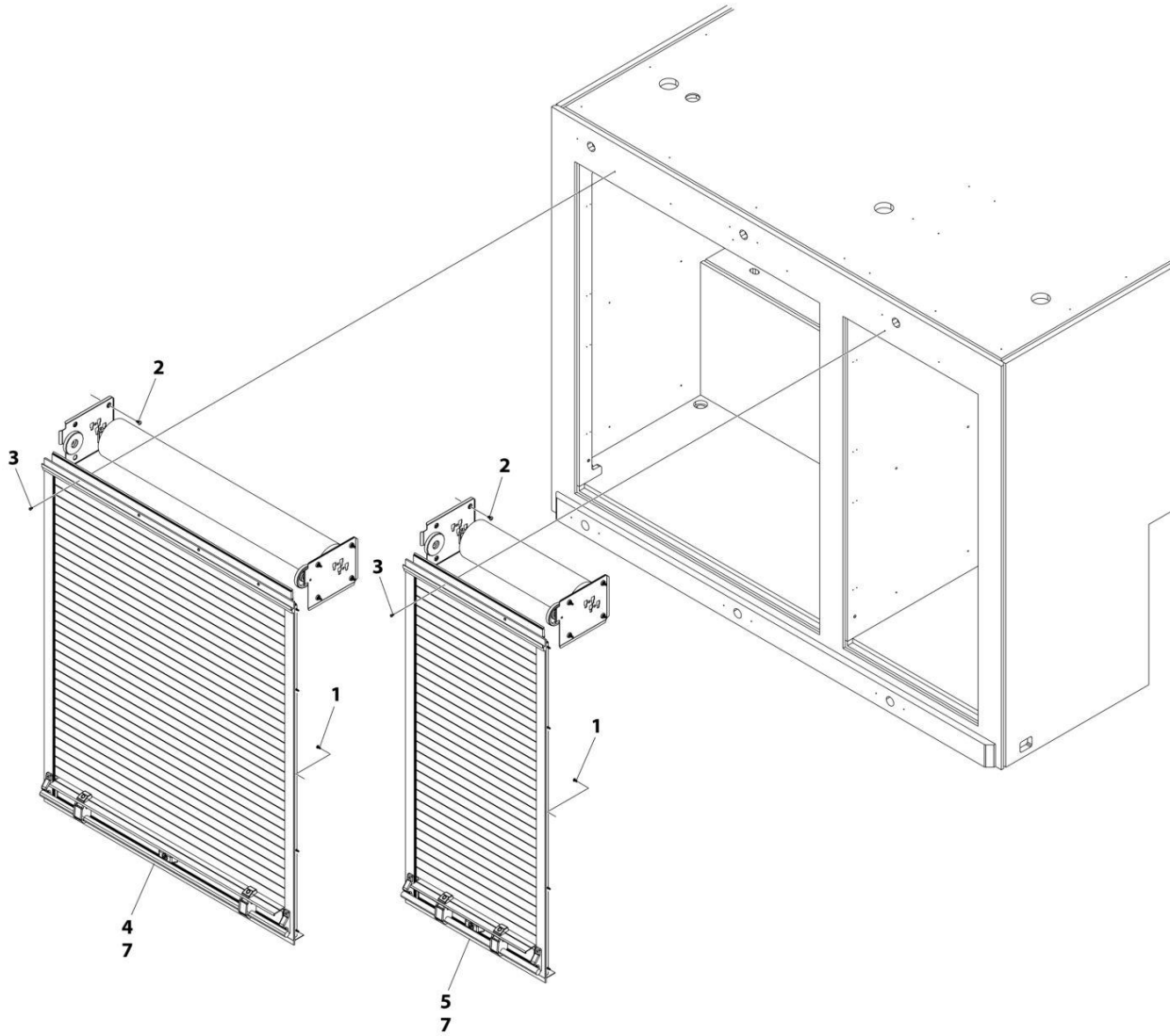
## SECTION 4 - BODY

**FIGURE 4-21. DOOR INSTALLATION WITH TUNNEL 50IN (PAINTED DOOR AND FRAME)**

ITEM	PART NUMBER	QTY	DESCRIPTION	REV
	1001274632	Ref	DOOR INSTALLATION WITH TUNNEL 50IN (PAINTED DOOR AND FRAME)	A
1	1001192958	20	Screw #10 x 1/2	
2	1001195257	16	Screw 1/4 x 1/2	
3	1001198602	8	Screw #8 x 3/8	
4	1001274450	2	Door	
5	7796000012	2 ft	Seal (Not Shown)	
6	8798820001	AR	Sealant	
7	8892040001	AR	Tape (Not Shown)	

# SECTION 4 - BODY

FIGURE 4-22. DOOR INSTALLATION WITH TUNNEL 76IN (PAINTED DOOR)



ART\_1001274456

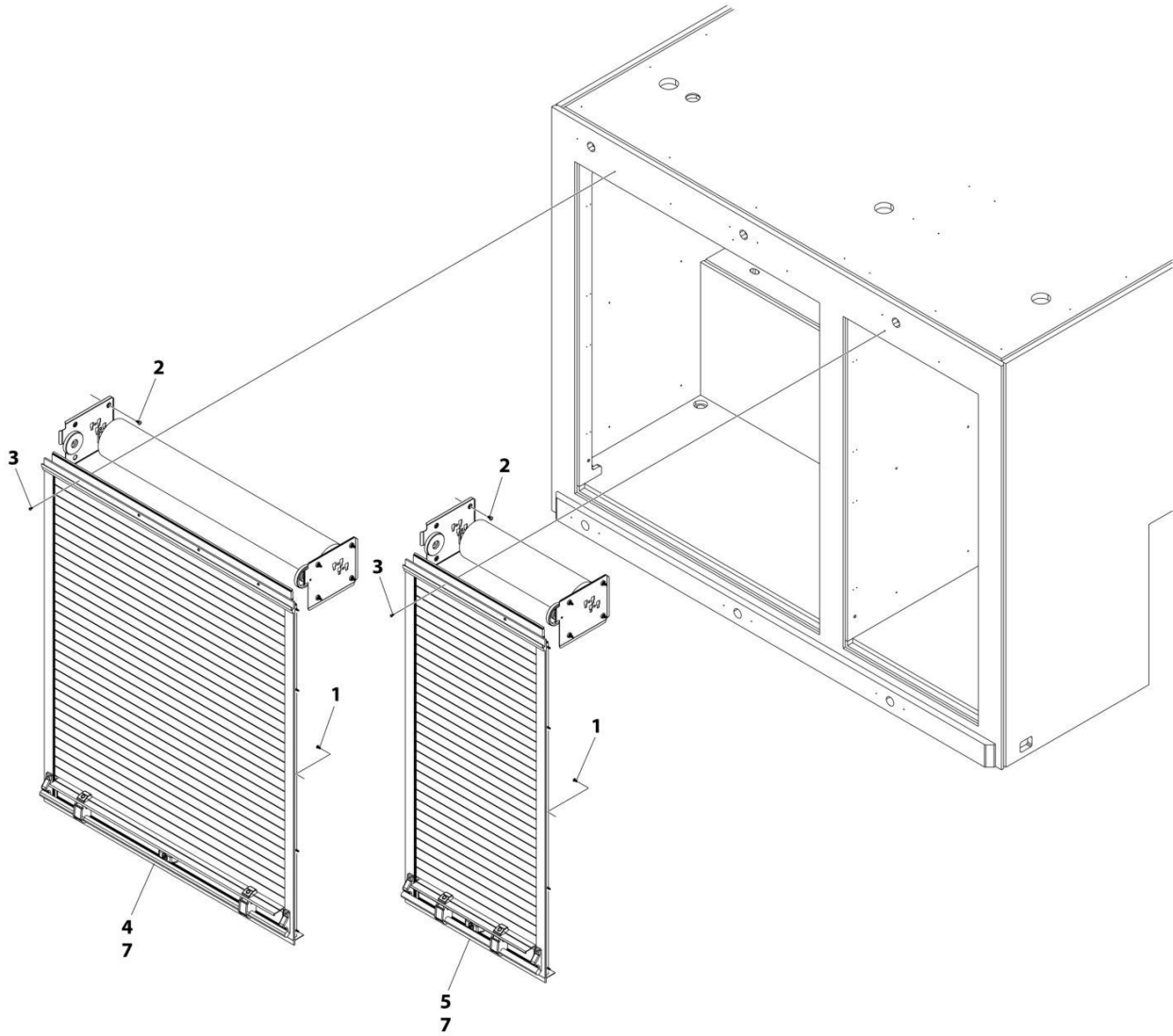
## SECTION 4 - BODY

**FIGURE 4-22. DOOR INSTALLATION WITH TUNNEL 76IN (PAINTED DOOR)**

ITEM	PART NUMBER	QTY	DESCRIPTION	REV
	1001274456	Ref	DOOR INSTALLATION WITH TUNNEL 76IN (PAINTED DOOR)	A
1	1001192958	40	Screw #10 x 1/2	
2	1001195257	32	Screw 1/4 x 1/2	
3	1001198602	12	Screw #8 x 3/8	
4	1001274449	2	Door	
5	1001274451	2	Door	
6	7796000012	4 ft	Seal (Not Shown)	
7	8798820001	AR	Sealant	
8	8892040001	AR	Tape (Not Shown)	

# SECTION 4 - BODY

FIGURE 4-23. DOOR INSTALLATION WITH TUNNEL 76IN (PAINTED DOOR AND FRAME)



ART\_1001274457

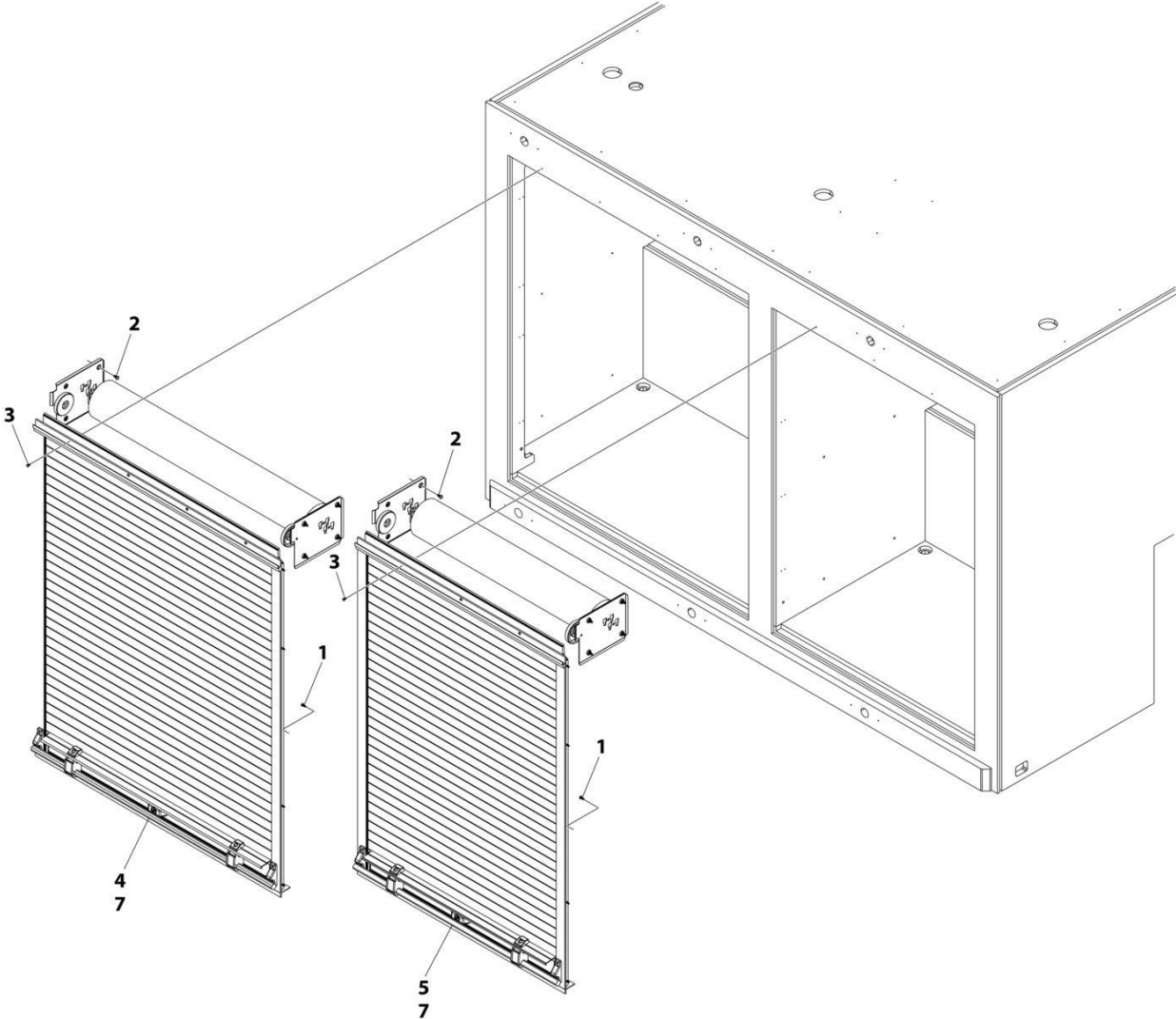
## SECTION 4 - BODY

**FIGURE 4-23. DOOR INSTALLATION WITH TUNNEL 76IN (PAINTED DOOR AND FRAME)**

ITEM	PART NUMBER	QTY	DESCRIPTION	REV
	1001274457	Ref	DOOR INSTALLATION WITH TUNNEL 76IN (PAINTED DOOR AND FRAME)	A
1	1001192958	40	Screw #10 x 1/2	
2	1001195257	32	Screw 1/4 x 1/2	
3	1001198602	12	Screw #8 x 3/8	
4	1001274450	2	Door	
5	1001274452	2	Door	
6	7796000012	4 ft	Seal (Not Shown)	
7	8798820001	AR	Sealant	
8	8892040001	AR	Tape (Not Shown)	

# SECTION 4 - BODY

FIGURE 4-24. DOOR INSTALLATION WITH TUNNEL 88IN (PAINTED DOOR)



ART\_1001274458

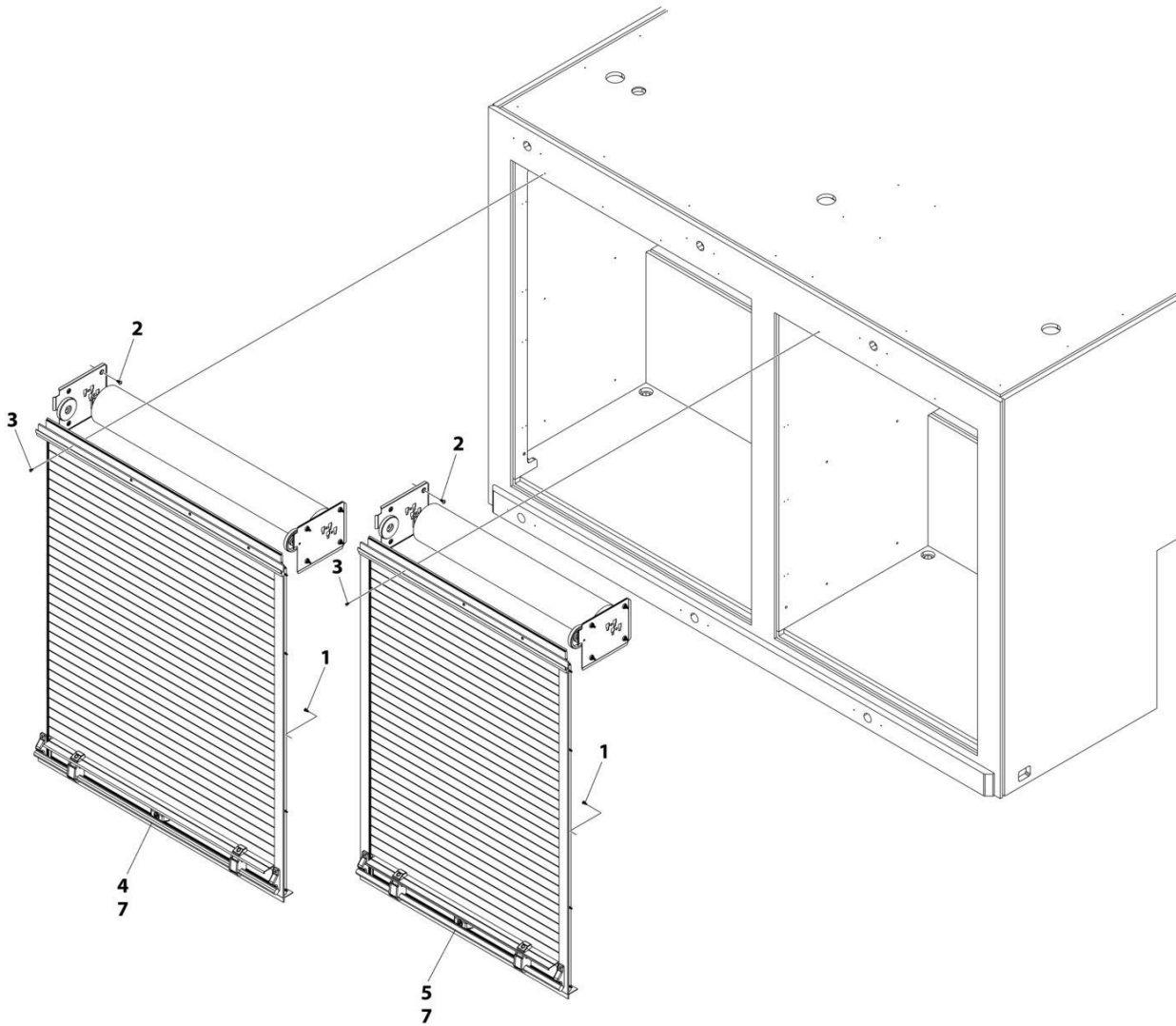
## SECTION 4 - BODY

**FIGURE 4-24. DOOR INSTALLATION WITH TUNNEL 88IN (PAINTED DOOR)**

ITEM	PART NUMBER	QTY	DESCRIPTION	REV
	1001274458	Ref	DOOR INSTALLATION WITH TUNNEL 88IN (PAINTED DOOR)	A
1	1001192958	40	Screw #10 x 1/2	
2	1001195257	32	Screw 1/4 x 1/2	
3	1001198602	14	Screw #8 x 3/8	
4	1001274449	2	Door	
5	1001274453	2	Door	
6	7796000012	4 ft	Seal (Not Shown)	
7	8798820001	AR	Sealant	
8	8892040001	AR	Tape (Not Shown)	

# SECTION 4 - BODY

FIGURE 4-25. DOOR INSTALLATION WITH TUNNEL 88IN (PAINTED DOOR AND FRAME)



ART\_1001274459



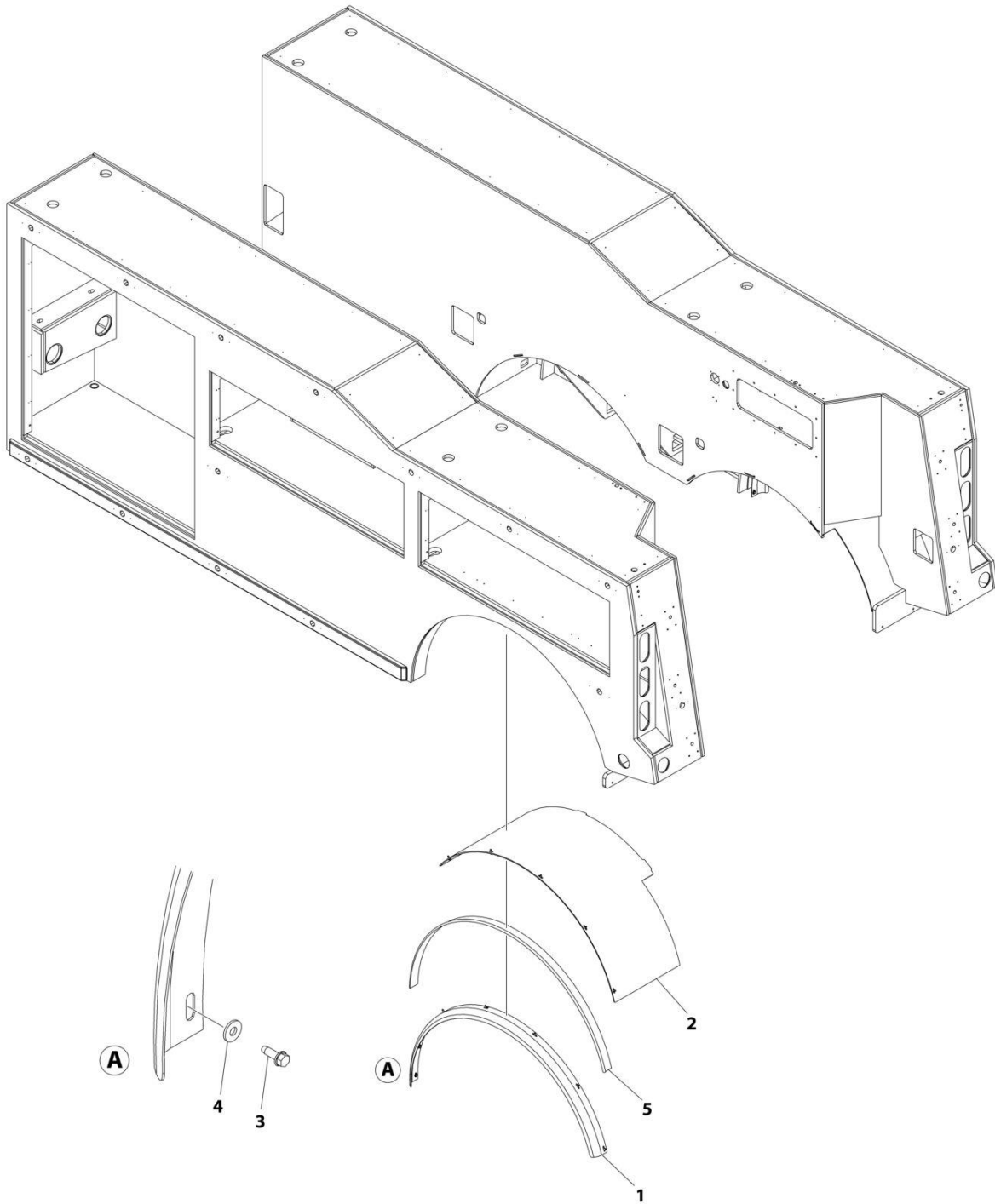
## SECTION 4 - BODY

**FIGURE 4-25. DOOR INSTALLATION WITH TUNNEL 88IN (PAINTED DOOR AND FRAME)**

ITEM	PART NUMBER	QTY	DESCRIPTION	REV
	1001274459	Ref	DOOR INSTALLATION WITH TUNNEL 88IN (PAINTED DOOR AND FRAME)	A
1	1001192958	40	Screw #10 x 1/2	
2	1001195257	32	Screw 1/4 x 1/2	
3	1001198602	14	Screw #8 x 3/8	
4	1001274450	2	Door	
5	1001274454	2	Door	
6	7796000012	4 ft	Seal (Not Shown)	
7	8798820001	AR	Sealant	
8	8892040001	AR	Tape (Not Shown)	

# SECTION 4 - BODY

FIGURE 4-26. FENDER FLARE AND LINER INSTALLATION (SINGLE-AXLE)



ART\_1001289306

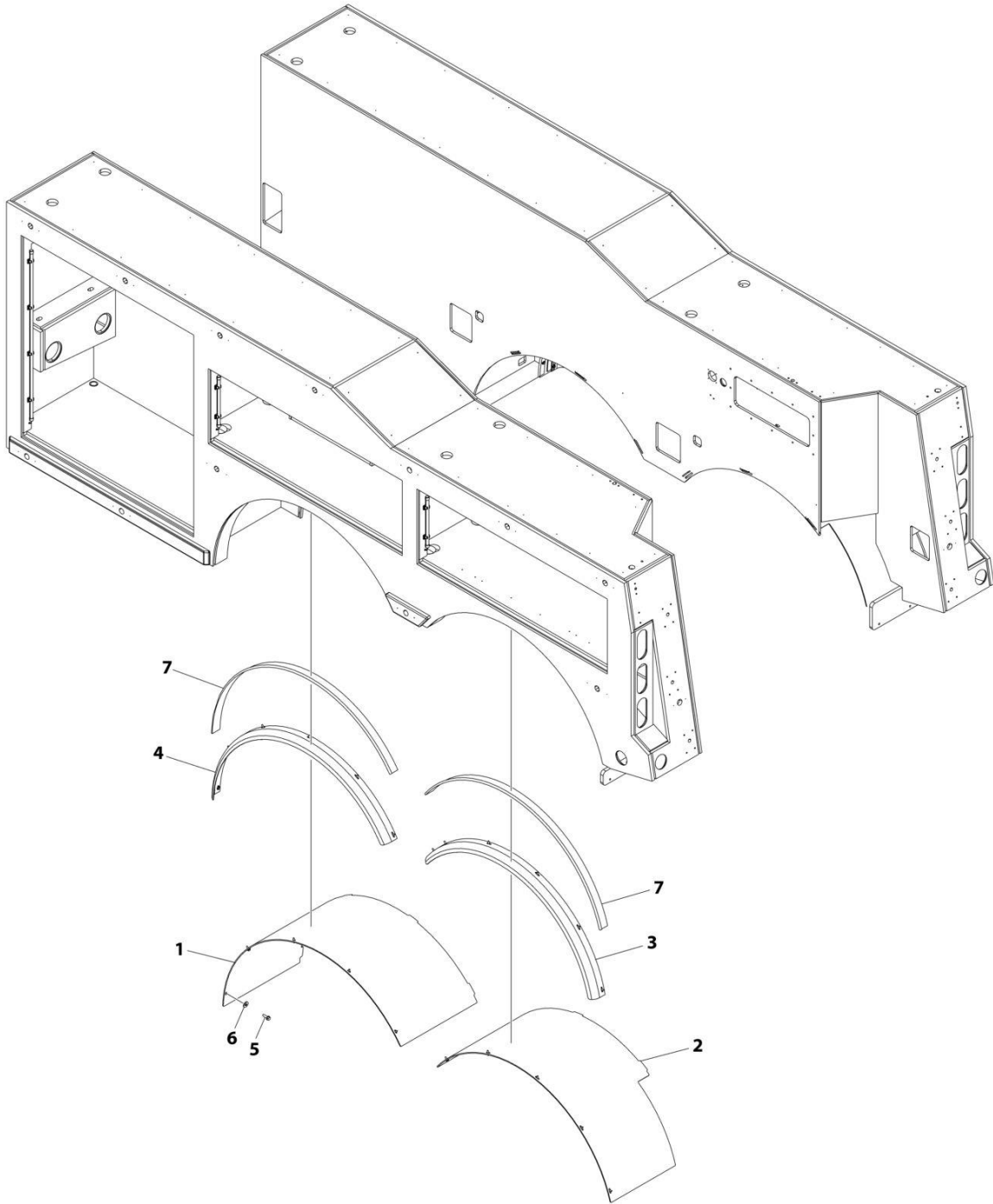
## SECTION 4 - BODY

**FIGURE 4-26. FENDER FLARE AND LINER INSTALLATION (SINGLE-AXLE)**

ITEM	PART NUMBER	QTY	DESCRIPTION	REV
	1001289306	Ref	FENDER FLARE AND LINER INSTALLATION	A
1	1001289309	2	Fender, Rear	
2	1001289314	2	Liner, Rear	
3	7790141251	24	Screw 1/4 x 3/4	
4	7950140163	24	Washer 1/4	
5	1001253744	13 ft	Fender, Mould	

# SECTION 4 - BODY

## FIGURE 4-27. FENDER FLARE & LINER INSTALLATION (TANDEM)



ART\_1001289392

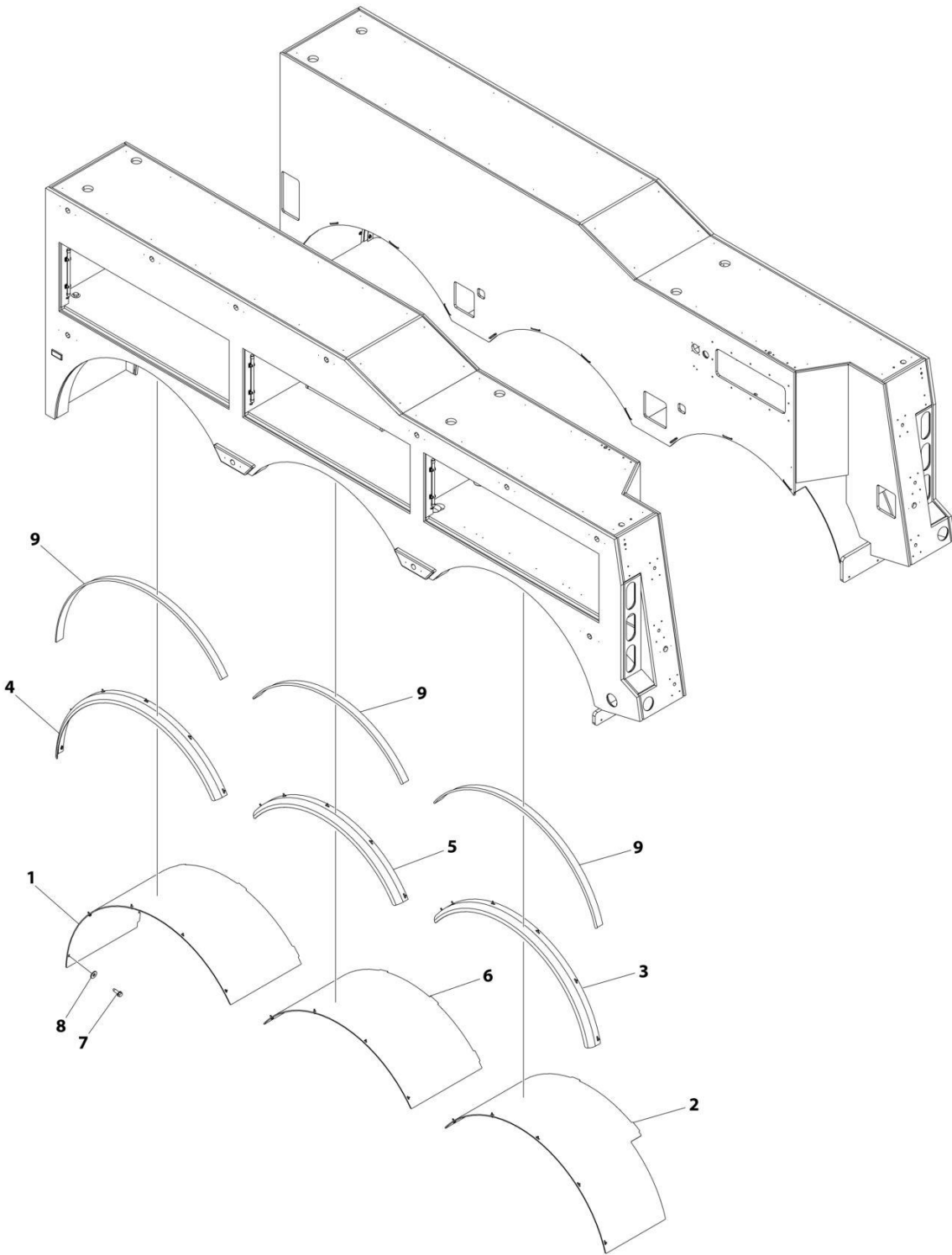
## SECTION 4 - BODY

**FIGURE 4-27. FENDER FLARE & LINER INSTALLATION (TANDEM)**

ITEM	PART NUMBER	QTY	DESCRIPTION	REV
	1001289392	Ref	FENDER FLARE & LINER INSTALLATION (TANDEM)	A
1	1001253792	2	Fender Liner, Front Body	
2	1001289314	2	Fender Liner, Rear Body	
3	1001289537	2	Fender Rear, Rear Body	
4	1001289538	2	Fender Rear, Front Body	
5	7790141251	44	Screw 1/4 x 3/4	
6	7950140163	44	Washer 1/4	
7	1001253744	22 ft	Moulding, Fender	

# SECTION 4 - BODY

## FIGURE 4-28. FENDER FLARE & LINER INSTALLATION (TRI-AXLE)



ART\_1001289596

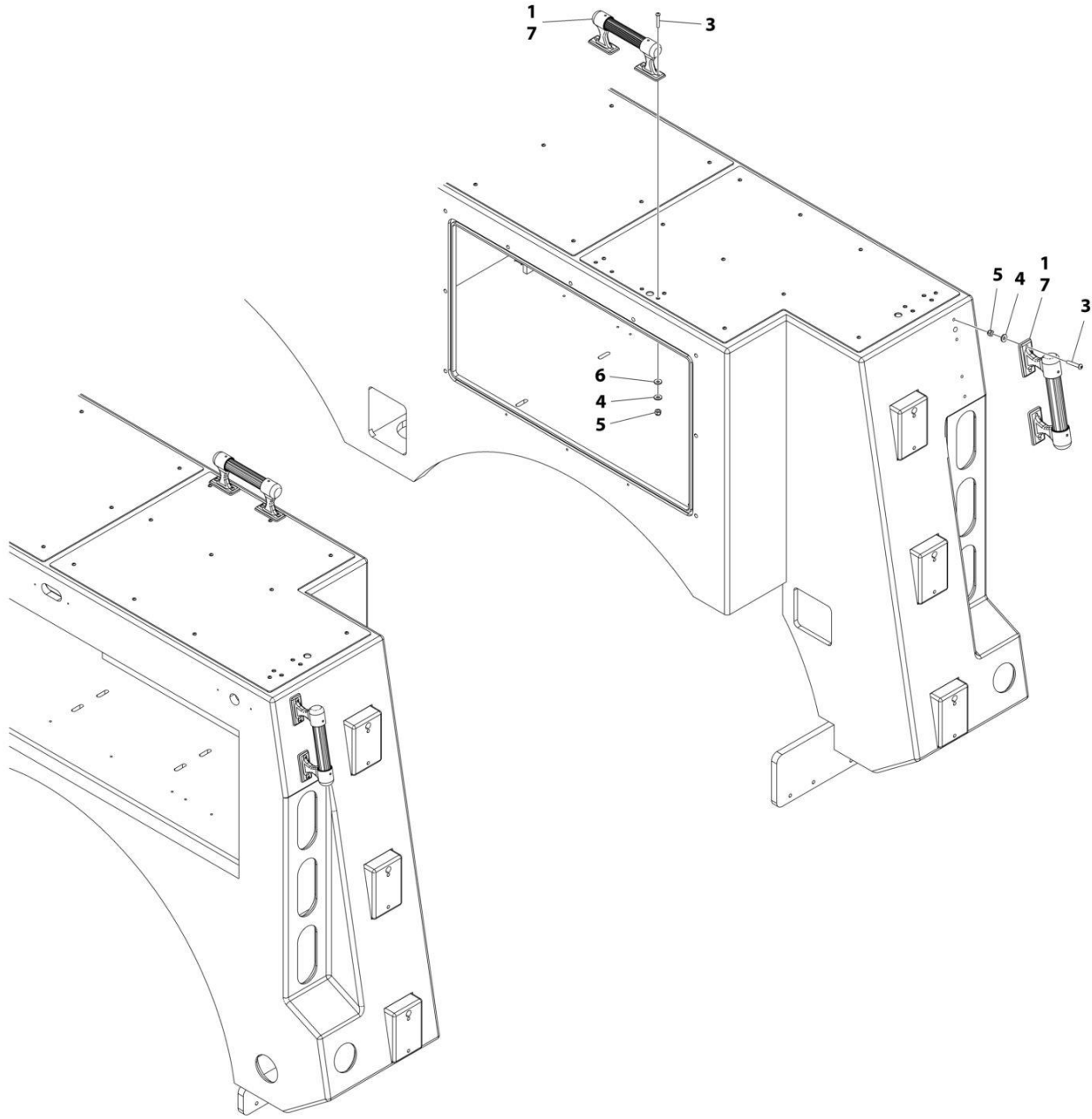
## SECTION 4 - BODY

**FIGURE 4-28. FENDER FLARE & LINER INSTALLATION (TRI-AXLE)**

ITEM	PART NUMBER	QTY	DESCRIPTION	REV
	1001289596	Ref	FENDER FLARE & LINER INSTALLATION (TRI-AXLE)	A
1	1001253792	2	Fender Liner, Front Body	
2	1001289314	2	Fender Liner, Rear Body	
3	1001289537	2	Fender Rear, Rear Body	
4	1001289538	2	Fender Rear, Front Body	
5	1001289597	2	Fender Rear, Middle Body	
6	1001289598	2	Fender Liner, Middle Body	
7	7790141251	62	Screw 1/4 x 3/4	
8	7950140163	62	Washer 1/4	
9	1001253744	31 ft	Moulding, Fender	

# SECTION 4 - BODY

## FIGURE 4-29. GRAB HANDLE INSTALLATION



ART\_1001196639\_C

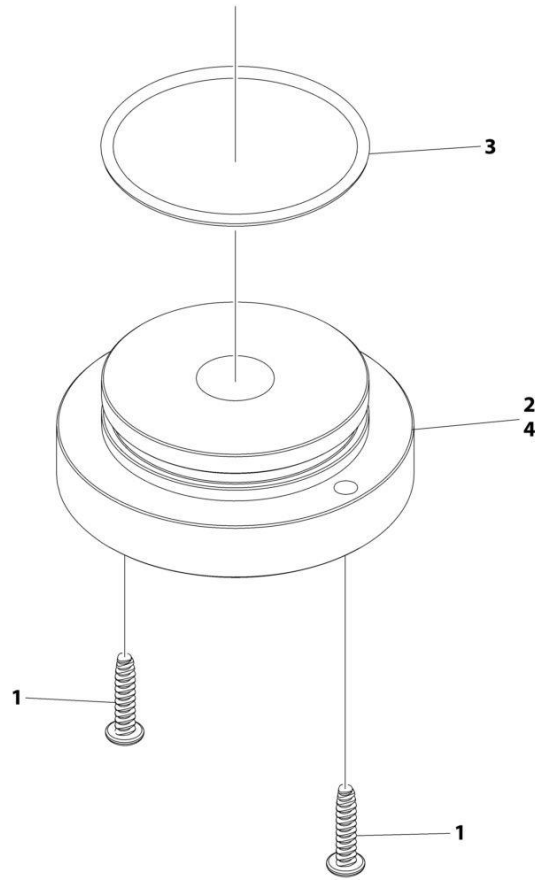


FIGURE 4-29. GRAB HANDLE INSTALLATION

ITEM	PART NUMBER	QTY	DESCRIPTION	REV
	1001196639	Ref	Grab Handle Installation	C
1	1001170849	4	Grab Handle	
3	7114141218	16	Capscrew 1/4 x 1-1/2	
4	7660142600	16	Nut 1/4	
5	7950140143	16	Washer 1/2	
6	1001166978	8	Washer, Rubber 1/4	
7	8798820001	AR	Sealant	

## SECTION 4 - BODY

FIGURE 4-30. LIFTING LUGS INSTALLATION - BODY



ART\_1001196802

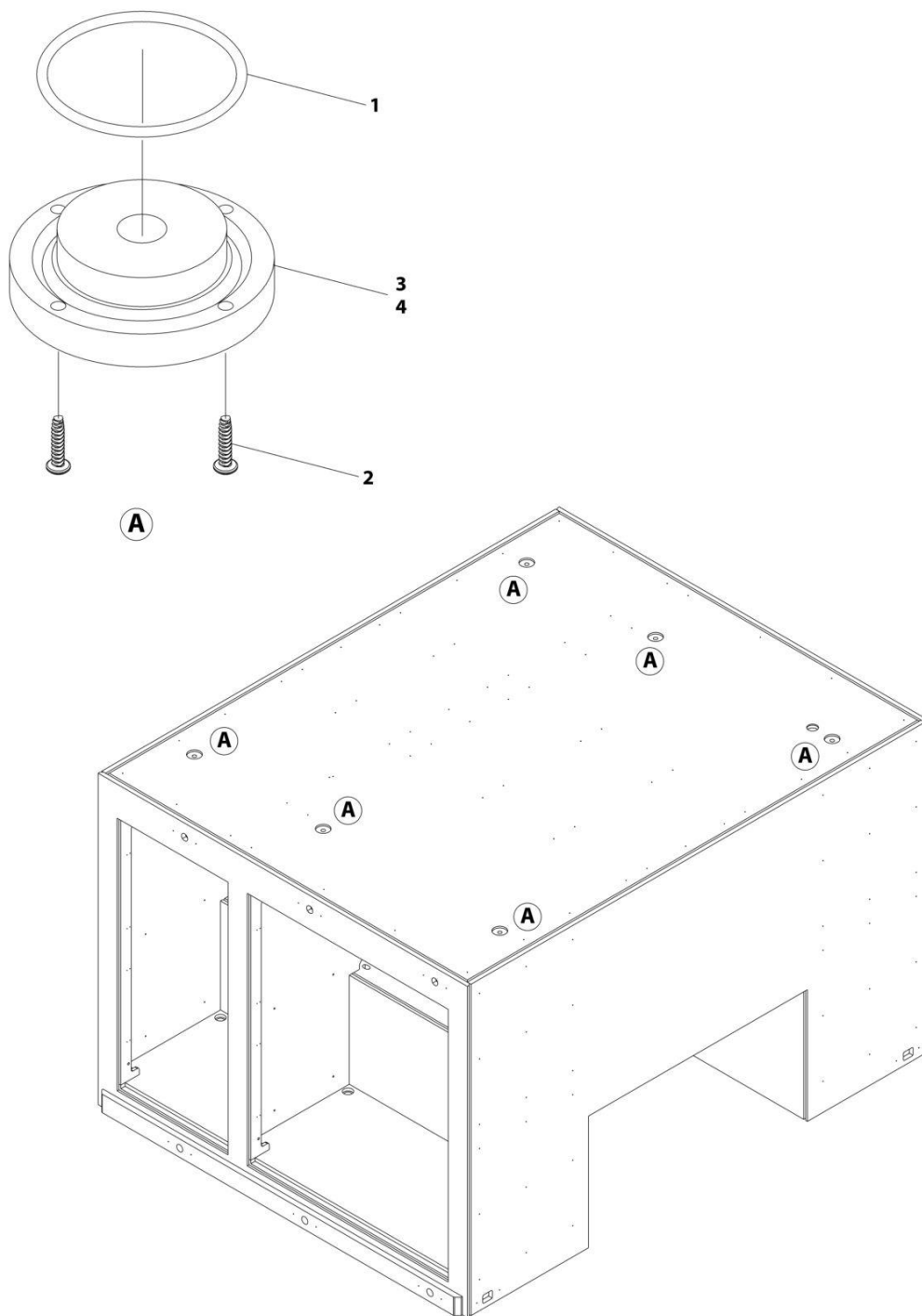
## SECTION 4 - BODY

**FIGURE 4-30. LIFTING LUGS INSTALLATION - BODY**

ITEM	PART NUMBER	QTY	DESCRIPTION	REV
	1001196802	Ref	LIFTING LUGS INSTALLATION - BODY	C
1	1001196552	32	Screw #8 x 3/4	
2	1001288629	8	Nut	
3	3790230	8	O-Ring	
4	8798820001	AR	Sealant	

# SECTION 4 - BODY

## FIGURE 4-31. LIFTING LUGS INSTALLATION - TUNNEL



ART\_1001270609

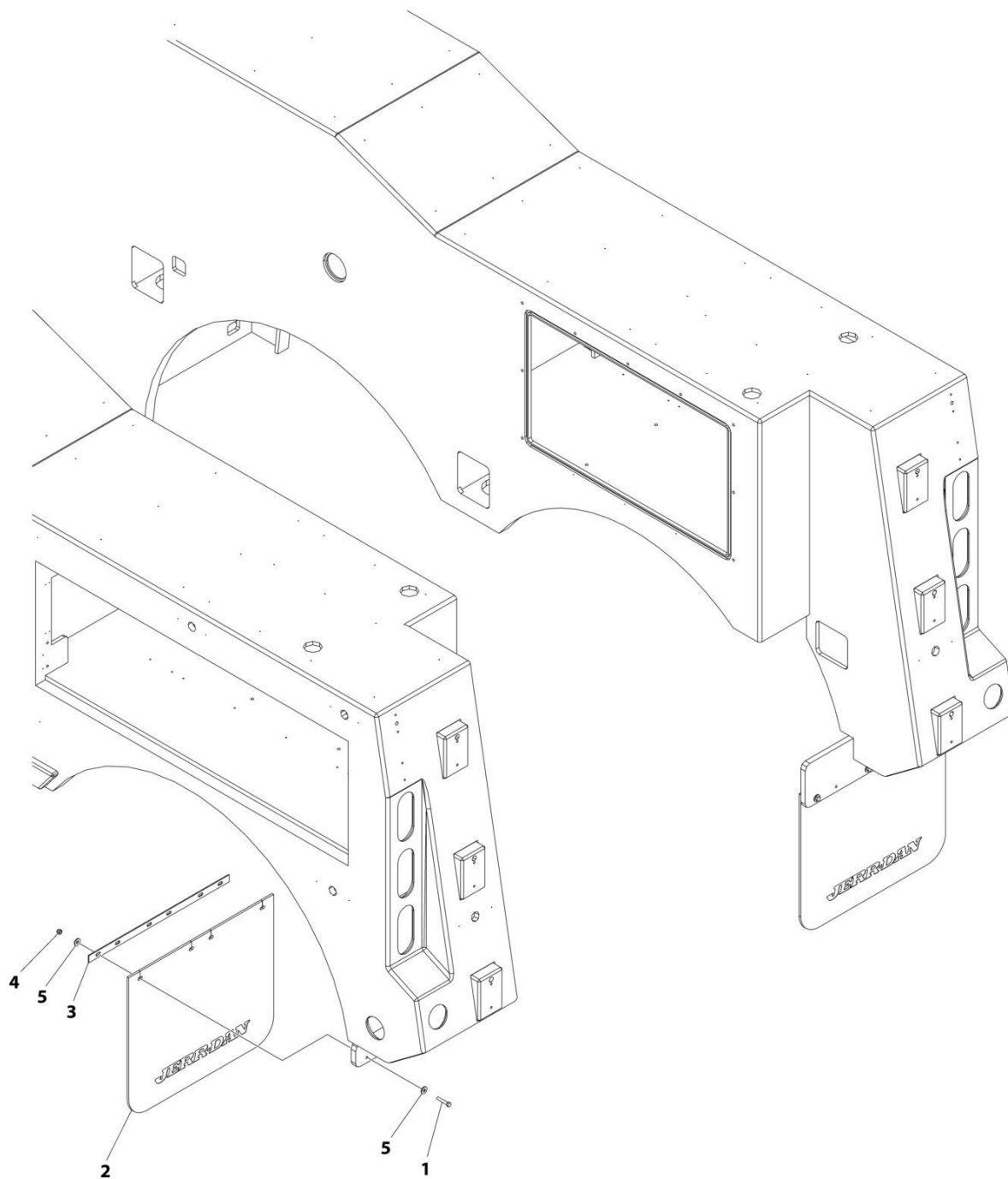
## SECTION 4 - BODY

**FIGURE 4-31. LIFTING LUGS INSTALLATION - TUNNEL**

ITEM	PART NUMBER	QTY	DESCRIPTION	REV
	1001270609	Ref	LIFTING LUGS INSTALLATION - BODY (DOUBLE)	A
1	3790230	6	O-Ring	
2	1001196552	24	Screw #8 x 3/4	
3	1001288629	6	Nut	
4	8798820001	AR	Sealant	

# SECTION 4 - BODY

## FIGURE 4-32. MUD FLAP INSTALLATION



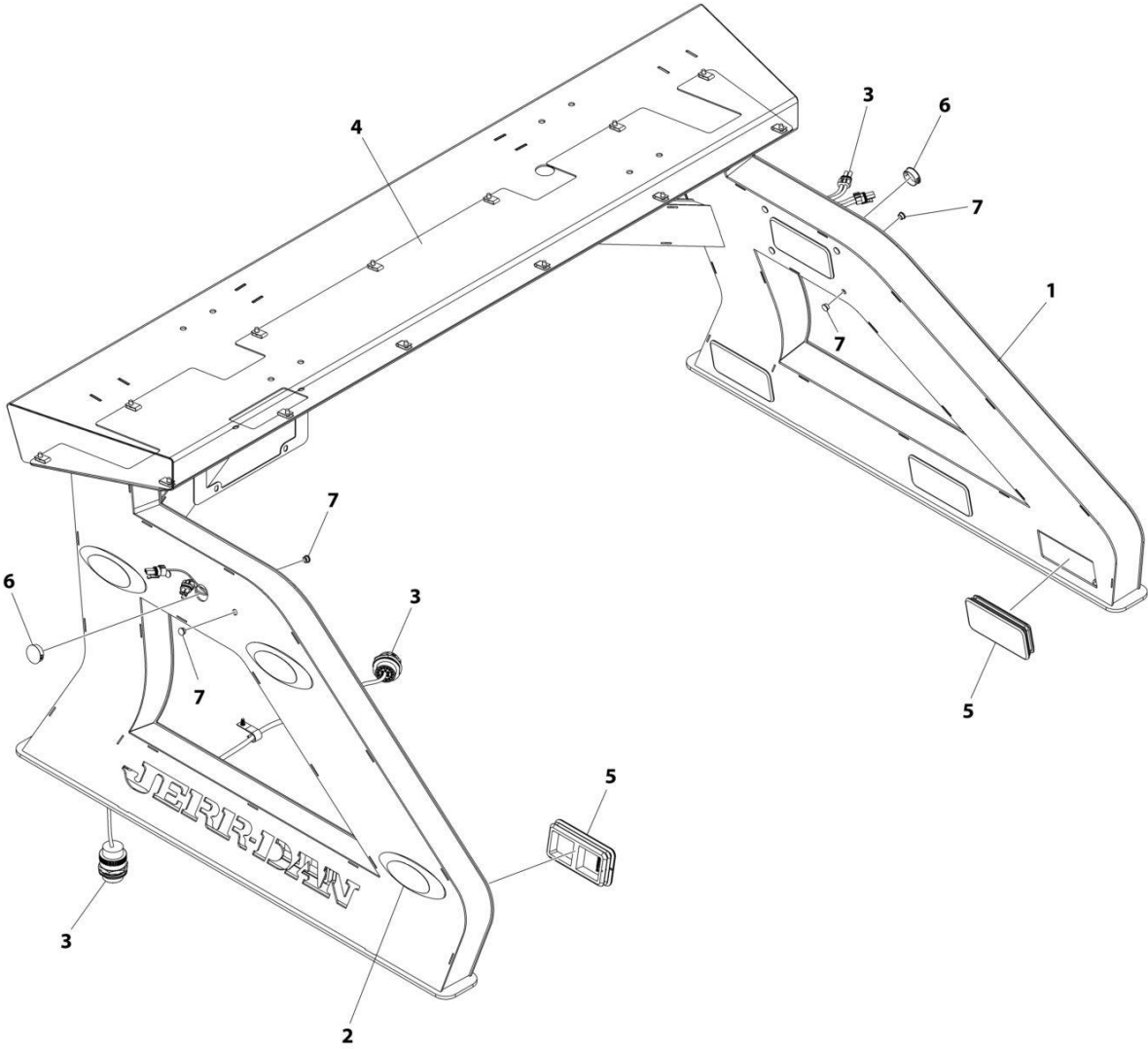
ART\_1001196790

FIGURE 4-32. MUD FLAP INSTALLATION

ITEM	PART NUMBER	QTY	DESCRIPTION	REV
	1001196790	Ref	MUD FLAP INSTALLATION	C
1	0641514	8	Bolt 5/16 x 1-3/4	
2	1001174051	2	Mud Flap	
3	4706001815	2	Plate	
4	7660152601	8	Nut 5/16	
5	7950150153	16	Washer 5/16	

**SECTION 4 - BODY**

**FIGURE 4-33. PYLON INSTALLATION (34IN)**



ART\_1001228888

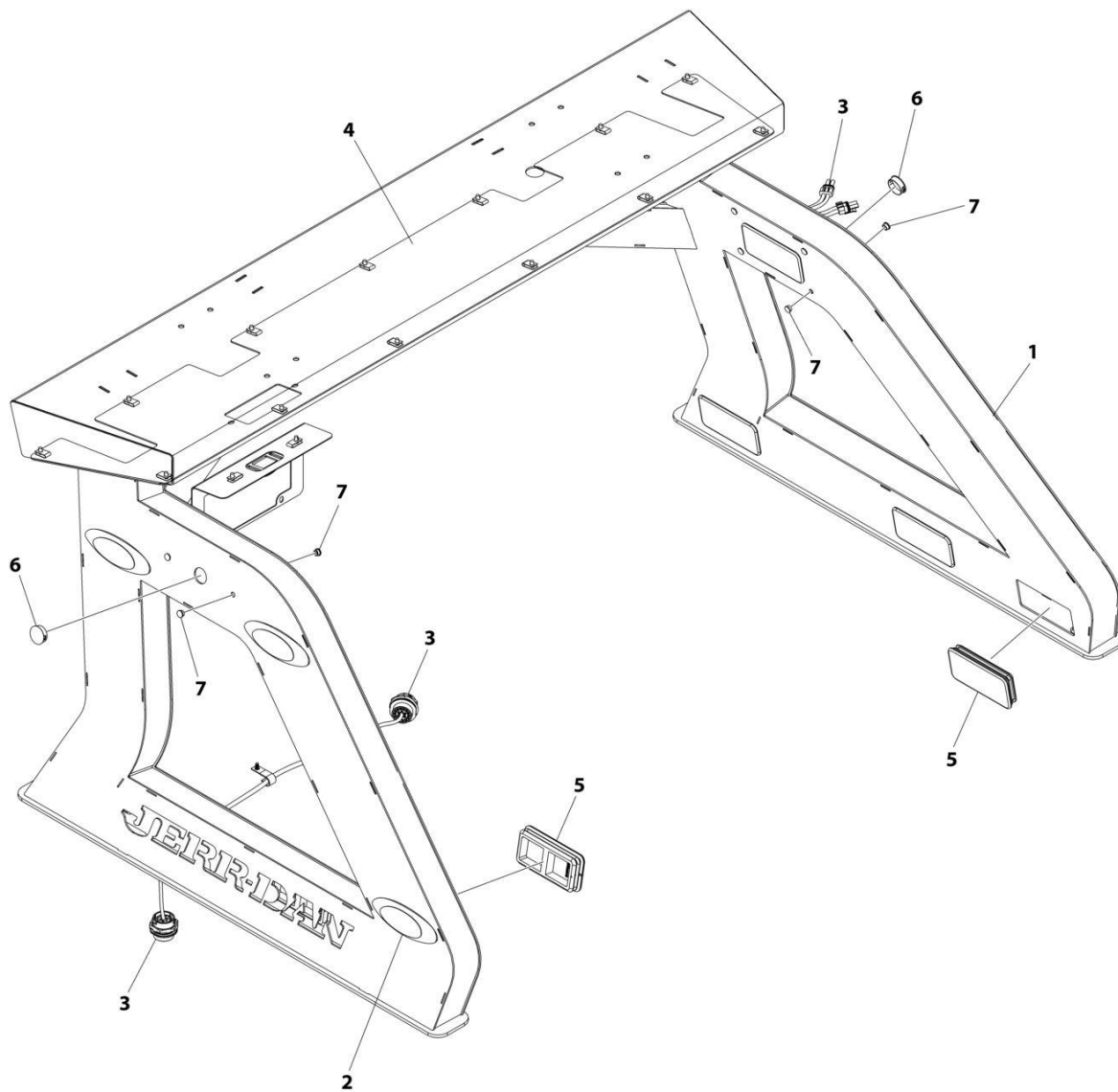


**SECTION 4 - BODY****FIGURE 4-33. PYLON INSTALLATION (34IN)**

<b>ITEM</b>	<b>PART NUMBER</b>	<b>QTY</b>	<b>DESCRIPTION</b>	<b>REV</b>
	1001228888	Ref	PYLON INSTALLATION (34IN)	A
1	1001228805	1	Support	
2	1001207488	1	Marker Lights Installation - Pylon (See Separate Breakdown in ELECTRICAL Section)	
3	1001215020	1	Pylon Electrical Installation (See Separate Breakdown in ELECTRICAL Section)	
4	1001214252	1	Pylon Cover Installation	
5	7701000048	8	Plug	
6	7701000049	2	Plug	
7	7701000056	12	Plug	

# SECTION 4 - BODY

## FIGURE 4-34. PYLON INSTALLATION (39IN)



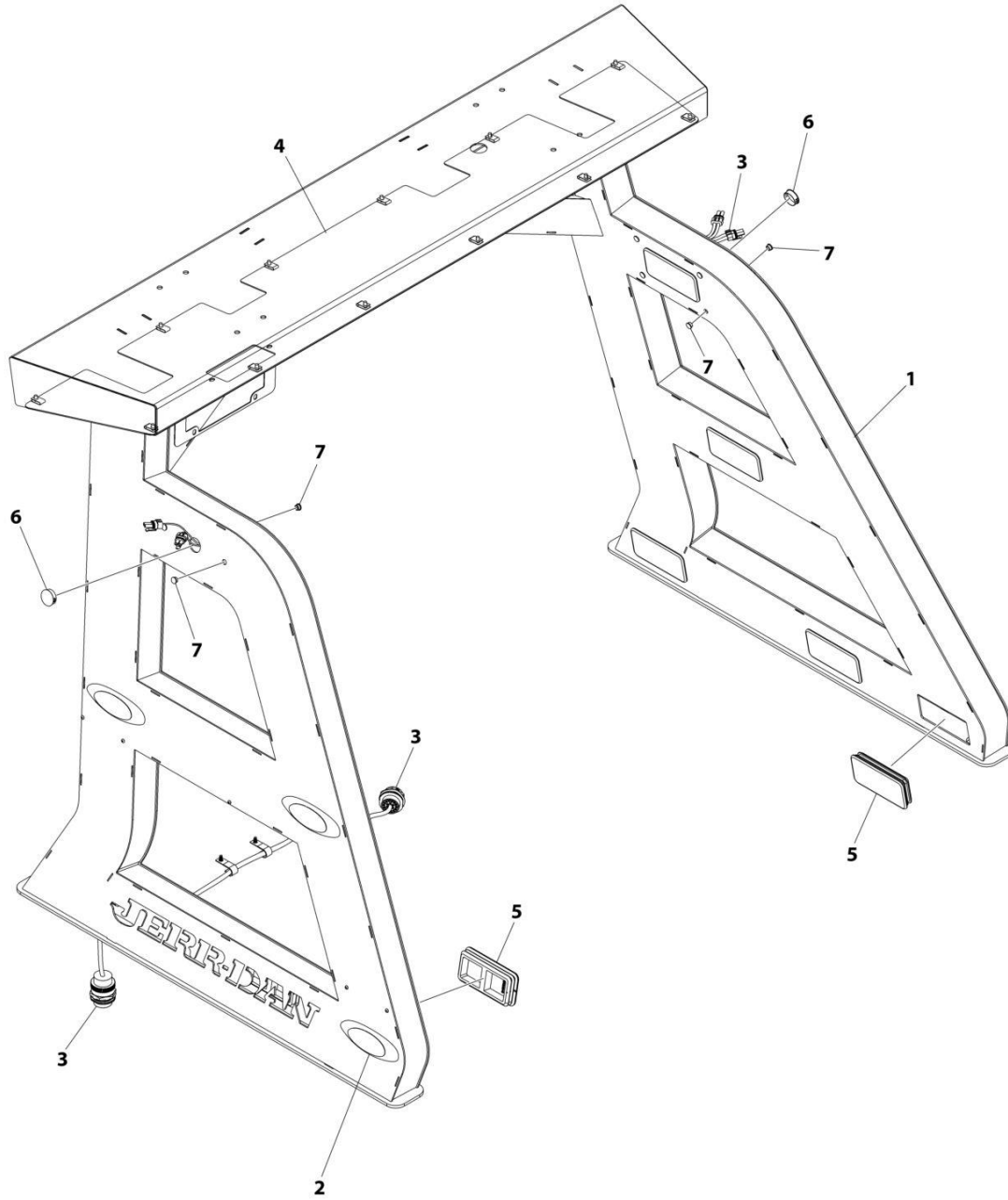
ART\_1001228889

**SECTION 4 - BODY****FIGURE 4-34. PYLON INSTALLATION (39IN)**

<b>ITEM</b>	<b>PART NUMBER</b>	<b>QTY</b>	<b>DESCRIPTION</b>	<b>REV</b>
	1001228889	Ref	PYLON INSTALLATION (39IN)	A
1	1001228818	1	Support	
2	1001207488	1	Marker Lights Installation - Pylon (See Separate Breakdown in ELECTRICAL Section)	
3	1001215020	1	Pylon Electrical Installation (See Separate Breakdown in ELECTRICAL Section)	
4	1001214262	1	Pylon Cover Installation (See Separate Breakdown in this Section)	
5	7701000048	8	Plug	
6	7701000049	2	Plug	
7	7701000056	12	Plug	

# SECTION 4 - BODY

## FIGURE 4-35. PYLON INSTALLATION (57IN)



ART\_1001228890

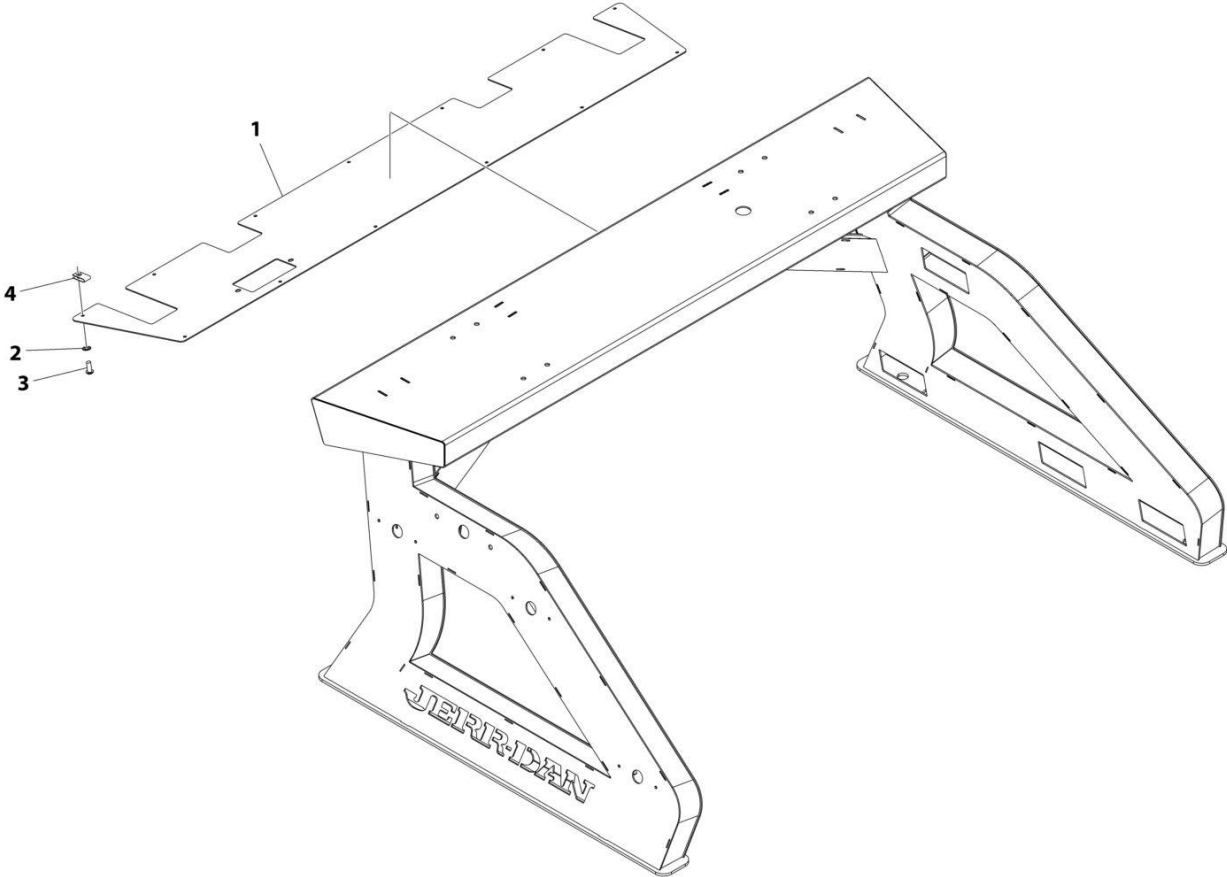
## SECTION 4 - BODY

### FIGURE 4-35. PYLON INSTALLATION (57IN)

ITEM	PART NUMBER	QTY	DESCRIPTION	REV
	1001228890	Ref	PYLON INSTALLATION (57IN)	A
1	1001228824	1	Support	
2	1001207488	1	Marker Lights Installation - Pylon (See Separate Breakdown in ELECTRICAL Section)	
3	1001215034	1	Pylon Electrical Installation (See Separate Breakdown in ELECTRICAL Section)	
4	1001214973	1	Pylon Cover Installation (See Separate Breakdown in this Section)	
5	7701000048	10	Plug	
6	7701000049	2	Plug	
7	7701000056	12	Plug	

**SECTION 4 - BODY**

**FIGURE 4-36. PYLON COVER INSTALLATION (34IN)**



ART\_1001214252

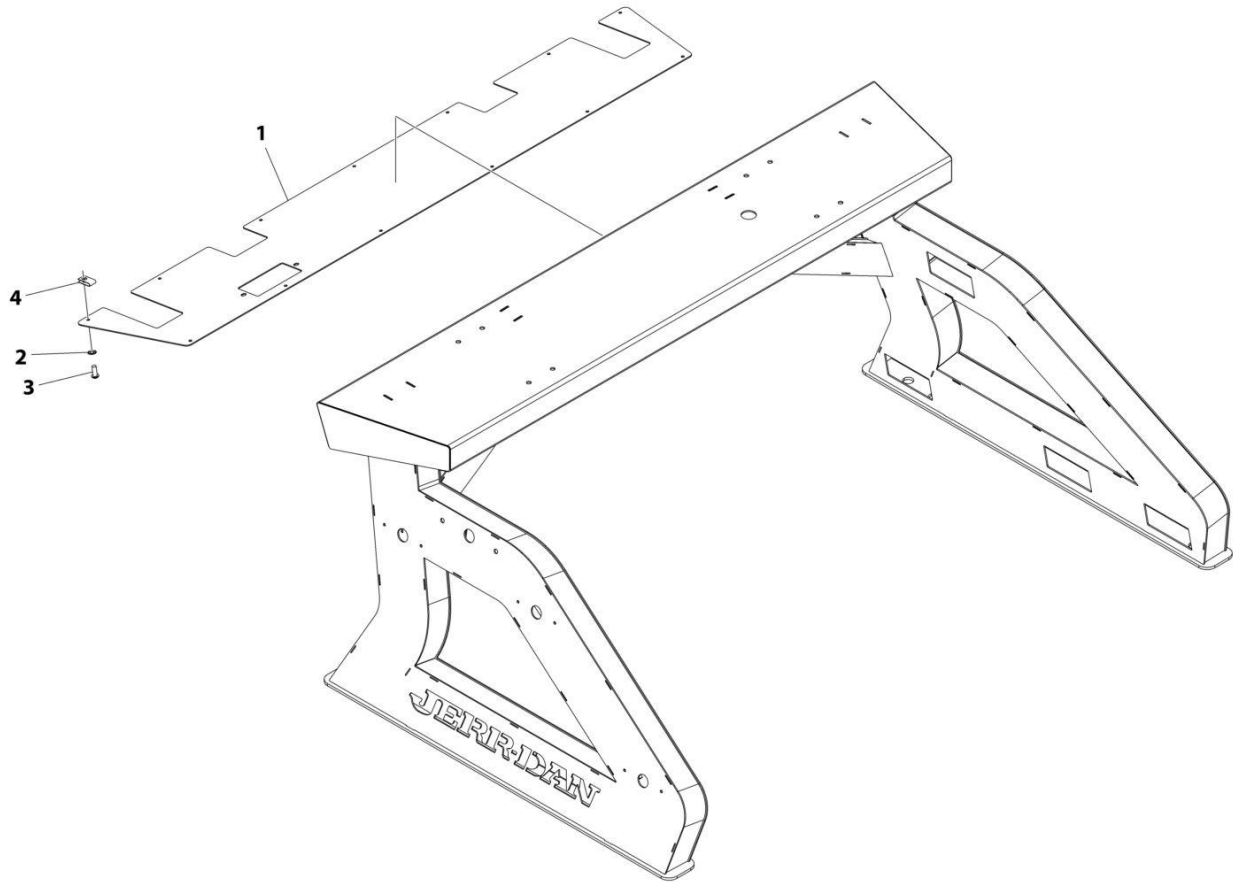
## SECTION 4 - BODY

**FIGURE 4-36. PYLON COVER INSTALLATION (34IN)**

ITEM	PART NUMBER	QTY	DESCRIPTION	REV
	1001214252	Ref	PYLON COVER INSTALLATION (34IN)	B
1	1001213093	1	Cover	
2	1001143686	13	Star Washer 1/4	
3	7114140518	13	Screw 1/4 x 5/8	
4	7661000019	13	U-Nut 1/4	

# SECTION 4 - BODY

## FIGURE 4-37. PYLON COVER INSTALLATION (39IN)



ART\_1001214262



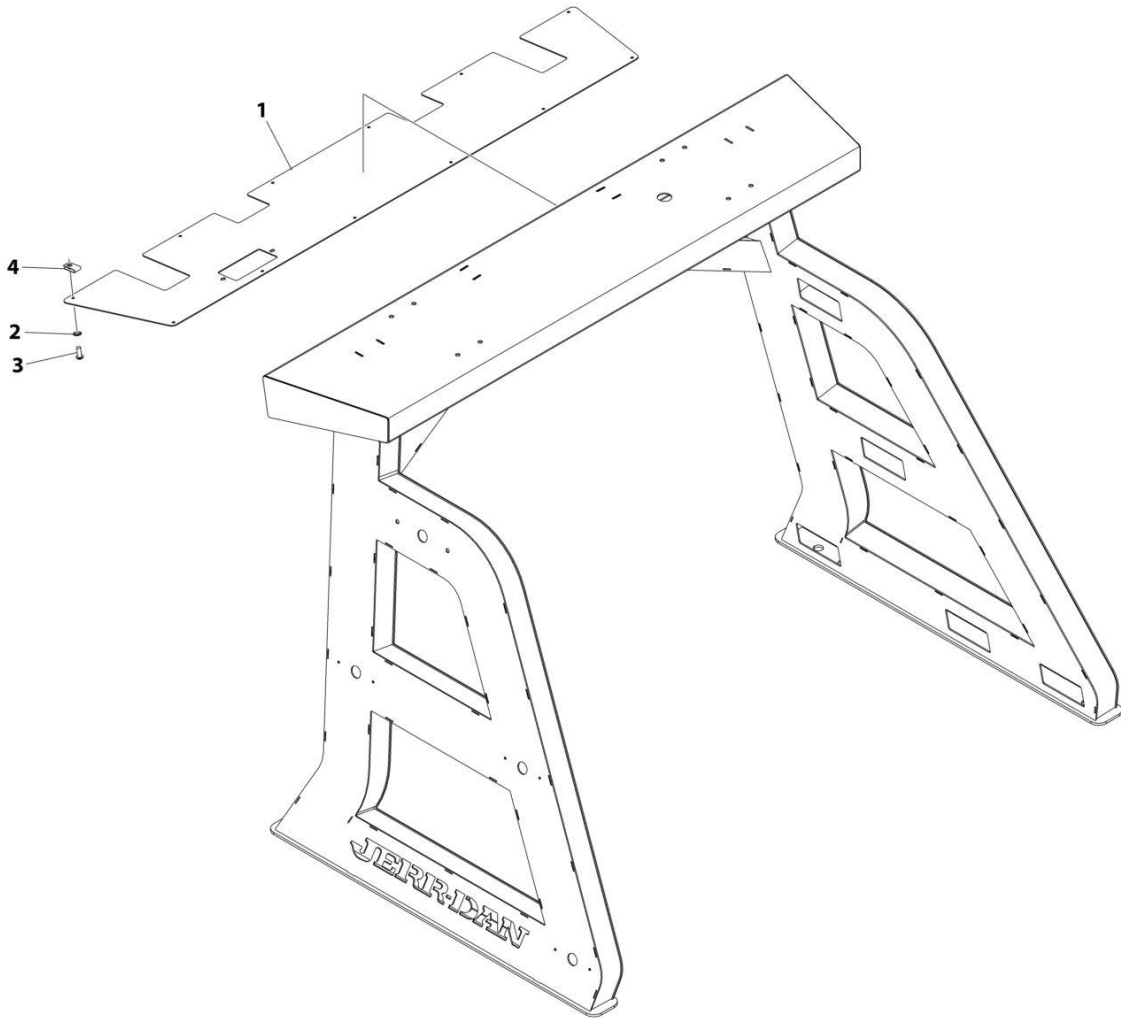
## SECTION 4 - BODY

**FIGURE 4-37. PYLON COVER INSTALLATION (39IN)**

ITEM	PART NUMBER	QTY	DESCRIPTION	REV
	1001214262	Ref	PYLON COVER INSTALLATION (39IN)	B
1	1001213522	1	Cover	
2	1001143686	13	Star Washer 1/4	
3	7114140518	13	Screw 1/4 x 5/8	
4	7661000019	13	U-Nut 1/4	

# SECTION 4 - BODY

## FIGURE 4-38. PYLON COVER INSTALLATION (57IN)



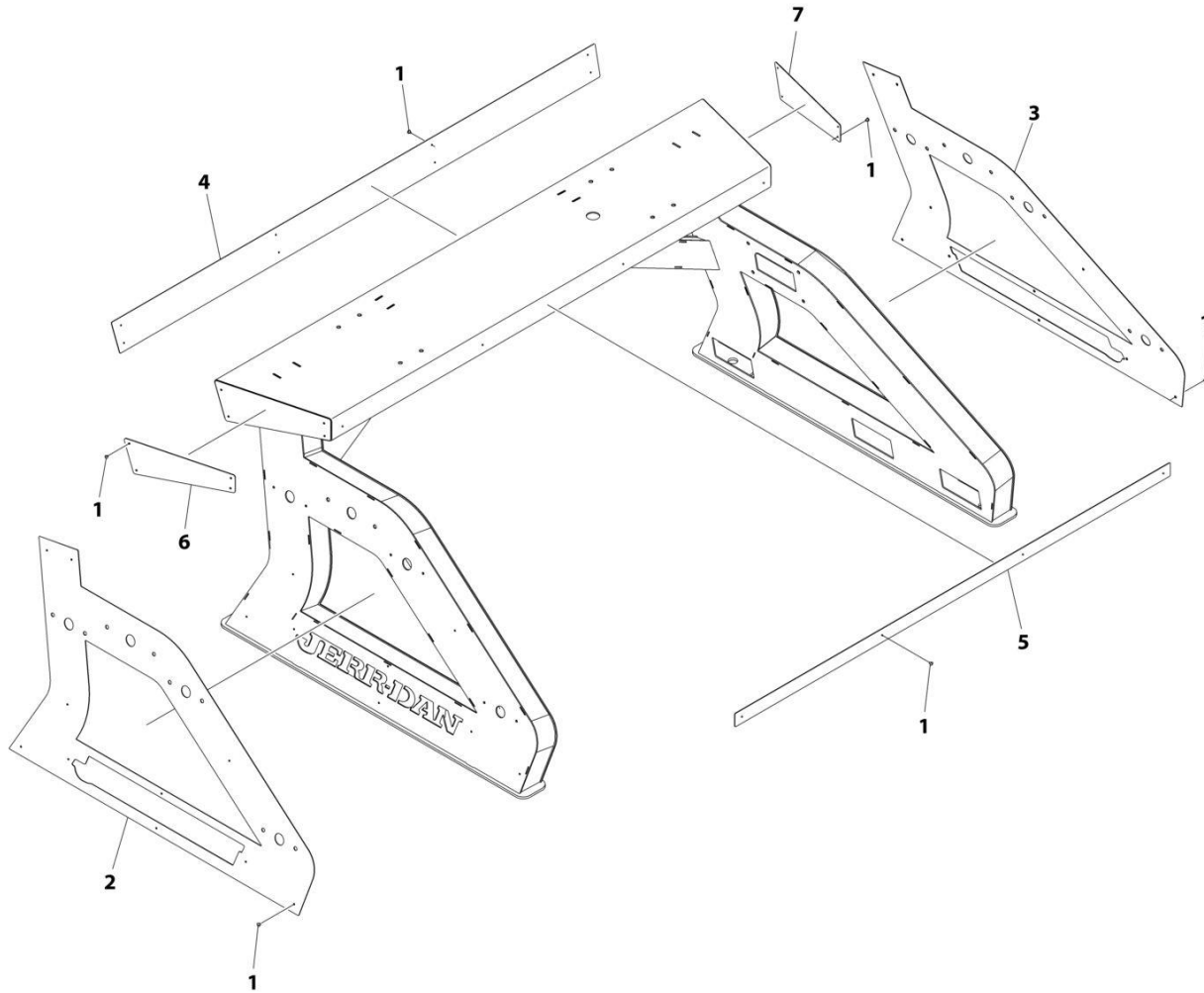
ART\_1001214973

**FIGURE 4-38. PYLON COVER INSTALLATION (57IN)**

<b>ITEM</b>	<b>PART NUMBER</b>	<b>QTY</b>	<b>DESCRIPTION</b>	<b>REV</b>
	1001214973	Ref	PYLON COVER INSTALLATION (57IN)	B
1	1001214590	1	Cover	
2	1001143686	12	Star Washer 1/4	
3	7114140518	12	Screw 1/4 x 5/8	
4	7661000019	12	U-Nut 1/4	

# SECTION 4 - BODY

FIGURE 4-39. PYLON DRESS-UP KIT - POLISHED SS (34IN)



ART\_100122897

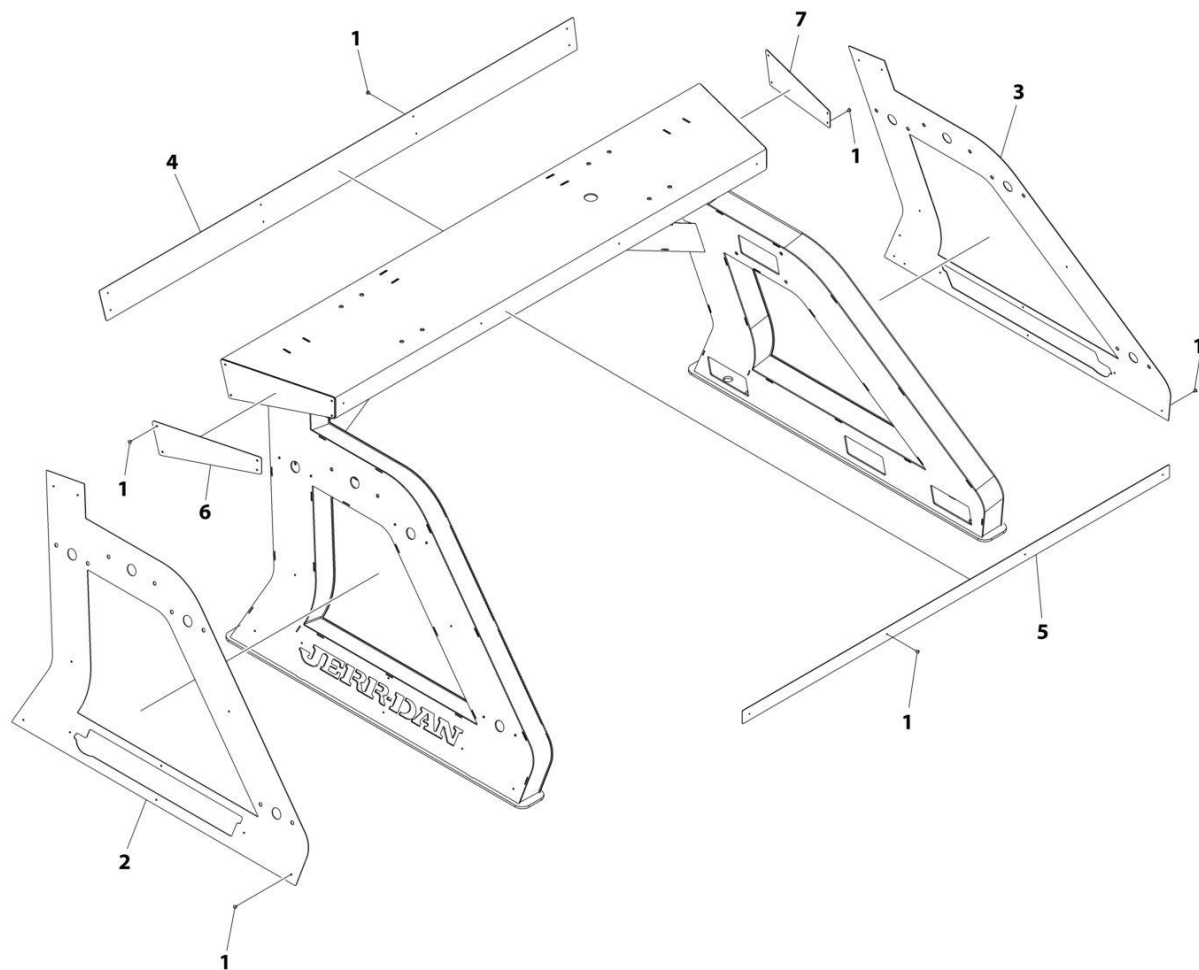
## SECTION 4 - BODY

**FIGURE 4-39. PYLON DRESS-UP KIT - POLISHED SS (34IN)**

ITEM	PART NUMBER	QTY	DESCRIPTION	REV
	1001228897	Ref	PYLON DRESS-UP KIT - POLISHED SS (34IN)	A
1	1001156424	46	Rivet	
2	1001228903	1	Cover (LH)	
3	1001228904	1	Cover (RH)	
4	1001220369	1	Cover (Front)	
5	1001220370	1	Cover (Back)	
6	1001220371	1	Cover (Side LH)	
7	1001220372	1	Cover (Side RH)	

# SECTION 4 - BODY

## FIGURE 4-40. PYLON DRESS-UP KIT - POLISHED SS (39IN)



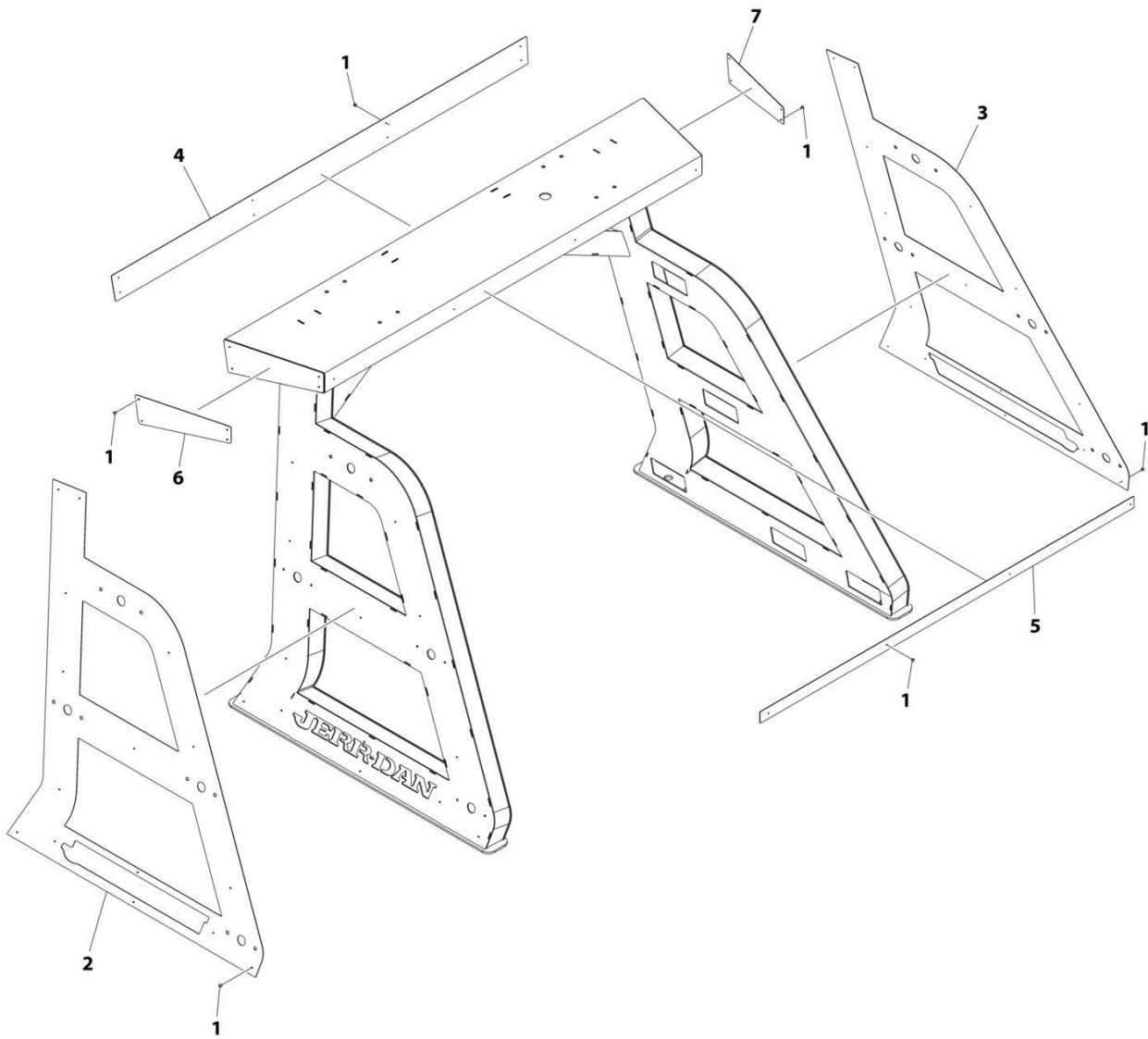
ART\_1001228899

**SECTION 4 - BODY****FIGURE 4-40. PYLON DRESS-UP KIT - POLISHED SS (39IN)**

<b>ITEM</b>	<b>PART NUMBER</b>	<b>QTY</b>	<b>DESCRIPTION</b>	<b>REV</b>
	1001228899	Ref	PYLON DRESS-UP KIT - POLISHED SS (39IN)	A
1	1001156424	48	Rivet	
2	1001228907	1	Cover (LH)	
3	1001228908	1	Cover (RH)	
4	1001220369	1	Cover (Front)	
5	1001220370	1	Cover (Back)	
6	1001220373	1	Cover (Side LH)	
7	1001220374	1	Cover (Side RH)	

# SECTION 4 - BODY

## FIGURE 4-41. PYLON DRESS-UP KIT - POLISHED SS (57IN)



ART\_1001220348



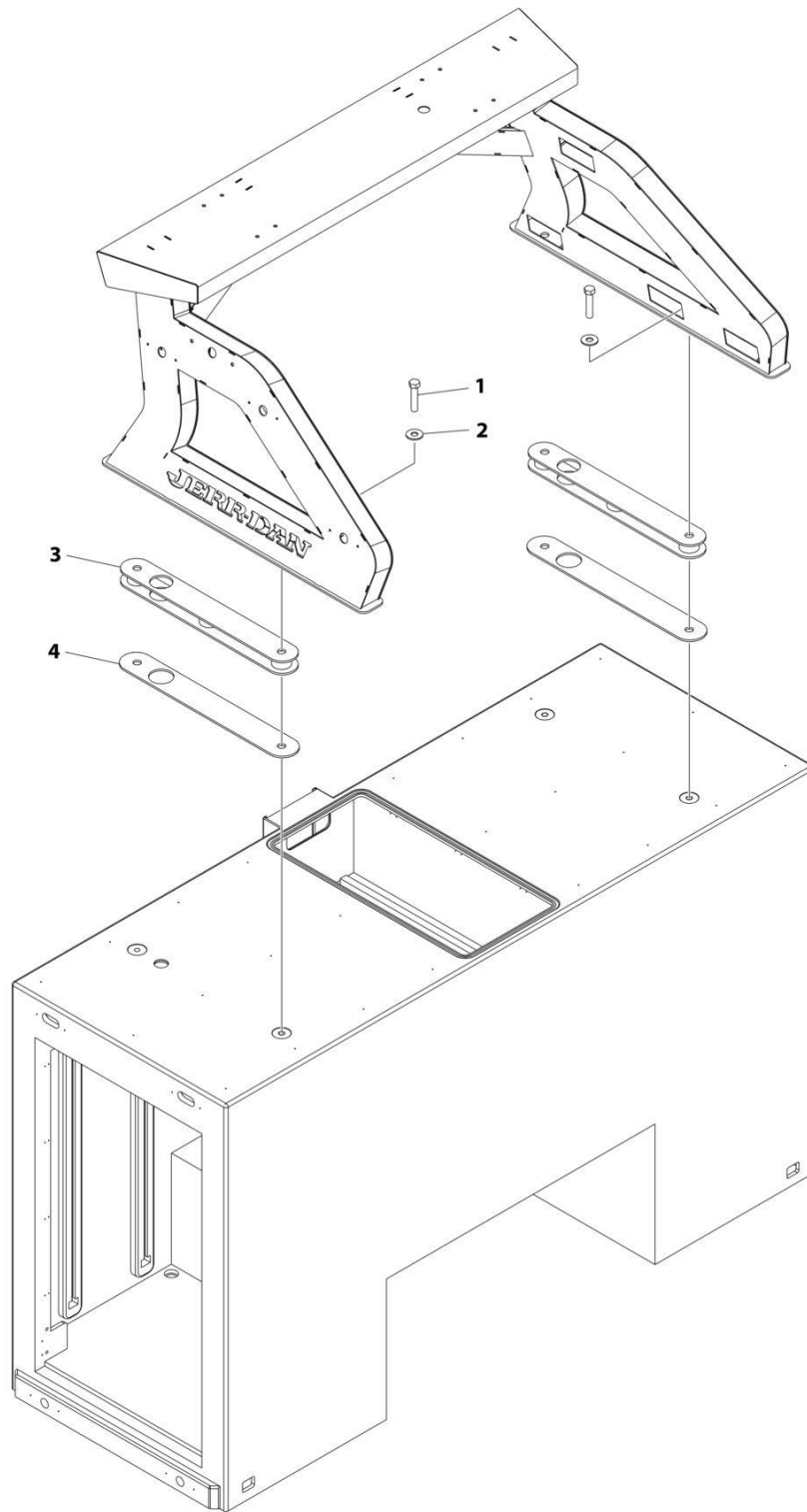
## SECTION 4 - BODY

**FIGURE 4-41. PYLON DRESS-UP KIT - POLISHED SS (57IN)**

ITEM	PART NUMBER	QTY	DESCRIPTION	REV
	1001220348	Ref	PYLON DRESS-UP KIT - POLISHED SS (57IN)	B
1	1001156424	58	Rivet	
2	1001220367	1	Cover (LH)	
3	1001220368	1	Cover (RH)	
4	1001220369	1	Cover (Front)	
5	1001220370	1	Cover (Back)	
6	1001220375	1	Cover (Side LH)	
7	1001220376	1	Cover (Side RH)	

# SECTION 4 - BODY

## FIGURE 4-42. PYLON ADAPTER INSTALLATION - 39IN TUNNEL



ART\_1001214336

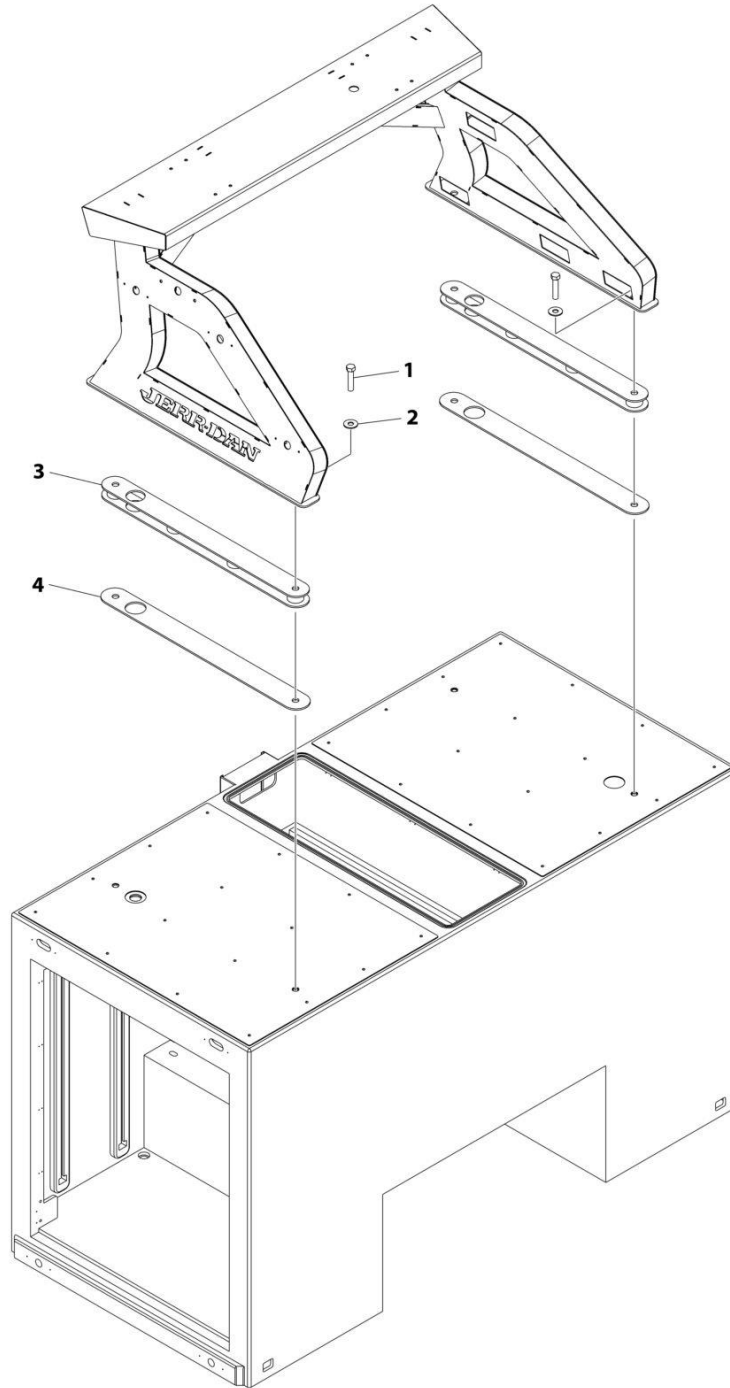
## SECTION 4 - BODY

**FIGURE 4-42. PYLON ADAPTER INSTALLATION - 39IN TUNNEL**

ITEM	PART NUMBER	QTY	DESCRIPTION	REV
	1001214336	Ref	PYLON ADAPTER INSTALLATION - 39IN TUNNEL	A
1	0642228	4	Capscrew 3/4 x 3-1/2	
2	4752200	4	Washer 3/4	
3	1001213112	2	Mount	
4	1001214350	2	Seal	

# SECTION 4 - BODY

## FIGURE 4-43. PYLON ADAPTER INSTALLATION - 51IN TUNNEL



ART\_1001214335

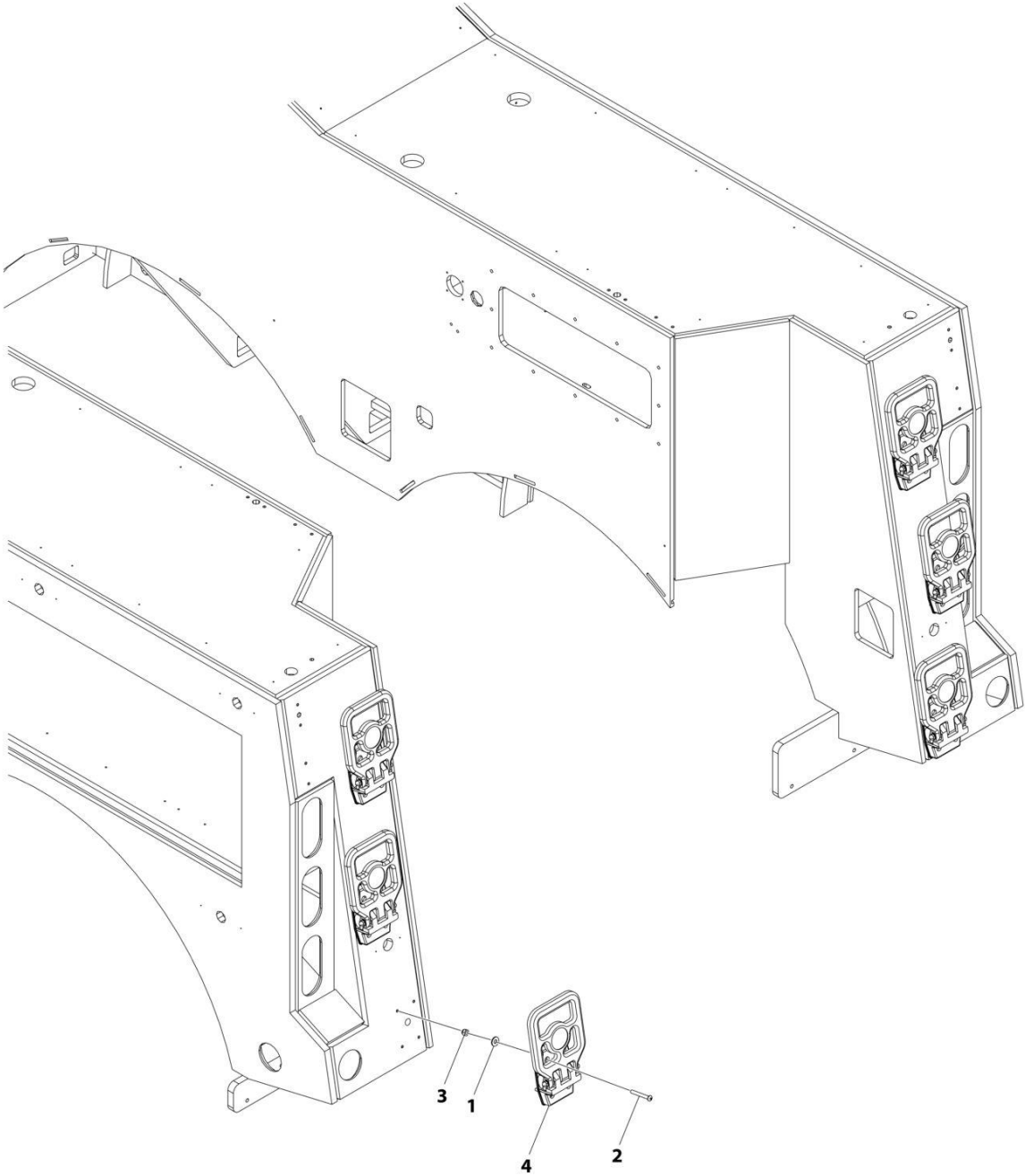
## SECTION 4 - BODY

### FIGURE 4-43. PYLON ADAPTER INSTALLATION - 51IN TUNNEL

ITEM	PART NUMBER	QTY	DESCRIPTION	REV
	1001214335	Ref	PYLON ADAPTER INSTALLATION - 51IN TUNNEL	A
1	0642228	4	Capscrew 3/4 x 3-1/2	
2	4752200	4	Washer 3/4	
3	1001213111	2	Mount	
4	1001214130	2	Seal	

**SECTION 4 - BODY**

**FIGURE 4-44. STEP INSTALLATION (SINGLE AXLE BODY)**



ART\_1001289265

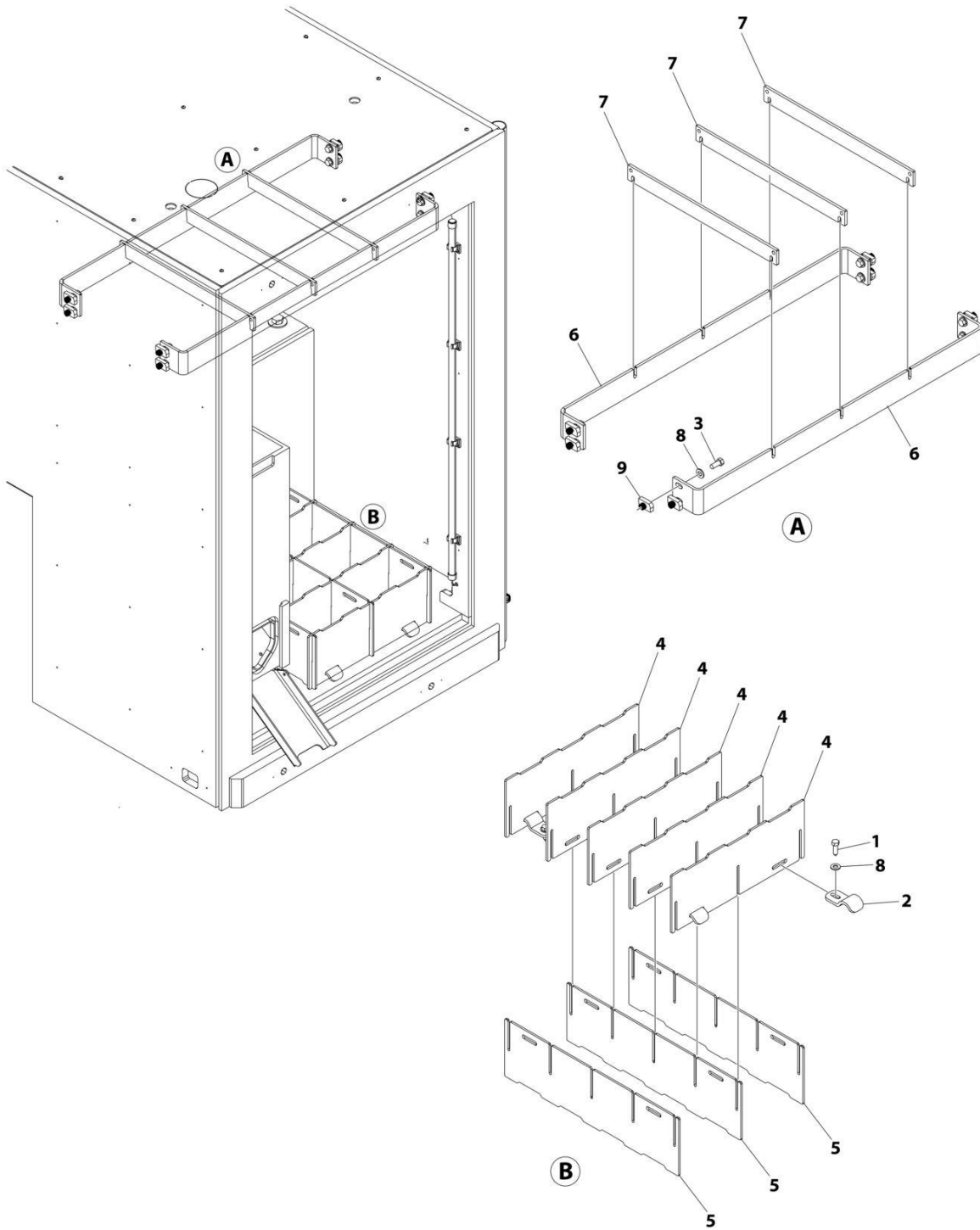
## SECTION 4 - BODY

### FIGURE 4-44. STEP INSTALLATION (SINGLE AXLE BODY)

ITEM	PART NUMBER	QTY	DESCRIPTION	REV
	1001289265	Ref	STEPS INSTALLATION	A
1	4751400	24	Washer 1/4	
2	7114141618	24	Bolt 1/4 x 2	
3	7660142601	24	Nut 1/4	
4	1001285503	6	Step	

# SECTION 4 - BODY

## FIGURE 4-45. STORAGE - CHAIN RACK INSTALLATION (38IN)



ART\_1001284941



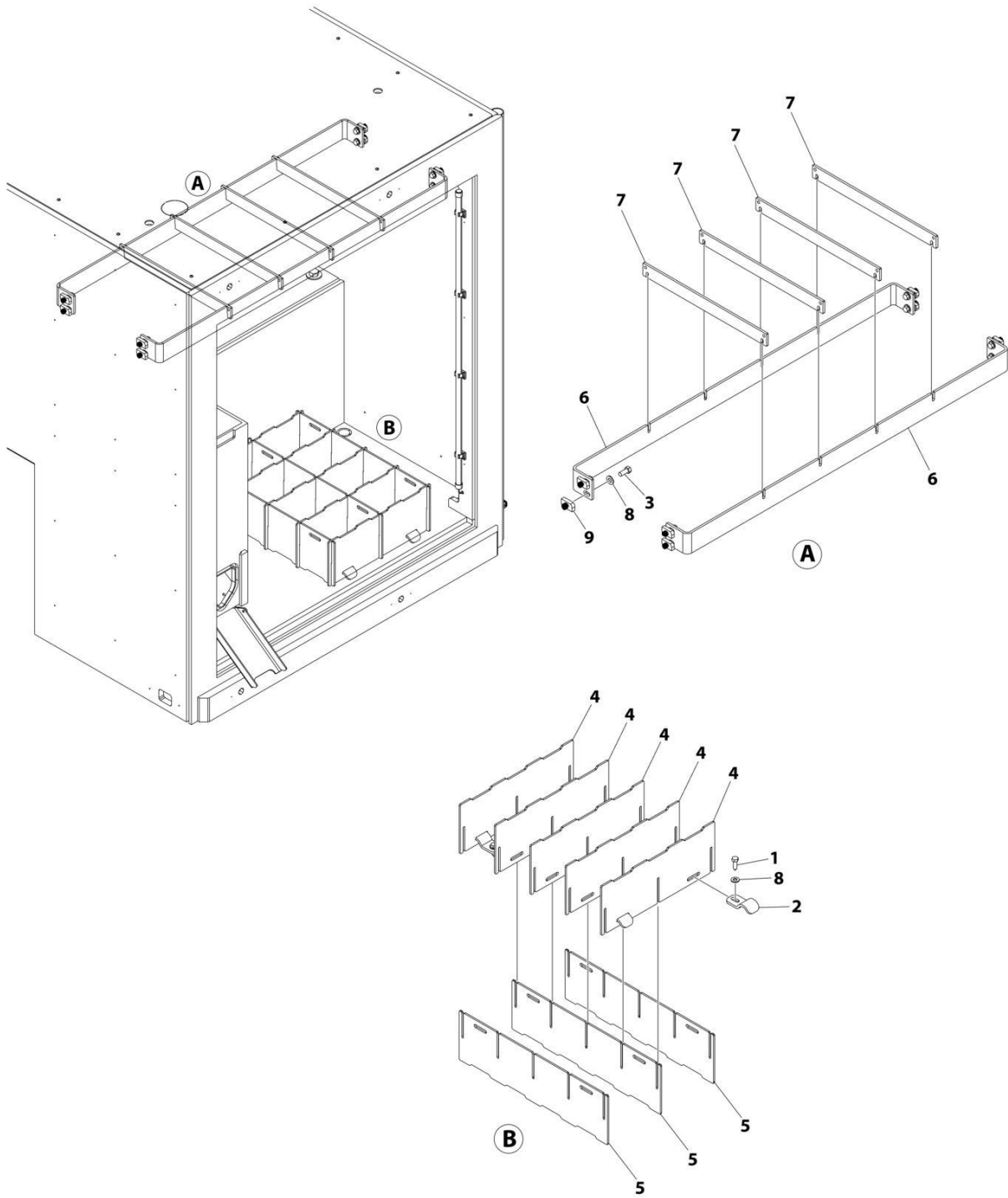
## SECTION 4 - BODY

### FIGURE 4-45. STORAGE - CHAIN RACK INSTALLATION (38IN)

ITEM	PART NUMBER	QTY	DESCRIPTION	REV
	1001284941	Ref	CHAIN RACK (38IN)	A
1	1001168545	4	Capscrew 3/8 x 1-1/4	
2	1001175596	4	Clamp	
3	1001210454	8	Bolt 3/8 x 7/8	
4	1001282692	5	Plate, Chain Pocket	
5	1001282693	3	Plate, Chain Pocket	
6	1001284945	2	Bar, Chain Rack	
7	1001284948	3	Bar, Chain Rack	
8	7950160143	12	Washer 3/8	
9	1001166644	8	Spring Nut 3/8	

# SECTION 4 - BODY

## FIGURE 4-46. STORAGE - CHAIN RACK INSTALLATION (50IN)



ART\_1001284940

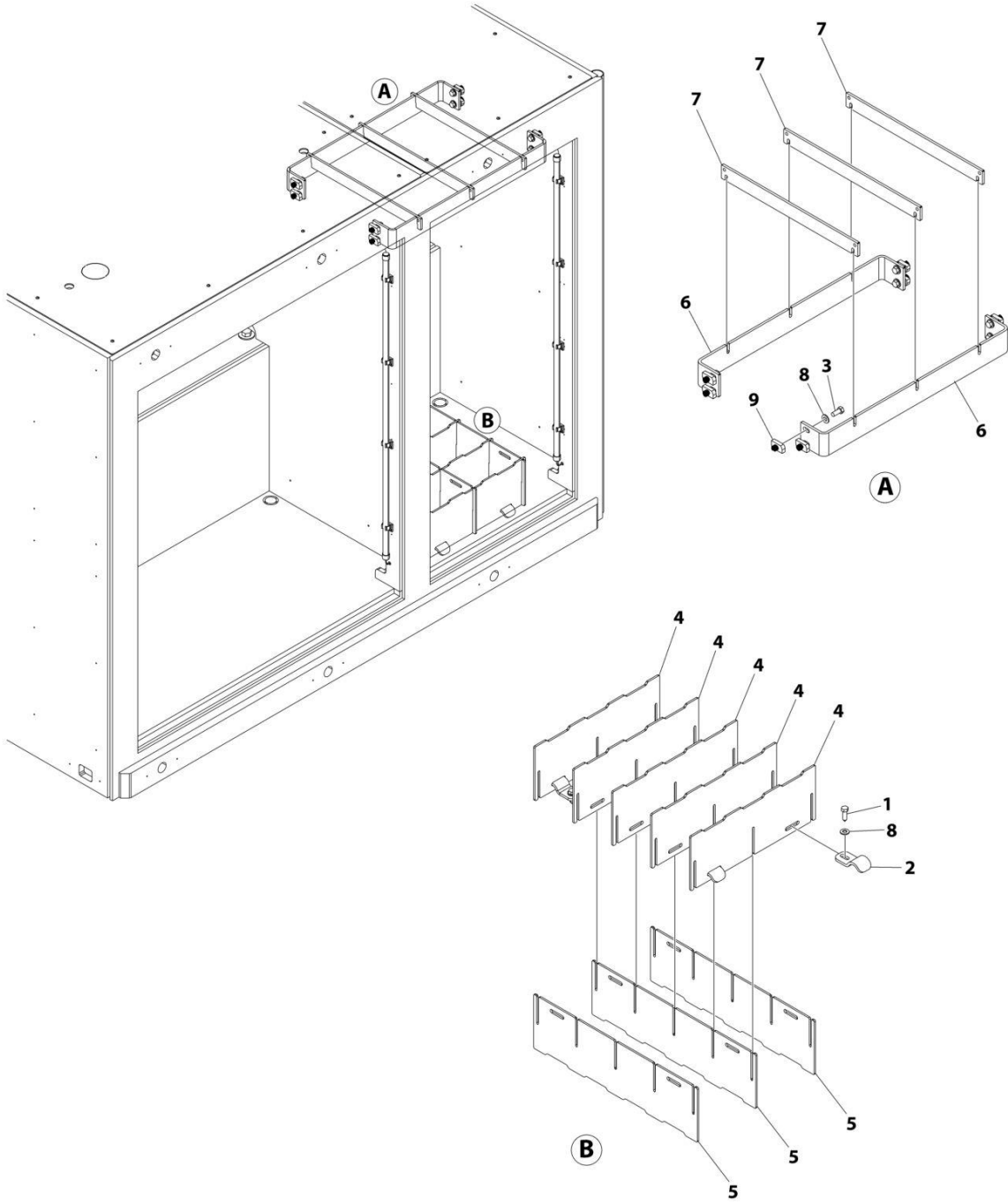
## SECTION 4 - BODY

**FIGURE 4-46. STORAGE - CHAIN RACK INSTALLATION (50IN)**

ITEM	PART NUMBER	QTY	DESCRIPTION	REV
	1001284940	Ref	CHAIN RACK (50IN)	A
1	1001168545	4	Capscrew 3/8 x 1-1/4	
2	1001175596	4	Clamp	
3	1001210454	8	Bolt 3/8 x 7/8	
4	1001282692	5	Plate, Chain Pocket	
5	1001282693	3	Plate, Chain Pocket	
6	1001284944	2	Bar, Chain Rack	
7	1001284948	4	Bar, Chain Rack	
8	7950160143	12	Washer 3/8	
9	1001166644	8	Spring Nut 3/8	

# SECTION 4 - BODY

## FIGURE 4-47. STORAGE - CHAIN RACK INSTALLATION (76IN)



ART\_1001284942

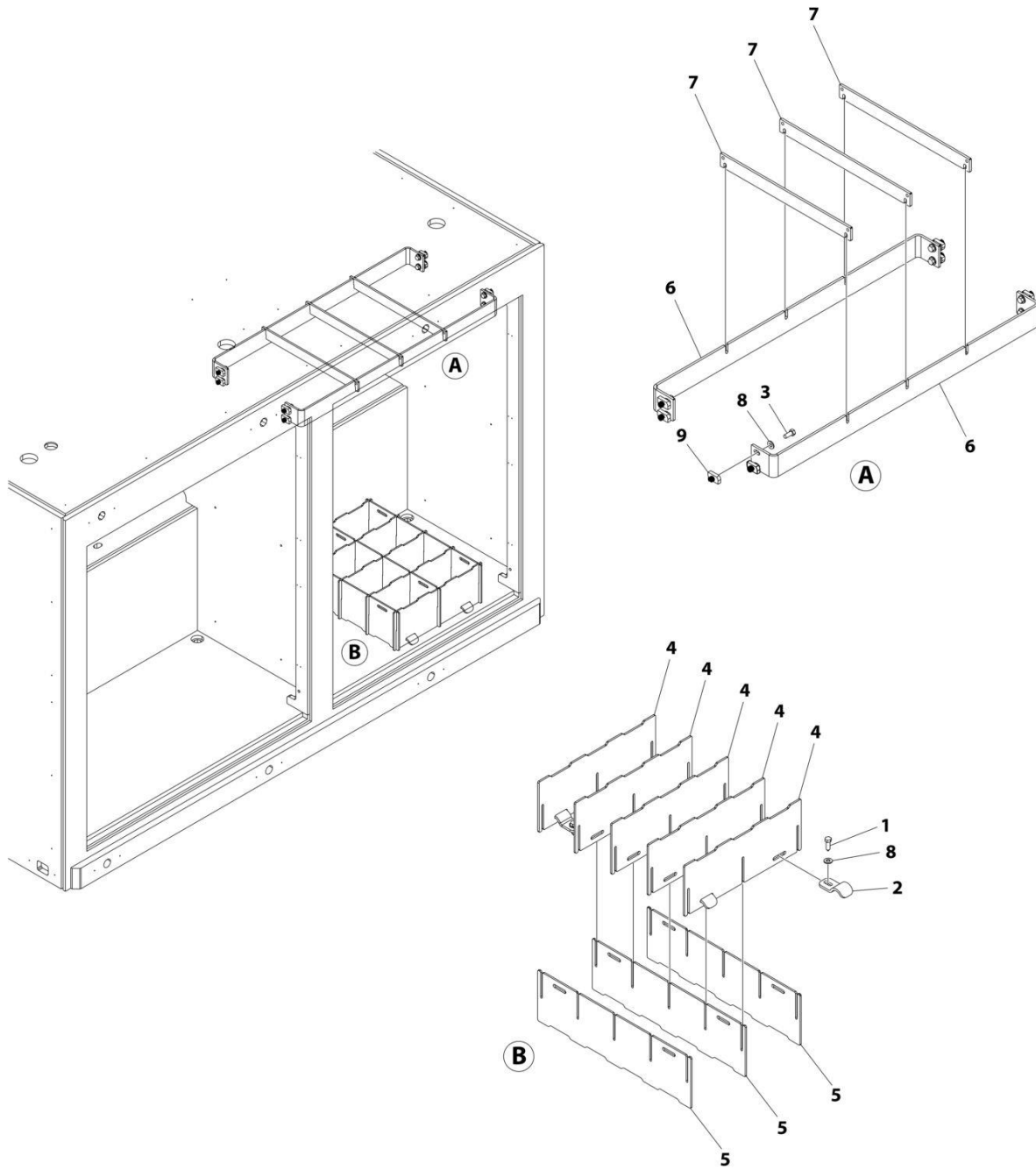
## SECTION 4 - BODY

**FIGURE 4-47. STORAGE - CHAIN RACK INSTALLATION (76IN)**

ITEM	PART NUMBER	QTY	DESCRIPTION	REV
	1001284942	Ref	CHAIN RACK (76IN)	A
1	1001168545	4	Capscrew 3/8 x 1-1/4	
2	1001175596	4	Clamp	
3	1001210454	8	Bolt 3/8 x 7/8	
4	1001282692	5	Plate, Chain Pocket	
5	1001282693	3	Plate, Chain Pocket	
6	1001284946	2	Bar, Chain Rack	
7	1001284948	3	Bar, Chain Rack	
8	7950160143	12	Washer 3/8	
9	1001166644	8	Spring Nut 3/8	

# SECTION 4 - BODY

## FIGURE 4-48. STORAGE - CHAIN RACK INSTALLATION (88IN)



ART\_1001284943

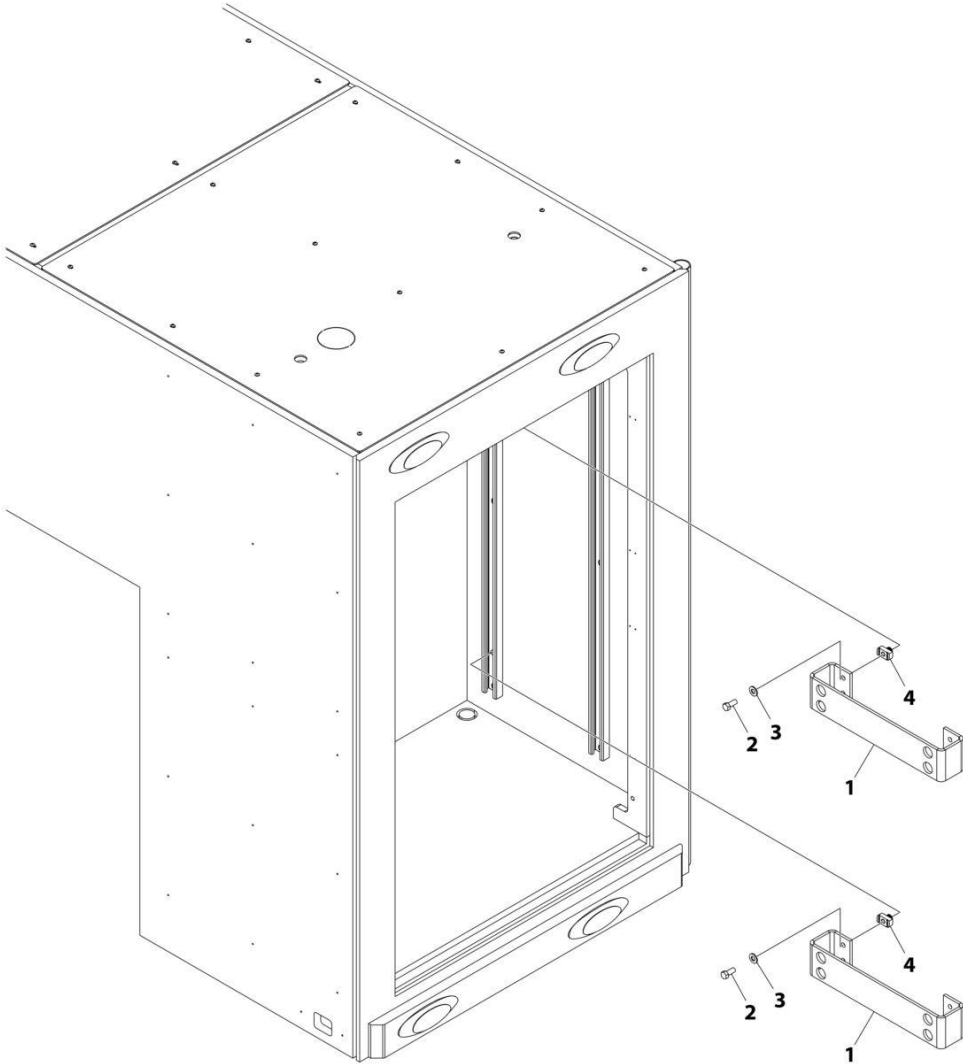
## SECTION 4 - BODY

**FIGURE 4-48. STORAGE - CHAIN RACK INSTALLATION (88IN)**

ITEM	PART NUMBER	QTY	DESCRIPTION	REV
	1001284943	Ref	CHAIN RACK (88IN)	A
1	1001168545	4	Capscrew 3/8 x 1-1/4	
2	1001175596	4	Clamp	
3	1001210454	8	Bolt 3/8 x 7/8	
4	1001282692	5	Plate, Chain Pocket	
5	1001282693	3	Plate, Chain Pocket	
6	1001284947	2	Bar, Chain Rack	
7	1001284948	3	Bar, Chain Rack	
8	7950160143	12	Washer 3/8	
9	1001166644	8	Spring Nut 3/8	

**SECTION 4 - BODY**

**FIGURE 4-49. STORAGE - CHAIN RACK INSTALLATION (SIDE WALL)**



ART\_1001285035



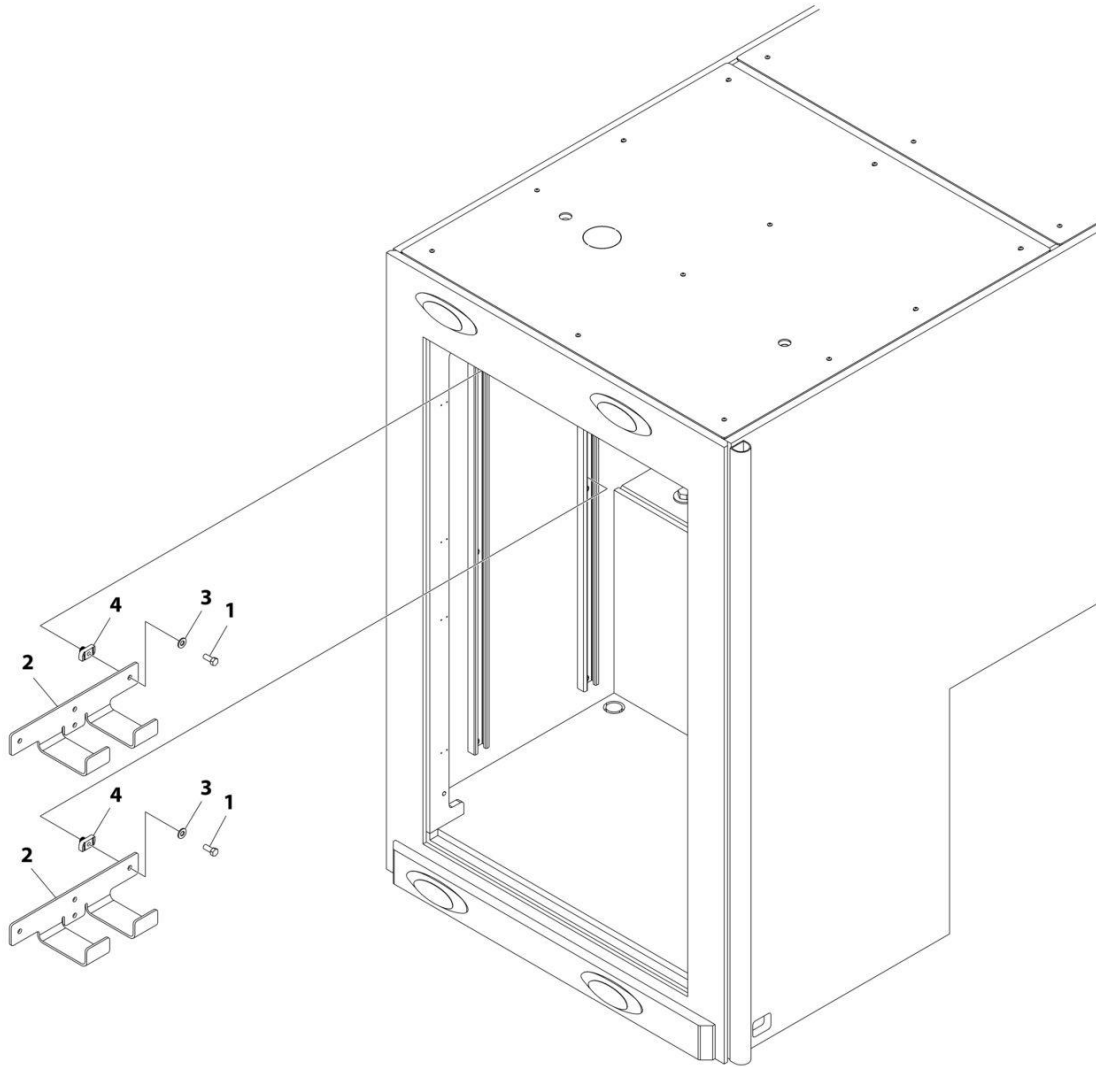
## SECTION 4 - BODY

**FIGURE 4-49. STORAGE - CHAIN RACK INSTALLATION (SIDE WALL)**

ITEM	PART NUMBER	QTY	DESCRIPTION	REV
	1001285035	Ref	CHAIN RACK	A
1	1001189776	2	Plate	
2	1001210454	8	Bolt 3/8 x 7/8	
3	7950160143	8	Washer 3/8	
4	1001166644	8	Spring Nut 3/8	

# SECTION 4 - BODY

FIGURE 4-50. STORAGE - CHAIN/BINDER RACK INSTALLATION (TANDEM)



ART\_1001285053

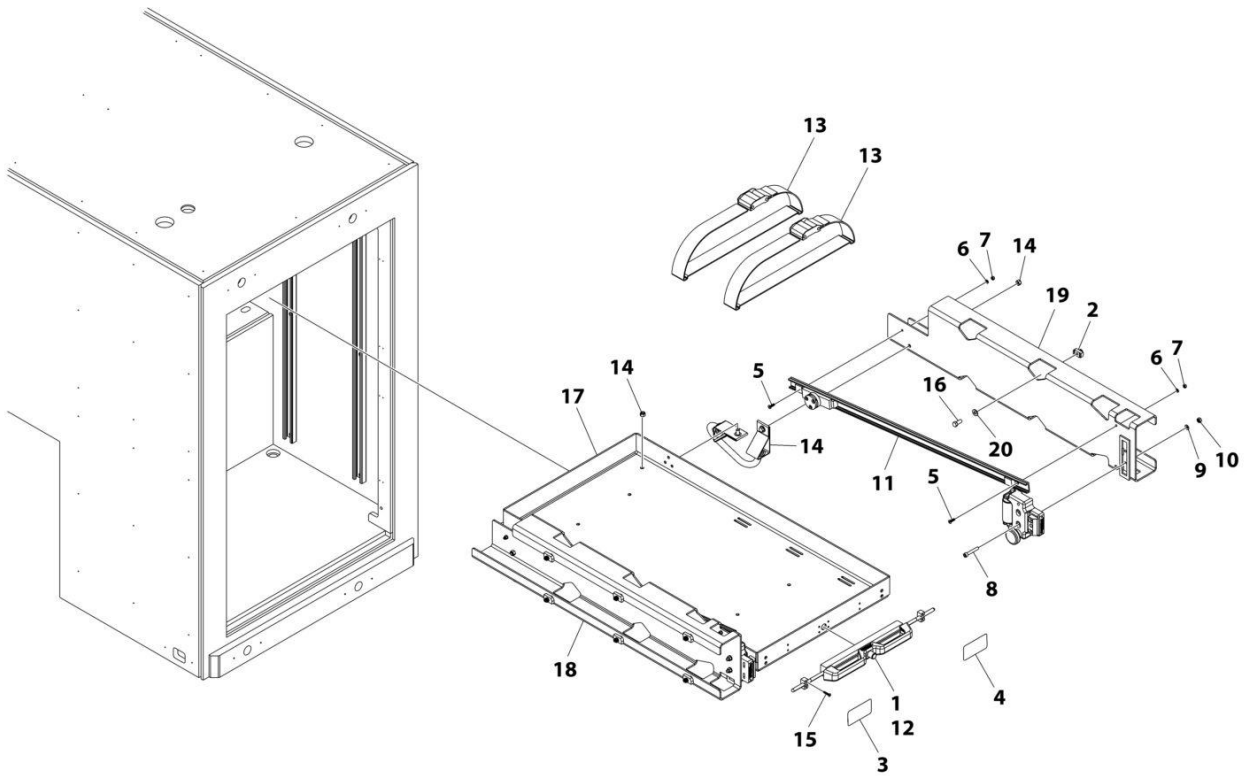
## SECTION 4 - BODY

**FIGURE 4-50. STORAGE - CHAIN/BINDER RACK INSTALLATION (TANDEM)**

ITEM	PART NUMBER	QTY	DESCRIPTION	REV
	1001285053	Ref	CHAIN BINDER RACK INSTALLATION (TANDEM)	B
1	1001210454	4	Bolt 3/8 x 7/8	
2	1001285055	2	Hook, Storage Chain Binder	
3	7950160143	4	Washer 3/8	
4	1001166644	4	Spring Nut 3/8	

# SECTION 4 - BODY

## FIGURE 4-51. STORAGE - DRAWER INSTALLATION - TILT DOWN 38IN



ART\_1001284617

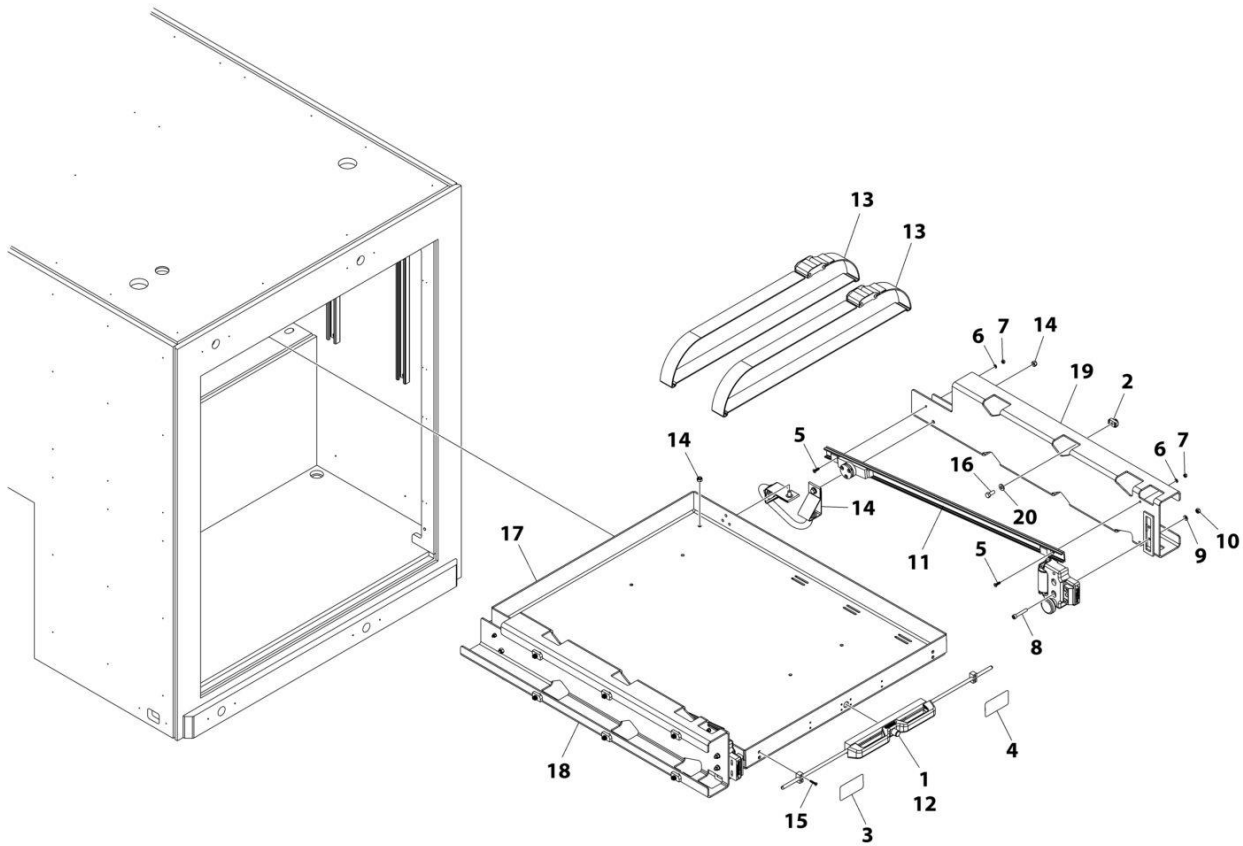
## SECTION 4 - BODY

**FIGURE 4-51. STORAGE - DRAWER INSTALLATION - TILT DOWN 38IN**

ITEM	PART NUMBER	QTY	DESCRIPTION	REV
	1001284617	Ref	DRAWER INSTALLATION - TILT DOWN (38IN)	B
1	3020029	AR	Lubricant	
2	1001166644	12	Spring Nut 3/8	
3	1001170090	1	Decal, Warning	
4	1001170091	1	Decal, Capacity	
5	1001170305	4	Bolt	
6	1001170307	4	Washer M6	
7	1001170310	4	Nut M6	
8	1001170328	4	Screw	
9	1001170329	4	Washer M8	
10	1001170330	4	Nut M8	
11	1001170331	1	Roller Assembly	
12	1001170332	1	Handle and Latch Assembly	
13	1001170428	2	Strap	
14	1001179349	2	Strap	
15	1001200997	4	Screw M5 x 25	
16	1001210454	12	Bolt 3/8 x 7/8	
17	1001284620	1	Tray, Tilt-Down	
18	1001284622	1	Bracket, LH	
19	1001284623	1	Bracket, RH	
20	7950160143	12	Washer 3/8	

# SECTION 4 - BODY

FIGURE 4-52. STORAGE - DRAWER INSTALLATION - TILT DOWN 51IN



ART\_1001284616

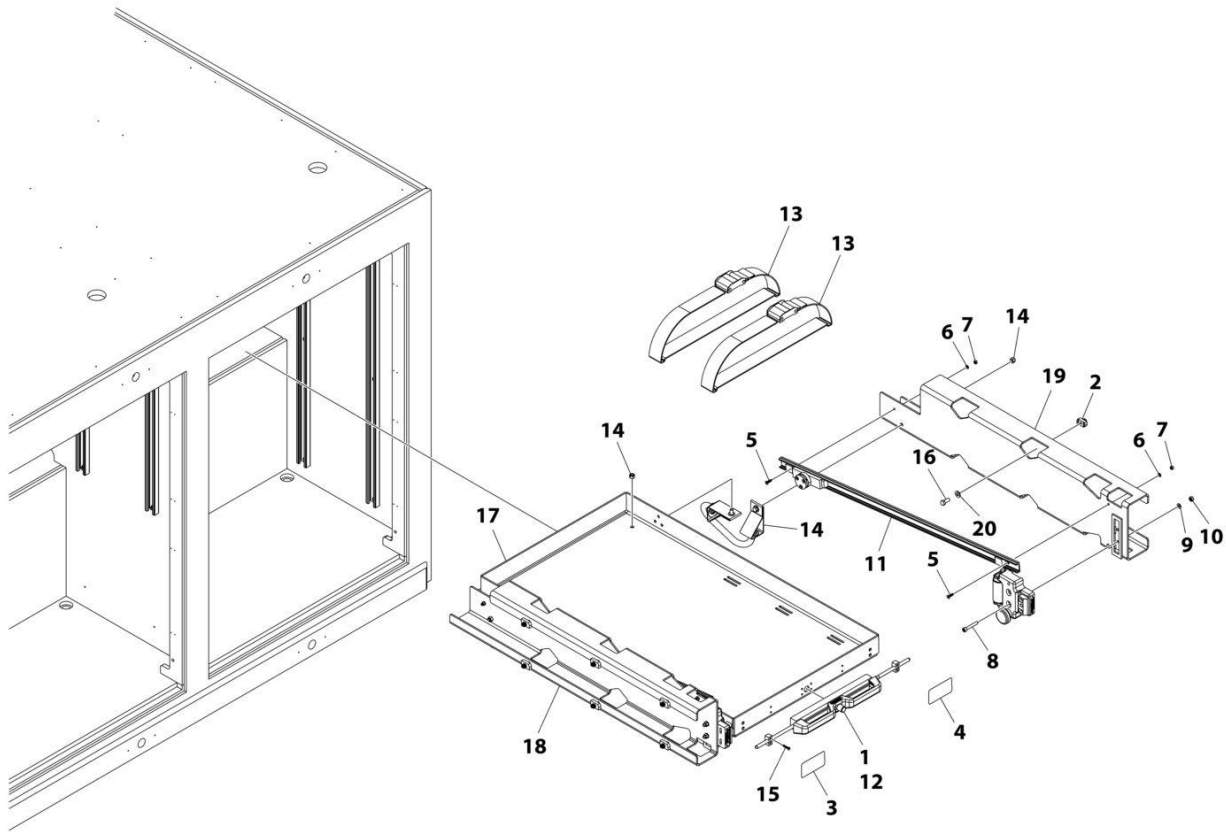
## SECTION 4 - BODY

**FIGURE 4-52. STORAGE - DRAWER INSTALLATION - TILT DOWN 51IN**

ITEM	PART NUMBER	QTY	DESCRIPTION	REV
	1001284616	Ref	DRAWER INSTALLATION - TILT DOWN (50IN)	B
1	3020029	AR	Lubricant	
2	1001166644	12	Spring Nut 3/8	
3	1001170090	1	Decal, Warning	
4	1001170091	1	Decal, Capacity	
5	1001170305	4	Bolt	
6	1001170307	4	Washer M6	
7	1001170310	4	Nut M6	
8	1001170328	4	Screw	
9	1001170329	4	Washer M8	
10	1001170330	4	Nut M8	
11	1001170331	1	Roller Assembly	
12	1001170332	1	Handle and Latch Assembly	
13	1001170428	2	Strap	
14	1001179349	2	Strap	
15	1001200997	4	Screw M5 x 25	
16	1001210454	12	Bolt 3/8 x 7/8	
17	1001284619	1	Tray, Tilt-Down	
18	1001284622	1	Bracket, LH	
19	1001284623	1	Bracket, RH	
20	7950160143	12	Washer 3/8	

# SECTION 4 - BODY

FIGURE 4-53. STORAGE - DRAWER INSTALLATION - TILT DOWN 88IN



ART\_1001284618



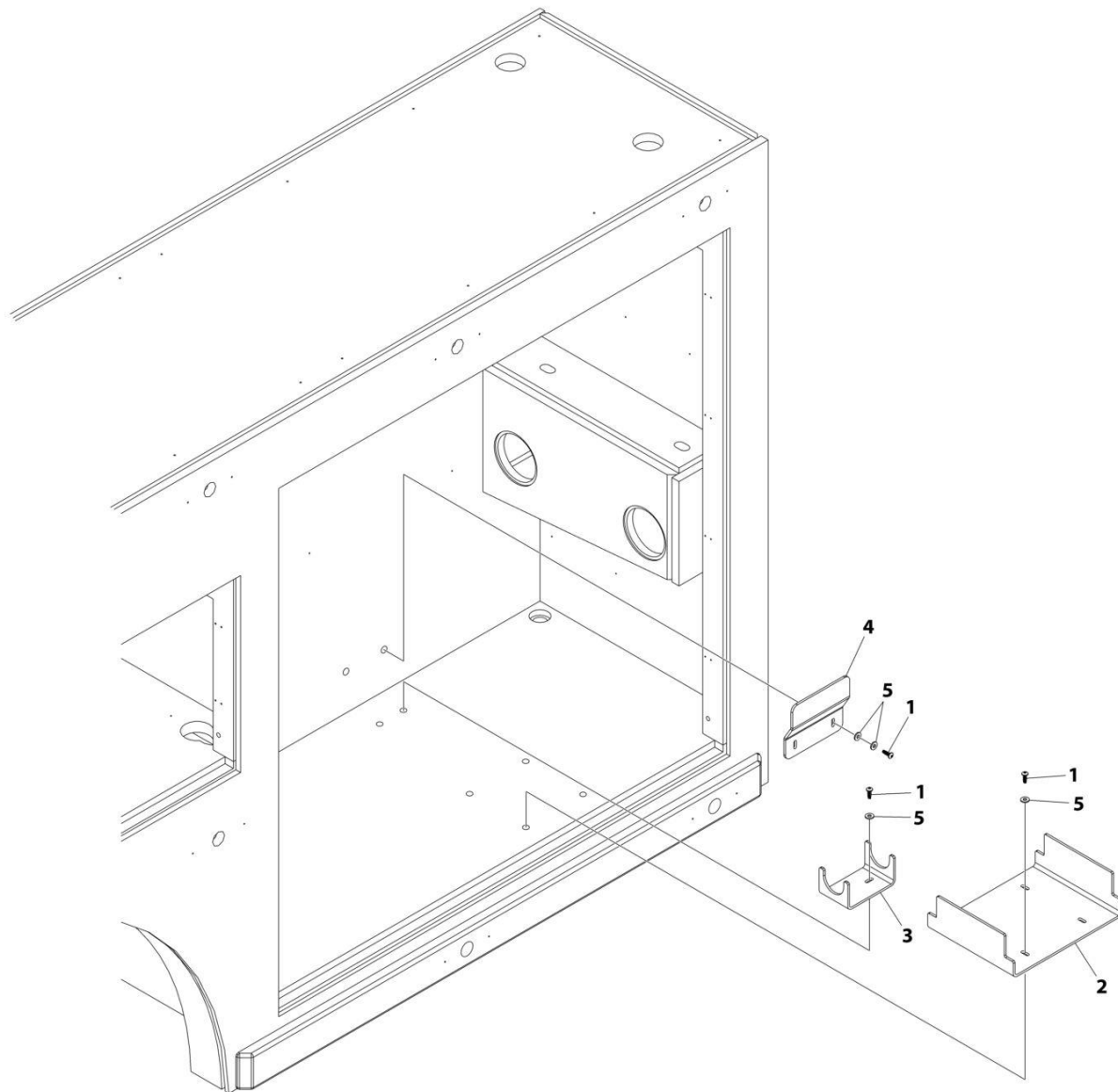
## SECTION 4 - BODY

**FIGURE 4-53. STORAGE - DRAWER INSTALLATION - TILT DOWN 88IN**

ITEM	PART NUMBER	QTY	DESCRIPTION	REV
	1001284618	Ref	DRAWER INSTALLATION - TILT DOWN (88IN)	A
1	3020029	AR	Lubricant	
2	1001166644	12	Spring Nut 3/8	
3	1001170090	1	Decal, Warning	
4	1001170091	1	Decal, Capacity	
5	1001170305	4	Bolt	
6	1001170307	4	Washer M6	
7	1001170310	4	Nut M6	
8	1001170328	4	Screw	
9	1001170329	4	Washer M8	
10	1001170330	4	Nut M8	
11	1001170331	1	Roller Assembly	
12	1001170332	1	Handle and Latch Assembly	
13	1001170428	2	Strap	
14	1001179349	2	Strap	
15	1001200997	4	Screw M5 x 25	
16	1001210454	12	Bolt 3/8 x 7/8	
17	1001284621	1	Tray, Tilt-Down	
18	1001284622	1	Bracket, LH	
19	1001284623	1	Bracket, RH	
20	7950160143	12	Washer 3/8	

# SECTION 4 - BODY

## FIGURE 4-54. STORAGE - FIFTH WHEEL/PINTLE STORAGE INSTALLATION



ART\_1001284282

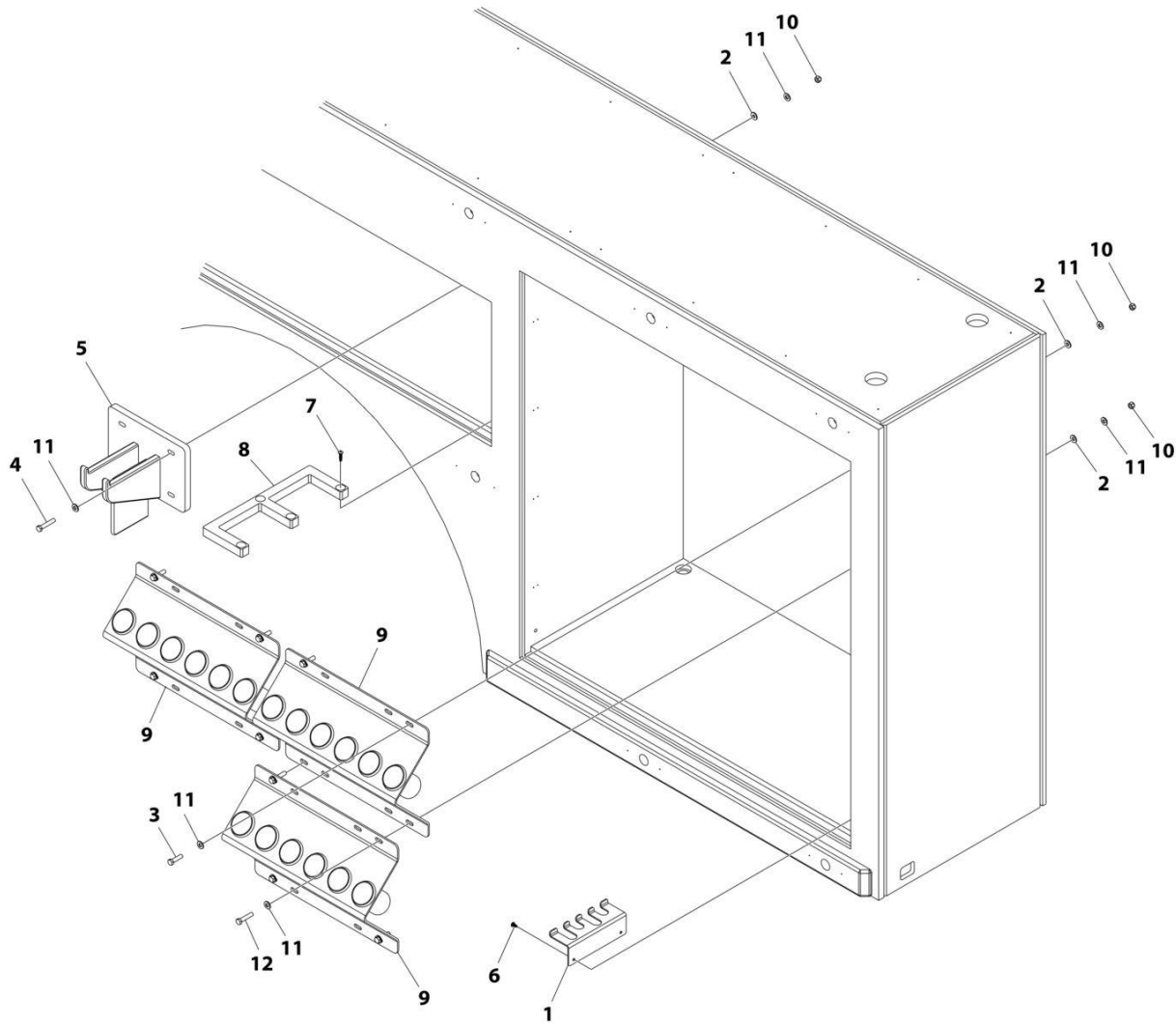
## SECTION 4 - BODY

**FIGURE 4-54. STORAGE - FIFTH WHEEL/PINTLE STORAGE INSTALLATION**

ITEM	PART NUMBER	QTY	DESCRIPTION	REV
	1001284282	Ref	FIFTH WHEEL STORAGE INSTALLATION	B
1	1001194676	8	Screw 1/4 x 3/4	
2	1001284283	1	Bracket	
3	1001284284	1	Channel	
4	1001284285	1	Plate	
5	7950140143	10	Washer 1/4	

# SECTION 4 - BODY

## FIGURE 4-55. STORAGE - FORK ORGANIZER INSTALLATION (VERTICLE)



ART\_1001284293

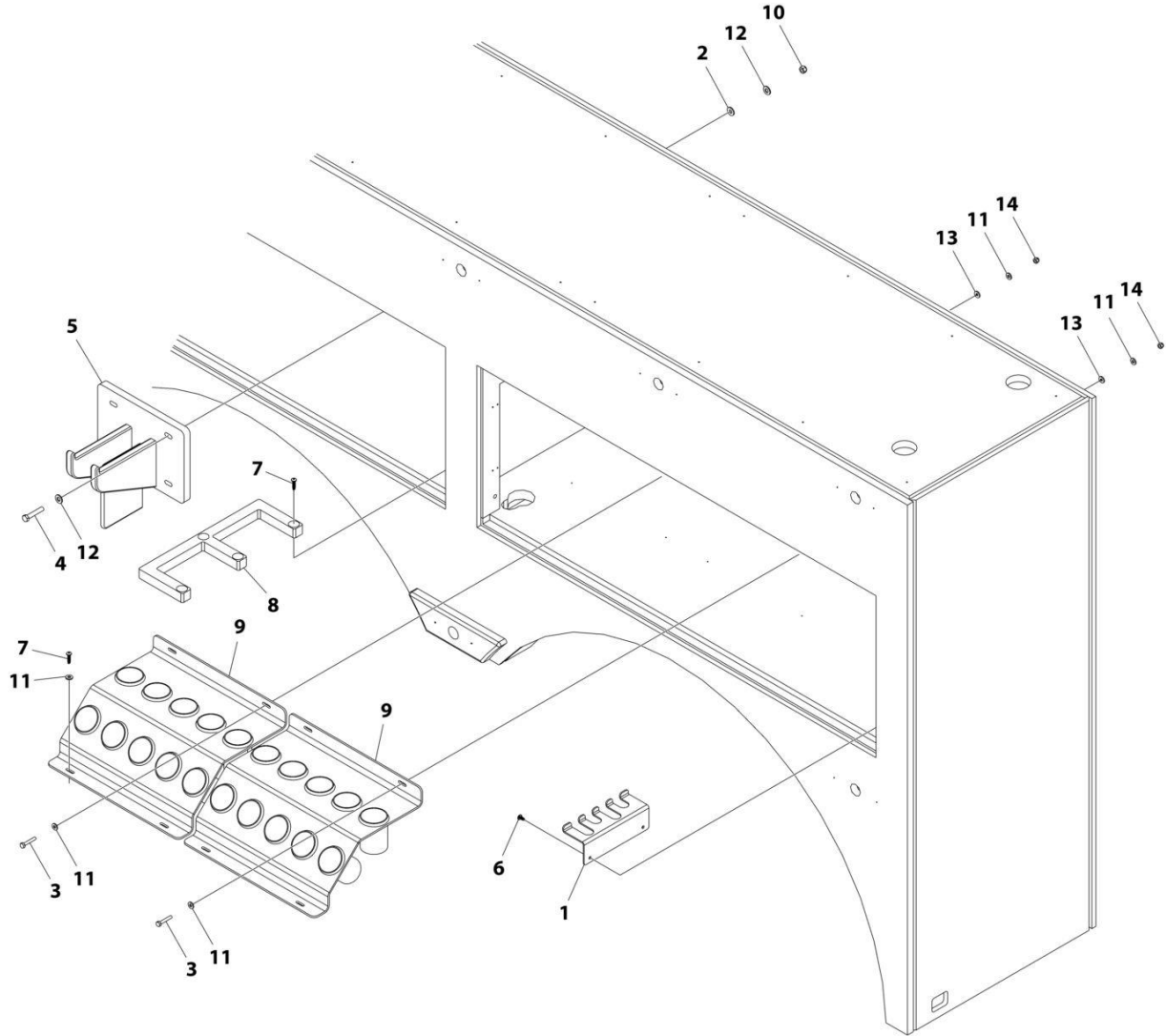
## SECTION 4 - BODY

**FIGURE 4-55. STORAGE - FORK ORGANIZER INSTALLATION (VERTICLE)**

ITEM	PART NUMBER	QTY	DESCRIPTION	REV
	1001284293	Ref	FRAME FORK STORAGE INSTALLATION (VERTICAL)	B
1	1001160799	1	Bracket	
2	1001166974	14	Washer 3/8	
3	1001168993	8	Capscrew 3/8 x 1-1/2	
4	1001169083	4	Capscrew 3/8 x 2	
5	1001190926	1	Bracket	
6	1001195257	2	Screw 1/4 x 1/2	
7	1001195523	4	Screw 1/4 x 1	
8	1001195838	1	Bracket	
9	1001284295	3	Bracket	
10	7660162601	14	Nut 3/8	
11	7950160143	28	Washer 3/8	
12	1001168544	2	Capscrew 3/8 x 1-3/4	

# SECTION 4 - BODY

## FIGURE 4-56. STORAGE - FORK ORGANIZER INSTALLATION (HORIZONTAL)



ART\_1001284294

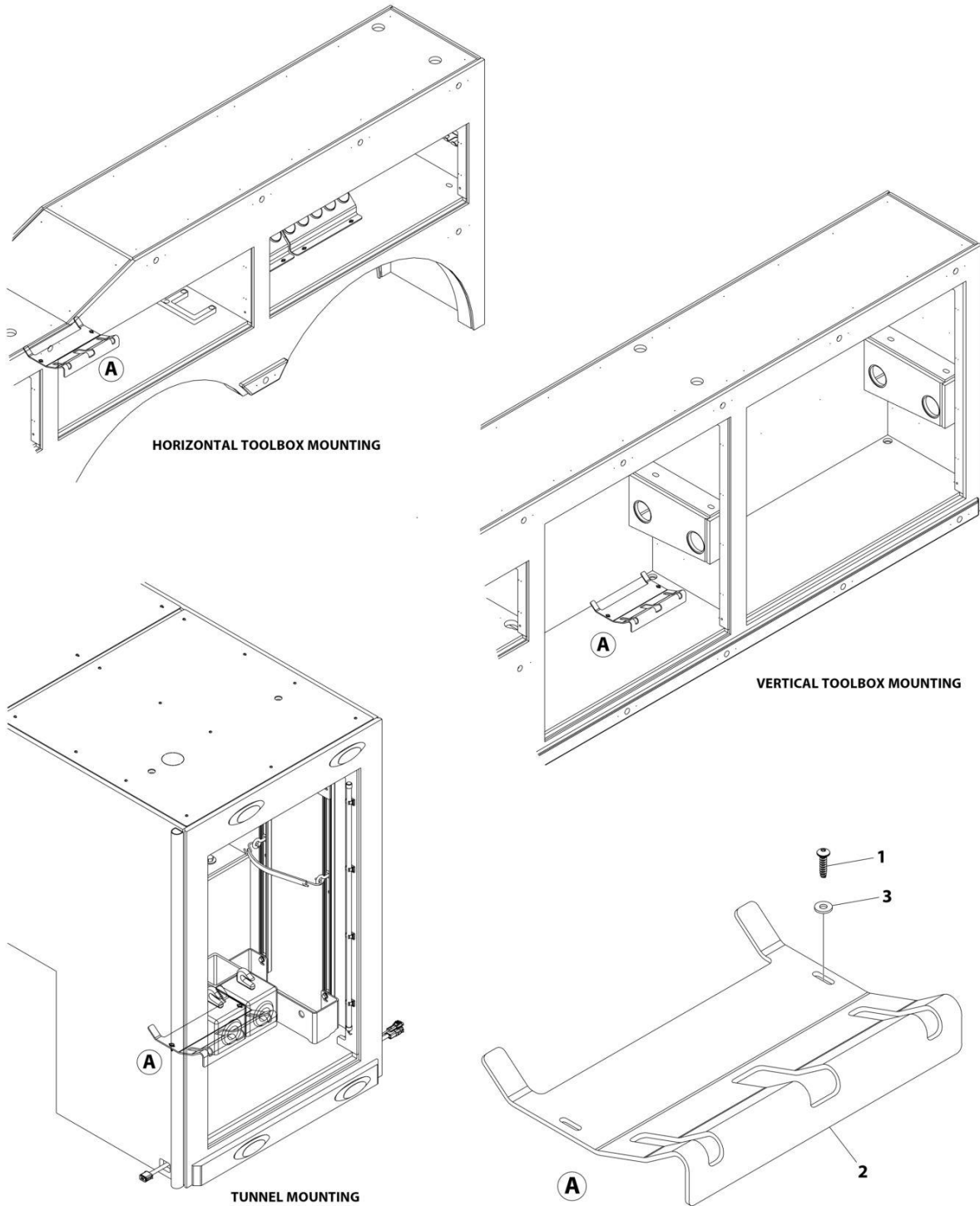
## SECTION 4 - BODY

**FIGURE 4-56. STORAGE - FORK ORGANIZER INSTALLATION (HORIZONTAL)**

ITEM	PART NUMBER	QTY	DESCRIPTION	REV
	1001284294	Ref	FRAME FORK STORAGE INSTALLATION (HORITZONAL)	B
1	1001160799	1	Bracket	
2	1001166974	4	Washer 3/8	
3	7115141250	4	Capscrew 1/4 x 1-1/2	
4	1001169083	4	Capscrew 3/8 x 2	
5	1001190926	1	Bracket	
6	1001195257	2	Screw 1/4 x 1/2	
7	1001195523	8	Screw 1/4 x 1	
8	1001195838	1	Bracket	
9	1001284296	2	Bracket	
10	7660162601	4	Nut 3/8	
11	7950140143	12	Washer 1/4	
12	7950160143	8	Washer 3/8	
13	1001166978	4	Washer 1/4	
14	7660142601	4	Nut 1/4	

# SECTION 4 - BODY

## FIGURE 4-57. STORAGE - FORK RISERS STORAGE INSTALLATION



ART\_1001285912



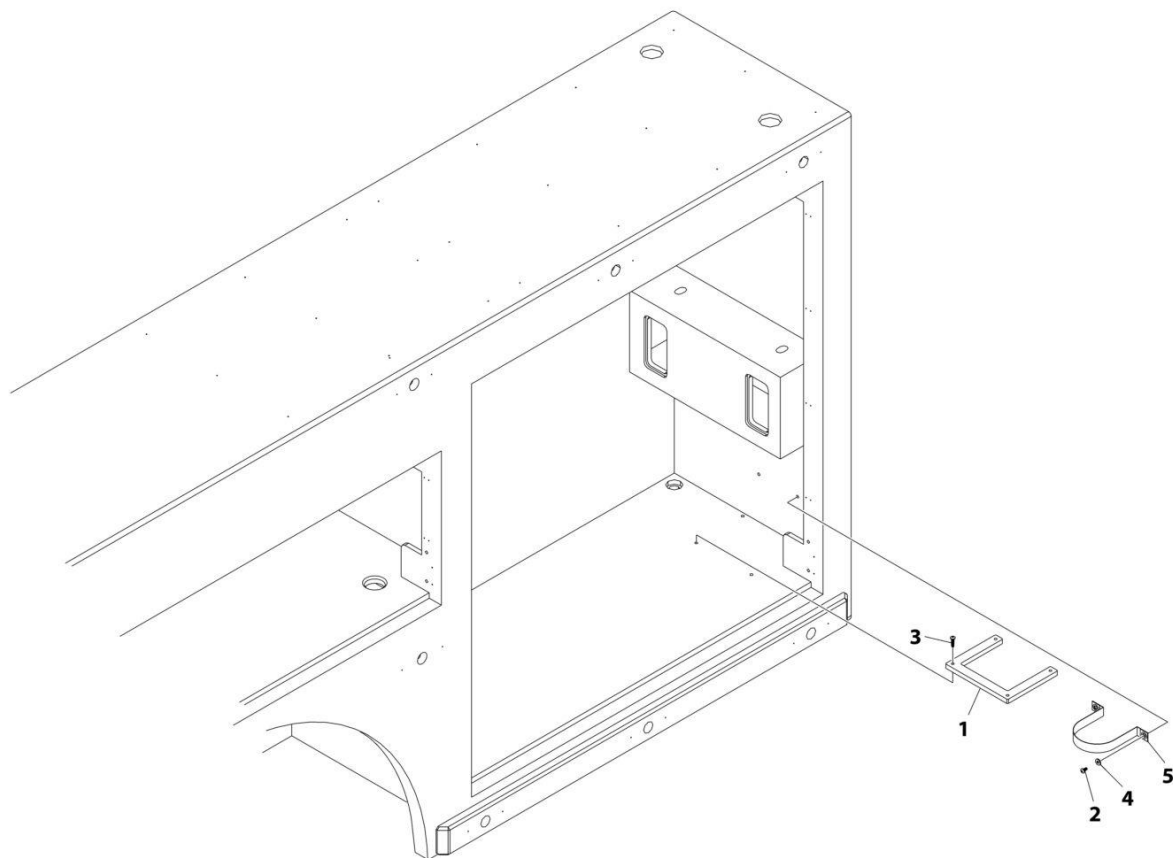
## SECTION 4 - BODY

**FIGURE 4-57. STORAGE - FORK RISERS STORAGE INSTALLATION**

ITEM	PART NUMBER	QTY	DESCRIPTION	REV
	1001285912	Ref	FORK RISERS STORAGE INSTALLATION	B
1	1001195523	2	Screw 1/4 x 1	
2	1001285911	1	Bracket, Storage	
3	7950140143	2	Washer 1/4	

# SECTION 4 - BODY

## FIGURE 4-58. STORAGE - JACK STORAGE INSTALLATION - VERTICLE



ART\_1001196214

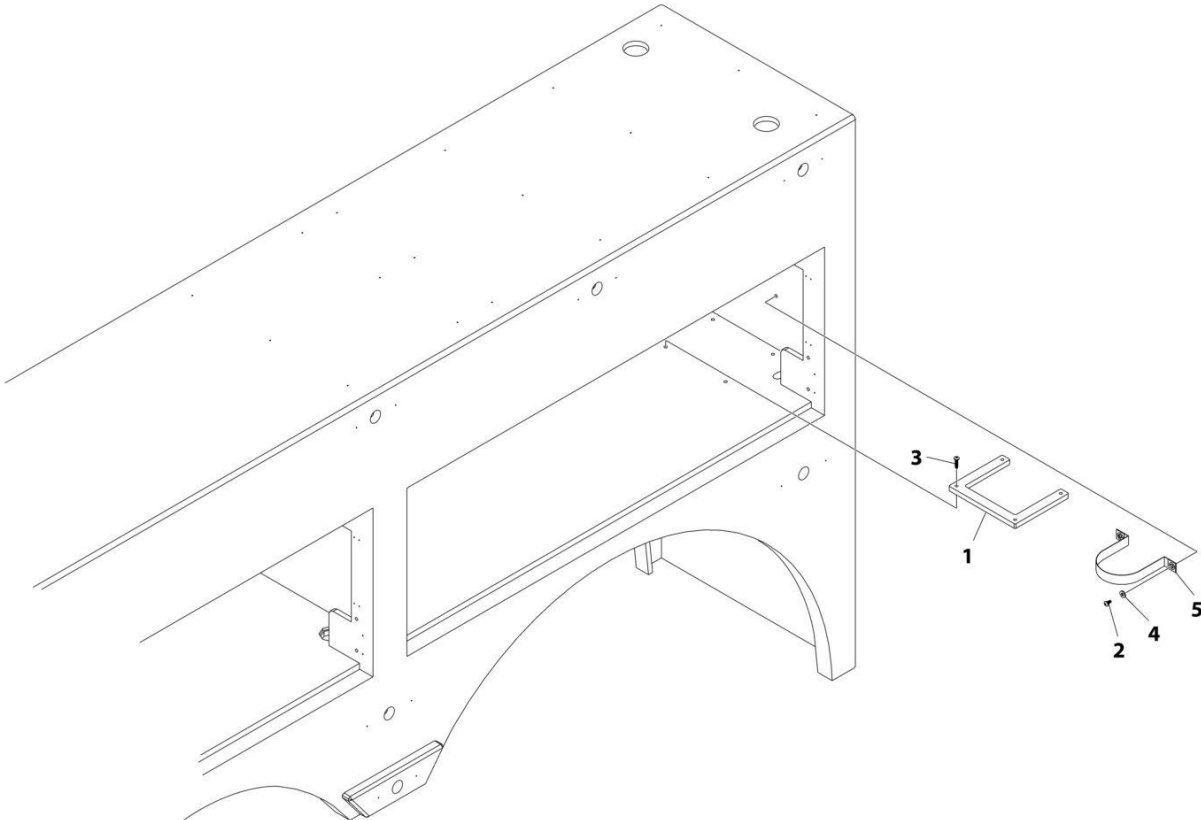
## SECTION 4 - BODY

**FIGURE 4-58. STORAGE - JACK STORAGE INSTALLATION - VERTICLE**

ITEM	PART NUMBER	QTY	DESCRIPTION	REV
	1001196214	Ref	JACK STORAGE INSTALLATION (TRI-AXLE)	B
1	1001170839	1	Bracket	
2	1001195257	2	Screw 1/4 x 1/2	
3	1001195523	4	Screw 1/4 x 1	
4	7950140143	2	Washer 1/4	
5	1001167286	2	Tie-Strap	

**SECTION 4 - BODY**

**FIGURE 4-59. STORAGE - JACK STORAGE INSTALLATION - HORIZONTAL**



ART\_1001196215

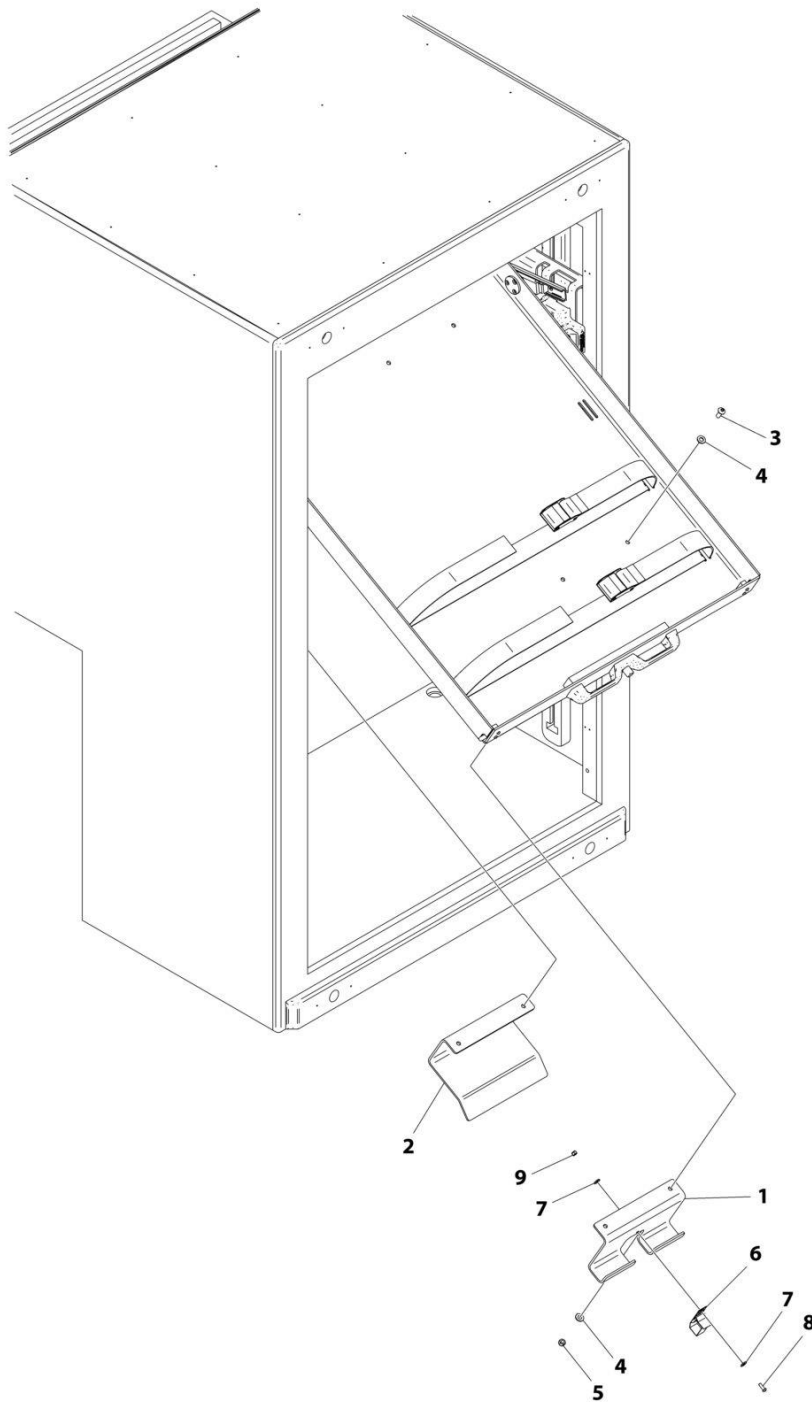
## SECTION 4 - BODY

**FIGURE 4-59. STORAGE - JACK STORAGE INSTALLATION - HORIZONTAL**

ITEM	PART NUMBER	QTY	DESCRIPTION	REV
	1001196215	Ref	JACK STORAGE INSTALLATION (TANDEM)	C
1	1001170839	1	Bracket	
2	1001195257	2	Screw 1/4 x 1/2	
3	1001195523	4	Screw 1/4 x 1	
4	7950140143	2	Washer 1/4	
5	1001167286	2	Tie-Strap	

# SECTION 4 - BODY

## FIGURE 4-60. STORAGE - LADDER STORAGE INSTALLATION (DRAWER MOUNT)



ART\_1001166405

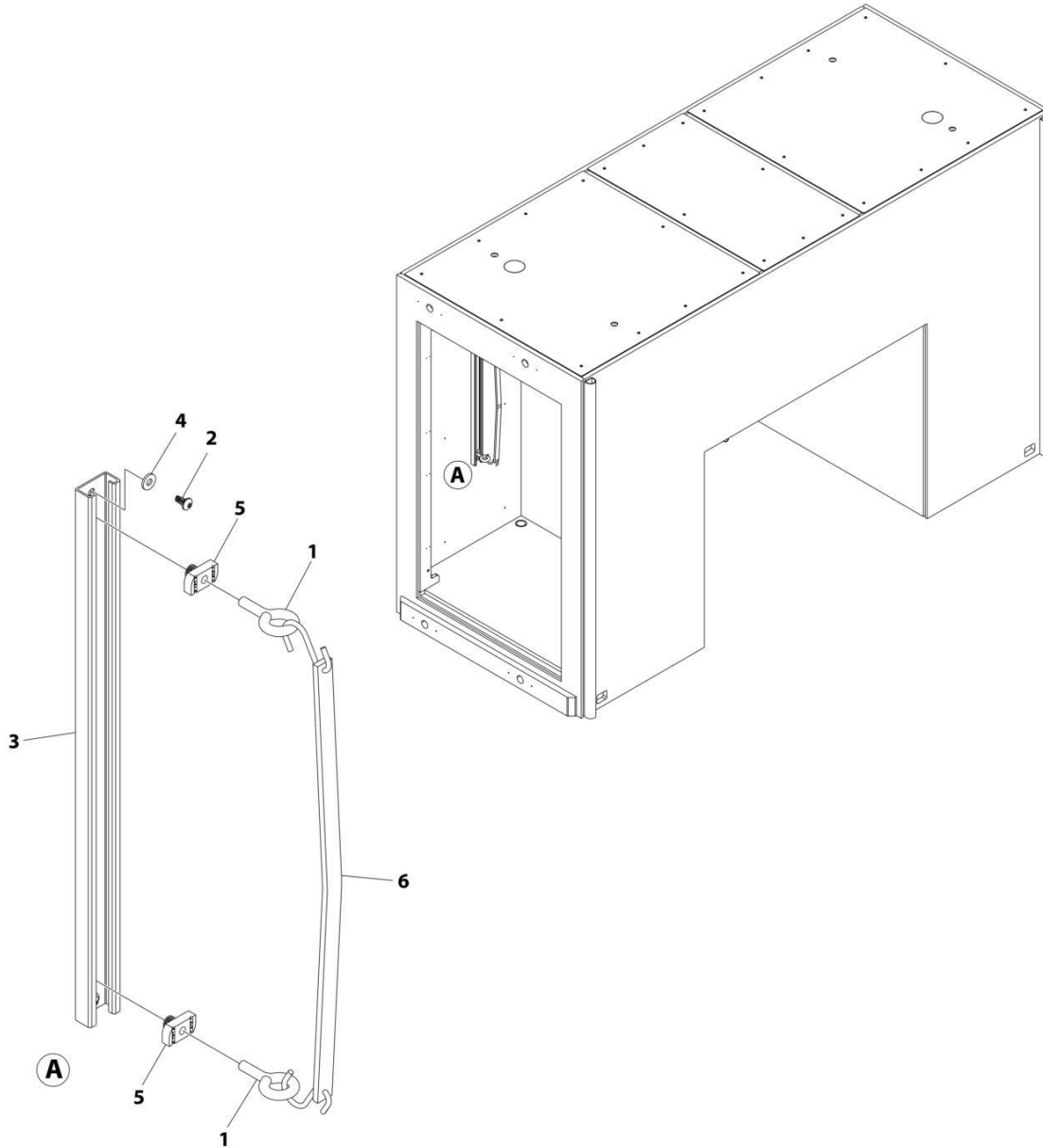
## SECTION 4 - BODY

**FIGURE 4-60. STORAGE - LADDER STORAGE INSTALLATION (DRAWER MOUNT)**

ITEM	PART NUMBER	QTY	DESCRIPTION	REV
	1001166405	Ref	Ladder Storage Installation	A
1	1001166401	1	Bracket, Ladder Hook	
2	1001166402	1	Bracket, Ladder Stop	
3	7114160818	5	Capscrew 3/8	
4	7950160143	10	Washer 3/8	
5	7660162601	5	Nut 3/8	
6	1001167286	1	Tie Strap	
7	7950140143	2	Washer 1/4	
8	7114140618	1	Capscrew 1/4 x 3/4	
9	7660142601	1	Nut 1/4	

# SECTION 4 - BODY

## FIGURE 4-61. STORAGE - LADDER STORAGE INSTALLATION (WALL MOUNT)



ART\_1001285155



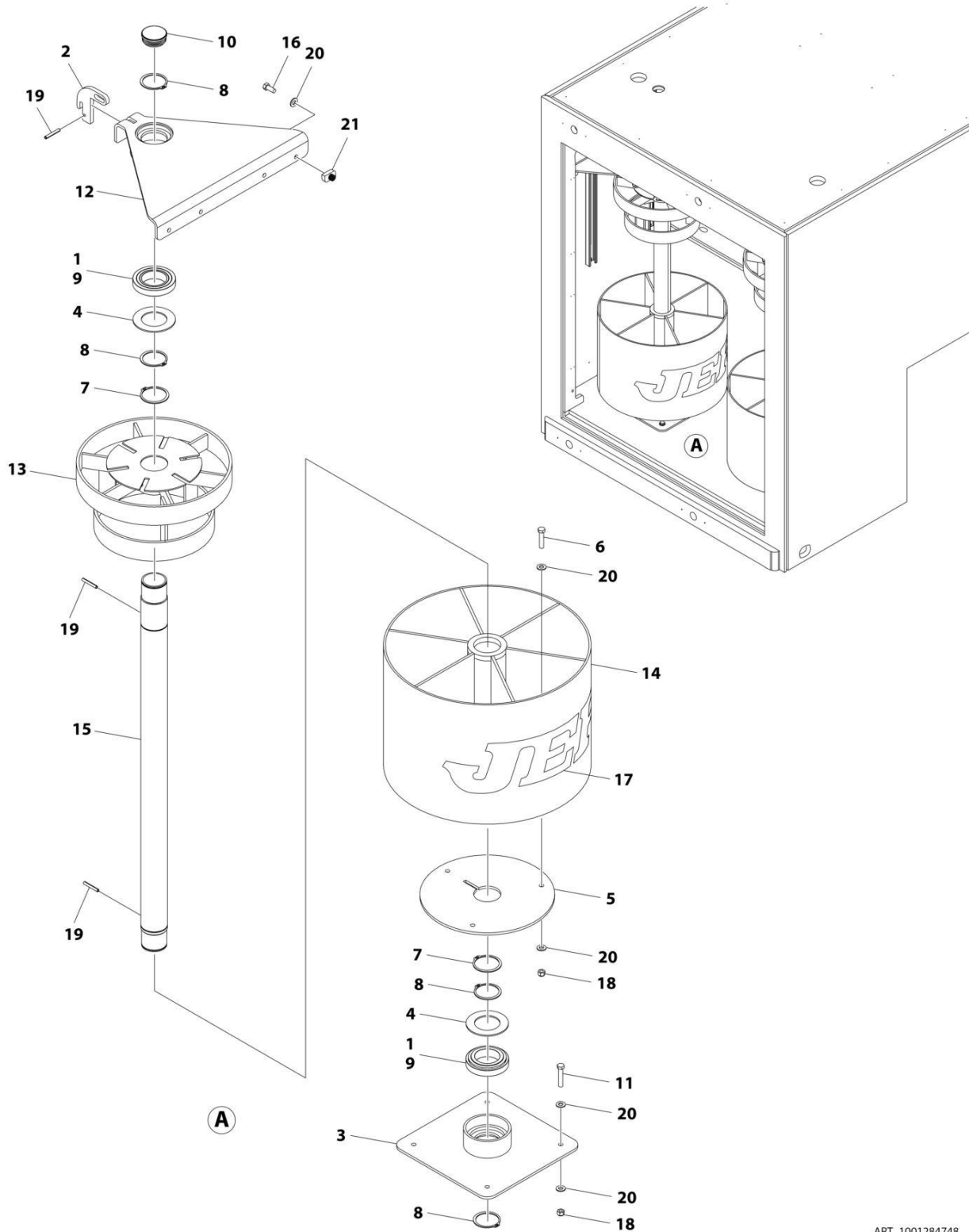
## SECTION 4 - BODY

**FIGURE 4-61. STORAGE - LADDER STORAGE INSTALLATION (WALL MOUNT)**

ITEM	PART NUMBER	QTY	DESCRIPTION	REV
	1001285155	Ref	LADDER STORAGE INSTALLATION (WALL MOUNT)	C
1	1001175231	2	Eyebolt 3/8	
2	1001195257	2	Screw 1/4 x 1/2	
3	1001277611	1	Channel	
4	7950140143	2	Washer 1/4	
5	1001166644	2	Spring Nut 3/8	
6	1001175233	1	Strap	

# SECTION 4 - BODY

## FIGURE 4-62. STORAGE - ROTARY TOOL RACK INSTALLATION



ART\_1001284748

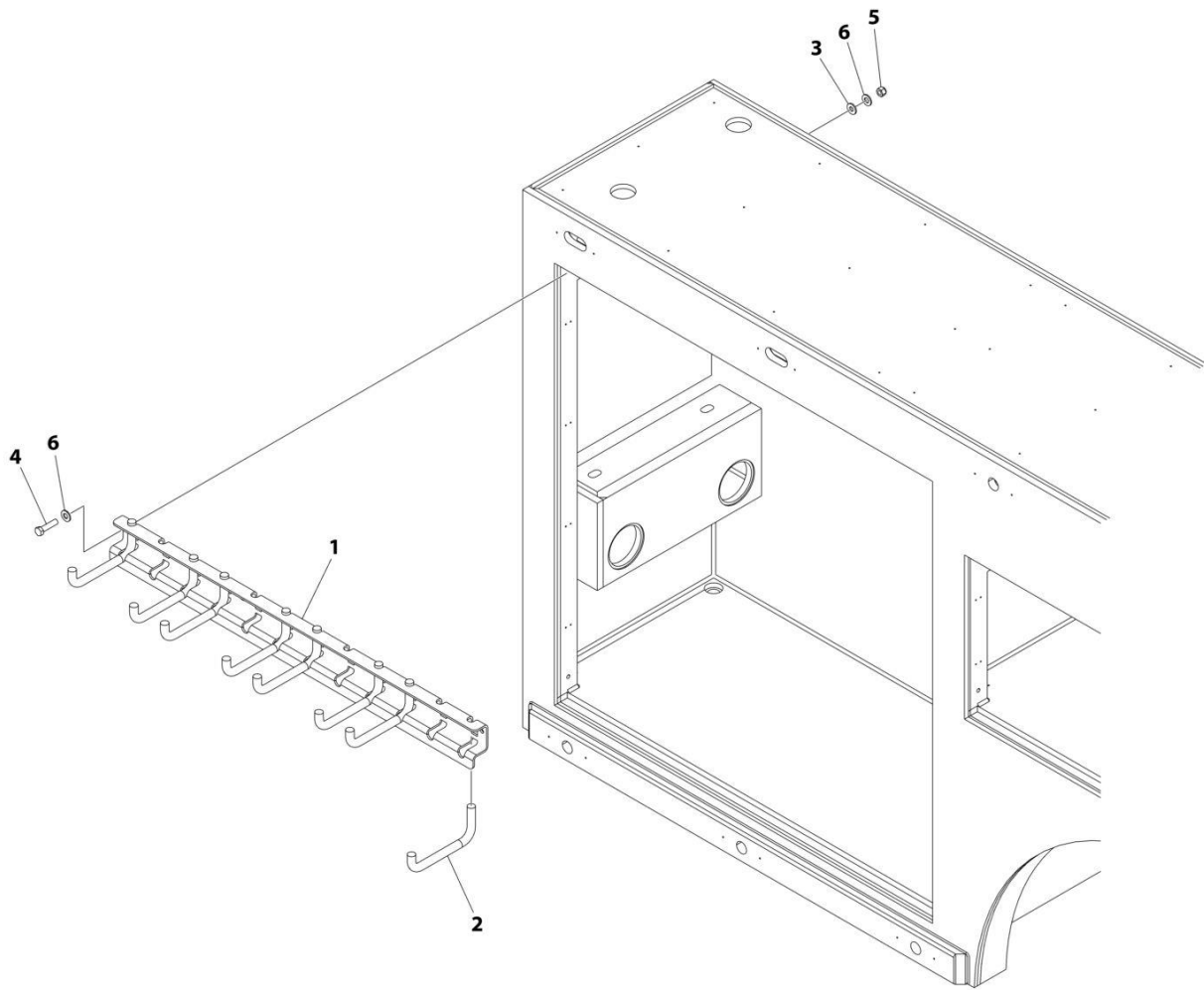
## SECTION 4 - BODY

**FIGURE 4-62. STORAGE - ROTARY TOOL RACK INSTALLATION**

ITEM	PART NUMBER	QTY	DESCRIPTION	REV
	1001284748	Ref	ROTARY TOOL RACK INSTALLATION	A
1	3020029	1	Lubricant	
2	1001165564	1	Plate	
3	1001165571	1	Bracket	
4	1001165584	2	Plate	
5	1001165652	1	Support	
6	1001168544	3	Capscrew 3/4 x 1-3/4	
7	1001169063	2	Ring, Retaining	
8	1001169064	4	Ring, Retaining	
9	1001169076	2	Bearing	
10	1001169078	1	Plug	
11	1001169083	4	Bolt 3/8 x 2	
12	1001190218	1	Bracket	
13	1001190223	1	Bracket	
14	1001190228	1	Tray	
15	1001190265	1	Tube	
16	1001210454	2	Bolt 3/8 x 7/8	
17	7330000535	1	Decal	
18	7660162601	7	Nut 3/8	
19	7690142845	3	Pin	
20	7950160143	16	Washer 3/8	
21	1001166644	2	Spring Nut 3/8	

# SECTION 4 - BODY

## FIGURE 4-63. STORAGE - SHACKLE INSTALLATION



ART\_1001264864

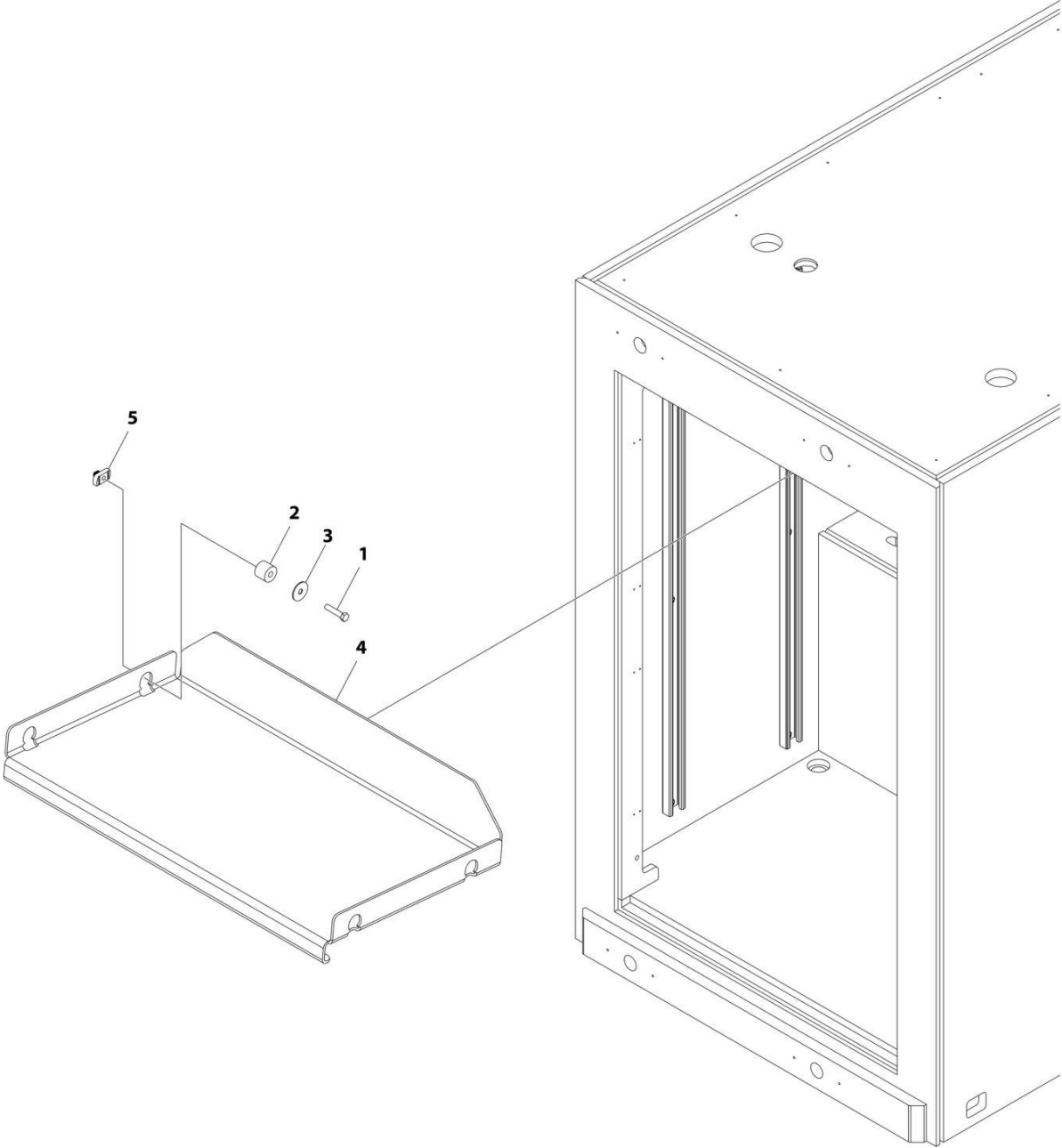
## SECTION 4 - BODY

### FIGURE 4-63. STORAGE - SHACKLE INSTALLATION

ITEM	PART NUMBER	QTY	DESCRIPTION	REV
	1001264864	Ref	SHACKLE RACK INSTALLATION	B
1	1001164601	1	Bracket	
2	1001164614	8	Rod	
3	1001166974	5	Washer 3/8	
4	1001168993	5	Capscrew 3/8 x 1-1/2	
5	7660162601	5	Nut 3/8	
6	7950160143	10	Washer 3/8	

**SECTION 4 - BODY**

**FIGURE 4-64. STORAGE - SHELF INSTALLATION 38IN**



ART\_1001283920

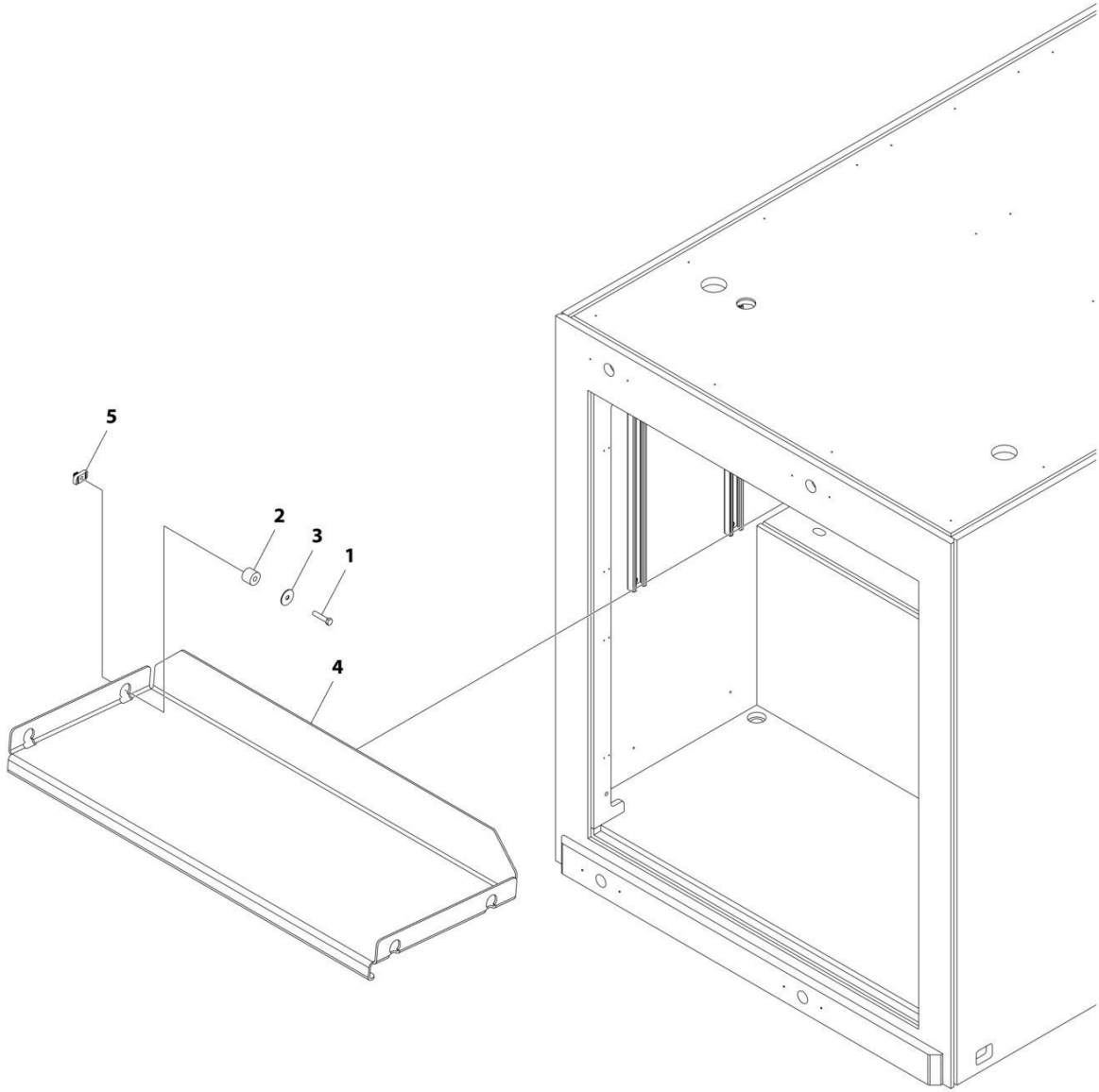
## SECTION 4 - BODY

**FIGURE 4-64. STORAGE - SHELF INSTALLATION 38IN**

ITEM	PART NUMBER	QTY	DESCRIPTION	REV
	1001283920	Ref	UPPER SHELF INSTALLATION - 38IN	A
1	1001168544	4	Screw 3/8 x 1-3/4	
2	1001214266	4	Mount	
3	1001214267	4	Washer 3/8	
4	1001283924	1	Panel	
5	1001166644	4	Nut 3/8	

**SECTION 4 - BODY**

**FIGURE 4-65. STORAGE - SHELF INSTALLATION 50IN**



ART\_1001283921



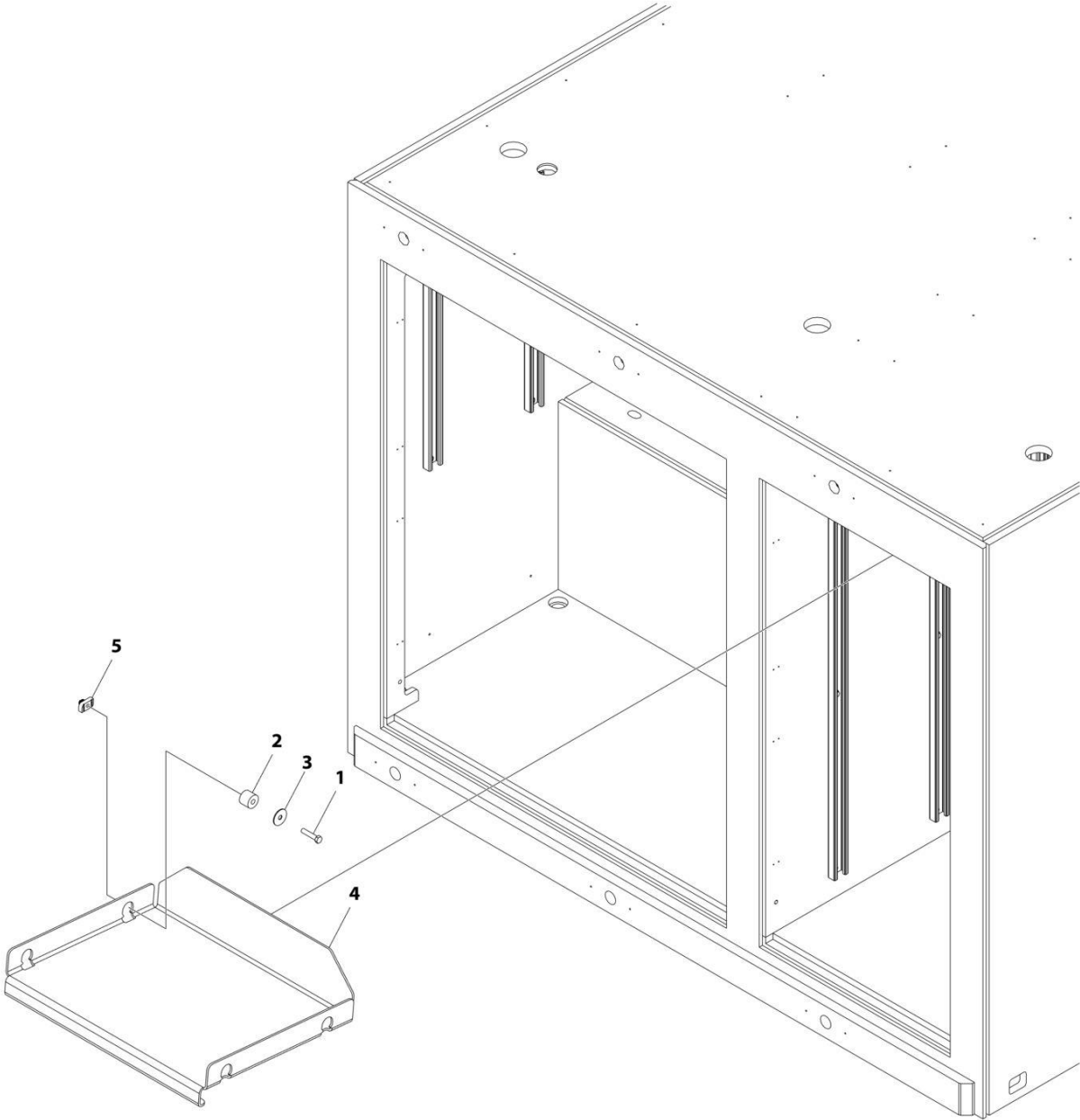
## SECTION 4 - BODY

### FIGURE 4-65. STORAGE - SHELF INSTALLATION 50IN

ITEM	PART NUMBER	QTY	DESCRIPTION	REV
	1001283921	Ref	UPPER SHELF INSTALLATION - 50IN	A
1	1001168544	4	Capscrew 3/8 x 1-3/4	
2	1001214266	4	Mount	
3	1001214267	4	Washer 3/8	
4	1001283925	1	Panel	
5	1001166644	4	Spring Nut 3/8	

**SECTION 4 - BODY**

**FIGURE 4-66. STORAGE - SHELF INSTALLATION 76IN**



ART\_1001283922

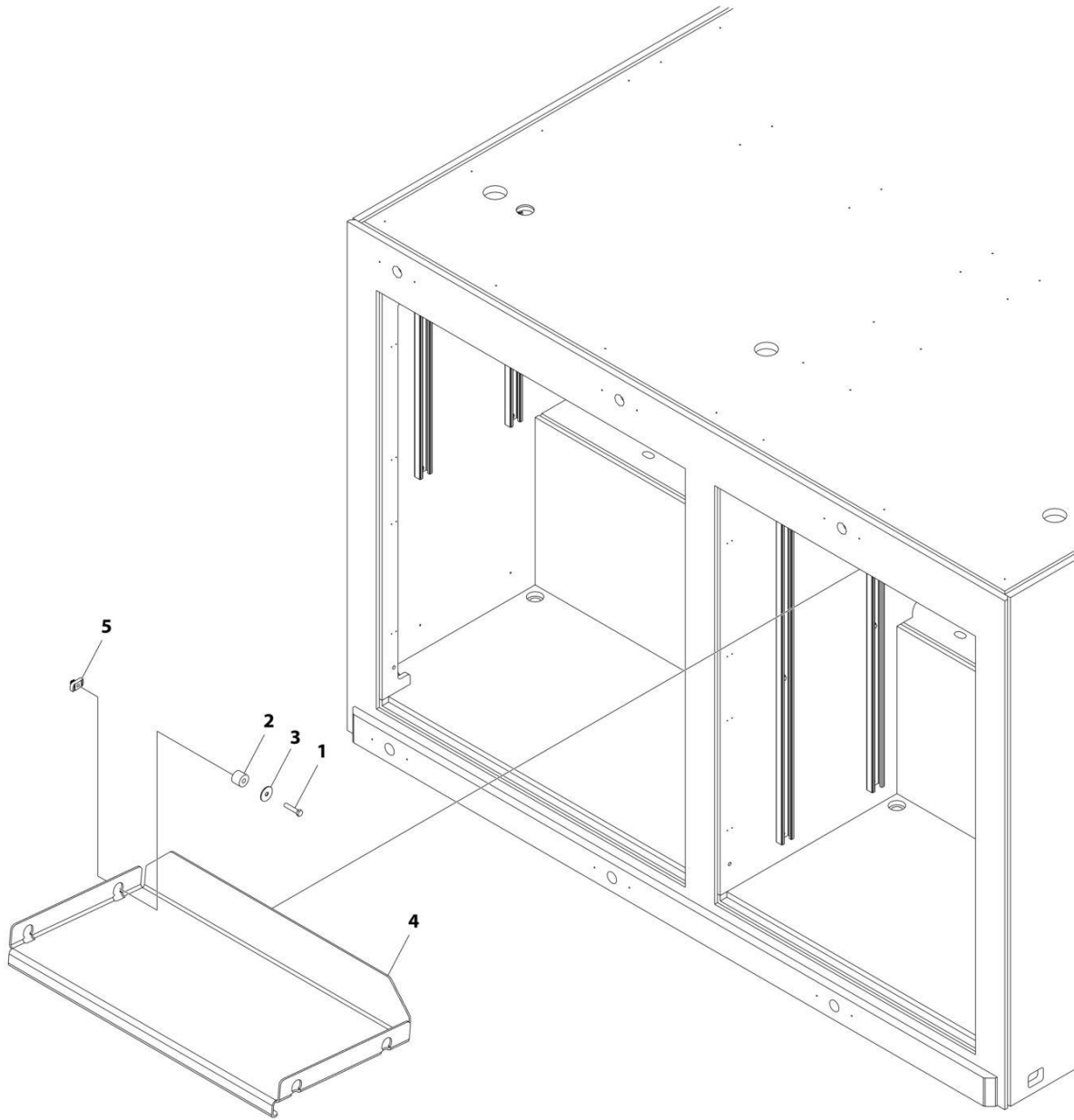
## SECTION 4 - BODY

**FIGURE 4-66. STORAGE - SHELF INSTALLATION 76IN**

ITEM	PART NUMBER	QTY	DESCRIPTION	REV
	1001283922	Ref	UPPER SHELF INSTALLATION - 76IN (REAR)	A
1	1001168544	4	Capscrew 3/8 x 1-3/4	
2	1001214266	4	Mount	
3	1001214267	4	Washer 3/8	
4	1001283926	1	Panel	
5	1001166644	4	Spring Nut 3/8	

# SECTION 4 - BODY

## FIGURE 4-67. STORAGE - SHELF INSTALLATION 88IN



ART\_1001283923

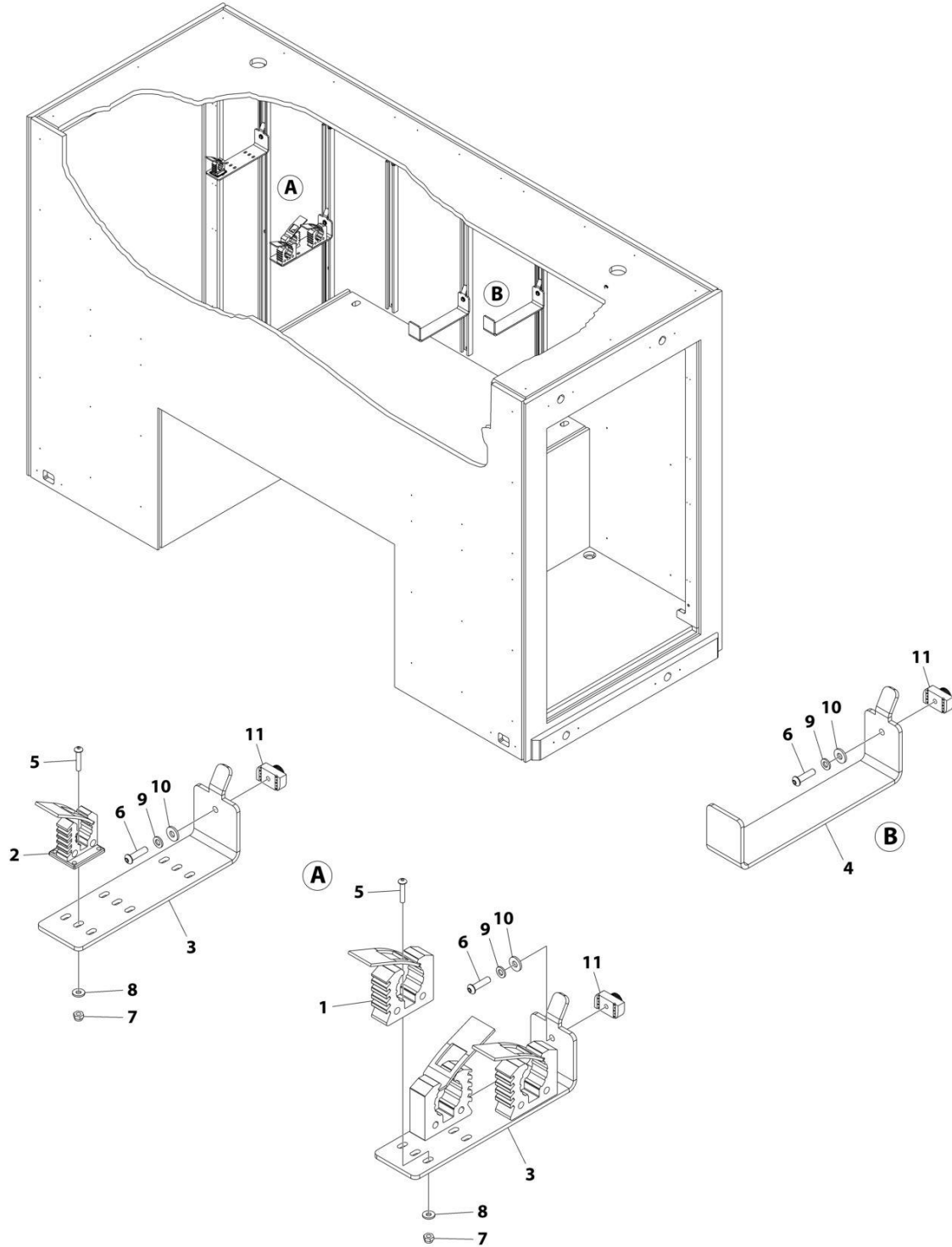
## SECTION 4 - BODY

### FIGURE 4-67. STORAGE - SHELF INSTALLATION 88IN

ITEM	PART NUMBER	QTY	DESCRIPTION	REV
	1001283923	Ref	UPPER SHELF INSTALLATION - 88IN (REAR)	A
1	1001168544	4	Capscrew 3/8 x 1-3/4	
2	1001214266	4	Mount	
3	1001214267	4	Washer 3/8	
4	1001283927	1	Panel	
5	1001166644	4	Spring Nut 3/8	

# SECTION 4 - BODY

## FIGURE 4-68. STORAGE - SHOVEL/BROOM/GRIZZLY BAR STORAGE INSTALLATION



ART\_1001283778

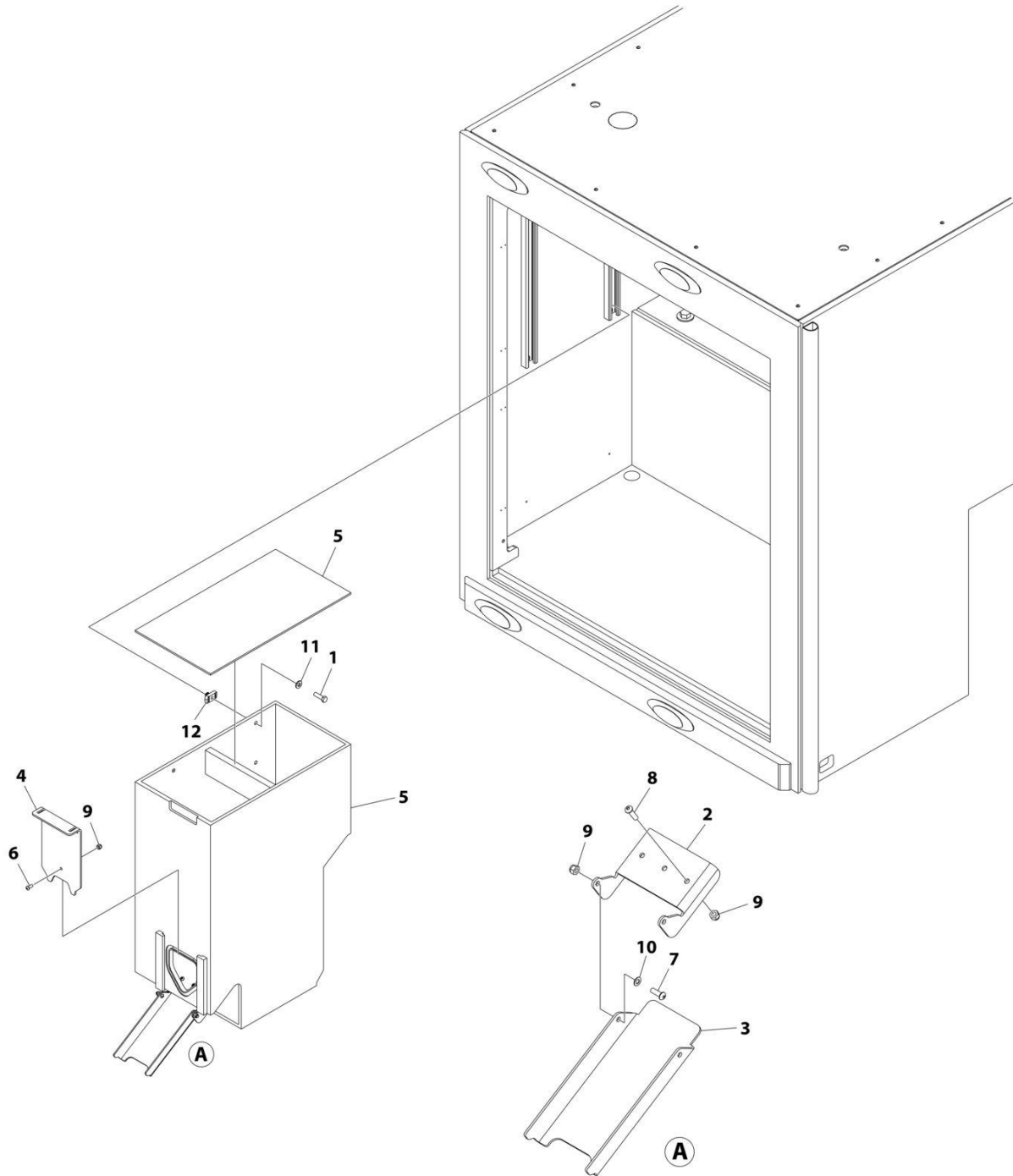
## SECTION 4 - BODY

**FIGURE 4-68. STORAGE - SHOVEL/BROOM/GRIZZLY BAR STORAGE INSTALLATION**

ITEM	PART NUMBER	QTY	DESCRIPTION	REV
	1001283778	Ref	SHOVEL STORAGE INSTALLATION	B
1	1001266390	3	Clamp	
2	1001266391	1	Clamp	
3	1001283779	2	Bracket	
4	1001283780	2	Support	
5	7114100818	4	Screw #10 x 1	
6	7114140818	4	Capscrew 1/4 x 1	
7	7660102601	4	Nut #10	
8	7950100143	4	Washer 3/16	
9	7950140000	4	Washer 1/4	
10	7950140143	4	Washer 3/16	
11	1001183037	4	Nut 1/4	

# SECTION 4 - BODY

## FIGURE 4-69. STORAGE - SILO INSTALLATION - STAY DRY



ART\_1001285308

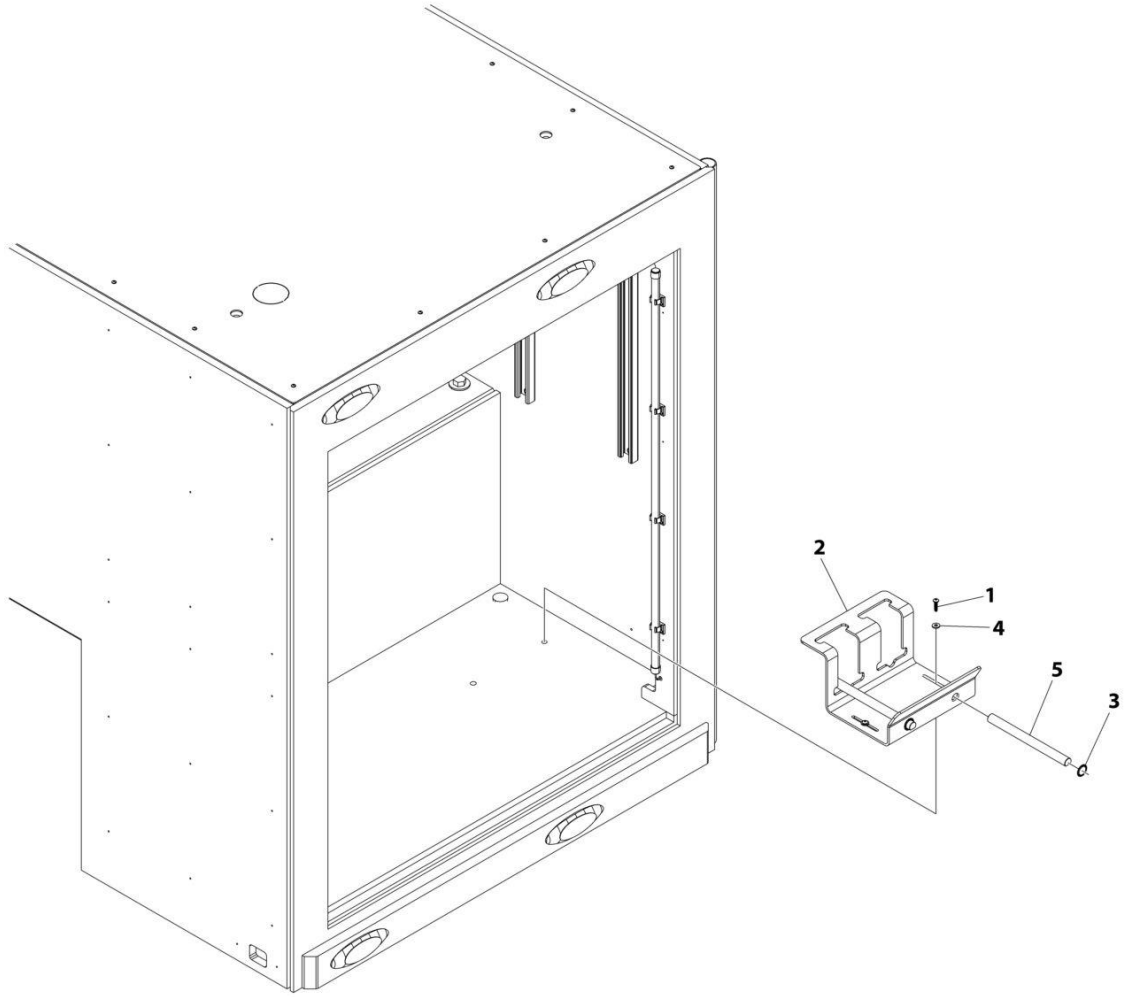


**SECTION 4 - BODY****FIGURE 4-69. STORAGE - SILO INSTALLATION - STAY DRY**

<b>ITEM</b>	<b>PART NUMBER</b>	<b>QTY</b>	<b>DESCRIPTION</b>	<b>REV</b>
	1001285308	Ref	SILO INSTALLATION - STAY DRY	A
1	1001169080	4	Capscrew 3/8 x 1-1/4	
2	1001190050	1	Bracket	
3	1001190055	1	Bracket	
4	1001190148	1	Cover	
5	1001285309	1	Container	
6	7114140518	1	Screw 1/4 x 5/8	
7	7114140618	2	Screw 1/4 x 3/4	
8	7114140818	3	Capscrew 1/4 x 1	
9	7660142601	6	Nut 1/4	
10	7949000056	2	Washer 1/2	
11	7950160143	4	Washer 3/8	
12	1001166644	4	Spring Nut 3/8	

# SECTION 4 - BODY

## FIGURE 4-70. STORAGE - SNATCH BLOCK INSTALLATION - 2 BLOCKS



ART\_1001285855

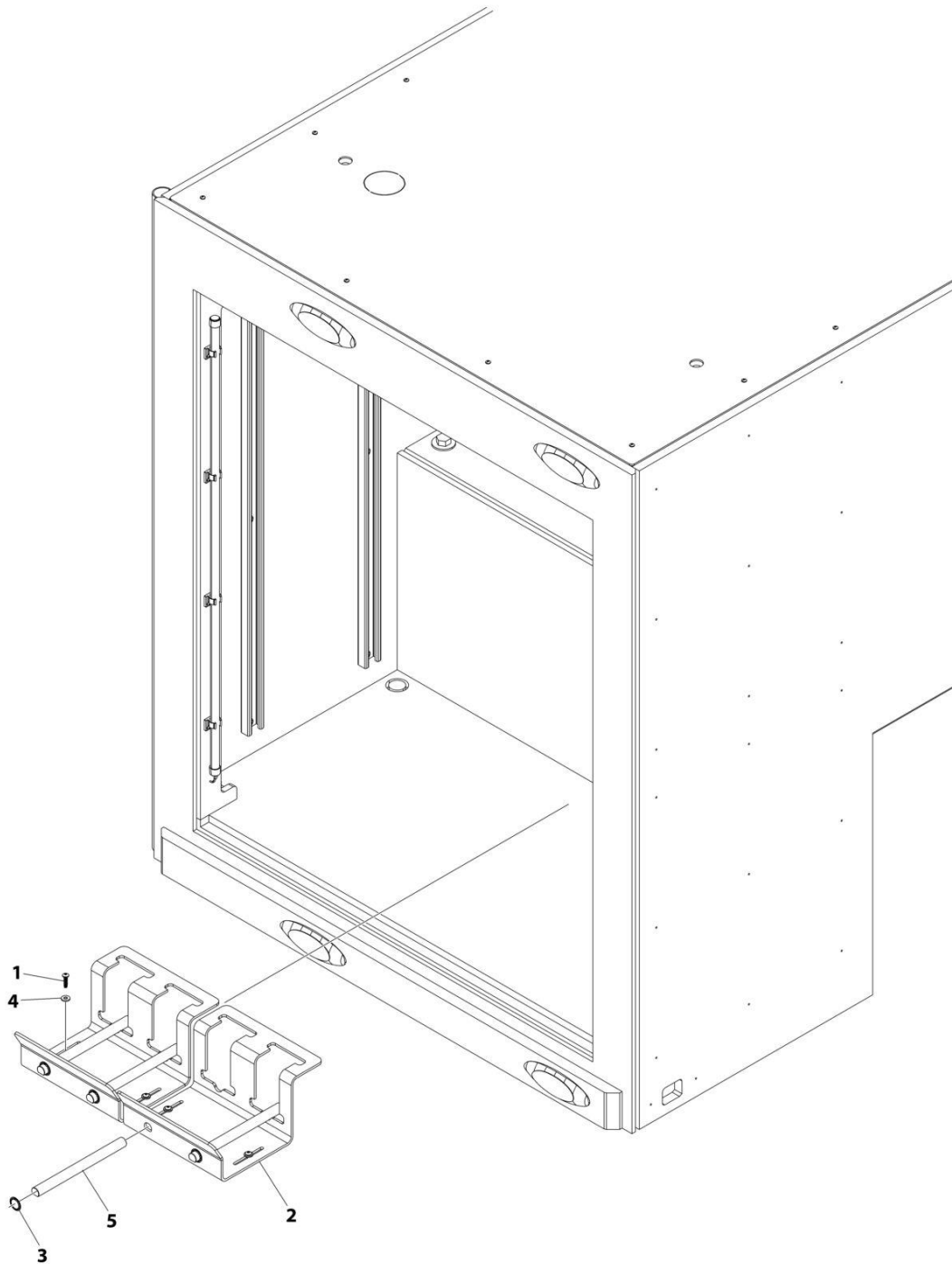
## SECTION 4 - BODY

**FIGURE 4-70. STORAGE - SNATCH BLOCK INSTALLATION - 2 BLOCKS**

ITEM	PART NUMBER	QTY	DESCRIPTION	REV
	1001285855	Ref	STORAGE SNATCH BLOCK INSTALLATION	B
1	1001195523	2	Screw 1/4 x 1	
2	1001282655	1	Bracket	
3	7754000009	2	Ring, Retaining	
4	7950140143	2	Washer 1/4	
5	7691000064	2	Pin	

# SECTION 4 - BODY

## FIGURE 4-71. STORAGE - SNATCH BLOCK INSTALLATION - 4 BLOCKS



ART\_1001285854

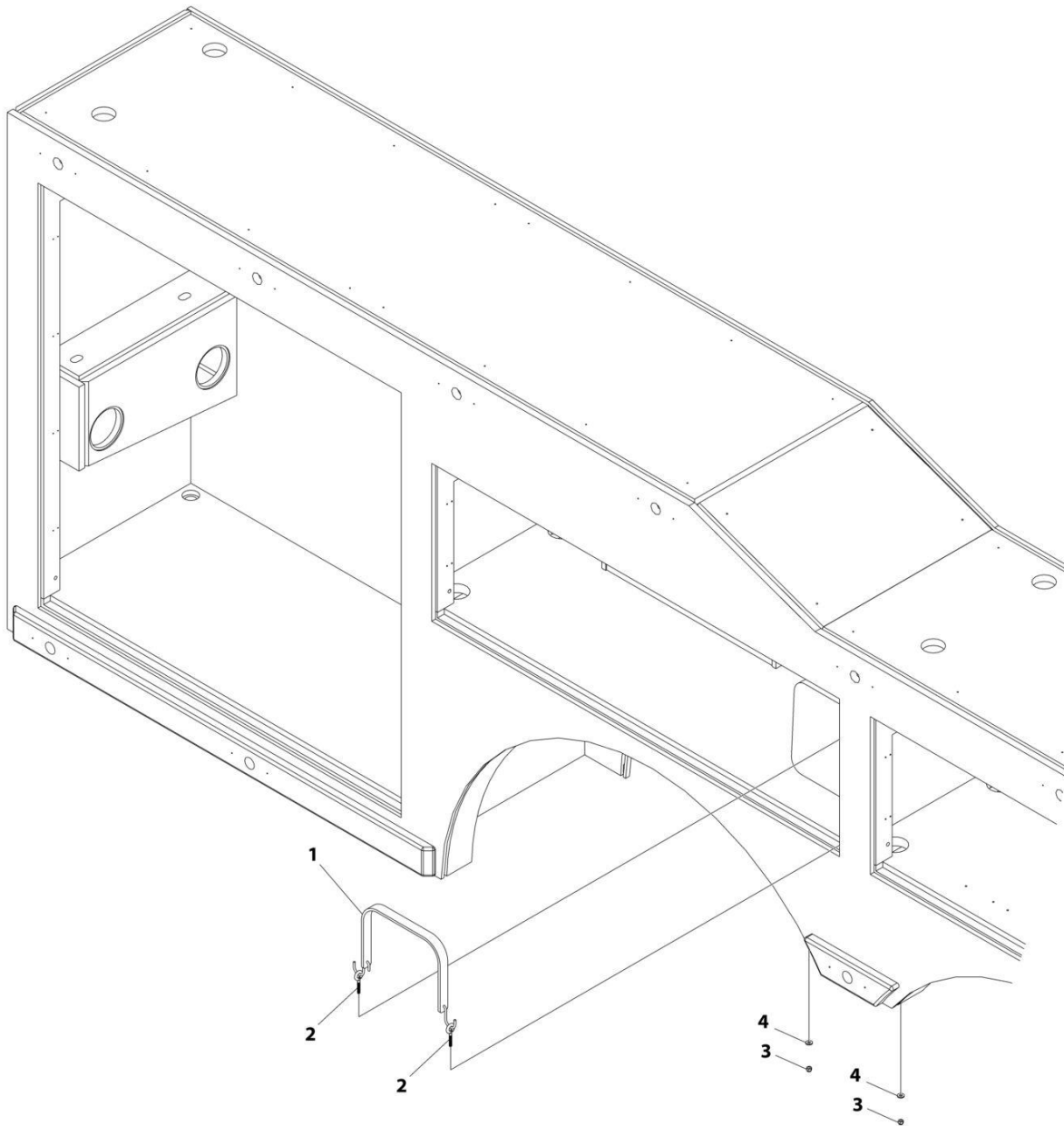
## SECTION 4 - BODY

**FIGURE 4-71. STORAGE - SNATCH BLOCK INSTALLATION - 4 BLOCKS**

ITEM	PART NUMBER	QTY	DESCRIPTION	REV
	1001285854	Ref	STORAGE SNATCH BLOCK INSTALLATION	B
1	1001195523	4	Screw 1/4 x 1	
2	1001282655	2	Bracket	
3	7754000009	4	Ring, Retaining	
4	7950140143	4	Washer 1/4	
5	7691000064	4	Pin	

# SECTION 4 - BODY

## FIGURE 4-72. STORAGE - SPILL CONTAINER STORAGE INSTALLATION



ART\_1001284547

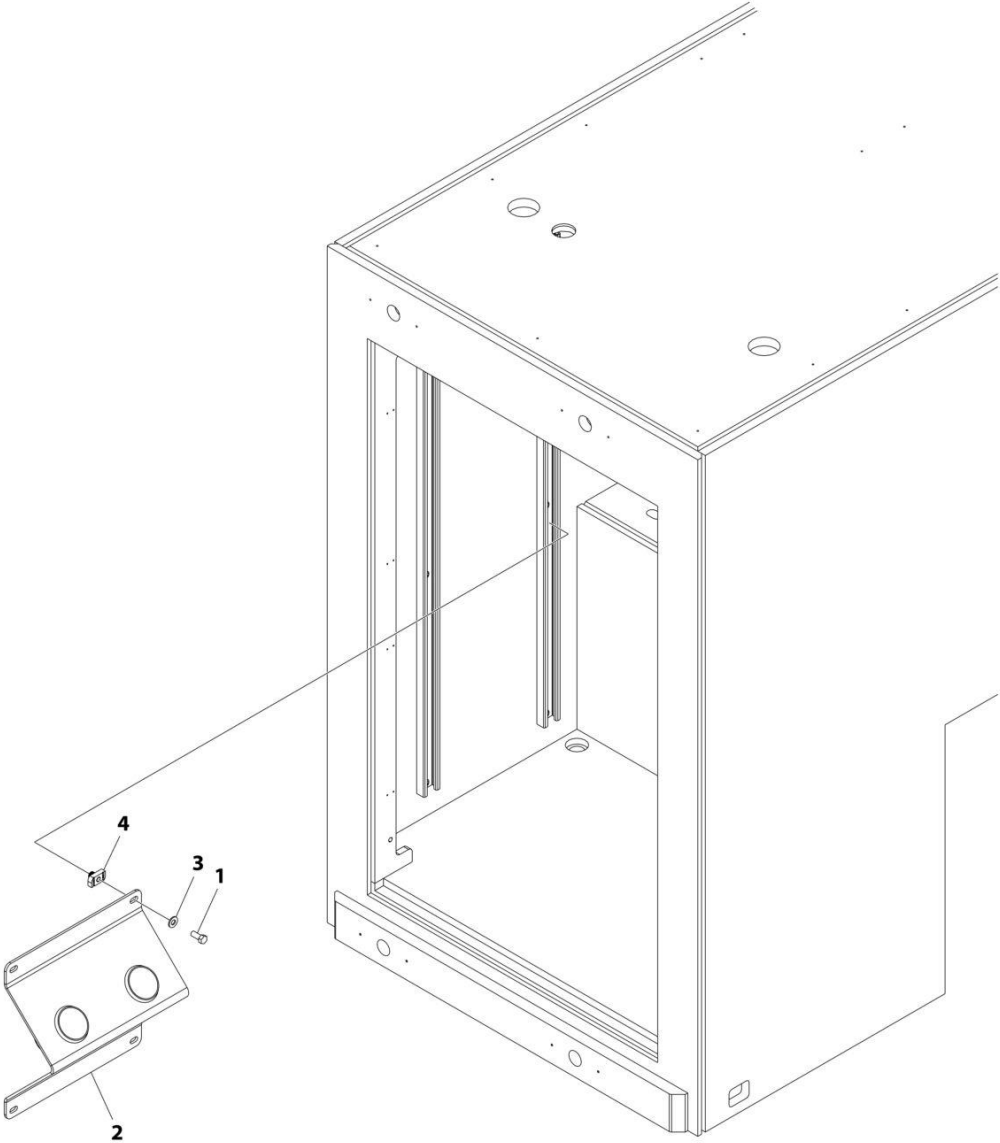
## SECTION 4 - BODY

**FIGURE 4-72. STORAGE - SPILL CONTAINER STORAGE INSTALLATION**

ITEM	PART NUMBER	QTY	DESCRIPTION	REV
	1001284547	Ref	SPILL CONTAINER STORAGE INSTALLATION	A
1	1001201483	1	Strap, Bungee	
2	1001278526	2	Eyebolt 1/4	
3	7660142601	2	Nut 1/4	
4	7950140143	2	Washer 3/16	

**SECTION 4 - BODY**

**FIGURE 4-73. STORAGE - SPRING FORK STORAGE INSTALLATION**



ART\_1001284524



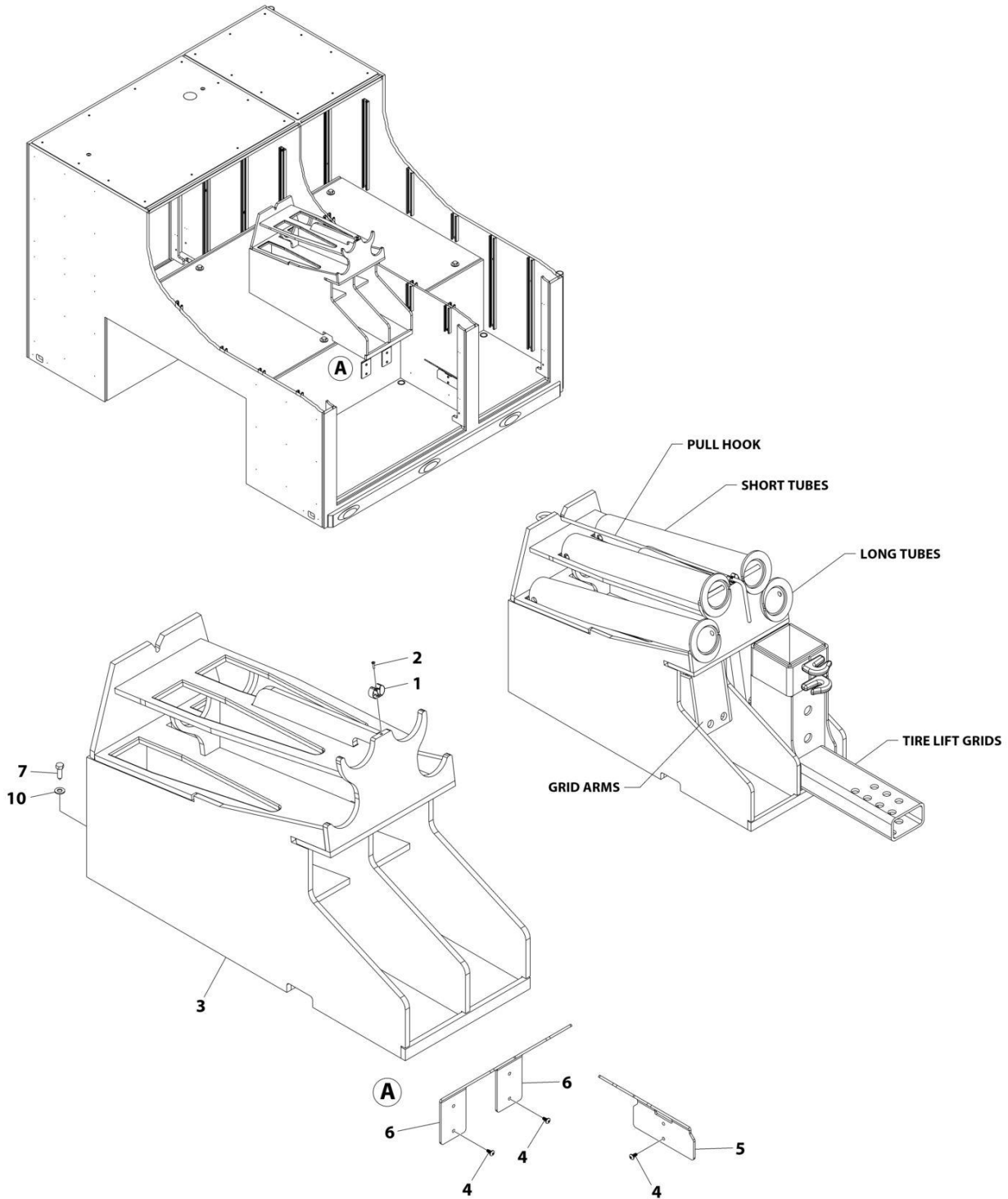
## SECTION 4 - BODY

**FIGURE 4-73. STORAGE - SPRING FORK STORAGE INSTALLATION**

ITEM	PART NUMBER	QTY	DESCRIPTION	REV
	1001284524	Ref	STORAGE - SPRING FORK STORAGE INSTALLATION	A
1	1001210454	4	Bolt 3/8 x 7/8	
2	1001284472	1	Bracket	
3	7950160143	4	Washer 3/8	
4	1001166644	4	Nut 3/8	

# SECTION 4 - BODY

## FIGURE 4-74. STORAGE - TIRE LIFT/BUS ARMS & RATCHETS - 38IN



ART\_1001285356

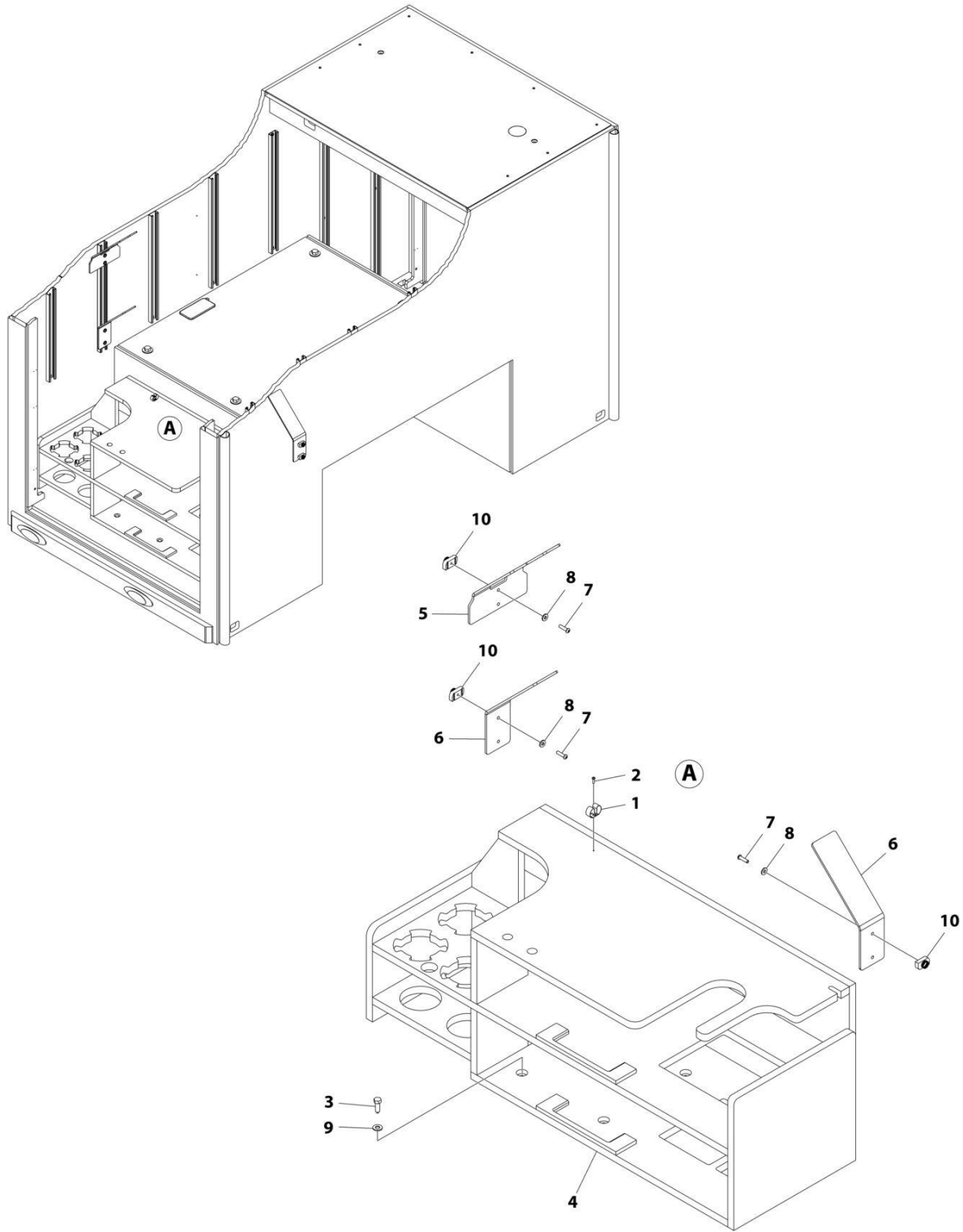
## SECTION 4 - BODY

**FIGURE 4-74. STORAGE - TIRE LIFT/BUS ARMS & RATCHETS - 38IN**

ITEM	PART NUMBER	QTY	DESCRIPTION	REV
	1001285356	Ref	TIRE STORAGE INSTALLATION (38IN)	B
1	1380135	1	Clip	
2	3900339	1	Screw #6 x 1/2	
3	1001192287	1	Storage	
4	1001195257	6	Screw 1/4 x 1/2	
5	1001285357	1	Bracket	
6	1001285358	2	Bracket	
7	1001168545	4	Capscrew 3/8 x 1-1/4	
10	7950160143	4	Washer 3/8	

# SECTION 4 - BODY

## FIGURE 4-75. STORAGE - TIRE LIFT/BUS ARMS & RATCHETS - 50IN



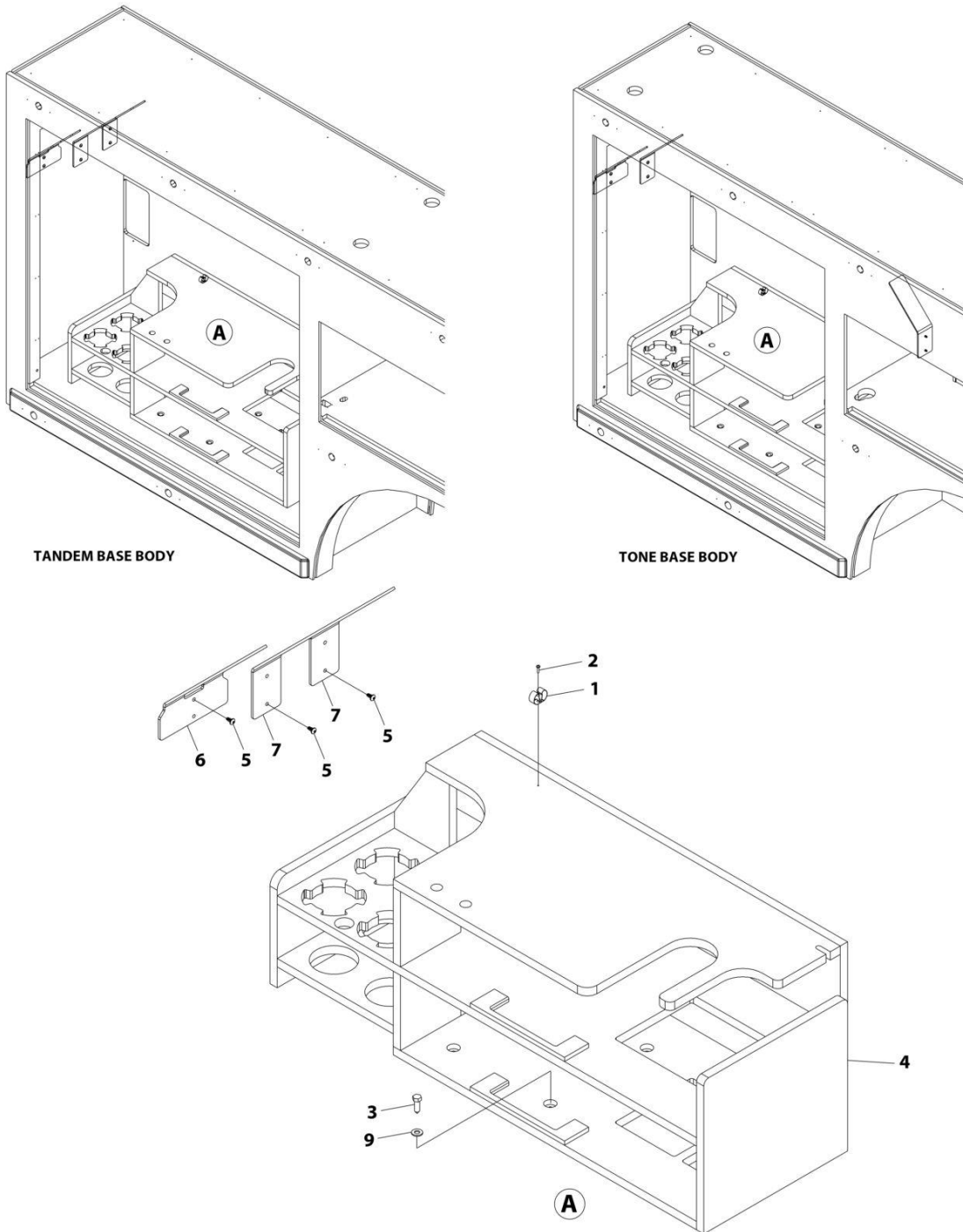
ART\_1001285351

**SECTION 4 - BODY****FIGURE 4-75. STORAGE - TIRE LIFT/BUS ARMS & RATCHETS - 50IN**

<b>ITEM</b>	<b>PART NUMBER</b>	<b>QTY</b>	<b>DESCRIPTION</b>	<b>REV</b>
	1001285351	Ref	TIRE LIFT STORAGE INSTALLATIONS (50IN)	A
1	1380135	1	Clip	
2	3900339	1	Screw #6 x 1/2	
3	1001168545	4	Capscrew 3/8 x 1-1/4	
4	1001190409	1	Storage	
5	1001285357	1	Bracket	
6	1001285358	2	Bracket	
7	7114140818	6	Capscrew 1/4 x 1	
8	7950140143	6	Washer 3/16	
9	7950160143	4	Washer 3/8	
10	1001183037	6	Spring Nut 1/4	

# SECTION 4 - BODY

## FIGURE 4-76. STORAGE - TIRE LIFT/BUS ARMS & RATCHETS - BB



ART\_1001285352

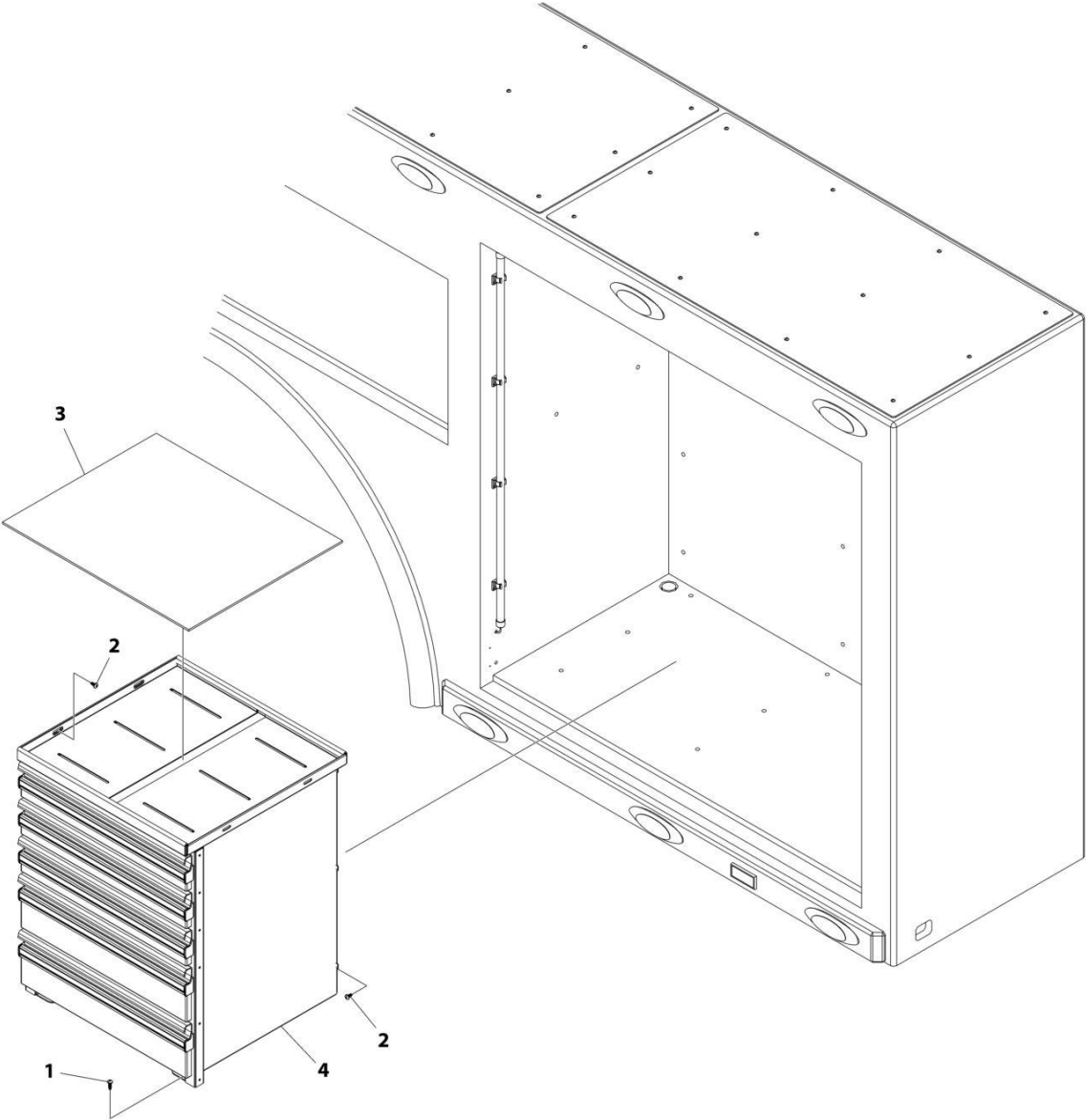
## SECTION 4 - BODY

### FIGURE 4-76. STORAGE - TIRE LIFT/BUS ARMS & RATCHETS - BB

ITEM	PART NUMBER	QTY	DESCRIPTION	REV
	1001285352	Ref	TIRE LIFT INSTALLATION	B
1	1380135	1	Clip	
2	3900339	1	Screw #6 x 1/2	
3	1001168545	4	Capscrew 3/8 x 1-1/4	
4	1001190409	1	Storage	
5	1001195257	6	Screw 1/4 x 1/2	
6	1001285357	1	Bracket	
7	1001285358	2	Bracket	
9	7950160143	4	Washer 3/8	

**SECTION 4 - BODY**

**FIGURE 4-77. STORAGE - TOOL DRAWER INSTALLATION (TANDEM)**



ART\_1001220164



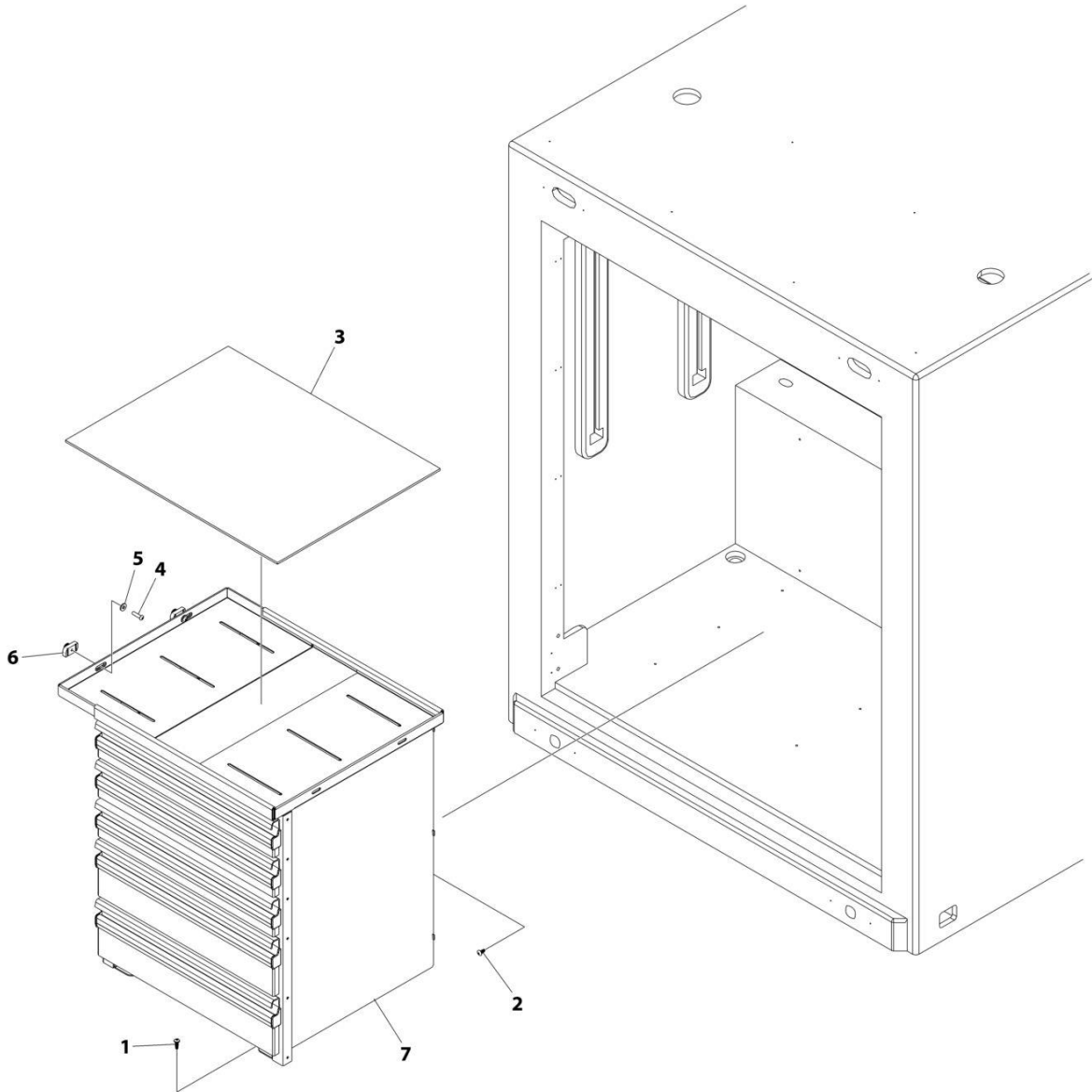
## SECTION 4 - BODY

**FIGURE 4-77. STORAGE - TOOL DRAWER INSTALLATION (TANDEM)**

ITEM	PART NUMBER	QTY	DESCRIPTION	REV
	1001220164	Ref	TOOL DRAWER INSTALLATION (TANDEM)	B
1	1001194676	6	Screw 1/4 x 3/4	
2	1001195257	8	Screw 1/4 x 1/2	
3	1001195279	1	Pad	
4	1001266946	1	Toolbox	

# SECTION 4 - BODY

## FIGURE 4-78. STORAGE - TOOL DRAWER INSTALLATION (TRI-AXLE PASSENGERS SIDE)



ART\_1001208635

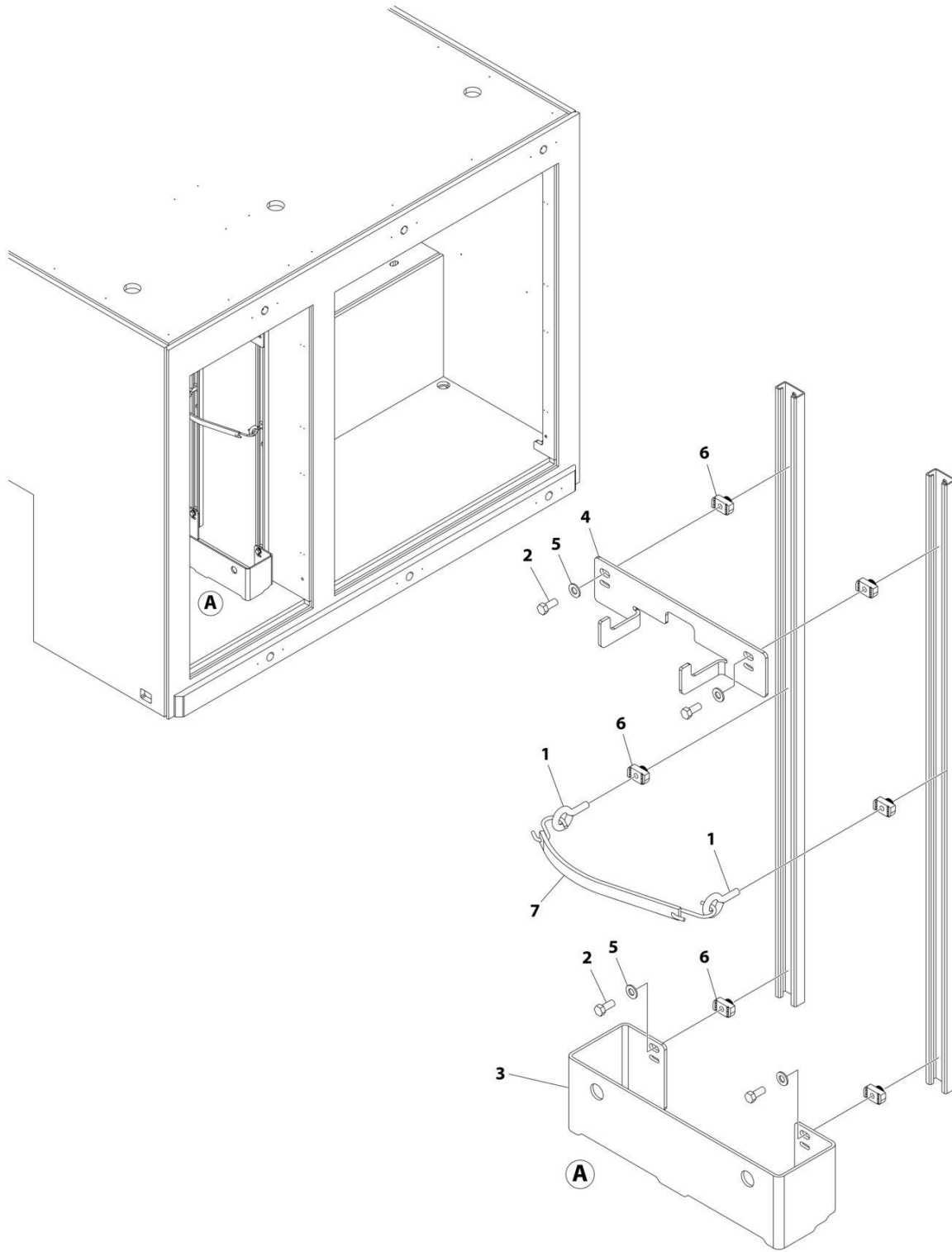
## SECTION 4 - BODY

**FIGURE 4-78. STORAGE - TOOL DRAWER INSTALLATION (TRI-AXLE PASSENGERS SIDE)**

ITEM	PART NUMBER	QTY	DESCRIPTION	REV
	1001208635	Ref	TOOLBOX/DRAWER INSTALLATION	C
1	1001194676	6	Screw 1/4 x 3/4	
2	1001195257	4	Screw 1/4 x 1/2	
3	1001195341	1	Pad	
4	7114140818	2	Capscrew 1/2 x 1	
5	7950140143	2	Washer 1/4	
6	1001183037	2	Nut 1/4	
7	1001190410	1	Toolbox <b>(SN 0230004275 through 0230008203)</b>	
7	1001266946	1	Toolbox <b>(SN 0230008204 to Present)</b>	

# SECTION 4 - BODY

## FIGURE 4-79. STORAGE - TOOL INSTALLATION



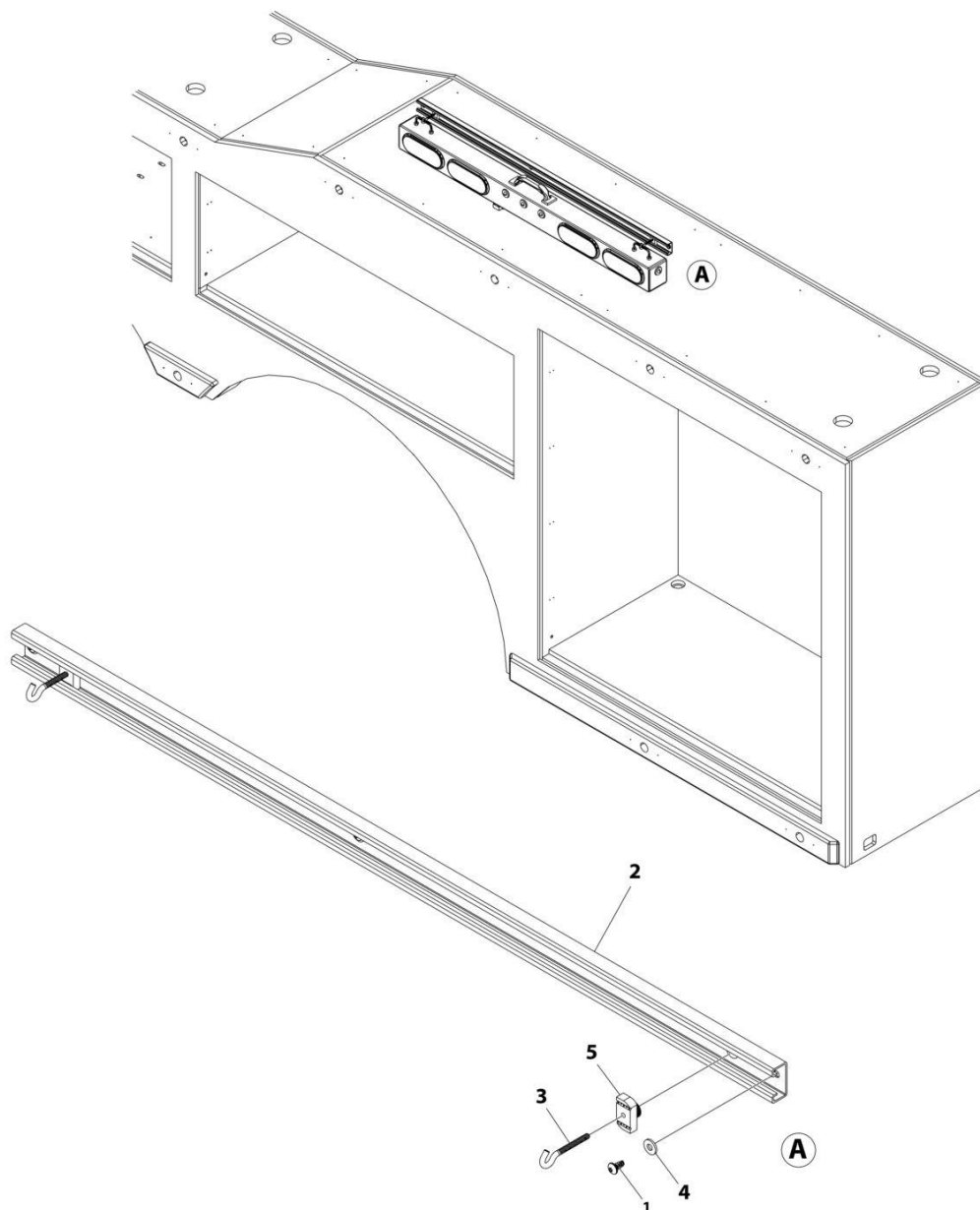
ART\_1001277196

FIGURE 4-79. STORAGE - TOOL INSTALLATION

ITEM	PART NUMBER	QTY	DESCRIPTION	REV
	1001277196	Ref	TOOL STORAGE INSTALLATION	A
1	1001175231	2	Eyebolt 3/8	
2	1001210454	4	Bolt 3/8 x 7/8	
3	1001277194	1	Channel	
4	1001277195	1	Plate	
5	7950160141	4	Washer 3/8	
6	1001166644	6	Spring Nut 3/8	
7	1001191736	1	Strap	

# SECTION 4 - BODY

## FIGURE 4-80. STORAGE - TOW LIGHT STORAGE INSTALLATION



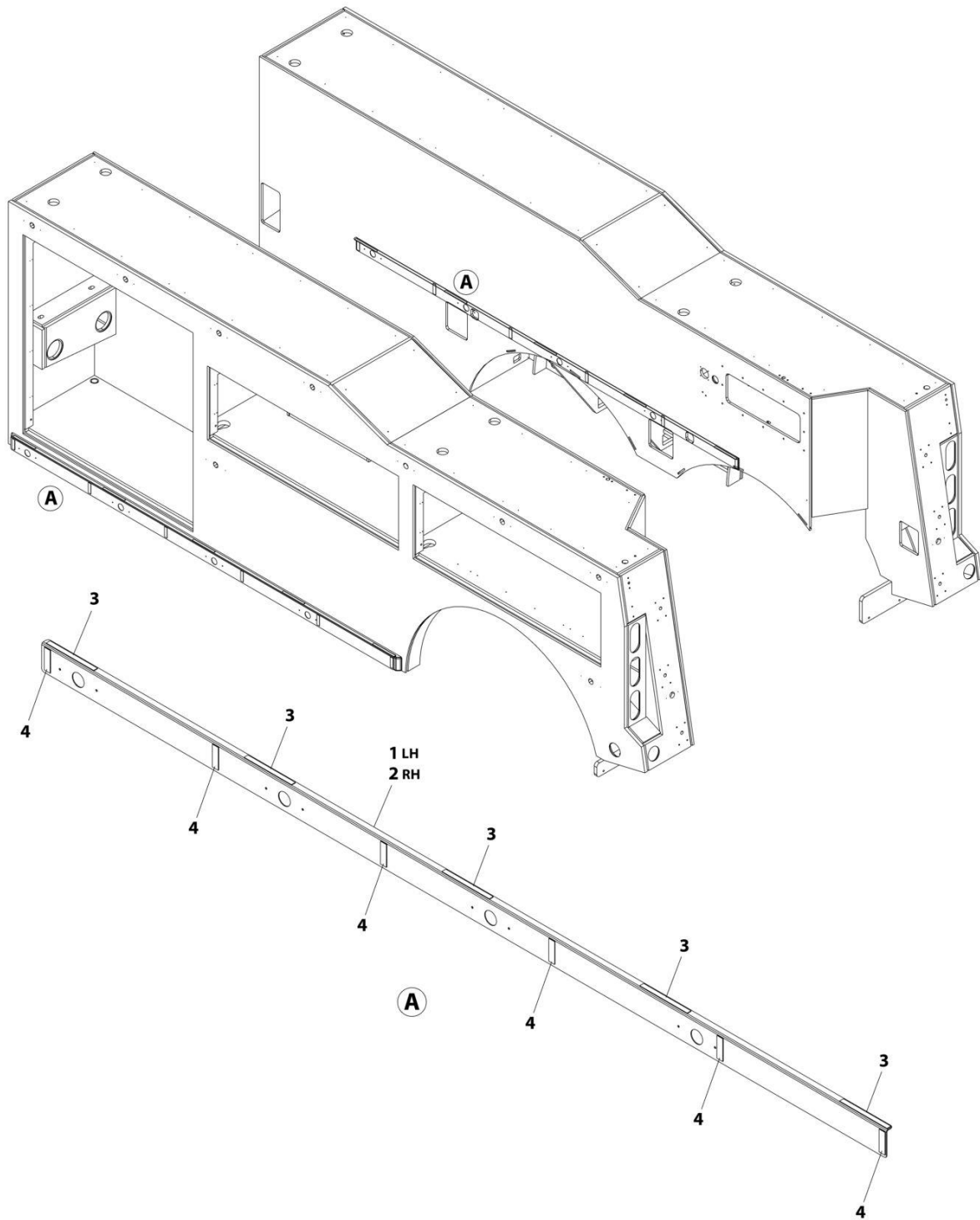
ART\_1001283855

FIGURE 4-80. STORAGE - TOW LIGHT STORAGE INSTALLATION

ITEM	PART NUMBER	QTY	DESCRIPTION	REV
	1001283855	Ref	TOW LIGHT STORAGE INSTALLATION	A
1	1001195257	3	Screw 1/4 x 1/2	
2	1001277612	1	Channel	
3	1001283856	2	Hook Screw 1/4	
4	7950140143	3	Washer 1/4	
5	1001183037	2	Nut 1/4	

# SECTION 4 - BODY

## FIGURE 4-81. RUB RAIL DRESS UP- INSTALLATION (SINGLE AXLE)



ART\_1001289532



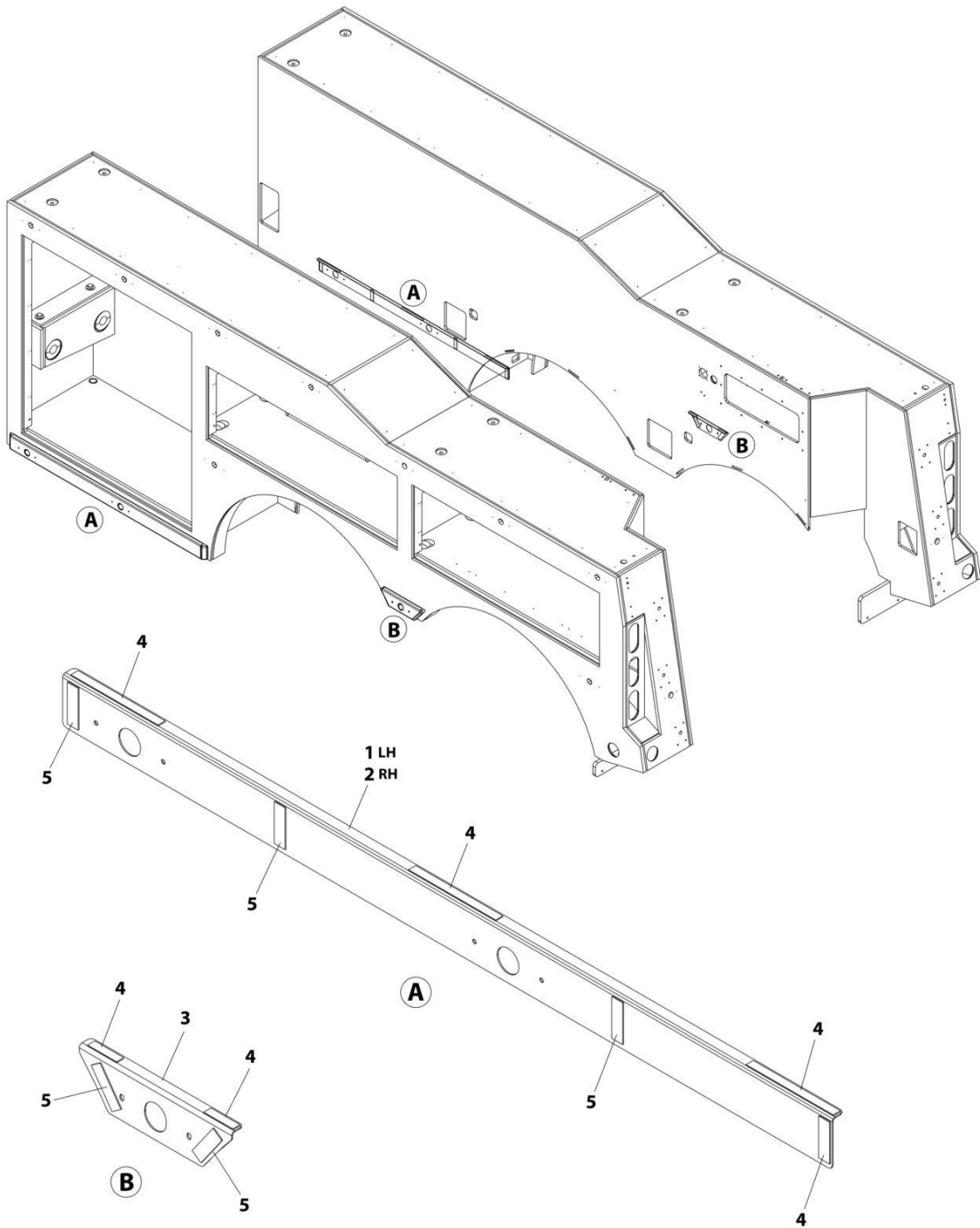
## SECTION 4 - BODY

**FIGURE 4-81. RUB RAIL DRESS UP- INSTALLATION (SINGLE AXLE)**

ITEM	PART NUMBER	QTY	DESCRIPTION	REV
	1001289532	Ref	RUB RAIL DRESS UP- INSTALLATION (SINGLE AXLE)	A
1	1001289535	1	Angle	
2	1001289536	1	Angle	
3	1001230987	5 ft	Tape	
4	7796000012	2.5 ft	Seal	

# SECTION 4 - BODY

## FIGURE 4-82. RUB RAIL DRESS - UP INSTALLATION (TANDEM AXLE)



ART\_1001289533

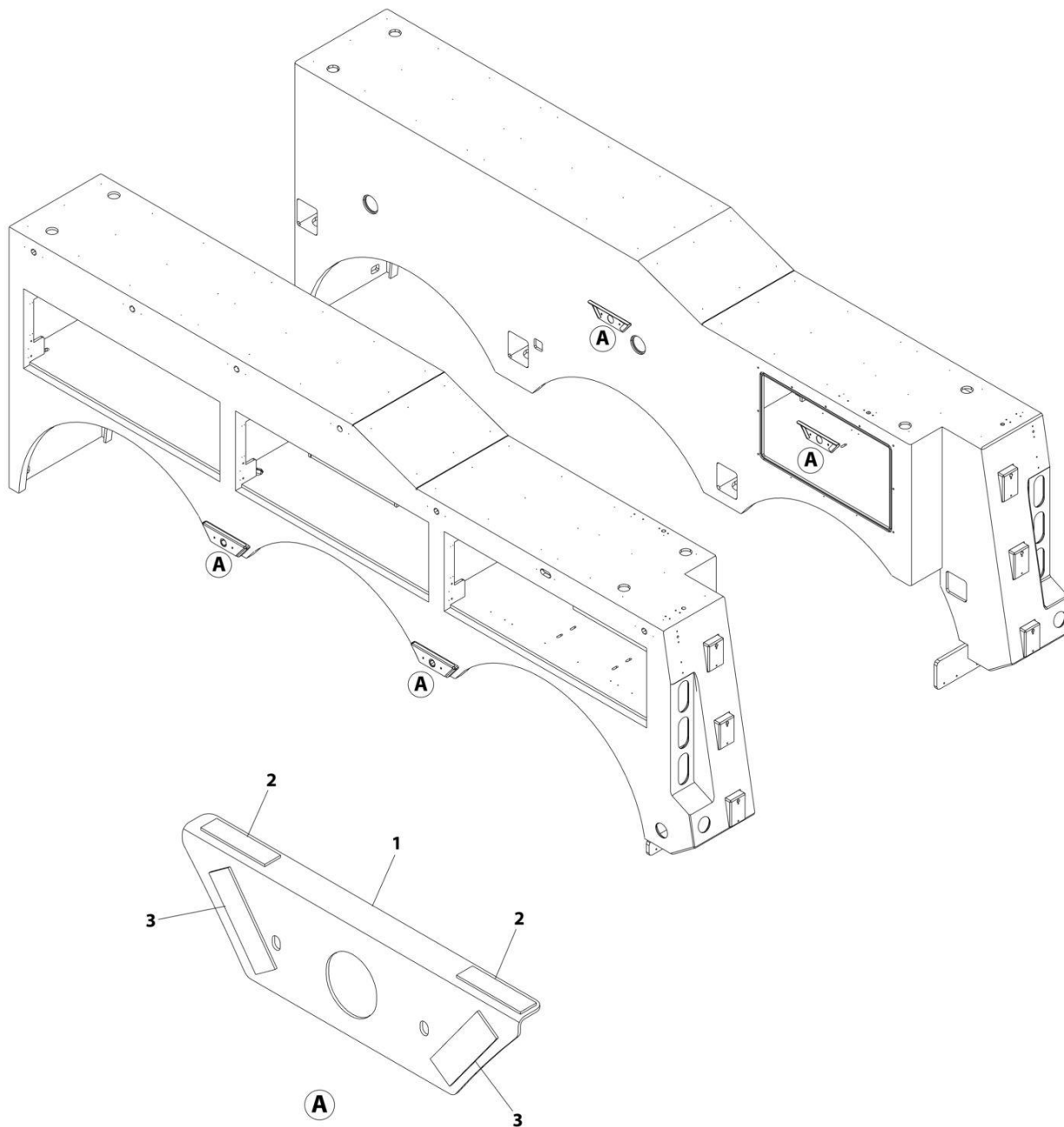
## SECTION 4 - BODY

**FIGURE 4-82. RUB RAIL DRESS - UP INSTALLATION (TANDEM AXLE)**

ITEM	PART NUMBER	QTY	DESCRIPTION	REV
	1001289533	Ref	RUB RAIL DRESS-UP INSTALLATION (TANDEM AXLE)	A
1	1001289544	1	Angle	
2	1001289545	1	Angle	
3	1001230966	2	Angle	
4	1001230987	3.7 ft	Tape	
5	7796000012	2.5 ft	Seal	

# SECTION 4 - BODY

## FIGURE 4-83. RUB RAIL DRESS-UP INSTALLATION (TRI-AXLE)



ART\_1001234480

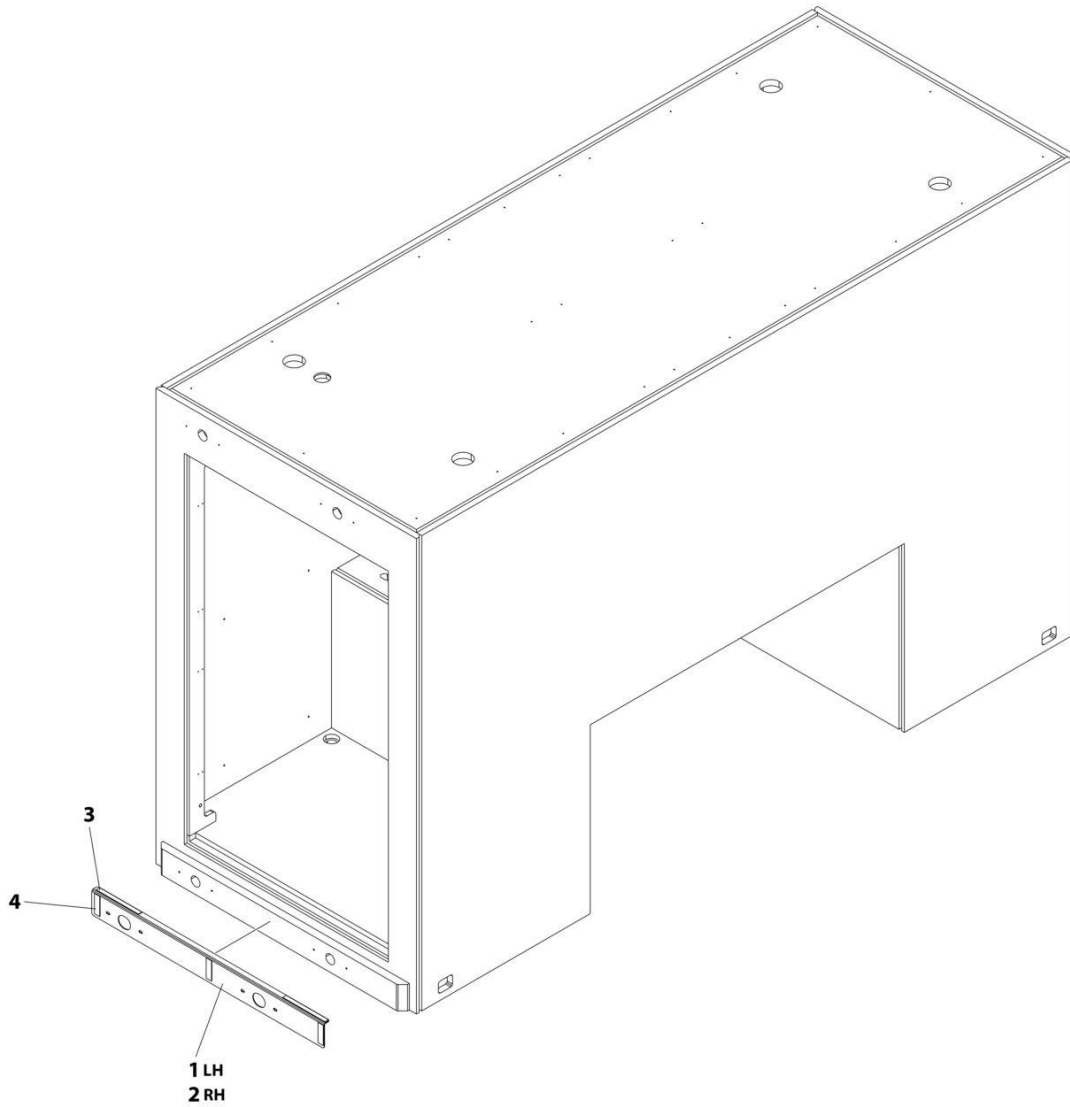
## SECTION 4 - BODY

**FIGURE 4-83. RUB RAIL DRESS-UP INSTALLATION (TRI-AXLE)**

ITEM	PART NUMBER	QTY	DESCRIPTION	REV
	1001234480	Ref	RUB RAIL DRESS-UP INSTALLATION (TRI-AXLE)	A
1	1001230966	4	Angle	
2	1001230987	2 ft	Tape	
4	7796000012	2 ft	Seal	

# SECTION 4 - BODY

## FIGURE 4-84. RUBRAIL TRIM 38IN TUNNEL INSTALLATION



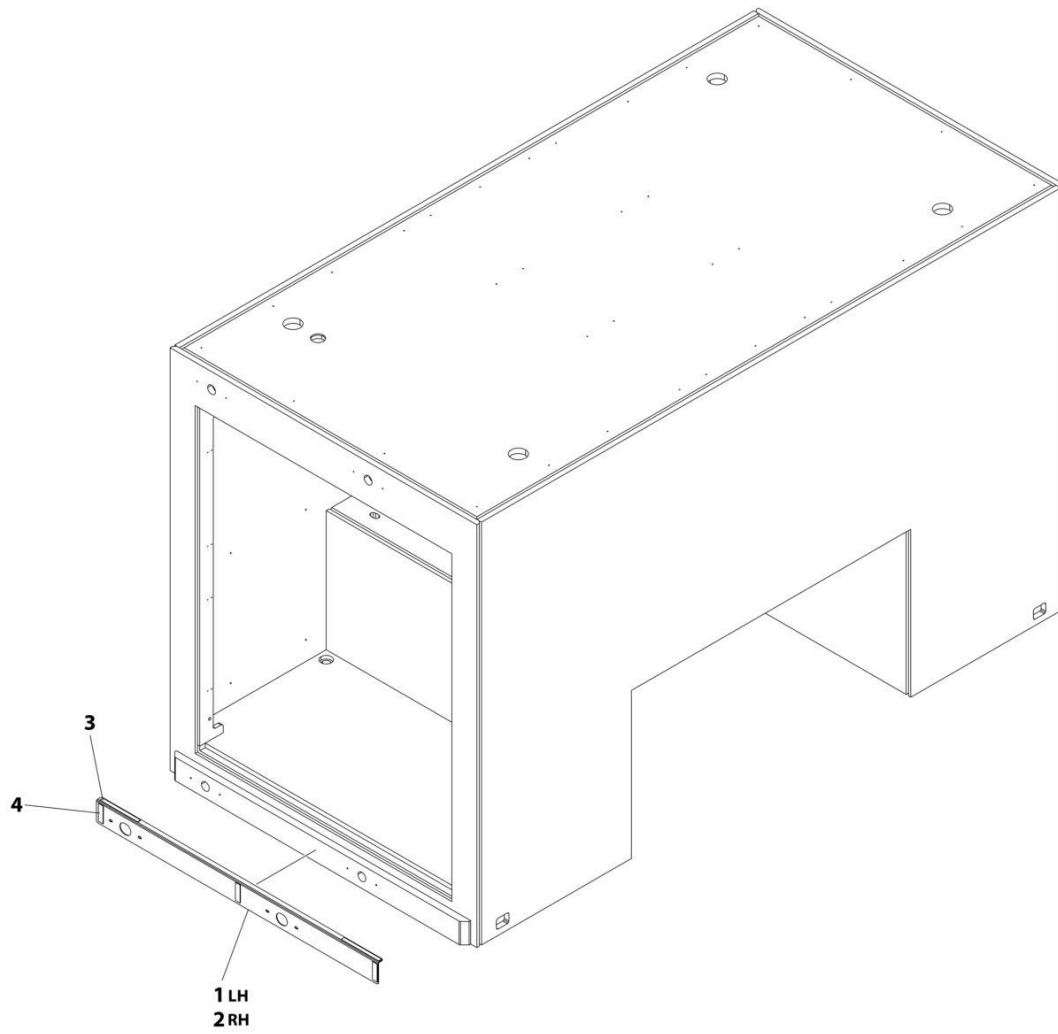
ART\_1001283561

FIGURE 4-84. RUBRAIL TRIM 38IN TUNNEL INSTALLATION

ITEM	PART NUMBER	QTY	DESCRIPTION	REV
	1001283561	Ref	RUBRAIL TRIM 36IN TUNNEL INSTALLATION	A
1	1001283566	1	Angle	
2	1001283567	1	Angle	
3	1001230987	2 ft	Tape	
4	7796000012	1.3 ft	Seal	

# SECTION 4 - BODY

## FIGURE 4-85. RUBRAIL TRIM 50IN TUNNEL INSTALLATION



ART\_1001283560



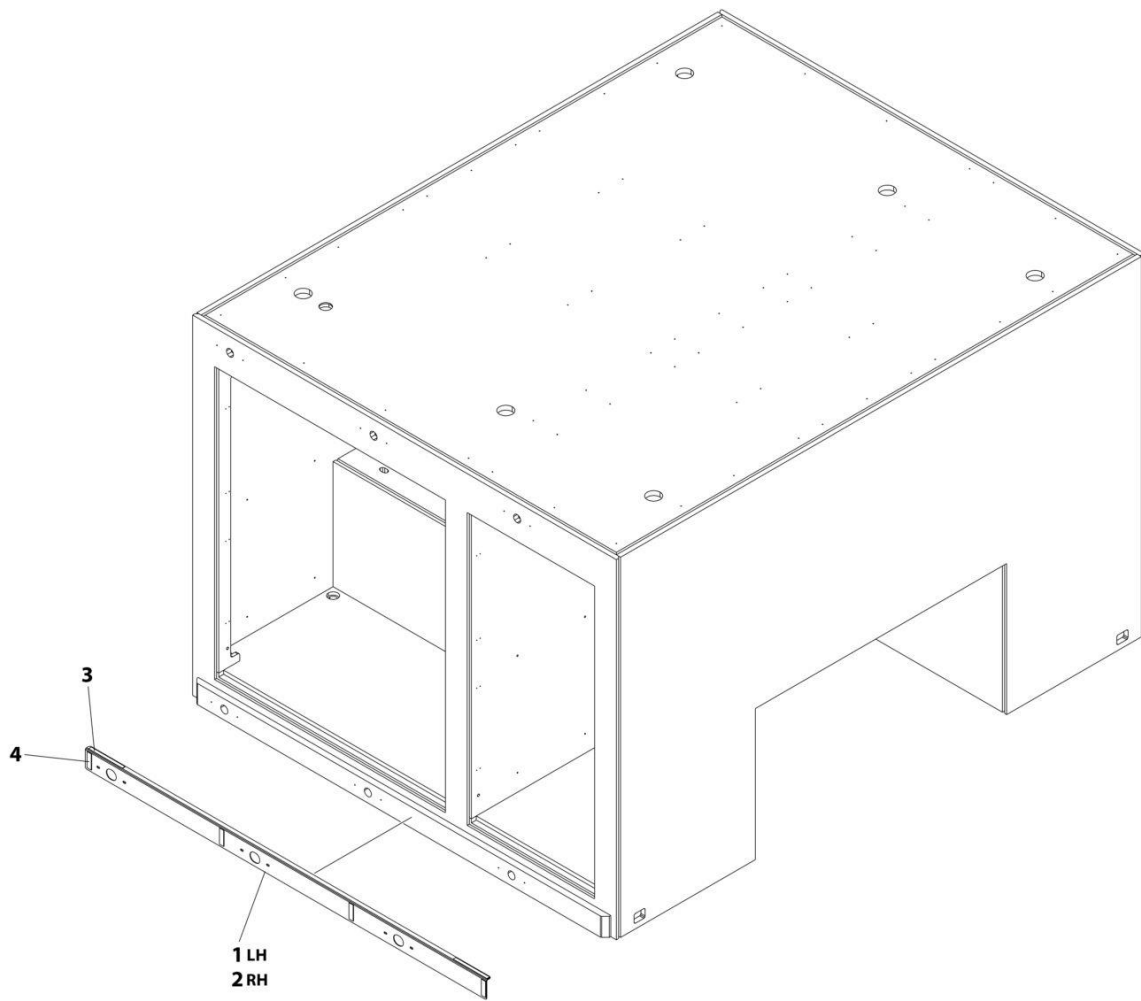
## SECTION 4 - BODY

**FIGURE 4-85. RUBRAIL TRIM 50IN TUNNEL INSTALLATION**

ITEM	PART NUMBER	QTY	DESCRIPTION	REV
	1001283560	Ref	RUBRAIL TRIM 50IN TUNNEL INSTALLATION	A
1	1001283564	1	Angle	
2	1001283565	1	Angle	
3	1001230987	2 ft	Tape	
4	7796000012	1.3 ft	Seal	

# SECTION 4 - BODY

## FIGURE 4-86. RUBRAIL TRIM 76IN TUNNEL INSTALLATION



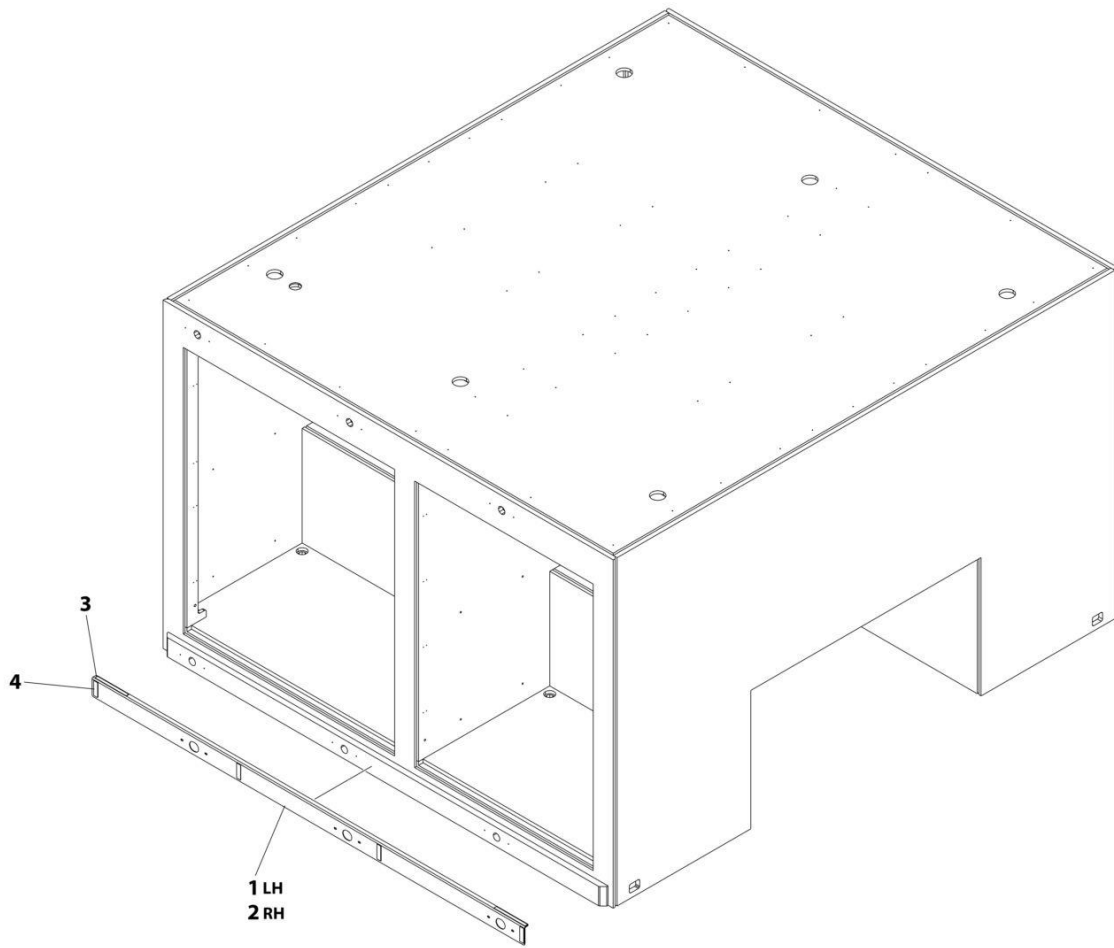
ART\_1001274901

**FIGURE 4-86. RUBRAIL TRIM 76IN TUNNEL INSTALLATION**

<b>ITEM</b>	<b>PART NUMBER</b>	<b>QTY</b>	<b>DESCRIPTION</b>	<b>REV</b>
	1001274901	Ref	RUBRAIL TRIM 76IN TUNNEL INSTALLATION	A
1	1001274903	1	Angle	
2	1001274904	1	Angle	
3	1001230987	2 ft	Tape	
4	7796000012	2 ft	Seal	

# SECTION 4 - BODY

## FIGURE 4-87. RUBRAIL TRIM 88IN TUNNEL INSTALLATION



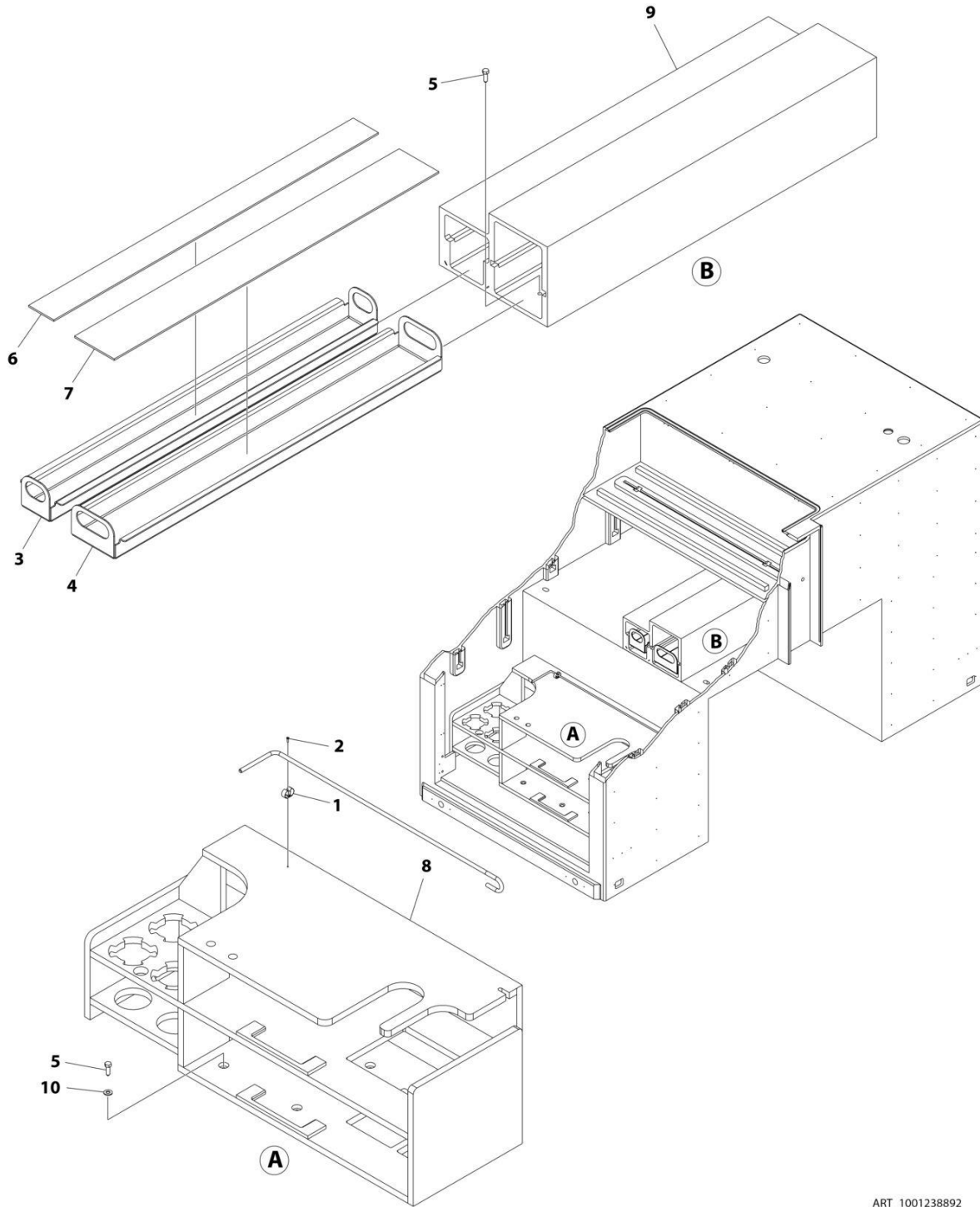
ART\_1001274902

**FIGURE 4-87. RUBRAIL TRIM 88IN TUNNEL INSTALLATION**

ITEM	PART NUMBER	QTY	DESCRIPTION	REV
	1001274902	Ref	RUBRAIL TRIM 88IN TUNNEL INSTALLATION	A
1	1001274963	1	Angle	
2	1001274964	1	Angle	
3	1001230987	2 ft	Tape	
4	7796000012	2 ft	Seal	

# SECTION 4 - BODY

## FIGURE 4-88. TIRE LIFT INSTALLATION (JFB)



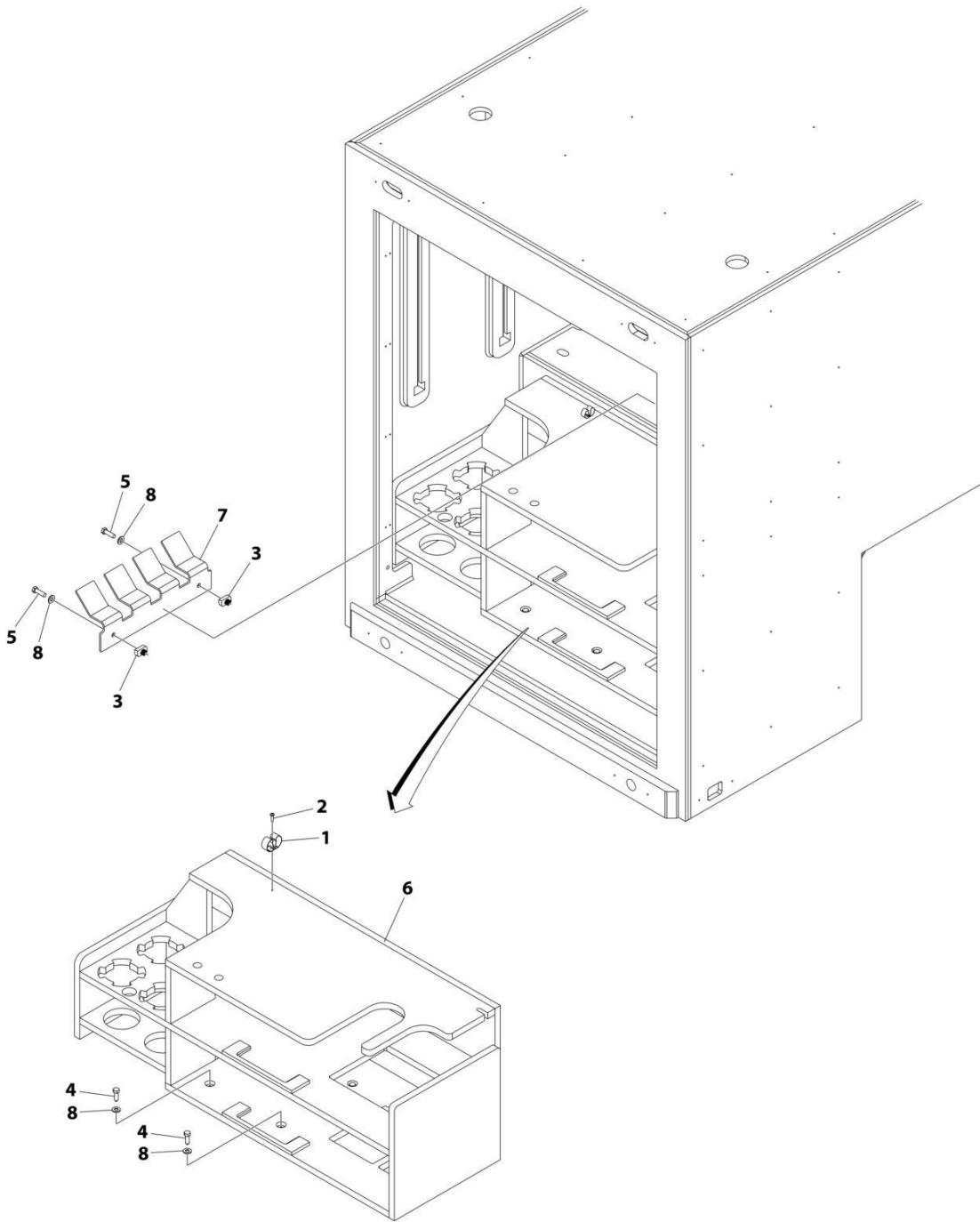
ART\_1001238892

FIGURE 4-88. TIRE LIFT INSTALLATION (JFB)

ITEM	PART NUMBER	QTY	DESCRIPTION	REV
	1001238892	Ref	Tire Lift Installation	A
1	1380135	1	Clip	
2	3900339	1	Screw #6 x 1/2	
3	1001165862	1	Tray, Small	
4	1001165863	1	Tray, Large	
5	1001168545	8	Capscrew 3/8 x 1-1/4	
6	1001170968	1	Pad, Small	
7	1001170970	1	Pad, Large	
8	1001190409	1	Storage	
9	1001238891	1	Bracket	
10	7950160143	4	Washer 3/8	

# SECTION 4 - BODY

## FIGURE 4-89. TIRE LIFT INSTALLATION (SIL LITE)



ART\_1001264836

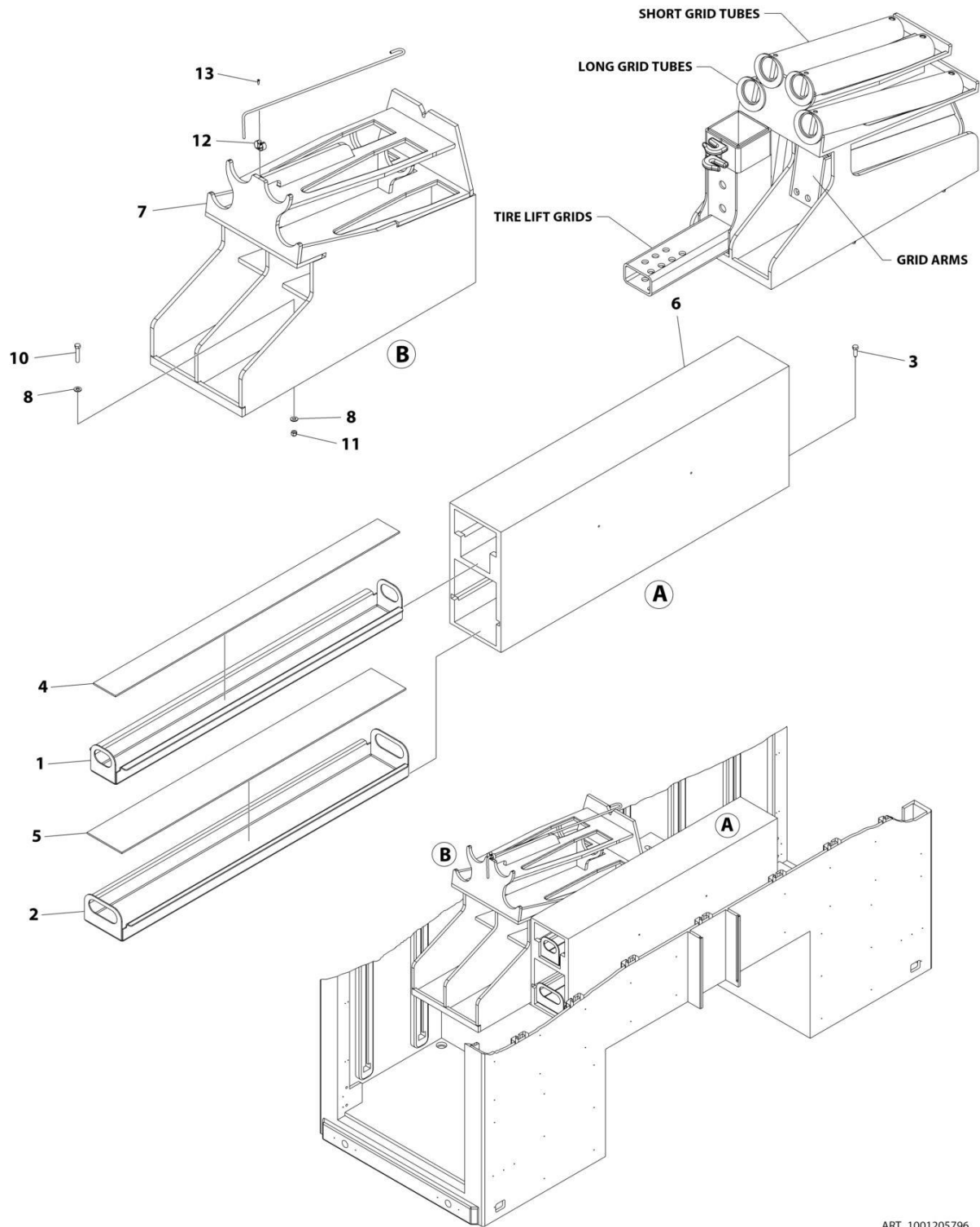


**SECTION 4 - BODY****FIGURE 4-89. TIRE LIFT INSTALLATION (SIL LITE)**

<b>ITEM</b>	<b>PART NUMBER</b>	<b>QTY</b>	<b>DESCRIPTION</b>	<b>REV</b>
	1001264836	Ref	BUS ARM/TIRE LIFT STORAGE INSTALLATION	A
1	1380135	1	Clip	
2	3900339	1	Screw #6 x 1/2	
3	1001166644	2	Nut 3/8	
4	1001168545	4	Capscrew 3/8 x 1-1/4	
5	1001169080	2	Capscrew 3/8 x 1-1/4	
6	1001190409	1	Storage	
7	1001207624	1	Bracket	
8	7950160143	6	Washer 3/8	

# SECTION 4 - BODY

## FIGURE 4-90. TIRE STORAGE INSTALLATION, 36IN



ART\_1001205796

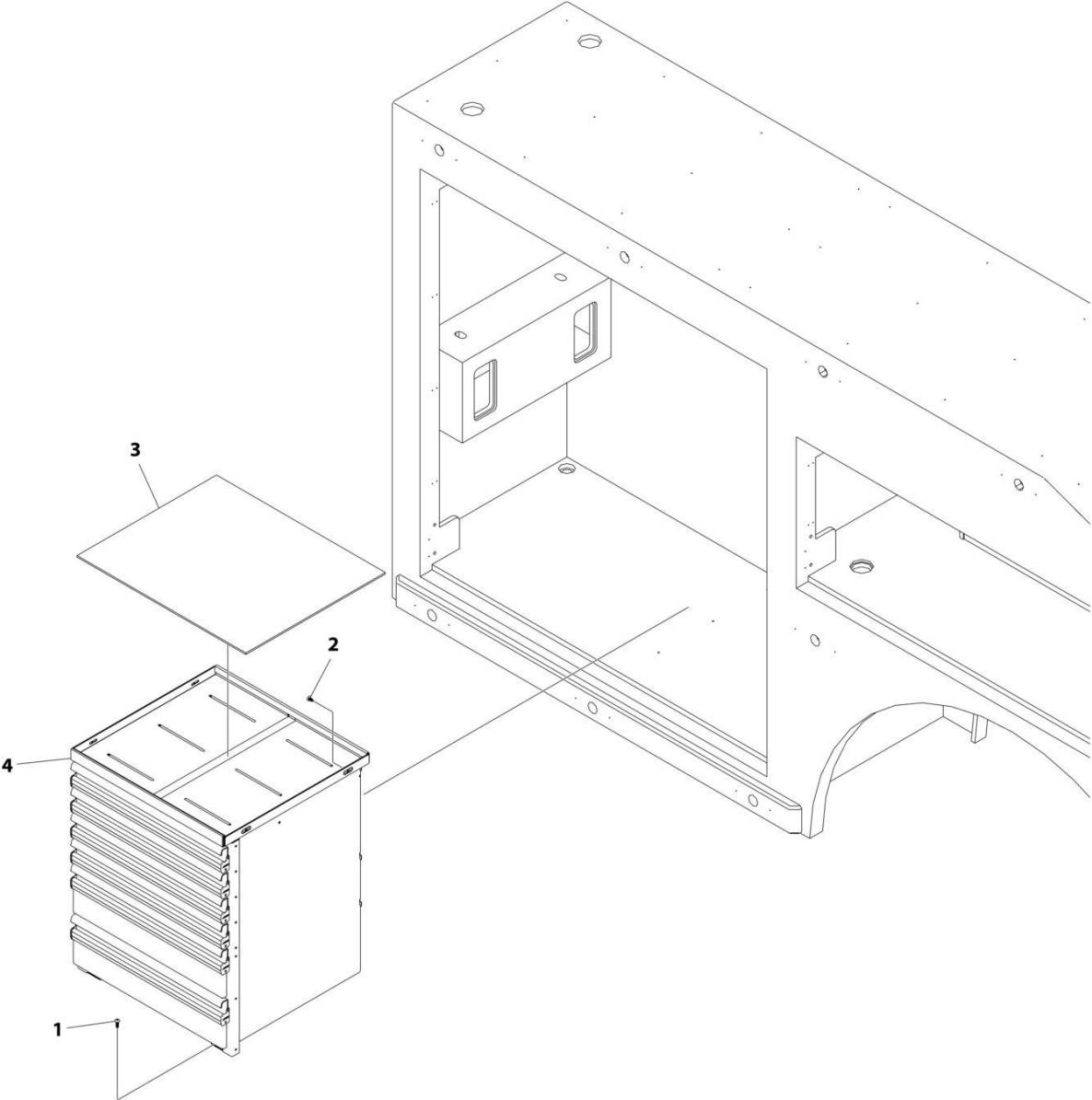
## SECTION 4 - BODY

**FIGURE 4-90. TIRE STORAGE INSTALLATION, 36IN**

ITEM	PART NUMBER	QTY	DESCRIPTION	REV
	1001205796	Ref	TIRE STORAGE INSTALLATION, 36IN	B
1	1001165862	1	Tray, Small	
2	1001165863	1	Tray, Large	
3	1001168545	4	Capscrew 3/8 x 1-1/4	
4	1001170968	1	Pad, Small	
5	1001170970	1	Pad, Large	
6	1001170971	1	Bracket	
7	1001192287	1	Storage	
8	7950160143	8	Washer 3/8	
10	7115161650	4	Capscrew 3/8 x 2	
11	7660162601	4	Nut 3/8	
12	1380135	1	Clip	
13	3900339	1	Screw #6 x 1/2	

**SECTION 4 - BODY**

**FIGURE 4-91. TOOL DRAWER INSTALLATION, TANDEM**



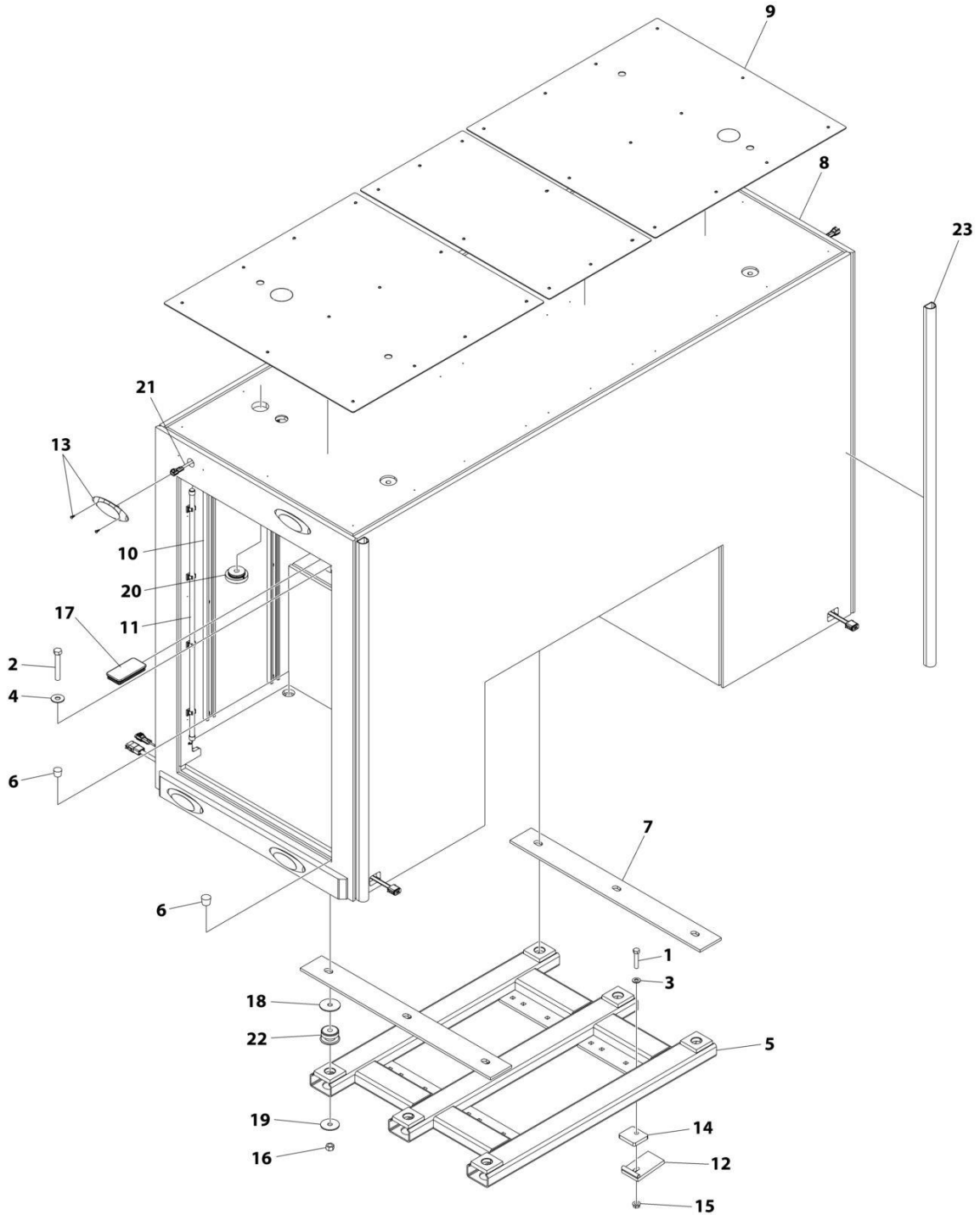
ART\_1001195256

FIGURE 4-91. TOOL DRAWER INSTALLATION, TANDEM

ITEM	PART NUMBER	QTY	DESCRIPTION	REV
	1001195256	Ref	Tool Drawer Installation, Tandem	B
1	1001194676	6	Screw 1/4 x 3/4	
2	1001195257	8	Screw 1/4 x 1/2	
3	1001195279	1	Pad	
3	1001190410	1	Toolbox (SN 0230004275 through 0230008203)	
4	1001266946	1	Toolbox (SN 0230008204 to Present)	

# SECTION 4 - BODY

## FIGURE 4-92. TUNNEL INSTALLATION - 38IN



ART\_1001278333

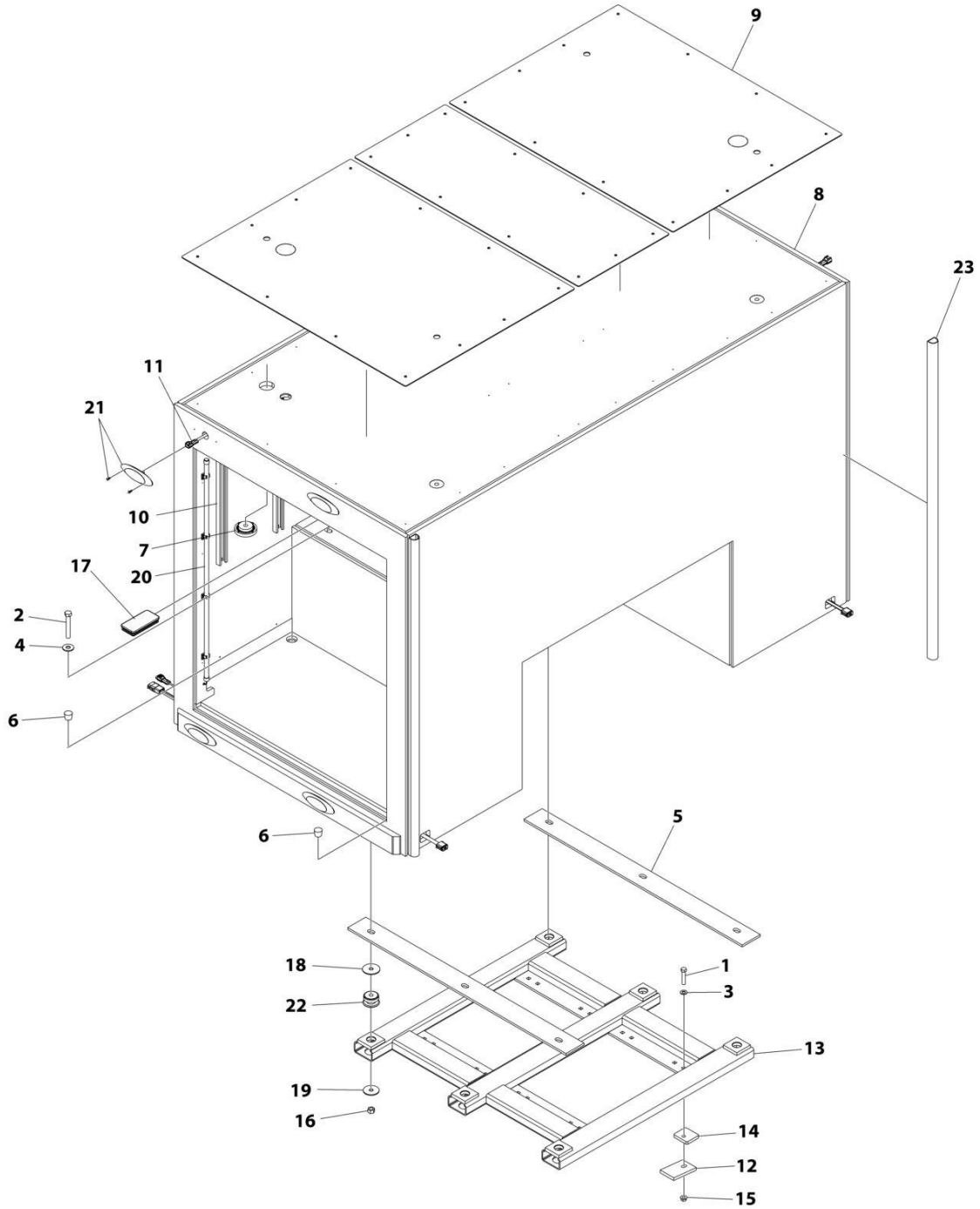
## SECTION 4 - BODY

### FIGURE 4-92. TUNNEL INSTALLATION - 38IN

ITEM	PART NUMBER	QTY	DESCRIPTION	REV
	1001278333	Ref	TUNNEL INSTALLATION - 38IN	A
1	0641820	8	Bolt 1/2 x 2-1/2	
2	0642034	6	Bolt 5/8 x 4-1/4	
3	4711800	8	Washer 1/2	
4	4752000	6	Washer 5/8	
5	1001187063	1	Toolbox Mount	
6	1001173847	4	Plug	
7	1001197338	2	Support	
8	1001274550	1	Tunnel Toolbox	
9	1001278488	1	Battery Cover Installation (See Separate Breakdown in ELECTRICAL Section)	
10	1001279058	1	T Slots Installation	
10A	1001277611	6	Channel (Not Shown)	
10B	1001277612	8	Channel (Not Shown)	
11	1001196583	1	Tunnel Compartment Lights Installation (See Separate Breakdown in ELECTRICAL Section)	
12	3274000011	8	Clamp Weldment	
13	1001196625	1	Marker Lights Installation (See Separate Breakdown in ELECTRICAL Section)	
14	4705000705	8	Plate	
15	7660182301	8	Nut 1/2	
16	7660200001	6	Nut 5/8	
17	7701000048	1	Plug	
18	7949000019	6	Washer	
19	7949000020	6	Washer	
20	1001196808	1	Lifting Lugs Installation (See Separate Breakdown in this Section)	
21	1001281659	1	Harness Installation - Tunnel (See Separate Breakdown in ELECTRICAL Section)	
22	7636000008	6	Mount	
23	8632000011	10 ft	Seal	

# SECTION 4 - BODY

## FIGURE 4-93. TUNNEL INSTALLATION - 50IN



ART\_1001278332



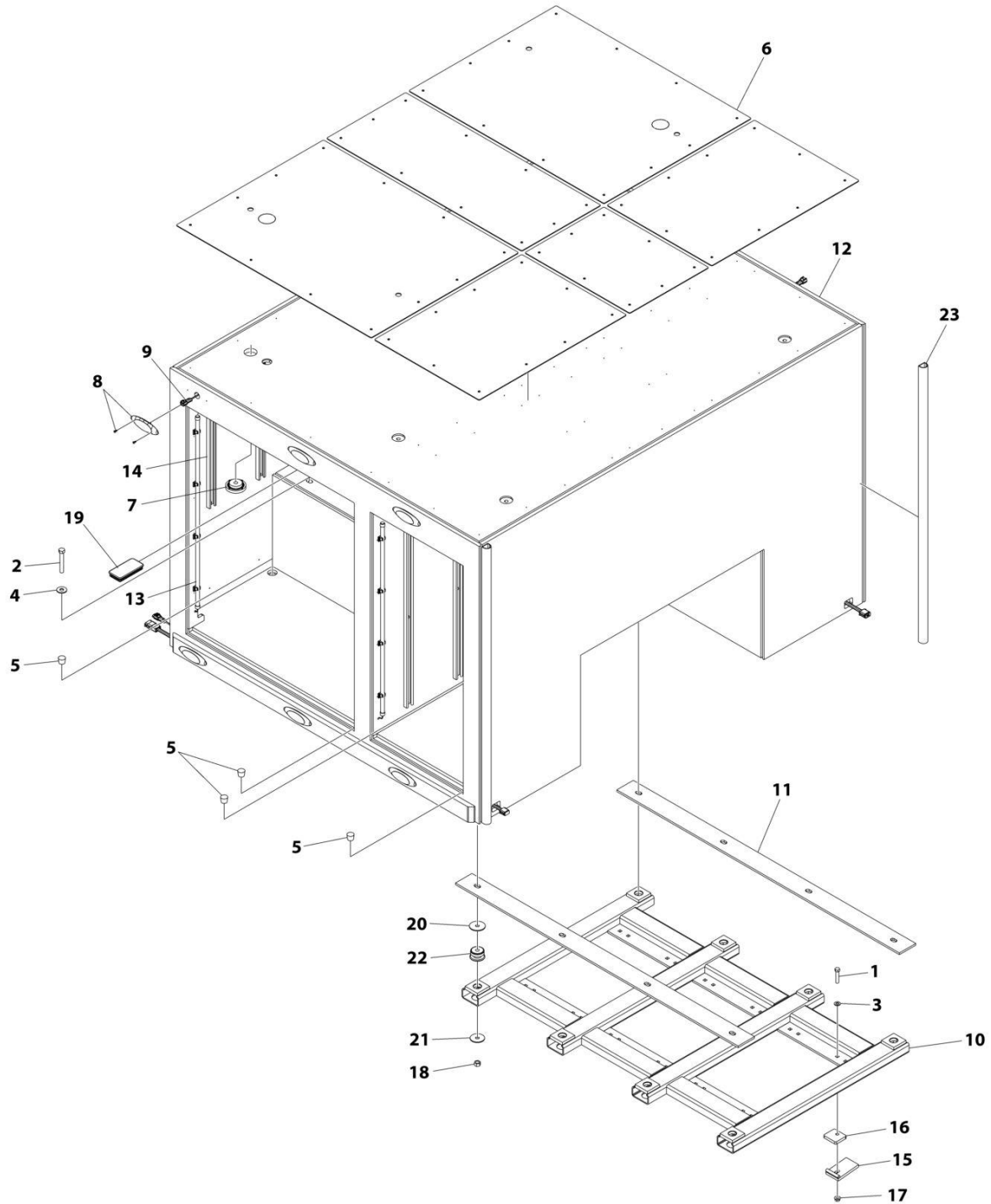
## SECTION 4 - BODY

**FIGURE 4-93. TUNNEL INSTALLATION - 50IN**

ITEM	PART NUMBER	QTY	DESCRIPTION	REV
	1001278332	Ref	TUNNEL INSTALLATION - 50IN	A
1	0641820	8	Bolt 1/2 x 2-1/2	
2	0642034	6	Bolt 5/8 x 4-1/4	
3	4711800	8	Washer 1/2	
4	4752000	6	Washer 5/8	
5	1001165692	2	Support	
6	1001173847	4	Plug	
7	1001196808	1	Lifting Lugs Installation (See Separate Breakdown in this Section)	
8	1001274549	1	Tunnel Toolbox	
9	1001278487	1	Battery Cover Installation (See Separate Breakdown in this Section)	
10	1001278777	1	T Slots Installation	
10A	1001277611	10	Channel (Not Shown)	
10B	1001277612	4	Channel (Not Shown)	
11	1001281659	1	Harness Installation - Tunnel (See Separate Breakdown in ELECTRICAL Section)	
12	3274000011	8	Clamp Weldment	
13	3911000068	1	Toolbox Mount	
14	4705000705	8	Plate	
15	7660182301	8	Nut 1/2	
16	7660200001	6	Nut 5/8	
17	7701000048	1	Plug	
18	7949000019	6	Washer	
19	7949000020	6	Washer	
20	1001196583	1	Tunnel Compartment Lights Installation (See Separate Breakdown in ELECTRICAL Section)	
21	1001196625	1	Marker Lights Installation (See Separate Breakdown in ELECTRICAL Section)	
22	7636000008	6	Mount	
23	8632000011	10 ft	Seal	

# SECTION 4 - BODY

## FIGURE 4-94. TUNNEL INSTALLATION - 76IN



ART\_1001274338

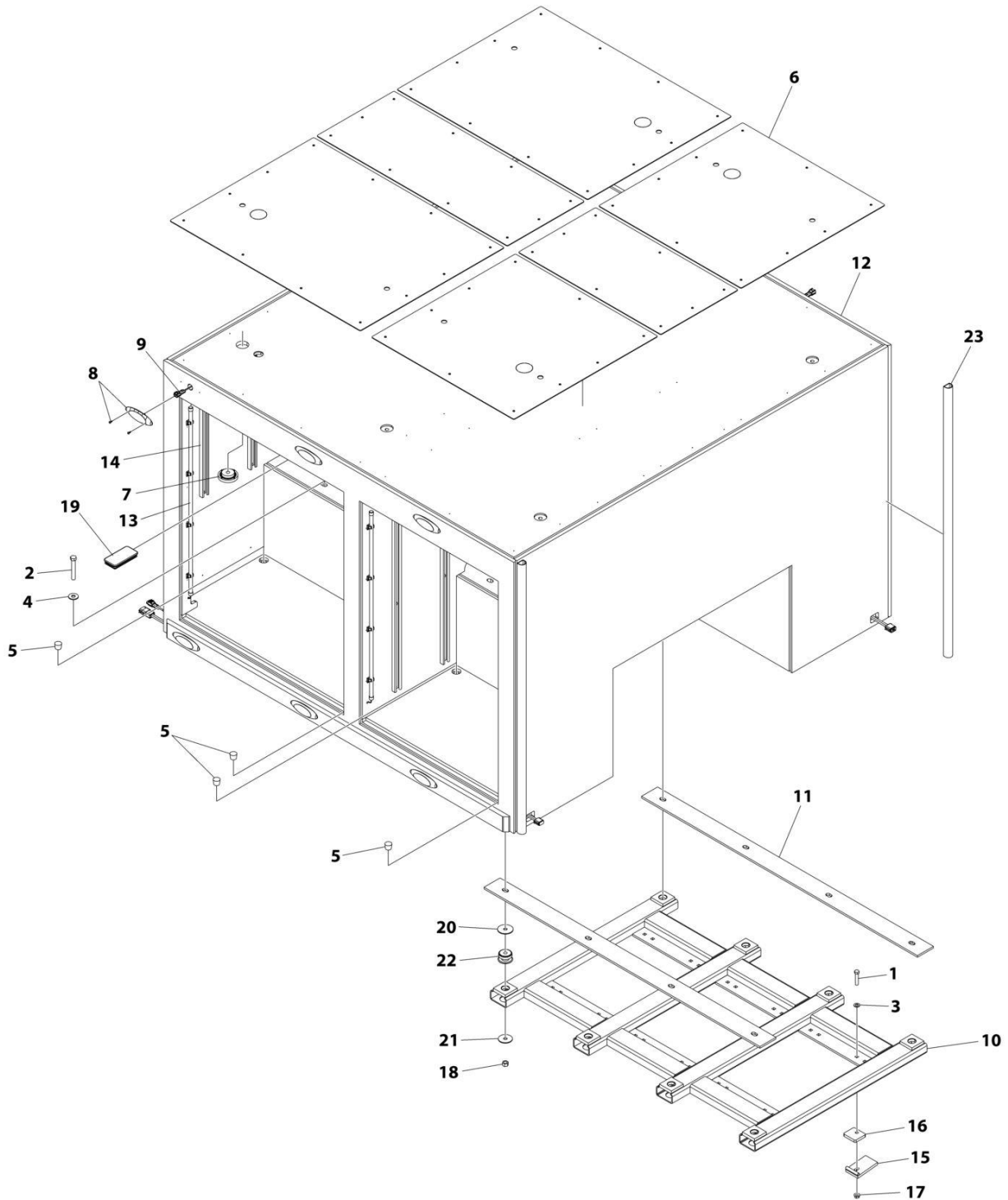
## SECTION 4 - BODY

**FIGURE 4-94. TUNNEL INSTALLATION - 76IN**

ITEM	PART NUMBER	QTY	DESCRIPTION	REV
	1001274338	Ref	TUNNEL INSTALLATION - 76IN	A
1	0641820	10	Bolt 1/2 x 2-1/2	
2	0642034	8	Bolt 5/8 x 4-1/4	
3	4711800	10	Washer 1/2	
4	4752000	8	Washer 5/8	
5	1001173847	8	Plug	
6	1001270606	1	Battery Cover Installation (See Separate Breakdown in this Section)	
7	1001270609	1	Lifting Lugs Installation (See Separate Breakdown in this Section)	
8	1001270636	1	Marker Lights Installation (See Separate Breakdown in ELECTRICAL Section)	
9	1001270652	1	Harness Installation - Tunnel (See Separate Breakdown in ELECTRICAL Section)	
10	1001270829	1	Mount	
11	1001270830	2	Support	
12	1001274339	1	Tunnel Toolbox	
13	1001274383	1	Tunnel Compartment Lights Installation (See Separate Breakdown in ELECTRICAL Section)	
14	1001277609	1	T Slots Installation	
14A	1001277611	16	Channel (Not Shown)	
14B	1001277612	12	Channel (Not Shown)	
15	3274000011	10	Clamp Weldment	
16	4705000705	10	Plate	
17	7660182301	10	Nut 1/2	
18	7660200001	8	Nut 5/8	
19	7701000048	1	Plug	
20	7949000019	8	Washer	
21	7949000020	8	Washer	
22	7636000008	8	Mount	
23	8632000011	10 ft	Seal	

# SECTION 4 - BODY

## FIGURE 4-95. TUNNEL INSTALLATION - 88IN



ART\_1001278679

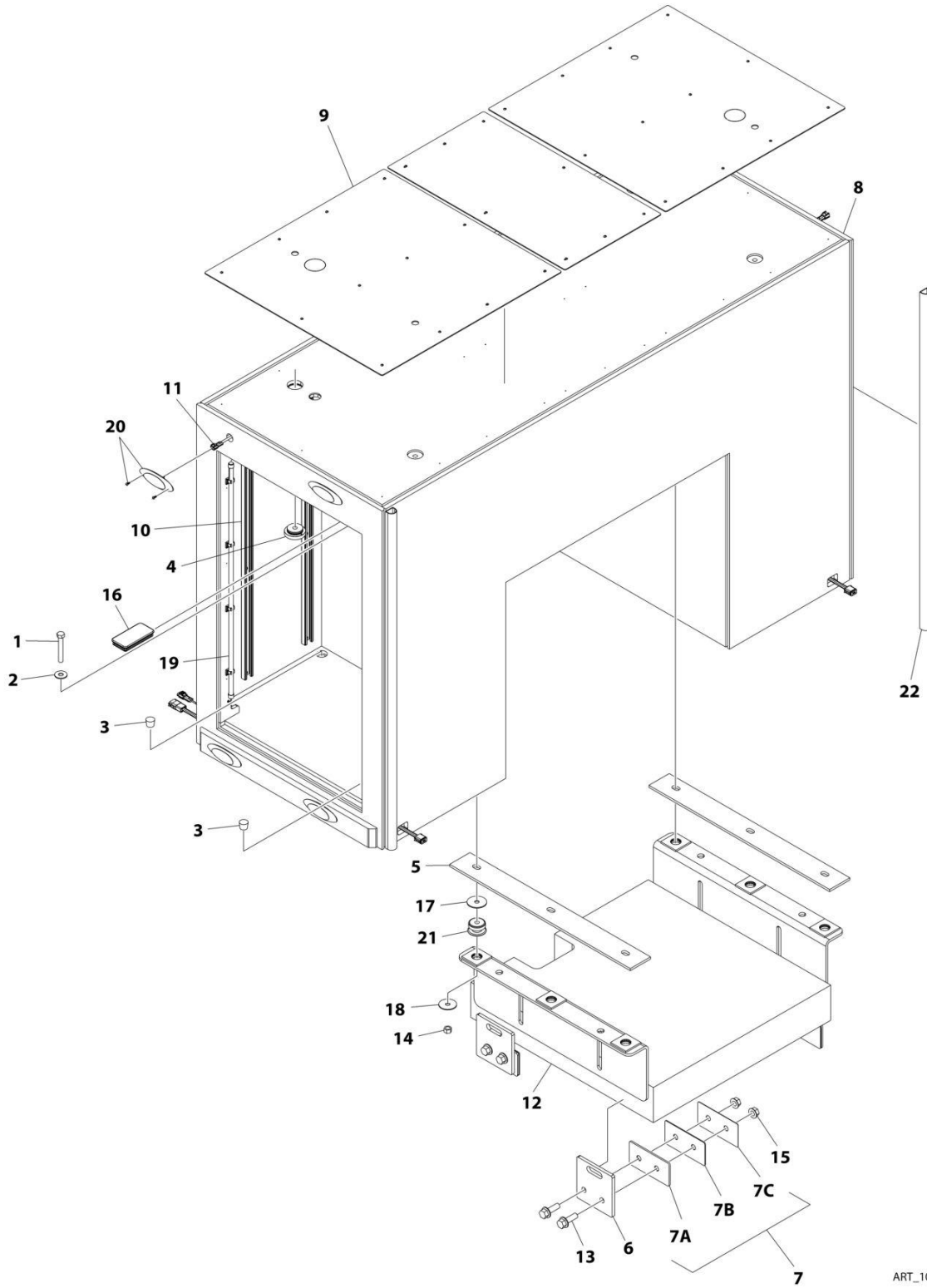
## SECTION 4 - BODY

**FIGURE 4-95. TUNNEL INSTALLATION - 88IN**

ITEM	PART NUMBER	QTY	DESCRIPTION	REV
	1001278679	Ref	TUNNEL INSTALLATION - 88IN	A
1	0641820	10	Bolt 1/2 x 2-1/2	
2	0642034	8	Bolt 5/8 x 4-1/4	
3	4711800	10	Washer 1/2	
4	4752000	8	Washer 5/8	
5	1001173847	8	Plug	
6	1001278246	1	Battery Cover Installation (See Separate Breakdown in this Section)	
7	1001270609	1	Lifting Lugs Installation (See Separate Breakdown in this Section)	
8	1001270636	1	Marker Lights Installation (See Separate Breakdown in ELECTRICAL Section)	
9	1001270652	1	Harness Installation - Tunnel (See Separate Breakdown in ELECTRICAL Section)	
10	1001270829	1	Mount	
11	1001270830	2	Support	
12	1001278244	1	Tunnel Toolbox	
13	1001274383	1	Tunnel Compartment Lights Installation (See Separate Breakdown in ELECTRICAL Section)	
14	1001277609	1	T Slots Installation	
14A	1001277611	16	Channel (Not Shown)	
14B	1001277612	12	Channel (Not Shown)	
15	3274000011	10	Clamp Weldment	
16	4705000705	10	Plate	
17	7660182301	10	Nut 1/2	
18	7660200001	8	Nut 5/8	
19	7701000048	1	Plug	
20	7949000019	8	Washer	
21	7949000020	8	Washer	
22	7636000008	8	Mount	
23	8632000011	10 ft	Seal	

# SECTION 4 - BODY

## FIGURE 4-96. TUNNEL INSTALLATION - 38IN WITH 2K CWT



ART\_1001281494

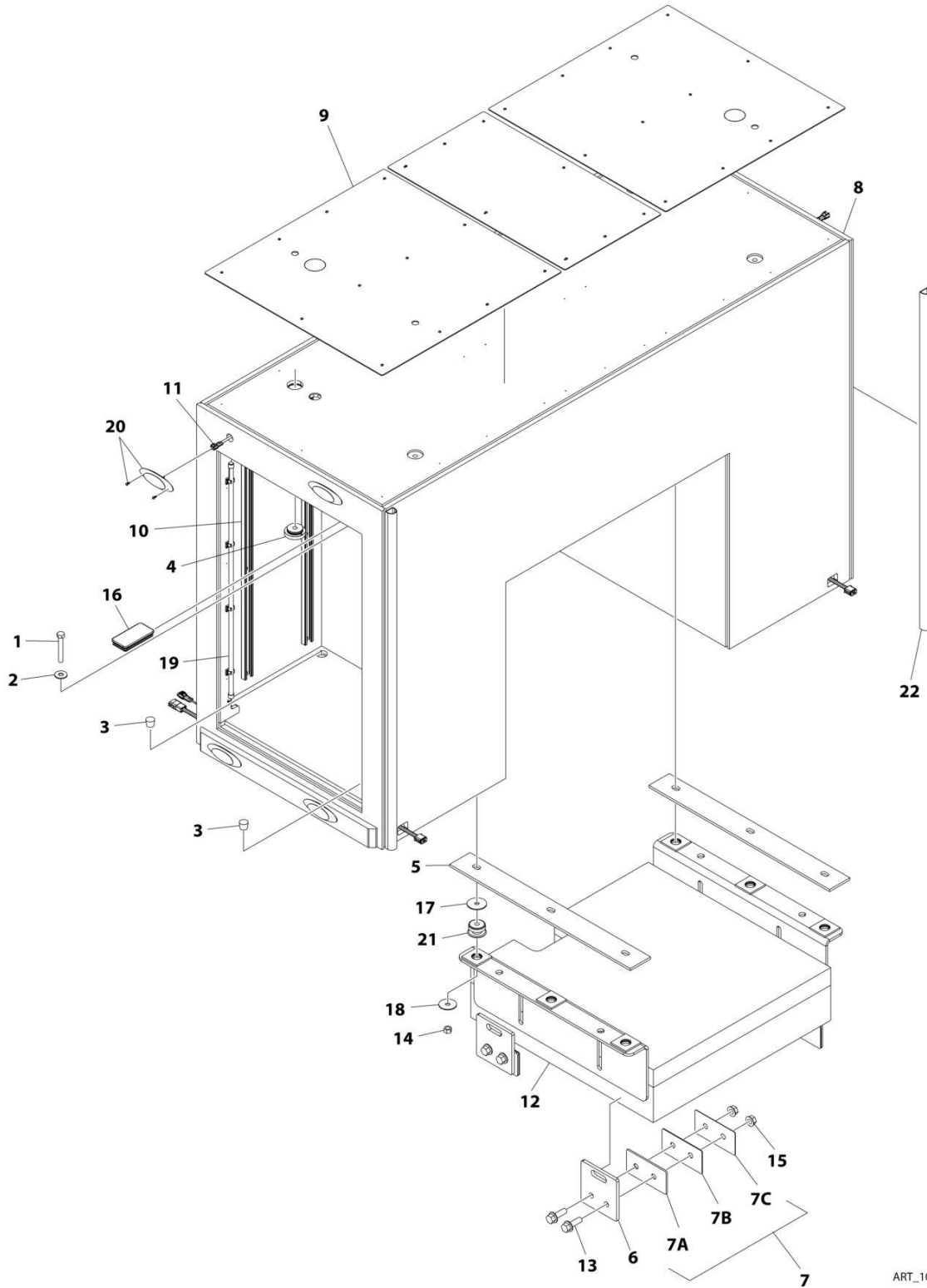
## SECTION 4 - BODY

**FIGURE 4-96. TUNNEL INSTALLATION - 38IN WITH 2K CWT**

ITEM	PART NUMBER	QTY	DESCRIPTION	REV
	1001281494	Ref	TUNNEL INSTALLATION - 38IN WITH 2K CWT	A
1	0642034	6	Bolt 5/8 x 4-1/4	
2	4752000	6	Washer 5/8	
3	1001173847	4	Plug	
4	1001196808	1	Lifting Lugs Installation (See Separate Breakdown in this Section)	
5	1001197338	2	Support	
6	1001219916	4	Plate	
7	1001219921	1	Shim Kit	
7A	1001219917	4	Shim 1/4	
7B	1001219918	4	Shim 11GA	
7C	1001219919	4	Shim 16GA	
8	1001279492	1	Tunnel Toolbox	
9	1001278488	1	Battery Cover Installation (See Separate Breakdown in this Section)	
10	1001279671	1	T Slots Installation	
10A	1001279673	6	Channel (Not Shown)	
10B	1001277612	8	Channel (Not Shown)	
11	1001281659	1	Harness Installation - Tunnel (See Separate Breakdown in ELECTRICAL Section)	
12	1001281933	1	Tunnel Weight	
13	7118222816	8	Bolt 3/4 x 3-1/2	
14	7660200001	6	Nut 5/8	
15	7660222308	8	Nut 3/4	
16	7701000048	1	Plug	
17	7949000019	6	Washer	
18	7949000020	6	Washer	
19	1001196583	1	Tunnel Compartment Lights Installation (See Separate Breakdown in ELECTRICAL Section)	
20	1001196625	1	Marker Lights Installation (See Separate Breakdown in ELECTRICAL Section)	
21	7636000008	6	Mount	
22	8632000011	10 ft	Seal	

# SECTION 4 - BODY

FIGURE 4-97. TUNNEL INSTALLATION - 38IN WITH 3K CWT



ART\_1001281493



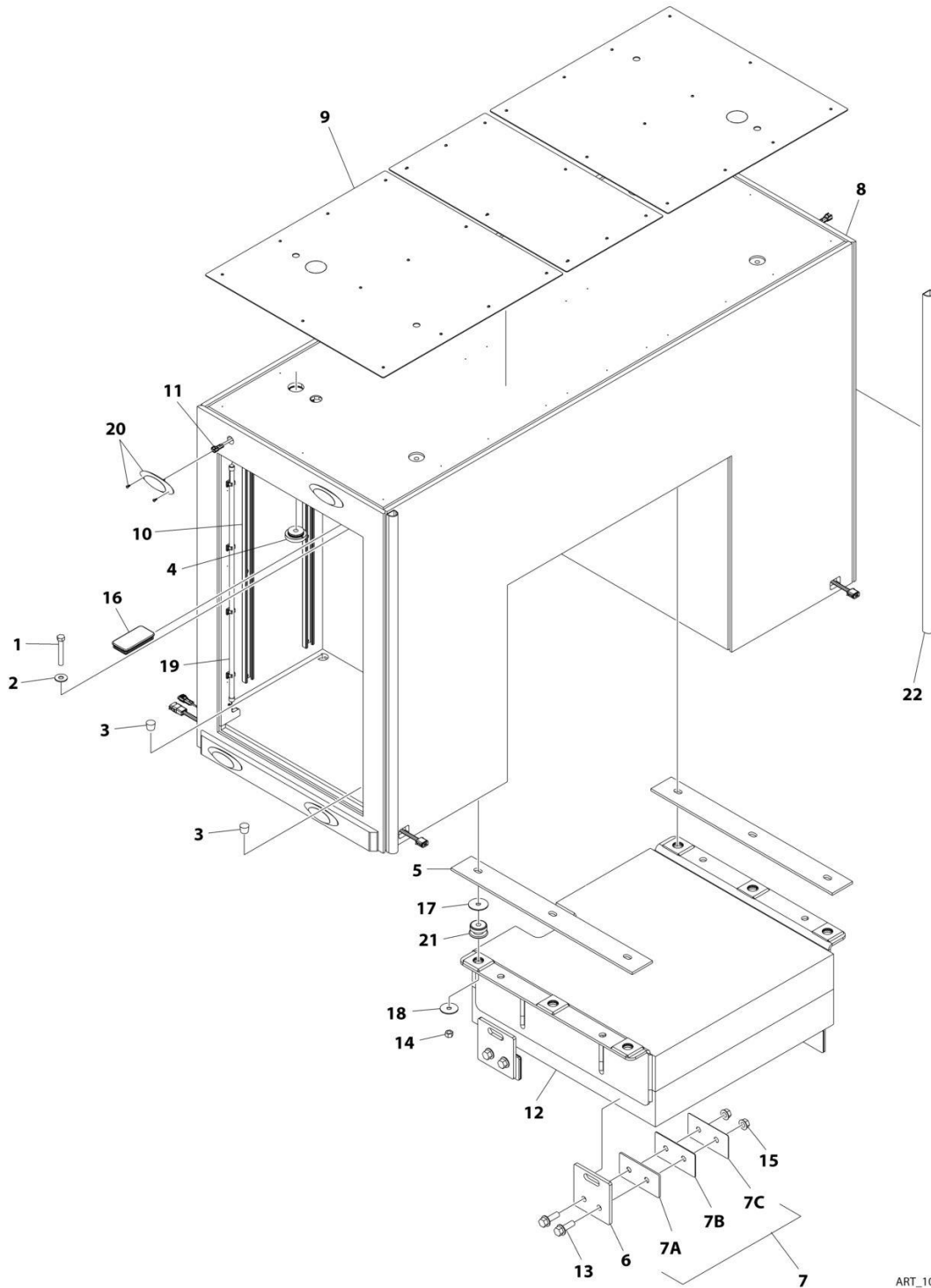
## SECTION 4 - BODY

**FIGURE 4-97. TUNNEL INSTALLATION - 38IN WITH 3K CWT**

ITEM	PART NUMBER	QTY	DESCRIPTION	REV
	1001281493	Ref	TUNNEL INSTALLATION - 38IN WITH 3K CWT	A
1	0642034	6	Bolt 5/8 x 4-1/4	
2	4752000	6	Washer 5/8	
3	1001173847	4	Plug	
4	1001196808	1	Lifting Lugs Installation (See Separate Breakdown in this Section)	
5	1001197338	2	Support	
6	1001219916	4	Plate	
7	1001219921	1	Shim Kit	
7A	1001219917	4	Shim 1/4	
7B	1001219918	4	Shim 11GA	
7C	1001219919	4	Shim 16GA	
8	1001279492	1	Tunnel Toolbox	
9	1001278488	1	Battery Cover Installation (See Separate Breakdown in this Section)	
10	1001279671	1	T Slots Installation	
10A	1001279673	6	Channel (Not Shown)	
10B	1001277612	8	Channel (Not Shown)	
11	1001281659	1	Harness Installation - Tunnel (See Separate Breakdown in ELECTRICAL Section)	
12	1001281932	1	Tunnel Weight	
13	7118222816	8	Bolt 3/4 x 3-1/2	
14	7660200001	6	Nut 5/8	
15	7660222308	8	Nut 3/4	
16	7701000048	1	Plug	
17	7949000019	6	Washer	
18	7949000020	6	Washer	
19	1001196583	1	Tunnel Compartment Lights Installation (See Separate Breakdown in ELECTRICAL Section)	
20	1001196625	1	Marker Lights Installation (See Separate Breakdown in ELECTRICAL Section)	
21	7636000008	6	Mount	
22	8632000011	10 ft	Seal	

# SECTION 4 - BODY

## FIGURE 4-98. TUNNEL INSTALLATION - 38IN WITH 4K CWT



ART\_1001281492

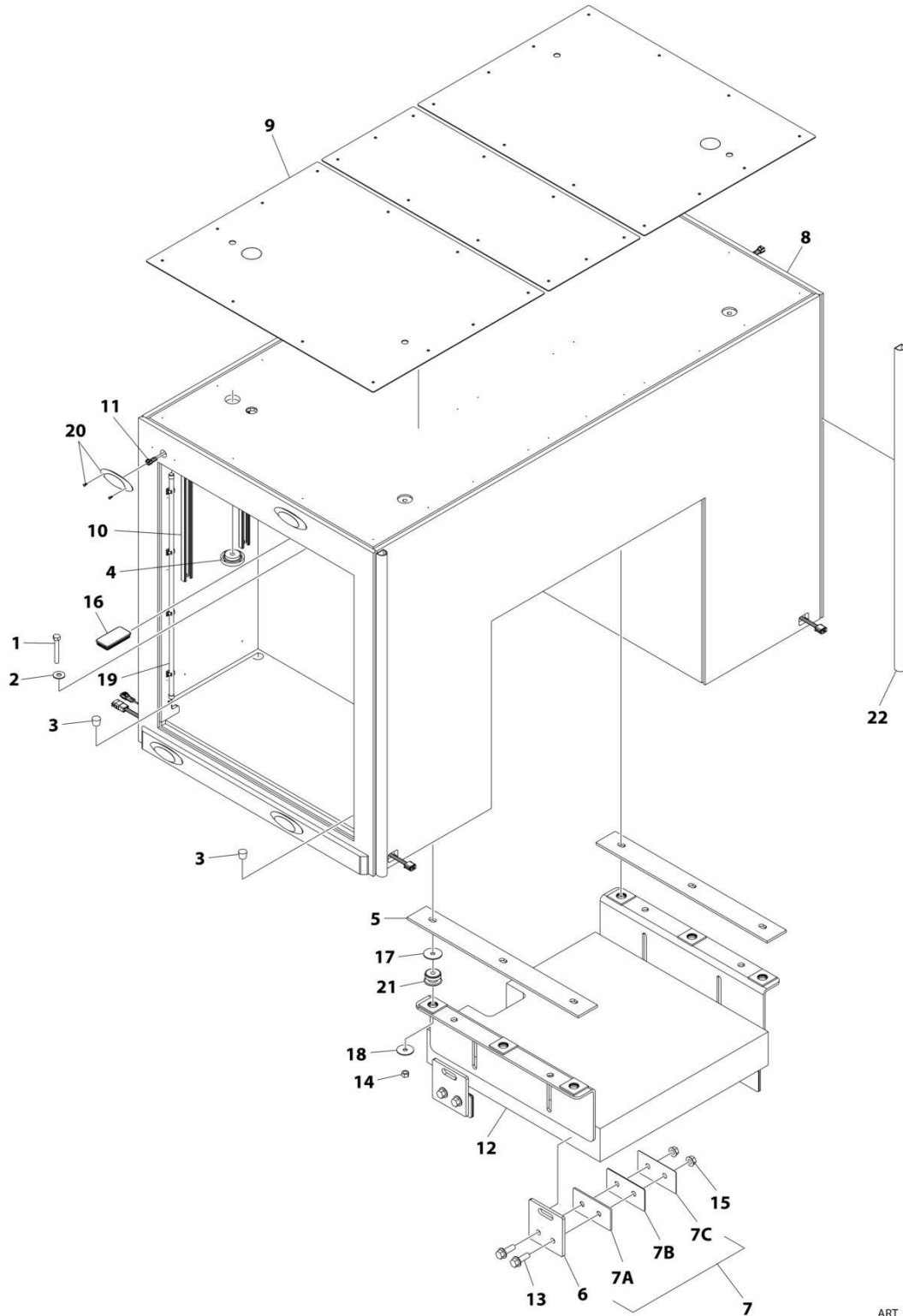
## SECTION 4 - BODY

**FIGURE 4-98. TUNNEL INSTALLATION - 38IN WITH 4K CWT**

ITEM	PART NUMBER	QTY	DESCRIPTION	REV
	1001281492	Ref	TUNNEL INSTALLATION - 38IN WITH 4K CWT	A
1	0642034	6	Bolt 5/8 x 4-1/4	
2	4752000	6	Washer 5/8	
3	1001173847	4	Plug	
4	1001196808	1	Lifting Lugs Installation (See Separate Breakdown in this Section)	
5	1001197338	2	Support	
6	1001219916	4	Plate	
7	1001219921	1	Shim Kit	
7A	1001219917	4	Shim 1/4	
7B	1001219918	4	Shim 11GA	
7C	1001219919	4	Shim 16GA	
8	1001279492	1	Tunnel Toolbox	
9	1001278488	1	Battery Cover Installation (See Separate Breakdown in this Section)	
10	1001279671	1	T Slots Installation	
10A	1001279673	6	Channel (Not Shown)	
10B	1001277612	8	Channel (Not Shown)	
11	1001281659	1	Harness Installation - Tunnel (See Separate Breakdown in ELECTRICAL Section)	
12	1001281931	1	Tunnel Weight	
13	7118222816	8	Bolt 3/4 x 3-1/2	
14	7660200001	6	Nut 5/8	
15	7660222308	8	Nut 3/4	
16	7701000048	1	Plug	
17	7949000019	6	Washer	
18	7949000020	6	Washer	
19	1001196583	1	Tunnel Compartment Lights Installation (See Separate Breakdown in ELECTRICAL Section)	
20	1001196625	1	Marker Lights Installation (See Separate Breakdown in ELECTRICAL Section)	
21	7636000008	6	Mount	
22	8632000011	10 ft	Seal	

# SECTION 4 - BODY

## FIGURE 4-99. TUNNEL INSTALLATION - 50IN WITH 2K CWT



ART\_1001281491

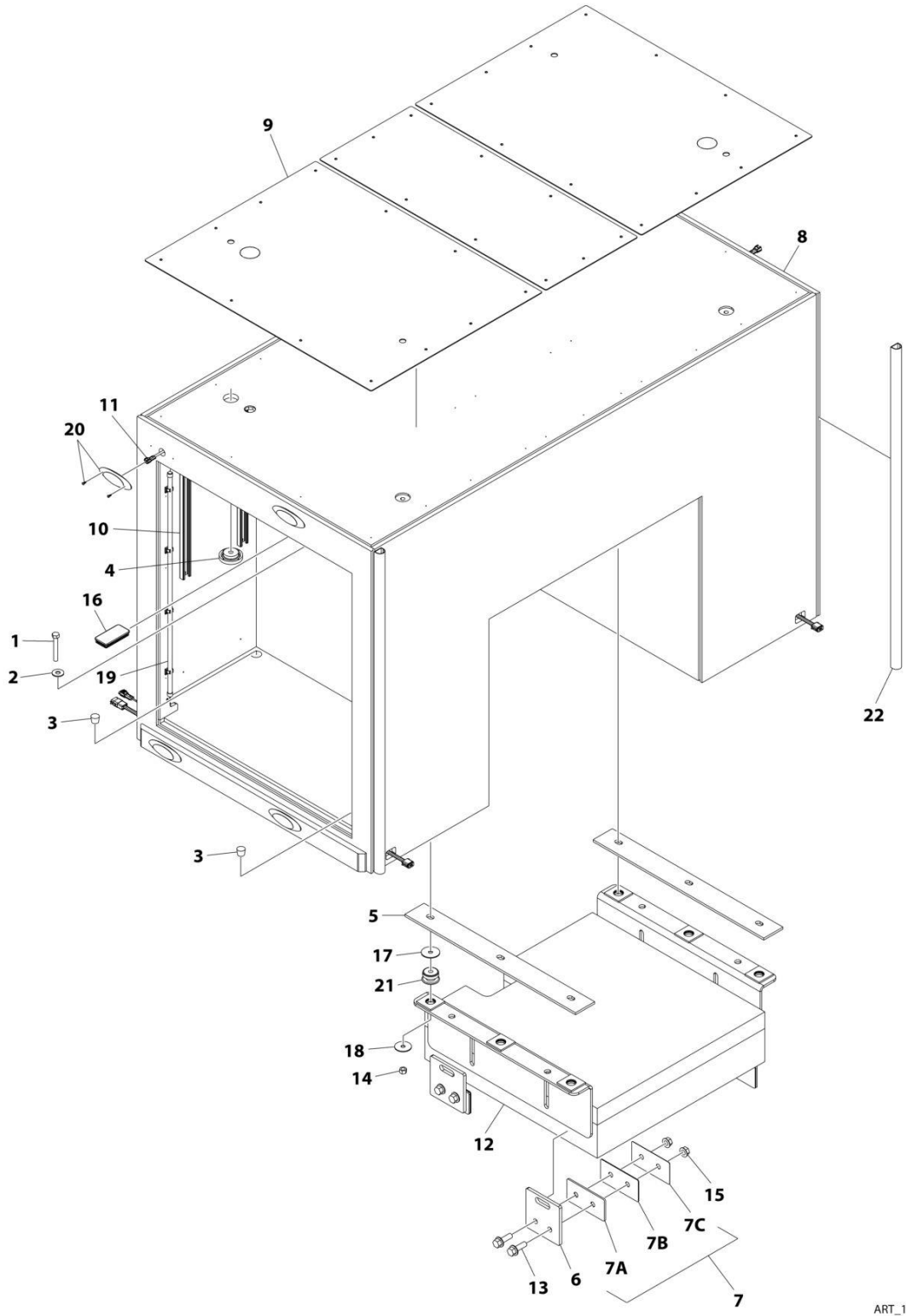
## SECTION 4 - BODY

**FIGURE 4-99. TUNNEL INSTALLATION - 50IN WITH 2K CWT**

ITEM	PART NUMBER	QTY	DESCRIPTION	REV
	1001281491	Ref	TUNNEL INSTALLATION - 50IN WITH 2K CWT	A
1	0642034	6	Bolt 5/8 x 4-1/4	
2	4752000	6	Washer 5/8	
3	1001173847	4	Plug	
4	1001196808	1	Lifting Lugs Installation (See Separate Breakdown in this Section)	
5	1001197338	2	Support	
6	1001219916	4	Plate	
7	1001219921	1	Shim Kit	
7A	1001219917	4	Shim 1/4	
7B	1001219918	4	Shim 11GA	
7C	1001219919	4	Shim 16GA	
8	1001274548	1	Tunnel Toolbox	
9	1001278487	1	Battery Cover Installation (See Separate Breakdown in this Section)	
10	1001279672	1	T Slots Installation	
10A	1001277611	4	Channel (Not Shown)	
10B	1001277612	4	Channel (Not Shown)	
10C	1001279673	6	Channel (Not Shown)	
11	1001281659	1	Harness Installation - Tunnel (See Separate Breakdown in ELECTRICAL Section)	
12	1001281933	1	Tunnel Weight	
13	7118222816	8	Bolt 3/4 x 3-1/2	
14	7660200001	6	Nut 5/8	
15	7660222308	8	Nut 3/4	
16	7701000048	1	Plug	
17	7949000019	6	Washer	
18	7949000020	6	Washer	
19	1001196583	1	Tunnel Compartment Lights Installation (See Separate Breakdown in ELECTRICAL Section)	
20	1001196625	1	Marker Lights Installation (See Separate Breakdown in ELECTRICAL Section)	
21	7636000008	6	Mount	
22	8632000011	10 ft	Seal	

# SECTION 4 - BODY

## FIGURE 4-100. TUNNEL INSTALLATION - 50IN WITH 3K CWT



ART\_1001281490

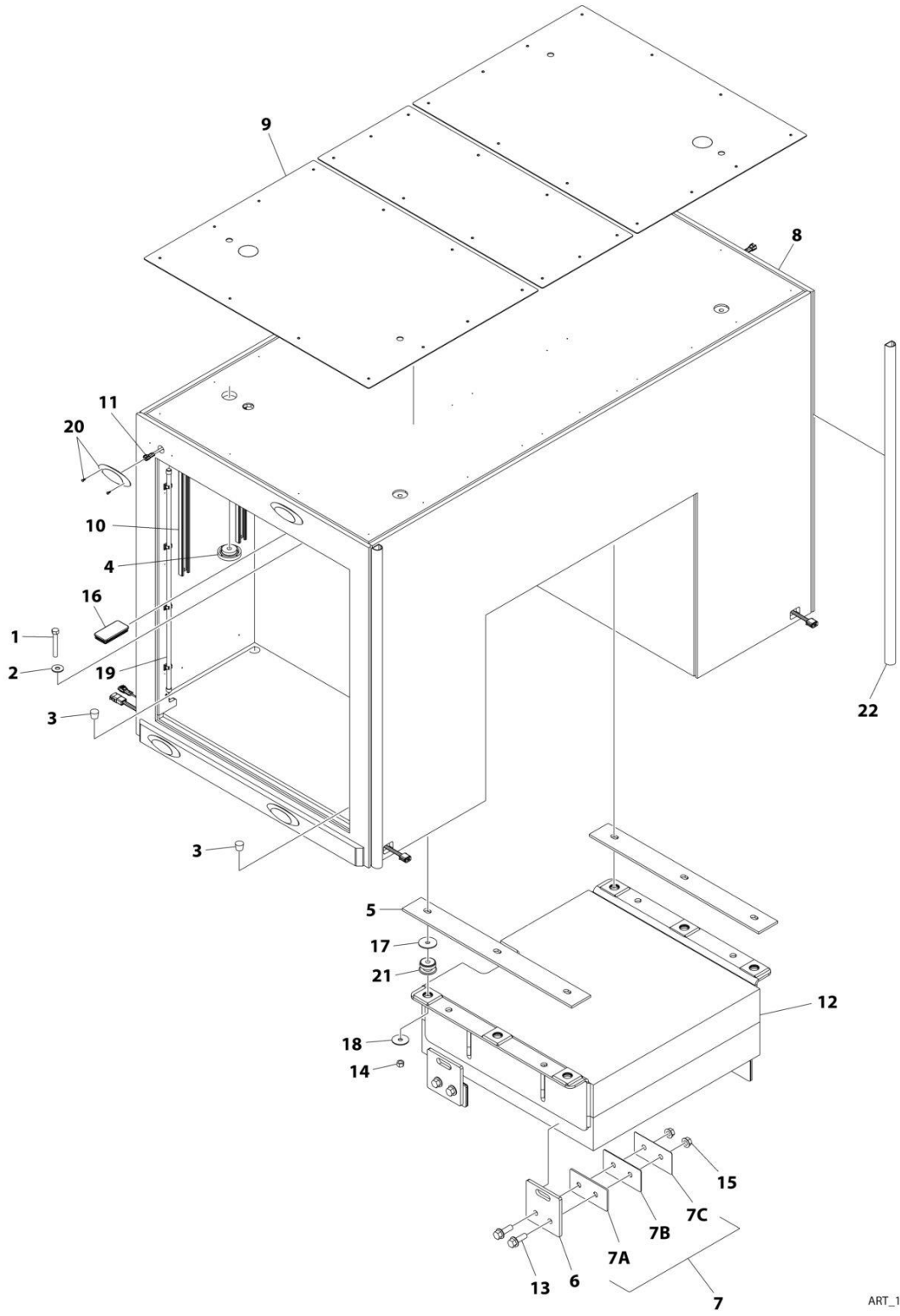
## SECTION 4 - BODY

**FIGURE 4-100. TUNNEL INSTALLATION - 50IN WITH 3K CWT**

ITEM	PART NUMBER	QTY	DESCRIPTION	REV
	1001281490	Ref	TUNNEL INSTALLATION - 50IN WITH 3K CWT	A
1	0642034	6	Bolt 5/8 x 4-1/4	
2	4752000	6	Washer 5/8	
3	1001173847	4	Plug	
4	1001196808	1	Lifting Lugs Installation (See Separate Breakdown in this Section)	
5	1001197338	2	Support	
6	1001219916	4	Plate	
7	1001219921	1	Shim Kit	
7A	1001219917	4	Shim 1/4	
7B	1001219918	4	Shim 11GA	
7C	1001219919	4	Shim 16GA	
8	1001274548	1	Tunnel Toolbox	
9	1001278487	1	Battery Cover Installation (See Separate Breakdown in this Section)	
10	1001279672	1	T Slots Installation	
10A	1001277611	4	Channel (Not Shown)	
10B	1001277612	4	Channel (Not Shown)	
10C	1001279673	6	Channel (Not Shown)	
11	1001281659	1	Harness Installation - Tunnel (See Separate Breakdown in ELECTRICAL Section)	
12	1001281932	1	Tunnel Weight	
13	7118222816	8	Bolt 3/4 x 3-1/2	
14	7660200001	6	Nut 5/8	
15	7660222308	8	Nut 3/4	
16	7701000048	1	Plug	
17	7949000019	6	Washer	
18	7949000020	6	Washer	
19	1001196583	1	Tunnel Compartment Lights Installation (See Separate Breakdown in ELECTRICAL Section)	
20	1001196625	1	Marker Lights Installation (See Separate Breakdown in ELECTRICAL Section)	
21	7636000008	6	Mount	
22	8632000011	10 ft	Seal	

# SECTION 4 - BODY

## FIGURE 4-101. TUNNEL INSTALLATION - 50IN WITH 4K CWT



ART\_1001281489



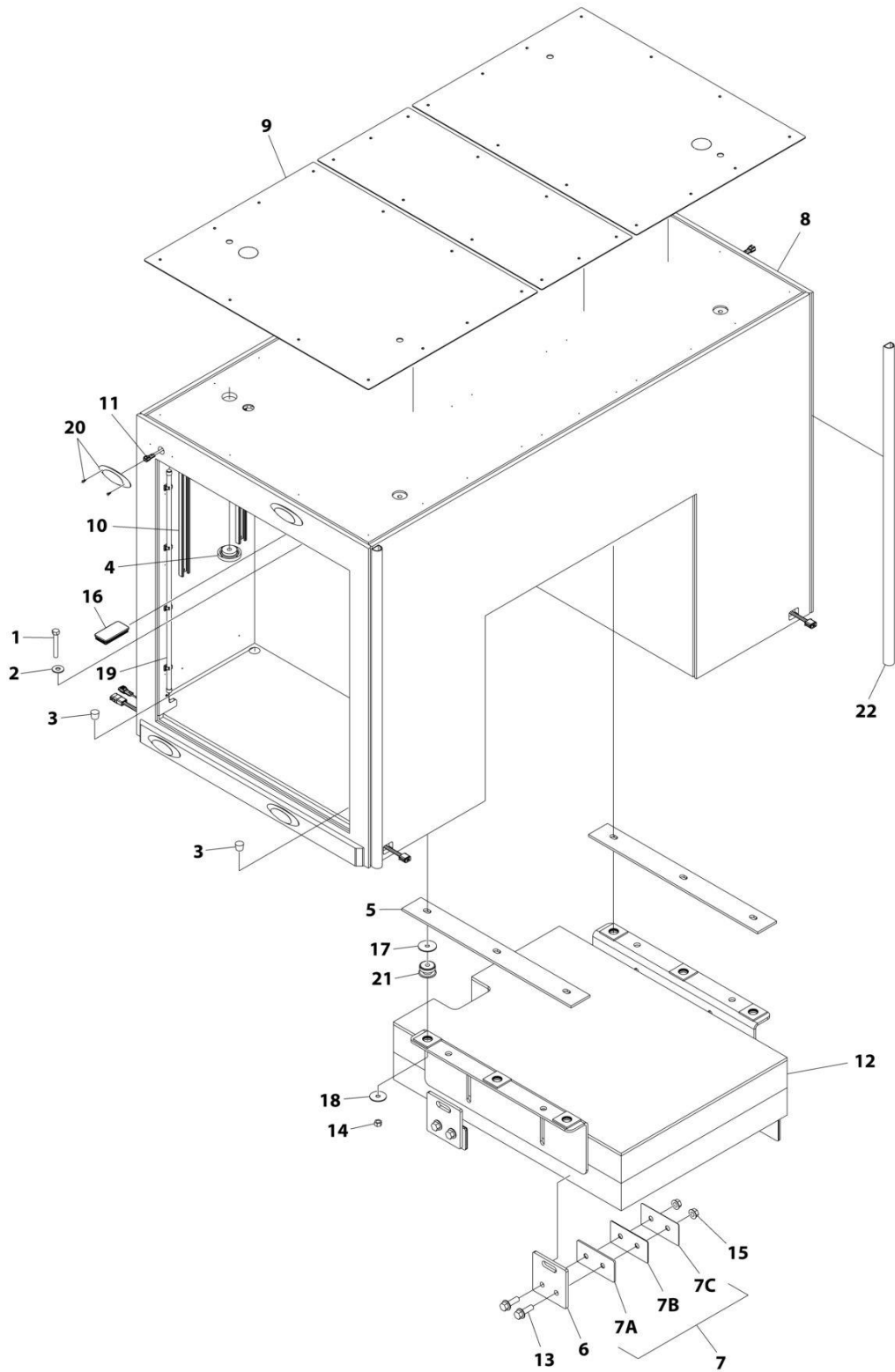
## SECTION 4 - BODY

**FIGURE 4-101. TUNNEL INSTALLATION - 50IN WITH 4K CWT**

ITEM	PART NUMBER	QTY	DESCRIPTION	REV
	1001281489	Ref	TUNNEL INSTALLATION - 50IN WITH 4K CWT	A
1	0642034	6	Bolt 5/8 x 4-1/4	
2	4752000	6	Washer 5/8	
3	1001173847	4	Plug	
4	1001196808	1	Lifting Lugs Installation (See Separate Breakdown in this Section)	
5	1001197338	2	Support	
6	1001219916	4	Plate	
7	1001219921	1	Shim Kit	
7A	1001219917	4	Shim 1/4	
7B	1001219918	4	Shim 11GA	
7C	1001219919	4	Shim 16GA	
8	1001274548	1	Tunnel Toolbox	
9	1001278487	1	Battery Cover Installation (See Separate Breakdown in this Section)	
10	1001279672	1	T Slots Installation	
10A	1001277611	4	Channel (Not Shown)	
10B	1001277612	4	Channel (Not Shown)	
10C	1001279673	6	Channel (Not Shown)	
11	1001281659	1	Harness Installation - Tunnel (See Separate Breakdown in ELECTRICAL Section)	
12	1001281931	1	Tunnel Weight	
13	7118222816	8	Bolt 3/4 x 3-1/2	
14	7660200001	6	Nut 5/8	
15	7660222308	8	Nut 3/4	
16	7701000048	1	Plug	
17	7949000019	6	Washer	
18	7949000020	6	Washer	
19	1001196583	1	Tunnel Compartment Lights Installation (See Separate Breakdown in ELECTRICAL Section)	
20	1001196625	1	Marker Lights Installation (See Separate Breakdown in ELECTRICAL Section)	
21	7636000008	6	Mount	
22	8632000011	10 ft	Seal	

# SECTION 4 - BODY

## FIGURE 4-102. TUNNEL INSTALLATION - 50IN WITH 5K CWT



ART\_1001281928

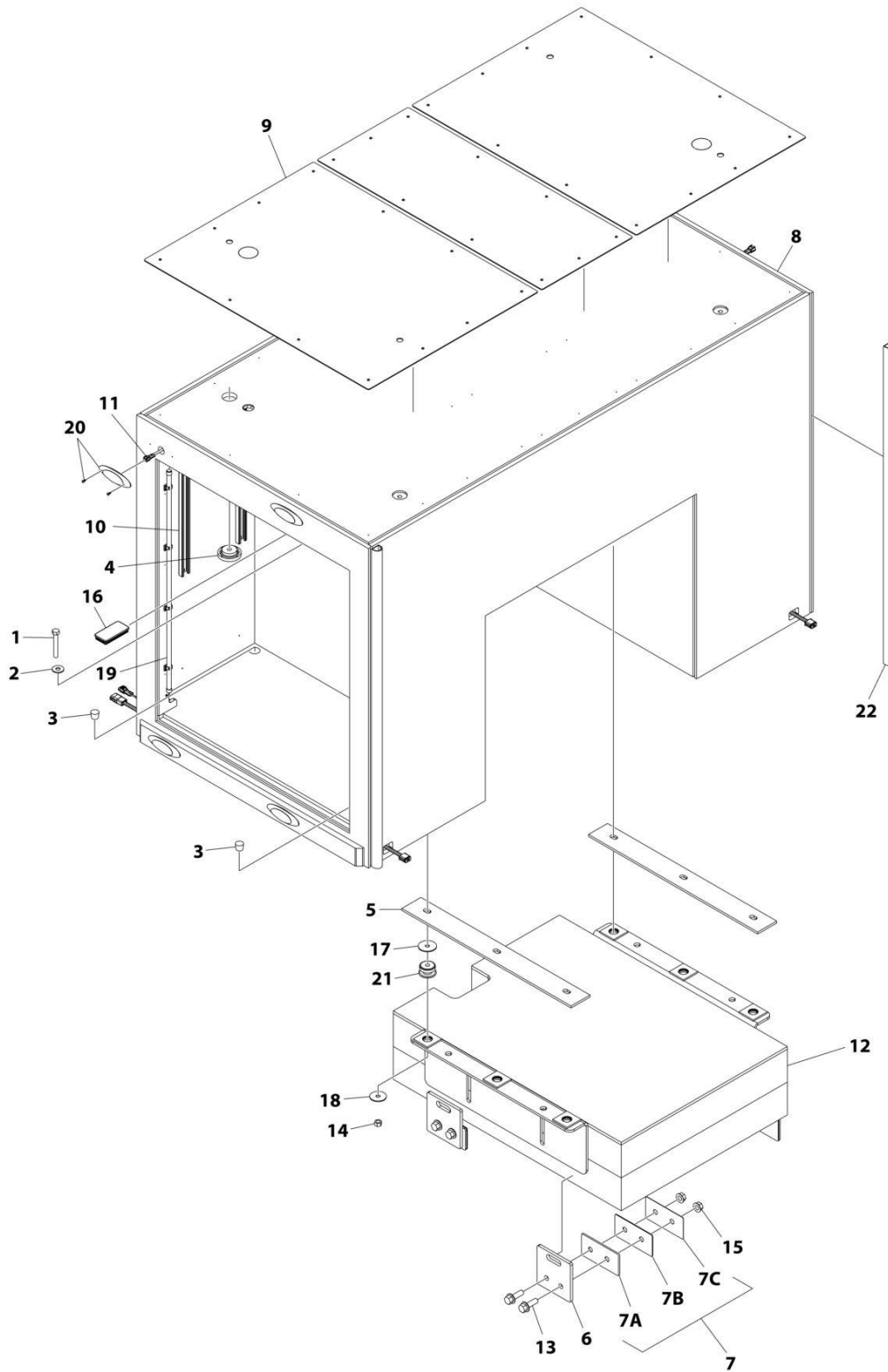
## SECTION 4 - BODY

**FIGURE 4-102. TUNNEL INSTALLATION - 50IN WITH 5K CWT**

ITEM	PART NUMBER	QTY	DESCRIPTION	REV
	1001281928	Ref	TUNNEL INSTALLATION - 50IN WITH 5K CWT	A
1	0642034	6	Bolt 5/8 x 4-1/4	
2	4752000	6	Washer 5/8	
3	1001173847	4	Plug	
4	1001196808	1	Lifting Lugs Installation (See Separate Breakdown in this Section)	
5	1001197338	2	Support	
6	1001219916	4	Plate	
7	1001219921	1	Shim Kit	
7A	1001219917	4	Shim 1/4	
7B	1001219918	4	Shim 11GA	
7C	1001219919	4	Shim 16GA	
8	1001274548	1	Tunnel Toolbox	
9	1001278487	1	Battery Cover Installation (See Separate Breakdown in this Section)	
10	1001279672	1	T Slots Installation	
10A	1001277611	4	Channel (Not Shown)	
10B	1001277612	4	Channel (Not Shown)	
10C	1001279673	6	Channel (Not Shown)	
11	1001281659	1	Harness Installation - Tunnel (See Separate Breakdown in ELECTRICAL Section)	
12	1001281930	1	Tunnel Weight	
13	7118222816	8	Bolt 3/4 x 3-1/2	
14	7660200001	6	Nut 5/8	
15	7660222308	8	Nut 3/4	
16	7701000048	1	Plug	
17	7949000019	6	Washer	
18	7949000020	6	Washer	
19	1001196583	1	Tunnel Compartment Lights Installation (See Separate Breakdown in ELECTRICAL Section)	
20	1001196625	1	Marker Lights Installation (See Separate Breakdown in ELECTRICAL Section)	
21	7636000008	6	Mount	
22	8632000011	10 ft	Seal	

# SECTION 4 - BODY

## FIGURE 4-103. TUNNEL INSTALLATION - 50IN WITH 6K CWT



ART\_1001281488

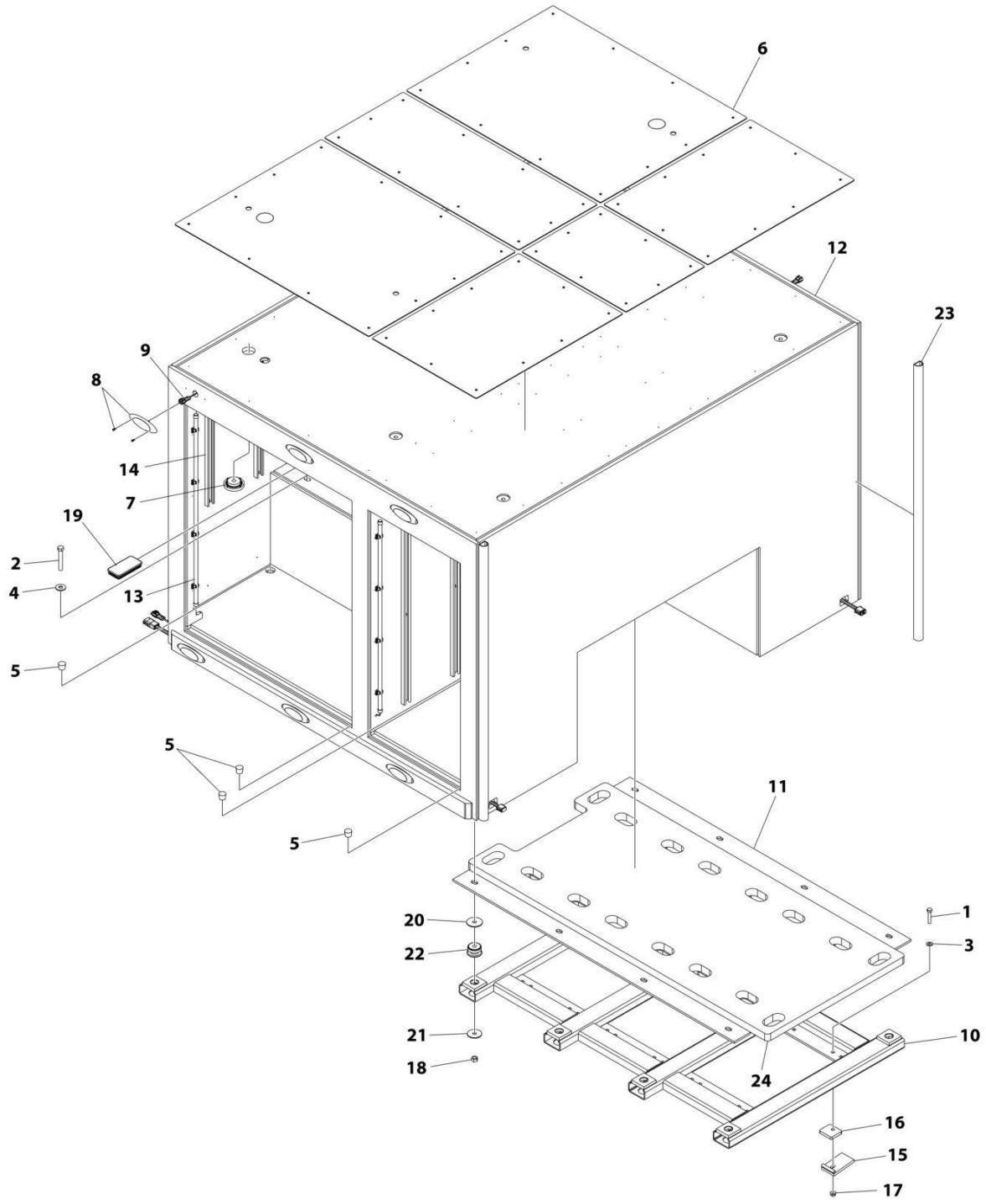
## SECTION 4 - BODY

**FIGURE 4-103. TUNNEL INSTALLATION - 50IN WITH 6K CWT**

ITEM	PART NUMBER	QTY	DESCRIPTION	REV
	1001281488	Ref	TUNNEL INSTALLATION - 50IN WITH 6K CWT	A
1	0642034	6	Bolt 5/8 x 4-1/4	
2	4752000	6	Washer 5/8	
3	1001173847	4	Plug	
4	1001196808	1	Lifting Lugs Installation (See Separate Breakdown in this Section)	
5	1001197338	2	Support	
6	1001219916	4	Plate	
7	1001219921	1	Shim Kit	
7A	1001219917	4	Shim 1/4	
7B	1001219918	4	Shim 11GA	
7C	1001219919	4	Shim 16GA	
8	1001274548	1	Tunnel Toolbox	
9	1001278487	1	Battery Cover Installation (See Separate Breakdown in this Section)	
10	1001279672	1	T Slots Installation	
10A	1001277611	4	Channel (Not Shown)	
10B	1001277612	4	Channel (Not Shown)	
10C	1001279673	6	Channel (Not Shown)	
11	1001281659	1	Harness Installation - Tunnel (See Separate Breakdown in ELECTRICAL Section)	
12	1001281929	1	Tunnel Weight	
13	7118222816	8	Bolt 3/4 x 3-1/2	
14	7660200001	6	Nut 5/8	
15	7660222308	8	Nut 3/4	
16	7701000048	1	Plug	
17	7949000019	6	Washer	
18	7949000020	6	Washer	
19	1001196583	1	Tunnel Compartment Lights Installation (See Separate Breakdown in ELECTRICAL Section)	
20	1001196625	1	Marker Lights Installation (See Separate Breakdown in ELECTRICAL Section)	
21	7636000008	6	Mount	
22	8632000011	10 ft	Seal	

# SECTION 4 - BODY

## FIGURE 4-104. TUNNEL INSTALLATION - 76IN WITH 1.4K CWT



ART\_1001283555

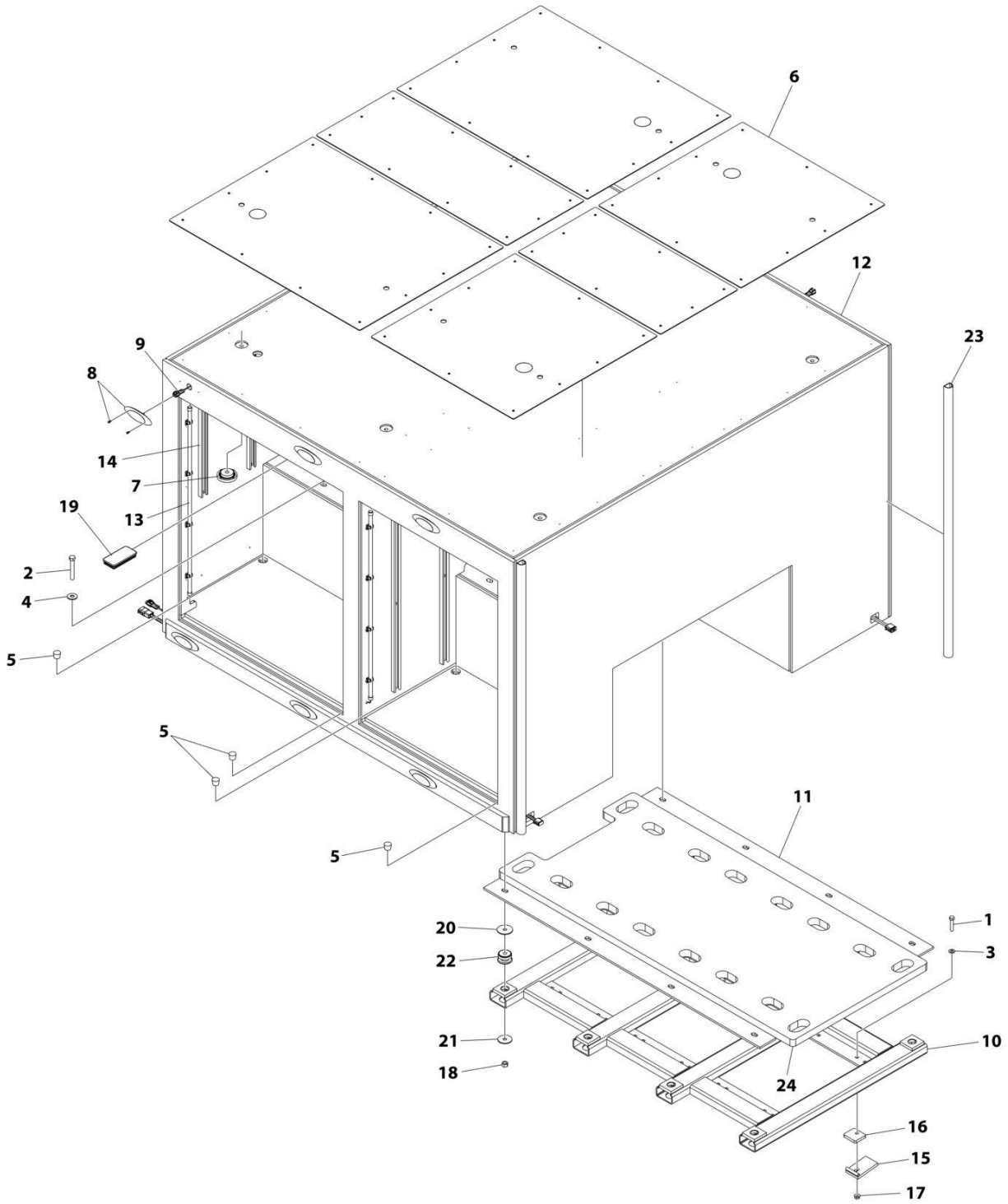
## SECTION 4 - BODY

**FIGURE 4-104. TUNNEL INSTALLATION - 76IN WITH 1.4K CWT**

ITEM	PART NUMBER	QTY	DESCRIPTION	REV
	1001283555	Ref	TUNNEL INSTALLATION - 76IN WITH 1.4K CWT	A
1	0641820	10	Bolt 1/2 x 2-1/2	
2	0642034	8	Bolt 5/8 x 4-1/4	
3	4711800	10	Washer 1/2	
4	4752000	8	Washer 5/8	
5	1001173847	8	Plug	
6	1001270606	1	Battery Cover Installation (See Separate Breakdown in this Section)	
7	1001270609	1	Lifting Lugs Installation (See Separate Breakdown in this Section)	
8	1001270636	1	Marker Lights Installation (See Separate Breakdown in ELECTRICAL Section)	
9	1001270652	1	Harness Installation - Tunnel (See Separate Breakdown in ELECTRICAL Section)	
10	1001270829	1	Mount	
11	1001270830	2	Support	
12	1001274339	1	Tunnel Toolbox	
13	1001274383	1	Tunnel Compartment Lights Installation (See Separate Breakdown in ELECTRICAL Section)	
14	1001277609	1	T Slots Installation	
14A	1001277611	16	Channel (Not Shown)	
14B	1001277612	12	Channel (Not Shown)	
15	3274000011	10	Clamp Weldment	
16	4705000705	10	Plate	
17	7660182301	10	Nut 1/2	
18	7660200001	8	Nut 5/8	
19	7701000048	1	Plug	
20	7949000019	8	Washer	
21	7949000020	8	Washer	
22	7636000008	8	Mount	
23	8632000011	10 ft	Seal	
24	1001276871	1	Counter Weight Installation	

# SECTION 4 - BODY

## FIGURE 4-105. TUNNEL INSTALLATION - 88IN WITH 1.4K CWT



ART\_1001283556



## SECTION 4 - BODY

**FIGURE 4-105. TUNNEL INSTALLATION - 88IN WITH 1.4K CWT**

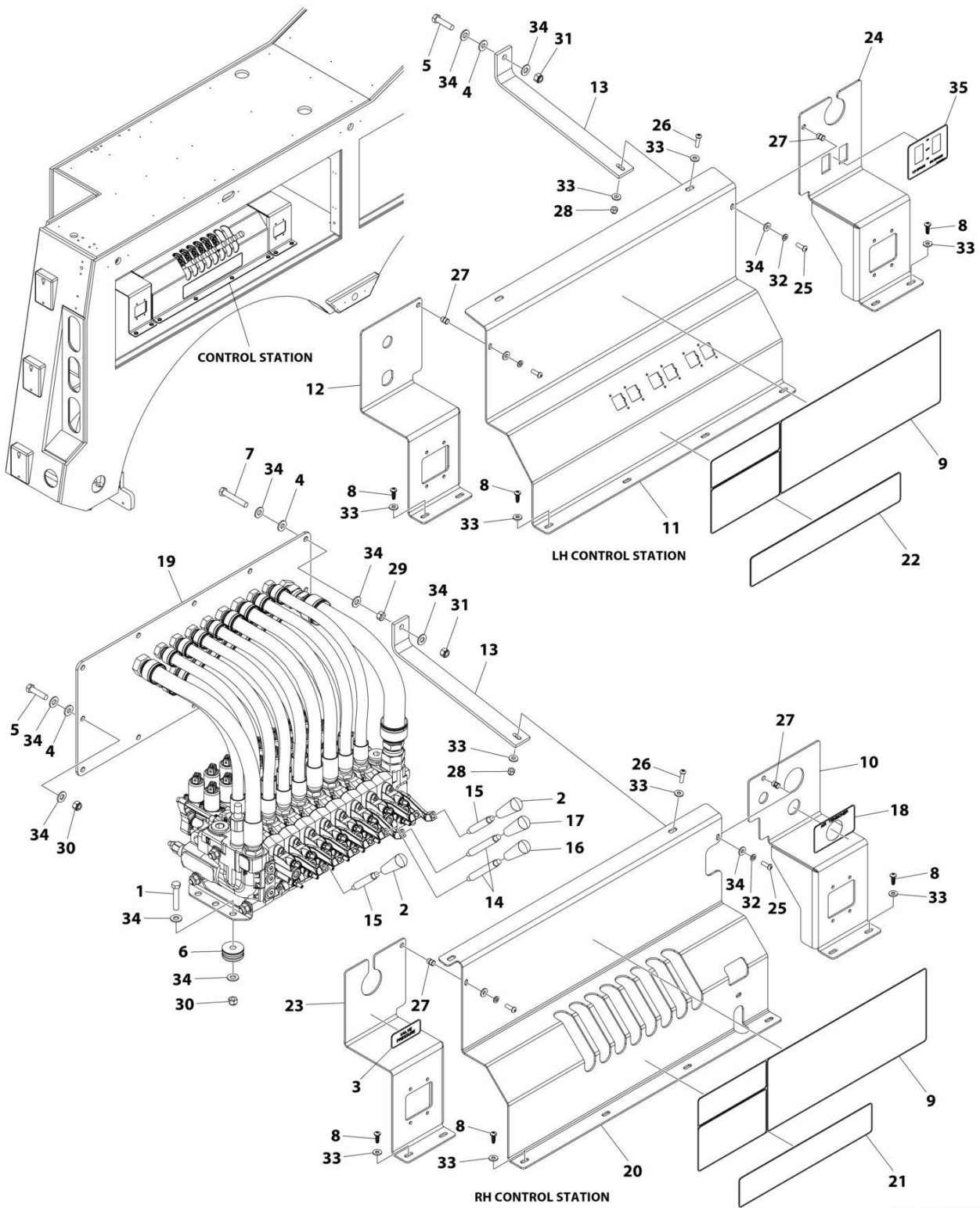
ITEM	PART NUMBER	QTY	DESCRIPTION	REV
	1001283556	Ref	TUNNEL INSTALLATION - 88IN WITH 1.4K CWT	A
1	0641820	10	Bolt 5/8 x 4-1/4	
2	0642034	8	Bolt 5/8 x 4-1/4	
3	4711800	10	Washer 1/2	
4	4752000	8	Washer 5/8	
5	1001173847	8	Plug	
6	1001278246	1	Battery Cover Installation (See Separate Breakdown in this Section)	
7	1001270609	1	Lifting Lugs Installation (See Separate Breakdown in this Section)	
8	1001270636	1	Marker Lights Installation (See Separate Breakdown in ELECTRICAL Section)	
9	1001270652	1	Harness Installation - Tunnel (See Separate Breakdown in ELECTRICAL Section)	
10	1001270829	1	Mount	
11	1001270830	2	Support	
12	1001278244	1	Tunnel Toolbox	
13	1001274383	1	Tunnel Compartment Lights Installation (See Separate Breakdown in ELECTRICAL Section)	
14	1001277609	1	T Slots Installation	
14A	1001277611	16	Channel (Not Shown)	
14B	1001277612	12	Channel (Not Shown)	
15	3274000011	10	Clamp Weldment	
16	4705000705	10	Plate	
17	7660182301	10	Nut 1/2	
18	7660200001	8	Nut 5/8	
19	7701000048	1	Plug	
20	7949000019	8	Washer	
21	7949000020	8	Washer	
22	7636000008	8	Mount	
23	8632000011	10 ft	Seal	
24	1001276871	1	Counter Weight Installation	



**SECTION 5 - CONTROLS**

# SECTION 5 - CONTROLS

## FIGURE 5-1. CONTROLS VALVE INSTALLATION, 8 SECTION - 8 SOLENOID



ART\_1001285920

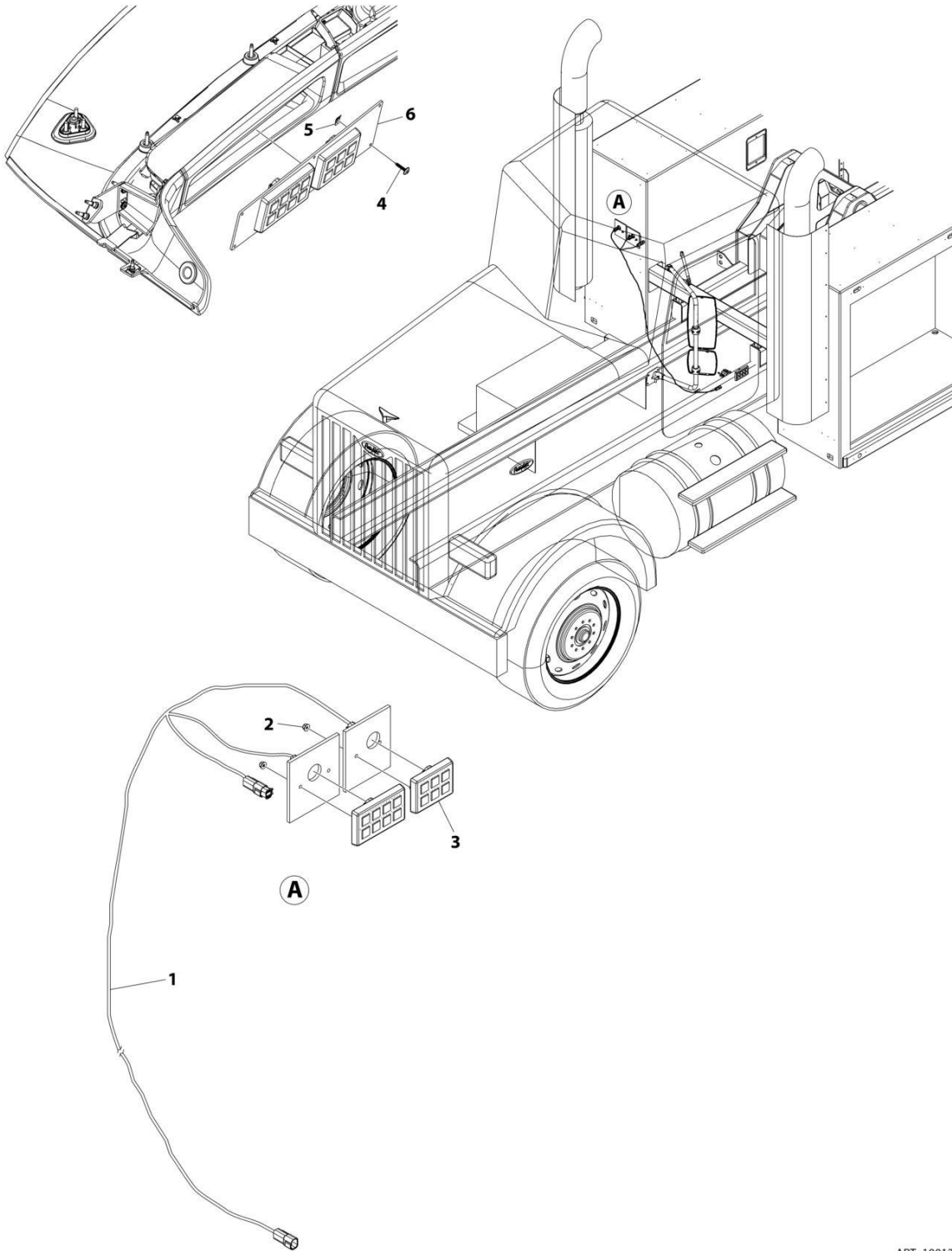
## SECTION 5 - CONTROLS

**FIGURE 5-1. CONTROLS VALVE INSTALLATION, 8 SECTION - 8 SOLENOID**

ITEM	PART NUMBER	QTY	DESCRIPTION	REV
	1001285920	Ref	CONTROLS VALVE INSTALLATION 8 SECTION 8 SOLENOID	A
1	0641620	4	Bolt 3/8 x 2-1/2	
2	1001130491	6	Knob, Control	
3	1001131032	1	Decal	
4	1001166974	14	Washer 3/8	
5	1001168993	12	Bolt 3/8 x 1-1/2	
6	1001169054	4	Isolator, Radiator	
7	1001169083	2	Bolt 3/8 x 2	
8	1001194676	16	Screw 1/2 x 3/4	
9	1001196911	2	Decal	
10	1001249931	1	Panel, Controls Front RH	
11	1001286104	1	Panel, Controls 8 Sect LH	
12	1001288672	1	Panel, Controls Front LH	
13	1001249982	4	Bar, Controls Top	
14	1001250915	2	Rod, Long	
15	1001250916	6	Rod, Short	
16	1001254767	1	Knob, Handle	
17	1001254768	1	Knob, Handle	
18	1001257300	1	Decal	
19	1001285927	1	Valve Assembly Control (See Separate Breakdown in HYDRAULIC Section)	
20	1001285933	1	Panel, Controls Rear RH	
21	1001285970	1	Decal	
22	1001285971	1	Decal	
23	1001285977	1	Panel, Controls Rear RH	
24	1001285979	1	Panel, Controls Rear LH	
25	7114140618	4	Screw 1/4 x 3/4	
26	7114140818	4	Capscrew 1/4 x 1	
27	7413000002	4	Nut 1/4	
28	7660142601	4	Nut 1/4	
29	7660160000	2	Nut 3/8	
30	7660162601	16	Nut 3/8	
31	7661000021	2	Nut 3/8	
32	7950140003	4	Washer 1/4	
33	7950140143	28	Washer 1/4	
34	7950160143	38	Washer 3/8	
35	1001134461	1	Decal	

# SECTION 5 - CONTROLS

FIGURE 5-2. CONTROLS (IN-CAB) INSTALLATION (CONSOLE MOUNTED) (KENWORTH T880)



ART\_1001235395

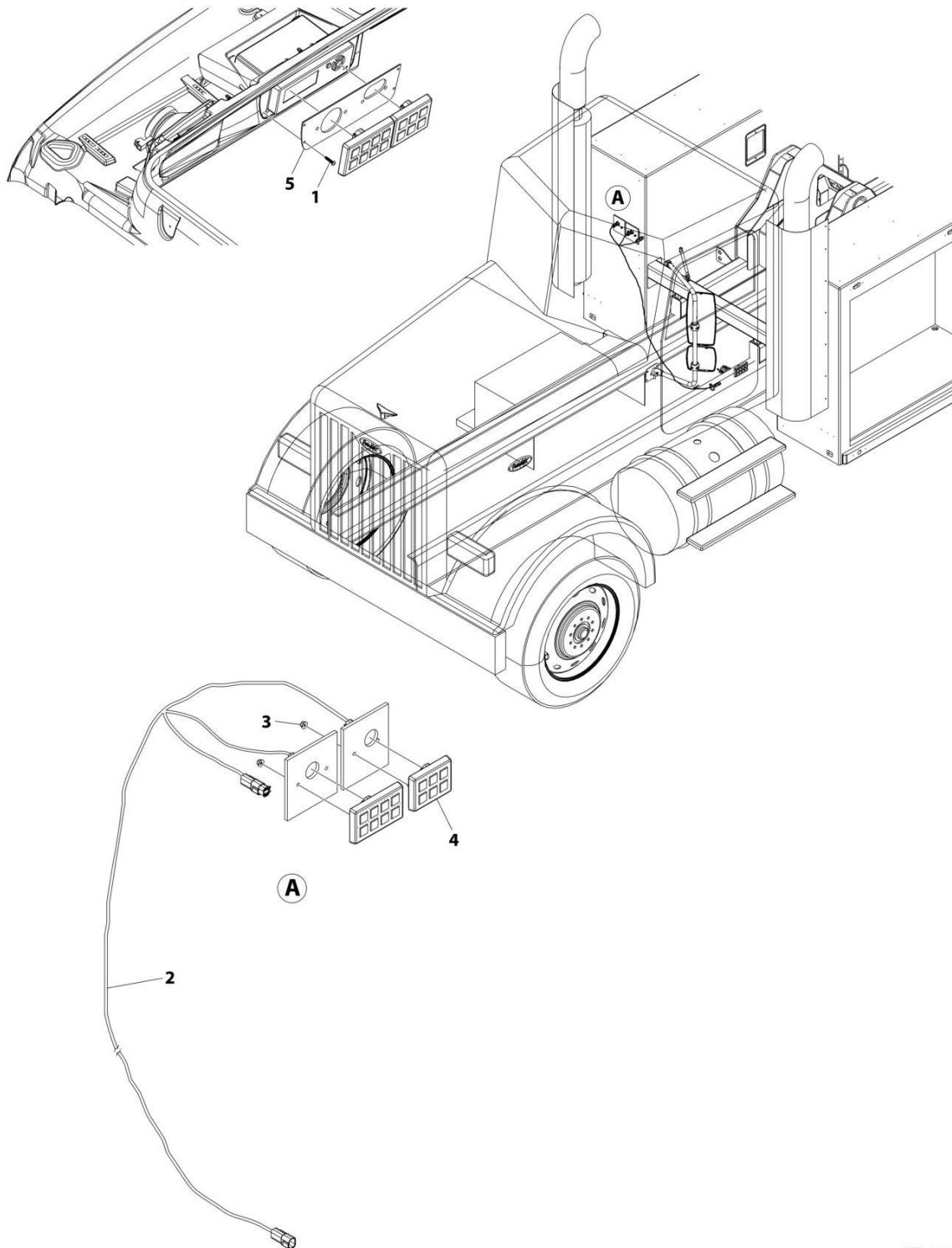
## SECTION 5 - CONTROLS

**FIGURE 5-2. CONTROLS (IN-CAB) INSTALLATION (CONSOLE MOUNTED) (KENWORTH T880)**

ITEM	PART NUMBER	QTY	DESCRIPTION	REV
	1001235395	Ref	CONTROLS (IN-CAB) INSTALLATION (CONSOLE MOUNTED)	B
1	1001208976	1	Multiplex In-Cab Control Harness (See Separate Breakdown in ELECTRICAL Section)	
2	1001209616	4	Nut #10	
3	1001288016	1	Keypad, Underlift	
4	1001232209	6	Screw #8	
5	1001232211	6	Nut #8	
6	1001235394	1	Support	
7	7894000004	7	Tie-Strap (Not Shown)	

# SECTION 5 - CONTROLS

FIGURE 5-3. CONTROLS (IN-CAB) INSTALLATION (CONSOLE MOUNTED) (KENWORTH T880, W9 & T440)



ART\_1001232970



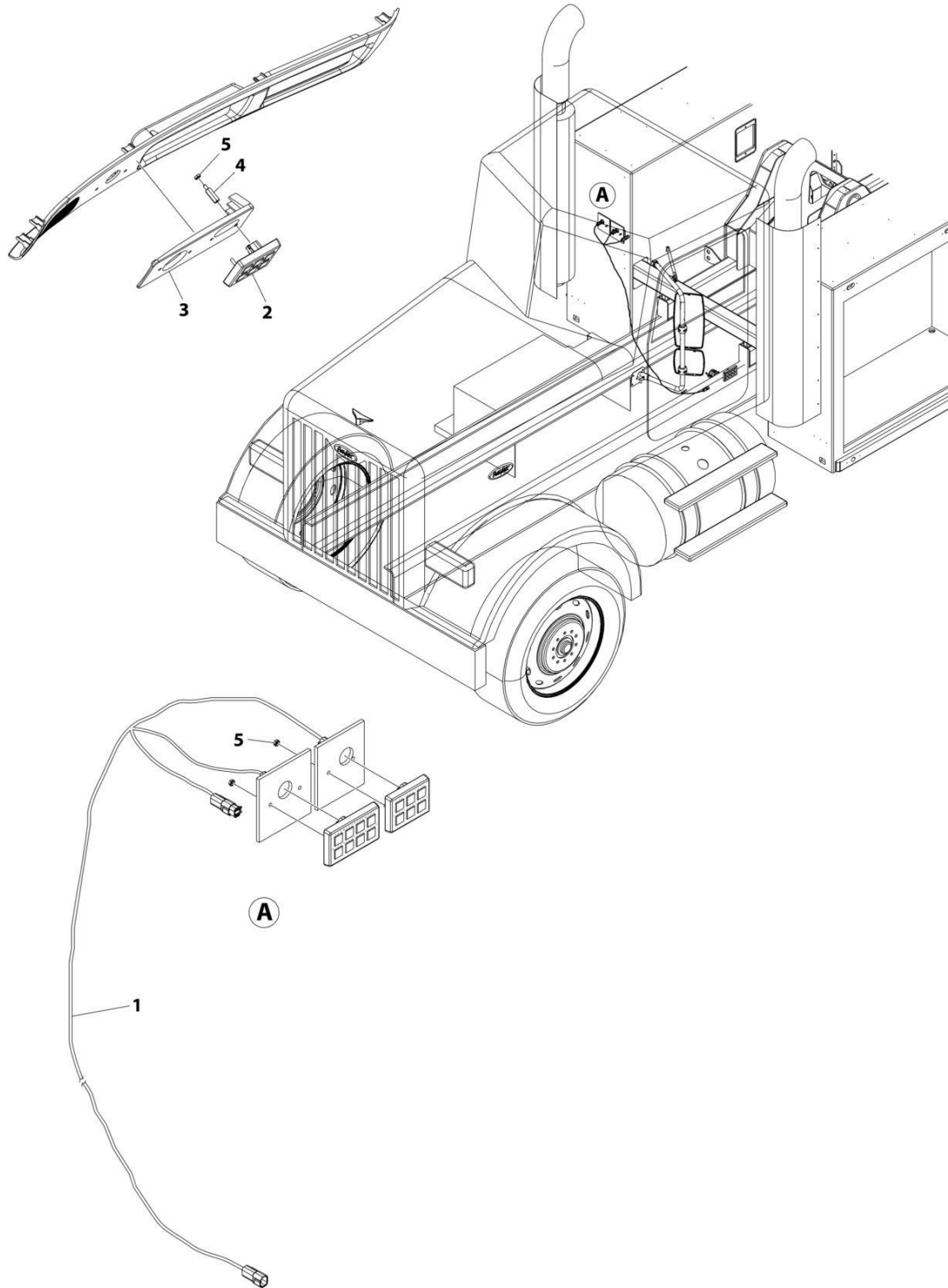
## SECTION 5 - CONTROLS

**FIGURE 5-3. CONTROLS (IN-CAB) INSTALLATION (CONSOLE MOUNTED) (KENWORTH T880, W9 & T440)**

ITEM	PART NUMBER	QTY	DESCRIPTION	REV
	1001232970	Ref	CONTROLS (IN-CAB) INSTALLATION (CONSOLE MOUNTED)	B
1	1001196552	4	Screw #8 x 3/4	
2	1001208976	1	Multiplex In-Cab Control Harness (See Separate Breakdown in ELECTRICAL Section)	
3	1001209616	4	Nut #10	
4	1001288016	1	Keypad, Underlift	
5	1001232958	1	Support	
6	7894000004	7	Tie-Strap (Not Shown)	

# SECTION 5 - CONTROLS

## FIGURE 5-4. CONTROLS (IN-CAB) INSTALLATION (CONSOLE MOUNTED) (PETERBILT 567)



ART\_1001232968

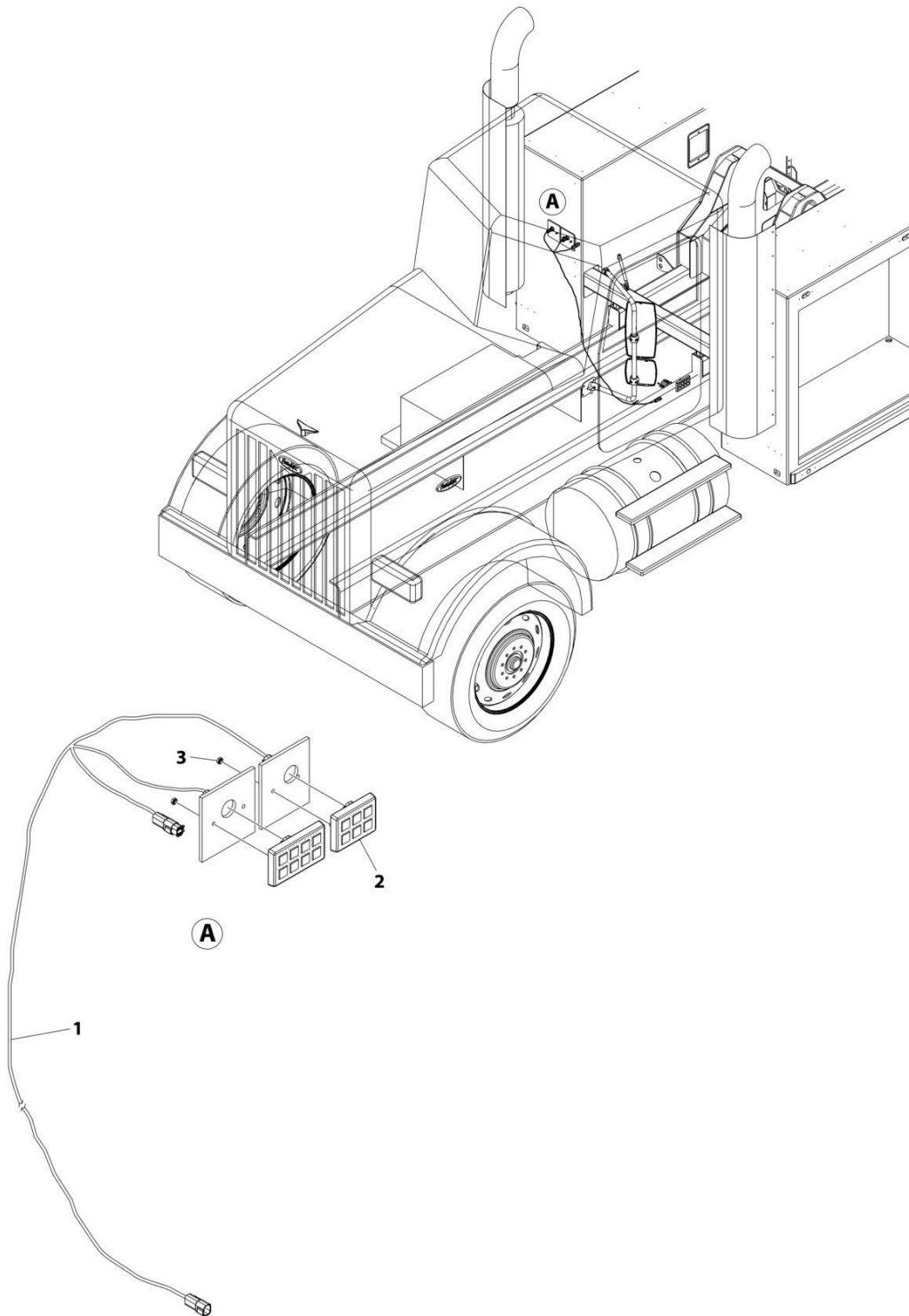
## SECTION 5 - CONTROLS

**FIGURE 5-4. CONTROLS (IN-CAB) INSTALLATION (CONSOLE MOUNTED) (PETERBILT 567)**

ITEM	PART NUMBER	QTY	DESCRIPTION	REV
	1001232968	Ref	CONTROLS (IN-CAB) INSTALLATION (CONSOLE MOUNTED)	B
1	1001208976	1	Multiplex In-Cab Control Harness (See Separate Breakdown in ELECTRICAL Section)	
2	1001288016	1	Keypad, Underlift	
3	1001232956	1	Support	
4	1001234537	1	Stud	
5	7661000023	4	Nut #10	
6	7894000004	7	Tie-Strap (Not Shown)	

# SECTION 5 - CONTROLS

FIGURE 5-5. CONTROLS (IN-CAB) INSTALLATION (CONSOLE MOUNTED) (PETERBILT 389 LOW ROOF)



ART\_1001232966

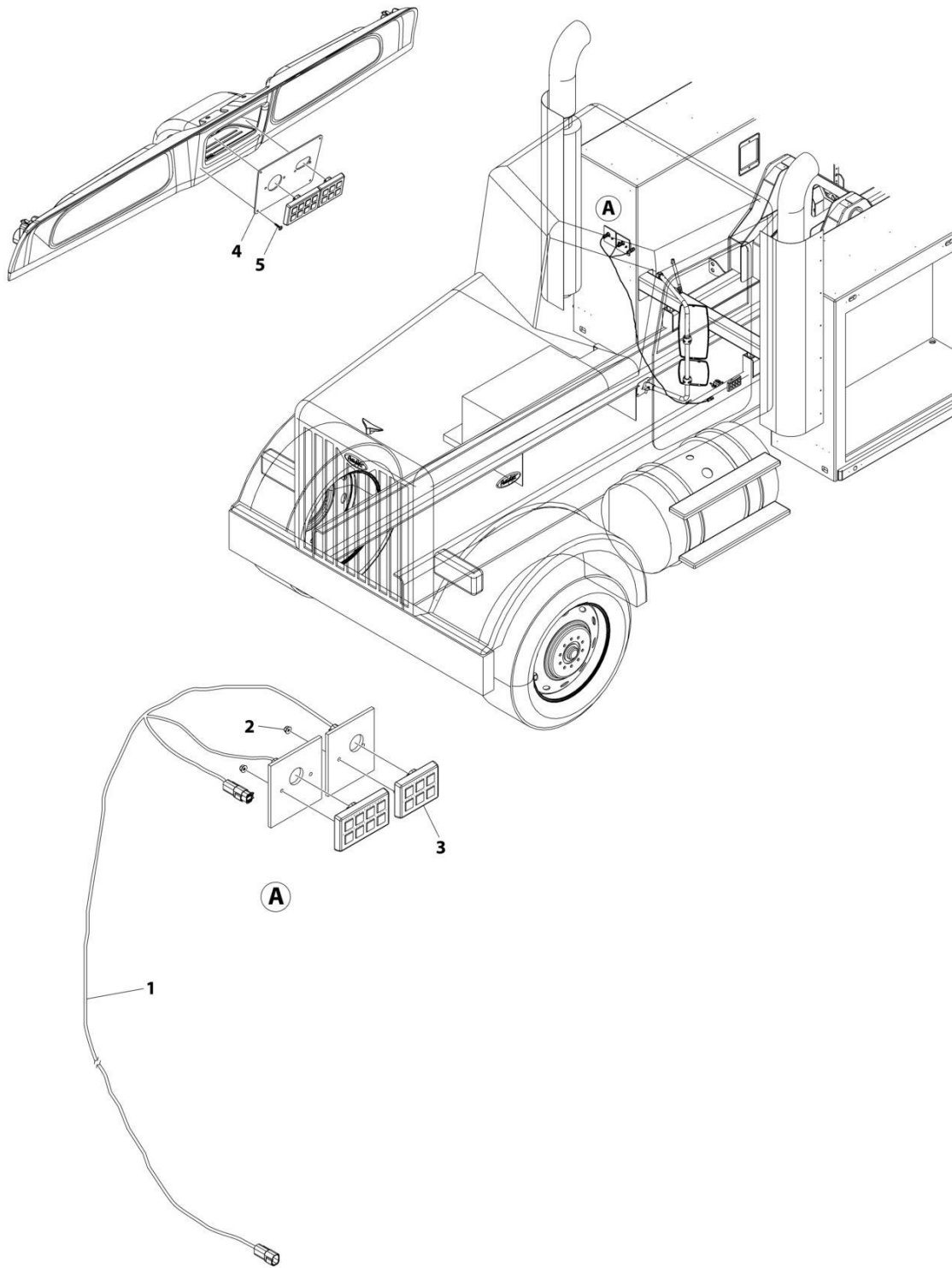
## SECTION 5 - CONTROLS

**FIGURE 5-5. CONTROLS (IN-CAB) INSTALLATION (CONSOLE MOUNTED) (PETERBILT 389 LOW ROOF)**

ITEM	PART NUMBER	QTY	DESCRIPTION	REV
	1001232966	Ref	CONTROLS (IN-CAB) INSTALLATION (CONSOLE MOUNTED)	B
1	1001208976	1	Multiplex In-Cab Control Harness (See Separate Breakdown in ELECTRICAL Section)	
2	1001288016	1	Keypad, Underlift	
3	7661000023	4	Nut #10	
4	7894000004	7	Tie-Strap (Not Shown)	

# SECTION 5 - CONTROLS

FIGURE 5-6. CONTROLS (IN-CAB) INSTALLATION (CONSOLE MOUNTED) (PETERBILT 389 HIGH ROOF)



ART\_1001231977

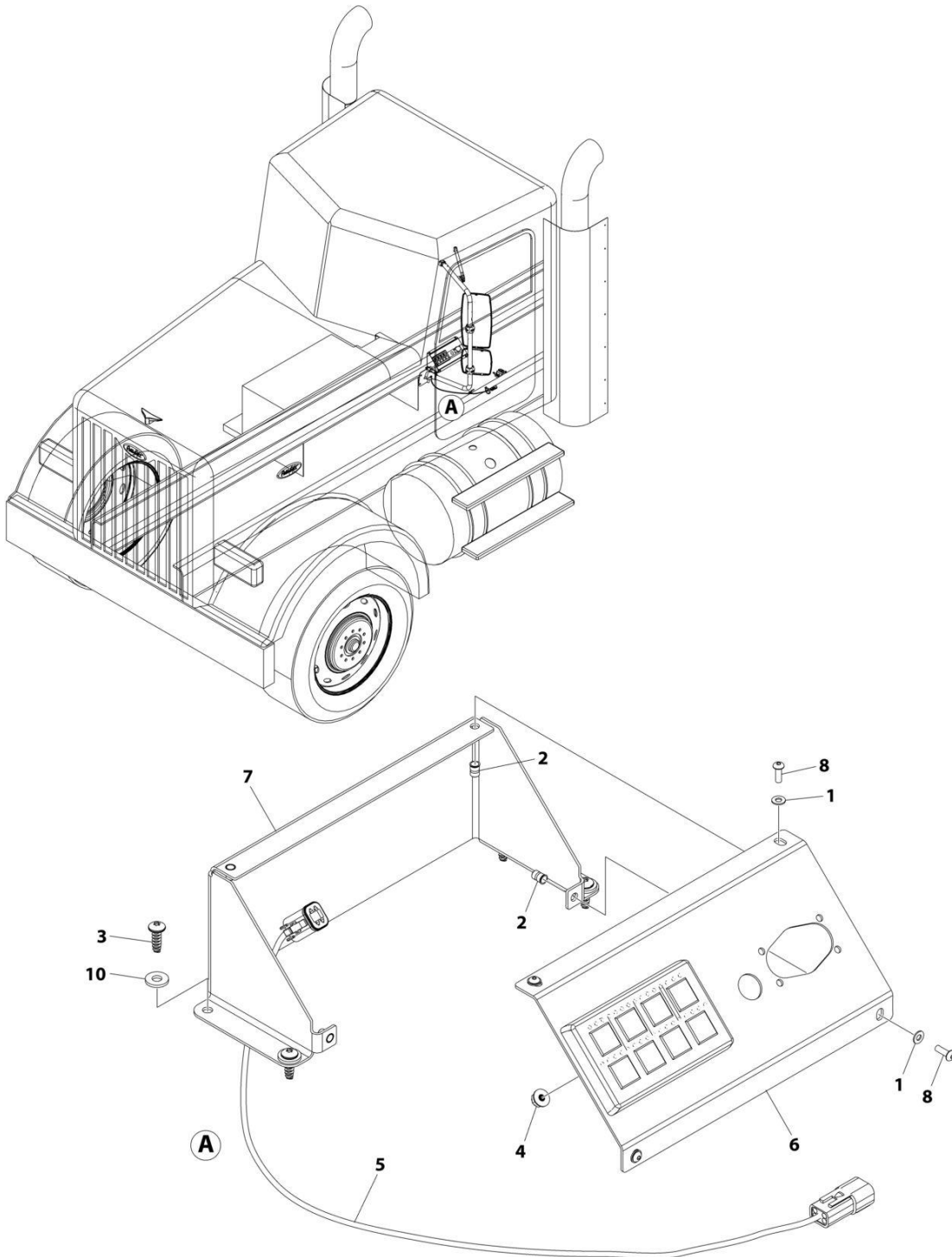
## SECTION 5 - CONTROLS

**FIGURE 5-6. CONTROLS (IN-CAB) INSTALLATION (CONSOLE MOUNTED) (PETERBILT 389 HIGH ROOF)**

ITEM	PART NUMBER	QTY	DESCRIPTION	REV
	1001231977	Ref	CONTROLS (IN-CAB) INSTALLATION (CONSOLE MOUNTED)	B
1	1001208976	1	Multiplex In-Cab Control Harness (See Separate Breakdown in ELECTRICAL Section)	
2	1001209616	4	Nut #10	
3	1001288016	1	Keypad, Underlift	
4	1001231976	1	Support	
5	1001232209	4	Screw #8	
6	7894000004	7	Tie-Strap (Not Shown)	

# SECTION 5 - CONTROLS

## FIGURE 5-7. CONTROLS (IN-CAB) INSTALLATION (FLOOR MOUNTED)



ART\_1001212106



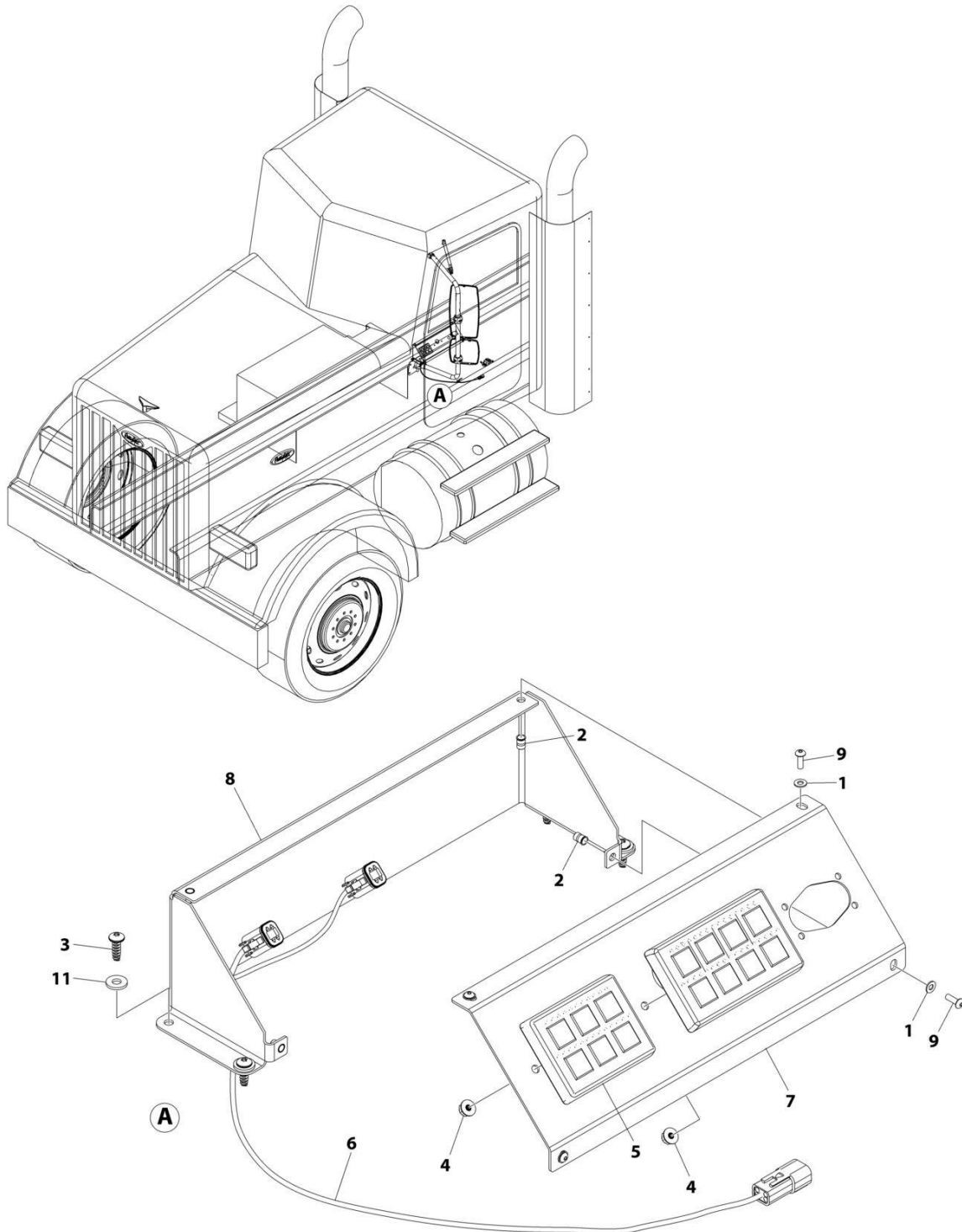
## SECTION 5 - CONTROLS

**FIGURE 5-7. CONTROLS (IN-CAB) INSTALLATION (FLOOR MOUNTED)**

ITEM	PART NUMBER	QTY	DESCRIPTION	REV
	1001212106	Ref	CONTROLS (IN-CAB) INSTALLATION (FLOOR MOUNTED)	A
1	1001097942	4	Washer #8	
2	1001151546	4	Nut #8	
3	1001194676	4	Screw 1/4 x 3/4	
4	1001209616	2	Nut #10	
5	1001215421	1	Multiplex In-Cab Control Harness (See Separate Breakdown in ELECTRICAL Section)	
6	1001216233	1	Panel	
7	1001216239	1	Panel	
8	7114080418	4	Screw #8 x 1/2	
9	7894000004	6	Tie-Strap (Not Shown)	
10	7950140143	4	Washer 1/4	

# SECTION 5 - CONTROLS

## FIGURE 5-8. CONTROLS (IN-CAB) INSTALLATION (FLOOR MOUNTED WITH UNDERLIFT)



ART\_1001215432

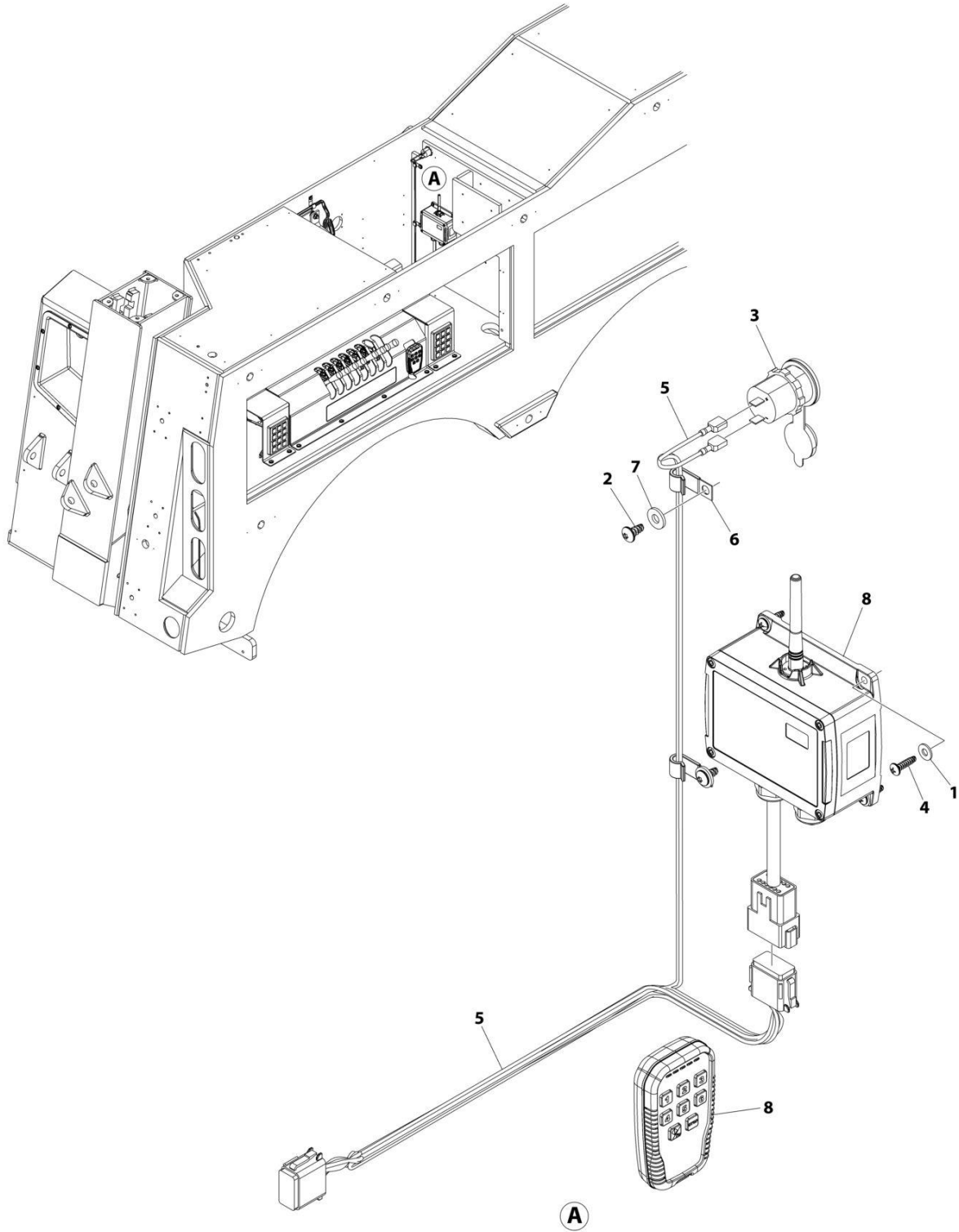
## SECTION 5 - CONTROLS

**FIGURE 5-8. CONTROLS (IN-CAB) INSTALLATION (FLOOR MOUNTED WITH UNDERLIFT)**

ITEM	PART NUMBER	QTY	DESCRIPTION	REV
	1001215432	Ref	CONTROLS (IN-CAB) INSTALLATION (FLOOR MOUNTED WITH UNDERLIFT)	B
1	1001097942	4	Washer #8	
2	1001151546	4	Nut #8	
3	1001194676	4	Screw 1/4 x 3/4	
4	1001209616	4	Nut #10	
5	1001288016	1	Keypad, Underlift	
6	1001215421	1	Multiplex In-Cab Control Harness (See Separate Breakdown in ELECTRICAL Section)	
7	1001216315	1	Panel	
8	1001216316	1	Panel	
9	7114080418	4	Screw #8 x 1/2	
10	7894000004	6	Tie-Strap (Not Shown)	
11	7950140143	4	Washer 1/4	

# SECTION 5 - CONTROLS

## FIGURE 5-9. REMOTE CONTROL INSTALLATION (6 FUNCTION NON-PROP 8 SECTION)



ART\_1001288838

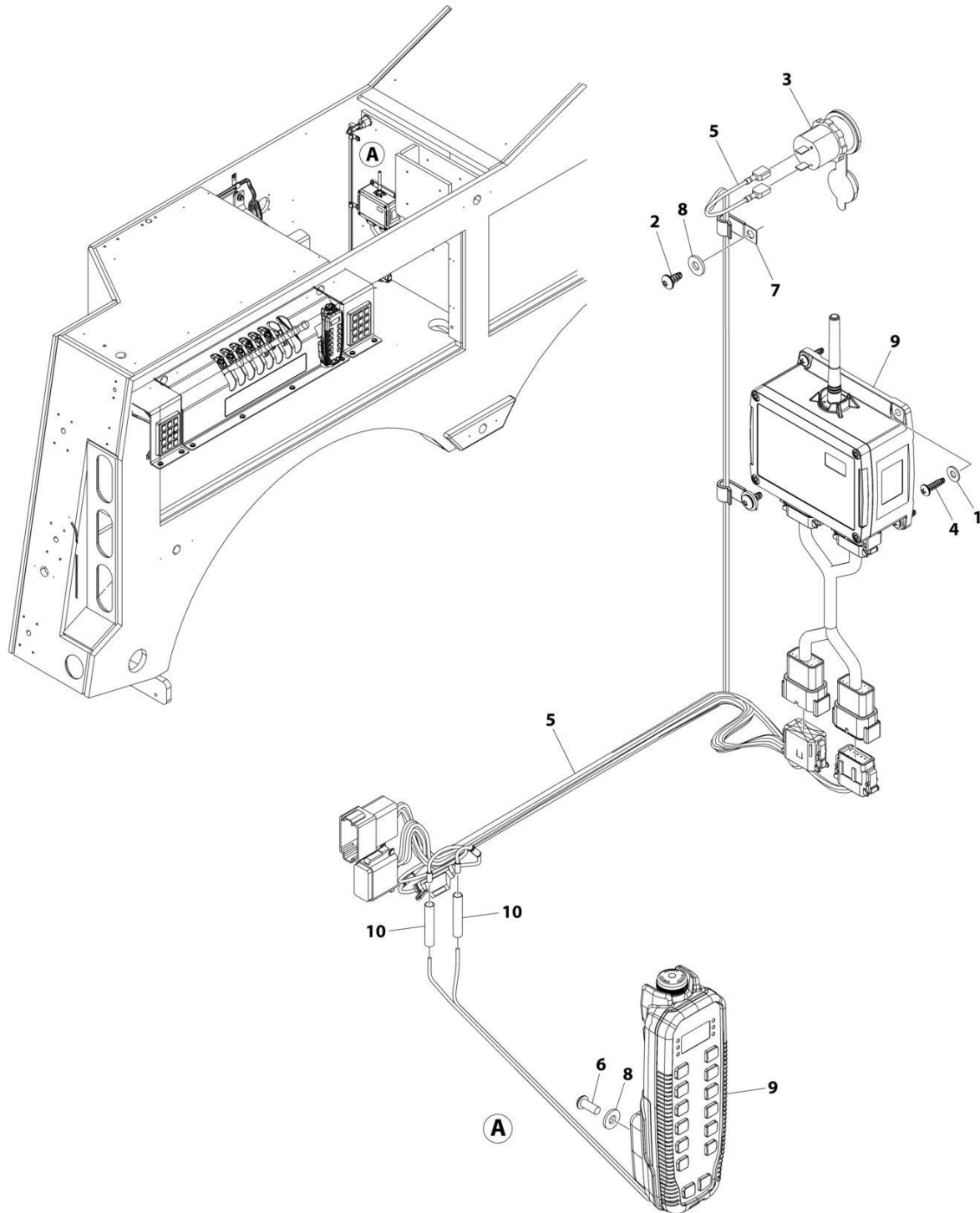
## SECTION 5 - CONTROLS

**FIGURE 5-9. REMOTE CONTROL INSTALLATION (6 FUNCTION NON-PROP 8 SECTION)**

ITEM	PART NUMBER	QTY	DESCRIPTION	REV
	1001288838	Ref	WIRELESS REMOTE 6 FUNCTION NON-PROP 8 SECTION	A
1	4711000	4	Washer #10	
2	1001195257	2	Screw #1/4 x 1/2	
3	1001201384	1	Socket	
4	1001230068	4	Screw #10 x 3/4	
5	1001288839	1	Harness, Remote 6 Function Non-Prop (See Separate Breakdown in ELECTRICAL Section)	
6	7280000018	2	Clip	
7	7950140143	2	Washer 1/4	
8	1001283315	1	Remote Control Assembly, 6 Function (See Separate Breakdown in this Section)	

# SECTION 5 - CONTROLS

## FIGURE 5-10. REMOTE CONTROL INSTALLATION (12 FUNCTION NON-PROP 8 SECTION)



ART\_1001288960

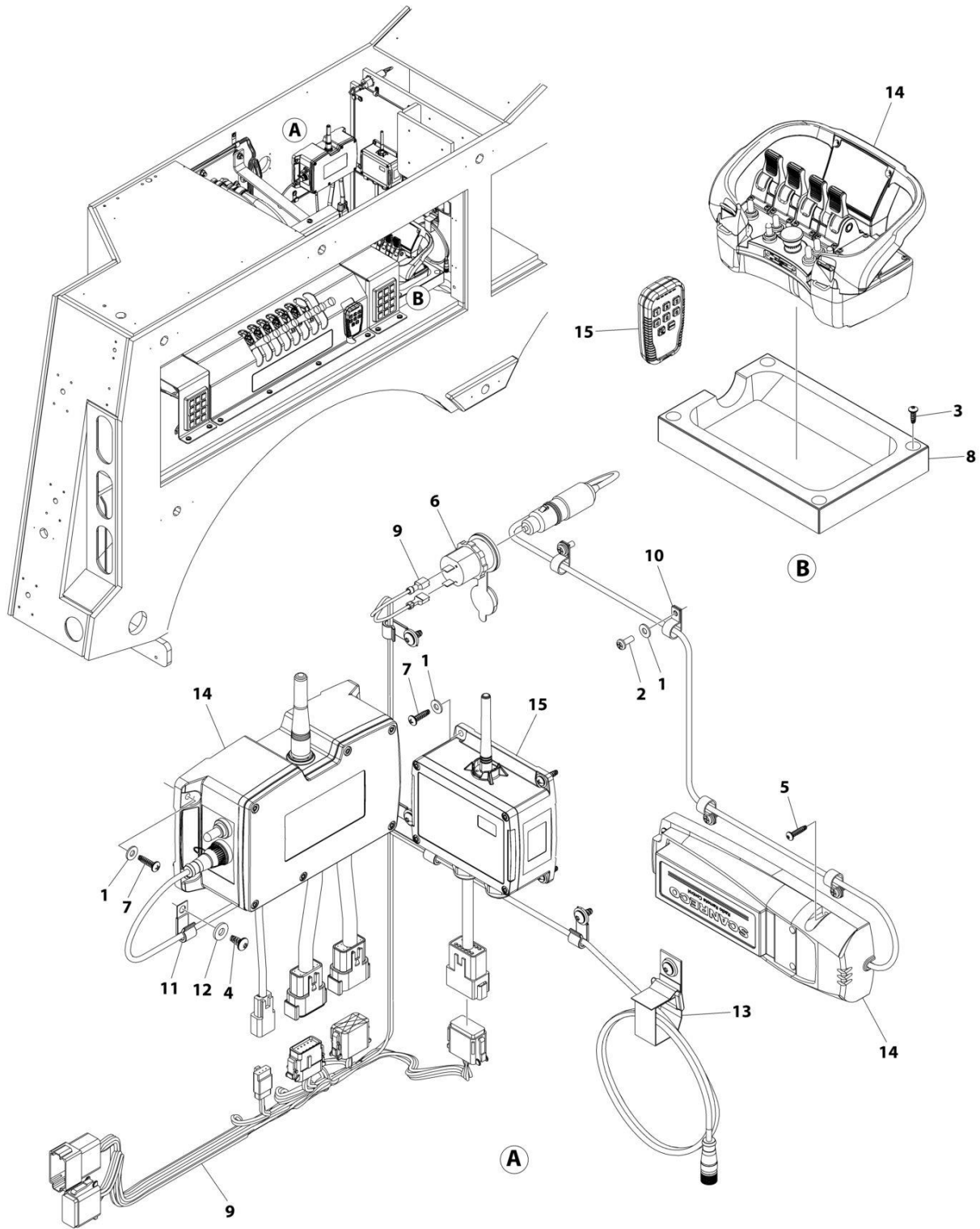
## SECTION 5 - CONTROLS

**FIGURE 5-10. REMOTE CONTROL INSTALLATION (12 FUNCTION NON-PROP 8 SECTION)**

ITEM	PART NUMBER	QTY	DESCRIPTION	REV
	1001288960	Ref	WIRELESS REMOTE 12 FUNCTION NON-PROP 8 SECTION	A
1	4711000	4	Washer #10	
2	1001195257	2	Screw 1/4 x 1/2	
3	1001201384	1	Socket	
4	1001230068	4	Screw #10 x 3/4	
5	1001288961	1	Harness, Remote 12 Function Non-Prop (See Separate Breakdown in ELECTRICAL Section)	
6	7114140518	1	Capscrew 1/4 x 5/8	
7	7280000018	2	Clip	
8	7950140143	3	Washer 1/4	
9	1001288962	1	Remote Control Assembly, 12 Function (See Separate Breakdown in this Section)	
10	7346000039	AR	Tubing	

# SECTION 5 - CONTROLS

## FIGURE 5-11. REMOTE CONTROL INSTALLATION (12 FUNCTION PROP 8 SECTION)



ART\_1001288807



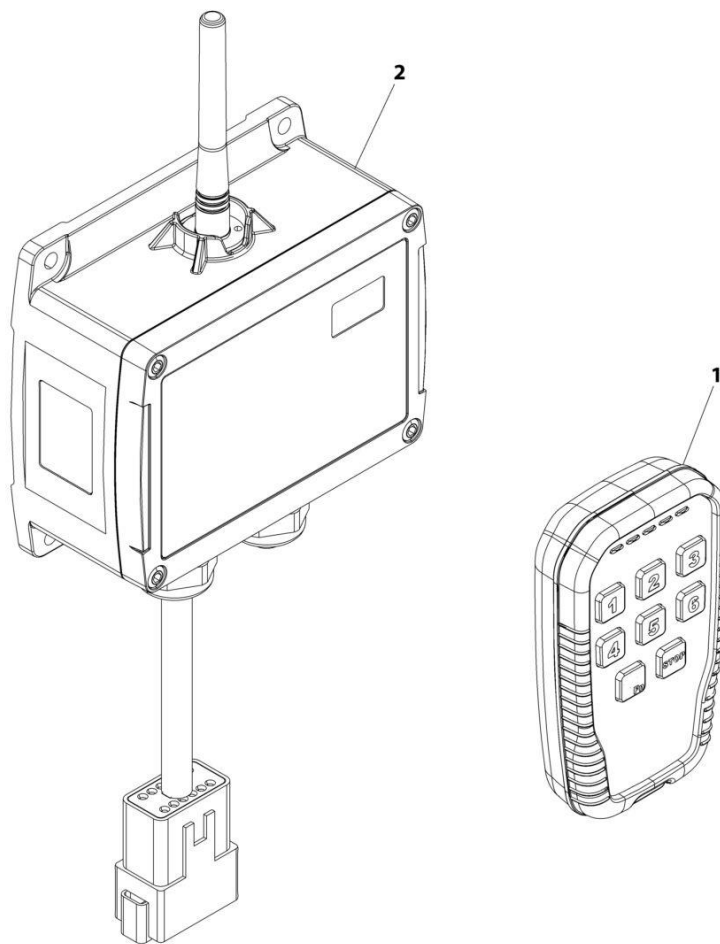
## SECTION 5 - CONTROLS

**FIGURE 5-11. REMOTE CONTROL INSTALLATION (12 FUNCTION PROP 8 SECTION)**

ITEM	PART NUMBER	QTY	DESCRIPTION	REV
	1001288807	Ref	WIRELESS REMOTE 12 FUNCTION PROP 8 SECTION	A
1	4711000	12	Washer #10	
2	1001172004	4	Screw	
3	1001194676	4	Screw 1/4 x 3/4	
4	1001195257	7	Screw 1/4 x 1/2	
5	1001196552	4	Screw #8 x 3/4	
6	1001201384	1	Socket	
7	1001230068	8	Screw #10 x 3/4	
8	1001235386	1	Tray	
9	1001288808	1	Harness, Remote 12 Function Prop (See Separate Breakdown in ELECTRICAL Section)	
10	7274000036	4	Clamp	
11	7280000018	6	Clip	
12	7950140143	7	Washer 1/4	
13	1001167286	1	Tie-Strap	
14	1001234562	1	Remote Control Assembly, 8 Function (See Separate Breakdown in this Section)	
15	1001283315	1	Remote Control Assembly, 6 Function (See Separate Breakdown in this Section)	

## SECTION 5 - CONTROLS

FIGURE 5-12. REMOTE CONTROL ASSEMBLY - WIRELESS (6 FUNCTION NON-PROP 8 SECTION)



ART\_1001283315

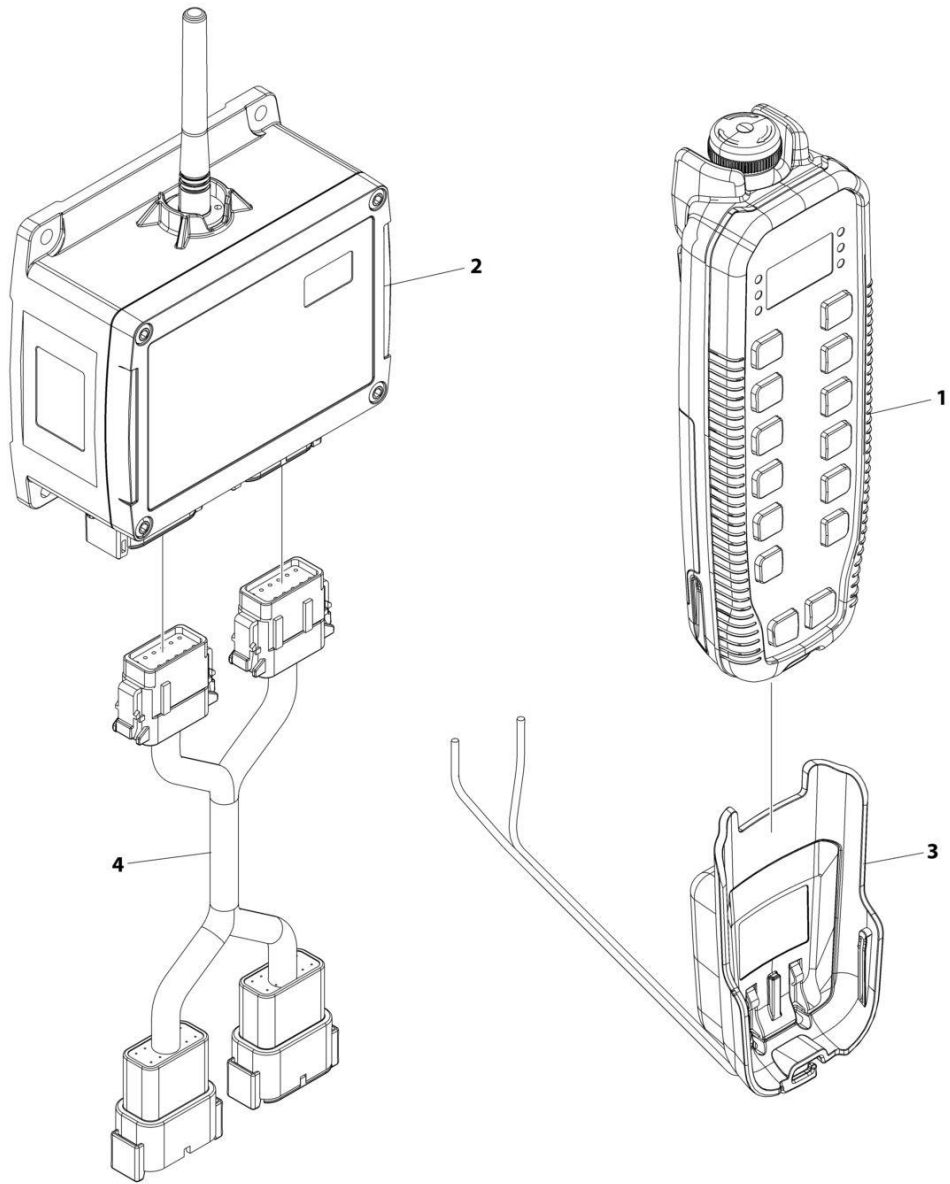
## SECTION 5 - CONTROLS

**FIGURE 5-12. REMOTE CONTROL ASSEMBLY - WIRELESS (6 FUNCTION NON-PROP 8 SECTION)**

ITEM	PART NUMBER	QTY	DESCRIPTION	REV
	1001283315	Ref	REMOTE CONTROL ASSEMBLY (6 FUNCTION HANDHELD)	B
1	1001284964	1	Transmitter, Handheld	
2	1001283419	1	Receiver	

# SECTION 5 - CONTROLS

FIGURE 5-13. REMOTE CONTROL ASSEMBLY - WIRELESS (12 FUNCTION NON-PROP 8 SECTION)



ART\_1001288962

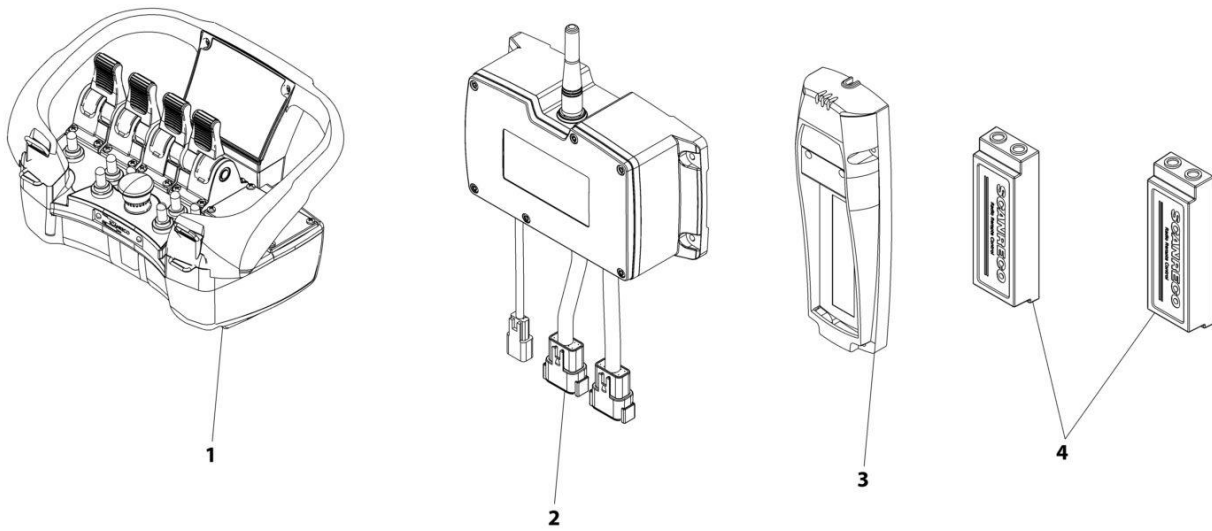
## SECTION 5 - CONTROLS

**FIGURE 5-13. REMOTE CONTROL ASSEMBLY - WIRELESS (12 FUNCTION NON-PROP 8 SECTION)**

ITEM	PART NUMBER	QTY	DESCRIPTION	REV
	1001288962	Ref	REMOTE CONTROL ASSEMBLY - WIRELESS (12 FUNCTION HANDHELD)	A
1	1001288989	1	Transmitter, Handheld	
2	1001288991	1	Receiver	
3	1001288993	1	Charger, Battery	
4	1001288992	1	Harness, Adapter	

# SECTION 5 - CONTROLS

## FIGURE 5-14. REMOTE CONSOLE ASSEMBLY



ART\_1001234562

## SECTION 5 - CONTROLS

### FIGURE 5-14. REMOTE CONSOLE ASSEMBLY

ITEM	PART NUMBER	QTY	DESCRIPTION	REV
	1001234562	Ref	Remote Control Assembly, 8 Function	C
1	1001234723	1	Console, Replacement	
2	1001226504	1	Receiver	
3	1001226798	1	Battery Charger	
4	1001232868	2	Battery	

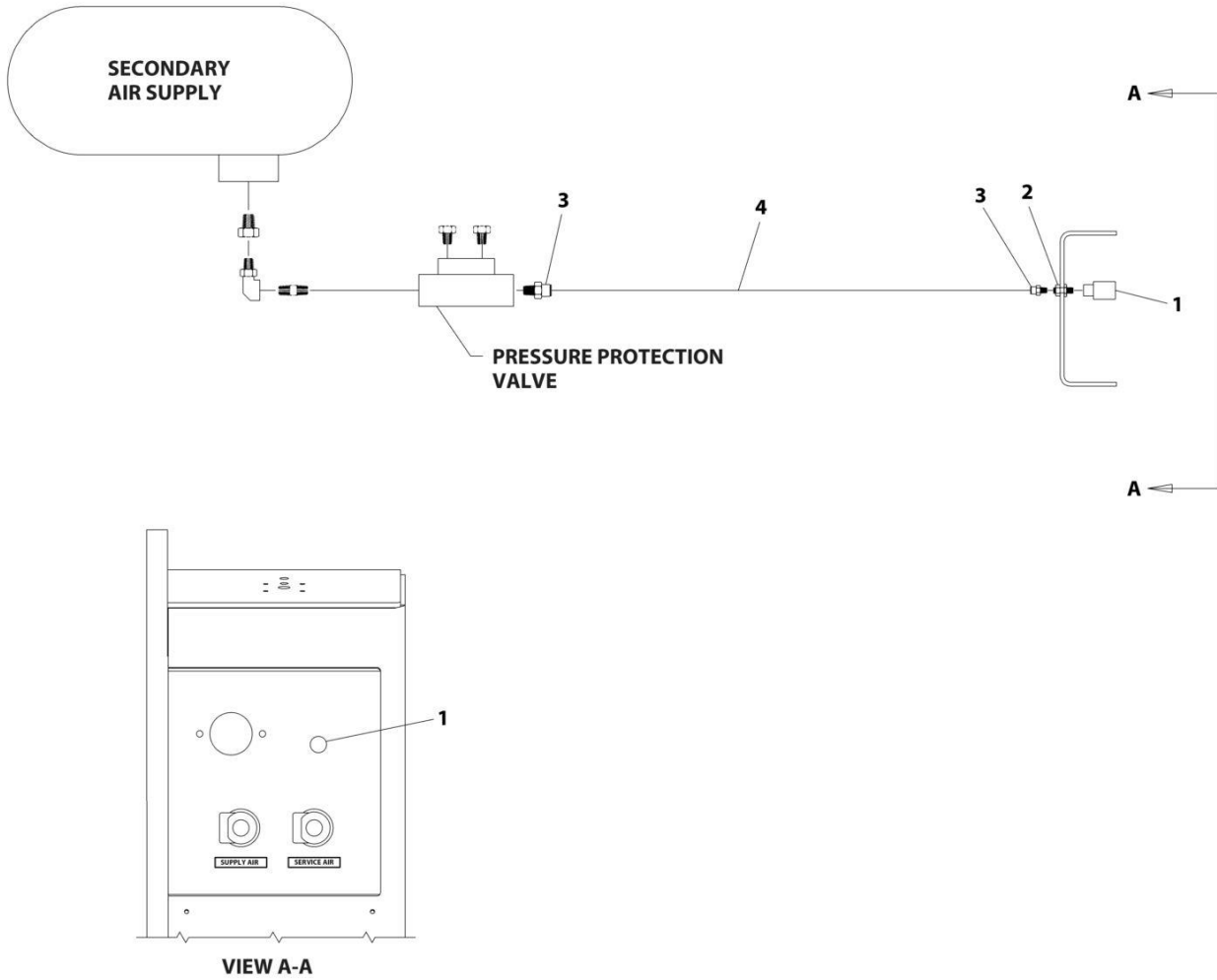




**SECTION 6 - HYDRAULIC**

# SECTION 6 - HYDRAULIC

## FIGURE 6-1. AUX AIR, QUICK DISCONNECT



ART\_1001143869

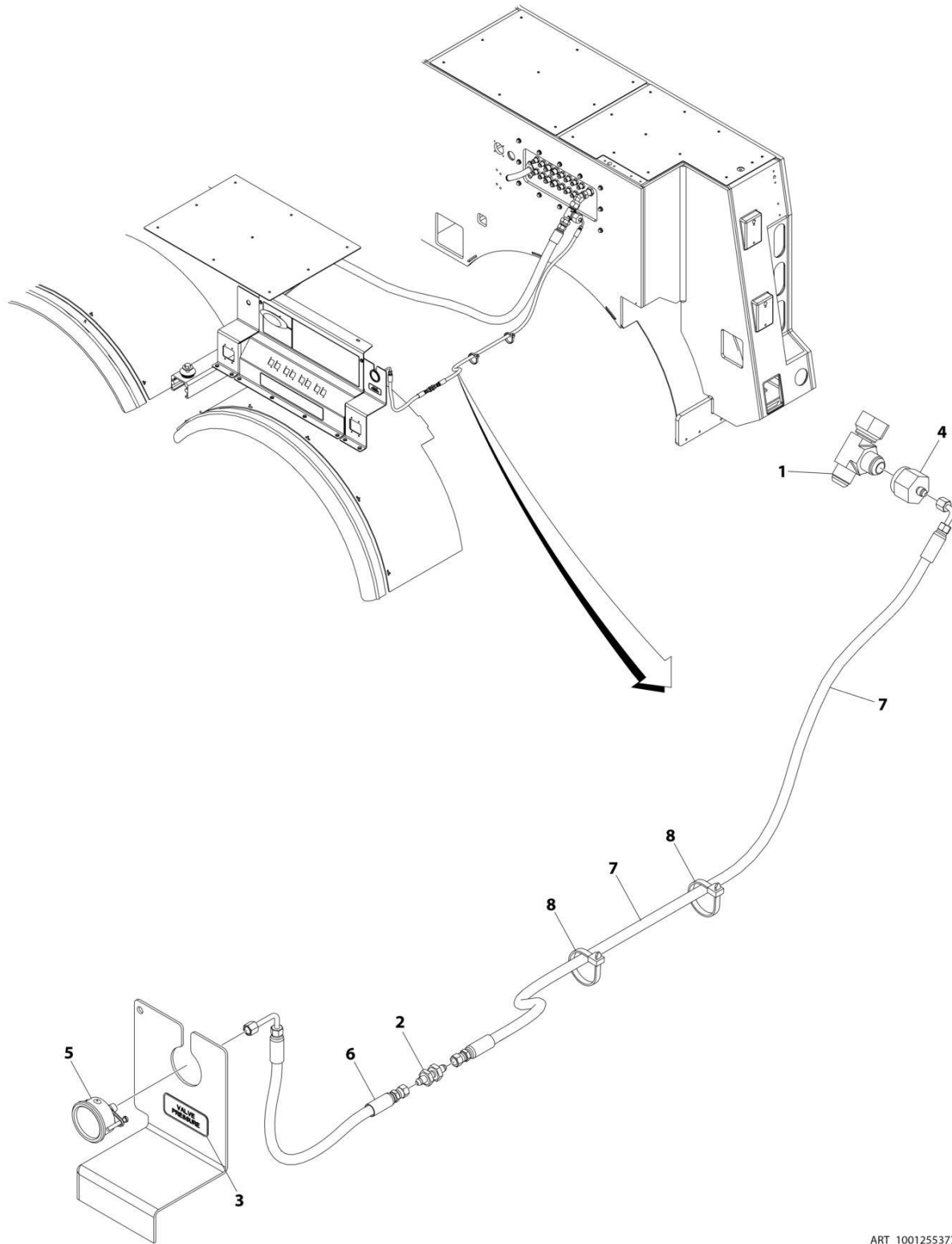
## SECTION 6 - HYDRAULIC

### FIGURE 6-1. AUX AIR, QUICK DISCONNECT

ITEM	PART NUMBER	QTY	DESCRIPTION	REV
	1001143869	Ref	Aux Air, Quick Disconnect	A
1	7312000017	1	Coupling	
2	7446502518	1	Fitting	
3	7443000175	2	Fitting	
4	7565000014	25 ft	Airline Tubing	

# SECTION 6 - HYDRAULIC

## FIGURE 6-2. DRIVER SIDE GAUGES INSTALLATION



ART\_1001255377

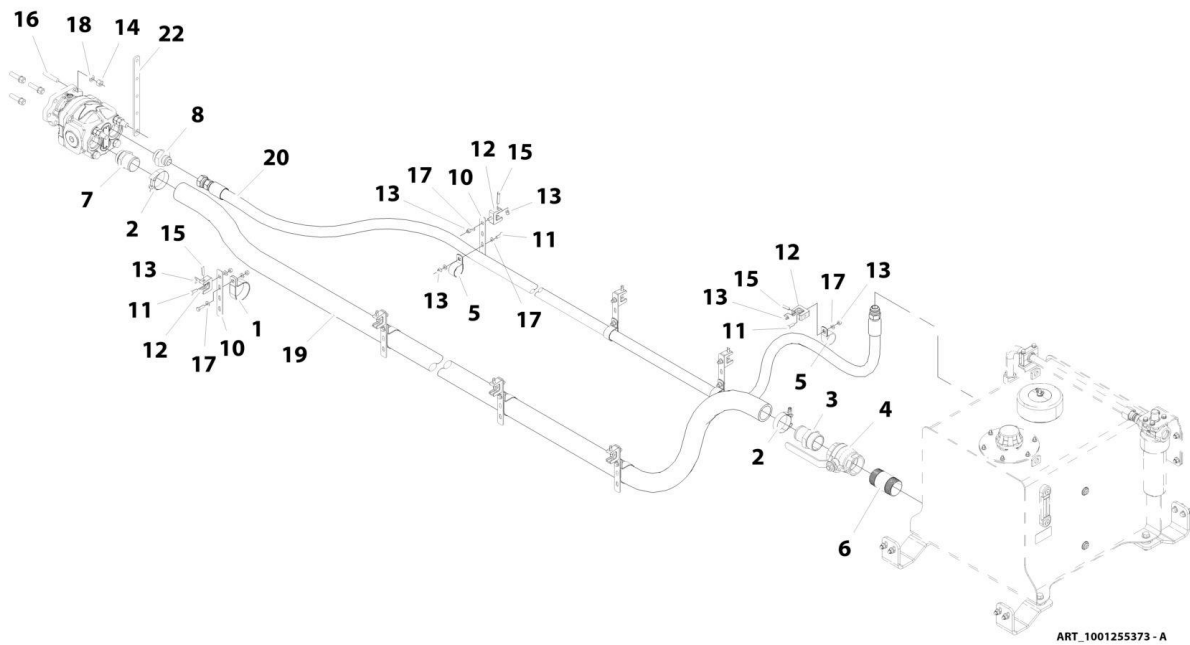
## SECTION 6 - HYDRAULIC

### FIGURE 6-2. DRIVER SIDE GAUGES INSTALLATION

ITEM	PART NUMBER	QTY	DESCRIPTION	REV
	1001255377	Ref	DRIVER SIDE GAUGES INSTALLATION	A
1	2220642	1	Fitting, Tee	
2	2230021	1	Adapter, Straight	
3	1001131032	1	Decal	
4	1001252618	1	Adapter, Straight	
5	7470000023	1	Gauge	
6	1001219790	1	Hose	
7	1001228167	1	Hose	
8	5526000553	6	Tie-Strap	

# SECTION 6 - HYDRAULIC

## FIGURE 6-3. HYDRAULIC INSTALLATION - 266-305 WB



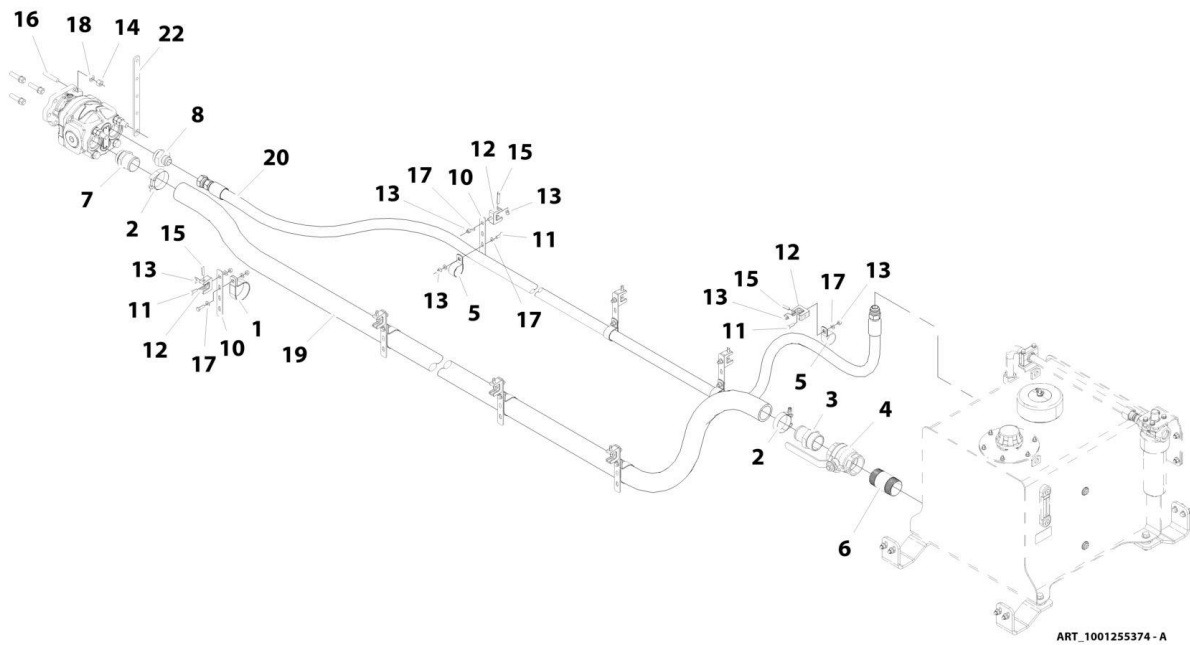
## SECTION 6 - HYDRAULIC

**FIGURE 6-3. HYDRAULIC INSTALLATION - 266-305 WB**

ITEM	PART NUMBER	QTY	DESCRIPTION	REV
	1001255373	Ref	Hydraulic Supply Installation (266-305 WB)	A
1	1320219	4	Clamp, 2.5 IN	
2	1001130587	2	Clamp	
3	1001130597	1	Fitting	
4	1001130610	1	Ball Valve	
5	1001137048	4	P-Clamp	
6	1001252532	1	Fitting	
7	1001252536	1	Fitting	
8	1001252539	1	Adapter	
9	3178000291	AR	Bracket (Not Shown)	
10	4706003844	7	Plate	
11	7115150850	15	Screw 5/16 x 1	
12	7274000076	8	Frame Clamp	
13	7660152601	23	Nut 5/16	
14	7660180000	4	Nut 1/2	
15	7785152420	8	Screw 5/16 x 1-1/2	
16	7865182065	4	Stud	
17	7950150141	22	Washer 5/16	
18	7950180000	4	Lockwasher 0.59	
19	1001136939	1	Hose	
20	1001256189	1	Hose	
21	1001252540	AR	Elbow 90	
22	4178000349	1	Bracket	

# SECTION 6 - HYDRAULIC

## FIGURE 6-4. HYDRAULIC INSTALLATION - 306-345 WB





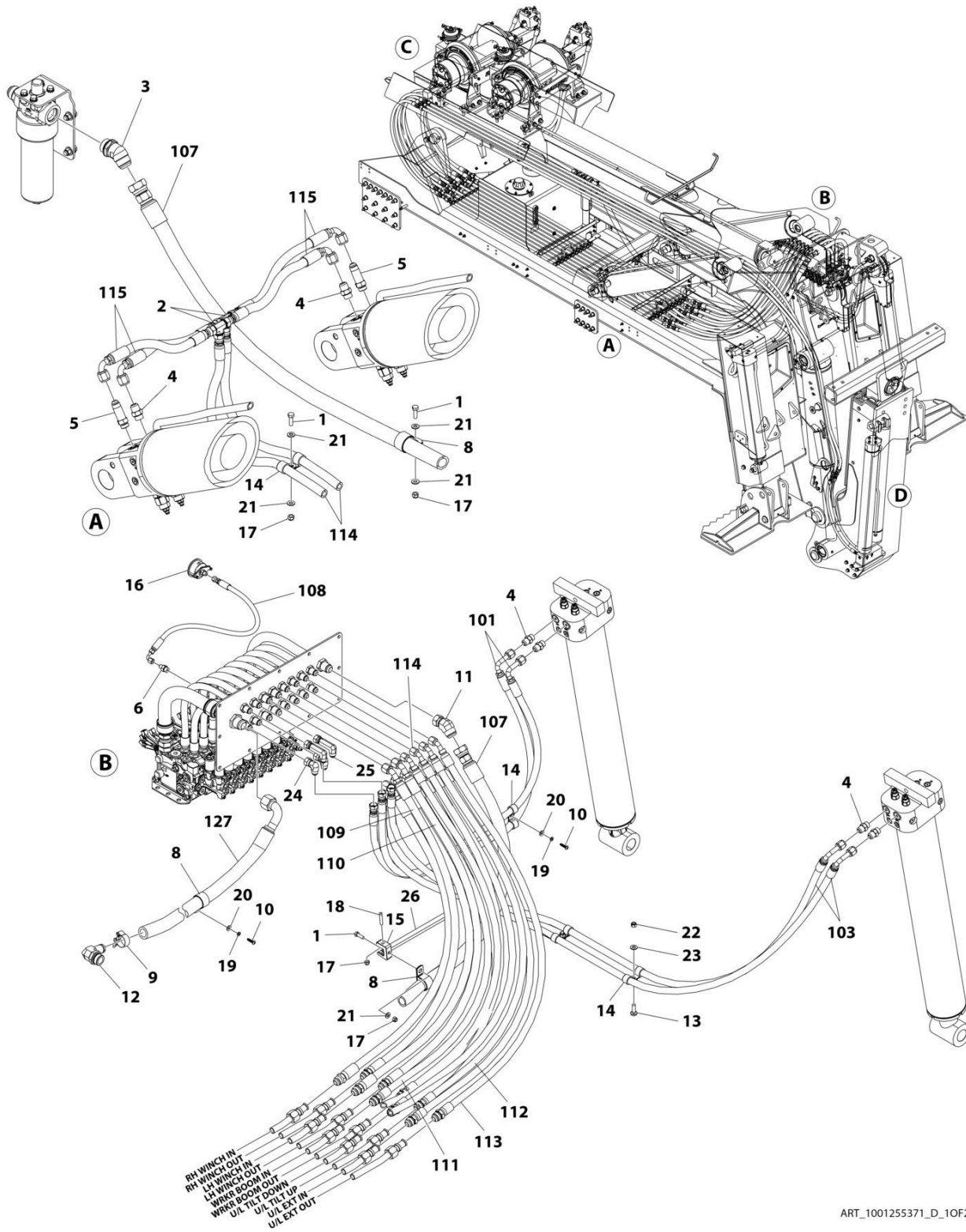
## SECTION 6 - HYDRAULIC

**FIGURE 6-4. HYDRAULIC INSTALLATION - 306-345 WB**

ITEM	PART NUMBER	QTY	DESCRIPTION	REV
	1001255374	Ref	Hydraulic Supply Installation (306-345 WB)	A
1	1320219	4	Clamp, 2.5 IN	
2	1001130587	2	Clamp	
3	1001130597	1	Fitting	
4	1001130610	1	Ball Valve	
5	1001137048	4	P-Clamp	
6	1001252532	1	Fitting	
7	1001252536	1	Fitting	
8	1001252539	1	Adapter	
9	3178000291	AR	Bracket (Not Shown)	
10	4706003844	7	Plate	
11	7115150850	15	Screw 5/16 x 1	
12	7274000076	8	Frame Clamp	
13	7660152601	23	Nut 5/16	
14	7660180000	4	Nut 1/2	
15	7785152420	8	Screw 5/16 x 1-1/2	
16	7865182065	4	Stud	
17	7950150141	22	Washer 5/16	
18	7950180000	4	Lockwasher 0.59	
19	1001136939	1	Hose	
20	1001256315	1	Hose	
21	1001252540	AR	Elbow 90	
22	4178000349	1	Bracket	

# SECTION 6 - HYDRAULIC

## FIGURE 6-5. HYDRAULIC INSTALLATION - BASE 25T INT

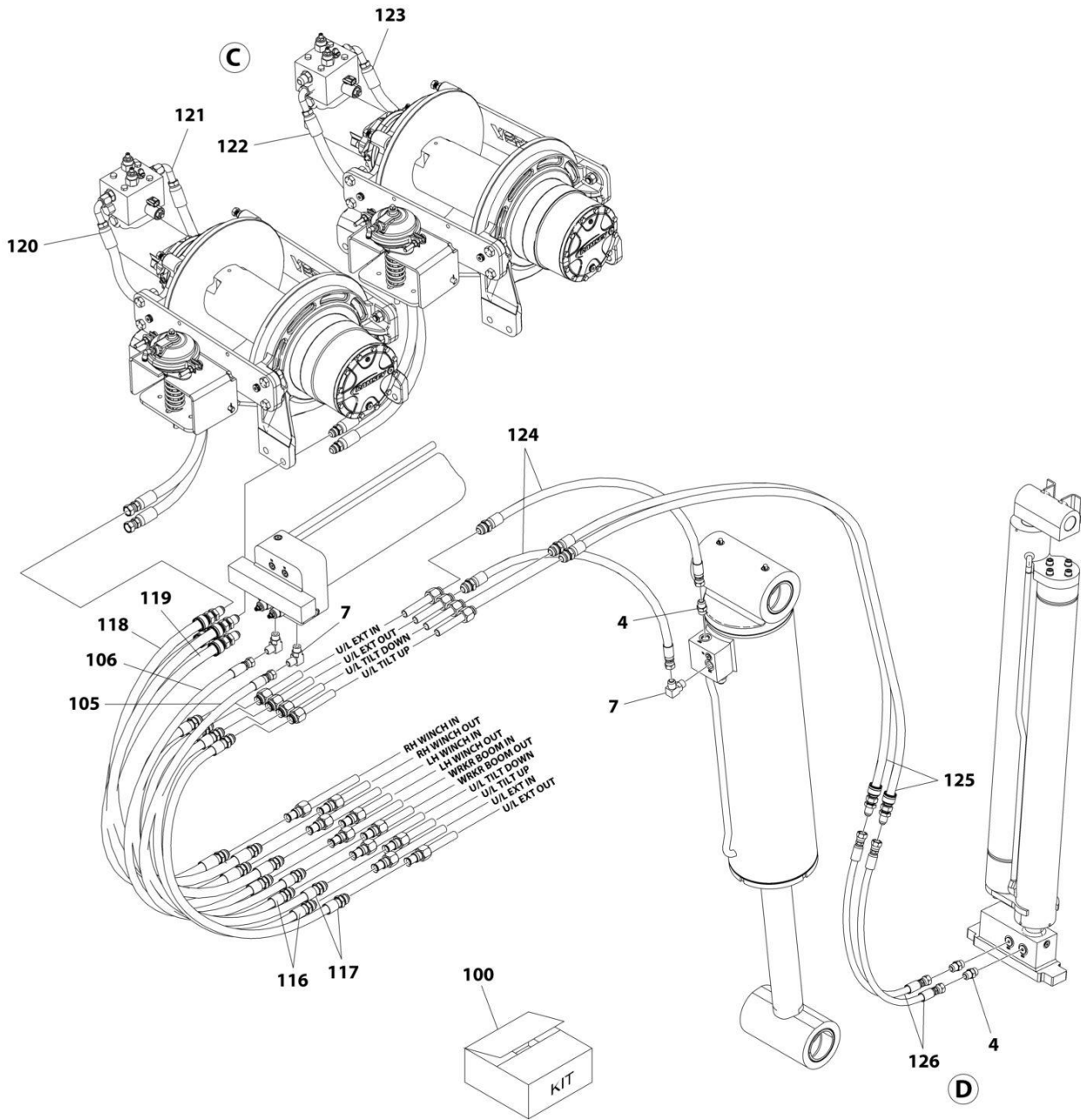


ART\_1001255371\_D\_10F2



# SECTION 6 - HYDRAULIC

## FIGURE 6-6. HYDRAULIC INSTALLATION - BASE 25T INT



ART\_1001255371\_D\_20F2

## SECTION 6 - HYDRAULIC

**FIGURE 6-6. HYDRAULIC INSTALLATION - BASE 25T INT**

ITEM	PART NUMBER	QTY	DESCRIPTION	REV
	1001255371	Ref	HYDRAULIC LINES AND FITTINGS, BASE 25T INT	D
1	0641508	3	Bolt 5/16 x 1	
2	2220362	2	Fitting, Tee	
3	2220365	1	Fitting, 45	
4	2220373	9	Fitting, Straight	
5	2220381	2	Fitting, Straight	
6	2220582	1	Fitting, Straight	
7	2220596	3	Fitting, 90	
8	1001137048	3	Clamp	
9	1001143501	1	Clamp	
10	1001195523	2	Screw 1/4 x 1	
11	1001252503	1	Fitting, 45	
12	1001252528	1	Fitting, 90	
13	7115161064	2	Bolt 3/8 x 1-1/4	
14	7274000040	8	Clamp	
15	7274000076	1	Clamp	
16	7470000023	1	Gauge	
17	7660152601	4	Nut 5/16	
18	7785152420	1	Screw 5/16 x 1-1/2	
19	7950140003	2	Washer 1/4	
20	7950140143	2	Washer 1/4	
21	7950150143	5	Washer 5/16	
22	7660162601	2	Nut 3/8	
23	7950160143	2	Washer 3/8	
24	8765204	2	Fitting, 90	
25	1001258151	2	Fitting, 90	
26	8632000002	1	Trim	
100	1001250976	1	Hose, Kit	
101	1001258155	2	Hose	
103	1001258164	2	Hose	
105	1001251488	1	Hose	
106	1001251489	1	Hose	
107	1001252319	1	Hose	
108	1001193242	1	Hose	
109	1001250991	2	Hose	
110	1001251139	2	Hose	
111	1001251141	2	Hose	
112	1001251263	2	Hose	
113	1001251266	2	Hose	
114	1001251303	2	Hose	
115	1001251305	4	Hose	
116	1001251466	2	Hose	
117	1001251484	2	Hose	
118	1001251516	2	Hose	
119	1001251517	2	Hose	
120	1001251533	1	Hose	
121	1001251534	1	Hose	
122	1001251535	1	Hose	
123	1001251536	1	Hose	
124	1001251615	2	Hose	

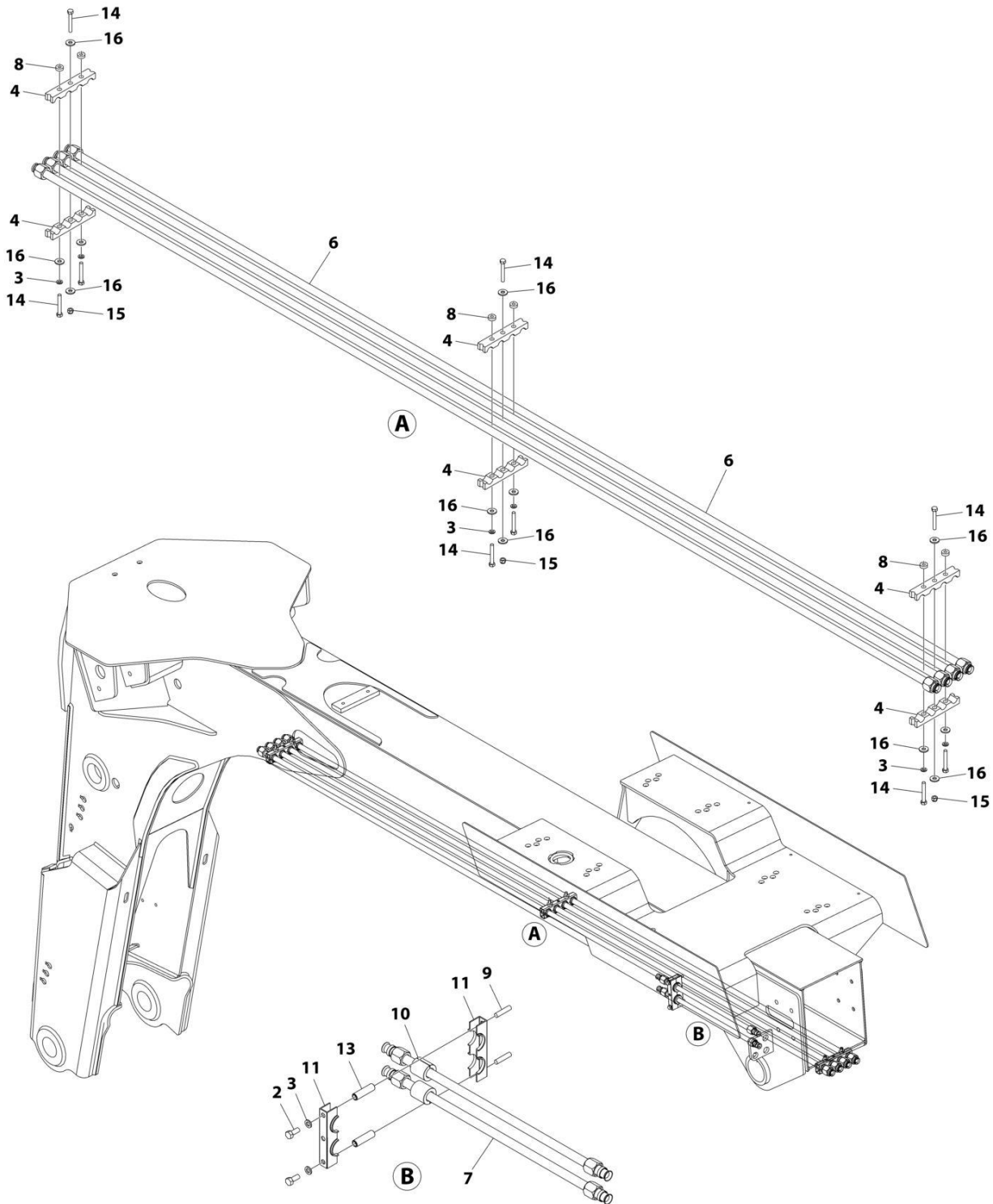
## SECTION 6 - HYDRAULIC

ITEM	PART NUMBER	QTY	DESCRIPTION	REV
125	1001251616	2	Hose	
126	1001252318	2	Hose	
127	1001262054	1	Hose	



# SECTION 6 - HYDRAULIC

## FIGURE 6-7. HYDRAULIC INSTALLATION - MAIN BOOM



ART\_1001254498\_C



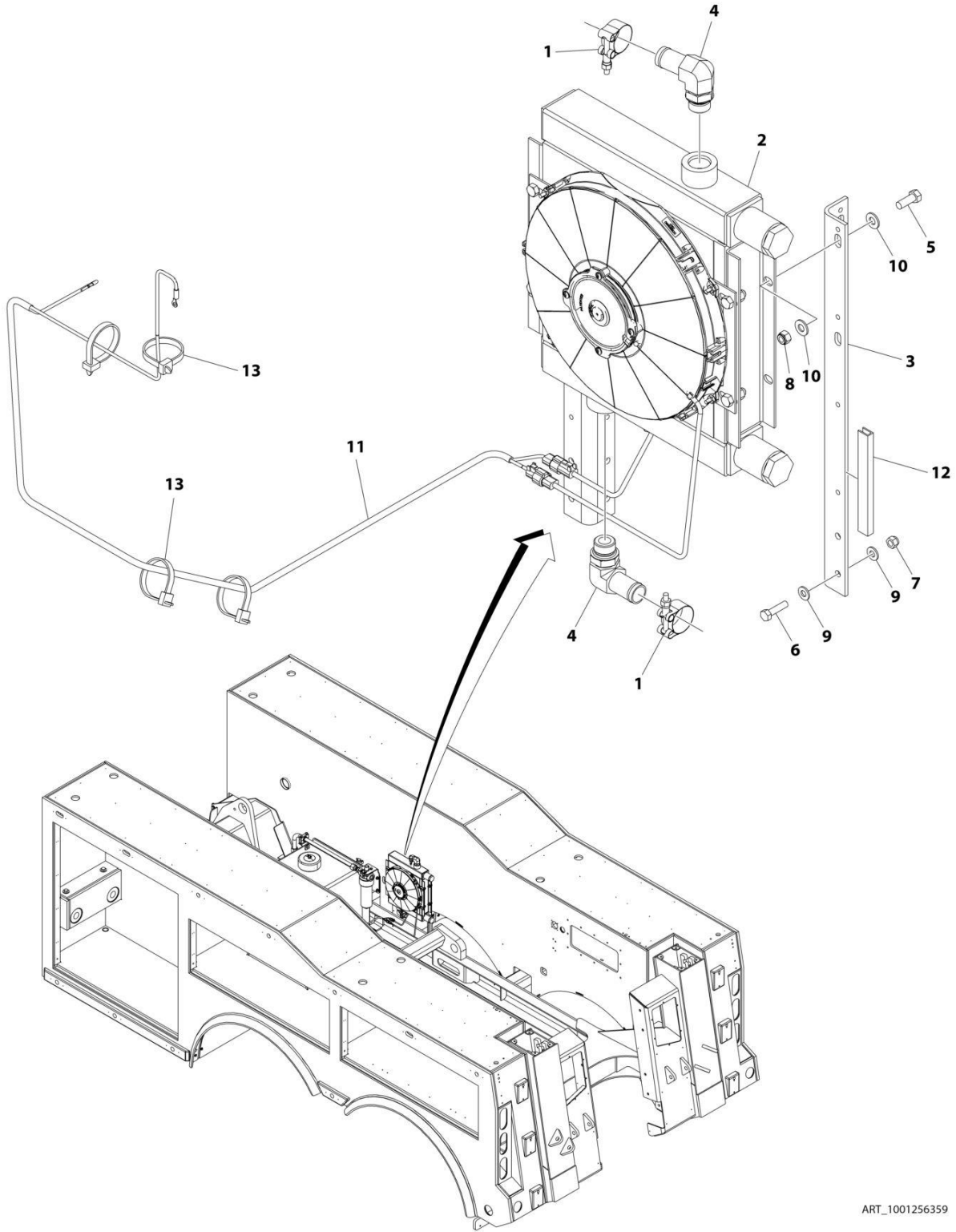
## SECTION 6 - HYDRAULIC

### FIGURE 6-7. HYDRAULIC INSTALLATION - MAIN BOOM

ITEM	PART NUMBER	QTY	DESCRIPTION	REV
	1001254498	Ref	MAIN BOOM HYDRAULIC INSTALLATION	C
2	0641506	2	Bolt 5/16 x 3/4	
3	4761500	8	Washer 5/16	
4	1001266516	3	Clamp	
6	1001251370	4	Pipe	
7	1001251371	2	Pipe	
8	1001251380	6	Spacer	
9	7007000036	2	Adapter	
10	7209000032	2	Bushing	
11	7274000049	1	Clamp	
13	7661000027	2	Stacking Nut	
14	7115151850	9	Bolt 5/16 x 2-1/4	
15	7660152601	3	Nut 5/16	
16	7950150153	12	Washer 3/8	

# SECTION 6 - HYDRAULIC

## FIGURE 6-8. OIL COOLER INSTALLATION



ART\_1001256359

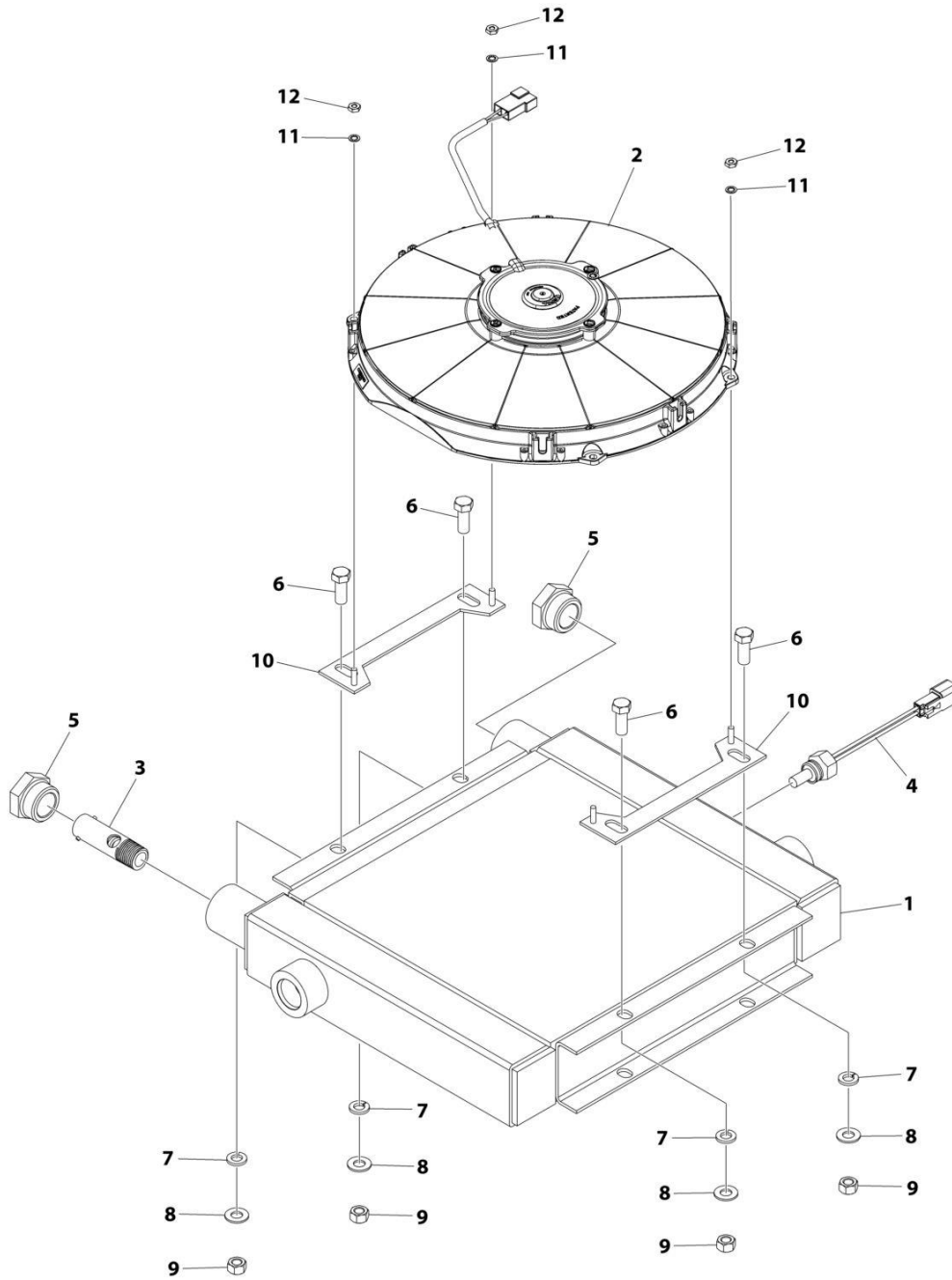
## SECTION 6 - HYDRAULIC

### FIGURE 6-8. OIL COOLER INSTALLATION

ITEM	PART NUMBER	QTY	DESCRIPTION	REV
	1001256359	Ref	Hydraulic Oil Cooler	A
1	1001143501	2	Clamp	
2	1001151763	1	Remote Oil Cooler Radiator (See Separate Breakdown in this Section)	
3	1001249959	2	Mount	
4	1001252506	2	Fitting	
5	7114160850	4	Capscrew 3/8 x 1	
6	7115151050	2	Capscrew 5/16 x 1-1/4	
7	7660152601	2	Nut 3/8	
8	7660162601	4	Nut 5/16	
9	7950150143	4	Washer 3/8	
10	7950160143	8	Washer 5/16	
11	1001250104	1	Harness	
12	8632000002	0.5 ft	Trim	
13	5526000553	8	Tie Strap	

# SECTION 6 - HYDRAULIC

## FIGURE 6-9. OIL COOLER RADIATOR ASSEMBLY



ART\_1001151763

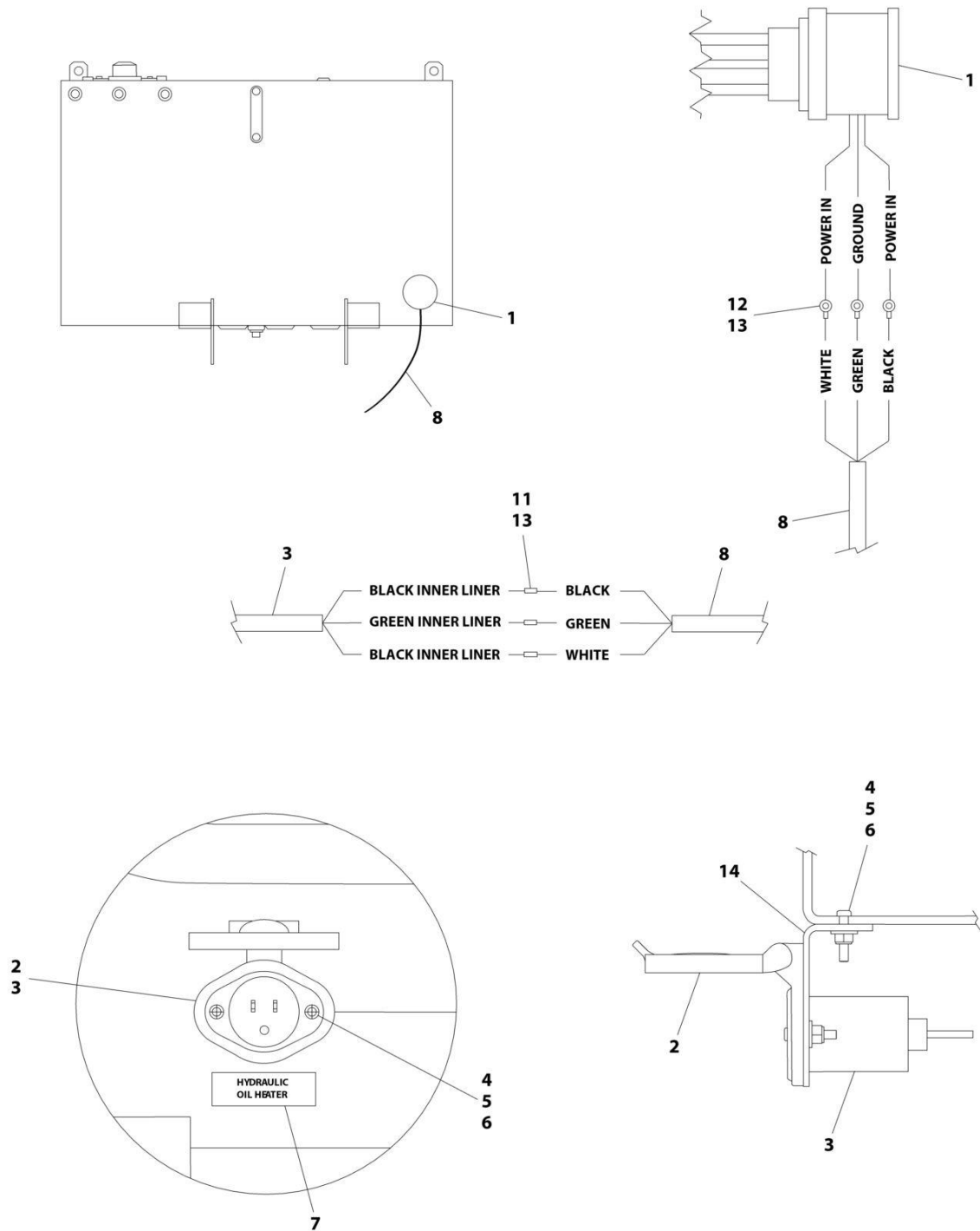
## SECTION 6 - HYDRAULIC

### FIGURE 6-9. OIL COOLER RADIATOR ASSEMBLY

ITEM	PART NUMBER	QTY	DESCRIPTION	REV
	1001151763	Ref	Remote Oil Cooler Radiator	B
1	70050273	1	Core, Cooler - NPT	
1	70050275	1	Core, Cooler - O-Ring	
2	70050276	1	Fan	
3	70050277	1	Valve, Bypass Check	
4	70050274	1	Switch, Temperature - NPT	
4	70050278	1	Switch, Temperature - O-Ring	
5	70050280	2	Plug	
6	7115160850	4	Capscrew 3/8 x 1	
7	7950160000	4	Lockwasher 3/8	
8	7950160161	4	Washer 3/8	
9	7660160000	4	Nut 3/8	
10	70050279	2	Bracket	
11	70050281	4	Lockwasher #10	
12	70050282	2	Nut #10	

# SECTION 6 - HYDRAULIC

## FIGURE 6-10. OIL HEATER INSTALLATION



ART\_2508610077

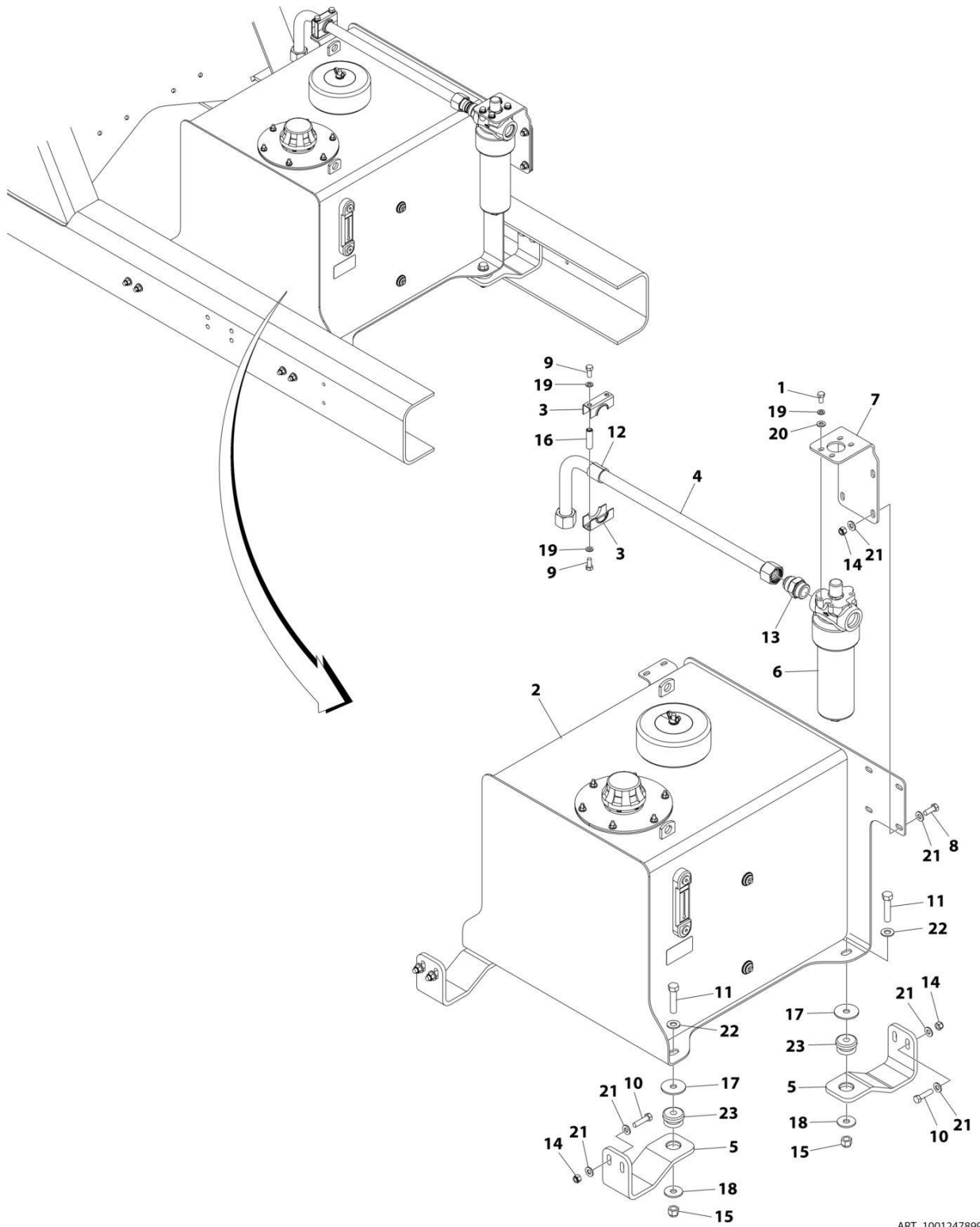
## SECTION 6 - HYDRAULIC

### FIGURE 6-10. OIL HEATER INSTALLATION

ITEM	PART NUMBER	QTY	DESCRIPTION	REV
	2508610077	Ref	Oil Heater Installation	B
1	7002000504	1	Oil Heater	
2	7314000010	1	Hinge	
3	7346000241	1	Connector	
4	7114100818	4	Capscrew #10 x 1	
5	7950100151	4	Washer 3/16	
6	7660102601	4	Nut #10	
7	7330000728	1	Decal	
8	5525000537	24	Wire	
9	5526000553	30	Loom (Not Shown)	
10	8594100003	6	Tie Strap (Not Shown)	
11	7345001714	3	Terminal	
12	7345211702	3	Terminal	
13	7346000039	AR	Tubing	
14	4178000775	1	Bracket	

# SECTION 6 - HYDRAULIC

## FIGURE 6-11. TANK (HYDRAULIC) INSTALLATION



ART\_1001247899



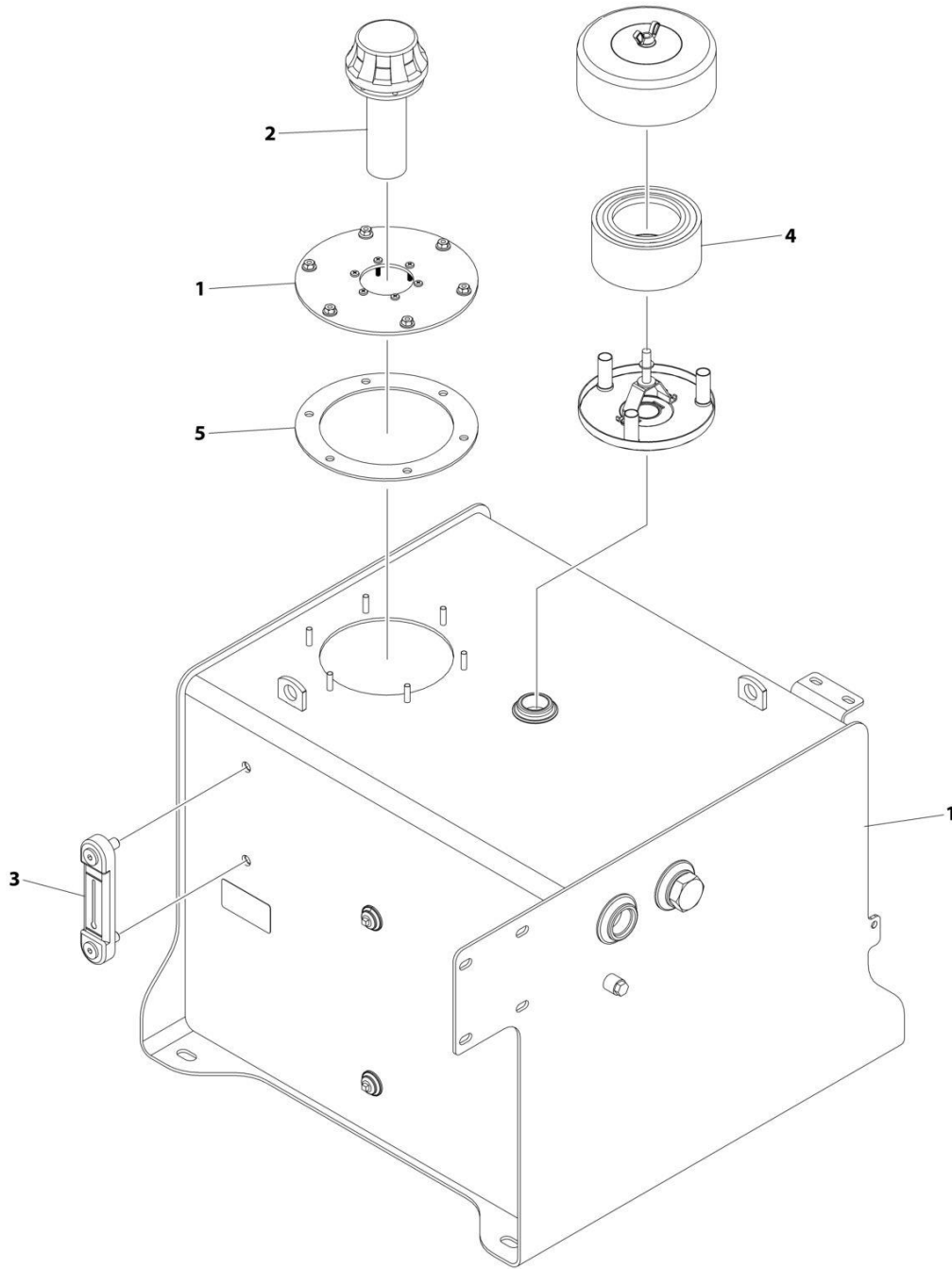
## SECTION 6 - HYDRAULIC

**FIGURE 6-11. TANK (HYDRAULIC) INSTALLATION**

ITEM	PART NUMBER	QTY	DESCRIPTION	REV
	1001247899	Ref	Hydraulic Tank Installation	A
1	0760808	4	Capscrew 8 x 16	
2	1001247132	1	Hydraulic Tank Assembly (See Separate Breakdown in this Section)	
3	1001247895	1	Clamp	
4	1001247989	1	Pipe	
5	1001249958	4	Mount	
6	1001250823	1	Filter	
7	1001250887	1	Mount	
8	7114160850	4	Capscrew 3/8 x 1	
9	7115150650	4	Capscrew 5/16 x 3/4	
10	7115161250	8	Capscrew 3/8 x 1-1/2	
11	7115181850	4	Capscrew 1/2 x 2-1/4	
12	7209000033	1	Bushing	
13	7445161643	1	Adapter	
14	7660162601	12	Nut 3/8	
15	7660182601	4	Nut 1/2	
16	7661000027	2	Stacking Nut	
17	7949000015	4	Washer	
18	7949000016	4	Washer	
19	7950150000	8	Washer 5/16	
20	7950150143	4	Washer 5/16	
21	7950160143	24	Washer 3/8	
22	7950180141	4	Washer 1/2	
23	7636000006	4	Mount	

# SECTION 6 - HYDRAULIC

## FIGURE 6-12. TANK (HYDRAULIC) ASSEMBLY



ART\_1001247132

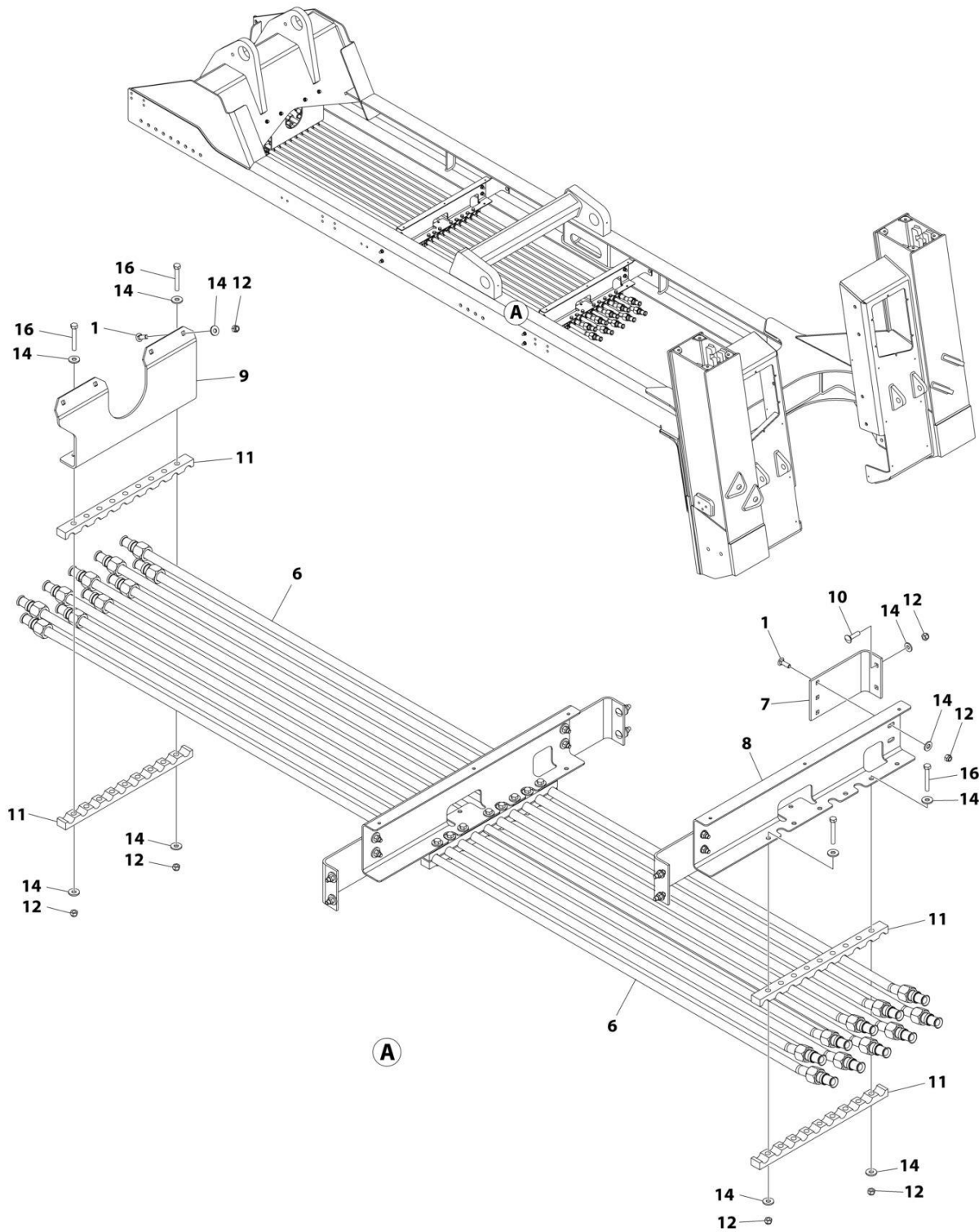
## SECTION 6 - HYDRAULIC

### FIGURE 6-12. TANK (HYDRAULIC) ASSEMBLY

ITEM	PART NUMBER	QTY	DESCRIPTION	REV
	1001247132	Ref	Hydraulic Tank Assembly	B
1	See Note	NSS	Tank (Note: Purchase Complete Assembly)	
2	70002838	1	Fill Cap Assembly	
3	70052250	1	Sight Gauge	
4	70052251	1	Breather	
5	7024440	1	Gasket	

# SECTION 6 - HYDRAULIC

## FIGURE 6-13. TUBE INSTALLATION - SUBFRANE



ART\_1001247852\_C

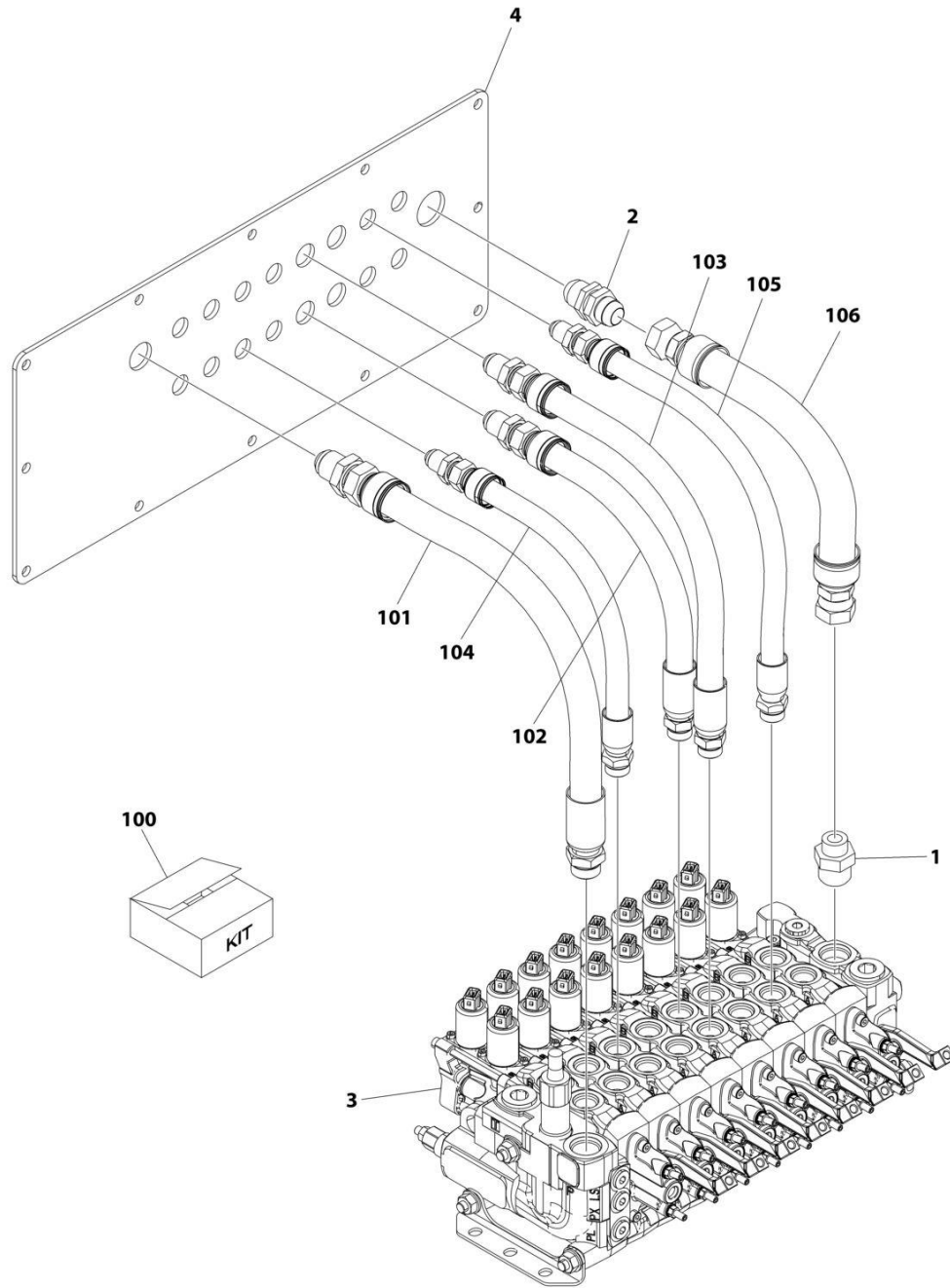
## SECTION 6 - HYDRAULIC

### FIGURE 6-13. TUBE INSTALLATION - SUBFRANE

ITEM	PART NUMBER	QTY	DESCRIPTION	REV
	1001247852	Ref	SUBFRAME TUBE ASSEMBLY	C
1	0630462	12	Bolt	
6	1001247978	10	Pipe	
7	1001249928	4	Angle	
8	1001249929	2	Channel	
9	1001249930	1	Bracket	
10	7115151064	8	Bolt 5/16 x 1-1/4	
11	1001266515	3	Clamp	
12	7660152601	44	Nut 5/16	
14	7950150153	68	Washer 5/16	
16	7115151850	24	Bolt 5/16 x 2-1/4	

# SECTION 6 - HYDRAULIC

## FIGURE 6-14. VALVE ASSEMBLY - CONTROL 8 SECTION - 8 SOLENOID



ART\_1001285927

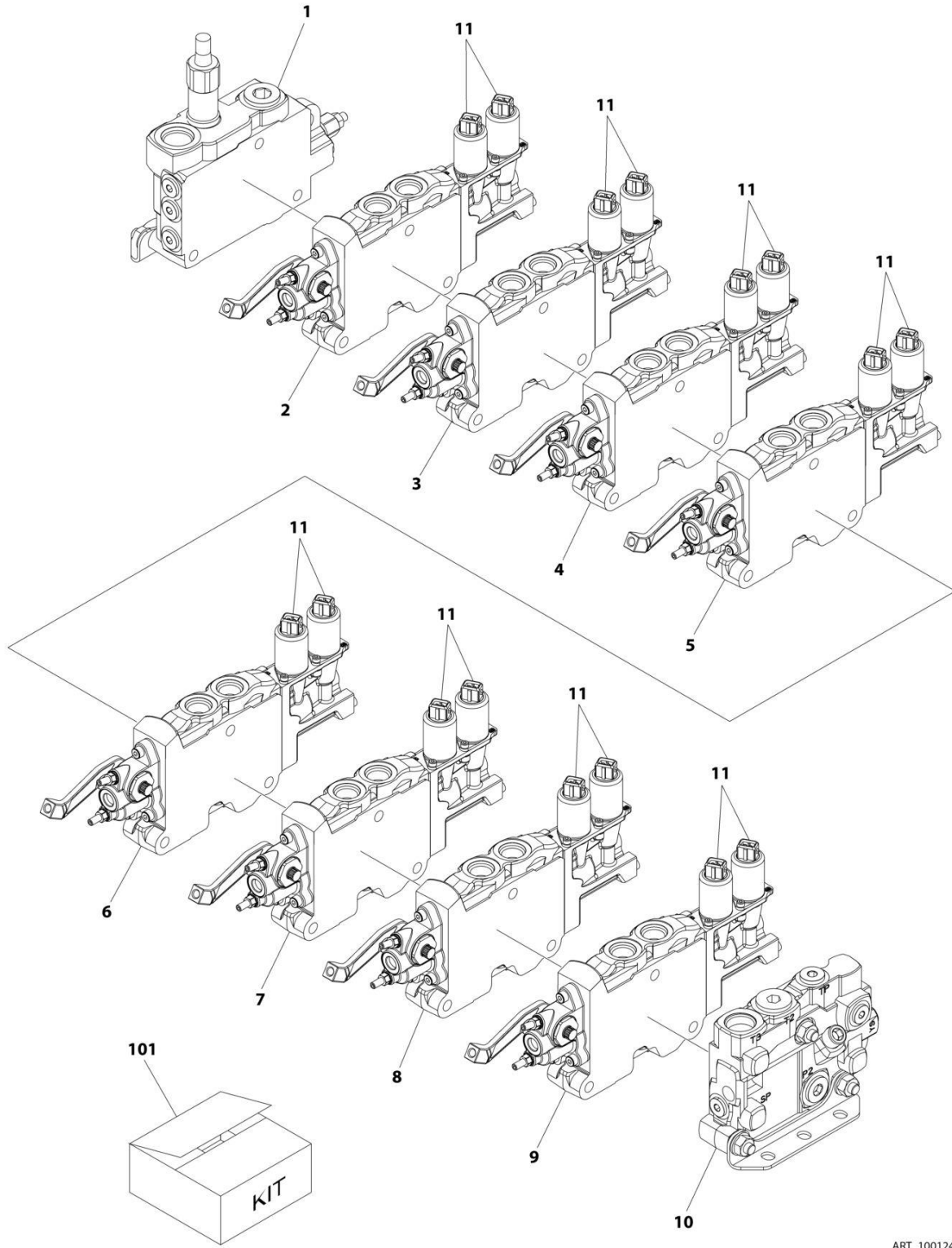
## SECTION 6 - HYDRAULIC

**FIGURE 6-14. VALVE ASSEMBLY - CONTROL 8 SECTION - 8 SOLENOID**

ITEM	PART NUMBER	QTY	DESCRIPTION	REV
	1001285927	Ref	CONTROL VALVE ASSEMBLY	A
1	2220376	1	Fitting, Straight JIC/ORB	
2	2230089	1	Fitting, Union	
3	1001247014	1	Control Valve (See Separate Breakdown in this Section)	
4	1001285928	1	Plate	
100	1001249351	1	Hose, Kit Valve	C
101	1001249346	1	Hose	
102	1001249347	2	Hose	
103	1001249348	2	Hose	
104	1001249349	6	Hose	
105	1001249350	6	Hose	
106	1001262039	1	Hose	

# SECTION 6 - HYDRAULIC

## FIGURE 6-15. CONTROL VALVE, 8 SECT 8 SOL



ART\_1001247014



## SECTION 6 - HYDRAULIC

**FIGURE 6-15. CONTROL VALVE, 8 SECT 8 SOL**

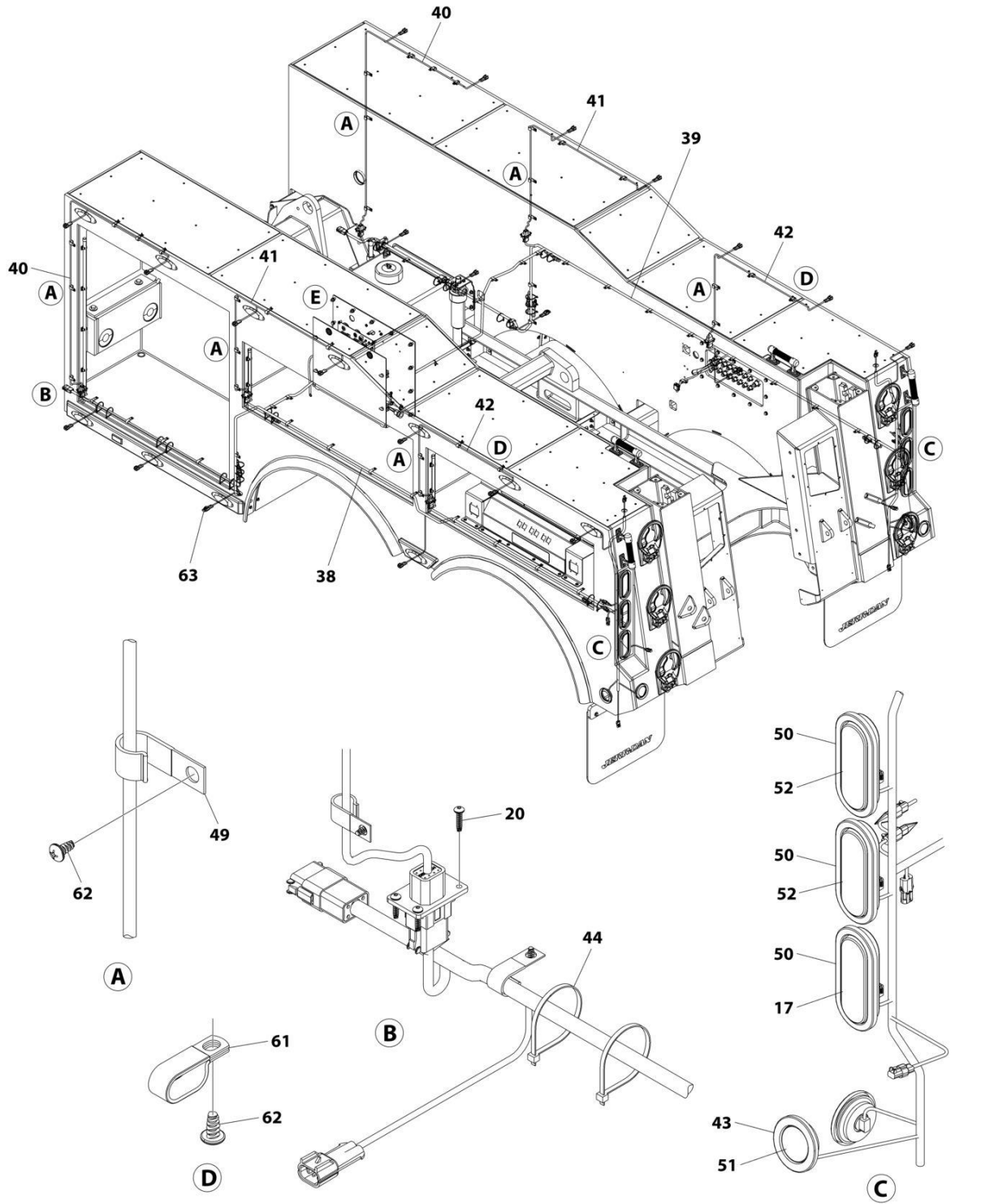
ITEM	PART NUMBER	QTY	DESCRIPTION	REV
	1001247014	Ref	VALVE, CONTROL 8 SECTION - 8 SOLENOID	E
1	70070142	1	Inlet Section	
2	70070143	1	U/L Tilt/Ext Section	
3	70070143	1	U/L Ext/Tilt Section	
4	70070143	1	Boom Lift Section	
5	70070143	1	Boom Ext Section	
6	70070144	1	LH Winch Section	
7	70070144	1	RH Winch Section	
8	70070145	1	LH Spade Section	
9	70070145	1	RH Spade Section	
10	70070146	1	End Section	
11	70070082	16	Solenoid	
101	70070084	1	Seal Kit, Intersection	



**SECTION 7 - ELECTRICAL**

# SECTION 7 - ELECTRICAL

## FIGURE 7-1. ELECTRICAL INSTALLATION - SINGLE/TANDEM

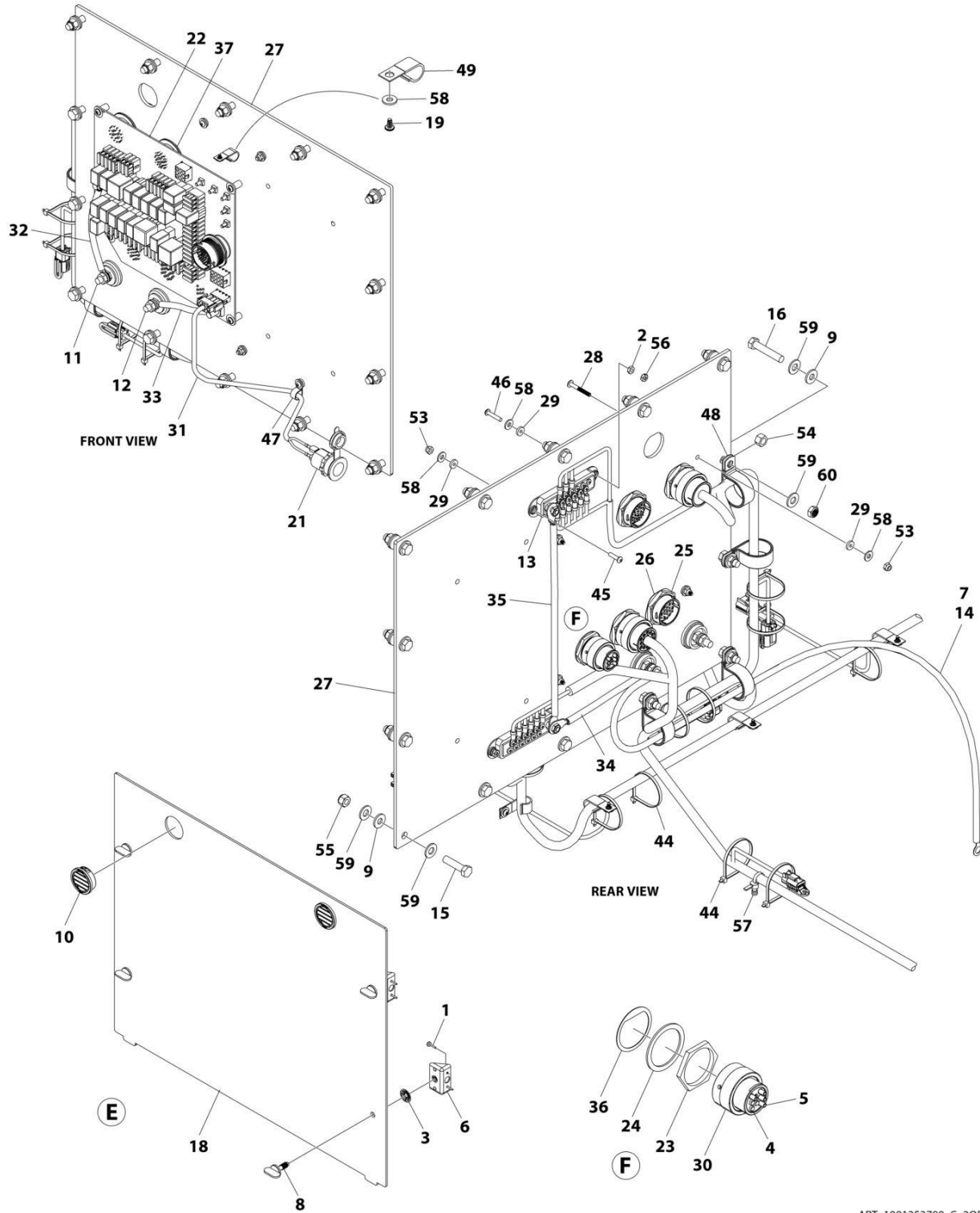


ART\_1001253790\_C\_10F2



# SECTION 7 - ELECTRICAL

## FIGURE 7-2. ELECTRICAL INSTALLATION - SINGLE/TANDEM



ART\_1001253790\_C\_20F2

## SECTION 7 - ELECTRICAL

**FIGURE 7-2. ELECTRICAL INSTALLATION - SINGLE/TANDEM**

ITEM	PART NUMBER	QTY	DESCRIPTION	REV
	1001253790	Ref	ELECTRICAL INSTALLATION - TANDEM	C
1	0750604	8	Screw	
2	3311001	2	Nut #10	
3	3760308	4	Ring, Retainer	
4	4460466	3	Terminal	
5	4460509	4	Terminal	
6	1001122235	4	Bracket	
7	1001130310	AR	Adhesive	
8	1001166930	4	Latch, Wing Screw	
9	1001166974	14	Washer 3/8	
10	1001167607	2	Plug	
11	1001168320	1	Terminal	
12	1001168321	1	Terminal	
13	1001168322	2	Terminal	
14	1001168328	1	Cable	
15	1001168993	10	Capscrew 3/8 x 1-1/2	
16	1001169083	4	Capscrew 3/8 x 2	
17	1001174680	2	Lamp, Backup LED	
18	1001191602	1	Electrical Panel Coverplate	
19	1001197441	1	Screw #10 x 3/8	
20	1001196552	8	Screw #8 x 3/4	
21	1001201384	1	Socket	
22	1001203234	1	Electrical Assembly, Power PCB	
23	1001204788	1	Terminal Nut	
24	1001204789	1	Terminal Washer	
25	1001205043	4	Terminal Nut	
26	1001205044	4	Terminal Washer	
27	1001206505	1	Plate, Bulkhead Electrical	
28	1001207734	4	Screw	
29	1001207736	8	Washer #10	
30	1001208066	1	Electrical Assembly 8 Socket Connector	
31	1001209031	1	Harness, Tow Light (See Separate Breakdown in this Section)	
32	1001209040	1	Cable	
33	1001209041	1	Cable	
34	1001209042	1	Cable	
35	1001209044	1	Harness, Battery to Bulkhead	
36	1001209365	1	Seal	
37	1001209366	4	Seal	
38	1001216183	1	Harness, Body (LH) (See Separate Breakdown in this Section)	
39	1001216184	1	Harness, Body (RH) (See Separate Breakdown in this Section)	
40	1001216185	2	Harness, Marker Light 1 (See Separate Breakdown in this Section)	
41	1001216186	2	Harness, Marker Light 2 (See Separate Breakdown in this Section)	
42	1001216187	2	Harness, Marker Light 3 (See Separate Breakdown in this Section)	
43	1001220431	4	Grommet	
44	5526000553	30	Tie Strap	
45	7114100618	2	Screw #10 x 3/4	
46	7114100818	2	Screw #10 x 1	
47	7274000036	1	Clamp	
48	7274000042	4	Clamp	
49	7280000006	65	Clip	

## SECTION 7 - ELECTRICAL

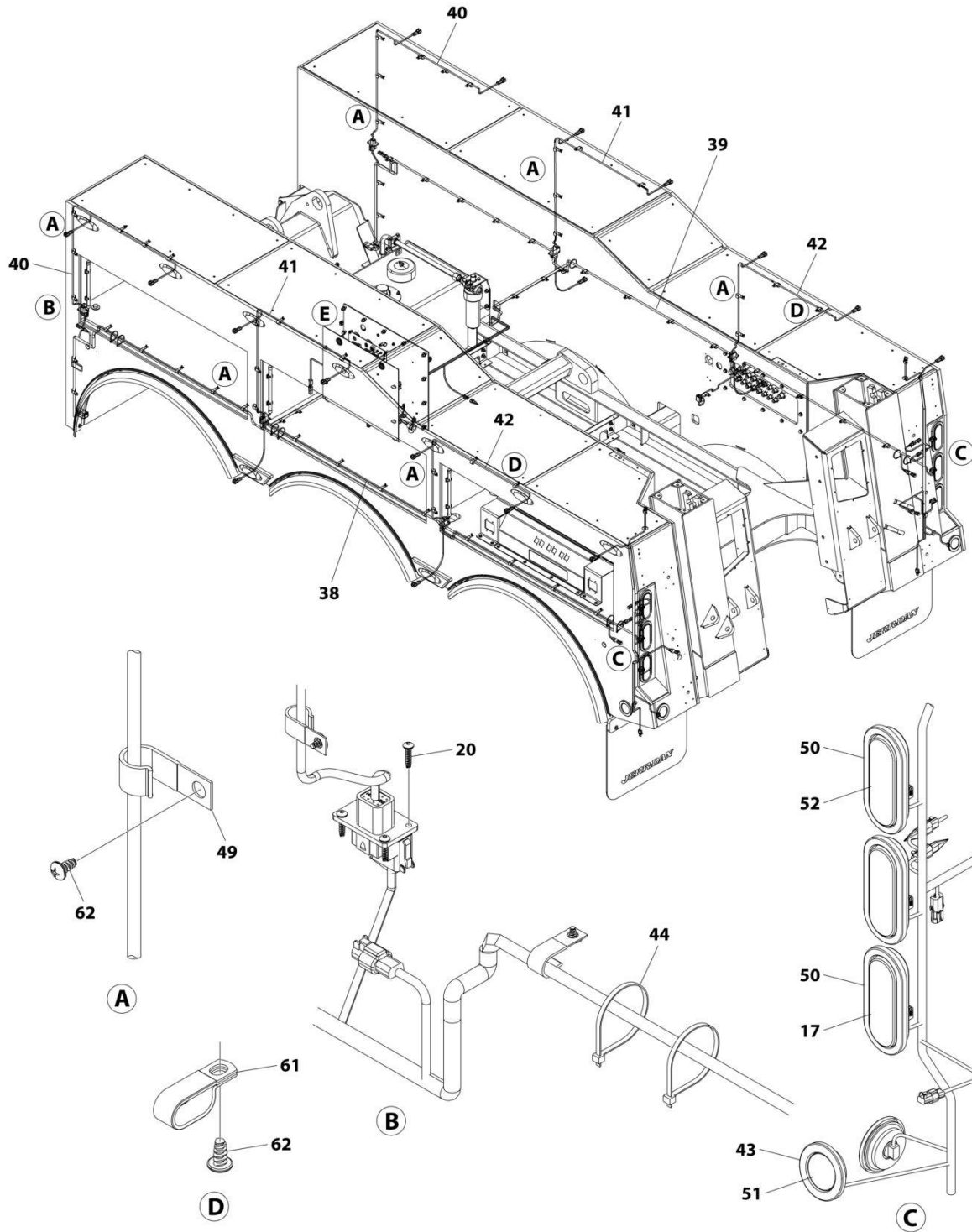
ITEM	PART NUMBER	QTY	DESCRIPTION	REV
50	7493000026	6	Grommet	
51	7590000343	4	Light	
52	7590000370	4	Lamp	
53	7660102601	6	Nut #10	
54	7660160001	4	Nut 3/8	
55	7660162601	10	Nut 3/8	
56	7661000002	2	Nut #10	
57	7894000042	3	Tie Strap	
58	7950100163	9	Washer #10	
59	7950160143	28	Washer 3/8	
60	7661000021	4	Nut 3/8	
61	1321385	4	Clamp	
62	1001195257	68	Screw 1/4 x 1/2	
63	1001117021	2	Connector	





# SECTION 7 - ELECTRICAL

## FIGURE 7-3. ELECTRICAL INSTALLATION - TRI-AXLE

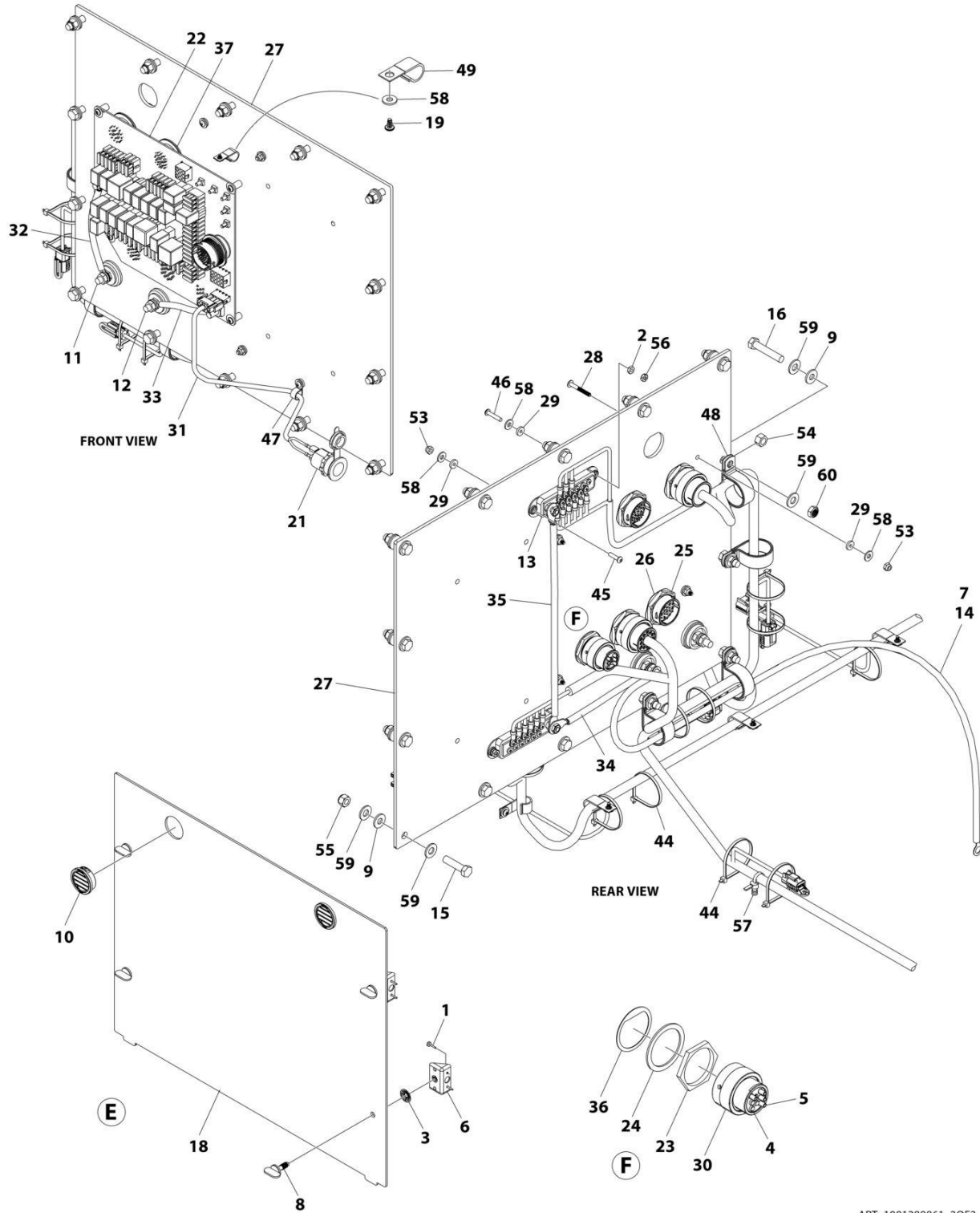


ART\_1001289861\_10F2



# SECTION 7 - ELECTRICAL

## FIGURE 7-4. ELECTRICAL INSTALLATION - TRI-AXLE



ART\_1001289861\_2OF2

## SECTION 7 - ELECTRICAL

### FIGURE 7-4. ELECTRICAL INSTALLATION - TRI-AXLE

ITEM	PART NUMBER	QTY	DESCRIPTION	REV
	1001289861	Ref	ELECTRICAL INSTALLATION - TRI-AXLE	A
1	0750604	8	Screw	
2	3311001	2	Nut #10	
3	3760308	4	Ring, Retainer	
4	4460466	3	Terminal	
5	4460509	4	Terminal	
6	1001122235	4	Bracket	
7	1001130310	AR	Adhesive	
8	1001166930	4	Latch, Wing Screw	
9	1001166974	14	Washer 3/8	
10	1001167607	2	Plug	
11	1001168320	1	Terminal	
12	1001168321	1	Terminal	
13	1001168322	2	Terminal	
14	1001168328	1	Cable	
15	1001168993	10	Capscrew 3/8 x 1-1/2	
16	1001169083	4	Capscrew 3/8 x 2	
17	1001174680	2	Lamp, Backup LED	
18	1001191602	1	Electrical Panel Coverplate	
19	1001197441	1	Screw #10 x 3/8	
20	1001196552	8	Screw #8 x 3/4	
21	1001201384	1	Socket	
22	1001203234	1	Electrical Assembly, Power PCB	
23	1001204788	1	Terminal Nut	
24	1001204789	1	Terminal Washer	
25	1001205043	4	Terminal Nut	
26	1001205044	4	Terminal Washer	
27	1001206505	1	Plate, Bulkhead Electrical	
28	1001207734	4	Screw	
29	1001207736	8	Washer #10	
30	1001208066	1	Electrical Assembly 8 Socket Connector	
31	1001209031	1	Harness, Tow Light (See Separate Breakdown in this Section)	
32	1001209040	1	Cable	
33	1001209041	1	Cable	
34	1001209042	1	Cable	
35	1001209044	1	Harness, Battery to Bulkhead	
36	1001209365	1	Seal	
37	1001209366	4	Seal	
38	1001216188	1	Harness, Body (LH) (See Separate Breakdown in this Section)	
39	1001216189	1	Harness, Body (RH) (See Separate Breakdown in this Section)	
40	1001216190	2	Harness, Marker Light 1 (See Separate Breakdown in this Section)	
41	1001216191	2	Harness, Marker Light 2 (See Separate Breakdown in this Section)	
42	1001216187	2	Harness, Marker Light 3 (See Separate Breakdown in this Section)	
43	1001220431	4	Grommet	
44	5526000553	30	Tie Strap	
45	7114100618	2	Screw #10 x 3/4	
46	7114100818	2	Screw #10 x 1	
47	7274000036	1	Clamp	
48	7274000042	4	Clamp	
49	7280000006	67	Clip	

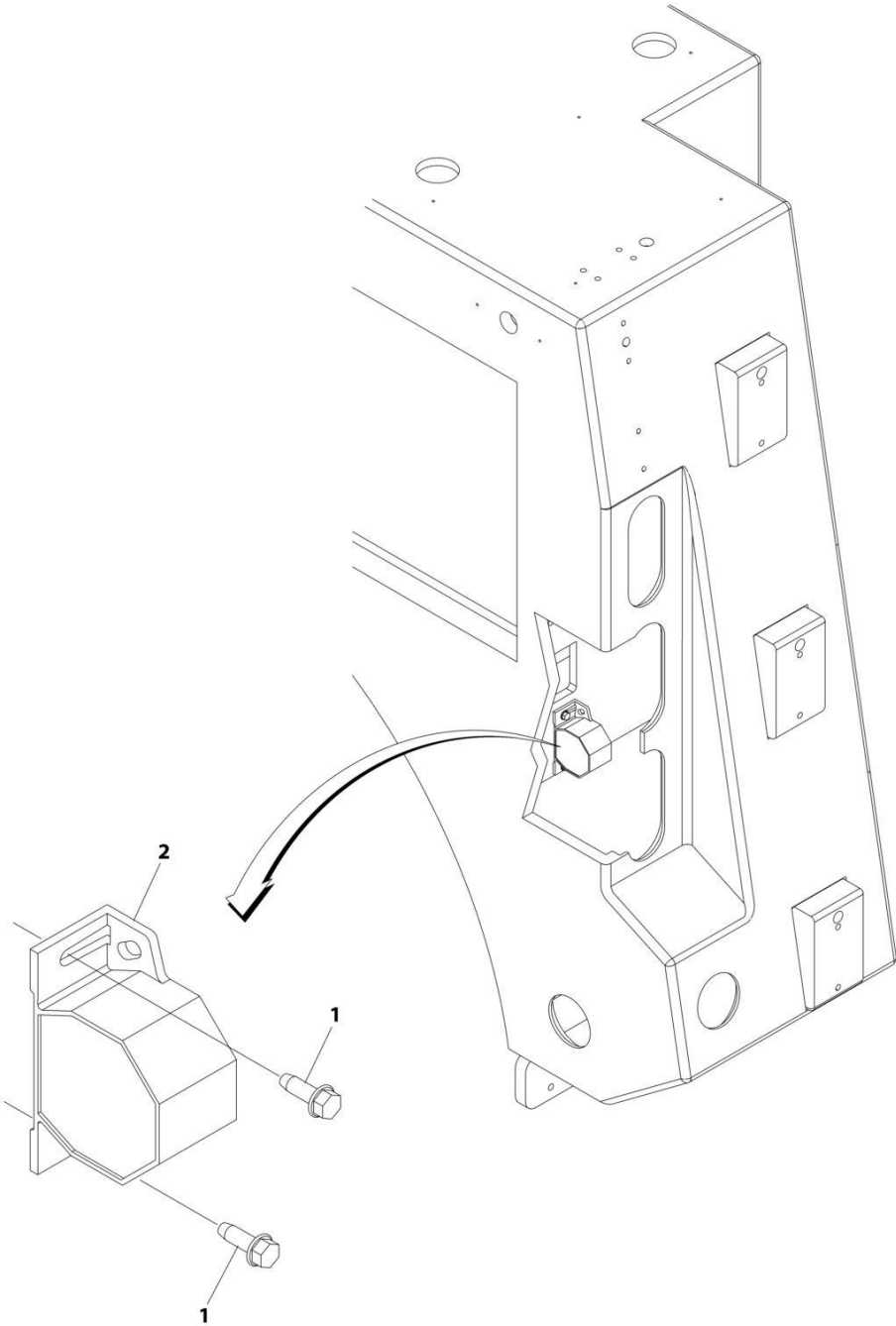
## SECTION 7 - ELECTRICAL

ITEM	PART NUMBER	QTY	DESCRIPTION	REV
50	7493000026	6	Grommet	
51	7590000343	4	Light	
52	7590000370	4	Lamp	
53	7660102601	6	Nut #10	
54	7660160001	4	Nut 3/8	
55	7660162601	10	Nut 3/8	
56	7661000002	2	Nut #10	
57	7894000042	3	Tie Strap	
58	7950100163	9	Washer #10	
59	7950160143	28	Washer 3/8	
60	7661000021	4	Nut 3/8	
61	1321385	2	Clamp	
62	1001195257	68	Screw 1/4 x 1/2	



**SECTION 7 - ELECTRICAL**

**FIGURE 7-5. ALARM INSTALLATION - FIXED BACK-UP**



ART\_1001213538



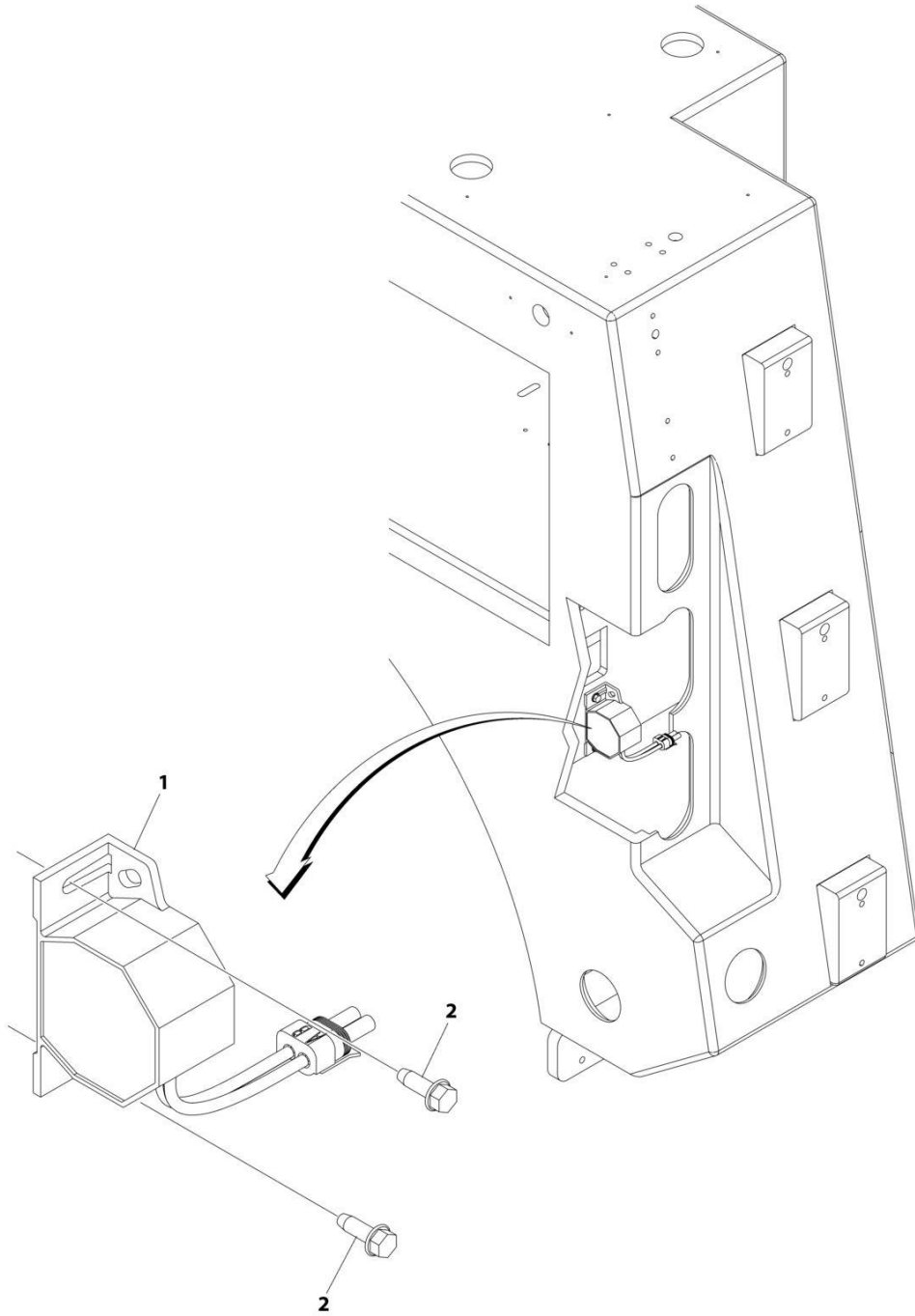
## SECTION 7 - ELECTRICAL

**FIGURE 7-5. ALARM INSTALLATION - FIXED BACK-UP**

ITEM	PART NUMBER	QTY	DESCRIPTION	REV
	1001213538	Ref	Fixed Back-Up Alarm Installation	A
1	7790141251	2	Screw 1/4 x 3/4	
2	7011000006	1	Alarm	

# SECTION 7 - ELECTRICAL

## FIGURE 7-6. ALARM INSTALLATION - VARIABLE BACK-UP



ART\_1001198729

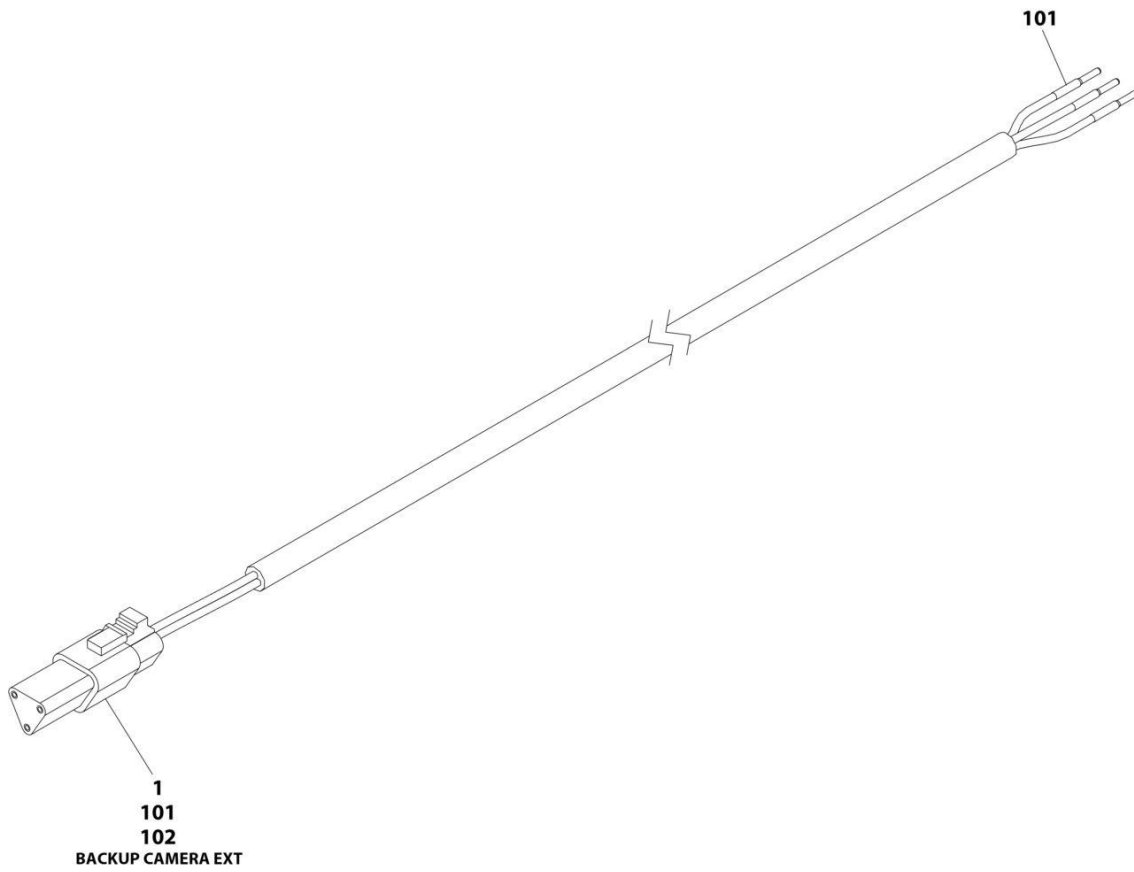
## SECTION 7 - ELECTRICAL

### FIGURE 7-6. ALARM INSTALLATION - VARIABLE BACK-UP

ITEM	PART NUMBER	QTY	DESCRIPTION	REV
	1001198729	Ref	Variable Back-Up Alarm Installation	B
1	1001175061	1	Alarm	
2	7790141251	2	Screw 1/4 x 3/4	

# SECTION 7 - ELECTRICAL

## FIGURE 7-7. BACK UP CAMERA MONITOR HARNESS



ART\_1001215151

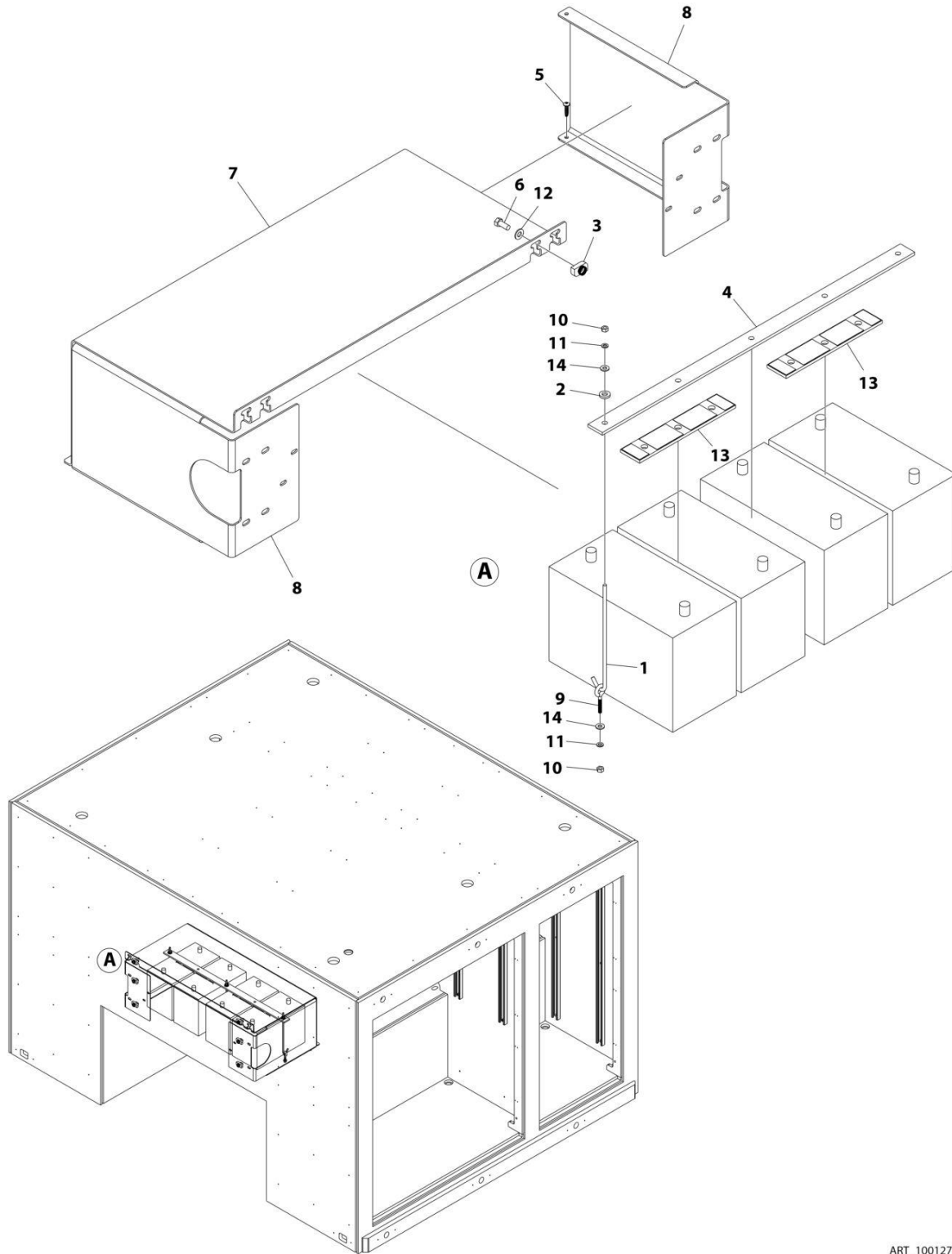
## SECTION 7 - ELECTRICAL

### FIGURE 7-7. BACK UP CAMERA MONITOR HARNESS

ITEM	PART NUMBER	QTY	DESCRIPTION	REV
	1001215151	Ref	BACK UP CAMERA MONITOR HARNESS	D
1	4460539	1	Pin	
1	4460465	3	Socket (16-20AWG)	
101	4460464	6	Pin	
102	4460536	1	Connector	

# SECTION 7 - ELECTRICAL

## FIGURE 7-8. BATTERY RELOCATION HARDWARE AND WIRE INSTALLATION



ART\_1001278523

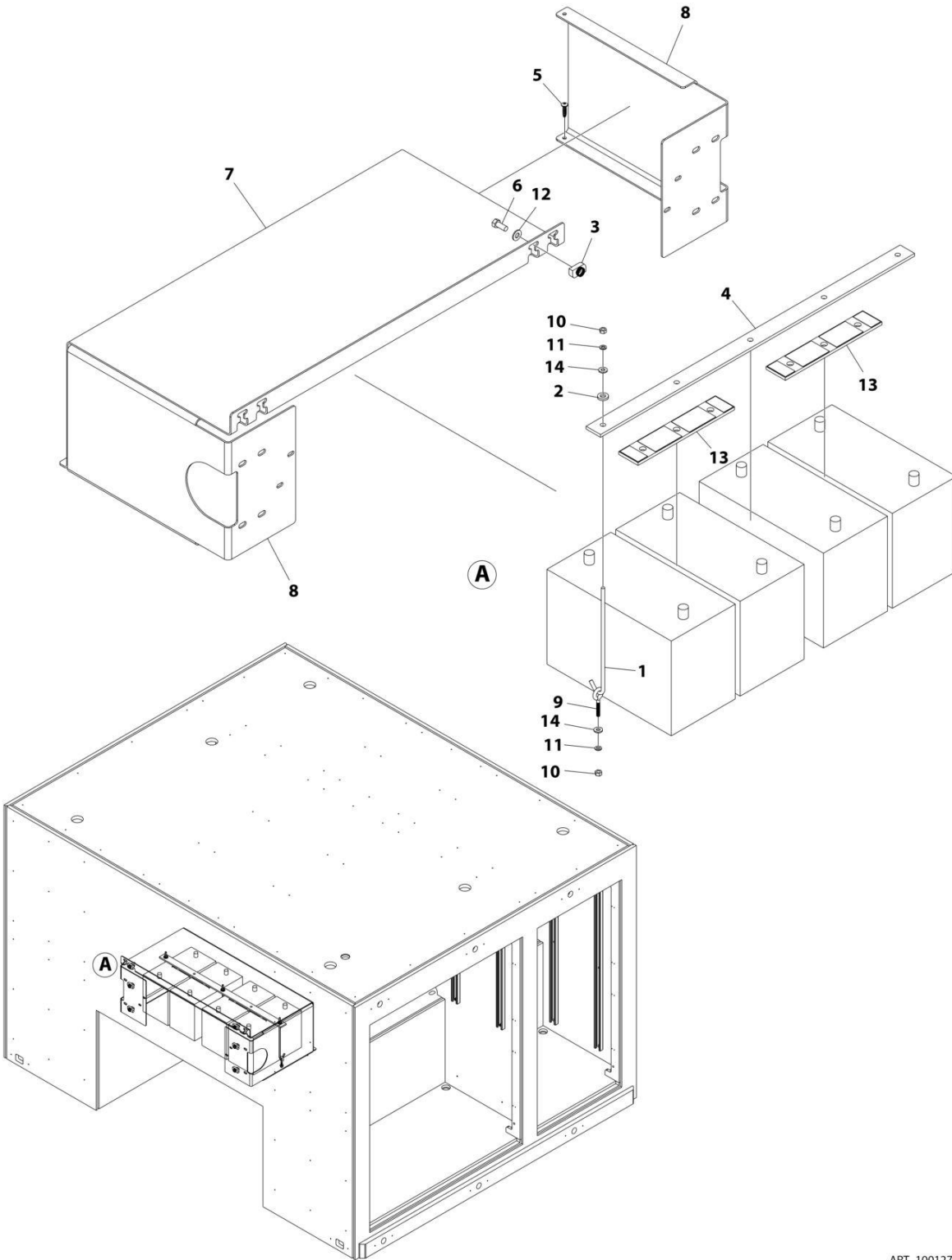
## SECTION 7 - ELECTRICAL

**FIGURE 7-8. BATTERY RELOCATION HARDWARE AND WIRE INSTALLATION**

ITEM	PART NUMBER	QTY	DESCRIPTION	REV
	1001278523	Ref	BATTERY RELOCATION HARDWARE AND WIRE INSTALLATION	B
1	0630552	3	Bolt, Battery Hold Down	
2	4891600	3	Washer 3/8	
3	1001166644	6	Spring Nut 3/8	
4	1001183200	1	Bar, Battery Hold Down	
5	1001195523	2	Screw 1/4 x 1	
6	1001210454	6	Bolt 3/8 x 7/8	
7	1001274985	1	Panel	
8	1001274986	2	Panel	
9	1001278526	3	Eyebolt 1/4	
10	7660140001	6	Nut 1/4	
11	7950140000	6	Washer 1/4	
12	7950160143	6	Washer 3/8	
13	3340898	2	Pad	
14	7950140141	6	Washer 1/4	
15	1060706	8 ft	Cable (Not Shown)	
16	1001188538	8 ft	Cable (Not Shown)	
17	1001210960	4 ft	Wire (Not Shown)	
18	1001217996	2	Connector (Not Shown)	
19	7346000040	1	Tube (Not Shown)	
20	7346000131	8	Connector (Not Shown)	

# SECTION 7 - ELECTRICAL

## FIGURE 7-9. BATTERY RELOCATION HARDWARE INSTALLATION



ART\_1001274987



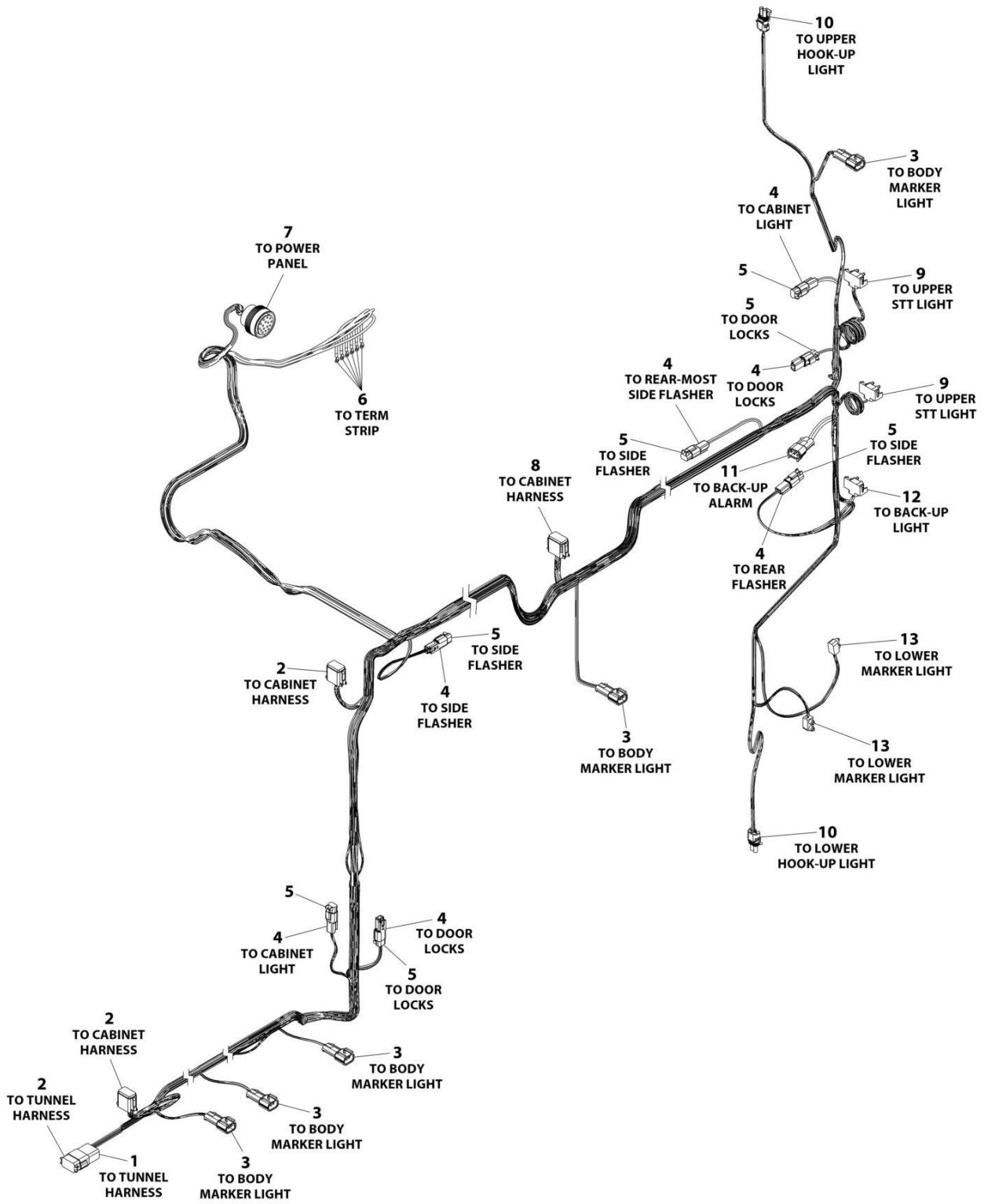
## SECTION 7 - ELECTRICAL

**FIGURE 7-9. BATTERY RELOCATION HARDWARE INSTALLATION**

ITEM	PART NUMBER	QTY	DESCRIPTION	REV
	1001274987	Ref	BATTERY RELOCATION HARDWARE INSTALLATION	B
1	0630552	3	Bolt, Battery Hold Down	
2	4891600	3	Washer 3/8	
3	1001166644	6	Spring Nut 3/8	
4	1001183200	1	Bar, Battery Hold Down	
5	1001195523	2	Screw 1/4 x 1	
6	1001210454	6	Bolt 3/8 x 7/8	
7	1001274985	1	Panel	
8	1001274986	2	Panel	
9	1001278526	3	Eyebolt 1/4	
10	7660140001	6	Nut 1/4	
11	7950140000	6	Washer 1/4	
12	7950160143	6	Washer 3/8	
13	3340898	2	Pad	
14	7950140141	6	Washer 1/4	

# SECTION 7 - ELECTRICAL

## FIGURE 7-10. BODY HARNESS - SINGLE/TANDEM (LH)



ART\_1001216183

## SECTION 7 - ELECTRICAL

**FIGURE 7-10. BODY HARNESS - SINGLE/TANDEM (LH)**

ITEM	PART NUMBER	QTY	DESCRIPTION	REV
	1001216183	Ref	BODY HARNESS (LH)	B
1	4460931	1	Receptacle, Female - 8 Position	
1	4460941	6	Pin, Male	
1	4460466	2	Plug, Terminal	
2	4460930	3	Plug, Male - 8 Position	
2	4460465	12	Socket, Female	
2	4460466	12	Plug, Terminal	
3	NPN	5	Connector - 2 Position	
3	NPN	10	Terminal	
3	4460458	10	Seal	
4	4460897	7	Receptacle, Female - 2 Position	
4	4460464	10	Pin, Male	
4	4460466	4	Plug, Terminal	
5	4460891	7	Plug, Male - 2 Position	
5	4460465	6	Socket, Female	
5	4460466	8	Plug, Terminal	
6	NPN	6	Terminal, Ring	
7	4461291	1	Connector - 16 Position	
7	4460509	10	Socket, Female	
7	4460466	6	Plug, Terminal	
8	4460933	1	Plug, Male - 12 Position	
8	4460465	10	Socket, Female	
8	4460466	2	Plug, Terminal	
9	NPN	2	Connector - 3 Position	
10	4460742	2	Plug, Male - 2 Position	
10	4460457	4	Socket, Female	
10	4460458	4	Seal	
11	4460867	1	Receptacle, Female - 2 Position	
11	4460475	2	Pin, Male	
11	4460458	2	Seal	
12	NPN	1	Connector - 2 Position	
13	NPN	2	Connector - 2 Position	



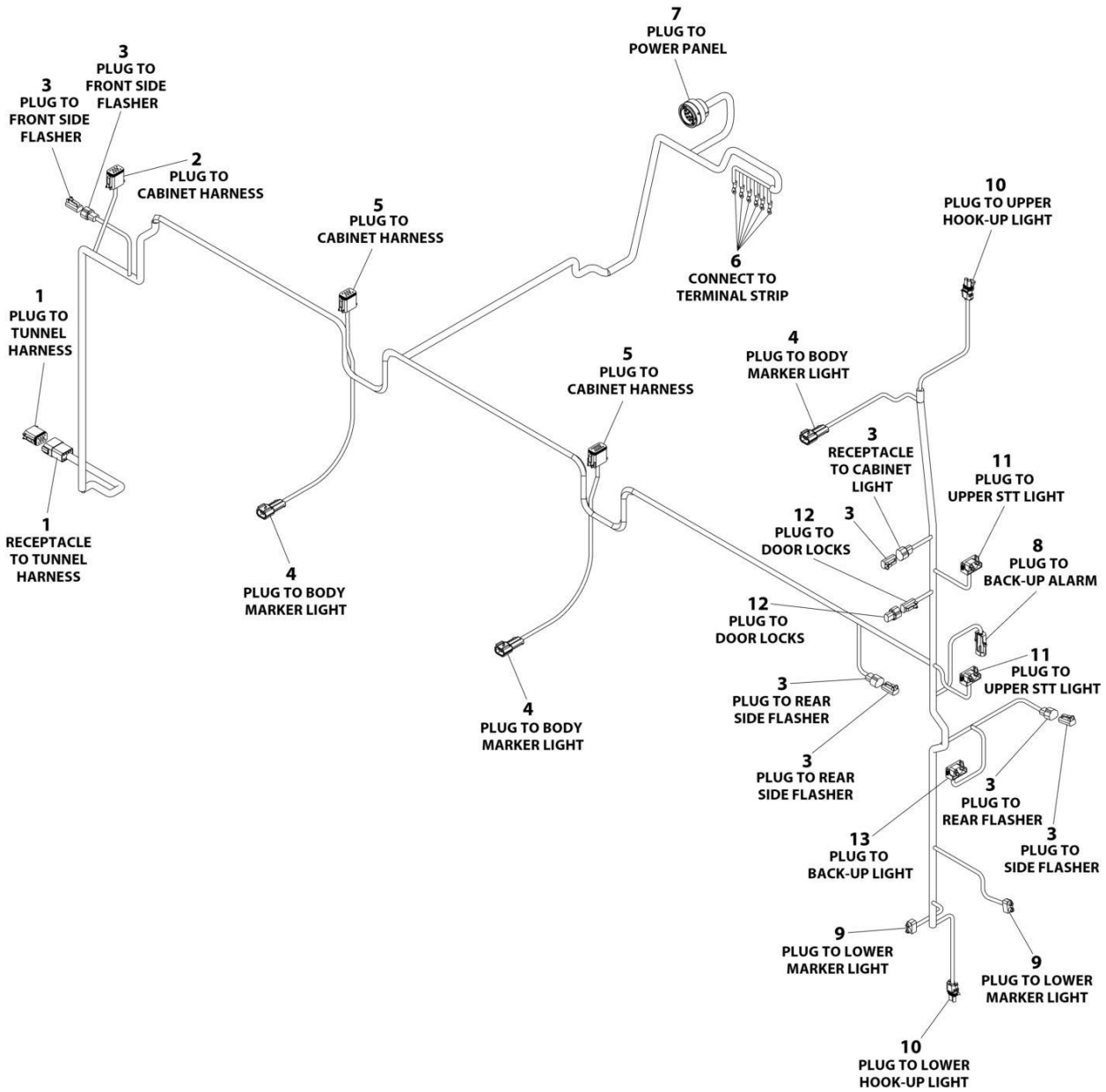
## SECTION 7 - ELECTRICAL

**FIGURE 7-11. BODY HARNESS - SINGLE/TANDEM (RH)**

ITEM	PART NUMBER	QTY	DESCRIPTION	REV
	1001216184	Ref	BODY HARNESS (RH)	B
1	4460931	1	Receptacle, Female - 8 Position	
1	4460941	6	Pin, Male	
1	4460466	2	Plug, Terminal	
2	4460930	4	Plug, Male - 8 Position	
2	4460465	22	Socket, Female	
2	4460466	10	Plug, Terminal	
3	NPN	5	Connector - 2 Position	
3	NPN	10	Terminal	
3	4460458	10	Seal	
4	4460897	10	Receptacle, Female - 2 Position	
4	4460464	12	Pin, Male	
4	4460466	8	Plug, Terminal	
5	4460891	10	Plug, Male - 2 Position	
5	4460465	8	Socket, Female	
5	4460466	12	Plug, Terminal	
6	NPN	9	Terminal, Ring	
7	NPN	1	Connector - 21 Position	
7	4460509	14	Socket, Female	
7	4460466	7	Plug, Terminal	
8	4460933	1	Plug, Male - 12 Position	
8	4460465	10	Socket, Female	
8	4460466	2	Plug, Terminal	
9	NPN	2	Connector - 3 Position	
10	4460742	2	Plug, Male - 2 Position	
10	4460457	4	Socket, Female	
10	4460458	4	Seal	
11	NPN	1	Connector - 2 Position	
12	NPN	2	Connector - 2 Position	

# SECTION 7 - ELECTRICAL

## FIGURE 7-12. BODY HARNESS - TRI-AXLE (LH)



ART\_1001216188

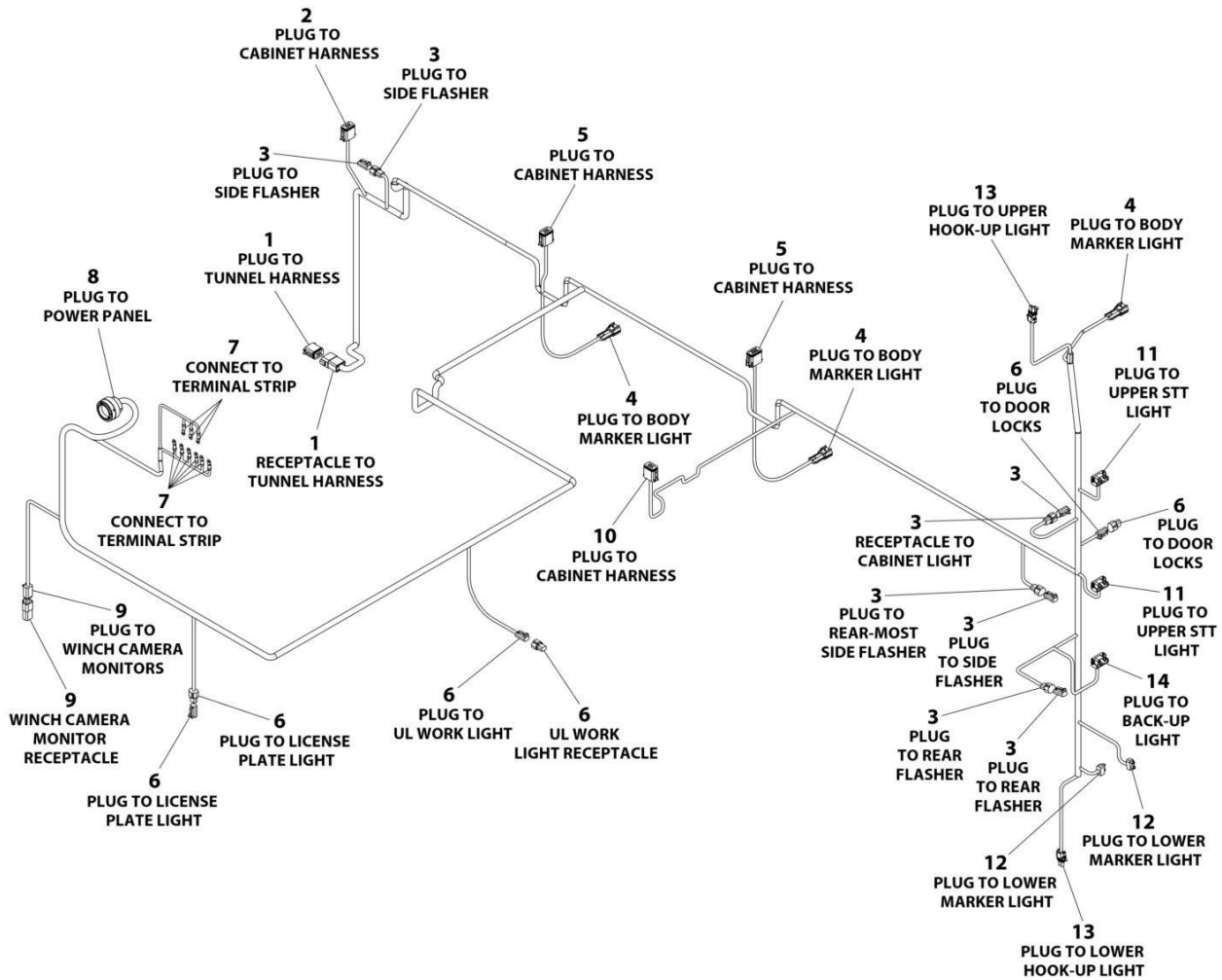
## SECTION 7 - ELECTRICAL

**FIGURE 7-12. BODY HARNESS - TRI-AXLE (LH)**

ITEM	PART NUMBER	QTY	DESCRIPTION	REV
	1001216188	Ref	BODY HARNESS (LH) (TRI)	C
1	4460931	1	Connector	
1	80604024	1	Wedge, Locking	
1	4460941	6	Pin	
1	4460466	10	Plug	
1	4460930	1	Connector, Plug	
1	80604025	1	Wedge, Locking	
2	4460930	1	Connector	
2	80604025	1	Wedge, Locking	
2	4460465	6	Socket	
2	4460466	2	Plug	
3	4460897	4	Connector	
3	80604017	4	Wedge, Locking	
3	4460464	8	Pin	
3	4460891	4	Connector, Plug	
3	80604018	4	Wedge, Locking	
3	4460466	8	Plug	
4	1001117026	3	Connector	
4	NPN	3	Wedge, Locking	
4	1001116745	6	Socket	
4	4460458	6	Seal	
5	4460933	2	Connector	
5	80604016	2	Wedge, Locking	
5	4460465	20	Socket	
5	4460466	4	Plug	
6	NPN	6	Ring, Terminal	
7	4461291	1	Connector	
7	4460509	10	Socket	
7	4460466	6	Plug	
8	4461157	1	Connector	
8	NPN	2	Seal	
8	4460475	2	Pin	
9	1001275791	2	Lead Harness	
10	4460742	2	Connector	
10	NPN	4	Seal	
10	4460457	4	Pin	
11	1001275793	2	Lead Harness	
12	4460891	1	Connector	
12	80604018	1	Wedge, Locking	
12	4460465	2	Socket	
12	4460897	1	Connector, Plug	
12	80604017	1	Wedge, Locking	
12	4460466	2	Plug	
13	1001275792	1	Lead Harness	

# SECTION 7 - ELECTRICAL

## FIGURE 7-13. BODY HARNESS - TRI-AXLE (RH)



ART\_1001216189



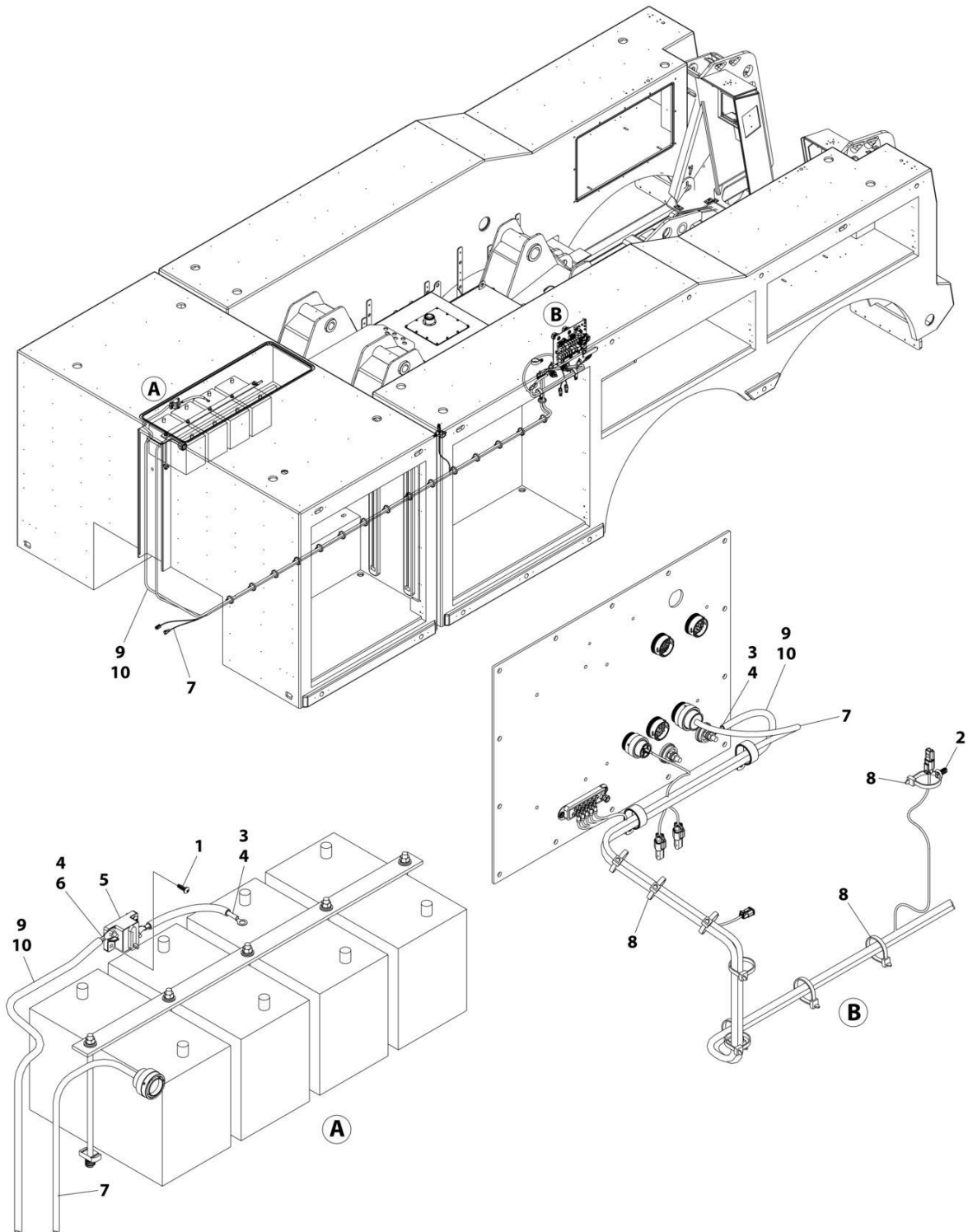
## SECTION 7 - ELECTRICAL

**FIGURE 7-13. BODY HARNESS - TRI-AXLE (RH)**

ITEM	PART NUMBER	QTY	DESCRIPTION	REV
	1001216189	Ref	BODY HARNESS (RH) (TRI)	A
1	4460931	1	Connector	
1	80604024	1	Wedge, Locking	
1	4460941	6	Pin	
2	4460930	1	Connector	
2	80604025	1	Wedge, Locking	
2	4460465	6	Socket	
2	4460466	2	Plug	
3	4460897	4	Connector	
3	80604017	4	Wedge, Locking	
3	4460464	8	Pin	
3	4460891	4	Connector, Plug	
3	80604018	4	Wedge, Locking	
3	4460466	8	Plug	
4	1001117026	3	Connector	
4	NPN	3	Wedge, Locking	
4	1001116745	6	Socket	
4	4460458	6	Seal	
5	4460933	2	Connector	
5	80604016	2	Wedge, Locking	
5	4460465	20	Socket	
5	4460466	4	Plug	
6	4460891	3	Connector	
6	80604018	3	Wedge, Locking	
6	4460465	6	Socket	
6	NPN	3	Connector, Plug	
7	NPN	9	Ring, Terminal	
8	1001263754	1	Connector	
8	4460509	3	Socket (12 AWG)	
8	4460942	8	Socket (14 AWG)	
8	4460465	3	Socket (16 AWG)	
8	4460466	7	Plug	
9	4460884	1	Connector	
9	80604021	1	Wedge, Locking	
9	4460465	4	Socket	
9	NPN	1	Connector, Plug	
10	4460930	1	Connector	
10	80604025	1	Wedge, Locking	
10	4460942	4	Socket	
10	4460466	4	Plug	
11	1001275793	2	Lead Harness	
12	1001275791	2	Lead Harness	
13	4460742	2	Connector	
13	NPN	4	Seal	
13	4460457	4	Pin	
14	1001275792	1	Lead Harness	

# SECTION 7 - ELECTRICAL

## FIGURE 7-14. CENTER HARNESS INSTALLATION (142IN CT/236IN WB/1T)



ART\_1001217426

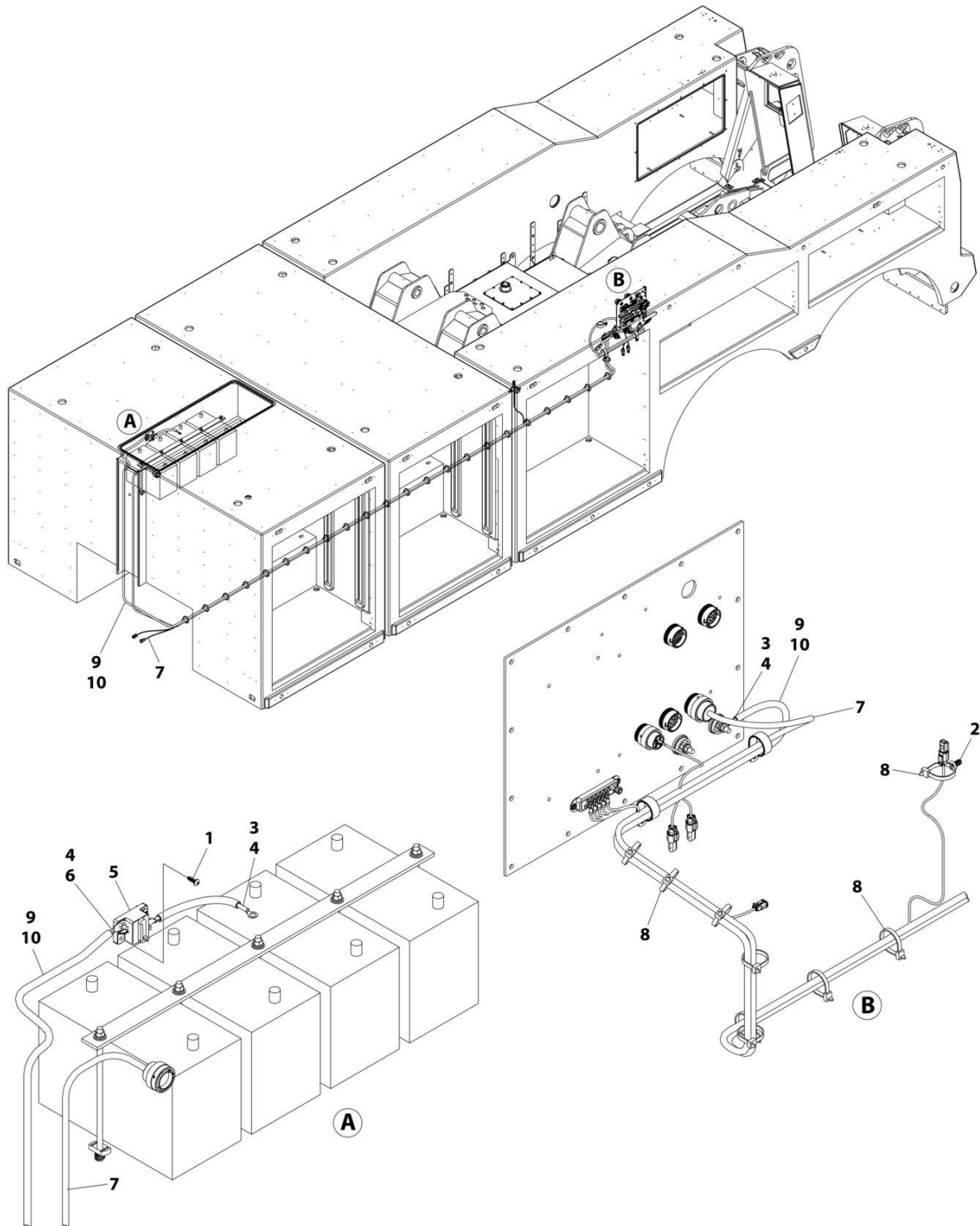
## SECTION 7 - ELECTRICAL

**FIGURE 7-14. CENTER HARNESS INSTALLATION (142IN CT/236IN WB/1T)**

ITEM	PART NUMBER	QTY	DESCRIPTION	REV
	1001217426	Ref	HARNESS - CENTER HARNESS INSTALLATION (142IN CT/236IN WB/1T)	C
1	1001194676	2	Screw 1/4 x 3/4	
2	1001202986	1	Strap	
3	7345242202	2	Terminal	
4	7346000045	0.25 ft	Tubing	
5	7870000043	1	Switch Breaker	
6	1001125479	2	Terminal Ring	
7	1001217442	1	Center Main Harness (See Separate Breakdown in this Section)	
8	5526000553	21	Tie Strap	
9	7978000011	25 ft	Cable	
10	8597650001	25 ft	Loom	

# SECTION 7 - ELECTRICAL

## FIGURE 7-15. CENTER HARNESS INSTALLATION (191IN CT/285IN WB/2T)



ART\_1001217587

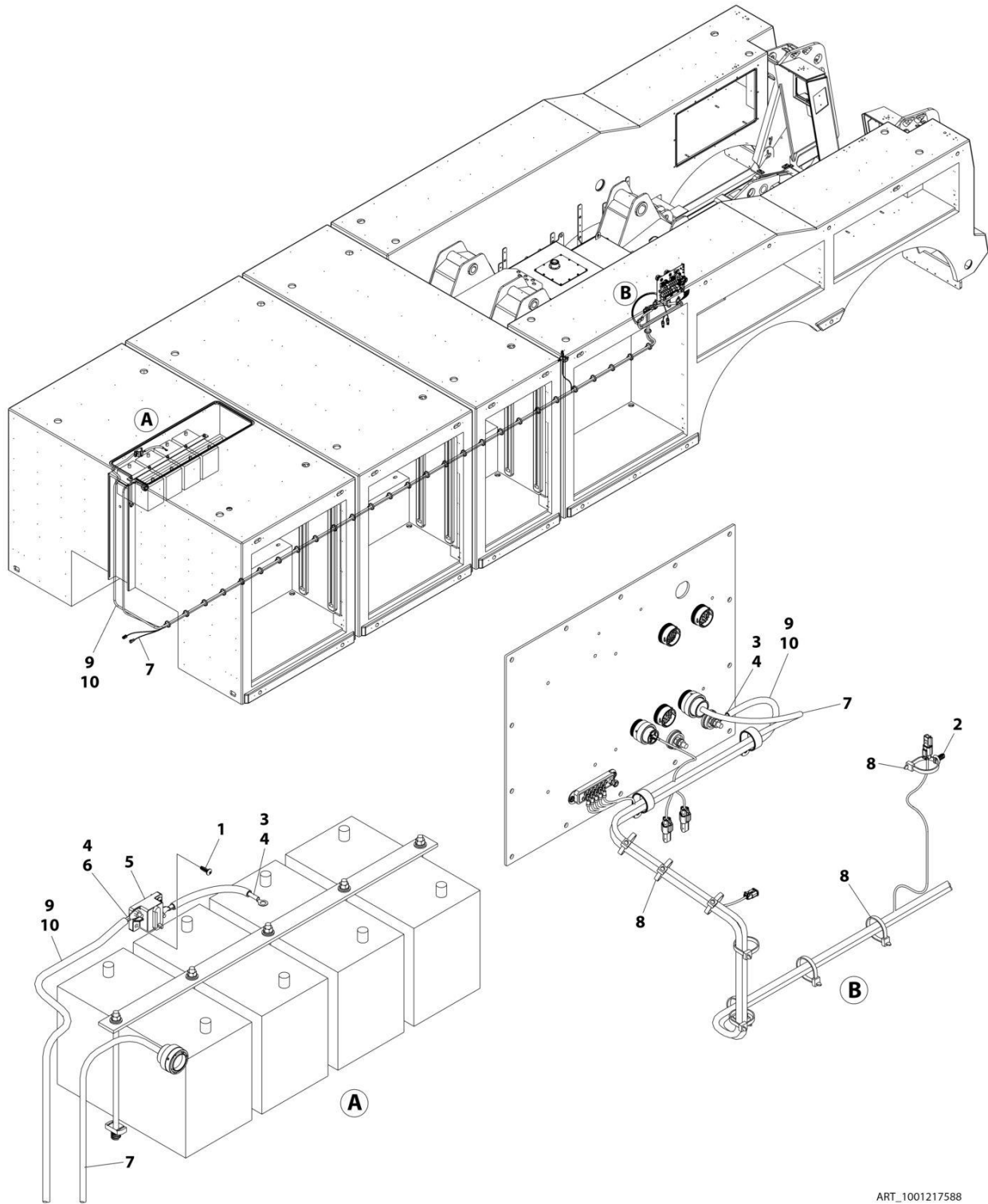
## SECTION 7 - ELECTRICAL

**FIGURE 7-15. CENTER HARNESS INSTALLATION (191IN CT/285IN WB/2T)**

ITEM	PART NUMBER	QTY	DESCRIPTION	REV
	1001217587	Ref	HARNESS - CENTER HARNESS INSTALLATION (191IN CT/285IN WB/2T)	C
1	1001194676	2	Screw 1/4 x 3/4	
2	1001202986	1	Strap	
3	7345242202	2	Terminal	
4	7346000045	0.25 ft	Tubing	
5	7870000043	1	Switch Breaker	
6	1001125479	2	Terminal Ring	
7	1001217589	1	Center Main Harness (See Separate Breakdown in this Section)	
8	5526000553	28	Tie Strap	
9	7978000011	29 ft	Cable	
10	8597650001	29 ft	Loom	

# SECTION 7 - ELECTRICAL

## FIGURE 7-16. CENTER HARNESS INSTALLATION (252IN CT)



ART\_1001217588

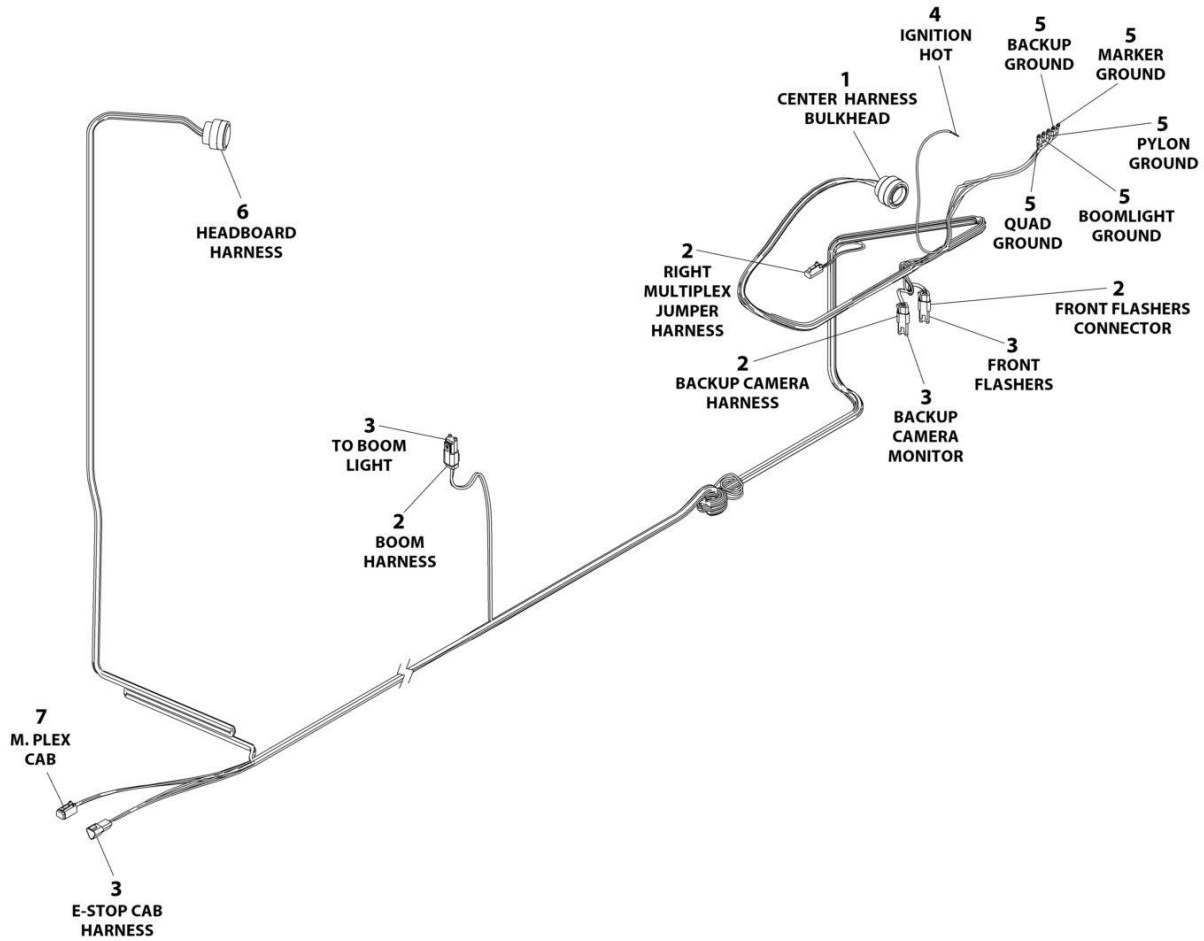
## SECTION 7 - ELECTRICAL

**FIGURE 7-16. CENTER HARNESS INSTALLATION (252IN CT)**

ITEM	PART NUMBER	QTY	DESCRIPTION	REV
	1001217588	Ref	HARNESS - CENTER HARNESS INSTALLATION (228IN CT/322IN WB/3T)	C
1	1001194676	2	Screw 1/4 x 3/4	
2	1001202986	1	Strap	
3	7345242202	2	Terminal	
4	7346000045	0.25 ft	Tubing	
5	7870000043	1	Switch Breaker	
6	1001125479	2	Terminal Ring	
7	1001217590	1	Harness, Center (See Separate Breakdown in this Section)	
8	5526000553	33	Harness Tie Strap	
9	7978000011	32 ft	Cable	
10	8597650001	32 ft	Loom	

# SECTION 7 - ELECTRICAL

## FIGURE 7-17. CENTER HARNESS (166IN CT)



ART\_1001217442



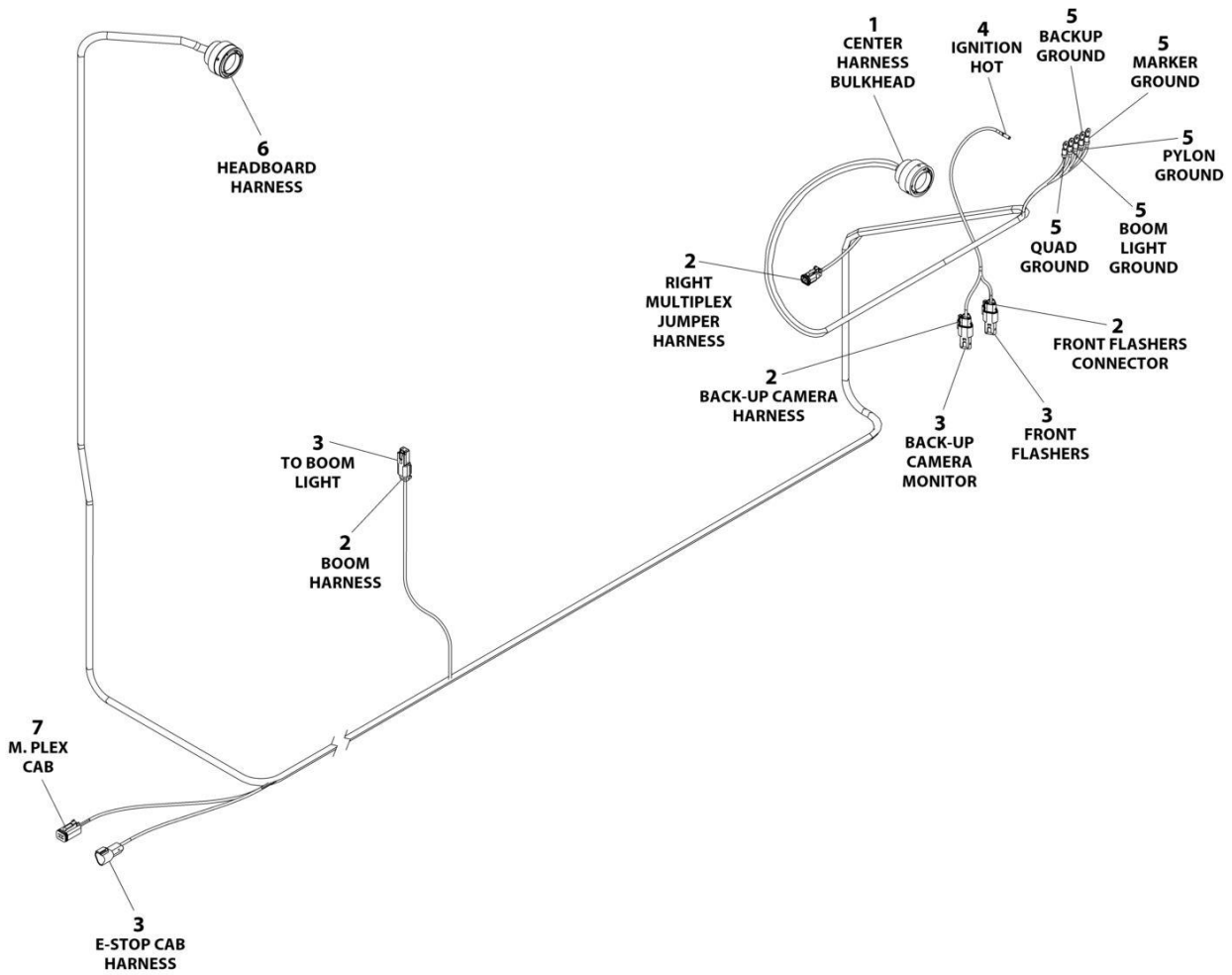
## SECTION 7 - ELECTRICAL

### FIGURE 7-17. CENTER HARNESS (166IN CT)

ITEM	PART NUMBER	QTY	DESCRIPTION	REV
	1001217442	Ref	CENTER HARNESS (166IN CT)	A
1	NPN	1	Connector - 19 Position	
1	4460942	4	Socket, Female	
1	4460465	9	Socket, Female	
1	4460509	3	Socket, Female	
1	4460466	3	Plug, Terminal	
2	1001116812	4	Plug, Male - 3 Position	
2	4460942	3	Socket, Female	
2	4460465	6	Socket, Female	
2	4460509	3	Socket, Female	
3	4460536	4	Receptacle, Female - 3 Position	
3	4460466	12	Plug, Terminal	
4	4460509	1	Socket, Female	
5	NPN	5	Terminal, Ring	
6	NPN	1	Connector - 18 Position	
6	4460942	2	Socket, Female	
6	4460465	4	Socket, Female	
6	4460509	3	Socket, Female	
6	4460466	9	Plug, Terminal	
7	4460884	1	Plug, Male - 4 Position	
7	4460465	4	Socket, Female	

# SECTION 7 - ELECTRICAL

## FIGURE 7-18. CENTER HARNESS (215IN CT)



ART\_1001217589

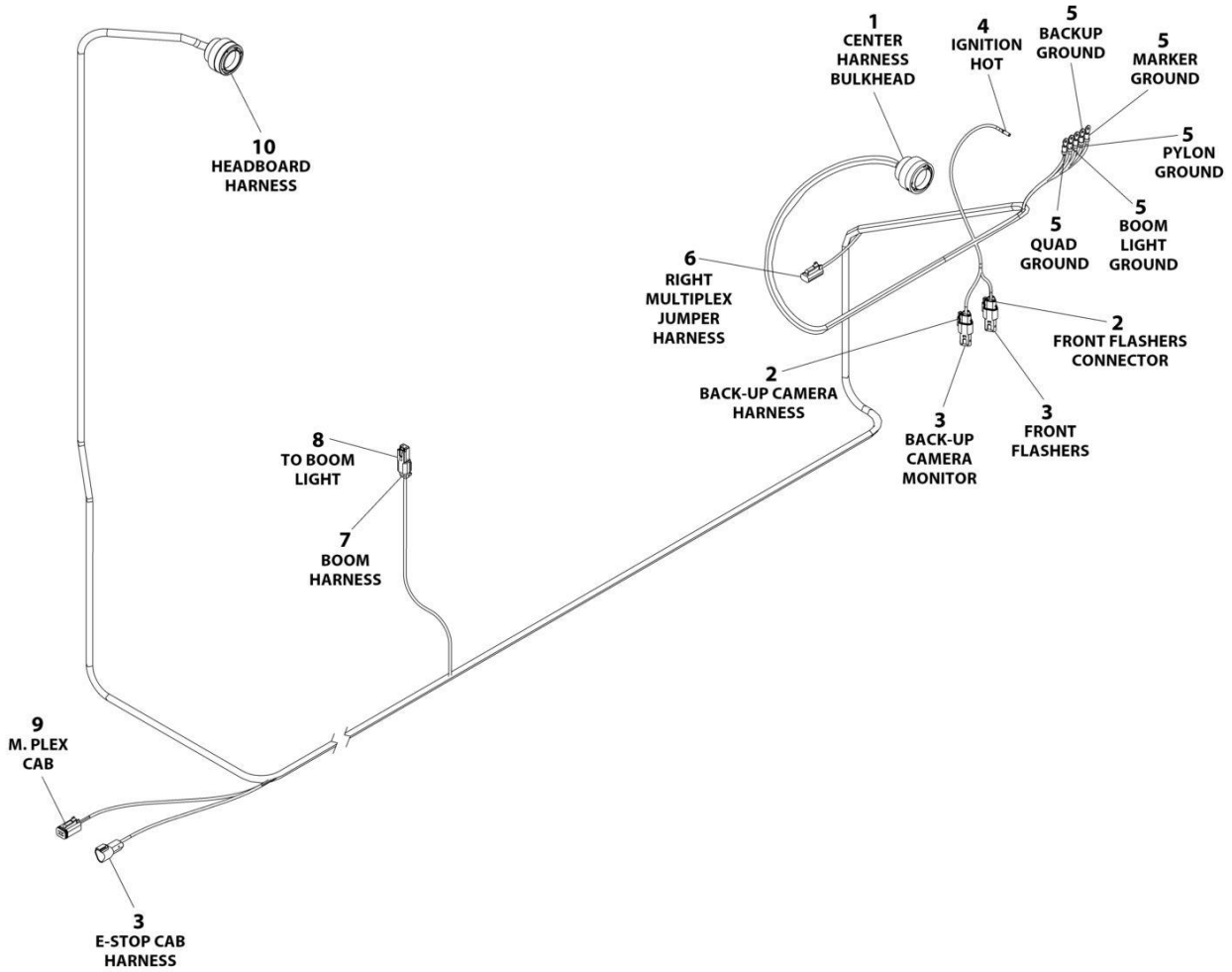
## SECTION 7 - ELECTRICAL

**FIGURE 7-18. CENTER HARNESS (215IN CT)**

ITEM	PART NUMBER	QTY	DESCRIPTION	REV
	1001217589	Ref	CENTER HARNESS (215IN CT)	A
1	NPN	1	Connector - 19 Position	
1	4460942	4	Socket, Female	
1	4460465	9	Socket, Female	
1	4460509	3	Socket, Female	
1	4460466	3	Plug, Terminal	
2	1001116812	4	Plug, Male - 3 Position	
2	4460942	3	Socket, Female	
2	4460465	6	Socket, Female	
2	4460509	3	Socket, Female	
3	4460536	4	Receptacle, Female - 3 Position	
3	4460466	12	Plug, Terminal	
4	4460509	1	Socket, Female	
5	NPN	5	Terminal, Ring	
6	NPN	1	Connector - 18 Position	
6	4460942	2	Socket, Female	
6	4460465	4	Socket, Female	
6	4460509	3	Socket, Female	
6	4460466	9	Plug, Terminal	
7	4460884	1	Plug, Male - 4 Position	
7	4460465	4	Socket, Female	

# SECTION 7 - ELECTRICAL

## FIGURE 7-19. CENTER HARNESS (346IN WB)



ART\_1001217590

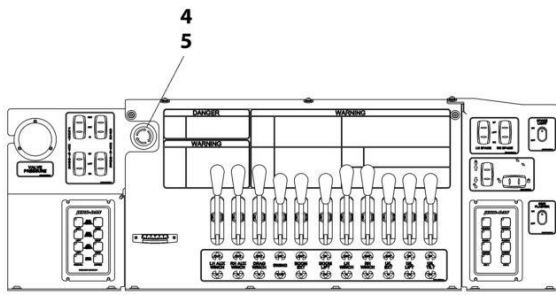
## SECTION 7 - ELECTRICAL

### FIGURE 7-19. CENTER HARNESS (346IN WB)

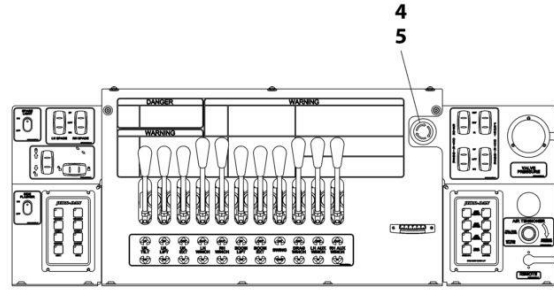
ITEM	PART NUMBER	QTY	DESCRIPTION	REV
	1001217590	Ref	CENTER HARNESS (252IN CT)	A
1	NPN	1	Connector - 19 Position	
1	4460942	4	Socket, Female	
1	4460465	9	Socket, Female	
1	4460509	3	Socket, Female	
1	4460466	3	Plug, Terminal	
2	1001116812	2	Plug, Male - 3 Position	
2	4460942	3	Socket, Female	
2	4460465	3	Socket, Female	
3	4460536	3	Receptacle, Female - 3 Position	
3	4460466	6	Plug, Terminal	
4	4460465	1	Socket, Female	
5	NPN	5	Terminal, Ring	
6	4460891	1	Plug, Male - 2 Position	
6	4460465	2	Socket, Female	
7	4461018	1	Plug, Male - 2 Position	
7	4460509	2	Terminal	
8	4461017	1	Receptacle, Female - 2 Position	
8	4460466	2	Plug, Terminal	
9	4460884	1	Plug, Male - 4 Position	
9	4460465	4	Socket, Female	
10	1001269277	1	Receptacle, Female - 18 Position	
10	NPN	3	Socket, Female	
10	4460465	4	Socket, Female	
10	4460509	2	Socket, Female	
10	4460466	9	Plug, Terminal	

# SECTION 7 - ELECTRICAL

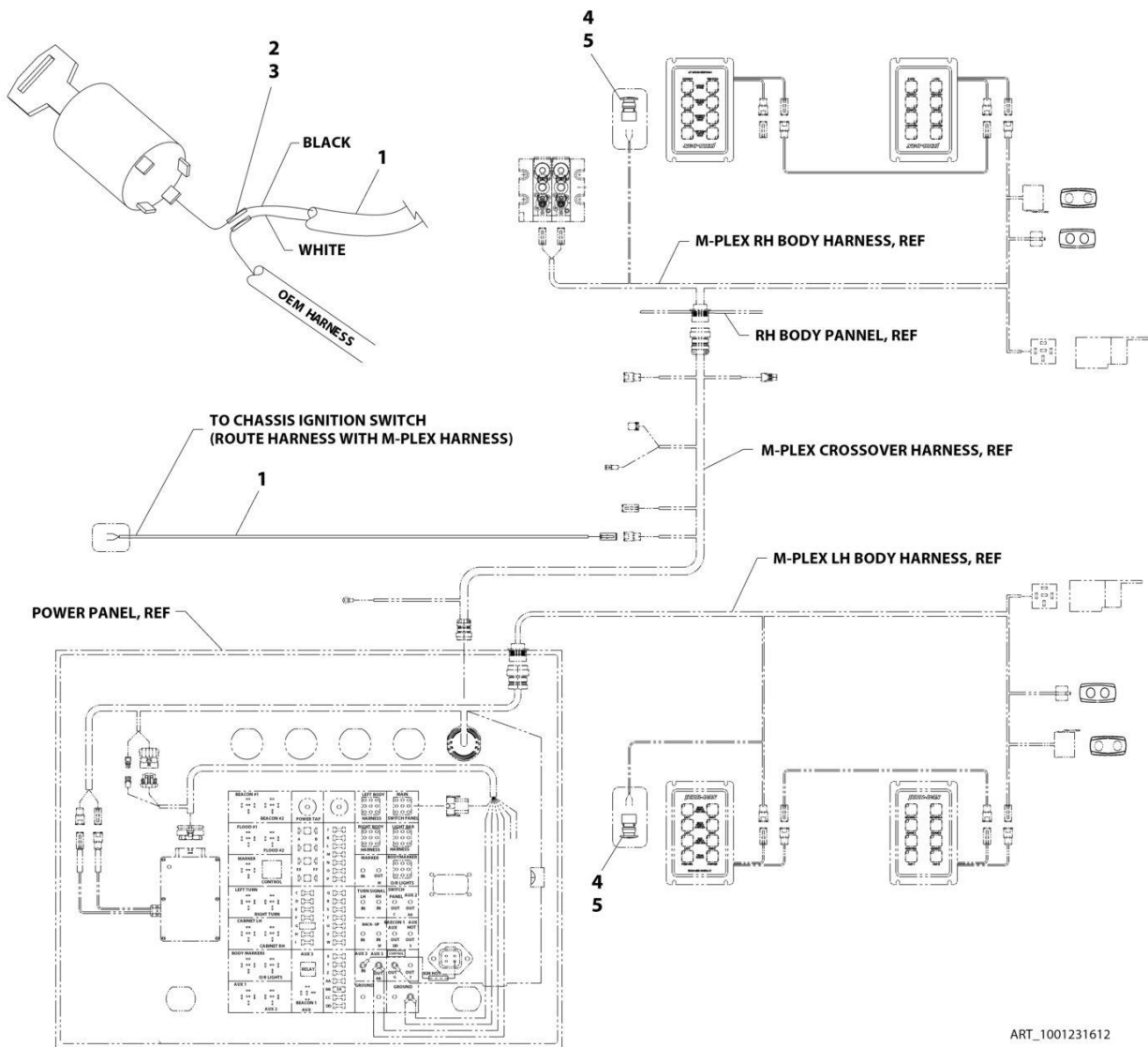
## FIGURE 7-20. EMERGENCY STOP INSTALLATION



**LH SIDE CONTROL STATION**  
11 SECTION CONTROLS SHOWN; 9 SECTION OPTIONAL



**RH SIDE CONTROL STATION**  
11 SECTION CONTROLS SHOWN; 9 SECTION OPTIONAL



ART\_1001231612

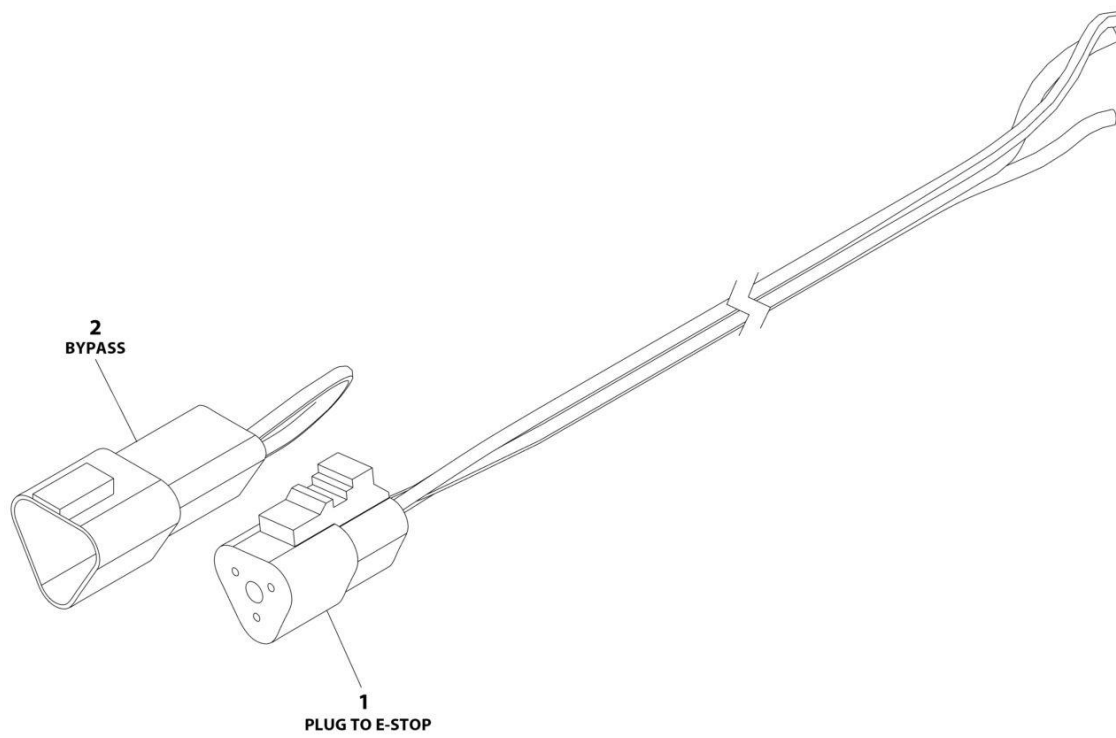
## SECTION 7 - ELECTRICAL

### FIGURE 7-20. EMERGENCY STOP INSTALLATION

ITEM	PART NUMBER	QTY	DESCRIPTION	REV
	1001231612	Ref	Emergency Stop Installation	A
1	1001215371	1	Harness (See Separate Breakdown in this Section)	
2	7345001714	2	Terminal	
3	7346000039	0.125 ft	Tubing	
4	1001233500	2	Switch, Push Button	
5	1704260	2	Decal	

# SECTION 7 - ELECTRICAL

## FIGURE 7-21. EMERGENCY STOP HARNESS



ART\_1001215371



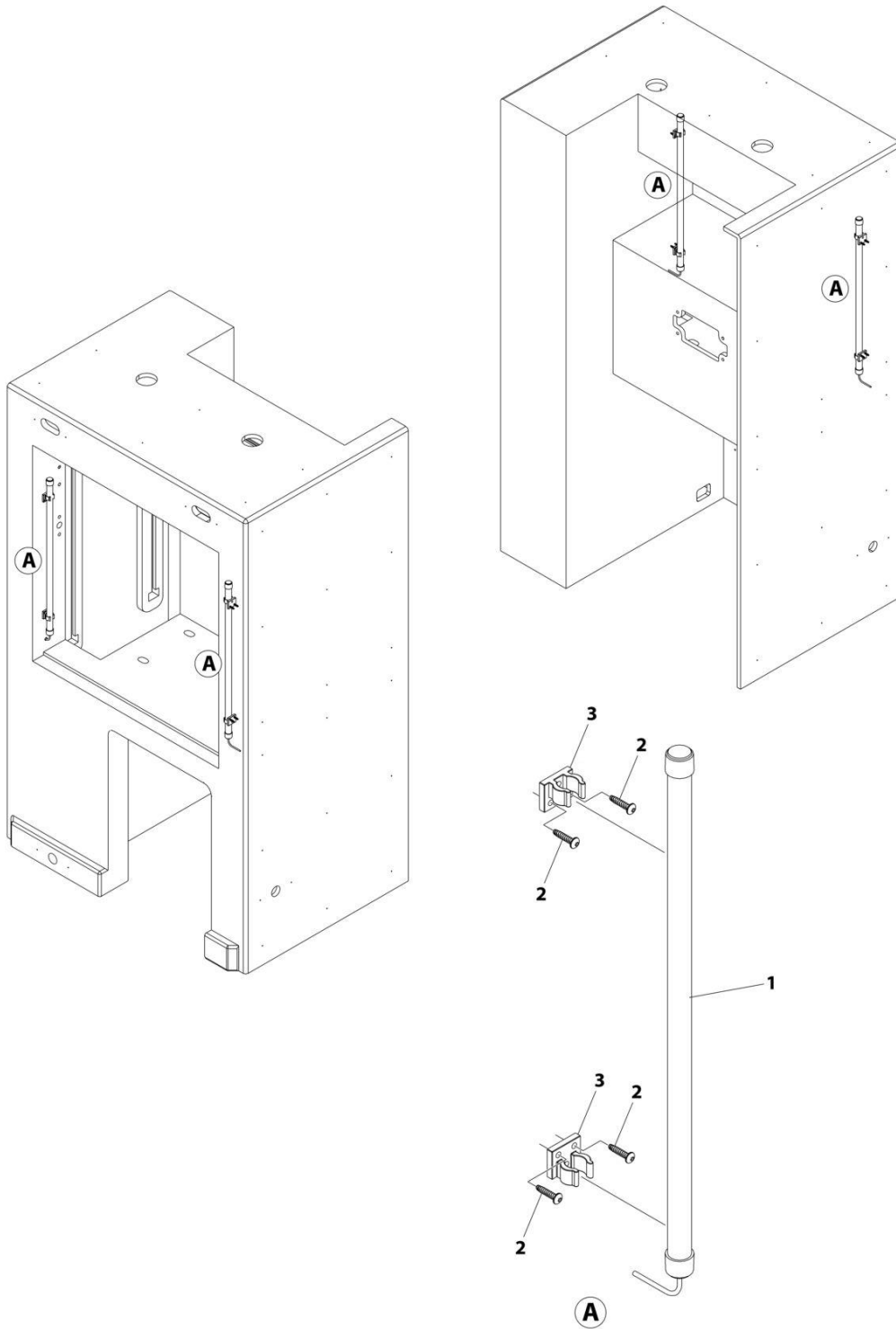
## SECTION 7 - ELECTRICAL

### FIGURE 7-21. EMERGENCY STOP HARNESS

ITEM	PART NUMBER	QTY	DESCRIPTION	REV
	1001215371	Ref	EMERGENCY STOP HARNESS	A
1	1001116812	1	Plug, Male - 3 Position	
1	4460465	2	Socket, Female	
1	4460942	1	Socket, Female	
2	4460536	1	Receptacle, Female - 3 Position	
2	4460464	2	Pin, Male	
2	4460466	1	Plug, Terminal	

# SECTION 7 - ELECTRICAL

## FIGURE 7-22. LIGHTS - COMPARTMENT LIGHTS INSTALLATION



ART\_1001197895

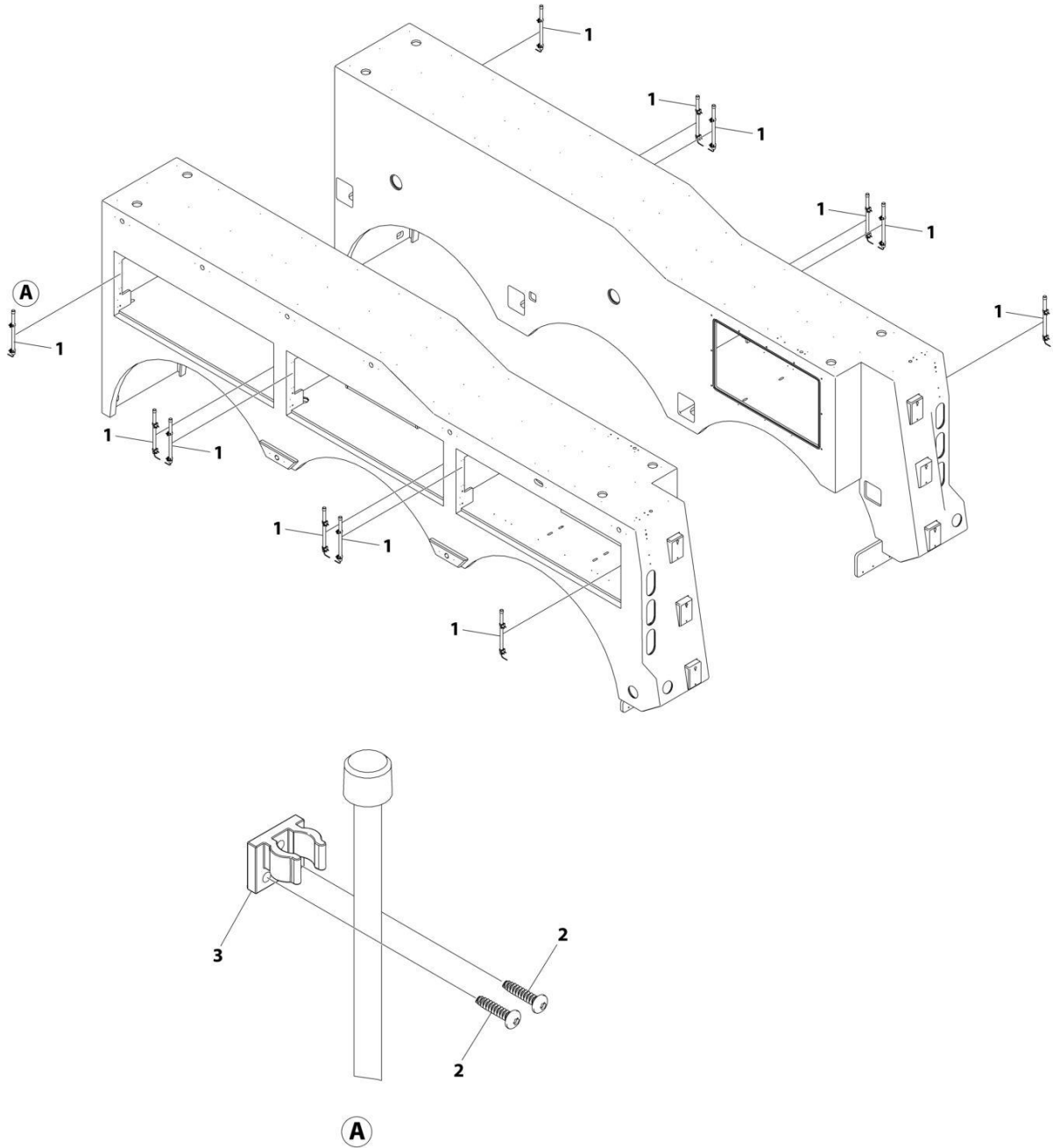
## SECTION 7 - ELECTRICAL

### FIGURE 7-22. LIGHTS - COMPARTMENT LIGHTS INSTALLATION

ITEM	PART NUMBER	QTY	DESCRIPTION	REV
	1001197895	Ref	COMPARTMENT LIGHTS INSTALLATION	B
1	1001189906	4	Lamp	
2	1001196552	16	Screw #8 x 3/4	
3	1001199081	8	Mount	

# SECTION 7 - ELECTRICAL

## FIGURE 7-23. LIGHTS - COMPARTMENT LIGHTS INSTALLATION (TRI-AXLE)



ART\_1001196523

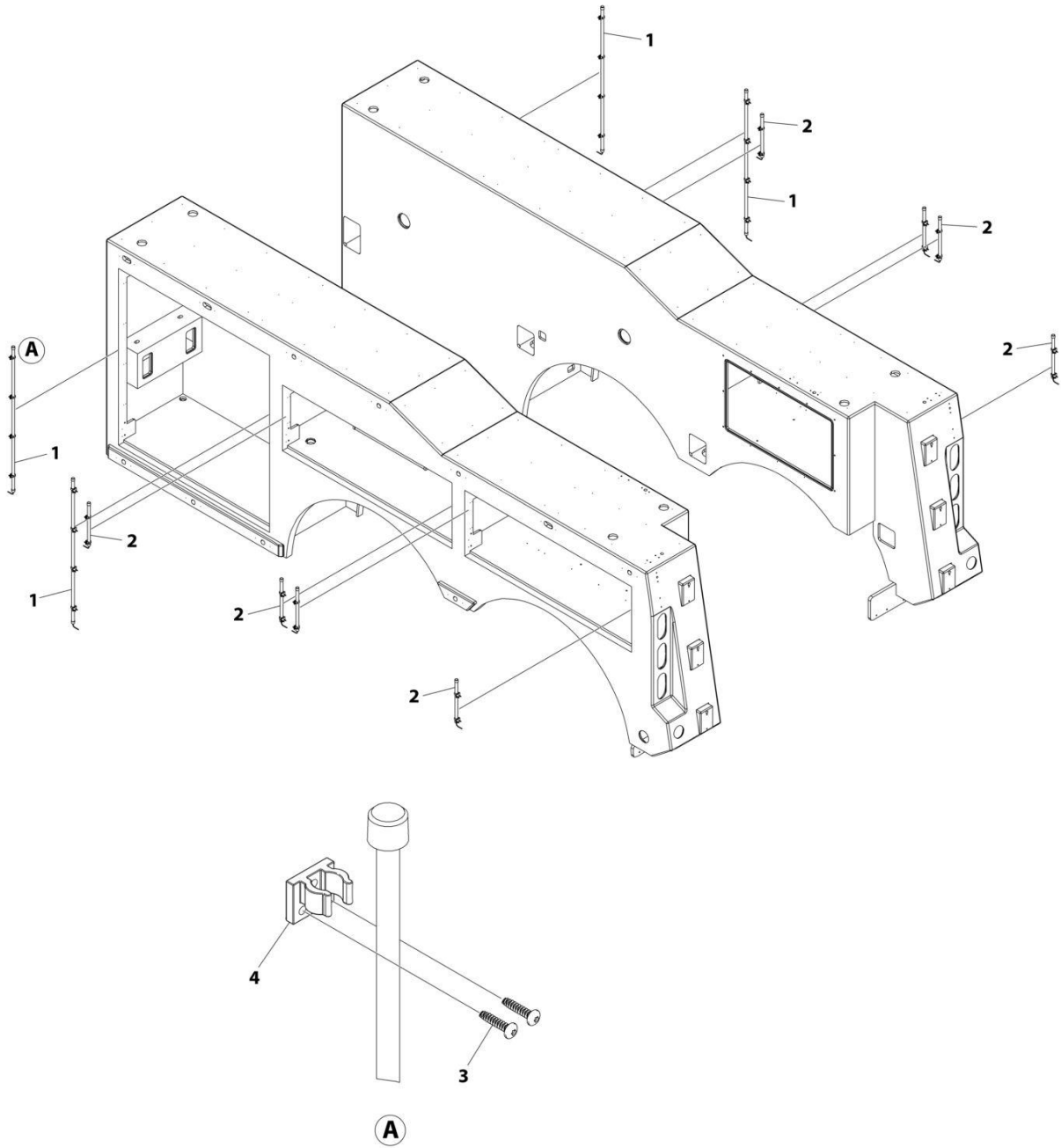
## SECTION 7 - ELECTRICAL

**FIGURE 7-23. LIGHTS - COMPARTMENT LIGHTS INSTALLATION (TRI-AXLE)**

ITEM	PART NUMBER	QTY	DESCRIPTION	REV
	1001196523	Ref	COMPARTMENT LIGHTS INSTALLATION - BODY (TRI-AXLE)	C
1	1001166549	12	LED Light	
2	1001196552	48	Screw #8 x 3/4	
3	1001199081	24	Mount	

# SECTION 7 - ELECTRICAL

FIGURE 7-24. LIGHTS - COMPARTMENT LIGHTS INSTALLATION, 35IN TANDEM



ART\_1001196522

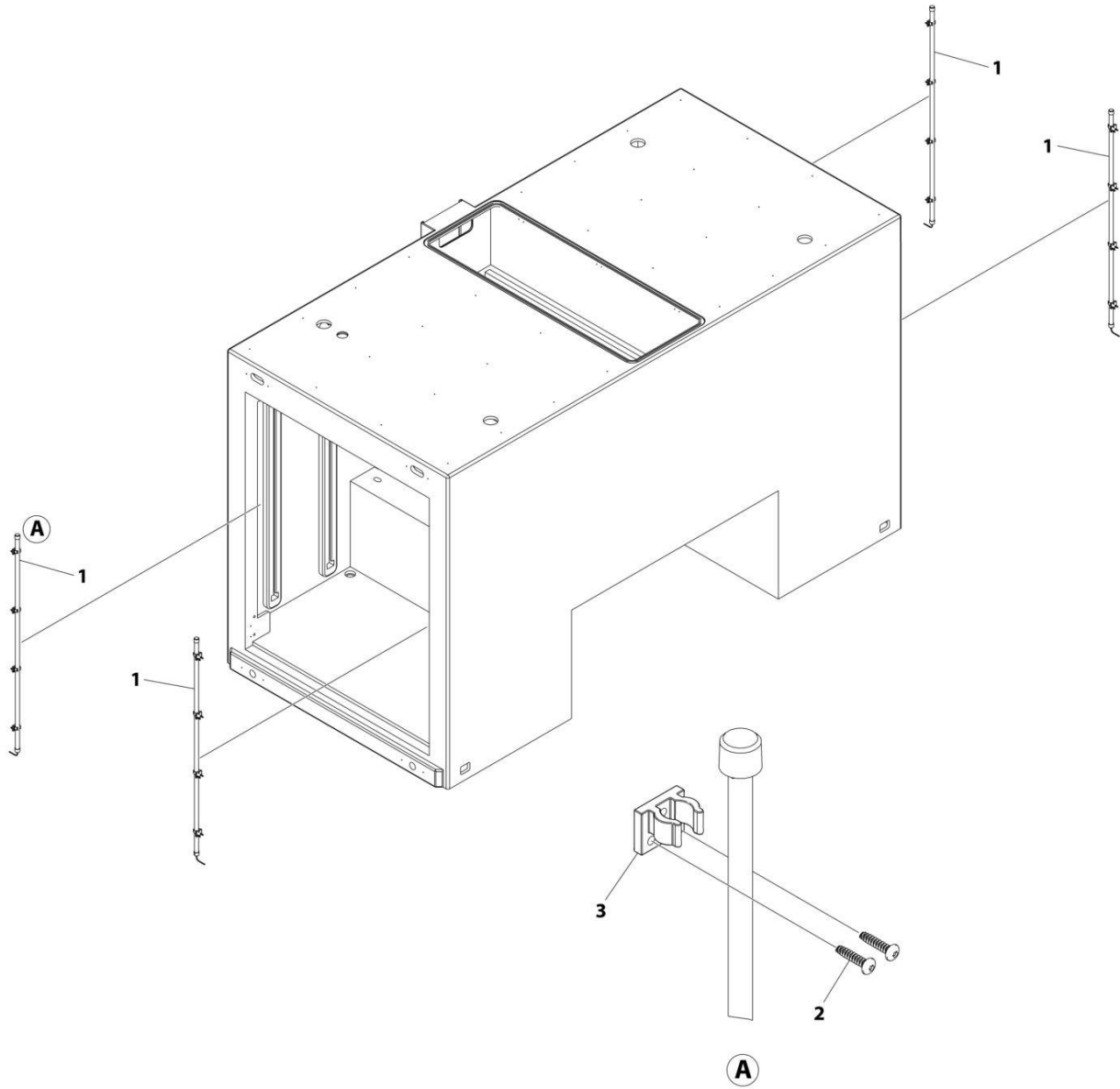
## SECTION 7 - ELECTRICAL

**FIGURE 7-24. LIGHTS - COMPARTMENT LIGHTS INSTALLATION, 35IN TANDEM**

ITEM	PART NUMBER	QTY	DESCRIPTION	REV
	1001196522	Ref	COMPARTMENT LIGHTS INSTALLATION - BODY (TANDEM)	C
1	1001154527	4	Lamp	
2	1001166549	8	Lamp	
3	1001196552	64	Screw #8 x 3/4	
4	1001199081	32	Mount	

# SECTION 7 - ELECTRICAL

## FIGURE 7-25. LIGHTS - COMPARTMENT LIGHTS INSTALLATION, 48IN TUNNEL



ART\_1001196583



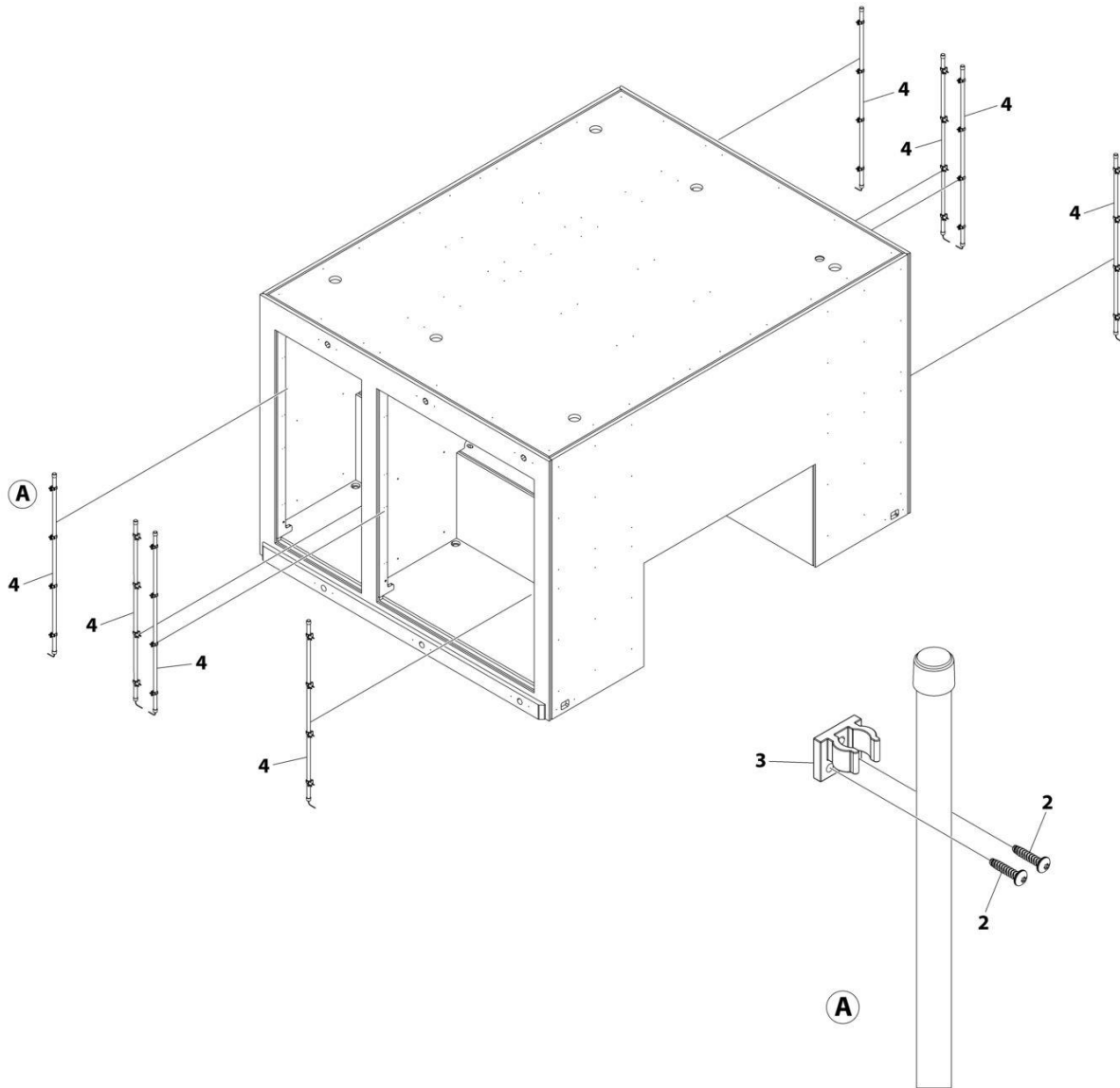
## SECTION 7 - ELECTRICAL

**FIGURE 7-25. LIGHTS - COMPARTMENT LIGHTS INSTALLATION, 48IN TUNNEL**

ITEM	PART NUMBER	QTY	DESCRIPTION	REV
	1001196583	Ref	LIGHTS - COMPARTMENT LIGHTS INSTALLATION, 48IN TUNNEL	C
1	1001154527	4	Lamp	
2	1001196552	32	Screw #8 x 3/4	
3	1001199081	16	Mount	

# SECTION 7 - ELECTRICAL

## FIGURE 7-26. LIGHTS - COMPARTMENT LIGHTS INSTALLATION (TUNNEL DOUBLE)



ART\_1001274383

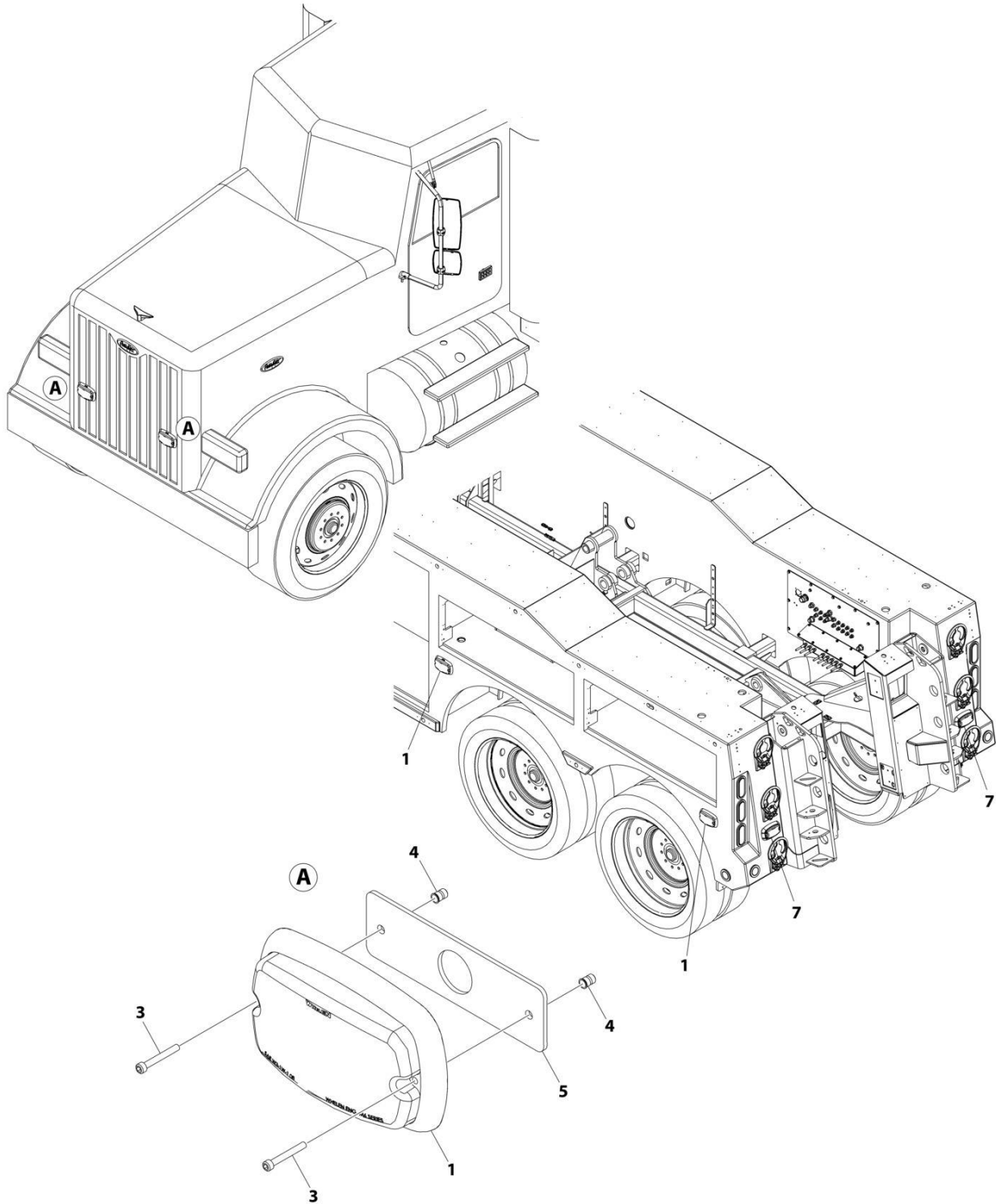
## SECTION 7 - ELECTRICAL

**FIGURE 7-26. LIGHTS - COMPARTMENT LIGHTS INSTALLATION (TUNNEL DOUBLE)**

ITEM	PART NUMBER	QTY	DESCRIPTION	REV
	1001274383	Ref	TUNNEL COMPARTMENT LIGHTS INSTALLATION (DOUBLE)	A
2	1001196552	64	Screw #8 x 3/4	
3	1001199081	32	Mount	
4	1001154527	8	Lamp	

# SECTION 7 - ELECTRICAL

## FIGURE 7-27. LIGHTS - FLASHER LIGHTS INSTALLATION - SINGLE/TANDEM



ART\_1001212220

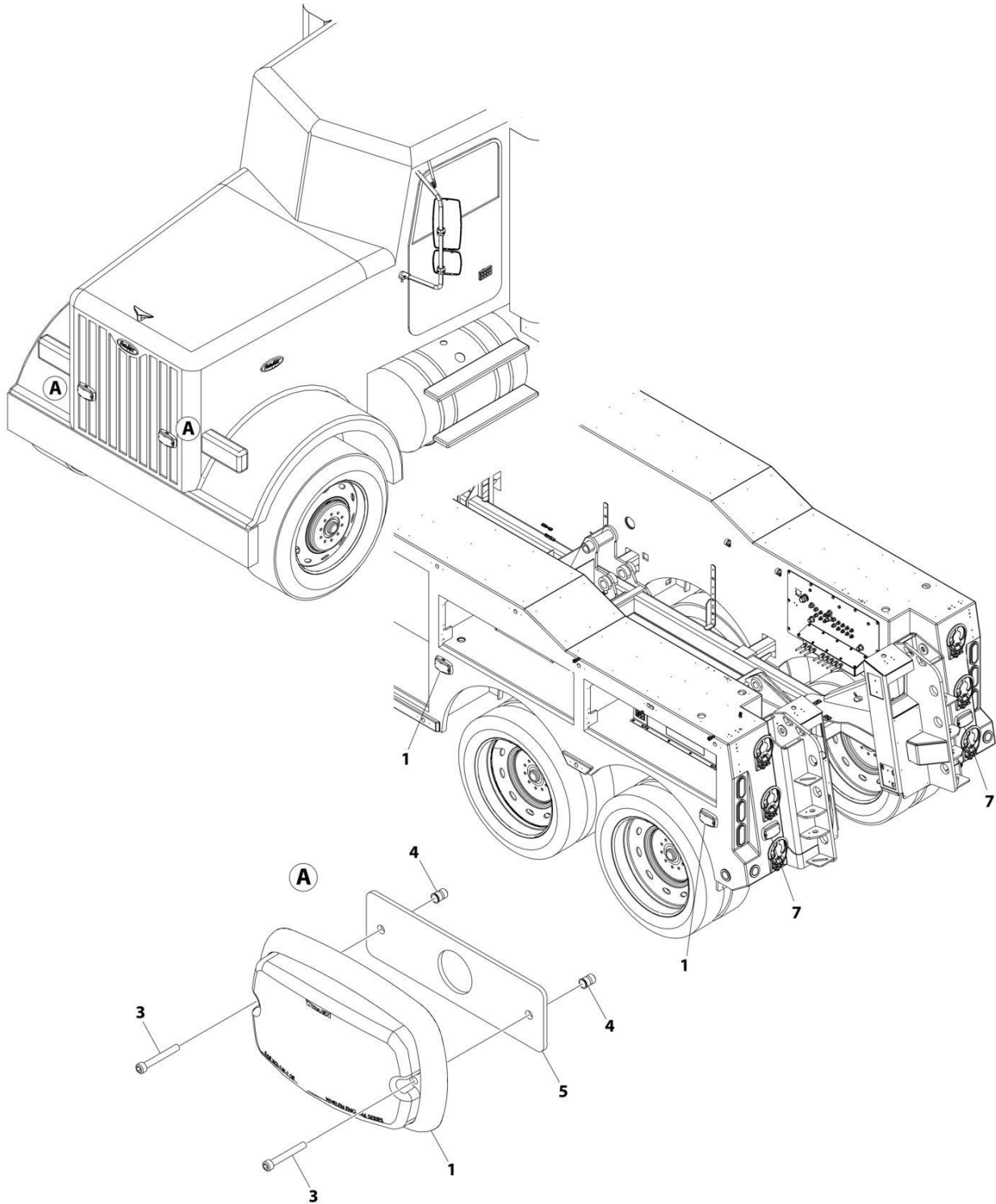
## SECTION 7 - ELECTRICAL

### FIGURE 7-27. LIGHTS - FLASHER LIGHTS INSTALLATION - SINGLE/TANDEM

ITEM	PART NUMBER	QTY	DESCRIPTION	REV
	1001212220	Ref	SIDE FLASHER LIGHTS INSTALLATION	E
1	1001143284	6	Lamp	
2	1001215157	1	Harness (Not Shown)	
2	4460897	2	Receptacle, Female - 2 Position	
2	4460464	4	Pin, Male	
3	3930820	4	Capscrew #8 x 1-1/4	
4	1001151546	4	Nut #8	
5	1001216586	2	Bar, Grill Mounted	
6	7894000004	20	Tie-Strap (Not Shown)	
7	1001307192	2	Lamp	

# SECTION 7 - ELECTRICAL

## FIGURE 7-28. LIGHTS - FLASHER LIGHTS INSTALLATION - TRI-AXLE



ART\_1001212221

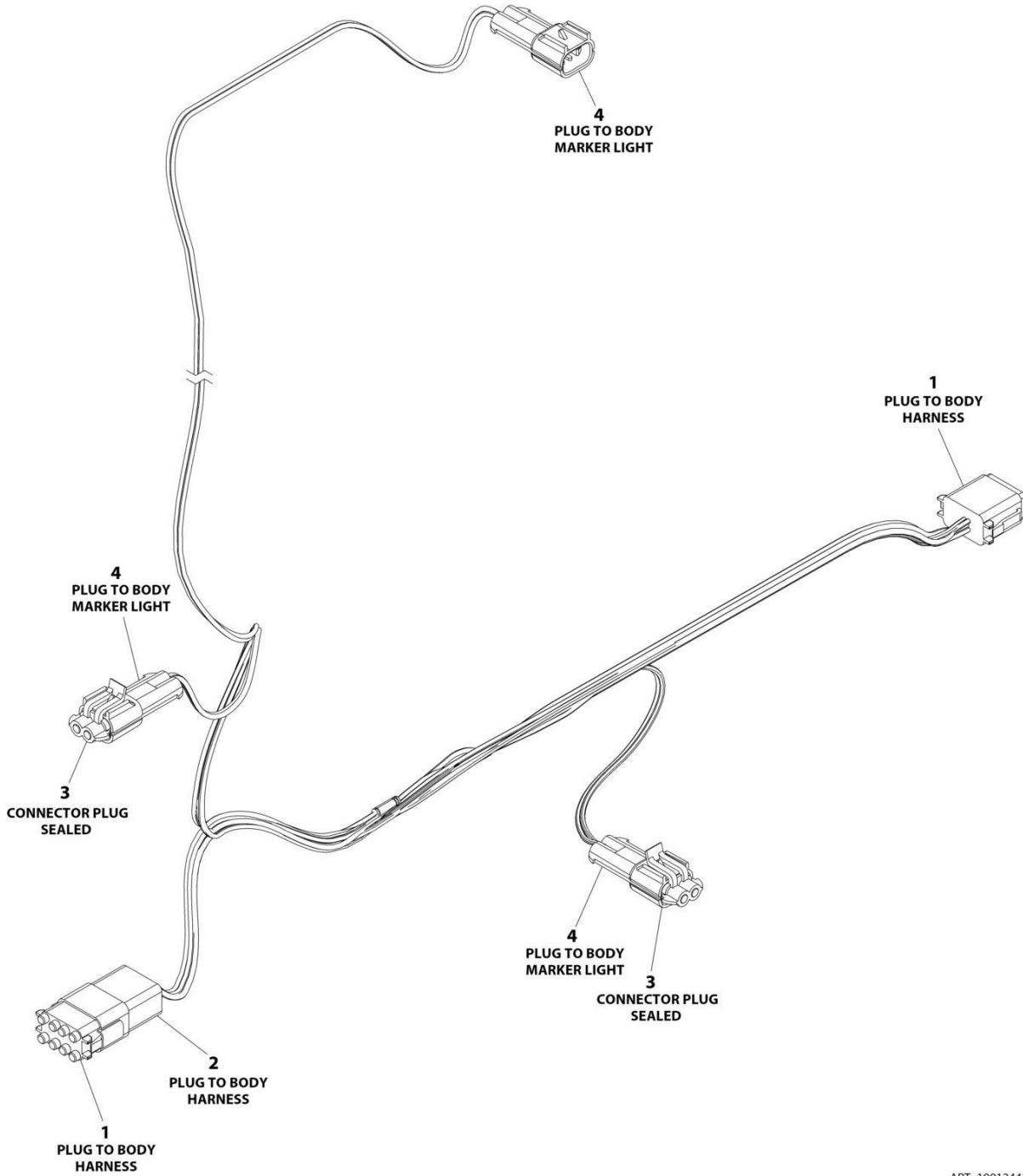
## SECTION 7 - ELECTRICAL

**FIGURE 7-28. LIGHTS - FLASHER LIGHTS INSTALLATION - TRI-AXLE**

ITEM	PART NUMBER	QTY	DESCRIPTION	REV
	1001212221	Ref	LIGHTS - FLASHER LIGHTS INSTALLATION - TRI-AXLE	D
1	1001143284	6	Lamp	
2	1001215157	1	Harness (Not Shown)	
2	4460897	2	Receptacle, Female - 2 Position	
2	4460464	4	Pin, Male	
3	3930820	4	Capscrew #8 x 1-1/4	
4	1001151546	4	Nut #8	
5	1001216586	2	Bar, Grill Mounted	
6	7894000004	20	Tie Strap (Not Shown)	
7	1001307192	2	Lamp	

# SECTION 7 - ELECTRICAL

## FIGURE 7-29. LIGHTS HARNESS - FILLER PANEL



ART\_1001244217



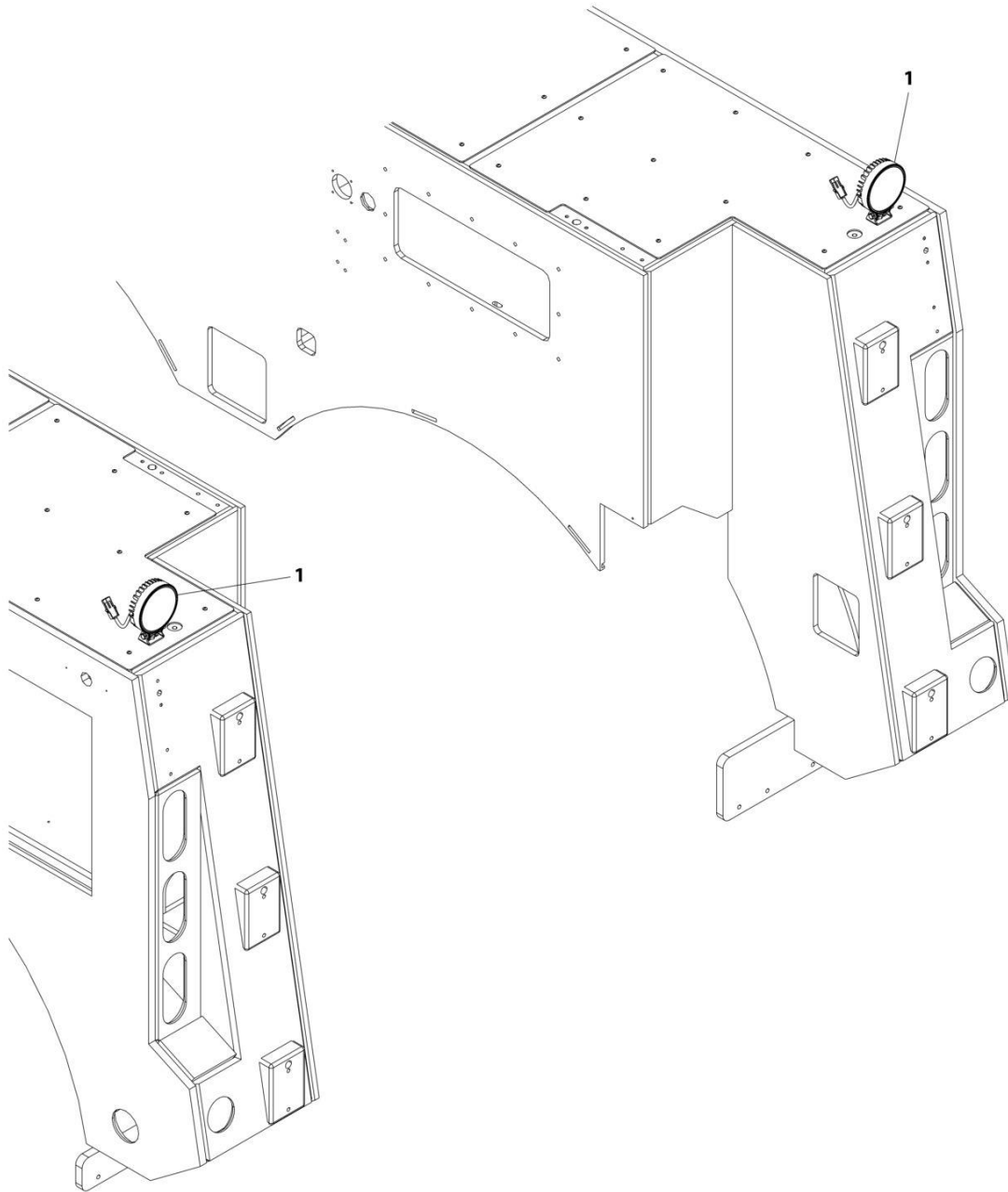
## SECTION 7 - ELECTRICAL

**FIGURE 7-29. LIGHTS HARNESS - FILLER PANEL**

ITEM	PART NUMBER	QTY	DESCRIPTION	REV
	1001244217	Ref	LIGHTS HARNESS - FILLER PANEL	B
1	4460930	2	Plug, Male - 8 Position	
1	4460465	6	Socket, Female	
1	4460466	10	Plug, Terminal	
2	4460931	1	Receptacle, Female - 8 Position	
2	4460464	8	Pin, Male	
2	4460466	2	Plug, Terminal	
3	1001117021	2	Plug, Male - 2 Position	
3	4460748	4	Plug, Terminal	
4	1001117026	3	Receptacle, Female - 2 Position	
4	1001116745	6	Terminal	
4	4460458	6	Seal	

# SECTION 7 - ELECTRICAL

## FIGURE 7-30. LIGHTS - HOOK-UP LIGHTS INSTALLATION - REAR UPPER



ART\_1001258218\_C

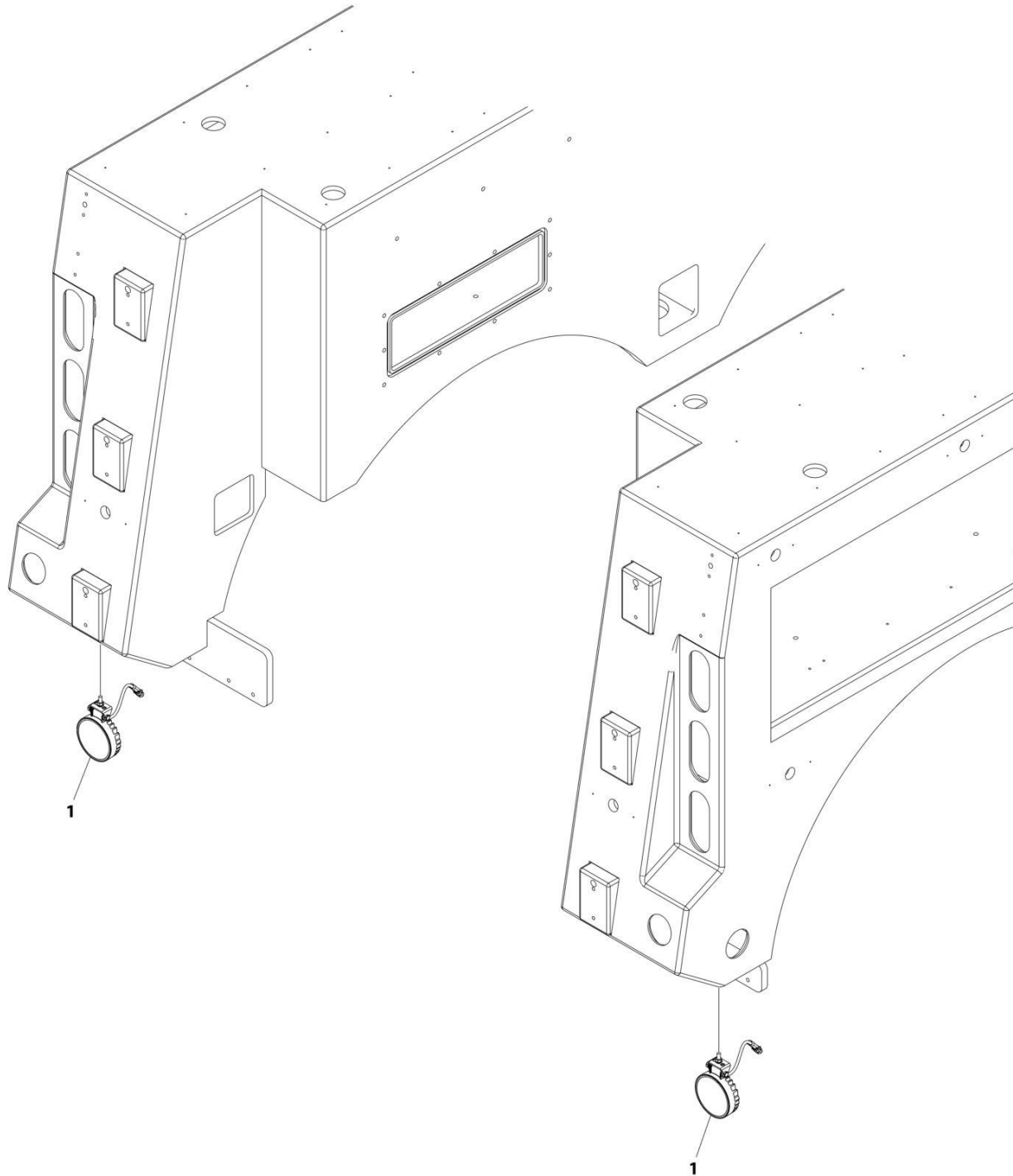
## SECTION 7 - ELECTRICAL

**FIGURE 7-30. LIGHTS - HOOK-UP LIGHTS INSTALLATION - REAR UPPER**

ITEM	PART NUMBER	QTY	DESCRIPTION	REV
	1001258218	Ref	UPPER HOOK-UP LIGHTS INSTALLATION	C
1	1001273634	2	Lamp	
2	8798820001	AR	Sealant (Not Shown)	

# SECTION 7 - ELECTRICAL

## FIGURE 7-31. LIGHTS - HOOK-UP LIGHTS INSTALLATION - REAR LOWER



ART\_1001199942

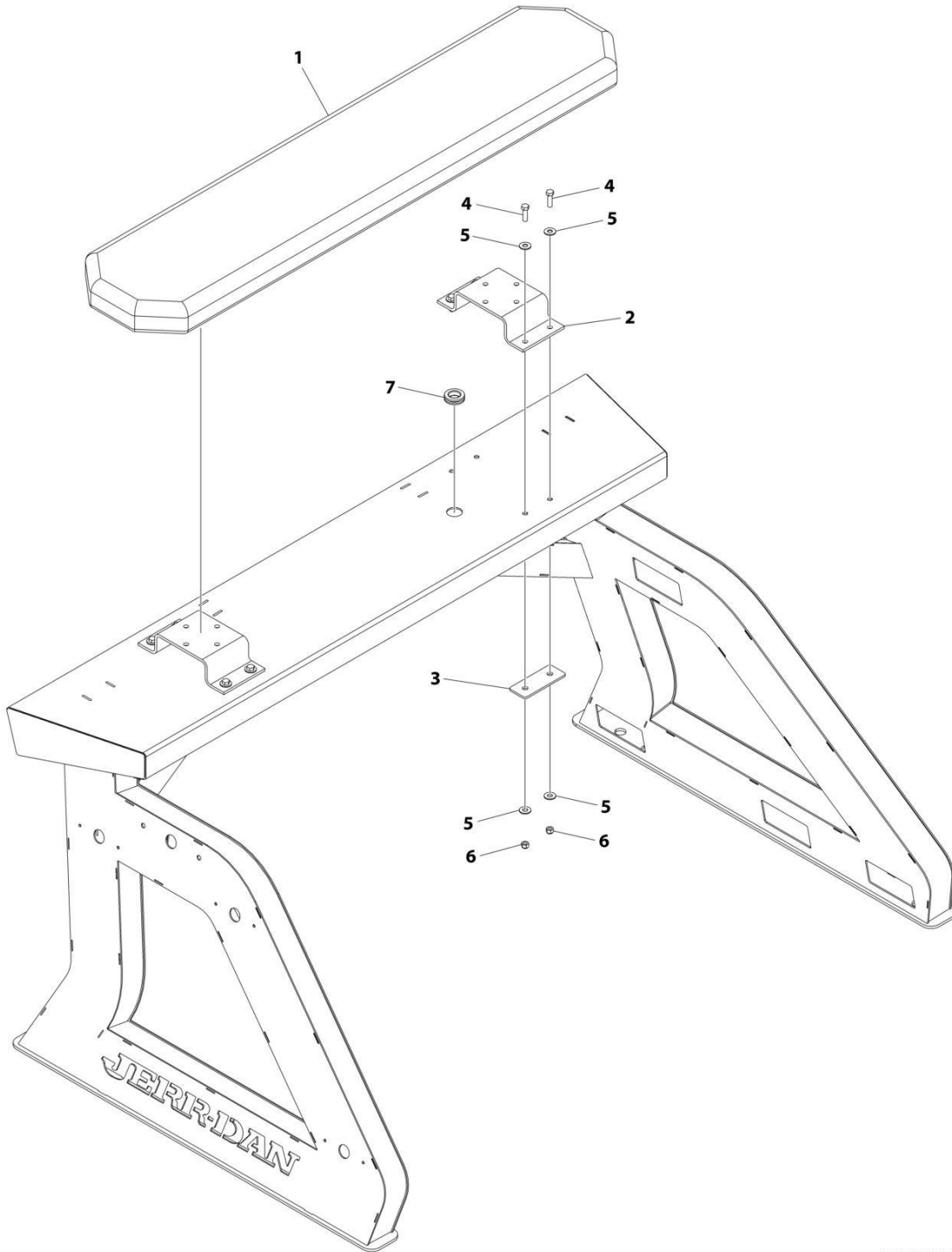
## SECTION 7 - ELECTRICAL

FIGURE 7-31. LIGHTS - HOOK-UP LIGHTS INSTALLATION - REAR LOWER

ITEM	PART NUMBER	QTY	DESCRIPTION	REV
1	1001199942	Ref	LOWER LIGHTS HOOK-UP INSTALLATION	C
	1001273634	2	Lamp	

# SECTION 7 - ELECTRICAL

## FIGURE 7-32. LIGHTS - LIGHTBAR INSTALLATION - ECCO



ART\_1001214376

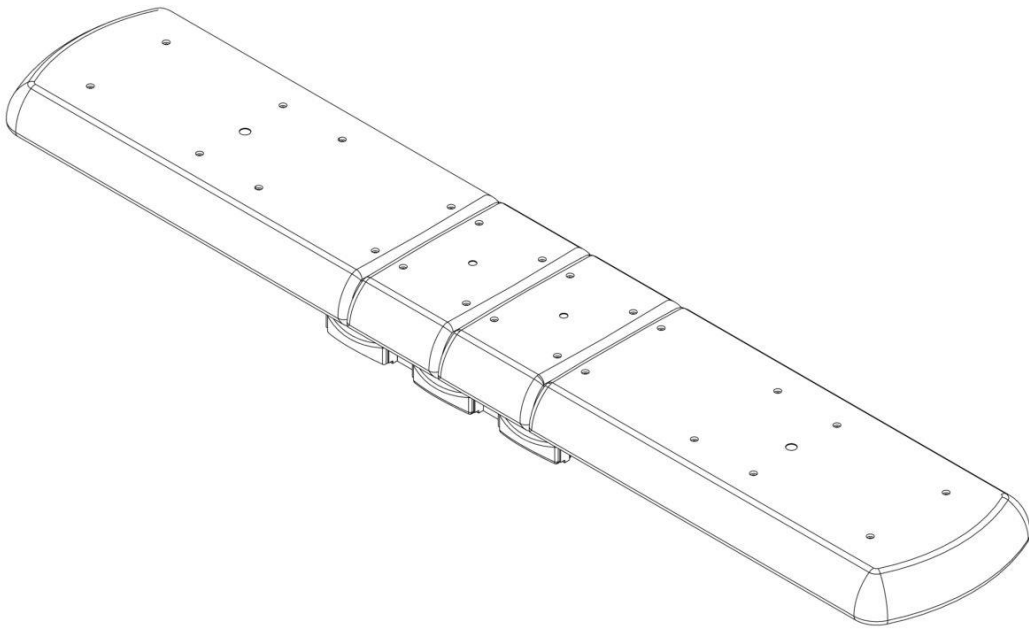
## SECTION 7 - ELECTRICAL

**FIGURE 7-32. LIGHTS - LIGHTBAR INSTALLATION - ECCO**

ITEM	PART NUMBER	QTY	DESCRIPTION	REV
	1001214376	Ref	LIGHTS - LIGHTBAR INSTALLATION - 58IN AMBER CODE3	B
	1001136990	1	Lightbar Assembly (CODE 3) (See Separate Breakdown in this Section) <b>(SN 0230004275 through 0230009234)</b>	
1	1001247139	1	Lightbar Assembly (ECCO) (See Separate Breakdown in this Section) <b>(SN 0230009235 to Present)</b>	
	4178000234	1	Bracket <b>(SN 0230004275 through 0230009234)</b>	
2	1001267280	2	Bracket <b>(SN 0230009235 to Present)</b>	
3	1001214128	4	Plate	
4	0641610	8	Capscrew 3/8 x 1-1/4	
5	4751600	16	Washer 3/8	
6	7660162601	8	Nut 3/8	
7	7493000011	1	Grommet	

## SECTION 7 - ELECTRICAL

FIGURE 7-33. LIGHTS - LAMP ASSEMBLY - ECCO



ART\_1001247139



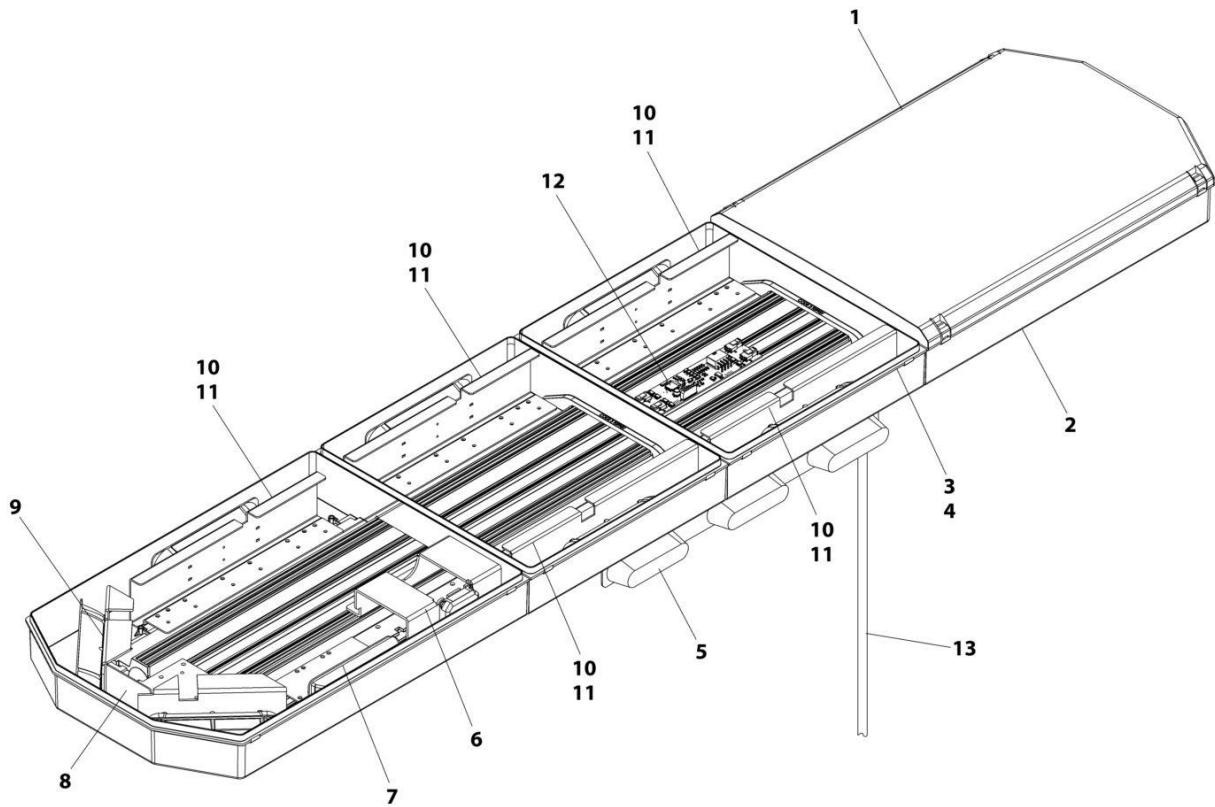
## SECTION 7 - ELECTRICAL

### FIGURE 7-33. LIGHTS - LAMP ASSEMBLY - ECCO

ITEM	PART NUMBER	QTY	DESCRIPTION	REV
	1001247139	Ref	LIGHTBAR ASSEMBLY - ECCO	A
	70070000	AR	Module, Amber	
	70070001	1 pr	Light, Work/Alley	
	70070002	1	Cable Kit (Includes 2 Modules, Harness & Stop/Turn/Taillight Cables)	
	70070003	1	PC Board, Driver	

# SECTION 7 - ELECTRICAL

## FIGURE 7-34. LIGHTS - LAMP ASSEMBLY - CODE 3



ART\_1001136990

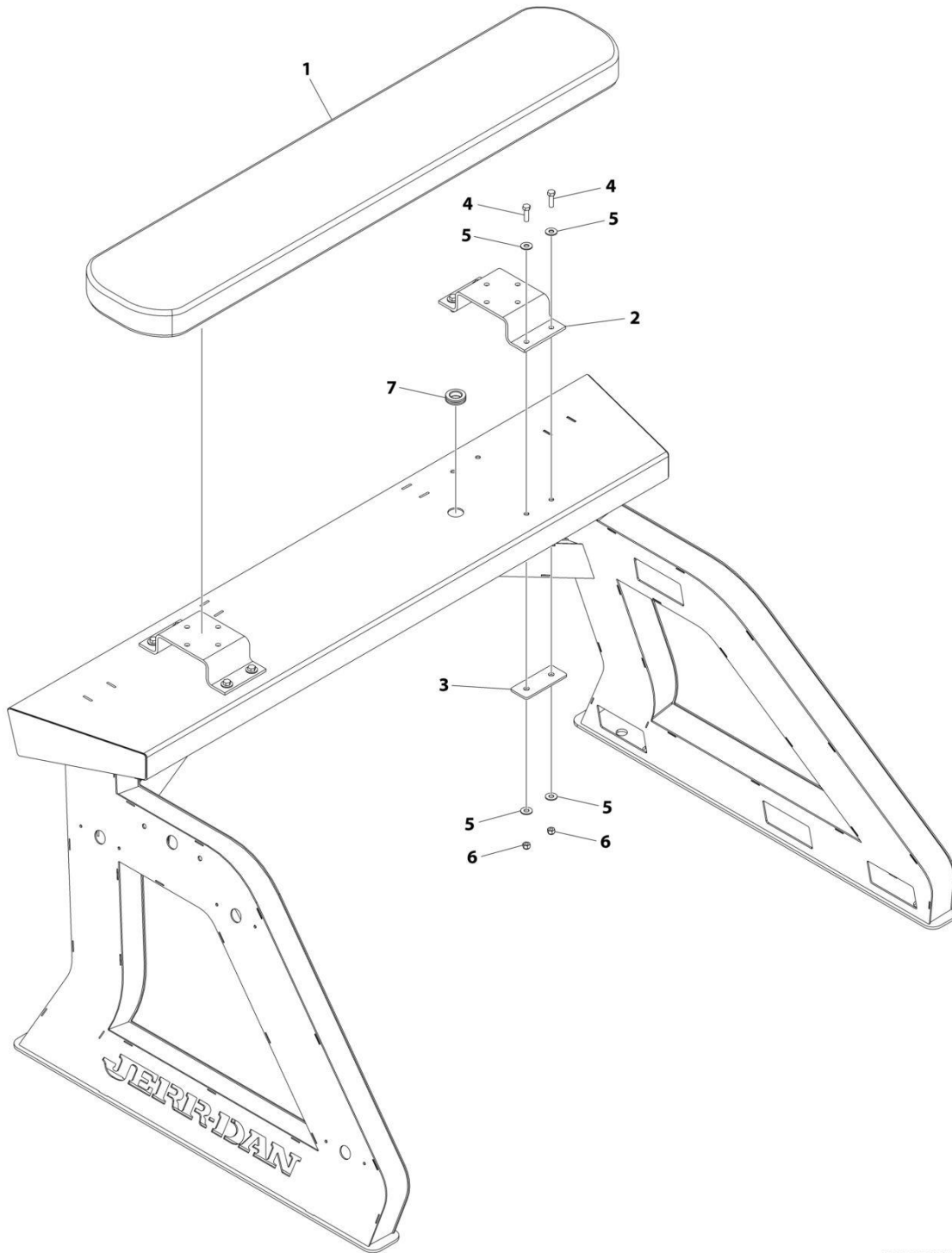
## SECTION 7 - ELECTRICAL

**FIGURE 7-34. LIGHTS - LAMP ASSEMBLY - CODE 3**

ITEM	PART NUMBER	QTY	DESCRIPTION	REV
	1001136990	Ref	LIGHTS - LAMP ASSEMBLY - 58IN AMBER CODE3	D
1	9590310197	2	Lens, Clear Upper Outboard	
2	9590310200	2	Lens, Clear, Lower Outboard	
3	9590310203	2	Lens, Clear Lower Center	
4	9590310195	2	Lens, Clear Upper Center	
5	1001126269	1	3 Light D.O.T. Strip	
6	70050164	2	Worklight, LED	
7	1001130702	2	Module, LED Stop/Tail/Turn	
8	70050166	4	Bracket, Blank	
9	9590310206	4	Module, Bracket	
10	9590310205	6	Module, Led Amber	
11	9590310202	6	Bracket, Mounting	
12	70050167	1	Controller, General	
13	70050165	1	Cable, Jerr-Dan 9 Wire	
14	70050980	1	Harness, Internal Input (Not Shown)	
15	70050981	1	Harness, Internal Output (Not Shown)	

# SECTION 7 - ELECTRICAL

## FIGURE 7-35. LIGHTS - LIGHTBAR INSTALLATION - 60IN AMBER WHELEN



ART\_1001214377

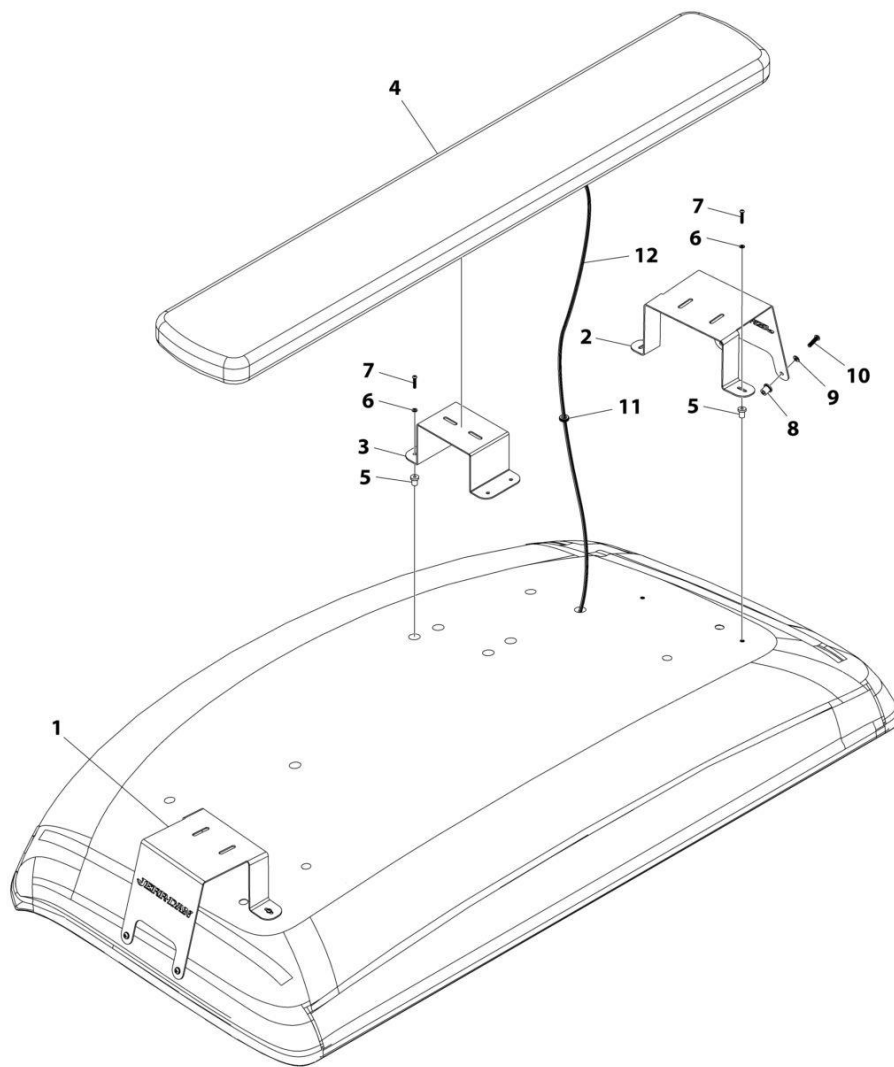
## SECTION 7 - ELECTRICAL

**FIGURE 7-35. LIGHTS - LIGHTBAR INSTALLATION - 60IN AMBER WHELEN**

ITEM	PART NUMBER	QTY	DESCRIPTION	REV
	1001214377	Ref	LIGHTS - LIGHTBAR INSTALLATION - 60IN AMBER WHELEN	B
1	1001199475	1	Lightbar Assembly (See Separate Breakdown in this Section)	
2	1001267280	2	Bracket <b>(SN 0230004275 through 0230009234)</b>	
2	4178000234	1	Bracket <b>(SN 0230009235 to Present)</b>	
3	1001214128	4	Plate	
4	0641610	8	Capscrew 3/8 x 1-1/4	
5	4751600	16	Washer 3/8	
6	7660162601	8	Nut 3/8	
7	7493000011	1	Grommet	

# SECTION 7 - ELECTRICAL

## FIGURE 7-36. LIGHTBAR INSTALLATION (CAB MOUNTED)



ART\_1001216570

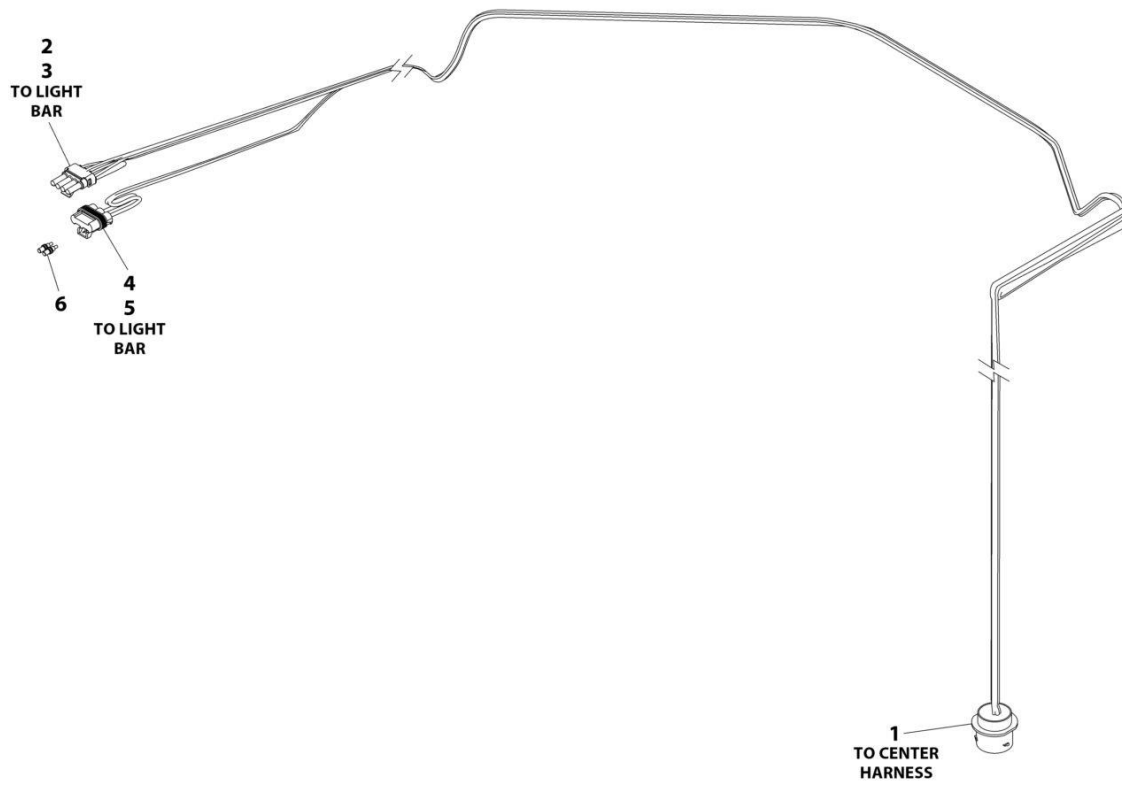
## SECTION 7 - ELECTRICAL

### FIGURE 7-36. LIGHTBAR INSTALLATION (CAB MOUNTED)

ITEM	PART NUMBER	QTY	DESCRIPTION	REV
	1001216570	Ref	LIGHTBAR INSTALLATION (CAB MOUNTED)	A
1	1001215955	1	Bracket (LH)	
2	1001215956	1	Bracket (RH)	
3	1001215957	1	Bracket	
4	1001199477	1	Lightbar Assembly (See Separate Breakdown in this Section)	
5	1001213131	8	Nut	
6	1001170307	8	Washer	
7	1001216317	8	Screw	
8	1001216373	4	Nut	
9	1001170329	4	Washer	
10	1001216372	4	Screw	
11	1001101025	1	Grommet	
12	1001216571	1	Lightbar Harness (See Separate Breakdown in this Section)	
13	5526000553	4	Tie-Strap (Not Shown)	

# SECTION 7 - ELECTRICAL

## FIGURE 7-37. LIGHT BAR HARNESS (CAB MOUNTED)



ART\_1001216571



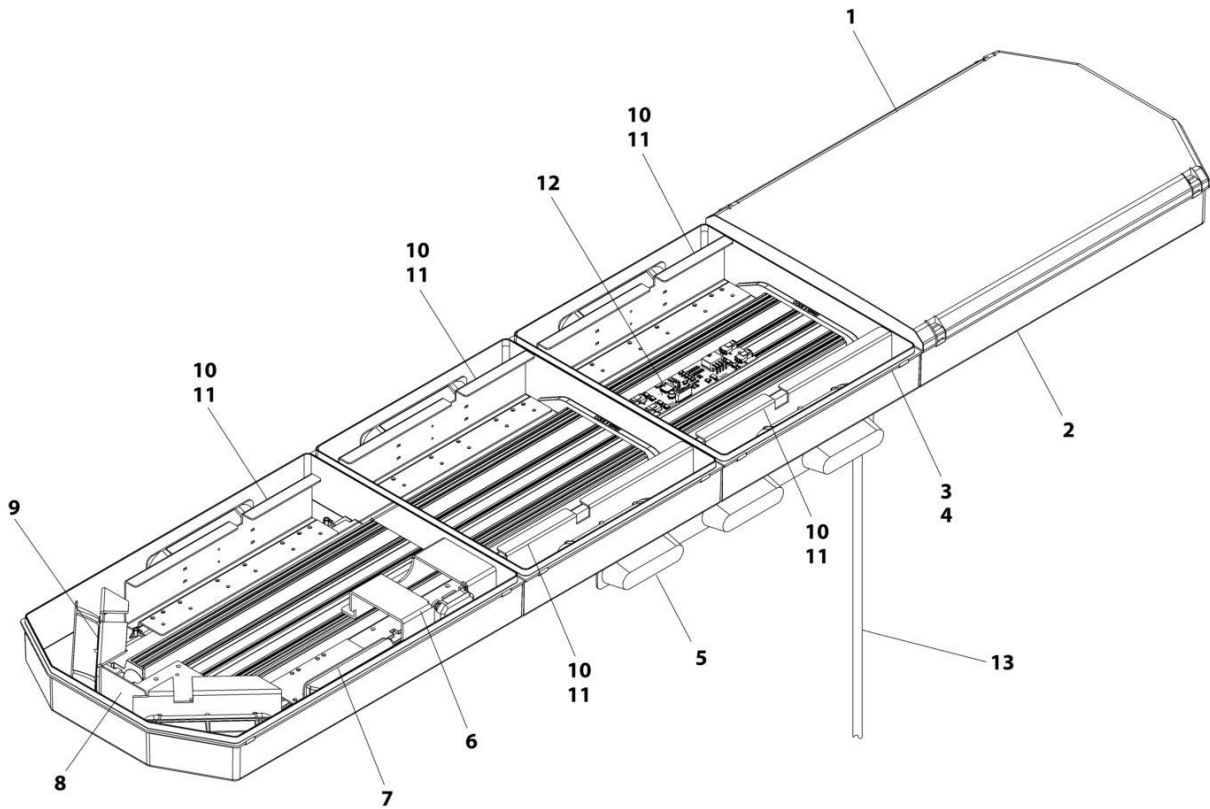
## SECTION 7 - ELECTRICAL

**FIGURE 7-37. LIGHT BAR HARNESS (CAB MOUNTED)**

ITEM	PART NUMBER	QTY	DESCRIPTION	REV
	1001216571	Ref	LIGHTBAR HARNESS (CAB MOUNTED)	A
1	NPN	1	Connector - 18 Position	
1	91143339	1	Pin, Male	
1	4460464	3	Pin, Male	
1	4460508	1	Pin, Male	
1	4460941	1	Plug, Terminal	
1	4460466	12	Plug, Terminal	
2	4460850	4	Terminal	
3	4460460	1	Connector - 4 Position	
3	4460457	4	Terminal	
3	NPN	4	Seal	
4	NPN	3	Terminal	
5	8220935	1	Connector - 3 Position	
5	8220099	3	Terminal	
5	7346000108	1	Lock	
5	NPN	AR	Seal	
5	NPN	AR	Seal	
6	4460867	1	Connector - 2 Position	
6	1001116727	2	Terminal	

# SECTION 7 - ELECTRICAL

FIGURE 7-38. LIGHTS - LAMP ASSEMBLY - 58IN RED CODE3



ART\_1001152815

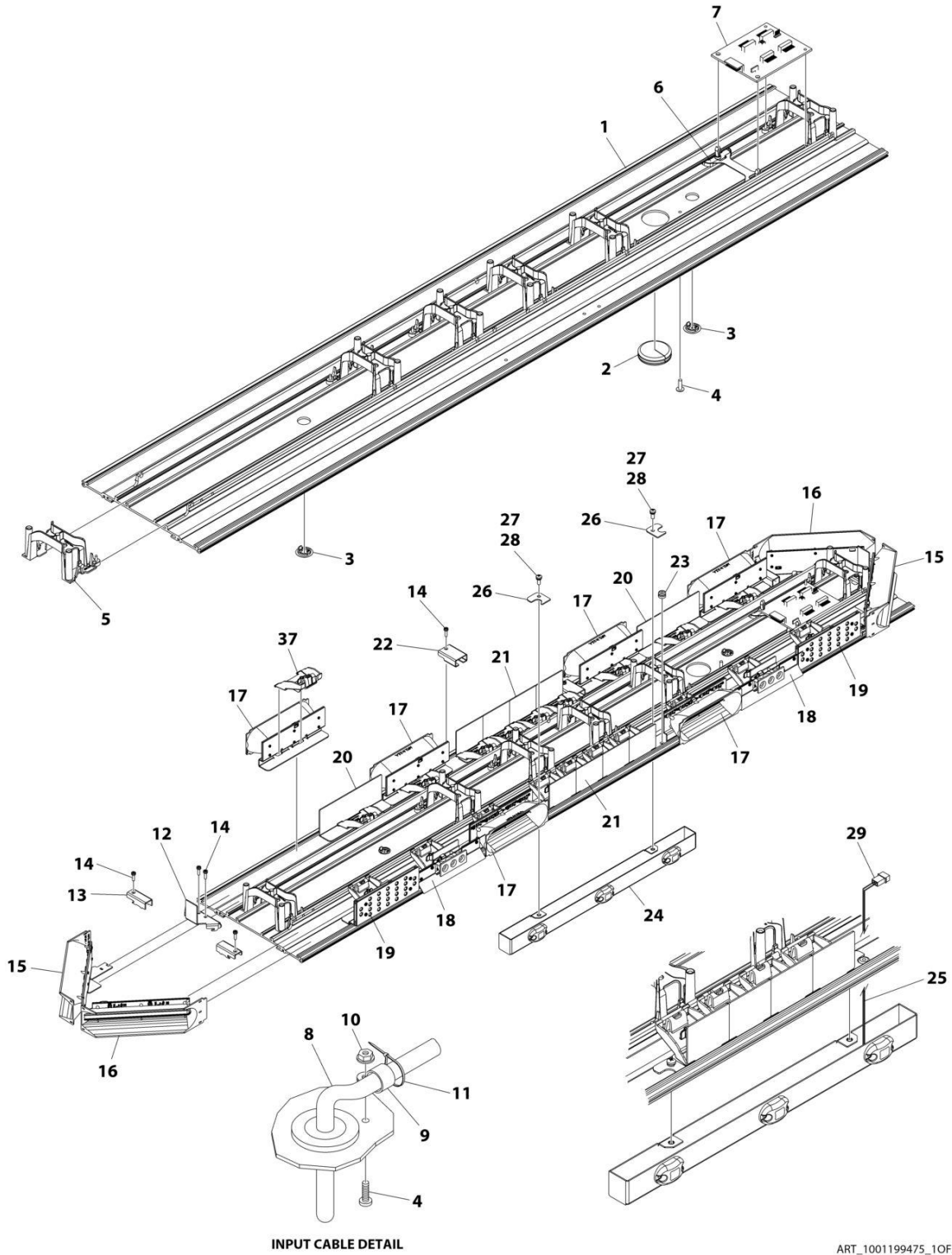
## SECTION 7 - ELECTRICAL

**FIGURE 7-38. LIGHTS - LAMP ASSEMBLY - 58IN RED CODE3**

ITEM	PART NUMBER	QTY	DESCRIPTION	REV
	1001152815	Ref	LIGHTS - LAMP ASSEMBLY - 58IN RED CODE3	B
1	9590310197	2	Lens, Clear Upper Outboard	
2	9590310200	2	Lens, Clear, Lower Outboard	
3	9590310203	2	Lens, Clear Lower Center	
4	9590310195	2	Lens, Clear Upper Center	
5	1001126269	1	3 Light D.O.T. Strip	
6	70050164	2	Worklight, LED	
7	1001130702	2	Module, LED Stop/Tail/Turn	
8	70050166	4	Bracket, Blank	
9	70050979	6	Bracket	
10	70050722	6	Module	
11	9590310202	6	Bracket, Mounting	
12	70050167	1	Controller, General	
13	70050165	1	Cable, Jerr-Dan 9 Wire	
14	70050980	1	Harness, Internal Input (Not Shown)	
15	70050981	1	Harness, Internal Output (Not Shown)	

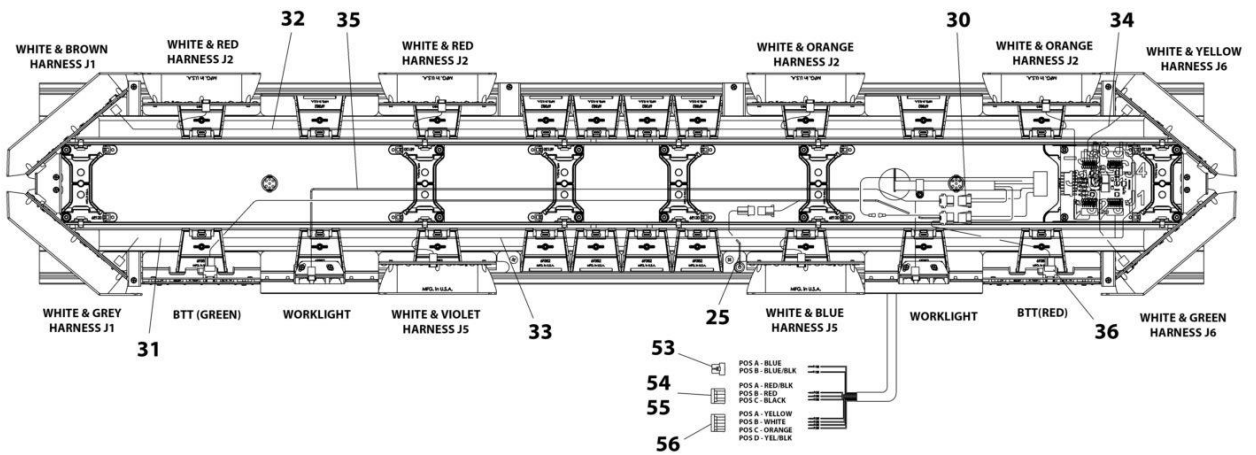
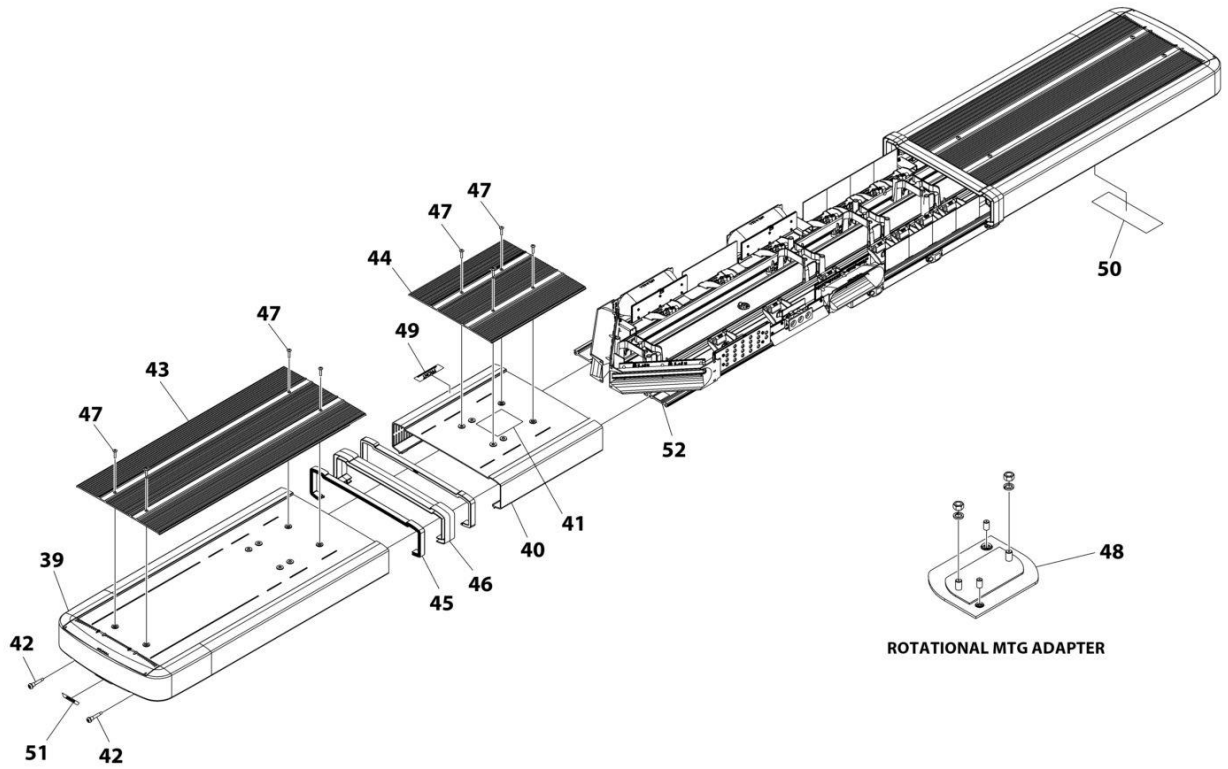
# SECTION 7 - ELECTRICAL

## FIGURE 7-39. LIGHTS - LAMP ASSEMBLY - 60IN AMBER WHELEN



ART\_1001199475\_10F2

# SECTION 7 - ELECTRICAL



ART\_1001199475\_20F2

## SECTION 7 - ELECTRICAL

FIGURE 7-39. LIGHTS - LAMP ASSEMBLY - 60IN AMBER WHELEN

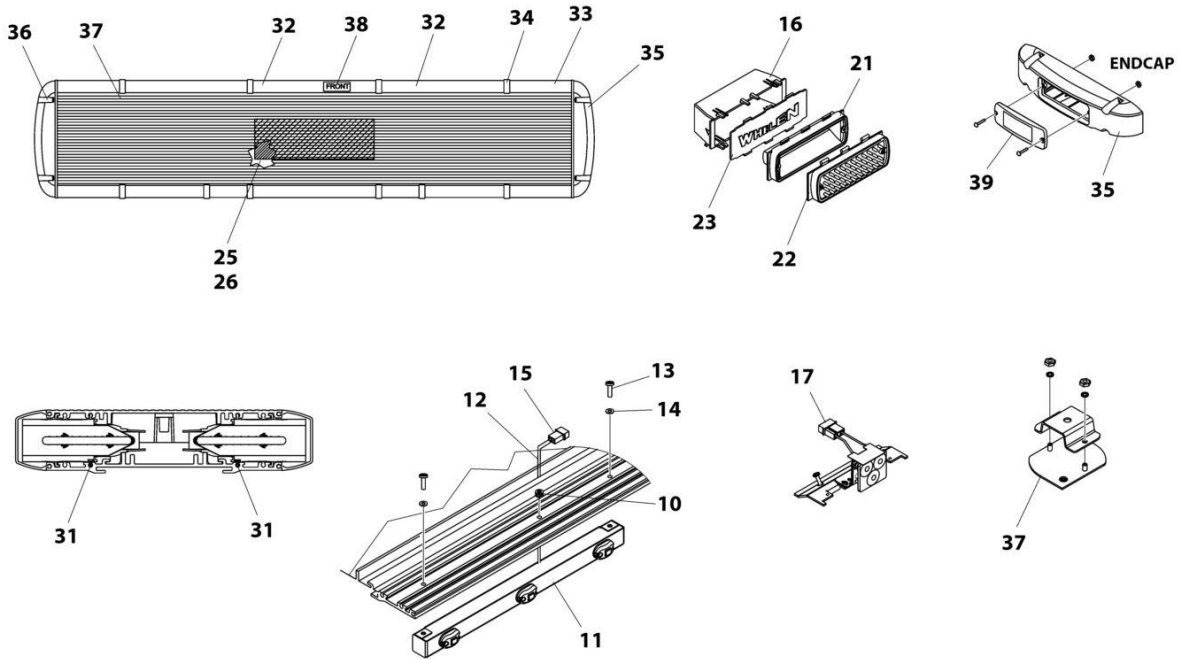
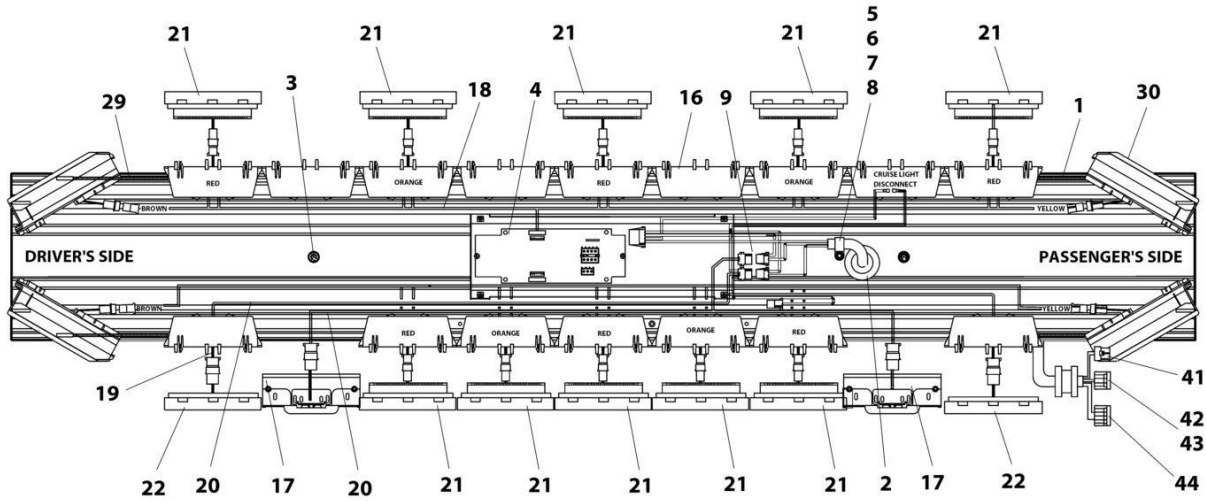
ITEM	PART NUMBER	QTY	DESCRIPTION	REV
	1001199475	Ref	LIGHTS - LAMP ASSEMBLY - 60IN AMBER WHELEN	B
1	70051058	1	Base	
2	70050169	1	Grommet	
3	70050170	2	Plug	
4	70051059	1	Screw #10 x 5/8	
5	70051021	6	Bracket	
6	70051022	1	Bracket	
7	70051023	1	Circuit Board	
8	70051060	1	Cable	
9	70050665	1	Clamp	
10	70050174	1	Nut #10	
11	70051026	AR	Tie Wrap	
12	70051027	2	Bracket	
13	70051035	4	Bracket	
14	70051028	10	Screw #6 x 1/2	
15	70051029	2	Lamp, Rear Amber	
16	70051030	2	Lamp, Front Amber	
17	70051063	6	Lamp, 6 LED	
18	70051064	2	Lamp, 3 LED	
19	70051065	2	Lamp	
20	70051066	2	Bracket	
21	70051036	8	Bracket	
22	70051039	2	Bracket	
23	70050176	1	Grommet	
24	70051068	1	Lamp	
25	70050178	1	Harness	
26	70051069	2	Bracket	
27	70050179	2	Screw #10 x 1/2	
28	70050180	2	Lockwasher #10	
29	70050181	1	Housing	
30	70050175	2	Housing	
31	70051070	1	Harness	
32	70051071	1	Harness	
33	70051072	1	Harness	
34	70051073	1	Harness	
35	70051074	1	Harness	
36	70051075	1	Harness	
37	70051044	20	Bracket	
38	70051045	AR	Tie Wrap (Not Shown)	
39	70051076	1	Lens	
40	70051077	1	Lens	
41	70051078	1	Label	
42	70050203	4	Screw #10 x 1-1/4	
43	70051062	2	Cover	
44	70051061	1	Cover	
45	70051048	4	Seal	
46	70051049	2	Lens	
47	70051053	12	Screw #10 x 7/8	
48	70050204	2	Adapter	
49	70051055	1	Label	

## SECTION 7 - ELECTRICAL

ITEM	PART NUMBER	QTY	DESCRIPTION	REV
50	70050207	1	Label	
51	70051056	2	Label	
52	70051057	1	Label	
53	70050208	1	Housing	
54	70050209	1	Connector	
55	70050210	1	Housing	
56	70050211	1	Housing	

# SECTION 7 - ELECTRICAL

## FIGURE 7-40. LIGHTS - LIGHTBAR ASSEMBLY (CAB MOUNTED)



ART\_1001199477



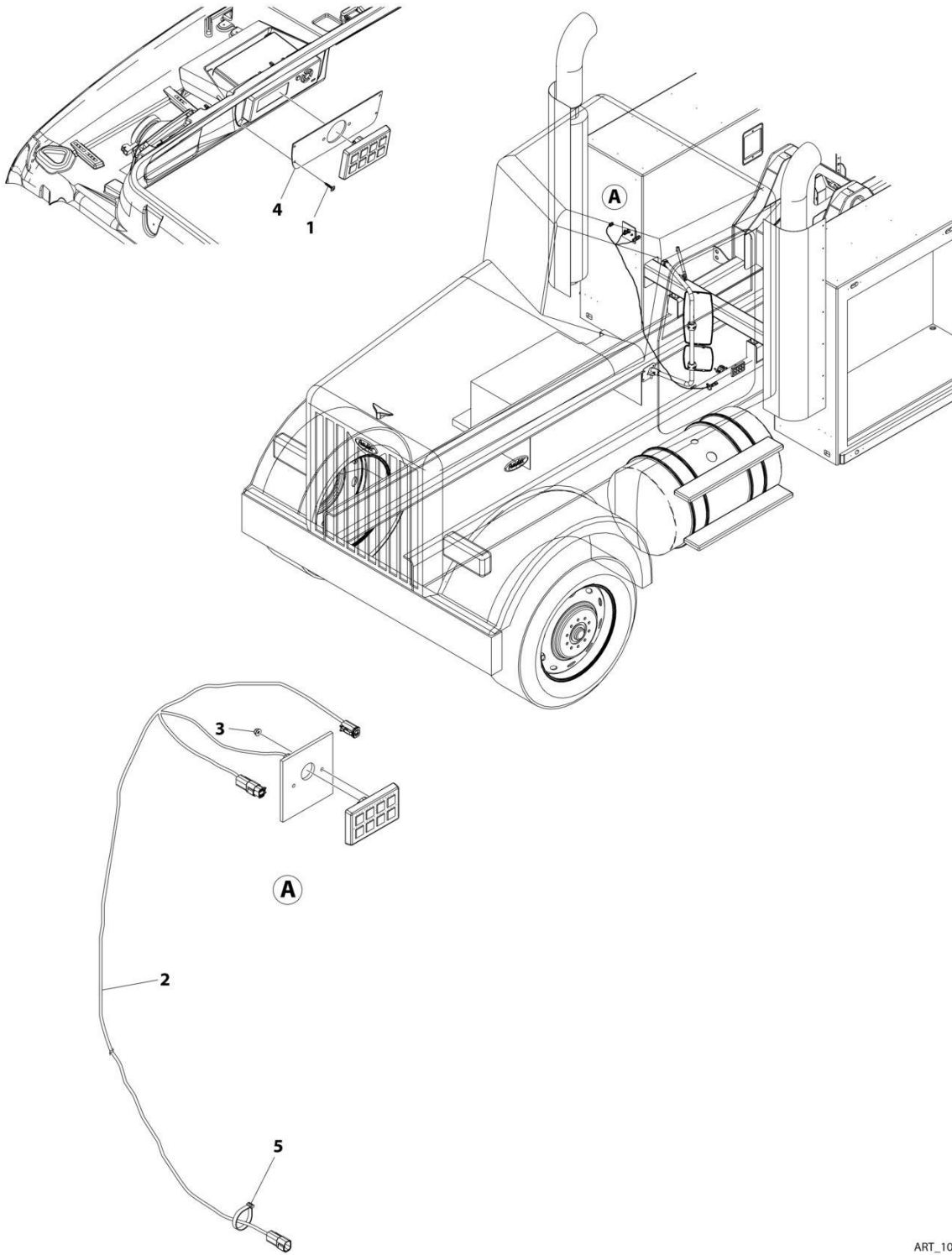
## SECTION 7 - ELECTRICAL

**FIGURE 7-40. LIGHTS - LIGHTBAR ASSEMBLY (CAB MOUNTED)**

ITEM	PART NUMBER	QTY	DESCRIPTION	REV
	1001199477	Ref	Lightbar 72" LED - Whelen	B
1	70050392	1	Base	
2	70050169	1	Grommet	
3	70050170	2	Plug	
4	70050163	1	Assembly, HC I/O Liberty, Jerr-Dan	
5	70050171	1	Cable	
6	70050172	1	Screw #10 x 1	
7	70050393	1	Clamp	
8	70050174	1	Wiznut #10	
9	70050175	2	Housing	
10	70050176	1	Grommet	
11	70050177	1	Light Cluster	
12	70050178	1	Harness	
13	70050179	2	Screw #10 x 1/2	
14	70050180	2	Washer #10	
15	70050181	1	Housing	
16	70050182	16	Housing	
17	70050183	2	LR11 TD Single Full	
18	70050394	2	Harness	
19	70050185	1	Harness	
20	70050186	1	Harness	
21	70050187	10	Light Assembly, LED	
22	70050188	2	500 BTT Max	
23	70050189	4	Panel	
24	70050190	2	End Support Bracket (Not Shown)	
25	70050191	1	Insulator	
26	70050192	1	Decal	
27	70050395	1	Top Cover (Not Shown)	
28	70050194	4	Screw #10 x 3/8 (Not Shown)	
29	70050195	4	Spacer	
30	70050196	4	Corner LED Assembly	
31	70050197	4	Spacer	
32	70050199	6	Lens	
33	70050200	4	Lens	
34	70050201	8	Lens Divider	
35	70050202	2	End Cap	
36	70050203	8	Screw #10 x 1-1/4	
37	70050204	3	Rotational Mtg Adapter	
38	70050205	1	Label, "Front"	
39	70050206	1	Label, Jerr-Dan Logo	
40	70050207	1	Label, Model and Serial Number (Not Shown)	
41	70050208	1	Connector	
42	70050209	1	Connector	
43	70050210	1	Connector	
44	70050211	1	Connector	

# SECTION 7 - ELECTRICAL

## FIGURE 7-41. LIGHTS - LIGHT SWITCH PANEL INSTALLATION - SINGLE



ART\_1001232969

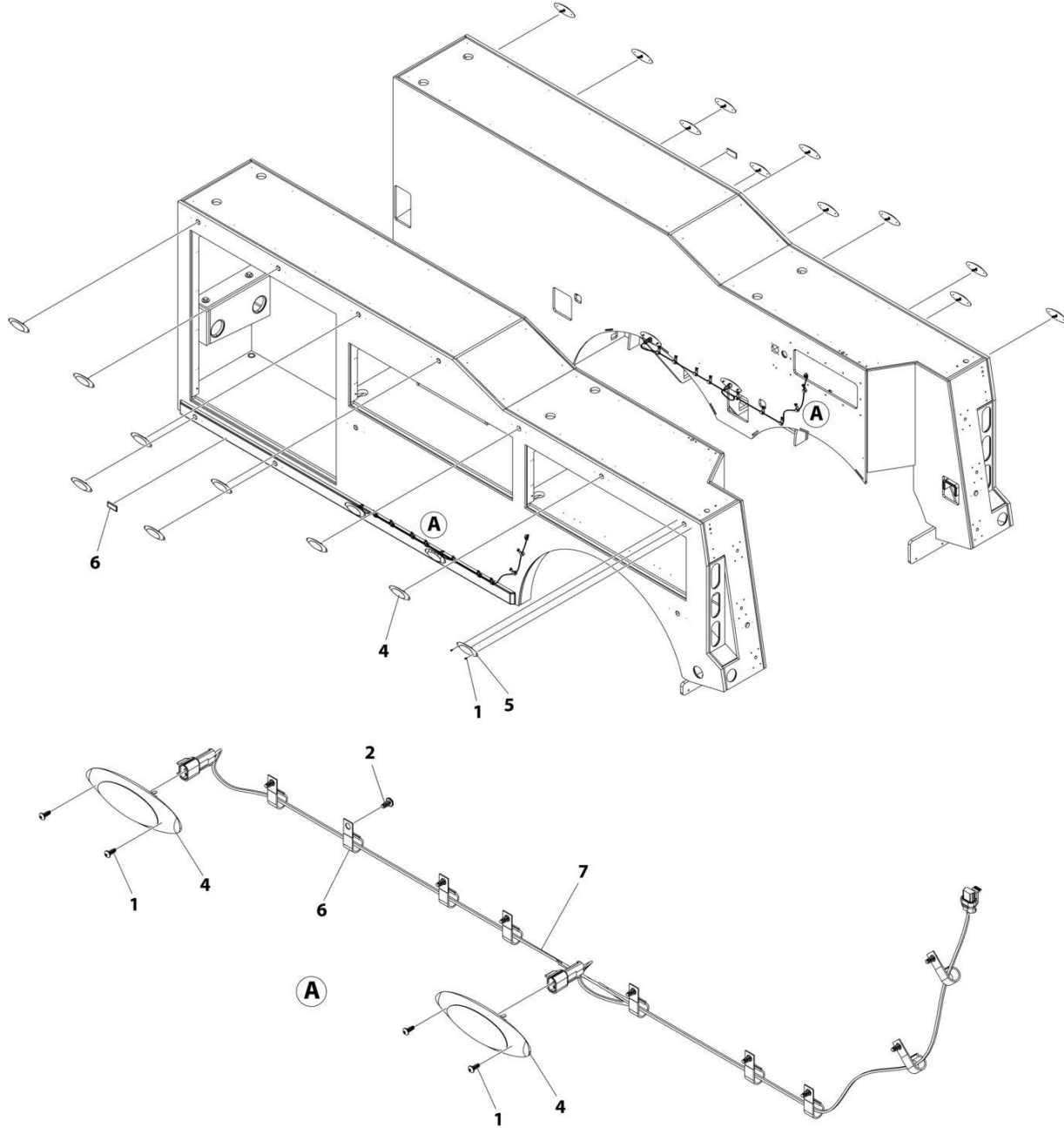
## SECTION 7 - ELECTRICAL

### FIGURE 7-41. LIGHTS - LIGHT SWITCH PANEL INSTALLATION - SINGLE

ITEM	PART NUMBER	QTY	DESCRIPTION	REV
	1001232969	Ref	SWITCH PANEL KW T800, W9, T440, SINGLE LIGHTING INSTALLATION	B
1	1001232209	4	Screw #8	
2	1001208976	1	Harness (See Separate Breakdown in ELECTRICAL Section)	
3	1001209616	2	Nut #10	
4	1001232957	1	Support, Switch Panel	
5	7894000004	7	Tie Strap	

# SECTION 7 - ELECTRICAL

## FIGURE 7-42. LIGHTS - MARKER LIGHTS INSTALLATION - SINGLE AXLE



ART\_1001289266

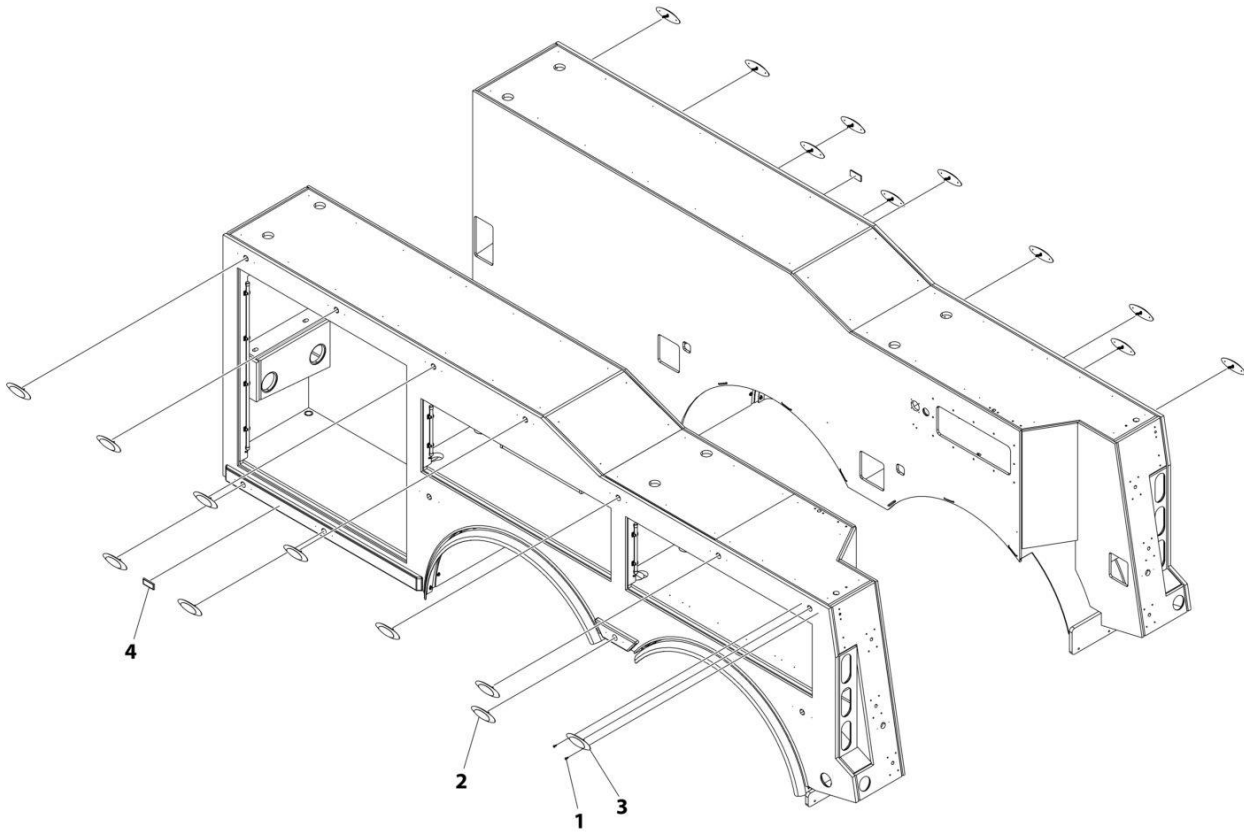
## SECTION 7 - ELECTRICAL

**FIGURE 7-42. LIGHTS - MARKER LIGHTS INSTALLATION - SINGLE AXLE**

ITEM	PART NUMBER	QTY	DESCRIPTION	REV
	1001289266	Ref	LIGHTS - MARKER LIGHTS INSTALLATION - SINGLE AXLE	A
1	1001192958	44	Screw #10 x 1/2	
2	1001195257	18	Screw 1/4 x 1/2	
3	7280000006	18	Clip	
4	7590000358	20	Light	
5	7590000359	2	Light	
6	7736000001	2	Reflector	
7	1001289464	2	Harness, Marker Lights	
7	1001117021	1	Connector	
7	4460746	2	Terminal	
7	4460458	6	Seal	
7	1001117026	2	Connector	
7	1001116745	4	Terminal	

**SECTION 7 - ELECTRICAL**

**FIGURE 7-43. MARKER LIGHTS INSTALLATION - BODY (TANDEM)**



ART\_1001289474

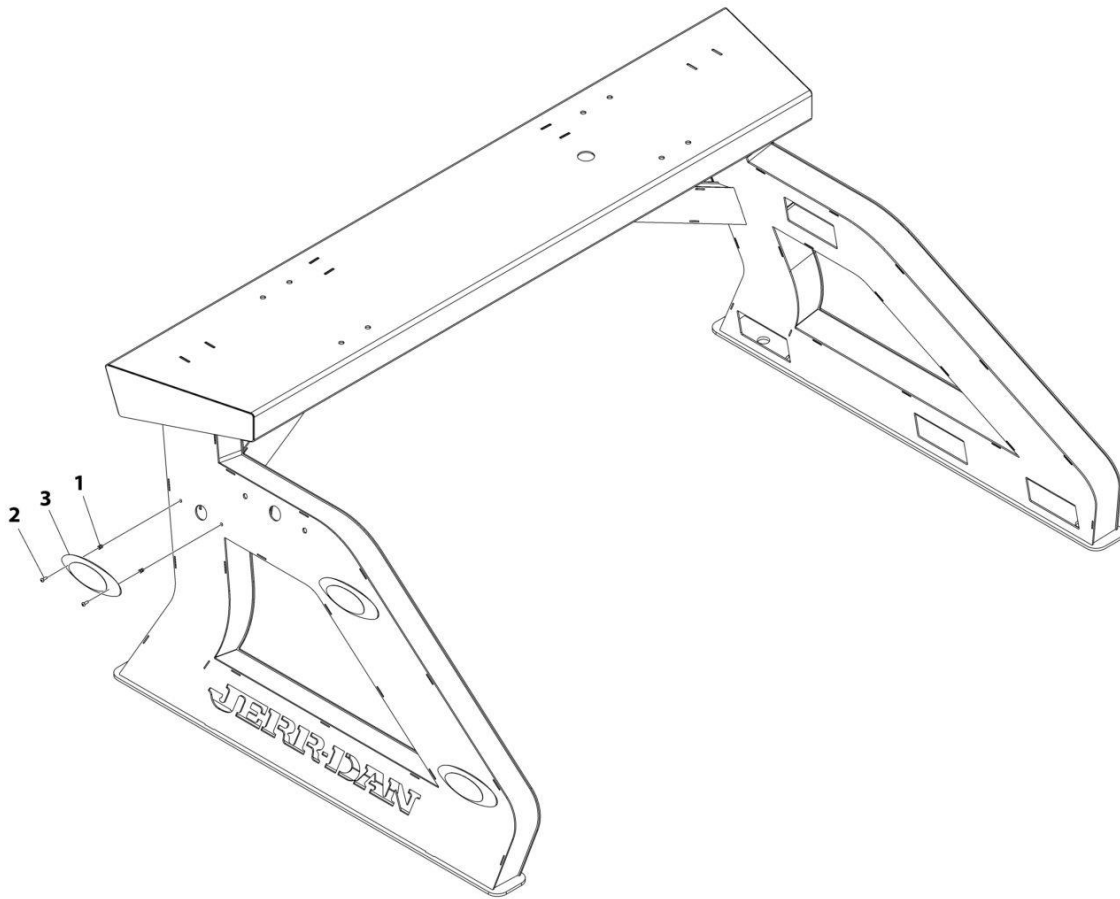
## SECTION 7 - ELECTRICAL

**FIGURE 7-43. MARKER LIGHTS INSTALLATION - BODY (TANDEM)**

ITEM	PART NUMBER	QTY	DESCRIPTION	REV
	1001289474	Ref	MARKER LIGHTS INSTALLATION - BODY (TANDEM)	A
1	1001192958	40	Screw #10 x 1/2	
2	7590000358	18	Light	
3	7590000359	2	Light	
4	7736000001	2	Reflector	

# SECTION 7 - ELECTRICAL

## FIGURE 7-44. MARKER LIGHTS INSTALLATION - PYLON



ART\_1001207488



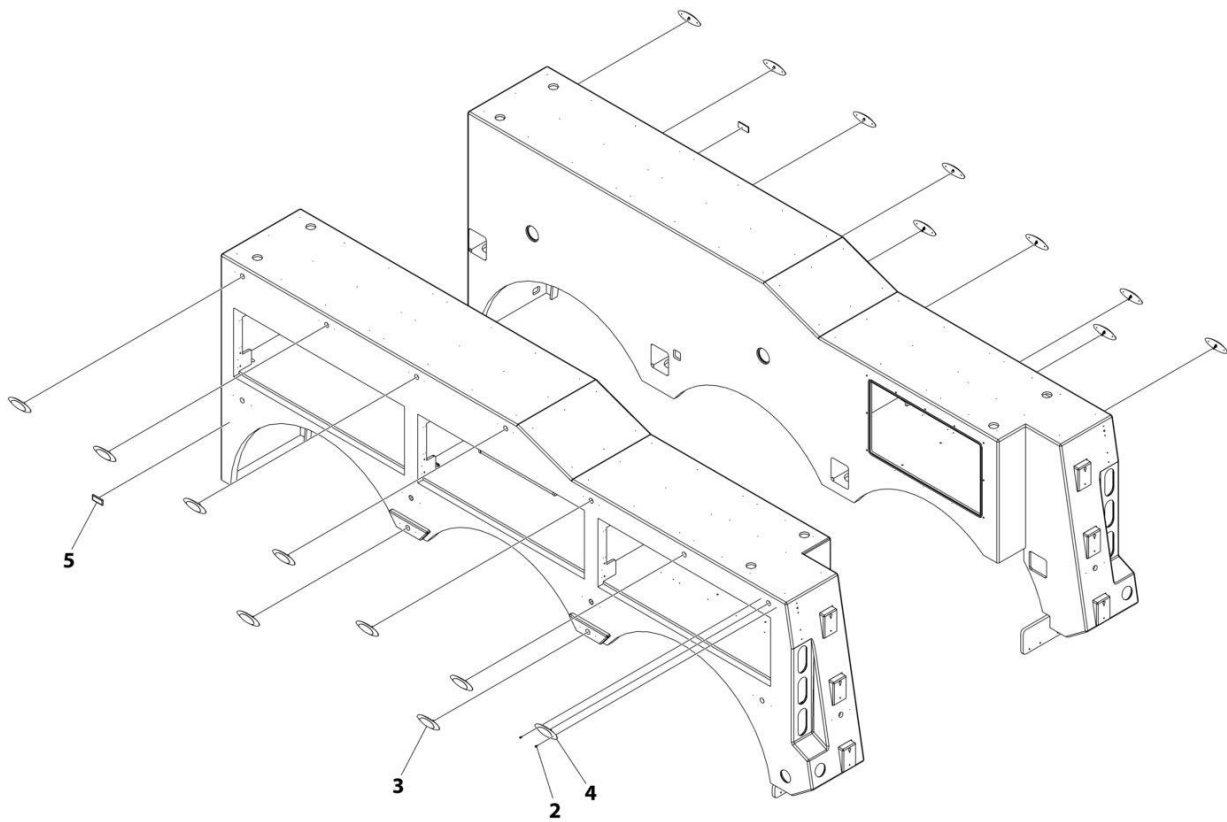
## SECTION 7 - ELECTRICAL

**FIGURE 7-44. MARKER LIGHTS INSTALLATION - PYLON**

ITEM	PART NUMBER	QTY	DESCRIPTION	REV
	1001207488	Ref	MARKER LIGHTS INSTALLATION - PYLON	B
1	1001151546	12	Nut #8	
2	7114080418	12	Screw #8 x 1/2	
3	7590000358	6	Light, Marker - Amber	

# SECTION 7 - ELECTRICAL

## FIGURE 7-45. LIGHTS - MARKER LIGHTS INSTALLATION - BODY (TRI-AXLE)



ART\_1001196594

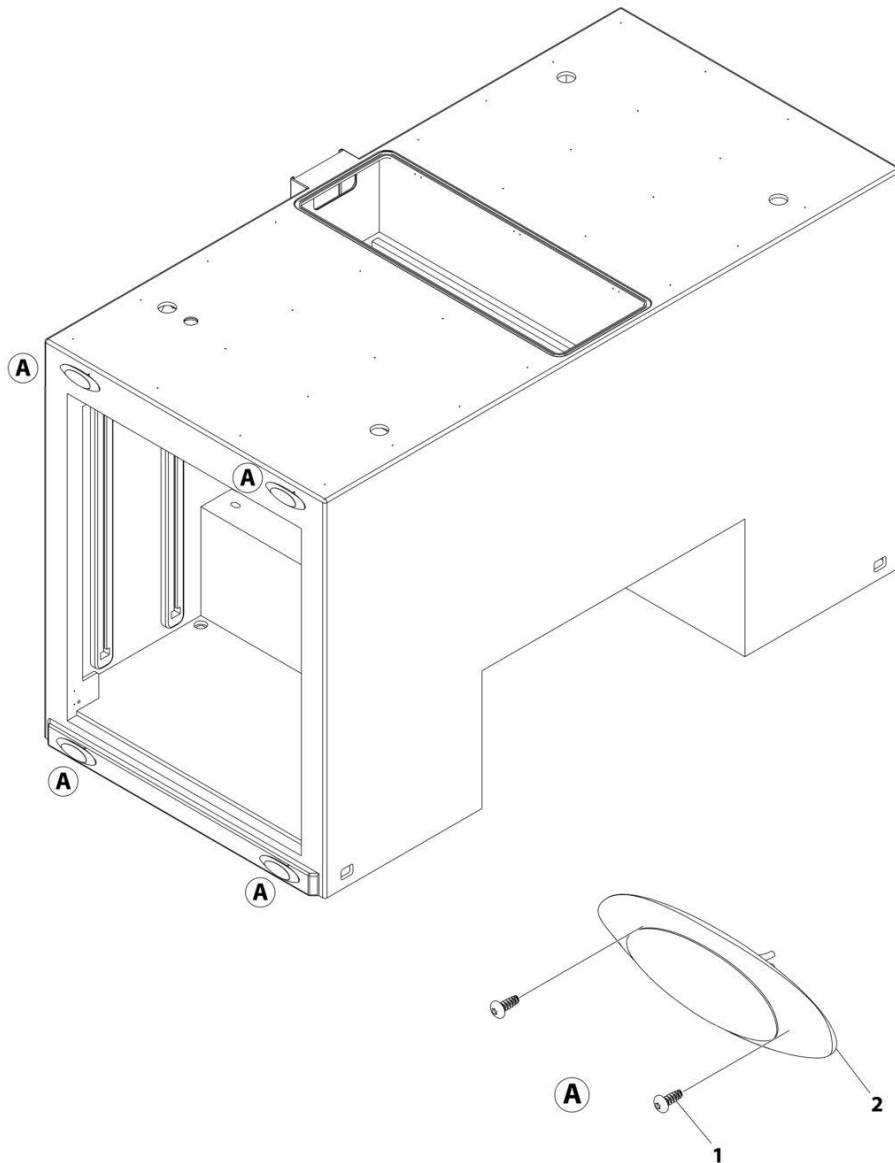
## SECTION 7 - ELECTRICAL

**FIGURE 7-45. LIGHTS - MARKER LIGHTS INSTALLATION - BODY (TRI-AXLE)**

ITEM	PART NUMBER	QTY	DESCRIPTION	REV
	1001196594	Ref	MARKER LIGHTS INSTALLATION - BODY (TRI-AXLE)	D
2	1001192958	36	Screw #10 x 1/2	
3	7590000358	16	Light	
4	7590000359	2	Light	
5	7736000001	2	Reflector	

# SECTION 7 - ELECTRICAL

FIGURE 7-46. LIGHTS - MARKER LIGHTS INSTALLATION, 48IN TUNNEL



ART\_1001196625

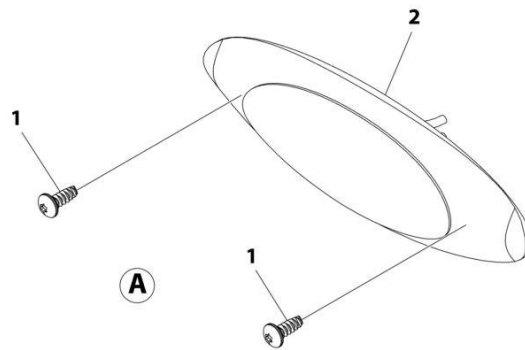
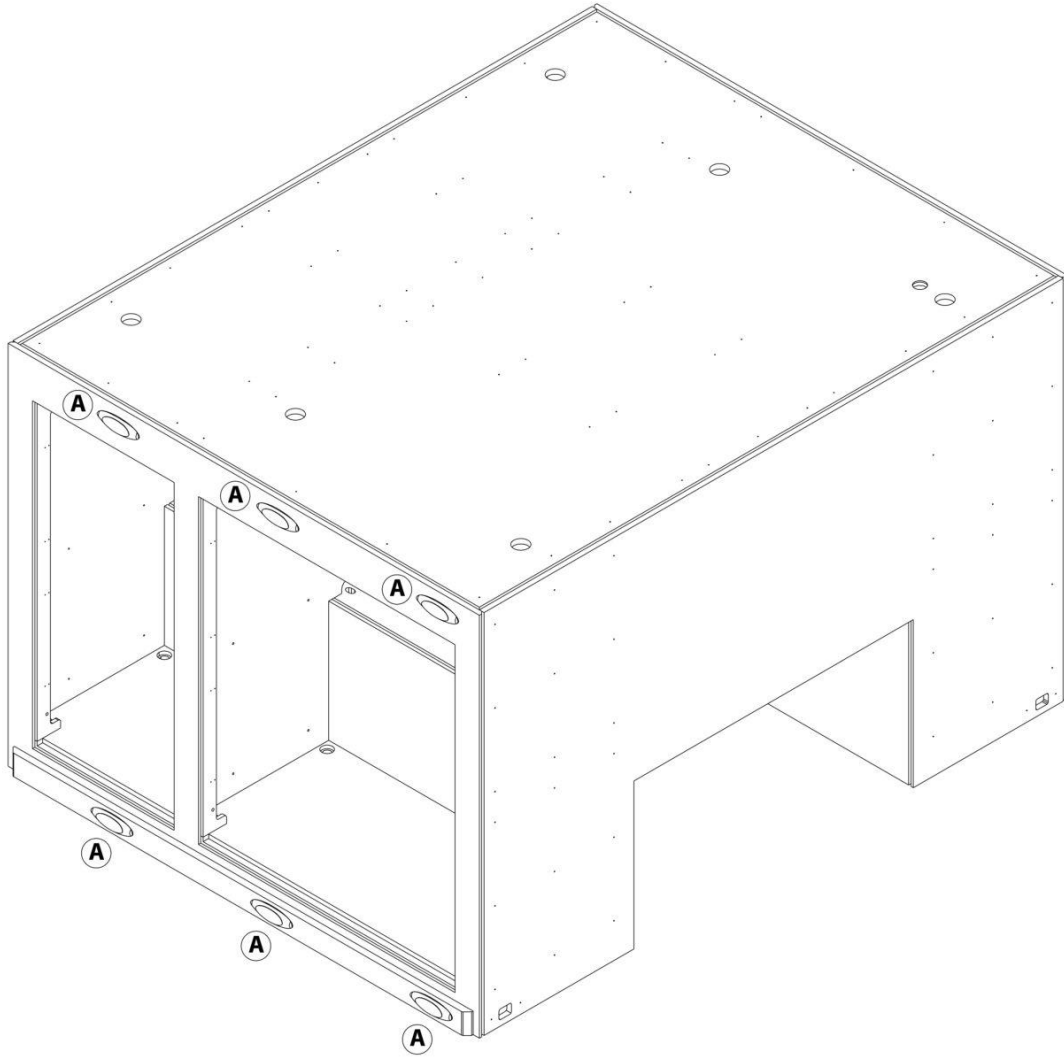
## SECTION 7 - ELECTRICAL

**FIGURE 7-46. LIGHTS - MARKER LIGHTS INSTALLATION, 48IN TUNNEL**

ITEM	PART NUMBER	QTY	DESCRIPTION	REV
	1001196625	Ref	LIGHTS - MARKER LIGHTS INSTALLATION, 48IN TUNNEL	D
1	1001192958	16	Screw #10 x 1/2	
2	7590000358	8	Light	

# SECTION 7 - ELECTRICAL

## FIGURE 7-47. LIGHTS - MARKER LIGHTS INSTALLATION - TUNNEL (DOUBLE)



ART\_1001270636

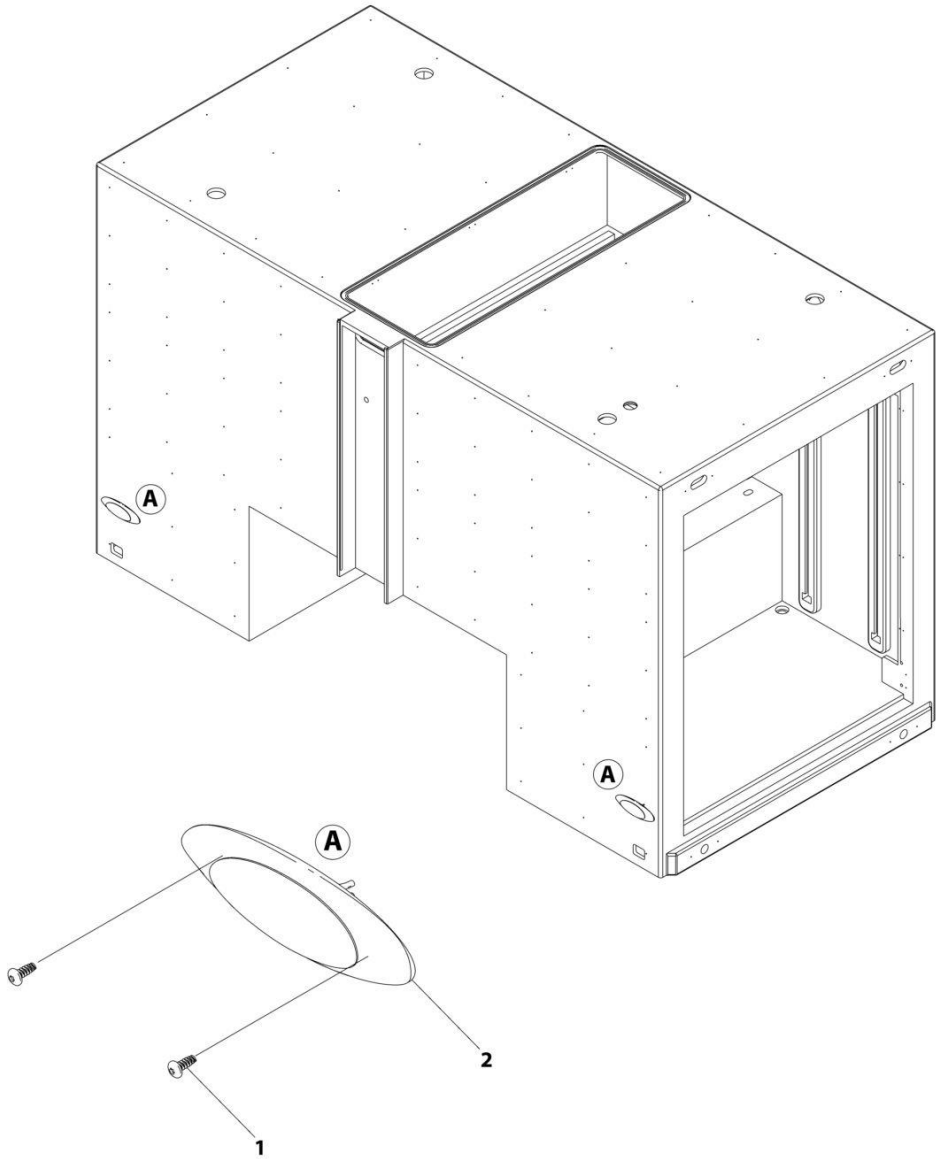
## SECTION 7 - ELECTRICAL

**FIGURE 7-47. LIGHTS - MARKER LIGHTS INSTALLATION - TUNNEL (DOUBLE)**

ITEM	PART NUMBER	QTY	DESCRIPTION	REV
	1001270636	Ref	MARKER LIGHTS INSTALLATION (DOUBLE)	A
1	1001192958	24	Screw #10 x 1/2	
2	7590000358	12	Light	

# SECTION 7 - ELECTRICAL

FIGURE 7-48. LIGHTS - MARKER LIGHT INSTALLATION (WITH NO FRONT DIAMOND PLATE)



ART\_1001219785



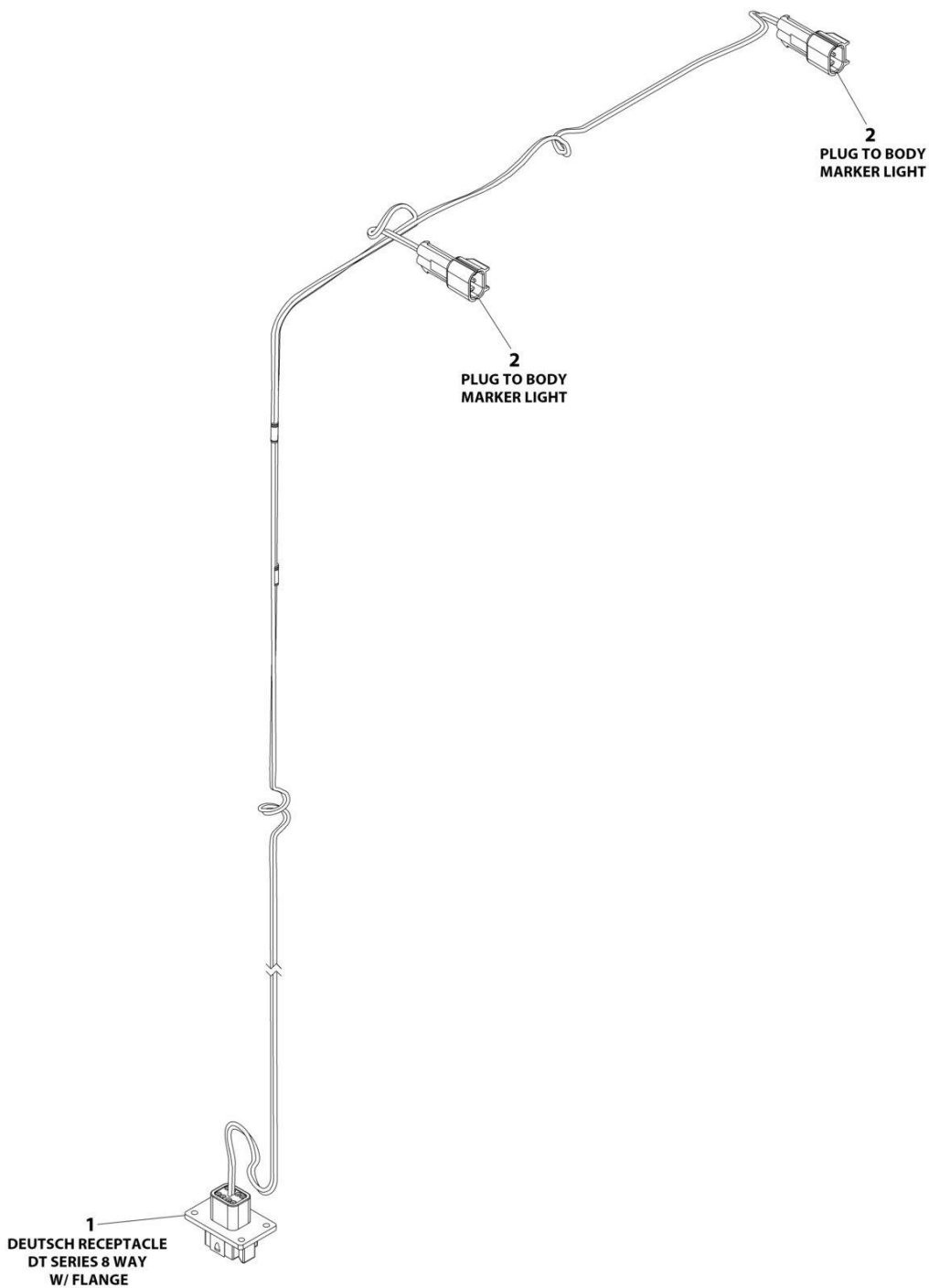
## SECTION 7 - ELECTRICAL

**FIGURE 7-48. LIGHTS - MARKER LIGHT INSTALLATION (WITH NO FRONT DIAMOND PLATE)**

ITEM	PART NUMBER	QTY	DESCRIPTION	REV
	1001219785	Ref	NO FRONT DIAMOND, MARKER ONLY	E
1	1001192958	4	Screw #10 x 1/2	
2	7590000358	2	Light	

# SECTION 7 - ELECTRICAL

## FIGURE 7-49. LIGHTS - MARKER 1 HARNESS (TANDEM)



ART\_1001216185

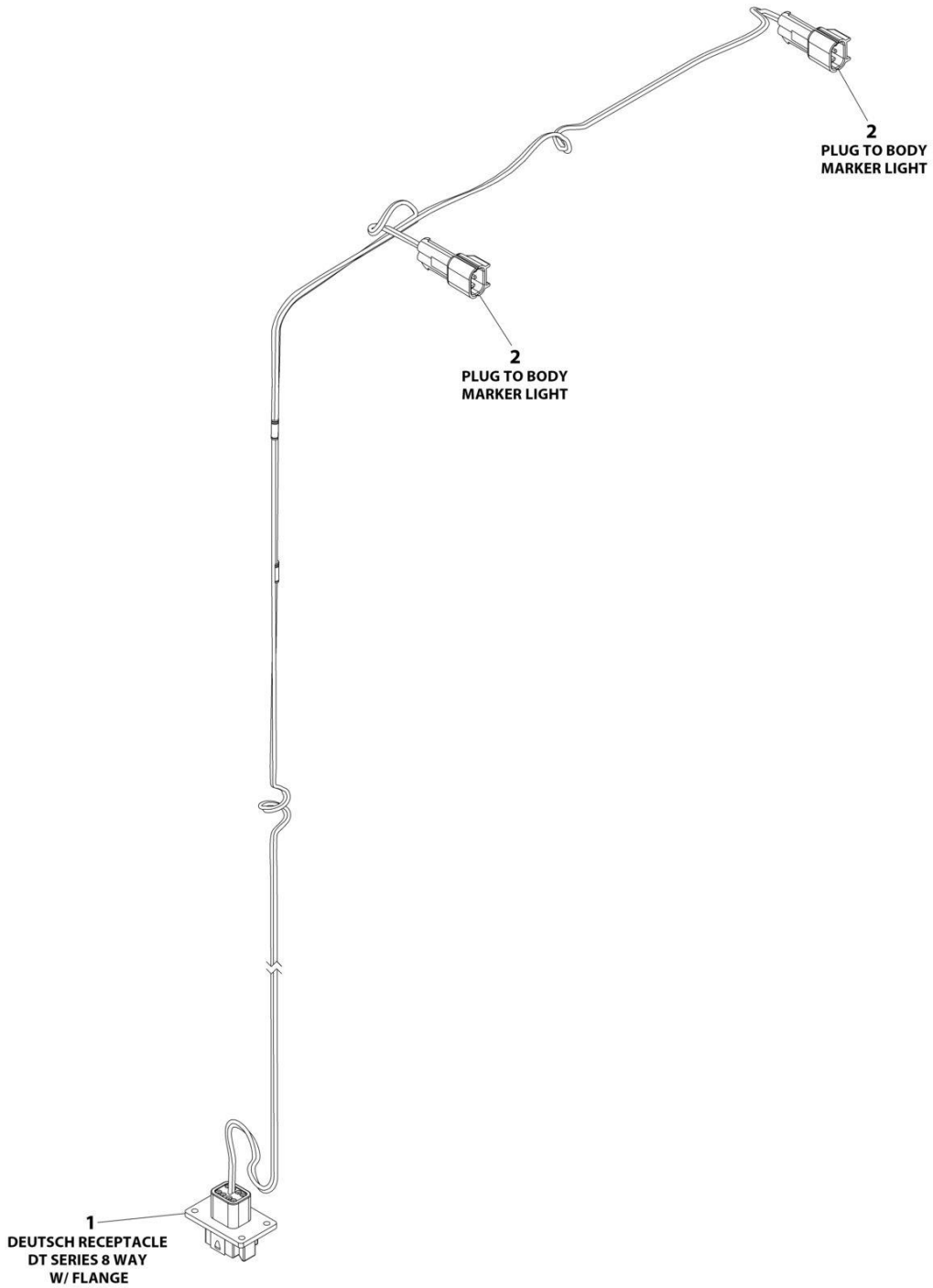
## SECTION 7 - ELECTRICAL

**FIGURE 7-49. LIGHTS - MARKER 1 HARNESS (TANDEM)**

ITEM	PART NUMBER	QTY	DESCRIPTION	REV
	1001216185	Ref	MARKER LIGHT 1 HARNESS (TANDEM)	B
1	1001269275	1	Connector	
1	80604024	1	Wedge, Locking	
1	4460464	2	Pin	
1	4460466	2	Plug	
1	NPN	1	Gasket	
2	1001117026	2	Connector	
2	NPN	1	Wedge, Locking	
2	1001116745	4	Socket	
2	4460458	4	Seal	

# SECTION 7 - ELECTRICAL

## FIGURE 7-50. LIGHTS - MARKER 2 HARNESS (TANDEM)



ART\_1001216186

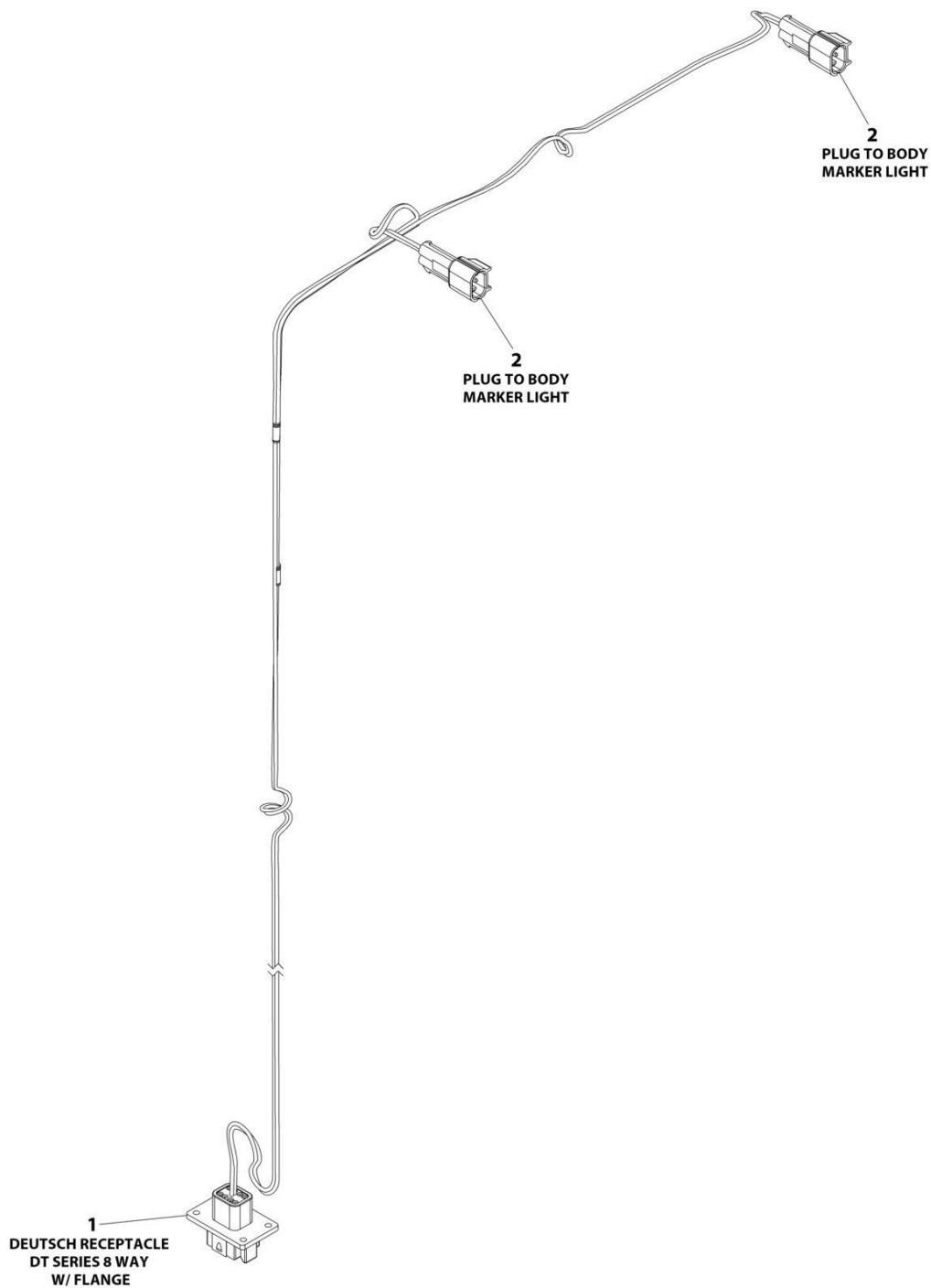
## SECTION 7 - ELECTRICAL

### FIGURE 7-50. LIGHTS - MARKER 2 HARNESS (TANDEM)

ITEM	PART NUMBER	QTY	DESCRIPTION	REV
	1001216186	Ref	MARKER LIGHT 2 HARNESS (TANDEM)	A
1	1001269275	1	Connector	
1	80604024	1	Wedge, Locking	
1	4460464	2	Pin	
1	4460466	5	Plug	
1	NPN	1	Gasket	
2	1001117026	2	Connector	
2	NPN	1	Wedge, Locking	
2	1001116745	4	Socket	
2	4460458	4	Seal	

# SECTION 7 - ELECTRICAL

## FIGURE 7-51. LIGHTS - MARKER 1 HARNESS (TRI-AXLE)



ART\_1001216190

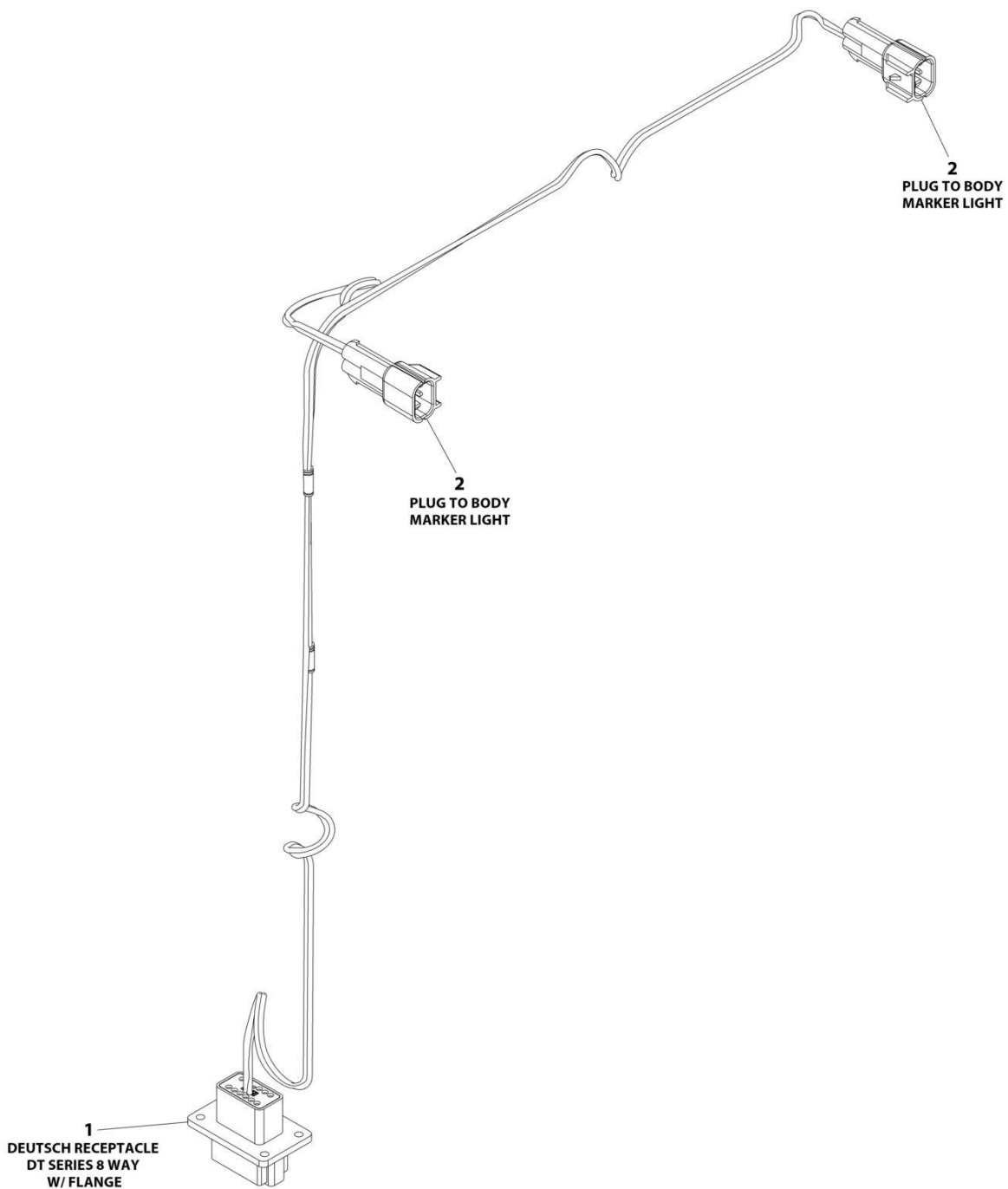
## SECTION 7 - ELECTRICAL

### FIGURE 7-51. LIGHTS - MARKER 1 HARNESS (TRI-AXLE)

ITEM	PART NUMBER	QTY	DESCRIPTION	REV
	1001216190	Ref	MARKER LIGHT 1 HARNESS (TRI)	A
1	1001269275	1	Connector	
1	80604024	1	Wedge, Locking	
1	4460464	2	Pin	
1	4460466	5	Plug	
1	NPN	1	Gasket	
2	1001117026	2	Connector	
2	NPN	2	Wedge, Locking	
2	1001116745	4	Socket	
2	4460458	4	Seal	

# SECTION 7 - ELECTRICAL

## FIGURE 7-52. LIGHTS - MARKER 2 HARNESS (TRI-AXLE)



ART\_1001216191



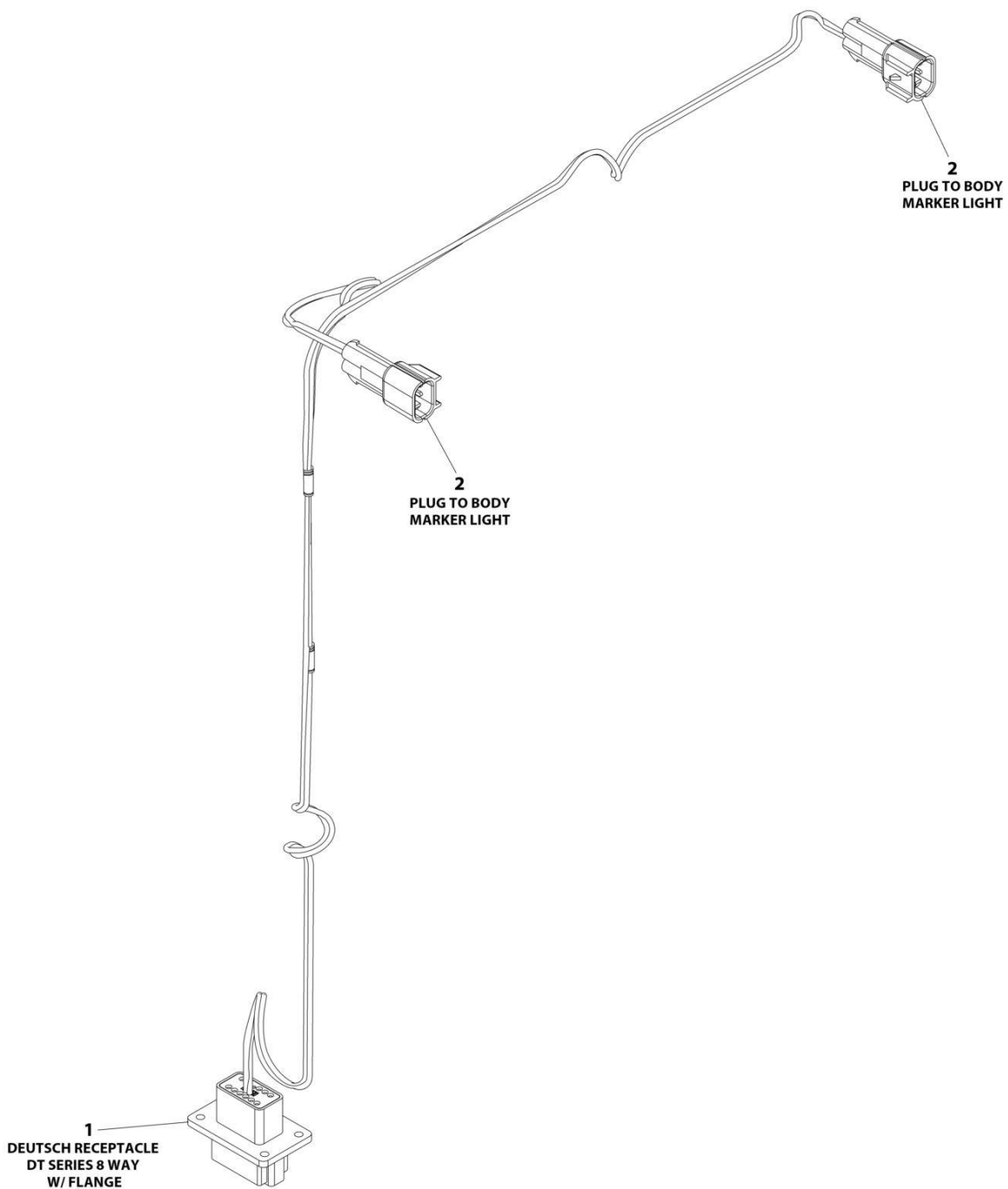
## SECTION 7 - ELECTRICAL

**FIGURE 7-52. LIGHTS - MARKER 2 HARNESS (TRI-AXLE)**

ITEM	PART NUMBER	QTY	DESCRIPTION	REV
	1001216191	Ref	MARKER LIGHT 2 HARNESS (TRI)	A
1	4460939	1	Connector	
1	80363179	1	Wedge, Locking	
1	4460464	2	Pin	
1	4460466	6	Plug	
1	NPN	1	Gasket	
2	1001117026	2	Connector	
2	NPN	2	Wedge, Locking	
2	1001116745	4	Socket	
2	4460458	4	Seal	

# SECTION 7 - ELECTRICAL

## FIGURE 7-53. LIGHTS - MARKER 3 HARNESS



ART\_1001216187

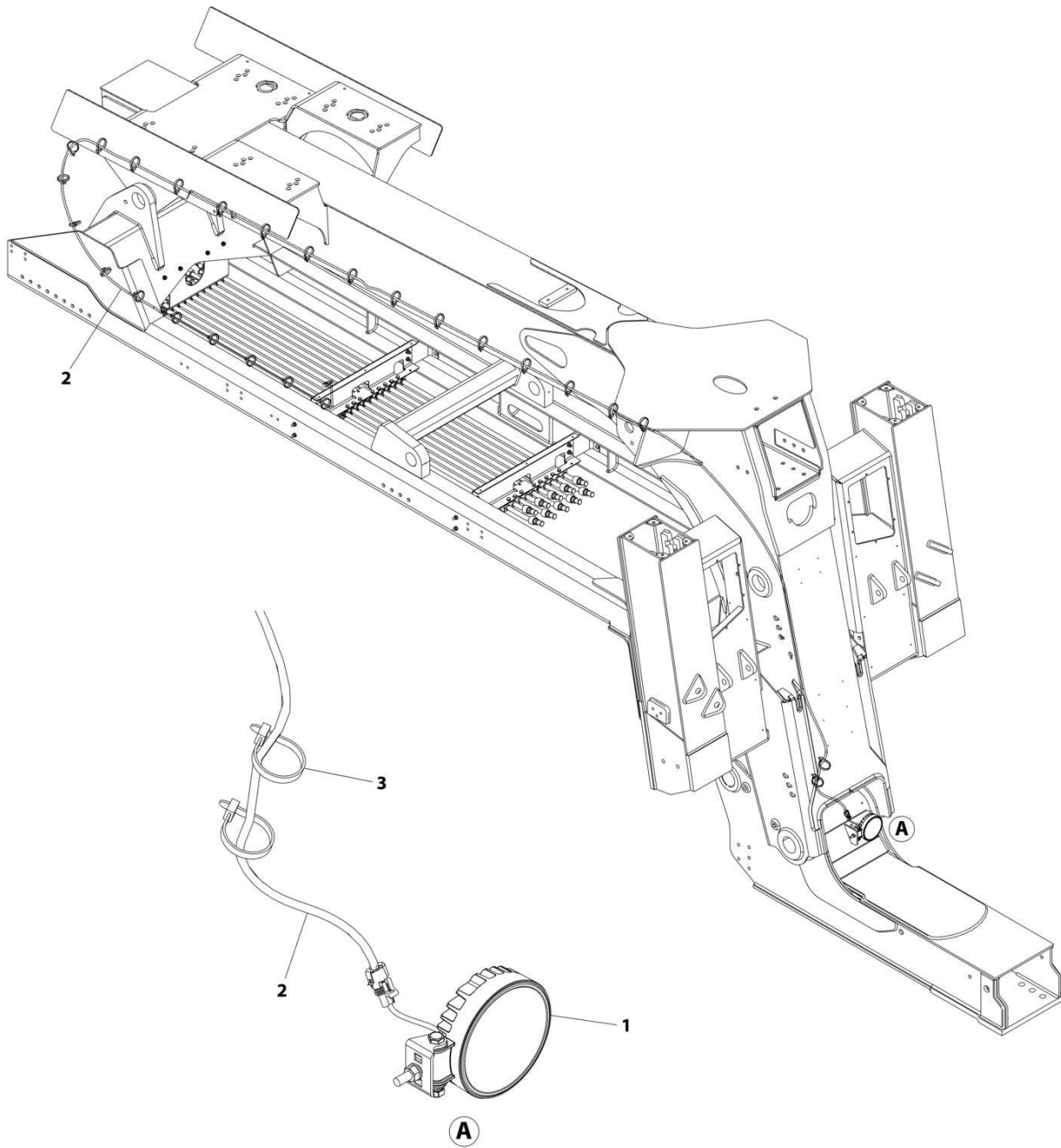
## SECTION 7 - ELECTRICAL

### FIGURE 7-53. LIGHTS - MARKER 3 HARNESS

ITEM	PART NUMBER	QTY	DESCRIPTION	REV
	1001216187	Ref	MARKER LIGHT 3 HARNESS	A
1	4460939	1	Connector	
1	80604024	1	Wedge, Locking	
1	4460464	1	Pin	
1	4460466	6	Plug	
1	NPN	1	Gasket	
2	1001117026	2	Connector	
2	NPN	1	Wedge, Locking	
2	1001116745	4	Socket	
2	4460458	4	Seal	

# SECTION 7 - ELECTRICAL

## FIGURE 7-54. LIGHTS - UNDERLIFT LIGHTS INSTALLATION



ART\_1001256707

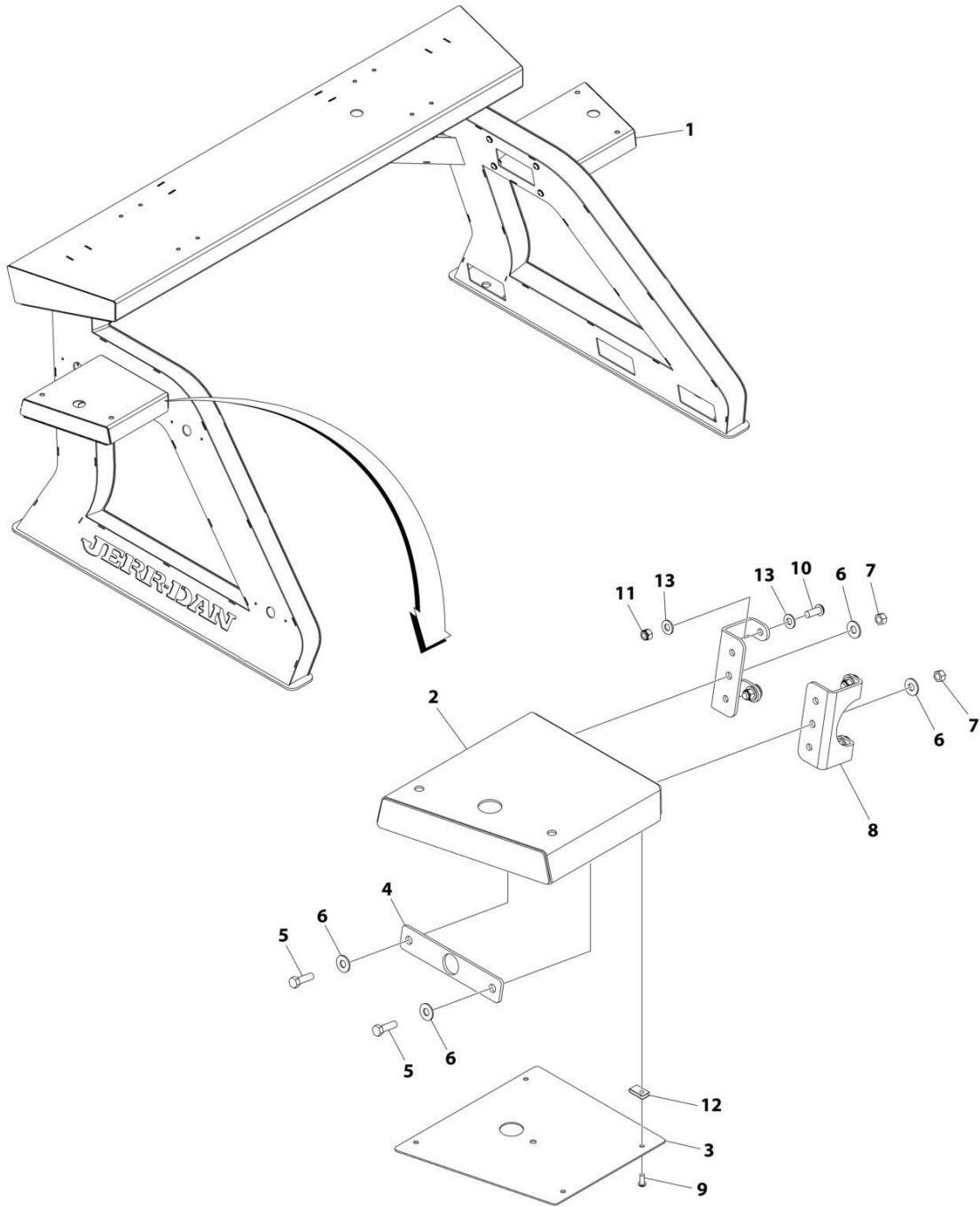
## SECTION 7 - ELECTRICAL

**FIGURE 7-54. LIGHTS - UNDERLIFT LIGHTS INSTALLATION**

ITEM	PART NUMBER	QTY	DESCRIPTION	REV
	1001256707	Ref	UNDERLIFT LIGHTS INSTALLATION	B
1	1001273634	1	Lamp	
2	1001209033	1	Worklight Lights Harness - Underlift (See Separate Breakdown in this Section)	
3	5526000553	26	Tie Strap	

# SECTION 7 - ELECTRICAL

## FIGURE 7-55. LIGHTS - WING LIGHT BRACKET INSTALLATION



ART\_1001228841

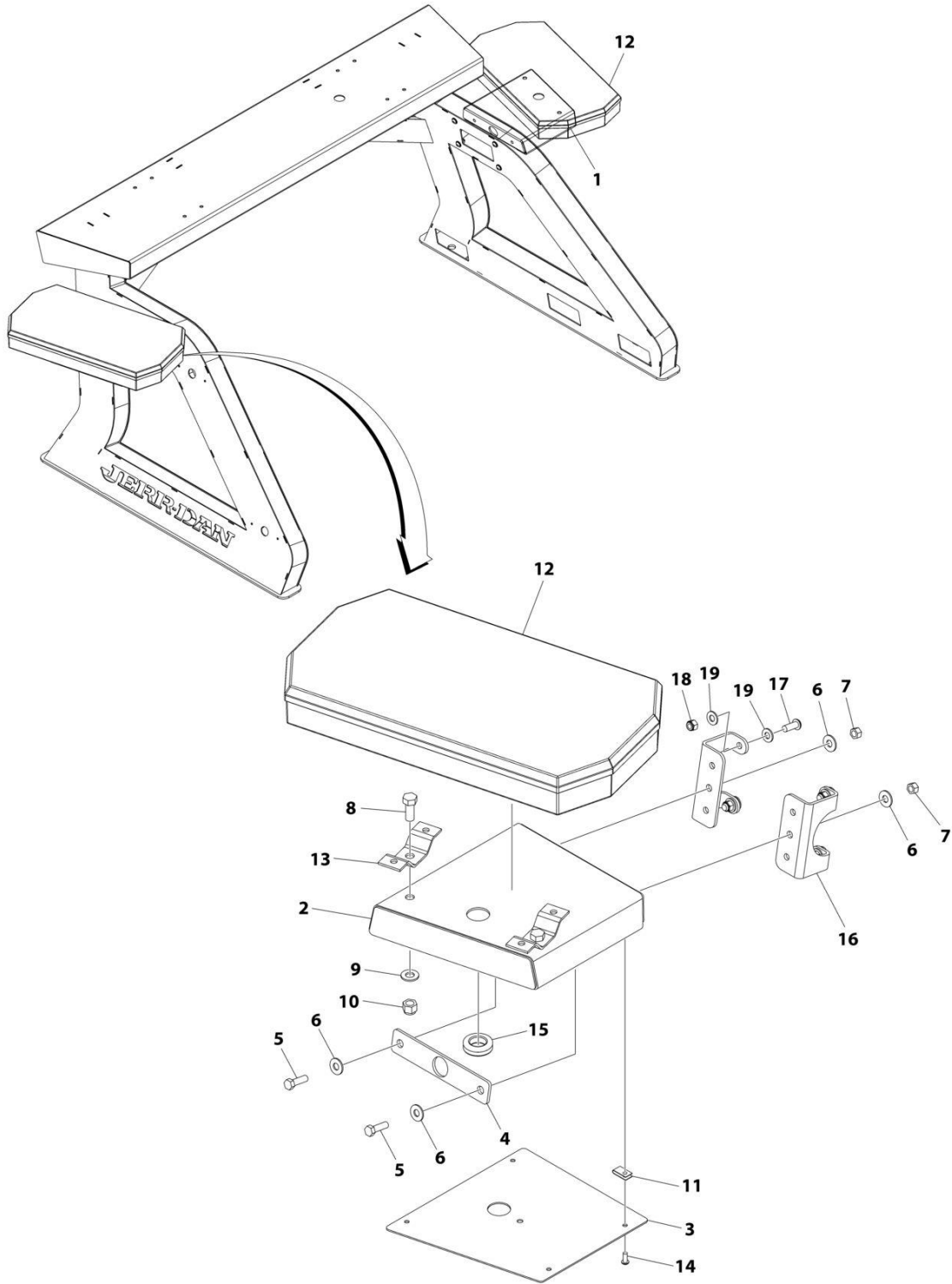
## SECTION 7 - ELECTRICAL

### FIGURE 7-55. LIGHTS - WING LIGHT BRACKET INSTALLATION

ITEM	PART NUMBER	QTY	DESCRIPTION	REV
	1001228841	Ref	Wing Light Bracket Installation	A
1	1001228844	1	Mount, RH	
2	1001228845	1	Mount, LH	
3	1001213110	2	Plate	
4	1001214129	2	Plate	
5	0641610	4	Capscrew 3/8 x 1-1/4	
6	4751600	8	Washer 3/8	
7	3271605	4	Nut 3/8	
8	1001228828	4	Gusset, Support	
9	7114140518	8	Screw 1/4 5/8	
10	7114160818	8	Screw 3/8 x 1	
11	7660162601	8	Nut 3/8	
12	7661000019	8	U-Nut 1/4	
13	7950160143	16	Washer 3/8	

# SECTION 7 - ELECTRICAL

## FIGURE 7-56. LIGHTS - WING LIGHT AMBER CODE3, 22IN



ART\_1001228842



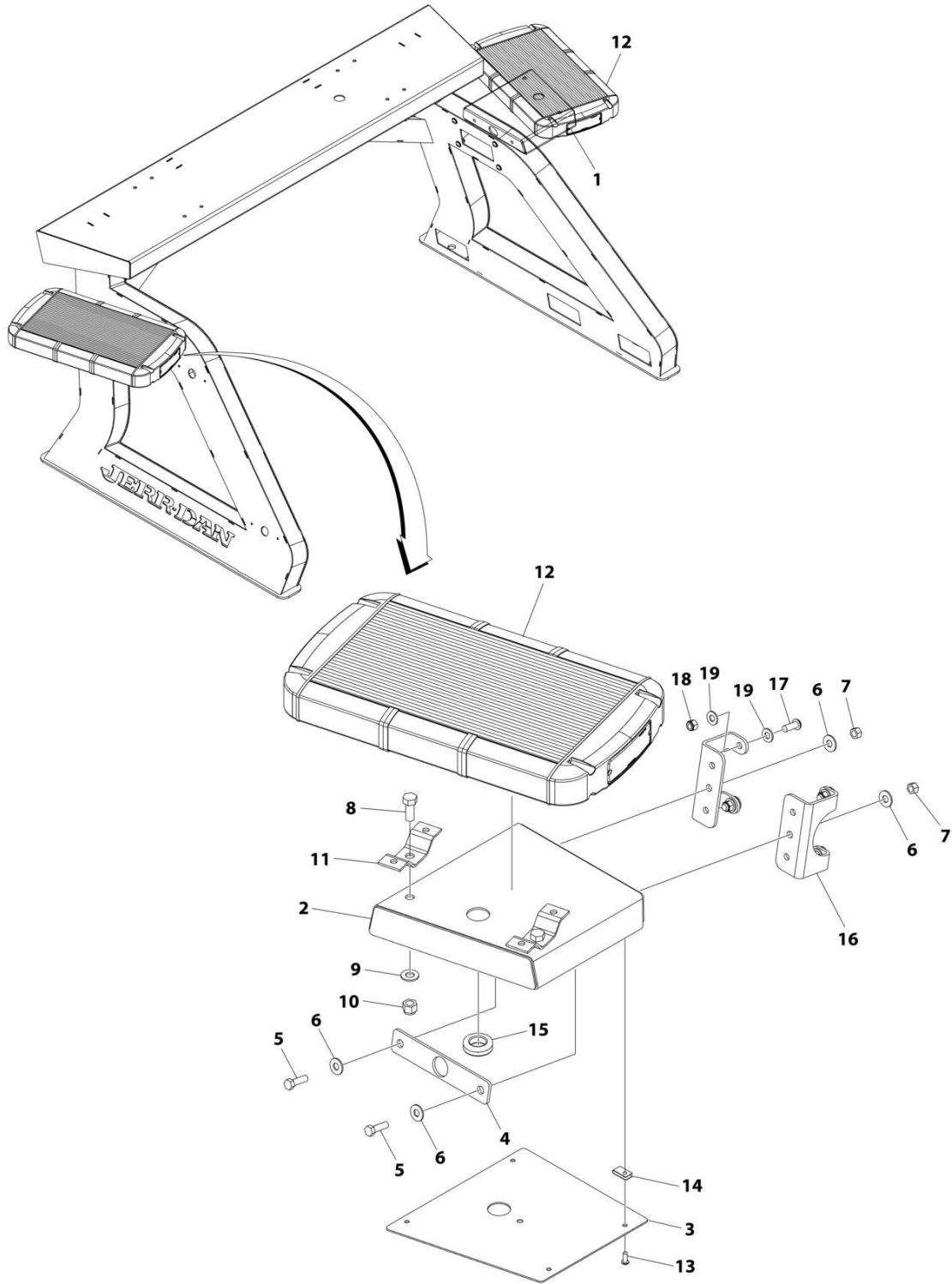
## SECTION 7 - ELECTRICAL

**FIGURE 7-56. LIGHTS - WING LIGHT AMBER CODE3, 22IN**

ITEM	PART NUMBER	QTY	DESCRIPTION	REV
	1001228842	Ref	LIGHTS - WING LIGHT AMBER CODE3, 22IN	A
1	1001228844	1	Mount, RH	
2	1001228845	1	Mount, LH	
3	1001213110	2	Plate	
4	1001214129	2	Plate	
5	0641610	4	Capscrew 3/8 x 1-1/4	
6	4751600	8	Washer 3/8	
7	3271605	4	Nut 3/8	
8	0641810	4	Capscrew 1/2 x 1-1/4	
9	4711800	4	Washer 1/2	
10	7660182601	4	Nut 1/2	
11	7661000019	8	U-Nut 1/4	
12	1001133591	2	Light, Amber (See Separate Breakdown in this Section)	
13	4178000402	4	Bracket	
14	7114140518	8	Screw 1/4 5/8	
15	7493000011	2	Grommet	
16	1001228828	4	Gusset, Support	
17	7114160818	8	Screw 3/8 x 1	
18	7660162601	8	Nut 3/8	
19	7950160143	16	Washer 3/8	

# SECTION 7 - ELECTRICAL

## FIGURE 7-57. LIGHTS - WING LIGHT AMBER WHELEN, 22IN



ART\_1001228843

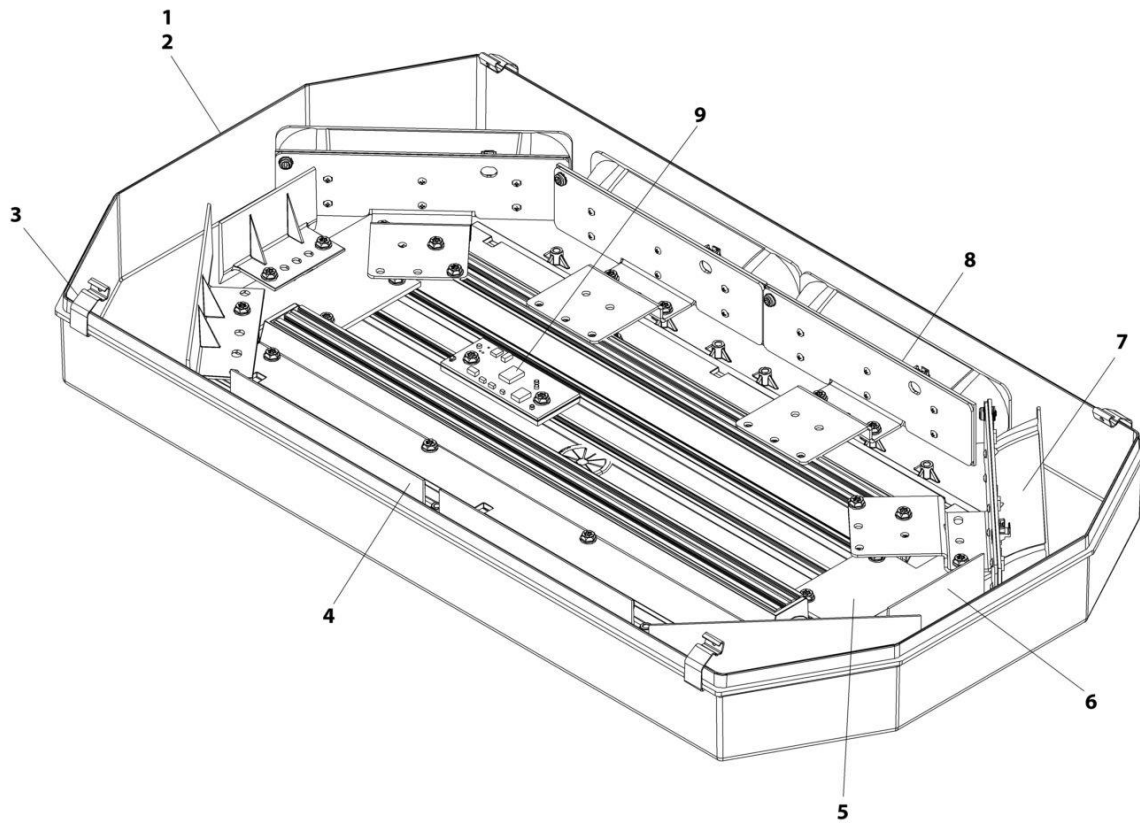
## SECTION 7 - ELECTRICAL

**FIGURE 7-57. LIGHTS - WING LIGHT AMBER WHELEN, 22IN**

ITEM	PART NUMBER	QTY	DESCRIPTION	REV
	1001228843	Ref	LIGHTS - WING LIGHT AMBER WHELEN, 22IN	A
1	1001228844	1	Mount, RH	
2	1001228845	1	Mount, LH	
3	1001213110	2	Plate	
4	1001214129	2	Plate	
5	0641610	4	Capscrew 3/8 x 1-1/4	
6	4751600	8	Washer 3/8	
7	3271605	4	Nut 3/8	
8	0641810	4	Capscrew 1/2 x 1-1/4	
9	4711800	4	Washer 1/2	
10	7660182601	4	Nut 1/2	
11	4178000402	4	Bracket	
12	1001199478	2	Whelen Light Bar (See Separate Breakdown in this Section)	
13	7114140518	8	Screw 1/4 5/8	
14	7661000019	8	U-Nut 1/4	
15	7493000011	2	Grommet	
16	1001228828	4	Gusset, Support	
17	7114160818	4	Screw 3/8 x 1	
18	7660162601	8	Nut 3/8	
19	7950160143	16	Washer 3/8	

# SECTION 7 - ELECTRICAL

FIGURE 7-58. LIGHTS - WING LIGHT ASSEMBLY - 22IN AMBER (ECCO BRAND)



ART\_1001133591

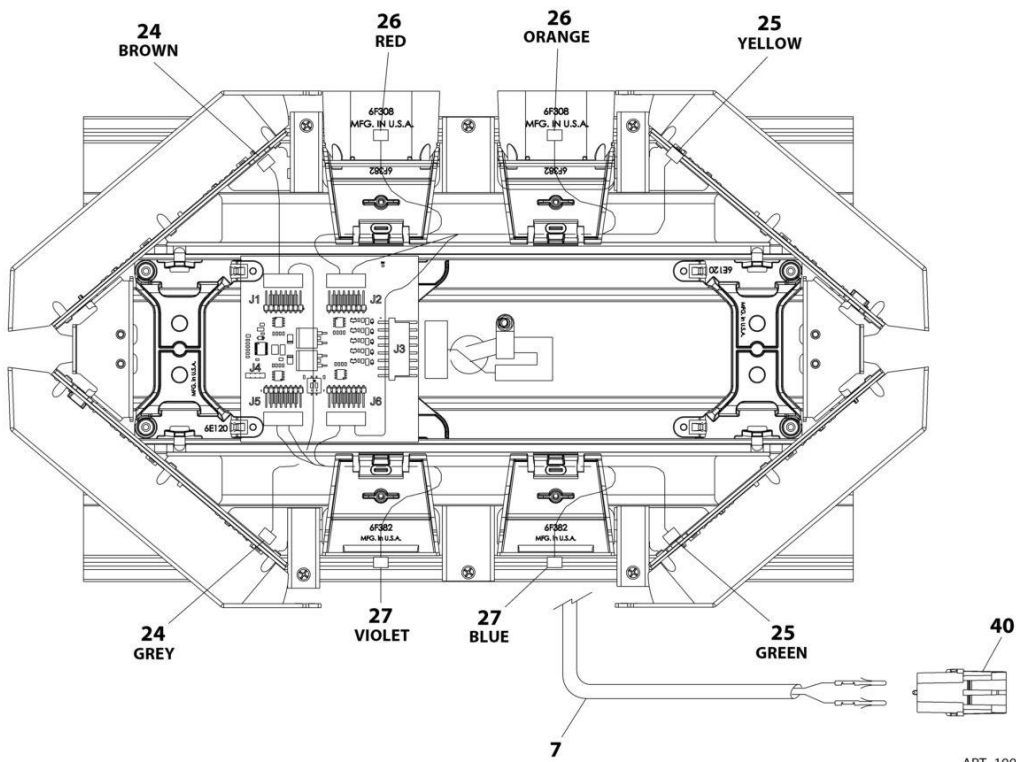
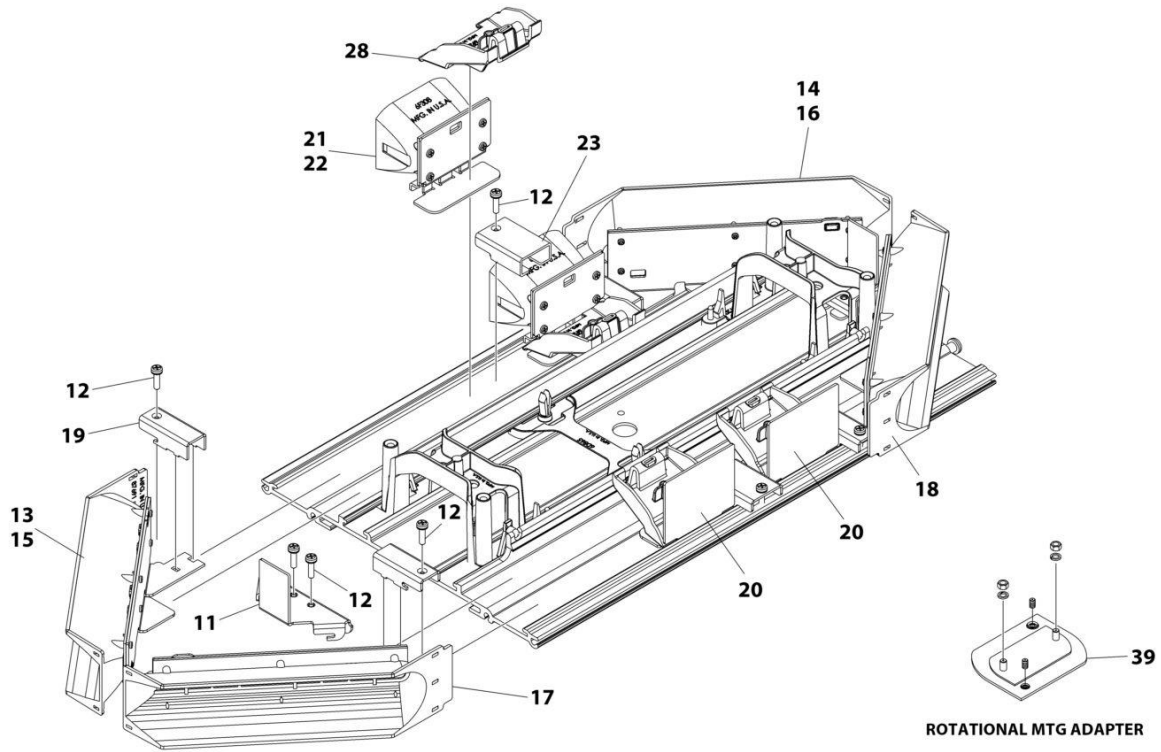
## SECTION 7 - ELECTRICAL

**FIGURE 7-58. LIGHTS - WING LIGHT ASSEMBLY - 22IN AMBER (ECCO BRAND)**

ITEM	PART NUMBER	QTY	DESCRIPTION	REV
	1001133591	Ref	LIGHTS - WING LIGHT ASSEMBLY - 22IN AMBER (ECCO BRAND)	C
1	NPN	1	Lens - Clear (Lower)	
2	NPN	1	Lens - Clear (Upper)	
3	70052802	4	Clip	
4	NPN	4	Bracket, Blanking	
5	NPN	2	Plate, Adapter	
6	70052796	1	Bracket, Blanking	
7	70052795	2	Module and Bracket - Amber (Corner)	
8	70052898	2	Module and Bracket - Amber (Side)	
9	NPN	1	Flasher (Control PC Board)	
10	NPN	1	Harness (Not Shown)	

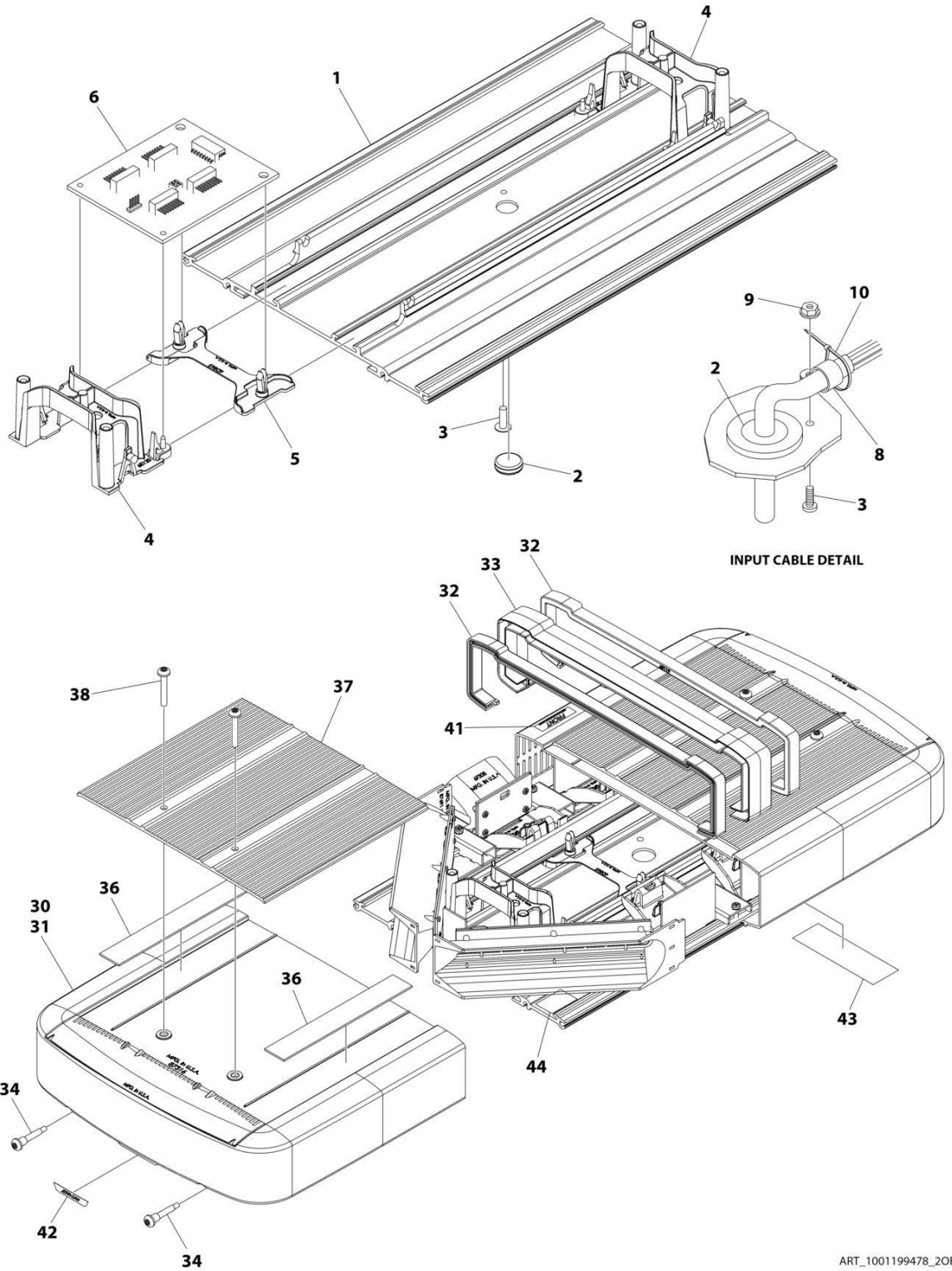
# SECTION 7 - ELECTRICAL

## FIGURE 7-59. LIGHTS - LAMP ASSEMBLY - 22IN WHELEN WING LIGHT



ART\_1001199478\_1OF2

# SECTION 7 - ELECTRICAL



ART\_1001199478\_20F2

## SECTION 7 - ELECTRICAL

**FIGURE 7-59. LIGHTS - LAMP ASSEMBLY - 22IN WHELEN WING LIGHT**

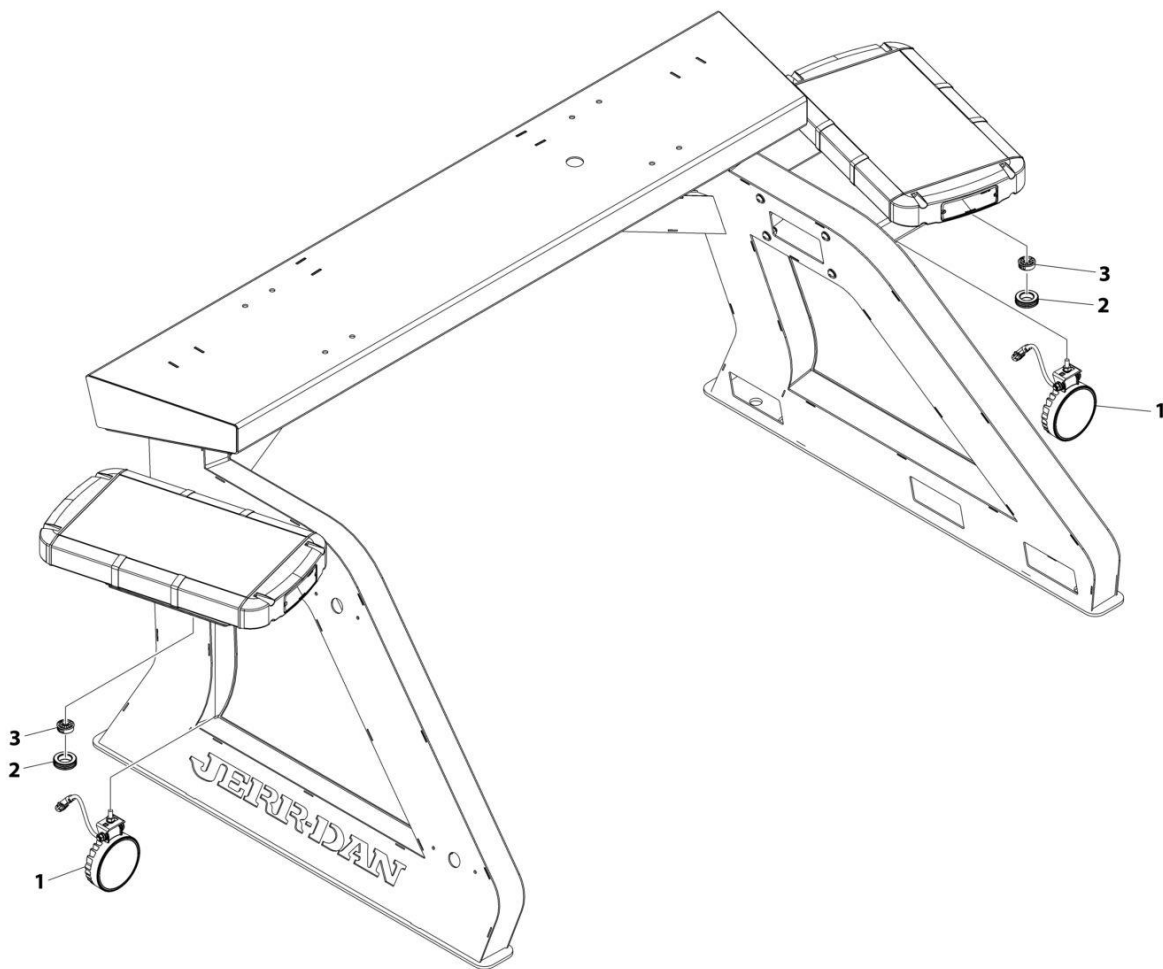
ITEM	PART NUMBER	QTY	DESCRIPTION	REV
	1001199478	Ref	LIGHTS - LAMP ASSEMBLY - 22IN WHELEN WING LIGHT	B
1	70051019	1	Base	
2	70050169	1	Grommet	
3	70051020	1	Screw #10 x 7/8	
4	70051021	2	Bracket, Bulkhead Lens Mount	
5	70051022	1	Bracket, I/O Anchor	
6	70051023	1	Assembly, I/O BD Mini	
7	70051024	1	Assembly, Cable	
8	70051025	1	Clamp, Cable	
9	70050174	1	Nut #10	
10	70051026	AR	Tie Wrap	
11	70051027	2	Bracket, End Clamp	
12	70051028	10	Screw #6 x 1/2	
13	70051029	1	Assy, Corner L-Front/R-Rear Amber	
14	70051030	1	Assy, Corner L-Rear/R-Front Amber	
15	70051031	1	Assy, Corner L-Front/R-Rear Blue	
16	70051032	1	Assy, Corner L-Rear/R-Front Blue	
17	70051033	1	Assembly, Blank Rear Drvr Corner	
18	70051034	1	Assembly, Blank Rear Pass Corner	
19	70051035	4	Bracket, Corner Clamp	
20	70051036	2	Bracket, Half Filler	
21	70051037	2	Sub Assy, Short Directional Amber	
22	70051038	2	Sub Assy, Short Directional Blue	
23	70051039	2	Bracket, Filler	
24	70051040	1	Assembly, Harness	
25	70051041	1	Assembly, Harness	
26	70051042	1	Assembly, Harness	
27	70051043	1	Assembly, Harness	
28	70051044	4	Bracket, Snap-In	
29	70051045	AR	Tie Wrap (Not Shown)	
30	70051046	2	Sub Assy, Cut Dome Clear	
31	70051047	2	Sub Assy, Cut Dome Blue	
32	70051048	2	Seal, Lens Divider	
33	70051049	1	Divider, Lens	
34	70051050	4	Screw #10 x 1-1/4	
36	70051051	4	Tape, VHB Endcap Trim Mount	
37	70051052	2	Cover	
38	70051053	4	Screw #10 x 7/8	
39	70050204	2	Kit, Rotational MTG Adapter Jerr-Dan	
40	70051054	1	Housing, 2 POS Male Weather-Pack Sealed	
41	70051055	1	Label, "Front" Lightbar Assys	
42	70051056	2	Label, Jerr-Dan Liberty II	
43	70050207	1	Label, MN/SN Jerr-Dan Lightbar	
44	70051057	1	Label, Serial Number Liberty II Series	





# SECTION 7 - ELECTRICAL

## FIGURE 7-60. LIGHTS - WORK LIGHTS INSTALLATION - UPPER



ART\_1001207487

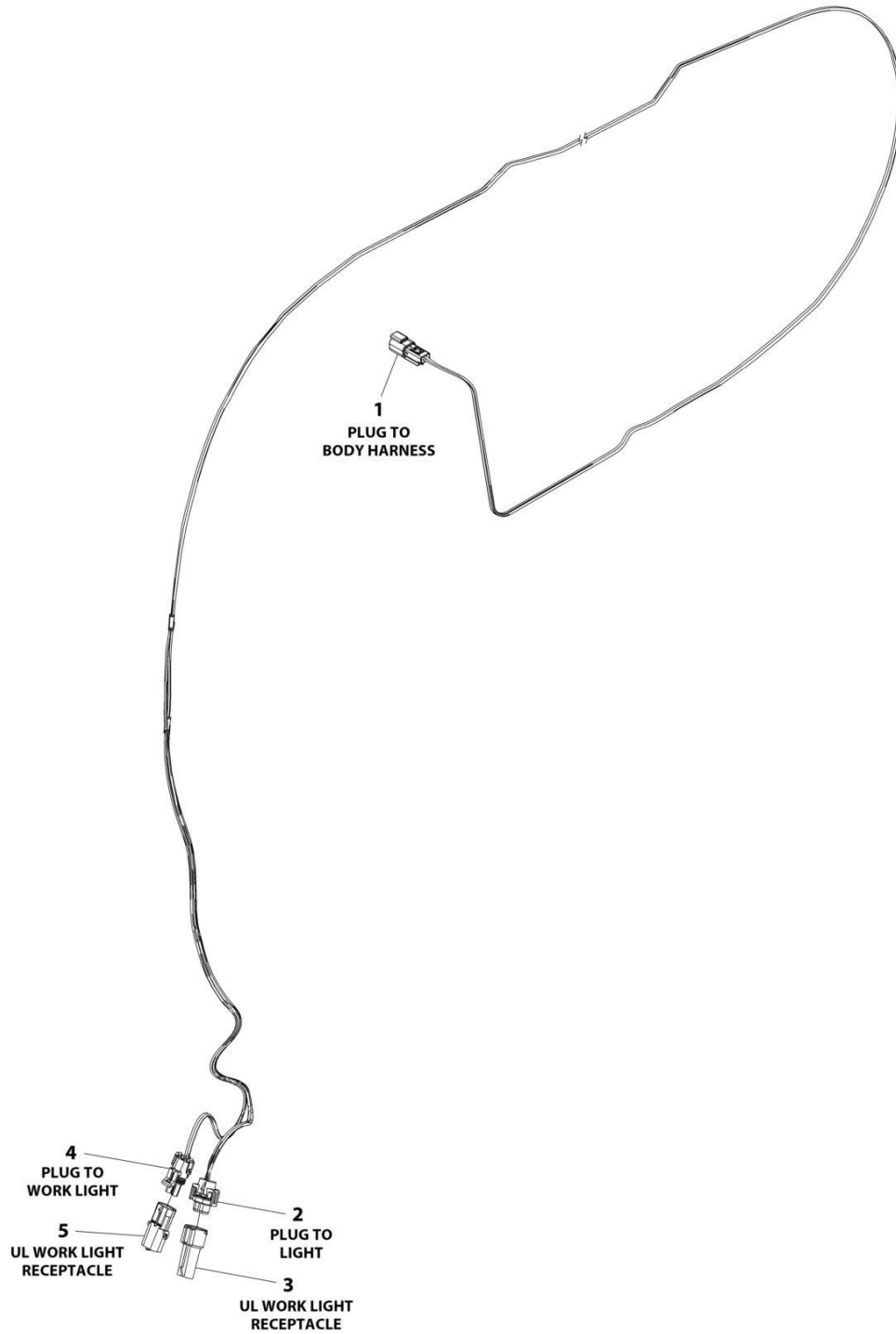
## SECTION 7 - ELECTRICAL

**FIGURE 7-60. LIGHTS - WORK LIGHTS INSTALLATION - UPPER**

ITEM	PART NUMBER	QTY	DESCRIPTION	REV
	1001207487	Ref	UPPER WORK LIGHTS INSTALLATION	D
1	1001176337	2	Lamp (SN 0230004275 through 0230009719)	
1	1001273634	2	Lamp (SN 0230009720 to Present)	
2	7493000011	AR	Grommet	
3	1001169085	AR	Grommet	
4	5526000553	AR	Tie-Strap (Not Shown)	

# SECTION 7 - ELECTRICAL

## FIGURE 7-61. LIGHTS - WORKLIGHT LIGHTS HARNESS - UNDERLIFT



ART\_1001209033

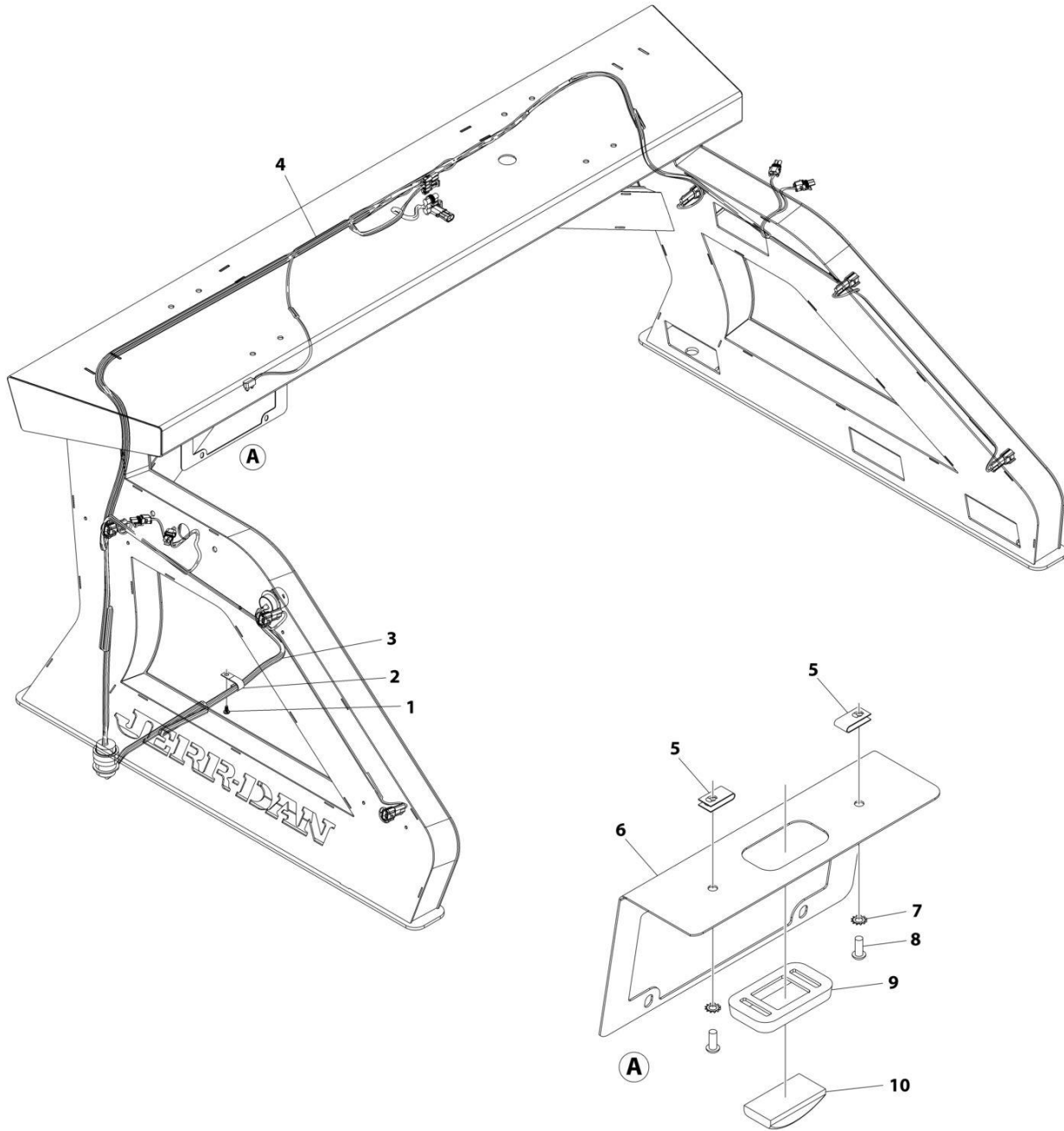
## SECTION 7 - ELECTRICAL

**FIGURE 7-61. LIGHTS - WORKLIGHT LIGHTS HARNESS - UNDERLIFT**

ITEM	PART NUMBER	QTY	DESCRIPTION	REV
	1001209033	Ref	WORKLIGHT LIGHTS HARNESS - UNDERLIFT	C
1	4460897	1	Receptacle, Female - 2 Position	
1	4460464	2	Pin, Male	
2	NPN	1	Plug, Male 2 Position	
2	4460746	2	Terminal	
2	1001190037	2	Seal	
3	NPN	1	Receptacle, Female - 2 Position	
3	1001116727	2	Plug, Terminal	
4	4460742	1	Plug, Male 2 Position	
4	4460457	2	Socket, Female	
4	4460458	2	Seal	
5	4461157	2	Receptacle, Female - 2 Position	
5	1001116727	2	Plug, Terminal	

# SECTION 7 - ELECTRICAL

## FIGURE 7-62. PYLON ELECTRICAL INSTALLATION (34IN & 39IN PYLON)



ART\_1001215020

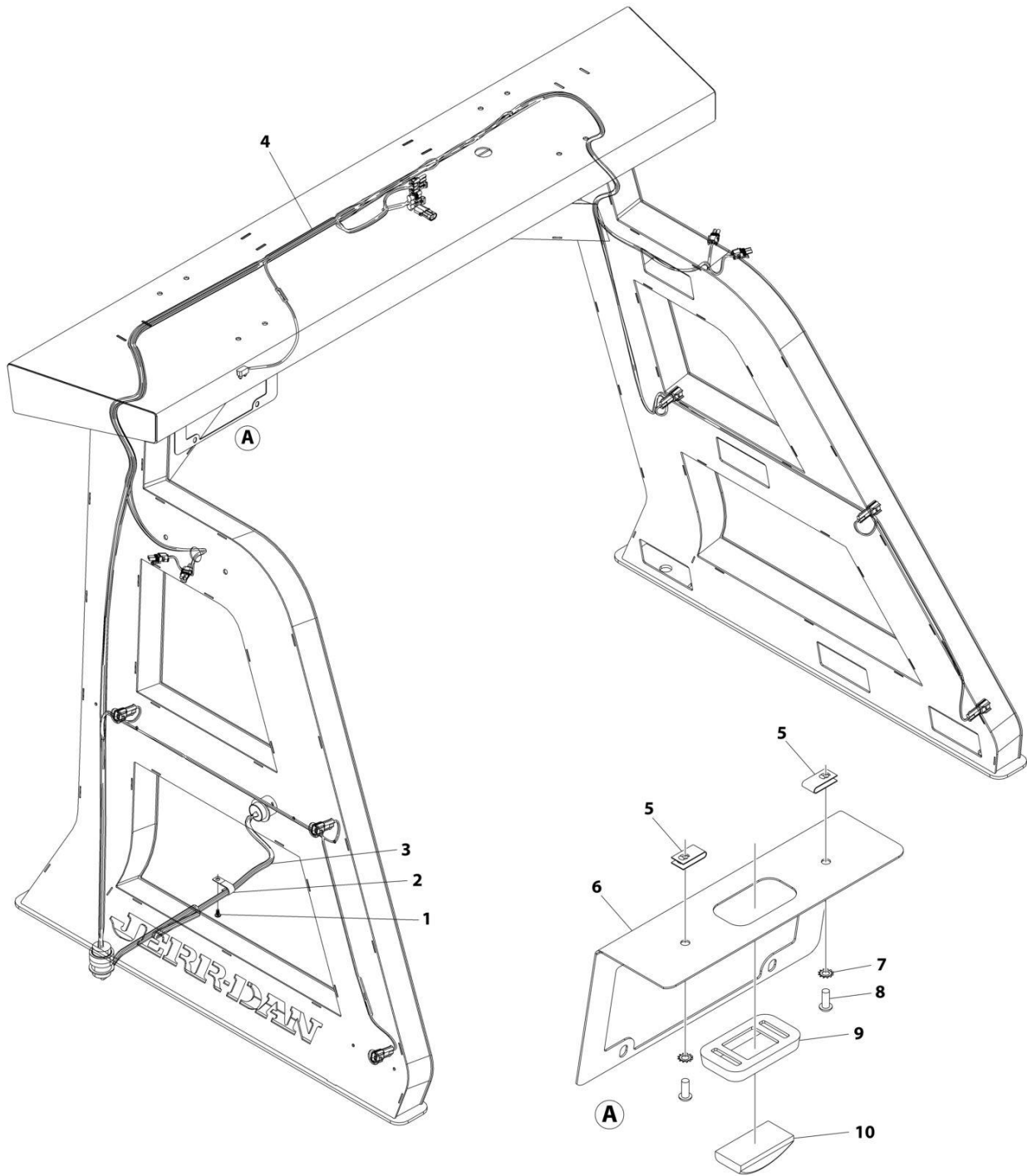
## SECTION 7 - ELECTRICAL

**FIGURE 7-62. PYLON ELECTRICAL INSTALLATION (34IN & 39IN PYLON)**

ITEM	PART NUMBER	QTY	DESCRIPTION	REV
	1001215020	Ref	PYLON ELECTRICAL INSTALLATION (34IN & 39IN PYLON)	D
1	1001195257	3	Screw 1/4 x 1/2	
2	7280000006	3	Clip	
3	1001214605	1	Pylon Harness - Jumper (See Separate Breakdown in this Section)	
4	1001214606	1	Pylon Harness - Main (See Separate Breakdown in this Section)	
5	7661000019	2	U-Nut 1/4	
6	1001249938	1	Bracket, License Plate	
7	1001143686	2	Washer 1/4	
8	7114140518	2	Screw 1/4 x 5/8	
9	7493000010	1	Grommet	
10	1001142771	1	Light, Clear LED	
11	5526000553	1	Tie-Strap (Not Shown)	

# SECTION 7 - ELECTRICAL

## FIGURE 7-63. PYLON ELECTRICAL INSTALLATION (57IN PYLON)



ART\_1001215034



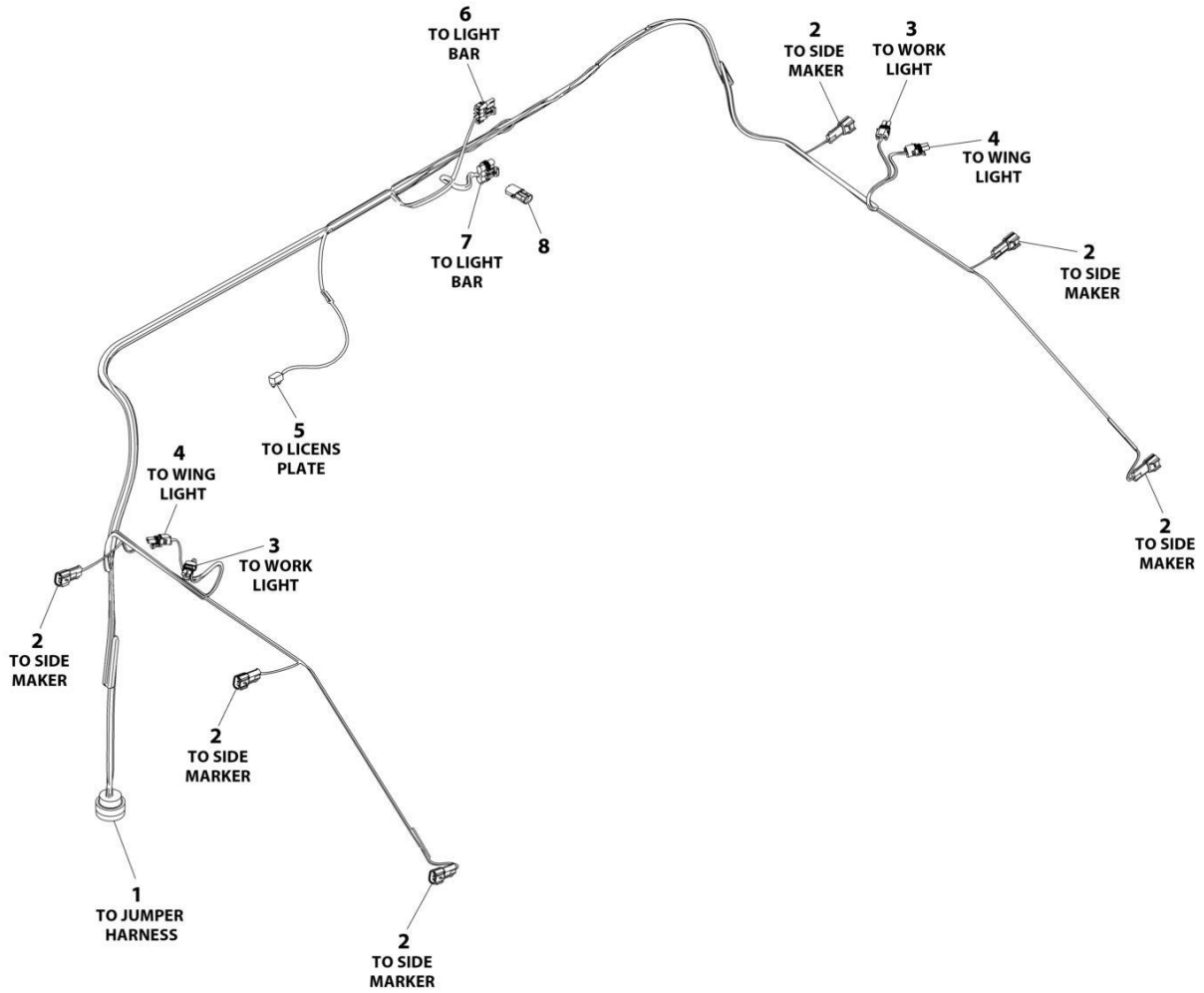
## SECTION 7 - ELECTRICAL

**FIGURE 7-63. PYLON ELECTRICAL INSTALLATION (57IN PYLON)**

ITEM	PART NUMBER	QTY	DESCRIPTION	REV
	1001215034	Ref	PYLON ELECTRICAL INSTALLATION (57IN PYLON)	C
1	1001195257	3	Screw 1/4 x 1/2	
2	7280000006	3	Clip	
3	1001214605	1	Pylon Harness - Jumper (See Separate Breakdown in this Section)	
4	1001215110	1	Pylon Harness - Main (See Separate Breakdown in this Section)	
5	7661000019	2	U-Nut 1/4	
6	1001249938	1	Bracket, License Plate	
7	1001143686	2	Washer 1/4	
8	7114140518	2	Screw 1/4 x 5/8	
9	7493000010	1	Grommet	
10	1001142771	1	Light, Clear LED	
11	5526000553	1	Tie-Strap (Not Shown)	

# SECTION 7 - ELECTRICAL

## FIGURE 7-64. PYLON HARNESS (34IN & 39IN PYLON)



ART\_1001214606

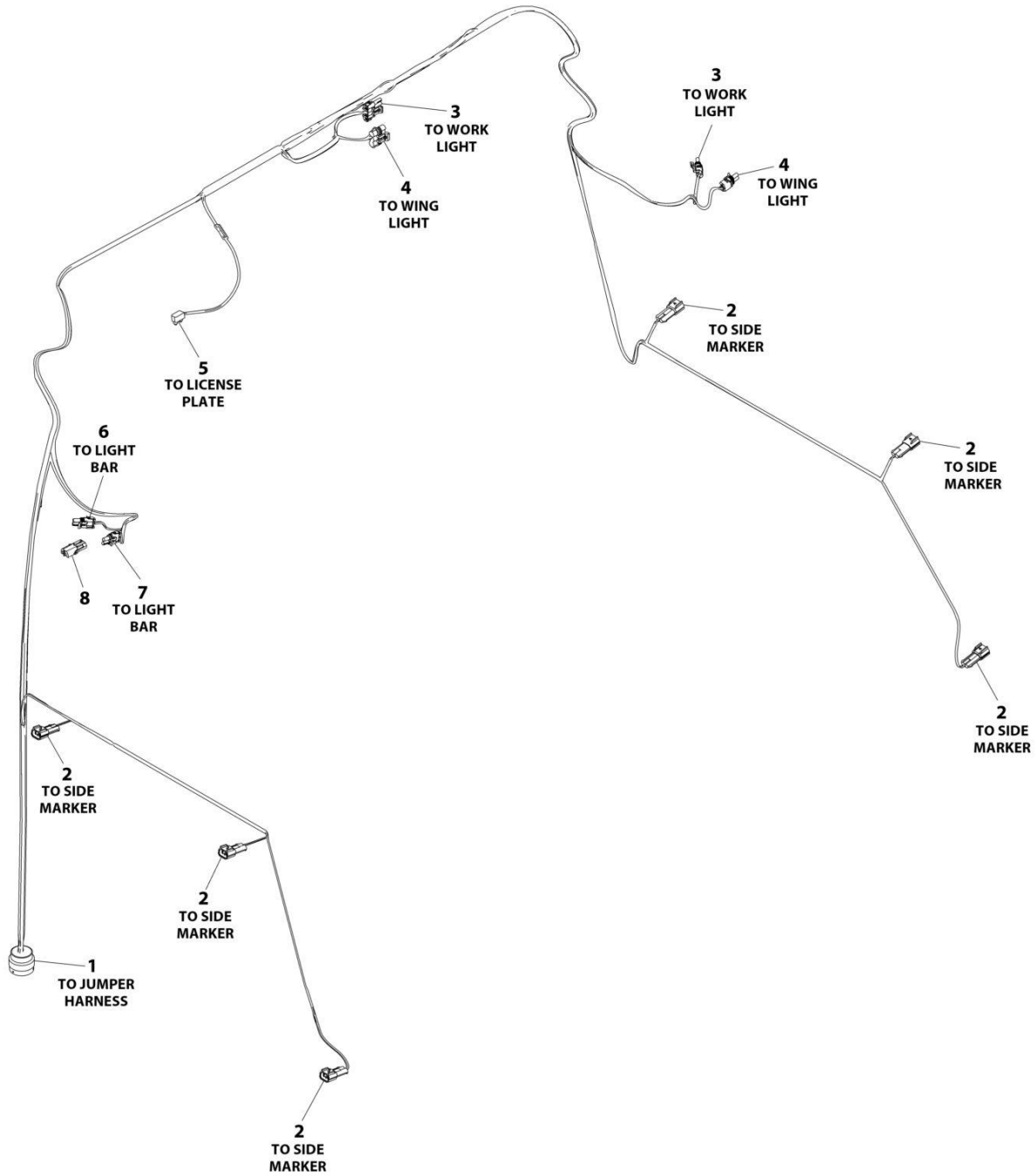
## SECTION 7 - ELECTRICAL

**FIGURE 7-64. PYLON HARNESS (34IN & 39IN PYLON)**

ITEM	PART NUMBER	QTY	DESCRIPTION	REV
	1001214606	Ref	PYLON HARNESS (34IN & 39IN PYLON)	B
1	NPN	1	Connector - 18 Position	
1	91143339	1	Pin, Male	
1	4460464	4	Pin, Male	
1	4460508	2	Pin, Male	
1	4460941	2	Plug, Terminal	
1	4460466	9	Plug, Terminal	
2	NPN	6	Connector - 2 Position	
2	NPN	12	Terminal	
2	4460458	12	Seal	
3	4460742	2	Connector - 2 Position	
3	4460457	4	Terminal	
3	4460458	4	Seal	
4	4460742	2	Connector - 2 Position	
4	4460457	4	Terminal	
4	1001190037	4	Seal	
5	NPN	1	Connector - 2 Position	
6	4460460	1	Connector - 4 Position	
6	4460457	4	Terminal	
6	NPN	4	Seal	
7	8220935	1	Connector - 3 Position	
7	8220099	3	Terminal	
7	7346000108	1	Lock	
7	NPN	AR	Seal	
7	NPN	AR	Seal	
8	4460867	1	Connector - 2 Position	
8	1001116727	2	Terminal	

# SECTION 7 - ELECTRICAL

## FIGURE 7-65. PYLON HARNESS (57IN PYLON)



ART\_1001215110

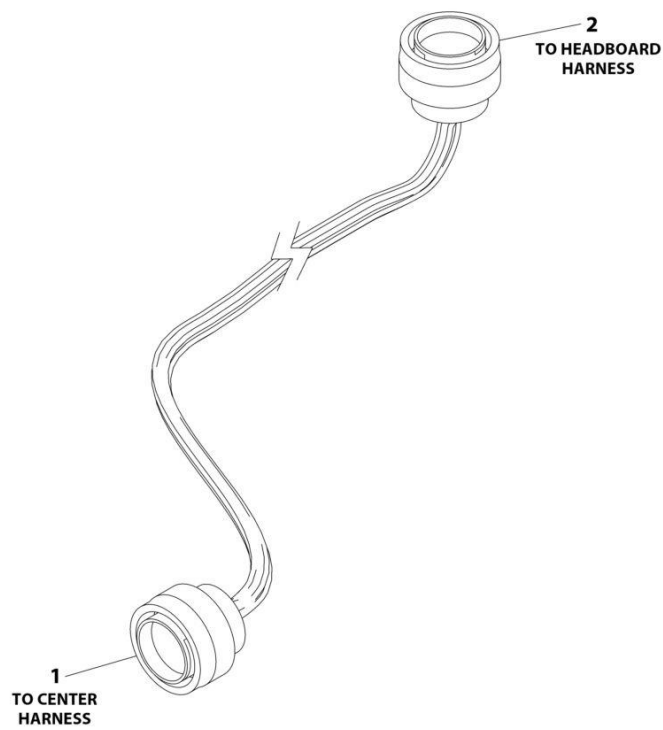
## SECTION 7 - ELECTRICAL

**FIGURE 7-65. PYLON HARNESS (57IN PYLON)**

ITEM	PART NUMBER	QTY	DESCRIPTION	REV
	1001215110	Ref	PYLON HARNESS (57IN PYLON)	B
1	NPN	1	Connector - 18 Position	
1	91143339	1	Pin, Male	
1	4460464	4	Pin, Male	
1	4460508	2	Pin, Male	
1	4460941	2	Plug, Terminal	
1	4460466	9	Plug, Terminal	
2	NPN	6	Connector - 2 Position	
2	NPN	12	Terminal	
2	4460458	12	Seal	
3	4460742	2	Connector - 2 Position	
3	4460457	4	Terminal	
3	4460458	4	Seal	
4	4460742	2	Connector - 2 Position	
4	4460457	4	Terminal	
4	1001190037	4	Seal	
5	NPN	1	Connector - 2 Position	
6	4460460	1	Connector - 4 Position	
6	4460457	4	Terminal	
6	NPN	4	Seal	
7	8220935	1	Connector - 3 Position	
7	8220099	3	Terminal	
7	7346000108	1	Lock	
7	NPN	AR	Seal	
7	NPN	AR	Seal	
8	4460867	1	Connector - 2 Position	
8	1001116727	2	Terminal	

# SECTION 7 - ELECTRICAL

## FIGURE 7-66. PYLON HARNESS - JUMPER



ART\_1001214605

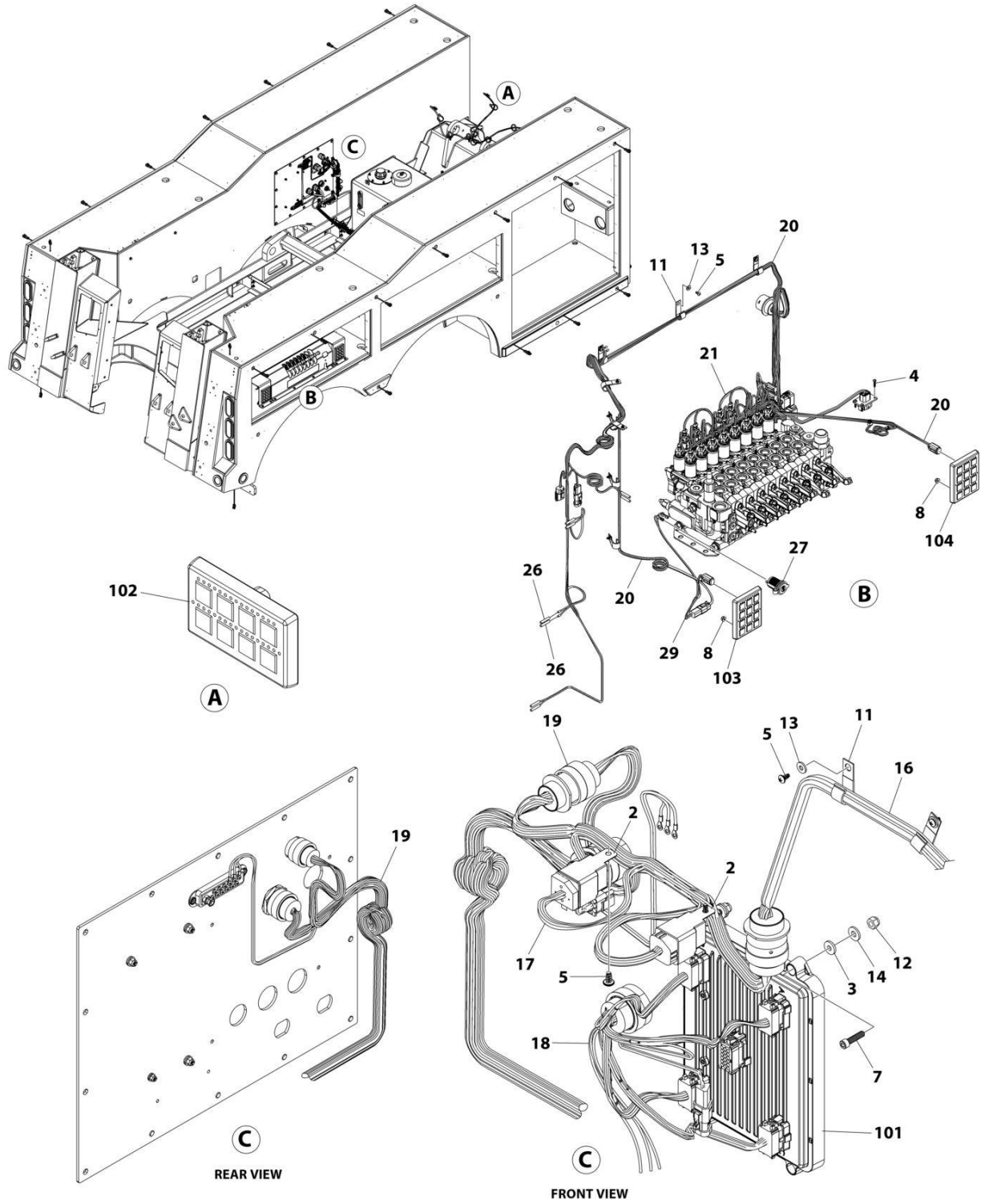
## SECTION 7 - ELECTRICAL

**FIGURE 7-66. PYLON HARNESS - JUMPER**

ITEM	PART NUMBER	QTY	DESCRIPTION	REV
	1001214605	Ref	PYLON JUMPER HARNESS	A
1	NPN	1	Connector - 18 Position	
1	91143339	1	Pin, Male	
1	4460464	4	Pin, Male	
1	4460508	2	Pin, Male	
1	4460941	2	Plug, Terminal	
1	4460466	9	Plug, Terminal	
2	NPN	1	Connector - 18 Position	
2	91143340	1	Socket, Female	
2	4460465	4	Socket, Female	
2	4460509	2	Socket, Female	
2	4460942	2	Socket, Female	
2	4460466	9	Plug, Terminal	

# SECTION 7 - ELECTRICAL

## FIGURE 7-67. MULTIPLEX INSTALLATION (WITHOUT DRAG WINCH)



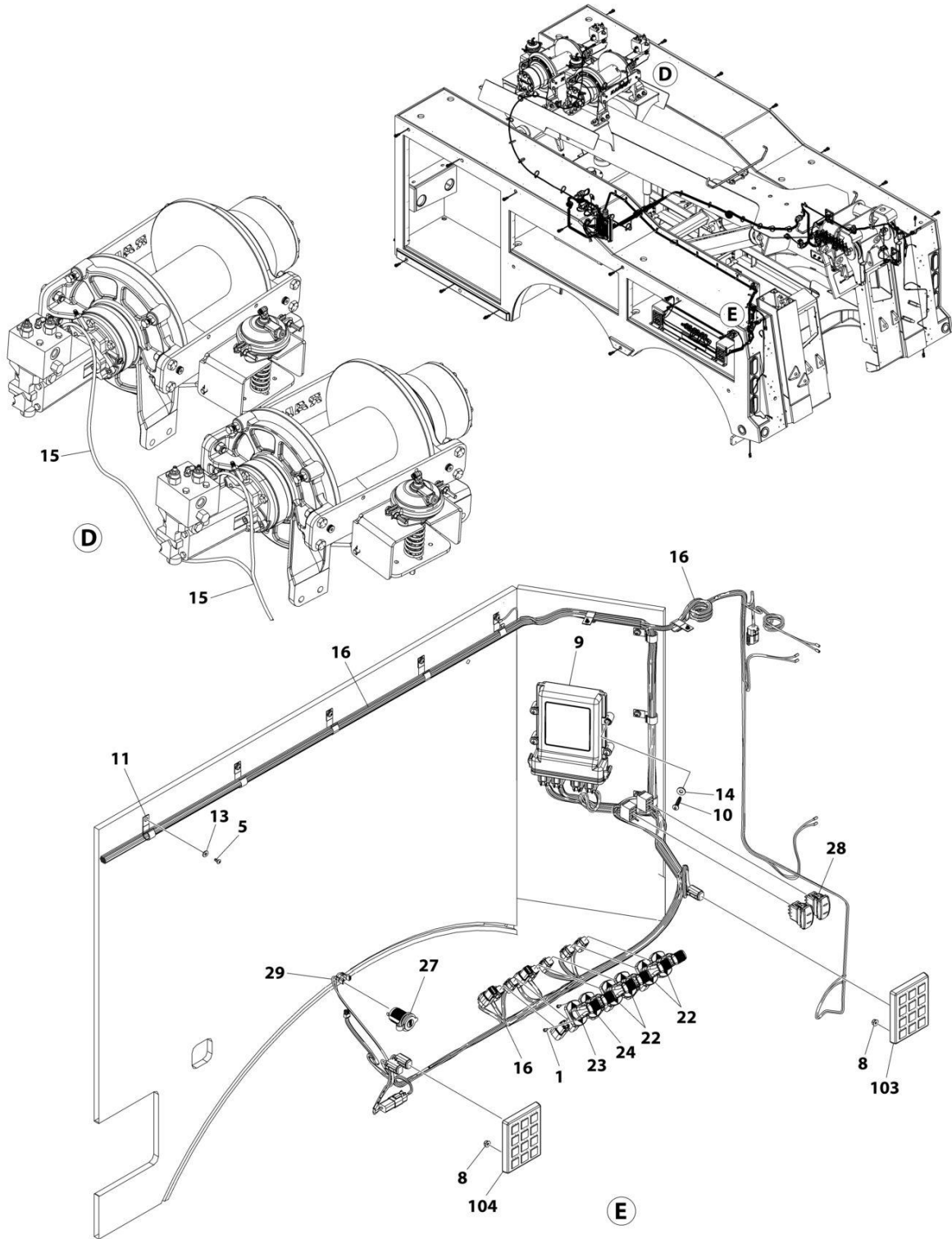
ART\_1001288745\_10F2





# SECTION 7 - ELECTRICAL

FIGURE 7-68. MULTIPLEX INSTALLATION (WITHOUT DRAG WINCH)



ART\_1001288745\_20F2

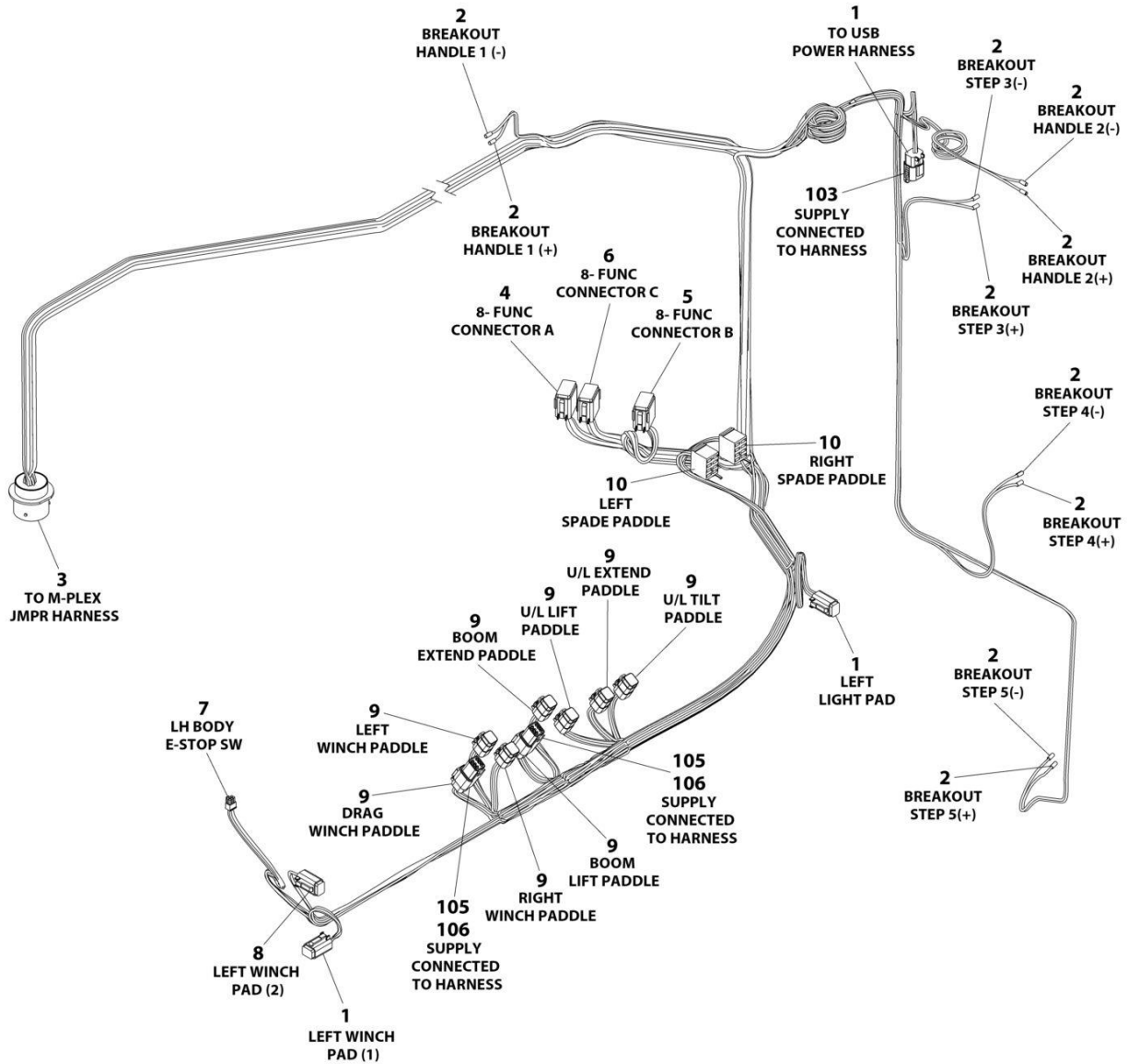
## SECTION 7 - ELECTRICAL

**FIGURE 7-68. MULTIPLEX INSTALLATION (WITHOUT DRAG WINCH)**

ITEM	PART NUMBER	QTY	DESCRIPTION	REV
	1001288745	Ref	MULTIPLEX INSTALLATION (WITHOUT DRAG WINCH)	A
1	0760304	12	Bolt M3 x 8	
2	3740080	2	Relay	
3	1001166978	4	Washer, Rubber	
4	1001196552	4	Screw #8 x 3/4	
5	1001197441	24	Screw #10 x 3/8	
6	1001202986	2	Strap, Fir Tree Push Mount	
7	1001209590	4	Screw 1/4 x 1	
8	1001209616	16	Nut #10	
9	1001250809	1	Module	
10	1001254545	4	Screw 1/4 x 1-1/4	
11	7280000006	22	Clip	
12	7660142601	4	Nut 1/4	
13	7950100143	22	Washer	
14	7950140143	8	Washer 1/4	
15	1001217309	1	Harness, Winch 2 Speed (See Separate Breakdown in ELECTRICAL Section)	
16	1001288768	1	Harness, Multiplex Body (LH) (See Separate Breakdown in ELECTRICAL Section)	
17	1001288770	1	Harness, Multiplex Jumper (See Separate Breakdown in ELECTRICAL Section)	
18	1001250423	1	Harness, Multiplex to PDP (See Separate Breakdown in ELECTRICAL Section)	
19	1001288771	1	Harness, Multiplex Crossover (See Separate Breakdown in ELECTRICAL Section)	
20	1001288769	1	Harness, Multiplex Body (RH) (See Separate Breakdown in ELECTRICAL Section)	
21	1001288772	1	Harness, Valve (See Separate Breakdown in ELECTRICAL Section)	
22	1001253353	4	Switch	
23	1001253354	1	Switch	
24	1001253355	1	Switch	
25	5526000553	29	Tie-Strap (Not Shown)	
26	7346000039	AR	Tubing	
27	1001253800	2	Receptacle, USB	
28	1001136270	2	Switch	
29	1001288422	2	Harness, USB Power (See Separate Breakdown in ELECTRICAL Section)	
100	1001258438	1	Wrecker Touchlink Electrical Assembly (Includes items 101- 104)	
101	1001258439	1	Module, Touchlink	
102	1001211001	1	Keypad, Lighting (Cab)	
103	1001211002	2	Keypad, Lighting (Body)	
104	1001211003	2	Keypad, Winch	

# SECTION 7 - ELECTRICAL

## FIGURE 7-69. MULTIPLEX HARNESS - BODY (LH)



ART\_1001288768

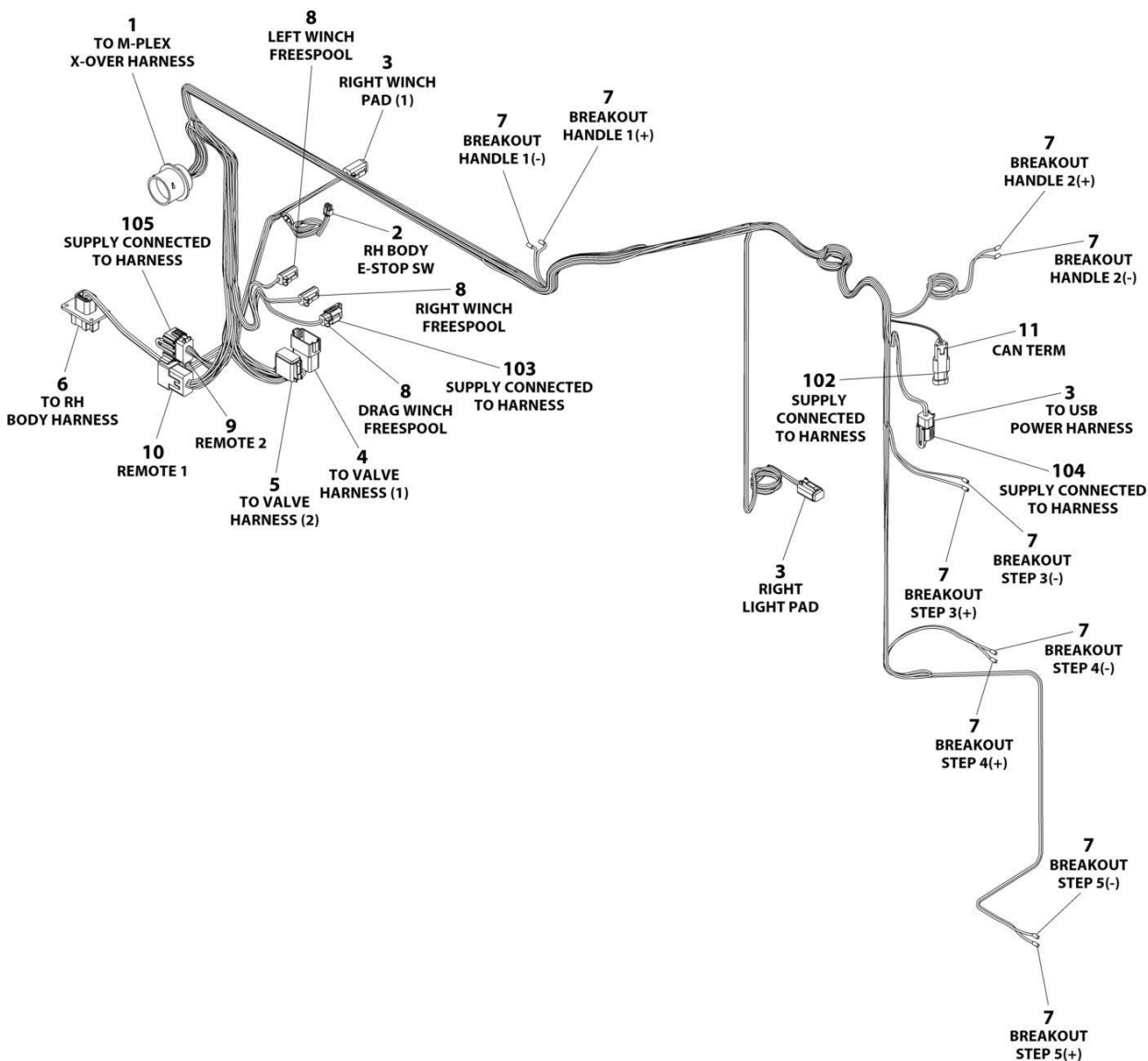
## SECTION 7 - ELECTRICAL

### FIGURE 7-69. MULTIPLEX HARNESS - BODY (LH)

ITEM	PART NUMBER	QTY	DESCRIPTION	REV
	1001288768	Ref	MULTIPLEX HARNESS - BODY (LH)	C
1	1001262482	3	Connector	
1	4460465	12	Socket	
2	7345001714	10	Terminal	
3	1001116920	1	Connector	
3	4460466	7	Plug	
3	4460464	22	Terminal	
3	4460941	2	Terminal	
4	4460933	1	Connector	
4	4460465	12	Socket	
5	4460836	1	Connector	
5	4460465	8	Socket	
5	4460466	4	Plug	
6	4460934	1	Connector	
6	4460465	12	Socket	
7	1001262746	1	Connector	
7	1001262747	6	Terminal	
8	1001262483	1	Plug, Male	
8	4460465	2	Socket	
8	4460466	2	Plug	
9	4461216	8	Connector	
9	1001126008	48	Terminal	
10	1001262745	2	Connector	
10	4460419	6	Terminal	
101	4460466	1	Plug, Terminal (Not Shown)	
102	4460935	1	Plug (Not Shown)	
103	1001192401	1	Cap, Dust	
105	4461217	2	Connector	
106	4460518	12	Plug	

# SECTION 7 - ELECTRICAL

FIGURE 7-70. MULTIPLEX HARNESS - BODY (RH)



ART\_1001288769

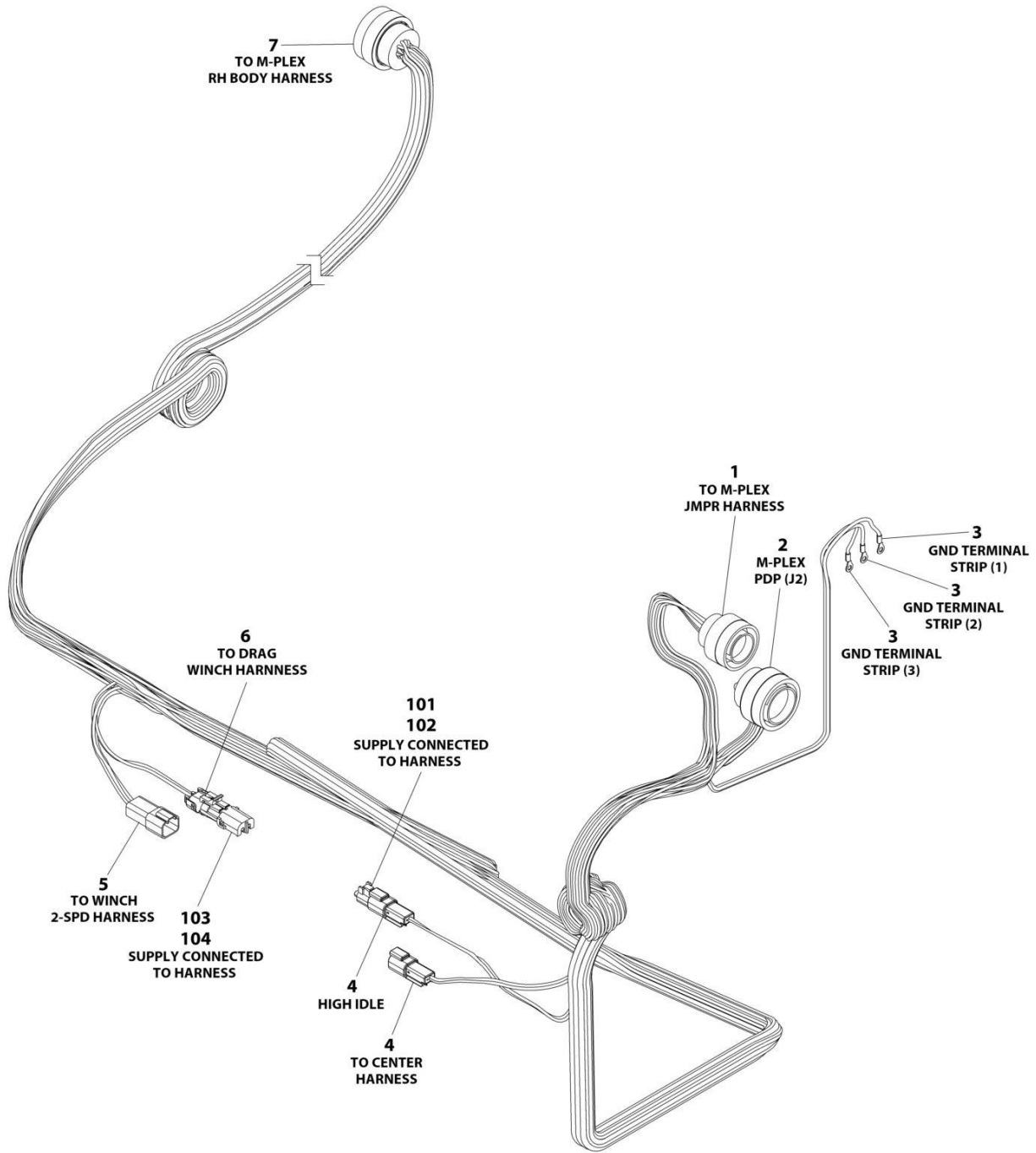
## SECTION 7 - ELECTRICAL

### FIGURE 7-70. MULTIPLEX HARNESS - BODY (RH)

ITEM	PART NUMBER	QTY	DESCRIPTION	REV
	1001288769	Ref	MULTIPLEX HARNESS - BODY (RH)	B
1	1001289235	1	Connector	
1	4460518	1	Plug	
1	1001126010	31	Terminal	
1	4460941	1	Terminal	
1	4460464	2	Terminal	
2	1001262746	1	Connector	
2	1001262747	6	Terminal	
3	1001262482	3	Connector	
3	4460465	12	Socket	
4	4460970	1	Connector	
4	4460464	10	Terminal	
4	4460941	2	Terminal	
5	4460933	1	Connector	
5	4460465	10	Socket	
5	4460466	2	Plug	
6	1001269275	1	Connector	
6	4460941	4	Terminal	
6	4460466	4	Plug	
7	7345001714	10	Terminal	
8	4460891	3	Connector	
8	4460465	6	Socket	
9	4460933	1	Connector	
9	4460465	12	Socket	
10	4460970	1	Connector	
10	4460941	2	Terminal	
10	4460464	8	Terminal	
10	4460466	2	Plug	
11	1001144147	1	Connector	
11	4460464	2	Terminal	
11	4460466	1	Plug	
101	4460466	1	Plug (Not Shown)	
102	1001116815	1	Connector	
103	1001144295	1	Cap	
104	1001192401	1	Cap, Dust	
105	1001215898	1	Cap, Dust	
106	1001262483	1	Connector (Not Shown)	

# SECTION 7 - ELECTRICAL

## FIGURE 7-71. MULTIPLEX HARNESS - CROSSOVER



ART\_1001288771



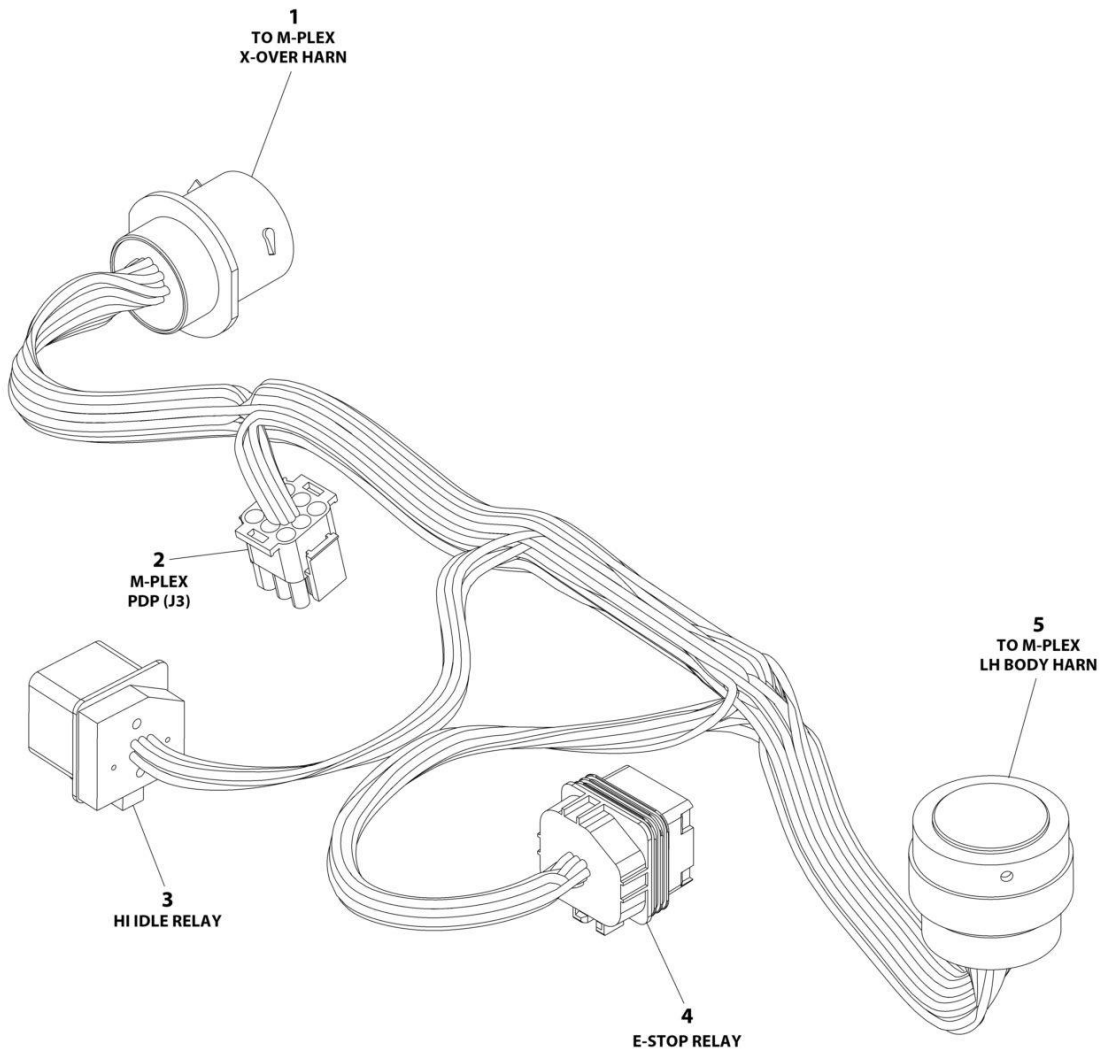
## SECTION 7 - ELECTRICAL

### FIGURE 7-71. MULTIPLEX HARNESS - CROSSOVER

ITEM	PART NUMBER	QTY	DESCRIPTION	REV
	1001288771	Ref	MULTIPLEX HARNESS - CROSSOVER	B
1	1001269106	1	Connector	
1	1001126011	18	Terminal	
1	4460466	1	Plug	
1	4460464	1	Terminal	
2	1001263483	1	Connector	
2	4460466	4	Plug	
2	4460465	18	Socket	
2	1001126008	1	Terminal	
2	4460518	6	Plug	
3	1001263545	3	Terminal, Ring	
4	4460897	2	Connector, Plug	
4	4460464	4	Terminal	
5	4460932	1	Connector	
5	4460464	4	Terminal	
6	4460742	1	Connector	
6	4460458	2	Seal	
7	1001289234	1	Connector - 35 Position	
7	4460518	1	Plug	
7	1001126008	31	Terminal	
7	4460942	1	Terminal	
7	4460465	2	Socket	
101	4460466	2	Plug	
102	4460891	1	Connector	
103	4461157	1	Connector	
104	1001116727	2	Plug	

# SECTION 7 - ELECTRICAL

## FIGURE 7-72. MULTIPLEX HARNESS - JUMPER



ART\_1001288770

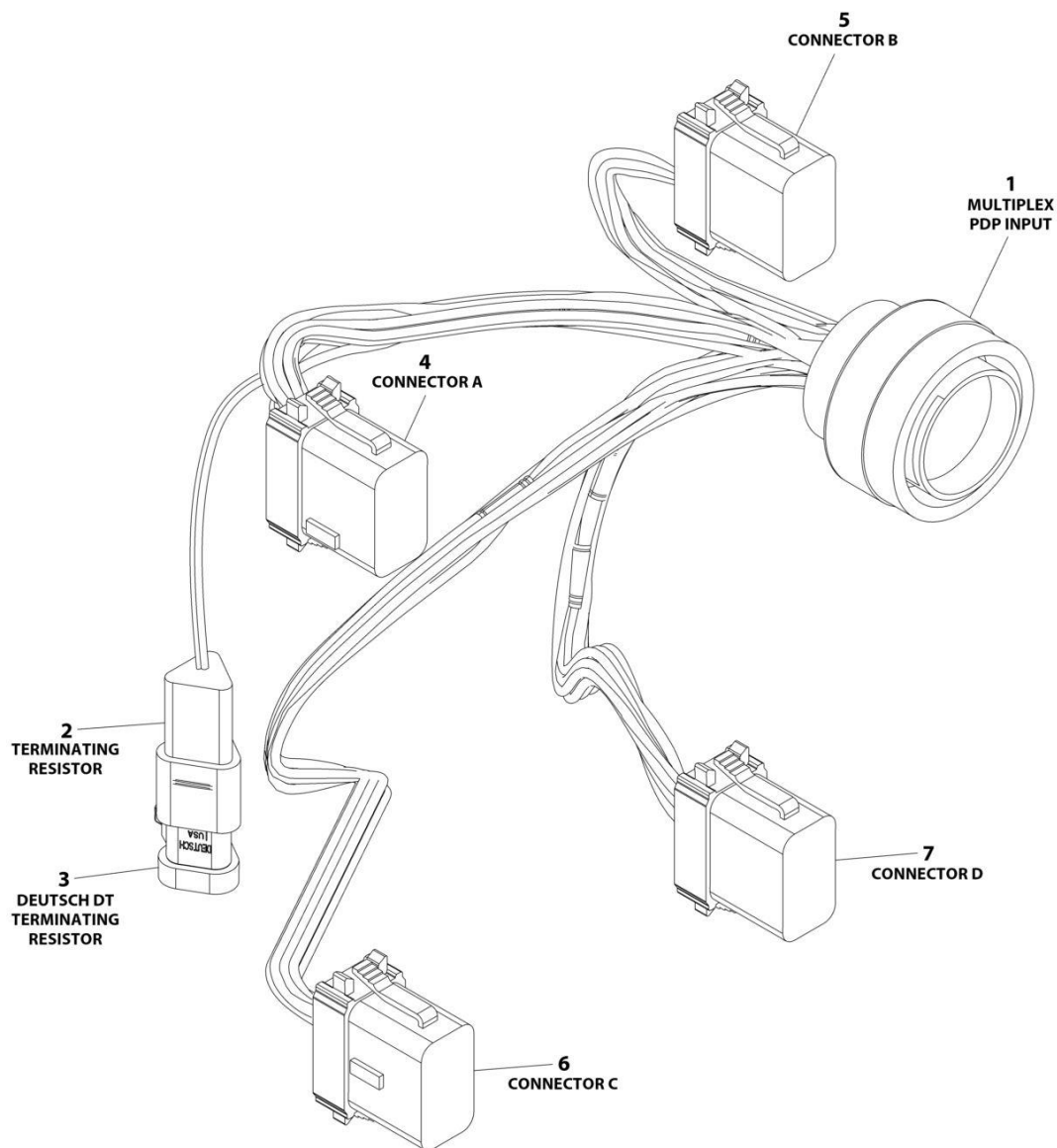
## SECTION 7 - ELECTRICAL

**FIGURE 7-72. MULTIPLEX HARNESS - JUMPER**

ITEM	PART NUMBER	QTY	DESCRIPTION	REV
	1001288770	Ref	MULTIPLEX HARNESS - JUMPER	A
1	1001269625	1	Connector	
1	1001126008	18	Terminal	
1	4460466	1	Plug	
1	4460465	1	Socket	
2	4460265	1	Connector	
2	4460268	7	Terminal	
3	1001117057	1	Plug, Relay	
3	1001116733	4	Terminal	
4	1001210648	1	Connector	
4	1001116733	5	Terminal	
5	1001116921	1	Connector	
5	4460466	7	Plug	
5	4460465	22	Socket	
5	4460942	2	Terminal	

# SECTION 7 - ELECTRICAL

## FIGURE 7-73. MULTIPLEX TO PDP HARNESS



ART\_1001250423

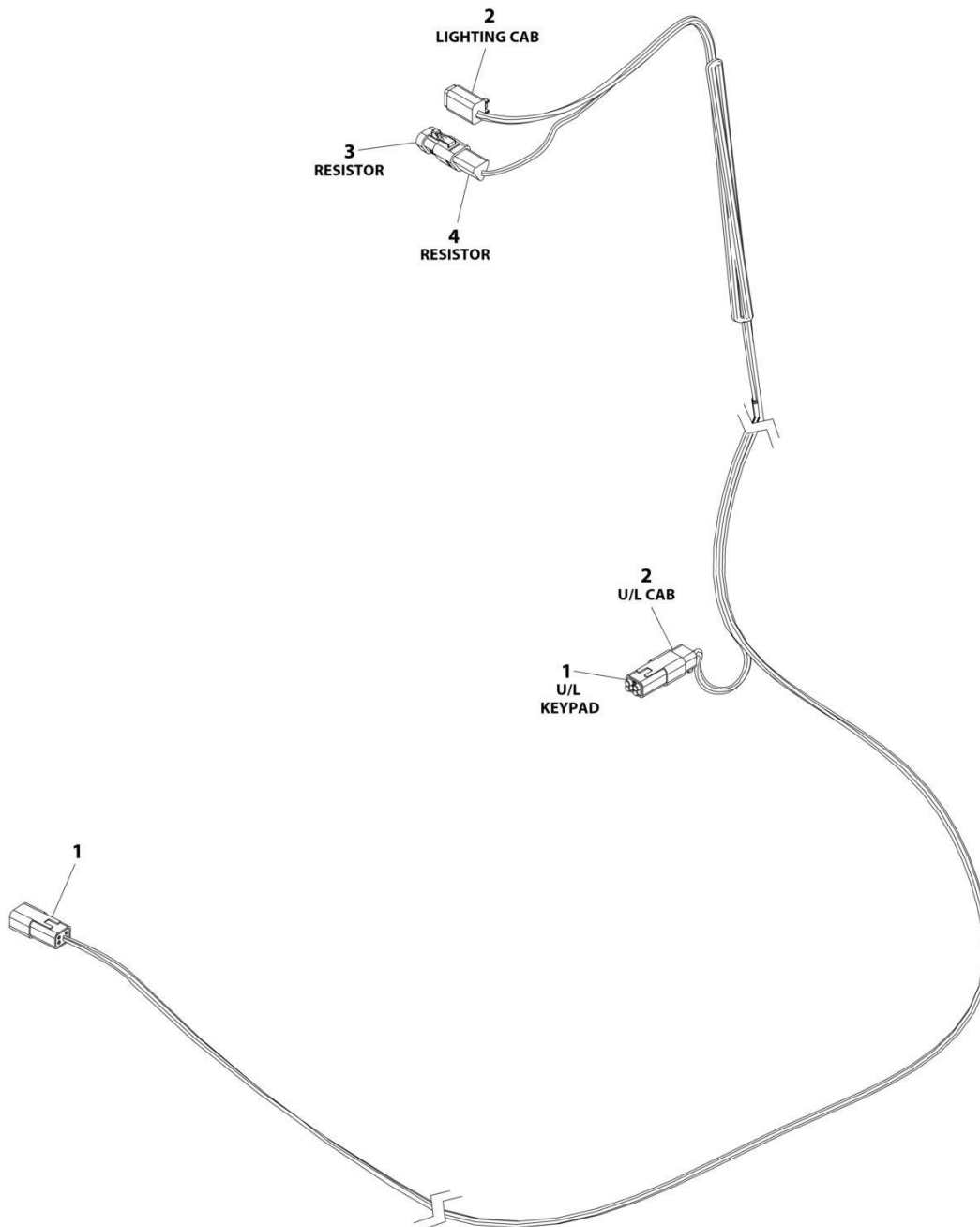
## SECTION 7 - ELECTRICAL

### FIGURE 7-73. MULTIPLEX TO PDP HARNESS

ITEM	PART NUMBER	QTY	DESCRIPTION	REV
	1001250423	Ref	MULTIPLEX TO PDP HARNESS	A
1	NPN	1	Connector - 47 Position	
1	1001126008	45	Terminal	
1	4460466	2	Plug, Terminal	
2	4460536	1	Receptacle, Female - 3 Position	
2	4460464	2	Pin, Male	
2	4460466	1	Plug, Terminal	
3	1001116815	1	Plug, Male - 3 Position with Resistor	
4	NPN	1	Connector - 18 Position (Gray)	
4	4460465	13	Socket, Female	
4	4460466	5	Plug, Terminal	
5	NPN	1	Connector - 18 Position (Black)	
5	4460465	10	Socket, Female	
5	4460466	8	Plug, Terminal	
6	NPN	1	Connector - 18 Position (Green)	
6	4460465	9	Socket, Female	
6	4460466	9	Plug, Terminal	
7	NPN	1	Connector - 18 Position (Brown)	
7	4460465	13	Socket, Female	
7	4460466	5	Plug, Terminal	

# SECTION 7 - ELECTRICAL

## FIGURE 7-74. MULTIPLEX IN-CAB CONTROLS HARNESS (CONSOLE MOUNTED)



ART\_1001208976

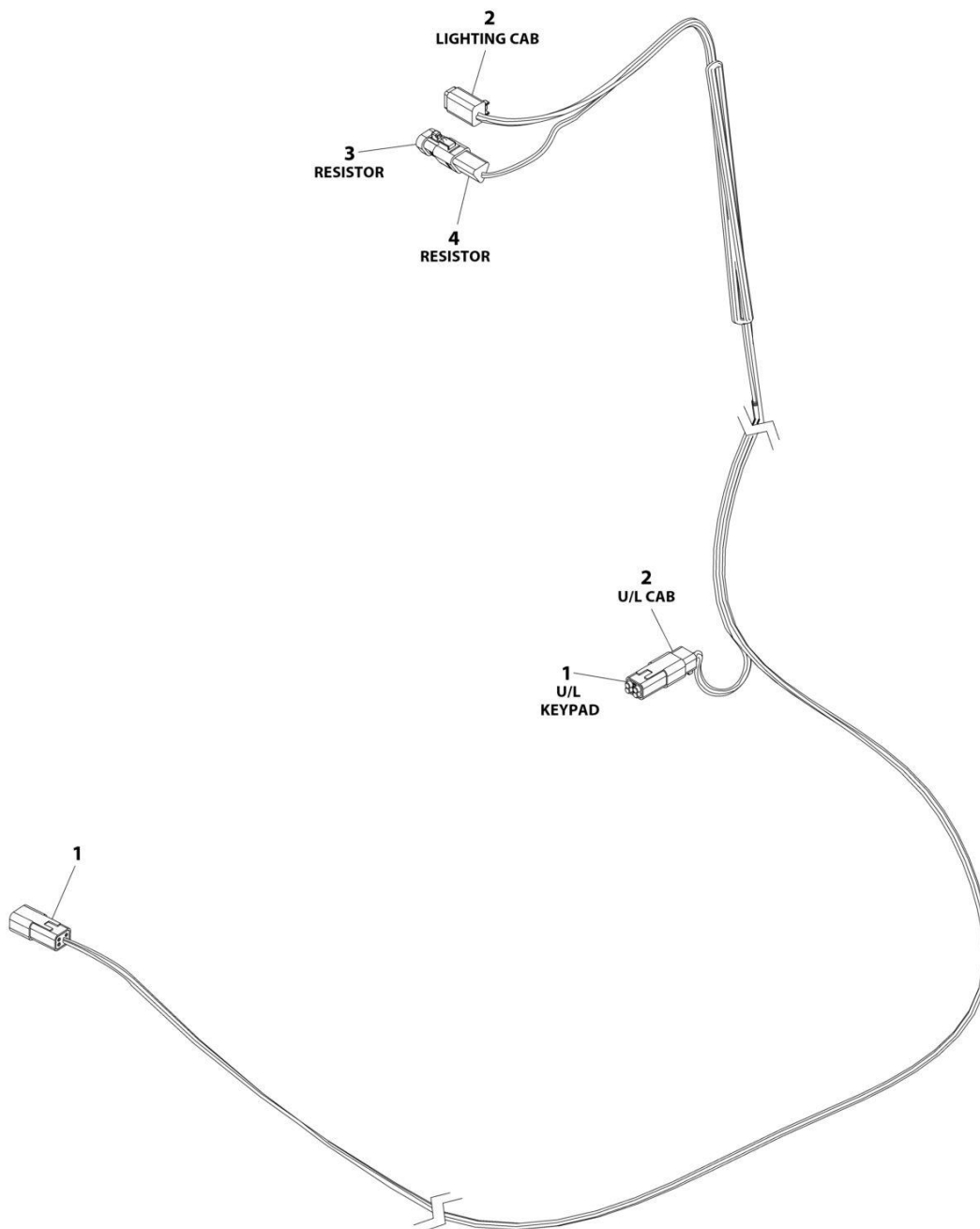
## SECTION 7 - ELECTRICAL

**FIGURE 7-74. MULTIPLEX IN-CAB CONTROLS HARNESS (CONSOLE MOUNTED)**

ITEM	PART NUMBER	QTY	DESCRIPTION	REV
	1001208976	Ref	MULTIPLEX IN-CAB CONTROLS HARNESS (CONSOLE MOUNTED)	D
1	4460932	2	Receptacle, Female - 4 Position	
1	4460464	4	Pin, Male	
1	4460466	4	Plug, Terminal	
2	4460884	2	Plug, Male - 4 Position	
2	4460465	8	Socket, Female	
3	1001116815	1	Plug, Male - 3 Position with Resistor	
4	4460536	1	Receptacle, Female 3 Position	
4	4460464	2	Pin, Male	
4	4460466	1	Plug, Terminal	

# SECTION 7 - ELECTRICAL

## FIGURE 7-75. MULTIPLEX IN-CAB CONTROLS HARNESS (FLOOR MOUNTED)



ART\_1001215436



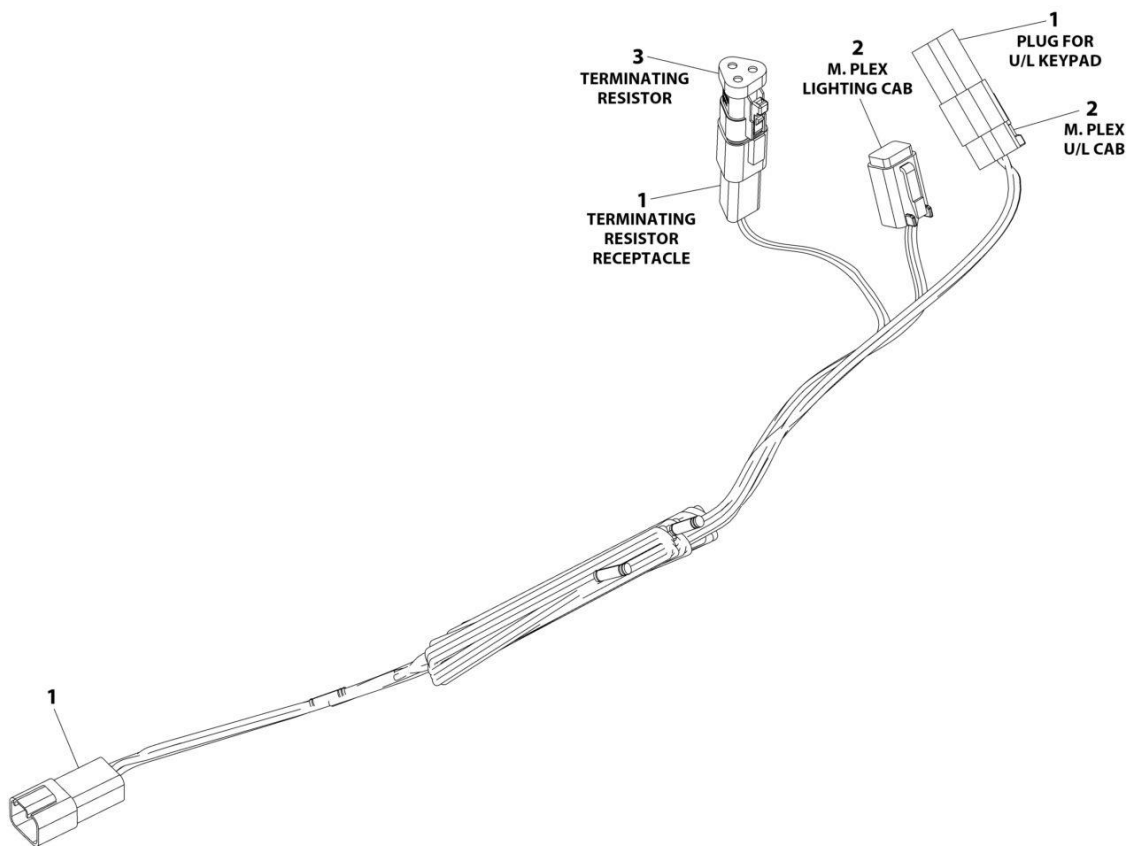
## SECTION 7 - ELECTRICAL

**FIGURE 7-75. MULTIPLEX IN-CAB CONTROLS HARNESS (FLOOR MOUNTED)**

ITEM	PART NUMBER	QTY	DESCRIPTION	REV
	1001215436	Ref	MULTIPLEX IN-CAB CONTROLS HARNESS (FLOOR MOUNTED)	B
1	4460932	2	Receptacle, Female - 4 Position	
1	4460464	4	Pin, Male	
1	4460466	4	Plug, Terminal	
2	4460884	2	Plug, Male - 4 Position	
2	4460465	8	Socket, Female	
3	1001116815	1	Plug, Male - 3 Position with Resistor	
4	4460536	1	Receptacle, Female 3 Position	
4	4460464	2	Pin, Male	
4	4460466	1	Plug, Terminal	

# SECTION 7 - ELECTRICAL

## FIGURE 7-76. MULTIPLEX IN-CAB CONTROLS HARNESS (FLOOR MOUNTED)



ART\_1001215421

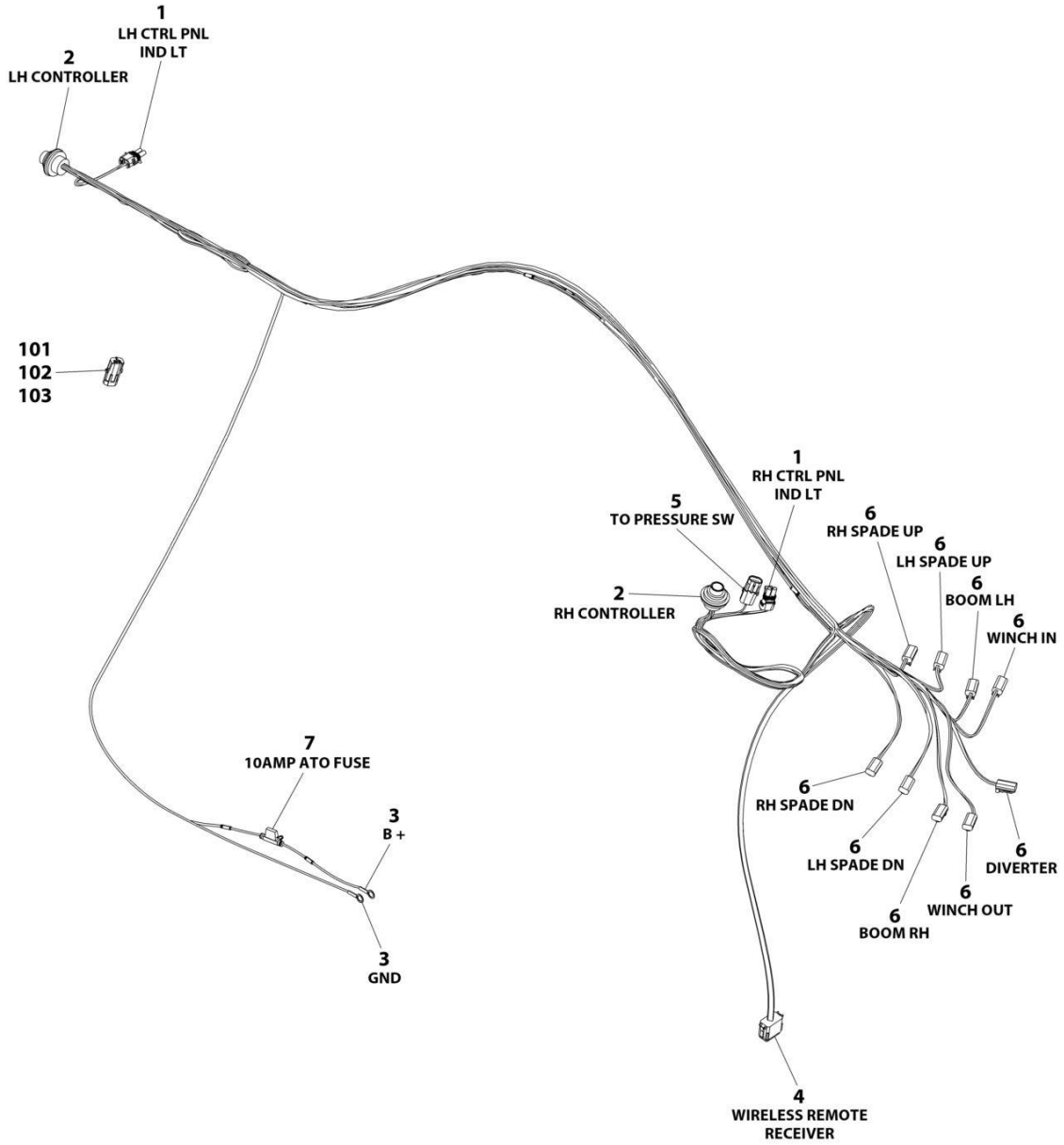
## SECTION 7 - ELECTRICAL

**FIGURE 7-76. MULTIPLEX IN-CAB CONTROLS HARNESS (FLOOR MOUNTED)**

ITEM	PART NUMBER	QTY	DESCRIPTION	REV
	1001215421	Ref	MULTIPLEX IN - CAB CONTROL HARNESS	A
1	4460932	3	Receptacle, Female - 4 Position	
1	4460464	7	Pin, Male	
1	4460466	5	Plug, Terminal	
2	4460884	2	Plug, Male	
2	4460465	8	Socket, Female	
3	1001166815	1	Resistor	

# SECTION 7 - ELECTRICAL

## FIGURE 7-77. REMOTE CONTROL 8 FUNCTION HARNESS



ART\_7552000407

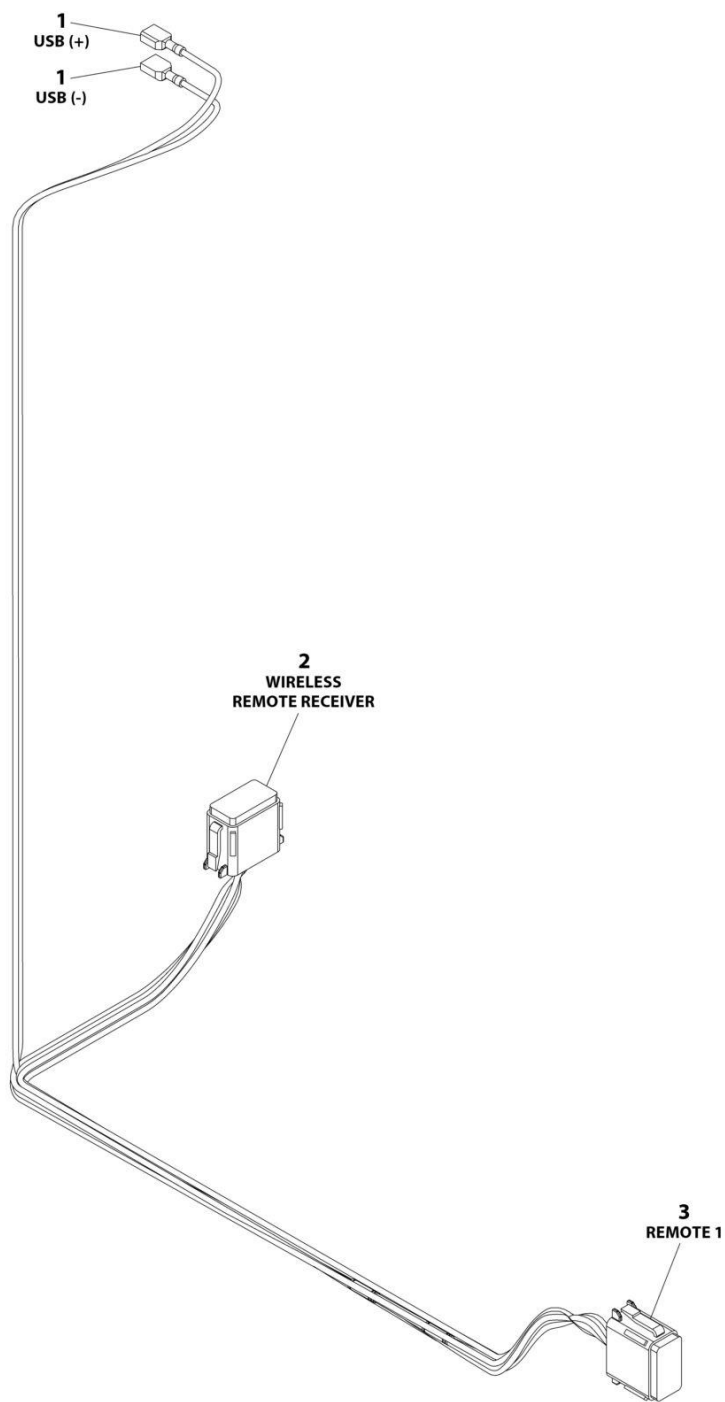
## SECTION 7 - ELECTRICAL

**FIGURE 7-77. REMOTE CONTROL 8 FUNCTION HARNESS**

ITEM	PART NUMBER	QTY	DESCRIPTION	REV
	7552000407	Ref	REMOTE CONTROL 8 FUNCTION HARNESS	E
1	4460742	2	Connector	
1	4460457	4	Socket	
1	4460458	2	Seal	
2	1001271968	2	Connector	
2	1001271970	20	Socket	
2	NPN	2	Strain Relief	
3	4460256	2	Terminal, Ring	
4	4460933	1	Connector	
4	4460465	11	Socket	
4	4460466	1	Plug	
5	4461157	1	Connector	
5	4460475	2	Socket	
5	4460458	2	Seal	
6	4460891	9	Connector	
6	4460465	18	Socket	
7	1001288901	1	Fuseholder	
7	80983191	1	Fuse, 10 AMP	
101	4460458	4	Seal	
102	4460475	4	Pin	
103	4461157	2	Connector	

# SECTION 7 - ELECTRICAL

## FIGURE 7-78. REMOTE 6 FUNCTION NON-PROP HARNESS



ART\_100128839

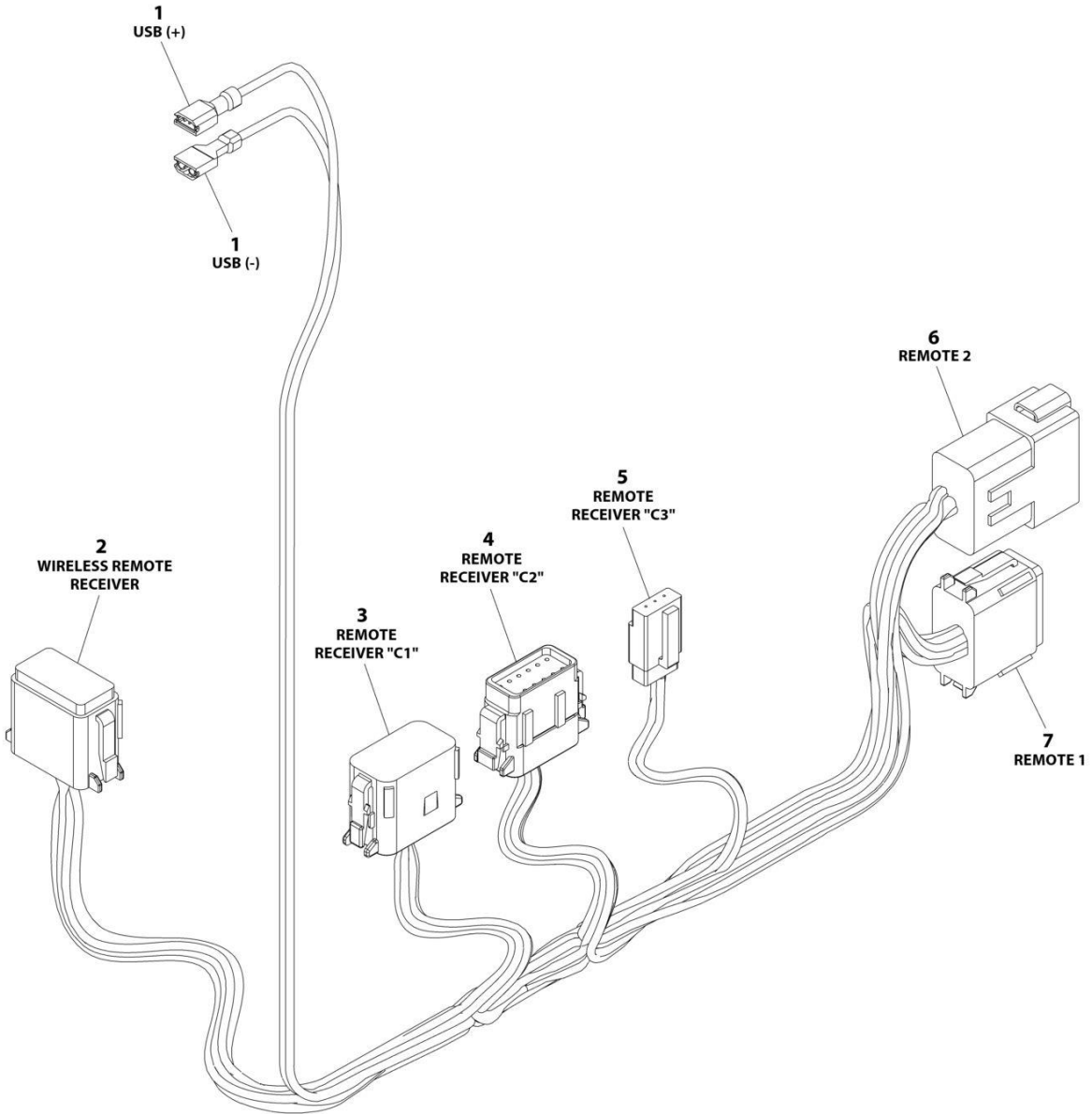
## SECTION 7 - ELECTRICAL

### FIGURE 7-78. REMOTE 6 FUNCTION NON-PROP HARNESS

ITEM	PART NUMBER	QTY	DESCRIPTION	REV
	1001288839	Ref	REMOTE 6 FUNCTION NON-PROP HARNESS	A
1	8220051	2	Terminal	
2	4460933	1	Connector	
2	4460465	8	Socket	
2	4460466	4	Plug	
3	4460933	1	Connector	
3	4460942	2	Socket	
3	4460465	6	Socket	
3	4460965	1	Terminal	
3	4460466	4	Plug	

# SECTION 7 - ELECTRICAL

## FIGURE 7-79. REMOTE 12 FUNCTION PROP HARNESS



ART\_1001288808



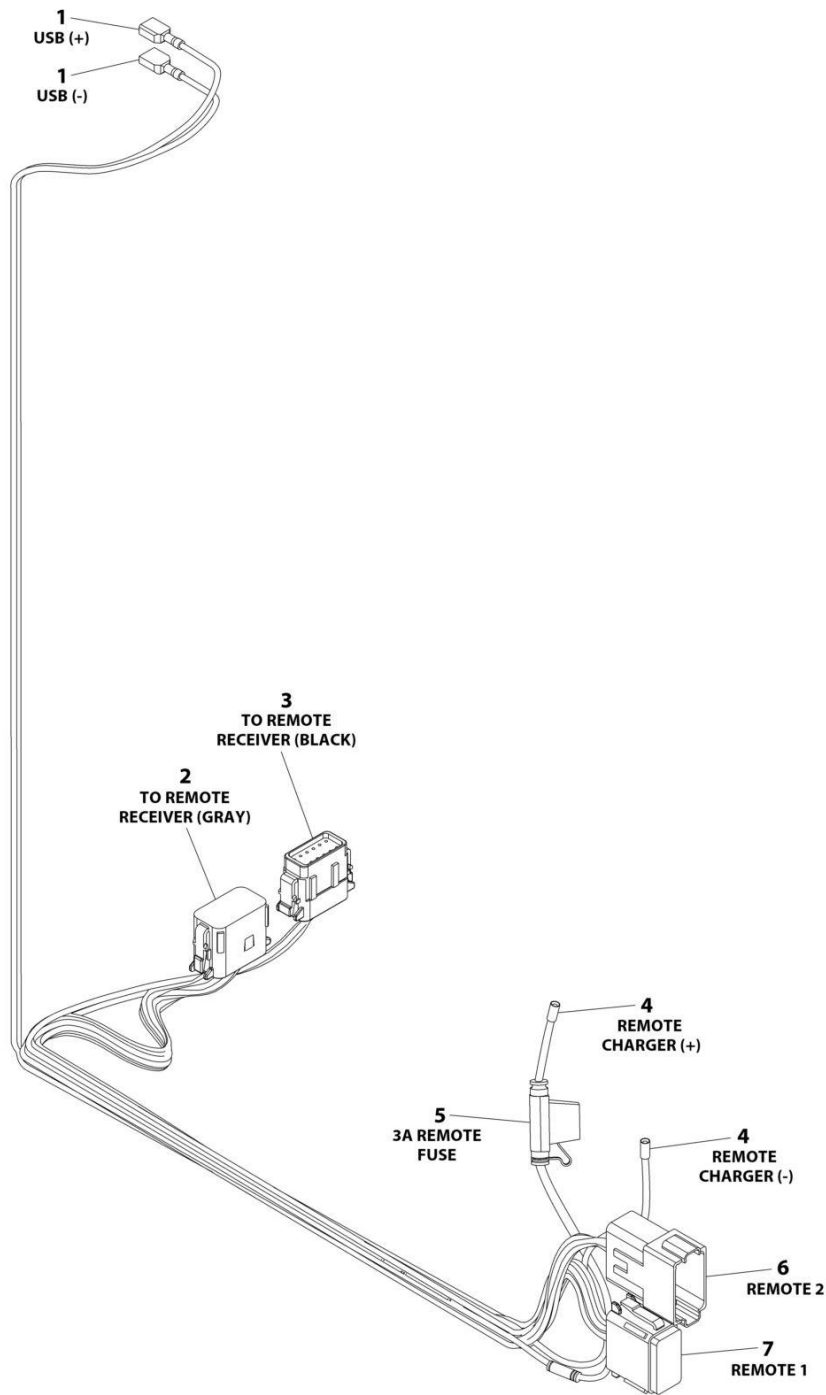
## SECTION 7 - ELECTRICAL

**FIGURE 7-79. REMOTE 12 FUNCTION PROP HARNESS**

ITEM	PART NUMBER	QTY	DESCRIPTION	REV
	1001288808	Ref	REMOTE 12 FUNCTION PROP HARNESS	A
1	8220051	2	Connector	
2	4460933	1	Connector	
2	4460465	8	Terminal	
2	4460466	4	Plug	
3	1001116774	1	Connector	
3	4460518	8	Plug	
3	1001116694	4	Terminal	
4	1001116808	1	Connector	
4	1001116694	7	Terminal	
4	4460518	5	Plug	
5	4460911	1	Connector	
5	1001126008	3	Terminal	
6	4460970	1	Connector	
6	4460464	10	Terminal	
6	4460466	2	Plug	
7	4460933	1	Connector	
7	4460942	2	Terminal	
7	4460465	6	Socket	
7	4460466	4	Plug	

# SECTION 7 - ELECTRICAL

## FIGURE 7-80. REMOTE 12 FUNCTION NON-PROP HARNESS



ART\_1001288961

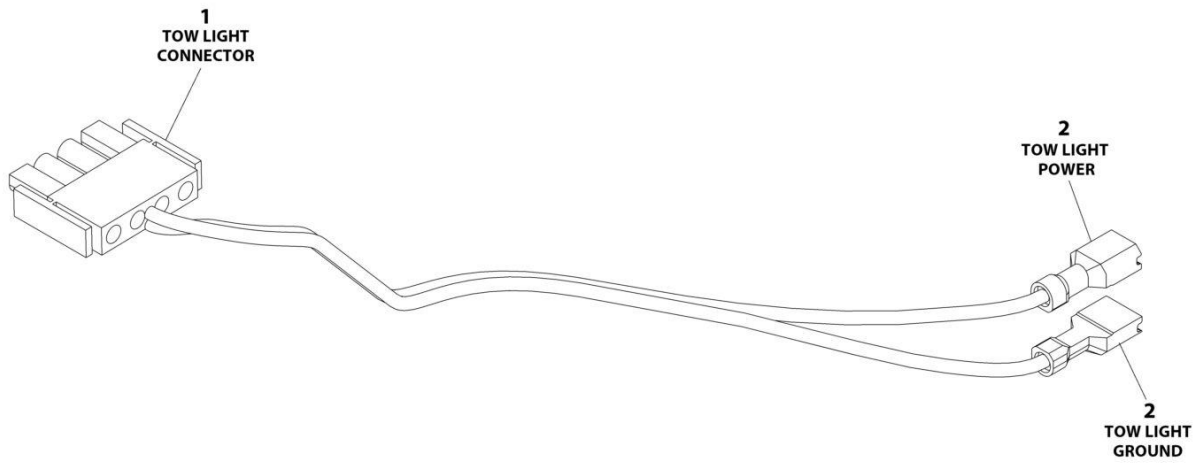
## SECTION 7 - ELECTRICAL

**FIGURE 7-80. REMOTE 12 FUNCTION NON-PROP HARNESS**

ITEM	PART NUMBER	QTY	DESCRIPTION	REV
	1001288961	Ref	REMOTE 12 FUNCTION NON-PROP HARNESS	A
1	8220051	2	Connector	
2	1001116774	1	Connector	
2	4460518	1	Plug	
2	1001116694	11	Terminal	
3	1001116808	1	Connector	
3	4460518	9	Plug	
3	1001116694	3	Terminal	
4	1001201994	2	Connector	
5	1001255901	1	Fuse Holder	
5	1001196635	1	Fuse, 3Amp	
6	4460970	1	Connector	
6	4460466	6	Plug	
6	4460464	6	Terminal	
7	4460933	1	Connector	
7	4460465	7	Terminal	
7	4460466	4	Plug	
7	4460942	1	Terminal	

# SECTION 7 - ELECTRICAL

## FIGURE 7-81. TOW LIGHT HARNESS



ART\_1001209031

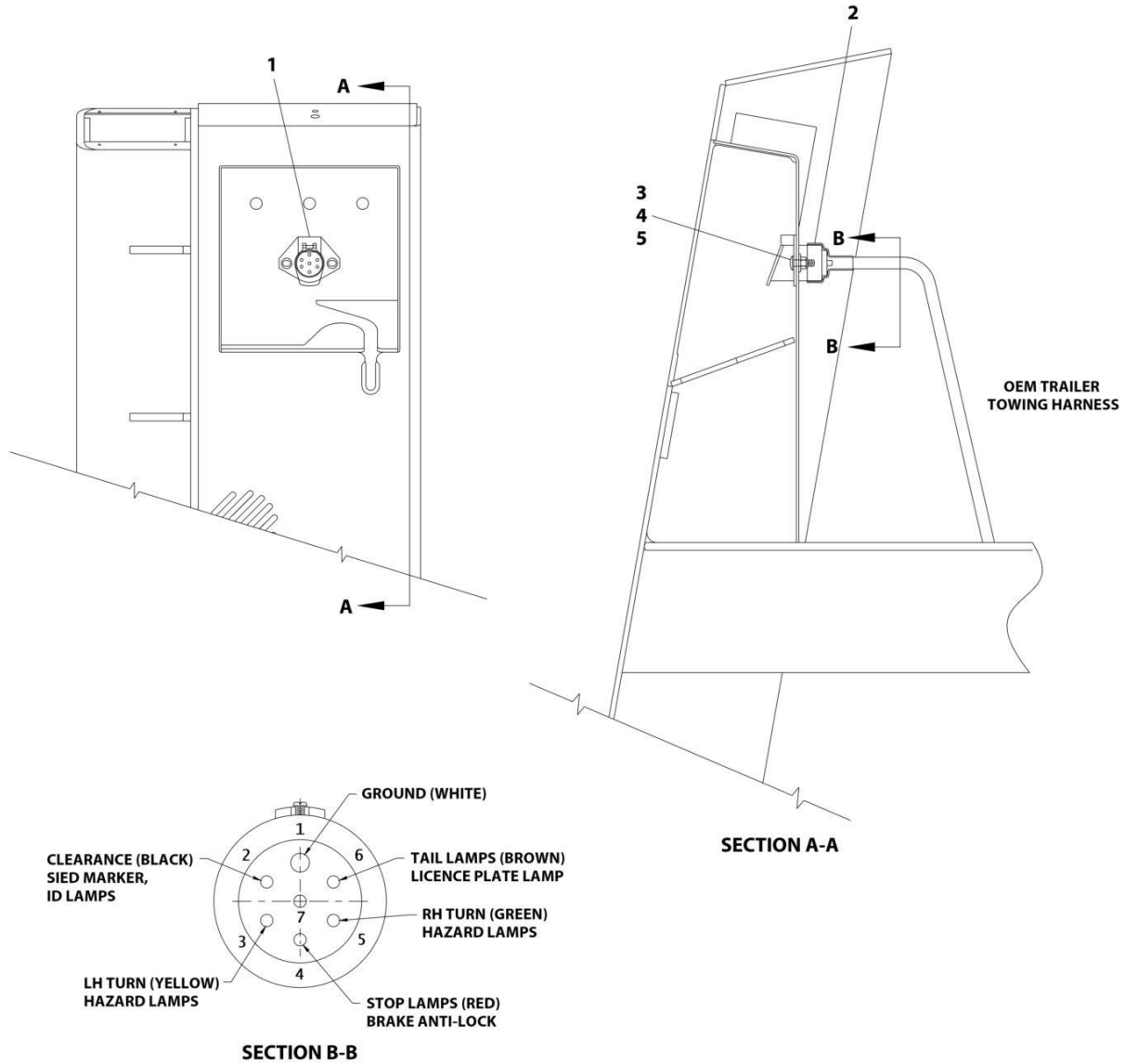
## SECTION 7 - ELECTRICAL

### FIGURE 7-81. TOW LIGHT HARNESS

ITEM	PART NUMBER	QTY	DESCRIPTION	REV
	1001209031	Ref	TOW LIGHT HARNESS	C
1	4460321	1	Connector	
1	4460268	2	Socket	
2	NPN	2	Connector	

# SECTION 7 - ELECTRICAL

FIGURE 7-82. TRAILER PLUG INSTALLATION - 7-WAY



ART\_2502330145

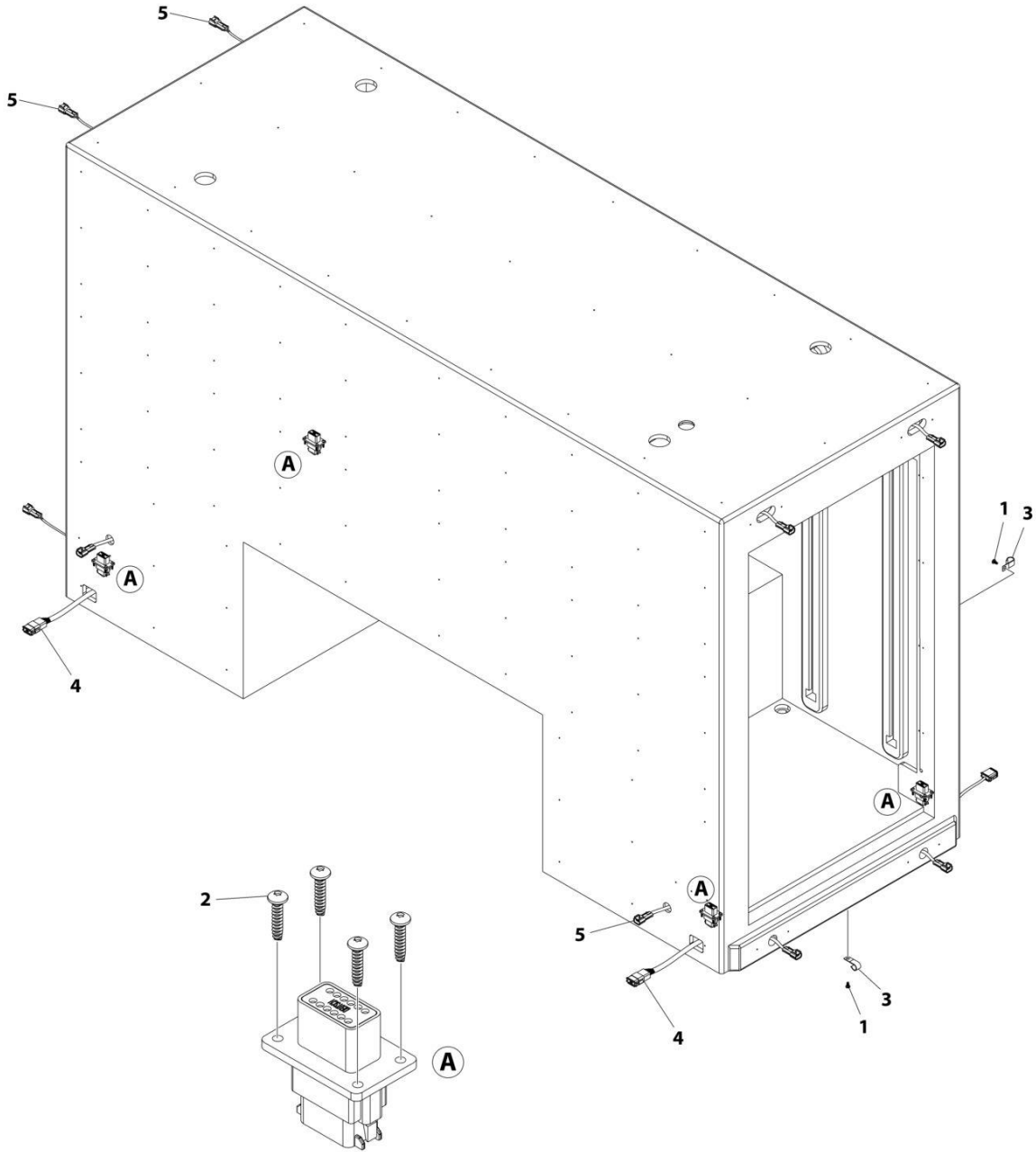
## SECTION 7 - ELECTRICAL

### FIGURE 7-82. TRAILER PLUG INSTALLATION - 7-WAY

ITEM	PART NUMBER	QTY	DESCRIPTION	REV
	2502330145	Ref	7 - Way Trailer Plug Installation	C
1	7346000055	1	7-Way Plug	
2	7346000078	1	7-Way Plug Boot	
3	7115151050	2	Capscrew 5/16 x 1-1/4	
4	7950150161	4	Washer 5/16	
5	7660152601	2	Nut 5/16	

# SECTION 7 - ELECTRICAL

## FIGURE 7-83. TUNNEL HARNESS INSTALLATION (36IN & 37IN TUNNELS WITHOUT BATTERY)



ART\_1001207198



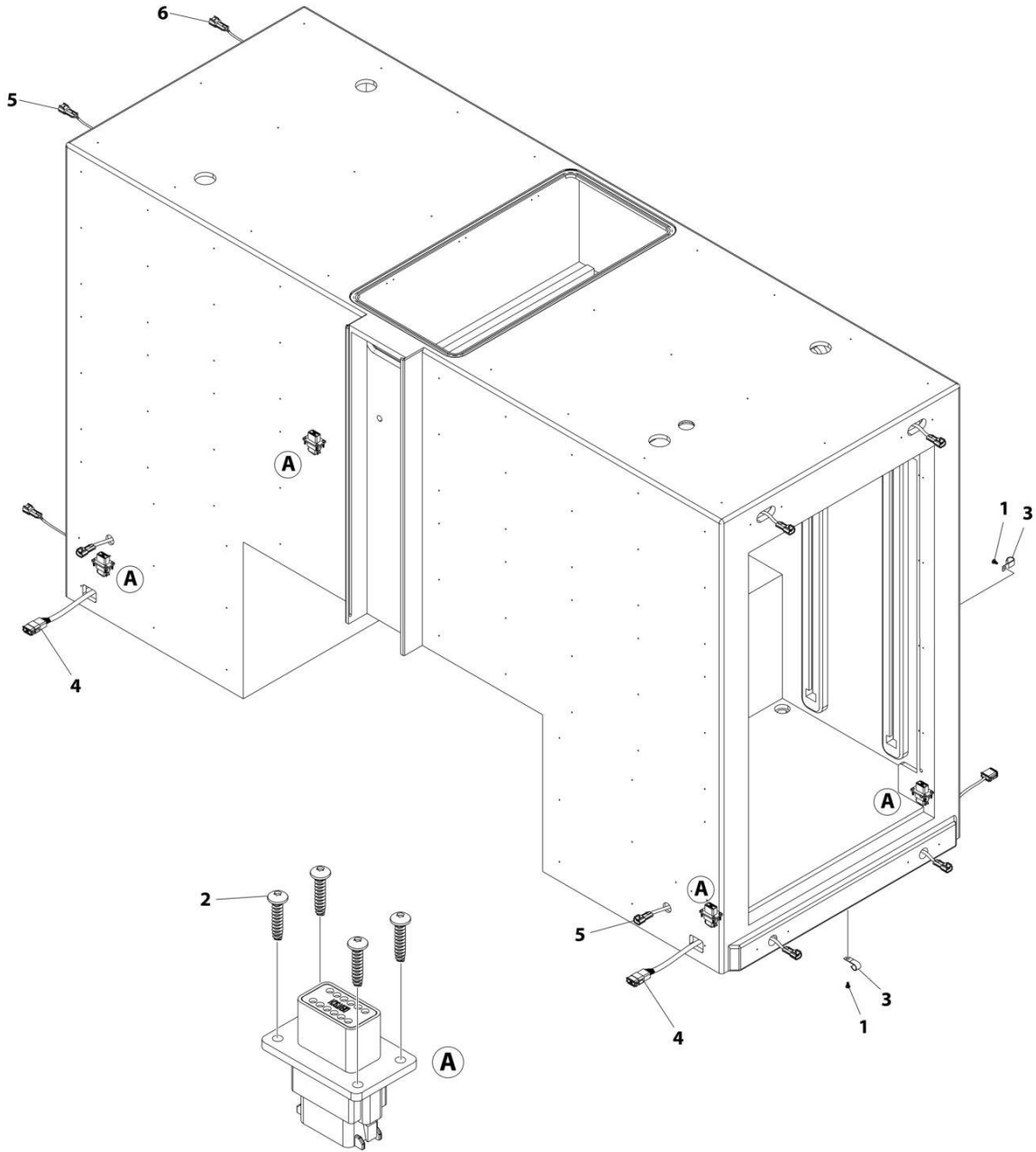
## SECTION 7 - ELECTRICAL

**FIGURE 7-83. TUNNEL HARNESS INSTALLATION (36IN & 37IN TUNNELS WITHOUT BATTERY)**

ITEM	PART NUMBER	QTY	DESCRIPTION	REV
	1001207198	Ref	TUNNEL HARNESS INSTALLATION (36IN & 37IN TUNNELS WITHOUT BATTERY)	B
1	1001195257	18	Screw 1/4 x 1/2	
2	1001196552	16	Screw #8 x 3/4	
3	7280000006	18	Clip	
4	1001207216	2	Harness, Tunnel Main (See Separate Breakdown in this Section)	
5	1001209056	4	Harness, Tunnel Rear (See Separate Breakdown in this Section)	

# SECTION 7 - ELECTRICAL

## FIGURE 7-84. TUNNEL HARNESS INSTALLATION (39IN & 36IN TUNNELS)



ART\_10011207197

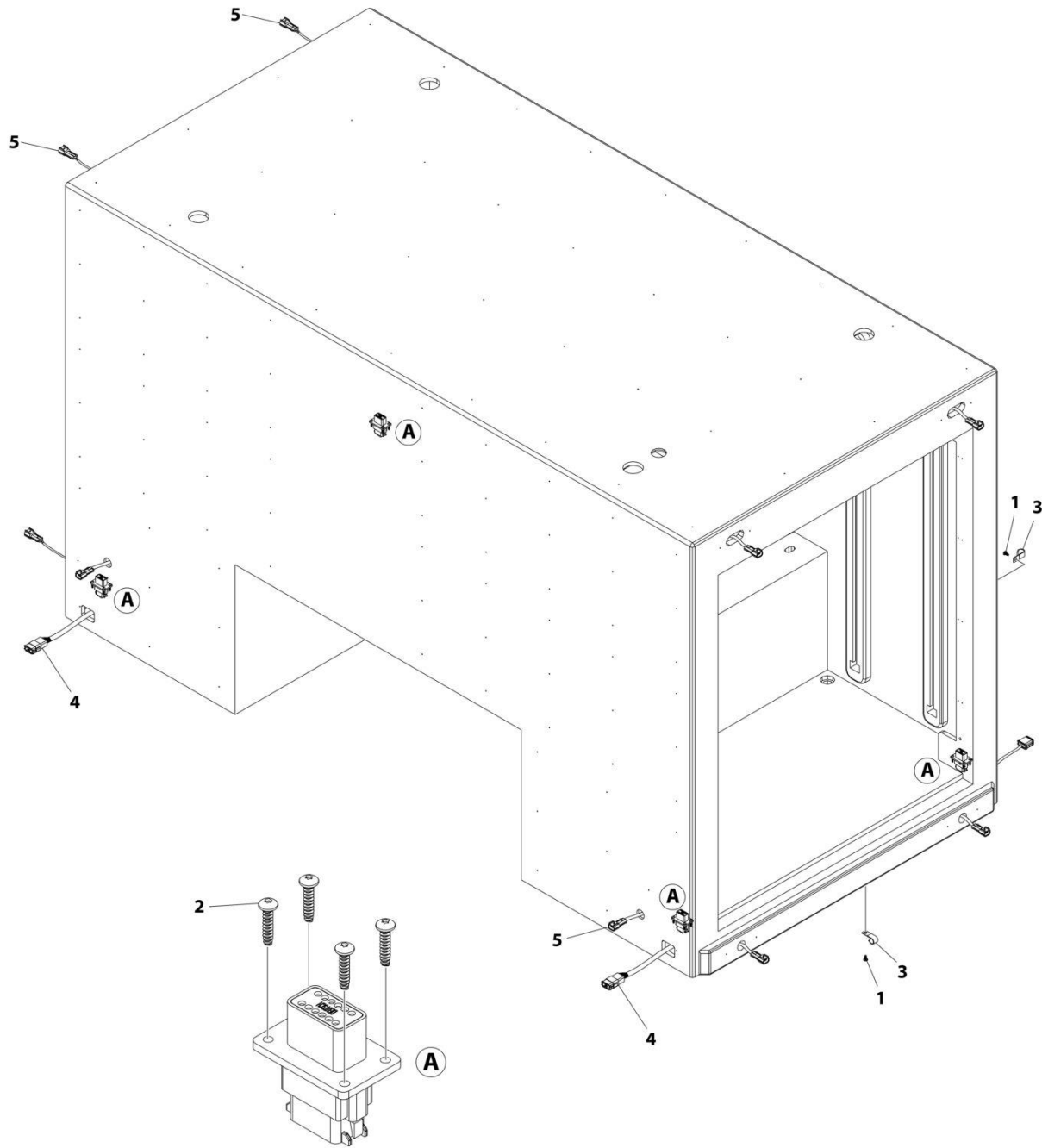
## SECTION 7 - ELECTRICAL

**FIGURE 7-84. TUNNEL HARNESS INSTALLATION (39IN & 36IN TUNNELS)**

ITEM	PART NUMBER	QTY	DESCRIPTION	REV
	1001207197	Ref	TUNNEL HARNESS INSTALLATION (39IN & 36IN TUNNELS)	B
1	1001195257	18	Screw 1/4 x 1/2	
2	1001196552	16	Screw #8 x 3/4	
3	7280000006	18	Clip	
4	1001207216	2	Harness, Tunnel Main (See Separate Breakdown in this Section)	
5	1001209055	2	Harness, Tunnel Front (See Separate Breakdown in this Section)	
6	1001209056	2	Harness, Tunnel Rear (See Separate Breakdown in this Section)	

# SECTION 7 - ELECTRICAL

FIGURE 7-85. TUNNEL HARNESS INSTALLATION (48IN & 49IN TUNNEL WITHOUT BATTERY)



ART\_1001207200

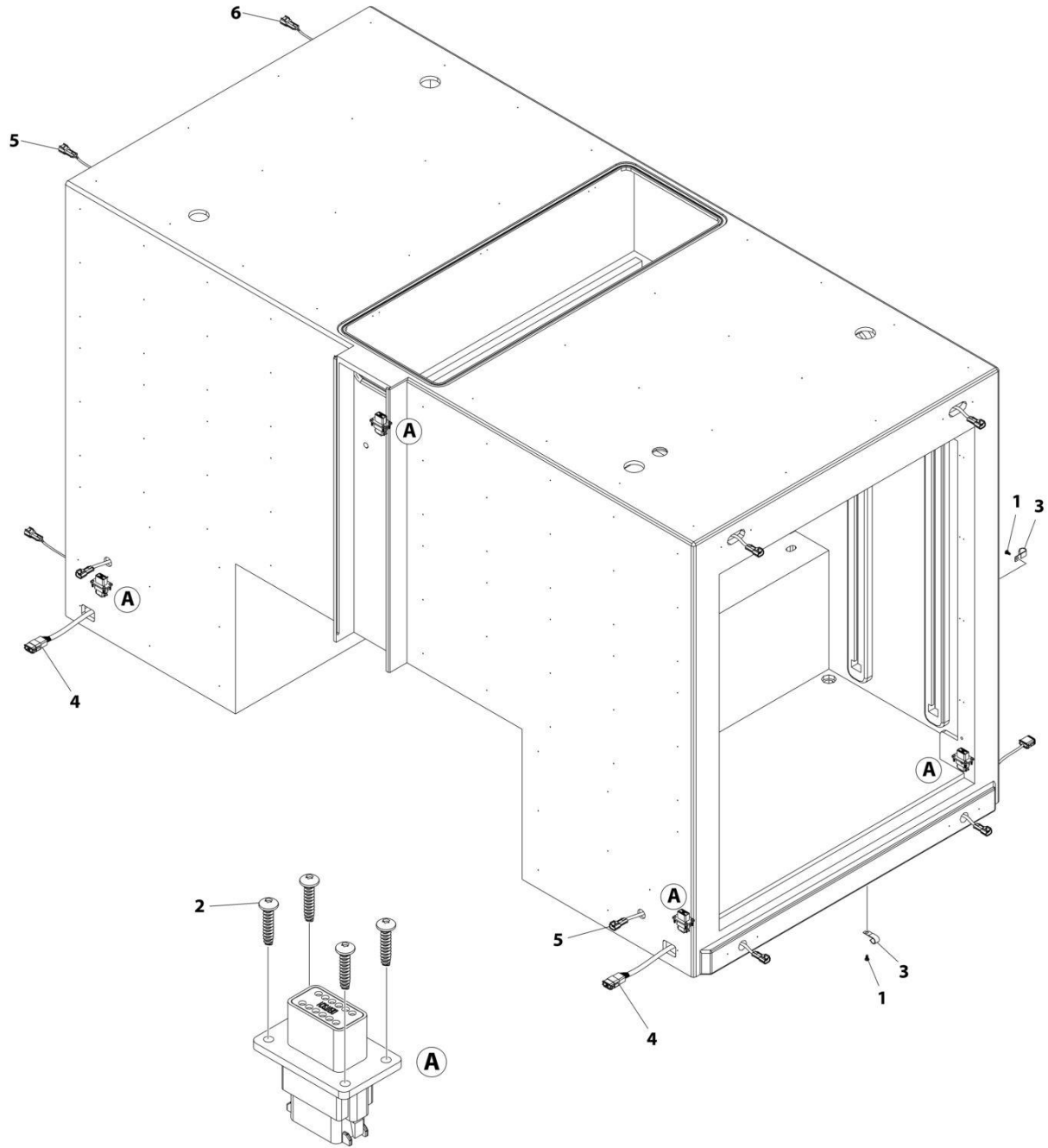
## SECTION 7 - ELECTRICAL

**FIGURE 7-85. TUNNEL HARNESS INSTALLATION (48IN & 49IN TUNNEL WITHOUT BATTERY)**

ITEM	PART NUMBER	QTY	DESCRIPTION	REV
	1001207200	Ref	TUNNEL HARNESS INSTALLATION (48IN & 49IN TUNNEL WITHOUT BATTERY)	B
1	1001195257	20	Screw 1/4 x 1/2	
2	1001196552	16	Screw #8 x 3/4	
3	7280000006	20	Clip	
4	1001209050	2	Harness, Tunnel Main (See Separate Breakdown in this Section)	
5	1001209056	4	Harness, Tunnel Rear (See Separate Breakdown in this Section)	

# SECTION 7 - ELECTRICAL

## FIGURE 7-86. TUNNEL HARNESS INSTALLATION (48IN & 51IN TUNNELS)



ART\_10011207199

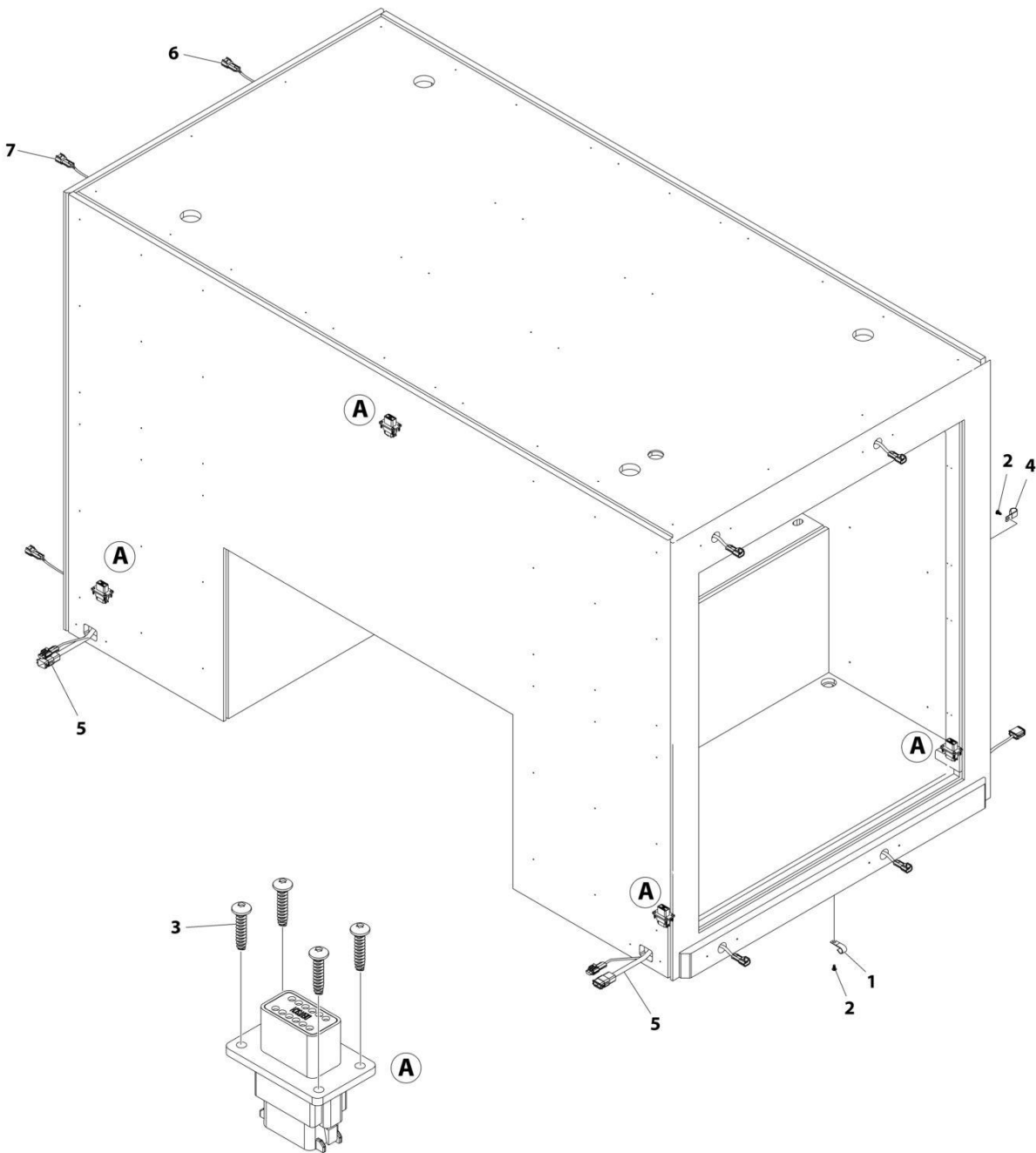
## SECTION 7 - ELECTRICAL

**FIGURE 7-86. TUNNEL HARNESS INSTALLATION (48IN & 51IN TUNNELS)**

ITEM	PART NUMBER	QTY	DESCRIPTION	REV
	1001207199	Ref	TUNNEL HARNESS INSTALLATION (48IN & 51IN TUNNELS)	B
1	1001195257	20	Screw 1/4 x 1/2	
2	1001196552	16	Screw #8 x 3/4	
3	7280000006	20	Clip	
4	1001209050	2	Harness, Tunnel Main (See Separate Breakdown in this Section)	
5	1001209055	2	Harness, Tunnel Front (See Separate Breakdown in this Section)	
6	1001209056	2	Harness, Tunnel Rear (See Separate Breakdown in this Section)	

# SECTION 7 - ELECTRICAL

## FIGURE 7-87. TUNNEL HARNESS - 50IN



ART\_1001281659



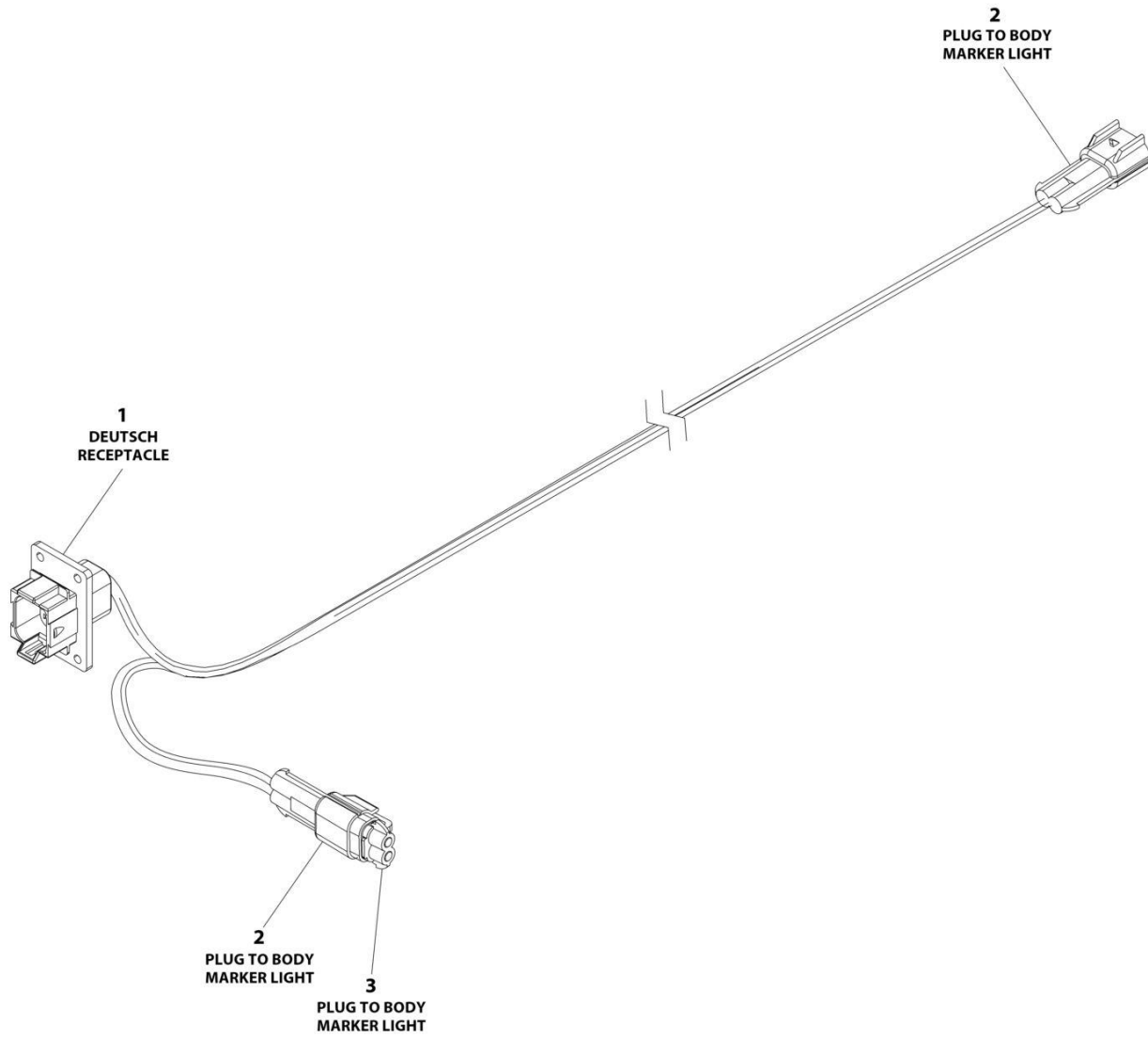
## SECTION 7 - ELECTRICAL

### FIGURE 7-87. TUNNEL HARNESS - 50IN

ITEM	PART NUMBER	QTY	DESCRIPTION	REV
	1001281659	Ref	HARNESS INSTALLATION - TUNNEL	A
1	1321385	2	Clamp, Hose Retaining	
2	1001195257	24	Screw 1/4 x 1/2	
3	1001196552	16	Screw #8 x 3/4	
4	7280000006	22	Clip	
5	1001209050	2	Main Tunnel Harness (See Separate Breakdown in this Section)	
6	1001229447	2	Rear Tunnel Harness (See Separate Breakdown in this Section)	
7	1001209056	2	Rear Tunnel Harness (See Separate Breakdown in this Section)	
8	5526000553	AR	Tie-Strap (Not Shown)	

# SECTION 7 - ELECTRICAL

## FIGURE 7-88. TUNNEL HARNESS - FRONT



ART\_1001209055

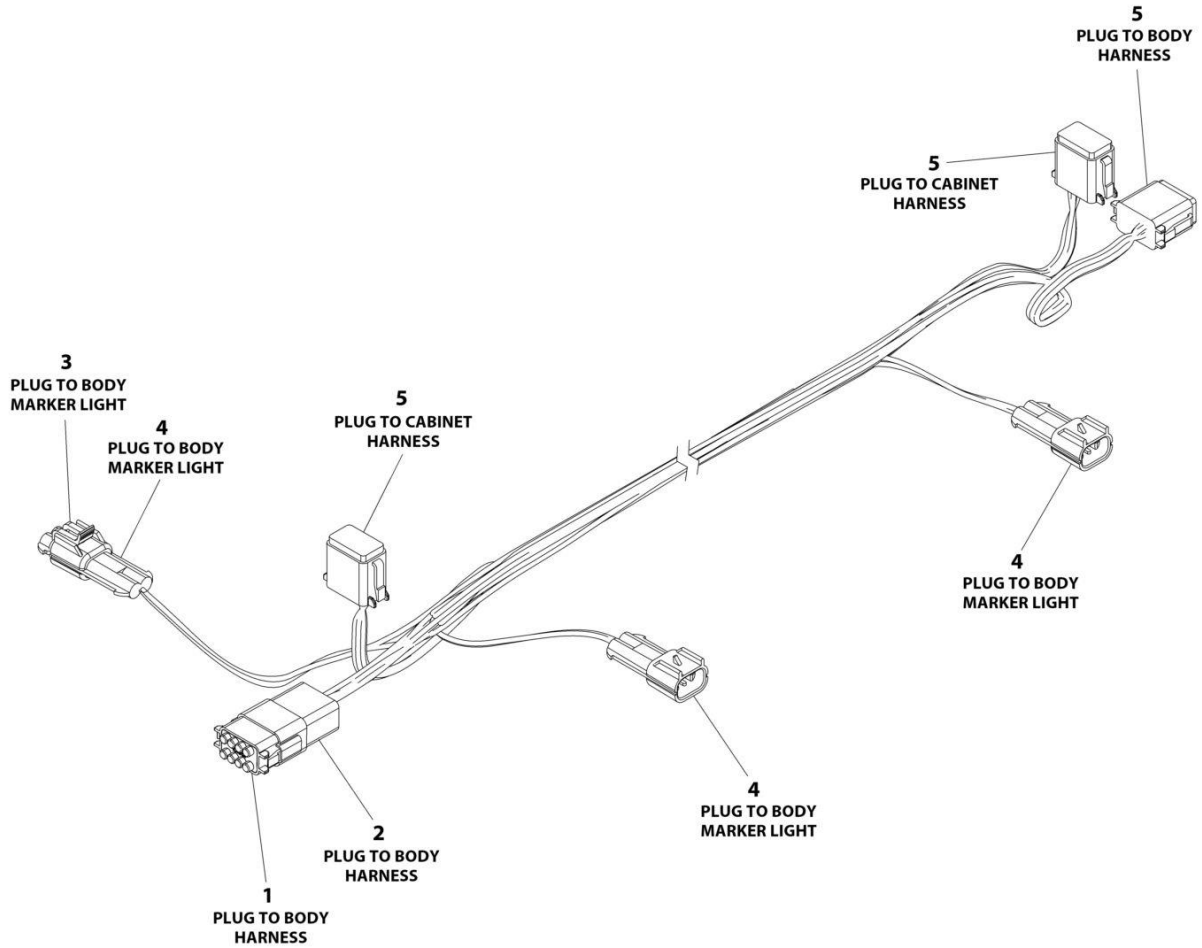
## SECTION 7 - ELECTRICAL

**FIGURE 7-88. TUNNEL HARNESS - FRONT**

ITEM	PART NUMBER	QTY	DESCRIPTION	REV
	1001209055	Ref	TUNNEL HARNESS - FRONT	B
1	NPN	1	Connector - 8 Position	
1	4640464	2	Socket, Female	
1	4640466	4	Plug, Terminal	
1	NPN	1	Gasket	
2	NPN	2	Connector - 2 Position	
2	NPN	4	Terminal	
2	4640458	4	Seal	
3	NPN	1	Connector - 2 Position	
3	NPN	2	Terminal	
3	1001116727	2	Seal	

# SECTION 7 - ELECTRICAL

## FIGURE 7-89. TUNNEL HARNESS - MAIN (36IN & 37IN TUNNELS)



ART\_1001207216

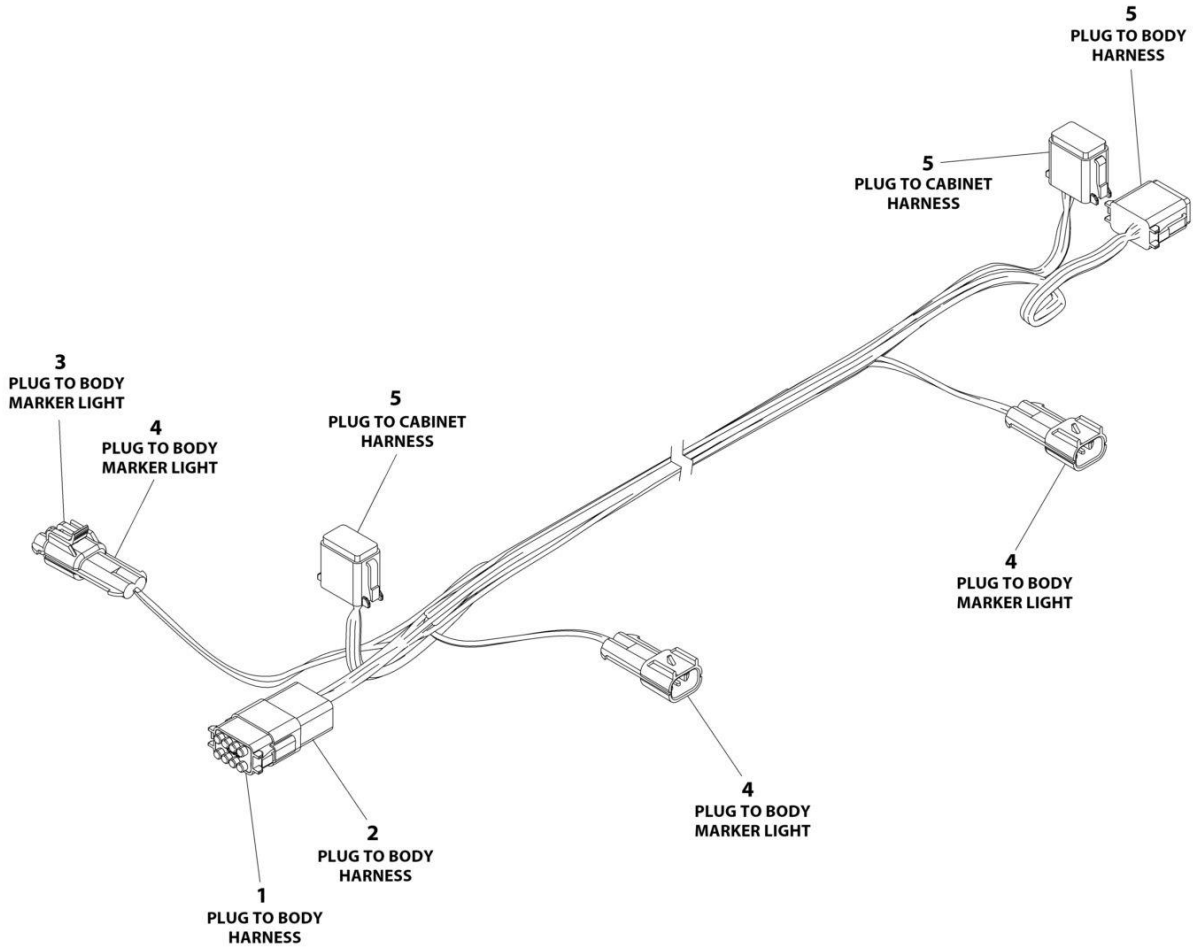
## SECTION 7 - ELECTRICAL

**FIGURE 7-89. TUNNEL HARNESS - MAIN (36IN & 37IN TUNNELS)**

ITEM	PART NUMBER	QTY	DESCRIPTION	REV
	1001207216	Ref	TUNNEL HARNESS - MAIN	C
1	4460930	1	Connector - 8 Position	
1	4460466	8	Plug, Terminal	
2	4460931	1	Connector - 8 Position	
2	4460464	6	Socket, Female	
2	4460466	2	Plug, Terminal	
3	NPN	1	Plug, Male - 2 Position	
3	NPN	2	Terminal	
3	4460458	2	Seal	
4	NPN	3	Receptacle, Female - 2 Position	
4	NPN	6	Terminal	
4	1001116727	6	Seal	
5	4460930	3	Connector - 8 Position	
5	4460465	18	Pin, Male	
5	4460466	6	Plug, Terminal	

# SECTION 7 - ELECTRICAL

## FIGURE 7-90. TUNNEL HARNESS - MAIN (48N & 49IN TUNNELS)



ART\_1001209050

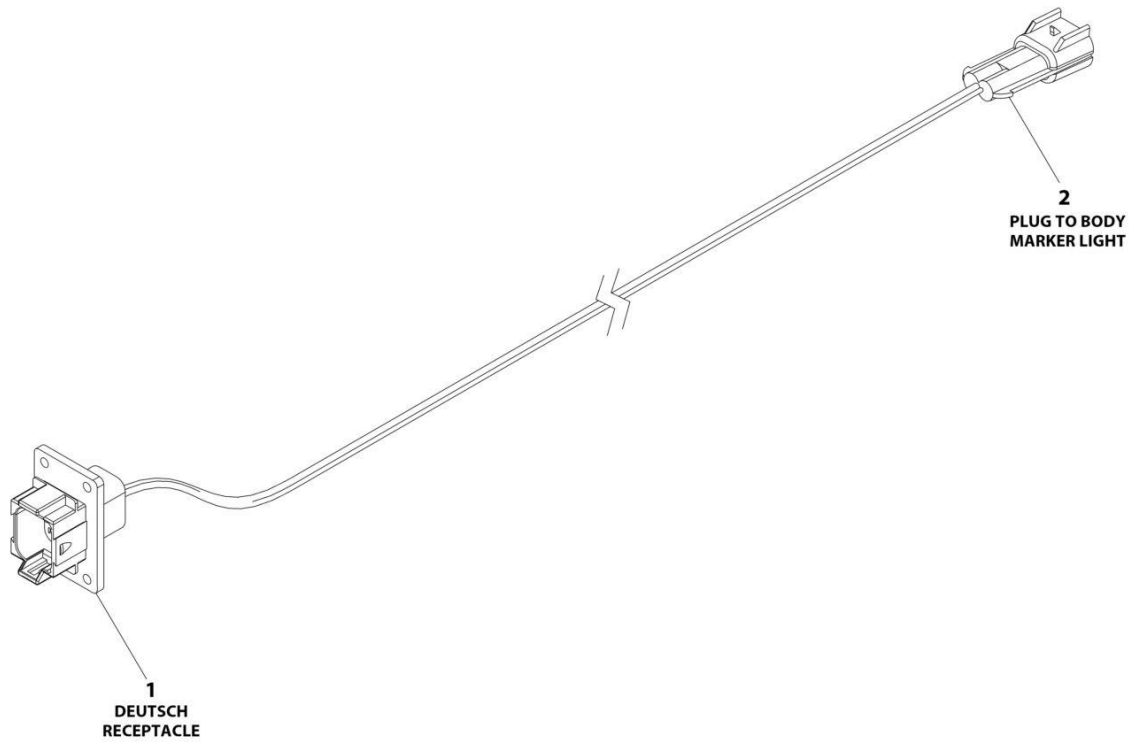
## SECTION 7 - ELECTRICAL

**FIGURE 7-90. TUNNEL HARNESS - MAIN (48N & 49IN TUNNELS)**

ITEM	PART NUMBER	QTY	DESCRIPTION	REV
	1001209050	Ref	TUNNEL HARNESS - MAIN	C
1	4460930	1	Connector - 8 Position	
1	4460466	8	Plug, Terminal	
2	4460931	1	Connector - 8 Position	
2	4460464	6	Socket, Female	
2	4460466	2	Plug, Terminal	
3	NPN	1	Plug, Male - 2 Position	
3	NPN	2	Terminal	
3	4460458	2	Seal	
4	NPN	3	Receptacle, Female - 2 Position	
4	NPN	6	Terminal	
4	1001116727	6	Seal	
5	4460930	3	Connector - 8 Position	
5	4460465	18	Pin, Male	
5	4460466	6	Plug, Terminal	

# SECTION 7 - ELECTRICAL

## FIGURE 7-91. TUNNEL HARNESS - REAR



ART\_1001209056



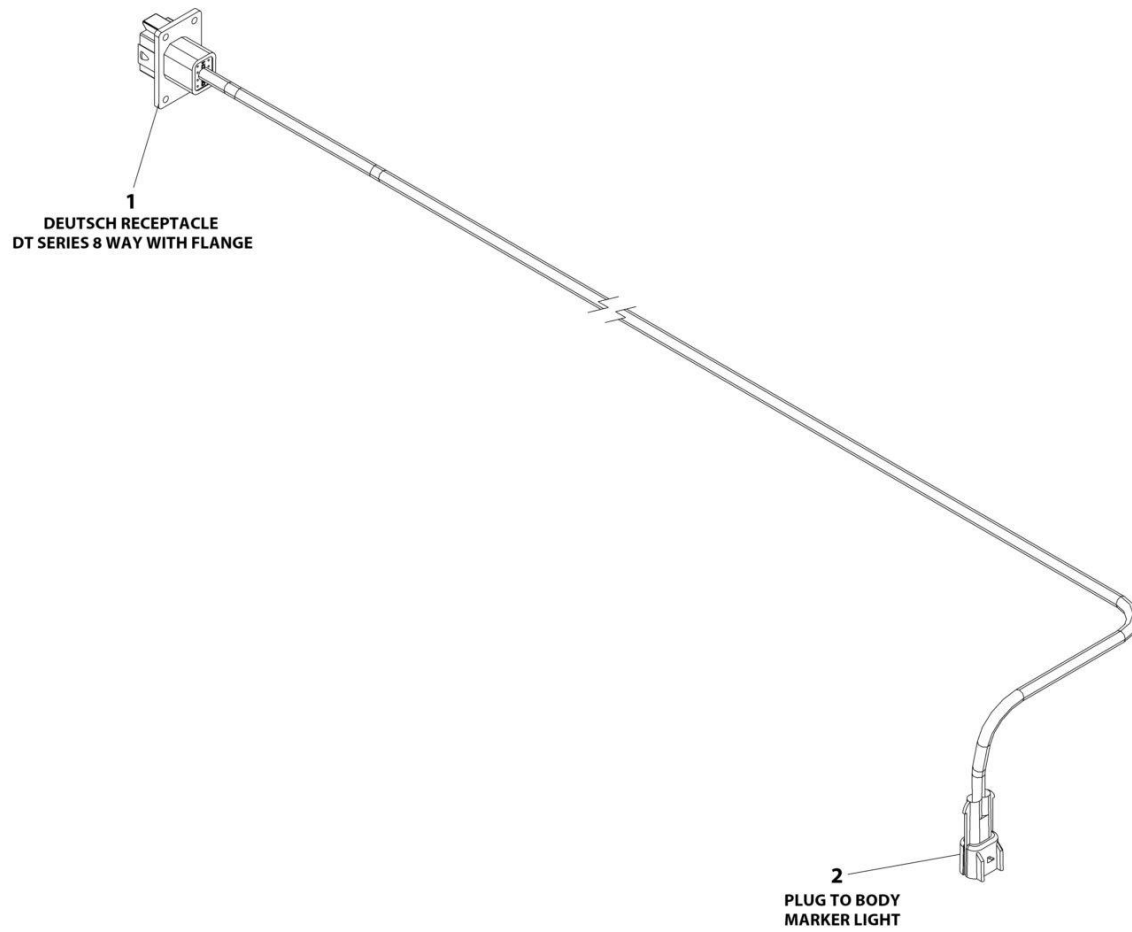
## SECTION 7 - ELECTRICAL

### FIGURE 7-91. TUNNEL HARNESS - REAR

ITEM	PART NUMBER	QTY	DESCRIPTION	REV
	1001209056	Ref	TUNNEL HARNESS - REAR	A
1	NPN	1	Connector - 8 Position	
1	4640464	2	Socket, Female	
1	4640466	4	Plug, Terminal	
1	NPN	1	Gasket	
2	NPN	1	Connector - 2 Position	
2	NPN	2	Terminal	
2	4640458	2	Seal	

# SECTION 7 - ELECTRICAL

## FIGURE 7-92. TUNNEL HARNESS - REAR



ART\_1001229447

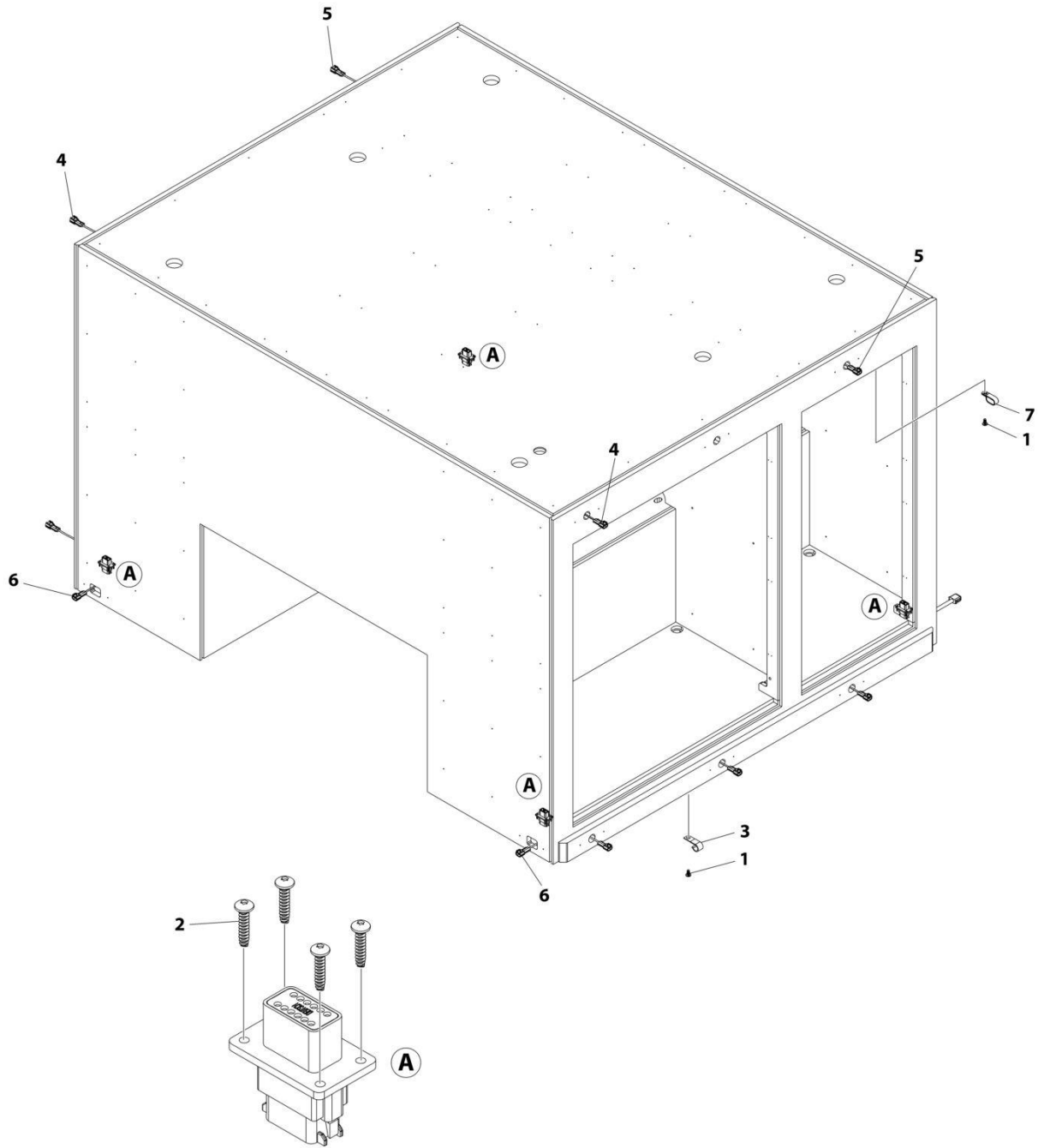
## SECTION 7 - ELECTRICAL

### FIGURE 7-92. TUNNEL HARNESS - REAR

ITEM	PART NUMBER	QTY	DESCRIPTION	REV
	1001229447	Ref	REAR TUNNEL HARNESS	A
1	1001269275	1	Connector	
1	91503106	1	Wedge, Locking	
1	4460464	2	Pin	
1	4460466	4	Plug	
1	NPN	1	Gasket	
2	1001117026	1	Connector	
2	1001116745	2	Socket	
2	4460458	2	Seal	

# SECTION 7 - ELECTRICAL

## FIGURE 7-93. TUNNEL HARNESS INSTALLATION - (DOUBLE)



ART\_1001270652

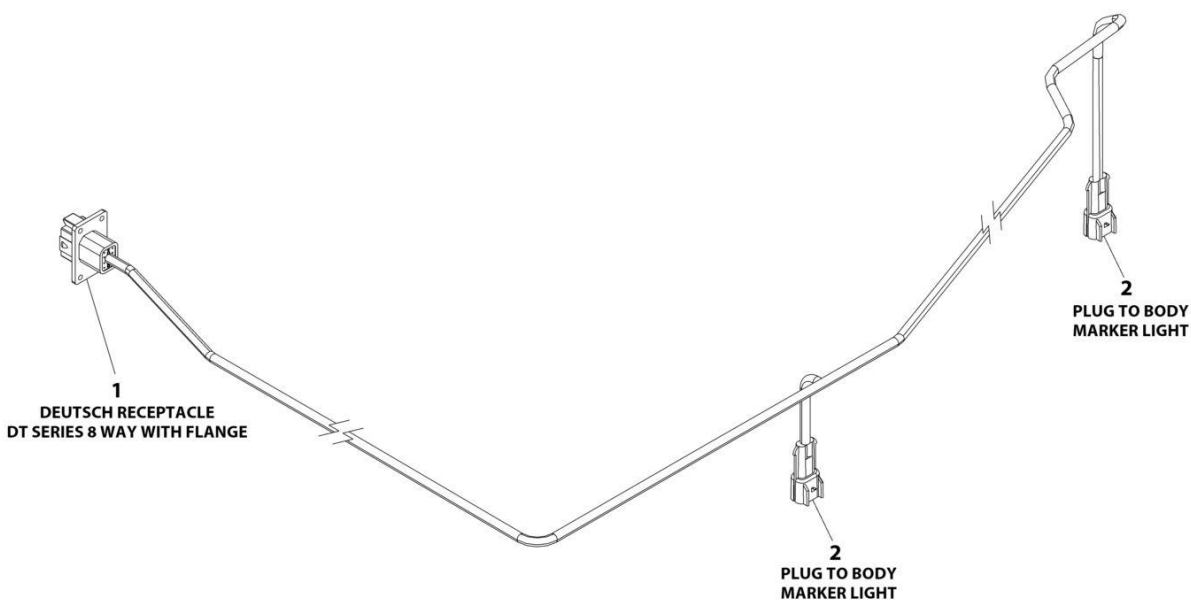
## SECTION 7 - ELECTRICAL

**FIGURE 7-93. TUNNEL HARNESS INSTALLATION - (DOUBLE)**

ITEM	PART NUMBER	QTY	DESCRIPTION	REV
	1001270652	Ref	HARNESS INSTALLATION - TUNNEL (DOUBLE)	A
1	1001195257	32	Screw 1/4 x 1/2	
2	1001196552	24	Screw #8 x 3/4	
3	7280000006	28	Clip	
4	1001209056	2	Rear Tunnel Harness (See Separate Breakdown in this Section)	
5	1001229468	2	Cabinet Mid Body Harness (See Separate Breakdown in this section)	
6	1001270659	2	Main Tunnel Harness (Double) (See Separate Breakdown in this section)	
7	1321385	4	Clamp, Hose Retaining	
8	5526000553	AR	Tie-Strap (Not Shown)	

# SECTION 7 - ELECTRICAL

## FIGURE 7-94. TUNNEL HARNESS - CABINET (DOUBLE)



ART\_1001229468

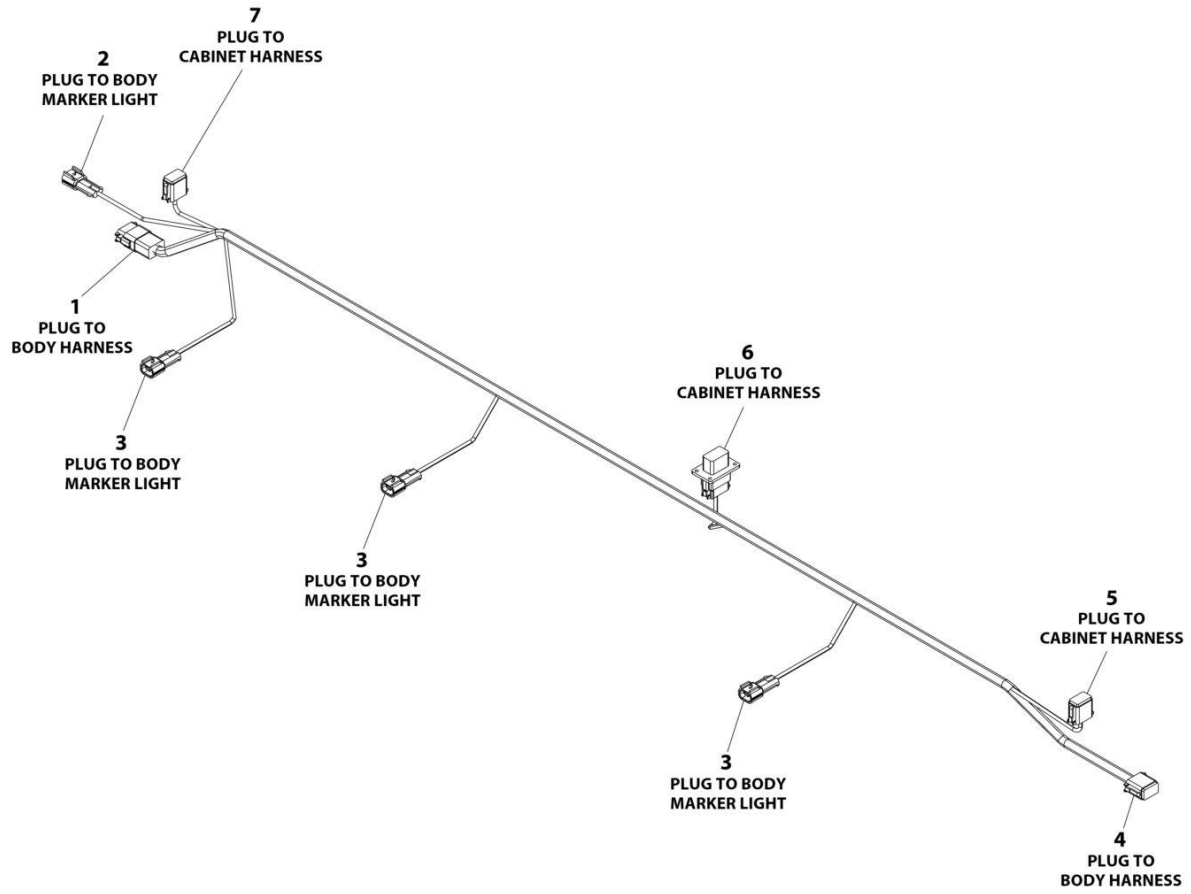
## SECTION 7 - ELECTRICAL

### FIGURE 7-94. TUNNEL HARNESS - CABINET (DOUBLE)

ITEM	PART NUMBER	QTY	DESCRIPTION	REV
	1001229468	Ref	CABINET MID BODY HARNESS	A
1	1001269275	1	Connector	
1	91503106	1	Wedge, Locking	
1	4460464	2	Pin	
1	4460466	4	Plug	
2	NPN	1	Gasket	
2	1001117026	1	Connector	
2	1001116745	2	Socket	
2	4460458	2	Seal	

# SECTION 7 - ELECTRICAL

## FIGURE 7-95. TUNNEL HARNESS - MAIN (DOUBLE)



ART\_1001270659



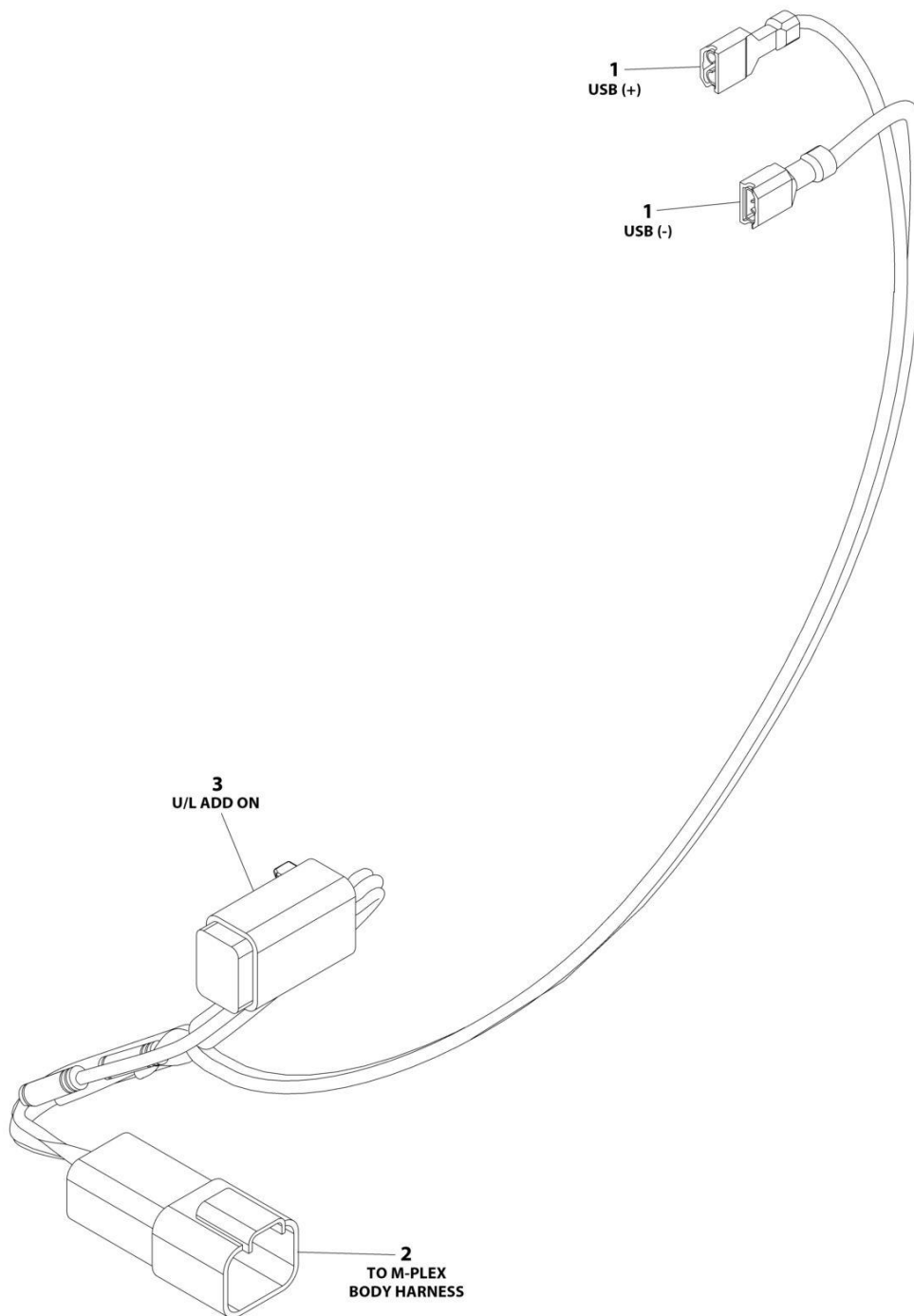
## SECTION 7 - ELECTRICAL

**FIGURE 7-95. TUNNEL HARNESS - MAIN (DOUBLE)**

ITEM	PART NUMBER	QTY	DESCRIPTION	REV
	1001270659	Ref	MAIN TUNNEL HARNESS (DOUBLE)	A
1	4460931	1	Connector	
1	91503104	1	Wedge, Locking	
1	4460464	4	Pin	
1	4460466	4	Plug	
1	4460930	1	Connector, Plug	
1	80604025	1	Wedge, Locking	
1	4460466	8	Plug	
2	1001117026	1	Connector	
2	1001116745	2	Socket	
2	4460458	2	Seal	
2	NPN	1	Connector, Plug	
2	1001116727	2	Plug	
3	1001117026	3	Connector	
3	NPN	3	Wedge, Locking	
3	1001116745	6	Socket	
3	4460458	6	Seal	
4	4460930	1	Connector	
4	80604025	1	Wedge, Locking	
4	4460465	4	Socket	
4	4460466	4	Plug	
5	4460930	1	Connector	
5	80604025	1	Wedge, Locking	
5	4460465	4	Socket	
5	4460466	4	Plug	
6	4460933	1	Connector	
6	80604016	1	Wedge, Locking	
6	4460465	4	Socket	
6	4460466	4	Plug	
6	4460939	1	Connector, Plug	
6	80363179	1	Wedge, Locking	
6	4460464	4	Pin	
6	4460466	8	Plug	
6	NPN	1	Gasket	
7	4460930	1	Connector	
7	80604025	1	Wedge, Locking	
7	4460465	4	Socket	
7	4460466	4	Plug	

# SECTION 7 - ELECTRICAL

## FIGURE 7-96. USB POWER HARNESS



ART\_1001288422

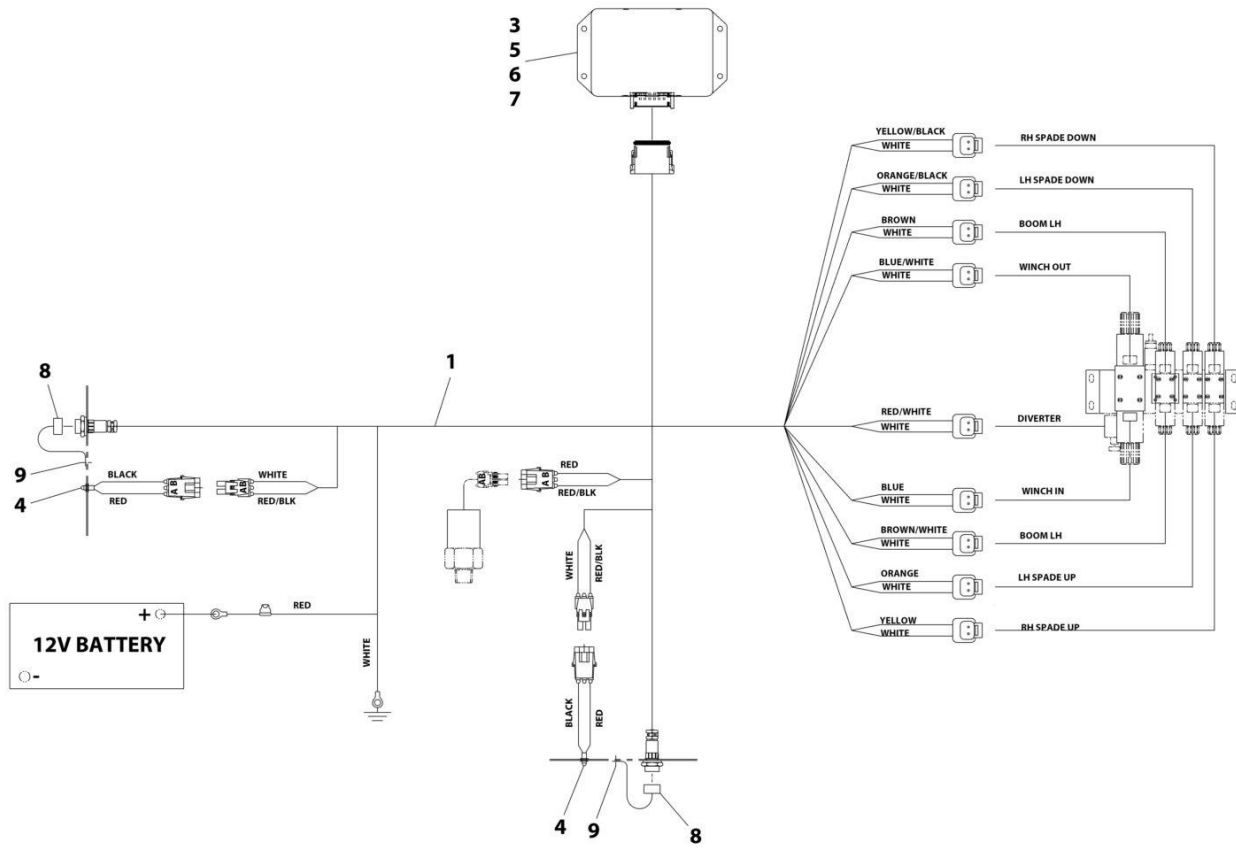
## SECTION 7 - ELECTRICAL

### FIGURE 7-96. USB POWER HARNESS

ITEM	PART NUMBER	QTY	DESCRIPTION	REV
	1001288422	Ref	USB POWER HARNESS	A
1	8220051	2	Terminal	
2	1001281269	1	Connector	
2	4460464	4	Terminal	
3	1001262482	1	Connector	
3	4460465	4	Socket	

# SECTION 7 - ELECTRICAL

## FIGURE 7-97. WINCH ELECTRICAL ASSEMBLY - SINGLE WINCH



ART\_3548330007

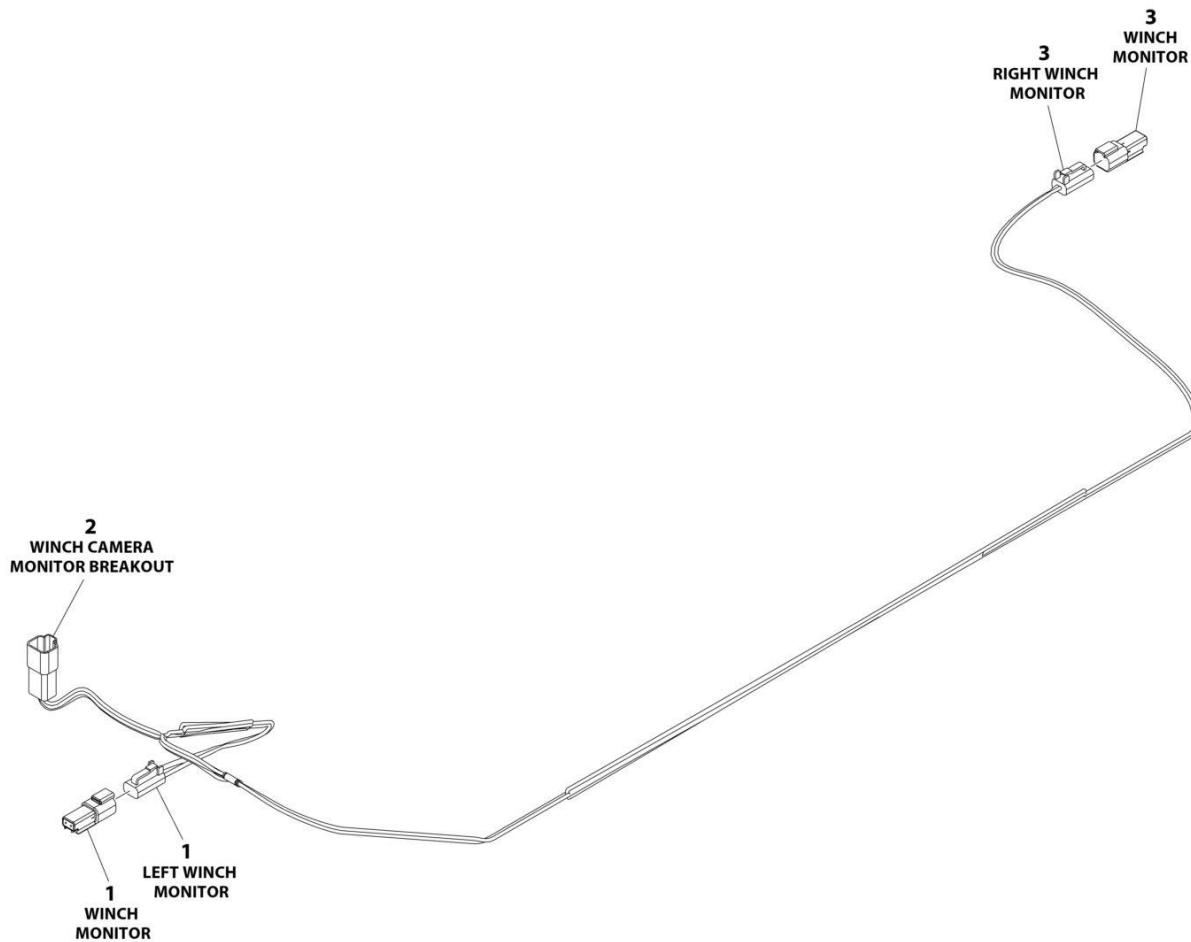
## SECTION 7 - ELECTRICAL

### FIGURE 7-97. WINCH ELECTRICAL ASSEMBLY - SINGLE WINCH

ITEM	PART NUMBER	QTY	DESCRIPTION	REV
	3548330007	Ref	SINGLE WINCH ELECTRICAL ASSEMBLY	B
1	7552000407	1	Harness Remote Control 8 Function (See Separate Breakdown in this Section)	
3	7295000121	1	Controller, Wireless	
4	7590000364	2	Indicator	
5	7114100518	4	Capscrew #10 x 5/8	
6	7660102604	4	Nut #10	
7	7950100103	4	Washer #10	
8	7346000068	2	Dust Cap	
9	7759000004	4	Rivet	

# SECTION 7 - ELECTRICAL

## FIGURE 7-98. WINCH MONITOR HARNESS



ART\_1001209036

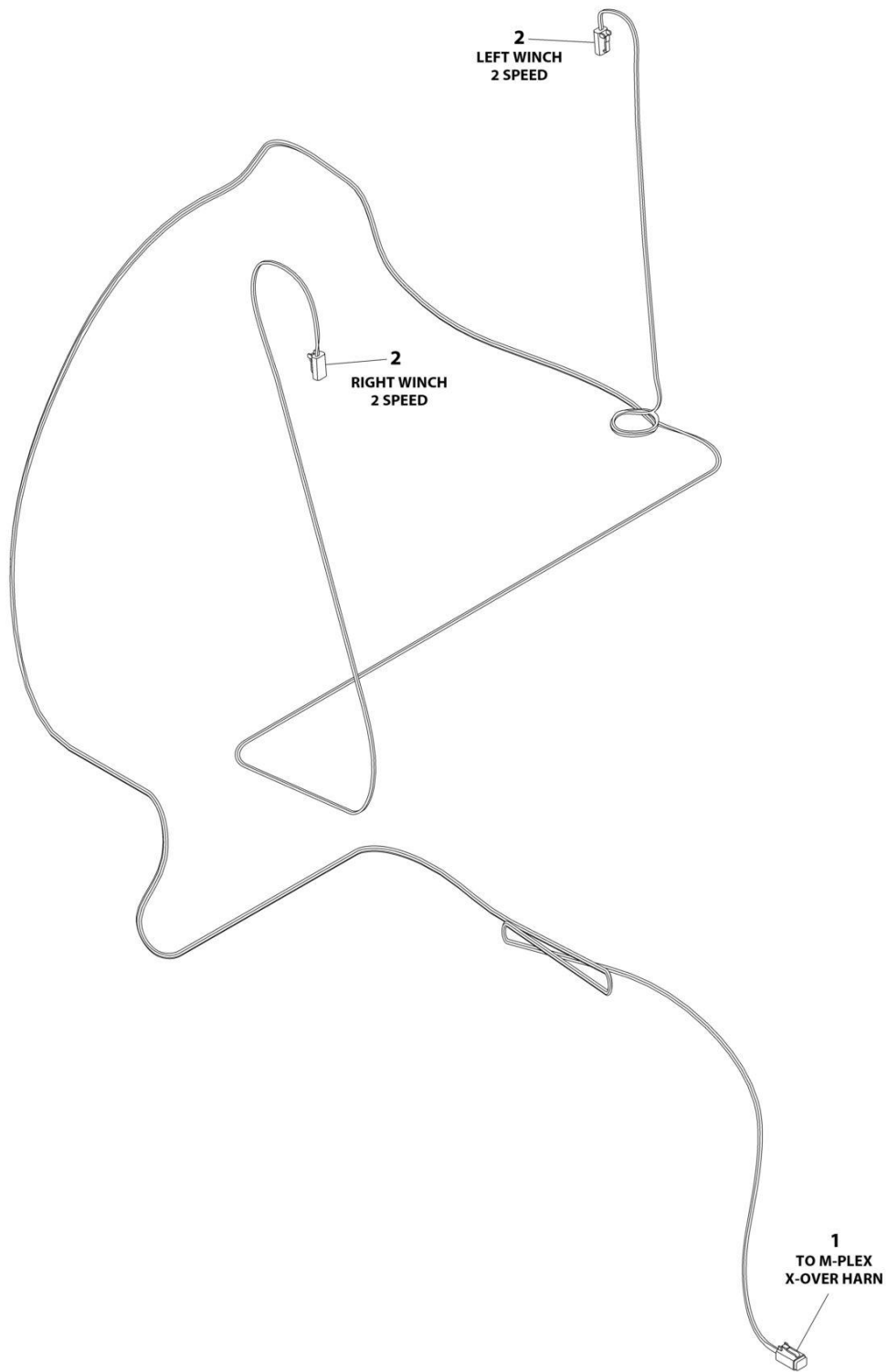
## SECTION 7 - ELECTRICAL

**FIGURE 7-98. WINCH MONITOR HARNESS**

ITEM	PART NUMBER	QTY	DESCRIPTION	REV
	1001209036	Ref	WINCH MONITOR HARNESS	B
1	4460891	1	Connector	
1	80604018	1	Wedge, Locking	
1	4460465	2	Socket	
1	4460897	1	Connector, Plug	
1	80604017	1	Wedge, Locking	
1	4460466	2	Plug	
2	4460932	1	Connector	
2	80604020	1	Wedge, Locking	
2	4460464	4	Pin	
3	4460891	1	Connector	
3	80604018	1	Wedge, Locking	
3	4460465	2	Socket	
3	4460897	1	Connector, Plug	
3	8060417	1	Wedge, Locking	

# SECTION 7 - ELECTRICAL

## FIGURE 7-99. WINCH HARNESS - 2 SPEED



ART\_1001217309



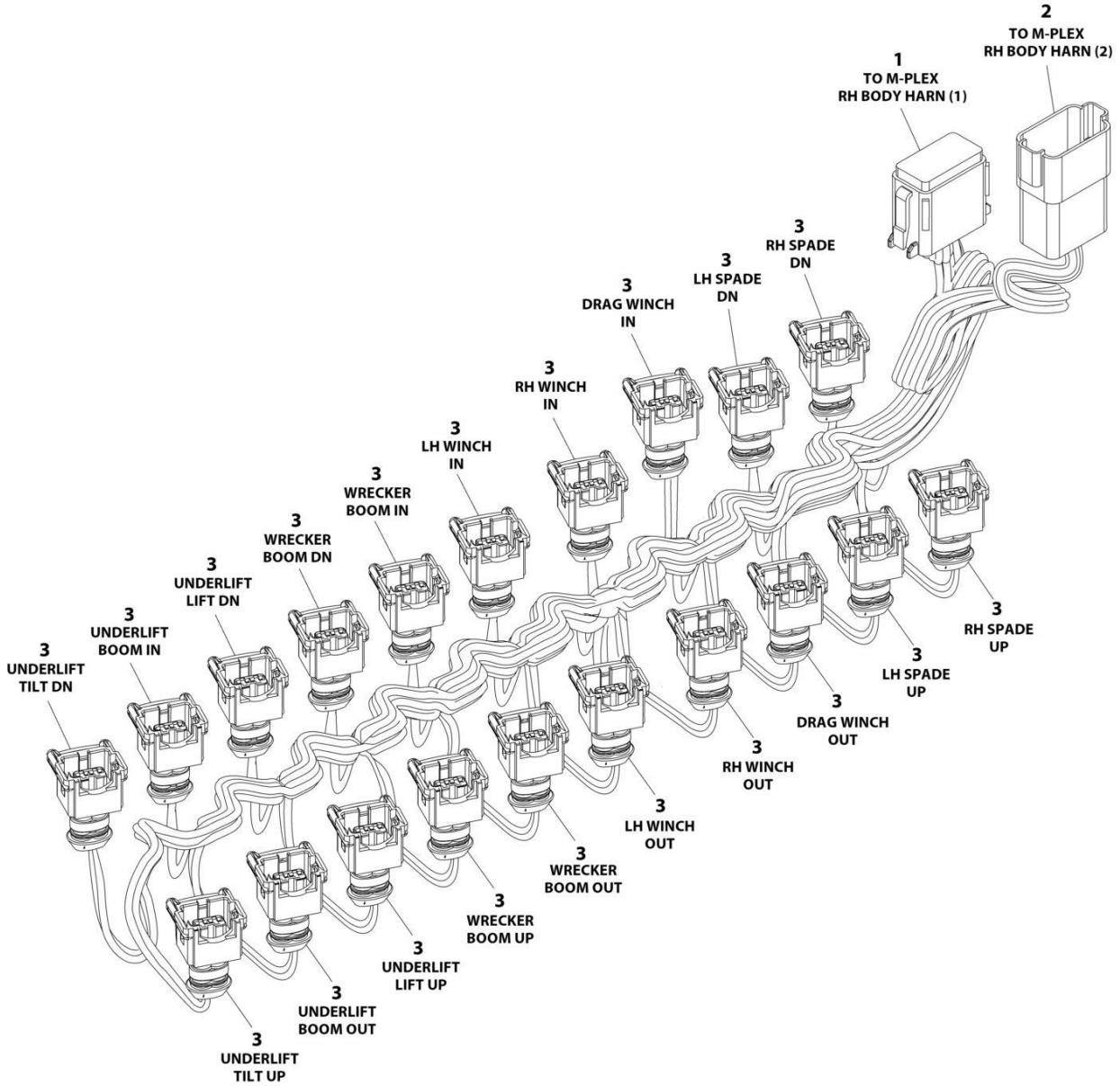
## SECTION 7 - ELECTRICAL

### FIGURE 7-99. WINCH HARNESS - 2 SPEED

ITEM	PART NUMBER	QTY	DESCRIPTION	REV
	1001217309	Ref	WINCH HARNESS - 2 SPEED	C
1	4460884	1	Plug, Male - 4 Position	
1	4460465	4	Socket, Female	
2	4460891	2	Plug, Male - 2 Position	
2	4460465	4	Socket, Female	

# SECTION 7 - ELECTRICAL

## FIGURE 7-100. VALVE HARNESS



ART\_1001288772

## SECTION 7 - ELECTRICAL

### FIGURE 7-100. VALVE HARNESS

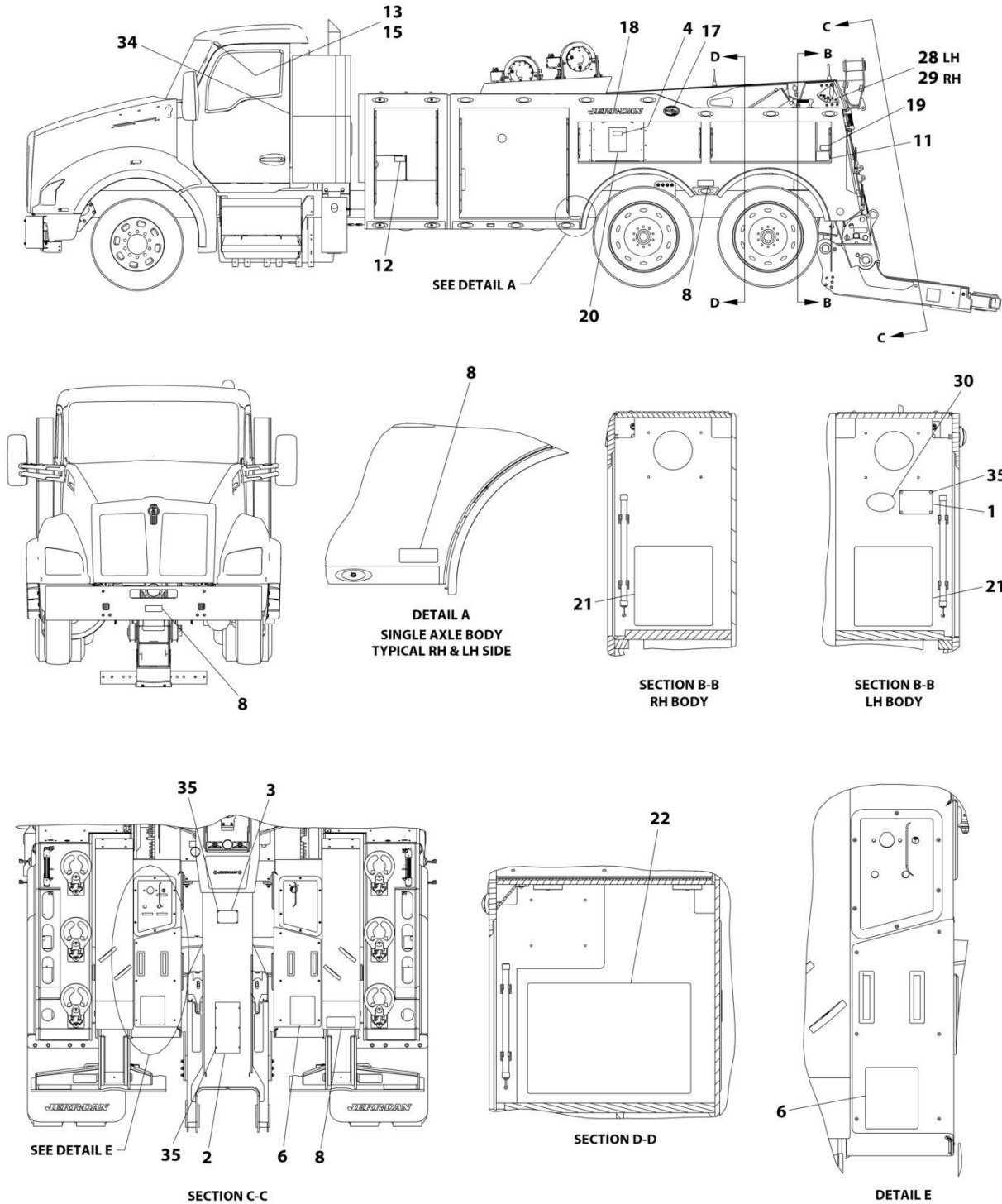
ITEM	PART NUMBER	QTY	DESCRIPTION	REV
	1001288772	Ref	VALVE HARNESS	A
1	4460933	1	Connector	
1	4460465	10	Socket (16-20AWG)	
1	4460942	2	Socket (14-16AWG)	
2	4460970	1	Connector	
2	4460464	10	Pin	
2	4460466	2	Plug	
3	1001190322	20	Connector	
3	1001166707	40	Socket	



**SECTION 8 - DECAL**

# SECTION 8 - DECAL

## FIGURE 8-1. DECAL INSTALLATION

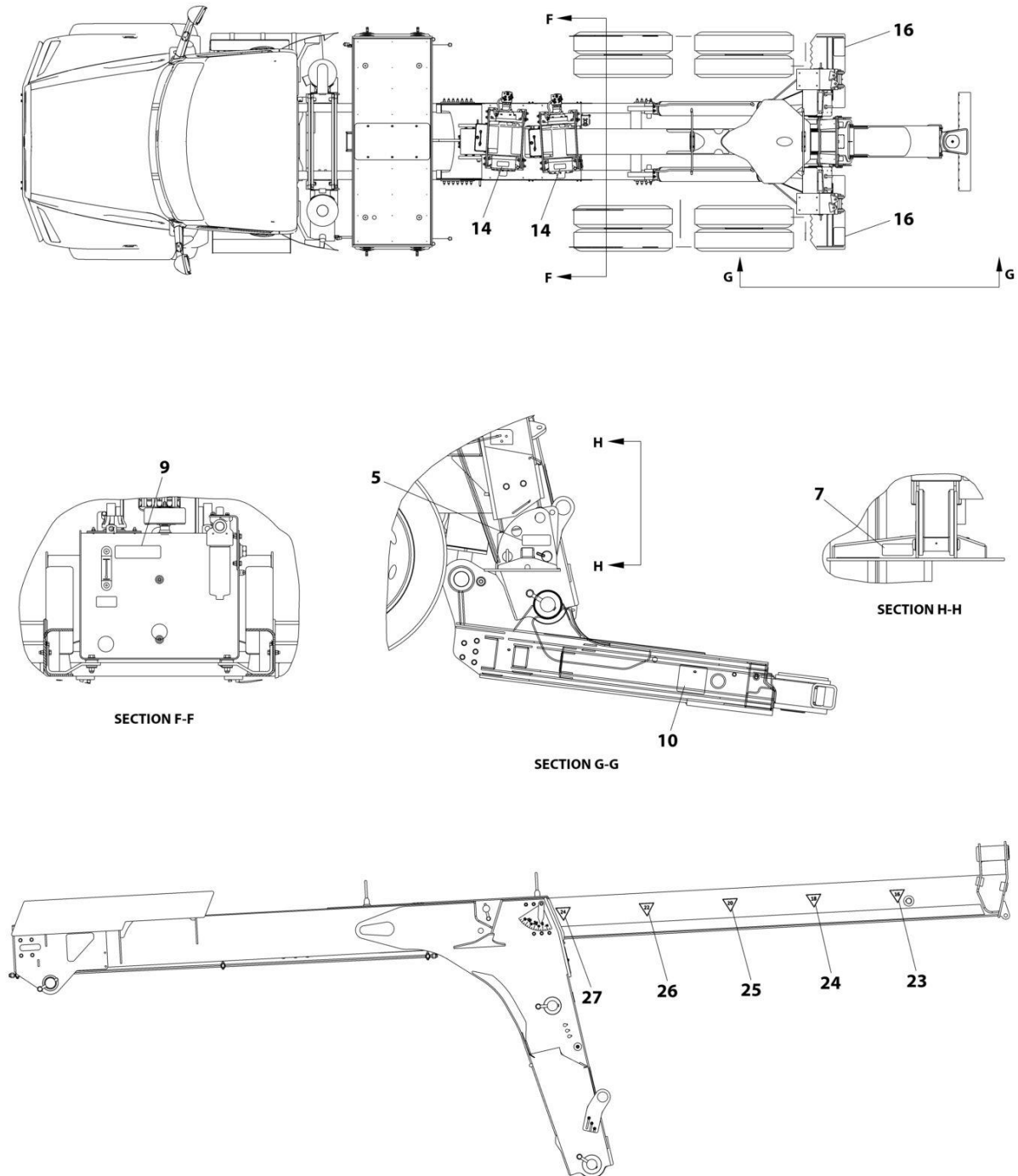


ART\_1001255381\_D\_10F2



# SECTION 8 - DECAL

## FIGURE 8-2. DECAL INSTALLATION



ART\_1001255381\_D\_20F2

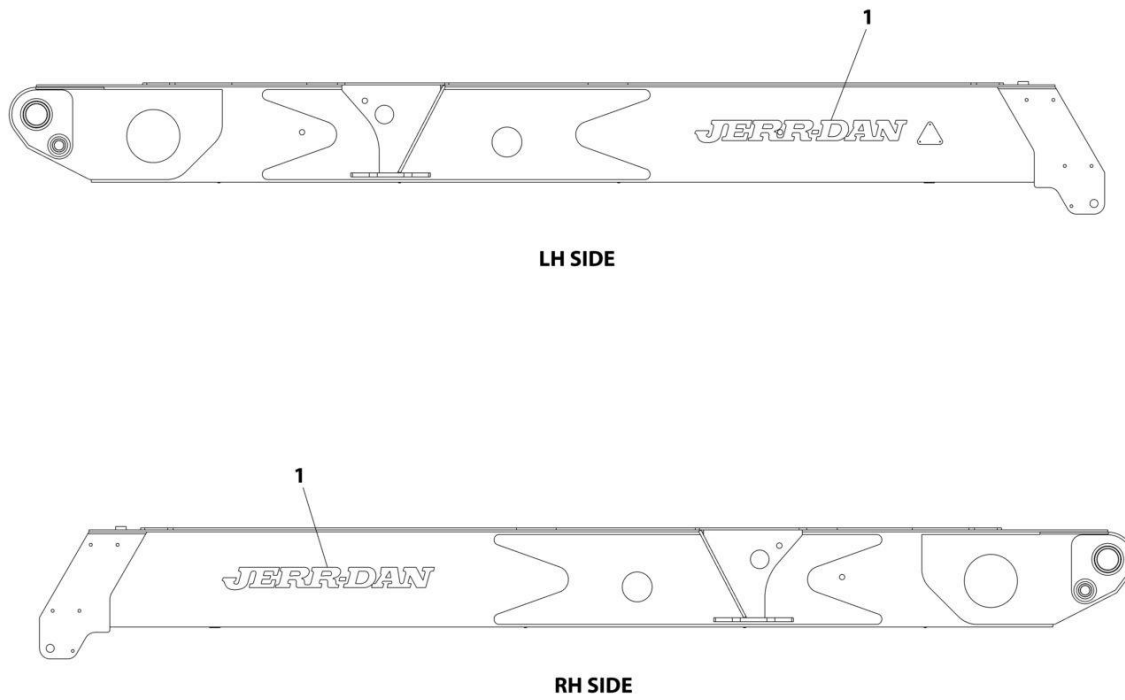


FIGURE 8-2. DECAL INSTALLATION

ITEM	PART NUMBER	QTY	DESCRIPTION	REV
	1001255381	Ref	DECAL INSTALLATION	D
1	1001127220	1	Decal, Indent Tag	
2	1001132328	1	Decal, Placard Serial Number/Ratng	
3	1001132346	1	Patent Placard	
4	1001136075	1	Decal, Hazardous Voltage	
5	1001136080	2	Decal, Recovery Stability	
6	1001136091	2	Decal, Towed Load Hazard	
7	1001136094	2	Decal, Crushing Hazard	
8	1001136103	4	Decal, Electrocution Hazard	
9	1001136119	1	Decal, Hydraulic Fluid Level	
10	1001137169	2	Decal, Pinch/Crush Hazard	
11	1001138537	2	Decal, Hook Notice	
12	1001138612	2	Decal, Battery Warning	
13	1001141227	1	Decal, Backing Hazard	
14	1001142812	2	Decal, Pinch Hazard	
15	1001142828	1	Decal, Fall Hazard	
16	1001174346	2	Decal, Spade Step Rectangle	
17	1001206364	2	Decal, JFB Badge	
18	1001206367	2	Decal, Jerr-Dan Nameplate	
19	1001231801	2	Decal, Warning Prop 65	
20	1001232870	1	Decal, Power Distribution	
21	1001256722	2	Decal, Load Chart	
22	1001256868	1	Decal, Lubrication Diagram	
23	1001256883	2	Decal	
24	1001256884	2	Decal	
25	1001256885	2	Decal	
26	1001256886	2	Decal	
27	1001256887	2	Decal	
28	1001256895	1	Decal, Angle Indicator LH	
29	1001256896	1	Decal, Angle Indicator RH	
30	7330000143	1	Decal, Made In USA	
34	7330000689	1	Decal	
35	7759000004	14	Rivet	

# SECTION 8 - DECAL

## FIGURE 8-3. JERR-DAN RED LOGO INSTALLATION



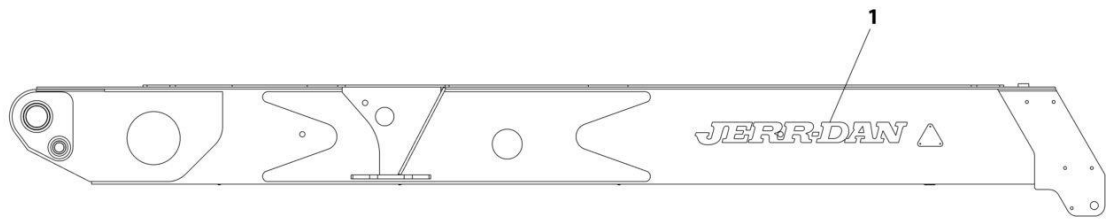
ART\_1001142894

**FIGURE 8-3. JERR-DAN RED LOGO INSTALLATION**

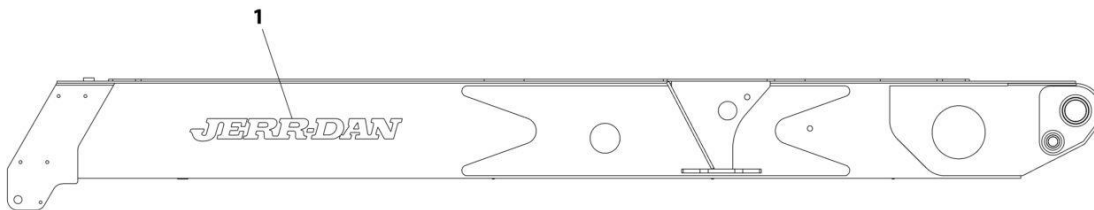
<b>ITEM</b>	<b>PART NUMBER</b>	<b>QTY</b>	<b>DESCRIPTION</b>	<b>REV</b>
1	1001142894	Ref	JERR-DAN RED LOGO INSTALLATION	E
	1001234075	2	Decal, Jerr-Dan Red logo	

# SECTION 8 - DECAL

## FIGURE 8-4. JERR-DAN WHITE LOGO INSTALLATION



LH SIDE



RH SIDE

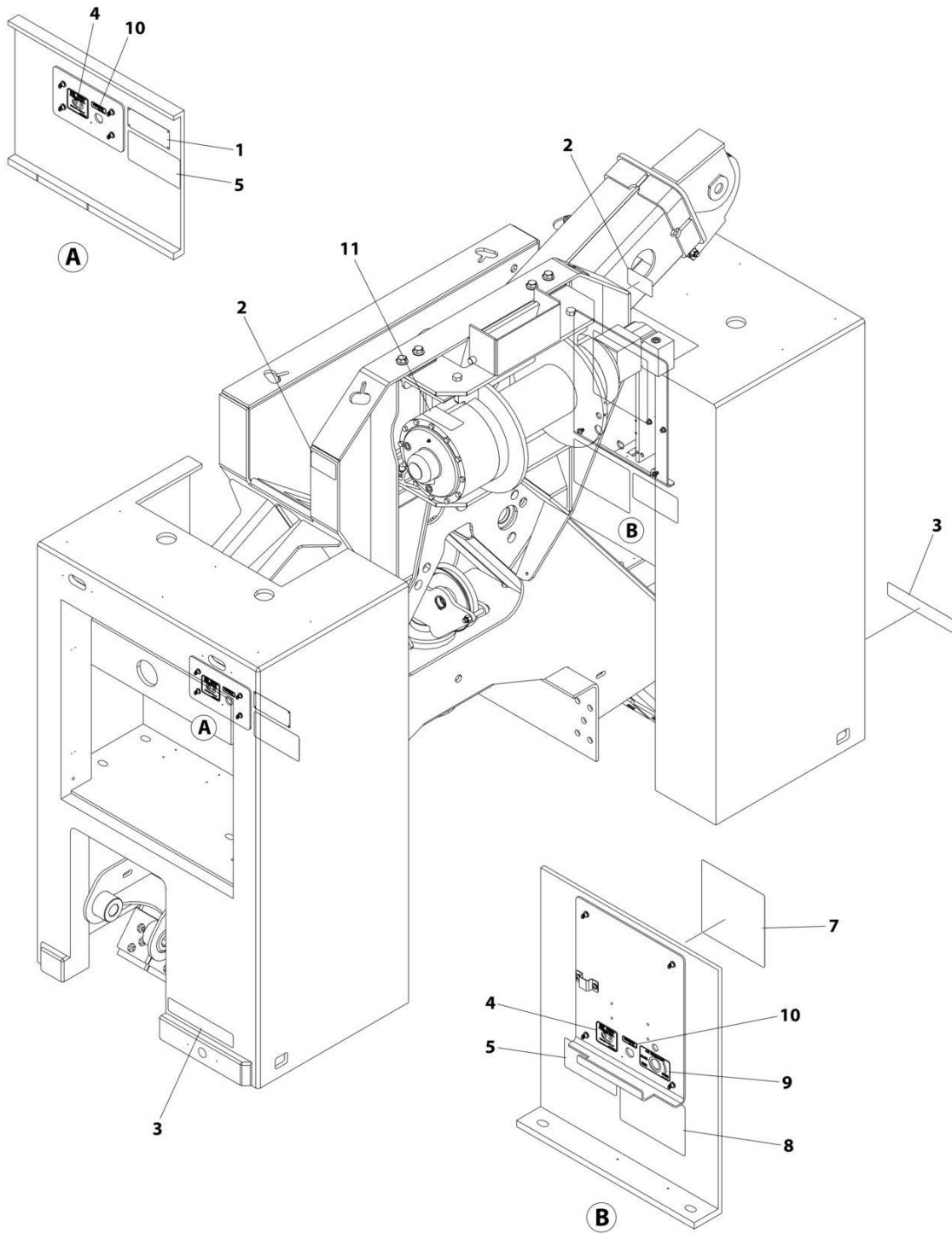
ART\_1001136696

**FIGURE 8-4. JERR-DAN WHITE LOGO INSTALLATION**

<b>ITEM</b>	<b>PART NUMBER</b>	<b>QTY</b>	<b>DESCRIPTION</b>	<b>REV</b>
1	1001136696	Ref	JERR-DAN WHITE LOGO INSTALLATION	E
	1001234076	2	Decal, Jerr-Dan White logo	

# SECTION 8 - DECAL

## FIGURE 8-5. DECAL INSTALLATION, SRS



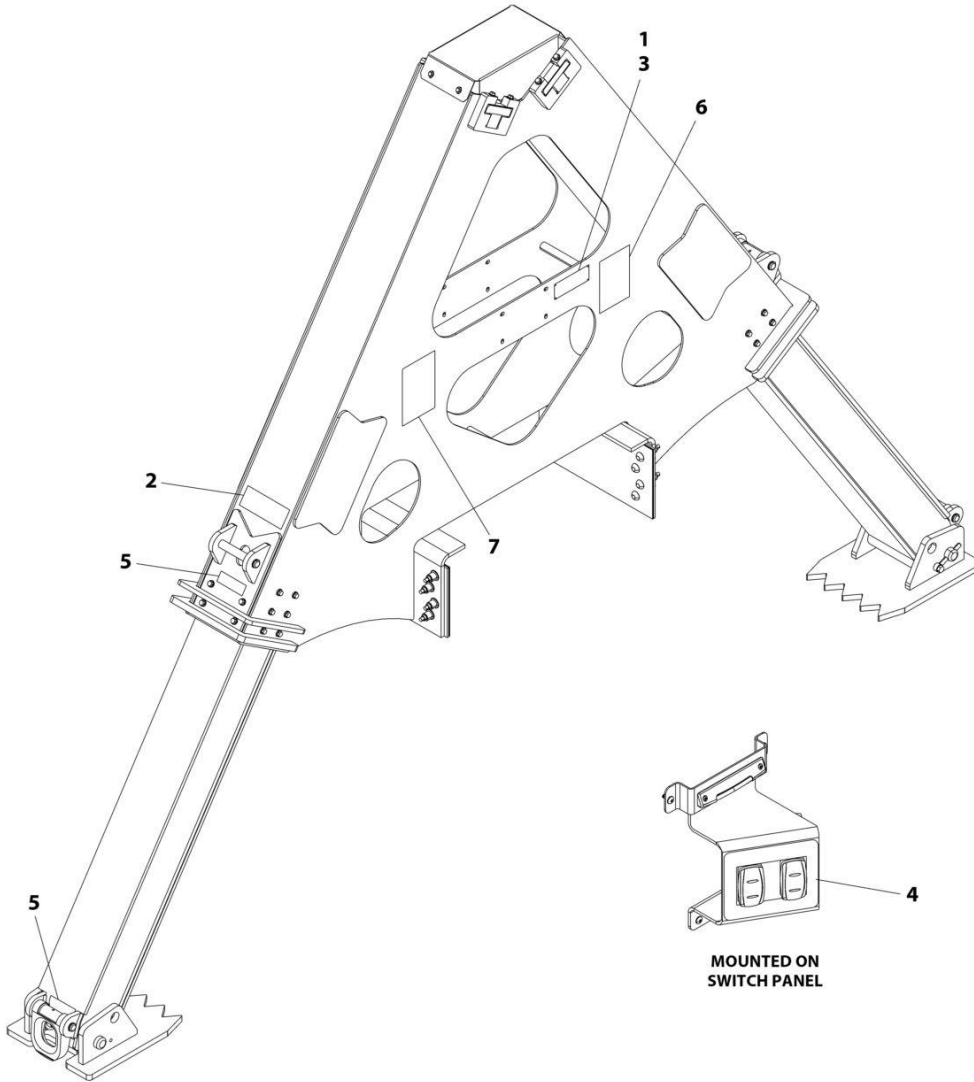
ART\_1001199196

FIGURE 8-5. DECAL INSTALLATION, SRS

ITEM	PART NUMBER	QTY	DESCRIPTION	REV
	1001199196	Ref	DECAL INSTALLATION, SRS	D
1	1001127222	1	Decal, Indent Tag	
2	1001199783	2	Decal, Warning Pinch Point	
3	1001199785	2	Decal, Outrigger/Stabilizer Warning	
4	1001199786	2	Decal, Winch Freespool	
5	1001199787	2	Decal, Winch Warning	
7	1001199789	1	Decal, Valve	
8	1001199790	1	Decal, Lubrication	
8	1001134433	1	Decal, Air Tensioner (SN 0230004275 through 0230009234)	
9	1001257300	1	Decal, Air Tensioner (SN 0230009235 to Present)	
10	1001154277	2	Decal, Remote	
11	1001142812	1	Decal, Pinch Hazard	

# SECTION 8 - DECAL

## FIGURE 8-6. DECAL INSTALLATION, SRS SS



ART\_1001246420



## SECTION 8 - DECAL

**FIGURE 8-6. DECAL INSTALLATION, SRS SS**

ITEM	PART NUMBER	QTY	DESCRIPTION	REV
	1001246420	Ref	INSTALL, DECALS SS	C
1	3820031	4	Rivet	
2	1001136094	2	Decal, Crushing Hazard	
3	1001246130	1	Decal, Ident Tag	
4	1001246956	2	Decal, Controls	
5	1001246957	4	Decal, D-Ring	
6	1001247794	1	Decal, Lubrication Chart	
7	1001247795	1	Decal, Override Controls	



**SECTION 9 - ACCESSORIES**

# SECTION 9 - ACCESSORIES

## FIGURE 9-1. SERVICE & AFTERMARKET KITS LIST

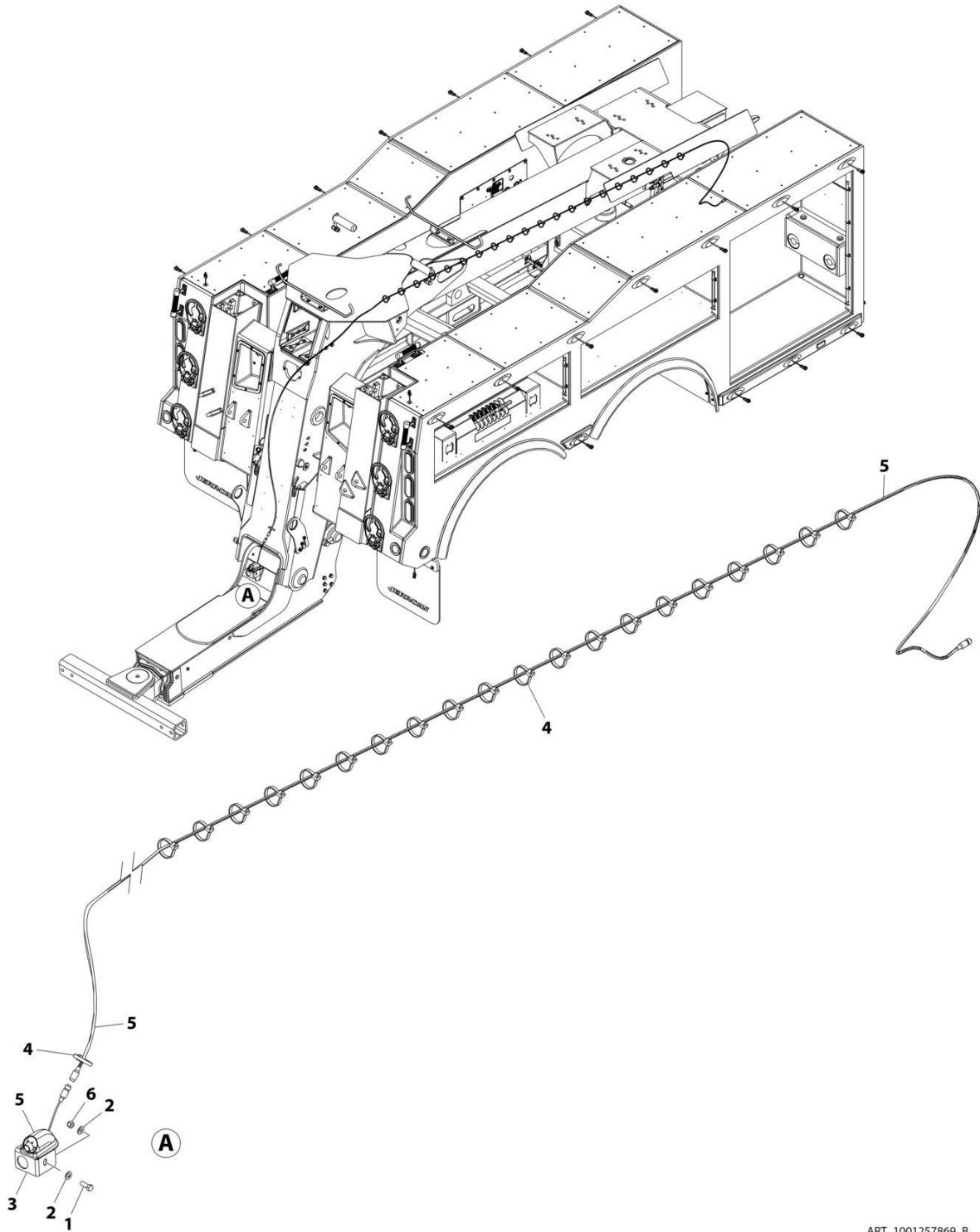
ITEM	PART NUMBER	QTY	DESCRIPTION	REV
	1001241869	Ref	SERVICE & AFTERMARKET KITS LIST	I
		Ref	Note: Contact JERR-DAN Parts Department for exact contents of kits.:	
	7002000505	Ref	Cord, Electrical Extension 25FT (GSA Specs)	
	1001264819	Ref	Kit, Body (Tandem)	
	1001207496	Ref	Kit, Broom Storage	
	1001262538	Ref	Kit, Camera (Back up)	
	1001279212	Ref	Kit, Camera (Rear Winch) (Drivers Side)	
	1001279211	Ref	Kit, Camera (Rear Winch) (Passengers Side)	
	1001279213	Ref	Kit, Camera (Underlift)	
	1001201341	Ref	Kit, Chain Binder Storage (Tandem)	
	1001201164	Ref	Kit, Chain Binder Storage (Tri-Axle)	
	1001207623	Ref	Kit, Chain Binder Storage	
	1001197183	Ref	Kit, Chian Storage (Rotary)	
	1001219776	Ref	Kit, Chian Storage (Rotary)	
	1001207510	Ref	Kit, Cribbing Storage Tandem)	
	1001201514	Ref	Kit, Cribbing Storage (Tri-Axle)	
	1001199998	Ref	Kit, Drawer Storage - Tilt Down (Tandem)	
	1001199999	Ref	Kit, Drawer Storage - Tilt Down (Tri-Axle)	
	1001208631	Ref	Kit, Drawer Storage - Tilt Down (48IN)	
	1001195256	Ref	Kit, Drawer Storage - Tool (Tandem)	
	1001195337	Ref	Kit, Drawer Storage - Tool (Tri-Axle Drivers Side)	
	1001208635	Ref	Kit, Drawer Storage - Tool (Tri-Axle Passengers Side)	
	1001220164	Ref	Kit, Drawer Storage - Tool (BB/Tri-Axle Drivers Side)	
	1001228254	Ref	Kit, Drawer Storage - Tool (BB/Tri-Axle Tunnel)	
	1001195942	Ref	Kit, Fifth Wheel & Pintle Storage (Tandem)	
	1001195943	Ref	Kit, Fifth Wheel & Pintle Storage (Tri-Axle Passengers Side)	
	1001208636	Ref	Kit, Fifth Wheel & Pintle Storage (37IN Tunnel)	
	1001195698	Ref	Kit, Fire & Emergency	
	FEX-GSARB	Ref	Kit, Fire & Emergency (GSA Specs)	
	1001201704	Ref	Kit, Flare Storage	
	1001197683	Ref	Kit, Flashlight Storage	
	1001263856	Ref	Kit, Fork Riser (Frame) Storage (Single Steer)	
	1001263857	Ref	Kit, Fork Riser (Frame) Storage (5 Axle)	
	1001263858	Ref	Kit, Fork Riser (Frame) Storage (Twin Axle)	
	1001195788	Ref	Kit, Fork Riser Storage (35Ton Tandem)	
	1001195825	Ref	Kit, Fork Riser Storage (35Ton Tri-Axle)	
	1001210749	Ref	Kit, Fork Riser Storage (50/60Ton)	
	1001269884	Ref	Kit, Fork Velocity	
	2512880041	Ref	Kit, Frame Forks	
	1001263854	Ref	Kit, Frame Forks Storage (35Ton Tandem)	
	1001263855	Ref	Kit, Frame Forks Storage (35Ton Tri-Axle)	
	1001214175	Ref	Kit, Grizzly Bar Storage	
	3577000156	Ref	Kit, GSA 972 Accessories	
	7262000048	Ref	Chain Assembly	
		Ref	<b>Snatch Block</b>	
	7894000055	1	Steering Wheel Lock Strap	
	1001196215	Ref	Kit, Jack Storage (Tandem)	
	1001196214	Ref	Kit, Jack Storage (Tri-Axle)	

## SECTION 9 - ACCESSORIES

ITEM	PART NUMBER	QTY	DESCRIPTION	REV
	1001200001	Ref	Kit, Ladder Storage	
	1001195038	Ref	Kit, Shackle Storage (Tandem)	
	1001195083	Ref	Kit, Shackle Storage (Tri-Axle)	
	1001263822	Ref	Kit, Shelf	
	1001214300	Ref	Kit, Shelf Storage (36IN)	
	1001214299	Ref	Kit, Shelf Storage (48IN)	
	1001214298	Ref	Kit, Shelf Storage - Upper (36IN)	
	1001214264	Ref	Kit, Shelf Storage - Upper (48IN)	
	1001214303	Ref	Kit, Shelf Storage - Upper	
	1001210746	Ref	Kit, Shovel/Grizzly Bar Storage (Tandem)	
	1001210747	Ref	Kit, Shovel/Grizzly Bar Storage (Tri-Axle)	
	1001195088	Ref	Kit, Snatch Block Storage (Tandem 3/2015-11/2016)	
	1001217105	Ref	Kit, Snatch Block Storage (Tandem 11/2016-8/2023)	
	1001217106	Ref	Kit, Snatch Block Storage (Tri-Axle) (25Ton before 11/2018 & 35Ton 11/2016-8/2023)	
	1001195134	Ref	Kit, Snatch Block Storage (Rotary) (35Ton & 50/60Ton 10/2016-8/2023)	
	1001201371	Ref	Kit, Spill Storage (Tandem)	
	1001210748	Ref	Kit, Spill Storage (Tri-Axle)	
	1001207548	Ref	Kit, Spreader Bar Storage (Dual)	
	1001210750	Ref	Kit, Spreader Bar Storage (Single)	
	1001195421	Ref	Kit, Sta-Dry Silo Storage	
	1001207593	Ref	Kit, Strap Storage (Tandem)	
	1001208637	Ref	Kit, Strap Storage (Tri-Axle)	
	1001205796	Ref	Kit, Tire Lift/Arms Storage (36IN)	
	1001196249	Ref	Kit, Tire Lift/Arms Storage (48IN)	
	1001207556	Ref	Kit, Tire Lift/Bus Arms Storage	
	1001201234	Ref	Kit, Tool Storage	
	1001195592	Ref	Kit, Tow Light Storage	
	1001195764	Ref	Kit, Traffic Cone Storage (35Ton)	
	1001207508	Ref	Kit, Traffic Cone Storage (60Ton)	
	1001195520	Ref	Kit, Wheel Chocks Storage	
	1001238159	Ref	Kit, Winch Drag Brake (50K DP Brand Winches)	

# SECTION 9 - ACCESSORIES

## FIGURE 9-2. CAMERA INSTALLATION - UNDERLIFT



ART\_1001257869\_B

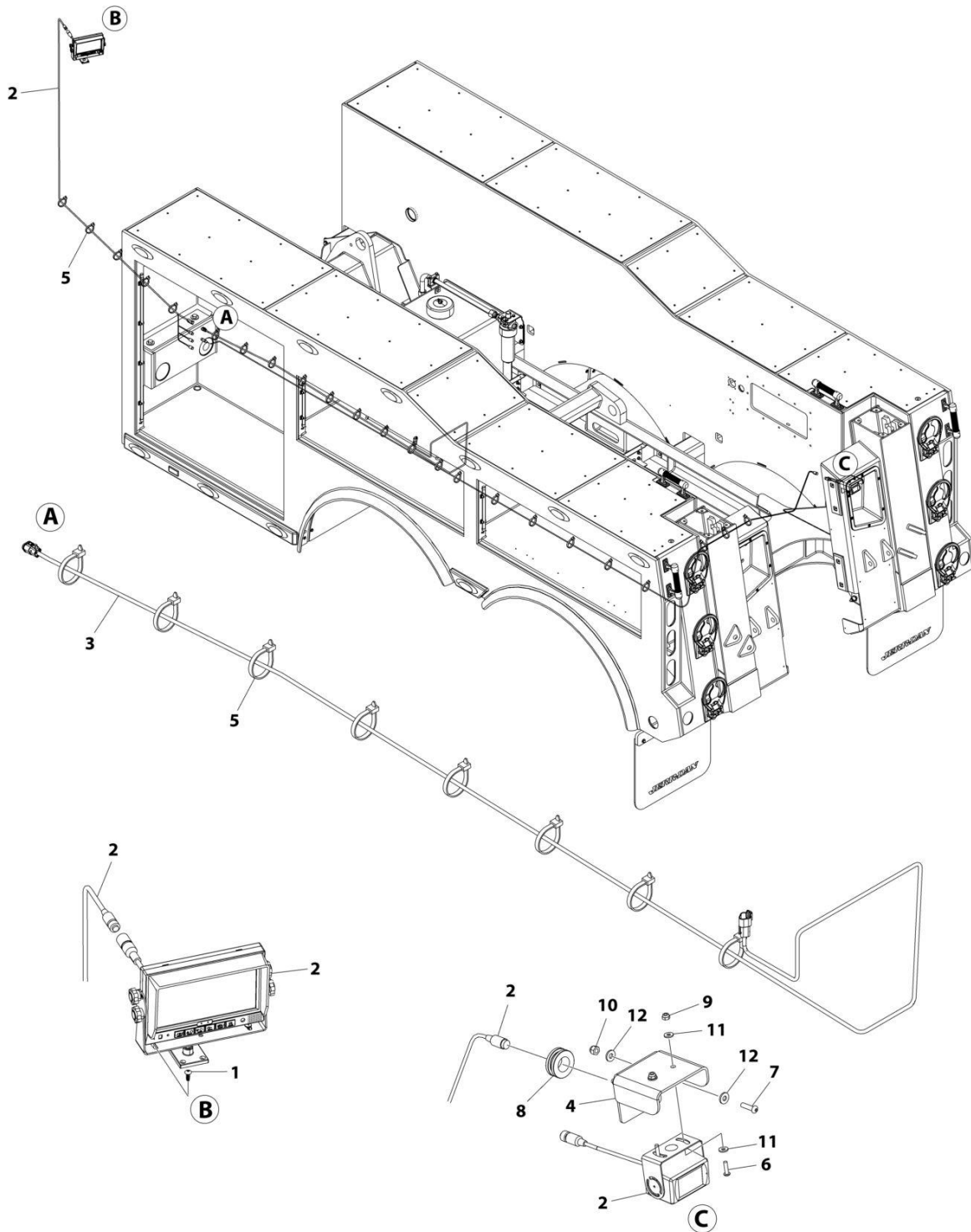
## SECTION 9 - ACCESSORIES

### FIGURE 9-2. CAMERA INSTALLATION - UNDERLIFT

ITEM	PART NUMBER	QTY	DESCRIPTION	REV
	1001257869	Ref	UNDERLIFT CAMERA INSTALLATION	B
1	0641608	1	Bolt 3/8 x 1	
2	4711600	2	Washer 3/8	
3	1001246896	1	Bracket	
4	5526000553	21	Tie Strap	
5	1001273598	1	Back-Up Camera	
6	7660162601	1	Nut 3/8	

# SECTION 9 - ACCESSORIES

## FIGURE 9-3. CAMERA INSTALLATION - BACK-UP



ART\_1001256894\_B



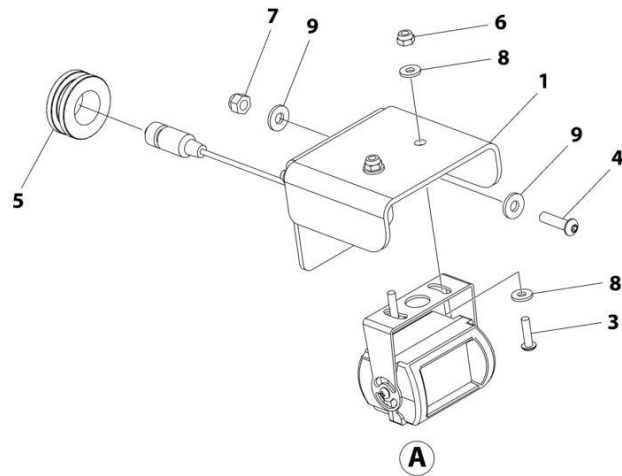
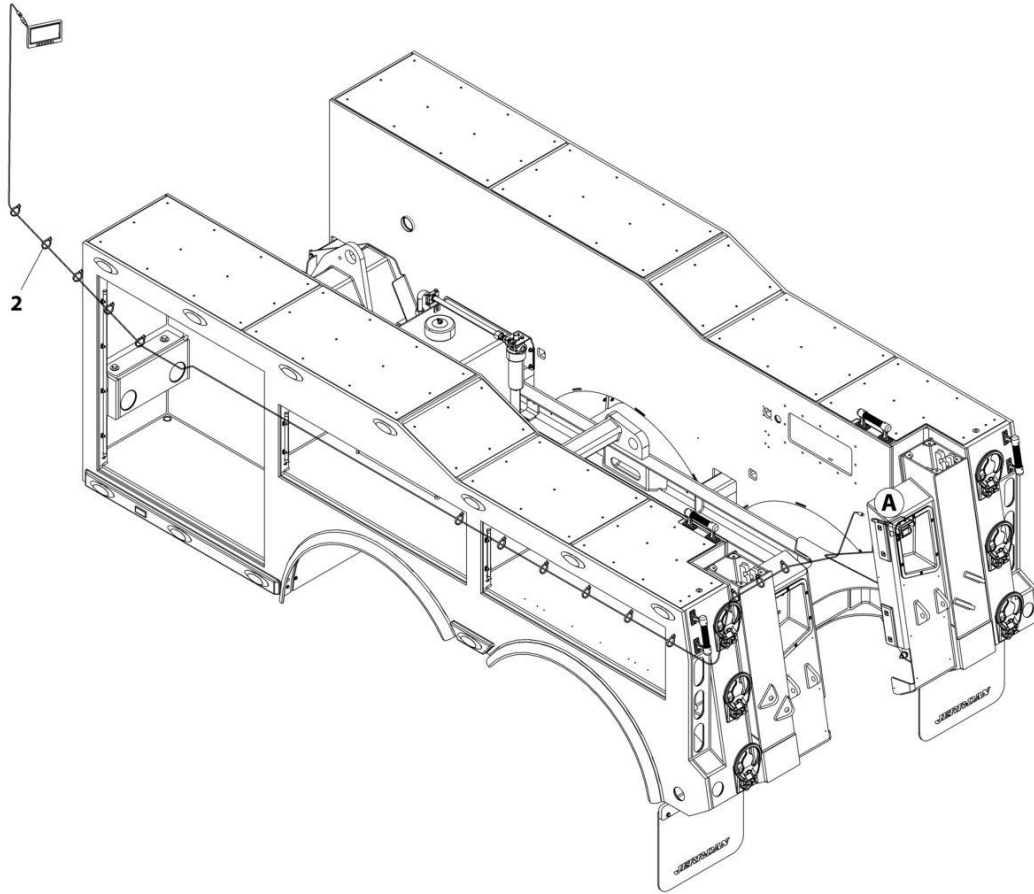
## SECTION 9 - ACCESSORIES

### FIGURE 9-3. CAMERA INSTALLATION - BACK-UP

ITEM	PART NUMBER	QTY	DESCRIPTION	REV
	1001256894	Ref	BACK-UP CAMERA INSTALLATION	B
1	1001192958	2	Screw #10 x 1/2	
2	1001219309	1	Accessory Back-Up Camera, Kit	
3	1001215151	1	Harness, Back-Up Camera Monitor (See Separate Breakdown in ELECTRICAL Section)	
4	1001250843	1	Bracket	
5	5526000553	30	Tie-Strap	
6	7114100618	2	Screw #10 x 3/4	
7	7114140818	2	Capscrew 1/4 x 1	
8	7493000003	1	Grommet	
9	7660102601	2	Nut #10	
10	7660142601	2	Nut 1/4	
11	7950100143	4	Washer 3/16	
12	7950140143	4	Washer 1/4	

# SECTION 9 - ACCESSORIES

## FIGURE 9-4. CAMERA MOUNT INSTALLATION - BACK-UP



ART\_1001257762

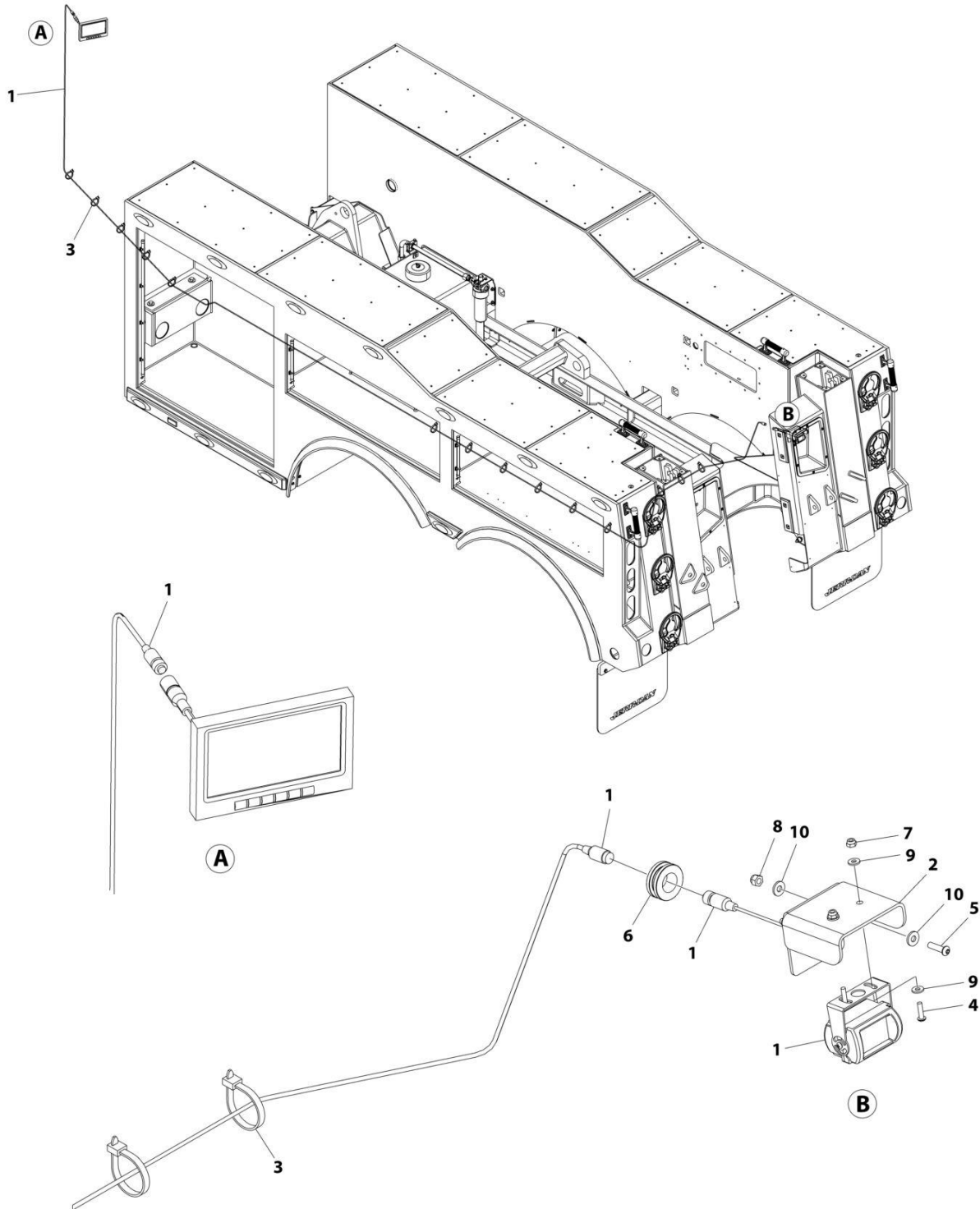
## SECTION 9 - ACCESSORIES

### FIGURE 9-4. CAMERA MOUNT INSTALLATION - BACK-UP

ITEM	PART NUMBER	QTY	DESCRIPTION	REV
	1001257762	Ref	Back-Up Camera Mount Installation	A
1	1001250843	1	Bracket	
2	5526000553	1	Tie Strap	
3	7114100618	2	Screw #10 x 3/4	
4	7114140818	2	Capscrew 1/4 x 1	
5	7493000003	1	Grommet	
6	7660102601	2	Nut #10	
7	7660142601	2	Nut #10	
8	7950100143	4	Washer 3/16	
9	7950140143	4	Washer 1/4	

# SECTION 9 - ACCESSORIES

## FIGURE 9-5. CAMERA PACCAR INSTALLATION, BACK-UP



ART\_1001257696

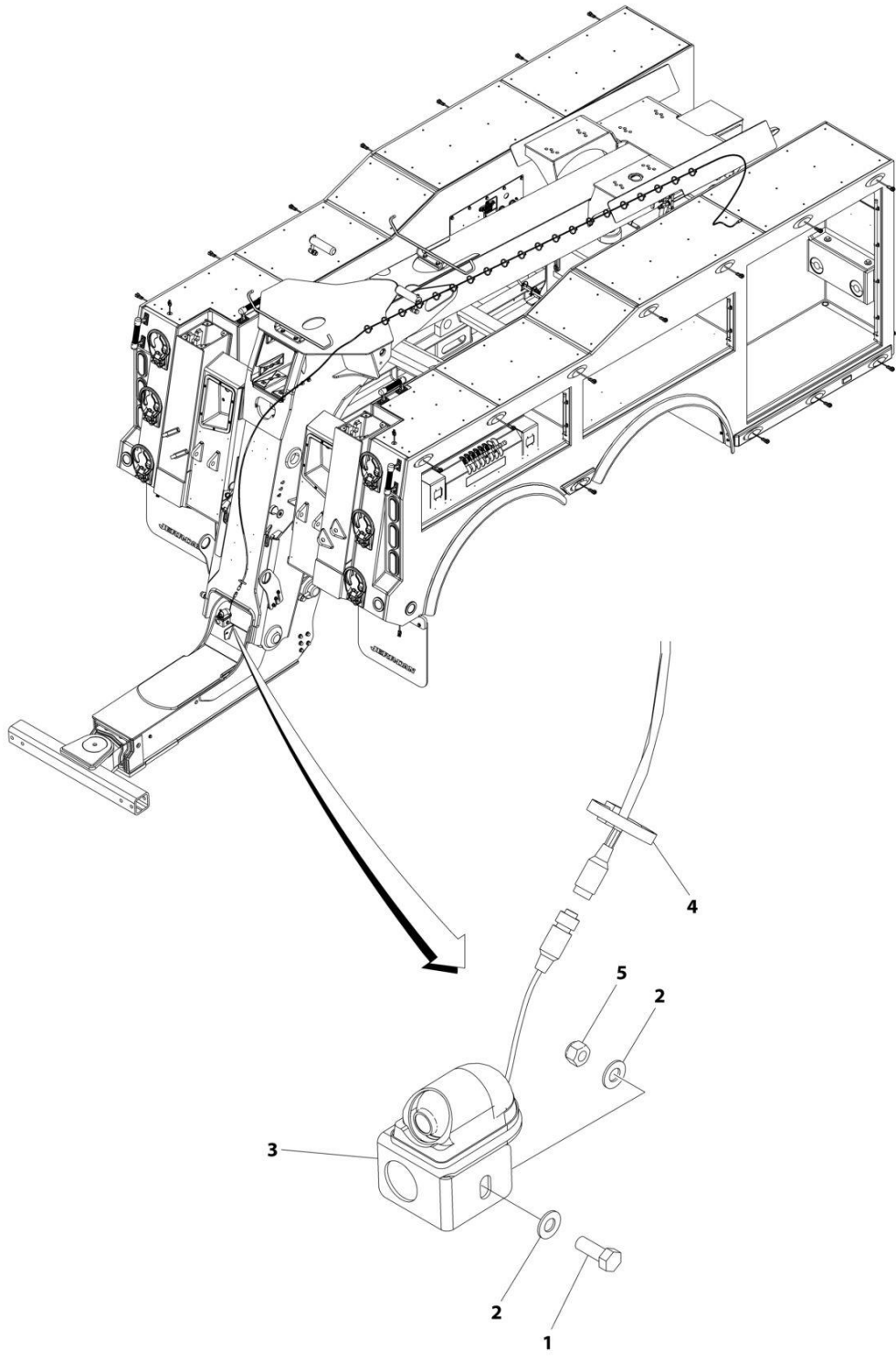
## SECTION 9 - ACCESSORIES

### FIGURE 9-5. CAMERA PACCAR INSTALLATION, BACK-UP

ITEM	PART NUMBER	QTY	DESCRIPTION	REV
	1001257696	Ref	Back-Up Camera Paccar Installation	A
1	1001204558	1	Accessory Back-Up Camera, Kit	
2	1001250843	1	Bracket	
3	5526000553	30	Tie Strap	
4	7114100618	2	Screw #10 x 3/4	
5	7114140818	2	Capscrew 1/4 x 1	
6	7493000003	1	Grommet	
7	7660102601	2	Nut #10	
8	7660142601	2	Nut 1/4	
9	7950100143	4	Washer 3/16	
10	7950140143	4	Washer 1/4	

# SECTION 9 - ACCESSORIES

## FIGURE 9-6. CAMERA MOUNT INSTALLATION - UNDERLIFT



ART\_1001257871

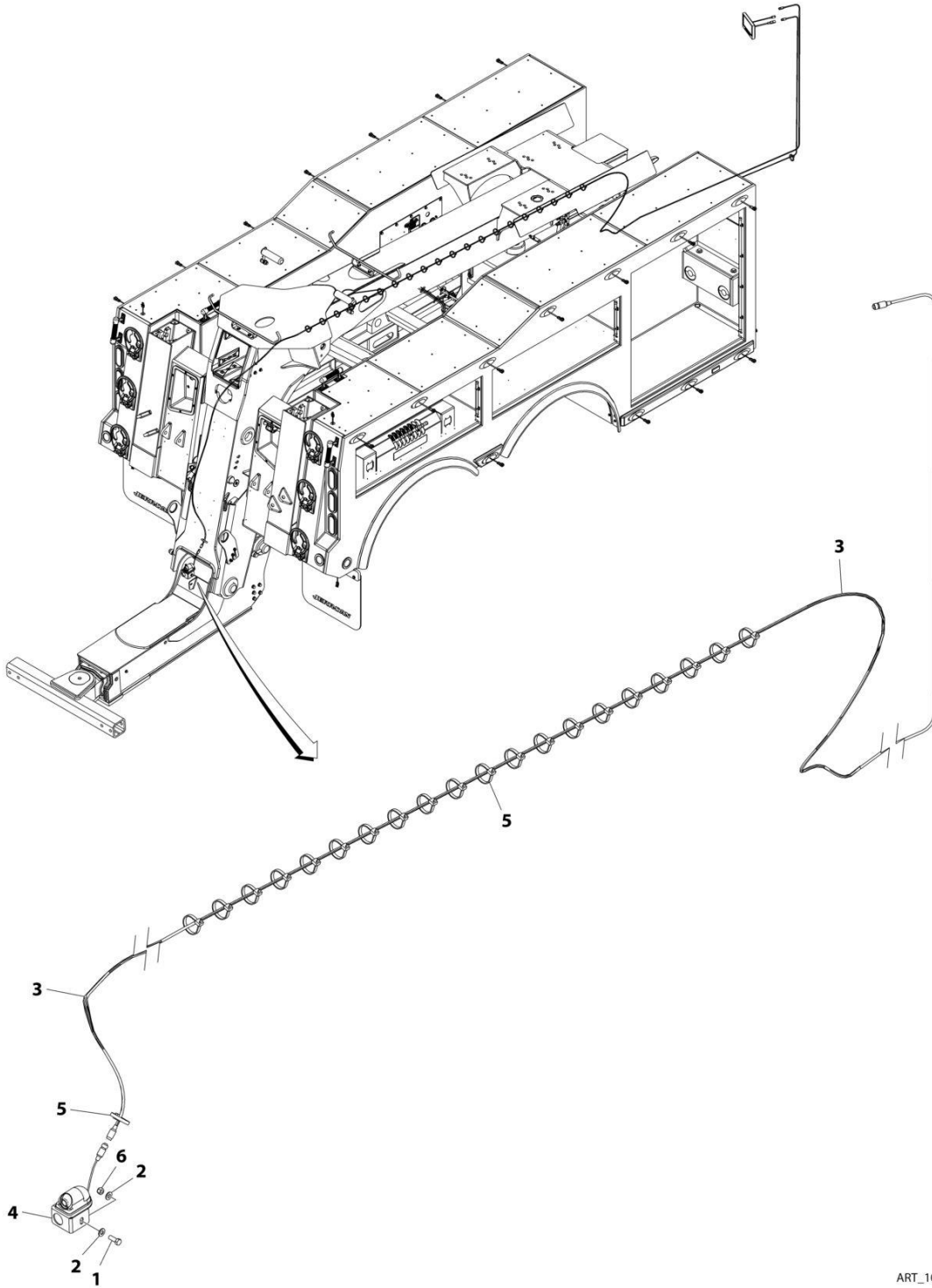
## SECTION 9 - ACCESSORIES

**FIGURE 9-6. CAMERA MOUNT INSTALLATION - UNDERLIFT**

ITEM	PART NUMBER	QTY	DESCRIPTION	REV
	1001257871	Ref	Underlift Camera Mount Installation	A
1	0641608	1	Screw 3/8 x 1	
2	4711600	2	Washer 3/8	
3	1001246896	1	Bracket	
4	5526000553	21	Tie Strap	
5	7660162601	1	Nut 3/8	

# SECTION 9 - ACCESSORIES

## FIGURE 9-7. CAMERA PACCAR INSTALLATION - UNDERLIFT



ART\_1001257870



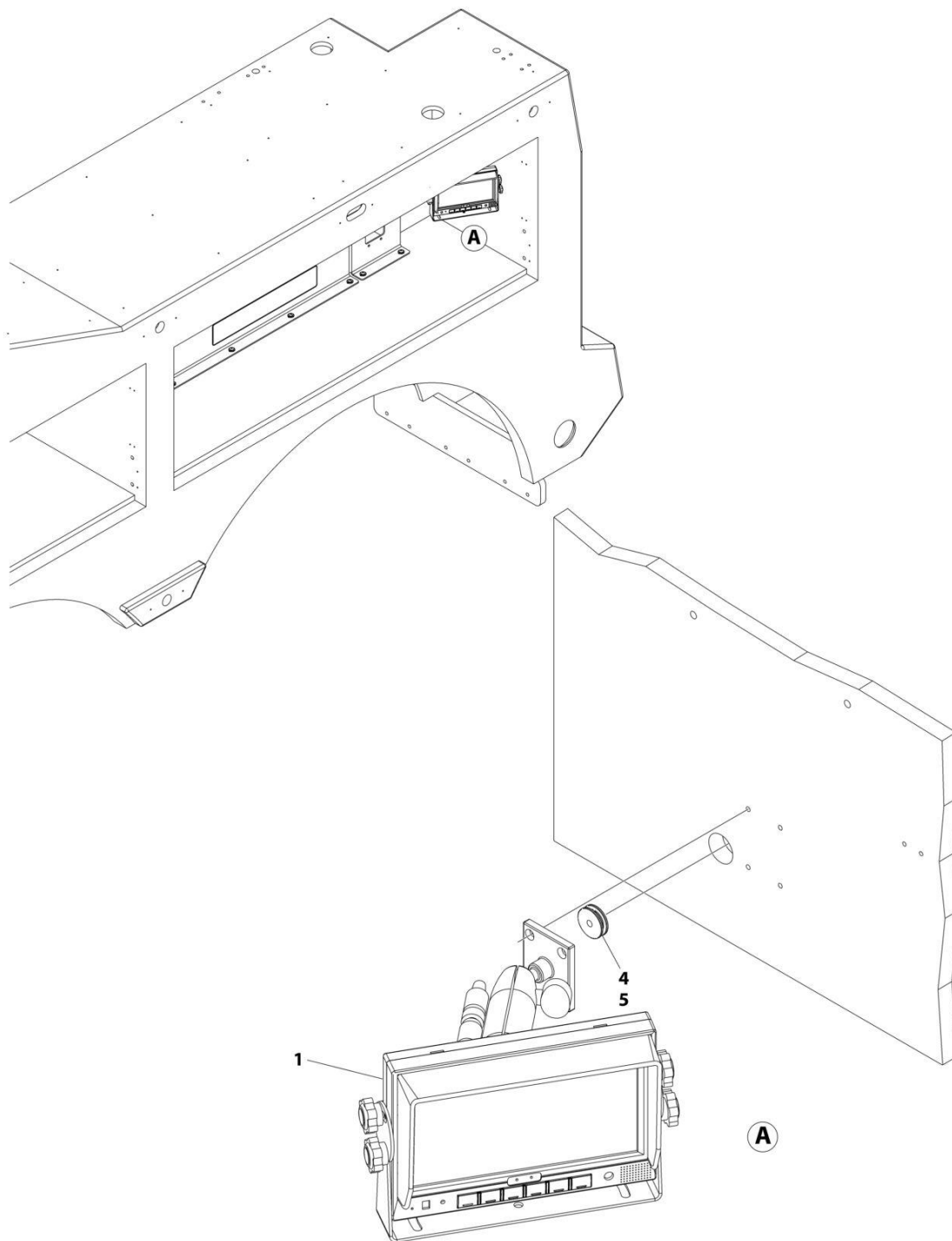
## SECTION 9 - ACCESSORIES

**FIGURE 9-7. CAMERA PACCAR INSTALLATION - UNDERLIFT**

ITEM	PART NUMBER	QTY	DESCRIPTION	REV
	1001257870	Ref	Underlift Camera Paccar Installation	A
1	0641608	1	Screw 3/8 x 1	
2	4711600	2	Washer 3/8	
3	1001204595	1	Accessory Underlift Camera, Kit	
4	1001246896	1	Bracket	
5	5526000553	21	Tie Strap	
6	7660162601	1	Nut 3/8	

# SECTION 9 - ACCESSORIES

## FIGURE 9-8. CAMERA REAR WINCH DS INSTALLATION



ART\_1001212231

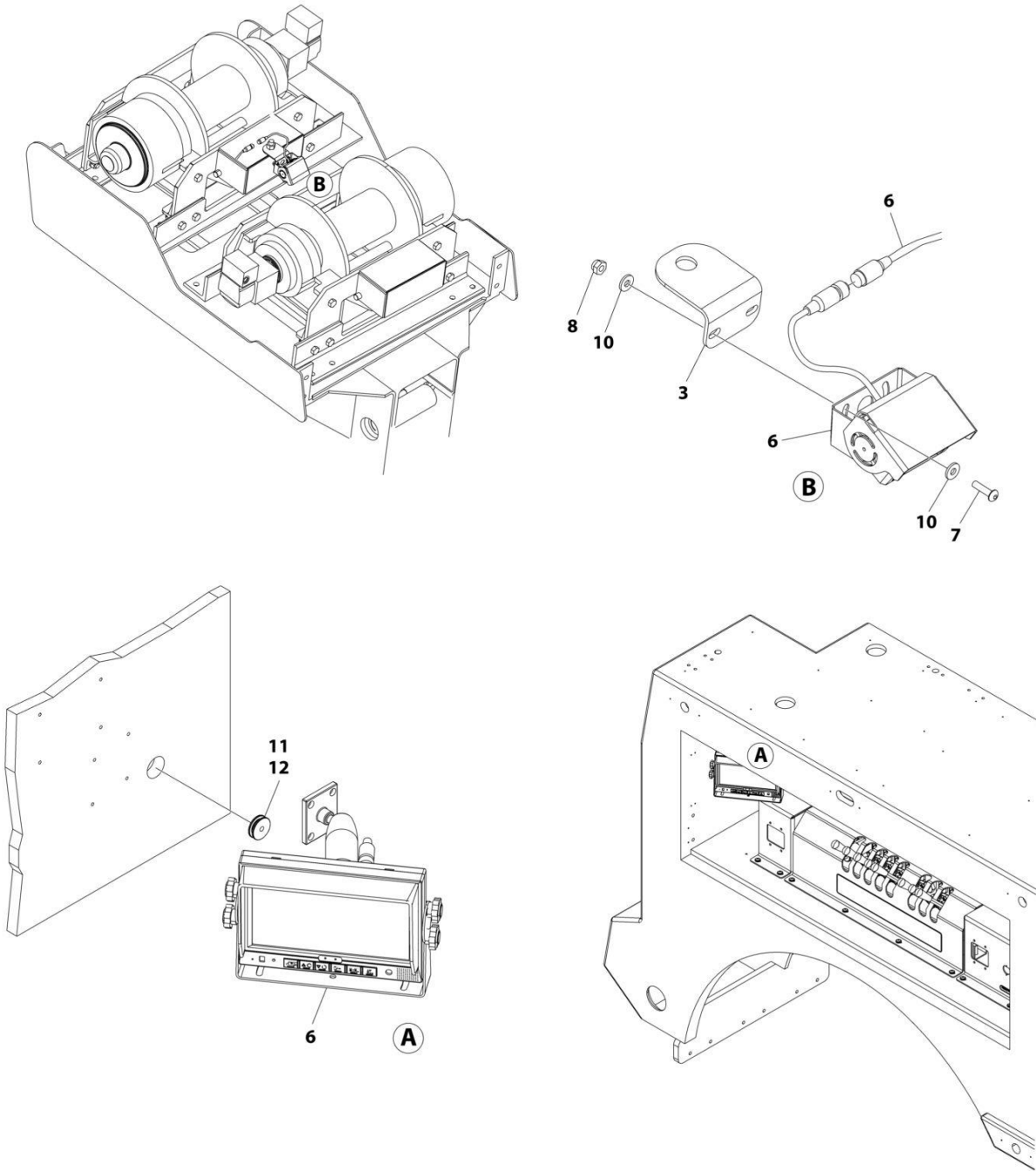
## SECTION 9 - ACCESSORIES

**FIGURE 9-8. CAMERA REAR WINCH DS INSTALLATION**

ITEM	PART NUMBER	QTY	DESCRIPTION	REV
	1001212231	Ref	CAMERA REAR WINCH DS INSTALLATION	C
1	1001126658	1	Kit, Camera (Winch) <b>(SN 0230005220 through 0230009593)</b>	
1	1001273599	1	Kit, Camera (Winch) <b>(SN 0230009594 to Present)</b>	
2	1001192958	4	Screw #10 x 1/2 <b>(SN 0230005220 through 0230009593)</b>	
3	7894000004	15	Tie Strap (Not shown)	
4	7493000020	1	Grommet	
5	8798820001	AR	Sealant	

# SECTION 9 - ACCESSORIES

## FIGURE 9-9. CAMERA REAR WINCH PS W/CTRL MON, DP INSTALLATION



ART\_1001212230

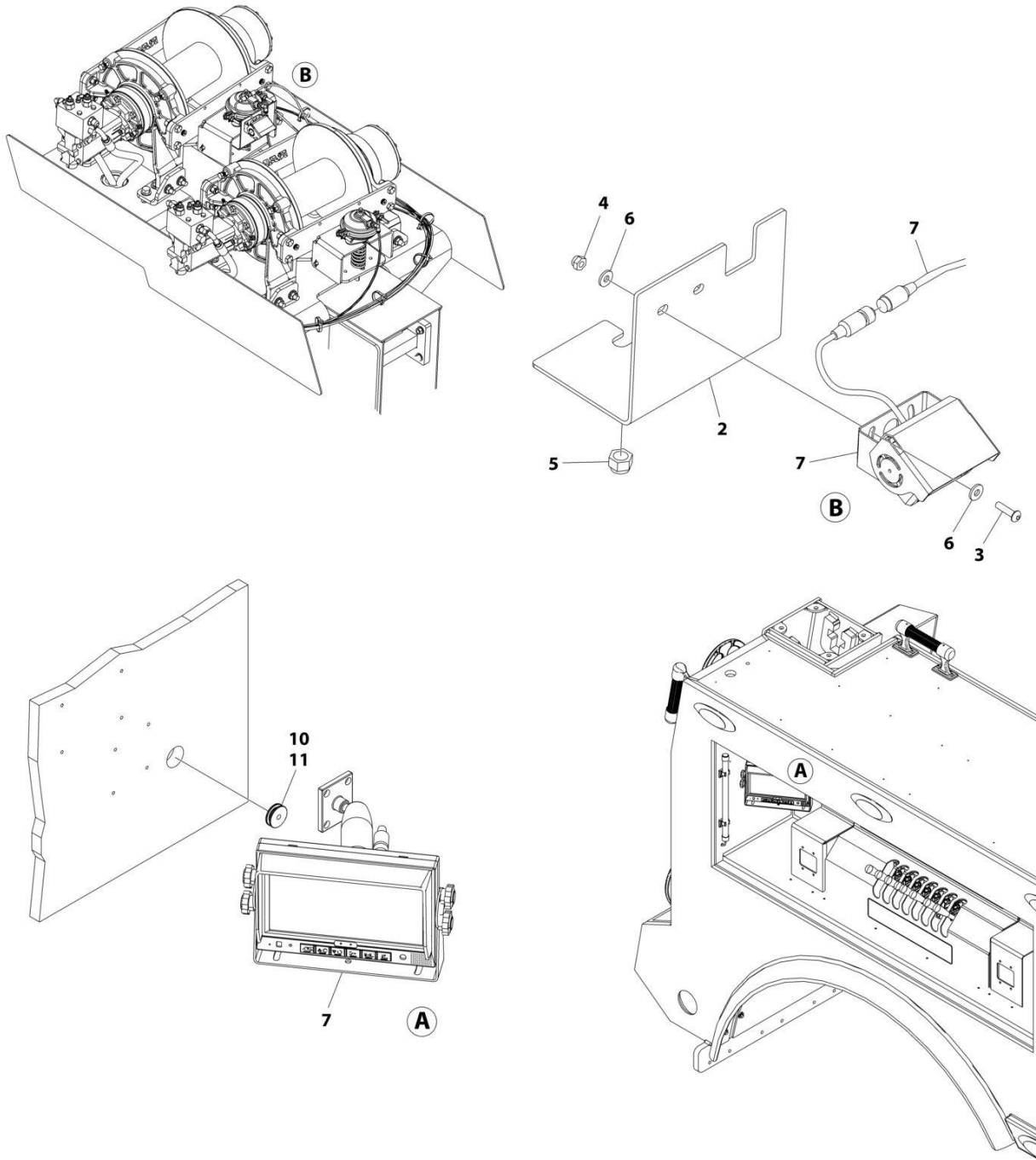
## SECTION 9 - ACCESSORIES

**FIGURE 9-9. CAMERA REAR WINCH PS W/CTRL MON, DP INSTALLATION**

ITEM	PART NUMBER	QTY	DESCRIPTION	REV
	1001212230	Ref	CAMERA REAR WINCH PS W/CTRL MON, DP INSTALLATION	C
1	1001126973	1	Plate (SN 0230005220 through 0230009593)	
2	1001126987	1	Plate (SN 0230005220 through 0230009593)	
3	1001126995	1	Plate (SN 0230005220 through 0230009593)	
3	1001273756	1	Bracket (SN 0230009594 to Present)	
4	1001192958	4	Screw #10 x 1/2 (SN 0230005220 through 0230009593)	
5	1001209036	1	Harness (Not shown)	
5	4460891	2	Plug, Male - 2 Position (at Winch Motor)	
5	4460465	4	Socket, Male (at Winch Motor)	
5	4460897	2	Receptacle, Female - 2 Position (at Winch Motor)	
5	4460464	4	Pin, Male (at Winch Motor)	
5	4460932	1	Receptacle, Female - 4 Position (to Power)	
5	4460464	4	Pin, Male (to Power)	
6	7002000554	1	Kit, Camera (Winch)	
6	1001219309	1	Kit, Camera (Winch) (SN 0230005220 through 0230009593)	
7	7114140618	6	Screw 1/4 x 3/4 (SN 0230009594 to Present)	
8	7660142600	6	Nut 1/4	
9	7894000004	30	Tie Strap (Not shown)	
10	7950140143	8	Washer 3/16	
11	7493000020	1	Grommet	
12	8798820001	AR	Sealant	

# SECTION 9 - ACCESSORIES

## FIGURE 9-10. CAMERA REAR WINCH PS W/CTRL MON - RAMSEY INSTALLATION



ART\_1001257916\_D

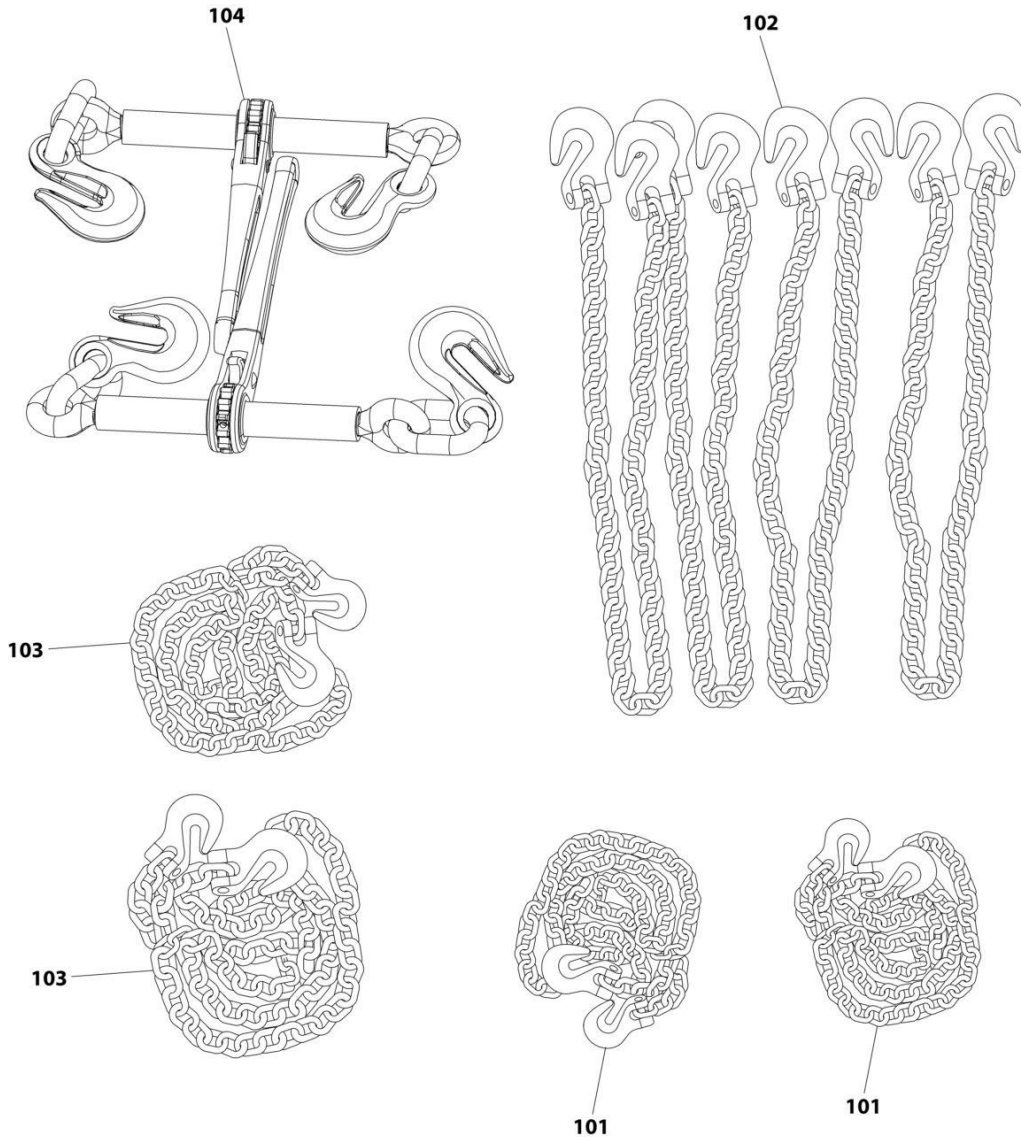
## SECTION 9 - ACCESSORIES

**FIGURE 9-10. CAMERA REAR WINCH PS W/CTRL MON - RAMSEY INSTALLATION**

ITEM	PART NUMBER	QTY	DESCRIPTION	REV
	1001257916	Ref	CAMERA REAR WINCH PS W/ CTRL RAMSEY	D
2	1001257872	1	Bracket	
3	7114100618	2	Screw #10 x 3/4	
4	7660102601	2	Nut #10	
5	7660172601	2	Nut 7/16	
6	7950100143	4	Washer 3/16	
7	1001219309	1	Accessory Back-Up Camera, Kit	
8	1001209036	1	Harness, Winch Monitor (Not Shown) (See Separate Breakdown in ELECTRICAL Section)	
9	7894000004	6	Tie-Strap (Not shown)	
10	7493000020	1	Grommet	
11	8798820001	AR	Sealant	

# SECTION 9 - ACCESSORIES

## FIGURE 9-11. CHAIN KIT, LEVEL 1 (HEAVY DUTY)



ART\_1001233644



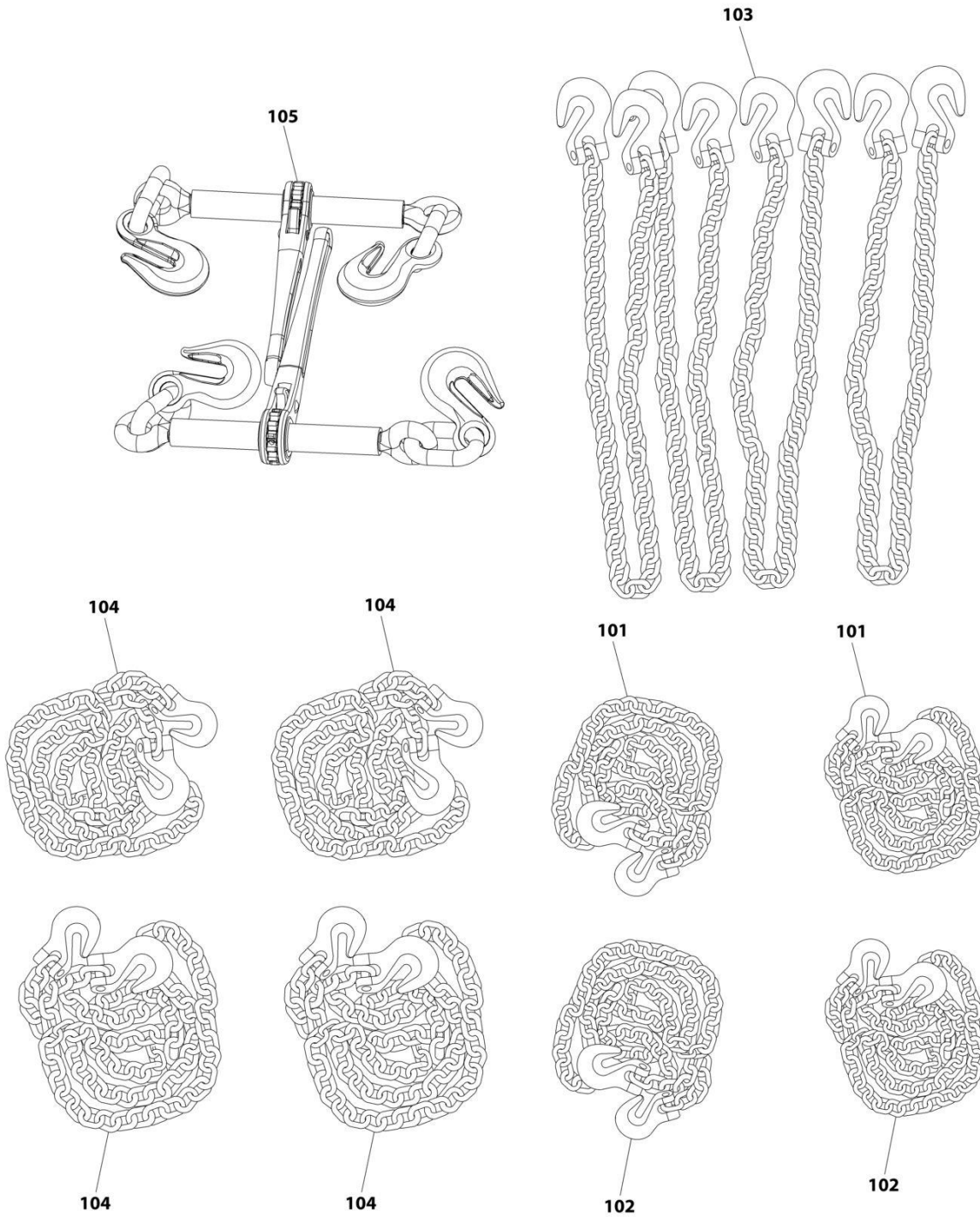
## SECTION 9 - ACCESSORIES

**FIGURE 9-11. CHAIN KIT, LEVEL 1 (HEAVY DUTY)**

ITEM	PART NUMBER	QTY	DESCRIPTION	REV
	1001233644	Ref	CHAIN KIT, LEVEL 1 (HEAVY DUTY)	A
1	1001233072	1	Chain Kit (Not Shown)	
101	Kit	2	3/8IN Chain, G70 x 10FT (clevis each end)	
102	Kit	4	3/8IN Chain, G100 x 10FT 8800#WLL (clevis each end)	
103	Kit	2	0.5IN Chain, G100 x 10FT 15000#WLL (clevis each end)	
104	Kit	2	3/8-0.5 Chain Binder 9200#WLL, 8IN	

# SECTION 9 - ACCESSORIES

## FIGURE 9-12. CHAIN KIT, LEVEL 2 (HEAVY DUTY)



ART\_1001233645

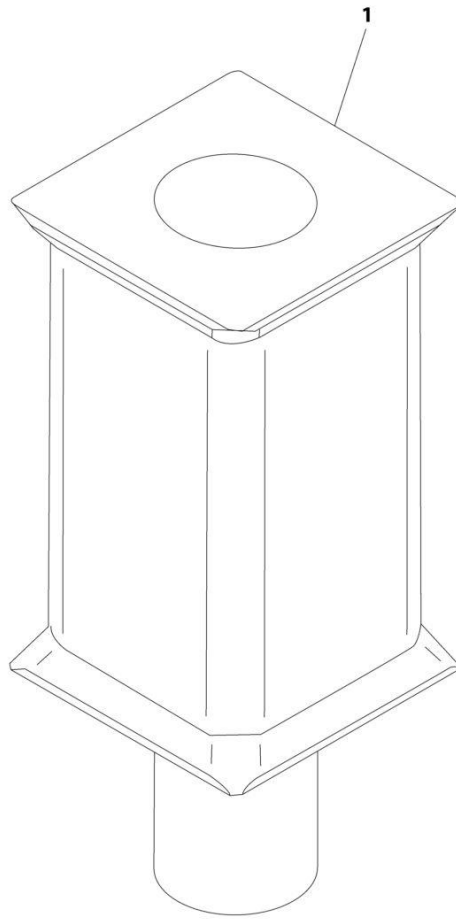
## SECTION 9 - ACCESSORIES

**FIGURE 9-12. CHAIN KIT, LEVEL 2 (HEAVY DUTY)**

ITEM	PART NUMBER	QTY	DESCRIPTION	REV
	1001233645	Ref	CHAIN KIT, LEVEL 2 (HEAVY DUTY)	A
1	1001208360	1	Chain Kit (Not Shown)	
101	Kit	2	3/8IN Chain, 10FT (non cradle grab), GR. 70	
102	Kit	2	3/8IN Chain, 20FT (non cradle grab), GR. 70	
103	Kit	4	3/8IN Chain, 10FT (non cradle grab), GR. 100	
104	Kit	4	1/2IN Chain, 10FT (non cradle grab), GR. 100	
105	Kit	2	Ratcheting Chain Binders	

# SECTION 9 - ACCESSORIES

FIGURE 9-13. FORK RISER - 7IN



ART\_1001231627

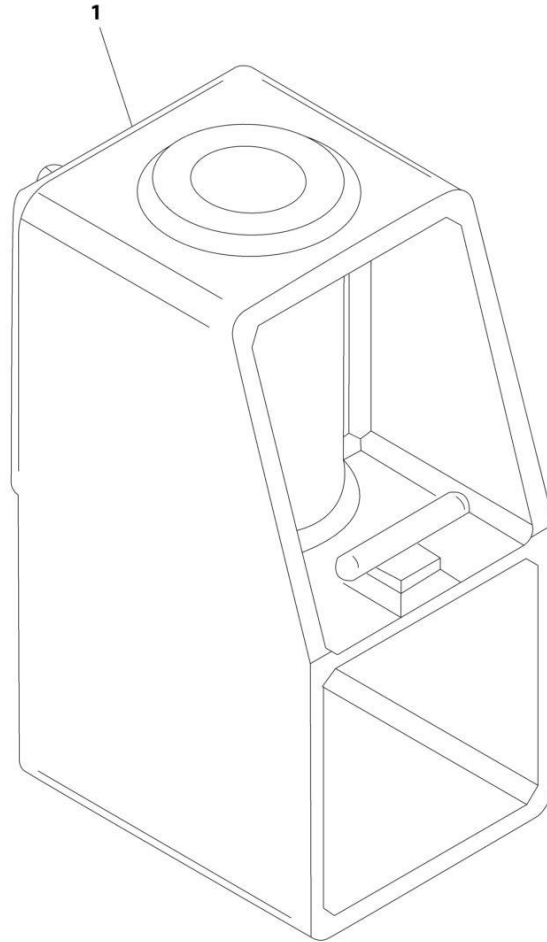
## SECTION 9 - ACCESSORIES

FIGURE 9-13. FORK RISER - 7IN

ITEM	PART NUMBER	QTY	DESCRIPTION	REV
1	1001231627 7002000502	Ref 2	FORK RISER - 7IN Fork Riser Attachment	A

## SECTION 9 - ACCESSORIES

FIGURE 9-14. FORK RISER ADAPTER - 7IN



ART\_1001231626

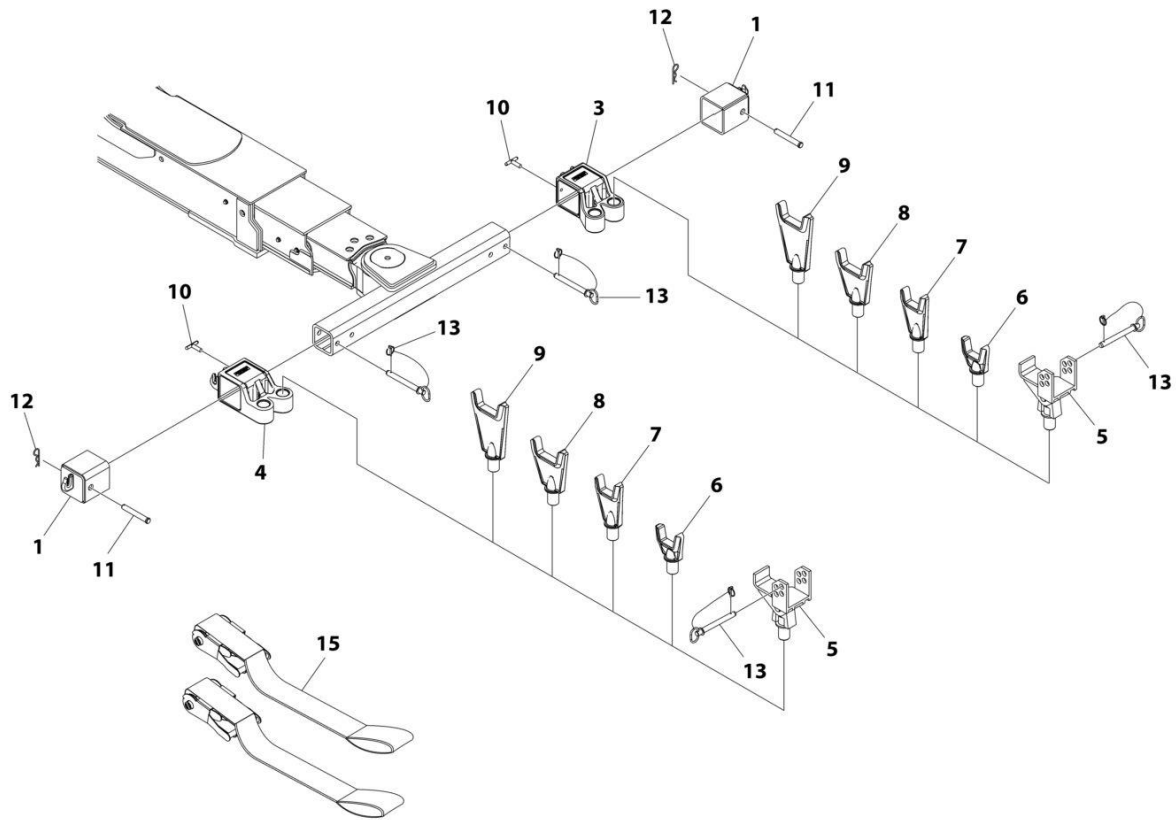
## SECTION 9 - ACCESSORIES

FIGURE 9-14. FORK RISER ADAPTER - 7IN

ITEM	PART NUMBER	QTY	DESCRIPTION	REV
1	1001231626	Ref	FORK RISER ADAPTER - 7IN	A
	1001170172	2	Accessory Fork Riser	

# SECTION 9 - ACCESSORIES

## FIGURE 9-15. FRAME FORK INSTALLATION



ART\_2503870011\_H



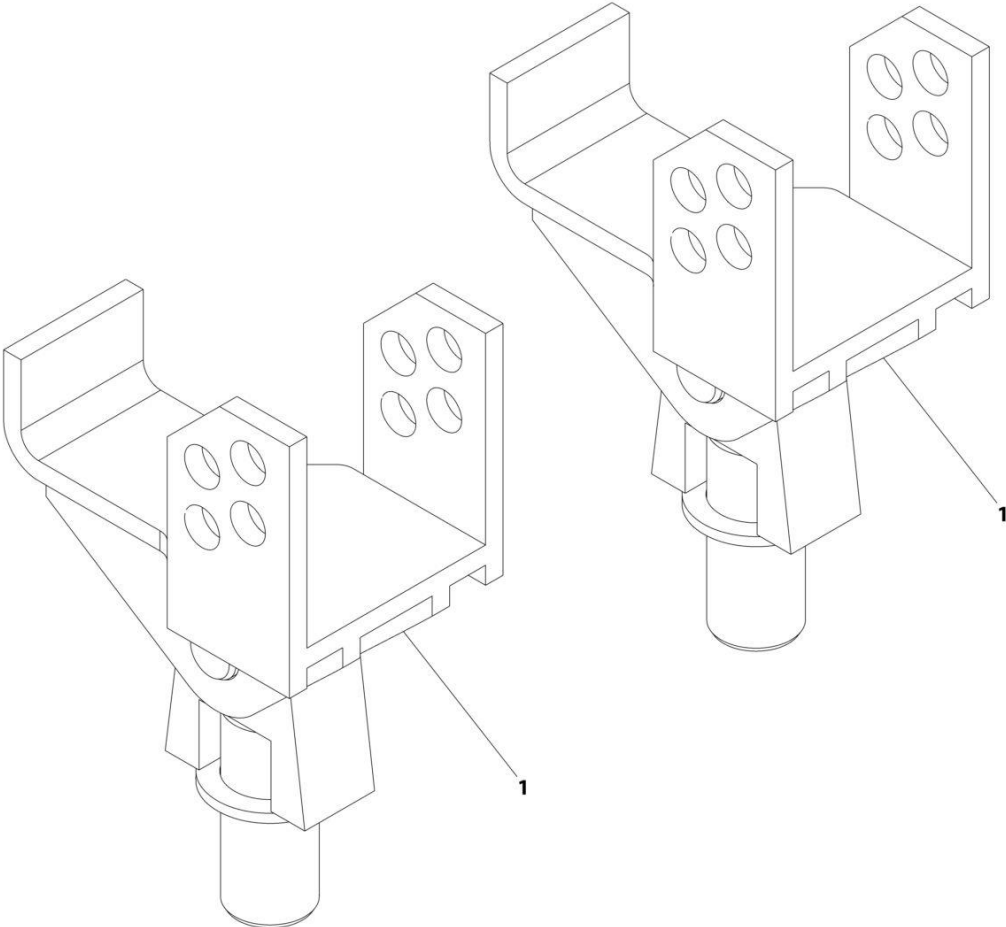
## SECTION 9 - ACCESSORIES

### FIGURE 9-15. FRAME FORK INSTALLATION

ITEM	PART NUMBER	QTY	DESCRIPTION	REV
	2503870011	Ref	Frame Fork Installation	H
1	3007000004	2	Chain Hook Adapter	
3	7007000056	1	Frame Fork Adapter, RH	
4	7007000055	1	Frame Fork Adapter, LH	
5	3178000226	2	Spring Lift Bracket	
6	7454000006	2	Fork, Short	
7	7454000005	2	Fork, Medium	
8	7454000003	2	Fork, Medium	
9	7454000004	2	Fork, Long	
10	3551000036	2	T-Handle	
11	7691000022	2	Pin	
12	7691000020	2	Pin	
13	7691000021	4	Pin	
15	1001159568	1	Strap	

**SECTION 9 - ACCESSORIES**

**FIGURE 9-16. FRAME FORK INSTALLATION (SPRING FORKS)**



ART\_1001289478

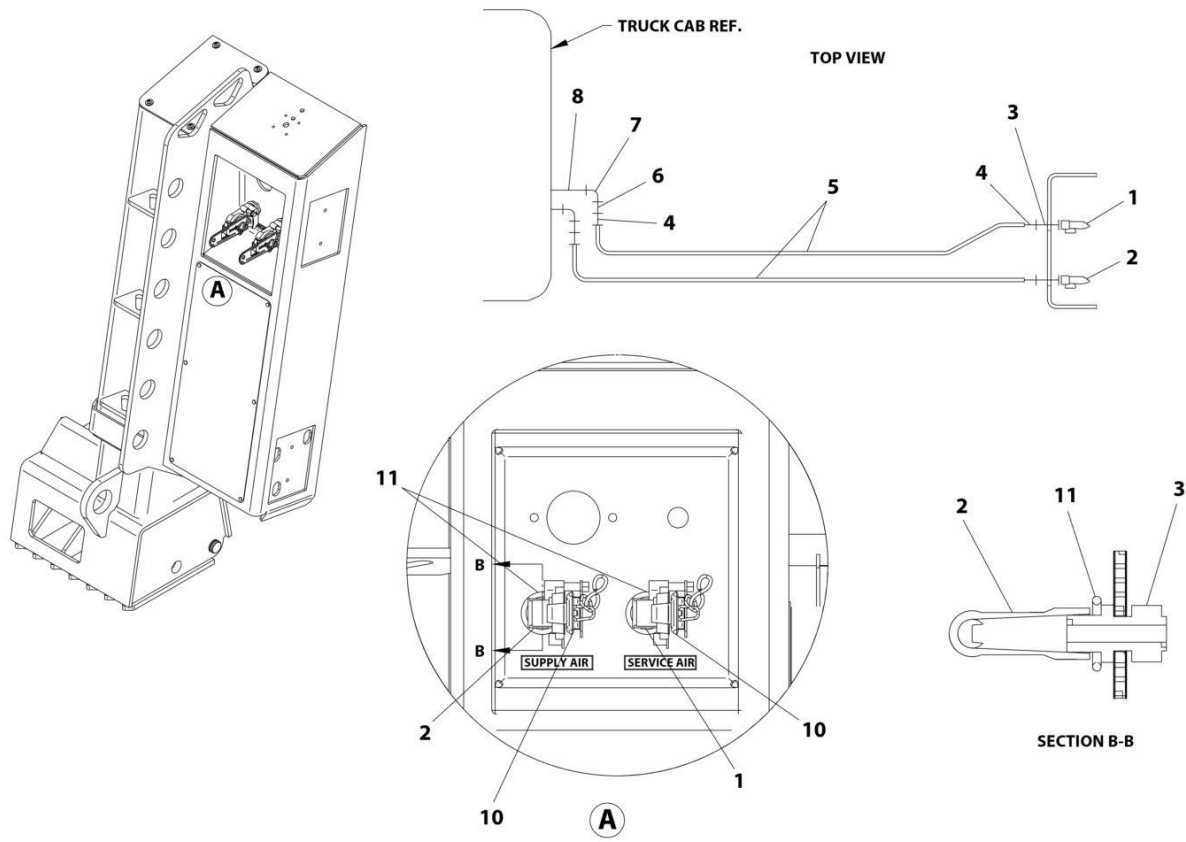
## SECTION 9 - ACCESSORIES

**FIGURE 9-16. FRAME FORK INSTALLATION (SPRING FORKS)**

ITEM	PART NUMBER	QTY	DESCRIPTION	REV
1	1001289478 3178000226	Ref 2	FRAME FORK INSTALLATION (SPRING FORKS) Spring Lift Bracket	A

# SECTION 9 - ACCESSORIES

## FIGURE 9-17. GLADHANDS INSTALLATION - AIR & EMERGENCY SERVICE



ART\_2503630028

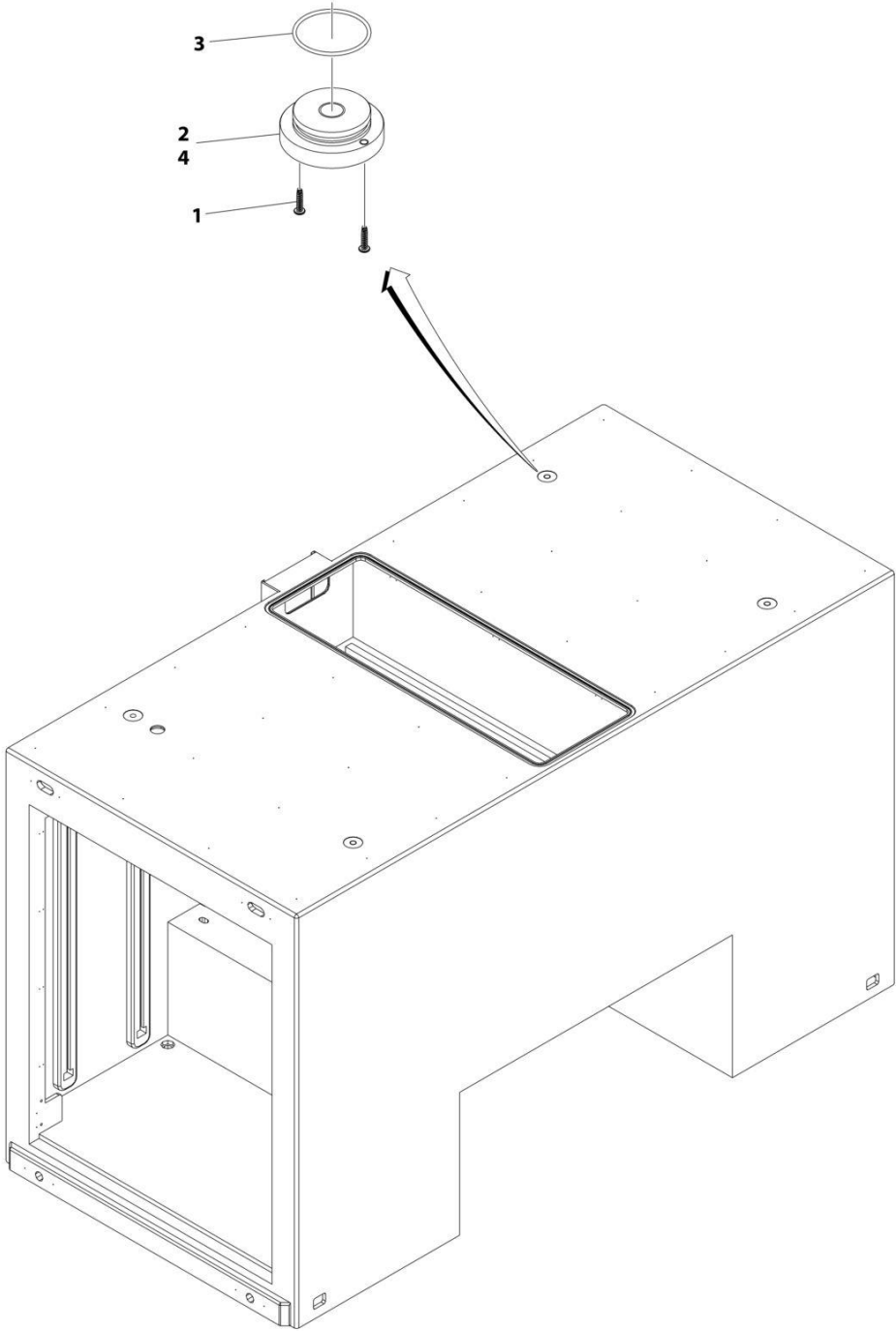
## SECTION 9 - ACCESSORIES

**FIGURE 9-17. GLADHANDS INSTALLATION - AIR & EMERGENCY SERVICE**

ITEM	PART NUMBER	QTY	DESCRIPTION	REV
	2503630028	Ref	Air, Emergency and Service Glad Hands	F
1	7312000015	1	Gladhand	
2	7312000016	1	Gladhand	
3	7446502518	2	Fitting	
4	7446060435	4	Fitting	
5	7565000014	50 ft	Airline Tubing	
6	7443000148	2	Bushing	
7	7443000146	2	Elbow	
8	7443000145	2	Bushing	
10	1001170036	2	Shield	
11	1001171933	2	Ring	
12	7445040449	1	Nipple (Not Shown)	

**SECTION 9 - ACCESSORIES**

**FIGURE 9-18. LIFTING LUGS INSTALLATION**



ART\_1001196808

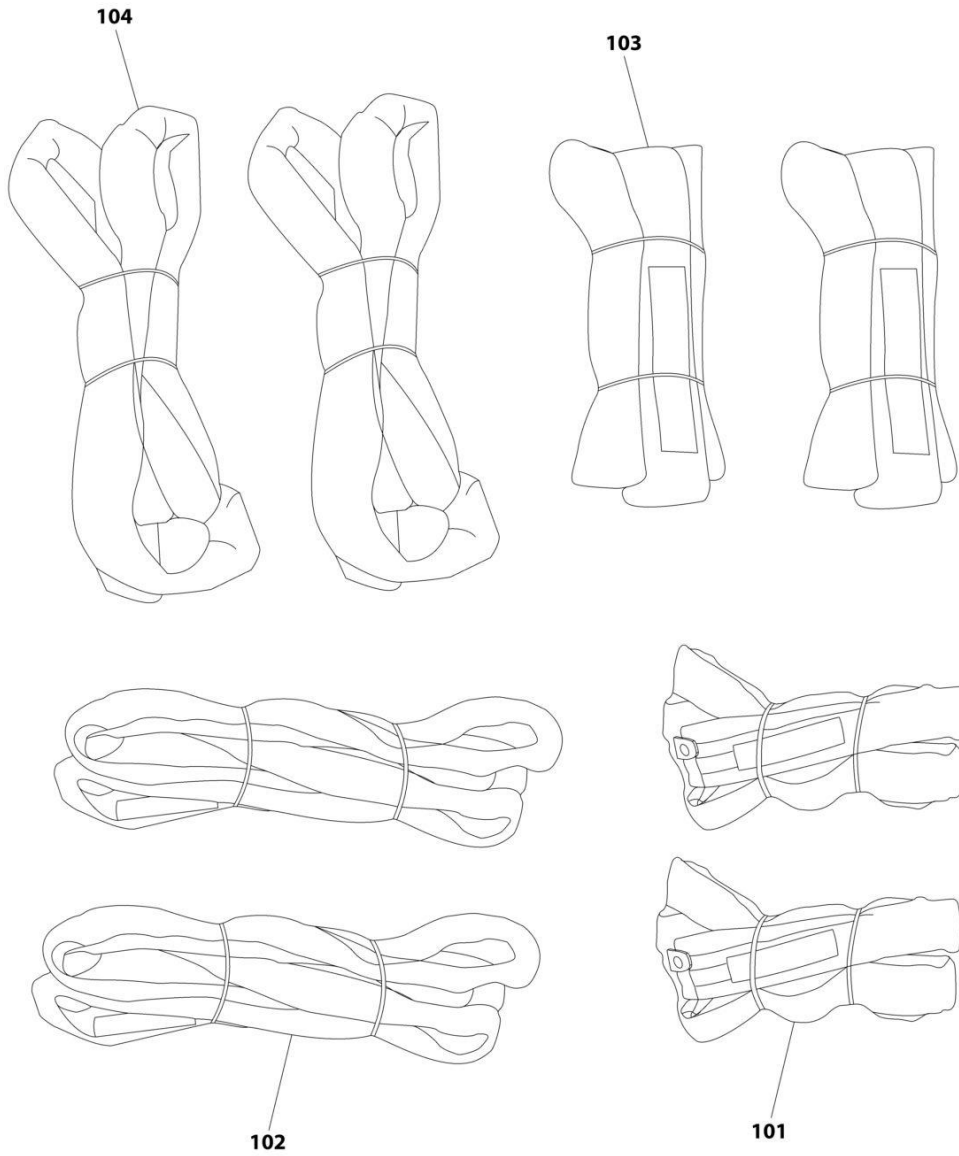
## SECTION 9 - ACCESSORIES

### FIGURE 9-18. LIFTING LUGS INSTALLATION

ITEM	PART NUMBER	QTY	DESCRIPTION	REV
	1001196808	Ref	BODY LIFTING LUGS INSTALLATION	C
1	1001196552	8	Screw #8 x 3/4	
2	1001189283	4	Nut	
3	1001189321	4	O-Ring	
4	8798820001	AR	Sealant	

# SECTION 9 - ACCESSORIES

## FIGURE 9-19. LOOP SLING KIT, LEVEL 1



ART\_1001233642



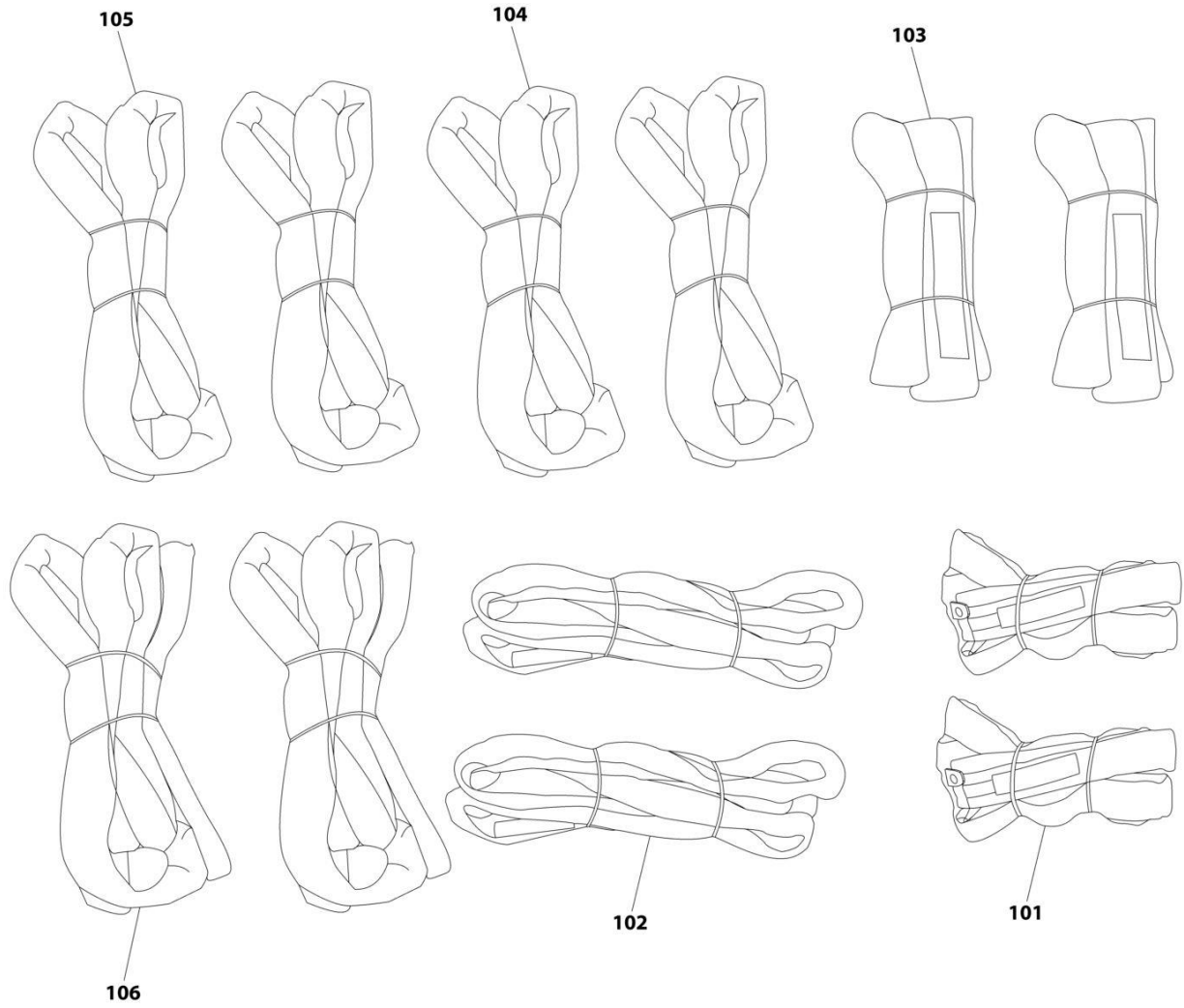
## SECTION 9 - ACCESSORIES

**FIGURE 9-19. LOOP SLING KIT, LEVEL 1**

ITEM	PART NUMBER	QTY	DESCRIPTION	REV
	1001233642	Ref	LOOP SLING KIT, LEVEL 1	A
1	1001233070	1	Loop Sling Kit (Not Shown)	
101	Kit	2	4FT Yellow Round Sling, V-8400#	
102	Kit	2	6FT Yellow Round Sling, V-8400#	
103	Kit	2	8FT Red Round Sling, V-13200#	
104	Kit	2	12FT Red Round Sling, V-13200#	

# SECTION 9 - ACCESSORIES

## FIGURE 9-20. LOOP SLING KIT, LEVEL 2



ART\_1001233643

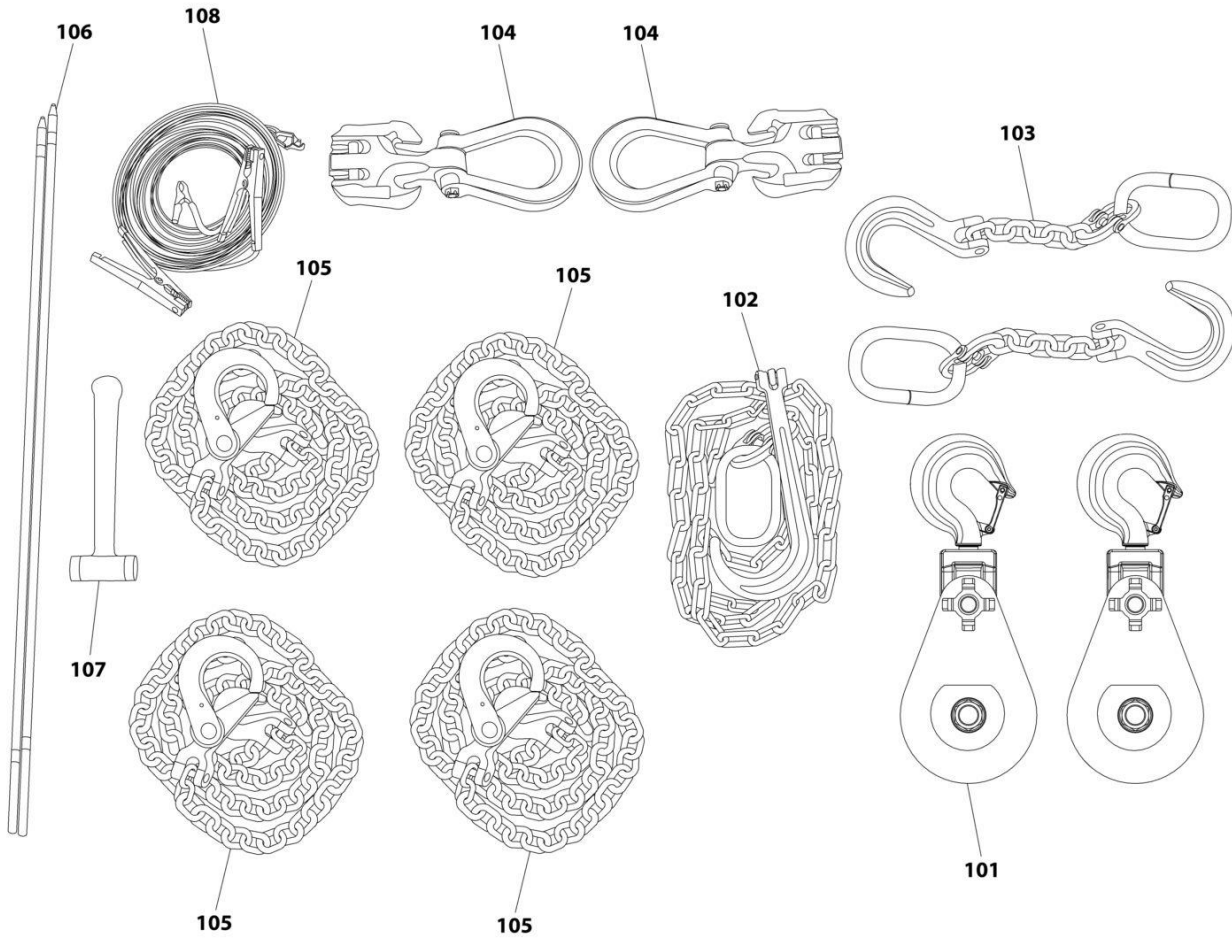
## SECTION 9 - ACCESSORIES

**FIGURE 9-20. LOOP SLING KIT, LEVEL 2**

ITEM	PART NUMBER	QTY	DESCRIPTION	REV
	1001233643	Ref	LOOP SLING KIT, LEVEL 2	A
1	1001208359	1	Loop Sling Kit (Not Shown)	
101	Kit	2	4FT Yellow Endless Loop	
102	Kit	2	6FT Yellow Endless Loop	
103	Kit	2	8FT Red Endless Loop	
104	Kit	2	12FT Red Endless Loop	
105	Kit	2	12FT Blue Endless Loop	
106	Kit	2	16FT Blue Endless Loop	

# SECTION 9 - ACCESSORIES

## FIGURE 9-21. RUGGED KIT, JFB



ART\_1001233649

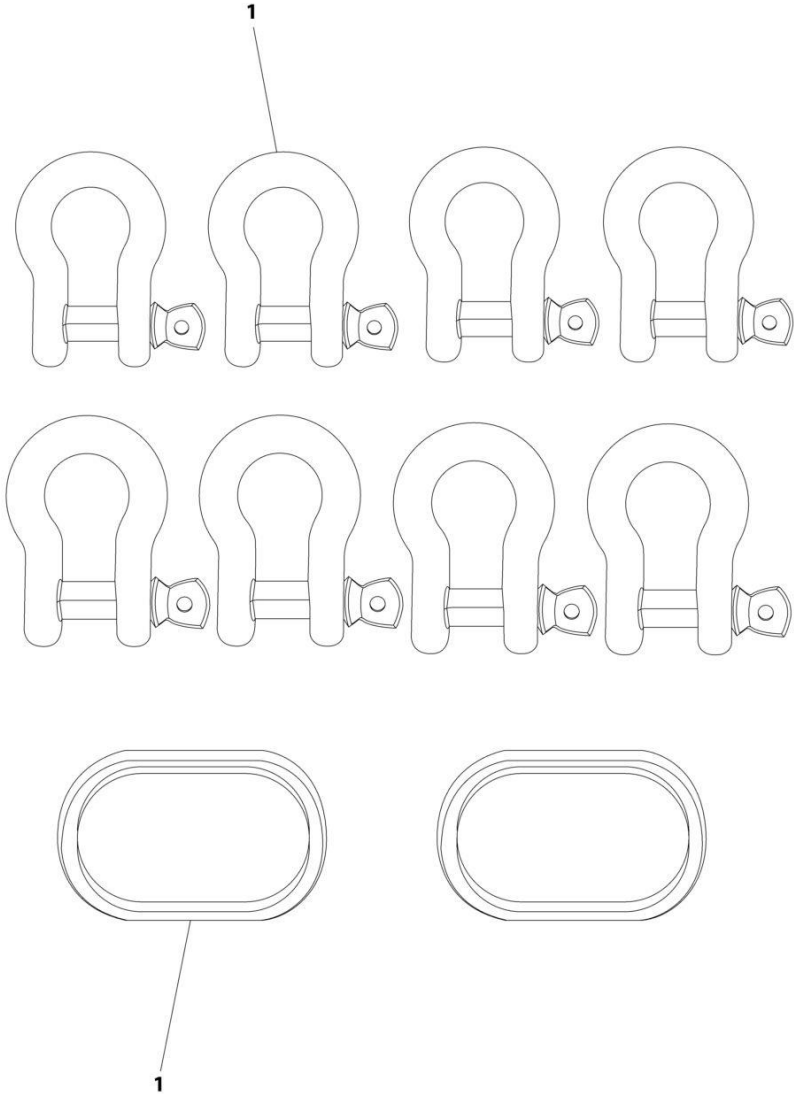
## SECTION 9 - ACCESSORIES

**FIGURE 9-21. RUGGED KIT, JFB**

ITEM	PART NUMBER	QTY	DESCRIPTION	REV
	1001233649	Ref	RUGGED KIT, JFB	A
1	1001174490	1	Rugged Package (Not Shown)	
101	Kit	2	7/8 x 8IN Diameter Snatch Block, 30,000#	
102	Kit	1	3/8 x 10FT Recover Chain	
103	Kit	2	1/2IN x 2FT Recovery Chain, 15,000#	
104	Kit	2	1/2IN Double Leg Recovery Sling Eliminator, 30,000#	
105	Kit	4	1/2IN x 10FT Recovery Chain w/Self-Locking Clevis	
106	Kit	2	1/2IN x 48IN Copper Ground Stake	
107	Kit	1	Non-Sparking Brass Mallet	
108	Kit	3	30FT Ground Wire	

**SECTION 9 - ACCESSORIES**

**FIGURE 9-22. SHACKLE KIT, LEVEL 1**



ART\_1001233646

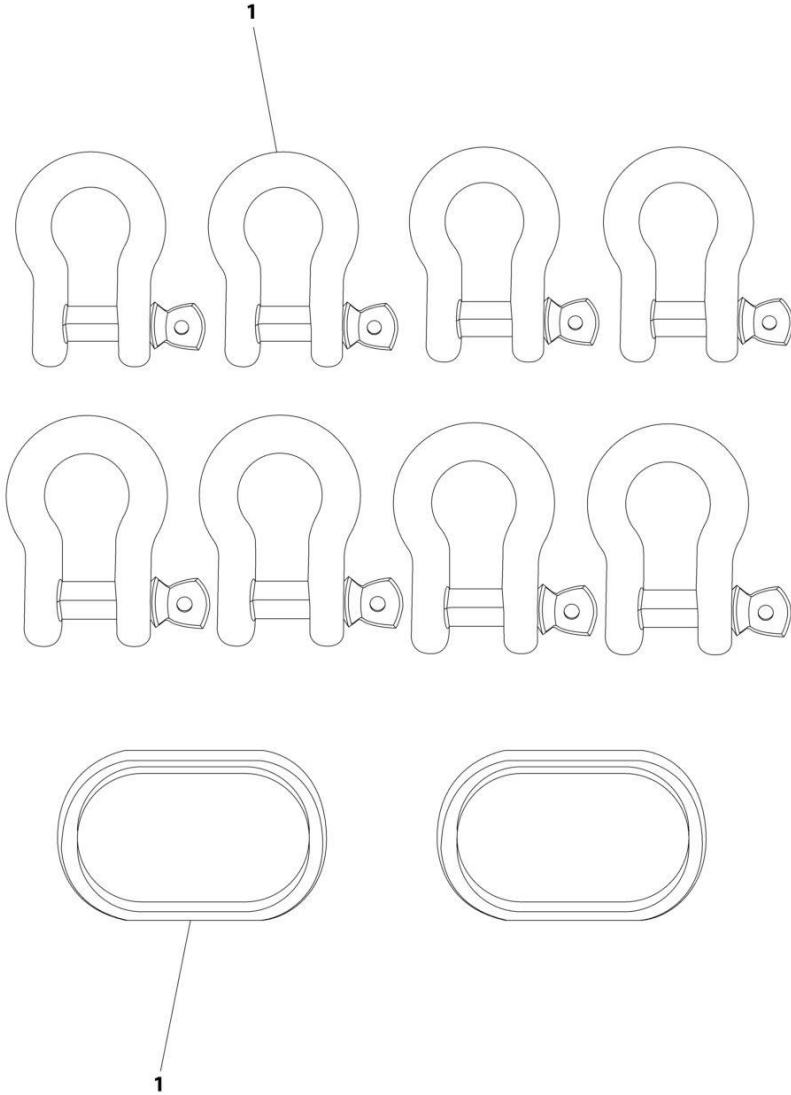
## SECTION 9 - ACCESSORIES

**FIGURE 9-22. SHACKLE KIT, LEVEL 1**

ITEM	PART NUMBER	QTY	DESCRIPTION	REV
	1001233646	Ref	SHACKLE KIT, LEVEL 1	A
1	1001233071	1	Shackle Kit	
1	Kit	4	Galvanized 8.5T Shackle, 1IN Pin	
1	Kit	2	Galvanized 12T Shackle, 1.25IN Pin	
1	Kit	2	Master Link Type M GRD 100 17200#WWL, 7/8IN	

**SECTION 9 - ACCESSORIES**

**FIGURE 9-23. SHACKLE KIT, LEVEL 2**



ART\_1001233647



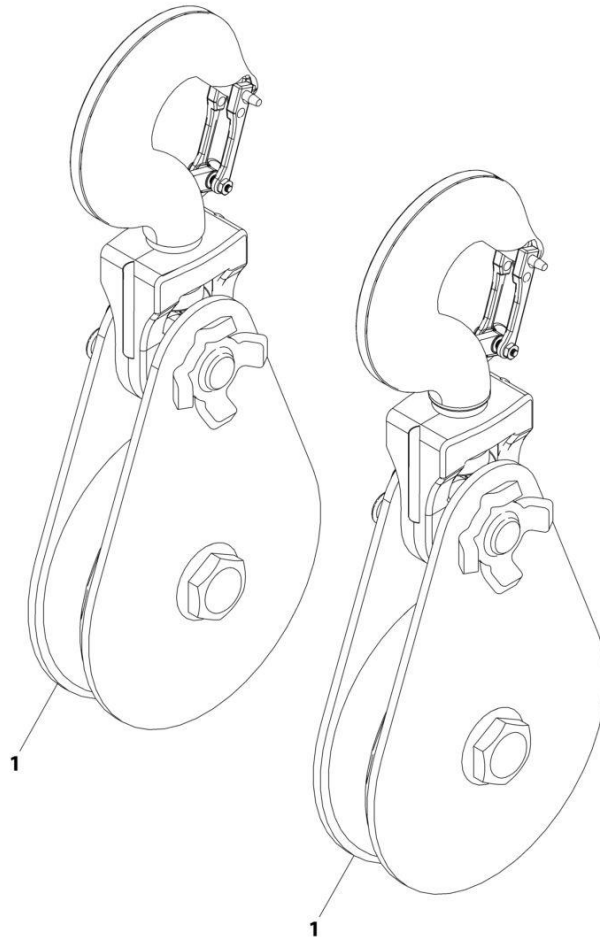
## SECTION 9 - ACCESSORIES

**FIGURE 9-23. SHACKLE KIT, LEVEL 2**

ITEM	PART NUMBER	QTY	DESCRIPTION	REV
	1001233647	Ref	SHACKLE KIT, LEVEL 2	A
1	1001208361	1	Shackle Kit	
1	Kit	2	Master Link, 1.25IN Pin	
1	Kit	2	Screw Pin Shackle, 1IN Pin	
1	Kit	6	Screw Pin Shackle, 1.25IN Pin	
1	Kit	2	Screw Pin Shackle, 1.5IN	

## SECTION 9 - ACCESSORIES

FIGURE 9-24. SNATCH BLOCK KIT



ART\_1001241575

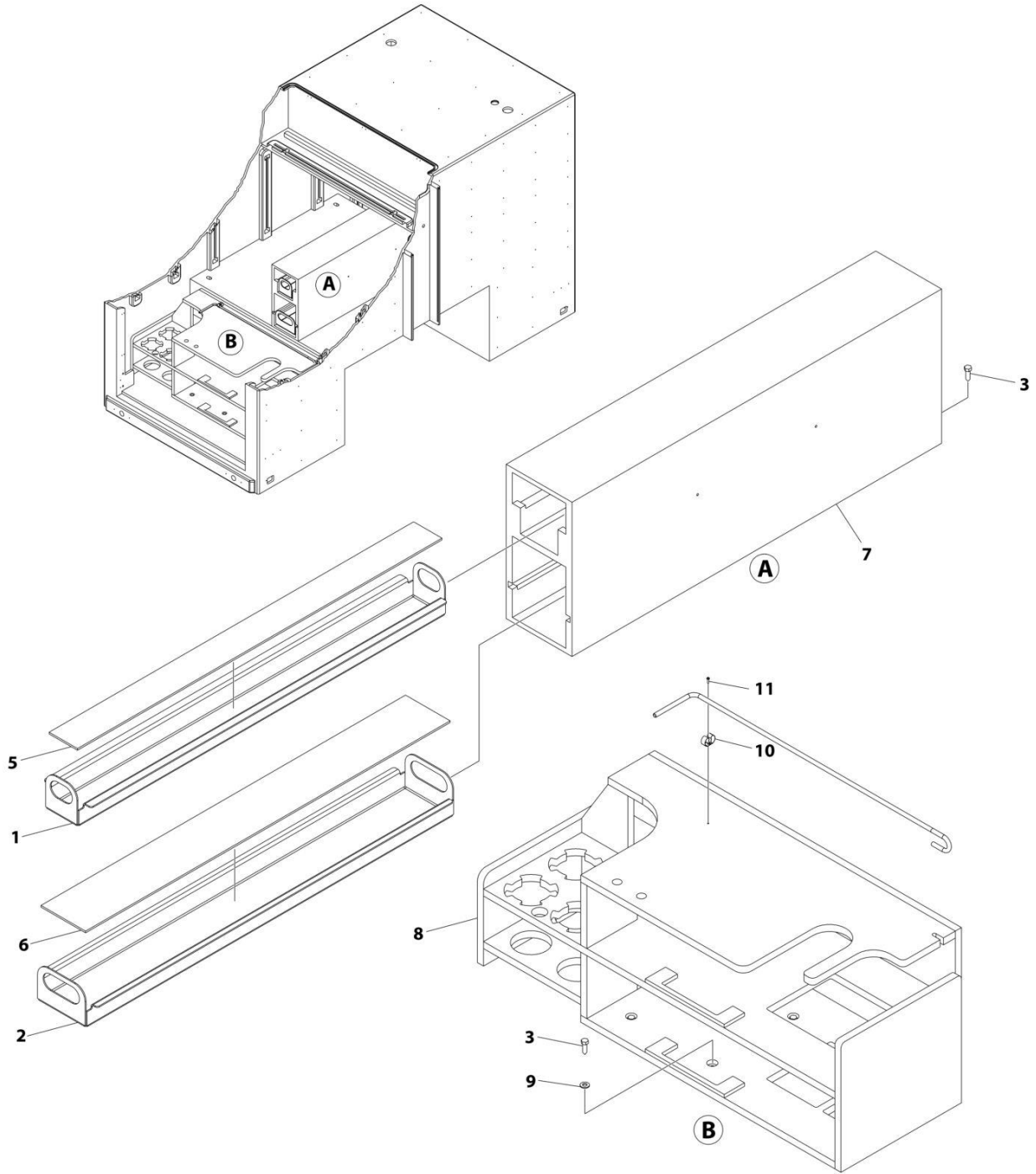
## SECTION 9 - ACCESSORIES

FIGURE 9-24. SNATCH BLOCK KIT

ITEM	PART NUMBER	QTY	DESCRIPTION	REV
1	1001241575	Ref	Snatch Block Kit	A
	1001241570	2	Snatch Block	

# SECTION 9 - ACCESSORIES

## FIGURE 9-25. TIRE LIFT STORAGE INSTALLATION, 48IN



ART\_1001196249

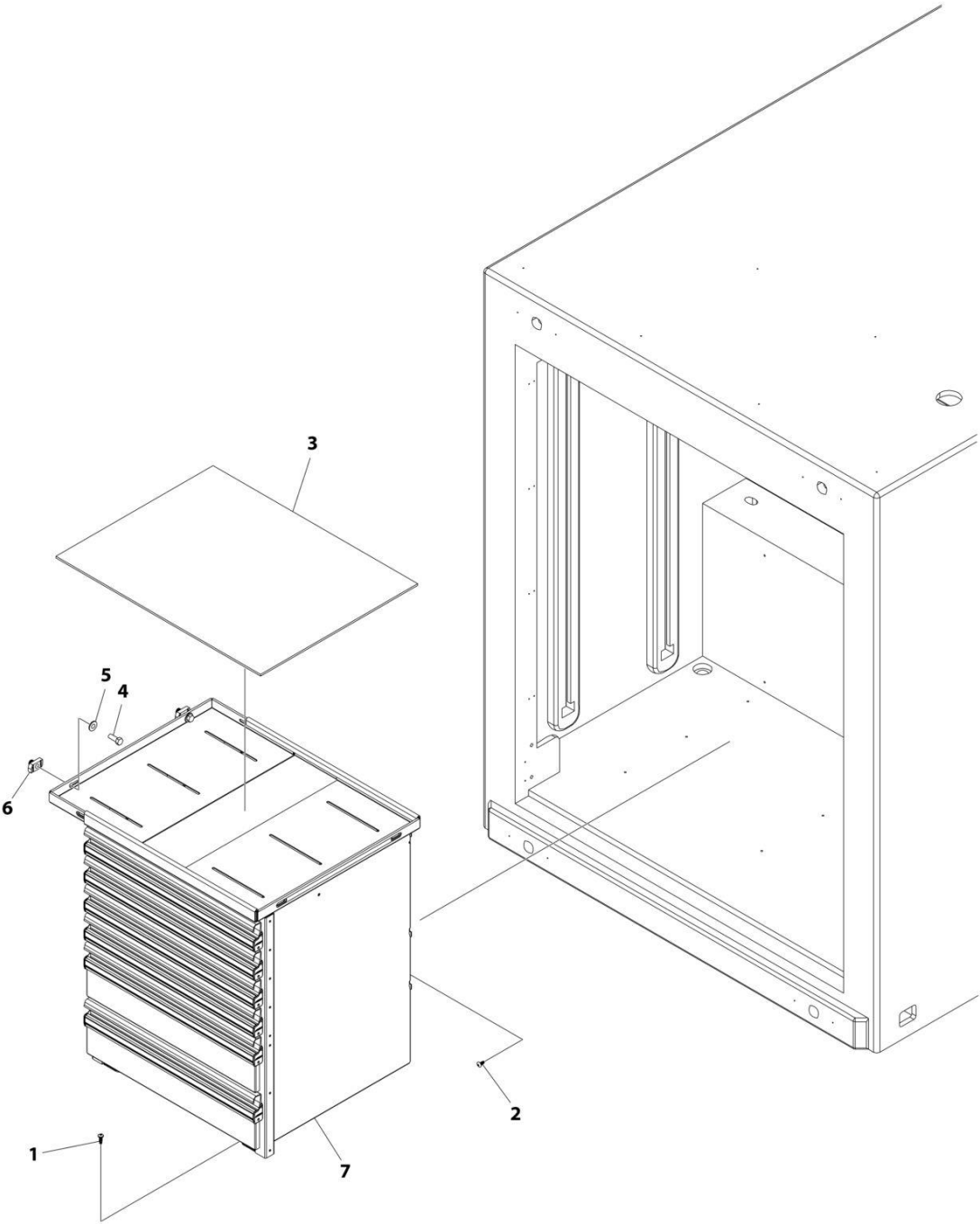
## SECTION 9 - ACCESSORIES

FIGURE 9-25. TIRE LIFT STORAGE INSTALLATION, 48IN

ITEM	PART NUMBER	QTY	DESCRIPTION	REV
	1001196249	Ref	TIRE LIFT STORAGE INSTALLATION, 48IN	E
1	1001165862	1	Tray, Small	
2	1001165863	1	Tray, Large	
3	1001168545	10	Capscrew 3/8 x 1-1/4	
5	1001170968	1	Pad, Small	
6	1001170970	1	Pad, Large	
7	1001170971	1	Bracket	
8	1001190409	1	Storage	
9	7950160143	4	Washer 3/8	
10	1380135	1	Clip	
11	3900339	1	Screw #6 x 1/2	

# SECTION 9 - ACCESSORIES

FIGURE 9-26. TOOL DRAWER INSTALLATION, TRI-AXLE



ART\_1001195337

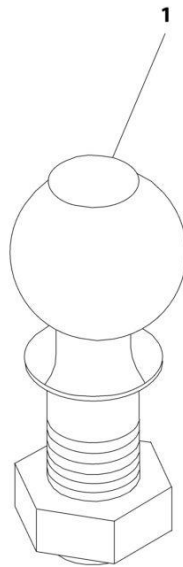
## SECTION 9 - ACCESSORIES

**FIGURE 9-26. TOOL DRAWER INSTALLATION, TRI-AXLE**

ITEM	PART NUMBER	QTY	DESCRIPTION	REV
	1001195337	Ref	Tool Drawer Installation, Tri-Axle	C
1	1001194676	6	Screw 1/4 x 3/4	
2	1001195257	4	Screw 1/4 x 1/2	
3	1001195341	1	Pad	
4	7114140818	2	Capscrew 1/2 x 1	
5	7950140143	2	Washer 1/4	
6	1001183037	2	Nut 1/4	
7	1001190410	1	Toolbox <b>(SN 0230004275 through 0230008203)</b>	
7	1001266946	1	BOX, TOOL DRAWER <b>(SN 0230008204 to Present)</b>	

# SECTION 9 - ACCESSORIES

FIGURE 9-27. TOW BALL - 1.88IN DIA



ART\_1001231628



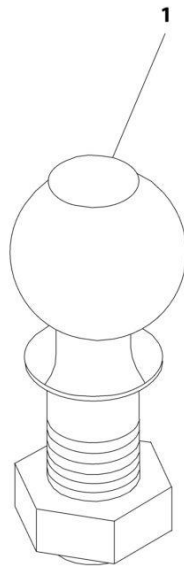
## SECTION 9 - ACCESSORIES

FIGURE 9-27. TOW BALL - 1.88IN DIA

ITEM	PART NUMBER	QTY	DESCRIPTION	REV
1	1001231628 7056000003	Ref 1	TOW BALL - 1.88IN DIA Ball, 1.88IN Dia	A

## SECTION 9 - ACCESSORIES

FIGURE 9-28. TOW BALL - 2IN DIA



ART\_1001231629

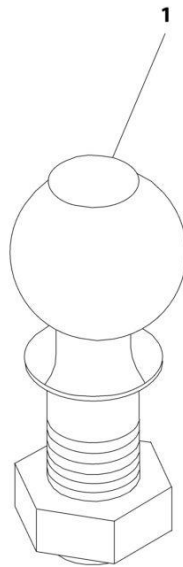
## SECTION 9 - ACCESSORIES

FIGURE 9-28. TOW BALL - 2IN DIA

ITEM	PART NUMBER	QTY	DESCRIPTION	REV
1	1001231629 7056000004	Ref 1	TOW BALL - 2IN DIA Ball, 2.00IN Dia	A

## SECTION 9 - ACCESSORIES

FIGURE 9-29. TOW BALL - 2.31IN DIA



ART\_1001231630

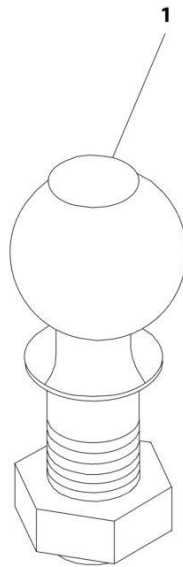
## SECTION 9 - ACCESSORIES

FIGURE 9-29. TOW BALL - 2.31IN DIA

ITEM	PART NUMBER	QTY	DESCRIPTION	REV
1	1001231630 7056000005	Ref 1	TOW BALL - 2.31IN DIA Ball, 2.31IN Dia	A

## SECTION 9 - ACCESSORIES

FIGURE 9-30. TOW BALL - 50MM DIA



ART\_1001231631

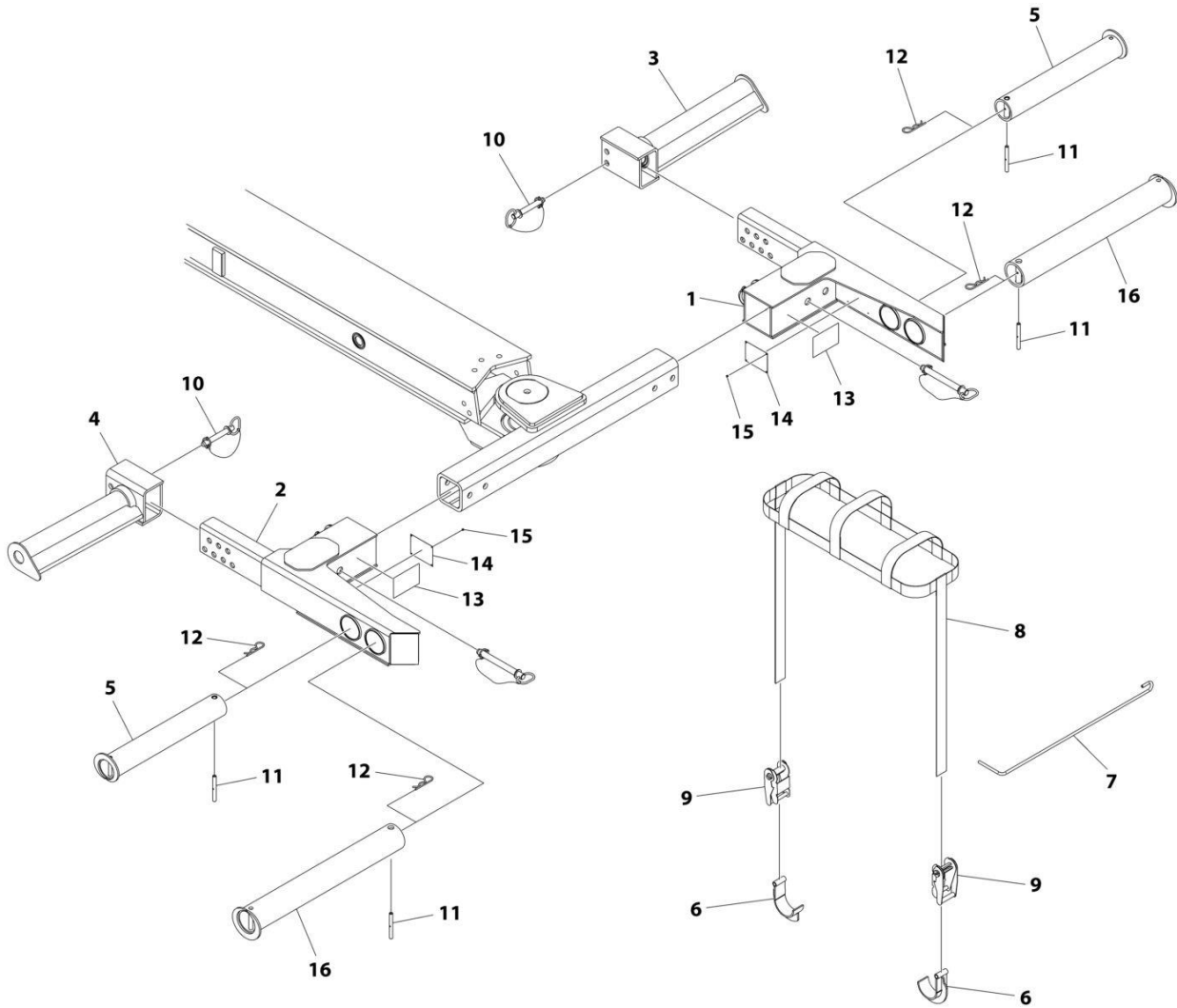
## SECTION 9 - ACCESSORIES

### FIGURE 9-30. TOW BALL - 50MM DIA

ITEM	PART NUMBER	QTY	DESCRIPTION	REV
1	1001231631 7056000006	Ref 1	Tow Acc, 50mm Dia Pintle Hook Ball Ball, 50mm Dia	A

# SECTION 9 - ACCESSORIES

## FIGURE 9-31. UNDERLIFT GRID TOOLS, 14000 LBS TIRE LIFT



ART\_2503880088



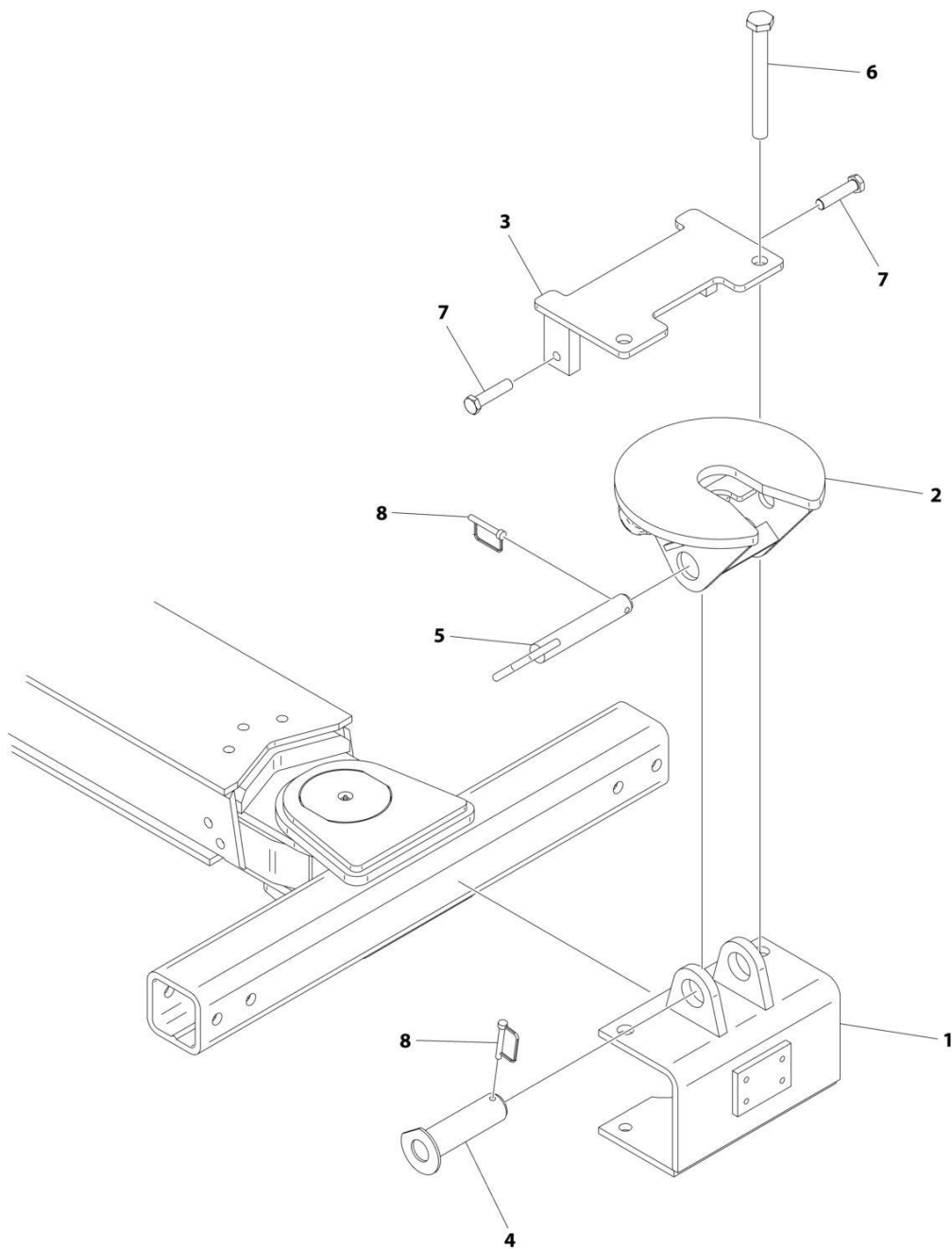
## SECTION 9 - ACCESSORIES

**FIGURE 9-31. UNDERLIFT GRID TOOLS, 14000 LBS TIRE LIFT**

ITEM	PART NUMBER	QTY	DESCRIPTION	REV
	2503880088	Ref	UNDERLIFT GRID TOOLS, 14000 LBS TIRE LIFT	C
1	3484000048	1	Tire Lift Grid, RH	
2	3484000049	1	Tire Lift Grid, LH	
3	3020000120	1	Tire Lift Arm Weldment, RH	
4	3020000119	1	Tire Lift Arm Weldment, LH	
5	3912000038	2	Tire Lift Tube Weldment	
6	3561000008	4	Hook	
7	4561000012	1	Pull Hook	
8	7894000037	2	Strap Assembly Heavy Duty	
9	7894000028	4	Ratchet Strap	
10	7691000026	2	Hitch Pin	
11	4691000274	4	Pin	
12	7691000020	4	Hairpin	
13	7330000278	2	Decal, Caution	
14	1001132268	2	Decal, Rating	
15	7759000004	8	Pop Rivet	
16	3912000033	2	Tire Lift Tube Weldment	

# SECTION 9 - ACCESSORIES

## FIGURE 9-32. UNDERLIFT TOW 5TH WHEEL INSTALLATION



ART\_2503880033

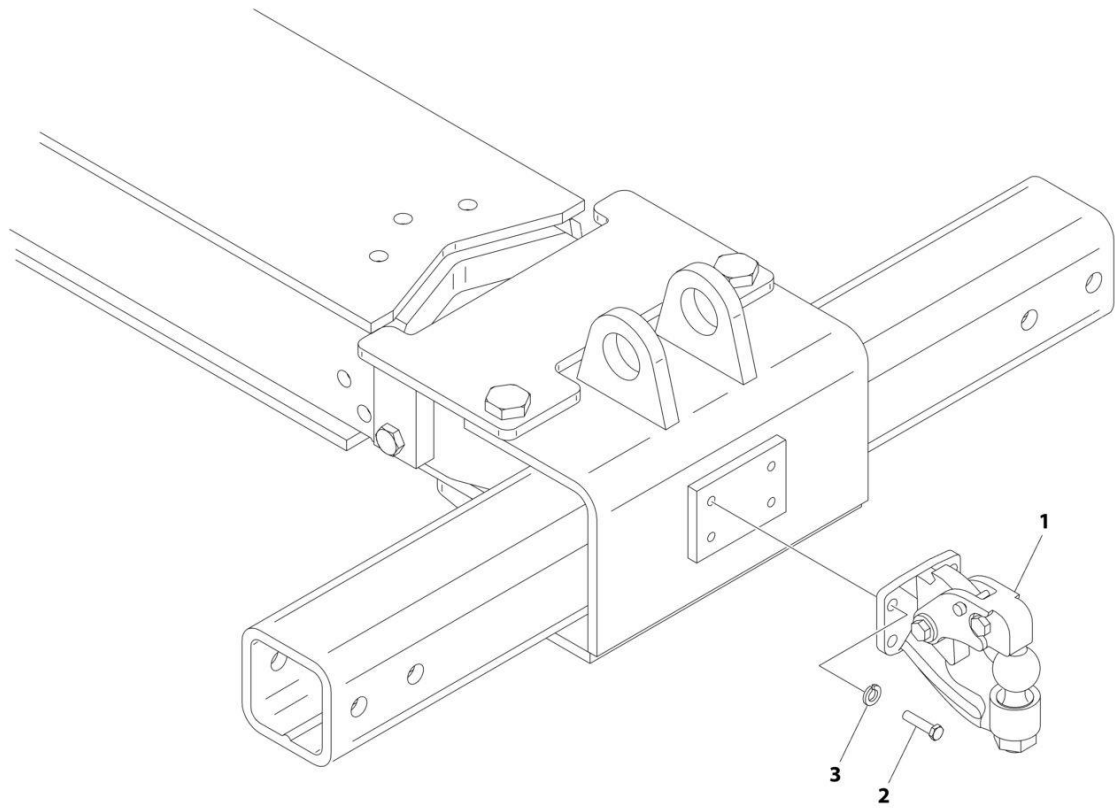
## SECTION 9 - ACCESSORIES

**FIGURE 9-32. UNDERLIFT TOW 5TH WHEEL INSTALLATION**

ITEM	PART NUMBER	QTY	DESCRIPTION	REV
	2503880033	Ref	Underlift Tools - 5th Wheel Installation	C
1	3178000240	1	Bracket	
2	3178000499	1	Bracket	
3	3706000080	1	Plate	
4	3691000144	1	Pin	
5	3691000145	1	Pin	
6	7118267250	2	Capscrew 1 x 9	
7	7120000036	2	Capscrew 3/4 x 3-1/4	
8	7691000025	2	Pin	

## SECTION 9 - ACCESSORIES

FIGURE 9-33. UNDERLIFT TOW PINTLE HOOK WITH 2IN DIA BALL



ART\_2503880043

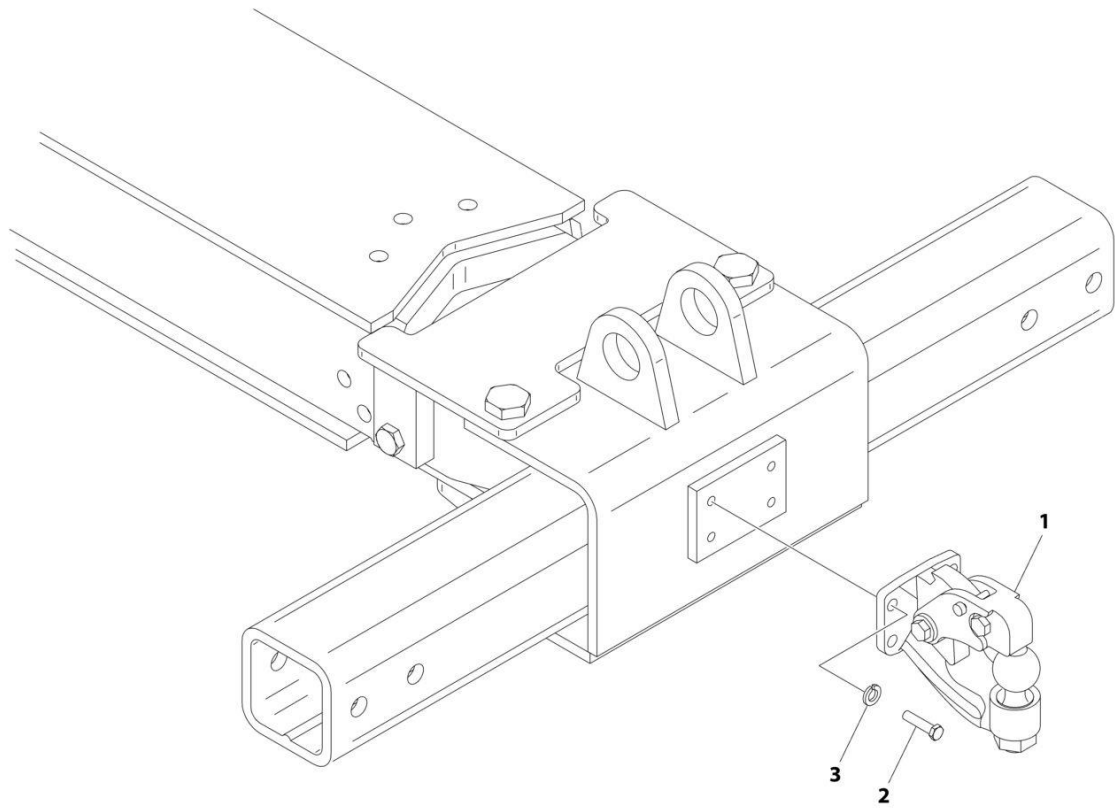
## SECTION 9 - ACCESSORIES

**FIGURE 9-33. UNDERLIFT TOW PINTLE HOOK WITH 2IN DIA BALL**

ITEM	PART NUMBER	QTY	DESCRIPTION	REV
	2503880043	Ref	UNDERLIFT TOW PINTLE HOOK WITH 2IN DIA BALL	A
1	7561000020	1	Hitch, Pintle Hook with 2IN Dia. Ball	
2	7118181250	4	Capscrew 1/2 x 1-1/2	
3	7950180000	4	Lockwasher 1/2	

## SECTION 9 - ACCESSORIES

FIGURE 9-34. UNDERLIFT TOW PINTLE HOOK WITH 50MM DIA BALL



ART\_2503880044

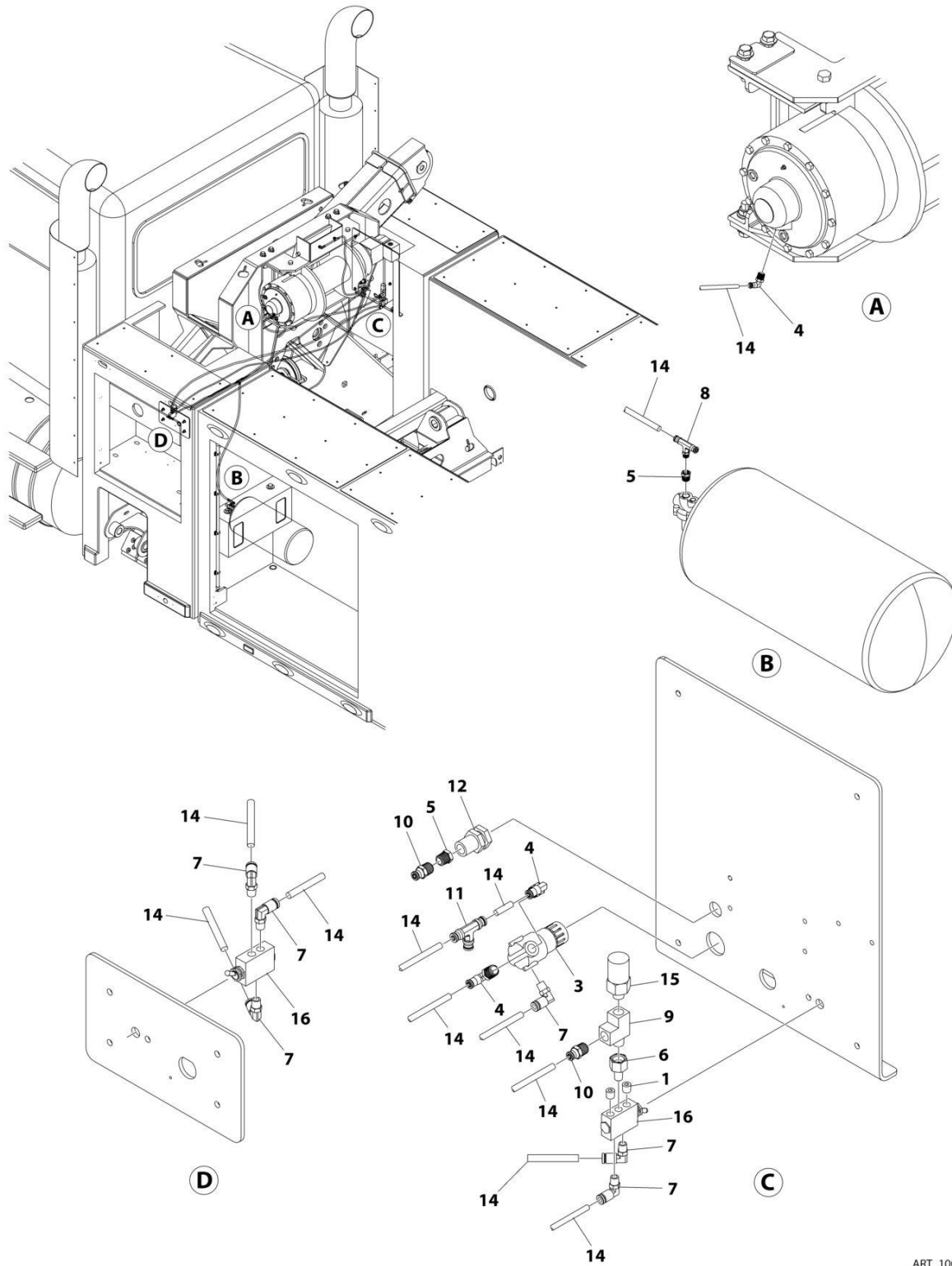
## SECTION 9 - ACCESSORIES

**FIGURE 9-34. UNDERLIFT TOW PINTLE HOOK WITH 50MM DIA BALL**

ITEM	PART NUMBER	QTY	DESCRIPTION	REV
	2503880044	Ref	Underlift Tools - Pintle Hook With 50mm Dia Ball	A
1	7561000022	1	Hitch, Pintle Hook with 50mm Dia. Ball	
2	7118181250	4	Capscrew 1/2 x 1-1/2	
3	7950180000	4	Lockwasher 1/2	

# SECTION 9 - ACCESSORIES

## FIGURE 9-35. WINCH AIR INSTALLATION



ART\_1001199291



## SECTION 9 - ACCESSORIES

### FIGURE 9-35. WINCH AIR INSTALLATION

ITEM	PART NUMBER	QTY	DESCRIPTION	REV
	1001199291	Ref	WINCH AIR INSTALLATION	C
1	2200221	2	Plug	
3	7295000029	1	Air Regulator	
4	7443000139	3	Fitting	
5	7443000149	2	Bushing	
6	7443000150	1	Adapter	
7	7443000173	6	Fitting	
8	7443000174	1	Fitting	
9	7443000287	1	Fitting	
10	7443000329	2	Fitting	
11	7443000330	1	Fitting	
12	7443000456	1	Fitting	
14	7565000016	40 ft	Airline Tubing	
15	7870000136	1	Switch Pressure	
16	7935000351	2	Valve 4 way	
17	7894000004	10	Tie Strap (Not Shown)	



**SECTION 10 - BUILD DOCUMENTS**

# SECTION 10 - BUILD DOCUMENTS

## FIGURE 10-1. BUILD DOCUMENT

ITEM	PART NUMBER	QTY	DESCRIPTION	REV
	Note	Ref	Note: This list is for build tracking purposes only. Parts in this list are not available at this inventory stocking level. Parts in this list may not be applicable to all models. For more specific parts information contact Jerr-Dan Parts Department	
	1001227092	Ref	Body Hole Fill Kit	
	1001274638	Ref	Doors Installation - 38IN Tunnel - Painted Door Only (B Slot)	
	1001274633	Ref	Doors Installation - 38IN Tunnel - Painted Door Only (See Separate Breakdown in BODY Section)	
	1001274639	Ref	Doors Installation - 38IN Tunnel - Painted Door & Frame (B Slot)	
	1001274634	Ref	Doors Installation - 38IN Tunnel - Painted Door & Frame (See Separate Breakdown in BODY Section)	
	1001274636	Ref	Doors Installation - 50IN Tunnel - Painted Door Only (B Slot)	
	1001274631	Ref	Doors Installation - 50IN Tunnel - Painted Door Only (See Separate Breakdown in BODY Section)	
	1001274637	Ref	Doors Installation - 50IN Tunnel - Painted Door & Frame (B Slot)	
	1001274632	Ref	Doors Installation - 50IN Tunnel - Painted Door & Frame (See Separate Breakdown in BODY Section)	
	1001212107	Ref	Multiplexing in Cab Lighting (KenworthT880)	
	1001215436	Ref	Multiplex In-Cab Controls Harness (Floor Mounted) (See Separate Breakdown in ELECTRICAL Section)	
	1001232969	Ref	Multiplexing in Cab Lighting (KenworthT880, W9 & T440)	
	1001208976	Ref	Multiplex In-Cab Controls Harness (Console Mounted) (See Separate Breakdown in ELECTRICAL Section)	
	1001232967	Ref	Multiplexing in Cab Lighting (Peterbilt 567)	
	1001208976	Ref	Multiplex In-Cab Controls Harness (Console Mounted) (See Separate Breakdown in ELECTRICAL Section)	
	1001232965	Ref	Multiplexing in Cab Lighting (Peterbilt 389 Low Roof)	
	1001208976	Ref	Multiplex In-Cab Controls Harness (Console Mounted) (See Separate Breakdown in ELECTRICAL Section)	
	1001231975	Ref	Multiplexing in Cab Lighting (Peterbilt 389 High Roof)	
	1001208976	Ref	Multiplex In-Cab Controls Harness (Console Mounted) (See Separate Breakdown in ELECTRICAL Section)	
	1001258219	Ref	Paint for Winch Hooks & Handles	
		Ref	<b>PTO (Installation &amp; replacement is based on individual characteristics of the unit - Contact Jerr-Dan Parts Dept.)</b>	
		Ref	<b>Pump (Installation &amp; replacement is based on individual characteristics of the unit - Contact Jerr-Dan Parts Dept.)</b>	
	1001283563	Ref	RUBRAIL TRIM 38IN TUNNEL INSTALLATION (B SLOT)	
	1001283561	Ref	RUBRAIL TRIM 38IN TUNNEL INSTALLATION (See Separate Breakdown in BODY Section)	
	1001283562	Ref	RUBRAIL TRIM 50IN TUNNEL INSTALLATION (B SLOT)	
	1001283560	Ref	RUBRAIL TRIM 50IN TUNNEL INSTALLATION (See Separate Breakdown in BODY Section)	
	1001227624	Ref	Ship-Out Container for 1 Tunnel	
	1001227625	Ref	Ship-Out Container for 2 Tunnels	
	1001227626	Ref	Ship-Out Container for 3 Tunnels	
	1001227630	Ref	Ship-Out Crate	
	2636000010	Ref	Ship-Out Stand for Kit Models	
	1001289247	Ref	STORAGE OPTIONS PACKAGE - BRONZE SINGLE/TANDEM WITH CWT	
	1001289224	Ref	STORAGE OPTIONS PACKAGE - BRONZE SINGLE/TANDEM	
	1001289264	Ref	STORAGE OPTIONS PACKAGE - BRONZE TRI WITH CWT	

## SECTION 10 - BUILD DOCUMENTS

ITEM	PART NUMBER	QTY	DESCRIPTION	REV
	1001289259	Ref	STORAGE OPTIONS PACKAGE - BRONZE TRI-AXLE WITH CWT	
	1001289218	Ref	STORAGE OPTIONS PACKAGE - GOLD SINGLE/TANDEM	
	1001289227	Ref	STORAGE OPTIONS PACKAGE - GOLD SINGLE/TANDEM WITH CWT	
	1001289257	Ref	STORAGE OPTIONS PACKAGE - GOLD TRIAXLE	
	1001289261	Ref	STORAGE OPTIONS PACKAGE - GOLD TRI-AXLE WITH CWT	
	1001289221	Ref	STORAGE OPTIONS PACKAGE - SILVER SINGLE/TANDEM	
	1001289246	Ref	STORAGE OPTIONS PACKAGE - SILVER SINGLE/TANDEM WITH CWT	
	1001289258	Ref	STORAGE OPTIONS PACKAGE - SILVER TRI-AXLE	
	1001289263	Ref	STORAGE OPTIONS PACKAGE - SILVER TRI-AXLE WITH CWT	
	1001278334	Ref	Toolbox Installation - 38IN Narrow B Slot	
	1001278333	Ref	Toolbox Installation - 38IN Narrow (See Separate Breakdown in BODY Section)	
	1001278335	Ref	Toolbox Installation - 50IN Narrow B Slot	
	1001278332	Ref	Toolbox Installation - 50IN Narrow (See Separate Breakdown in BODY Section)	



**PART NUMBER INDEX**

## SECTION 10 - BUILD DOCUMENTS

0100011.....31, 34, 41, 43, 59, 61, 85, 87, 89	457, 459, 461, 541, 545, 547	1001154277 ..... 569	1001170307..... 175, 177, 179, 425
0630462.....343	1001117057 ..... 501	1001154527 ..... 401, 403, 405	1001170310..... 175, 177, 179
0630485.....34	1001117656 ..... 34	1001156424 ..... 151, 153, 155	1001170328..... 175, 177, 179
0630552.....369, 371	1001122235 ..... 353, 359	1001159568 ..... 603	1001170329..... 175, 177, 179, 425
0641420.....41, 43	1001125479 ..... 381, 383, 385	1001160799 ..... 183, 185	1001170330..... 175, 177, 179
0641506.....331	1001126008 ..... 495, 499, 501, 503, 515	1001164601 ..... 199	1001170331..... 175, 177, 179
0641508.....327	1001126010 ..... 497	1001164614 ..... 199	1001170332..... 175, 177, 179
0641514.....137	1001126011 ..... 499	1001165571 ..... 197	1001170428..... 175, 177, 179
0641605.....17	1001126269 ..... 421, 429	1001165584 ..... 197	1001170839..... 189, 191
0641606.....34	1001126658 ..... 589	1001165652 ..... 197	1001170849..... 131
0641607.....34, 61	1001126973 ..... 591	1001165692 ..... 259	1001170968..... 249, 253, 623
0641608 34, 61, 577, 585, 587	1001126987 ..... 591	1001165862 ..... 249, 253, 623	1001170970..... 249, 253, 623
0641609.....34	1001126995 ..... 591	1001165863 ..... 249, 253, 623	1001170971..... 253, 623
0641610.....417, 423, 465, 467, 469	1001127220 ..... 563	1001166401 ..... 193	1001171933..... 75, 607
0641611.....34	1001127222 ..... 569	1001166402 ..... 193	1001172004..... 307
0641618.....23	1001129800 ..... 49, 51	1001166405 ..... 193	1001172320..... 34
0641620.....287	1001130310 ..... 353, 359	1001166549 ..... 399, 401	1001173847..... 85, 87, 89, 257, 259, 261, 263, 265, 267, 269, 271, 273, 275, 277, 279,
0641710.....85, 87, 89	1001130491 ..... 287	1001166644 91, 163, 165, 167, 169, 171, 173, 175, 177, 179, 195, 197, 201, 203, 205, 207, 211, 219, 231, 251, 369, 371	281, 283
0641712.....85, 87, 89	1001130587 ..... 321, 323	1001166707 ..... 557	1001174051..... 137
0641810.....85, 87, 89, 467, 469	1001130597 ..... 321, 323	1001166815 ..... 509	1001174346..... 563
0641814.....61	1001130610 ..... 321, 323	1001166930 ..... 353, 359	1001174490..... 615
0641820.....257, 259, 261, 263, 281, 283	1001130702 ..... 421, 429	1001166974 ..... 183, 185, 199, 287, 353, 359	1001174680..... 353, 359
0642010.....23, 41, 43	1001131032 ..... 287, 319	1001166978 ..... 131, 185, 493	1001175061..... 365
0642024.....85, 87, 89	1001132265 ..... 69	1001167286 ..... 189, 191, 193, 307	1001175231..... 195, 231
0642034.....257, 259, 261, 263, 265, 267, 269, 271, 273, 275, 277, 279, 281, 283	1001132268 ..... 635	1001167607 ..... 353, 359	1001175233..... 195
0642214.....31	1001132328 ..... 563	1001168320 ..... 353, 359	1001175596..... 163, 165, 167, 169
0642216.....59	1001132346 ..... 563	1001168321 ..... 353, 359	1001176337..... 477
0642228.....157, 159	1001133591 ..... 467, 471	1001168322 ..... 353, 359	1001179349..... 175, 177, 179
0651806.....34	1001134433 ..... 569	1001168328 ..... 353, 359	1001183037..... 209, 223, 229, 233, 625
0681818.....34	1001134461 ..... 287	1001168544 ..... 183, 197, 201, 203, 205, 207	1001183200..... 369, 371
0682015.....31	1001136075 ..... 563	1001168545 ..... 163, 165, 167, 169, 221, 223, 225, 249, 251, 253, 623	1001187063..... 257
0750604.....353, 359	1001136080 ..... 563	1001168993 ..... 183, 199, 287, 353, 359	1001188538..... 369
0760304.....493	1001136091 ..... 563	1001169054 ..... 287	1001189283..... 609
0760808.....339	1001136094 ..... 563, 571	1001169063 ..... 197	1001189321..... 609
1001097942.....299, 301	1001136103 ..... 563	1001169064 ..... 197	1001189776..... 171
1001101025.....425	1001136119 ..... 563	1001169076 ..... 197	1001189906..... 397
1001116694.....515, 517	1001136270 ..... 493	1001169078 ..... 197	1001190037..... 479, 485, 487
1001116727.....427, 479, 485, 487, 499, 533, 535, 537, 547	1001136696 ..... 567	1001169080 91, 211, 251	1001190050..... 211
1001116733.....501	1001136939 ..... 321, 323	1001169083 ..... 183, 185, 197, 287, 353, 359	1001190055..... 211
1001116745.....377, 379, 411, 439, 453, 455, 457, 459, 461, 541, 545, 547	1001136990 ..... 417, 421	1001169085 ..... 477	1001190148..... 211
1001116761.....23, 34, 61	1001137048 ..... 321, 323, 327	1001170036 ..... 75, 607	1001190218..... 197
1001116774.....515, 517	1001137169 ..... 563	1001170037 ..... 41, 43	1001190223..... 197
1001116808.....515, 517	1001137203 ..... 34	1001170090 ..... 175, 177, 179	1001190265..... 197
1001116812.....387, 389, 391, 395	1001138537 ..... 563	1001170091 ..... 175, 177, 179	1001190322..... 557
1001116815.....497, 503, 505, 507	1001138612 ..... 563	1001170172 ..... 601	1001190409..... 223, 225, 249, 251, 623
1001116920.....495	1001141227 ..... 563	1001170305 ..... 175, 177, 179	1001190926..... 183, 185
1001116921.....501	1001142771 ..... 481, 483		
1001117021.....354, 411, 439	1001142812 ..... 563, 569		
1001117026.....377, 379, 411, 439, 453, 455,	1001142828 ..... 563		
	1001142894 ..... 565		
	1001143284 ..... 407, 409		
	1001143501 ..... 327, 333		
	1001143686 ..... 145, 147, 149, 481, 483		
	1001143869 ..... 317		
	1001144147 ..... 497		
	1001144295 ..... 497		
	1001151546 ..... 299, 301, 407, 409, 443		
	1001151763 ..... 333, 335		
	1001152707 ..... 23, 27, 31, 41, 43, 71		
	1001152815 ..... 429		



## SECTION 10 - BUILD DOCUMENTS

1001191602 ..... 353, 359	1001196790.... 85, 87, 89, 137	1001207199.....529	1001212231 ..... 589
1001191736 ..... 231	1001196802.... 85, 87, 89, 133	1001207200.....527	1001213093 ..... 145
1001192287 91, 221, 253	1001196808..... 257, 259, 265, 267, 269, 271, 273, 275, 277, 279, 609	1001207216.....523, 525, 535	1001213110 ..... 465, 467, 469
1001192401 ..... 495, 497	1001196911.....287	1001207487 .....477	1001213111 ..... 159
1001192958 ... 77, 79, 81, 83, 93, 95, 97, 99, 101, 103, 105, 107, 109, 111, 113, 115, 117, 119, 121, 123, 439, 441, 445, 447, 449, 451, 579, 589, 591	1001197183.....574	1001207488..... 139, 141, 143, 443	1001213112 ..... 157
1001193242 ..... 327	1001197338..... 257, 265, 267, 269, 271, 273, 275, 277, 279	1001207496.....574	1001213131 ..... 425
1001194676 ..... 181, 227, 229, 255, 287, 299, 301, 307, 381, 383, 385, 625	1001197441..... 353, 359, 493	1001207508.....575	1001213522 ..... 147
1001195038 ..... 575	1001197482..... 49	1001207510.....574	1001213538 ..... 363
1001195083 ..... 575	1001197506..... 49	1001207548.....575	1001214128 ..... 417, 423
1001195088 ..... 575	1001197683.....574	1001207556.....575	1001214129 ..... 465, 467, 469
1001195134 ..... 575	1001197895.....397	1001207593.....575	1001214130 ..... 159
1001195256 ..... 255, 574	1001198602..... 101, 103, 105, 107, 109, 111, 113, 115, 117, 119, 121, 123	1001207623.....574	1001214175 ..... 574
1001195257 ..... 101, 103, 105, 107, 109, 111, 113, 115, 117, 119, 121, 123, 183, 185, 189, 191, 195, 221, 225, 227, 229, 233, 255, 303, 305, 307, 354, 360, 439, 481, 483, 523, 525, 527, 529, 531, 543, 625	1001198729.....365	1001207624.....91, 251	1001214252 ..... 139, 145
1001195279 ..... 227, 255	1001199081..... 397, 399, 401, 403, 405	1001207734..... 353, 359	1001214262 ..... 141, 147
1001195337 ..... 574, 625	1001199196..... 569	1001207736.49, 353, 359	1001214264 ..... 575
1001195341 ..... 229, 625	1001199291.....643	1001208066.....353, 359	1001214266 ..... 201, 203, 205, 207
1001195421 ..... 575	1001199475..... 423, 432	1001208359.....613	1001214267 ..... 201, 203, 205, 207
1001195520 ..... 575	1001199477..... 425, 435	1001208360.....597	1001214298 ..... 575
1001195523 ..... 183, 185, 187, 189, 191, 213, 215, 327, 369, 371	1001199478..... 469, 474	1001208361.....619	1001214299 ..... 575
1001195592 ..... 575	1001199783.....569	1001208631.....574	1001214300 ..... 575
1001195698 ..... 574	1001199785.....569	1001208635.....229, 574	1001214303 ..... 575
1001195764 ..... 575	1001199786.....569	1001208636.....574	1001214335 ..... 159
1001195788 ..... 574	1001199787.....569	1001208637.....575	1001214336 ..... 157
1001195825 ..... 574	1001199789.....569	1001208976.....289, 291, 293, 295, 297, 437, 505, 646	1001214350 ..... 157
1001195838 ..... 183, 185	1001199790.....569	1001209031.....353, 359, 519	1001214376 ..... 417
1001195942 ..... 574	1001199942..... 415	1001209033.....463, 479	1001214377 ..... 423
1001195943 ..... 574	1001199998.....574	1001209036.....553, 591, 593	1001214590 ..... 149
1001196214 ..... 189, 574	1001199999.....574	1001209040..... 353, 359	1001214605 ..... 481, 483, 489
1001196215 ..... 191, 574	1001200001.....575	1001209041..... 353, 359	1001214606 ..... 481, 485
1001196249 ..... 575, 623	1001200097..... 175, 177, 179	1001209042..... 353, 359	1001214973 ..... 143, 149
1001196522 .. 85, 87, 401	1001201164..... 574	1001209044..... 353, 359	1001215020 ..... 139, 141, 481
1001196523 ..... 89, 399	1001201234.....575	1001209050.....527, 529, 531, 537	1001215034 ..... 143, 483
1001196552 ..... 133, 135, 291, 307, 353, 359, 397, 399, 401, 403, 405, 493, 523, 525, 527, 529, 531, 543, 609	1001201341.....574	1001209055.....525, 529, 533	1001215110 ..... 483, 487
1001196583 ..... 257, 259, 265, 267, 269, 271, 273, 275, 277, 279, 403	1001201384..... 303, 305, 307, 353, 359	1001209056..... 523, 525, 527, 529, 531, 539, 543	1001215151 ..... 367, 579
1001196594 ..... 89, 445	1001201483.....217	1001209365..... 353, 359	1001215157 ..... 407, 409
1001196625 ..... 257, 259, 265, 267, 269, 271, 273, 275, 277, 279, 447	1001201514.....574	1001209366..... 353, 359	1001215371 ..... 393, 395
1001196635 ..... 517	1001201704.....574	1001209590.....493	1001215421 ..... 299, 301, 509
1001196639 ... 85, 87, 89, 131	1001201994.....517	1001209616.....289, 291, 297, 299, 301, 437, 493	1001215432 ..... 301
	1001202986.49, 381, 383, 385, 493	1001210454..... 163, 165, 167, 169, 171, 173, 175, 177, 179, 197, 219, 231, 369, 371	1001215436 ..... 507, 646
	1001203234..... 353, 359	1001210648.....501	1001215898 ..... 497
	1001204558.....583	1001210746.....575	1001215955 ..... 425
	1001204595.....587	1001210747.....575	1001215956 ..... 425
	1001204788..... 353, 359	1001210748.....575	1001215957 ..... 425
	1001204789..... 353, 359	1001210749.....574	1001216183 ..... 353, 373
	1001205043..... 353, 359	1001210750.....575	1001216184 ..... 353, 375
	1001205044..... 353, 359	1001210960.....369	1001216185 ..... 353, 453
	1001205796..... 253, 575	1001211001.....493	1001216186 ..... 353, 455
	1001206364.....563	1001211002.....493	1001216187 ..... 353, 359, 461
	1001206367.....563	1001211003.....493	1001216188 ..... 359, 377
	1001206505..... 353, 359	1001212106.....299	1001216189 ..... 359, 379
	1001207197.....525	1001212107.....646	1001216190 ..... 359, 457
	1001207198.....523	1001212220.....407	1001216191 ..... 359, 459
		1001212221.....409	1001216233 ..... 299
		1001212230.....591	1001216239 ..... 299
			1001216315 ..... 301
			1001216316 ..... 301
			1001216317 ..... 425
			1001216372 ..... 425
			1001216373 ..... 425

## SECTION 10 - BUILD DOCUMENTS

1001216570.....425	1001228845 ..... 465, 467, 469	1001241575 ..... 621	1001250809.....493
1001216571.....425, 427	1001228888 ..... 139	1001241869 ..... 574	1001250823.....339
1001216586.....407, 409	1001228889 ..... 141	1001244217 ..... 411	1001250840..... 17
1001217105.....575	1001228890 ..... 143	1001245690 ..... 61	1001250841..... 17
1001217106.....575	1001228897 ..... 151	1001245824 ..... 61	1001250843.....579, 581, 583
1001217309.....493, 555	1001228899 ..... 153	1001246130 ..... 571	1001250845..... 23
1001217426.....381	1001228903 ..... 151	1001246420 ..... 571	1001250846.....23
1001217442.....381, 387	1001228904 ..... 151	1001246818 ..... 34, 61	1001250855.....21
1001217587.....383	1001228907 ..... 153	1001246872 ..... 61	1001250856.....21
1001217588.....385	1001228908 ..... 153	1001246889 ..... 34, 61	1001250858..... 17
1001217589.....383, 389	1001229447 ..... 531, 541	1001246893 ..... 61	1001250860..... 23
1001217590.....385, 391	1001229468 ..... 543, 545	1001246896 ..... 577, 585, 587	1001250863..... 85, 87, 89
1001217996.....369	1001230068 ..... 303, 305, 307	1001246903 ..... 34, 61	1001250864..... 85, 87, 89
1001219309.....579, 591, 593	1001230966 ..... 237, 239	1001246956 ..... 571	1001250865.....23
1001219776.....574	1001230987 ..... 235, 237, 239, 241, 243, 245, 247	1001246980 ..... 17	1001250872.....23
1001219785.....451	1001231612 ..... 393	1001246981 ..... 17	1001250873..... 85, 87, 89
1001219790.....319	1001231626 ..... 601	1001246982 ..... 17	1001250875..... 85, 87, 89
1001219916.....265, 267, 269, 271, 273, 275, 277, 279	1001231627 ..... 599	1001246983 ..... 17	1001250876..... 85, 87, 89
1001219917.....265, 267, 269, 271, 273, 275, 277, 279	1001231628 ..... 627	1001247014 ..... 345, 347	1001250887.....339
1001219918.....265, 267, 269, 271, 273, 275, 277, 279	1001231629 ..... 629	1001247132 ..... 339, 341	1001250915.....287
1001219919.....265, 267, 269, 271, 273, 275, 277, 279	1001231630 ..... 631	1001247139 ..... 417, 419	1001250916.....287
1001219921.....265, 267, 269, 271, 273, 275, 277, 279	1001231631 ..... 633	1001247174 ..... 17	1001250976.....327
1001220164.....227, 574	1001231801 ..... 563	1001247240 ..... 59, 61	1001250991.....327
1001220348.....155	1001231975 ..... 646	1001247268 ..... 59	1001250997..... 34
1001220367.....155	1001231976 ..... 297	1001247287 ..... 59	1001251108..... 34
1001220368.....155	1001231977 ..... 297	1001247789 ..... 59	1001251139.....327
1001220369.....151, 153, 155	1001232209 ..... 289, 297, 437	1001247790 ..... 59, 65	1001251141.....327
1001220370.....151, 153, 155	1001232211 ..... 289	1001247791 ..... 31, 37	1001251263.....327
1001220371.....151	1001232868 ..... 313	1001247794 ..... 571	1001251266.....327
1001220372.....151	1001232870 ..... 563	1001247795 ..... 571	1001251303.....327
1001220373.....153	1001232956 ..... 293	1001247840 ..... 23, 25	1001251305.....327
1001220374.....153	1001232957 ..... 437	1001247852 ..... 343	1001251370.....331
1001220375.....155	1001232958 ..... 291	1001247895 ..... 339	1001251371.....331
1001220376.....155	1001232965 ..... 646	1001247899 ..... 339	1001251380.....331
1001220431.....353, 359	1001232966 ..... 295	1001247978 ..... 343	1001251466.....327
1001226504.....313	1001232967 ..... 646	1001247989 ..... 339	1001251484.....327
1001226798.....313	1001232968 ..... 293	1001247989 ..... 339	1001251488.....327
1001227092.....646	1001232969 ..... 437, 646	1001248145 ..... 34, 39	1001251489.....327
1001227624.....646	1001232970 ..... 291	1001248303 ..... 17	1001251516.....327
1001227625.....646	1001233070 ..... 611	1001249337 ..... 31	1001251517.....327
1001227626.....646	1001233071 ..... 617	1001249346 ..... 345	1001251533.....327
1001227630.....646	1001233072 ..... 595	1001249347 ..... 345	1001251534.....327
1001228167.....319	1001233500 ..... 393	1001249348 ..... 345	1001251535.....327
1001228254.....574	1001233642 ..... 611	1001249349 ..... 345	1001251536.....327
1001228805.....139	1001233643 ..... 613	1001249350 ..... 345	1001251537.....327
1001228818.....141	1001233644 ..... 595	1001249351 ..... 345	1001251615.....327
1001228824.....143	1001233645 ..... 597	1001249928 ..... 343	1001251616.....328
1001228828.....465, 467, 469	1001233646 ..... 617	1001249929 ..... 343	1001251626.....31
1001228841.....465	1001233647 ..... 619	1001249930 ..... 343	1001251627.....31
1001228842.....467	1001233649 ..... 615	1001249931 ..... 287	1001251631.....34
1001228843.....469	1001234075 ..... 565	1001249938 ..... 481, 483	1001251632.....31
1001228844.....465, 467, 469	1001234076 ..... 567	1001249958 ..... 339	1001251633.....41, 43
	1001234480 ..... 239	1001249959 ..... 333	1001251637.....41, 43
	1001234537 ..... 293	1001249982 ..... 287	1001251640..... 34
	1001234562 ..... 307, 313	1001250104 ..... 333	1001251642..... 34
	1001234723 ..... 313	1001250222 ..... 17	1001251643.....41, 43
	1001235386 ..... 307	1001250388 ..... 31	1001251644.....41, 43
	1001235394 ..... 289	1001250389 ..... 34	1001251649..... 34
	1001235395 ..... 289	1001250390 ..... 31	1001251652.....34
	1001238159 ..... 575	1001250391 ..... 23	1001251870.....31
	1001238891 ..... 249	1001250392 ..... 23	1001251875.....31
	1001238892 ..... 249	1001250393 ..... 27, 71	1001251876.....31, 34
	1001241570 ..... 621	1001250396 ..... 23	1001252318.....328
		1001250399 ..... 27, 71	1001252319.....327
		1001250400 ..... 27, 71	1001252503.....327
		1001250423 ..... 493, 503	1001252506.....333
			1001252528.....327

## SECTION 10 - BUILD DOCUMENTS

1001252532 ..... 321, 323	1001257300.....287, 569	1001269625.....501	1001274901 ..... 245
1001252536 ..... 321, 323	1001257687.....34, 61	1001269884.....574	1001274902 ..... 247
1001252539 ..... 321, 323	1001257696.....583	1001270606.81, 261, 281	1001274903 ..... 245
1001252540 ..... 321, 323	1001257762.....581	1001270607.....81	1001274904 ..... 245
1001252618 ..... 319	1001257869.....577	1001270609.....135, 261,	1001274963 ..... 247
1001253353 ..... 493	1001257870.....587	263, 281, 283	1001274964 ..... 247
1001253354 ..... 493	1001257871.....585	1001270636.....261, 263,	1001274985 ..... 369, 371
1001253355 ..... 493	1001257872.....593	281, 283, 449	1001274986 ..... 369, 371
1001253379 ..... 43	1001257882.....61	1001270652.....261, 263,	1001274987 ..... 371
1001253380 ..... 41	1001257916.....593	281, 283, 543	1001275791 ..... 377, 379
1001253381 ..... 43, 47	1001257980.....34	1001270659.....543, 547	1001275792 ..... 377, 379
1001253601 ..... 95	1001257981.....34	1001270829.....261, 263,	1001275793 ..... 377, 379
1001253602 ..... 97	1001257985.....34	281, 283	1001276871 ..... 281, 283
1001253719 ..... 23	1001258130.....55	1001270830.....261, 263,	1001277194 ..... 231
1001253744 ..... 125, 127,	1001258151.....327	281, 283	1001277195 ..... 231
129	1001258155.....327	1001271968.....511	1001277196 ..... 231
1001253745 ..... 99	1001258164.....327	1001271970.....511	1001277609 ..... 261, 263,
1001253746 ..... 97	1001258218.....413	1001273598.....577	281, 283
1001253747 ..... 95	1001258219.....646	1001273599.....589	1001277611 ..... 195, 257,
1001253790 ..... 353	1001258243.....27, 71	1001273634.....413, 415,	259, 261, 263, 271,
1001253792 ..... 127, 129	1001258438.....493	463, 477	273, 275, 277, 279,
1001253800 ..... 493	1001258439.....493	1001273756.....591	281, 283
1001254322 ..... 17	1001258635.....17	1001274338.....261	1001277612 ..... 233, 257,
1001254332 ..... 19	1001258636.....17	1001274339.....261, 281	259, 261, 263, 265,
1001254333 ..... 19	1001262039.....345	1001274383.....261, 263,	267, 269, 271, 273,
1001254334 ..... 19	1001262054.....328	281, 283, 405	275, 277, 279, 281, 283
1001254335 ..... 19	1001262482.....495, 497,	1001274386.....79, 81, 83	1001278244 ..... 263, 283
1001254336 ..... 19	549	1001274387.....79, 81, 83	1001278246 83, 263, 283
1001254337 ..... 19	1001262483.....495, 497	1001274388.....81	1001278332 ..... 259, 647
1001254393 ..... 85, 87, 89	1001262538.....574	1001274449.....113, 117,	1001278333 ..... 257, 647
1001254458 ..... 19	1001262745.....495	121	1001278334 ..... 647
1001254459 ..... 21	1001262746.....495, 497	1001274450.....115, 119,	1001278335 ..... 647
1001254498 ..... 31, 331	1001262747.....495, 497	123	1001278487 79, 259, 271,
1001254545 ..... 493	1001262814.....87	1001274451.....117	273, 275, 277, 279
1001254692 ..... 41, 45	1001262815.....87	1001274452.....119	1001278488 77, 257, 265,
1001254767 ..... 287	1001262818.....89	1001274453.....121	267, 269
1001254768 ..... 287	1001262819.....89	1001274454.....123	1001278517 ..... 77, 83
1001254942 ..... 34	1001263483.....499	1001274456.....117	1001278518 ..... 77, 83
1001254986 ..... 53	1001263545.....499	1001274457.....119	1001278523 ..... 369
1001255253 ..... 34	1001263754.....379	1001274458.....121	1001278526 ..... 217, 369,
1001255254 ..... 34	1001263822.....575	1001274459.....123	371
1001255279 ..... 49	1001263851.....61, 63	1001274548.....271, 273,	1001278679 ..... 263
1001255323 ..... 27, 71	1001263854.....574	275, 277, 279	1001278777 ..... 259
1001255355 ..... 55	1001263855.....574	1001274549.....259	1001278917 ..... 109
1001255371 ..... 327	1001263856.....574	1001274550.....257	1001278918 ..... 111
1001255373 ..... 321	1001263857.....574	1001274623.....101	1001279058 ..... 257
1001255374 ..... 323	1001263858.....574	1001274624.....103	1001279211 ..... 574
1001255377 ..... 319	1001263992.....61	1001274625.....105	1001279212 ..... 574
1001255378 ..... 99	1001264341.....23	1001274626.....107	1001279213 ..... 574
1001255381 ..... 563	1001264615.....17	1001274631.....113, 646	1001279492 ..... 265, 267,
1001255674 ..... 97	1001264616.....17	1001274632.....115, 646	269
1001255679 ..... 95	1001264819.....574	1001274633.....109, 646	1001279671 ..... 265, 267,
1001255901 ..... 517	1001264836.....251	1001274634.....111, 646	269
1001256189 ..... 321	1001264864.....199	1001274636.....646	1001279672 ..... 271, 273,
1001256315 ..... 323	1001265033.....91	1001274637.....646	275, 277, 279
1001256359 ..... 333	1001266390.....209	1001274638.....646	1001279673 ..... 265, 267,
1001256707 ..... 463	1001266391.....209	1001274639.....646	269, 271, 273, 275,
1001256722 ..... 563	1001266446.....61	1001274653.....101	277, 279
1001256868 ..... 563	1001266515.....343	1001274654.....101	1001281269 ..... 549
1001256883 ..... 563	1001266516.....331	1001274655.....101, 105	1001281488 ..... 279
1001256884 ..... 563	1001266946.....227, 229,	1001274656.....103	1001281489 ..... 275
1001256885 ..... 563	255, 625	1001274657.....103	1001281490 ..... 273
1001256886 ..... 563	1001267280.....417, 423	1001274658.....103, 107	1001281491 ..... 271
1001256887 ..... 563	1001269106.....499	1001274662.....105	1001281492 ..... 269
1001256894 ..... 579	1001269275.....453, 455,	1001274663.....105	1001281493 ..... 267
1001256895 ..... 563	457, 497, 541, 545	1001274664.....107	1001281494 ..... 265
1001256896 ..... 563	1001269277.....391	1001274665.....107	

## SECTION 10 - BUILD DOCUMENTS

1001281659.....257, 259, 265, 267, 269, 271, 273, 275, 277, 279, 531	1001284940 ..... 165	1001289221 ..... 647	2502880300..... 69
1001281928.....277	1001284941 ..... 163	1001289224 ..... 646	2503630028..... 75, 607
1001281929.....279	1001284942 ..... 167	1001289227 ..... 647	2503870011..... 603
1001281930.....277	1001284943 ..... 169	1001289234 ..... 499	2503880012..... 61, 67
1001281931.....269, 275	1001284944 ..... 165	1001289235 ..... 497	2503880033..... 637
1001281932.....267, 273	1001284945 ..... 163	1001289244 ... 85, 87, 89, 93	2503880043..... 639
1001281933.....265, 271	1001284946 ..... 167	1001289246 ..... 647	2503880044..... 641
1001282398.....85	1001284947 ..... 169	1001289247 ..... 646	2503880088..... 635
1001282399.....85	1001284948 .... 163, 165, 167, 169	1001289257 ..... 647	2508610077..... 337
1001282598.....85	1001284964 ..... 309	1001289258 ..... 647	2512880041..... 574
1001282599.....87	1001285035 ..... 171	1001289259 ..... 647	2636000010..... 646
1001282600.....89	1001285053 ..... 173	1001289261 ..... 647	2900770..... 25
1001282655.....213, 215	1001285055 ..... 173	1001289263 ..... 647	3007000004..... 603
1001282692.....163, 165, 167, 169	1001285155 ..... 195	1001289264 ..... 646	3020000119..... 69, 635
1001282693.....163, 165, 167, 169	1001285308 ..... 211	1001289265 ... 85, 87, 89, 161	3020000120..... 69, 635
1001283315.....303, 307, 309	1001285309 ..... 211	1001289266 ..... 85, 439	3020029..... 175, 177, 179, 197
1001283419.....309	1001285351 ..... 223	1001289306 ..... 85, 125	3020039..... 85, 87, 89
1001283555.....281	1001285352 ..... 225	1001289309 ..... 125	3178000226..... 603, 605
1001283556.....283	1001285356 ..... 221	1001289314 ..... 125, 127, 129	3178000240..... 637
1001283560.....243, 646	1001285357 .... 221, 223, 225	1001289392 ..... 87, 127	3178000291..... 321, 323
1001283561.....241, 646	1001285358 .... 221, 223, 225	1001289464 ..... 439	3178000499..... 637
1001283562.....646	1001285503 ..... 161	1001289474 ..... 87, 441	3271605..... 465, 467, 469
1001283563.....646	1001285854 ..... 215	1001289478 ..... 605	3271805..... 34
1001283564.....243	1001285855 ..... 213	1001289532 ..... 235	3272005..... 31
1001283565.....243	1001285911 ..... 187	1001289533 ..... 237	3274000011..... 257, 259, 261, 263, 281, 283
1001283566.....241	1001285912 ..... 187	1001289535 ..... 235	3311001..... 353, 359
1001283567.....241	1001285920 ..... 287	1001289536 ..... 235	3340898..... 369, 371
1001283778.....209	1001285927 .... 287, 345	1001289537 ..... 127, 129	3484000048..... 635
1001283779.....209	1001285928 ..... 345	1001289538 ..... 127, 129	3484000049..... 635
1001283780.....209	1001285933 ..... 287	1001289544 ..... 237	3484000072..... 69
1001283855.....233	1001285970 ..... 287	1001289545 ..... 237	3484000073..... 69
1001283856.....233	1001285971 ..... 287	1001289546 ..... 89, 129	3548330007..... 551
1001283920.....201	1001285977 ..... 287	1001289596 ..... 129	3551000036..... 603
1001283921.....203	1001285979 ..... 287	1001289598 ..... 129	3561000008..... 69, 635
1001283922.....205	1001286104 ..... 287	1001289861 ..... 359	3561000015..... 69
1001283923.....207	1001287544 ..... 93	1001297064 ..... 49	3577000018..... 67
1001283924.....201	1001287545 ..... 93	1001307192 ..... 407, 409	3577000156..... 574
1001283925.....203	1001287547 ..... 93	1060706 ..... 369	3691000144..... 637
1001283926.....205	1001287549 ..... 93	1120601 ..... 85, 87, 89	3691000145..... 637
1001283927.....207	1001287550 ..... 93	1320219 ..... 321, 323	3706000080..... 637
1001284282.....181	1001288016 .... 289, 291, 293, 295, 297, 301	1321385 ... 354, 360, 531, 543	3740080..... 493
1001284283.....181	1001288422 ..... 493, 549	1380135 .... 91, 221, 223, 225, 249, 251, 253, 623	3760115..... 27, 71
1001284284.....181	1001288629 ..... 133, 135	1704260 ..... 393	3760308..... 353, 359
1001284285.....181	1001288672 ..... 287	2200221 ..... 643	3790230..... 133, 135
1001284293.....183	1001288745 ..... 493	2220362 ..... 327	3820031..... 571
1001284294.....185	1001288768 ..... 493, 495	2220365 ..... 327	3841258..... 31, 41, 43
1001284295.....183	1001288769 ..... 493, 497	2220373 ..... 327	3841287..... 31, 59
1001284296.....185	1001288770 ..... 493, 501	2220376 ..... 345	3900339..... 91, 221, 223, 225, 249, 251, 253, 623
1001284472.....219	1001288771 ..... 493, 499	2220381 ..... 327	3911000068..... 259
1001284524.....219	1001288772 ..... 493, 557	2220382 ..... 327	3912000033..... 69, 635
1001284547.....217	1001288807 ..... 307	2220582 ..... 327	3912000038..... 69, 635
1001284616.....177	1001288808 ..... 307, 515	2220596 ..... 327	3913000094..... 67
1001284617.....175	1001288838 ..... 303	2220642 ..... 319	3930820..... 407, 409
1001284618.....179	1001288839 ..... 303, 513	2220852 ..... 41	4178000234..... 417, 423
1001284619.....177	1001288901 ..... 511	2220883 ... 25, 37, 39, 63, 65	4178000349..... 321, 323
1001284620.....175	1001288960 ..... 305	2220885 ..... 25, 39	4178000402..... 467, 469
1001284621.....179	1001288961 ..... 305, 517	2220886 ... 25, 37, 39, 63, 65	4178000775..... 337
1001284622.....175, 177, 179	1001288962 ..... 305, 311	2220947 ..... 43	4249000001..... 41, 43
1001284623.....175, 177, 179	1001288989 ..... 311	2230021 ..... 319	4460256..... 511
1001284748.....197	1001288991 ..... 311	2230089 ..... 345	4460265..... 501
	1001288992 ..... 311	2502330145 ..... 521	4460268..... 501, 519
	1001288993 ..... 311		4460321..... 519
	1001289218 ..... 647		4460419..... 495

## SECTION 10 - BUILD DOCUMENTS

4460457 ... 373, 375, 377, 379, 427, 479, 485, 487, 511	4460930 ... 373, 375, 377, 379, 411, 535, 537, 547	5525000537 ..... 337	70050273 ..... 335
4460458 ... 373, 375, 377, 379, 411, 439, 453, 455, 457, 459, 461, 479, 485, 487, 499, 511, 535, 537, 541, 545, 547	4460931 ... 373, 375, 377, 379, 411, 535, 537, 547	552600055349, 319, 333, 337, 353, 359, 381, 383, 385, 425, 463, 477, 481, 483, 493, 531, 543, 577, 579, 581, 583, 585, 587	70050274 ..... 335
4460460 .... 427, 485, 487	4460932 ... 499, 505, 507, 509, 553, 591	70002412 ..... 25	70050275 ..... 335
4460464 ... 367, 373, 375, 377, 379, 395, 407, 409, 411, 427, 453, 455, 457, 459, 461, 479, 485, 487, 489, 495, 497, 499, 503, 505, 507, 509, 515, 517, 535, 537, 541, 545, 547, 549, 553, 557, 591	4460933 ... 373, 375, 377, 379, 495, 497, 511, 513, 515, 517, 547, 557	70002838 ..... 341	70050276 ..... 335
4460465 ... 367, 373, 375, 377, 379, 387, 389, 391, 395, 411, 489, 495, 497, 499, 501, 503, 505, 507, 509, 511, 513, 515, 517, 535, 537, 547, 549, 553, 555, 557, 591	4460934 ..... 495	70005847 ..... 63	70050277 ..... 335
4460466 ... 353, 359, 373, 375, 377, 379, 387, 389, 391, 395, 411, 427, 453, 455, 457, 459, 461, 485, 487, 489, 495, 497, 499, 501, 503, 505, 507, 509, 511, 513, 515, 517, 535, 537, 541, 545, 547, 553, 557	4460935 ..... 495	70006596 ..... 25	70050278 ..... 335
4460475 .... 373, 377, 511	4460939 .... 459, 461, 547	70007246 ..... 39	70050279 ..... 335
4460508 ... 427, 485, 487, 489	4460941 ... 373, 375, 377, 379, 427, 485, 487, 489, 495, 497	7002000502 ..... 599	70050280 ..... 335
4460509 ... 353, 359, 373, 375, 377, 379, 387, 389, 391, 489	4460942 ... 379, 387, 389, 391, 395, 489, 499, 501, 513, 515, 517, 557	7002000504 ..... 337	70050281 ..... 335
4460518 ... 495, 497, 499, 515, 517	4460965 ..... 513	7002000505 ..... 574	70050282 ..... 335
4460536 ... 367, 387, 389, 391, 395, 503, 505, 507	4460970 ... 497, 515, 517, 557	700200554 ..... 591	70050368 ..... 45
4460539 ..... 367	4461017 ..... 391	70022564 ..... 25, 37, 39	70050369 ..... 45
4460742 ... 373, 375, 377, 379, 479, 485, 487, 499, 511	4461018 ..... 391	70022566 ..... 65	70050370 ..... 45
4460746 ..... 439, 479	4461157 ... 377, 479, 499, 511	70023369 ..... 37	70050372 ..... 45
4460748 ..... 411	4461216 ..... 495	70023379 ..... 65	70050392 ..... 435
4460836 ..... 495	4461217 ..... 495	70026286 ..... 65	70050393 ..... 435
4460850 ..... 427	4461291 ..... 373, 377	70027751 ..... 37	70050394 ..... 435
4460867 ... 373, 427, 485, 487	4561000012 ..... 69, 635	70050163 ..... 435	70050395 ..... 435
4460884 ... 379, 387, 389, 391, 505, 507, 509, 555	4640458 ..... 533, 539	70050164 ..... 421, 429	70050401 ..... 45
4460891 ... 373, 375, 377, 379, 391, 497, 499, 511, 553, 555, 591	4640464 ..... 533, 539	70050165 ..... 421, 429	70050526 ..... 51
4460897 ... 373, 375, 377, 379, 407, 409, 479, 499, 553, 591	4679000319 ..... 34	70050166 ..... 421, 429	70050527 ..... 51
4460911 ..... 515	4691000242 ..... 67	70050167 ..... 421, 429	70050528 ..... 51
	4691000274 ..... 69, 635	70050169 ... 432, 435, 474	70050529 ..... 51
	4691000318 ..... 61	70050170 ..... 432, 435	70050530 ..... 51
	4705000705 ..... 257, 259, 261, 263, 281, 283	70050171 ..... 435	70050665 ..... 432
	4706001815 ..... 137	70050172 ..... 435	70050722 ..... 429
	4706003844 ..... 321, 323	70050174 ... 432, 435, 474	70050795 ..... 39
	4711000 ... 303, 305, 307	70050175 ..... 432, 435	70050979 ..... 429
	471160031, 61, 577, 585, 587	70050176 ..... 432, 435	70050981 ..... 421, 429
	471180034, 61, 257, 259, 261, 263, 281, 283, 467, 469	70050177 ..... 435	70050981 ..... 421, 429
	4712000 ..... 31, 41, 43	70050178 ..... 432, 435	70051019 ..... 474
	4751400 ..... 161	70050179 ..... 432, 435	70051020 ..... 474
	4751600 .... 34, 417, 423, 465, 467, 469	70050180 ..... 432, 435	70051021 ..... 432, 474
	4752000 . 85, 87, 89, 257, 259, 261, 263, 265, 267, 269, 271, 273, 275, 277, 279, 281, 283	70050181 ..... 432, 435	70051022 ..... 432, 474
	4752200 ..... 157, 159	70050182 ..... 435	70051023 ..... 432, 474
	4754000006 ..... 27, 71	70050183 ..... 435	70051024 ..... 474
	4761400 ..... 34	70050185 ..... 435	70051025 ..... 474
	4761500 ..... 331	70050186 ..... 435	70051026 ..... 432, 474
	4761600 ..... 31, 61	70050187 ..... 435	70051027 ..... 432, 474
	4761800 ..... 61	70050188 ..... 435	70051028 ..... 432, 474
	4891600 ... 17, 23, 34, 61, 369, 371	70050189 ..... 435	70051029 ..... 432, 474
	4891800 ..... 85, 87, 89	70050190 ..... 435	70051030 ..... 432, 474
	4892000 ..... 23	70050191 ..... 435	70051031 ..... 474
	4949000031 ..... 41, 43	70050192 ..... 435	70051032 ..... 474
	4949000041 ..... 67	70050194 ..... 435	70051033 ..... 474
	4949000042 ..... 67	70050195 ..... 435	70051034 ..... 474
		70050196 ..... 435	70051035 ..... 432, 474
		70050197 ..... 435	70051036 ..... 432, 474
		70050199 ..... 435	70051037 ..... 474
		70050200 ..... 435	70051038 ..... 474
		70050201 ..... 435	70051039 ..... 432, 474
		70050202 ..... 435	70051040 ..... 474
		70050203 ..... 432, 435	70051041 ..... 474
		70050204 ... 432, 435, 474	70051042 ..... 474
		70050205 ..... 435	70051043 ..... 474
		70050206 ..... 435	70051044 ..... 432, 474
		70050207 ... 433, 435, 474	70051045 ..... 432, 474
		70050208 ..... 433, 435	70051046 ..... 474
		70050209 ..... 433, 435	70051047 ..... 474
		70050210 ..... 433, 435	70051048 ..... 432, 474
		70050211 ..... 433, 435	70051049 ..... 432, 474
		70050215 ..... 25	70051050 ..... 474
			70051051 ..... 474
			70051052 ..... 474
			70051053 ..... 432, 474
			70051054 ..... 474
			70051055 ..... 432, 474

## SECTION 10 - BUILD DOCUMENTS

70051056.....	433, 474	7007000036 .....	331	7209000032 .....	331	7444030037.....	49
70051057.....	433, 474	7007000055 .....	603	7209000033 .....	339	7445040445.....	45
70051058.....	432	7007000056 .....	603	7248000079 .....	53	7445040449.....	75, 607
70051059.....	432	700700001 .....	419	7253000002 ...	23, 27, 31,	7445161643.....	339
70051060.....	432	700700002 .....	419	34, 41, 43, 61, 71		7446060435.....	75, 607
70051061.....	432	700700003 .....	419	7262000025 .....	34	7446502518.75, 317, 607	
70051062.....	432	700700082 .....	347	7262000048 .....	574	7454000003.....	603
70051063.....	432	700700084 .....	347	7274000036 ....	307, 353,	7454000004.....	603
70051064.....	432	70070142 .....	347	359		7454000005.....	603
70051065.....	432	70070143 .....	347	7274000040 .....	327	7454000006.....	603
70051066.....	432	70070144 .....	347	7274000042 .....	353, 359	7470000006.....	49
70051068.....	432	70070145 .....	347	7274000049 .....	331	7470000023.....	319, 327
70051069.....	432	70070146 .....	347	7274000076 ....	321, 323,	7493000003.....	579, 581,
70051070.....	432	7011000006 .....	363	327		583	
70051071.....	432	7011371 .....	37, 39, 63	7280000006 ....	353, 359,	7493000010.....	481, 483
70051072.....	432	7024440 .....	341	439, 481, 483, 493,		7493000011.....	417, 423,
70051073.....	432	7056000003 .....	627	523, 525, 527, 529,		467, 469, 477	
70051074.....	432	7056000004 .....	629	531, 543		7493000020.....	589, 591,
70051075.....	432	7056000005 .....	631	7280000018 ....	303, 305,	593	
70051076.....	432	7056000006 .....	633	307		7493000026.....	354, 360
70051077.....	432	7082311 .....	17	7295000029 .....	49, 643	7552000407.....	511, 551
70051078.....	432	7114080418 ....	299, 301,	7295000121 .....	551	7561000020.....	639
70051302.....	45	443		7312000015 .....	75, 607	7561000022.....	641
70051303.....	45	7114100518 .....	551	7312000016 .....	75, 607	7565000014.75, 317, 607	
70051304.....	45	7114100618 ....	353, 359,	7312000017 .....	317	7565000016.....	49, 643
70051305.....	45	579, 581, 583, 593		7314000010 .....	337	7577000368.....	69
70051306.....	45	7114100818 ....	209, 337,	7330000143 .....	563	7590000343.....	354, 360
70051307.....	45	353, 359		7330000278 .....	69, 635	7590000358.99, 439, 441,	
70051309.....	45	7114101018 .....	49	7330000535 .....	197	443, 445, 447, 449, 451	
70051679.....	45	7114140518 ....	145, 147,	7330000689 .....	563	7590000359.....	439, 441,
70052250.....	341	149, 211, 305, 465,		7330000728 .....	337	445	
70052251.....	341	467, 469, 481, 483		7345001714 ....	337, 393,	7590000364.....	551
70052520.....	65	7114140618 ....	193, 211,	495, 497		7590000370.....	354, 360
70052521.....	65	287, 591		7345211702 .....	337	7636000006.....	339
70052522.....	65	7114140818.17, 209, 211,		7345242202 ....	381, 383,	7636000008.....	257, 259,
70052523.....	65	223, 229, 287, 579,		385		261, 263, 265, 267,	
70052524.....	65	581, 583, 625		7346000039 ....	305, 337,	269, 271, 273, 275,	
70052525.....	65	7114141018 .....	23, 34	393, 493		277, 279, 281, 283	
70052526.....	25, 39, 65	7114141218 .....	131	7346000040 .....	369	7660102601.49, 209, 337,	
70052527.....	65	7114141618 .....	161	7346000045 ....	381, 383,	354, 360, 579, 581,	
70052528.....	65	7114160818 ....	193, 465,	385		583, 593	
70052575.....	25	467, 469		7346000055 .....	521	7660102604.....	551
70052576.....	25	7114160850 ....	333, 339	7346000068 .....	551	7660140001.....	369, 371
70052577.....	25	7114161018 .....	31	7346000078 .....	521	7660142301.....	17
70052578.....	25	7115141250 .....	185	7346000108 ....	427, 485,	7660142600.....	131, 591
70052579.....	25	7115150650 .....	339	487		7660142601....	34, 41, 43,
70052580.....	39	7115150850 ....	321, 323	7346000131 .....	369	161, 185, 193, 211,	
70052581.....	39	7115151050 ....	333, 521	7346000241 .....	337	217, 287, 493, 579,	
70052582.....	39	7115151064 .....	343	7413000002 .....	287	581, 583	
70052583.....	39	7115151250 .....	49	7440030000 ...	23, 27, 31,	7660152601.49, 137, 321,	
70052584.....	37, 39, 63	7115151850 ....	331, 343	34, 41, 43, 67, 71		323, 327, 331, 333,	
70052593.....	37	7115160850 .....	335	7443000139 .....	49, 643	343, 521	
70052594.....	37	7115161064 .....	327	7443000145 .....	75, 607	7660160000.....	287, 335
70052595.....	37	7115161250 .....	339	7443000146 .....	75, 607	7660160001.....	354, 360
70052596.....	37	7115161650 ....	91, 253	7443000148 ..	49, 75, 607	7660162301.....	31, 34
70052597.....	37	7115181850 .....	339	7443000149 .....	49, 643	7660162601..	23, 91, 183,
70052598.....	37	7115201250 .....	34	7443000150 .....	643	185, 193, 197, 199,	
70052753.....	63	7118172050 .....	45	7443000154 .....	49	253, 287, 327, 333,	
70052754.....	63	7118181205 .....	45	7443000156 .....	49	339, 354, 360, 417,	
70052755.....	63	7118181250 ....	639, 641	7443000173 .....	49, 643	423, 465, 467, 469,	
70052756.....	63	7118202016 .....	41, 43	7443000174 .....	643	577, 585, 587	
70052757.....	63	7118222816 ....	265, 267,	7443000175 .....	317	7660172601.....	593
70052795.....	471	269, 271, 273, 275,		7443000176 .....	49	7660180000.....	321, 323
70052796.....	471	277, 279		7443000287 .....	643	7660182301.....	257, 259,
70052802.....	471	7118267250 .....	637	7443000329 .....	49, 643	261, 263, 281, 283	
70052898.....	471	7120000036 .....	637	7443000330 .....	643	7660182601.....	339, 467,
70070000.....	419	7209000022 .....	61	7443000456 .....	643	469	

## SECTION 10 - BUILD DOCUMENTS

<p>7660200001 ... 85, 87, 89, 257, 259, 261, 263, 265, 267, 269, 271, 273, 275, 277, 279, 281, 283 7660202601 ..... 34 7660222308 ..... 265, 267, 269, 271, 273, 275, 277, 279 7661000002 ..... 354, 360 7661000018 ..... 41, 43 7661000019 ..... 145, 147, 149, 465, 467, 469, 481, 483 7661000021 ..... 287, 354, 360 7661000023 ..... 293, 295 7661000027 ..... 331, 339 7661000041 ..... 49 7661000064 ..... 23 7690142845 ..... 197 7691000020 69, 603, 635 7691000021 ..... 603 7691000022 ..... 603 7691000025 ..... 23, 637 7691000026 ..... 69, 635 7691000064 ..... 213, 215 7701000003 .... 85, 87, 89 7701000048 ..... 139, 141, 143, 257, 259, 261, 263, 265, 267, 269, 271, 273, 275, 277, 279, 281, 283 7701000049 ..... 139, 141, 143 7701000056 ..... 139, 141, 143 7736000001 ..... 439, 441, 445 7754000009 ..... 213, 215 7754000033 ..... 23, 34 7754000042 ..... 67 7754000043 ..... 61 7754000048 ..... 23 7754000049 ..... 41, 43 77590000018 ..... 21 7759000004 69, 551, 563, 635 7785152420 ..... 321, 323, 327</p>	<p>7790141251..... 125, 127, 129, 363, 365 7796000012..... 101, 103, 105, 107, 109, 111, 113, 115, 117, 119, 121, 123, 235, 237, 239, 241, 243, 245, 247 7809000019..... 41, 43 7865182065..... 321, 323 7870000043..... 381, 383, 385 7870000136..... 643 7894000004..... 289, 291, 293, 295, 297, 299, 301, 407, 409, 437, 589, 591, 593, 643 7894000028..... 69, 635 7894000037..... 69, 635 7894000041..... 69 7894000042..... 354, 360 7894000055..... 574 7894000057..... 69 7894000060..... 69 7935000120..... 49 7935000351..... 643 7949000015..... 339 7949000016..... 339 7949000019.... 85, 87, 89, 257, 259, 261, 263, 265, 267, 269, 271, 273, 275, 277, 279, 281, 283 7949000020..... 257, 259, 261, 263, 265, 267, 269, 271, 273, 275, 277, 279, 281, 283 7949000056..... 211 7950100103..... 551 7950100143 49, 209, 493, 579, 581, 583, 593 7950100151..... 337 7950100163..... 354, 360 7950140000..... 209, 369, 371 7950140003..... 287, 327 7950140141..... 369, 371 7950140143..... 131, 181, 185, 187, 189, 191, 193, 195, 209, 213, 215, 217, 223, 229,</p>	<p>233, 287, 299, 301, 303, 305, 307, 327, 493, 579, 581, 583, 591, 625 7950140163..... 125, 127, 129 7950150000..... 339 7950150141 ..... 321, 323 7950150143 49, 327, 333, 339 7950150153..... 137, 331, 343 7950150161 ..... 521 7950160000..... 335 7950160141 ..... 231 7950160143 91, 163, 165, 167, 169, 171, 173, 175, 177, 179, 183, 185, 193, 197, 199, 211, 219, 221, 223, 225, 249, 251, 253, 287, 327, 333, 339, 354, 360, 369, 371, 465, 467, 469, 623 7950160161 ..... 335 7950170000 ..... 45 7950180000 ..... 321, 323, 639, 641 7950180141 ..... 339 7950180800 ..... 45 7978000011 ..... 381, 383, 385 80363179 ..... 459, 547 80604016... 377, 379, 547 80604017... 377, 379, 553 80604018... 377, 379, 553 80604020 ..... 553 80604021 ..... 379 80604024... 377, 379, 453, 455, 457, 461 80604025... 377, 379, 547 8060417 ..... 553 80983191 ..... 511 8220051.... 513, 515, 517, 549 8220099.... 427, 485, 487 8220935.... 427, 485, 487 8594100003..... 337 8597650001 ..... 381, 383, 385</p>	<p>8632000002 ..... 327, 333 8632000011 ..... 257, 259, 261, 263, 265, 267, 269, 271, 273, 275, 277, 279, 281, 283 8765204 ..... 327 8798820001 ... 49, 77, 79, 81, 83, 93, 101, 103, 105, 107, 109, 111, 113, 115, 117, 119, 121, 123, 131, 133, 135, 413, 589, 591, 593, 609 88671008 ..... 61 88671027 ..... 34, 61 8892040001 ..... 101, 103, 105, 107, 109, 111, 113, 115, 117, 119, 121, 123 9082960013 ..... 45 9082960018 ..... 45 91143339. 427, 485, 487, 489 91143340 ..... 489 91503104 ..... 547 91503106 ..... 541, 545 9177960004 ..... 45 9443960006 ..... 45 9571960006 ..... 45 9590310195 ..... 421, 429 9590310197 ..... 421, 429 9590310200 ..... 421, 429 9590310202 ..... 421, 429 9590310203 ..... 421, 429 9590310205 ..... 421 9590310206 ..... 421 9626960013 ..... 45 9691960021 ..... 45 9698960008 ..... 45 9701960013 ..... 45 9706960023 ..... 45 9796960088 ..... 45 9796960090 ..... 45 9796960121 ..... 45 9806960019 ..... 45 9843960024 ..... 45 9935960026 ..... 45 9949960028 ..... 45 FEX-GSARB ..... 574</p>
--	--	---	---

# ***JERR-DAN***<sup>®</sup>

***Corporate Office  
13224 Fountainhead Plaza  
Hagerstown, MD 21742 USA***

***☎ (717) 597-7111 (Corporate)  
☎ (800) 926-9666 (Customer Support)***

***Visit our website  
[www.jerrdan.com](http://www.jerrdan.com)***



**OSHKOSH™**