

JERR-DAN[®]

Illustrated Parts Manual

Model 6 TON XLP CARRIER

SN 0220025492 to Present

**P/N
5376000268**

February 1, 2023 - Rev B

JERR-DAN[®]

An Oshkosh Corporation Company

REVISION LOG

September 1, 2022 - A - Original Release (Edited to 1001133285 Revision AL-AO)

February 1, 2023 - B - Revised Manual (Edited to 1001133285 Revision AL-AO)

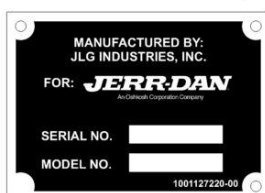
GENERAL INFORMATION

JerrDan, LLC (Jerr-Dan) strives to provide information that is accurate, complete and useful. Descriptions and illustrative material contained within this manual are as accurate as known at the time of publication and are subject to change, without notice, as a result of continuous product improvements. Jerr-Dan reserves the right to amend the information in this document at any time without prior notice.

Information contained in this manual reflects how this vehicle was built at the factory. Modifications or additions by the distributor or owner are not reflected in this manual.

This parts manual does not include service parts information for the commercial chassis (IHC, Ford, GM, etc.). That information is provided by the chassis manufacturer.

When ordering parts, please refer to your unit's Serial Number and Model Number. This information is be found on the aluminum tag riveted to the inside of the driver's side rear compartment of the main body.



Additional or replacement manuals can be ordered by calling Jerr-Dan Parts at 717-597-7111. Price and availability will be quoted at time of the request.

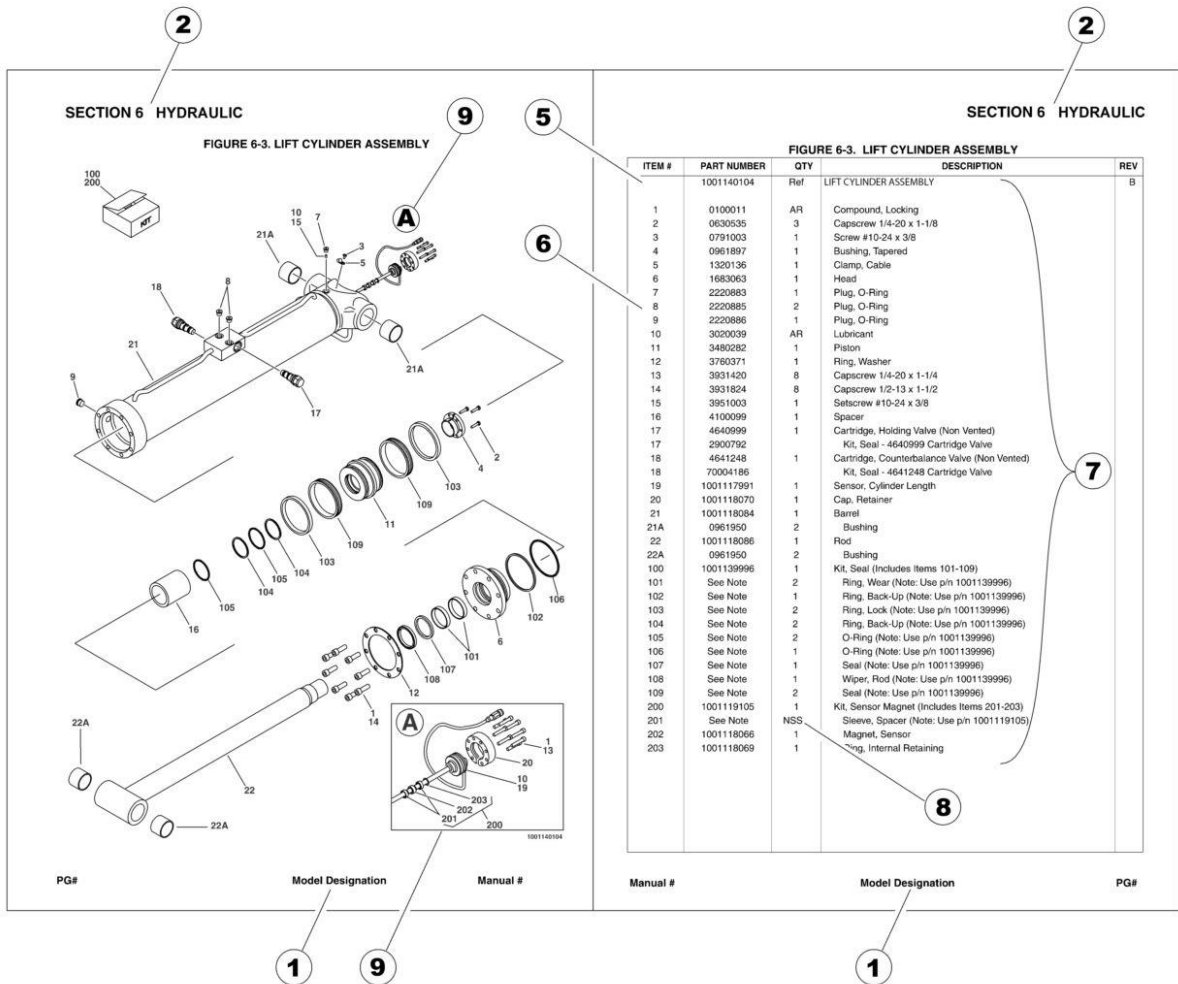
Please report comments and/or errors by contacting Jerr-Dan. Contact numbers are located on rear cover of Manual.

Manufactured under one or more of the following patents: 5,575,606; 5,672,042; 5,697,741; 5,713,714; 5,722,810; 5,782,596; 5,839,775 and 6,315,515 B1 with other Patents Pending.

Jerr-Dan and the Jerr-Dan logo are registered trademarks and Run Hard is a service mark of JerrDan, LLC, Hagerstown, MD USA.

The material in this document is confidential and the property of Jerr-Dan. No part of this document may be photocopied, reproduced or translated to another language without the express written consent of Jerr-Dan.

GENERAL INFORMATION



1) MACHINE IDENTIFICATION

Machines are identified by model and in some cases a combination of models, serial number (SN) or regional standard (i.e ANSI, CE, CSA). Components may also be identified by SN or manufacturer. Common components that may be identified by these characteristics are engines and hydraulic components.

2) PARTS MANUAL ORGANIZATION

Product information in this manual is organized under section titles. Subframe, Hydraulic and Electrical are a few examples. Each section is organized by figure and page number. The information within the Figure is then organized by item number, part number, description and corresponding illustration (s).

3) TABLE OF CONTENTS (NOT SHOWN)

A table of contents is found toward the beginning of the manual. Figure number, description and page number are provided for quick reference to the page containing the related information.

4) BUILD DOCUMENTS (NOT SHOWN)

The Build Documents, located near the end of the manual, reference components not available at the purchase level. These PN's list assembly instructions and assist in the maintenance of the parts manual.

GENERAL INFORMATION

5) NON-SERVICED PARTS

In some instances, it is necessary to display non-serviced parts, assemblies or installations. In the case of assemblies and installations there will be a Ref in the Qty. column. In case of parts that are not available for service within assemblies or components, there will be a NSS (Not Sold Separately) or NLA (No Longer Available) listed in the Qty. column of the manual.

6) PARTS LIST ITEM NUMBERS

Numbers shown in the item# column correspond to numbers used in the associated illustration (s). Item numbers which are missing from the sequence in the parts list are not used on that page.

7) INDENTED PARTS DESCRIPTION

An indented part description is included in the item under which it is indented.

8) ABBREVIATION AND SYMBOLS

| | | | |
|-------------|--|--------------|---------------------------------|
| AC..... | Alternating Current | L..... | Liter |
| ALUM..... | Aluminum | LD..... | Light Duty |
| AG..... | Agricultural | LB(LBS)..... | Pounds |
| ANSI..... | American National Standards Institute | LCD..... | Liquid Crystal Display |
| AR..... | As Required | LED..... | Light Emitting Diodes |
| AUS..... | Australias | LH..... | Left Hand |
| ASSY..... | Assembly | M(m)..... | Metric/Meter |
| AUX..... | Auxiliary | MD..... | Medium Duty |
| AWG..... | American Wire Gauge | MM (mm)..... | Milimeter |
| CA..... | Cab To Axle | mA..... | Miliamps |
| CE..... | European Conformity | NLA..... | No Longer Available |
| CCW..... | Counter Clockwise | NPT..... | National Pipe Threads |
| CM..... | Centimeter | NSS..... | Not Sold Separately |
| CT..... | Cab To Tandem | OD..... | Outside Diameter |
| CW..... | Clockwise | ORB..... | O-Ring Boss |
| CSA..... | Canadian Standards Association | ORFS..... | O-Ring Face Seal |
| CYL..... | Cylinder | OZ (oz)..... | Ounces |
| DIA..... | Diameter | PG..... | Page |
| DC..... | Direct Current | PN..... | Part Number |
| DOT..... | Department of Transportation | PTO..... | Power Take Off |
| EMS..... | Emergency Stop | QT(qt.)..... | Quarts |
| ENG..... | Engine | QTY..... | Quantity |
| FT(ft)..... | Feet | REF..... | Reference |
| GA(Ga)..... | Gauge | REV..... | Revision Level |
| GAL..... | Gallons | RH..... | Right Hand |
| GVW..... | Gross Vehicle Weight | SAE..... | Society of Automotive Engineers |
| HD..... | Heavy Duty | SD..... | Standard Duty |
| HYD..... | Hydraulic | SN..... | Serial Number |
| Hz..... | Hertz | SPEC(S)..... | Specifications |
| ID..... | Inside Diameter | SS..... | Stainless Steel |
| IN..... | inches | STD..... | Standards |
| IND..... | Independent | STL..... | Steel |
| IRL..... | Independent Reach/Lift | UGM..... | Universal Ground Module |
| INT..... | Integrated | V..... | Volts |
| ISO..... | International Organization for Standards | W..... | Watts |
| JIC..... | Joint Industry Council | WB..... | Wheel Base |
| KG..... | Kilogram | #..... | Number |

9) ILLUSTRATION REFERENCE LETTERS

When necessary, illustrations may contain reference letters that are intended to track information (i. e. hoses, harnesses) from one point to another or to track visual enlargement of components to show details that may be located in another area on the illustration.

Note: Due to continuous product improvements, Jerr-Dan Corporation reserves the right to make specification changes without prior notification. Contact Jerr-Dan for updated information.

TABLE OF CONTENTS

| | |
|---|-----|
| SECTION 1 - SUBFRAME | 17 |
| FIGURE 1-1. SUBFRAME INSTALLATION - 19FT/20FT (2012+ DODGE 5500 & 2012+ FORD F550)..... | 18 |
| FIGURE 1-2. SUBFRAME INSTALLATION - 19FT/20FT (2012+ DODGE 5500 & 2012+ FORD F550) (GALVANIZED)..... | 22 |
| FIGURE 1-3. SUBFRAME INSTALLATION - 20FT (2019+ CVC515) | 26 |
| FIGURE 1-4. SUBFRAME INSTALLATION - 20FT (2019+ CVC515) (GALVANIZED) | 30 |
| FIGURE 1-5. SUBFRAME INSTALLATION - 20FT/22FT (ISUZU)..... | 34 |
| FIGURE 1-6. SUBFRAME INSTALLATION - 20FT/22FT (ISUZU) (GALVANIZED)..... | 38 |
| FIGURE 1-7. SUBFRAME INSTALLATION - 21FT/22FT | 42 |
| FIGURE 1-8. SUBFRAME INSTALLATION - 21FT/22FT (2019+ CVC515)..... | 46 |
| FIGURE 1-9. SUBFRAME INSTALLATION - 21FT/22FT (2019+ CVC515) (GALVANIZED)..... | 50 |
| FIGURE 1-10. SUBFRAME INSTALLATION - 21FT/22FT (GALVANIZED)..... | 54 |
| FIGURE 1-11. SUBFRAME INSTALLATION - 22FT (HINO 195)..... | 58 |
| FIGURE 1-12. SUBFRAME INSTALLATION- 22FT (HINO 195) (GALVANIZED)..... | 62 |
| FIGURE 1-13. ROLL CYLINDER ASSEMBLY | 66 |
| FIGURE 1-14. TILT CYLINDER ASSEMBLY | 68 |
| FIGURE 1-15. PAD INSTALLATION - SUBFRAME | 70 |
| FIGURE 1-16. SIDE RECOVERY SYSTEM (SRS) INSTALLATION - 10000 LBS WINCH (3 FUNCTION REMOTE CONTROL) 72 | |
| FIGURE 1-17. SIDE RECOVERY SYSTEM (SRS) INSTALLATION - 10000 LBS WINCH (4 FUNCTION REMOTE CONTROL) 76 | |
| FIGURE 1-18. SIDE RECOVERY SYSTEM (SRS) INSTALLATION - 10000 LBS WINCH WITH AIR FREE SPOOL (3 FUNCTION REMOTE CONTROL)..... | 80 |
| FIGURE 1-19. SIDE RECOVERY SYSTEM (SRS) INSTALLATION - 10000 LBS WINCH WITH AIR FREE SPOOL (4 FUNCTION REMOTE CONTROL)..... | 84 |
| FIGURE 1-20. WINCH (SRS) ASSEMBLY - 10000 LBS..... | 88 |
| FIGURE 1-21. WINCH (SRS) ASSEMBLY - 10000 LBS WITH AIR FREE SPOOL | 92 |
| FIGURE 1-22. CYLINDER ASSEMBLY - SIDE RECOVERY SYSTEM | 96 |
| FIGURE 1-23. CHAIN BOX INSTALLATION..... | 98 |
| FIGURE 1-24. REAR STABILIZER - COMPLETE..... | 100 |
| FIGURE 1-25. REAR STABILIZER - COMPLETE (2.5IN TOW HITCH)..... | 102 |
| FIGURE 1-26. REAR STABILIZER - COMPLETE (PINTLE HITCH)..... | 104 |
| FIGURE 1-27. REAR STABILIZER INSTALLATION | 106 |
| FIGURE 1-28. REAR STABILIZER INSTALLATION (2.5IN TOW HITCH) | 108 |
| FIGURE 1-29. REAR STABILIZER INSTALLATION (PINTLE HITCH) | 110 |
| FIGURE 1-30. LIFT CYLINDER ASSEMBLY | 112 |
| FIGURE 1-31. PINTLE EXTEND/RETRACT CYLINDER ASSEMBLY..... | 114 |
| FIGURE 1-32. TOOLBOX - 36IN..... | 116 |
| FIGURE 1-33. TOOLBOX - 36IN UNDERMOUNT | 118 |
| FIGURE 1-34. TOOLBOX - 36IN NARROW UNDERMOUNT | 120 |
| FIGURE 1-35. TOOLBOX - 48IN..... | 122 |
| FIGURE 1-36. TOOLBOX - 48IN UNDERMOUNT | 124 |
| FIGURE 1-37. TOOLBOX - 60IN..... | 126 |
| FIGURE 1-38. TOOLBOX - 60IN..... | 128 |
| FIGURE 1-39. TOOLBOX SHELF - 36IN | 130 |
| FIGURE 1-40. TOOLBOX SHELF - 48IN | 132 |
| FIGURE 1-41. TOOLBOX SHELF - 60IN | 134 |
| FIGURE 1-42. TOOLBOX TOP STORAGE TRAY - 36IN..... | 136 |

TABLE OF CONTENTS

| | |
|---|------------|
| FIGURE 1-43. TOOLBOX TOP STORAGE TRAY - 48IN | 138 |
| FIGURE 1-44. TOOLBOX TOP STORAGE TRAY - 60IN | 140 |
| FIGURE 1-45. CHASSIS MOUNTING KIT, 2019+ CVC | 142 |
| FIGURE 1-46. CHASSIS MOUNTING KIT, 2017+ FORD F550 (DIESEL) | 144 |
| FIGURE 1-47. CHASSIS MOUNTING KIT, ISUZU 150WB | 146 |
| FIGURE 1-48. CHASSIS MOUNTING KIT, ISUZU 176WB | 150 |
| FIGURE 1-49. CHASSIS MOUNTING KIT, HINO | 152 |
| FIGURE 1-50. MUD FLAPS INSTALLATION - FACTORY SUPPLIED (2012+ DODGE D5500)..... | 154 |
| FIGURE 1-51. MUD FLAPS INSTALLATION - FACTORY SUPPLIED (2012+ FORD F550))..... | 156 |
| FIGURE 1-52. MUD FLAPS INSTALLATION - FACTORY SUPPLIED (ISUZU & HINO) | 158 |
| FIGURE 1-53. MUD FLAPS INSTALLATION - FACTORY SUPPLIED (HIGH FRAME)..... | 160 |
| FIGURE 1-54. MUD FLAPS INSTALLATION - CUSTOMER SUPPLIED | 162 |
| FIGURE 1-55. MUD FLAPS INSTALLATION - CUSTOMER SUPPLIED (2012+ FORD F550, ISUZU & HINO)..... | 164 |
| FIGURE 1-56. REAR BUMPER, SHORT GALVANIZED | 166 |
| FIGURE 1-57. REAR BUMPER, LONG GALVANIZED..... | 168 |
| FIGURE 1-58. LIGHT BOX AND COVER INSTALLATION..... | 170 |
| FIGURE 1-59. LIGHT BOX AND COVER INSTALLATION (GALVANIZED)..... | 172 |
| FIGURE 1-60. FENDERS INSTALLATION - POLY | 174 |
| SECTION 2 - WHEEL LIFT..... | 177 |
| FIGURE 2-1. WHEEL LIFT - COMPLETE (3500 LBS - FIXED ARMS) (19FT DECK)..... | 178 |
| FIGURE 2-2. WHEEL LIFT - COMPLETE (3500 LBS - FIXED ARMS) (20-22FT DECK)..... | 180 |
| FIGURE 2-3. WHEEL LIFT - COMPLETE (3500 LBS - FIXED ARMS) (GALVANIZED) (19FT DECK)..... | 182 |
| FIGURE 2-4. WHEEL LIFT - COMPLETE (3500 LBS - FIXED ARMS) (GALVANIZED) (20-22FT DECK)..... | 184 |
| FIGURE 2-5. WHEEL LIFT - COMPLETE (3500 LBS - T37 PIVOTING ARMS)..... | 186 |
| FIGURE 2-6. WHEEL LIFT - COMPLETE (3500 LBS - T37 PIVOTING ARMS) (GALVANIZED)..... | 188 |
| FIGURE 2-7. WHEEL LIFT - COMPLETE (3500 LBS - AUTO GRIDS HYDRAULIC ARMS) (SN 0220025492 through 0220026843)..... | 190 |
| FIGURE 2-8. WHEEL LIFT - COMPLETE (3500 LBS - AUTO GRIDS HYDRAULIC ARMS) (SN 0220026844 to Present)..... | 192 |
| FIGURE 2-9. WHEEL LIFT - COMPLETE (3500 LBS - AUTO GRIDS HYDRAULIC ARMS) (GALVANIZED) (SN 0220026844 to Present)..... | 194 |
| FIGURE 2-10. WHEEL LIFT BOOM INSTALLATION (3500 LBS) (19FT DECK) | 196 |
| FIGURE 2-11. WHEEL LIFT BOOM INSTALLATION (3500 LBS) (20-22FT DECK) | 198 |
| FIGURE 2-12. WHEEL LIFT BOOM INSTALLATION (3500 LBS GALVANIZED) (19FT DECK)..... | 200 |
| FIGURE 2-13. WHEEL LIFT BOOM INSTALLATION (3500 LBS GALVANIZED) (20-22FT DECK)..... | 202 |
| FIGURE 2-14. WHEEL LIFT BOOM INSTALLATION (3500 LBS WITH AUTOGRIDS) (SN 0220025492 through 0220026843).204 | |
| FIGURE 2-15. WHEEL LIFT BOOM INSTALLATION (3500 LBS WITH AUTOGRIDS) (SN 0220026844 to Present) | 206 |
| FIGURE 2-16. WHEEL LIFT BOOM INSTALLATION (3500 LBS WITH AUTOGRIDS) (GALVANIZED) (SN 0220026844 to Present)..... | 208 |
| FIGURE 2-17. BOOM ASSEMBLY (3500 LBS) (19FT DECK)..... | 210 |
| FIGURE 2-18. BOOM ASSEMBLY (3500 LBS) (20-22FT DECK) | 212 |
| FIGURE 2-19. BOOM ASSEMBLY (3500 LBS GALVANIZED) (19FT DECK) | 214 |
| FIGURE 2-20. BOOM ASSEMBLY (3500 LBS GALVANIZED) (20-22FT DECK)..... | 216 |
| FIGURE 2-21. BOOM ASSEMBLY (3500 LBS WITH AUTO GRIDS) (SN 0220025492 through 0220026843)..... | 218 |
| FIGURE 2-22. BOOM ASSEMBLY (3500 LBS WITH AUTO GRIDS) (SN 0220026844 to Present) | 220 |
| FIGURE 2-23. BOOM ASSEMBLY (3500 LBS WITH AUTO GRIDS) (GALVANIZED) (SN 0220026844 to Present) | 222 |

TABLE OF CONTENTS

| | |
|--|-----|
| FIGURE 2-24. CYLINDER ASSEMBLY - WHEEL LIFT EXTEND/RETRACT (WITHOUT AUTO GRIDS) (SN 0220025492 through 0220026843) | 224 |
| FIGURE 2-25. CYLINDER ASSEMBLY - WHEEL LIFT EXTEND/RETRACT (WITH AUTO GRIDS) (SN 0220025492 through 0220026843) | 226 |
| FIGURE 2-26. CYLINDER ASSEMBLY - WHEEL LIFT EXTEND/RETRACT (WITH AUTO GRIDS) (SN 0220026844 to Present) | 228 |
| FIGURE 2-27. CYLINDER ASSEMBLY - WHEEL LIFT BOOM LIFT (WITHOUT AUTO GRIDS) | 230 |
| FIGURE 2-28. CYLINDER ASSEMBLY - WHEEL LIFT BOOM LIFT (WITH AUTO GRIDS) (SN 0220025492 through 0220026843) | 232 |
| FIGURE 2-29. LINK ASSEMBLY | 234 |
| FIGURE 2-30. LINK ASSEMBLY (GALVANIZED) | 236 |
| FIGURE 2-31. WHEEL LIFT CROSSBAR CAM-LOCK | 238 |
| FIGURE 2-32. WHEEL LIFT GRID - COMPLETE (3500 LBS - MANUAL) (BALL HITCH) | 240 |
| FIGURE 2-33. WHEEL LIFT GRID - COMPLETE (3500 LBS - T37) (BALL HITCH) | 242 |
| FIGURE 2-34. WHEEL LIFT GRID - COMPLETE (3500 LBS - MANUAL) (2IN TOW HITCH) | 244 |
| FIGURE 2-35. WHEEL LIFT GRID - COMPLETE (GRID), (3500 LBS - T37) (2IN TOW HITCH) | 246 |
| FIGURE 2-36. WHEEL LIFT GRID - COMPLETE (3500 LBS - MANUAL) (2.5IN TOW HITCH) | 248 |
| FIGURE 2-37. WHEEL LIFT GRID - COMPLETE (3500 LBS - T37) (2.5IN TOW HITCH) | 250 |
| FIGURE 2-38. WHEEL GRID INSTALLATION (3500 LBS MANUAL) | 252 |
| FIGURE 2-39. WHEEL GRID INSTALLATION (3500 LBS T-37) | 254 |
| FIGURE 2-40. WHEEL LIFT ASSEMBLY (GRID), LH | 256 |
| FIGURE 2-41. WHEEL LIFT ASSEMBLY (GRID), RH | 258 |
| FIGURE 2-42. WHEEL LIFT GRID INSTALLATION (AUTO GRIDS) (Prior to SN 0220026844) | 260 |
| FIGURE 2-43. WHEEL LIFT GRID INSTALLATION - WHEEL LIFT (AUTO GRIDS) (SN 0220026844 to Present) | 264 |
| FIGURE 2-44. WHEEL LIFT GRID INSTALLATION - WHEEL LIFT (AUTO GRIDS) (GALVANIZED) | 268 |
| FIGURE 2-45. WHEEL LIFT ARM INSTALLATION (AUTO GRIDS) | 272 |
| FIGURE 2-46. WHEEL LIFT LINK INSTALLATION (AUTO GRIDS) | 274 |
| FIGURE 2-47. CYLINDER ASSEMBLY - WHEEL LIFT GRID (Prior to SN 0220026844) | 276 |
| FIGURE 2-48. CYLINDER ASSEMBLY - WHEEL LIFT GRID EXTEND/RETRACT (LH) (WITH AUTO GRIDS) (SN 0220026844 to Present) | 278 |
| FIGURE 2-49. CYLINDER ASSEMBLY - WHEEL LIFT GRID EXTEND/RETRACT (RH) (WITH AUTO GRIDS) (SN 0220026844 to Present) | 280 |
| FIGURE 2-50. PIVOT TUBE INSTALLATION (BALL HITCH) | 282 |
| FIGURE 2-51. PIVOT TUBE INSTALLATION (2 IN TOW HITCH RECEIVER) | 284 |
| FIGURE 2-52. PIVOT TUBE INSTALLATION (2.5 IN TOW HITCH RECEIVER) | 286 |
| SECTION 3 - DECK | 289 |
| FIGURE 3-1. DECK MODEL - ALUMINUM 19N X 96IN FIXED RAIL | 290 |
| FIGURE 3-2. DECK MODEL - ALUMINUM 19IN X 96IN FIXED RAIL DUAL ANGLE | 292 |
| FIGURE 3-3. DECK MODEL - ALUMINUM 19IN X 96IN REMOVABLE RAIL | 294 |
| FIGURE 3-4. DECK MODEL - ALUMINUM 19N X 102IN FIXED RAIL | 296 |
| FIGURE 3-5. DECK MODEL - ALUMINUM 19IN X 102IN FIXED RAIL DUAL ANGLE | 298 |
| FIGURE 3-6. DECK MODEL - ALUMINUM 19IN X 102IN REMOVABLE RAIL | 300 |
| FIGURE 3-7. DECK MODEL - ALUMINUM 20IN X 96IN FIXED RAIL | 302 |
| FIGURE 3-8. DECK MODEL - ALUMINUM 20IN X 96IN FIXED RAIL DUAL ANGLE | 304 |
| FIGURE 3-9. DECK MODEL - ALUMINUM 20IN X 96IN REMOVABLE RAIL | 306 |
| FIGURE 3-10. DECK MODEL - ALUMINUM 20IN X 102IN FIXED RAIL | 308 |
| FIGURE 3-11. DECK MODEL - ALUMINUM 20IN X 102IN FIXED RAIL DUAL ANGLE | 310 |

TABLE OF CONTENTS

| | |
|---|-----|
| FIGURE 3-12. DECK MODEL - ALUMINUM 20IN X 102IN REMOVABLE RAIL | 312 |
| FIGURE 3-13. DECK MODEL - ALUMINUM 21IN X 90IN FIXED RAIL..... | 314 |
| FIGURE 3-14. DECK MODEL - ALUMINUM 21IN X 96IN FIXED RAIL..... | 316 |
| FIGURE 3-15. DECK MODEL - ALUMINUM 21IN X 96IN FIXED RAIL DUAL ANGLE | 318 |
| FIGURE 3-16. DECK MODEL - ALUMINUM 21IN X 96IN FIXED RAIL DUAL ANGLE CARGO HAULER..... | 320 |
| FIGURE 3-17. DECK MODEL - ALUMINUM 21IN X 96IN REMOVABLE RAIL | 322 |
| FIGURE 3-18. DECK MODEL - ALUMINUM 21IN X 96IN REMOVABLE RAIL CARGO HAULER | 324 |
| FIGURE 3-19. DECK MODEL - ALUMINUM 21IN X 102IN FIXED RAIL..... | 326 |
| FIGURE 3-20. DECK MODEL - ALUMINUM 21IN X 102IN FIXED RAIL DUAL ANGLE | 328 |
| FIGURE 3-21. DECK MODEL - ALUMINUM 21IN X 102IN REMOVABLE RAIL | 330 |
| FIGURE 3-22. DECK MODEL - ALUMINUM 22IN X 96IN FIXED RAIL..... | 332 |
| FIGURE 3-23. DECK MODEL - ALUMINUM 22IN X 96IN FIXED RAIL DUAL ANGLE | 334 |
| FIGURE 3-24. DECK MODEL - ALUMINUM 22IN X 96IN FIXED RAIL DUAL ANGLE CARGO HAULER..... | 336 |
| FIGURE 3-25. DECK MODEL - ALUMINUM 22IN X 96IN REMOVABLE RAIL | 338 |
| FIGURE 3-26. DECK MODEL - ALUMINUM 22IN X 96IN REMOVABLE RAIL CARGO HAULER | 340 |
| FIGURE 3-27. DECK MODEL - ALUMINUM 22IN X 102IN FIXED RAIL..... | 342 |
| FIGURE 3-28. DECK MODEL - ALUMINUM 22IN X 102IN FIXED RAIL DUAL ANGLE | 344 |
| FIGURE 3-29. DECK MODEL - ALUMINUM 22IN X 102IN REMOVABLE RAIL | 346 |
| FIGURE 3-30. DECK MODEL - STEEL 19IN X 96IN REMOVABLE RAIL..... | 348 |
| FIGURE 3-31. DECK MODEL - STEEL 19IN X 96IN REMOVABLE RAIL DUAL ANGLE SHARK..... | 350 |
| FIGURE 3-32. DECK MODEL - STEEL 19IN X 102IN REMOVABLE RAIL..... | 352 |
| FIGURE 3-33. DECK MODEL - STEEL 19IN X 102IN REMOVABLE RAIL DUAL ANGLE SHARK..... | 354 |
| FIGURE 3-34. DECK MODEL - STEEL 20IN X 96IN REMOVABLE RAIL..... | 356 |
| FIGURE 3-35. DECK MODEL - STEEL 20IN X 96IN REMOVABLE RAIL DUAL ANGLE SHARK..... | 358 |
| FIGURE 3-36. DECK MODEL - STEEL 20IN X 102IN REMOVABLE RAIL..... | 360 |
| FIGURE 3-37. DECK MODEL - STEEL 20IN X 102IN REMOVABLE RAIL DUAL ANGLE SHARK..... | 362 |
| FIGURE 3-38. DECK MODEL - STEEL 21IN X 90IN REMOVABLE RAIL..... | 364 |
| FIGURE 3-39. DECK MODEL - STEEL 21IN X 96IN REMOVABLE RAIL..... | 366 |
| FIGURE 3-40. DECK MODEL - STEEL 21IN X 96IN REMOVABLE RAIL DUAL ANGLE SHARK..... | 368 |
| FIGURE 3-41. DECK MODEL - STEEL 21IN X 96IN TRANSPORTER..... | 370 |
| FIGURE 3-42. DECK MODEL - STEEL 21IN X 102IN REMOVABLE RAIL..... | 372 |
| FIGURE 3-43. DECK MODEL - STEEL 21IN X 102IN REMOVABLE RAIL DUAL ANGLE SHARK..... | 374 |
| FIGURE 3-44. DECK MODEL - STEEL 21IN X 102IN TRANSPORTER | 376 |
| FIGURE 3-45. DECK MODEL - STEEL 22IN X 96IN REMOVABLE RAIL..... | 378 |
| FIGURE 3-46. DECK MODEL - STEEL 22IN X 96IN REMOVABLE RAIL DUAL ANGLE SHARK..... | 380 |
| FIGURE 3-47. DECK MODEL - STEEL 22IN X 102IN REMOVABLE RAIL..... | 382 |
| FIGURE 3-48. DECK MODEL - STEEL 22IN X 102IN REMOVABLE RAIL CONTAINER TRANSPORTER..... | 384 |
| FIGURE 3-49. DECK MODEL - STEEL 22IN X 102IN REMOVABLE RAIL DUAL ANGLE SHARK..... | 386 |
| FIGURE 3-50. RAIL-BUMPER CONTAINER TRANSPORTER INSTALLATION..... | 388 |
| FIGURE 3-51. WINCH INSTALLATION - 8000 LBS (ALUMINUM DECK)..... | 390 |
| FIGURE 3-52. WINCH INSTALLATION - 8000 LBS (STEEL DECK)..... | 392 |
| FIGURE 3-53. WINCH INSTALLATION - 8000 LBS (TRANSPORTER)..... | 394 |
| FIGURE 3-54. WINCH INSTALLATION - 8000 LBS WITH AIR FREE SPOOL (ALUMINUM DECK)..... | 396 |
| FIGURE 3-55. WINCH INSTALLATION - 8000 LBS WITH AIR FREE SPOOL (STEEL DECK)..... | 398 |
| FIGURE 3-56. WINCH INSTALLATION - 8000 LBS WITH AIR FREE SPOOL (STEEL DECK) (TRANSPORTER) | 400 |

TABLE OF CONTENTS

| | |
|--|-----|
| FIGURE 3-57. WINCH INSTALLATION - 10000 LBS WORM GEAR (ALUMINUM DECK) | 402 |
| FIGURE 3-58. WINCH INSTALLATION - 10000 LBS WORM GEAR (STEEL DECK) | 404 |
| FIGURE 3-59. WINCH INSTALLATION - 10000 LBS WORM GEAR (TRANSPORTER) | 406 |
| FIGURE 3-60. WINCH INSTALLATION - 10000 LBS WORM GEAR & AIR FREE SPOOL (ALUMINUM DECK) | 408 |
| FIGURE 3-61. WINCH INSTALLATION - 10000 LBS WORM GEAR AND AIR FREE SPOOL (STEEL DECK)..... | 410 |
| FIGURE 3-62. WINCH INSTALLATION - 10000 LBS WORM GEAR AND AIR FREE SPOOL (TRANSPORTER) | 412 |
| FIGURE 3-63. WINCH INSTALLATION - 10000 LBS SLIDING PLANETARY GEAR..... | 414 |
| FIGURE 3-64. WINCH INSTALLATION - 10000 LBS SLIDING PLANETARY GEAR & AIR FREE SPOOL..... | 416 |
| FIGURE 3-65. WINCH INSTALLATION - 12000 LBS (STEEL DECK) | 418 |
| FIGURE 3-66. WINCH ASSEMBLY - 8000 LBS..... | 420 |
| FIGURE 3-67. WINCH ASSEMBLY - 8000 LBS WITH FREE SPOOL..... | 422 |
| FIGURE 3-68. WINCH ASSEMBLY - 10000 LBS WORM GEAR..... | 424 |
| FIGURE 3-69. WINCH ASSEMBLY, - 10000 LBS WORM GEAR WITH FREE SPOOL | 428 |
| FIGURE 3-70. WINCH ASSEMBLY - 10000 LBS PLANETARY GEAR | 432 |
| FIGURE 3-71. WINCH ASSEMBLY - 12000 LBS..... | 434 |
| FIGURE 3-72. CABLE TENSIONER INSTALLATION - 8000 LBS & /10000 LBS WORM GEAR WINCHES | 436 |
| FIGURE 3-73. CABLE TENSIONER INSTALLATION - 12000 LBS WORM GEAR WINCHES | 438 |
| FIGURE 3-74. WINCH HANDLE (PLANETARY WGEAR WINCH) | 440 |
| FIGURE 3-75. HEADBOARD INSTALLATION- 36.50IN (DELUXE BOLT-ON)..... | 442 |
| FIGURE 3-76. HEADBOARD INSTALLATION - 37.38IN (STANDARD BOLT-ON) | 444 |
| FIGURE 3-77. HEADBOARD INSTALLATION - 37.38IN (STATIONARY FIXED) | 446 |
| FIGURE 3-78. HEADBOARD INSTALLATION - 45.50IN- 65.50 (ADJUSTABLE BOLT-ON)..... | 448 |
| FIGURE 3-79. HEADBOARD INSTALLATION - 45.50IN- 65.50 (ADJUSTABLE BOLT-ON - SPECIAL PAINT) | 450 |
| FIGURE 3-80. HEADBOARD INSTALLATION - 45.50IN (DELUXE BOLT-ON)..... | 452 |
| FIGURE 3-81. HEADBOARD INSTALLATION - 45.50IN- 65.50 (STATIONARY ADJUSTABLE BOLT-ON | 454 |
| FIGURE 3-82. HEADBOARD INSTALLATION - 45.50IN- 65.50 (STATIONARY ADJUSTABLE BOLT-ON - SPECIAL PAINT) . | 456 |
| FIGURE 3-83. HEADBOARD INSTALLATION - 50.50IN (DELUXE BOLT-ON)..... | 458 |
| FIGURE 3-84. HEADBOARD INSTALLATION - 57.50IN (DELUXE BOLT-ON)..... | 460 |
| FIGURE 3-85. HEADBOARD BASE INSTALLATION | 462 |
| FIGURE 3-86. RAIL (REMOVABLE) INSTALLATION - 5IN ALUMINUM (19FT/20FT DECK) | 464 |
| FIGURE 3-87. RAIL (REMOVABLE) INSTALLATION - 5IN ALUMINUM (21FT DECK)..... | 466 |
| FIGURE 3-88. RAIL (REMOVABLE) INSTALLATION - 5IN ALUMINUM (22FT DECK)..... | 468 |
| FIGURE 3-89. RAIL (REMOVABLE) INSTALLATION - 5IN STEEL (19FT/20FT DECK) | 470 |
| FIGURE 3-90. RAIL (REMOVABLE) INSTALLATION - 5IN STEEL (21FT DECK) | 472 |
| FIGURE 3-91. D-RINGS INSTALLATION -1 PAIR (ALUMINIUM DECK NEAR WINCH)..... | 474 |
| FIGURE 3-92. D-RINGS INSTALLATION - 4 PAIR (ALUMINIUM DECK)..... | 476 |
| FIGURE 3-93. D-RINGS INSTALLATION - 4 PAIR (STEEL DECK) | 478 |
| FIGURE 3-94. D-RINGS INSTALLATION -1 PAIR (STEEL DECK NEAR WINCH) | 480 |
| FIGURE 3-95. D-RINGS INSTALLATION -1 PAIR (TRANSPORTER NEAR WINCH)..... | 482 |
| FIGURE 3-96. ANTI-SLIP TAPE INSTALLATION (SIDES)..... | 484 |
| FIGURE 3-97. ANTI-SLIP PAINT INSTALLATION (DECK APPROACH END) | 486 |
| FIGURE 3-98. ANTI-SLIP PAINT INSTALLATION (STEEL DECK SIDES)..... | 488 |
| FIGURE 3-99. ANTI-SLIP PAINT INSTALLATION (ALUMINUM DECK SIDES)..... | 490 |
| FIGURE 3-100. DECK ROLLERS AT APPROACH TIP | 492 |
| FIGURE 3-101. ROLLER BRACKET ASSEMBLY..... | 494 |

TABLE OF CONTENTS

| | |
|--|-----|
| SECTION 4 - CONTROLS..... | 497 |
| FIGURE 4-1. 3 BANK VALVE CONTROLS INSTALLATION - NO/MANUAL TOW | 498 |
| FIGURE 4-2. 3 BANK VALVE CONTROLS INSTALLATION - NO/MANUAL TOW | 500 |
| FIGURE 4-3. 3 BANK VALVE CONTROLS INSTALLATION - NO/MANUAL TOW/NO WINCH..... | 502 |
| FIGURE 4-4. 4 BANK VALVE CONTROLS INSTALLATION - NO/MANUAL TOW/STABILIZER/WITHOUT MOTOR SPOOL WINCH..... | 504 |
| FIGURE 4-5. 4 BANK VALVE CONTROLS INSTALLATION - NO/MANUAL TOW/STABILIZER/MOTOR SPOOL WINCH | 506 |
| FIGURE 4-6. 5 BANK VALVE CONTROLS INSTALLATION - HYDRAULIC TOW/IRL | 508 |
| FIGURE 4-7. 5 BANK VALVE CONTROLS INSTALLATION - HYDRAULIC TOW/IRL | 510 |
| FIGURE 4-8. 5 BANK VALVE CONTROLS INSTALLATION - HYDRAULIC TOW/STABILIZER | 512 |
| FIGURE 4-9. 5 BANK VALVE CONTROLS INSTALLATION - HYDRAULIC TOW/IRL/WITH MOTOR SPOOL WINCH..... | 514 |
| FIGURE 4-10. 6 BANK VALVE CONTROLS INSTALLATION - HYDRAULIC TOW/IRL/HYD GRID (SN 0220026844 to Present) | 516 |
| FIGURE 4-11. VALVE ASSEMBLY - 3 BANK..... | 518 |
| FIGURE 4-12. VALVE ASSEMBLY - 5 BANK (WITHOUT WINCH MOTOR SPOOL) | 520 |
| FIGURE 4-13. VALVE ASSEMBLY - 5 BANK (WITH WINCH MOTOR SPOOL)..... | 522 |
| FIGURE 4-14. VALVE ASSEMBLY - 6 BANK (WITH AUTO GRIDS) (SN 0220025492 through 0220026843) | 524 |
| FIGURE 4-15. VALVE ASSEMBLY - 6 BANK (WITH AUTO GRIDS) (SN 0220026844 to Present)..... | 526 |
| FIGURE 4-16. VALVE ASSEMBLY - 6 BANK (WITH ZOD)..... | 528 |
| FIGURE 4-17. LINEAR ACTUATOR MOUNTING KIT - 3 4, & 5 BANK VALVE | 530 |
| FIGURE 4-18. LINEAR ACTUATOR MOUNTING KIT - 6 BANK VALVE..... | 532 |
| FIGURE 4-19. LINEAR ACTUATOR INSTALLATION KIT | 534 |
| FIGURE 4-20. FREE SPOOL INSTALLATION - SINGLE 8K/10K WINCH (STANDARD HEADBOARD)..... | 536 |
| FIGURE 4-21. FREE SPOOL INSTALLATION - SINGLE 8K/10K WINCH (DELUXE HEADBOARD) | 538 |
| FIGURE 4-22. FREE SPOOL INSTALLATION - DUAL 8K/10K WINCH (STANDARD HEADBOARD) | 540 |
| FIGURE 4-23. FREE SPOOL INSTALLATION - DUAL 8K/10K WINCH (DELUXE HEADBOARD) | 542 |
| FIGURE 4-24. FREE SPOOL INSTALLATION - 8K/10K WINCH (AIR) (STANDARD HEADBOARD) | 544 |
| FIGURE 4-25. FREE SPOOL INSTALLATION - 12K WINCH (BOLT-ON HEADBOARD)..... | 546 |
| FIGURE 4-26. FREE SPOOL INSTALLATION - 12K WINCH (STATIONARY HEADBOARD)..... | 548 |
| FIGURE 4-27. REMOTE CONTROL, ONE FUNCTION, WINCHES PLUS | 550 |
| FIGURE 4-28. REMOTE CONTROL, TWO FUNCTION, WINCHES PLUS..... | 552 |
| FIGURE 4-29. REMOTE CONTROL, THREE FUNCTION, WINCHES PLUS | 554 |
| FIGURE 4-30. REMOTE CONTROL, FOUR FUNCTION, WINCHES PLUS | 556 |
| FIGURE 4-31. REMOTE CONTROL, FIVE FUNCTION, WINCHES PLUS | 558 |
| FIGURE 4-32. MIRATRON WIRELESS INSTALLATION, ONE FUNCTION | 560 |
| FIGURE 4-33. MIRATRON WIRELESS INSTALLATION, TWO FUNCTION | 562 |
| FIGURE 4-34. MIRATRON WIRELESS INSTALLATION, THREE FUNCTION | 564 |
| FIGURE 4-35. MIRATRON WIRELESS INSTALLATION, FOUR FUNCTION | 566 |
| FIGURE 4-36. MIRATRON WIRELESS INSTALLATION, FIVE FUNCTION | 568 |
| FIGURE 4-37. REMOTE CONTROL 6 FUNCTION U/L TRANSMITTER HOLDER..... | 570 |
| SECTION 5 - HYDRAULIC | 573 |
| FIGURE 5-1. HOSE INSTALLATION - ALL CA STD CAB (ISUZU)..... | 574 |
| FIGURE 5-2. HOSE INSTALLATION - 120IN CA STD CAB (2017+ FORD) | 576 |
| FIGURE 5-3. HOSE INSTALLATION - 120IN CA STD CAB (DODGE) | 578 |
| FIGURE 5-4. HOSE INSTALLATION - 120IN CA STD CAB (FORD) | 580 |

TABLE OF CONTENTS

| | |
|---|-----|
| FIGURE 5-5. HOSE INSTALLATION - 120IN CA, 201IN WB | 582 |
| FIGURE 5-6. HOSE INSTALLATION - 120IN CA, 201IN WB | 584 |
| FIGURE 5-7. HOSE INSTALLATION - 120IN CA, 235IN WB | 586 |
| FIGURE 5-8. HOSE INSTALLATION - 120IN CT STD CAB (INTERNATIONAL) | 588 |
| FIGURE 5-9. HOSE INSTALLATION - 120N CA, 235IN WB | 590 |
| FIGURE 5-10. HOSE INSTALLATION - 138IN CA STD CAB | 592 |
| FIGURE 5-11. HOSE INSTALLATION - 138IN CA, 219IN WB | 594 |
| FIGURE 5-12. HOSE INSTALLATION - 138IN CA, 219IN WB | 596 |
| FIGURE 5-13. HOSE INSTALLATION - 138IN CT STD CAB (INTERNATIONAL)..... | 598 |
| FIGURE 5-14. HOSE INSTALLATION - 144IN CA STD CAB (HINO) | 600 |
| FIGURE 5-15. HOSE INSTALLATION - 144IN CT STD CAB (INTERNATIONAL)..... | 602 |
| FIGURE 5-16. HOSE INSTALLATION - 145IN CA STD CAB (HINO) | 604 |
| FIGURE 5-17. HOSE INSTALLATION - 150IN CA CREW CAB (FORD - CREW CAB)..... | 606 |
| FIGURE 5-18. HOSE INSTALLATION - 150IN CA STD CAB (FORD/HINO)..... | 608 |
| FIGURE 5-19. HOSE INSTALLATION - 150IN CA STD CAB (PETERBILT) | 610 |
| FIGURE 5-20. HOSE INSTALLATION - 150IN CA STD CAB (PETERBILT) | 612 |
| FIGURE 5-21. HOSE INSTALLATION - 150IN CA, 231IN WB | 614 |
| FIGURE 5-22. HOSE INSTALLATION - 150IN CA, 231N WB | 616 |
| FIGURE 5-23. HOSE INSTALLATION - 150IN CT EXT CAB (FORD) | 618 |
| FIGURE 5-24. HOSE INSTALLATION - 150IN CT EXT CAB (INTERNATIONAL)..... | 620 |
| FIGURE 5-25. HOSE INSTALLATION - 150IN CT STD CAB (FREIGHLINER) | 622 |
| FIGURE 5-26. HOSE INSTALLATION - 150IN CT STD CAB (INTERNATIONAL)..... | 624 |
| FIGURE 5-27. HOSE INSTALLATION - 162IN CA, 243IN WB | 626 |
| FIGURE 5-28. HOSE INSTALLATION - 162IN CA, 243IN WB | 628 |
| FIGURE 5-29. HOSE INSTALLATION - SIDE RECOVERY SYSTEM (SRS) | 630 |
| FIGURE 5-30. HOSE INSTALLATION - STABILIZER..... | 632 |
| FIGURE 5-31. HOSE INSTALLATION - STABILIZER (REAR DECK)..... | 634 |
| FIGURE 5-32. HOSE INSTALLATION - SUBFRAME (20FT DECK)..... | 636 |
| FIGURE 5-33. HOSE INSTALLATION - SUBFRAME (21FT/22FT DECK) | 638 |
| FIGURE 5-34. HOSE INSTALLATION - WHEEL LIFT 3500 LBS | 640 |
| FIGURE 5-35. HOSE INSTALLATION - WHEEL LIFT (AUTO GRIDS) (SN 0220025492 through 0220026843) | 642 |
| FIGURE 5-36. HOSE INSTALLATION - WHEEL LIFT (AUTO GRIDS) (SN 0220026844 to Present) | 644 |
| FIGURE 5-37. HOSE INSTALLATION - WINCH (PLANETARY GEAR) | 646 |
| FIGURE 5-38. HYDRAULIC FILTER COVER PLATE | 648 |
| FIGURE 5-39. TANK (HYDRAULIC) AND BRACKET MOUNT INSTALLATION..... | 650 |
| FIGURE 5-40. TANK (HYDRAULIC) AND BRACKET MOUNT INSTALLATION (ALTERNATIVE)..... | 652 |
| FIGURE 5-41. TANK (HYDRAULIC) ASSEMBLY | 654 |
| SECTION 6 - ELECTRICAL | 657 |
| FIGURE 6-1. BREAKER INSTALLATION - 50AMP..... | 658 |
| FIGURE 6-2. CAMERA (BACKUP) CARRIER INSTALLATION | 660 |
| FIGURE 6-3. CAMERA (BACKUP) CARRIER INSTALLATION - OEM..... | 662 |
| FIGURE 6-4. CAMERA (BACKUP) CARRIER INSTALLATION - OEM (CV515)..... | 664 |
| FIGURE 6-5. CAMERA (BACKUP) IN REAR VIEW MIRROR INSTALLATION | 666 |
| FIGURE 6-6. CAMERA (CARGO) INSTALLATION - HEADBOARD MOUNTED | 668 |
| FIGURE 6-7. CAMERA HARNESS | 670 |

TABLE OF CONTENTS

| | |
|---|-----|
| FIGURE 6-8. CAMERA (HOOK-UP) INSTALLATION - WHEEL LIFT..... | 672 |
| FIGURE 6-9. CAMERA (HOOK-UP WITH SENSOR) INSTALLATION - WHEEL LIFT | 674 |
| FIGURE 6-10. DECK FLASHER REAR ILLUMINATION | 676 |
| FIGURE 6-11. LEVEL STOP INSTALLATION - 6 FUNCTION..... | 678 |
| FIGURE 6-12. LEVEL STOP INSTALLATION - 8-10 FUNCTION..... | 680 |
| FIGURE 6-13. LEVEL STOP HARNESS - 6 FUNCTION..... | 682 |
| FIGURE 6-14. LEVEL STOP HARNESS - 8-10 FUNCTION..... | 684 |
| FIGURE 6-15. LIGHTS AND WIRING INSTALLATION - BOLTED-ON HEADBOARD..... | 686 |
| FIGURE 6-16. LIGHTS AND WIRING INSTALLATION - STATIONARY HEADBOARD..... | 688 |
| FIGURE 6-17. LIGHTS - 24 VOLT LIGHT SWAP INSTALLATION..... | 690 |
| FIGURE 6-18. LIGHTS - LIGHTBAR INSTALLATION (STANDARD MOUNT) (ECCO BRAND) (STANDARD MOUNT)..... | 692 |
| FIGURE 6-19. LIGHTS - LIGHTBAR INSTALLATION (STANDARD MOUNT) (ECCO BRAND) (HIGH MOUNT) | 694 |
| FIGURE 6-20. LIGHTS - LIGHTBAR INSTALLATION (STANDARD MOUNT) (WHELEN BRAND)..... | 696 |
| FIGURE 6-21. LIGHTS - LIGHTBAR INSTALLATION (HIGH MOUNT) (WHELEN BRAND)..... | 698 |
| FIGURE 6-22. LIGHTS - LIGHTBAR ASSEMBLY (ECCO BRAND) | 700 |
| FIGURE 6-23. LIGHTS - LIGHTBAR ASSEMBLY (WHELEN BRAND) | 702 |
| FIGURE 6-24. LIGHTS - MARKER LIGHT INSTALLATION, CARRIER DECK | 706 |
| FIGURE 6-25. LIGHTS - MARKER LIGHT INSTALLATION, CARRIER DECK - 24V..... | 708 |
| FIGURE 6-26. LIGHTS - MARKER LIGHT, TOOL BOX TOP STORAGE TRAY | 710 |
| FIGURE 6-27. LIGHTS - TOOLBOX LIGHT INSTALLATION | 712 |
| FIGURE 6-28. LIGHTS - WORK LIGHTS INSTALLATION - HEADBOARD | 714 |
| FIGURE 6-29. LIGHTS - WORK LIGHTS INSTALLATION - HEADBOARD (SRS) | 716 |
| FIGURE 6-30. LIGHTS - WORKLIGHTS INSTALLATION (REAR)..... | 718 |
| FIGURE 6-31. LIGHTS - WORKLIGHTS INSTALLATION (WINCH)..... | 720 |
| FIGURE 6-32. LIGHT BRACKET ASSEMBLY - TOOLBOX | 722 |
| FIGURE 6-33. SUBFRAME HARNESS | 724 |
| FIGURE 6-34. SUBFRAME TO CAB HARNESS (BOLT-ON HEADBOARD) | 726 |
| FIGURE 6-35. SUBFRAME TO CAB HARNESS (STATIONARY HEADBOARD) | 728 |
| FIGURE 6-36. SUBFRAME TO DECK HARNESS (BOLT-ON HEADBOARD)..... | 730 |
| FIGURE 6-37. SUBFRAME TO DECK HARNESS (STATIONARY HEADBOARD)..... | 732 |
| FIGURE 6-38. SWITCH PANEL INSTALLATION - 3 FUNCTION (IN-DASH COMPACT)..... | 734 |
| FIGURE 6-39. SWITCH PANEL INSTALLATION - 3 FUNCTION (IN-DASH MINI) | 736 |
| FIGURE 6-40. SWITCH PANEL INSTALLATION - 3 FUNCTION (UNDER-DASH COMPACT)..... | 738 |
| FIGURE 6-41. SWITCH PANEL ASSEMBLY - 3 FUNCTION (UNDER-DASH COMPACT)..... | 740 |
| FIGURE 6-42. SWITCH PANEL ASSEMBLY - 3 FUNCTION (IN-DASH COMPACT)..... | 742 |
| FIGURE 6-43. SWITCH PANEL ASSEMBLY - 3 FUNCTION (OEM) | 744 |
| FIGURE 6-44. SWITCH PANEL INSTALLATION - 4 FUNCTION (IN-DASH) (FORD 2008-2016 F550 OEM)..... | 746 |
| FIGURE 6-45. SWITCH PANEL INSTALLATION - 4 FUNCTION (IN-DASH) (FORD 2011+ F650/750 OEM)..... | 748 |
| FIGURE 6-46. SWITCH PANEL INSTALLATION - 5 FUNCTION (IN-DASH COMPACT)..... | 750 |
| FIGURE 6-47. SWITCH PANEL INSTALLATION - 5 FUNCTION (IN-DASH COMPACT) (IHC WITHOUT OEM) | 752 |
| FIGURE 6-48. SWITCH PANEL INSTALLATION - 5 FUNCTION (IN-DASH) (PETERBILT)..... | 754 |
| FIGURE 6-49. SWITCH PANEL INSTALLATION - 5 FUNCTION (UNDER-DASH COMPACT)..... | 756 |
| FIGURE 6-50. SWITCH PANEL ASSEMBLY - 5 FUNCTION (IN-DASH)..... | 758 |
| FIGURE 6-51. SWITCH PANEL ASSEMBLY - 5 FUNCTION UNDER-DASH (COMPACT)..... | 760 |
| FIGURE 6-52. SWITCH PANEL INSTALLATION - 6 FUNCTION (FORD F550 2017+ OEM)..... | 762 |

TABLE OF CONTENTS

| | |
|--|-----|
| FIGURE 6-53. SWITCH PANEL INSTALLATION - 6 FUNCTION (IN-DASH COMPACT) (IHC WITH OEM) | 764 |
| FIGURE 6-54. SWITCH PANEL INSTALLATION - 6 FUNCTION (RAM 2013+)..... | 766 |
| FIGURE 6-55. SIDE RECOVERY SYSTEM (SRS) HARNESS (WITHOUT REMOTE CONTROL) | 768 |
| FIGURE 6-56. SIDE RECOVERY SYSTEM (SRS) HARNESS (WITH REMOTE CONTROL)..... | 770 |
| SECTION 7 - DECALS..... | 773 |
| FIGURE 7-1. STANDARD DUTY DECALS INSTALLATION..... | 774 |
| FIGURE 7-2. STANDARD DUTY DECALS INSTALLATION (CARGO HAULER) | 778 |
| FIGURE 7-3. CARRIER DECAL INSTALLATION, SPANISH..... | 782 |
| FIGURE 7-4. HIGH VISIBILITY REFLECTIVE TAPE | 786 |
| FIGURE 7-5. DECAL INSTALLATION AND RELOCATION..... | 788 |
| SECTION 8 - ACCESSORIES | 791 |
| FIGURE 8-1. KITS LIST | 792 |
| FIGURE 8-2. 7-WAY ELECTRICAL CONNECTOR..... | 794 |
| FIGURE 8-3. 7-WAY ELECTRICAL INSTALLATION | 796 |
| FIGURE 8-4. AIR SUPPLY DISCONNECT | 798 |
| FIGURE 8-5. BOOM INSTALLATION - BALL HITCH (HYDRAULIC)..... | 800 |
| FIGURE 8-6. BOOM INSTALLATION - BALL HITCH (MANUAL) | 802 |
| FIGURE 8-7. BOOM INSTALLATION - PINTLE HITCH (HYDRAULIC)..... | 804 |
| FIGURE 8-8. BOOM INSTALLATION, PINTLE HITCH (MANUAL)..... | 806 |
| FIGURE 8-9. CHAIN BINDER, 1/2IN CHAIN..... | 808 |
| FIGURE 8-10. CHAIN BINDER, 3/8IN CHAIN..... | 810 |
| FIGURE 8-11. CHAIN RACKS (ADJUSTABLE/FIXED HEADBOARD)..... | 812 |
| FIGURE 8-12. CHAIN RACKS (ADJUSTABLE/FIXED HEADBOARD) (LOCKING)..... | 814 |
| FIGURE 8-13. CHAIN RACKS (DELUXE HEADBOARD) | 816 |
| FIGURE 8-14. CHAIN RACKS (DELUXE HEADBOARD) (LOCKING)..... | 818 |
| FIGURE 8-15. FIRE EXTINGUISHER ACCESSORY | 820 |
| FIGURE 8-16. FUEL CAN HOLDER & CHAIN RACK INSTALLATION (HEADBOARD)..... | 822 |
| FIGURE 8-17. FUEL CAN HOLDER & LOCKING CHAIN RACK INSTALLATION (HEADBOARD)..... | 824 |
| FIGURE 8-18. FUEL CAN HOLDER & PROPANE TANK HOLDER (ADJUSTABLE HEADBOARD) | 826 |
| FIGURE 8-19. FUEL CAN HOLDER INSTALLATION (DELUXE HEADBOARD)..... | 828 |
| FIGURE 8-20. FUEL CAN HOLDER INSTALLATION (FIXED & ADJUSTABLE HEADBOARD) | 830 |
| FIGURE 8-21. FUEL TANK MODIFICATION INSTALLATION | 832 |
| FIGURE 8-22. GLAD HAND INSTALLATION WITH MTG BRACKET | 834 |
| FIGURE 8-23. GLAD HAND INSTALLATION WITHOUT MTG BRACKET | 836 |
| FIGURE 8-24. GLADHANDS BRACKET INSTALLATION | 838 |
| FIGURE 8-25. GRAB HANDLES (ADJUSTABLE HEADBOARD)..... | 840 |
| FIGURE 8-26. HEADBOARD PLUG INSTALLATION - NO EMERGENCY LIGHTBAR..... | 842 |
| FIGURE 8-27. KEYSLOT INSTALLATION - EXTRUDED | 844 |
| FIGURE 8-28. LADDER, 3-STEP FOLDING (LEFT & RIGHT) | 846 |
| FIGURE 8-29. LADDER, 3-STEP FOLDING (LEFT)..... | 848 |
| FIGURE 8-30. PROPANE TANK HOLDERS (ADJUSTABLE HEADBOARD)..... | 850 |
| FIGURE 8-31. PROPANE TANK HOLDERS (FIXED HEADBOARD) | 852 |
| FIGURE 8-32. REMOTE THROTTLE CONTROL | 854 |
| FIGURE 8-33. RUBBER WHEEL CHOCKS | 856 |

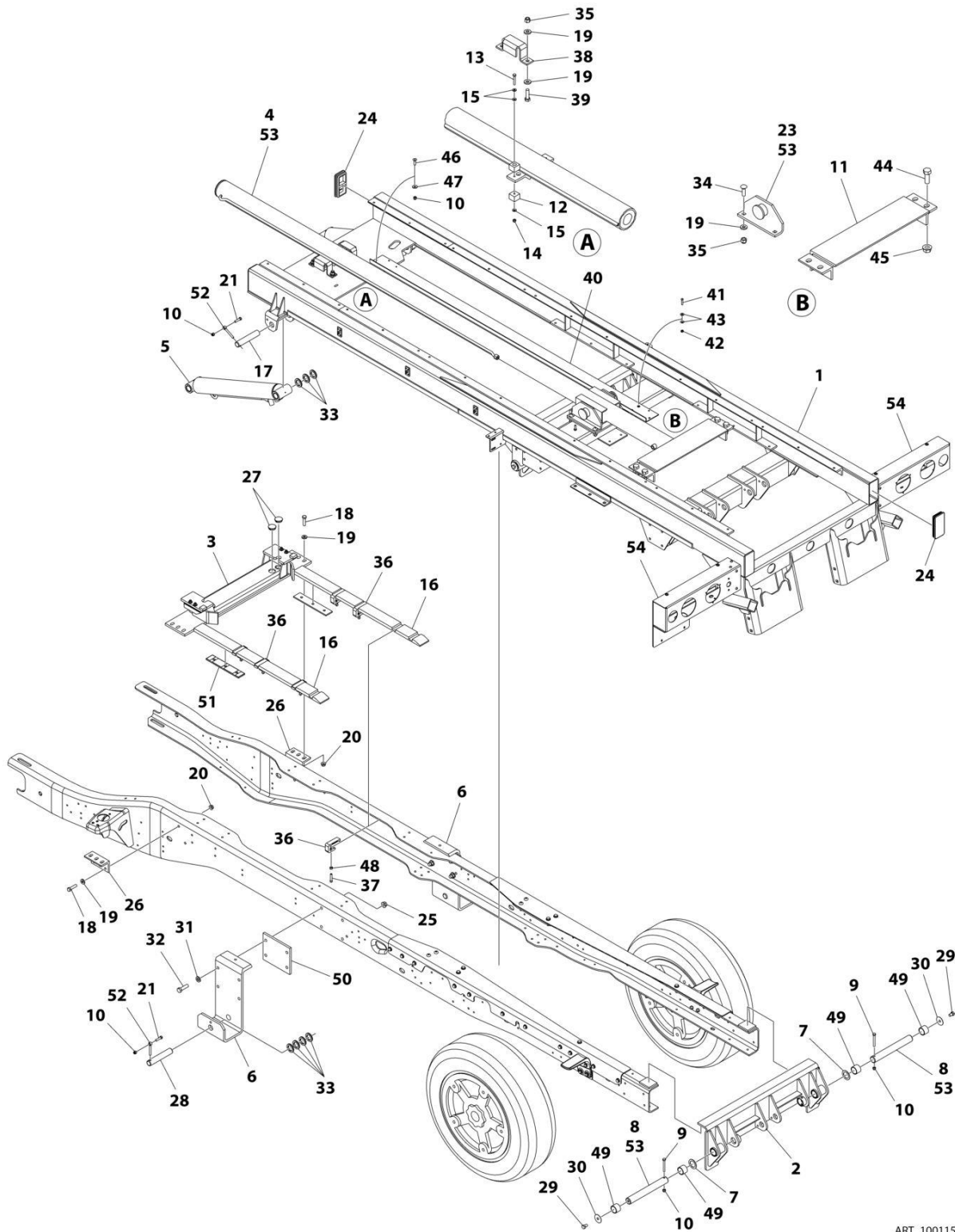
TABLE OF CONTENTS

| | |
|---|-----|
| FIGURE 8-34. SADDLE SPACERS INSTALLATION..... | 858 |
| FIGURE 8-35. SAFETY TRIANGLE KIT | 860 |
| FIGURE 8-36. STRAP EXTENSION WITH SWIVEL HOOK - 50FT | 862 |
| FIGURE 8-37. STRAP KIT - CARRIER 8 POINT TIRE TIE DOWN..... | 864 |
| FIGURE 8-38. TAIL LIGHT CONVERSION KIT, SPLIT STOP/TURN | 866 |
| FIGURE 8-39. TAIL LIGHT CONVERSION HARNESS | 868 |
| FIGURE 8-40. TIE DOWN STRAP/RACHET STRAP KIT..... | 870 |
| FIGURE 8-41. TIE DOWN STRAP/RACHET STRAP KIT (AUTO GRIDS) | 872 |
| FIGURE 8-42. TOOLBOX AIR COMPRESSOR/HOSE REEL | 874 |
| FIGURE 8-43. TOW BALL - SS CONVERT-A-BALL KIT | 876 |
| FIGURE 8-44. TOW HITCH RECEIVER INSTALLATION - 2IN (USED WITH AUTO GRIDS) | 878 |
| FIGURE 8-45. TOW HITCH RECEIVER INSTALLATION - 2.5IN BALL (STATIONARY)..... | 880 |
| FIGURE 8-46. TOW HITCH - BALL HITCH PLATE (MANUAL/HYDRAULIC) | 882 |
| FIGURE 8-47. TOW HITCH - PINTLE HITCH PLATE (MANUAL) | 884 |
| FIGURE 8-48. TOW HITCH - PINTLE HITCH PLATE (MANUAL/HYDRAULIC) | 886 |
| FIGURE 8-49. TOW HITCH - PINTLE HITCH PLATE (STATIONARY) | 888 |
| FIGURE 8-50. TOW HITCH - BALL HITCH PLATE (MANUAL)..... | 890 |
| FIGURE 8-51. TOW HITCH - STATIONARY 2.5 IN TOW HITCH RECEIVER | 892 |
| FIGURE 8-52. TOW HITCH RECEIVER INSTALLATION - 2IN BALL (STATIONARY)..... | 894 |
| FIGURE 8-53. TOW HITCH RECEIVER INSTALLATION - PINTLE (STATIONARY)..... | 896 |
| FIGURE 8-54. TOW PINTLE - DUPLEX PINTLE HITCH..... | 898 |
| FIGURE 8-55. TRAILER ACC, 2.31IN DIA BALL..... | 900 |
| FIGURE 8-56. TRAILER ACC, 1.88IN DIA BALL..... | 902 |
| FIGURE 8-57. TRAILER ACC, 2IN DIA BALL..... | 904 |
| SECTION 9 - BUILD DOCUMENTS | 907 |
| FIGURE 9-1. BUILD DOC_5376000268 | 908 |
| PART NUMBER INDEX..... | 913 |

SECTION 1 - SUBFRAME

SECTION 1 - SUBFRAME

FIGURE 1-1. SUBFRAME INSTALLATION - 19FT/20FT (2012+ DODGE 5500 & 2012+ FORD F550)



ART_1001151462

SECTION 1 - SUBFRAME

FIGURE 1-1. SUBFRAME INSTALLATION - 19FT/20FT (2012+ DODGE 5500 & 2012+ FORD F550)

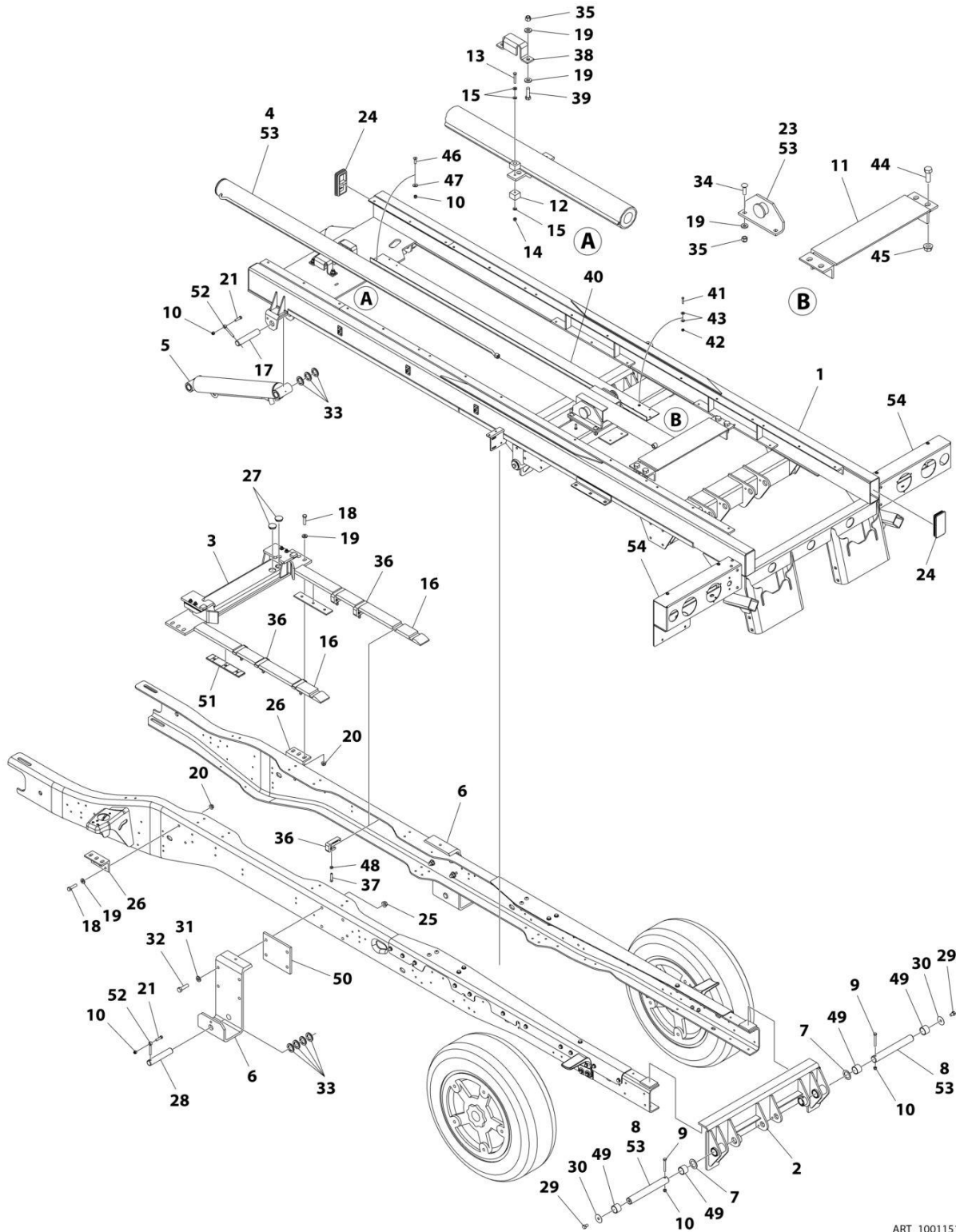
| ITEM | PART NUMBER | QTY | DESCRIPTION | REV |
|------|-------------|-----|--|-----|
| | 1001151462 | Ref | SUBFRAME INSTALLATION FORD DODGE | H |
| 1 | 1001177719 | 1 | Frame Weldment | |
| 2 | 1001162403 | 1 | Trunnion | |
| 3 | 3558000019 | 1 | Hold Down Assembly (prior to SN 0220023372 excluding 0220023219) | |
| 3 | 1001272550 | 1 | Hold Down Assembly (SN 0220023372 to present including 0220023219) | |
| 4 | 1001166855 | 1 | Roll Cylinder Assembly (See Separate Breakdown in this Section) | |
| 5 | 1001270175 | 2 | Tilt Cylinder Assembly (See Separate Breakdown in this Section) | |
| 6 | 4178000805 | 2 | Bracket | |
| 7 | 7949000008 | 2 | Washer 2-1/4 | |
| 8 | 4691000573 | 2 | Pin | |
| 9 | 0641624 | 2 | Capscrew 3/8 x 3 | |
| 10 | 3300492 | 7 | Nut 3/8 | |
| 11 | 3017000104 | 1 | Angle | |
| 12 | 7189000026 | 4 | Bumper | |
| 13 | 7114141450 | 2 | Capscrew 1/4 x 1-3/4 | |
| 14 | 7660142604 | 2 | Nut 1/4 | |
| 15 | 7950140143 | 6 | Washer 1/4 | |
| 16 | 1001151248 | 2 | Pad (prior to SN 0220023372 excluding 0220023219) | |
| 17 | 1001188134 | 2 | Pin | |
| 18 | 0651816 | 8 | Capscrew 1/2 x 2 (prior to SN 0220023372 excluding 0220023219) | |
| 19 | 4891800 | 20 | Washer 1/2 (prior to SN 0220023372 excluding 0220023219) | |
| 19 | 4891800 | 12 | Washer 1/2 (SN 0220023372 to present including 0220023219) | |
| 20 | 7660182333 | 8 | Nut 1/2 (prior to SN 0220023372 excluding 0220023219) | |
| 21 | 0641612 | 4 | Capscrew 3/8 x 1-1/2 | |
| 23 | 3636000144 | 2 | Trunnion | |
| 24 | 7701000048 | 4 | Plug | |
| 25 | 7660202347 | 8 | Nut 5/8 | |
| 26 | 4017001271 | 2 | Angle (prior to SN 0220023372 excluding 0220023219) | |
| 27 | 7701000063 | 4 | Plug | |
| 28 | 1001188139 | 2 | Pin | |
| 29 | 0641806 | 2 | Capscrew 1/2 x 3/4 | |
| 30 | 7949000072 | 2 | Washer 2 | |
| 31 | 4892000 | 8 | Washer 5/8 | |
| 32 | 7105202050 | 8 | Capscrew 5/8 x 2-1/2 | |
| 33 | 4209000358 | 14 | Bushing | |
| 34 | 7115181464 | 4 | Bolt 1/2 x 1-3/4 | |
| 35 | 7660182601 | 8 | Nut 1/2 | |
| 36 | 7274000125 | 6 | Clamp (prior to SN 0220023372 excluding 0220023219) | |
| 37 | 7120000032 | 6 | Bolt 3/8 x 1-3/4 | |
| 38 | 4178000912 | 2 | Bracket | |
| 39 | 0641812 | 4 | Bolt 1/2 x 1-3/4 | |
| 40 | 1001162798 | 1 | Plate | |
| 41 | 7114100818 | 2 | Capscrew #10 x 1 | |
| 42 | 3300455 | 2 | Nut 10 | |
| 43 | 4751300 | 4 | Washer 3/16 | |
| 44 | 0642216 | 4 | Bolt 3/4 x 2 | |
| 45 | 7660222308 | 4 | Nut 3/4 | |
| 46 | 0741610 | 1 | Bolt 3/8 x 1-1/4 | |

SECTION 1 - SUBFRAME

| ITEM | PART NUMBER | QTY | DESCRIPTION | REV |
|------|-------------|-----|---|-----|
| 47 | 4751600 | 1 | Washer 3/8 | |
| 48 | 3271601 | 6 | Nut 3/8 (prior to SN 0220023372 excluding 0220023219) | |
| 49 | 7082000017 | 4 | Bearing | |
| 50 | 1001147116 | 2 | Shim | |
| 51 | 3340898 | 2 | Pad (prior to SN 0220023372 excluding 0220023219) | |
| 52 | 3841143 | 4 | Keeper, Shaft | |
| 53 | 3020039 | AR | Lubricant | |
| 54 | 1001173948 | 1 | Light Box and Cover Installation (See Separate Breakdown in this Section) | |

SECTION 1 - SUBFRAME

FIGURE 1-2. SUBFRAME INSTALLATION - 19FT/20FT (2012+ DODGE 5500 & 2012+ FORD F550)
(GALVANIZED)



ART_1001151505

SECTION 1 - SUBFRAME

**FIGURE 1-2. SUBFRAME INSTALLATION - 19FT/20FT (2012+ DODGE 5500 & 2012+ FORD F550)
(GALVANIZED)**

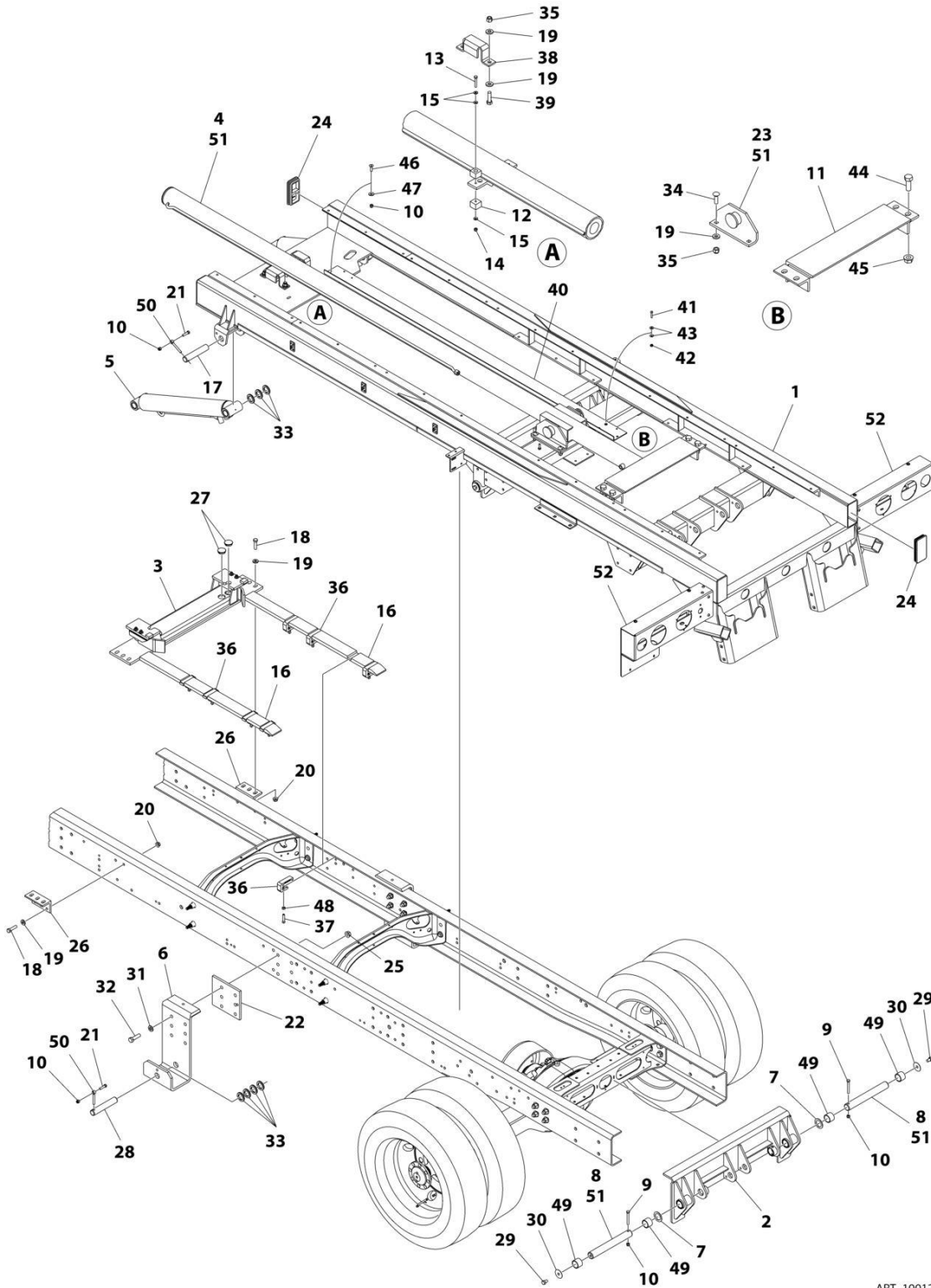
| ITEM | PART NUMBER | QTY | DESCRIPTION | REV |
|------|-------------|-----|--|-----|
| | 1001151505 | Ref | SUBFRAME INSTALLATION FORD DODGE GALVANIZED | I |
| 1 | 1001177720 | 1 | Frame Weldment | |
| 2 | 1001162403 | 1 | Trunnion | |
| 3 | 3558000019 | 1 | Hold Down Assembly (prior to SN 0220023372 excluding 0220023219) | |
| 3 | 1001272550 | 1 | Hold Down Installation (SN 0220023372 to present including 0220023219) | |
| 4 | 1001166855 | 1 | Roll Cylinder Assembly (See Separate Breakdown in this Section) | |
| 5 | 1001270175 | 2 | Tilt Cylinder Assembly (See Separate Breakdown in this Section) | |
| 6 | 4178000805 | 2 | Bracket | |
| 7 | 7949000008 | 2 | Washer 2-1/4 | |
| 8 | 4691000573 | 2 | Pin | |
| 9 | 0641624 | 2 | Capscrew 3/8 x 3 | |
| 10 | 3300492 | 7 | Nut 3/8 | |
| 11 | 3017000104 | 1 | Angle | |
| 12 | 7189000026 | 4 | Bumper | |
| 13 | 7114141450 | 2 | Capscrew 1/4 x 1-3/4 | |
| 14 | 7660142604 | 2 | Nut 1/4 | |
| 15 | 7950140143 | 6 | Washer 1/4 | |
| 16 | 1001151248 | 2 | Pad (prior to SN 0220023372 excluding 0220023219) | |
| 17 | 1001188134 | 2 | Pin | |
| 18 | 0651816 | 8 | Capscrew 1/2 x 2 (prior to SN 0220023372 excluding 0220023219) | |
| 19 | 4891800 | 20 | Washer 1/2 (prior to SN 0220023372 excluding 0220023219) | |
| | 4891800 | 1 | Washer 1/2 (SN 0220023372 to present including 0220023219) | |
| 20 | 7660182333 | 8 | Nut 1/2 (prior to SN 0220023372 excluding 0220023219) | |
| 21 | 0641612 | 4 | Capscrew 3/8 x 1-1/2 | |
| 23 | 3636000144 | 2 | Trunnion | |
| 24 | 7701000048 | 4 | Plug | |
| 25 | 7660202347 | 8 | Nut 5/8 | |
| 26 | 4017001271 | 2 | Angle (prior to SN 0220023372 excluding 0220023219) | |
| 27 | 7701000063 | 4 | Plug (prior to SN 0220023372 excluding 0220023219) | |
| 28 | 1001188139 | 2 | Pin | |
| 29 | 0641806 | 2 | Capscrew 1/2 x 3/4 | |
| 30 | 7949000072 | 2 | Washer 2 | |
| 31 | 4892000 | 8 | Washer 5/8 | |
| 32 | 7105202050 | 8 | Capscrew 5/8 x 2-1/2 | |
| 33 | 4209000358 | 14 | Bushing | |
| 34 | 7115181464 | 4 | Bolt 1/2 x 1-3/4 | |
| 35 | 7660182601 | 8 | Nut 1/2 | |
| 36 | 7274000125 | 6 | Clamp (prior to SN 0220023372 excluding 0220023219) | |
| 37 | 7120000032 | 6 | Bolt 3/8 x 1-3/4 (prior to SN 0220023372 excluding 0220023219) | |
| 38 | 4178000912 | 2 | Bracket | |
| 39 | 0641814 | 4 | Bolt 1/2 x 1-3/4 | |
| 40 | 1001162798 | 1 | Plate | |
| 41 | 7114100818 | 2 | Capscrew #10 x 1 | |
| 42 | 3300455 | 2 | Nut 10 | |
| 43 | 4751300 | 4 | Washer 3/16 | |
| 44 | 0642216 | 4 | Bolt 3/4 x 2 | |
| 45 | 7660222308 | 4 | Nut 3/4 | |

SECTION 1 - SUBFRAME

| ITEM | PART NUMBER | QTY | DESCRIPTION | REV |
|------|-------------|-----|---|-----|
| 46 | 0741610 | 1 | Bolt 3/8 x 1-1/4 | |
| 47 | 4751600 | 1 | Washer 3/8 | |
| 48 | 3271601 | 6 | Nut 3/8 (prior to SN 0220023372 excluding 0220023219) | |
| 49 | 7082000017 | 4 | Bearing | |
| 50 | 1001147116 | 2 | Shim | |
| 51 | 3340898 | 2 | Pad (prior to SN 0220023372 excluding 0220023219) | |
| 52 | 3841143 | 4 | Keeper, Shaft | |
| 53 | 3020039 | AR | Lubricant | |
| 54 | 1001173949 | 1 | Light Box and Cover Installation (See Separate Breakdown in this Section) | |

SECTION 1 - SUBFRAME

FIGURE 1-3. SUBFRAME INSTALLATION - 20FT (2019+ CVC515)



ART_1001253907

SECTION 1 - SUBFRAME

FIGURE 1-3. SUBFRAME INSTALLATION - 20FT (2019+ CVC515)

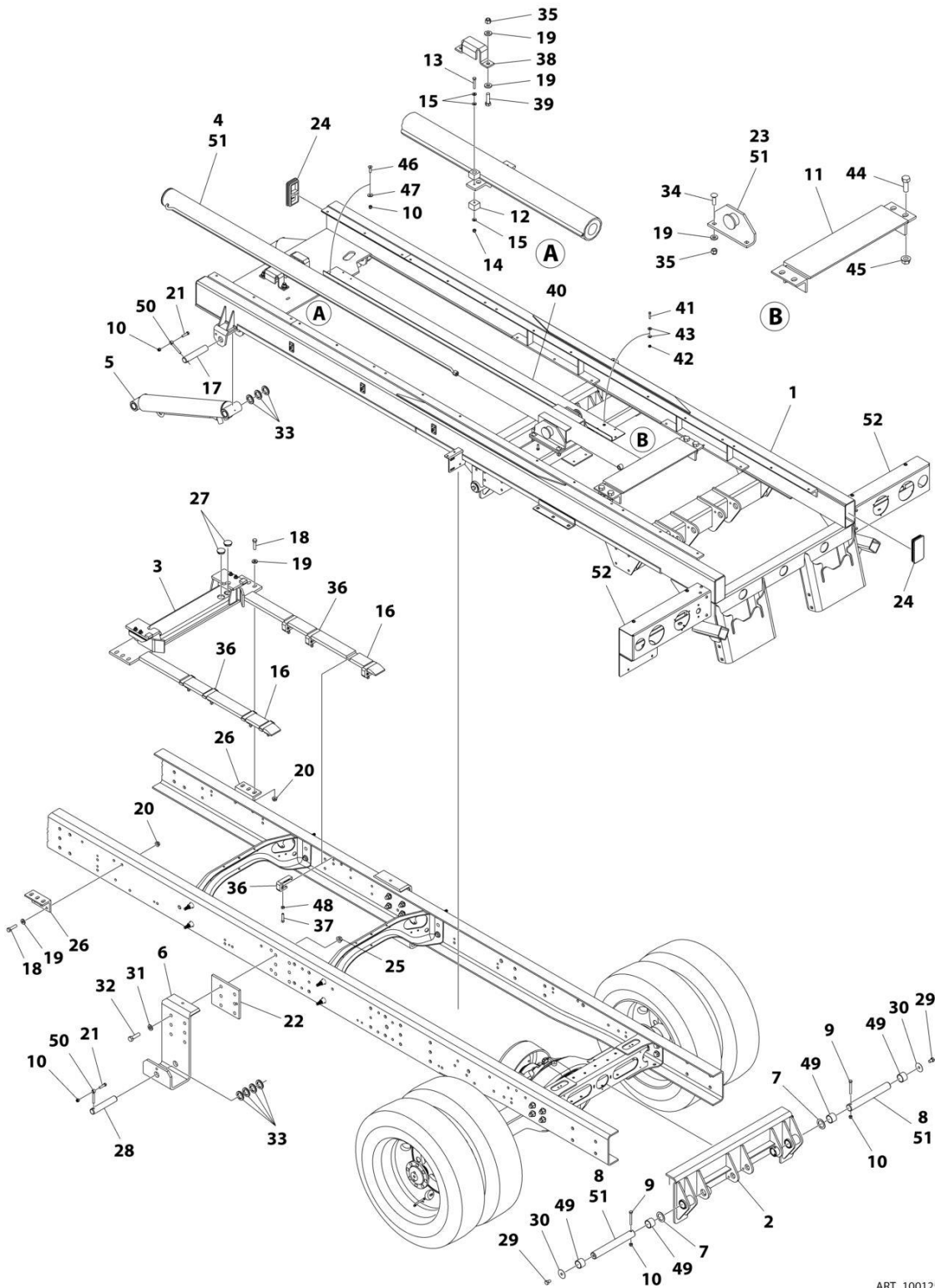
| ITEM | PART NUMBER | QTY | DESCRIPTION | REV |
|------|-------------|-----|---|-----|
| | 1001253907 | Ref | SUBFRAME INSTALLATION XLP, OUTBOARD, 2019 GM/IHC | C |
| 1 | 1001177719 | 1 | Frame Weldment | |
| 2 | 1001162403 | 1 | Trunnion | |
| 3 | 3558000019 | 1 | Hold Down Assembly | |
| 4 | 1001166855 | 1 | Roll Cylinder Assembly (See Separate Breakdown in this Section) | |
| 5 | 1001270175 | 2 | Tilt Cylinder Assembly (See Separate Breakdown in this Section) | |
| 6 | 1001142062 | 2 | Bracket | |
| 7 | 7949000008 | 2 | Washer 2-1/4 | |
| 8 | 4691000573 | 2 | Pin | |
| 9 | 0641624 | 2 | Capscrew 3/8 x 3 | |
| 10 | 3300492 | 7 | Nut 3/8 | |
| 11 | 3017000104 | 1 | Angle | |
| 12 | 7189000026 | 4 | Bumper | |
| 13 | 7114141450 | 2 | Capscrew 1/4 x 1-3/4 | |
| 14 | 7660142604 | 2 | Nut 1/4 | |
| 15 | 7950140143 | 6 | Washer 1/4 | |
| 16 | 1001151248 | 2 | Pad | |
| 17 | 1001188134 | 2 | Pin | |
| 18 | 0651816 | 8 | Capscrew 1/2 x 2 | |
| 19 | 4891800 | 20 | Washer 1/2 | |
| 20 | 7660182333 | 8 | Nut 1/2 | |
| 21 | 0641612 | 4 | Capscrew 3/8 x 1-1/2 | |
| 22 | 1001159915 | 2 | Shim | |
| 23 | 3636000144 | 2 | Trunnion | |
| 24 | 7701000048 | 4 | Plug | |
| 25 | 7660202347 | 8 | Nut 5/8 | |
| 26 | 4017001271 | 2 | Angle | |
| 27 | 7701000063 | 4 | Plug | |
| 28 | 1001188139 | 2 | Pin | |
| 29 | 0641806 | 2 | Capscrew 1/2 x 3/4 | |
| 30 | 7949000072 | 2 | Washer 2 | |
| 31 | 4892000 | 8 | Washer 5/8 | |
| 32 | 7105202050 | 8 | Capscrew 5/8 x 2-1/2 | |
| 33 | 4209000358 | 14 | Bushing | |
| 34 | 7115181464 | 4 | Bolt 1/2 x 1-3/4 | |
| 35 | 7660182601 | 8 | Nut 1/2 | |
| 36 | 7274000125 | 8 | Clamp | |
| 37 | 7120000032 | 8 | Bolt 3/8 x 1-3/4 | |
| 38 | 4178000912 | 2 | Bracket | |
| 39 | 0641814 | 4 | Bolt 1/2 x 1-3/4 | |
| 40 | 1001162798 | 1 | Plate | |
| 41 | 7114100818 | 2 | Capscrew #10 x 1 | |
| 42 | 3300455 | 2 | Nut 10 | |
| 43 | 4751300 | 4 | Washer 3/16 | |
| 44 | 0642216 | 4 | Bolt 3/4 x 2 | |
| 45 | 7660222308 | 4 | Nut 3/4 | |
| 46 | 0741610 | 1 | Bolt 3/8 x 1-1/4 | |
| 47 | 4751600 | 1 | Washer 3/8 | |
| 48 | 3271601 | 8 | Nut 3/8 | |
| 49 | 7082000017 | 4 | Bearing | |

SECTION 1 - SUBFRAME

| ITEM | PART NUMBER | QTY | DESCRIPTION | REV |
|------|-------------|-----|---|-----|
| 50 | 3841143 | 4 | Keeper, Shaft | |
| 51 | 3020039 | AR | Lubricant | |
| 52 | 1001173948 | 1 | Light Box and Cover Installation (See Separate Breakdown in this Section) | |

SECTION 1 - SUBFRAME

FIGURE 1-4. SUBFRAME INSTALLATION - 20FT (2019+ CVC515) (GALVANIZED)



ART_1001253909

SECTION 1 - SUBFRAME

FIGURE 1-4. SUBFRAME INSTALLATION - 20FT (2019+ CVC515) (GALVANIZED)

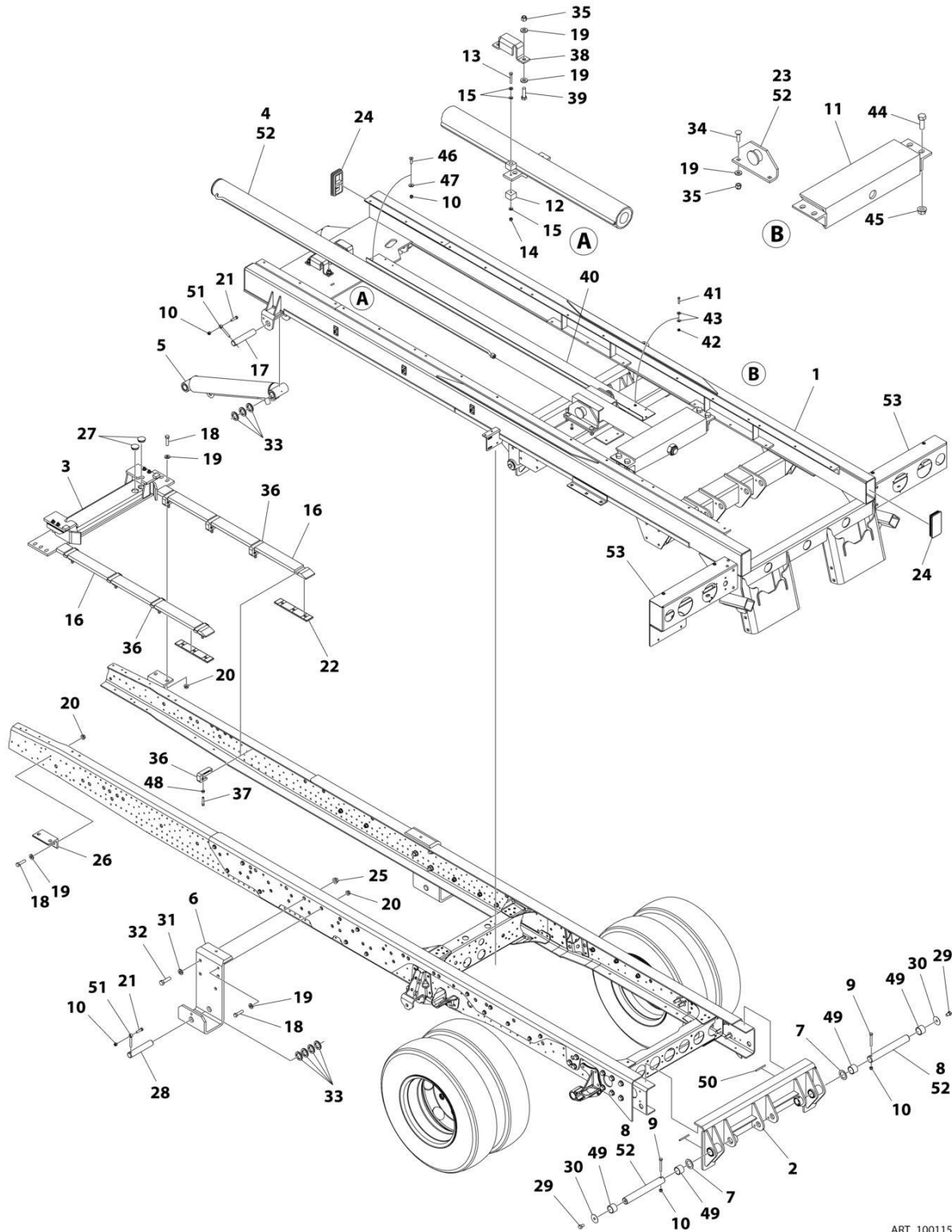
| ITEM | PART NUMBER | QTY | DESCRIPTION | REV |
|------|-------------|-----|---|-----|
| | 1001253909 | Ref | SUBFRAME INSTALLATION XLP, OUTBOARD GALVANIZED, 2019 GM/IHC | C |
| 1 | 1001177720 | 1 | Frame Weldment | |
| 2 | 1001162403 | 1 | Trunnion | |
| 3 | 3558000019 | 1 | Hold Down Assembly | |
| 4 | 1001166855 | 1 | Roll Cylinder Assembly (See Separate Breakdown in this Section) | |
| 5 | 1001270175 | 2 | Tilt Cylinder Assembly (See Separate Breakdown in this Section) | |
| 6 | 1001142062 | 2 | Bracket | |
| 7 | 7949000008 | 2 | Washer 2-1/4 | |
| 8 | 4691000573 | 2 | Pin | |
| 9 | 0641624 | 2 | Capscrew 3/8 x 3 | |
| 10 | 3300492 | 7 | Nut 3/8 | |
| 11 | 3017000104 | 1 | Angle | |
| 12 | 7189000026 | 4 | Bumper | |
| 13 | 7114141450 | 2 | Capscrew 1/4 x 1-3/4 | |
| 14 | 7660142604 | 2 | Nut 1/4 | |
| 15 | 7950140143 | 6 | Washer 1/4 | |
| 16 | 1001151248 | 2 | Pad | |
| 17 | 1001188134 | 2 | Pin | |
| 18 | 0651816 | 8 | Capscrew 1/2 x 2 | |
| 19 | 4891800 | 20 | Washer 1/2 | |
| 20 | 7660182333 | 8 | Nut 1/2 | |
| 21 | 0641612 | 4 | Capscrew 3/8 x 1-1/2 | |
| 22 | 1001159915 | 2 | Shim | |
| 23 | 3636000144 | 2 | Trunnion | |
| 24 | 7701000048 | 4 | Plug | |
| 25 | 7660202347 | 8 | Nut 5/8 | |
| 26 | 4017001271 | 2 | Angle | |
| 27 | 7701000063 | 4 | Plug | |
| 28 | 1001188139 | 2 | Pin | |
| 29 | 0641806 | 2 | Capscrew 1/2 x 3/4 | |
| 30 | 7949000072 | 2 | Washer 2 | |
| 31 | 4892000 | 8 | Washer 5/8 | |
| 32 | 7105202050 | 8 | Capscrew 5/8 x 2-1/2 | |
| 33 | 4209000358 | 14 | Bushing | |
| 34 | 7115181464 | 4 | Bolt 1/2 x 1-3/4 | |
| 35 | 7660182601 | 8 | Nut 1/2 | |
| 36 | 7274000125 | 8 | Clamp | |
| 37 | 7120000032 | 8 | Bolt 3/8 x 1-3/4 | |
| 38 | 4178000912 | 2 | Bracket | |
| 39 | 0641814 | 4 | Bolt 1/2 x 1-3/4 | |
| 40 | 1001162798 | 1 | Plate | |
| 41 | 7114100818 | 2 | Capscrew #10 x 1 | |
| 42 | 3300455 | 2 | Nut 10 | |
| 43 | 4751300 | 4 | Washer 3/16 | |
| 44 | 0642216 | 4 | Bolt 3/4 x 2 | |
| 45 | 7660222308 | 4 | Nut 3/4 | |
| 46 | 0741610 | 1 | Bolt 3/8 x 1-1/4 | |
| 47 | 4751600 | 1 | Washer 3/8 | |
| 48 | 3271601 | 8 | Nut 3/8 | |

SECTION 1 - SUBFRAME

| ITEM | PART NUMBER | QTY | DESCRIPTION | REV |
|------|-------------|-----|---|-----|
| 49 | 7082000017 | 4 | Bearing | |
| 50 | 3841143 | 4 | Keeper, Shaft | |
| 51 | 3020039 | AR | Lubricant | |
| 52 | 1001173949 | 1 | Light Box and Cover Installation (See Separate Breakdown in this Section) | |

SECTION 1 - SUBFRAME

FIGURE 1-5. SUBFRAME INSTALLATION - 20FT/22FT (ISUZU)



ART_1001156359

SECTION 1 - SUBFRAME

FIGURE 1-5. SUBFRAME INSTALLATION - 20FT/22FT (ISUZU)

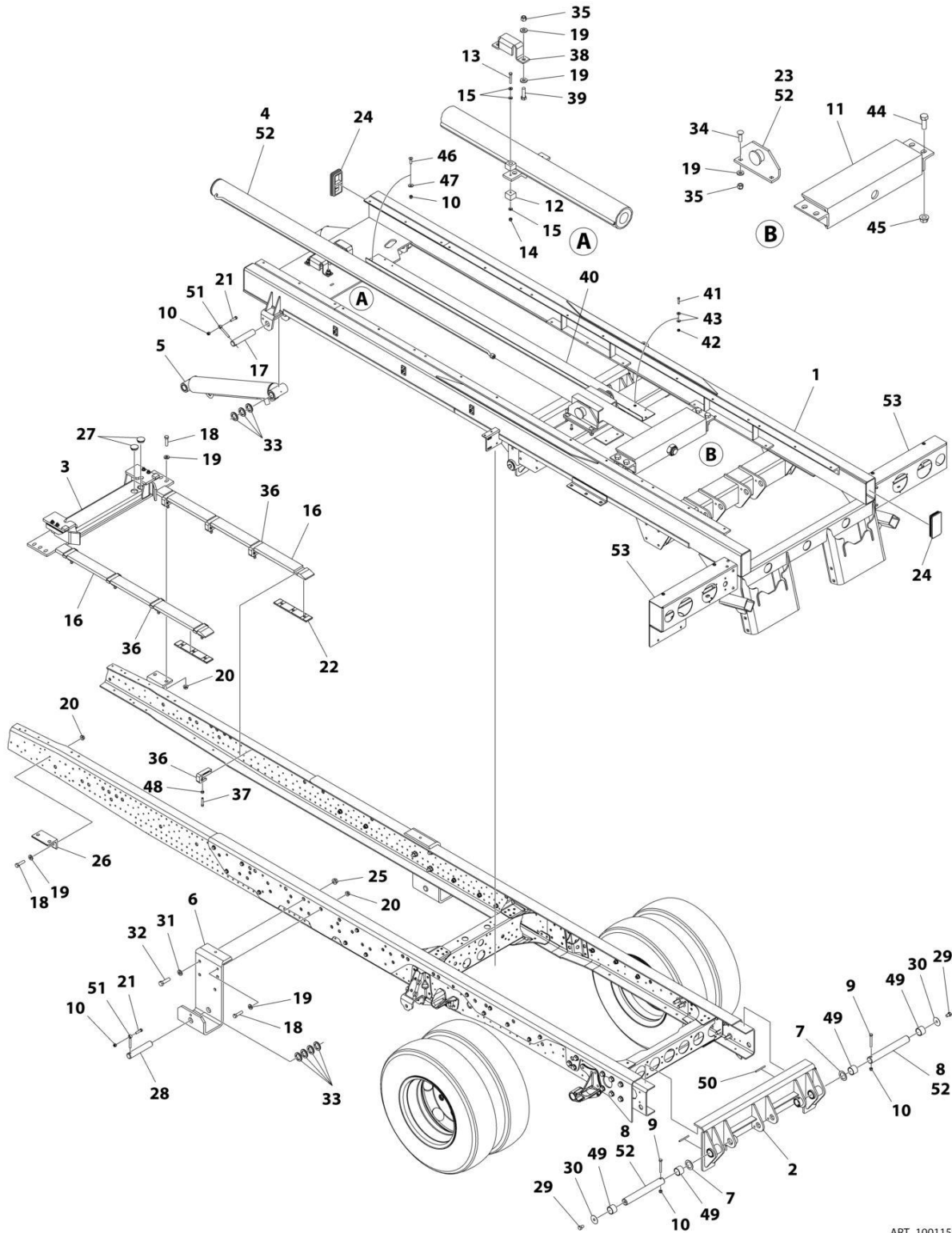
| ITEM | PART NUMBER | QTY | DESCRIPTION | REV |
|------|-------------|-----|---|-----|
| | 1001156359 | Ref | SUBFRAME INSTALLATION XLP ISUZU NRR | G |
| 1 | 1001177719 | 1 | Frame Weldment | |
| 2 | 1001162403 | 1 | Trunnion | |
| 3 | 3558000019 | 1 | Hold Down Assembly | |
| 4 | 1001166855 | 1 | Roll Cylinder Assembly (See Separate Breakdown in this Section) | |
| 5 | 1001270175 | 2 | Tilt Cylinder Assembly (See Separate Breakdown in this Section) | |
| 6 | 1001142062 | 2 | Bracket | |
| 7 | 7949000008 | 2 | Washer 2-1/4 | |
| 8 | 4691000573 | 2 | Pin | |
| 9 | 0641624 | 2 | Capscrew 3/8 x 3 | |
| 10 | 3300492 | 7 | Nut 3/8 | |
| 11 | 3017000104 | 1 | Angle | |
| 12 | 7189000026 | 4 | Bumper | |
| 13 | 7114141450 | 2 | Capscrew 1/4 x 1-3/4 | |
| 14 | 7660142604 | 2 | Nut 1/4 | |
| 15 | 7950140143 | 6 | Washer 1/4 | |
| 16 | 4679000332 | 2 | Pad | |
| 17 | 1001188134 | 2 | Pin | |
| 18 | 0651816 | 9 | Capscrew 1/2 x 2 | |
| 19 | 4891800 | 21 | Washer 1/2 | |
| 20 | 7660182333 | 9 | Nut 1/2 | |
| 21 | 0641612 | 4 | Capscrew 3/8 x 1-1/2 | |
| 22 | 3340898 | 10 | Pad | |
| 23 | 3636000144 | 2 | Trunnion | |
| 24 | 7701000048 | 4 | Plug | |
| 25 | 7660202347 | 8 | Nut 5/8 | |
| 26 | 1001159913 | 2 | Angle | |
| 27 | 7701000063 | 4 | Plug | |
| 28 | 1001188139 | 2 | Pin | |
| 29 | 0641806 | 2 | Capscrew 1/2 x 3/4 | |
| 30 | 7949000072 | 2 | Washer 2 | |
| 31 | 4892000 | 8 | Washer 5/8 | |
| 32 | 7105201850 | 8 | Capscrew 5/8 x 2-1/4 | |
| 33 | 4209000358 | 14 | Bushing | |
| 34 | 7115181464 | 4 | Bolt 1/2 x 1-3/4 | |
| 35 | 7660182601 | 8 | Nut 1/2 | |
| 36 | 7274000125 | 8 | Clamp | |
| 37 | 7120000032 | 8 | Bolt 3/8 x 1-3/4 | |
| 38 | 4178000912 | 2 | Bracket | |
| 39 | 0641814 | 4 | Bolt 1/2 x 1-3/4 | |
| 40 | 1001162798 | 1 | Plate | |
| 41 | 7114100818 | 2 | Capscrew #10 x 1 | |
| 42 | 3300455 | 2 | Nut 10 | |
| 43 | 4751300 | 4 | Washer 3/16 | |
| 44 | 0642216 | 4 | Bolt 3/4 x 2 | |
| 45 | 7660222308 | 4 | Nut 3/4 | |
| 46 | 0741610 | 1 | Bolt 3/8 x 1-1/4 | |
| 47 | 4751600 | 1 | Washer 3/8 | |
| 48 | 3271601 | 8 | Nut 3/8 | |
| 49 | 7082000017 | 4 | Bearing | |

SECTION 1 - SUBFRAME

| ITEM | PART NUMBER | QTY | DESCRIPTION | REV |
|------|-------------|-----|---|-----|
| 50 | 1001159822 | 2 | Rod | |
| 51 | 3841143 | 4 | Keeper, Shaft | |
| 52 | 3020039 | AR | Lubricant | |
| 53 | 1001173948 | 1 | Light Box and Cover Installation (See Separate Breakdown in this Section) | |

SECTION 1 - SUBFRAME

FIGURE 1-6. SUBFRAME INSTALLATION - 20FT/22FT (ISUZU) (GALVANIZED)



ART_1001159625

SECTION 1 - SUBFRAME

FIGURE 1-6. SUBFRAME INSTALLATION - 20FT/22FT (ISUZU) (GALVANIZED)

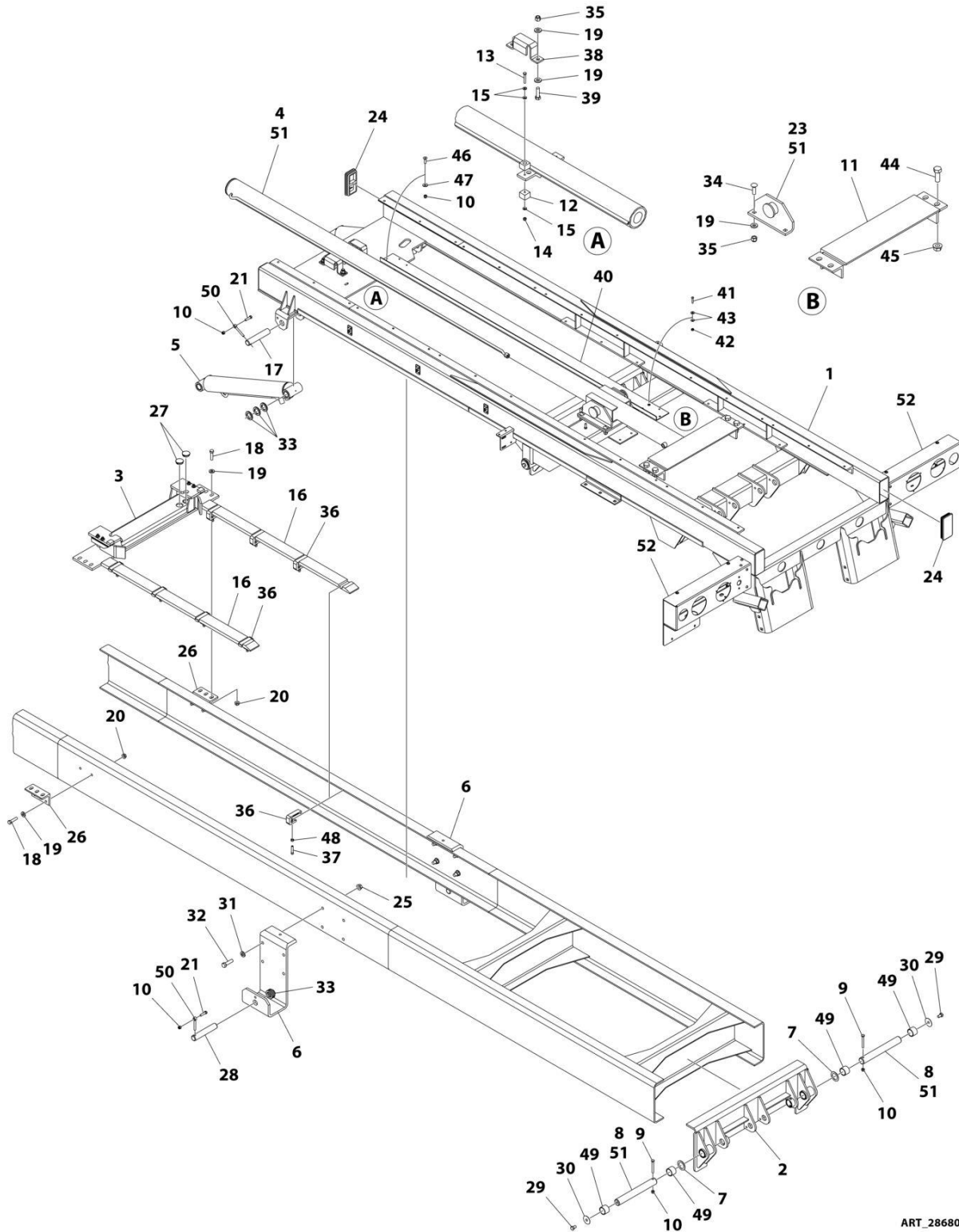
| ITEM | PART NUMBER | QTY | DESCRIPTION | REV |
|------|-------------|-----|---|-----|
| | 1001159625 | Ref | SUBFRAME INSTALLATION XLP GALVANIZED ISUZU NRR | G |
| 1 | 1001177720 | 1 | Frame Weldment | |
| 2 | 1001162403 | 1 | Trunnion | |
| 3 | 3558000019 | 1 | Hold Down Assembly | |
| 4 | 1001166855 | 1 | Roll Cylinder Assembly (See Separate Breakdown in this Section) | |
| 5 | 1001270175 | 2 | Tilt Cylinder Assembly (See Separate Breakdown in this Section) | |
| 6 | 1001142062 | 2 | Bracket | |
| 7 | 7949000008 | 2 | Washer 2-1/4 | |
| 8 | 4691000573 | 2 | Pin | |
| 9 | 0641624 | 2 | Capscrew 3/8 x 3 | |
| 10 | 3300492 | 7 | Nut 3/8 | |
| 11 | 3017000104 | 1 | Angle | |
| 12 | 7189000026 | 4 | Bumper | |
| 13 | 7114141450 | 2 | Capscrew 1/4 x 1-3/4 | |
| 14 | 7660142604 | 2 | Nut 1/4 | |
| 15 | 7950140143 | 6 | Washer 1/4 | |
| 16 | 4679000332 | 2 | Pad | |
| 17 | 1001188134 | 2 | Pin | |
| 18 | 0651816 | 9 | Capscrew 1/2 x 2 | |
| 19 | 4891800 | 21 | Washer 1/2 | |
| 20 | 7660182333 | 9 | Nut 1/2 | |
| 21 | 0641612 | 4 | Capscrew 3/8 x 1-1/2 | |
| 22 | 3340898 | 10 | Pad | |
| 23 | 3636000144 | 2 | Trunnion | |
| 24 | 7701000048 | 4 | Plug | |
| 25 | 7660202347 | 8 | Nut 5/8 | |
| 26 | 1001159913 | 2 | Angle | |
| 27 | 7701000063 | 4 | Plug | |
| 28 | 1001188139 | 2 | Pin | |
| 29 | 0641806 | 2 | Capscrew 1/2 x 3/4 | |
| 30 | 7949000072 | 2 | Washer 2 | |
| 31 | 4892000 | 8 | Washer 5/8 | |
| 32 | 7105201850 | 8 | Capscrew 5/8 x 2-1/4 | |
| 33 | 4209000358 | 14 | Bushing | |
| 34 | 7115181464 | 4 | Bolt 1/2 x 1-3/4 | |
| 35 | 7660182601 | 8 | Nut 1/2 | |
| 36 | 7274000125 | 8 | Clamp | |
| 37 | 7120000032 | 8 | Bolt 3/8 x 1-3/4 | |
| 38 | 4178000912 | 2 | Bracket | |
| 39 | 0641814 | 4 | Bolt 1/2 x 1-3/4 | |
| 40 | 1001162798 | 1 | Plate | |
| 41 | 7114100818 | 2 | Capscrew #10 x 1 | |
| 42 | 3300455 | 2 | Nut 10 | |
| 43 | 4751300 | 4 | Washer 3/16 | |
| 44 | 0642216 | 4 | Bolt 3/4 x 2 | |
| 45 | 7660222308 | 4 | Nut 3/4 | |
| 46 | 0741610 | 1 | Bolt 3/8 x 1-1/4 | |
| 47 | 4751600 | 1 | Washer 3/8 | |
| 48 | 3271601 | 8 | Nut 3/8 | |
| 49 | 7082000017 | 4 | Bearing | |

SECTION 1 - SUBFRAME

| ITEM | PART NUMBER | QTY | DESCRIPTION | REV |
|------|-------------|-----|---|-----|
| 50 | 1001159822 | 2 | Rod | |
| 51 | 3841143 | 4 | Keeper, Shaft | |
| 52 | 3020039 | AR | Lubricant | |
| 53 | 1001173949 | 1 | Light Box and Cover Installation (See Separate Breakdown in this Section) | |

SECTION 1 - SUBFRAME

FIGURE 1-7. SUBFRAME INSTALLATION - 21FT/22FT



ART_2868000146

SECTION 1 - SUBFRAME

FIGURE 1-7. SUBFRAME INSTALLATION - 21FT/22FT

| ITEM | PART NUMBER | QTY | DESCRIPTION | REV |
|------|-------------|-----|---|-----|
| | 2868000146 | Ref | SUBFRAME INSTALLATION 6-TON XLP | K |
| 1 | 1001177719 | 1 | Frame Weldment | |
| 2 | 1001162403 | 1 | Trunnion | |
| 3 | 3558000019 | 1 | Hold Down Assembly | |
| 4 | 1001166855 | 1 | Roll Cylinder Assembly (See Separate Breakdown in this Section) | |
| 5 | 1001270175 | 2 | Tilt Cylinder Assembly (See Separate Breakdown in this Section) | |
| 6 | 4178000805 | 2 | Bracket | |
| 7 | 7949000008 | 2 | Washer 2-1/4 | |
| 8 | 4691000573 | 2 | Pin | |
| 9 | 0641624 | 2 | Capscrew 3/8 x 3 | |
| 10 | 3300492 | 7 | Nut 3/8 | |
| 11 | 3017000104 | 1 | Angle | |
| 12 | 7189000026 | 4 | Bumper | |
| 13 | 7114141450 | 2 | Capscrew 1/4 x 1-3/4 | |
| 14 | 7660142604 | 2 | Nut 1/4 | |
| 15 | 7950140143 | 6 | Washer 1/4 | |
| 16 | 4679000332 | 2 | Pad | |
| 17 | 1001188134 | 2 | Pin | |
| 18 | 0651816 | 8 | Capscrew 1/2 x 2 | |
| 19 | 4891800 | 20 | Washer 1/2 | |
| 20 | 7660182333 | 8 | Nut 1/2 | |
| 21 | 0641612 | 4 | Capscrew 3/8 x 1-1/2 | |
| 23 | 3636000144 | 2 | Trunnion | |
| 24 | 7701000048 | 4 | Plug | |
| 25 | 7660202347 | 8 | Nut 5/8 | |
| 26 | 4017001271 | 2 | Angle | |
| 27 | 7701000063 | 4 | Plug | |
| 28 | 1001188139 | 2 | Pin | |
| 29 | 0641806 | 2 | Capscrew 1/2 x 3/4 | |
| 30 | 7949000072 | 2 | Washer 2 | |
| 31 | 4892000 | 8 | Washer 5/8 | |
| 32 | 7105201850 | 8 | Capscrew 5/8 x 2-1/4 | |
| 33 | 4209000358 | 14 | Bushing | |
| 34 | 7115181464 | 4 | Bolt 1/2 x 1-3/4 | |
| 35 | 7660182601 | 8 | Nut 1/2 | |
| 36 | 7274000125 | 8 | Clamp | |
| 37 | 7120000032 | 8 | Bolt 3/8 x 1-3/4 | |
| 38 | 4178000912 | 1 | Bracket | |
| 39 | 0641814 | 4 | Bolt 1/2 x 1-3/4 | |
| 40 | 1001162798 | 1 | Plate | |
| 41 | 7114100818 | 2 | Capscrew #10 x 1 | |
| 42 | 3300455 | 2 | Nut 10 | |
| 43 | 4751300 | 4 | Washer 3/16 | |
| 44 | 0642216 | 4 | Bolt 3/4 x 2 | |
| 45 | 7660222308 | 4 | Nut 3/4 | |
| 46 | 0741610 | 1 | Bolt 3/8 x 1-1/4 | |
| 47 | 4751600 | 1 | Washer 3/8 | |
| 48 | 3271601 | 8 | Nut 3/8 | |
| 49 | 7082000017 | 4 | Bearing | |
| 50 | 3841143 | 4 | Keeper, Shaft | |

SECTION 1 - SUBFRAME

| ITEM | PART NUMBER | QTY | DESCRIPTION | REV |
|------|-------------|-----|---|-----|
| 51 | 3020039 | AR | Lubricant | |
| 52 | 1001173948 | 1 | Light Box and Cover Installation (See Separate Breakdown in this Section) | |

SECTION 1 - SUBFRAME

FIGURE 1-8. SUBFRAME INSTALLATION - 21FT/22FT (2019+ CVC515)

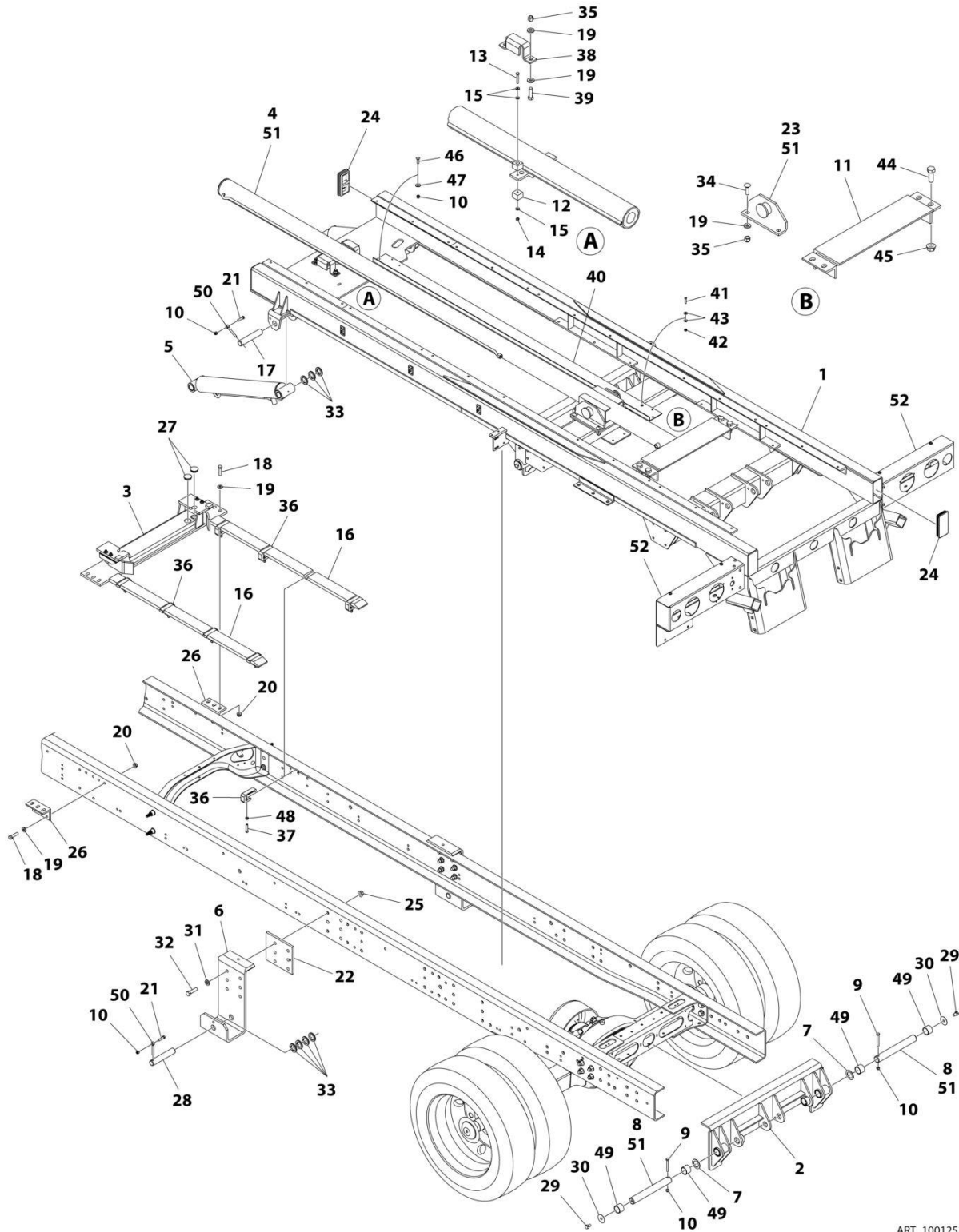
| ITEM | PART NUMBER | QTY | DESCRIPTION | REV |
|------|-------------|-----|---|-----|
| | 1001253908 | Ref | SUBFRAME INSTALLATION XLP, OUTBOARD, 2019 CHEVY/IHC | C |
| 1 | 1001177719 | 1 | Frame Weldment | |
| 2 | 1001162403 | 1 | Trunnion | |
| 3 | 3558000019 | 1 | Hold Down Assembly | |
| 4 | 1001166855 | 1 | Roll Cylinder Assembly (See Separate Breakdown in this Section) | |
| 5 | 1001270175 | 2 | Tilt Cylinder Assembly (See Separate Breakdown in this Section) | |
| 6 | 1001142062 | 2 | Bracket | |
| 7 | 7949000008 | 2 | Washer 2-1/4 | |
| 8 | 4691000573 | 2 | Pin | |
| 9 | 0641624 | 2 | Capscrew 3/8 x 3 | |
| 10 | 3300492 | 7 | Nut 3/8 | |
| 11 | 3017000104 | 1 | Angle | |
| 12 | 7189000026 | 4 | Bumper | |
| 13 | 7114141450 | 2 | Capscrew 1/4 x 1-3/4 | |
| 14 | 7660142604 | 2 | Nut 1/4 | |
| 15 | 7950140143 | 6 | Washer 1/4 | |
| 16 | 4679000332 | 2 | Pad | |
| 17 | 1001188134 | 2 | Pin | |
| 18 | 0651816 | 8 | Capscrew 1/2 x 2 | |
| 19 | 4891800 | 20 | Washer 1/2 | |
| 20 | 7660182333 | 8 | Nut 1/2 | |
| 21 | 0641612 | 4 | Capscrew 3/8 x 1-1/2 | |
| 22 | 1001159915 | 2 | Shim | |
| 23 | 3636000144 | 2 | Trunnion | |
| 24 | 7701000048 | 4 | Plug | |
| 25 | 7660202347 | 12 | Nut 5/8 | |
| 26 | 4017001271 | 2 | Angle | |
| 27 | 7701000063 | 4 | Plug | |
| 28 | 1001188139 | 2 | Pin | |
| 29 | 0641806 | 2 | Capscrew 1/2 x 3/4 | |
| 30 | 7949000072 | 2 | Washer 2 | |
| 31 | 4892000 | 12 | Washer 5/8 | |
| 32 | 7105202050 | 12 | Capscrew 5/8 x 2-1/2 | |
| 33 | 4209000358 | 14 | Bushing | |
| 34 | 7115181464 | 4 | Bolt 1/2 x 1-3/4 | |
| 35 | 7660182601 | 8 | Nut 1/2 | |
| 36 | 7274000125 | 8 | Clamp | |
| 37 | 7120000032 | 8 | Bolt 3/8 x 1-3/4 | |
| 38 | 4178000912 | 2 | Bracket | |
| 39 | 0641814 | 4 | Bolt 1/2 x 1-3/4 | |
| 40 | 1001162798 | 1 | Plate | |
| 41 | 7114100818 | 2 | Capscrew #10 x 1 | |
| 42 | 3300455 | 2 | Nut 10 | |
| 43 | 4751300 | 4 | Washer 3/16 | |
| 44 | 0642216 | 4 | Bolt 3/4 x 2 | |
| 45 | 7660222308 | 4 | Nut 3/4 | |
| 46 | 0741610 | 1 | Bolt 3/8 x 1-1/4 | |
| 47 | 4751600 | 1 | Washer 3/8 | |
| 48 | 3271601 | 8 | Nut 3/8 | |
| 49 | 7082000017 | 4 | Bearing | |

SECTION 1 - SUBFRAME

| ITEM | PART NUMBER | QTY | DESCRIPTION | REV |
|------|-------------|-----|---|-----|
| 50 | 3841143 | 4 | Keeper, Shaft | |
| 51 | 3020039 | AR | Lubricant | |
| 52 | 1001173948 | 1 | Light Box and Cover Installation (See Separate Breakdown in this Section) | |

SECTION 1 - SUBFRAME

FIGURE 1-9. SUBFRAME INSTALLATION - 21FT/22FT (2019+ CVC515) (GALVANIZED)



ART_1001253910

SECTION 1 - SUBFRAME

FIGURE 1-9. SUBFRAME INSTALLATION - 21FT/22FT (2019+ CVC515) (GALVANIZED)

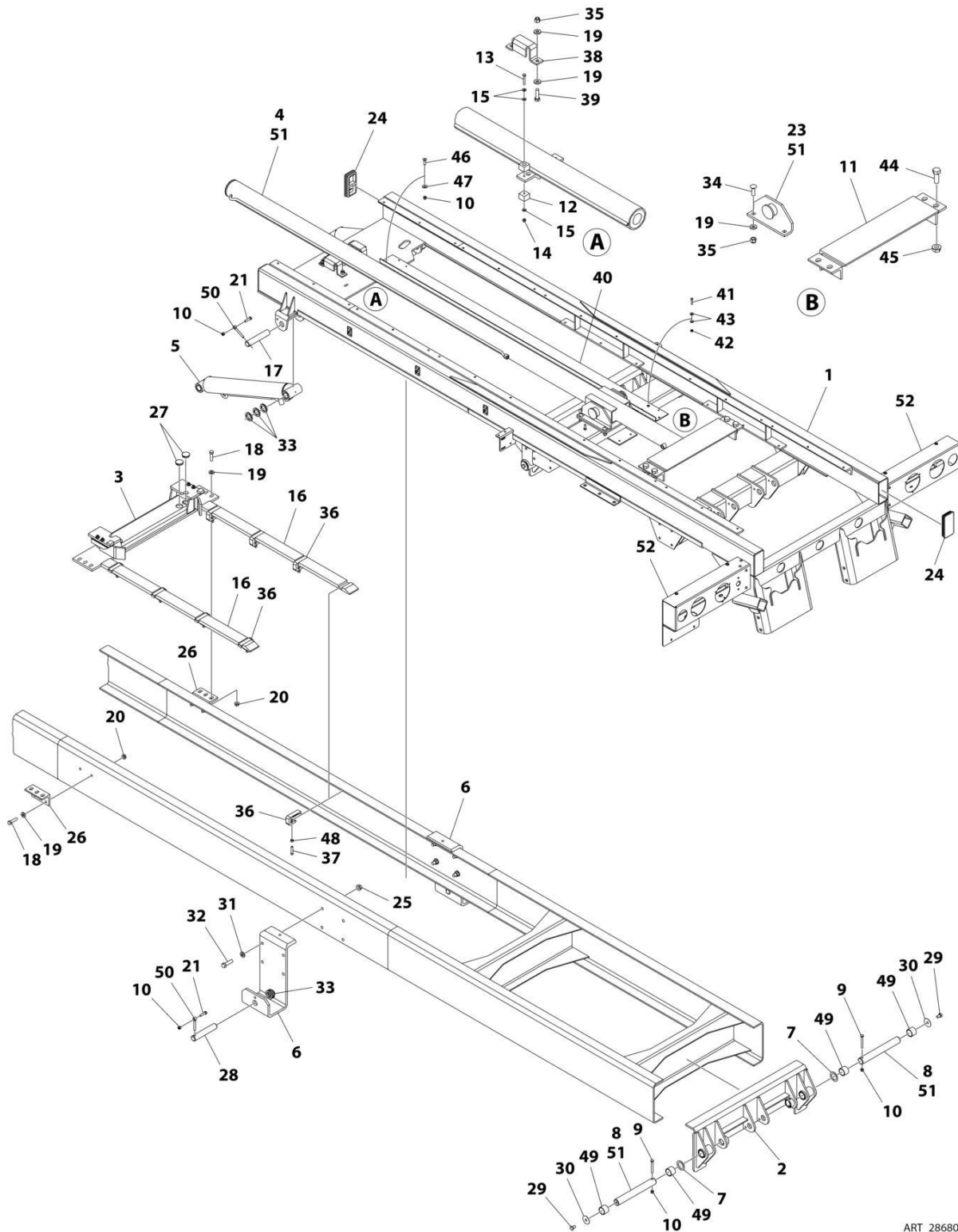
| ITEM | PART NUMBER | QTY | DESCRIPTION | REV |
|------|-------------|-----|---|-----|
| | 1001253910 | Ref | SUBFRAME INSTALLATION XLP, OUTBOARD GALVANIZED, 2019 CHEVY/IHC | C |
| 1 | 1001177720 | 1 | Frame Weldment | |
| 2 | 1001162403 | 1 | Trunnion | |
| 3 | 3558000019 | 1 | Hold Down Assembly | |
| 4 | 1001166855 | 1 | Roll Cylinder Assembly (See Separate Breakdown in this Section) | |
| 5 | 1001270175 | 2 | Tilt Cylinder Assembly (See Separate Breakdown in this Section) | |
| 6 | 1001142062 | 2 | Bracket | |
| 7 | 7949000008 | 2 | Washer 2-1/4 | |
| 8 | 4691000573 | 2 | Pin | |
| 9 | 0641624 | 2 | Capscrew 3/8 x 3 | |
| 10 | 3300492 | 7 | Nut 3/8 | |
| 11 | 3017000104 | 1 | Angle | |
| 12 | 7189000026 | 4 | Bumper | |
| 13 | 7114141450 | 2 | Capscrew 1/4 x 1-3/4 | |
| 14 | 7660142604 | 2 | Nut 1/4 | |
| 15 | 7950140143 | 6 | Washer 1/4 | |
| 16 | 4679000332 | 2 | Pad | |
| 17 | 1001188134 | 2 | Pin | |
| 18 | 0651816 | 8 | Capscrew 1/2 x 2 | |
| 19 | 4891800 | 20 | Washer 1/2 | |
| 20 | 7660182333 | 8 | Nut 1/2 | |
| 21 | 0641612 | 4 | Capscrew 3/8 x 1-1/2 | |
| 22 | 1001159915 | 2 | Shim | |
| 23 | 3636000144 | 2 | Trunnion | |
| 24 | 7701000048 | 4 | Plug | |
| 25 | 7660202347 | 12 | Nut 5/8 | |
| 26 | 4017001271 | 2 | Angle | |
| 27 | 7701000063 | 4 | Plug | |
| 28 | 1001188139 | 2 | Pin | |
| 29 | 0641806 | 2 | Capscrew 1/2 x 3/4 | |
| 30 | 7949000072 | 2 | Washer 2 | |
| 31 | 4892000 | 12 | Washer 5/8 | |
| 32 | 7105202050 | 12 | Capscrew 5/8 x 2-1/2 | |
| 33 | 4209000358 | 14 | Bushing | |
| 34 | 7115181464 | 4 | Bolt 1/2 x 1-3/4 | |
| 35 | 7660182601 | 8 | Nut 1/2 | |
| 36 | 7274000125 | 8 | Clamp | |
| 37 | 7120000032 | 8 | Bolt 3/8 x 1-3/4 | |
| 38 | 4178000912 | 2 | Bracket | |
| 39 | 0641814 | 4 | Bolt 1/2 x 1-3/4 | |
| 40 | 1001162798 | 1 | Plate | |
| 41 | 7114100818 | 2 | Capscrew #10 x 1 | |
| 42 | 3300455 | 2 | Nut 10 | |
| 43 | 4751300 | 4 | Washer 3/16 | |
| 44 | 0642216 | 4 | Bolt 3/4 x 2 | |
| 45 | 7660222308 | 4 | Nut 3/4 | |
| 46 | 0741610 | 1 | Bolt 3/8 x 1-1/4 | |
| 47 | 4751600 | 1 | Washer 3/8 | |
| 48 | 3271601 | 8 | Nut 3/8 | |

SECTION 1 - SUBFRAME

| ITEM | PART NUMBER | QTY | DESCRIPTION | REV |
|------|-------------|-----|---|-----|
| 49 | 7082000017 | 4 | Bearing | |
| 50 | 3841143 | 4 | Keeper, Shaft | |
| 51 | 3020039 | AR | Lubricant | |
| 52 | 1001173949 | 1 | Light Box and Cover Installation (See Separate Breakdown in this Section) | |

SECTION 1 - SUBFRAME

FIGURE 1-10. SUBFRAME INSTALLATION - 21FT/22FT (GALVANIZED)



ART_2868000148

SECTION 1 - SUBFRAME

FIGURE 1-10. SUBFRAME INSTALLATION - 21FT/22FT (GALVANIZED)

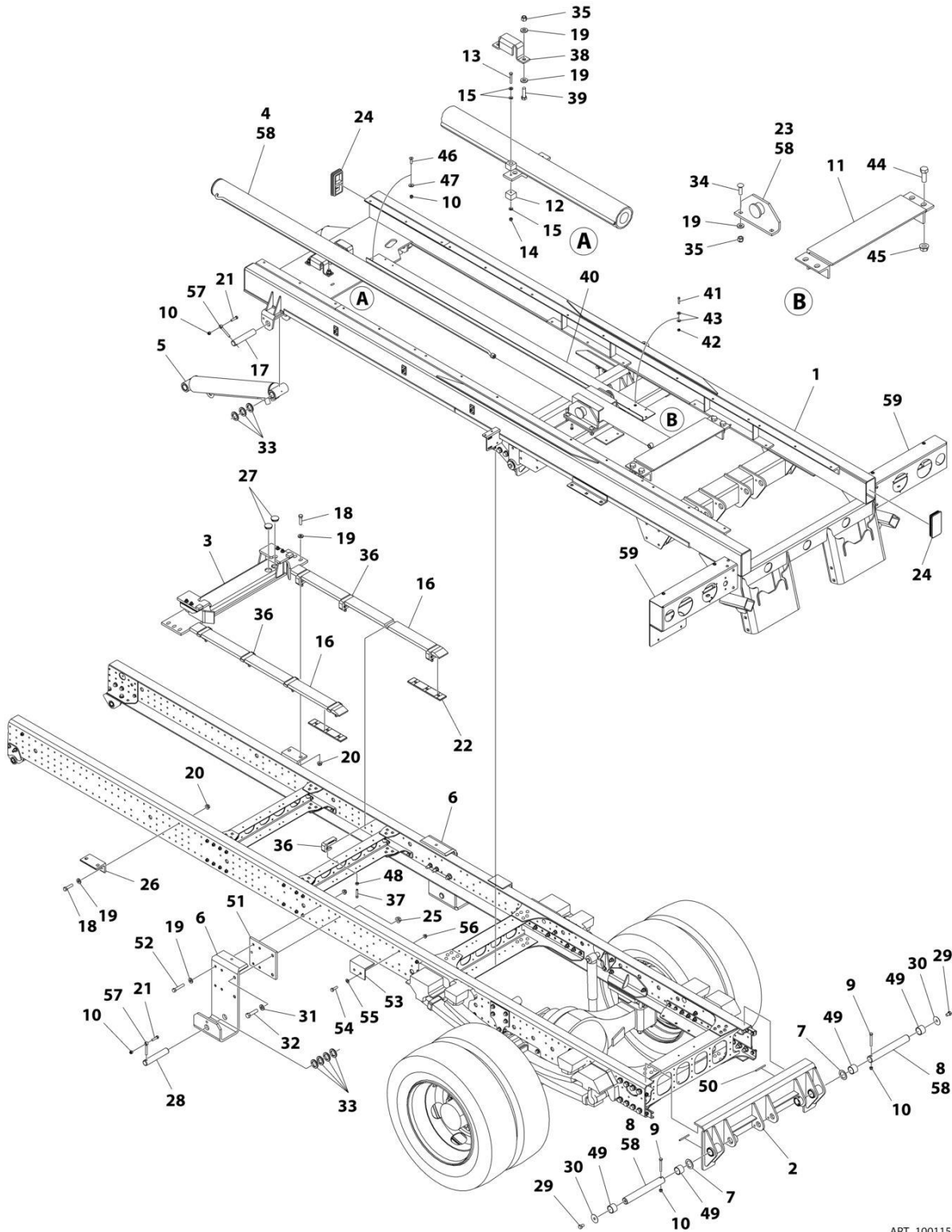
| ITEM | PART NUMBER | QTY | DESCRIPTION | REV |
|------|-------------|-----|---|-----|
| | 2868000148 | Ref | SUBFRAME INSTALLATION 6-TON XLP GALVANIZED | K |
| 2 | 1001177720 | 1 | Frame Weldment | |
| 2 | 1001162403 | 1 | Trunnion | |
| 3 | 3558000019 | 1 | Hold Down Assembly | |
| 4 | 1001166855 | 1 | Roll Cylinder Assembly (See Separate Breakdown in this Section) | |
| 5 | 1001270175 | 2 | Tilt Cylinder Assembly (See Separate Breakdown in this Section) | |
| 6 | 4178000805 | 2 | Bracket | |
| 7 | 7949000008 | 2 | Washer 2-1/4 | |
| 8 | 4691000573 | 2 | Pin | |
| 9 | 0641624 | 2 | Capscrew 3/8 x 3 | |
| 10 | 3300492 | 7 | Nut 3/8 | |
| 11 | 3017000104 | 1 | Angle | |
| 12 | 7189000026 | 4 | Bumper | |
| 13 | 7114141450 | 2 | Capscrew 1/4 x 1-3/4 | |
| 14 | 7660142604 | 2 | Nut 1/4 | |
| 15 | 7950140143 | 6 | Washer 1/4 | |
| 16 | 4679000332 | 2 | Pad | |
| 17 | 1001188134 | 2 | Pin | |
| 18 | 0651816 | 8 | Capscrew 1/2 x 2 | |
| 19 | 4891800 | 20 | Washer 1/2 | |
| 20 | 7660182333 | 8 | Nut 1/2 | |
| 21 | 0641612 | 4 | Capscrew 3/8 x 1-1/2 | |
| 23 | 3636000144 | 2 | Trunnion | |
| 24 | 7701000048 | 4 | Plug | |
| 25 | 7660202347 | 8 | Nut 5/8 | |
| 26 | 4017001271 | 2 | Angle | |
| 27 | 7701000063 | 4 | Plug | |
| 28 | 1001188139 | 2 | Pin | |
| 29 | 0641806 | 2 | Capscrew 1/2 x 3/4 | |
| 30 | 7949000072 | 2 | Washer 2 | |
| 31 | 4892000 | 8 | Washer 5/8 | |
| 32 | 7105201850 | 8 | Capscrew 5/8 x 2-1/4 | |
| 33 | 4209000358 | 14 | Bushing | |
| 34 | 7115181464 | 4 | Bolt 1/2 x 1-3/4 | |
| 35 | 7660182601 | 8 | Nut 1/2 | |
| 36 | 7274000125 | 8 | Clamp | |
| 37 | 7120000032 | 8 | Bolt 3/8 x 1-3/4 | |
| 38 | 4178000912 | 1 | Bracket | |
| 39 | 0641814 | 4 | Bolt 1/2 x 1-3/4 | |
| 40 | 1001162798 | 1 | Plate | |
| 41 | 7114100818 | 2 | Capscrew #10 x 1 | |
| 42 | 3300455 | 2 | Nut 10 | |
| 43 | 4751300 | 4 | Washer 3/16 | |
| 44 | 0642216 | 4 | Bolt 3/4 x 2 | |
| 45 | 7660222308 | 4 | Nut 3/4 | |
| 46 | 0741610 | 1 | Bolt 3/8 x 1-1/4 | |
| 47 | 4751600 | 1 | Washer 3/8 | |
| 48 | 3271601 | 8 | Nut 3/8 | |
| 49 | 7082000017 | 4 | Bearing | |
| 50 | 3841143 | 4 | Keeper, Shaft | |

SECTION 1 - SUBFRAME

| ITEM | PART NUMBER | QTY | DESCRIPTION | REV |
|------|-------------|-----|---|-----|
| 51 | 3020039 | AR | Lubricant | |
| 52 | 1001173948 | 1 | Light Box and Cover Installation (See Separate Breakdown in this Section) | |

SECTION 1 - SUBFRAME

FIGURE 1-11. SUBFRAME INSTALLATION - 22FT (HINO 195)



ART_1001159903

SECTION 1 - SUBFRAME

FIGURE 1-11. SUBFRAME INSTALLATION - 22FT (HINO 195)

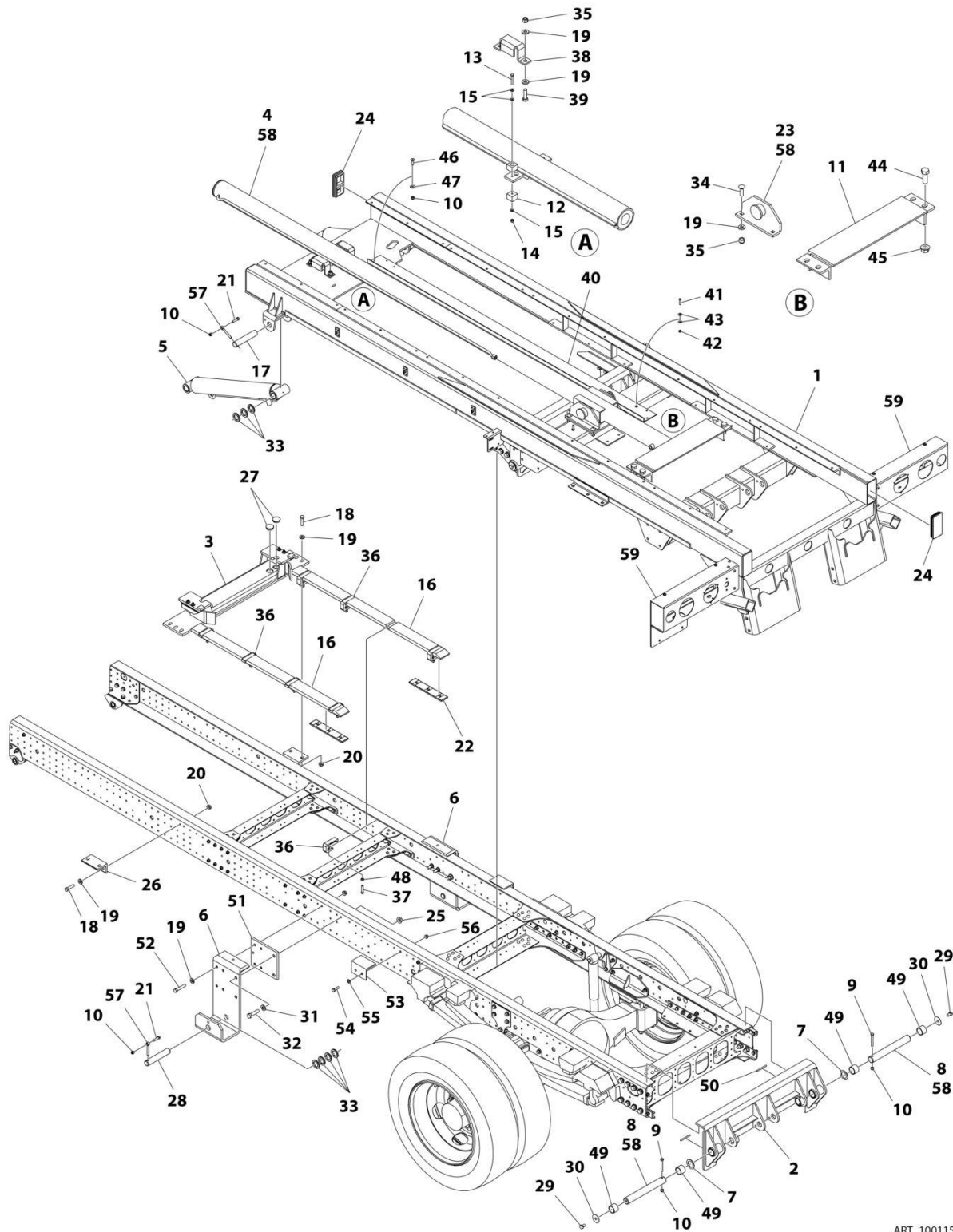
| ITEM | PART NUMBER | QTY | DESCRIPTION | REV |
|------|-------------|-----|---|-----|
| | 1001159903 | Ref | SUBFRAME INSTALLATION XLP HINO | E |
| 1 | 1001177719 | 1 | Frame Weldment | |
| 2 | 1001162403 | 1 | Trunnion | |
| 3 | 3558000019 | 1 | Hold Down Assembly | |
| 4 | 1001166855 | 1 | Roll Cylinder Assembly (See Separate Breakdown in this Section) | |
| 5 | 1001270175 | 2 | Tilt Cylinder Assembly (See Separate Breakdown in this Section) | |
| 6 | 1001142062 | 2 | Bracket | |
| 7 | 7949000008 | 2 | Washer 2-1/4 | |
| 8 | 4691000573 | 2 | Pin | |
| 9 | 0641624 | 2 | Capscrew 3/8 x 3 | |
| 10 | 3300492 | 7 | Nut 3/8 | |
| 11 | 3017000104 | 1 | Angle | |
| 12 | 7189000026 | 4 | Bumper | |
| 13 | 7114141450 | 2 | Capscrew 1/4 x 1-3/4 | |
| 14 | 7660142604 | 2 | Nut 1/4 | |
| 15 | 7950140143 | 6 | Washer 1/4 | |
| 16 | 4679000332 | 2 | Pad | |
| 17 | 1001188134 | 2 | Pin | |
| 18 | 0651816 | 8 | Capscrew 1/2 x 2 | |
| 19 | 4891800 | 28 | Washer 1/2 | |
| 20 | 7660182333 | 16 | Nut 1/2 | |
| 21 | 0641612 | 4 | Capscrew 3/8 x 1-1/2 | |
| 22 | 3340898 | 10 | Pad | |
| 23 | 3636000144 | 2 | Trunnion | |
| 24 | 7701000048 | 4 | Plug | |
| 25 | 7660202347 | 4 | Nut 5/8 | |
| 26 | 1001159913 | 2 | Angle | |
| 27 | 7701000063 | 4 | Plug | |
| 28 | 1001188139 | 2 | Pin | |
| 29 | 0641806 | 2 | Capscrew 1/2 x 3/4 | |
| 30 | 7949000072 | 2 | Washer 2 | |
| 31 | 4892000 | 4 | Washer 5/8 | |
| 32 | 7105202050 | 4 | Capscrew 5/8 x 2-1/2 | |
| 33 | 4209000358 | 14 | Bushing | |
| 34 | 7115181464 | 4 | Bolt 1/2 x 1-3/4 | |
| 35 | 7660182601 | 8 | Nut 1/2 | |
| 36 | 7274000125 | 8 | Clamp | |
| 37 | 7120000032 | 8 | Bolt 3/8 x 1-3/4 | |
| 38 | 4178000912 | 2 | Bracket | |
| 39 | 0641814 | 4 | Bolt 1/2 x 1-3/4 | |
| 40 | 1001162798 | 1 | Plate | |
| 41 | 7114100818 | 2 | Capscrew #10 x 1 | |
| 42 | 3300455 | 2 | Nut 10 | |
| 43 | 4751300 | 4 | Washer 3/16 | |
| 44 | 0642216 | 4 | Bolt 3/4 x 2 | |
| 45 | 7660222308 | 4 | Nut 3/4 | |
| 46 | 0741610 | 1 | Bolt 3/8 x 1-1/4 | |
| 47 | 4751600 | 1 | Washer 3/8 | |
| 48 | 3271601 | 8 | Nut 3/8 | |
| 49 | 7082000017 | 4 | Bearing | |

SECTION 1 - SUBFRAME

| ITEM | PART NUMBER | QTY | DESCRIPTION | REV |
|------|-------------|-----|---|-----|
| 50 | 1001159822 | 2 | Rod | |
| 51 | 1001159915 | 2 | Shim | |
| 52 | 0651822 | 8 | Bolt 1/2 x 2-3/4 | |
| 53 | 1001159914 | 2 | Angle | |
| 54 | 0761015 | 4 | Bolt M10 x 35 | |
| 55 | 4711700 | 4 | Washer 7/16 | |
| 56 | 5261000 | 4 | Nut M10 | |
| 57 | 3841143 | 4 | Keeper, Shaft | |
| 58 | 3020039 | AR | Lubricant | |
| 59 | 1001173948 | 1 | Light Box and Cover Installation (See Separate Breakdown in this Section) | |

SECTION 1 - SUBFRAME

FIGURE 1-12. SUBFRAME INSTALLATION- 22FT (HINO 195) (GALVANIZED)



ART_1001159905

SECTION 1 - SUBFRAME

FIGURE 1-12. SUBFRAME INSTALLATION- 22FT (HINO 195) (GALVANIZED)

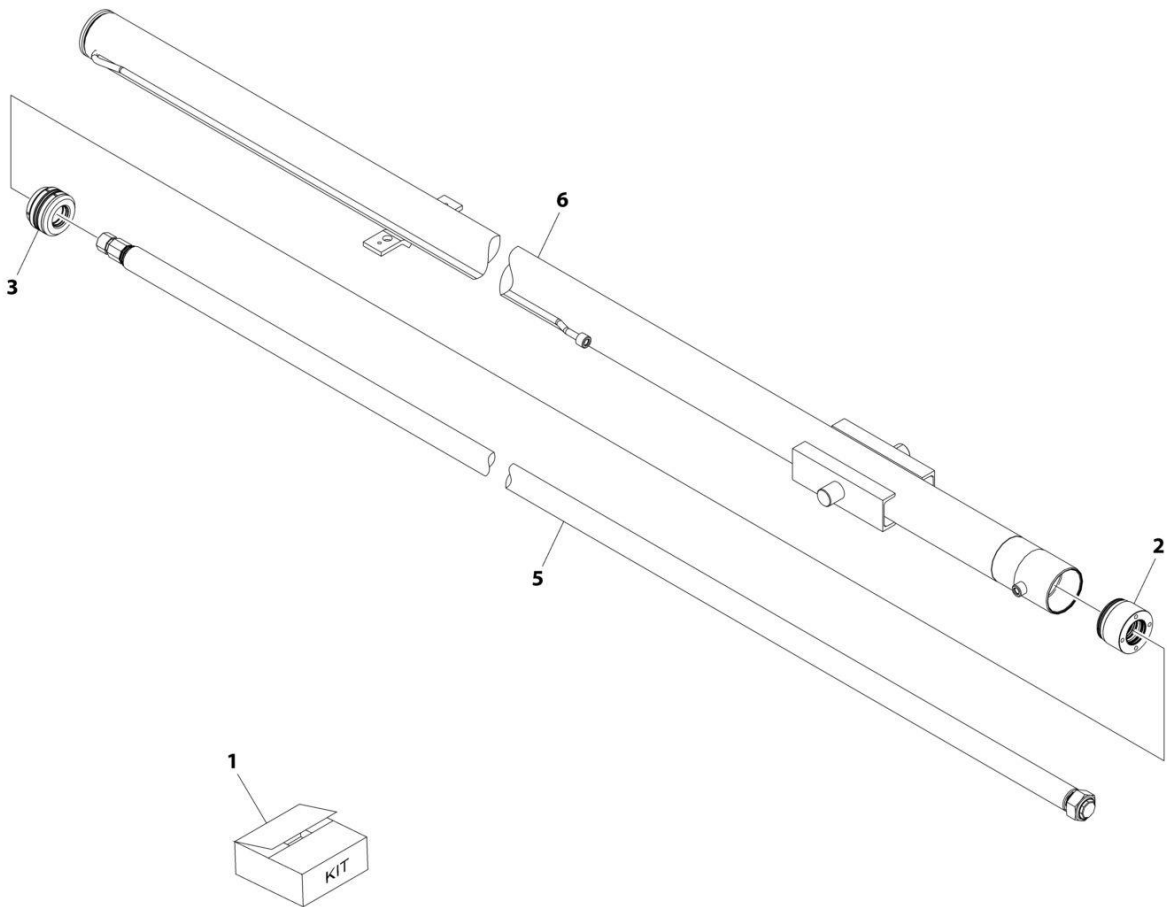
| ITEM | PART NUMBER | QTY | DESCRIPTION | REV |
|------|-------------|-----|---|-----|
| | 1001159905 | Ref | SUBFRAME INSTALLATION XLP GALVANIZED HINO | E |
| 1 | 1001177720 | 1 | Frame Weldment | |
| 2 | 1001162403 | 1 | Trunnion | |
| 3 | 3558000019 | 1 | Hold Down Assembly | |
| 4 | 1001166855 | 1 | Roll Cylinder Assembly (See Separate Breakdown in this Section) | |
| 5 | 1001270175 | 2 | Tilt Cylinder Assembly (See Separate Breakdown in this Section) | |
| 6 | 1001142062 | 2 | Bracket | |
| 7 | 7949000008 | 2 | Washer 2-1/4 | |
| 8 | 4691000573 | 2 | Pin | |
| 9 | 0641624 | 2 | Capscrew 3/8 x 3 | |
| 10 | 3300492 | 7 | Nut 3/8 | |
| 11 | 3017000104 | 1 | Angle | |
| 12 | 7189000026 | 4 | Bumper | |
| 13 | 7114141450 | 2 | Capscrew 1/4 x 1-3/4 | |
| 14 | 7660142604 | 2 | Nut 1/4 | |
| 15 | 7950140143 | 6 | Washer 1/4 | |
| 16 | 4679000332 | 2 | Pad | |
| 17 | 1001188134 | 2 | Pin | |
| 18 | 0651816 | 8 | Capscrew 1/2 x 2 | |
| 19 | 4891800 | 28 | Washer 1/2 | |
| 20 | 7660182333 | 16 | Nut 1/2 | |
| 21 | 0641612 | 4 | Capscrew 3/8 x 1-1/2 | |
| 22 | 3340898 | 10 | Pad | |
| 23 | 3636000144 | 2 | Trunnion | |
| 24 | 7701000048 | 4 | Plug | |
| 25 | 7660202347 | 4 | Nut 5/8 | |
| 26 | 1001159913 | 2 | Angle | |
| 27 | 7701000063 | 4 | Plug | |
| 28 | 1001188139 | 2 | Pin | |
| 29 | 0641806 | 2 | Capscrew 1/2 x 3/4 | |
| 30 | 7949000072 | 2 | Washer 2 | |
| 31 | 4892000 | 4 | Washer 5/8 | |
| 32 | 7105202050 | 4 | Capscrew 5/8 x 2-1/2 | |
| 33 | 4209000358 | 14 | Bushing | |
| 34 | 7115181464 | 4 | Bolt 1/2 x 1-3/4 | |
| 35 | 7660182601 | 8 | Nut 1/2 | |
| 36 | 7274000125 | 8 | Clamp | |
| 37 | 7120000032 | 8 | Bolt 3/8 x 1-3/4 | |
| 38 | 4178000912 | 2 | Bracket | |
| 39 | 0641814 | 4 | Bolt 1/2 x 1-3/4 | |
| 40 | 1001162798 | 1 | Plate | |
| 41 | 7114100818 | 2 | Capscrew #10 x 1 | |
| 42 | 3300455 | 2 | Nut 10 | |
| 43 | 4751300 | 4 | Washer 3/16 | |
| 44 | 0642216 | 4 | Bolt 3/4 x 2 | |
| 45 | 7660222308 | 4 | Nut 3/4 | |
| 46 | 0741610 | 1 | Bolt 3/8 x 1-1/4 | |
| 47 | 4751600 | 1 | Washer 3/8 | |
| 48 | 3271601 | 8 | Nut 3/8 | |
| 49 | 7082000017 | 4 | Bearing | |

SECTION 1 - SUBFRAME

| ITEM | PART NUMBER | QTY | DESCRIPTION | REV |
|------|-------------|-----|---|-----|
| 50 | 1001159822 | 2 | Rod | |
| 51 | 1001159915 | 2 | Shim | |
| 52 | 0651822 | 8 | Bolt 1/2 x 2-3/4 | |
| 53 | 1001159914 | 2 | Angle | |
| 54 | 0761015 | 4 | Bolt M10 x 35 | |
| 55 | 4711700 | 4 | Washer 7/16 | |
| 56 | 5261000 | 4 | Nut M10 | |
| 57 | 3841143 | 4 | Keeper, Shaft | |
| 58 | 3020039 | AR | Lubricant | |
| 59 | 1001173949 | 1 | Light Box and Cover Installation (See Separate Breakdown in this Section) | |

SECTION 1 - SUBFRAME

FIGURE 1-13. ROLL CYLINDER ASSEMBLY



ART_1001166855

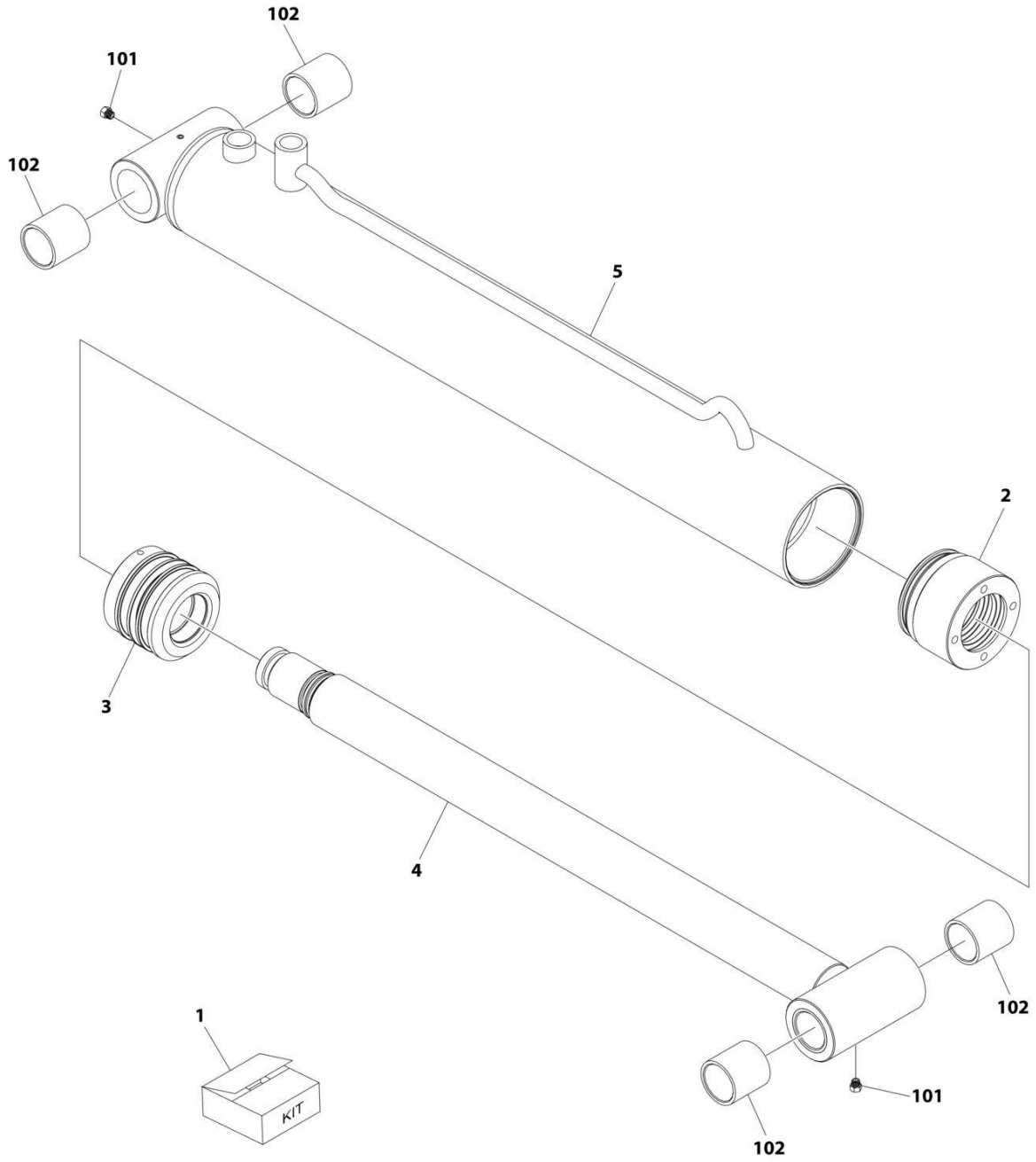
SECTION 1 - SUBFRAME

FIGURE 1-13. ROLL CYLINDER ASSEMBLY

| ITEM | PART NUMBER | QTY | DESCRIPTION | REV |
|-------------|--------------------|------------|--|------------|
| | 1001166855 | Ref | Roll Cylinder Assembly | C |
| 1 | 70051167 | 1 | Kit, Seal | |
| 2 | 70051170 | 1 | Kit, Head | |
| 3 | 70051171 | 1 | Kit, Piston | |
| 4 | 70051174 | 1 | Instruction Assembly/Disassembly (not shown) | |
| 5 | 70051394 | 1 | Rod | |
| 6 | 70051395 | 1 | Barrel | |

SECTION 1 - SUBFRAME

FIGURE 1-14. TILT CYLINDER ASSEMBLY



ART_1001270175

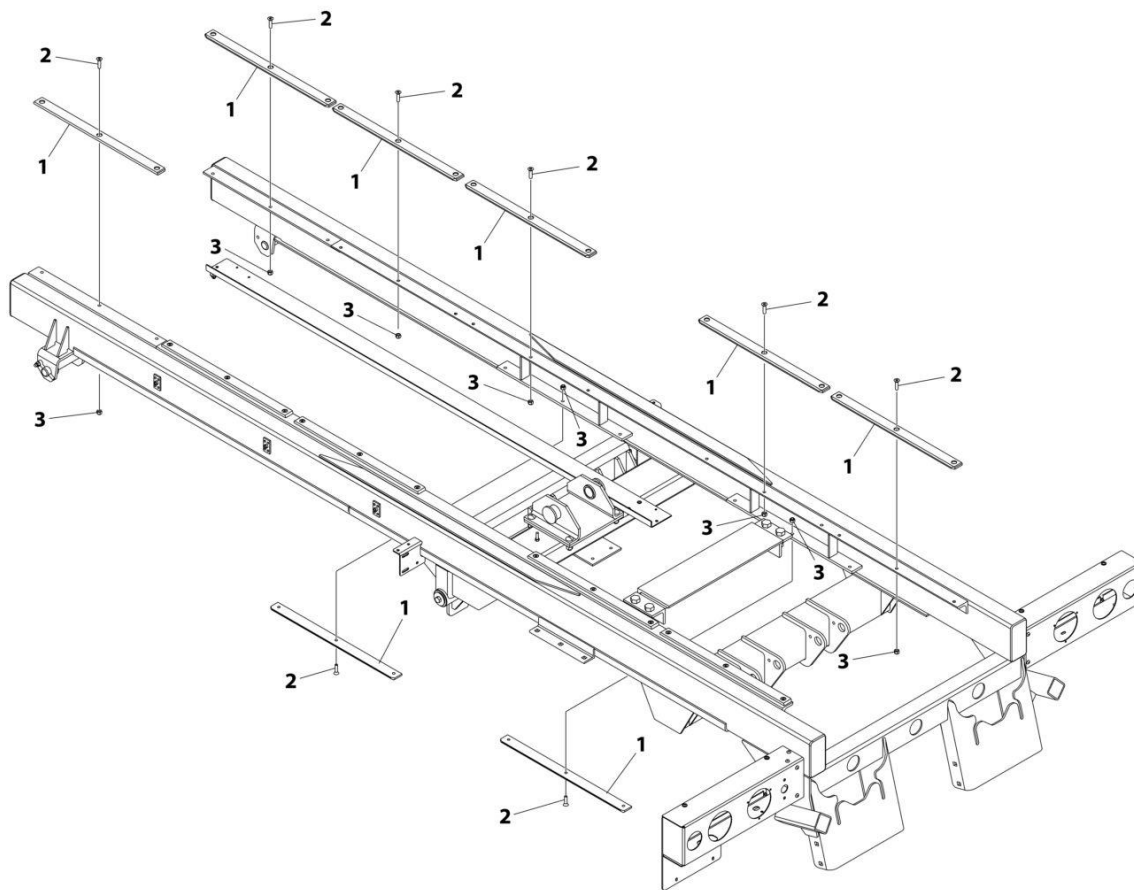
SECTION 1 - SUBFRAME

FIGURE 1-14. TILT CYLINDER ASSEMBLY

| ITEM | PART NUMBER | QTY | DESCRIPTION | REV |
|------|-------------|-----|---------------------------------------|-----|
| | 1001270175 | Ref | TILT CYLINDER ASSEMBLY | B |
| 1 | 70051168 | 1 | Kit, Seal | |
| 1 | See Note | NSS | Ring, Back Up (Note: Use PN 70051168) | |
| 1 | See Note | NSS | O-Ring (Note: Use PN 70051168) | |
| 1 | See Note | NSS | Buffer Ring (Note: Use PN 70051168) | |
| 1 | See Note | NSS | Bushing (Note: Use PN 70051168) | |
| 1 | See Note | NSS | Rod Seal (Note: Use PN 70051168) | |
| 1 | See Note | NSS | Wiper (Note: Use PN 70051168) | |
| 1 | See Note | NSS | Piston Seal (Note: Use PN 70051168) | |
| 1 | See Note | NSS | Wearing (Note: Use PN 70051168) | |
| 2 | 70051172 | 1 | Head Kit | |
| 2 | See Note | NSS | Back Up Ring (Note: Use PN 70051172) | |
| 2 | See Note | NSS | Buffer Ring (Note: Use PN 70051172) | |
| 2 | See Note | NSS | Bushing (Note: Use PN 70051172) | |
| 2 | See Note | NSS | O-Ring (Note: Use PN 70051172) | |
| 2 | See Note | NSS | Retainer (Note: Use PN 70051172) | |
| 2 | See Note | NSS | Rod Seal (Note: Use PN 70051172) | |
| 2 | See Note | NSS | Wiper (Note: Use PN 70051172) | |
| 3 | 70051173 | 1 | Piston Kit | |
| 3 | See Note | NSS | Piston (Note: Use PN 70051173) | |
| 3 | See Note | NSS | Piston Seal (Note: Use PN 70051173) | |
| 3 | See Note | NSS | Setscrew (Note: Use PN 70051173) | |
| 3 | See Note | NSS | Wear Ring (Note: Use PN 70051173) | |
| 4 | 70052741 | 1 | Rod | |
| 5 | See Note | NSS | Barrel (Note: Use PN 1001270175) | |
| 101 | 1001204776 | 2 | Fitting | |
| 102 | 7082000016 | 4 | Bearing | |

SECTION 1 - SUBFRAME

FIGURE 1-15. PAD INSTALLATION - SUBFRAME



ART_2679000010

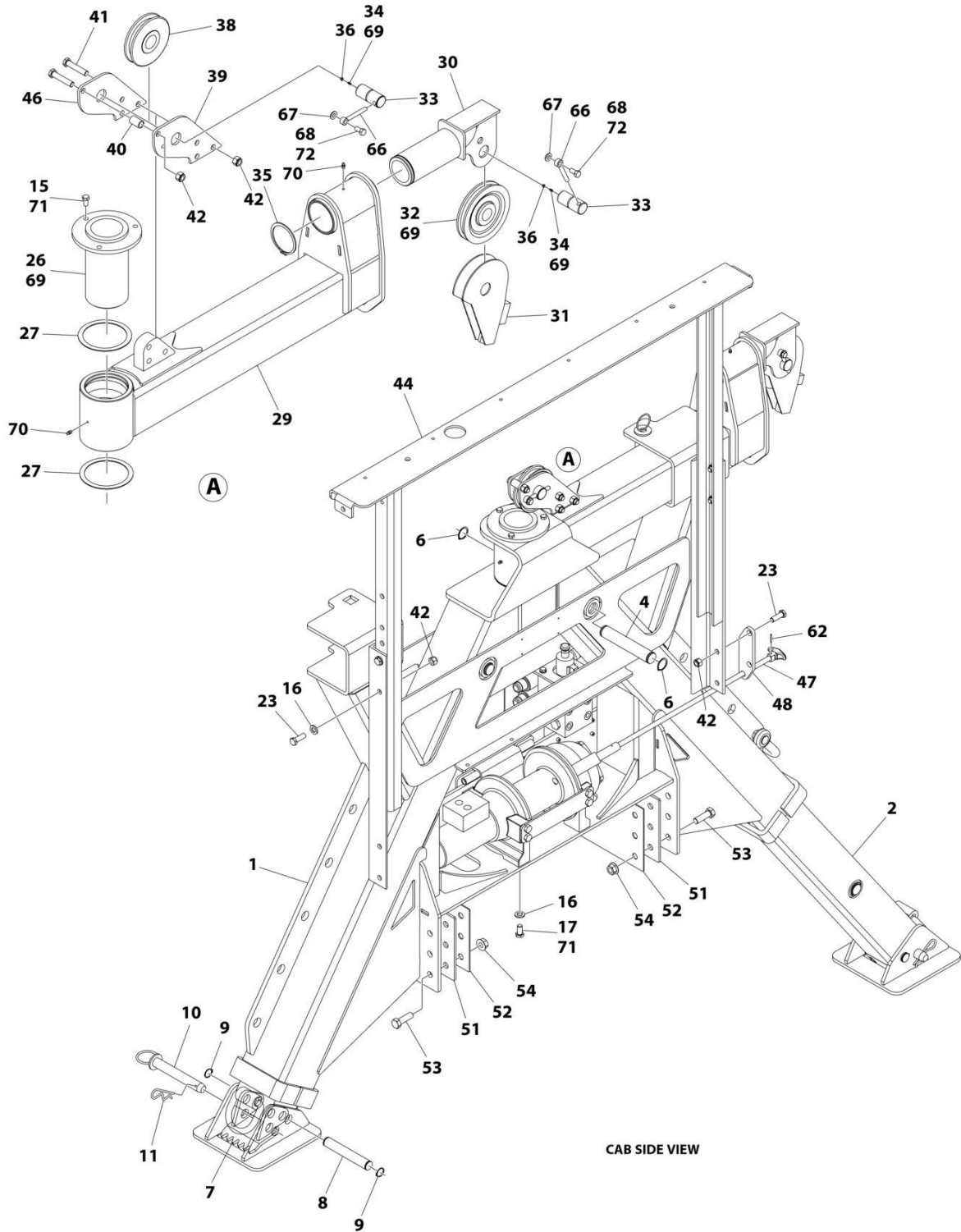
SECTION 1 - SUBFRAME

FIGURE 1-15. PAD INSTALLATION - SUBFRAME

| ITEM | PART NUMBER | QTY | DESCRIPTION | REV |
|-------------|--------------------|------------|---|------------|
| | 2679000010 | Ref | PAD INSTALLATION SLIDE 19-22FT XLP SUBFRAME | 0 |
| 1 | 4679000145 | 14 | Pad | |
| 2 | 7118161026 | 42 | Capscrew 3/8 x 1-1/4 | |
| 3 | 7660162601 | 42 | Nut 3/8 | |

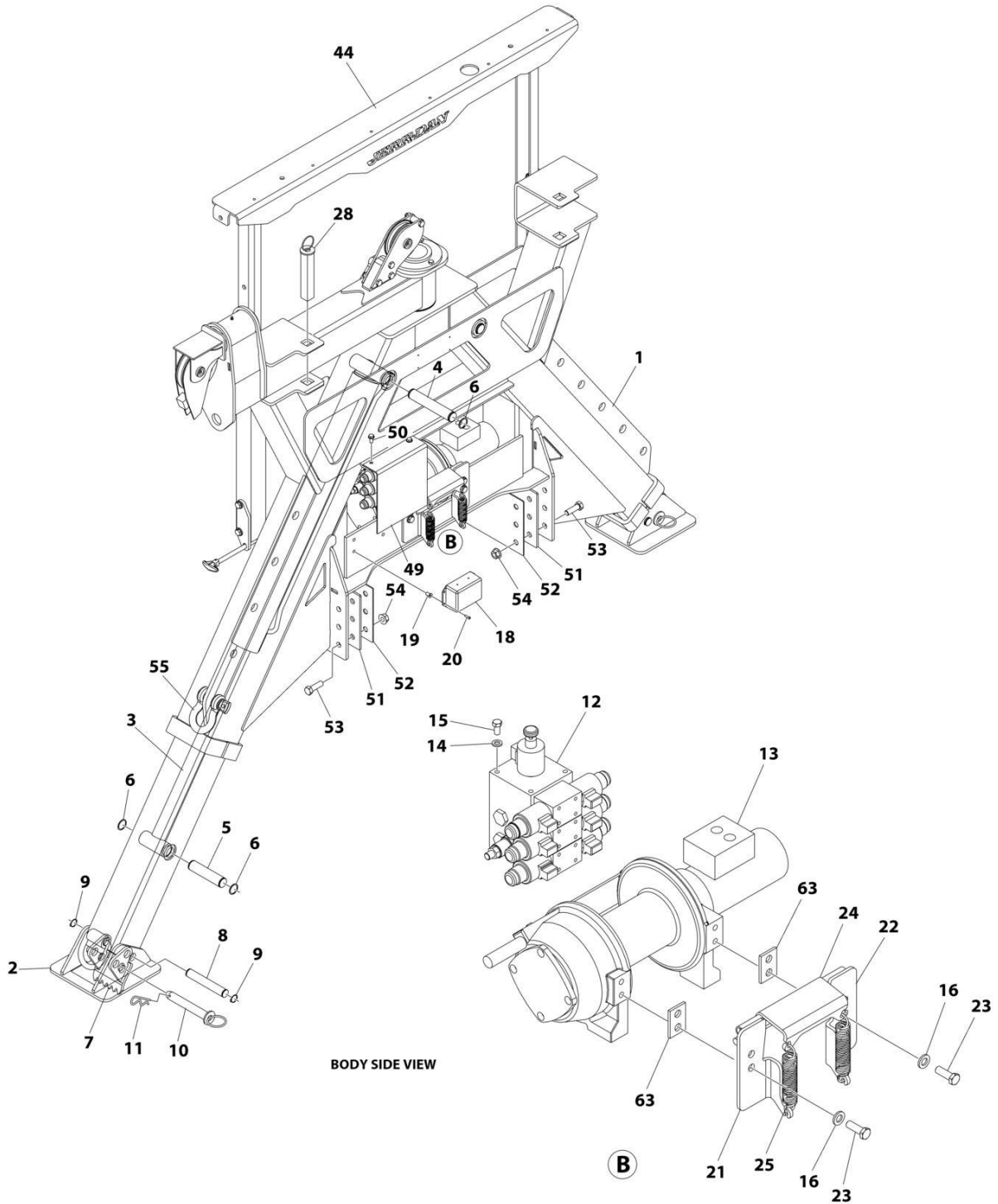
SECTION 1 - SUBFRAME

FIGURE 1-16. SIDE RECOVERY SYSTEM (SRS) INSTALLATION - 10000 LBS WINCH (3 FUNCTION REMOTE CONTROL)



ART_1001271983_10F2

SECTION 1 - SUBFRAME



ART_1001271983_2OF2

SECTION 1 - SUBFRAME

FIGURE 1-16. SIDE RECOVERY SYSTEM (SRS) INSTALLATION - 10000 LBS WINCH (3 FUNCTION REMOTE CONTROL)

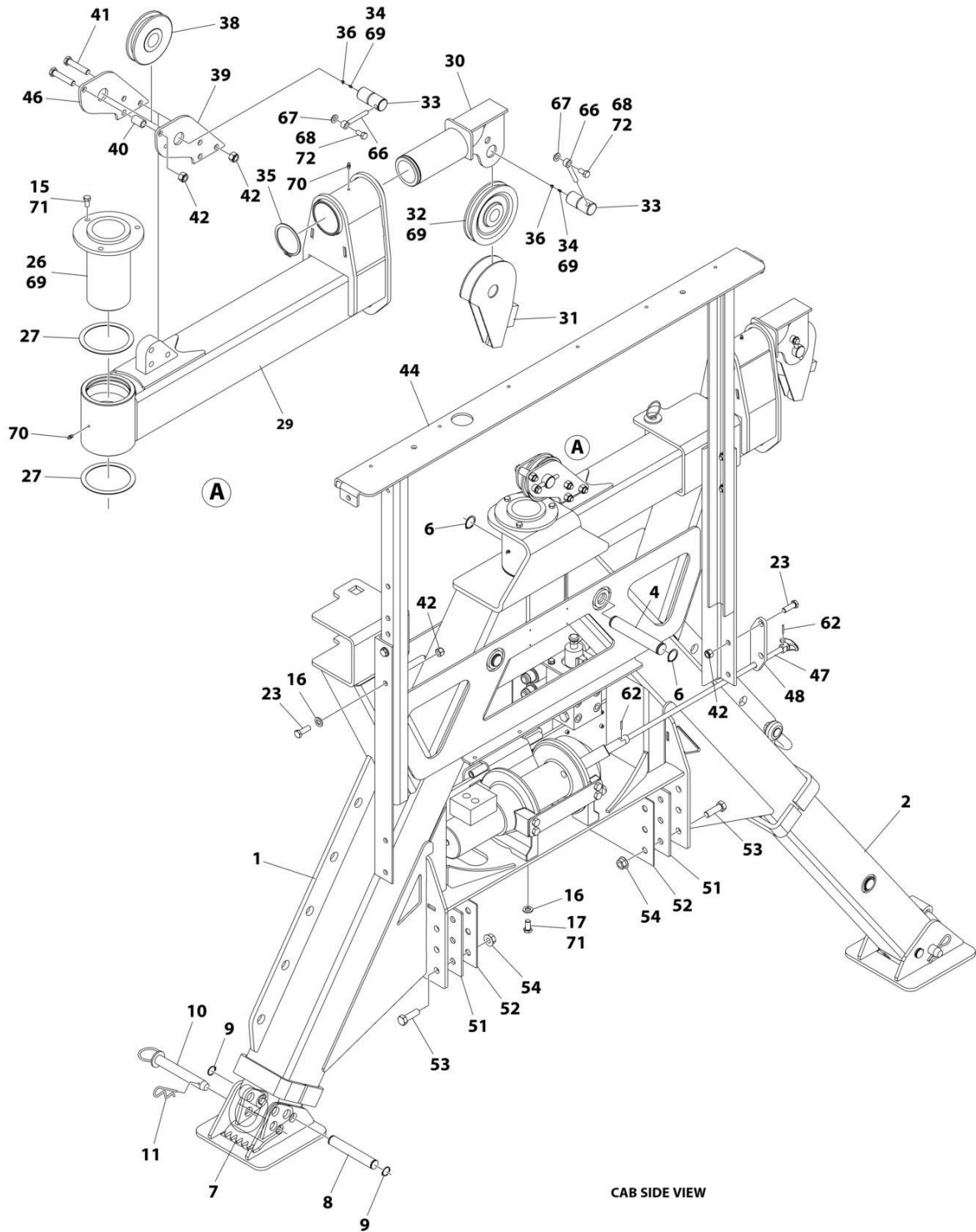
| ITEM | PART NUMBER | QTY | DESCRIPTION | REV |
|------|-------------|-----|---|-----|
| | 1001271983 | Ref | FRAME ASSEMBLY (SRS-10), MAN F/S, 3 REMOTE | A |
| 1 | 3455000058 | 1 | Frame Weldment | |
| 2 | 3170000473 | 2 | Boom Weldment | |
| 3 | 3320000229 | 2 | Cylinder Assembly (See Separate Breakdown in this Section) | |
| 4 | 4691000296 | 2 | Pin | |
| 5 | 4691000429 | 2 | Pin | |
| 6 | 3760133 | 7 | Ring | |
| 7 | 3706000363 | 2 | Plate | |
| 8 | 4691000495 | 2 | Pin | |
| 9 | 7754000019 | 6 | Ring | |
| 10 | 3691000064 | 2 | Pin | |
| 11 | 7691000001 | 2 | Hair Pin | |
| 12 | 3619000010 | 1 | Manifold Assembly | |
| 13 | 7970000158 | 1 | Winch assembly (See Separate Breakdown in this Section) | |
| 14 | 7950160000 | 3 | Lockwasher | |
| 15 | 0641606 | 6 | Bolt 3/8 x 3/4 | |
| 16 | 4891800 | 20 | Washer 1/2 | |
| 17 | 1001139343 | 8 | Bolt 1/2 x 1-1/4 | |
| 18 | 7295000118 | 1 | Controller | |
| 19 | 7661000007 | 4 | Nut #10 | |
| 20 | 7104100613 | 4 | Screw #10 | |
| 21 | 3178000517 | 1 | Bracket | |
| 22 | 3178000518 | 1 | Bracket | |
| 23 | 0641812 | 10 | Bolt 1/2 1-1/2 | |
| 24 | 3706000364 | 1 | Plate | |
| 25 | 7843000035 | 2 | Spring | |
| 26 | 3691000259 | 1 | Pin | |
| 27 | 4949000059 | 2 | Washer 5 x 4-1/2 | |
| 28 | 3691000260 | 1 | Pin | |
| 29 | 1001206388 | 1 | Boom | |
| 30 | 1001206161 | 1 | Support | |
| 31 | 1001206167 | 1 | Support | |
| 32 | 7809000001 | 1 | Sheave | |
| 33 | 1001206171 | 2 | Pin | |
| 34 | 88671008 | 2 | Fitting, Straight | |
| 35 | 7754000005 | 1 | Ring | |
| 36 | 7253000002 | 2 | Fitting | |
| 38 | 1001271775 | 1 | Sheave | |
| 39 | 1001271842 | 1 | Plate | |
| 40 | 4209000336 | 1 | Bushing | |
| 41 | 0641820 | 4 | Bolt 1/2 x 2 | |
| 42 | 7660182601 | 14 | Nut 1/2 | |
| 44 | 3241000208 | 1 | Headboard | |
| 45 | 7552000385 | 1 | Side Recovery System Harness (Not Shown - See Separate Breakdown in ELECTRICAL Section) | |
| 46 | 4706005650 | 1 | Plate | |
| 47 | 3763000188 | 1 | Rod | |
| 48 | 4706005672 | 1 | Plate | |
| 49 | 4314000167 | 1 | Cover | |

SECTION 1 - SUBFRAME

| ITEM | PART NUMBER | QTY | DESCRIPTION | REV |
|------|-------------|-----|---------------------------|-----|
| 50 | 7790161253 | 2 | Screw 3/8 x 3/4 | |
| 51 | 4831000126 | 2 | Spacer | |
| 52 | 4831000127 | 2 | Spacer | |
| 53 | 0652016 | 12 | Bolt 5/8 x 2 | |
| 54 | 7660202347 | 12 | Nut 1/6 | |
| 55 | 7804000007 | 1 | Shackle | |
| 56 | 7248000077 | 1 | Wire Rope (Not Shown) | |
| 57 | 7274000053 | 4 | Clamp (Not Shown) | |
| 58 | 0641508 | 4 | Bolt 5/16 x 1 (Not Shown) | |
| 59 | 4751500 | 4 | Washer 5/16 (Not Shown) | |
| 60 | 7660152601 | 4 | Nut 1/3 (Not Shown) | |
| 61 | 7002000519 | 1 | Snatch (Not Shown) | |
| 62 | 7690051641 | 1 | Pin | |
| 63 | 4706005752 | 2 | Plate | |
| 66 | 3841143 | 2 | Keeper | |
| 67 | 4711600 | 2 | Washer | |
| 68 | 0651606 | 2 | Bolt 3/8 x 3/4 | |
| 69 | 3020039 | AR | Lubricant | |
| 70 | 3020029 | AR | Lube | |
| 71 | 0100071 | AR | Adhesive | |
| 72 | 1001095650 | AR | Adhesive | |

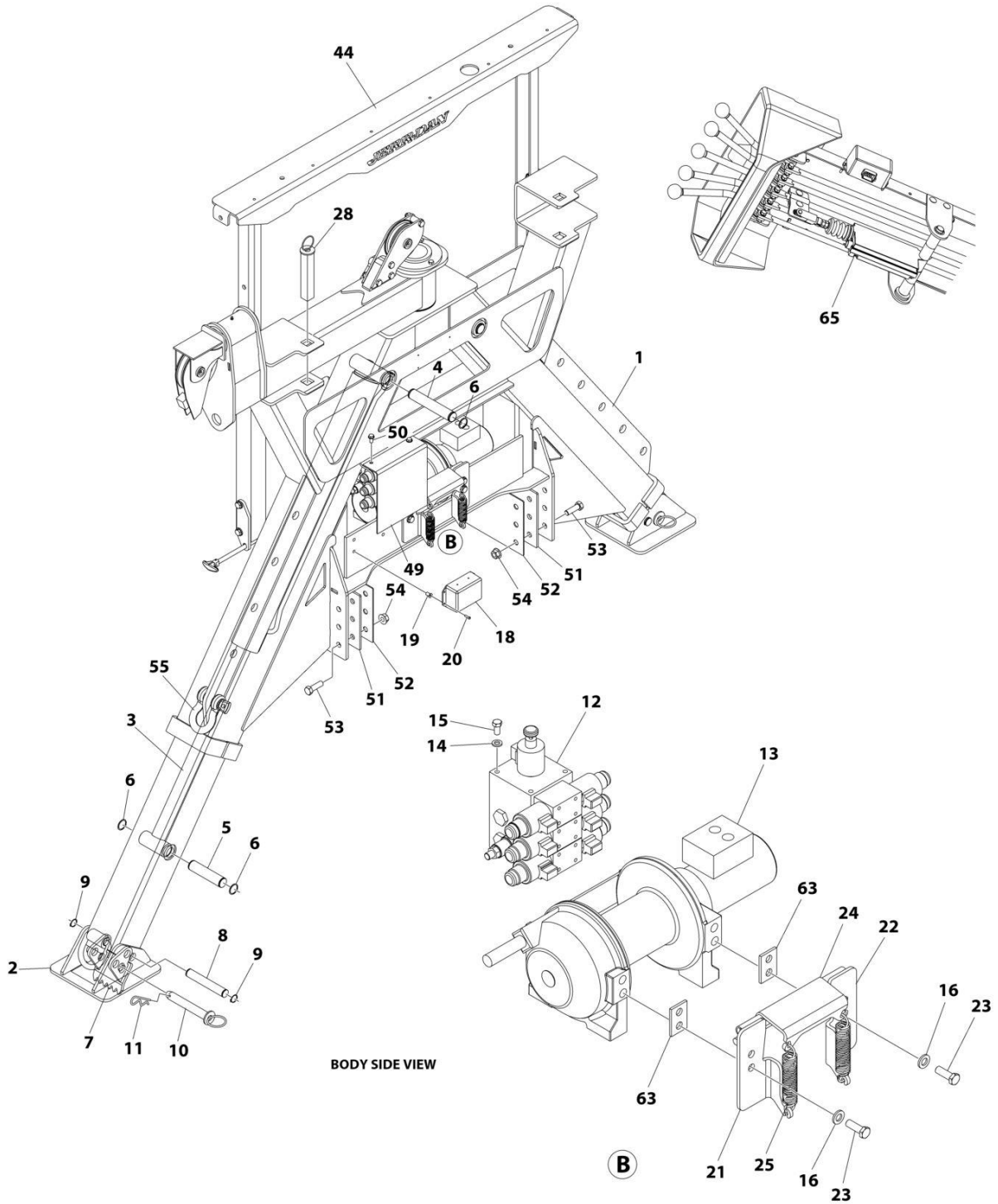
SECTION 1 - SUBFRAME

FIGURE 1-17. SIDE RECOVERY SYSTEM (SRS) INSTALLATION - 10000 LBS WINCH (4 FUNCTION REMOTE CONTROL)



ART_1001271985_10F2

SECTION 1 - SUBFRAME



BODY SIDE VIEW

ART_1001271985_2OF2

SECTION 1 - SUBFRAME

FIGURE 1-17. SIDE RECOVERY SYSTEM (SRS) INSTALLATION - 10000 LBS WINCH (4 FUNCTION REMOTE CONTROL)

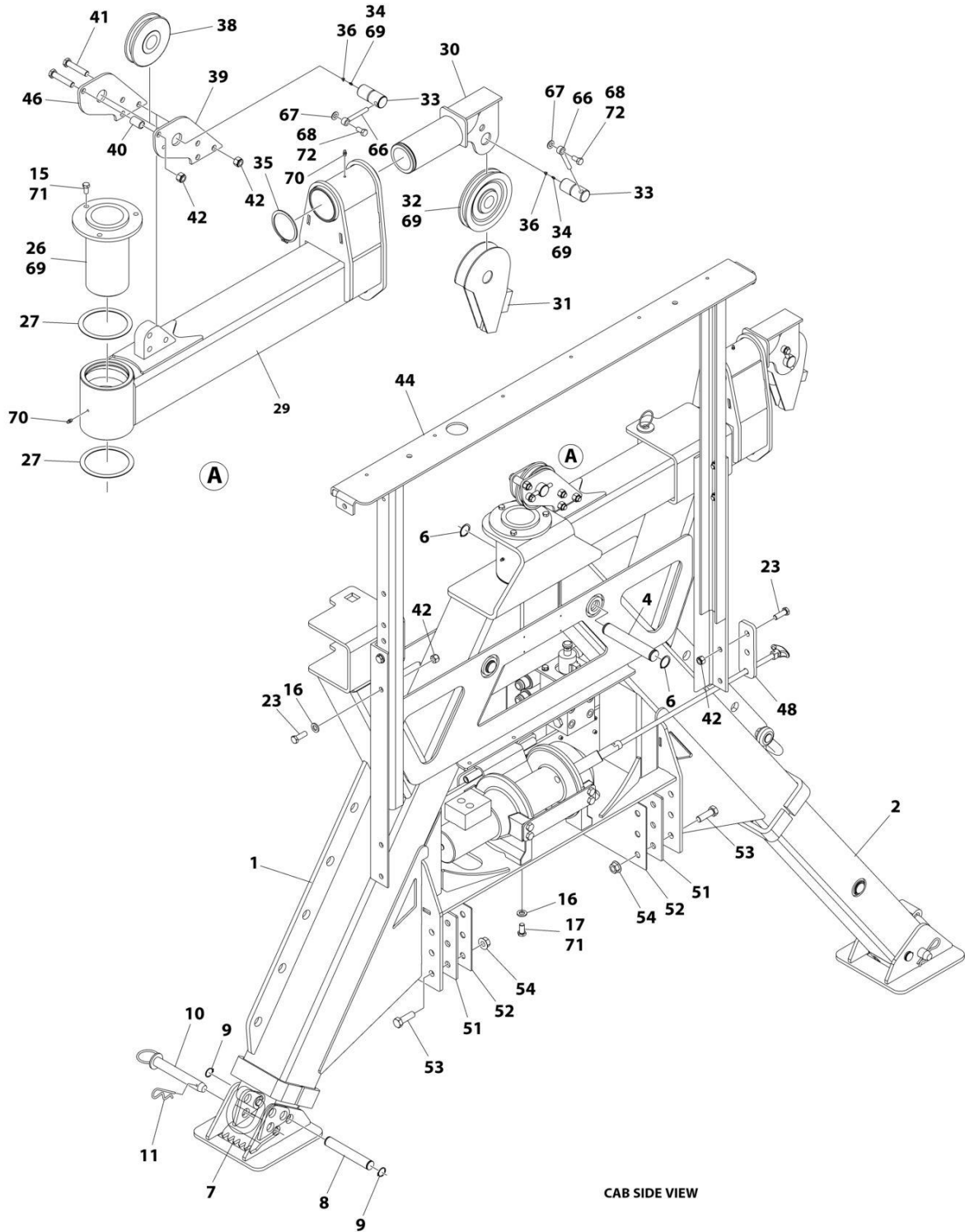
| ITEM | PART NUMBER | QTY | DESCRIPTION | REV |
|------|-------------|-----|---|-----|
| | 1001271985 | Ref | FRAME ASSEMBLY (SRS-10), MAN F/S, 4 REMOTE | A |
| 1 | 3455000058 | 1 | Frame Weldment | |
| 2 | 3170000473 | 2 | Boom Weldment | |
| 3 | 3320000229 | 2 | Cylinder Assembly (See Separate Breakdown in this Section) | |
| 4 | 4691000296 | 2 | Pin | |
| 5 | 4691000429 | 2 | Pin | |
| 6 | 3760133 | 7 | Ring | |
| 7 | 3706000363 | 2 | Plate | |
| 8 | 4691000495 | 2 | Pin | |
| 9 | 7754000019 | 6 | Ring | |
| 10 | 3691000064 | 2 | Pin | |
| 11 | 7691000001 | 2 | Hair Pin | |
| 12 | 3619000010 | 1 | Manifold Assembly | |
| 13 | 7970000158 | 1 | Winch Assembly (See Separate Breakdown in this Section) | |
| 14 | 7950160000 | 3 | Lockwasher | |
| 15 | 0641606 | 6 | Bolt 3/8 x 3/4 | |
| 16 | 4891800 | 20 | Washer 1/2 | |
| 17 | 1001139343 | 8 | Bolt 1/2 x 1-1/4 | |
| 18 | 7295000130 | 1 | Controller | |
| 19 | 7661000007 | 4 | Nut #10 | |
| 20 | 7104100613 | 4 | Screw #10 | |
| 21 | 3178000517 | 1 | Bracket | |
| 22 | 3178000518 | 1 | Bracket | |
| 23 | 0641812 | 10 | Bolt 1/2 1-1/2 | |
| 24 | 3706000364 | 1 | Plate | |
| 25 | 7843000035 | 2 | Spring | |
| 26 | 3691000259 | 1 | Pin | |
| 27 | 4949000059 | 2 | Washer 5 x 4-1/2 | |
| 28 | 3691000260 | 1 | Pin | |
| 29 | 1001206388 | 1 | Boom | |
| 30 | 1001206161 | 1 | Support | |
| 31 | 1001206167 | 1 | Support | |
| 32 | 7809000001 | 1 | Sheave | |
| 33 | 1001206171 | 2 | Pin | |
| 34 | 88671008 | 2 | Fitting, Straight | |
| 35 | 7754000005 | 1 | Ring | |
| 36 | 7253000002 | 2 | Fitting | |
| 38 | 1001271775 | 1 | Sheave | |
| 39 | 1001271842 | 1 | Plate | |
| 40 | 4209000336 | 1 | Bushing | |
| 41 | 0641820 | 4 | Bolt 1/2 x 2 | |
| 42 | 7660182601 | 12 | Nut 1/2 | |
| 44 | 3241000208 | 1 | Headboard | |
| 45 | 7552000413 | 1 | Harness Side Recovery System Harness (Not Shown - See Separate Breakdown in ELECTRICAL Section) | |
| 46 | 4706005650 | 1 | Plate | |
| 47 | 3763000188 | 1 | Rod | |
| 48 | 4706005672 | 1 | Plate | |
| 49 | 4314000167 | 1 | Cover | |

SECTION 1 - SUBFRAME

| ITEM | PART NUMBER | QTY | DESCRIPTION | REV |
|------|-------------|-----|---------------------------|-----|
| 50 | 7790161253 | 2 | Screw 3/8 x 3/4 | |
| 51 | 4831000126 | 2 | Spacer | |
| 52 | 4831000127 | 2 | Spacer | |
| 53 | 0652016 | 12 | Bolt 5/8 x 2 | |
| 54 | 7660202347 | 12 | Nut 1/6 | |
| 55 | 7804000007 | 1 | Shackle | |
| 56 | 7248000077 | 1 | Wire Rope (Not Shown) | |
| 57 | 7274000053 | 4 | Clamp (Not Shown) | |
| 58 | 0641508 | 4 | Bolt 5/16 x 1 (Not Shown) | |
| 59 | 4751500 | 4 | Washer 5/16 (Not Shown) | |
| 60 | 7660152601 | 4 | Nut 1/3 (Not Shown) | |
| 61 | 7002000519 | 1 | Snatch (Not Shown) | |
| 62 | 7690051641 | 1 | Pin | |
| 63 | 4706005752 | 2 | Plate | |
| 65 | 2577000016 | 1 | Linear Actuator Kit | |
| 66 | 3841143 | 2 | Keeper | |
| 67 | 4711600 | 2 | Washer | |
| 68 | 0651606 | 2 | Bolt 3/8 x 3/4 | |
| 69 | 3020039 | AR | Lubricant | |
| 70 | 3020029 | AR | Lube | |
| 71 | 0100071 | AR | Adhesive | |
| 72 | 1001095650 | AR | Adhesive | |

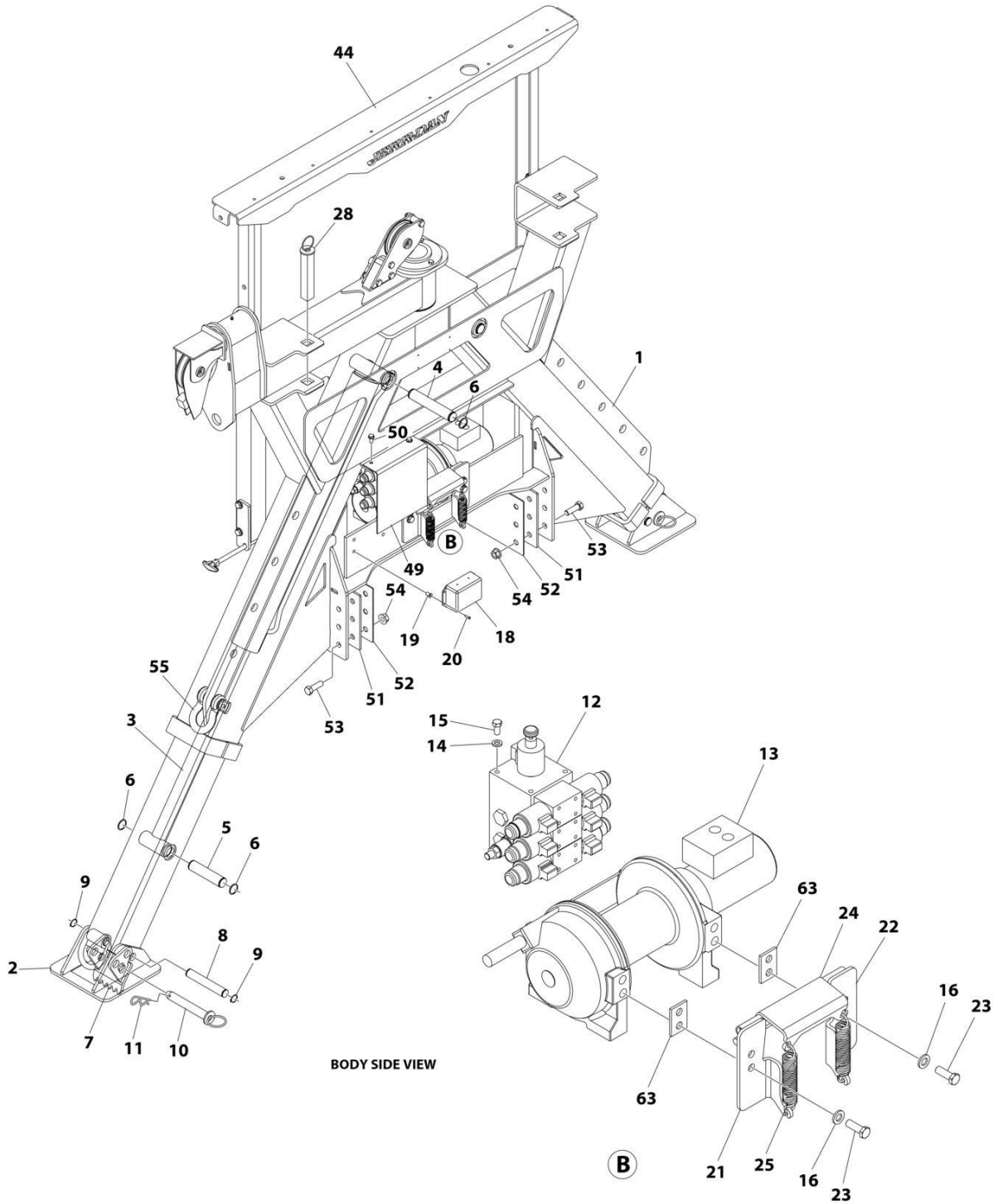
SECTION 1 - SUBFRAME

FIGURE 1-18. SIDE RECOVERY SYSTEM (SRS) INSTALLATION - 10000 LBS WINCH WITH AIR FREE SPOOL (3 FUNCTION REMOTE CONTROL)



ART_1001271984_10F2

SECTION 1 - SUBFRAME



BODY SIDE VIEW

ART_1001271984_20F2

SECTION 1 - SUBFRAME

FIGURE 1-18. SIDE RECOVERY SYSTEM (SRS) INSTALLATION - 10000 LBS WINCH WITH AIR FREE SPOOL (3 FUNCTION REMOTE CONTROL)

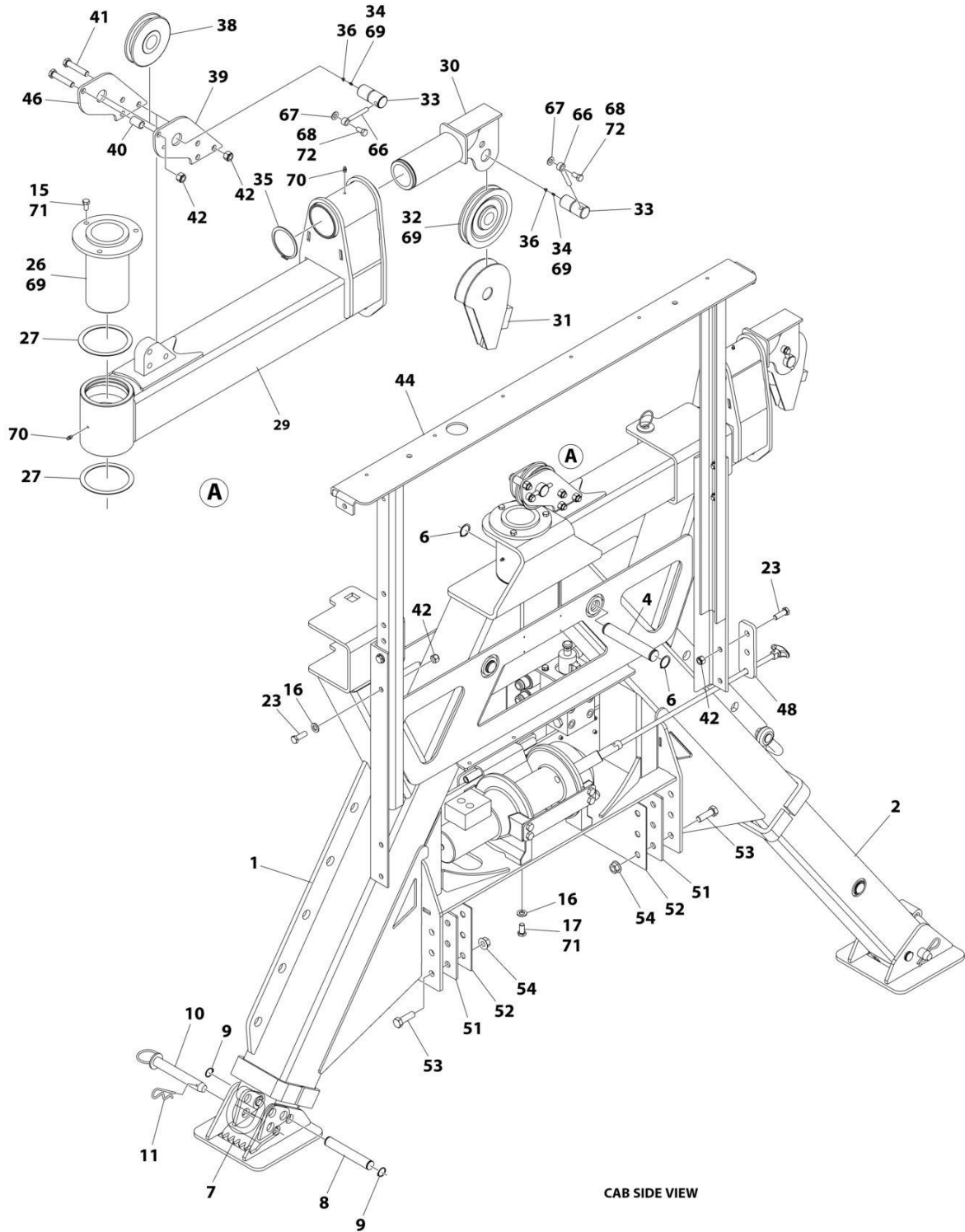
| ITEM | PART NUMBER | QTY | DESCRIPTION | REV |
|------|-------------|-----|---|-----|
| | 1001271984 | Ref | FRAME ASSEMBLY (SRS-10), AIR F/S, 3 REMOTE | A |
| 1 | 3455000058 | 1 | Frame Weldment | |
| 2 | 3170000473 | 2 | Boom Weldment | |
| 3 | 3320000229 | 2 | Cylinder Assembly (See Separate Breakdown in this Section) | |
| 4 | 4691000296 | 2 | Pin | |
| 5 | 4691000429 | 2 | Pin | |
| 6 | 3760133 | 7 | Ring | |
| 7 | 3706000363 | 2 | Plate | |
| 8 | 4691000495 | 2 | Pin | |
| 9 | 7754000019 | 6 | Ring | |
| 10 | 3691000064 | 2 | Pin | |
| 11 | 7691000001 | 2 | Hair Pin | |
| 12 | 3619000010 | 1 | Manifold Assembly | |
| 13 | 7970000166 | 1 | Winch Assembly (See Separate Breakdown in this Section) | |
| 14 | 7950160000 | 3 | Lockwasher | |
| 15 | 0641606 | 6 | Bolt 3/8 x 3/4 | |
| 16 | 4891800 | 20 | Washer 1/2 | |
| 17 | 1001139343 | 8 | Bolt 1/2 x 1-1/4 | |
| 18 | 7295000118 | 1 | Controller | |
| 19 | 7661000007 | 4 | Nut #10 | |
| 20 | 7104100613 | 4 | Screw #10 | |
| 21 | 3178000517 | 1 | Bracket | |
| 22 | 3178000518 | 1 | Bracket | |
| 23 | 0641812 | 12 | Bolt 1/2 1-1/2 | |
| 24 | 3706000364 | 1 | Plate | |
| 25 | 7843000035 | 2 | Spring | |
| 26 | 3691000259 | 1 | Pin | |
| 27 | 4949000059 | 2 | Washer 5 x 4-1/2 | |
| 28 | 3691000260 | 1 | Pin | |
| 29 | 1001206388 | 1 | Boom | |
| 30 | 1001206161 | 1 | Support | |
| 31 | 1001206167 | 1 | Support | |
| 32 | 7809000001 | 1 | Sheave | |
| 33 | 1001206171 | 2 | Pin | |
| 34 | 88671008 | 2 | Fitting, Straight | |
| 35 | 7754000005 | 1 | Ring | |
| 36 | 7253000002 | 2 | Fitting | |
| 38 | 1001271775 | 1 | Sheave | |
| 39 | 1001271842 | 1 | Plate | |
| 40 | 4209000336 | 1 | Bushing | |
| 41 | 0641820 | 4 | Bolt 1/2 x 2 | |
| 42 | 7660182601 | 14 | Nut 1/2 | |
| 44 | 3241000208 | 1 | Headboard | |
| 45 | 7552000385 | 1 | Side Recovery System Harness (Not Shown - See Separate Breakdown in ELECTRICAL Section) | |
| 46 | 4706005650 | 1 | Plate | |
| 48 | 4706006211 | 2 | Plate | |
| 49 | 4314000167 | 1 | Cover | |
| 50 | 7790161253 | 2 | Screw 3/8 x 3/4 | |

SECTION 1 - SUBFRAME

| ITEM | PART NUMBER | QTY | DESCRIPTION | REV |
|------|-------------|-----|---------------------------------|-----|
| 51 | 4831000126 | 2 | Spacer | |
| 52 | 4831000127 | 2 | Spacer | |
| 53 | 0652016 | 12 | Bolt 5/8 x 2 | |
| 54 | 7660202347 | 12 | Nut 1/6 | |
| 55 | 7804000007 | 1 | Shackle | |
| 56 | 7248000077 | 1 | Wire Rope (Not Shown) | |
| 57 | 7274000053 | 4 | Clamp (Not Shown) | |
| 58 | 0641508 | 4 | Bolt 5/16 x 1 (Not Shown) | |
| 59 | 4751500 | 4 | Washer 5/16 (Not Shown) | |
| 60 | 7660152601 | 4 | Nut 1/3 (Not Shown) | |
| 61 | 7002000519 | 1 | Snatch (Not Shown) | |
| 63 | 4706005752 | 2 | Plate | |
| 64 | 2870000023 | 1 | Switch Installation (Not Shown) | |
| 66 | 3841143 | 2 | Keeper | |
| 67 | 4711600 | 2 | Washer | |
| 68 | 0651606 | 2 | Bolt 3/8 x 3/4 | |
| 69 | 3020039 | AR | Lubricant | |
| 70 | 3020029 | AR | Lube | |
| 71 | 0100071 | AR | Adhesive | |
| 72 | 1001095650 | AR | Adhesive | |

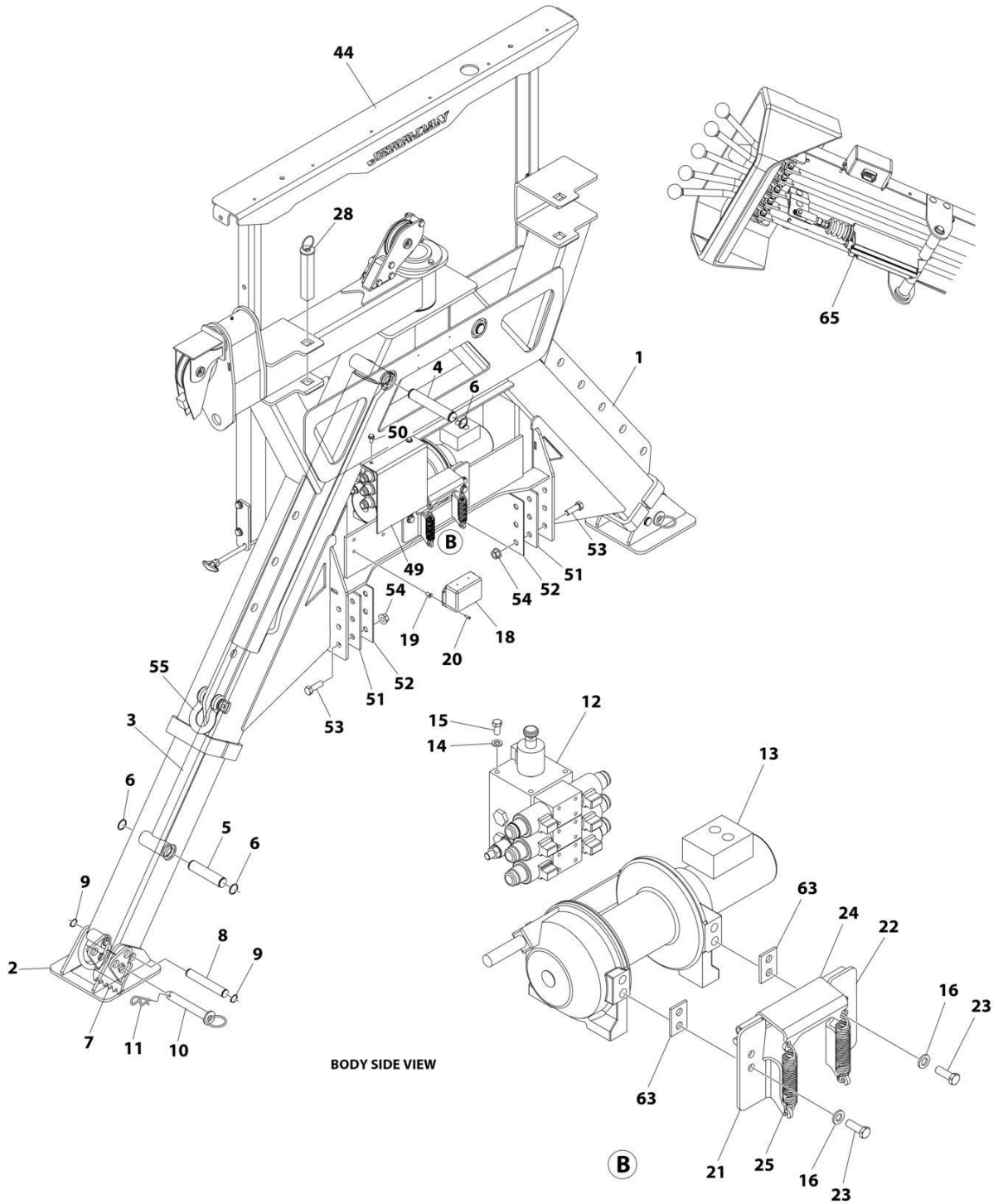
SECTION 1 - SUBFRAME

FIGURE 1-19. SIDE RECOVERY SYSTEM (SRS) INSTALLATION - 10000 LBS WINCH WITH AIR FREE SPOOL (4 FUNCTION REMOTE CONTROL)



ART_1001271986_10F2

SECTION 1 - SUBFRAME



BODY SIDE VIEW

ART_1001271986_20F2

SECTION 1 - SUBFRAME

FIGURE 1-19. SIDE RECOVERY SYSTEM (SRS) INSTALLATION - 10000 LBS WINCH WITH AIR FREE SPOOL (4 FUNCTION REMOTE CONTROL)

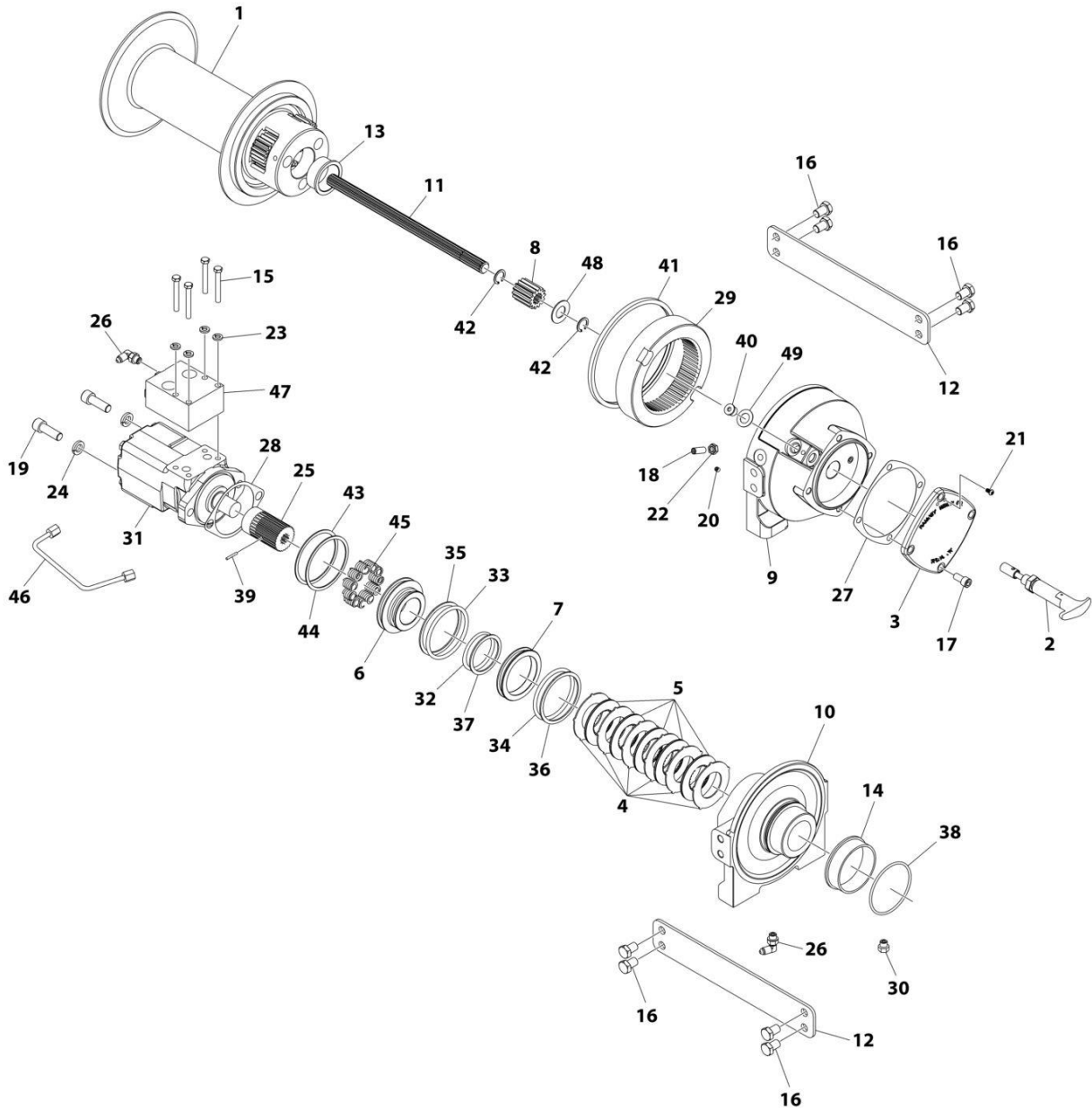
| ITEM | PART NUMBER | QTY | DESCRIPTION | REV |
|------|-------------|-----|---|-----|
| | 1001271986 | Ref | FRAME ASSEMBLY (SRS-10), AIR F/S, 4 REMOTE | A |
| 1 | 3455000058 | 1 | Frame | |
| 2 | 3170000473 | 2 | Boom Weldment | |
| 3 | 3320000229 | 2 | Cylinder Assembly (See Separate Breakdown in this Section) | |
| 4 | 4691000296 | 2 | Pin | |
| 5 | 4691000429 | 2 | Pin | |
| 6 | 3760133 | 7 | Ring | |
| 7 | 3706000363 | 2 | Plate | |
| 8 | 4691000495 | 2 | Pin | |
| 9 | 7754000019 | 6 | Ring | |
| 10 | 3691000064 | 2 | Pin | |
| 11 | 7691000001 | 2 | Hair Pin | |
| 12 | 3619000010 | 1 | Manifold Assembly | |
| 13 | 7970000166 | 1 | Winch Assembly (See Separate Breakdown in this Section) | |
| 14 | 7950160000 | 3 | Lockwasher | |
| 15 | 0641606 | 6 | Bolt 3/8 x 3/4 | |
| 16 | 4891800 | 20 | Washer 1/2 | |
| 17 | 1001139343 | 8 | Bolt 1/2 x 1-1/4 | |
| 18 | 7295000130 | 1 | Controller | |
| 19 | 7661000007 | 4 | Nut #10 | |
| 20 | 7104100613 | 4 | Screw #10 | |
| 21 | 3178000517 | 1 | Bracket | |
| 22 | 3178000518 | 1 | Bracket | |
| 23 | 0641812 | 12 | Bolt 1/2 1-1/2 | |
| 24 | 3706000364 | 1 | Plate | |
| 25 | 7843000035 | 2 | Spring | |
| 26 | 3691000259 | 1 | Pin | |
| 27 | 4949000059 | 2 | Washer 5 x 4-1/2 | |
| 28 | 3691000260 | 1 | Pin | |
| 29 | 1001206388 | 1 | Boom | |
| 30 | 1001206161 | 1 | Support | |
| 31 | 1001206167 | 1 | Support | |
| 32 | 7809000001 | 1 | Sheave | |
| 33 | 1001206171 | 2 | Pin | |
| 34 | 88671008 | 2 | Fitting | |
| 35 | 7754000005 | 1 | Ring | |
| 36 | 7253000002 | 2 | Fitting | |
| 38 | 1001271775 | 1 | Sheave | |
| 39 | 1001271842 | 1 | Plate | |
| 40 | 4209000336 | 1 | Bushing | |
| 41 | 0641820 | 4 | Bolt 1/2 x 2 | |
| 42 | 7660182601 | 14 | Nut 1/2 | |
| 44 | 3241000208 | 1 | Headboard | |
| 45 | 7552000413 | 1 | Side Recovery System Harness (Not Shown - See Separate Breakdown in ELECTRICAL Section) | |
| 46 | 4706005650 | 1 | Plate | |
| 48 | 4706006211 | 2 | Plate | |
| 49 | 4314000167 | 1 | Cover | |
| 50 | 7790161253 | 2 | Screw 3/8 x 3/4 | |

SECTION 1 - SUBFRAME

| ITEM | PART NUMBER | QTY | DESCRIPTION | REV |
|------|-------------|-----|---------------------------------|-----|
| 51 | 4831000126 | 2 | Spacer | |
| 52 | 4831000127 | 2 | Spacer | |
| 53 | 0652016 | 12 | Bolt 5/8 x 2 | |
| 54 | 7660202347 | 12 | Nut 1/6 | |
| 55 | 7804000007 | 1 | Shackle | |
| 56 | 7248000077 | 1 | Wire Rope (Not Shown) | |
| 57 | 7274000053 | 4 | Clamp (Not Shown) | |
| 58 | 0641508 | 4 | Bolt 5/16 x 1 (Not Shown) | |
| 59 | 4751500 | 4 | Washer 5/16 (Not Shown) | |
| 60 | 7660152601 | 4 | Nut 1/3 (Not Shown) | |
| 61 | 7002000519 | 1 | Snatch (Not Shown) | |
| 63 | 4706005752 | 2 | Plate | |
| 64 | 2870000023 | 1 | Switch Installation (Not Shown) | |
| 65 | 2577000016 | 1 | Linear Actuator Kit | |
| 66 | 3841143 | 2 | Keeper | |
| 67 | 4711600 | 2 | Washer | |
| 68 | 0651606 | 2 | Bolt 3/8 x 3/4 | |
| 69 | 3020039 | AR | Lubricant | |
| 70 | 3020029 | AR | Lube | |
| 71 | 0100071 | AR | Adhesive | |
| 72 | 1001095650 | AR | Adhesive | |

SECTION 1 - SUBFRAME

FIGURE 1-20. WINCH (SRS) ASSEMBLY - 10000 LBS



ART_7970000158

SECTION 1 - SUBFRAME

FIGURE 1-20. WINCH (SRS) ASSEMBLY - 10000 LBS

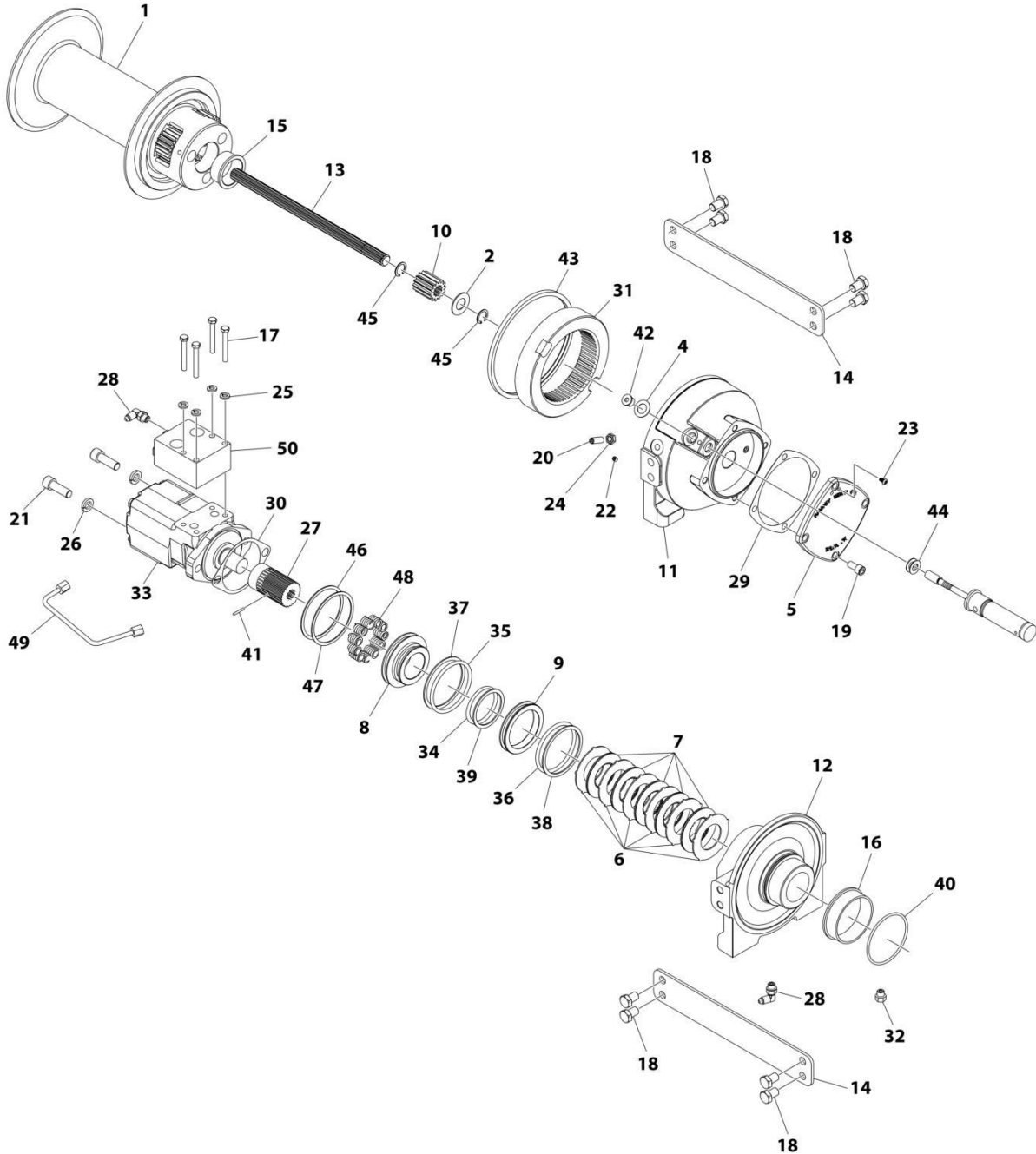
| ITEM | PART NUMBER | QTY | DESCRIPTION | REV |
|------|-------------|-----|---|-----|
| | 7970000158 | Ref | WINCH - 10000 LBS PLANETARY GEAR WITH MANUAL FREE SPOOL | B |
| 1 | 70050525 | 1 | Drum Assembly "Y" | |
| 2 | 9551960018 | 1 | Shifter Assembly | |
| 3 | 70050625 | 1 | Cover - Gear Housing | |
| 4 | 70050612 | 6 | Stator - Brake | |
| 5 | 70050613 | 5 | Disc Brake | |
| 6 | 70050614 | 1 | Piston Brake | |
| 7 | 70050615 | 1 | Piston Brake Backup | |
| 8 | 9472960042 | 1 | Gear - Output, Sun | |
| 9 | 70050616 | 1 | End Bearing - Gear housing | |
| 10 | 70050456 | 1 | End Bearing - Motor | |
| 11 | 70050617 | 1 | Shaft - Input "Y" Drum | |
| 12 | 70050618 | 2 | Plate - Tie "Y" Drum | |
| 13 | 9209960023 | 1 | Bushing - Drum | |
| 14 | 70050457 | 1 | Bushing - Drum, Motor End | |
| 15 | 70050619 | 4 | Capscrew 5/16 x 2-1/2 | |
| 16 | 9120960025 | 8 | Capscrew 1/2 x 3/4 | |
| 17 | 9120960081 | 4 | Capscrew 3/8 x 3/4 | |
| 18 | 9786960006 | 1 | Setscrew 3/8 x 1 | |
| 19 | 70050627 | 2 | Capscrew 1/2 x 1-3/4 | |
| 20 | 7785140404 | 1 | Setscrew 1/4 x 1/4 | |
| 21 | 70050620 | 2 | Screw #10 x 3/8 | |
| 22 | 70050628 | 1 | Nut 3/8 | |
| 23 | 9970418163 | 4 | Washer 5/16 | |
| 24 | 9949960031 | 2 | Washer 1/2 | |
| 25 | 70050621 | 1 | Coupling - Motor | |
| 26 | 9443960010 | 2 | Fitting | |
| 27 | 9796960047 | 1 | Gasket | |
| 28 | 70050458 | 1 | Gasket | |
| 29 | 9472960043 | 1 | Gear - Ring | |
| 30 | 9183960002 | 1 | Fitting, Vent | |
| 31 | 9626960027 | 1 | Motor - Hydraulic | |
| 32 | 70050459 | 1 | O-Ring | |
| 33 | 70050460 | 1 | O-Ring | |
| 34 | 70050461 | 1 | O-Ring | |
| 35 | 70050462 | 1 | Ring - Backup | |
| 36 | 70050463 | 1 | Ring - Backup | |
| 37 | 70050464 | 1 | Ring - Backup | |
| 38 | 70050465 | 1 | O-Ring | |
| 39 | 9691960001 | 1 | Spirol Pin | |
| 40 | 9701960016 | 1 | Plug | |
| 41 | 9796960049 | 1 | Seal | |
| 42 | 9754960039 | 2 | Snap Ring | |
| 43 | 70050466 | 2 | Ring - Internal Retaining | |
| 44 | 70050626 | 1 | Ring - Internal Retaining | |
| 45 | 70050622 | 11 | Spring - Brake | |
| 46 | 9912960035 | 1 | Tube - Brake Release (Ports Up) | |
| 47 | 9935960142 | 1 | Valve - Motor Control "B" Rotation | |
| 48 | 9812960005 | 1 | Washer - Thrust | |

SECTION 1 - SUBFRAME

| ITEM | PART NUMBER | QTY | DESCRIPTION | REV |
|------|-------------|-----|-----------------|-----|
| 49 | 9949960017 | 1 | Washer - Thrust | |

SECTION 1 - SUBFRAME

FIGURE 1-21. WINCH (SRS) ASSEMBLY - 10000 LBS WITH AIR FREE SPOOL



ART_7970000166

SECTION 1 - SUBFRAME

FIGURE 1-21. WINCH (SRS) ASSEMBLY - 10000 LBS WITH AIR FREE SPOOL

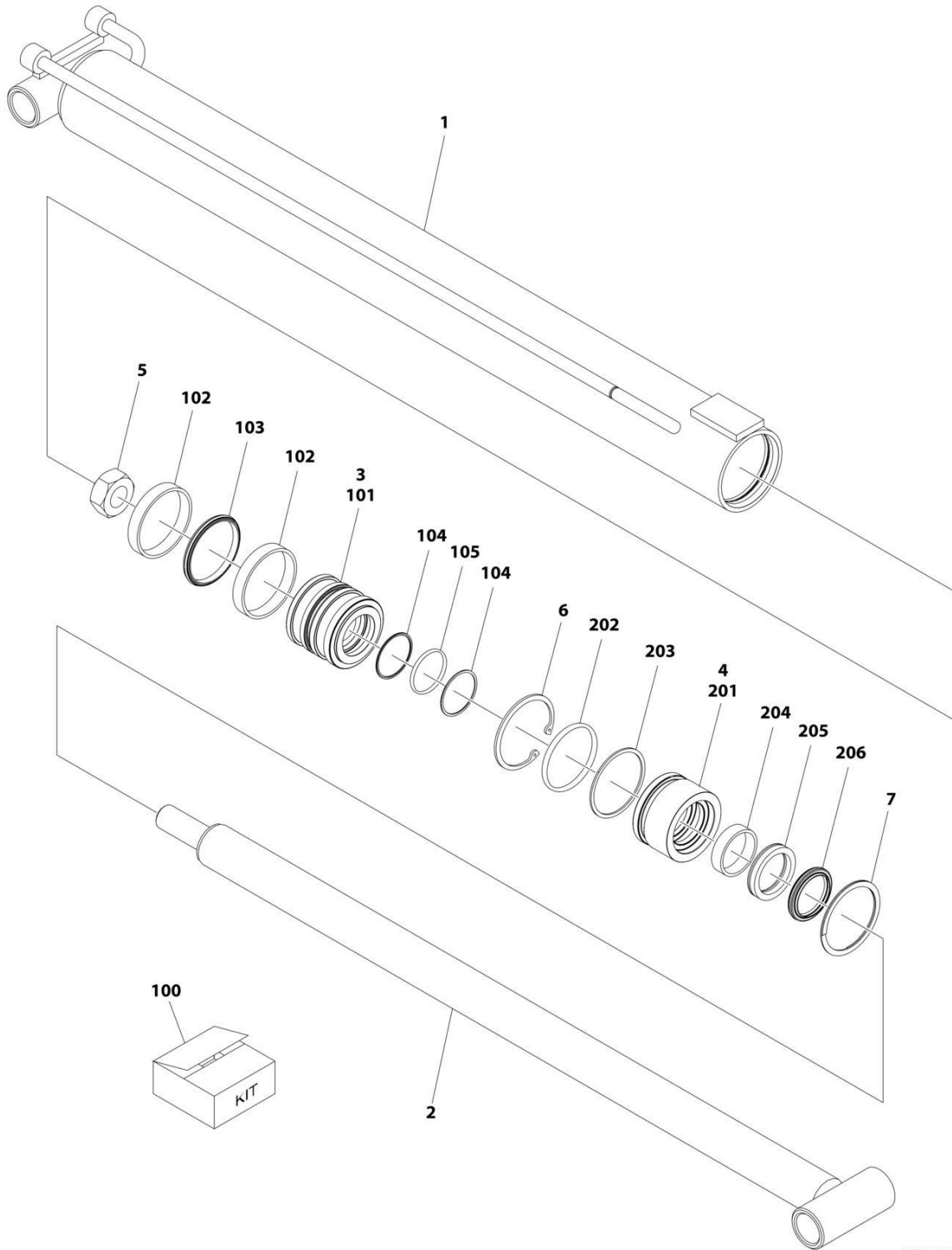
| ITEM | PART NUMBER | QTY | DESCRIPTION | REV |
|------|-------------|-----|--|-----|
| | 7970000166 | Ref | WINCH - 10000 LBS PLANETARY GEAR WITH AIR FREE SPOOL | B |
| 1 | 70050525 | 1 | Drum Assembly "Y" | |
| 2 | 9812960005 | 1 | Washer - Thrust | |
| 3 | 70050662 | 1 | Decal - Slide Pad / Pivot Joint (Not Shown) | |
| 4 | 9949960017 | 1 | Washer - Thrust | |
| 5 | 70050625 | 1 | Cover - Gear Housing | |
| 60 | 70050612 | 6 | Stator - Brake | |
| 7 | 70050613 | 5 | Disc Brake | |
| 8 | 70050614 | 1 | Piston Brake | |
| 9 | 70050615 | 1 | Piston Brake Backup | |
| 10 | 9742960064 | 1 | Gear - Output, Sun | |
| 11 | 70050616 | 1 | End Bearing - Gear housing | |
| 12 | 70050456 | 1 | End Bearing - Motor | |
| 13 | 70050617 | 1 | Shaft - Input "Y" Drum | |
| 14 | 70050618 | 2 | Plate - Tie "Y" Drum | |
| 15 | 9209960023 | 1 | Bushing - Drum | |
| 16 | 70050457 | 1 | Bushing - Drum, Motor End | |
| 17 | 70050619 | 4 | Capscrew 5/16 x 2-1/2 | |
| 18 | 9120960025 | 8 | Capscrew 1/2 x 3/4 | |
| 19 | 9120960081 | 4 | Capscrew 3/8 x 3/4 | |
| 20 | 9786960006 | 1 | Setscrew 3/8 x 1 | |
| 21 | 70050627 | 2 | Capscrew 1/2 x 1-3/4 | |
| 22 | 7785140404 | 1 | Setscrew 1/4 x 1/4 | |
| 23 | 70050620 | 2 | Screw #10 x 3/8 | |
| 24 | 70050628 | 1 | Nut 3/8 | |
| 25 | 9970418163 | 4 | Washer 5/16 | |
| 26 | 9949960031 | 2 | Washer 1/2 | |
| 27 | 70050621 | 1 | Coupling - Motor | |
| 28 | 9443960010 | 2 | Fitting | |
| 29 | 9796960047 | 1 | Gasket | |
| 30 | 70050458 | 1 | Gasket | |
| 31 | 9472960043 | 1 | Gear - Ring | |
| 32 | 9183960002 | 1 | Fitting, Vent | |
| 33 | 9626960027 | 1 | Motor - Hydraulic | |
| 34 | 70050459 | 1 | O-Ring | |
| 35 | 70050460 | 1 | O-Ring | |
| 36 | 70050461 | 1 | O-Ring | |
| 37 | 70050462 | 1 | Ring - Backup | |
| 38 | 70050463 | 1 | Ring - Backup | |
| 39 | 70050464 | 1 | Ring - Backup | |
| 40 | 70050465 | 1 | O-Ring | |
| 41 | 9691960001 | 1 | Spirol Pin | |
| 42 | 9701960016 | 1 | Plug | |
| 43 | 9796960049 | 1 | Seal | |
| 44 | 70050100 | 1 | Shim | |
| 45 | 9754960039 | 2 | Snap Ring | |
| 46 | 70050466 | 2 | Ring - Internal Retaining | |
| 47 | 70050626 | 1 | Ring - Internal Retaining | |
| 48 | 70050622 | 11 | Spring - Brake | |
| 49 | 9912960035 | 1 | Tube - Brake Release (Ports Up) | |

SECTION 1 - SUBFRAME

| ITEM | PART NUMBER | QTY | DESCRIPTION | REV |
|------|-------------|-----|------------------------------------|-----|
| 50 | 70050701 | 1 | Valve - Motor Control "A" Rotation | |

SECTION 1 - SUBFRAME

FIGURE 1-22. CYLINDER ASSEMBLY - SIDE RECOVERY SYSTEM



ART_3320000229

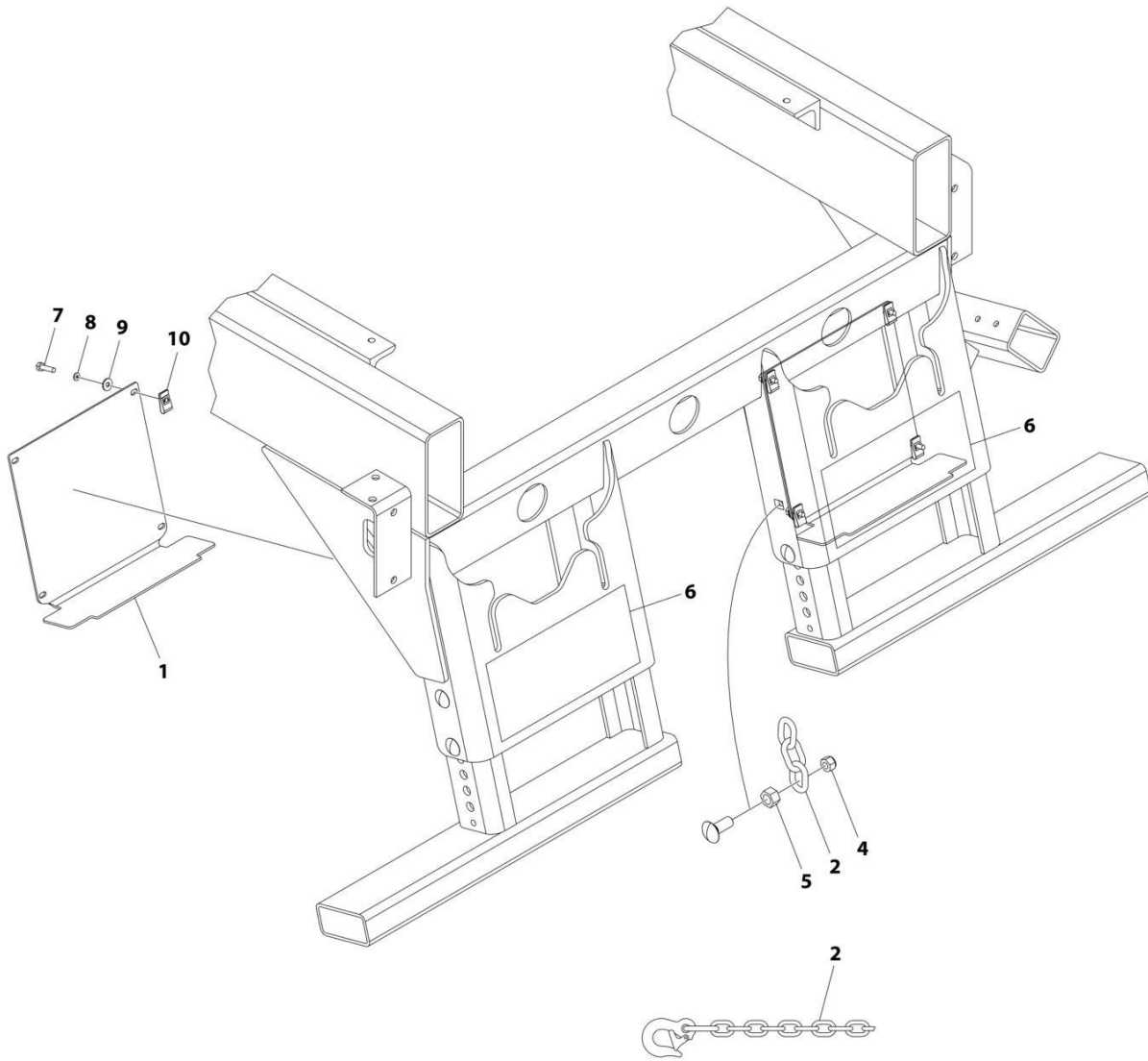
SECTION 1 - SUBFRAME

FIGURE 1-22. CYLINDER ASSEMBLY - SIDE RECOVERY SYSTEM

| ITEM | PART NUMBER | QTY | DESCRIPTION | REV |
|------|-------------|-----|---|-----|
| | 3320000229 | Ref | CYLINDER ASSEMBLY - SIDE RECOVERY SYSTEM | A |
| 1 | 3071000213 | 1 | Barrel | |
| 2 | 3763000187 | 1 | Rod | |
| 3 | 3698000001 | 1 | Piston Assembly (Includes Items 101-105) | |
| 4 | 3553000011 | 1 | Head Assembly (Includes Items 201-206) | |
| 5 | 7661000034 | 1 | Nut | |
| 6 | 7754000002 | 1 | Ring, Retaining | |
| 7 | 7754000026 | 1 | Ring, Retaining | |
| 100 | 7577250024 | 1 | Seal Kit (Includes Items 102-105 & 202-206) | |
| | 3698000001 | Ref | PISTON ASSEMBLY | |
| 101 | 4698000007 | 1 | Piston | |
| 102 | 7754000003 | 2 | Ring, Wear | |
| 103 | 7796000063 | 1 | Seal | |
| 104 | 7755224609 | 2 | Ring, Back-up | |
| 105 | 7755224000 | 1 | O-Ring | |
| | 3553000011 | Ref | HEAD ASSEMBLY | |
| 201 | 4553000008 | 1 | Head | |
| 202 | 7755334000 | 1 | O-Ring | |
| 203 | 7755334609 | 1 | Ring, Back-up | |
| 204 | 7754000004 | 1 | Ring, Wear | |
| 205 | 7796000024 | 1 | Seal | |
| 206 | 7796000008 | 1 | Wiper | |

SECTION 1 - SUBFRAME

FIGURE 1-23. CHAIN BOX INSTALLATION



ART_226200011

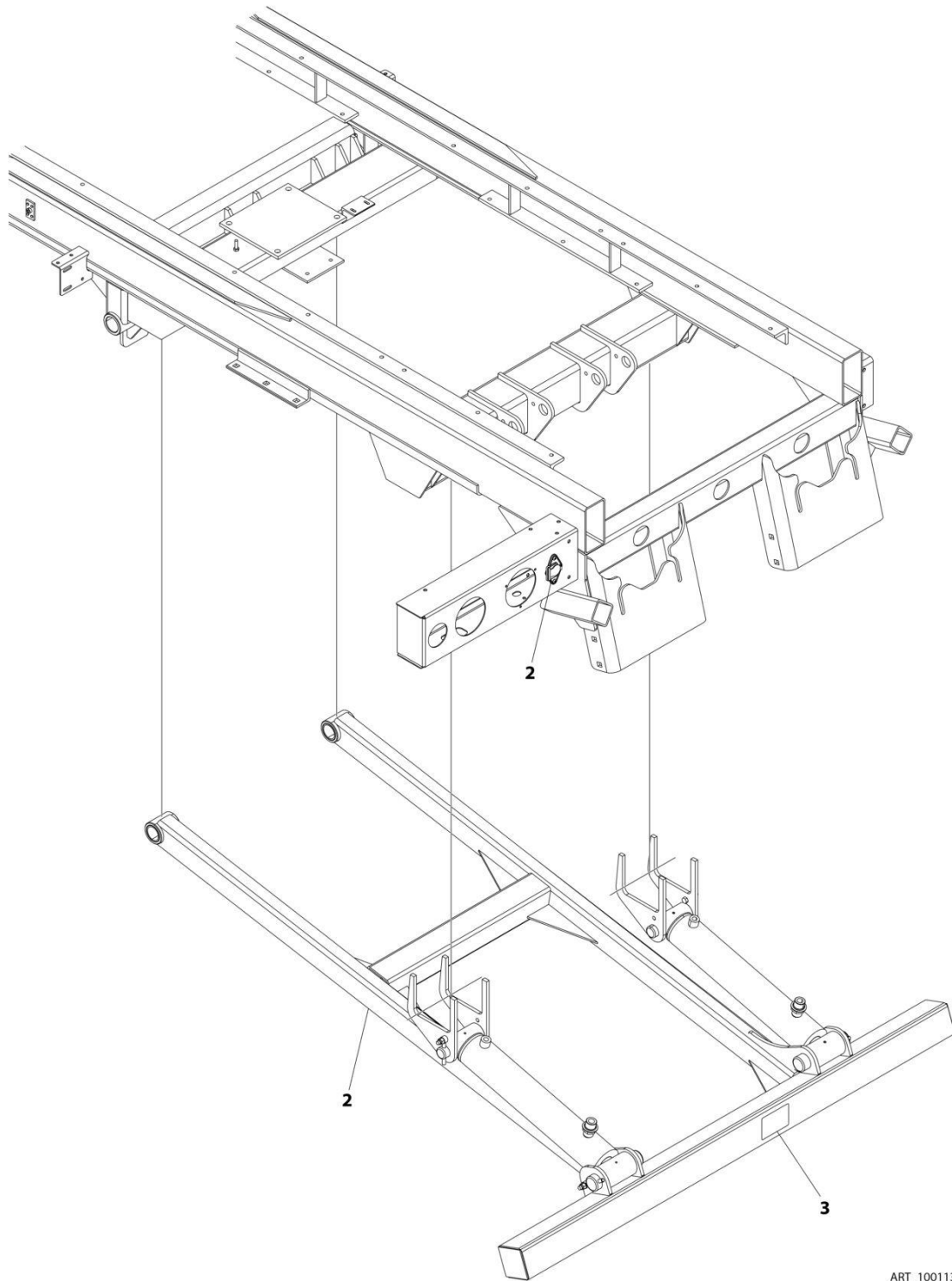
SECTION 1 - SUBFRAME

FIGURE 1-23. CHAIN BOX INSTALLATION

| ITEM | PART NUMBER | QTY | DESCRIPTION | REV |
|-------------|--------------------|------------|------------------------|------------|
| | 2262000011 | Ref | CHAIN BOX INSTALLATION | C |
| 1 | 1001177601 | 2 | Panel | |
| 2 | 7262000040 | 2 | Chain | |
| 4 | 7660182601 | 2 | Nut 1/2 | |
| 5 | 7660180001 | 2 | Nut 1/2 | |
| 6 | 7679000020 | 2 | Pad | |
| 7 | 7115140850 | 8 | Capscrew 1/4 x 1 | |
| 8 | 7950140000 | 8 | Washer 1/4 | |
| 9 | 7949000023 | 8 | Washer | |
| 10 | 7661000064 | 8 | Clip, U-Nut 1/4 | |

SECTION 1 - SUBFRAME

FIGURE 1-24. REAR STABILIZER - COMPLETE



ART_1001130053

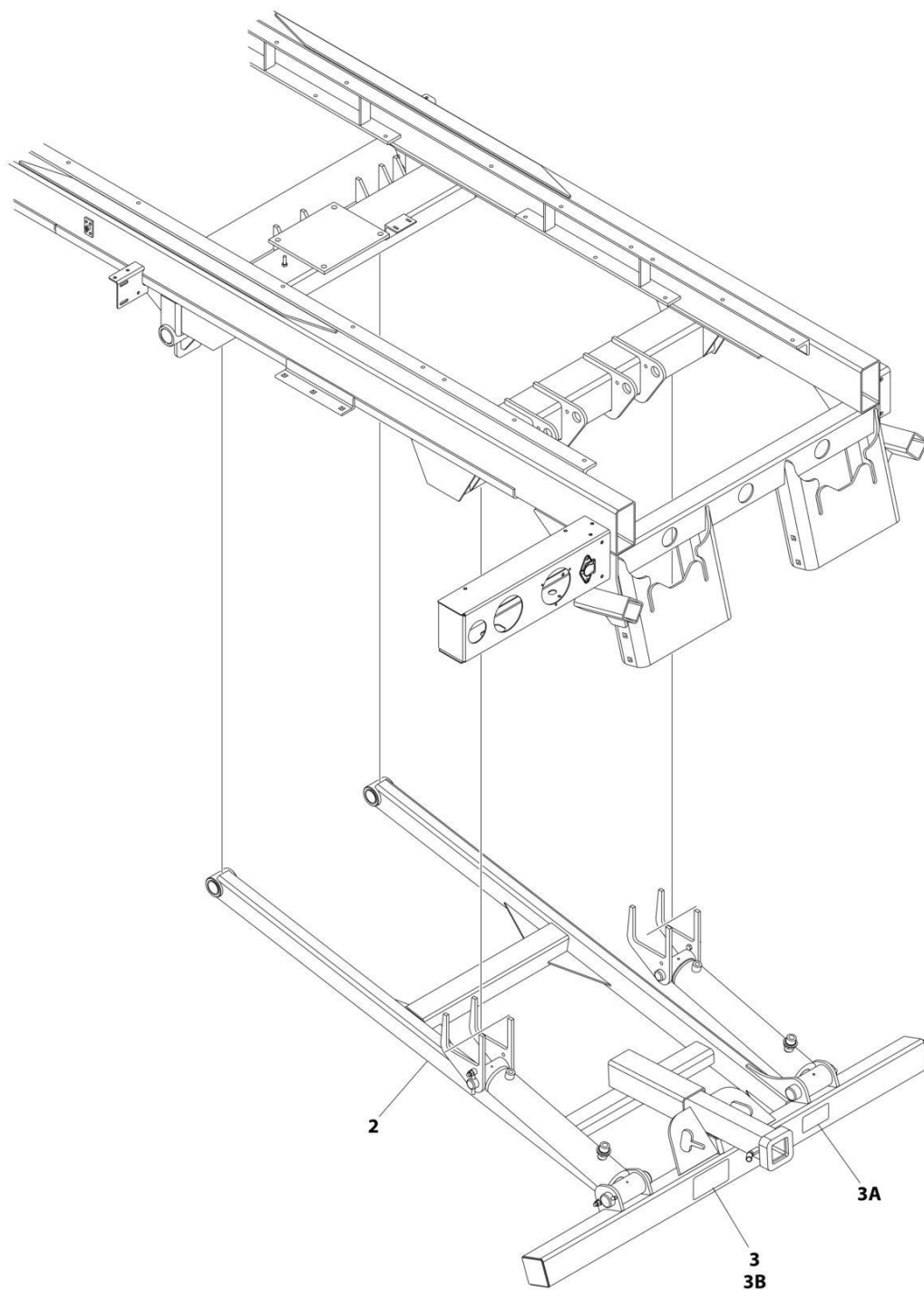
SECTION 1 - SUBFRAME

FIGURE 1-24. REAR STABILIZER - COMPLETE

| ITEM | PART NUMBER | QTY | DESCRIPTION | REV |
|-------------|--------------------|------------|---|------------|
| | 1001130053 | Ref | REAR DOCK STABILIZER LOW PROFILE | B |
| 1 | 2570000049 | 1 | Hose Installation (Not Shown - See Separate Breakdown in HYDRAULIC Section) | |
| 2 | 2849000052 | 1 | Stabilizer Installation (See Separate Breakdown in this Section) | |
| 3 | 2330000064 | Ref | Decal Installation | |
| 3 | 7330000599 | 1 | Decal - Warning Pinch Point | |

SECTION 1 - SUBFRAME

FIGURE 1-25. REAR STABILIZER - COMPLETE (2.5IN TOW HITCH)



ART_1001130054

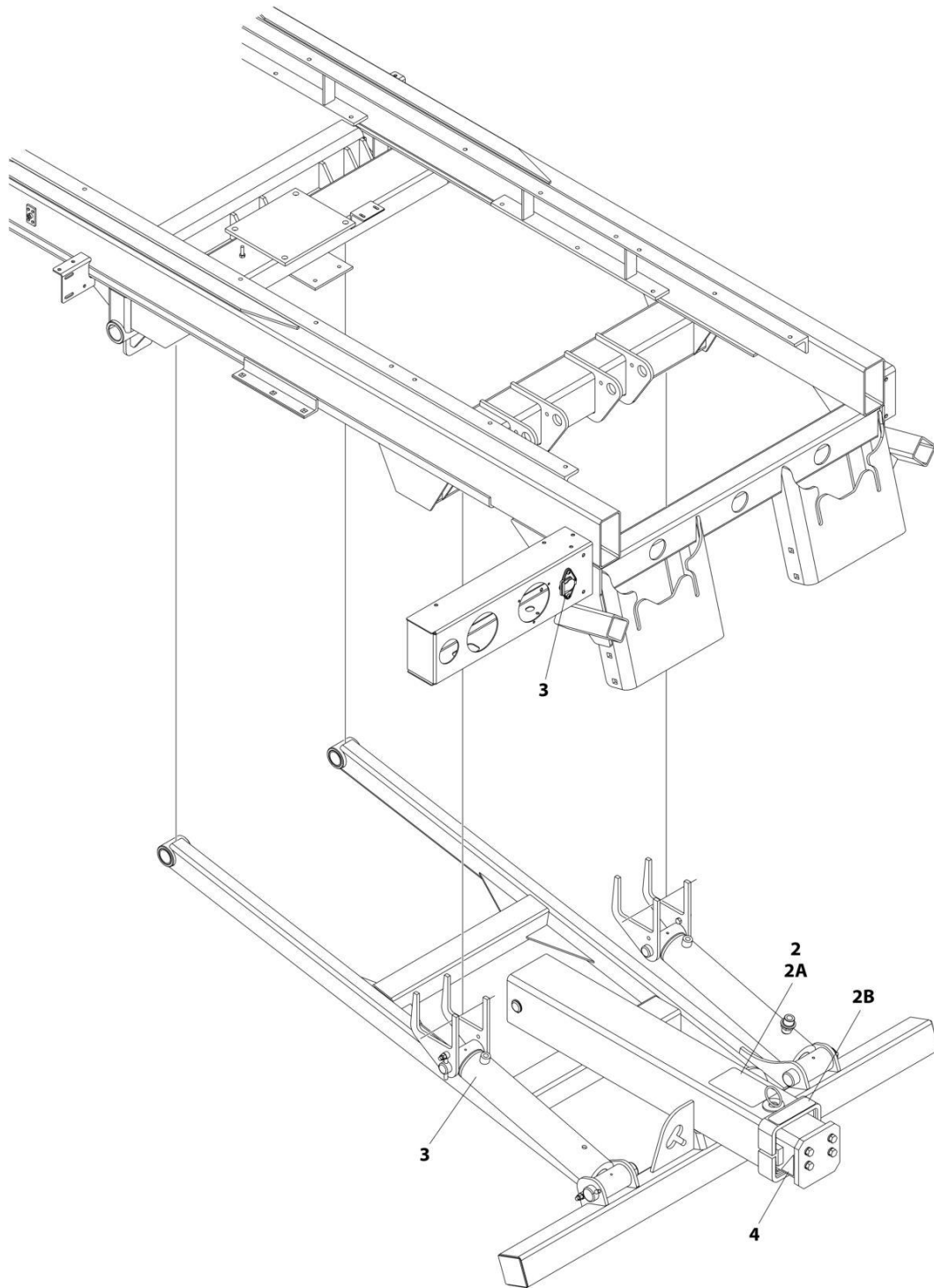
SECTION 1 - SUBFRAME

FIGURE 1-25. REAR STABILIZER - COMPLETE (2.5IN TOW HITCH)

| ITEM | PART NUMBER | QTY | DESCRIPTION | REV |
|-------------|--------------------|------------|---|------------|
| | 1001130054 | Ref | REAR DOCK STABILIZER LOW PROFILE | 0 |
| 1 | 2570000049 | 1 | Hose Installation (Not Shown - See Separate Breakdown in HYDRAULIC Section) | |
| 2 | 2849000053 | 1 | Stabilizer Installation (See Separate Breakdown in this Section) | |
| 3 | 2330000063 | Ref | Decal Installation | |
| 3A | 7330000599 | 1 | Decal - Warning Pinch Point | |
| 3B | 7330000274 | 1 | Decal - Warning Overload | |

SECTION 1 - SUBFRAME

FIGURE 1-26. REAR STABILIZER - COMPLETE (PINTLE HITCH)



ART_1001131295

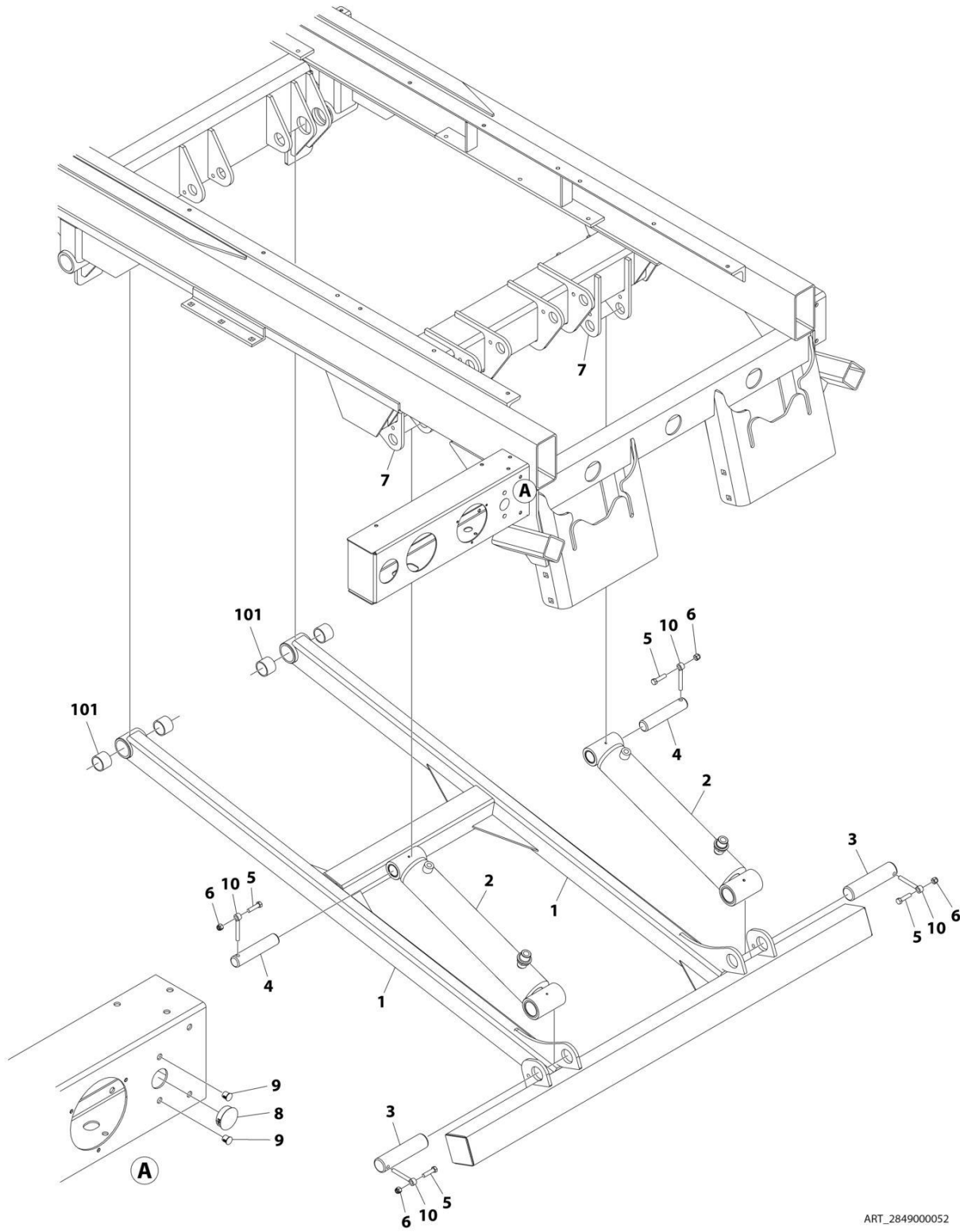
SECTION 1 - SUBFRAME

FIGURE 1-26. REAR STABILIZER - COMPLETE (PINTLE HITCH)

| ITEM | PART NUMBER | QTY | DESCRIPTION | REV |
|------|-------------|-----|---|-----|
| | 1001131295 | Ref | REAR DOCK STABILIZER WITH HYDRAULIC | 0 |
| 1 | 2570000032 | 1 | Hose Installation (Not Shown - See Separate Breakdown in HYDRAULIC Section) | |
| 2 | 2330000061 | Ref | Decal Installation | |
| 2A | 7330000684 | 1 | Decal - Safety | |
| 2B | 7330000391 | 1 | Decal - Warning, Tow Boom Configuration | |
| 3 | 1001131230 | 1 | Stabilizer Installation (See Separate Breakdown in this Section) | |
| 4 | 2330000041 | Ref | Reflective Tape Installation | |
| 4 | 7330000645 | 1 | Decal - Red, Retro-reflective LH | |
| 4 | 7330000646 | 1 | Decal - Red, Retro-reflective RH | |

SECTION 1 - SUBFRAME

FIGURE 1-27. REAR STABILIZER INSTALLATION



ART_2849000052

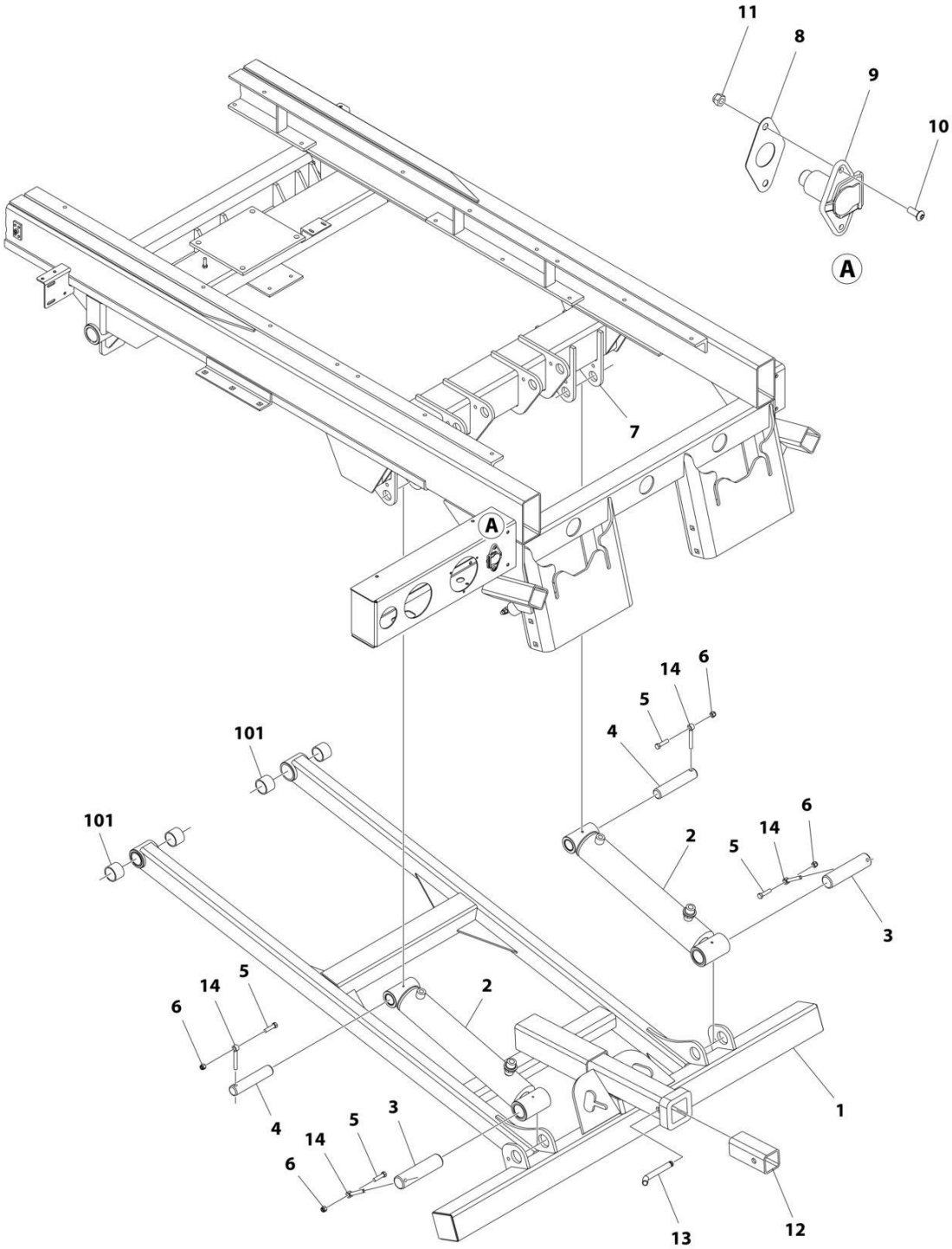
SECTION 1 - SUBFRAME

FIGURE 1-27. REAR STABILIZER INSTALLATION

| ITEM | PART NUMBER | QTY | DESCRIPTION | REV |
|------|-------------|-----|--|-----|
| | 2849000052 | Ref | REAR DOCK STABILIZER INSTALLATION LOW PROFILE | E |
| 1 | 3849000043 | 1 | Rear Stabilizer Weldment | |
| 2 | 1001166857 | 2 | Cylinder Assembly (See Separate Breakdown in this Section) | |
| 3 | 1001188141 | 2 | Pin | |
| 4 | 1001188129 | 2 | Pin | |
| 5 | 0641612 | 4 | Capscrew 3/8 x 1-1/2 | |
| 6 | 3300492 | 4 | Nut 3/8 | |
| 7 | 3316000051 | 1 | Crossmember Weldment | |
| 8 | 7701000049 | 1 | Plug | |
| 9 | 7701000055 | 2 | Plug | |
| 10 | 3841143 | 4 | Keeper, Shaft | |
| 101 | 7082000017 | 4 | Bearing | |

SECTION 1 - SUBFRAME

FIGURE 1-28. REAR STABILIZER INSTALLATION (2.5IN TOW HITCH)



ART_2849000053

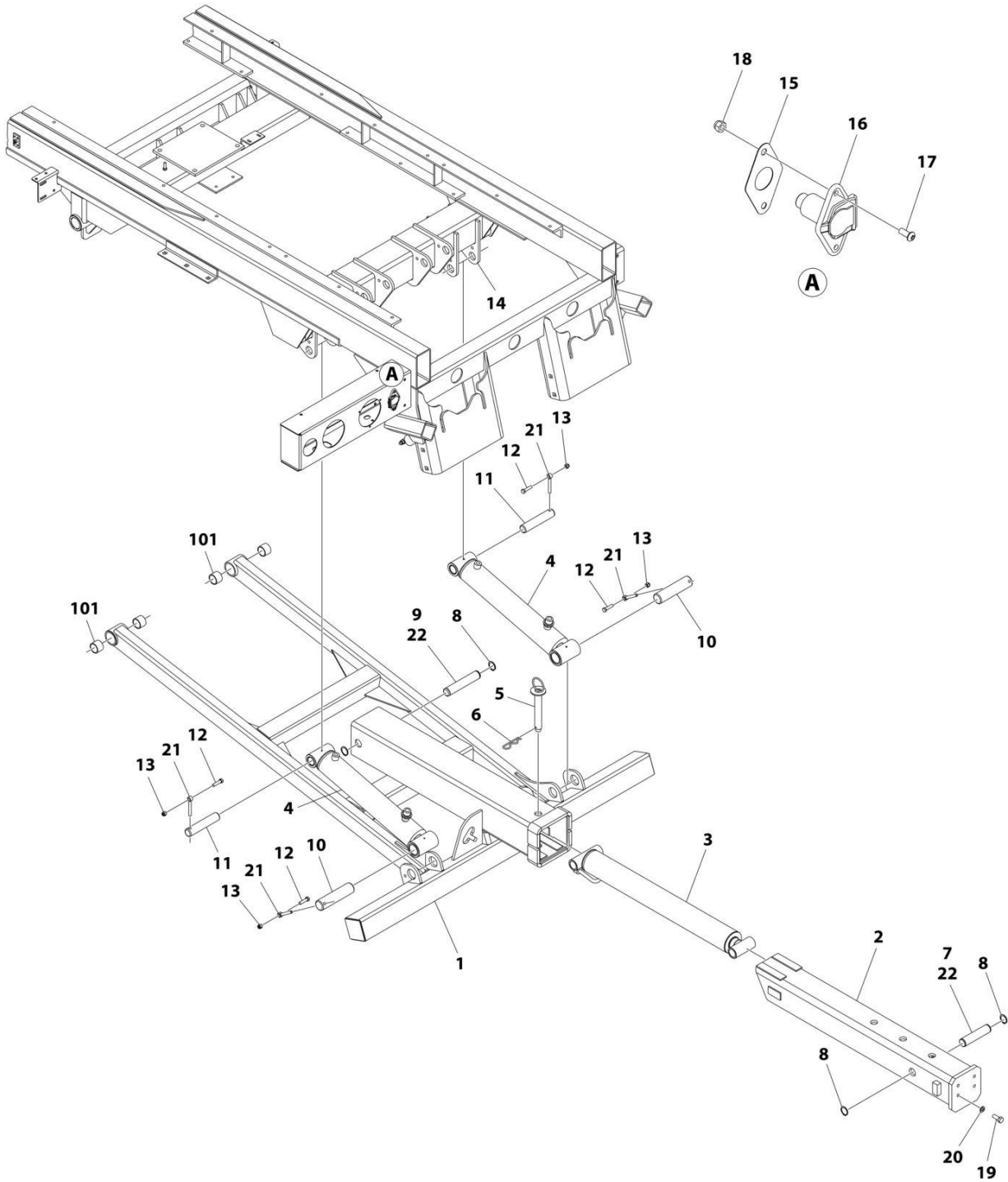
SECTION 1 - SUBFRAME

FIGURE 1-28. REAR STABILIZER INSTALLATION (2.5IN TOW HITCH)

| ITEM | PART NUMBER | QTY | DESCRIPTION | REV |
|------|-------------|-----|--|-----|
| | 2849000053 | Ref | STABILIZER INSTALLATION WITH HYDRAULIC TOW HITCH | D |
| 1 | 3849000044 | 1 | Rear Stabilizer Weldment | |
| 2 | 1001166857 | 2 | Cylinder Assembly (See Separate Breakdown in CYLINDER Section) | |
| 3 | 1001188141 | 2 | Pin | |
| 4 | 1001188129 | 2 | Pin | |
| 5 | 0641612 | 4 | Capscrew 3/8 x 1-1/2 | |
| 6 | 3300492 | 4 | Nut 3/8 | |
| 7 | 3316000051 | 1 | Crossmember Weldment | |
| 8 | 7796000048 | 1 | Gasket | |
| 9 | 7291000010 | 1 | Female Receptacle with Connector | |
| 10 | 7114140528 | 2 | Screw 1/4 x 5/8 | |
| 11 | 7660142601 | 2 | Nut 1/4 | |
| 12 | 7913000006 | 1 | Tube | |
| 13 | 7691000033 | 1 | Pin | |
| 14 | 3841143 | 4 | Keeper, Shaft | |
| 101 | 7082000017 | 4 | Bearing | |

SECTION 1 - SUBFRAME

FIGURE 1-29. REAR STABILIZER INSTALLATION (PINTLE HITCH)



ART_1001131230

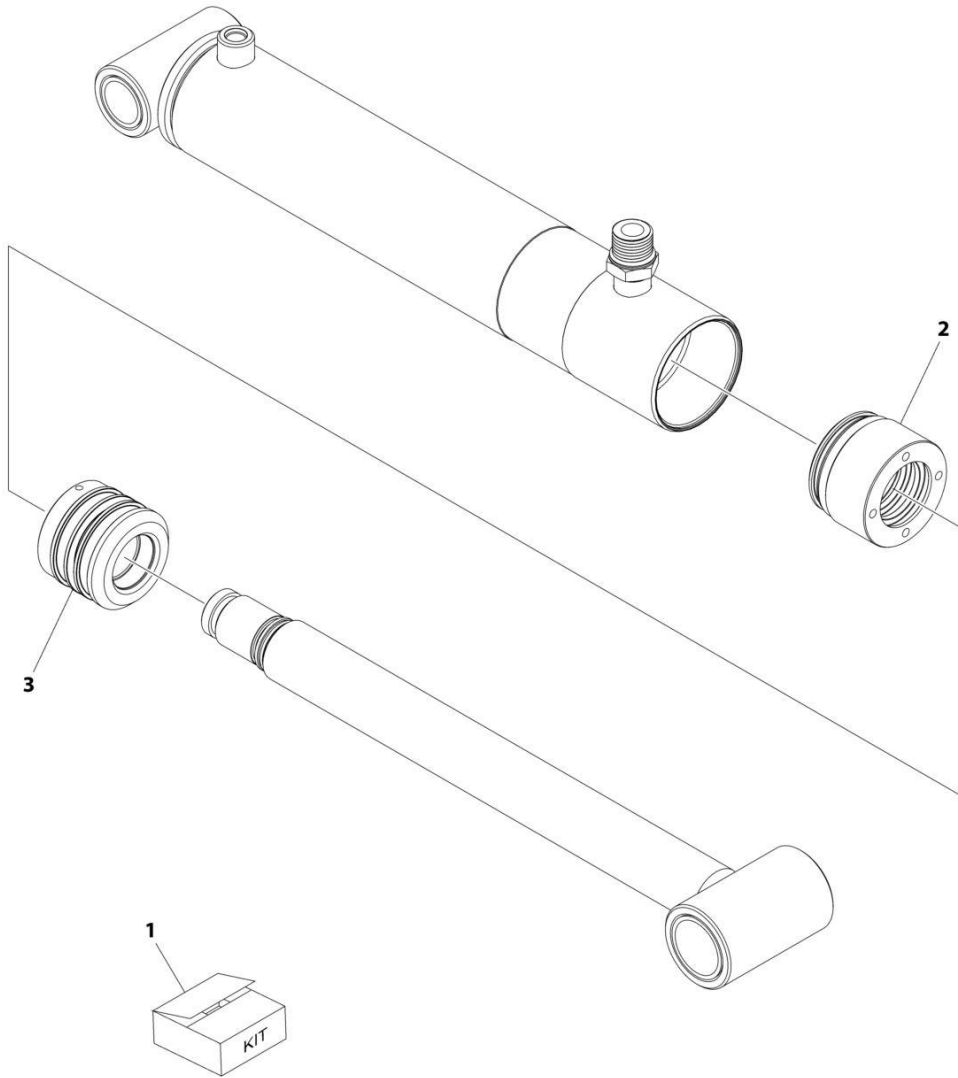
SECTION 1 - SUBFRAME

FIGURE 1-29. REAR STABILIZER INSTALLATION (PINTLE HITCH)

| ITEM | PART NUMBER | QTY | DESCRIPTION | REV |
|------|-------------|-----|--|-----|
| | 1001131230 | Ref | STABILIZER INSTALLATION WITH HYDRAULIC | G |
| 1 | 1001131255 | 1 | Stabilizer Weldment | |
| 2 | 1001127297 | 1 | Boom Weldment | |
| 3 | 1001183326 | 1 | Pintle Extend Cylinder Assembly (See Separate Breakdown in this Section) | |
| 4 | 1001166857 | 2 | Cylinder Assembly (See Separate Breakdown in this Section) | |
| 5 | 3691000064 | 1 | Pin, Weldment | |
| 6 | 7691000001 | 1 | Hair Pin | |
| 7 | 4691000429 | 1 | Pin | |
| 8 | 3760133 | 4 | Ring, Retaining | |
| 9 | 4691000430 | 1 | Pin | |
| 10 | 1001188141 | 2 | Pin | |
| 11 | 1001188129 | 2 | Pin | |
| 12 | 0641612 | 4 | Capscrew 3/8 x 1-1/2 | |
| 13 | 3300492 | 4 | Nut 3/8 | |
| 14 | 3316000051 | 1 | Crossmember Weldment | |
| 15 | 7796000048 | 1 | Gasket | |
| 16 | 7291000010 | 1 | Female Receptacle with Connector | |
| 17 | 7114140528 | 2 | Screw 1/4 x 5/8 | |
| 18 | 7660142601 | 2 | Nut 1/4 | |
| 19 | 0691810 | 4 | Capscrew 1/2 x 1-1/4 | |
| 20 | 4761800 | 4 | Washer 1/2 | |
| 21 | 3841143 | 4 | Keeper, Shaft | |
| 22 | 3020039 | AR | Lubricant | |
| 101 | 7082000017 | 4 | Bearing | |

SECTION 1 - SUBFRAME

FIGURE 1-30. LIFT CYLINDER ASSEMBLY



ART_1001166857

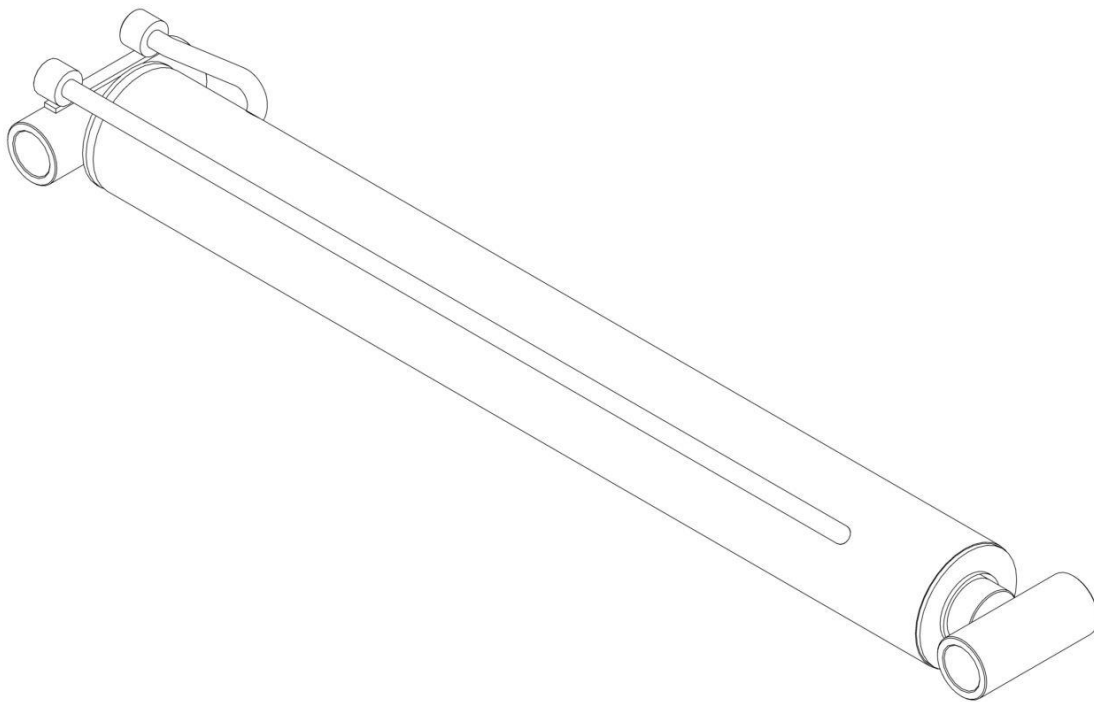
SECTION 1 - SUBFRAME

FIGURE 1-30. LIFT CYLINDER ASSEMBLY

| ITEM | PART NUMBER | QTY | DESCRIPTION | REV |
|-------------|--------------------|------------|-----------------------|------------|
| | 1001166857 | Ref | IRL CYLINDER ASSEMBLY | E |
| 1 | 70051168 | 1 | Kit, Seal | |
| 2 | 70051172 | 1 | Kit, Head | |
| 3 | 70051173 | 1 | Kit, Piston | |

SECTION 1 - SUBFRAME

FIGURE 1-31. PINTLE EXTEND/RETRACT CYLINDER ASSEMBLY



ART_1001183326

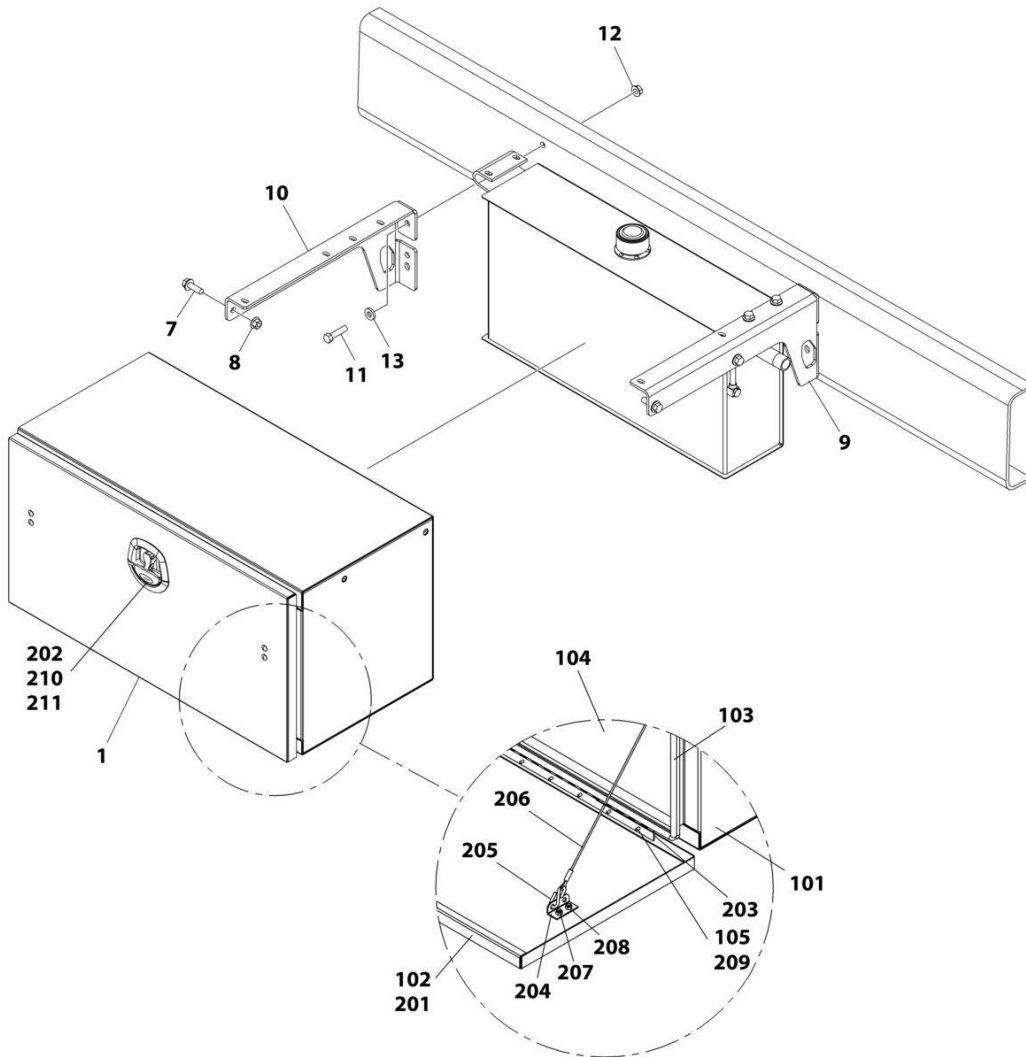
SECTION 1 - SUBFRAME

FIGURE 1-31. PINTLE EXTEND/RETRACT CYLINDER ASSEMBLY

| ITEM | PART NUMBER | QTY | DESCRIPTION | REV |
|------|-------------|------------|--|-----|
| | 1001183326 | Ref Ref | Pintle Extend Cylinder Assembly Note: No Service Parts Available at Time of Printing. | D |

SECTION 1 - SUBFRAME

FIGURE 1-32. TOOLBOX - 36IN



ART_2899000055

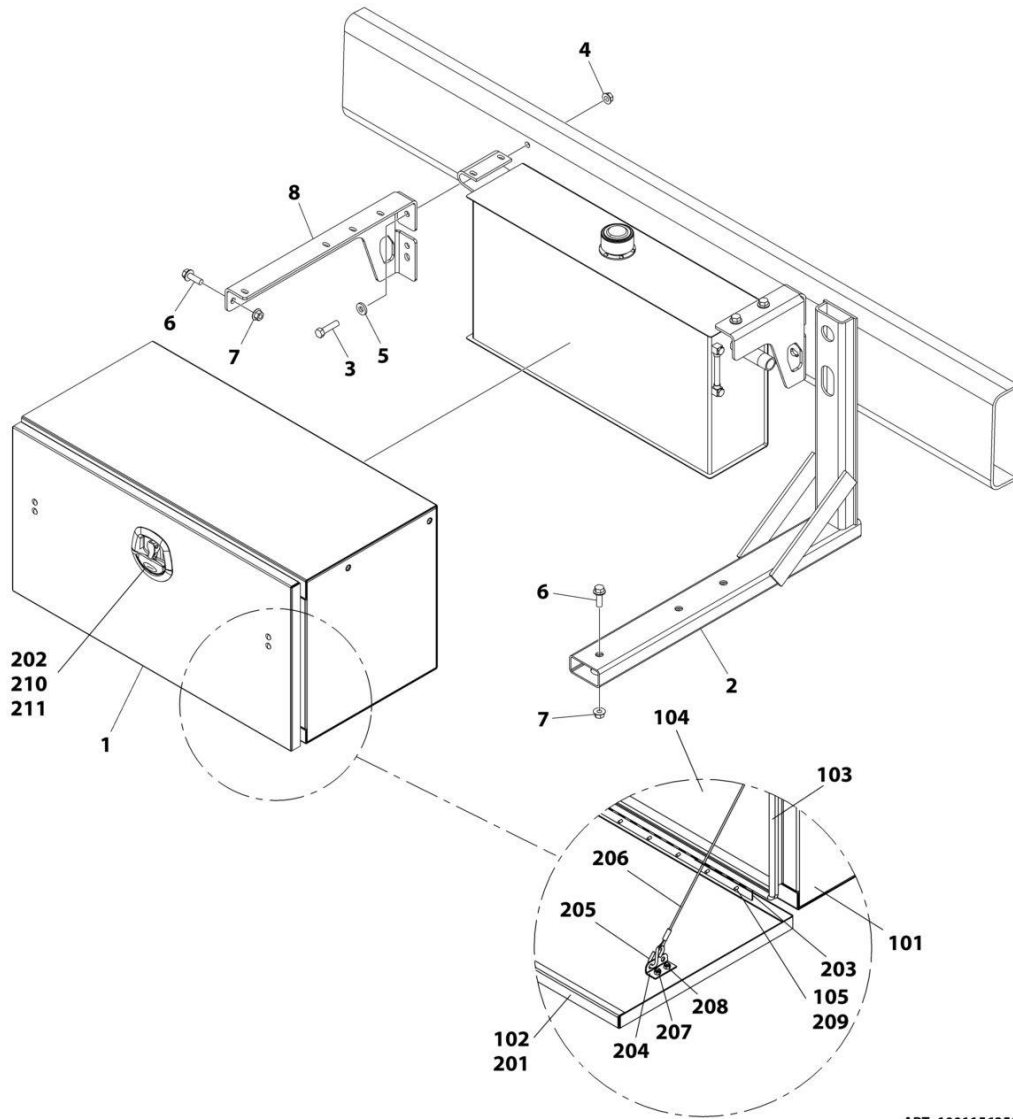
SECTION 1 - SUBFRAME

FIGURE 1-32. TOOLBOX - 36IN

| ITEM | PART NUMBER | QTY | DESCRIPTION | REV |
|------|-------------|-----|--|-----|
| | 2899000055 | Ref | TOOLBOX, 36IN | F |
| 1 | 1001208769 | 1 | Toolbox Assembly (includes items 101 through 105) | A |
| 7 | 7118181216 | 4 | Capscrew 1/2 x 1-1/2 | |
| 8 | 7660182301 | 4 | Nut 1/2 | |
| 9 | 4178000290 | 1 | Bracket | |
| 10 | 4178000291 | 1 | Bracket | |
| 11 | 0651816 | 4 | Bolt 1/2 x 2 | |
| 12 | 7660182333 | 4 | Nut 1/2 | |
| 13 | 4891800 | 4 | Washer 1/2 | |
| 101 | 3899000125 | 1 | Toolbox Weldment | |
| 102 | 1001223819 | 1 | Toolbox Door Assembly (includes items 201 through 211) | A |
| 103 | 4796000009 | 1 | Gasket | |
| 104 | 4679000256 | 1 | Pad | |
| 105 | 7759000020 | 9 | Rivet | |
| 201 | 1001223815 | 1 | Door Weldment | |
| 202 | 1001223814 | 1 | Latch | |
| 203 | 7555000016 | 1 | Hinge | |
| 204 | 4178000599 | 2 | Bracket | |
| 205 | 7592000005 | 4 | S-Link | |
| 206 | 7248000114 | 2 | Cable | |
| 207 | 7114140465 | 4 | Bolt 0.25-20X0.50 | |
| 208 | 7660142604 | 4 | Locknut 0.25-20 | |
| 209 | 7759000020 | 9 | Rivet | |
| 210 | 7950100143 | 4 | Washer 0.19 | |
| 211 | 7660102604 | 4 | Locknut #10-24 | |

SECTION 1 - SUBFRAME

FIGURE 1-33. TOOLBOX - 36IN UNDERMOUNT



ART_1001156358

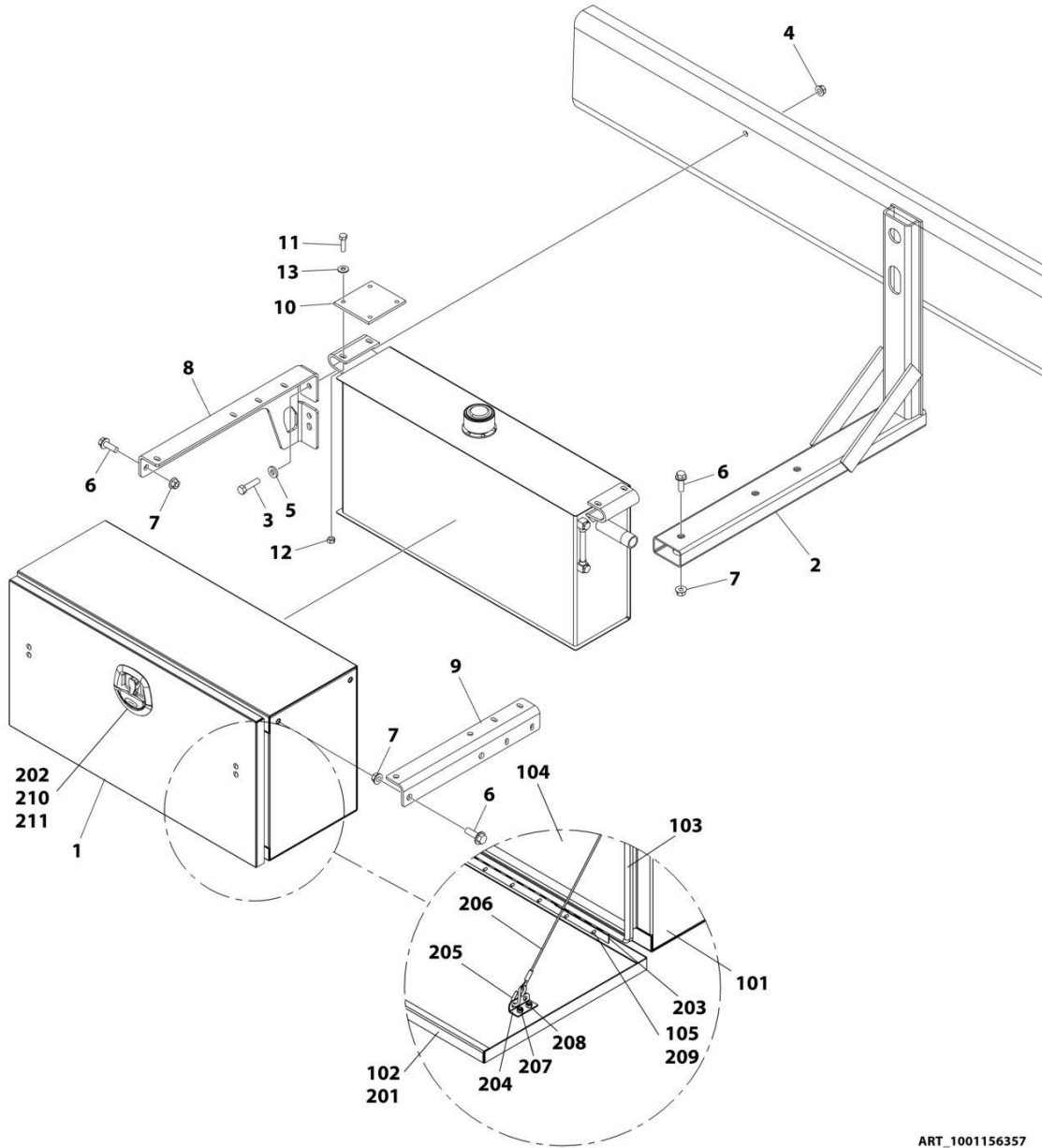
SECTION 1 - SUBFRAME

FIGURE 1-33. TOOLBOX - 36IN UNDERMOUNT

| ITEM | PART NUMBER | QTY | DESCRIPTION | REV |
|------|-------------|-----|--|-----|
| | 1001156358 | Ref | TOOLBOX, 36IN UNDERBOX MOUNT | B |
| 1 | 1001208769 | 1 | Toolbox Assembly (includes items 101 through 105) | A |
| 2 | 1001156006 | 1 | Frame Weldment | |
| 3 | 0651816 | 4 | Bolt 1/2 x 2 | |
| 4 | 7660182333 | 4 | Nut 1/2 | |
| 5 | 4891800 | 4 | Washer 1/2 | |
| 6 | 7118181216 | 4 | Capscrew 1/2 x 1-1/2 | |
| 7 | 7660182301 | 4 | Nut 1/2 | |
| 8 | 4178000291 | 1 | Bracket | |
| 101 | 3899000125 | 1 | Toolbox Weldment | |
| 102 | 1001223819 | 1 | Toolbox Door Assembly (includes items 201 through 211) | A |
| 103 | 4796000009 | 1 | Gasket | |
| 104 | 4679000256 | 1 | Pad | |
| 105 | 7759000020 | 1 | Rivet | |
| 201 | 1001223815 | 1 | Toolbox Door | |
| 202 | 1001223814 | 1 | Latch | |
| 203 | 7555000016 | 1 | Hinge | |
| 204 | 4178000599 | 2 | Bracket | |
| 205 | 7592000005 | 4 | S-Link | |
| 206 | 7248000114 | 2 | Cable | |
| 207 | 7114140465 | 4 | Bolt 0.25-20X0.50 | |
| 208 | 7660142604 | 4 | Locknut 0.25-20 | |
| 209 | 7759000020 | 9 | Rivet | |
| 210 | 7950100143 | 4 | Washer 0.19 | |
| 211 | 7660102604 | 4 | Locknut #10-24 | |

SECTION 1 - SUBFRAME

FIGURE 1-34. TOOLBOX - 36IN NARROW UNDERMOUNT



ART_1001156357

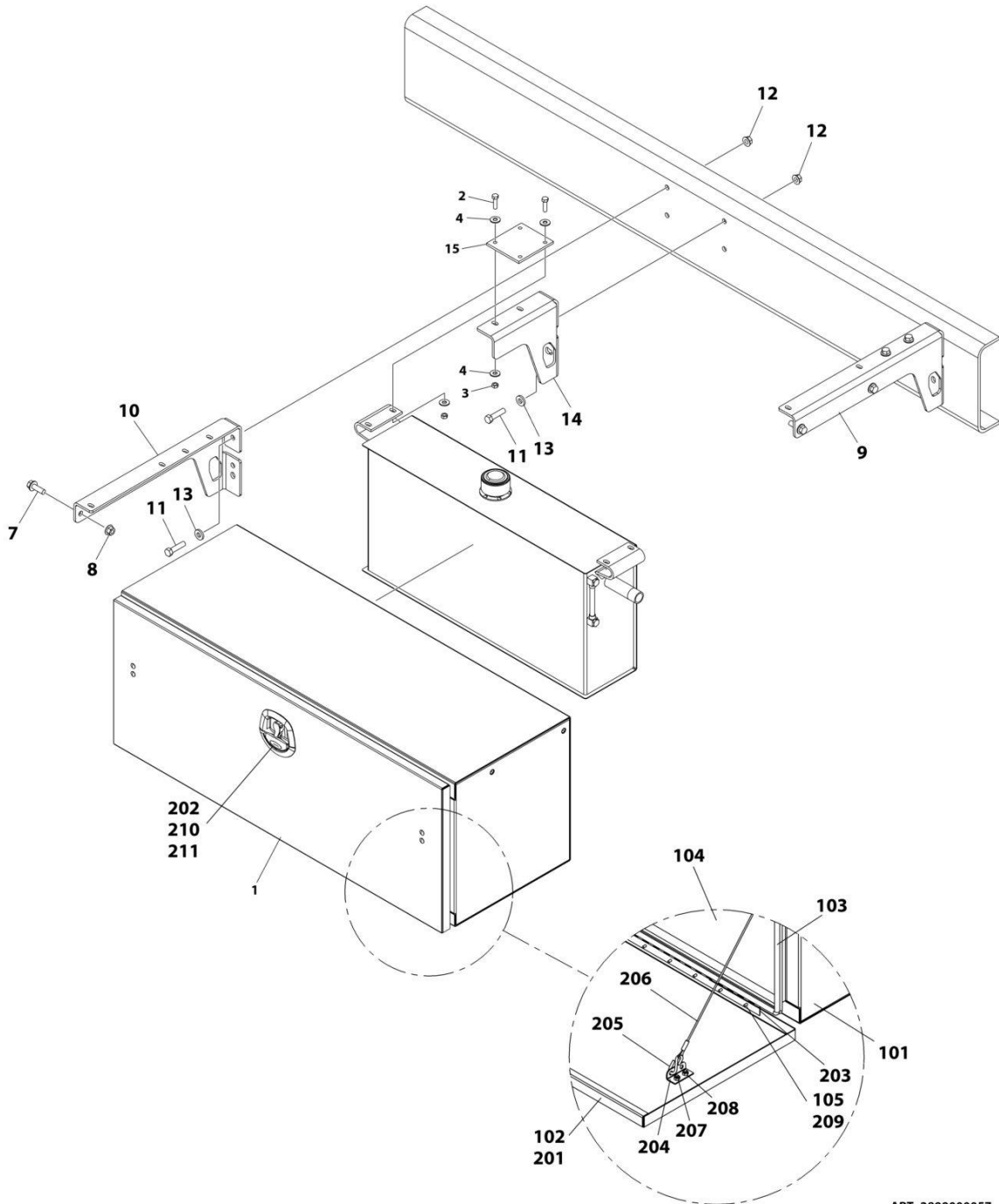
SECTION 1 - SUBFRAME

FIGURE 1-34. TOOLBOX - 36IN NARROW UNDERMOUNT

| ITEM | PART NUMBER | QTY | DESCRIPTION | REV |
|------|-------------|-----|--|-----|
| | 1001156357 | Ref | TOOLBOX, 36IN UNDERBOX MOUNT NARROW | B |
| 1 | 1001208772 | 1 | Toolbox Assembly (includes items 101 through 105) | A |
| 2 | 1001156006 | 1 | Frame Weldment | |
| 3 | 0651816 | 4 | Bolt 1/2 x 2 | |
| 4 | 7660182333 | 4 | Nut 1/2 | |
| 5 | 4891800 | 4 | Washer 1/2 | |
| 6 | 7118181216 | 6 | Capscrew 1/2 x 1-1/2 | |
| 7 | 7660182301 | 6 | Nut 1/2 | |
| 8 | 4178000339 | 1 | Bracket | |
| 9 | 1001155975 | 1 | Bracket | |
| 10 | 4706002361 | 1 | Plate | |
| 11 | 0641508 | 2 | Bolt 5/16 x 1 | |
| 12 | 7660152601 | 2 | Nut 5/16 | |
| 13 | 4751500 | 4 | Washer 5/16 | |
| 101 | 3899000126 | 1 | Toolbox Weldment | |
| 102 | 1001223819 | 1 | Toolbox Door Assembly (includes items 201 through 211) | A |
| 103 | 4796000009 | 1 | Gasket | |
| 104 | 4679000257 | 1 | Pad | |
| 105 | 7759000020 | 9 | Rivet | |
| 201 | 1001223815 | 1 | Toolbox Door | |
| 202 | 1001223814 | 1 | Latch | |
| 203 | 7555000016 | 1 | Hinge | |
| 204 | 4178000599 | 2 | Bracket | |
| 205 | 7592000005 | 4 | S-Link | |
| 206 | 7248000114 | 2 | Cable | |
| 207 | 7114140465 | 4 | Bolt 0.25-20X0.50 | |
| 208 | 7660142604 | 4 | Locknut 0.25-20 | |
| 209 | 7759000020 | 9 | Rivet | |
| 210 | 7950100143 | 4 | Washer 0.19 | |
| 211 | 7660102604 | 4 | Locknut #10-24 | |

SECTION 1 - SUBFRAME

FIGURE 1-35. TOOLBOX - 48IN



ART_2899000057

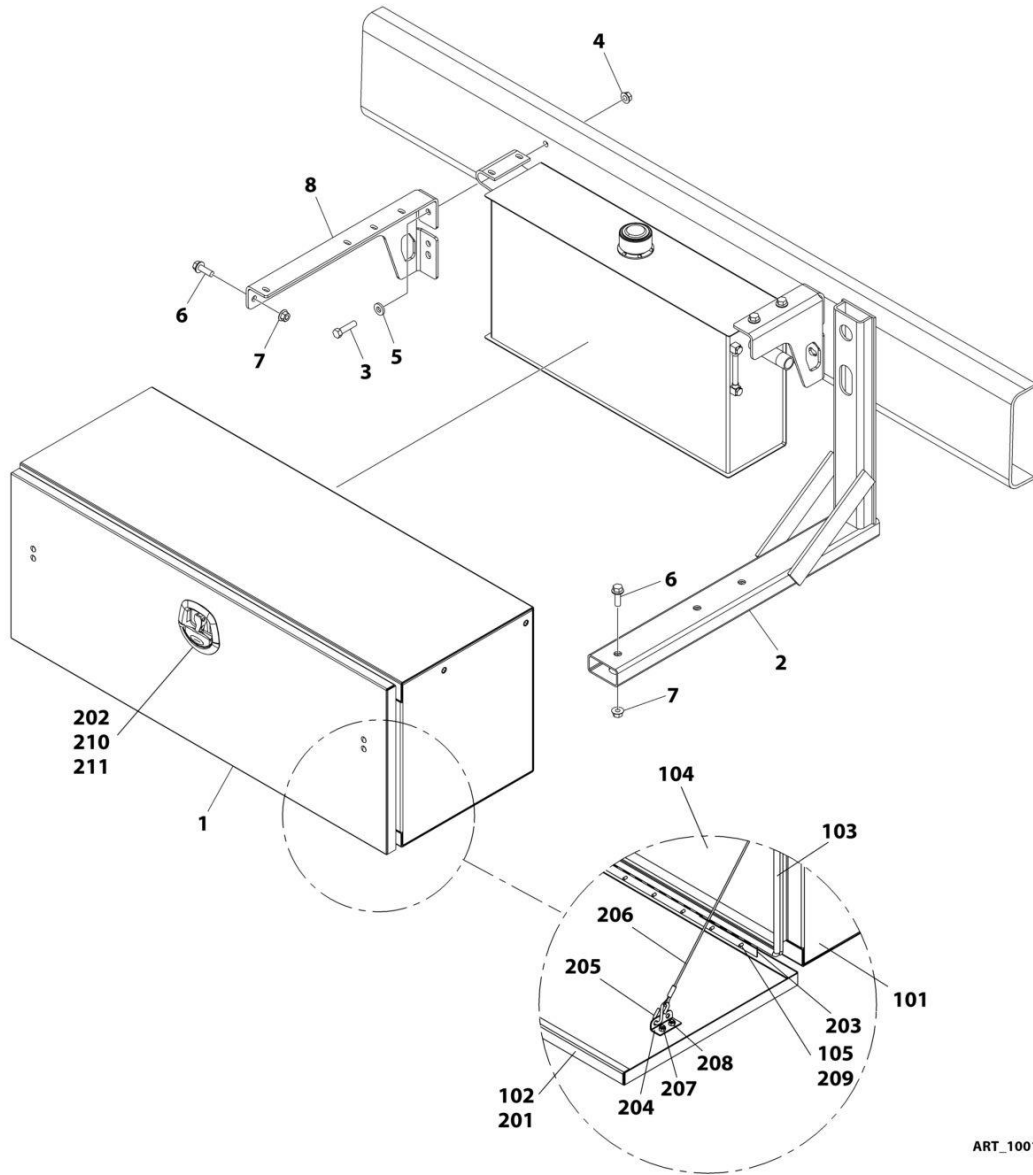
SECTION 1 - SUBFRAME

FIGURE 1-35. TOOLBOX - 48IN

| ITEM | PART NUMBER | QTY | DESCRIPTION | REV |
|------|-------------|-----|--|-----|
| | 2899000057 | Ref | TOOLBOX, 48IN | E |
| 1 | 1001208776 | 1 | Toolbox Assembly (includes iotemss 101 through 105) | A |
| 2 | 0641508 | 4 | Bolt 5/16 x 1 | |
| 3 | 7660152601 | 4 | Nut 5/16 | |
| 4 | 4751500 | 8 | Washer 5/16 | |
| 7 | 7118181216 | 4 | Capscrew 1/2 x 1-1/2 | |
| 8 | 7660182301 | 4 | Nut 1/2 | |
| 9 | 4178000290 | 1 | Bracket | |
| 10 | 4178000291 | 1 | Bracket | |
| 11 | 0651816 | 6 | Bolt 1/2 x 2 | |
| 12 | 7660182333 | 6 | Nut 1/2 | |
| 13 | 4891800 | 6 | Washer 1/2 | |
| 14 | 4178000330 | 1 | Bracket | |
| 15 | 4706002361 | 1 | Plate | |
| 101 | 3899000127 | 1 | Toolbox Weldment | |
| 102 | 1001223820 | 1 | Toolbox Door Assembly (includes items 201 through 211) | A |
| 103 | 4796000010 | 1 | Gasket | |
| 104 | 4679000258 | 1 | Pad | |
| 105 | 7759000020 | 14 | Rivet | |
| 201 | 1001223816 | 1 | Toolbox Door | |
| 202 | 1001223814 | 1 | Latch | |
| 203 | 7555000015 | 2 | Hinge | |
| 204 | 4178000599 | 2 | Braclet | |
| 205 | 7592000005 | 4 | S-Link | |
| 206 | 7248000114 | 2 | Cable | |
| 207 | 7114140465 | 4 | Bolt 0.25-20X0.50 | |
| 208 | 7660142604 | 4 | Locknut 0.25-20 | |
| 209 | 7759000020 | 14 | Rivet | |
| 210 | 7950100143 | 4 | Washer 0.19 | |
| 211 | 7660102604 | 4 | Locknut #10-24 | |

SECTION 1 - SUBFRAME

FIGURE 1-36. TOOLBOX - 48IN UNDERMOUNT



ART_1001137931

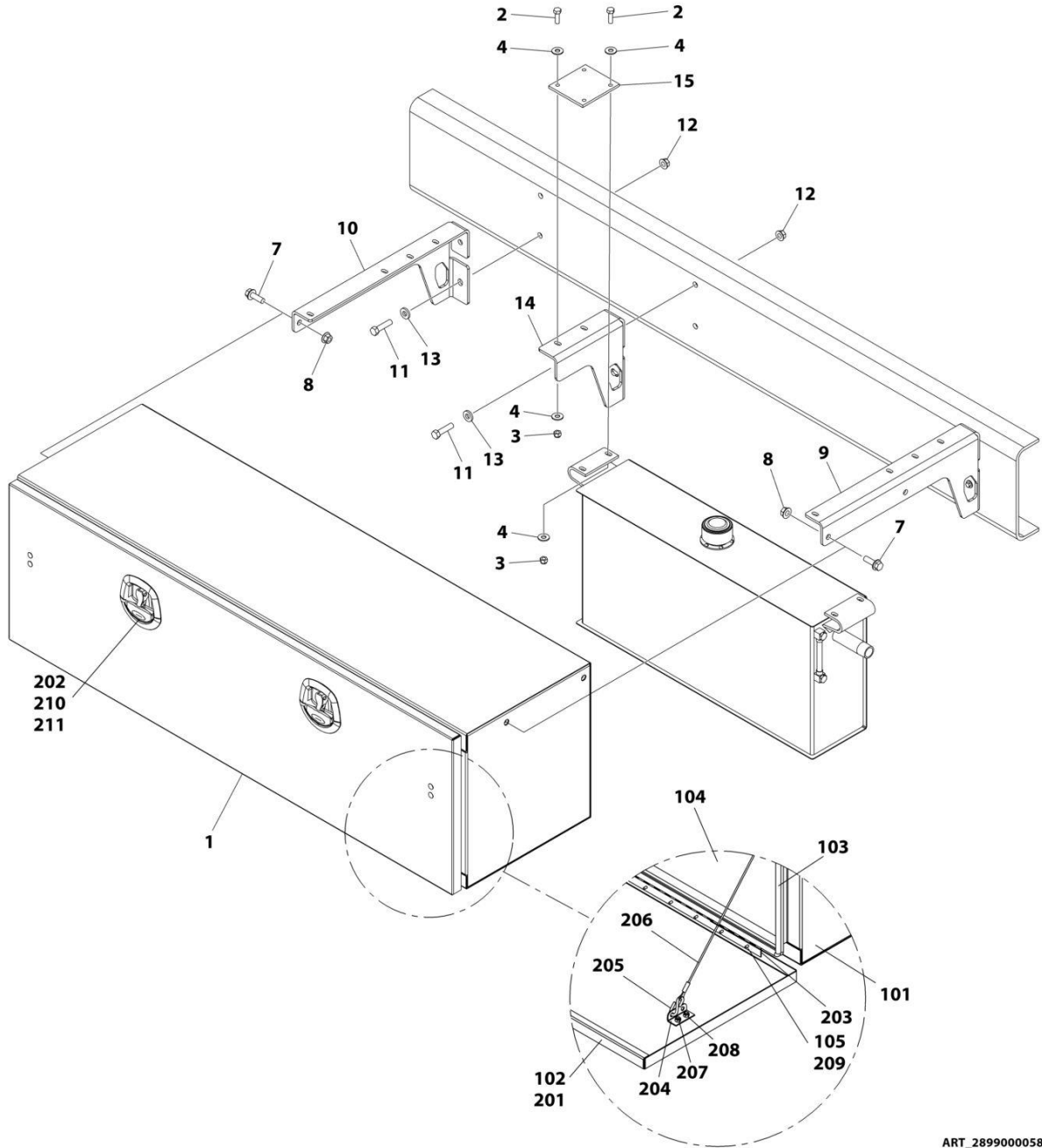
SECTION 1 - SUBFRAME

FIGURE 1-36. TOOLBOX - 48IN UNDERMOUNT

| ITEM | PART NUMBER | QTY | DESCRIPTION | REV |
|------|-------------|-----|--|-----|
| | 1001137931 | Ref | TOOLBOX, 48IN UNDERBOX MOUNT | D |
| 1 | 1001208776 | 1 | Toolbox Assembly (includes items 101 through 105) | A |
| 2 | 1001156006 | 1 | Frame Weldment | |
| 3 | 0651816 | 4 | Bolt 1/2 x 2 | |
| 4 | 7660182333 | 4 | Nut 1/2 | |
| 5 | 4891800 | 4 | Washer 1/2 | |
| 6 | 7118181216 | 6 | Capscrew 1/2 x 1-1/2 | |
| 7 | 7660182301 | 6 | Nut 1/2 | |
| 8 | 4178000291 | 1 | Bracket | |
| 101 | 3899000127 | 1 | Toolbox Weldment | |
| 102 | 1001223820 | 1 | Toolbox Door Assembly (includes items 201 through 211) | |
| 103 | 4796000010 | 1 | Gasket | |
| 104 | 4679000258 | 1 | Pad | |
| 105 | 7759000020 | 14 | Rivet | |
| 201 | 1001223816 | 1 | Toolbox Door | |
| 202 | 1001223814 | 1 | Latch | |
| 203 | 7555000015 | 2 | Hinge | |
| 204 | 4178000599 | 2 | Bracket | |
| 205 | 7592000005 | 4 | S-Link | |
| 206 | 7248000114 | 2 | Cable | |
| 207 | 7114140465 | 4 | Bolt 0.25-20X0.50 | |
| 208 | 7660142604 | 4 | Locknut 0.25-20 | |
| 209 | 7759000020 | 14 | Rivet | |
| 210 | 7950100143 | 4 | Washer 0.19 | |
| 211 | 7660102604 | 4 | Locknut #10-24 | |

SECTION 1 - SUBFRAME

FIGURE 1-37. TOOLBOX - 60IN



ART_2899000058

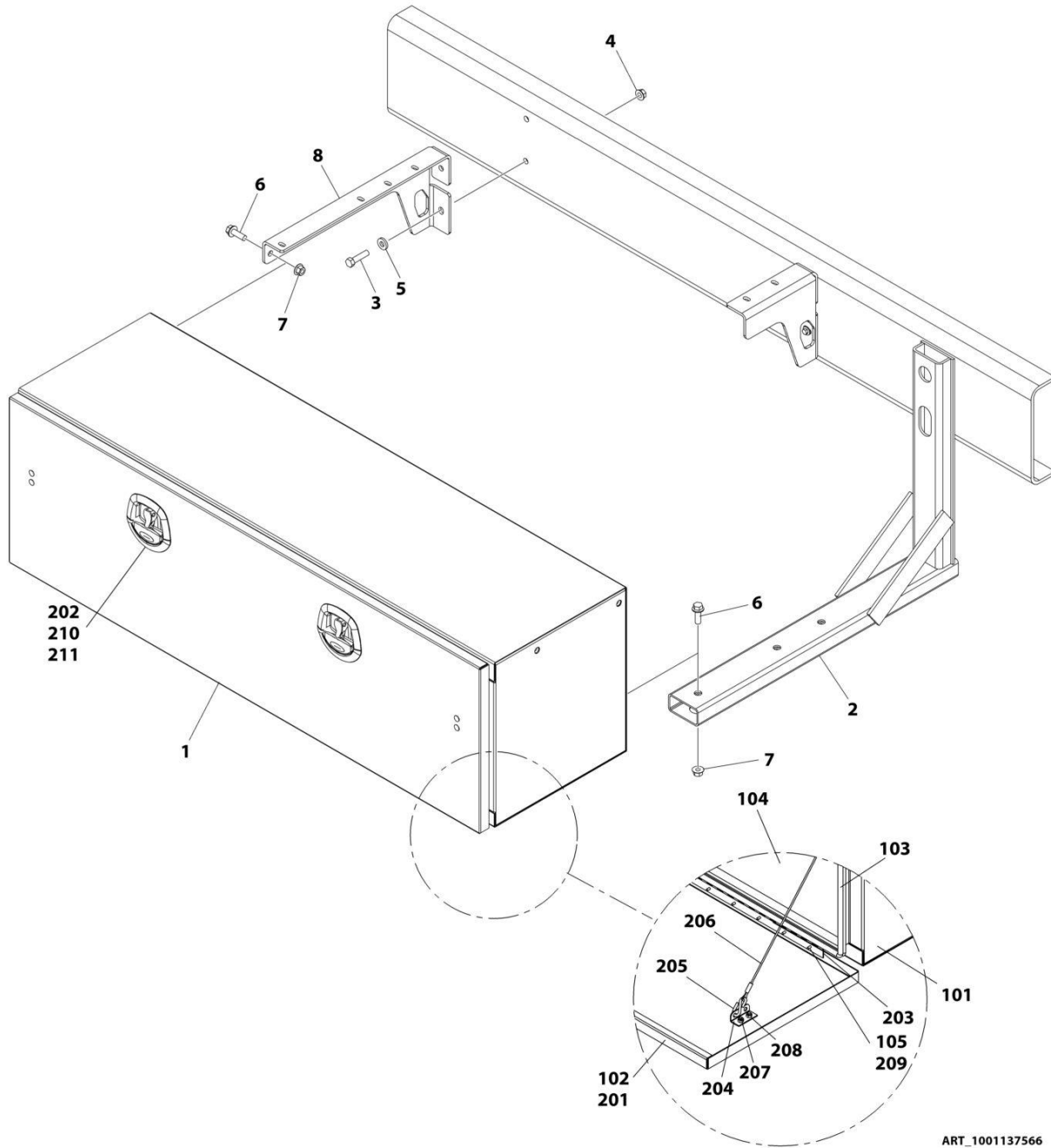
SECTION 1 - SUBFRAME

FIGURE 1-37. TOOLBOX - 60IN

| ITEM | PART NUMBER | QTY | DESCRIPTION | REV |
|------|-------------|-----|--|-----|
| | 2899000058 | Ref | TOOLBOX, 60IN | E |
| 1 | 1001208780 | 1 | Toolbox Assembly (includes items 101 through 105) | A |
| 2 | 0641508 | 4 | Bolt 5/16 x 1 | |
| 3 | 7660152601 | 4 | Nut 5/16 | |
| 4 | 4751500 | 8 | Washer 5/16 | |
| 7 | 7118181216 | 4 | Capscrew 1/2 x 1-1/2 | |
| 8 | 7660182301 | 4 | Nut 1/2 | |
| 9 | 4178000290 | 1 | Bracket | |
| 10 | 4178000291 | 1 | Bracket | |
| 11 | 0651816 | 6 | Bolt 1/2 x 2 | |
| 12 | 7660182333 | 6 | Nut 1/2 | |
| 13 | 4891800 | 6 | Washer 1/2 | |
| 14 | 4178000330 | 1 | Bracket | |
| 15 | 4706002361 | 1 | Plate | |
| 101 | 3899000128 | 1 | Toolbox Weldment | |
| 102 | 1001223821 | 1 | Toolbox Door Assembly (includes items 201 through 211) | A |
| 103 | 4796000011 | 1 | Gasket | |
| 104 | 4679000259 | 1 | Pad | |
| 105 | 7759000020 | 18 | Rivet | |
| 201 | 1001223817 | 1 | Toolbox Door | |
| 202 | 1001223814 | 2 | Latch | |
| 203 | 7555000016 | 2 | Hinge | |
| 204 | 4178000599 | 2 | Bracket | |
| 205 | 7592000005 | 4 | S-Link | |
| 206 | 7248000114 | 2 | Cable | |
| 207 | 7114140465 | 4 | Bolt 0.25-20X.050 | |
| 208 | 7660142604 | 4 | Locknut 0.25-20 | |
| 209 | 7759000020 | 18 | Rivet | |
| 210 | 7950100143 | 8 | Washer 0.191 | |
| 211 | 7660102604 | 8 | Locknut #10-24 | |

SECTION 1 - SUBFRAME

FIGURE 1-38. TOOLBOX - 60IN



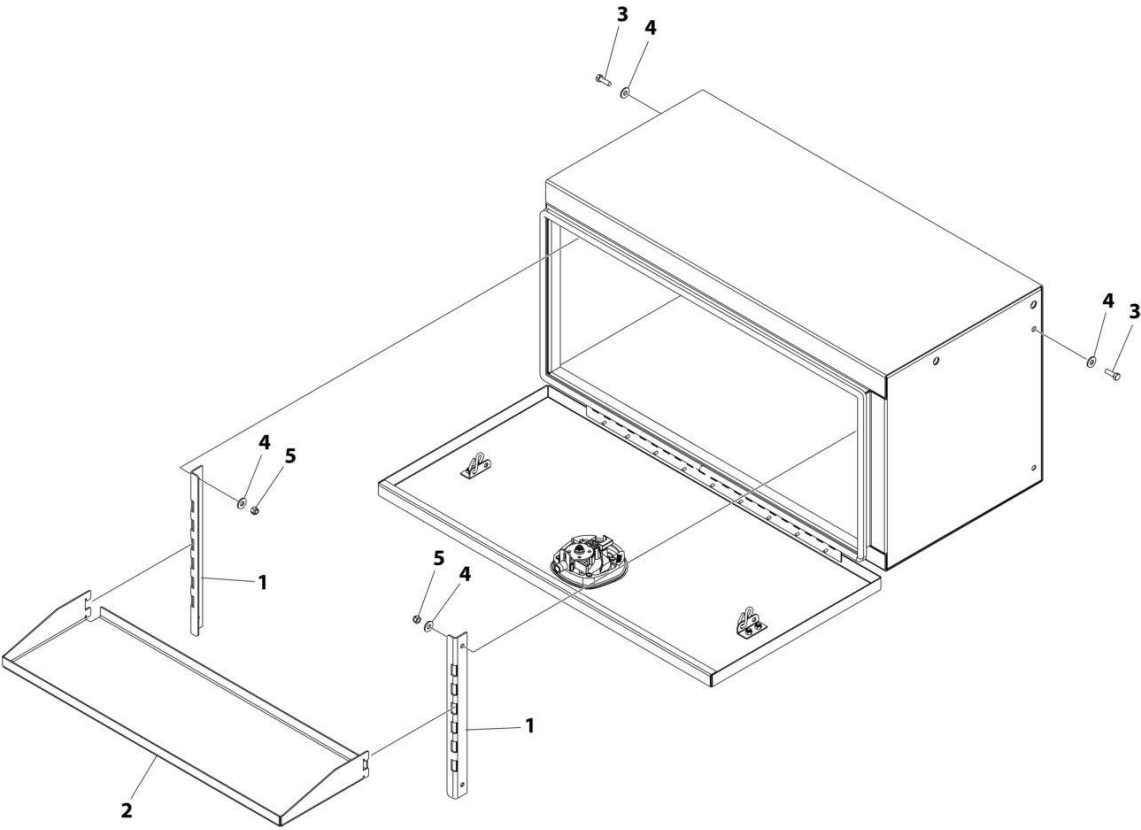
SECTION 1 - SUBFRAME

FIGURE 1-38. TOOLBOX - 60IN

| ITEM | PART NUMBER | QTY | DESCRIPTION | REV |
|------|-------------|-----|--|-----|
| | 1001137566 | Ref | TOOLBOX, 60IN UNDERBOX MOUNT | D |
| 1 | 1001208780 | 1 | Toolbox Assembly (includes items 101 through 105) | A |
| 2 | 1001156006 | 1 | Frame Weldment | |
| 3 | 0651816 | 4 | Bolt 1/2 x 2 | |
| 4 | 7660182333 | 4 | Nut 1/2 | |
| 5 | 4891800 | 4 | Washer 1/2 | |
| 6 | 7118181216 | 6 | Capscrew 1/2 x 1-1/2 | |
| 7 | 7660182301 | 6 | Nut 1/2 | |
| 8 | 4178000291 | 1 | Bracket | |
| 101 | 3899000128 | 1 | Toolbox Weldment | |
| 102 | 1001223821 | 1 | Toolbox Door Assembly (includes items 201 through 211) | A |
| 103 | 4796000011 | 1 | Gasket | |
| 104 | 4679000259 | 1 | Pad | |
| 105 | 7759000020 | 18 | Rivet | |
| 201 | 1001223817 | 1 | Toolbox Door | |
| 202 | 1001223814 | 2 | Latch | |
| 203 | 7555000016 | 2 | Hinge | |
| 204 | 4178000599 | 2 | Bracket | |
| 205 | 7592000005 | 4 | S-Link | |
| 206 | 7248000114 | 2 | Cable | |
| 207 | 7114140465 | 4 | Bolt 0.25-20X0.50 | |
| 208 | 7660142604 | 4 | Locknut 0.25-20 | |
| 209 | 7759000020 | 18 | Rivet | |
| 210 | 7950100143 | 8 | Washer 0.19 | |
| 211 | 7660102604 | 8 | Locknut #10-24 | |

SECTION 1 - SUBFRAME

FIGURE 1-39. TOOLBOX SHELF - 36IN



ART_2899000059

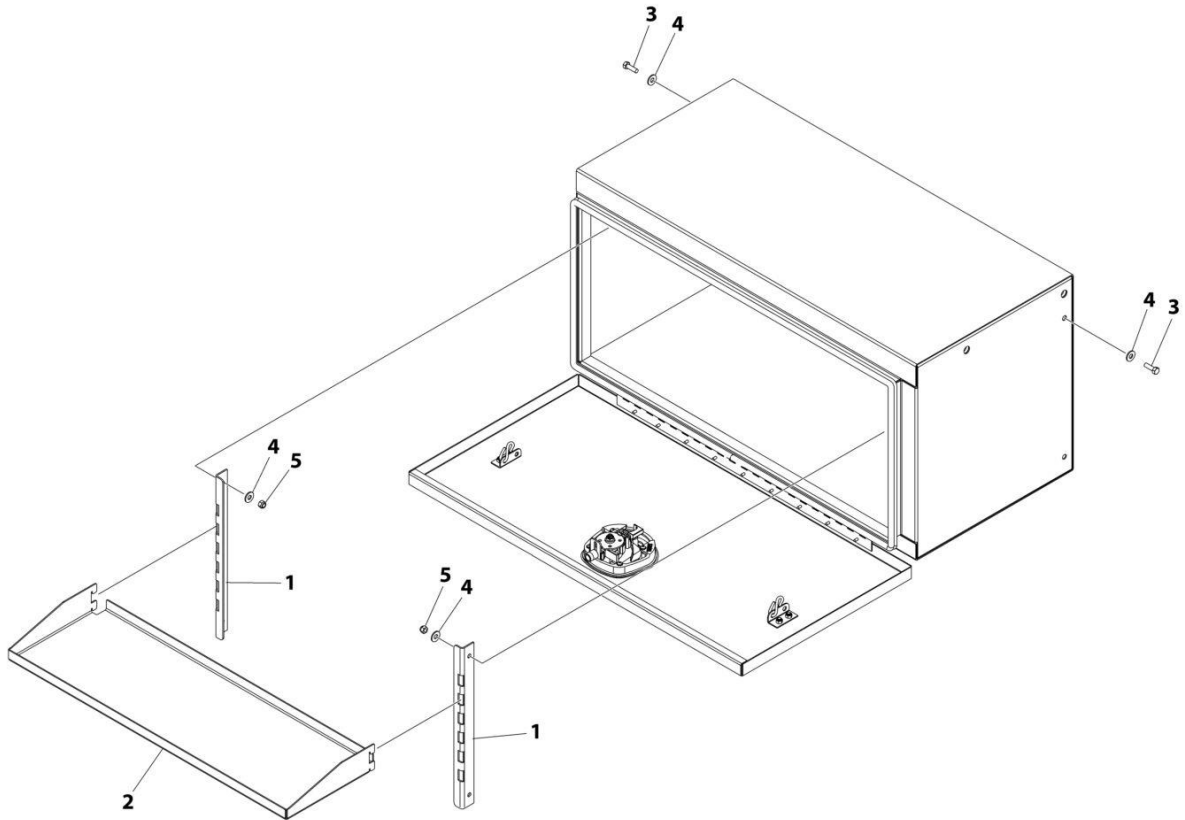
SECTION 1 - SUBFRAME

FIGURE 1-39. TOOLBOX SHELF - 36IN

| ITEM | PART NUMBER | QTY | DESCRIPTION | REV |
|-------------|--------------------|------------|----------------------|------------|
| | 2899000059 | Ref | TOOL BOX SHELF, 36IN | B |
| 1 | 4017001403 | 2 | Angle | |
| 2 | 4811000841 | 1 | Sheet | |
| 3 | 7115150850 | 4 | Capscrew 5/16 x 1 | |
| 4 | 7950150161 | 8 | Washer 5/16 | |
| 5 | 7660152601 | 4 | Nut 5/16 | |

SECTION 1 - SUBFRAME

FIGURE 1-40. TOOLBOX SHELF - 48IN



ART_2899000060

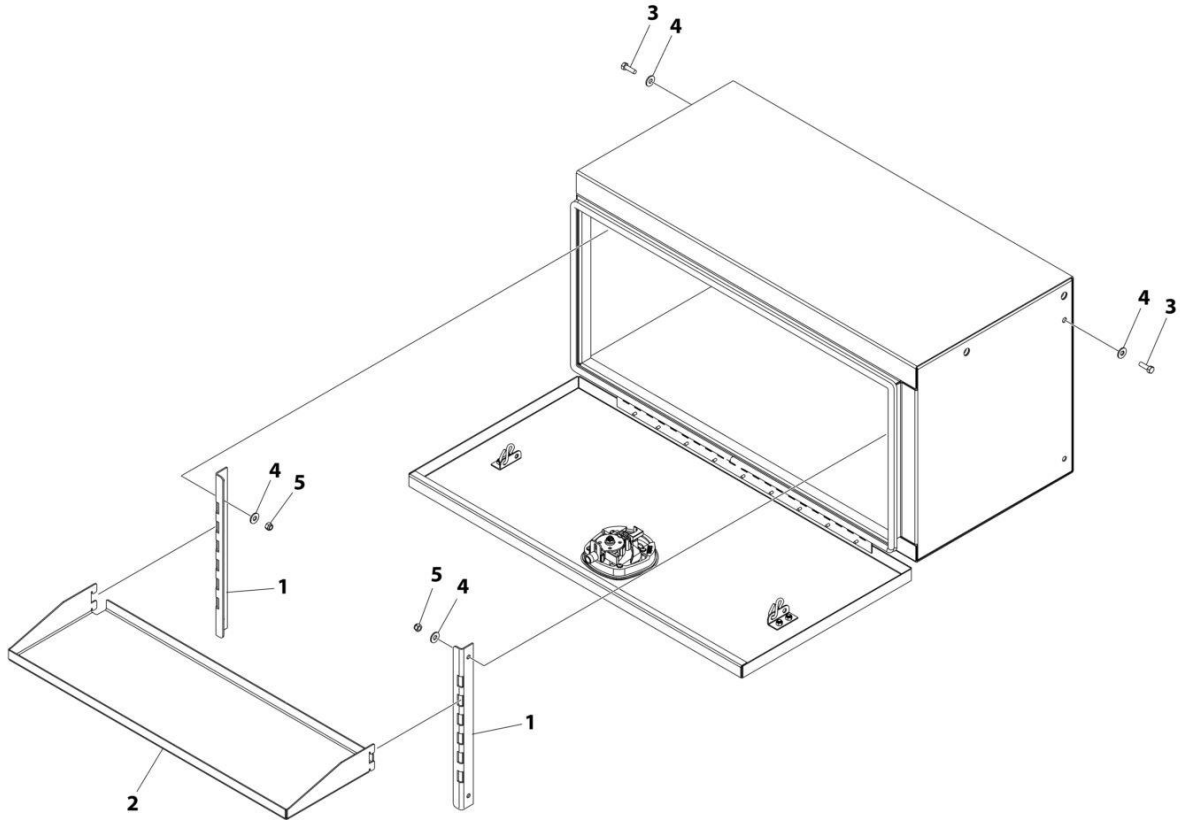
SECTION 1 - SUBFRAME

FIGURE 1-40. TOOLBOX SHELF - 48IN

| ITEM | PART NUMBER | QTY | DESCRIPTION | REV |
|-------------|--------------------|------------|----------------------|------------|
| | 2899000060 | Ref | TOOL BOX SHELF, 48IN | B |
| 1 | 4017001403 | 2 | Angle | |
| 2 | 4811000868 | 1 | Sheet | |
| 3 | 7115150850 | 4 | Capscrew 5/16 x 1 | |
| 4 | 7950150161 | 8 | Washer 5/16 | |
| 5 | 7660152601 | 4 | Nut 5/16 | |

SECTION 1 - SUBFRAME

FIGURE 1-41. TOOLBOX SHELF - 60IN



ART_289900061

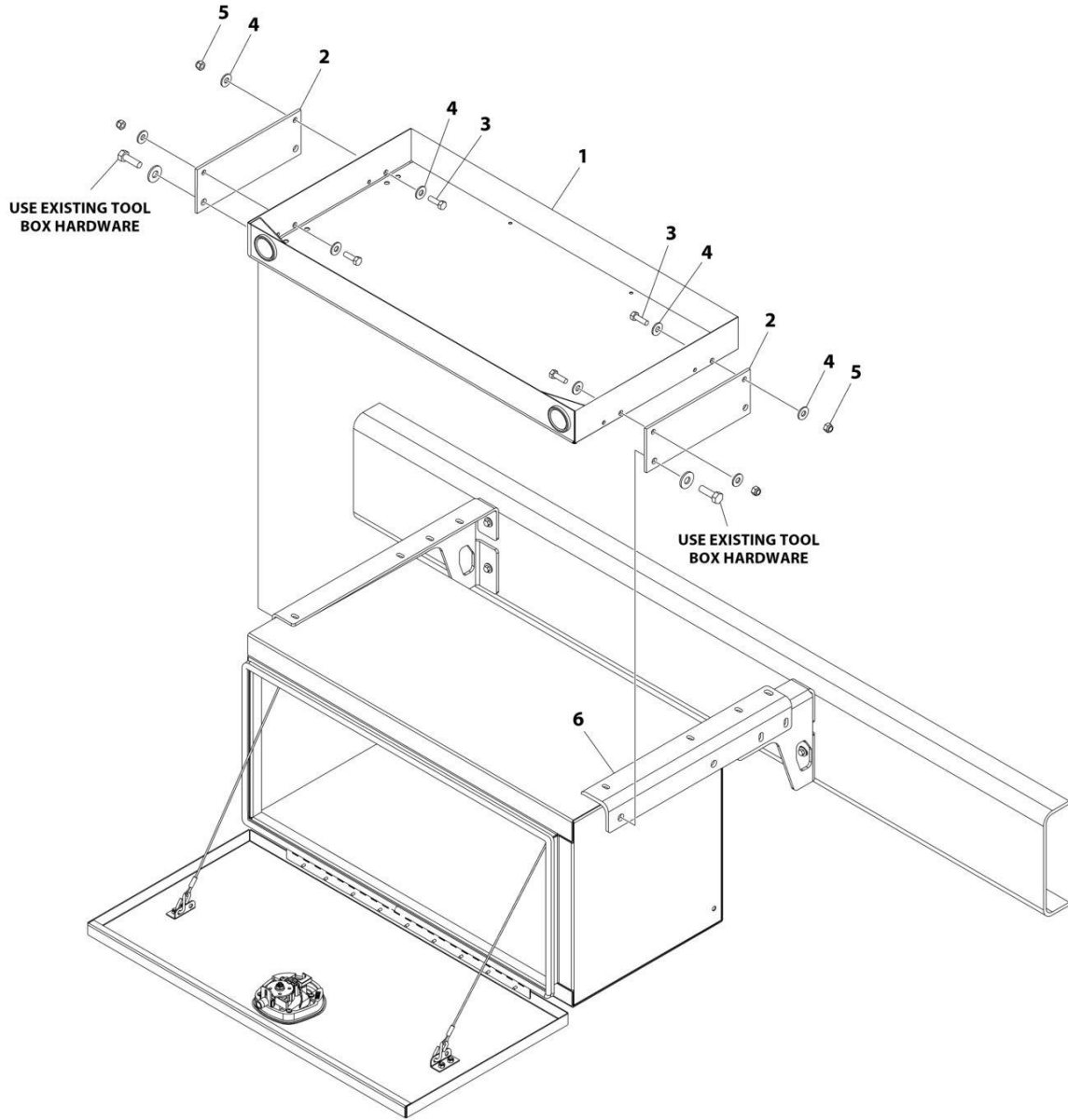
SECTION 1 - SUBFRAME

FIGURE 1-41. TOOLBOX SHELF - 60IN

| ITEM | PART NUMBER | QTY | DESCRIPTION | REV |
|-------------|--------------------|------------|----------------------|------------|
| | 2899000061 | Ref | TOOL BOX SHELF, 60IN | B |
| 1 | 4017001403 | 2 | Angle | |
| 2 | 4811000868 | 1 | Sheet | |
| 3 | 7115150850 | 4 | Capscrew 5/16 x 1 | |
| 4 | 7950150161 | 8 | Washer 5/16 | |
| 5 | 7660152601 | 4 | Nut 5/16 | |

SECTION 1 - SUBFRAME

FIGURE 1-42. TOOLBOX TOP STORAGE TRAY - 36IN



ART_2002000048

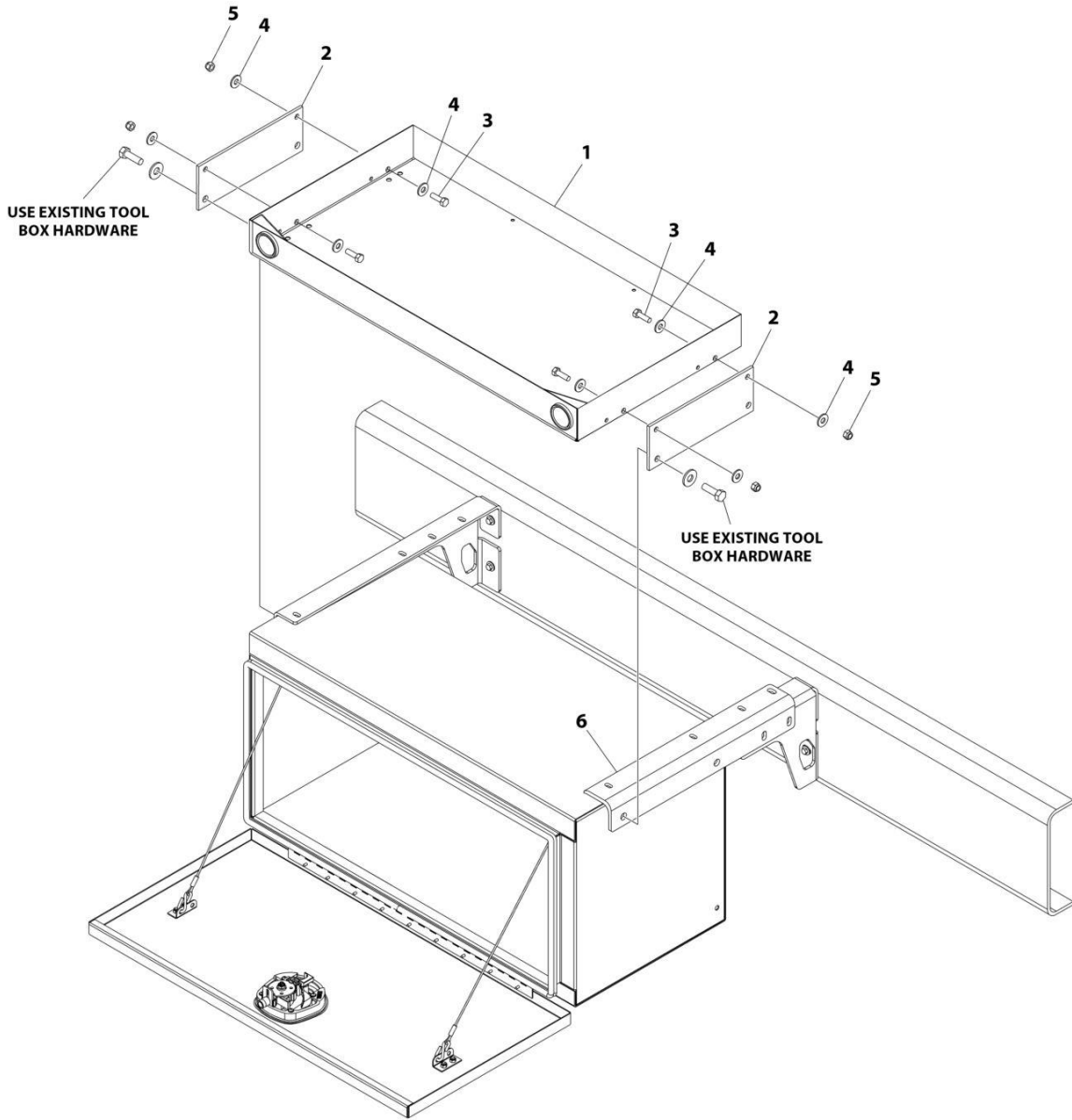
SECTION 1 - SUBFRAME

FIGURE 1-42. TOOLBOX TOP STORAGE TRAY - 36IN

| ITEM | PART NUMBER | QTY | DESCRIPTION | REV |
|-------------|--------------------|------------|---------------------------------|------------|
| | 2002000048 | Ref | TOOL BOX TOP STORAGE TRAY, 36IN | B |
| 1 | 3811000053 | 1 | Sheet Weldment | |
| 2 | 4706006216 | 1 | Plate | |
| 3 | 7115160950 | 4 | Bolt 3/8 x 1-1/8 | |
| 4 | 7950150161 | 8 | Washer 5/16 | |
| 5 | 7660162601 | 4 | Nut 3/8 | |
| 6 | 1001155975 | 1 | Bracket | |

SECTION 1 - SUBFRAME

FIGURE 1-43. TOOLBOX TOP STORAGE TRAY - 48IN



ART_200200049

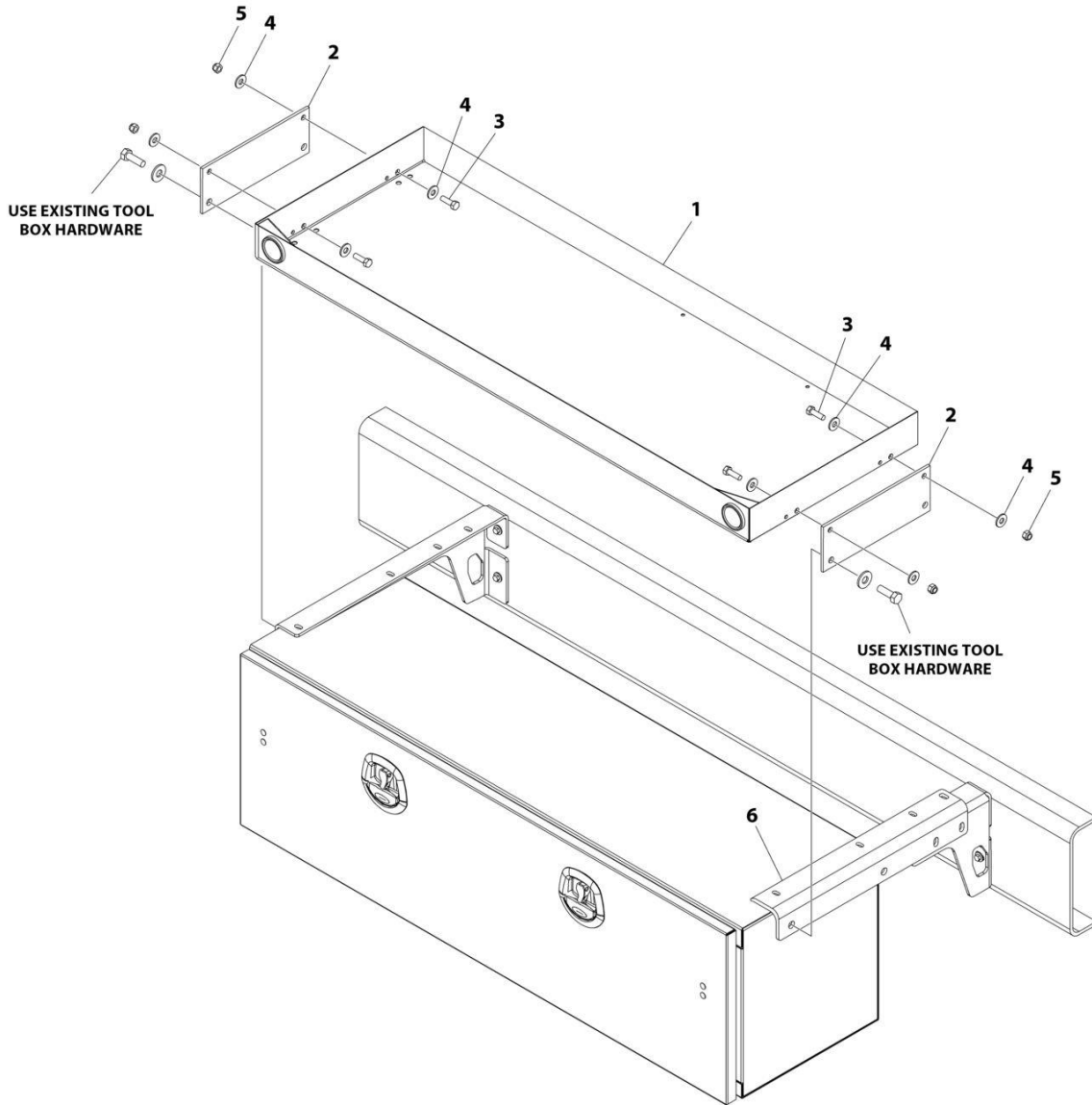
SECTION 1 - SUBFRAME

FIGURE 1-43. TOOLBOX TOP STORAGE TRAY - 48IN

| ITEM | PART NUMBER | QTY | DESCRIPTION | REV |
|-------------|--------------------|------------|---------------------------------|------------|
| | 2002000049 | Ref | TOOL BOX TOP STORAGE TRAY, 48IN | B |
| 1 | 3811000054 | 1 | Sheet Weldment | |
| 2 | 4706006216 | 2 | Plate | |
| 3 | 7115160950 | 1 | Bolt 3/8 x 1-1/8 | |
| 4 | 7950150161 | 8 | Washer 5/16 | |
| 5 | 7660162601 | 4 | Nut 3/8 | |
| 6 | 1001155975 | 1 | Bracket | |

SECTION 1 - SUBFRAME

FIGURE 1-44. TOOLBOX TOP STORAGE TRAY - 60IN



ART_2002000050

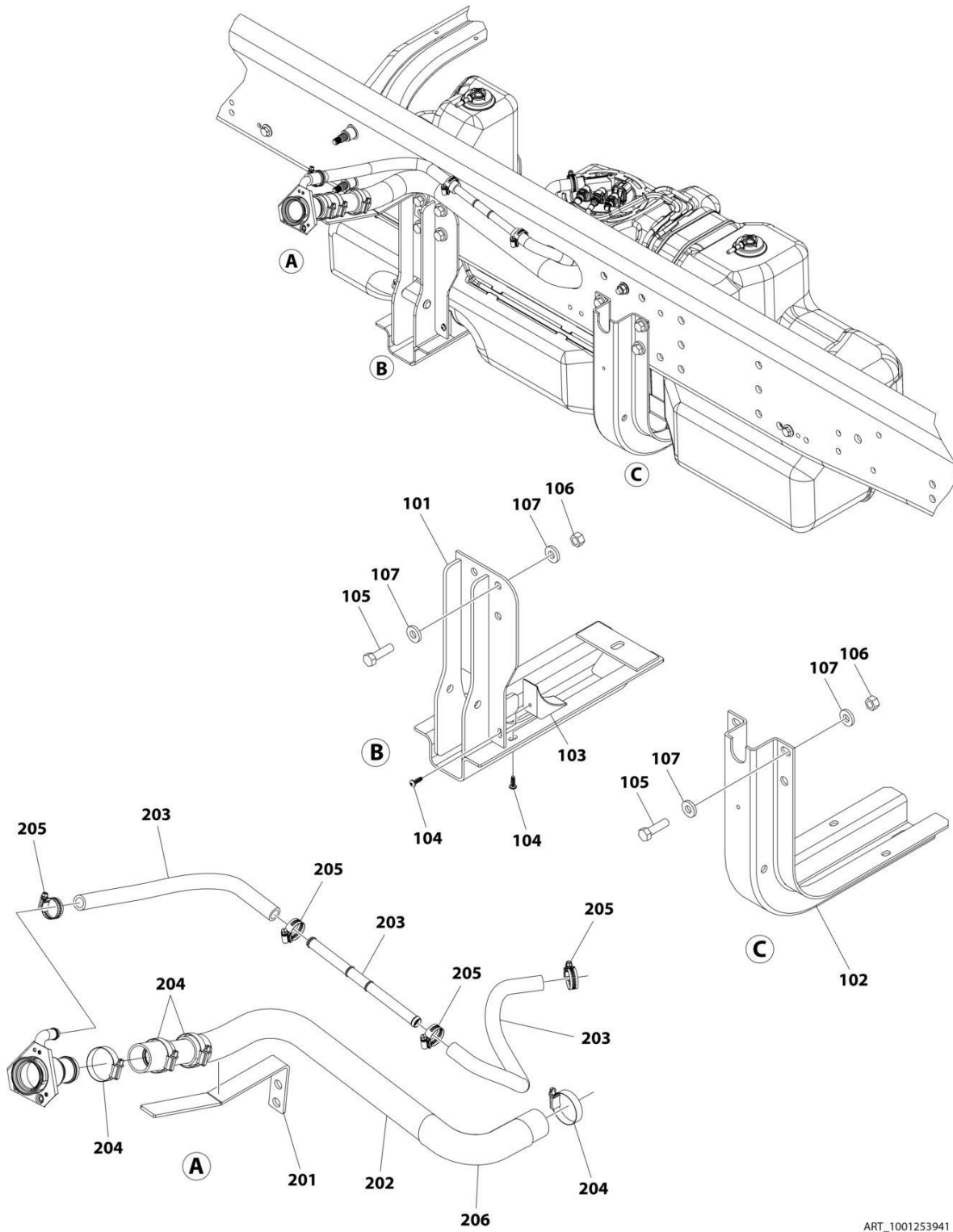
SECTION 1 - SUBFRAME

FIGURE 1-44. TOOLBOX TOP STORAGE TRAY - 60IN

| ITEM | PART NUMBER | QTY | DESCRIPTION | REV |
|-------------|--------------------|------------|---------------------------------|------------|
| | 2002000050 | Ref | TOOL BOX TOP STORAGE TRAY, 60IN | B |
| 1 | 3811000055 | 1 | Sheet | |
| 2 | 4706006216 | 2 | Plate | |
| 3 | 7115160950 | 4 | Bolt 3/8 x 1-1/8 | |
| 4 | 7950150161 | 8 | Washer 5/16 | |
| 5 | 7660162601 | 4 | Nut 3/8 | |
| 6 | 1001155975 | 1 | Bracket | |

SECTION 1 - SUBFRAME

FIGURE 1-45. CHASSIS MOUNTING KIT, 2019+ CVC



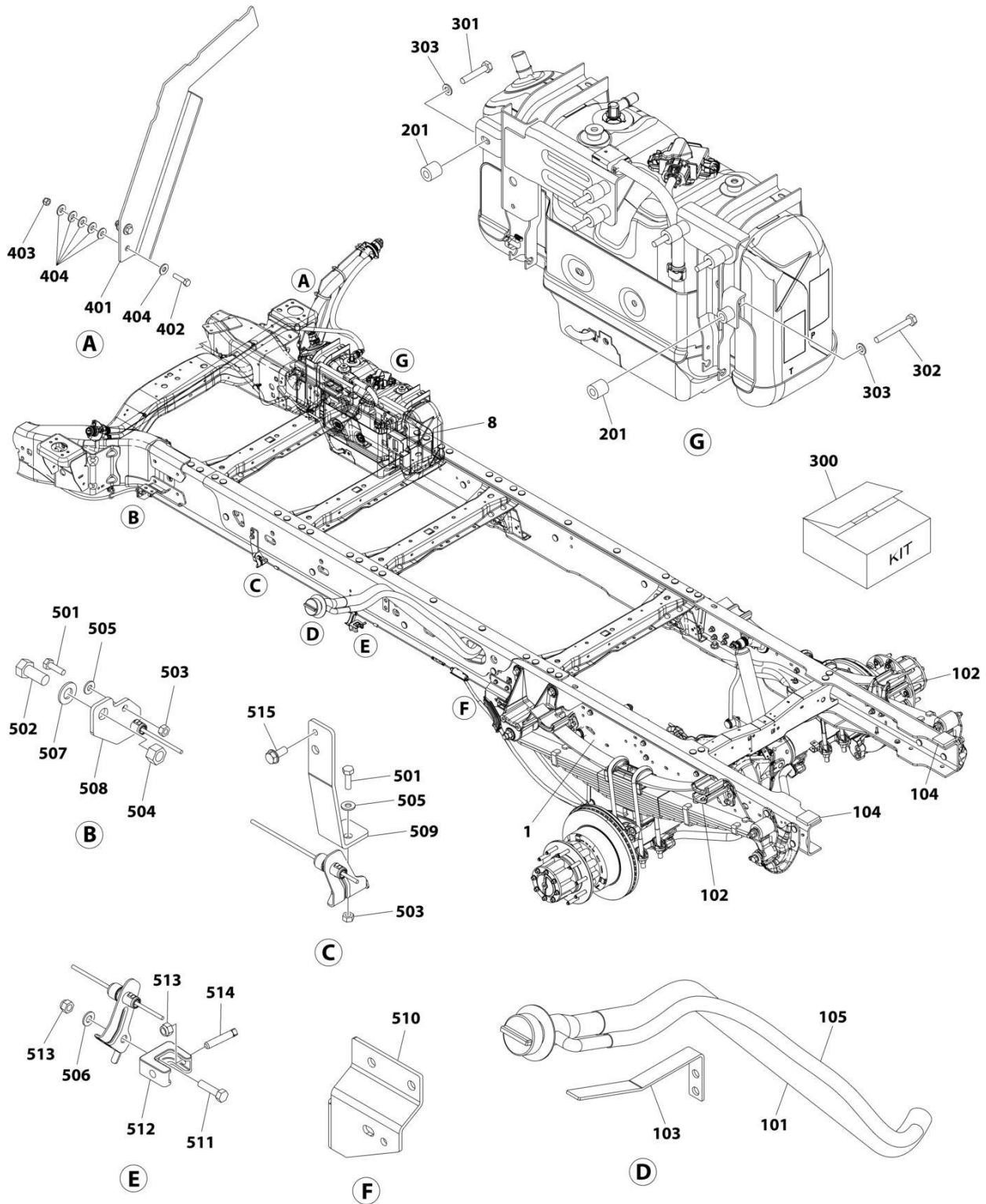
SECTION 1 - SUBFRAME

FIGURE 1-45. CHASSIS MOUNTING KIT, 2019+ CVC

| ITEM | PART NUMBER | QTY | DESCRIPTION | REV |
|------|-------------|-----|---|-----|
| | 1001253941 | Ref | CHASSIS MOUNTING KIT | A |
| 1 | 1001253942 | Ref | Fuel Tank Modification (Not Shown) (See Items 101-107) | |
| 2 | 1001253943 | Ref | Fuel Filler Modification (Not Shown) (See Item 201-207) | |
| 3 | 1001254894 | 1 | Electrical Chassis Installation (Not Shown) | |
| | 1001253942 | Ref | FUEL TANK MODIFICATION | B |
| 101 | 1001252939 | 1 | Support, Fuel Tank | |
| 102 | 1001253659 | 1 | Support, Fuel Tank | |
| 103 | 1001254139 | 2 | Support | |
| 104 | 1001194676 | 4 | Screw 1/4 x 3/4 | |
| 105 | 0681814 | 8 | Bolt 1/2 x 1-3/4 | |
| 106 | 3271805 | 8 | Nut 1/2 | |
| 107 | 4891800 | 16 | Washer 1/2 | |
| | 1001253943 | Ref | FUEL FILLER MODIFICATION | A |
| 201 | 4178000283 | 1 | Bracket | |
| 202 | 1001151297 | 1 | Hose (Fuel Fill) | |
| 203 | 1001254553 | 1 | Hose (Fuel Vent) | |
| 204 | 7274000005 | 4 | Clamp | |
| 205 | 7274000122 | 4 | Clamp | |
| 206 | 4819000008 | 1 | Sleeve, Hose | |
| 207 | 7894000004 | 6 | Tie-Strap (Not Shown) | |

SECTION 1 - SUBFRAME

FIGURE 1-46. CHASSIS MOUNTING KIT, 2017+ FORD F550 (DIESEL)



ART_1001220101

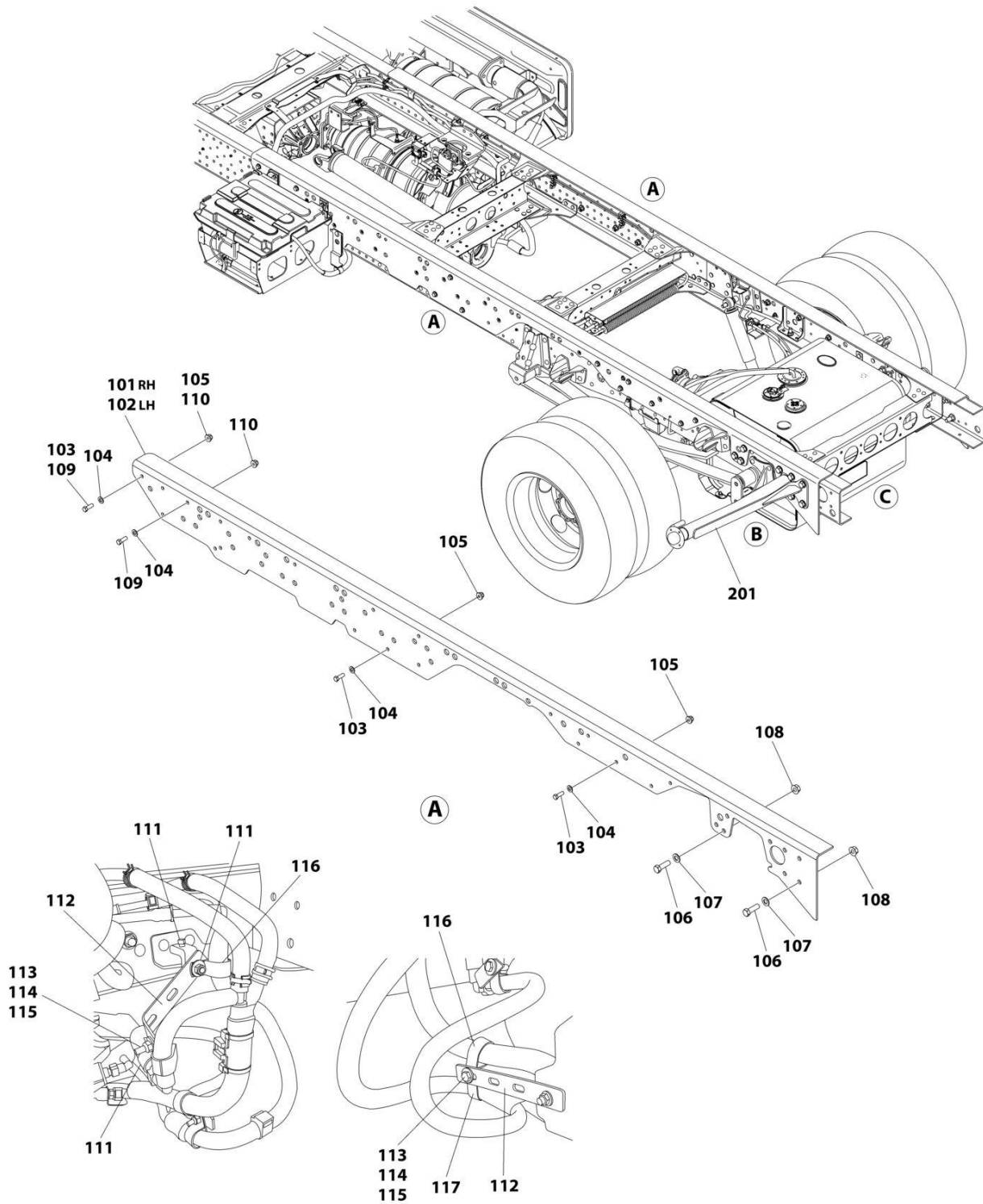
SECTION 1 - SUBFRAME

FIGURE 1-46. CHASSIS MOUNTING KIT, 2017+ FORD F550 (DIESEL)

| ITEM | PART NUMBER | QTY | DESCRIPTION | REV |
|------|-------------|---------|---|-----|
| | 1001220101 | Ref | CHASSIS MOUNTING KIT, 2017+ FORD | D |
| 1 | 1001219801 | 1 | Frame Reinforcement Installation | |
| 2 | 1001220177 | 1 | Subframe Modifications Installation (Not Shown) (See Items 101-105) | |
| 3 | 7577000194 | 1 | Kit Chassis Wiring Connector (Not Shown) | |
| 4 | 1001220832 | 1 | DEF Tank Installation (Not Shown) (See Items 201-303) | |
| 5 | 1001220909 | 1 | DEF Tank Filler Installation (Not Shown) (See Items 401-405) | |
| 6 | 1001272551 | 1 | Park Brake Cable Installation (Not Shown) (See Items 501-515) | |
| 7 | 7949000019 | 4 | Washer (Not Shown) | |
| 8 | 1001223882 | 1 | Module Spacer Installation | |
| | 1001220177 | Ref | SUBFRAME MODIFICATIONS INSTALLATION | C |
| 101 | 1001151297 | 1 | Hose, Fuel Filler | |
| 102 | 1001151507 | 2 | Bracket | |
| 103 | 4178000283 | 1 | Bracket | |
| 104 | 1001291593 | 2 | Plate | |
| 105 | 7570000036 | 3.75 ft | Hose, Fuel Vent | |
| | 1001220832 | Ref | DEF TANK INSTALLATION | A |
| 201 | 1001220833 | 6 | Shim | |
| 300 | 1001221065 | 1 | DEF Tank Hardware Kit | |
| 301 | 0701019 | 1 | Bolt M10 x 55 | |
| 302 | 0701024 | 5 | Bolt M10 x 80 | |
| 303 | 4812000 | 6 | Washer M10 | |
| | 1001220909 | Ref | DEF TANK FILLER INSTALLATION | B |
| 401 | 1001221232 | 1 | Bracket | |
| 402 | 0641510 | 2 | Bolt 5/16 x 1-1/4 | |
| 403 | 7660152601 | 2 | Nut 5/16 | |
| 404 | 4751500 | 12 | Washer 5/16 | |
| 405 | 5526000553 | 4 | Tie-Strap (Not Shown) | |
| | 1001272551 | Ref | PARK BRAKE CABLE INSTALLATION | A |
| 501 | 0641407 | 2 | Bolt 1/4 x 7/8 | |
| 502 | 0641809 | 1 | Bolt 1/2 x 1-1/8 | |
| 503 | 3311401 | 2 | Nut 1/4 | |
| 504 | 3311801 | 1 | Nut 1/2 | |
| 505 | 4711400 | 2 | Washer 1/4 | |
| 506 | 4711500 | 1 | Washer 5/16 | |
| 507 | 4711800 | 1 | Washer 1/2 | |
| 508 | 1001272543 | 1 | Plate | |
| 509 | 1001272544 | 1 | Bracket | |
| 510 | 1001272545 | 1 | Bracket | |
| 511 | 7115151050 | 1 | Bolt 5/16 x 1-1/4 | |
| 512 | 7274000076 | 1 | Clamp | |
| 513 | 7660152601 | 2 | Nut 5/16 | |
| 514 | 7785152420 | 1 | Setscrew 5/16 x 1-1/2 | |
| 515 | 7790151253 | 1 | Screw 5/16 x 3/4 | |

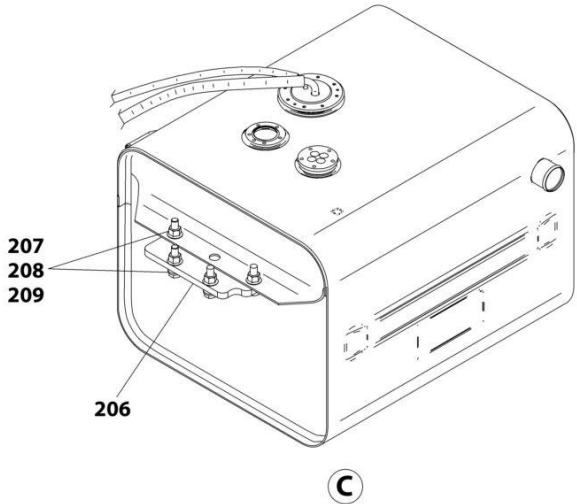
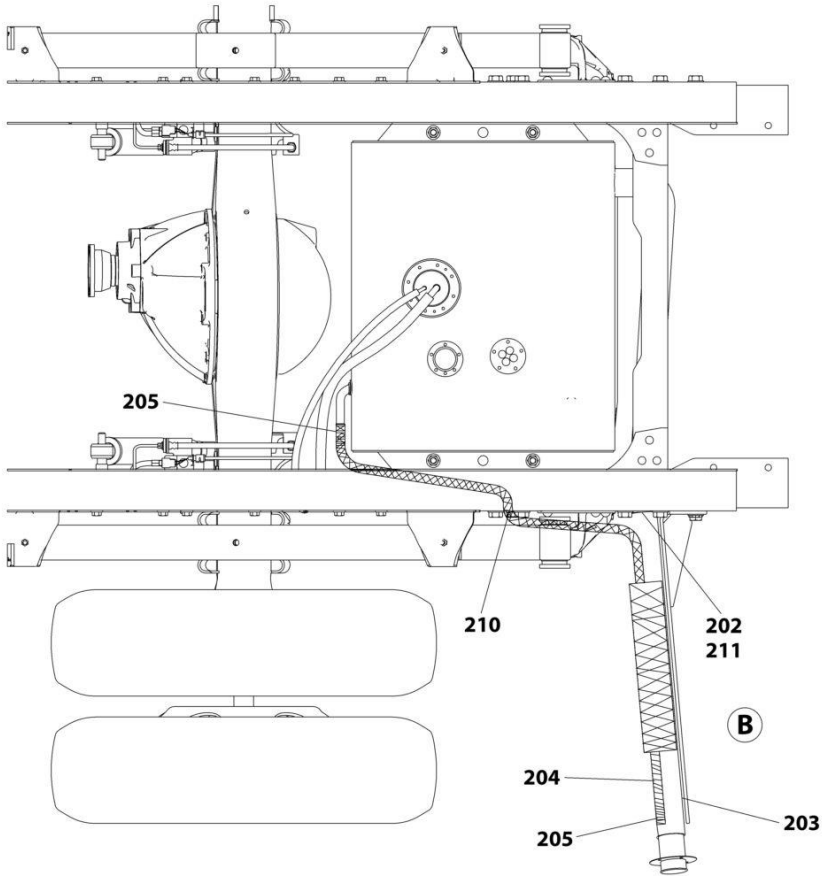
SECTION 1 - SUBFRAME

FIGURE 1-47. CHASSIS MOUNTING KIT, ISUZU 150WB



ART_1001159638_10F2

SECTION 1 - SUBFRAME



ART_1001159638_2OF2

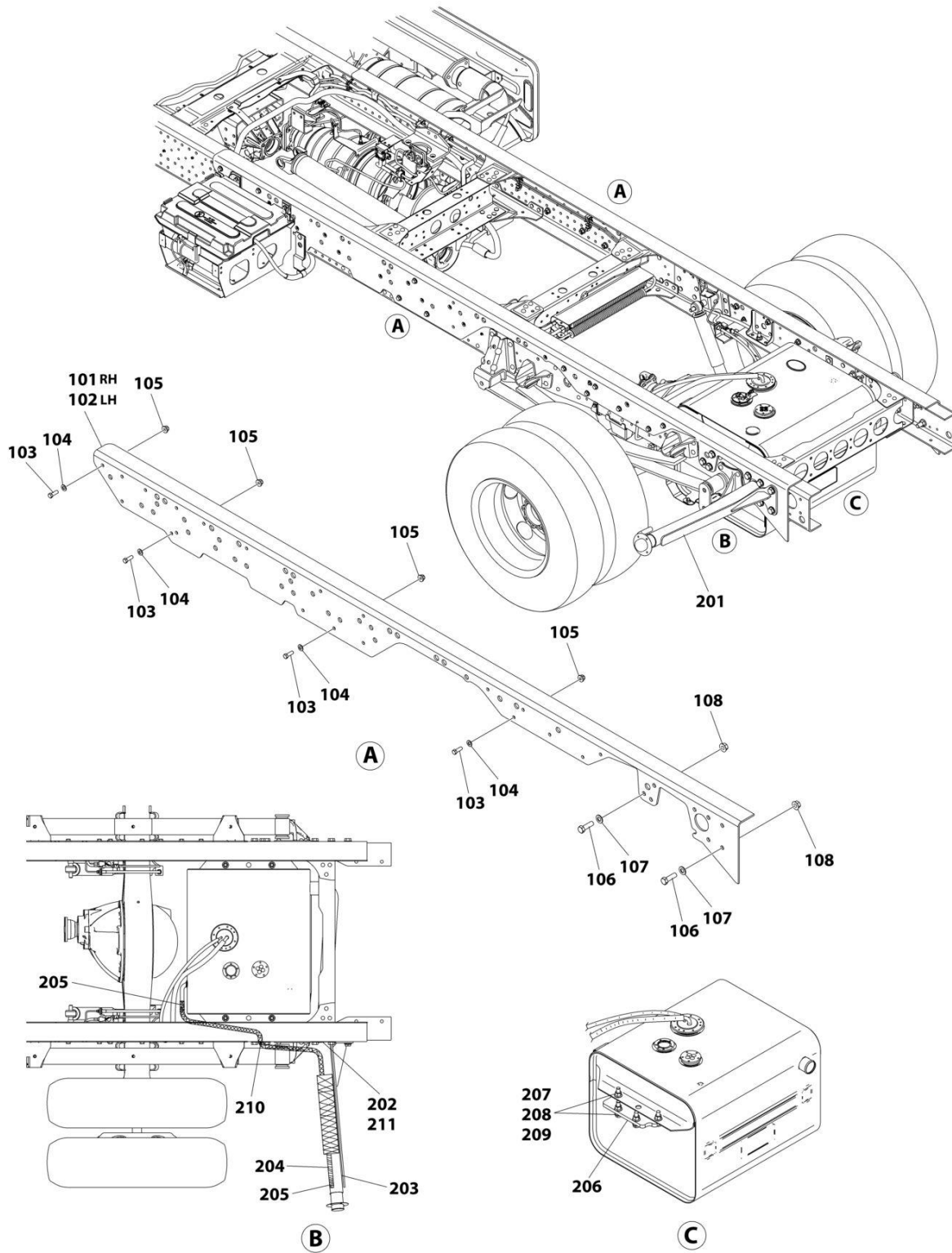
SECTION 1 - SUBFRAME

FIGURE 1-47. CHASSIS MOUNTING KIT, ISUZU 150WB

| ITEM | PART NUMBER | QTY | DESCRIPTION | REV |
|------|-------------|-----|---|-----|
| | 1001159638 | Ref | CHASSIS MOUNTING KIT | A |
| 1 | 1001156081 | Ref | Frame Reinforcement Installation (Not Shown) (See Item 101-118) | |
| 2 | 1001156392 | Ref | Fuel Filler Installation (Not Shown) (See Item 201-212) | |
| 3 | 7577000194 | 1 | Kit Chassis Wiring Connector (Not Shown) | |
| | 1001156081 | Ref | FRAME REINFORCEMENT INSTALLATION | A |
| 101 | 1001155971 | 1 | Plate (LH) | |
| 102 | 1001155972 | 1 | Plate (RH) | |
| 103 | 7105171050 | 22 | Bolt 5/16 x 1-1/4 | |
| 104 | 7950170142 | 27 | Washer 5/16 | |
| 105 | 7660172331 | 22 | Nut 5/16 | |
| 106 | 7105201650 | 18 | Bolt 5/8 x 2 | |
| 107 | 7950200242 | 18 | Washer 5/8 | |
| 108 | 7660202347 | 18 | Nut 5/8 | |
| 109 | 0761015 | 5 | Bolt M10 | |
| 110 | 5261000 | 5 | Nut | |
| 111 | 1001132794 | 1 | Clamp Kit | |
| 112 | 4706003844 | 2 | Plate | |
| 113 | 7115151064 | 2 | Bolt, Carriage 3/8 x 1-1/4 | |
| 114 | 7950150161 | 2 | Washer 3/8 | |
| 115 | 7660152601 | 2 | Nut 3/8 | |
| 116 | 7274000105 | 2 | Clamp | |
| 117 | 7274000040 | 1 | Clamp | |
| 118 | 7894000004 | 1 | Tie-Strap (Not Shown) | |
| | 1001156392 | Ref | FUEL FILLER INSTALLATION | C |
| 201 | 1001167098 | 1 | Bracket | |
| 202 | 1001156274 | 1 | Pipe | |
| 203 | 1001130587 | 1 | Clamp | |
| 204 | 1001169147 | 1 | Hose (Fuel Vent) | |
| 205 | 8405006 | 2 | Clamp | |
| 206 | 1001156437 | 2 | Plate | |
| 207 | 7105181650 | 8 | Bolt 1/2 x 2 | |
| 208 | 7950180153 | 8 | Washer 1/2 | |
| 209 | 7660182333 | 8 | Nut 1/2 | |
| 210 | 5746491 | 1 | Sleeve, Nylon | |
| 211 | 1001159563 | 1 | Sleeve, Nylon | |
| 212 | 7894000004 | 4 | Tie-Strap (Not Shown) | |

SECTION 1 - SUBFRAME

FIGURE 1-48. CHASSIS MOUNTING KIT, ISUZU 176WB



ART_1001159639

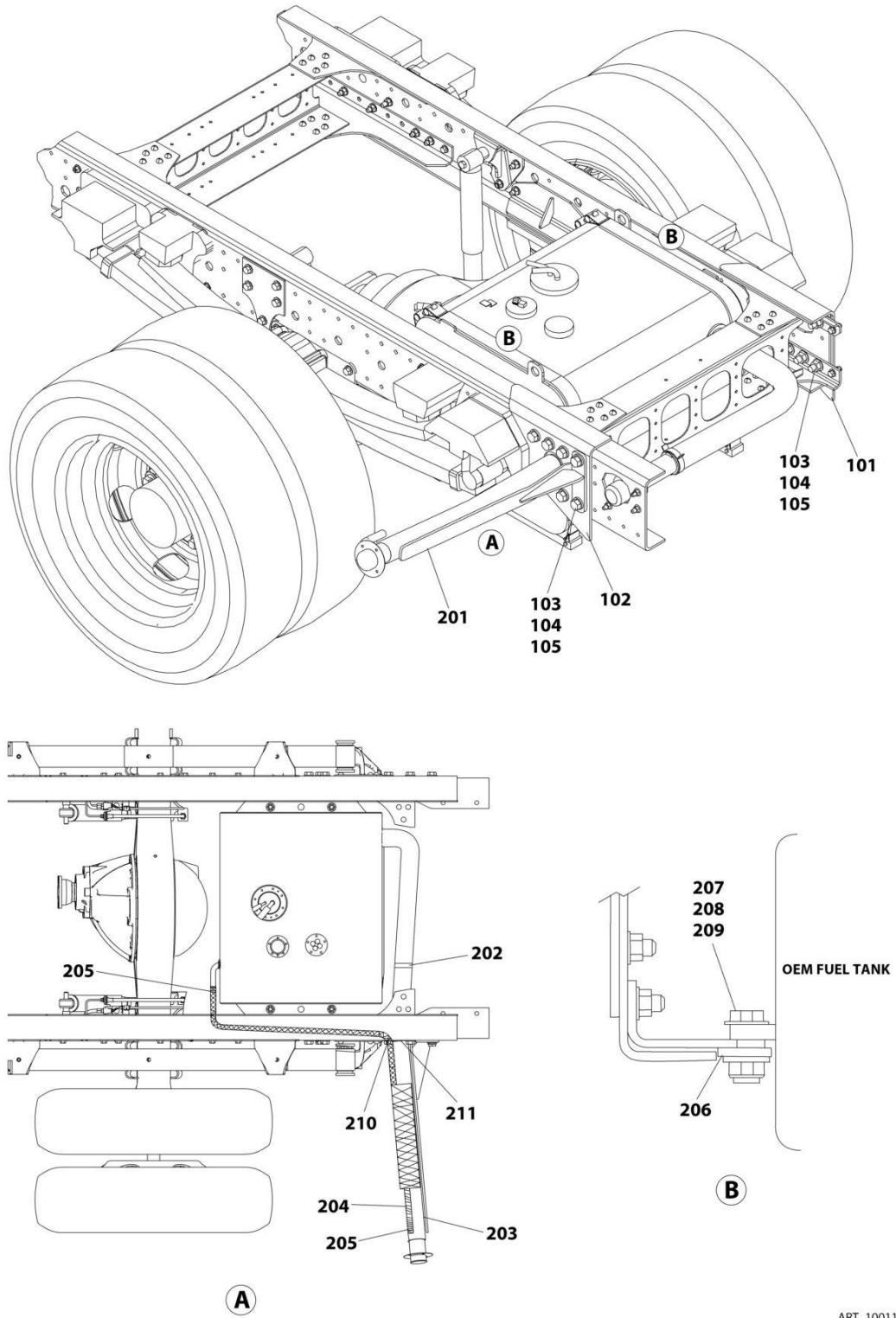
SECTION 1 - SUBFRAME

FIGURE 1-48. CHASSIS MOUNTING KIT, ISUZU 176WB

| ITEM | PART NUMBER | QTY | DESCRIPTION | REV |
|------|-------------|-----|---|-----|
| | 1001159639 | Ref | CHASSIS MOUNTING KIT | A |
| 1 | 1001156082 | Ref | Frame Reinforcement Installation (Not Shown) (See Item 101-108) | |
| 2 | 1001156392 | Ref | Fuel Filler Installation (Not Shown) (See Item 201-212) | |
| 3 | 7577000194 | 1 | Kit Chassis Wiring Connector (Not Shown) | |
| | 1001156082 | Ref | FRAME REINFORCEMENT INSTALLATION | A |
| 101 | 1001155971 | 1 | Plate, RH Side | |
| 102 | 1001155972 | 1 | Plate, LH Side | |
| 103 | 7105171050 | 31 | Bolt 5/16 x 1-1/4 | |
| 104 | 7950170142 | 31 | Washer 5/16 | |
| 105 | 7660172331 | 31 | Nut 5/16 | |
| 106 | 7105201650 | 18 | Bolt 5/8 x 2 | |
| 107 | 7950200242 | 18 | Washer 5/8 | |
| 108 | 7660202347 | 18 | Nut 5/8 | |
| | 1001156392 | Ref | FUEL FILLER INSTALLATION | C |
| 201 | 1001167098 | 1 | Bracket | |
| 202 | 1001156274 | 1 | Pipe | |
| 203 | 1001130587 | 1 | Clamp | |
| 204 | 1001169147 | 1 | Hose (Fuel Vent) | |
| 205 | 8405006 | 2 | Clamp | |
| 206 | 1001156437 | 2 | Plate | |
| 207 | 7105181650 | 8 | Bolt 1/2 x 2 | |
| 208 | 7950180153 | 8 | Washer 1/2 | |
| 209 | 7660182333 | 8 | Nut 1/2 | |
| 210 | 5746491 | 1 | Sleeve, Nylon | |
| 211 | 1001159563 | 1 | Sleeve, Nylon | |
| 212 | 7894000004 | 4 | Tie-Strap (Not Shown) | |

SECTION 1 - SUBFRAME

FIGURE 1-49. CHASSIS MOUNTING KIT, HINO



ART_1001159908

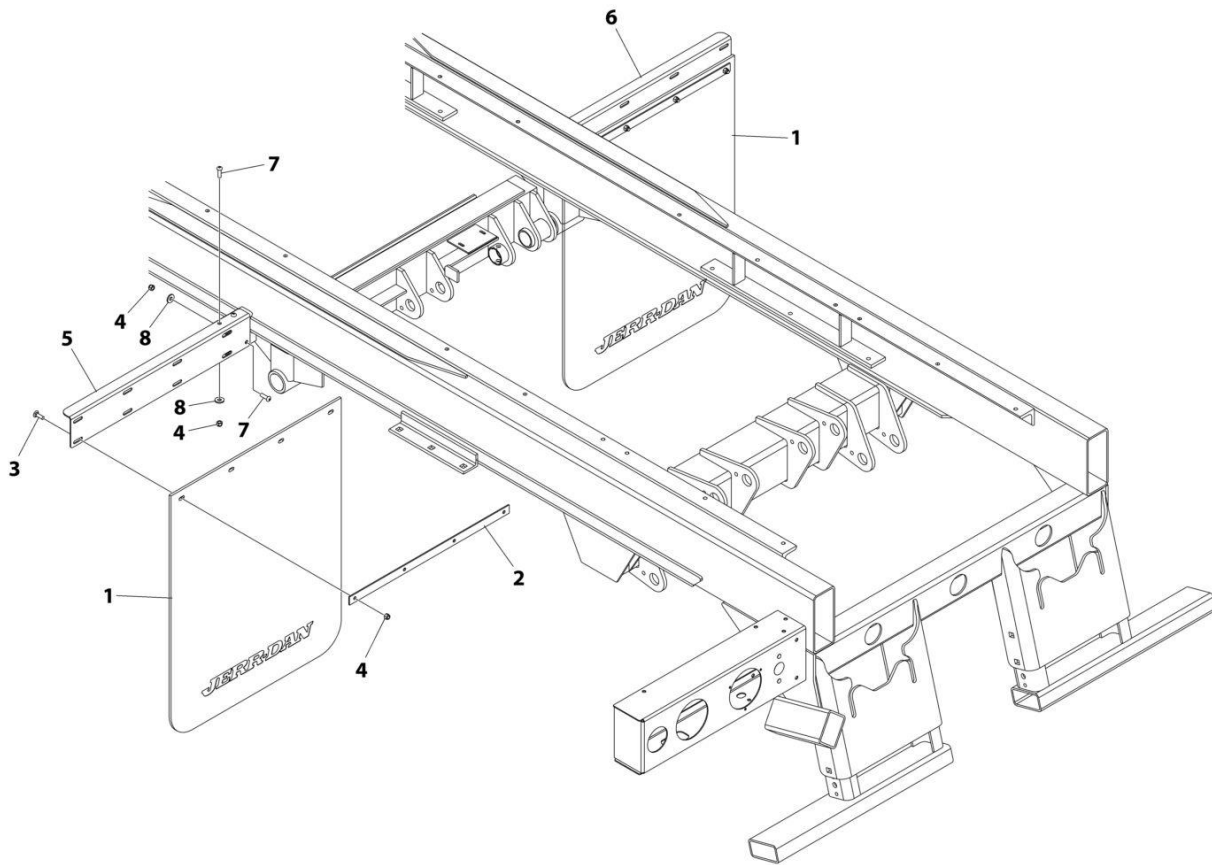
SECTION 1 - SUBFRAME

FIGURE 1-49. CHASSIS MOUNTING KIT, HINO

| ITEM | PART NUMBER | QTY | DESCRIPTION | REV |
|------|-------------|-----|--|-----|
| | 1001159908 | Ref | CHASSIS MOUNTING KIT | A |
| 1 | 1001159909 | Ref | Frame Reinforcement Installation (Not Shown) (See Items 101-105) | |
| 2 | 1001159910 | Ref | Fuel Filler Installation (Not Shown) (See Items 201-212) | |
| 3 | 7577000194 | 1 | Kit Chassis Wiring Connector (Not Shown) | |
| | 1001159909 | Ref | FRAME REINFORCEMENT INSTALLATION | A |
| 101 | 1001159916 | 1 | Plate (RH) | |
| 102 | 1001159917 | 1 | Plate (LH) | |
| 103 | 7105201650 | 16 | Bolt 5/8 x 2 | |
| 104 | 7950200242 | 16 | Washer 5/8 | |
| 105 | 7660202347 | 16 | Nut 5/8 | |
| | 1001159910 | Ref | FUEL FILLER INSTALLATION | A |
| 201 | 1001167244 | 1 | Bracket | |
| 202 | 1001156274 | 1 | Pipe | |
| 203 | 1001130587 | 1 | Clamp | |
| 204 | 1001169147 | 1 | Hose (Fuel Vent) | |
| 205 | 8405006 | 2 | Clamp | |
| 206 | 1001159918 | 2 | Plate | |
| 207 | 7105171450 | 8 | Bolt 5/16 x 1-3/4 | |
| 208 | 7950170142 | 8 | Washer 5/16 | |
| 209 | 7660172331 | 8 | Nut 5/16 | |
| 210 | 5746491 | 1 | Sleeve, Nylon | |
| 211 | 1001159563 | 1 | Sleeve, Nylon | |
| 212 | 7894000004 | 4 | Tie-Strap (Not Shown) | |

SECTION 1 - SUBFRAME

FIGURE 1-50. MUD FLAPS INSTALLATION - FACTORY SUPPLIED (2012+ DODGE D5500)



ART_2638000017

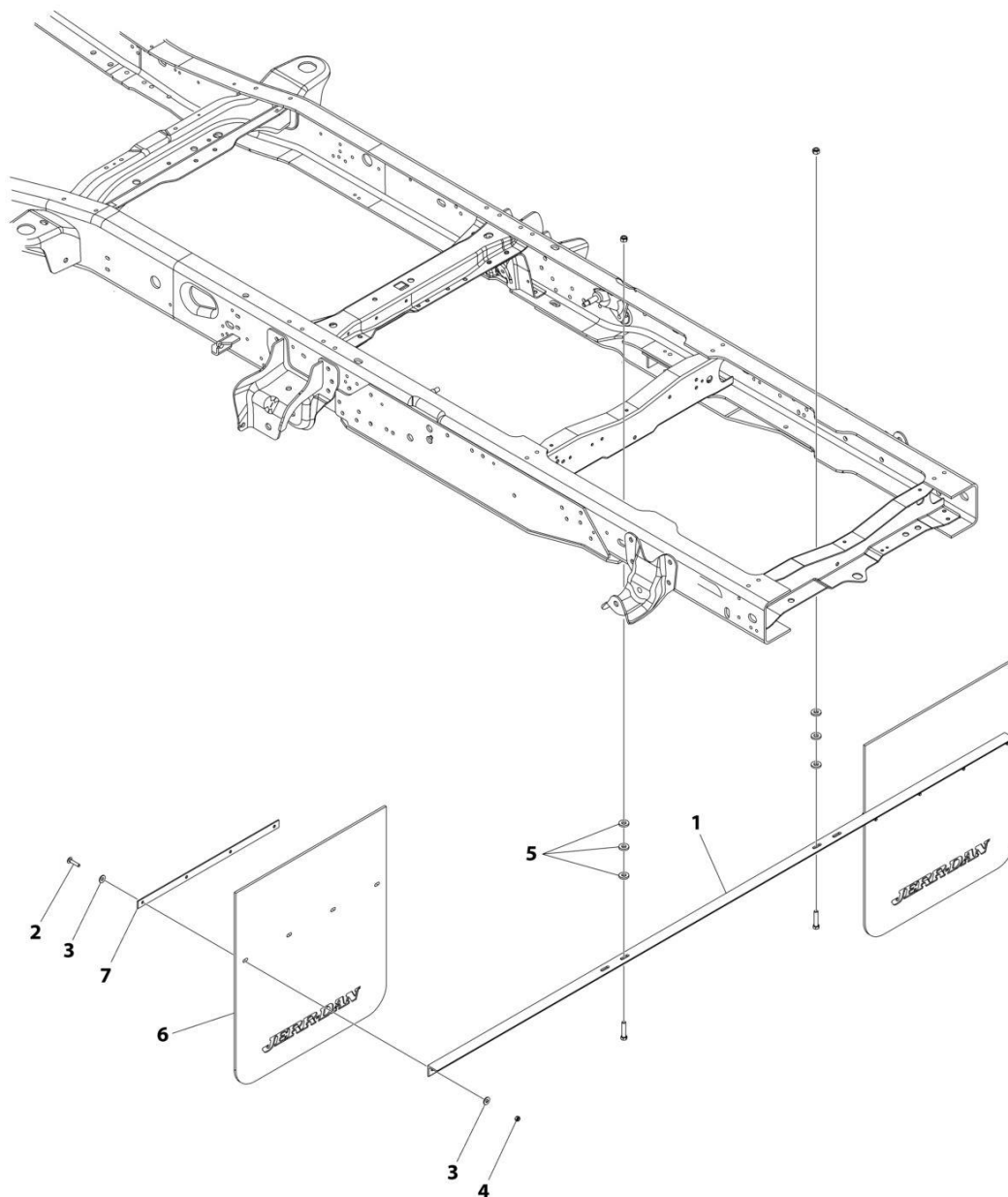
SECTION 1 - SUBFRAME

FIGURE 1-50. MUD FLAPS INSTALLATION - FACTORY SUPPLIED (2012+ DODGE D5500)

| ITEM | PART NUMBER | QTY | DESCRIPTION | REV |
|------|-------------|-----|------------------------------|-----|
| | 2638000017 | Ref | Mud Flaps, Standard | B |
| 1 | 7638000004 | 2 | Mud Flaps with Jerr-Dan Logo | |
| 2 | 4706006427 | 2 | Plate | |
| 3 | 7111150864 | 8 | Bolt 5/16 x 1 | |
| 4 | 7660152601 | 14 | Nut 5/16 | |
| 5 | 4017001742 | 1 | Angle (LH) | |
| 6 | 4017001743 | 1 | Angle (RH) | |
| 7 | 7114150818 | 6 | Capscrew 5/16 x 1 | |
| 8 | 7950150153 | 6 | Washer 5/16 | |

SECTION 1 - SUBFRAME

FIGURE 1-51. MUD FLAPS INSTALLATION - FACTORY SUPPLIED (2012+ FORD F550)



ART_1001151490

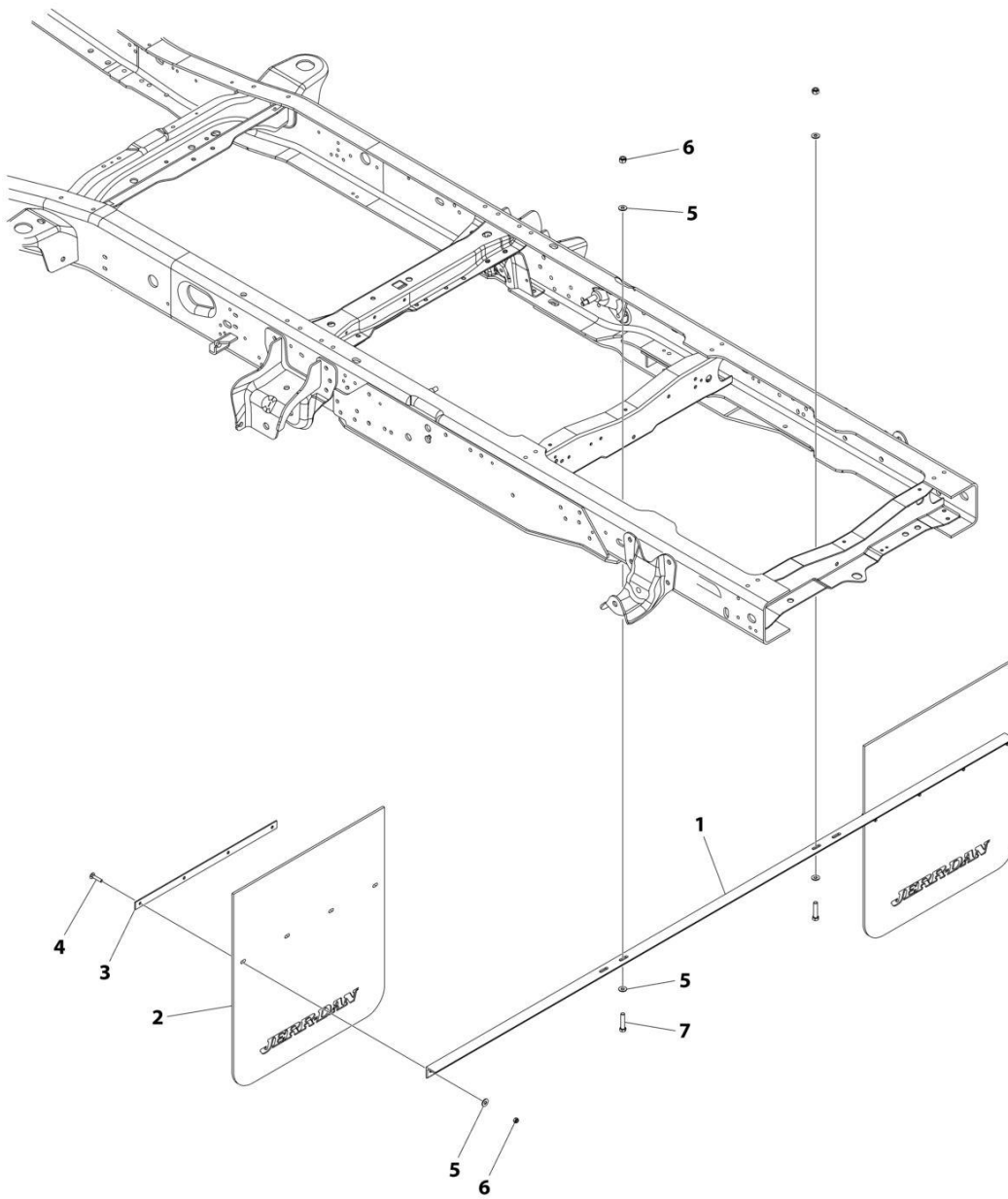
SECTION 1 - SUBFRAME

FIGURE 1-51. MUD FLAPS INSTALLATION - FACTORY SUPPLIED (2012+ FORD F550)

| ITEM | PART NUMBER | QTY | DESCRIPTION | REV |
|------|-------------|-----|--------------------------------|-----|
| | 1001151490 | Ref | MUDFLAP INSTALLATION FORD F550 | D |
| 1 | 1001147117 | 1 | Angle | |
| 2 | 7115151264 | 8 | Bolt 5/16 x 1-1/2 | |
| 3 | 7950150161 | 16 | Washer 5/16 | |
| 4 | 7660152601 | 8 | Nut 5/16 | |
| 5 | 4891800 | 6 | Washer 1/2 | |
| 6 | 1001159566 | 2 | Panel, Mud-flap | |
| 7 | 4706006427 | 2 | Plate | |

SECTION 1 - SUBFRAME

FIGURE 1-52. MUD FLAPS INSTALLATION - FACTORY SUPPLIED (ISUZU & HINO)



ART_1001159565

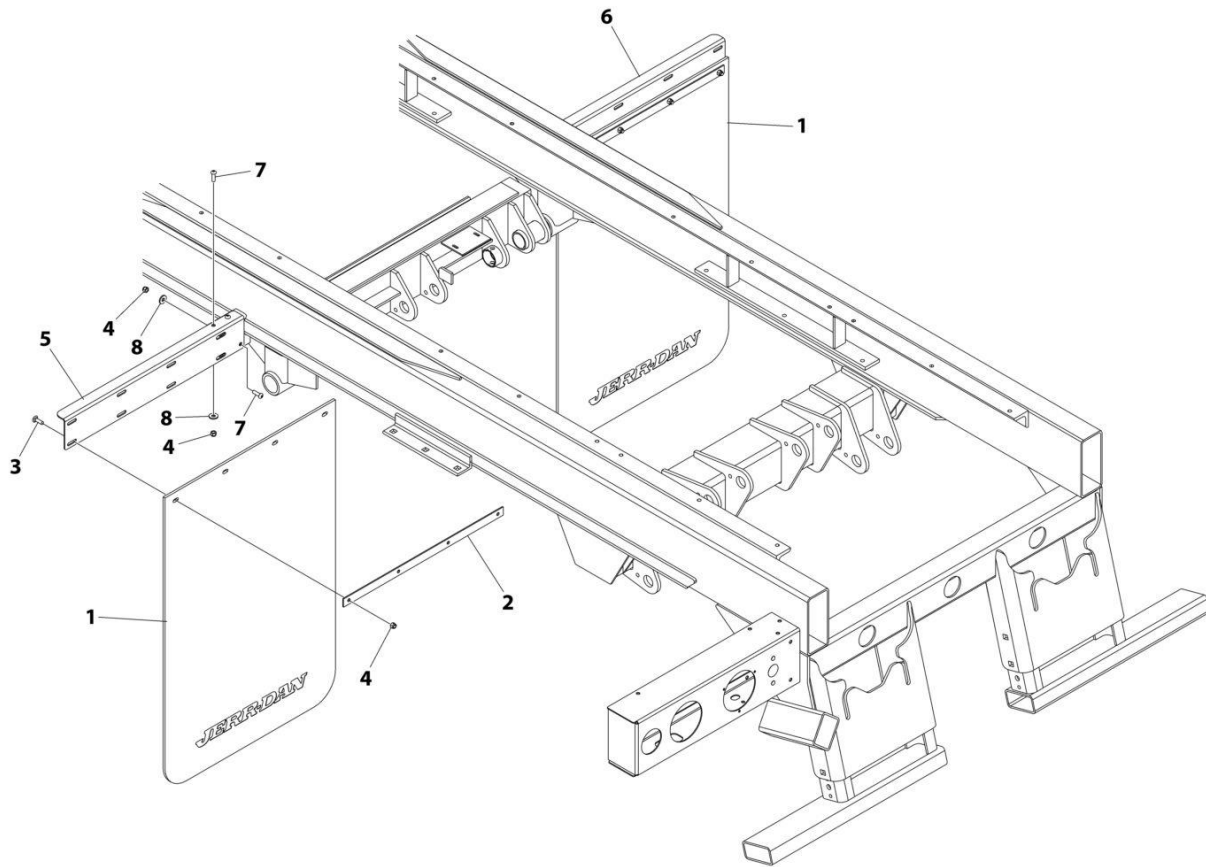
SECTION 1 - SUBFRAME

FIGURE 1-52. MUD FLAPS INSTALLATION - FACTORY SUPPLIED (ISUZU & HINO)

| ITEM | PART NUMBER | QTY | DESCRIPTION | REV |
|-------------|--------------------|------------|--------------------------------|------------|
| | 1001159565 | Ref | MUDFLAP ISUZU NRR INSTALLATION | B |
| 1 | 1001147117 | 1 | Angle | |
| 2 | 1001159566 | 2 | Panel, Mud-flap | |
| 3 | 4706006427 | 2 | Plate | |
| 4 | 7115151264 | 8 | Bolt 5/16 x 1-1/2 | |
| 5 | 7950150161 | 12 | Washer 5/16 | |
| 6 | 7660152601 | 10 | Nut 5/16 | |
| 7 | 7115151050 | 2 | Capscrew 5/16 x 1-1/4 | |

SECTION 1 - SUBFRAME

FIGURE 1-53. MUD FLAPS INSTALLATION - FACTORY SUPPLIED (HIGH FRAME)



ART_2638000019

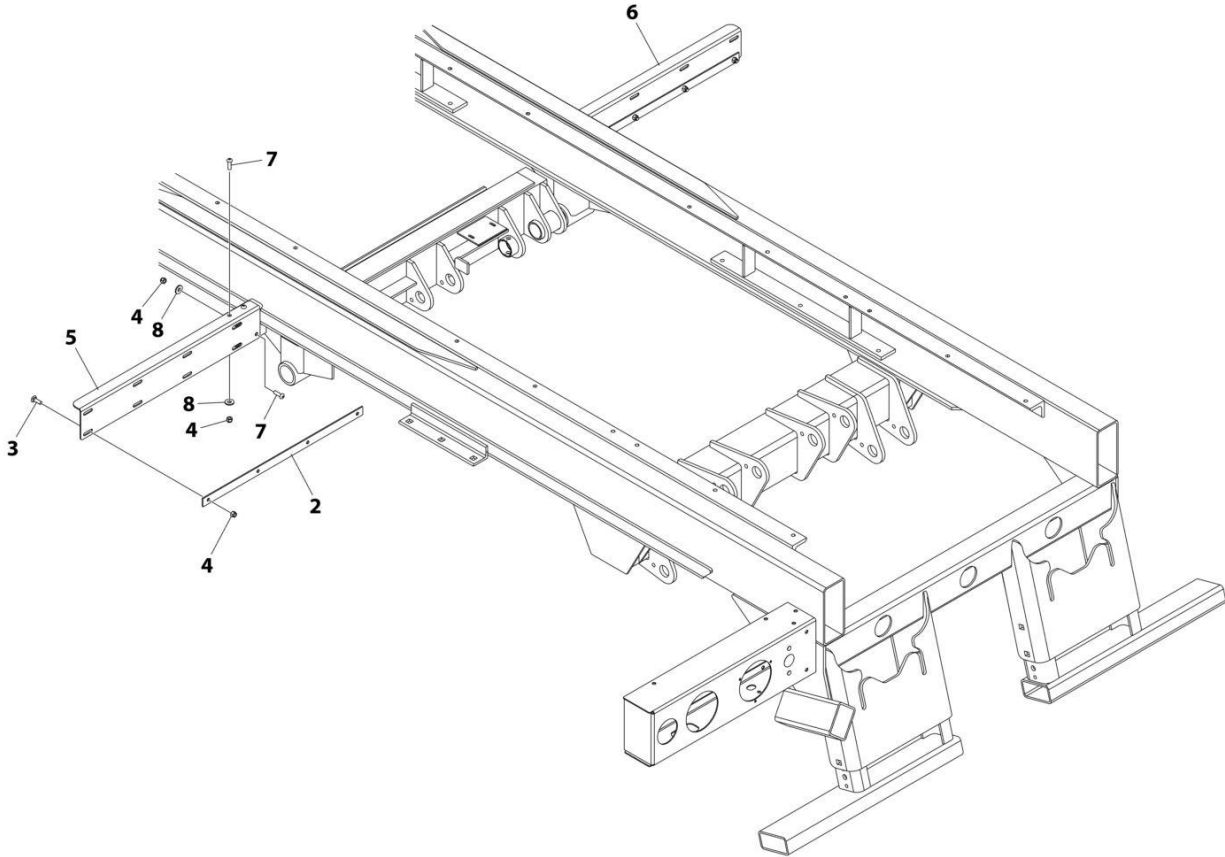
SECTION 1 - SUBFRAME

FIGURE 1-53. MUD FLAPS INSTALLATION - FACTORY SUPPLIED (HIGH FRAME)

| ITEM | PART NUMBER | QTY | DESCRIPTION | REV |
|------|-------------|-----|-----------------------------|-----|
| | 2638000019 | Ref | Mud Flap - High | D |
| 1 | 7638000013 | 2 | Mud Flap with Jerr-Dan Logo | |
| 2 | 4706006427 | 2 | Plate | |
| 3 | 7111150864 | 8 | Bolt 5/16 x 1 | |
| 4 | 7660152601 | 14 | Nut 5/16 | |
| 5 | 4017001742 | 1 | Angle (LH) | |
| 6 | 4017001743 | 1 | Angle (RH) | |
| 7 | 7114150818 | 6 | Capscrew 5/16 x 1 | |
| 8 | 7950150153 | 6 | Washer 5/16 | |

SECTION 1 - SUBFRAME

FIGURE 1-54. MUD FLAPS INSTALLATION - CUSTOMER SUPPLIED



ART_1001131724

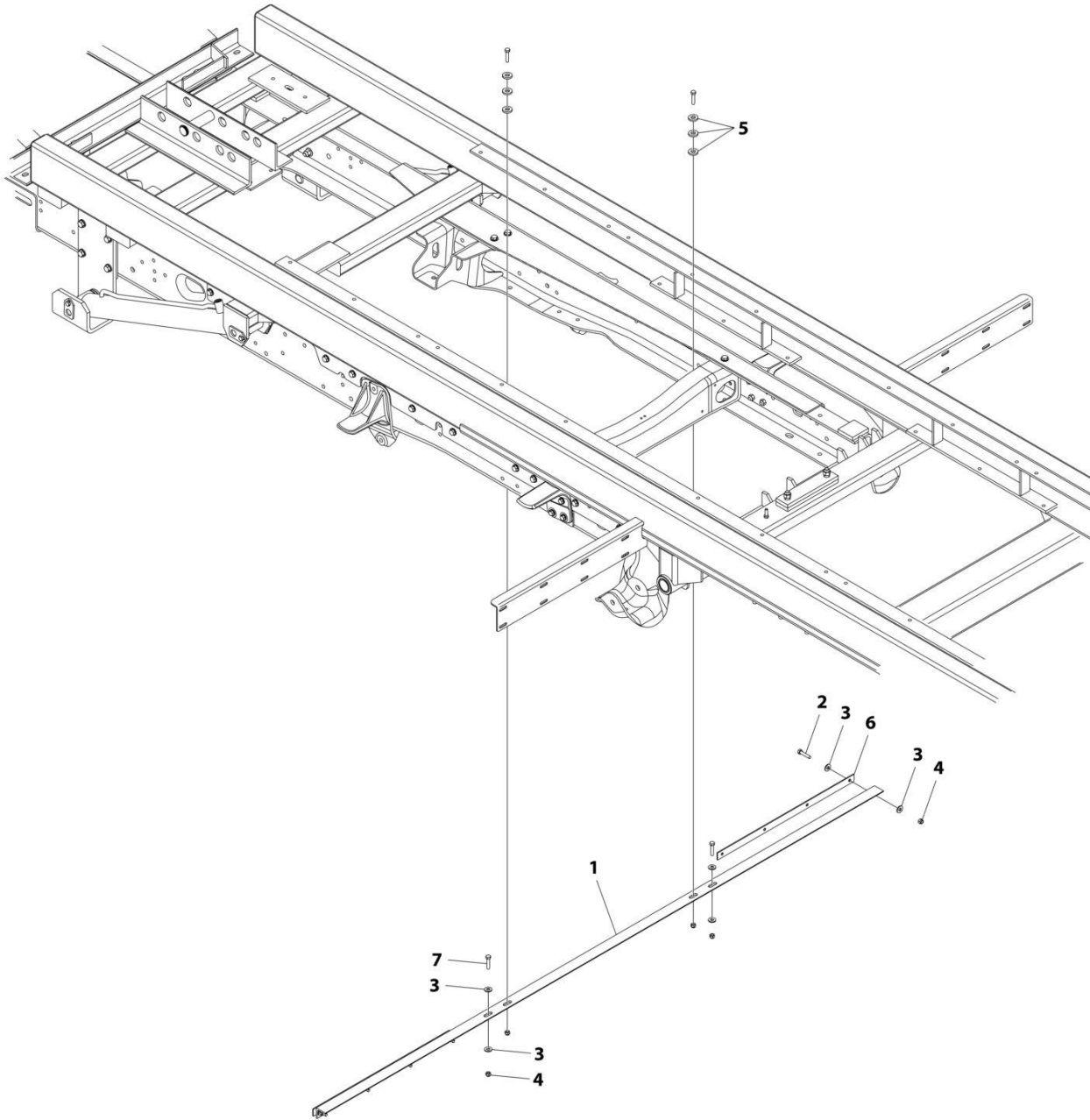
SECTION 1 - SUBFRAME

FIGURE 1-54. MUD FLAPS INSTALLATION - CUSTOMER SUPPLIED

| ITEM | PART NUMBER | QTY | DESCRIPTION | REV |
|-------------|--------------------|------------|----------------------------------|------------|
| | 1001131724 | Ref | Mud Flaps, Customer Installation | 0 |
| 2 | 4706006427 | 2 | Plate Galvanneal | |
| 3 | 7111150864 | 8 | Bolt 5/16 x 1 | |
| 4 | 7660152601 | 14 | Nut 5/16 | |
| 5 | 4017001742 | 1 | Angle LH Galvanneal | |
| 6 | 4017001743 | 1 | Angle RH Galvanneal | |
| 7 | 7114150818 | 6 | Capscrew 5/16 x 1 | |
| 8 | 7950150153 | 6 | Washer 5/16 | |

SECTION 1 - SUBFRAME

FIGURE 1-55. MUD FLAPS INSTALLATION - CUSTOMER SUPPLIED (2012+ FORD F550, ISUZU & HINO)



ART_1001151493

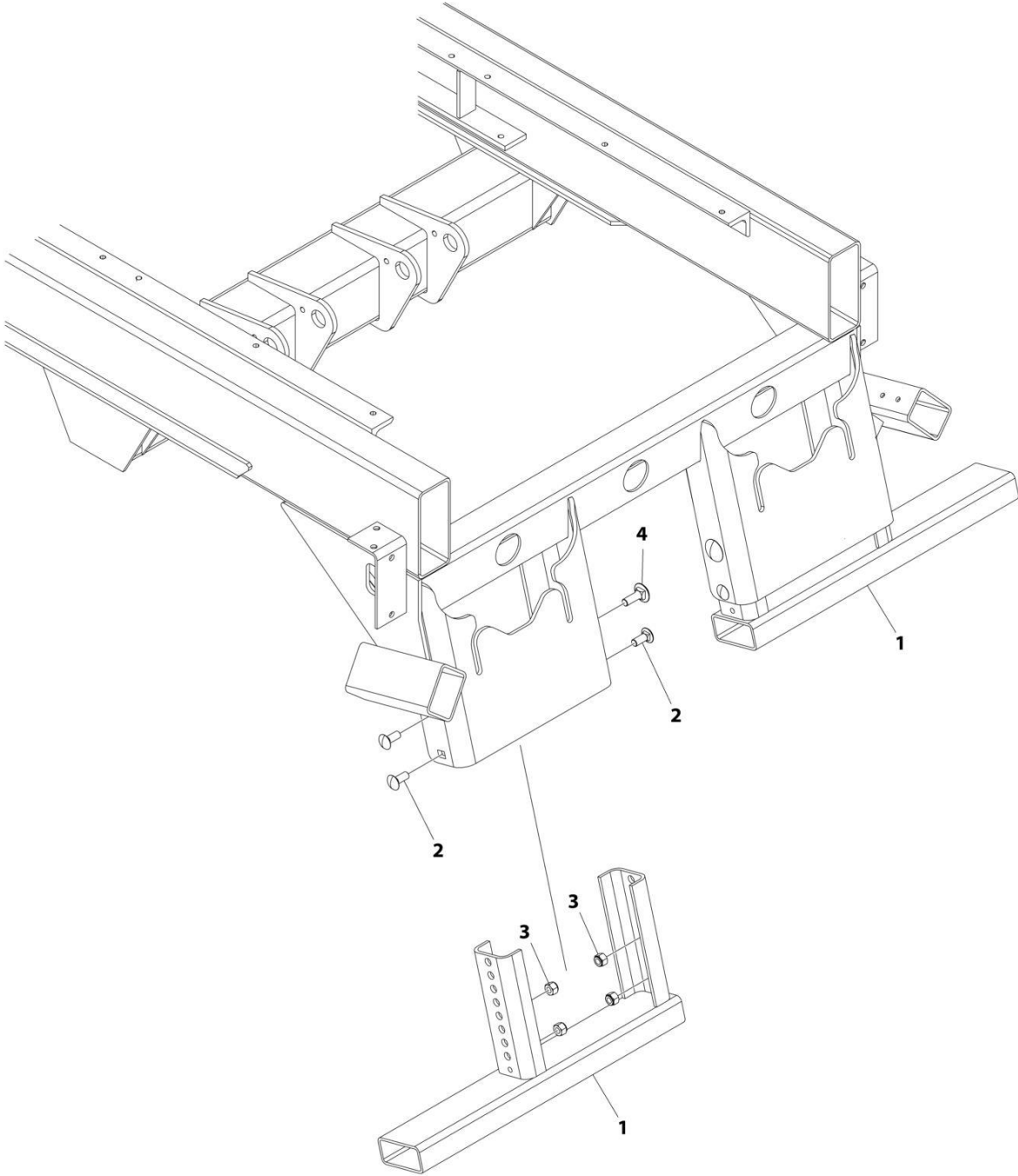
SECTION 1 - SUBFRAME

FIGURE 1-55. MUD FLAPS INSTALLATION - CUSTOMER SUPPLIED (2012+ FORD F550, ISUZU & HINO)

| ITEM | PART NUMBER | QTY | DESCRIPTION | REV |
|-------------|--------------------|------------|-----------------------|------------|
| | 1001151493 | Ref | MUDFLAPS INSTALLATION | C |
| 1 | 1001147117 | 1 | Angle | |
| 2 | 7115151264 | 8 | Bolt 5/16 x 1-1/2 | |
| 3 | 7950150161 | 20 | Washer 5/16 | |
| 4 | 7660152601 | 10 | Nut 5/16 | |
| 5 | 4891800 | 6 | Washer | |
| 6 | 4706006427 | 2 | Plate | |
| 7 | 7115151050 | 2 | Bolt 5/16 x 1-1/4 | |

SECTION 1 - SUBFRAME

FIGURE 1-56. REAR BUMPER, SHORT GALVANIZED



ART_1001177633

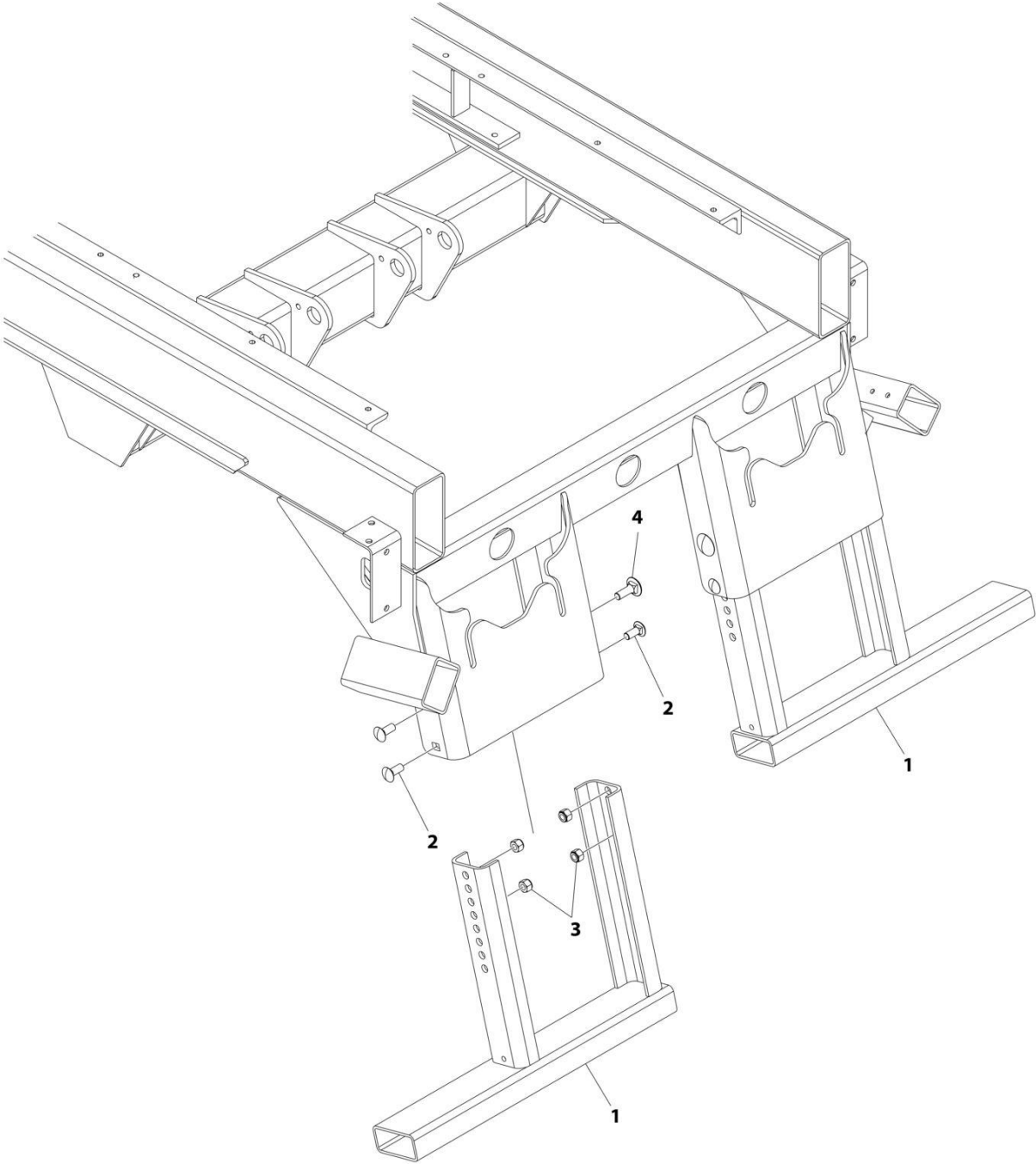
SECTION 1 - SUBFRAME

FIGURE 1-56. REAR BUMPER, SHORT GALVANIZED

| ITEM | PART NUMBER | QTY | DESCRIPTION | REV |
|-------------|--------------------|------------|--------------------------------|------------|
| | 1001177633 | Ref | Rear Bumper - Short Galvanized | B |
| 1 | 1001177603 | 2 | Bumper | |
| 2 | 7115181064 | 6 | Bolt 1/2 x 1-1/4 | |
| 3 | 7660182601 | 8 | Nut 1/2 | |
| 4 | 7115181664 | 2 | Bolt 1/2 x 2 | |

SECTION 1 - SUBFRAME

FIGURE 1-57. REAR BUMPER, LONG GALVANIZED



ART_1001177634

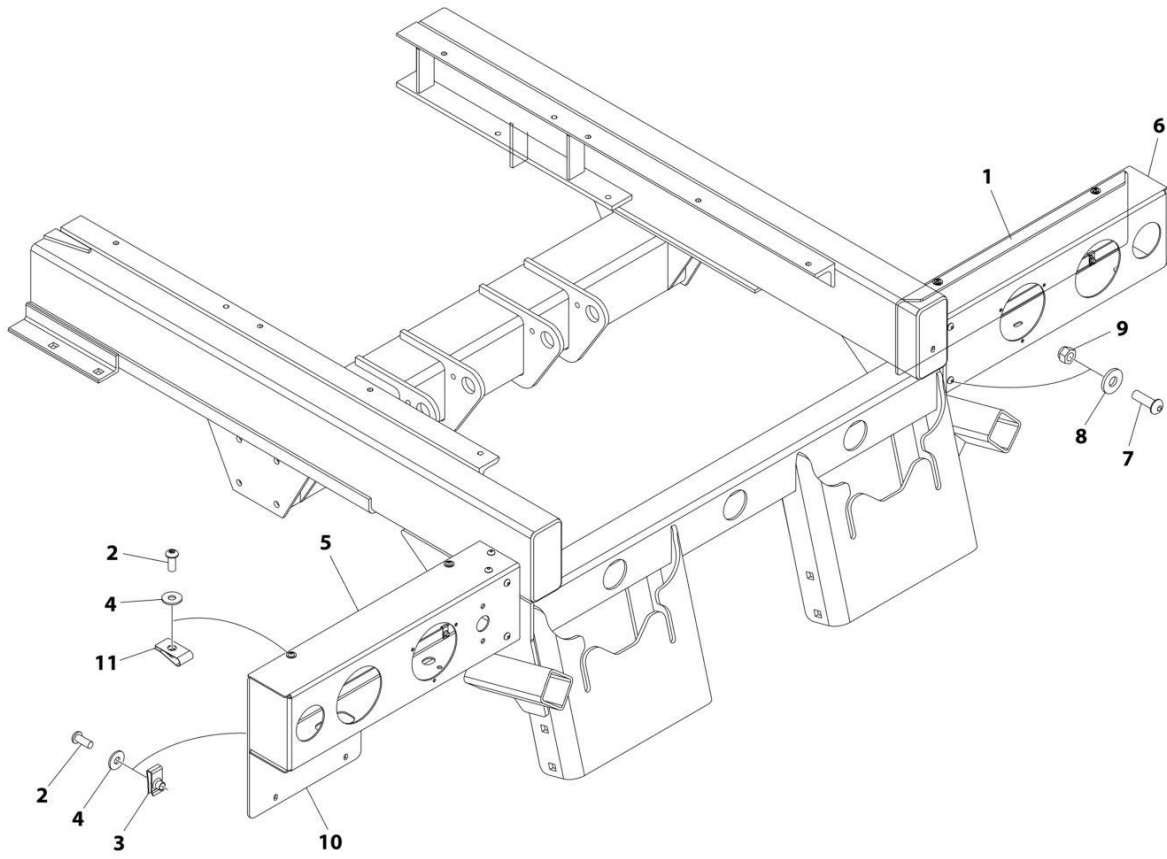
SECTION 1 - SUBFRAME

FIGURE 1-57. REAR BUMPER, LONG GALVANIZED

| ITEM | PART NUMBER | QTY | DESCRIPTION | REV |
|-------------|--------------------|------------|-------------------------------|------------|
| | 1001177634 | Ref | Rear Bumper - Long Galvanized | B |
| 1 | 1001177605 | 2 | Bumper | |
| 2 | 7115181064 | 6 | Bolt 1/2 x 1-1/4 | |
| 3 | 7660182601 | 8 | Nut 1/2 | |
| 4 | 7115181664 | 2 | Bolt 1/2 x 2 | |

SECTION 1 - SUBFRAME

FIGURE 1-58. LIGHT BOX AND COVER INSTALLATION



ART_1001173948

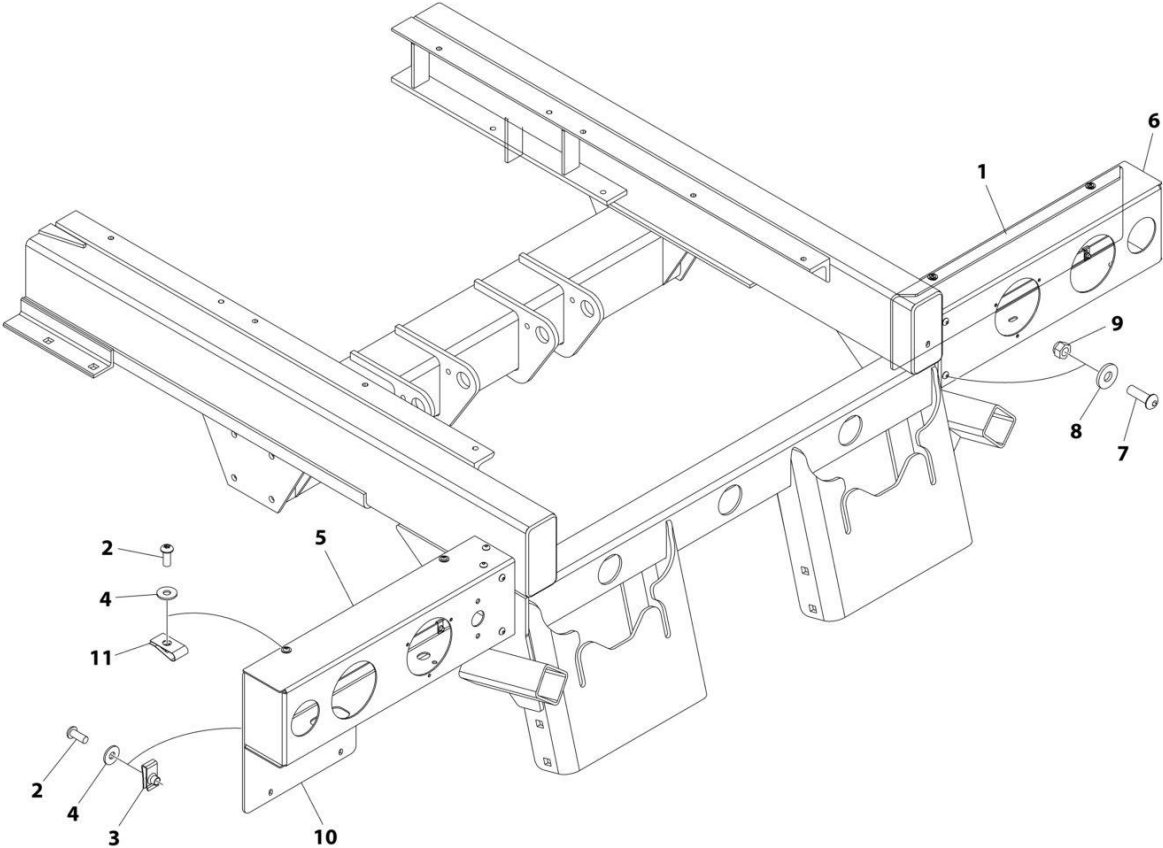
SECTION 1 - SUBFRAME

FIGURE 1-58. LIGHT BOX AND COVER INSTALLATION

| ITEM | PART NUMBER | QTY | DESCRIPTION | REV |
|-------------|--------------------|------------|----------------------------------|------------|
| | 1001173948 | Ref | LIGHT BOX AND COVER INSTALLATION | B |
| 1 | 1001188615 | 1 | Cover, Light Box (RH) | |
| 2 | 7114140529 | 8 | Screw 1/4 x 5/8 | |
| 3 | 7661000042 | 4 | U-Nut 1/4 | |
| 4 | 7949000023 | 8 | Washer | |
| 5 | 1001173945 | 1 | Bracket, Light Box (LH) | |
| 6 | 1001173944 | 1 | Bracket, Light Box (RH) | |
| 7 | 7114150818 | 8 | Capscrew 3/8 x 1 | |
| 8 | 7950150153 | 8 | Washer 3/8 | |
| 9 | 7660152601 | 8 | Nut 3/8 | |
| 10 | 1001188616 | 1 | Cover, Light Box (LH) | |
| 11 | 7661000064 | 4 | U-Nut 1/4 | |

SECTION 1 - SUBFRAME

FIGURE 1-59. LIGHT BOX AND COVER INSTALLATION (GALVANIZED)



ART_1001173949

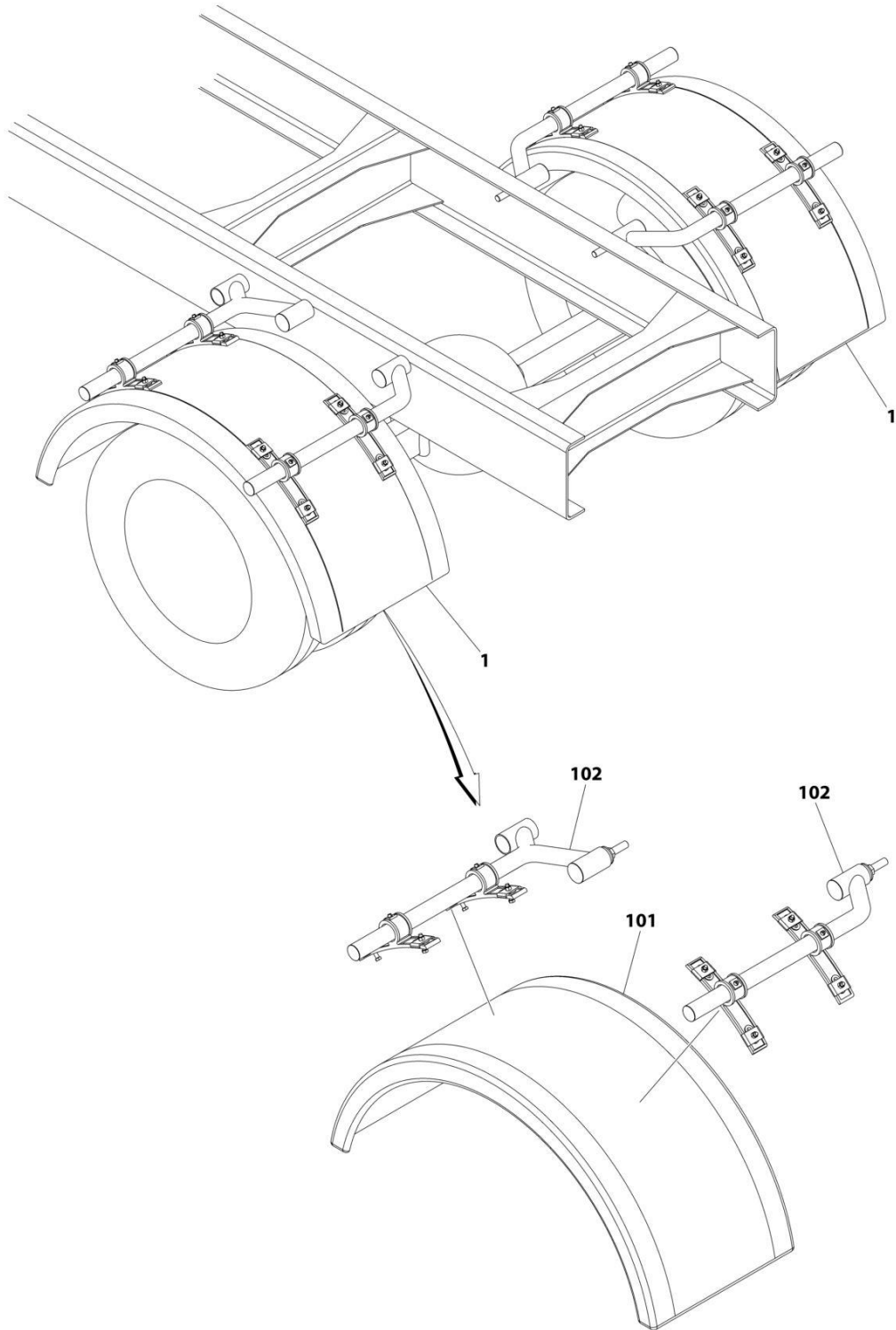
SECTION 1 - SUBFRAME

FIGURE 1-59. LIGHT BOX AND COVER INSTALLATION (GALVANIZED)

| ITEM | PART NUMBER | QTY | DESCRIPTION | REV |
|-------------|--------------------|------------|----------------------------------|------------|
| | 1001173949 | Ref | LIGHT BOX AND COVER INSTALLATION | B |
| 1 | 1001188615 | 1 | Cover, Light Box (RH) | |
| 2 | 7114140529 | 8 | Screw 1/4 x 5/8 | |
| 3 | 7661000042 | 4 | U-Nut 1/4 | |
| 4 | 7949000023 | 8 | Washer | |
| 5 | 1001173947 | 1 | Bracket, Light Box (LH) | |
| 6 | 1001173946 | 1 | Bracket, Light Box (RH) | |
| 7 | 7114150818 | 8 | Screw 3/8 x 1 | |
| 8 | 7950150153 | 8 | Washer 3/8 | |
| 9 | 7660152601 | 8 | Nut 3/8 | |
| 10 | 1001188616 | 1 | Cover, Light Box (LH) | |
| 11 | 7661000064 | 4 | U-Nut 1/4 | |

SECTION 1 - SUBFRAME

FIGURE 1-60. FENDERS INSTALLATION - POLY



ART_1001169913

SECTION 1 - SUBFRAME

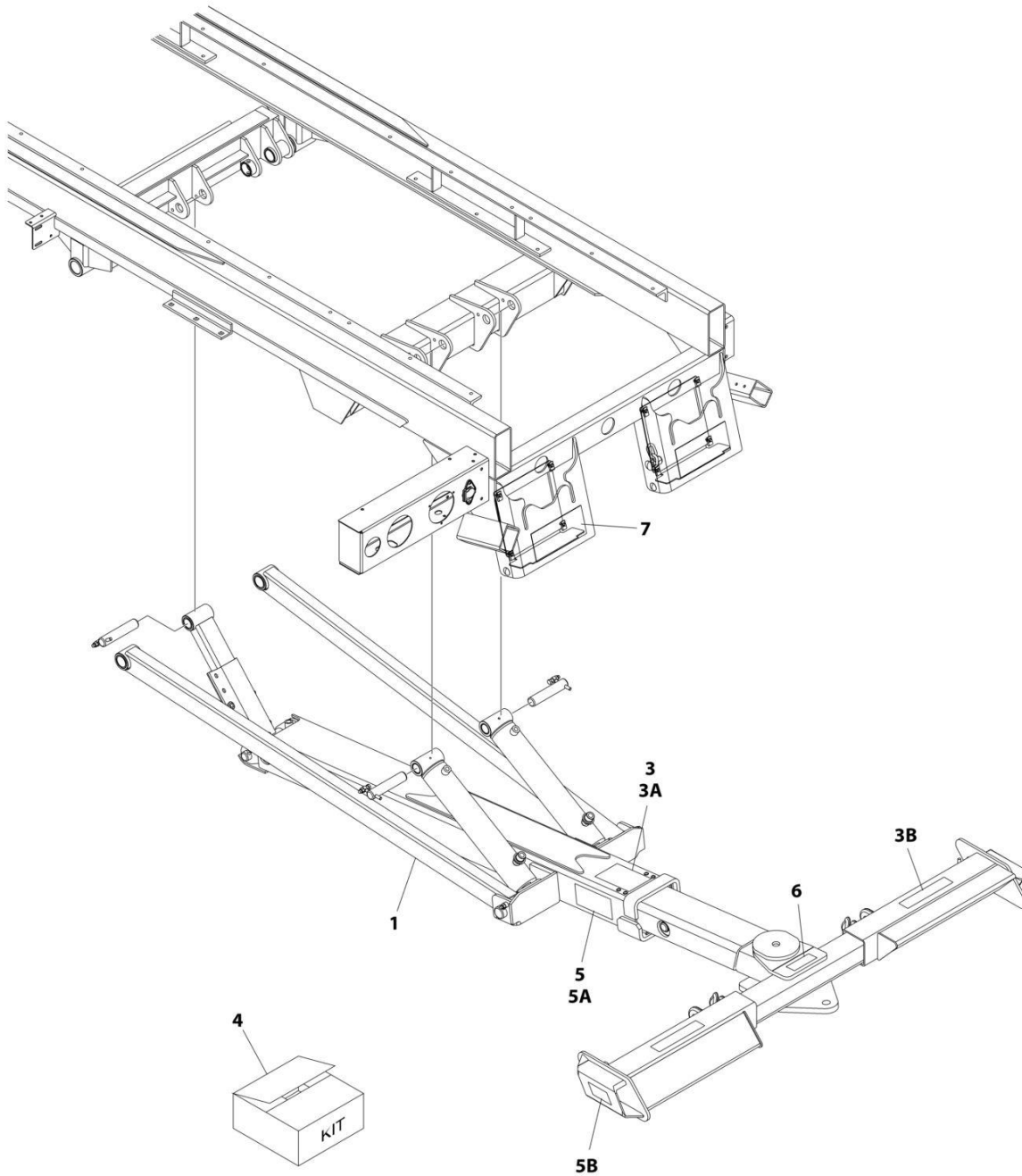
FIGURE 1-60. FENDERS INSTALLATION - POLY

| ITEM | PART NUMBER | QTY | DESCRIPTION | REV |
|-------------|--------------------|------------|----------------------------------|------------|
| | 1001169913 | Ref | POLY FENDERS INSTALLATION 19.5IN | A |
| 1 | 1001170192 | 2 | Accessory, Poly Fender Kit | |
| 101 | 1001169958 | 1 | Fender, Poly | |
| 102 | 1001169959 | 1 | Mount, Poly Fender | |

SECTION 2 - WHEEL LIFT

SECTION 2 - WHEEL LIFT

FIGURE 2-1. WHEEL LIFT - COMPLETE (3500 LBS - FIXED ARMS) (19FT DECK)



ART_1001276329

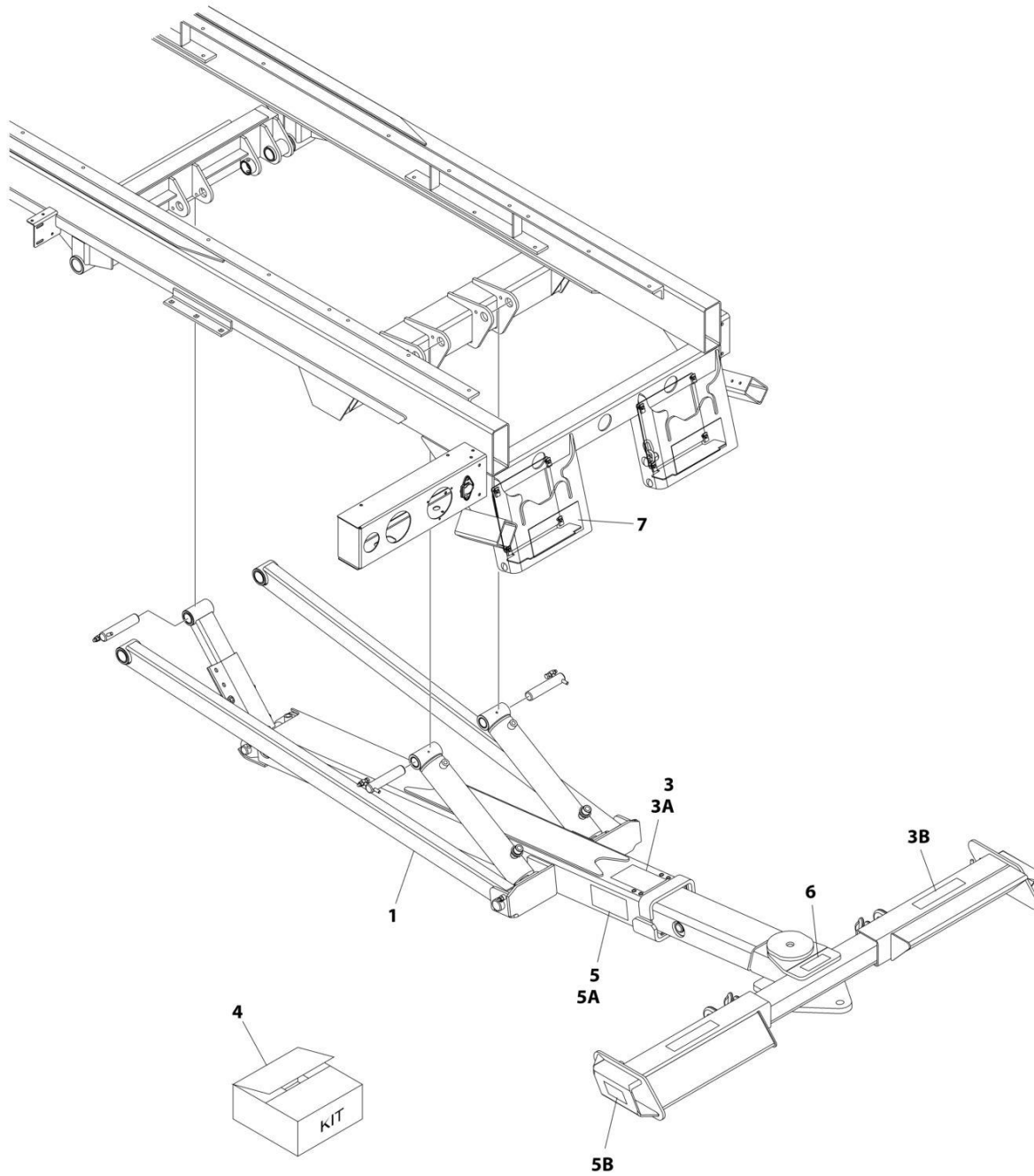
SECTION 2 - WHEEL LIFT

FIGURE 2-1. WHEEL LIFT - COMPLETE (3500 LBS - FIXED ARMS) (19FT DECK)

| ITEM | PART NUMBER | QTY | DESCRIPTION | REV |
|------|-------------|-----|--|-----|
| | 1001274469 | Ref | WHEEL LIFT - INSTALLATION (3500 LBS - FIXED) (XLP) - COMPLETE | A |
| 1 | 1001274470 | 1 | Wheel Lift Boom Installation - 3500 lbs (XLP) (See Separate Breakdown in this Section) | |
| 2 | 1001136657 | 1 | Hydraulic Installation (Not Shown - See Separate Breakdown in HYDRAULIC Section) | |
| 3 | 2330000057 | Ref | Decal Installation | |
| 3A | 7330000684 | 1 | Decal - Safety | |
| 3B | 7330000683 | 2 | Decal - Safety | |
| 4 | 7577000242 | 1 | Tie-Strap and Ratchet Kit (See Separate Breakdown in ACCESSORIES Section) | |
| 5 | 2330000035 | Ref | Wheel Lift Decal Installation | |
| 5A | 7330000419 | 2 | Decal - Red Reflective (Boom) | |
| 5B | 7330000417 | 1 | Decal - LH Red Reflective (Grid) | |
| 5B | 7330000418 | 1 | Decal - RH Red Reflective (Grid) | |
| 6 | 2330000065 | Ref | Tow Hitch Decal Installation | |
| 6 | 7330000060 | 1 | Decal - Warning, Hitch on Wheel lift | |
| 7 | 2262000011 | 1 | Chain Box Installation (See Separate Breakdown in SUBFRAME Section) | |

SECTION 2 - WHEEL LIFT

FIGURE 2-2. WHEEL LIFT - COMPLETE (3500 LBS - FIXED ARMS) (20-22FT DECK)



ART_1001158665

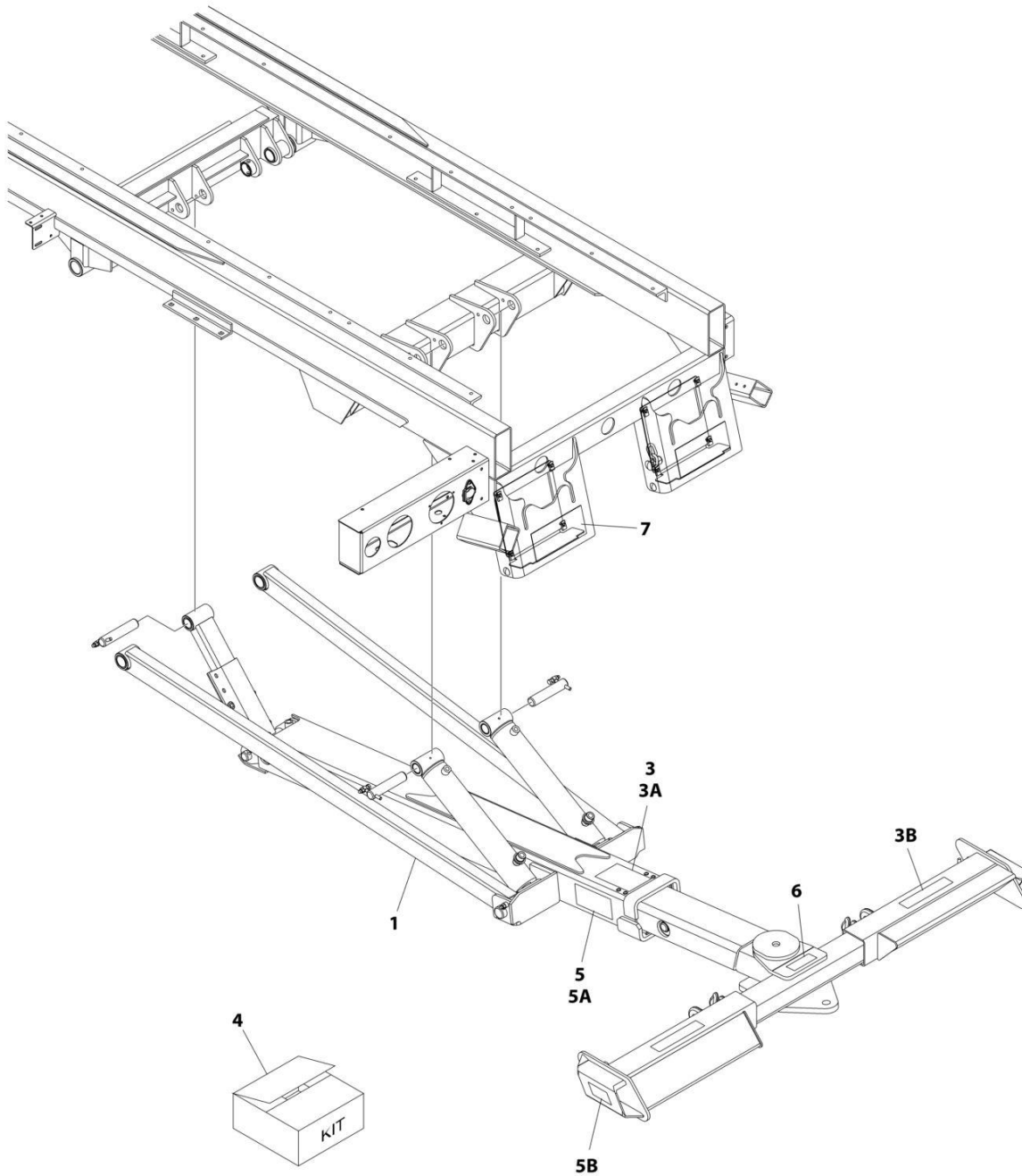
SECTION 2 - WHEEL LIFT

FIGURE 2-2. WHEEL LIFT - COMPLETE (3500 LBS - FIXED ARMS) (20-22FT DECK)

| ITEM | PART NUMBER | QTY | DESCRIPTION | REV |
|------|-------------|-----|--|-----|
| | 1001158665 | Ref | Wheel Lift Installation (3500 lbs - Fixed) - Complete | B |
| 1 | 1001158648 | 1 | Wheel Lift Boom Installation, 3500 lbs (See Separate Breakdown in this Section) | |
| 2 | 1001136657 | 1 | Hydraulic Installation (Not Shown - See Separate Breakdown in HYDRAULIC Section) | |
| 3 | 2330000057 | Ref | Decal Installation | |
| 3A | 7330000684 | 1 | Decal - Safety | |
| 3B | 7330000683 | 2 | Decal - Safety | |
| 4 | 7577000242 | 1 | Tie-Strap and Ratchet Kit (See Separate Breakdown in ACCESSORIES Section) | |
| 5 | 2330000035 | Ref | Wheel Lift Decal Installation | |
| 5A | 7330000419 | 2 | Decal - Red Reflective (Boom) | |
| 5B | 7330000417 | 1 | Decal - LH Red Reflective (Grid) | |
| 5B | 7330000418 | 1 | Decal - RH Red Reflective (Grid) | |
| 6 | 2330000065 | Ref | Tow Hitch Decal Installation | |
| 6 | 7330000060 | 1 | Decal - Warning, Hitch on Wheel lift | |
| 7 | 2262000011 | 1 | Chain Box Installation (See Separate Breakdown in SUBFRAME Section) | |

SECTION 2 - WHEEL LIFT

FIGURE 2-3. WHEEL LIFT - COMPLETE (3500 LBS - FIXED ARMS) (GALVANIZED) (19FT DECK)



ART_1001276329

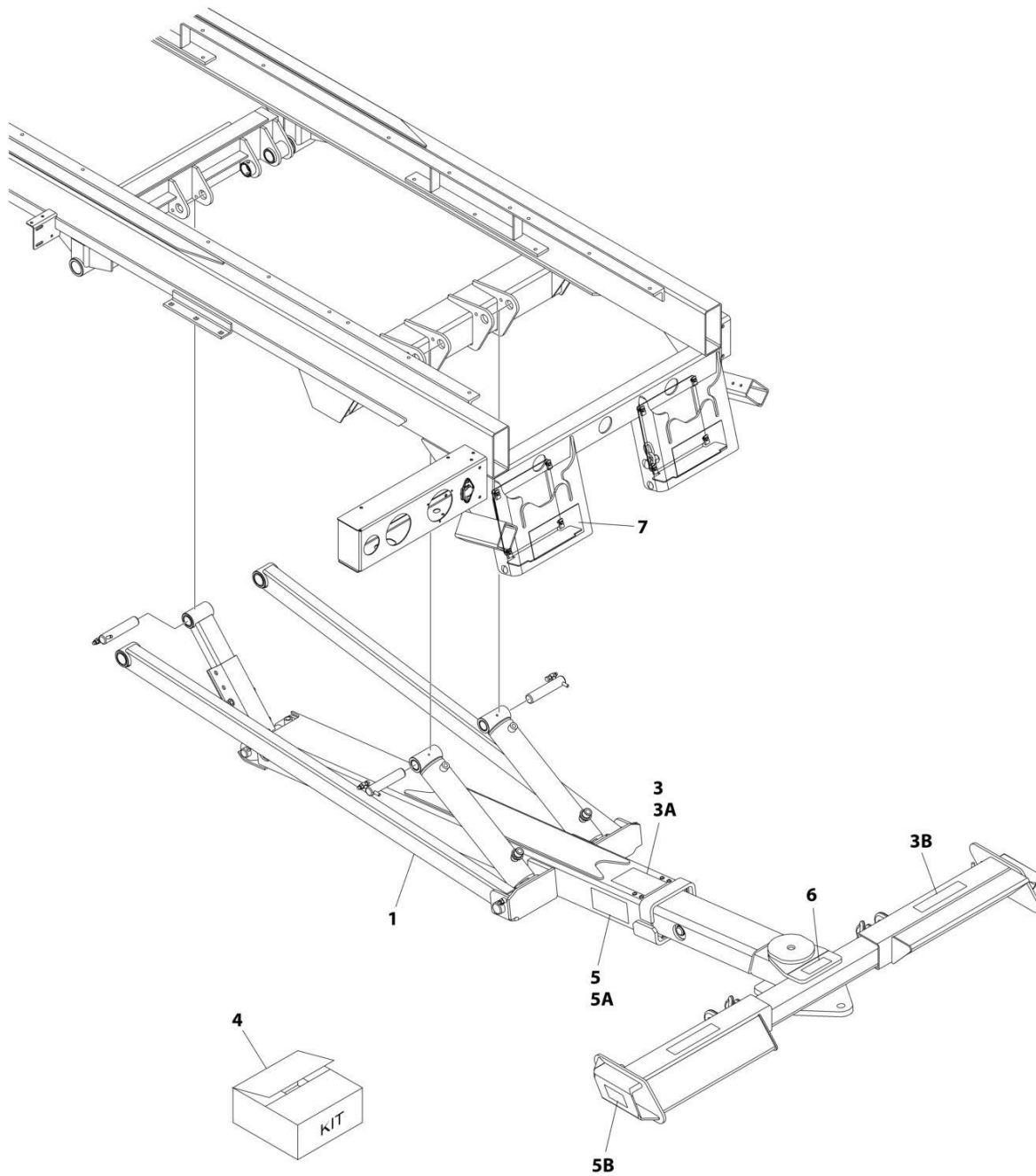
SECTION 2 - WHEEL LIFT

FIGURE 2-3. WHEEL LIFT - COMPLETE (3500 LBS - FIXED ARMS) (GALVANIZED) (19FT DECK)

| ITEM | PART NUMBER | QTY | DESCRIPTION | REV |
|------|-------------|-----|--|-----|
| | 1001276329 | Ref | WHEEL LIFT - INSTALLATION (3500 LBS - IRL) XLP GALVANIZED - COMPLETE | A |
| 1 | 1001276330 | 1 | Wheel Lift Boom Installation - 3500 lbs XLP Galvanized (See Separate Breakdown in this Section) | |
| 2 | 1001136657 | 1 | Hydraulic Installation (Not Shown - See Separate Breakdown in HYDRAULIC Section) | |
| 3 | 2330000057 | Ref | Decal Installation | |
| 3A | 7330000684 | 1 | Decal - Safety | |
| 3B | 7330000683 | 2 | Decal - Safety | |
| 4 | 7577000242 | 1 | Tie-Strap and Ratchet Kit (See Separate Breakdown in ACCESSORIES Section) | |
| 5 | 2330000035 | Ref | Wheel Lift Decal Installation | |
| 5A | 7330000419 | 2 | Decal - Red Reflective (Boom) | |
| 5B | 7330000417 | 1 | Decal - LH Red Reflective (Grid) | |
| 5B | 7330000418 | 1 | Decal - RH Red Reflective (Grid) | |
| 6 | 2330000065 | Ref | Tow Hitch Decal Installation | |
| 6 | 7330000060 | 1 | Decal - Warning, Hitch on Wheel lift | |
| 7 | 2262000011 | 1 | Chain Box Installation (See Separate Breakdown in SUBFRAME Section) | |

SECTION 2 - WHEEL LIFT

FIGURE 2-4. WHEEL LIFT - COMPLETE (3500 LBS - FIXED ARMS) (GALVANIZED) (20-22FT DECK)



ART_1001158666

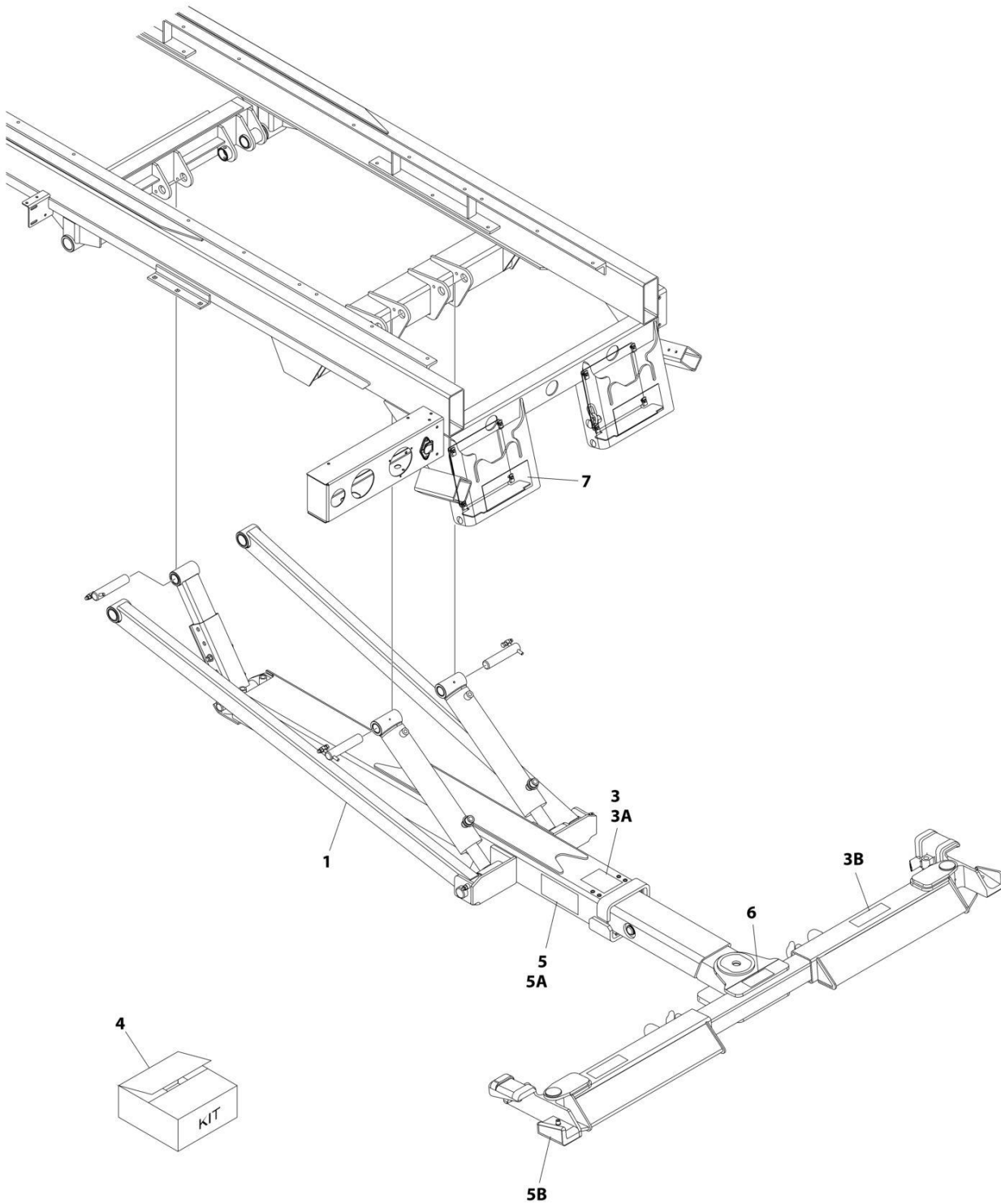
SECTION 2 - WHEEL LIFT

FIGURE 2-4. WHEEL LIFT - COMPLETE (3500 LBS - FIXED ARMS) (GALVANIZED) (20-22FT DECK)

| ITEM | PART NUMBER | QTY | DESCRIPTION | REV |
|------|-------------|-----|---|-----|
| | 1001158666 | Ref | Wheel Lift Installation - 3500 lbs Galvanized | B |
| 1 | 1001158649 | 1 | Wheel Lift Boom Installation - 3500 lbs Galvanized (See Separate Breakdown in this Section) | |
| 2 | 1001136657 | 1 | Hydraulic Installation (Not Shown - See Separate Breakdown in HYDRAULIC Section) | |
| 3 | 2330000057 | Ref | Decal Installation | |
| 3A | 7330000684 | 1 | Decal - Safety | |
| 3B | 7330000683 | 2 | Decal - Safety | |
| 4 | 7577000242 | 1 | Tie-Strap and Ratchet Kit (See Separate Breakdown in ACCESSORIES Section) | |
| 5 | 2330000035 | Ref | Wheel Lift Decal Installation | |
| 5A | 7330000419 | 2 | Decal - Red Reflective (Boom) | |
| 5B | 7330000417 | 1 | Decal - LH Red Reflective (Grid) | |
| 5B | 7330000418 | 1 | Decal - RH Red Reflective (Grid) | |
| 6 | 2330000065 | Ref | Tow Hitch Decal Installation | |
| 6 | 7330000060 | 1 | Decal - Warning, Hitch on Wheel lift | |
| 7 | 2262000011 | 1 | Chain Box Installation (See Separate Breakdown in SUBFRAME Section) | |

SECTION 2 - WHEEL LIFT

FIGURE 2-5. WHEEL LIFT - COMPLETE (3500 LBS - T37 PIVOTING ARMS)



ART_1001158667

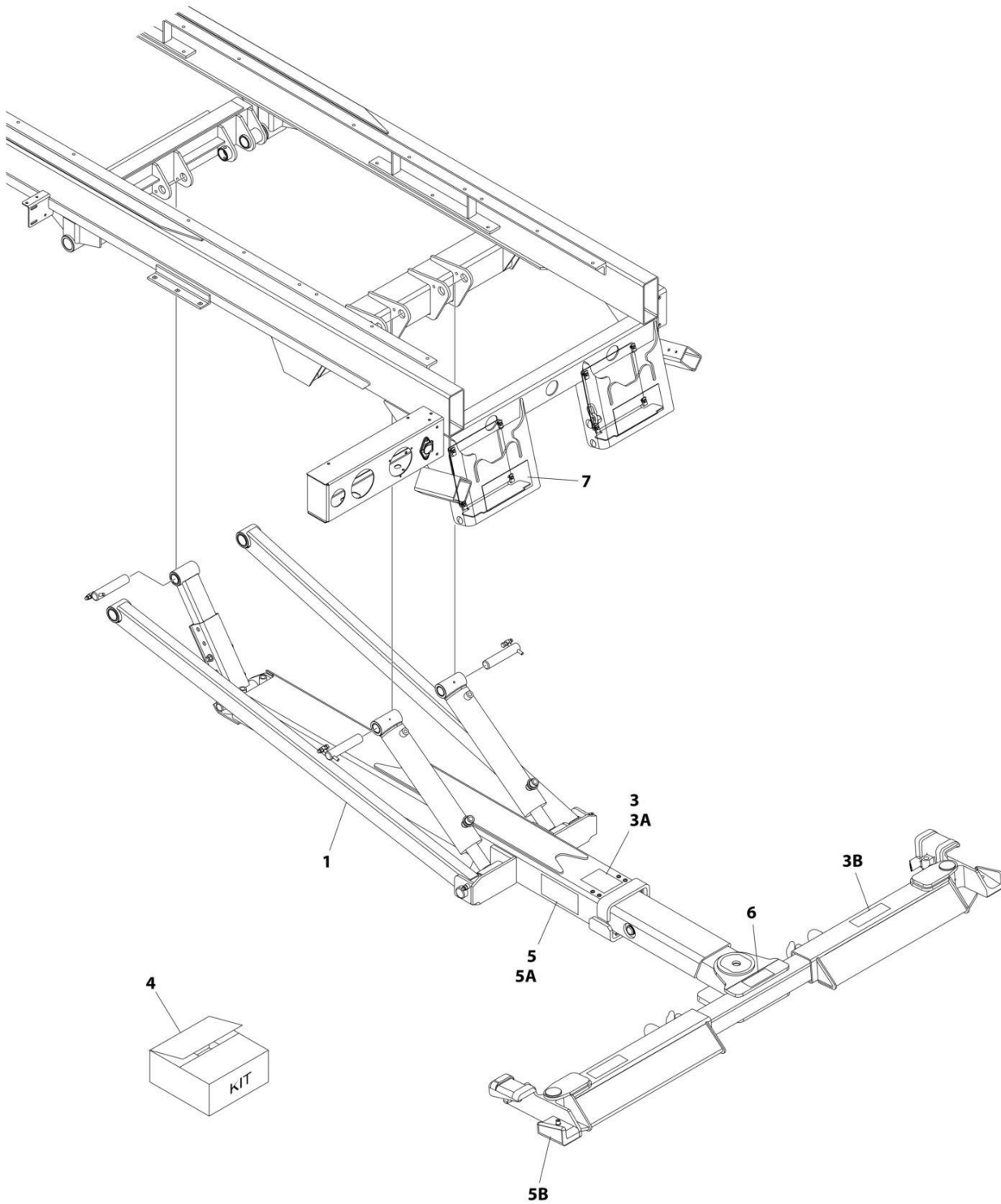
SECTION 2 - WHEEL LIFT

FIGURE 2-5. WHEEL LIFT - COMPLETE (3500 LBS - T37 PIVOTING ARMS)

| ITEM | PART NUMBER | QTY | DESCRIPTION | REV |
|------|-------------|-----|--|-----|
| | 1001158667 | Ref | Wheel Lift Installation (3500 lbs - T37) - Complete | A |
| 1 | 1001158648 | 1 | Wheel Lift Boom Installation (See Separate Breakdown in this Section) | |
| 2 | 1001136657 | 1 | Hydraulic Installation (Not Shown - See Separate Breakdown in HYDRAULIC Section) | |
| 3 | 2330000057 | Ref | Decal Installation | |
| 3A | 7330000684 | 1 | Decal - Safety | |
| 3B | 7330000683 | 2 | Decal - Safety | |
| 4 | 7577000242 | 1 | Tie-Strap and Ratchet Kit (See Separate Breakdown in ACCESSORIES Section) | |
| 5 | 2330000036 | Ref | Wheel Lift Decal Installation, T37 | |
| 5A | 7330000419 | 2 | Decal - Red Reflective (Boom) | |
| 5B | 7330000420 | 1 | Decal - LH Red Reflective (T37 Grid) | |
| 5B | 7330000432 | 1 | Decal - RH Red Reflective (T37 Grid) | |
| 6 | 2330000065 | Ref | Tow Hitch Decal Installation | |
| 6 | 7330000060 | 1 | Decal - Warning, Hitch on Wheel lift | |
| 7 | 2262000011 | 1 | Chain Box Installation (See Separate Breakdown in SUBFRAME Section) | |

SECTION 2 - WHEEL LIFT

FIGURE 2-6. WHEEL LIFT - COMPLETE (3500 LBS - T37 PIVOTING ARMS) (GALVANIZED)



ART_1001158668

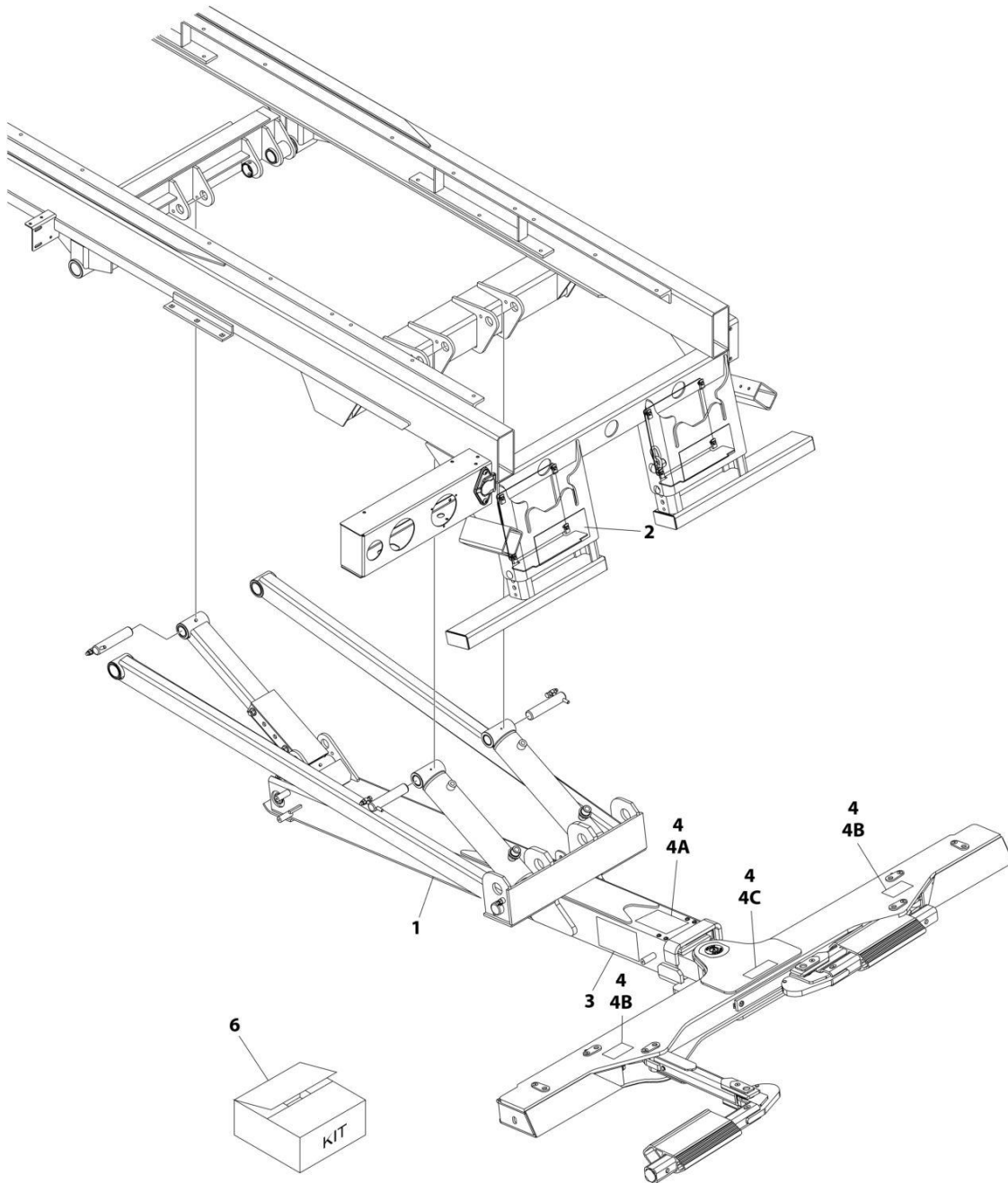
SECTION 2 - WHEEL LIFT

FIGURE 2-6. WHEEL LIFT - COMPLETE (3500 LBS - T37 PIVOTING ARMS) (GALVANIZED)

| ITEM | PART NUMBER | QTY | DESCRIPTION | REV |
|------|-------------|-----|---|-----|
| 1 | 1001158668 | Ref | Wheel Lift Installation (3500 lbs - T37) Galvanized - Complete | B |
| | 1001158649 | 1 | Wheel Lift Boom Installation - 3500 lbs Galvanized (See Separate Breakdown in this Section) | |
| 2 | 1001136657 | 1 | Hydraulic Installation (Not Shown - See Separate Breakdown in HYDRAULIC Section) | |
| 3 | 2330000057 | Ref | Decal Installation | |
| 3A | 7330000684 | 1 | Decal - Safety | |
| 3B | 7330000683 | 2 | Decal - Safety | |
| 4 | 7577000242 | 1 | Tie-Strap and Ratchet Kit (See Separate Breakdown in ACCESSORIES Section) | |
| 5 | 2330000036 | Ref | Wheel Lift Decal Installation, T37 | |
| 5A | 7330000419 | 2 | Decal - Red Reflective (Boom) | |
| 5B | 7330000420 | 1 | Decal - LH Red Reflective (T37 Grid) | |
| 5B | 7330000432 | 1 | Decal - RH Red Reflective (T37 Grid) | |
| 6 | 2330000065 | Ref | Tow Hitch Decal Installation | |
| 6 | 7330000060 | 1 | Decal - Warning, Hitch on Wheel lift | |
| 7 | 2262000011 | 1 | Chain Box Installation (See Separate Breakdown in SUBFRAME Section) | |

SECTION 2 - WHEEL LIFT

FIGURE 2-7. WHEEL LIFT - COMPLETE (3500 LBS - AUTO GRIDS HYDRAULIC ARMS) (SN 0220025492 through 0220026843)



ART_1001158507

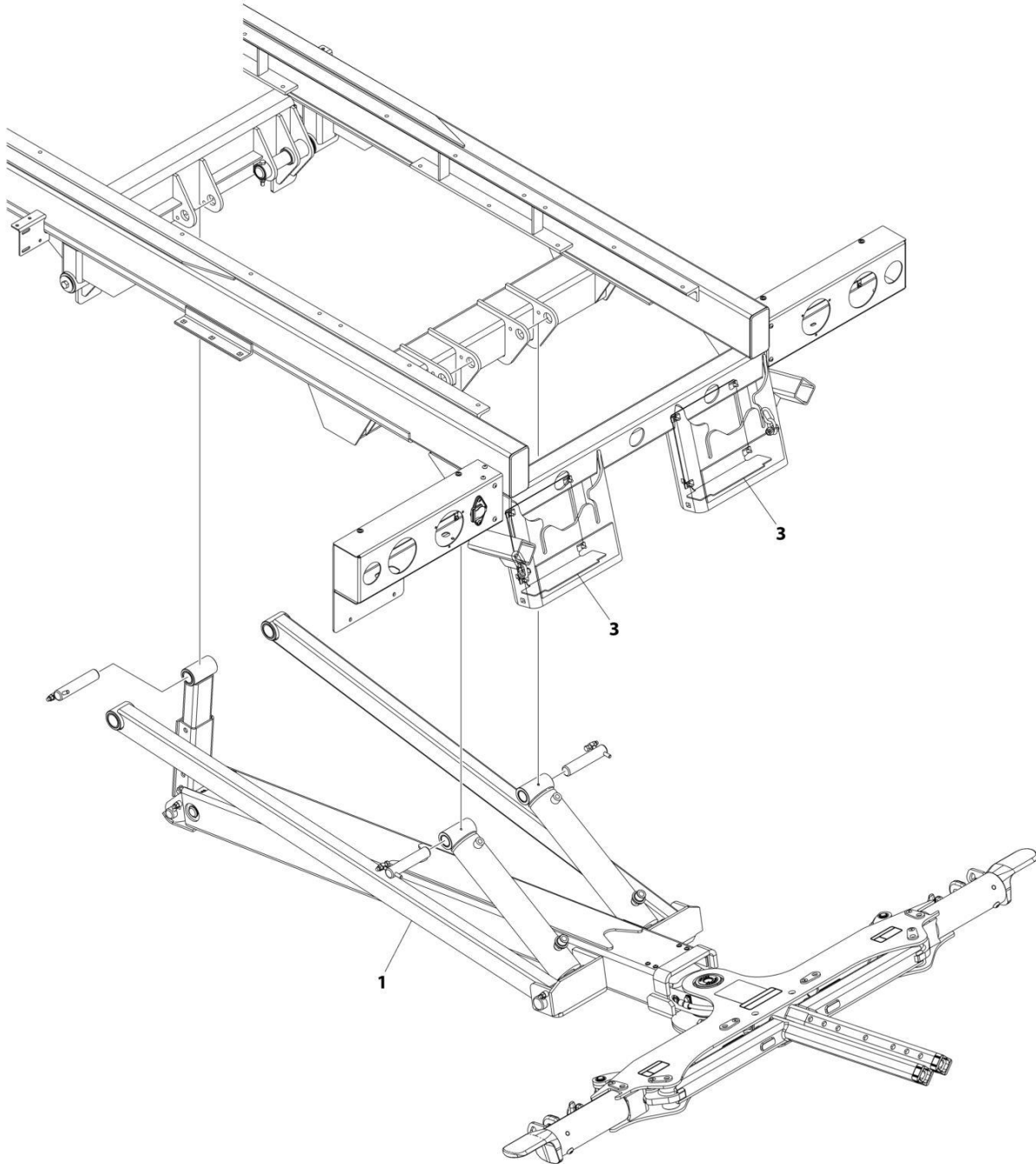
SECTION 2 - WHEEL LIFT

FIGURE 2-7. WHEEL LIFT - COMPLETE (3500 LBS - AUTO GRIDS HYDRAULIC ARMS) (SN 0220025492 through 0220026843)

| ITEM | PART NUMBER | QTY | DESCRIPTION | REV |
|------|-------------|-----|---|-----|
| | 1001158507 | Ref | IRL WHEEL LIFT INSTALLATION - 3500 LBS (AUTOGRID) | A |
| 1 | 1001158508 | 1 | Boom Installation (See Separate Breakdown in this Section) | |
| 2 | 2262000011 | 1 | Chain Installation (See Separate Breakdown in SUBFRAME Section) | |
| 3 | 2330000051 | Ref | Wheel Lift Decal Installation | |
| 3 | 7330000419 | 2 | Decal - Red Reflective (Boom) | |
| 4 | 2330000057 | Ref | Decal Installation | |
| 4A | 7330000684 | 1 | Decal - Safety | |
| 4B | 7330000599 | 2 | Decal - Safety | |
| 4C | 7330000036 | 1 | Decal - Safety | |
| 5 | 1001159670 | 1 | Hydraulic Hose Installation (Not Shown - See Separate Breakdown in HYDRAULIC Section) | |
| 6 | 7577000376 | 1 | Tie-Strap and Ratchet Kit | |

SECTION 2 - WHEEL LIFT

FIGURE 2-8. WHEEL LIFT - COMPLETE (3500 LBS - AUTO GRIDS HYDRAULIC ARMS) (SN 0220026844 to Present)



ART_1001274376

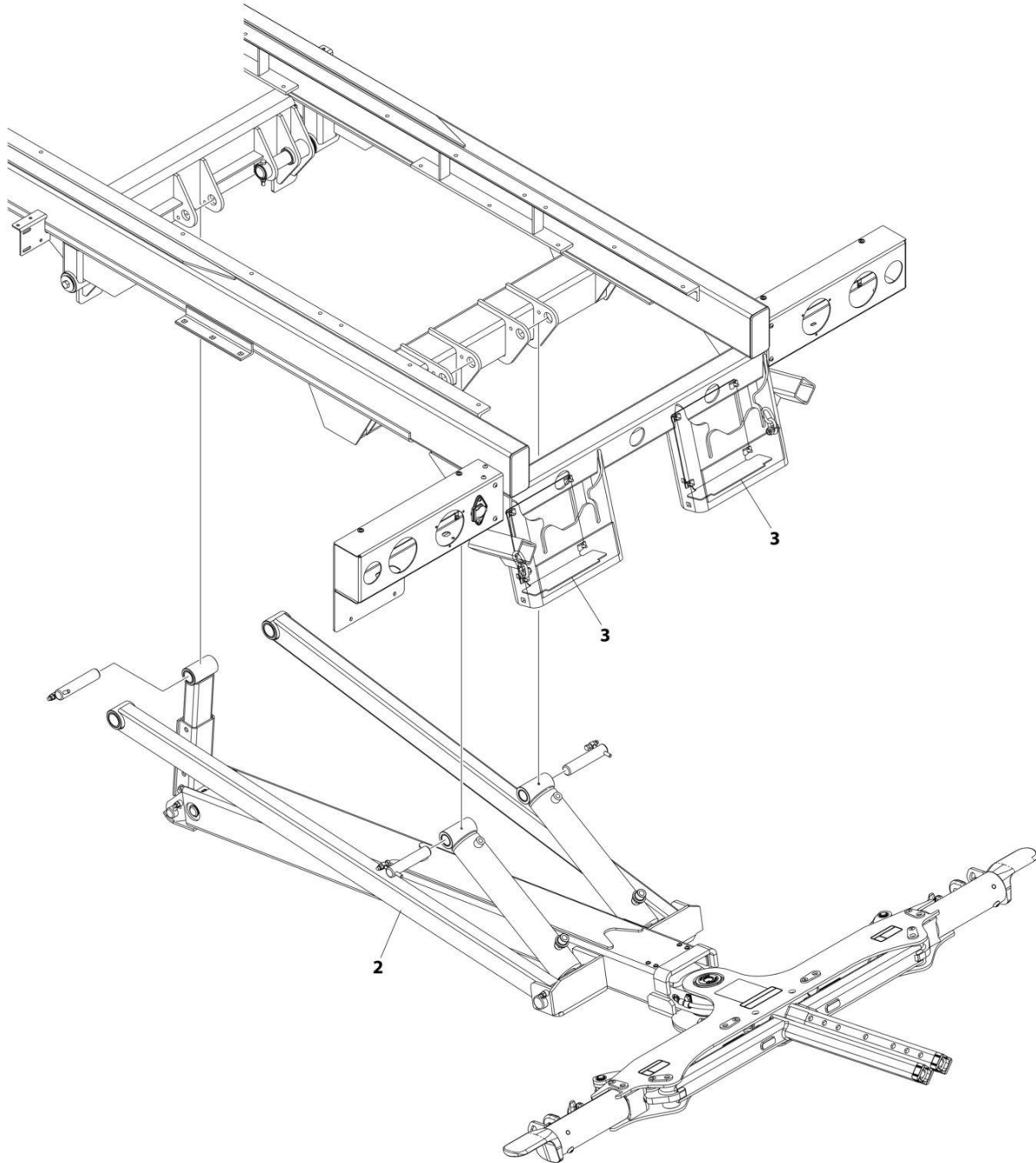
SECTION 2 - WHEEL LIFT

FIGURE 2-8. WHEEL LIFT - COMPLETE (3500 LBS - AUTO GRIDS HYDRAULIC ARMS) (SN 0220026844 to Present)

| ITEM | PART NUMBER | QTY | DESCRIPTION | REV |
|------|-------------|-----|---|-----|
| | 1001274376 | Ref | IRL WHEEL LIFT INSTALLATION - 3500 LBS (AUTOGRID) | A |
| 1 | 1001272647 | 1 | Boom Installation (See Separate Breakdown in this Section) | |
| 2 | 1001275927 | 1 | Hydraulic Hose Installation (Not Shown - See Separate Breakdown in HYDRAULIC Section) | |
| 3 | 2262000011 | 1 | Chain Installation (See Separate Breakdown in SUBFRAME Section) | |

SECTION 2 - WHEEL LIFT

FIGURE 2-9. WHEEL LIFT - COMPLETE (3500 LBS - AUTO GRIDS HYDRAULIC ARMS)
(GALVANIZED) (SN 0220026844 to Present)



ART_1001288756

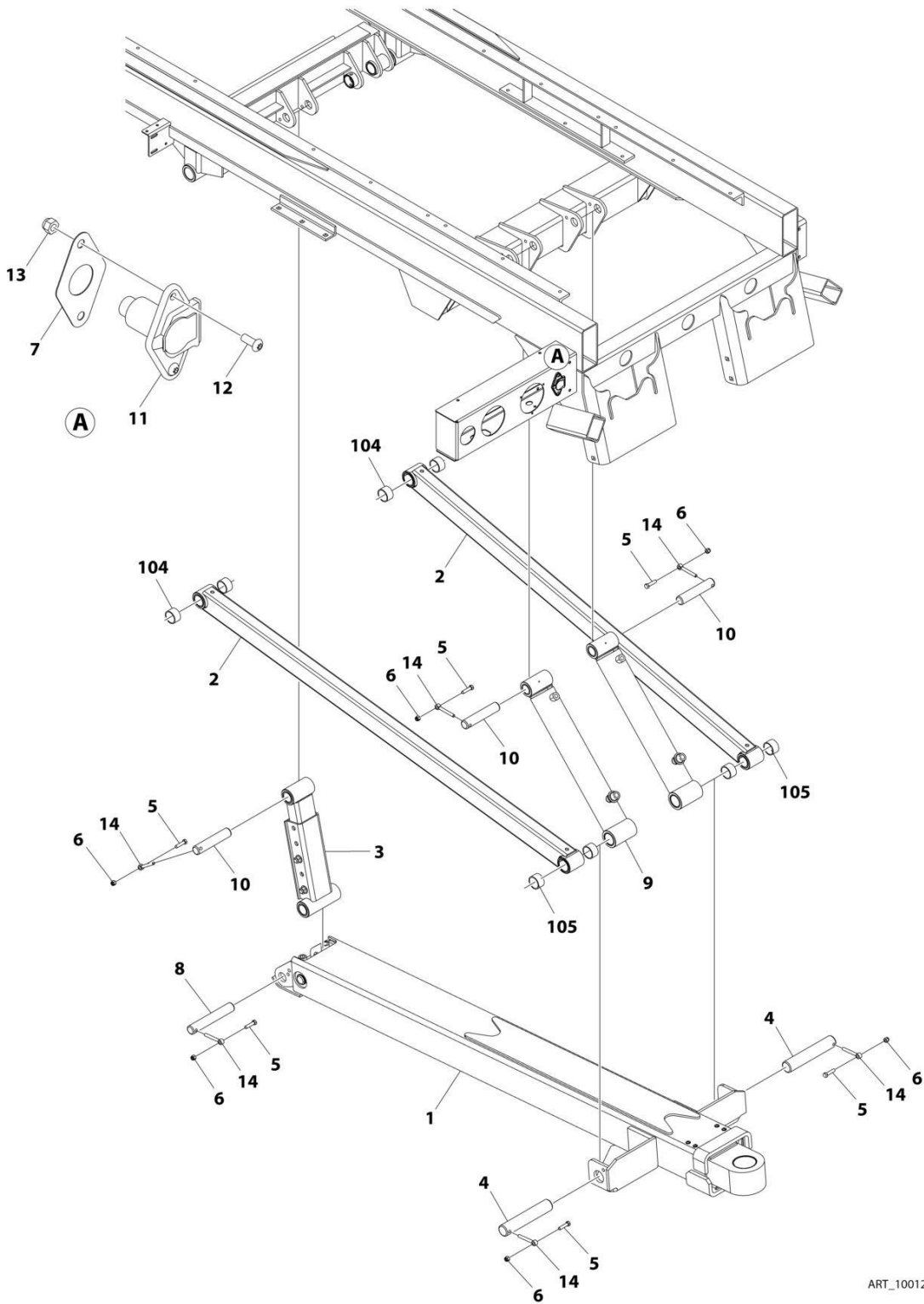
SECTION 2 - WHEEL LIFT

**FIGURE 2-9. WHEEL LIFT - COMPLETE (3500 LBS - AUTO GRIDS HYDRAULIC ARMS)
(GALVANIZED) (SN 0220026844 to Present)**

| ITEM | PART NUMBER | QTY | DESCRIPTION | REV |
|------|-------------|-----|---|-----|
| 1 | 1001288756 | Ref | IRL WHEEL LIFT INSTALLATION - 3500 LBS (AUTOGRID) | A |
| | 1001275927 | 1 | Hydraulic Hose Installation (Not Shown - See Separate Breakdown in HYDRAULIC Section) | |
| 2 | 1001288438 | 1 | Boom Installation (See Separate Breakdown in this Section) | |
| 3 | 2262000011 | 1 | Chain Installation (See Separate Breakdown in SUBFRAME Section) | |

SECTION 2 - WHEEL LIFT

FIGURE 2-10. WHEEL LIFT BOOM INSTALLATION (3500 LBS) (19FT DECK)



ART_1001274470

SECTION 2 - WHEEL LIFT

FIGURE 2-10. WHEEL LIFT BOOM INSTALLATION (3500 LBS) (19FT DECK)

| ITEM | PART NUMBER | QTY | DESCRIPTION | REV |
|------|-------------|-----|---|-----|
| | 1001274470 | Ref | WHEEL LIFT BOOM INSTALLATION - 3500 LBS XLP | A |
| 1 | 1001274493 | 1 | Boom Assembly Installation (See Separate Breakdown in this Section) | |
| 2 | 3020000102 | 2 | Arm Weldment | |
| 3 | 3592000040 | 1 | Link Assembly (See Separate Breakdown in this Section) | |
| 4 | 1001188132 | 2 | Pin | |
| 5 | 0641612 | 6 | Bolt 3/8 x 1-1/2 | |
| 6 | 3300492 | 6 | Nut 3/8 | |
| 7 | 7796000048 | 1 | Gasket | |
| 8 | 1001188133 | 1 | Pin | |
| 9 | 1001166857 | 2 | Wheel Lift Cylinder Assembly (See Separate Breakdown in CYLINDER Section) | |
| 10 | 1001188129 | 3 | Pin | |
| 11 | 7291000010 | 1 | Female Receptacle with Connector | |
| 12 | 7114140528 | 2 | Screw 1/4 x 5/8 | |
| 13 | 7660142601 | 2 | Nut 1/4 | |
| 14 | 3841143 | 6 | Keeper, Shaft | |
| 104 | 7082000017 | 4 | Bearing | |
| 105 | 7082000018 | 4 | Bearing | |

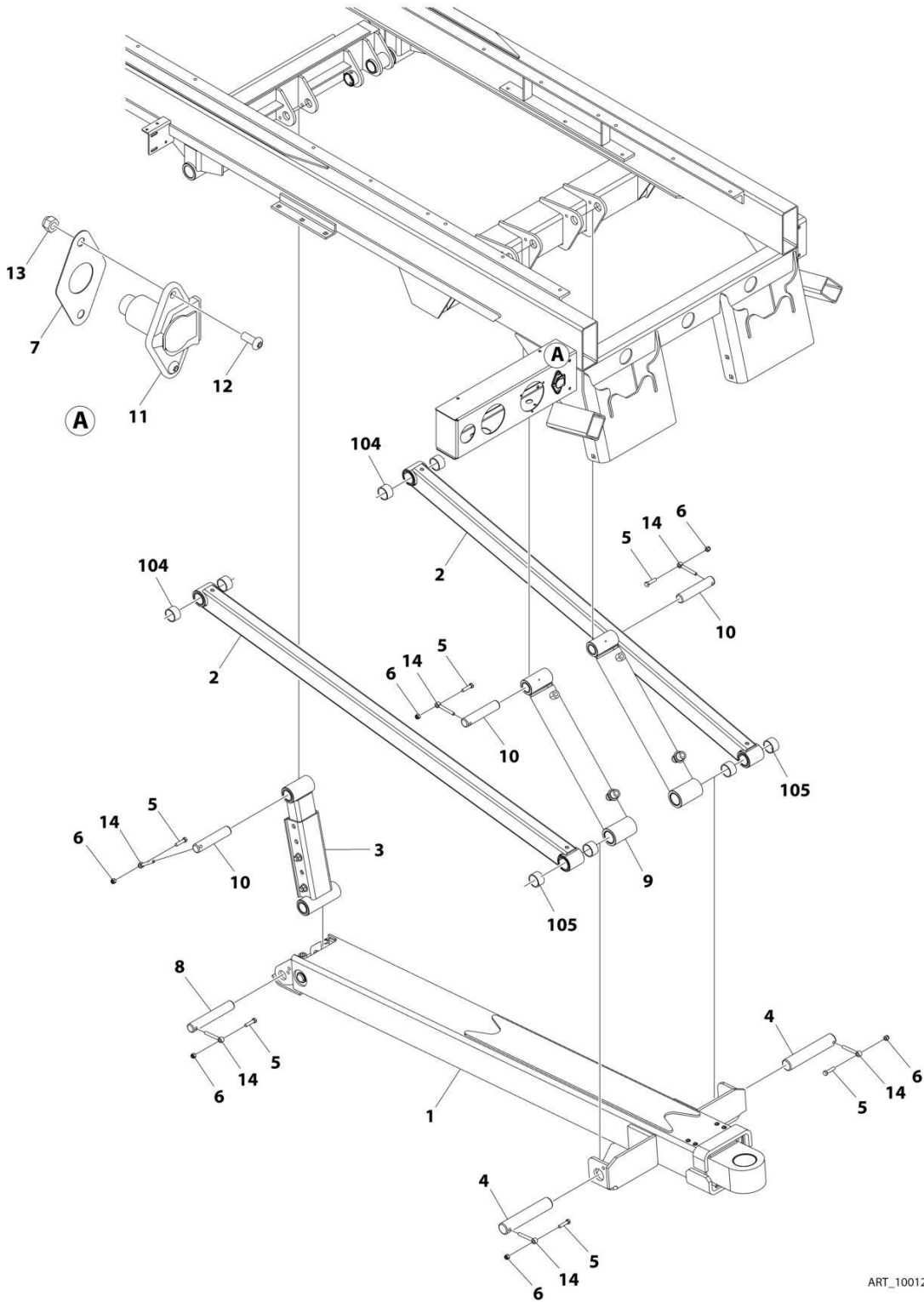
SECTION 2 - WHEEL LIFT

FIGURE 2-11. WHEEL LIFT BOOM INSTALLATION (3500 LBS) (20-22FT DECK)

| ITEM | PART NUMBER | QTY | DESCRIPTION | REV |
|------|-------------|-----|---|-----|
| | 1001158648 | Ref | Wheel Lift Boom Installation, 3500 lbs | B |
| 1 | 1001158635 | 1 | Boom Assembly (See Separate Breakdown in this Section) | |
| 2 | 3020000102 | 2 | Arm Weldment | |
| 3 | 3592000040 | 1 | Link Assembly (See Separate Breakdown in this Section) | |
| 4 | 1001188132 | 2 | Pin | |
| 5 | 0641612 | 6 | Bolt 3/8 x 1-1/2 | |
| 6 | 3300492 | 6 | Nut 3/8 | |
| 7 | 7796000048 | 1 | Gasket | |
| 8 | 1001188133 | 1 | Pin | |
| 9 | 1001166857 | 2 | Wheel Lift Cylinder Assembly (See Separate Breakdown in this Section) | |
| 10 | 1001188129 | 3 | Pin | |
| 11 | 7291000010 | 1 | Female Receptacle with Connector | |
| 12 | 7114140528 | 2 | Screw 1/4 x 5/8 | |
| 13 | 7660142601 | 2 | Nut 1/4 | |
| 14 | 3841143 | 6 | Keeper, Shaft | |
| 104 | 7082000017 | 4 | Bearing | |
| 105 | 7082000018 | 4 | Bearing | |

SECTION 2 - WHEEL LIFT

FIGURE 2-12. WHEEL LIFT BOOM INSTALLATION (3500 LBS GALVANIZED) (19FT DECK)



ART_1001276330

SECTION 2 - WHEEL LIFT

FIGURE 2-12. WHEEL LIFT BOOM INSTALLATION (3500 LBS GALVANIZED) (19FT DECK)

| ITEM | PART NUMBER | QTY | DESCRIPTION | REV |
|------|-------------|-----|---|-----|
| | 1001276330 | Ref | WHEEL LIFT BOOM INSTALLATION - 3500 LBS XLP GALVANIZED | A |
| 1 | 1001276342 | 1 | Boom Assembly Installation (See Separate Breakdown in this Section) | |
| 2 | 3020000102 | 2 | Arm Weldment | |
| 3 | 3592000040 | 1 | Link Assembly (See Separate Breakdown in this Section) | |
| 4 | 1001188132 | 2 | Pin | |
| 5 | 0641612 | 6 | Bolt 3/8 x 1-1/2 | |
| 6 | 3300492 | 6 | Nut 3/8 | |
| 7 | 7796000048 | 1 | Gasket | |
| 8 | 1001188133 | 1 | Pin | |
| 9 | 1001166857 | 2 | Wheel Lift Cylinder Assembly (See Separate Breakdown in CYLINDER Section) | |
| 10 | 1001188129 | 3 | Pin | |
| 11 | 7291000010 | 1 | Female Receptacle with Connector | |
| 12 | 7114140528 | 2 | Screw 1/4 x 5/8 | |
| 13 | 7660142601 | 2 | Nut 1/4 | |
| 14 | 3841143 | 6 | Keeper, Shaft | |
| 104 | 7082000017 | 4 | Bearing | |
| 105 | 7082000018 | 4 | Bearing | |

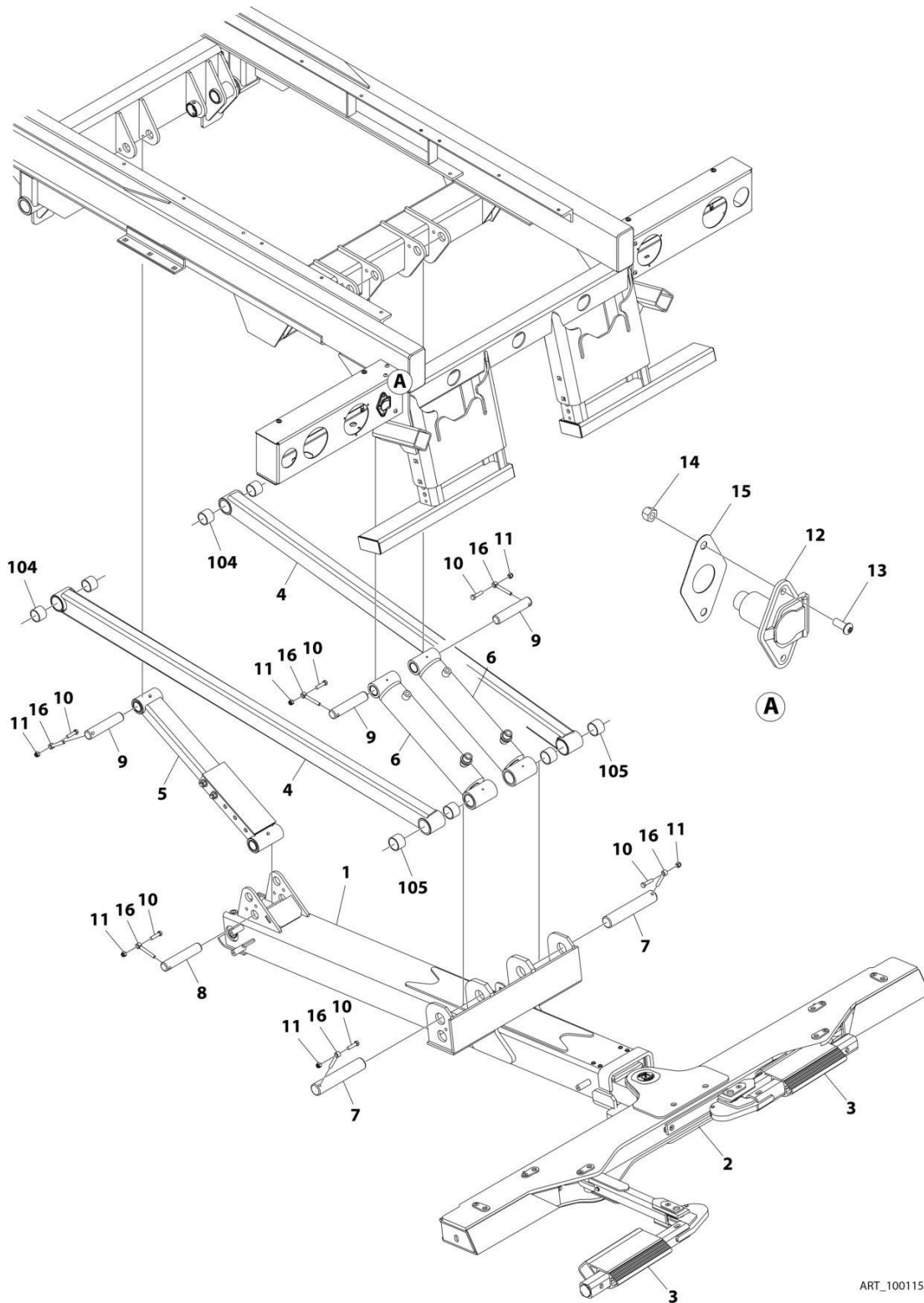
SECTION 2 - WHEEL LIFT

FIGURE 2-13. WHEEL LIFT BOOM INSTALLATION (3500 LBS GALVANIZED) (20-22FT DECK)

| ITEM | PART NUMBER | QTY | DESCRIPTION | REV |
|------|-------------|-----|---|-----|
| | 1001158649 | Ref | Wheel Lift Boom Installation, 3500 lbs Galvanized | B |
| 1 | 1001158637 | 1 | Boom Assembly (See Separate Breakdown in this Section) | |
| 2 | 3020000131 | 2 | Arm Weldment | |
| 3 | 3592000066 | 1 | Link Assembly (See Separate Breakdown in this Section) | |
| 4 | 1001188132 | 2 | Pin | |
| 5 | 0641612 | 6 | Bolt 3/8 x 1-1/2 | |
| 6 | 3300492 | 6 | Nut 3/8 | |
| 7 | 7796000048 | 1 | Gasket | |
| 8 | 1001188133 | 1 | Pin | |
| 9 | 1001166857 | 2 | Wheel Lift Cylinder Assembly (See Separate Breakdown in this Section) | |
| 10 | 1001188129 | 3 | Pin | |
| 11 | 7291000010 | 1 | Female Receptacle with Connector | |
| 12 | 7114140528 | 2 | Screw 1/4 x 5/8 | |
| 13 | 7660142601 | 2 | Nut 1/4 | |
| 14 | 3841143 | 6 | Keeper, Shaft | |
| 104 | 7082000017 | 4 | Bearing | |
| 105 | 7082000018 | 4 | Bearing | |

SECTION 2 - WHEEL LIFT

FIGURE 2-14. WHEEL LIFT BOOM INSTALLATION (3500 LBS WITH AUTOGRIDS) (SN 0220025492 through 0220026843)



ART_1001158508

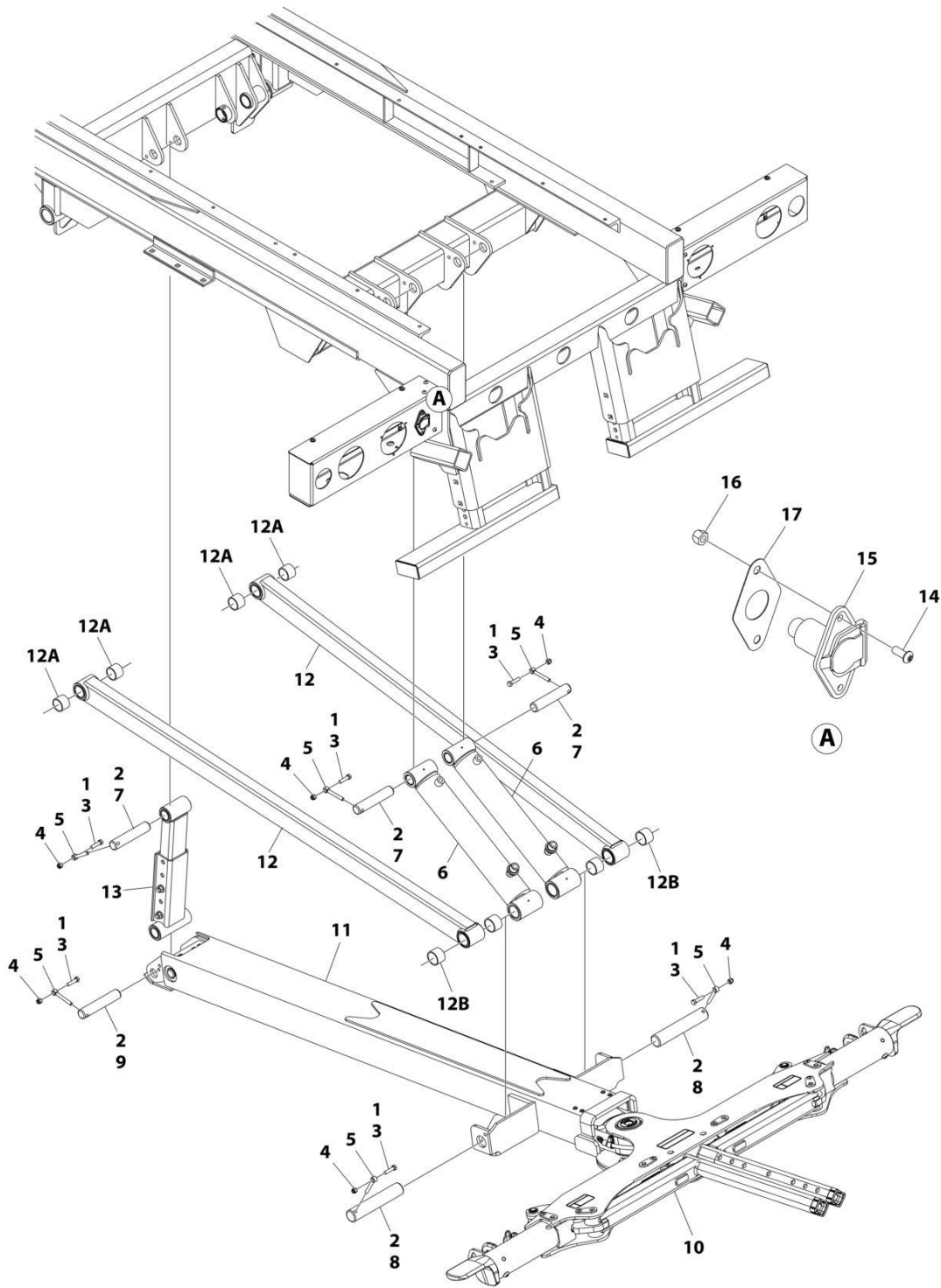
SECTION 2 - WHEEL LIFT

FIGURE 2-14. WHEEL LIFT BOOM INSTALLATION (3500 LBS WITH AUTOGRIDS) (SN 0220025492 through 0220026843)

| ITEM | PART NUMBER | QTY | DESCRIPTION | REV |
|------|-------------|-----|---|-----|
| | 1001158508 | Ref | IRL BOOM INSTALLATION - 3500 LBS (HYDRAULIC) | E |
| 1 | 1001158630 | 1 | Boom Assembly (See Separate Breakdown in this Section) | |
| 2 | 1001228493 | 1 | Auto Grid Installation (See Separate Breakdown in this Section) | |
| 3 | 2484000008 | 1 | Auto Grid Arm Installation (See Separate Breakdown in this Section) | |
| 4 | 1001158509 | 2 | Arm Weldment | |
| 5 | 1001158510 | 1 | Link Assembly (See Separate Breakdown in this Section) | |
| 6 | 3320000134 | 2 | Cylinder Assembly (See Separate Breakdown in this Section) | |
| 7 | 1001188132 | 2 | Pin | |
| 8 | 1001188134 | 1 | Pin | |
| 9 | 1001188129 | 3 | Pin | |
| 10 | 0641612 | 6 | Bolt 3/8 x 1-1/2 | |
| 11 | 3300492 | 6 | Nut 3/8 | |
| 12 | 7291000010 | 1 | Female Receptacle with Connector | |
| 13 | 7114140528 | 2 | Screw 1/4 x 5/8 | |
| 14 | 7660142601 | 2 | Nut 1/4 | |
| 15 | 7796000048 | 1 | Gasket | |
| 16 | 3841143 | 6 | Keeper | |
| 104 | 7082000017 | 4 | Bearing | |
| 105 | 7082000018 | 4 | Bearing | |

SECTION 2 - WHEEL LIFT

FIGURE 2-15. WHEEL LIFT BOOM INSTALLATION (3500 LBS WITH AUTOGRIDS) (SN 0220026844 to Present)



ART_1001272647

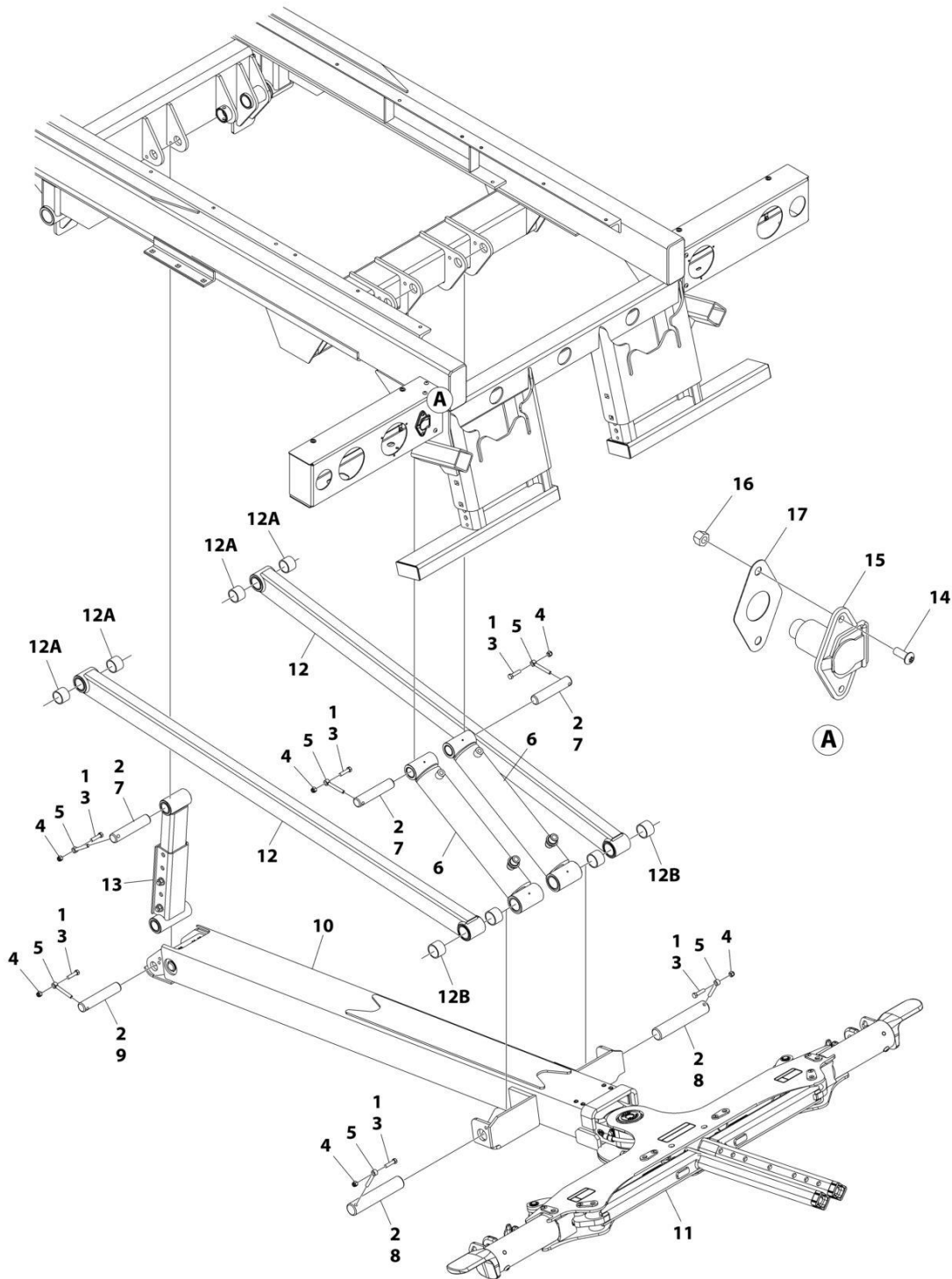
SECTION 2 - WHEEL LIFT

FIGURE 2-15. WHEEL LIFT BOOM INSTALLATION (3500 LBS WITH AUTOGRIDS) (SN 0220026844 to Present)

| ITEM | PART NUMBER | QTY | DESCRIPTION | REV |
|------|-------------|-----|--|-----|
| | 1001272647 | Ref | WHEEL LIFT BOOM/INSTALLATION (3500 LBS WITH AUTOGRIDS) | B |
| 1 | 0641612 | 6 | Bolt 3/8 x 1-1/2 | |
| 2 | 3020029 | AR | Lubricant | |
| 3 | 3020039 | AR | Lubricant | |
| 4 | 3300492 | 6 | Nut 3/8 | |
| 5 | 3841143 | 6 | Keeper, Pin | |
| 6 | 1001166857 | 2 | Cylinder Assembly (See Separate Breakdown in this Section) | |
| 7 | 1001188129 | 3 | Pin | |
| 8 | 1001188132 | 2 | Pin | |
| 9 | 1001188133 | 1 | Pin | |
| 10 | 1001287808 | 1 | Grid Installation (See Separate Breakdown in this Section) | |
| 11 | 1001272646 | 1 | Boom Assembly (See Separate Breakdown in this Section) | |
| 12 | 3020000102 | 2 | Arm | |
| 12A | 7082000017 | 4 | Bushing | |
| 12B | 7082000018 | 4 | Bushing | |
| 13 | 3592000040 | 1 | Link Assembly (See Separate Breakdown in this Section) | |
| 14 | 7114140528 | 2 | Screw 1/4 x 5/8 | |
| 15 | 7291000010 | 1 | Receptacle with Connector | |
| 16 | 7660142601 | 2 | Nut 1/4 | |
| 17 | 7796000048 | 1 | Gasket | |

SECTION 2 - WHEEL LIFT

FIGURE 2-16. WHEEL LIFT BOOM INSTALLATION (3500 LBS WITH AUTOGRIDS) (GALVANIZED) (SN 0220026844 to Present)



ART_1001288438

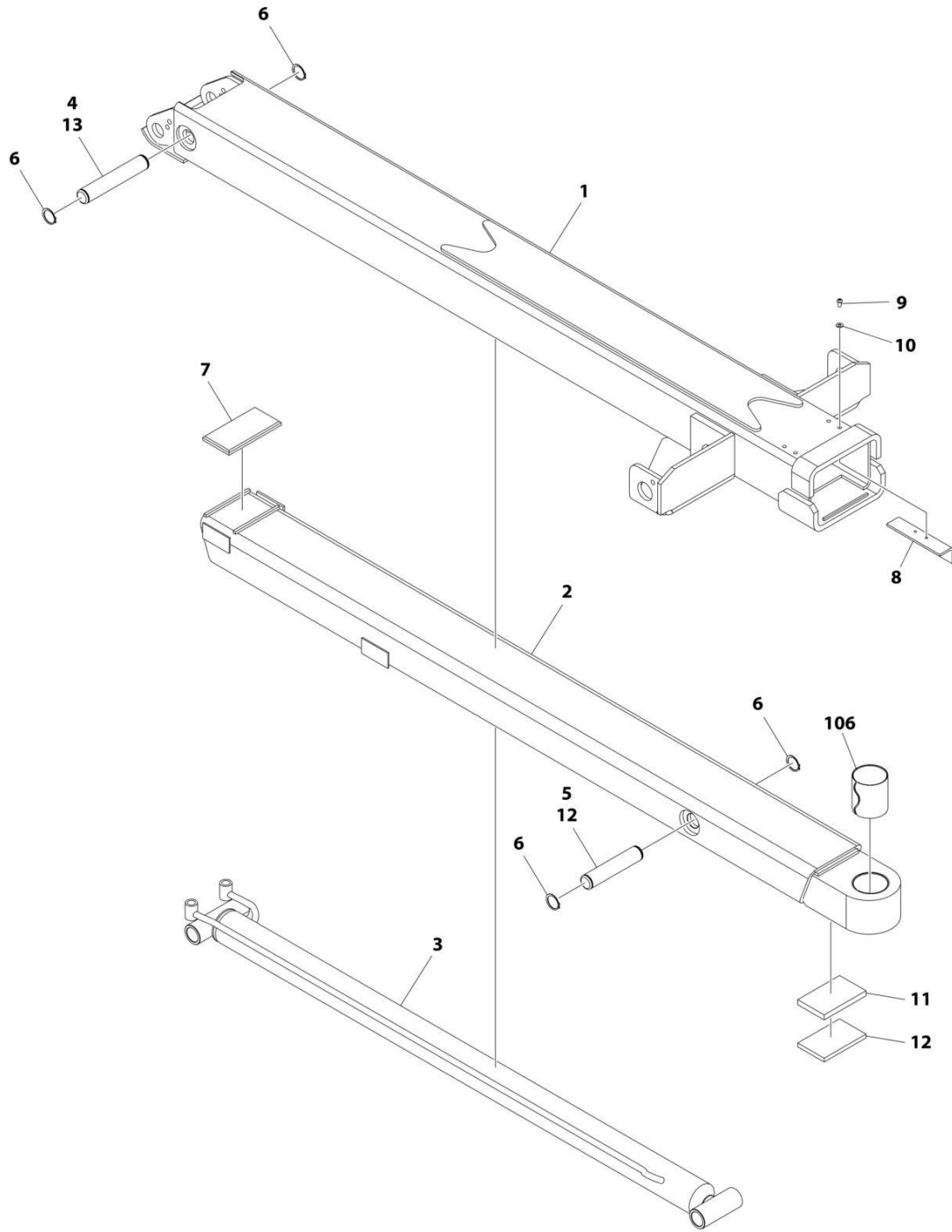
SECTION 2 - WHEEL LIFT

FIGURE 2-16. WHEEL LIFT BOOM INSTALLATION (3500 LBS WITH AUTOGRIDS) (GALVANIZED) (SN 0220026844 to Present)

| ITEM | PART NUMBER | QTY | DESCRIPTION | REV |
|------|-------------|-----|--|-----|
| | 1001288438 | Ref | WHEEL LIFT BOOM/INSTALLATION (3500 LBS WITH AUTOGRIDS) | A |
| 1 | 0641612 | 6 | Bolt 3/8 x 1-1/2 | |
| 2 | 3020029 | AR | Lubricant | |
| 3 | 3020039 | AR | Lubricant | |
| 4 | 3300492 | 6 | Nut 3/8 | |
| 5 | 3841143 | 6 | Keeper, Pin | |
| 6 | 1001166857 | 2 | Cylinder Assembly (See Separate Breakdown in this Section) | |
| 7 | 1001188129 | 3 | Pin | |
| 8 | 1001188132 | 2 | Pin | |
| 9 | 1001188133 | 1 | Pin | |
| 10 | 1001288398 | 1 | Boom Assembly (See Separate Breakdown in this Section) | |
| 11 | 1001288414 | 1 | Grid Installation (See Separate Breakdown in this Section) | |
| 12 | 3020000131 | 2 | Arm | |
| 12A | 7082000017 | 4 | Bushing | |
| 12B | 7082000018 | 4 | Bushing | |
| 13 | 3592000066 | 1 | Link Assembly (See Separate Breakdown in this Section) | |
| 14 | 7114140528 | 2 | Screw 1/4 x 5/8 | |
| 15 | 7291000010 | 1 | Receptacle with Connector | |
| 16 | 7660142601 | 2 | Nut 1/4 | |
| 17 | 7796000048 | 1 | Gasket | |

SECTION 2 - WHEEL LIFT

FIGURE 2-17. BOOM ASSEMBLY (3500 LBS) (19FT DECK)



ART_1001274493

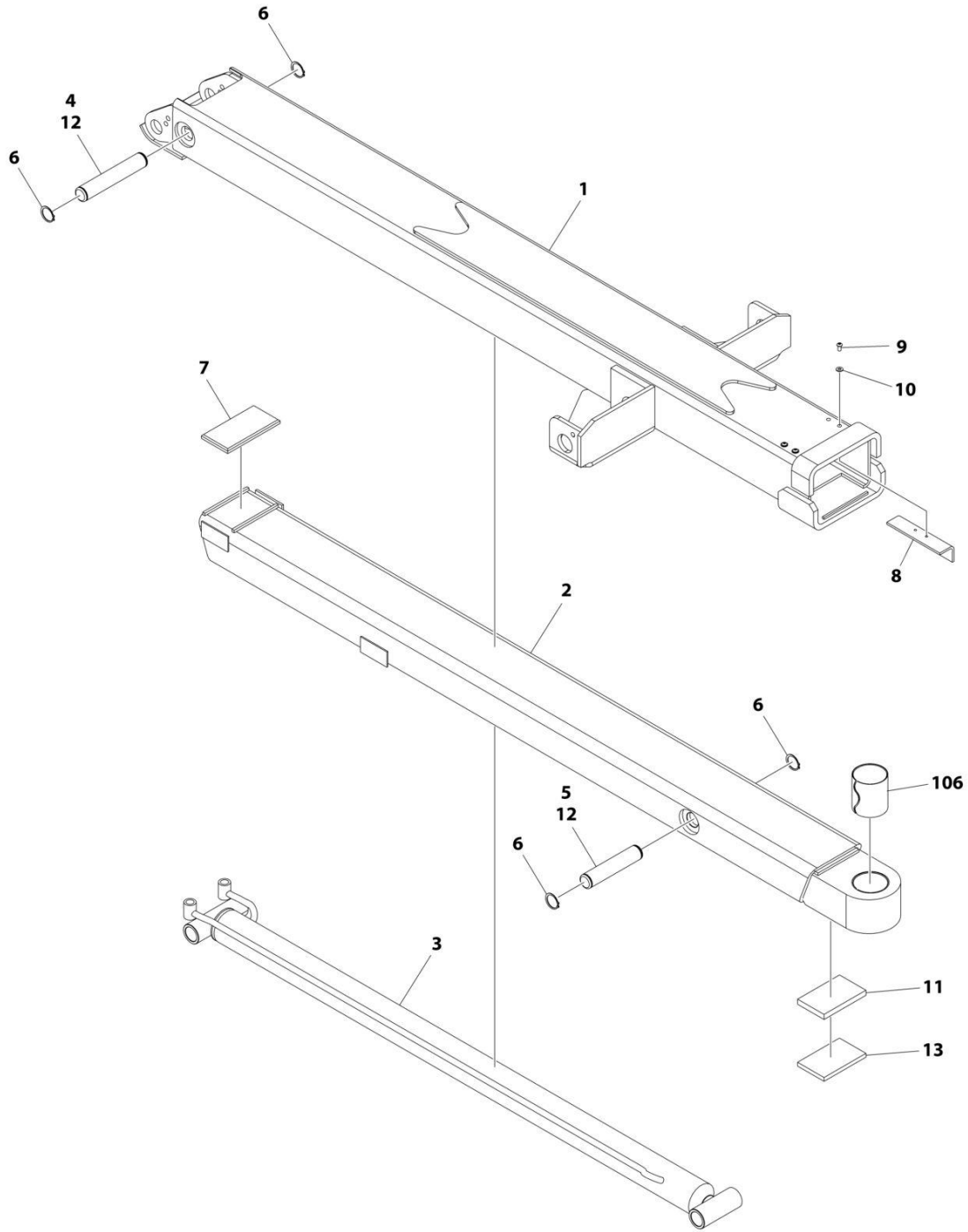
SECTION 2 - WHEEL LIFT

FIGURE 2-17. BOOM ASSEMBLY (3500 LBS) (19FT DECK)

| ITEM | PART NUMBER | QTY | DESCRIPTION | REV |
|------|-------------|-----|---|-----|
| | 1001274493 | 1 | BOOM ASSEMBLY INSTALLATION - 3500 LBS XLP | A |
| 1 | 1001274496 | 1 | Boom, Outer | |
| 2 | 1001158627 | 1 | Boom, Inner | |
| 3 | 1001166858 | 1 | Extend/Retract Cylinder Assembly (See Separate Breakdown in this Section) | |
| 4 | 4691000296 | 1 | Pin | |
| 5 | 4691000268 | 1 | Pin | |
| 6 | 3760133 | 4 | Ring | |
| 7 | 4679000046 | 1 | Pad | |
| 8 | 4017000739 | 2 | Angle | |
| 9 | 7118140418 | 4 | Capscrew 1/4 x 1/2 | |
| 10 | 4751300 | 4 | Washer 3/16 | |
| 11 | 4679000211 | 1 | Pad | |
| 12 | 1001276938 | AR | Pad | |
| 13 | 3020039 | AR | Lubricant | |
| 106 | 7209000028 | 1 | Bushing | |

SECTION 2 - WHEEL LIFT

FIGURE 2-18. BOOM ASSEMBLY (3500 LBS) (20-22FT DECK)



ART_1001158635

SECTION 2 - WHEEL LIFT

FIGURE 2-18. BOOM ASSEMBLY (3500 LBS) (20-22FT DECK)

| ITEM | PART NUMBER | QTY | DESCRIPTION | REV |
|------|-------------|-----|---|-----|
| | 1001158635 | Ref | BOOM ASSEMBLY - 3500 LBS | D |
| 1 | 3170000162 | 1 | Boom, Outer | |
| 2 | 1001158627 | 1 | Boom, Inner | |
| 3 | 1001166858 | 1 | Extend/Retract Cylinder Assembly (See Separate Breakdown in this Section) | |
| 4 | 4691000296 | 1 | Pin | |
| 5 | 4691000268 | 1 | Pin | |
| 6 | 3760133 | 4 | Ring | |
| 7 | 4679000046 | 1 | Pad | |
| 8 | 4017000739 | 2 | Angle | |
| 9 | 7118140418 | 4 | Capscrew 1/4 x 1/2 | |
| 10 | 4751300 | 4 | Washer 3/16 | |
| 11 | 4679000211 | AR | Pad | |
| 12 | 3020039 | AR | Lubricant | |
| 13 | 1001276938 | AR | Pad | |
| 106 | 7209000028 | 1 | Bushing | |

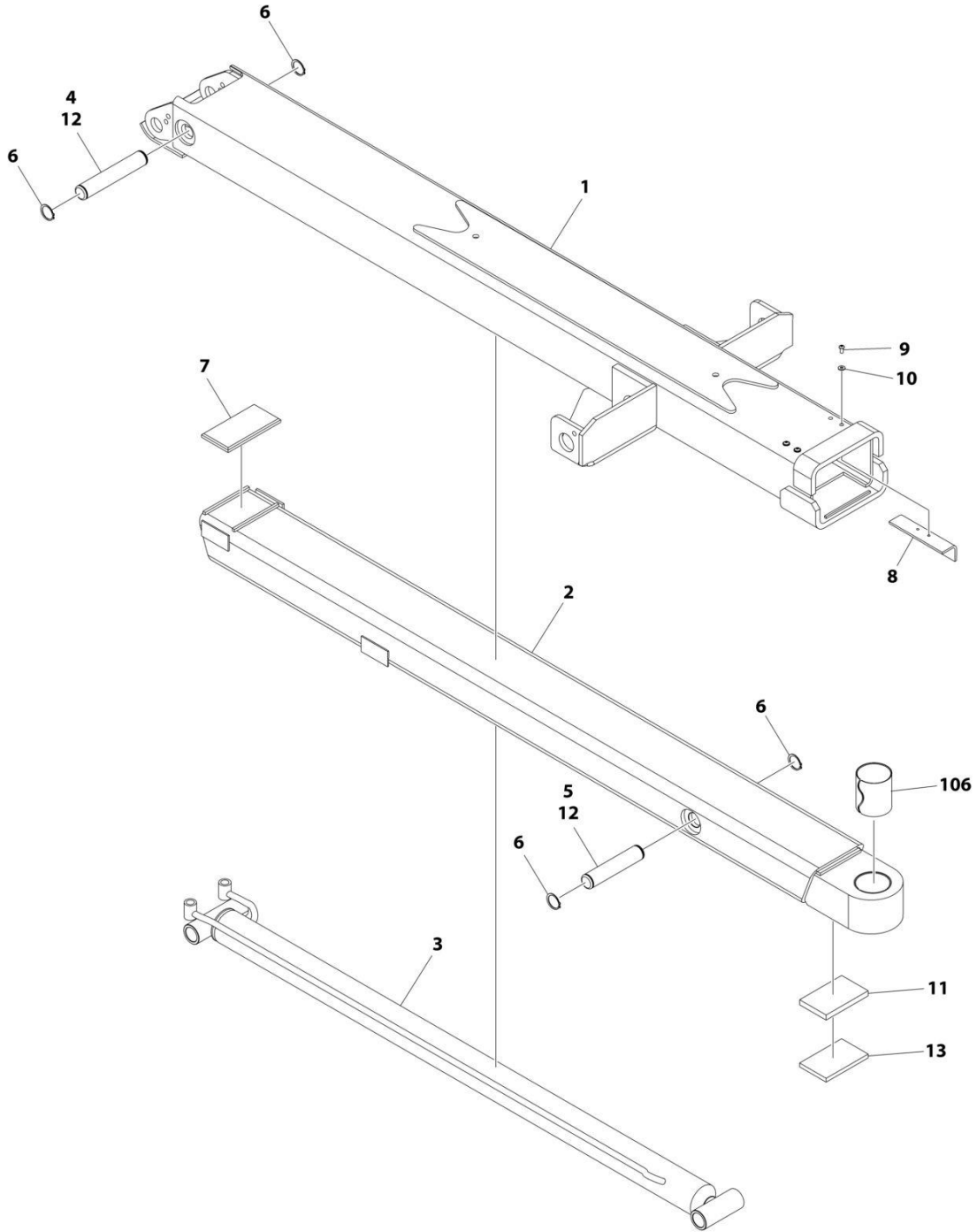
SECTION 2 - WHEEL LIFT

FIGURE 2-19. BOOM ASSEMBLY (3500 LBS GALVANIZED) (19FT DECK)

| ITEM | PART NUMBER | QTY | DESCRIPTION | REV |
|------|-------------|-----|---|-----|
| | 1001276342 | 1 | BOOM ASSEMBLY INSTALLATION - 3500 LBS | A |
| 1 | 1001276343 | 1 | Boom, Outer | |
| 2 | 1001158627 | 1 | Boom, Inner | |
| 3 | 1001166858 | 1 | Extend/Retract Cylinder Assembly (See Separate Breakdown in this Section) | |
| 4 | 4691000296 | 1 | Pin | |
| 5 | 4691000268 | 1 | Pin | |
| 6 | 3760133 | 4 | Ring | |
| 7 | 4679000046 | 1 | Pad | |
| 8 | 4017000739 | 2 | Angle | |
| 9 | 7118140418 | 4 | Capscrew 1/4 x 1/2 | |
| 10 | 4751300 | 4 | Washer 3/16 | |
| 11 | 4679000211 | 1 | Pad | |
| 12 | 1001276938 | AR | Pad | |
| 13 | 3020039 | AR | Lubricant | |
| 106 | 7209000028 | 1 | Bushing | |

SECTION 2 - WHEEL LIFT

FIGURE 2-20. BOOM ASSEMBLY (3500 LBS GALVANIZED) (20-22FT DECK)



ART_1001158637

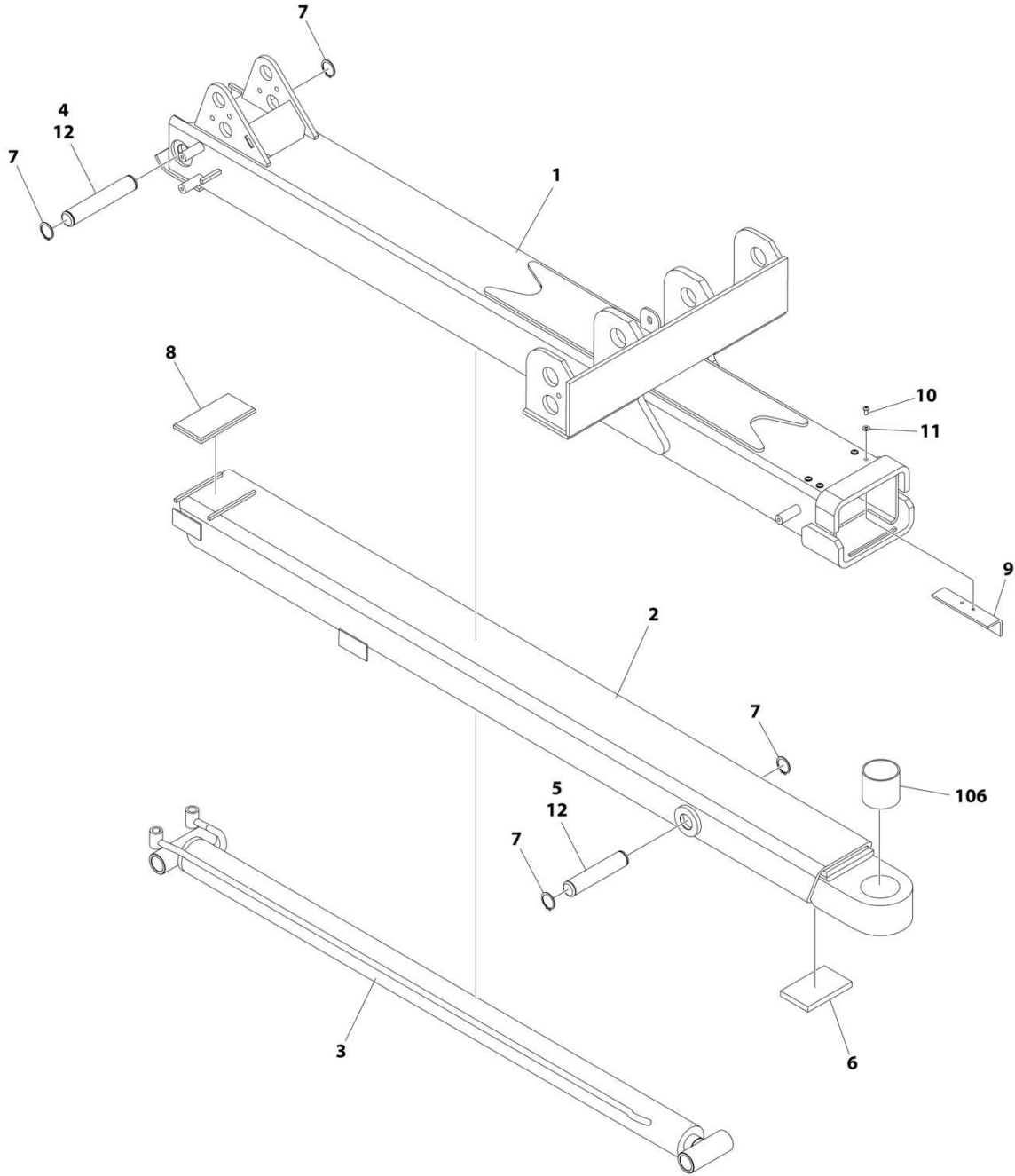
SECTION 2 - WHEEL LIFT

FIGURE 2-20. BOOM ASSEMBLY (3500 LBS GALVANIZED) (20-22FT DECK)

| ITEM | PART NUMBER | QTY | DESCRIPTION | REV |
|------|-------------|-----|---|-----|
| | 1001158637 | Ref | BOOM ASSEMBLY - 3500 LBS | D |
| 1 | 3170000504 | 1 | Boom, Outer | |
| 2 | 1001158627 | 1 | Boom, Inner | |
| 3 | 1001166858 | 1 | Extend/Retract Cylinder Assembly (See Separate Breakdown in this Section) | |
| 4 | 4691000296 | 1 | Pin | |
| 5 | 4691000268 | 1 | Pin | |
| 6 | 3760133 | 4 | Ring | |
| 7 | 4679000046 | 1 | Pad | |
| 8 | 4017000739 | 2 | Angle | |
| 9 | 7118140418 | 4 | Capscrew 1/4 x 1/2 | |
| 10 | 4751300 | 4 | Washer 3/16 | |
| 11 | 4679000211 | AR | Pad | |
| 12 | 3020039 | AR | Lubricant | |
| 13 | 1001276938 | AR | Pad | |
| 106 | 7209000028 | 1 | Bushing | |

SECTION 2 - WHEEL LIFT

FIGURE 2-21. BOOM ASSEMBLY (3500 LBS WITH AUTO GRIDS) (SN 0220025492 through 0220026843)



ART_1001158630

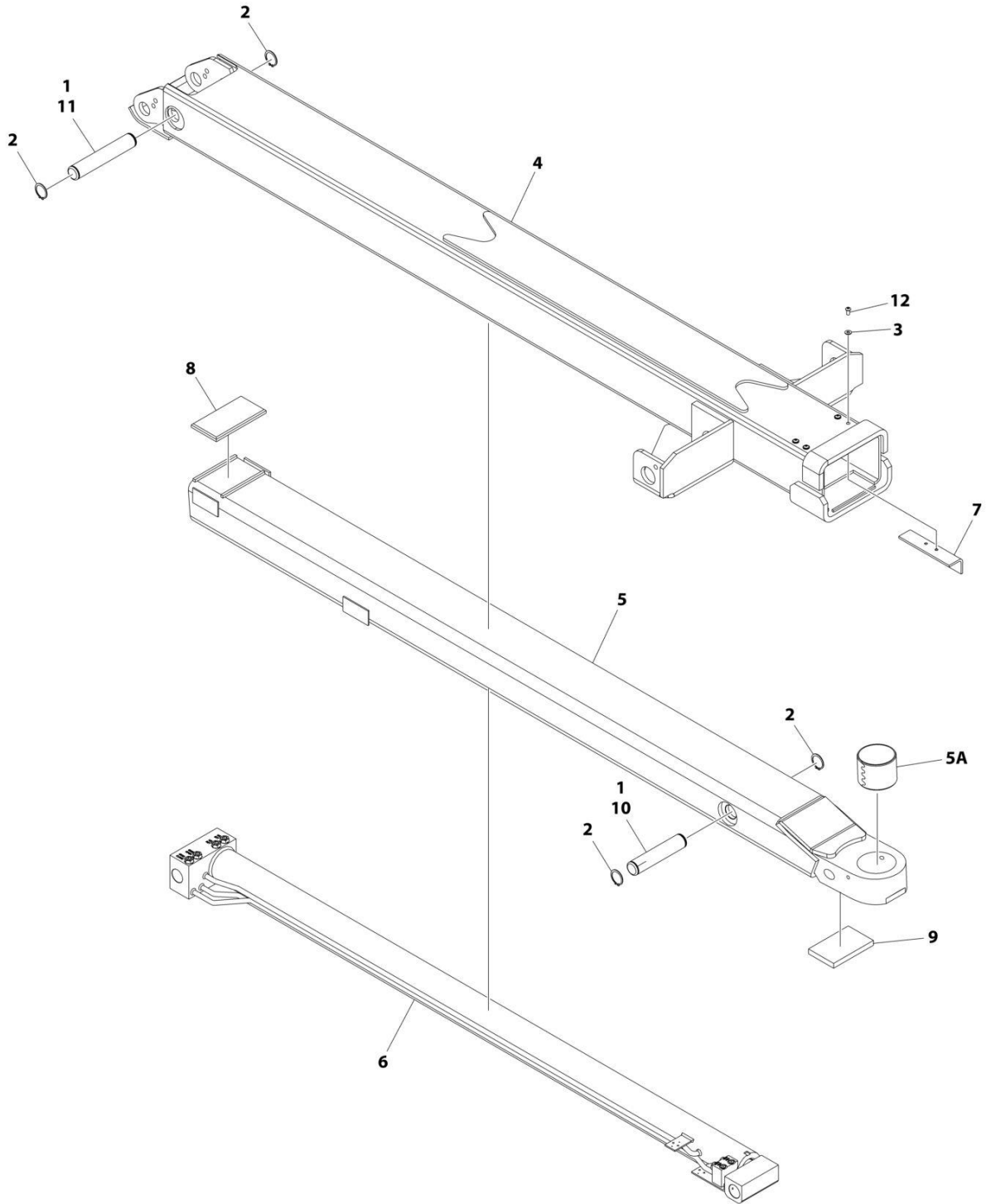
SECTION 2 - WHEEL LIFT

FIGURE 2-21. BOOM ASSEMBLY (3500 LBS WITH AUTO GRIDS) (SN 0220025492 through 0220026843)

| ITEM | PART NUMBER | QTY | DESCRIPTION | REV |
|------|-------------|-----|---|-----|
| | 1001158630 | Ref | BOOM ASSEMBLY - 3000 LBS (AUTOGRID, ZOD) | B |
| 1 | 3170000428 | 1 | Boom Weldment | |
| 2 | 1001158626 | 1 | Tube Weldment | |
| 3 | 1001166858 | 1 | Extend/Retract Cylinder Assembly (See Separate Breakdown in this Section) | |
| 4 | 4691000296 | 1 | Pin | |
| 5 | 4691000268 | 1 | Pin | |
| 6 | 4679000211 | 1 | Pad | |
| 7 | 3760133 | 4 | Ring | |
| 8 | 4679000046 | 1 | Pad | |
| 9 | 4017000739 | 2 | Angle | |
| 10 | 7118140418 | 4 | Capscrew 1/4 x 1/2 | |
| 11 | 4751300 | 4 | Washer 3/16 | |
| 12 | 3020039 | AR | Lubricant | |
| 106 | 7209000030 | 1 | Bushing | |

SECTION 2 - WHEEL LIFT

FIGURE 2-22. BOOM ASSEMBLY (3500 LBS WITH AUTO GRIDS) (SN 0220026844 to Present)



ART_1001272646

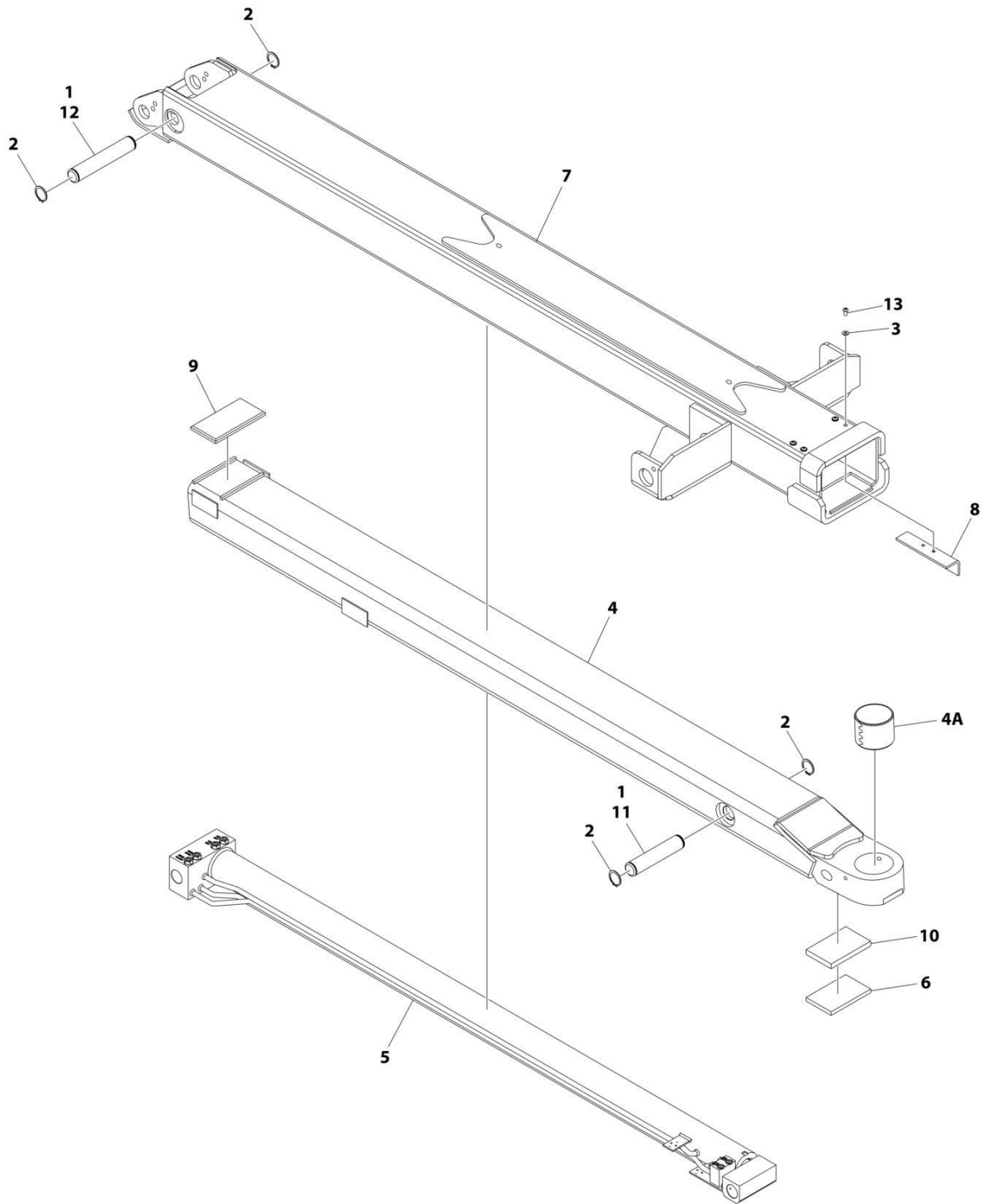
SECTION 2 - WHEEL LIFT

FIGURE 2-22. BOOM ASSEMBLY (3500 LBS WITH AUTO GRIDS) (SN 0220026844 to Present)

| ITEM | PART NUMBER | QTY | DESCRIPTION | REV |
|------|-------------|-----|--|-----|
| | 1001272646 | Ref | BOOM ASSEMBLY (3500 LBS WITH AUTO GRIDS) | A |
| 1 | 3020039 | AR | Lubricant | |
| 2 | 3760133 | 4 | Ring, Retainer | |
| 3 | 4751300 | 4 | Washer 3/16 | |
| 4 | 1001272136 | 1 | Boom, Outer | |
| 5 | 1001272138 | 1 | Boom, Inner | |
| 5A | 1001272142 | 1 | Bushing | |
| 6 | 1001272225 | 1 | Cylinder Assembly (See Separate Breakdown in this Section) | |
| 7 | 4017000739 | 2 | Angle | |
| 8 | 4679000046 | 1 | Pad | |
| 9 | 4679000211 | 1 | Pad | |
| 10 | 4691000268 | 1 | Pin | |
| 11 | 4691000296 | 1 | Pin | |
| 12 | 7118140418 | 4 | Bolt 1/4 x 1/2 | |

SECTION 2 - WHEEL LIFT

FIGURE 2-23. BOOM ASSEMBLY (3500 LBS WITH AUTO GRIDS) (GALVANIZED) (SN 0220026844 to Present)



ART_1001288398

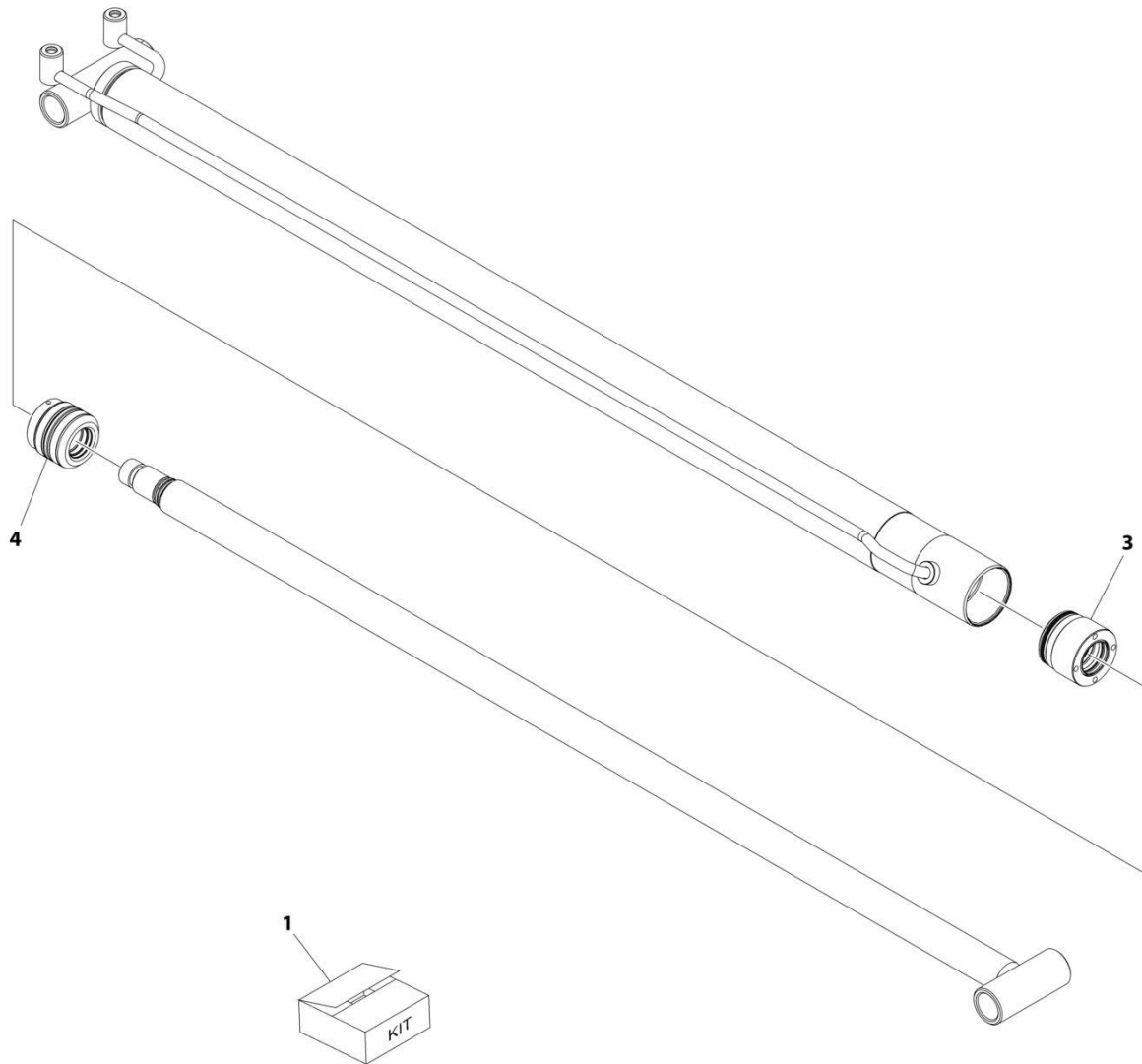
SECTION 2 - WHEEL LIFT

FIGURE 2-23. BOOM ASSEMBLY (3500 LBS WITH AUTO GRIDS) (GALVANIZED) (SN 0220026844 to Present)

| ITEM | PART NUMBER | QTY | DESCRIPTION | REV |
|------|-------------|-----|--|-----|
| | 1001288398 | Ref | BOOM ASSEMBLY (3500 LBS WITH AUTO GRIDS) (GALVANIZED) | A |
| 1 | 3020039 | AR | Lubricant | |
| 2 | 3760133 | 4 | Ring, Retainer | |
| 3 | 4751300 | 4 | Washer 3/16 | |
| 4 | 1001272138 | 1 | Boom, Inner | |
| 4A | 1001272142 | 1 | Bushing | |
| 5 | 1001272225 | 1 | Cylinder Assembly (See Separate Breakdown in this Section) | |
| 6 | 1001276938 | AR | Pad, Wear | |
| 7 | 1001288383 | 1 | Boom, Outer | |
| 8 | 4017000739 | 2 | Angle | |
| 9 | 4679000046 | 1 | Pad | |
| 10 | 4679000211 | AR | Pad | |
| 11 | 4691000268 | 1 | Pin | |
| 12 | 4691000296 | 1 | Pin | |
| 13 | 7118140418 | 4 | Bolt 1/4 x 1/2 | |

SECTION 2 - WHEEL LIFT

FIGURE 2-24. CYLINDER ASSEMBLY - WHEEL LIFT EXTEND/RETRACT (WITHOUT AUTO GRIDS)
(SN 0220025492 through 0220026843)



ART_1001166858

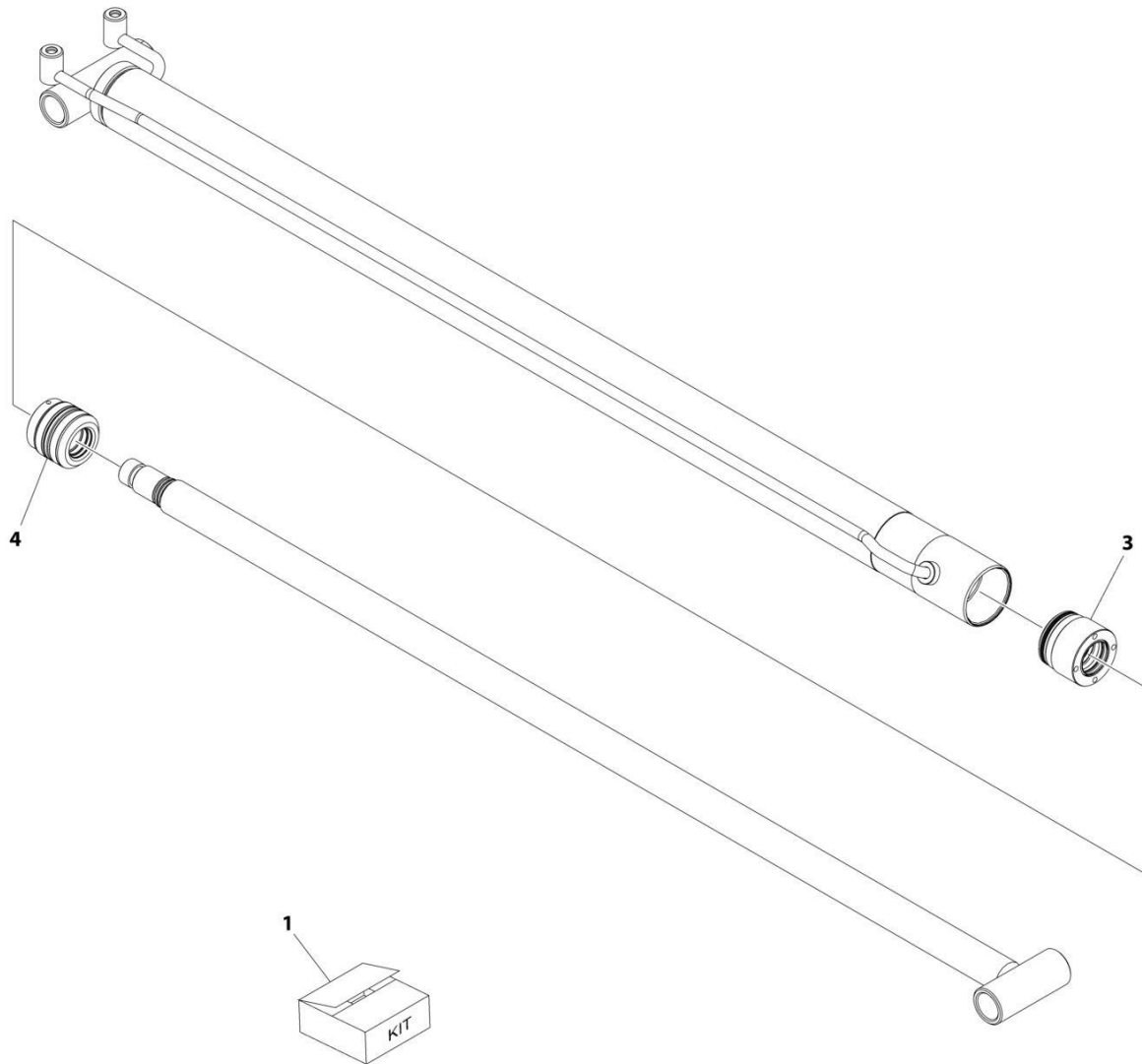
SECTION 2 - WHEEL LIFT

**FIGURE 2-24. CYLINDER ASSEMBLY - WHEEL LIFT EXTEND/RETRACT (WITHOUT AUTO GRIDS)
(SN 0220025492 through 0220026843)**

| ITEM | PART NUMBER | QTY | DESCRIPTION | REV |
|------|-------------|-----|--|-----|
| | 1001166858 | Ref | EXTEND/RETRACT CYLINDER ASSEMBLY | D |
| 1 | 70051169 | 1 | Kit, Seal | |
| 2 | 70051174 | 1 | Instruction Assembly/Disassembly (not shown) | |
| 3 | 70051175 | 1 | Kit, Head | |
| 4 | 70051176 | 1 | Kit, Piston | |

SECTION 2 - WHEEL LIFT

FIGURE 2-25. CYLINDER ASSEMBLY - WHEEL LIFT EXTEND/RETRACT (WITH AUTO GRIDS) (SN 0220025492 through 0220026843)



ART_1001166858

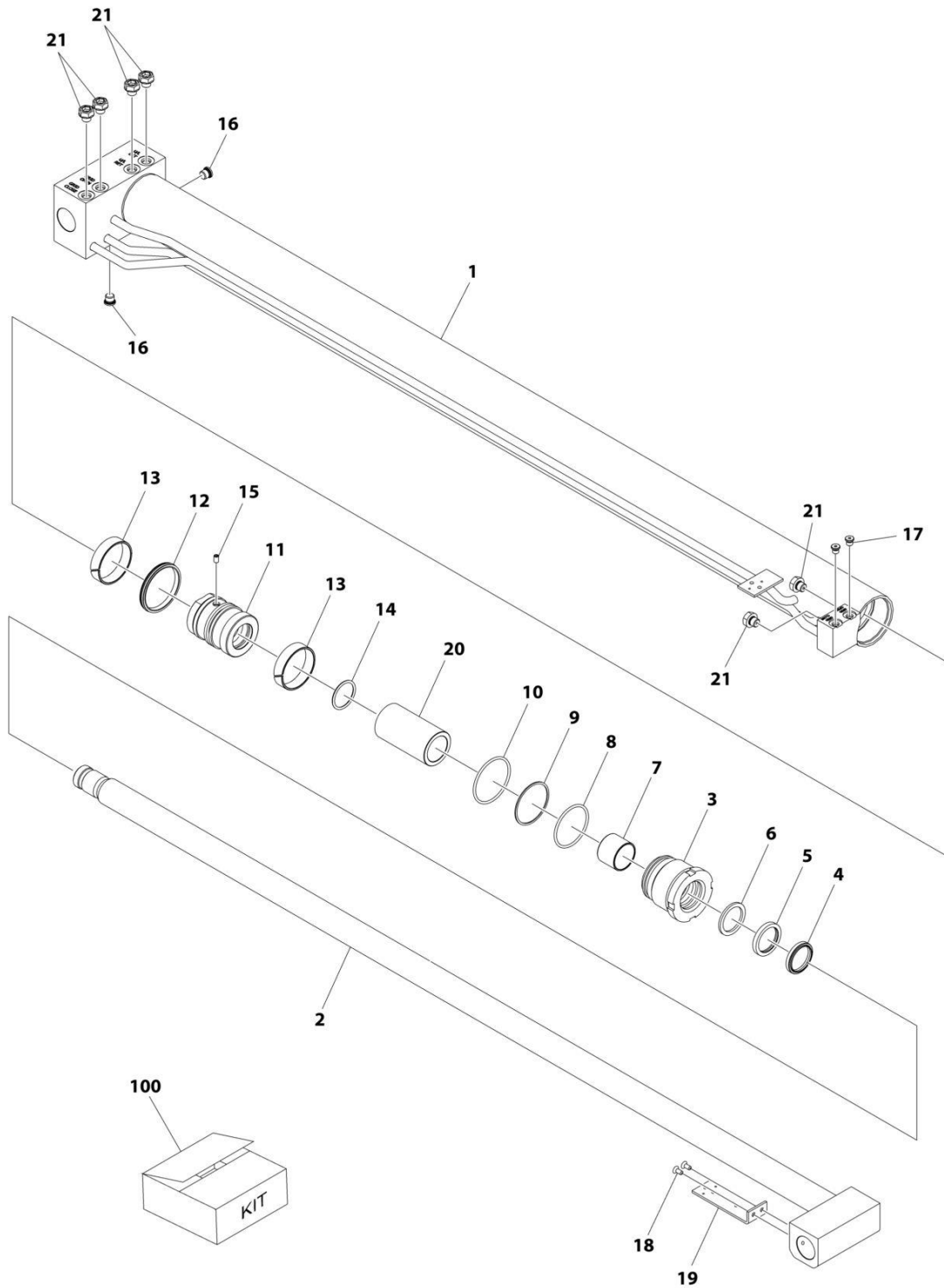
SECTION 2 - WHEEL LIFT

FIGURE 2-25. CYLINDER ASSEMBLY - WHEEL LIFT EXTEND/RETRACT (WITH AUTO GRIDS) (SN 0220025492 through 0220026843)

| ITEM | PART NUMBER | QTY | DESCRIPTION | REV |
|------|-------------|-----|--|-----|
| | 1001166858 | Ref | EXTEND/RETRACT CYLINDER ASSEMBLY | D |
| 1 | 70051169 | 1 | Kit, Seal | |
| 2 | 70051174 | 1 | Instruction Assembly/Disassembly (not shown) | |
| 3 | 70051175 | 1 | Kit, Head | |
| 4 | 70051176 | 1 | Kit, Piston | |

SECTION 2 - WHEEL LIFT

FIGURE 2-26. CYLINDER ASSEMBLY - WHEEL LIFT EXTEND/RETRACT (WITH AUTO GRIDS) (SN 0220026844 to Present)



ART_1001272225

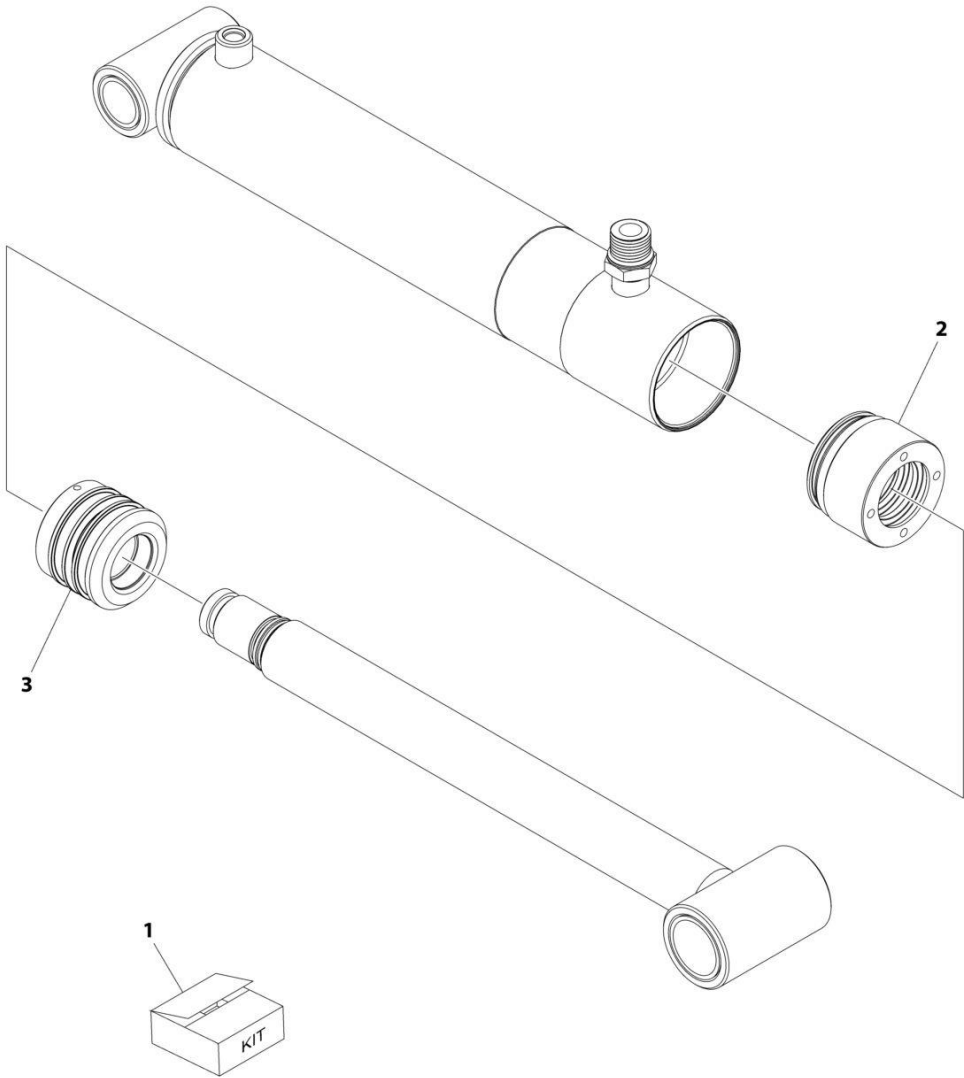
SECTION 2 - WHEEL LIFT

FIGURE 2-26. CYLINDER ASSEMBLY - WHEEL LIFT EXTEND/RETRACT (WITH AUTO GRIDS) (SN 0220026844 to Present)

| ITEM | PART NUMBER | QTY | DESCRIPTION | REV |
|------|-------------|-----|---|-----|
| | 1001272225 | Ref | CYLINDER ASSEMBLY | D |
| | | Ref | Note: Original Cylinder May Have Been Replaced with Service Replacement. Identify PN Stamped on Cylinder Before Ordering Parts. | |
| 1 | See Note | NSS | Barrel (Note: Use PN 1001272225) | |
| 2 | 70070014 | 1 | Rod | |
| 3 | 70070015 | 1 | Head | |
| 4 | See Note | NSS | Wiper (Note: Use Item 100) | |
| 5 | See Note | NSS | Seal, Rod (Note: Use Item 100) | |
| 6 | See Note | NSS | Ring, Backup (Note: Use Item 100) | |
| 7 | 70070016 | 1 | Bearing, Dry | |
| 8 | See Note | NSS | O-Ring (Note: Use Item 100) | |
| 9 | See Note | NSS | Ring, Backup (Note: Use Item 100) | |
| 10 | See Note | NSS | O-Ring (Note: Use Item 100) | |
| 11 | 70070017 | 1 | Piston | |
| 12 | See Note | NSS | Seal, Piston (Note: Use Item 100) | |
| 13 | See Note | NSS | Ring, Wear (Note: Use Item 100) | |
| 14 | See Note | NSS | O-Ring (Note: Use Item 100) | |
| 15 | 70070018 | 1 | Set Screw M6 x 10 | |
| 16 | 2220883 | 2 | Plug 7/16 | |
| 17 | 2220881 | 2 | Plug 5/16 | |
| 18 | 70070019 | 2 | Bolt M5 x 11 | |
| 19 | 70070020 | 1 | Plate | |
| 20 | 70070021 | 1 | Spacer | |
| 21 | 2220883 | 6 | Plug 7/16 | |
| 100 | 70070022 | 1 | Seal Kit - 1001272225 Cylinder (Include Items 4-6, 8-10 & 12-14) | |

SECTION 2 - WHEEL LIFT

FIGURE 2-27. CYLINDER ASSEMBLY - WHEEL LIFT BOOM LIFT (WITHOUT AUTO GRIDS)



ART_1001166857

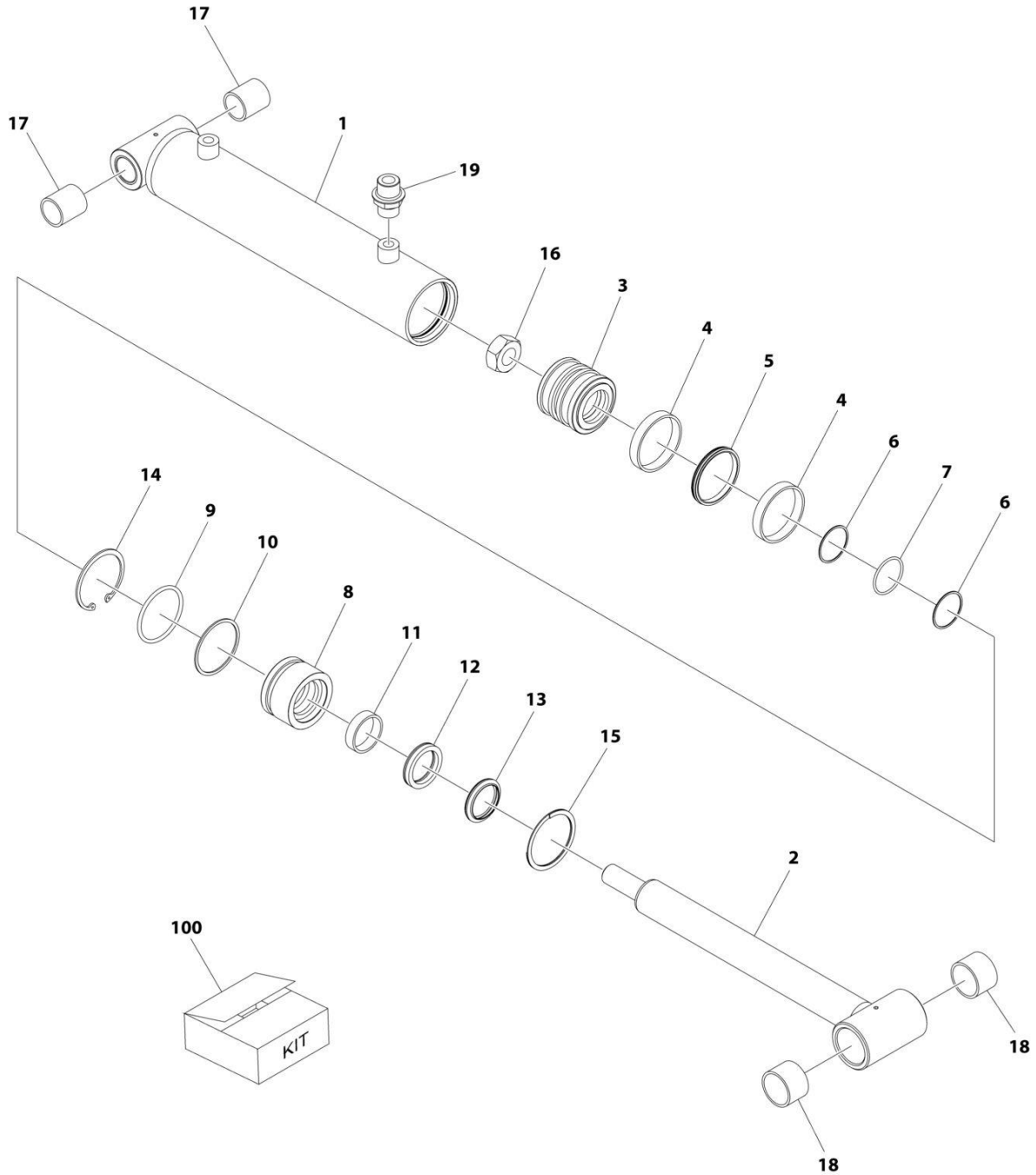
SECTION 2 - WHEEL LIFT

FIGURE 2-27. CYLINDER ASSEMBLY - WHEEL LIFT BOOM LIFT (WITHOUT AUTO GRIDS)

| ITEM | PART NUMBER | QTY | DESCRIPTION | REV |
|------|-------------|-----|-----------------------|-----|
| | 1001166857 | Ref | IRL CYLINDER ASSEMBLY | E |
| 1 | 70051168 | 1 | Kit, Seal | |
| 2 | 70051172 | 1 | Kit, Head | |
| 3 | 70051173 | 1 | Kit, Piston | |

SECTION 2 - WHEEL LIFT

FIGURE 2-28. CYLINDER ASSEMBLY - WHEEL LIFT BOOM LIFT (WITH AUTO GRIDS) (SN 0220025492 through 0220026843)



ART_3320000134_C

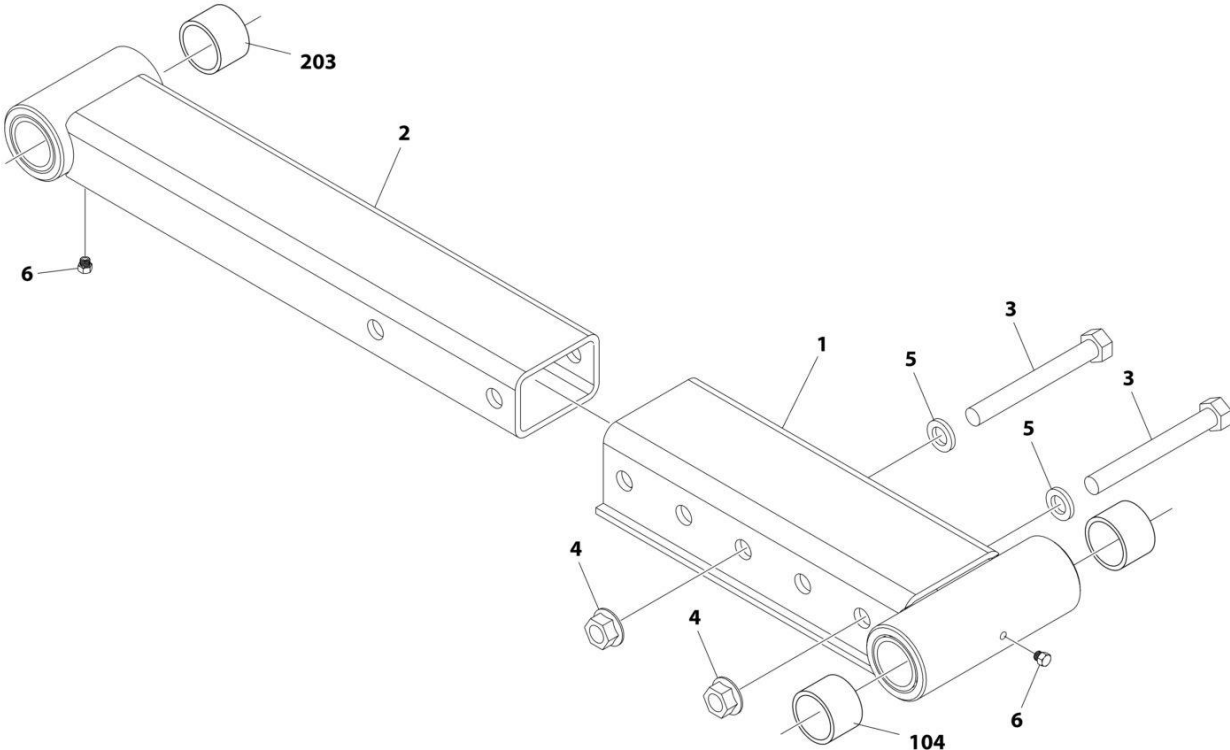
SECTION 2 - WHEEL LIFT

FIGURE 2-28. CYLINDER ASSEMBLY - WHEEL LIFT BOOM LIFT (WITH AUTO GRIDS) (SN 0220025492 through 0220026843)

| ITEM | PART NUMBER | QTY | DESCRIPTION | REV |
|------|-------------|-----|--|-----|
| | 3320000134 | Ref | CYLINDER ASSEMBLY - WHEEL LIFT (PRECISION BRAND) | C |
| 1 | 3071000131 | 1 | Barrel Weldment | |
| 2 | 3763000139 | 1 | Rod Weldment | |
| 3 | 4698000007 | 1 | Piston | |
| 4 | 7754000003 | 2 | Wear Ring | |
| 5 | 7796000063 | 1 | Piston Locking, T-Seal | |
| 6 | 7755224609 | 2 | Back-Up Ring | |
| 7 | 7755224000 | 1 | O-Ring | |
| 8 | 4553000008 | 1 | Head | |
| 9 | 7755334000 | 1 | O-Ring | |
| 10 | 7755334609 | 1 | Back-Up Ring | |
| 11 | 7754000004 | 1 | Wear Ring | |
| 12 | 7796000024 | 1 | Rod Seal | |
| 13 | 7796000008 | 1 | Rod Wiper Seal | |
| 14 | 7754000002 | 1 | Retaining Ring | |
| 15 | 7754000026 | 1 | Retaining Ring | |
| 16 | 7661000034 | 1 | Nut | |
| 17 | 7082000016 | 2 | Bearing | |
| 18 | 7082000018 | 2 | Bearing | |
| 19 | 7443000245 | 1 | Fitting, Straight | |
| 100 | 7577250024 | 1 | Service Kit (includes items 4-7 & 9-15) | |

SECTION 2 - WHEEL LIFT

FIGURE 2-29. LINK ASSEMBLY



ART_3592000040

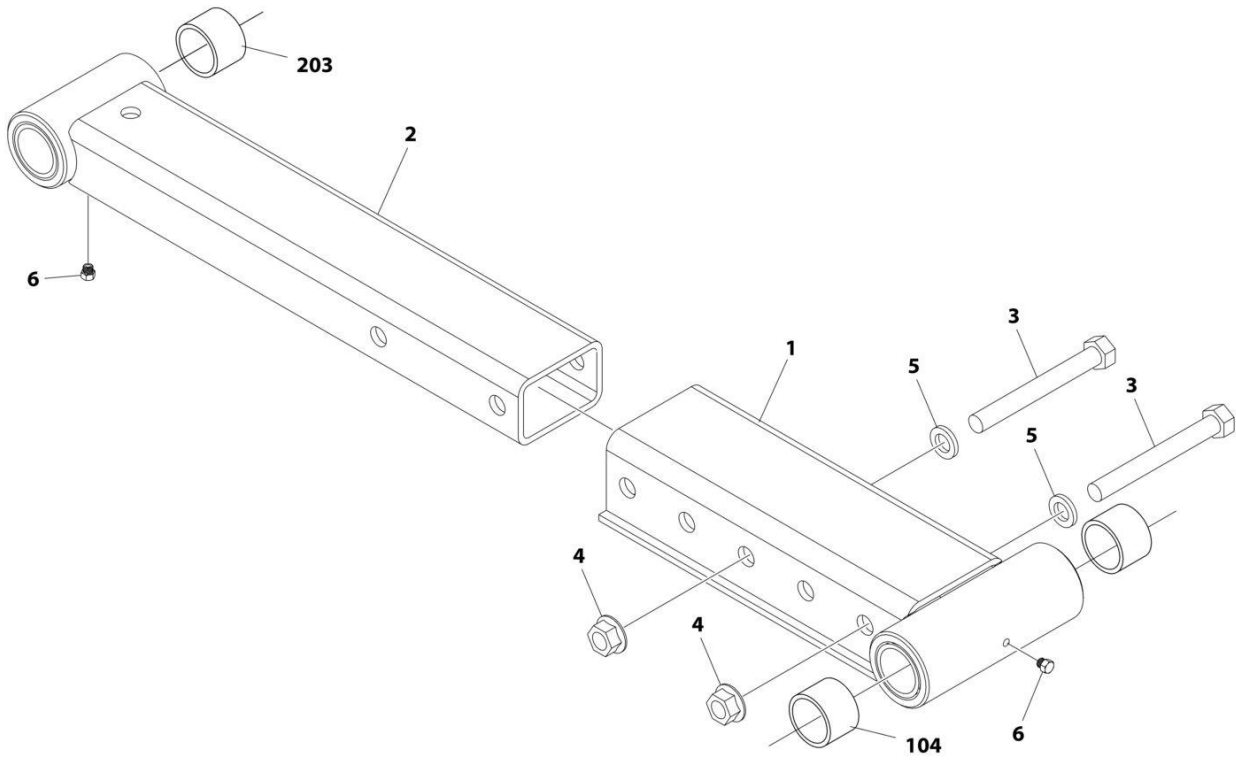
SECTION 2 - WHEEL LIFT

FIGURE 2-29. LINK ASSEMBLY

| ITEM | PART NUMBER | QTY | DESCRIPTION | REV |
|------|-------------|-----|-------------------------|-----|
| | 3592000040 | Ref | Link Assembly, 4000 lbs | B |
| 1 | 3592000058 | 1 | Link, Outer | |
| 2 | 3592000042 | 1 | Link, Inner | |
| 3 | 0641834 | 2 | Bolt 1/2 x 4-1/4 | |
| 4 | 7660182301 | 2 | Nut 1/2 | |
| 5 | 4761800 | 2 | Washer 1/2 | |
| 6 | 1001204776 | 2 | Fitting, Pipe | |
| 104 | 7082000016 | 2 | Bearing | |
| 203 | 7082000016 | 2 | Bearing | |

SECTION 2 - WHEEL LIFT

FIGURE 2-30. LINK ASSEMBLY (GALVANIZED)



ART_3592000066

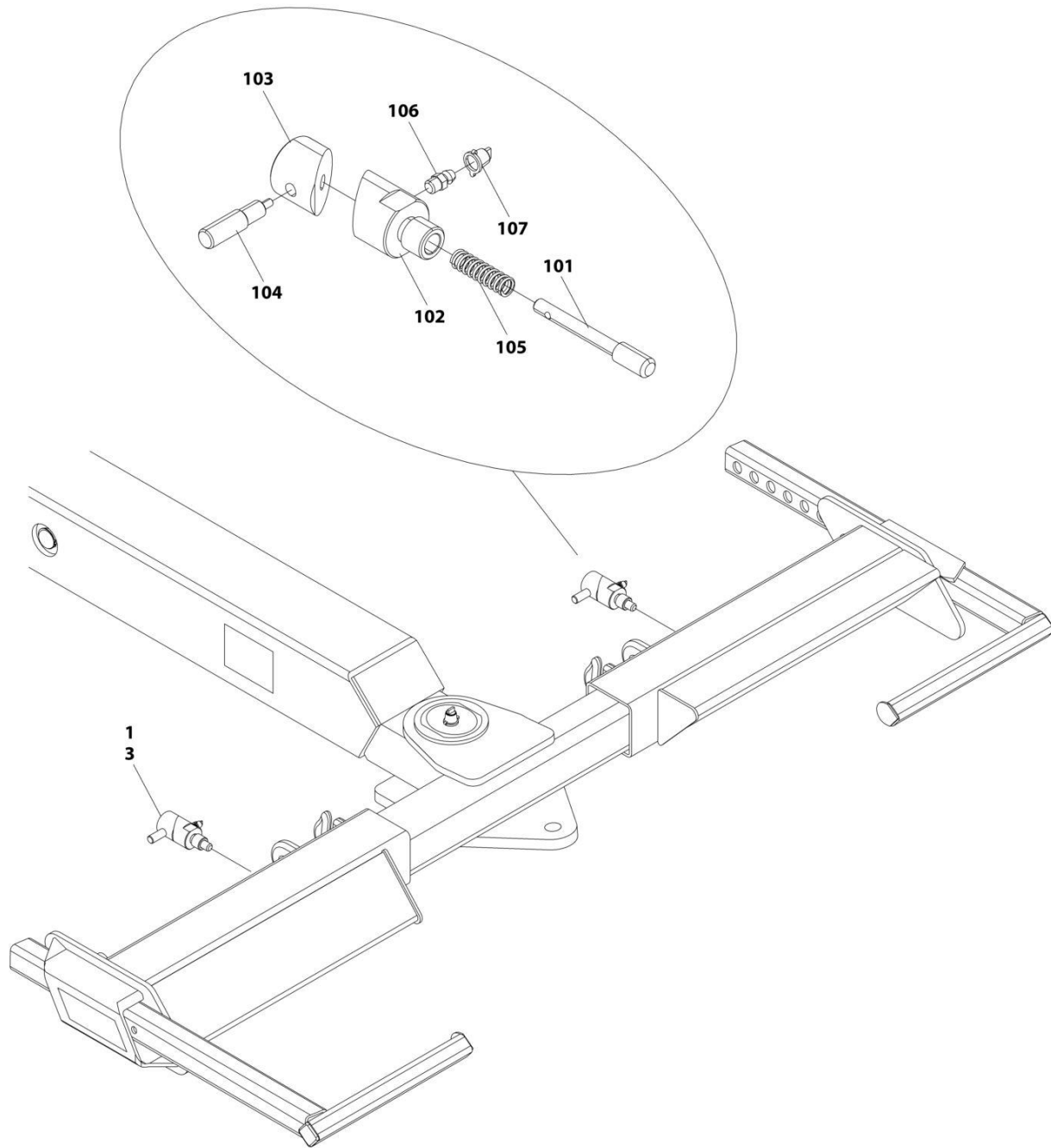
SECTION 2 - WHEEL LIFT

FIGURE 2-30. LINK ASSEMBLY (GALVANIZED)

| ITEM | PART NUMBER | QTY | DESCRIPTION | REV |
|------|-------------|-----|------------------------------------|-----|
| | 3592000066 | Ref | Link Assembly, 4000 lbs Galvanized | B |
| 1 | 3592000060 | 1 | Link, Outer | |
| 2 | 3592000065 | 1 | Link, Inner | |
| 3 | 0641834 | 2 | Bolt 1/2 x 4-1/4 | |
| 4 | 7660182301 | 2 | Nut 1/2 | |
| 5 | 4761800 | 2 | Washer 1/2 | |
| 6 | 1001204776 | 2 | Fitting, Pipe | |
| 104 | 7082000016 | 2 | Bearing | |
| 203 | 7082000016 | 2 | Bearing | |

SECTION 2 - WHEEL LIFT

FIGURE 2-31. WHEEL LIFT CROSSBAR CAM-LOCK



ART_1001160195

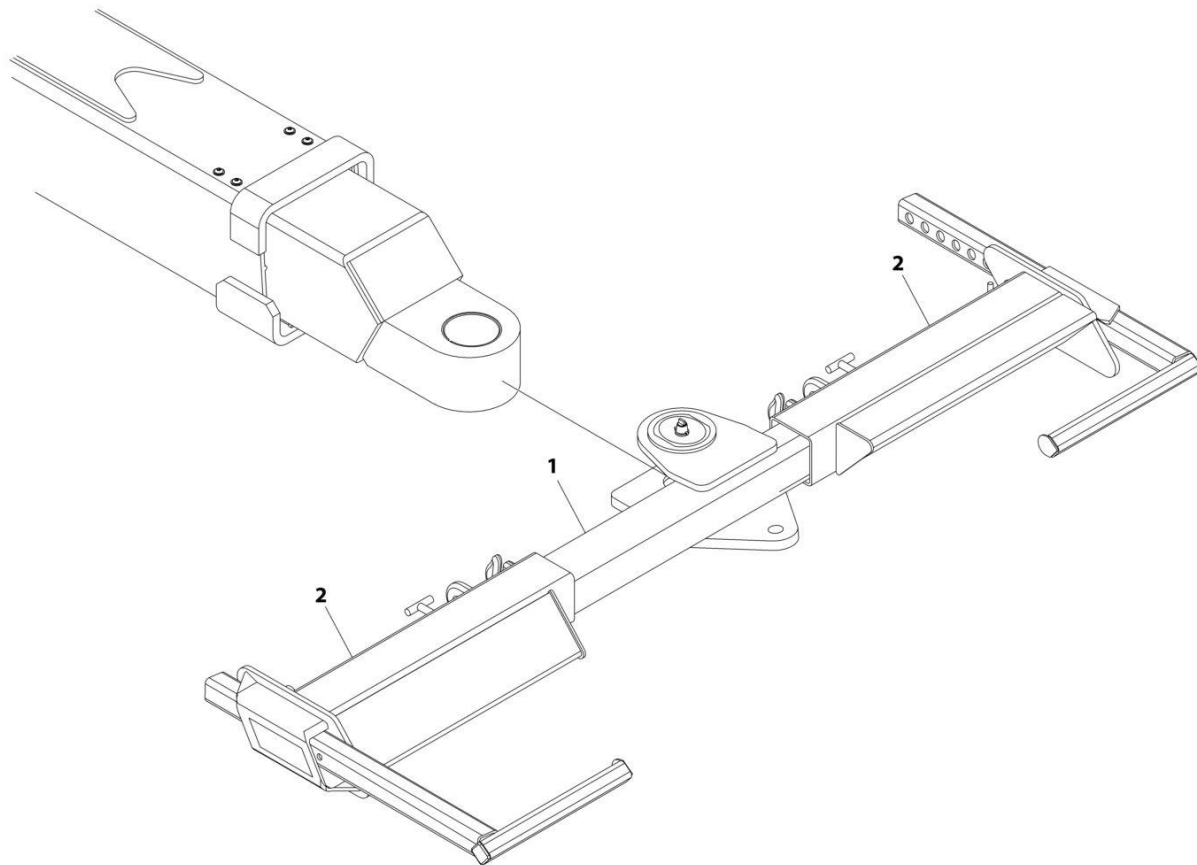
SECTION 2 - WHEEL LIFT

FIGURE 2-31. WHEEL LIFT CROSSBAR CAM-LOCK

| ITEM | PART NUMBER | QTY | DESCRIPTION | REV |
|------|-------------|-----|---|-----|
| | 1001160195 | Ref | Wheel Lift Crossbar Cam-Lock | A |
| 1 | 1001153950 | 2 | Cam Lock (includes items 101 through 107) | |
| 3 | 0100011 | AR | Compound Locking | |
| 101 | 1001153944 | 2 | Pin | |
| 102 | 1001153945 | 2 | Cam-Lock Tube | |
| 103 | 1001153946 | 2 | Cam-Lock Cap | |
| 104 | 1001153947 | 2 | Handle | |
| 105 | 1001153971 | 1 | Spring | |
| 106 | 7440030000 | 2 | Fitting, Grease | |
| 107 | 7253000002 | 2 | Cap, Grease | |

SECTION 2 - WHEEL LIFT

FIGURE 2-32. WHEEL LIFT GRID - COMPLETE (3500 LBS - MANUAL) (BALL HITCH)



ART_1001158698

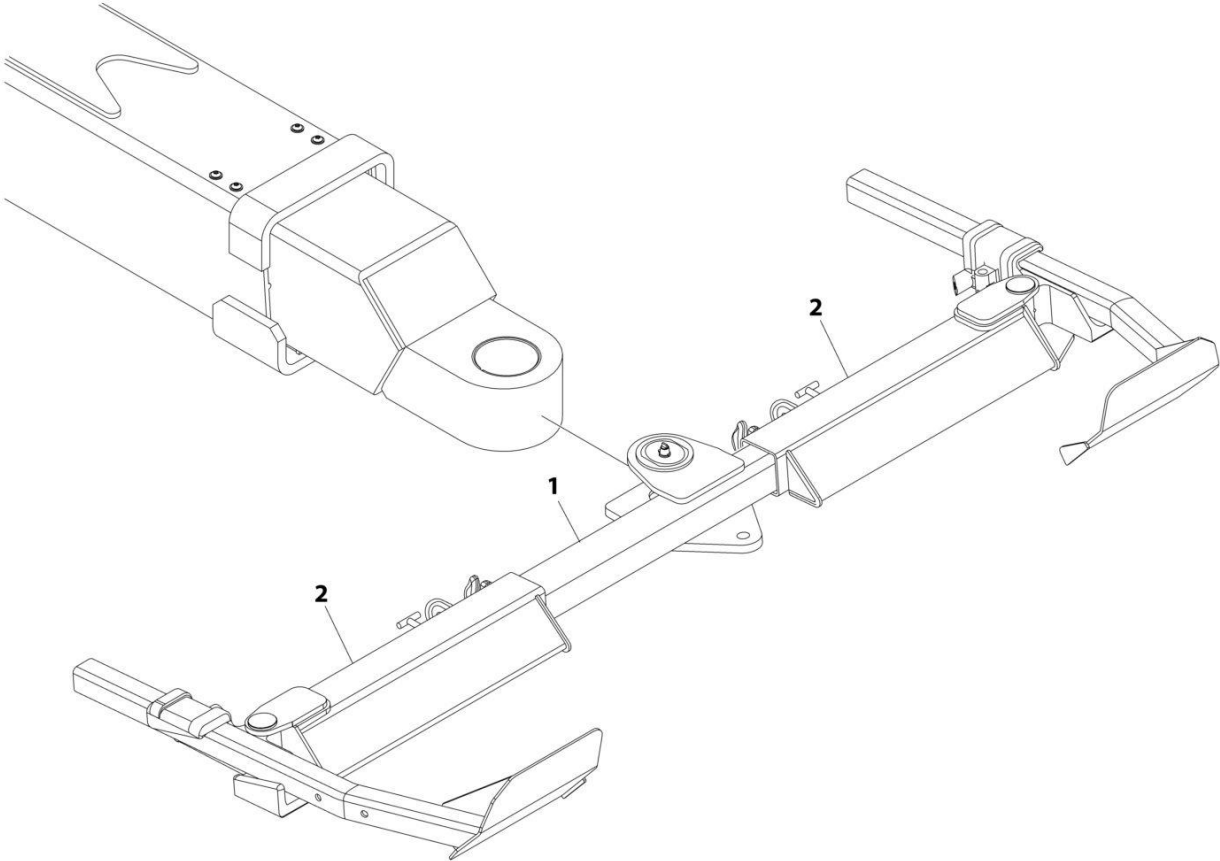
SECTION 2 - WHEEL LIFT

FIGURE 2-32. WHEEL LIFT GRID - COMPLETE (3500 LBS - MANUAL) (BALL HITCH)

| ITEM | PART NUMBER | QTY | DESCRIPTION | REV |
|------|-------------|-----|--|-----|
| | 1001158698 | Ref | IRL WHEEL LIFT (GRID) - (3500 LBS) (BALL) (GALVANIZED) | A |
| 1 | 1001158674 | 1 | Pivot Tube Installation (See Separate Breakdown in this Section) | |
| 2 | 2484000014 | 1 | Grid Wheel Installation (See Separate Breakdown in this Section) | |

SECTION 2 - WHEEL LIFT

FIGURE 2-33. WHEEL LIFT GRID - COMPLETE (3500 LBS - T37) (BALL HITCH)



ART_1001158695

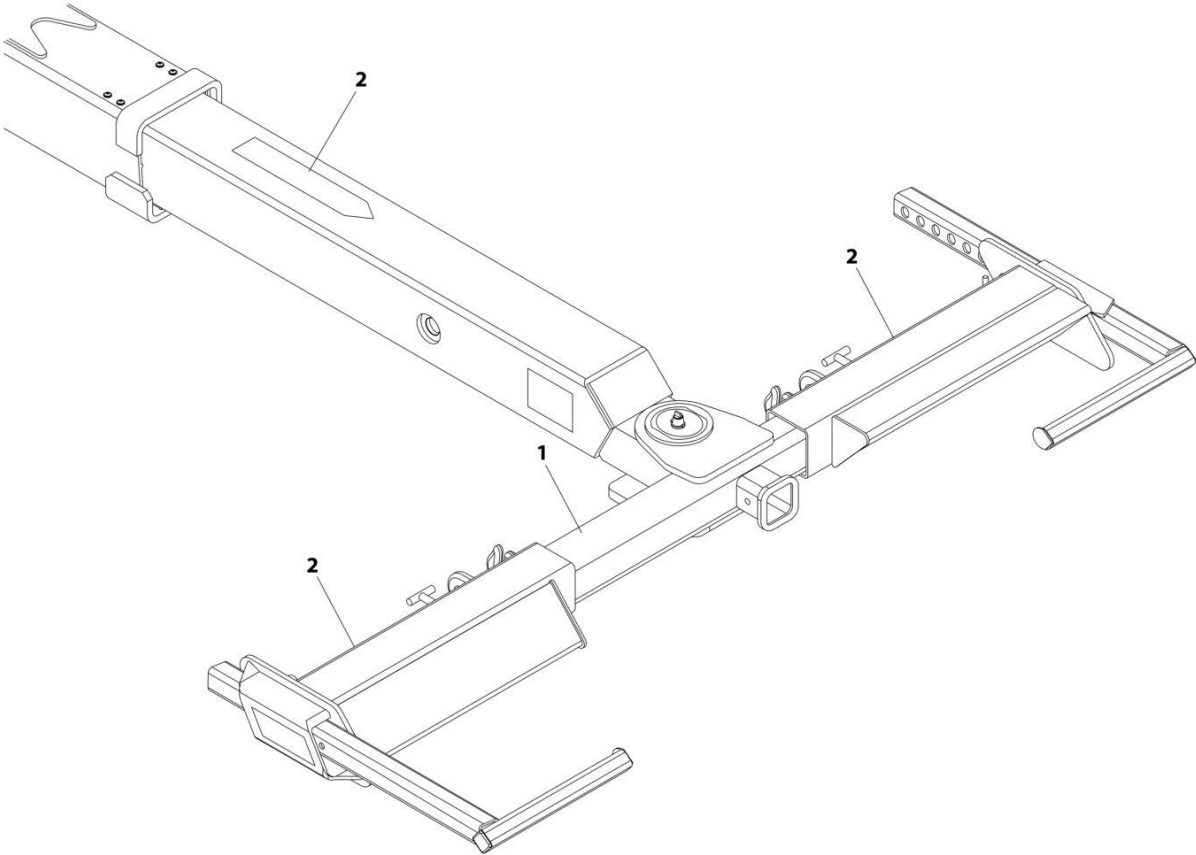
SECTION 2 - WHEEL LIFT

FIGURE 2-33. WHEEL LIFT GRID - COMPLETE (3500 LBS - T37) (BALL HITCH)

| ITEM | PART NUMBER | QTY | DESCRIPTION | REV |
|------|-------------|-----|--|-----|
| | 1001158695 | Ref | IRL WHEEL LIFT (GRID) - (3000 LBS - T37) (BALL) | A |
| 1 | 1001158674 | 1 | Pivot Tube Installation (See Separate Breakdown in this Section) | |
| 2 | 2484000010 | 1 | Grid Wheel Installation (See Separate Breakdown in this Section) | |

SECTION 2 - WHEEL LIFT

FIGURE 2-34. WHEEL LIFT GRID - COMPLETE (3500 LBS - MANUAL) (2IN TOW HITCH)



ART_1001158699

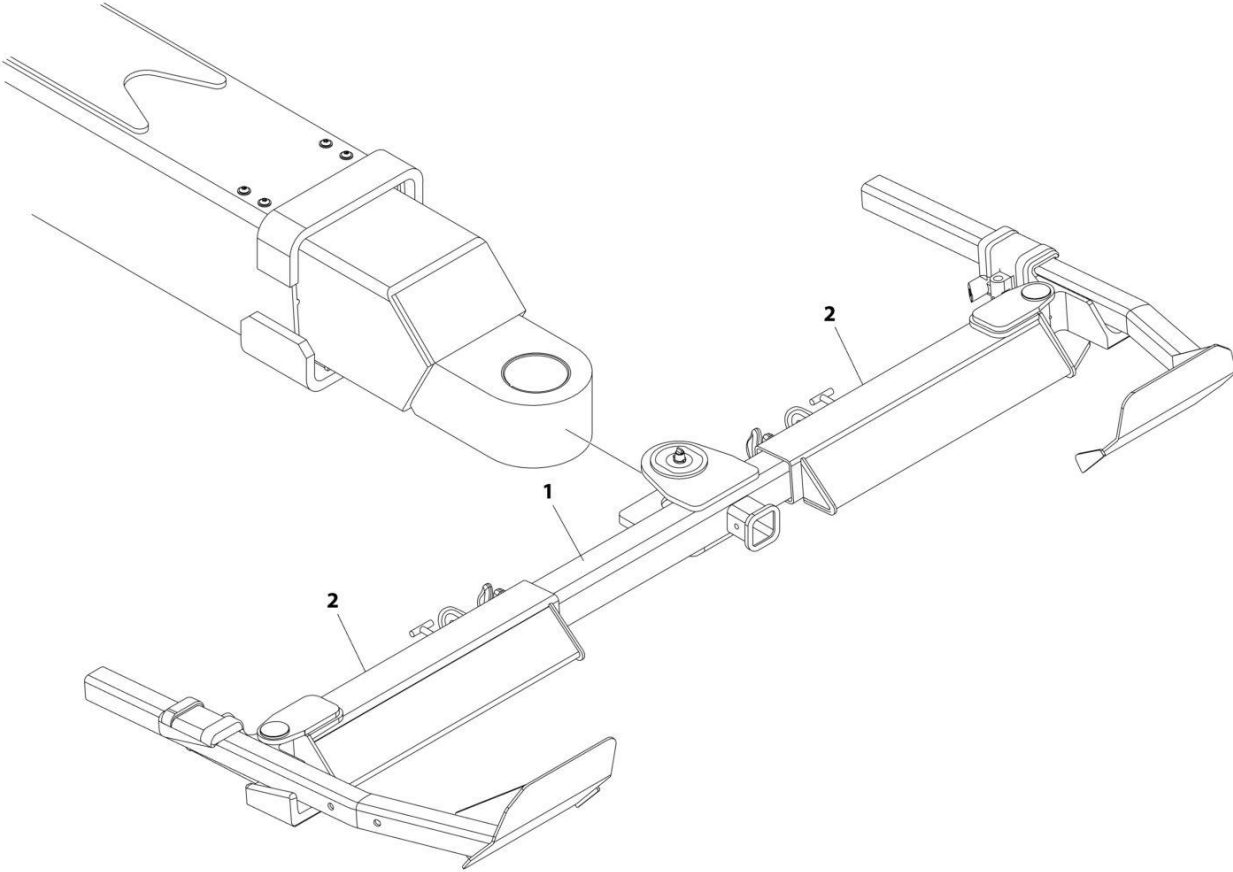
SECTION 2 - WHEEL LIFT

FIGURE 2-34. WHEEL LIFT GRID - COMPLETE (3500 LBS - MANUAL) (2IN TOW HITCH)

| ITEM | PART NUMBER | QTY | DESCRIPTION | REV |
|------|-------------|-----|--|-----|
| | 1001158699 | Ref | IRL WHEEL LIFT (GRID) - (3500 LBS) - GALVANIZED (2 IN TOW HITCH) | A |
| 1 | 1001158677 | 1 | Pivot Tube Installation (See Separate Breakdown in this Section) | |
| 2 | 2484000014 | 1 | Grid Wheel Installation (See Separate Breakdown in this Section) | |

SECTION 2 - WHEEL LIFT

FIGURE 2-35. WHEEL LIFT GRID - COMPLETE (GRID), (3500 LBS - T37) (2IN TOW HITCH)



ART_1001158696

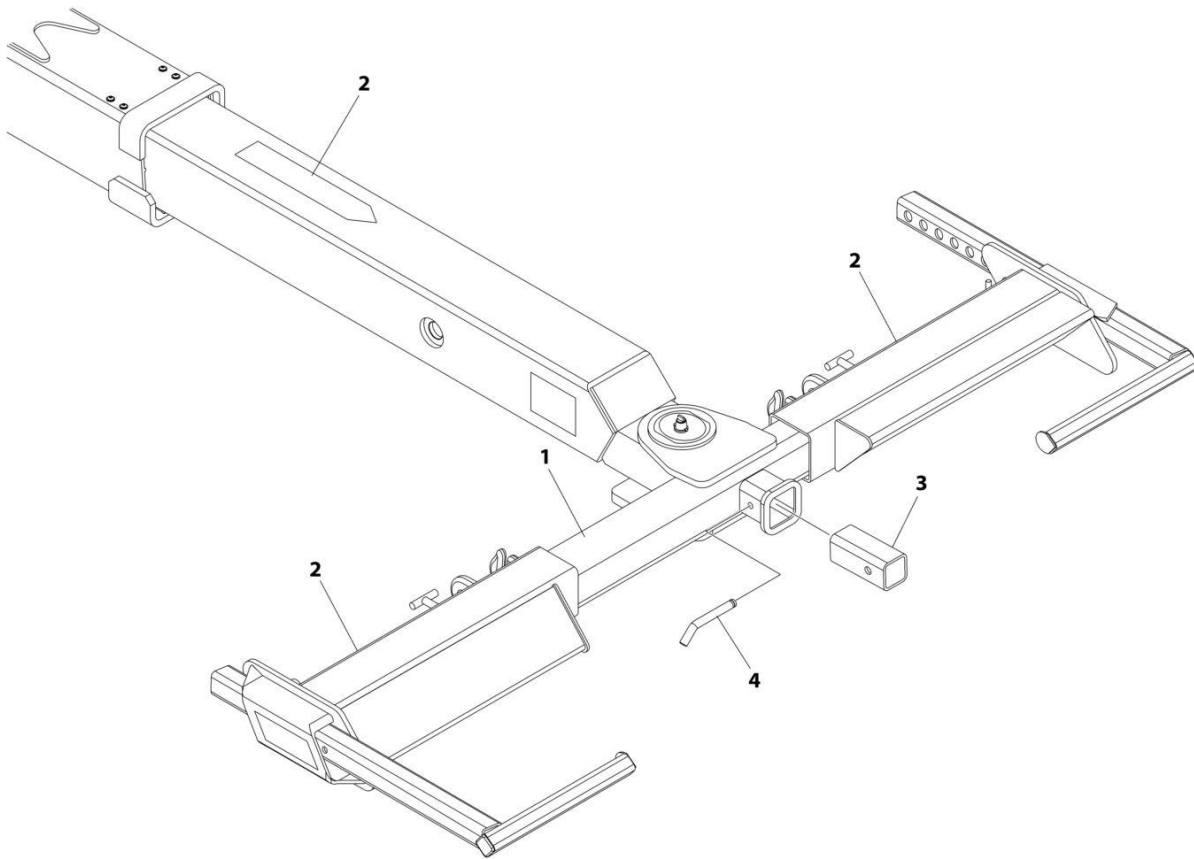
SECTION 2 - WHEEL LIFT

FIGURE 2-35. WHEEL LIFT GRID - COMPLETE (GRID), (3500 LBS - T37) (2IN TOW HITCH)

| ITEM | PART NUMBER | QTY | DESCRIPTION | REV |
|------|-------------|-----|--|-----|
| | 1001158696 | Ref | IRL WHEEL LIFT (GRID) - (3500 LBS - T37) (2 IN TOW HITCH) | A |
| 1 | 1001158677 | 1 | Pivot Tube Installation (See Separate Breakdown in this Section) | |
| 2 | 2484000010 | 1 | Grid Wheel Installation (See Separate Breakdown in this Section) | |

SECTION 2 - WHEEL LIFT

FIGURE 2-36. WHEEL LIFT GRID - COMPLETE (3500 LBS - MANUAL) (2.5IN TOW HITCH)



ART_1001158707

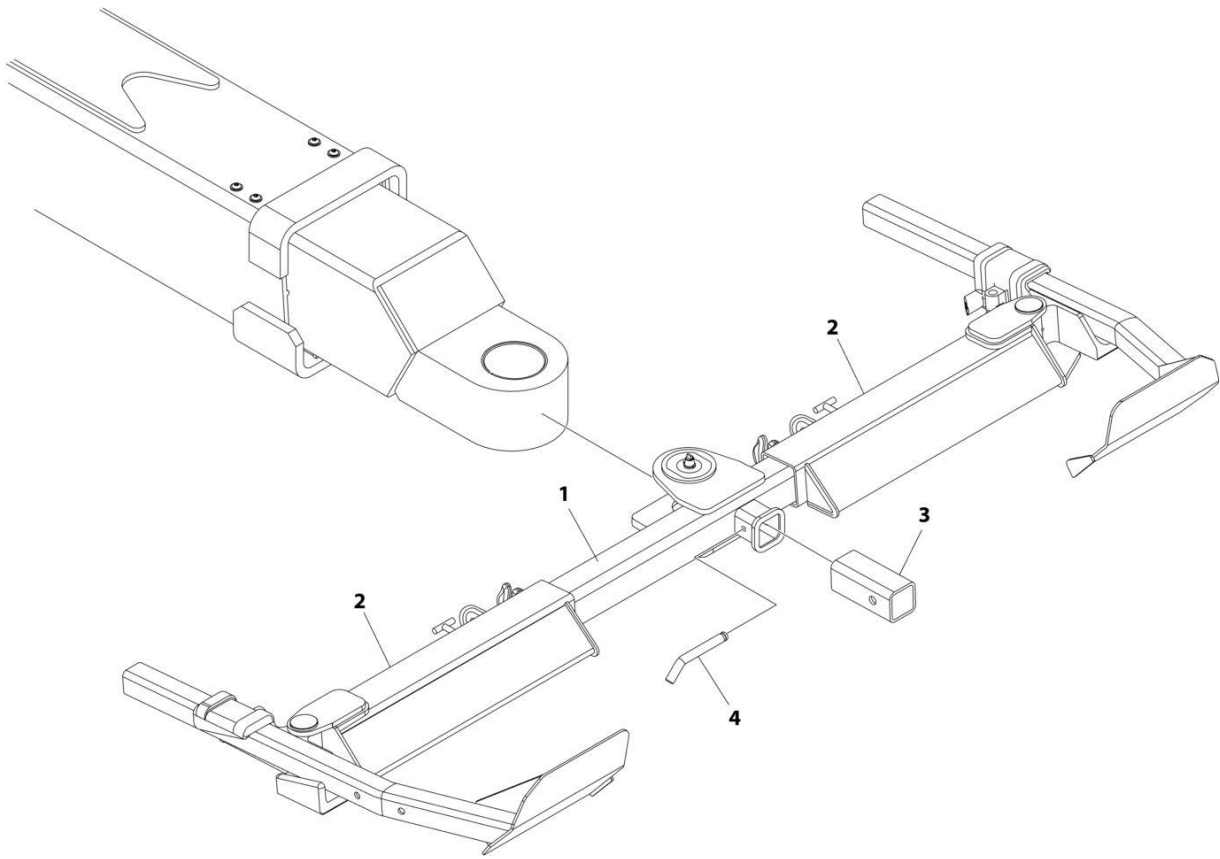
SECTION 2 - WHEEL LIFT

FIGURE 2-36. WHEEL LIFT GRID - COMPLETE (3500 LBS - MANUAL) (2.5IN TOW HITCH)

| ITEM | PART NUMBER | QTY | DESCRIPTION | REV |
|------|-------------|-----|--|-----|
| | 1001158707 | Ref | IRL WHEEL LIFT (GRID) - (3500 LBS) - GALVANIZED (2.5 IN TOW HITCH) | A |
| 1 | 1001158678 | 1 | Pivot Tube Installation (See Separate Breakdown in this Section) | |
| 2 | 2484000014 | 1 | Grid Wheel Installation (See Separate Breakdown in this Section) | |
| 3 | 7913000006 | 1 | Tube | |
| 4 | 7691000033 | 1 | Pin | |

SECTION 2 - WHEEL LIFT

FIGURE 2-37. WHEEL LIFT GRID - COMPLETE (3500 LBS - T37) (2.5IN TOW HITCH)



ART_1001158697

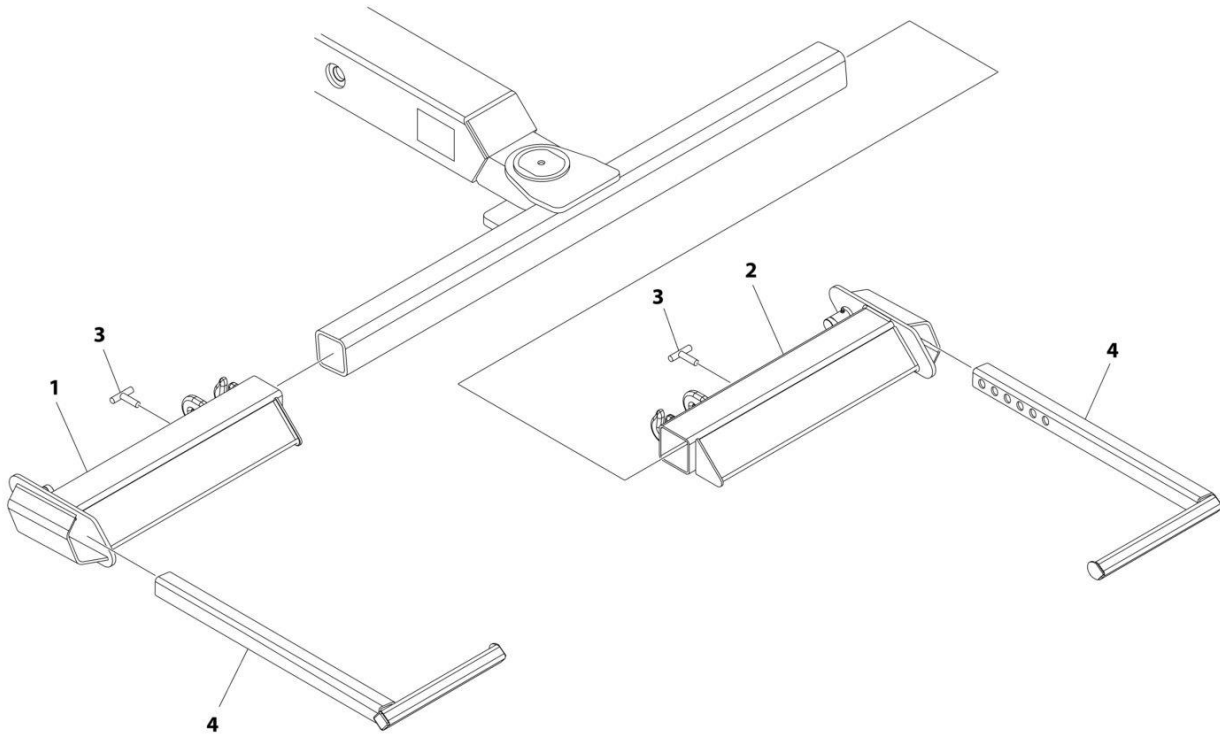
SECTION 2 - WHEEL LIFT

FIGURE 2-37. WHEEL LIFT GRID - COMPLETE (3500 LBS - T37) (2.5IN TOW HITCH)

| ITEM | PART NUMBER | QTY | DESCRIPTION | REV |
|------|-------------|-----|--|-----|
| | 1001158697 | Ref | IRL WHEEL LIFT (GRID) - (3500 LBS - T37) - BALL (2.5 IN TOW HITCH) | A |
| 1 | 1001158678 | 1 | Pivot Tube Installation (See Separate Breakdown in this Section) | |
| 2 | 2484000010 | 1 | Grid Wheel Installation (See Separate Breakdown in this Section) | |
| 3 | 7913000006 | 1 | Tube | |
| 4 | 7691000033 | 1 | Pin | |

SECTION 2 - WHEEL LIFT

FIGURE 2-38. WHEEL GRID INSTALLATION (3500 LBS MANUAL)



ART_2484000014

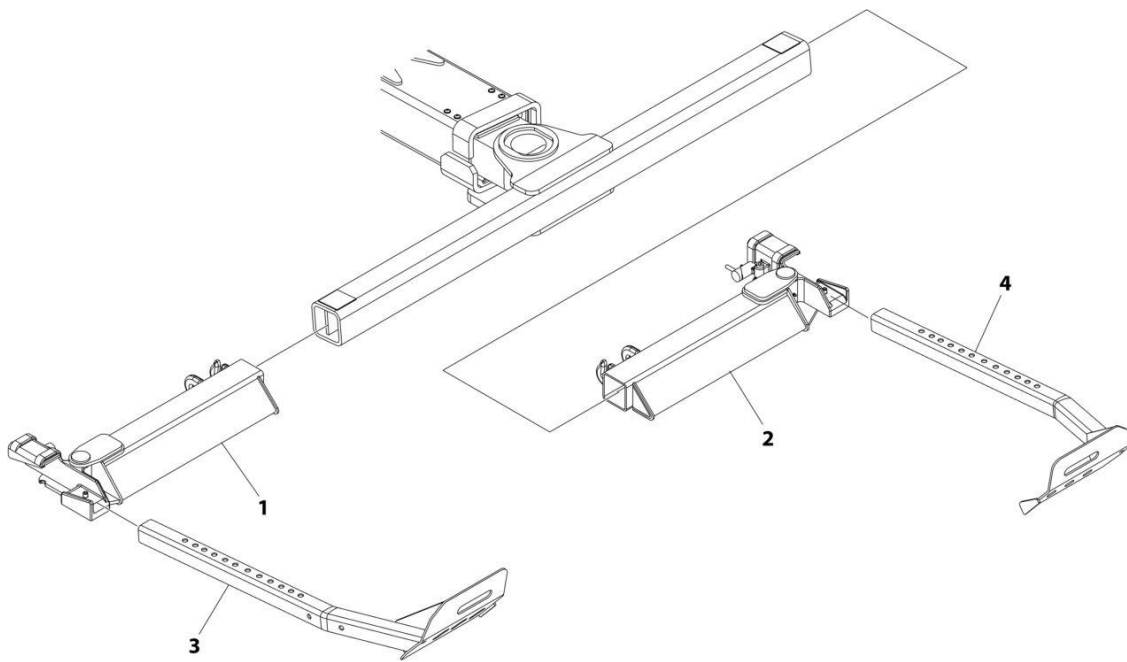
SECTION 2 - WHEEL LIFT

FIGURE 2-38. WHEEL GRID INSTALLATION (3500 LBS MANUAL)

| ITEM | PART NUMBER | QTY | DESCRIPTION | REV |
|------|-------------|-----|--|-----|
| | 2484000014 | Ref | WHEEL LIFT INSTALLATION (GRID), (3500 LBS) | 0 |
| 1 | 3484000091 | 1 | Grid Weldment LH | |
| 2 | 3484000090 | 1 | Grid Weldment RH | |
| 3 | 3551000036 | 2 | T-Handle | |
| 4 | 3020000132 | 2 | Arm Weldment | |

SECTION 2 - WHEEL LIFT

FIGURE 2-39. WHEEL GRID INSTALLATION (3500 LBS T-37)



ART_248400010

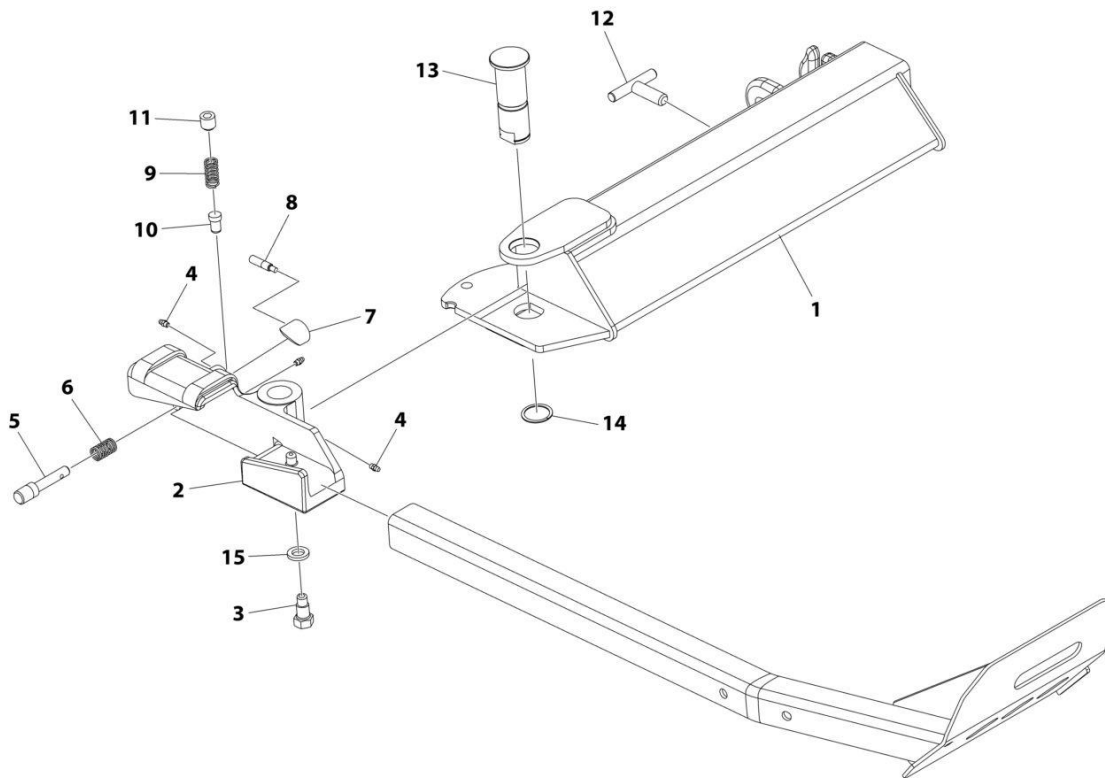
SECTION 2 - WHEEL LIFT

FIGURE 2-39. WHEEL GRID INSTALLATION (3500 LBS T-37)

| ITEM | PART NUMBER | QTY | DESCRIPTION | REV |
|------|-------------|-----|---|-----|
| | 2484000010 | Ref | WHEEL LIFT INSTALLATION (GRID) - (3500 LBS - T37) | 0 |
| 1 | 3484000047 | 1 | Pivoting Wheel Lift Assembly, LH (See Separate Breakdown in this Section) | |
| 2 | 3484000046 | 1 | Pivoting Wheel Lift Assembly, RH (See Separate Breakdown in this Section) | |
| 3 | 3020000029 | 1 | L-Arm Weldment, LH | |
| 4 | 3020000030 | 1 | L-Arm Weldment, RH | |

SECTION 2 - WHEEL LIFT

FIGURE 2-40. WHEEL LIFT ASSEMBLY (GRID), LH



ART_3484000047

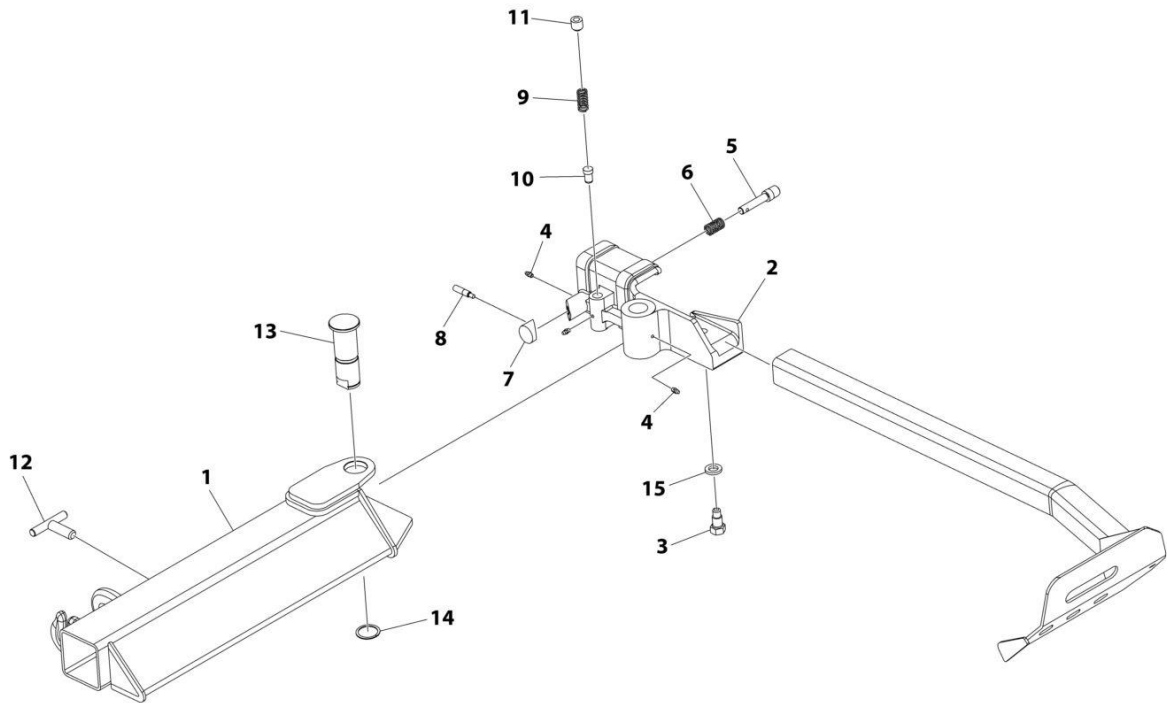
SECTION 2 - WHEEL LIFT

FIGURE 2-40. WHEEL LIFT ASSEMBLY (GRID), LH

| ITEM | PART NUMBER | QTY | DESCRIPTION | REV |
|------|-------------|-----|--------------------------------|-----|
| | 3484000047 | Ref | WHEEL LIFT ASSEMBLY (GRID), LH | C |
| 1 | 3484000017 | 1 | Grid Weldment, LH | |
| 2 | 4259000002 | 1 | Pivot Weldment, LH | |
| 3 | 4691000354 | 1 | Pin | |
| 4 | 7440030000 | 3 | Fitting | |
| 5 | 4691000186 | 1 | Pin | |
| 6 | 7843000006 | 1 | Spring | |
| 7 | 4254000005 | 1 | Cap | |
| 8 | 4763000184 | 1 | Rod | |
| 9 | 7843000016 | 1 | Spring | |
| 10 | 4691000183 | 1 | Pin | |
| 11 | 7786000006 | 1 | Screw 3/4 x 5/8 | |
| 12 | 3551000036 | 1 | T-Handle | |
| 13 | 4691000357 | 1 | Pin | |
| 14 | 7754000037 | 1 | Ring Retaining | |
| 15 | 7950200000 | 1 | Washer 5/8 | |

SECTION 2 - WHEEL LIFT

FIGURE 2-41. WHEEL LIFT ASSEMBLY (GRID), RH



ART_3484000046

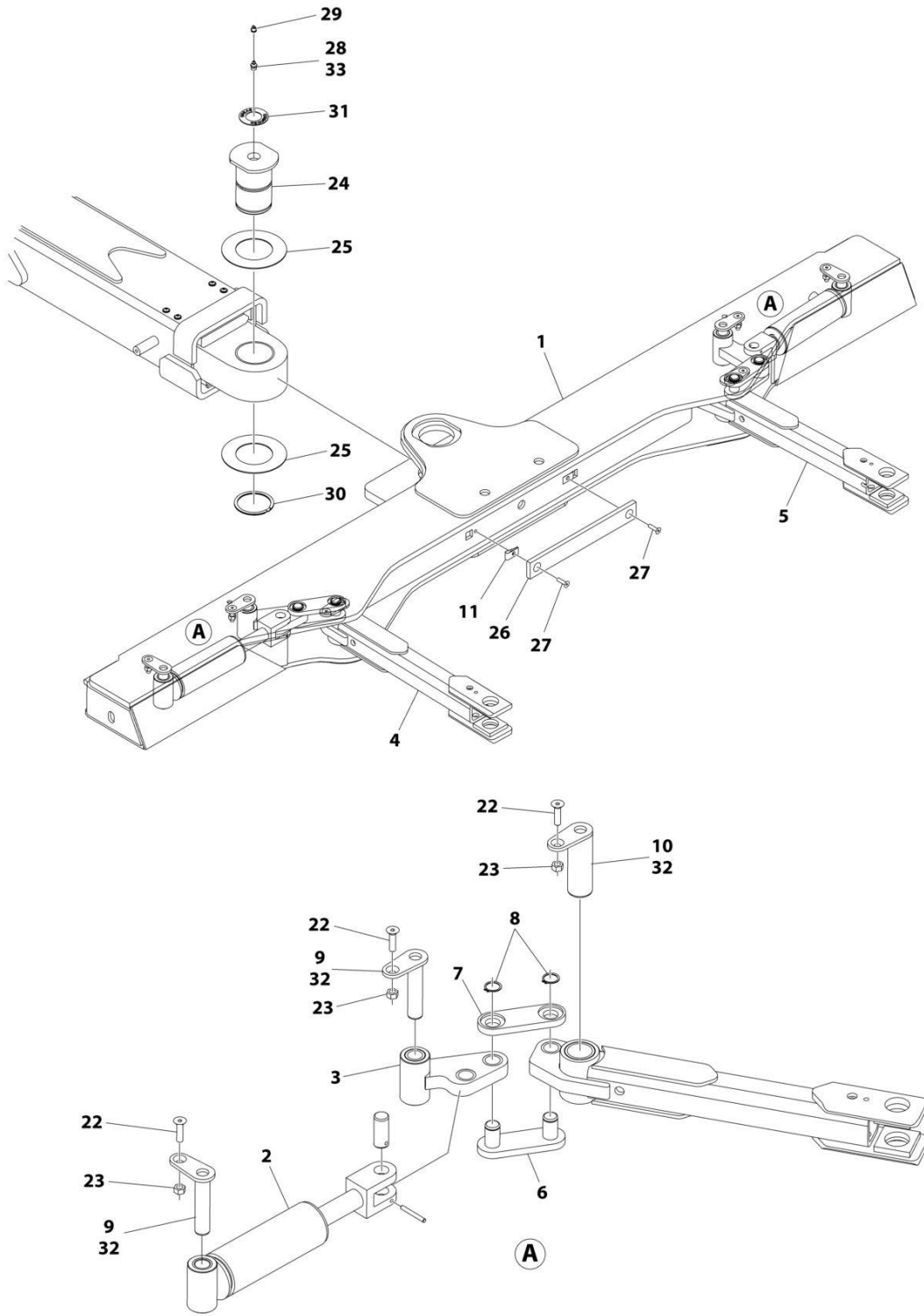
SECTION 2 - WHEEL LIFT

FIGURE 2-41. WHEEL LIFT ASSEMBLY (GRID), RH

| ITEM | PART NUMBER | QTY | DESCRIPTION | REV |
|------|-------------|-----|--------------------------------|-----|
| | 3484000046 | Ref | WHEEL LIFT ASSEMBLY (GRID), RH | C |
| 1 | 3484000016 | 1 | Grid Weldment, RH | |
| 2 | 4259000001 | 1 | Pivot Weldment, RH | |
| 3 | 4691000354 | 1 | Pin | |
| 4 | 7440030000 | 3 | Fitting | |
| 5 | 4691000186 | 1 | Pin | |
| 6 | 7843000006 | 1 | Spring | |
| 7 | 4254000005 | 1 | Cap | |
| 8 | 4763000184 | 1 | Rod | |
| 9 | 7843000016 | 1 | Spring | |
| 10 | 4691000183 | 1 | Pin | |
| 11 | 7786000006 | 1 | Screw 3/4 x 5/8 | |
| 12 | 3551000036 | 1 | T-Handle | |
| 13 | 4691000357 | 1 | Pin | |
| 14 | 7754000037 | 1 | Ring Retaining | |
| 15 | 7950200000 | 1 | Washer 5/8 | |

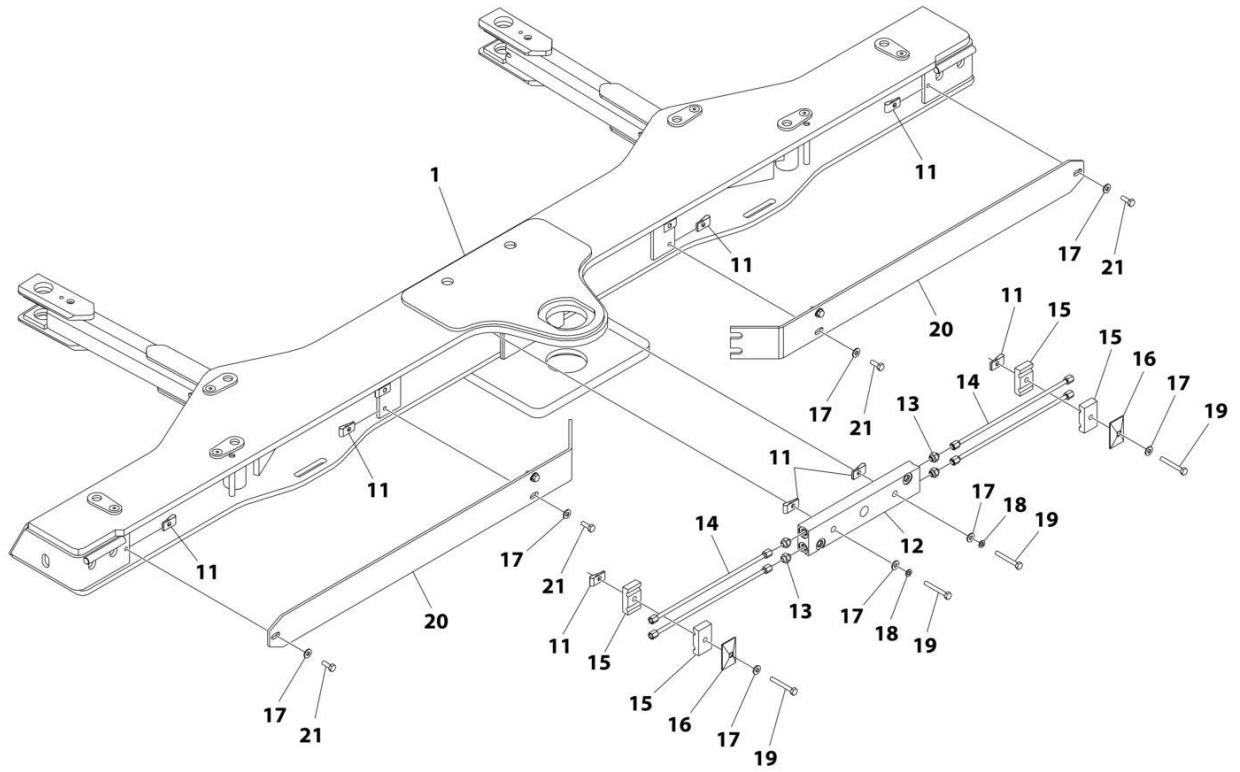
SECTION 2 - WHEEL LIFT

FIGURE 2-42. WHEEL LIFT GRID INSTALLATION (AUTO GRIDS) (Prior to SN 0220026844)



ART_1001228493_10F2

SECTION 2 - WHEEL LIFT



ART_1001228493_2OF2

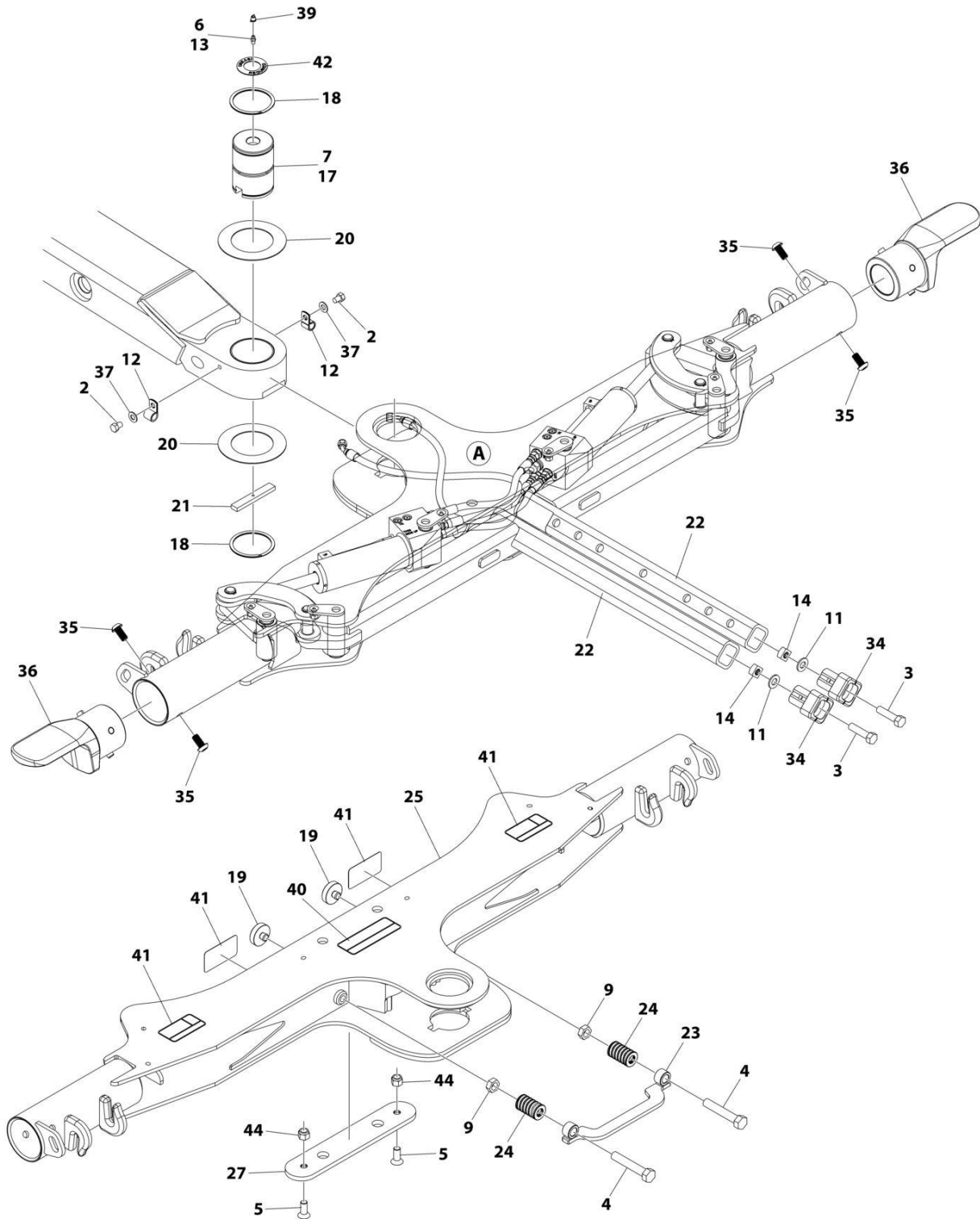
SECTION 2 - WHEEL LIFT

FIGURE 2-42. WHEEL LIFT GRID INSTALLATION (AUTO GRIDS) (Prior to SN 0220026844)

| ITEM | PART NUMBER | QTY | DESCRIPTION | REV |
|------|-------------|-----|---|-----|
| | 1001228493 | Ref | HYDRAULIC WHEEL LIFT GRID | A |
| 1 | 1001228491 | 1 | Plate | |
| 2 | 7320000064 | 2 | Cylinder Assembly - Hydraulic Grid (See Separate Breakdown in this Section) | |
| 3 | 3592000052 | 2 | Link | |
| 4 | 3020000115 | 1 | Arm (LH) | |
| 5 | 3020000111 | 1 | Arm (RH) | |
| 6 | 3592000051 | 2 | Link Weldment | |
| 7 | 4706003497 | 2 | Plate | |
| 8 | 3760351 | 4 | Ring, Retaining | |
| 9 | 3691000229 | 4 | Pin | |
| 10 | 3691000230 | 2 | Pin | |
| 11 | 7661000064 | 12 | Clip, U-Nut 1/4 | |
| 12 | 4619000013 | 1 | Manifold | |
| 13 | 7445040443 | 4 | Fitting, Straight | |
| 14 | 7912000184 | 4 | Tube, Hydraulic | |
| 15 | 7274000086 | 4 | Clamp | |
| 16 | 7274000039 | 2 | Clamp Cover | |
| 17 | 4711400 | 10 | Washer 1/4 | |
| 18 | 4761400 | 2 | Washer 1/4 | |
| 19 | 0641416 | 4 | Bolt 1/4 x 2 | |
| 20 | 1001220280 | 2 | Plate | |
| 21 | 0641406 | 6 | Bolt 1/4 x 3/4 | |
| 22 | 1001137904 | 6 | Bolt 5/16 x 1-1/4 | |
| 23 | 3271505 | 6 | Nut 5/16 | |
| 24 | 4691000198 | 1 | Pin | |
| 25 | 4949000047 | 2 | Washer | |
| 26 | 4679000268 | 1 | Pad | |
| 27 | 0741408 | 2 | Flat | |
| 28 | 88671001 | 1 | Fitting, Straight | |
| 29 | 7253000002 | 1 | Cap, Grease | |
| 30 | 7754000024 | 1 | Retaining Ring | |
| 31 | 7330000609 | 1 | Decal, Grease Required | |
| 32 | 3020039 | AR | Lubricant | |
| 33 | 3020029 | AR | Lubricant | |

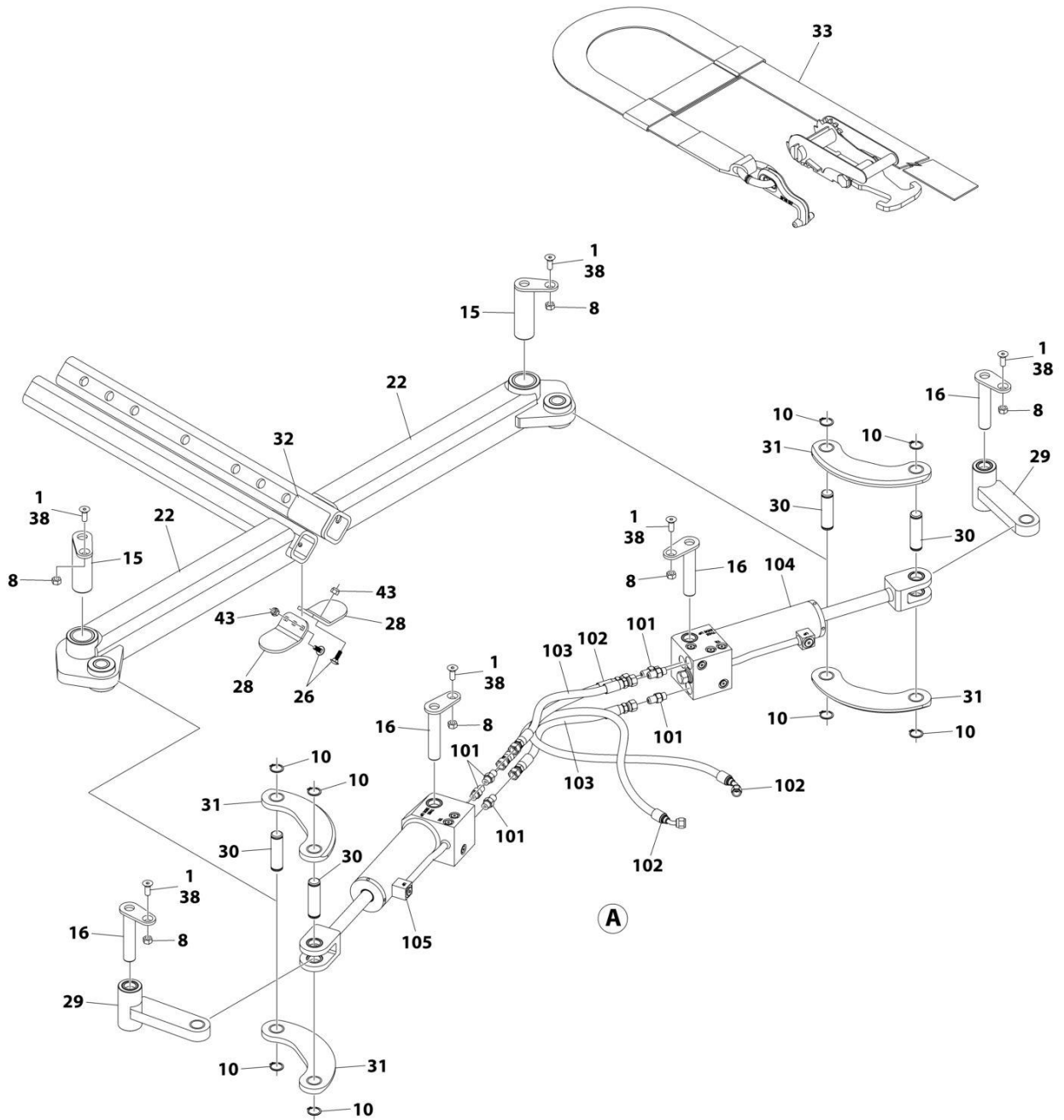
SECTION 2 - WHEEL LIFT

FIGURE 2-43. WHEEL LIFT GRID INSTALLATION - WHEEL LIFT (AUTO GRIDS) (SN 0220026844 to Present)



ART_1001287808_10F2

SECTION 2 - WHEEL LIFT



ART_1001287808_20F2

SECTION 2 - WHEEL LIFT

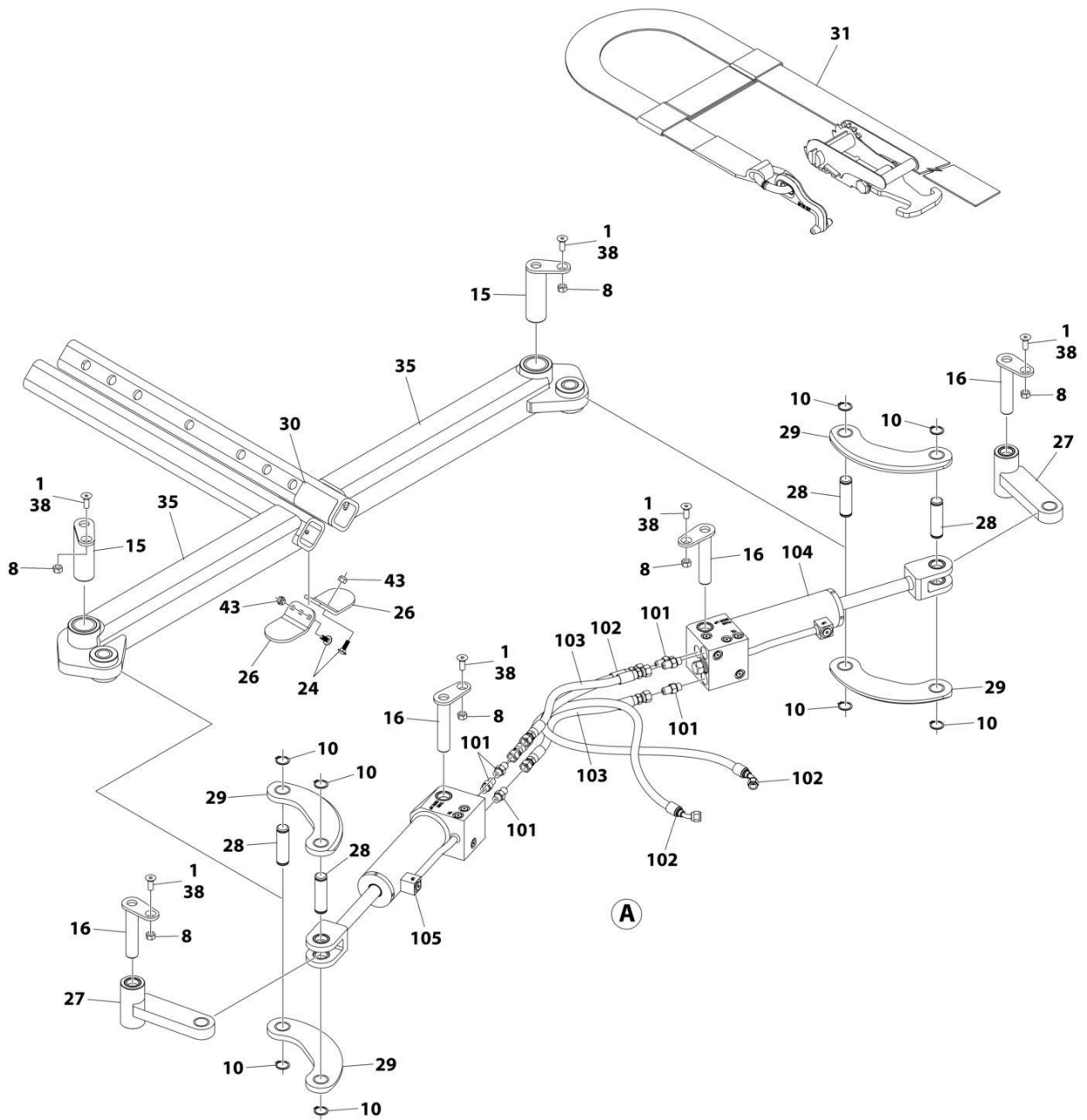
FIGURE 2-43. WHEEL LIFT GRID INSTALLATION - WHEEL LIFT (AUTO GRIDS) (SN 0220026844 to Present)

| ITEM | PART NUMBER | QTY | DESCRIPTION | REV |
|------|-------------|-----|---------------------------------------|-----|
| | 1001287808 | Ref | WHEEL LIFT GRID INSTALLATION | A |
| 1 | 0100011 | AR | Compound, Locking | |
| 2 | 0641604 | 2 | Bolt 3/8 x 1/2 | |
| 3 | 0641816 | 2 | Bolt 1/2 x 2 | |
| 4 | 0642028 | 2 | Bolt 5/8 x 3-1/2 | |
| 5 | 0741810 | 2 | Screw 1/2 x 1-1/4 | |
| 6 | 3020029 | AR | Lubricant | |
| 7 | 3020039 | AR | Lubricant | |
| 8 | 3271505 | 6 | Nut 5/16 | |
| 9 | 3312002 | 2 | Nut 5/8 | |
| 10 | 3760351 | 8 | Ring, Retaining | |
| 11 | 4711800 | 2 | Washer 1/2 | |
| 12 | 85941016 | 2 | Clamp | |
| 13 | 88671008 | 1 | Fitting, Grease | |
| 14 | 1001209867 | 2 | Nut 1/2 | |
| 15 | 1001271716 | 2 | Pin | |
| 16 | 1001271717 | 4 | Pin | |
| 17 | 1001271725 | 1 | Pin | |
| 18 | 1001271726 | 2 | Ring | |
| 19 | 1001271727 | 2 | Bumper | |
| 20 | 1001272108 | 2 | Plate | |
| 21 | 1001272224 | 1 | Keeper, Pin | |
| 22 | 1001272454 | 2 | Arm, Grid | |
| 23 | 1001276427 | 1 | Bracket | |
| 24 | 1001276939 | 2 | Spring | |
| 25 | 1001286497 | 1 | Plate | |
| 26 | 1001286904 | 4 | Bolt 1/4 x 7/8 | |
| 27 | 1001286927 | 1 | Plate, Wear | |
| 28 | 1001286928 | 2 | Plate, Wear | |
| 29 | 1001286929 | 2 | Cam | |
| 30 | 1001287713 | 4 | Pin | |
| 31 | 1001287714 | 4 | Link | |
| 31 | 1001272015 | 8 | Bushing (ZPBR Link) | |
| 32 | 1001287792 | 2 | Decal - Grid L - Arm | |
| 33 | 1001288002 | 1 | Safety Strap Kit | |
| 34 | 1001288073 | 4 | Bracket | |
| 35 | 1001288201 | 4 | Screw 1/2 x 1 | |
| 36 | 1001288263 | 2 | Bracket | |
| 37 | 4711600001 | 2 | Washer 3/8 | |
| 38 | 7115150723 | 6 | Screw 5/16 x 7/8 | |
| 39 | 7253000002 | 1 | Cap, Grease | |
| 40 | 7330000036 | 1 | Decal - Wheel Lift Warning | |
| 41 | 7330000599 | 4 | Decal - Pinch Point | |
| 42 | 7330000609 | 1 | Decal - Grease Required | |
| 43 | 7660142601 | 4 | Nut 1/4 | |
| 44 | 7660182601 | 2 | Nut 1/2 | |
| 100 | 1001287694 | 1 | Grid Cylinder/Fitting Kit (Not Shown) | |
| 101 | 2220415 | 6 | Fitting, Straight ORB/JIC | |
| 102 | 1001276988 | 2 | Hose | |

SECTION 2 - WHEEL LIFT

| ITEM | PART NUMBER | QTY | DESCRIPTION | REV |
|------|-------------|-----|---|-----|
| 103 | 1001276989 | 2 | Hose | |
| 104 | 1001285818 | 1 | Cylinder Assembly - Wheel Lift Grid (LH) (See Separate Breakdown in This Section) | |
| 105 | 1001285819 | 1 | Cylinder Assembly - Wheel Lift Grid (RH) (See Separate Breakdown in This Section) | |

SECTION 2 - WHEEL LIFT



ART_1001288414_2OF2

SECTION 2 - WHEEL LIFT

FIGURE 2-44. WHEEL LIFT GRID INSTALLATION - WHEEL LIFT (AUTO GRIDS) (GALVANIZED)

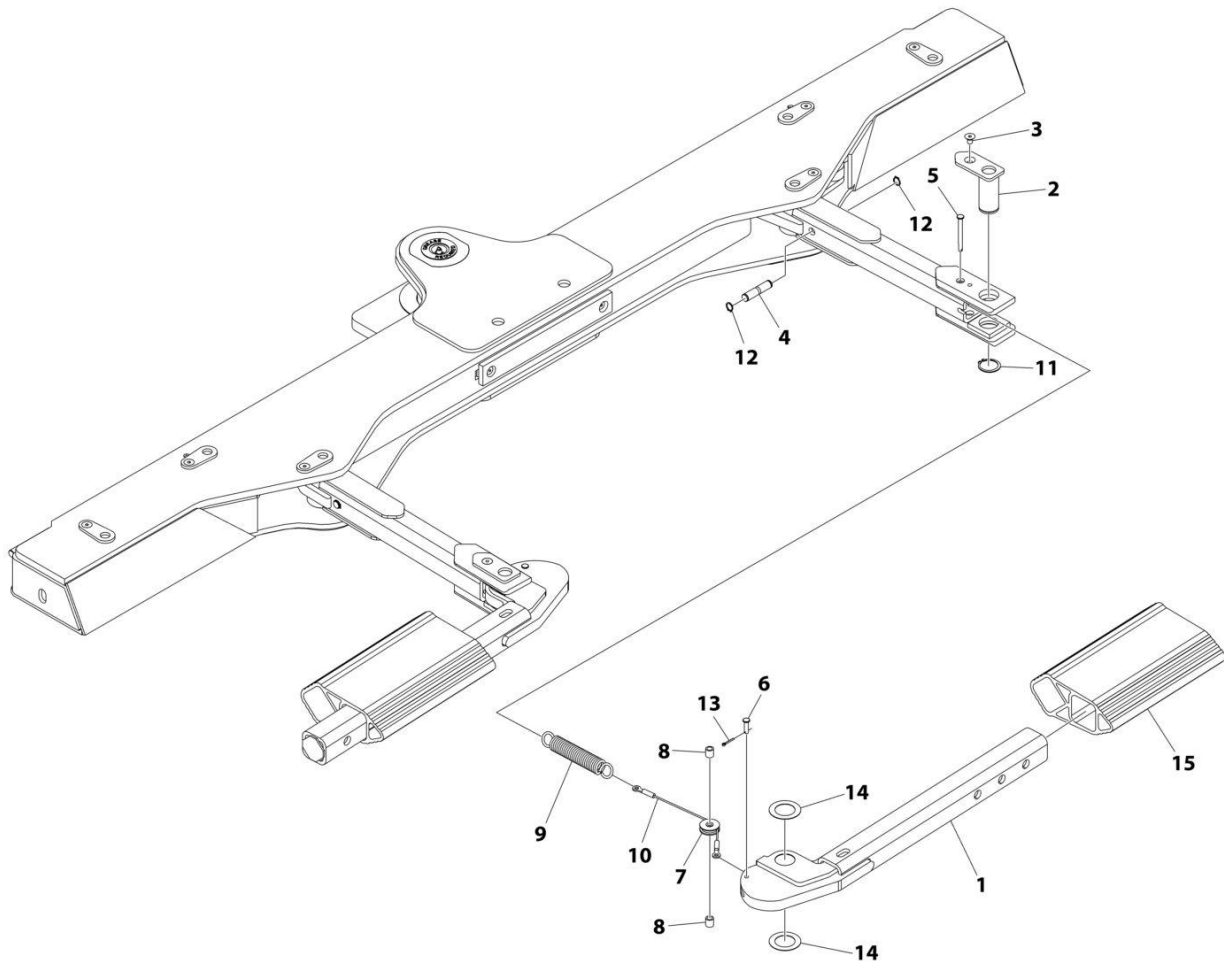
| ITEM | PART NUMBER | QTY | DESCRIPTION | REV |
|------|-------------|-----|---------------------------------------|-----|
| | 1001288414 | Ref | WHEEL LIFT GRID INSTALLATION | A |
| 1 | 0100011 | AR | Compound, Locking | |
| 2 | 0641604 | 2 | Bolt 3/8 x 1/2 | |
| 3 | 0641816 | 2 | Bolt 1/2 x 2 | |
| 4 | 0642028 | 2 | Bolt 5/8 x 3-1/2 | |
| 5 | 0741810 | 2 | Screw 1/2 x 1-1/4 | |
| 6 | 3020029 | AR | Lubricant | |
| 7 | 3020039 | AR | Lubricant | |
| 8 | 3271505 | 6 | Nut 5/16 | |
| 9 | 3312002 | 2 | Nut 5/8 | |
| 10 | 3760351 | 8 | Ring, Retaining | |
| 11 | 4711800 | 2 | Washer 1/2 | |
| 12 | 85941016 | 2 | Clamp | |
| 13 | 88671008 | 1 | Fitting, Grease | |
| 14 | 1001209867 | 2 | Nut 1/2 | |
| 15 | 1001271716 | 2 | Pin | |
| 16 | 1001271717 | 4 | Pin | |
| 17 | 1001271725 | 1 | Pin | |
| 18 | 1001271726 | 2 | Ring | |
| 19 | 1001271727 | 2 | Bumper | |
| 20 | 1001272108 | 2 | Plate | |
| 21 | 1001272224 | 1 | Keeper, Pin | |
| 22 | 1001276427 | 1 | Bracket | |
| 23 | 1001276939 | 2 | Spring | |
| 24 | 1001286904 | 4 | Bolt 1/4 x 7/8 | |
| 25 | 1001286927 | 1 | Plate, Wear | |
| 26 | 1001286928 | 2 | Plate, Wear | |
| 27 | 1001286929 | 2 | Cam | |
| 28 | 1001287713 | 4 | Pin | |
| 29 | 1001287714 | 4 | Link | |
| 29 | 1001272015 | 8 | Bushing (ZPBR Link) | |
| 30 | 1001287792 | 2 | Decal - Grid L - Arm | |
| 31 | 1001288002 | 1 | Safety Strap Kit | |
| 32 | 1001288073 | 4 | Bracket | |
| 33 | 1001288201 | 4 | Screw 1/2 x 1 | |
| 34 | 1001288263 | 2 | Bracket | |
| 35 | 1001288402 | 2 | Arm Grid | |
| 36 | 1001288413 | 1 | Plate | |
| 37 | 4711600001 | 2 | Washer 3/8 | |
| 38 | 7115150723 | 6 | Screw 5/16 x 7/8 | |
| 39 | 7253000002 | 1 | Cap, Grease | |
| 40 | 7330000036 | 1 | Decal - Wheel Lift Warning | |
| 41 | 7330000599 | 4 | Decal - Pinch Point | |
| 42 | 7330000609 | 1 | Decal - Grease Required | |
| 43 | 7660142601 | 4 | Nut 1/4 | |
| 44 | 7660182601 | 2 | Nut 1/2 | |
| 100 | 1001287694 | 1 | Grid Cylinder/Fitting Kit (Not Shown) | |
| 101 | 2220415 | 6 | Fitting, Straight ORB/JIC | |
| 102 | 1001276988 | 2 | Hose | |
| 103 | 1001276989 | 2 | Hose | |

SECTION 2 - WHEEL LIFT

| ITEM | PART NUMBER | QTY | DESCRIPTION | REV |
|------|-------------|-----|---|-----|
| 104 | 1001285818 | 1 | Cylinder Assembly - Wheel Lift Grid (LH) (See Separate Breakdown in This Section) | |
| 105 | 1001285819 | 1 | Cylinder Assembly - Wheel Lift Grid (RH) (See Separate Breakdown in This Section) | |

SECTION 2 - WHEEL LIFT

FIGURE 2-45. WHEEL LIFT ARM INSTALLATION (AUTO GRIDS)



ART_248400008

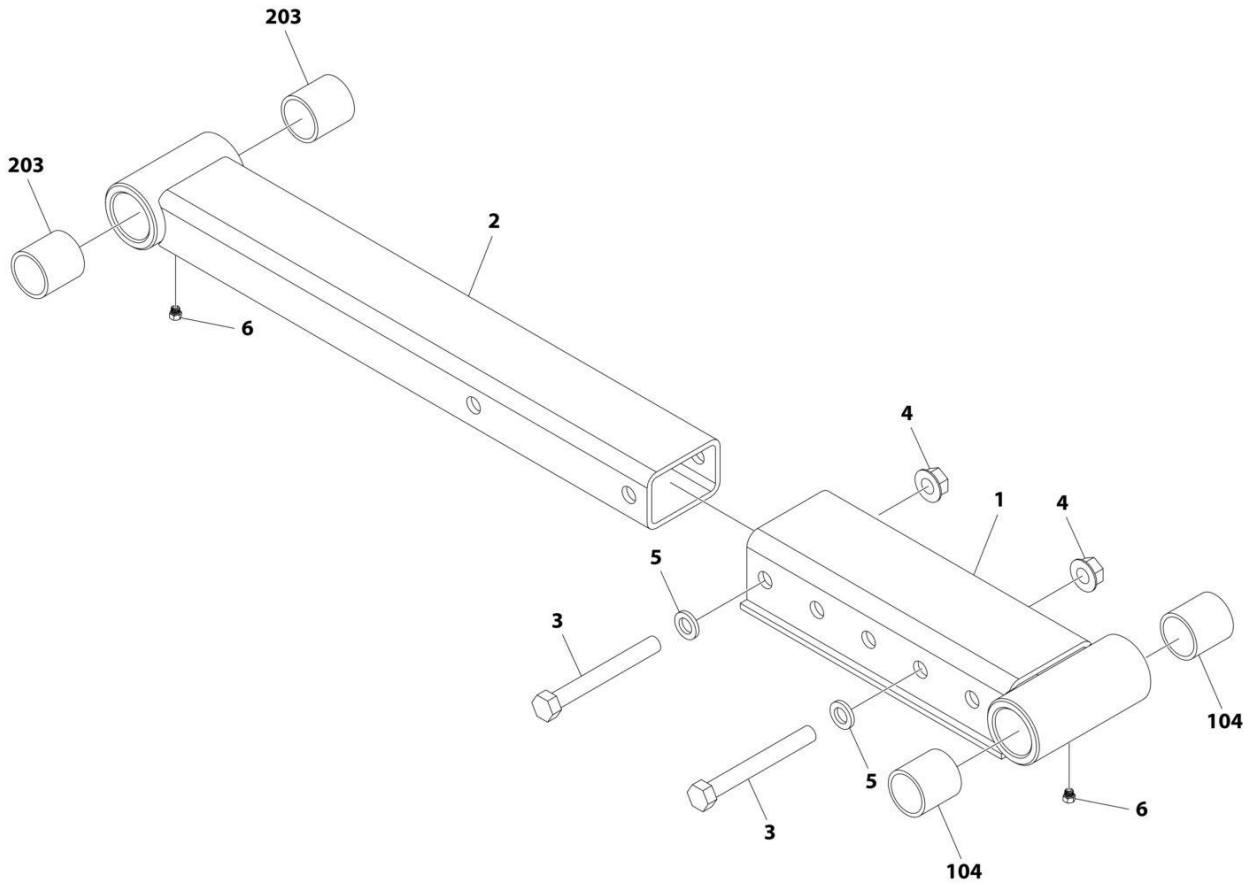
SECTION 2 - WHEEL LIFT

FIGURE 2-45. WHEEL LIFT ARM INSTALLATION (AUTO GRIDS)

| ITEM | PART NUMBER | QTY | DESCRIPTION | REV |
|------|-------------|-----|----------------------------------|-----|
| | 2484000008 | Ref | GRID ARM INSTALLATION - AUTOGRID | C |
| 1 | 3020000112 | 2 | Arm Weldment | |
| 2 | 3691000222 | 2 | Pin | |
| 3 | 0741504 | 2 | Screw 5/16 x 1/2 | |
| 4 | 4691000527 | 2 | Pin | |
| 5 | 7690144005 | 2 | Pin | |
| 6 | 7690141600 | 2 | Pin | |
| 7 | 7719000005 | 2 | Pulley | |
| 8 | 4831000112 | 4 | Spacer | |
| 9 | 7843000043 | 2 | Spring | |
| 10 | 7248000115 | 2 | Cable | |
| 11 | 3760133 | 2 | Retainer | |
| 12 | 7754000087 | 4 | Retainer | |
| 13 | 7690021210 | 2 | Pin | |
| 14 | 4949000072 | 4 | Washer | |
| 15 | 8411080091 | 2 | L-Arm Spacer | |

SECTION 2 - WHEEL LIFT

FIGURE 2-46. WHEEL LIFT LINK INSTALLATION (AUTO GRIDS)



ART_1001158510

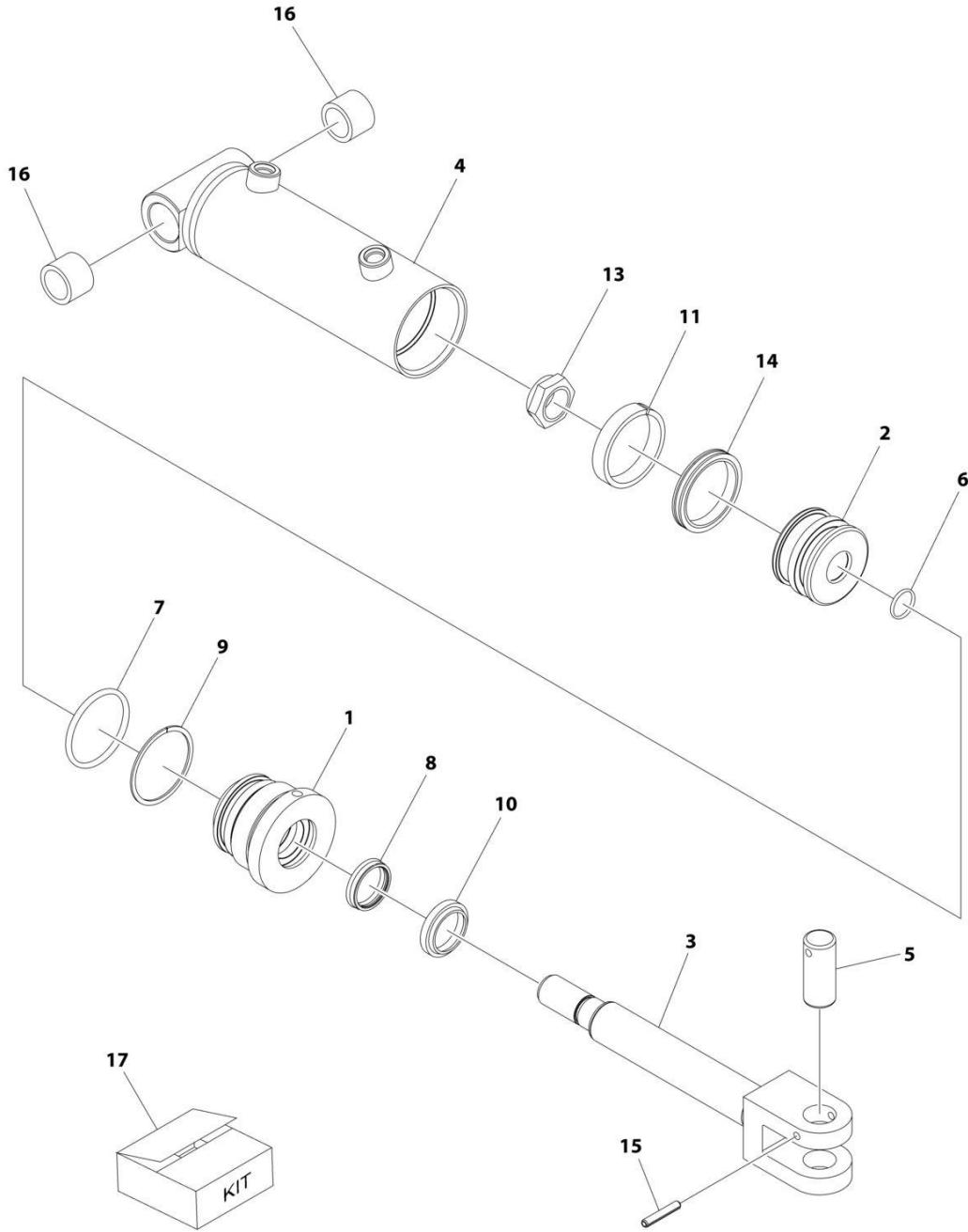
SECTION 2 - WHEEL LIFT

FIGURE 2-46. WHEEL LIFT LINK INSTALLATION (AUTO GRIDS)

| ITEM | PART NUMBER | QTY | DESCRIPTION | REV |
|------|-------------|-----|--------------------------|-----|
| | 1001158510 | Ref | LINK ASSEMBLY (AUTOGRID) | B |
| 1 | 3592000059 | 1 | Lower Link Weldment | |
| 2 | 1001158512 | 1 | Upper Link Weldment | |
| 3 | 0641834 | 2 | Bolt 1/2 x 4-1/4 | |
| 4 | 7660182301 | 2 | Nut 1/2 | |
| 5 | 4761800 | 2 | Washer 1/2 | |
| 6 | 1001204776 | 2 | Fitting, Pipe | |
| 104 | 7082000016 | 2 | Bearing | |
| 203 | 7082000016 | 2 | Bearing | |

SECTION 2 - WHEEL LIFT

FIGURE 2-47. CYLINDER ASSEMBLY - WHEEL LIFT GRID (Prior to SN 0220026844)



ART_732000064

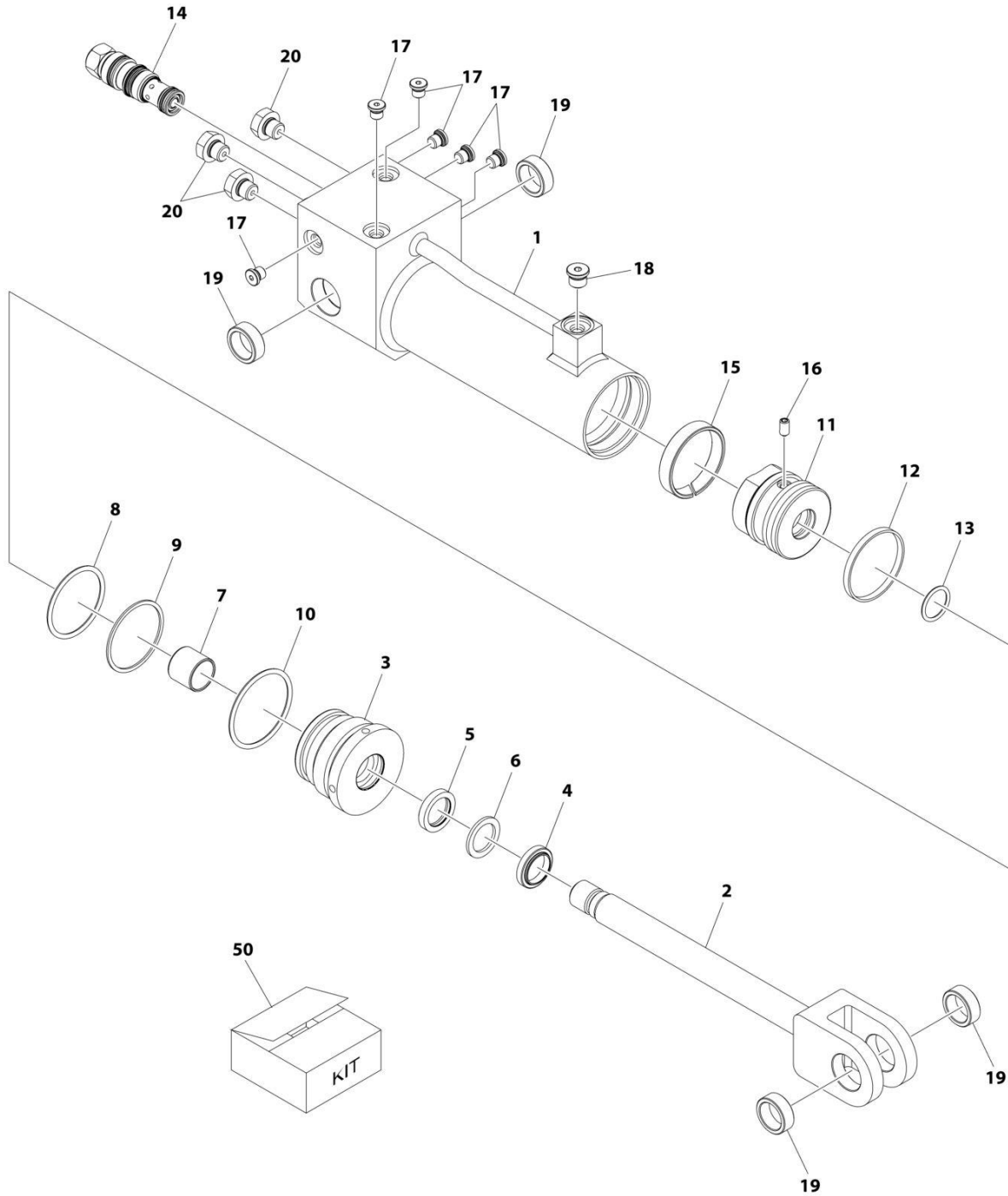
SECTION 2 - WHEEL LIFT

FIGURE 2-47. CYLINDER ASSEMBLY - WHEEL LIFT GRID (Prior to SN 0220026844)

| ITEM | PART NUMBER | QTY | DESCRIPTION | REV |
|------|-------------|-----|--------------------------------|-----|
| | 7320000064 | Ref | CYLINDER ASSEMBLY | B |
| 1 | 7027336 | 1 | Gland | |
| 2 | 7027338 | 1 | Piston | |
| 3 | 70050632 | 1 | Rod Assembly | |
| 4 | 70050633 | 1 | Barrel Assembly | |
| 5 | 70050634 | 1 | Retention Pin | |
| 6 | 70050635 | 1 | O-Ring | |
| 7 | 70050636 | 1 | O-Ring | |
| 8 | 70050637 | 1 | Rod Seal | |
| 9 | 70050638 | 1 | Backup Ring | |
| 10 | 70050639 | 1 | Rod Wiper | |
| 11 | 70050640 | 1 | Wear Ring | |
| 12 | 70050641 | 2 | Plug | |
| 13 | 70050642 | 1 | Nut 3/4 | |
| 14 | 70050643 | 1 | Piston Seal | |
| 15 | 70050644 | 1 | Roll Pin | |
| 16 | 7082000026 | 2 | Bearing | |
| 17 | 7027341 | 1 | Seal Kit (includes items 6-11) | |

SECTION 2 - WHEEL LIFT

FIGURE 2-48. CYLINDER ASSEMBLY - WHEEL LIFT GRID EXTEND/RETRACT (LH) (WITH AUTO GRIDS) (SN 0220026844 to Present)



ART_1001285818

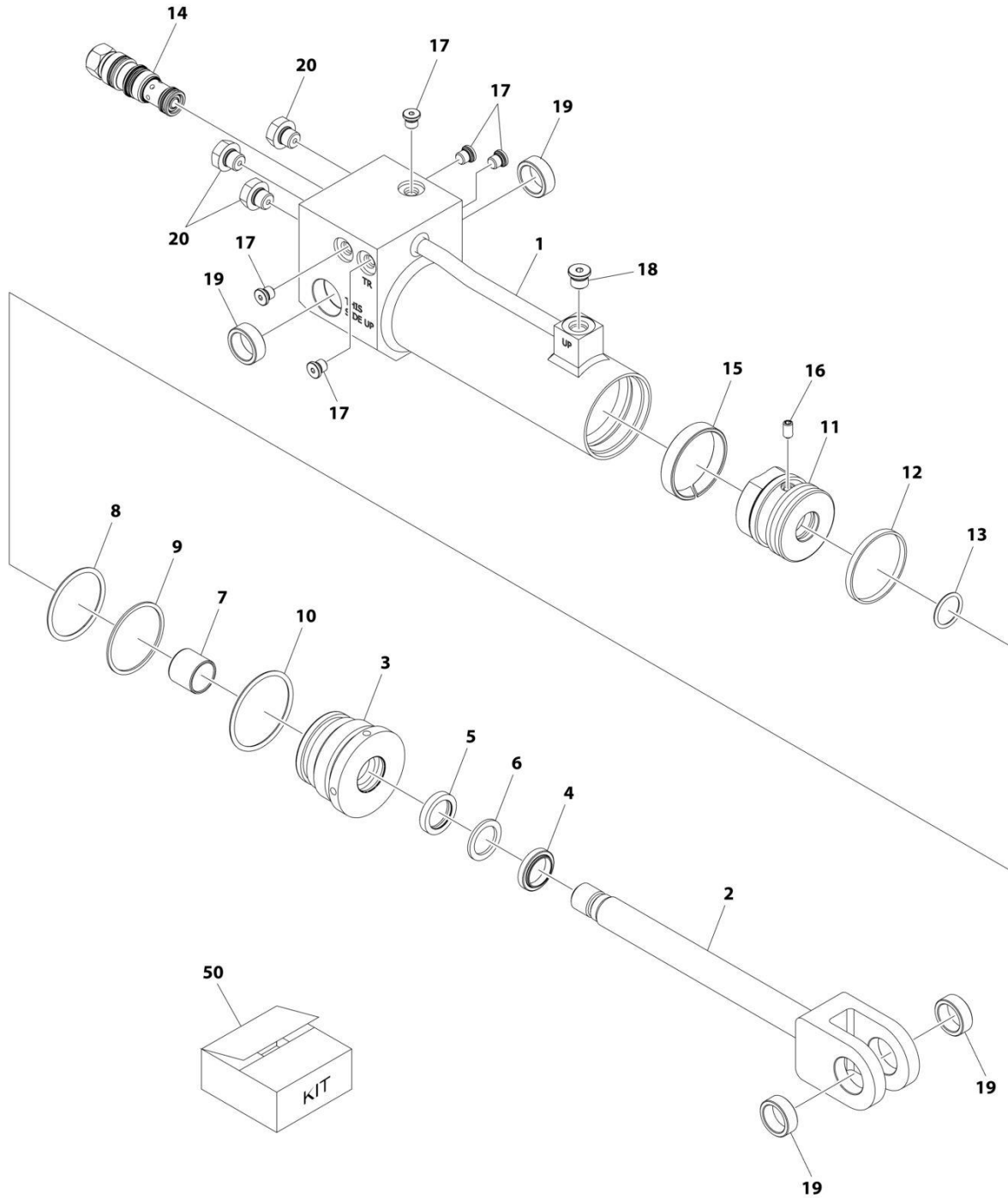
SECTION 2 - WHEEL LIFT

FIGURE 2-48. CYLINDER ASSEMBLY - WHEEL LIFT GRID EXTEND/RETRACT (LH) (WITH AUTO GRIDS) (SN 0220026844 to Present)

| ITEM | PART NUMBER | QTY | DESCRIPTION | REV |
|------|-------------|-----|---|-----|
| | 1001285818 | Ref | CYLINDER ASSEMBLY | A |
| | | Ref | Note: Original Cylinder May Have Been Replaced with Service Replacement. Identify PN Stamped on Cylinder Before Ordering Parts. | |
| 1 | See Note | NSS | Barrel (Note: Use PN 1001285818) | |
| 2 | 70070023 | 1 | Rod | |
| 3 | 70070024 | 1 | Head | |
| 4 | See Note | NSS | Wiper (Note: Use Item 50) | |
| 5 | See Note | NSS | Seal, Rod (Note: Use Item 50) | |
| 6 | See Note | NSS | Ring, Back-Up (Note: Use Item 50) | |
| 7 | 70070025 | 1 | Bearing | |
| 8 | See Note | NSS | O-Ring (Note: Use Item 50) | |
| 9 | See Note | NSS | Ring, Back-Up (Note: Use Item 50) | |
| 10 | See Note | NSS | O-Ring (Note: Use Item 50) | |
| 11 | 70070026 | 1 | Piston | |
| 12 | See Note | NSS | Seal, Piston (Note: Use Item 50) | |
| 13 | See Note | NSS | O-Ring (Note: Use Item 50) | |
| 14 | 1001214653 | 1 | Cartridge, Valve-Counterbalance | |
| 15 | See Note | NSS | Ring, Wear (Note: Use Item 50) | |
| 16 | 70005866 | 1 | Set Screw M6 x 12 | |
| 17 | 2220881 | 6 | Plug 5/16 | |
| 18 | 2220883 | 1 | Plug 7/16 | |
| 19 | 1001272015 | 4 | Bearing | |
| 20 | | Ref | Plug 7/16 | |
| 50 | 70070027 | 1 | Seal Kit - 1001285818 Cylinder (Includes Items 4-6, 8-10, 12, 13 & 15) | |

SECTION 2 - WHEEL LIFT

FIGURE 2-49. CYLINDER ASSEMBLY - WHEEL LIFT GRID EXTEND/RETRACT (RH) (WITH AUTO GRIDS) (SN 0220026844 to Present)



ART_1001285819

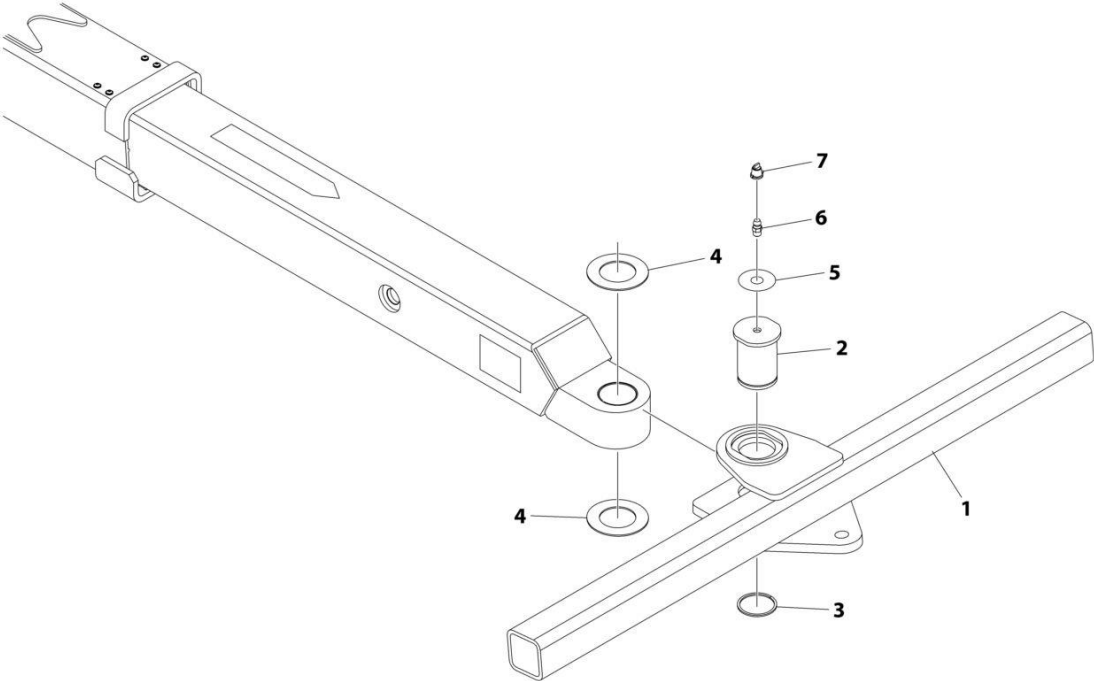
SECTION 2 - WHEEL LIFT

FIGURE 2-49. CYLINDER ASSEMBLY - WHEEL LIFT GRID EXTEND/RETRACT (RH) (WITH AUTO GRIDS) (SN 0220026844 to Present)

| ITEM | PART NUMBER | QTY | DESCRIPTION | REV |
|------|-------------|-----|---|-----|
| | 1001285819 | Ref | CYLINDER ASSEMBLY | A |
| | | Ref | Note: Original Cylinder May Have Been Replaced with Service Replacement. Identify PN Stamped on Cylinder Before Ordering Parts. | |
| 1 | See Note | NSS | Barrel (Note: Use PN 1001285819) | |
| 2 | 70070023 | 1 | Rod | |
| 3 | 70070024 | 1 | Head | |
| 4 | See Note | NSS | Wiper (Note: Use Item 50) | |
| 5 | See Note | NSS | Seal, Rod (Note: Use Item 50) | |
| 6 | See Note | NSS | Ring, Back-Up (Note: Use Item 50) | |
| 7 | 70070025 | 1 | Bearing | |
| 8 | See Note | NSS | O-Ring (Note: Use Item 50) | |
| 9 | See Note | NSS | Ring, Back-Up (Note: Use Item 50) | |
| 10 | See Note | NSS | O-Ring (Note: Use Item 50) | |
| 11 | 70070026 | 1 | Piston | |
| 12 | See Note | NSS | Seal, Piston (Note: Use Item 50) | |
| 13 | See Note | NSS | O-Ring (Note: Use Item 50) | |
| 14 | 1001214653 | 1 | Cartridge, Valve-Counterbalance | |
| 15 | See Note | NSS | Ring, Wear (Note: Use Item 50) | |
| 16 | 70005866 | 1 | Set Screw M6 x 12 | |
| 17 | 2220881 | 5 | Plug 5/16 | |
| 18 | 2220883 | 1 | Plug 7/16 | |
| 19 | 1001272015 | 4 | Bearing | |
| 20 | | Ref | Plug 7/16 | |
| 50 | 70070027 | 1 | Seal Kit - 1001285819 Cylinder (Includes Items 4-6, 8-10, 12, 13 & 15) | |

SECTION 2 - WHEEL LIFT

FIGURE 2-50. PIVOT TUBE INSTALLATION (BALL HITCH)



ART_1001158674

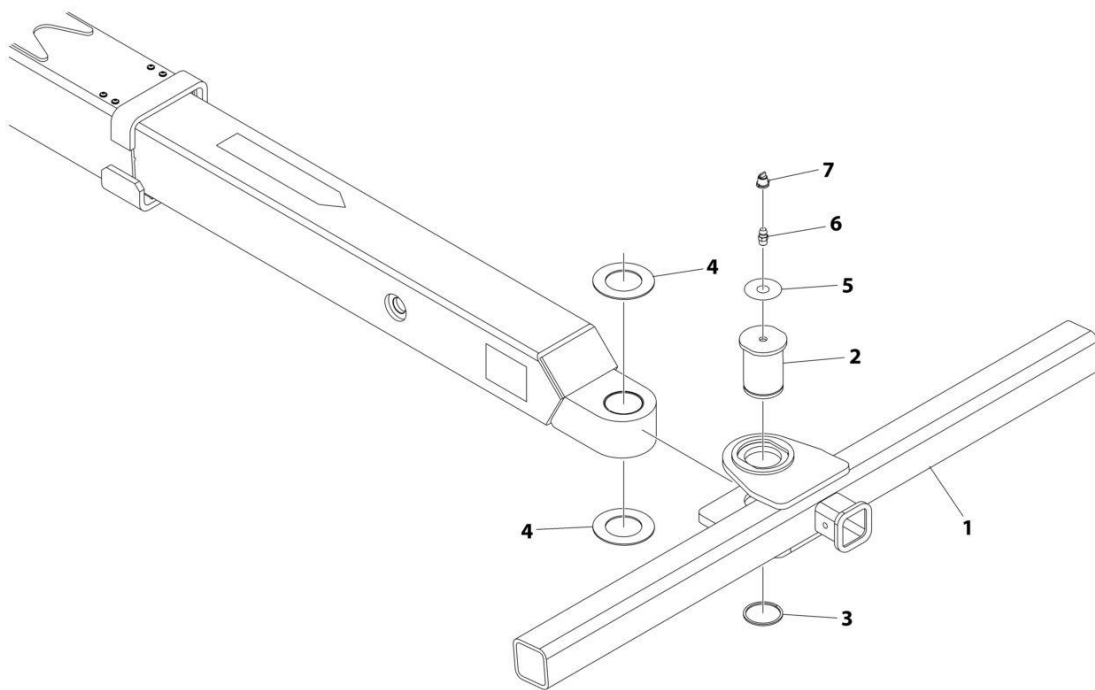
SECTION 2 - WHEEL LIFT

FIGURE 2-50. PIVOT TUBE INSTALLATION (BALL HITCH)

| ITEM | PART NUMBER | QTY | DESCRIPTION | REV |
|------|-------------|-----|----------------------------------|-----|
| | 1001158674 | Ref | PIVOT TUBE INSTALLATION 4000 LBS | A |
| 1 | 3913000097 | 1 | Tube | |
| 2 | 4691000103 | 1 | Pin | |
| 3 | 7754000024 | 1 | Ring | |
| 4 | 4949000047 | 2 | Washer | |
| 5 | 7330000609 | 1 | Decal - Grease Required | |
| 6 | 7440030000 | 1 | Fitting | |
| 7 | 7253000002 | 1 | Fitting, Cap | |
| 8 | 3020039 | AR | Lubricant (Not Shown) | |
| 9 | 3020029 | AR | Lube Bearing Grease (Not Shown) | |

SECTION 2 - WHEEL LIFT

FIGURE 2-51. PIVOT TUBE INSTALLATION (2 IN TOW HITCH RECEIVER)



ART_1001158677

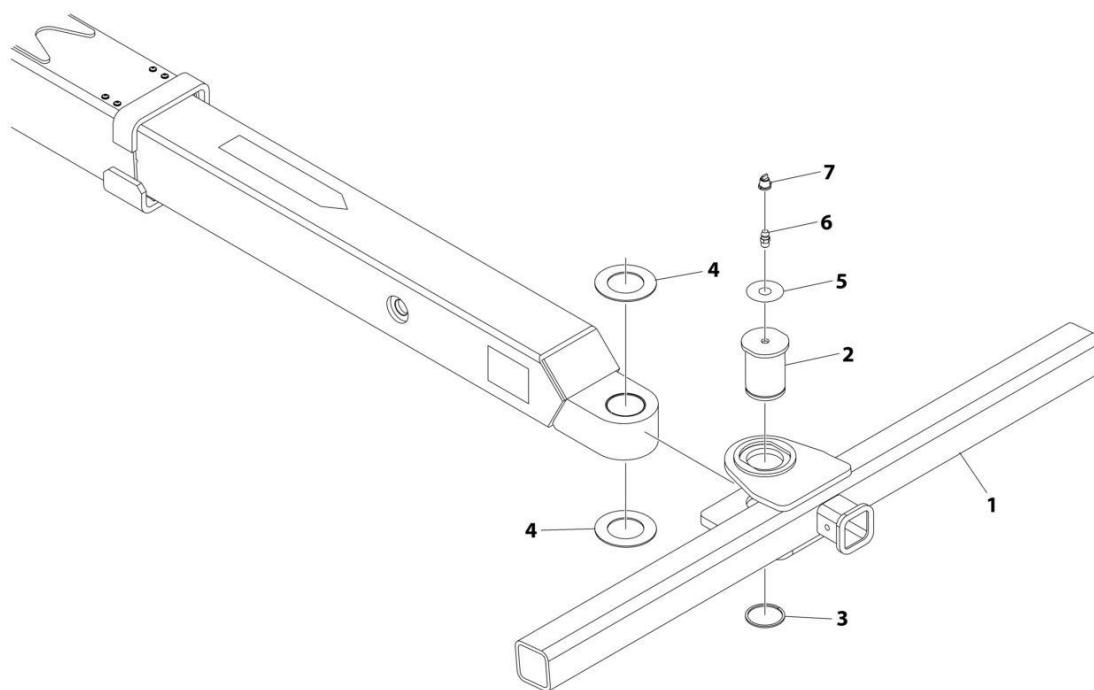
SECTION 2 - WHEEL LIFT

FIGURE 2-51. PIVOT TUBE INSTALLATION (2 IN TOW HITCH RECEIVER)

| ITEM | PART NUMBER | QTY | DESCRIPTION | REV |
|------|-------------|-----|---|-----|
| | 1001158677 | Ref | PIVOT TUBE INSTALLATION (4000 LBS) (2 IN TOW HITCH) | B |
| 1 | 3913000100 | 1 | Tube | |
| 2 | 4691000103 | 1 | Pin | |
| 3 | 7754000024 | 1 | Ring | |
| 4 | 4949000047 | 2 | Washer | |
| 5 | 7330000609 | 1 | Decal - Grease Required | |
| 6 | 7440030000 | 1 | Fitting | |
| 7 | 7253000002 | 1 | Fitting, Cap | |
| 8 | 3020039 | AR | Lubricant (Not Shown) | |
| 9 | 3020029 | AR | Lube Bearing Grease (Not Shown) | |

SECTION 2 - WHEEL LIFT

FIGURE 2-52. PIVOT TUBE INSTALLATION (2.5 IN TOW HITCH RECEIVER)



ART_1001158678

SECTION 2 - WHEEL LIFT

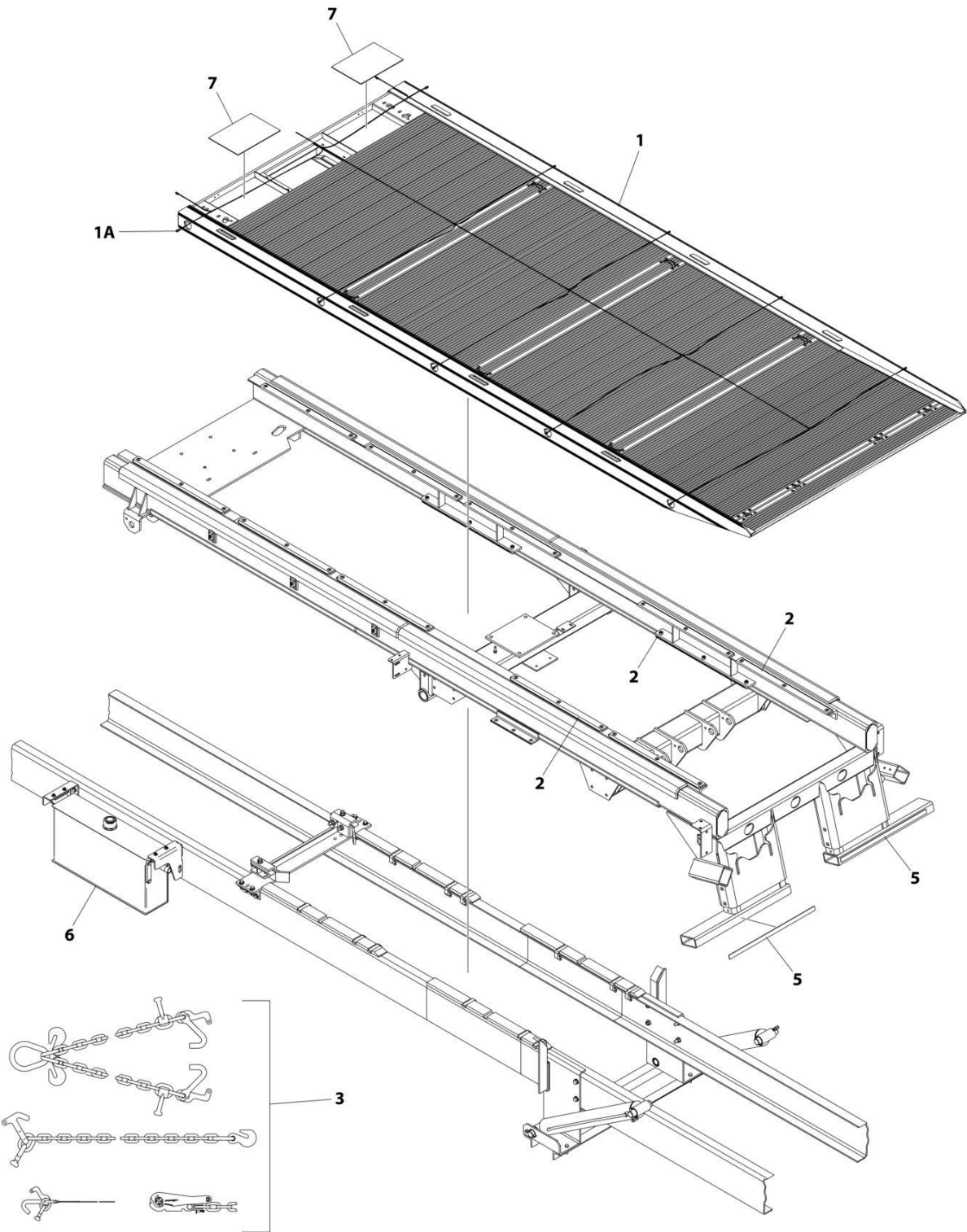
FIGURE 2-52. PIVOT TUBE INSTALLATION (2.5 IN TOW HITCH RECEIVER)

| ITEM | PART NUMBER | QTY | DESCRIPTION | REV |
|------|-------------|-----|--|-----|
| | 1001158678 | Ref | PIVOT TUBE INSTALLATION (2.5 IN TOW HITCH) | A |
| 1 | 3913000101 | 1 | Tube | |
| 2 | 4691000103 | 1 | Pin | |
| 3 | 7754000024 | 1 | Ring | |
| 4 | 4949000047 | 2 | Washer | |
| 5 | 7330000609 | 1 | Decal - Grease Required | |
| 6 | 7440030000 | 1 | Fitting | |
| 7 | 7253000002 | 1 | Fitting, cap | |
| 8 | 3020039 | AR | Lubricant (Not Shown) | |
| 9 | 3020029 | AR | Lube Bearing Grease (Not Shown) | |

SECTION 3 - DECK

SECTION 3 - DECK

FIGURE 3-1. DECK MODEL - ALUMINUM 19N X 96IN FIXED RAIL



ART_1001274792

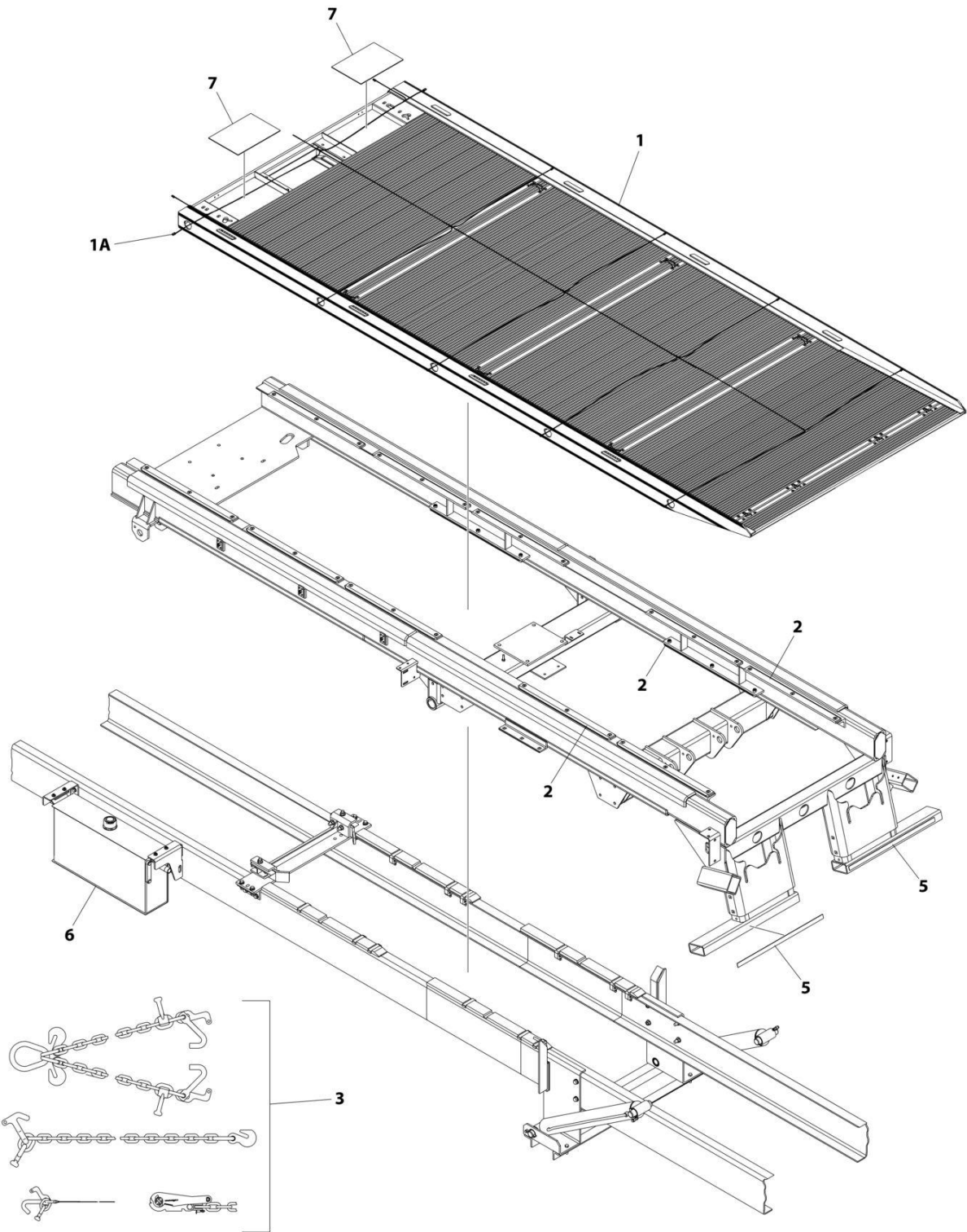
SECTION 3 - DECK

FIGURE 3-1. DECK MODEL - ALUMINUM 19N X 96IN FIXED RAIL

| ITEM | PART NUMBER | QTY | DESCRIPTION | REV |
|------|-------------|-----|---|-----|
| | 1001274792 | Ref | DECK INSTALLATION - 19FT X 96IN ALUMINIUM FIXED RAIL (NGAF6T-XLP) | A |
| 1 | 3097000655 | 1 | Deck Installation, 19ft (Aluminium) | |
| 1A | 7552000212 | 1 | Harness | |
| 2 | 2679000010 | 1 | Main Subframe Pad Installation (See Separate Breakdown in SUBFRAME Section) | |
| 3 | 7577000208 | 1 | Chain/Tie-Down Kit | |
| 4 | 2330000038 | 1 | Standard Duty Decals Installation (Not Shown - See Separate Breakdown in DECAL Section) | |
| 5 | 2330000055 | Ref | Conspicuity Decal Installation | |
| 5 | 7330000428 | 2 | Decal - Red/White Reflective | |
| 6 | 2750000008 | 1 | Hydraulic Reservoir and Bracket Mount (See Separate Breakdown in HYDRAULIC Section) | |
| 7 | 7679000017 | 2 | Chain Tray Mat | |

SECTION 3 - DECK

FIGURE 3-2. DECK MODEL - ALUMINUM 19IN X 96IN FIXED RAIL DUAL ANGLE



ART_1001274790

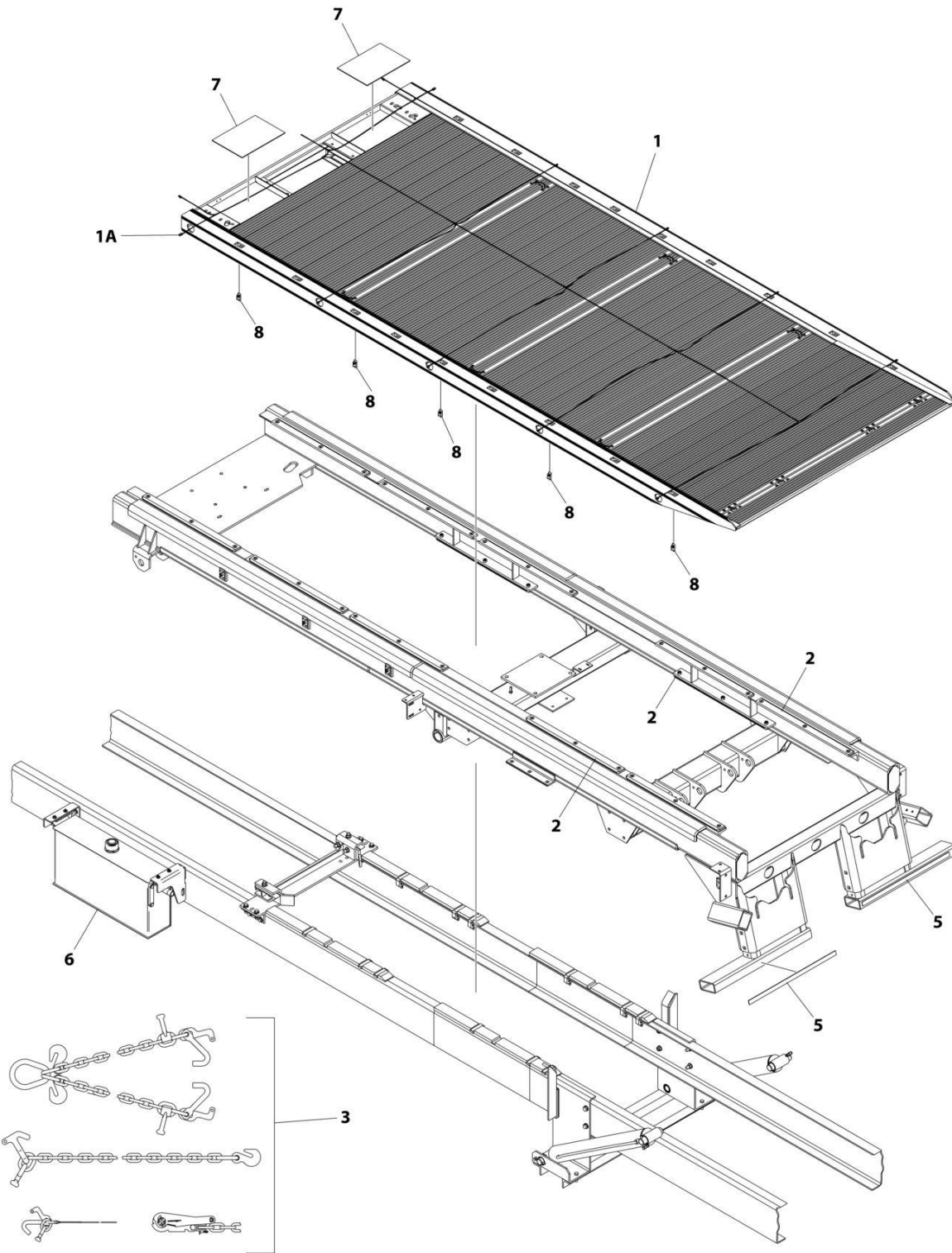
SECTION 3 - DECK

FIGURE 3-2. DECK MODEL - ALUMINUM 19IN X 96IN FIXED RAIL DUAL ANGLE

| ITEM | PART NUMBER | QTY | DESCRIPTION | REV |
|------|-------------|-----|--|-----|
| | 1001274790 | Ref | DECK INSTALLATION - 19FT X 96IN ALUMINIUM DUAL ANGLE FIXED RAIL (NGADF6T-XLP) | A |
| 1 | 3097000661 | 1 | Deck Installation, 19ft (Aluminium) | |
| 1A | 7552000212 | 1 | Harness | |
| 2 | 2679000010 | 1 | Main Subframe Pad Installation (See Separate Breakdown in SUBFRAME Section) | |
| 3 | 7577000208 | 1 | Chain/Tie-Down Kit | |
| 4 | 2330000038 | 1 | Standard Duty Decals Installation (Not Shown - See Separate Breakdown in DECAL Section) | |
| 5 | 2330000055 | Ref | Conspicuity Decal Installation | |
| 5 | 7330000428 | 2 | Decal - Red/White Reflective | |
| 6 | 2750000008 | 1 | Hydraulic Reservoir and Bracket Mount (See Separate Breakdown in HYDRAULIC Section) | |
| 7 | 7679000017 | 2 | Chain Tray Mat | |

SECTION 3 - DECK

FIGURE 3-3. DECK MODEL - ALUMINUM 19IN X 96IN REMOVABLE RAIL



ART_1001274794

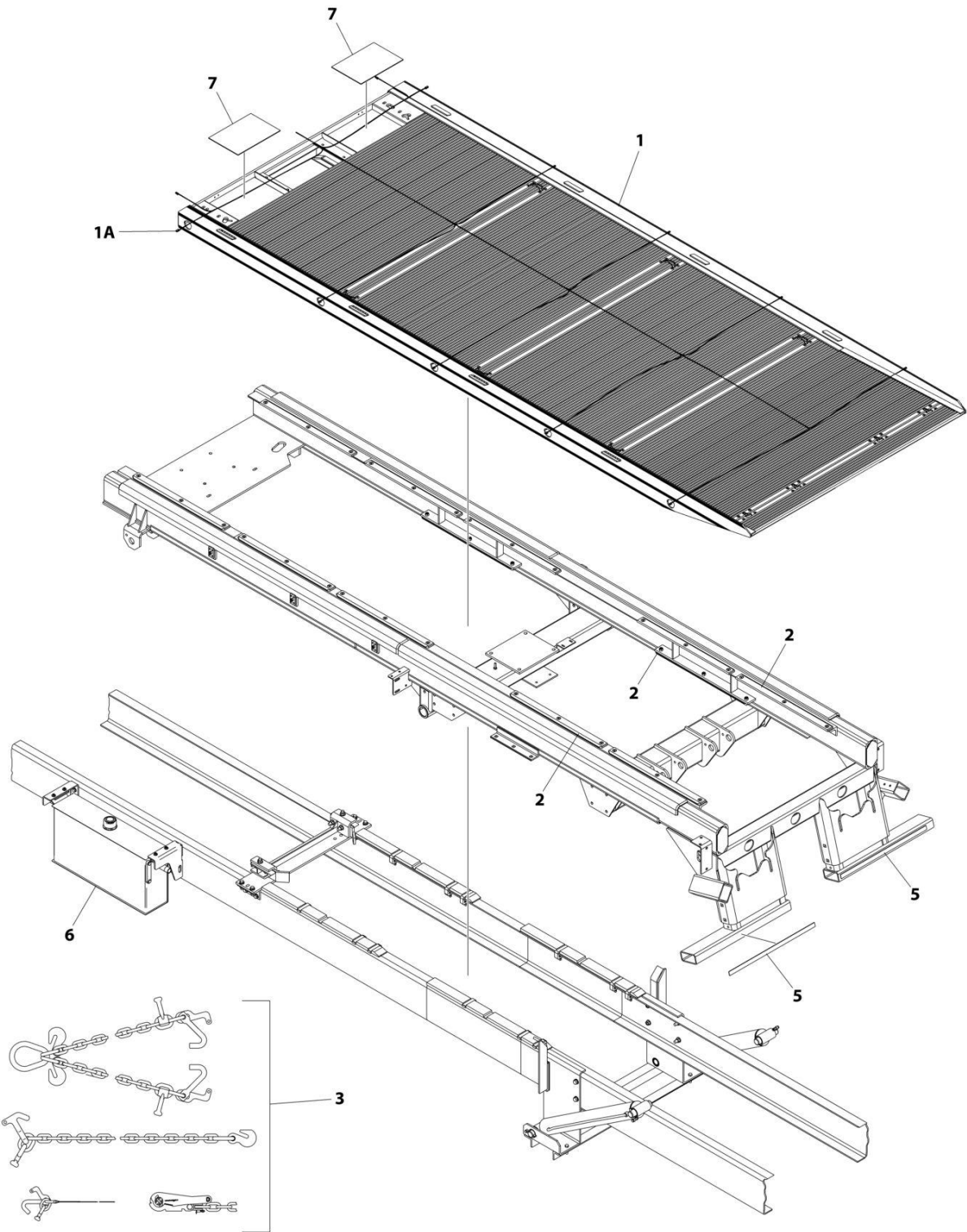
SECTION 3 - DECK

FIGURE 3-3. DECK MODEL - ALUMINUM 19IN X 96IN REMOVABLE RAIL

| ITEM | PART NUMBER | QTY | DESCRIPTION | REV |
|------|-------------|-----|---|-----|
| | 1001274794 | Ref | DECK INSTALLATION - 19FT X 96IN ALUMINIUM REMOVABLE RAIL (NGAR6T-XLP) | A |
| 1 | 3097000653 | 1 | Deck Installation, 19ft (Aluminium) | |
| 1A | 7552000212 | 1 | Harness | |
| 2 | 2679000010 | 1 | Main Subframe Pad Installation (See Separate Breakdown in SUBFRAME Section) | |
| 3 | 7577000208 | 1 | Chain/Tie-Down Kit | |
| 4 | 2330000038 | 1 | Standard Duty Decals Installation (Not Shown - See Separate Breakdown in DECAL Section) | |
| 5 | 2330000055 | Ref | Conspicuity Decal Installation | |
| 5 | 7330000428 | 2 | Decal - Red/White Reflective | |
| 6 | 2750000008 | 1 | Hydraulic Reservoir and Bracket Mount (See Separate Breakdown in HYDRAULIC Section) | |
| 7 | 7679000017 | 2 | Chain Tray Mat | |
| 8 | 7661000055 | 10 | Nut 1/2 | |

SECTION 3 - DECK

FIGURE 3-4. DECK MODEL - ALUMINUM 19N X 102IN FIXED RAIL



ART_1001274793

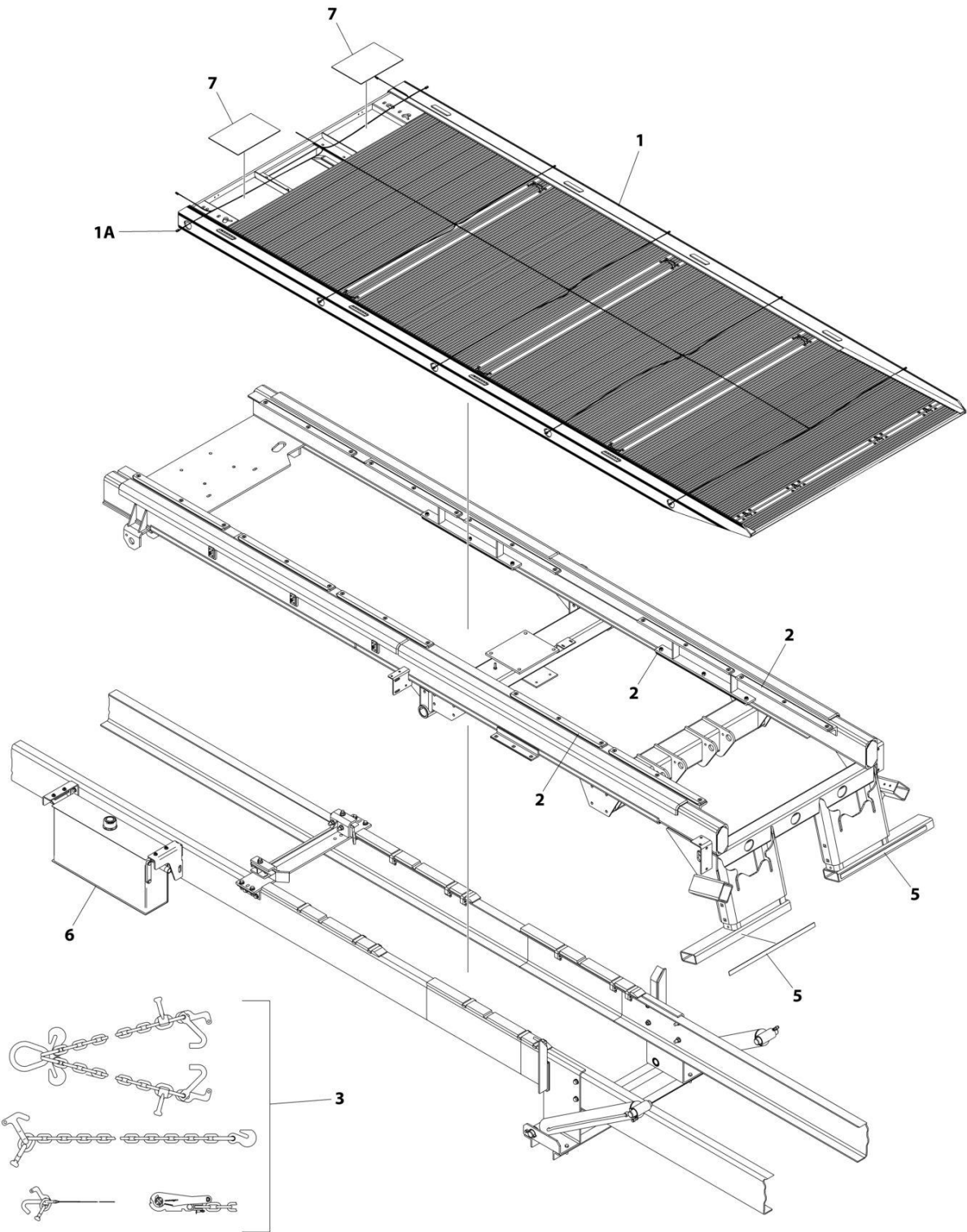
SECTION 3 - DECK

FIGURE 3-4. DECK MODEL - ALUMINUM 19N X 102IN FIXED RAIL

| ITEM | PART NUMBER | QTY | DESCRIPTION | REV |
|------|-------------|-----|---|-----|
| | 1001274793 | Ref | DECK INSTALLATION - 19FT X 102IN ALUMINIUM FIXED RAIL (NGAF6T-XLP) | A |
| 1 | 3097000656 | 1 | Deck Installation, 19ft (Aluminium) | |
| 1A | 7552000212 | 1 | Harness | |
| 2 | 2679000010 | 1 | Main Subframe Pad Installation (See Separate Breakdown in SUBFRAME Section) | |
| 3 | 7577000208 | 1 | Chain/Tie-Down Kit | |
| 4 | 2330000038 | 1 | Standard Duty Decals Installation (Not Shown - See Separate Breakdown in DECAL Section) | |
| 5 | 2330000055 | Ref | Conspicuity Decal Installation | |
| 5 | 7330000428 | 2 | Decal - Red/White Reflective | |
| 6 | 2750000008 | 1 | Hydraulic Reservoir and Bracket Mount (See Separate Breakdown in HYDRAULIC Section) | |
| 7 | 7679000017 | 2 | Chain Tray Mat | |

SECTION 3 - DECK

FIGURE 3-5. DECK MODEL - ALUMINUM 19IN X 102IN FIXED RAIL DUAL ANGLE



ART_1001274791

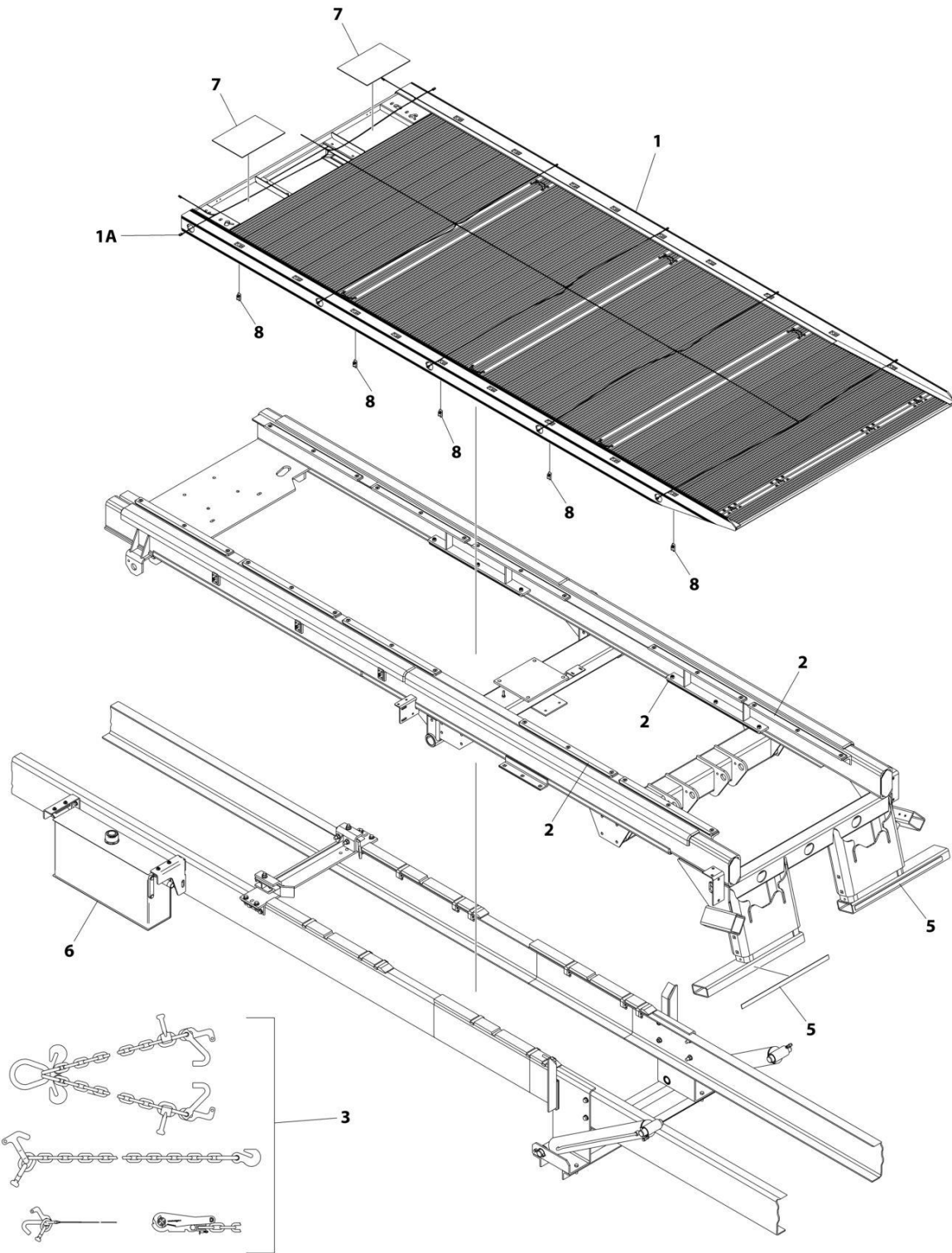
SECTION 3 - DECK

FIGURE 3-5. DECK MODEL - ALUMINUM 19IN X 102IN FIXED RAIL DUAL ANGLE

| ITEM | PART NUMBER | QTY | DESCRIPTION | REV |
|------|-------------|-----|--|-----|
| | 1001274791 | Ref | DECK INSTALLATION - 19FT X 102IN ALUMINIUM DUAL ANGLE FIXED RAIL (NGADF6T-XLP) | A |
| 1 | 3097000662 | 1 | Deck Installation, 19ft (Aluminium) | |
| 1A | 7552000212 | 1 | Harness | |
| 2 | 2679000010 | 1 | Main Subframe Pad Installation (See Separate Breakdown in SUBFRAME Section) | |
| 3 | 7577000208 | 1 | Chain/Tie-Down Kit | |
| 4 | 2330000038 | 1 | Standard Duty Decals Installation (Not Shown - See Separate Breakdown in DECAL Section) | |
| 5 | 2330000055 | Ref | Conspicuity Decal Installation | |
| 5 | 7330000428 | 2 | Decal - Red/White Reflective | |
| 6 | 2750000008 | 1 | Hydraulic Reservoir and Bracket Mount (See Separate Breakdown in HYDRAULIC Section) | |
| 7 | 7679000017 | 2 | Chain Tray Mat | |

SECTION 3 - DECK

FIGURE 3-6. DECK MODEL - ALUMINUM 19IN X 102IN REMOVABLE RAIL



ART_1001274795

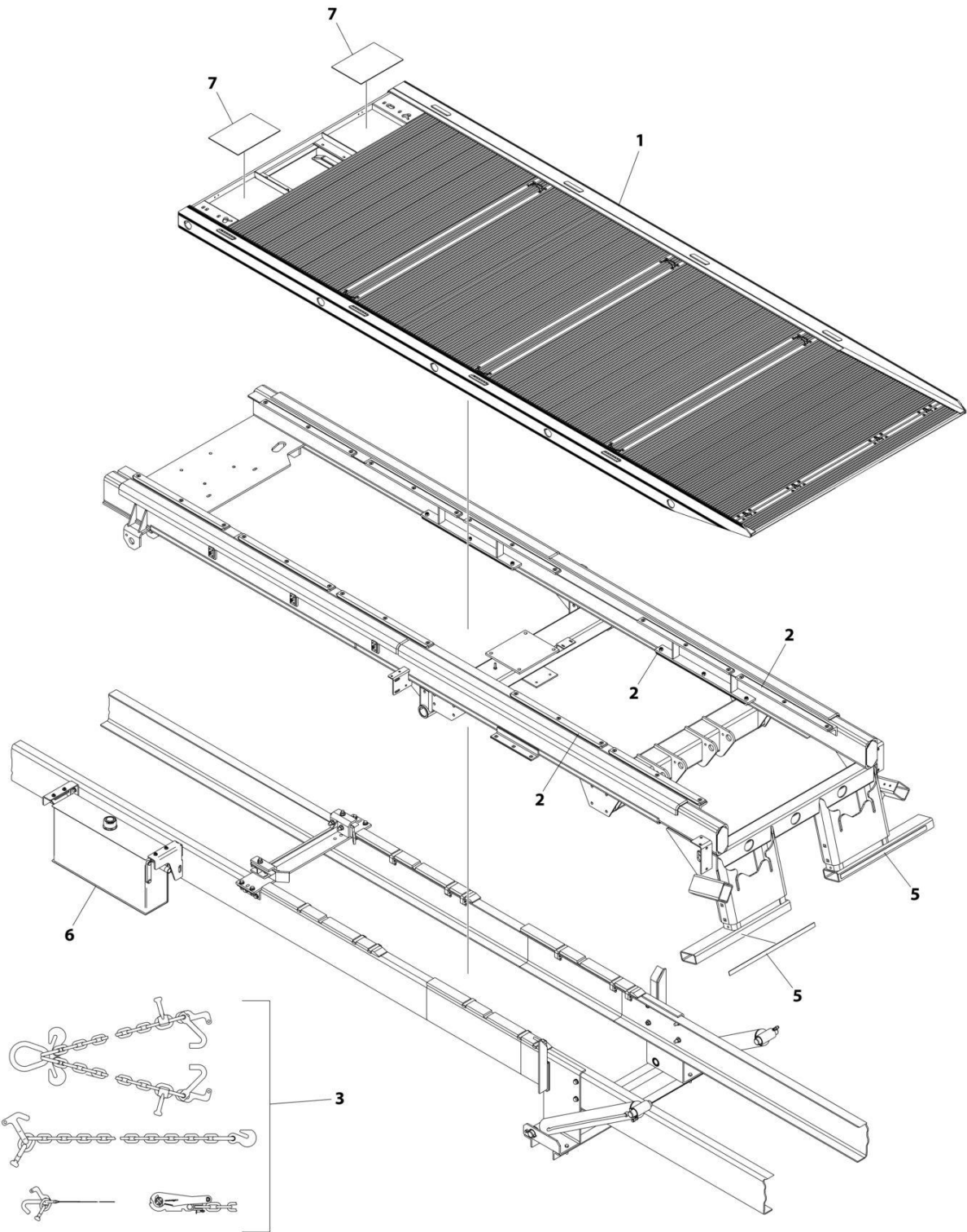
SECTION 3 - DECK

FIGURE 3-6. DECK MODEL - ALUMINUM 19IN X 102IN REMOVABLE RAIL

| ITEM | PART NUMBER | QTY | DESCRIPTION | REV |
|------|-------------|-----|---|-----|
| | 1001274795 | Ref | DECK INSTALLATION - 19FT X 102IN ALUMINIUM REMOVABLE RAIL (NGAR6T-XLP) | A |
| 1 | 3097000654 | 1 | Deck Installation, 19ft (Aluminium) | |
| 1A | 7552000212 | 1 | Harness | |
| 2 | 2679000010 | 1 | Main Subframe Pad Installation (See Separate Breakdown in SUBFRAME Section) | |
| 3 | 7577000208 | 1 | Chain/Tie-Down Kit | |
| 4 | 2330000038 | 1 | Standard Duty Decals Installation (Not Shown - See Separate Breakdown in DECAL Section) | |
| 5 | 2330000055 | Ref | Conspicuity Decal Installation | |
| 5 | 7330000428 | 2 | Decal - Red/White Reflective | |
| 6 | 2750000008 | 1 | Hydraulic Reservoir and Bracket Mount (See Separate Breakdown in HYDRAULIC Section) | |
| 7 | 7679000017 | 2 | Chain Tray Mat | |
| 8 | 7661000055 | 10 | Nut 1/2 | |

SECTION 3 - DECK

FIGURE 3-7. DECK MODEL - ALUMINUM 20IN X 96IN FIXED RAIL



ART_1001151772

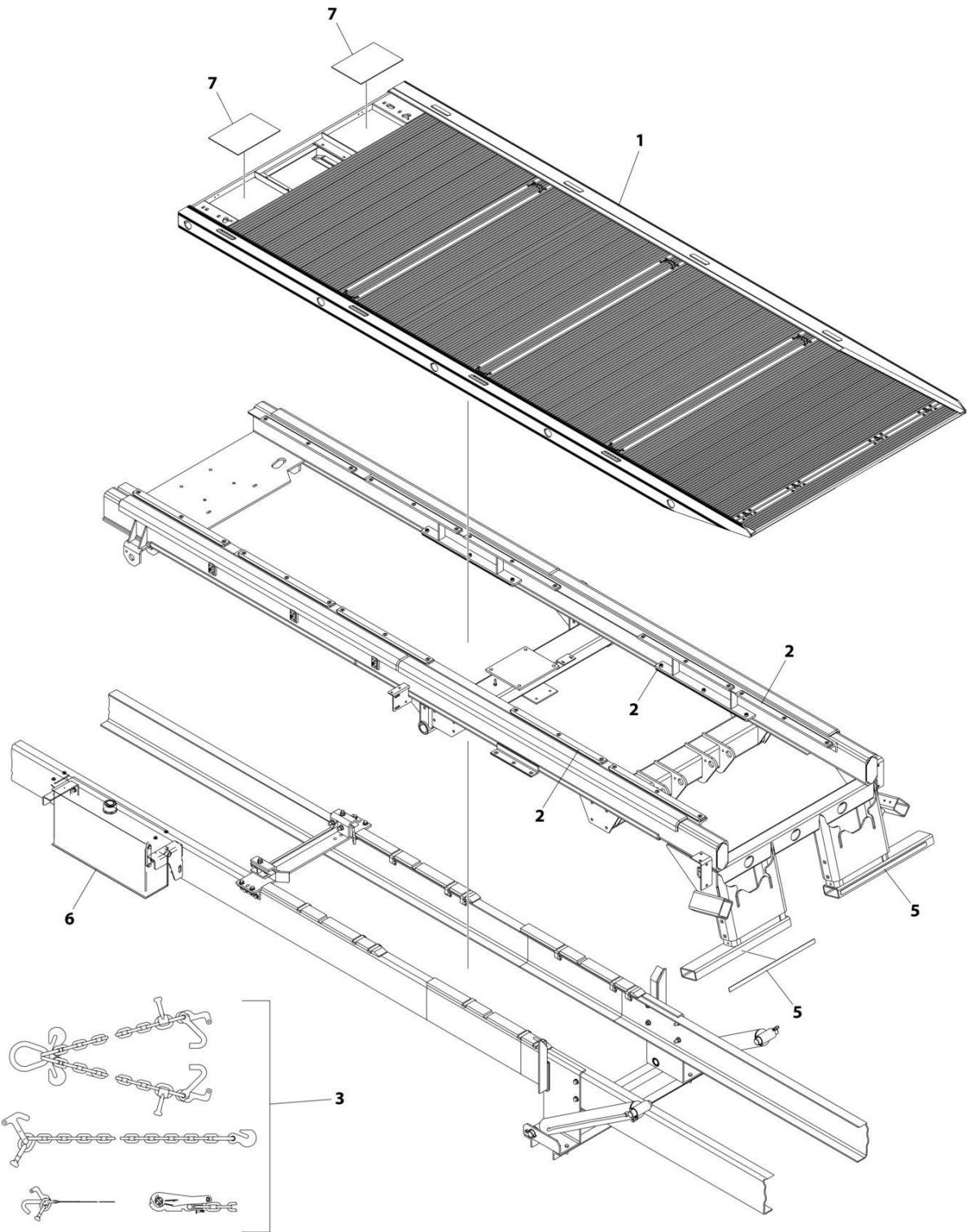
SECTION 3 - DECK

FIGURE 3-7. DECK MODEL - ALUMINUM 20IN X 96IN FIXED RAIL

| ITEM | PART NUMBER | QTY | DESCRIPTION | REV |
|------|-------------|-----|---|-----|
| | 1001151772 | Ref | DECK INSTALLATION - 20FTx96IN ALUMINIUM FIXED RAIL (NGAF6T-XLP) | B |
| 1 | 3097000665 | 1 | Deck Installation, 20ft (Aluminium) | |
| 2 | 2679000010 | 1 | Main Subframe Pad Installation (See Separate Breakdown in SUBFRAME Section) | |
| 3 | 7577000208 | 1 | Chain/Tie-Down Kit | |
| 4 | 2330000038 | 1 | Standard Duty Decals Installation (Not Shown - See Separate Breakdown in DECAL Section) | |
| 5 | 2330000055 | Ref | Conspicuity Decal Installation | |
| 5 | 7330000428 | 2 | Decal - Red/White Reflective | |
| 6 | 2750000008 | 1 | Hydraulic Reservoir and Bracket Mount (See Separate Breakdown in HYDRAULIC Section) | |
| 7 | 7679000017 | 2 | Chain Tray Mat | |

SECTION 3 - DECK

FIGURE 3-8. DECK MODEL - ALUMINUM 20IN X 96IN FIXED RAIL DUAL ANGLE



ART_1001151770

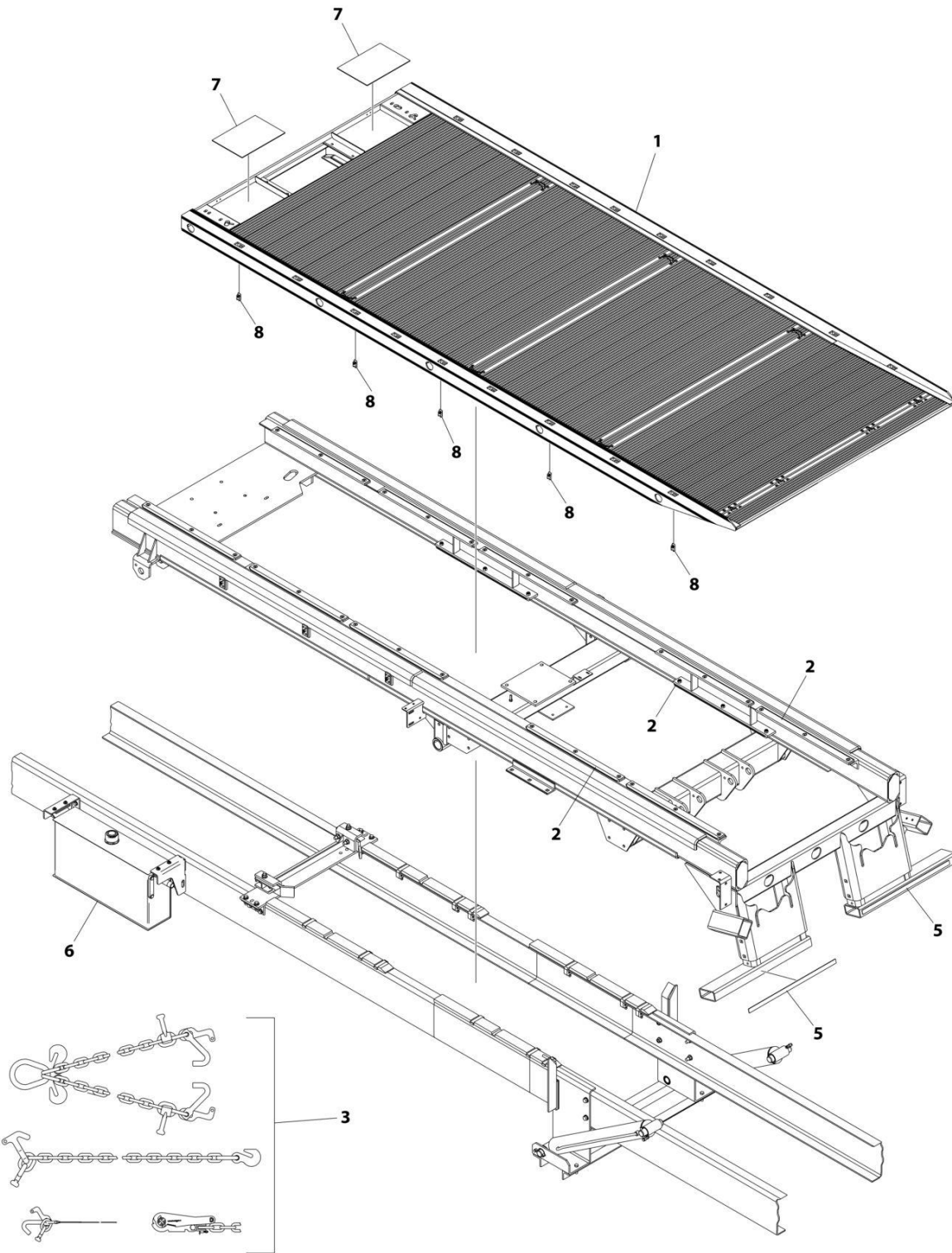
SECTION 3 - DECK

FIGURE 3-8. DECK MODEL - ALUMINUM 20IN X 96IN FIXED RAIL DUAL ANGLE

| ITEM | PART NUMBER | QTY | DESCRIPTION | REV |
|------|-------------|-----|--|-----|
| | 1001151770 | Ref | DECK INSTALLATION - 20FTx96IN ALUMINIUM DUAL ANGLE FIXED RAIL (NGADF6T-XLP) | B |
| 1 | 3097000671 | 1 | Deck Installation, 20ft (Aluminium) | |
| 2 | 2679000010 | 1 | Main Subframe Pad Installation (See Separate Breakdown in SUBFRAME Section) | |
| 3 | 7577000208 | 1 | Chain/Tie-Down Kit | |
| 4 | 2330000038 | 1 | Standard Duty Decals Installation (Not Shown - See Separate Breakdown in DECAL Section) | |
| 5 | 2330000055 | Ref | Conspicuity Decal Installation | |
| 5 | 7330000428 | 2 | Decal - Red/White Reflective | |
| 6 | 2750000008 | 1 | Hydraulic Reservoir and Bracket Mount (See Separate Breakdown in HYDRAULIC Section) | |
| 7 | 7679000017 | 2 | Chain Tray Mat | |

SECTION 3 - DECK

FIGURE 3-9. DECK MODEL - ALUMINUM 20IN X 96IN REMOVABLE RAIL



ART_1001151774

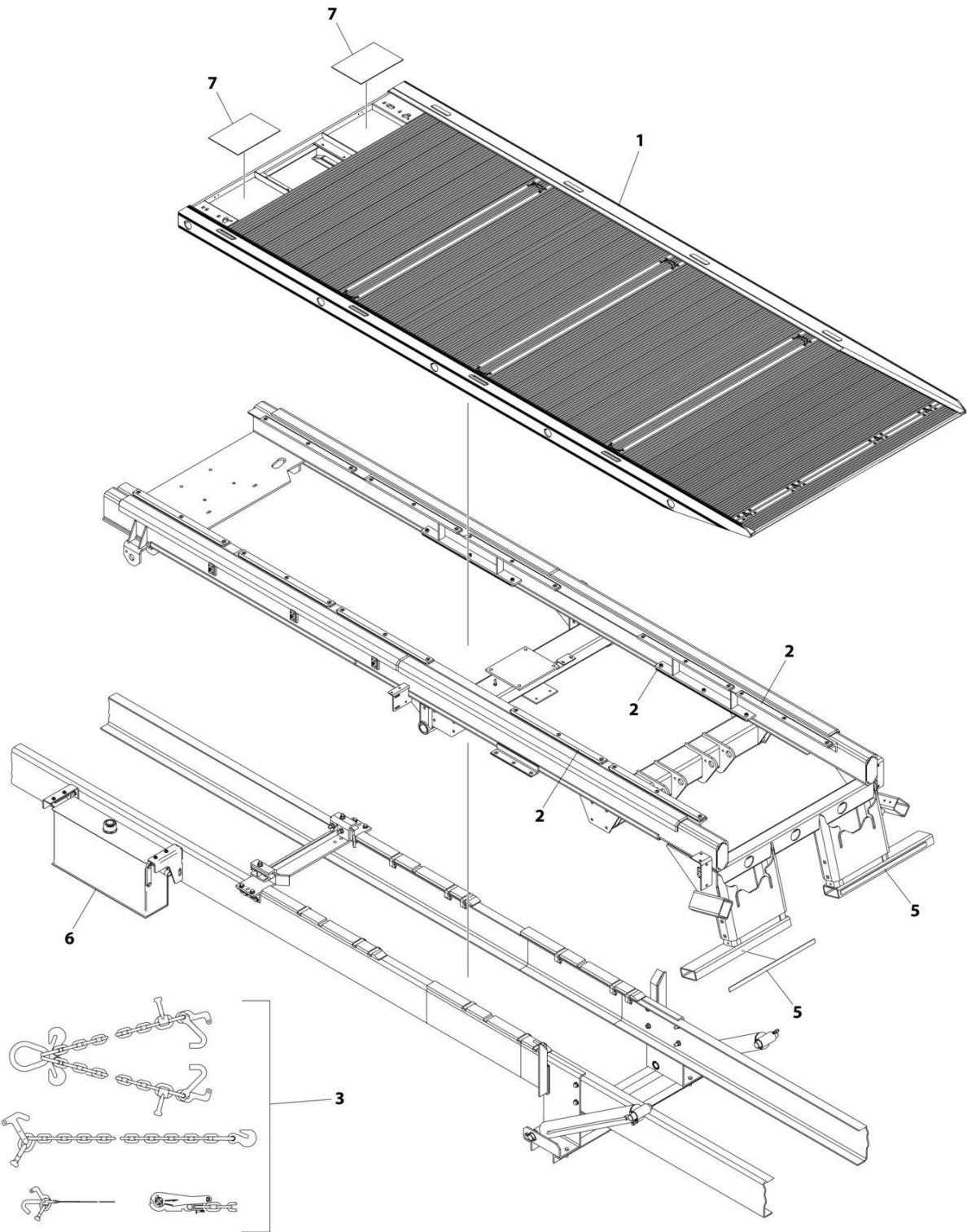
SECTION 3 - DECK

FIGURE 3-9. DECK MODEL - ALUMINUM 20IN X 96IN REMOVABLE RAIL

| ITEM | PART NUMBER | QTY | DESCRIPTION | REV |
|------|-------------|-----|---|-----|
| | 1001151774 | Ref | DECK INSTALLATION - 20FTx96IN ALUMINIUM REMOVABLE RAIL (NGAR6T-XLP) | B |
| 1 | 3097000663 | 1 | Deck Installation, 20ft (Aluminium) | |
| 2 | 2679000010 | 1 | Main Subframe Pad Installation (See Separate Breakdown in SUBFRAME Section) | |
| 3 | 7577000208 | 1 | Chain/Tie-Down Kit | |
| 4 | 2330000038 | 1 | Standard Duty Decals Installation (Not Shown - See Separate Breakdown in DECAL Section) | |
| 5 | 2330000055 | Ref | Conspicuity Decal Installation | |
| 5 | 7330000428 | 2 | Decal - Red/White Reflective | |
| 6 | 2750000008 | 1 | Hydraulic Reservoir and Bracket Mount (See Separate Breakdown in HYDRAULIC Section) | |
| 7 | 7679000017 | 2 | Chain Tray Mat | |
| 8 | 7661000055 | 10 | Nut 1/2 | |

SECTION 3 - DECK

FIGURE 3-10. DECK MODEL - ALUMINUM 20IN X 102IN FIXED RAIL



ART_1001151773

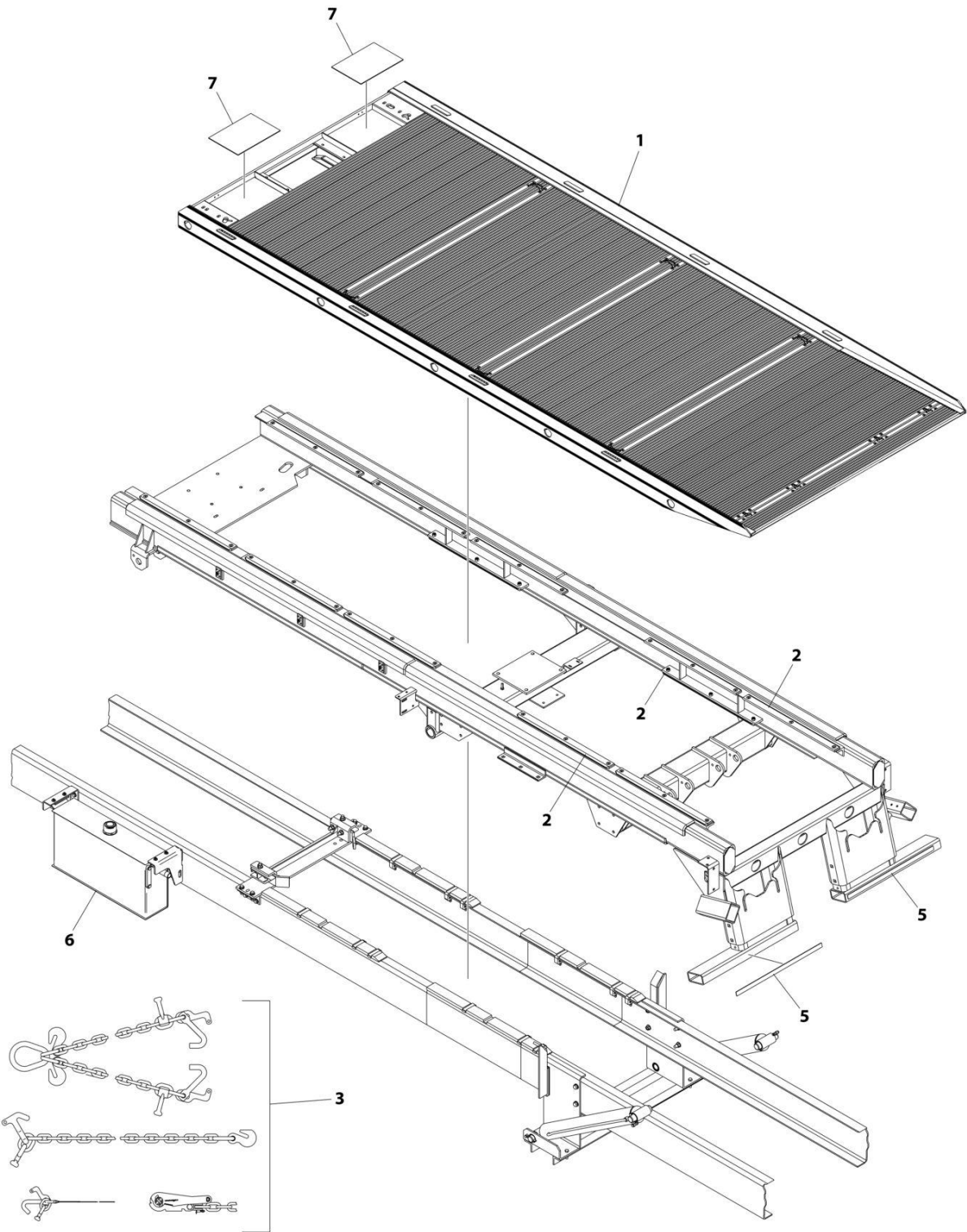
SECTION 3 - DECK

FIGURE 3-10. DECK MODEL - ALUMINUM 20IN X 102IN FIXED RAIL

| ITEM | PART NUMBER | QTY | DESCRIPTION | REV |
|------|-------------|-----|---|-----|
| | 1001151773 | Ref | DECK INSTALLATION - 20FTx102IN ALUMINIUM FIXED RAIL (NGAF6T-XLP) | B |
| 1 | 3097000666 | 1 | Deck Installation, 20ft (Aluminium) | |
| 2 | 2679000010 | 1 | Main Subframe Pad Installation (See Separate Breakdown in SUBFRAME Section) | |
| 3 | 7577000208 | 1 | Chain/Tie-Down Kit | |
| 4 | 2330000038 | 1 | Standard Duty Decals Installation (Not Shown - See Separate Breakdown in DECAL Section) | |
| 5 | 2330000055 | Ref | Conspicuity Decal Installation | |
| 5 | 7330000428 | 2 | Decal - Red/White Reflective | |
| 6 | 2750000008 | 1 | Hydraulic Reservoir and Bracket Mount (See Separate Breakdown in HYDRAULIC Section) | |
| 7 | 7679000017 | 2 | Chain Tray Mat | |

SECTION 3 - DECK

FIGURE 3-11. DECK MODEL - ALUMINUM 20IN X 102IN FIXED RAIL DUAL ANGLE



ART_1001151771

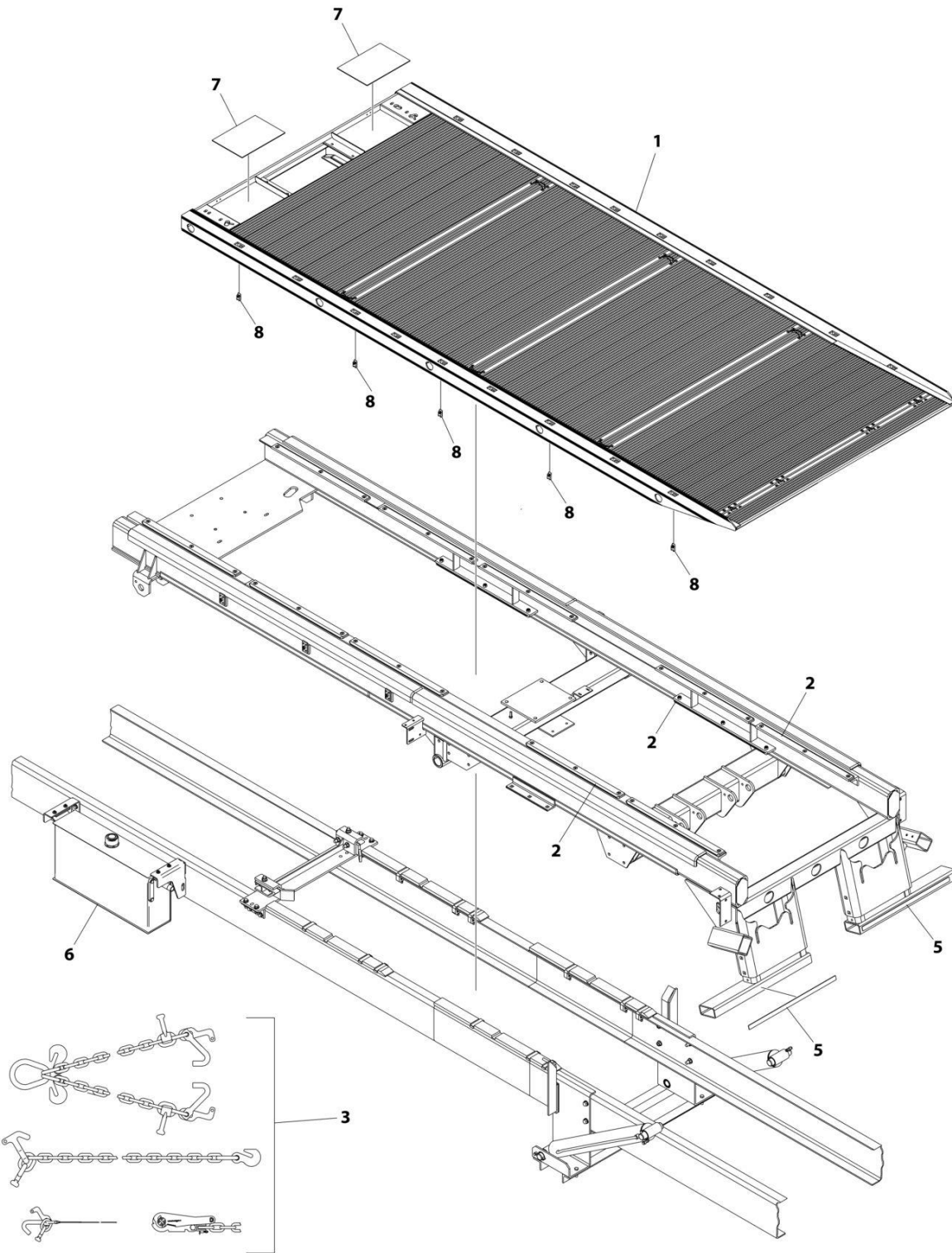
SECTION 3 - DECK

FIGURE 3-11. DECK MODEL - ALUMINUM 20IN X 102IN FIXED RAIL DUAL ANGLE

| ITEM | PART NUMBER | QTY | DESCRIPTION | REV |
|------|-------------|-----|--|-----|
| | 1001151771 | Ref | DECK INSTALLATION - 20FTx102IN ALUMINIUM DUAL ANGLE FIXED RAIL (NGADF6T-XLP) | B |
| 1 | 3097000672 | 1 | Deck Installation, 20ft (Aluminium) | |
| 2 | 2679000010 | 1 | Main Subframe Pad Installation (See Separate Breakdown in SUBFRAME Section) | |
| 3 | 7577000208 | 1 | Chain/Tie-Down Kit | |
| 4 | 2330000038 | 1 | Standard Duty Decals Installation (Not Shown - See Separate Breakdown in DECAL Section) | |
| 5 | 2330000055 | Ref | Conspicuity Decal Installation | |
| 5 | 7330000428 | 2 | Decal - Red/White Reflective | |
| 6 | 2750000008 | 1 | Hydraulic Reservoir and Bracket Mount (See Separate Breakdown in HYDRAULIC Section) | |
| 7 | 7679000017 | 2 | Chain Tray Mat | |

SECTION 3 - DECK

FIGURE 3-12. DECK MODEL - ALUMINUM 20IN X 102IN REMOVABLE RAIL



ART_1001151775

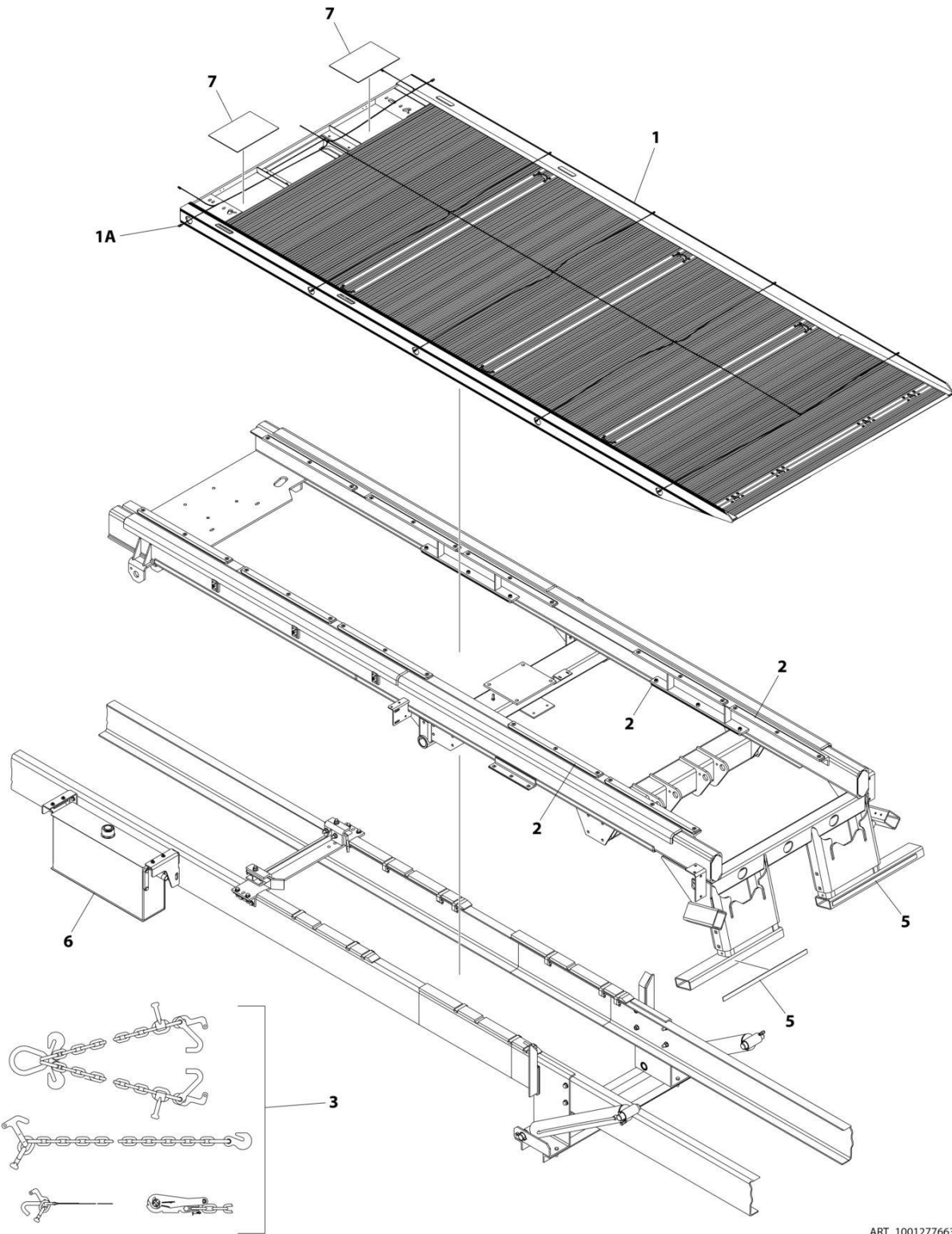
SECTION 3 - DECK

FIGURE 3-12. DECK MODEL - ALUMINUM 20IN X 102IN REMOVABLE RAIL

| ITEM | PART NUMBER | QTY | DESCRIPTION | REV |
|------|-------------|-----|---|-----|
| | 1001151775 | Ref | DECK INSTALLATION - 20FTx102IN ALUMINIUM REMOVABLE RAIL (NGAR6T-XLP) | B |
| 1 | 3097000664 | 1 | Deck Installation, 20ft (Aluminium) | |
| 2 | 2679000010 | 1 | Main Subframe Pad Installation (See Separate Breakdown in SUBFRAME Section) | |
| 3 | 7577000208 | 1 | Chain/Tie-Down Kit | |
| 4 | 2330000038 | 1 | Standard Duty Decals Installation (Not Shown - See Separate Breakdown in DECAL Section) | |
| 5 | 2330000055 | Ref | Conspicuity Decal Installation | |
| 5 | 7330000428 | 2 | Decal - Red/White Reflective | |
| 6 | 2750000008 | 1 | Hydraulic Reservoir and Bracket Mount (See Separate Breakdown in HYDRAULIC Section) | |
| 7 | 7679000017 | 2 | Chain Tray Mat | |
| 8 | 7661000055 | 10 | Nut 1/2 | |

SECTION 3 - DECK

FIGURE 3-13. DECK MODEL - ALUMINUM 21IN X 90IN FIXED RAIL



ART_100127663

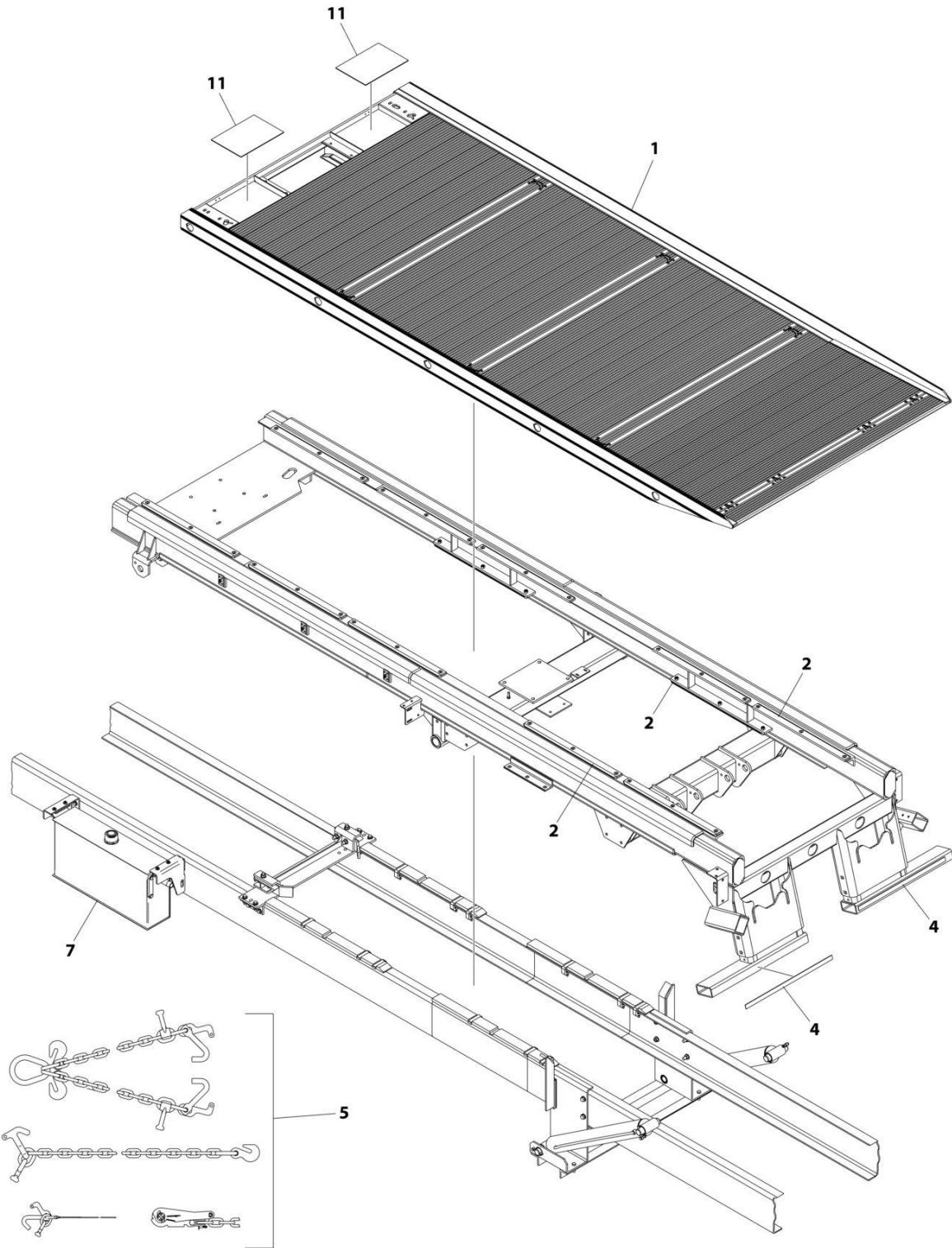
SECTION 3 - DECK

FIGURE 3-13. DECK MODEL - ALUMINUM 21IN X 90IN FIXED RAIL

| ITEM | PART NUMBER | QTY | DESCRIPTION | REV |
|------|-------------|-----|---|-----|
| | 1001277663 | Ref | DECK INSTALLATION - 21FT X 90IN ALUMINIUM FIXED RAIL (NGAF6T-LP) | A |
| 1 | 1001128462 | 1 | Deck Installation, 21ft (Aluminium) | |
| 1A | 7552000212 | 1 | Harness | |
| 2 | 2679000010 | 1 | Main Subframe Pad Installation (See Separate Breakdown in SUBFRAME Section) | |
| 3 | 7577000208 | 1 | Chain/Tie-Down Kit | |
| 4 | 2330000038 | 1 | Standard Duty Decals Installation (Not Shown - See Separate Breakdown in DECAL Section) | |
| 5 | 2330000055 | Ref | Conspicuity Decal Installation | |
| 5 | 7330000428 | 2 | Decal - Red/White Reflective | |
| 6 | 2750000008 | 1 | Hydraulic Reservoir and Bracket Mount (See Separate Breakdown in HYDRAULIC Section) | |
| 7 | 7679000017 | 2 | Chain Tray Mat | |

SECTION 3 - DECK

FIGURE 3-14. DECK MODEL - ALUMINUM 21IN X 96IN FIXED RAIL



ART_21NGAF6T-LP

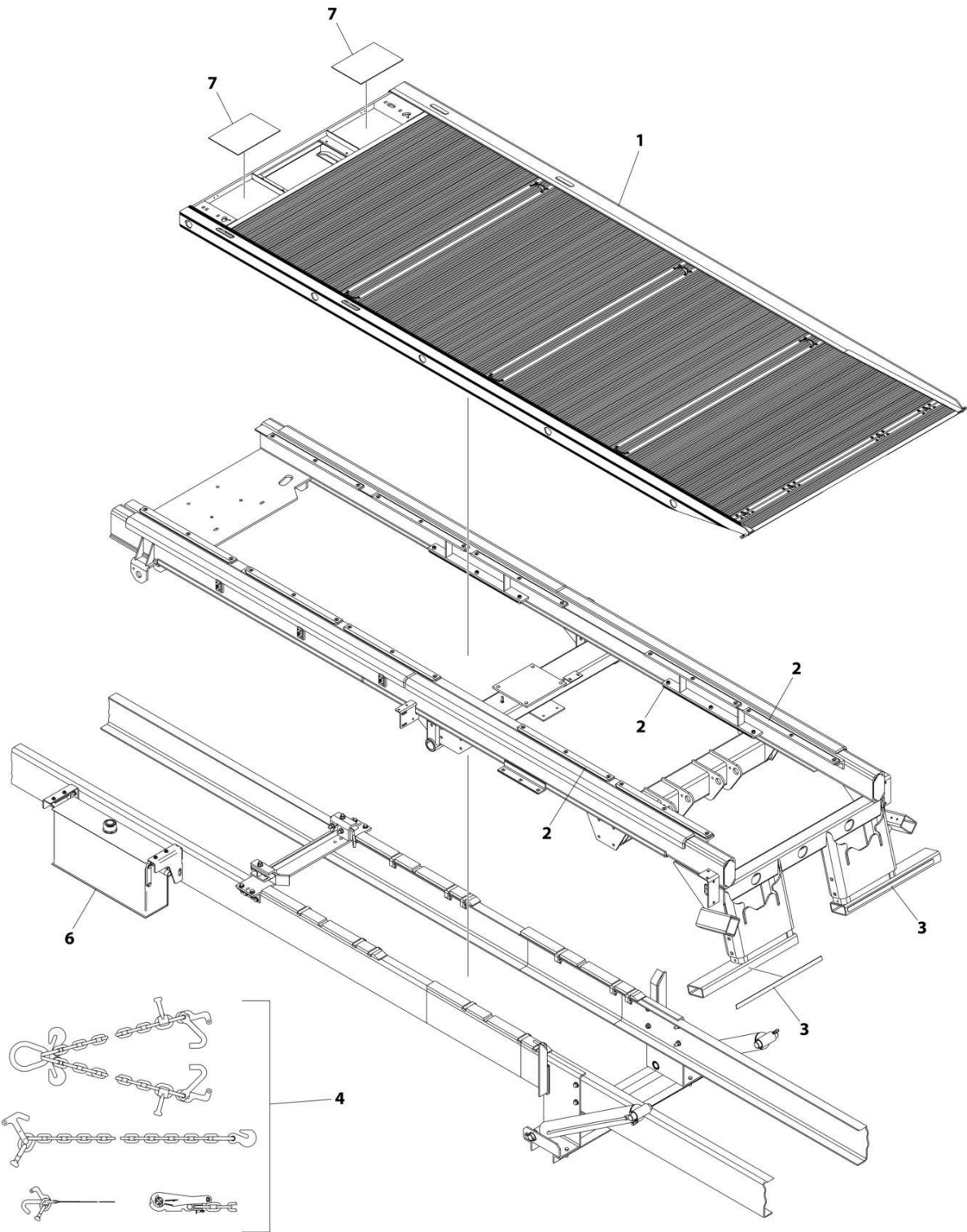
SECTION 3 - DECK

FIGURE 3-14. DECK MODEL - ALUMINUM 21IN X 96IN FIXED RAIL

| ITEM | PART NUMBER | QTY | DESCRIPTION | REV |
|------|-------------|-----|---|-----|
| | 21NGAF6T-LP | Ref | DECK INSTALLATION - 21FTx96IN ALUMINIUM FIXED RAIL (NGAF6T-XLP) | D |
| 1 | 3097000675 | 1 | Deck Installation, 21ft (Aluminium) | |
| 2 | 2679000010 | 1 | Main Subframe Pad Installation (See Separate Breakdown in SUBFRAME Section) | |
| 4 | 2330000055 | Ref | Conspicuity Decal Installation | |
| 4 | 7330000428 | 2 | Decal - Red/White Reflective | |
| 5 | 7577000208 | 1 | Chain/Tie-Down Kit | |
| 6 | 2330000038 | 1 | Standard Duty Decals Installation (Not Shown - See Separate Breakdown in DECAL Section) | |
| 7 | 2750000008 | 1 | Hydraulic Reservoir and Bracket Mount (See Separate Breakdown in HYDRAULIC Section) | |
| 11 | 7679000017 | 2 | Chain Tray Mat | |

SECTION 3 - DECK

FIGURE 3-15. DECK MODEL - ALUMINUM 21IN X 96IN FIXED RAIL DUAL ANGLE



ART_1001211145

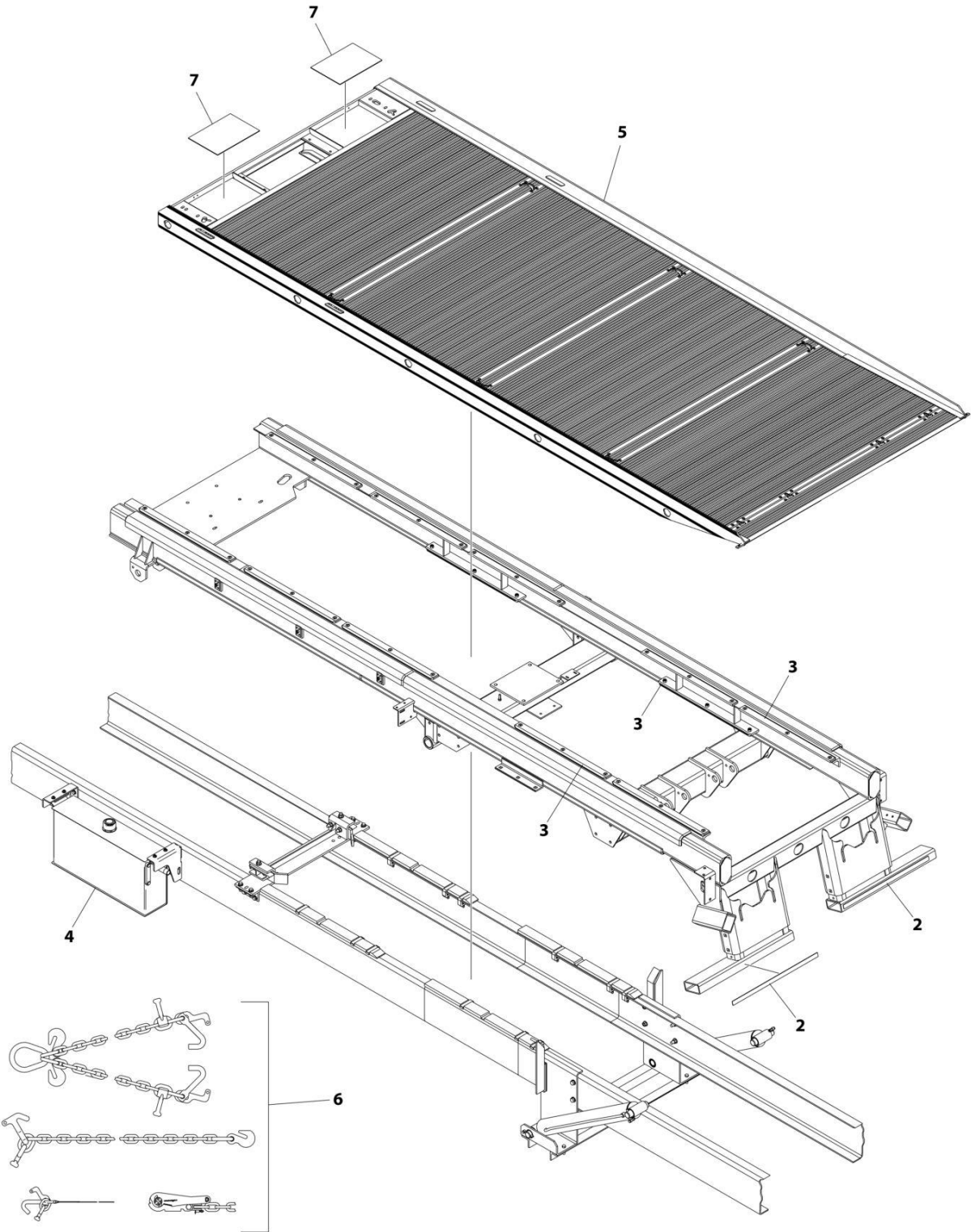
SECTION 3 - DECK

FIGURE 3-15. DECK MODEL - ALUMINUM 21IN X 96IN FIXED RAIL DUAL ANGLE

| ITEM | PART NUMBER | QTY | DESCRIPTION | REV |
|------|-------------|-----|--|-----|
| | 1001211145 | Ref | DECK INSTALLATION - 21FTx96IN ALUMINIUM DUAL ANGLE FIXED RAIL (NGADF6T-XLP) | B |
| 1 | 3097000681 | 1 | Deck Installation, 21ft (Aluminium) | |
| 2 | 2679000010 | 1 | Main Subframe Pad Installation (See Separate Breakdown in SUBFRAME Section) | |
| 3 | 2330000055 | Ref | Conspicuity Decal Installation | |
| 3 | 7330000428 | 2 | Decal - Red/White Reflective | |
| 4 | 7577000208 | 1 | Chain/Tie-Down Kit | |
| 5 | 2330000038 | 1 | Standard Duty Decals Installation (Not Shown - See Separate Breakdown in DECAL Section) | |
| 6 | 2750000008 | 1 | Hydraulic Reservoir and Bracket Mount (See Separate Breakdown in HYDRAULIC Section) | |
| 7 | 7679000017 | 2 | Chain Tray Mat | |

SECTION 3 - DECK

FIGURE 3-16. DECK MODEL - ALUMINUM 21IN X 96IN FIXED RAIL DUAL ANGLE CARGO HAULER



ART_1001264442

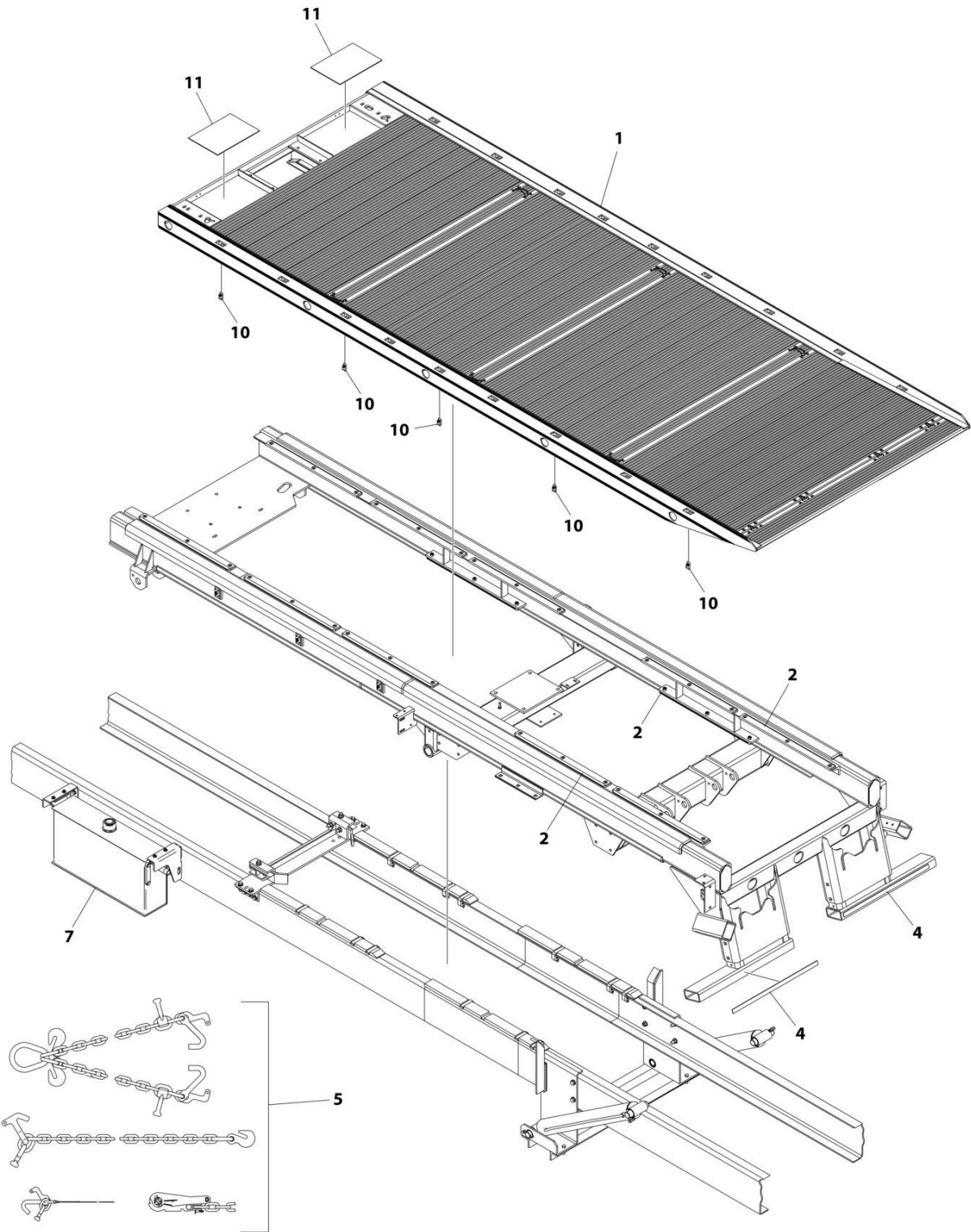
SECTION 3 - DECK

FIGURE 3-16. DECK MODEL - ALUMINUM 21IN X 96IN FIXED RAIL DUAL ANGLE CARGO HAULER

| ITEM | PART NUMBER | QTY | DESCRIPTION | REV |
|------|-------------|-----|---|-----|
| | 1001264442 | Ref | DECK INSTALLATION - 21FTx96IN ALUMINIUM DUAL ANGLE FIXED RAIL (NGADF6T-XLP), CARGO HAULER | A |
| 1 | 1001264091 | 1 | Standard Duty Decals Installation (Not Shown - See Separate Breakdown in DECAL Section) | |
| 2 | 2330000055 | Ref | Conspicuity Decal Installation | |
| 2 | 7330000428 | 2 | Decal - Red/White Reflective | |
| 3 | 2679000010 | 1 | Main Subframe Pad Installation (See Separate Breakdown in SUBFRAME Section) | |
| 4 | 2750000008 | 1 | Hydraulic Reservoir and Bracket Mount (See Separate Breakdown in HYDRAULIC Section) | |
| 5 | 3097000681 | 1 | Deck Installation, 21ft (Aluminium) | |
| 6 | 7577000208 | 1 | Chain/ Tie-Down Kit | |
| 7 | 7679000017 | 2 | Chain Tray Mat | |

SECTION 3 - DECK

FIGURE 3-17. DECK MODEL - ALUMINUM 21IN X 96IN REMOVABLE RAIL



ART_21NGAR6T-LP

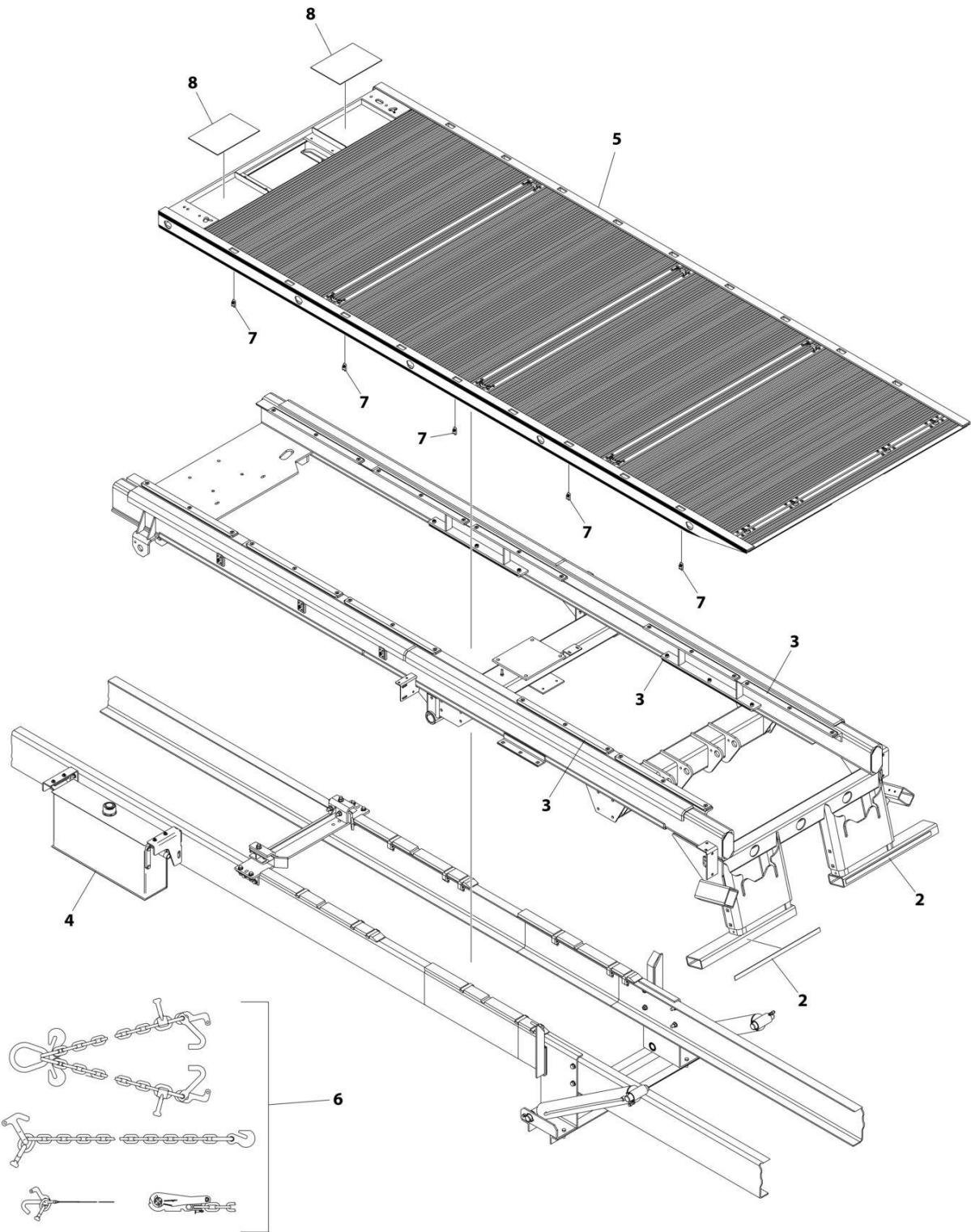
SECTION 3 - DECK

FIGURE 3-17. DECK MODEL - ALUMINUM 21IN X 96IN REMOVABLE RAIL

| ITEM | PART NUMBER | QTY | DESCRIPTION | REV |
|------|-------------|-----|---|-----|
| | 21NGAR6T-LP | Ref | DECK INSTALLATION - 21FTx96IN ALUMINIUM REMOVABLE RAIL (NGAR6T-XLP) | C |
| 1 | 3097000673 | 1 | Deck Installation, 22ft (Aluminium) | |
| 2 | 2679000010 | 1 | Main Subframe Pad Installation (See Separate Breakdown in SUBFRAME Section) | |
| 4 | 2330000055 | Ref | Conspicuity Decal Installation | |
| 4 | 7330000428 | 2 | Decal - Red/White Reflective | |
| 5 | 7577000208 | 1 | Chain/Tie-Down Kit | |
| 6 | 2330000038 | 1 | Standard Duty Decals Installation (Not Shown - See Separate Breakdown in DECAL Section) | |
| 7 | 2750000008 | 1 | Hydraulic Reservoir and Bracket Mount (See Separate Breakdown in HYDRAULIC Section) | |
| 10 | 7661000055 | 10 | Nut 1/2 | |
| 11 | 7679000017 | 2 | Chain Tray Mat | |

SECTION 3 - DECK

FIGURE 3-18. DECK MODEL - ALUMINUM 21IN X 96IN REMOVABLE RAIL CARGO HAULER



ART_1001264440

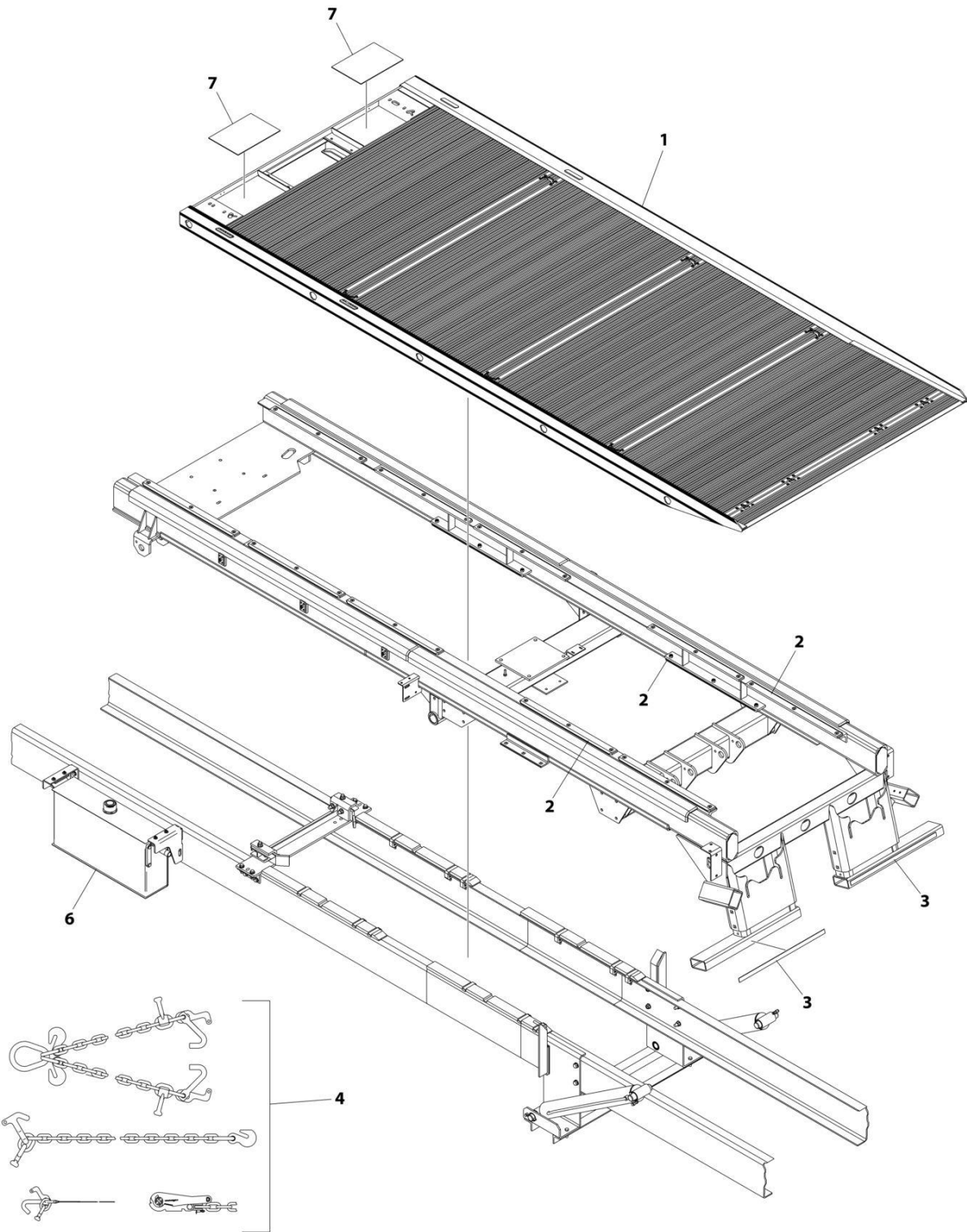
SECTION 3 - DECK

FIGURE 3-18. DECK MODEL - ALUMINUM 21IN X 96IN REMOVABLE RAIL CARGO HAULER

| ITEM | PART NUMBER | QTY | DESCRIPTION | REV |
|------|-------------|-----|---|-----|
| | 1001264440 | Ref | DECK INSTALLATION - 21FTx96IN ALUMINIUM REMOVABLE RAIL (NGAR6T-XLP), CARGO HAULER | A |
| 1 | 1001264091 | 1 | Standard Duty Decals Installation (Not Shown - See Separate Breakdown in DECAL Section) | |
| 2 | 2330000055 | Ref | Conspicuity Decal Installation | |
| 2 | 7330000428 | 2 | Decal - Red/White Reflective | |
| 3 | 2679000010 | 1 | Main Subframe Pad Installation (See Separate Breakdown in SUBFRAME Section) | |
| 4 | 2750000008 | 1 | Hydraulic Reservoir and Bracket Mount (See Separate Breakdown in HYDRAULIC Section) | |
| 5 | 3097000673 | 1 | Deck Installation, 21ft (Aluminium) | |
| 6 | 7577000208 | 1 | Chain/Tie-Down Kit | |
| 7 | 7661000055 | 10 | Nut 1/2 | |
| 8 | 7679000017 | 2 | Chain Tray Mat | |

SECTION 3 - DECK

FIGURE 3-19. DECK MODEL - ALUMINUM 21IN X 102IN FIXED RAIL



ART_1001211148

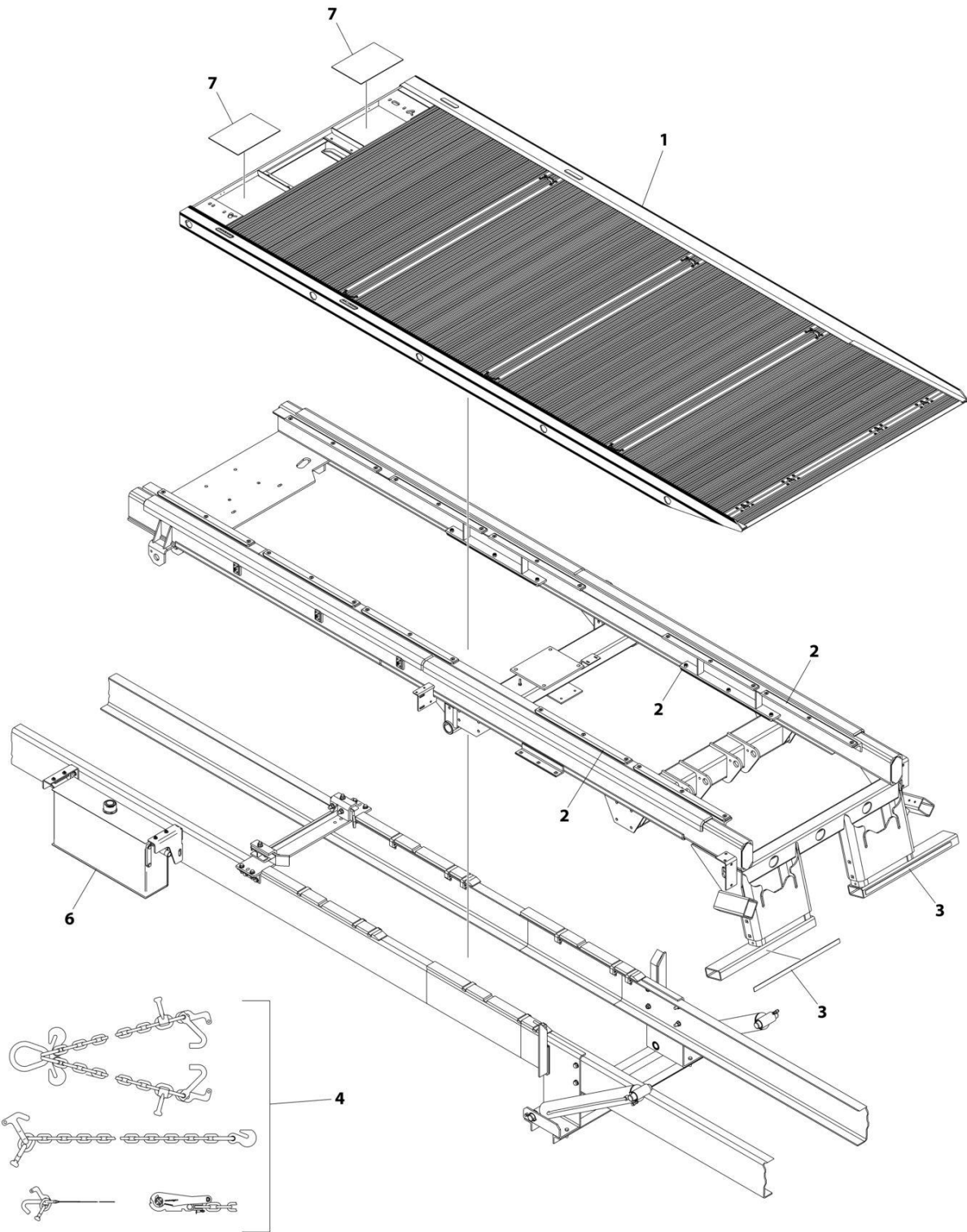
SECTION 3 - DECK

FIGURE 3-19. DECK MODEL - ALUMINUM 21IN X 102IN FIXED RAIL

| ITEM | PART NUMBER | QTY | DESCRIPTION | REV |
|------|-------------|-----|---|-----|
| | 1001211148 | Ref | DECK INSTALLATION - 21FTx102IN ALUMINIUM FIXED RAIL (NGAF6T-XLP) | B |
| 1 | 3097000676 | 1 | Deck Installation, 21ft (Aluminium) | |
| 2 | 2679000010 | 1 | Main Subframe Pad Installation (See Separate Breakdown in SUBFRAME Section) | |
| 3 | 2330000055 | Ref | Conspicuity Decal Installation | |
| 3 | 7330000428 | 2 | Decal - Red/White Reflective | |
| 4 | 7577000208 | 1 | Chain/Tie-Down Kit | |
| 5 | 2330000038 | 1 | Standard Duty Decals Installation (Not Shown - See Separate Breakdown in DECAL Section) | |
| 6 | 2750000008 | 1 | Hydraulic Reservoir and Bracket Mount (See Separate Breakdown in HYDRAULIC Section) | |
| 7 | 7679000017 | 2 | Chain Tray Mat | |

SECTION 3 - DECK

FIGURE 3-20. DECK MODEL - ALUMINUM 21IN X 102IN FIXED RAIL DUAL ANGLE



ART_1001211147

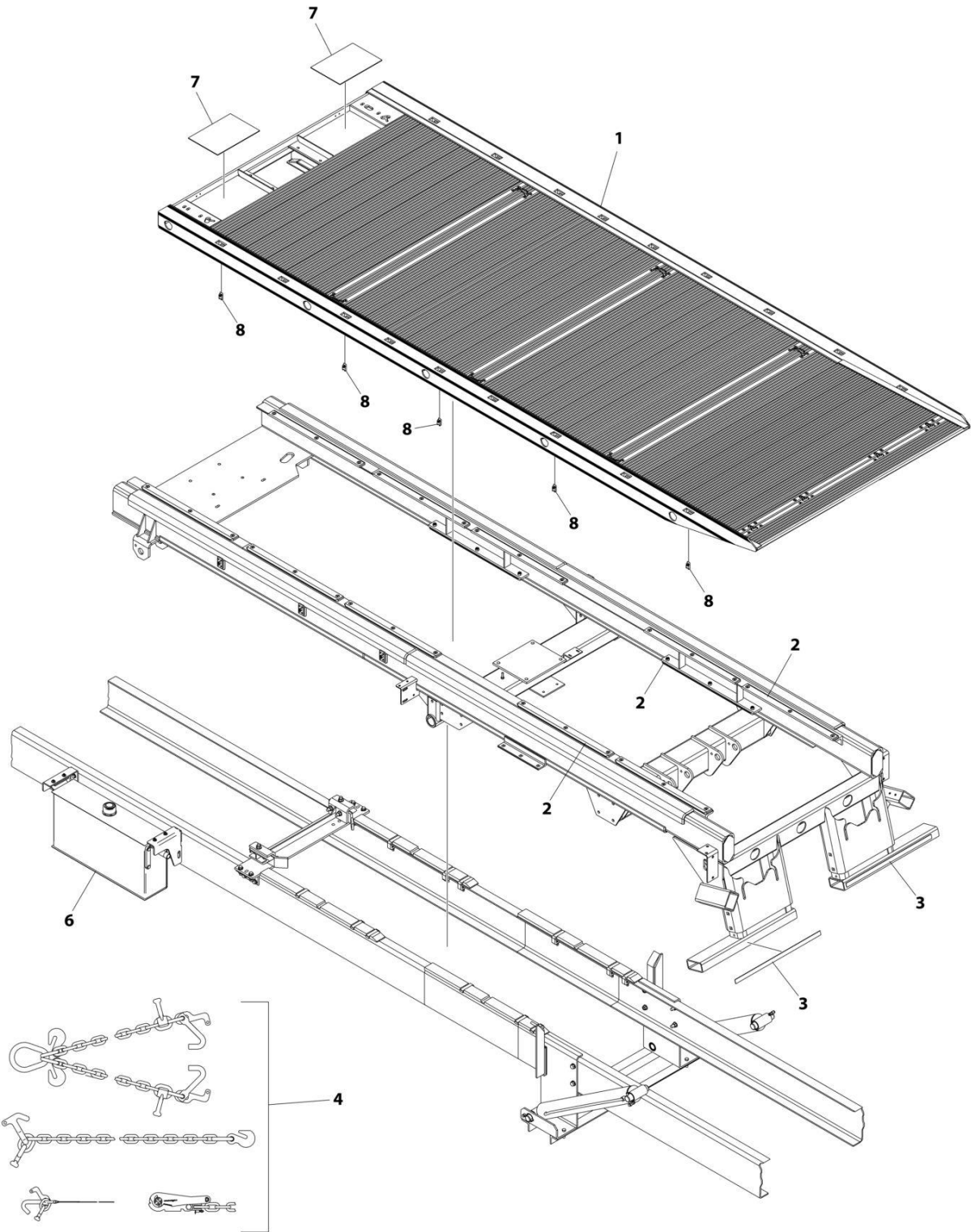
SECTION 3 - DECK

FIGURE 3-20. DECK MODEL - ALUMINUM 21IN X 102IN FIXED RAIL DUAL ANGLE

| ITEM | PART NUMBER | QTY | DESCRIPTION | REV |
|------|-------------|-----|--|-----|
| | 1001211147 | Ref | DECK INSTALLATION - 21FTx102IN ALUMINIUM DUAL ANGLE FIXED RAIL (NGADF6T-XLP) | B |
| 1 | 3097000682 | 1 | Deck Installation, 21ft (Aluminium) | |
| 2 | 2679000010 | 1 | Main Subframe Pad Installation (See Separate Breakdown in SUBFRAME Section) | |
| 3 | 2330000055 | Ref | Conspicuity Decal Installation | |
| 3 | 7330000428 | 2 | Decal - Red/White Reflective | |
| 4 | 7577000208 | 1 | Chain/Tie-Down Kit | |
| 5 | 2330000038 | 1 | Standard Duty Decals Installation (Not Shown - See Separate Breakdown in DECAL Section) | |
| 6 | 2750000008 | 1 | Hydraulic Reservoir and Bracket Mount (See Separate Breakdown in HYDRAULIC Section) | |
| 7 | 7679000017 | 2 | Chain Tray Mat | |

SECTION 3 - DECK

FIGURE 3-21. DECK MODEL - ALUMINUM 21IN X 102IN REMOVABLE RAIL



ART_1001211150

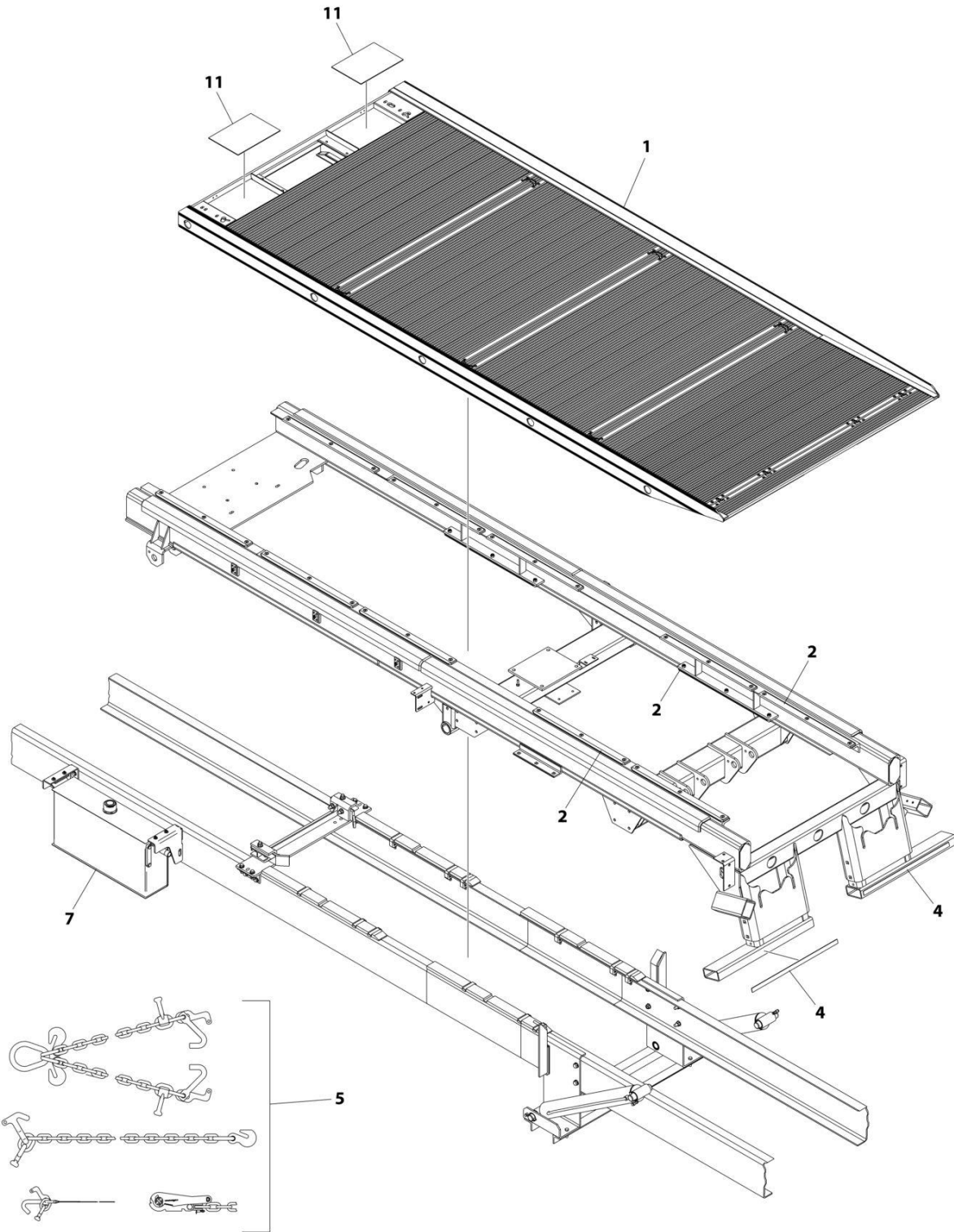
SECTION 3 - DECK

FIGURE 3-21. DECK MODEL - ALUMINUM 21IN X 102IN REMOVABLE RAIL

| ITEM | PART NUMBER | QTY | DESCRIPTION | REV |
|------|-------------|-----|---|-----|
| | 1001211150 | Ref | DECK INSTALLATION - 21FTx102IN ALUMINIUM REMOVABLE RAIL (NGAR6T-XLP) | B |
| 1 | 3097000674 | 1 | Deck Installation, 21ft (Aluminium) | |
| 2 | 2679000010 | 1 | Main Subframe Pad Installation (See Separate Breakdown in SUBFRAME Section) | |
| 3 | 2330000055 | Ref | Conspicuity Decal Installation | |
| 3 | 7330000428 | 2 | Decal - Red/White Reflective | |
| 4 | 7577000208 | 1 | Chain/Tie-Down Kit | |
| 5 | 2330000038 | 1 | Standard Duty Decals Installation (Not Shown - See Separate Breakdown in DECAL Section) | |
| 6 | 2750000008 | 1 | Hydraulic Reservoir and Bracket Mount (See Separate Breakdown in HYDRAULIC Section) | |
| 7 | 7679000017 | 2 | Chain Tray Mat | |
| 8 | 7661000055 | 10 | Nut 1/2 | |

SECTION 3 - DECK

FIGURE 3-22. DECK MODEL - ALUMINUM 22IN X 96IN FIXED RAIL



ART_22NGAF6T-LP

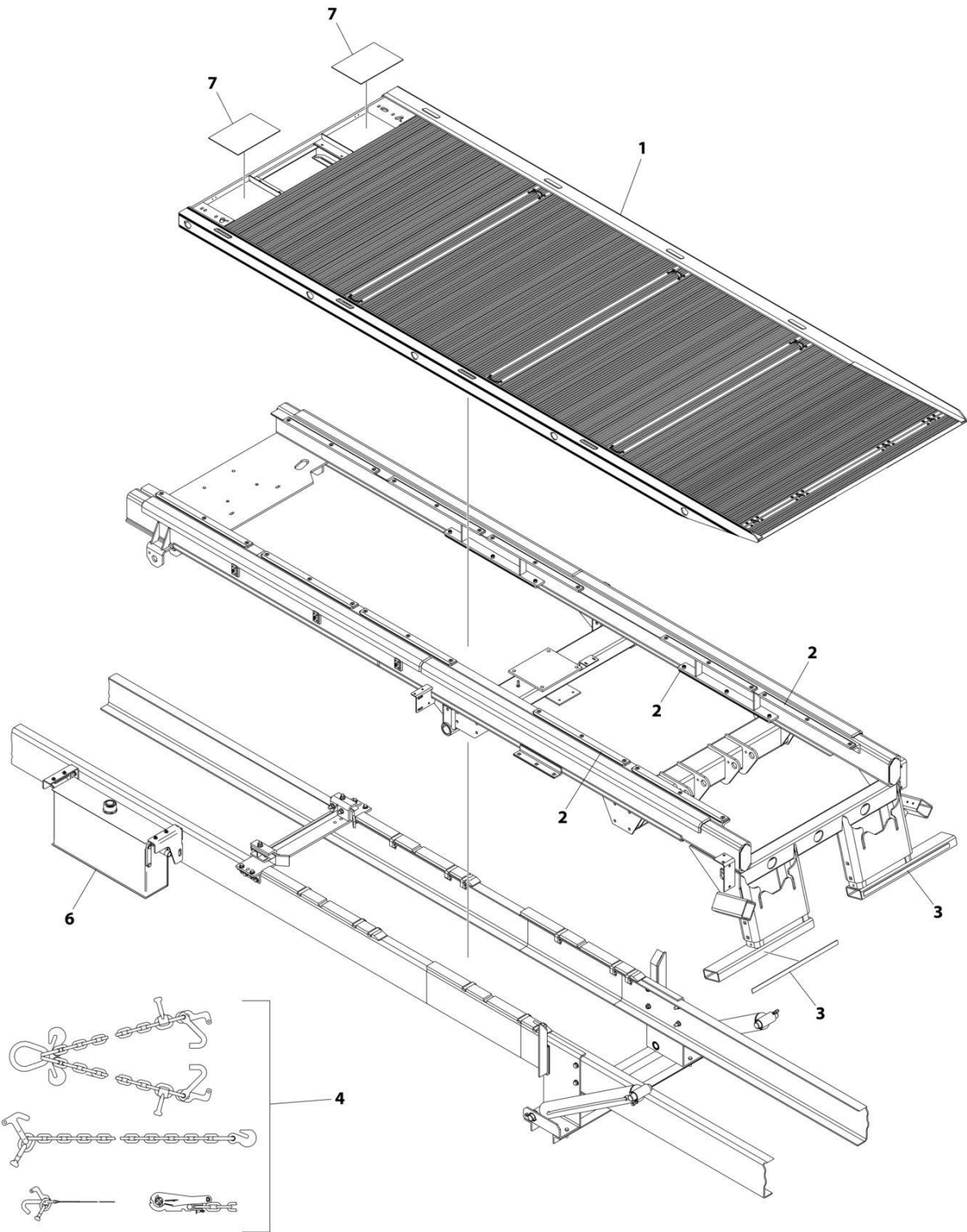
SECTION 3 - DECK

FIGURE 3-22. DECK MODEL - ALUMINUM 22IN X 96IN FIXED RAIL

| ITEM | PART NUMBER | QTY | DESCRIPTION | REV |
|------|-------------|-----|---|-----|
| | 22NGAF6T-LP | Ref | DECK INSTALLATION - 22FTx96IN ALUMINIUM FIXED RAIL (NGAF6T-XLP) | D |
| 1 | 3097000779 | 1 | Deck Installation, 22ft (Aluminium) | |
| 2 | 2679000010 | 1 | Main Subframe Pad Installation (See Separate Breakdown in SUBFRAME Section) | |
| 4 | 2330000055 | Ref | Conspicuity Decal Installation | |
| 4 | 7330000428 | 2 | Decal - Red/White Reflective | |
| 5 | 7577000208 | 1 | Chain/Tie-Down Kit | |
| 6 | 2330000038 | 1 | Standard Duty Decals Installation (Not Shown - See Separate Breakdown in DECAL Section) | |
| 7 | 2750000008 | 1 | Hydraulic Reservoir and Bracket Mount (See Separate Breakdown in HYDRAULIC Section) | |
| 11 | 7679000017 | 2 | Chain Tray Mat | |

SECTION 3 - DECK

FIGURE 3-23. DECK MODEL - ALUMINUM 22IN X 96IN FIXED RAIL DUAL ANGLE



ART_1001211162

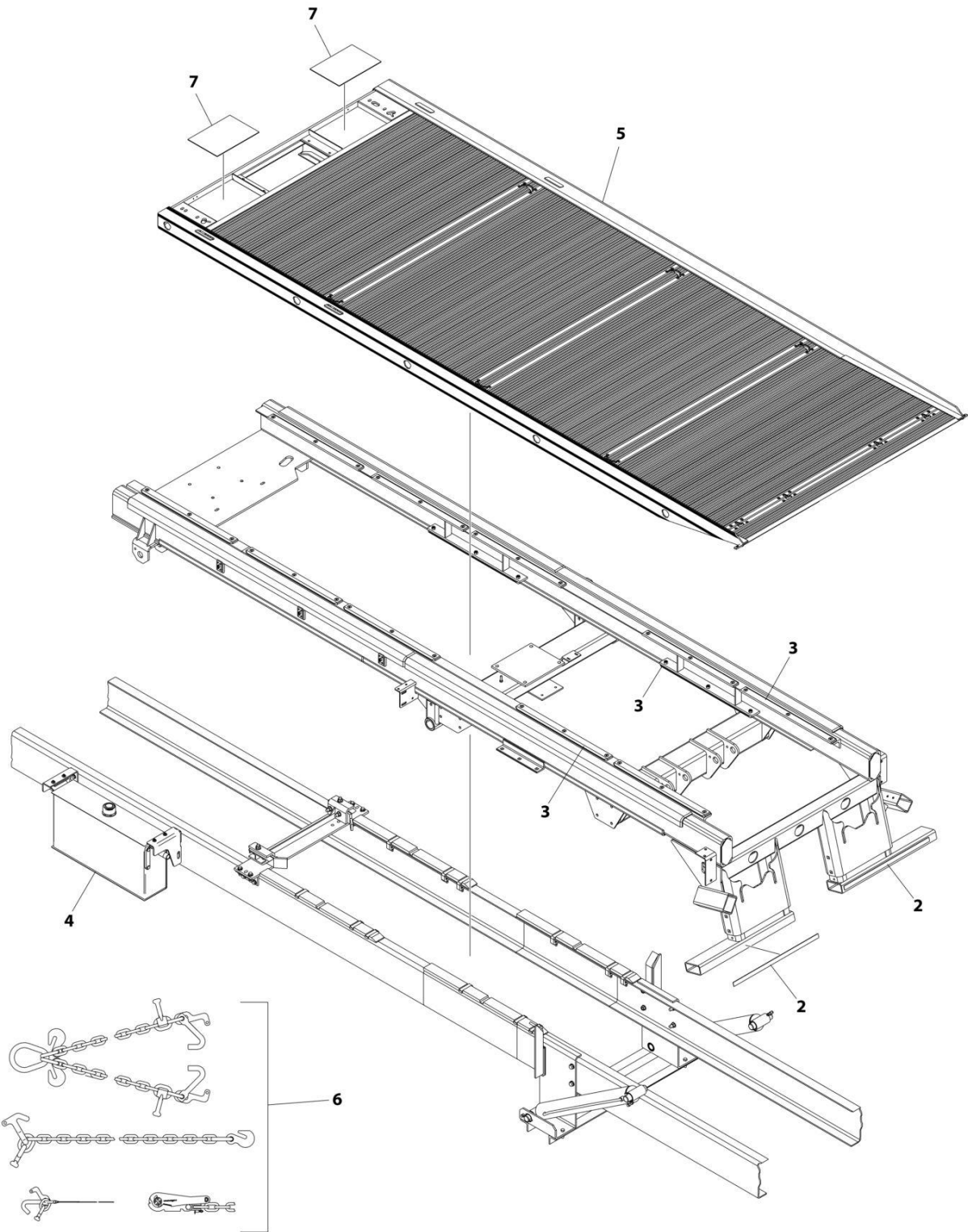
SECTION 3 - DECK

FIGURE 3-23. DECK MODEL - ALUMINUM 22IN X 96IN FIXED RAIL DUAL ANGLE

| ITEM | PART NUMBER | QTY | DESCRIPTION | REV |
|------|-------------|-----|--|-----|
| | 1001211162 | Ref | DECK INSTALLATION - 22FTx96IN ALUMINIUM DUAL ANGLE FIXED RAIL (NGADF6T-XLP) | B |
| 1 | 3097000782 | 1 | Deck Installation, 22ft (Aluminium) | |
| 2 | 2679000010 | 1 | Main Subframe Pad Installation (See Separate Breakdown in SUBFRAME Section) | |
| 3 | 2330000055 | Ref | Conspicuity Decal Installation | |
| 3 | 7330000428 | 2 | Decal - Red/White Reflective | |
| 4 | 7577000208 | 1 | Chain/Tie-Down Kit | |
| 5 | 2330000038 | 1 | Standard Duty Decals Installation (Not Shown - See Separate Breakdown in DECAL Section) | |
| 6 | 2750000008 | 1 | Hydraulic Reservoir and Bracket Mount (See Separate Breakdown in HYDRAULIC Section) | |
| 7 | 7679000017 | 2 | Chain Tray Mat | |

SECTION 3 - DECK

FIGURE 3-24. DECK MODEL - ALUMINUM 22IN X 96IN FIXED RAIL DUAL ANGLE CARGO HAULER



ART_1001265040

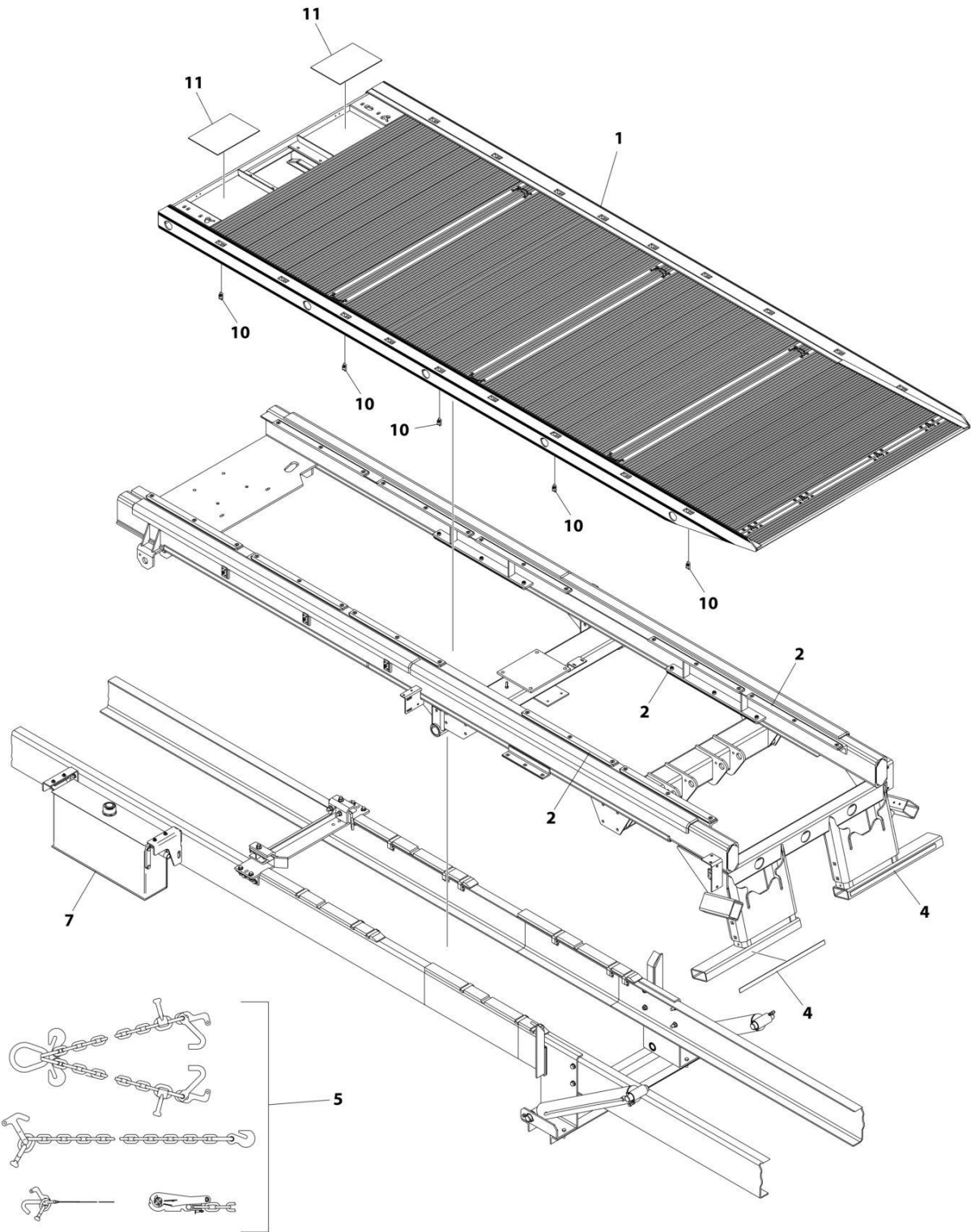
SECTION 3 - DECK

FIGURE 3-24. DECK MODEL - ALUMINUM 22IN X 96IN FIXED RAIL DUAL ANGLE CARGO HAULER

| ITEM | PART NUMBER | QTY | DESCRIPTION | REV |
|------|-------------|-----|---|-----|
| | 1001265040 | Ref | DECK INSTALLATION - 22FTx96IN ALUMINIUM DUAL ANGLE FIXED RAIL (NGADF6T-XLP), CARGO HAULER | A |
| 1 | 1001264091 | 1 | Standard Duty Decals Installation (Not Shown - See Separate Breakdown in DECAL Section) | |
| 2 | 2330000055 | Ref | Conspicuity Decal Installation | |
| 2 | 7330000428 | 2 | Decal - Red/White Reflective | |
| 3 | 2679000010 | 1 | Main Subframe Pad Installation (See Separate Breakdown in SUBFRAME Section) | |
| 4 | 2750000008 | 1 | Hydraulic Reservoir and Bracket Mount (See Separate Breakdown in HYDRAULIC Section) | |
| 5 | 3097000782 | 1 | Deck Installation, 22ft (Aluminium) | |
| 6 | 7577000208 | 1 | Chain/Tie-Down Kit | |
| 7 | 7679000017 | 2 | Chain Tray Mat | |

SECTION 3 - DECK

FIGURE 3-25. DECK MODEL - ALUMINUM 22IN X 96IN REMOVABLE RAIL



ART_22NGAR6T-LP

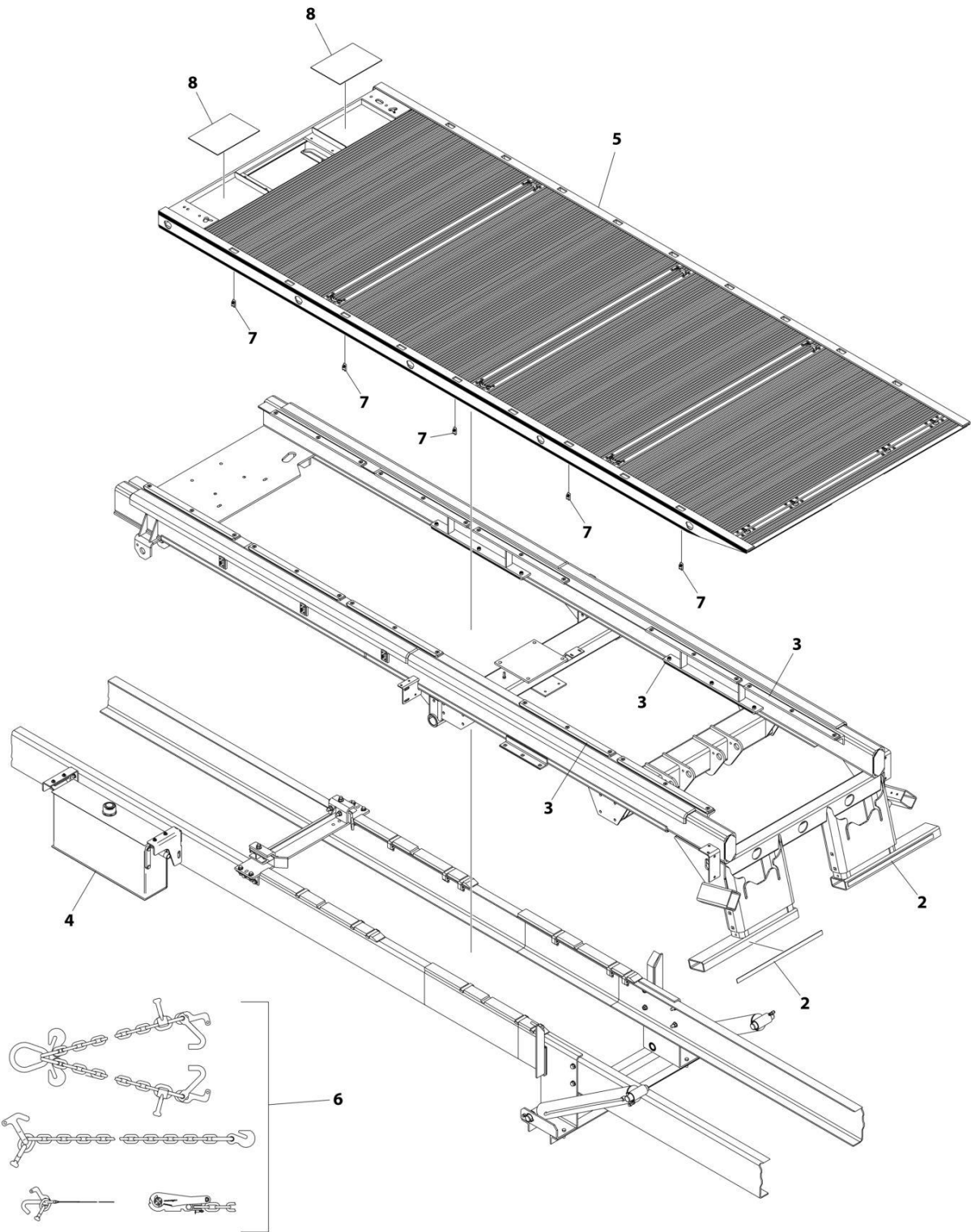
SECTION 3 - DECK

FIGURE 3-25. DECK MODEL - ALUMINUM 22IN X 96IN REMOVABLE RAIL

| ITEM | PART NUMBER | QTY | DESCRIPTION | REV |
|------|-------------|-----|---|-----|
| | 22NGAR6T-LP | Ref | DECK INSTALLATION - 22FTx96IN ALUMINIUM REMOVABLE RAIL (NGAR6T-XLP) | C |
| 1 | 3097000777 | 1 | Deck Installation, 22ft (Aluminium) | |
| 2 | 2679000010 | 1 | Main Subframe Pad Installation (See Separate Breakdown in SUBFRAME Section) | |
| 4 | 2330000055 | Ref | Conspicuity Decal Installation | |
| 4 | 7330000428 | 2 | Decal - Red/White Reflective | |
| 5 | 7577000208 | 1 | Chain/Tie-Down Kit | |
| 6 | 2330000038 | 1 | Standard Duty Decals Installation (Not Shown - See Separate Breakdown in DECAL Section) | |
| 7 | 2750000008 | 1 | Hydraulic Reservoir and Bracket Mount (See Separate Breakdown in HYDRAULIC Section) | |
| 10 | 7661000055 | 10 | Nut 1/2 | |
| 11 | 7679000017 | 2 | Chain Tray Mat | |

SECTION 3 - DECK

FIGURE 3-26. DECK MODEL - ALUMINUM 22IN X 96IN REMOVABLE RAIL CARGO HAULER



ART_1001265039

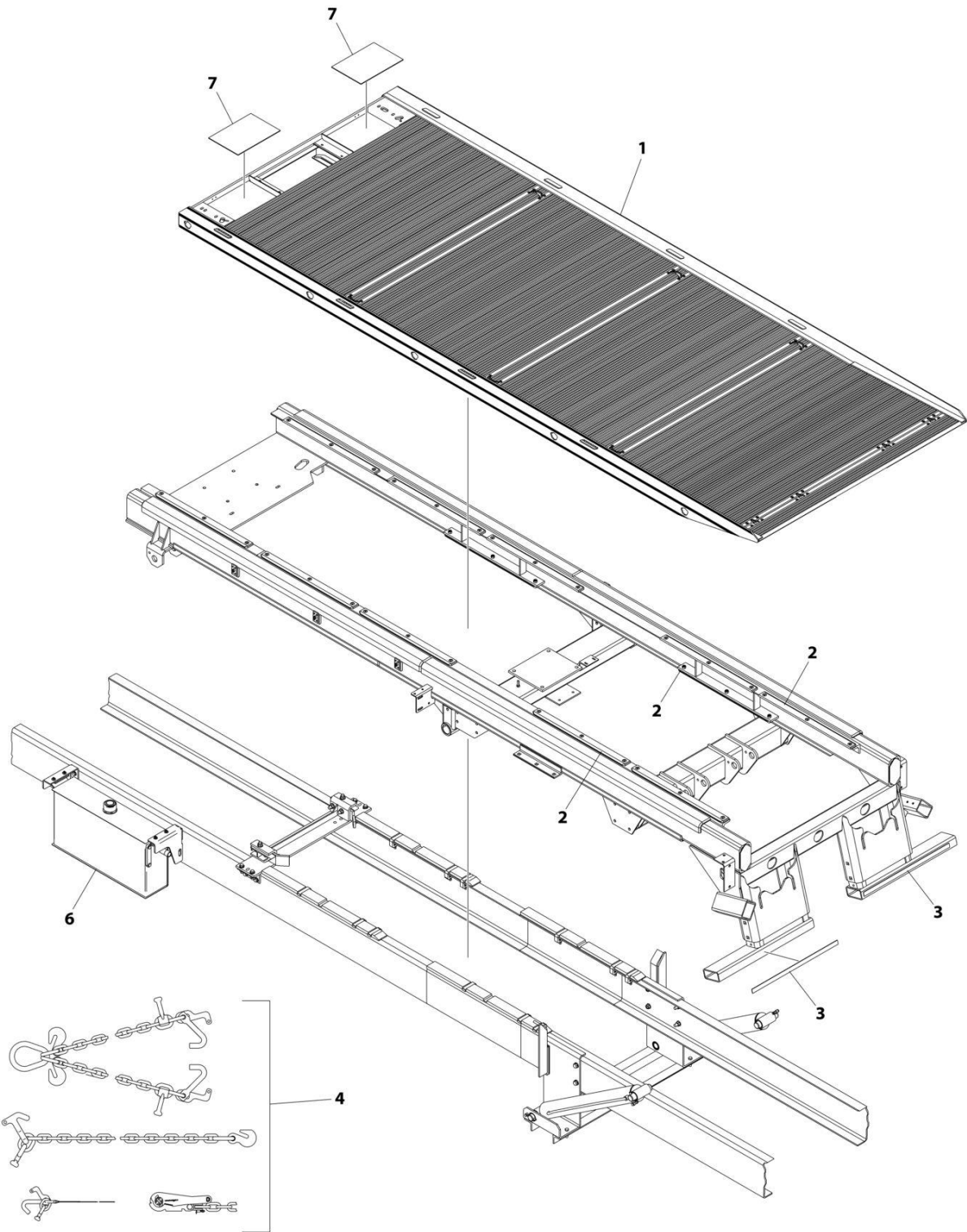
SECTION 3 - DECK

FIGURE 3-26. DECK MODEL - ALUMINUM 22IN X 96IN REMOVABLE RAIL CARGO HAULER

| ITEM | PART NUMBER | QTY | DESCRIPTION | REV |
|------|-------------|-----|---|-----|
| | 1001265039 | Ref | DECK INSTALLATION - 22FTx96IN ALUMINIUM REMOVABLE RAIL (NGAR6T-XLP), CARGO HAULER | A |
| 1 | 1001264091 | 1 | Standard Duty Decals Installation (Not Shown - See Separate Breakdown in DECAL Section) | |
| 2 | 2330000055 | Ref | Conspicuity Decal Installation | |
| 2 | 7330000428 | 2 | Decal - Red/White Reflective | |
| 3 | 2679000010 | 1 | Main Subframe Pad Installation (See Separate Breakdown in SUBFRAME Section) | |
| 4 | 2750000008 | 1 | Hydraulic Reservoir and Bracket Mount (See Separate Breakdown in HYDRAULIC Section) | |
| 5 | 3097000777 | 1 | Deck Installation, 22ft (Aluminium) | |
| 6 | 7577000208 | 1 | Chain/Tie-Down Kit | |
| 7 | 7661000055 | 10 | Nut U - 1/2 | |
| 8 | 7679000017 | 2 | Chain Tray Mat | |

SECTION 3 - DECK

FIGURE 3-27. DECK MODEL - ALUMINUM 22IN X 102IN FIXED RAIL



ART_1001211164

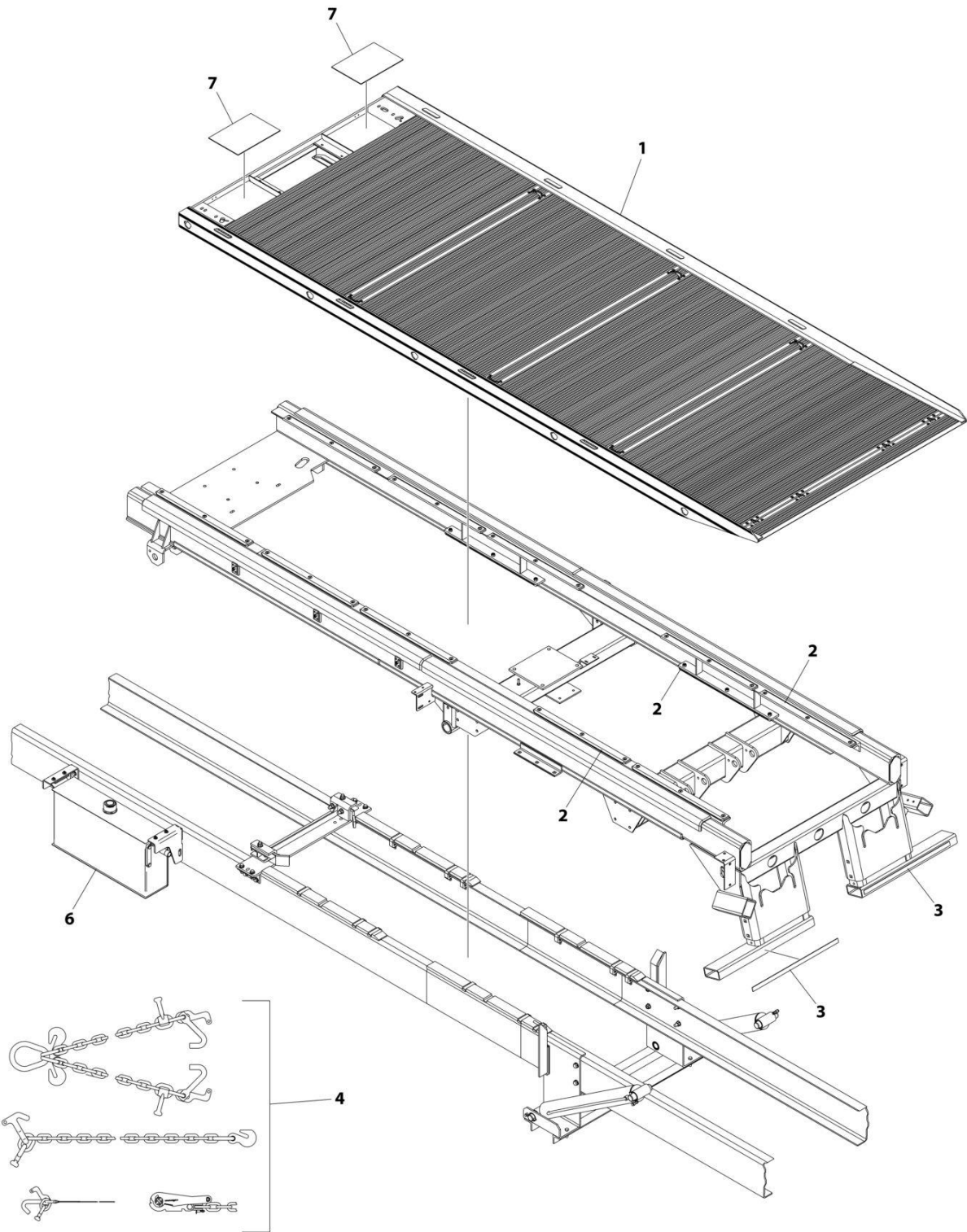
SECTION 3 - DECK

FIGURE 3-27. DECK MODEL - ALUMINUM 22IN X 102IN FIXED RAIL

| ITEM | PART NUMBER | QTY | DESCRIPTION | REV |
|------|-------------|-----|---|-----|
| | 1001211164 | Ref | DECK INSTALLATION - 22FTx102IN ALUMINIUM FIXED RAIL (NGAF6T-XLP) | B |
| 1 | 3097000780 | 1 | Deck Installation, 22ft (Aluminium) | |
| 2 | 2679000010 | 1 | Main Subframe Pad Installation (See Separate Breakdown in SUBFRAME Section) | |
| 3 | 2330000055 | Ref | Conspicuity Decal Installation | |
| 3 | 7330000428 | 2 | Decal - Red/White Reflective | |
| 4 | 7577000208 | 1 | Chain/Tie-Down Kit | |
| 5 | 2330000038 | 1 | Standard Duty Decals Installation (Not Shown - See Separate Breakdown in DECAL Section) | |
| 6 | 2750000008 | 1 | Hydraulic Reservoir and Bracket Mount (See Separate Breakdown in HYDRAULIC Section) | |
| 7 | 7679000017 | 2 | Chain Tray Mat | |

SECTION 3 - DECK

FIGURE 3-28. DECK MODEL - ALUMINUM 22IN X 102IN FIXED RAIL DUAL ANGLE



ART_1001211163

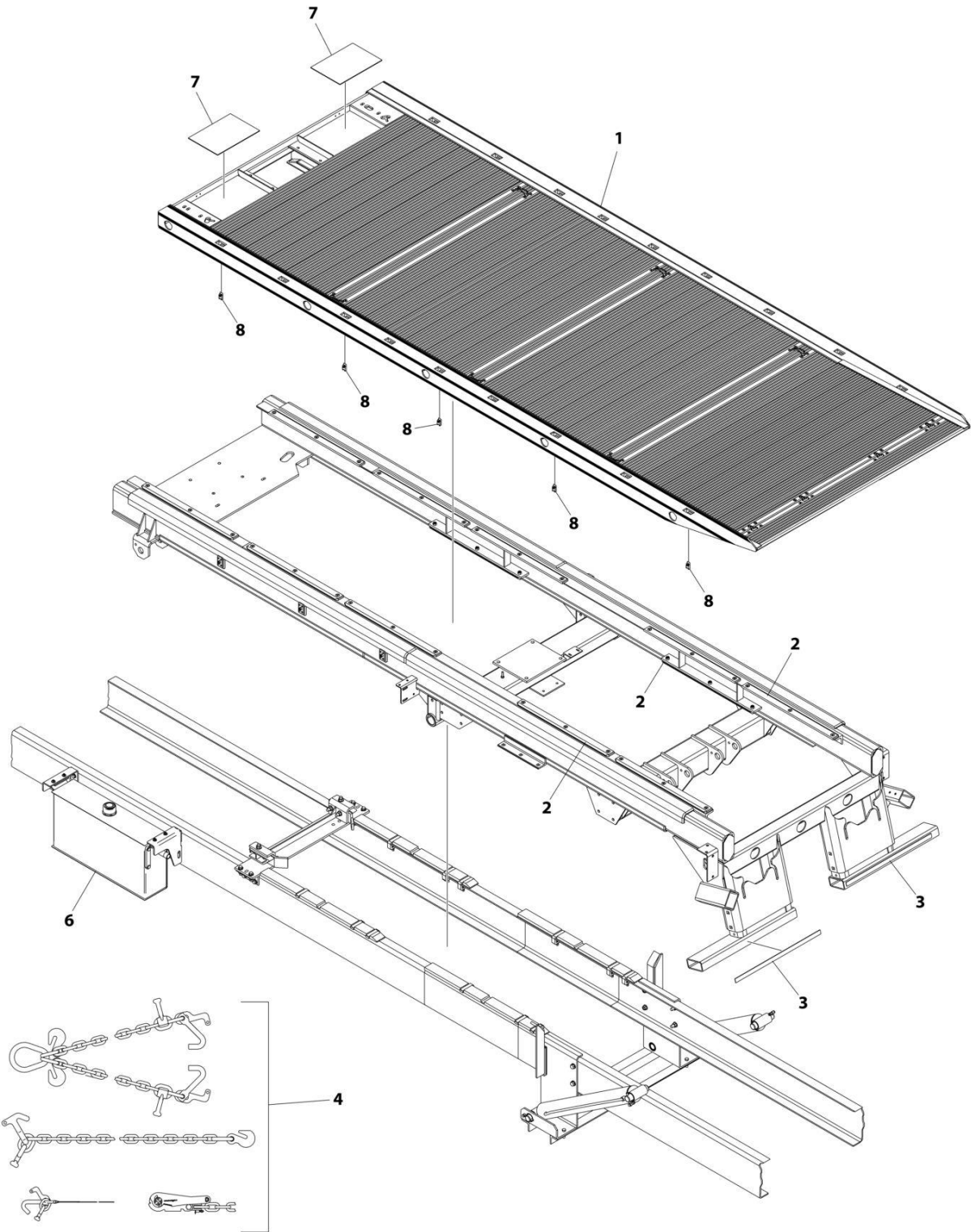
SECTION 3 - DECK

FIGURE 3-28. DECK MODEL - ALUMINUM 22IN X 102IN FIXED RAIL DUAL ANGLE

| ITEM | PART NUMBER | QTY | DESCRIPTION | REV |
|------|-------------|-----|--|-----|
| | 1001211163 | Ref | DECK INSTALLATION - 22FTx102IN ALUMINIUM DUAL ANGLE FIXED RAIL (NGADF6T-XLP) | B |
| 1 | 3097000781 | 1 | Deck Installation, 22ft (Aluminium) | |
| 2 | 2679000010 | 1 | Main Subframe Pad Installation (See Separate Breakdown in SUBFRAME Section) | |
| 3 | 2330000055 | Ref | Conspicuity Decal Installation | |
| 3 | 7330000428 | 2 | Decal - Red/White Reflective | |
| 4 | 7577000208 | 1 | Chain/Tie-Down Kit | |
| 5 | 2330000038 | 1 | Standard Duty Decals Installation (Not Shown - See Separate Breakdown in DECAL Section) | |
| 6 | 2750000008 | 1 | Hydraulic Reservoir and Bracket Mount (See Separate Breakdown in HYDRAULIC Section) | |
| 7 | 7679000017 | 2 | Chain Tray Mat | |

SECTION 3 - DECK

FIGURE 3-29. DECK MODEL - ALUMINUM 22IN X 102IN REMOVABLE RAIL



ART_1001211165

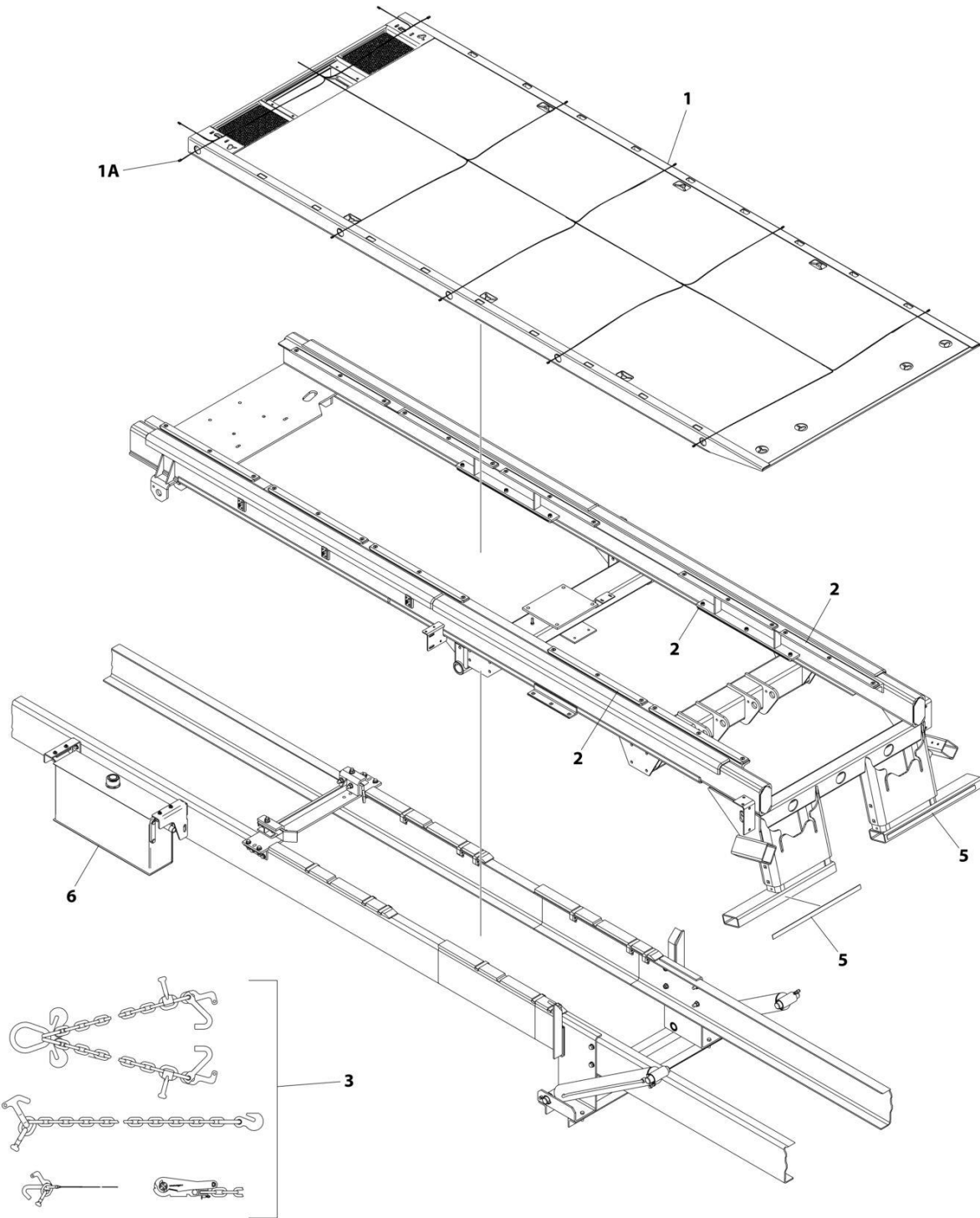
SECTION 3 - DECK

FIGURE 3-29. DECK MODEL - ALUMINUM 22IN X 102IN REMOVABLE RAIL

| ITEM | PART NUMBER | QTY | DESCRIPTION | REV |
|------|-------------|-----|---|-----|
| | 1001211165 | Ref | DECK INSTALLATION - 22FTx102IN ALUMINIUM REMOVABLE RAIL (NGAR6T-XLP) | B |
| 1 | 3097000778 | 1 | Deck Installation, 22ft (Aluminium) | |
| 2 | 2679000010 | 1 | Main Subframe Pad Installation (See Separate Breakdown in SUBFRAME Section) | |
| 3 | 2330000055 | Ref | Conspicuity Decal Installation | |
| 3 | 7330000428 | 2 | Decal - Red/White Reflective | |
| 4 | 7577000208 | 1 | Chain/Tie-Down Kit | |
| 5 | 2330000038 | 1 | Standard Duty Decals Installation (Not Shown - See Separate Breakdown in Decal Section) | |
| 6 | 2750000008 | 1 | Hydraulic Reservoir and Bracket Mount (See Separate Breakdown in HYDRAULIC Section) | |
| 7 | 7679000017 | 2 | Chain Tray Mat | |
| 8 | 7661000055 | 10 | Nut 1/2 | |

SECTION 3 - DECK

FIGURE 3-30. DECK MODEL - STEEL 19IN X 96IN REMOVABLE RAIL



ART_1001274784

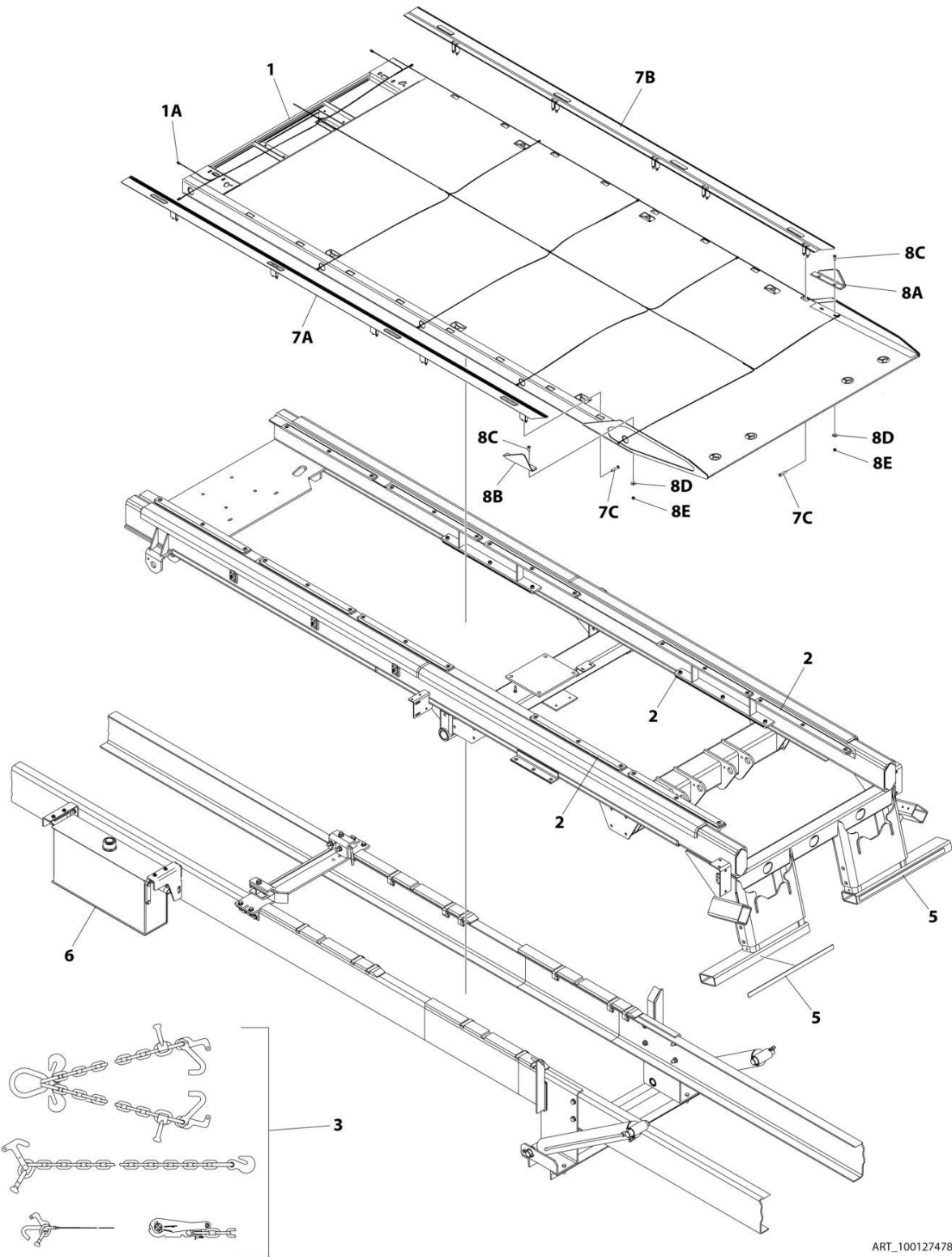
SECTION 3 - DECK

FIGURE 3-30. DECK MODEL - STEEL 19IN X 96IN REMOVABLE RAIL

| ITEM | PART NUMBER | QTY | DESCRIPTION | REV |
|------|-------------|-----|---|-----|
| | 1001274784 | Ref | DECK INSTALLATION - 19FT X 96IN STEEL REMOVABLE RAIL (SRR6T-LP) | A |
| 1 | 3097000787 | 1 | Deck Installation, 19ft (Steel) | |
| 1A | 7552000212 | 1 | Harness | |
| 2 | 2679000010 | 1 | Main Subframe Pad Installation (See Separate Breakdown in SUBFRAME Section) | |
| 3 | 7577000208 | 1 | Chain/Tie-Down Kit | |
| 4 | 2330000038 | 1 | Standard Duty Decals Installation (Not Shown - See Separate Breakdown in DECAL Section) | |
| 5 | 2330000055 | Ref | Conspicuity Decal Installation | |
| 5 | 7330000428 | 2 | Decal - Red/White Reflective | |
| 6 | 2750000008 | 1 | Hydraulic Reservoir and Bracket Mount (See Separate Breakdown in HYDRAULIC Section) | |

SECTION 3 - DECK

FIGURE 3-31. DECK MODEL - STEEL 19IN X 96IN REMOVABLE RAIL DUAL ANGLE SHARK



ART_1001274787

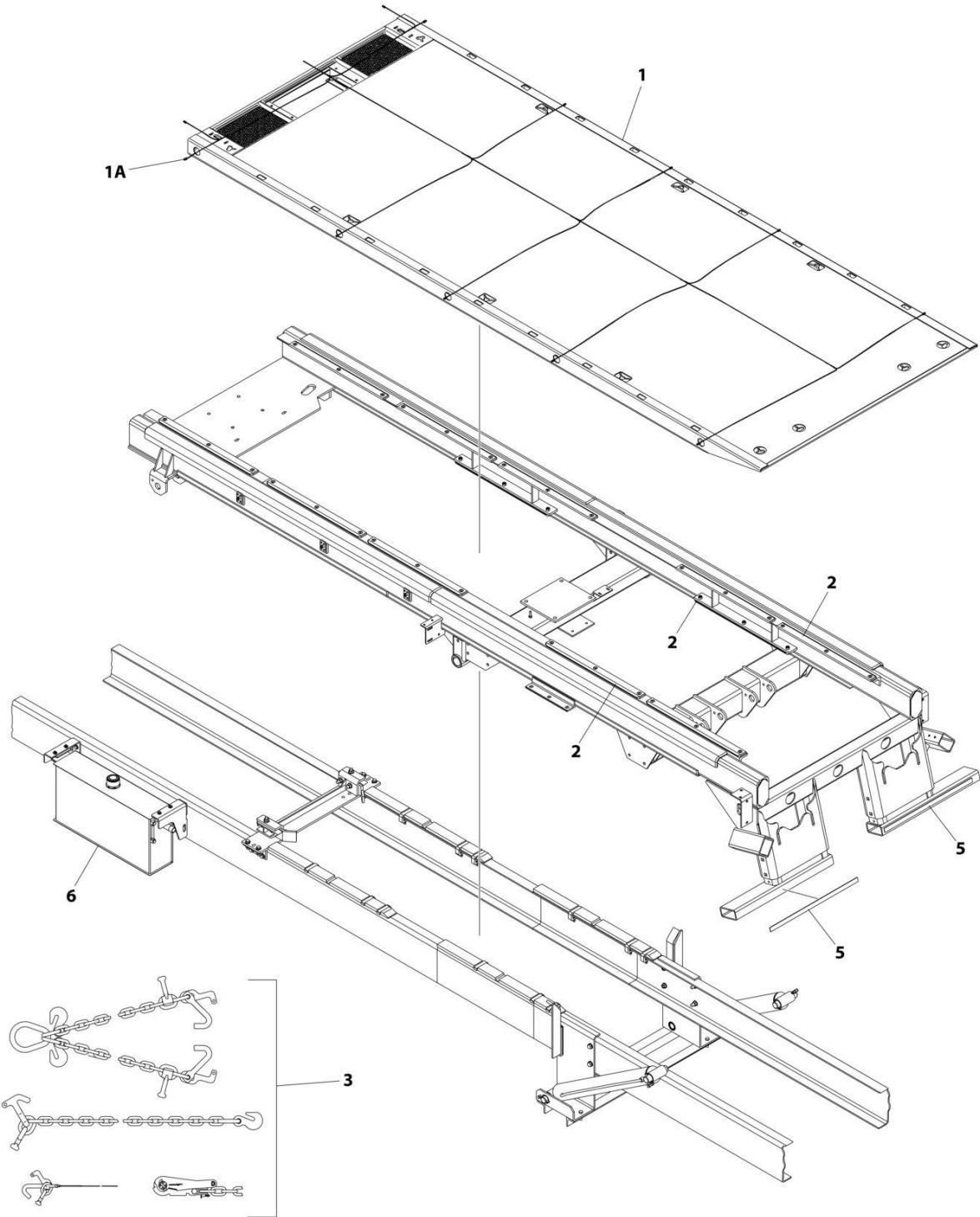
SECTION 3 - DECK

FIGURE 3-31. DECK MODEL - STEEL 19IN X 96IN REMOVABLE RAIL DUAL ANGLE SHARK

| ITEM | PART NUMBER | QTY | DESCRIPTION | REV |
|------|-------------|-----|---|-----|
| | 1001274787 | Ref | DECK INSTALLATION - 19FT X 96IN STEEL DUAL ANGLE REMOVABLE RAIL (SRRD6T-LP), SHARK | A |
| 1 | 3097000795 | 1 | Deck Installation, 19ft (Steel) | |
| 1A | 7552000212 | 1 | Harness | |
| 2 | 2679000010 | 1 | Main Subframe Pad Installation (See Separate Breakdown in SUBFRAME Section) | |
| 3 | 7577000208 | 1 | Chain/Tie-Down Kit | |
| 4 | 2330000038 | 1 | Standard Duty Decals Installation (Not Shown - See Separate Breakdown in DECAL Section) | |
| 5 | 2330000055 | Ref | Conspicuity Decal Installation | |
| 5 | 7330000428 | 2 | Decal - Red/White Reflective | |
| 6 | 2750000008 | 1 | Hydraulic Reservoir and Bracket Mount (See Separate Breakdown in HYDRAULIC Section) | |
| 7 | 2729000092 | Ref | Rail Installation | |
| 7A | 3017000135 | 1 | Angle Assembly LH | |
| 7B | 3017000136 | 1 | Angle Assembly RH | |
| 7C | 7120000005 | 8 | Capscrew 1/2 x 2-1/2 | |
| 8 | 2178000066 | Ref | Bracket Installation | |
| 8A | 4178000873 | 1 | Bracket, RH | |
| 8B | 4178000874 | 1 | Bracket, LH | |
| 8C | 7115181223 | 4 | Screw 1/2 x 1-1/2 | |
| 8D | 7950180161 | 4 | Washer 1/2 | |
| 8E | 7660182601 | 4 | Nut 1/2 | |

SECTION 3 - DECK

FIGURE 3-32. DECK MODEL - STEEL 19IN X 102IN REMOVABLE RAIL



ART_1001274786

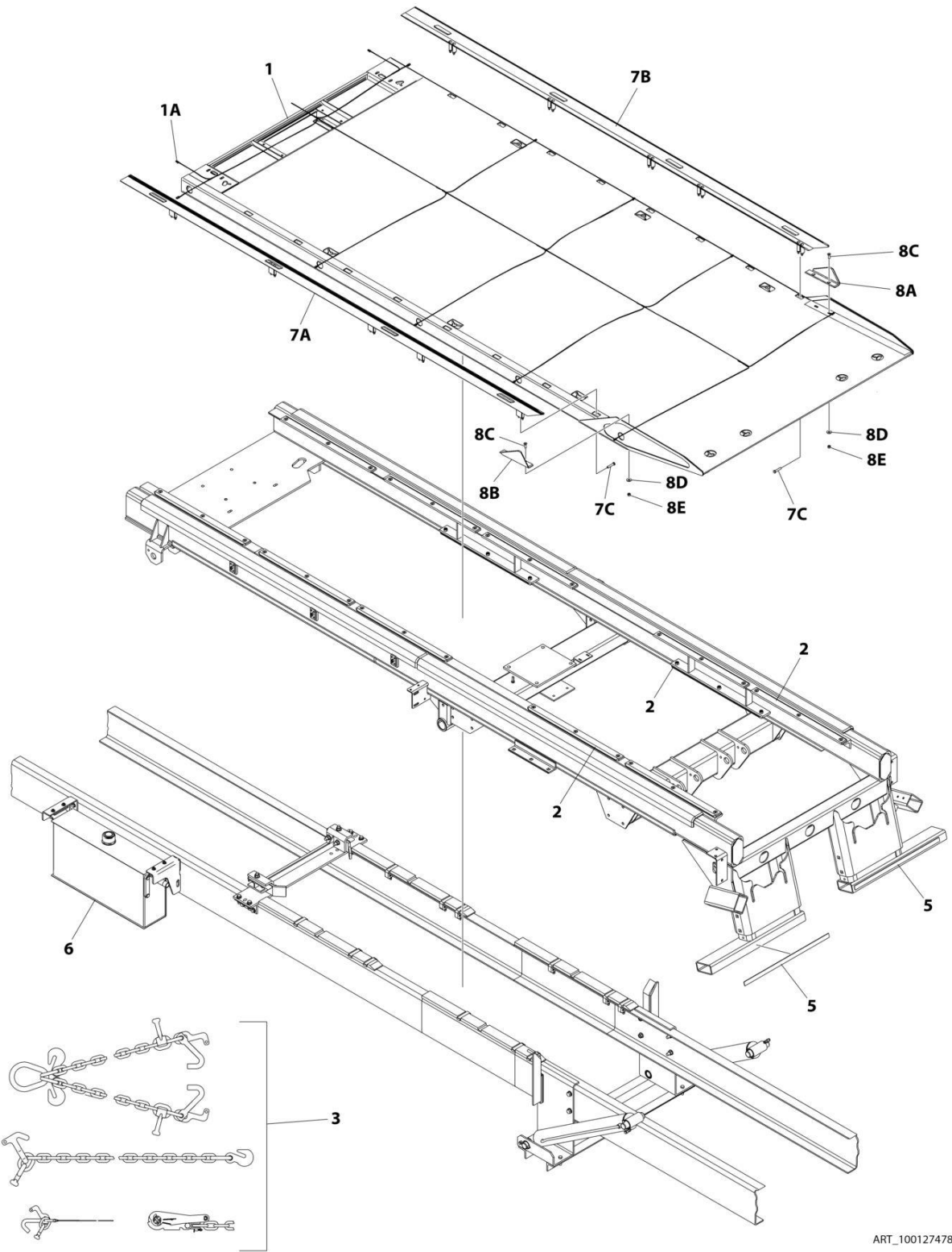
SECTION 3 - DECK

FIGURE 3-32. DECK MODEL - STEEL 19IN X 102IN REMOVABLE RAIL

| ITEM | PART NUMBER | QTY | DESCRIPTION | REV |
|------|-------------|-----|---|-----|
| | 1001274786 | Ref | DECK INSTALLATION - 19FT X 102IN STEEL REMOVABLE RAIL (SRR6T-LP) | A |
| 1 | 3097000788 | 1 | Deck Installation, 19ft (Steel) | |
| 1A | 7552000212 | 1 | Harness | |
| 2 | 2679000010 | 1 | Main Subframe Pad Installation (See Separate Breakdown in SUBFRAME Section) | |
| 3 | 7577000208 | 1 | Chain/Tie-Down Kit | |
| 4 | 2330000038 | 1 | Standard Duty Decals Installation (Not Shown - See Separate Breakdown in DECAL Section) | |
| 5 | 2330000055 | Ref | Conspicuity Decal Installation | |
| 5 | 7330000428 | 2 | Decal - Red/White Reflective | |
| 6 | 2750000008 | 1 | Hydraulic Reservoir and Bracket Mount (See Separate Breakdown in HYDRAULIC Section) | |

SECTION 3 - DECK

FIGURE 3-33. DECK MODEL - STEEL 19IN X 102IN REMOVABLE RAIL DUAL ANGLE SHARK



ART_1001274788

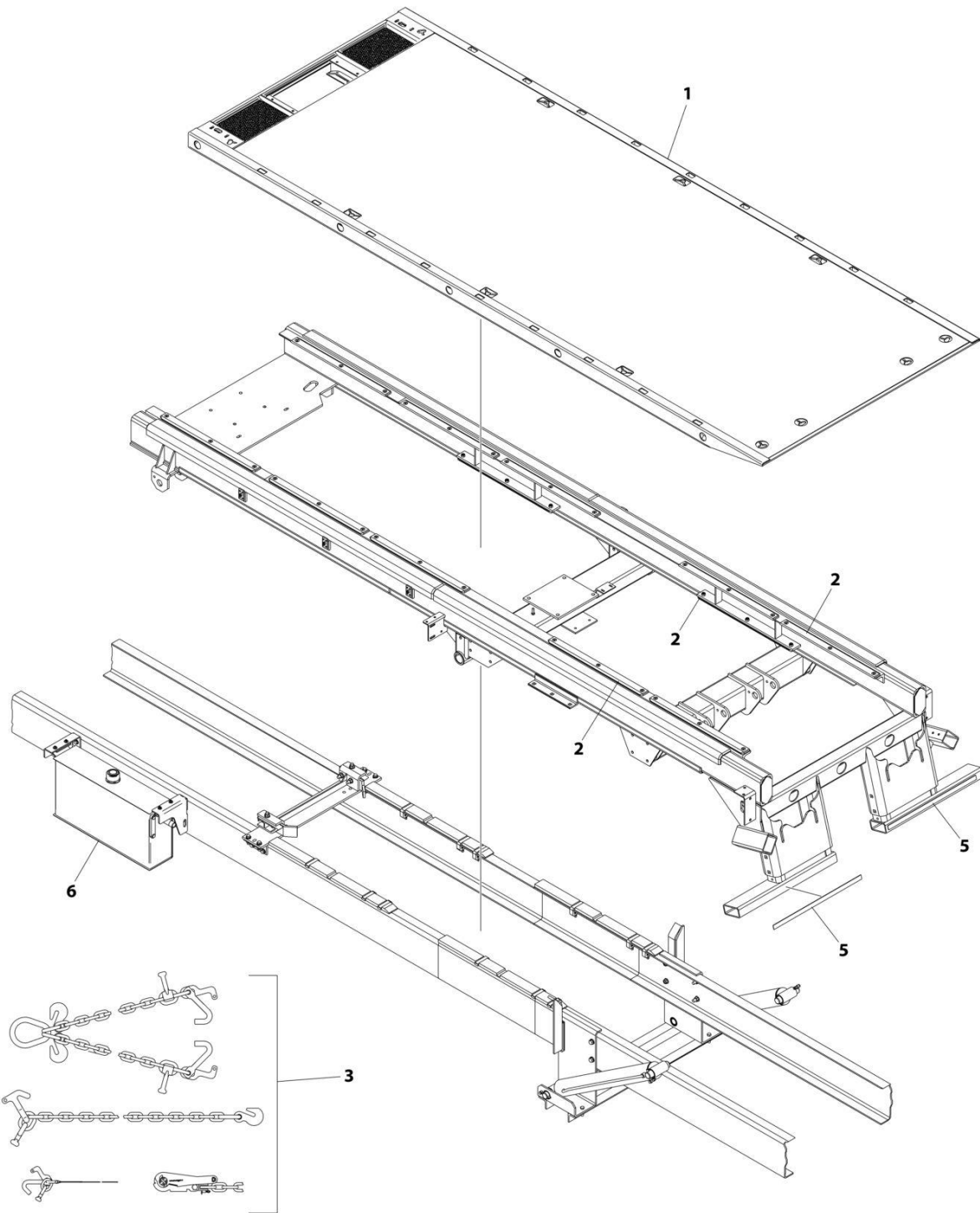
SECTION 3 - DECK

FIGURE 3-33. DECK MODEL - STEEL 19IN X 102IN REMOVABLE RAIL DUAL ANGLE SHARK

| ITEM | PART NUMBER | QTY | DESCRIPTION | REV |
|------|-------------|-----|---|-----|
| | 1001274788 | Ref | DECK INSTALLATION - 19FT X 102IN STEEL DUAL ANGLE REMOVABLE RAIL (SRRD6T-LP), SHARK | A |
| 1 | 3097000796 | 1 | Deck Installation, 19ft (Steel) | |
| 1A | 7552000212 | 1 | Harness | |
| 2 | 2679000010 | 1 | Main Subframe Pad Installation (See Separate Breakdown in SUBFRAME Section) | |
| 3 | 7577000208 | 1 | Chain/Tie-Down Kit | |
| 4 | 2330000038 | 1 | Standard Duty Decals Installation (Not Shown - See Separate Breakdown in DECAL Section) | |
| 5 | 2330000055 | Ref | Conspicuity Decal Installation | |
| 5 | 7330000428 | 2 | Decal - Red/White Reflective | |
| 6 | 2750000008 | 1 | Hydraulic Reservoir and Bracket Mount (See Separate Breakdown in HYDRAULIC Section) | |
| 7 | 2729000092 | Ref | Rail Installation | |
| 7A | 3017000135 | 1 | Angle Assembly LH | |
| 7B | 3017000136 | 1 | Angle Assembly RH | |
| 7C | 7120000005 | 8 | Capscrew 1/2 x 2-1/2 | |
| 8 | 2178000066 | Ref | Bracket Installation | |
| 8A | 4178000873 | 1 | Bracket, RH | |
| 8B | 4178000874 | 1 | Bracket, LH | |
| 8C | 7115181223 | 4 | Screw 1/2 x 1-1/2 | |
| 8D | 7950180161 | 4 | Washer 1/2 | |
| 8E | 7660182601 | 4 | Nut 1/2 | |

SECTION 3 - DECK

FIGURE 3-34. DECK MODEL - STEEL 20IN X 96IN REMOVABLE RAIL



ART_1001151766

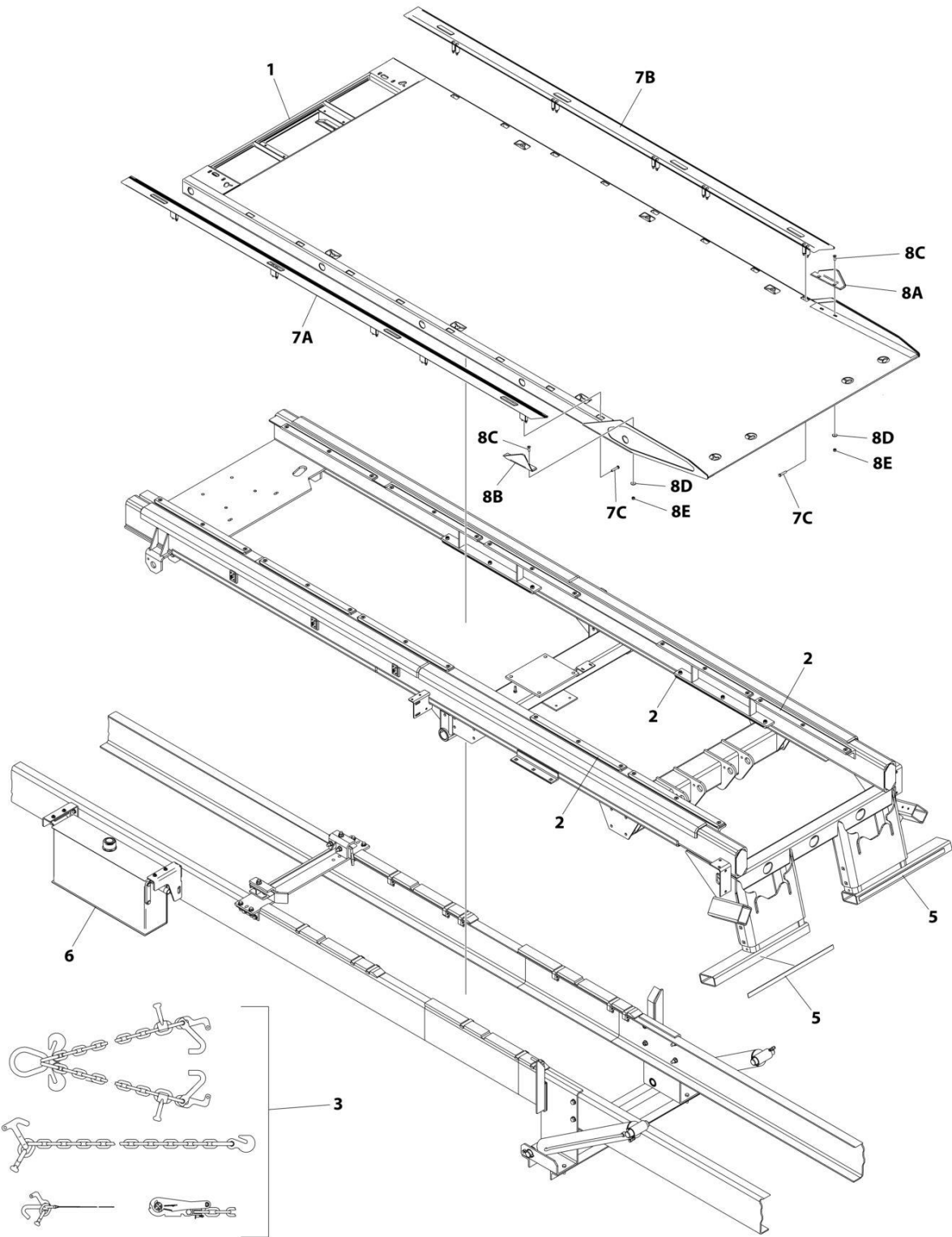
SECTION 3 - DECK

FIGURE 3-34. DECK MODEL - STEEL 20IN X 96IN REMOVABLE RAIL

| ITEM | PART NUMBER | QTY | DESCRIPTION | REV |
|------|-------------|-----|---|-----|
| | 1001151766 | Ref | DECK INSTALLATION - 20FTx96IN STEEL REMOVABLE RAIL (SRR6T-XLP) | A |
| 1 | 3097000789 | 1 | Deck Installation, 20ft (Steel) | |
| 2 | 2679000010 | 1 | Main Subframe Pad Installation (See Separate Breakdown in SUBFRAME Section) | |
| 3 | 7577000208 | 1 | Chain/Tie-Down Kit | |
| 4 | 2330000038 | 1 | Standard Duty Decals Installation (Not Shown - See Separate Breakdown in DECAL Section) | |
| 5 | 2330000055 | Ref | Conspicuity Decal Installation | |
| 5 | 7330000428 | 2 | Decal - Red/White Reflective | |
| 6 | 2750000008 | 1 | Hydraulic Reservoir and Bracket Mount (See Separate Breakdown in HYDRAULIC Section) | |

SECTION 3 - DECK

FIGURE 3-35. DECK MODEL - STEEL 20IN X 96IN REMOVABLE RAIL DUAL ANGLE SHARK



ART_1001151768

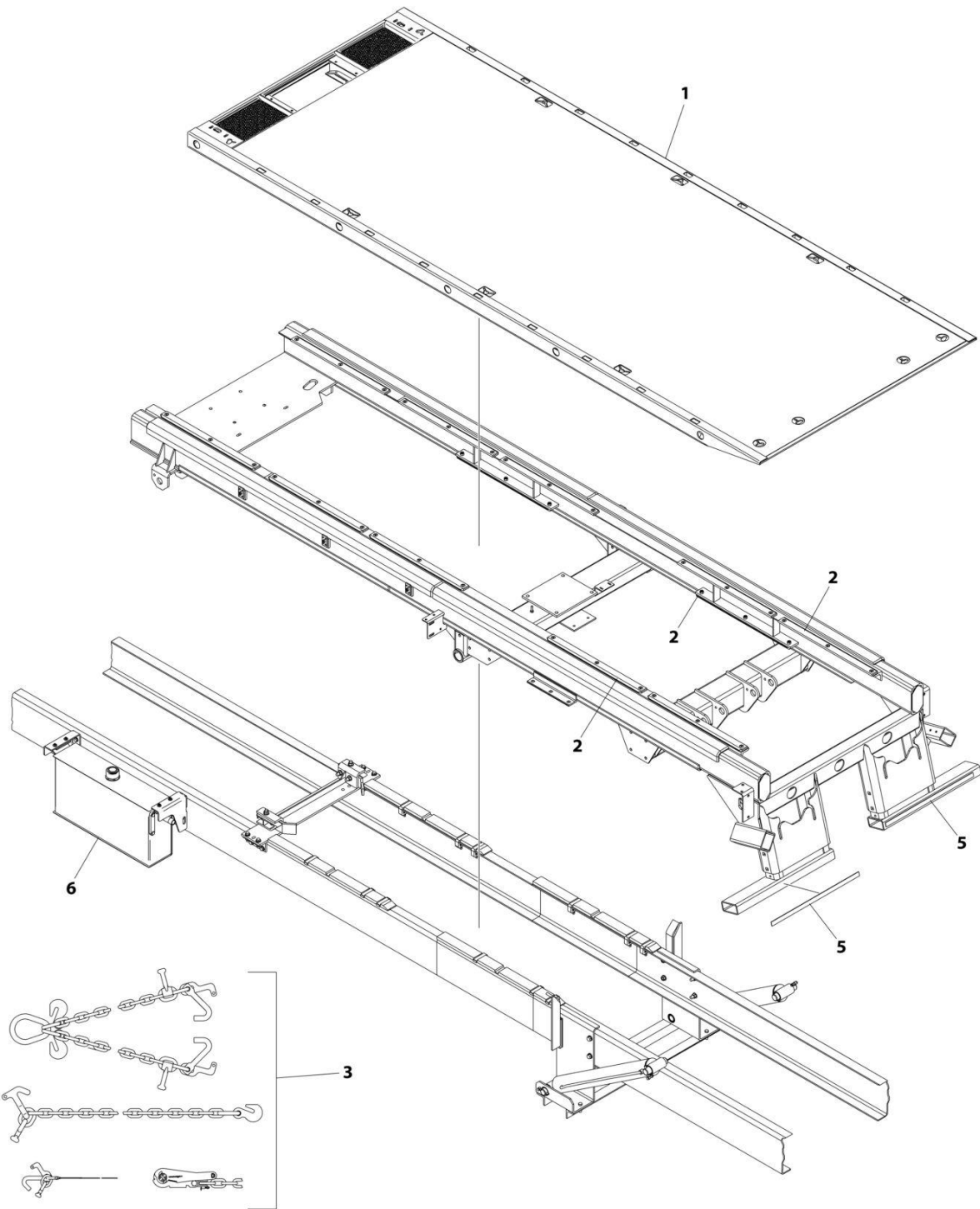
SECTION 3 - DECK

FIGURE 3-35. DECK MODEL - STEEL 20IN X 96IN REMOVABLE RAIL DUAL ANGLE SHARK

| ITEM | PART NUMBER | QTY | DESCRIPTION | REV |
|------|-------------|-----|---|-----|
| | 1001151768 | Ref | DECK INSTALLATION - 20FTx96IN STEEL DUAL ANGLE REMOVABLE RAIL (SRRD6T-XLP), SHARK | A |
| 1 | 3097000797 | 1 | Deck Installation, 20ft (Steel) | |
| 2 | 2679000010 | 1 | Main Subframe Pad Installation (See Separate Breakdown in SUBFRAME Section) | |
| 3 | 7577000208 | 1 | Chain/Tie-Down Kit | |
| 4 | 2330000038 | 1 | Standard Duty Decals Installation (Not Shown - See Separate Breakdown in DECAL Section) | |
| 5 | 2330000055 | Ref | Conspicuity Decal Installation | |
| 5 | 7330000428 | 2 | Decal - Red/White Reflective | |
| 6 | 2750000008 | 1 | Hydraulic Reservoir and Bracket Mount (See Separate Breakdown in HYDRAULIC Section) | |
| 7 | 2729000093 | Ref | Rail Installation | |
| 7A | 3017000137 | 1 | Angle Assembly LH | |
| 7B | 3017000138 | 1 | Angle Assembly RH | |
| 7C | 7120000005 | 8 | Capscrew 1/2 x 2-1/2 | |
| 8 | 2178000066 | Ref | Bracket Installation | |
| 8A | 4178000873 | 1 | Bracket, RH | |
| 8B | 4178000874 | 1 | Bracket, LH | |
| 8C | 7115181223 | 4 | Screw 1/2 x 1-1/2 | |
| 8D | 7950180161 | 4 | Washer 1/2 | |
| 8E | 7660182601 | 4 | Nut 1/2 | |

SECTION 3 - DECK

FIGURE 3-36. DECK MODEL - STEEL 20IN X 102IN REMOVABLE RAIL



ART_1001151767

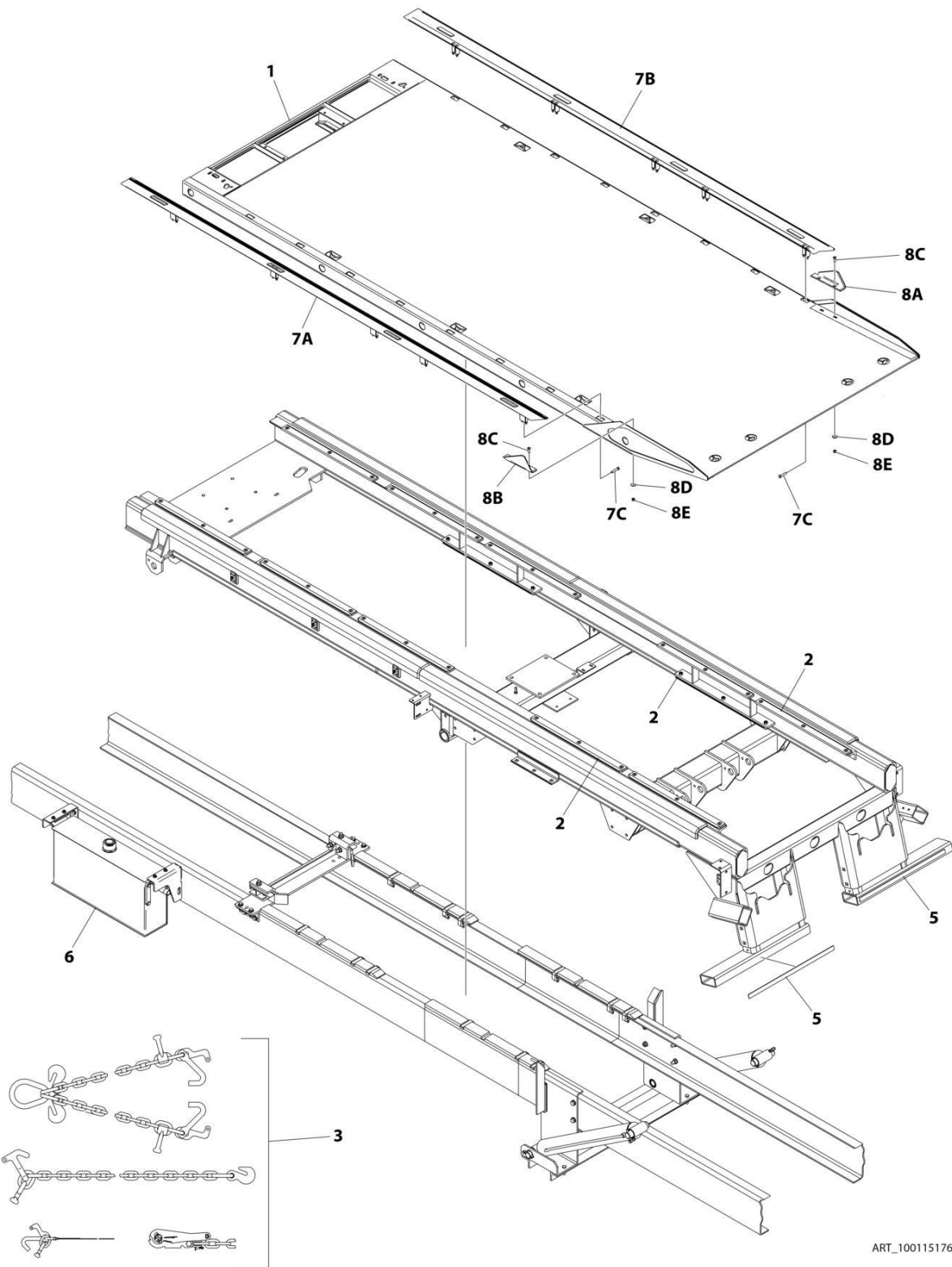
SECTION 3 - DECK

FIGURE 3-36. DECK MODEL - STEEL 20IN X 102IN REMOVABLE RAIL

| ITEM | PART NUMBER | QTY | DESCRIPTION | REV |
|------|-------------|-----|---|-----|
| | 1001151767 | Ref | DECK INSTALLATION - 20FTx102IN STEEL REMOVABLE RAIL (SRR6T-XLP) | A |
| 1 | 3097000790 | 1 | Deck Installation, 20ft (Steel) | |
| 2 | 2679000010 | 1 | Main Subframe Pad Installation (See Separate Breakdown in SUBFRAME Section) | |
| 3 | 7577000208 | 1 | Chain/Tie-Down Kit | |
| 4 | 2330000038 | 1 | Standard Duty Decals Installation (Not Shown - See Separate Breakdown in DECAL Section) | |
| 5 | 2330000055 | Ref | Conspicuity Decal Installation | |
| 5 | 7330000428 | 2 | Decal - Red/White Reflective | |
| 6 | 2750000008 | 1 | Hydraulic Reservoir and Bracket Mount (See Separate Breakdown in HYDRAULIC Section) | |

SECTION 3 - DECK

FIGURE 3-37. DECK MODEL - STEEL 20IN X 102IN REMOVABLE RAIL DUAL ANGLE SHARK



ART_1001151769

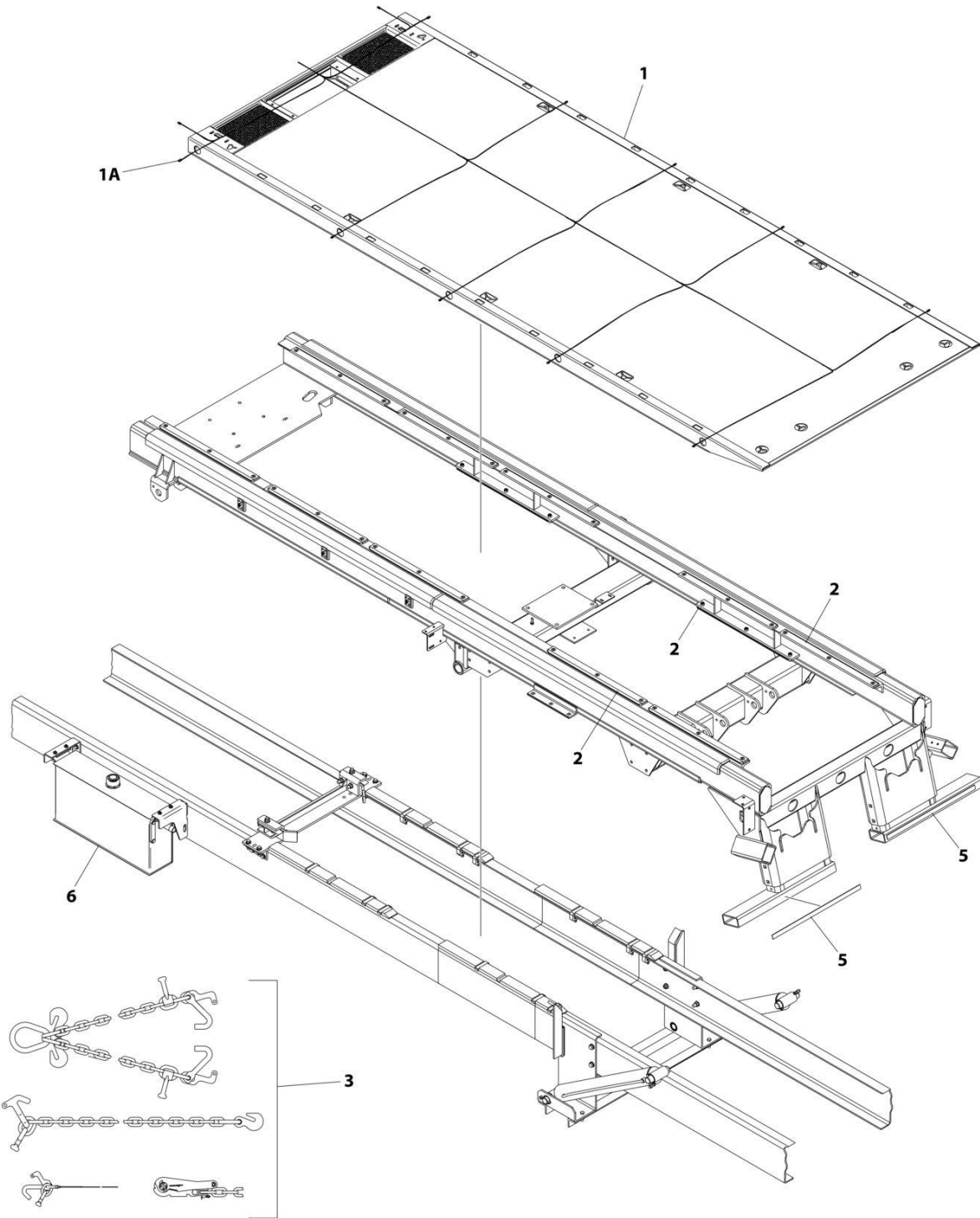
SECTION 3 - DECK

FIGURE 3-37. DECK MODEL - STEEL 20IN X 102IN REMOVABLE RAIL DUAL ANGLE SHARK

| ITEM | PART NUMBER | QTY | DESCRIPTION | REV |
|------|-------------|-----|---|-----|
| | 1001151769 | Ref | DECK INSTALLATION - 20FTx102IN STEEL DUAL ANGLE REMOVABLE RAIL (SRRD6T-XLP), SHARK | A |
| 1 | 3097000798 | 1 | Deck Installation, 20ft (Steel) | |
| 2 | 2679000010 | 1 | Main Subframe Pad Installation (See Separate Breakdown in SUBFRAME Section) | |
| 3 | 7577000208 | 1 | Chain/Tie-Down Kit | |
| 4 | 2330000038 | 1 | Standard Duty Decals Installation (Not Shown - See Separate Breakdown in DECAL Section) | |
| 5 | 2330000055 | Ref | Conspicuity Decal Installation | |
| 5 | 7330000428 | 2 | Decal - Red/White Reflective | |
| 6 | 2750000008 | 1 | Hydraulic Reservoir and Bracket Mount (See Separate Breakdown in HYDRAULIC Section) | |
| 7 | 2729000093 | Ref | Rail Installation | |
| 7A | 3017000137 | 1 | Angle Assembly LH | |
| 7B | 3017000138 | 1 | Angle Assembly RH | |
| 7C | 7120000005 | 8 | Capscrew 1/2 x 2-1/2 | |
| 8 | 2178000066 | Ref | Bracket Installation | |
| 8A | 4178000873 | 1 | Bracket, RH | |
| 8B | 4178000874 | 1 | Bracket, LH | |
| 8C | 7115181223 | 4 | Screw 1/2 x 1-1/2 | |
| 8D | 7950180161 | 4 | Washer 1/2 | |
| 8E | 7660182601 | 4 | Nut 1/2 | |

SECTION 3 - DECK

FIGURE 3-38. DECK MODEL - STEEL 21IN X 90IN REMOVABLE RAIL



ART_1001277664

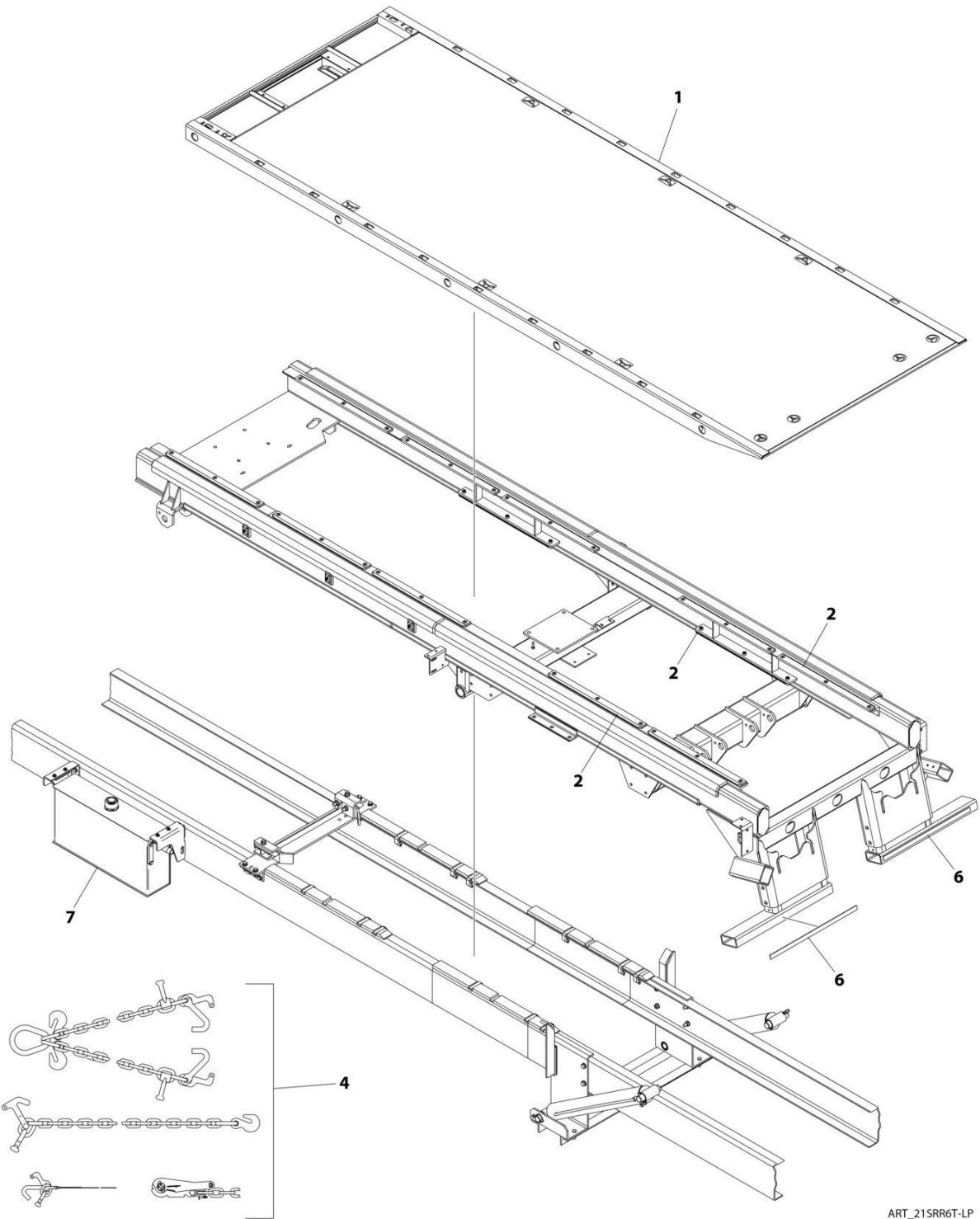
SECTION 3 - DECK

FIGURE 3-38. DECK MODEL - STEEL 21IN X 90IN REMOVABLE RAIL

| ITEM | PART NUMBER | QTY | DESCRIPTION | REV |
|------|-------------|-----|---|-----|
| | 1001277664 | Ref | DECK INSTALLATION - 21FT X 90IN STEEL REMOVABLE RAIL (SRR6T-LP) | A |
| 1 | 1001131514 | 1 | Deck Installation, 21ft (Steel) | |
| 1A | 7552000212 | 1 | Harness | |
| 2 | 2679000010 | 1 | Main Subframe Pad Installation (See Separate Breakdown in SUBFRAME Section) | |
| 3 | 7577000208 | 1 | Chain/Tie-Down Kit | |
| 4 | 2330000038 | 1 | Standard Duty Decals Installation (Not Shown - See Separate Breakdown in DECAL Section) | |
| 5 | 2330000055 | Ref | Conspicuity Decal Installation | |
| 5 | 7330000428 | 2 | Decal - Red/White Reflective | |
| 6 | 2750000008 | 1 | Hydraulic Reservoir and Bracket Mount (See Separate Breakdown in HYDRAULIC Section) | |

SECTION 3 - DECK

FIGURE 3-39. DECK MODEL - STEEL 21IN X 96IN REMOVABLE RAIL



ART_21SRR6T-LP

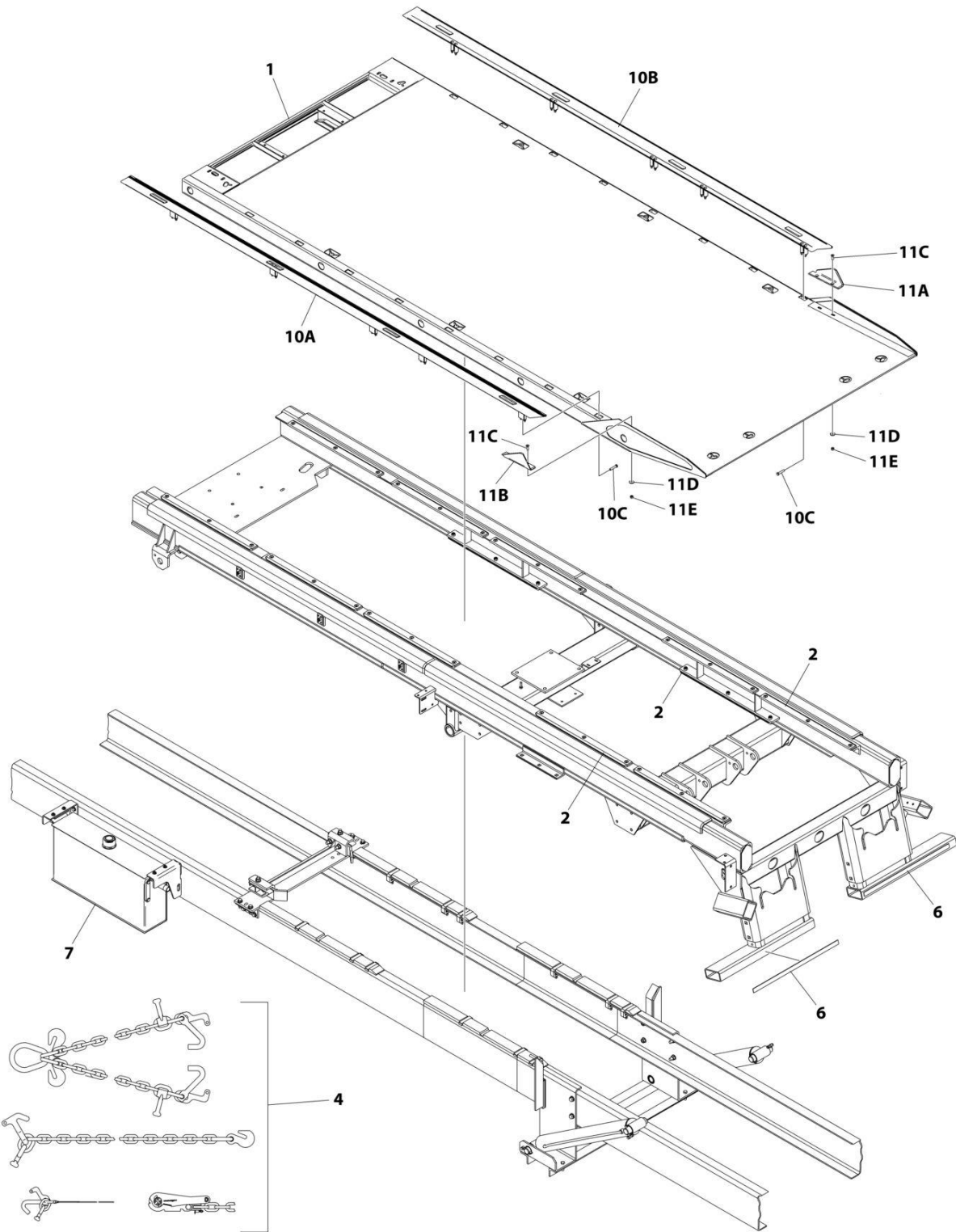
SECTION 3 - DECK

FIGURE 3-39. DECK MODEL - STEEL 21IN X 96IN REMOVABLE RAIL

| ITEM | PART NUMBER | QTY | DESCRIPTION | REV |
|------|-------------|-----|---|-----|
| | 21SRR6T-LP | Ref | DECK INSTALLATION - 21FTx96IN STEEL REMOVABLE RAIL (SRR6T-XLP) | B |
| 1 | 3097000791 | 1 | Deck Installation, 21ft (Steel) | |
| 2 | 2679000010 | 1 | Main Subframe Pad Installation (See Separate Breakdown in SUBFRAME Section) | |
| 4 | 7577000208 | 1 | Chain/Tie-Down Kit | |
| 5 | 2330000038 | 1 | Standard Duty Decals Installation (Not Shown - See Separate Breakdown in DECAL Section) | |
| 6 | 2330000055 | Ref | Conspicuity Decal Installation | |
| 6 | 7330000428 | 2 | Decal - Red/White Reflective | |
| 7 | 2750000008 | 1 | Hydraulic Reservoir and Bracket Mount (See Separate Breakdown in HYDRAULIC Section) | |

SECTION 3 - DECK

FIGURE 3-40. DECK MODEL - STEEL 21IN X 96IN REMOVABLE RAIL DUAL ANGLE SHARK



ART_21SRRD6T-LP

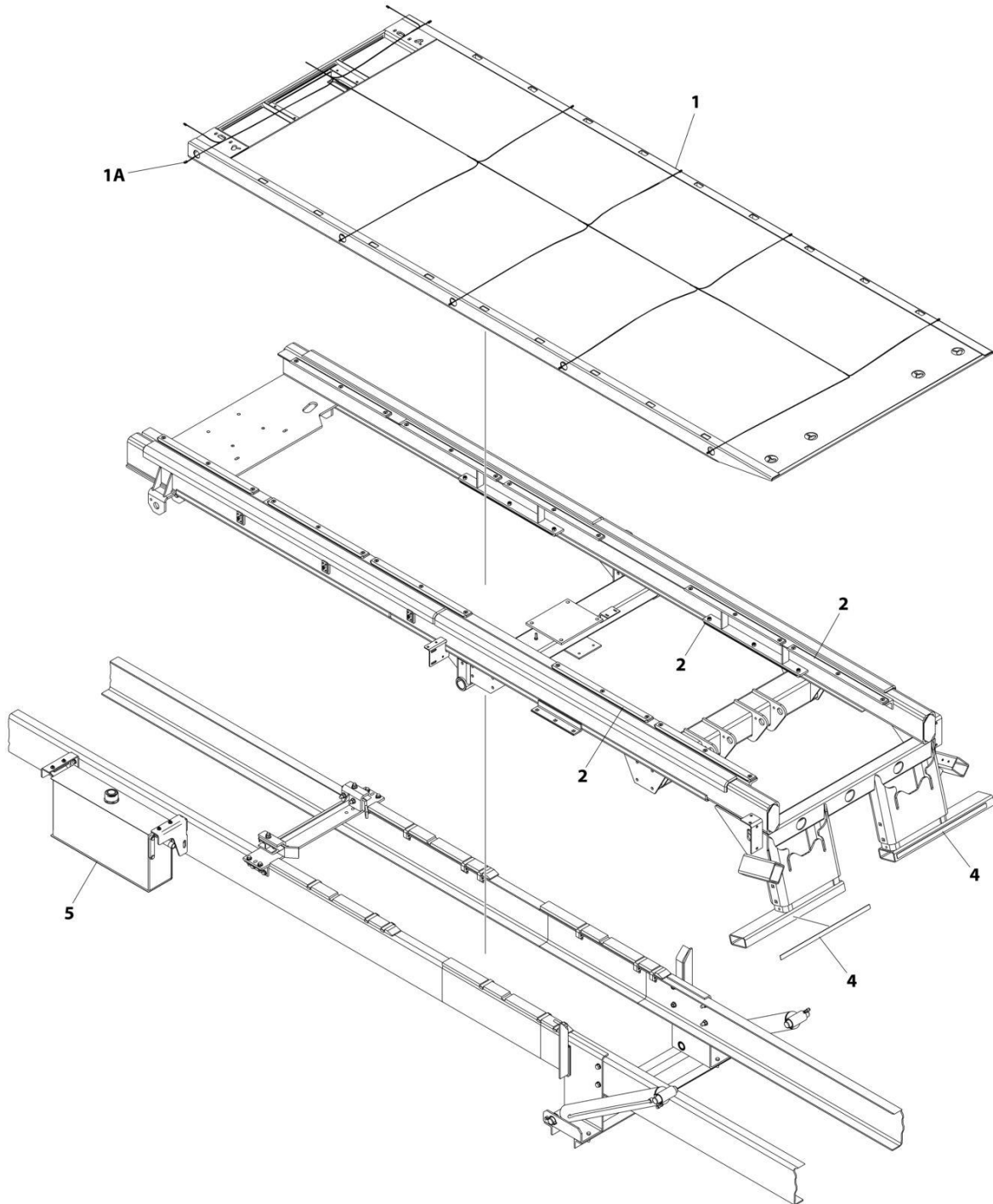
SECTION 3 - DECK

FIGURE 3-40. DECK MODEL - STEEL 21IN X 96IN REMOVABLE RAIL DUAL ANGLE SHARK

| ITEM | PART NUMBER | QTY | DESCRIPTION | REV |
|------|-------------|-----|---|-----|
| | 21SRRD6T-LP | Ref | DECK INSTALLATION - 21FTx96IN STEEL DUAL ANGLE REMOVABLE RAIL (SRRD6T-XLP), SHARK | B |
| 1 | 3097000799 | 1 | Deck Installation, 21ft (Steel) | |
| 2 | 2679000010 | 1 | Main Subframe Pad Installation (See Separate Breakdown in SUBFRAME Section) | |
| 4 | 7577000208 | 1 | Chain/Tie-Down Kit | |
| 5 | 2330000038 | 1 | Standard Duty Decals Installation (Not Shown - See Separate Breakdown in DECAL Section) | |
| 6 | 2330000055 | Ref | Conspicuity Decal Installation | |
| 6 | 7330000428 | 2 | Decal - Red/White Reflective | |
| 7 | 2750000008 | 1 | Hydraulic Reservoir and Bracket Mount (See Separate Breakdown in HYDRAULIC Section) | |
| 10 | 2729000094 | Ref | Rail Installation | |
| 10A | 3017000139 | 1 | Angle Assembly LH | |
| 10B | 3017000140 | 1 | Angle Assembly RH | |
| 10C | 7120000005 | 8 | Capscrew 1/2 x 2-1/2 | |
| 11 | 2178000066 | Ref | Bracket Installation | |
| 11A | 4178000873 | 1 | Bracket, RH | |
| 11B | 4178000874 | 1 | Bracket, LH | |
| 11C | 7115181223 | 4 | Screw 1/2 x 1-1/2 | |
| 11D | 7950180161 | 4 | Washer 1/2 | |
| 11E | 7660182601 | 4 | Nut 1/2 | |

SECTION 3 - DECK

FIGURE 3-41. DECK MODEL - STEEL 21IN X 96IN TRANSPORTER



ART_1001277411

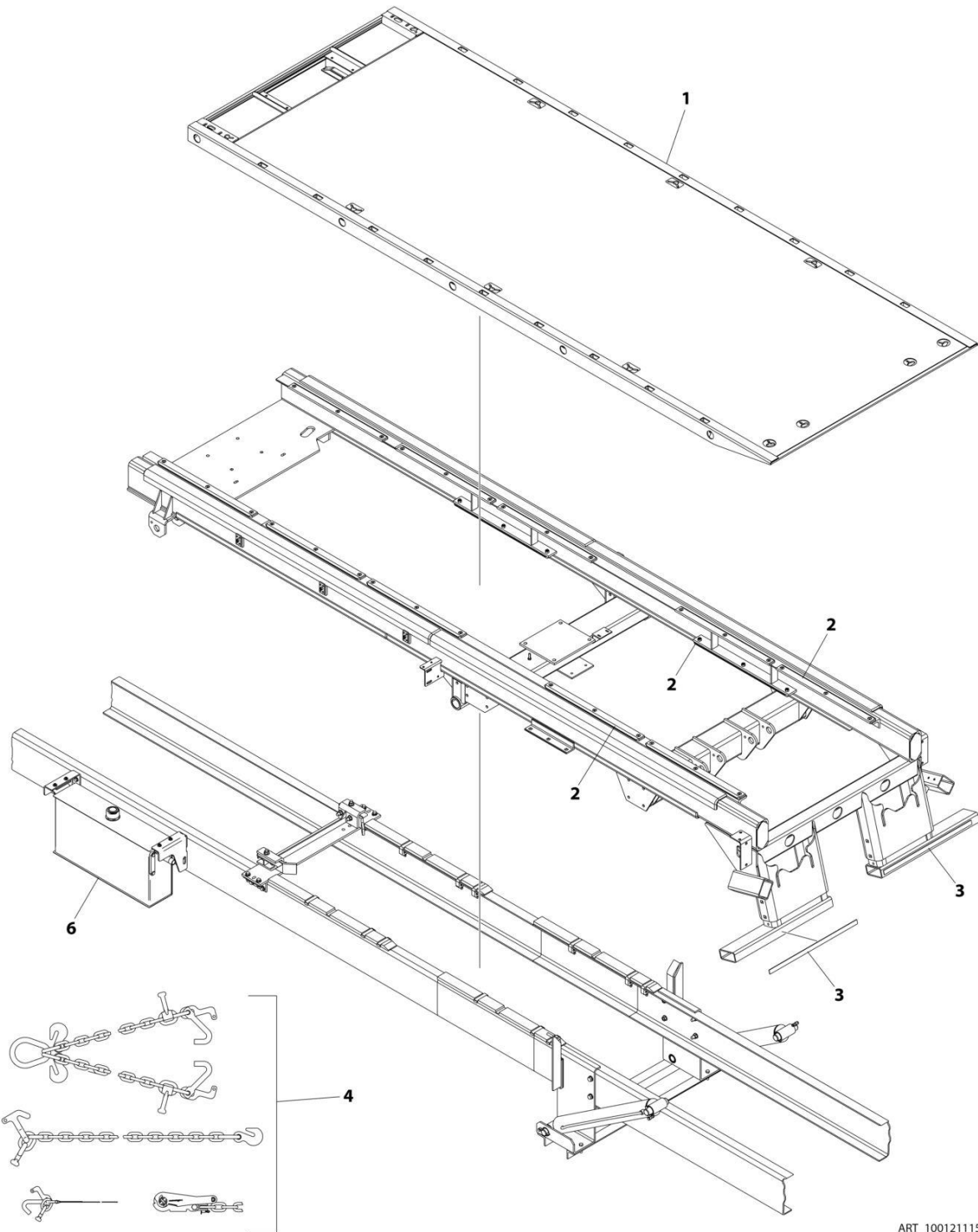
SECTION 3 - DECK

FIGURE 3-41. DECK MODEL - STEEL 21IN X 96IN TRANSPORTER

| ITEM | PART NUMBER | QTY | DESCRIPTION | REV |
|------|-------------|-----|---|-----|
| | 1001277411 | Ref | DECK INSTALLATION - 21FT X 96IN STEEL TRANSPORTER (STRB-LP) | A |
| 1 | 3097000807 | 1 | Deck Installation, 21ft (Steel) | |
| 1A | 7552000212 | 1 | Harness | |
| 2 | 2679000010 | 1 | Main Subframe Pad Installation (See Separate Breakdown in SUBFRAME Section) | |
| 3 | 2330000038 | 1 | Standard Duty Decals Installation (Not Shown - See Separate Breakdown in DECAL Section) | |
| 4 | 2330000055 | Ref | Conspicuity Decal Installation | |
| 4 | 7330000428 | 2 | Decal - Red/White Reflective | |
| 5 | 2750000008 | 1 | Hydraulic Reservoir and Bracket Mount (See Separate Breakdown in HYDRAULIC Section) | |

SECTION 3 - DECK

FIGURE 3-42. DECK MODEL - STEEL 21IN X 102IN REMOVABLE RAIL



ART_1001211151

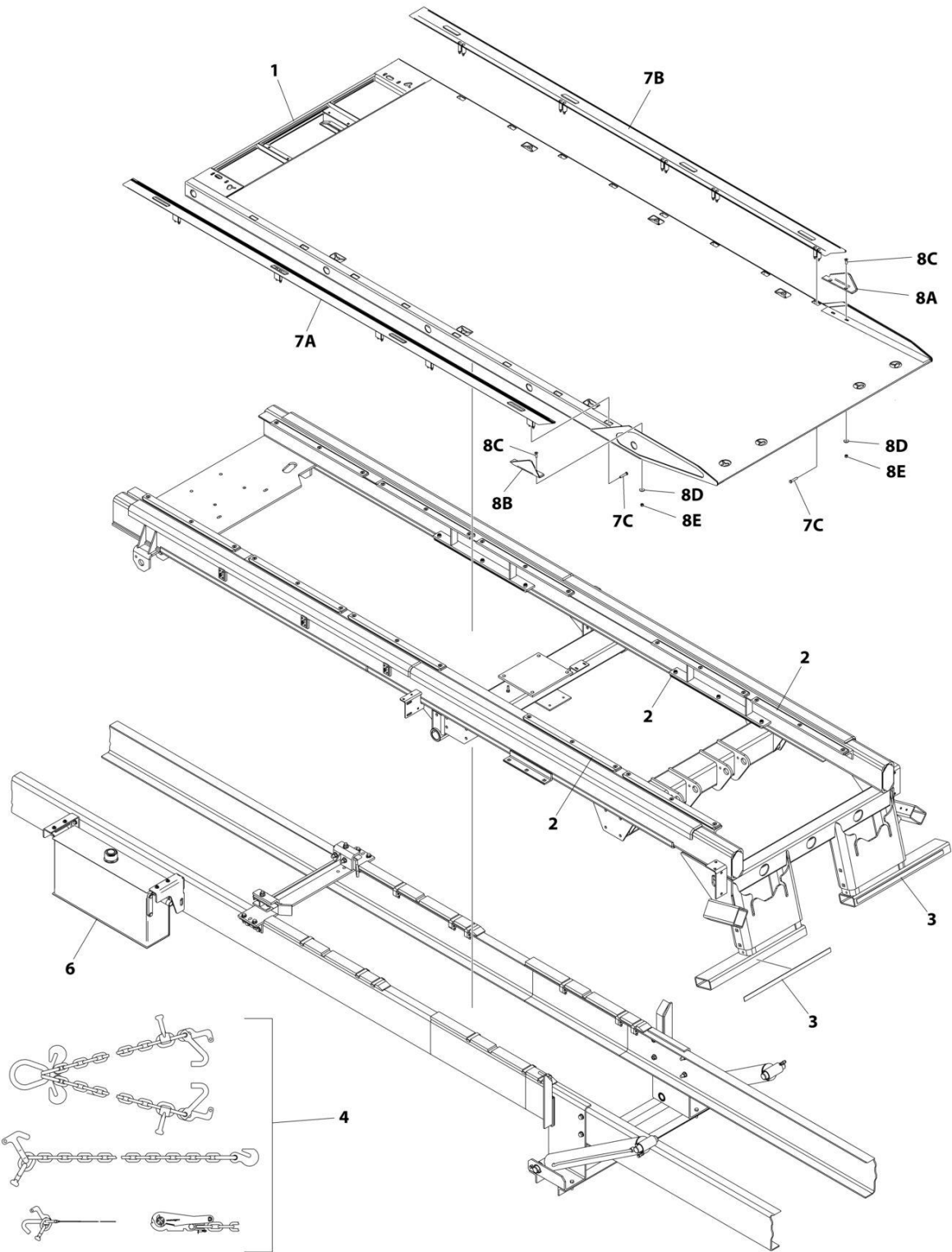
SECTION 3 - DECK

FIGURE 3-42. DECK MODEL - STEEL 21IN X 102IN REMOVABLE RAIL

| ITEM | PART NUMBER | QTY | DESCRIPTION | REV |
|------|-------------|-----|---|-----|
| | 1001211151 | Ref | DECK INSTALLATION - 21FTx102IN STEEL REMOVABLE RAIL (SRR6T-XLP) | A |
| 1 | 3097000792 | 1 | Deck Installation, 21ft (Steel) | |
| 2 | 2679000010 | 1 | Main Subframe Pad Installation (See Separate Breakdown in SUBFRAME Section) | |
| 3 | 2330000055 | Ref | Conspicuity Decal Installation | |
| 3 | 7330000428 | 2 | Decal - Red/White Reflective | |
| 4 | 7577000208 | 1 | Chain/Tie-Down Kit | |
| 5 | 2330000038 | 1 | Standard Duty Decals Installation (Not Shown - See Separate Breakdown in DECAL Section) | |
| 6 | 2750000008 | 1 | Hydraulic Reservoir and Bracket Mount (See Separate Breakdown in HYDRAULIC Section) | |

SECTION 3 - DECK

FIGURE 3-43. DECK MODEL - STEEL 21IN X 102IN REMOVABLE RAIL DUAL ANGLE SHARK



ART_1001211152

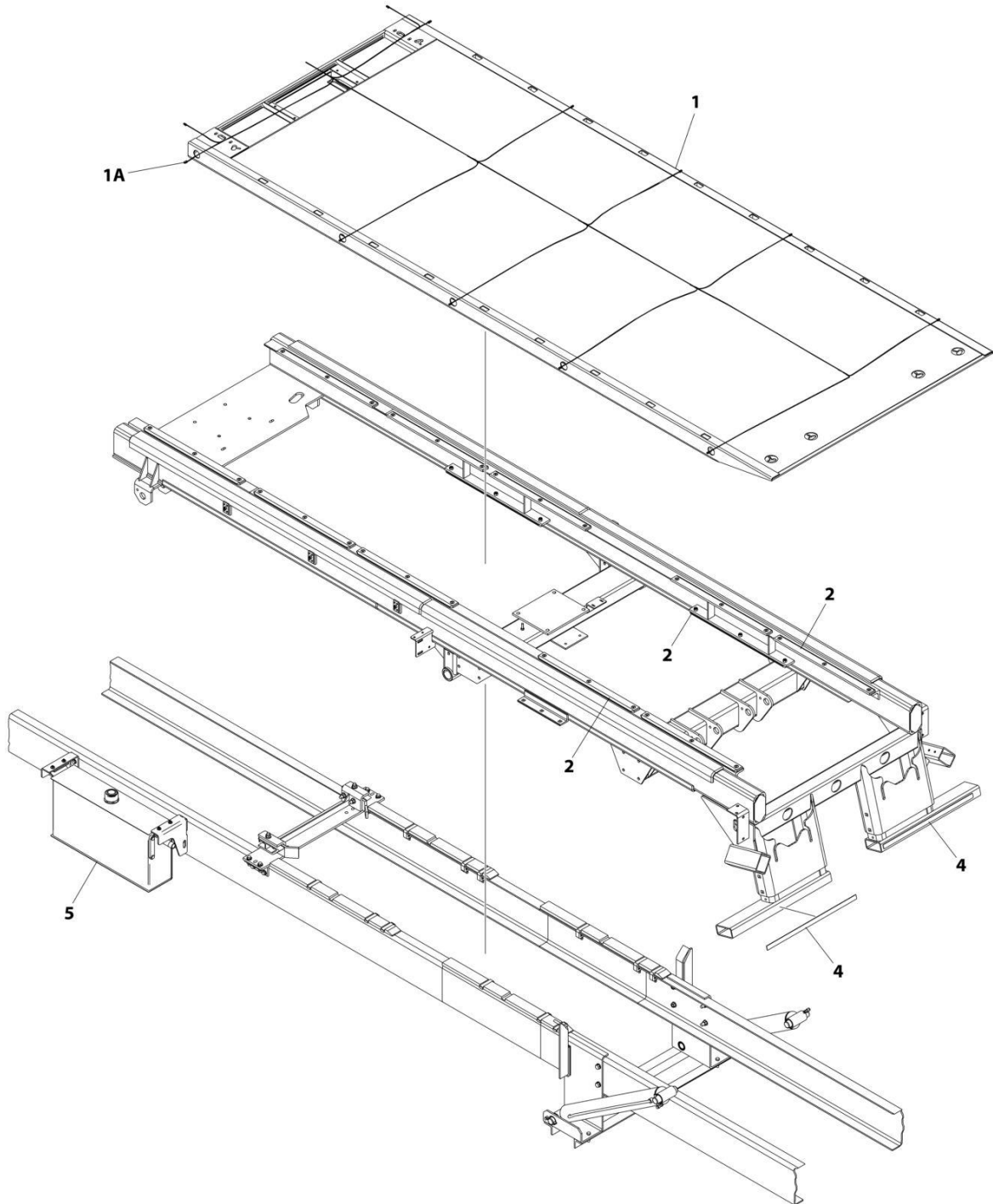
SECTION 3 - DECK

FIGURE 3-43. DECK MODEL - STEEL 21IN X 102IN REMOVABLE RAIL DUAL ANGLE SHARK

| ITEM | PART NUMBER | QTY | DESCRIPTION | REV |
|------|-------------|-----|---|-----|
| | 1001211152 | Ref | DECK INSTALLATION - 21FTx102IN STEEL DUAL ANGLE REMOVABLE RAIL (SRRD6T-XLP), SHARK | A |
| 1 | 3097000800 | 1 | Deck Installation, 21ft (Steel) | |
| 2 | 2679000010 | 1 | Main Subframe Pad Installation (See Separate Breakdown in SUBFRAME Section) | |
| 3 | 2330000055 | Ref | Conspicuity Decal Installation | |
| 3 | 7330000428 | 2 | Decal - Red/White Reflective | |
| 4 | 7577000208 | 1 | Chain/Tie-Down Kit | |
| 5 | 2330000038 | 1 | Standard Duty Decals Installation (Not Shown - See Separate Breakdown in DECAL Section) | |
| 6 | 2750000008 | 1 | Hydraulic Reservoir and Bracket Mount (See Separate Breakdown in HYDRAULIC Section) | |
| 7 | 2729000094 | Ref | Rail Installation | |
| 7A | 3017000139 | 1 | Angle Assembly LH | |
| 7B | 3017000140 | 1 | Angle Assembly RH | |
| 7C | 7120000005 | 8 | Capscrew 1/2 x 2-1/2 | |
| 8 | 2178000066 | Ref | Bracket Installation | |
| 8A | 4178000873 | 1 | Bracket, RH | |
| 8B | 4178000874 | 1 | Bracket, LH | |
| 8C | 7115181223 | 4 | Screw 1/2 x 1-1/2 | |
| 8D | 7950180161 | 4 | Washer 1/2 | |
| 8E | 7660182601 | 4 | Nut 1/2 | |

SECTION 3 - DECK

FIGURE 3-44. DECK MODEL - STEEL 21IN X 102IN TRANSPORTER



ART_1001277412

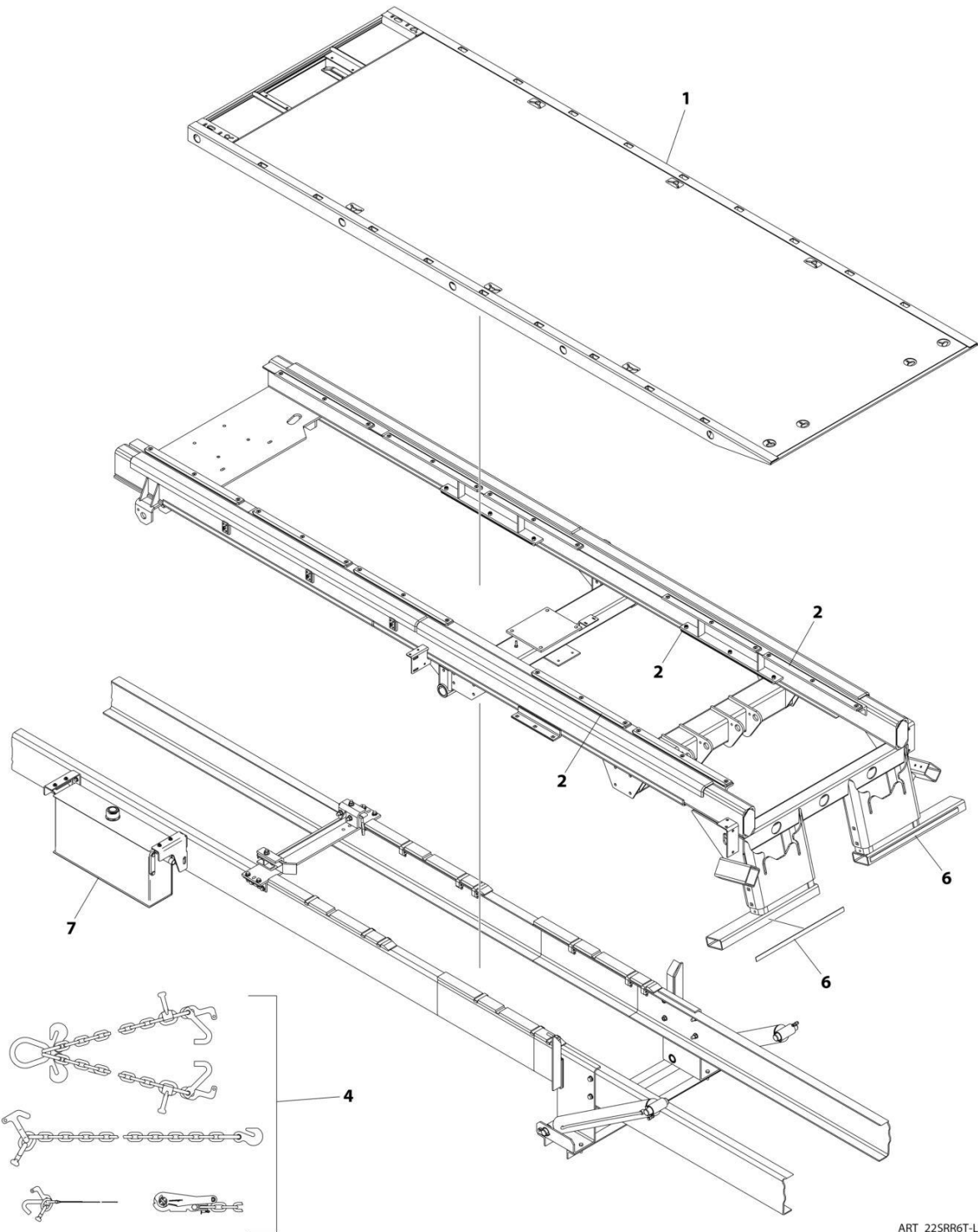
SECTION 3 - DECK

FIGURE 3-44. DECK MODEL - STEEL 21IN X 102IN TRANSPORTER

| ITEM | PART NUMBER | QTY | DESCRIPTION | REV |
|------|-------------|-----|---|-----|
| | 1001277412 | Ref | DECK INSTALLATION - 21FT X 102IN STEEL TRANSPORTER (STRB-LP) | A |
| 1 | 3097000808 | 1 | Deck Installation, 21ft (Steel) | |
| 1A | 7552000212 | 1 | Harness | |
| 2 | 2679000010 | 1 | Main Subframe Pad Installation (See Separate Breakdown in SUBFRAME Section) | |
| 3 | 2330000038 | 1 | Standard Duty Decals Installation (Not Shown - See Separate Breakdown in DECAL Section) | |
| 4 | 2330000055 | Ref | Conspicuity Decal Installation | |
| 4 | 7330000428 | 2 | Decal - Red/White Reflective | |
| 5 | 2750000008 | 1 | Hydraulic Reservoir and Bracket Mount (See Separate Breakdown in HYDRAULIC Section) | |

SECTION 3 - DECK

FIGURE 3-45. DECK MODEL - STEEL 22IN X 96IN REMOVABLE RAIL



ART_225RR6T-LP

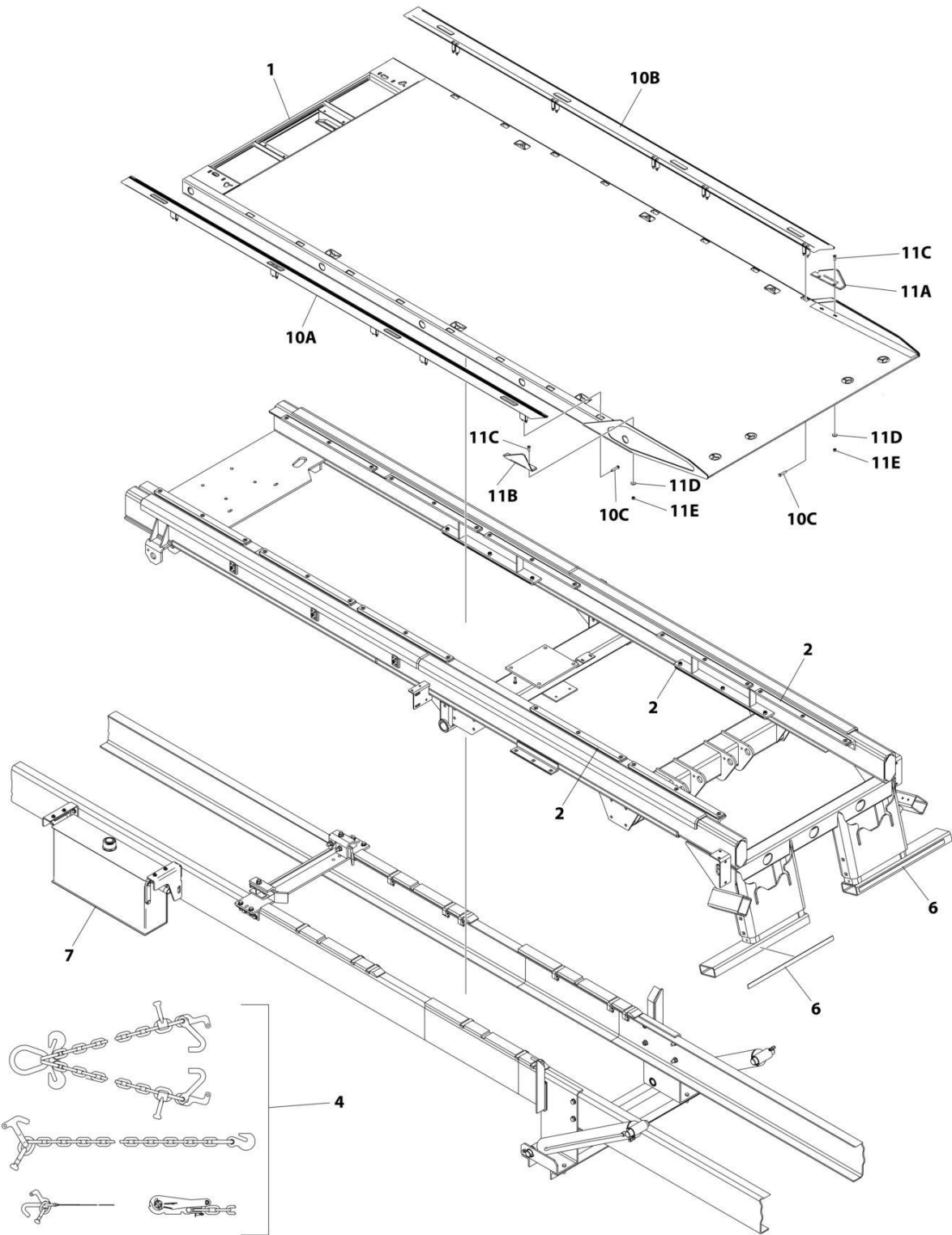
SECTION 3 - DECK

FIGURE 3-45. DECK MODEL - STEEL 22IN X 96IN REMOVABLE RAIL

| ITEM | PART NUMBER | QTY | DESCRIPTION | REV |
|------|-------------|-----|---|-----|
| | 22SRR6T-LP | Ref | DECK INSTALLATION - 22FTx96IN STEEL REMOVABLE RAIL (SRR6T-XLP) | B |
| 1 | 3097000793 | 1 | Deck Installation, 22ft (Steel) | |
| 2 | 2679000010 | 1 | Main Subframe Pad Installation (See Separate Breakdown in SUBFRAME Section) | |
| 4 | 7577000208 | 1 | Chain/Tie-Down Kit | |
| 5 | 2330000038 | 1 | Standard Duty Decals Installation (Not Shown - See Separate Breakdown in DECAL Section) | |
| 6 | 2330000055 | Ref | Conspicuity Decal Installation | |
| 6 | 7330000428 | 2 | Decal - Red/White Reflective | |
| 7 | 2750000008 | 1 | Hydraulic Reservoir and Bracket Mount (See Separate Breakdown in HYDRAULIC Section) | |

SECTION 3 - DECK

FIGURE 3-46. DECK MODEL - STEEL 22IN X 96IN REMOVABLE RAIL DUAL ANGLE SHARK



ART_22SRRD6T-LP

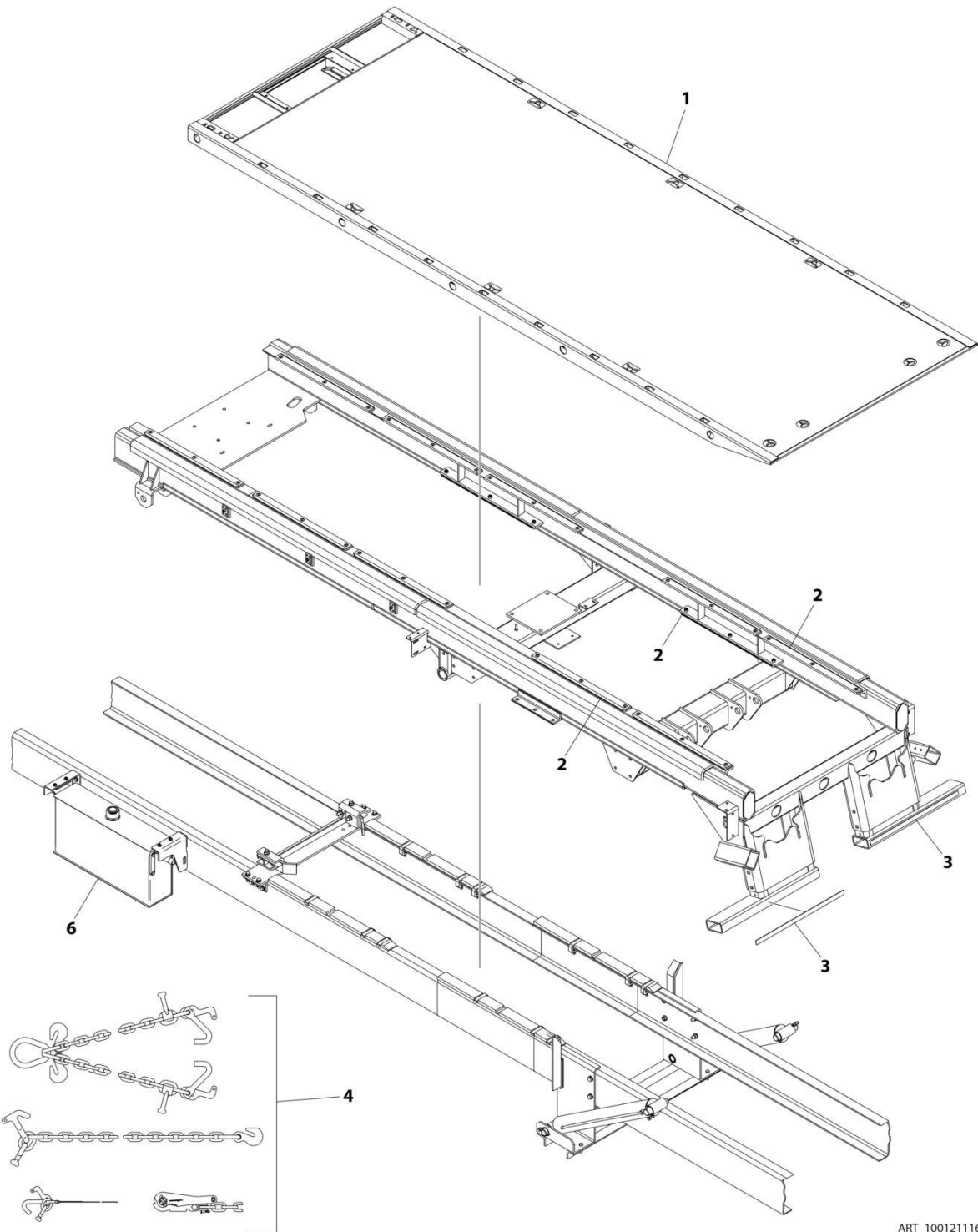
SECTION 3 - DECK

FIGURE 3-46. DECK MODEL - STEEL 22IN X 96IN REMOVABLE RAIL DUAL ANGLE SHARK

| ITEM | PART NUMBER | QTY | DESCRIPTION | REV |
|------|-------------|-----|---|-----|
| | 22SRRD6T-LP | Ref | DECK INSTALLATION - 22FTx96IN STEEL DUAL ANGLE REMOVABLE RAIL (SRRD6T-XLP), SHARK | B |
| 1 | 3097000801 | 1 | Deck Installation, 22ft (Steel) | |
| 2 | 2679000010 | 1 | Main Subframe Pad Installation (See Separate Breakdown in SUBFRAME Section) | |
| 4 | 7577000208 | 1 | Chain/Tie-Down Kit | |
| 5 | 2330000038 | 1 | Standard Duty Decals Installation (Not Shown - See Separate Breakdown in DECAL Section) | |
| 6 | 2330000055 | Ref | Conspicuity Decal Installation | |
| 6 | 7330000428 | 2 | Decal - Red/White Reflective | |
| 7 | 2750000008 | 1 | Hydraulic Reservoir and Bracket Mount (See Separate Breakdown in HYDRAULIC Section) | |
| 10 | 2729000103 | Ref | Rail Installation | |
| 10A | 3017000142 | 1 | Angle Assembly LH | |
| 10B | 3017000143 | 1 | Angle Assembly RH | |
| 10C | 7120000005 | 10 | Capscrew 1/2 x 2-1/2 | |
| 11 | 2178000066 | Ref | Bracket Installation | |
| 11A | 4178000873 | 1 | Bracket, RH | |
| 11B | 4178000874 | 1 | Bracket, LH | |
| 11C | 7115181223 | 4 | Screw 1/2 x 1-1/2 | |
| 11D | 7950180161 | 4 | Washer 1/2 | |
| 11E | 7660182601 | 4 | Nut 1/2 | |

SECTION 3 - DECK

FIGURE 3-47. DECK MODEL - STEEL 22IN X 102IN REMOVABLE RAIL



ART_1001211166

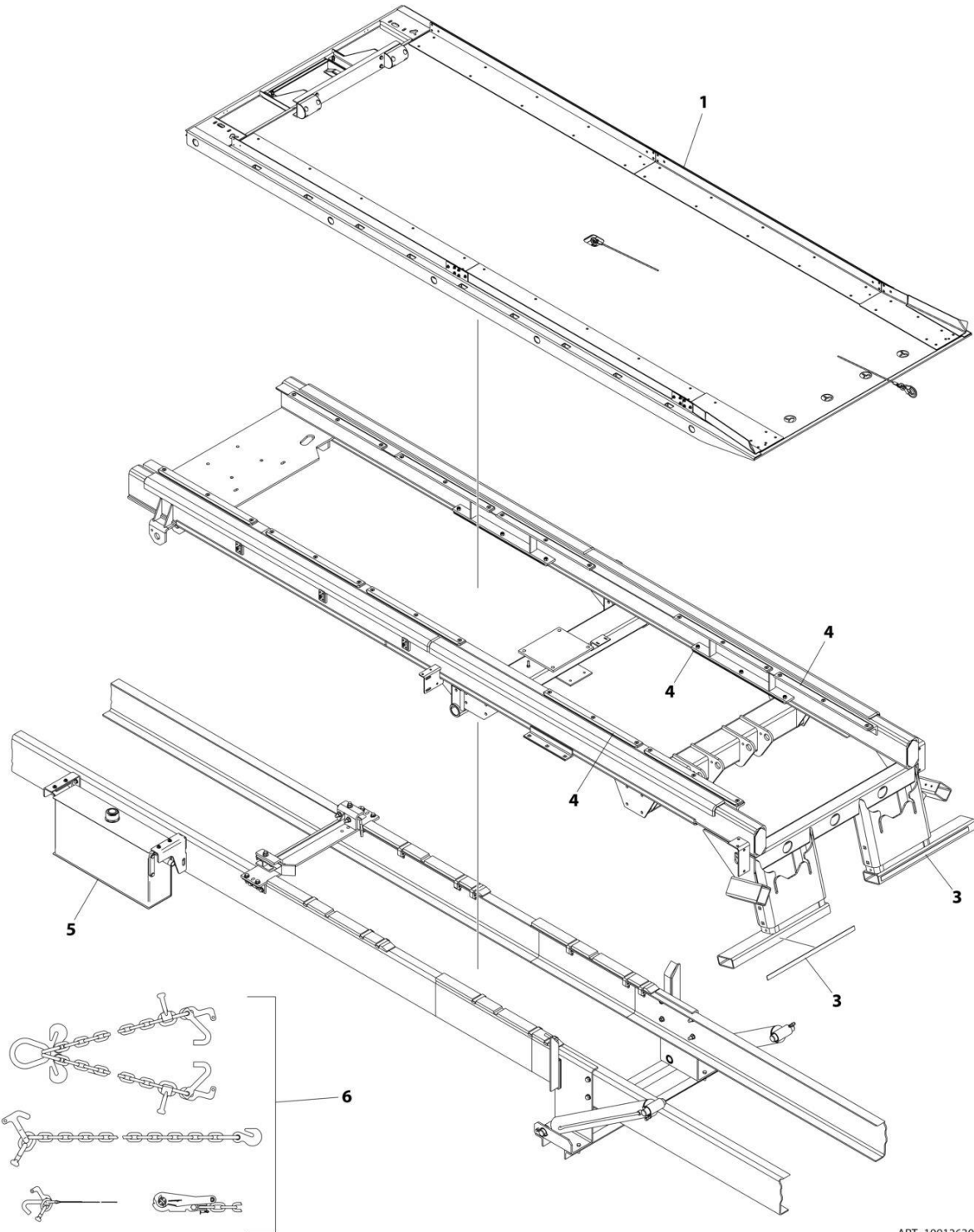
SECTION 3 - DECK

FIGURE 3-47. DECK MODEL - STEEL 22IN X 102IN REMOVABLE RAIL

| ITEM | PART NUMBER | QTY | DESCRIPTION | REV |
|------|-------------|-----|---|-----|
| | 1001211166 | Ref | DECK INSTALLATION - 22FTx102IN STEEL REMOVABLE RAIL (SRR6T-XLP) | A |
| 1 | 3097000794 | 1 | Deck Installation, 22ft (Steel) | |
| 2 | 2679000010 | 1 | Main Subframe Pad Installation (See Separate Breakdown in SUBFRAME Section) | |
| 3 | 2330000055 | Ref | Conspicuity Decal Installation | |
| 3 | 7330000428 | 2 | Decal - Red/White Reflective | |
| 4 | 7577000208 | 1 | Chain/Tie-Down Kit | |
| 5 | 2330000038 | 1 | Standard Duty Decals Installation (Not Shown - See Separate Breakdown in DECAL Section) | |
| 6 | 2750000008 | 1 | Hydraulic Reservoir and Bracket Mount (See Separate Breakdown in HYDRAULIC Section) | |

SECTION 3 - DECK

FIGURE 3-48. DECK MODEL - STEEL 22IN X 102IN REMOVABLE RAIL CONTAINER TRANSPORTER



ART_1001263013

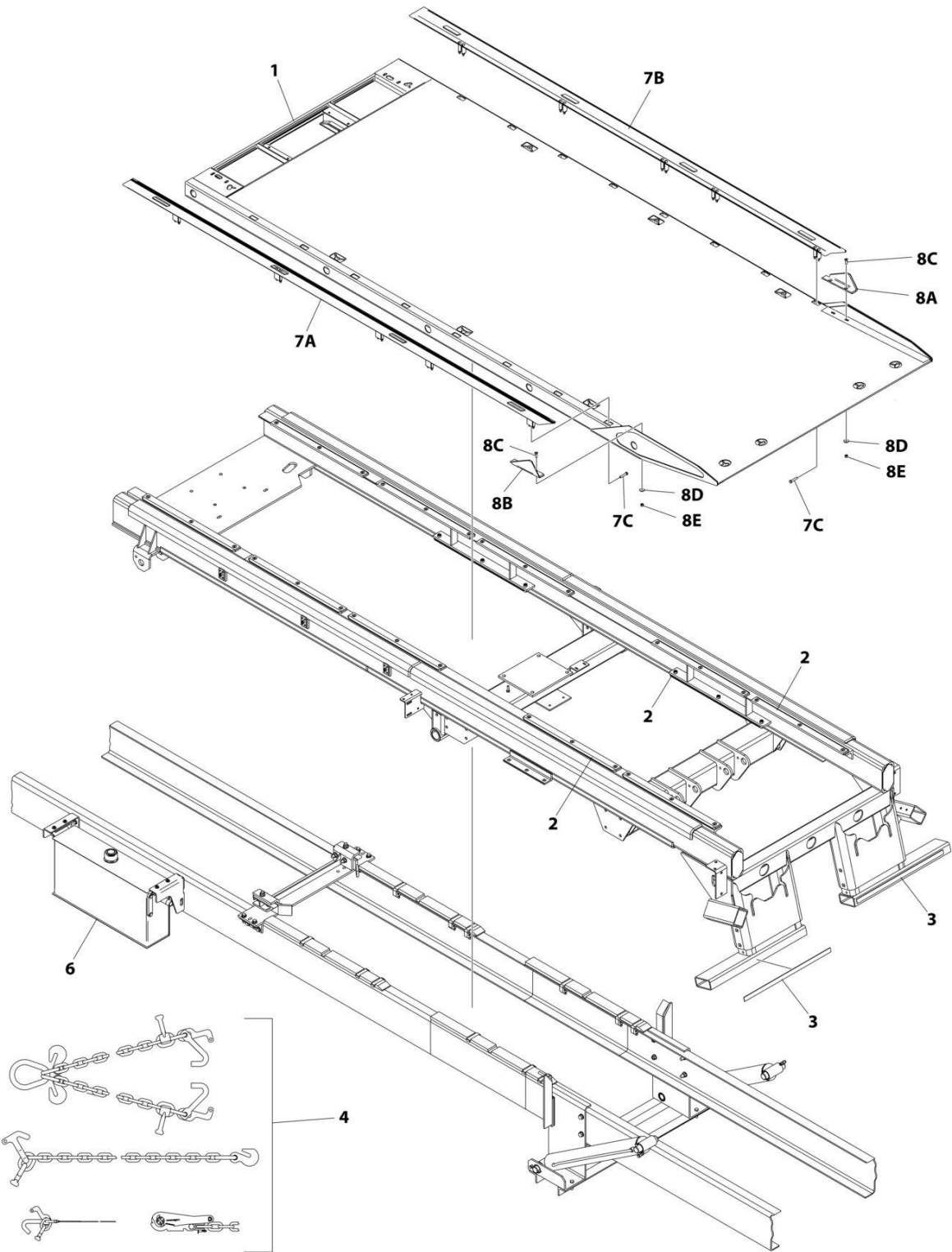
SECTION 3 - DECK

FIGURE 3-48. DECK MODEL - STEEL 22IN X 102IN REMOVABLE RAIL CONTAINER TRANSPORTER

| ITEM | PART NUMBER | QTY | DESCRIPTION | REV |
|------|-------------|-----|---|-----|
| | 1001263013 | Ref | DECK INSTALLATION - 22FT STEEL CONTAINER TRANSPORTER | A |
| 1 | 1001263014 | 1 | Rail-Bumper Container Transporter Installation (See Separate Breakdown in this Section) | |
| 2 | 2330000038 | 1 | Standard Duty Decals Installation (Not Shown - See Separate Breakdown in DECAL Section) | |
| 3 | 2330000055 | Ref | Conspicuity Decal Installation | |
| 3 | 7330000428 | 2 | Decal - Red/White Reflective | |
| 4 | 2679000010 | 1 | Main Subframe Pad Installation (See Separate Breakdown in SUBFRAME Section) | |
| 5 | 2750000008 | 1 | Hydraulic Reservoir and Bracket Mount (See Separate Breakdown in HYDRAULIC Section) | |
| 6 | 7577000208 | 1 | Chain/Tie-Down Kit | |

SECTION 3 - DECK

FIGURE 3-49. DECK MODEL - STEEL 22IN X 102IN REMOVABLE RAIL DUAL ANGLE SHARK



ART_1001211167

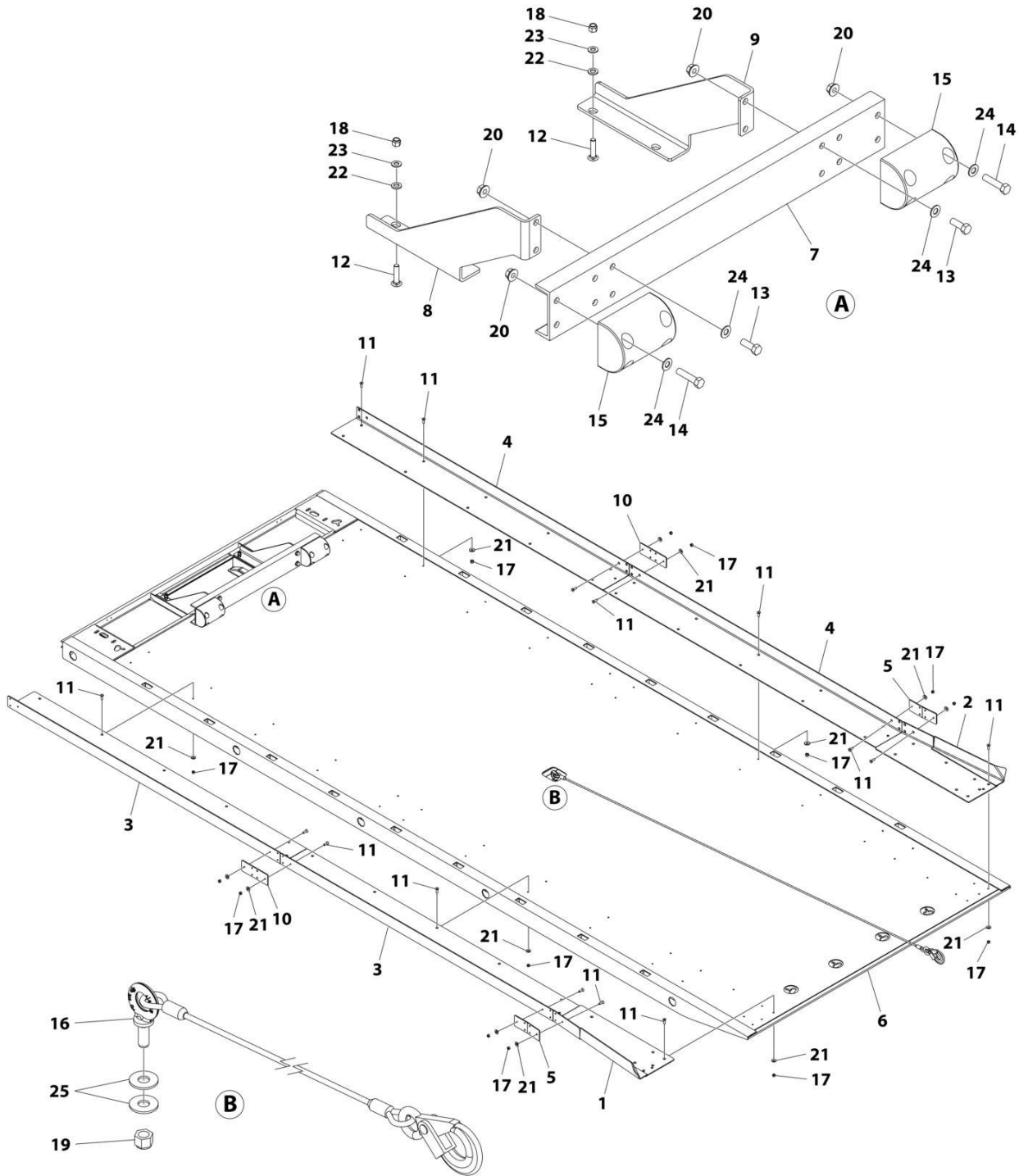
SECTION 3 - DECK

FIGURE 3-49. DECK MODEL - STEEL 22IN X 102IN REMOVABLE RAIL DUAL ANGLE SHARK

| ITEM | PART NUMBER | QTY | DESCRIPTION | REV |
|------|-------------|-----|---|-----|
| | 1001211167 | Ref | DECK INSTALLATION - 22FTx102IN STEEL DUAL ANGLE REMOVABLE RAIL (SRRD6T-XLP), SHARK | A |
| 1 | 3097000802 | 1 | Deck Installation, 22ft (Steel) | |
| 2 | 2679000010 | 1 | Main Subframe Pad Installation (See Separate Breakdown in SUBFRAME Section) | |
| 3 | 2330000055 | Ref | Conspicuity Decal Installation | |
| 3 | 7330000428 | 2 | Decal - Red/White Reflective | |
| 4 | 7577000208 | 1 | Chain/Tie-Down Kit | |
| 5 | 2330000038 | 1 | Standard Duty Decals Installation (Not Shown - See Separate Breakdown in DECAL Section) | |
| 6 | 2750000008 | 1 | Hydraulic Reservoir and Bracket Mount (See Separate Breakdown in HYDRAULIC Section) | |
| 7 | 2729000103 | Ref | Rail Installation | |
| 7A | 3017000142 | 1 | Angle Assembly LH | |
| 7B | 3017000143 | 1 | Angle Assembly RH | |
| 7C | 7120000005 | 10 | Capscrew 1/2 x 2-1/2 | |
| 8 | 2178000066 | Ref | Bracket Installation | |
| 8A | 4178000873 | 1 | Bracket, RH | |
| 8B | 4178000874 | 1 | Bracket, LH | |
| 8C | 7115181223 | 4 | Screw 1/2 x 1-1/2 | |
| 8D | 7950180161 | 4 | Washer 1/2 | |
| 8E | 7660182601 | 4 | Nut 1/2 | |

SECTION 3 - DECK

FIGURE 3-50. RAIL-BUMPER CONTAINER TRANSPORTER INSTALLATION



ART_1001263014

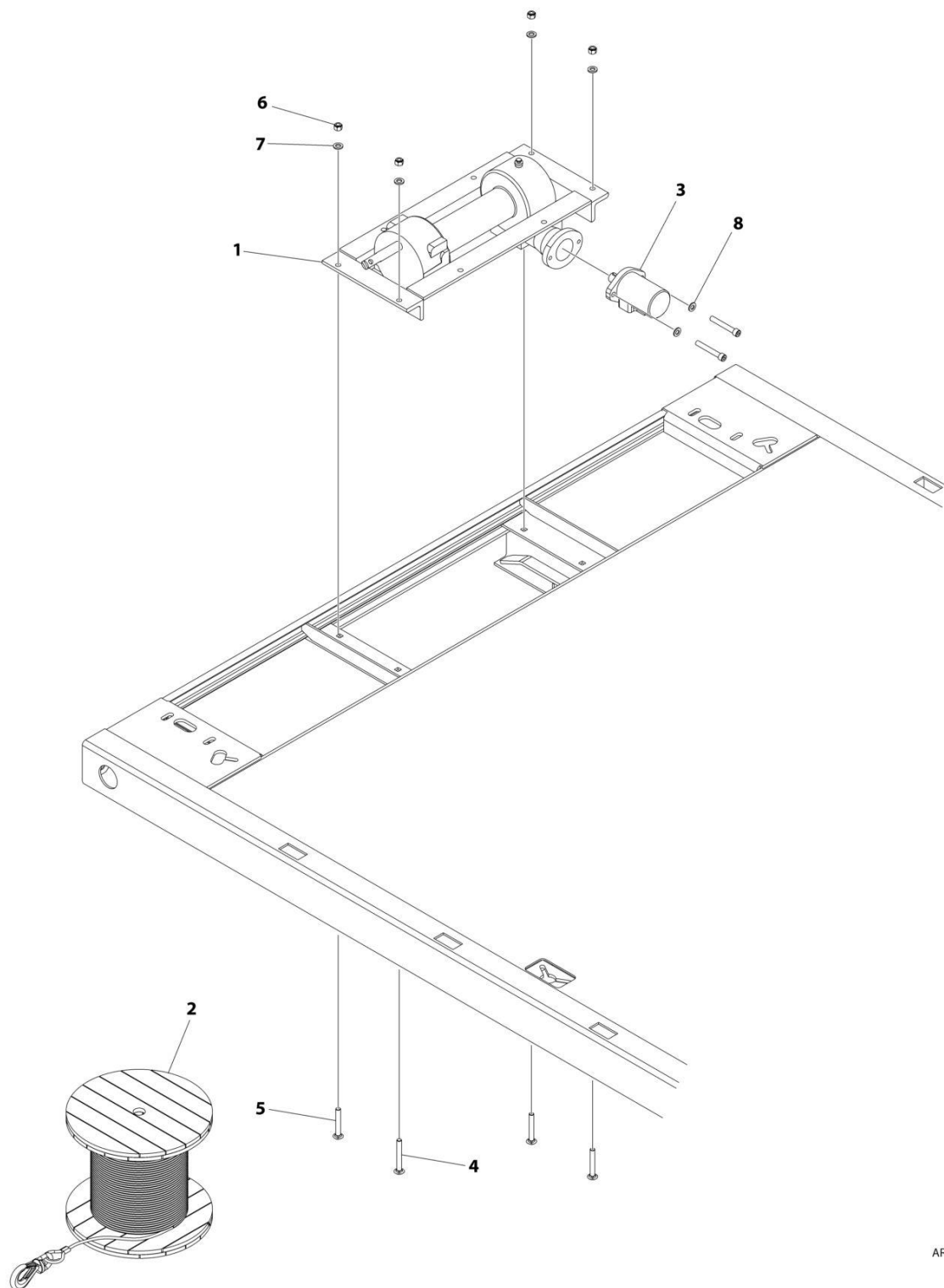
SECTION 3 - DECK

FIGURE 3-50. RAIL-BUMPER CONTAINER TRANSPORTER INSTALLATION

| ITEM | PART NUMBER | QTY | DESCRIPTION | REV |
|------|-------------|-----|--|-----|
| | 1001263014 | 1 | RAIL-BUMPER CONTAINER TRANSPORTER INSTALLATION | A |
| 1 | 1001157422 | 1 | Plate, Flare LH | |
| 2 | 1001157423 | 1 | Plate, Flare RH | |
| 3 | 1001157424 | 2 | Plate, Laminate LH | |
| 4 | 1001157425 | 2 | Plate, Laminate RH | |
| 5 | 1001157651 | 2 | Plate, Doubler Bend | |
| 6 | 1001263012 | 1 | Decl Weldment 22FT Steel | |
| 7 | 1001263015 | 1 | Channel | |
| 8 | 1001263016 | 1 | Bracket, Channel Support RH | |
| 9 | 1001263017 | 1 | Bracket, Channel Support LH | |
| 10 | 4706005146 | 2 | Plate | |
| 11 | 7115150723 | 80 | Screw 5/16 x 7/8 | |
| 12 | 7115181864 | 4 | Bolt 1/2 x 2-1/4 | |
| 13 | 7115201450 | 4 | Bolt 5/8 x 1-3/4 | |
| 14 | 7115202250 | 8 | Bolt 5/8 x 2-3/4 | |
| 15 | 7189000020 | 2 | Bumper, Rubber | |
| 16 | 7248000125 | 1 | Cable Assembly, Safety Hook and Eye Bolt | |
| 17 | 7660162601 | 80 | Nut 3/8 | |
| 18 | 7660182601 | 4 | Nut 1/2 | |
| 19 | 7660222601 | 1 | Nut 3/4 | |
| 20 | 7661000018 | 12 | Nut 5/8 | |
| 21 | 7950160161 | 80 | Washer 3/8 | |
| 22 | 7950180153 | 4 | Washer 1/2 | |
| 23 | 7950180400 | 4 | Washer 1/2 | |
| 24 | 7950200141 | 12 | Washer 5/8 | |
| 25 | 7950220161 | 2 | Washer 3/4 | |

SECTION 3 - DECK

FIGURE 3-51. WINCH INSTALLATION - 8000 LBS (ALUMINUM DECK)



ART_W08WAL-SD

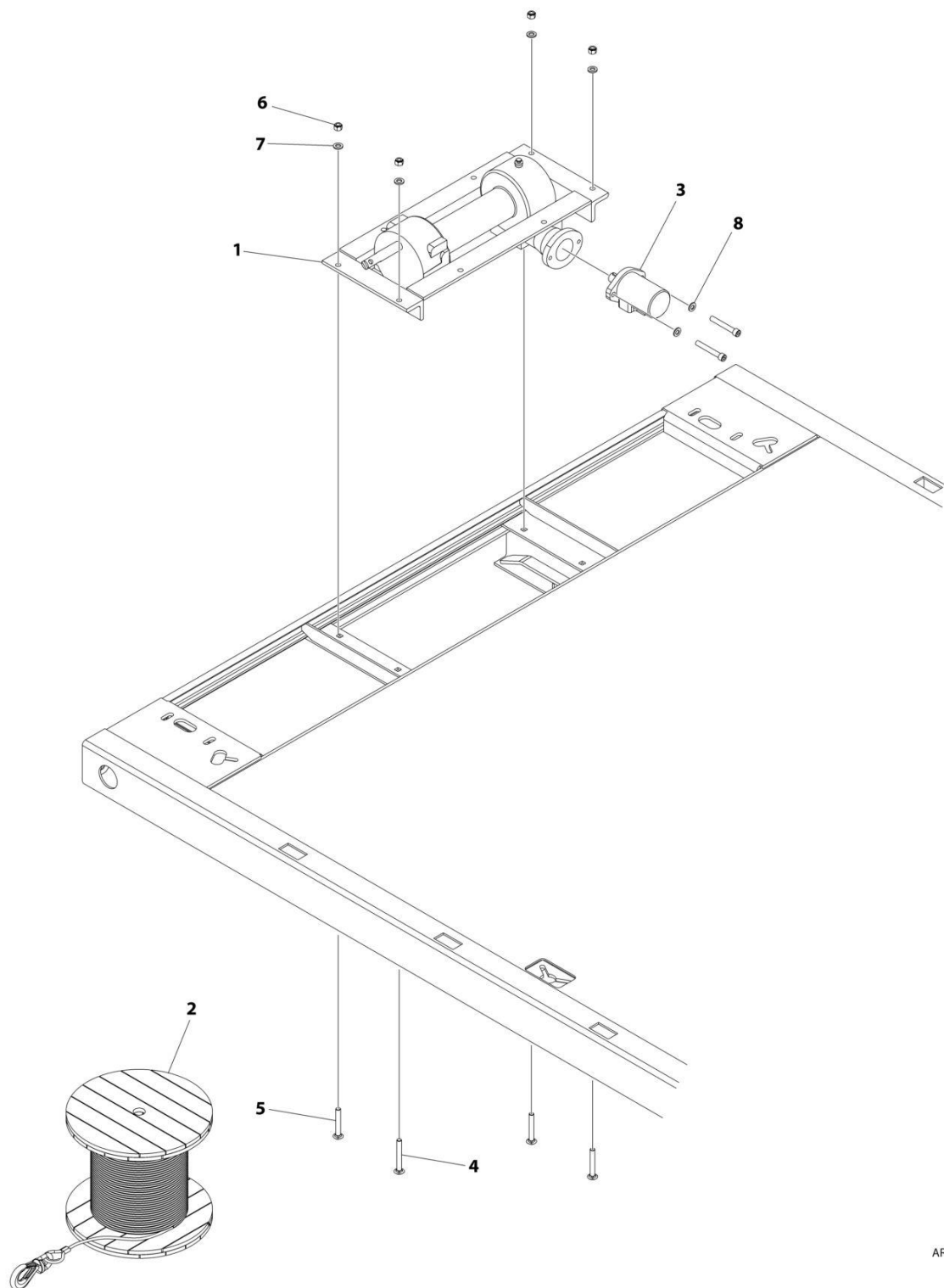
SECTION 3 - DECK

FIGURE 3-51. WINCH INSTALLATION - 8000 LBS (ALUMINUM DECK)

| ITEM | PART NUMBER | QTY | DESCRIPTION | REV |
|------|-------------|-----|---|-----|
| | W08WAL-SD | Ref | WINCH INSTALLATION | A |
| | 2970000080 | Ref | Winch Installation | D |
| 1 | 7970000121 | 1 | Winch Assembly, 8000 lbs (See Separate Breakdown in this Section) | |
| 2 | 7248000063 | 1 | Wire Rope | |
| 3 | 7626000014 | 1 | Motor | |
| 4 | 1001138523 | 1 | Bolt 1/2 x 2-3/4 | |
| 5 | 1001138522 | 3 | Bolt 1/2 x 2-1/4 | |
| 6 | 7660182601 | 4 | Nut 1/2 | |
| 7 | 7950180153 | 4 | Washer 1/2 | |
| 8 | 7950180400 | 2 | Washer 1/2 | |
| 20 | 2249000017 | 1 | Cable Tensioner Assembly (Not Shown - See Separate Breakdown in this Section) | |

SECTION 3 - DECK

FIGURE 3-52. WINCH INSTALLATION - 8000 LBS (STEEL DECK)



ART_W08WST-5D

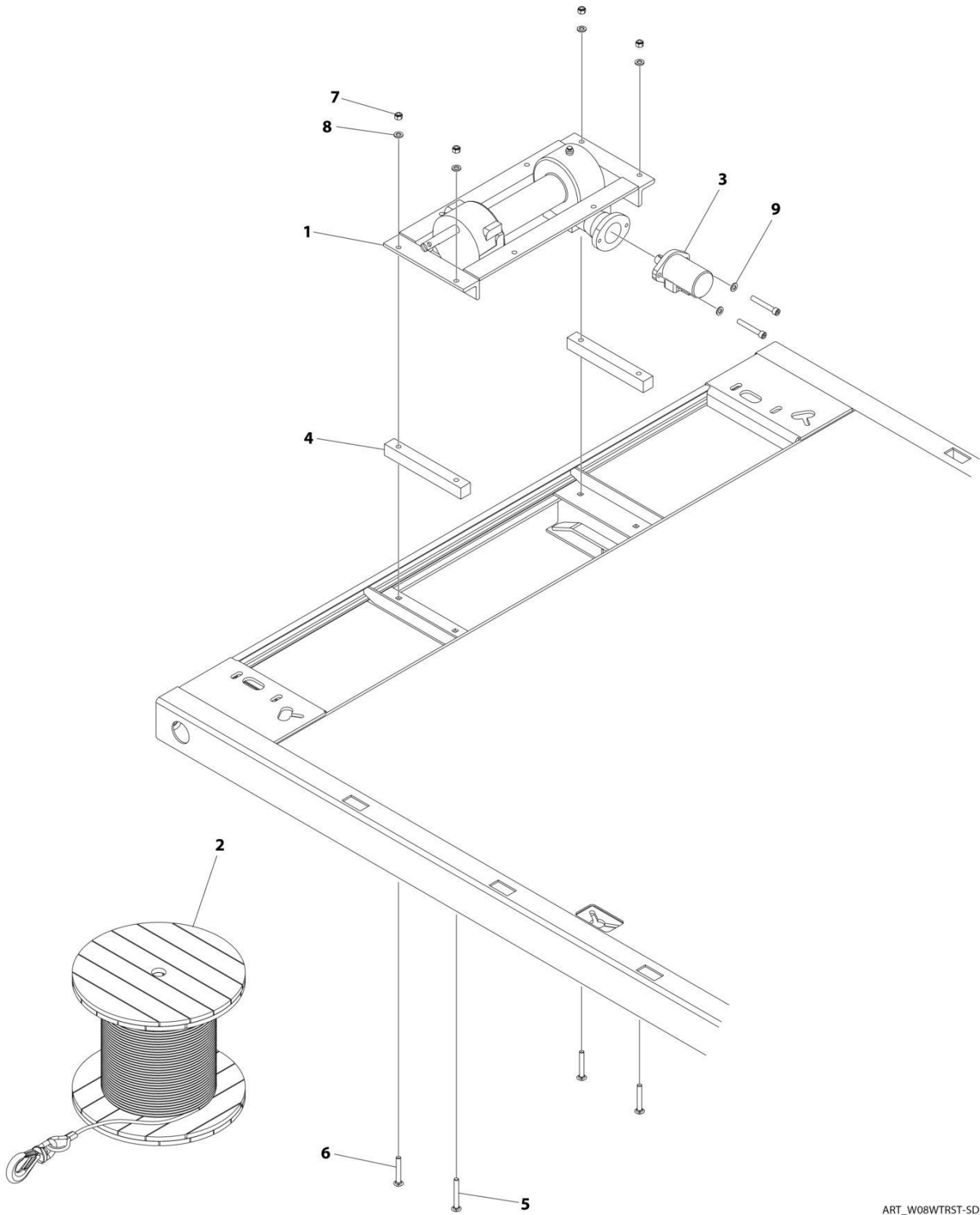
SECTION 3 - DECK

FIGURE 3-52. WINCH INSTALLATION - 8000 LBS (STEEL DECK)

| ITEM | PART NUMBER | QTY | DESCRIPTION | REV |
|------|-------------|-----|---|-----|
| | W08WST-SD | Ref | WINCH INSTALLATION | A |
| | 2970000088 | Ref | Winch Installation | C |
| 1 | 7970000121 | 1 | Winch Assembly, 8000 lbs (See Separate Breakdown in this Section) | |
| 2 | 7248000063 | 1 | Wire Rope | |
| 3 | 7626000014 | 1 | Motor | |
| 4 | 7115181864 | 1 | Bolt 1/2 x 2-1/4 | |
| 5 | 7115181464 | 3 | Bolt 1/2 x 1-3/4 | |
| 6 | 7660182601 | 4 | Nut 1/2 | |
| 7 | 7950180153 | 4 | Washer 1/2 | |
| 8 | 7950180400 | 2 | Washer 1/2 | |
| 20 | 2249000017 | 1 | Cable Tensioner Assembly (Not Shown - See Separate Breakdown in this Section) | |

SECTION 3 - DECK

FIGURE 3-53. WINCH INSTALLATION - 8000 LBS (TRANSPORTER)



ART_W08WTRST-SD

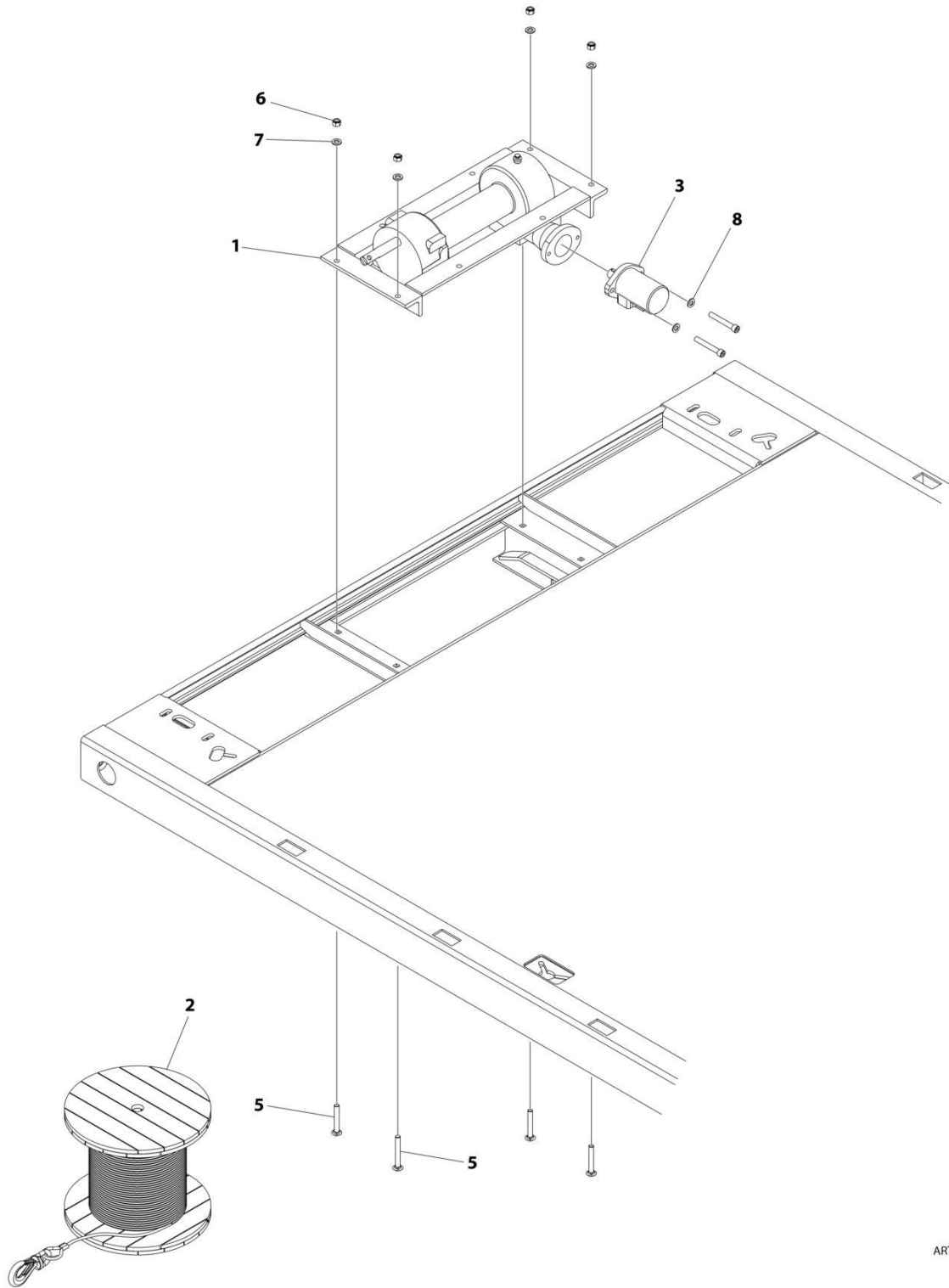
SECTION 3 - DECK

FIGURE 3-53. WINCH INSTALLATION - 8000 LBS (TRANSPORTER)

| ITEM | PART NUMBER | QTY | DESCRIPTION | REV |
|------|-------------|-----|---|-----|
| | W08WTRST-SD | Ref | WINCH INSTALLATION | A |
| | 2970000089 | Ref | Winch Installation | C |
| 1 | 7970000121 | 1 | Winch Assembly, 8000 lbs (See Separate Breakdown in this Section) | |
| 2 | 7248000063 | 1 | Wire Rope | |
| 3 | 7626000014 | 1 | Motor | |
| 4 | 4062000318 | 2 | Bar | |
| 5 | 7115183264 | 1 | Bolt 1/2 x 4 | |
| 6 | 7115182864 | 3 | Bolt 1/2 x 3-1/2 | |
| 7 | 7660182601 | 4 | Nut 1/2 | |
| 8 | 7950180153 | 4 | Washer 1/2 | |
| 9 | 7950180400 | 2 | Washer 1/2 | |
| 20 | 2249000017 | 1 | Cable Tensioner Assembly (Not Shown - See Separate Breakdown in this Section) | |

SECTION 3 - DECK

FIGURE 3-54. WINCH INSTALLATION - 8000 LBS WITH AIR FREE SPOOL (ALUMINUM DECK)



ART_1001220878

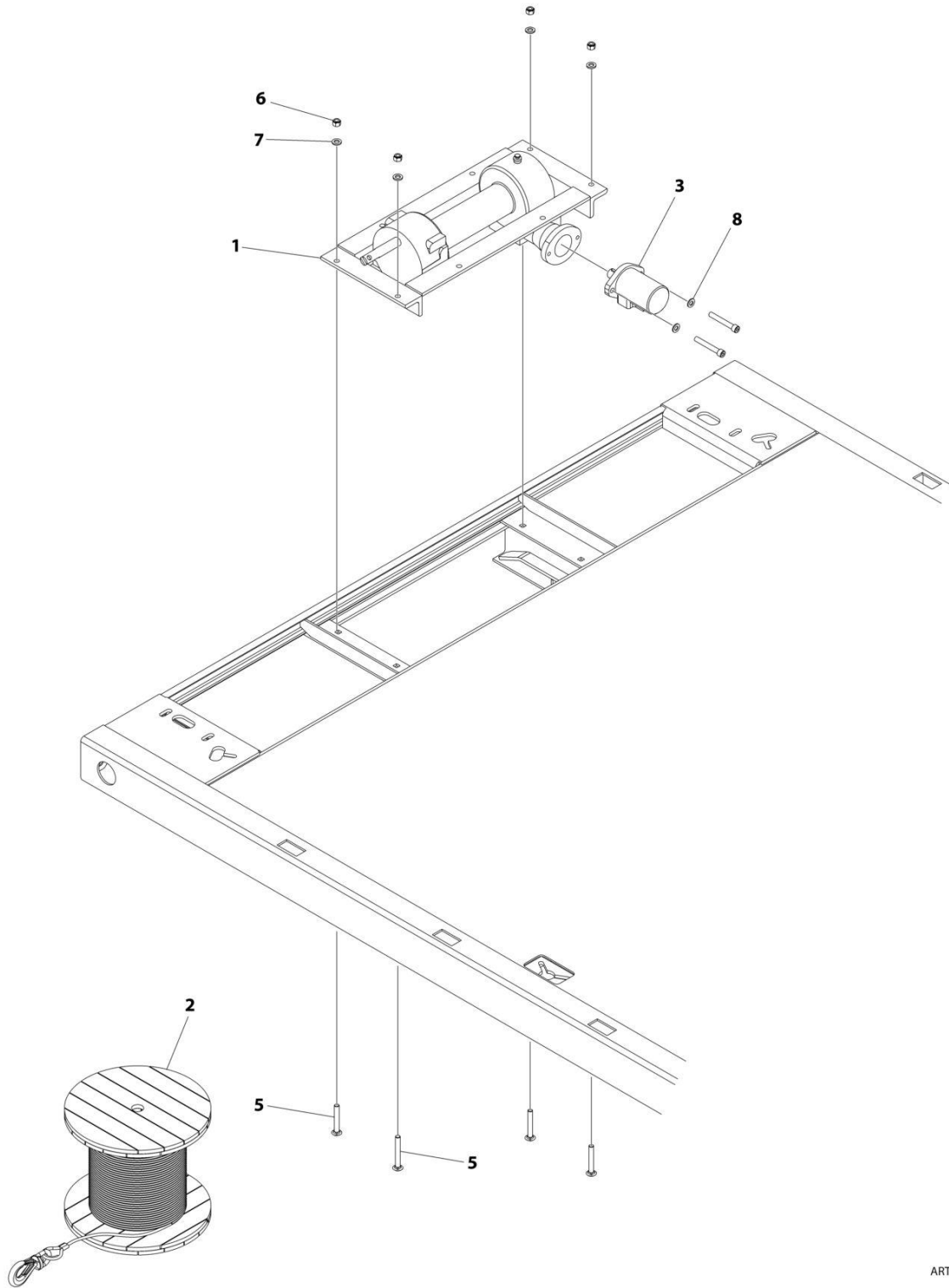
SECTION 3 - DECK

FIGURE 3-54. WINCH INSTALLATION - 8000 LBS WITH AIR FREE SPOOL (ALUMINUM DECK)

| ITEM | PART NUMBER | QTY | DESCRIPTION | REV |
|------|-------------|-----|---|-----|
| | 1001220878 | Ref | WINCH INSTALLATION | A |
| | 2970000109 | Ref | Winch Installation | B |
| 1 | 7970000142 | 1 | Winch Assembly, 8000 lbs (See Separate Breakdown in this Section) | |
| 2 | 7248000063 | 1 | Wire Rope | |
| 3 | 7626000014 | 1 | Motor | |
| 5 | 1001138522 | 4 | Bolt 1/2 x 2-1/4 | |
| 6 | 7660182601 | 4 | Nut 1/2 | |
| 7 | 7950180153 | 4 | Washer 1/2 | |
| 8 | 7950180400 | 2 | Washer 1/2 | |
| 20 | 2249000017 | 1 | Cable Tensioner Assembly (Not Shown - See Separate Breakdown in this Section) | |

SECTION 3 - DECK

FIGURE 3-55. WINCH INSTALLATION - 8000 LBS WITH AIR FREE SPOOL (STEEL DECK)



ART_1001220879

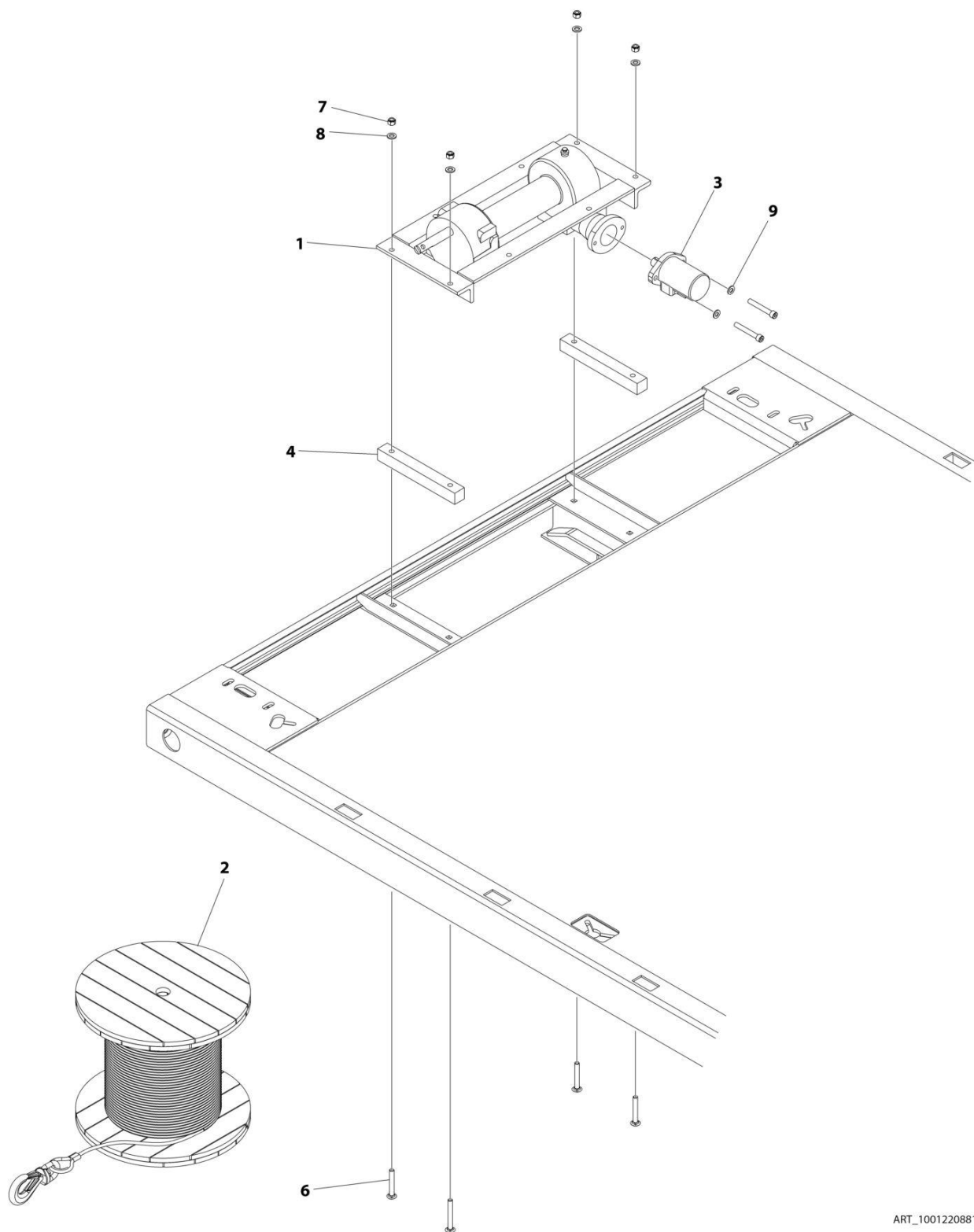
SECTION 3 - DECK

FIGURE 3-55. WINCH INSTALLATION - 8000 LBS WITH AIR FREE SPOOL (STEEL DECK)

| ITEM | PART NUMBER | QTY | DESCRIPTION | REV |
|------|-------------|-----|---|-----|
| | 1001220879 | Ref | WINCH INSTALLATION | A |
| | 2970000107 | Ref | Winch Installation | A |
| 1 | 7970000142 | 1 | Winch Assembly, 8000 lbs (See Separate Breakdown in this Section) | |
| 2 | 7248000063 | 1 | Wire Rope | |
| 3 | 7626000014 | 1 | Motor | |
| 5 | 7115181464 | 4 | Bolt 1/2 x 1-3/4 | |
| 6 | 7660182601 | 4 | Nut 1/2 | |
| 7 | 7950180153 | 4 | Washer 1/2 | |
| 8 | 7950180400 | 2 | Washer 1/2 | |
| 20 | 2249000017 | 1 | Cable Tensioner Assembly (Not Shown - See Separate Breakdown in this Section) | |

SECTION 3 - DECK

FIGURE 3-56. WINCH INSTALLATION - 8000 LBS WITH AIR FREE SPOOL (STEEL DECK) (TRANSPORTER)



ART_1001220881

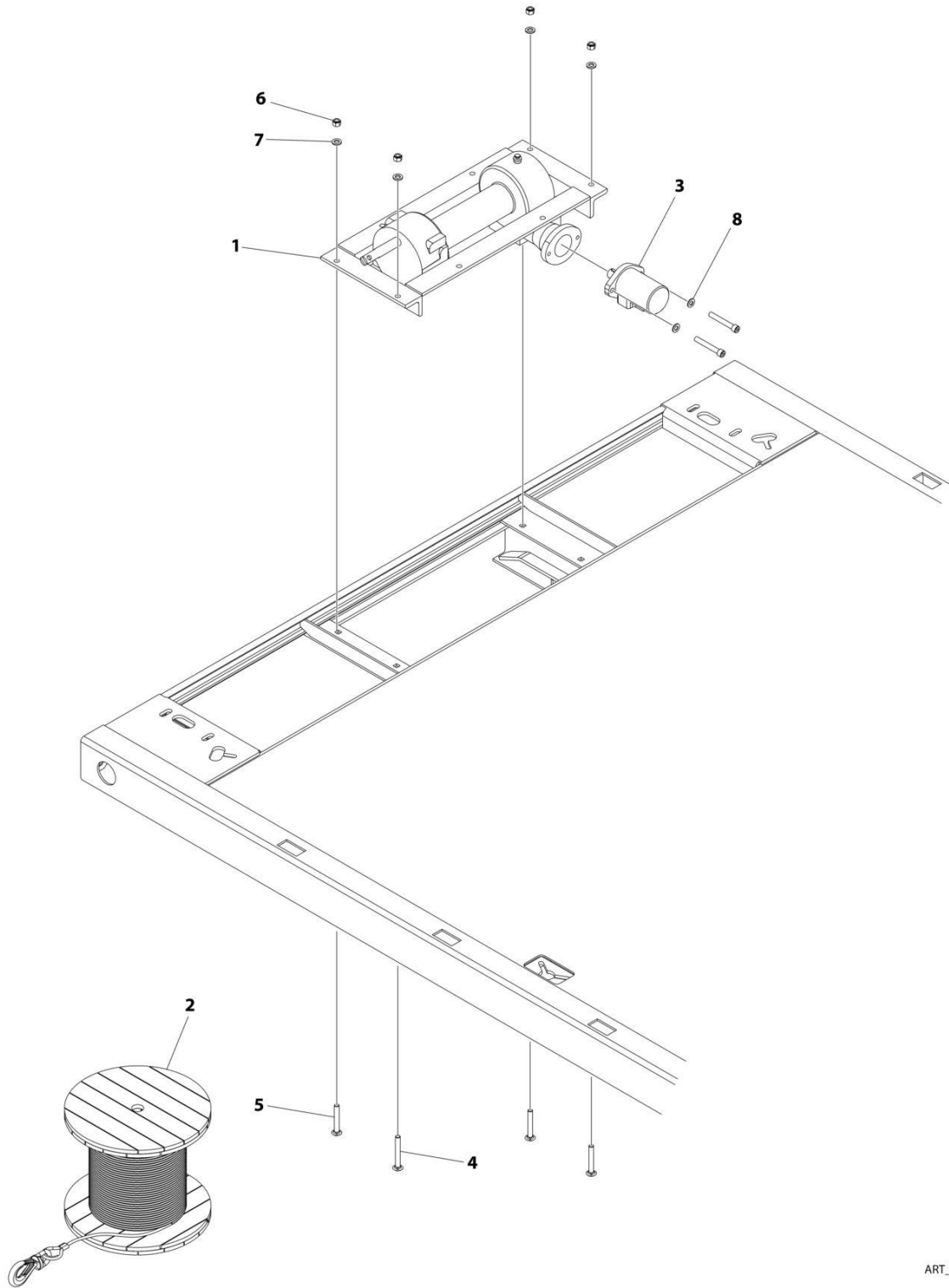
SECTION 3 - DECK

**FIGURE 3-56. WINCH INSTALLATION - 8000 LBS WITH AIR FREE SPOOL (STEEL DECK)
(TRANSPORTER)**

| ITEM | PART NUMBER | QTY | DESCRIPTION | REV |
|------|-------------|-----|---|-----|
| | 1001220881 | Ref | WINCH INSTALLATION | A |
| | 2970000111 | Ref | Winch Installation | A |
| 1 | 7970000142 | 1 | Winch Assembly, 8000 lbs (See Separate Breakdown in this Section) | |
| 2 | 7248000063 | 1 | Wire Rope | |
| 3 | 7626000014 | 1 | Motor | |
| 4 | 4062000318 | 2 | Bar | |
| 6 | 7115182864 | 4 | Bolt 1/2 x 3-1/2 | |
| 7 | 7660182601 | 4 | Nut 1/2 | |
| 8 | 7950180153 | 4 | Washer 1/2 | |
| 9 | 7950180400 | 2 | Washer 1/2 | |
| 20 | 2249000017 | 1 | Cable Tensioner Assembly (Not Shown - See Separate Breakdown in this Section) | |

SECTION 3 - DECK

FIGURE 3-57. WINCH INSTALLATION - 10000 LBS WORM GEAR (ALUMINUM DECK)



ART_W010WAL-SD

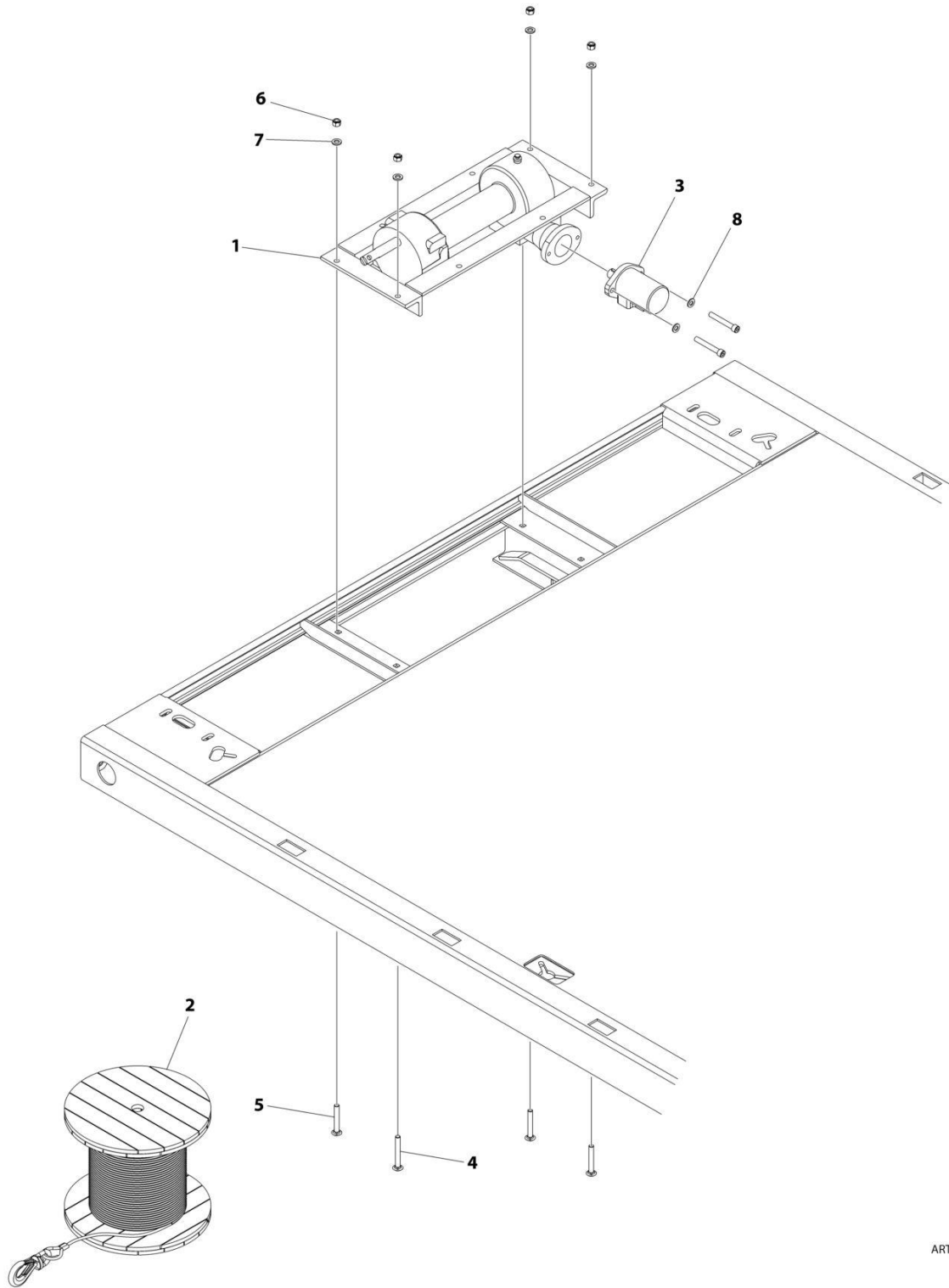
SECTION 3 - DECK

FIGURE 3-57. WINCH INSTALLATION - 10000 LBS WORM GEAR (ALUMINUM DECK)

| ITEM | PART NUMBER | QTY | DESCRIPTION | REV |
|------|-------------|-----|---|-----|
| | WO10WAL-SD | Ref | WINCH INSTALLATION | A |
| | 2970000082 | Ref | Winch Installation | D |
| 1 | 7970000123 | 1 | Winch Assembly, 10000 lbs (See Separate Breakdown in this Section) | |
| 2 | 7248000064 | 1 | Wire Rope | |
| 3 | 7626000014 | 1 | Motor | |
| 4 | 1001138523 | 1 | Bolt 1/2 x 2-3/4 | |
| 5 | 1001138522 | 3 | Bolt 1/2 x 2-1/4 | |
| 6 | 7660182601 | 4 | Nut 1/2 | |
| 7 | 7950180153 | 4 | Washer 1/2 | |
| 8 | 7950180400 | 2 | Washer 1/2 | |
| 20 | 2249000017 | 1 | Cable Tensioner Assembly (Not Shown - See Separate Breakdown in this Section) | |

SECTION 3 - DECK

FIGURE 3-58. WINCH INSTALLATION - 10000 LBS WORM GEAR (STEEL DECK)



ART_WO10WST-SD

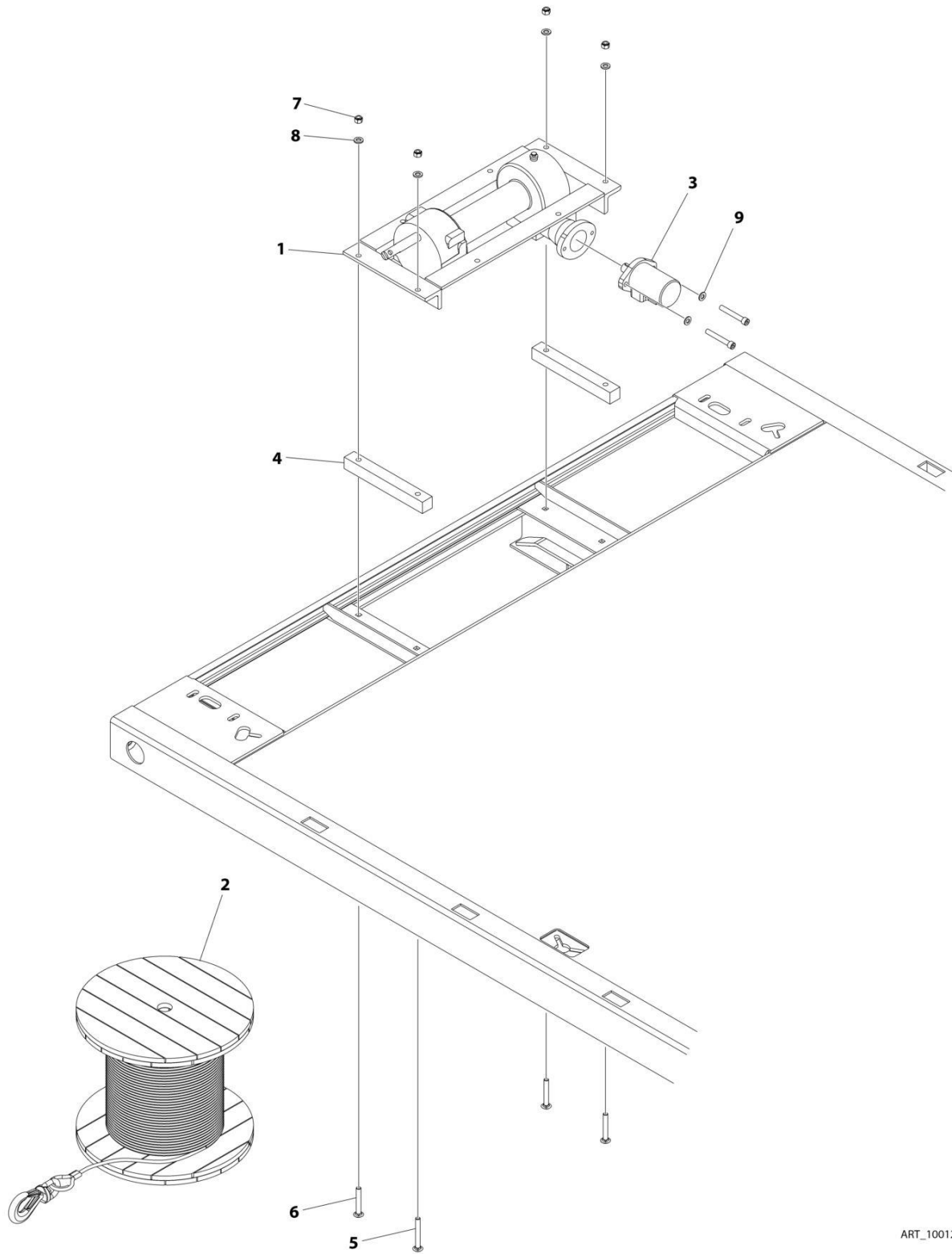
SECTION 3 - DECK

FIGURE 3-58. WINCH INSTALLATION - 10000 LBS WORM GEAR (STEEL DECK)

| ITEM | PART NUMBER | QTY | DESCRIPTION | REV |
|------|-------------|-----|---|-----|
| | WO10WST-SD | Ref | WINCH INSTALLATION | A |
| | 2970000090 | Ref | Winch Installation | C |
| 1 | 7970000123 | 1 | Winch Assembly, 10000 lbs (See Separate Breakdown in this Section) | |
| 2 | 7248000064 | 1 | Wire Rope | |
| 3 | 7626000014 | 1 | Motor | |
| 4 | 7115181864 | 1 | Bolt 1/2 x 2-1/4 | |
| 5 | 7115181464 | 3 | Bolt 1/2 x 1-3/4 | |
| 6 | 7660182601 | 4 | Nut 1/2 | |
| 7 | 7950180153 | 4 | Washer 1/2 | |
| 8 | 7950180400 | 2 | Washer 1/2 | |
| 20 | 2249000017 | 1 | Cable Tensioner Assembly (Not Shown - See Separate Breakdown in this Section) | |

SECTION 3 - DECK

FIGURE 3-59. WINCH INSTALLATION - 10000 LBS WORM GEAR (TRANSPORTER)



ART_1001220877

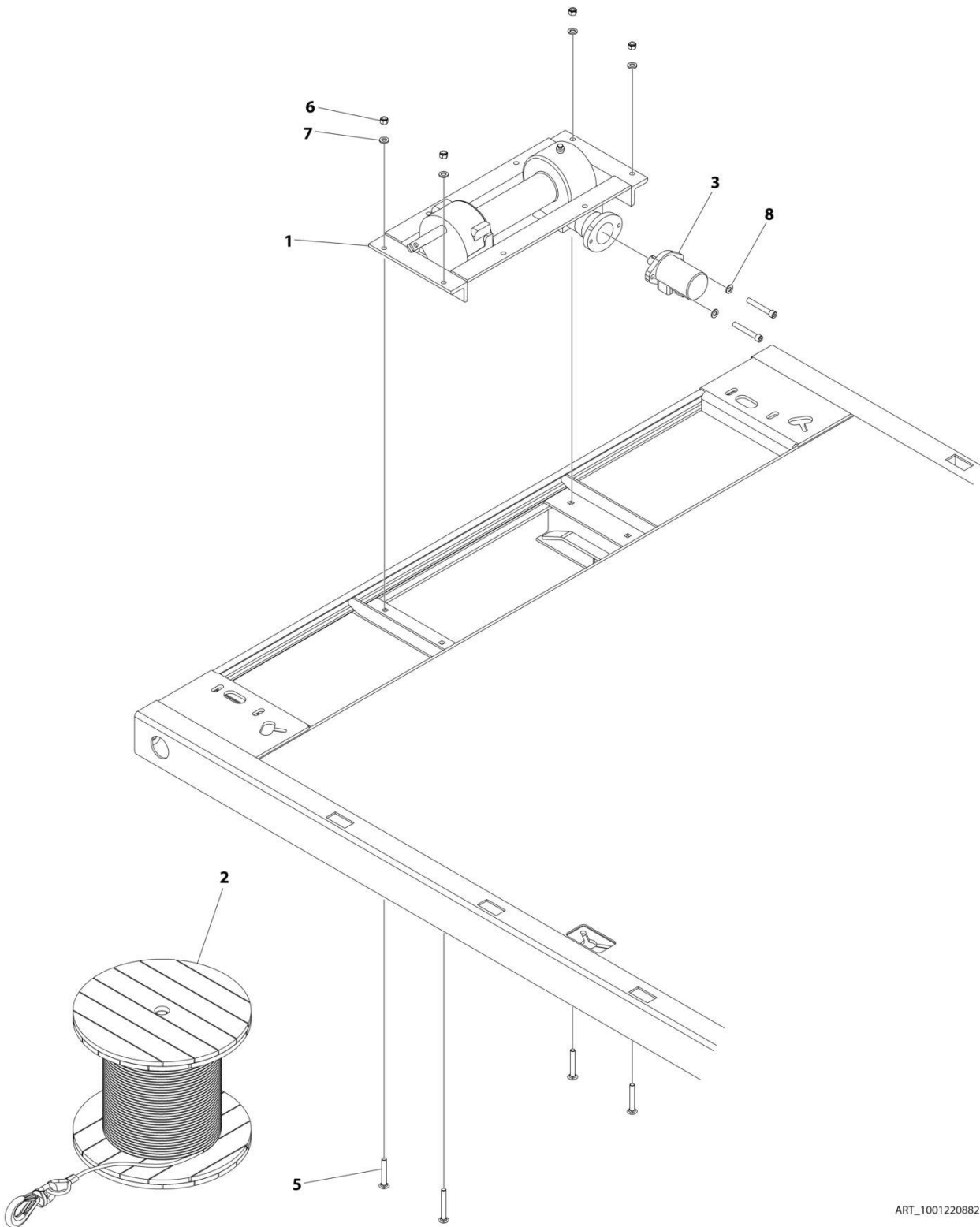
SECTION 3 - DECK

FIGURE 3-59. WINCH INSTALLATION - 10000 LBS WORM GEAR (TRANSPORTER)

| ITEM | PART NUMBER | QTY | DESCRIPTION | REV |
|------|-------------|-----|---|-----|
| | 1001220877 | Ref | WINCH INSTALLATION | A |
| | 2970000091 | Ref | Winch Installation | C |
| 1 | 7970000123 | 1 | Winch Assembly, 10000 lbs (See Separate Breakdown in this Section) | |
| 2 | 7248000064 | 1 | Wire Rope | |
| 3 | 7626000014 | 1 | Motor | |
| 4 | 4062000318 | 2 | Bar | |
| 5 | 7115183264 | 1 | Bolt 1/2 x 4 | |
| 6 | 7115182864 | 3 | Bolt 1/2 x 3-1/2 | |
| 7 | 7660182601 | 4 | Nut 1/2 | |
| 8 | 7950180153 | 4 | Washer 1/2 | |
| 9 | 7950180400 | 2 | Washer 1/2 | |
| 20 | 2249000017 | 1 | Cable Tensioner Assembly (Not Shown - See Separate Breakdown in this Section) | |

SECTION 3 - DECK

FIGURE 3-60. WINCH INSTALLATION - 10000 LBS WORM GEAR & AIR FREE SPOOL (ALUMINUM DECK)



ART_1001220882

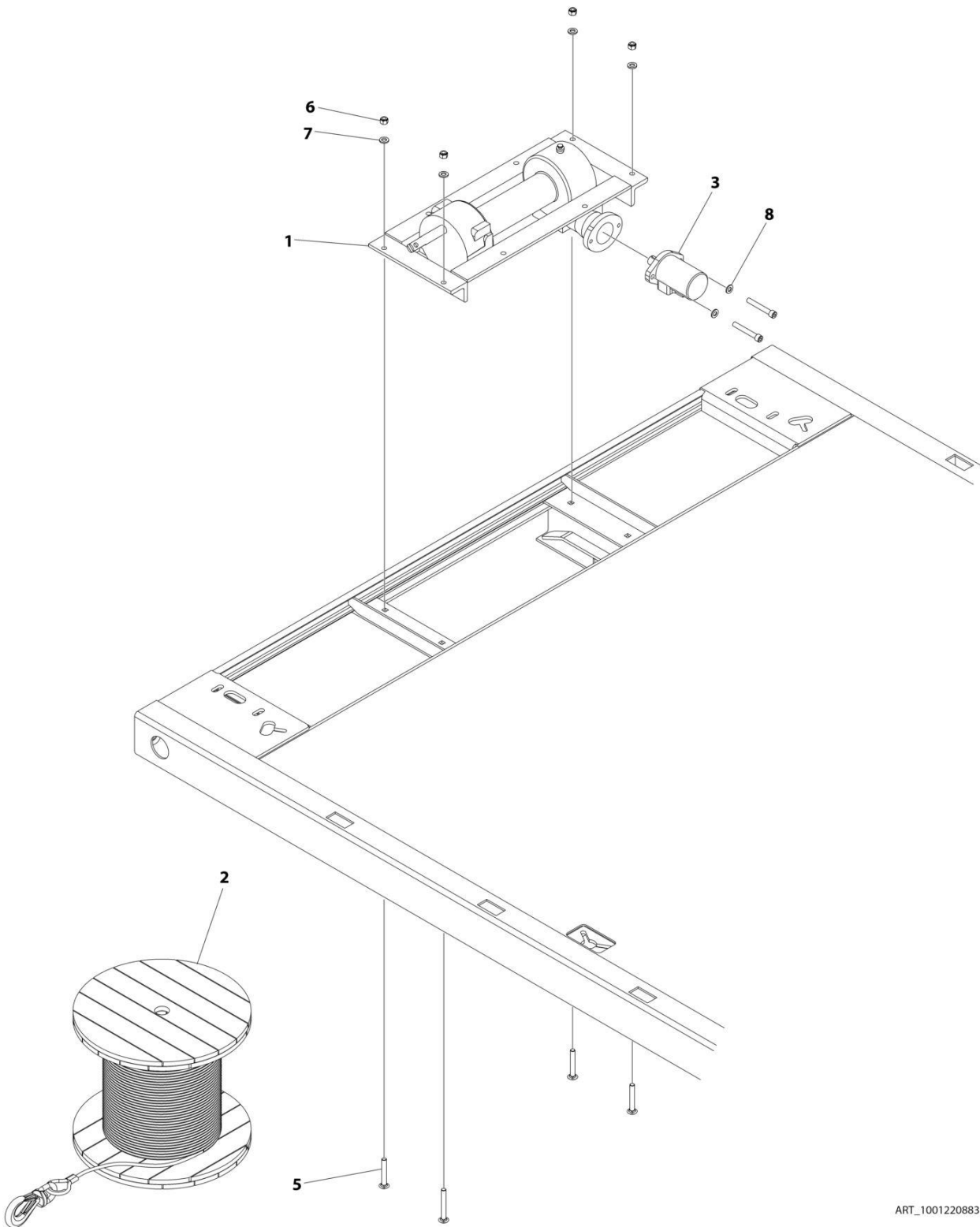
SECTION 3 - DECK

FIGURE 3-60. WINCH INSTALLATION - 10000 LBS WORM GEAR & AIR FREE SPOOL (ALUMINUM DECK)

| ITEM | PART NUMBER | QTY | DESCRIPTION | REV |
|------|-------------|-----|---|-----|
| | 1001220882 | Ref | WINCH INSTALLATION | A |
| | 2970000110 | Ref | Winch Installation | B |
| 1 | 7970000140 | 1 | Winch Assembly, 10000 lbs (See Separate Breakdown in this Section) | |
| 2 | 7248000064 | 1 | Wire Rope | |
| 3 | 7626000014 | 1 | Motor | |
| 5 | 1001138522 | 3 | Bolt 1/2 x 2-1/4 | |
| 6 | 7660182601 | 4 | Nut 1/2 | |
| 7 | 7950180153 | 4 | Washer 1/2 | |
| 8 | 7950180400 | 2 | Washer 1/2 | |
| 20 | 2249000017 | 1 | Cable Tensioner Assembly (Not Shown - See Separate Breakdown in this Section) | |

SECTION 3 - DECK

FIGURE 3-61. WINCH INSTALLATION - 10000 LBS WORM GEAR AND AIR FREE SPOOL (STEEL DECK)



ART_1001220883

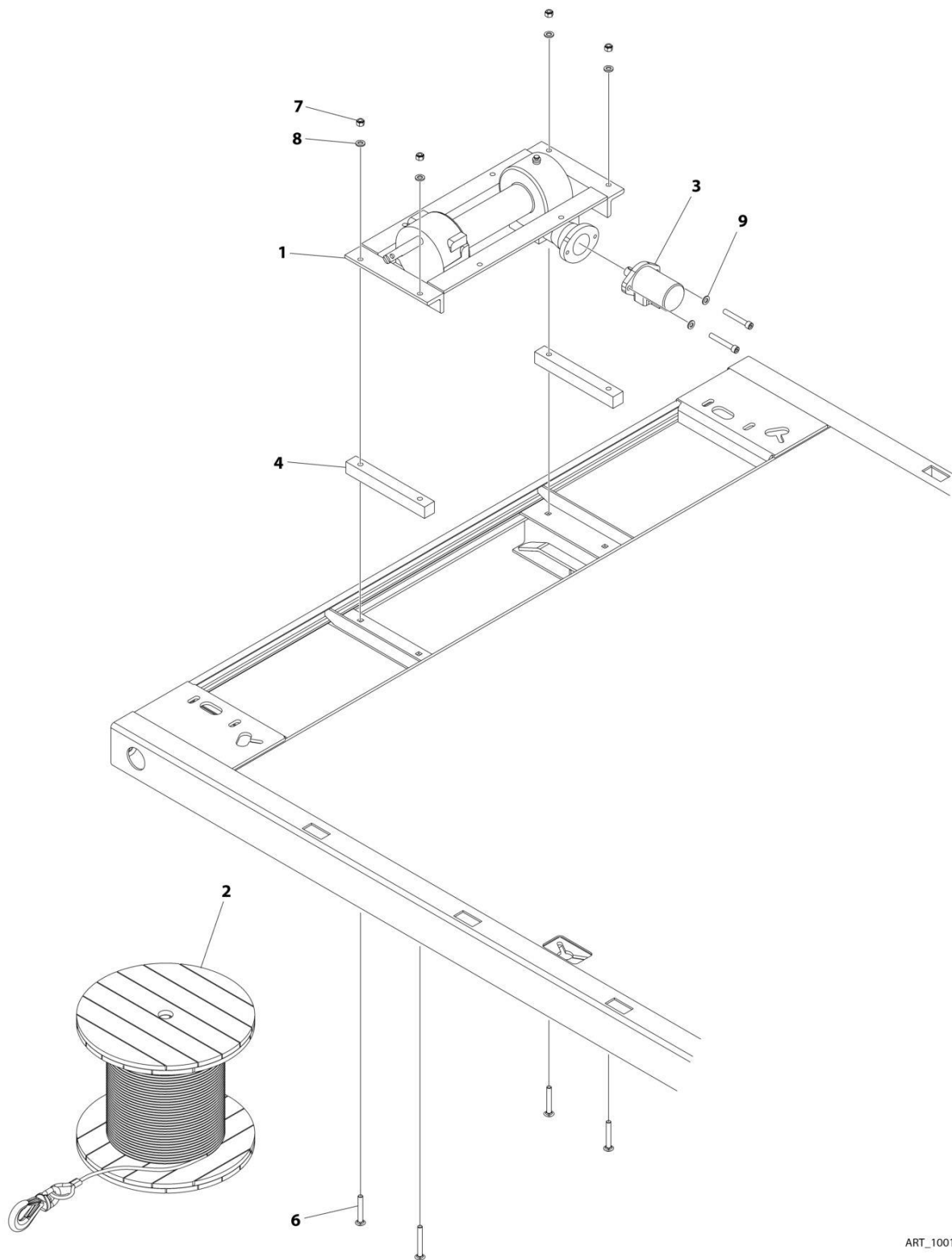
SECTION 3 - DECK

FIGURE 3-61. WINCH INSTALLATION - 10000 LBS WORM GEAR AND AIR FREE SPOOL (STEEL DECK)

| ITEM | PART NUMBER | QTY | DESCRIPTION | REV |
|------|-------------|-----|---|-----|
| | 1001220883 | Ref | WINCH INSTALLATION | A |
| | 2970000108 | Ref | Winch Installation | A |
| 1 | 7970000140 | 1 | Winch Assembly, 10000 lbs (See Separate Breakdown in this Section) | |
| 2 | 7248000064 | 1 | Wire Rope | |
| 3 | 7626000014 | 1 | Motor | |
| 5 | 7115181464 | 3 | Bolt 1/2 x 1-3/4 | |
| 6 | 7660182601 | 4 | Nut 1/2 | |
| 7 | 7950180153 | 4 | Washer 1/2 | |
| 8 | 7950180400 | 2 | Washer 1/2 | |
| 20 | 2249000017 | 1 | Cable Tensioner Assembly (Not Shown - See Separate Breakdown in this Section) | |

SECTION 3 - DECK

FIGURE 3-62. WINCH INSTALLATION - 10000 LBS WORM GEAR AND AIR FREE SPOOL (TRANSPORTER)



ART_1001220885

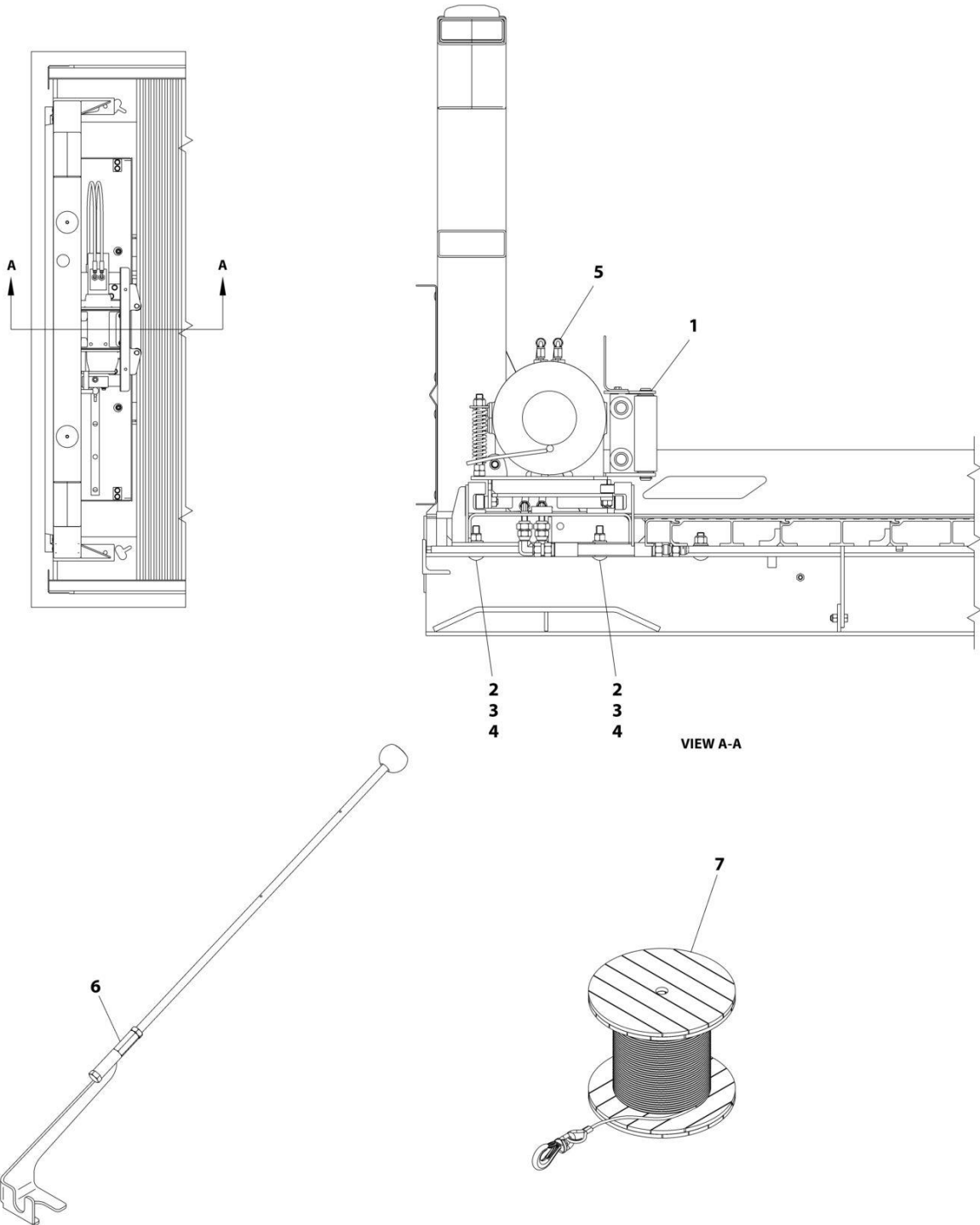
SECTION 3 - DECK

**FIGURE 3-62. WINCH INSTALLATION - 10000 LBS WORM GEAR AND AIR FREE SPOOL
(TRANSPORTER)**

| ITEM | PART NUMBER | QTY | DESCRIPTION | REV |
|------|-------------|-----|---|-----|
| | 1001220885 | Ref | WINCH INSTALLATION | A |
| | 2970000112 | Ref | Winch Installation | A |
| 1 | 7970000140 | 1 | Winch Assembly, 10000 lbs (See Separate Breakdown in this Section) | |
| 2 | 7248000064 | 1 | Wire Rope | |
| 3 | 7626000014 | 1 | Motor | |
| 4 | 4062000318 | 2 | Bar | |
| 6 | 7115182864 | 3 | Bolt 1/2 x 3-1/2 | |
| 7 | 7660182601 | 4 | Nut 1/2 | |
| 8 | 7950180153 | 4 | Washer 1/2 | |
| 9 | 7950180400 | 2 | Washer 1/2 | |
| 20 | 2249000017 | 1 | Cable Tensioner Assembly (Not Shown - See Separate Breakdown in this Section) | |

SECTION 3 - DECK

FIGURE 3-63. WINCH INSTALLATION - 10000 LBS SLIDING PLANETARY GEAR



ART_1001142546

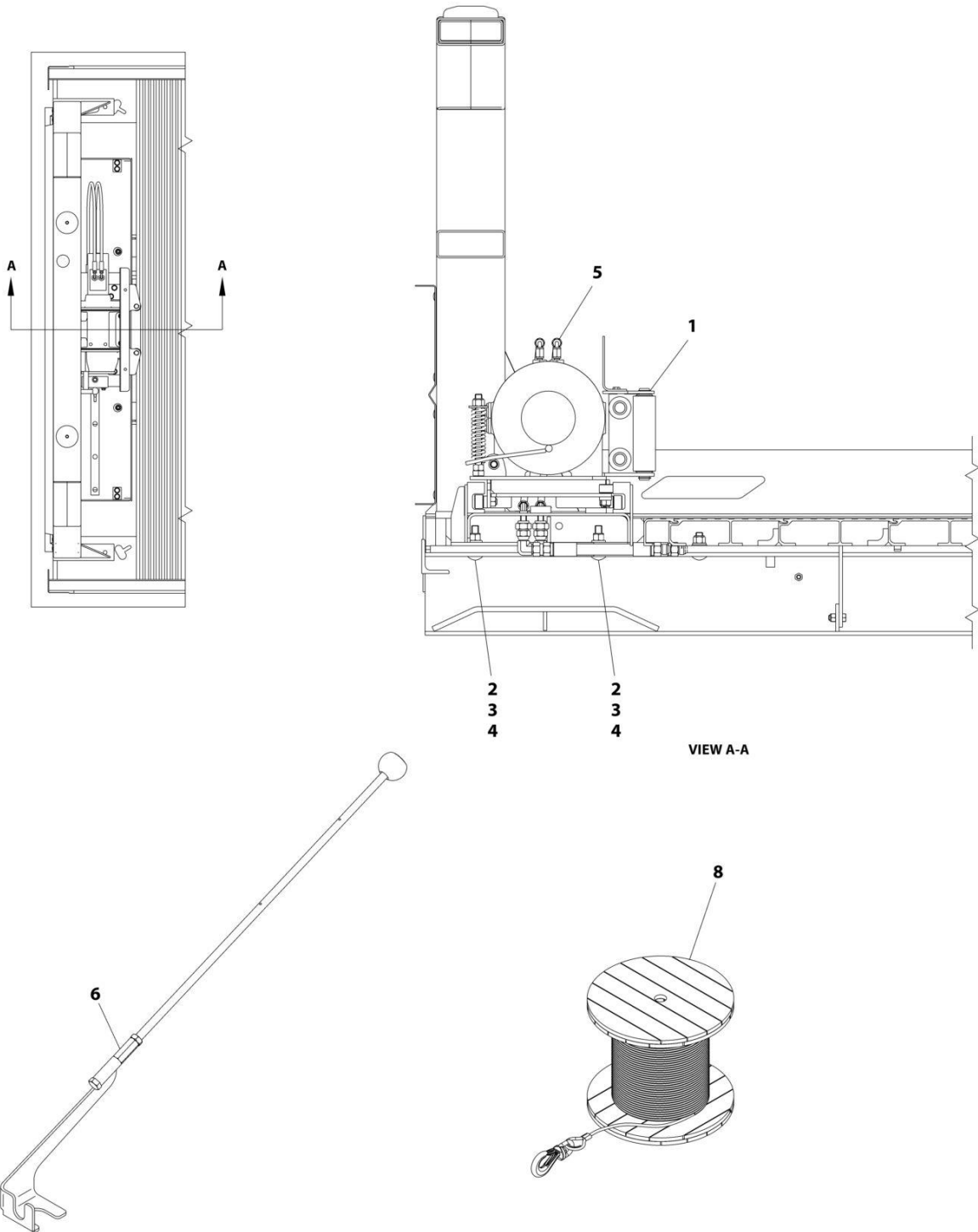
SECTION 3 - DECK

FIGURE 3-63. WINCH INSTALLATION - 10000 LBS SLIDING PLANETARY GEAR

| ITEM | PART NUMBER | QTY | DESCRIPTION | REV |
|------|-------------|-----|---|-----|
| | 1001142546 | Ref | PLANETARY GEAR SLIDING WINCH - 10000 LBS | A |
| 1 | 1001142544 | 1 | Sliding Winch Assembly, 10000 lbs (See Separate Breakdown in this Section) | |
| 2 | 1001138522 | 4 | Bolt 1/2 x 2-1/4 | |
| 3 | 7950180153 | 4 | Washer 1/2 | |
| 4 | 7660182601 | 4 | Nut 1/2 | |
| 5 | 1001145934 | 1 | Hose & Fitting Installation - Sliding Winch (See Separate Breakdown In Hydraulic Section) | |
| 6 | 1001146028 | 1 | Sliding Winch Handle, Accessory (See Separate Breakdown in this Section) | |
| 7 | 7248000064 | 1 | Wire Rope | |

SECTION 3 - DECK

FIGURE 3-64. WINCH INSTALLATION - 10000 LBS SLIDING PLANETARY GEAR & AIR FREE SPOOL



ART_1001142545

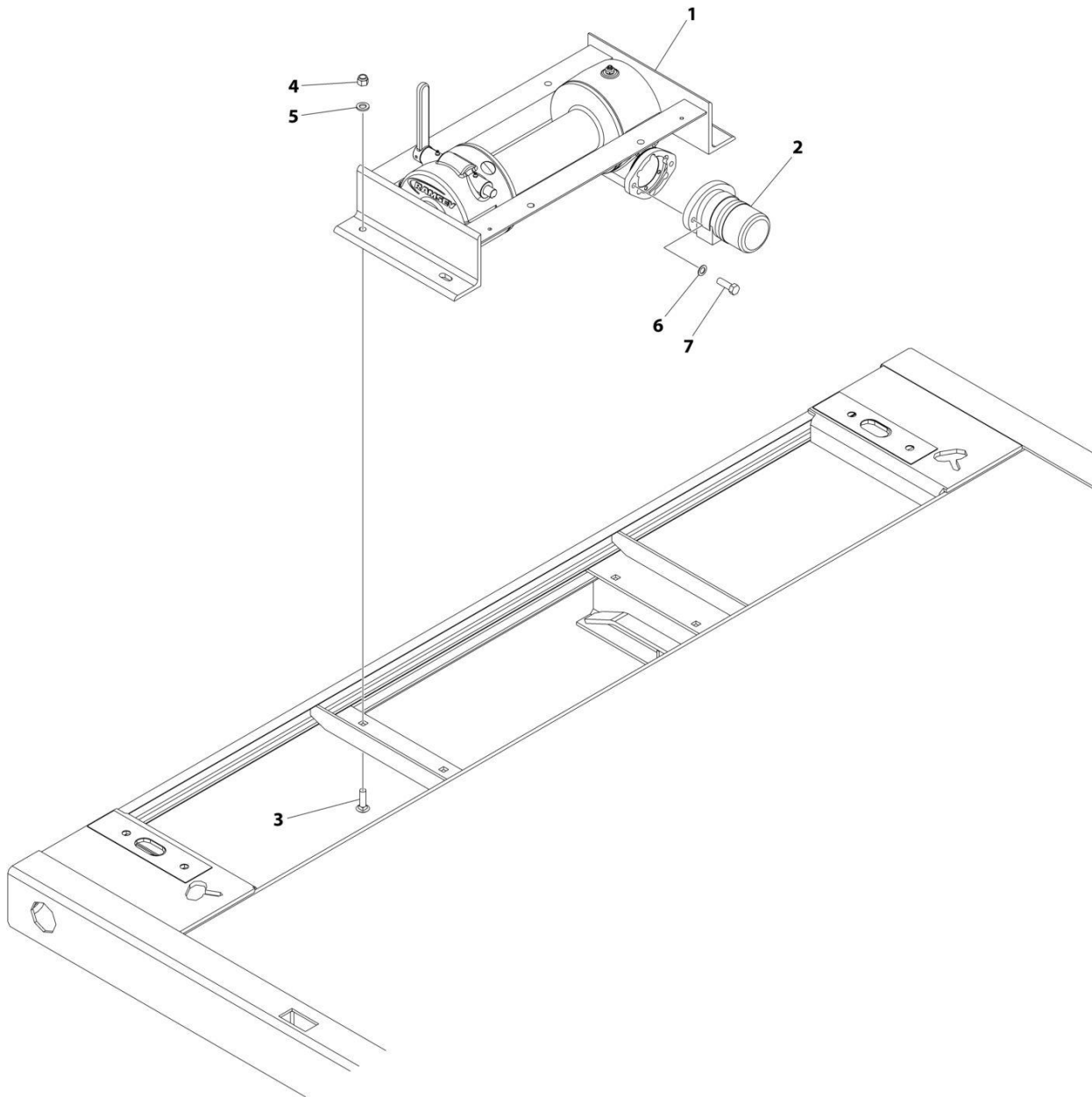
SECTION 3 - DECK

FIGURE 3-64. WINCH INSTALLATION - 10000 LBS SLIDING PLANETARY GEAR & AIR FREE SPOOL

| ITEM | PART NUMBER | QTY | DESCRIPTION | REV |
|------|-------------|-----|--|-----|
| | 1001142545 | Ref | PLANETARY GEAR SLIDING WINCH - 10000 LBS WITH AIR FREE SPOOL AT CONTROLS | A |
| 1 | 1001142543 | 1 | Sliding Winch Assembly, 10000 lbs (See Separate Breakdown in this Section) | |
| 2 | 1001138522 | 4 | Bolt 1/2 x 2-1/4 | |
| 3 | 7950180153 | 4 | Washer 1/2 | |
| 4 | 7660182601 | 4 | Nut 1/2 | |
| 5 | 1001145934 | 1 | Hose & Fitting Installation - Sliding Winch (See Separate Breakdown In Hydraulic Section) | |
| 6 | 1001146028 | 1 | Sliding Winch Handle, Accessory (See Separate Breakdown in this Section) | |
| 7 | 1001145935 | 1 | Sliding Winch Air Free Spool, Installation ((Not Shown - See Separate Breakdown in this Section) | |
| 8 | 7248000064 | 1 | Wire Rope | |

SECTION 3 - DECK

FIGURE 3-65. WINCH INSTALLATION - 12000 LBS (STEEL DECK)



ART_W012W-MD

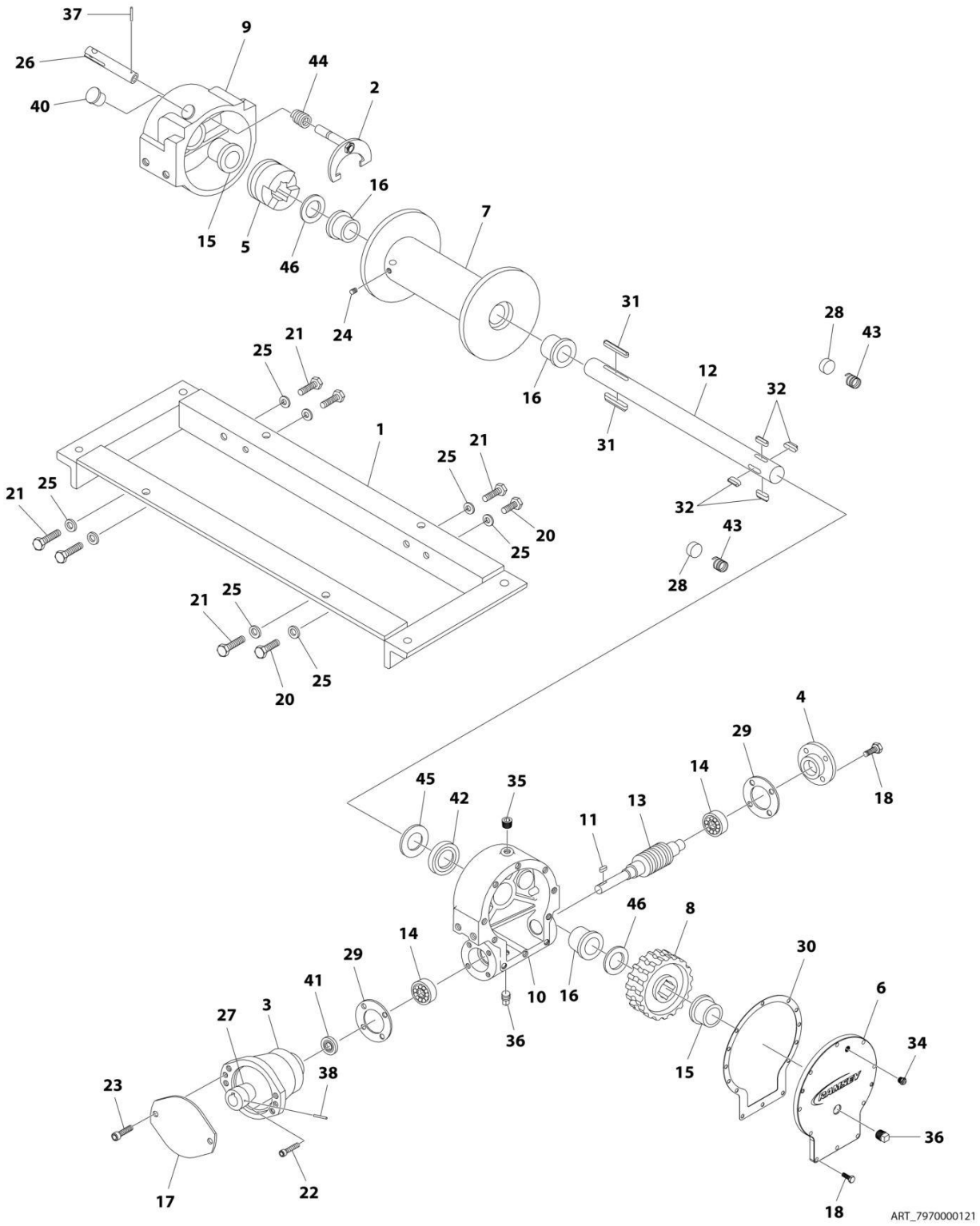
SECTION 3 - DECK

FIGURE 3-65. WINCH INSTALLATION - 12000 LBS (STEEL DECK)

| ITEM | PART NUMBER | QTY | DESCRIPTION | REV |
|------|-------------|-----|---|-----|
| | WO12W-MD | Ref | WINCH INSTALLATION | C |
| | 2970000096 | Ref | Winch Installation (See Separate Breakdown in this Section) | D |
| 1 | 7970000083 | 1 | Winch Assembly (See Separate Breakdown in this Section) | |
| 2 | 7626000018 | 1 | Motor | |
| 3 | 7115181464 | 4 | Bolt 1/2 x 1-3/4 | |
| 4 | 7660182601 | 4 | Nut 1/2 | |
| 5 | 7950180153 | 4 | Washer 1/2 | |
| 6 | 4771800 | 2 | Washer 1/2 | |
| 7 | 0641812 | 2 | Bolt 1/2 x 1-1/2 | |
| 8 | 7248000064 | 1 | Wire Rope | |
| 20 | 2249000018 | 1 | Cable Tensioner Assembly (Not Shown - See Separate Breakdown in this Section) | |

SECTION 3 - DECK

FIGURE 3-66. WINCH ASSEMBLY - 8000 LBS



ART_7970000121

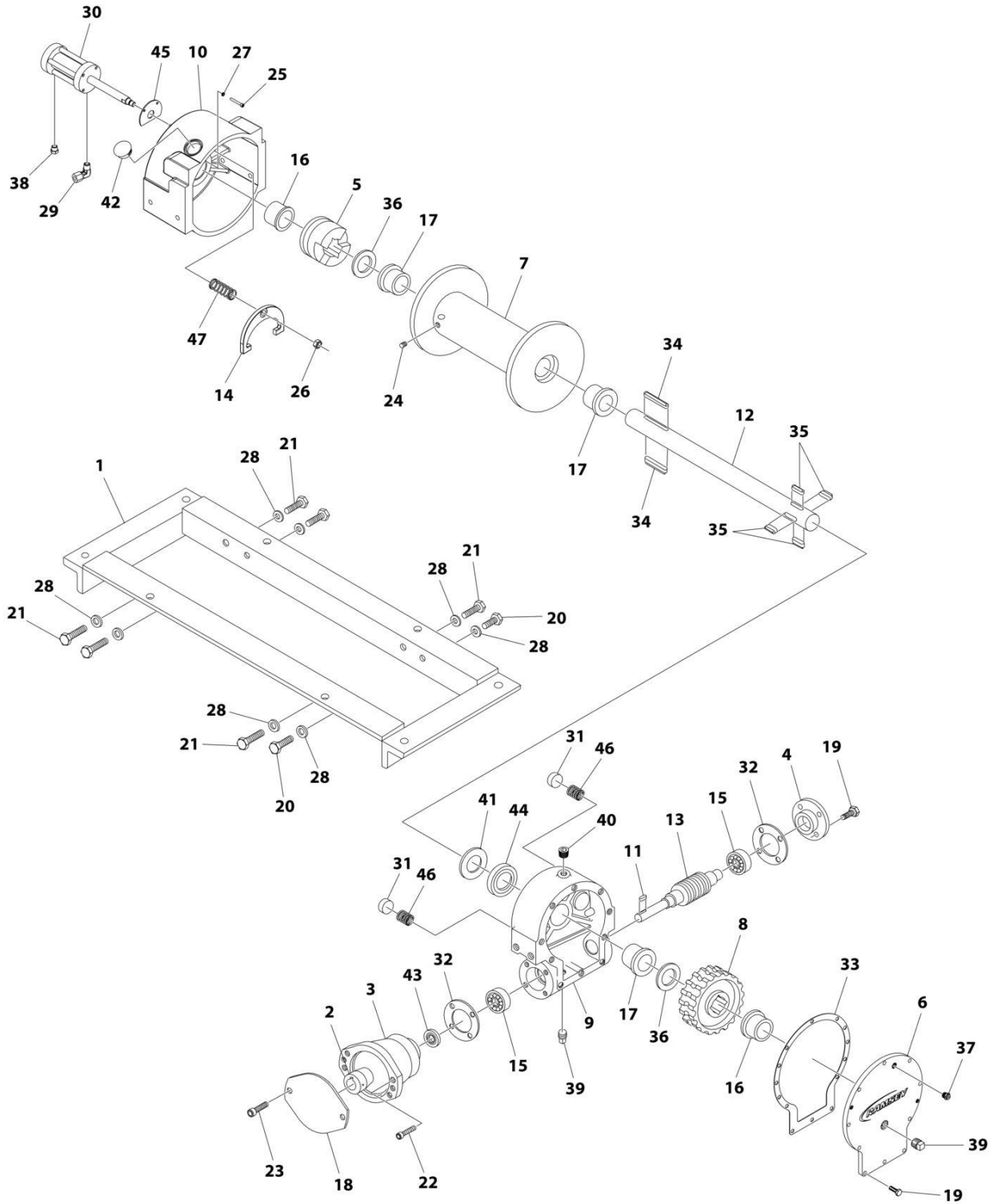
SECTION 3 - DECK

FIGURE 3-66. WINCH ASSEMBLY - 8000 LBS

| ITEM | PART NUMBER | QTY | DESCRIPTION | REV |
|------|-------------|-----|---------------------------|-----|
| | 7970000121 | Ref | WINCH ASSEMBLY - 8000 LBS | D |
| 1 | 70050694 | 1 | Frame Assembly | |
| 2 | 70050678 | 1 | Shifter Assembly | |
| 3 | 9970300057 | 1 | Adapter | |
| 4 | 9970316083 | 1 | Bearing Cap | |
| 5 | 9970960060 | 1 | Jaw Clutch | |
| 6 | 9314960024 | 1 | Cover | |
| 7 | 9970960068 | 1 | Drum "Std" | |
| 8 | 9472960072 | 1 | Gear RH | |
| 9 | 9560960021 | 1 | Housing-Clutch | |
| 10 | 9560960011 | 1 | Housing-Gear | |
| 11 | 9970342027 | 1 | Key | |
| 12 | 9806960009 | 1 | Shaft-Drum "Std" | |
| 13 | 9970960062 | 1 | Worm RH | |
| 14 | 9970402002 | 2 | Bearing-Ball | |
| 15 | 9970412003 | 4 | Bushing | |
| 16 | 9970412045 | 4 | Bushing | |
| 17 | 70050679 | 1 | Adapter Cover | |
| 18 | 9970414045 | 14 | Capscrew 1/4 x 7/8 | |
| 20 | 9120960034 | 2 | Bolt 3/8 x 1 | |
| 21 | 9120960059 | 6 | Capscrew 3/8 x 1-1/4 | |
| 22 | 70050682 | 4 | Capscrew 1/4 x 1-3/4 | |
| 23 | 9120960061 | 2 | Capscrew 1/2 x 1-1/2 | |
| 24 | 9786960015 | 1 | Setscrew 3/8 x 1/2 | |
| 25 | 9970418177 | 8 | Washer 3/8 | |
| 26 | 9007960003 | 1 | Adapter-Rod | |
| 27 | 9970431008 | 1 | Coupling | |
| 28 | 9970330010 | 2 | Disc Brake | |
| 29 | 9970442184 | 2 | Gasket | |
| 30 | 9970442205 | 1 | Gasket | |
| 31 | 9970450006 | 2 | Barth Key | |
| 32 | 9575960014 | 4 | Barth Key | |
| 34 | 9970456008 | 1 | Fitting-Relief | |
| 35 | 9701960015 | 1 | Pipe Plug | |
| 36 | 9970468011 | 2 | Pipe Plug | |
| 37 | 9691960035 | 1 | Spirol Pin | |
| 38 | 9691960001 | 1 | Spirol Pin | |
| 40 | 9970472013 | 1 | Plastic Plug | |
| 41 | 9970486009 | 1 | Oil Seal | |
| 42 | 9970486017 | 1 | Oil Seal | |
| 43 | 9970494002 | 2 | Spring | |
| 44 | 9970494053 | 1 | Spring | |
| 45 | 9970518014 | 1 | Thrust Washer | |
| 46 | 9970518015 | 2 | Thrust Washer | |

SECTION 3 - DECK

FIGURE 3-67. WINCH ASSEMBLY - 8000 LBS WITH FREE SPOOL



ART_7970000142

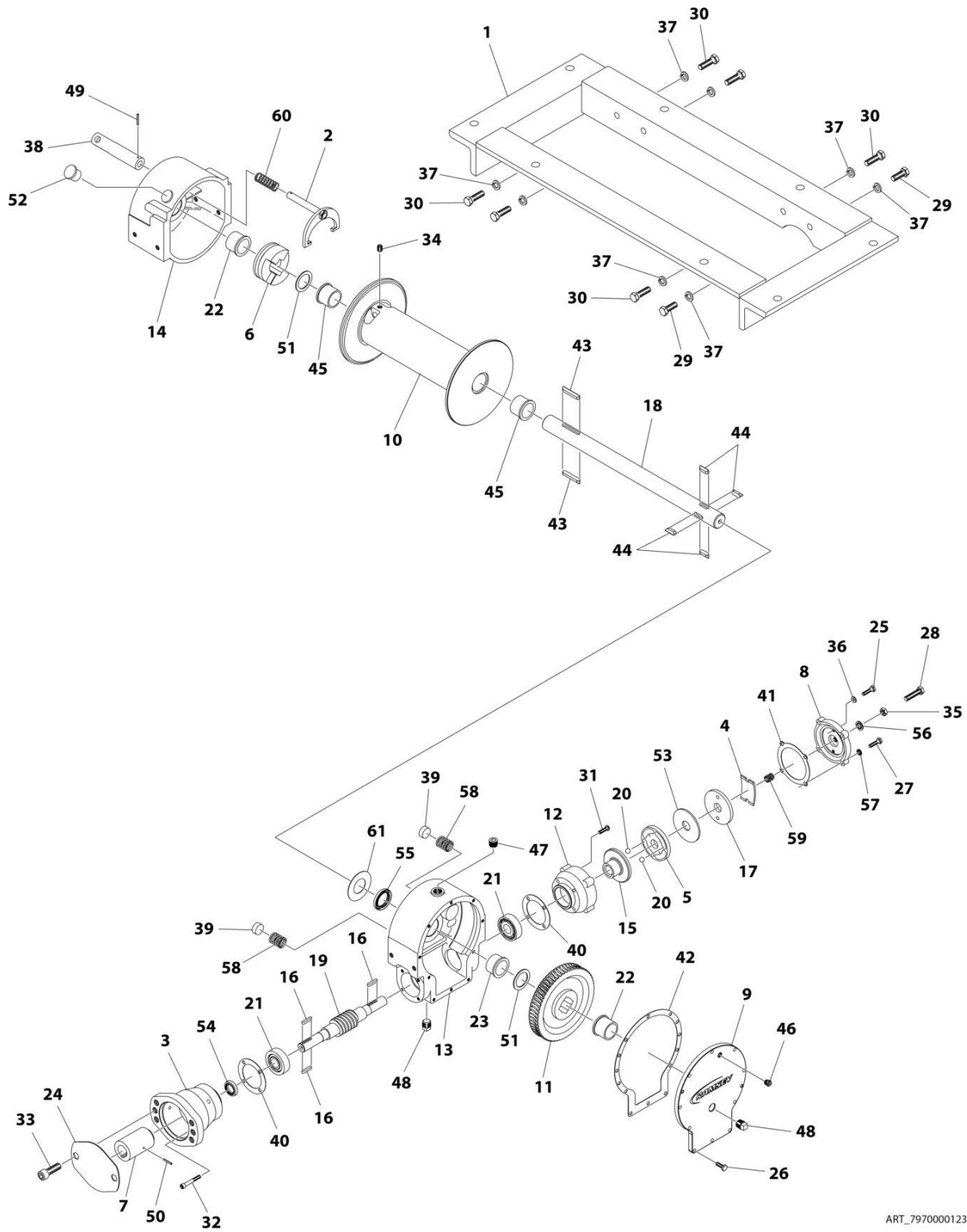
SECTION 3 - DECK

FIGURE 3-67. WINCH ASSEMBLY - 8000 LBS WITH FREE SPOOL

| ITEM | PART NUMBER | QTY | DESCRIPTION | REV |
|------|-------------|-----|--|-----|
| | 7970000142 | Ref | WINCH - 10,000 LBS WORM GEAR WITH AIR FREE SPOOL | B |
| 1 | 70050694 | 1 | Frame Assembly | |
| 2 | 70050695 | 1 | Coupling Assembly | |
| 3 | 9970300057 | 1 | Adapter | |
| 4 | 9970316083 | 1 | Bearing Cap | |
| 5 | 9970960060 | 1 | Jaw Clutch | |
| 6 | 9314960024 | 1 | Cover | |
| 7 | 9970960068 | 1 | Drum - Cable | |
| 8 | 9472960072 | 1 | Gear, Worm | |
| 9 | 9560960011 | 1 | Housing-Gear | |
| 10 | 70050696 | 1 | Housing - Clutch | |
| 11 | 9970342027 | 3 | Key | |
| 12 | 9806960009 | 1 | Shaft - Drum | |
| 13 | 9970960062 | 1 | Worm | |
| 14 | 70050697 | 1 | Yoke | |
| 15 | 9970402002 | 2 | Bearing-Ball | |
| 16 | 9970412003 | 4 | Bushing | |
| 17 | 9970412045 | 3 | Bushing | |
| 18 | 70050679 | 1 | Adapter Cover | |
| 19 | 9970414045 | 14 | Capscrew 1/4 x 7/8 | |
| 20 | 9120960034 | 2 | Bolt 3/8 x 1 | |
| 21 | 9120960059 | 6 | Capscrew 3/8 x 1-1/4 | |
| 22 | 70050682 | 4 | Capscrew 1/4 x 1-3/4 | |
| 23 | 9120960061 | 2 | Capscrew 1/2 x 1-1/2 | |
| 24 | 9786960015 | 1 | Setscrew 3/8 x 1/2 | |
| 25 | 70050686 | 4 | Screw #6 x 1 | |
| 26 | 70050687 | 1 | Nut 3/8 | |
| 27 | 70050688 | 4 | Washer #6 | |
| 28 | 9970415177 | 1 | Washer 3/8 | |
| 29 | 70050698 | 1 | Fitting, 90 | |
| 30 | 70050065 | 1 | Cylinder, Air | |
| 31 | 9970330010 | 2 | Disc Brake | |
| 32 | 9970442184 | 2 | Gasket | |
| 33 | 9970442205 | 1 | Gasket | |
| 34 | 9970450006 | 2 | Barth Key | |
| 35 | 9575960014 | 4 | Barth Key | |
| 36 | 9970518015 | 2 | Thrust Washer | |
| 37 | 9970456008 | 1 | Fitting-Relief | |
| 39 | 9183960002 | 1 | Breather Vent | |
| 39 | 9970468011 | 2 | Pipe Plug | |
| 40 | 9701960015 | 1 | Pipe Plug | |
| 41 | 9970518014 | 1 | Thrust Washer | |
| 42 | 9970472013 | 1 | Plastic Plug | |
| 43 | 9970486009 | 1 | Oil Seal | |
| 44 | 9970486017 | 1 | Oil Seal | |
| 45 | 70050689 | 1 | Shim | |
| 46 | 9970494002 | 2 | Spring | |
| 47 | 9970494053 | 1 | Spring | |

SECTION 3 - DECK

FIGURE 3-68. WINCH ASSEMBLY - 10000 LBS WORM GEAR



ART_7970000123

SECTION 3 - DECK

FIGURE 3-68. WINCH ASSEMBLY - 10000 LBS WORM GEAR

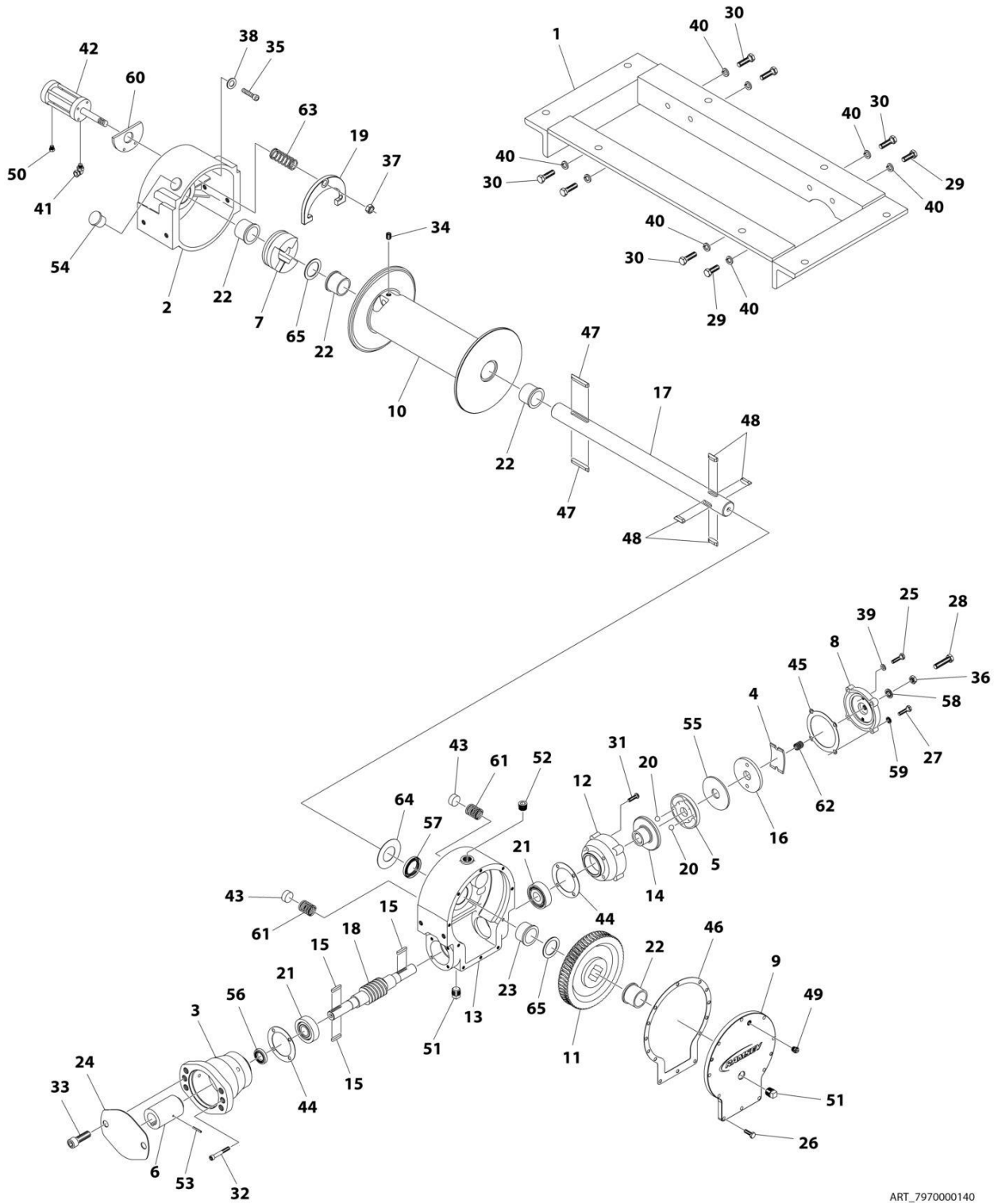
| ITEM | PART NUMBER | QTY | DESCRIPTION | REV |
|------|-------------|-----|---|-----|
| | 7970000123 | Ref | WINCH - 10000 LBS WORM GEAR WITH AIR FREE SPOOL | B |
| 1 | 70050677 | 1 | Frame Assembly | |
| 2 | 70050678 | 1 | Shifter Assembly | |
| 3 | 9970300057 | 1 | Adapter | |
| 4 | 9970960036 | 1 | Spring - Flat | |
| 5 | 1001126187 | 1 | Plate | |
| 7 | 9970960060 | 1 | Jaw Clutch | |
| 6 | 9309960020 | 1 | Coupling | |
| 8 | 9970960034 | 1 | Cover - Brake | |
| 9 | 9314960024 | 1 | Cover - Gear Housing | |
| 10 | 9970960068 | 1 | Drum - Cable | |
| 11 | 9472960068 | 1 | Gear R.H. 30:1 | |
| 12 | 9571960010 | 1 | Housing - Brake | |
| 13 | 9560960011 | 1 | Housing-Gear | |
| 14 | 9560960021 | 1 | Housing - Clutch | |
| 15 | 1001126188 | 1 | Hub- Brake | |
| 16 | 9970342027 | 3 | Key | |
| 17 | 1001126192 | 1 | Plate - Retainer | |
| 18 | 9970960051 | 1 | Shaft - Drum | |
| 19 | 9472960069 | 1 | Worm R.H. 30:1 | |
| 20 | 9970400003 | 2 | Ball | |
| 21 | 9970402002 | 2 | Bearing-Ball | |
| 22 | 9970412003 | 4 | Bushing | |
| 23 | 9970960052 | 1 | Bushing | |
| 24 | 70050679 | 1 | Adapter Cover | |
| 25 | 9970960038 | 2 | Capscrew 1/4 x 1 | |
| 26 | 9970414045 | 10 | Capscrew 1/4 x 3/4 | |
| 27 | 70050680 | 4 | Capscrew 1/4 x 1 | |
| 28 | 9120960075 | 1 | Capscrew 3/8 x 1-1/2 | |
| 29 | 9120960034 | 2 | Capscrew 3/8 x 1 | |
| 30 | 9120960059 | 6 | Capscrew 3/8 x 1-1/4 | |
| 31 | 70050681 | 4 | Capscrew 1/4 x 7/8 | |
| 32 | 70050682 | 4 | Capscrew 1/4 x 1-3/4 | |
| 33 | 9120960061 | 2 | Capscrew 1/2 x 1-1/2 | |
| 34 | 9786960015 | 1 | Setscrew 3/8 x 1/2 | |
| 35 | 70050628 | 1 | Nut 3/8 | |
| 36 | 9949960054 | 2 | Washer 1/4 | |
| 37 | 9970418177 | 8 | Washer 3/8 | |
| 38 | 9007960003 | 1 | Adapter - Rod | |
| 39 | 9970330010 | 2 | Disc Brake | |
| 40 | 9970442184 | 2 | Gasket | |
| 41 | 9796960139 | 1 | Gasket | |
| 42 | 9970442205 | 1 | Gasket | |
| 43 | 9970450006 | 2 | Barth Key | |
| 44 | 9575960014 | 4 | Barth Key | |
| 45 | 9970412045 | 2 | Bushing | |
| 46 | 9970456008 | 1 | Fitting-Relief | |
| 47 | 9701960015 | 1 | Pipe Plug | |
| 48 | 9970468011 | 2 | Pipe Plug | |
| 49 | 9691960035 | 1 | Pin, Spiral | |

SECTION 3 - DECK

| ITEM | PART NUMBER | QTY | DESCRIPTION | REV |
|------|-------------|-----|----------------|-----|
| 50 | 9691960001 | 1 | Spirol Pin | |
| 51 | 9970518015 | 2 | Thrust Washer | |
| 52 | 9970472013 | 1 | Plastic Plug | |
| 53 | 9970960037 | 1 | Plate - Thrust | |
| 54 | 9970486009 | 1 | Oil Seal | |
| 55 | 9970486017 | 1 | Oil Seal | |
| 56 | 9796960176 | 1 | Seal, Thread | |
| 57 | 9796960177 | 4 | Seal, Thread | |
| 58 | 9970494002 | 2 | Spring | |
| 59 | 9970960035 | 1 | Spring | |
| 60 | 9970494053 | 1 | Spring | |
| 61 | 9970518014 | 1 | Thrust Washer | |

SECTION 3 - DECK

FIGURE 3-69. WINCH ASSEMBLY, - 10000 LBS WORM GEAR WITH FREE SPOOL



ART_797000140

SECTION 3 - DECK

FIGURE 3-69. WINCH ASSEMBLY, - 10000 LBS WORM GEAR WITH FREE SPOOL

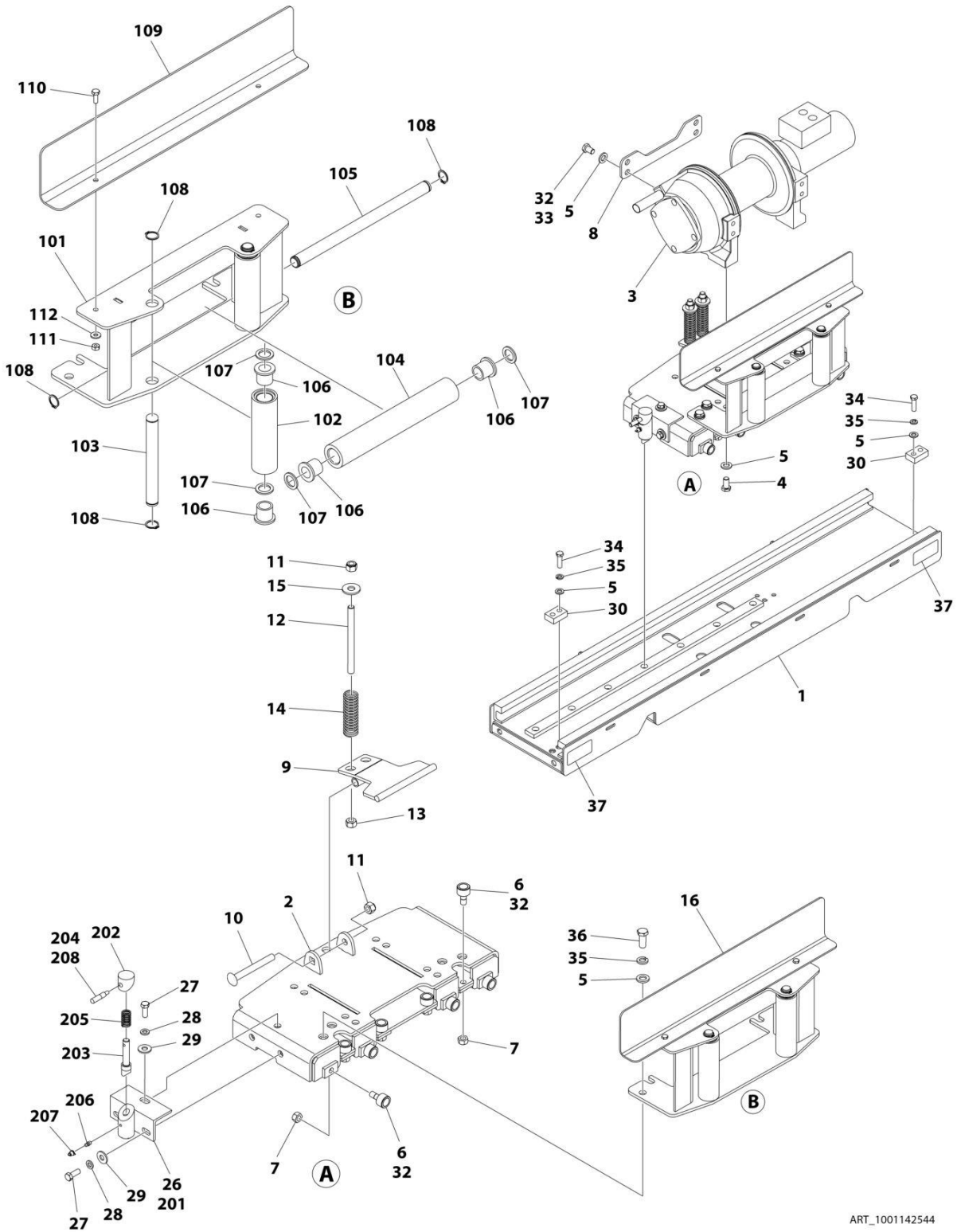
| ITEM | PART NUMBER | QTY | DESCRIPTION | REV |
|------|-------------|-----|---|-----|
| | 7970000140 | Ref | WINCH - 10000 LBS WORM GEAR WITH AIR FREE SPOOL | B |
| 1 | 70050677 | 1 | Frame Assembly | |
| 2 | 70050684 | 1 | Housing - Clutch | |
| 3 | 9970300057 | 1 | Adapter | |
| 4 | 9970960036 | 1 | Spring - Flat | |
| 5 | 1001126187 | 1 | Plate | |
| 6 | 9309960020 | 1 | Coupling | |
| 7 | 9970960060 | 1 | Jaw Clutch | |
| 8 | 9970960034 | 1 | Cover - Brake | |
| 9 | 9314960024 | 1 | Cover | |
| 10 | 9970960068 | 1 | Drum - Cable | |
| 11 | 9472960068 | 1 | Gear R.H. 30:1 | |
| 12 | 9571960010 | 1 | Housing - Brake | |
| 13 | 9560960011 | 1 | Housing-Gear | |
| 14 | 1001126188 | 1 | HUB,BRAKE,#340002 | |
| 15 | 9970342027 | 3 | Key | |
| 16 | 1001126192 | 1 | Plate | |
| 17 | 9970960051 | 1 | Shaft - Drum | |
| 18 | 9472960069 | 1 | Worm R.H. 30:1 | |
| 19 | 70050685 | 1 | Yoke | |
| 20 | 9970400003 | 2 | Ball | |
| 21 | 9970402002 | 2 | Bearing-Ball | |
| 22 | 9970412003 | 4 | Bushing | |
| 23 | 9970960052 | 1 | Bushing | |
| 24 | 70050679 | 1 | Adapter Cover | |
| 25 | 9970960038 | 2 | Capscrew 1/4 x 1 | |
| 26 | 9970414045 | 10 | Capscrew 1/4 x 7/8 | |
| 27 | 70050680 | 4 | Capscrew 1/4 x 1 | |
| 28 | 9120960075 | 1 | Capscrew 3/8 x 1-1/2 | |
| 29 | 9120960034 | 2 | Bolt 3/8 x 1 | |
| 30 | 9120960059 | 6 | Capscrew 3/8 x 1-1/4 | |
| 31 | 70050681 | 4 | Capscrew 1/4 x 7/8 | |
| 32 | 70050682 | 4 | Capscrew 1/4 x 1-3/4 | |
| 33 | 9120960061 | 2 | Capscrew 1/2 x 1-1/2 | |
| 34 | 9786960015 | 1 | Setscrew 3/8 x 1/2 | |
| 35 | 70050686 | 4 | Screw #6 x 1 | |
| 36 | 70050628 | 1 | Nut 3/8 | |
| 37 | 70050687 | 1 | Nut 3/8 | |
| 38 | 70050688 | 4 | Washer #6 | |
| 39 | 9949960054 | 2 | Washer 1/4 | |
| 40 | 9970418177 | 8 | Washer 3/8 | |
| 41 | 9443960021 | 1 | Fitting | |
| 42 | 70050065 | 1 | Cylinder, Air | |
| 43 | 9970330010 | 2 | Disc Brake | |
| 44 | 9970442184 | 2 | Gasket | |
| 45 | 9796960139 | 1 | Gasket | |
| 46 | 9970442205 | 1 | Gasket | |
| 47 | 9970450006 | 2 | Barth Key | |
| 48 | 9575960014 | 4 | Barth Key | |
| 49 | 9970456008 | 1 | Fitting-Relief | |

SECTION 3 - DECK

| ITEM | PART NUMBER | QTY | DESCRIPTION | REV |
|------|-------------|-----|---------------------|-----|
| 50 | 9183960002 | 1 | Breather Vent | |
| 51 | 9970468011 | 2 | Pipe Plug | |
| 52 | 9701960015 | 1 | Pipe Plug | |
| 53 | 9691960001 | 1 | Spirol Pin | |
| 54 | 9970472013 | 1 | Plastic Plug | |
| 55 | 9970960037 | 1 | Plate - Thrust | |
| 56 | 9970486009 | 1 | Oil Seal | |
| 57 | 9970486017 | 1 | Oil Seal | |
| 58 | 9796960176 | 1 | Seal, Thread | |
| 59 | 9796960177 | 4 | Seal, Thread | |
| 60 | 70050689 | 1 | Shim | |
| 61 | 9970494002 | 2 | Spring | |
| 62 | 9970960035 | 1 | Spring | |
| 63 | 9970494053 | 1 | Spring | |
| 64 | 9970518014 | 1 | Thrust Washer | |
| 65 | 9970518015 | 2 | Thrust Washer | |
| 66 | 9970412045 | 2 | Bushing (Not Shown) | |

SECTION 3 - DECK

FIGURE 3-70. WINCH ASSEMBLY - 10000 LBS PLANETARY GEAR



ART_1001142544

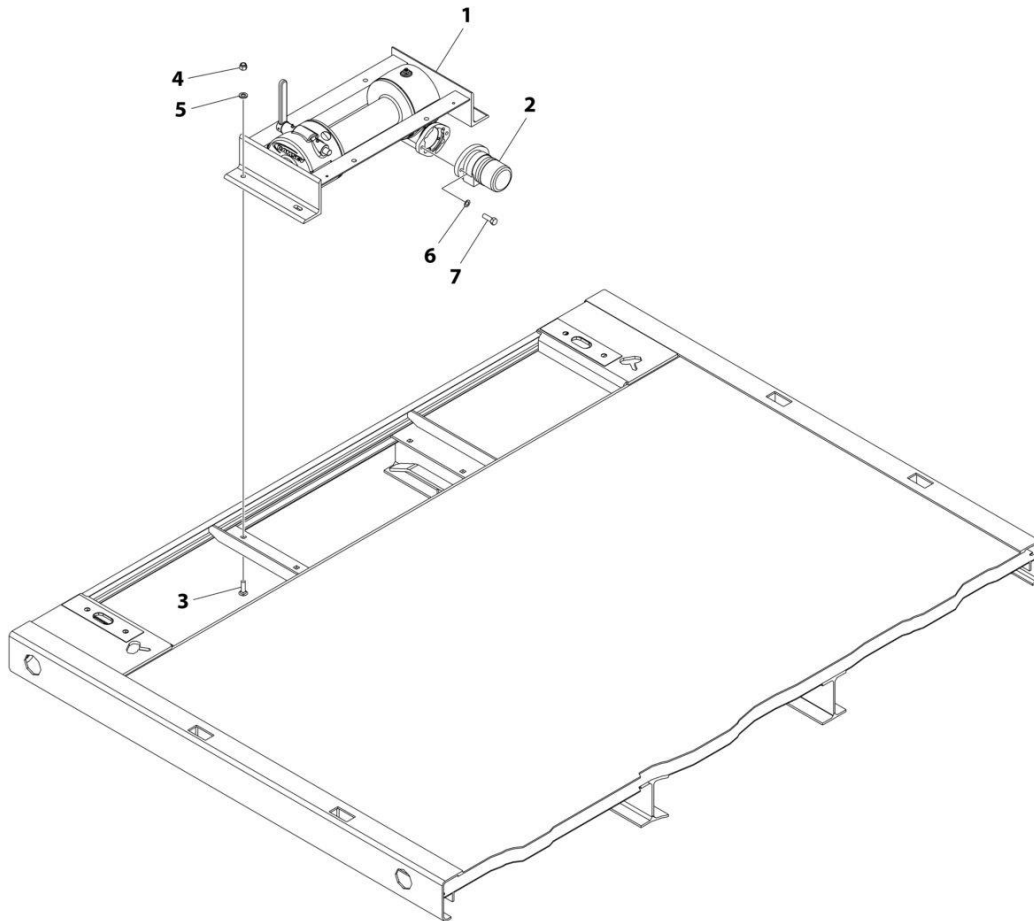
SECTION 3 - DECK

FIGURE 3-70. WINCH ASSEMBLY - 10000 LBS PLANETARY GEAR

| ITEM | PART NUMBER | QTY | DESCRIPTION | REV |
|------|-------------|-----|--|-----|
| | 1001142544 | Ref | SLIDING WINCH ASSEMBLY - 10000 LBS | C |
| 1 | 1001144486 | 1 | Base | |
| 2 | 1001144491 | 1 | Slider | |
| 3 | 1001239119 | 1 | Winch, Assembly - Sliding (See Separate Breakdown in this Section) | |
| 4 | 7115180850 | 8 | Capscrew 1/2 x 1 | |
| 5 | 7950180153 | 20 | Washer 1/2 | |
| 6 | 0440287 | 12 | Bearing | |
| 7 | 3321701 | 12 | Nut 7/16 | |
| 8 | 1001142550 | 1 | Plate | |
| 9 | 1001142461 | 1 | Lever, Tensioner | |
| 10 | 1001137970 | 1 | Bolt 1/2 x 4-1/2 | |
| 11 | 7660182601 | 3 | Nut 1/2 | |
| 12 | 1001142553 | 2 | Rod | |
| 13 | 7660180001 | 2 | Nut 1/2 | |
| 14 | 7843000004 | 2 | Spring | |
| 15 | 7950180161 | 2 | Washer 1/2 | |
| 16 | 1001145780 | 1 | Roller Guide Assembly (Includes Items 101-112) | |
| 26 | 1001144498 | 1 | Cam Lock Assembly (Includes Item 201-208) | |
| 27 | 1001138546 | 3 | Bolt 3/8 x 1 | |
| 28 | 7950160000 | 3 | Washer 1/3 | |
| 29 | 7950160162 | 3 | Washer 1/3 | |
| 30 | 1001144543 | 2 | Stop Block | |
| 32 | 0100011 | AR | Compound Locking | |
| 33 | 7115180650 | 4 | Capscrew 1/2 x 3/4 | |
| 34 | 1001139199 | 4 | Bolt 1/2 x 1-3/4 | |
| 35 | 7950180000 | 8 | Washer 19/32 | |
| 36 | 1001139343 | 4 | Bolt 1/2 x 1-1/4 | |
| 37 | 1001142962 | 2 | Decal | |
| 101 | 1001145636 | 1 | Mount | |
| 102 | 4912000345 | 2 | Tube | |
| 103 | 4691000421 | 2 | Pin | |
| 104 | 4912000130 | 2 | Tube | |
| 105 | 4806000014 | 2 | Shaft | |
| 106 | 7209000011 | 8 | Bushing | |
| 107 | 7949000034 | 8 | Spacer | |
| 108 | 7754000022 | 8 | Retaining Ring | |
| 109 | 1001150704 | 1 | Plate | |
| 110 | 7115140650 | 2 | Capscrew 1/4 x 3/4 | |
| 111 | 7660140001 | 2 | Nut 1/4 | |
| 112 | 7950140143 | 2 | Washer 1/4 | |
| 201 | 1001144499 | 1 | Cam Weldment | |
| 202 | 4254000005 | 1 | Cap | |
| 203 | 4691000186 | 1 | Pin | |
| 204 | 4763000184 | 1 | Rod | |
| 205 | 7843000006 | 1 | Spring | |
| 206 | 7440030000 | 1 | Fitting | |
| 207 | 7253000002 | 1 | Fitting | |
| 208 | 0100011 | AR | Compound Locking | |

SECTION 3 - DECK

FIGURE 3-71. WINCH ASSEMBLY - 12000 LBS



ART_2970000096

SECTION 3 - DECK**FIGURE 3-71. WINCH ASSEMBLY - 12000 LBS**

| ITEM | PART NUMBER | QTY | DESCRIPTION | REV |
|-------------|--------------------|------------|---|------------|
| | 2970000096 | Ref | WINCH INSTALLATION, WORM GEAR - 12000 LBS (STEEL) | D |
| 1 | 7970000083 | 1 | Winch Assembly (See Separate Breakdown in this Section) | |
| 2 | 7626000018 | 1 | Motor | |
| 3 | 7115181464 | 4 | Bolt 1/2 x 1-3/4 | |
| 4 | 7660182601 | 4 | Nut 1/2 | |
| 5 | 7950180153 | 4 | Washer 1/2 | |
| 6 | 4771800 | 2 | Washer 1/2 | |
| 7 | 0641812 | 2 | Bolt 1/2 x 1-1/2 | |
| 8 | 7248000064 | 1 | Wire Rope Assembly | |
| 9 | 1001167693 | 1 | Deck | |

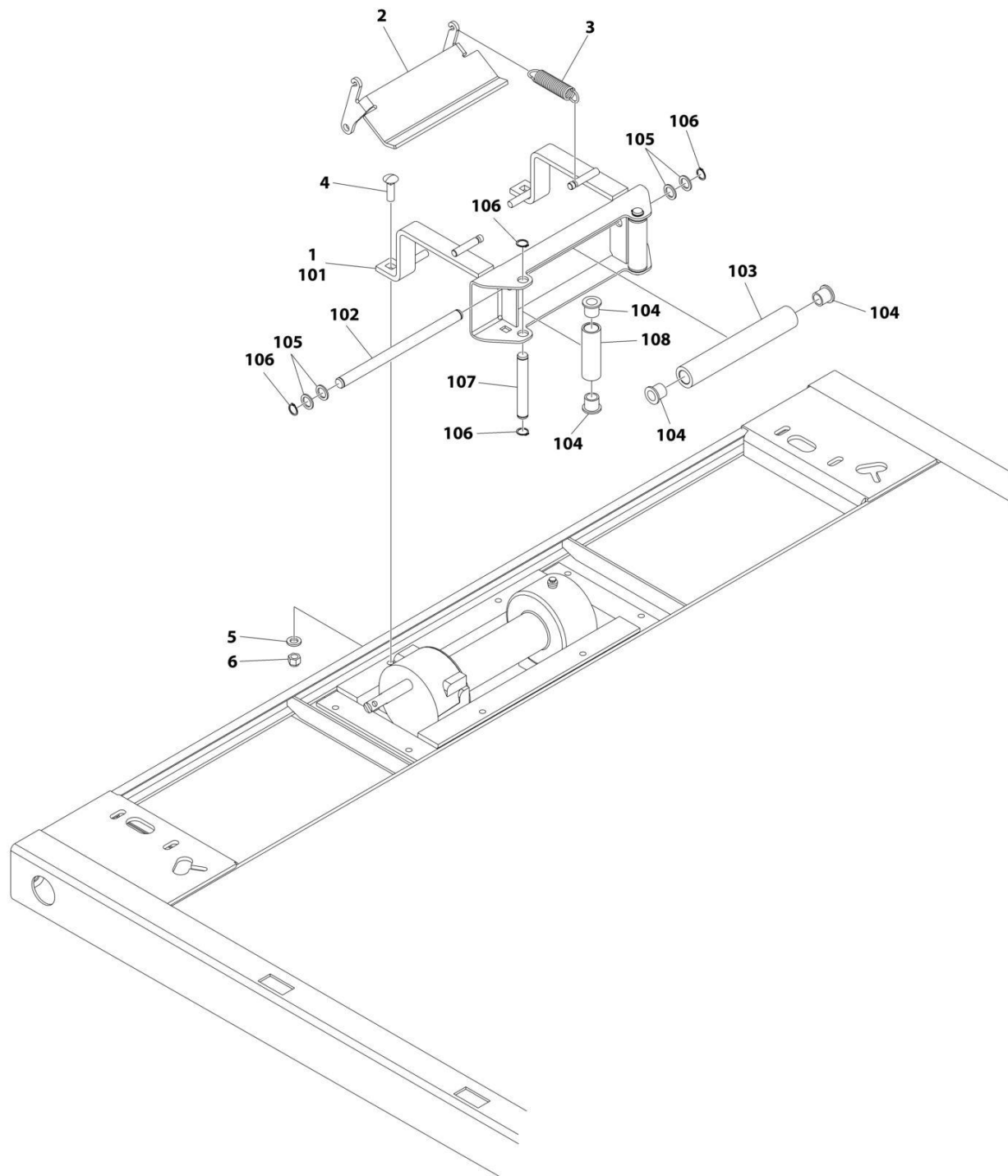
SECTION 3 - DECK

FIGURE 3-72. CABLE TENSIONER INSTALLATION - 8000 LBS & /10000 LBS WORM GEAR WINCHES

| ITEM | PART NUMBER | QTY | DESCRIPTION | REV |
|------|-------------|-----|--|-----|
| | 2249000017 | Ref | CABLE TENSIONER INSTALLATION, WORM GEAR - 8000/10000 LBS | 0 |
| 1 | 3249000036 | 1 | Cable Tensioner Assembly (Includes Items 101-108) | |
| 2 | 4706003766 | 1 | Plate | |
| 3 | 7843000035 | 2 | Spring | |
| 4 | 7115181464 | 4 | Bolt 1/2 x 1-3/4 | |
| 5 | 7950180153 | 4 | Washer 1/2 | |
| 6 | 7660182601 | 4 | Nut 1/2 | |
| 101 | 3178000433 | 1 | Bracket Weld | |
| 102 | 4806000014 | 1 | Shaft | |
| 103 | 4912000130 | 1 | Roller | |
| 104 | 7209000011 | 6 | Bushing | |
| 105 | 7949000034 | 4 | Spacer | |
| 106 | 7754000022 | 6 | Retaining Ring | |
| 107 | 4806000011 | 2 | Shaft | |
| 108 | 4912000394 | 2 | Roller | |

SECTION 3 - DECK

FIGURE 3-73. CABLE TENSIONER INSTALLATION - 12000 LBS WORM GEAR WINCHES



ART_224900018

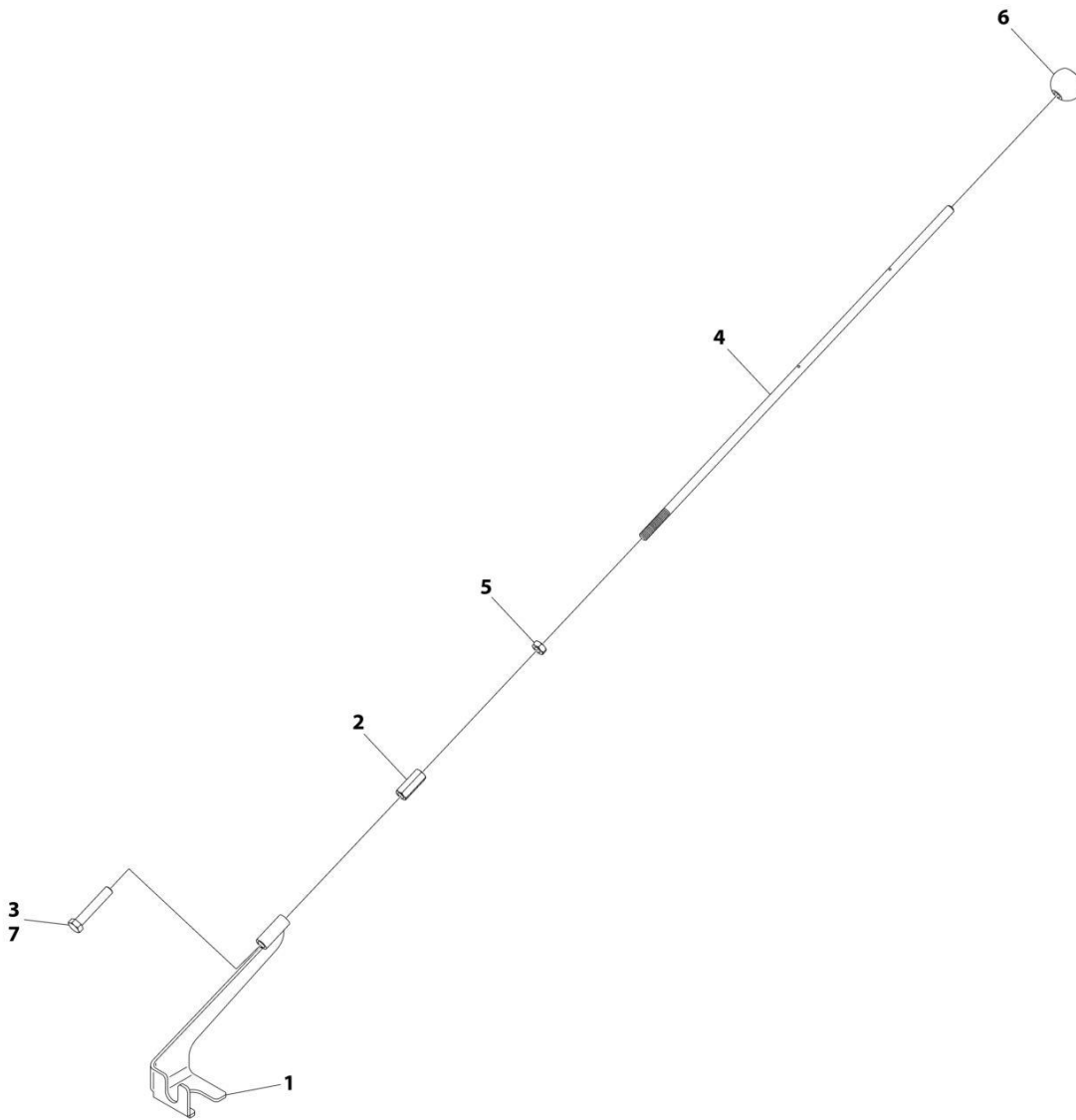
SECTION 3 - DECK

FIGURE 3-73. CABLE TENSIONER INSTALLATION - 12000 LBS WORM GEAR WINCHES

| ITEM | PART NUMBER | QTY | DESCRIPTION | REV |
|------|-------------|-----|---|-----|
| | 2249000018 | Ref | CABLE TENSIONER INSTALLATION, WORM GEAR - 12000 LBS | B |
| 1 | 3249000036 | 1 | Cable Tensioner Assembly (Includes Items 101-108) | |
| 2 | 4706003857 | 1 | Plate | |
| 3 | 7843000035 | 2 | Spring | |
| 4 | 7115181464 | 4 | Bolt 1/2 x 1-3/4 | |
| 5 | 7950180153 | 2 | Washer 1/2 | |
| 6 | 7660182601 | 4 | Nut 1/2 | |
| 101 | 3178000433 | 1 | Bracket Weld | |
| 102 | 4806000014 | 1 | Shaft | |
| 103 | 4912000130 | 1 | Roller | |
| 104 | 7209000011 | 6 | Bushing | |
| 105 | 7949000034 | 4 | Spacer | |
| 106 | 7754000022 | 6 | Retaining Ring | |
| 107 | 4806000011 | 2 | Shaft | |
| 108 | 4912000394 | 2 | Roller | |

SECTION 3 - DECK

FIGURE 3-74. WINCH HANDLE (PLANETARY WGEAR WINCH)



ART_1001146028

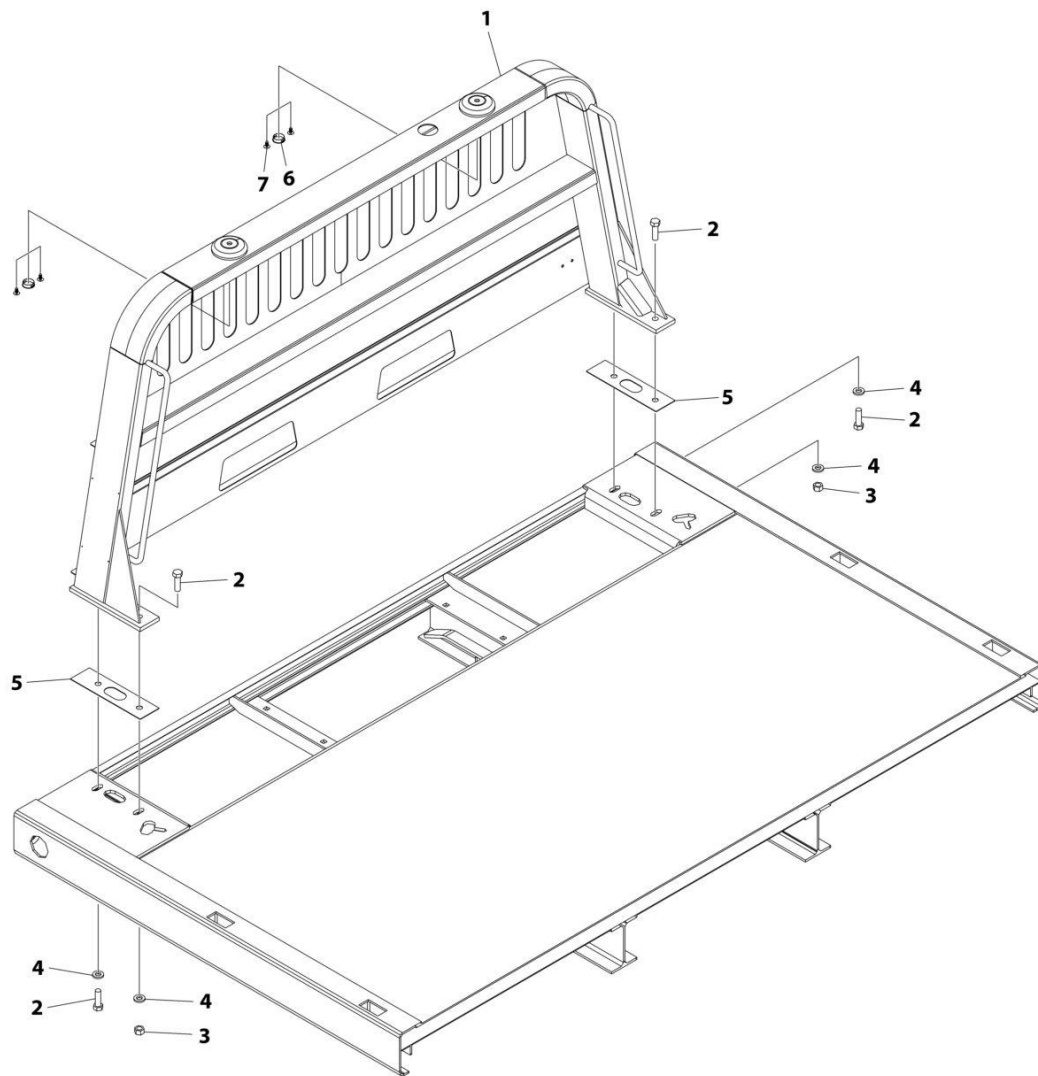
SECTION 3 - DECK

FIGURE 3-74. WINCH HANDLE (PLANETARY WGEAR WINCH)

| ITEM | PART NUMBER | QTY | DESCRIPTION | REV |
|------|-------------|-----|---------------------------------|-----|
| | 1001146028 | Ref | SLIDING WINCH HANDLE, ACCESSORY | A |
| 1 | 1001146029 | 1 | Handle | |
| 2 | 1001146027 | 1 | Nut 1/2 | |
| 3 | 0651822 | 1 | Bolt 1/2 x 2-3/4 | |
| 4 | 4763000348 | 1 | Rod | |
| 5 | 7660180234 | 1 | Nut 1/2 | |
| 6 | 7551000017 | 1 | Knob | |
| 7 | 0100011 | AR | Compound Locking | |

SECTION 3 - DECK

FIGURE 3-75. HEADBOARD INSTALLATION- 36.50IN (DELUXE BOLT-ON)



ART_1001129111

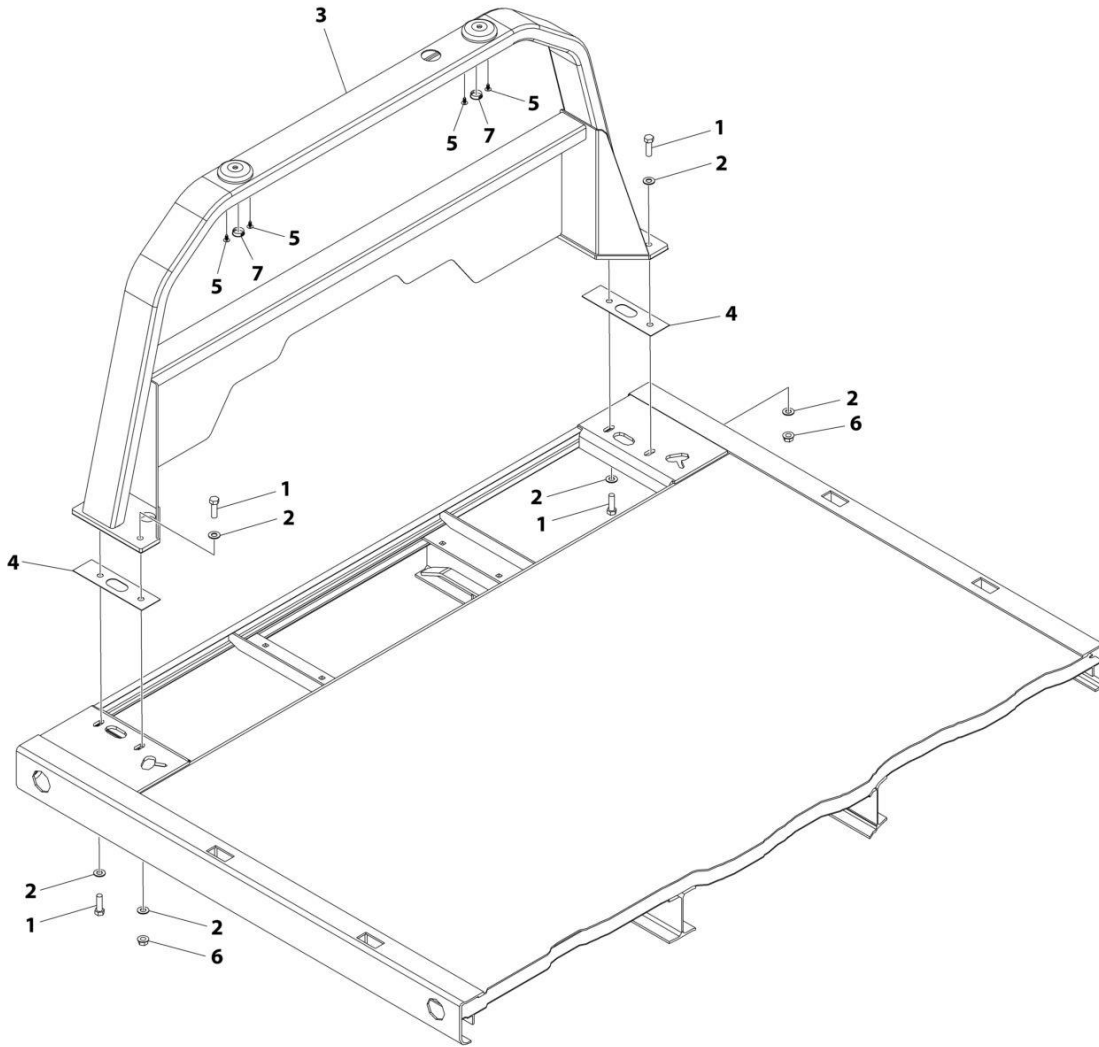
SECTION 3 - DECK

FIGURE 3-75. HEADBOARD INSTALLATION- 36.50IN (DELUXE BOLT-ON)

| ITEM | PART NUMBER | QTY | DESCRIPTION | REV |
|------|-------------|-----|---------------------------------|-----|
| | 1001129111 | Ref | BUMPER HEADBOARD 36.50IN DELUXE | B |
| 1 | 1001223266 | 1 | Headboard Weldment | |
| 2 | 0652016 | 4 | Capscrew 5/8 x 2 | |
| 3 | 7660200035 | 2 | Nut 5/8 | |
| 4 | 4712000 | 4 | Washer 5/8 | |
| 5 | 4796000037 | 2 | Gasket | |
| 6 | 7701000049 | 2 | Plug | |
| 7 | 7413000013 | 4 | Push-In Fastener | |

SECTION 3 - DECK

FIGURE 3-76. HEADBOARD INSTALLATION - 37.38IN (STANDARD BOLT-ON)



ART_1001192987

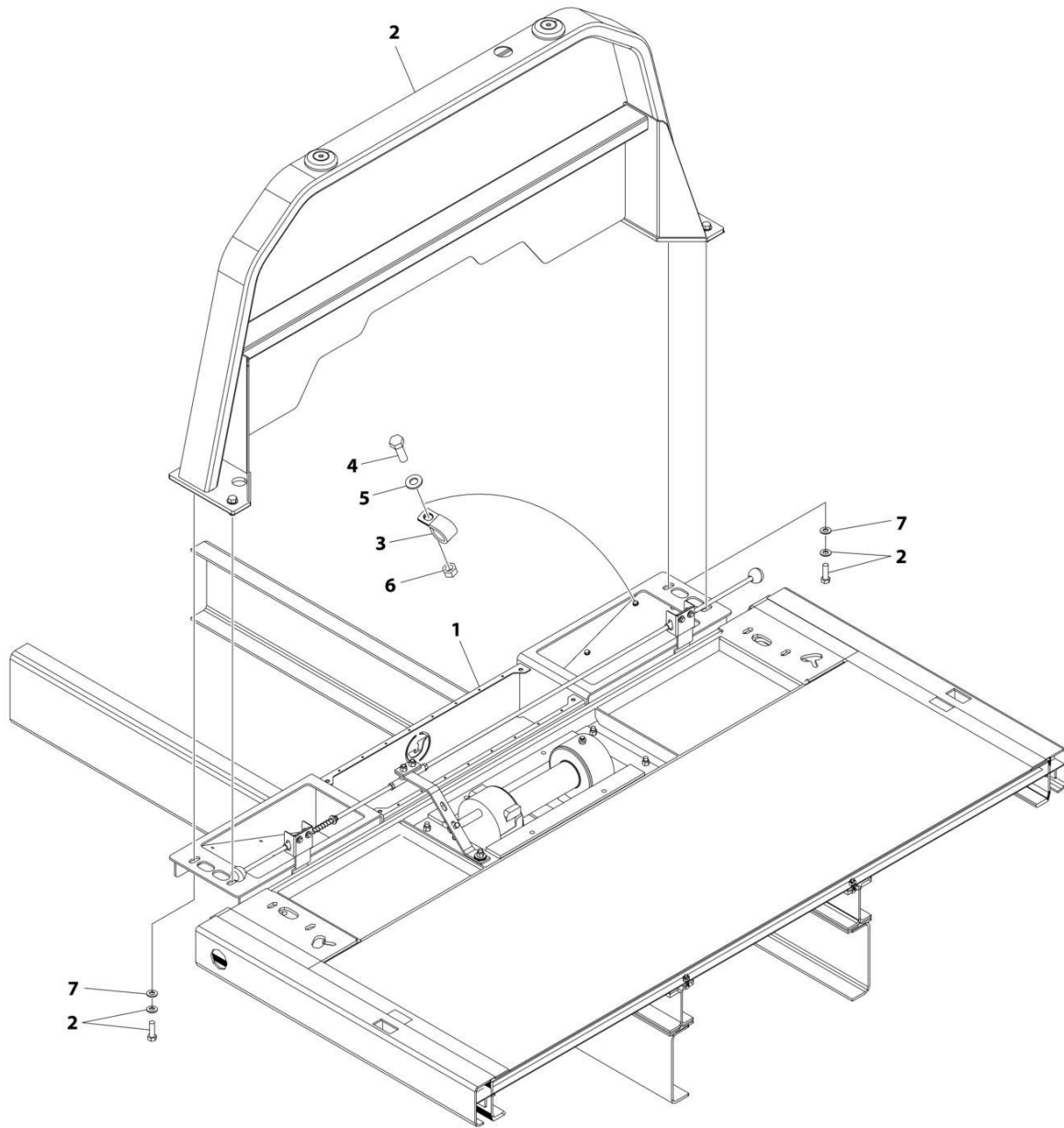
SECTION 3 - DECK

FIGURE 3-76. HEADBOARD INSTALLATION - 37.38IN (STANDARD BOLT-ON)

| ITEM | PART NUMBER | QTY | DESCRIPTION | REV |
|------|-------------|-----|------------------------------|-----|
| | 1001192987 | Ref | FIXED HEADBOARD INSTALLATION | A |
| 1 | 0652016 | 4 | Capscrew 5/8 x 2 | |
| 2 | 4712000 | 6 | Washer 5/8 | |
| 3 | 1001187688 | 1 | Bumper, Headboard | |
| 4 | 4796000037 | 2 | Gasket | |
| 5 | 7413000013 | 4 | Push-In Fastener | |
| 6 | 7660202347 | 2 | Nut 5/8 | |
| 7 | 7701000049 | 2 | Plug | |

SECTION 3 - DECK

FIGURE 3-77. HEADBOARD INSTALLATION - 37.38IN (STATIONARY FIXED)



ART_1001226003

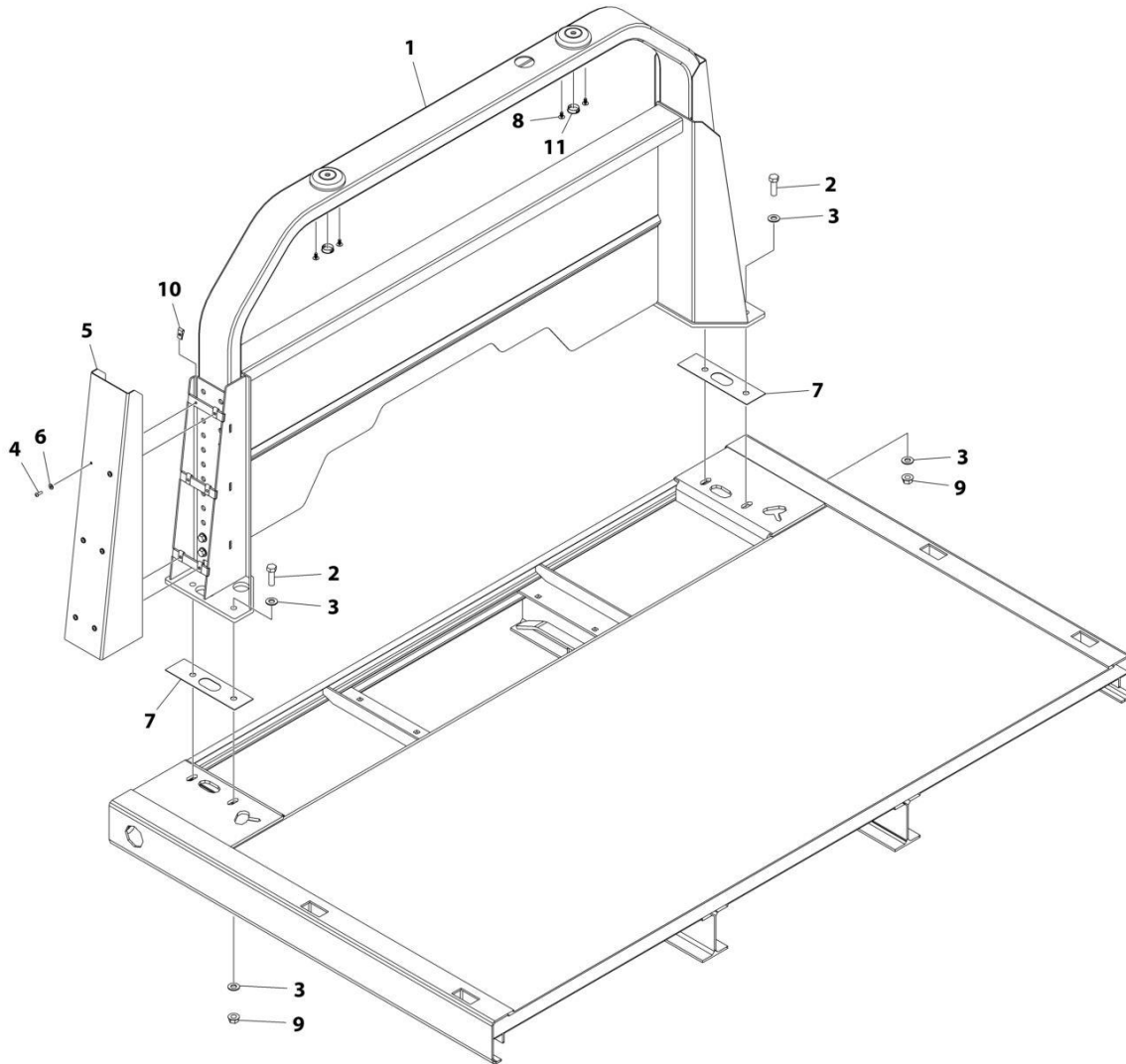
SECTION 3 - DECK

FIGURE 3-77. HEADBOARD INSTALLATION - 37.38IN (STATIONARY FIXED)

| ITEM | PART NUMBER | QTY | DESCRIPTION | REV |
|------|-------------|-----|--|-----|
| | 1001226003 | Ref | STATIONARY FIXED HEIGHT HEADBOARD INSTALLATION | A |
| 1 | 1001225870 | 1 | Headboard Base Installation (See Separate Breakdown in this Section) | |
| 2 | 1001192987 | 1 | Headboard Installation (See Separate Breakdown in this Section) | |
| 3 | 7274000063 | 3 | Clamp | |
| 4 | 0641508 | 3 | Bolt 5/16 x 1 | |
| 5 | 4711500 | 3 | Washer 5/16 | |
| 6 | 3311505 | 3 | Nut 5/16 | |
| 7 | 4712000 | 2 | Washer 5/8 | |

SECTION 3 - DECK

FIGURE 3-78. HEADBOARD INSTALLATION - 45.50IN- 65.50 (ADJUSTABLE BOLT-ON)



ART_1001189544

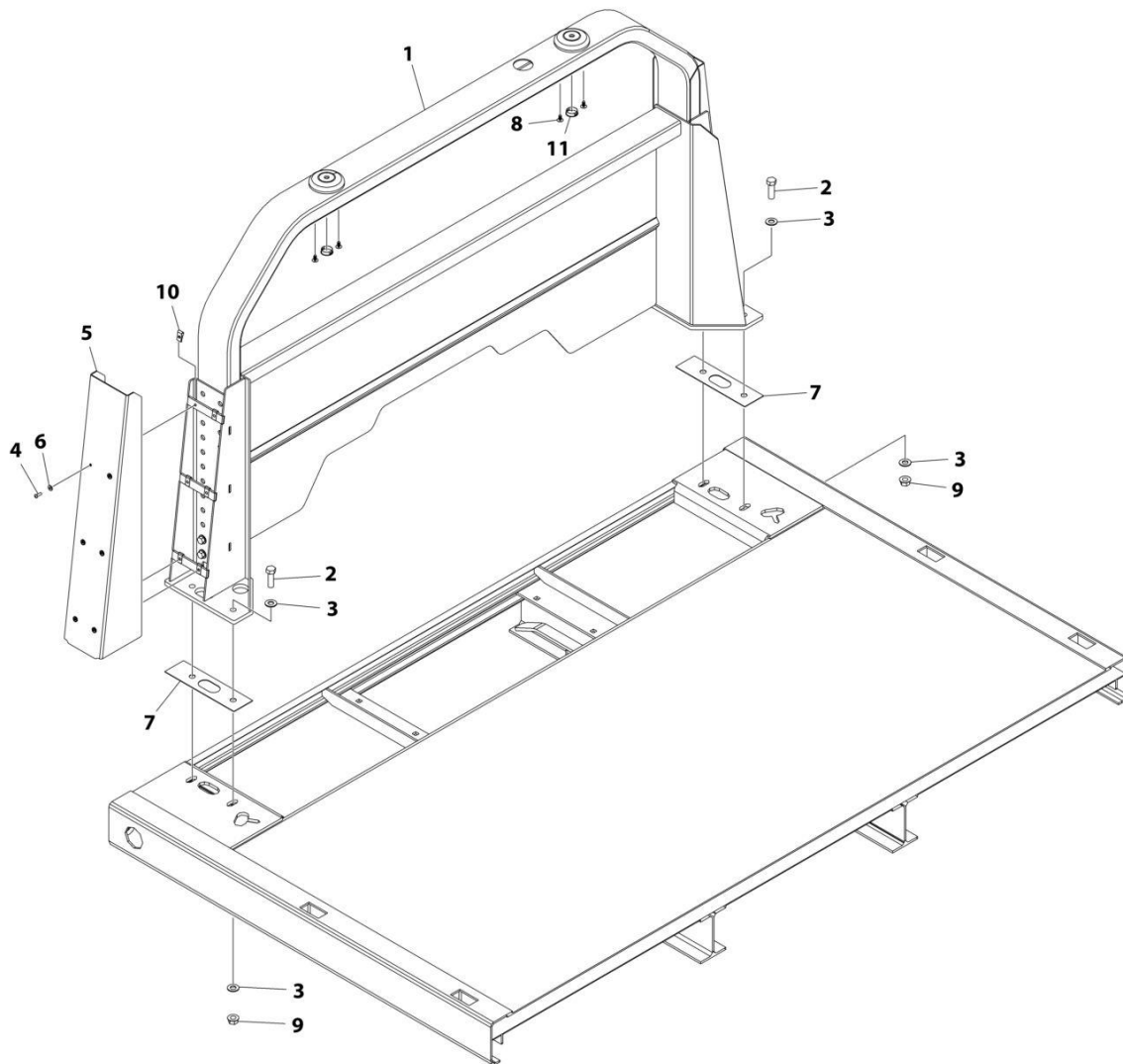
SECTION 3 - DECK

FIGURE 3-78. HEADBOARD INSTALLATION - 45.50IN- 65.50 (ADJUSTABLE BOLT-ON)

| ITEM | PART NUMBER | QTY | DESCRIPTION | REV |
|------|-------------|-----|---|-----|
| | 1001189544 | Ref | ADJUSTABLE HEADBOARD INSTALLATION 45.50 - 65.50IN | A |
| 1 | 1001192132 | 1 | Headboard Weldment | |
| 2 | 0652016 | 4 | Bolt 5/8 x 2 | |
| 3 | 4712000 | 8 | Washer 5/8 | |
| 4 | 0630448001 | 12 | Screw 1/4 x 3/4 | |
| 5 | 1001177459 | 2 | Cover | |
| 6 | 4711400001 | 12 | Washer 1/4 | |
| 7 | 4796000037 | 2 | Gasket | |
| 8 | 7413000013 | 4 | Push-In Fastener | |
| 9 | 7660202347 | 4 | Nut 5/8 | |
| 10 | 7661000064 | 12 | Clip, U-Nut 1/4 | |
| 11 | 7701000049 | 2 | Plug | |

SECTION 3 - DECK

FIGURE 3-79. HEADBOARD INSTALLATION - 45.50IN- 65.50 (ADJUSTABLE BOLT-ON - SPECIAL PAINT)



ART_1001203834

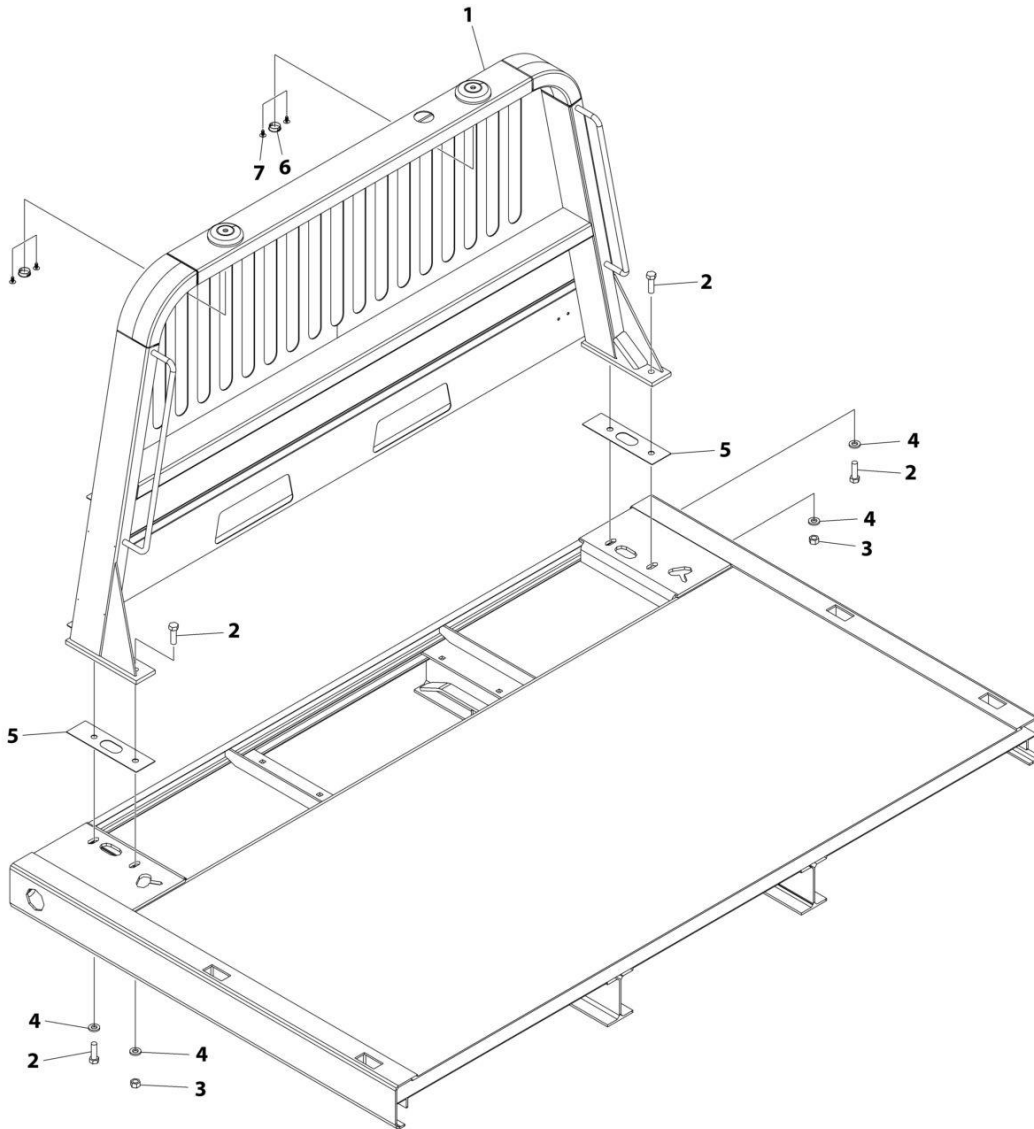
SECTION 3 - DECK

FIGURE 3-79. HEADBOARD INSTALLATION - 45.50IN- 65.50 (ADJUSTABLE BOLT-ON - SPECIAL PAINT)

| ITEM | PART NUMBER | QTY | DESCRIPTION | REV |
|------|-------------|-----|--|-----|
| | 1001203834 | Ref | ADJUSTABLE HEADBOARD INSTALLATION 45.50 - 65.50IN SPECIAL PAINT | B |
| 1 | 1001203833 | 1 | Headboard Weldment | |
| 2 | 0652016 | 4 | Bolt 5/8 x 2 | |
| 3 | 4712000 | 8 | Washer 5/8 | |
| 4 | 0630448001 | 12 | Screw 1/4 x 3/4 | |
| 5 | 1001203829 | 2 | Cover | |
| 6 | 4711400001 | 12 | Washer 1/4 | |
| 7 | 4796000037 | 2 | Gasket | |
| 8 | 7413000013 | 4 | Push-In Fastener | |
| 9 | 7660202347 | 4 | Nut 5/8 | |
| 10 | 7661000064 | 12 | Clip, U-Nut 1/4 | |
| 11 | 7701000049 | 2 | Plug | |

SECTION 3 - DECK

FIGURE 3-80. HEADBOARD INSTALLATION - 45.50IN (DELUXE BOLT-ON)



ART_1001129114

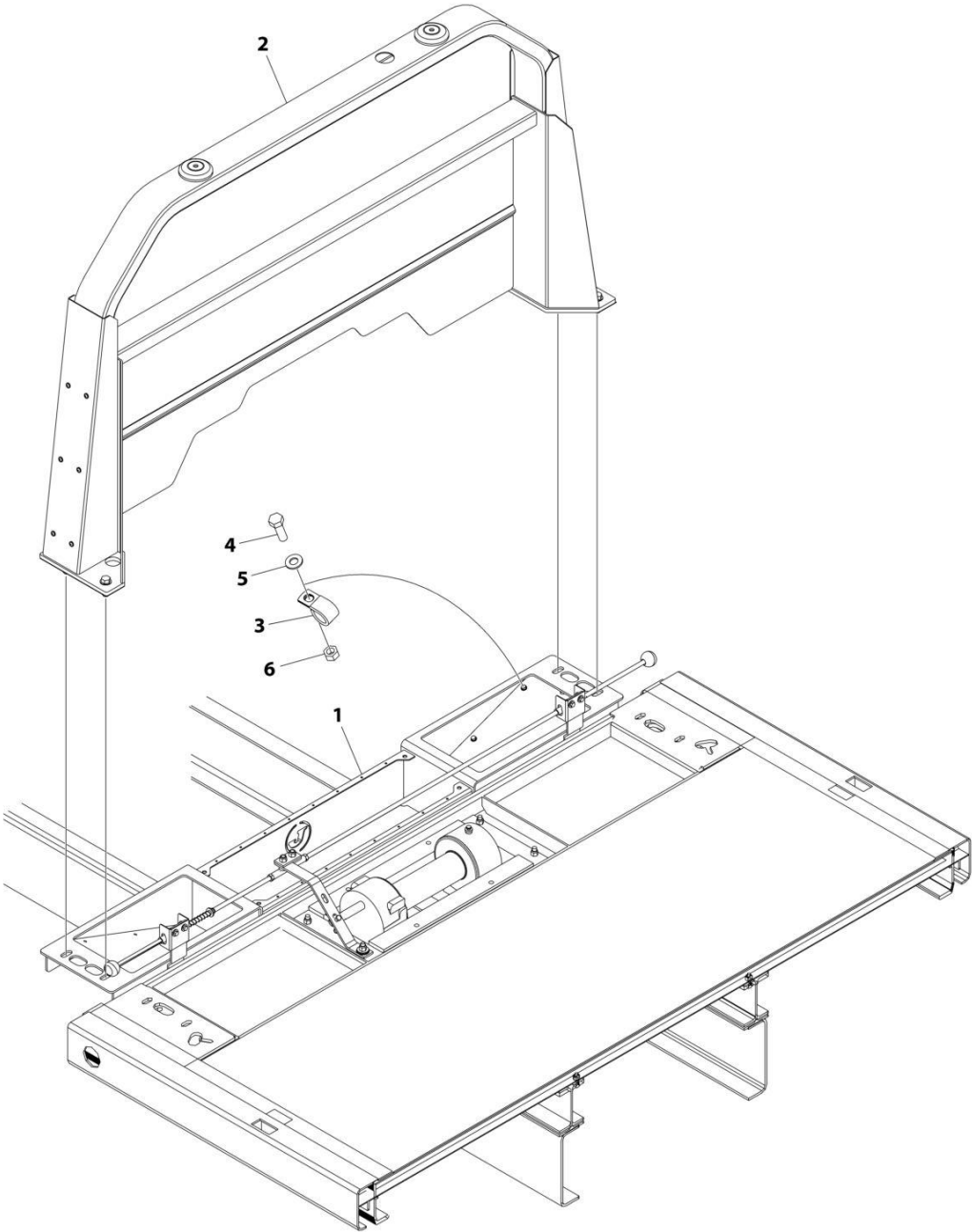
SECTION 3 - DECK

FIGURE 3-80. HEADBOARD INSTALLATION - 45.50IN (DELUXE BOLT-ON)

| ITEM | PART NUMBER | QTY | DESCRIPTION | REV |
|------|-------------|-----|---------------------------------|-----|
| | 1001129114 | Ref | BUMPER HEADBOARD 45.50IN DELUXE | B |
| 1 | 1001223267 | 1 | Headboard Weldment | |
| 2 | 0652016 | 4 | Bolt 5/8 x 2 | |
| 3 | 7660200035 | 2 | Nut 5/8 | |
| 4 | 4712000 | 4 | Washer 5/8 | |
| 5 | 4796000037 | 2 | Gasket | |
| 6 | 7701000049 | 2 | Plug | |
| 7 | 7413000013 | 4 | Push-In Fastener | |

SECTION 3 - DECK

FIGURE 3-81. HEADBOARD INSTALLATION - 45.50IN- 65.50 (STATIONARY ADJUSTABLE BOLT-ON)



ART_1001226004

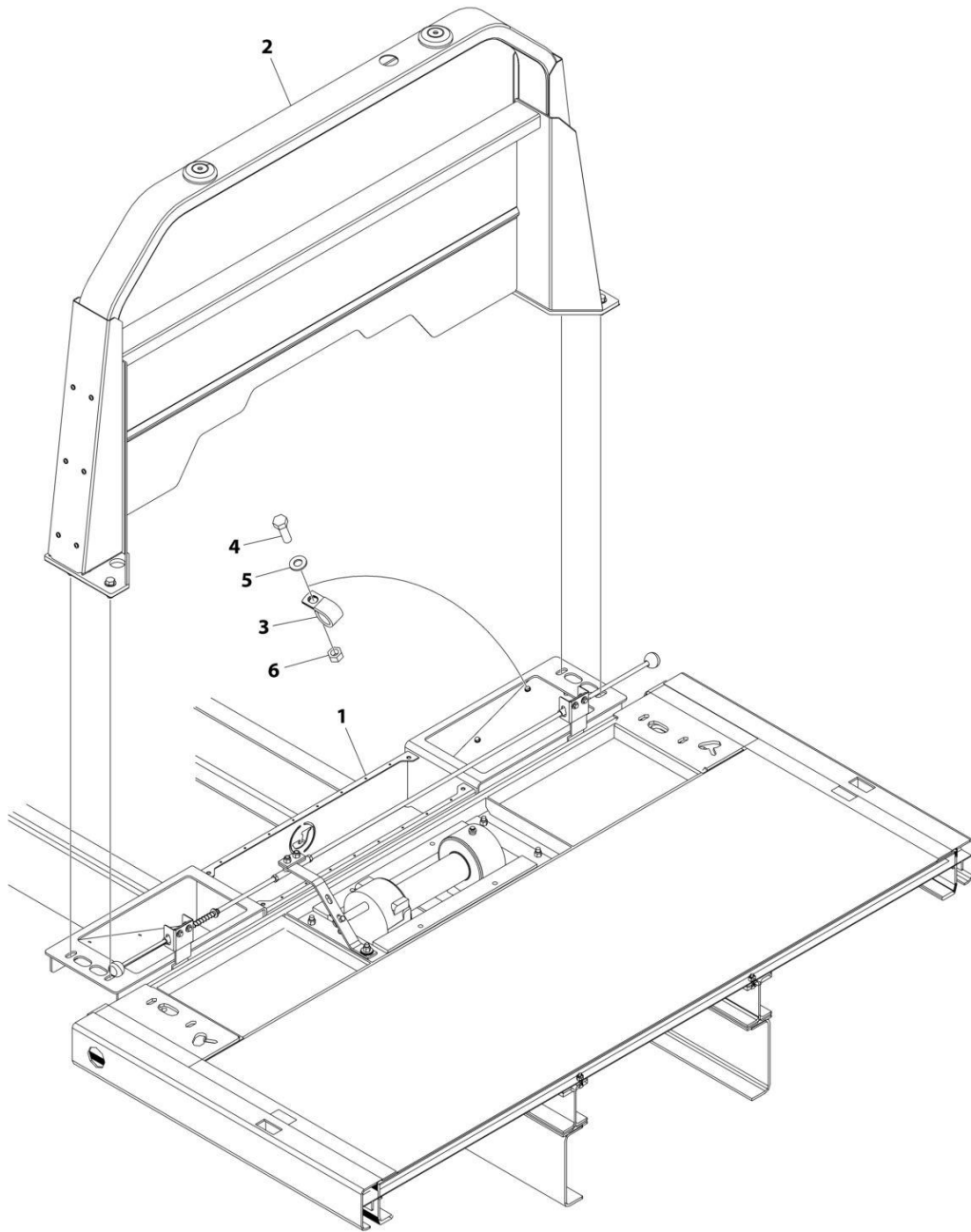
SECTION 3 - DECK

FIGURE 3-81. HEADBOARD INSTALLATION - 45.50IN- 65.50 (STATIONARY ADJUSTABLE BOLT-ON

| ITEM | PART NUMBER | QTY | DESCRIPTION | REV |
|------|-------------|-----|--|-----|
| 1 | 1001226004 | Ref | STATIONARY ADJUSTABLE HEADBOARD 8.88IN | B |
| | 1001225870 | 1 | Headboard Base Installation (See Separate Breakdown in this Section) | |
| 2 | 1001189544 | 1 | Headboard Installation (See Separate Breakdown in this Section) | |
| 3 | 7274000063 | 3 | Clamp | |
| 4 | 0641508 | 3 | Bolt 5/16 x 1 | |
| 5 | 4711500 | 3 | Washer 5/16 | |
| 6 | 3311505 | 3 | Nut 5/16 | |

SECTION 3 - DECK

FIGURE 3-82. HEADBOARD INSTALLATION - 45.50IN- 65.50 (STATIONARY ADJUSTABLE BOLT-ON
- SPECIAL PAINT)



ART_1001226005

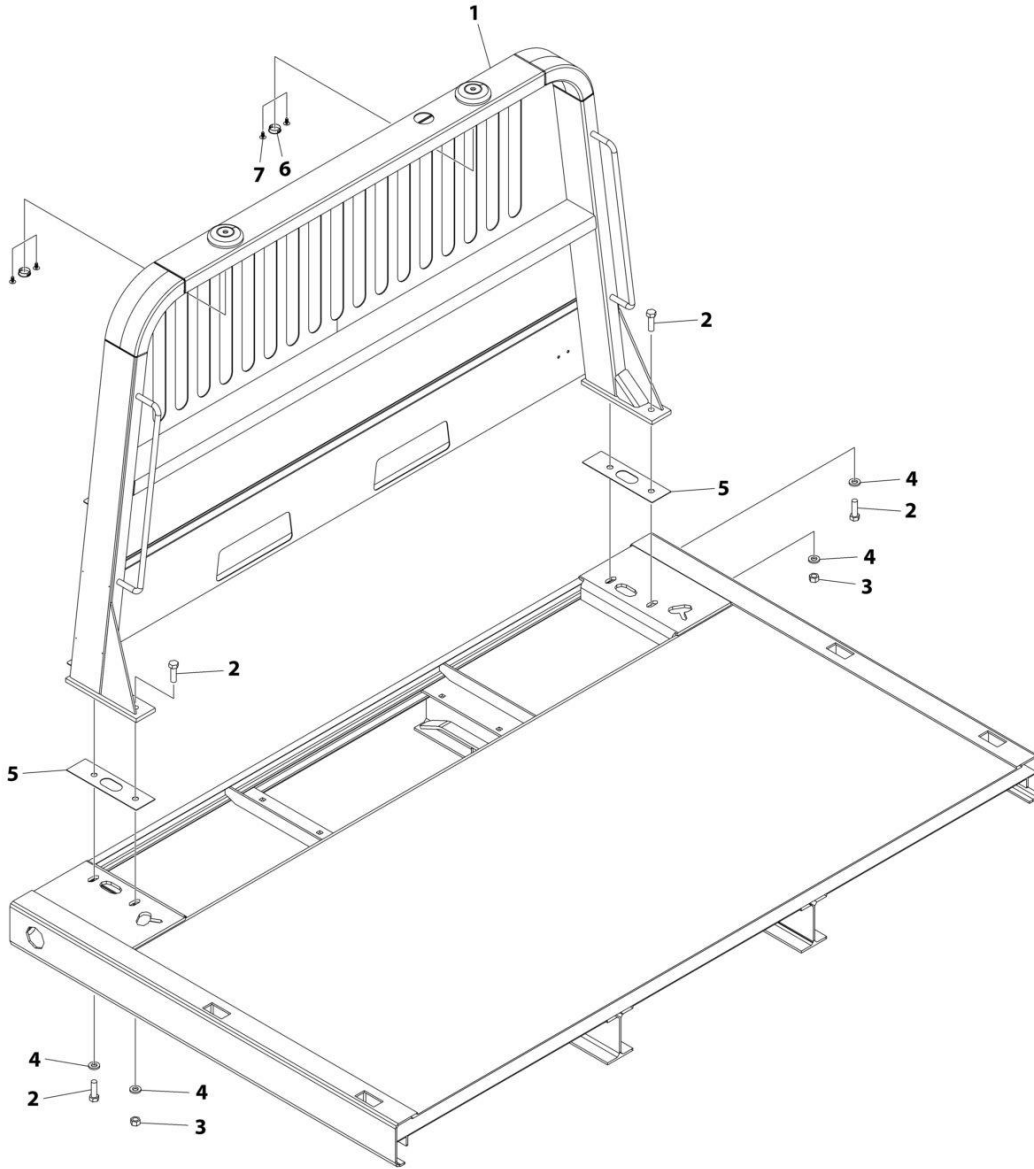
SECTION 3 - DECK

**FIGURE 3-82. HEADBOARD INSTALLATION - 45.50IN- 65.50 (STATIONARY ADJUSTABLE BOLT-ON
- SPECIAL PAINT)**

| ITEM | PART NUMBER | QTY | DESCRIPTION | REV |
|------|-------------|-----|--|-----|
| | 1001226005 | Ref | STATIONARY ADJUSTABLE HEADBOARD 8.88IN SPECIAL PAINT | B |
| 1 | 1001225870 | 1 | Headboard Base Installation (See Separate Breakdown in this Section) | |
| 2 | 1001203834 | 1 | Headboard Installation (See Separate Breakdown in this Section) | |
| 3 | 7274000063 | 3 | Clamp | |
| 4 | 0641508 | 3 | Bolt 5/16 x 1 | |
| 5 | 4711500 | 3 | Washer 5/16 | |
| 6 | 3311505 | 3 | Nut 5/16 | |

SECTION 3 - DECK

FIGURE 3-83. HEADBOARD INSTALLATION - 50.50IN (DELUXE BOLT-ON)



ART_1001129116

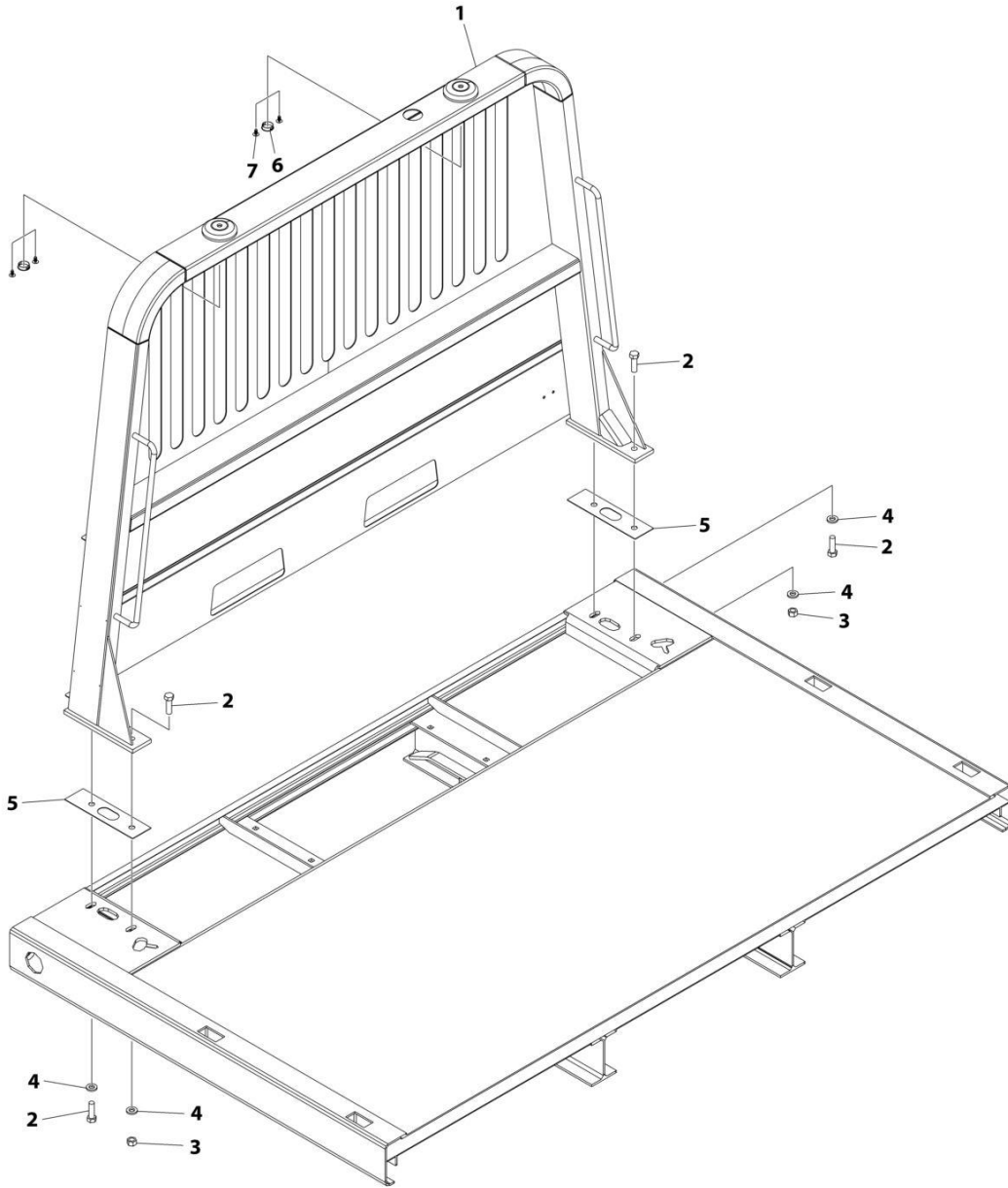
SECTION 3 - DECK

FIGURE 3-83. HEADBOARD INSTALLATION - 50.50IN (DELUXE BOLT-ON)

| ITEM | PART NUMBER | QTY | DESCRIPTION | REV |
|------|-------------|-----|---------------------------------|-----|
| | 1001129116 | Ref | BUMPER HEADBOARD 50.50IN DELUXE | B |
| 1 | 1001223268 | 1 | Headboard Weldment | |
| 2 | 0652016 | 4 | Bolt 5/8 x 2 | |
| 3 | 7660200035 | 2 | Nut 5/8 | |
| 4 | 4712000 | 4 | Washer 5/8 | |
| 5 | 4796000037 | 2 | Gasket | |
| 6 | 7701000049 | 2 | Plug | |
| 7 | 7413000013 | 4 | Push-In Fastener | |

SECTION 3 - DECK

FIGURE 3-84. HEADBOARD INSTALLATION - 57.50IN (DELUXE BOLT-ON)



ART_1001129118

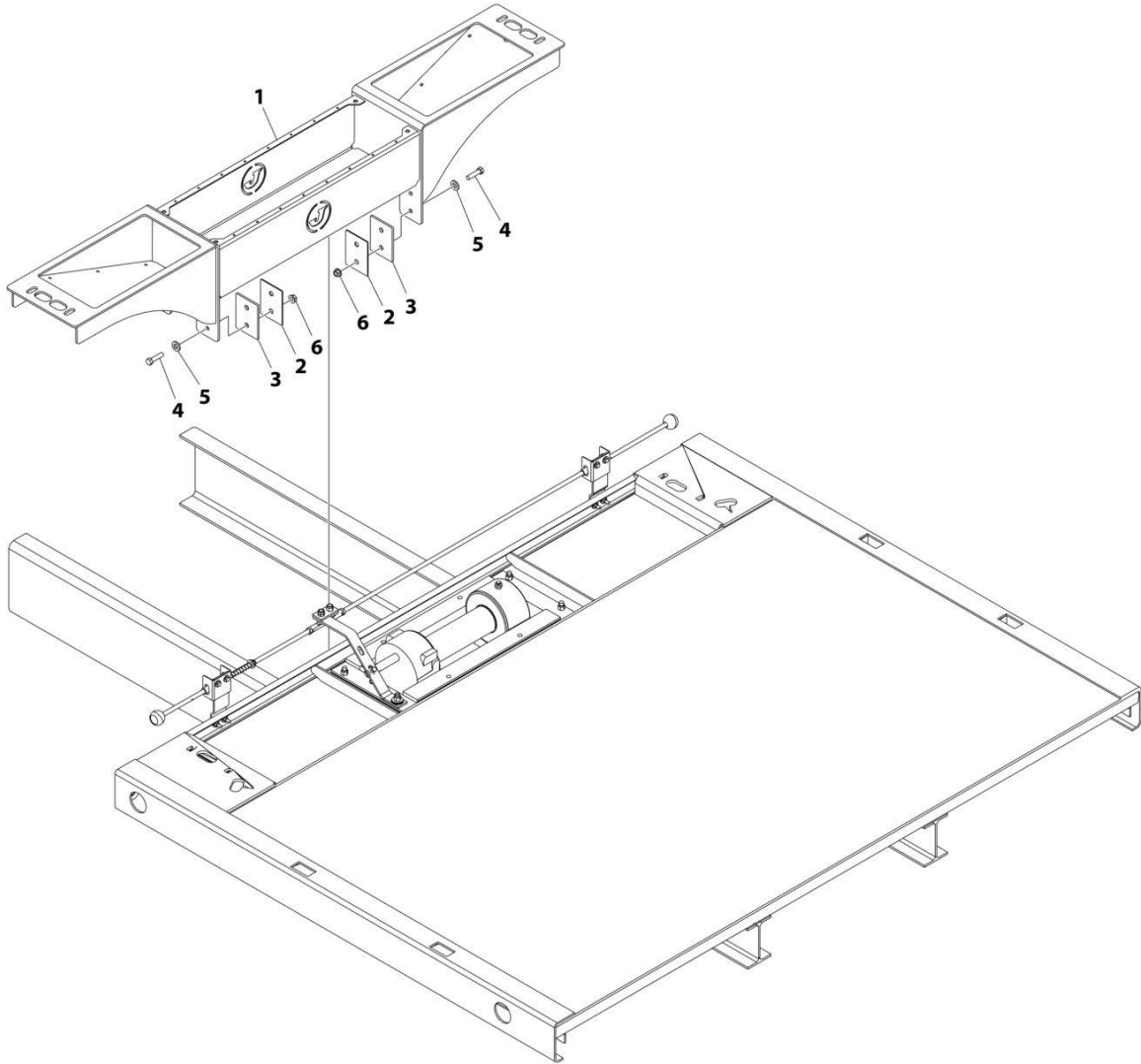
SECTION 3 - DECK

FIGURE 3-84. HEADBOARD INSTALLATION - 57.50IN (DELUXE BOLT-ON)

| ITEM | PART NUMBER | QTY | DESCRIPTION | REV |
|------|-------------|-----|---------------------------------|-----|
| | 1001129118 | Ref | BUMPER HEADBOARD 57.50IN DELUXE | B |
| 1 | 1001223269 | 1 | Headboard Weldment | |
| 2 | 0652016 | 4 | Bolt 5/8 x 2 | |
| 3 | 7660200035 | 2 | Nut 5/8 | |
| 4 | 4712000 | 4 | Washer 5/8 | |
| 5 | 4796000037 | 2 | Gasket | |
| 6 | 7701000049 | 2 | Plug | |
| 7 | 7413000013 | 4 | Push-In Fastener | |

SECTION 3 - DECK

FIGURE 3-85. HEADBOARD BASE INSTALLATION



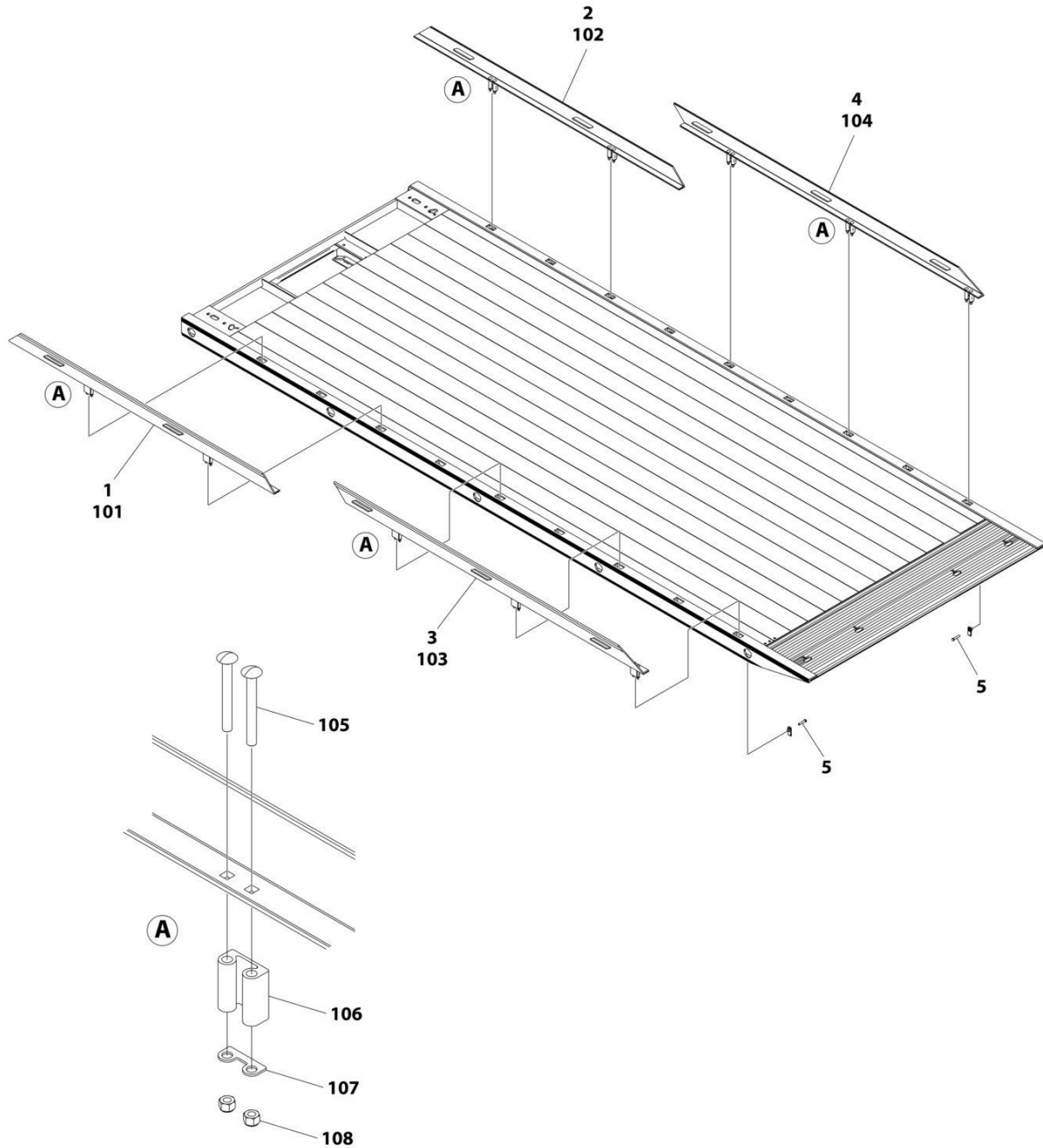
ART_1001225870

FIGURE 3-85. HEADBOARD BASE INSTALLATION

| ITEM | PART NUMBER | QTY | DESCRIPTION | REV |
|------|-------------|-----|-----------------------------|-----|
| | 1001225870 | Ref | HEADBOARD BASE INSTALLATION | C |
| 1 | 1001225869 | 1 | Mount | |
| 2 | 1001226847 | 4 | Shim | |
| 3 | 1001226848 | 4 | Shim | |
| 4 | 7105181650 | 8 | Capscrew 1/2 x 2 | |
| 5 | 4892000 | 8 | Washer 5/8 | |
| 6 | 7660182333 | 8 | Nut 1/2 | |

SECTION 3 - DECK

FIGURE 3-86. RAIL (REMOVABLE) INSTALLATION - 5IN ALUMINUM (19FT/20FT DECK)



ART_2729000073

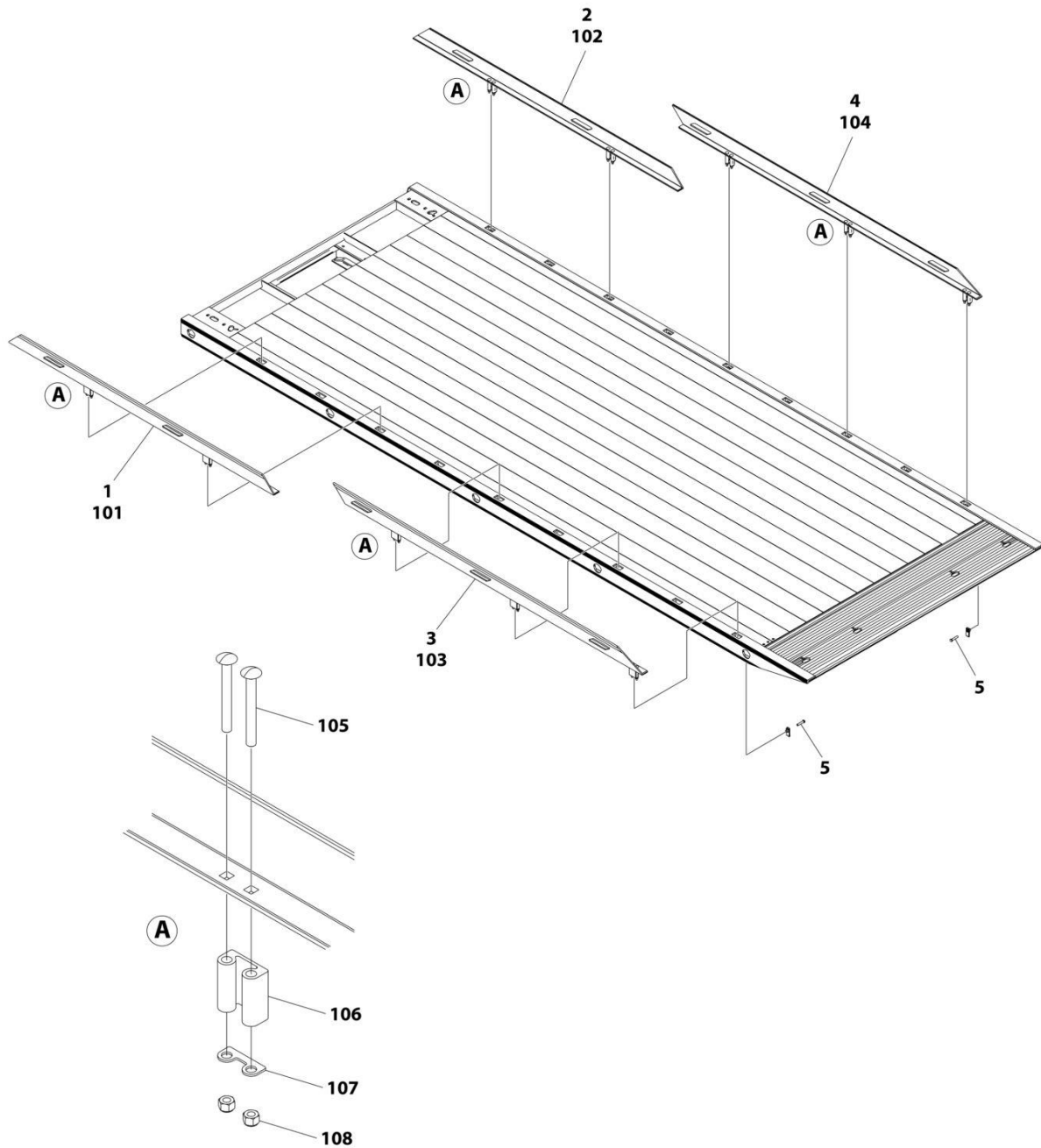
SECTION 3 - DECK

FIGURE 3-86. RAIL (REMOVABLE) INSTALLATION - 5IN ALUMINUM (19FT/20FT DECK)

| ITEM | PART NUMBER | QTY | DESCRIPTION | REV |
|------|-------------|-----|---|-----|
| | 2729000073 | Ref | RAISED RAILS INSTALLATION - 19-20IN | B |
| 1 | 3017000121 | 1 | Angle Assembly, Front LH (Includes Items 101 & 105-108) | |
| 2 | 3017000122 | 1 | Angle Assembly, Front RH (Includes Items 102 & 105-108) | |
| 3 | 3017000127 | 1 | Angle Assembly, Rear LH (Includes Items 103 & 105-108) | |
| 4 | 3017000128 | 1 | Angle Assembly, Rear RH (Includes Items 104-108) | |
| 5 | 7120000005 | 10 | Capscrew 1/2 x 2-1/2 | |
| 101 | 4017001699 | 1 | Angle LH Front | |
| 102 | 4017001700 | 1 | Angle RH Front | |
| 103 | 4017001705 | 1 | Angle LH Rear | |
| 104 | 4017001706 | 1 | Angle RH Rear | |
| 105 | 1001137970 | 20 | Bolt 1/2 x 4-1/2 | |
| 106 | 8411080102 | 10 | Extrusion | |
| 107 | 4706006228 | 10 | Plate | |
| 108 | 7660182601 | 20 | Nut 1/2 | |

SECTION 3 - DECK

FIGURE 3-87. RAIL (REMOVABLE) INSTALLATION - 5IN ALUMINUM (21FT DECK)



ART_2729000074

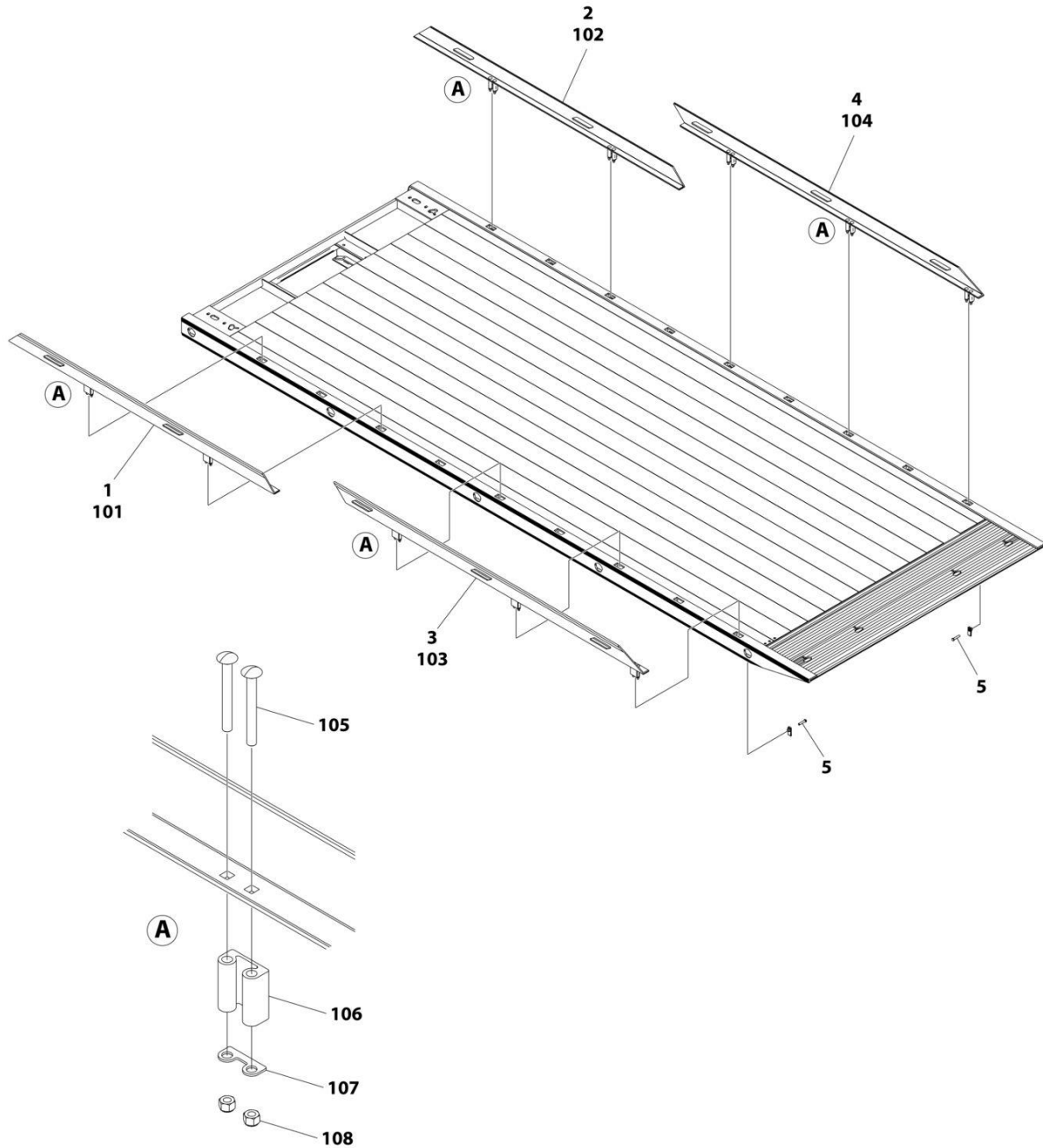
SECTION 3 - DECK

FIGURE 3-87. RAIL (REMOVABLE) INSTALLATION - 5IN ALUMINUM (21FT DECK)

| ITEM | PART NUMBER | QTY | DESCRIPTION | REV |
|------|-------------|-----|---|-----|
| | 2729000074 | Ref | RAISED RAILS INSTALLATION - 21IN | B |
| 1 | 3017000121 | 1 | Angle Assembly, Front LH (Includes Items 101 & 105-108) | |
| 2 | 3017000122 | 1 | Angle Assembly, Front RH (Includes Items 102 & 105-108) | |
| 3 | 3017000129 | 1 | Angle Assembly, Rear LH (Includes Items 103 & 105-108) | |
| 4 | 3017000130 | 1 | Angle Assembly, Rear RH (Includes Items 104-108) | |
| 5 | 7120000005 | 12 | Capscrew 1/2 x 2-1/2 | |
| 101 | 4017001699 | 1 | Angle LH Front | |
| 102 | 4017001700 | 1 | Angle RH Front | |
| 103 | 4017001707 | 1 | Angle LH Rear | |
| 104 | 4017001708 | 1 | Angle RH Rear | |
| 105 | 1001137970 | 20 | Bolt 1/2 x 4-1/2 | |
| 106 | 8411080102 | 10 | Extrusion | |
| 107 | 4706006228 | 10 | Plate | |
| 108 | 7660182601 | 20 | Nut 1/2 | |

SECTION 3 - DECK

FIGURE 3-88. RAIL (REMOVABLE) INSTALLATION - 5IN ALUMINUM (22FT DECK)



ART_2729000075

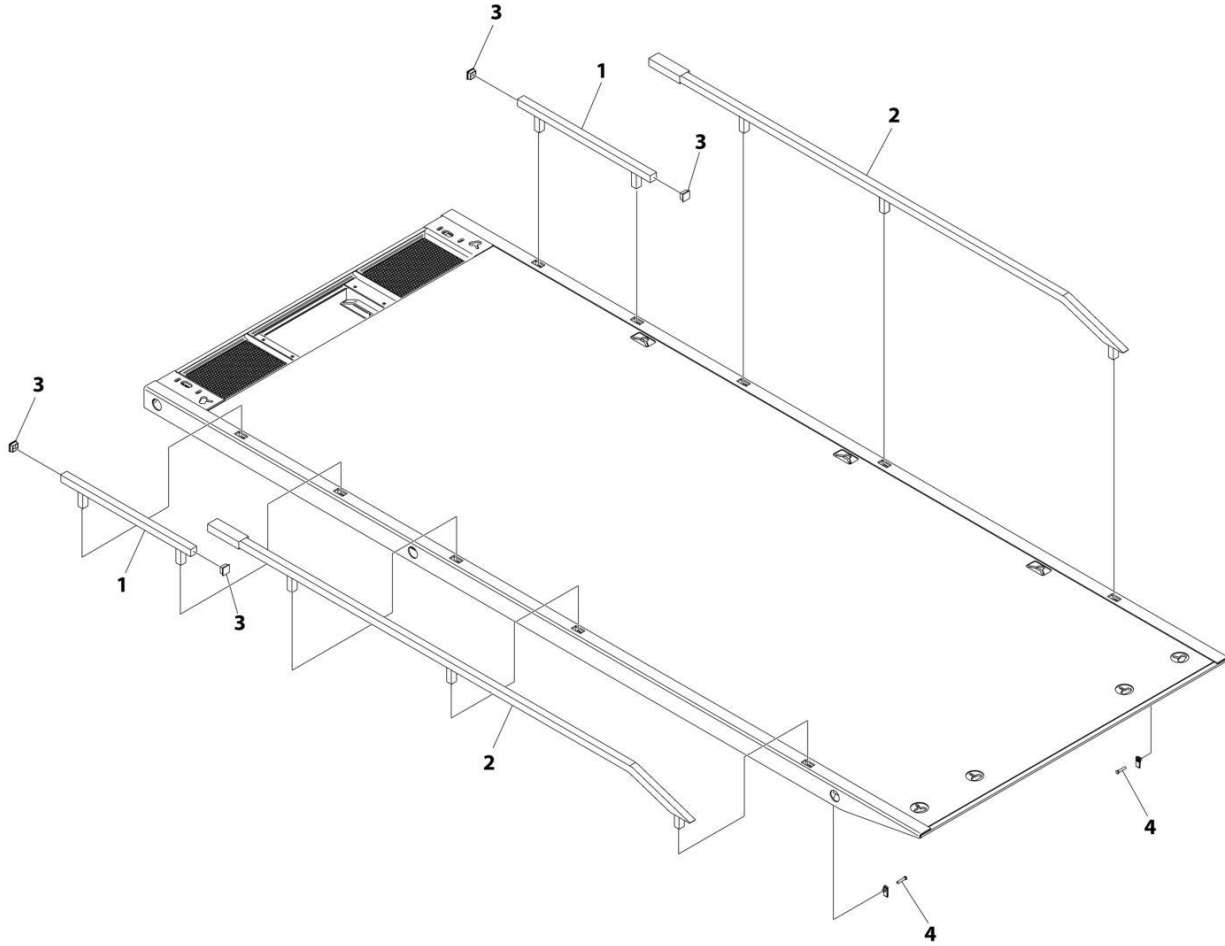
SECTION 3 - DECK

FIGURE 3-88. RAIL (REMOVABLE) INSTALLATION - 5IN ALUMINUM (22FT DECK)

| ITEM | PART NUMBER | QTY | DESCRIPTION | REV |
|------|-------------|-----|---|-----|
| | 2729000075 | Ref | RAISED RAILS INSTALLATION - 22FT | B |
| 1 | 3017000121 | 1 | Angle Assembly, Front LH (Includes Items 101 & 105-108) | |
| 2 | 3017000122 | 1 | Angle Assembly, Front RH (Includes Items 102 & 105-108) | |
| 3 | 3017000131 | 1 | Angle Assembly, Rear LH (Includes Items 103 & 105-108) | |
| 4 | 3017000132 | 1 | Angle Assembly, Rear RH (Includes Items 104-108) | |
| 5 | 7120000005 | 10 | Capscrew 1/2 x 2-1/2 | |
| 101 | 4017001699 | 1 | Angle LH Front | |
| 102 | 4017001700 | 1 | Angle RH Front | |
| 103 | 4017001709 | 1 | Angle LH Rear | |
| 104 | 4017001710 | 1 | Angle RH Rear | |
| 105 | 1001137970 | 22 | Bolt 1/2 x 4-1/2 | |
| 106 | 8411080102 | 11 | Extrusion | |
| 107 | 4706006228 | 11 | Plate | |
| 108 | 7660182601 | 22 | Nut 1/2 | |

SECTION 3 - DECK

FIGURE 3-89. RAIL (REMOVABLE) INSTALLATION - 5IN STEEL (19FT/20FT DECK)



ART_2729000104

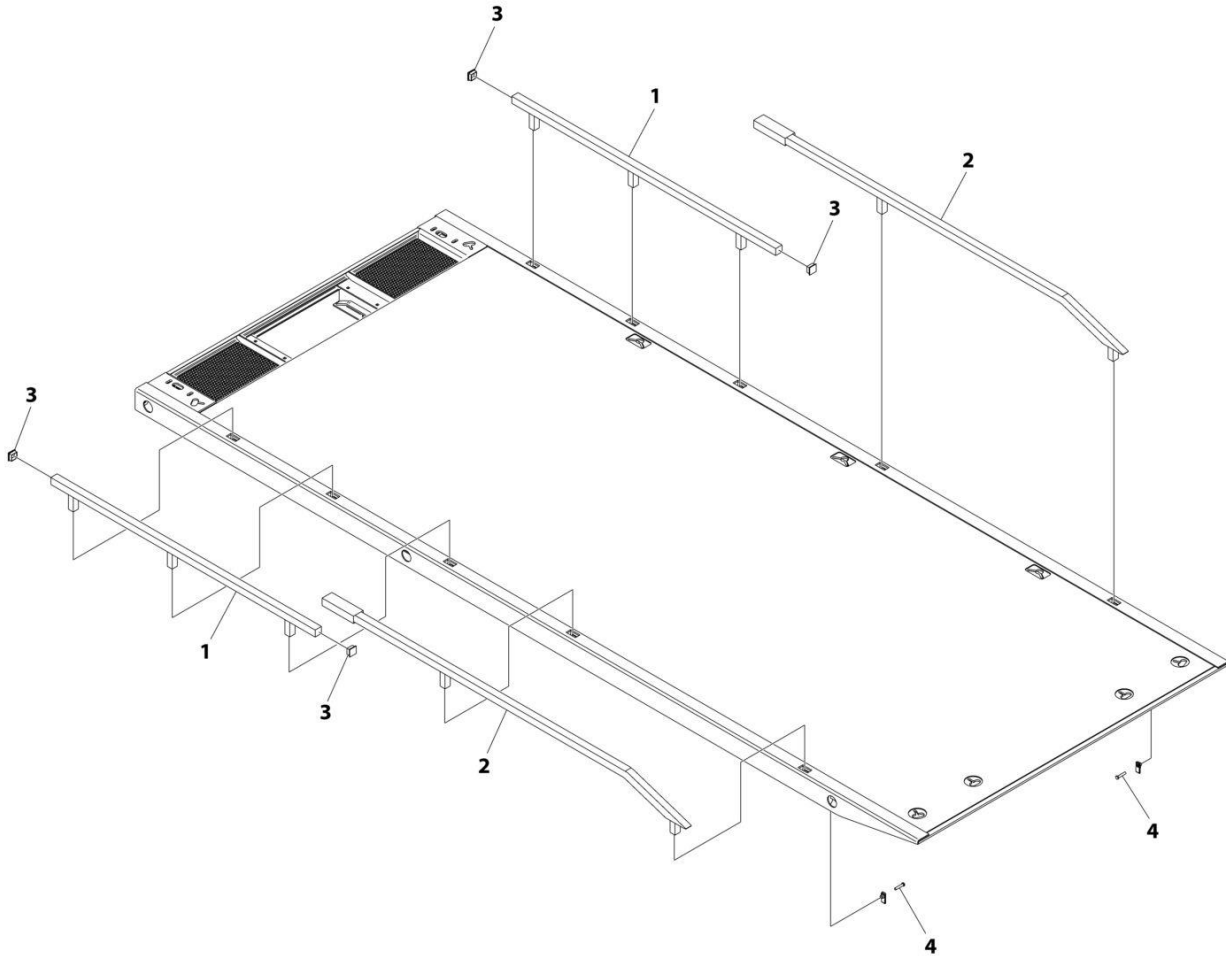
SECTION 3 - DECK

FIGURE 3-89. RAIL (REMOVABLE) INSTALLATION - 5IN STEEL (19FT/20FT DECK)

| ITEM | PART NUMBER | QTY | DESCRIPTION | REV |
|------|-------------|-----|----------------------|-----|
| | 2729000104 | Ref | RAIL INSTALLATION | 0 |
| 1 | 3729000281 | 2 | Rail Weldment, Front | |
| 2 | 3729000284 | 2 | Rail Weldment, Rear | |
| 3 | 7701000033 | 4 | Plug | |
| 4 | 7115181050 | 10 | Capscrew 1/2 x 1-1/4 | |

SECTION 3 - DECK

FIGURE 3-90. RAIL (REMOVABLE) INSTALLATION - 5IN STEEL (21FT DECK)



ART_2729000105

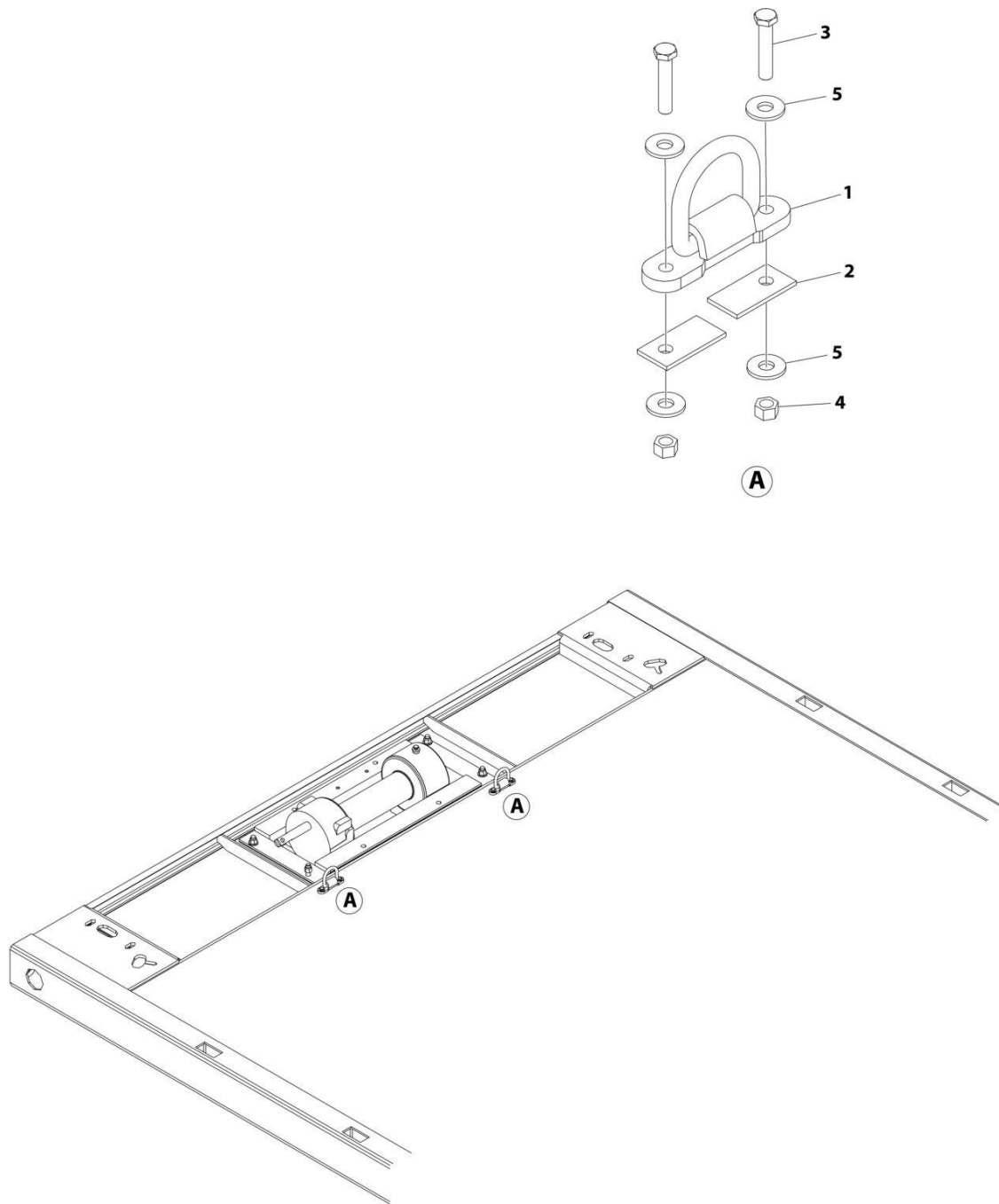
SECTION 3 - DECK

FIGURE 3-90. RAIL (REMOVABLE) INSTALLATION - 5IN STEEL (21FT DECK)

| ITEM | PART NUMBER | QTY | DESCRIPTION | REV |
|------|-------------|-----|----------------------|-----|
| | 2729000105 | Ref | RAIL INSTALLATION | 0 |
| 1 | 3729000282 | 2 | Rail Weldment, Front | |
| 2 | 3729000283 | 2 | Rail Weldment, Rear | |
| 3 | 7701000033 | 4 | Plug | |
| 4 | 7115181050 | 10 | Capscrew 1/2 x 1-1/4 | |

SECTION 3 - DECK

FIGURE 3-91. D-RINGS INSTALLATION -1 PAIR (ALUMINIUM DECK NEAR WINCH)



ART_1001188646

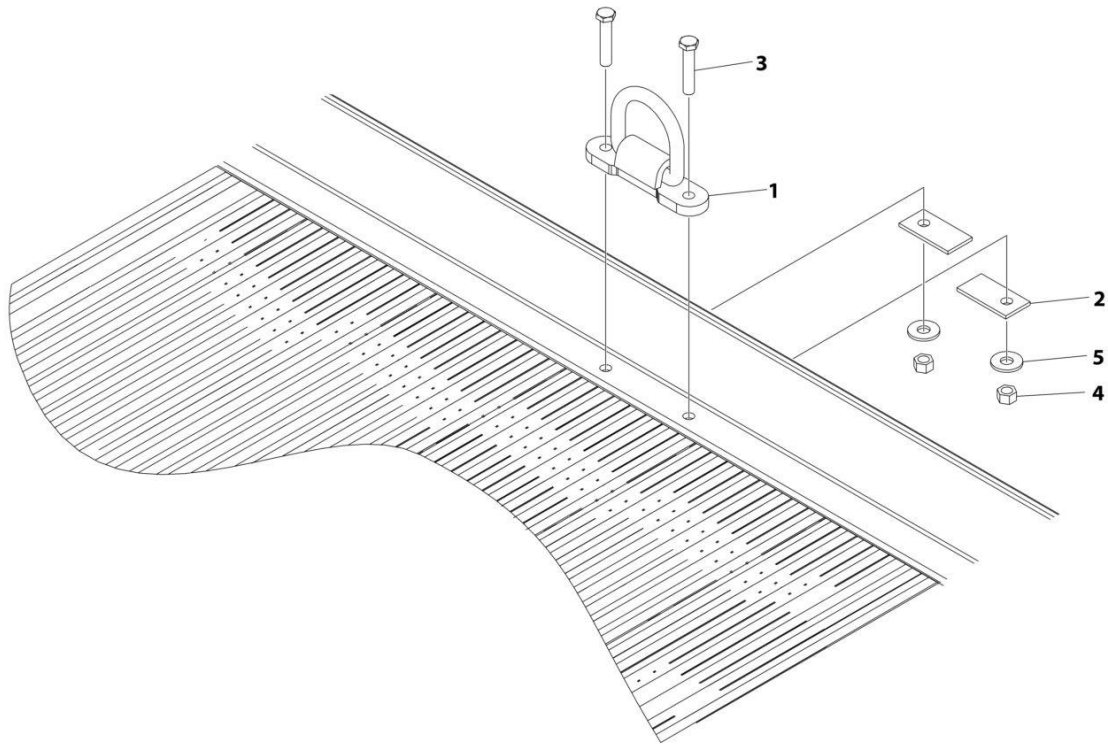
SECTION 3 - DECK

FIGURE 3-91. D-RINGS INSTALLATION -1 PAIR (ALUMINIUM DECK NEAR WINCH)

| ITEM | PART NUMBER | QTY | DESCRIPTION | REV |
|------|-------------|-----|---|-----|
| | 1001188646 | Ref | D-RINGS BOLT-ON AT WINCH ALUMINIUM DECK INSTALLATION | A |
| 1 | 1001171652 | 2 | D-Ring | |
| 2 | 4706003374 | 4 | Plate | |
| 3 | 7115182250 | 4 | Capscrew 1/2 x 2-3/4 | |
| 4 | 7660182601 | 4 | Nut 1/2 | |
| 5 | 7950180141 | 8 | Washer 1/2 | |

SECTION 3 - DECK

FIGURE 3-92. D-RINGS INSTALLATION - 4 PAIR (ALUMINIUM DECK)



ART_1001171658

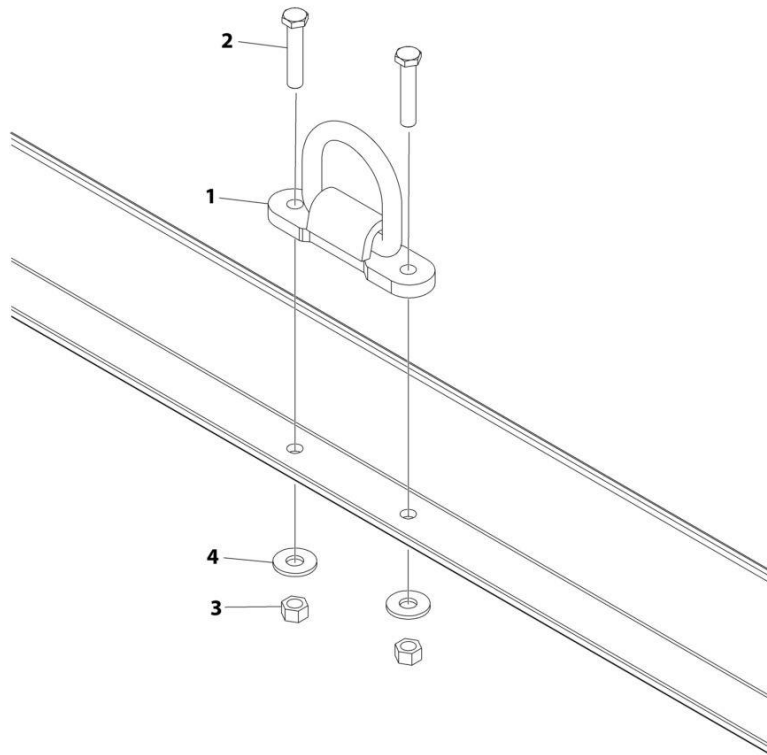
SECTION 3 - DECK

FIGURE 3-92. D-RINGS INSTALLATION - 4 PAIR (ALUMINIUM DECK)

| ITEM | PART NUMBER | QTY | DESCRIPTION | REV |
|------|-------------|-----|--|-----|
| | 1001171658 | Ref | D-RINGS INSTALLATION - BOLT-ON 4 PAIRS EQUALLY SPACED (ALUMINIUM DECK) | B |
| 1 | 1001171652 | 8 | D-Ring | |
| 2 | 4706003374 | 16 | Plate | |
| 3 | 1001248245 | 16 | Bolt 1/2 x 2-1/8 | |
| 4 | 3271805 | 16 | Nut 1/2 | |
| 5 | 4711800 | 16 | Washer 1/2 | |

SECTION 3 - DECK

FIGURE 3-93. D-RINGS INSTALLATION - 4 PAIR (STEEL DECK)



ART_1001171662

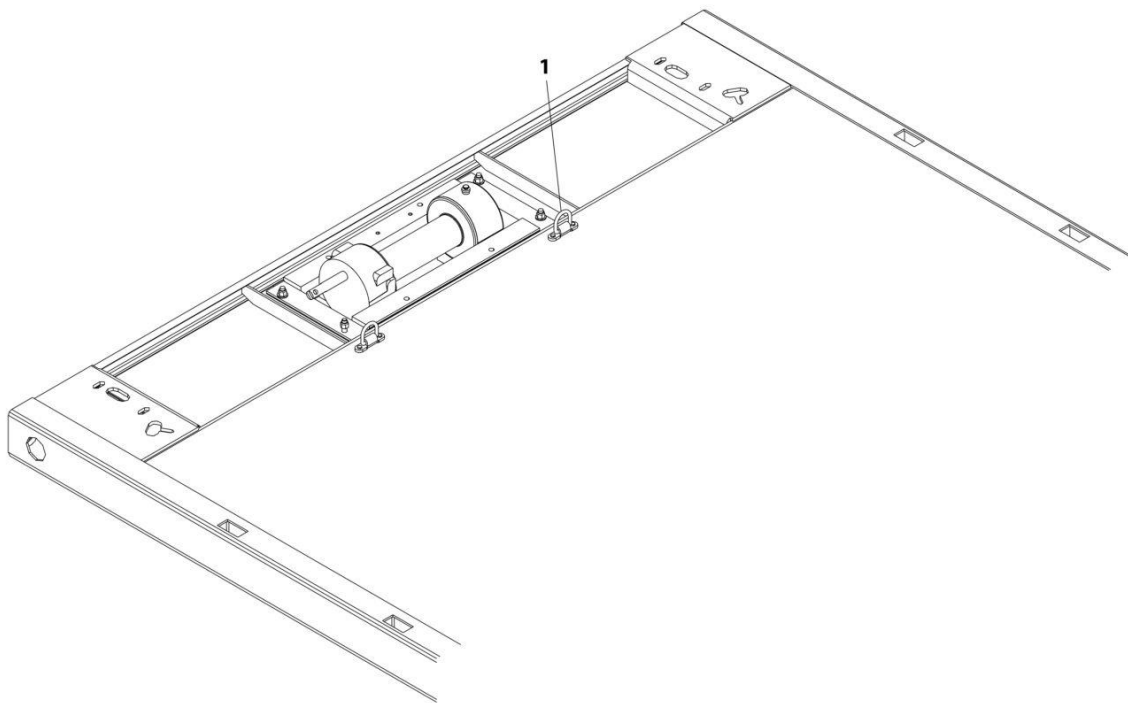
SECTION 3 - DECK

FIGURE 3-93. D-RINGS INSTALLATION - 4 PAIR (STEEL DECK)

| ITEM | PART NUMBER | QTY | DESCRIPTION | REV |
|------|-------------|-----|--|-----|
| | 1001171662 | Ref | D-RINGS INSTALLATION - BOLT-ON 4 PAIRS EQUALLY SPACED (STEEL DECK) | B |
| 1 | 1001171652 | 8 | D-Ring | |
| 2 | 1001248245 | 16 | Bolt 1/2 x 2-1/8 | |
| 3 | 3271805 | 16 | Nut 1/2 | |
| 4 | 4711800 | 16 | Washer 1/2 | |

SECTION 3 - DECK

FIGURE 3-94. D-RINGS INSTALLATION -1 PAIR (STEEL DECK NEAR WINCH)



ART_1001188647

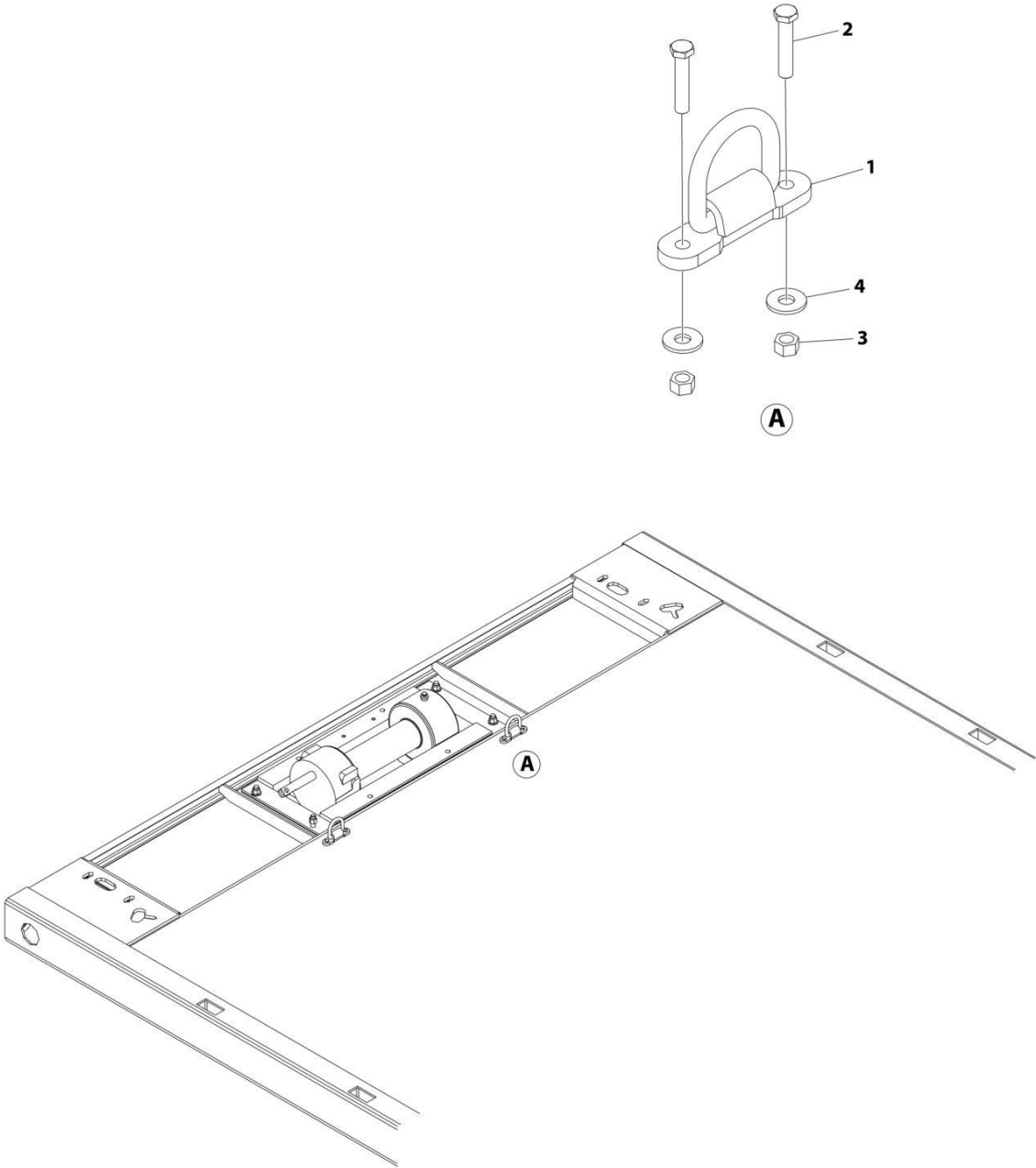
SECTION 3 - DECK

FIGURE 3-94. D-RINGS INSTALLATION -1 PAIR (STEEL DECK NEAR WINCH)

| ITEM | PART NUMBER | QTY | DESCRIPTION | REV |
|------|--------------------------|----------|--|-----|
| 1 | 1001188647 7754000068 | Ref 2 | D-RINGS, 5/8IN WELD-ON NEAR WINCH, 1 PAIR, STEEL D-Ring | B |

SECTION 3 - DECK

FIGURE 3-95. D-RINGS INSTALLATION -1 PAIR (TRANSPORTER NEAR WINCH)



ART_1001188648

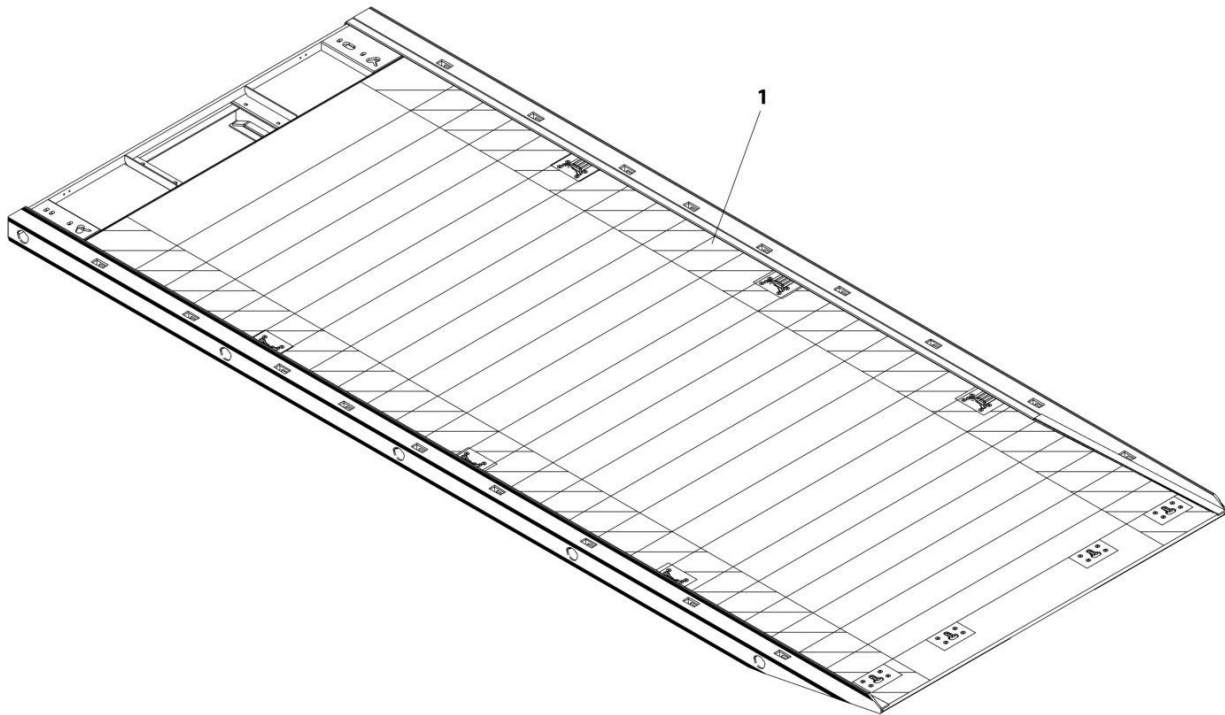
SECTION 3 - DECK

FIGURE 3-95. D-RINGS INSTALLATION -1 PAIR (TRANSPORTER NEAR WINCH)

| ITEM | PART NUMBER | QTY | DESCRIPTION | REV |
|------|-------------|-----|---|-----|
| | 1001188648 | Ref | D-RINGS, 5/8IN BOLT-ON NEAR WINCH, 1 PAIR, TRANSPORTER | B |
| 1 | 1001171652 | 2 | D-Ring | |
| 2 | 7115182250 | 4 | Capscrew 1/2 x 2-3/4 | |
| 3 | 7660182601 | 4 | Nut 1/2 | |
| 4 | 7950180141 | 4 | Washer 1/2 | |

SECTION 3 - DECK

FIGURE 3-96. ANTI-SLIP TAPE INSTALLATION (SIDES)



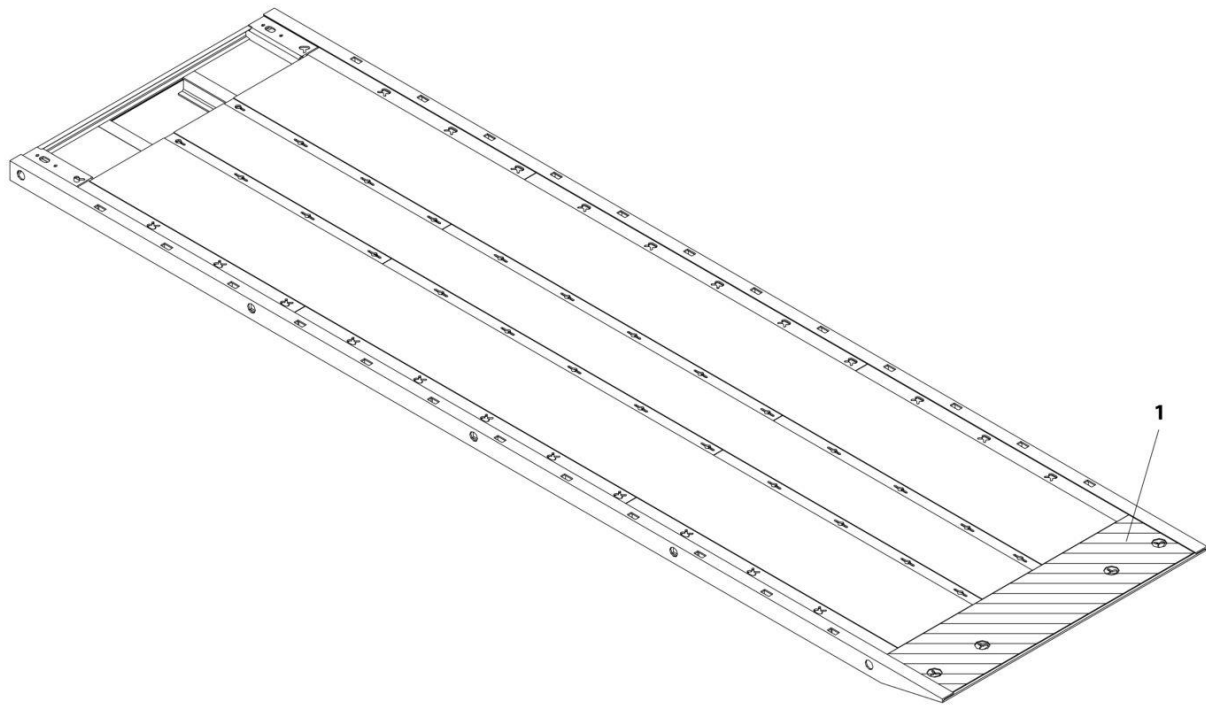
ART_1001263057

FIGURE 3-96. ANTI-SLIP TAPE INSTALLATION (SIDES)

| ITEM | PART NUMBER | QTY | DESCRIPTION | REV |
|------|--------------------------|-------------------------|---|-----|
| 1 | 1001263057 1001263247 | Ref 60 ft / 18.3m | ANTI-SLIP TAPE INSTALLATION (SIDES) Tape | A |

SECTION 3 - DECK

FIGURE 3-97. ANTI-SLIP PAINT INSTALLATION (DECK APPROACH END)



ART_1001232775

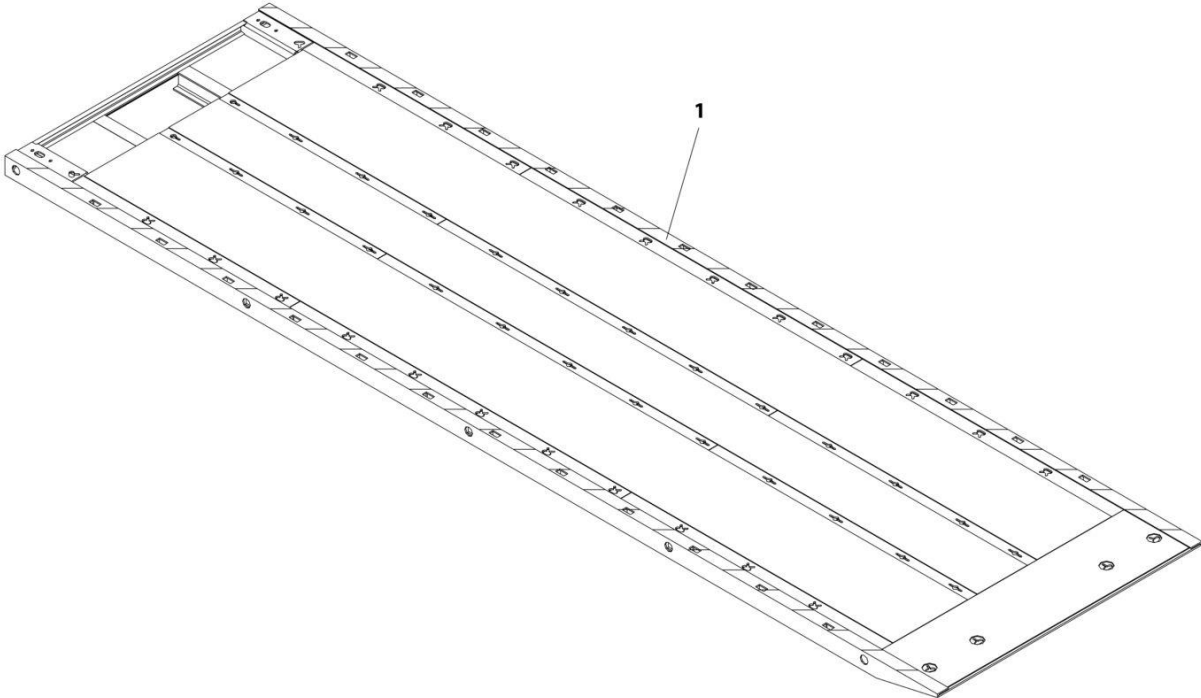
SECTION 3 - DECK

FIGURE 3-97. ANTI-SLIP PAINT INSTALLATION (DECK APPROACH END)

| ITEM | PART NUMBER | QTY | DESCRIPTION | REV |
|------|-------------|-----|--|-----|
| 1 | 1001232775 | Ref | ANTI-SLIP PAINT INSTALLATION (DECK APPROACH END) | B |
| | 1001219737 | AR | Paint, Non-Skid Yellow (1GAL Can) | |

SECTION 3 - DECK

FIGURE 3-98. ANTI-SLIP PAINT INSTALLATION (STEEL DECK SIDES)



ART_1001228190

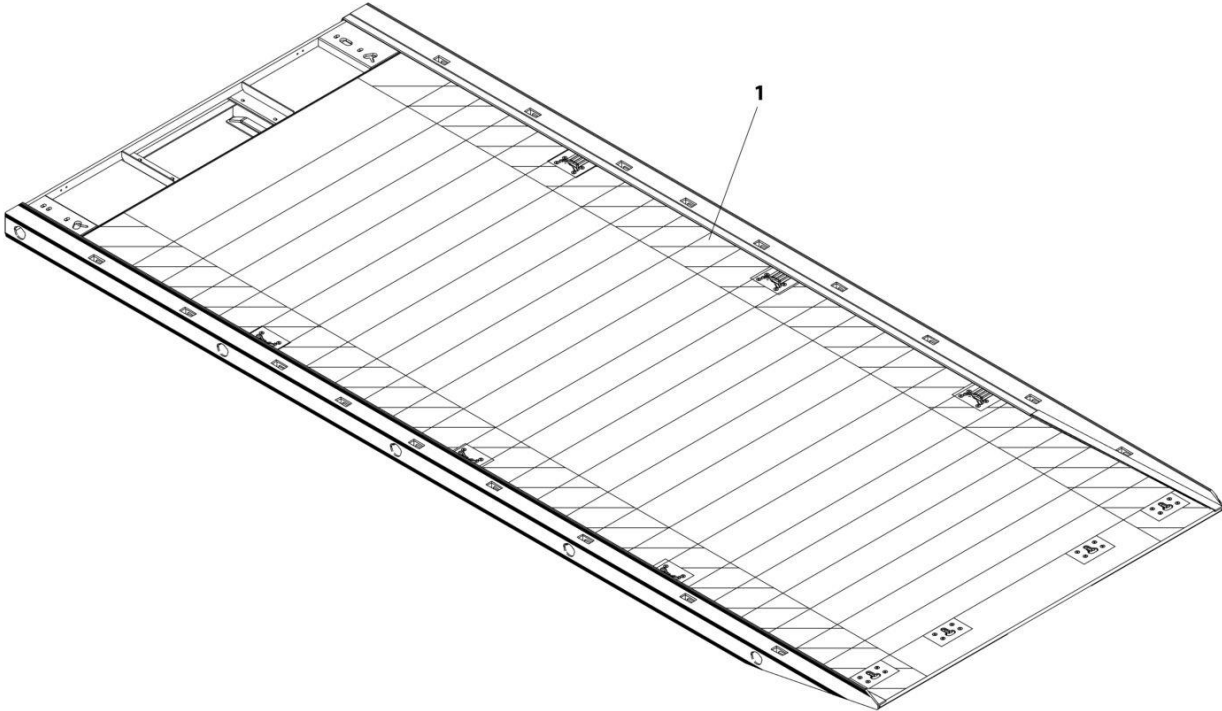
SECTION 3 - DECK

FIGURE 3-98. ANTI-SLIP PAINT INSTALLATION (STEEL DECK SIDES)

| ITEM | PART NUMBER | QTY | DESCRIPTION | REV |
|------|--------------------------|-----------|--|-----|
| 1 | 1001228190 1001219737 | Ref AR | ANTI-SLIP PAINT INSTALLATION (STEEL DECK SIDES) Paint, Non-Skid Yellow (1GAL Can) | A |

SECTION 3 - DECK

FIGURE 3-99. ANTI-SLIP PAINT INSTALLATION (ALUMINUM DECK SIDES)



ART_1001260335

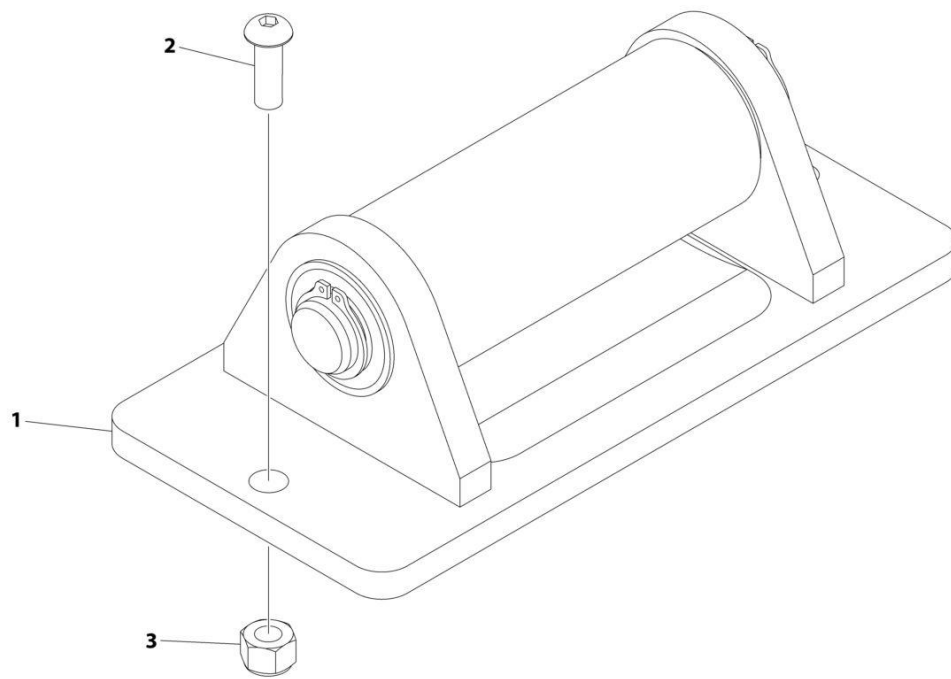
SECTION 3 - DECK

FIGURE 3-99. ANTI-SLIP PAINT INSTALLATION (ALUMINUM DECK SIDES)

| ITEM | PART NUMBER | QTY | DESCRIPTION | REV |
|------|--------------------------|-----------|---|-----|
| 1 | 1001260335 1001219737 | Ref AR | ANTI-SLIP PAINT INSTALLATION (ALUMINUM DECK SIDES) Paint, Non-Skid Yellow (1GAL Can) | A |

SECTION 3 - DECK

FIGURE 3-100. DECK ROLLERS AT APPROACH TIP



ART_1001148999

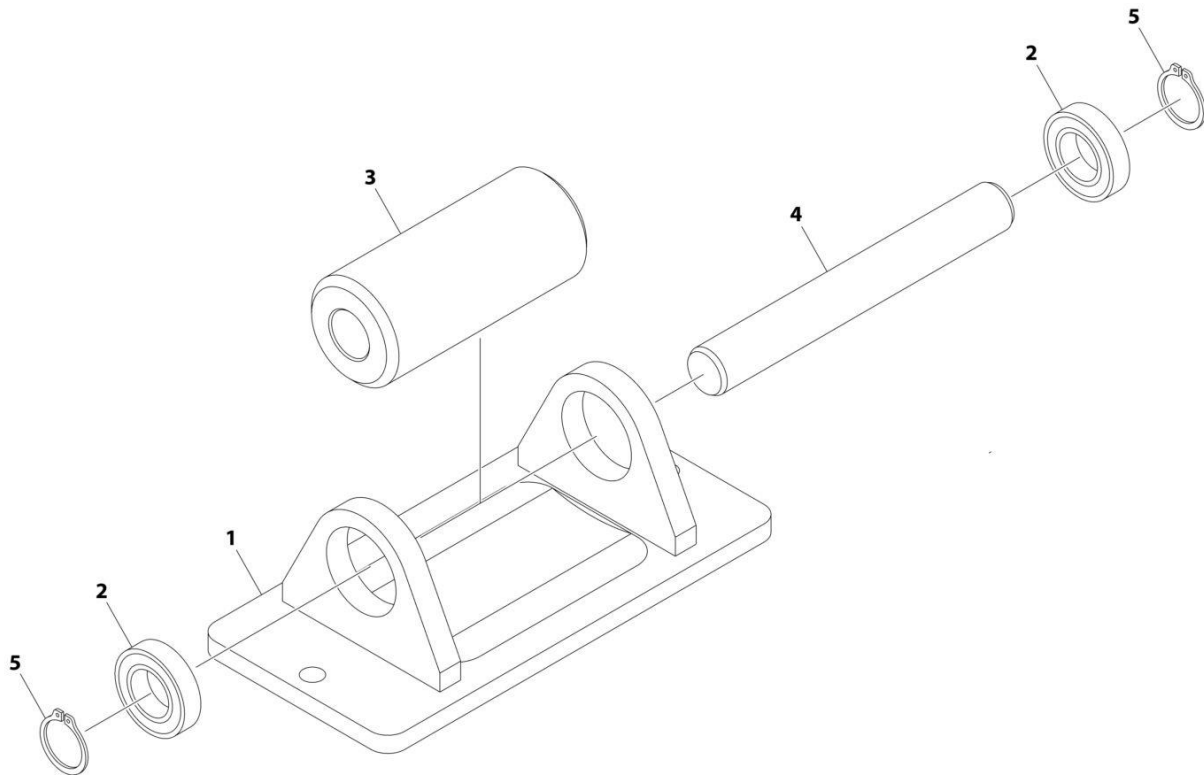
SECTION 3 - DECK

FIGURE 3-100. DECK ROLLERS AT APPROACH TIP

| ITEM | PART NUMBER | QTY | DESCRIPTION | REV |
|------|--------------------------|----------|--|-----|
| 1 | 1001148999 3550001913 | Ref 2 | Deck Rollers at Approach Tip Roller Bracket Assembly (See Separate Breakdown in this Section) | A |
| 2 | 7114181218 | 4 | Capscrew 1/2 x 1-1/2 | |
| 3 | 7660182601 | 4 | Nut 1/2 | |

SECTION 3 - DECK

FIGURE 3-101. ROLLER BRACKET ASSEMBLY



ART_3550001913

FIGURE 3-101. ROLLER BRACKET ASSEMBLY

| ITEM | PART NUMBER | QTY | DESCRIPTION | REV |
|------|-------------|-----|-------------------------|-----|
| | 3550001913 | Ref | Roller Bracket Assembly | B |
| 1 | 3550001912 | 1 | Bracket Weldment | |
| 2 | 7550000074 | 2 | Bearing | |
| 3 | 7550000073 | 1 | Roller | |
| 4 | 4691000568 | 1 | Pin | |
| 5 | 7754000022 | 2 | Retaining Ring | |

SECTION 4 - CONTROLS

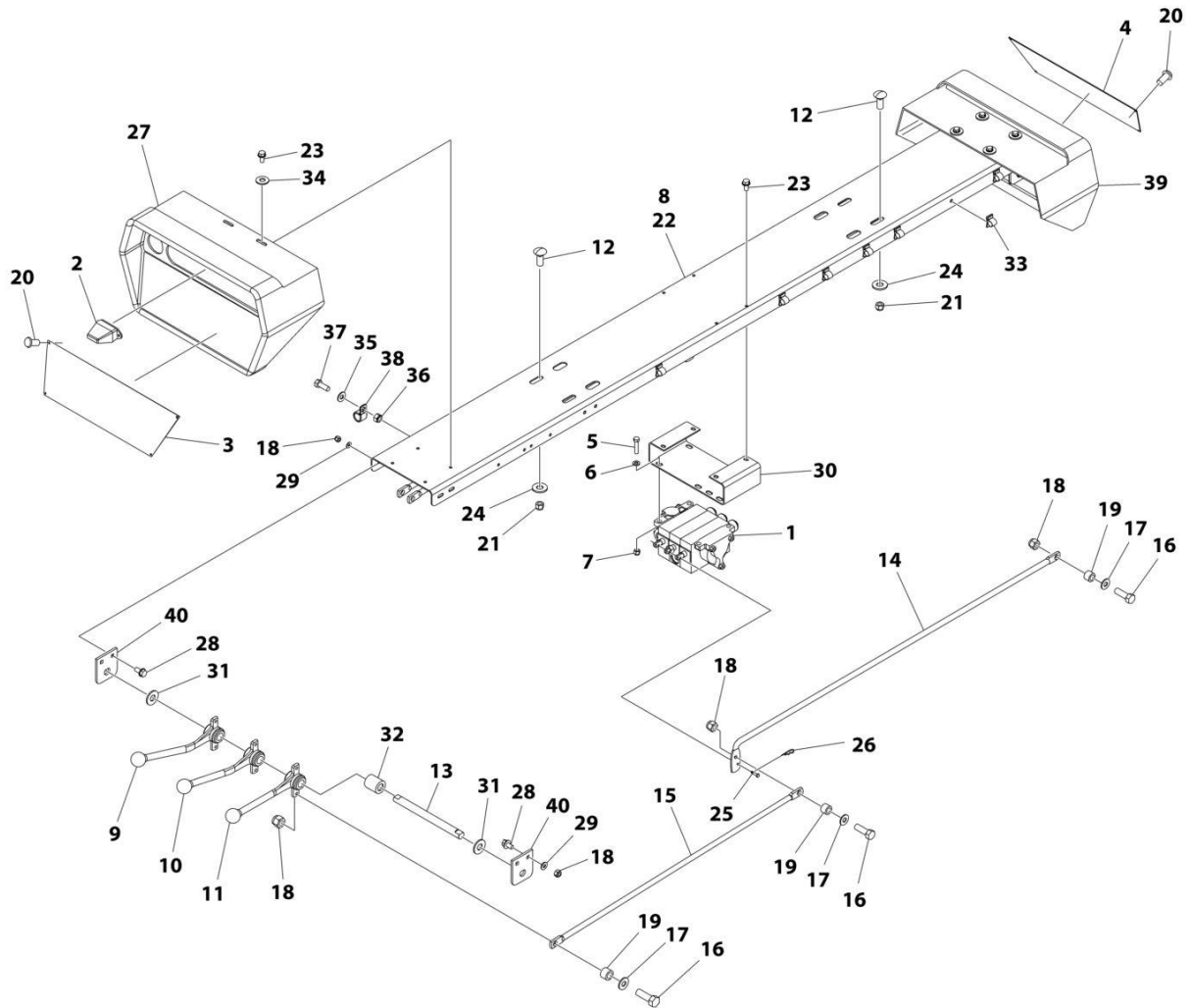
SECTION 4 - CONTROLS

FIGURE 4-1. 3 BANK VALVE CONTROLS INSTALLATION - NO/MANUAL TOW

| ITEM | PART NUMBER | QTY | DESCRIPTION | REV |
|------|-------------|-----|---|-----|
| | 2296000107 | Ref | 3 BANK CONTROLS INSTALLATION - NO/MAN TOW | I |
| 1 | 3935000115 | 1 | Valve Assembly (See Separate Breakdown in this Section) | |
| 2 | 1001143764 | 2 | Lamp | |
| 3 | 7330000648 | 1 | Decal Control Panel, LH | |
| 4 | 7330000649 | 1 | Decal Control Panel, RH | |
| 5 | 7111161050 | 4 | Capscrew 3/8 x 1-1/4 | |
| 6 | 7950160161 | 4 | Washer 3/8 | |
| 7 | 7660162601 | 4 | Nut 3/8 | |
| 8 | 1001135273 | 1 | Channel | |
| 9 | 7551000021 | 2 | Control Handle | |
| 10 | 7551000020 | 2 | Control Handle | |
| 11 | 7551000018 | 2 | Control Handle | |
| 13 | 7691000064 | 2 | Pin | |
| 14 | 4763000280 | 3 | Control Rod | |
| 15 | 4763000279 | 3 | Control Rod | |
| 16 | 7115150850 | 9 | Capscrew 5/16 x 1 | |
| 17 | 7949000011 | 9 | Washer | |
| 18 | 7660152601 | 17 | Nut 5/16 | |
| 19 | 4831000069 | 9 | Spacer | |
| 20 | 7759000006 | 8 | Rivet | |
| 21 | 7660182601 | 4 | Nut 1/2 | |
| 23 | 7790151253 | 12 | Screw 5/16 x 3/4 | |
| 24 | 7950180161 | 4 | Washer 1/2 | |
| 25 | 7690101200 | 3 | Clevis Pin | |
| 26 | 7691000056 | 3 | Pin, Hairpin Cotter | |
| 27 | 3560000010 | 1 | Control Hood Assembly | |
| 28 | 7115150664 | 8 | Bolt 5/16 x 3/4 | |
| 29 | 7950150161 | 8 | Washer 5/16 | |
| 30 | 1001135272 | 1 | Channel | |
| 31 | 7950220141 | 2 | Washer 3/4 | |
| 32 | 4211000001 | 4 | Bushing | |
| 33 | 7280000007 | 11 | Wire Clip | |
| 34 | 7949000054 | 8 | Washer | |
| 39 | 7560000007 | 1 | Control Hood, RH | |
| 40 | 4606000217 | 4 | Lug | |
| 41 | 7274000063 | 1 | Clamp | |
| 42 | 7115140650 | 1 | Capscrew 1/4 x 3/4 | |
| 43 | 7660142601 | 1 | Nut 1/4 | |
| 44 | 7950140141 | 1 | Washer 1/4 | |
| 45 | 8632000012 | AR | Trim Lock | |
| 46 | 7115181064 | 4 | Bolt 1/2 x 1-1/4 | |

SECTION 4 - CONTROLS

FIGURE 4-2. 3 BANK VALVE CONTROLS INSTALLATION - NO/MANUAL TOW



ART_1001170378

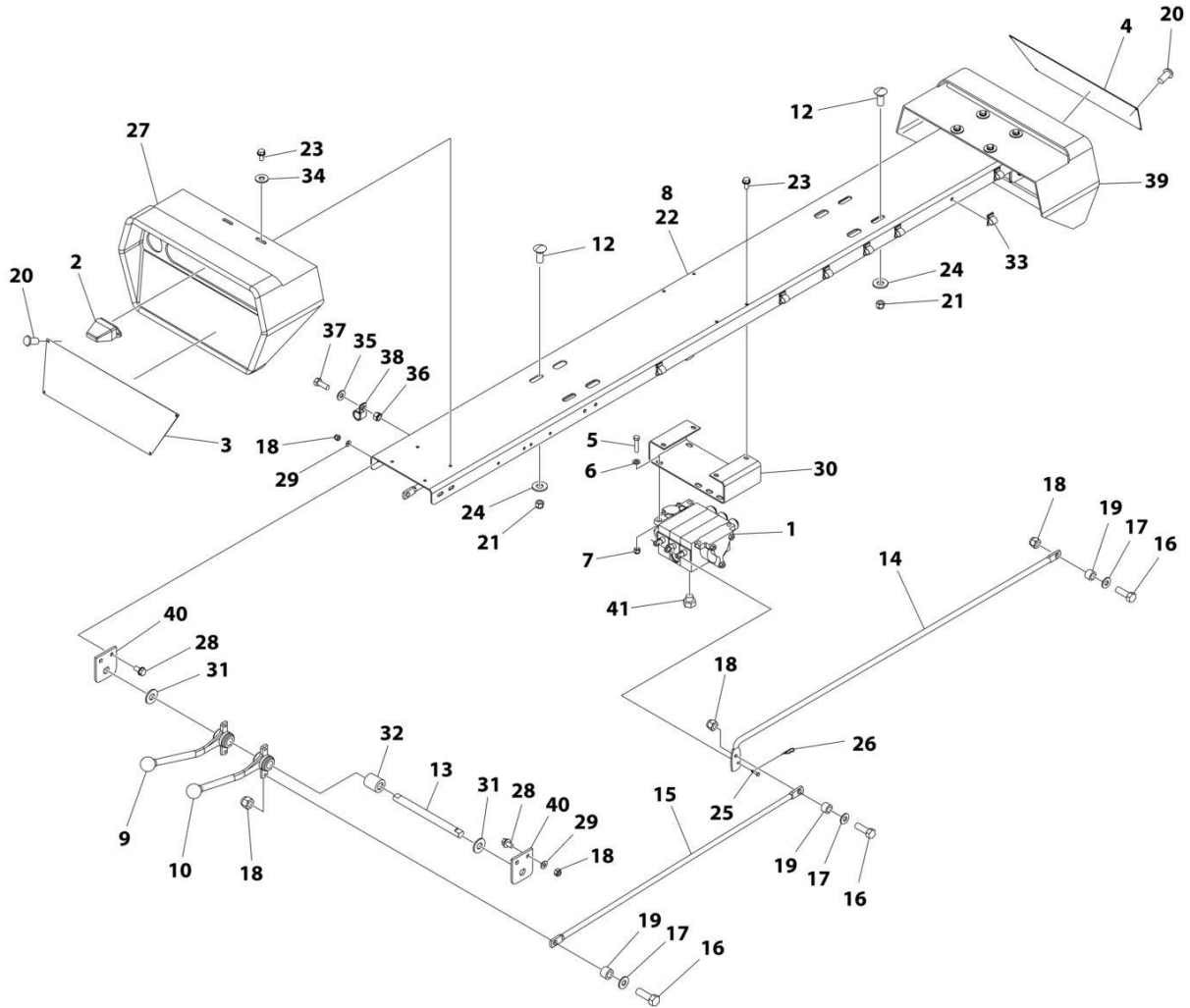
SECTION 4 - CONTROLS

FIGURE 4-2. 3 BANK VALVE CONTROLS INSTALLATION - NO/MANUAL TOW

| ITEM | PART NUMBER | QTY | DESCRIPTION | REV |
|------|-------------|-----|---|-----|
| | 1001170378 | Ref | 3 BANK CONTROLS INSTALLATION - NO/MAN TOW | A |
| 1 | 3935000115 | 1 | Valve Assembly (See Separate Breakdown in this Section) | |
| 2 | 1001143764 | 2 | Lamp | |
| 3 | 7330000648 | 1 | Decal, Control Panel, LH | |
| 4 | 7330000649 | 1 | Decal, Control Panel, RH | |
| 5 | 7111161050 | 4 | Capscrew 3/8 x 1-1/4 | |
| 6 | 7950160161 | 4 | Washer 3/8 | |
| 7 | 7660162601 | 4 | Nut 3/8 | |
| 8 | 1001170189 | 1 | Channel | |
| 9 | 7551000021 | 2 | Control Handle | |
| 10 | 7551000020 | 2 | Control Handle | |
| 11 | 7551000018 | 2 | Control Handle | |
| 12 | 7115181064 | 4 | Bolt 1/2 x 1-1/4 | |
| 13 | 7691000064 | 2 | Pin | |
| 14 | 1001170187 | 3 | Control Rod | |
| 15 | 1001170188 | 3 | Control Rod | |
| 16 | 7115150850 | 9 | Capscrew 5/16 x 1 | |
| 17 | 7949000011 | 9 | Washer | |
| 18 | 7660152601 | 17 | Nut 5/16 | |
| 19 | 4831000069 | 9 | Spacer | |
| 20 | 7759000006 | 8 | Rivet | |
| 21 | 7660182601 | 4 | Nut 1/2 | |
| 22 | 8632000012 | AR | Trim Lock | |
| 23 | 7790151253 | 12 | Screw 5/16 x 3/4 | |
| 24 | 7950180161 | 4 | Washer 1/2 | |
| 25 | 7690101200 | 3 | Clevis Pin | |
| 26 | 7691000056 | 3 | Pin, Hairpin Cotter | |
| 27 | 3560000010 | 1 | Control Hood Assembly | |
| 28 | 7115150664 | 8 | Bolt 5/16 x 3/4 | |
| 29 | 7950150161 | 8 | Washer 5/16 | |
| 30 | 1001135272 | 1 | Channel | |
| 31 | 7950220141 | 2 | Washer 3/4 | |
| 32 | 4211000001 | 4 | Bushing | |
| 33 | 7280000007 | 11 | Wire Clip | |
| 34 | 7949000054 | 8 | Washer | |
| 35 | 7950140141 | 1 | Washer 1/4 | |
| 36 | 7660142601 | 1 | Nut 1/4 | |
| 37 | 7115140650 | 1 | Capscrew 1/4 x 3/4 | |
| 38 | 7274000063 | 1 | Clamp | |
| 39 | 7560000007 | 1 | Control Hood RH | |
| 40 | 4606000217 | 4 | Lug | |

SECTION 4 - CONTROLS

FIGURE 4-3. 3 BANK VALVE CONTROLS INSTALLATION - NO/MANUAL TOW/NO WINCH



ART_1001264092

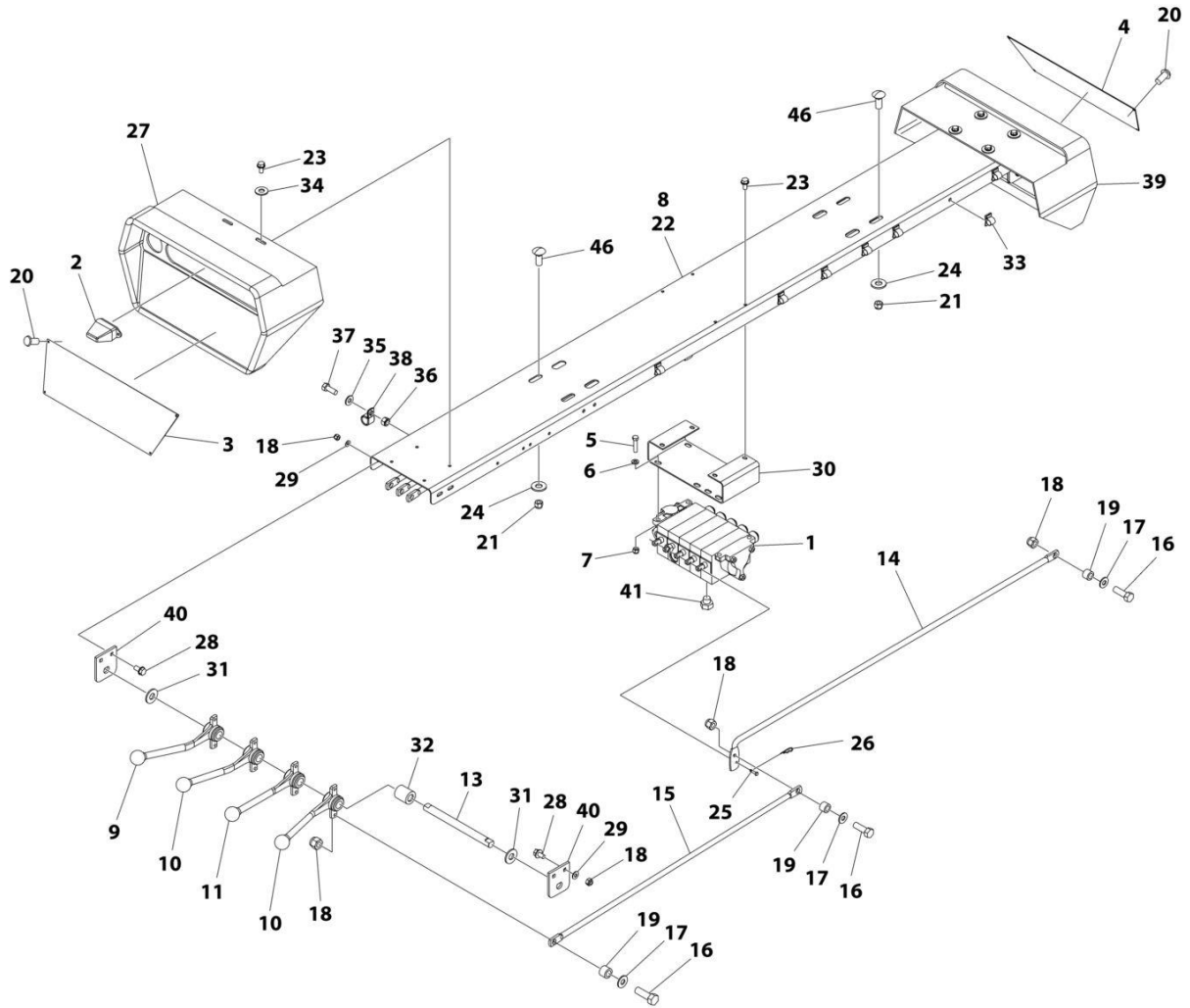
SECTION 4 - CONTROLS

FIGURE 4-3. 3 BANK VALVE CONTROLS INSTALLATION - NO/MANUAL TOW/NO WINCH

| ITEM | PART NUMBER | QTY | DESCRIPTION | REV |
|------|-------------|-----|--|-----|
| | 1001264092 | Ref | 3 BANK CONTROLS INSTALLATION - WITHOUT WINCH MOTOR SPOOL | A |
| 1 | 3935000115 | 1 | Valve Assembly (See Separate Breakdown in this Section) | |
| 2 | 1001143764 | 2 | Lamp | |
| 3 | 1001264086 | 1 | Decal Control Panel, LH | |
| 4 | 1001264087 | 1 | Decal Control Panel, RH | |
| 5 | 7111161050 | 2 | Capscrew 3/8 x 1-1/4 | |
| 6 | 7950160161 | 2 | Washer 3/8 | |
| 7 | 7660162601 | 2 | Nut 3/8 | |
| 8 | 1001170189 | 1 | Channel | |
| 9 | 7551000021 | 2 | Control Handle | |
| 10 | 7551000020 | 2 | Control Handle | |
| 12 | 7115181064 | 4 | Bolt 1/2 x 1-1/4 | |
| 13 | 7691000064 | 2 | Pin | |
| 14 | 1001170187 | 2 | Control Rod | |
| 15 | 1001170188 | 2 | Control Rod | |
| 16 | 7115150850 | 6 | Capscrew 5/16 x 1 | |
| 17 | 7949000011 | 6 | Washer | |
| 18 | 7660152601 | 14 | Nut 5/16 | |
| 19 | 4831000069 | 6 | Spacer | |
| 20 | 7759000006 | 8 | Rivet | |
| 21 | 7660182601 | 4 | Nut 1/2 | |
| 22 | 8632000012 | AR | Trim Lock | |
| 23 | 7790151253 | 12 | Screw 5/16 x 3/4 | |
| 24 | 7950180161 | 4 | Washer 1/2 | |
| 25 | 7690101200 | 2 | Clevis Pin | |
| 26 | 7691000056 | 2 | Pin, Hairpin Cotter | |
| 27 | 3560000010 | 1 | Control Hood Assembly | |
| 28 | 7115150664 | 8 | Bolt 5/16 x 3/4 | |
| 29 | 7950150161 | 8 | Washer 5/16 | |
| 30 | 1001135272 | 1 | Channel | |
| 31 | 7950220141 | 2 | Washer 3/4 | |
| 32 | 4211000001 | 6 | Bushing | |
| 33 | 7280000007 | 11 | Wire Clip | |
| 34 | 7949000054 | 8 | Washer | |
| 35 | 7950140141 | 1 | Washer 1/4 | |
| 36 | 7660142601 | 1 | Nut 1/4 | |
| 37 | 7115140650 | 1 | Capscrew 1/4 x 3/4 | |
| 38 | 7274000063 | 1 | Clamp | |
| 39 | 7560000007 | 1 | Control Hood, RH | |
| 40 | 4606000217 | 4 | Lug | |
| 41 | 7443000048 | 2 | Fitting Plug | |

SECTION 4 - CONTROLS

FIGURE 4-4. 4 BANK VALVE CONTROLS INSTALLATION - NO/MANUAL TOW/STABILIZER/WITHOUT MOTOR SPOOL WINCH



ART_1001170391

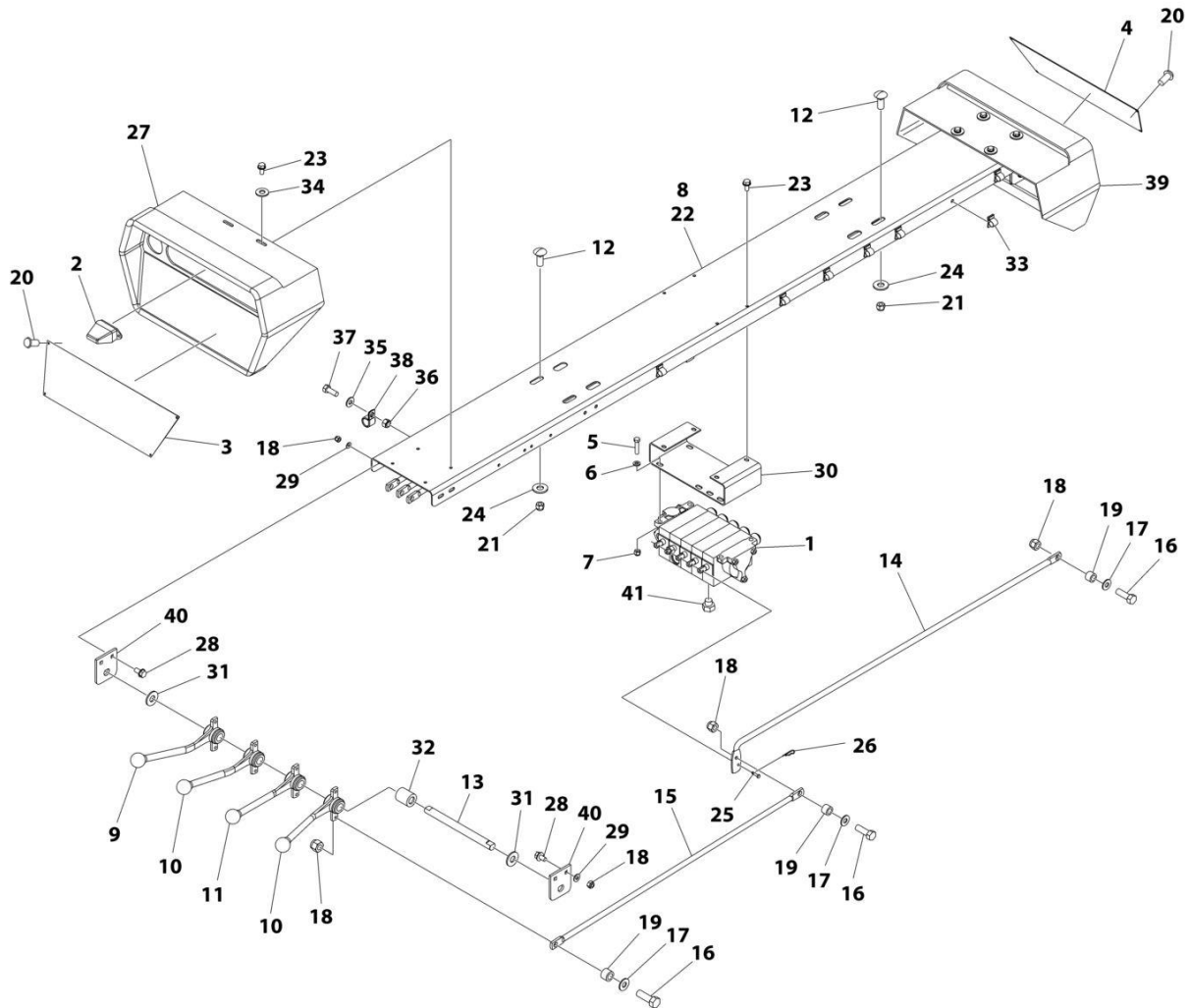
SECTION 4 - CONTROLS

FIGURE 4-4. 4 BANK VALVE CONTROLS INSTALLATION - NO/MANUAL TOW/STABILIZER/WITHOUT MOTOR SPOOL WINCH

| ITEM | PART NUMBER | QTY | DESCRIPTION | REV |
|------|-------------|-----|---|-----|
| | 1001170391 | Ref | 4 BANK CONTROLS INSTALLATION WITH STABILIZER | B |
| 1 | 3935000117 | 1 | Valve Assembly (See Separate Breakdown in this Section) | |
| 2 | 1001143764 | 2 | Lamp | |
| 3 | 7330000650 | 1 | Decal, Control Panel Stabilizer, LH | |
| 4 | 7330000651 | 1 | Decal, Control Panel Stabilizer, RH | |
| 5 | 7111161050 | 4 | Capscrew 3/8 x 1-1/4 | |
| 6 | 7950160161 | 4 | Washer 3/8 | |
| 7 | 7660162601 | 4 | Nut 3/8 | |
| 8 | 1001170189 | 1 | Channel | |
| 9 | 7551000021 | 2 | Control Handle | |
| 10 | 7551000020 | 4 | Control Handle | |
| 11 | 7551000018 | 2 | Control Handle | |
| 12 | 7115181064 | 4 | Bolt 1/2 x 1/4 | |
| 13 | 7691000064 | 2 | Pin | |
| 14 | 1001170187 | 4 | Control Rod | |
| 15 | 1001170188 | 4 | Control Rod | |
| 16 | 7115150850 | 12 | Capscrew 5/16 x 1 | |
| 17 | 7949000011 | 12 | Washer | |
| 18 | 7660152601 | 20 | Nut 5/16 | |
| 19 | 4831000069 | 12 | Spacer | |
| 20 | 7759000006 | 8 | Rivet | |
| 21 | 7660182601 | 4 | Nut 1/2 | |
| 22 | 8632000012 | AR | Trim lock | |
| 23 | 7790151253 | 12 | Screw 5/16 x 3/4 | |
| 24 | 7950180161 | 4 | Washer 1/2 | |
| 25 | 7690101200 | 4 | Clevis Pin | |
| 26 | 7691000056 | 1 | Pin, Hairpin Cotter | |
| 27 | 3560000010 | 1 | Control Hood Assembly | |
| 28 | 7115150664 | 8 | Bolt 5/16 x 3/4 | |
| 29 | 7950150161 | 8 | Washer 5/16 | |
| 30 | 1001135272 | 1 | Channel | |
| 31 | 7950220141 | 2 | Washer 3/4 | |
| 32 | 4211000001 | 2 | Bushing | |
| 33 | 7280000007 | 11 | Wire Clip | |
| 34 | 7949000054 | 8 | Washer | |
| 35 | 7950140141 | 1 | Washer 1/4 | |
| 36 | 7660142601 | 1 | Nut 1/4 | |
| 37 | 7115140650 | 1 | Capscrew 1/4 x 3/4 | |
| 38 | 7274000063 | 1 | Clamp | |
| 39 | 7560000007 | 1 | Control Hood, RH | |
| 40 | 4606000217 | 4 | Lug | |
| 41 | 7443000048 | 2 | Fitting Plug | |

SECTION 4 - CONTROLS

FIGURE 4-5. 4 BANK VALVE CONTROLS INSTALLATION - NO/MANUAL TOW/STABILIZER/MOTOR SPOOL WINCH



ART_1001170423

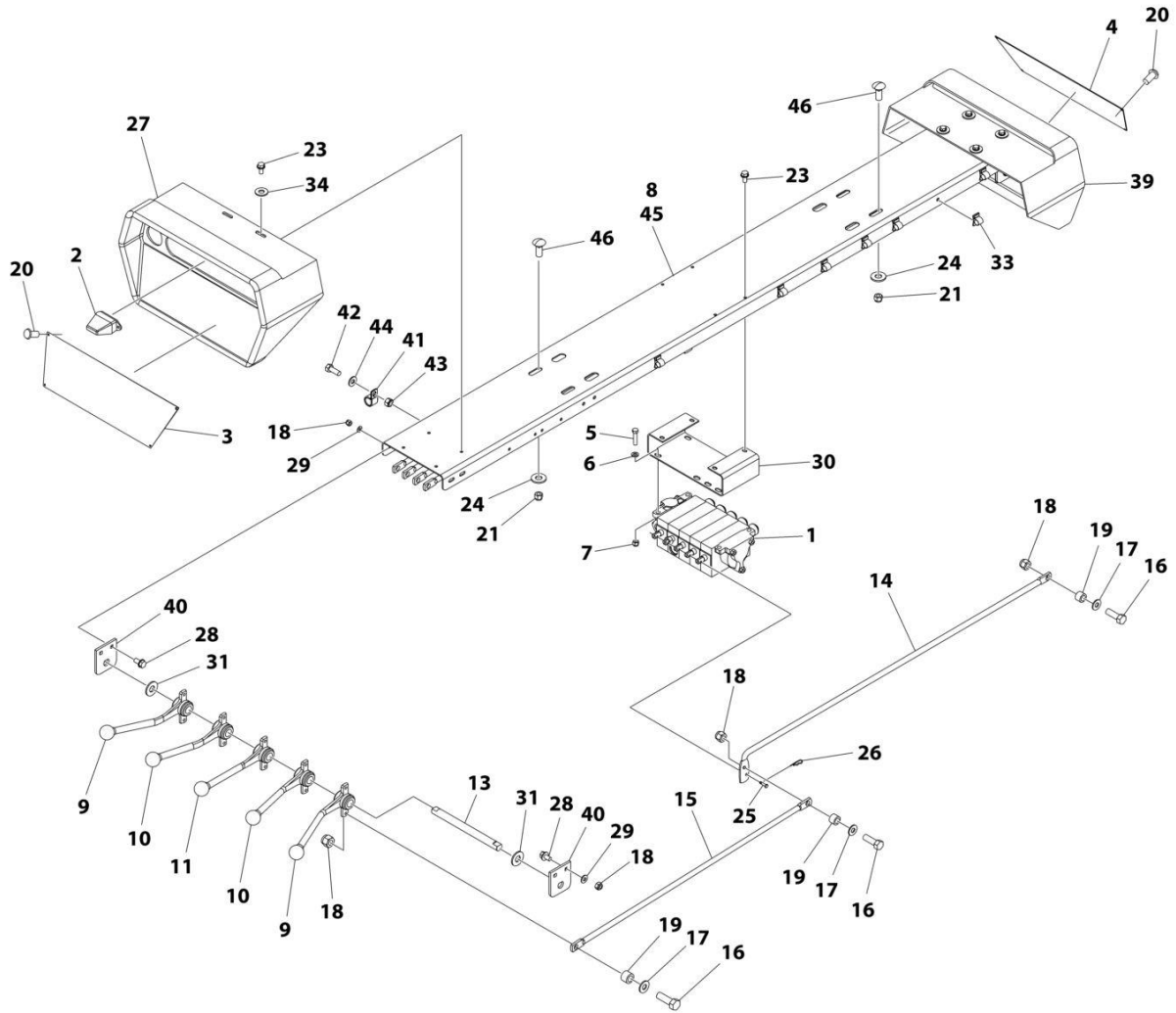
SECTION 4 - CONTROLS

FIGURE 4-5. 4 BANK VALVE CONTROLS INSTALLATION - NO/MANUAL TOW/STABILIZER/MOTOR SPOOL WINCH

| ITEM | PART NUMBER | QTY | DESCRIPTION | REV |
|------|-------------|-----|---|-----|
| | 1001170423 | Ref | 4 BANK CONTROLS INSTALLATION - HYDRAULIC TOW, WINCH MOTOR SPOOL | B |
| 1 | 1001146603 | 1 | Valve Assembly (See Separate Breakdown in this Section) | |
| 2 | 1001143764 | 2 | Lamp | |
| 3 | 7330000650 | 1 | Decal Control Panel, LH | |
| 4 | 7330000651 | 1 | Decal Control Panel, RH | |
| 5 | 7111161050 | 4 | Capscrew 3/8 x 1-1/4 | |
| 6 | 7950160161 | 4 | Washer 3/8 | |
| 7 | 7660162601 | 4 | Nut 3/8 | |
| 8 | 1001170189 | 1 | Channel | |
| 9 | 7551000021 | 2 | Control Handle | |
| 10 | 7551000020 | 4 | Control Handle | |
| 11 | 7551000018 | 2 | Control Handle | |
| 12 | 7115181064 | 4 | Bolt 1/2 x 1/4 | |
| 13 | 7691000064 | 2 | Pin | |
| 14 | 1001170187 | 4 | Control Rod | |
| 15 | 1001170188 | 4 | Control Rod | |
| 16 | 7115150850 | 12 | Capscrew 5/16 x 1 | |
| 17 | 7949000011 | 12 | Washer | |
| 18 | 7660152601 | 20 | Nut 5/16 | |
| 19 | 4831000069 | 12 | Spacer | |
| 20 | 7759000006 | 8 | Rivet | |
| 21 | 7660182601 | 4 | Nut 1/2 | |
| 22 | 8632000012 | AR | Trim lock | |
| 23 | 7790151253 | 12 | Screw 5/16 x 3/4 | |
| 24 | 7950180161 | 4 | Washer 1/2 | |
| 25 | 7690101200 | 4 | Clevis Pin | |
| 26 | 7691000056 | 4 | Pin, Hairpin Cotter | |
| 27 | 3560000010 | 1 | Control Hood Assembly | |
| 28 | 7115150664 | 8 | Bolt 5/16 x 3/4 | |
| 29 | 7950150161 | 8 | Washer 5/16 | |
| 30 | 1001135272 | 1 | Channel | |
| 31 | 7950220141 | 2 | Washer 3/4 | |
| 32 | 4211000001 | 2 | Bushing | |
| 33 | 7280000007 | 11 | Wire Clip | |
| 34 | 7949000054 | 8 | Washer | |
| 35 | 7950140141 | 1 | Washer 1/4 | |
| 36 | 7660142601 | 1 | Nut 1/4 | |
| 37 | 7115140650 | 1 | Capscrew 1/4 x 3/4 | |
| 38 | 7274000063 | 1 | Clamp | |
| 39 | 7560000007 | 1 | Control Hood, RH | |
| 40 | 4606000217 | 4 | Lug | |
| 41 | 7443000048 | 2 | Fitting Plug | |

SECTION 4 - CONTROLS

FIGURE 4-6. 5 BANK VALVE CONTROLS INSTALLATION - HYDRAULIC TOW/IRL



ART_2296000106

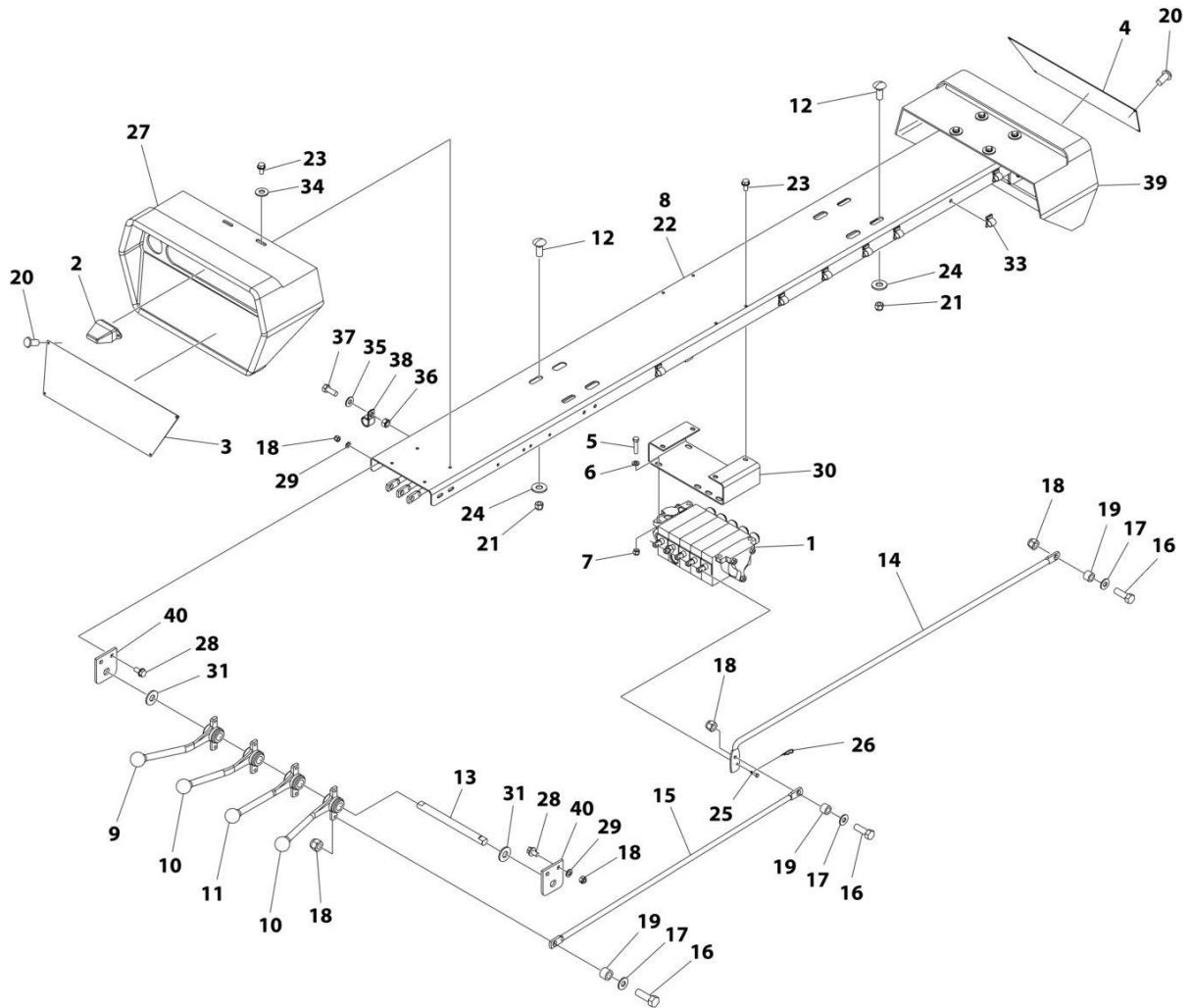
SECTION 4 - CONTROLS

FIGURE 4-6. 5 BANK VALVE CONTROLS INSTALLATION - HYDRAULIC TOW/IRL

| ITEM | PART NUMBER | QTY | DESCRIPTION | REV |
|------|-------------|-----|---|-----|
| | 2296000106 | Ref | 5 BANK CONTROLS INSTALLATION - HYDRAULIC TOW, IRL | I |
| 1 | 3935000117 | 1 | Valve Assembly (See Separate Breakdown in this Section) | |
| 2 | 1001143764 | 2 | Lamp | |
| 3 | 7330000648 | 1 | Decal Control Panel, LH | |
| 4 | 7330000649 | 1 | Decal Control Panel, RH | |
| 5 | 7111161050 | 4 | Capscrew 3/8 x 1-1/4 | |
| 6 | 7950160161 | 4 | Washer 3/8 | |
| 7 | 7660162601 | 4 | Nut 3/8 | |
| 8 | 1001135273 | 1 | Channel | |
| 9 | 7551000021 | 4 | Control Handle | |
| 10 | 7551000020 | 4 | Control Handle | |
| 11 | 7551000018 | 2 | Control Handle | |
| 13 | 7691000064 | 2 | Pin | |
| 14 | 4763000280 | 5 | Control Rod | |
| 15 | 4763000279 | 5 | Control Rod | |
| 16 | 7115150850 | 15 | Capscrew 5/16 x 1 | |
| 17 | 7949000011 | 15 | Washer | |
| 18 | 7660152601 | 23 | Nut 5/16 | |
| 19 | 4831000069 | 15 | Spacer | |
| 20 | 7759000006 | 8 | Rivet | |
| 21 | 7660182601 | 4 | Nut 1/2 | |
| 23 | 7790151253 | 12 | Screw 5/16 x 3/4 | |
| 24 | 7950180161 | 4 | Washer 1/2 | |
| 25 | 7690101200 | 5 | Clevis Pin | |
| 26 | 7691000056 | 5 | Pin, Hairpin Cotter | |
| 27 | 3560000010 | 1 | Control Hood Assembly | |
| 28 | 7115150664 | 8 | Bolt 5/16 x 3/4 | |
| 29 | 7950150161 | 8 | Washer 5/16 | |
| 30 | 1001135272 | 1 | Channel | |
| 31 | 7950220141 | 2 | Washer 3/4 | |
| 33 | 7280000007 | 11 | Wire Clip | |
| 34 | 7949000054 | 8 | Washer | |
| 39 | 7560000007 | 1 | Control Hood, RH | |
| 40 | 4606000217 | 4 | Lug | |
| 41 | 7274000063 | 1 | Clamp | |
| 42 | 7115140650 | 1 | Capscrew 1/4 x 3/4 | |
| 43 | 7660142601 | 1 | Nut 1/4 | |
| 44 | 7950140141 | 1 | Washer 1/4 | |
| 45 | 8632000012 | AR | Trim Lock | |
| 46 | 7115181064 | 4 | Bolt 1/2 x 1-1/4 | |

SECTION 4 - CONTROLS

FIGURE 4-7. 5 BANK VALVE CONTROLS INSTALLATION - HYDRAULIC TOW/IRL



ART_1001170393

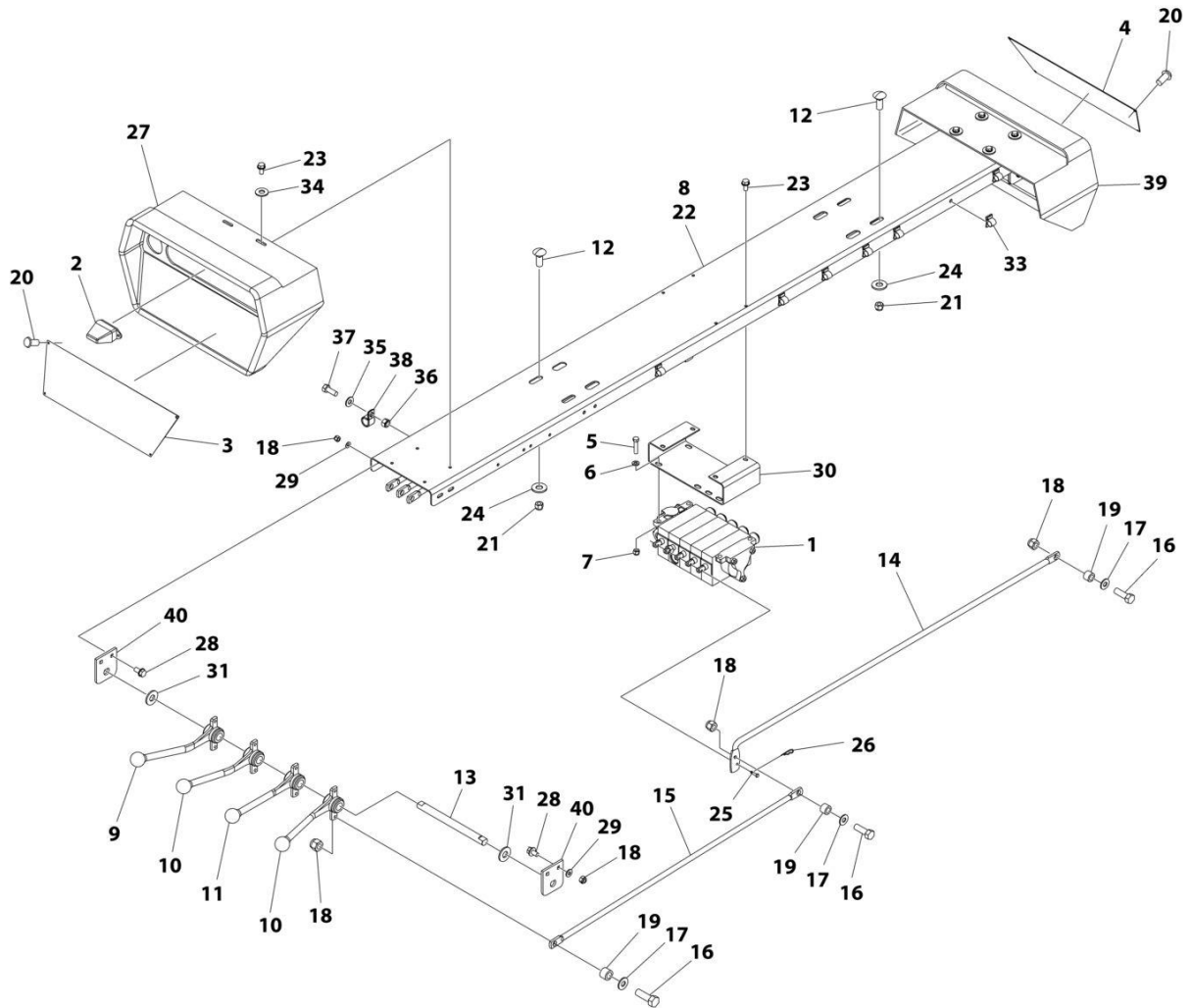
SECTION 4 - CONTROLS

FIGURE 4-7. 5 BANK VALVE CONTROLS INSTALLATION - HYDRAULIC TOW/IRL

| ITEM | PART NUMBER | QTY | DESCRIPTION | REV |
|------|-------------|-----|---|-----|
| | 1001170393 | Ref | 5 BANK CONTROLS INSTALLATION - IRL | A |
| 1 | 3935000117 | 1 | Valve Assembly (See Separate Breakdown in this Section) | |
| 2 | 1001143764 | 2 | Lamp | |
| 3 | 7330000648 | 1 | Decal Control Panel, LH | |
| 4 | 7330000649 | 1 | Decal Control Panel, RH | |
| 5 | 7111161050 | 4 | Capscrew 3/8 x 1-1/4 | |
| 6 | 7950160161 | 4 | Washer 3/8 | |
| 7 | 7660162601 | 4 | Nut 3/8 | |
| 8 | 1001170189 | 1 | Channel | |
| 9 | 7551000021 | 4 | Control Handle | |
| 10 | 7551000020 | 4 | Control Handle | |
| 11 | 7551000018 | 2 | Control Handle | |
| 12 | 7115181064 | 4 | Bolt 1/2 x 1-1/4 | |
| 13 | 7691000064 | 2 | Pin | |
| 14 | 1001170187 | 5 | Control Rod | |
| 15 | 1001170188 | 5 | Control Rod | |
| 16 | 7115150850 | 15 | Capscrew 5/16 x 1 | |
| 17 | 7949000011 | 15 | Washer | |
| 18 | 7660152601 | 23 | Nut 5/16 | |
| 19 | 4831000069 | 15 | Sapcer | |
| 20 | 7759000006 | 8 | Rivet | |
| 21 | 7660182601 | 4 | Nut 1/2 | |
| 22 | 8632000012 | AR | Trim Lock | |
| 23 | 7790151253 | 12 | Screw 5/16 x 3/4 | |
| 24 | 7950180161 | 4 | Washer 1/2 | |
| 25 | 7690101200 | 5 | Clevis Pin | |
| 26 | 7691000056 | 5 | Pin, Hairpin Cotter | |
| 27 | 3560000010 | 1 | Control Hood Assembly | |
| 28 | 7115150664 | 8 | Bolt 5/16 x 3/4 | |
| 29 | 7950150000 | 8 | Washer 5/16 | |
| 30 | 1001135272 | 1 | Channel | |
| 31 | 7950220141 | 2 | Washer 3/4 | |
| 33 | 7280000007 | 11 | Wire Clip | |
| 34 | 7949000054 | 8 | Washer | |
| 35 | 7950140141 | 1 | Washer 1/4 | |
| 36 | 7660142601 | 1 | Nut 1/4 | |
| 37 | 7115140650 | 1 | Capscrew 1/4 x 3/4 | |
| 38 | 7274000063 | 1 | Clamp | |
| 39 | 7560000007 | 1 | Control Hood, RH | |
| 40 | 4606000217 | 4 | Lug | |

SECTION 4 - CONTROLS

FIGURE 4-8. 5 BANK VALVE CONTROLS INSTALLATION - HYDRAULIC TOW/STABILIZER



ART_1001170401

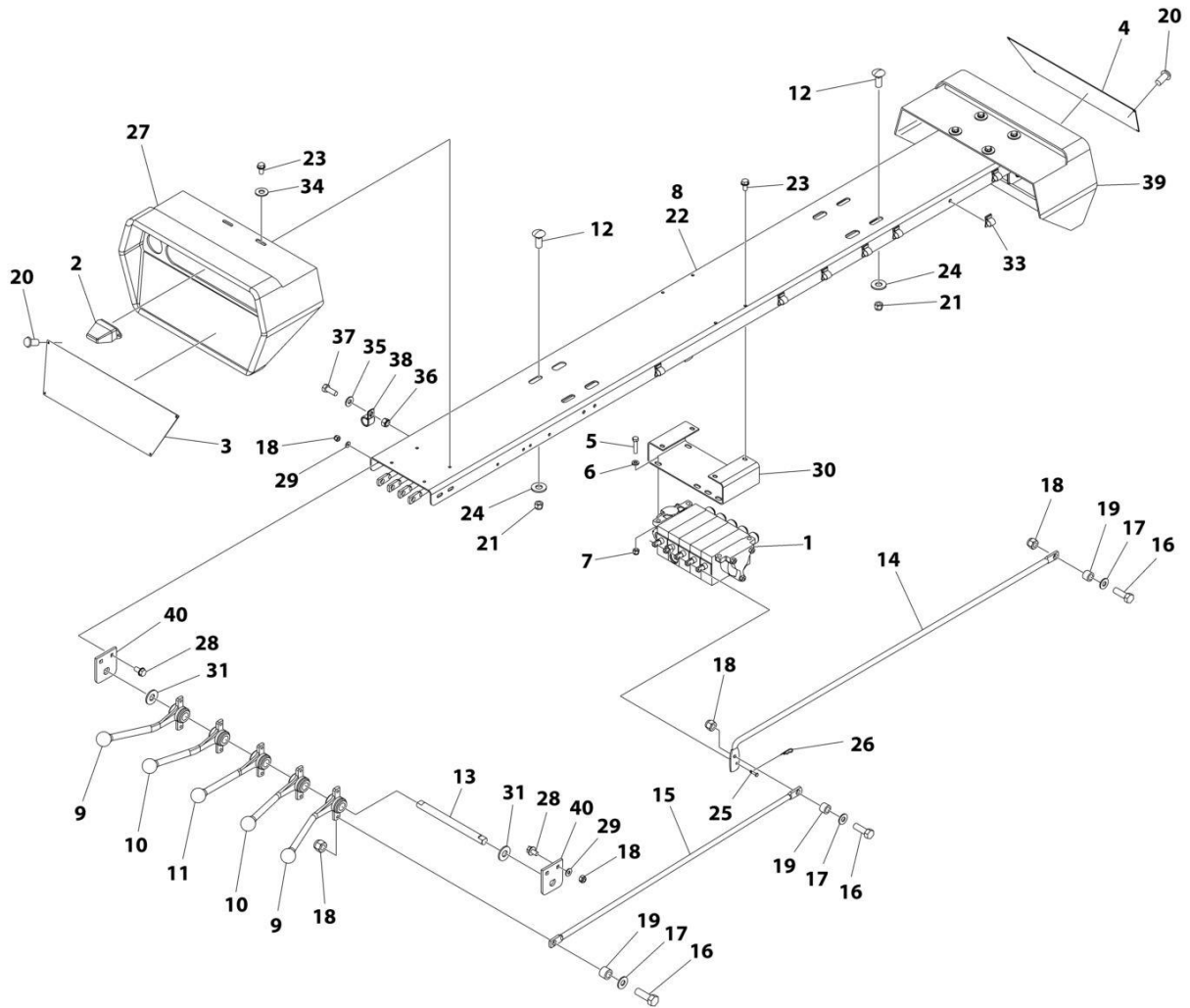
SECTION 4 - CONTROLS

FIGURE 4-8. 5 BANK VALVE CONTROLS INSTALLATION - HYDRAULIC TOW/STABILIZER

| ITEM | PART NUMBER | QTY | DESCRIPTION | REV |
|------|-------------|-----|---|-----|
| | 1001170401 | Ref | 5 BANK CONTROLS INSTALLATION WITH STABILIZER - EXTEND | A |
| 1 | 3935000117 | 1 | Valve Assembly (See Separate Breakdown in this Section) | |
| 2 | 1001143764 | 2 | Lamp | |
| 3 | 7330000650 | 1 | Decal Control Panel Stabilizer, LH | |
| 4 | 7330000651 | 1 | Decal Control Panel Stabilizer, RH | |
| 5 | 7111161050 | 4 | Capscrew 3/8 x 1-1/4 | |
| 6 | 7950160161 | 4 | Washer 3/8 | |
| 7 | 7660162601 | 4 | Nut 3/8 | |
| 8 | 1001170189 | 1 | Channel | |
| 9 | 7551000021 | 4 | Control Handle | |
| 10 | 7551000020 | 4 | Control Handle | |
| 11 | 7551000018 | 2 | Control Handle | |
| 12 | 7115181064 | 4 | Bolt 1/2 x 1/4 | |
| 13 | 7691000064 | 2 | Pin | |
| 14 | 1001170187 | 5 | Control Rod | |
| 15 | 1001170188 | 5 | Control Rod | |
| 16 | 7115150850 | 15 | Capscrew 5/16 x 1 | |
| 17 | 7949000011 | 15 | Washer | |
| 18 | 7660152601 | 23 | Nut 5/16 | |
| 19 | 4831000069 | 15 | Spacer | |
| 20 | 7759000006 | 8 | Rivet | |
| 21 | 7660182601 | 4 | Nut 1/2 | |
| 22 | 8632000012 | AR | Trim lock | |
| 23 | 7790151253 | 12 | Screw 5/16 x 3/4 | |
| 24 | 7950180161 | 4 | Washer 1/2 | |
| 25 | 7690101200 | 5 | Clevis Pin | |
| 26 | 7691000056 | 5 | Pin, Hairpin Cotter | |
| 27 | 3560000010 | 1 | Control Hood Assembly | |
| 28 | 7115150664 | 8 | Bolt 5/16 x 3/4 | |
| 29 | 7950150161 | 8 | Washer 5/16 | |
| 30 | 1001135272 | 1 | Channel | |
| 31 | 7950220141 | 2 | Washer 3/4 | |
| 33 | 7280000007 | 11 | Wire Clip | |
| 34 | 7949000054 | 8 | Washer | |
| 35 | 7950140141 | 1 | Washer 1/4 | |
| 36 | 7660142601 | 1 | Nut 1/4 | |
| 37 | 7115140650 | 1 | Capscrew 1/4 x 3/4 | |
| 38 | 7274000063 | 1 | Clamp | |
| 39 | 7560000007 | 1 | Control Hood, RH | |
| 40 | 4606000217 | 4 | Lug | |

SECTION 4 - CONTROLS

FIGURE 4-9. 5 BANK VALVE CONTROLS INSTALLATION - HYDRAULIC TOW/IRL/WITH MOTOR SPOOL WINCH



ART_1001170399

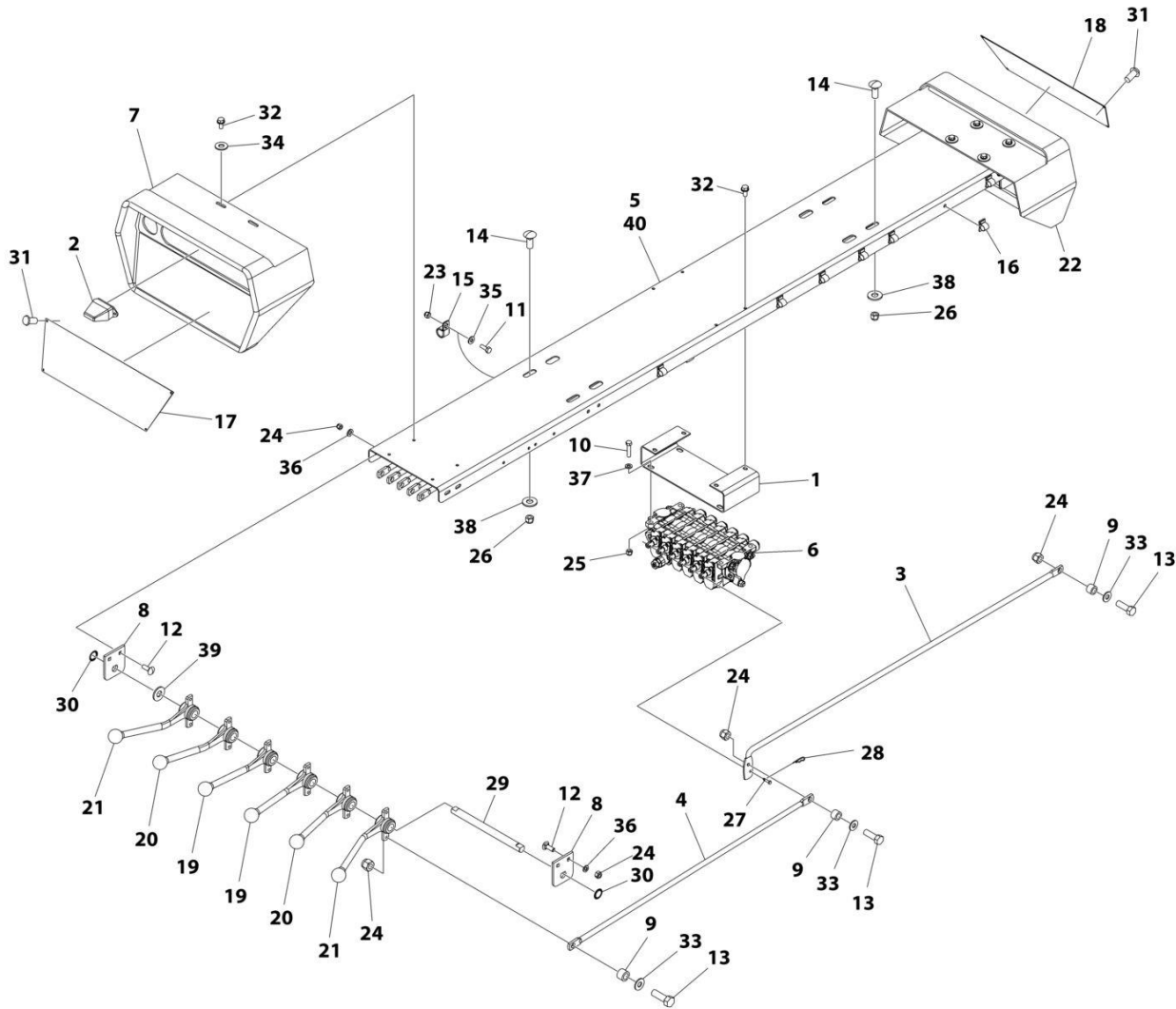
SECTION 4 - CONTROLS

FIGURE 4-9. 5 BANK VALVE CONTROLS INSTALLATION - HYDRAULIC TOW/IRL/WITH MOTOR SPOOL WINCH

| ITEM | PART NUMBER | QTY | DESCRIPTION | REV |
|------|-------------|-----|--|-----|
| | 1001170399 | Ref | 5 BANK CONTROLS INSTALLATION - HYDRAULIC TOW, IRL, WINCH MOTOR SPOOL | A |
| 1 | 1001146603 | 1 | Valve Assembly (See Separate Breakdown in this Section) | |
| 2 | 1001143764 | 2 | Lamp | |
| 3 | 7330000648 | 1 | Decal Control Panel, LH | |
| 4 | 7330000649 | 1 | Decal Control Panel, RH | |
| 5 | 7111161050 | 4 | Capscrew 3/8 x 1-1/4 | |
| 6 | 7950160161 | 4 | Washer 3/8 | |
| 7 | 7660162601 | 4 | Nut 3/8 | |
| 8 | 1001170189 | 1 | Channel | |
| 9 | 7551000021 | 4 | Control Handle | |
| 10 | 7551000020 | 4 | Control Handle | |
| 11 | 7551000018 | 2 | Control Handle | |
| 12 | 7115181064 | 4 | Bolt 1/2 x 1-1/4 | |
| 13 | 7691000064 | 2 | Pin | |
| 14 | 1001170187 | 5 | Control Rod | |
| 15 | 1001170188 | 5 | Control Rod | |
| 16 | 7115150850 | 15 | Capscrew 5/16 x 1 | |
| 17 | 7949000011 | 15 | Washer | |
| 18 | 7660152601 | 23 | Nut 5/16 | |
| 19 | 4831000069 | 15 | Sapcer | |
| 20 | 7759000006 | 8 | Rivet | |
| 21 | 7660182601 | 4 | Nut 1/2 | |
| 22 | 8632000012 | AR | Trim Lock | |
| 23 | 7790151253 | 12 | Screw 5/16 x 3/4 | |
| 24 | 7950180161 | 4 | Washer 1/2 | |
| 25 | 7690101200 | 5 | Clevis Pin | |
| 26 | 7691000056 | 5 | Pin, Hairpin Cotter | |
| 27 | 3560000010 | 1 | Control Hood Assembly | |
| 28 | 7115150664 | 8 | Bolt 5/16 x 3/4 | |
| 29 | 7950150161 | 8 | Washer 5/16 | |
| 30 | 1001135272 | 1 | Channel | |
| 31 | 7950220141 | 2 | Washer 3/4 | |
| 33 | 7280000007 | 11 | Wire Clip | |
| 34 | 7949000054 | 8 | Washer | |
| 35 | 7950140141 | 1 | Washer 1/4 | |
| 36 | 7660142601 | 1 | Nut 1/4 | |
| 37 | 7115140650 | 1 | Capscrew 1/4 x 3/4 | |
| 38 | 7274000063 | 1 | Clamp | |
| 39 | 7560000007 | 1 | Control Hood, RH | |
| 40 | 4606000217 | 4 | Lug | |

SECTION 4 - CONTROLS

FIGURE 4-10. 6 BANK VALVE CONTROLS INSTALLATION - HYDRAULIC TOW/IRL/HYD GRID (SN 0220026844 to Present)



ART_1001274377

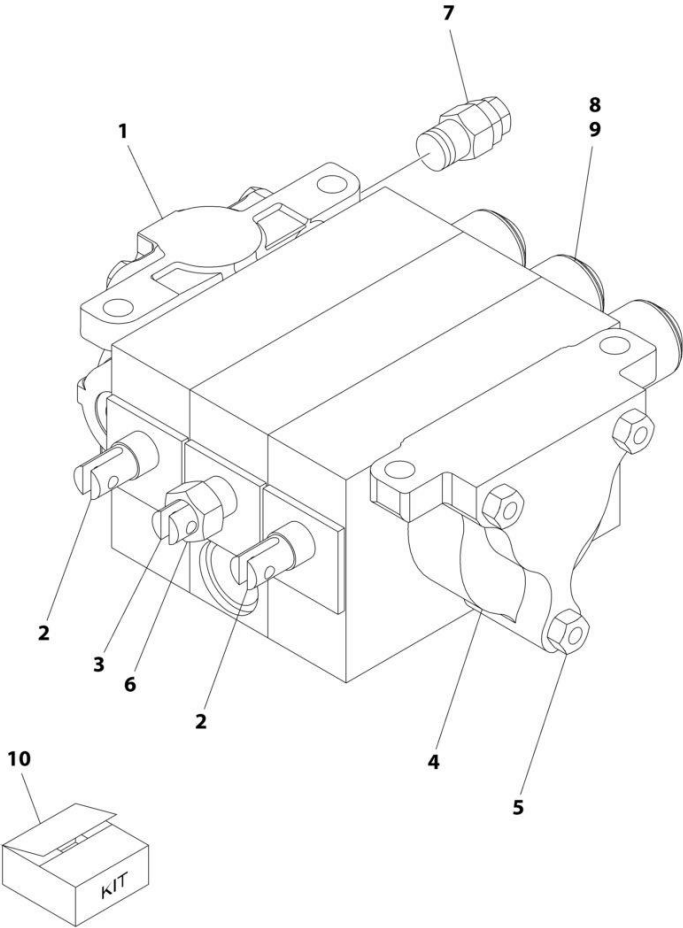
SECTION 4 - CONTROLS

FIGURE 4-10. 6 BANK VALVE CONTROLS INSTALLATION - HYDRAULIC TOW/IRL/HYD GRID (SN 0220026844 to Present)

| ITEM | PART NUMBER | QTY | DESCRIPTION | REV |
|------|-------------|-----|---|-----|
| | 1001274377 | Ref | 6 BANK VALVE CONTROLS INSTALLATION | A |
| 1 | 1001135329 | 1 | Channel | |
| 2 | 1001143764 | 2 | Lamp, License | |
| 3 | 1001170187 | 6 | Rod | |
| 4 | 1001170188 | 6 | Rod | |
| 5 | 1001170191 | 1 | Channel | |
| 6 | 1001272101 | 1 | Valve Assembly (See Separate Breakdown in this Section) | |
| 7 | 3560000010 | 1 | Control Hood Assembly | |
| 8 | 4606000217 | 4 | Lug | |
| 9 | 4831000069 | 12 | Spacer | |
| 10 | 7111161050 | 4 | Bolt 3/8 x 1-1/4 | |
| 11 | 7115140650 | 1 | Bolt 1/4 x 3/4 | |
| 12 | 7115150664 | 8 | Bolt 3/8 x 1-1/4 | |
| 13 | 7115150850 | 18 | Bolt 5/16 x 1 | |
| 14 | 7115181064 | 4 | Bolt 1/2 x 1-1/4 | |
| 15 | 7274000063 | 1 | P-Clamp | |
| 16 | 7280000007 | 11 | Clip | |
| 17 | 7330000657 | 1 | Decal - Control Panel (LH) | |
| 18 | 7330000658 | 1 | Decal - Control Panel (RH) | |
| 19 | 7551000019 | 4 | Handle, Control | |
| 20 | 7551000020 | 4 | Handle, Control | |
| 21 | 7551000021 | 4 | Handle, Control | |
| 22 | 7560000007 | 1 | Hood, Control | |
| 23 | 7660142601 | 1 | Nut 1/4 | |
| 24 | 7660152601 | 26 | Nut 5/16 | |
| 25 | 7660162601 | 4 | Nut 3/8 | |
| 26 | 7660182601 | 4 | Nut 1/2 | |
| 27 | 7690101200 | 6 | Pin, Clevis | |
| 28 | 7691000056 | 6 | Pin | |
| 29 | 7691000065 | 2 | Rod, Control | |
| 30 | 7754000009 | 4 | Ring, Retaining | |
| 31 | 7759000006 | 8 | Rivet | |
| 32 | 7790151253 | 12 | Screw 5/16 x 3/4 | |
| 33 | 7949000011 | 18 | Washer 5/8 | |
| 34 | 7949000054 | 8 | Washer 3/8 | |
| 35 | 7950140141 | 1 | Washer 1/4 | |
| 36 | 7950150000 | 8 | Washer 3/8 | |
| 37 | 7950160161 | 4 | Washer 3/8 | |
| 38 | 7950180161 | 4 | Washer 1/2 | |
| 39 | 7950220141 | 2 | Washer 3/4 | |
| 40 | 8632000012 | 2 | Trim-Lock | |

SECTION 4 - CONTROLS

FIGURE 4-11. VALVE ASSEMBLY - 3 BANK



ART_3935000115

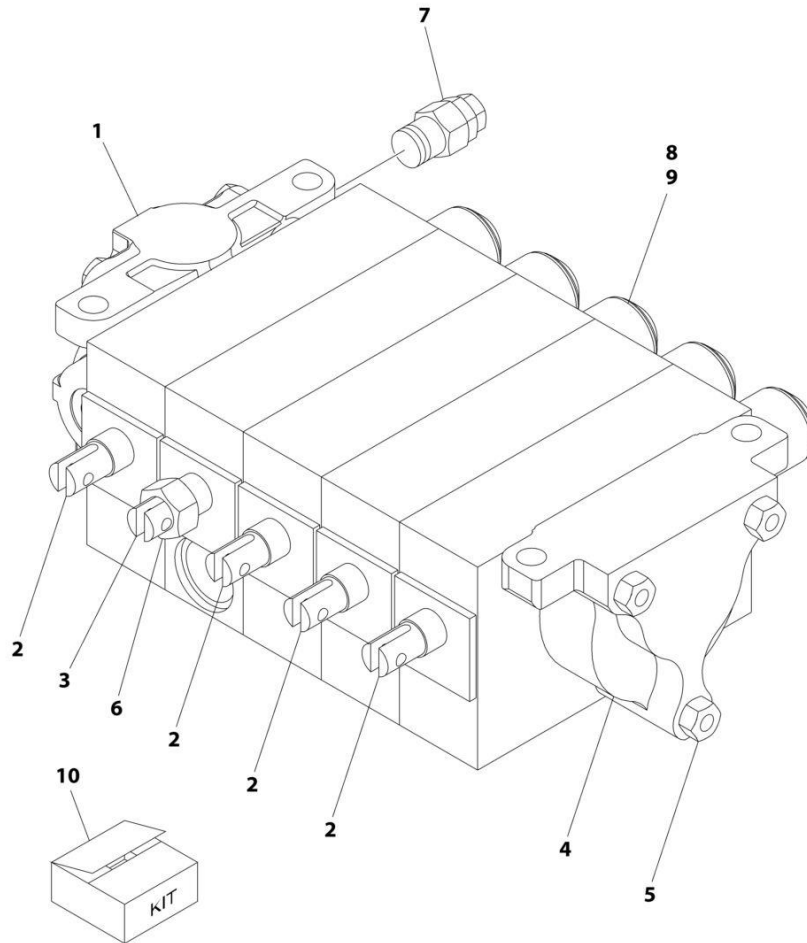
SECTION 4 - CONTROLS

FIGURE 4-11. VALVE ASSEMBLY - 3 BANK

| ITEM | PART NUMBER | QTY | DESCRIPTION | REV |
|------|-------------|-----|-------------------------|-----|
| | 3935000115 | Ref | VALVE ASSEMBLY - 3 BANK | B |
| 1 | 7935000369 | 1 | Inlet/Outlet Valve | |
| 2 | 7935000170 | 4 | Single Clevis Valve | |
| 3 | 7935000227 | 1 | Relief Valve | |
| 4 | 7935000173 | 1 | End Valve | |
| 5 | 7577000215 | 1 | Bolt Kit | |
| 6 | 7935000388 | 1 | Relief Valve | |
| 7 | 7935000174 | 1 | Relief Valve | |
| 8 | 9843930044 | AR | Cap | |
| 9 | 7577000343 | AR | Cap | |
| 10 | 9577930187 | AR | Kit, Spool Seal | |

SECTION 4 - CONTROLS

FIGURE 4-12. VALVE ASSEMBLY - 5 BANK (WITHOUT WINCH MOTOR SPOOL)



ART_3935000117

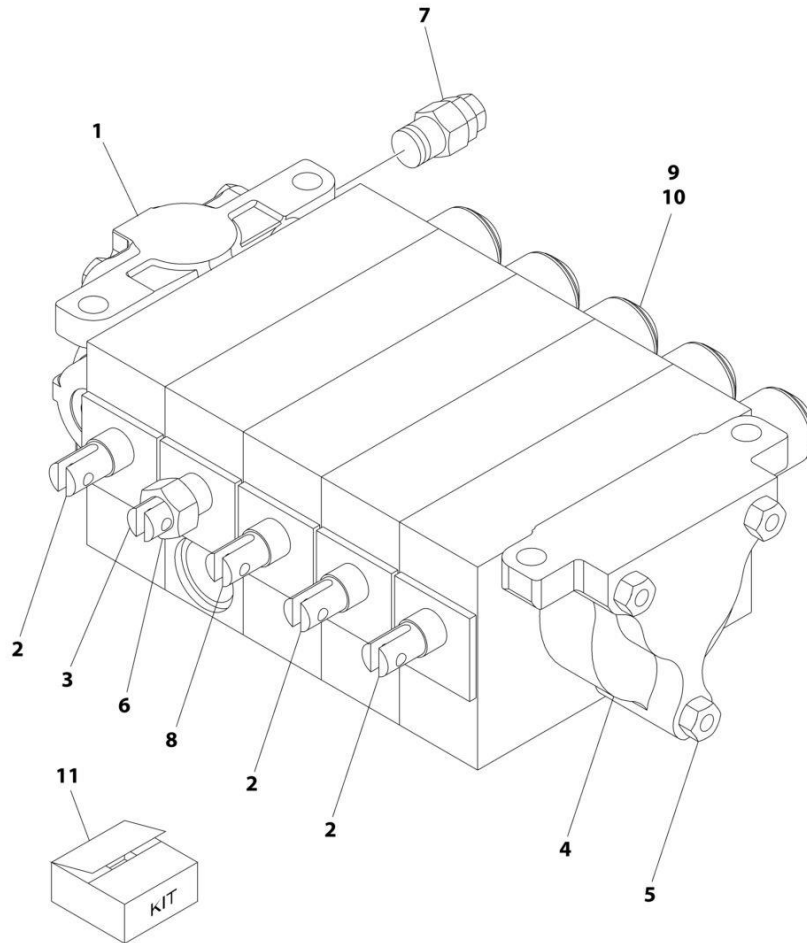
SECTION 4 - CONTROLS

FIGURE 4-12. VALVE ASSEMBLY - 5 BANK (WITHOUT WINCH MOTOR SPOOL)

| ITEM | PART NUMBER | QTY | DESCRIPTION | REV |
|------|-------------|-----|-------------------------|-----|
| | 3935000117 | Ref | VALVE ASSEMBLY - 5 BANK | B |
| 1 | 7935000369 | 1 | Inlet/Outlet Valve | |
| 2 | 7935000170 | 4 | Single Clevis Valve | |
| 3 | 7935000227 | 1 | Relief Valve | |
| 4 | 7935000173 | 1 | End Valve | |
| 5 | 7577000217 | 1 | Bolt Kit | |
| 6 | 7935000388 | 1 | Relief Valve | |
| 7 | 7935000174 | 1 | Relief Valve | |
| 8 | 9843930044 | AR | Cap | |
| 9 | 7577000343 | AR | Cap | |
| 10 | 9577930187 | AR | Kit, Spool Seal | |

SECTION 4 - CONTROLS

FIGURE 4-13. VALVE ASSEMBLY - 5 BANK (WITH WINCH MOTOR SPOOL)



ART_1001146603

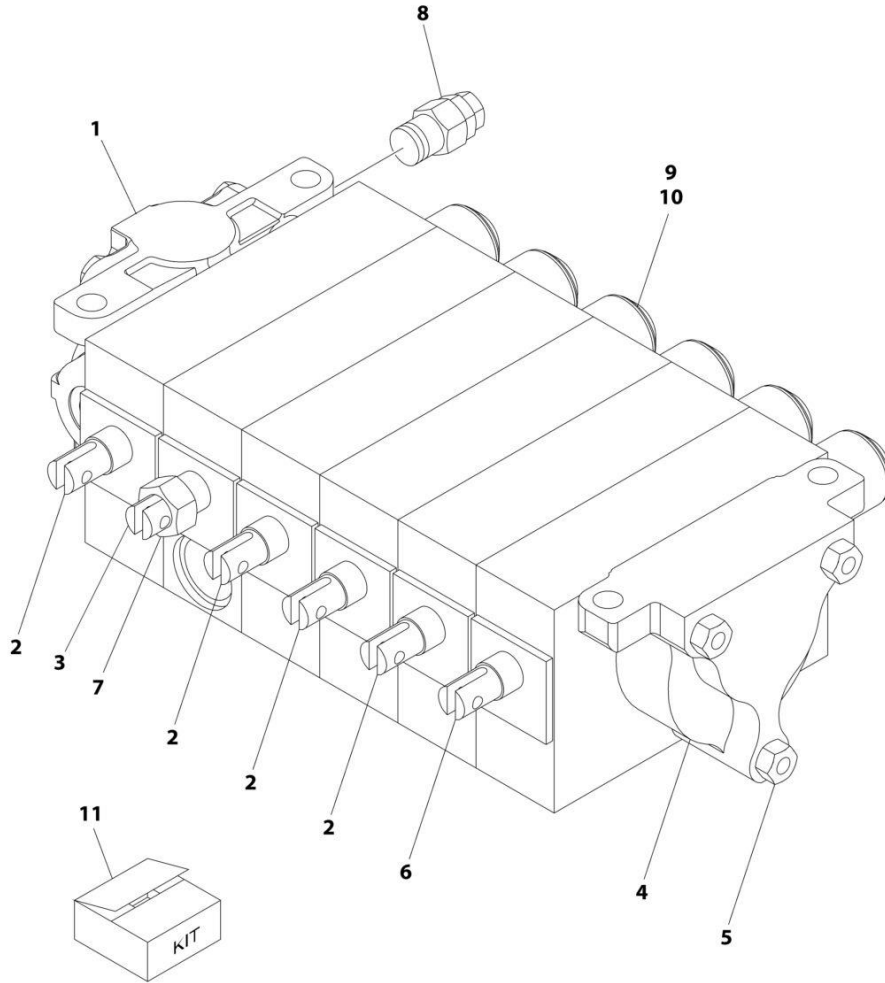
SECTION 4 - CONTROLS

FIGURE 4-13. VALVE ASSEMBLY - 5 BANK (WITH WINCH MOTOR SPOOL)

| ITEM | PART NUMBER | QTY | DESCRIPTION | REV |
|------|-------------|-----|-------------------------|-----|
| | 1001146603 | Ref | VALVE ASSEMBLY - 5 BANK | A |
| 1 | 7935000369 | 1 | Inlet/Outlet Valve | |
| 2 | 7935000170 | 4 | Single Clevis Valve | |
| 3 | 7935000227 | 1 | Relief Valve | |
| 4 | 7935000173 | 1 | End Valve | |
| 6 | 7577000217 | 1 | Bolt Kit | |
| 6 | 7935000388 | 1 | Relief Valve | |
| 7 | 7935000174 | 1 | Relief Valve | |
| 8 | 1001133740 | 1 | Single Clevis Motor | |
| 9 | 9843930044 | AR | Cap | |
| 10 | 7577000343 | AR | Cap | |
| 11 | 9577930187 | AR | Kit, Spool Seal | |

SECTION 4 - CONTROLS

FIGURE 4-14. VALVE ASSEMBLY - 6 BANK (WITH AUTO GRIDS) (SN 0220025492 through 0220026843)



ART_3935000166

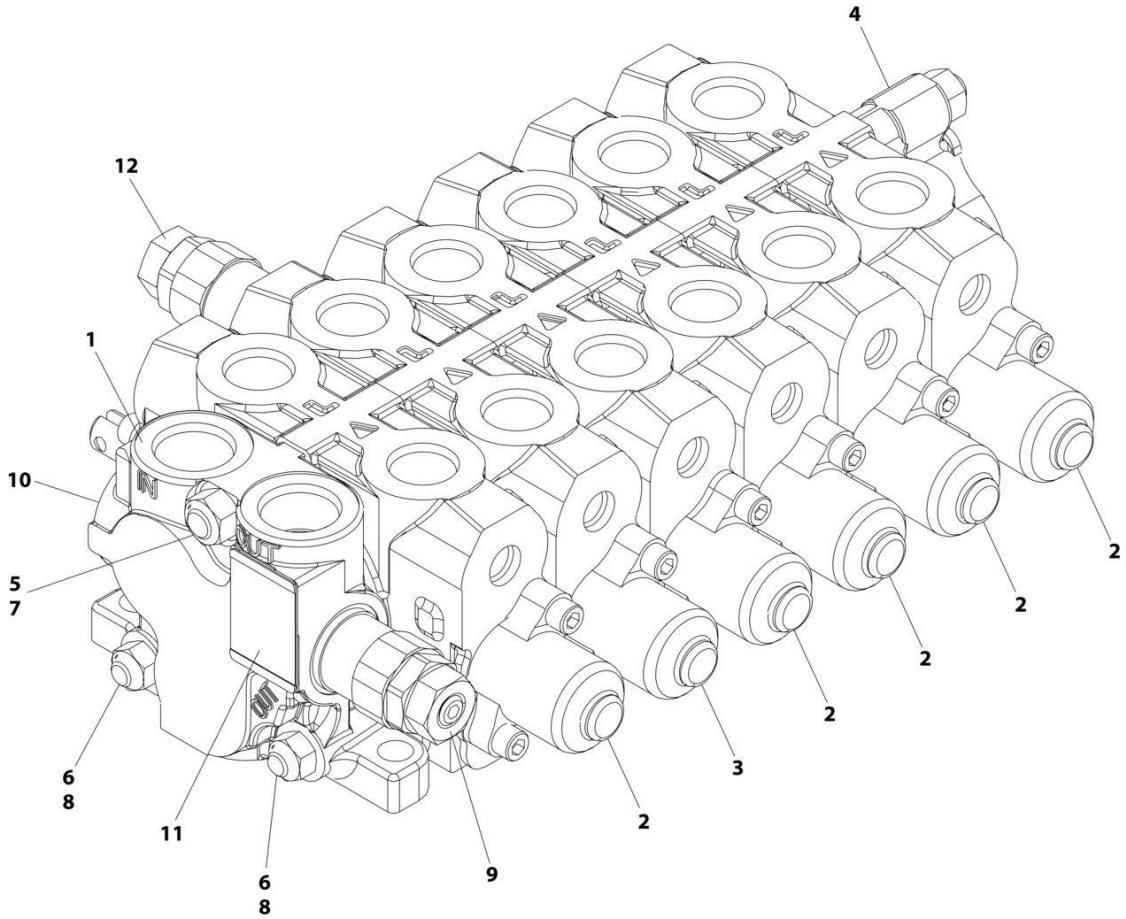
SECTION 4 - CONTROLS

FIGURE 4-14. VALVE ASSEMBLY - 6 BANK (WITH AUTO GRIDS) (SN 0220025492 through 0220026843)

| ITEM | PART NUMBER | QTY | DESCRIPTION | REV |
|------|-------------|-----|-------------------------|-----|
| | 3935000166 | Ref | VALVE ASSEMBLY - 6 BANK | B |
| 1 | 7935000369 | 1 | Inlet/Outlet Valve | |
| 2 | 7935000170 | 4 | Single Clevis Valve | |
| 3 | 7935000227 | 1 | Relief Valve | |
| 4 | 7935000173 | 1 | End Valve | |
| 5 | 7577000218 | 1 | Bolt Kit | |
| 6 | 7935000265 | 1 | Valve with PO Check | |
| 7 | 7935000388 | 1 | Relief Valve | |
| 8 | 7935000174 | 1 | Relief Valve | |
| 9 | 9843930044 | AR | Cap | |
| 10 | 7577000343 | AR | Cap | |
| 11 | 9577930187 | AR | Kit, Spool Seal | |

SECTION 4 - CONTROLS

FIGURE 4-15. VALVE ASSEMBLY - 6 BANK (WITH AUTO GRIDS) (SN 0220026844 to Present)



ART_1001272101

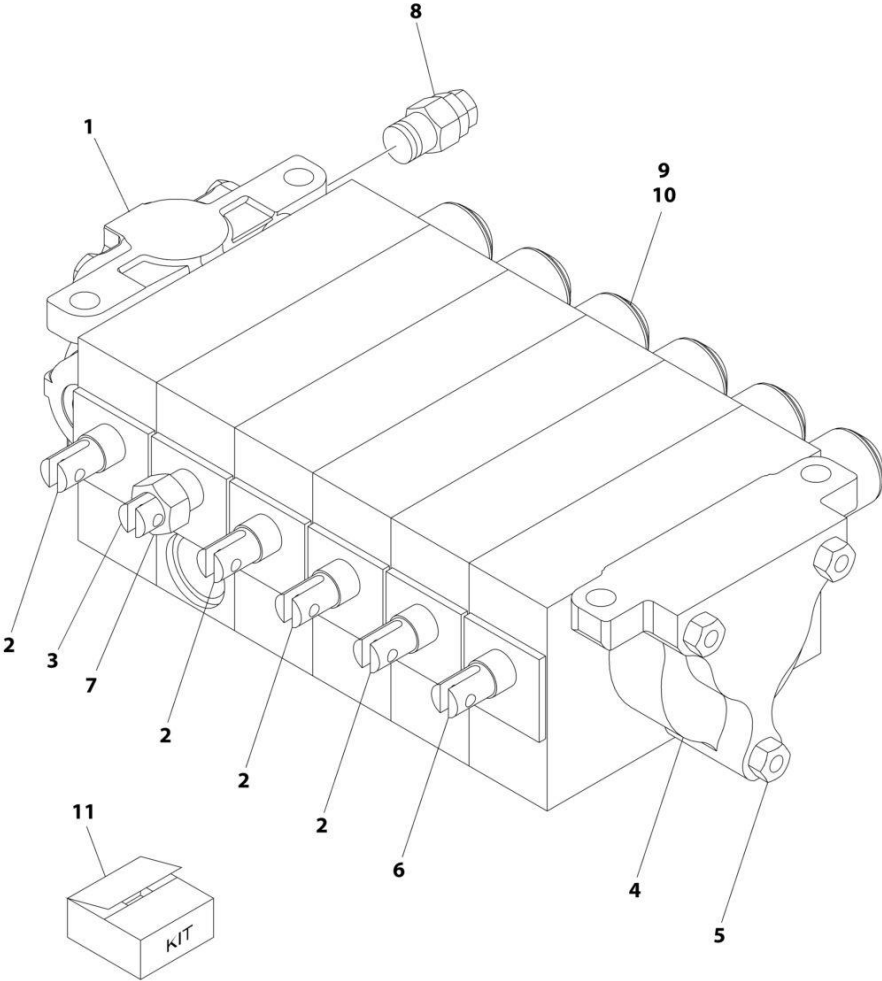
SECTION 4 - CONTROLS

FIGURE 4-15. VALVE ASSEMBLY - 6 BANK (WITH AUTO GRIDS) (SN 0220026844 to Present)

| ITEM | PART NUMBER | QTY | DESCRIPTION | REV |
|------|-------------|-----|---|-----|
| | 1001272101 | Ref | VALVE ASSEMBLY - 6 BANK (WITH AUTO GRIDS) | A |
| 1 | 70070013 | 1 | Inlet | |
| 2 | 70070012 | 5 | Valve Section Assembly | |
| 3 | 70070011 | 1 | Valve Section Assembly (Tilt) | |
| 4 | 70070010 | 1 | Outlet | |
| 5 | 70070009 | 1 | Tie-Rod | |
| 6 | 70070008 | 2 | Tie-Rod | |
| 7 | 8035346 | 2 | Nut | |
| 8 | 8035348 | 4 | Nut | |
| 9 | 70070007 | 1 | Cartridge, Relief Valve | |
| 10 | 2220883 | 1 | Plug | |
| 11 | See Note | NSS | Nameplate (Note: Not Available for Purchase) | |
| 12 | 70070006 | 1 | Cartridge, Relief Valve | |
| | | Ref | Parts Between Sections: | |
| 107 | 10837923 | 7 | O-Ring Between Sections (Not Shown) | |
| 108 | See Note | NSS | Poppet (Note: Not Available for Purchase) | |
| 109 | See Note | NSS | Spring (Note: Not Available for Purchase) | |
| | | Ref | Section Components: | |
| | | Ref | (Note Other Service Parts Availble - Replace Complete Section): | |
| 204 | 90201389 | AR | O-Ring at Lever Connection (Not Shown) | |

SECTION 4 - CONTROLS

FIGURE 4-16. VALVE ASSEMBLY - 6 BANK (WITH ZOD)



ART_3935000118

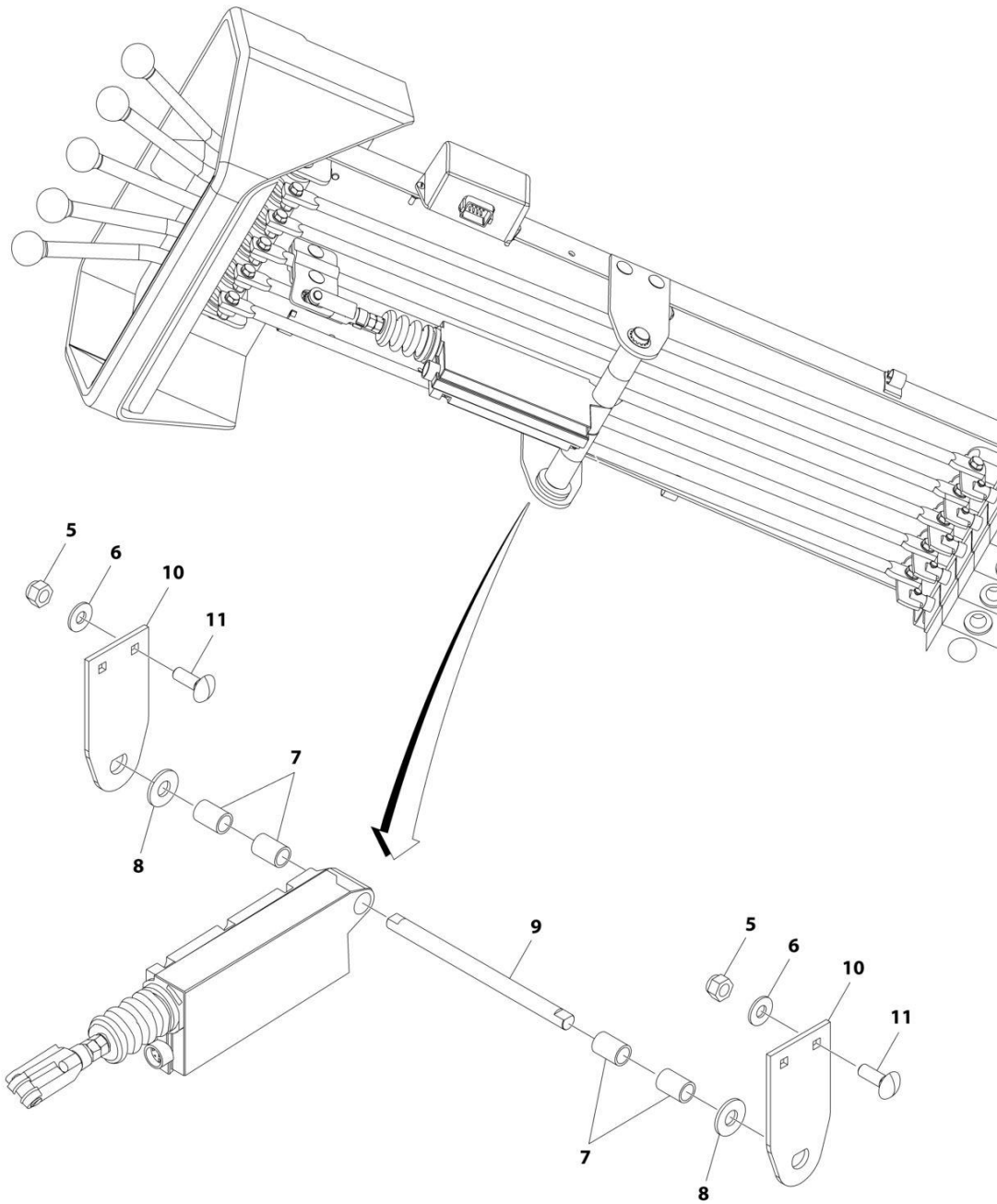
SECTION 4 - CONTROLS

FIGURE 4-16. VALVE ASSEMBLY - 6 BANK (WITH ZOD)

| ITEM | PART NUMBER | QTY | DESCRIPTION | REV |
|------|-------------|-----|----------------------------|-----|
| | 3935000118 | Ref | VALVE ASSEMBLY - 6 BANK | B |
| 1 | 7935000369 | 1 | Inlet/Outlet Valve | |
| 2 | 7935000170 | 4 | Single Clevis Valve | |
| 3 | 7935000227 | 1 | Relief Valve | |
| 4 | 7935000173 | 1 | End Valve | |
| 5 | 7577000218 | 1 | Bolt Kit | |
| 6 | 7935000171 | 1 | Valve with Counter Balance | |
| 7 | 7935000388 | 1 | Relief Valve | |
| 8 | 7935000174 | 1 | Relief Valve | |
| 9 | 9843930044 | AR | Cap | |
| 10 | 7577000343 | AR | Cap | |
| 11 | 9577930187 | AR | Kit, Spool Seal | |

SECTION 4 - CONTROLS

FIGURE 4-17. LINEAR ACTUATOR MOUNTING KIT - 3 4, & 5 BANK VALVE



ART_2577000017

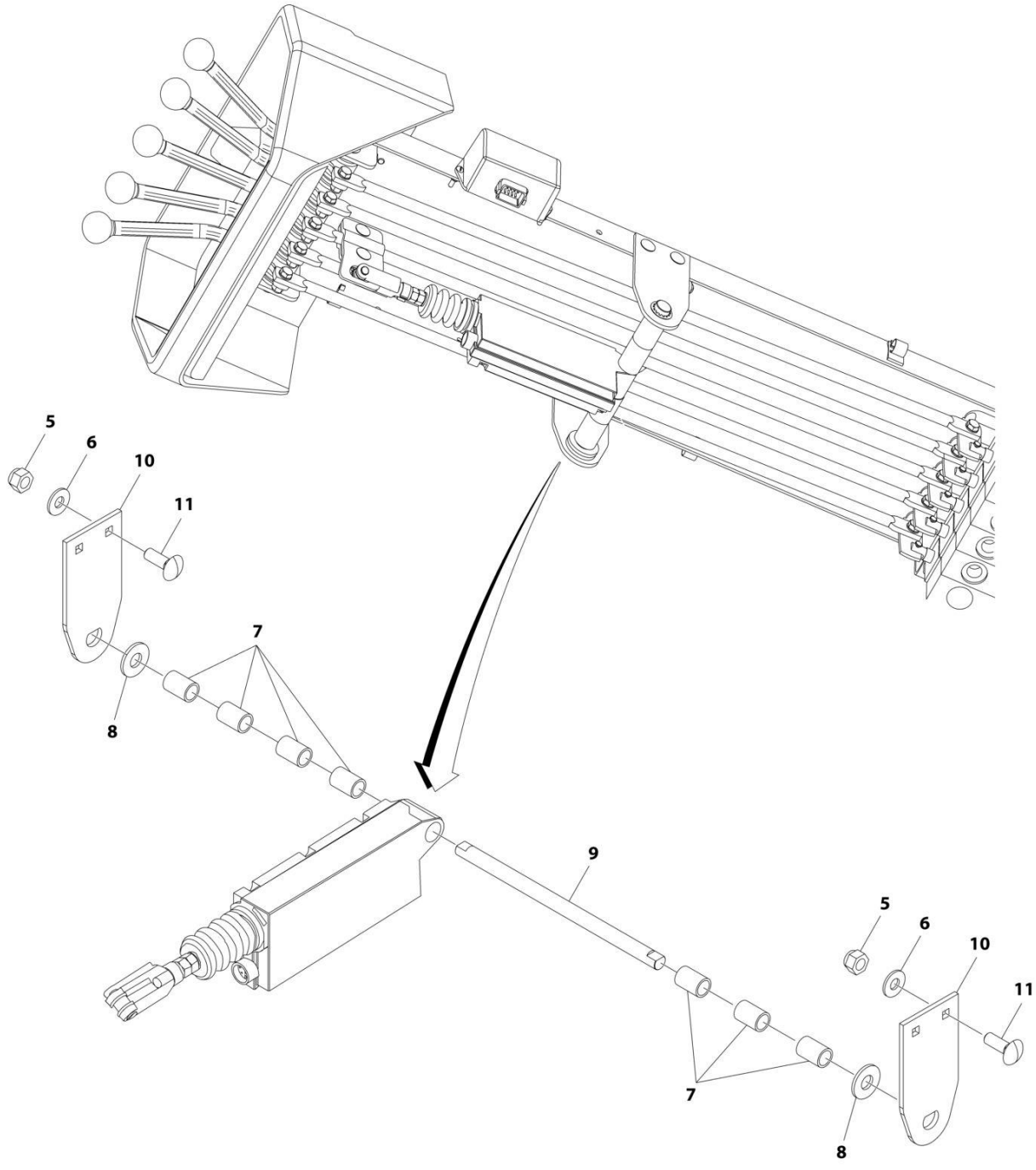
SECTION 4 - CONTROLS

FIGURE 4-17. LINEAR ACTUATOR MOUNTING KIT - 3 4, & 5 BANK VALVE

| ITEM | PART NUMBER | QTY | DESCRIPTION | REV |
|------|-------------|-----|---------------------------|-----|
| | 2577000017 | Ref | LINEAR ACTUATOR MOUNT KIT | B |
| 5 | 7660152601 | 4 | Nut 1/3 | |
| 6 | 7950150161 | 4 | Washer 1/3 | |
| 7 | 4211000001 | 4 | Bushing | |
| 8 | 7950220141 | 2 | Washer 3/4 | |
| 9 | 7691000064 | 1 | Pin | |
| 10 | 1001198871 | 2 | Plate | |
| 11 | 7115150664 | 4 | Bolt 1/3 x 3/4 | |

SECTION 4 - CONTROLS

FIGURE 4-18. LINEAR ACTUATOR MOUNTING KIT - 6 BANK VALVE



ART_2577000018

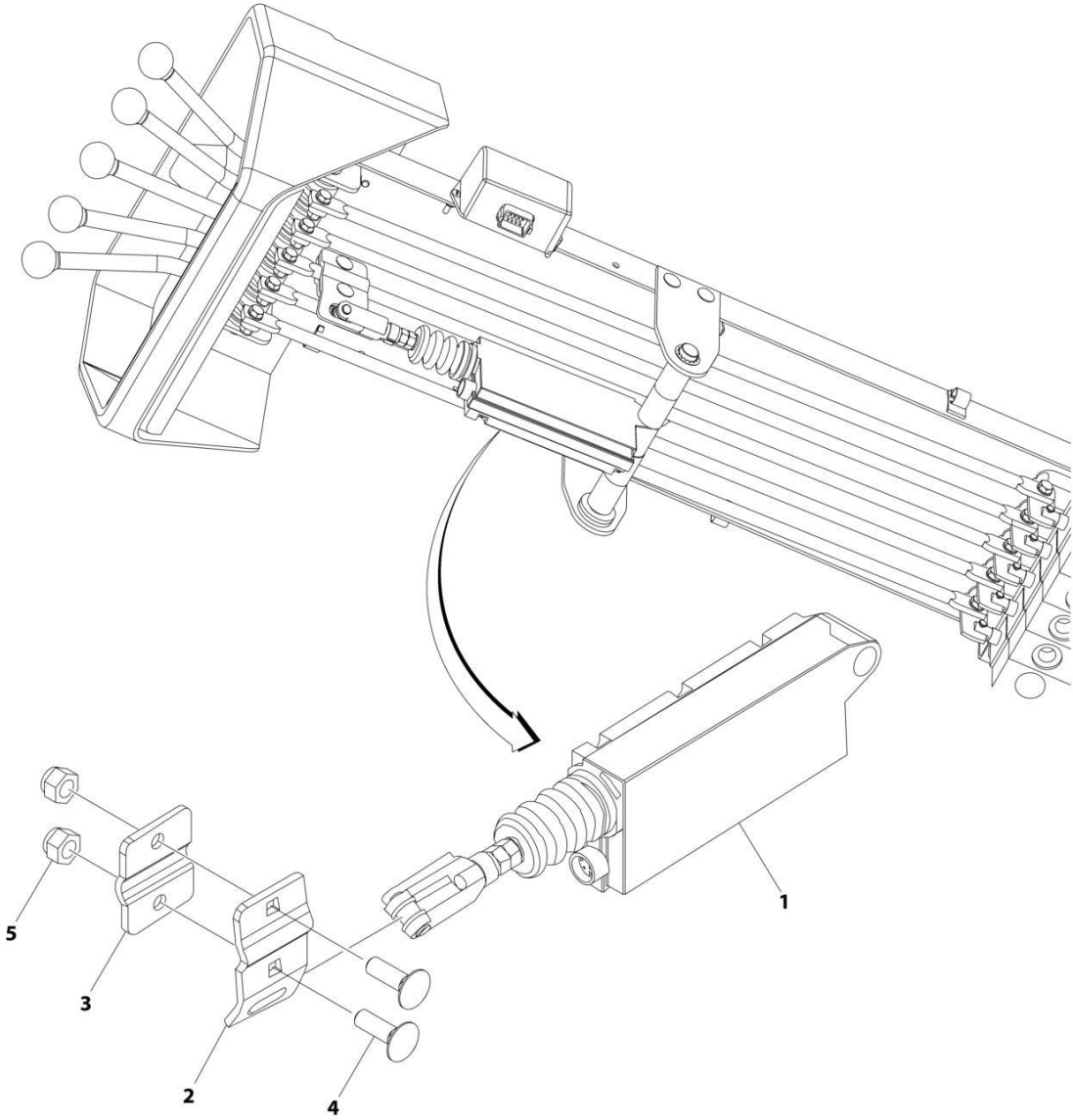
SECTION 4 - CONTROLS

FIGURE 4-18. LINEAR ACTUATOR MOUNTING KIT - 6 BANK VALVE

| ITEM | PART NUMBER | QTY | DESCRIPTION | REV |
|------|-------------|-----|----------------------------------|-----|
| | 2577000018 | Ref | 6 BANK LINEAR ACTUATOR MOUNT KIT | B |
| 5 | 7660152601 | 4 | Nut 5/16 | |
| 6 | 7950150161 | 4 | Washer 5/16 | |
| 7 | 4211000001 | 5 | Bushing | |
| 8 | 7950220141 | 2 | Washer 3/4 | |
| 9 | 7691000065 | 1 | Pin | |
| 10 | 1001198871 | 2 | Plate | |
| 11 | 7115150664 | 4 | Bolt 5/16 x 3/4 | |

SECTION 4 - CONTROLS

FIGURE 4-19. LINEAR ACTUATOR INSTALLATION KIT



ART_2577000016

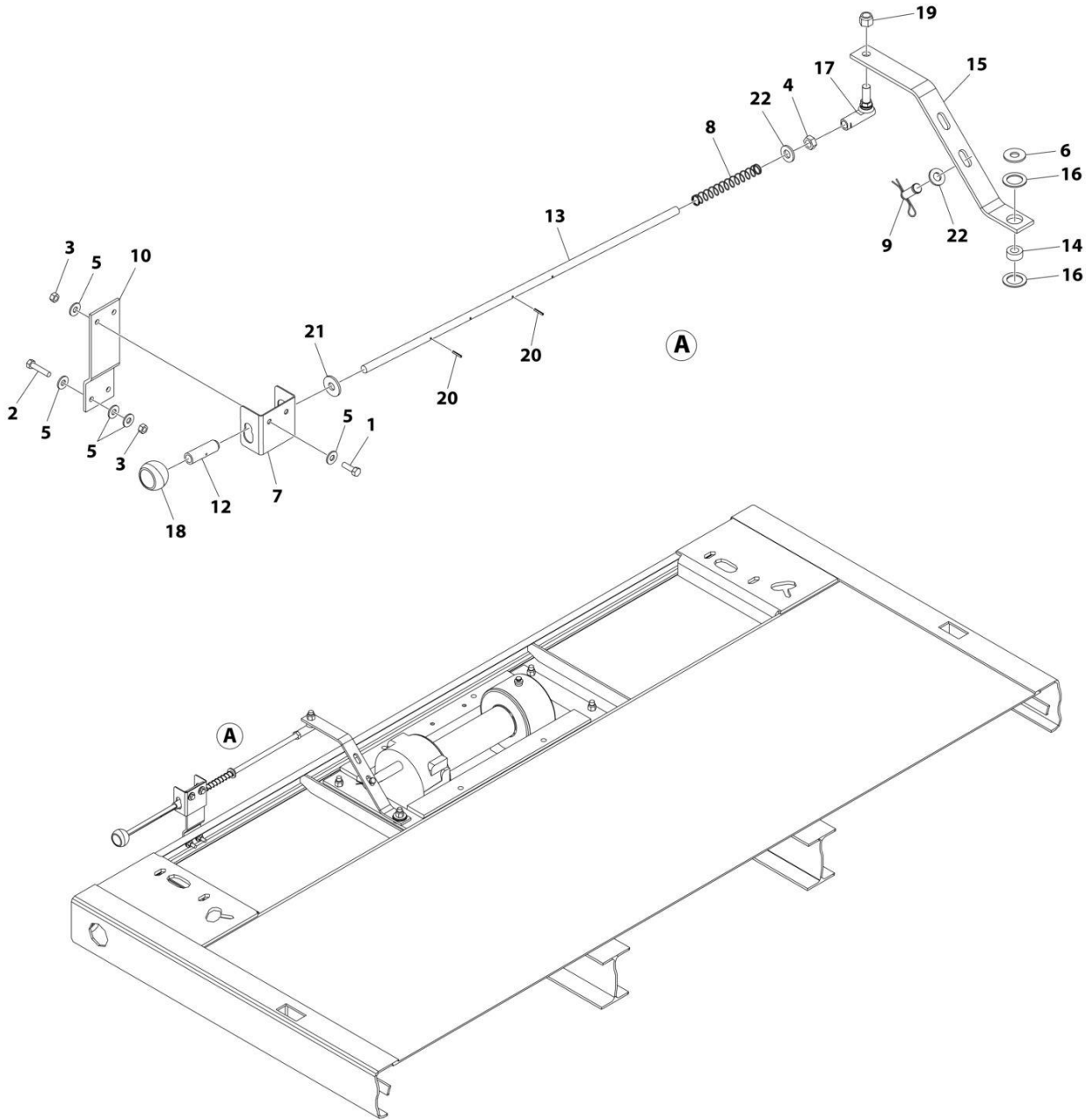
SECTION 4 - CONTROLS

FIGURE 4-19. LINEAR ACTUATOR INSTALLATION KIT

| ITEM | PART NUMBER | QTY | DESCRIPTION | REV |
|------|-------------|-----|----------------------------------|-----|
| | 2577000016 | Ref | LINEAR ACTUATOR INSTALLATION KIT | A |
| 1 | 7005000003 | 1 | Linear Actuator 12V | |
| 2 | 4178000664 | 1 | Bracket | |
| 3 | 4178000665 | 1 | Bracket | |
| 4 | 7115150864 | 2 | Bolt 5/16 x 1 | |
| 5 | 7660152601 | 2 | Nut 5/16 | |

SECTION 4 - CONTROLS

FIGURE 4-20. FREE SPOOL INSTALLATION - SINGLE 8K/10K WINCH (STANDARD HEADBOARD)



ART_1001187663

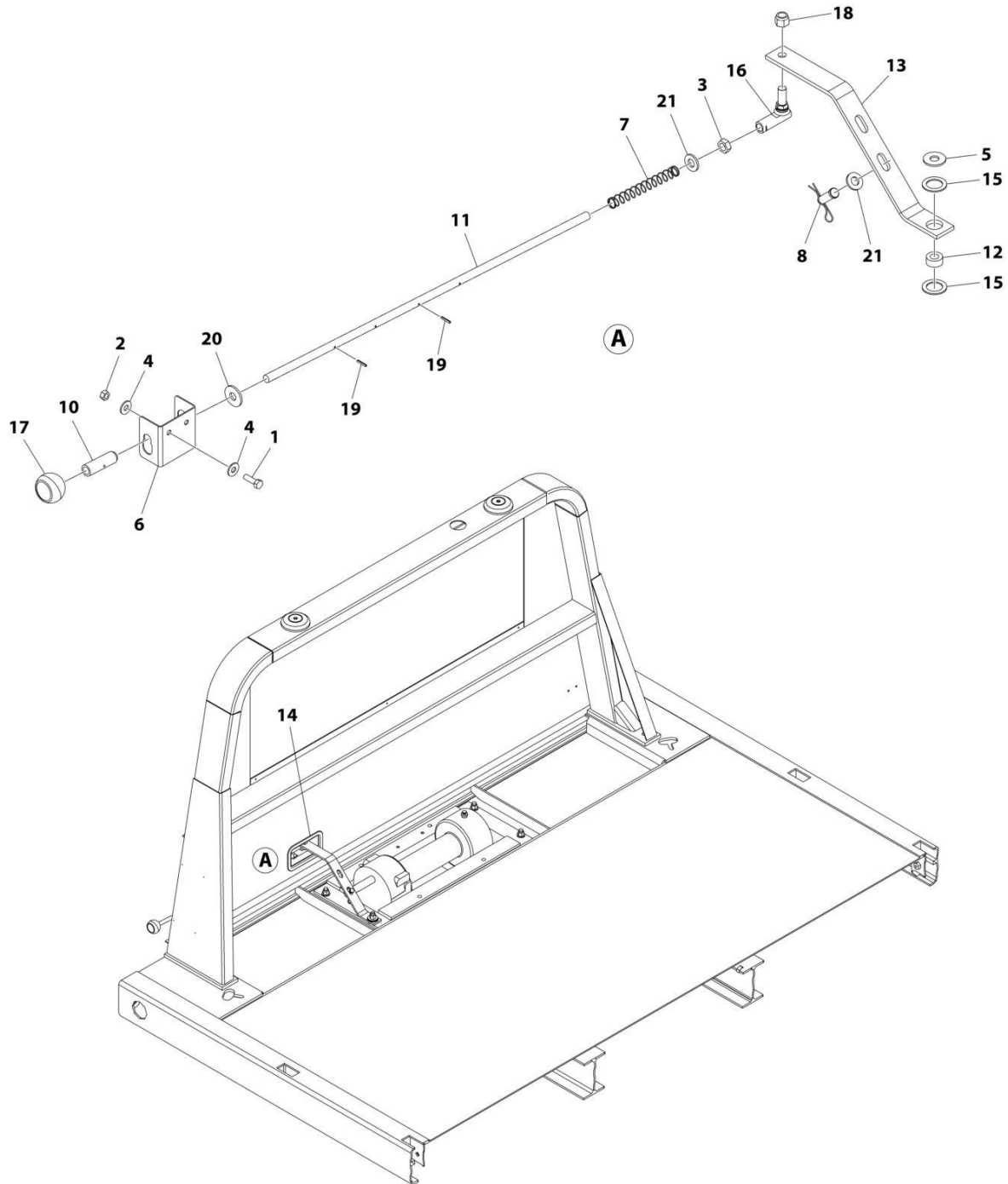
SECTION 4 - CONTROLS

FIGURE 4-20. FREE SPOOL INSTALLATION - SINGLE 8K/10K WINCH (STANDARD HEADBOARD)

| ITEM | PART NUMBER | QTY | DESCRIPTION | REV |
|------|-------------|-----|---|-----|
| | 1001187663 | Ref | HEADBOARD INSTALLATION, SINGLE FREE SPOOL - 8000/10000 LBS | B |
| 1 | 0641508 | 2 | Bolt 5/16 x 1 | |
| 2 | 0641512 | 2 | Bolt 5/16 x 1-1/2 | |
| 3 | 3271505 | 4 | Nut 5/16 | |
| 4 | 3321802 | 1 | Nut 1/2 | |
| 5 | 4751500 | 10 | Washer 5/16 | |
| 6 | 4751800 | 1 | Washer 1/2 | |
| 7 | 1001156245 | 1 | Bracket | |
| 8 | 1001156249 | 1 | Spring | |
| 9 | 1001179025 | 1 | Pin | |
| 10 | 1001187347 | 1 | Bracket | |
| 11 | 1001156252 | 1 | Decal (Not Shown) | |
| 12 | 1001191516 | 1 | Sleeve | |
| 13 | 1001191985 | 1 | Rod | |
| 14 | 4209000146 | 1 | Bushing | |
| 15 | 4587000004 | 1 | Lever | |
| 16 | 7082000010 | 2 | Washer 1-1/2 x 1 | |
| 17 | 7309000002 | 1 | Coupling | |
| 18 | 7551000017 | 1 | Knob | |
| 19 | 7660182631 | 1 | Nut 1/2 | |
| 20 | 7690051274 | 2 | Pin | |
| 21 | 7949000030 | 1 | Washer | |
| 22 | 7950180143 | 2 | Washer 1/2 | |

SECTION 4 - CONTROLS

FIGURE 4-21. FREE SPOOL INSTALLATION - SINGLE 8K/10K WINCH (DELUXE HEADBOARD)



ART_1001187664

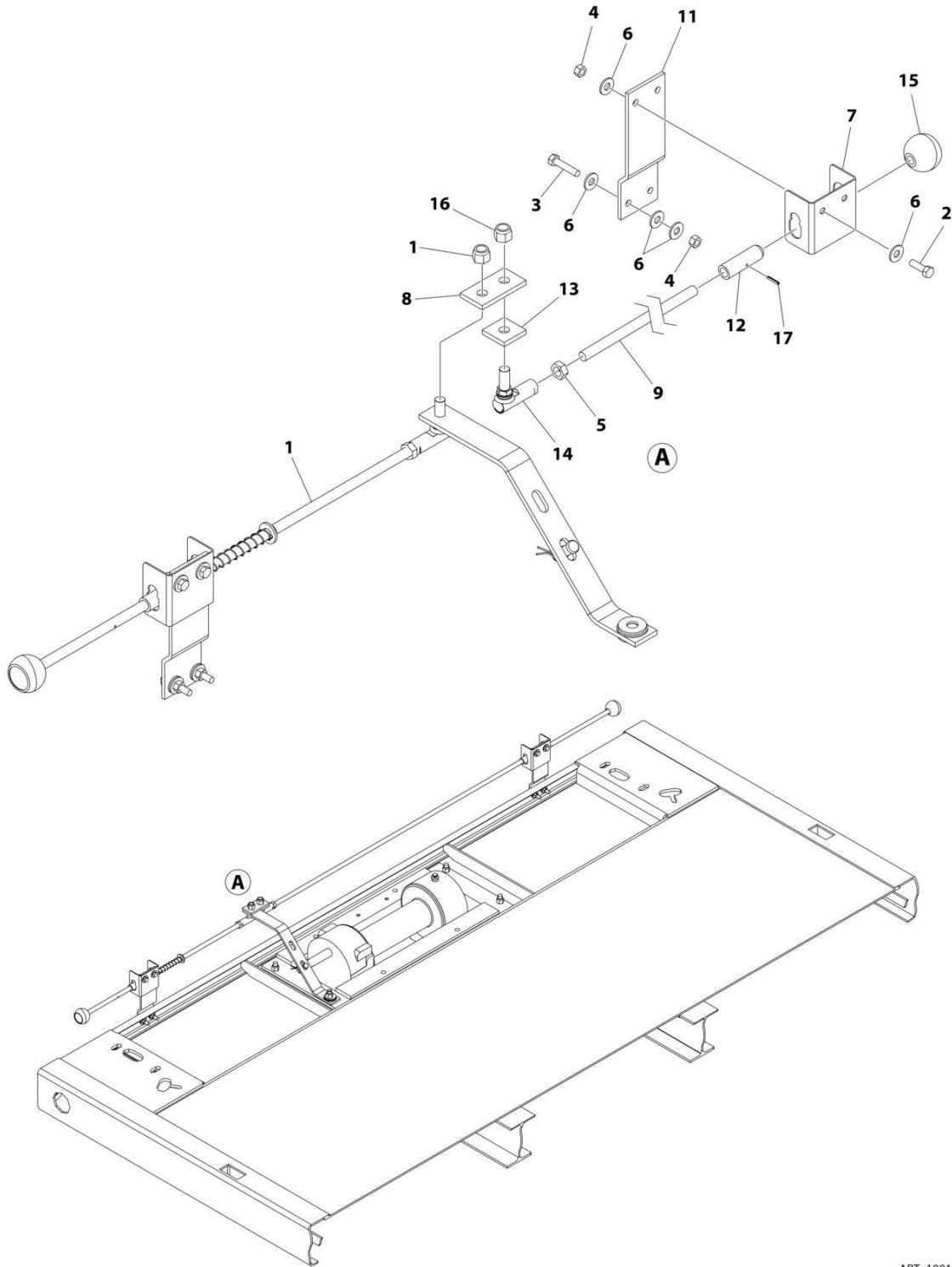
SECTION 4 - CONTROLS

FIGURE 4-21. FREE SPOOL INSTALLATION - SINGLE 8K/10K WINCH (DELUXE HEADBOARD)

| ITEM | PART NUMBER | QTY | DESCRIPTION | REV |
|------|-------------|-----|---|-----|
| | 1001187664 | Ref | DELUXE HEADBOARD INSTALLATION, SINGLE FREE SPOOL - 8000/10000 LBS | B |
| 1 | 0641508 | 2 | Bolt 5/16 x 1 | |
| 2 | 3271505 | 2 | Nut 5/16 | |
| 3 | 3321802 | 1 | Nut 1/2 | |
| 4 | 4751500 | 4 | Washer 5/16 | |
| 5 | 4751800 | 1 | Washer 1/2 | |
| 6 | 1001156245 | 1 | Bracket | |
| 7 | 1001156249 | 1 | Spring | |
| 8 | 1001179025 | 1 | Pin | |
| 9 | 1001156252 | 1 | Decal (Not Shown) | |
| 10 | 1001191516 | 1 | Sleeve | |
| 11 | 1001191985 | 1 | Rod | |
| 12 | 4209000146 | 1 | Bushing | |
| 13 | 4587000004 | 1 | Lever | |
| 14 | 4632000009 | 1 | Trim Lock | |
| 15 | 7082000010 | 2 | Washer 1-1/2 x 1 | |
| 16 | 7309000002 | 1 | Coupling | |
| 17 | 7551000017 | 1 | Knob | |
| 18 | 7660182631 | 1 | Nut 1/2 | |
| 19 | 7690051274 | 2 | Pin | |
| 20 | 7949000030 | 1 | Washer | |
| 21 | 7950180143 | 2 | Washer 1/2 | |

SECTION 4 - CONTROLS

FIGURE 4-22. FREE SPOOL INSTALLATION - DUAL 8K/10K WINCH (STANDARD HEADBOARD)



ART_1001187665

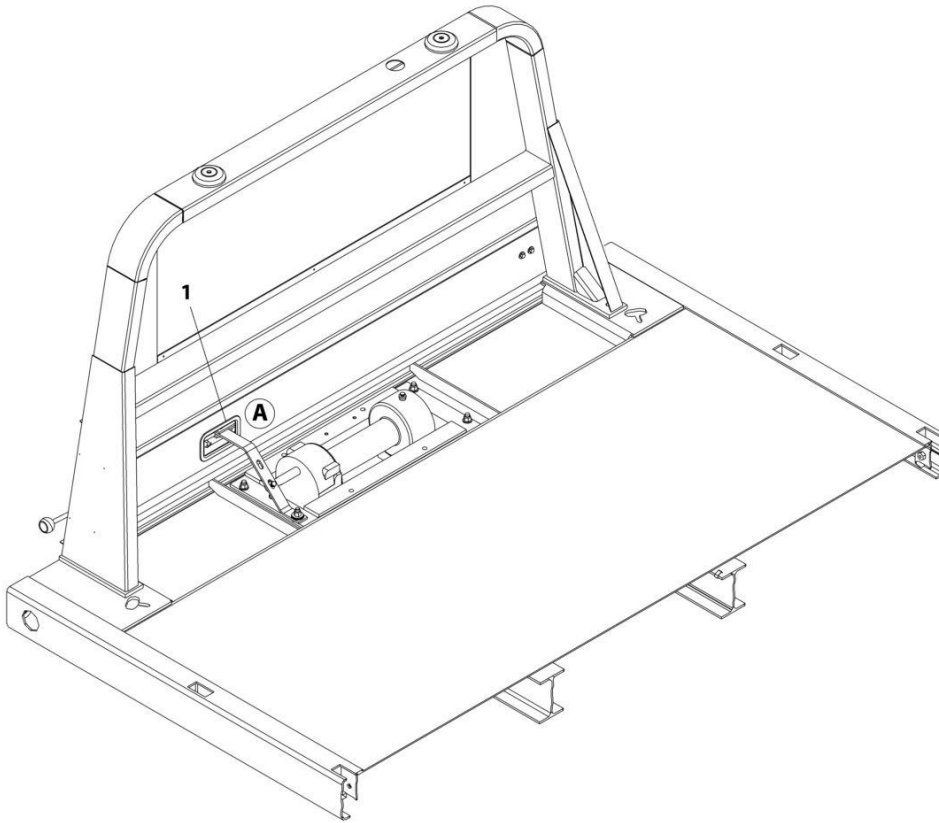
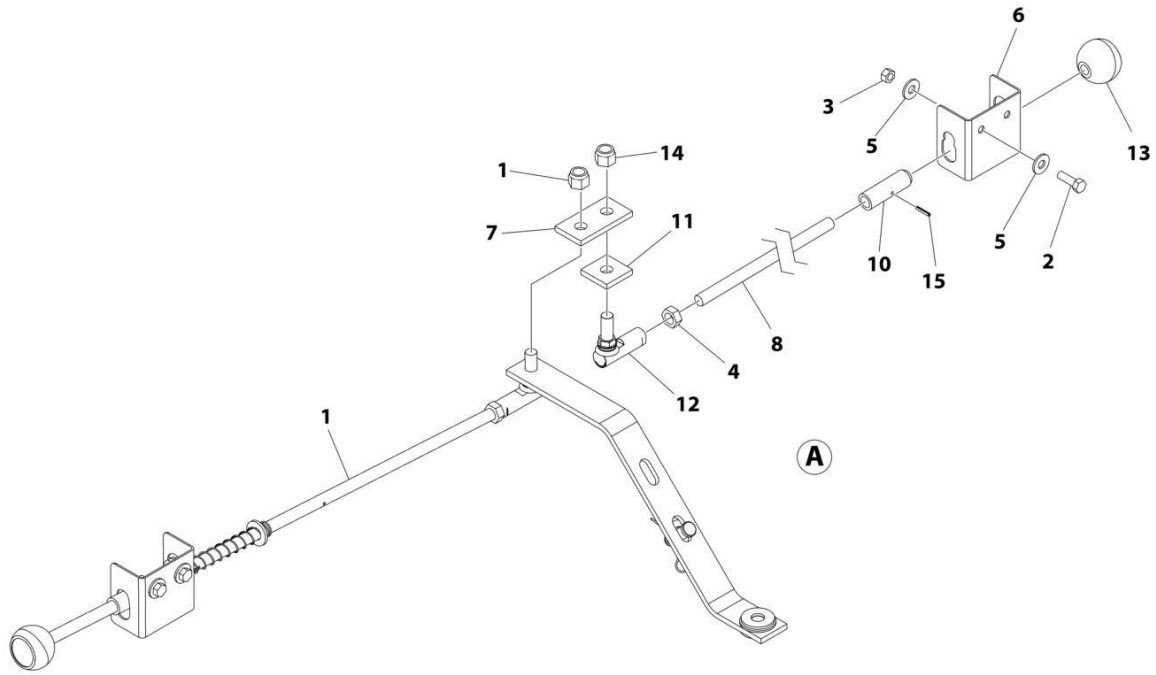
SECTION 4 - CONTROLS

FIGURE 4-22. FREE SPOOL INSTALLATION - DUAL 8K/10K WINCH (STANDARD HEADBOARD)

| ITEM | PART NUMBER | QTY | DESCRIPTION | REV |
|------|-------------|-----|---|-----|
| | 1001187665 | Ref | HEADBOARD INSTALLATION, DUAL FREE SPOOL - 8000/10000 LBS | C |
| 1 | 1001187663 | 1 | Single Free Spool Installation (See Separate Breakdown in this Section) | |
| 2 | 0641508 | 2 | Bolt 5/16 x 1 | |
| 3 | 0641512 | 2 | Bolt 5/16 x 1-1/2 | |
| 4 | 3271505 | 4 | Nut 5/16 | |
| 5 | 3321802 | 1 | Nut 1/2 | |
| 6 | 4751500 | 10 | Washer 5/16 | |
| 7 | 1001156245 | 1 | Bracket | |
| 8 | 1001156247 | 1 | Bar | |
| 9 | 1001156248 | 1 | Rod | |
| 10 | 1001156252 | 1 | Decal (Not Shown) | |
| 11 | 1001187347 | 1 | Bracket | |
| 12 | 1001191516 | 1 | Sleeve | |
| 13 | 4706000717 | 1 | Plate | |
| 14 | 7309000002 | 1 | Coupling | |
| 15 | 7551000017 | 1 | Knob | |
| 16 | 7660182631 | 1 | Nut 1/2 | |
| 17 | 7690051274 | 1 | Pin | |

SECTION 4 - CONTROLS

FIGURE 4-23. FREE SPOOL INSTALLATION - DUAL 8K/10K WINCH (DELUXE HEADBOARD)



ART_1001187666

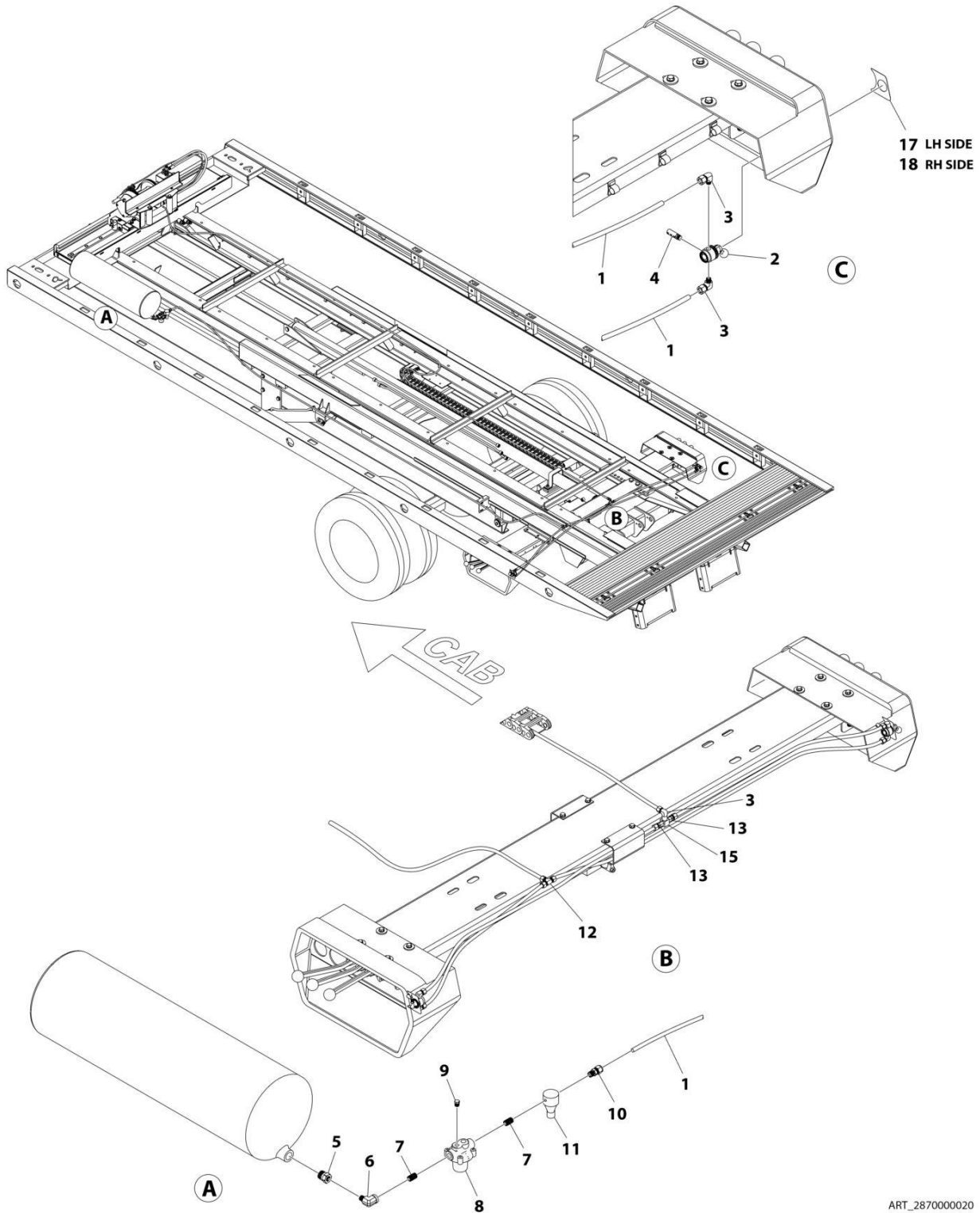
SECTION 4 - CONTROLS

FIGURE 4-23. FREE SPOOL INSTALLATION - DUAL 8K/10K WINCH (DELUXE HEADBOARD)

| ITEM | PART NUMBER | QTY | DESCRIPTION | REV |
|------|-------------|-----|---|-----|
| | 1001187666 | Ref | DELUX HEADBOARD INSTALLATION, DUAL FREE SPOOL - 8000/10000 LBS | B |
| 1 | 1001187664 | 1 | Single Free Spool, Deluxe Headboard Installation (See Separate Breakdown in this Section) | |
| 2 | 0641508 | 2 | Bolt 5/16 x 1 | |
| 3 | 3271505 | 2 | Nut 5/16 | |
| 4 | 3321802 | 1 | Nut 1/2 | |
| 5 | 4751500 | 4 | Washer 5/16 | |
| 6 | 1001156245 | 1 | Bracket | |
| 7 | 1001156247 | 1 | Bar | |
| 8 | 1001156248 | 1 | Rod | |
| 9 | 1001156252 | 1 | Decal (Not Shown) | |
| 10 | 1001191516 | 1 | Sleeve | |
| 11 | 4706000717 | 1 | Plate | |
| 12 | 7309000002 | 1 | Coupling | |
| 13 | 7551000017 | 1 | Knob | |
| 14 | 7660182631 | 1 | Nut 1/2 | |
| 15 | 7690051274 | 1 | Pin | |

SECTION 4 - CONTROLS

FIGURE 4-24. FREE SPOOL INSTALLATION - 8K/10K WINCH (AIR) (STANDARD HEADBOARD)



ART_287000020

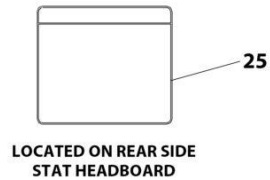
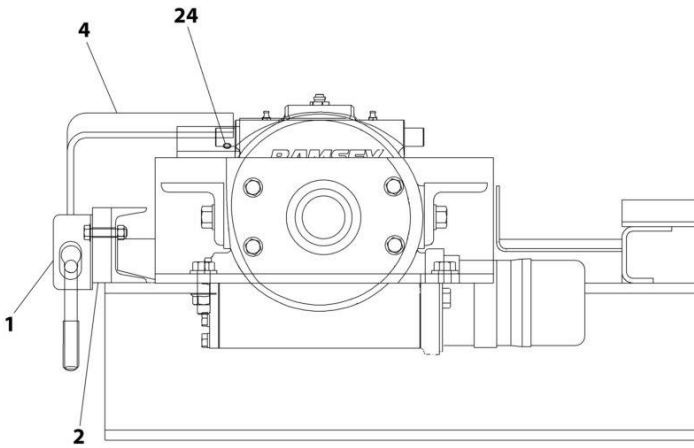
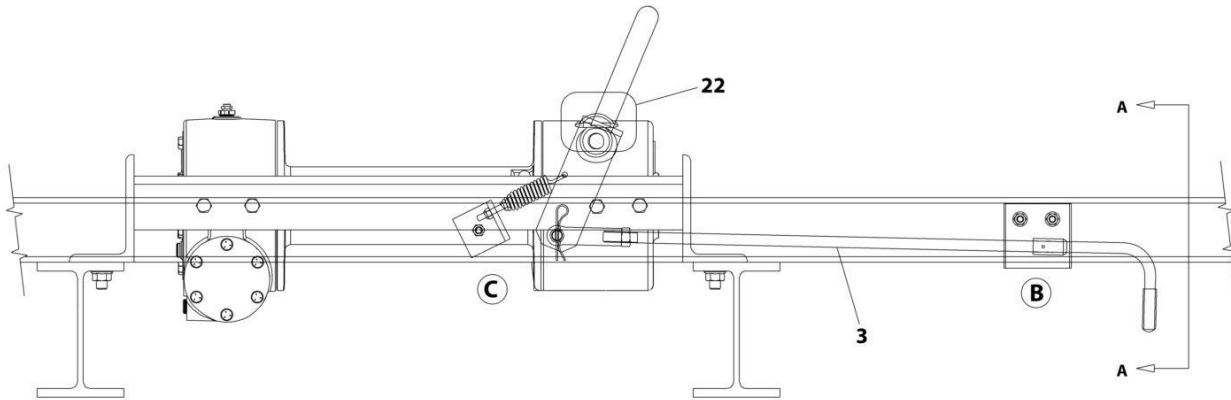
SECTION 4 - CONTROLS

FIGURE 4-24. FREE SPOOL INSTALLATION - 8K/10K WINCH (AIR) (STANDARD HEADBOARD)

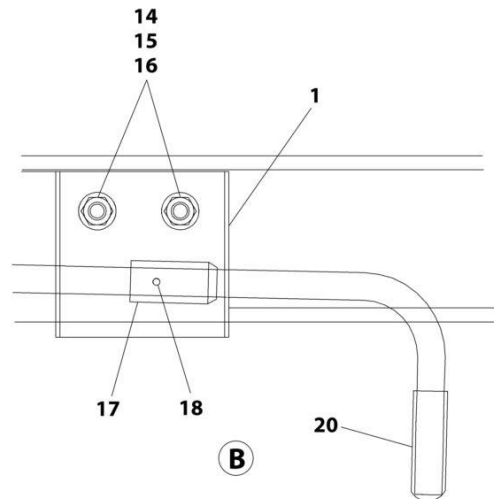
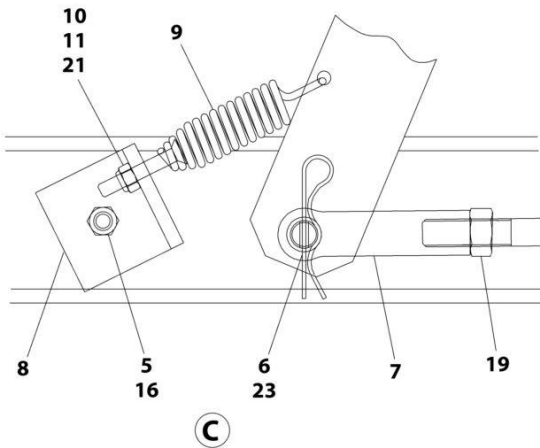
| ITEM | PART NUMBER | QTY | DESCRIPTION | REV |
|------|-------------|-----|--|-----|
| | 2870000020 | Ref | DUAL AIR FREE SPOOL SWITCH INSTALLATION - 8000/10000 LBS | B |
| 1 | 7565000014 | AR | Airline Tube | |
| 2 | 7935000182 | 2 | Air Valve | |
| 3 | 7443000364 | 5 | Fitting,Tube | |
| 4 | 7640000002 | 2 | Air Exhaust Muffler | |
| 5 | 7443000154 | 1 | Fitting | |
| 6 | 7443000155 | 1 | Fitting 90 | |
| 7 | 7443000156 | 2 | Fitting, Nipple | |
| 8 | 7935000120 | 1 | Pressure Protection Valve | |
| 9 | 7443000152 | 1 | Plug | |
| 10 | 7443000366 | 1 | Fitting,Tube | |
| 11 | 7935000248 | 1 | Air Regulator | |
| 12 | 7443000371 | 1 | Fitting, Tee | |
| 13 | 7443000365 | 2 | Fitting,Tube | |
| 14 | 8597650001 | 1 | Loom (Not Shown) | |
| 15 | 7935000229 | 1 | Shuttle Valve | |
| 16 | 7894000004 | 8 | Tie-Strap (Not Shown) | |
| 17 | 7330000675 | 1 | Decal LH | |
| 18 | 7330000676 | 1 | Decal RH | |
| 19 | 7443000443 | 1 | Fitting,Tube (Not Shown) | |
| 20 | 7565000016 | AR | Airline Tubing (Not Shown) | |

SECTION 4 - CONTROLS

FIGURE 4-25. FREE SPOOL INSTALLATION - 12K WINCH (BOLT-ON HEADBOARD)



VIEW A-A



ART_2970000069

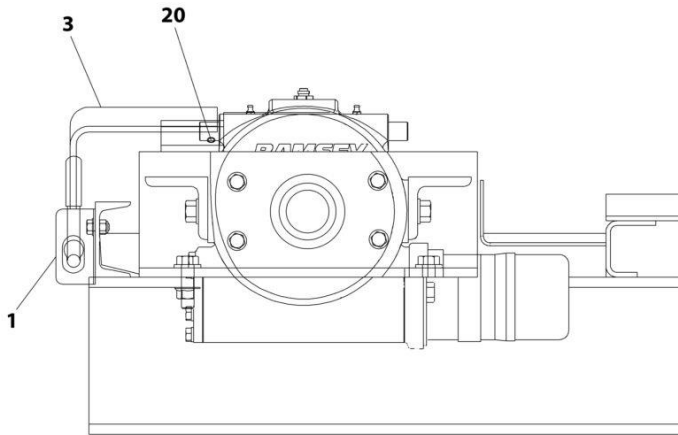
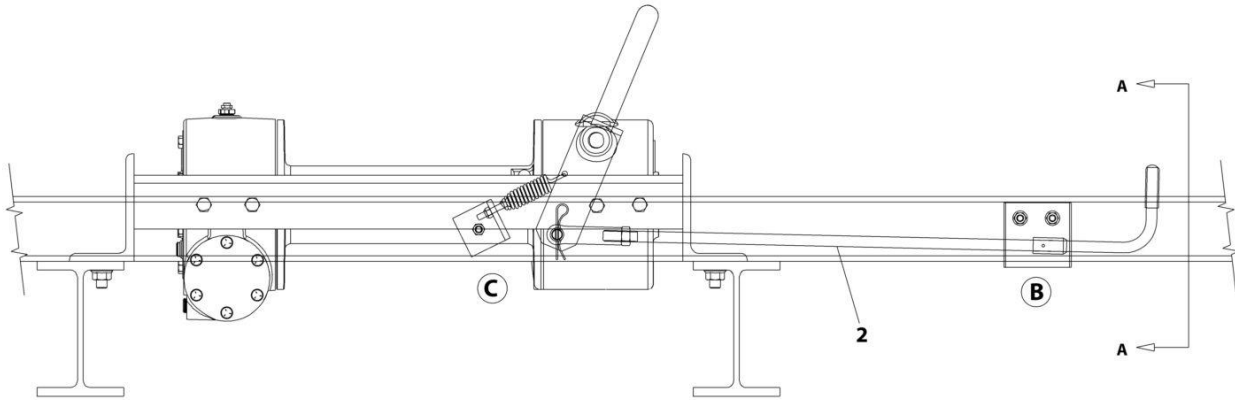
SECTION 4 - CONTROLS

FIGURE 4-25. FREE SPOOL INSTALLATION - 12K WINCH (BOLT-ON HEADBOARD)

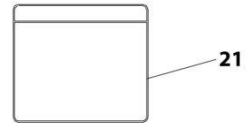
| ITEM | PART NUMBER | QTY | DESCRIPTION | REV |
|------|-------------|-----|-------------------------|-----|
| | 297000069 | Ref | FREE SPOOL INSTALLATION | F |
| 1 | 4178000673 | 1 | Bracket | |
| 2 | 4679000208 | 1 | Pad | |
| 3 | 4763000253 | 1 | Rod | |
| 4 | 3020000091 | 1 | Arm Weldment Lever | |
| 5 | 7115150850 | 1 | Capscrew 5/16 x 1 | |
| 6 | 7950180143 | 2 | Washer 1/2 | |
| 7 | 7990000011 | 1 | Yoke | |
| 8 | 4017001194 | 1 | Angle | |
| 9 | 7843000007 | 1 | Spring | |
| 10 | 7111141407 | 1 | Bolt 1/4 x 1-3/4 | |
| 11 | 7660142601 | 1 | Nut 1/4 | |
| 14 | 7950150161 | 2 | Washer 5/16 | |
| 15 | 7115151250 | 2 | Capscrew 5/16 x 1-1/2 | |
| 16 | 7660152601 | 3 | Nut 5/16 | |
| 17 | 4209000212 | 1 | Bushing | |
| 18 | 7690051274 | 1 | Pin | |
| 19 | 7660180234 | 1 | Nut 1/2 | |
| 20 | 7254000016 | 1 | Cap | |
| 21 | 7950140141 | 1 | Washer 1/4 | |
| 22 | 4632000030 | 1 | Moulding | |
| 23 | 1001179025 | 1 | Pin | |
| 24 | 7785150500 | 1 | Screw 5/16 x 5/16 | |
| 25 | 7330000242 | 1 | Decal, Free Spool | |

SECTION 4 - CONTROLS

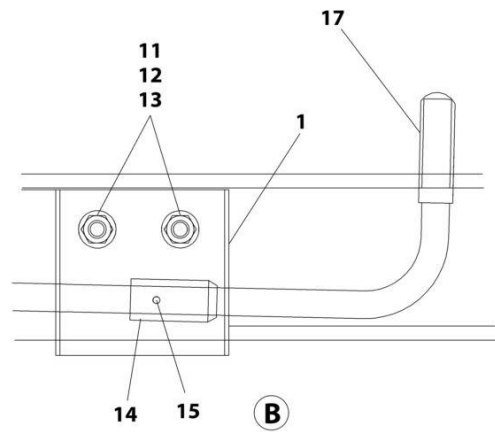
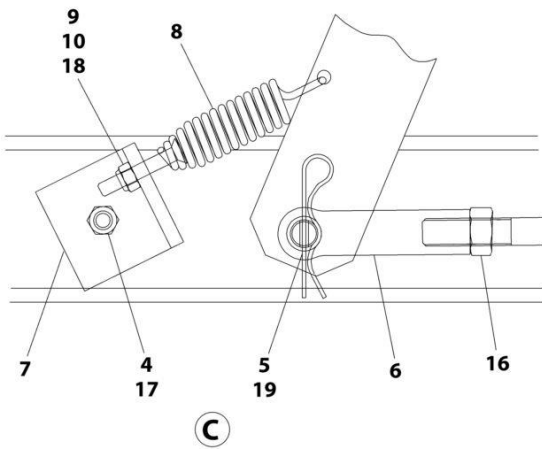
FIGURE 4-26. FREE SPOOL INSTALLATION - 12K WINCH (STATIONARY HEADBOARD)



VIEW A-A



LOCATED ON REAR SIDE
STAT HEADBOARD



ART_2970000105

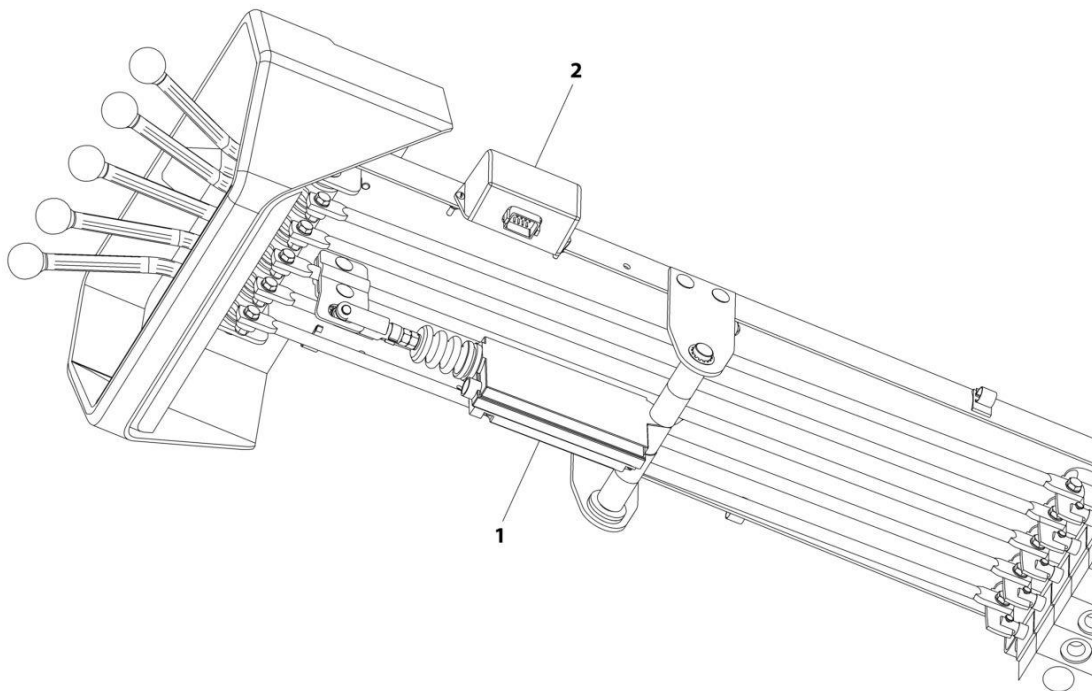
SECTION 4 - CONTROLS

FIGURE 4-26. FREE SPOOL INSTALLATION - 12K WINCH (STATIONARY HEADBOARD)

| ITEM | PART NUMBER | QTY | DESCRIPTION | REV |
|------|-------------|-----|-------------------------|-----|
| | 2970000105 | Ref | FREE SPOOL INSTALLATION | C |
| 1 | 4178000673 | 1 | Bracket | |
| 2 | 4763000253 | 1 | Rod | |
| 3 | 3020000123 | 1 | Arm Weldment Lever | |
| 4 | 7115150850 | 1 | Capscrew 5/16 x 1 | |
| 5 | 7950180143 | 2 | Washer 1/2 | |
| 6 | 7990000011 | 1 | Yoke | |
| 7 | 4017001504 | 1 | Angle | |
| 8 | 7843000007 | 1 | Spring | |
| 9 | 7111141407 | 1 | Bolt 1/4 x 1-3/4 | |
| 10 | 7660142601 | 1 | Nut 1/4 | |
| 11 | 7950150161 | 2 | Washer 5/16 | |
| 13 | 7115150850 | 3 | Capscrew 5/16 x 1 | |
| 12 | 7660152601 | 2 | Nut 5/16 | |
| 14 | 4209000212 | 1 | Bushing | |
| 15 | 7690051274 | 1 | Pin | |
| 16 | 7660180234 | 1 | Nut | |
| 17 | 7254000016 | 1 | Cap | |
| 18 | 7950140141 | 1 | Washer 1/4 | |
| 19 | 1001179025 | 1 | Pin | |
| 20 | 7785150500 | 1 | Screw 5/16 x 5/16 | |
| 21 | 7330000495 | 1 | Decal, Free Spool | |

SECTION 4 - CONTROLS

FIGURE 4-27. REMOTE CONTROL, ONE FUNCTION, WINCHES PLUS



ART_RC-1

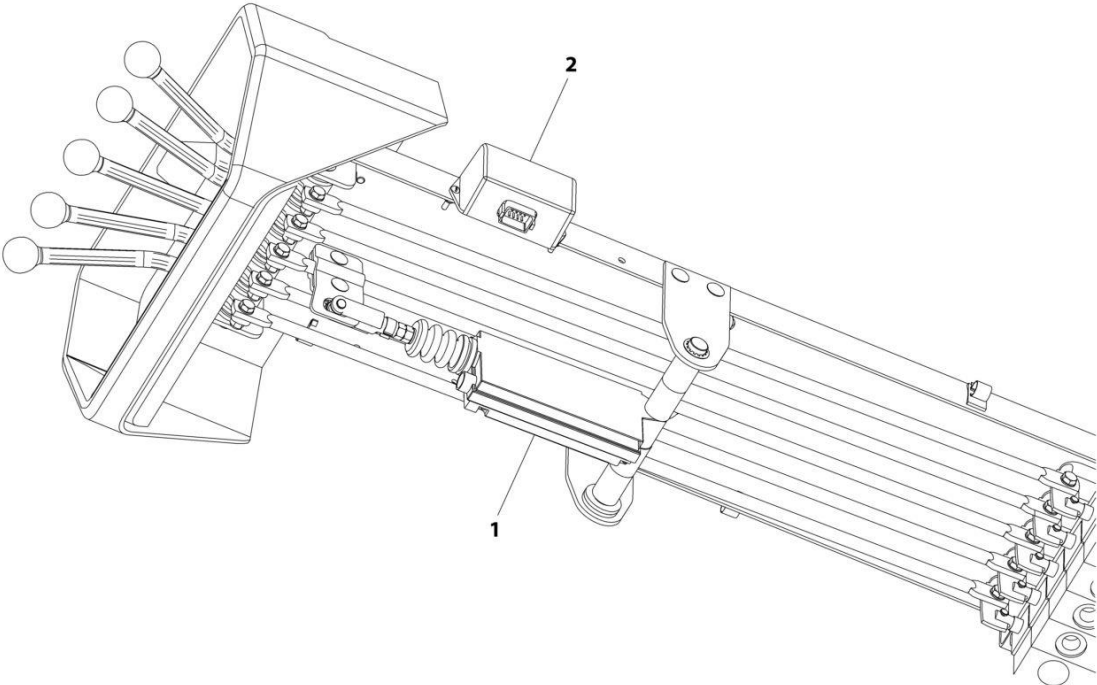
SECTION 4 - CONTROLS

FIGURE 4-27. REMOTE CONTROL, ONE FUNCTION, WINCHES PLUS

| ITEM | PART NUMBER | QTY | DESCRIPTION | REV |
|------|--------------------|----------|--|-----|
| 1 | RC-1 2577000016 | Ref 1 | REMOTE CONTROL - ONE FUNCTION Linear Actuator Installation Kit (See Separate Breakdown in this Section) | 0 |
| 2 | 2577000029 | 1 | Miratron Wireless Installation (See Separate Breakdown in this Section) | |

SECTION 4 - CONTROLS

FIGURE 4-28. REMOTE CONTROL, TWO FUNCTION, WINCHES PLUS



ART_RC-2

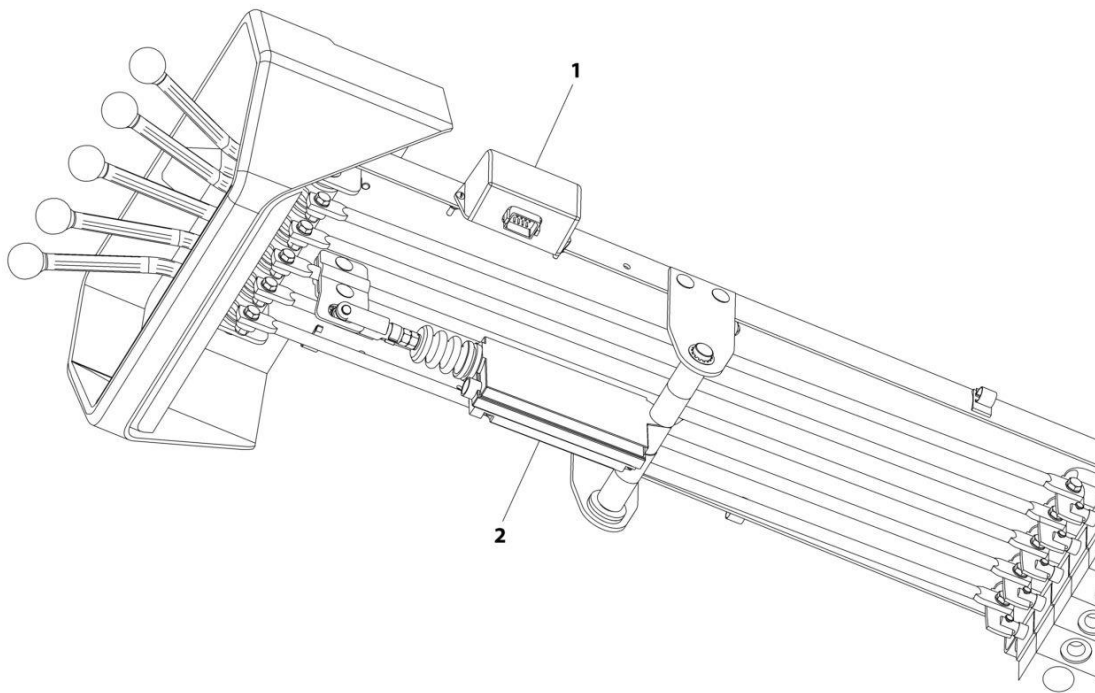
SECTION 4 - CONTROLS

FIGURE 4-28. REMOTE CONTROL, TWO FUNCTION, WINCHES PLUS

| ITEM | PART NUMBER | QTY | DESCRIPTION | REV |
|------|--------------------|----------|--|-----|
| 1 | RC-2 2577000016 | Ref 2 | REMOTE CONTROL - TWO FUNCTION, WINCHES PLUS Linear Actuator Installation Kit (See Separate Breakdown in this Section) | 0 |
| 2 | 2577000030 | 1 | Miratron Wireless Installation (See Separate Breakdown in this Section) | |

SECTION 4 - CONTROLS

FIGURE 4-29. REMOTE CONTROL, THREE FUNCTION, WINCHES PLUS



ART_RC-3

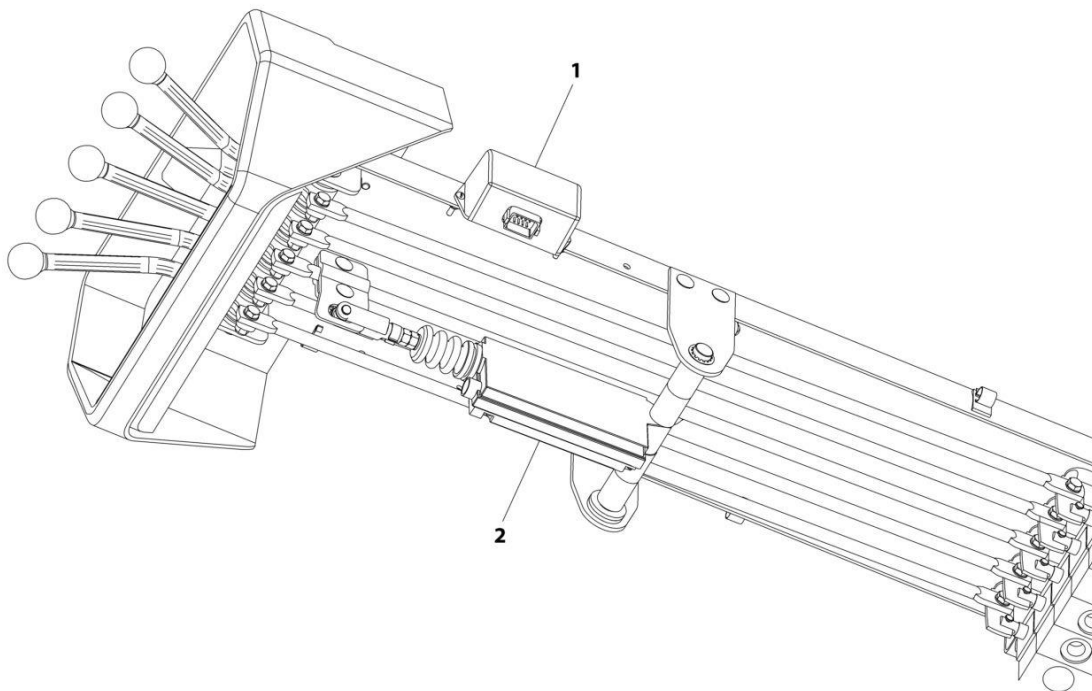
SECTION 4 - CONTROLS

FIGURE 4-29. REMOTE CONTROL, THREE FUNCTION, WINCHES PLUS

| ITEM | PART NUMBER | QTY | DESCRIPTION | REV |
|------|--------------------|----------|---|-----|
| 1 | RC-3 2577000016 | Ref 3 | Remote Control, Three Function, Winches Plus Linear Actuator Installation Kit (See Separate Breakdown in this Section) | 0 |
| 2 | 2577000031 | 1 | Miratron Wireless Installation (See Separate Breakdown in this Section) | |

SECTION 4 - CONTROLS

FIGURE 4-30. REMOTE CONTROL, FOUR FUNCTION, WINCHES PLUS



ART_RC-4

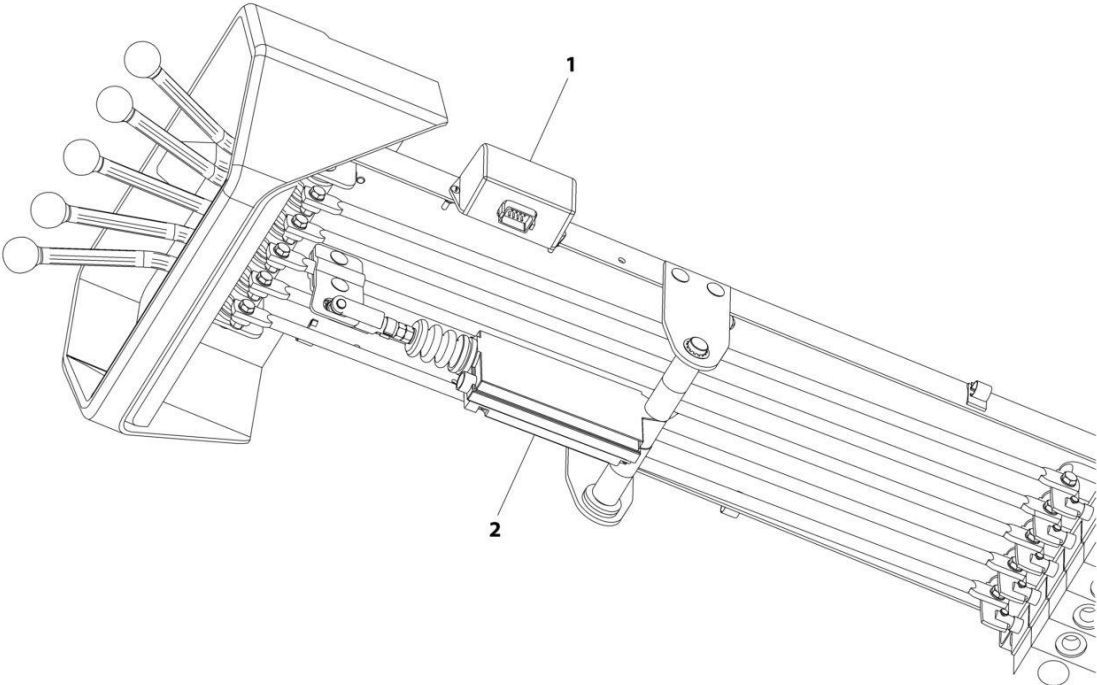
SECTION 4 - CONTROLS

FIGURE 4-30. REMOTE CONTROL, FOUR FUNCTION, WINCHES PLUS

| ITEM | PART NUMBER | QTY | DESCRIPTION | REV |
|------|--------------------|----------|--|-----|
| 1 | RC-4 2577000016 | Ref 4 | Remote Control, Four Function, Winches Plus Linear Actuator Installation Kit (See Separate Breakdown in this Section) | 0 |
| 2 | 2577000034 | 1 | Miratron Wireless Installation (See Separate Breakdown in this Section) | |

SECTION 4 - CONTROLS

FIGURE 4-31. REMOTE CONTROL, FIVE FUNCTION, WINCHES PLUS



ART_RC-5

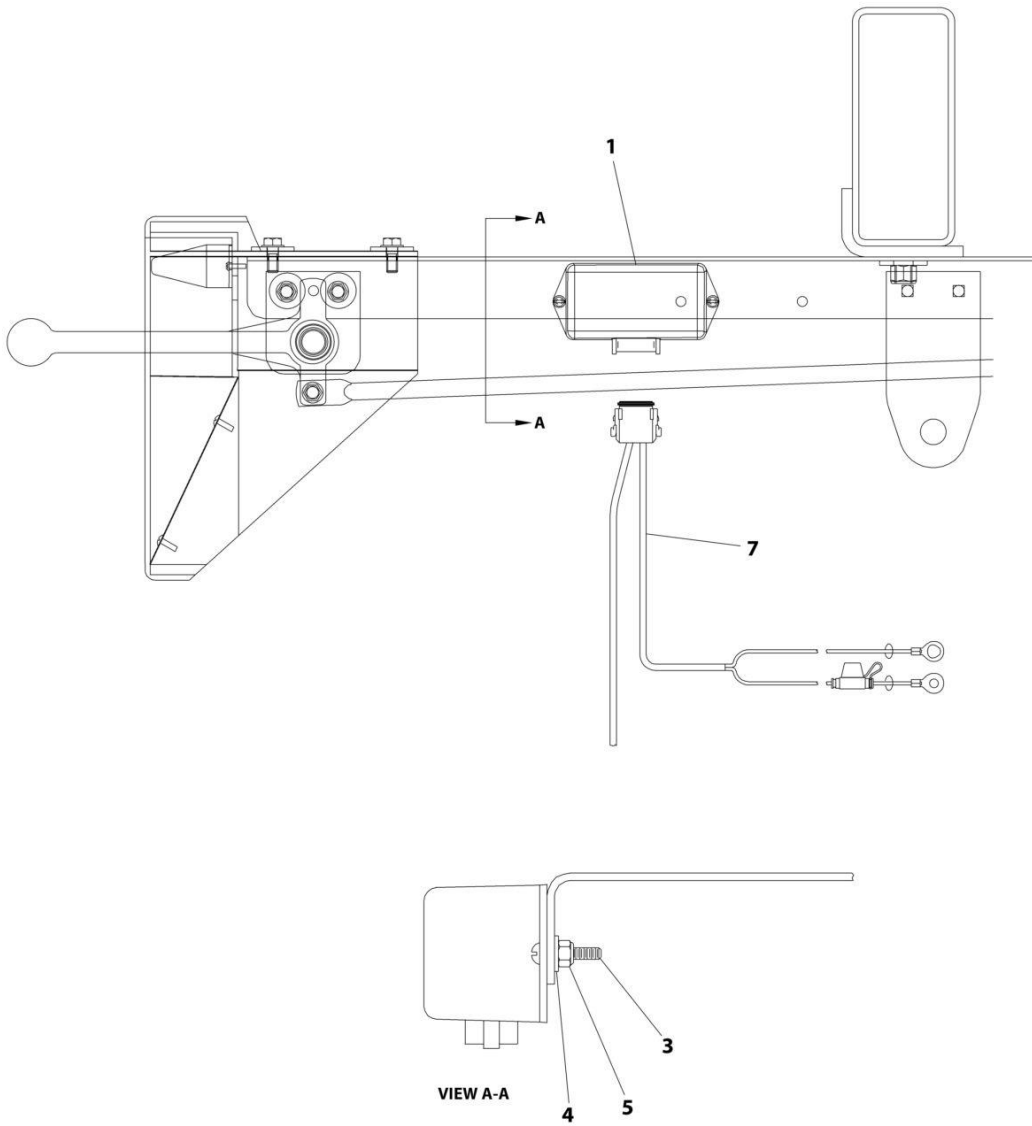
SECTION 4 - CONTROLS

FIGURE 4-31. REMOTE CONTROL, FIVE FUNCTION, WINCHES PLUS

| ITEM | PART NUMBER | QTY | DESCRIPTION | REV |
|------|--------------------|----------|--|-----|
| 1 | RC-5 2577000016 | Ref 5 | Remote Control, Five Function, Winches Plus Linear Actuator Installation Kit (See Separate Breakdown in this Section) | 0 |
| 2 | 2577000035 | 1 | Miratron Wireless Installation (See Separate Breakdown in this Section) | |

SECTION 4 - CONTROLS

FIGURE 4-32. MIRATRON WIRELESS INSTALLATION, ONE FUNCTION



ART_2577000029

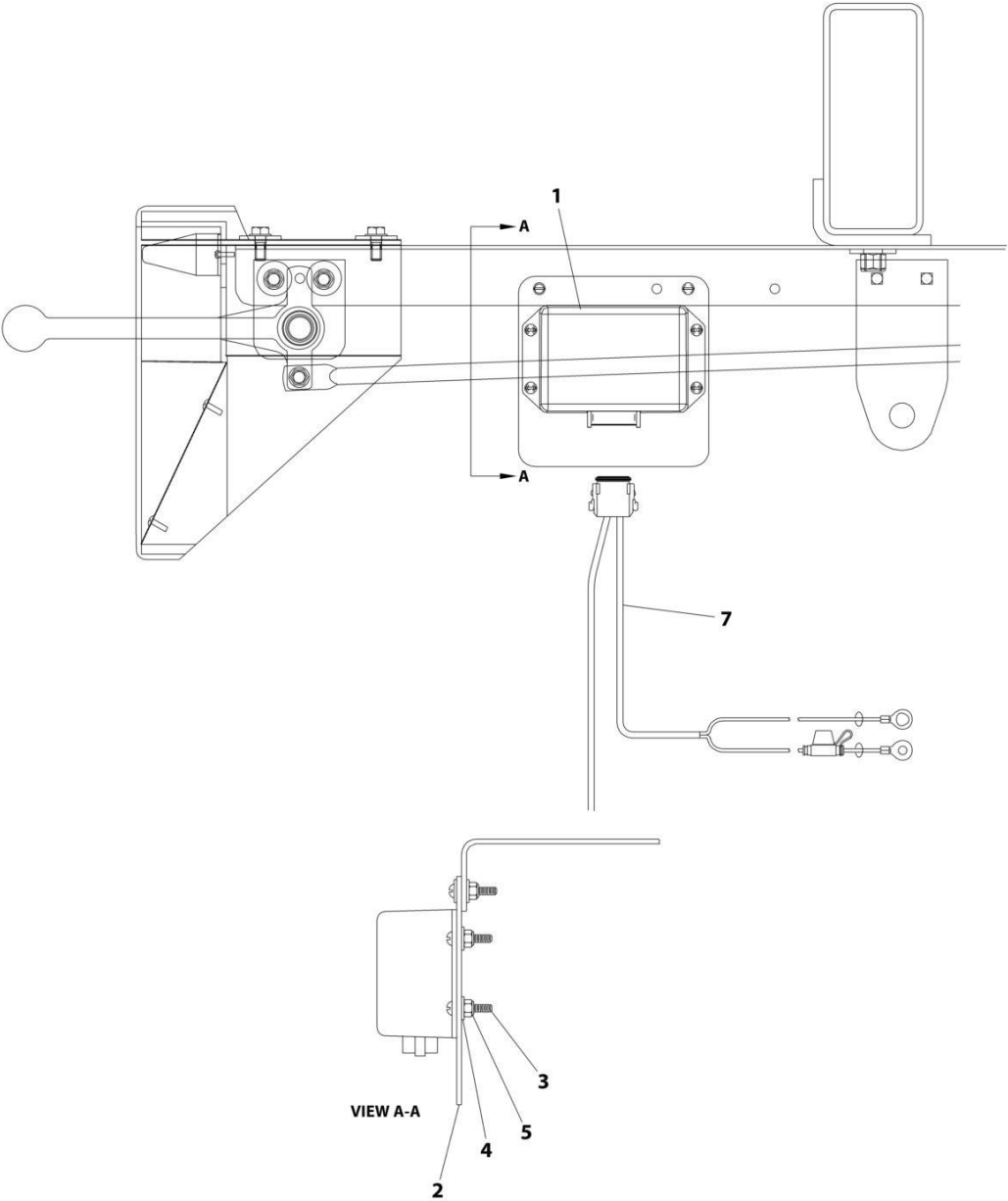
SECTION 4 - CONTROLS

FIGURE 4-32. MIRATRON WIRELESS INSTALLATION, ONE FUNCTION

| ITEM | PART NUMBER | QTY | DESCRIPTION | REV |
|------|-------------|-----|--|-----|
| | 2577000029 | Ref | CONT INST WIRELESS MIRATRON 2 FUNCT | 0 |
| 1 | 7295000106 | 1 | Wireless Cont 2 Function Miratron Rollback | |
| 3 | 7114100810 | 2 | Screw #10 x 1 | |
| 4 | 7950100151 | 2 | Washer 3/16 | |
| 5 | 7660102604 | 2 | Nut #10 | |
| 7 | 7552000391 | 1 | Harness 2 Function Miratron Rollback | |
| 7 | 4460930 | 1 | Plug, Male - 8 Position | |
| 7 | 4460465 | 6 | Socket, Female | |
| 7 | 4460955 | 2 | Plug, Male - 2 Position | |
| 7 | 4460842 | 4 | Terminal | |
| 7 | | Ref | Fuse - 10Amp ATO (Purchase Locally) | |

SECTION 4 - CONTROLS

FIGURE 4-33. MIRATRON WIRELESS INSTALLATION, TWO FUNCTION



ART_2577000030

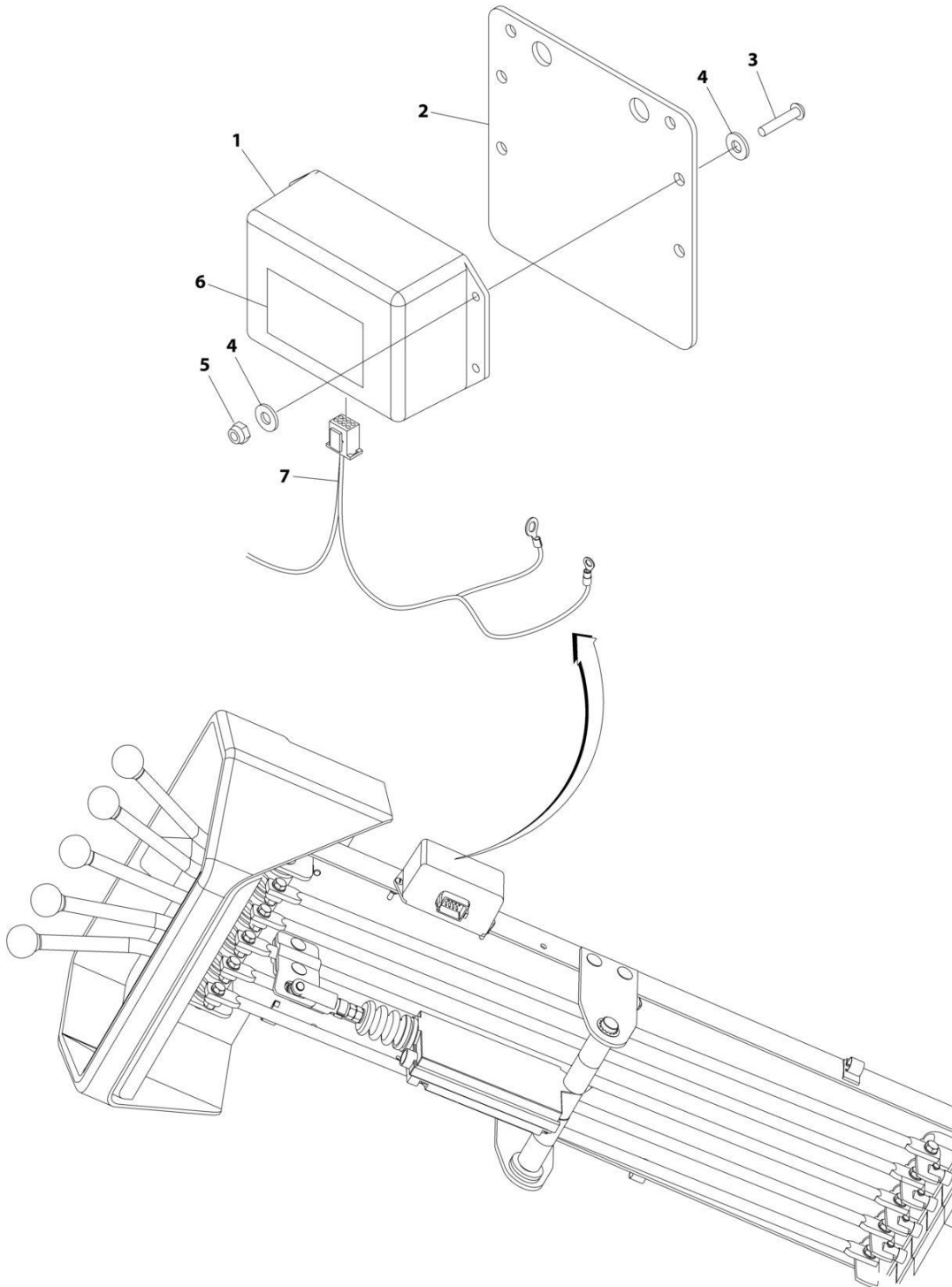
SECTION 4 - CONTROLS

FIGURE 4-33. MIRATRON WIRELESS INSTALLATION, TWO FUNCTION

| ITEM | PART NUMBER | QTY | DESCRIPTION | REV |
|------|-------------|-----|---|-----|
| | 2577000030 | Ref | REMOTE CONTROL INSTALLATION - FOUR FUNCTION | A |
| 1 | 7295000108 | 1 | Controller, Wireless - 4 Function | |
| 2 | 4706005595 | 1 | Plate | |
| 3 | 7114100810 | 6 | Screw #10 x 1 | |
| 4 | 7950100151 | 8 | Washer 3/16 | |
| 5 | 7660102604 | 6 | Nut #10 | |
| 7 | 7552000392 | 1 | Harness 4 Function Miratron Rollback | |
| 7 | 4460933 | 1 | Plug, Male - 12 Position | |
| 7 | 4460465 | 10 | Socket, Female | |
| 7 | 4460955 | 4 | Plug, Male - 2 Position | |
| 7 | 4460842 | 8 | Terminal | |
| 7 | | Ref | Fuse - 10AMP ATO (Purchase Locally) | |

SECTION 4 - CONTROLS

FIGURE 4-34. MIRATRON WIRELESS INSTALLATION, THREE FUNCTION



ART_2577000031

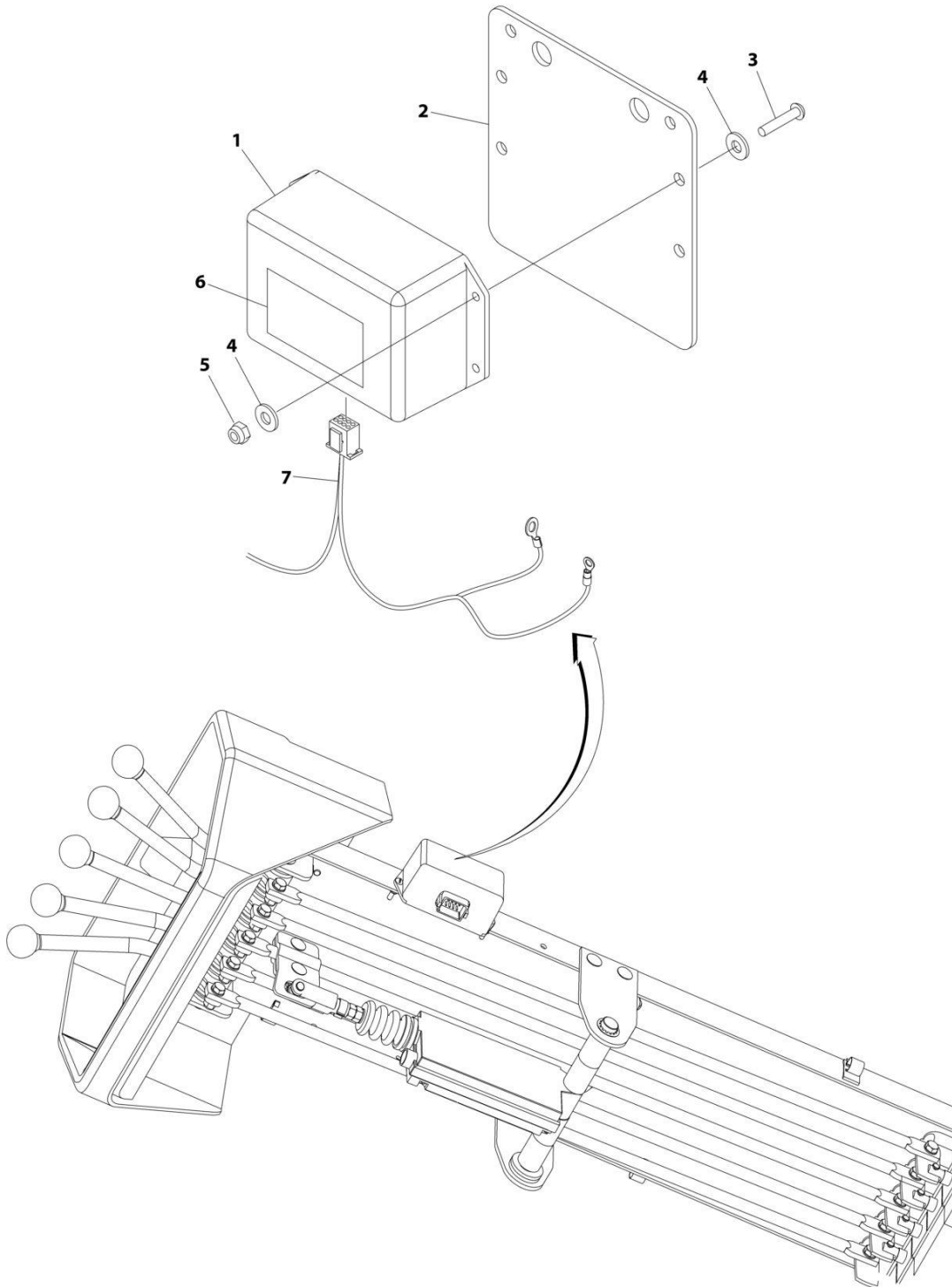
SECTION 4 - CONTROLS

FIGURE 4-34. MIRATRON WIRELESS INSTALLATION, THREE FUNCTION

| ITEM | PART NUMBER | QTY | DESCRIPTION | REV |
|------|-------------|-----|--|-----|
| | 2577000031 | Ref | Remote Control Installation - Three Function | A |
| 1 | 7295000109 | 1 | Controller (3 remote operations) | |
| 2 | 4706005595 | 1 | Plate | |
| 3 | 7114100810 | 6 | Screw #10 | |
| 4 | 7950100151 | 8 | Washer 3/16 | |
| 5 | 7660102604 | 6 | Nut #10 | |
| 6 | 7330000696 | 1 | Decal - Controller Functions | |
| 7 | 7552000393 | 1 | Harness - 6 Function | |
| 7 | 4460933 | 1 | Plug, Male - 12 Position | |
| 7 | 4460465 | 8 | Socket, Female | |
| 7 | 4460955 | 6 | Plug, Male - 2 Position | |
| 7 | 4460842 | 12 | Terminal | |
| 7 | | Ref | Fuse - 10AMP ATO (Purchase Locally) | |

SECTION 4 - CONTROLS

FIGURE 4-35. MIRATRON WIRELESS INSTALLATION, FOUR FUNCTION



ART_2577000034

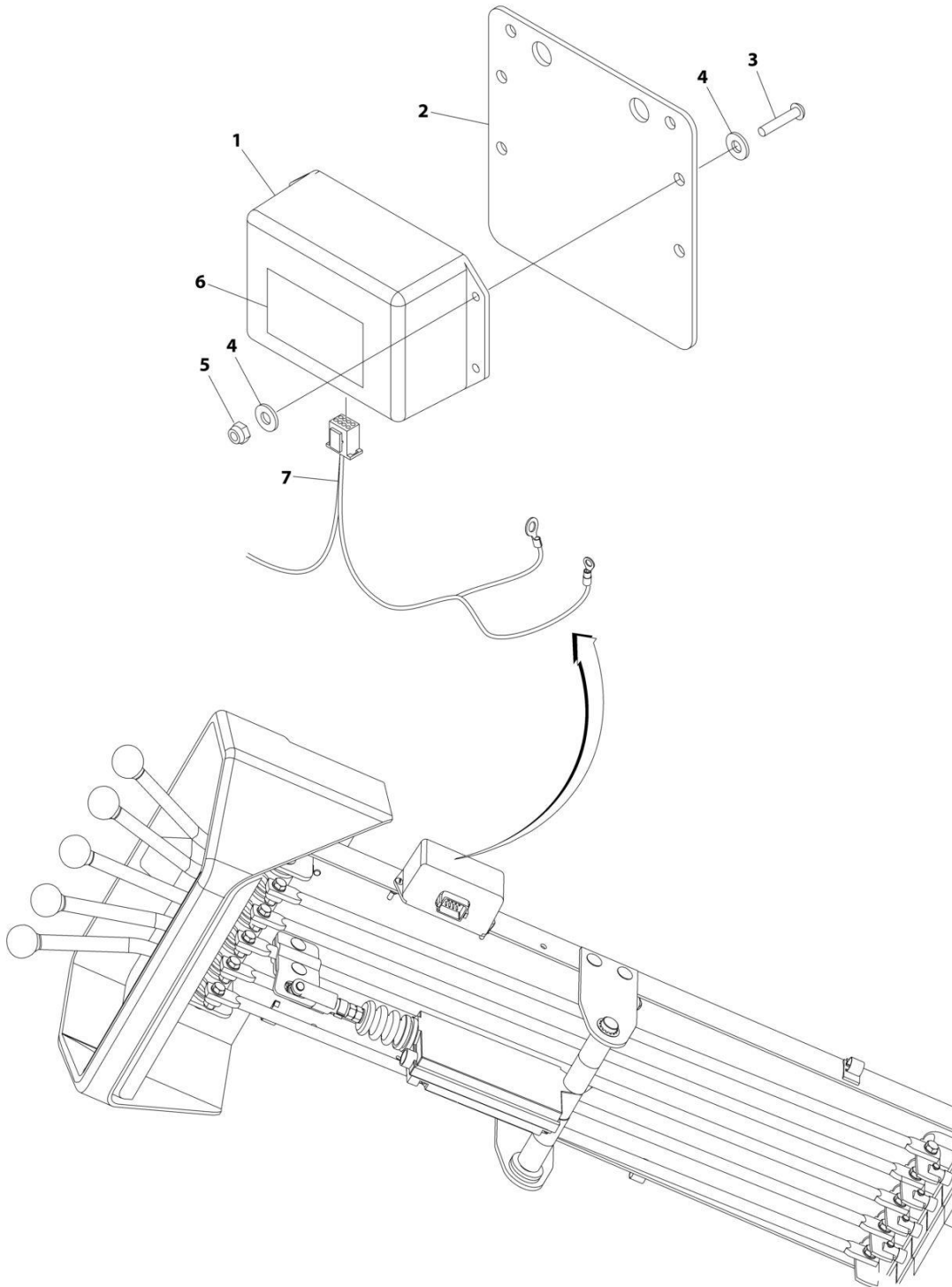
SECTION 4 - CONTROLS

FIGURE 4-35. MIRATRON WIRELESS INSTALLATION, FOUR FUNCTION

| ITEM | PART NUMBER | QTY | DESCRIPTION | REV |
|------|-------------|-----|---|-----|
| | 2577000034 | Ref | Remote Control Installation - Four Function | 0 |
| 1 | 7295000111 | 1 | Controller (4 remote operations) | |
| 2 | 4706005595 | 1 | Plate | |
| 3 | 7114100810 | 6 | Screw #10 | |
| 4 | 7950100151 | 8 | Washer 3/16 | |
| 5 | 7660102604 | 6 | Nut #10 | |
| 6 | 7330000696 | 1 | Decal - Controller Functions | |
| 7 | 7552000426 | 1 | Harness - 4 Function | |
| 7 | 4460933 | 1 | Plug, Male - 12 Position | |
| 7 | 4460465 | 11 | Socket, Female | |
| 7 | 4460955 | 10 | Plug, Male - 2 Position | |
| 7 | 4460842 | 20 | Terminal | |
| 7 | | Ref | Fuse - 10Amp ATO (Purchase Locally) | |
| 7 | | Ref | Connector - 1 Position | |
| 7 | 4460850 | 1 | Terminal | |
| 7 | 4460458 | 1 | Seal | |

SECTION 4 - CONTROLS

FIGURE 4-36. MIRATRON WIRELESS INSTALLATION, FIVE FUNCTION



ART_2577000035

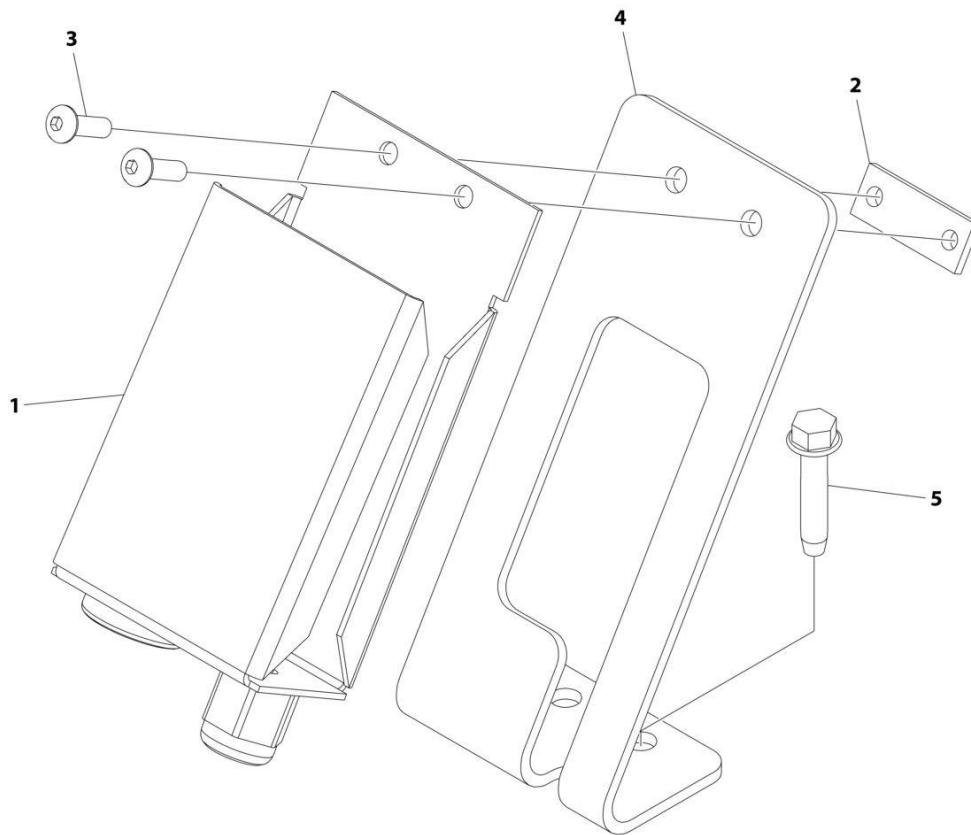
SECTION 4 - CONTROLS

FIGURE 4-36. MIRATRON WIRELESS INSTALLATION, FIVE FUNCTION

| ITEM | PART NUMBER | QTY | DESCRIPTION | REV |
|------|-------------|-----|---|-----|
| | 2577000035 | Ref | Remote Control Installation - Five Function | 0 |
| 1 | 7295000111 | 1 | Controller (5 remote operations) | |
| 2 | 4706005595 | 1 | Plate | |
| 3 | 7114100810 | 6 | Screw #10 | |
| 4 | 7950100151 | 8 | Washer 3/16 | |
| 5 | 7660102604 | 6 | Nut #10 | |
| 6 | 7330000696 | 1 | Decal - Controller Functions | |
| 7 | 7552000426 | 1 | Harness | |
| 7 | 4460933 | 1 | Plug, Male - 12 Position | |
| 7 | 4460465 | 11 | Socket, Female | |
| 7 | 4460955 | 10 | Plug, Male - 2 Position | |
| 7 | 4460842 | 20 | Terminal | |
| 7 | | Ref | Fuse - 10Amp ATO (Purchase Locally) | |
| 7 | | Ref | Connector - 1 Position | |
| 7 | 4460850 | 1 | Terminal | |
| 7 | 4460458 | 1 | Seal | |

SECTION 4 - CONTROLS

FIGURE 4-37. REMOTE CONTROL 6 FUNCTION U/L TRANSMITTER HOLDER



ART_2002000031

SECTION 4 - CONTROLS

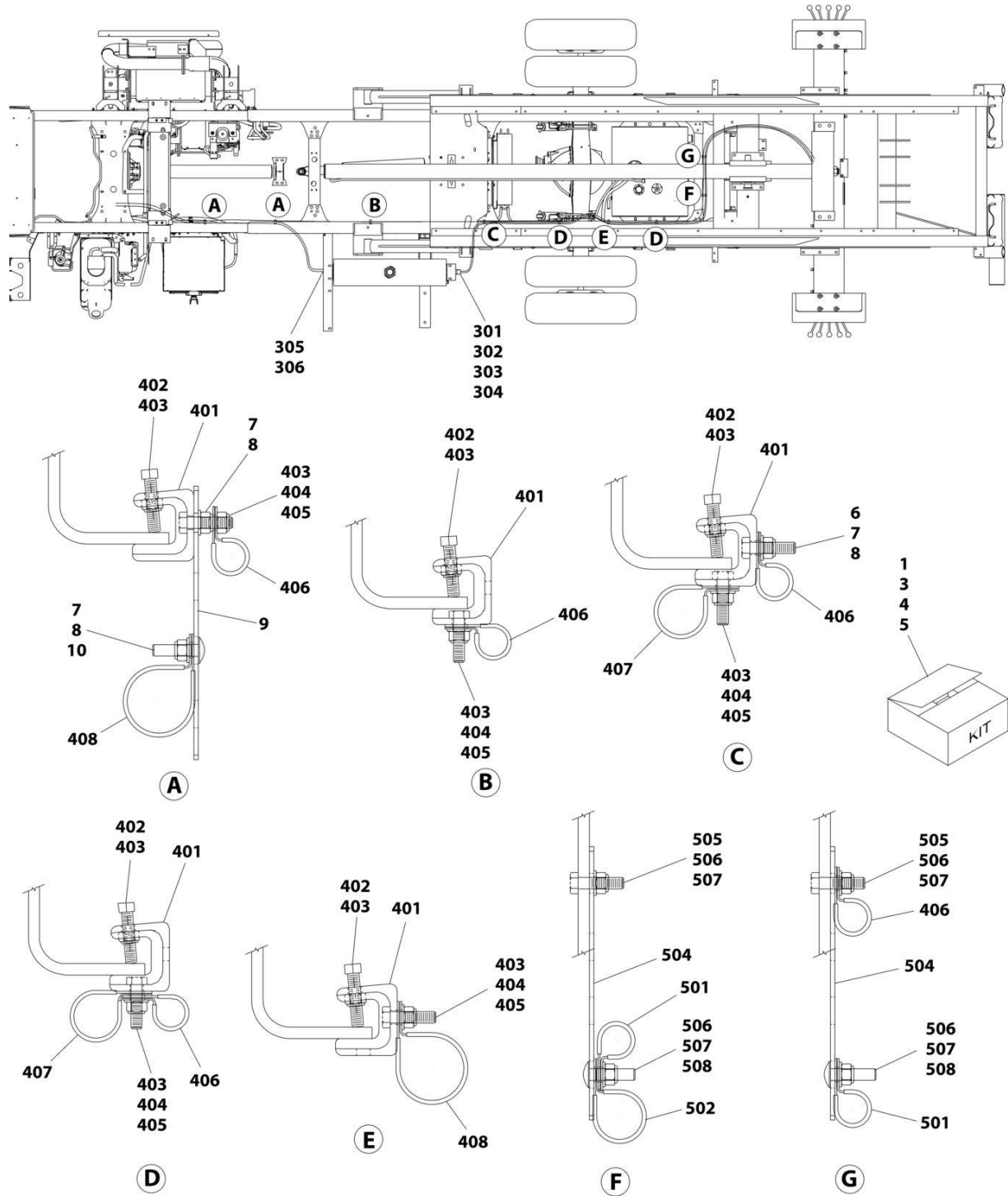
FIGURE 4-37. REMOTE CONTROL 6 FUNCTION U/L TRANSMITTER HOLDER

| ITEM | PART NUMBER | QTY | DESCRIPTION | REV |
|------|-------------|-----|-----------------------------------|-----|
| | 2002000031 | Ref | Remote Control Transmitter Holder | D |
| 1 | 7002000521 | 1 | Holder, Box | |
| 2 | 7661000056 | 1 | Nut #10 | |
| 3 | 7114100518 | 2 | Screw #10 x 5/8 | |
| 4 | 1001230127 | 1 | Mount | |
| 5 | 7790142051 | 2 | Screw 1/4 x 1-1/4 | |

SECTION 5 - HYDRAULIC

SECTION 5 - HYDRAULIC

FIGURE 5-1. HOSE INSTALLATION - ALL CA STD CAB (ISUZU)



ART_1001158617

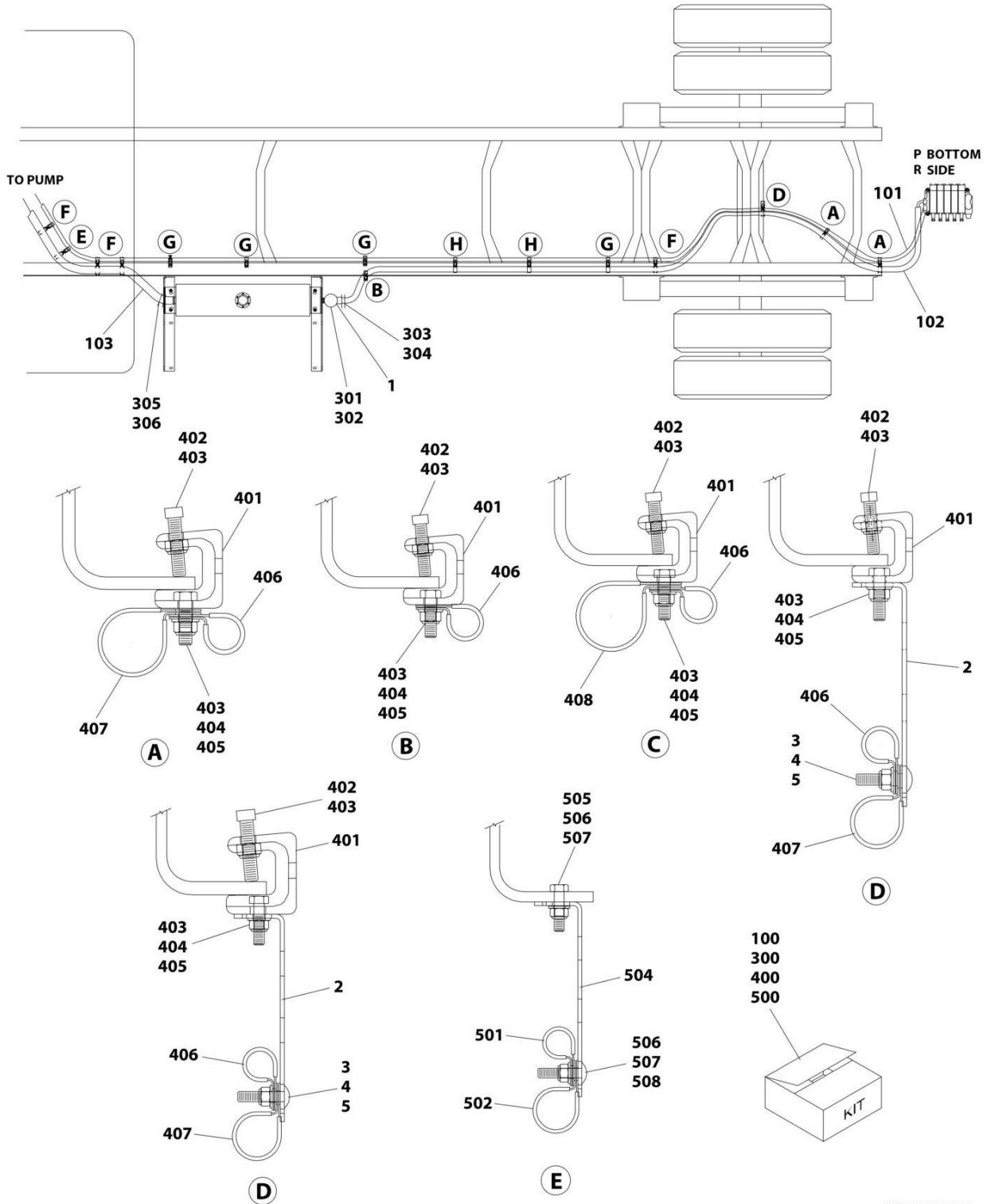
SECTION 5 - HYDRAULIC

FIGURE 5-1. HOSE INSTALLATION - ALL CA STD CAB (ISUZU)

| ITEM | PART NUMBER | QTY | DESCRIPTION | REV |
|------|-------------|-----|--|-----|
| | 1001158617 | Ref | HOSE INSTALLATION - ALL CA'S (STD CAB ISUZU NRR) | A |
| 1 | 1001158618 | 1 | Hose Kit (Includes Items 101-103) | |
| 2 | 7430000003 | 1 | Filter, Oil (Not Shown) | |
| 3 | 1001132801 | 1 | Clamp, Hose (Includes Items 301-306) | |
| 4 | 1001132794 | 7 | Clamp, Hose (Includes Items 401-408) | |
| 5 | 1001132800 | 2 | Clamp, Hose (Includes Items 501-508) | |
| 6 | 7115151050 | 1 | Capscrew 5/16 x 1-1/4 | |
| 7 | 7950150161 | 7 | Washer 5/16 | |
| 8 | 7660152601 | 5 | Nut 5/16 | |
| 9 | 4706003844 | 2 | Plate | |
| 10 | 7115151064 | 2 | Bolt 5/16 x 1-1/4 | |
| 101 | 4567130205 | 1 | Hose (Not Shown) | |
| 102 | 4570000098 | 1 | Hose (Not Shown) | |
| 103 | 4570000099 | 1 | Hose (Not Shown) | |
| 301 | 7470000002 | 1 | Gauge, Oil Filter Head | |
| 302 | 7443000158 | 1 | Fitting, 90 | |
| 303 | 7443000319 | 1 | Fitting, 90 | |
| 304 | 7274000080 | 2 | Clamp | |
| 305 | 7443000013 | 1 | Fitting, Nipple | |
| 306 | 7274000002 | 2 | Clamp | |
| 401 | 7274000076 | 1 | Clamp | |
| 402 | 7785152420 | 1 | Screw 5/16 x 1-1/2 | |
| 403 | 7660152601 | 2 | Nut 5/16 | |
| 404 | 7115151050 | 1 | Capscrew 5/16 x 1-1/4 | |
| 405 | 7950150161 | 1 | Washer 5/16 | |
| 406 | 7274000040 | 1 | Clamp | |
| 407 | 7274000041 | 1 | Clamp | |
| 408 | 7274000042 | 1 | Clamp | |
| 501 | 7274000040 | 1 | Clamp | |
| 502 | 7274000041 | 1 | Clamp | |
| 503 | 7274000042 | 1 | Clamp (Not Shown) | |
| 504 | 4706003844 | 1 | Plate | |
| 505 | 7115151050 | 1 | Capscrew 5/16 x 1-1/4 | |
| 506 | 7950150161 | 3 | Washer 5/16 | |
| 507 | 7660152601 | 2 | Nut 5/16 | |
| 508 | 7115151064 | 1 | Bolt 5/16 x 1-1/4 | |

SECTION 5 - HYDRAULIC

FIGURE 5-2. HOSE INSTALLATION - 120IN CA STD CAB (2017+ FORD)



ART_1001222487

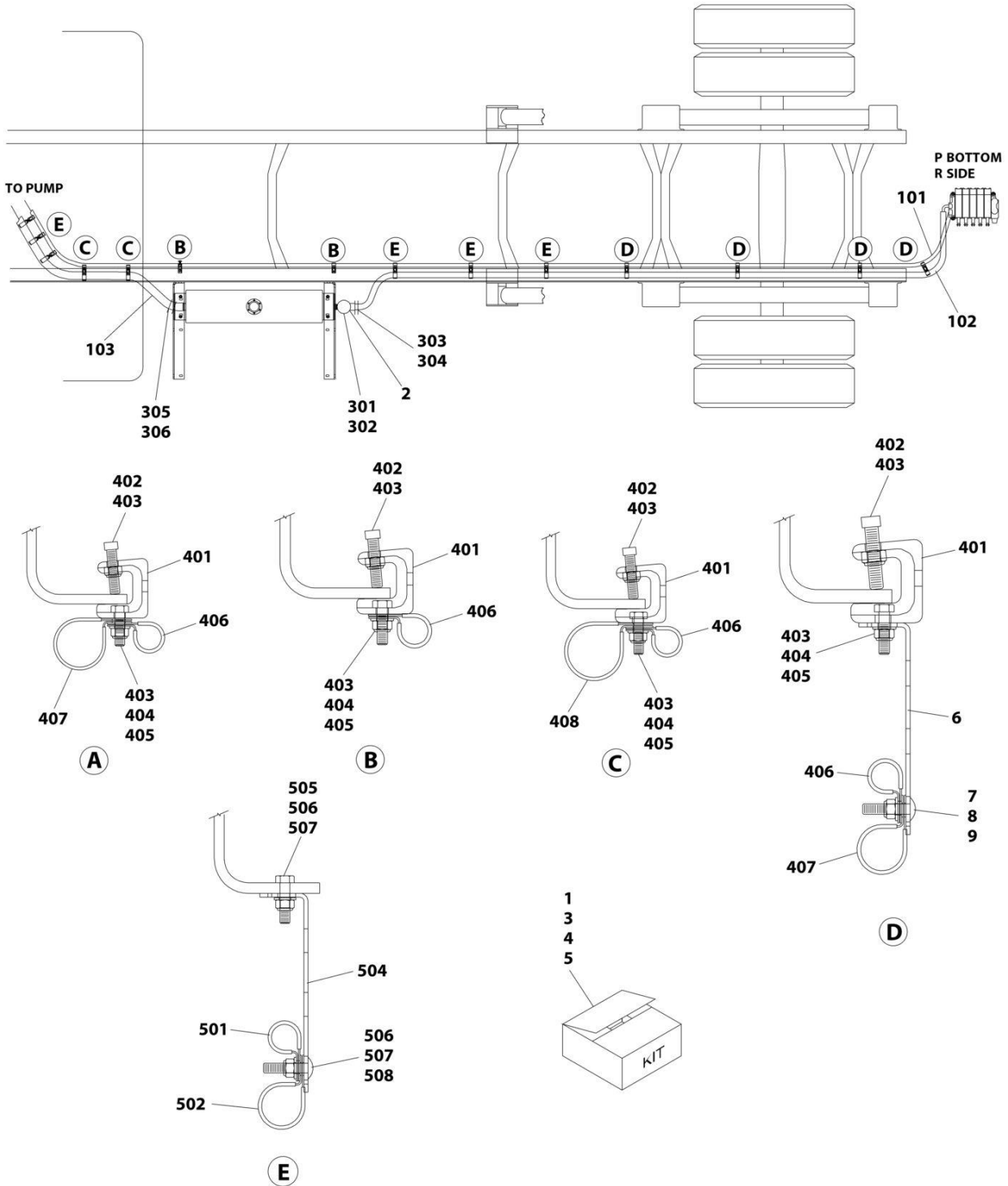
SECTION 5 - HYDRAULIC

FIGURE 5-2. HOSE INSTALLATION - 120IN CA STD CAB (2017+ FORD)

| ITEM | PART NUMBER | QTY | DESCRIPTION | REV |
|------|-------------|-----|---|-----|
| | 1001222487 | Ref | HOSE INSTALLATION - 120IN CA (STD CAB 2017+ FORD) | B |
| 1 | 7430000003 | 1 | Filter, Oil | |
| 2 | 4706003844 | 8 | Plate | |
| 3 | 7115151064 | 8 | Bolt 5/16 x 1-1/4 | |
| 4 | 7950150161 | 8 | Washer 5/16 | |
| 5 | 7660152601 | 8 | Nut 5/16 | |
| 100 | 1001223152 | 1 | Hose Kit | |
| 101 | 4567130251 | 1 | Hose | |
| 102 | 1001130132 | 1 | Hose | |
| 103 | 1001130130 | 1 | Hose | |
| 300 | 1001132801 | 1 | Clamp Kit | |
| 301 | 7470000002 | 1 | Gauge, Oil Filter Head | |
| 302 | 7443000158 | 1 | Fitting, 90 | |
| 303 | 7443000319 | 1 | Fitting, 90 | |
| 304 | 7274000080 | 2 | Clamp | |
| 305 | 7443000013 | 1 | Fitting, Nipple | |
| 306 | 7274000002 | 2 | Clamp | |
| 400 | 1001132794 | 13 | Clamp Kit | |
| 401 | 7274000076 | 1 | Clamp | |
| 402 | 7785152420 | 1 | Screw 5/16 x 1-1/2 | |
| 403 | 7660152601 | 2 | Nut 5/16 | |
| 404 | 7115151050 | 1 | Capscrew 5/16 x 1-1/4 | |
| 405 | 7950150161 | 1 | Washer 5/16 | |
| 406 | 7274000040 | 1 | Clamp | |
| 407 | 7274000041 | 1 | Clamp | |
| 408 | 7274000042 | 1 | Clamp | |
| 500 | 1001132800 | 2 | Clamp Kit | |
| 501 | 7274000040 | 1 | Clamp | |
| 502 | 7274000041 | 1 | Clamp | |
| 503 | 7274000042 | 1 | Clamp (Not Shown) | |
| 504 | 4706003844 | 1 | Plate | |
| 505 | 7115151050 | 1 | Capscrew 5/16 x 1-1/4 | |
| 506 | 7950150161 | 3 | Washer 5/16 | |
| 507 | 7660152601 | 2 | Nut 5/16 | |
| 508 | 7115151064 | 1 | Bolt 5/16 x 1-1/4 | |

SECTION 5 - HYDRAULIC

FIGURE 5-3. HOSE INSTALLATION - 120IN CA STD CAB (DODGE)



ART_1001132752

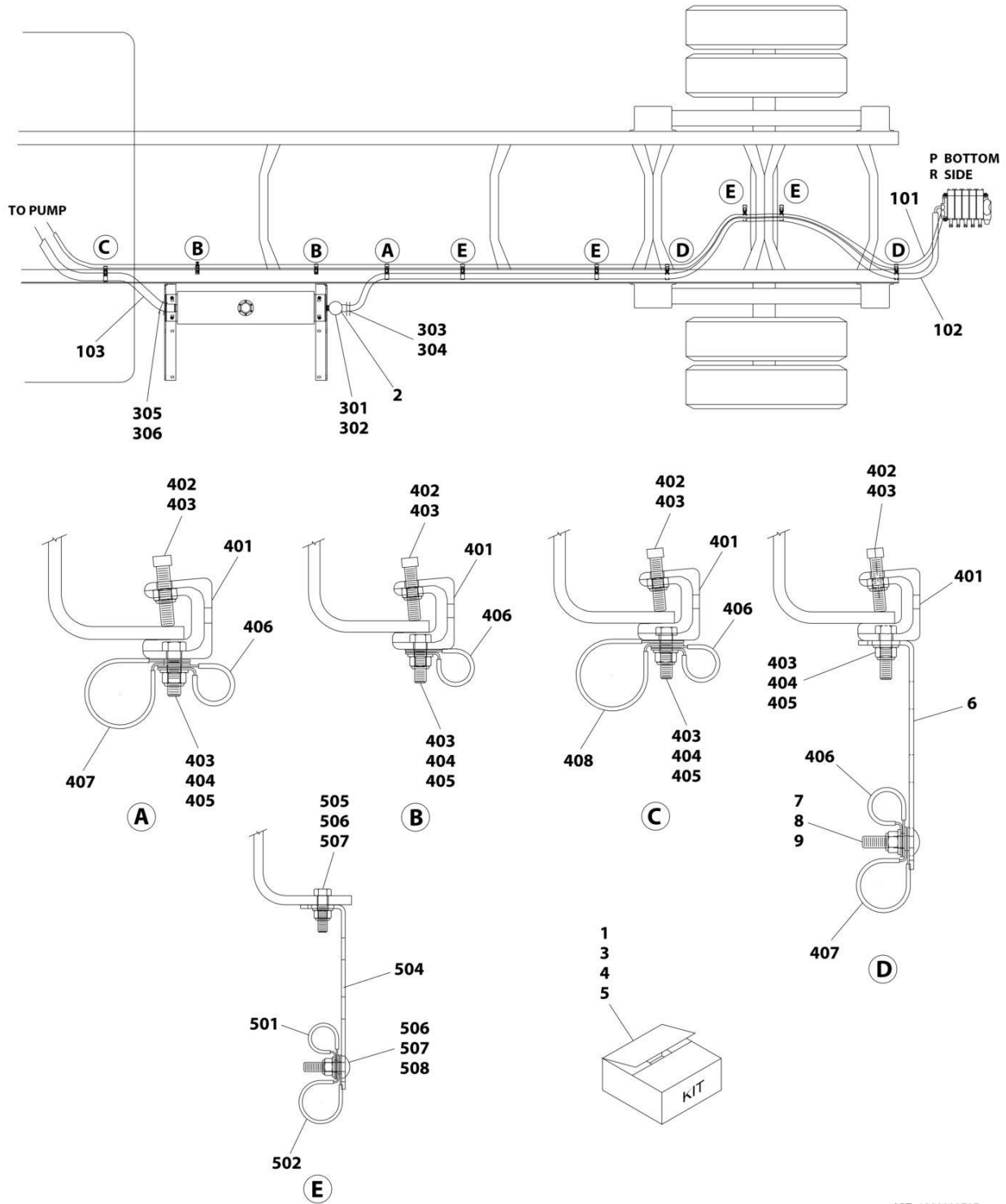
SECTION 5 - HYDRAULIC

FIGURE 5-3. HOSE INSTALLATION - 120IN CA STD CAB (DODGE)

| ITEM | PART NUMBER | QTY | DESCRIPTION | REV |
|------|-------------|-----|--|-----|
| | 1001132752 | Ref | HOSE INSTALLATION - 120IN CA (STD CAB DODGE) | 0 |
| 1 | 1001132722 | 1 | Hose Kit (Include Items 101-103) | |
| 2 | 7430000003 | 1 | Filter, Oil | |
| 3 | 1001132801 | 1 | Clamp, Hose Kit (Includes Items 301-306) | |
| 4 | 1001132794 | 8 | Clamp, Hose Kit (Includes Items 401-408) | |
| 5 | 1001132800 | 6 | Clamp, Hose Kit (Includes Items 501-508) | |
| 6 | 4706003844 | 4 | Plate | |
| 7 | 7115151064 | 4 | Capscrew 5/16 x 1-1/4 | |
| 8 | 7950150161 | 4 | Washer 5/16 | |
| 9 | 7660152601 | 4 | Nut 5/16 | |
| 101 | 4567130256 | 1 | Hose | |
| 102 | 4570000115 | 1 | Hose | |
| 103 | 1001132609 | 1 | Hose | |
| 301 | 7470000002 | 1 | Gauge, Oil Filter Head | |
| 302 | 7443000158 | 1 | Fitting, 90 | |
| 303 | 7443000319 | 1 | Fitting, 90 | |
| 304 | 7274000080 | 2 | Clamp | |
| 305 | 7443000013 | 1 | Fitting, Nipple | |
| 306 | 7274000002 | 2 | Clamp | |
| 401 | 7274000076 | 1 | Clamp | |
| 402 | 7785152420 | 1 | Screw 5/16 x 1-1/2 | |
| 403 | 7660152601 | 2 | Nut 5/16 | |
| 404 | 7115151050 | 1 | Capscrew 5/16 x 1-1/4 | |
| 405 | 7950150161 | 1 | Washer 5/16 | |
| 406 | 7274000040 | 1 | Clamp | |
| 407 | 7274000041 | 1 | Clamp | |
| 408 | 7274000042 | 1 | Clamp | |
| 501 | 7274000040 | 1 | Clamp | |
| 502 | 7274000041 | 1 | Clamp | |
| 503 | 7274000042 | 1 | Clamp (Not Shown) | |
| 504 | 4706003844 | 1 | Plate | |
| 505 | 7115151050 | 1 | Capscrew 5/16 x 1-1/4 | |
| 506 | 7950150161 | 3 | Washer 5/16 | |
| 507 | 7660152601 | 2 | Nut 5/16 | |
| 508 | 7115151064 | 1 | Bolt 5/16 x 1-1/4 | |

SECTION 5 - HYDRAULIC

FIGURE 5-4. HOSE INSTALLATION - 120IN CA STD CAB (FORD)



ART_1001132737

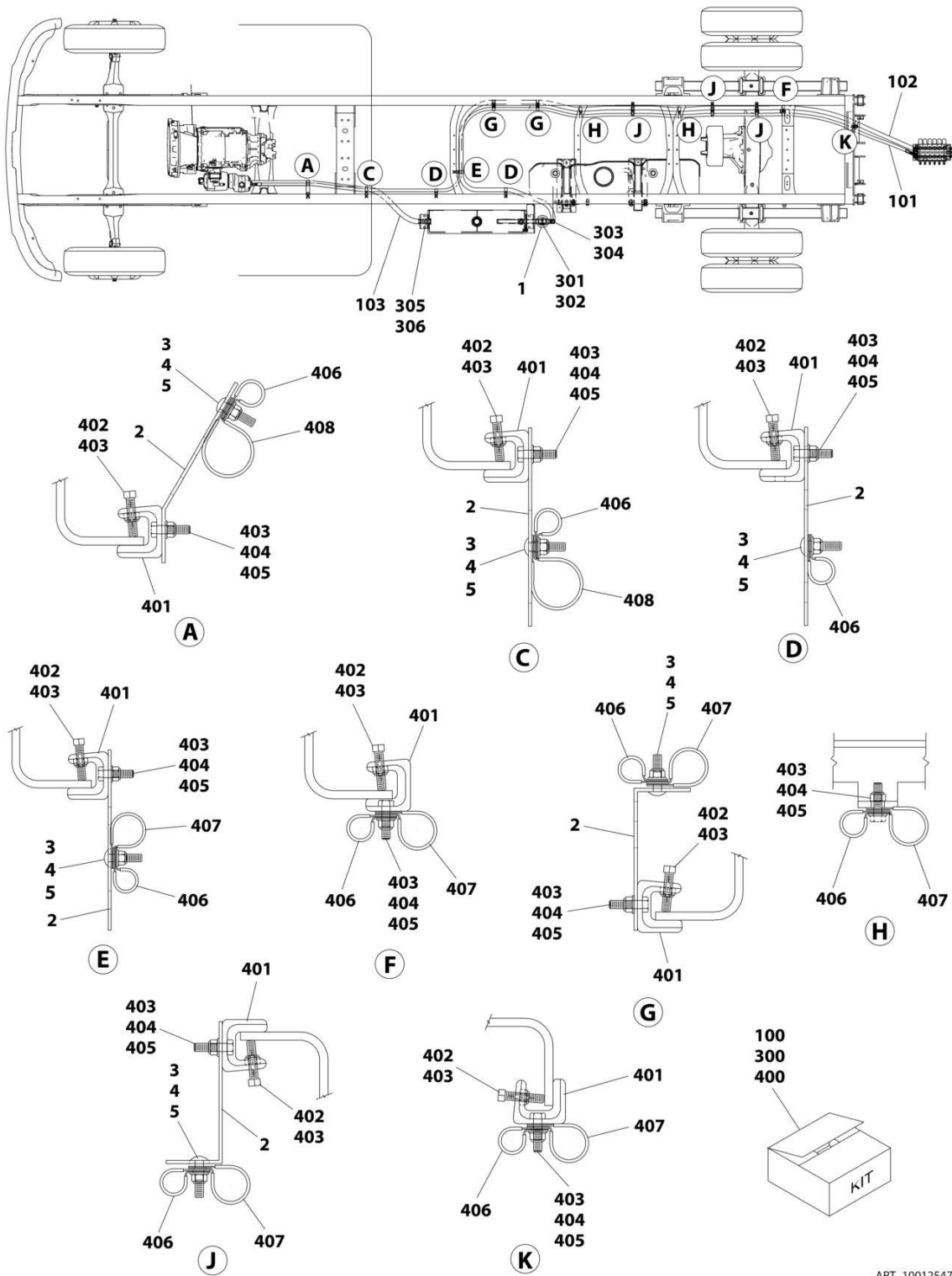
SECTION 5 - HYDRAULIC

FIGURE 5-4. HOSE INSTALLATION - 120IN CA STD CAB (FORD)

| ITEM | PART NUMBER | QTY | DESCRIPTION | REV |
|------|-------------|-----|---|-----|
| | 1001132737 | Ref | HOSE INSTALLATION - 120IN CA (STD CAB FORD) | 0 |
| 1 | 1001132706 | 1 | Hose Kit (Include Items 101-103) | |
| 2 | 7430000003 | 1 | Filter, Oil | |
| 3 | 1001132801 | 1 | Clamp, Hose Kit (Includes Items 301-306) | |
| 4 | 1001132794 | 11 | Clamp, Hose Kit (Includes Items 401-408) | |
| 5 | 1001132800 | 4 | Clamp, Hose Kit (Includes Items 501-508) | |
| 6 | 4706003844 | 2 | Plate | |
| 7 | 7115151064 | 2 | Bolt 5/16 x 1-1/4 | |
| 8 | 7950150161 | 2 | Washer 5/16 | |
| 9 | 7660152601 | 2 | Nut 5/16 | |
| 101 | 4567130235 | 1 | Hose | |
| 102 | 1001130132 | 1 | Hose | |
| 103 | 1001130130 | 1 | Hose | |
| 301 | 7470000002 | 1 | Gauge, Oil Filter Head | |
| 302 | 7443000158 | 1 | Fitting, 90 | |
| 303 | 7443000319 | 1 | Fitting, 90 | |
| 304 | 7274000080 | 2 | Clamp | |
| 305 | 7443000013 | 1 | Fitting, Nipple | |
| 306 | 7274000002 | 2 | Clamp | |
| 401 | 7274000076 | 1 | Clamp | |
| 402 | 7785152420 | 1 | Screw 5/16 x 1-1/2 | |
| 403 | 7660152601 | 2 | Nut 5/16 | |
| 404 | 7115151050 | 1 | Capscrew 5/16 x 1-1/4 | |
| 405 | 7950150161 | 1 | Washer 5/16 | |
| 406 | 7274000040 | 1 | Clamp | |
| 407 | 7274000041 | 1 | Clamp | |
| 408 | 7274000042 | 1 | Clamp | |
| 501 | 7274000040 | 1 | Clamp | |
| 502 | 7274000041 | 1 | Clamp | |
| 503 | 7274000042 | 1 | Clamp | |
| 504 | 4706003844 | 1 | Plate | |
| 505 | 7115151050 | 1 | Capscrew 5/16 x 1-1/4 | |
| 506 | 7950150161 | 3 | Washer 5/16 | |
| 507 | 7660152601 | 2 | Nut 5/16 | |
| 508 | 7115151064 | 1 | Bolt 5/16 x 1-1/4 | |

SECTION 5 - HYDRAULIC

FIGURE 5-5. HOSE INSTALLATION - 120IN CA, 201IN WB



ART_1001254710

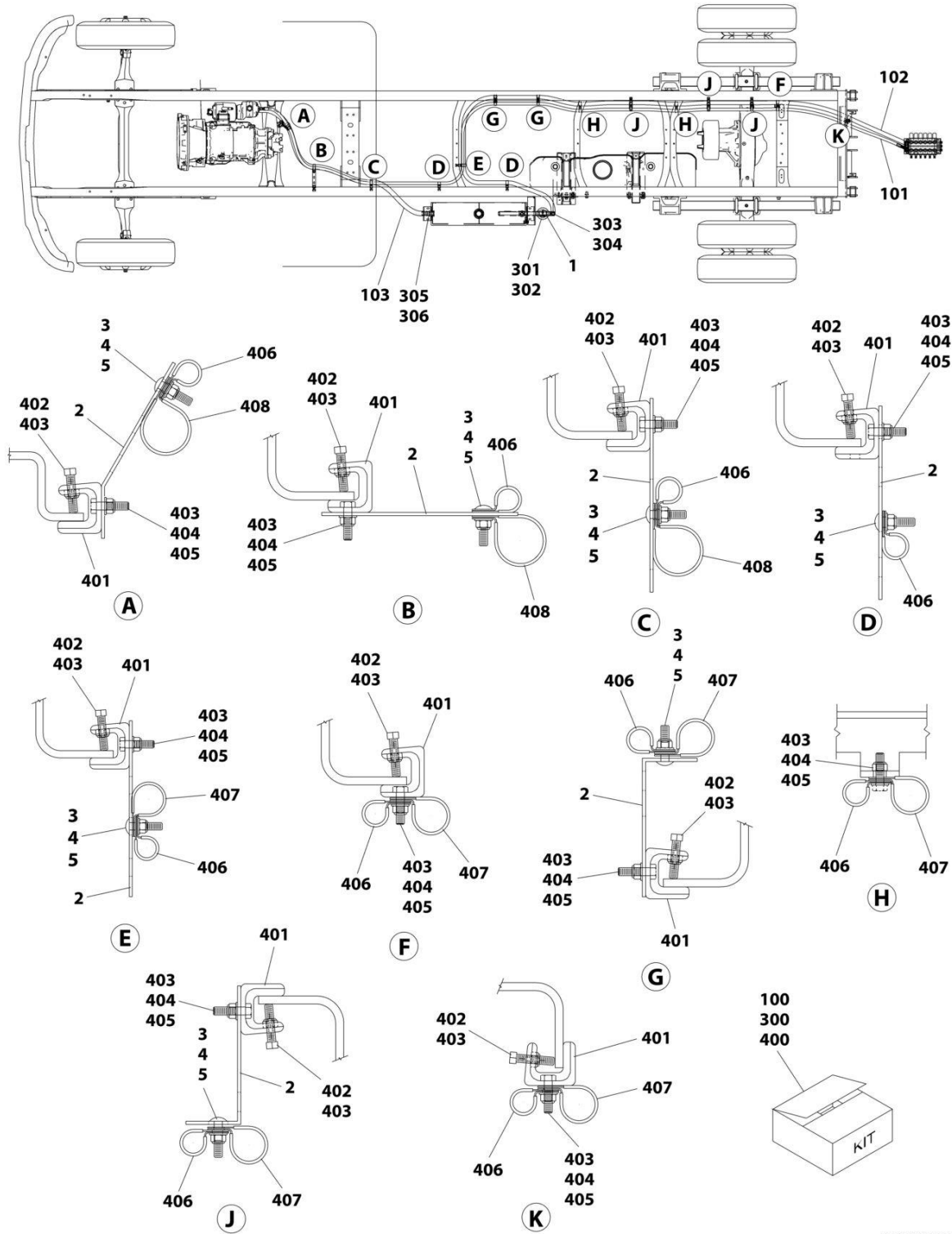
SECTION 5 - HYDRAULIC

FIGURE 5-5. HOSE INSTALLATION - 120IN CA, 201IN WB

| ITEM | PART NUMBER | QTY | DESCRIPTION | REV |
|------|-------------|-----|---|-----|
| | 1001254710 | Ref | HOSE INSTALLATION - 120IN CA (RC, DS PTO) | A |
| 1 | 7430000003 | 1 | Filter, Oil | |
| 2 | 4706003844 | 11 | Plate | |
| 3 | 7115151064 | 11 | Bolt 5/16 x 1-1/4 | |
| 4 | 7950150161 | 11 | Washer 5/16 | |
| 5 | 7660152601 | 11 | Nut 5/16 | |
| 100 | 1001254729 | 1 | Hose Kit | |
| 101 | 4567130241 | 1 | Hose | |
| 102 | 4570000118 | 1 | Hose | |
| 103 | 4570000373 | 1 | Hose | |
| 300 | 1001132801 | 1 | Clamp Kit | |
| 301 | 7470000002 | 1 | Gauge, Oil Filter Head | |
| 302 | 7443000158 | 1 | Fitting, 90 | |
| 303 | 7443000319 | 1 | Fitting, 90 | |
| 304 | 7274000080 | 2 | Clamp | |
| 305 | 7443000013 | 1 | Fitting, Nipple | |
| 306 | 7274000002 | 2 | Clamp | |
| 400 | 1001132794 | 1 | Clamp Kit | |
| 401 | 7274000076 | 1 | Clamp | |
| 402 | 7785152420 | 1 | Screw 5/16 x 1-1/2 | |
| 403 | 7660152601 | 2 | Nut 5/16 | |
| 404 | 7115151050 | 1 | Capscrew 5/16 x 1-1/4 | |
| 405 | 7950150161 | 1 | Washer 5/16 | |
| 406 | 7274000040 | 1 | Clamp | |
| 407 | 7274000041 | 1 | Clamp | |
| 408 | 7274000042 | 1 | Clamp (Not Shown) | |

SECTION 5 - HYDRAULIC

FIGURE 5-6. HOSE INSTALLATION - 120IN CA, 201IN WB



ART_1001254705

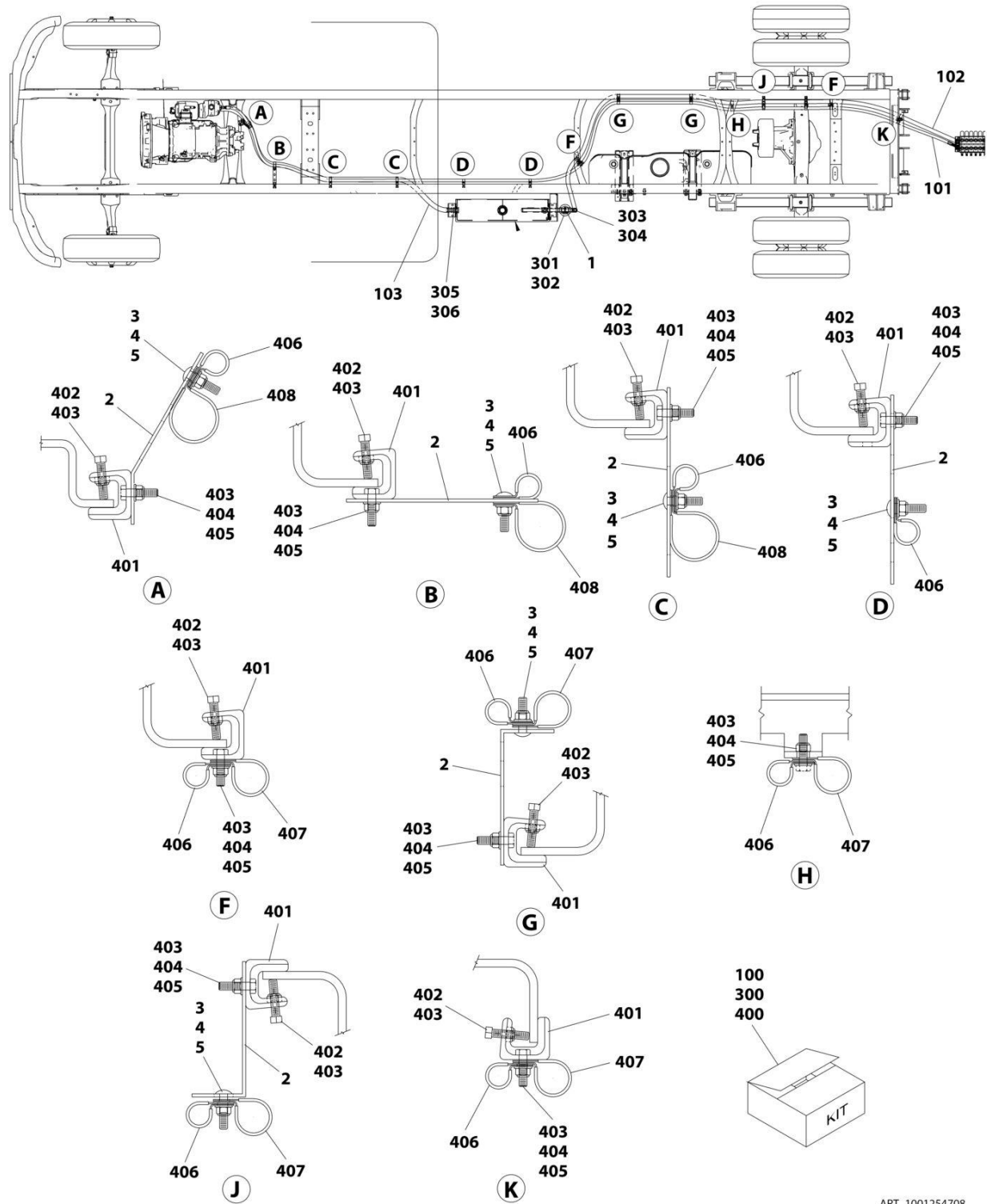
SECTION 5 - HYDRAULIC

FIGURE 5-6. HOSE INSTALLATION - 120IN CA, 201IN WB

| ITEM | PART NUMBER | QTY | DESCRIPTION | REV |
|------|-------------|-----|---|-----|
| | 1001254705 | Ref | HOSE INSTALLATION - 120IN CA (RC, PS PTO) | A |
| 1 | 7430000003 | 1 | Filter, Oil | |
| 2 | 4706003844 | 11 | Plate | |
| 3 | 7115151064 | 11 | Bolt 5/16 x 1-1/4 | |
| 4 | 7950150161 | 11 | Washer 5/16 | |
| 5 | 7660152601 | 11 | Nut 5/16 | |
| 6 | 7819000013 | 1 | Sleeve (Not Shown) | |
| 100 | 1001254723 | 1 | Hose Kit | |
| 101 | 4567130251 | 1 | Hose | |
| 102 | 4570000118 | 1 | Hose | |
| 103 | 1001132602 | 1 | Hose | |
| 300 | 1001132801 | 1 | Clamp Kit | |
| 301 | 7470000002 | 1 | Gauge, Oil Filter Head | |
| 302 | 7443000158 | 1 | Fitting, 90 | |
| 303 | 7443000319 | 1 | Fitting, 90 | |
| 304 | 7274000080 | 2 | Clamp | |
| 305 | 7443000013 | 1 | Nipple | |
| 306 | 7274000002 | 2 | Clamp | |
| 400 | 1001132794 | 1 | Clamp Kit | |
| 401 | 7274000076 | 1 | Clamp | |
| 402 | 7785152420 | 1 | Screw 5/16 x 1-1/2 | |
| 403 | 7660152601 | 2 | Nut 5/16 | |
| 404 | 7115151050 | 1 | Capscrew 5/16 x 1-1/4 | |
| 405 | 7950150161 | 1 | Washer 5/16 | |
| 406 | 7274000040 | 1 | Clamp | |
| 407 | 7274000041 | 1 | Clamp | |
| 408 | 7274000042 | 1 | Clamp (Not Shown) | |

SECTION 5 - HYDRAULIC

FIGURE 5-7. HOSE INSTALLATION - 120IN CA, 235IN WB



ART_1001254708

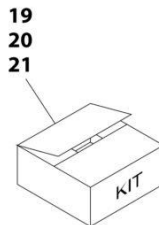
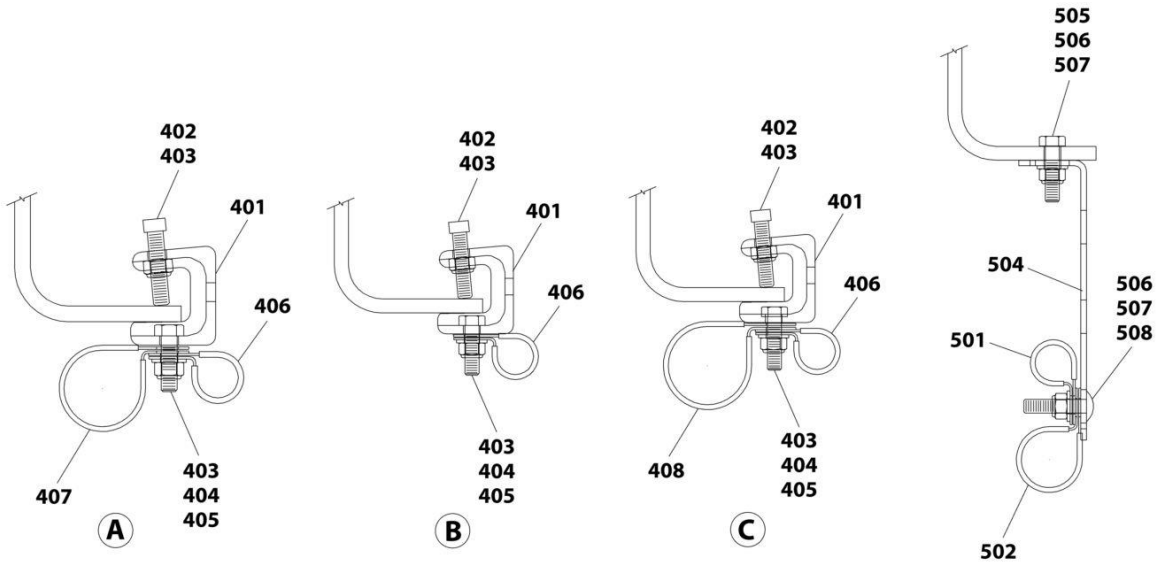
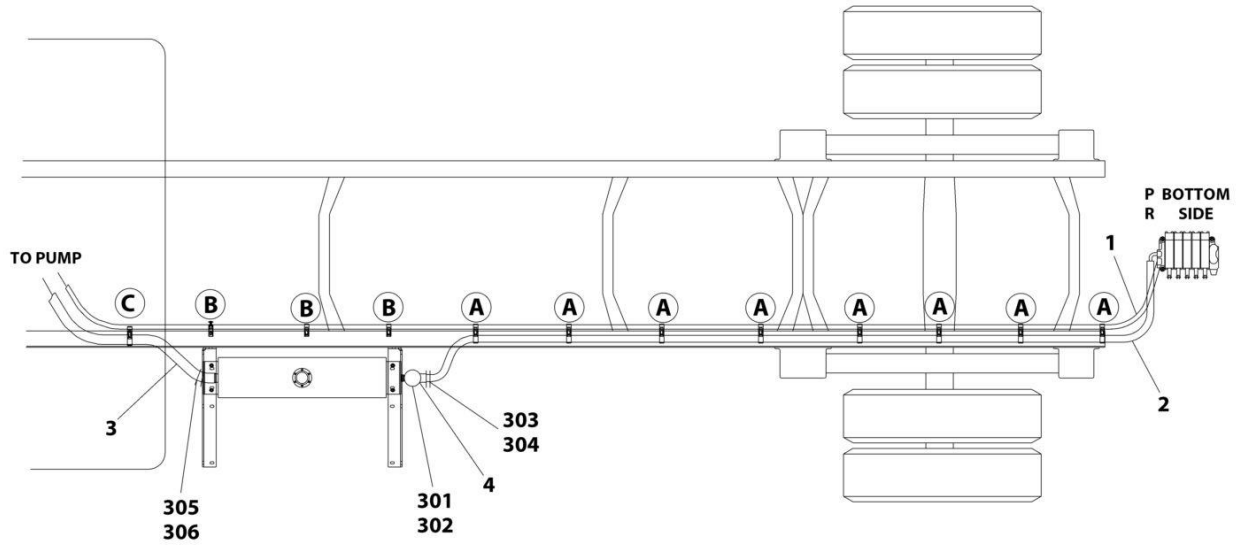
SECTION 5 - HYDRAULIC

FIGURE 5-7. HOSE INSTALLATION - 120IN CA, 235IN WB

| ITEM | PART NUMBER | QTY | DESCRIPTION | REV |
|------|-------------|-----|---|-----|
| | 1001254708 | Ref | HOSE INSTALLATION - 120IN CA (CS, PS PTO) | A |
| 1 | 7430000003 | 1 | Filter, Oil | |
| 2 | 4706003844 | 10 | Plate | |
| 3 | 7115151064 | 10 | Bolt 5/16 x 1-1/4 | |
| 4 | 7950150161 | 10 | Washer 5/16 | |
| 5 | 7660152601 | 10 | Nut 5/16 | |
| 6 | 7819000013 | 1 | Sleeve (Not Shown) | |
| 100 | 1001254727 | 1 | Hose Kit | |
| 101 | 4567130287 | 1 | Hose | |
| 102 | 1001132680 | 1 | Hose | |
| 103 | 1001132609 | 1 | Hose | |
| 300 | 1001132801 | 1 | Clamp Kit | |
| 301 | 7470000002 | 1 | Gauge, Oil Filter Head | |
| 302 | 7443000158 | 1 | Fitting, 90 | |
| 303 | 7443000319 | 1 | Fitting, 90 | |
| 304 | 7274000080 | 2 | Clamp | |
| 305 | 7443000013 | 1 | Nipple | |
| 306 | 7274000002 | 2 | Clamp | |
| 400 | 1001132794 | 1 | Clamp Kit | |
| 401 | 7274000076 | 1 | Clamp | |
| 402 | 7785152420 | 1 | Screw 5/16 x 1-1/2 | |
| 403 | 7660152601 | 2 | Nut 5/16 | |
| 404 | 7115151050 | 1 | Capscrew 5/16 x 1-1/4 | |
| 405 | 7950150161 | 1 | Washer 5/16 | |
| 406 | 7274000040 | 1 | Clamp | |
| 407 | 7274000041 | 1 | Clamp | |
| 408 | 7274000042 | 1 | Clamp (Not Shown) | |

SECTION 5 - HYDRAULIC

FIGURE 5-8. HOSE INSTALLATION - 120IN CT STD CAB (INTERNATIONAL)



ART_257000091

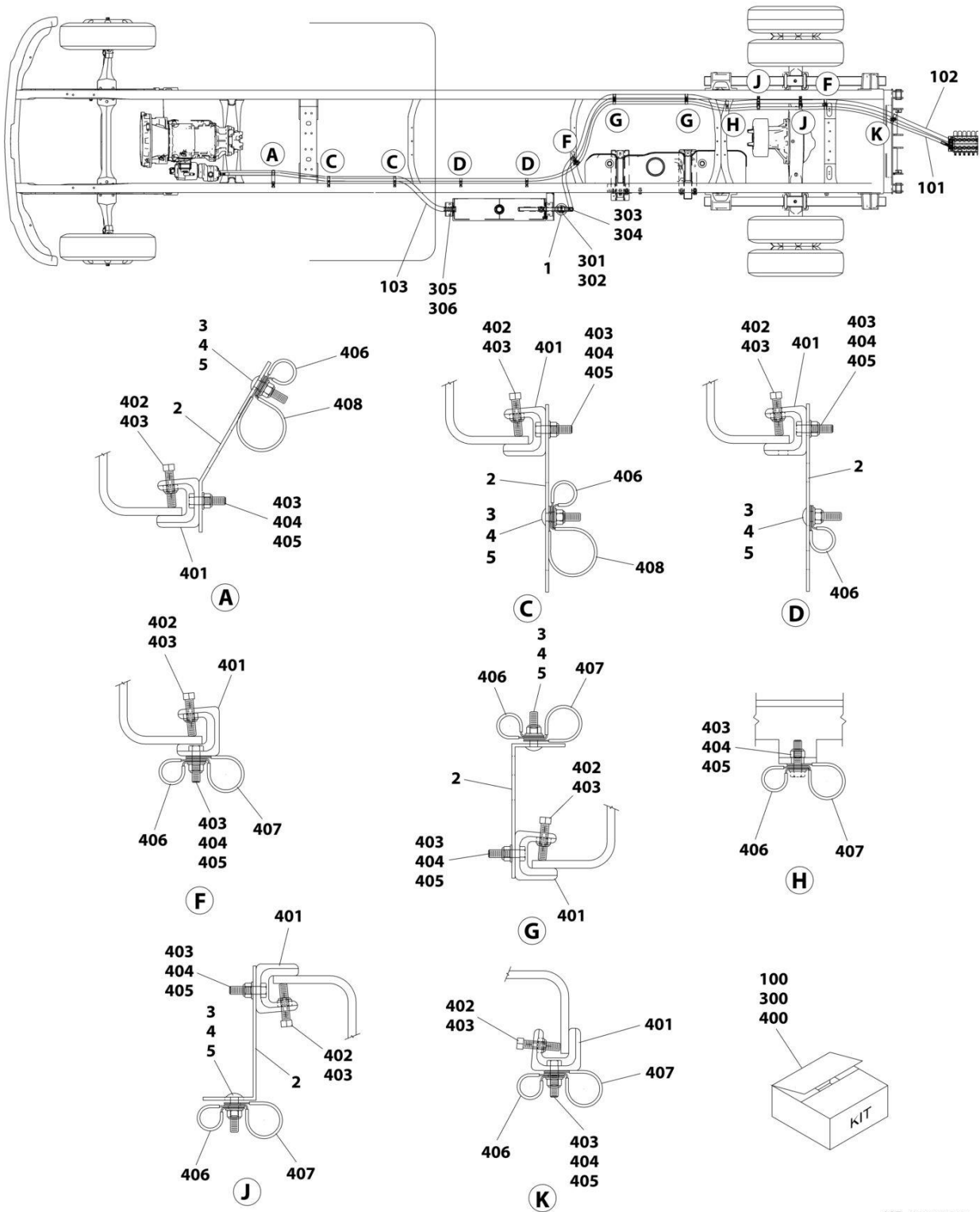
SECTION 5 - HYDRAULIC

FIGURE 5-8. HOSE INSTALLATION - 120IN CT STD CAB (INTERNATIONAL)

| ITEM | PART NUMBER | QTY | DESCRIPTION | REV |
|------|-------------|-----|--|-----|
| | 2570000091 | Ref | HOSE INSTALLATION - 120IN CA (STD CAB IHC NGV) | 2 |
| 1 | 4567130208 | 1 | Hose | |
| 2 | 4570000193 | 1 | Hose, Return | |
| 3 | 4570000091 | 1 | Hose, Supply | |
| 4 | 7430000003 | 1 | Filter, Oil | |
| 19 | 1001132801 | 1 | Clamp, Hose Kit (Includes Items 301-306) | |
| 20 | 1001132794 | 11 | Clamp, Hose Kit (Includes Items 401-408) | |
| 21 | 1001132800 | 5 | Clamp, Hose Kit (Includes Items 501-508) | |
| 301 | 7470000002 | 1 | Gauge, Oil Filter Head | |
| 302 | 7443000158 | 1 | Fitting, 90 | |
| 303 | 7443000319 | 1 | Fitting, 90 | |
| 304 | 7274000080 | 2 | Clamp | |
| 305 | 7443000013 | 1 | Fitting, Nipple | |
| 306 | 7274000002 | 2 | Clamp | |
| 401 | 7274000076 | 1 | Clamp | |
| 402 | 7785152420 | 1 | Screw 5/16 x 1-1/2 | |
| 403 | 7660152601 | 2 | Nut 5/16 | |
| 404 | 7115151050 | 1 | Capscrew 5/16 x 1-1/4 | |
| 405 | 7950150161 | 1 | Washer 5/16 | |
| 406 | 7274000040 | 1 | Clamp | |
| 407 | 7274000041 | 1 | Clamp | |
| 408 | 7274000042 | 1 | Clamp | |
| 501 | 7274000040 | 1 | Clamp | |
| 502 | 7274000041 | 1 | Clamp | |
| 503 | 7274000042 | 1 | Clamp | |
| 504 | 4706003844 | 1 | Plate | |
| 505 | 7115151050 | 1 | Capscrew 5/16 x 1-1/4 | |
| 506 | 7950150161 | 3 | Washer 5/16 | |
| 507 | 7660152601 | 2 | Nut 5/16 | |
| 508 | 7115151064 | 1 | Bolt 5/16 x 1-1/4 | |

SECTION 5 - HYDRAULIC

FIGURE 5-9. HOSE INSTALLATION - 120N CA, 235IN WB



ART_1001254713

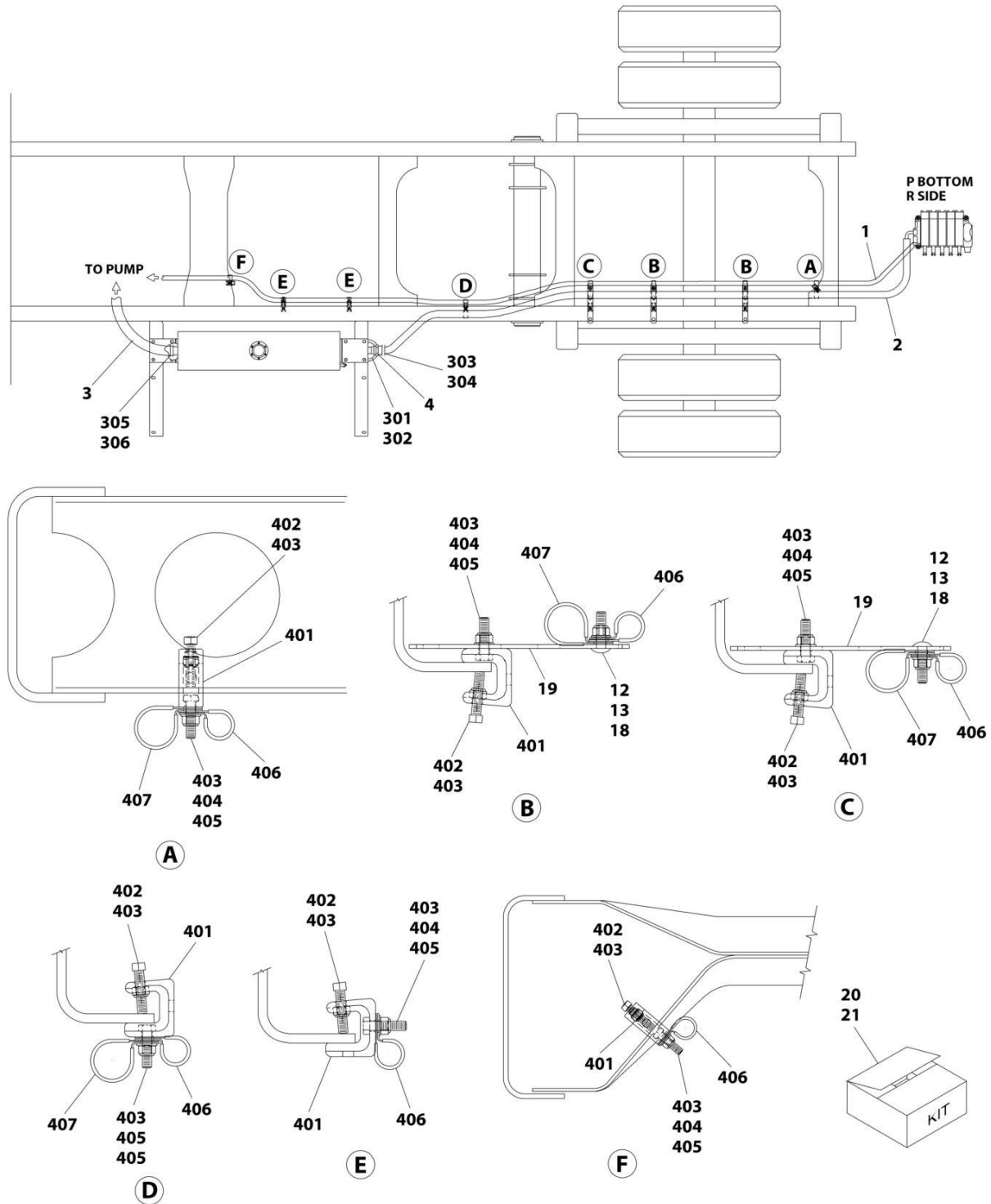
SECTION 5 - HYDRAULIC

FIGURE 5-9. HOSE INSTALLATION - 120N CA, 235IN WB

| ITEM | PART NUMBER | QTY | DESCRIPTION | REV |
|------|-------------|-----|---|-----|
| | 1001254713 | Ref | HOSE INSTALLATION - 120IN CA (CC, DS PTO) | A |
| 1 | 7430000003 | 1 | Filter, Oil | |
| 2 | 4706003844 | 10 | Plate | |
| 3 | 7115151064 | 10 | Bolt 5/16 x 1-1/4 | |
| 4 | 7950150161 | 10 | Washer 5/16 | |
| 5 | 7660152601 | 10 | Nut 5/16 | |
| 100 | 1001254732 | 1 | Hose Kit | |
| 101 | 4567130278 | 1 | Hose | |
| 102 | 1001132680 | 1 | Hose | |
| 103 | 1001132605 | 1 | Hose | |
| 300 | 1001132801 | 1 | Clamp Kit | |
| 301 | 7470000002 | 1 | Gauge, Oil Filter Head | |
| 302 | 7443000158 | 1 | Fitting, 90 | |
| 303 | 7443000319 | 1 | Fitting, 90 | |
| 304 | 7274000080 | 2 | Clamp | |
| 305 | 7443000013 | 1 | Nipple | |
| 306 | 7274000002 | 2 | Clamp | |
| 400 | 1001132794 | 1 | Clamp Kit | |
| 401 | 7274000076 | 1 | Clamp | |
| 402 | 7785152420 | 1 | Screw 5/16 x 1-1/2 | |
| 403 | 7660152601 | 2 | Nut 5/16 | |
| 404 | 7115151050 | 1 | Capscrew 5/16 x 1-1/4 | |
| 405 | 7950150161 | 1 | Washer 5/16 | |
| 406 | 7274000040 | 1 | Clamp | |
| 407 | 7274000041 | 1 | Clamp | |
| 408 | 7274000042 | 1 | Clamp (Not Shown) | |

SECTION 5 - HYDRAULIC

FIGURE 5-10. HOSE INSTALLATION - 138IN CA STD CAB



ART_257000092

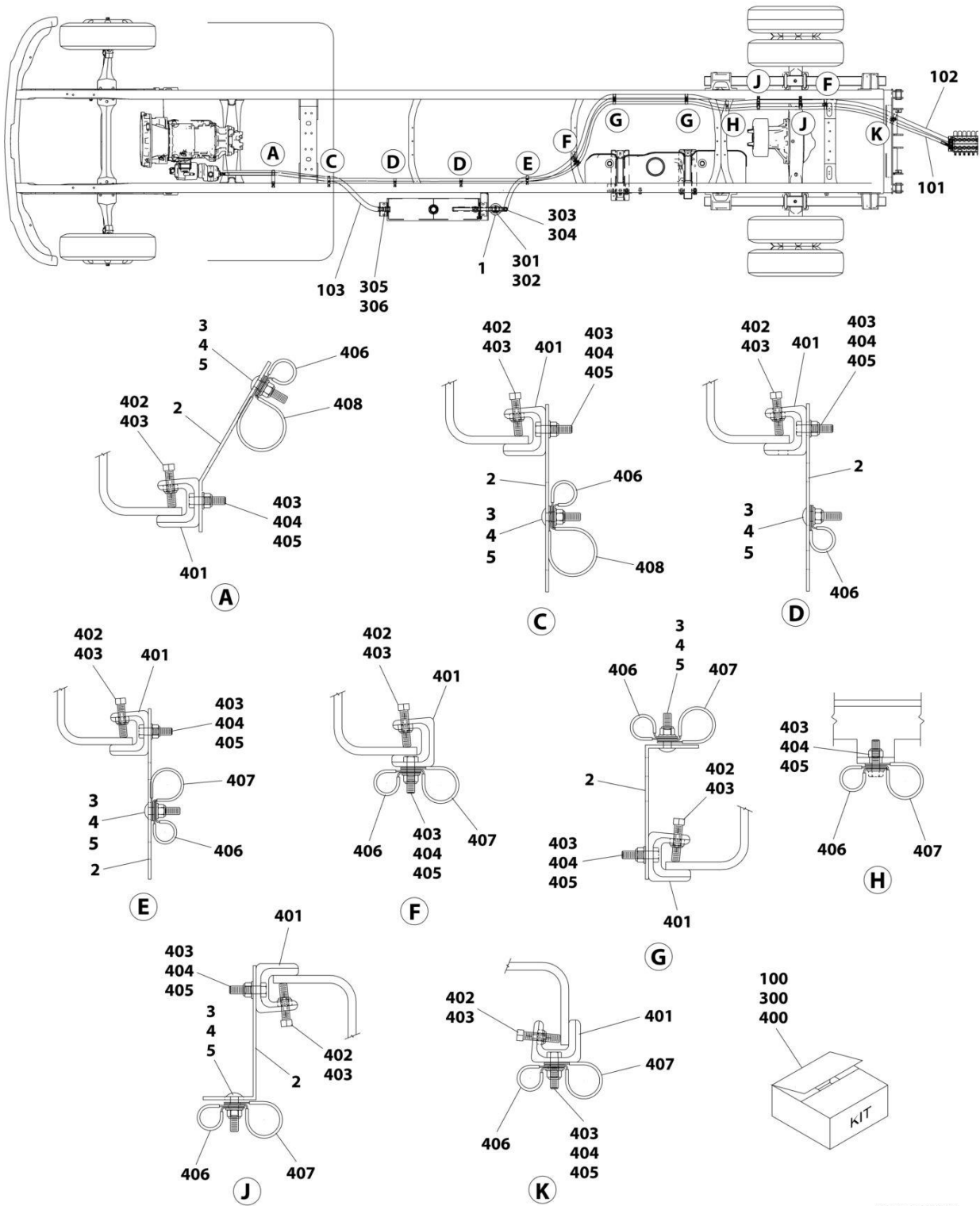
SECTION 5 - HYDRAULIC

FIGURE 5-10. HOSE INSTALLATION - 138IN CA STD CAB

| ITEM | PART NUMBER | QTY | DESCRIPTION | REV |
|------|-------------|-----|---|-----|
| | 2570000092 | Ref | HOSE INSTALLATION - 138IN CA (STD CAB UD) | 2 |
| 1 | 4567130165 | 1 | Hose | |
| 2 | 4570000104 | 1 | Hose | |
| 3 | 4570000105 | 1 | Hose | |
| 4 | 7430000003 | 1 | Filter, Oil | |
| 12 | 7950150161 | 3 | Washer 5/16 | |
| 13 | 7660152601 | 3 | Nut 5/16 | |
| 18 | 7115151064 | 3 | Bolt 5/16 x 1-1/4 | |
| 19 | 4706003844 | 3 | Plate | |
| 20 | 1001132801 | 1 | Clamp, Hose Kit (Includes Items 301-306) | |
| 21 | 1001132794 | 8 | Clamp, Hose Kit (Includes Items 401-408) | |
| 301 | 7470000002 | 1 | Gauge, Oil Filter Head | |
| 302 | 7443000158 | 1 | Fitting, 90 | |
| 303 | 7443000319 | 1 | Fitting, 90 | |
| 304 | 7274000080 | 2 | Clamp | |
| 305 | 7443000013 | 1 | Nipple | |
| 306 | 7274000002 | 2 | Clamp | |
| 401 | 7274000076 | 1 | Clamp | |
| 402 | 7785152420 | 1 | Screw 5/16 x 1-1/2 | |
| 403 | 7660152601 | 2 | Nut 5/16 | |
| 404 | 7115151050 | 1 | Capscrew 5/16 x 1-1/4 | |
| 405 | 7950150161 | 1 | Washer 5/16 | |
| 406 | 7274000040 | 1 | Clamp | |
| 407 | 7274000041 | 1 | Clamp | |
| 408 | 7274000042 | 1 | Clamp (Not Shown) | |

SECTION 5 - HYDRAULIC

FIGURE 5-11. HOSE INSTALLATION - 138IN CA, 219IN WB



ART_1001254711

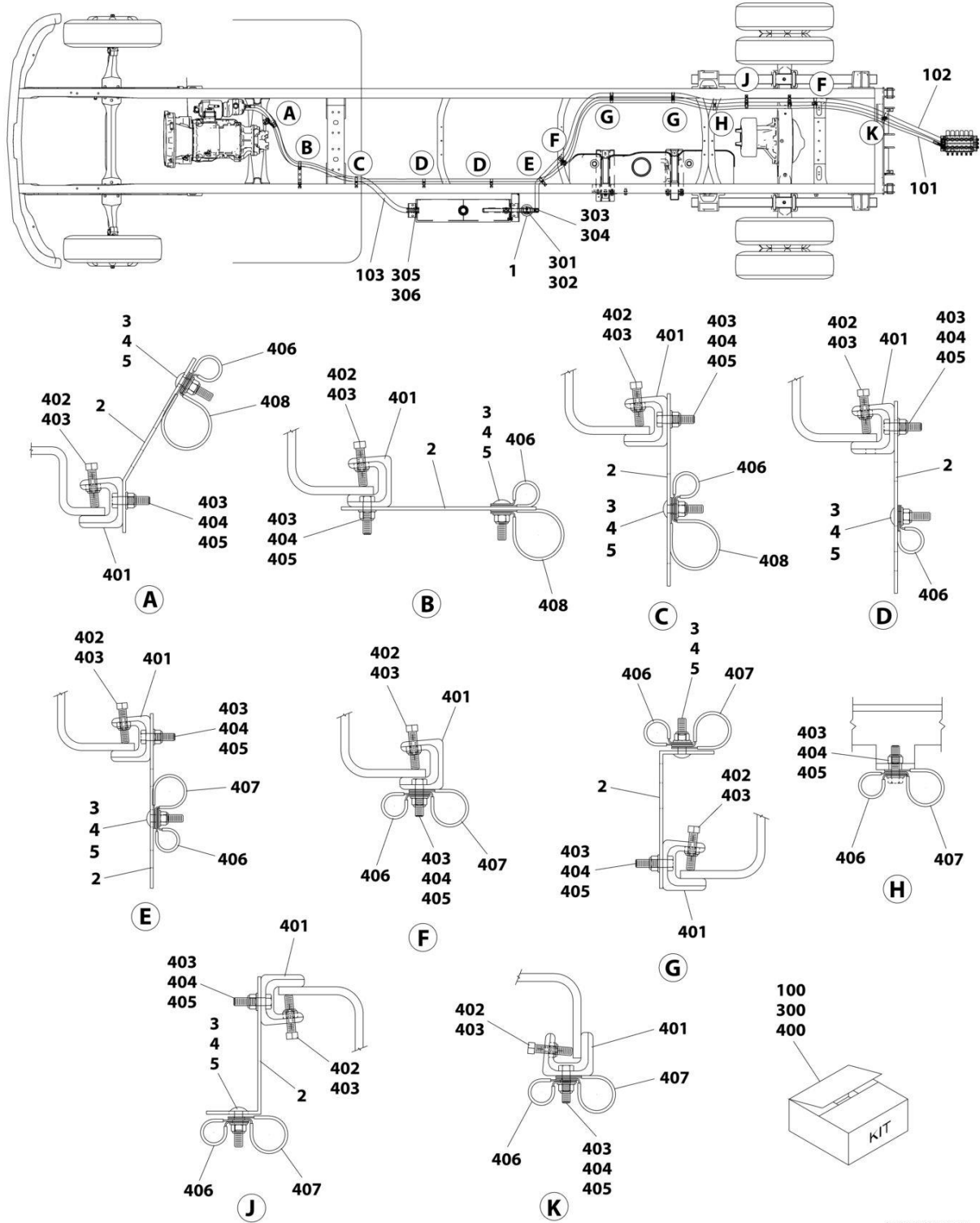
SECTION 5 - HYDRAULIC

FIGURE 5-11. HOSE INSTALLATION - 138IN CA, 219IN WB

| ITEM | PART NUMBER | QTY | DESCRIPTION | REV |
|------|-------------|-----|---|-----|
| | 1001254711 | Ref | HOSE INSTALLATION - 138IN CA (RC, DS PTO) | A |
| 1 | 7430000003 | 1 | Filter, Oil | |
| 2 | 4706003844 | 10 | Plate | |
| 3 | 7115151064 | 10 | Bolt 5/16 x 1-1/4 | |
| 4 | 7950150161 | 10 | Washer 5/16 | |
| 5 | 7660152601 | 10 | Nut 5/16 | |
| 100 | 1001254730 | 1 | Hose Kit | |
| 101 | 4567130262 | 1 | Hose | |
| 102 | 4570000118 | 1 | Hose | |
| 103 | 1001132603 | 1 | Hose | |
| 300 | 1001132801 | 1 | Clamp Kit | |
| 301 | 7470000002 | 1 | Gauge, Oil Filter Head | |
| 302 | 7443000158 | 1 | Fitting, 90 | |
| 303 | 7443000319 | 1 | Fitting, 90 | |
| 304 | 7274000080 | 2 | Clamp | |
| 305 | 7443000013 | 1 | Nipple | |
| 306 | 7274000002 | 2 | Clamp | |
| 400 | 1001132794 | 1 | Clamp Kit | |
| 401 | 7274000076 | 1 | Clamp | |
| 402 | 7785152420 | 1 | Screw 5/16 x 1-1/2 | |
| 403 | 7660152601 | 2 | Nut 5/16 | |
| 404 | 7115151050 | 1 | Capscrew 5/16 x 1-1/4 | |
| 405 | 7950150161 | 1 | Washer 5/16 | |
| 406 | 7274000040 | 1 | Clamp | |
| 407 | 7274000041 | 1 | Clamp | |
| 408 | 7274000042 | 1 | Clamp (Not Shown) | |

SECTION 5 - HYDRAULIC

FIGURE 5-12. HOSE INSTALLATION - 138IN CA, 219IN WB



ART_1001254706

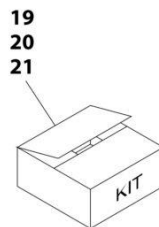
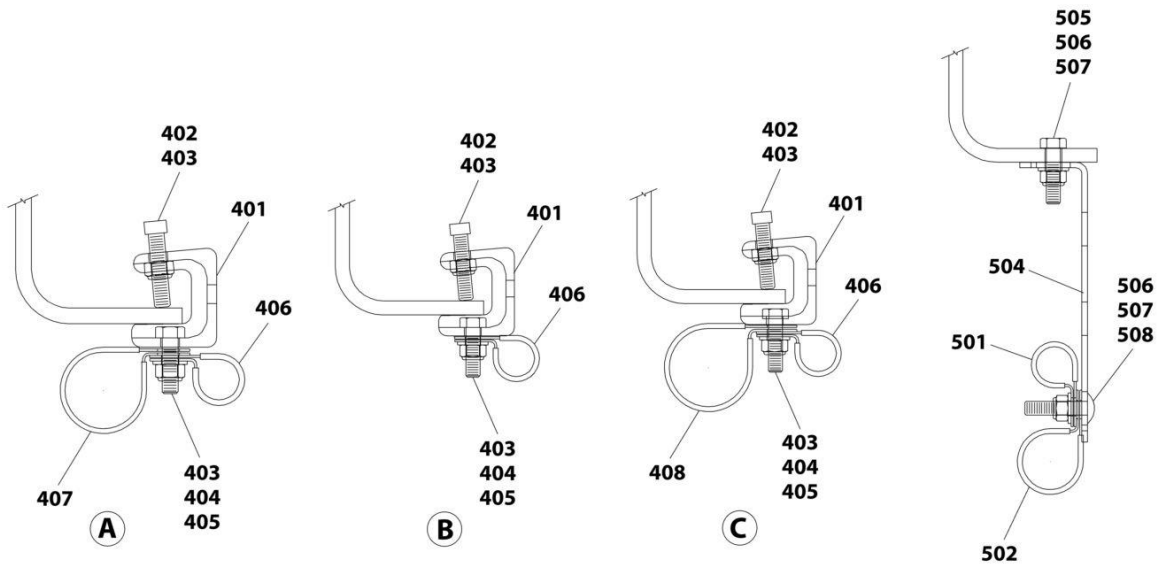
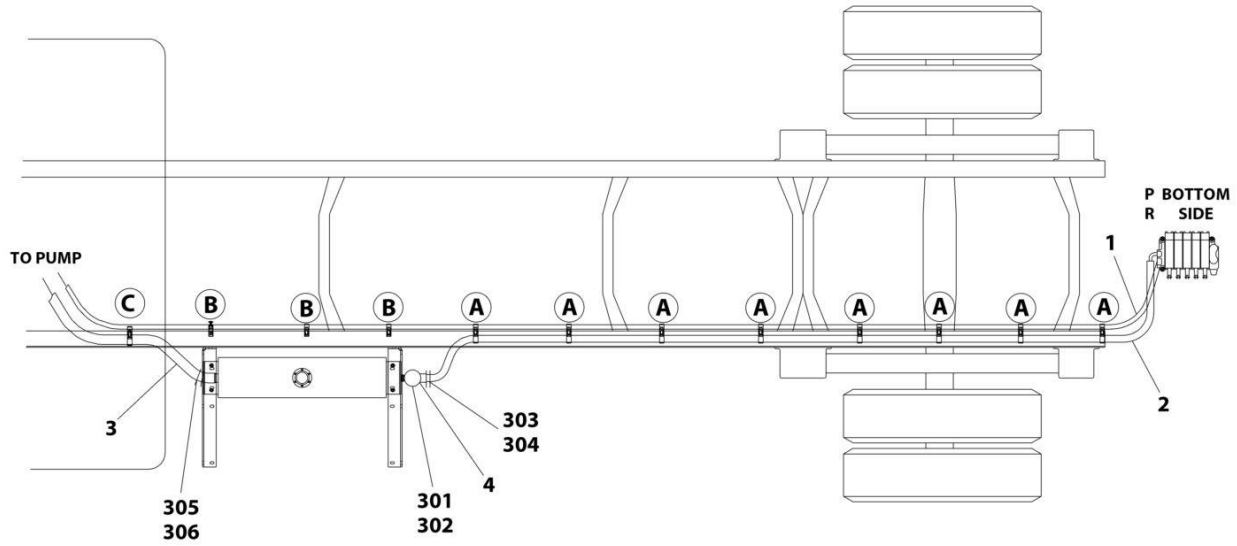
SECTION 5 - HYDRAULIC

FIGURE 5-12. HOSE INSTALLATION - 138IN CA, 219IN WB

| ITEM | PART NUMBER | QTY | DESCRIPTION | REV |
|------|-------------|-----|---|-----|
| | 1001254706 | Ref | HOSE INSTALLATION - 138IN CA (RC, PS PTO) | A |
| 1 | 7430000003 | 1 | Filter, Oil | |
| 2 | 4706003844 | 10 | Plate | |
| 3 | 7115151064 | 10 | Bolt 5/16 x 1-1/4 | |
| 4 | 7950150161 | 10 | Washer 5/16 | |
| 5 | 7660152601 | 10 | Nut 5/16 | |
| 6 | 7819000013 | 1 | Sleeve (Not Shown) | |
| 100 | 1001254725 | 1 | Hose Kit | |
| 101 | 4567130270 | 1 | Hose | |
| 102 | 4570000118 | 1 | Hose | |
| 103 | 4570000352 | 1 | Hose | |
| 300 | 1001132801 | 1 | Clamp Kit | |
| 301 | 7470000002 | 1 | Gauge, Oil Filter Head | |
| 302 | 7443000158 | 1 | Fitting, 90 | |
| 303 | 7443000319 | 1 | Fitting, 90 | |
| 304 | 7274000080 | 2 | Clamp | |
| 305 | 7443000013 | 1 | Fitting, Nipple | |
| 306 | 7274000002 | 2 | Clamp | |
| 400 | 1001132794 | 1 | Clamp Kit | |
| 401 | 7274000076 | 1 | Clamp | |
| 402 | 7785152420 | 1 | Screw 5/16 x 1-1/2 | |
| 403 | 7660152601 | 2 | Nut 5/16 | |
| 404 | 7115151050 | 1 | Capscrew 5/16 x 1-1/4 | |
| 405 | 7950150161 | 1 | Washer 5/16 | |
| 406 | 7274000040 | 1 | Clamp | |
| 407 | 7274000041 | 1 | Clamp | |
| 408 | 7274000042 | 1 | Clamp (Not Shown) | |

SECTION 5 - HYDRAULIC

FIGURE 5-13. HOSE INSTALLATION - 138IN CT STD CAB (INTERNATIONAL)



ART_257000093

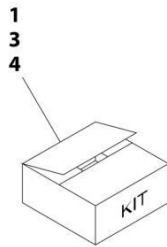
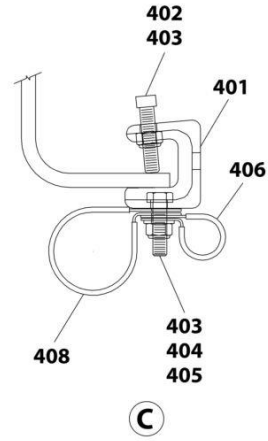
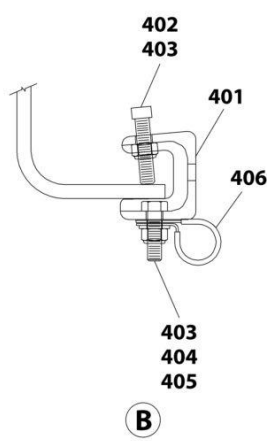
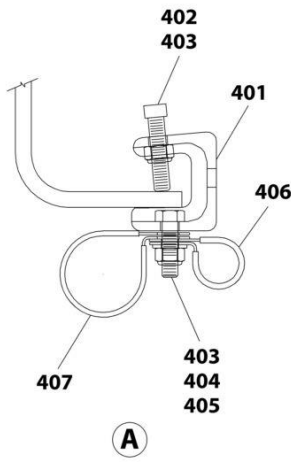
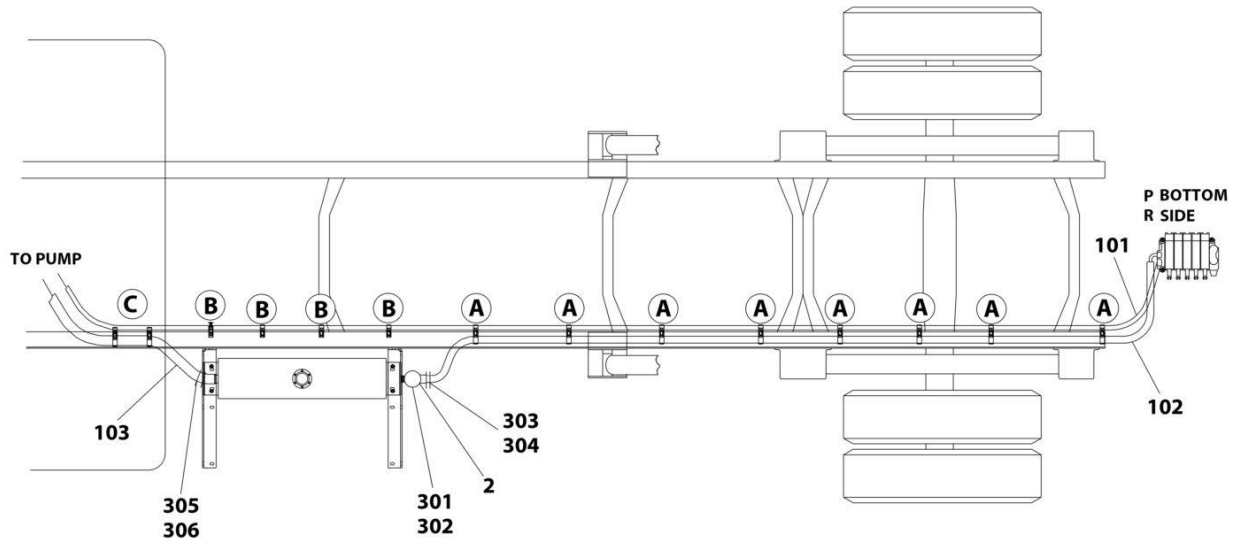
SECTION 5 - HYDRAULIC

FIGURE 5-13. HOSE INSTALLATION - 138IN CT STD CAB (INTERNATIONAL)

| ITEM | PART NUMBER | QTY | DESCRIPTION | REV |
|------|-------------|-----|--|-----|
| | 2570000093 | Ref | HOSE INSTALLATION - 138IN CA (STD CAB IHC NGV) | 2 |
| 1 | 4567130223 | 1 | Hose | |
| 2 | 4570000101 | 1 | Hose, Return | |
| 3 | 4570000091 | 1 | Hose, Supply | |
| 4 | 7430000003 | 1 | Filter, Oil | |
| 19 | 1001132801 | 1 | Clamp, Hose Kit (Includes Items 301-306) | |
| 20 | 1001132794 | 11 | Clamp, Hose Kit (Includes Items 401-408) | |
| 21 | 1001132800 | 5 | Clamp, Hose Kit (Includes Items 501-508) | |
| 301 | 7470000002 | 1 | Gauge, Oil Filter Head | |
| 302 | 7443000158 | 1 | Fitting, 90 | |
| 303 | 7443000319 | 1 | Fitting, 90 | |
| 304 | 7274000080 | 2 | Clamp | |
| 305 | 7443000013 | 1 | Fitting, Nipple | |
| 306 | 7274000002 | 2 | Clamp | |
| 401 | 7274000076 | 1 | Clamp | |
| 402 | 7785152420 | 1 | Screw 5/16 x 1-1/2 | |
| 403 | 7660152601 | 2 | Nut 5/16 | |
| 404 | 7115151050 | 1 | Capscrew 5/16 x 1-1/4 | |
| 405 | 7950150161 | 1 | Washer 5/16 | |
| 406 | 7274000040 | 1 | Clamp | |
| 407 | 7274000041 | 1 | Clamp | |
| 408 | 7274000042 | 1 | Clamp | |
| 501 | 7274000040 | 1 | Clamp | |
| 502 | 7274000041 | 1 | Clamp | |
| 503 | 7274000042 | 1 | Clamp | |
| 504 | 4706003844 | 1 | Plate | |
| 505 | 7115151050 | 1 | Capscrew 5/16 x 1-1/4 | |
| 506 | 7950150161 | 3 | Washer 5/16 | |
| 507 | 7660152601 | 2 | Nut 5/16 | |
| 508 | 7115151064 | 1 | Bolt 5/16 x 1-1/4 | |

SECTION 5 - HYDRAULIC

FIGURE 5-14. HOSE INSTALLATION - 144IN CA STD CAB (HINO)



ART_1001132761

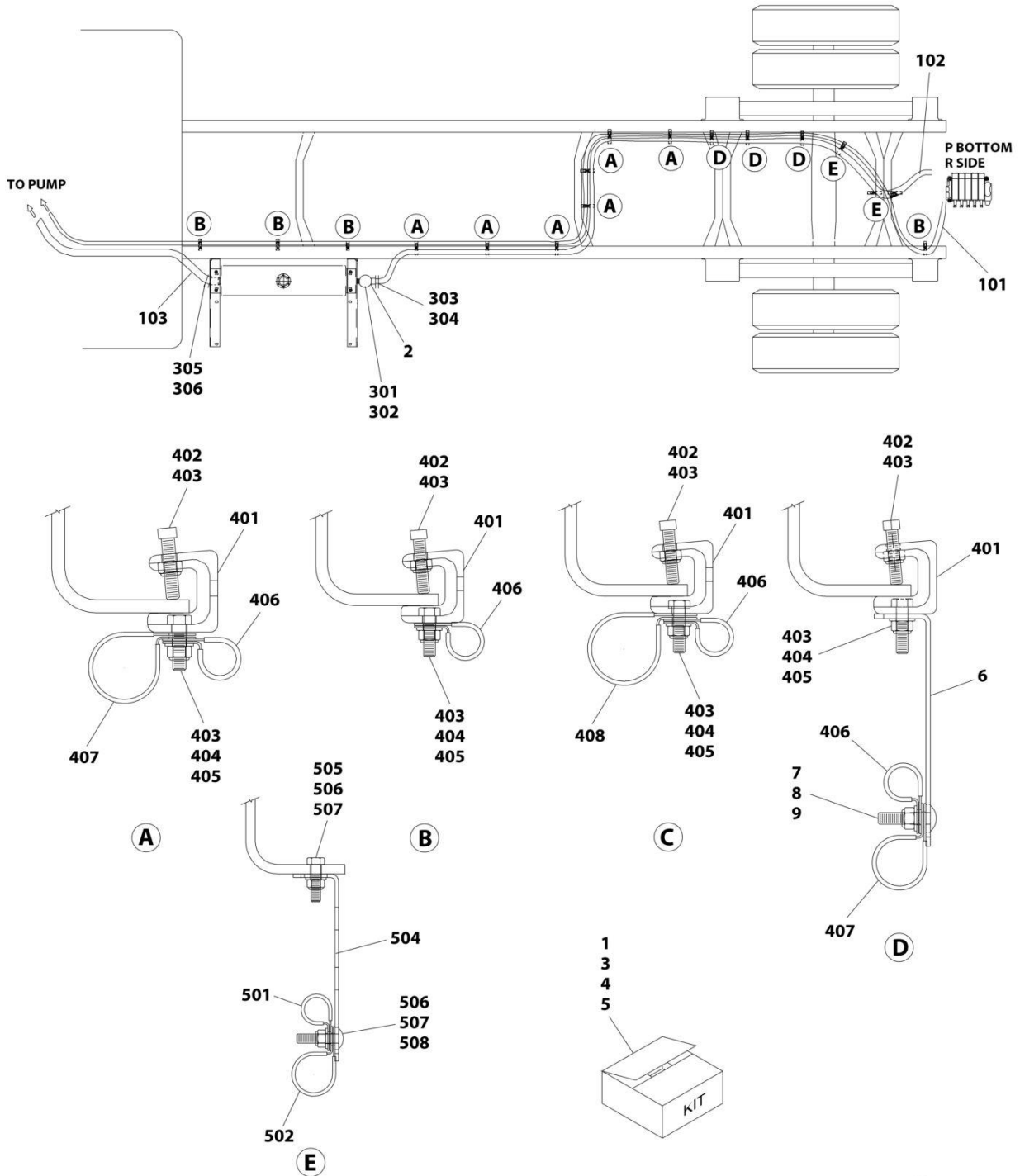
SECTION 5 - HYDRAULIC

FIGURE 5-14. HOSE INSTALLATION - 144IN CA STD CAB (HINO)

| ITEM | PART NUMBER | QTY | DESCRIPTION | REV |
|------|-------------|-----|---|-----|
| | 1001132761 | Ref | HOSE INSTALLATION - 144IN CA (STD CAB HINO) | 0 |
| 1 | 1001132760 | 1 | Hose Kit (Include Items 101-103) | |
| 2 | 7430000003 | 1 | Filter, Oil | |
| 3 | 1001132801 | 1 | Clamp, Hose Kit (Includes Items 301-306) | |
| 4 | 1001132794 | 13 | Clamp, Hose Kit (Includes Items 401-408) | |
| 101 | 4567130241 | 1 | Hose | |
| 102 | 4570000102 | 1 | Hose | |
| 103 | 4570000099 | 1 | Hose | |
| 301 | 7470000002 | 1 | Gauge, Oil Filter Head | |
| 302 | 7443000158 | 1 | Fitting, 90 | |
| 303 | 7443000319 | 1 | Fitting, 90 | |
| 304 | 7274000080 | 2 | Clamp | |
| 305 | 7443000013 | 1 | Nipple | |
| 306 | 7274000002 | 2 | Clamp | |
| 401 | 7274000076 | 1 | Clamp | |
| 402 | 7785152420 | 1 | Screw 5/16 x 1-1/2 | |
| 403 | 7660152601 | 2 | Nut 5/16 | |
| 404 | 7115151050 | 1 | Capscrew 5/16 x 1-1/4 | |
| 405 | 7950150161 | 1 | Washer 5/16 | |
| 406 | 7274000040 | 1 | Clamp | |
| 407 | 7274000041 | 1 | Clamp | |
| 408 | 7274000042 | 1 | Clamp | |

SECTION 5 - HYDRAULIC

FIGURE 5-15. HOSE INSTALLATION - 144IN CT STD CAB (INTERNATIONAL)



ART_1001132743

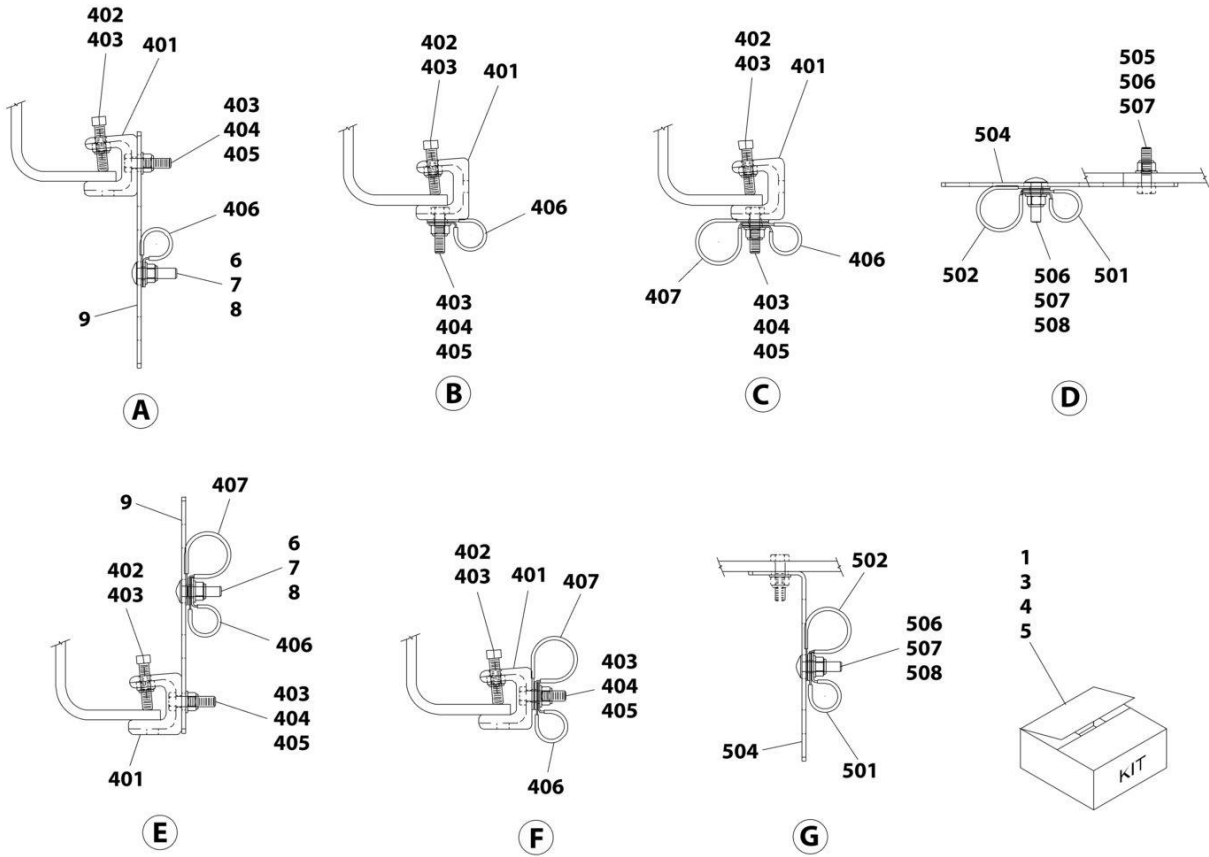
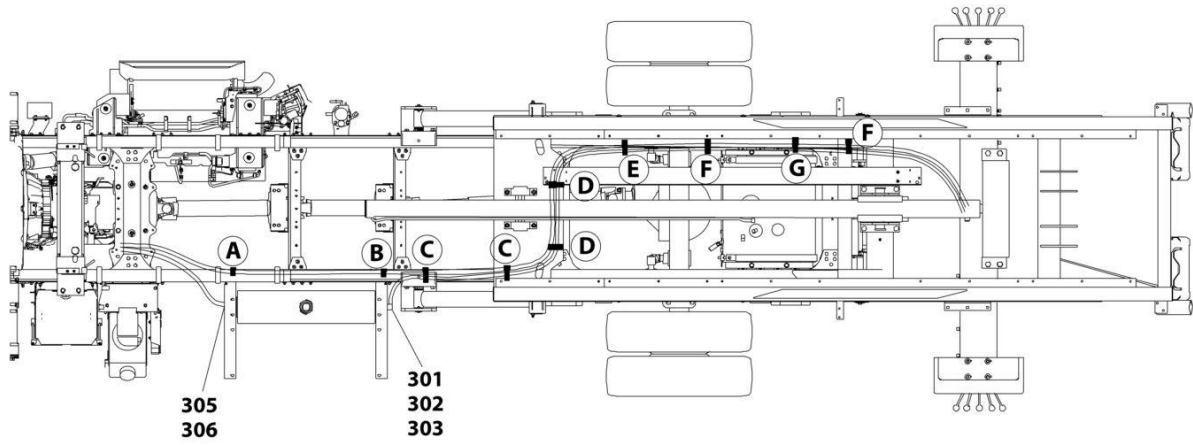
SECTION 5 - HYDRAULIC

FIGURE 5-15. HOSE INSTALLATION - 144IN CT STD CAB (INTERNATIONAL)

| ITEM | PART NUMBER | QTY | DESCRIPTION | REV |
|------|-------------|-----|--|-----|
| | 1001132743 | Ref | HOSE INSTALLATION - 144IN CA (STD CAB IHC NGV) | 0 |
| 1 | 1001132712 | 1 | Hose Kit (Include Items 101-103) | |
| 2 | 7430000003 | 1 | Filter, Oil | |
| 3 | 1001132801 | 1 | Clamp, Hose Kit (Includes Items 301-306) | |
| 4 | 1001132794 | 14 | Clamp, Hose Kit (Includes Items 401-408) | |
| 5 | 1001132800 | 3 | Clamp, Hose Kit (Includes Items 501-508) | |
| 6 | 4706003844 | 3 | Plate | |
| 7 | 7115151064 | 3 | Bolt 5/16 x 1-1/4 | |
| 8 | 7950150161 | 3 | Washer 5/16 | |
| 9 | 7660152601 | 3 | Nut 5/16 | |
| 101 | 4567130264 | 1 | Hose | |
| 102 | 1001132684 | 1 | Hose | |
| 103 | 4570000042 | 1 | Hose | |
| 301 | 7470000002 | 1 | Gauge, Oil Filter Head | |
| 302 | 7443000158 | 1 | Fitting, 90 | |
| 303 | 7443000319 | 1 | Fitting, 90 | |
| 304 | 7274000080 | 2 | Clamp | |
| 305 | 7443000013 | 1 | Fitting, Nipple | |
| 306 | 7274000002 | 2 | Clamp | |
| 401 | 7274000076 | 1 | Clamp | |
| 402 | 7785152420 | 1 | Screw 5/16 x 1-1/2 | |
| 403 | 7660152601 | 2 | Nut 5/16 | |
| 404 | 7115151050 | 1 | Capscrew 5/16 x 1-1/4 | |
| 405 | 7950150161 | 1 | Washer 5/16 | |
| 406 | 7274000040 | 1 | Clamp | |
| 407 | 7274000041 | 1 | Clamp | |
| 408 | 7274000042 | 1 | Clamp | |
| 501 | 7274000040 | 1 | Clamp | |
| 502 | 7274000041 | 1 | Clamp | |
| 503 | 7274000042 | 1 | Clamp | |
| 504 | 4706003844 | 1 | Plate | |
| 505 | 7115151050 | 1 | Capscrew 5/16 x 1-1/4 | |
| 506 | 7950150161 | 3 | Washer 5/16 | |
| 507 | 7660152601 | 2 | Nut 5/16 | |
| 508 | 7115151064 | 1 | Bolt 5/16 x 1-1/4 | |

SECTION 5 - HYDRAULIC

FIGURE 5-16. HOSE INSTALLATION - 145IN CA STD CAB (HINO)



ART_1001159911

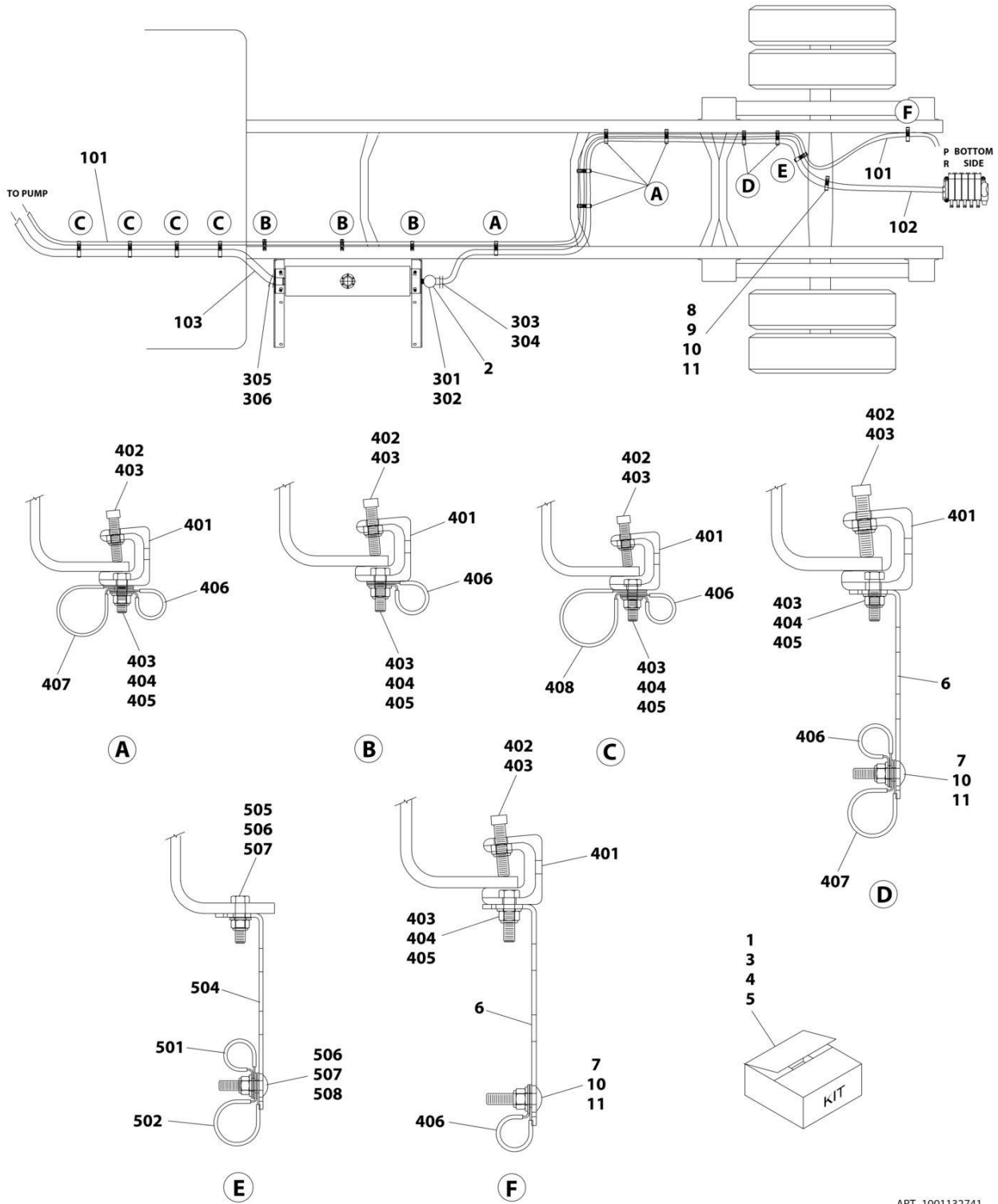
SECTION 5 - HYDRAULIC

FIGURE 5-16. HOSE INSTALLATION - 145IN CA STD CAB (HINO)

| ITEM | PART NUMBER | QTY | DESCRIPTION | REV |
|------|-------------|-----|---|-----|
| | 1001159911 | Ref | HOSE INSTALLATION - 145IN CA (STD HINO) | A |
| 1 | 1001159912 | 1 | Hose Kit (Includes Items 101-103) | |
| 2 | 7430000003 | 1 | Filter, Oil (Not Shown) | |
| 3 | 1001132801 | 1 | Clamp, Hose (Includes Items 301-306) | |
| 4 | 1001132794 | 7 | Clamp, Hose (Includes Items 401-408) | |
| 5 | 1001132800 | 3 | Clamp, Hose (Includes Items 501-508) | |
| 6 | 7115151064 | 2 | Bolt 5/16 x 1-1/4 | |
| 7 | 7950150161 | 2 | Washer 5/16 | |
| 8 | 7660152601 | 2 | Nut 5/16 | |
| 9 | 4706003844 | 2 | Plate | |
| 101 | 4567130216 | 1 | Hose (Not Shown) | |
| 102 | 4570000113 | 1 | Hose (Not Shown) | |
| 103 | 4570000099 | 1 | Hose (Not Shown) | |
| 301 | 7470000002 | 1 | Gauge, Oil Filter Head | |
| 302 | 7443000158 | 1 | Fitting, 90 | |
| 303 | 7443000319 | 1 | Fitting, 90 | |
| 304 | 7274000080 | 2 | Clamp (Not Shown) | |
| 305 | 7443000013 | 1 | Fitting, Nipple | |
| 306 | 7274000002 | 2 | Clamp | |
| 401 | 7274000076 | 1 | Clamp | |
| 402 | 7785152420 | 1 | Screw 5/16 x 1-1/2 | |
| 403 | 7660152601 | 2 | Nut 5/16 | |
| 404 | 7115151050 | 1 | Capscrew 5/16 x 1-1/4 | |
| 405 | 7950150161 | 1 | Washer 5/16 | |
| 406 | 7274000040 | 1 | Clamp | |
| 407 | 7274000041 | 1 | Clamp | |
| 408 | 7274000042 | 1 | Clamp (Not Shown) | |
| 501 | 7274000040 | 1 | Clamp | |
| 502 | 7274000041 | 1 | Clamp | |
| 503 | 7274000042 | 1 | Clamp (Not Shown) | |
| 504 | 4706003844 | 1 | Plate | |
| 505 | 7115151050 | 1 | Capscrew 5/16 x 1-1/4 | |
| 506 | 7950150161 | 3 | Washer 5/16 | |
| 507 | 7660152601 | 2 | Nut 5/16 | |
| 508 | 7115151064 | 1 | Bolt 5/16 x 1-1/4 | |

SECTION 5 - HYDRAULIC

FIGURE 5-17. HOSE INSTALLATION - 150IN CA CREW CAB (FORD - CREW CAB)



ART_1001132741

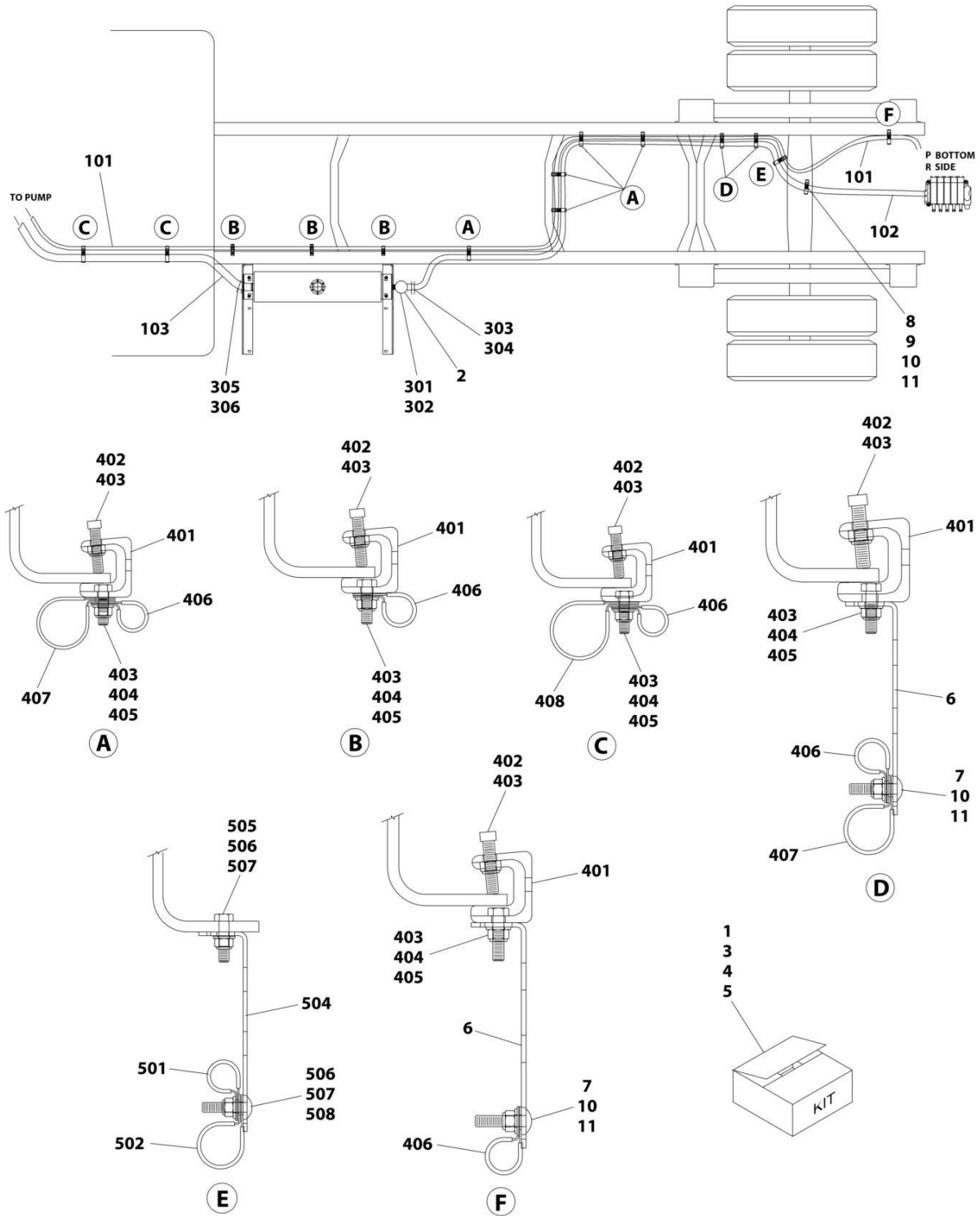
SECTION 5 - HYDRAULIC

FIGURE 5-17. HOSE INSTALLATION - 150IN CA CREW CAB (FORD - CREW CAB)

| ITEM | PART NUMBER | QTY | DESCRIPTION | REV |
|------|-------------|-----|---|-----|
| | 1001132741 | Ref | HOSE & CLAMP INSTALLATION - 150IN CA CREW CAB (FORD - CREW CAB) | 0 |
| 1 | 1001132710 | 1 | Hose Kit (Include Items 101-103) | |
| 2 | 7430000003 | 1 | Filter, Oil | |
| 3 | 1001132801 | 1 | Clamp, Hose (Includes Items 301-306) | |
| 4 | 1001132794 | 15 | Clamp, Hose (Includes Items 401-408) | |
| 5 | 1001132800 | 1 | Clamp, Hose (Includes items 501-508) | |
| 6 | 4706003844 | 3 | Plate | |
| 7 | 7115151064 | 3 | Bolt 5/16 x 1-1/4 | |
| 8 | 7274000041 | 1 | Clamp, Hose | |
| 9 | 7115151050 | 1 | Capscrew 5/16 x 1-1/4 | |
| 10 | 7950150161 | 4 | Washer 5/16 | |
| 11 | 7660152601 | 4 | Nut 5/16 | |
| 101 | 4567130320 | 1 | Hose | |
| 102 | 4570000160 | 1 | Hose | |
| 103 | 1001132613 | 1 | Hose | |
| 301 | 7470000002 | 1 | Gauge, Oil Filter Head | |
| 302 | 7443000158 | 1 | Fitting, 90 | |
| 303 | 7443000319 | 1 | Fitting, 90 | |
| 304 | 7274000080 | 2 | Clamp | |
| 305 | 7443000013 | 1 | Fitting, Nipple | |
| 306 | 7274000002 | 2 | Clamp | |
| 401 | 7274000076 | 1 | Clamp | |
| 402 | 7785152420 | 1 | Screw 5/16 x 1-1/2 | |
| 403 | 7660152601 | 2 | Nut 5/16 | |
| 404 | 7115151050 | 1 | Capscrew 5/16 x 1-1/4 | |
| 405 | 7950150161 | 1 | Washer 5/16 | |
| 406 | 7274000040 | 1 | Clamp | |
| 407 | 7274000041 | 1 | Clamp | |
| 408 | 7274000042 | 1 | Clamp | |
| 501 | 7274000040 | 1 | Clamp | |
| 502 | 7274000041 | 1 | Clamp | |
| 503 | 7274000042 | 1 | Clamp (Not Shown) | |
| 504 | 4706003844 | 1 | Plate | |
| 505 | 7115151050 | 1 | Capscrew 5/16 x 1-1/4 | |
| 506 | 7950150161 | 3 | Washer 5/16 | |
| 507 | 7660152601 | 2 | Nut 5/16 | |
| 508 | 7115151064 | 1 | Bolt 5/16 x 1-1/4 | |

SECTION 5 - HYDRAULIC

FIGURE 5-18. HOSE INSTALLATION - 150IN CA STD CAB (FORD/HINO)



ART_1001132738

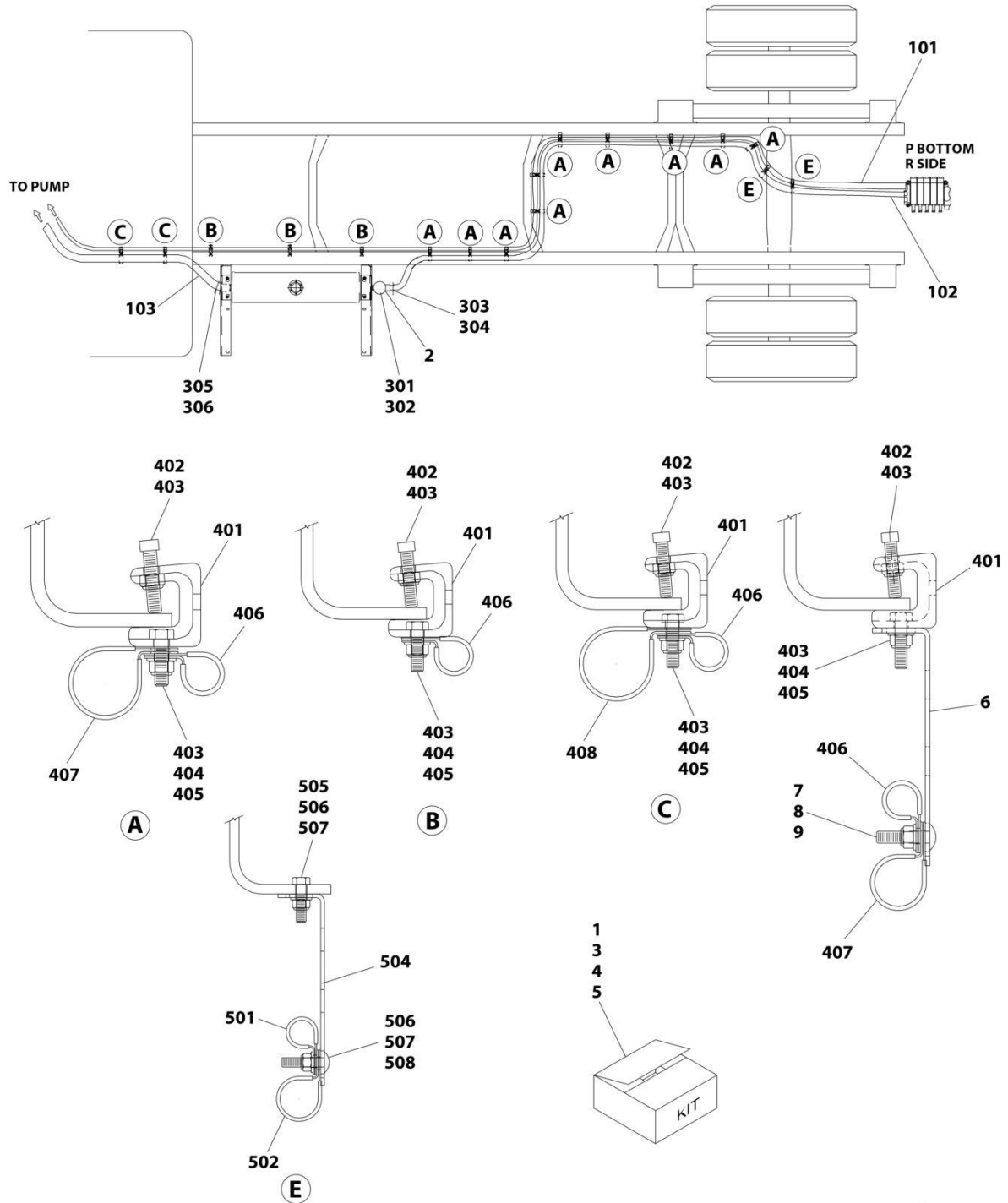
SECTION 5 - HYDRAULIC

FIGURE 5-18. HOSE INSTALLATION - 150IN CA STD CAB (FORD/HINO)

| ITEM | PART NUMBER | QTY | DESCRIPTION | REV |
|------|-------------|-----|--|-----|
| | 1001132738 | Ref | HOSE INSTALLATION - 150IN CA (STD CAB FORD/HINO AIR) | 0 |
| 1 | 1001132707 | 1 | Hose Kit (Include Items 101-103) | |
| 2 | 7430000003 | 1 | Filter, Oil | |
| 3 | 1001132801 | 1 | Clamp, Hose Kit (Includes Items 301-306) | |
| 4 | 1001132794 | 13 | Clamp, Hose Kit (Includes Items 401-408) | |
| 5 | 1001132800 | 1 | Clamp, Hose Kit (Includes Items 501-508) | |
| 6 | 4706003844 | 3 | Plate | |
| 7 | 7115151064 | 3 | Bolt 5/16 x 1-1/4 | |
| 8 | 7274000041 | 1 | Clamp | |
| 9 | 7115151050 | 1 | Capscrew 5/16 x 1-1/4 | |
| 10 | 7950150161 | 4 | Washer 5/16 | |
| 11 | 7660152601 | 4 | Nut 5/16 | |
| 101 | 4567130268 | 1 | Hose | |
| 102 | 1001132679 | 1 | Hose | |
| 103 | 4570000099 | 1 | Hose | |
| 301 | 7470000002 | 1 | Gauge, Oil Filter Head | |
| 302 | 7443000158 | 1 | Fitting, 90 | |
| 303 | 7443000319 | 1 | Fitting, 90 | |
| 304 | 7274000080 | 2 | Clamp | |
| 305 | 7443000013 | 1 | Fitting, Nipple | |
| 306 | 7274000002 | 2 | Clamp | |
| 401 | 7274000076 | 1 | Clamp | |
| 402 | 7785152420 | 1 | Screw 5/16 x 1-1/2 | |
| 403 | 7660152601 | 2 | Nut 5/16 | |
| 404 | 7115151050 | 1 | Capscrew 5/16 x 1-1/4 | |
| 405 | 7950150161 | 1 | Washer 5/16 | |
| 406 | 7274000040 | 1 | Clamp | |
| 407 | 7274000041 | 1 | Clamp | |
| 408 | 7274000042 | 1 | Clamp | |
| 501 | 7274000040 | 1 | Clamp | |
| 502 | 7274000041 | 1 | Clamp | |
| 503 | 7274000042 | 1 | Clamp | |
| 504 | 4706003844 | 1 | Plate | |
| 505 | 7115151050 | 1 | Capscrew 5/16 x 1-1/4 | |
| 506 | 7950150161 | 3 | Washer 5/16 | |
| 507 | 7660152601 | 2 | Nut 5/16 | |
| 508 | 7115151064 | 1 | Bolt 5/16 x 1-1/4 | |

SECTION 5 - HYDRAULIC

FIGURE 5-19. HOSE INSTALLATION - 150IN CA STD CAB (PETERBILT)



ART_1001132746

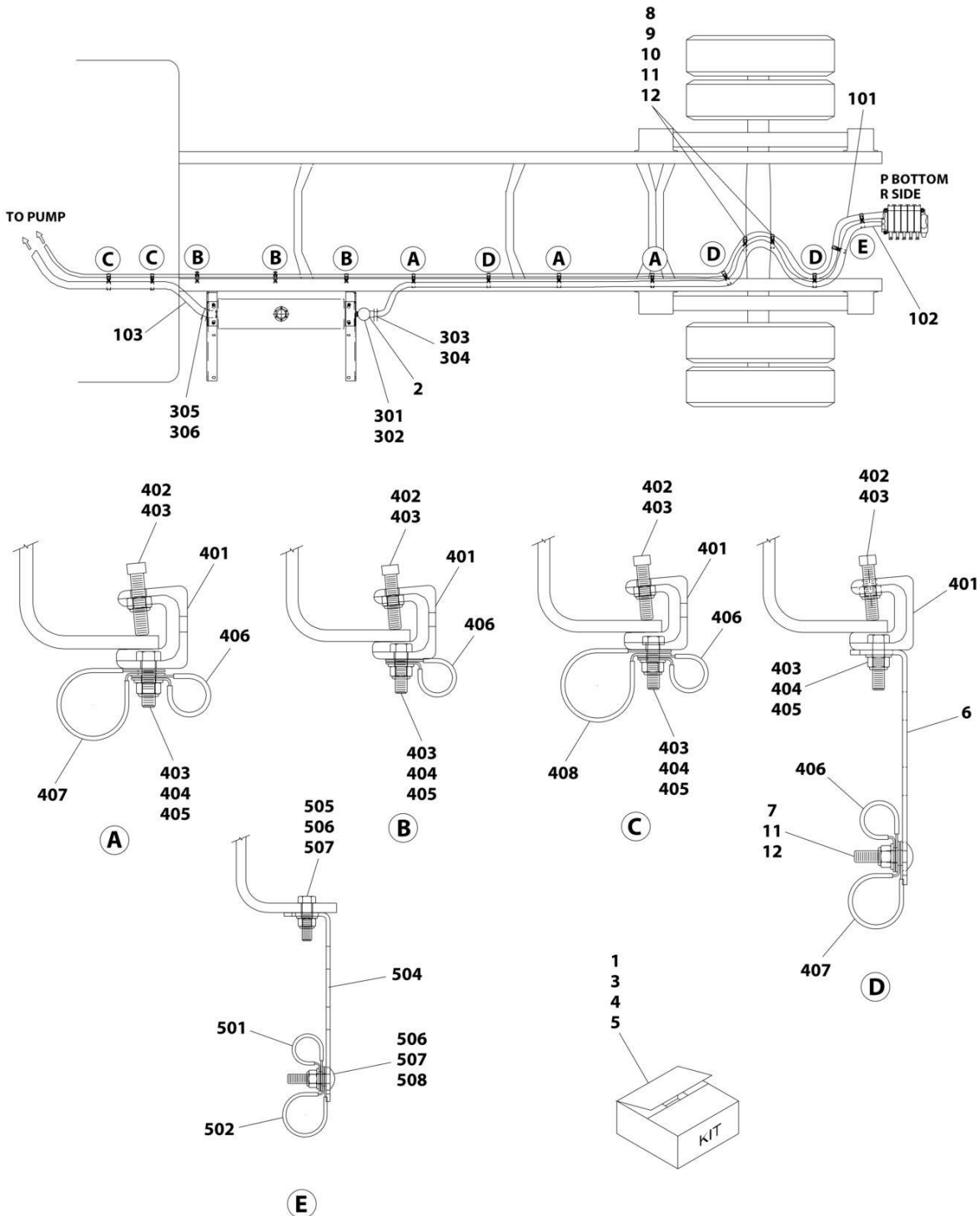
SECTION 5 - HYDRAULIC

FIGURE 5-19. HOSE INSTALLATION - 150IN CA STD CAB (PETERBILT)

| ITEM | PART NUMBER | QTY | DESCRIPTION | REV |
|------|-------------|-----|--|-----|
| | 1001132746 | Ref | HOSE INSTALLATION - 150IN CA (STD CAB PETERBILT) | 0 |
| 1 | 1001132715 | 1 | Hose Kit (Include Items 101-103) | |
| 2 | 7430000003 | 1 | Filter, Oil | |
| 3 | 1001132801 | 1 | Clamp, Hose Kit (Includes Items 301-306) | |
| 4 | 1001132794 | 15 | Clamp, Hose Kit (Includes Items 401-408) | |
| 5 | 1001132800 | 4 | Clamp, Hose Kit (Includes Items 501-508) | |
| 6 | 4706003844 | 4 | Plate | |
| 7 | 7115151064 | 4 | Bolt 5/16 x 1-1/4 | |
| 8 | 7950150161 | 4 | Washer 5/16 | |
| 9 | 7660152601 | 4 | Nut 5/16 | |
| 101 | 4567130247 | 1 | Hose | |
| 102 | 4570000113 | 1 | Hose | |
| 103 | 1001132601 | 1 | Hose | |
| 301 | 7470000002 | 1 | Gauge, Oil Filter Head | |
| 302 | 7443000158 | 1 | Fitting, 90 | |
| 303 | 7443000319 | 1 | Fitting, 90 | |
| 304 | 7274000080 | 2 | Clamp | |
| 305 | 7443000013 | 1 | Fitting, Nipple | |
| 306 | 7274000002 | 2 | Clamp | |
| 401 | 7274000076 | 1 | Clamp | |
| 402 | 7785152420 | 1 | Screw 5/16 x 1-1/2 | |
| 403 | 7660152601 | 2 | Nut 5/16 | |
| 404 | 7115151050 | 1 | Capscrew 5/16 x 1-1/4 | |
| 405 | 7950150161 | 1 | Washer 5/16 | |
| 406 | 7274000040 | 1 | Clamp | |
| 407 | 7274000041 | 1 | Clamp | |
| 408 | 7274000042 | 1 | Clamp | |
| 501 | 7274000040 | 1 | Clamp | |
| 502 | 7274000041 | 1 | Clamp | |
| 503 | 7274000042 | 1 | Clamp | |
| 504 | 4706003844 | 1 | Plate | |
| 505 | 7115151050 | 1 | Capscrew 5/16 x 1-1/4 | |
| 506 | 7950150161 | 3 | Washer 5/16 | |
| 507 | 7660152601 | 2 | Nut 5/16 | |
| 508 | 7115151064 | 1 | Bolt 5/16 x 1-1/4 | |

SECTION 5 - HYDRAULIC

FIGURE 5-20. HOSE INSTALLATION - 150IN CA STD CAB (PETERBILT)



ART_1001132747

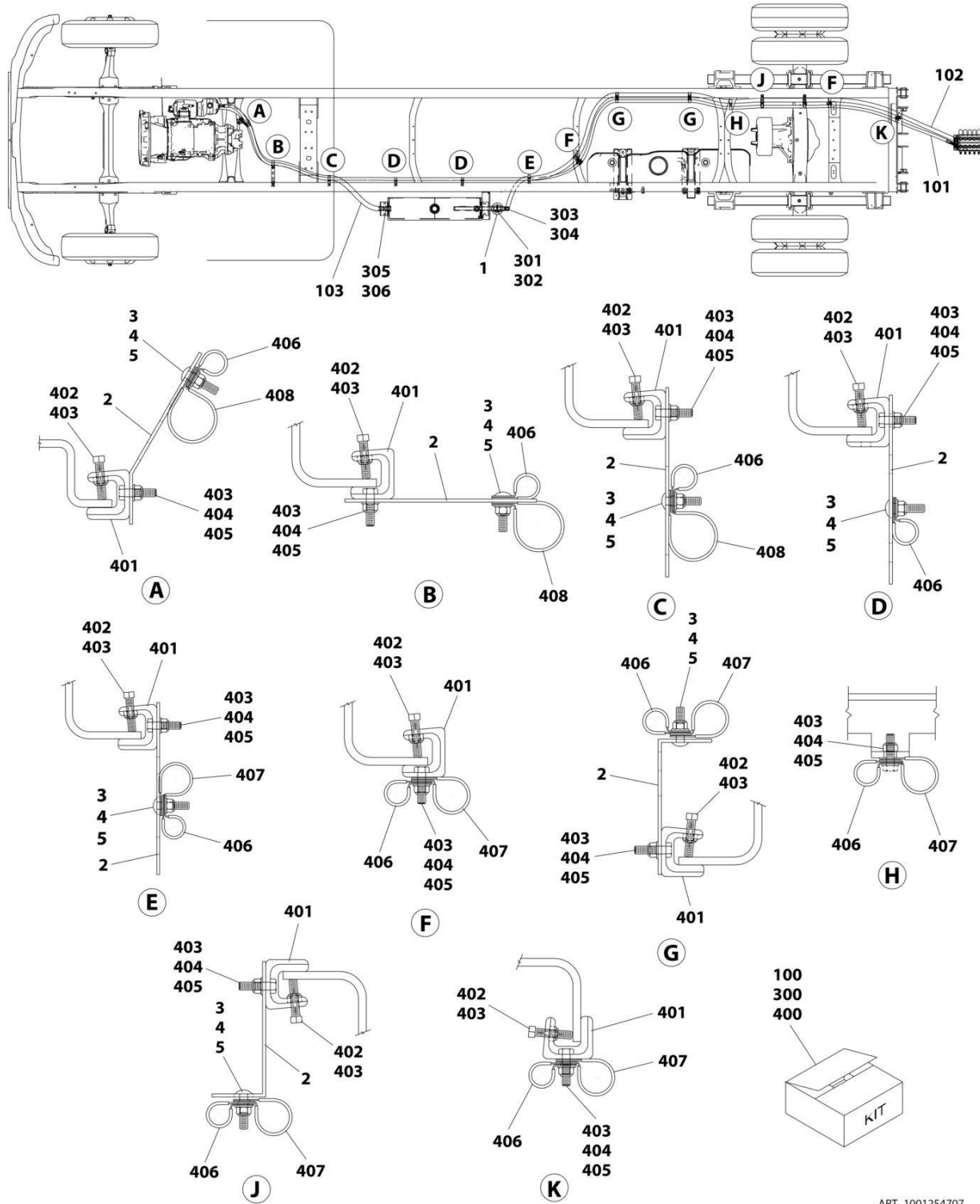
SECTION 5 - HYDRAULIC

FIGURE 5-20. HOSE INSTALLATION - 150IN CA STD CAB (PETERBILT)

| ITEM | PART NUMBER | QTY | DESCRIPTION | REV |
|------|-------------|-----|--|-----|
| | 1001132747 | Ref | HOSE INSTALLATION - 162IN CA (STD CAB PETERBILT) | 0 |
| 1 | 1001132716 | 1 | Hose Kit (Include Items 101-103) | |
| 2 | 7430000003 | 1 | Filter, Oil | |
| 3 | 1001132801 | 1 | Clamp, Hose Kit (Includes Items 301-306) | |
| 4 | 1001132794 | 11 | Clamp, Hose Kit (Includes Items 401-408) | |
| 5 | 1001132800 | 2 | Clamp, Hose Kit (Includes Items 501-508) | |
| 6 | 4706003844 | 3 | Plate | |
| 7 | 7115151064 | 3 | Bolt 5/16 x 1-1/4 | |
| 8 | 7274000040 | 2 | Clamp | |
| 9 | 7274000041 | 2 | Clamp | |
| 10 | 7115151050 | 2 | Capscrew 5/16 x 1-1/4 | |
| 11 | 7950150161 | 5 | Washer 5/16 | |
| 12 | 7660152601 | 5 | Nut 5/16 | |
| 101 | 4567130262 | 1 | Hose | |
| 102 | 1001132679 | 1 | Hose | |
| 103 | 1001132599 | 1 | Hose | |
| 301 | 7470000002 | 1 | Gauge, Oil Filter Head | |
| 302 | 7443000158 | 1 | Fitting, 90 | |
| 303 | 7443000319 | 1 | Fitting, 90 | |
| 304 | 7274000080 | 2 | Clamp | |
| 305 | 7443000013 | 1 | Fitting, Nipple | |
| 306 | 7274000002 | 2 | Clamp | |
| 401 | 7274000076 | 1 | Clamp | |
| 402 | 7785152420 | 1 | Screw 5/16 x 1-1/2 | |
| 403 | 7660152601 | 2 | Nut 5/16 | |
| 404 | 7115151050 | 1 | Capscrew 5/16 x 1-1/4 | |
| 405 | 7950150161 | 1 | Washer 5/16 | |
| 406 | 7274000040 | 1 | Clamp | |
| 407 | 7274000041 | 1 | Clamp | |
| 408 | 7274000042 | 1 | Clamp | |
| 501 | 7274000040 | 1 | Clamp | |
| 502 | 7274000041 | 1 | Clamp | |
| 503 | 7274000042 | 1 | Clamp | |
| 504 | 4706003844 | 1 | Plate | |
| 505 | 7115151050 | 1 | Capscrew 5/16 x 1-1/4 | |
| 506 | 7950150161 | 3 | Washer 5/16 | |
| 507 | 7660152601 | 2 | Nut 5/16 | |
| 508 | 7115151064 | 1 | Bolt 5/16 x 1-1/4 | |

SECTION 5 - HYDRAULIC

FIGURE 5-21. HOSE INSTALLATION - 150IN CA, 231IN WB



ART_1001254707

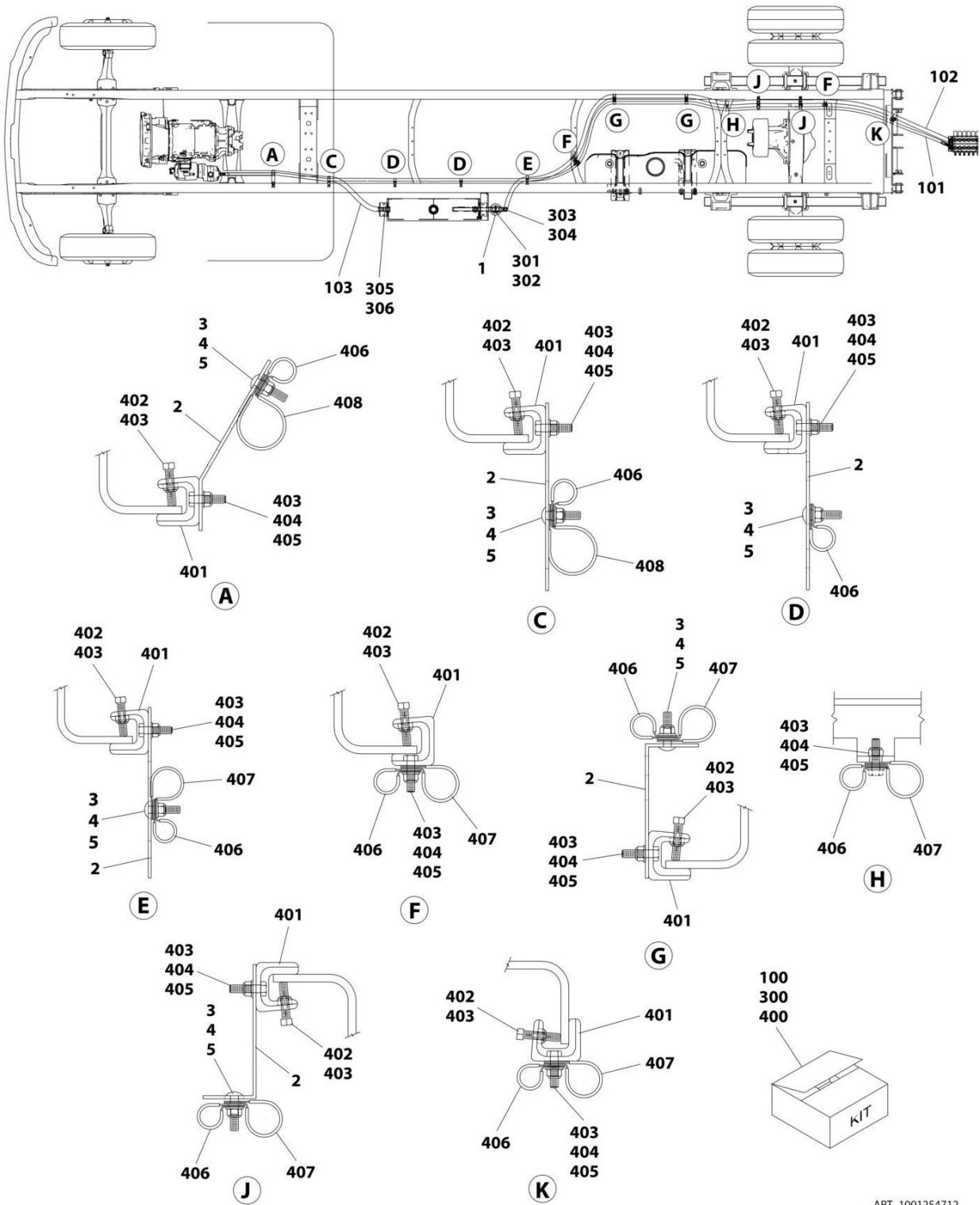
SECTION 5 - HYDRAULIC

FIGURE 5-21. HOSE INSTALLATION - 150IN CA, 231IN WB

| ITEM | PART NUMBER | QTY | DESCRIPTION | REV |
|------|-------------|-----|---|-----|
| | 1001254707 | Ref | HOSE INSTALLATION - 150IN CA (RC, PS PTO) | B |
| 1 | 7430000003 | 1 | Filter, Oil | |
| 2 | 4706003844 | 10 | Plate | |
| 3 | 7115151064 | 10 | Bolt 5/16 x 1-1/4 | |
| 4 | 7950150161 | 10 | Washer 5/16 | |
| 5 | 7660152601 | 10 | Nut 5/16 | |
| 6 | 7819000013 | 1 | Sleeve (Not Shown) | |
| 100 | 1001254726 | 1 | Hose Kit | |
| 101 | 4567130283 | 1 | Hose | |
| 102 | 1001132680 | 1 | Hose | |
| 103 | 4570000352 | 1 | Hose | |
| 300 | 1001132801 | 1 | Clamp Kit | |
| 301 | 7470000002 | 1 | Gauge, Oil Filter Head | |
| 302 | 7443000158 | 1 | Fitting, 90 | |
| 303 | 7443000319 | 1 | Fitting, 90 | |
| 304 | 7274000080 | 2 | Clamp | |
| 305 | 7443000013 | 1 | Fitting, Nipple | |
| 306 | 7274000002 | 2 | Clamp | |
| 400 | 1001132794 | 1 | Clamp Kit | |
| 401 | 7274000076 | 1 | Clamp | |
| 402 | 7785152420 | 1 | Screw 5/16 x 1-1/2 | |
| 403 | 7660152601 | 2 | Nut 5/16 | |
| 404 | 7115151050 | 1 | Capscrew 5/16 x 1-1/4 | |
| 405 | 7950150161 | 1 | Washer 5/16 | |
| 406 | 7274000040 | 1 | Clamp | |
| 407 | 7274000041 | 1 | Clamp | |
| 408 | 7274000042 | 1 | Clamp (Not Shown) | |

SECTION 5 - HYDRAULIC

FIGURE 5-22. HOSE INSTALLATION - 150IN CA, 231N WB



ART_1001254712

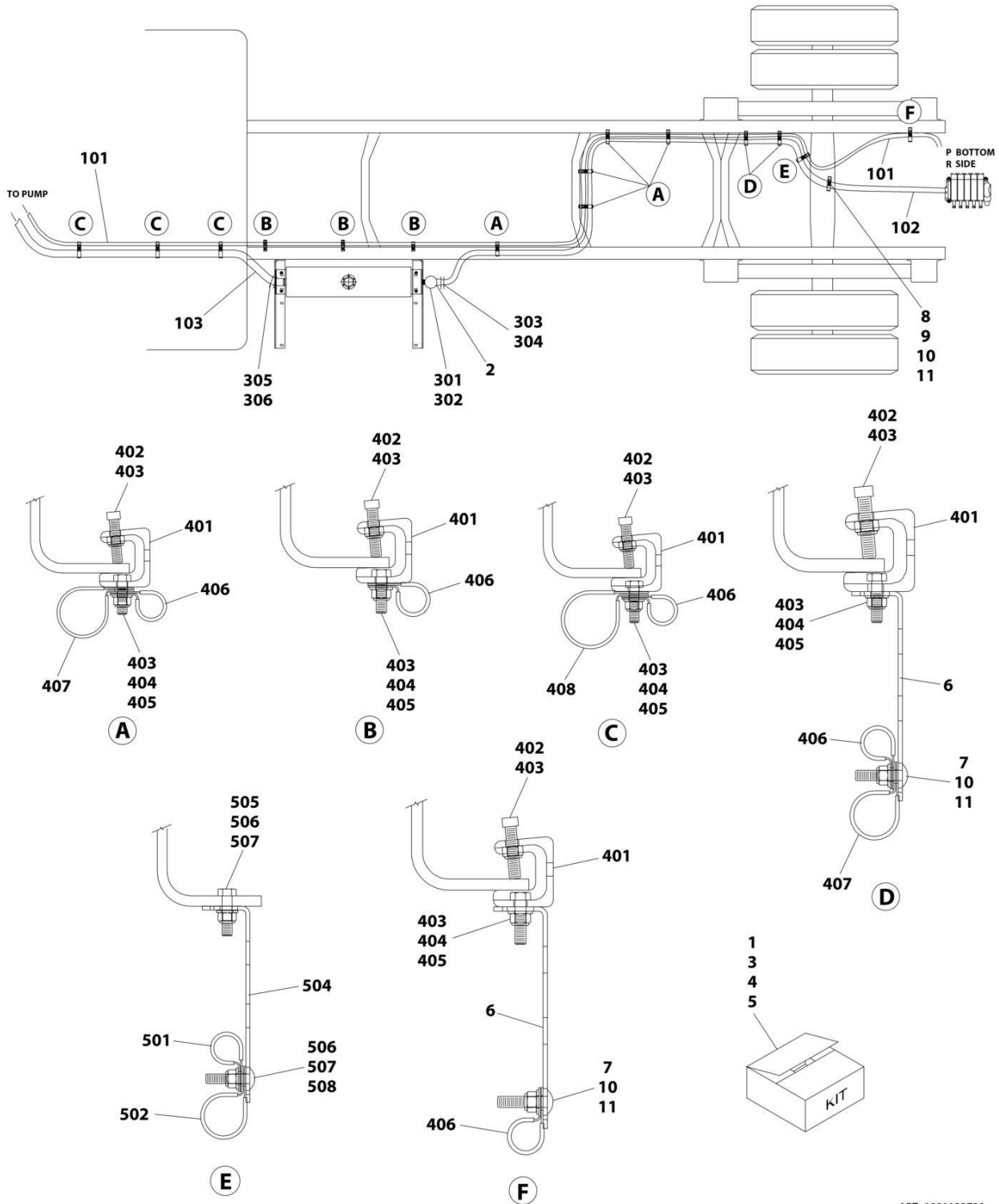
SECTION 5 - HYDRAULIC

FIGURE 5-22. HOSE INSTALLATION - 150IN CA, 231N WB

| ITEM | PART NUMBER | QTY | DESCRIPTION | REV |
|------|-------------|-----|---|-----|
| | 1001254712 | Ref | HOSE INSTALLATION - 150IN CA (RC, DS PTO) | A |
| 1 | 7430000003 | 1 | Filter, Oil | |
| 2 | 4706003844 | 10 | Plate | |
| 3 | 7115151064 | 10 | Bolt 5/16 x 1-1/4 | |
| 4 | 7950150161 | 10 | Washer 5/16 | |
| 5 | 7660152601 | 10 | Nut 5/16 | |
| 100 | 1001254731 | 1 | Hose Kit | |
| 101 | 4567130276 | 1 | Hose | |
| 102 | 1001132680 | 1 | Hose | |
| 103 | 1001132603 | 1 | Hose | |
| 300 | 1001132801 | 1 | Clamp Kit | |
| 301 | 7470000002 | 1 | Gauge, Oil Filter Head | |
| 302 | 7443000158 | 1 | Fitting, 90 | |
| 303 | 7443000319 | 1 | Fitting, 90 | |
| 304 | 7274000080 | 2 | Clamp | |
| 305 | 7443000013 | 1 | Fitting, Nipple | |
| 306 | 7274000002 | 2 | Clamp | |
| 400 | 1001132794 | 1 | Clamp Kit | |
| 401 | 7274000076 | 1 | Clamp | |
| 402 | 7785152420 | 1 | Screw 5/16 x 1-1/2 | |
| 403 | 7660152601 | 2 | Nut 5/16 | |
| 404 | 7115151050 | 1 | Capscrew 5/16 x 1-1/4 | |
| 405 | 7950150161 | 1 | Washer 5/16 | |
| 406 | 7274000040 | 1 | Clamp | |
| 407 | 7274000041 | 1 | Clamp | |
| 408 | 7274000042 | 1 | Clamp (Not Shown) | |

SECTION 5 - HYDRAULIC

FIGURE 5-23. HOSE INSTALLATION - 150IN CT EXT CAB (FORD)



ART_1001132739

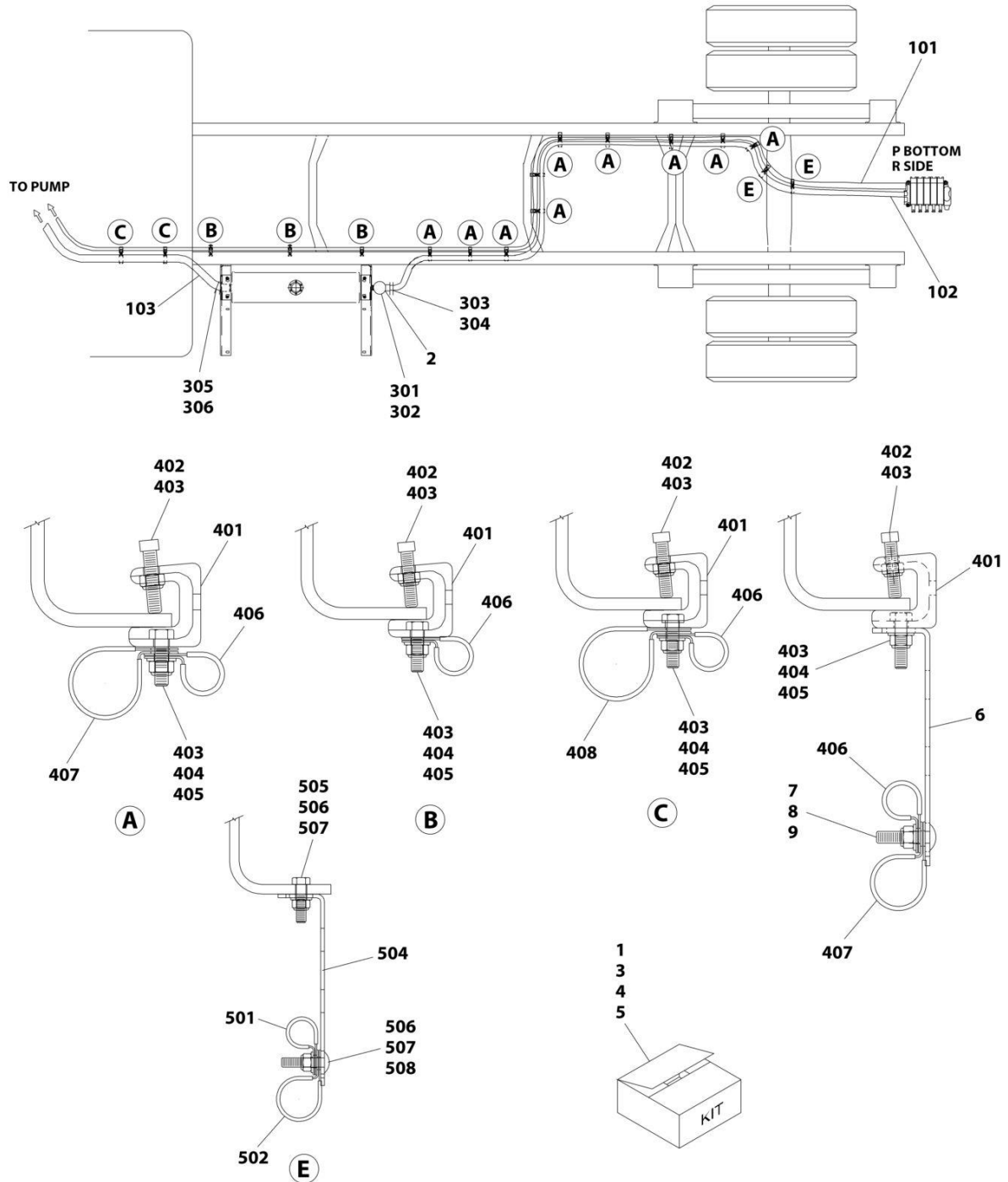
SECTION 5 - HYDRAULIC

FIGURE 5-23. HOSE INSTALLATION - 150IN CT EXT CAB (FORD)

| ITEM | PART NUMBER | QTY | DESCRIPTION | REV |
|------|-------------|-----|---|-----|
| | 1001132739 | Ref | HOSE INSTALLATION - 150IN CA (EXT CAB FORD) | 0 |
| 1 | 1001132708 | 1 | Hose Kit (Include Items 101-103) | |
| 2 | 7430000003 | 1 | Filter, Oil | |
| 3 | 1001132801 | 1 | Clamp, Hose Kit (Includes Items 301-306) | |
| 4 | 1001132794 | 14 | Clamp, Hose Kit (Includes Items 401-408) | |
| 5 | 1001132800 | 1 | Clamp, Hose Kit (Includes Items 501-508) | |
| 6 | 4706003844 | 3 | Plate | |
| 7 | 7115151064 | 3 | Bolt 5/16 x 1-1/4 | |
| 8 | 7274000041 | 1 | Clamp | |
| 9 | 7115151050 | 1 | Capscrew 5/16 x 1-1/4 | |
| 10 | 7950150161 | 4 | Washer 5/16 | |
| 11 | 7660152601 | 4 | Nut 5/16 | |
| 101 | 4567130290 | 1 | Hose | |
| 102 | 1001132679 | 1 | Hose | |
| 103 | 4570000352 | 1 | Hose | |
| 301 | 7470000002 | 1 | Gauge, Oil Filter Head | |
| 302 | 7443000158 | 1 | Fitting, 90 | |
| 303 | 7443000319 | 1 | Fitting, 90 | |
| 304 | 7274000080 | 2 | Clamp | |
| 305 | 7443000013 | 1 | Fitting, Nipple | |
| 306 | 7274000002 | 2 | Clamp | |
| 401 | 7274000076 | 1 | Clamp | |
| 402 | 7785152420 | 1 | Screw 5/16 x 1-1/2 | |
| 403 | 7660152601 | 2 | Nut 5/16 | |
| 404 | 7115151050 | 1 | Capscrew 5/16 x 1-1/4 | |
| 405 | 7950150161 | 1 | Washer 5/16 | |
| 406 | 7274000040 | 1 | Clamp | |
| 407 | 7274000041 | 1 | Clamp | |
| 408 | 7274000042 | 1 | Clamp | |
| 501 | 7274000040 | 1 | Clamp | |
| 502 | 7274000041 | 1 | Clamp | |
| 503 | 7274000042 | 1 | Clamp | |
| 504 | 4706003844 | 1 | Plate | |
| 505 | 7115151050 | 1 | Capscrew 5/16 x 1-1/4 | |
| 506 | 7950150161 | 3 | Washer 5/16 | |
| 507 | 7660152601 | 2 | Nut 5/16 | |
| 508 | 7115151064 | 1 | Bolt 5/16 x 1-1/4 | |

SECTION 5 - HYDRAULIC

FIGURE 5-24. HOSE INSTALLATION - 150IN CT EXT CAB (INTERNATIONAL)



ART_1001132744

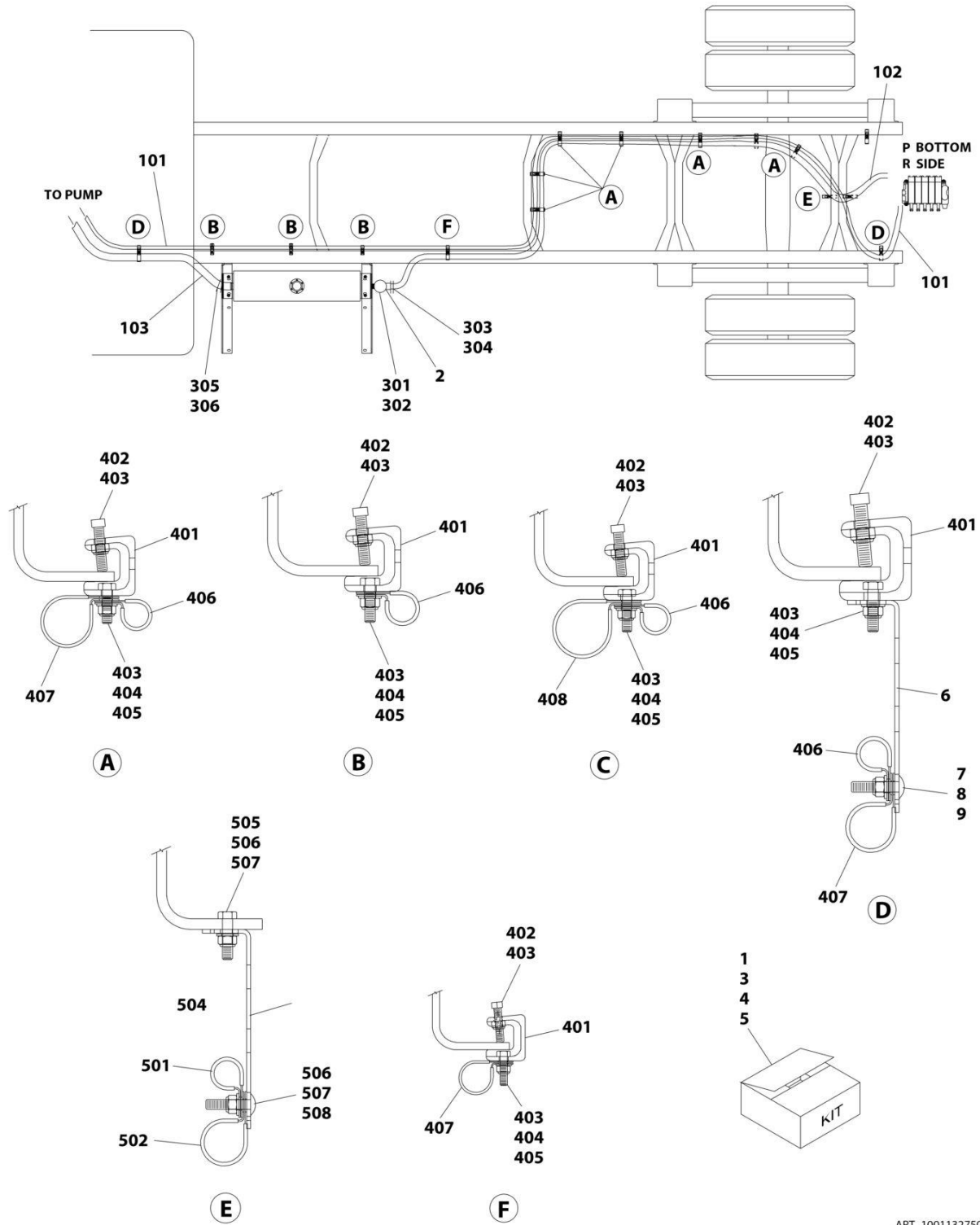
SECTION 5 - HYDRAULIC

FIGURE 5-24. HOSE INSTALLATION - 150IN CT EXT CAB (INTERNATIONAL)

| ITEM | PART NUMBER | QTY | DESCRIPTION | REV |
|------|-------------|-----|--|-----|
| | 1001132744 | Ref | HOSE INSTALLATION - 150IN CA (EXT CAB IHC NGV) | 0 |
| 1 | 1001132713 | 1 | Hose Kit (Include Items 101-103) | |
| 2 | 7430000003 | 1 | Filter, Oil | |
| 3 | 1001132801 | 1 | Clamp, Hose Kit (Includes Items 301-306) | |
| 4 | 1001132794 | 15 | Clamp, Hose Kit (Includes Items 401-408) | |
| 5 | 1001132800 | 2 | Clamp, Hose Kit (Includes Items 501-508) | |
| 6 | 4706003844 | 1 | Plate | |
| 7 | 7115151064 | 1 | Bolt 5/16 x 1-1/4 | |
| 8 | 7950150161 | 1 | Washer 5/16 | |
| 9 | 7660152601 | 1 | Nut 5/16 | |
| 101 | 4567130300 | 1 | Hose | |
| 102 | 1001132684 | 1 | Hose | |
| 103 | 1001132599 | 1 | Hose | |
| 301 | 7470000002 | 1 | Gauge, Oil Filter Head | |
| 302 | 7443000158 | 1 | Fitting, 90 | |
| 303 | 7443000319 | 1 | Fitting, 90 | |
| 304 | 7274000080 | 2 | Clamp | |
| 305 | 7443000013 | 1 | Fitting, Nipple | |
| 306 | 7274000002 | 2 | Clamp | |
| 401 | 7274000076 | 1 | Clamp | |
| 402 | 7785152420 | 1 | Screw 5/16 x 1-1/2 | |
| 403 | 7660152601 | 2 | Nut 5/16 | |
| 404 | 7115151050 | 1 | Capscrew 5/16 x 1-1/4 | |
| 405 | 7950150161 | 1 | Washer 5/16 | |
| 406 | 7274000040 | 1 | Clamp | |
| 407 | 7274000041 | 1 | Clamp | |
| 408 | 7274000042 | 1 | Clamp | |
| 501 | 7274000040 | 1 | Clamp | |
| 502 | 7274000041 | 1 | Clamp | |
| 503 | 7274000042 | 1 | Clamp | |
| 504 | 4706003844 | 1 | Plate | |
| 505 | 7115151050 | 1 | Capscrew 5/16 x 1-1/4 | |
| 506 | 7950150161 | 3 | Washer 5/16 | |
| 507 | 7660152601 | 2 | Nut 5/16 | |
| 508 | 7115151064 | 1 | Bolt 5/16 x 1-1/4 | |

SECTION 5 - HYDRAULIC

FIGURE 5-25. HOSE INSTALLATION - 150IN CT STD CAB (FREIGHLINER)



ART_1001132750

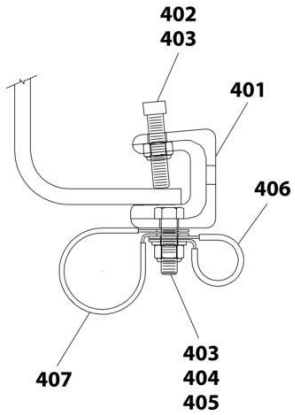
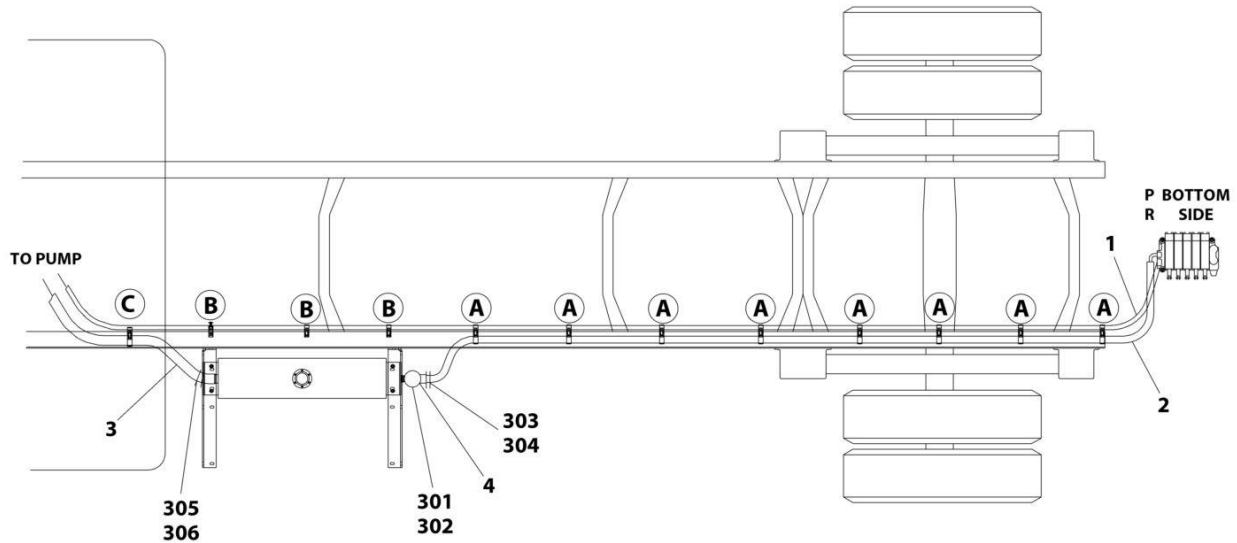
SECTION 5 - HYDRAULIC

FIGURE 5-25. HOSE INSTALLATION - 150IN CT STD CAB (FREIGHLINER)

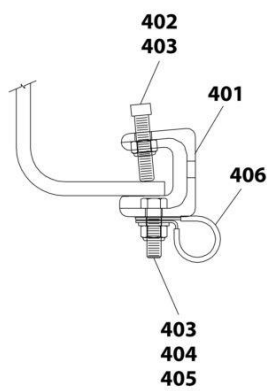
| ITEM | PART NUMBER | QTY | DESCRIPTION | REV |
|------|-------------|-----|--|-----|
| | 1001132750 | Ref | HOSE INSTALLATION - 150IN CA (STD CAB FREIGHLINER) | 0 |
| 1 | 1001132719 | 1 | Hose Kit (Include Items 101-103) | |
| 2 | 7430000003 | 1 | Filter, Oil | |
| 3 | 1001132801 | 1 | Clamp, Hose Kit (Includes Items 301-306) | |
| 4 | 1001132794 | 13 | Clamp, Hose Kit (Includes Items 401-408) | |
| 5 | 1001132800 | 2 | Clamp, Hose Kit (Includes Items 501-508) | |
| 6 | 4706003844 | 1 | Plate | |
| 7 | 7115151064 | 1 | Bolt 5/16 x 1-1/4 | |
| 8 | 7950150161 | 1 | Washer 5/16 | |
| 9 | 7660152601 | 1 | Nut 5/16 | |
| 101 | 4567130241 | 1 | Hose | |
| 102 | 1001132675 | 1 | Hose | |
| 103 | 4570000099 | 1 | Hose | |
| 301 | 7470000002 | 1 | Gauge, Oil Filter Head | |
| 302 | 7443000158 | 1 | Fitting, 90 | |
| 303 | 7443000319 | 1 | Fitting, 90 | |
| 304 | 7274000080 | 2 | Clamp | |
| 305 | 7443000013 | 1 | Fitting, Nipple | |
| 306 | 7274000002 | 2 | Clamp | |
| 401 | 7274000076 | 1 | Clamp | |
| 402 | 7785152420 | 1 | Screw 5/16 x 1-1/2 | |
| 403 | 7660152601 | 2 | Nut 5/16 | |
| 404 | 7115151050 | 1 | Capscrew 5/16 x 1-1/4 | |
| 405 | 7950150161 | 1 | Washer 5/16 | |
| 406 | 7274000040 | 1 | Clamp | |
| 407 | 7274000041 | 1 | Clamp | |
| 408 | 7274000042 | 1 | Clamp | |
| 501 | 7274000040 | 1 | Clamp | |
| 502 | 7274000041 | 1 | Clamp | |
| 503 | 7274000042 | 1 | Clamp | |
| 504 | 4706003844 | 1 | Plate | |
| 505 | 7115151050 | 1 | Capscrew 5/16 x 1-1/4 | |
| 506 | 7950150161 | 3 | Washer 5/16 | |
| 507 | 7660152601 | 2 | Nut 5/16 | |
| 508 | 7115151064 | 1 | Bolt 5/16 x 1-1/4 | |

SECTION 5 - HYDRAULIC

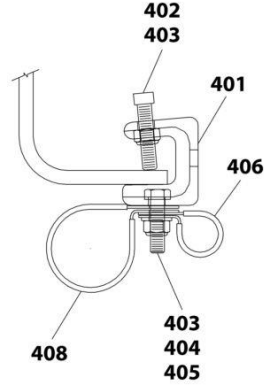
FIGURE 5-26. HOSE INSTALLATION - 150IN CT STD CAB (INTERNATIONAL)



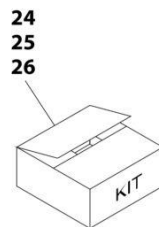
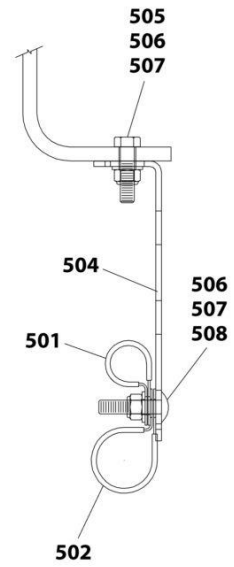
A



B



C



ART_2570000094

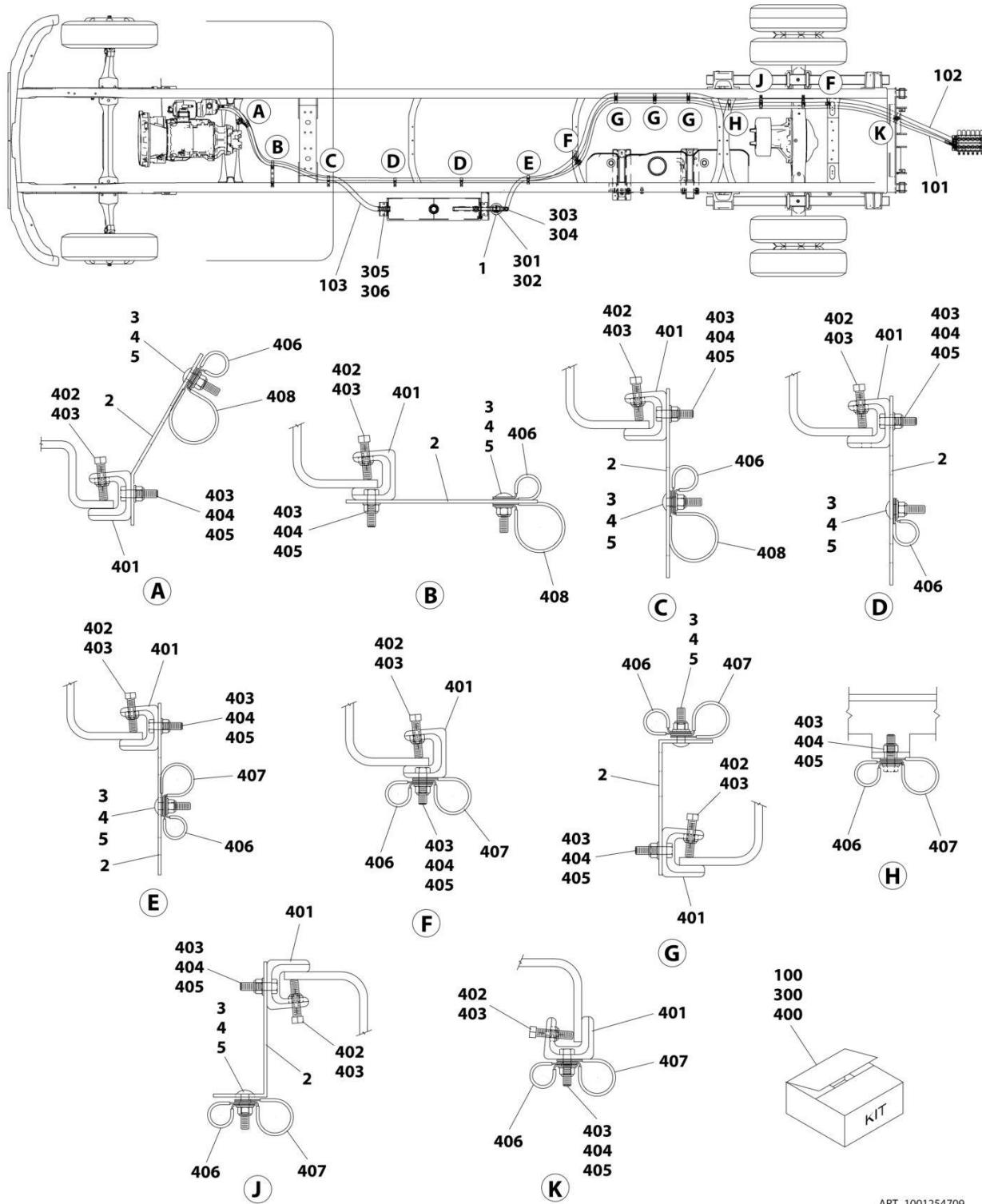
SECTION 5 - HYDRAULIC

FIGURE 5-26. HOSE INSTALLATION - 150IN CT STD CAB (INTERNATIONAL)

| ITEM | PART NUMBER | QTY | DESCRIPTION | REV |
|------|-------------|-----|--|-----|
| | 2570000094 | Ref | HOSE INSTALLATION - 150IN CA (STD CAB IHC NGV) | D |
| 1 | 4567130270 | 1 | Hose | |
| 2 | 1001132685 | 1 | Hose | |
| 3 | 4570000091 | 1 | Hose | |
| 4 | 7430000003 | 1 | Filter Assembly | |
| 24 | 1001132801 | 1 | Clamp, Hose Kit (Includes Items 301-306) | |
| 25 | 1001132794 | 12 | Clamp, Hose Kit (Includes Items 401-408) | |
| 26 | 1001132800 | 6 | Clamp, Hose Kit (Includes Items 501-508) | |
| 301 | 7470000002 | 1 | Gauge, Oil Filter Head | |
| 302 | 7443000158 | 1 | Fitting, 90 | |
| 303 | 7443000319 | 1 | Fitting, 90 | |
| 304 | 7274000080 | 2 | Clamp | |
| 305 | 7443000013 | 1 | Fitting, Nipple | |
| 306 | 7274000002 | 2 | Clamp | |
| 401 | 7274000076 | 1 | Clamp | |
| 402 | 7785152420 | 1 | Screw 5/16 x 1-1/2 | |
| 403 | 7660152601 | 2 | Nut 5/16 | |
| 404 | 7115151050 | 1 | Capscrew 5/16 x 1-1/4 | |
| 405 | 7950150161 | 1 | Washer 5/16 | |
| 406 | 7274000040 | 1 | Clamp | |
| 407 | 7274000041 | 1 | Clamp | |
| 408 | 7274000042 | 1 | Clamp | |
| 501 | 7274000040 | 1 | Clamp | |
| 502 | 7274000041 | 1 | Clamp | |
| 503 | 7274000042 | 1 | Clamp | |
| 504 | 4706003844 | 1 | Plate | |
| 505 | 7115151050 | 1 | Capscrew 5/16 x 1-1/4 | |
| 506 | 7950150161 | 3 | Washer 5/16 | |
| 507 | 7660152601 | 2 | Nut 5/16 | |
| 508 | 7115151064 | 1 | Bolt 5/16 x 1-1/4 | |

SECTION 5 - HYDRAULIC

FIGURE 5-27. HOSE INSTALLATION - 162IN CA, 243IN WB



ART_1001254709

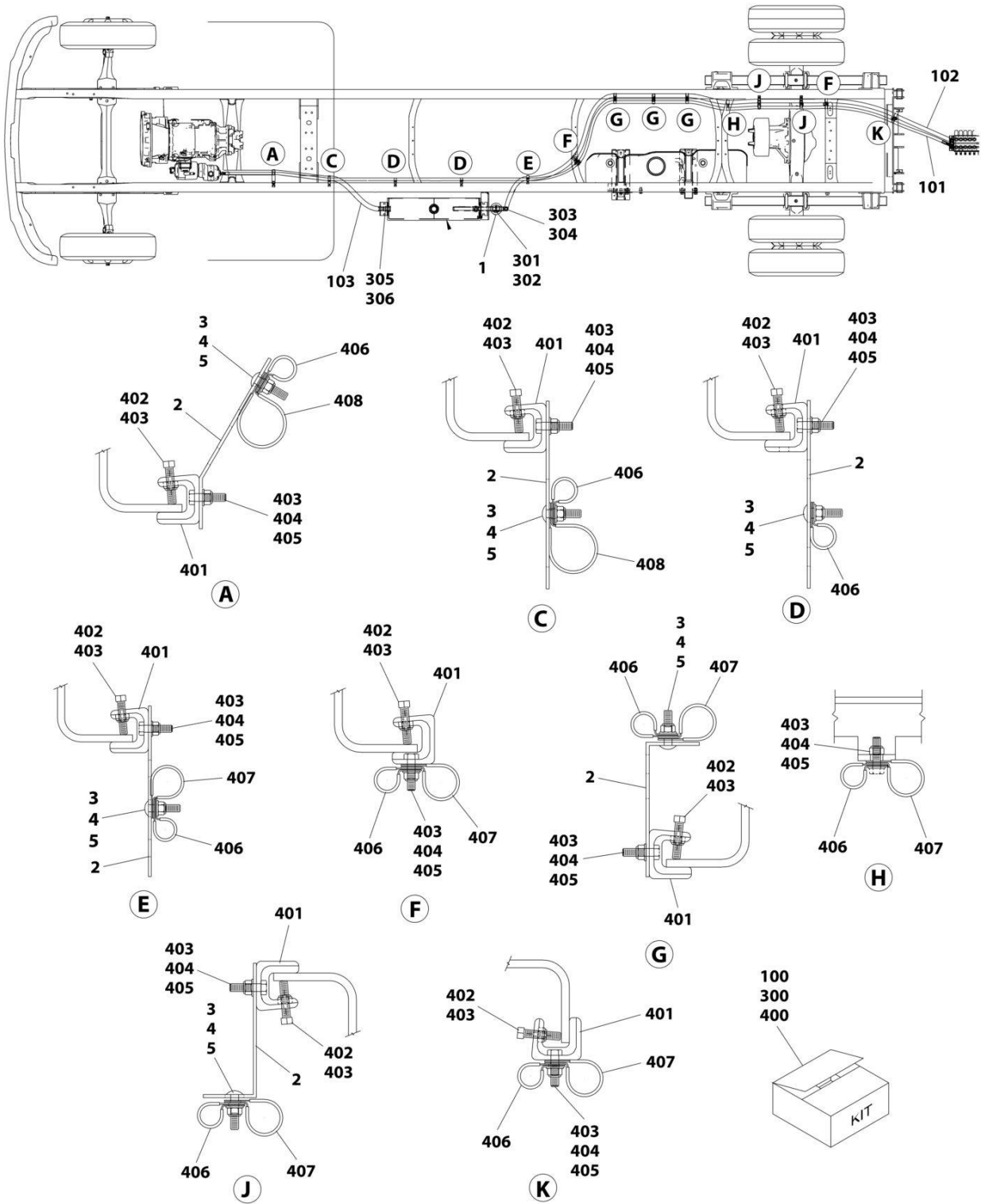
SECTION 5 - HYDRAULIC

FIGURE 5-27. HOSE INSTALLATION - 162IN CA, 243IN WB

| ITEM | PART NUMBER | QTY | DESCRIPTION | REV |
|------|-------------|-----|---|-----|
| | 1001254709 | Ref | HOSE INSTALLATION - 162IN CA (RC, PS PTO) | A |
| 1 | 7430000003 | 1 | Filter, Oil | |
| 2 | 4706003844 | 11 | Plate | |
| 3 | 7115151064 | 11 | Bolt 5/16 x 1-1/4 | |
| 4 | 7950150161 | 11 | Washer 5/16 | |
| 5 | 7660152601 | 11 | Nut 5/16 | |
| 6 | 7819000013 | 1 | Sleeve (Not Shown) | |
| 100 | 1001254728 | 1 | Hose Kit | |
| 101 | 4567130295 | 1 | Hose | |
| 102 | 4570000121 | 1 | Hose | |
| 103 | 4570000352 | 1 | Hose | |
| 300 | 1001132801 | 1 | Clamp Kit | |
| 301 | 7470000002 | 1 | Gauge, Oil Filter Head | |
| 302 | 7443000158 | 1 | Fitting, 90 | |
| 303 | 7443000319 | 1 | Fitting, 90 | |
| 304 | 7274000080 | 2 | Clamp | |
| 305 | 7443000013 | 1 | Fitting, Nipple | |
| 306 | 7274000002 | 2 | Clamp | |
| 400 | 1001132794 | 1 | Clamp Kit | |
| 401 | 7274000076 | 1 | Clamp | |
| 402 | 7785152420 | 1 | Screw 5/16 x 1-1/2 | |
| 403 | 7660152601 | 2 | Nut 5/16 | |
| 404 | 7115151050 | 1 | Capscrew 5/16 x 1-1/4 | |
| 405 | 7950150161 | 1 | Washer 5/16 | |
| 406 | 7274000040 | 1 | Clamp | |
| 407 | 7274000041 | 1 | Clamp | |
| 408 | 7274000042 | 1 | Clamp (Not Shown) | |

SECTION 5 - HYDRAULIC

FIGURE 5-28. HOSE INSTALLATION - 162IN CA, 243IN WB



ART_1001254714

SECTION 5 - HYDRAULIC

FIGURE 5-28. HOSE INSTALLATION - 162IN CA, 243IN WB

| ITEM | PART NUMBER | QTY | DESCRIPTION | REV |
|------|-------------|-----|---|-----|
| | 1001254714 | Ref | HOSE INSTALLATION - 162IN CA (RC, DS PTO) | A |
| 1 | 7430000003 | 1 | Filter, Oil | |
| 2 | 4706003844 | 11 | Plate | |
| 3 | 7115151064 | 11 | Bolt 5/16 x 1-1/4 | |
| 4 | 7950150161 | 11 | Washer 5/16 | |
| 5 | 7660152601 | 11 | Nut 5/16 | |
| 100 | 1001254733 | 1 | Hose Kit | |
| 101 | 4567130287 | 1 | Hose | |
| 102 | 4570000121 | 1 | Hose | |
| 103 | 1001132603 | 1 | Hose | |
| 300 | 1001132801 | 1 | Clamp Kit | |
| 301 | 7470000002 | 1 | Gauge, Oil Filter Head | |
| 302 | 7443000158 | 1 | Fitting, 90 | |
| 303 | 7443000319 | 1 | Fitting, 90 | |
| 304 | 7274000080 | 2 | Clamp | |
| 305 | 7443000013 | 1 | Fitting, Nipple | |
| 306 | 7274000002 | 2 | Clamp | |
| 400 | 1001132794 | 1 | Clamp Kit | |
| 401 | 7274000076 | 1 | Clamp | |
| 402 | 7785152420 | 1 | Screw 5/16 x 1-1/2 | |
| 403 | 7660152601 | 2 | Nut 5/16 | |
| 404 | 7115151050 | 1 | Capscrew 5/16 x 1-1/4 | |
| 405 | 7950150161 | 1 | Washer 5/16 | |
| 406 | 7274000040 | 1 | Clamp | |
| 407 | 7274000041 | 1 | Clamp | |
| 408 | 7274000042 | 1 | Clamp (Not Shown) | |

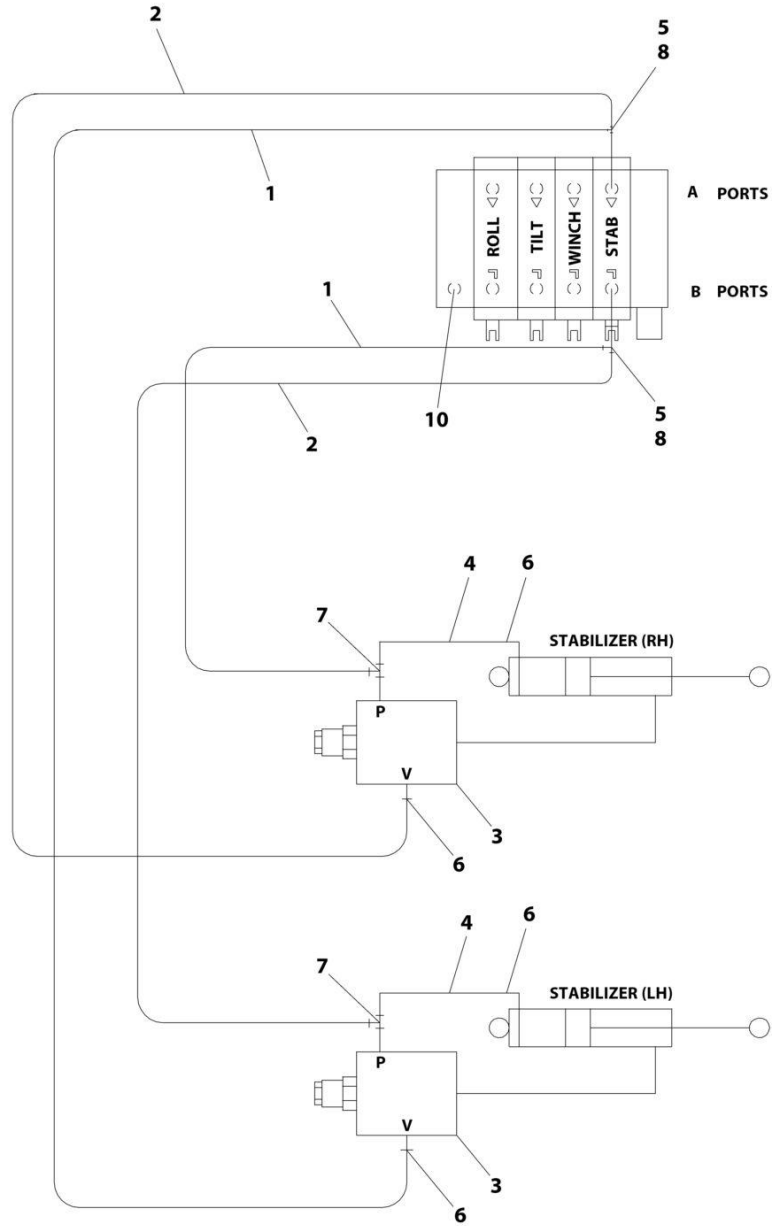
SECTION 5 - HYDRAULIC

FIGURE 5-29. HOSE INSTALLATION - SIDE RECOVERY SYSTEM (SRS)

| ITEM | PART NUMBER | QTY | DESCRIPTION | REV |
|------|-------------|-----|--|-----|
| | 2570000152 | Ref | HOSE INSTALLATION SPR/HLF (SRS) | C |
| 1 | 4567133058 | 1 | Hose | |
| 2 | 4570000104 | 1 | Hose | |
| 3 | 4570000099 | 1 | Hose | |
| 4 | 7445081043 | 1 | Fitting, Straight | |
| 5 | 7443000446 | 1 | Fitting, Straight | |
| 6 | 7443000445 | 1 | Fitting, Tee | |
| 7 | 7443000374 | 1 | Fitting, Straight | |
| 8 | 4577000006 | 1 | Hose, Kit (Not Shown) (Includes Items 101-106) | |
| 9 | 7819000005 | 1 | Sleeve (Not Shown) | |
| 10 | 7894000004 | 8 | Tie-Strap (Not Shown) | |
| 11 | 7445060643 | 2 | Fitting, Straight | |
| 12 | 7445060645 | 8 | Fitting, 90 | |
| 13 | 7445061043 | 2 | Fitting, Straight | |
| 14 | 7274000080 | 2 | Clamp | |
| 15 | 7445081045 | 1 | Fitting, 90 | |
| 16 | 7445080818 | 1 | Nut #8 (Not Shown) | |
| 101 | 4569142018 | 1 | Hose | |
| 102 | 4567123023 | 1 | Hose | |
| 103 | 4567122022 | 1 | Hose | |
| 104 | 4567122034 | 1 | Hose | |
| 105 | 4567122032 | 1 | Hose | |
| 106 | 4567122030 | 1 | Hose | |

SECTION 5 - HYDRAULIC

FIGURE 5-30. HOSE INSTALLATION - STABILIZER



ART_2570000049

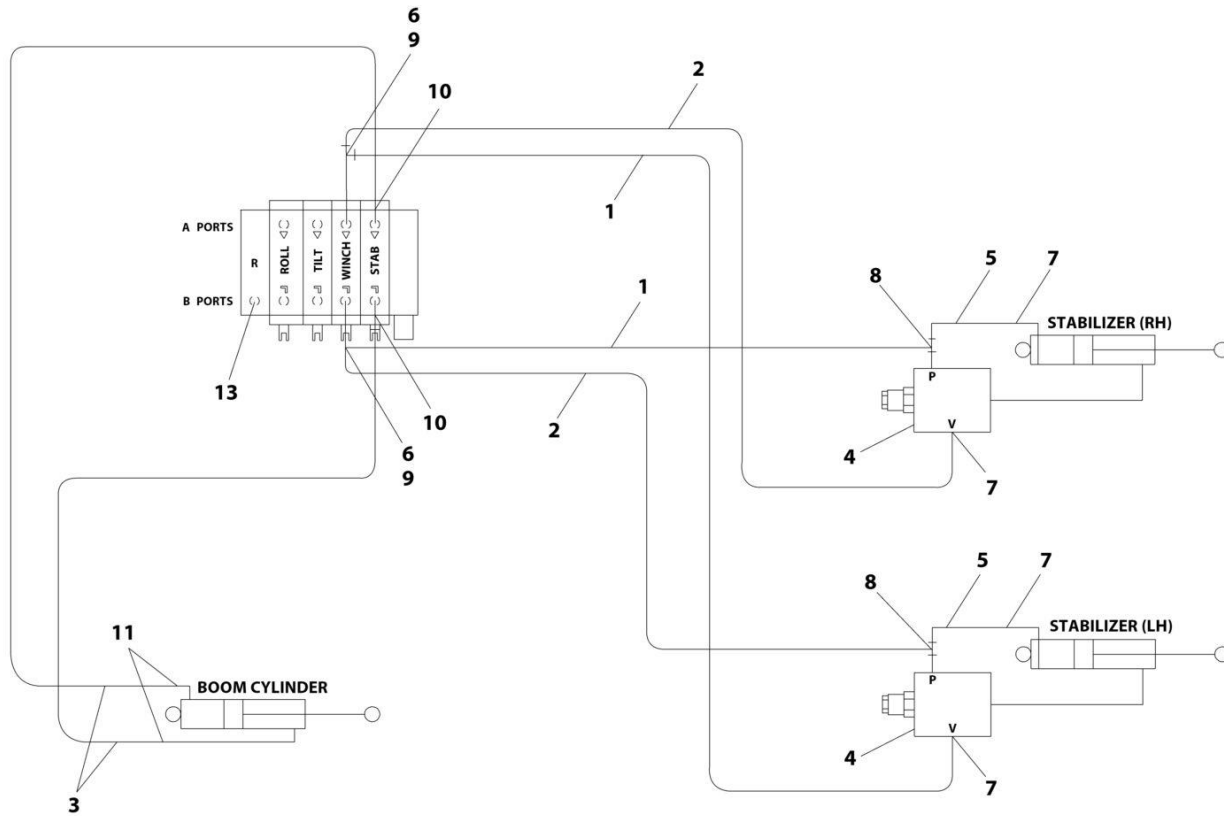
SECTION 5 - HYDRAULIC

FIGURE 5-30. HOSE INSTALLATION - STABILIZER

| ITEM | PART NUMBER | QTY | DESCRIPTION | REV |
|------|-------------|-----|---|-----|
| | 2570000049 | Ref | Stabilizer Hydraulic Installation | E |
| 1 | 4567122050 | 2 | Hose | |
| 2 | 4567123051 | 2 | Hose | |
| 3 | 7935000305 | 2 | Valve Assembly - Counter Balance | |
| 3 | 900115 | 2 | Valve, Counter Balance Cartridge (1 Per Assembly) | |
| 3 | 960006 | 2 | Seal Kit - 900115 Cartridge Valve (1 Per Cartridge) | |
| 4 | 4567122016 | 2 | Hose | |
| 5 | 7445060845 | 2 | Fitting, 90 | |
| 6 | 7445060645 | 4 | Fitting, 90 | |
| 7 | 7445060648 | 2 | Fitting, Tee | |
| 8 | 7443000030 | 2 | Fitting, Tee | |
| 10 | 7445081046 | 1 | Fitting, 45 | |

SECTION 5 - HYDRAULIC

FIGURE 5-31. HOSE INSTALLATION - STABILIZER (REAR DECK)



ART_2570000032

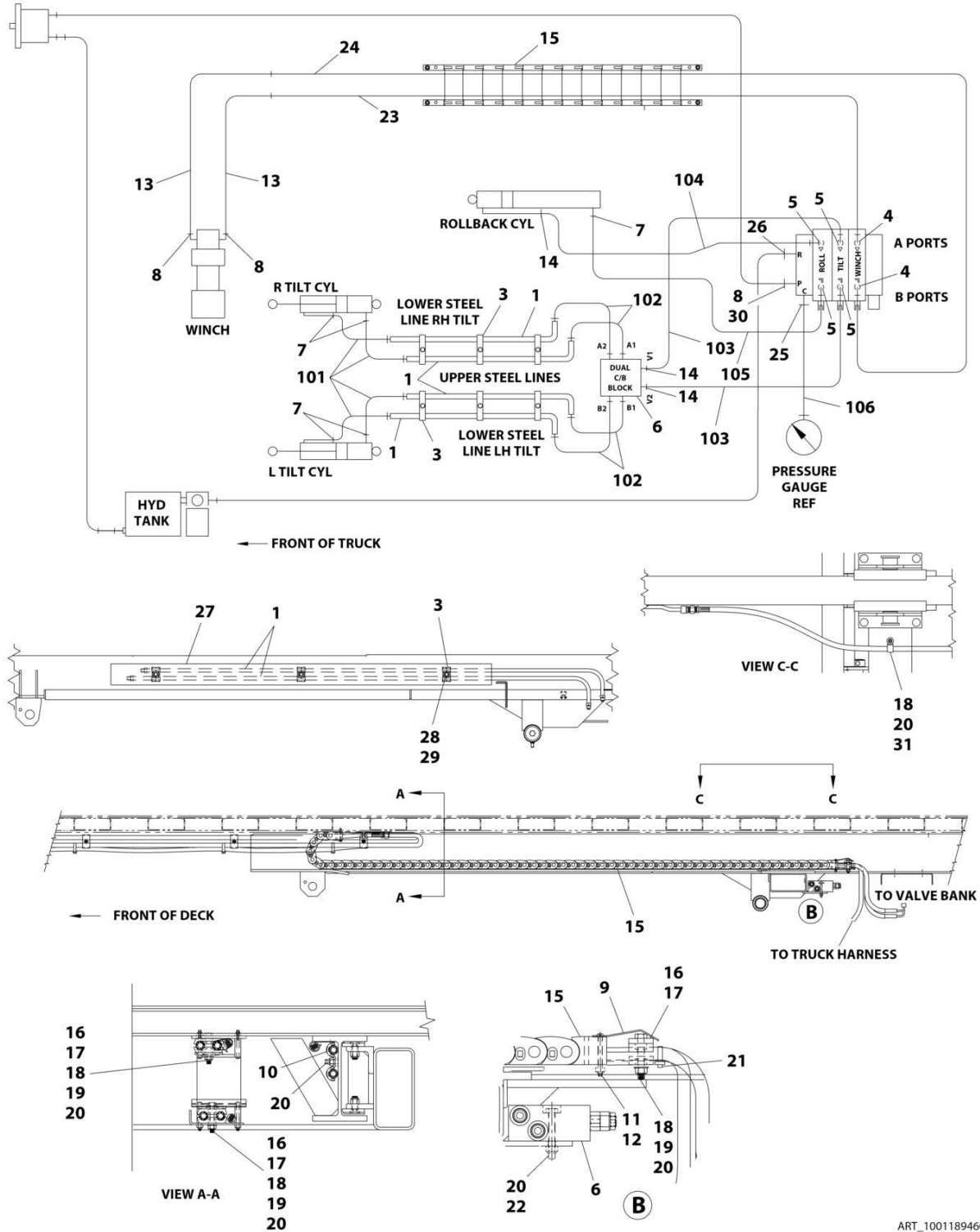
SECTION 5 - HYDRAULIC

FIGURE 5-31. HOSE INSTALLATION - STABILIZER (REAR DECK)

| ITEM | PART NUMBER | QTY | DESCRIPTION | REV |
|------|-------------|-----|---|-----|
| | 2570000032 | Ref | Stabilizer with Hydraulic Extend Hydraulic Installation | E |
| 1 | 4567122050 | 2 | Hose | |
| 2 | 4567123051 | 2 | Hose | |
| 3 | 4567123036 | 2 | Hose | |
| 4 | 7935000305 | 2 | Valve Assembly | |
| 4 | 900115 | 2 | Valve, Counterbalance Cartridge(1 Per Assembly) | |
| 4 | 960006 | 2 | Seal Kit - 900115 Cartridge Valve (1 Per Cartridge) | |
| 5 | 4567122016 | 2 | Hose | |
| 6 | 7445060845 | 2 | Fitting, 90 | |
| 7 | 7445060645 | 4 | Fitting, 90 | |
| 8 | 7445060648 | 2 | Fitting, Tee | |
| 9 | 7443000030 | 2 | Fitting, Tee | |
| 10 | 7445060843 | 2 | Fitting, Straight | |
| 11 | 7445060646 | 2 | Fitting, 45 | |
| 13 | 7445081046 | 1 | Fitting, 45 | |

SECTION 5 - HYDRAULIC

FIGURE 5-32. HOSE INSTALLATION - SUBFRAME (20FT DECK)



ART_1001189460

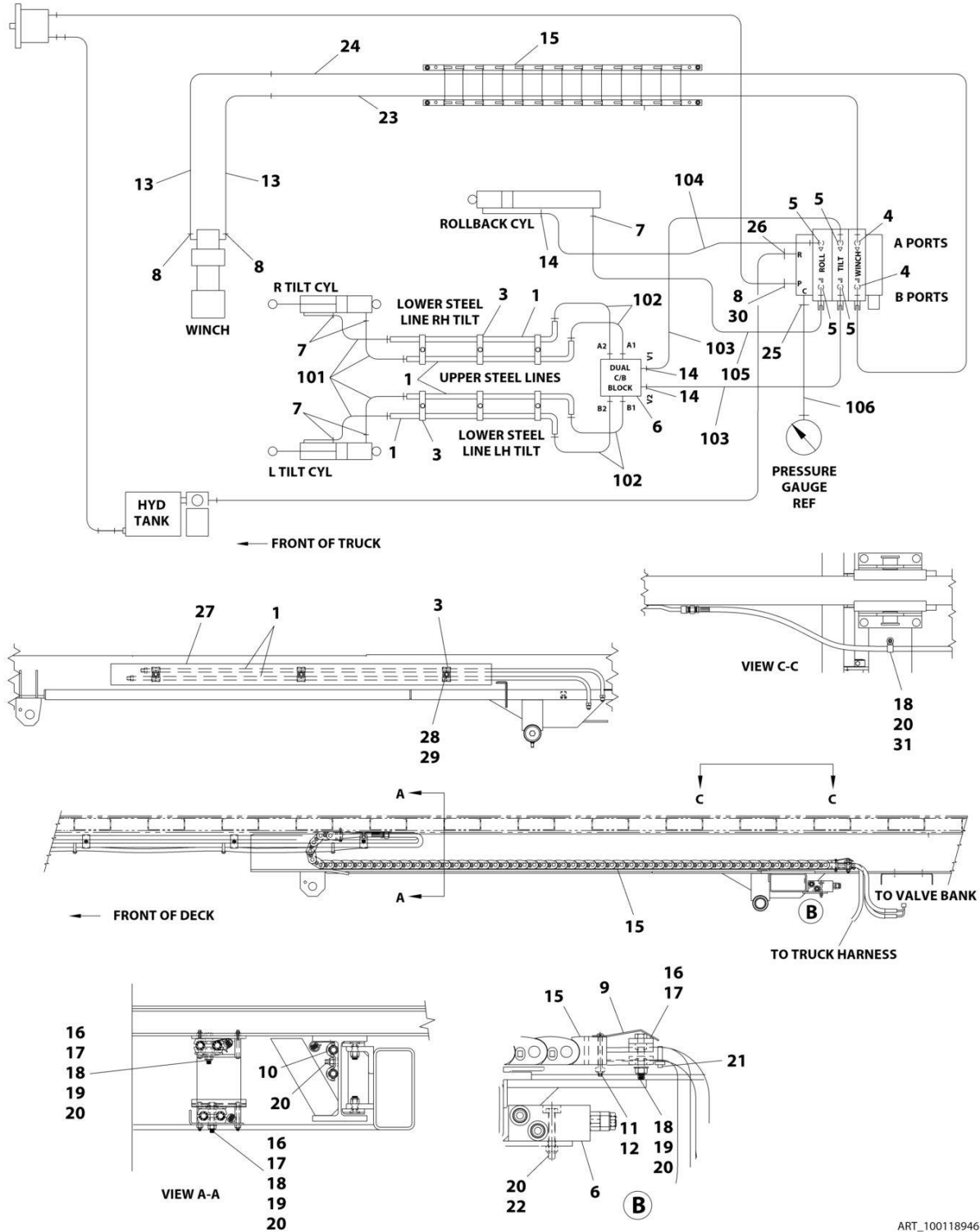
SECTION 5 - HYDRAULIC

FIGURE 5-32. HOSE INSTALLATION - SUBFRAME (20FT DECK)

| ITEM | PART NUMBER | QTY | DESCRIPTION | REV |
|------|-------------|-----|---|-----|
| | 1001189460 | Ref | HOSE INSTALLATION HLF STANDARD DUTY XLP | A |
| 1 | 7912000349 | 4 | Tube | |
| 2 | 4577000013 | 1 | Hose Kit (Not Shown) (Includes Items 101-106) | |
| 3 | 7274000064 | 6 | Clamp | |
| 4 | 7445080843 | 2 | Fitting, Straight | |
| 5 | 7445060843 | 4 | Fitting, Straight | |
| 6 | 7935000306 | 1 | Valve Assembly | |
| 7 | 7445060645 | 5 | Fitting, 90 | |
| 8 | 7445081045 | 3 | Fitting, 90 | |
| 9 | 4706003038 | 1 | Plate | |
| 10 | 7274000066 | 5 | Clamp | |
| 11 | 7114101618 | 4 | Capscrew #10 x 2 | |
| 12 | 3300455 | 4 | Nut #10 | |
| 13 | 4567430118 | 2 | Hose | |
| 14 | 7445060643 | 3 | Fitting, Straight | |
| 15 | 7904000001 | 1 | Cable Track | |
| 16 | 7274000038 | 4 | Clamp | |
| 17 | 7274000039 | 2 | Cover | |
| 18 | 4751500 | 3 | Washer | |
| 19 | 0641516 | 2 | Bolt 5/16 x 2 | |
| 20 | 7660152601 | 10 | Nut 5/16 | |
| 21 | 7894000004 | 10 | Tie-Strap | |
| 22 | 0641518 | 2 | Bolt 5/16 x 2-1/4 | |
| 23 | 4569433122 | 1 | Hose | |
| 24 | 4569432122 | 1 | Hose | |
| 25 | 7445040443 | 1 | Fitting, Straight | |
| 26 | 7443000446 | 1 | Fitting, Straight | |
| 27 | 1001189466 | 2 | Cover | |
| 28 | 0641504 | 6 | Bolt 5/16 x 1/2 | |
| 29 | 4711500 | 12 | Washer 5/16 | |
| 30 | 7445080818 | 1 | Nut #8 | |
| 31 | 7274000040 | 1 | Clamp | |
| 101 | 4570000376 | 4 | Hose | |
| 102 | 4570000379 | 4 | Hose | |
| 103 | 4567122019 | 2 | Hose | |
| 104 | 4567123051 | 1 | Hose | |
| 105 | 4567122024 | 1 | Hose | |
| 106 | 4567122042 | 1 | Hose | |

SECTION 5 - HYDRAULIC

FIGURE 5-33. HOSE INSTALLATION - SUBFRAME (21FT/22FT DECK)



ART_1001189461

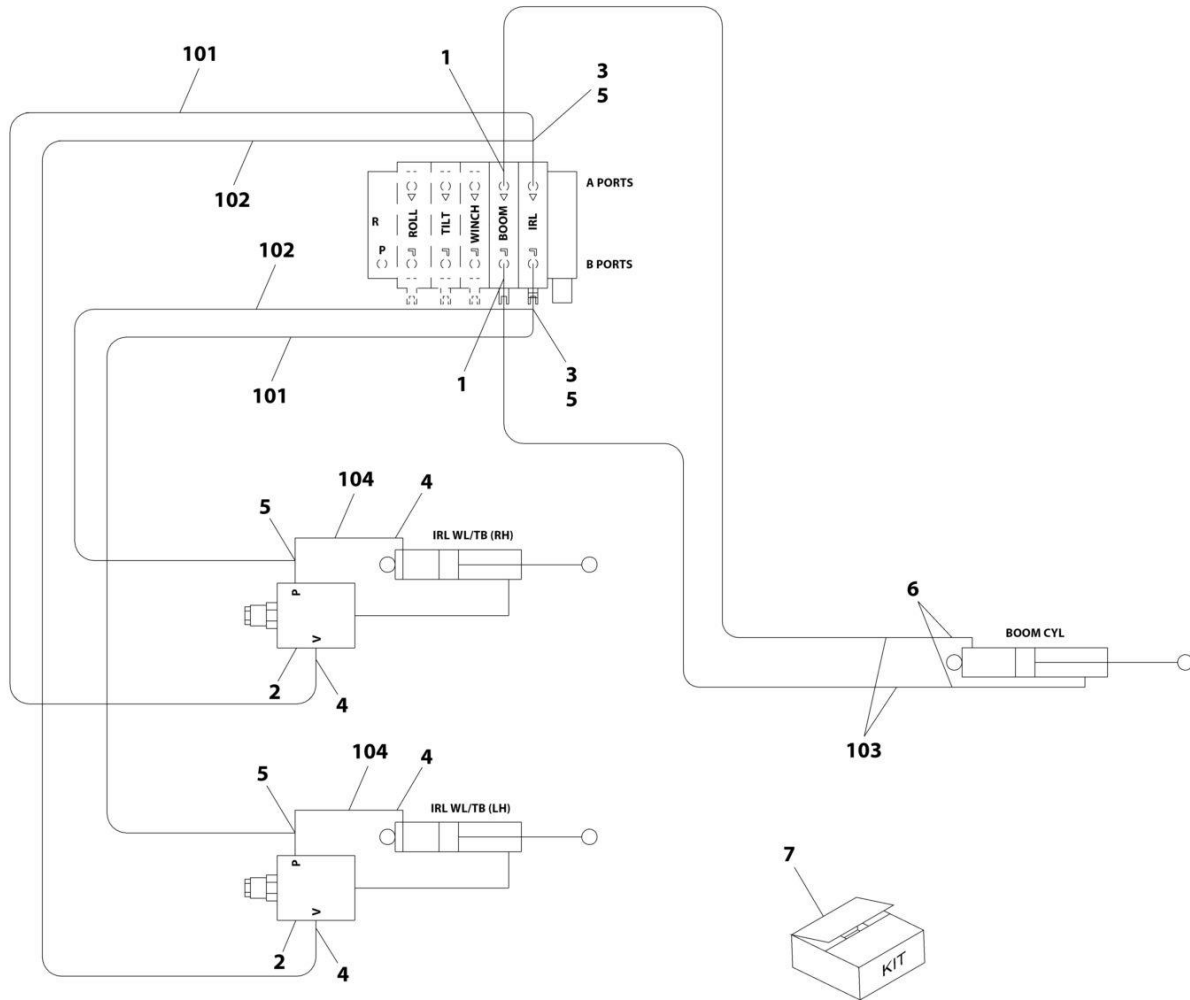
SECTION 5 - HYDRAULIC

FIGURE 5-33. HOSE INSTALLATION - SUBFRAME (21FT/22FT DECK)

| ITEM | PART NUMBER | QTY | DESCRIPTION | REV |
|------|-------------|-----|---|-----|
| | 1001189461 | Ref | HOSE INSTALLATION STANDARD DUTY XLP | A |
| 1 | 7912000349 | 4 | Tube | |
| 2 | 4577000013 | 1 | Hose Kit (Not Shown) (Includes Items 101-106) | |
| 3 | 7274000064 | 6 | Clamp | |
| 4 | 7445080843 | 2 | Fitting, Straight | |
| 5 | 7445060843 | 4 | Fitting, Straight | |
| 6 | 7935000306 | 1 | Valve Assembly | |
| 7 | 7445060645 | 5 | Fitting, 90 | |
| 8 | 7445081045 | 3 | Fitting, 90 | |
| 9 | 4706003038 | 1 | Plate | |
| 10 | 7274000066 | 5 | Clamp | |
| 11 | 7114101618 | 4 | Capscrew #10 x 2 | |
| 12 | 3300455 | 4 | Nut #10 | |
| 13 | 4567430133 | 2 | Hose | |
| 14 | 7445060643 | 3 | Fitting, Straight | |
| 15 | 7904000001 | 1 | Cable Track | |
| 16 | 7274000038 | 4 | Clamp | |
| 17 | 7274000039 | 2 | Cover | |
| 18 | 4751500 | 3 | Washer | |
| 19 | 0641516 | 2 | Bolt 5/16 x 2 | |
| 20 | 7660152601 | 10 | Nut 5/16 | |
| 21 | 7894000004 | 10 | Tie-Strap | |
| 22 | 0641518 | 2 | Bolt 5/16 x 2-1/4 | |
| 23 | 4569433122 | 1 | Hose | |
| 24 | 4569432122 | 1 | Hose | |
| 25 | 7445040443 | 1 | Fitting, Straight | |
| 26 | 7443000446 | 1 | Fitting, Straight | |
| 27 | 1001189466 | 2 | Cover | |
| 28 | 0641504 | 6 | Bolt 5/16 x 1/2 | |
| 29 | 4711500 | 12 | Washer 5/16 | |
| 30 | 7445080818 | 1 | Nut #8 | |
| 31 | 7274000040 | 1 | Clamp | |
| 101 | 4570000376 | 4 | Hose | |
| 102 | 4570000379 | 4 | Hose | |
| 103 | 4567122019 | 2 | Hose | |
| 104 | 4567123051 | 1 | Hose | |
| 105 | 4567122024 | 1 | Hose | |
| 106 | 4567112042 | 1 | Hose | |

SECTION 5 - HYDRAULIC

FIGURE 5-34. HOSE INSTALLATION - WHEEL LIFT 3500 LBS



ART_1001136657

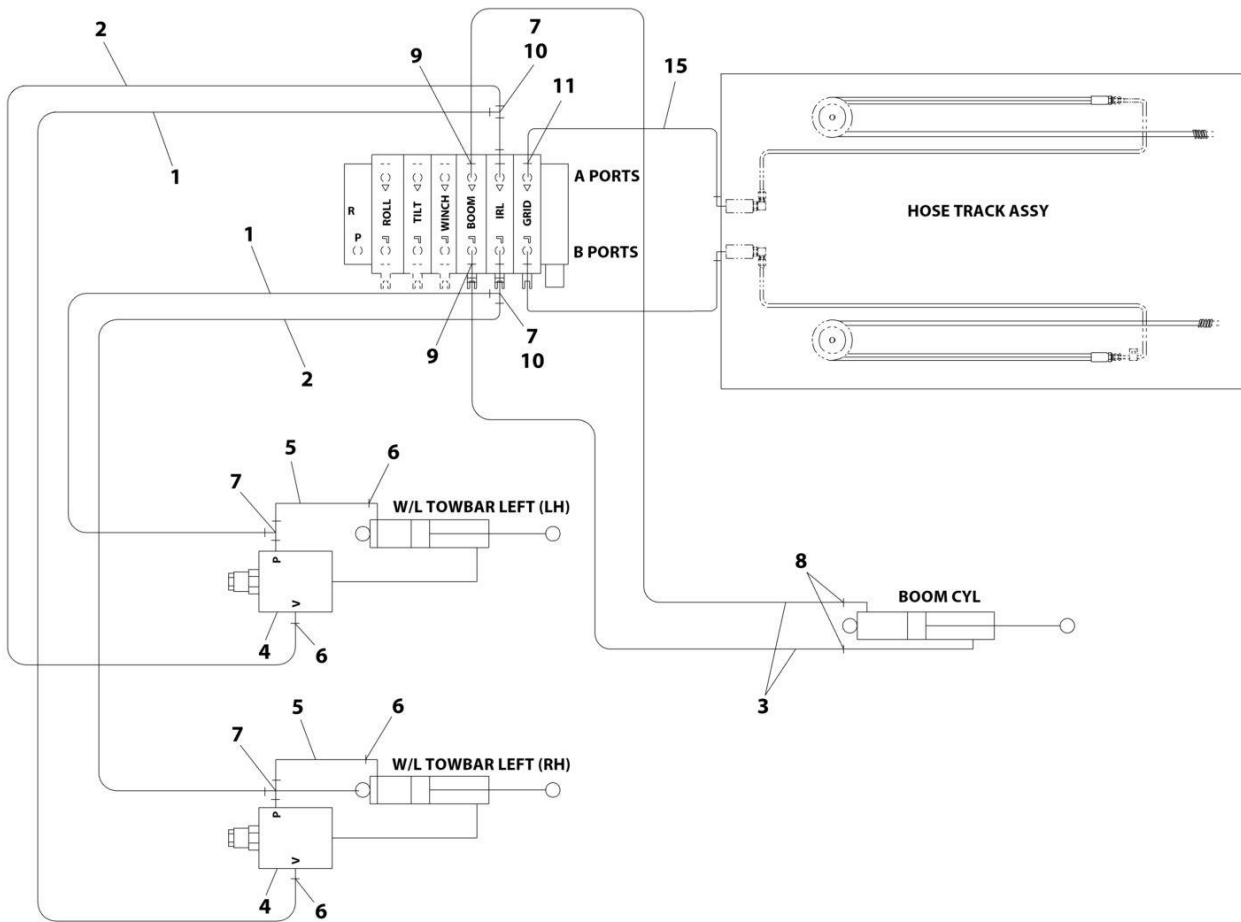
SECTION 5 - HYDRAULIC

FIGURE 5-34. HOSE INSTALLATION - WHEEL LIFT 3500 LBS

| ITEM | PART NUMBER | QTY | DESCRIPTION | REV |
|------|-------------|-----|---|-----|
| | 1001136657 | Ref | Wheel Lift Hydraulic Installation (IRL 3500LBS) | E |
| 1 | 7445040843 | 2 | Fitting, Straight | |
| 2 | 7935000305 | 2 | Valve Assembly | |
| 2 | 900115 | 2 | Valve, Counterbalance Cartridge (1 Per Assembly) | |
| 2 | 960006 | 2 | Seal Kit - 900115 Cartridge Valve (1 Per Cartridge) | |
| 3 | 7443000129 | 2 | Reducer | |
| 4 | 7445060645 | 4 | Fitting, 90 | |
| 5 | 7445060648 | 4 | Fitting, Tee | |
| 6 | 7445040446 | 2 | Fitting, 45 | |
| 7 | 1001136658 | 1 | Hose Kit (includes items 101-104) | |
| 8 | 5526000553 | 12 | Tie-Strap (Not Shown) | |
| 101 | 4567122043 | 2 | Hose | |
| 102 | 4567123045 | 2 | Hose | |
| 103 | 4567110034 | 2 | Hose | |
| 104 | 4567122014 | 2 | Hose | |

SECTION 5 - HYDRAULIC

FIGURE 5-35. HOSE INSTALLATION - WHEEL LIFT (AUTO GRIDS) (SN 0220025492 through 0220026843)



ART_1001159670

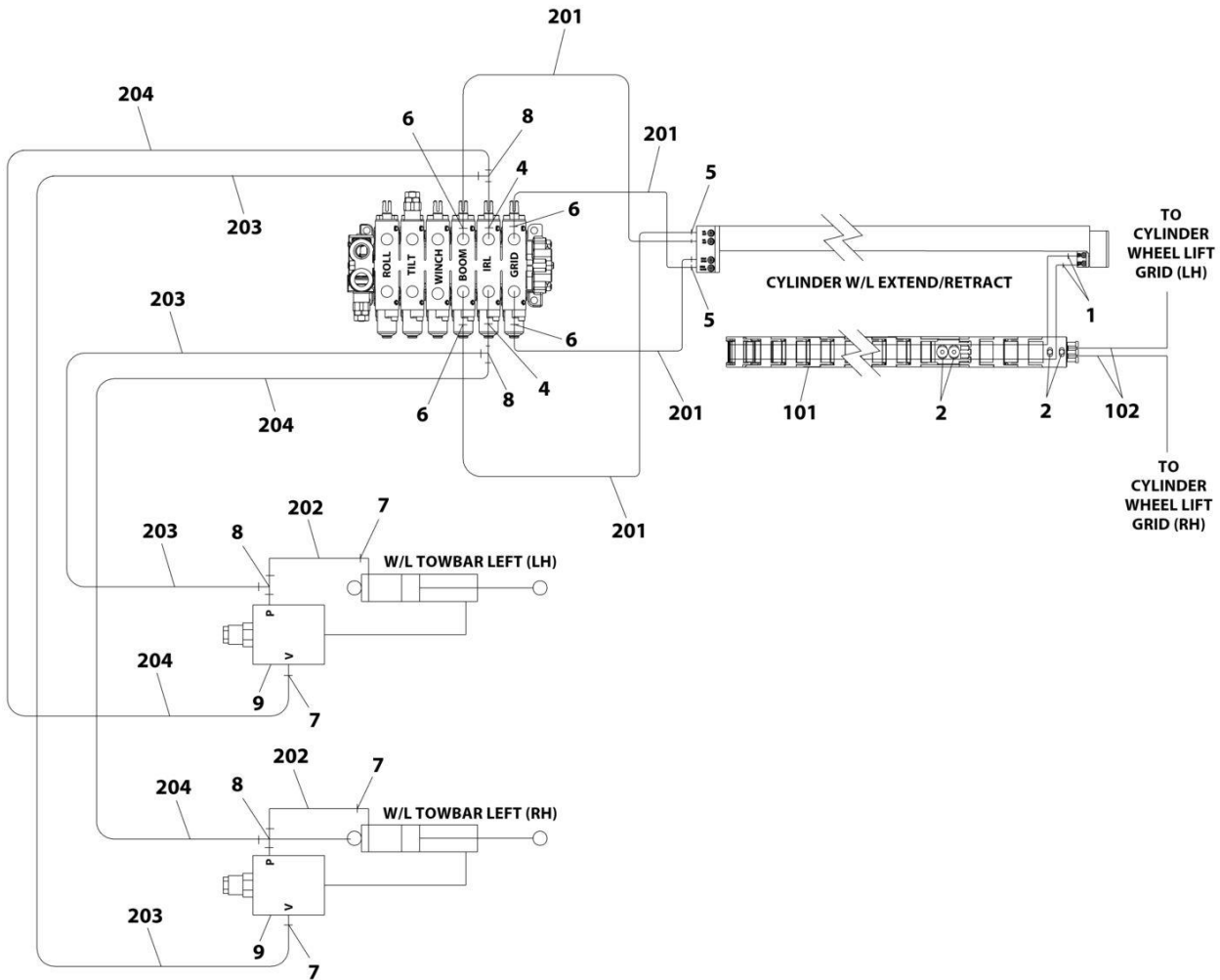
SECTION 5 - HYDRAULIC

FIGURE 5-35. HOSE INSTALLATION - WHEEL LIFT (AUTO GRIDS) (SN 0220025492 through 0220026843)

| ITEM | PART NUMBER | QTY | DESCRIPTION | REV |
|------|-------------|-----|----------------------------------|-----|
| | 1001159670 | Ref | HOSE INSTALLATION (HLF AUTOGRID) | B |
| 1 | 4567122038 | 2 | Hose | |
| 2 | 4567123040 | 2 | Hose | |
| 3 | 4567110034 | 2 | Hose | |
| 4 | 7935000305 | 2 | Valve Assembly | |
| 5 | 4567122012 | 2 | Hose | |
| 6 | 7445060645 | 4 | Fitting, 90 | |
| 7 | 7445060648 | 4 | Fitting, Tee | |
| 8 | 7445040446 | 2 | Fitting, 45 | |
| 9 | 7445040843 | 2 | Fitting, Straight | |
| 10 | 7443000129 | 2 | Reducer | |
| 11 | 7443040843 | 2 | Fitting, Straight | |
| 12 | 5526000553 | 12 | Tie-Strap (Not Shown) | |
| 13 | 3904000002 | 1 | Track Assembly (Not Shown) | |
| 14 | 2570000140 | 1 | Hose (Not Shown) | |
| 15 | 4567110041 | 2 | Hose | |

SECTION 5 - HYDRAULIC

FIGURE 5-36. HOSE INSTALLATION - WHEEL LIFT (AUTO GRIDS) (SN 0220026844 to Present)



ART_1001275927

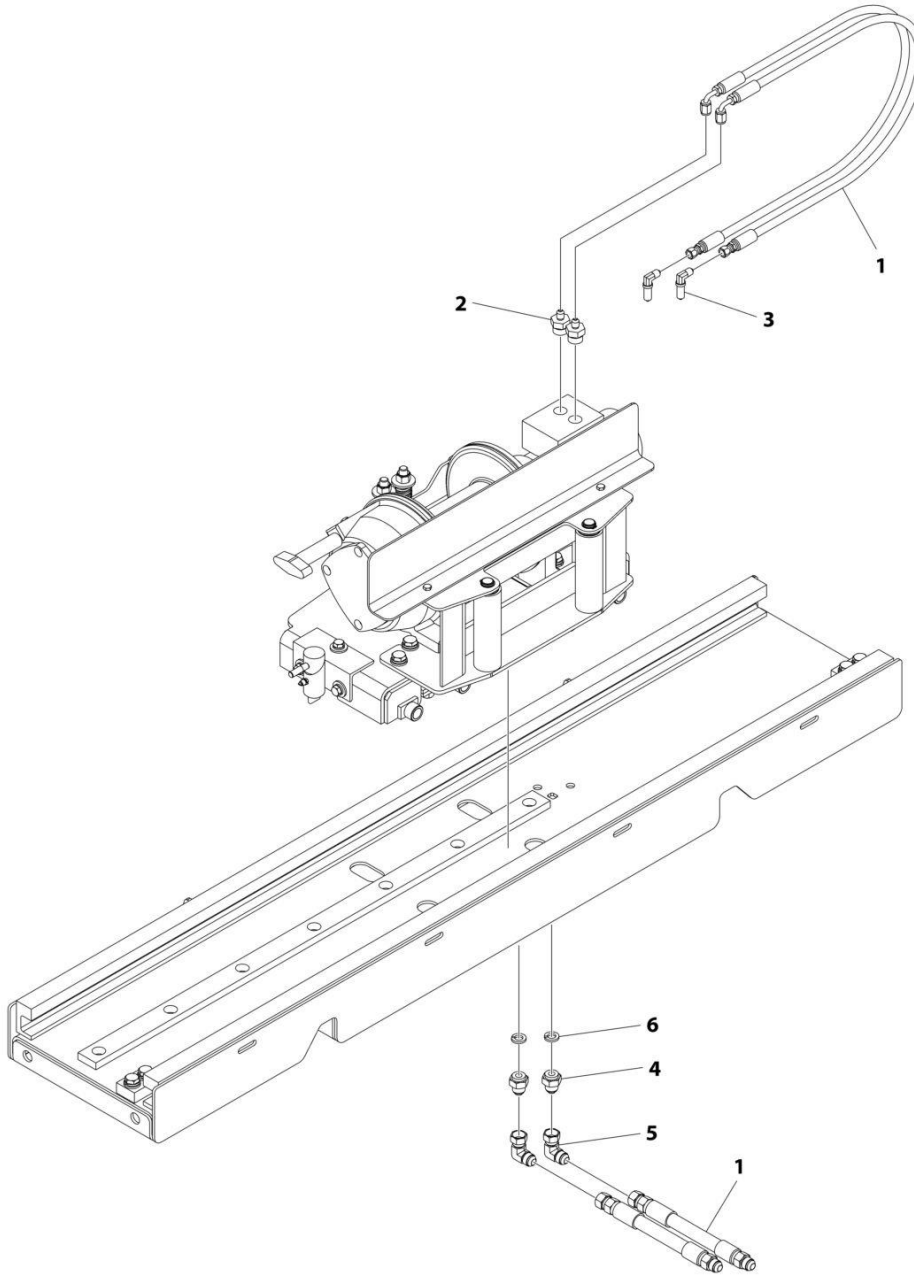
SECTION 5 - HYDRAULIC

FIGURE 5-36. HOSE INSTALLATION - WHEEL LIFT (AUTO GRIDS) (SN 0220026844 to Present)

| ITEM | PART NUMBER | QTY | DESCRIPTION | REV |
|------|-------------|-----|---|-----|
| | 1001275927 | Ref | HOSE INSTALLATION - WHEEL LIFT (AUTO GRIDS) | A |
| 1 | 2220415 | 2 | Fitting, Straight | |
| 2 | 1001278510 | 4 | Bolt M6 x 10 | |
| 3 | 5526000553 | 13 | Tie Strap (Not Shown) | |
| 4 | 7443000129 | 2 | Reducer | |
| 5 | 7445040446 | 4 | Fitting, 45 | |
| 6 | 7445040843 | 4 | Fitting, Straight | |
| 7 | 7445060645 | 4 | Fitting, 90 | |
| 8 | 7445060648 | 4 | Fitting, Tee | |
| 9 | 7935000305 | 2 | Valve Assembly | |
| 9 | 900115 | 2 | Valve, Counterbalance Cartridge (1 Per Assembly) | |
| 9 | 960006 | 2 | Seal Kit - 900115 Cartridge Valve (1 Per Cartridge) | |
| 100 | 1001287692 | 1 | Hydraulic Grid Power Track Kit (Not Shown) | |
| 101 | 1001273269 | 1 | Power Track, Carrier | |
| 102 | 1001276987 | 1 | Hose | |
| 200 | 1001287693 | 1 | Hydraulic Grid Hose Kit (Not Shown) | |
| 201 | 1001276175 | 1 | Hose | |
| 202 | 4567122014 | 1 | Hose | |
| 203 | 4567122043 | 1 | Hose | |
| 204 | 4567123045 | 1 | Hose | |

SECTION 5 - HYDRAULIC

FIGURE 5-37. HOSE INSTALLATION - WINCH (PLANETARY GEAR)



ART_1001145934

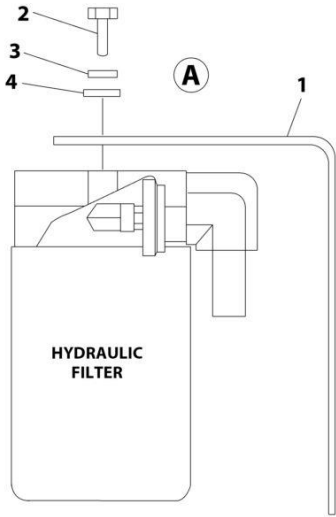
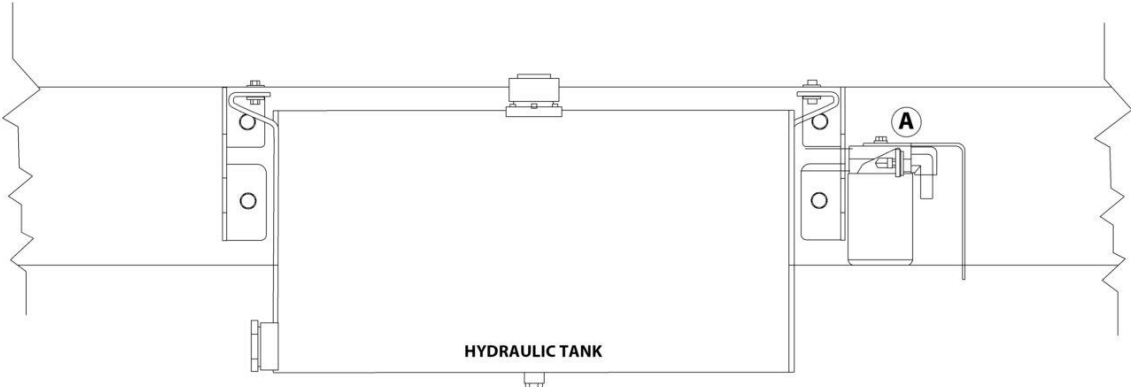
SECTION 5 - HYDRAULIC

FIGURE 5-37. HOSE INSTALLATION - WINCH (PLANETARY GEAR)

| ITEM | PART NUMBER | QTY | DESCRIPTION | REV |
|------|-------------|-----|--------------------------------|-----|
| | 1001145934 | Ref | SLIDING WINCH HLF INSTALLATION | B |
| 1 | 1001145963 | 1 | Hose Sliding Winch | |
| 2 | 7445041043 | 2 | Fitting, Straight | |
| 3 | 7445040431 | 2 | Fitting, 90 | |
| 4 | 1001144448 | 2 | Fitting, Straight | |
| 5 | 7445080872 | 2 | Fitting, 90 | |
| 6 | 7950170000 | 2 | Washer 1/2 | |

SECTION 5 - HYDRAULIC

FIGURE 5-38. HYDRAULIC FILTER COVER PLATE



ART_1001168319

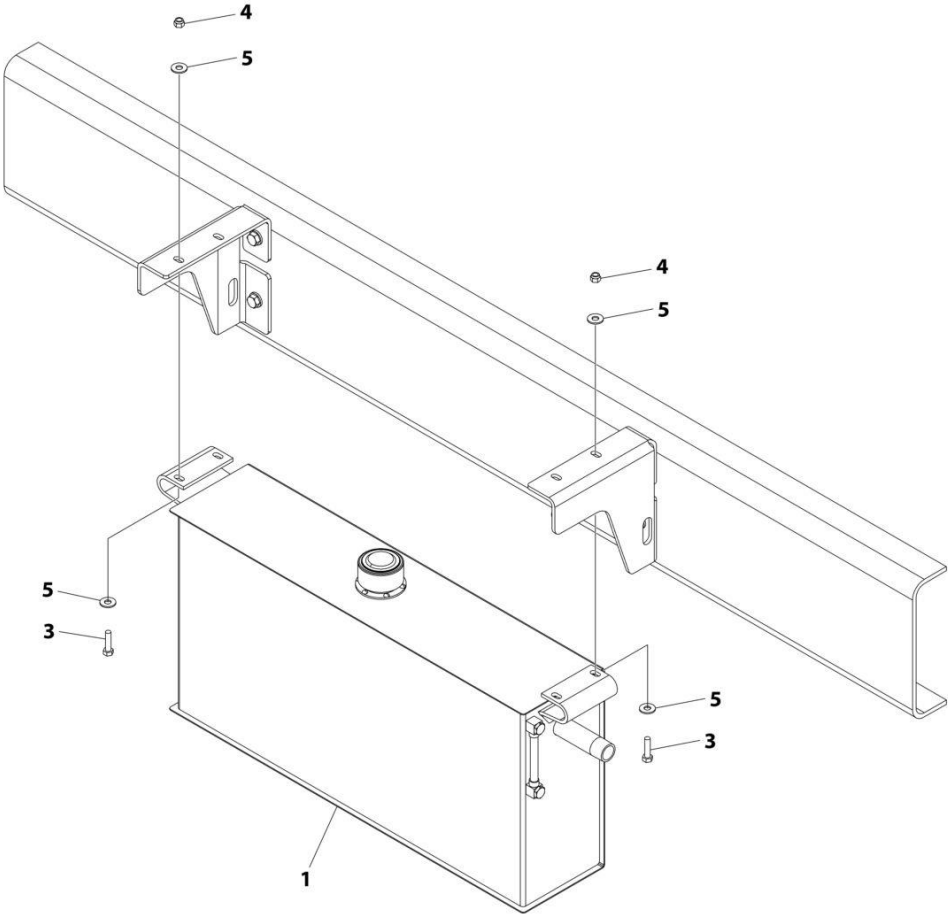
SECTION 5 - HYDRAULIC

FIGURE 5-38. HYDRAULIC FILTER COVER PLATE

| ITEM | PART NUMBER | QTY | DESCRIPTION | REV |
|------|-------------|-----|---|-----|
| | 1001168319 | Ref | Filter (Hydraulic) Cover Plate Installation | B |
| 1 | 1001181417 | 1 | Cover | |
| 2 | 7115140450 | 2 | Capscrew 1/4 x 1/2 | |
| 3 | 7950140000 | 2 | Washer 1/4 | |
| 4 | 7950140141 | 2 | Washer 1/4 | |

SECTION 5 - HYDRAULIC

FIGURE 5-39. TANK (HYDRAULIC) AND BRACKET MOUNT INSTALLATION



ART_275000008

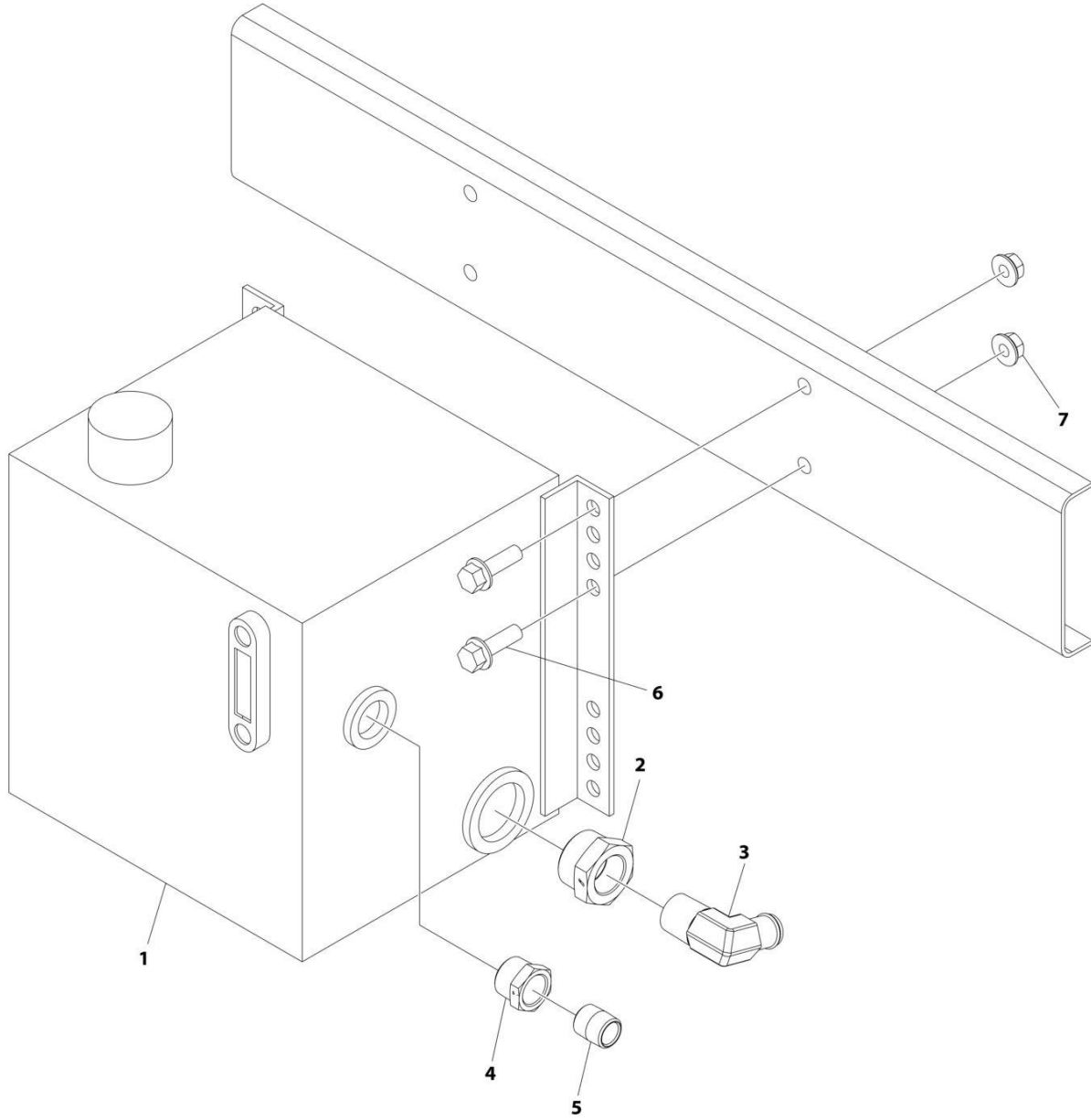
SECTION 5 - HYDRAULIC

FIGURE 5-39. TANK (HYDRAULIC) AND BRACKET MOUNT INSTALLATION

| ITEM | PART NUMBER | QTY | DESCRIPTION | REV |
|------|-------------|-----|---|-----|
| | 2750000008 | Ref | Hydraulic Reservoir and Bracket Mount | C |
| 1 | 3750000018 | 1 | Hydraulic Tank Assembly (See Seperate Breakdown in HYDRAULIC Section) | |
| 3 | 7115151050 | 4 | Capscrew 5/8 x 1-1/4 | |
| 4 | 7660152601 | 4 | Nut 5/8 | |
| 5 | 7950150161 | 8 | Washer 5/8 | |

SECTION 5 - HYDRAULIC

FIGURE 5-40. TANK (HYDRAULIC) AND BRACKET MOUNT INSTALLATION (ALTERNATIVE)



ART_1001284419

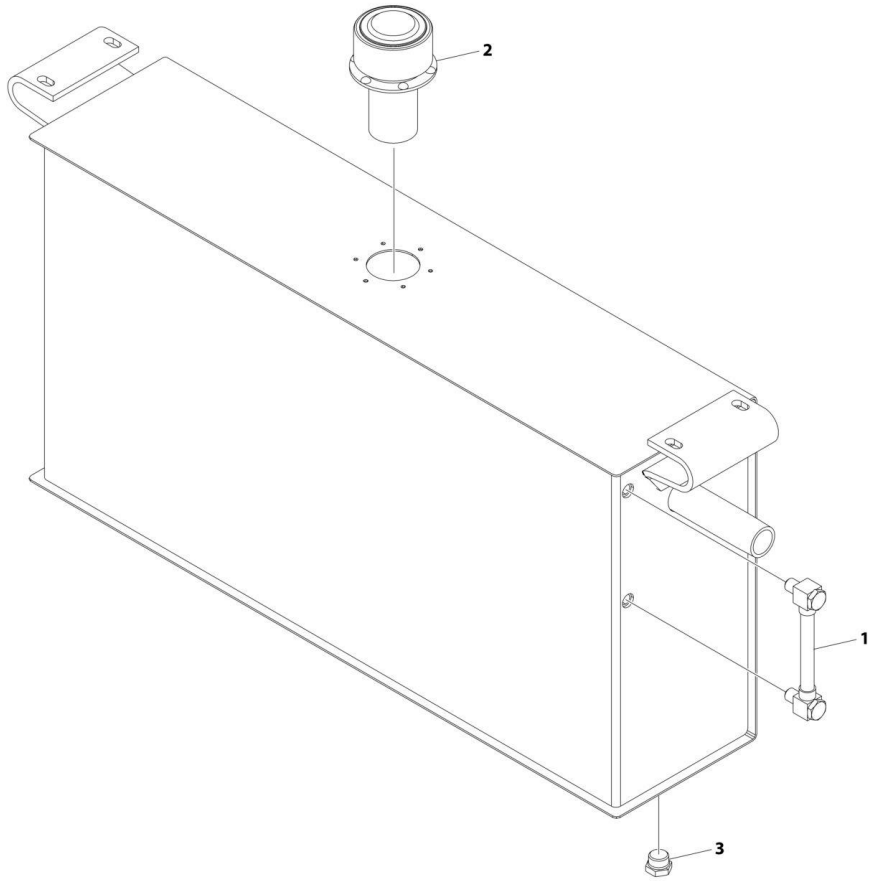
SECTION 5 - HYDRAULIC

FIGURE 5-40. TANK (HYDRAULIC) AND BRACKET MOUNT INSTALLATION (ALTERNATIVE)

| ITEM | PART NUMBER | QTY | DESCRIPTION | REV |
|------|-------------|-----|--|-----|
| | 1001284419 | Ref | TANK INSTALLATION - HYDRAULIC | A |
| 1 | 1001284178 | 1 | Hydraulic Tank Assembly (See Separate Breakdown in this Section) | |
| 2 | 1001284179 | 1 | Filter | |
| 3 | 7443000412 | 1 | Fitting, 90 | |
| 4 | 7444100850 | 1 | Bushing | |
| 5 | 7650080125 | 1 | Nipple | |
| 6 | 7118201616 | 4 | Capscrew 5/8 x 2 | |
| 7 | 7661000018 | 4 | Nut 5/8 | |

SECTION 5 - HYDRAULIC

FIGURE 5-41. TANK (HYDRAULIC) ASSEMBLY



ART_375000018

SECTION 5 - HYDRAULIC

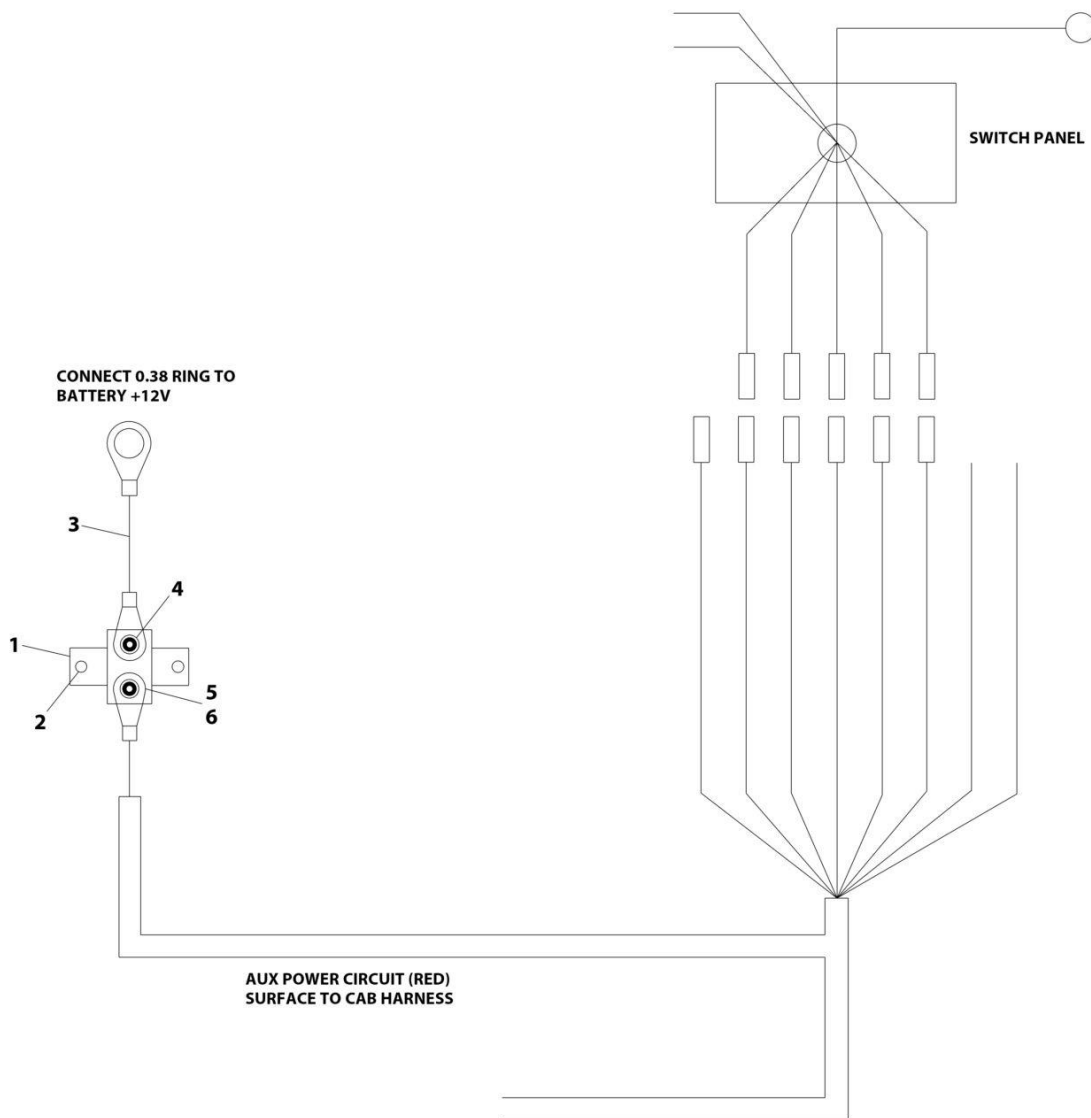
FIGURE 5-41. TANK (HYDRAULIC) ASSEMBLY

| ITEM | PART NUMBER | QTY | DESCRIPTION | REV |
|------|-------------|-----|---------------------------|-----|
| | 375000018 | 1 | Hydraulic Assembly - Tank | I |
| 1 | 747000027 | 1 | Oil Level Gauge | |
| 2 | 718300004 | 1 | Breather Filter | |
| 3 | 770100031 | 1 | Plug w/O-ring | |

SECTION 6 - ELECTRICAL

SECTION 6 - ELECTRICAL

FIGURE 6-1. BREAKER INSTALLATION - 50AMP



ART_1001129883

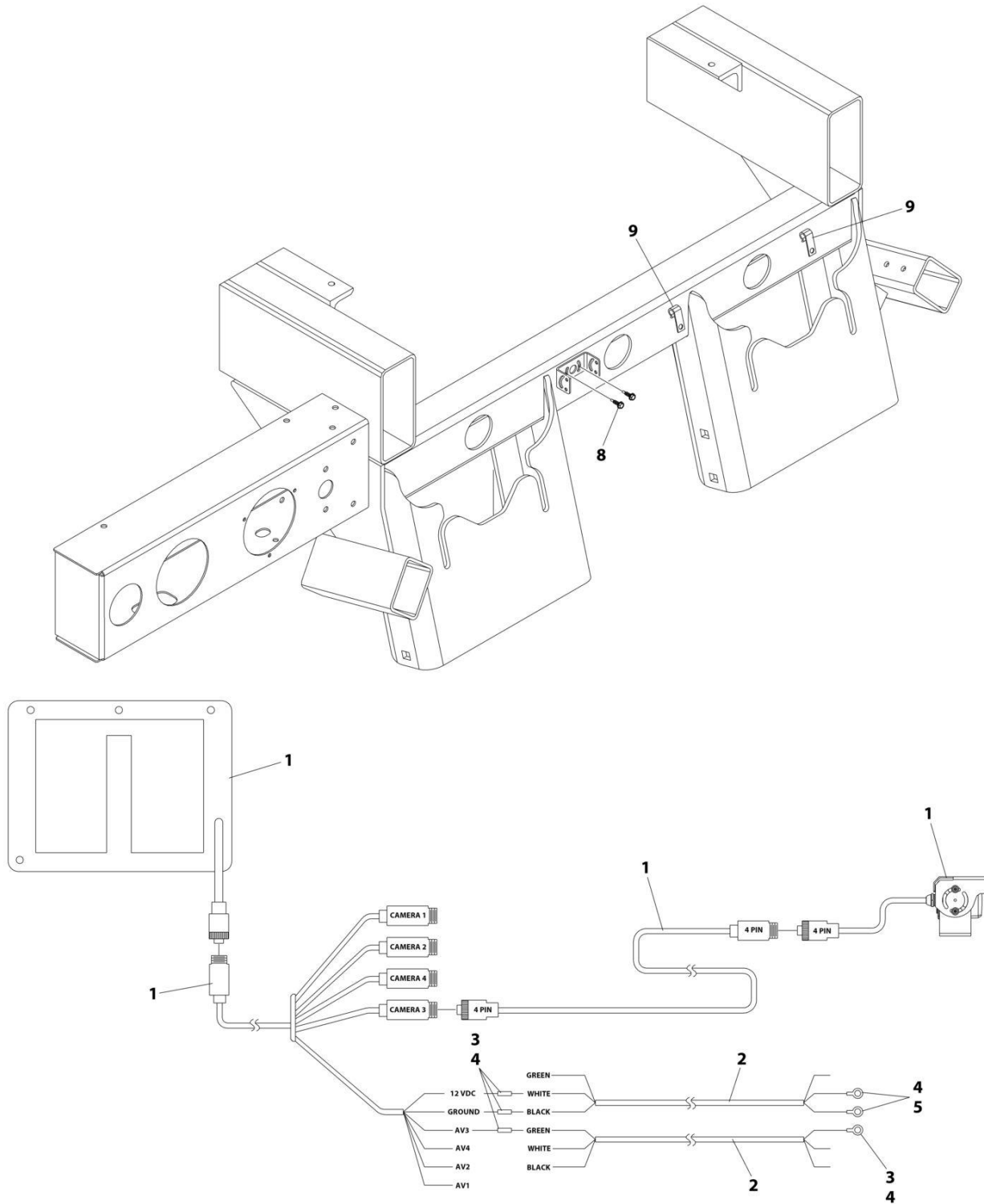
SECTION 6 - ELECTRICAL

FIGURE 6-1. BREAKER INSTALLATION - 50AMP

| ITEM | PART NUMBER | QTY | DESCRIPTION | REV |
|------|-------------|-----|--------------------------|-----|
| | 1001129883 | Ref | 50A BREAKER INSTALLATION | C |
| 1 | 7457000004 | 1 | Breaker, 50A | |
| 2 | 7120000034 | 2 | Screw #10 x 3/4 | |
| 3 | 1001129882 | 1 | Harness | |
| 4 | 7950100151 | 2 | Washer 3/16 | |
| 5 | 7345221902 | 1 | Terminal | |
| 6 | 4346000005 | 1 | Heat Shrink | |

SECTION 6 - ELECTRICAL

FIGURE 6-2. CAMERA (BACKUP) CARRIER INSTALLATION



ART_1001219321

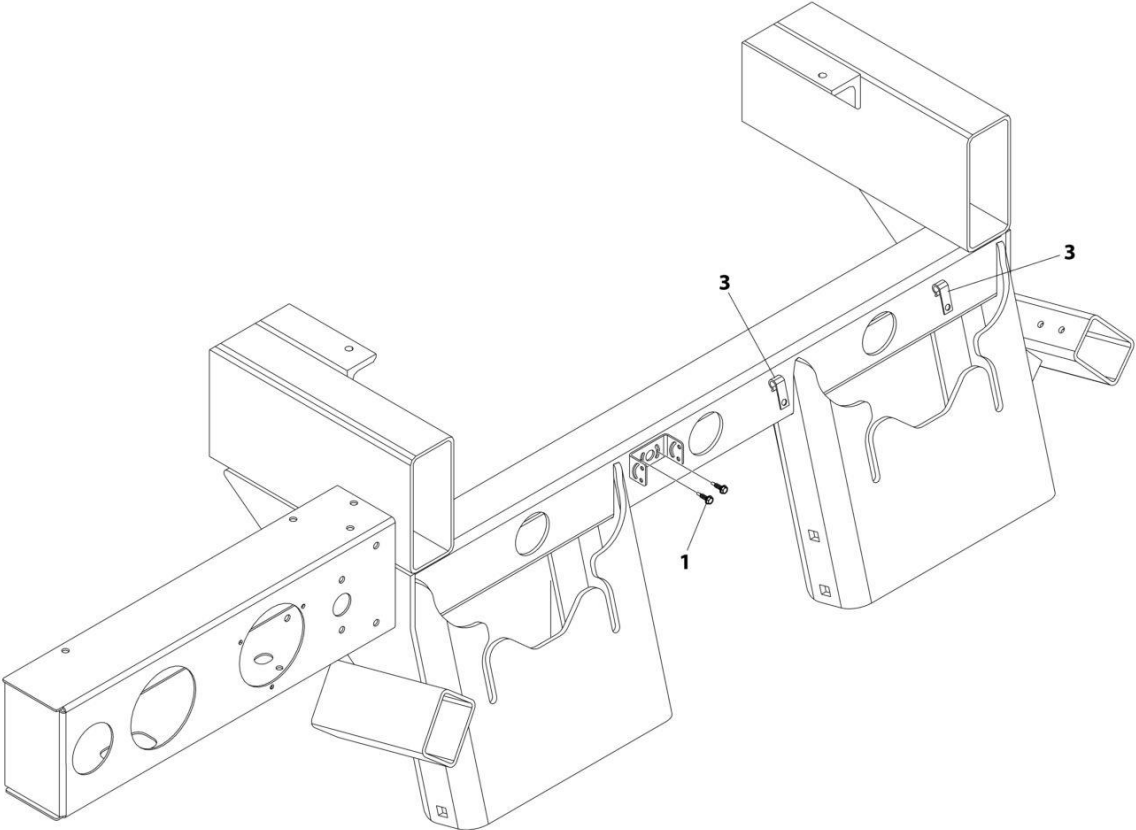
SECTION 6 - ELECTRICAL

FIGURE 6-2. CAMERA (BACKUP) CARRIER INSTALLATION

| ITEM | PART NUMBER | QTY | DESCRIPTION | REV |
|------|-------------|-----|------------------------------------|-----|
| | 1001219321 | Ref | Backup Camera Carrier Installation | E |
| 1 | 1001219309 | 1 | Camera | |
| 2 | 5525000537 | AR | Wire | |
| 3 | 7345001714 | 4 | Terminal | |
| 4 | 7346000039 | AR | Tubing | |
| 5 | 7345211702 | 3 | Terminal | |
| 6 | 8597650002 | AR | Wire (Not Shown) | |
| 7 | 7894000010 | 40 | Tie Strap (Not Shown) | |
| 8 | 7120000034 | 2 | Screw #10 x 3/4 | |
| 9 | 7280000018 | 2 | Clip | |

SECTION 6 - ELECTRICAL

FIGURE 6-3. CAMERA (BACKUP) CARRIER INSTALLATION - OEM



ART_1001220181

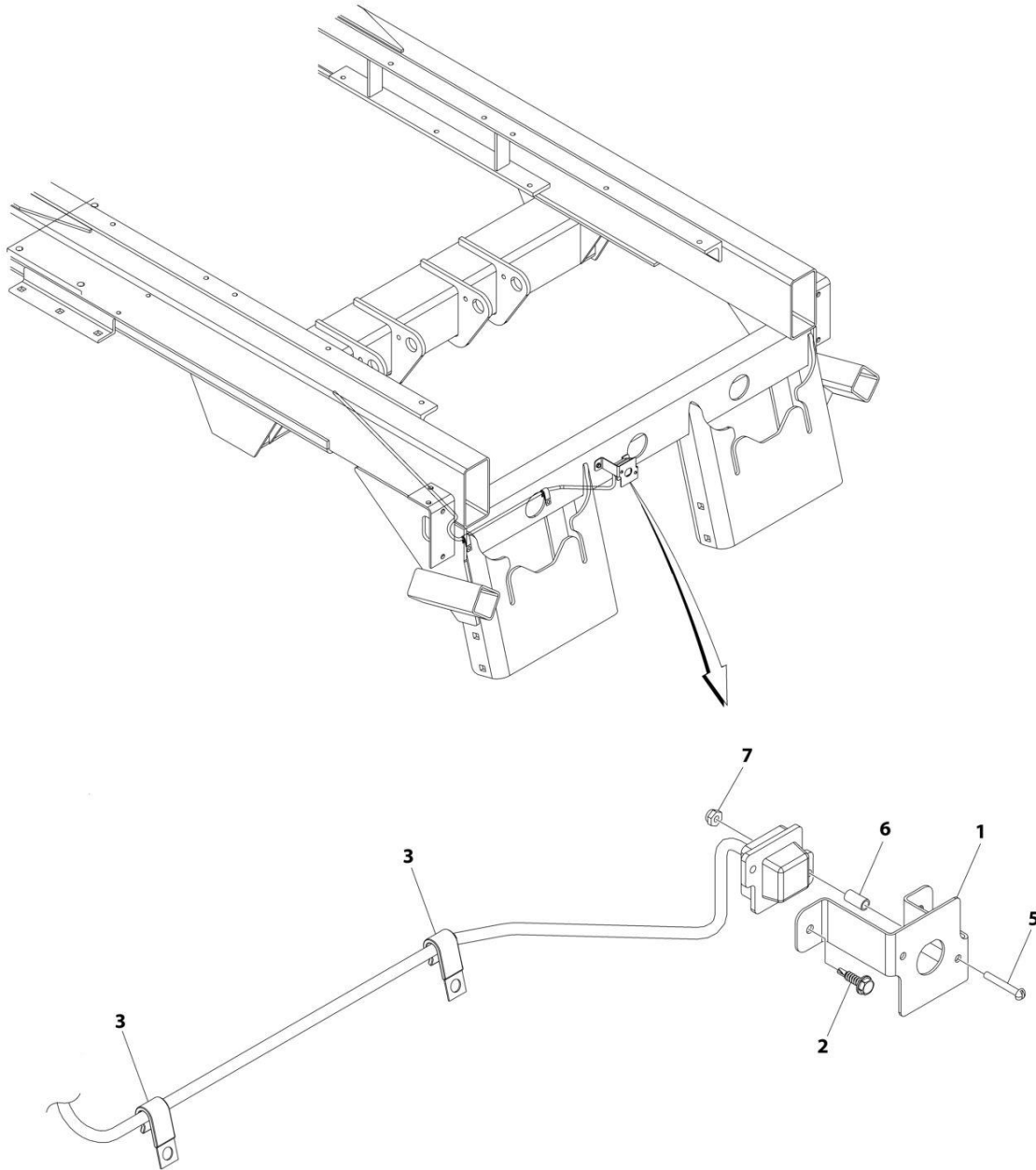
SECTION 6 - ELECTRICAL

FIGURE 6-3. CAMERA (BACKUP) CARRIER INSTALLATION - OEM

| ITEM | PART NUMBER | QTY | DESCRIPTION | REV |
|------|-------------|-----|---|-----|
| | 1001220181 | Ref | Backup Camera Installation - Chassis (OEM Supplied) | C |
| 1 | 7120000034 | 2 | Screw #10 x 3/4 | |
| 2 | 5526000553 | 40 | Tie Strap | |
| 3 | 7280000018 | 2 | Clip | |

SECTION 6 - ELECTRICAL

FIGURE 6-4. CAMERA (BACKUP) CARRIER INSTALLATION - OEM (CV515)



ART_1001254978

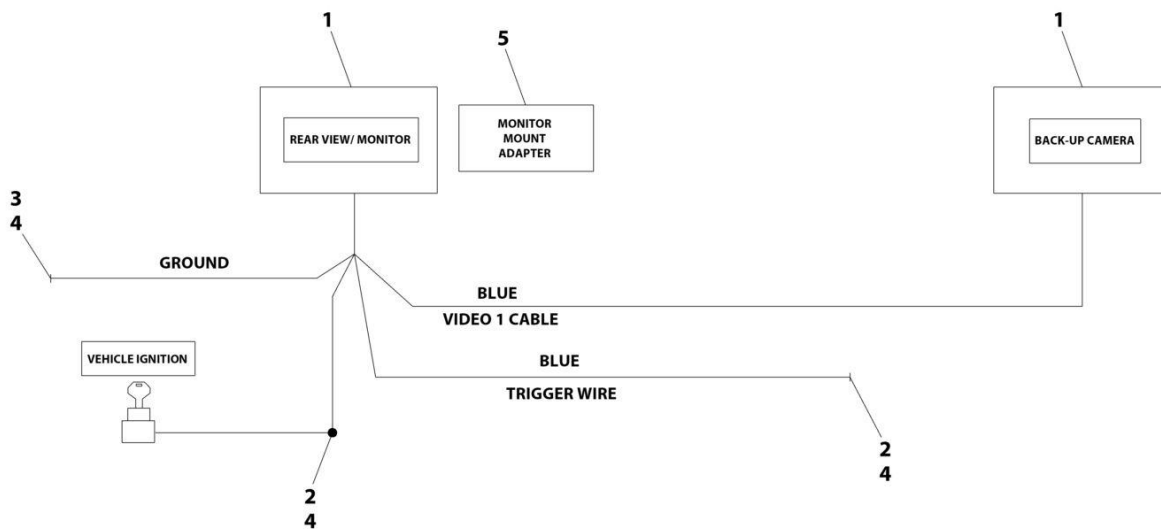
SECTION 6 - ELECTRICAL

FIGURE 6-4. CAMERA (BACKUP) CARRIER INSTALLATION - OEM (CV515)

| ITEM | PART NUMBER | QTY | DESCRIPTION | REV |
|------|-------------|-----|--|-----|
| | 1001254978 | Ref | BACKUP CAMERA, OEM CV515, INSTALLATION | A |
| 1 | 1001254977 | 1 | Bracket | |
| 2 | 7120000034 | 2 | Screw #10 x 3/4 | |
| 3 | 7280000018 | 2 | Clip | |
| 4 | 5526000553 | 40 | Tie-Strap (Not Shown) | |
| 5 | 7114060810 | 2 | Capscrew #6 x 1 | |
| 6 | 4564088 | 2 | Spacer | |
| 7 | 7660062604 | 2 | Nut #6 | |

SECTION 6 - ELECTRICAL

FIGURE 6-5. CAMERA (BACKUP) IN REAR VIEW MIRROR INSTALLATION



ART_1001142974

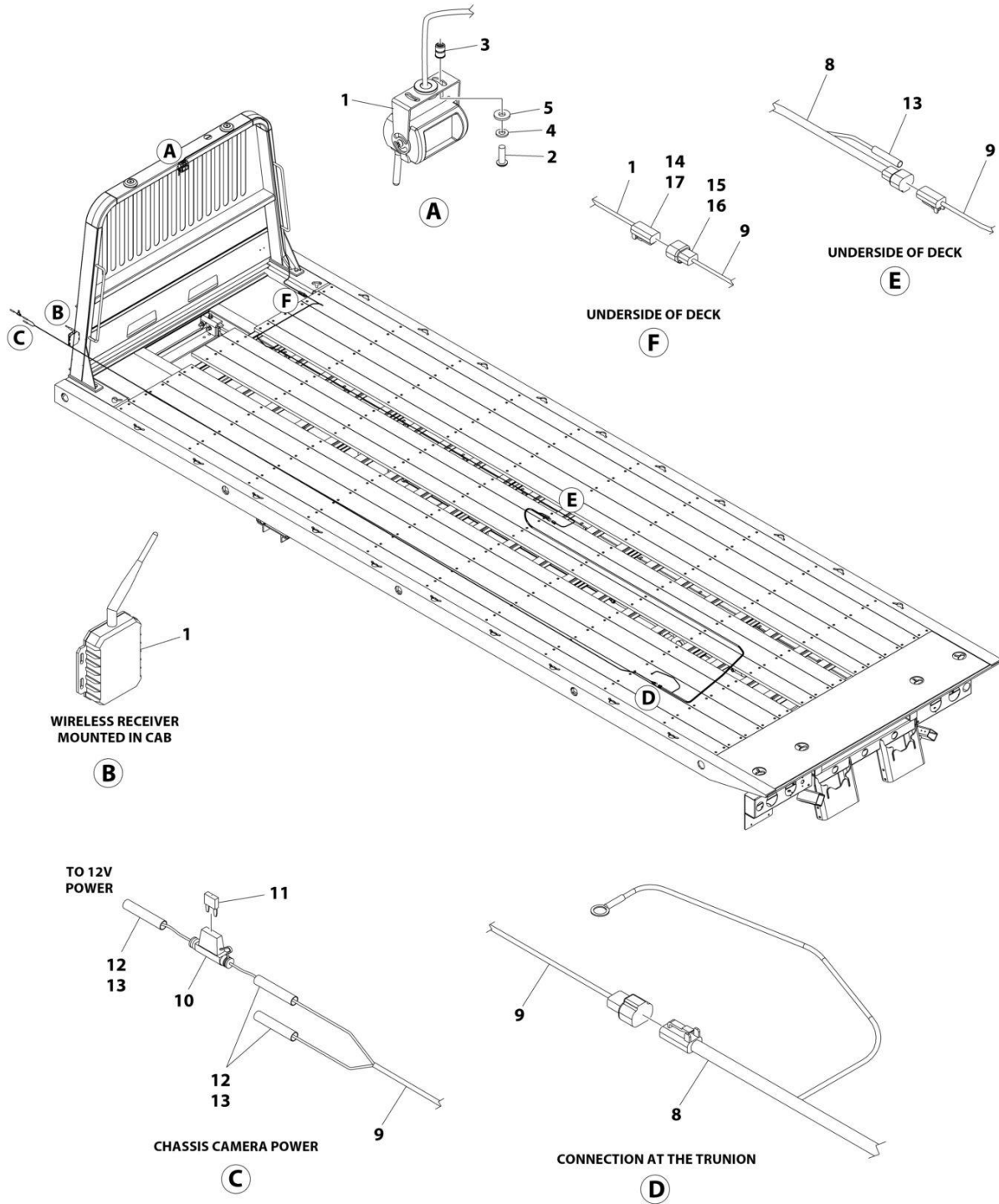
SECTION 6 - ELECTRICAL

FIGURE 6-5. CAMERA (BACKUP) IN REAR VIEW MIRROR INSTALLATION

| ITEM | PART NUMBER | QTY | DESCRIPTION | REV |
|------|-------------|-----|--|-----|
| | 1001142974 | Ref | BACKUP CAMERA IN REAR VIEW MIRROR INSTALLATION | B |
| 1 | 1001139909 | 1 | Camera System | |
| 2 | 7345001914 | 2 | Terminal | |
| 3 | 7345221902 | 1 | Terminal | |
| 4 | 7346000039 | AR | Tubing | |
| 5 | 1001229606 | 1 | Monitor Mount Adapter | |

SECTION 6 - ELECTRICAL

FIGURE 6-6. CAMERA (CARGO) INSTALLATION - HEADBOARD MOUNTED



ART_1001257876

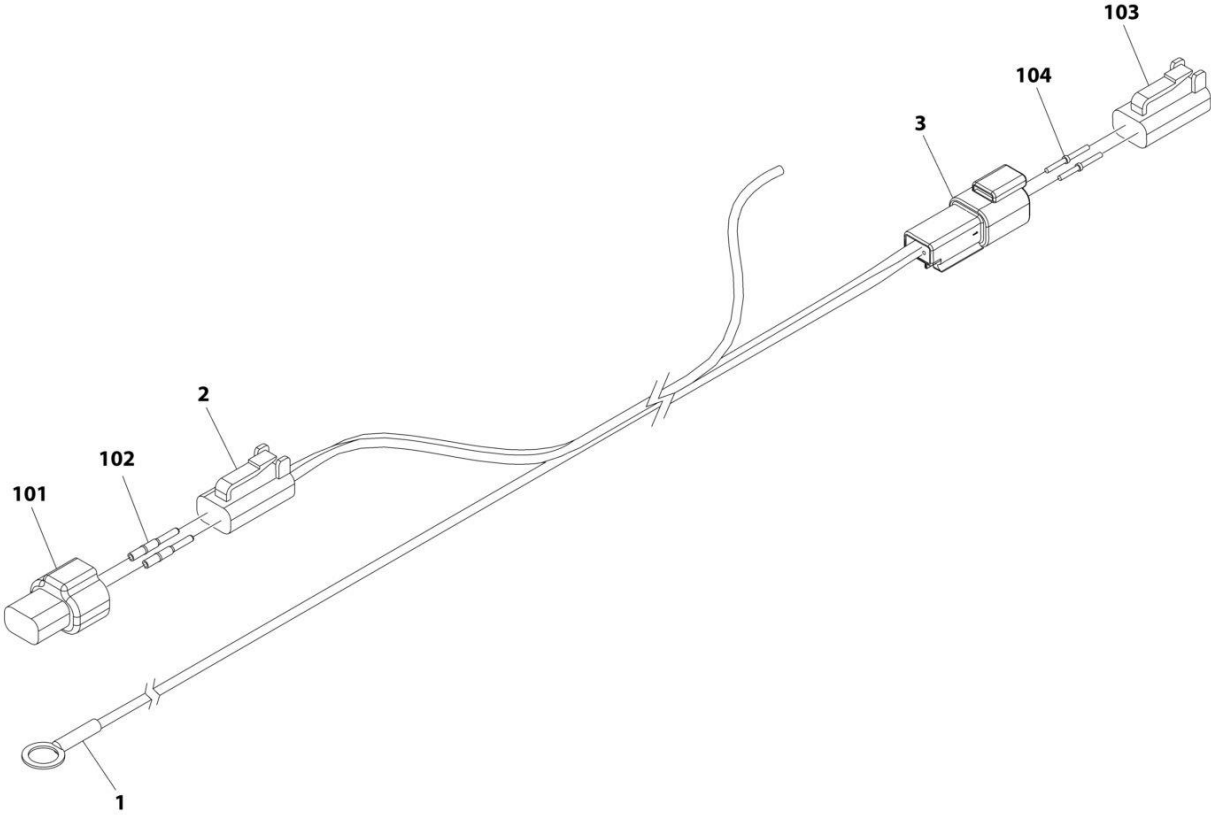
SECTION 6 - ELECTRICAL

FIGURE 6-6. CAMERA (CARGO) INSTALLATION - HEADBOARD MOUNTED

| ITEM | PART NUMBER | QTY | DESCRIPTION | REV |
|------|-------------|-----|---|-----|
| | 1001257876 | Ref | CARGO CAMERA, WIRELESS HEADBOARD, INSTALLATION | B |
| 1 | 1001237244 | 1 | Kit, Wireless Backup Camera | |
| 2 | 7114140618 | 2 | Screw 1/4 x 3/4 | |
| 3 | 7413000002 | 2 | Nut 1/4 | |
| 4 | 7950140003 | 2 | Washer 1/4 | |
| 5 | 7950140143 | 2 | Washer 1/4 | |
| 8 | 1001280899 | 1 | Camera Harness (See Separate Breakdown in this Section) | |
| 9 | 8977010103 | 1 | Wire #16 GA 2-Conductor | |
| 10 | 2400066 | 1 | Fuse, Holder | |
| 11 | 1001228388 | 1 | Fuse, Lamp | |
| 12 | 7345001714 | 3 | Terminal | |
| 13 | 4346000005 | 4 | Heat Shrink | |
| 14 | 4460891 | 1 | Plug, 2 Position | |
| 15 | 4460897 | 1 | Receptacle, 2 Position | |
| 16 | 4460464 | 2 | Pin, Male | |
| 17 | 4460465 | 2 | Socket, Female | |

SECTION 6 - ELECTRICAL

FIGURE 6-7. CAMERA HARNESS



ART_1001280899

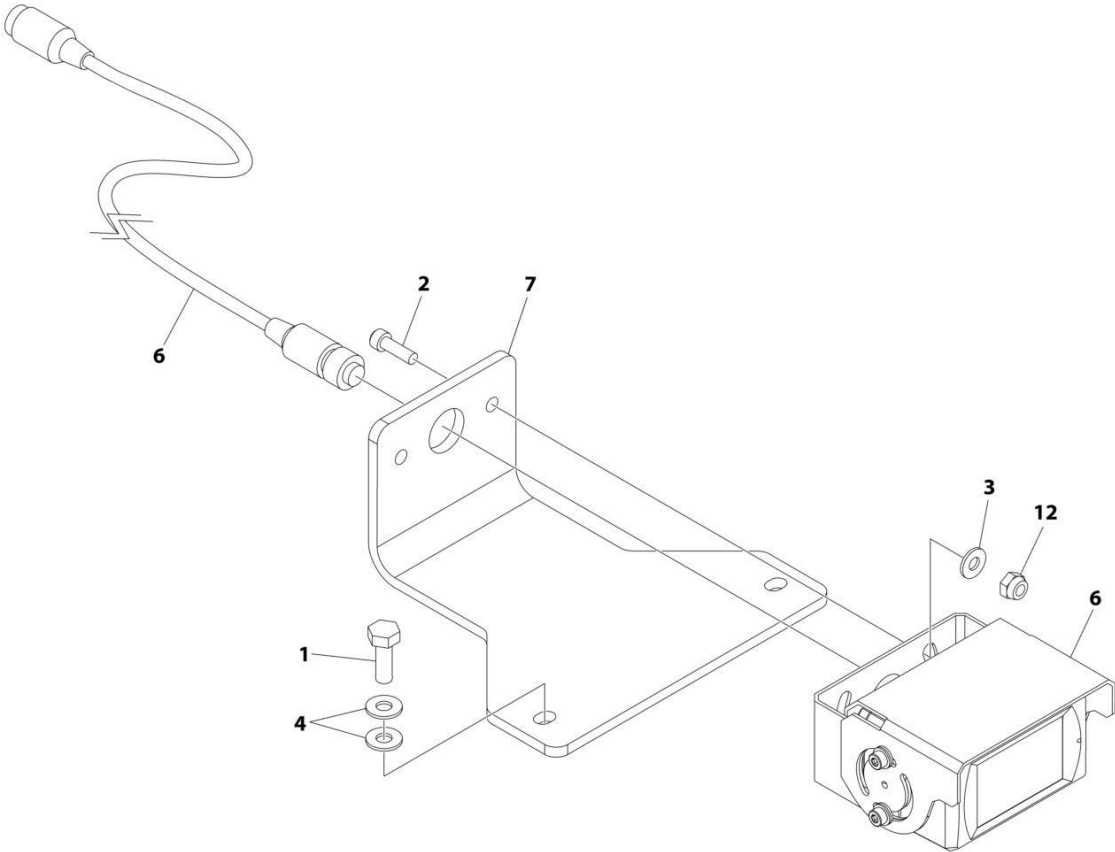
SECTION 6 - ELECTRICAL

FIGURE 6-7. CAMERA HARNESS

| ITEM | PART NUMBER | QTY | DESCRIPTION | REV |
|------|-------------|-----|---------------------------------|-----|
| | 1001280899 | Ref | CAMERA HARNESS | A |
| 1 | 4460256 | 1 | Terminal, Ring | |
| 2 | 4460891 | 1 | Plug, Male - 2 Position | |
| 2 | 4460942 | 2 | Socket, Female | |
| 3 | 4460897 | 1 | Receptacle, Female - 2 Position | |
| 3 | 4460941 | 2 | Pin, Male | |
| 101 | 4460897 | 1 | Receptacle, Female - 2 Position | |
| 102 | 4460464 | 2 | Pin, Male | |
| 103 | 4460891 | 1 | Plug, Male - 2 Position | |
| 104 | 4460465 | 2 | Socket, Female | |

SECTION 6 - ELECTRICAL

FIGURE 6-8. CAMERA (HOOK-UP) INSTALLATION - WHEEL LIFT



ART_1001289982

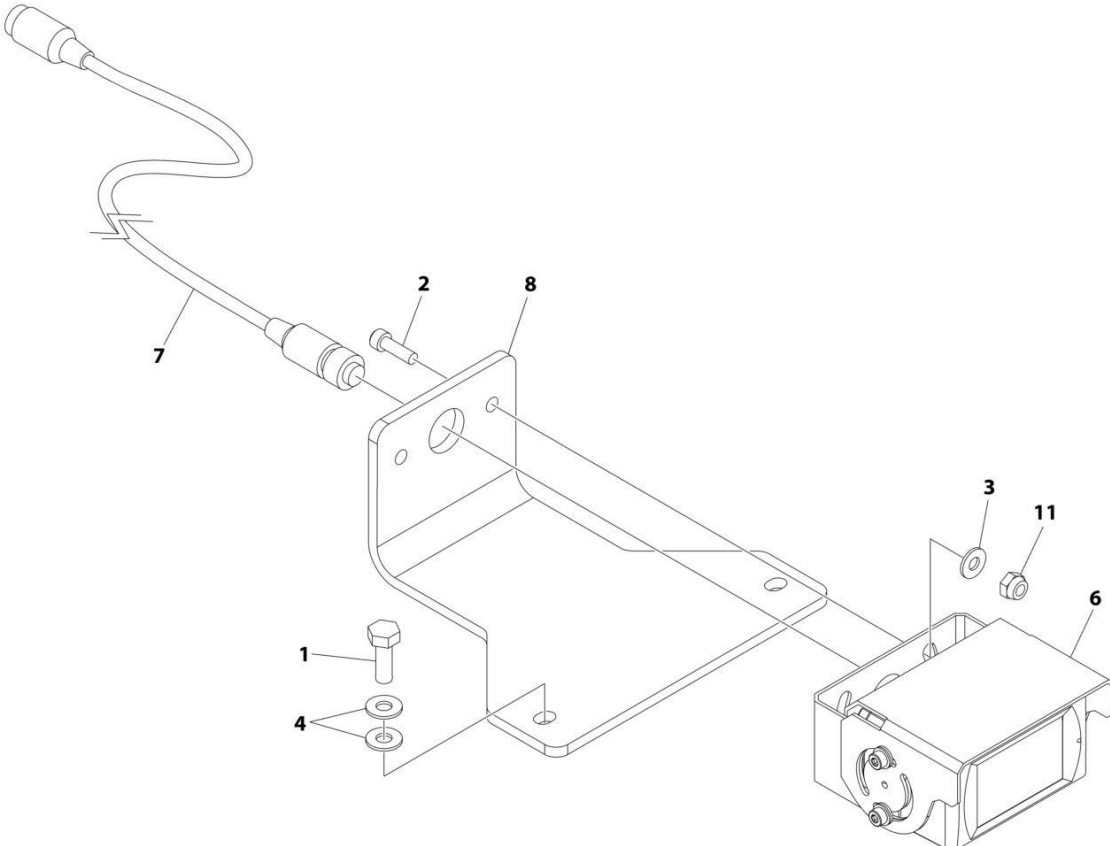
SECTION 6 - ELECTRICAL

FIGURE 6-8. CAMERA (HOOK-UP) INSTALLATION - WHEEL LIFT

| ITEM | PART NUMBER | QTY | DESCRIPTION | REV |
|------|-------------|------------------|--|-----|
| | 1001289982 | Ref | CAMERA (HOOK-UP) INSTALLATION - WHEEL LIFT | A |
| 1 | 0681406 | 2 | Bolt 1/4 x 3/4 | |
| 2 | 3931010 | 2 | Capscrew #10 x 5/8 | |
| 3 | 4711000 | 2 | Washer #10 | |
| 4 | 4751300 | 4 | Washer 3/16 | |
| 5 | 1001158298 | 6 | Tie-Strap (Not Shown) | |
| 6 | 1001219309 | 1 | Camera/Harness Kit | |
| 7 | 1001287716 | 1 | Bracket | |
| 8 | 5525000537 | 50 ft/ 15m | Wire 16/3 (Not Shown) | |
| 9 | 7345001714 | 5 | Terminal, Butt (Not Shown) | |
| 10 | 7345211702 | 3 | Terminal, #10 (Not Shown) | |
| 11 | 7346000039 | 0.5 ft/ 0.15m | Tubing (Not Shown) | |
| 12 | 7660102601 | 2 | Nut #10 | |
| 13 | 7894000010 | 40 | Tie-Strap (Not Shown) | |
| 14 | 8597650002 | 60 ft/ 18m | Loom, Wire (Not Shown) | |

SECTION 6 - ELECTRICAL

FIGURE 6-9. CAMERA (HOOK-UP WITH SENSOR) INSTALLATION - WHEEL LIFT



ART_1001289983

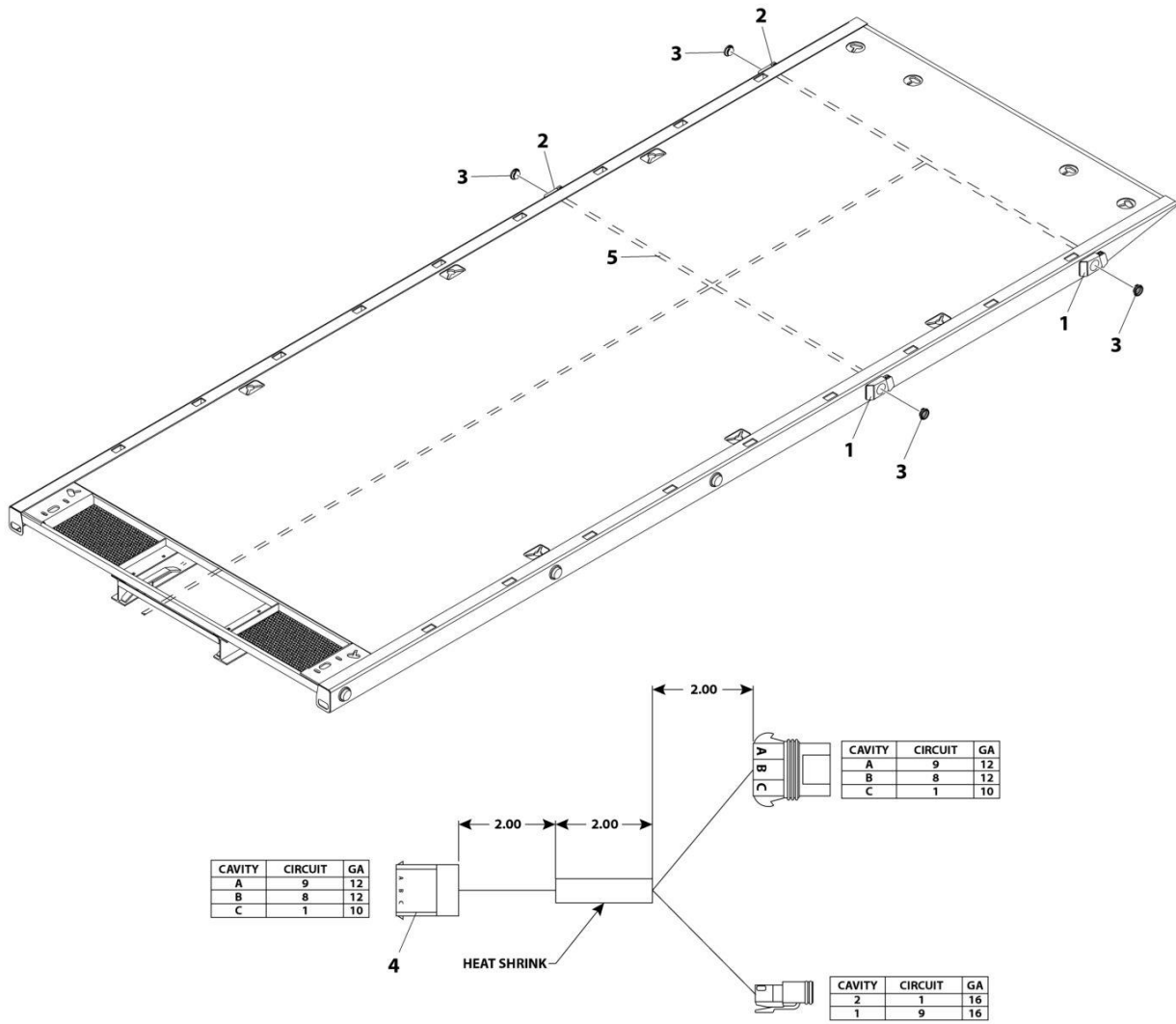
SECTION 6 - ELECTRICAL

FIGURE 6-9. CAMERA (HOOK-UP WITH SENSOR) INSTALLATION - WHEEL LIFT

| ITEM | PART NUMBER | QTY | DESCRIPTION | REV |
|------|-------------|-----------------|--|-----|
| | 1001289983 | Ref | CAMERA (HOOK-UP WITH SENSOR) INSTALLATION - WHEEL LIFT | A |
| 1 | 0681406 | 2 | Bolt 1/4 x 3/4 | |
| 2 | 3931010 | 2 | Capscrew #10 x 5/8 | |
| 3 | 4711000 | 2 | Washer #10 | |
| 4 | 4751300 | 4 | Washer 3/16 | |
| 5 | 1001158298 | 6 | Tie-Strap (Not Shown) | |
| 6 | 1001219311 | 1 | Camera/Sensor/Harness Kit | |
| 7 | 1001219314 | 1 | Harness, Camera Extension | |
| 8 | 1001287716 | 1 | Bracket | |
| 9 | 7345001714 | 2 | Terminal, Butt (Not Shown) | |
| 10 | 7346000039 | 0.3 ft/ 0.1m | Tubing (Not Shown) | |
| 11 | 7660102601 | 2 | Nut #10 | |
| 12 | 7894000010 | 40 | Tie-Strap (Not Shown) | |
| 13 | 8597650002 | 60 ft/ 18m | Loom, Wire (Not Shown) | |
| 14 | 8977010103 | 30 ft/ 9m | Wire #16/2 (Not Shown) | |

SECTION 6 - ELECTRICAL

FIGURE 6-10. DECK FLASHER REAR ILLUMINATION



ART_1001145076

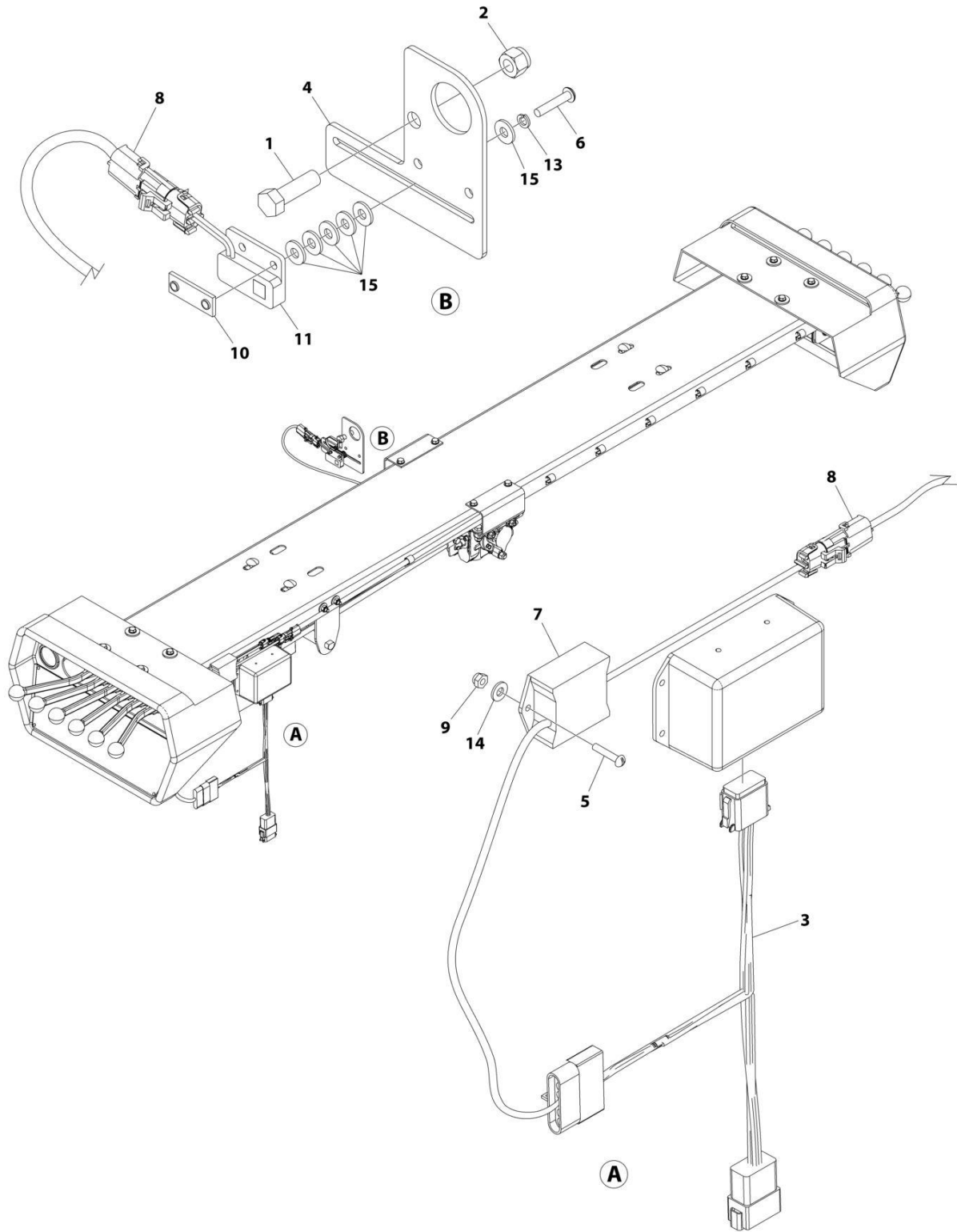
SECTION 6 - ELECTRICAL

FIGURE 6-10. DECK FLASHER REAR ILLUMINATION

| ITEM | PART NUMBER | QTY | DESCRIPTION | REV |
|------|-------------|-----|---------------------------------|-----|
| | 1001145076 | Ref | Deck Flasher Rear Illumination | B |
| 1 | 1001145074 | 2 | Bracket, LH Whelen Flash | |
| 2 | 1001145075 | 2 | Bracket, RH Whelen Flash | |
| 3 | 7493000009 | 4 | Grommet | |
| 4 | 1001144986 | 1 | Flashers Jumper Wire Harness | |
| 4 | 8220934 | 1 | Receptacle, Female - 3 Position | |
| 4 | 8220936 | 1 | Lock | |
| 4 | 1001277282 | 3 | Terminal | |
| 4 | 1001277283 | 3 | Seal | |
| 4 | 4460891 | 1 | Plug, Male - 2 Position | |
| 4 | 4460465 | 2 | Socket, Female | |
| 4 | 8220935 | 1 | Plug, Male - 3 Position | |
| 4 | 8220936 | 1 | Lock | |
| 4 | 8220099 | 1 | Terminal | |
| 4 | 1001277283 | 1 | Seal | |
| 5 | 1001145077 | Ref | Flasher Harness Installation | |
| 5 | 1001143842 | 1 | Flasher Harness | |
| 5 | 4460897 | 5 | Receptacle, Female - 2 Position | |
| 5 | 4460464 | 10 | Pin, Male | |

SECTION 6 - ELECTRICAL

FIGURE 6-11. LEVEL STOP INSTALLATION - 6 FUNCTION



ART_1001292363

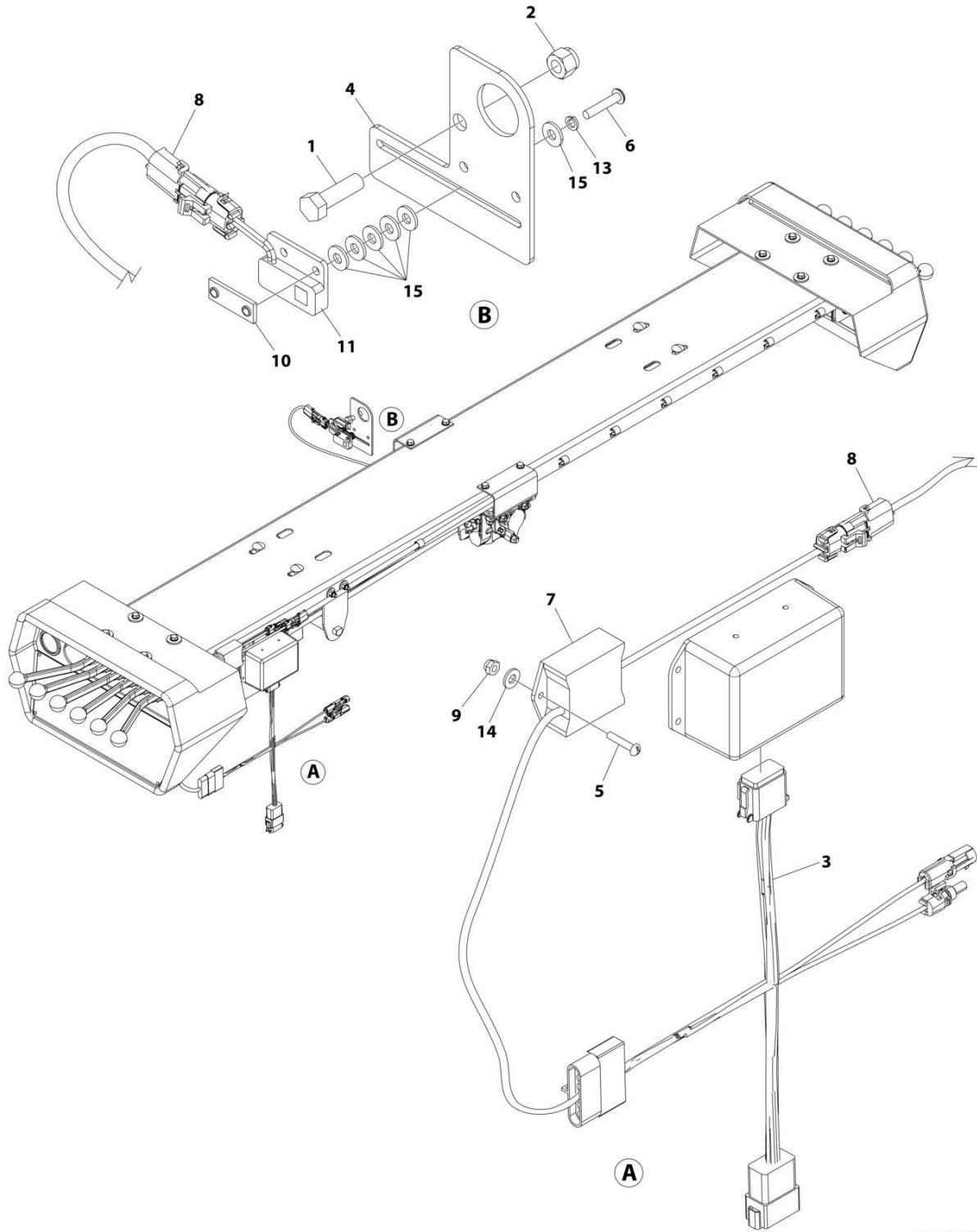
SECTION 6 - ELECTRICAL

FIGURE 6-11. LEVEL STOP INSTALLATION - 6 FUNCTION

| ITEM | PART NUMBER | QTY | DESCRIPTION | REV |
|------|-------------|-----|---|-----|
| | 1001292363 | Ref | LEVEL STOP INSTALLATION - 6 FUNCTION | A |
| 1 | 0641610 | 1 | Bolt 3/8 x 1-1/4 | |
| 2 | 3300492 | 1 | Nut 3/8 | |
| 3 | 1001289287 | 1 | Harness Assembly - Level Stop Jumper (See Separate Breakdown in this Section) | |
| 4 | 1001292348 | 1 | Bracket | |
| 5 | 7114100810 | 2 | Screw #10 x 1 | |
| 6 | 7114100818 | 2 | Screw #10 x 1 | |
| 7 | 7346000261 | 1 | Module, Level Stop Relay | |
| 8 | 7552000367 | 1 | Harness, Level Switch Lift | |
| 9 | 7660102604 | 2 | Nut #10 | |
| 10 | 7661000056 | 1 | Nut #10 | |
| 11 | 7870000126 | 1 | Switch, Proximity | |
| 12 | 7894000010 | 10 | Tie-Strap (Not Shown) | |
| 13 | 7950100003 | 2 | Washer #10 | |
| 14 | 7950100151 | 2 | Washer #10 | |
| 15 | 7950100163 | 12 | Washer #10 | |

SECTION 6 - ELECTRICAL

FIGURE 6-12. LEVEL STOP INSTALLATION - 8-10 FUNCTION



ART_1001292365

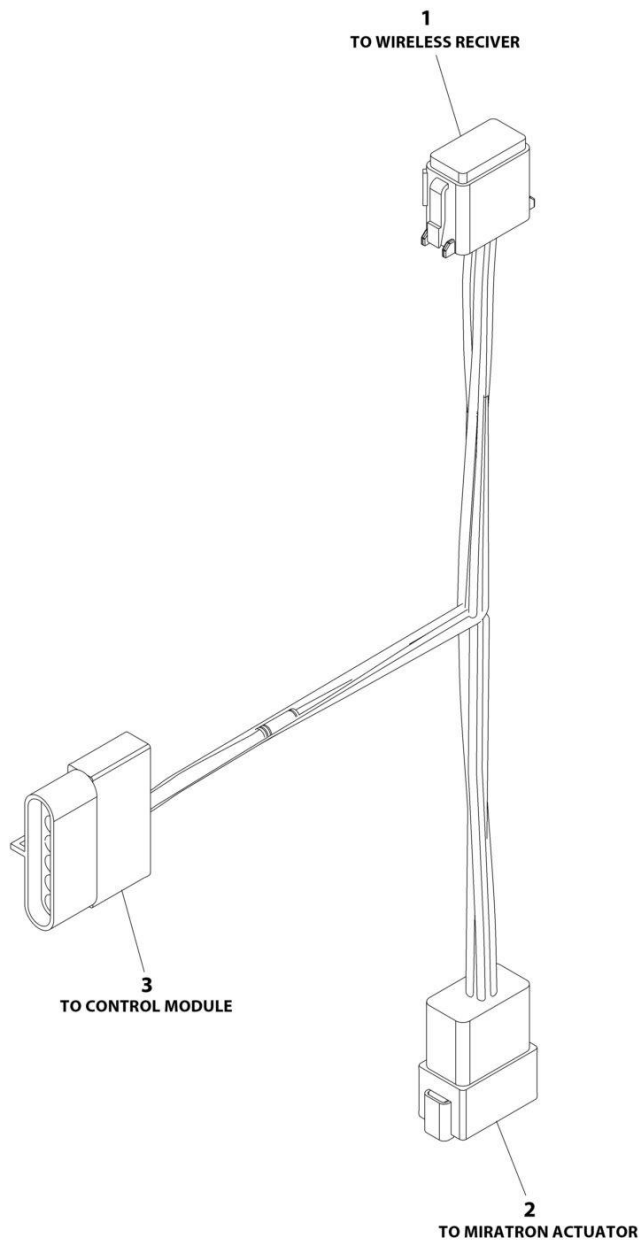
SECTION 6 - ELECTRICAL

FIGURE 6-12. LEVEL STOP INSTALLATION - 8-10 FUNCTION

| ITEM | PART NUMBER | QTY | DESCRIPTION | REV |
|------|-------------|-----|---|-----|
| | 1001292365 | Ref | LEVEL STOP INSTALLATION - 8-10 FUNCTION | A |
| 1 | 0641610 | 1 | Bolt 3/8 x 1-1/4 | |
| 2 | 3300492 | 1 | Nut 3/8 | |
| 3 | 1001288778 | 1 | Harness Assembly - Level Stop Jumper (See Separate Breakdown in this Section) | |
| 4 | 1001292348 | 1 | Bracket | |
| 5 | 7114100810 | 2 | Screw #10 x 1 | |
| 6 | 7114100818 | 2 | Screw #10 x 1 | |
| 7 | 7346000261 | 1 | Module, Level Stop Relay | |
| 8 | 7552000367 | 1 | Harness, Level Switch Lift | |
| 9 | 7660102604 | 2 | Nut #10 | |
| 10 | 7661000056 | 1 | Nut #10 | |
| 11 | 7870000126 | 1 | Switch, Proximity | |
| 12 | 7894000010 | 10 | Tie-Strap (Not Shown) | |
| 13 | 7950100003 | 2 | Washer #10 | |
| 14 | 7950100151 | 2 | Washer #10 | |
| 15 | 7950100163 | 12 | Washer #10 | |

SECTION 6 - ELECTRICAL

FIGURE 6-13. LEVEL STOP HARNESS - 6 FUNCTION



ART_1001289287

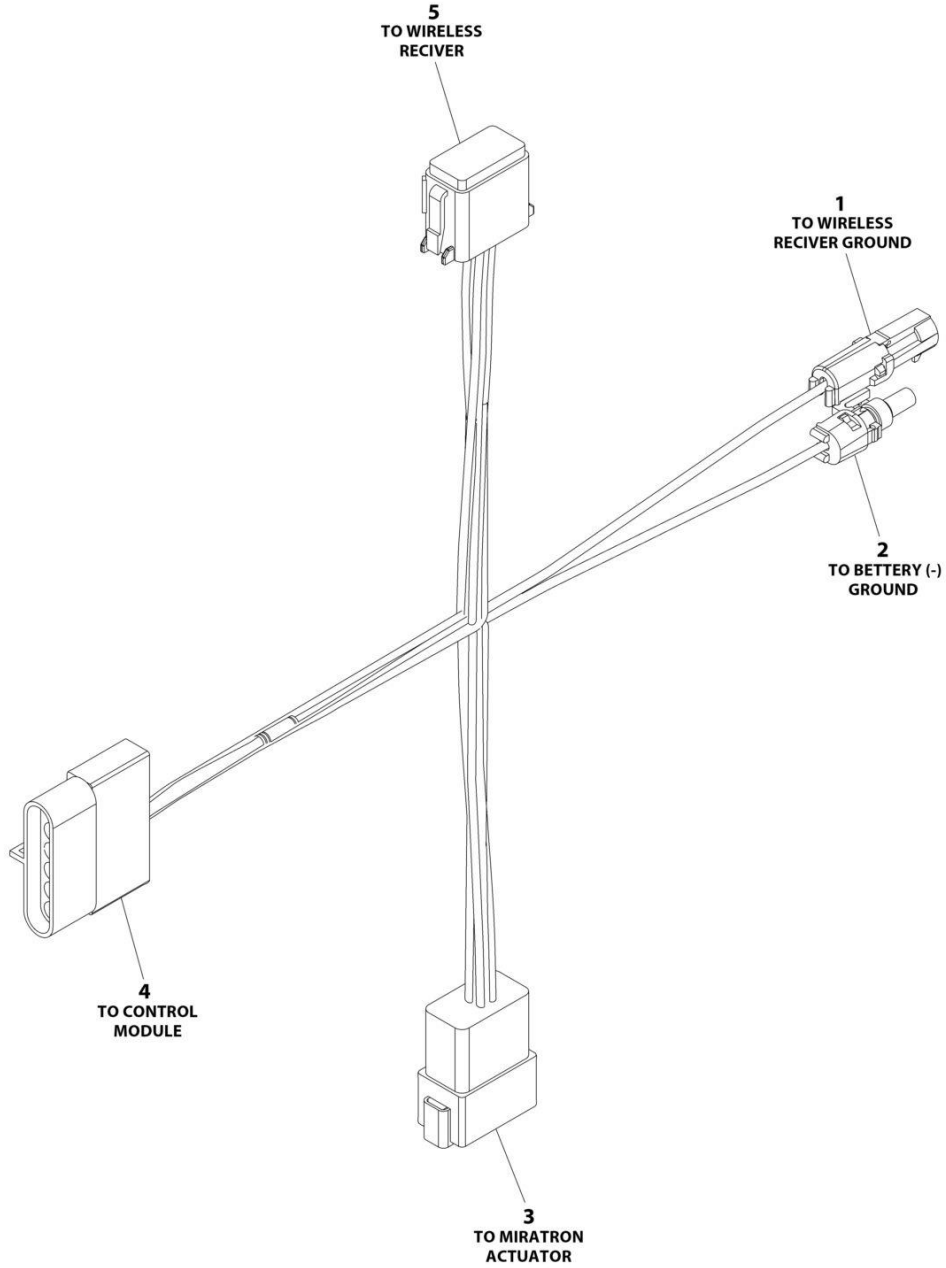
SECTION 6 - ELECTRICAL

FIGURE 6-13. LEVEL STOP HARNESS - 6 FUNCTION

| ITEM | PART NUMBER | QTY | DESCRIPTION | REV |
|------|-------------|-----|----------------------------------|-----|
| | 1001289287 | Ref | LEVEL STOP HARNESS - 6 FUNCTION | B |
| 1 | 4460933 | 1 | Plug, Male - 12 Position | |
| 1 | 4460465 | 6 | Socket, Female | |
| 1 | 4460942 | 2 | Socket, Female | |
| 1 | 4460466 | 4 | Plug, Terminal | |
| 2 | 4460970 | 1 | Receptacle, Female - 12 Position | |
| 2 | 4460464 | 6 | Pin, Male | |
| 2 | 4460941 | 2 | Pin, Male | |
| 2 | 4460466 | 4 | Plug, Terminal | |
| 3 | 1001288045 | 1 | Connector - 6 Position | |
| 3 | 4460475 | 4 | Terminal | |
| 3 | 1001116727 | 2 | Plug, Terminal | |

SECTION 6 - ELECTRICAL

FIGURE 6-14. LEVEL STOP HARNESS - 8-10 FUNCTION



ART_1001288778

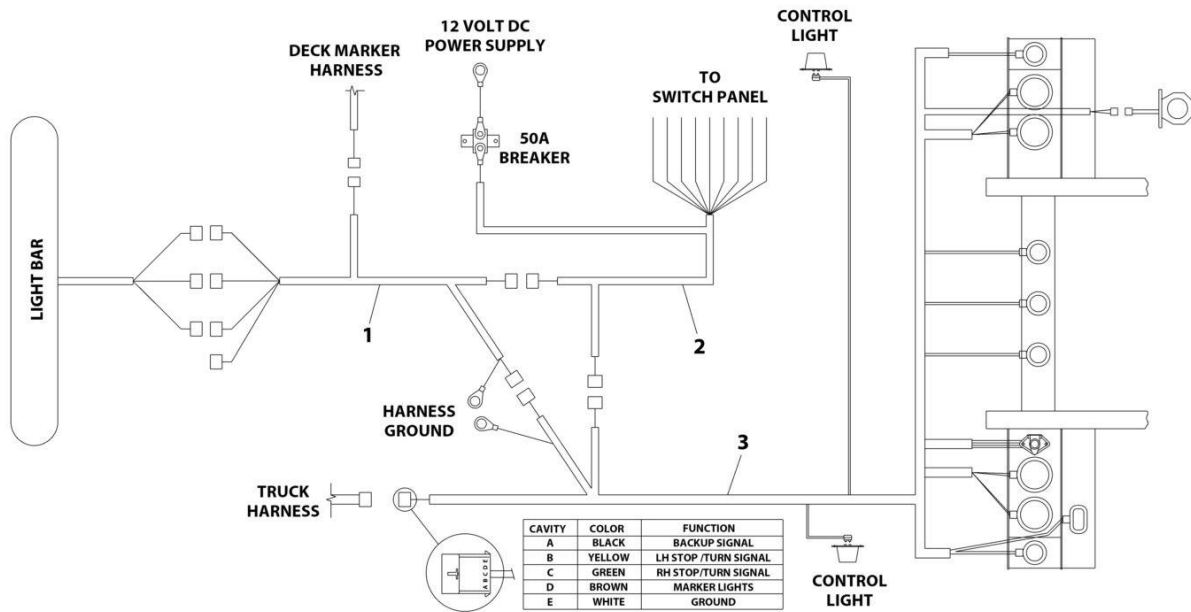
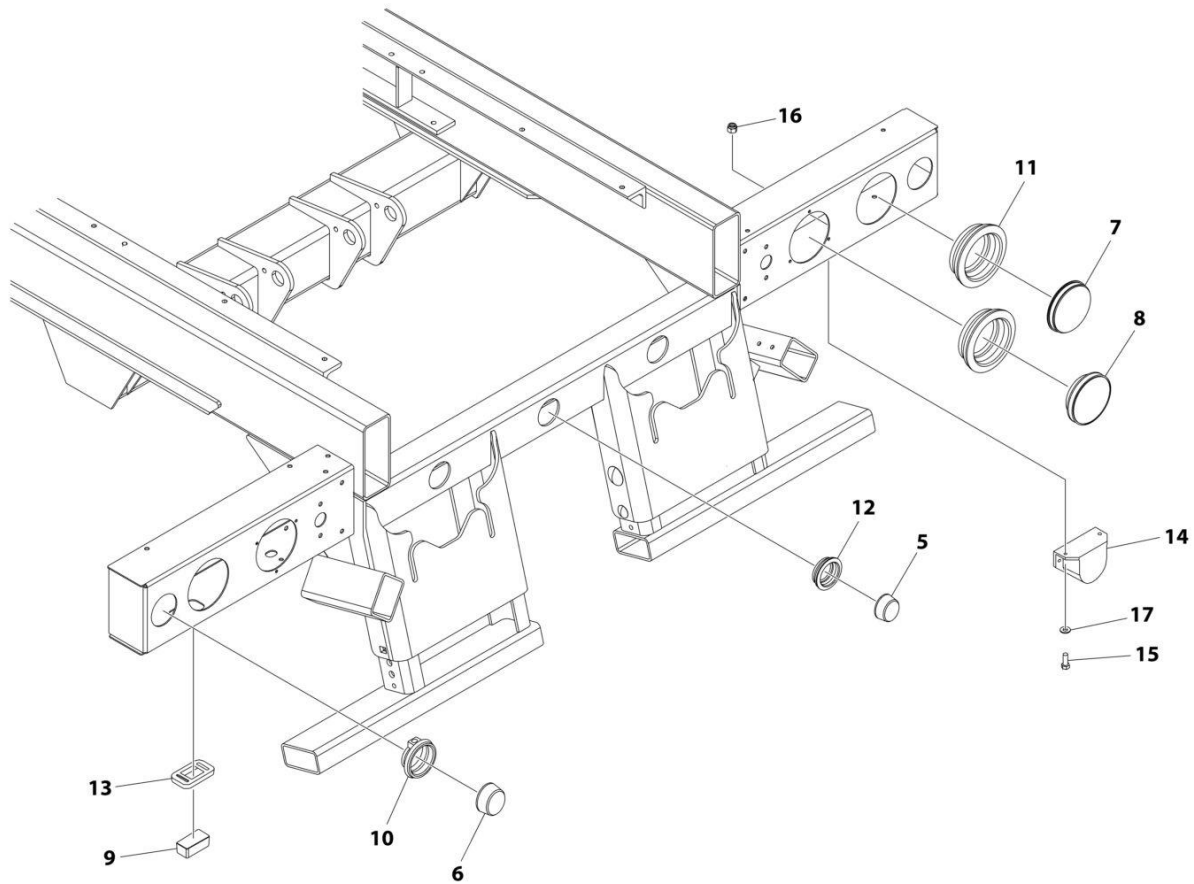
SECTION 6 - ELECTRICAL

FIGURE 6-14. LEVEL STOP HARNESS - 8-10 FUNCTION

| ITEM | PART NUMBER | QTY | DESCRIPTION | REV |
|------|-------------|-----|------------------------------------|-----|
| | 1001288778 | Ref | LEVEL STOP HARNESS - 8-10 FUNCTION | B |
| 1 | 80963056 | 1 | Connector | |
| 1 | 4460475 | 1 | Terminal | |
| 2 | 80963055 | 1 | Connector | |
| 2 | 4460457 | 1 | Terminal | |
| 3 | 4460970 | 1 | Receptacle, Female - 12 Position | |
| 3 | 4460941 | 2 | Pin, Male | |
| 3 | 4460464 | 10 | Pin, Male | |
| 3 | 4460466 | 1 | Plug, Terminal | |
| 4 | 1001288045 | 1 | Connector - 6 Position | |
| 4 | 4460475 | 4 | Terminal | |
| 4 | 4460466 | 2 | Plug, Terminal | |
| 5 | 4460933 | 1 | Plug Male - 12 Position | |
| 5 | 4460942 | 1 | Socket, Female | |
| 5 | 4460465 | 10 | Connector | |
| 5 | 4460466 | 1 | Plug, Terminal | |

SECTION 6 - ELECTRICAL

FIGURE 6-15. LIGHTS AND WIRING INSTALLATION - BOLTED-ON HEADBOARD



ART_1001260346

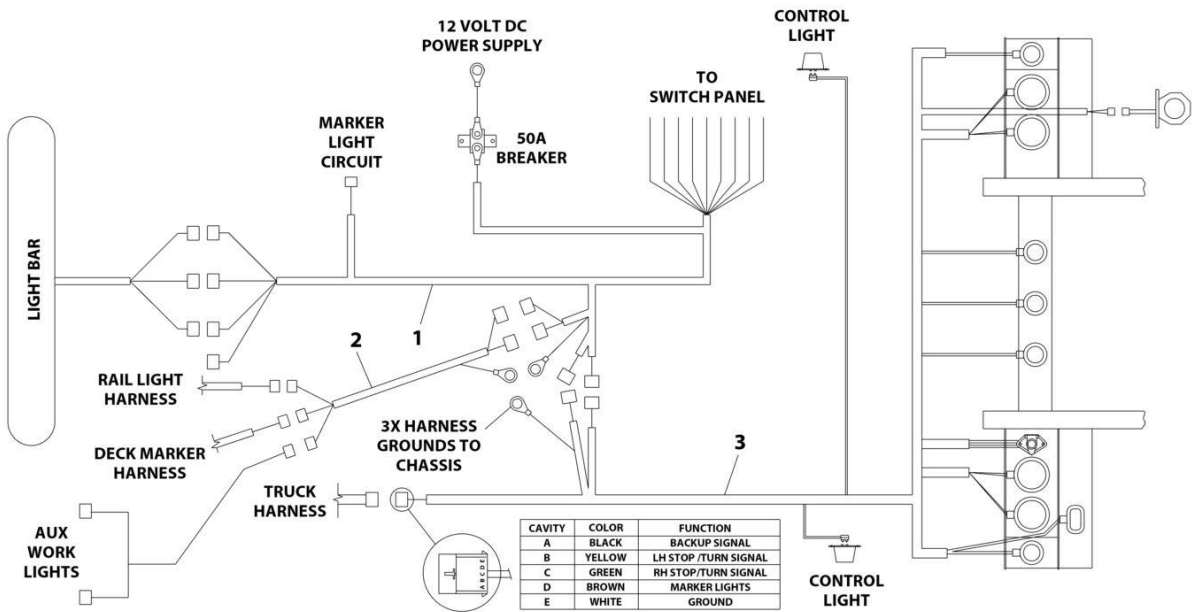
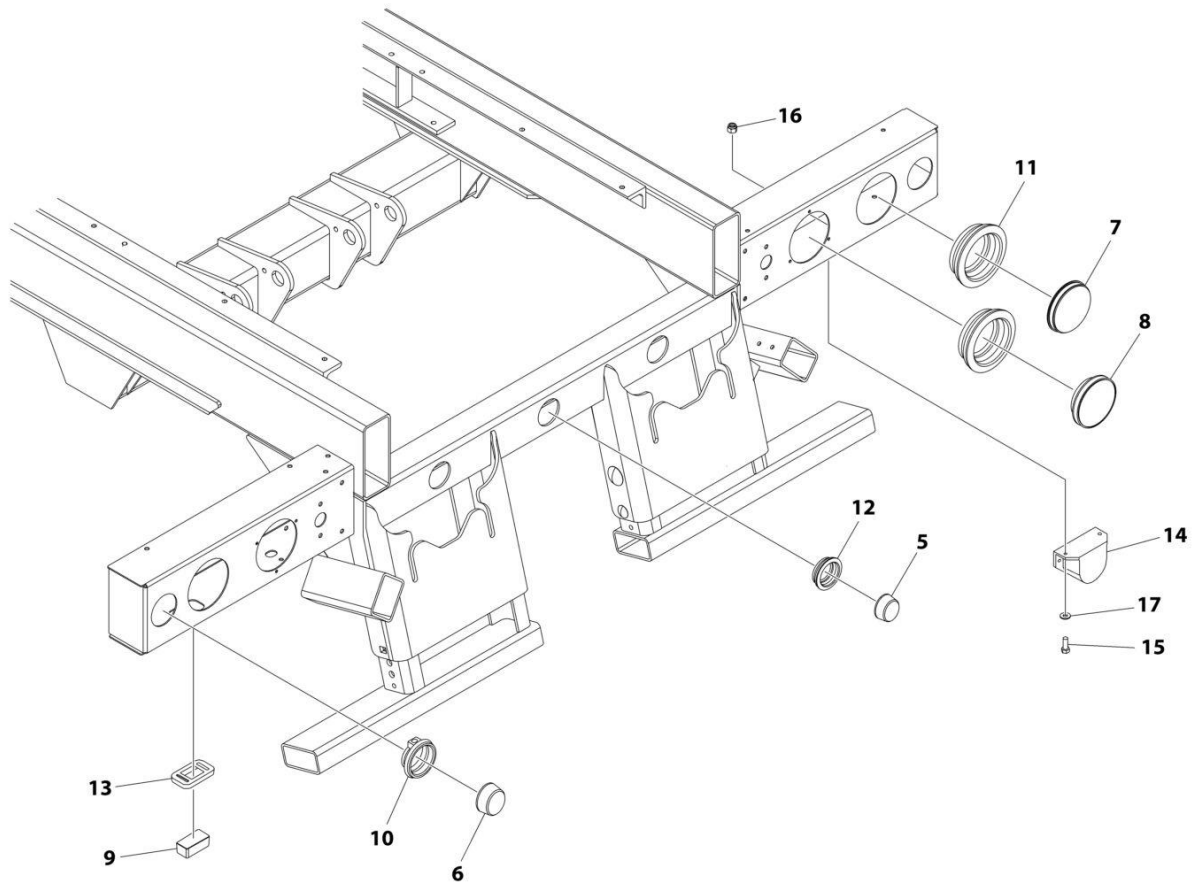
SECTION 6 - ELECTRICAL

FIGURE 6-15. LIGHTS AND WIRING INSTALLATION - BOLTED-ON HEADBOARD

| ITEM | PART NUMBER | QTY | DESCRIPTION | REV |
|------|-------------|-----|--|-----|
| | 1001260346 | Ref | LIGHTS AND WIRING INSTALLATION - BOLT-ON HEADBOARD | A |
| 1 | 1001260349 | 1 | Subframe to Deck Wiring Harness (See Separate Breakdown in this Section) | |
| 2 | 7552000074 | 1 | Subframe to Cab Wiring Harness (See Separate Breakdown in this Section) | |
| 3 | 1001173952 | 1 | Subframe Harness (See Separate Breakdown in this Section) | |
| 4 | 4346000005 | 5 | Heat Shrink (Not Shown) | |
| 5 | 7590000340 | 3 | Marker Light - Red (LED) | |
| 6 | 7590000343 | 2 | Marker Light - Red (LED) | |
| 7 | 7590000341 | 2 | Marker Light - Red (LED) | |
| 8 | 1001142769 | 2 | Light | |
| 9 | 1001142771 | 1 | Lamp | |
| 10 | 7493000009 | 2 | Grommet | |
| 11 | 7493000002 | 4 | Grommet | |
| 12 | 7493000023 | 3 | Grommet | |
| 13 | 7493000010 | 1 | Grommet | |
| 14 | 7011000006 | 1 | Backup Alarm | |
| 15 | 7114140528 | 2 | Screw 1/4 x 5/8 | |
| 16 | 7660142601 | 2 | Nut 1/4 | |
| 17 | 7949000023 | 2 | Washer | |

SECTION 6 - ELECTRICAL

FIGURE 6-16. LIGHTS AND WIRING INSTALLATION - STATIONARY HEADBOARD



ART_1001260345

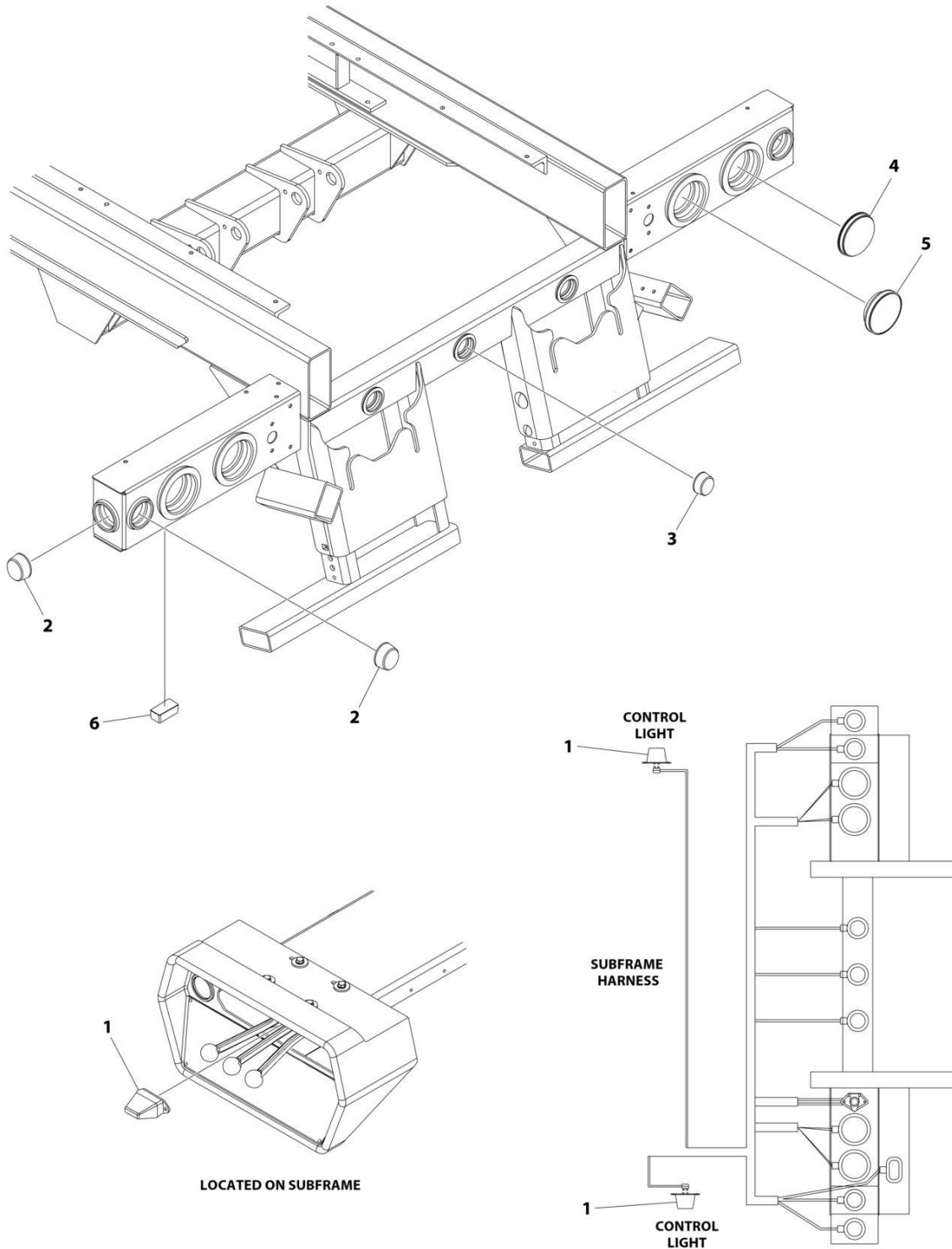
SECTION 6 - ELECTRICAL

FIGURE 6-16. LIGHTS AND WIRING INSTALLATION - STATIONARY HEADBOARD

| ITEM | PART NUMBER | QTY | DESCRIPTION | REV |
|------|-------------|-----|--|-----|
| | 1001260345 | Ref | LIGHTS AND WIRING INSTALLATION - STATIONARY HEADBOARD | A |
| 1 | 1001260060 | 1 | Subframe to Cab Wiring Harness (See Separate Breakdown in this Section) | |
| 2 | 1001152350 | 1 | Subframe to Deck Wiring Harness (See Separate Breakdown in this Section) | |
| 3 | 1001173952 | 1 | Subframe Harness (See Separate Breakdown in this Section) | |
| 4 | 4346000005 | 5 | Heat Shrink (Not Shown) | |
| 5 | 7590000340 | 3 | Marker Light - Red (LED) | |
| 6 | 7590000343 | 2 | Marker Light - Red (LED) | |
| 7 | 7590000341 | 2 | Marker Light - Red (LED) | |
| 8 | 1001142769 | 2 | Backup Alarm | |
| 9 | 1001142771 | 1 | Lamp | |
| 10 | 7493000009 | 2 | Grommet | |
| 11 | 7493000002 | 4 | Grommet | |
| 12 | 7493000023 | 3 | Grommet | |
| 13 | 7493000010 | 1 | Grommet | |
| 14 | 7011000006 | 1 | Backup Alarm | |
| 15 | 7114140528 | 2 | Screw 1/4 x 5/8 | |
| 16 | 7660142601 | 2 | Nut 1/4 | |
| 17 | 7949000023 | 2 | Washer | |

SECTION 6 - ELECTRICAL

FIGURE 6-17. LIGHTS - 24 VOLT LIGHT SWAP INSTALLATION



ART_1001161526

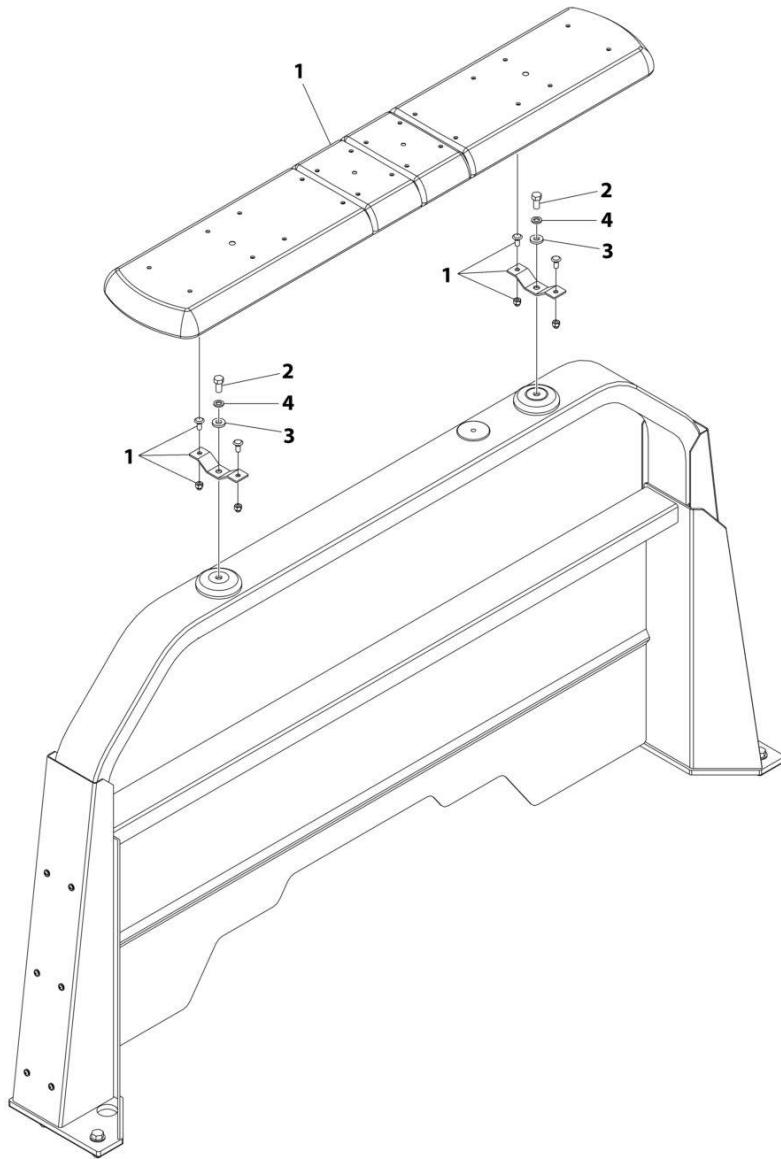
SECTION 6 - ELECTRICAL

FIGURE 6-17. LIGHTS - 24 VOLT LIGHT SWAP INSTALLATION

| ITEM | PART NUMBER | QTY | DESCRIPTION | REV |
|------|-------------|-----|---------------------------------------|-----|
| | 1001161526 | Ref | LIGHT CONVERSION - 24 VOLT | A |
| 1 | 7590000143 | 2 | Light, Courtesy | |
| 2 | 7590000132 | 4 | Marker Light - Red (LED) | |
| 3 | 7590000142 | 3 | Marker Light with Grommet - Red (LED) | |
| 4 | 7590000135 | 2 | Stop Light | |
| 5 | 7590000134 | 2 | Backup Light | |
| 6 | 7590000138 | 1 | Lamp | |

SECTION 6 - ELECTRICAL

FIGURE 6-18. LIGHTS - LIGHTBAR INSTALLATION (STANDARD MOUNT) (ECCO BRAND)
(STANDARD MOUNT)



ART_1001259575

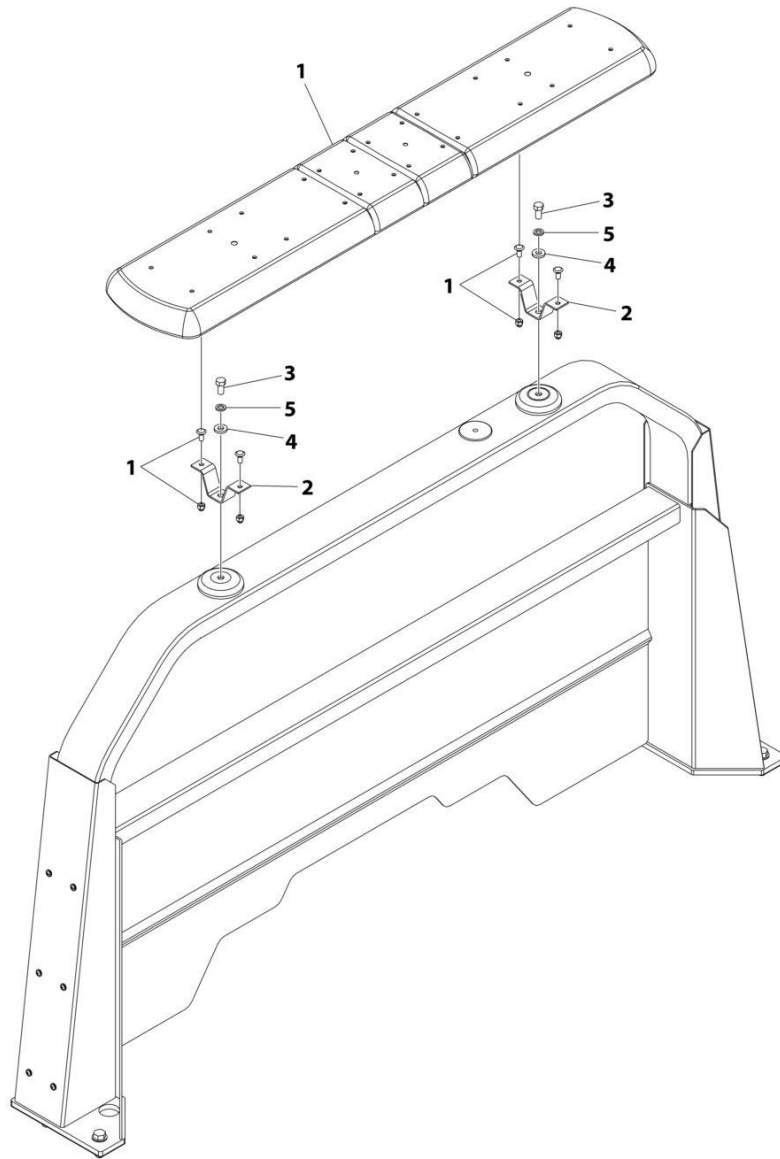
SECTION 6 - ELECTRICAL

**FIGURE 6-18. LIGHTS - LIGHTBAR INSTALLATION (STANDARD MOUNT) (ECCO BRAND)
(STANDARD MOUNT)**

| ITEM | PART NUMBER | QTY | DESCRIPTION | REV |
|------|-------------|-----|--|-----|
| | 1001259575 | Ref | EMERGENCY LIGHTBAR AMBER ECCO 12+ 60 STD MOUNT INSTALLATION | A |
| 1 | 1001247138 | 1 | Lightbar Assembly (See Separate Breakdown in this Section) | |
| 2 | 0641808 | 2 | Bolt 1/2 x 1 | |
| 3 | 4891800 | 2 | Washer 1/2 | |
| 4 | 4761800 | 2 | Washer 1/2 | |

SECTION 6 - ELECTRICAL

FIGURE 6-19. LIGHTS - LIGHTBAR INSTALLATION (STANDARD MOUNT) (ECCO BRAND) (HIGH MOUNT)



ART_1001261039

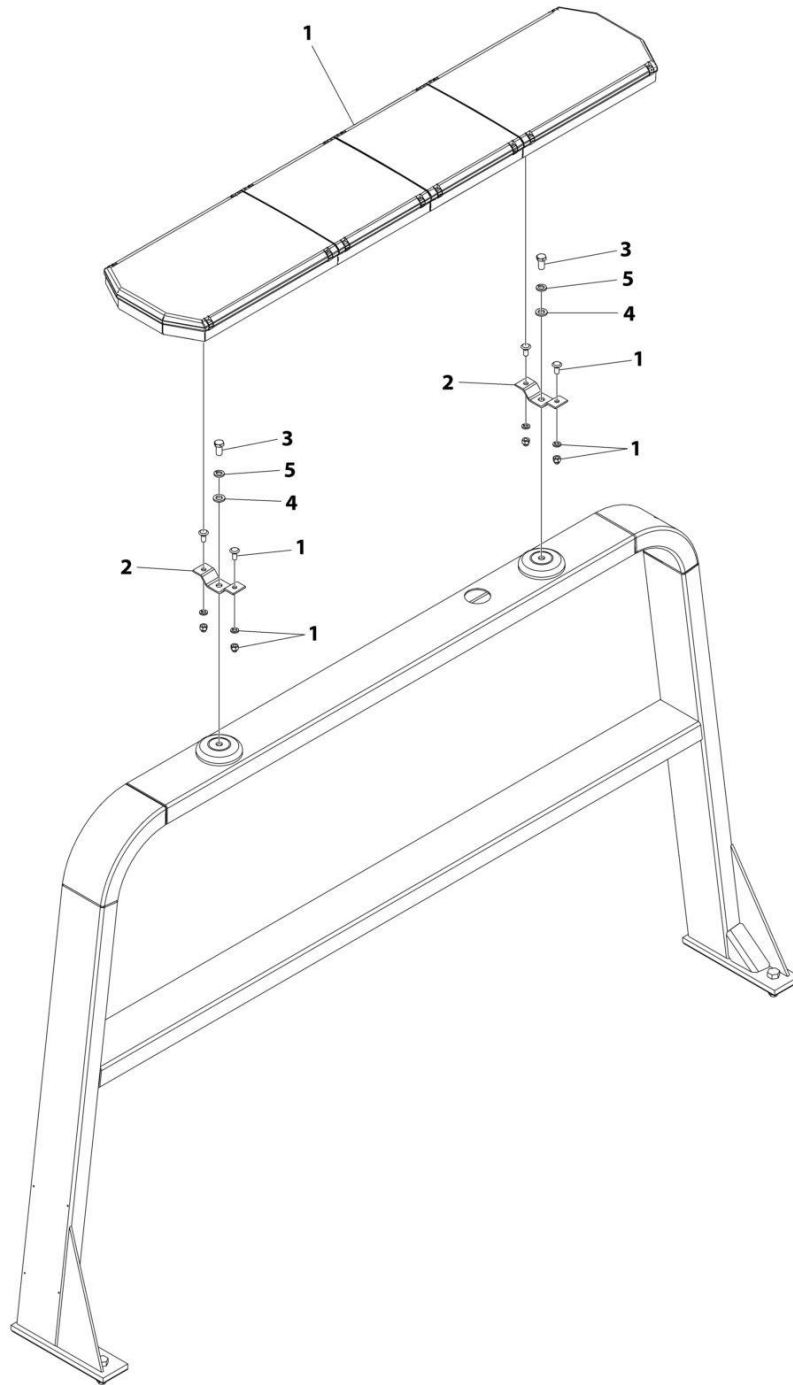
SECTION 6 - ELECTRICAL

FIGURE 6-19. LIGHTS - LIGHTBAR INSTALLATION (STANDARD MOUNT) (ECCO BRAND) (HIGH MOUNT)

| ITEM | PART NUMBER | QTY | DESCRIPTION | REV |
|------|-------------|-----|--|-----|
| | 1001261039 | Ref | EMERGENCY LIGHTBAR AMBER ECCO 12+ 60 HIGH MOUNT INSTALLATION | A |
| 1 | 1001247138 | 1 | Lightbar Assembly (See Separate Breakdown in this Section) | |
| 2 | 1001262106 | 2 | Bracket | |
| 3 | 0641808 | 2 | Bolt 1/2 x 1 | |
| 4 | 4891800 | 2 | Washer 1/2 | |
| 5 | 4761800 | 2 | Washer 1/2 | |

SECTION 6 - ELECTRICAL

FIGURE 6-20. LIGHTS - LIGHTBAR INSTALLATION (STANDARD MOUNT) (WHELEN BRAND)



ART_1001137524

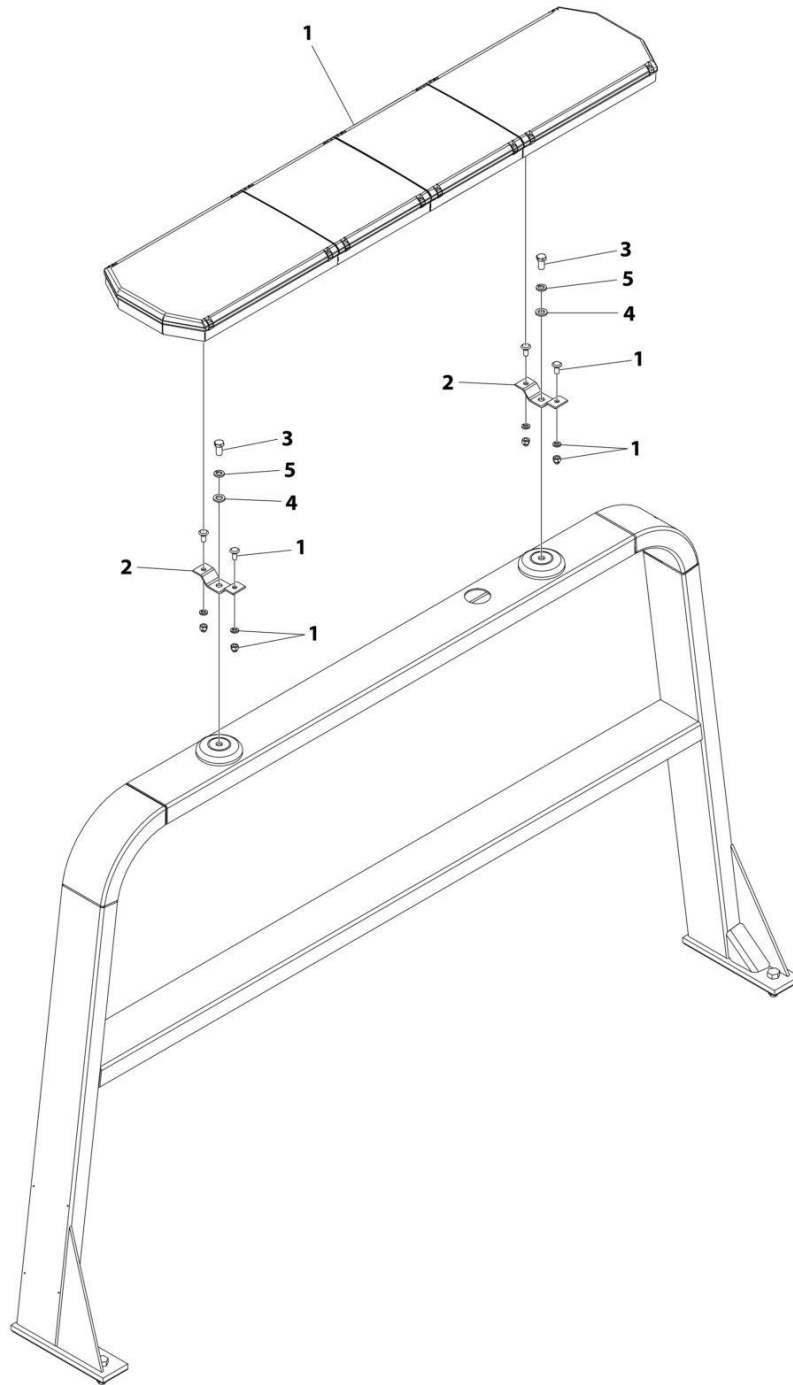
SECTION 6 - ELECTRICAL

FIGURE 6-20. LIGHTS - LIGHTBAR INSTALLATION (STANDARD MOUNT) (WHELEN BRAND)

| ITEM | PART NUMBER | QTY | DESCRIPTION | REV |
|------|-------------|-----|--|-----|
| | 1001137524 | Ref | EMERGENCY LIGHTBAR, AMBER, WHELEN, STANDARD MOUNT | C |
| 1 | 1001199476 | 1 | Lightbar Assembly (See Separate Breakdown in this Section) | |
| 2 | 4178000402 | 2 | Bracket | |
| 3 | 7115180850 | 2 | Capscrew 1/2 x 1 | |
| 4 | 7950180252 | 2 | Washer 1/2 | |
| 5 | 7950180000 | 2 | Washer 19/32 | |

SECTION 6 - ELECTRICAL

FIGURE 6-21. LIGHTS - LIGHTBAR INSTALLATION (HIGH MOUNT) (WHELEN BRAND)



ART_1001137525

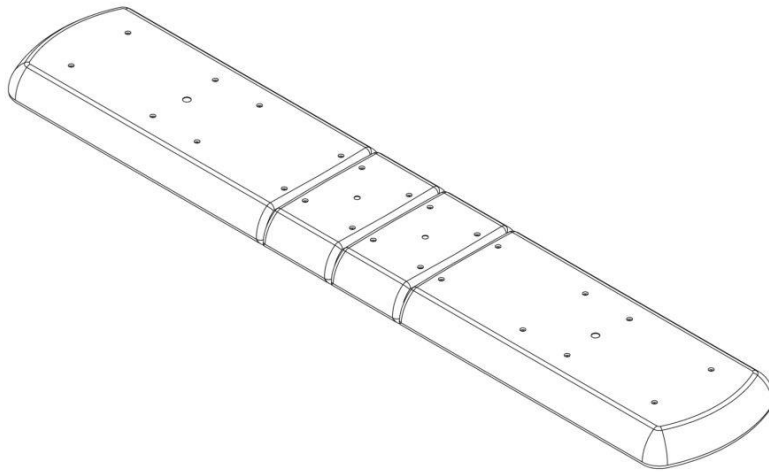
SECTION 6 - ELECTRICAL

FIGURE 6-21. LIGHTS - LIGHTBAR INSTALLATION (HIGH MOUNT) (WHELEN BRAND)

| ITEM | PART NUMBER | QTY | DESCRIPTION | REV |
|------|-------------|-----|---|-----|
| | 1001137525 | Ref | EMERGENCY LIGHTBAR, AMBER, WHELEN, HIGH MOUNT | C |
| 1 | 1001199476 | 1 | Lamp, Lightbar (See Separate Breakdown in this Section) | |
| 2 | 4178000437 | 2 | Bracket | |
| 3 | 7115180850 | 2 | Capscrew 1/2 x 1 | |
| 4 | 7950180252 | 2 | Washer 1/2 | |
| 5 | 7950180000 | 2 | Washer 19/32 | |

SECTION 6 - ELECTRICAL

FIGURE 6-22. LIGHTS - LIGHTBAR ASSEMBLY (ECCO BRAND)



ART_1001247138

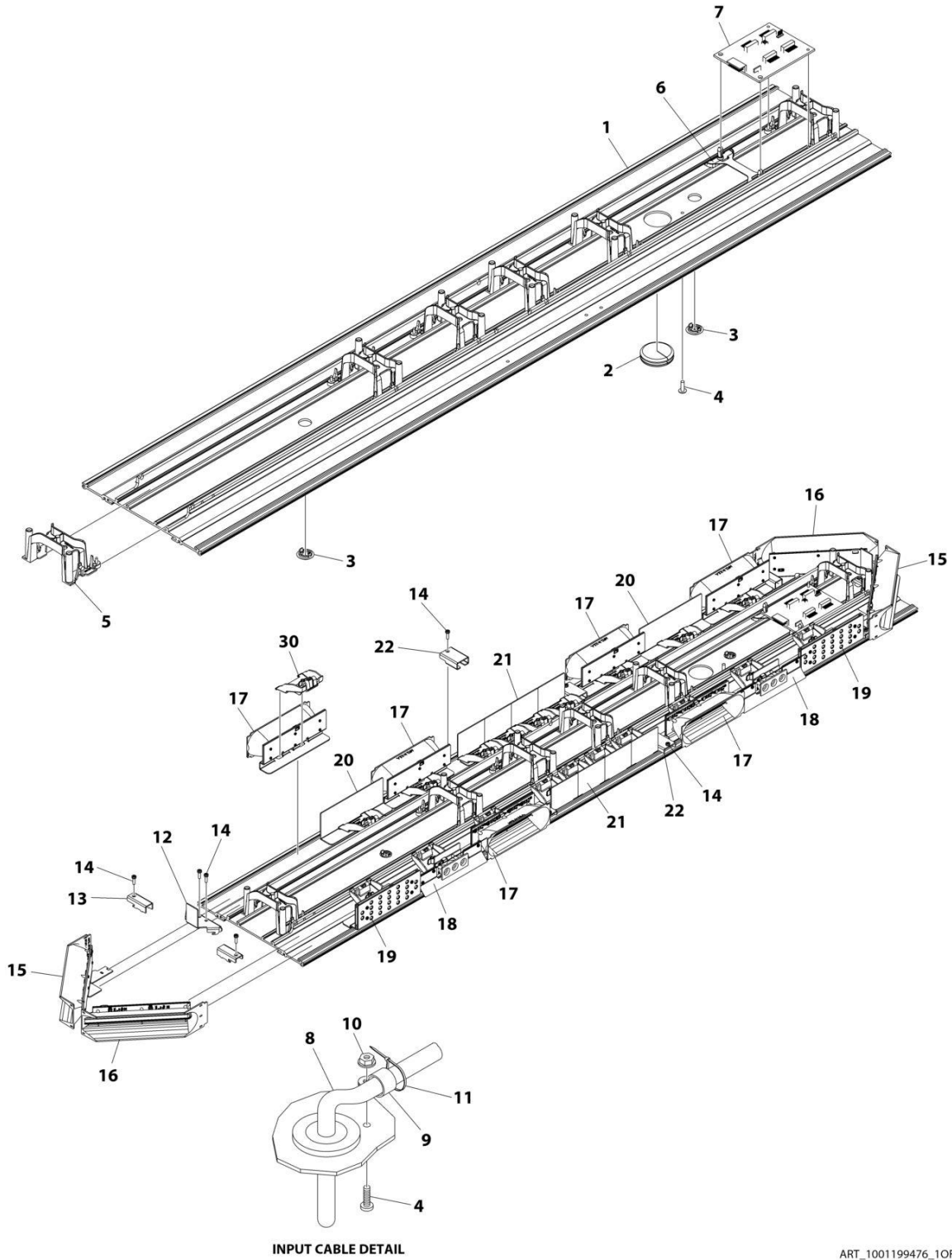
SECTION 6 - ELECTRICAL

FIGURE 6-22. LIGHTS - LIGHTBAR ASSEMBLY (ECCO BRAND)

| ITEM | PART NUMBER | QTY | DESCRIPTION | REV |
|------|-------------|-----|---|-----|
| | 1001247138 | Ref | LIGHTBAR ASSEMBLY (ECCO BRAND) | A |
| | | Ref | Replacement Amber Module | |
| | | Ref | Work/Alley Light (Pair) | |
| | | Ref | Stop/Turn/Taillight Kit (Includes 2 Modules, Harness and STT Cable) | |
| | | Ref | Replacement Driver Board | |

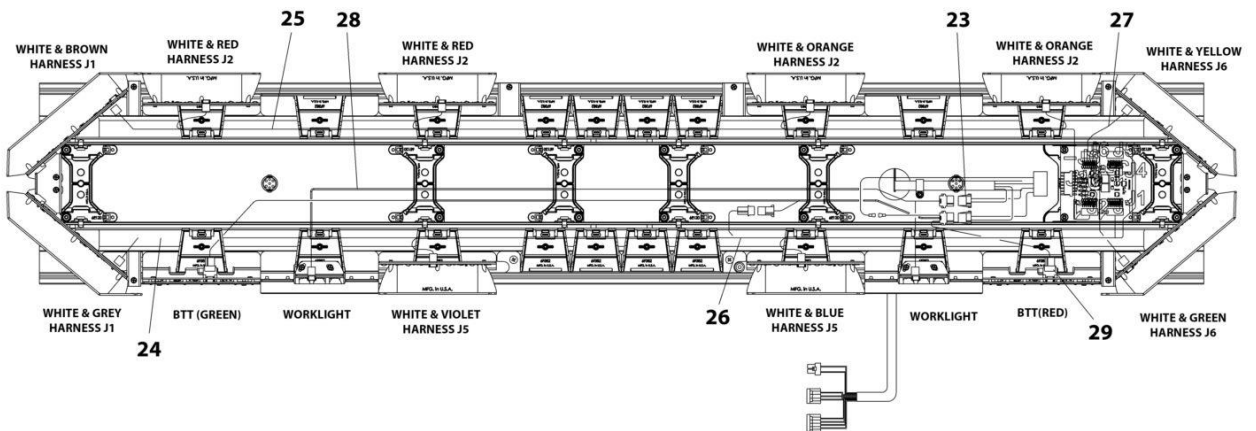
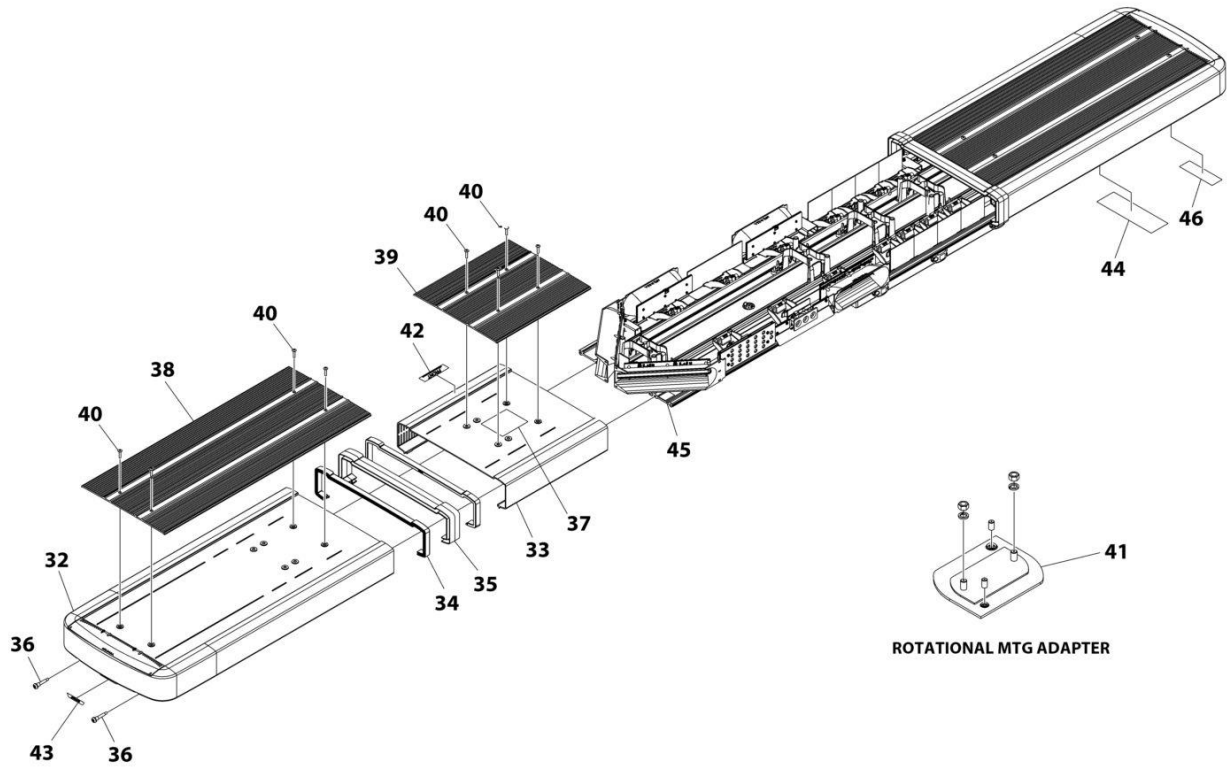
SECTION 6 - ELECTRICAL

FIGURE 6-23. LIGHTS - LIGHTBAR ASSEMBLY (WHELEN BRAND)



ART_1001199476_10F2

SECTION 6 - ELECTRICAL



ART_1001199476_2OF2

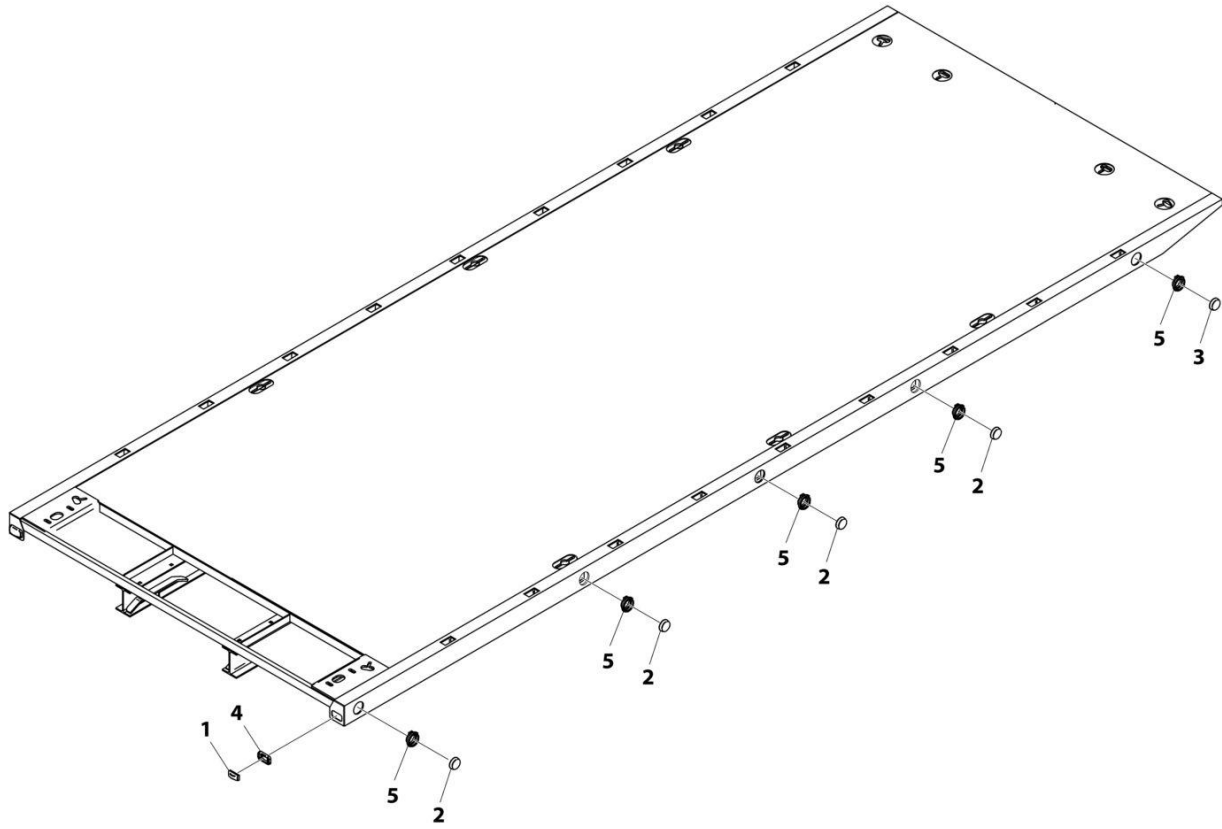
SECTION 6 - ELECTRICAL

FIGURE 6-23. LIGHTS - LIGHTBAR ASSEMBLY (WHELEN BRAND)

| ITEM | PART NUMBER | QTY | DESCRIPTION | REV |
|------|-------------|-----|--|-----|
| | 1001199476 | Ref | LAMP LIGHTBAR WHELEN LIB2 60 CARR | B |
| 1 | | Ref | Base, Extruded | |
| 2 | | Ref | Grommet | |
| 3 | | Ref | Plug | |
| 4 | | Ref | Screw 10 x 5/8 | |
| 5 | | Ref | Bracket | |
| 6 | | Ref | Bracket | |
| 7 | | Ref | Board Assembly | |
| 8 | | Ref | Cable Assembly | |
| 9 | | Ref | Clamp | |
| 10 | | Ref | Nut 10 | |
| 11 | | Ref | Tie-Strap (Not Shown) | |
| 12 | | Ref | Bracket | |
| 13 | | Ref | Bracket | |
| 14 | | Ref | Screw 6 x 1/2 | |
| 15 | | Ref | Corner Assembly, L-Front/R-Rear | |
| 16 | | Ref | Corner Assembly, L-Rear/R-Front | |
| 17 | | Ref | Sub Assembly, Full Directional Liberty | |
| 18 | | Ref | Sub Assembly, Single 3 Led Full T-D Liberty | |
| 19 | | Ref | Sub Assembly, 12V Stop/Turn, Tail LC Liberty | |
| 20 | | Ref | Bracket | |
| 21 | | Ref | Bracket | |
| 22 | | Ref | Bracket | |
| 23 | | Ref | Housing, 6-Position Socket Motor | |
| 24 | | Ref | Harness, Driver Corner J1 | |
| 25 | | Ref | Harness, Front Inboard J2 | |
| 26 | | Ref | Harness, Rear In Boards J5 | |
| 27 | | Ref | Harness, Pass Corners J6 | |
| 28 | | Ref | Harness, Work Light | |
| 29 | | Ref | Harness, B/T/T W/Dot LTS | |
| 30 | | Ref | Bracket | |
| 31 | | Ref | Tie-Strap (Not Shown) | |
| 32 | | Ref | Sub Assembly, Full Lens | |
| 33 | | Ref | Lens, Clear Optic Cut Center | |
| 34 | | Ref | Seal, Lens Divider | |
| 35 | | Ref | Divider, Lens Independence Lightbar | |
| 36 | | Ref | Screw 10 x 1-1/4 | |
| 37 | | Ref | Label, Center Dome Removal Instructions | |
| 38 | | Ref | Cover, Top Extruded | |
| 39 | | Ref | Cover, Top Extruded | |
| 40 | | Ref | Screw 10 x 7/8 | |
| 41 | | Ref | Kit, Rotational | |
| 42 | | Ref | Label, "Front" Lightbar Assembly | |
| 43 | | Ref | Label, Jerr-Dan Liberty | |
| 44 | | Ref | Label, MN/SN | |
| 45 | | Ref | Label, Serial Number | |
| 46 | | Ref | Label, "Pre-Production" | |

SECTION 6 - ELECTRICAL

FIGURE 6-24. LIGHTS - MARKER LIGHT INSTALLATION, CARRIER DECK



ART_2590000215

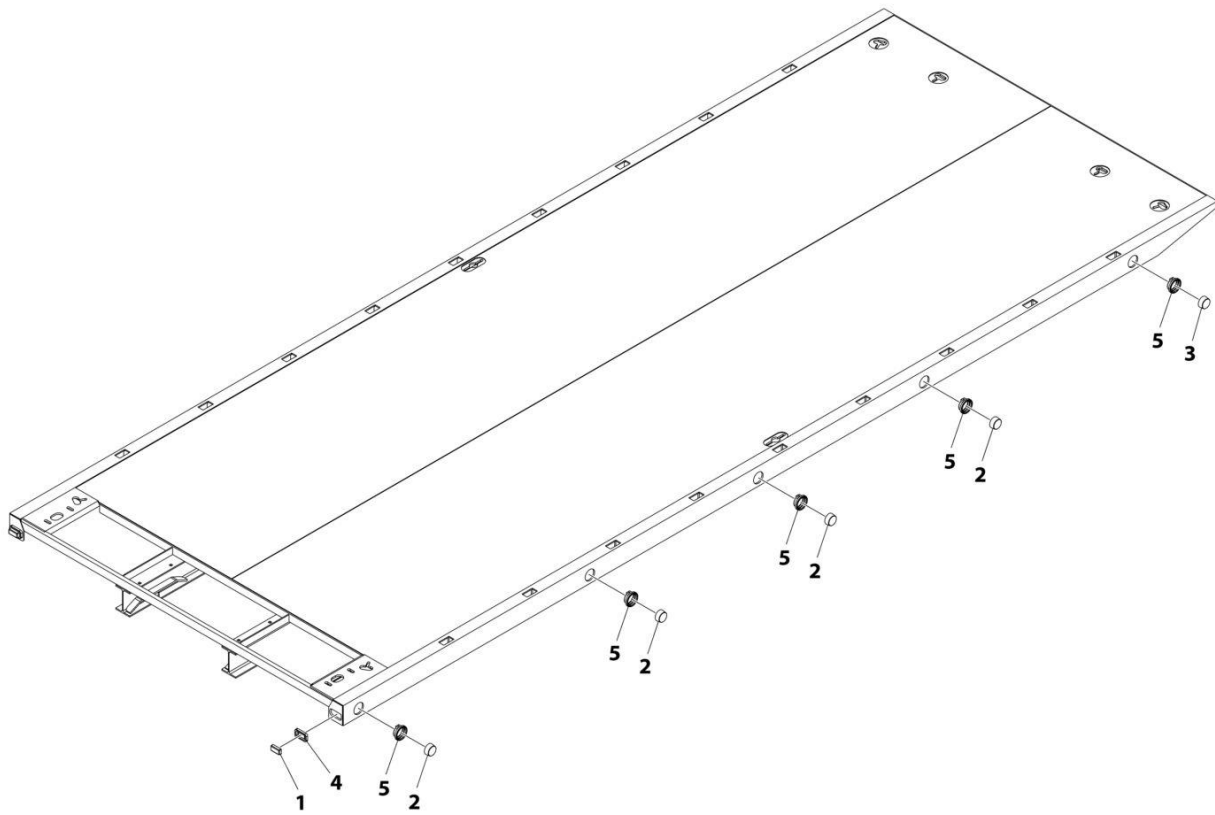
SECTION 6 - ELECTRICAL

FIGURE 6-24. LIGHTS - MARKER LIGHT INSTALLATION, CARRIER DECK

| ITEM | PART NUMBER | QTY | DESCRIPTION | REV |
|------|-------------|-----|---|-----|
| | 2590000215 | Ref | LIGHTS INSTALLATION - STANDARD CARRIER DECK | B |
| 1 | 7590000339 | 2 | Marker Light - Amber (LED) | |
| 2 | 7590000342 | 8 | Marker Light - Amber (LED) | |
| 3 | 7590000343 | 2 | Marker Light - Red (LED) | |
| 4 | 7493000010 | 2 | Grommet | |
| 5 | 7493000009 | 10 | Grommet | |

SECTION 6 - ELECTRICAL

FIGURE 6-25. LIGHTS - MARKER LIGHT INSTALLATION, CARRIER DECK - 24V



ART_1001131570

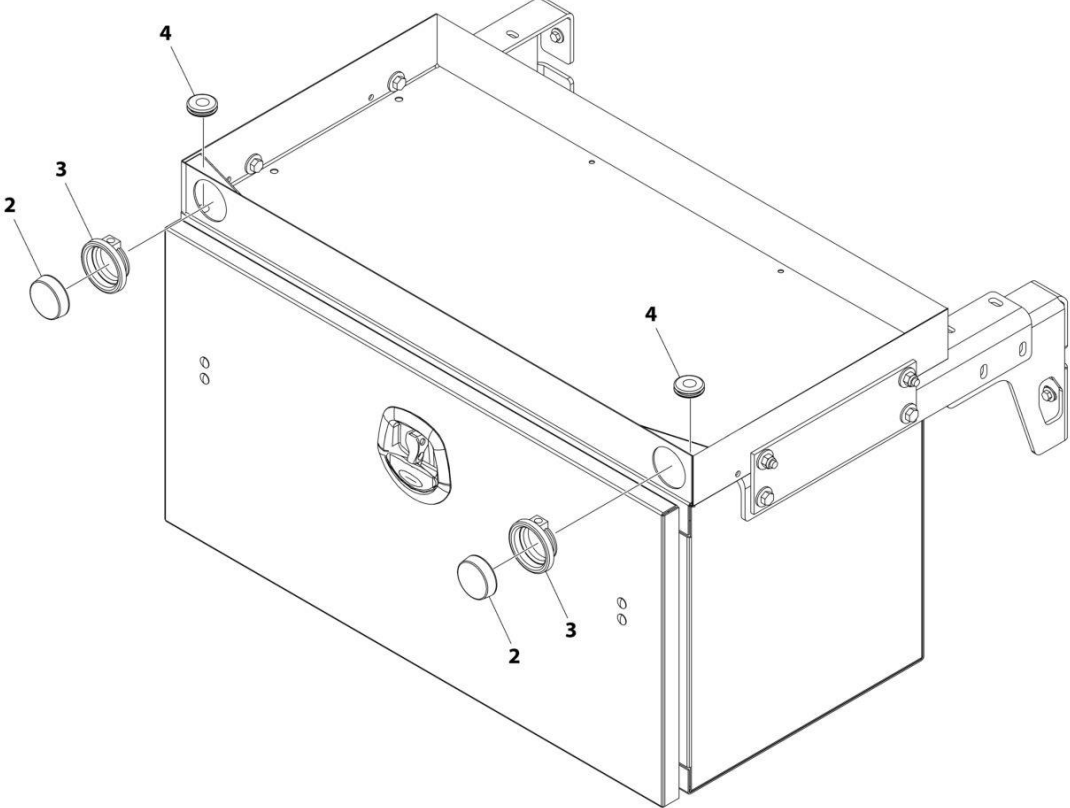
SECTION 6 - ELECTRICAL

FIGURE 6-25. LIGHTS - MARKER LIGHT INSTALLATION, CARRIER DECK - 24V

| ITEM | PART NUMBER | QTY | DESCRIPTION | REV |
|------|-------------|-----|----------------------------|-----|
| | 1001131570 | Ref | DECK MARKER LIGHTS | B |
| 1 | 7590000148 | 2 | Marker Light - Amber | |
| 2 | 7590000133 | 8 | Light, Round - Amber - 24V | |
| 3 | 7590000132 | 2 | Light, Round - Red - 24V | |
| 4 | 7493000010 | 2 | Grommet | |
| 5 | 7493000009 | 10 | Grommet | |

SECTION 6 - ELECTRICAL

FIGURE 6-26. LIGHTS - MARKER LIGHT, TOOL BOX TOP STORAGE TRAY



ART_2590000261

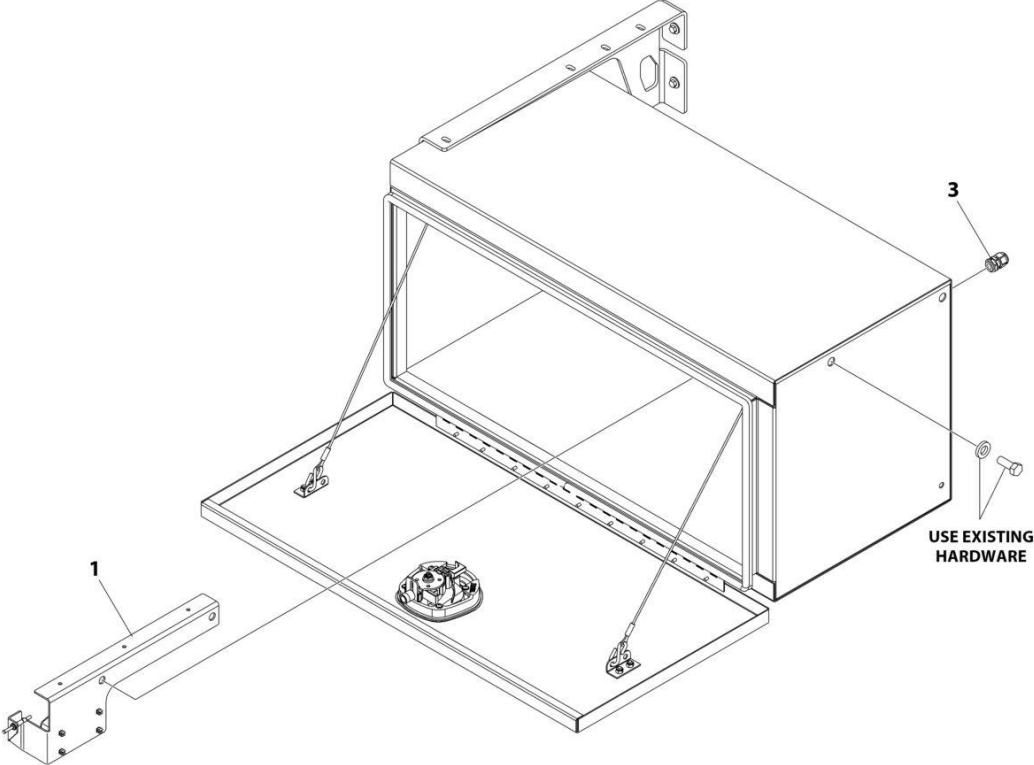
SECTION 6 - ELECTRICAL

FIGURE 6-26. LIGHTS - MARKER LIGHT, TOOL BOX TOP STORAGE TRAY

| ITEM | PART NUMBER | QTY | DESCRIPTION | REV |
|------|-------------|-----|--|-----|
| 1 | 2590000261 | Ref | Marker Light, Tool Box Top Storage Tray | C |
| | 7552000451 | 1 | Harness Toolbox Marker Light (Not Shown) | |
| | 1001121727 | 1 | Receptacle - 5 Position Female | |
| | 1001116729 | 5 | Terminal | |
| | 1001121726 | 1 | Plug, Male - 5 Position | |
| | 1001116747 | 5 | Terminal | |
| | 4460746 | AR | Terminal, Square | |
| | | Ref | Connecotr, Truck Light | |
| 2 | 7590000342 | 2 | Marker Light - Amber (LED) | |
| 3 | 7493000009 | 2 | Grommet | |
| 4 | 7493000031 | 2 | Grommet | |
| 5 | 7894000004 | 6 | Tie Strap (Not Shown) | |

SECTION 6 - ELECTRICAL

FIGURE 6-27. LIGHTS - TOOLBOX LIGHT INSTALLATION



ART_217800031

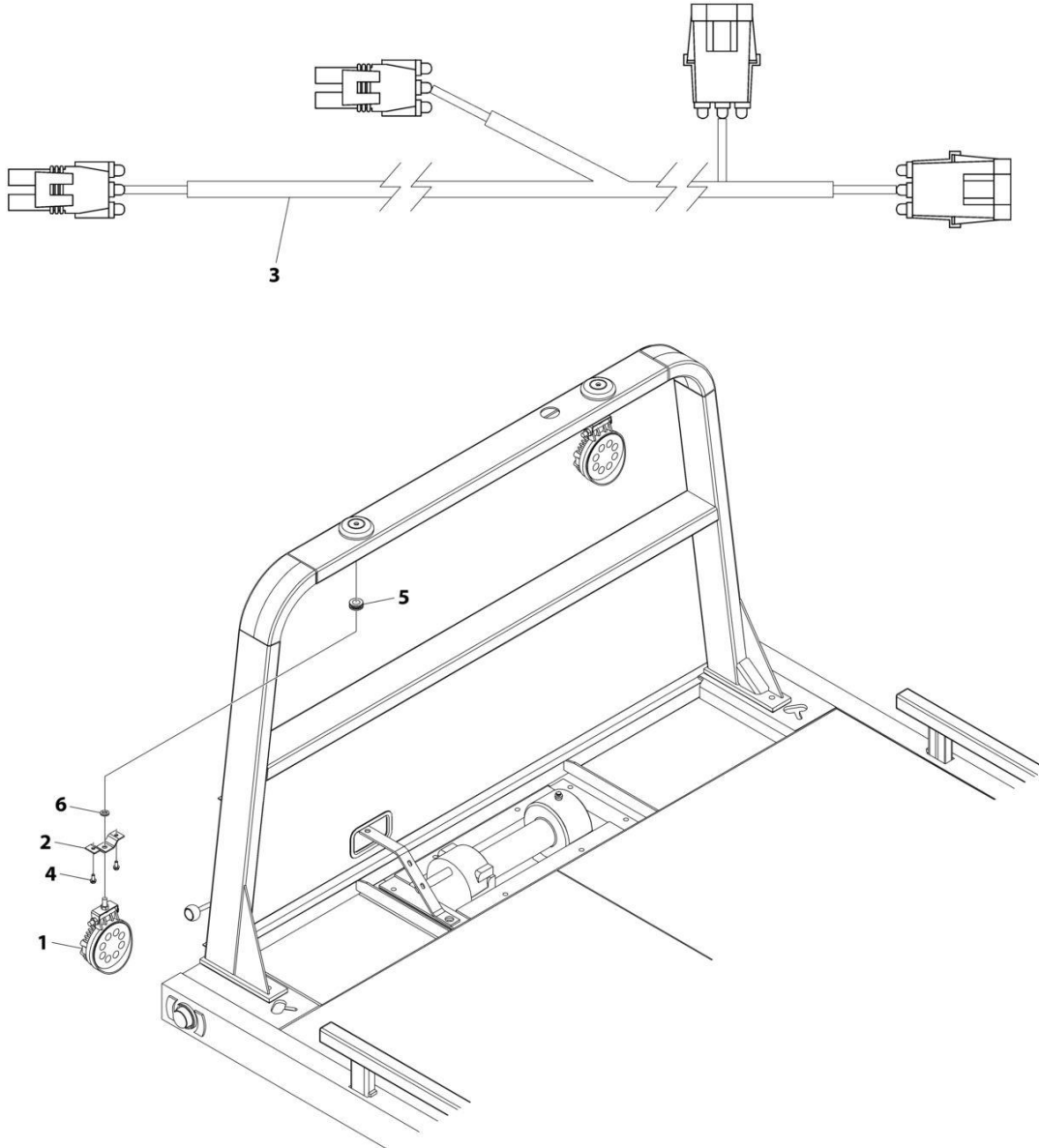
SECTION 6 - ELECTRICAL

FIGURE 6-27. LIGHTS - TOOLBOX LIGHT INSTALLATION

| ITEM | PART NUMBER | QTY | DESCRIPTION | REV |
|------|-------------|-----|---|-----|
| | 2178000031 | Ref | Toolbox Light Installation | 0 |
| 1 | 3178000437 | 1 | Bracket Assembly (See Separate Breakdown in this Section) | |
| 2 | 7552000297 | 1 | Harness, Tool Box Light (Not Shown) | |
| 2 | 4460742 | 1 | Plug, Male - 2 Position | |
| 2 | 4460457 | 2 | Socket, Female | |
| 3 | 7443000377 | 1 | Fitting | |

SECTION 6 - ELECTRICAL

FIGURE 6-28. LIGHTS - WORK LIGHTS INSTALLATION - HEADBOARD



ART_1001176428

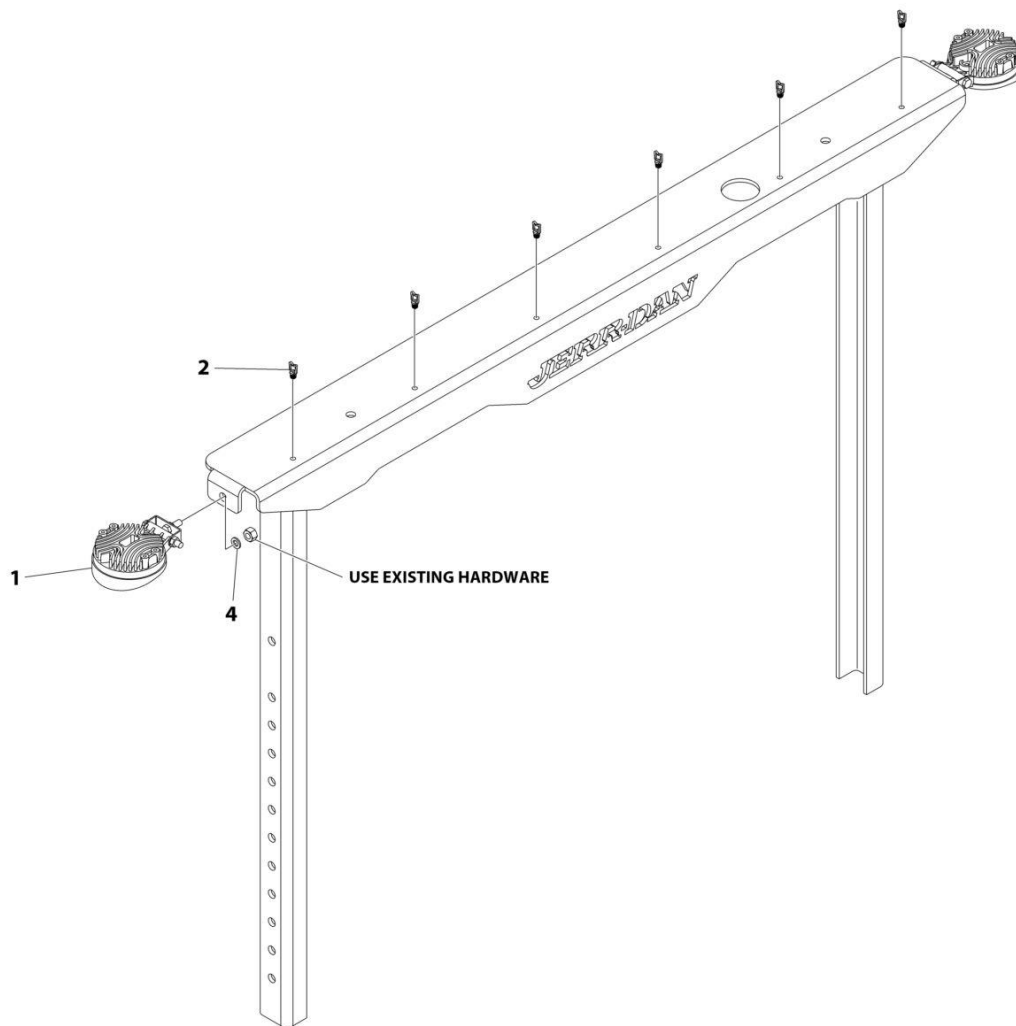
SECTION 6 - ELECTRICAL

FIGURE 6-28. LIGHTS - WORK LIGHTS INSTALLATION - HEADBOARD

| ITEM | PART NUMBER | QTY | DESCRIPTION | REV |
|------|-------------|-----|--|-----|
| | 1001176428 | Ref | LED WORK LIGHTS REAR HEADBOARD INSTALLATION | B |
| 1 | 1001176337 | 2 | Lamp, LED Work Light 10V-30V (Prior to SN 0220026465) | |
| 1 | 1001273634 | 2 | Lamp, LED Work Light 10V-30V (SN 0220026465 to Present) | |
| 2 | 4178000402 | 2 | Bracket | |
| 3 | 7552000222 | 1 | Harness, Headboard Work Light | |
| 3 | 4460742 | 3 | Plug, Male - 2 Position | |
| 3 | 4461157 | 1 | Receptacle, Female - 2 Position | |
| 3 | 4460457 | 8 | Terminal | |
| 3 | 8220081 | 8 | Seal | |
| 4 | 7790151253 | 4 | Screw 5/16 x 3/4 | |
| 5 | 7493000003 | 2 | Grommet | |
| 6 | 7950150161 | 2 | Washer 5/16 | |
| 7 | 5526000553 | 4 | Tie-Strap (Not Shown) | |

SECTION 6 - ELECTRICAL

FIGURE 6-29. LIGHTS - WORK LIGHTS INSTALLATION - HEADBOARD (SRS)



ART_1001176429

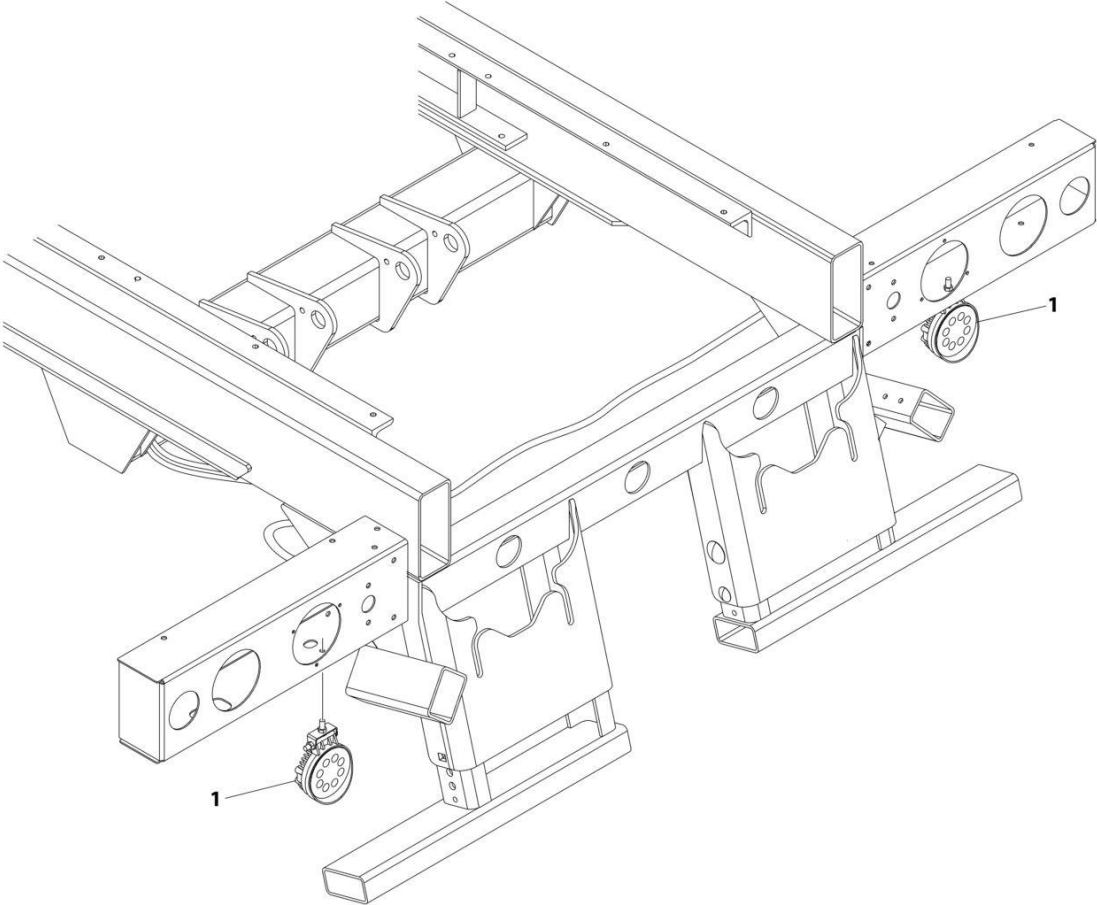
SECTION 6 - ELECTRICAL

FIGURE 6-29. LIGHTS - WORK LIGHTS INSTALLATION - HEADBOARD (SRS)

| ITEM | PART NUMBER | QTY | DESCRIPTION | REV |
|------|-------------|-----|--|-----|
| | 1001176429 | Ref | LED WORK LIGHTS HEADBOARD INSTALLATION - SRS | B |
| 1 | 1001176337 | 2 | Lamp, LED Work Light 10V-30V (Prior to SN 0220026465) | |
| 1 | 1001273634 | 2 | Lamp, LED Work Light 10V-30V (SN 0220026465 to Present) | |
| 2 | 7280000011 | 6 | Clip | |
| 3 | 7552000397 | 1 | Harness, Deck Work Light (Not Shown) | |
| 3 | 4460742 | 2 | Plug, Male - 2 Position | |
| 3 | 4460457 | 4 | Terminal | |
| 4 | 7950150161 | 2 | Washer 5/16 | |

SECTION 6 - ELECTRICAL

FIGURE 6-30. LIGHTS - WORKLIGHTS INSTALLATION (REAR)



ART_1001176430

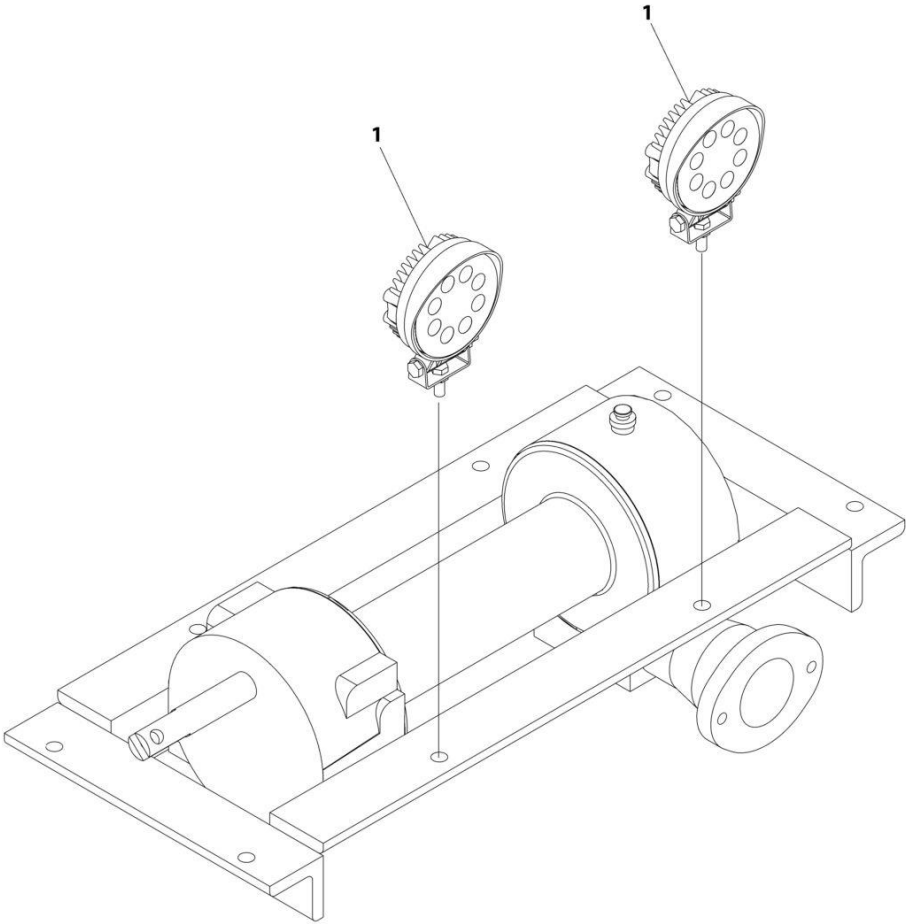
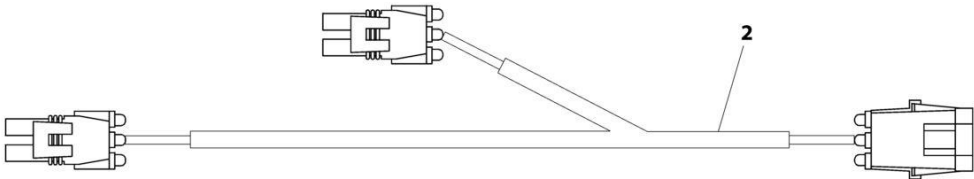
SECTION 6 - ELECTRICAL

FIGURE 6-30. LIGHTS - WORKLIGHTS INSTALLATION (REAR)

| ITEM | PART NUMBER | QTY | DESCRIPTION | REV |
|------|-------------|-----|--|-----|
| | 1001176430 | Ref | LED WORK LIGHTS REAR INSTALLATION | B |
| 1 | 1001176337 | 2 | Lamp, LED Work Light 10V-30V (Prior to SN 0220026465) | |
| 1 | 1001273634 | 2 | Lamp, LED Work Light 10V-30V (SN 0220026465 to Present) | |

SECTION 6 - ELECTRICAL

FIGURE 6-31. LIGHTS - WORKLIGHTS INSTALLATION (WINCH)



ART_1001176431

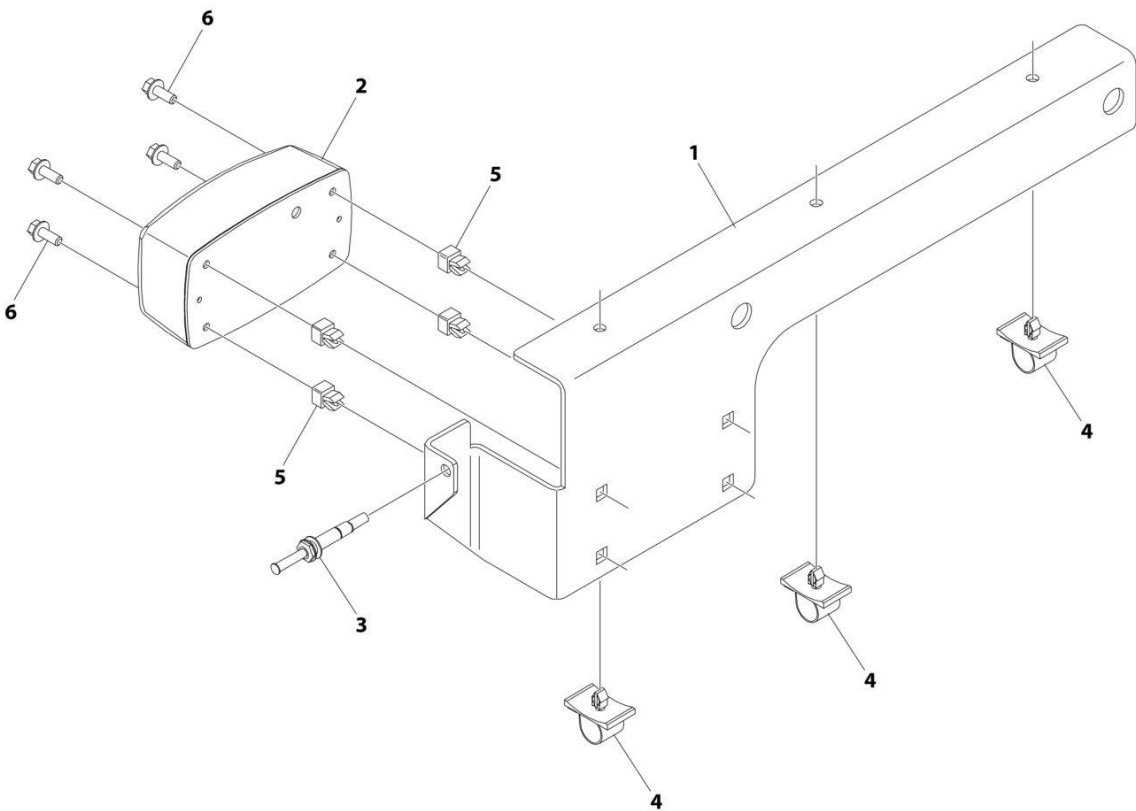
SECTION 6 - ELECTRICAL

FIGURE 6-31. LIGHTS - WORKLIGHTS INSTALLATION (WINCH)

| ITEM | PART NUMBER | QTY | DESCRIPTION | REV |
|------|-------------|-----|--|-----|
| | 1001176431 | Ref | LED WORK LIGHTS WINCH INSTALLATION | C |
| 1 | 1001176337 | 2 | Lamp, LED Work Light 10V-30V (Prior to SN 0220026465) | |
| 1 | 1001273634 | 2 | Lamp, LED Work Light 10V-30V (SN 0220026465 to Present) | |
| 2 | 7552000166 | 1 | Harness, Deck Work Light | |
| 2 | 4460742 | 2 | Plug, Male - 2 Position | |
| 2 | 4461157 | 1 | Receptacle, Female - 2 Position | |
| 2 | 4460457 | 6 | Terminal | |
| 2 | 8220081 | 6 | Seal | |
| 3 | 5526000553 | 4 | Tie-Strap (Not Shown) | |

SECTION 6 - ELECTRICAL

FIGURE 6-32. LIGHT BRACKET ASSEMBLY - TOOLBOX



ART_3178000437

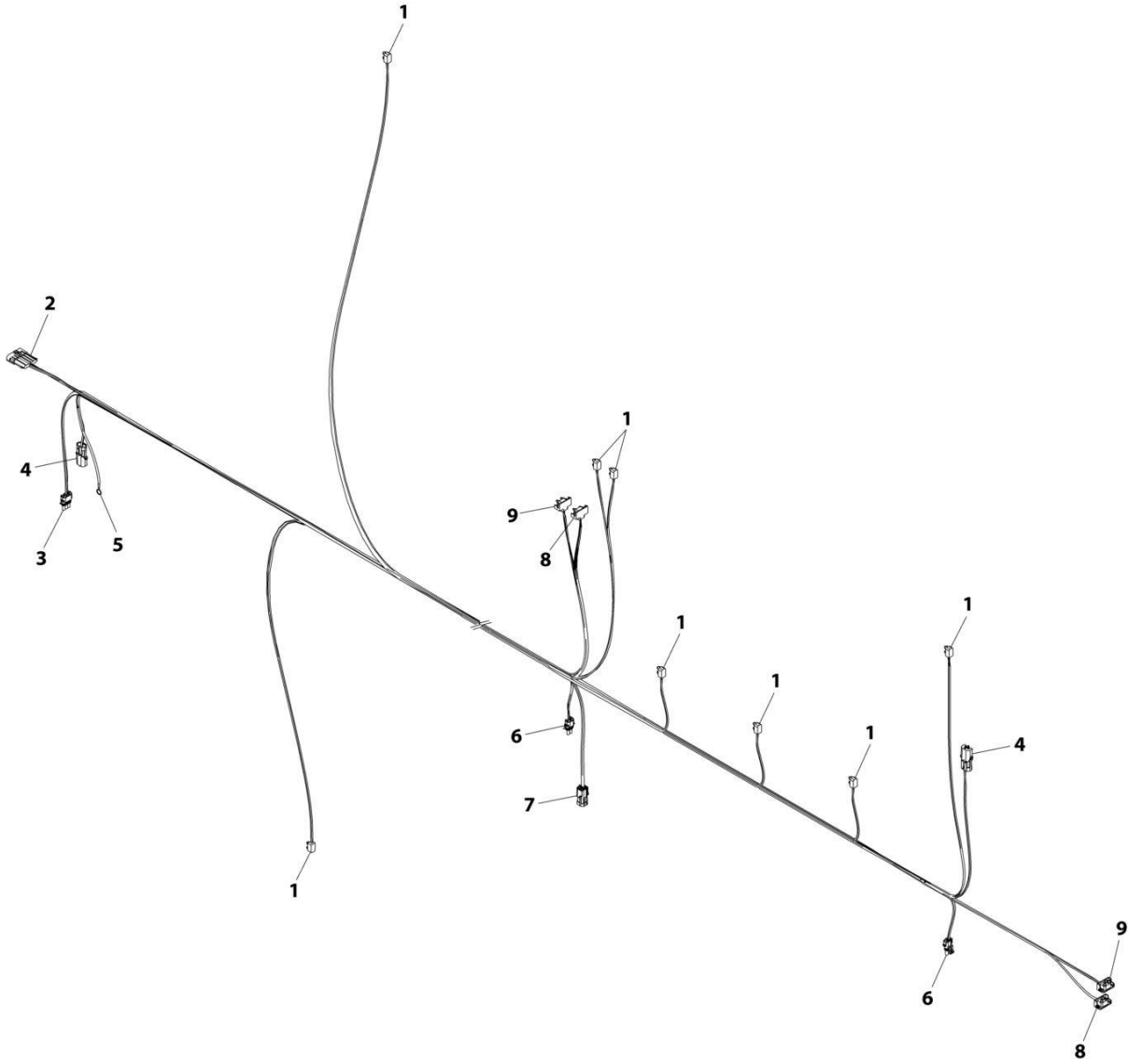
SECTION 6 - ELECTRICAL

FIGURE 6-32. LIGHT BRACKET ASSEMBLY - TOOLBOX

| ITEM | PART NUMBER | QTY | DESCRIPTION | REV |
|------|-------------|-----|--------------------------------|-----|
| | 3178000437 | Ref | Toolbox Light Bracket Assembly | 0 |
| 1 | 4178000578 | 1 | Bracket | |
| 2 | 7590000273 | 1 | Light Dome Lamp | |
| 3 | 7870000115 | 1 | Switch | |
| 4 | 7280000007 | 3 | Clip | |
| 5 | 7661000047 | 4 | Nut #10 x 1/8 | |
| 6 | 7790100856 | 4 | Screw #10 x 1/2 | |

SECTION 6 - ELECTRICAL

FIGURE 6-33. SUBFRAME HARNESS



ART_1001173952

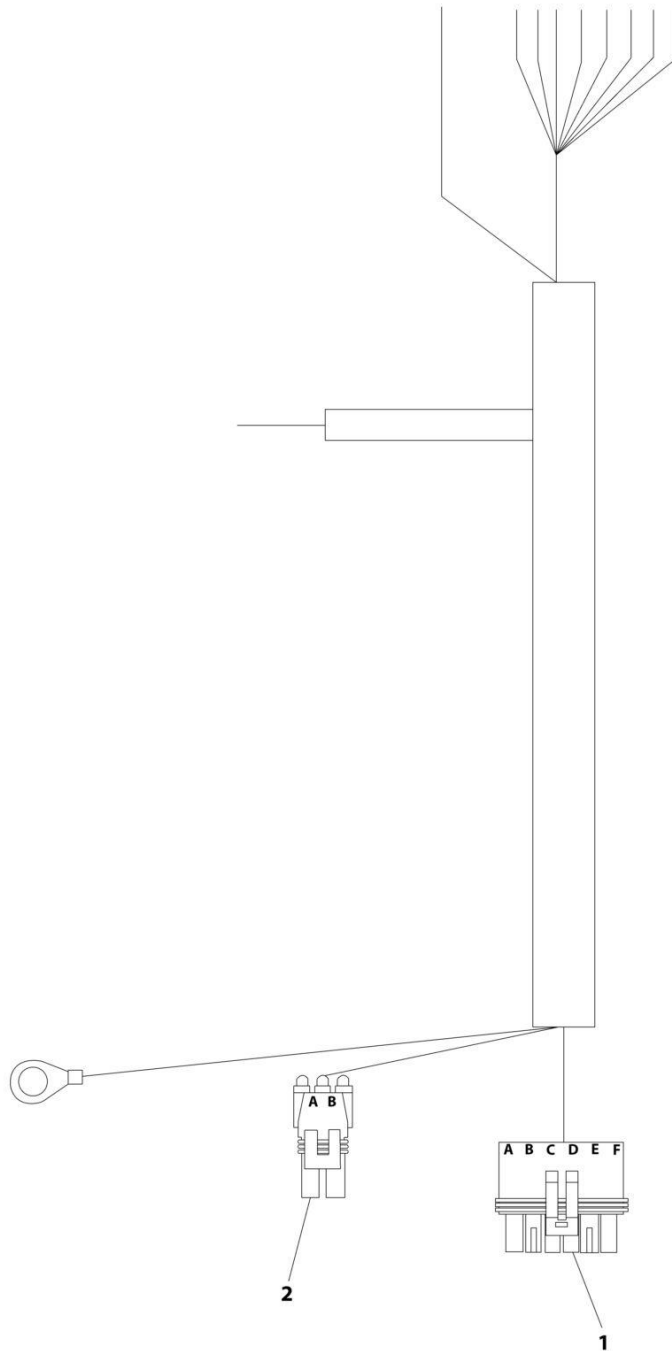
SECTION 6 - ELECTRICAL

FIGURE 6-33. SUBFRAME HARNESS

| ITEM | PART NUMBER | QTY | DESCRIPTION | REV |
|------|-------------|-----|---|-----|
| | 1001173952 | Ref | SUBFRAME HARNESS | C |
| 1 | 1001275791 | 8 | Connector & Lead Wire - 2 Position (Marker Lights) | |
| 2 | 1001121727 | 1 | Connector - 5 Position | |
| 2 | 1001116729 | 5 | Terminal | |
| 2 | 1001190037 | 5 | Seal | |
| 3 | 4460459 | 1 | Plug, Male - 3 Position | |
| 3 | 4460457 | 3 | Terminal | |
| 3 | 1001190037 | 3 | Seal | |
| 4 | 4461157 | 2 | Plug, Male - 2 Position | |
| 4 | 4460457 | 4 | Terminal | |
| 4 | 1001190037 | 4 | Seal | |
| 5 | 4460019 | 1 | Terminal, Ring | |
| 6 | 4460742 | 2 | Plug, Male - 2 Position | |
| 6 | 4460457 | 4 | Terminal | |
| 7 | 80963062 | 1 | Plug, Male - 4 Position | |
| 7 | 4460457 | 4 | Terminal | |
| 7 | 1001190037 | 4 | Seal | |
| 8 | 1001275792 | 2 | Connector & Lead Wire - 2 Position (Stop/Turn/Taillights) | |
| 9 | 1001275793 | 2 | Connector & Lead Wire - 2 Position (Stop/Turn/Taillights) | |

SECTION 6 - ELECTRICAL

FIGURE 6-34. SUBFRAME TO CAB HARNESS (BOLT-ON HEADBOARD)



ART_7552000074

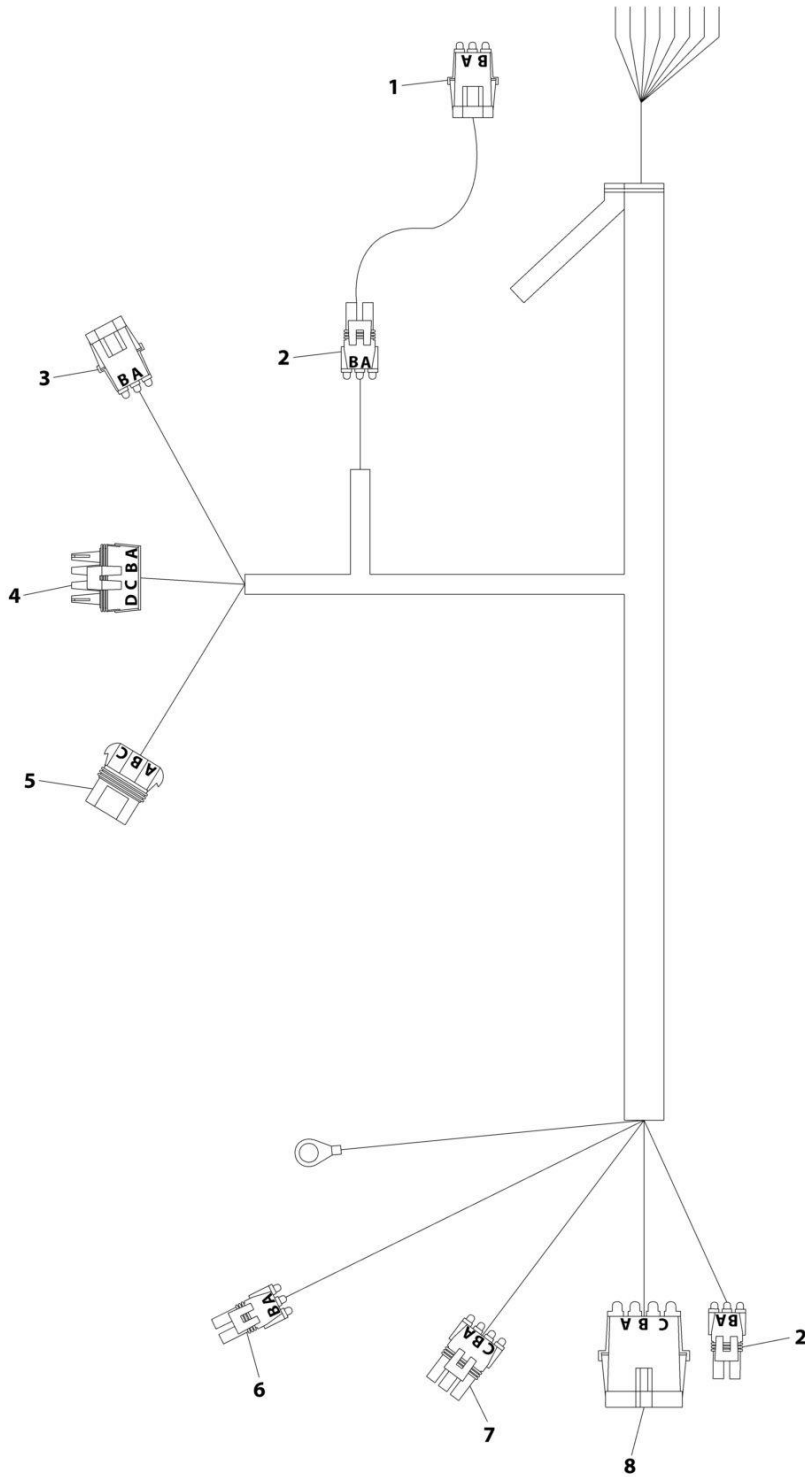
SECTION 6 - ELECTRICAL

FIGURE 6-34. SUBFRAME TO CAB HARNESS (BOLT-ON HEADBOARD)

| ITEM | PART NUMBER | QTY | DESCRIPTION | REV |
|------|-------------|-----|-------------------------|-----|
| | 7552000074 | Ref | SUBFRAME TO CAB HARNESS | 4 |
| 1 | 4460461 | 1 | Plug, Male - 6 Position | |
| 1 | 4460790 | 5 | Socket, Female | |
| 1 | NPN | 6 | Seal | |
| 1 | 1001116727 | 1 | Plug, Terminal | |
| 2 | 4460742 | 1 | Plug, Male - 2 Position | |
| 2 | 4460457 | 2 | Terminal | |
| 2 | NPN | 2 | Seal | |

SECTION 6 - ELECTRICAL

FIGURE 6-35. SUBFRAME TO CAB HARNESS (STATIONARY HEADBOARD)



ART_1001260060

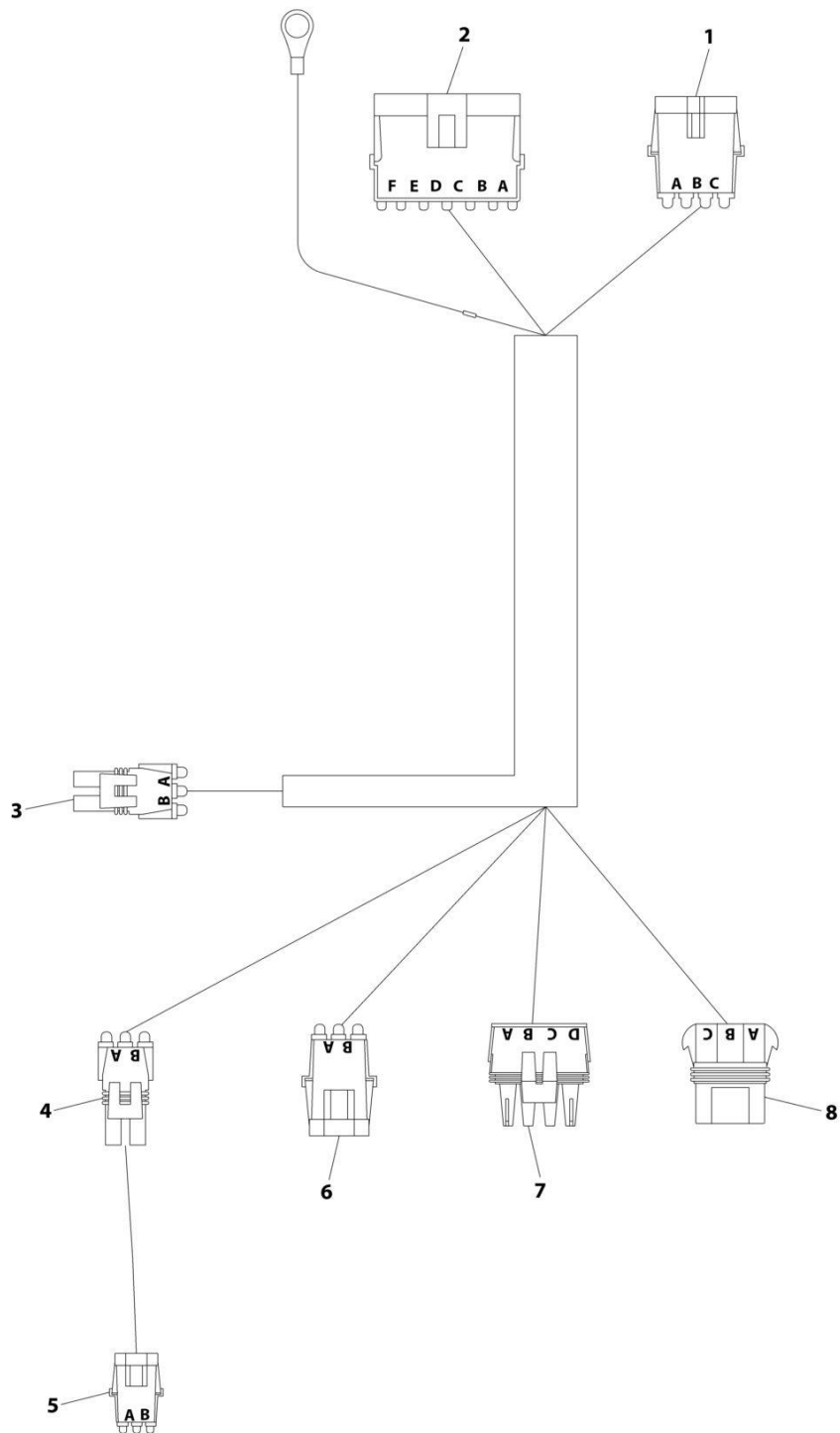
SECTION 6 - ELECTRICAL

FIGURE 6-35. SUBFRAME TO CAB HARNESS (STATIONARY HEADBOARD)

| ITEM | PART NUMBER | QTY | DESCRIPTION | REV |
|------|-------------|-----|---------------------------------|-----|
| | 1001260060 | Ref | SUBFRAME TO CAB HARNESS | A |
| 1 | 4460867 | 1 | Receptacle, Female - 2 Position | |
| 1 | 1001116727 | 2 | Plug, Terminal | |
| 2 | 4460742 | 2 | Plug, Male - 2 Position | |
| 2 | 4460457 | 4 | Terminal | |
| 2 | NPN | 4 | Seal | |
| 2 | 80963064 | 1 | Connector - 6 Position | |
| 2 | 4460850 | 5 | Terminal | |
| 2 | NPN | 3 | Seal | |
| 2 | 1001116727 | 1 | Plug, Terminal | |
| 3 | 4460867 | 1 | Receptacle, Female - 2 Position | |
| 3 | 4460850 | 2 | Terminal | |
| 3 | NPN | 2 | Seal | |
| 4 | 4460460 | 1 | Receptacle, Female - 4 Position | |
| 4 | 4460790 | 4 | Terminal | |
| 4 | NPN | 4 | Seal | |
| 5 | 8220935 | 1 | Connector - 3 Position | |
| 5 | 7346000108 | 1 | Lock | |
| 5 | 8220099 | 3 | Terminal | |
| 5 | NPN | 2 | Seal | |
| 5 | NPN | 1 | Seal | |
| 6 | 4460742 | 1 | Plug, Male - 2 Position | |
| 6 | 4460790 | 2 | Terminal | |
| 6 | NPN | 2 | Seal | |
| 7 | 4460459 | 1 | Plug, Male - 3 Position | |
| 7 | 4460743 | 2 | Socket, Female | |
| 7 | 1001116727 | 1 | Plug, Terminal | |
| 7 | NPN | 3 | Seal | |
| 8 | 4460476 | 1 | Receptacle, Female - 3 Position | |
| 8 | 4460850 | 3 | Terminal | |
| 8 | NPN | 3 | Seal | |

SECTION 6 - ELECTRICAL

FIGURE 6-36. SUBFRAME TO DECK HARNESS (BOLT-ON HEADBOARD)



ART_1001260349

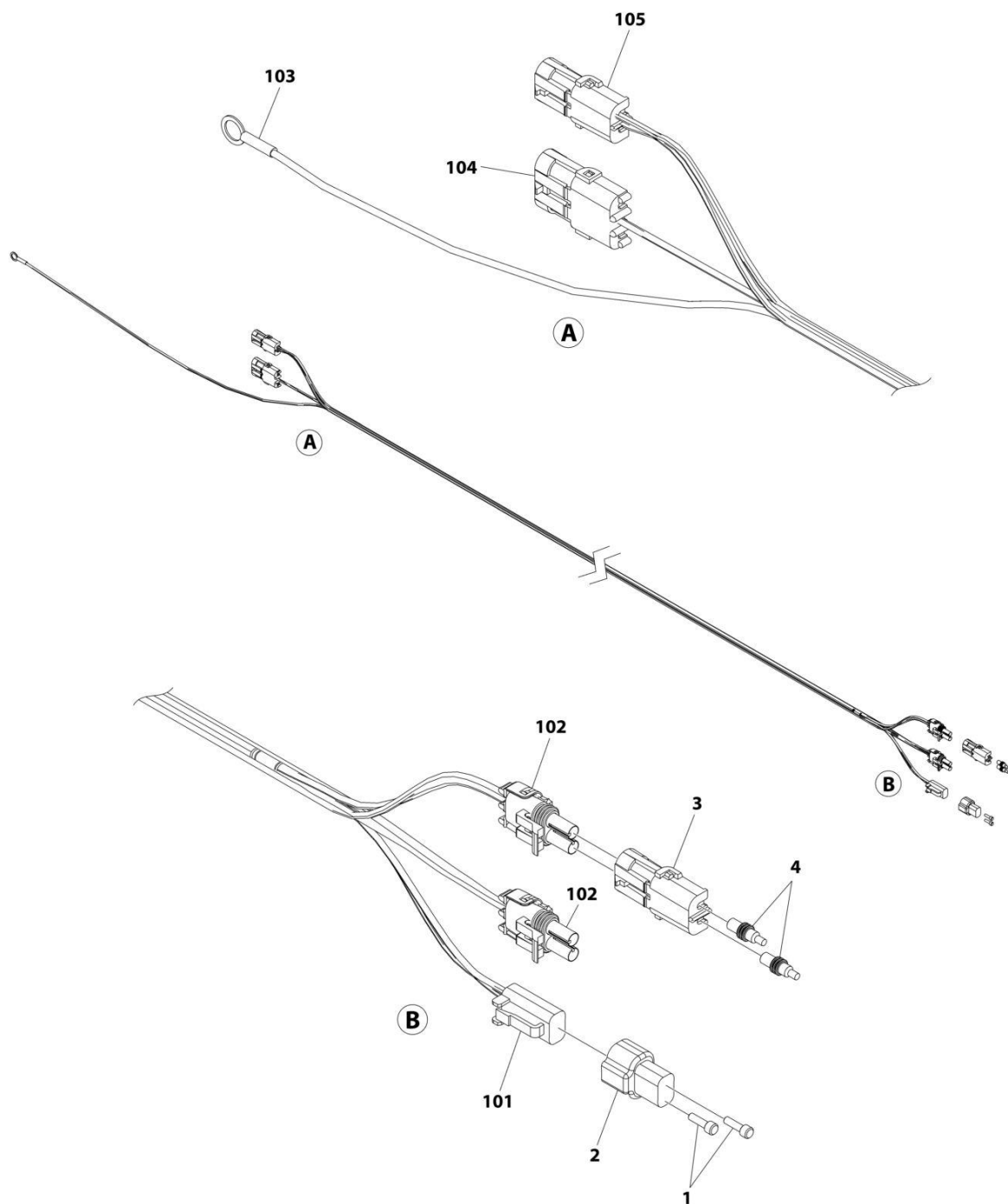
SECTION 6 - ELECTRICAL

FIGURE 6-36. SUBFRAME TO DECK HARNESS (BOLT-ON HEADBOARD)

| ITEM | PART NUMBER | QTY | DESCRIPTION | REV |
|------|-------------|-----|---------------------------------|-----|
| | 1001260349 | Ref | SUBFRAME TO DECK HARNESS | A |
| 1 | 4460476 | 1 | Connector - 3 Position | |
| 1 | 4460850 | 3 | Terminal | |
| 1 | NPN | 3 | Seal | |
| 2 | 80963064 | 1 | Connector - 6 Position | |
| 2 | 4460850 | 5 | Terminal | |
| 2 | NPN | 3 | Seal | |
| 2 | 1001116727 | 1 | Plug, Terminal | |
| 3 | 4460742 | 1 | Plug, Male - 2 Position | |
| 3 | 4460457 | 2 | Terminal | |
| 3 | NPN | 2 | Seal | |
| 4 | 4460742 | 1 | Plug, Male - 2 Position | |
| 4 | 4460790 | 2 | Terminal | |
| 4 | NPN | 2 | Seal | |
| 5 | 4460867 | 1 | Receptacle, Female - 2 Position | |
| 5 | 1001116727 | 2 | Plug, Terminal | |
| 6 | 4460867 | 1 | Receptacle, Female - 2 Position | |
| 6 | 4460850 | 2 | Terminal | |
| 6 | NPN | 2 | Seal | |
| 7 | 4460460 | 1 | Plug, Male - 4 Position | |
| 7 | 4460790 | 4 | Terminal | |
| 7 | NPN | 4 | Seal | |
| 8 | 8220935 | 1 | Connector - 3 Position | |
| 8 | 7346000108 | 1 | Lock | |
| 8 | 8220099 | 3 | Terminal | |
| 8 | NPN | 2 | Seal | |
| 8 | NPN | 1 | Seal | |

SECTION 6 - ELECTRICAL

FIGURE 6-37. SUBFRAME TO DECK HARNESS (STATIONARY HEADBOARD)



ART_1001152350

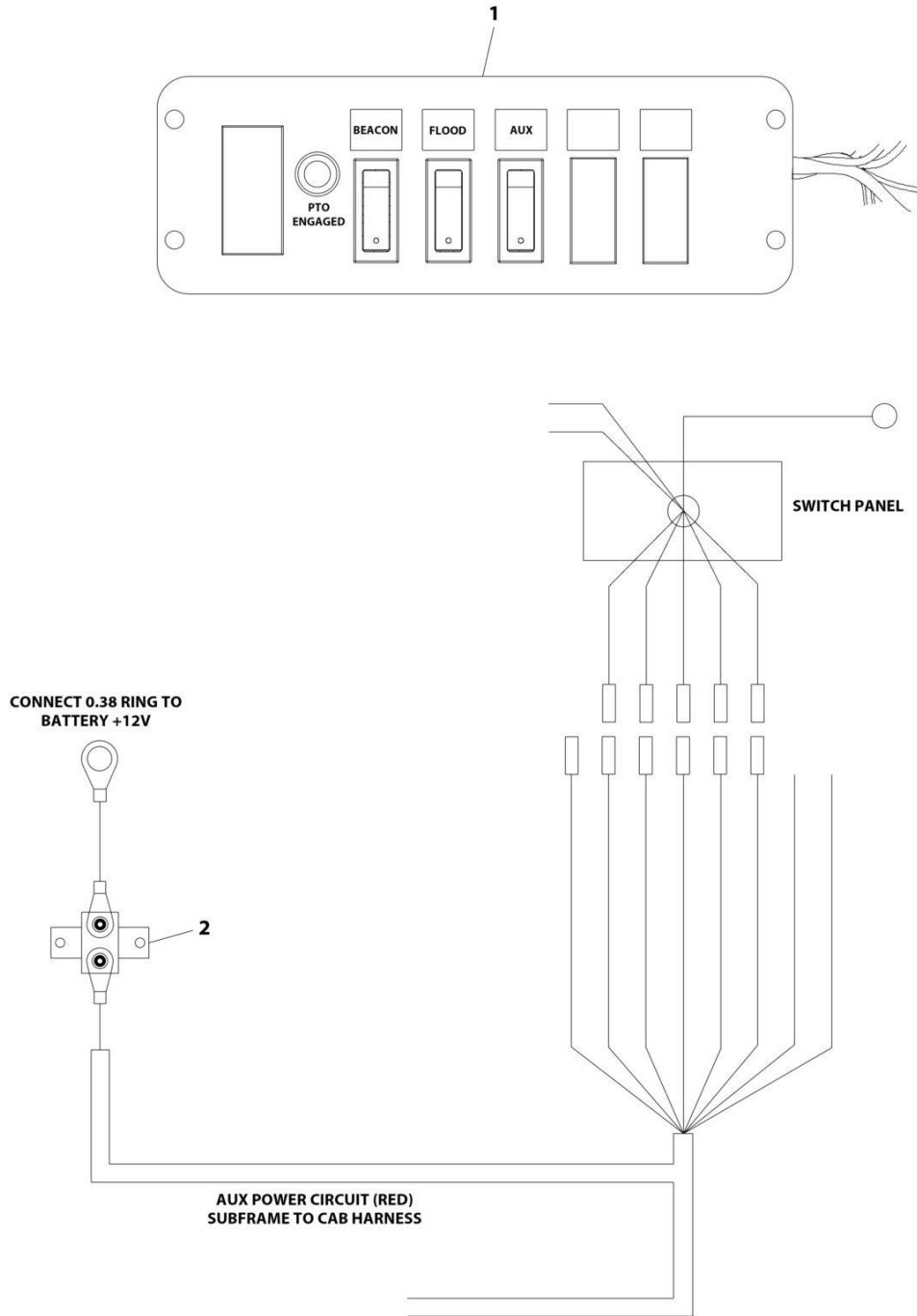
SECTION 6 - ELECTRICAL

FIGURE 6-37. SUBFRAME TO DECK HARNESS (STATIONARY HEADBOARD)

| ITEM | PART NUMBER | QTY | DESCRIPTION | REV |
|------|-------------|-----|---------------------------------|-----|
| | 1001152350 | Ref | SUBFRAME TO DECK HARNESS | C |
| 1 | 4460466 | 2 | Plug, Terminal | |
| 2 | 4460897 | 1 | Receptacle, Female - 2 Position | |
| 3 | 4461157 | 1 | Receptacle, Female - 2 Position | |
| 4 | 1001116727 | 2 | Plug, Terminal | |
| 101 | 4460891 | 1 | Plug, Male - 2 Position | |
| 101 | 4460942 | 2 | Socket, Female | |
| 102 | 4460742 | 2 | Plug, Male - 2 Position | |
| 102 | 4460457 | 4 | Terminal | |
| 103 | 4460256 | 1 | Terminal, Ring | |
| 104 | 4460476 | 1 | Receptacle, Female - 3 Position | |
| 104 | 4460850 | 1 | Terminal | |
| 104 | 1001116727 | 2 | Plug, Terminal | |
| 105 | 4461157 | 1 | Plug, Male - 2 Position | |
| 105 | 4460850 | 2 | Terminal | |
| 105 | 8220089 | 2 | Seal | |

SECTION 6 - ELECTRICAL

FIGURE 6-38. SWITCH PANEL INSTALLATION - 3 FUNCTION (IN-DASH COMPACT)



ART_1001262046

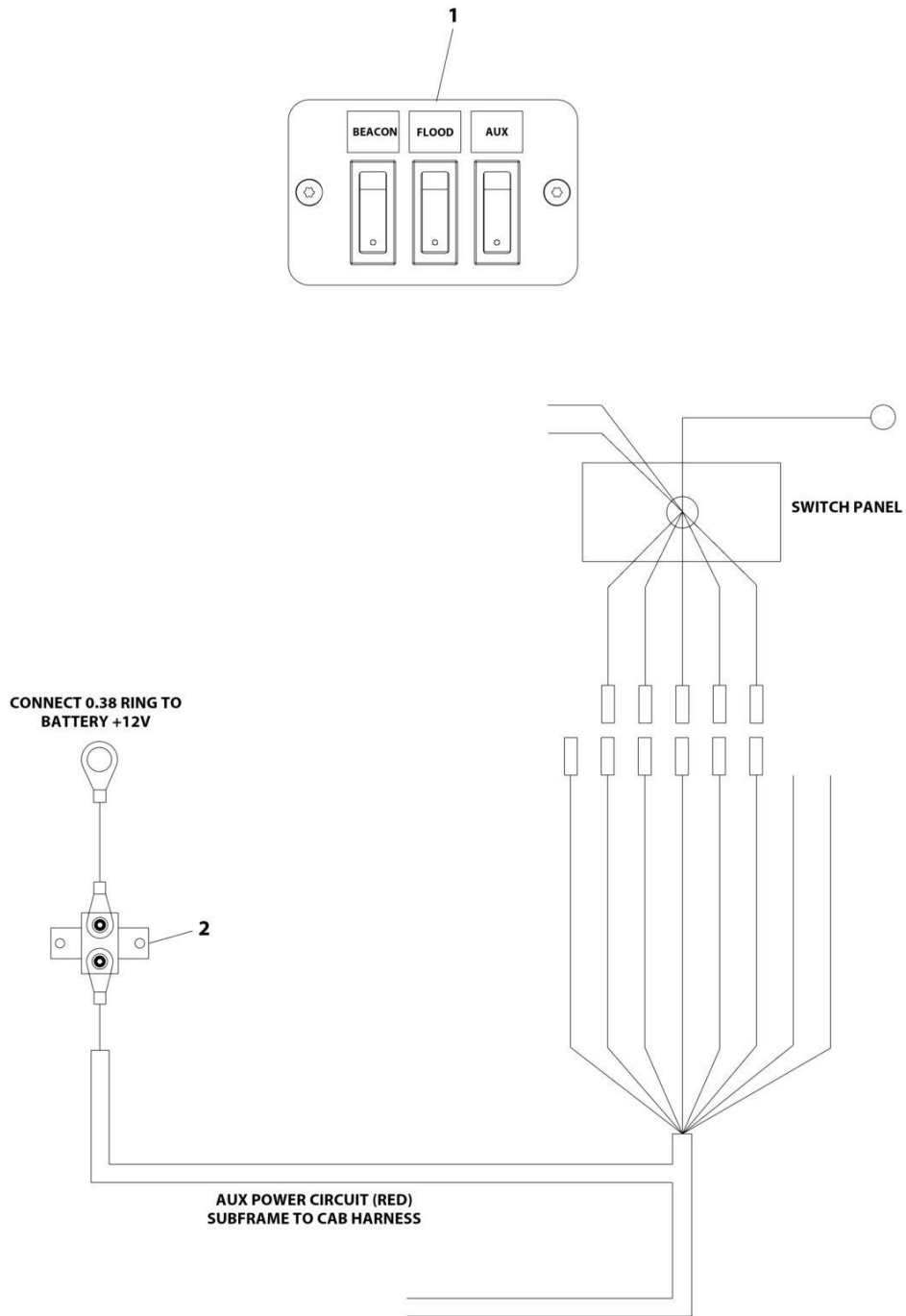
SECTION 6 - ELECTRICAL

FIGURE 6-38. SWITCH PANEL INSTALLATION - 3 FUNCTION (IN-DASH COMPACT)

| ITEM | PART NUMBER | QTY | DESCRIPTION | REV |
|------|-------------|-----|--|-----|
| 1 | 1001262046 | Ref | 3 FUNCTION IN-DASH COMPACT SWITCH PANEL | A |
| | 1001261002 | 1 | 3 Function In-Dash Compact Installation (See Separate Breakdown in this Section) | |
| 2 | 1001129883 | 1 | Breaker Installation (See Separate Breakdown in this Section) | |

SECTION 6 - ELECTRICAL

FIGURE 6-39. SWITCH PANEL INSTALLATION - 3 FUNCTION (IN-DASH MINI)



ART_1001262045

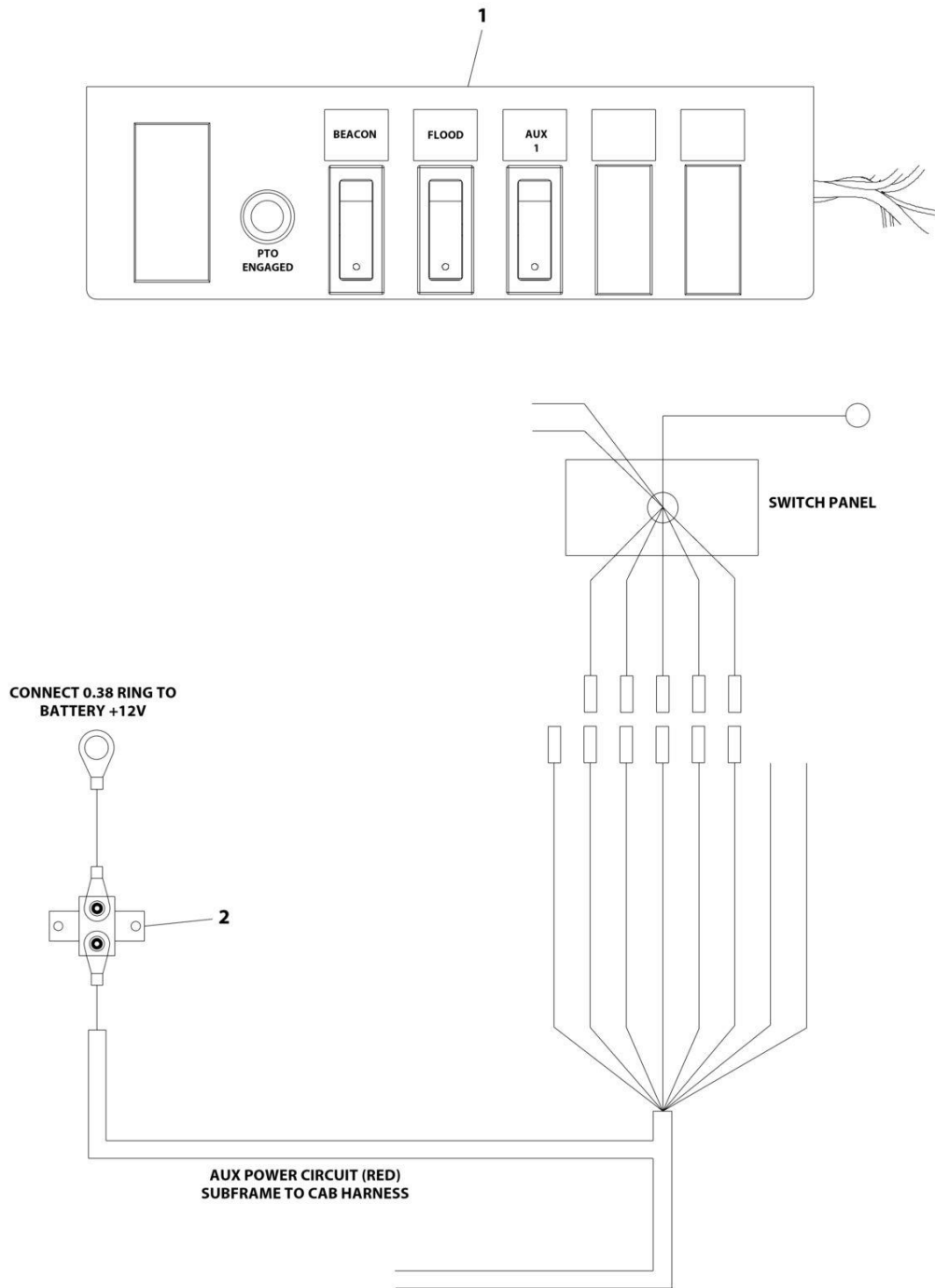
SECTION 6 - ELECTRICAL

FIGURE 6-39. SWITCH PANEL INSTALLATION - 3 FUNCTION (IN-DASH MINI)

| ITEM | PART NUMBER | QTY | DESCRIPTION | REV |
|------|-------------|-----|---|-----|
| | 1001262045 | Ref | 3 FUNCTION IN-DASH MINI SWITCH PANEL | A |
| 1 | 1001260898 | 1 | 3 Function In-Dash Mini Installation | |
| 2 | 1001129883 | 1 | Breaker Installation (See Separate Breakdown in this Section) | |

SECTION 6 - ELECTRICAL

FIGURE 6-40. SWITCH PANEL INSTALLATION - 3 FUNCTION (UNDER-DASH COMPACT)



ART_1001262048

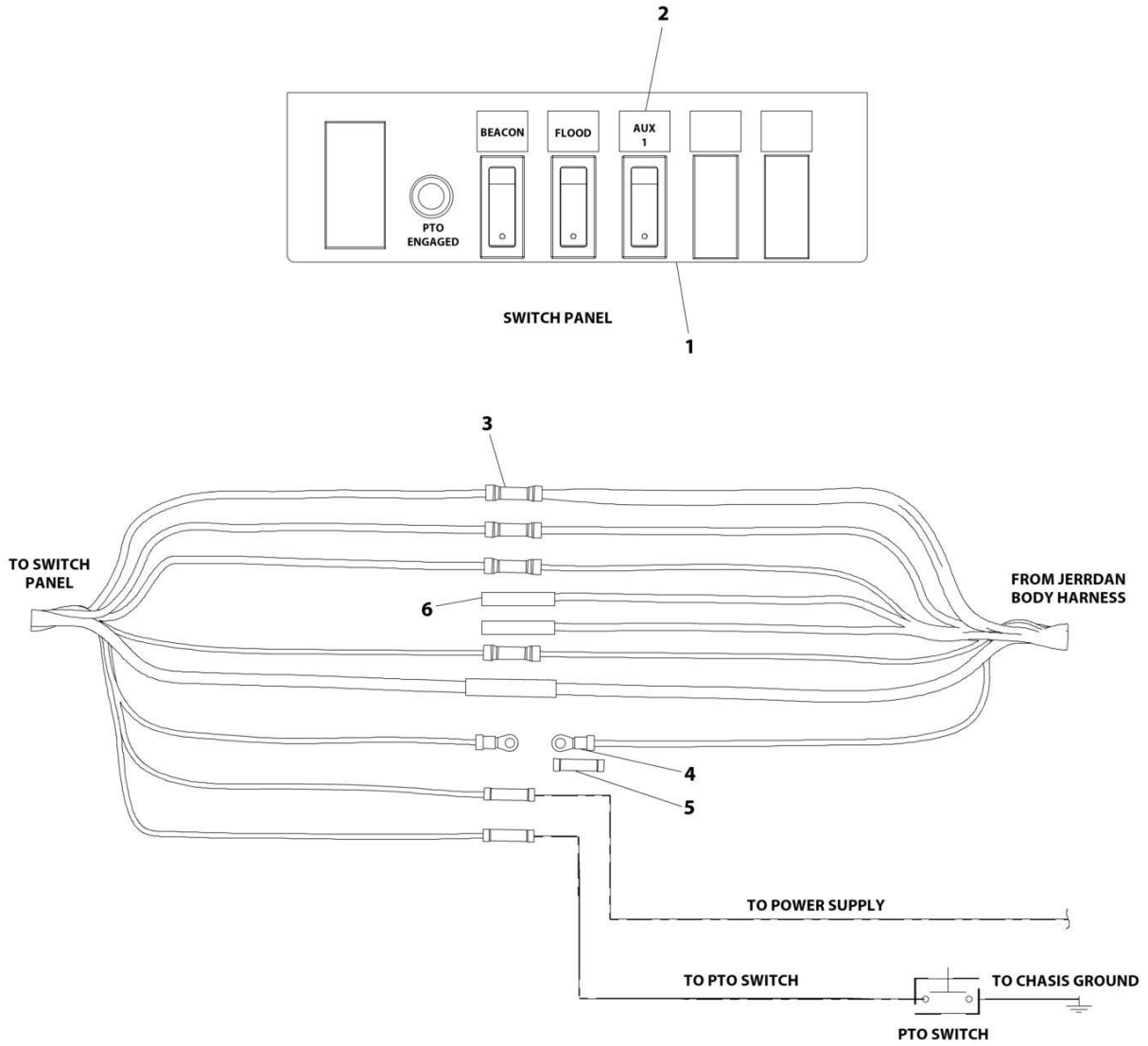
SECTION 6 - ELECTRICAL

FIGURE 6-40. SWITCH PANEL INSTALLATION - 3 FUNCTION (UNDER-DASH COMPACT)

| ITEM | PART NUMBER | QTY | DESCRIPTION | REV |
|------|-------------|-----|--|-----|
| 1 | 1001262048 | Ref | 3 FUNCTION UNDER-DASH COMPACT SWITCH PANEL | A |
| | 1001261004 | 1 | 3 Function Under-Dash Compact Switch Installation (See Separate Breakdown in this Section) | |
| 2 | 1001129883 | 1 | Breaker Installation (See Separate Breakdown in this Section) | |

SECTION 6 - ELECTRICAL

FIGURE 6-41. SWITCH PANEL ASSEMBLY - 3 FUNCTION (UNDER-DASH COMPACT)



ART_1001261004

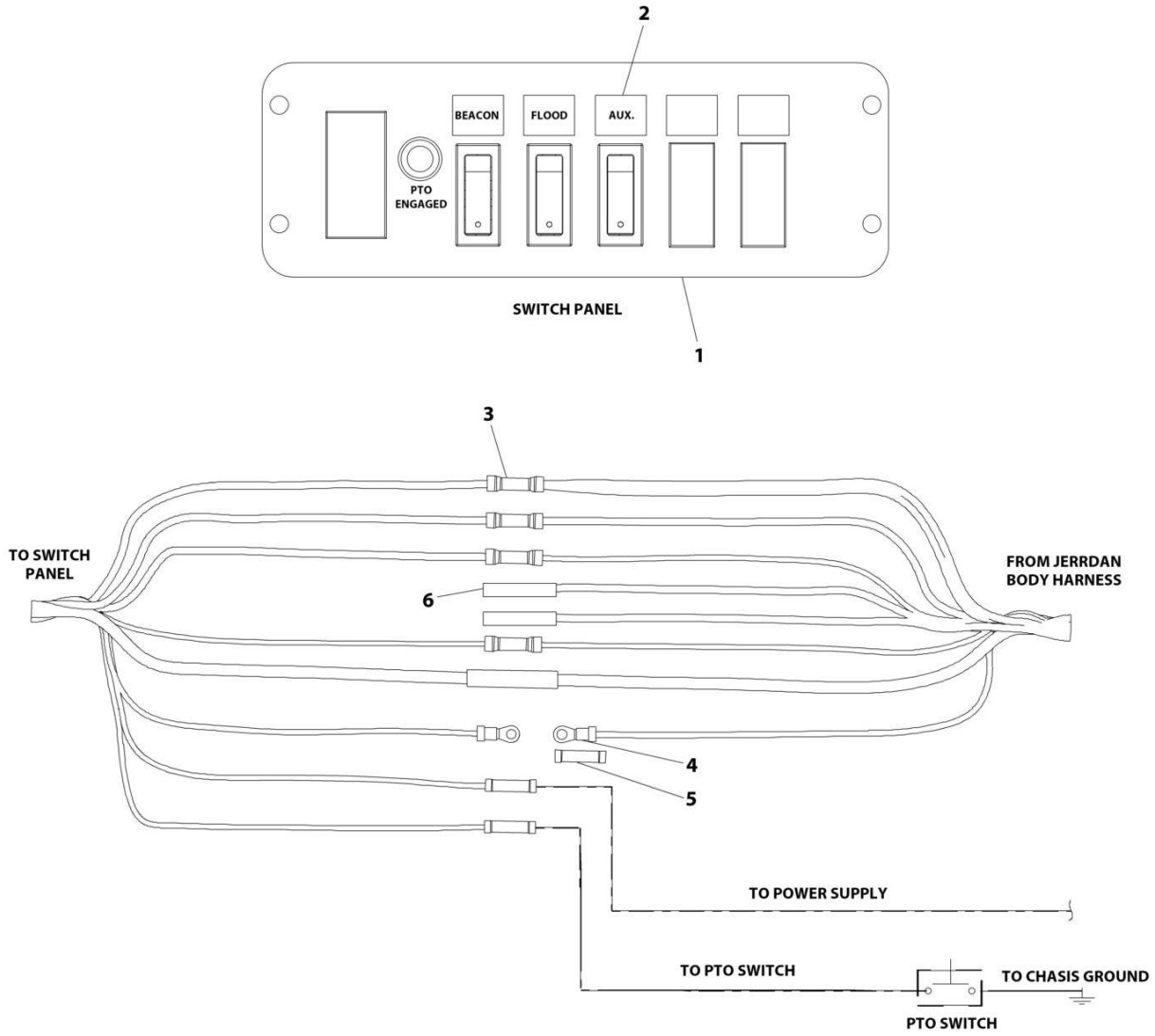
SECTION 6 - ELECTRICAL

FIGURE 6-41. SWITCH PANEL ASSEMBLY - 3 FUNCTION (UNDER-DASH COMPACT)

| ITEM | PART NUMBER | QTY | DESCRIPTION | REV |
|------|-------------|-----|--|-----|
| | 1001261004 | Ref | 3 FUNCTION UNDER-DASH COMPACT INSTALLATION | B |
| 1 | 7870000134 | 1 | Switch Panel | |
| 2 | 7330000288 | 1 | Decal | |
| 3 | 4460018 | 4 | Connector | |
| 4 | 4460042 | 1 | Terminal, Ring | |
| 5 | 4460035 | 1 | Connector | |
| 6 | 4346000005 | 2 | Heat Shrink | |

SECTION 6 - ELECTRICAL

FIGURE 6-42. SWITCH PANEL ASSEMBLY - 3 FUNCTION (IN-DASH COMPACT)



ART_1001261002

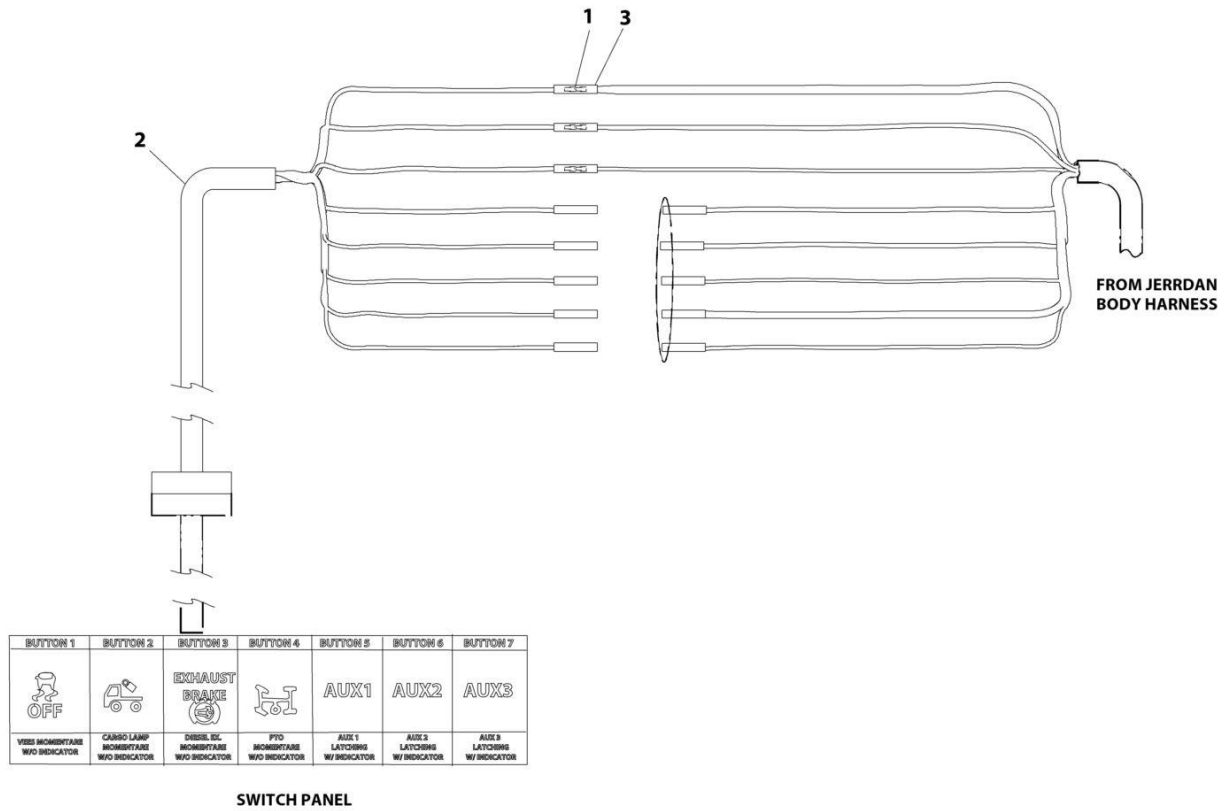
SECTION 6 - ELECTRICAL

FIGURE 6-42. SWITCH PANEL ASSEMBLY - 3 FUNCTION (IN-DASH COMPACT)

| ITEM | PART NUMBER | QTY | DESCRIPTION | REV |
|------|-------------|-----|---|-----|
| | 1001261002 | Ref | 3 FUNCTION IN-DASH COMPACT SWITCH PANEL INSTALLATION | B |
| 1 | 7870000100 | 1 | Switch Panel | |
| 2 | 7330000288 | 1 | Decal | |
| 3 | 4460018 | 4 | Connector | |
| 4 | 4460042 | 1 | Terminal, Ring | |
| 5 | 4460035 | 1 | Connector | |
| 6 | 4346000005 | 2 | Heat Shrink | |

SECTION 6 - ELECTRICAL

FIGURE 6-43. SWITCH PANEL ASSEMBLY - 3 FUNCTION (OEM)



ART_1001261028

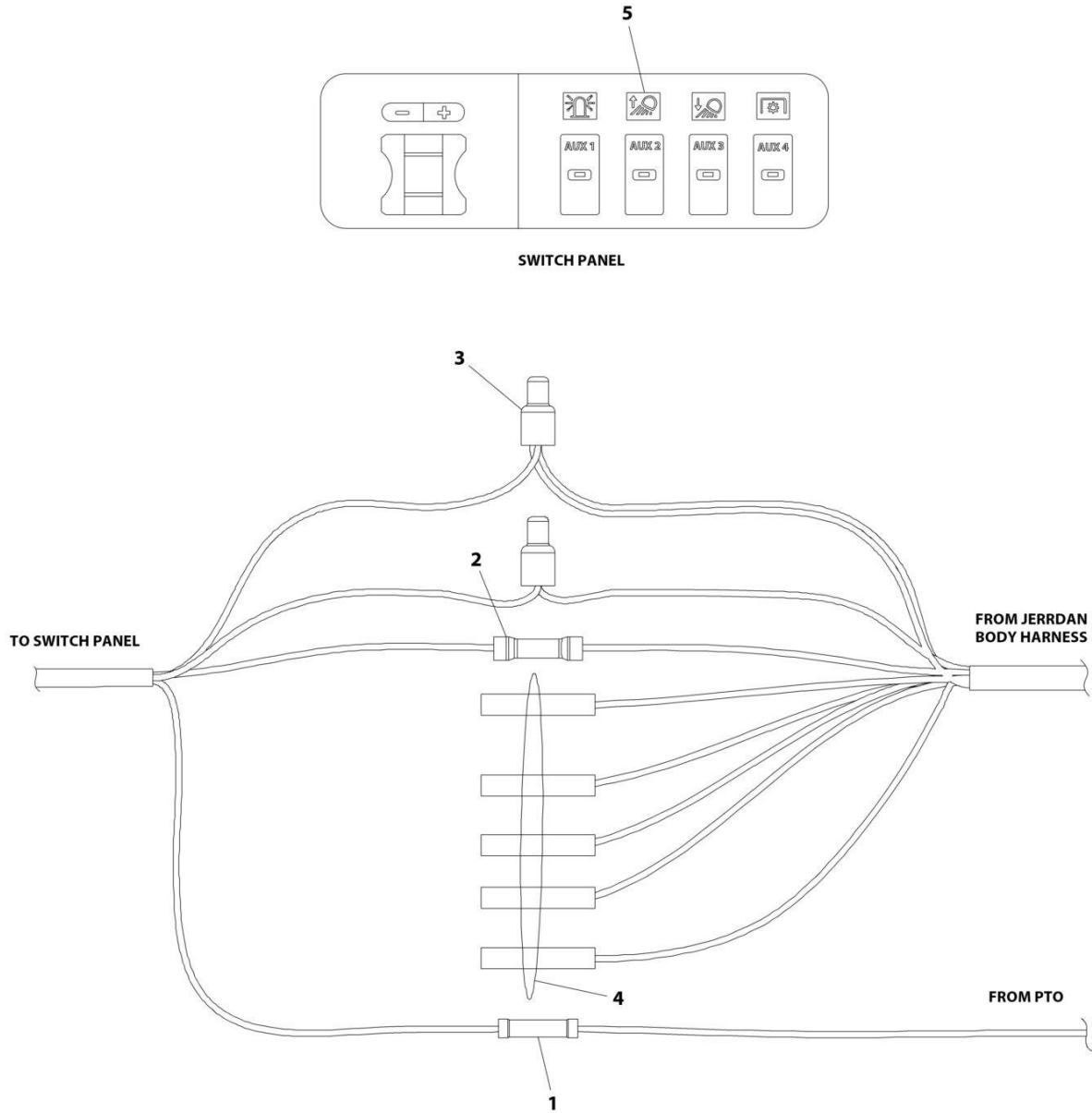
SECTION 6 - ELECTRICAL

FIGURE 6-43. SWITCH PANEL ASSEMBLY - 3 FUNCTION (OEM)

| ITEM | PART NUMBER | QTY | DESCRIPTION | REV |
|------|-------------|-----|--|-----|
| | 1001261028 | Ref | 3 FUNCTION SWITCH PANEL, CV515 OEM 2019+ | A |
| 1 | 7345001914 | 3 | Terminal | |
| 2 | 1001254044 | 1 | Harness | |
| 3 | 4346000005 | 8 | Heat Shrink, Tubing | |

SECTION 6 - ELECTRICAL

FIGURE 6-44. SWITCH PANEL INSTALLATION - 4 FUNCTION (IN-DASH) (FORD 2008-2016 F550 OEM)



ART_1001261007

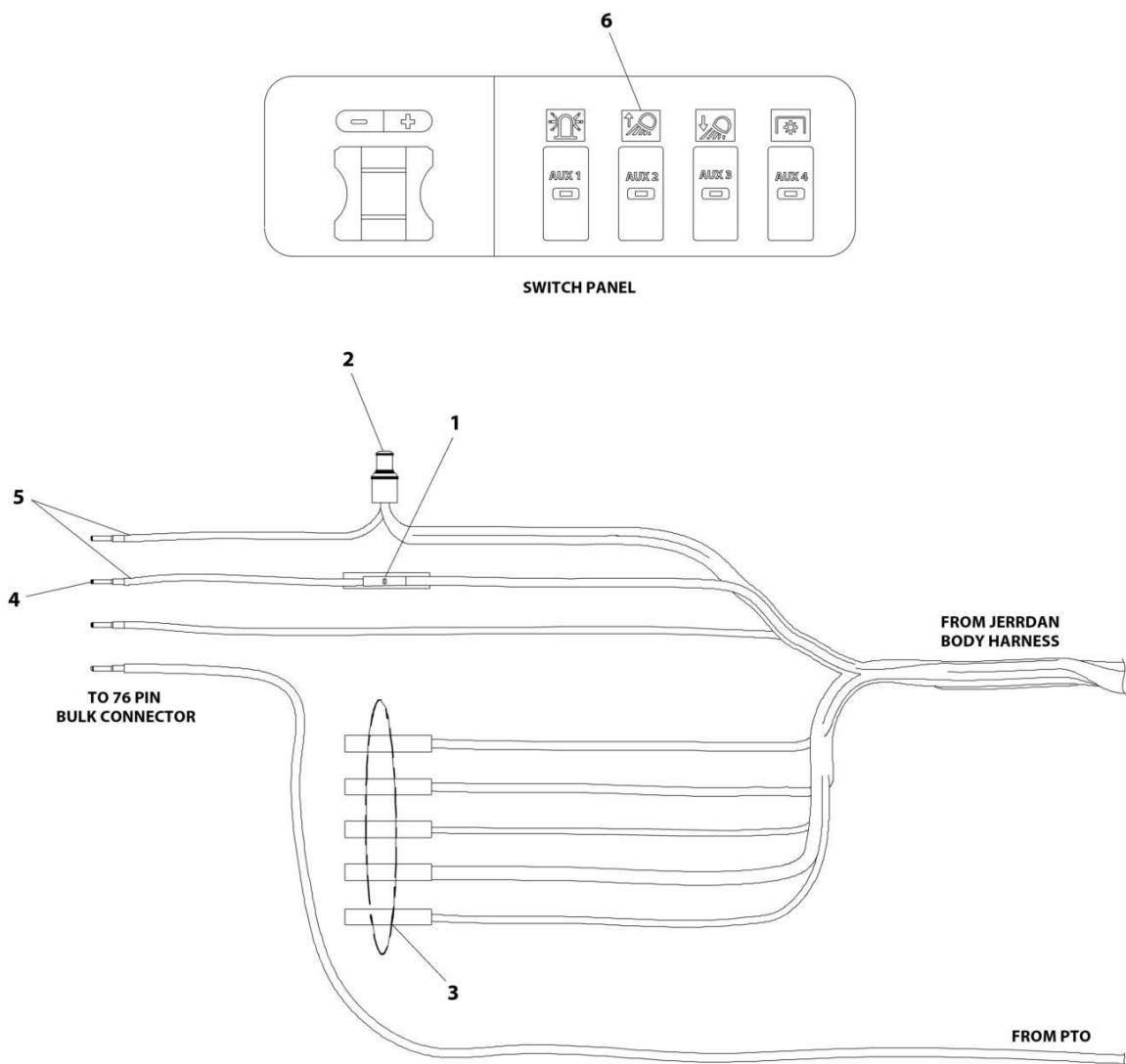
SECTION 6 - ELECTRICAL

FIGURE 6-44. SWITCH PANEL INSTALLATION - 4 FUNCTION (IN-DASH) (FORD 2008-2016 F550 OEM)

| ITEM | PART NUMBER | QTY | DESCRIPTION | REV |
|------|-------------|-----|---|-----|
| | 1001261007 | Ref | 4 FUNCTION IN-DASH SWITCH PANEL FORD F550 OEM 2008-2016 | A |
| 1 | 4460035 | 1 | Terminal | |
| 2 | 4460018 | 1 | Terminal | |
| 3 | 7346000242 | 2 | Connector | |
| 4 | 4346000005 | 5 | Heat Shrink, Tubing | |
| 5 | 1001221375 | AR | Decal | |

SECTION 6 - ELECTRICAL

FIGURE 6-45. SWITCH PANEL INSTALLATION - 4 FUNCTION (IN-DASH) (FORD 2011+ F650/750 OEM)



ART_1001261008

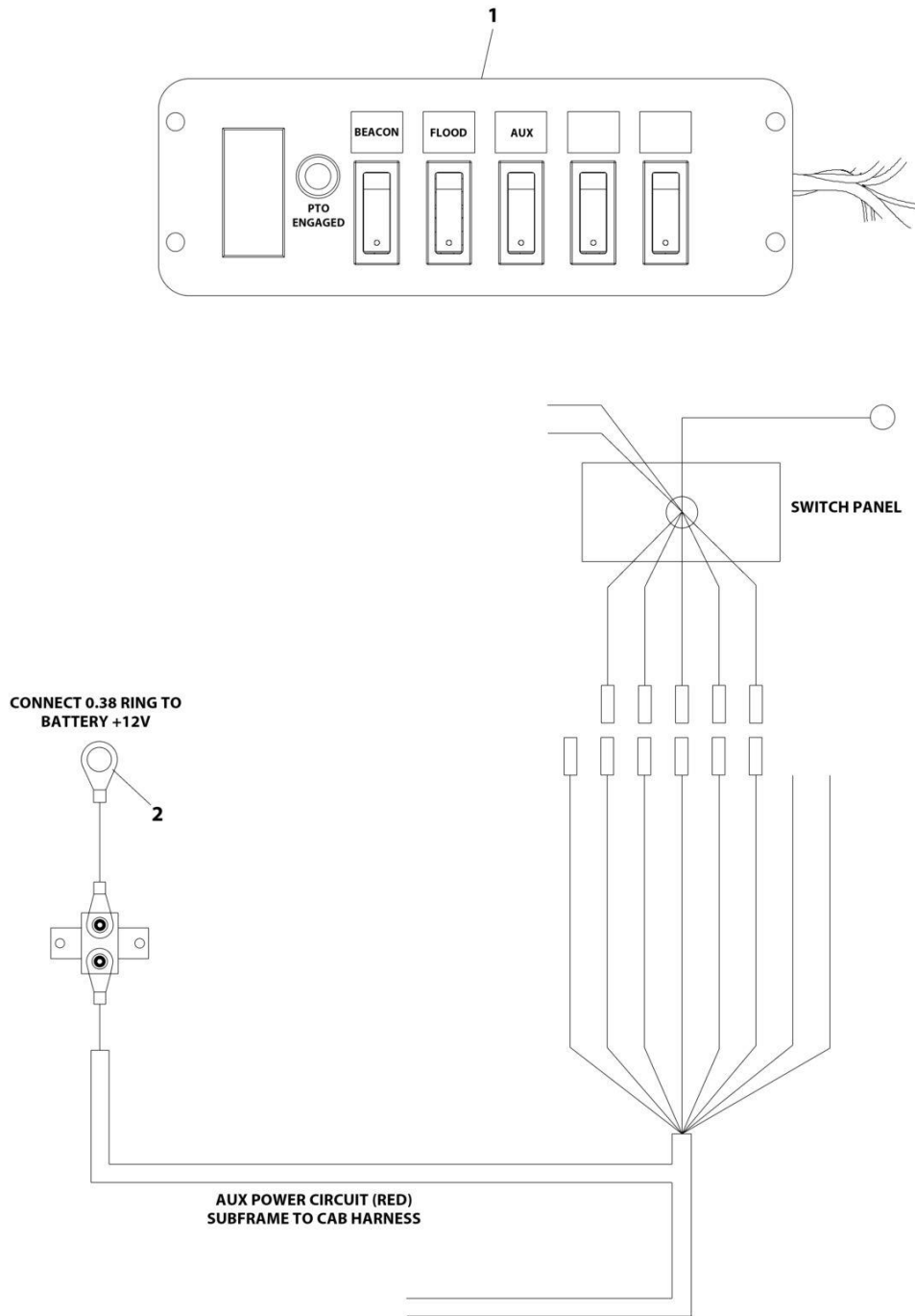
SECTION 6 - ELECTRICAL

FIGURE 6-45. SWITCH PANEL INSTALLATION - 4 FUNCTION (IN-DASH) (FORD 2011+ F650/750 OEM)

| ITEM | PART NUMBER | QTY | DESCRIPTION | REV |
|------|-------------|-----|---|-----|
| | 1001261008 | Ref | 4 FUNCTION IN-DASH SWITCH PANEL, FORD F650/750 OEM 2011+ | A |
| 1 | 7345001914 | 1 | Terminal | |
| 2 | 7346000242 | 1 | Connector | |
| 3 | 4346000005 | 7 | Heat Shrink, Tubing | |
| 4 | 1001129095 | 4 | Terminal | |
| 5 | 7978000020 | AR | Wire | |
| 6 | 1001221375 | AR | Decal | |

SECTION 6 - ELECTRICAL

FIGURE 6-46. SWITCH PANEL INSTALLATION - 5 FUNCTION (IN-DASH COMPACT)



ART_1001262049

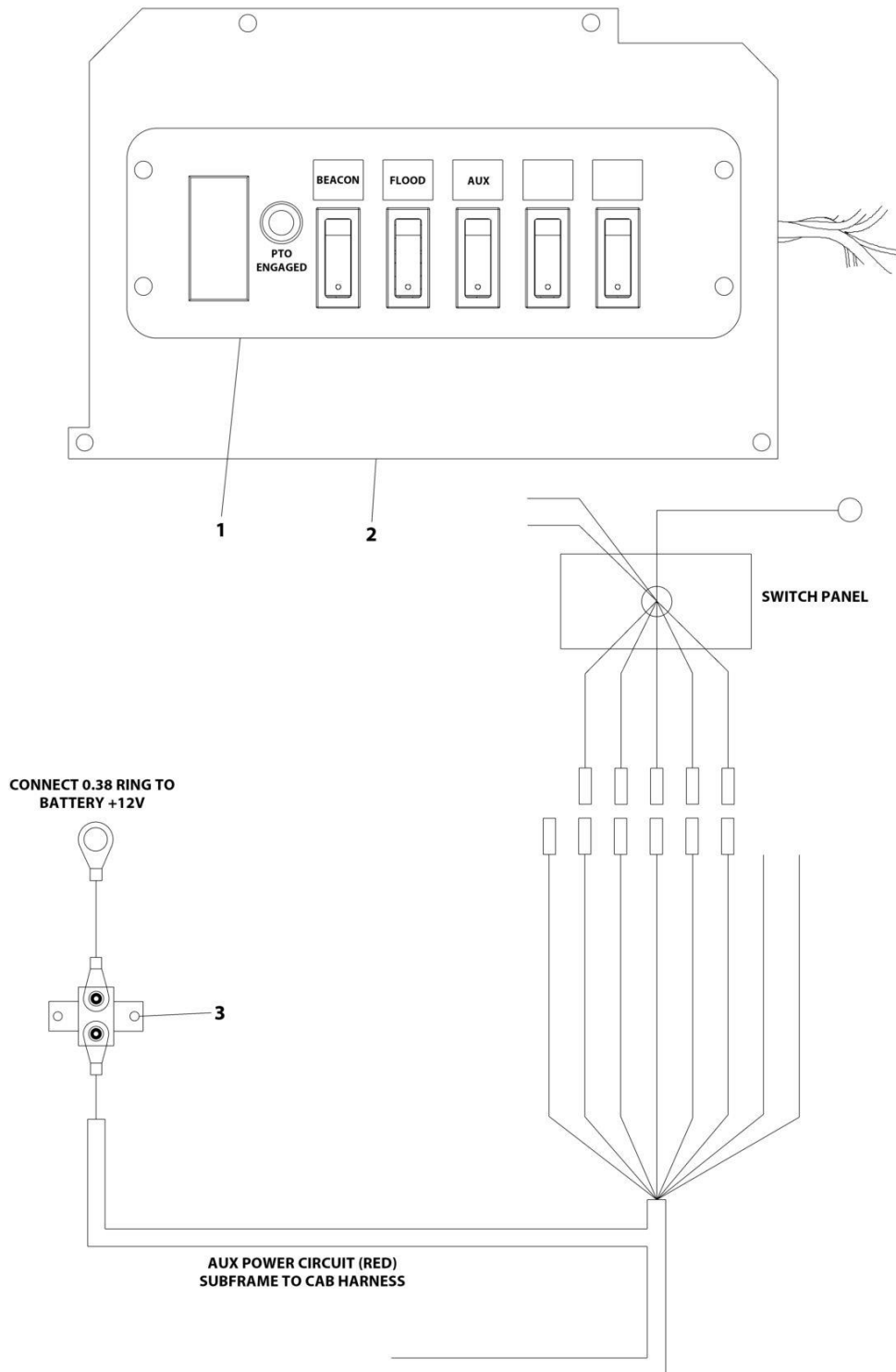
SECTION 6 - ELECTRICAL

FIGURE 6-46. SWITCH PANEL INSTALLATION - 5 FUNCTION (IN-DASH COMPACT)

| ITEM | PART NUMBER | QTY | DESCRIPTION | REV |
|------|-------------|-----|---|-----|
| 1 | 1001262049 | Ref | 5 FUNCTION IN-DASH COMPACT SWITCH PANEL | A |
| | 1001261005 | 1 | 5 Function In-Dash Switch Panel Installation (See Separate Breakdown in this Section) | |
| 2 | 1001129883 | 1 | Breaker Installation (See Separate Breakdown in this Section) | |

SECTION 6 - ELECTRICAL

FIGURE 6-47. SWITCH PANEL INSTALLATION - 5 FUNCTION (IN-DASH COMPACT) (IHC WITHOUT OEM)



ART_1001262053

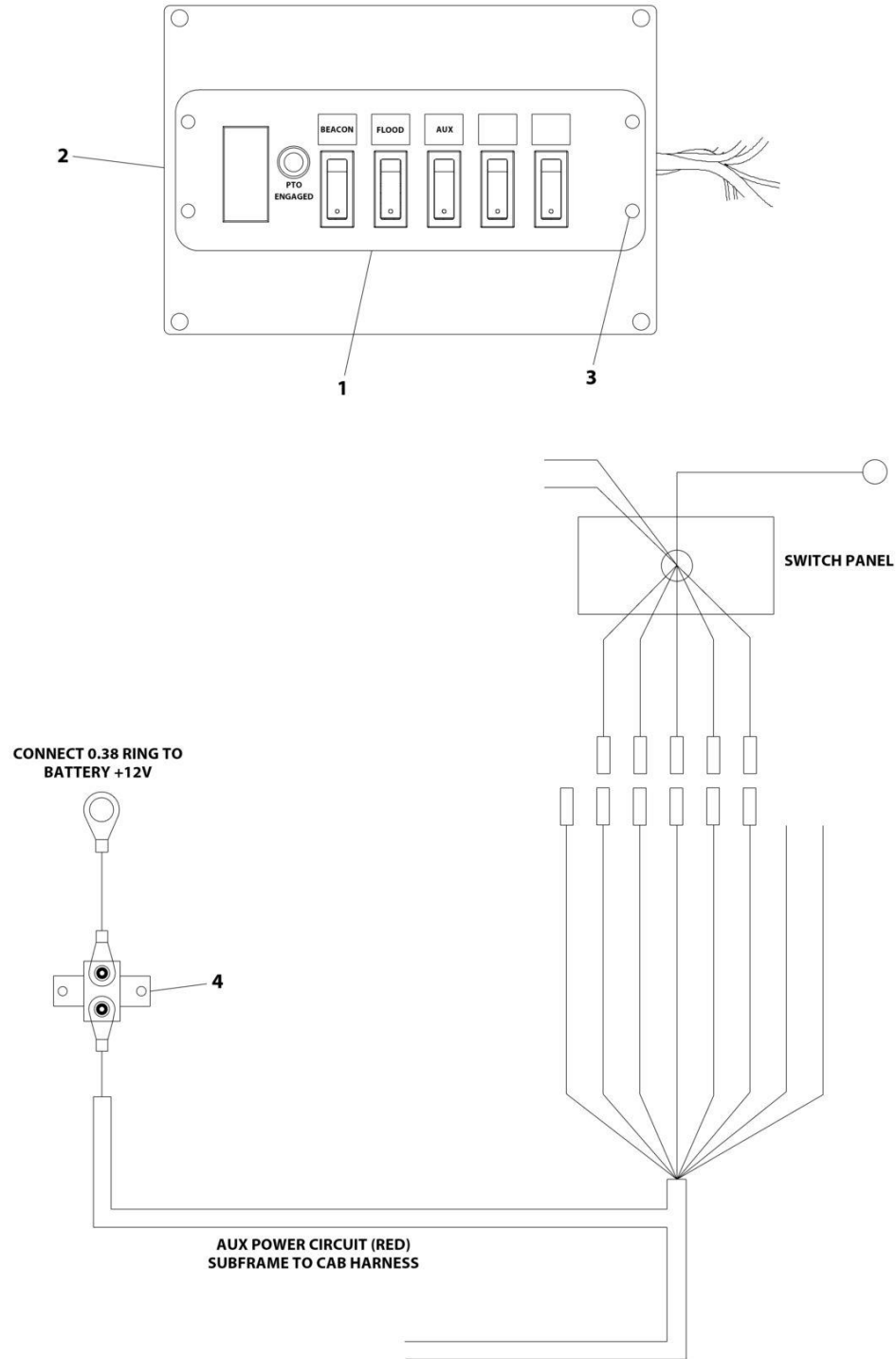
SECTION 6 - ELECTRICAL

FIGURE 6-47. SWITCH PANEL INSTALLATION - 5 FUNCTION (IN-DASH COMPACT) (IHC WITHOUT OEM)

| ITEM | PART NUMBER | QTY | DESCRIPTION | REV |
|------|-------------|-----|---|-----|
| | 1001262053 | Ref | 5 FUNCTION IN-DASH SWITCH PANEL, IHC WITHOUT OEM | A |
| 1 | 1001261005 | 1 | 5 Function In-Dash Switch Panel Installation (See Separate Breakdown in this Section) | |
| 2 | 1001135813 | 1 | Switch Panel | |
| 3 | 1001129883 | 1 | Breaker Installation (See Separate Breakdown in this Section) | |

SECTION 6 - ELECTRICAL

FIGURE 6-48. SWITCH PANEL INSTALLATION - 5 FUNCTION (IN-DASH) (PETERBILT)



ART_1001262052

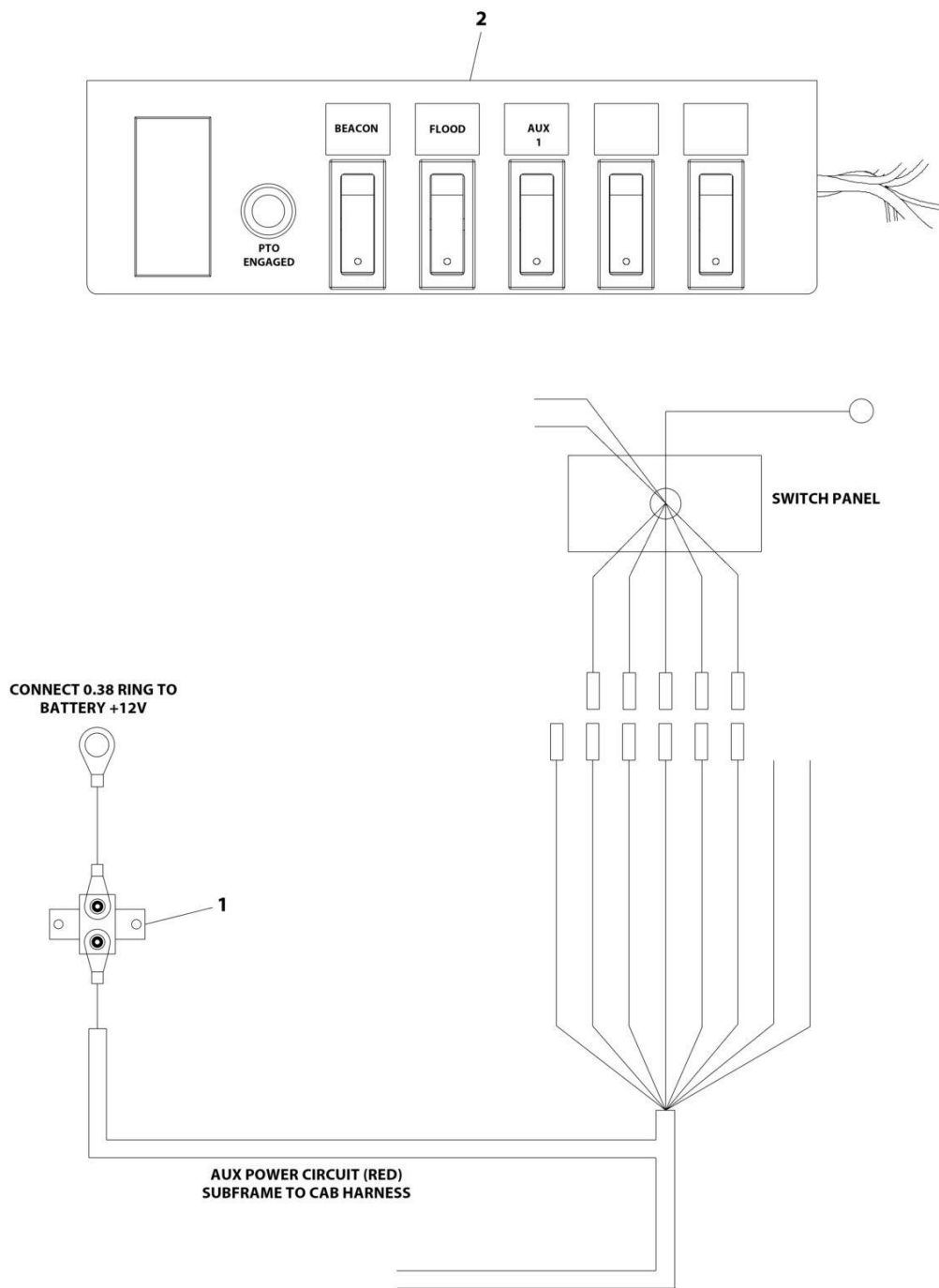
SECTION 6 - ELECTRICAL

FIGURE 6-48. SWITCH PANEL INSTALLATION - 5 FUNCTION (IN-DASH) (PETERBILT)

| ITEM | PART NUMBER | QTY | DESCRIPTION | REV |
|------|-------------|-----|---|-----|
| 1 | 1001262052 | Ref | 5 FUNCTION IN-DASH SWITCH PANEL, PETERBILT | A |
| | 1001261005 | 1 | 5 Function In-Dash Switch Panel Installation (See Separate Breakdown in this Section) | |
| 2 | 1001135814 | 1 | Switch Panel | |
| 3 | 1001135815 | 1 | Screw #8 x 3/8 | |
| 4 | 1001129883 | 1 | Breaker Installation (See Separate Breakdown in this Section) | |

SECTION 6 - ELECTRICAL

FIGURE 6-49. SWITCH PANEL INSTALLATION - 5 FUNCTION (UNDER-DASH COMPACT)



ART_1001262050

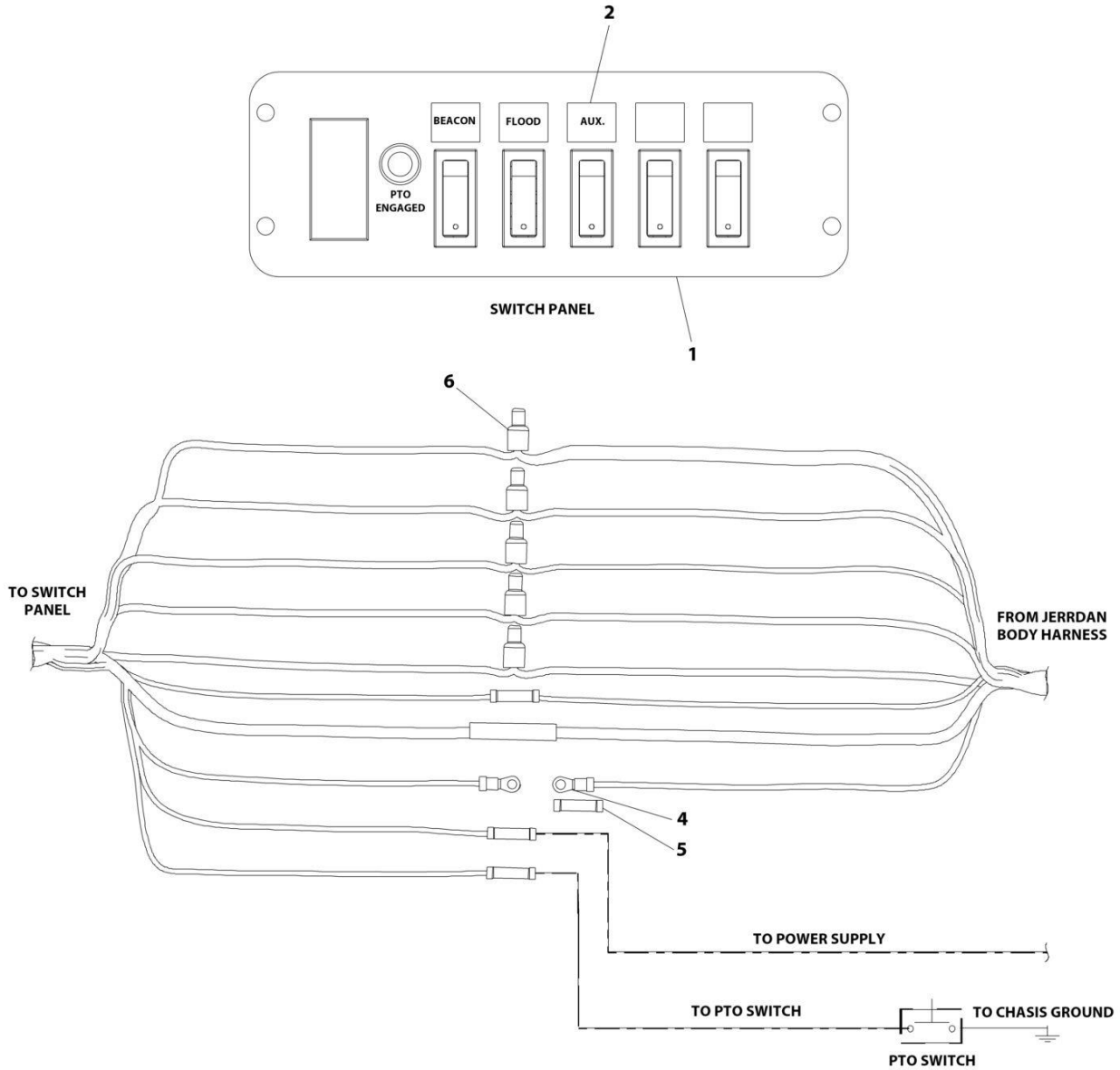
SECTION 6 - ELECTRICAL

FIGURE 6-49. SWITCH PANEL INSTALLATION - 5 FUNCTION (UNDER-DASH COMPACT)

| ITEM | PART NUMBER | QTY | DESCRIPTION | REV |
|------|-------------|-----|--|-----|
| | 1001262050 | Ref | 5 FUNCTION UNDER-DASH COMPACT SWITCH PANEL | A |
| 1 | 1001129883 | 1 | Breaker Installation (See Separate Breakdown in this Section) | |
| 2 | 1001261006 | 1 | 5 Function Under-Dash Switch Panel Installation (See Separate Breakdown in this Section) | |

SECTION 6 - ELECTRICAL

FIGURE 6-50. SWITCH PANEL ASSEMBLY - 5 FUNCTION (IN-DASH)



ART_1001261005

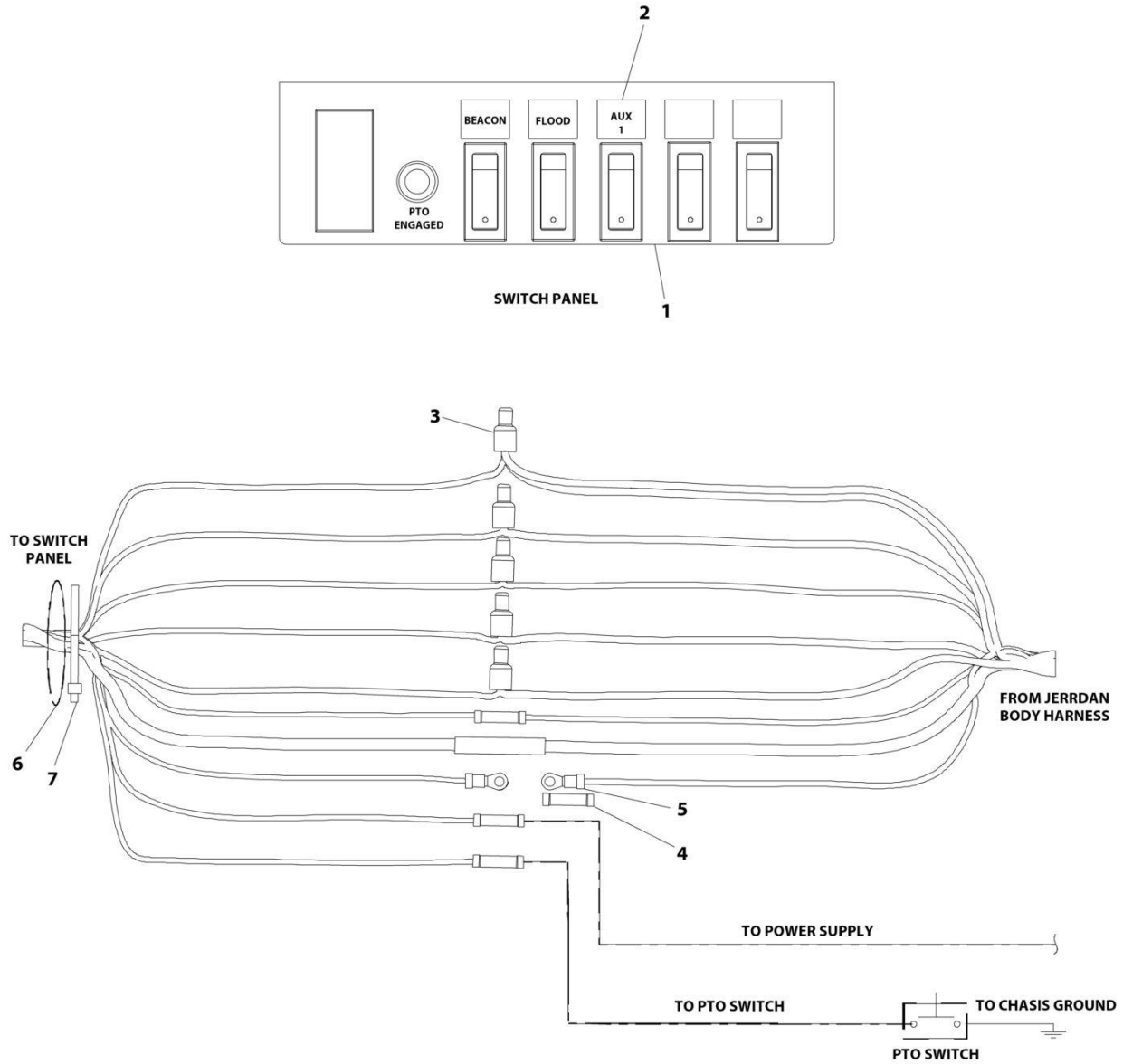
SECTION 6 - ELECTRICAL

FIGURE 6-50. SWITCH PANEL ASSEMBLY - 5 FUNCTION (IN-DASH)

| ITEM | PART NUMBER | QTY | DESCRIPTION | REV |
|------|-------------|-----|---|-----|
| | 1001261005 | Ref | 5 FUNCTION IN-DASH COMPACT SWITCH PANEL INSTALLATION | B |
| 1 | 7870000106 | 1 | Switch Panel | |
| 2 | 7330000288 | 1 | Decal | |
| 4 | 4460042 | 1 | Terminal, Ring | |
| 5 | 4460035 | 2 | Connector | |
| 6 | 7346000242 | 5 | Connector | |

SECTION 6 - ELECTRICAL

FIGURE 6-51. SWITCH PANEL ASSEMBLY - 5 FUNCTION UNDER-DASH (COMPACT)



ART_1001261006

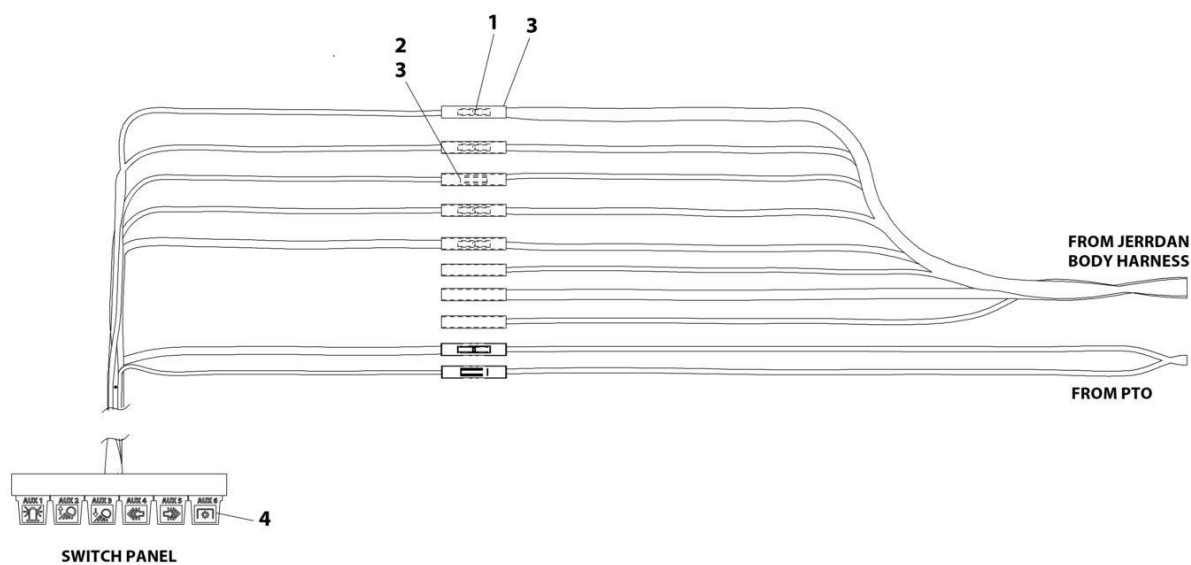
SECTION 6 - ELECTRICAL

FIGURE 6-51. SWITCH PANEL ASSEMBLY - 5 FUNCTION UNDER-DASH (COMPACT)

| ITEM | PART NUMBER | QTY | DESCRIPTION | REV |
|------|-------------|-----|--|-----|
| | 1001261006 | Ref | 5 FUNCTION UNDER-DASH COMPACT SWITCH PANEL INSTALLATION | B |
| 1 | 7870000137 | 1 | Switch Panel | |
| 2 | 7330000288 | 1 | Decal | |
| 3 | 7346000242 | 5 | Connector | |
| 4 | 4460035 | 2 | Connector | |
| 5 | 4460042 | 1 | Terminal, Ring | |
| 6 | 8597650003 | 2 | Wire | |
| 7 | 5526000553 | 6 | Tie Strap | |

SECTION 6 - ELECTRICAL

FIGURE 6-52. SWITCH PANEL INSTALLATION - 6 FUNCTION (FORD F550 2017+ OEM)



ART_1001261023

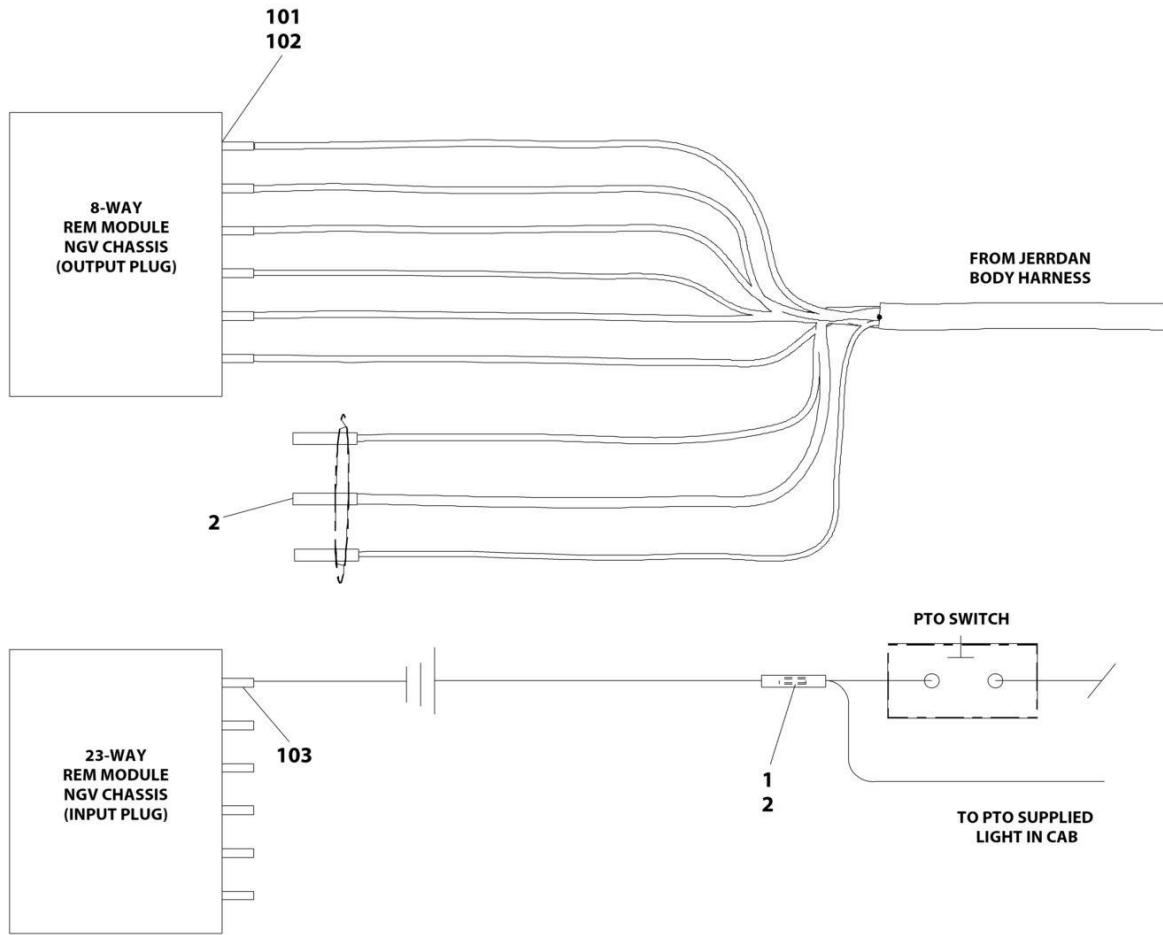
SECTION 6 - ELECTRICAL

FIGURE 6-52. SWITCH PANEL INSTALLATION - 6 FUNCTION (FORD F550 2017+ OEM)

| ITEM | PART NUMBER | QTY | DESCRIPTION | REV |
|------|-------------|-----|--|-----|
| | 1001261023 | Ref | 6 FUNCTION SWITCH PANEL, FORD F550 OEM 2017+ | A |
| 1 | 7345001914 | 4 | Terminal | |
| 2 | 7345001714 | 1 | Terminal | |
| 3 | 4346000005 | 8 | Heat Shrink, Tubing | |
| 4 | 1001221375 | 1 | Decal | |
| 5 | 1001225218 | 1 | Electrical Assembly (Not Shown) | |

SECTION 6 - ELECTRICAL

FIGURE 6-53. SWITCH PANEL INSTALLATION - 6 FUNCTION (IN-DASH COMPACT) (IHC WITH OEM)



ART_1001261016

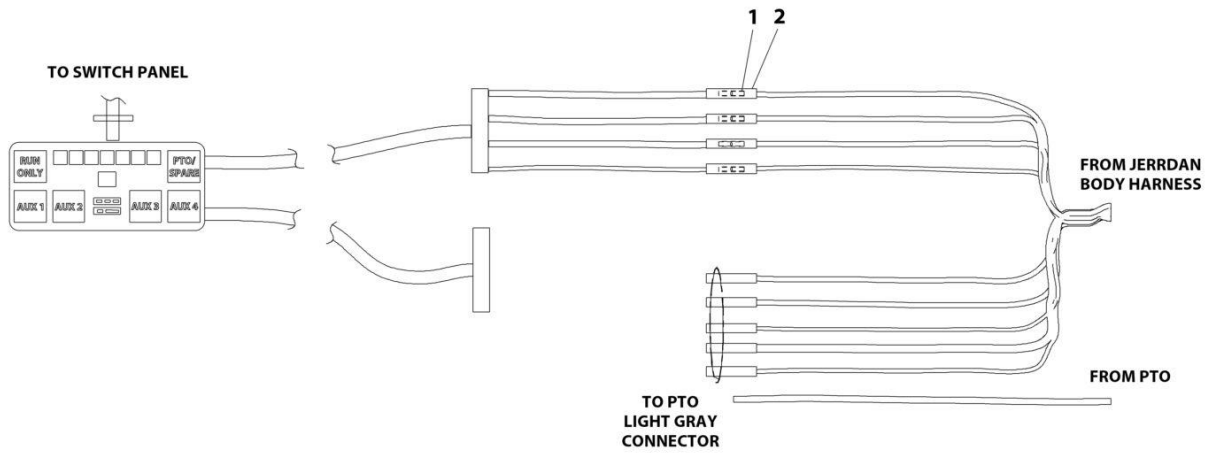
SECTION 6 - ELECTRICAL

FIGURE 6-53. SWITCH PANEL INSTALLATION - 6 FUNCTION (IN-DASH COMPACT) (IHC WITH OEM)

| ITEM | PART NUMBER | QTY | DESCRIPTION | REV |
|------|-------------|-----|--|-----|
| | 1001261016 | Ref | 6 FUNCTION IN-DASH SWITCH PANEL, IHC OEM | A |
| 1 | 7345001714 | 1 | Terminal | |
| 2 | 4346000005 | 4 | Heat Shrink, Tubing | |
| 100 | 7577000329 | 1 | Seal Kit (Not Shown) | |
| 101 | 7346000122 | AR | Terminal | |
| 102 | 7346000123 | AR | Seal | |
| 103 | 7346000125 | AR | Terminal | |

SECTION 6 - ELECTRICAL

FIGURE 6-54. SWITCH PANEL INSTALLATION - 6 FUNCTION (RAM 2013+)



ART_1001261022

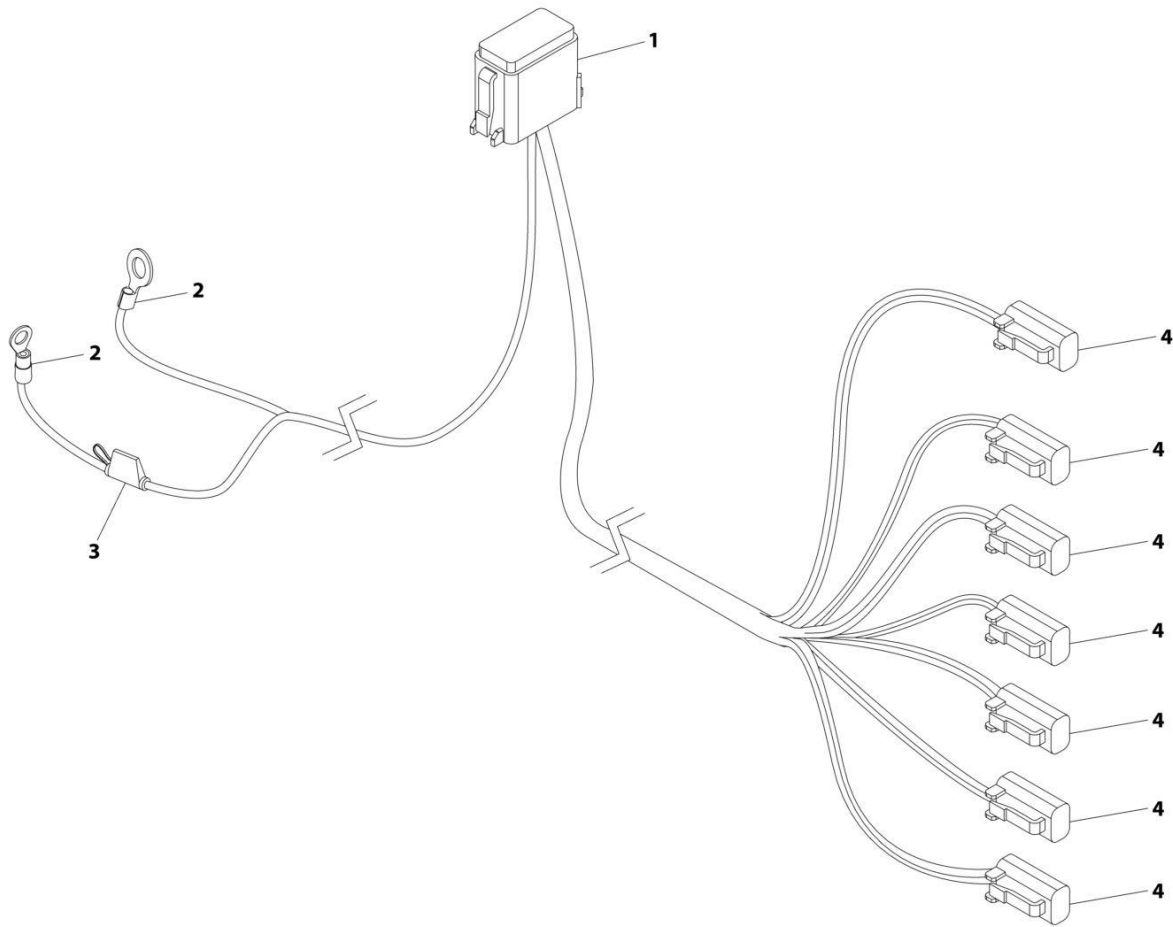
SECTION 6 - ELECTRICAL

FIGURE 6-54. SWITCH PANEL INSTALLATION - 6 FUNCTION (RAM 2013+)

| ITEM | PART NUMBER | QTY | DESCRIPTION | REV |
|------|-------------|-----|-----------------------------------|-----|
| | 1001261022 | Ref | 6 FUNCTION SWITCH PANEL RAM 2013+ | A |
| 1 | 7345001914 | 5 | Terminal | |
| 2 | 4346000005 | 9 | Heat Shrink | |

SECTION 6 - ELECTRICAL

FIGURE 6-55. SIDE RECOVERY SYSTEM (SRS) HARNESS (WITHOUT REMOTE CONTROL)



ART_7552000385

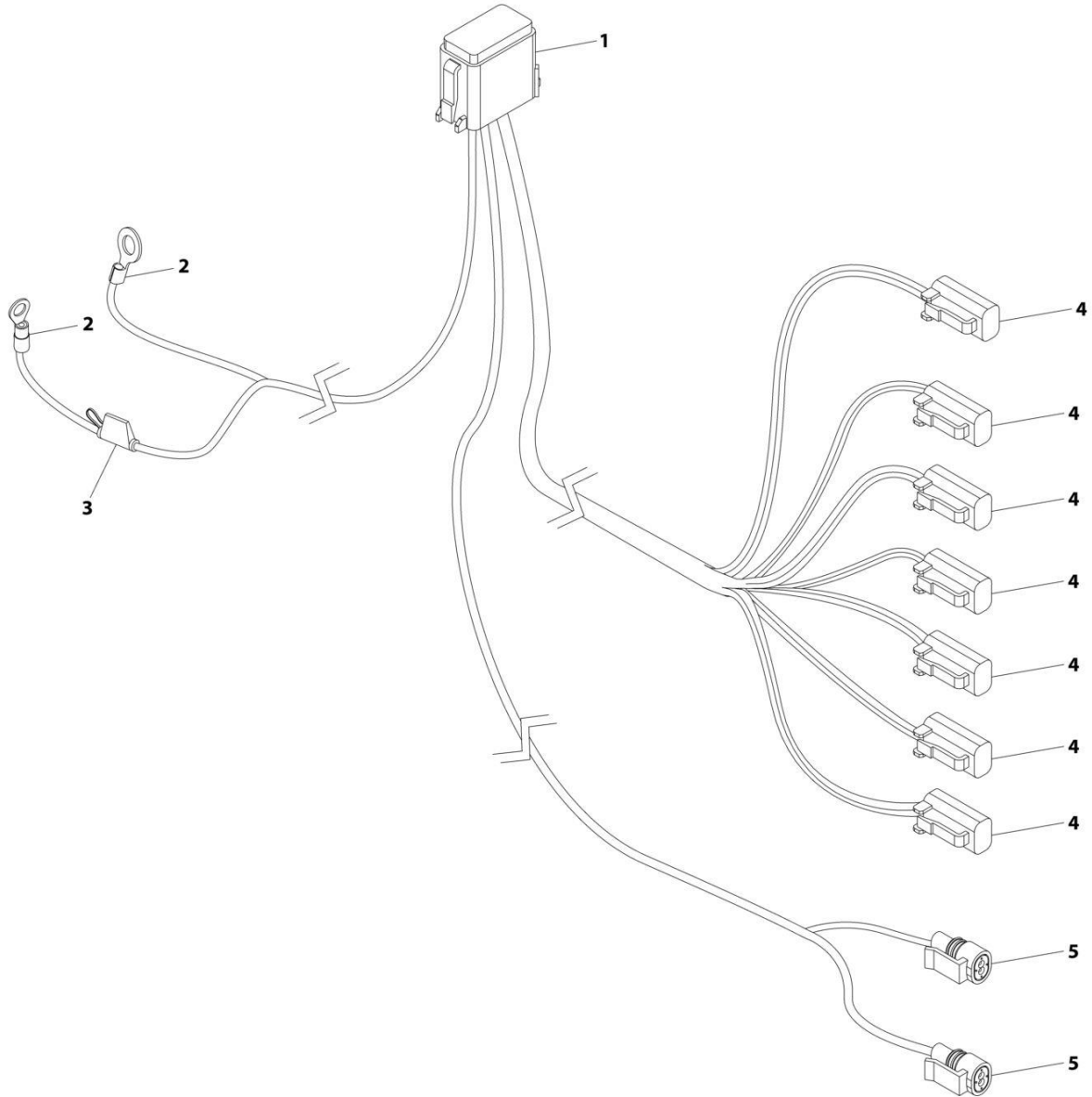
SECTION 6 - ELECTRICAL

FIGURE 6-55. SIDE RECOVERY SYSTEM (SRS) HARNESS (WITHOUT REMOTE CONTROL)

| ITEM | PART NUMBER | QTY | DESCRIPTION | REV |
|------|-------------|-----|---|-----|
| | 7552000385 | Ref | SIDE RECOVERY SYSTEM HARNESS (WITHOUT REMOTE CONTROL) | 2 |
| 1 | 4460933 | 1 | Plug, Male - 12 Position | |
| 1 | 4460465 | 9 | Socket, Female | |
| 1 | 4460466 | 3 | Plug, Terminal | |
| 2 | | Ref | Terminal, Ring | |
| 3 | | Ref | Fuseholder | |
| 3 | | Ref | Fuse - 10Amp ATO | |
| 4 | 4460891 | 7 | Plug, Male - 2 Position | |
| 4 | 4460465 | 14 | Socket, Female | |

SECTION 6 - ELECTRICAL

FIGURE 6-56. SIDE RECOVERY SYSTEM (SRS) HARNESS (WITH REMOTE CONTROL)



ART_7552000413

SECTION 6 - ELECTRICAL

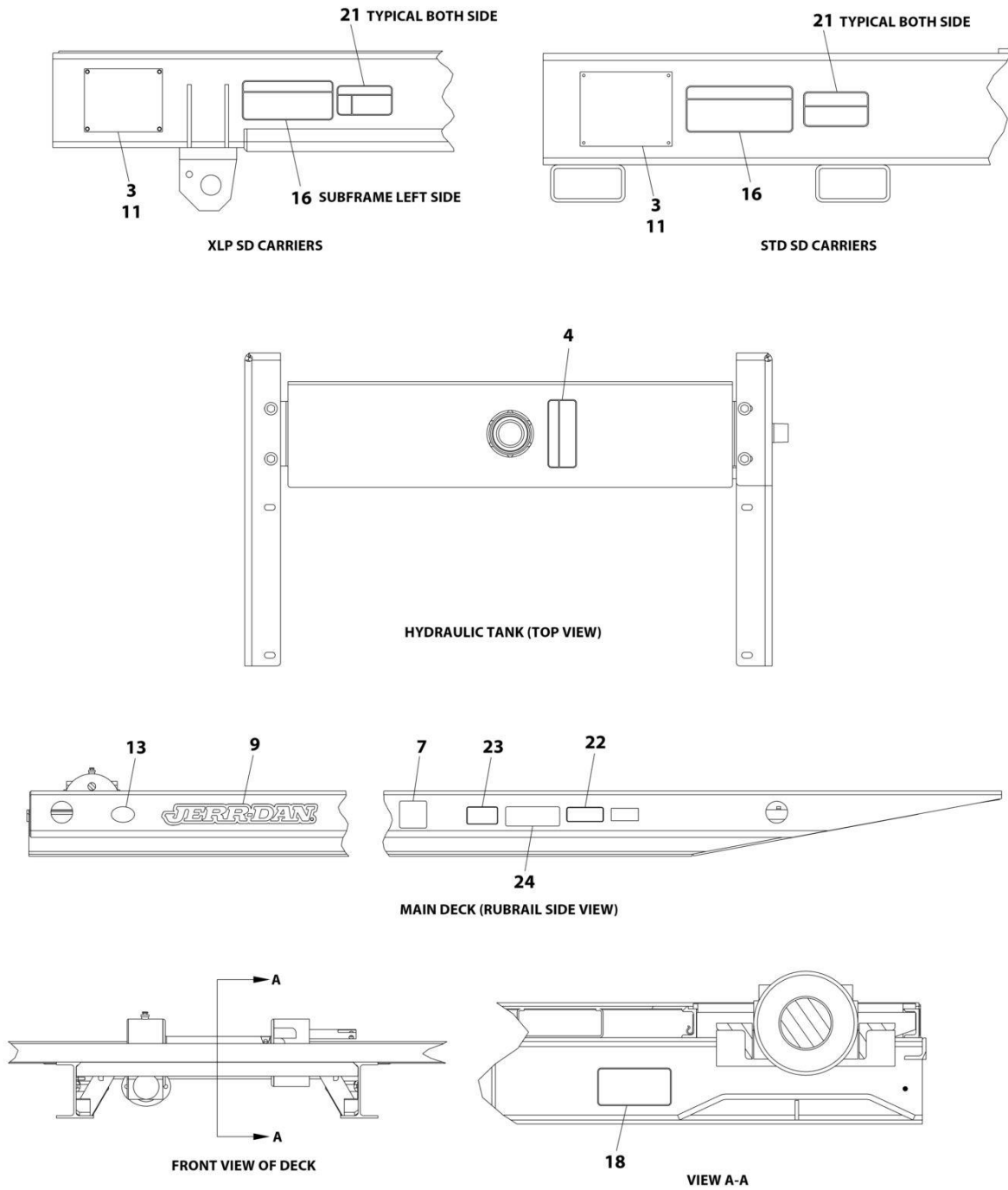
FIGURE 6-56. SIDE RECOVERY SYSTEM (SRS) HARNESS (WITH REMOTE CONTROL)

| ITEM | PART NUMBER | QTY | DESCRIPTION | REV |
|------|-------------|-----|--|-----|
| | 7552000413 | Ref | SIDE RECOVERY SYSTEM (SRS) HARNESS (WITH REMOTE CONTROL) | 0 |
| 1 | 4460933 | 1 | Plug, Male - 12 position | |
| 1 | 4460465 | 11 | Socket, Female | |
| 1 | 4460466 | 1 | Plug, Terminal | |
| 2 | | Ref | Terminal, Ring | |
| 3 | | Ref | Fuseholder | |
| 3 | | Ref | Fuse - 10Amp ATO | |
| 4 | 4460891 | 7 | Plug, Male - 2 Position | |
| 4 | 4460465 | 14 | Socket, Female | |
| 5 | 4460955 | 2 | Plug, Male - 2 Position | |
| 5 | 4460842 | 4 | Socket, Female | |

SECTION 7 - DECALS

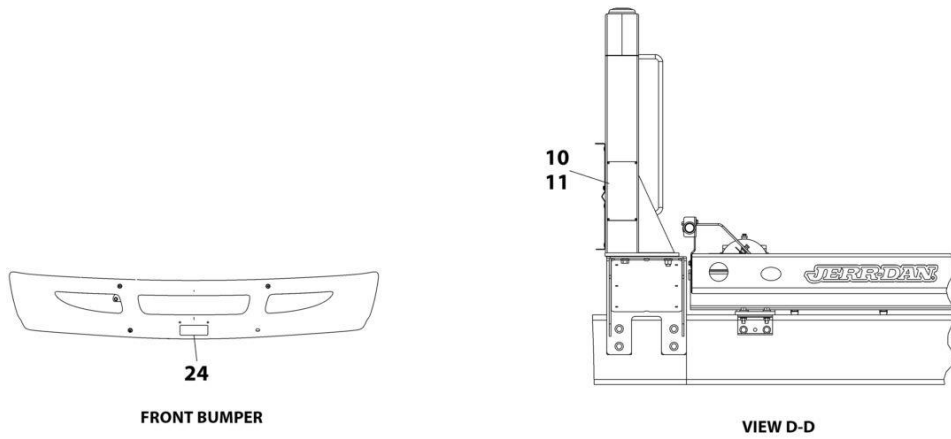
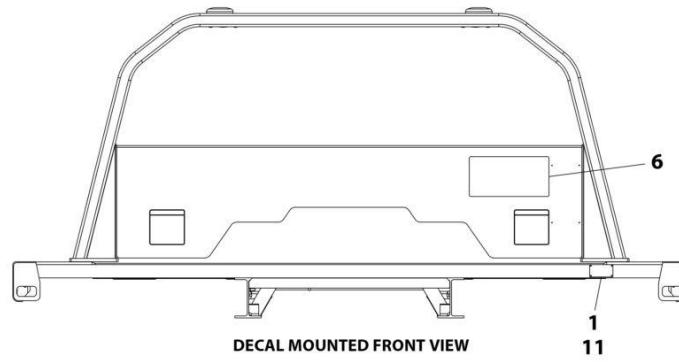
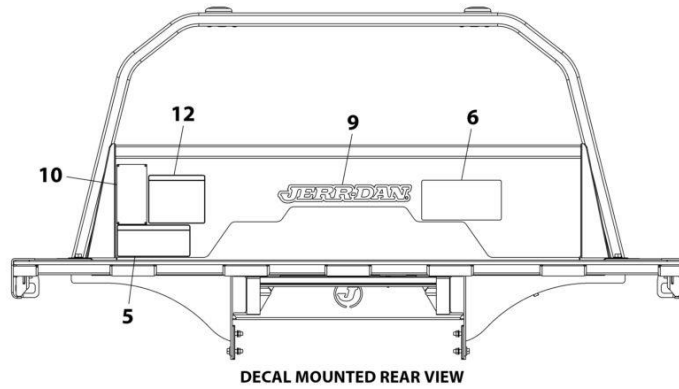
SECTION 7 - DECALS

FIGURE 7-1. STANDARD DUTY DECALS INSTALLATION



ART_233000038_1OF2

SECTION 7 - DECALS



ART_233000038_2OF2

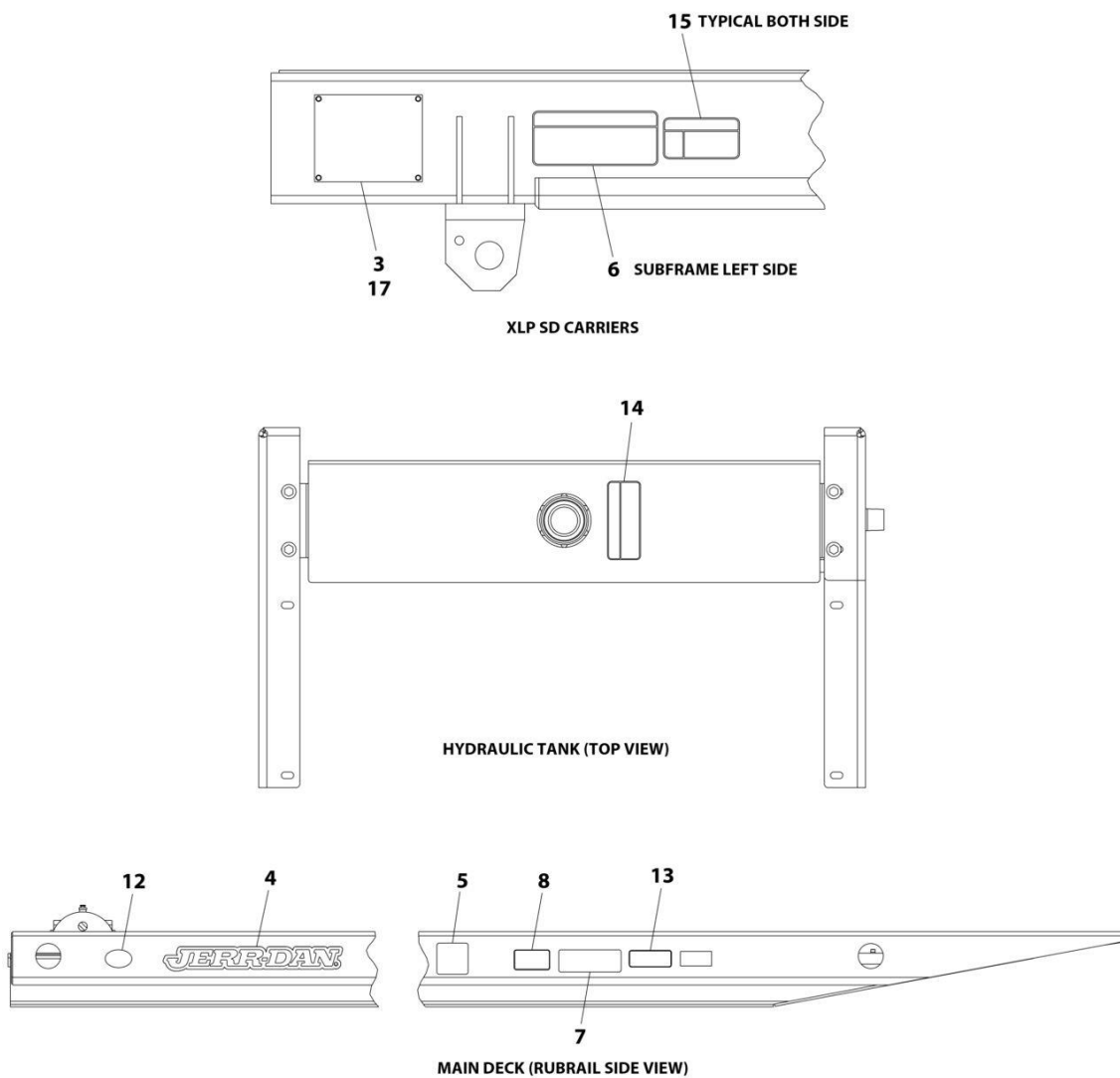
SECTION 7 - DECALS

FIGURE 7-1. STANDARD DUTY DECALS INSTALLATION

| ITEM | PART NUMBER | QTY | DESCRIPTION | REV |
|------|-------------|-----|------------------------------------|-----|
| | 2330000038 | Ref | STANDARD DUTY DECALS, INSTALLATION | O |
| 1 | 1001127221 | 1 | Decal - Ident Tag | |
| 2 | 7330000689 | 1 | Decal - Certification (Not Shown) | |
| 3 | 1001132766 | 1 | Decal - Patent/Subframe | |
| 4 | 7330000272 | 1 | Decal - Oil Level | |
| 5 | 1001190626 | 1 | Decal - Winch Warning | |
| 6 | 7330000478 | 1 | Decal - Lub Chart Bic | |
| 7 | 1001154689 | 2 | Decal - Arrow Rollback Tilt | |
| 9 | 1001153789 | 3 | Decal - Amber Reflect | |
| 10 | 1001132764 | 1 | Decal - S.T.A.R. Placard Carrier | |
| 11 | 7759000004 | 12 | Rivet | |
| 12 | 1001190625 | 1 | Decal - Checklist | |
| 13 | 7330000143 | 1 | Decal - Made in the USA | |
| 14 | 7330000139 | 1 | Decal - Wheel Lift (Not Shown) | |
| 16 | 1001168591 | 1 | Decal - Slide Pad Lubrication | |
| 18 | 7330000330 | 1 | Decal - Hose Track Carrier | |
| 21 | 7330000599 | 2 | Decal - Pinch Point | |
| 22 | 7330000176 | 3 | Decal - Air Suspension | |
| 23 | 1001231801 | 2 | Decal - Warning Prop 65 Diesel | |
| 24 | 1001230968 | 3 | Decal - Electrocution Hazard | |

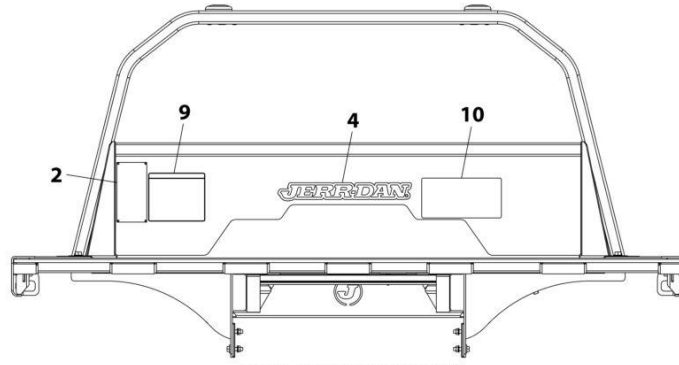
SECTION 7 - DECALS

FIGURE 7-2. STANDARD DUTY DECALS INSTALLATION (CARGO HAULER)

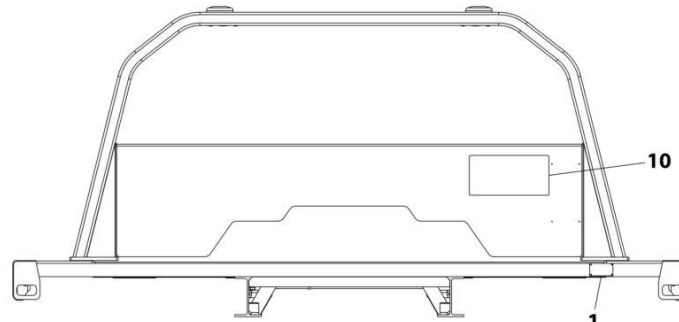


ART_1001264091_1OF2

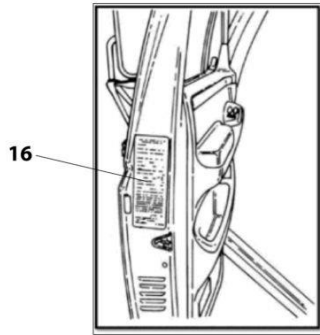
SECTION 7 - DECALS



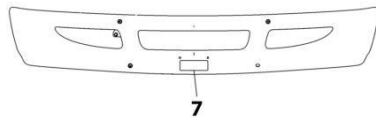
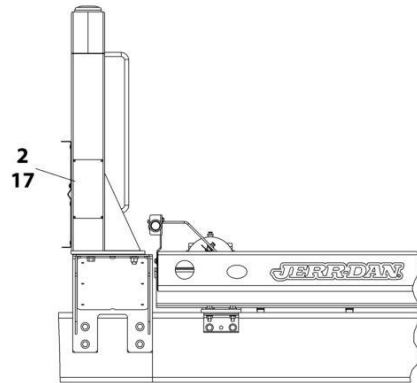
DECAL MOUNTED REAR VIEW



DECAL MOUNTED FRONT VIEW



CAB DOOR



FRONT BUMPER

ART_1001264091_20F2

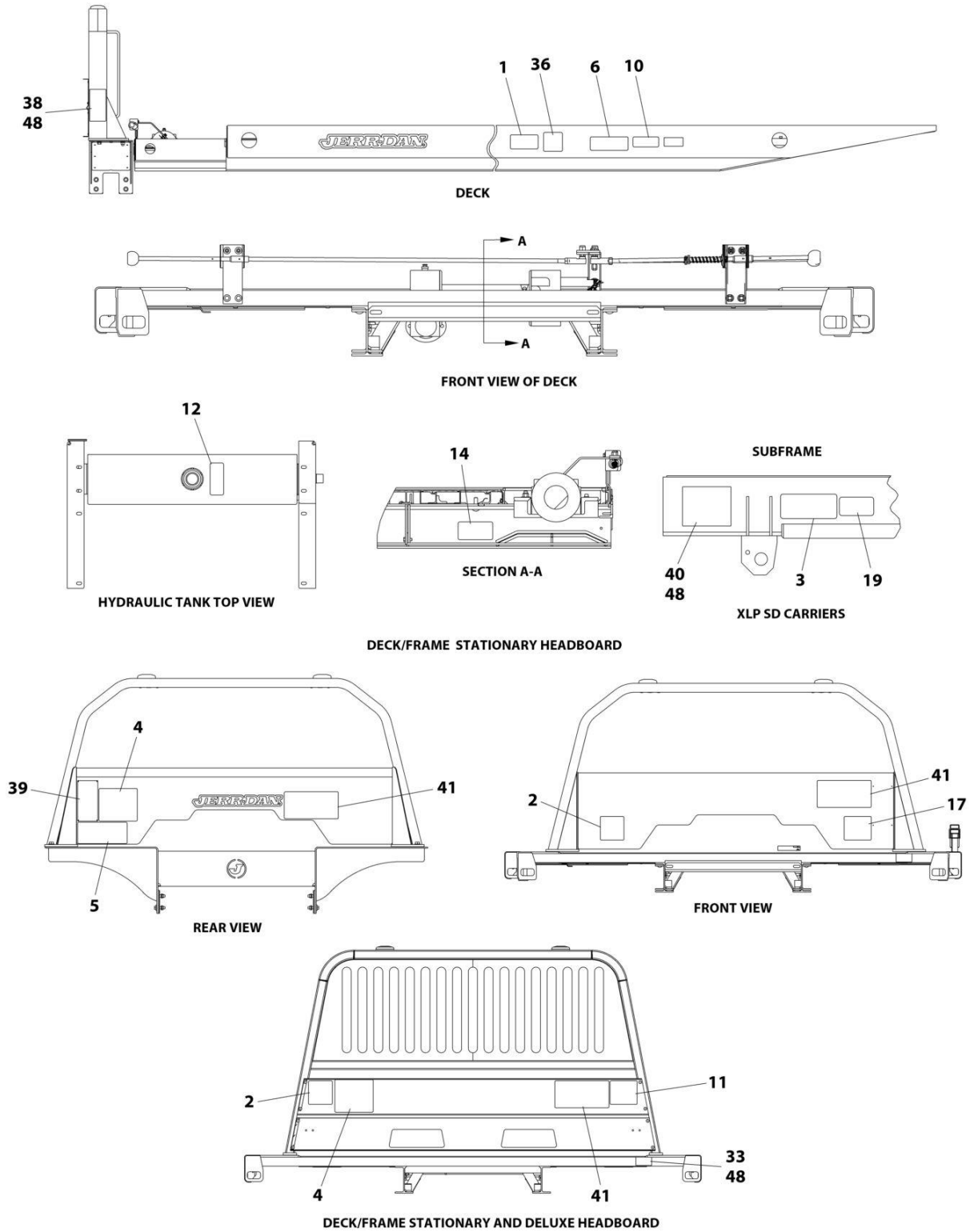
SECTION 7 - DECALS

FIGURE 7-2. STANDARD DUTY DECALS INSTALLATION (CARGO HAULER)

| ITEM | PART NUMBER | QTY | DESCRIPTION | REV |
|------|-------------|-----|--|-----|
| | 1001264091 | Ref | DECALS INSTALLATION - CARGO HAULER | A |
| 1 | 1001127221 | 1 | Decal - Ident Tag | |
| 2 | 1001132764 | 1 | Decal - S.T.A.R. Placard Carrier | |
| 3 | 1001132766 | 1 | Decal - Patent/Subframe | |
| 4 | 1001153789 | 3 | Decal - Amber Reflect | |
| 5 | 1001154689 | 2 | Decal - Arrow Rollback Tilt | |
| 6 | 1001168591 | 1 | Decal - Slide Pad Lubrication | |
| 7 | 1001230968 | 3 | Decal - Electrocution Hazard | |
| 8 | 1001231801 | 2 | Decal - Warning Prop 65 Diesel | |
| 9 | 1001264084 | 1 | Decal - Checklist | |
| 10 | 1001264085 | 1 | Decal - Lub Chart Bic | |
| 11 | 7330000139 | 1 | Decal - Wheel Lift (Not Shown) | |
| 12 | 7330000143 | 1 | Decal - Made in the USA | |
| 13 | 7330000176 | 3 | Decal - Air Suspension | |
| 14 | 7330000272 | 1 | Decal - Oil Level | |
| 15 | 7330000599 | 2 | Decal - Pinch Point | |
| 16 | 7330000689 | 1 | Decal - Certification | |
| 17 | 7759000004 | 12 | Rivet | |
| 50 | 1001265236 | 1 | Decal Kit - Cargo Hauler (Not Shown - Includes items 9,10 & PNs 1001264086, 1001264087 & 1001263057) | |

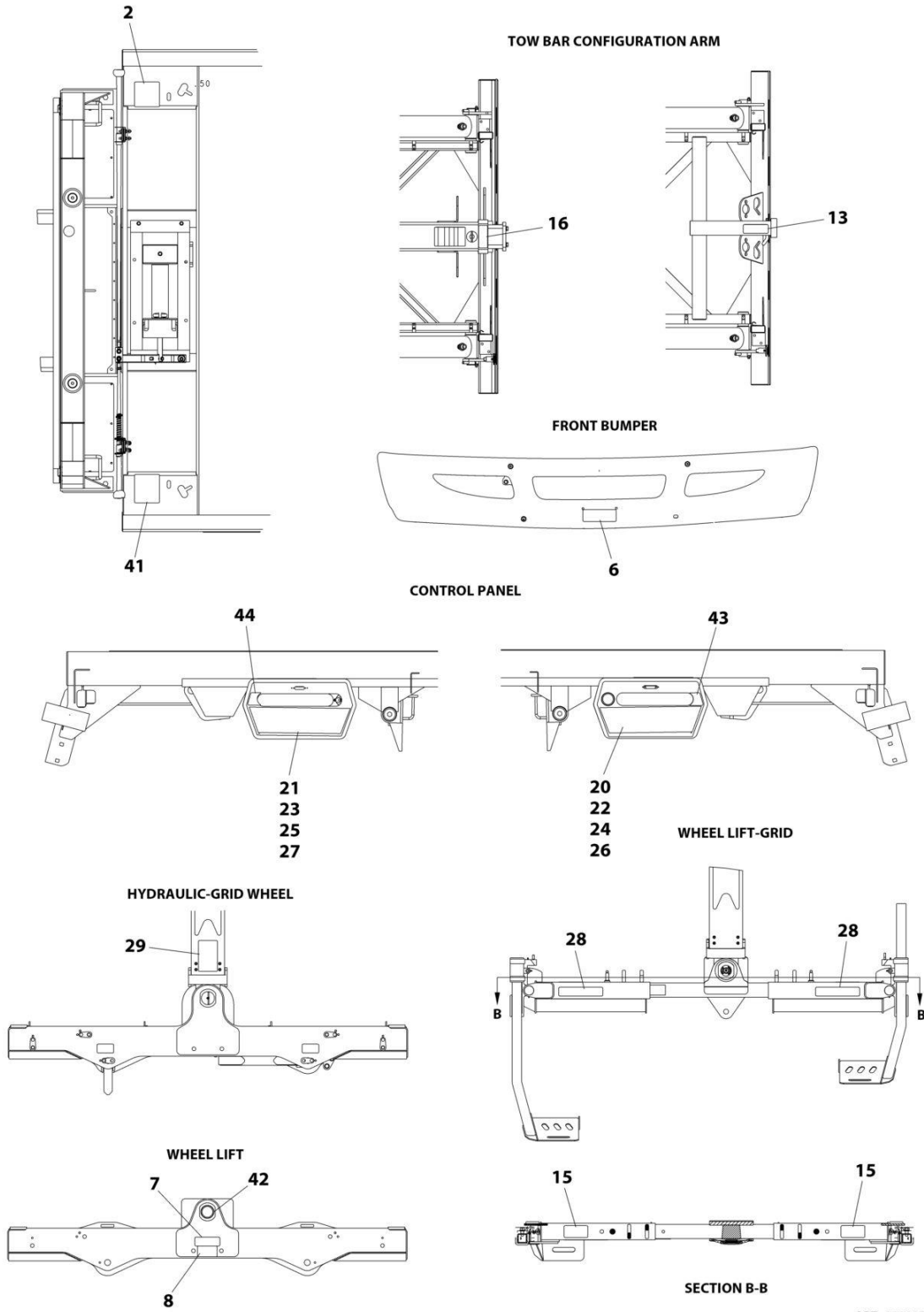
SECTION 7 - DECALS

FIGURE 7-3. CARRIER DECAL INSTALLATION, SPANISH



ART_1001270138_10F3

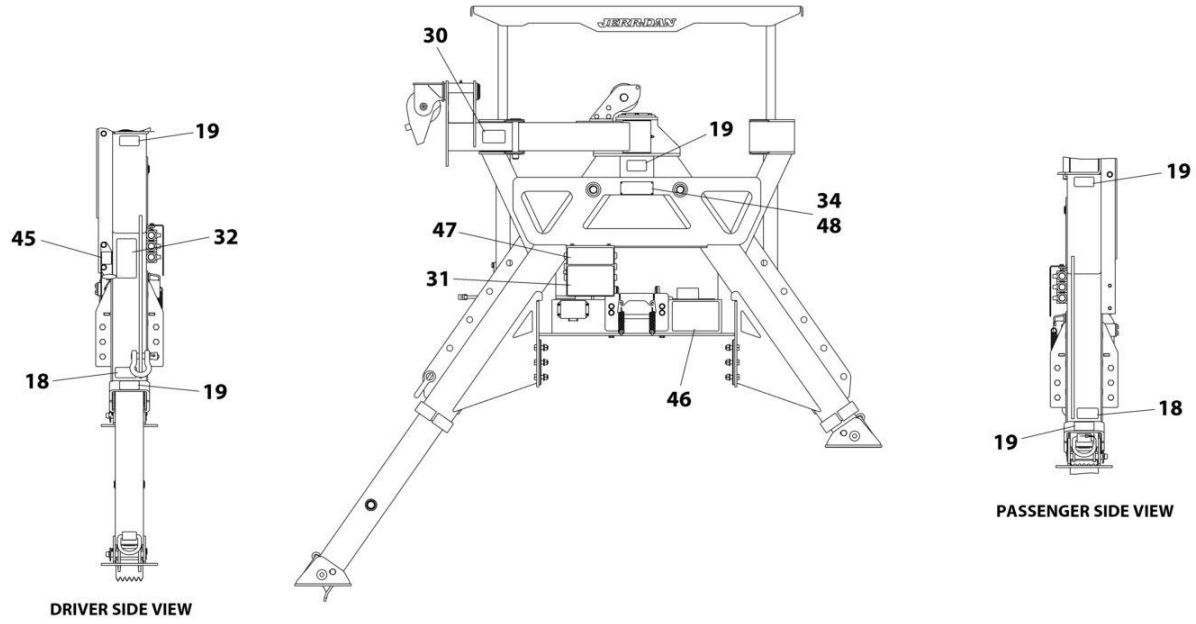
SECTION 7 - DECALS



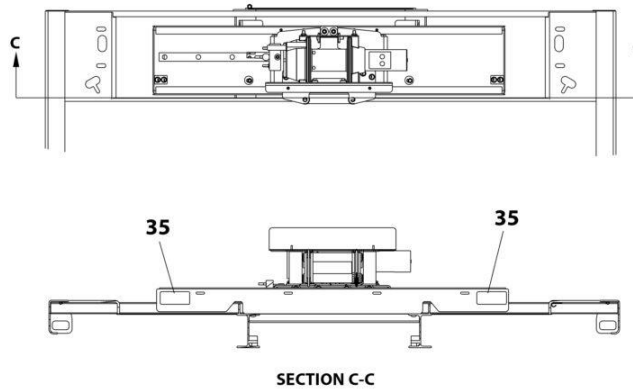
ART_1001270138_20F3

SECTION 7 - DECALS

SIDE RECOVERY SYSTEM



SLIDING WINCH



ART_1001270138_30F3

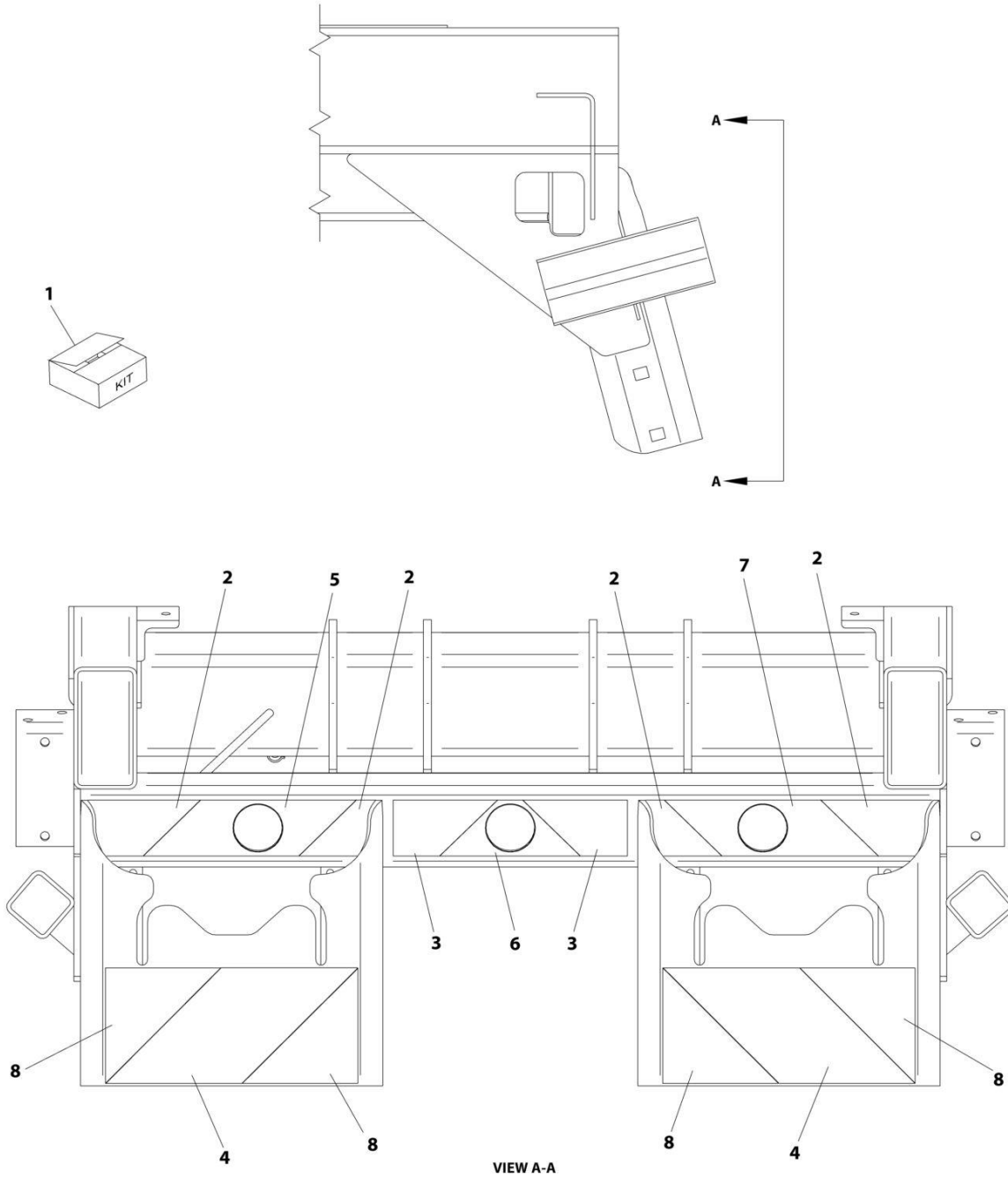
SECTION 7 - DECALS

FIGURE 7-3. CARRIER DECAL INSTALLATION, SPANISH

| ITEM | PART NUMBER | QTY | DESCRIPTION | REV |
|------|-------------|-----|--|-----|
| | 1001270138 | Ref | CARRIER DECAL INSTALLATION - SPANISH | B |
| 1 | 1001268618 | 2 | Decal - Ladder Carrier | |
| 2 | 1001268619 | 1 | Decal - Dual Free Spool Release | |
| 3 | 1001268620 | 1 | Decal - Slide Pad Lubrication | |
| 4 | 1001268621 | 1 | Decal - Winch Warning | |
| 5 | 1001268622 | 1 | Decal - Winch Warning | |
| 6 | 1001268623 | 3 | Decal - Electrocutation Hazard | |
| 7 | 1001268624 | 1 | Decal - Wheel Lift | |
| 8 | 1001268625 | 1 | Decal - Hitch on Wheel lift | |
| 9 | 1001268626 | 1 | Decal - Wheel Lift (Not Shown) | |
| 10 | 1001268627 | 3 | Decal - Air Suspension | |
| 11 | 1001268628 | 1 | Decal - Free Spool Release | |
| 12 | 1001268629 | 1 | Decal - Oil Level | |
| 13 | 1001268630 | 1 | Decal - Wheel Lift | |
| 14 | 1001268631 | 1 | Decal - Hose Track Carrier | |
| 15 | 1001268635 | 2 | Decal - T37 Patent 3-1/2 in | |
| 16 | 1001268636 | 1 | Decal - Tow Boom Configuration | |
| 17 | 1001268637 | 1 | Decal - Free Spool Release Stat Hybrid | |
| 18 | 1001268638 | 2 | Decal - Outrigger/Stabilizer | |
| 19 | 1001268639 | 7 | Decal - Pinch Point | |
| 20 | 1001268640 | 1 | Decal - Control Panel 5 Bank | |
| 21 | 1001268641 | 1 | Decal - Control Panel 5 Bank | |
| 22 | 1001268642 | 1 | Decal - Control Panel Stabilizer | |
| 23 | 1001268643 | 1 | Decal - Control Panel Stabilizer | |
| 24 | 1001268644 | 1 | Decal - Control Panel 6 Bank | |
| 25 | 1001268645 | 1 | Decal - Control Panel 6 Bank | |
| 26 | 1001268646 | 1 | Decal - Control Panel 6 Bank | |
| 27 | 1001268647 | 1 | Decal - Control Panel 6 Bank | |
| 28 | 1001268648 | 2 | Decal - Safety | |
| 29 | 1001268649 | 1 | Decal - Safety | |
| 30 | 1001268650 | 2 | Decal - Pivoting Boom | |
| 31 | 1001268651 | 1 | Decal - Winch Warning | |
| 32 | 1001268652 | 1 | Decal - Safety | |
| 33 | 1001268654 | 1 | Decal - Ident Tag | |
| 34 | 1001268655 | 1 | Decal - Ident Tag | |
| 35 | 1001268656 | 2 | Decal - Sliding Winch Warning | |
| 36 | 1001268657 | 2 | Decal - Arrow Rollback Tilt | |
| 37 | 1001268658 | 1 | Decal - Lub Chart Greased Option (Not Shown) | |
| 38 | 1001268659 | 1 | Decal - Placard Carrier | |
| 39 | 1001268660 | 1 | Decal - Structural Capacity | |
| 40 | 1001268661 | 1 | Decal - Patent/Subframe I.D. | |
| 41 | 1001268662 | 1 | Decal - Lube Chart (Lube Free Joints) | |
| 42 | 1001268663 | 1 | Decal - Grease Required | |
| 43 | 1001268664 | 1 | Decal - Air Free Spool Control Hood LH | |
| 44 | 1001268665 | 1 | Decal - Air Free Spool Control Hood RH | |
| 45 | 1001268666 | 1 | Decal - Winch Free Spool (T-Handle) | |
| 46 | 1001268667 | 1 | Decal - Lubrication (SRS) | |
| 47 | 1001268668 | 1 | Decal - Valve Manual Override | |
| 48 | 7759000004 | 16 | Pop Rivet | |

SECTION 7 - DECALS

FIGURE 7-4. HIGH VISIBILITY REFLECTIVE TAPE



ART_1001203303

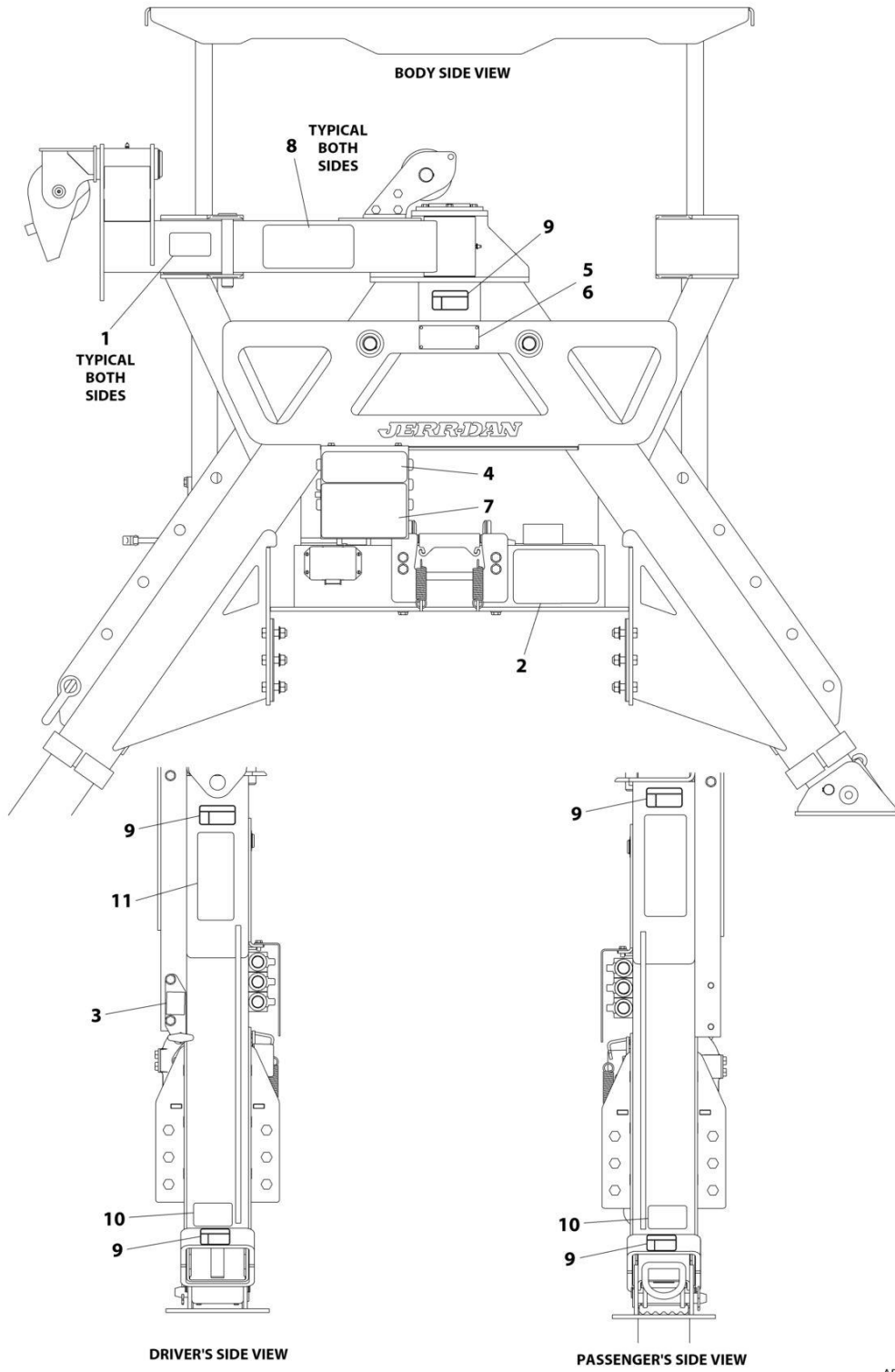
SECTION 7 - DECALS

FIGURE 7-4. HIGH VISIBILITY REFLECTIVE TAPE

| ITEM | PART NUMBER | QTY | DESCRIPTION | REV |
|------|-------------|-----|---|-----|
| | 1001203303 | Ref | High Visibility Reflective Tape Intallation | A |
| 1 | 1001203302 | 1 | Decal - Conspicuity Tape Kit (Includes Items 2-8) | |
| 2 | 1001203295 | 1 | Tape, Yellow | |
| 3 | 1001203296 | 1 | Tape, Yellow | |
| 4 | 1001203297 | 1 | Tape, Yellow | |
| 5 | 1001203298 | 1 | Tape, Red | |
| 6 | 1001203299 | 1 | Tape, Red | |
| 7 | 1001203300 | 1 | Tape, Red | |
| 8 | 1001203301 | 1 | Tape, Red | |

SECTION 7 - DECALS

FIGURE 7-5. DECAL INSTALLATION AND RELOCATION



ART_233000068

SECTION 7 - DECALS

FIGURE 7-5. DECAL INSTALLATION AND RELOCATION

| ITEM | PART NUMBER | QTY | DESCRIPTION | REV |
|------|-------------|-----|---|-----|
| | 2330000068 | Ref | DECAL INSTALLATION - SIDE RECOVERY SYSTEM | A |
| 1 | 7330000708 | 2 | Decal, Warning | |
| 2 | 7330000709 | 1 | Decal, Lubrication | |
| 3 | 7330000707 | 1 | Decal, Winch Free Spool | |
| 4 | 7330000711 | 1 | Decal, Valve Manual Override | |
| 5 | 7330000710 | 1 | Decal, Seal | |
| 6 | 7759000004 | 4 | Rivet | |
| 7 | 7330000713 | 1 | Decal, Winch Warning | |
| 8 | 7330000714 | 2 | Decal, SRS Logo | |
| 9 | 7330000599 | 5 | Decal, Pinch Point | |
| 10 | 7330000580 | 2 | Decal, Outrigger | |
| 11 | 7330000723 | 1 | Decal, Safety | |

SECTION 8 - ACCESSORIES

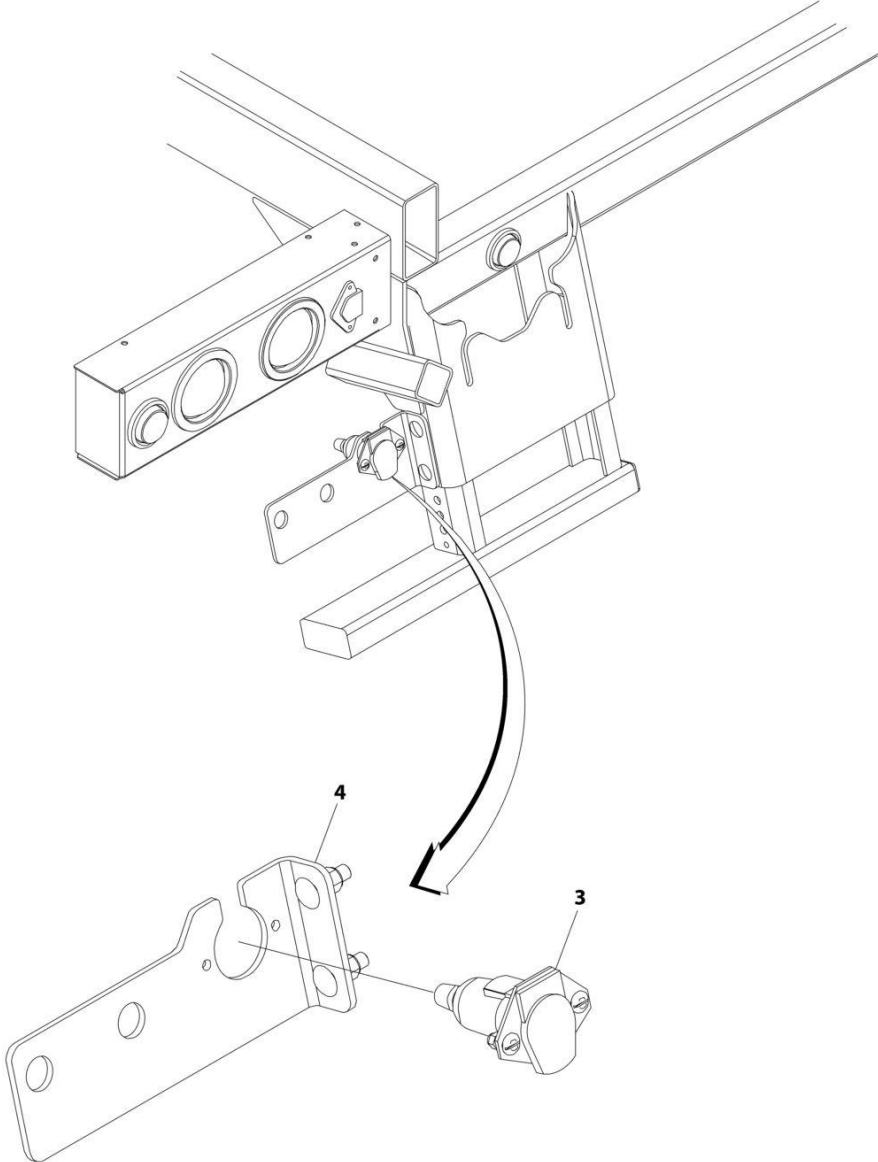
SECTION 8 - ACCESSORIES

FIGURE 8-1. KITS LIST

| ITEM | PART NUMBER | QTY | DESCRIPTION | REV |
|------|-------------|-----|---|-----|
| | 1001241870 | Ref | KITS LIST | K |
| | | Ref | Note: Contact JERR-DAN Parts Department for exact contents of kit: | |
| | 1001262545 | Ref | Chain Rack Kit - Non-Locking (Standard Headboard) (Includes Rack & Attaching Hardware) | |
| | 1001262546 | Ref | Chain Rack Kit - Non-Locking (Deluxe Headboard) (Includes Rack & Attaching Hardware) | |
| | 1001265255 | Ref | Chain Rack Kit - Locking (Standard Headboard) (Includes Rack & Attaching Hardware) | |
| | 1001262544 | Ref | Chain Rack Kit - Locking (Deluxe Headboard) (Includes Rack & Attaching Hardware) | |
| | 1001265236 | Ref | Decal Kit - Cargo Hauler | |
| | 1001187663S | Ref | Free Spool Kit - Single Winch (8000-10000 LBS) | |
| | 1001266452 | Ref | Maintenance Kit - 9FT Carrier (Includes Hydraulic Filter Element, Wheel Lift Wear Pads, Slide Pads, Hold Down Wear Pads, Arrow Decals, Controls Placards & Attaching Hardware) | |
| | 1001266453 | Ref | Maintenance Kit -19-22FT Carrier Low Profile (Includes Hydraulic Filter Element, Wheel Lift Wear Pads, Slide Pads, Hold Down Wear Pads, Arrow Decals, Controls Placards & Attaching Hardware) | |
| | 1001266454 | Ref | Maintenance Kit - 20-21FT Carrier (Includes Hydraulic Filter Element, Wheel Lift Wear Pads, Slide Pads, Hold Down Wear Pads, Arrow Decals, Controls Placards & Attaching Hardware) | |
| | 1001269378 | Ref | Pin Kit (Provides Greaseable Pivot Pin) | |
| | 3249000004S | Ref | Roller Cable Guide Kit | |
| | 9577000226 | Ref | Slide Pad Kit - 19FT Carrier | |
| | 9577000227 | Ref | Slide Pad Kit - 20-21FT Carrier | |
| | 1001257906 | Ref | Subframe Saddle Bracket Kit (Includes Saddle Bracket, Shims & Attaching Hardware) | |

SECTION 8 - ACCESSORIES

FIGURE 8-2. 7-WAY ELECTRICAL CONNECTOR



ART_A7WCON

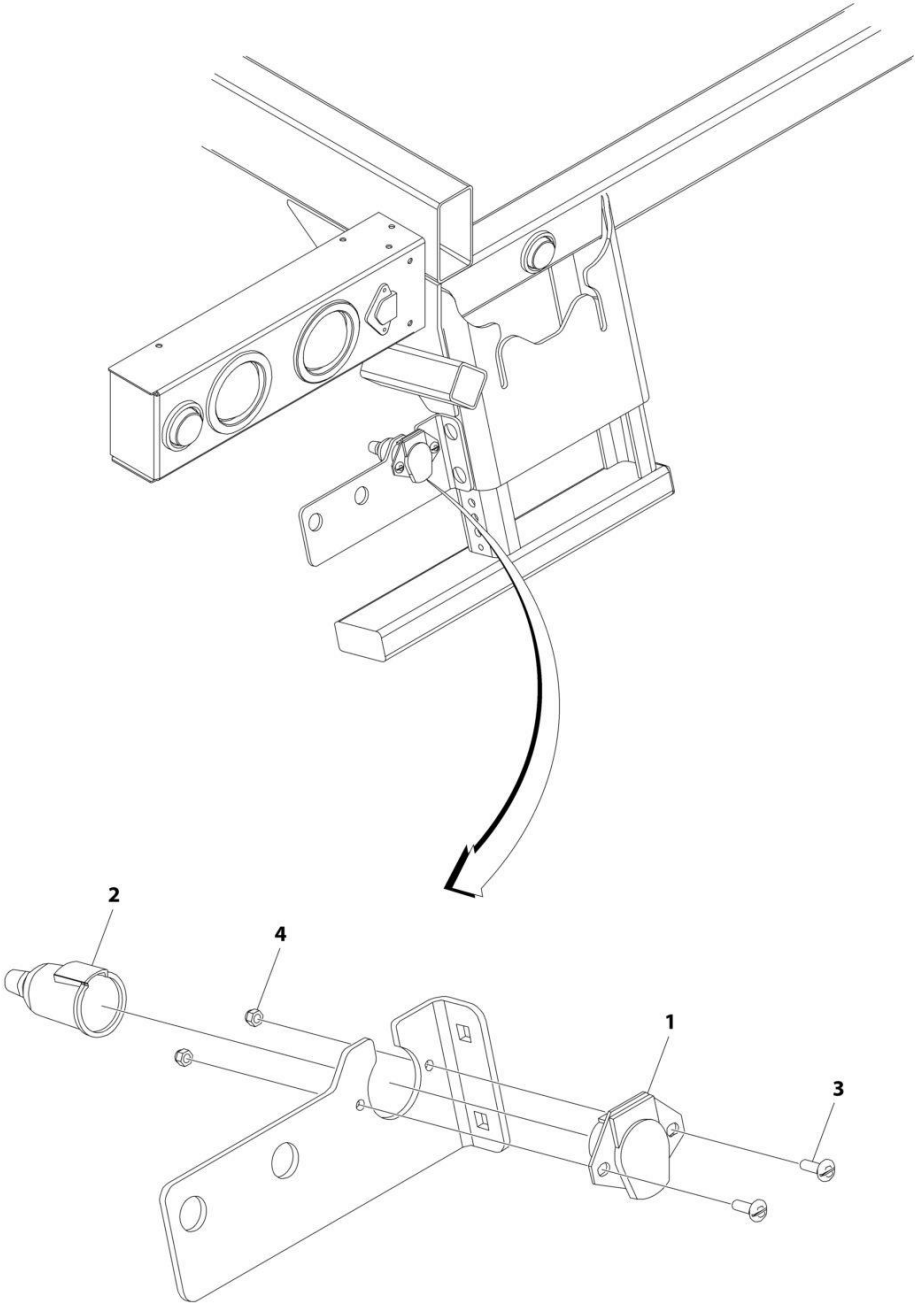
SECTION 8 - ACCESSORIES

FIGURE 8-2. 7-WAY ELECTRICAL CONNECTOR

| ITEM | PART NUMBER | QTY | DESCRIPTION | REV |
|------|-------------|-----|---|-----|
| | A7WCON | Ref | 7 Way Electric Connector Installation | 0 |
| 1 | 7346000132 | 1 | Electrical Adapter 7 to 4 way (Not Shown) | |
| 2 | 7346000157 | 1 | Electrical Adapter 7 to 6 way (Not Shown) | |
| 3 | 2346000008 | 1 | 7-Way Electrical Connector (See Separate Breakdown in this Section) | |
| 4 | 2178000037 | Ref | Glad Hands Bracket Installation | |
| 4 | 4178000666 | 1 | Bracket | |
| 4 | 7115181464 | 2 | Bolt 1/2 x 1-3/4 | |
| 4 | 7660182601 | 2 | Nut 1/2 | |

SECTION 8 - ACCESSORIES

FIGURE 8-3. 7-WAY ELECTRICAL INSTALLATION



ART_234600008

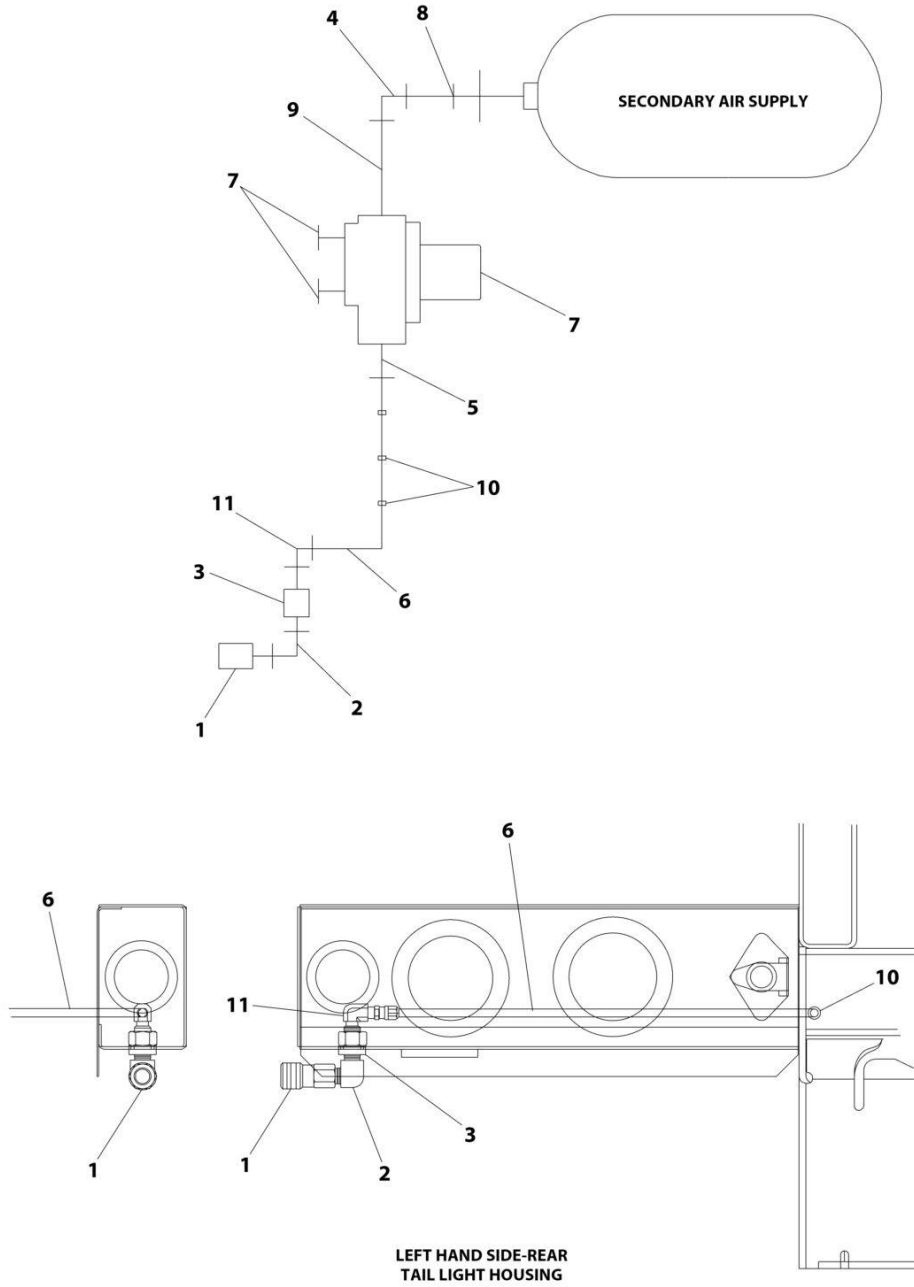
SECTION 8 - ACCESSORIES

FIGURE 8-3. 7-WAY ELECTRICAL INSTALLATION

| ITEM | PART NUMBER | QTY | DESCRIPTION | REV |
|------|-------------|-----|-------------------------------------|-----|
| | 2346000008 | Ref | 7-Way Electrical Connector | 0 |
| 1 | 7346000055 | 1 | Electrical Receptacle 7-way Connect | |
| 2 | 7346000078 | 1 | Electrical Boot | |
| 3 | 7111150813 | 2 | Screw 5/16 x 1 | |
| 4 | 7660152601 | 2 | Nut 5/16 | |

SECTION 8 - ACCESSORIES

FIGURE 8-4. AIR SUPPLY DISCONNECT



ART_2002000009

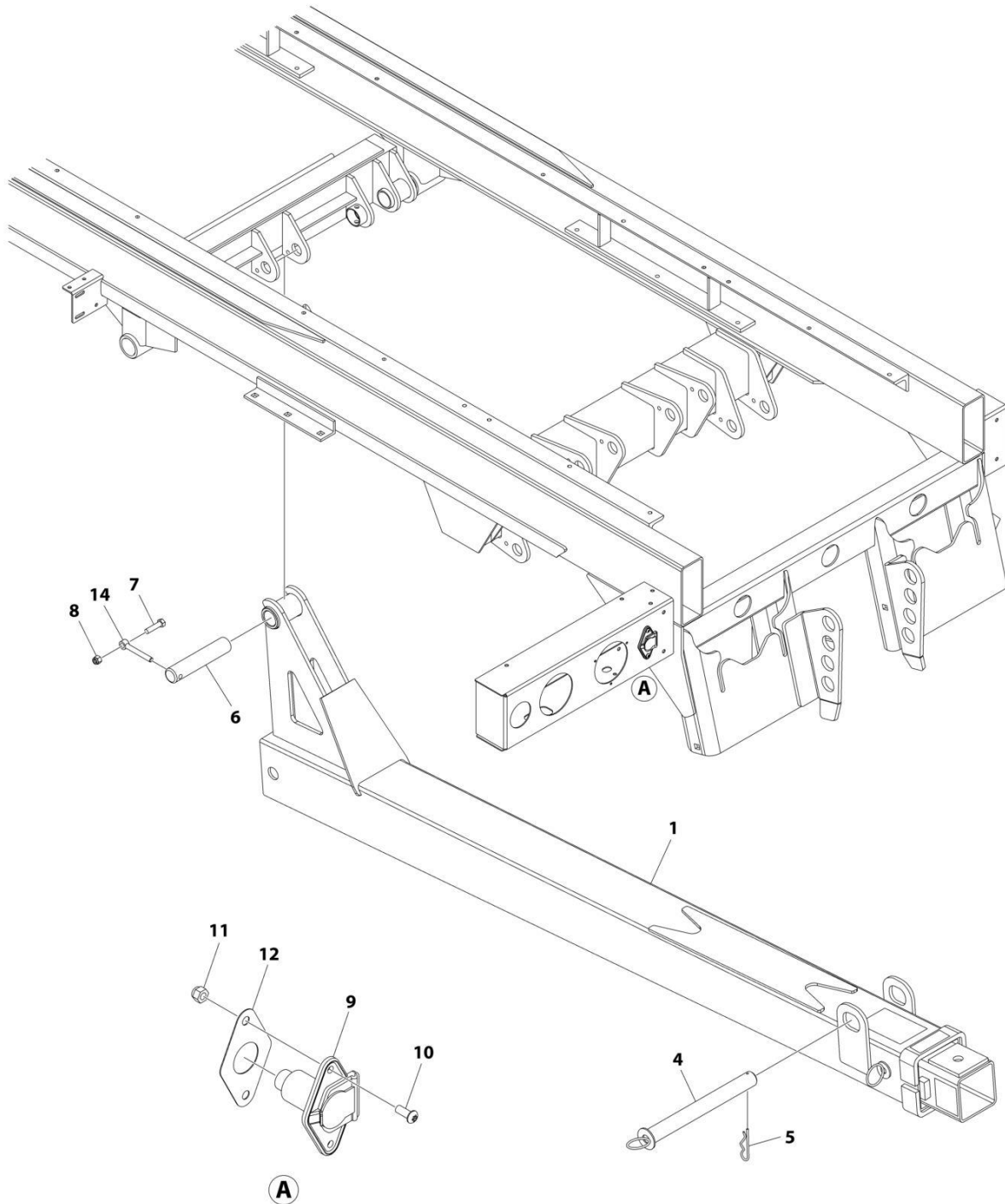
SECTION 8 - ACCESSORIES

FIGURE 8-4. AIR SUPPLY DISCONNECT

| ITEM | PART NUMBER | QTY | DESCRIPTION | REV |
|------|-------------|-----|----------------------------|-----|
| | 2002000009 | Ref | AIR SUPPLY DISCONNECT | E |
| 1 | 7312000017 | 1 | Fitting, Coupling | |
| 2 | 7445080853 | 1 | Fitting, 90 | |
| 3 | 7446502518 | 1 | Fitting | |
| 4 | 7443000155 | 1 | Fitting, 90 | |
| 5 | 7446060435 | 2 | Tube | |
| 6 | 7565000014 | 32 | Tubing, Airline | |
| 7 | 7935000120 | 1 | Valve, Pressure Protection | |
| 8 | 7443000154 | 1 | Bushing | |
| 9 | 7443000156 | 1 | Fitting, Nipple | |
| 10 | 7894000031 | 6 | Tie-Strap | |
| 11 | 7443000366 | 1 | Fitting, Tube | |

SECTION 8 - ACCESSORIES

FIGURE 8-5. BOOM INSTALLATION - BALL HITCH (HYDRAULIC)



ART_217000087

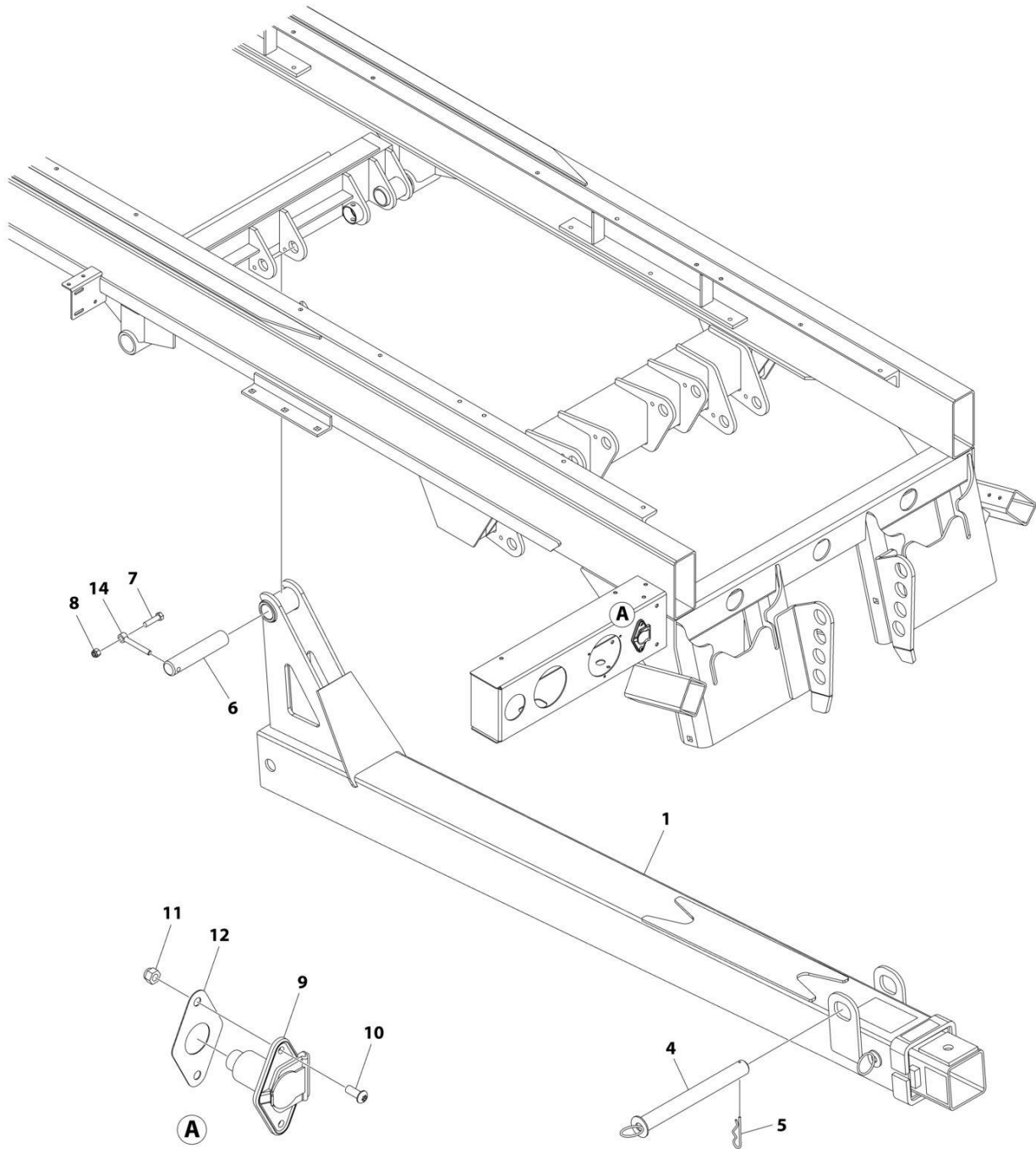
SECTION 8 - ACCESSORIES

FIGURE 8-5. BOOM INSTALLATION - BALL HITCH (HYDRAULIC)

| ITEM | PART NUMBER | QTY | DESCRIPTION | REV |
|------|-------------|-----|--|-----|
| | 2170000087 | Ref | TOW HITCH BOOM INSTALLATION - BALL HITCH (HYDRAULIC) | D |
| 1 | 3170000308 | 1 | Boom Assembly (See Separate Breakdown in this Section) | |
| 4 | 3691000097 | 1 | Pin | |
| 5 | 7691000001 | 1 | Hairpin | |
| 6 | 1001188129 | 1 | Pin | |
| 7 | 0641612 | 1 | Bolt 3/8 x 1-1/2 | |
| 8 | 3300492 | 1 | Nut 3/8 | |
| 9 | 7291000010 | 1 | Female Receptacle | |
| 10 | 7114140528 | 2 | Screw 1/4 x 5/8 | |
| 11 | 7660142601 | 2 | Nut 1/4 | |
| 12 | 7796000048 | 1 | Gasket | |
| 14 | 3841143 | 1 | Keeper | |

SECTION 8 - ACCESSORIES

FIGURE 8-6. BOOM INSTALLATION - BALL HITCH (MANUAL)



ART_217000088

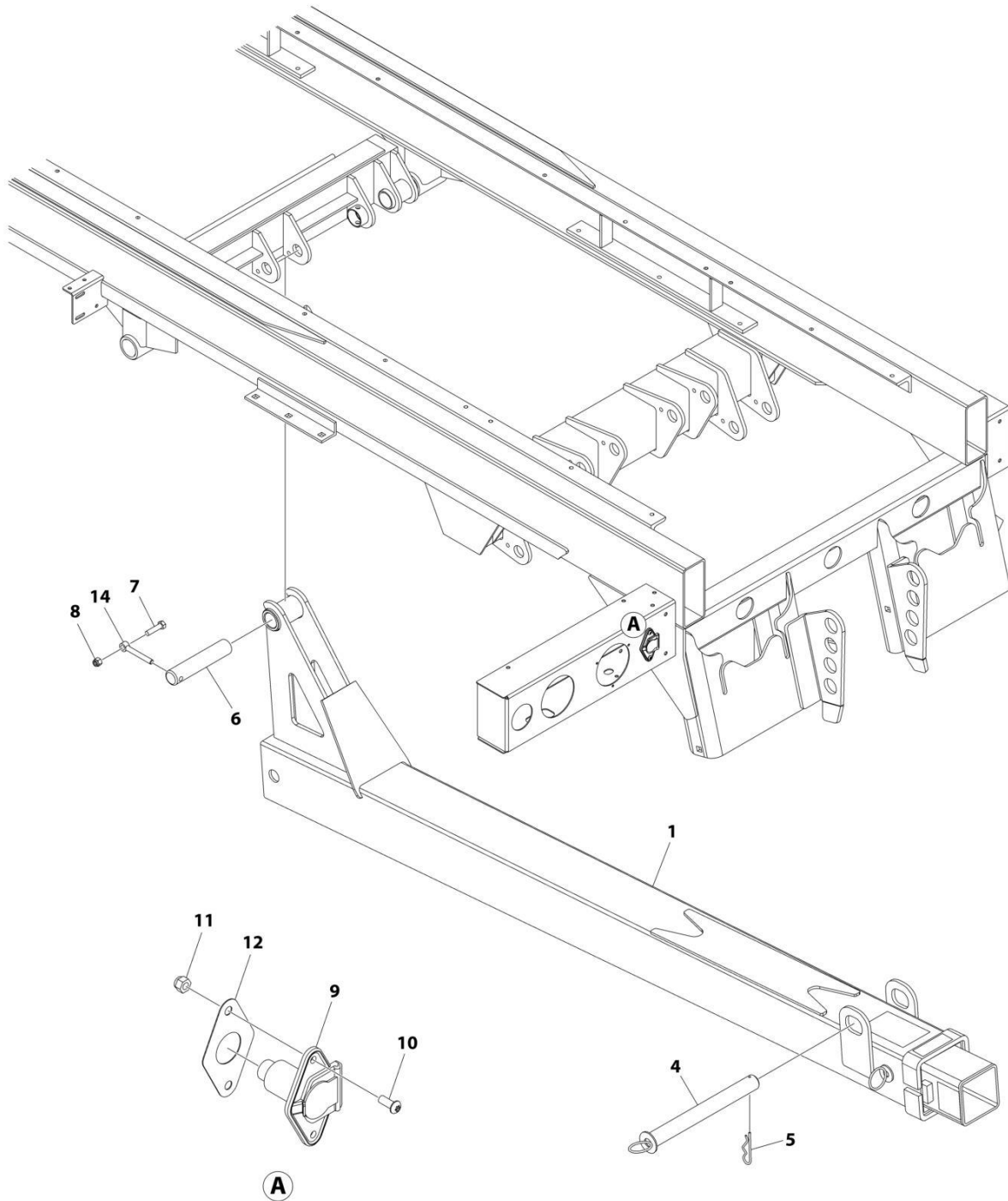
SECTION 8 - ACCESSORIES

FIGURE 8-6. BOOM INSTALLATION - BALL HITCH (MANUAL)

| ITEM | PART NUMBER | QTY | DESCRIPTION | REV |
|------|-------------|-----|--|-----|
| | 2170000088 | Ref | TOW HITCH BOOM INSTALLATION - BALL HITCH (MANUAL) | D |
| 1 | 3170000309 | 1 | Boom Assembly (See Separate Breakdown in this Section) | |
| 4 | 3691000097 | 1 | Pin | |
| 5 | 7691000001 | 1 | Hairpin | |
| 6 | 1001188129 | 1 | Pin | |
| 7 | 0641612 | 1 | Bolt 3/8 x 1-1/2 | |
| 8 | 3300492 | 1 | Nut 3/8 | |
| 9 | 7291000010 | 1 | Female Receptacle | |
| 10 | 7114140528 | 2 | Screw 1/4 x 5/8 | |
| 11 | 7660142601 | 2 | Nut 1/4 | |
| 12 | 7796000048 | 1 | Gasket | |
| 14 | 3841143 | 1 | Keeper | |

SECTION 8 - ACCESSORIES

FIGURE 8-7. BOOM INSTALLATION - PINTLE HITCH (HYDRAULIC)



ART_217000089

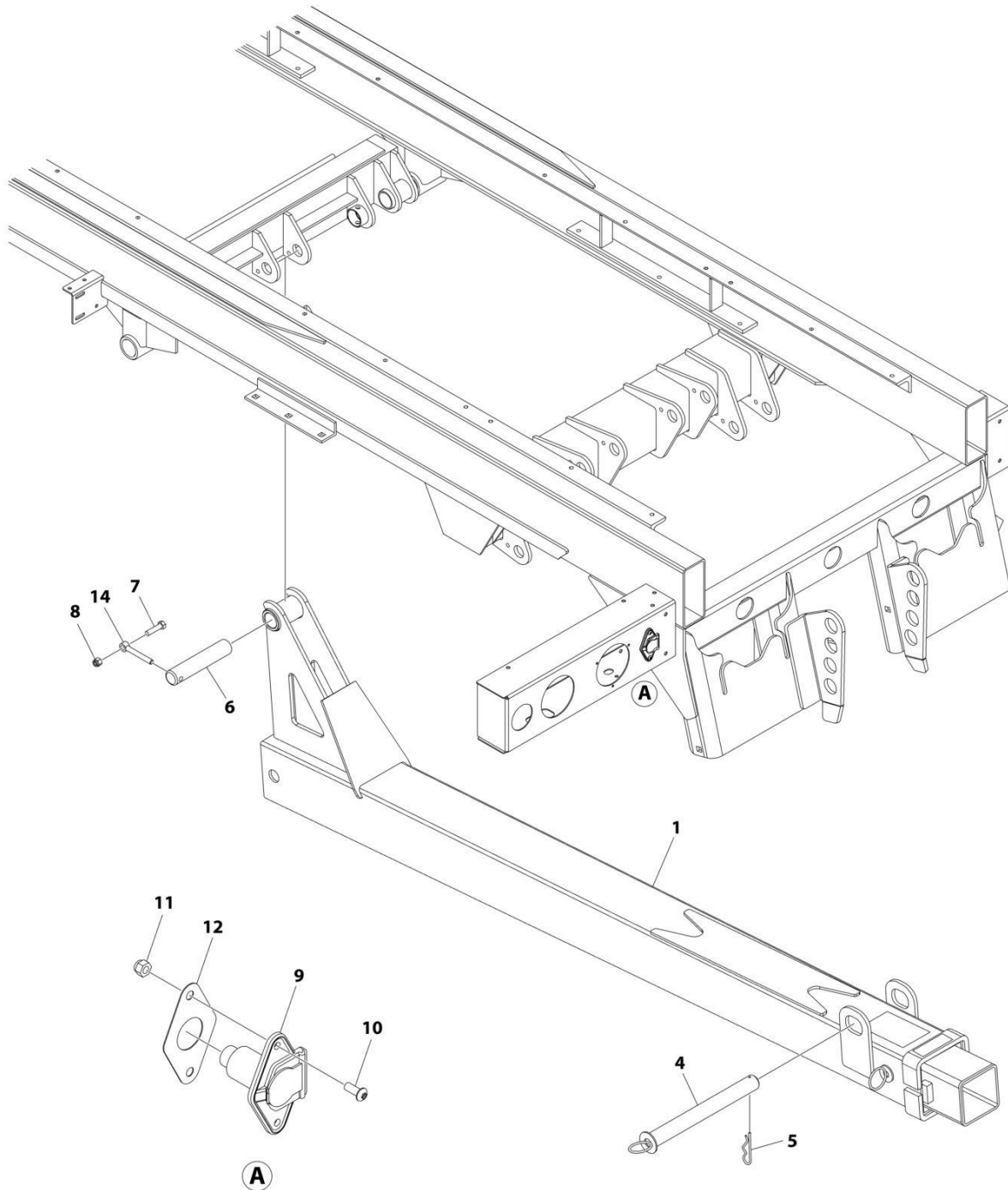
SECTION 8 - ACCESSORIES

FIGURE 8-7. BOOM INSTALLATION - PINTLE HITCH (HYDRAULIC)

| ITEM | PART NUMBER | QTY | DESCRIPTION | REV |
|------|-------------|-----|--|-----|
| | 2170000089 | Ref | TOW HITCH BOOM INSTALLATION - PINTLE HITCH (HYDRAULIC) | D |
| 1 | 3170000311 | 1 | Boom Assembly (See Separate Breakdown in this Section) | |
| 4 | 3691000097 | 1 | Pin | |
| 5 | 7691000001 | 1 | Hiarpin | |
| 6 | 1001188129 | 1 | Pin | |
| 7 | 0641612 | 1 | Bolt 3/8 x 1-1/2 | |
| 8 | 3300492 | 1 | Nut 3/8 | |
| 9 | 7291000010 | 1 | Female Receptacle | |
| 10 | 7114140528 | 2 | Screw 1/4 x 5/8 | |
| 11 | 7660142601 | 2 | Nut 1/4 | |
| 12 | 7796000048 | 1 | Gasket | |
| 14 | 3841143 | 1 | Keeper | |

SECTION 8 - ACCESSORIES

FIGURE 8-8. BOOM INSTALLATION, PINTLE HITCH (MANUAL)



ART_217000090

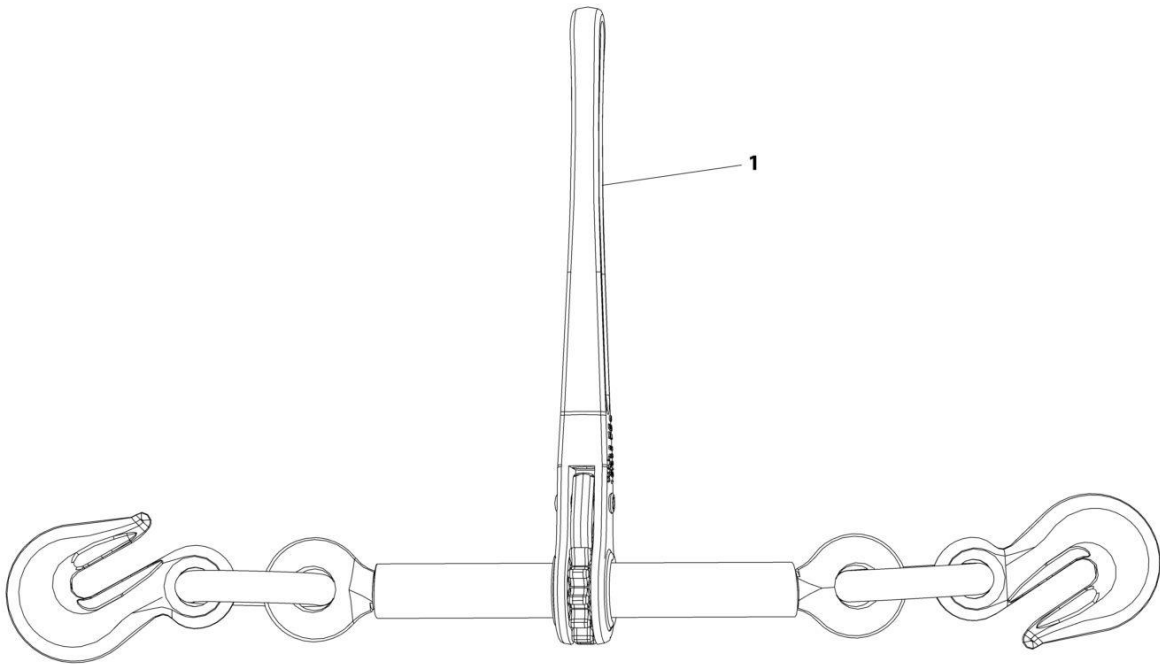
SECTION 8 - ACCESSORIES

FIGURE 8-8. BOOM INSTALLATION, PINTLE HITCH (MANUAL)

| ITEM | PART NUMBER | QTY | DESCRIPTION | REV |
|------|-------------|-----|--|-----|
| | 2170000090 | Ref | TOW HITCH BOOM INSTALLATION - PINTLE HITCH (MANUAL) | D |
| 1 | 3170000312 | 1 | Boom Assembly (See Separate Breakdown in this Section) | |
| 4 | 3691000097 | 1 | Pin | |
| 5 | 7691000001 | 1 | Hairpin | |
| 6 | 1001188129 | 1 | Pin | |
| 7 | 0641612 | 1 | Bolt 3/8 x 1-1/2 | |
| 8 | 3300492 | 1 | Nut 3/8 | |
| 9 | 7291000010 | 1 | Female Receptacle | |
| 10 | 7114140528 | 2 | Screw 1/4 x 5/8 | |
| 11 | 7660142601 | 2 | Nut 1/4 | |
| 12 | 7796000048 | 1 | Gasket | |
| 14 | 3841143 | 1 | Keeper | |

SECTION 8 - ACCESSORIES

FIGURE 8-9. CHAIN BINDER, 1/2IN CHAIN



ART_CHB50

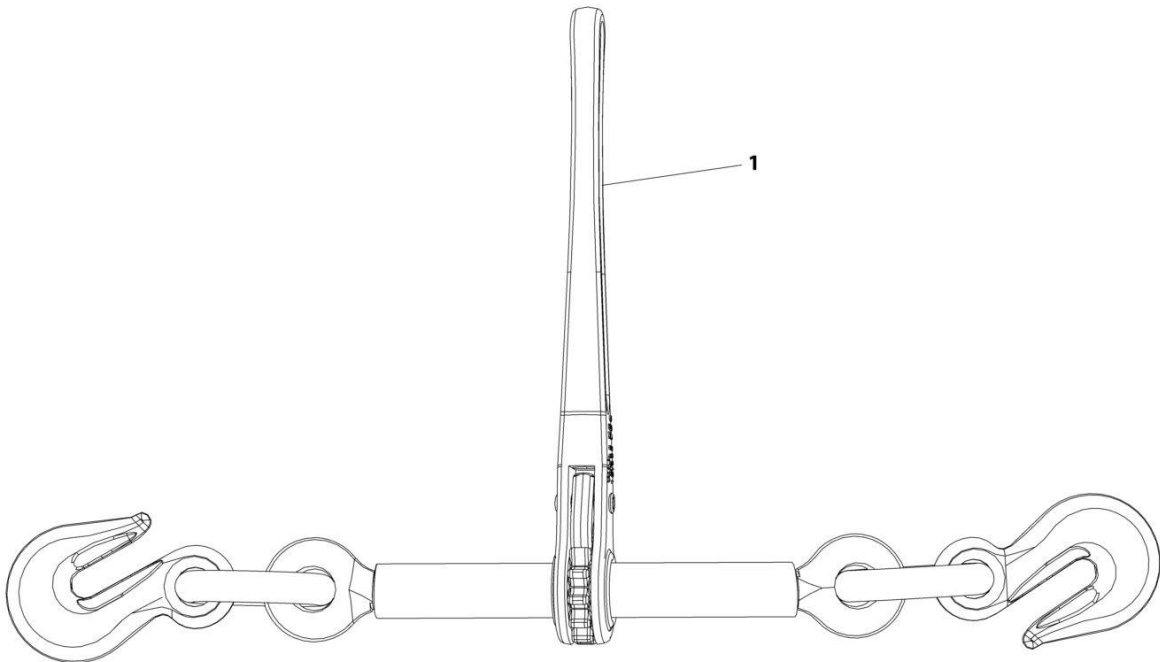
SECTION 8 - ACCESSORIES

FIGURE 8-9. CHAIN BINDER, 1/2IN CHAIN

| ITEM | PART NUMBER | QTY | DESCRIPTION | REV |
|------|---------------------|----------|-----------------------------------|-----|
| 1 | CHB50 7002000450 | Ref 1 | CHAIN BINDER 1/2IN Load Binder | 0 |

SECTION 8 - ACCESSORIES

FIGURE 8-10. CHAIN BINDER, 3/8IN CHAIN



ART_CHB38

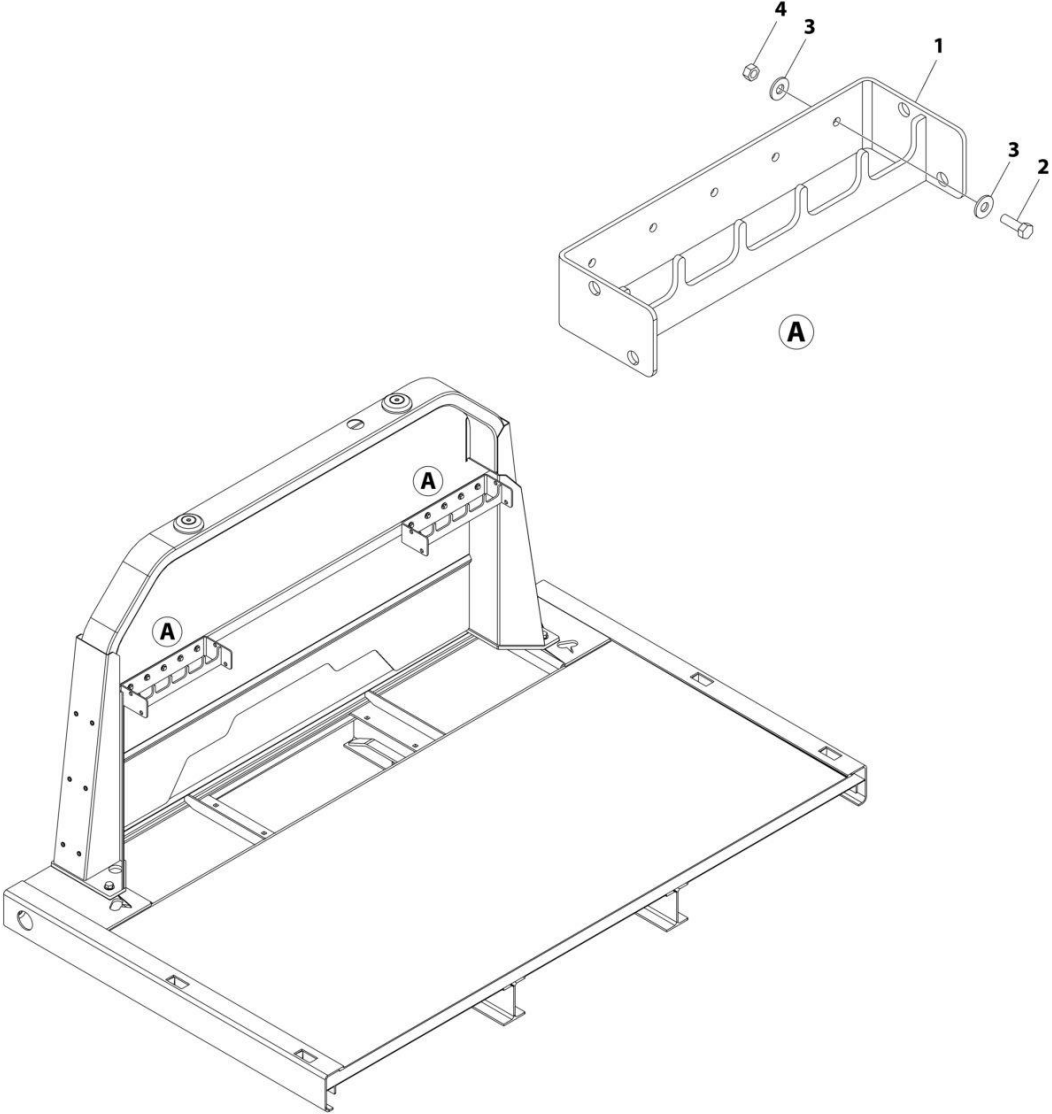
SECTION 8 - ACCESSORIES

FIGURE 8-10. CHAIN BINDER, 3/8IN CHAIN

| ITEM | PART NUMBER | QTY | DESCRIPTION | REV |
|------|---------------------|----------|-----------------------------------|-----|
| 1 | CHB38 7002000451 | Ref 1 | CHAIN BINDER 3/8IN Load Binder | 0 |

SECTION 8 - ACCESSORIES

FIGURE 8-11. CHAIN RACKS (ADJUSTABLE/FIXED HEADBOARD)



ART_1001232526

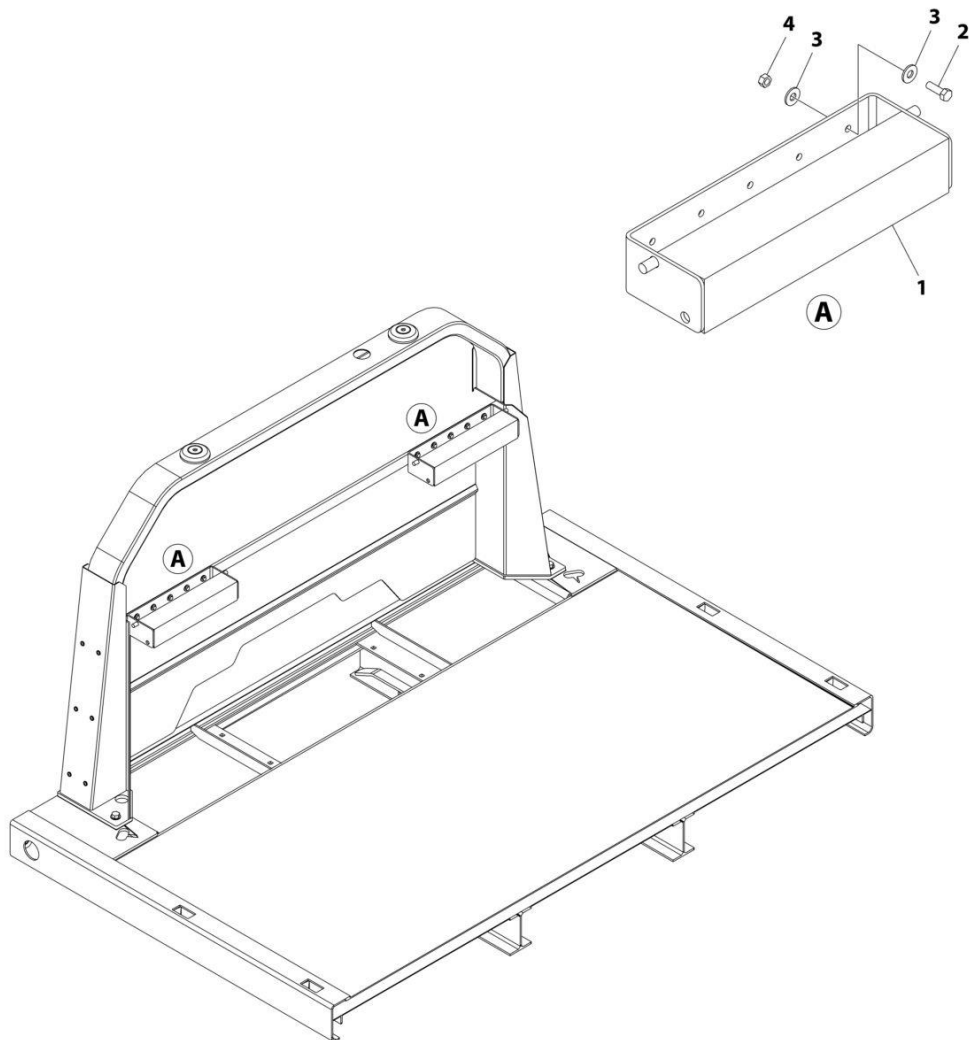
SECTION 8 - ACCESSORIES

FIGURE 8-11. CHAIN RACKS (ADJUSTABLE/FIXED HEADBOARD)

| ITEM | PART NUMBER | QTY | DESCRIPTION | REV |
|------|-------------|-----|--|-----|
| | 1001232526 | Ref | CHAIN RACKS ADJUSTABLE/FIXED HEIGHT, HEADBOARD INSTALLATION | A |
| 1 | 1001232524 | 2 | Bracket | |
| 2 | 0641508 | 10 | Bolt 5/16 x 1 | |
| 3 | 4751500 | 20 | Washer 5/16 | |
| 4 | 3271505 | 10 | Nut 5/16 | |

SECTION 8 - ACCESSORIES

FIGURE 8-12. CHAIN RACKS (ADJUSTABLE/FIXED HEADBOARD) (LOCKING)



ART_1001232527

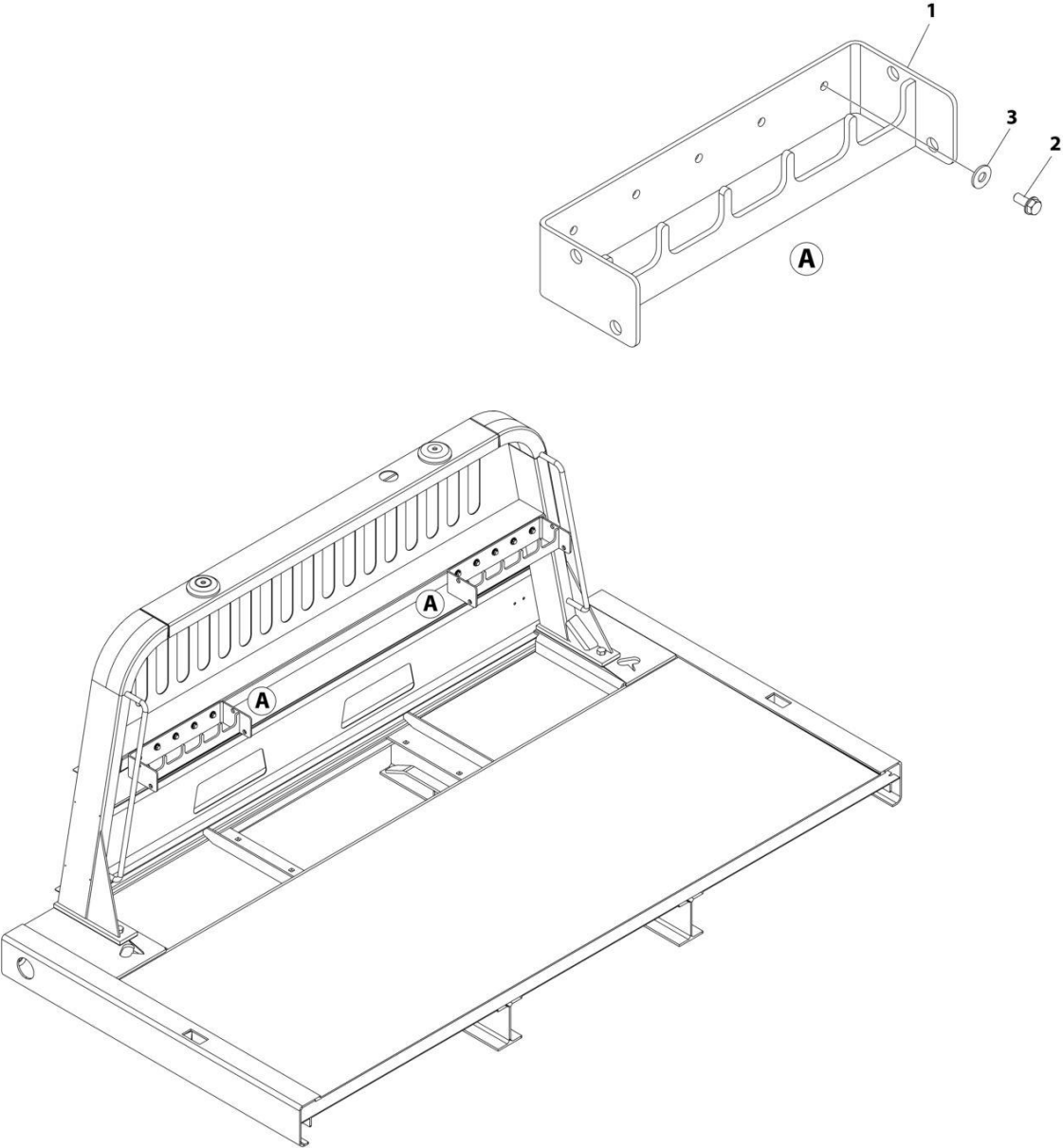
SECTION 8 - ACCESSORIES

FIGURE 8-12. CHAIN RACKS (ADJUSTABLE/FIXED HEADBOARD) (LOCKING)

| ITEM | PART NUMBER | QTY | DESCRIPTION | REV |
|------|-------------|-----|---|-----|
| | 1001232527 | Ref | LOCKING CHAIN RACKS, ADJUSTABLE/FIXED HEIGHT, HEADBOARD INSTALLATION | A |
| 1 | 1001232525 | 2 | Bracket | |
| 2 | 0641508 | 10 | Bolt 5/16 x 1 | |
| 3 | 4751500 | 20 | Washer 5/16 | |
| 4 | 3271505 | 10 | Nut 5/16 | |

SECTION 8 - ACCESSORIES

FIGURE 8-13. CHAIN RACKS (DELUXE HEADBOARD)



ART_1001232621

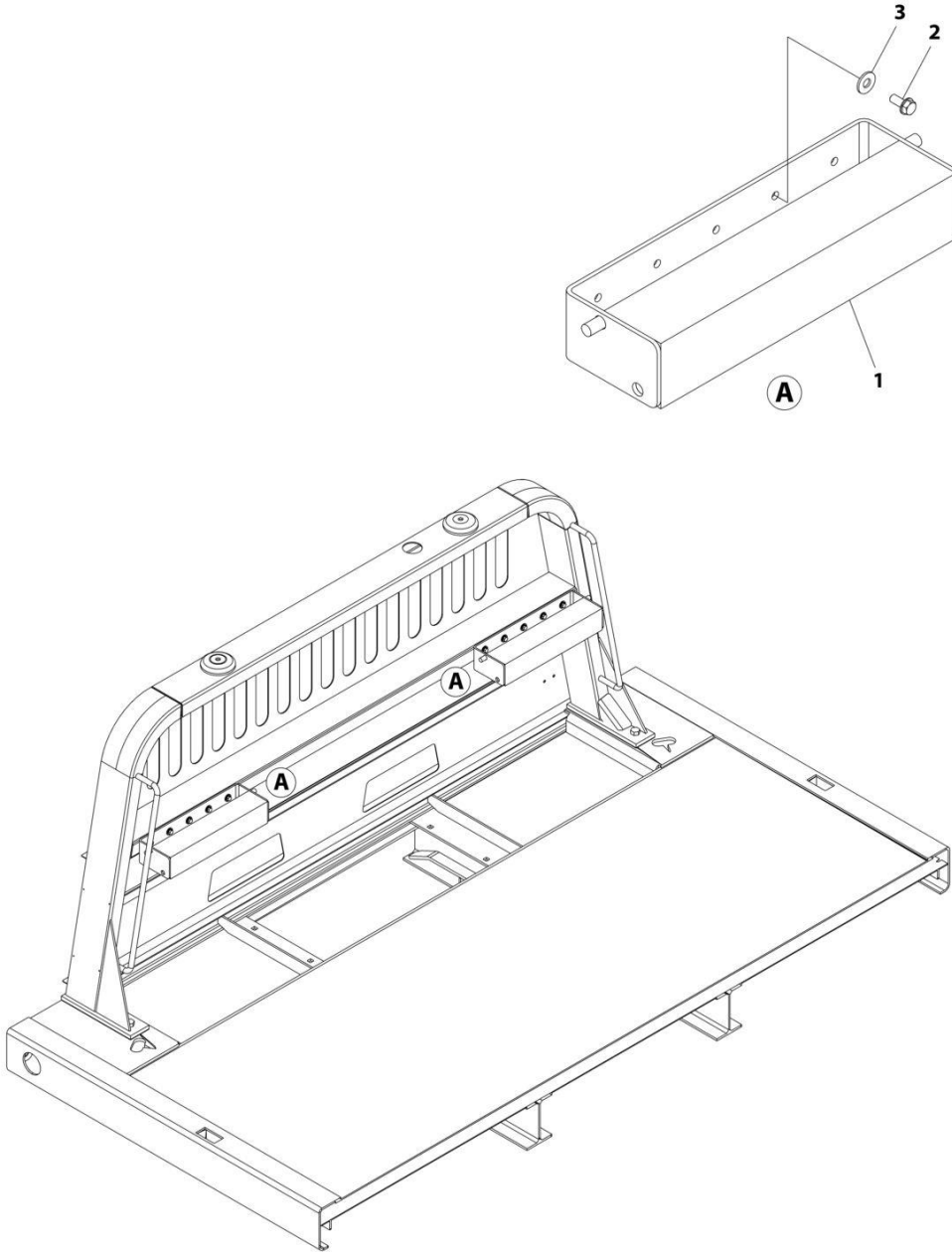
SECTION 8 - ACCESSORIES

FIGURE 8-13. CHAIN RACKS (DELUXE HEADBOARD)

| ITEM | PART NUMBER | QTY | DESCRIPTION | REV |
|------|-------------|-----|--|-----|
| | 1001232621 | Ref | CHAIN RACKS, DELUXE HEADBOARD INSTALLATION | A |
| 1 | 1001232524 | 2 | Bracket | |
| 2 | 7790151253 | 10 | Screw 5/16 x 3/4 | |
| 3 | 4751500 | 10 | Washer 5/16 | |

SECTION 8 - ACCESSORIES

FIGURE 8-14. CHAIN RACKS (DELUXE HEADBOARD) (LOCKING)



ART_1001232620

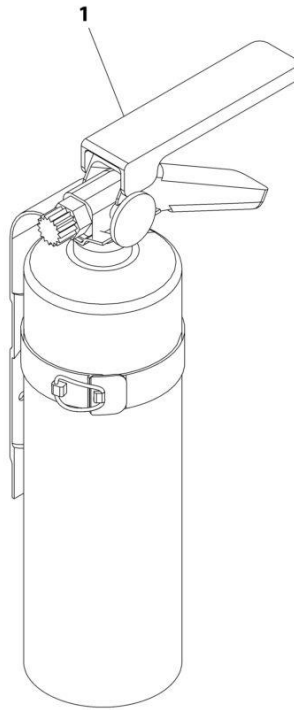
SECTION 8 - ACCESSORIES

FIGURE 8-14. CHAIN RACKS (DELUXE HEADBOARD) (LOCKING)

| ITEM | PART NUMBER | QTY | DESCRIPTION | REV |
|------|-------------|-----|--|-----|
| | 1001232620 | Ref | LOCKING CHAIN RACKS, DELUXE HEADBOARD INSTALLATION | A |
| 1 | 1001232525 | 2 | Bracket | |
| 2 | 7790151253 | 10 | Screw 5/16 x 3/4 | |
| 3 | 4751500 | 10 | Washer 5/16 | |

SECTION 8 - ACCESSORIES

FIGURE 8-15. FIRE EXTINGUISHER ACCESSORY



ART_2002000028

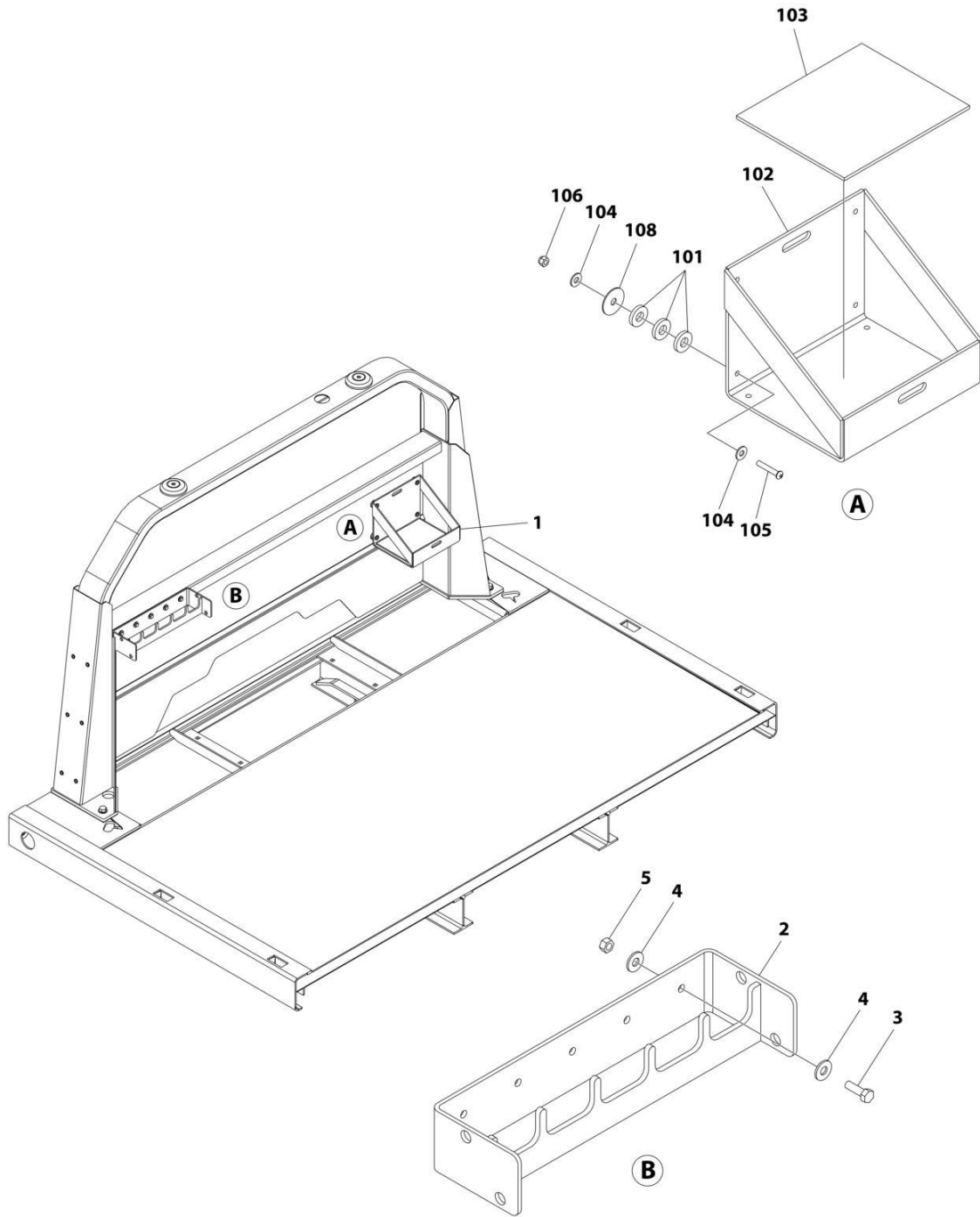
SECTION 8 - ACCESSORIES

FIGURE 8-15. FIRE EXTINGUISHER ACCESSORY

| ITEM | PART NUMBER | QTY | DESCRIPTION | REV |
|------|-------------|-----|-----------------------------|-----|
| 1 | 2002000028 | Ref | Fire Extinguisher Accessory | 0 |
| | 7002000404 | 1 | Fire Extinguisher | |

SECTION 8 - ACCESSORIES

FIGURE 8-16. FUEL CAN HOLDER & CHAIN RACK INSTALLATION (HEADBOARD)



ART_1001232555

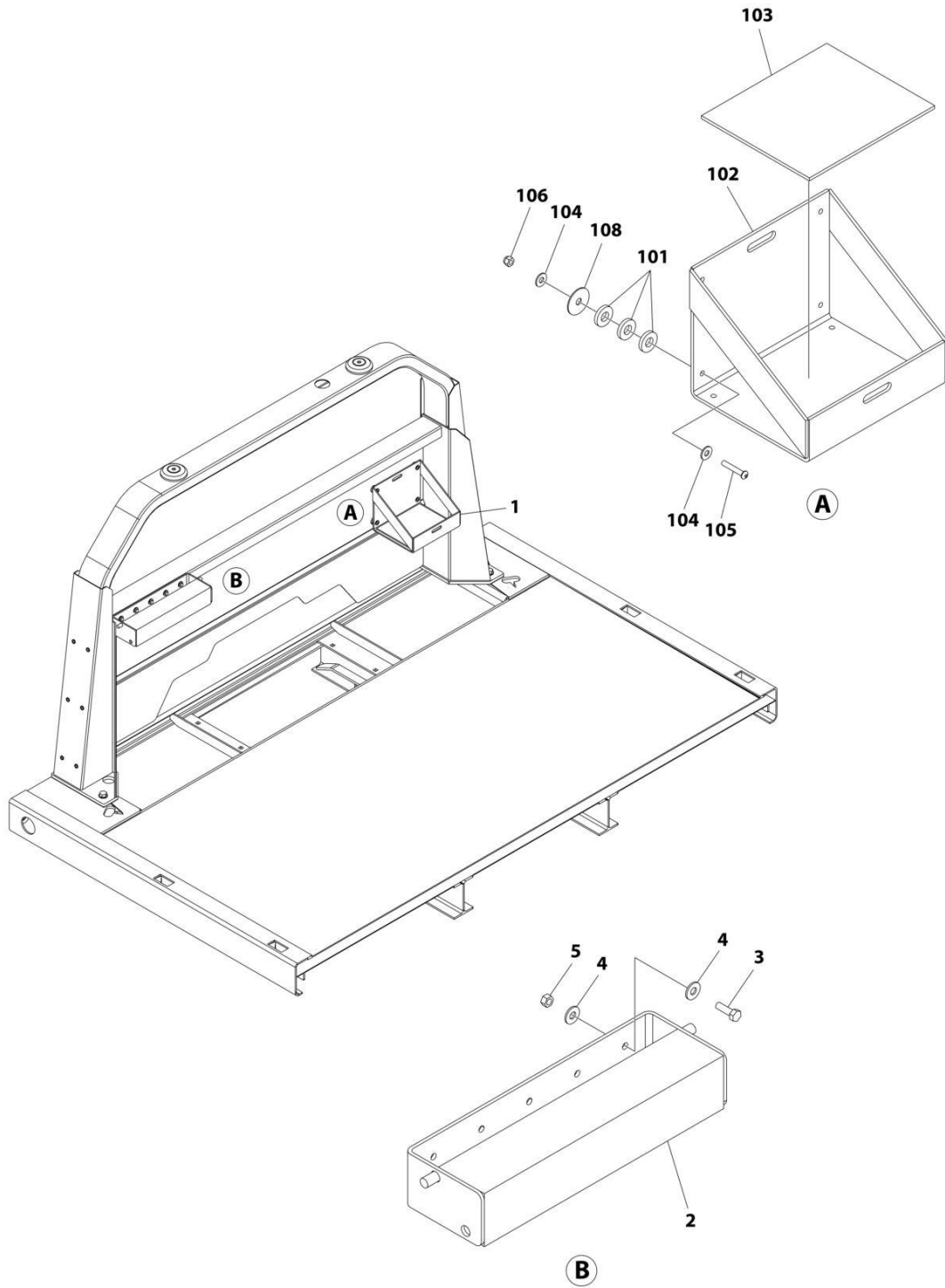
SECTION 8 - ACCESSORIES

FIGURE 8-16. FUEL CAN HOLDER & CHAIN RACK INSTALLATION (HEADBOARD)

| ITEM | PART NUMBER | QTY | DESCRIPTION | REV |
|------|-------------|-----|---|-----|
| | 1001232555 | Ref | FUEL CAN HOLDER AND CHAIN RACK INSTALLATION | A |
| 1 | 1001190184 | 1 | Fuel Can Holder Installation (Includes Items 101-108) | |
| 2 | 1001232524 | 1 | Bracket | |
| 3 | 0641508 | 5 | Bolt 5/16 | |
| 4 | 4751500 | 10 | Washer 5/16 | |
| 5 | 3271505 | 5 | Nut 5/16 | |
| 101 | 4891800 | 12 | Washer 1/2 | |
| 102 | 3178000471 | 1 | Bracket | |
| 103 | 4679000274 | 1 | Pad | |
| 104 | 4751400001 | 8 | Washer 1/4 | |
| 105 | 7114141218 | 4 | Capscrew 1/4-20 x 1-1/2 | |
| 106 | 7660142601 | 4 | Nut 1/4 | |
| 107 | 7894000063 | 1 | Tie-Strap (Not Shown) | |
| 108 | 7949000055 | 4 | Washer | |

SECTION 8 - ACCESSORIES

FIGURE 8-17. FUEL CAN HOLDER & LOCKING CHAIN RACK INSTALLATION (HEADBOARD)



ART_1001232554

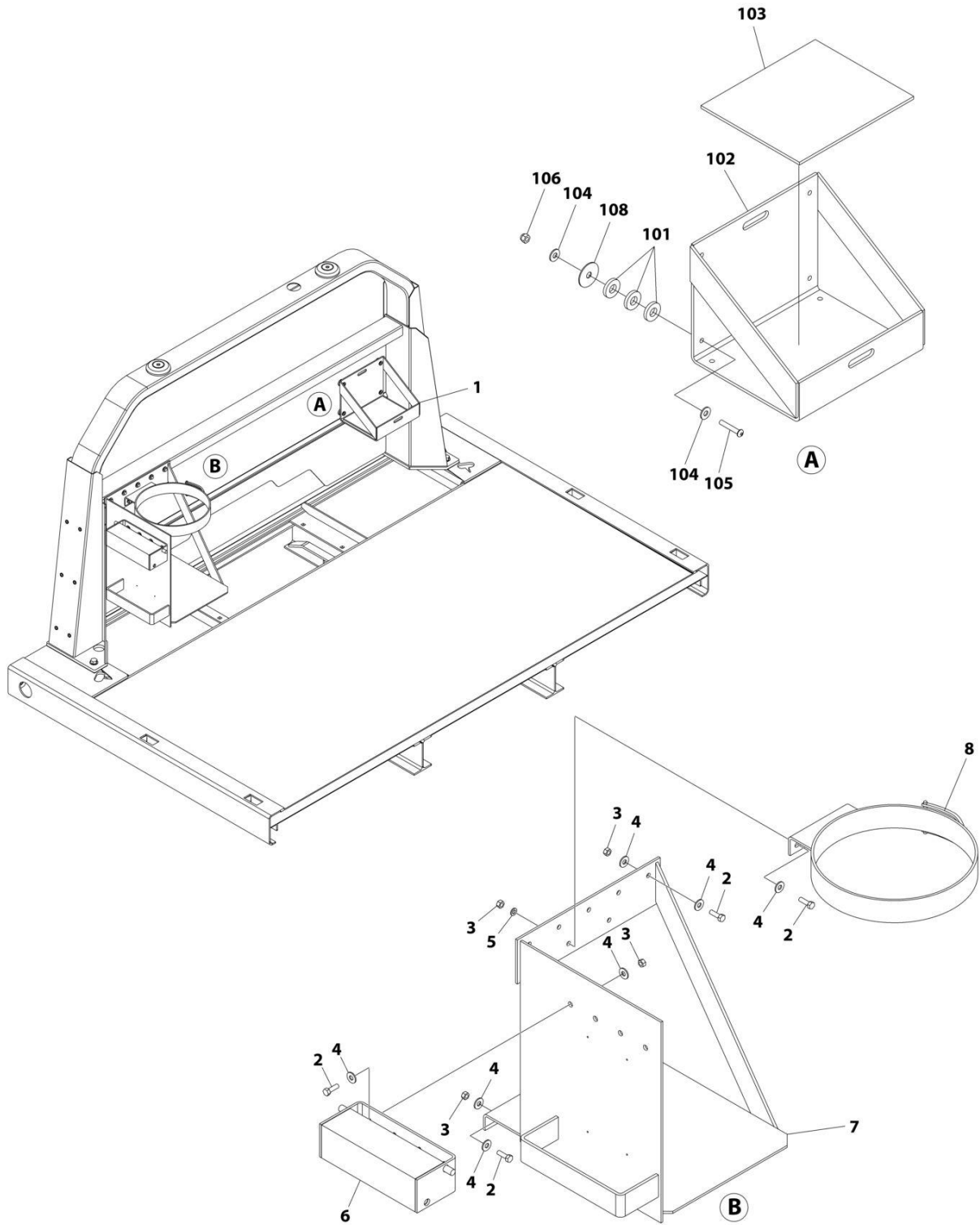
SECTION 8 - ACCESSORIES

FIGURE 8-17. FUEL CAN HOLDER & LOCKING CHAIN RACK INSTALLATION (HEADBOARD)

| ITEM | PART NUMBER | QTY | DESCRIPTION | REV |
|------|-------------|-----|--|-----|
| | 1001232554 | Ref | FUEL CAN HOLDER AND LOCKING CHAIN RACK INSTALLATION | A |
| 1 | 1001190184 | 1 | Fuel Can Holder Installation (Includes Items 101-108) | |
| 2 | 1001232525 | 1 | Bracket | |
| 3 | 0641508 | 5 | Bolt 5/16 | |
| 4 | 4751500 | 10 | Washer 5/16 | |
| 5 | 3271505 | 5 | Nut 5/16 | |
| 101 | 4891800 | 12 | Washer 1/2 | |
| 102 | 3178000471 | 1 | Bracket | |
| 103 | 4679000274 | 1 | Pad | |
| 104 | 4751400001 | 8 | Washer 1/4 | |
| 105 | 7114141218 | 4 | Capscrew 1/4-20 x 1-1/2 | |
| 106 | 7660142601 | 4 | Nut 1/4 | |
| 107 | 7894000063 | 1 | Tie-Strap (Not Shown) | |
| 108 | 7949000055 | 4 | Washer | |

SECTION 8 - ACCESSORIES

FIGURE 8-18. FUEL CAN HOLDER & PROPANE TANK HOLDER (ADJUSTABLE HEADBOARD)



ART_1001191543

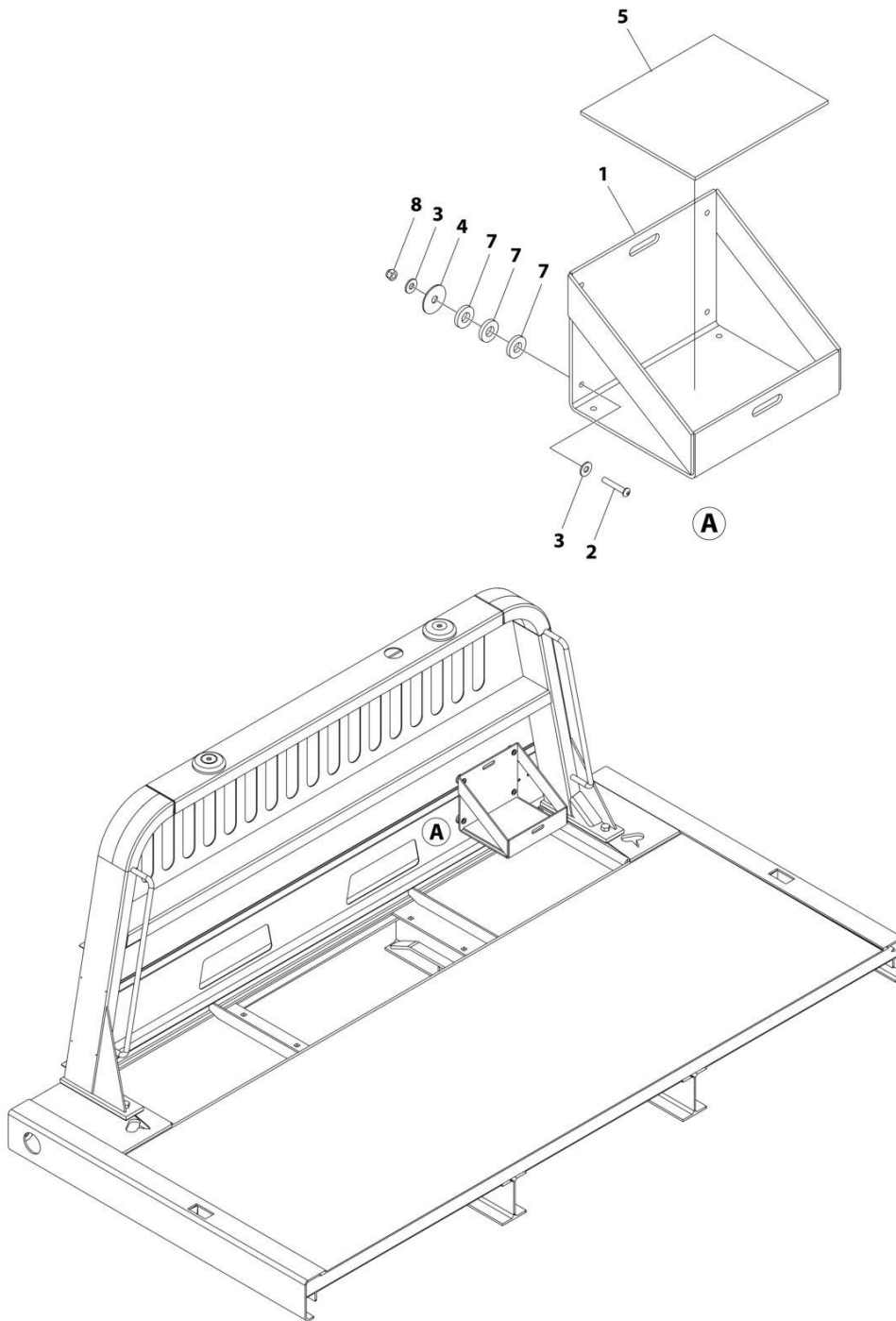
SECTION 8 - ACCESSORIES

FIGURE 8-18. FUEL CAN HOLDER & PROPANE TANK HOLDER (ADJUSTABLE HEADBOARD)

| ITEM | PART NUMBER | QTY | DESCRIPTION | REV |
|------|-------------|-----|---|-----|
| | 1001191543 | Ref | FUEL CAN HOLDER AND PROPANE TANK INSTALLATION | D |
| 1 | 1001190184 | 1 | Fuel Can Holder Installation (Includes Items 101-108) | |
| 2 | 0641508 | 15 | Bolt 5/16 x 1 | |
| 3 | 3271505 | 15 | Nut 5/16 | |
| 4 | 4751500 | 28 | Washer 5/16 | |
| 5 | 4761500 | 2 | Washer 5/16 | |
| 6 | 1001129537 | 1 | Bracket | |
| 7 | 1001190131 | 1 | Support, LH | |
| 8 | 7178000029 | 1 | Bracket | |
| 101 | 4891800 | 12 | Washer 1/2 | |
| 102 | 3178000471 | 1 | Bracket | |
| 103 | 4679000274 | 1 | Pad | |
| 104 | 4751400001 | 8 | Washer 1/4 | |
| 105 | 7114141218 | 4 | Capscrew 1/4-20 x 1-1/2 | |
| 106 | 7660142601 | 4 | Nut 1/4 | |
| 107 | 7894000063 | 1 | Tie-Strap (Not Shown) | |
| 108 | 7949000055 | 4 | Washer | |

SECTION 8 - ACCESSORIES

FIGURE 8-19. FUEL CAN HOLDER INSTALLATION (DELUXE HEADBOARD)



ART_1001129332

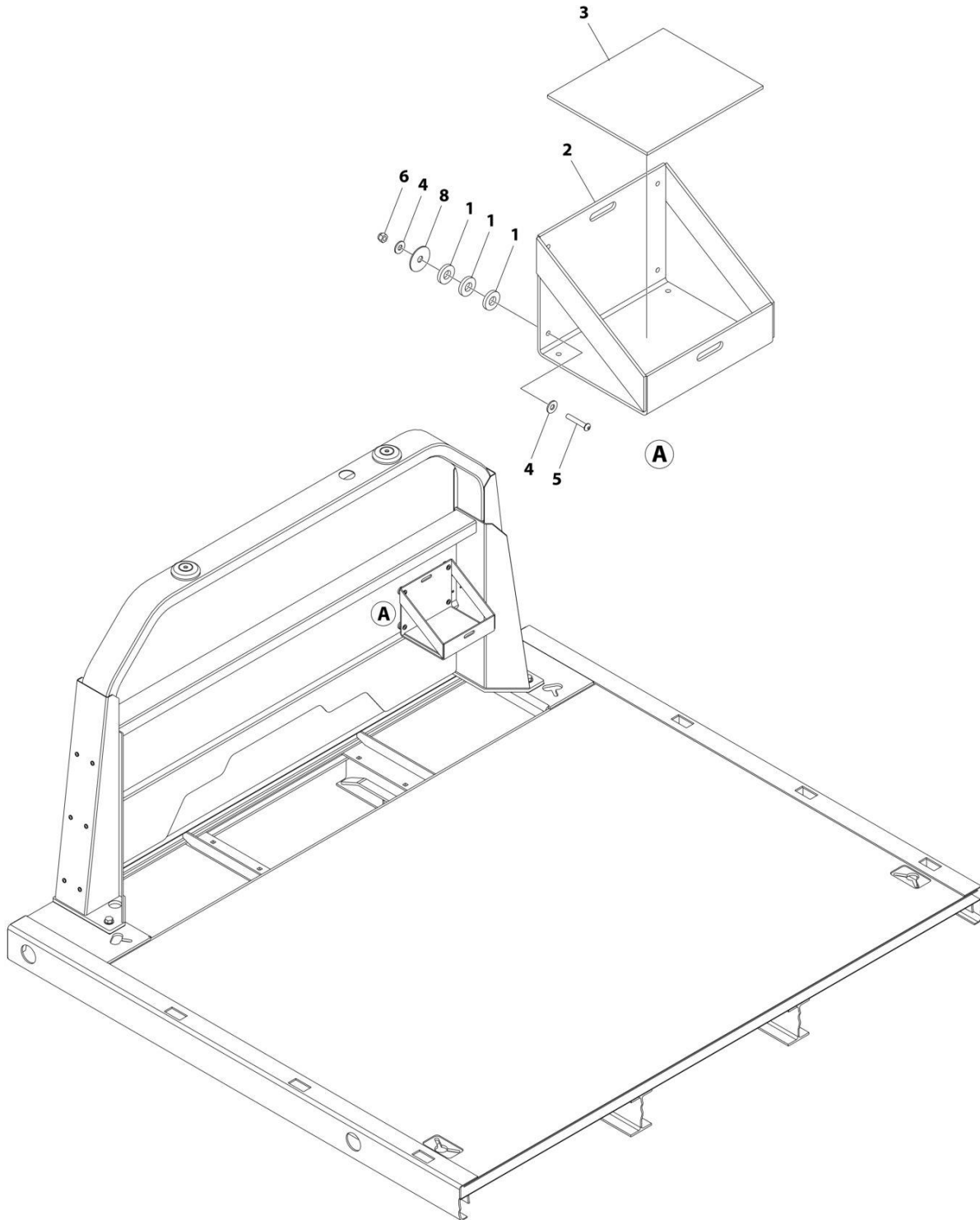
SECTION 8 - ACCESSORIES

FIGURE 8-19. FUEL CAN HOLDER INSTALLATION (DELUXE HEADBOARD)

| ITEM | PART NUMBER | QTY | DESCRIPTION | REV |
|------|-------------|-----|------------------------------|-----|
| | 1001129332 | Ref | FUEL CAN HOLDER INSTALLATION | F |
| 1 | 3178000471 | 1 | Bracket | |
| 2 | 7114141218 | 4 | Capscrew 1/4 | |
| 3 | 4751400001 | 8 | Washer 1/4 | |
| 4 | 7949000055 | 4 | Washer | |
| 5 | 4679000274 | 1 | Pad | |
| 6 | 7894000063 | 1 | Tie-Strap (Not Shown) | |
| 7 | 4891800 | 12 | Washer 1/2 | |
| 8 | 7660142601 | 4 | Nut 1/4 | |

SECTION 8 - ACCESSORIES

FIGURE 8-20. FUEL CAN HOLDER INSTALLATION (FIXED & ADJUSTABLE HEADBOARD)



ART_1001190184

SECTION 8 - ACCESSORIES

FIGURE 8-20. FUEL CAN HOLDER INSTALLATION (FIXED & ADJUSTABLE HEADBOARD)

| ITEM | PART NUMBER | QTY | DESCRIPTION | REV |
|------|-------------|-----|------------------------------|-----|
| | 1001190184 | Ref | FUEL CAN HOLDER INSTALLATION | C |
| 1 | 4891800 | 12 | Washer 1/2 | |
| 2 | 3178000471 | 1 | Bracket | |
| 3 | 4679000274 | 1 | Pad | |
| 4 | 4751400001 | 8 | Washer 1/4 | |
| 5 | 7114141218 | 4 | Capscrew 1/4 | |
| 6 | 7660142601 | 4 | Nut 1/4 | |
| 7 | 7894000063 | 1 | Tie Strap (Not Shown) | |
| 8 | 7949000055 | 4 | Washer | |

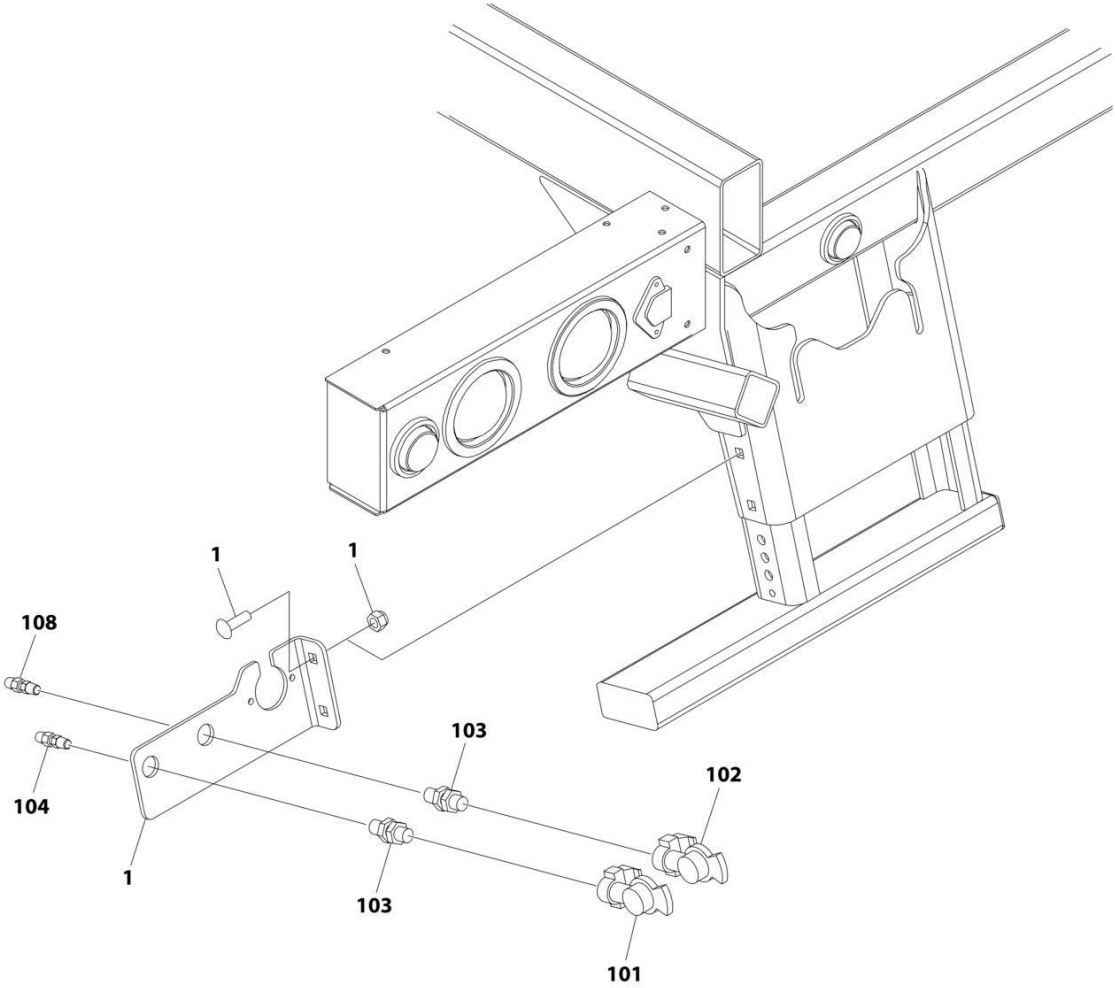
SECTION 8 - ACCESSORIES

FIGURE 8-21. FUEL TANK MODIFICATION INSTALLATION

| ITEM | PART NUMBER | QTY | DESCRIPTION | REV |
|------|-------------|-----|-------------------------------------|-----|
| | 1001253942 | Ref | FUEL TANK MODIFICATION INSTALLATION | B |
| 1 | 1001252939 | 1 | Fuel Tank Support Mount | |
| 2 | 1001253659 | 1 | Fuel Tank Support Modification | |
| 3 | 1001254139 | 2 | Support | |
| 4 | 1001194676 | 4 | Screw 1/4 x 3/4 | |
| 5 | 0681814 | 8 | Bolt 1/2 x 3/4 | |
| 6 | 3271805 | 8 | Nut 1/2 | |
| 7 | 4891800 | 16 | Washer 1/2 | |

SECTION 8 - ACCESSORIES

FIGURE 8-22. GLAD HAND INSTALLATION WITH MTG BRACKET



ART_1001270102

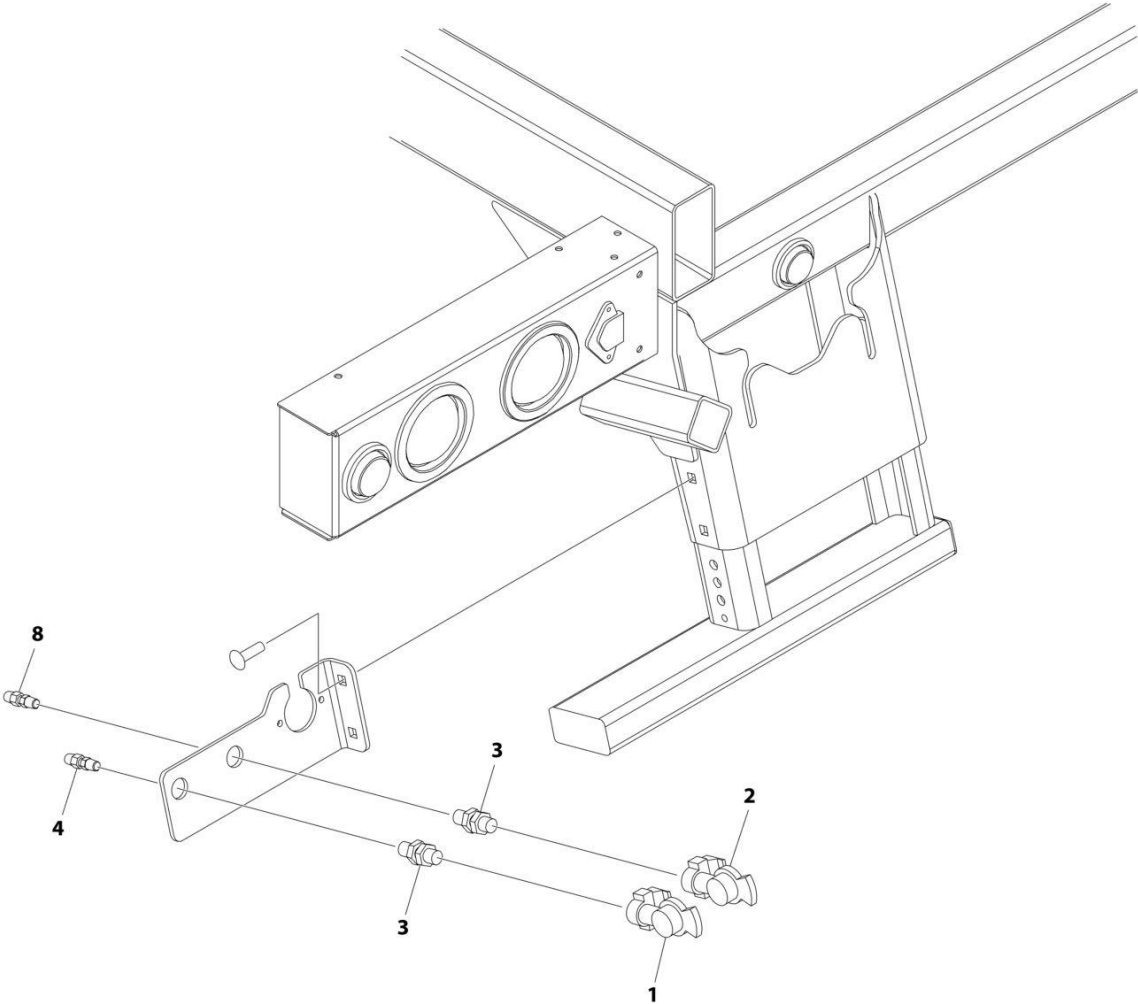
SECTION 8 - ACCESSORIES

FIGURE 8-22. GLAD HAND INSTALLATION WITH MTG BRACKET

| ITEM | PART NUMBER | QTY | DESCRIPTION | REV |
|------|-------------|-------|---|-----|
| | 1001270102 | Ref | GLAND HAND INSTALLATION WITH MOUNTING BRACKET | A |
| 1 | 2178000037 | Ref | Glad Hand Bracket Installation | |
| 1 | 4178000666 | 1 | Bracket | |
| 1 | 7115181464 | 2 | Bolt 1/2 x 1-3/4 | |
| 1 | 7660182601 | 2 | Nut 1/2 | |
| 101 | 7312000016 | 1 | Gladhand | |
| 102 | 7312000015 | 1 | Gladhand | |
| 103 | 7446502518 | 2 | Fitting, Straight | |
| 104 | 7446060435 | 1 | Fitting, Straight | |
| 106 | 7565000014 | 50 ft | Airline Tubing (Not Shown) | |
| 107 | 7312000013 | 2 | Union (Not Shown) | |
| 108 | 7446502506 | 1 | Connector | |

SECTION 8 - ACCESSORIES

FIGURE 8-23. GLAD HAND INSTALLATION WITHOUT MTG BRACKET



ART_2002000016

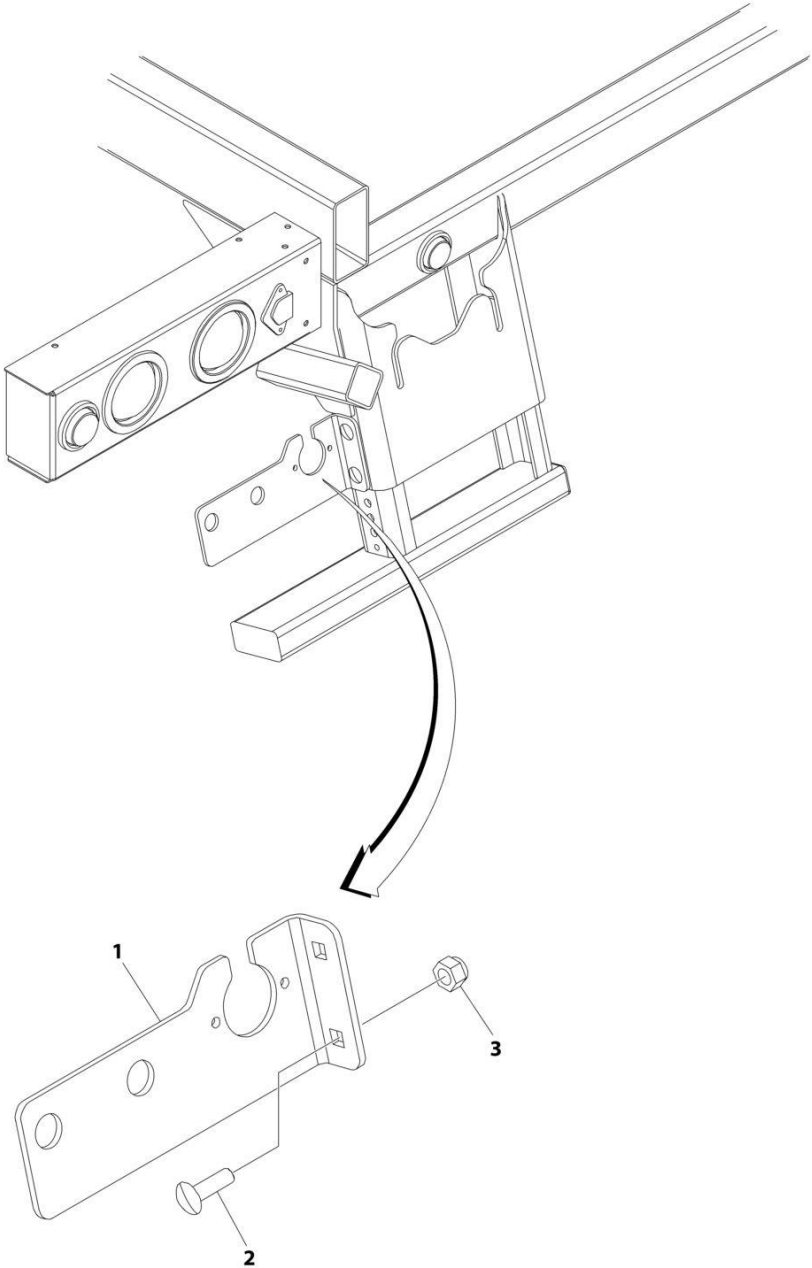
SECTION 8 - ACCESSORIES

FIGURE 8-23. GLAD HAND INSTALLATION WITHOUT MTG BRACKET

| ITEM | PART NUMBER | QTY | DESCRIPTION | REV |
|------|-------------|-------|-----------------------------|-----|
| | 2002000016 | Ref | Glad Hands Installation | D |
| 1 | 7312000016 | 1 | Gladhand | |
| 2 | 7312000015 | 1 | Gladhand | |
| 3 | 7446502518 | 2 | Fitting, Straight | |
| 4 | 7446060435 | 1 | Fitting, Straight | |
| 6 | 7565000014 | 50 ft | Tubing, Airline (Not Shown) | |
| 7 | 7312000013 | 2 | Fitting (Not Shown) | |
| 8 | 7446502506 | 1 | Connector, Tubing | |

SECTION 8 - ACCESSORIES

FIGURE 8-24. GLADHANDS BRACKET INSTALLATION



ART_2178000037

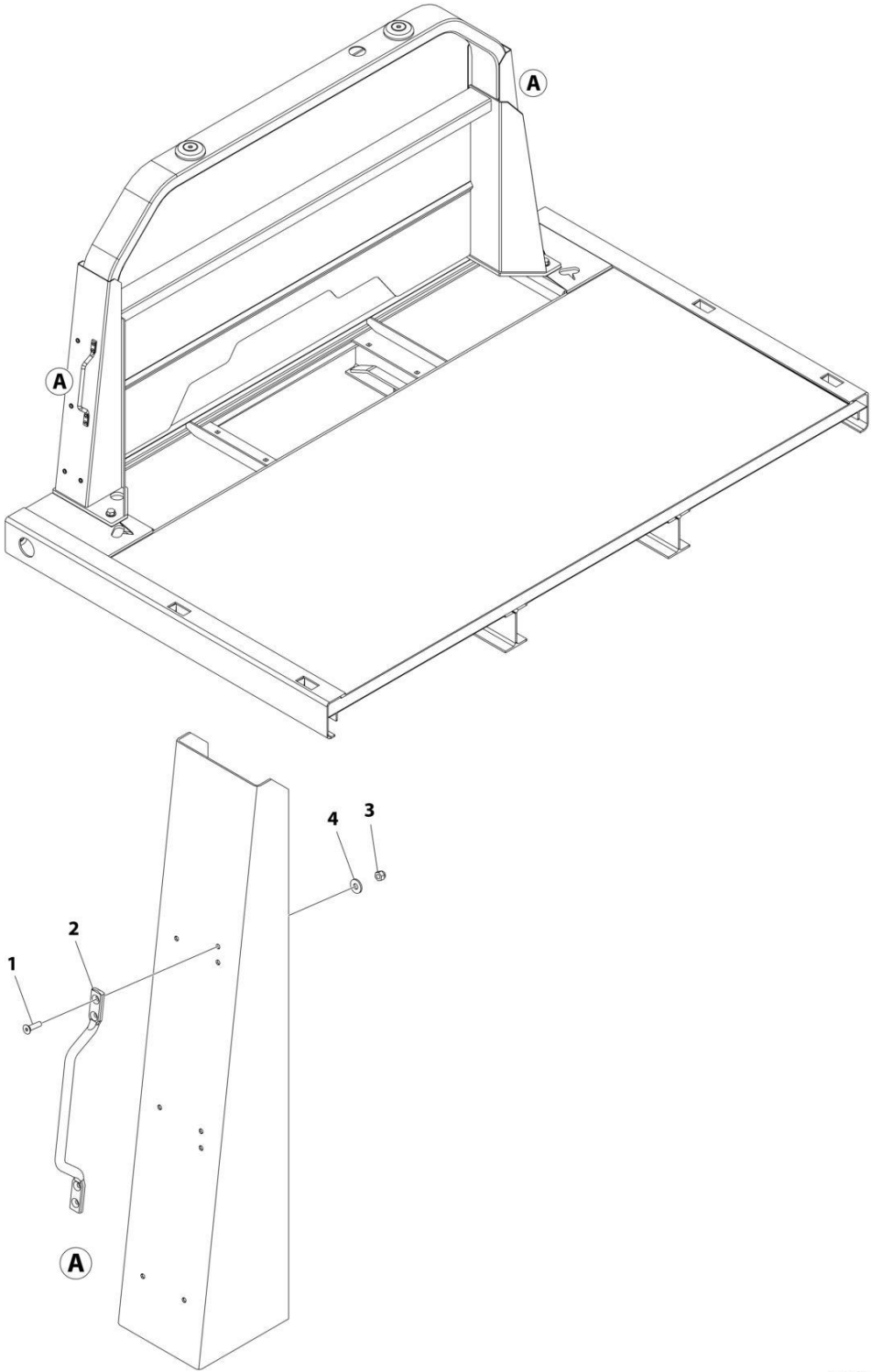
SECTION 8 - ACCESSORIES

FIGURE 8-24. GLADHANDS BRACKET INSTALLATION

| ITEM | PART NUMBER | QTY | DESCRIPTION | REV |
|------|-------------|-----|--------------------------------|-----|
| | 2178000037 | Ref | GLAD HAND BRACKET INSTALLATION | 0 |
| 1 | 4178000666 | 1 | Bracket | |
| 2 | 7115181464 | 2 | Bolt 1/2 x 1-3/4 | |
| 3 | 7660182601 | 2 | Nut 1/2 | |

SECTION 8 - ACCESSORIES

FIGURE 8-25. GRAB HANDLES (ADJUSTABLE HEADBOARD)



ART_1001189548

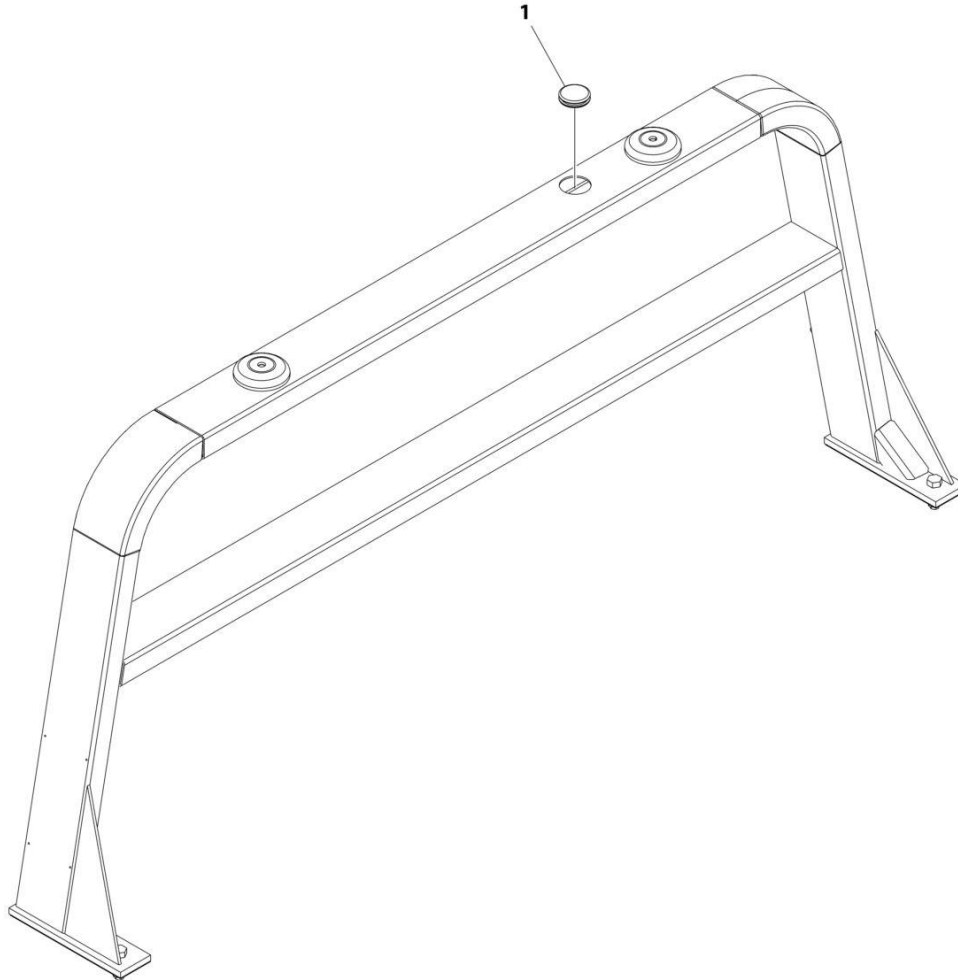
SECTION 8 - ACCESSORIES

FIGURE 8-25. GRAB HANDLES (ADJUSTABLE HEADBOARD)

| ITEM | PART NUMBER | QTY | DESCRIPTION | REV |
|------|-------------|-----|--|-----|
| | 1001189548 | Ref | GRAB HANDLES ADJUSTABLE HEADBOARD INSTALLATION | A |
| 1 | 7114140823 | 8 | Capscrew 1/4 x 1 | |
| 2 | 7550000070 | 2 | Handle | |
| 3 | 7660142601 | 4 | Nut 5/16 | |
| 4 | 7950140153 | 4 | Washer 5/16 | |

SECTION 8 - ACCESSORIES

FIGURE 8-26. HEADBOARD PLUG INSTALLATION - NO EMERGENCY LIGHTBAR



ART_1001156677

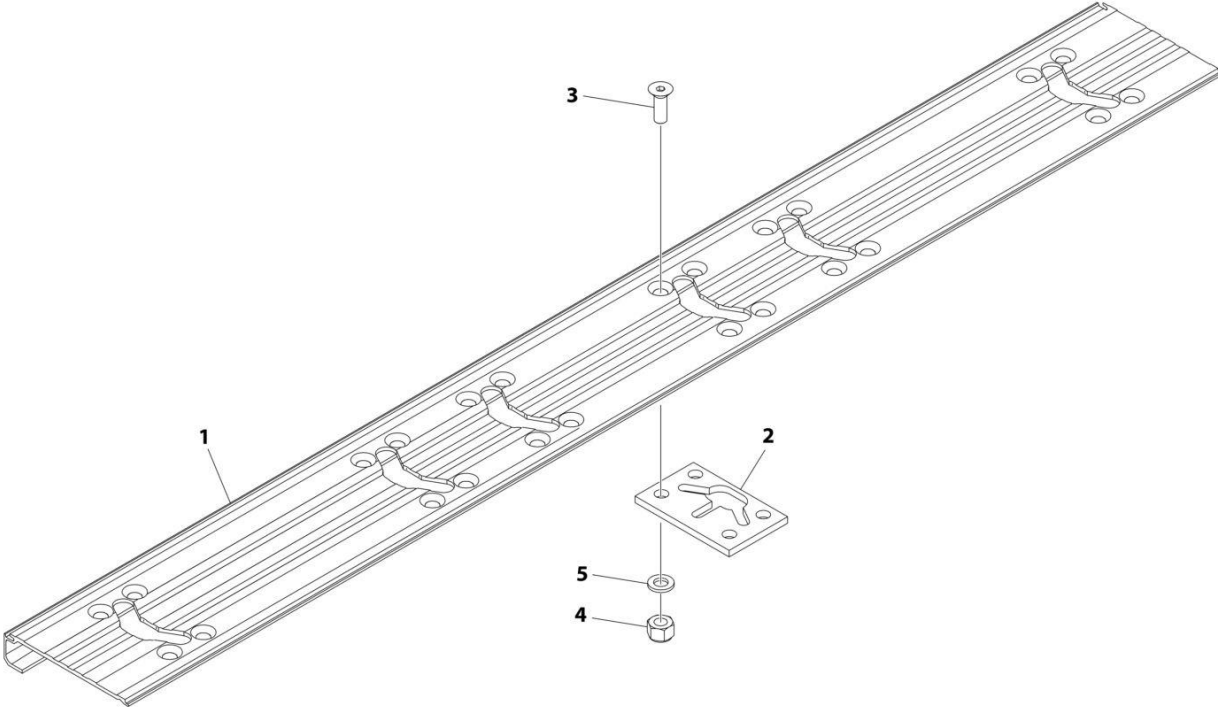
SECTION 8 - ACCESSORIES

FIGURE 8-26. HEADBOARD PLUG INSTALLATION - NO EMERGENCY LIGHTBAR

| ITEM | PART NUMBER | QTY | DESCRIPTION | REV |
|------|--------------------------|----------|---|-----|
| 1 | 1001156677 7493000015 | Ref 1 | NO EMERGENCY LIGHTBAR INSTALLATION GROMMET | A |

SECTION 8 - ACCESSORIES

FIGURE 8-27. KEYSLOT INSTALLATION - EXTRUDED



ART_1001152461

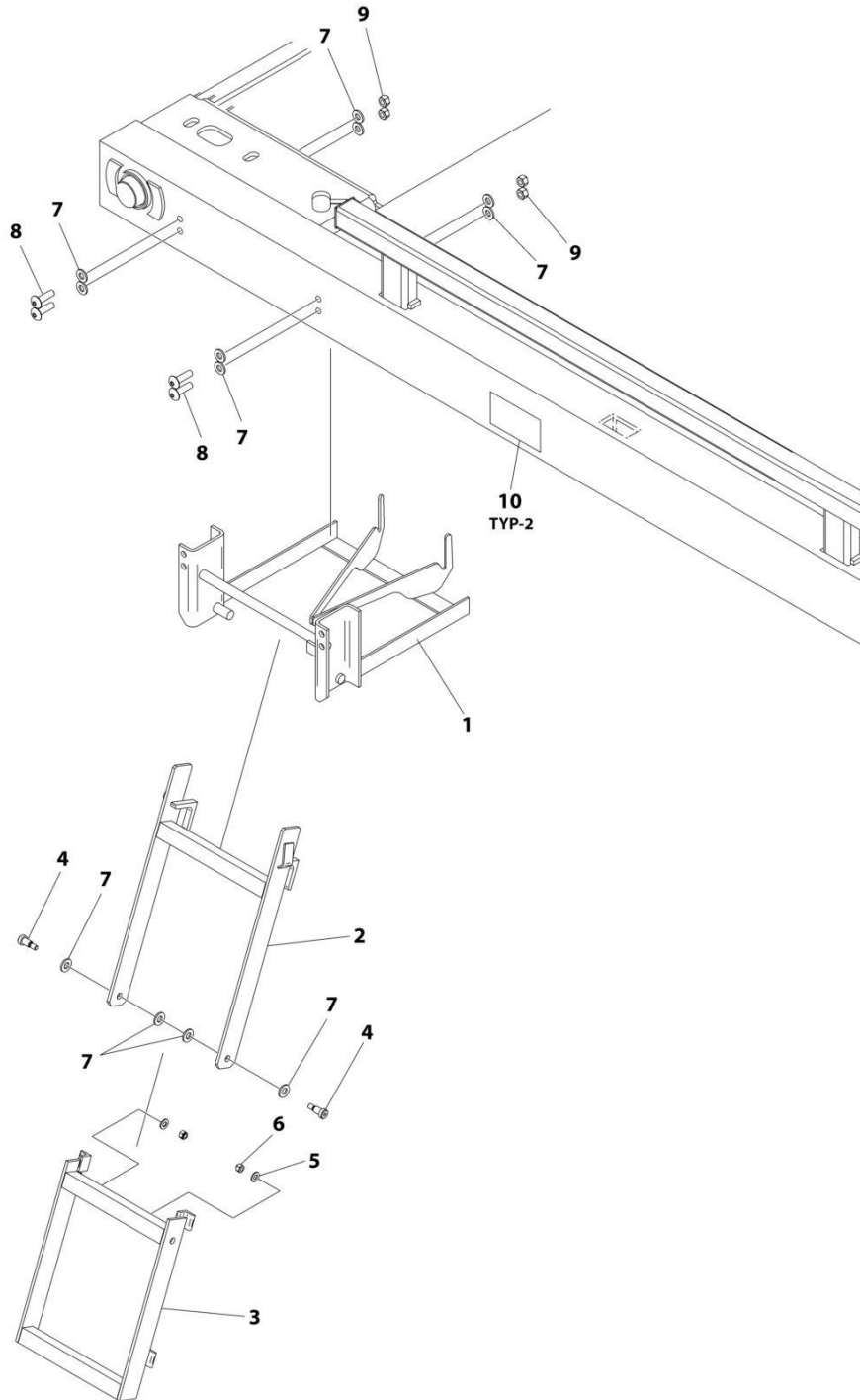
SECTION 8 - ACCESSORIES

FIGURE 8-27. KEYSLOT INSTALLATION - EXTRUDED

| ITEM | PART NUMBER | QTY | DESCRIPTION | REV |
|------|-------------|-----|--------------------------------|-----|
| | 1001152461 | Ref | Extrusion Keyslot Installation | B |
| 1 | 1001152460 | 1 | Keyslot Channel | |
| 2 | 4706005551 | 6 | Keyslot Plate | |
| 3 | 1001138460 | 24 | Bolt 1/2 x 1-1/2 | |
| 4 | 7660182601 | 24 | Nut 1/2 | |
| 5 | 7950180153 | 24 | Washer 1/2 | |

SECTION 8 - ACCESSORIES

FIGURE 8-28. LADDER, 3-STEP FOLDING (LEFT & RIGHT)



ART_1001142330

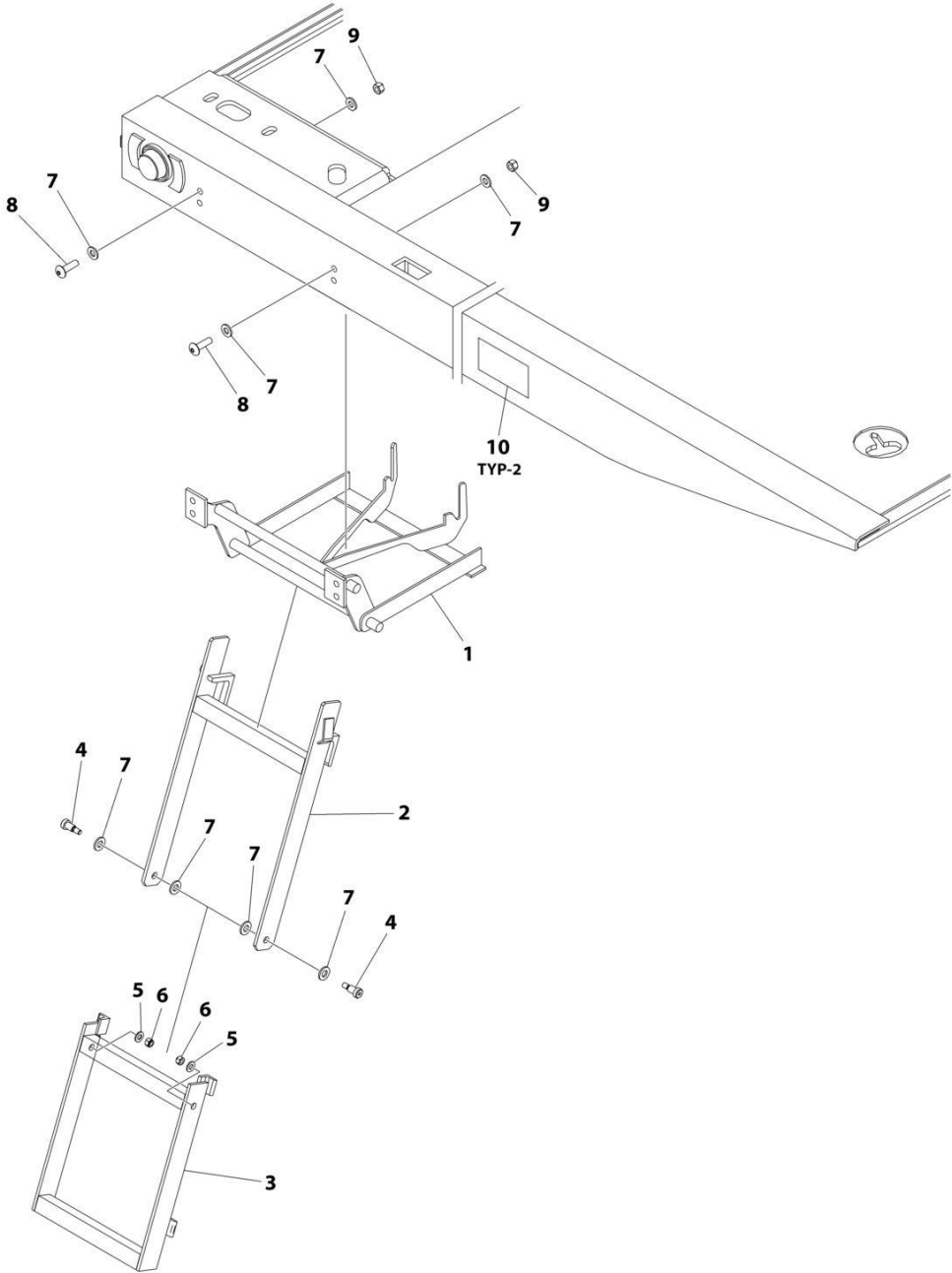
SECTION 8 - ACCESSORIES

FIGURE 8-28. LADDER, 3-STEP FOLDING (LEFT & RIGHT)

| ITEM | PART NUMBER | QTY | DESCRIPTION | REV |
|------|-------------|-----|---|-----|
| | 1001142330 | Ref | FOLDING DECK LADDER | B |
| 1 | 3178000555 | 2 | Bracket Weldment | |
| 2 | 3002000009 | 2 | Ladder Top Weldment | |
| 3 | 3002000008 | 2 | Ladder Bottom Weldment | |
| 4 | 7115180606 | 4 | Bolt 1/2 x 3/4 | |
| 5 | 7950160161 | 4 | Washer 3/8 | |
| 6 | 7660162601 | 4 | Nut | |
| 7 | 7950180141 | 24 | Washer 1/2 | |
| 8 | 7114181418 | 8 | Capscrew 1/2 x 1- 3/4 | |
| 9 | 7660182601 | 8 | Nut 1/2 | |
| 10 | 1001131998 | 2 | Decal | |
| 11 | 1001142334 | 1 | Front Left/Right Drill, Ladder, Specification (Not Shown) | |

SECTION 8 - ACCESSORIES

FIGURE 8-29. LADDER, 3-STEP FOLDING (LEFT)



ART_1001142329

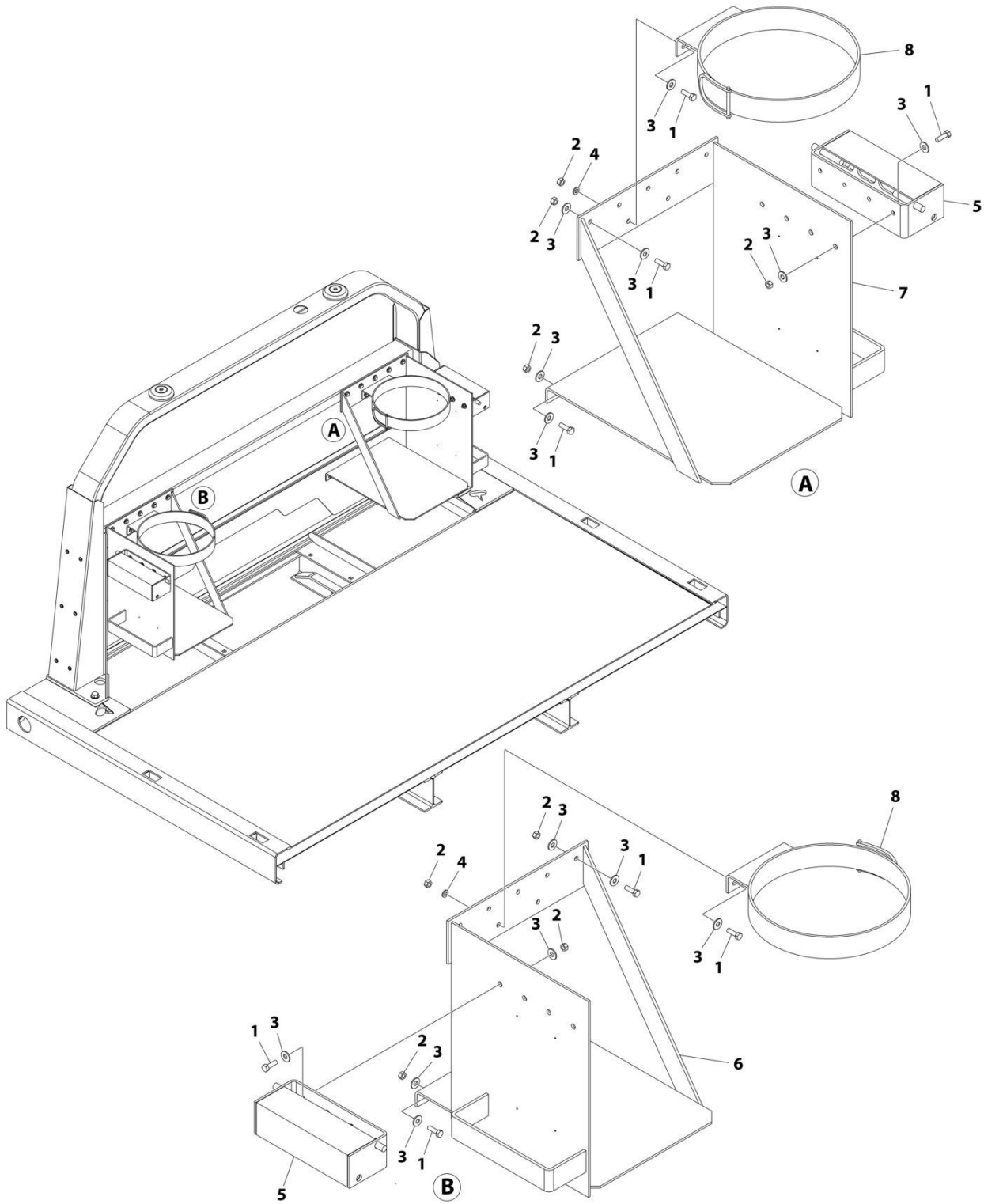
SECTION 8 - ACCESSORIES

FIGURE 8-29. LADDER, 3-STEP FOLDING (LEFT)

| ITEM | PART NUMBER | QTY | DESCRIPTION | REV |
|------|-------------|-----|---|-----|
| | 1001142329 | Ref | LADDER, FOLDING 3-STEP, FRONT LEFT INSTALLATION | B |
| 1 | 3178000555 | 1 | Bracket | |
| 2 | 3002000009 | 1 | Top Ladder Weld, Accessory | |
| 3 | 3002000008 | 1 | Bottom Ladder Weld, Accessory | |
| 4 | 7115180606 | 2 | Bolt 1/2 x 3/4 | |
| 5 | 7950160161 | 2 | Washer | |
| 6 | 7660162601 | 2 | Nut | |
| 7 | 7950180141 | 12 | Washer 1/2 | |
| 8 | 7114181418 | 4 | Capscrew 1/2 x 1- 3/4 | |
| 9 | 7660182601 | 4 | Nut 1/2 | |
| 10 | 1001131998 | 2 | Decal | |
| 11 | 1001142333 | 1 | Front Left Drill, Ladder, Specification (Not Shown) | |

SECTION 8 - ACCESSORIES

FIGURE 8-30. PROPANE TANK HOLDERS (ADJUSTABLE HEADBOARD)



ART_1001189550

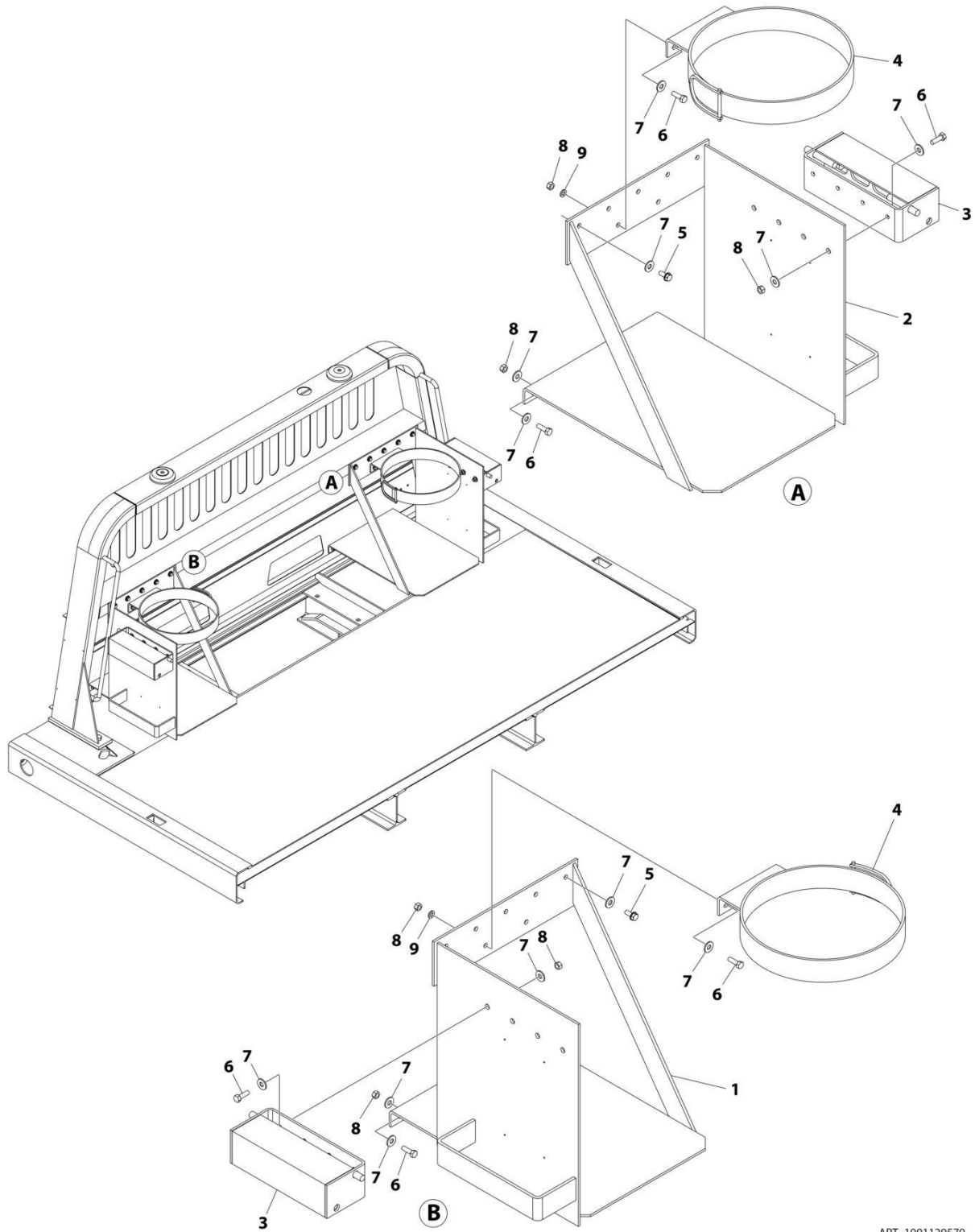
SECTION 8 - ACCESSORIES

FIGURE 8-30. PROPANE TANK HOLDERS (ADJUSTABLE HEADBOARD)

| ITEM | PART NUMBER | QTY | DESCRIPTION | REV |
|------|-------------|-----|--|-----|
| | 1001189550 | Ref | PROPANE TANK HOLDERS, ADJUSTABLE HEADBOARD INSTALLATION | D |
| 1 | 0641508 | 30 | Bolt 5/16 x 1 | |
| 2 | 3271505 | 30 | Nut 5/16 | |
| 3 | 4751500 | 56 | Washer 5/16 | |
| 4 | 4761500 | 4 | Washer 5/16 | |
| 5 | 1001129537 | 2 | Bracket | |
| 6 | 1001190131 | 1 | Propane Tank Support Weld, LH | |
| 7 | 1001190140 | 1 | Propane Tank Support Weld, RH | |
| 8 | 7178000029 | 1 | Bracket | |

SECTION 8 - ACCESSORIES

FIGURE 8-31. PROPANE TANK HOLDERS (FIXED HEADBOARD)



ART_1001129570

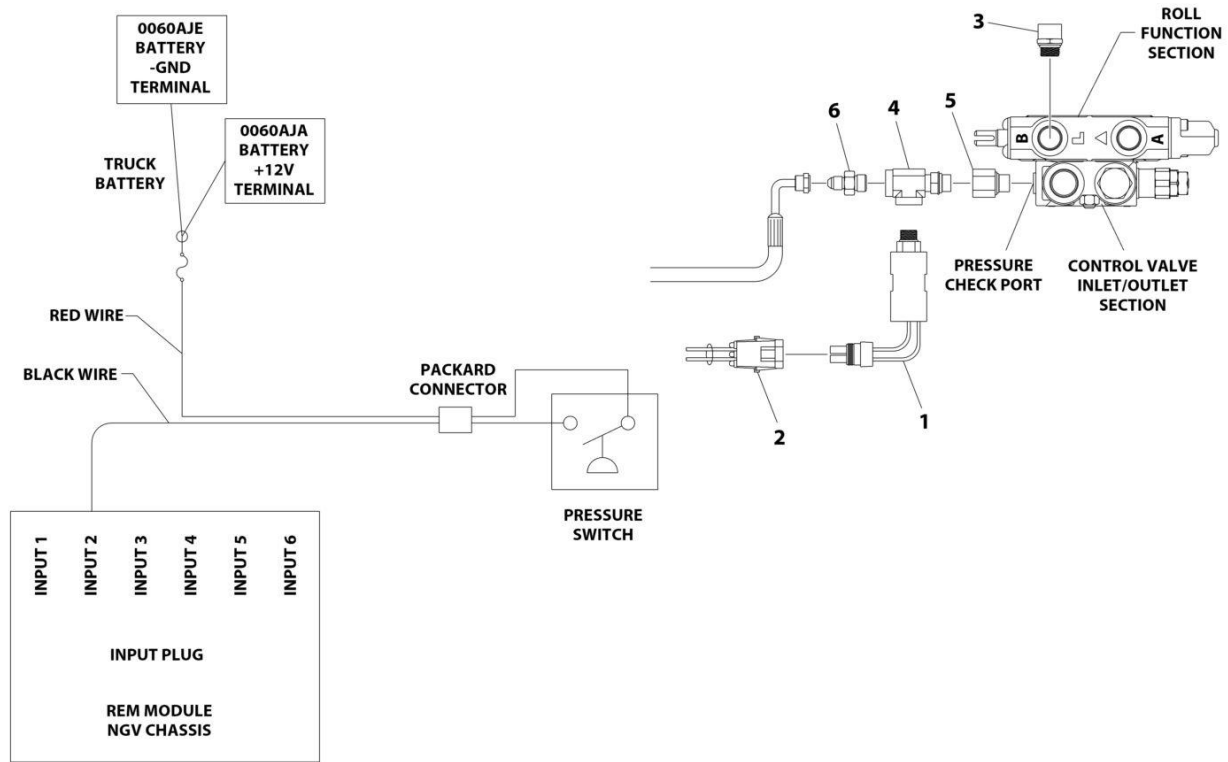
SECTION 8 - ACCESSORIES

FIGURE 8-31. PROPANE TANK HOLDERS (FIXED HEADBOARD)

| ITEM | PART NUMBER | QTY | DESCRIPTION | REV |
|------|-------------|-----|--|-----|
| | 1001129570 | Ref | PROPANE TANK HOLDERS, HEADBOARD INSTALLATION | E |
| 1 | 1001129573 | 1 | Propane Tank Support Weld, LH | |
| 2 | 1001129576 | 1 | Propane Tank Support Weld, RH | |
| 3 | 1001129537 | 2 | Bracket | |
| 4 | 7178000029 | 1 | Bracket | |
| 5 | 7790151253 | 10 | Screw 5/16 x 3/4 | |
| 6 | 0641508 | 20 | Bolt 5/16 x 1 | |
| 7 | 4751500 | 46 | Washer 5/16 | |
| 8 | 3271505 | 20 | Nut 5/16 | |
| 9 | 4761500 | 4 | Washer 5/16 | |

SECTION 8 - ACCESSORIES

FIGURE 8-32. REMOTE THROTTLE CONTROL



ART_2870000013

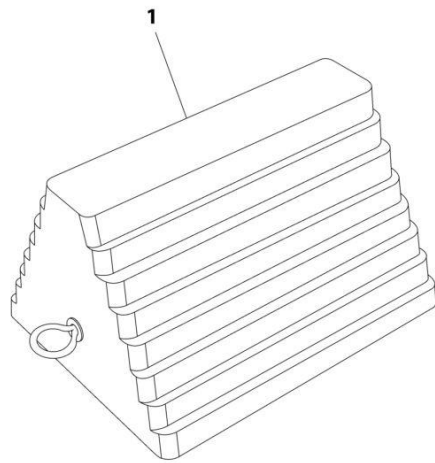
SECTION 8 - ACCESSORIES

FIGURE 8-32. REMOTE THROTTLE CONTROL

| ITEM | PART NUMBER | QTY | DESCRIPTION | REV |
|------|-------------|-----|-------------------------------------|-----|
| | 2870000013 | Ref | REMOTE THROTTLE CONTROL | D |
| 1 | 7346000208 | 1 | Pressure Switch | |
| 2 | 7552000241 | 1 | Harness, Throttle Control | |
| 2 | 4460867 | 1 | Plug, Male - 2 Position | |
| 2 | 4460850 | 2 | Terminal | |
| 2 | | Ref | Seal | |
| 2 | | Ref | Fuse - 5 Amp ATO (Purchase Locally) | |
| 3 | 7443000428 | 1 | Valve, Check | |
| 4 | 7443000432 | 1 | Fitting, Tee | |
| 5 | 7443000469 | 1 | Fitting, Straight | |
| 6 | 7445040643 | 1 | Fitting, Straight | |

SECTION 8 - ACCESSORIES

FIGURE 8-33. RUBBER WHEEL CHOCKS



ART_RWC

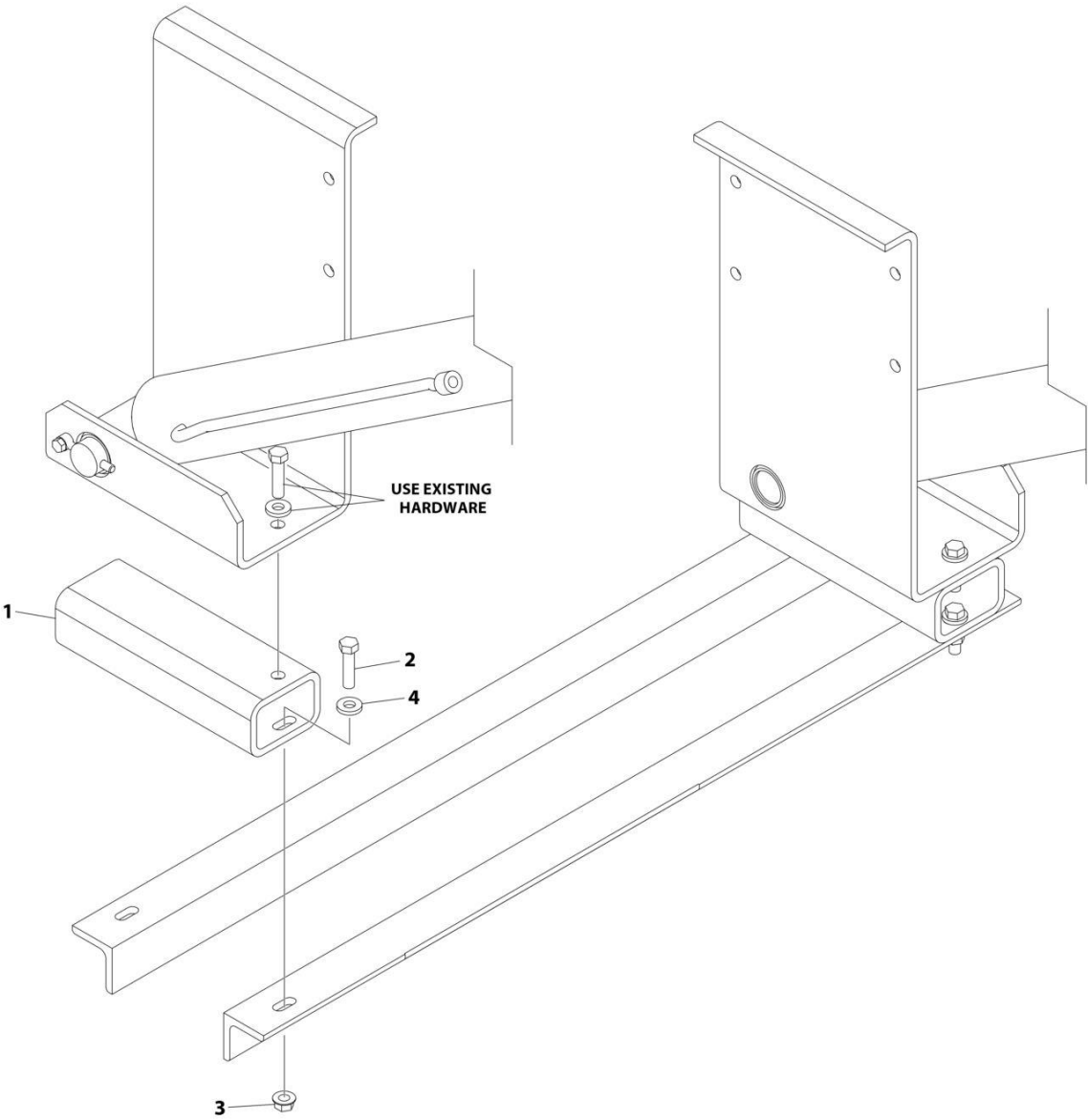
SECTION 8 - ACCESSORIES

FIGURE 8-33. RUBBER WHEEL CHOCKS

| ITEM | PART NUMBER | QTY | DESCRIPTION | REV |
|------|-------------------|----------|--------------------------------------|-----|
| 1 | RWC 7002000448 | Ref 2 | WHEEL CHOCKS Wheel Chock - Rubber | 0 |

SECTION 8 - ACCESSORIES

FIGURE 8-34. SADDLE SPACERS INSTALLATION



ART_1001175532

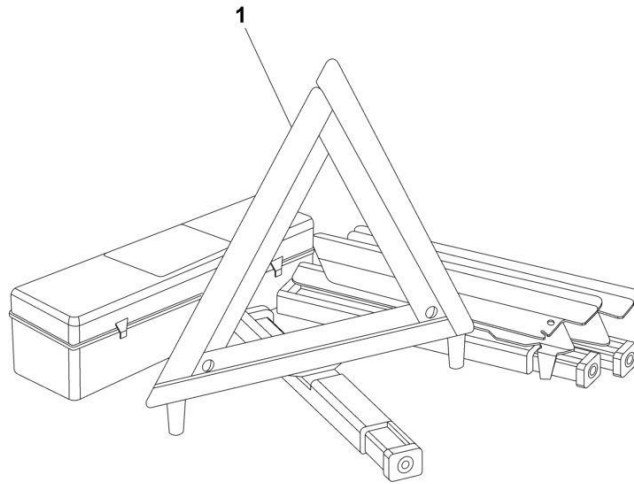
SECTION 8 - ACCESSORIES

FIGURE 8-34. SADDLE SPACERS INSTALLATION

| ITEM | PART NUMBER | QTY | DESCRIPTION | REV |
|------|-------------|-----|----------------------------|-----|
| | 1001175532 | Ref | Saddle Spacer Installation | A |
| 1 | 1001175531 | 2 | Saddle Spacer | |
| 2 | 7105181650 | 4 | Capscrew 1/2 x 2 | |
| 3 | 7660182333 | 4 | Nut 1/2 | |
| 4 | 7950180153 | 4 | Washer 1/2 | |

SECTION 8 - ACCESSORIES

FIGURE 8-35. SAFETY TRIANGLE KIT



ART_STK

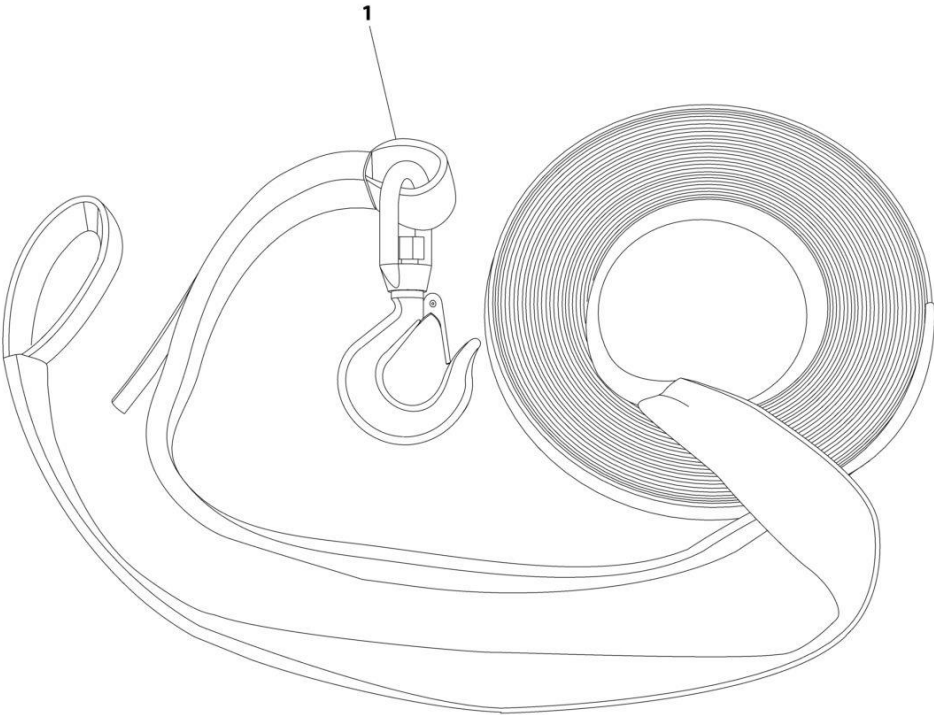
SECTION 8 - ACCESSORIES

FIGURE 8-35. SAFETY TRIANGLE KIT

| ITEM | PART NUMBER | QTY | DESCRIPTION | REV |
|------|-------------------|----------|---|-----|
| 1 | STK 7002000285 | Ref 1 | Safety Triangle Kit Reflective Triangles | 0 |

SECTION 8 - ACCESSORIES

FIGURE 8-36. STRAP EXTENSION WITH SWIVEL HOOK - 50FT



ART_STRAP50

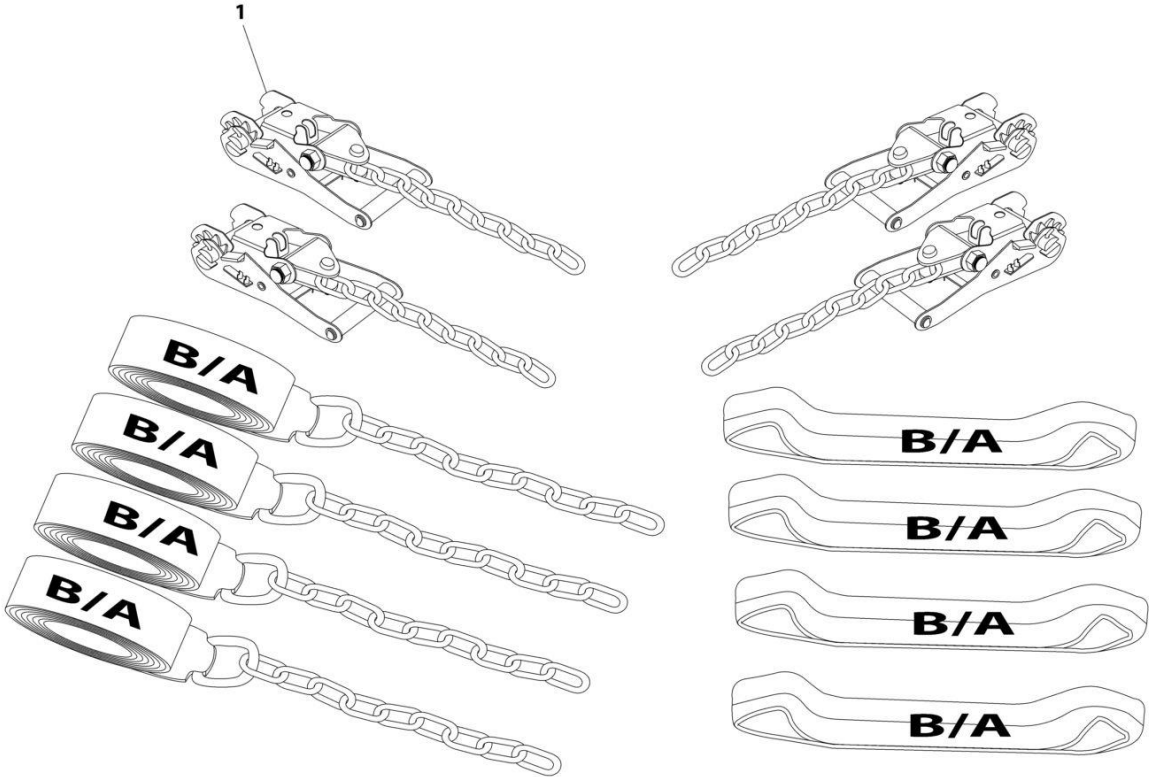
SECTION 8 - ACCESSORIES

FIGURE 8-36. STRAP EXTENSION WITH SWIVEL HOOK - 50FT

| ITEM | PART NUMBER | QTY | DESCRIPTION | REV |
|------|-----------------------|----------|---|-----|
| 1 | STRAP50 7894000071 | Ref 1 | 50FT STRAP EXTENSION WITH SWIVEL HOOK Strap Extension with Swivel Hook | 0 |

SECTION 8 - ACCESSORIES

FIGURE 8-37. STRAP KIT - CARRIER 8 POINT TIRE TIE DOWN



ART_CAR8PTTD

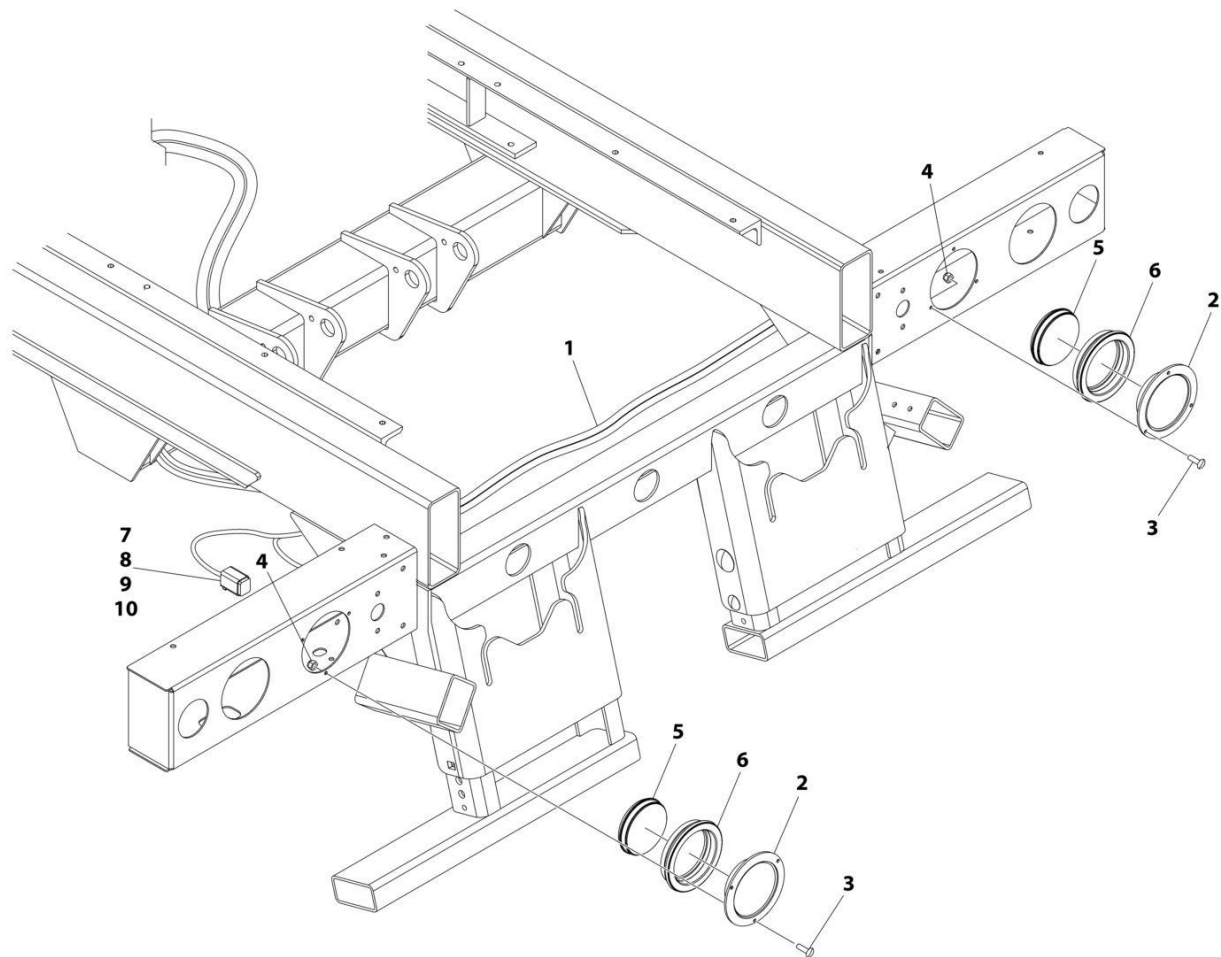
SECTION 8 - ACCESSORIES

FIGURE 8-37. STRAP KIT - CARRIER 8 POINT TIRE TIE DOWN

| ITEM | PART NUMBER | QTY | DESCRIPTION | REV |
|------|------------------------|----------|--|-----|
| 1 | CAR8PTTD 7894000073 | Ref 1 | STRAP/TIE DOWN KIT - 8-POINT TIRE STRAP Chain Strap and Chain Tyre Tie-Down | 0 |

SECTION 8 - ACCESSORIES

FIGURE 8-38. TAIL LIGHT CONVERSION KIT, SPLIT STOP/TURN



ART_2590000292

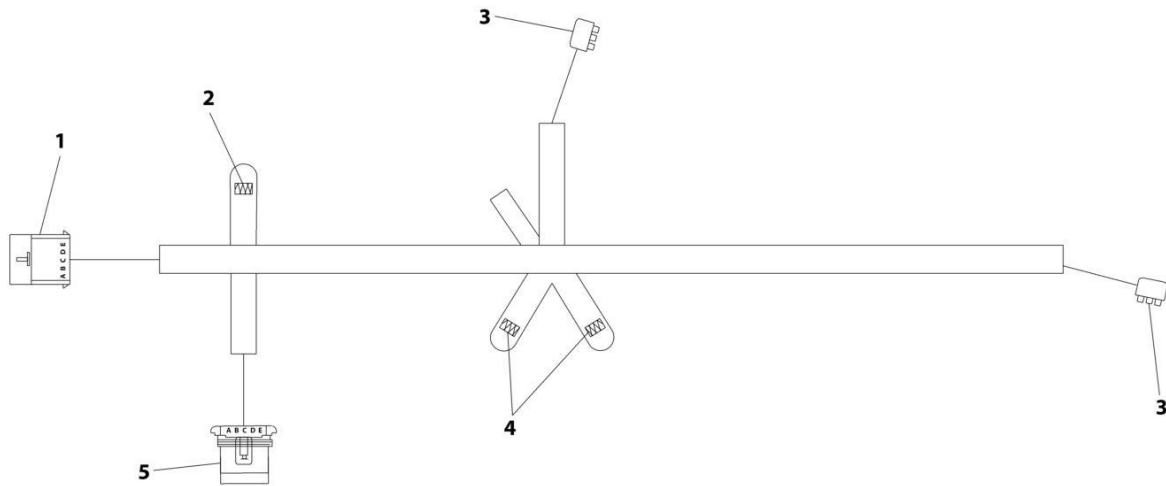
SECTION 8 - ACCESSORIES

FIGURE 8-38. TAIL LIGHT CONVERSION KIT, SPLIT STOP/TURN

| ITEM | PART NUMBER | QTY | DESCRIPTION | REV |
|------|-------------|-----|--|-----|
| | 2590000292 | Ref | TAIL LIGHT CONVERSION KIT, SPLIT STOP/TURN | E |
| 1 | 7552000472 | 1 | Harness, Tail Light (See Separate Breakdown in this Section) | |
| 2 | 7590000432 | 2 | Light | |
| 3 | 7114101018 | 6 | Capscrew #10 x 1-1/4 | |
| 4 | 7660102604 | 6 | Nut #10 | |
| 5 | 1001142769 | 2 | Lamp | |
| 6 | 7493000002 | 2 | Grommet | |
| 7 | 1001159336 | 1 | Electrical Assembly, Tail Light Converter | |
| 8 | 7345001714 | 6 | Terminal | |
| 9 | 7346000039 | AR | Heat Shrink 1/4IN | |
| 10 | 1001100949 | 1 | Diode - IN5400, 50V, 3.0Amp | |

SECTION 8 - ACCESSORIES

FIGURE 8-39. TAIL LIGHT CONVERSION HARNESS



ART_7552000472

SECTION 8 - ACCESSORIES

FIGURE 8-39. TAIL LIGHT CONVERSION HARNESS

| ITEM | PART NUMBER | QTY | DESCRIPTION | REV |
|------|-------------|-----|--------------------------|-----|
| | 7552000472 | Ref | TAILLIGHT HARNESS | B |
| 1 | | Ref | Connector - 5 Position | |
| 1 | 1001116720 | 5 | Terminal | |
| 1 | | Ref | Seal | |
| 2 | 7346000220 | 1 | Resistor 100 Ohm/10 Watt | |
| 3 | | Ref | Connector - 3 Position | |
| 4 | 7346000231 | 2 | Resistor 10 Ohm/50 Watt | |
| 5 | 1001121726 | 1 | Connector - 5 Position | |
| 5 | 1001116747 | 5 | Terminal | |
| 5 | | Ref | Seal | |

SECTION 8 - ACCESSORIES

FIGURE 8-40. TIE DOWN STRAP/RACHET STRAP KIT

INFORMATION NOT AVAILABLE AT THE TIME OF PRINTING

ART_7577000242

SECTION 8 - ACCESSORIES

FIGURE 8-40. TIE DOWN STRAP/RACHET STRAP KIT

| ITEM | PART NUMBER | QTY | DESCRIPTION | REV |
|------|-------------|------------|---|-----|
| | 7577000242 | Ref Ref | Tie Down Strap/Ratchet Strap Kit Note: No Service Parts Available at Time of Printing. | 0 |

SECTION 8 - ACCESSORIES

FIGURE 8-41. TIE DOWN STRAP/RACHET STRAP KIT (AUTO GRIDS)

INFORMATION NOT AVAILABLE AT THE TIME OF PRINTING

ART_7577000376

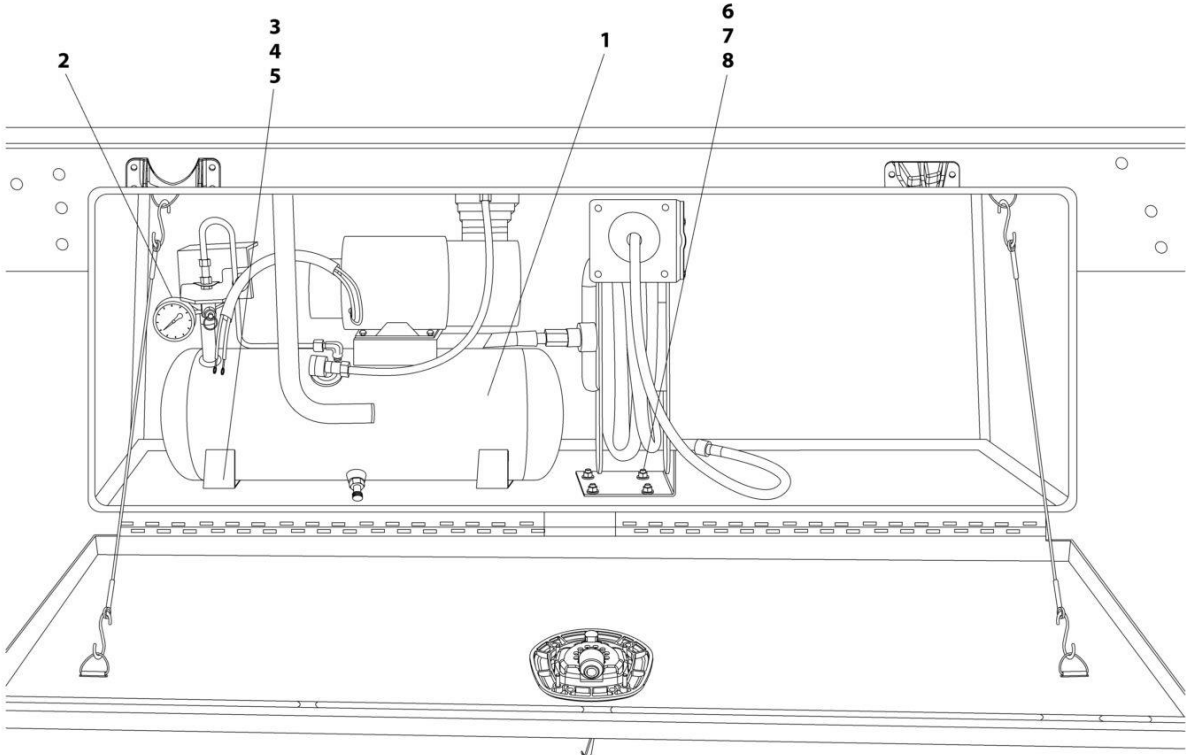
SECTION 8 - ACCESSORIES

FIGURE 8-41. TIE DOWN STRAP/RACHET STRAP KIT (AUTO GRIDS)

| ITEM | PART NUMBER | QTY | DESCRIPTION | REV |
|------|-------------|------------|---|-----|
| | 7577000376 | Ref Ref | TIE-STRAP, RATCHET KIT, AUTOGRID Note: No Service Parts Available at Time of Printing. | 00 |

SECTION 8 - ACCESSORIES

FIGURE 8-42. TOOLBOX AIR COMPRESSOR/HOSE REEL



SHOWN MOUNTED INSIDE 48IN TOOLBOX

ART_2002000030

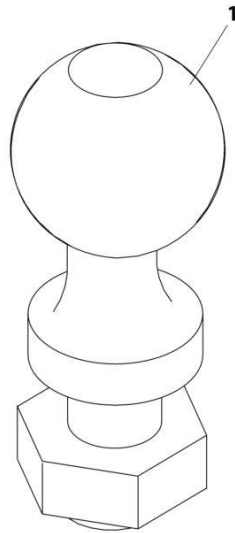
SECTION 8 - ACCESSORIES

FIGURE 8-42. TOOLBOX AIR COMPRESSOR/HOSE REEL

| ITEM | PART NUMBER | QTY | DESCRIPTION | REV |
|------|-------------|-----|----------------------------------|-----|
| | 2002000030 | Ref | Toolbox Air Compressor/Hose Reel | B |
| 1 | 7002000503 | 1 | Air Compressor with Hose Reel | |
| 2 | 7443000155 | 1 | Fitting, 90 | |
| 3 | 7115161050 | 4 | Capscrew 3/8 x 1-1/4 | |
| 4 | 7950150161 | 4 | Washer 3/8 | |
| 5 | 7660162601 | 4 | Nut 3/8 | |
| 6 | 7115181050 | 4 | Capscrew 1/2 x 1-1/4 | |
| 7 | 7950180153 | 8 | Washer 1/2 | |
| 8 | 7660182601 | 4 | Nut 1/2 | |

SECTION 8 - ACCESSORIES

FIGURE 8-43. TOW BALL - SS CONVERT-A-BALL KIT



ART_1001133675

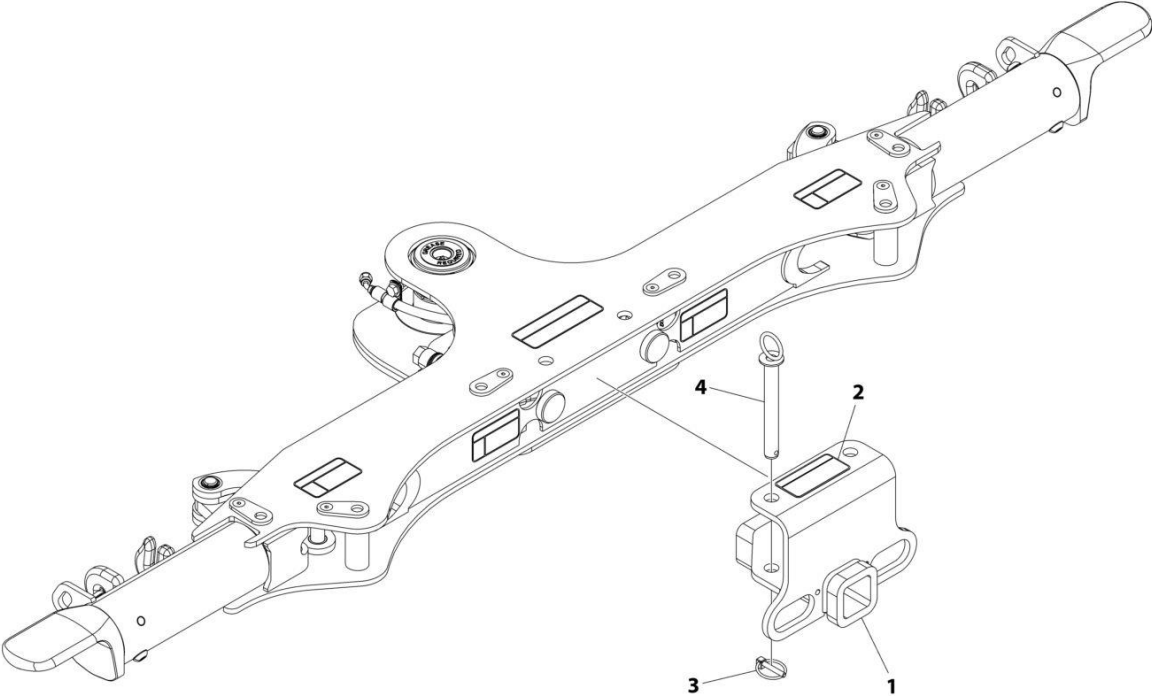
SECTION 8 - ACCESSORIES

FIGURE 8-43. TOW BALL - SS CONVERT-A-BALL KIT

| ITEM | PART NUMBER | QTY | DESCRIPTION | REV |
|------|--------------------------|----------|--|-----|
| 1 | 1001133675 7002000458 | Ref 1 | TRAILER BALL - SS CONVERT-A-BALL KIT Ball | A |

SECTION 8 - ACCESSORIES

FIGURE 8-44. TOW HITCH RECEIVER INSTALLATION - 2IN (USED WITH AUTO GRIDS)



ART_1001289796

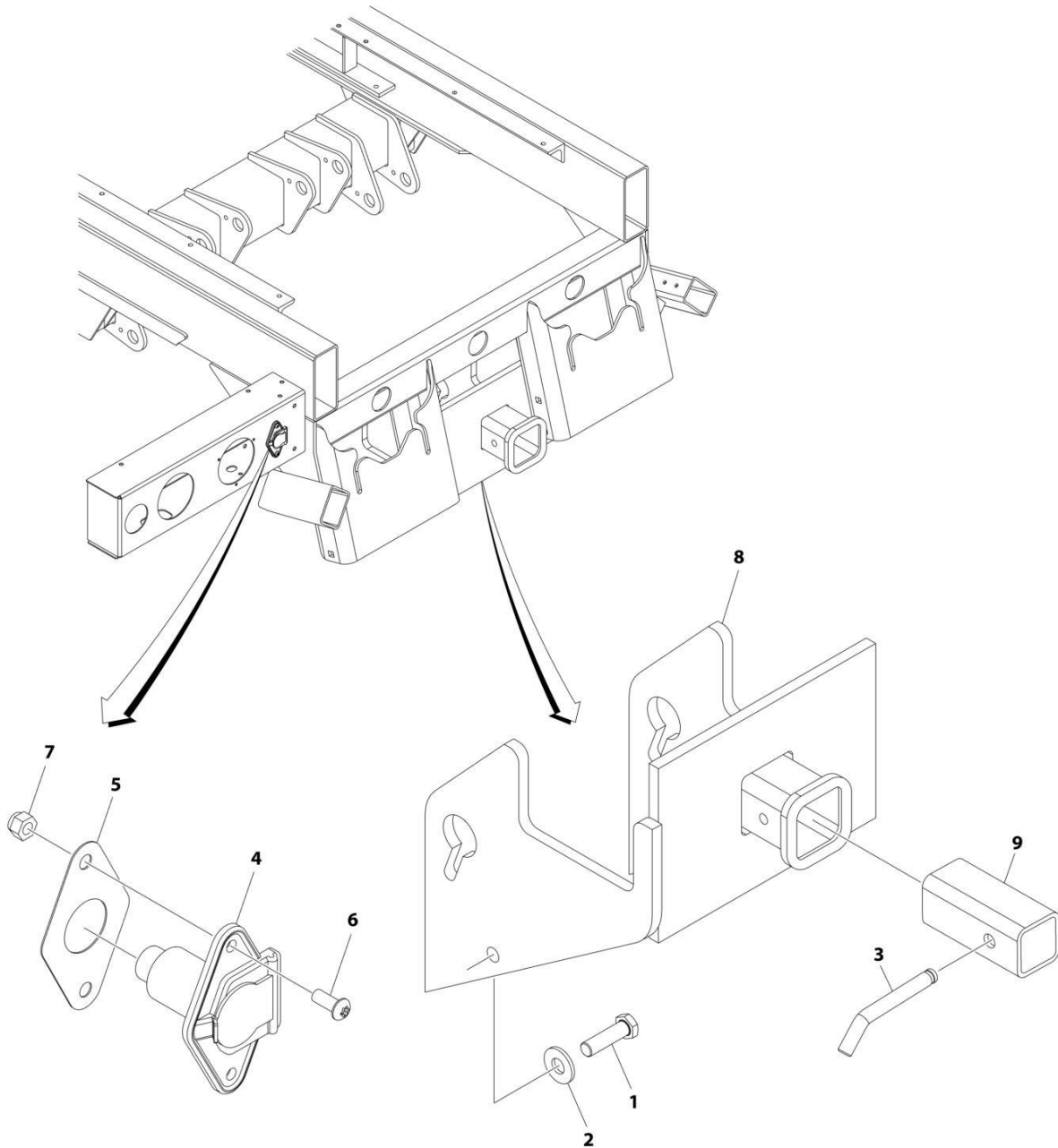
SECTION 8 - ACCESSORIES

FIGURE 8-44. TOW HITCH RECEIVER INSTALLATION - 2IN (USED WITH AUTO GRIDS)

| ITEM | PART NUMBER | QTY | DESCRIPTION | REV |
|------|-------------|-----|--------------------|-----|
| | 1001289796 | Ref | HITCH INSTALLATION | A |
| 1 | 1001289797 | 1 | Hitch | |
| 2 | 1001289800 | 1 | Decal - Hitch | |
| 3 | 7691000027 | 2 | Pin with Chain | |
| 4 | 3691000195 | 2 | Pin | |

SECTION 8 - ACCESSORIES

FIGURE 8-45. TOW HITCH RECEIVER INSTALLATION - 2.5IN BALL (STATIONARY)



ART_1001137581

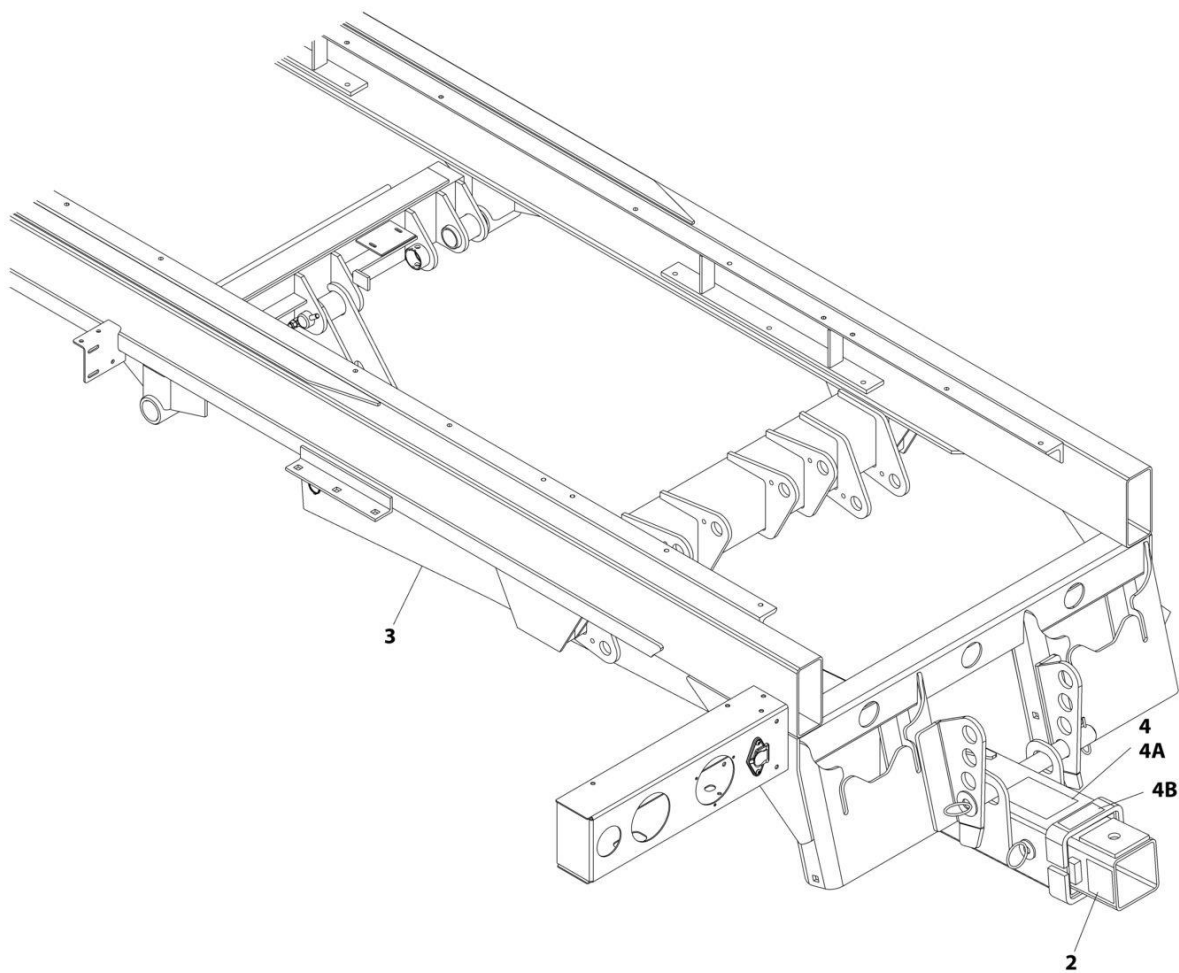
SECTION 8 - ACCESSORIES

FIGURE 8-45. TOW HITCH RECEIVER INSTALLATION - 2.5IN BALL (STATIONARY)

| ITEM | PART NUMBER | QTY | DESCRIPTION | REV |
|------|-------------|-----|--------------------------------|-----|
| | 1001137581 | Ref | TOW HITCH INSTALLATION, 2.5 IN | B |
| 1 | 7115181450 | 2 | Capscrew 1/2 x 1-3/4 | |
| 2 | 7950180150 | 2 | Washer 1/2 | |
| 3 | 7691000033 | 1 | Cotter Pin | |
| 4 | 7291000010 | 1 | Connector | |
| 5 | 7796000048 | 1 | Gasket | |
| 6 | 7114140528 | 2 | Screw 1/4 x 5/8 | |
| 7 | 7660142601 | 2 | Nut 1/4 | |
| 8 | 1001180289 | 1 | Hitch Receiver | |
| 9 | 7913000006 | 1 | Tube | |

SECTION 8 - ACCESSORIES

FIGURE 8-46. TOW HITCH - BALL HITCH PLATE (MANUAL/HYDRAULIC)



ART_BHH35-MD

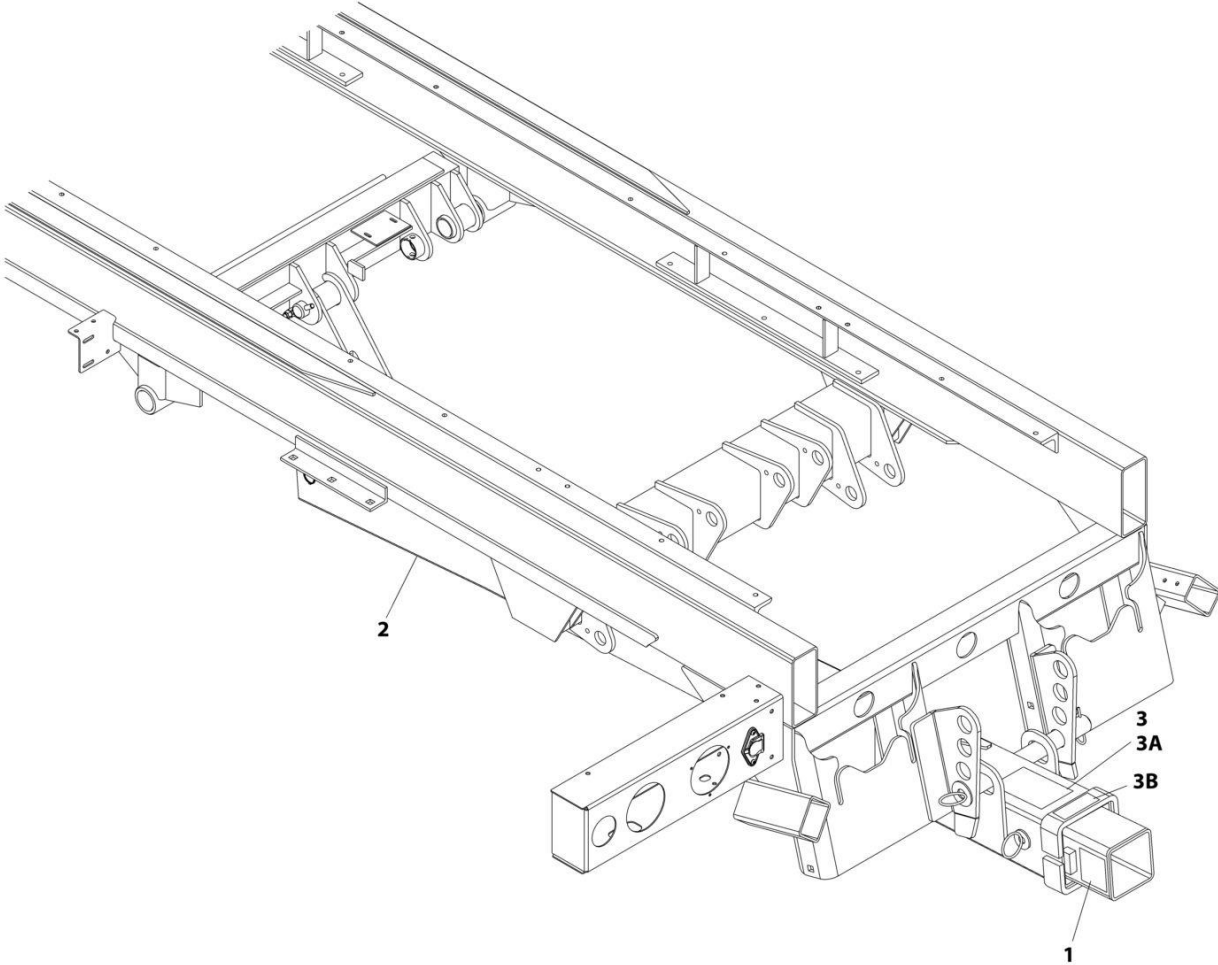
SECTION 8 - ACCESSORIES

FIGURE 8-46. TOW HITCH - BALL HITCH PLATE (MANUAL/HYDRAULIC)

| ITEM | PART NUMBER | QTY | DESCRIPTION | REV |
|------|-------------|-----|--|-----|
| | BHH35-MD | Ref | TOW HITCH INSTALLATION - MANUAL/HYDRAULIC BALL HITCH PLATE | 0 |
| 1 | 2570000055 | 1 | Hose Installation (Not Shown - See Separate Breakdown in HYDRAULIC Section) | |
| 2 | 2330000040 | Ref | Hitch Decal Installation, Ball | |
| 2 | 4330000002 | 2 | Decal - Red Reflective | |
| 3 | 2170000087 | 1 | Boom Installation, Ball Hitch (Hydraulic) (See Separate Breakdown in this Section) | |
| 4 | 2330000060 | Ref | Ball Hitch Decal Installation, Tow Option | |
| 4A | 7330000684 | 1 | Decal - Safety | |
| 4B | 7330000391 | 1 | Decal - Warning, Tow Boom Configuration | |

SECTION 8 - ACCESSORIES

FIGURE 8-47. TOW HITCH - PINTLE HITCH PLATE (MANUAL)



ART_PHM35-MD

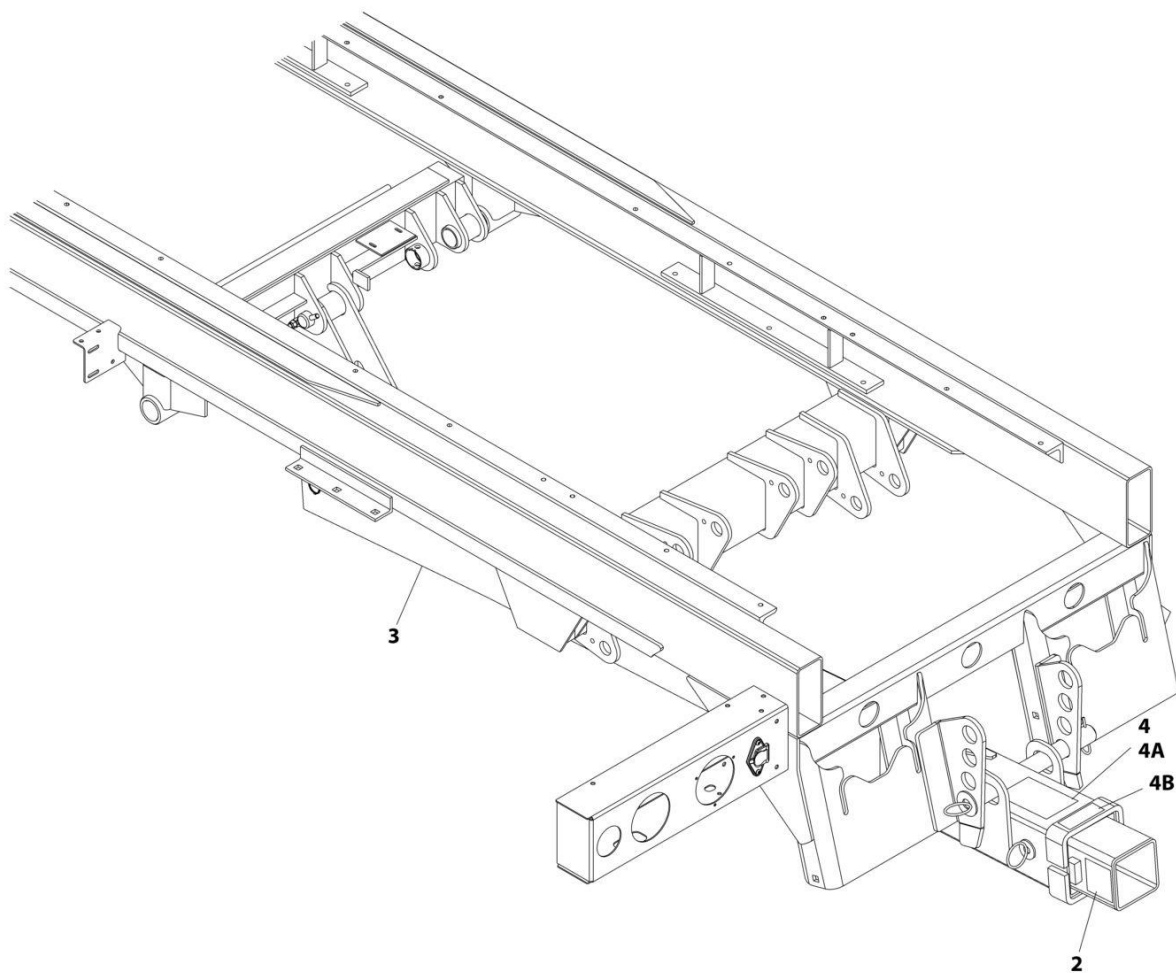
SECTION 8 - ACCESSORIES

FIGURE 8-47. TOW HITCH - PINTLE HITCH PLATE (MANUAL)

| ITEM | PART NUMBER | QTY | DESCRIPTION | REV |
|------|-------------|-----|---|-----|
| | PHM35-MD | Ref | TOW HITCH BOOM INSTALLATION - PINTLE HITCH (HYDRAULIC) | 0 |
| 1 | 2330000041 | Ref | Reflective Tape Installation | |
| 1 | 7330000645 | 1 | Decal - Red, Retro-reflective LH | |
| 1 | 7330000646 | 1 | Decal - Red, Retro-reflective RH | |
| 2 | 2170000090 | 1 | Boom Installation, Pintle Hitch (Manual) (See Separate Breakdown in this Section) | |
| 3 | 2330000060 | Ref | Ball Hitch Decal Installation, Tow Option | |
| 3A | 7330000684 | 1 | Decal - Safety | |
| 3B | 7330000391 | 1 | Decal - Warning, Tow Boom Configuration | |

SECTION 8 - ACCESSORIES

FIGURE 8-48. TOW HITCH - PINTLE HITCH PLATE (MANUAL/HYDRAULIC)



ART_PHH35-MD

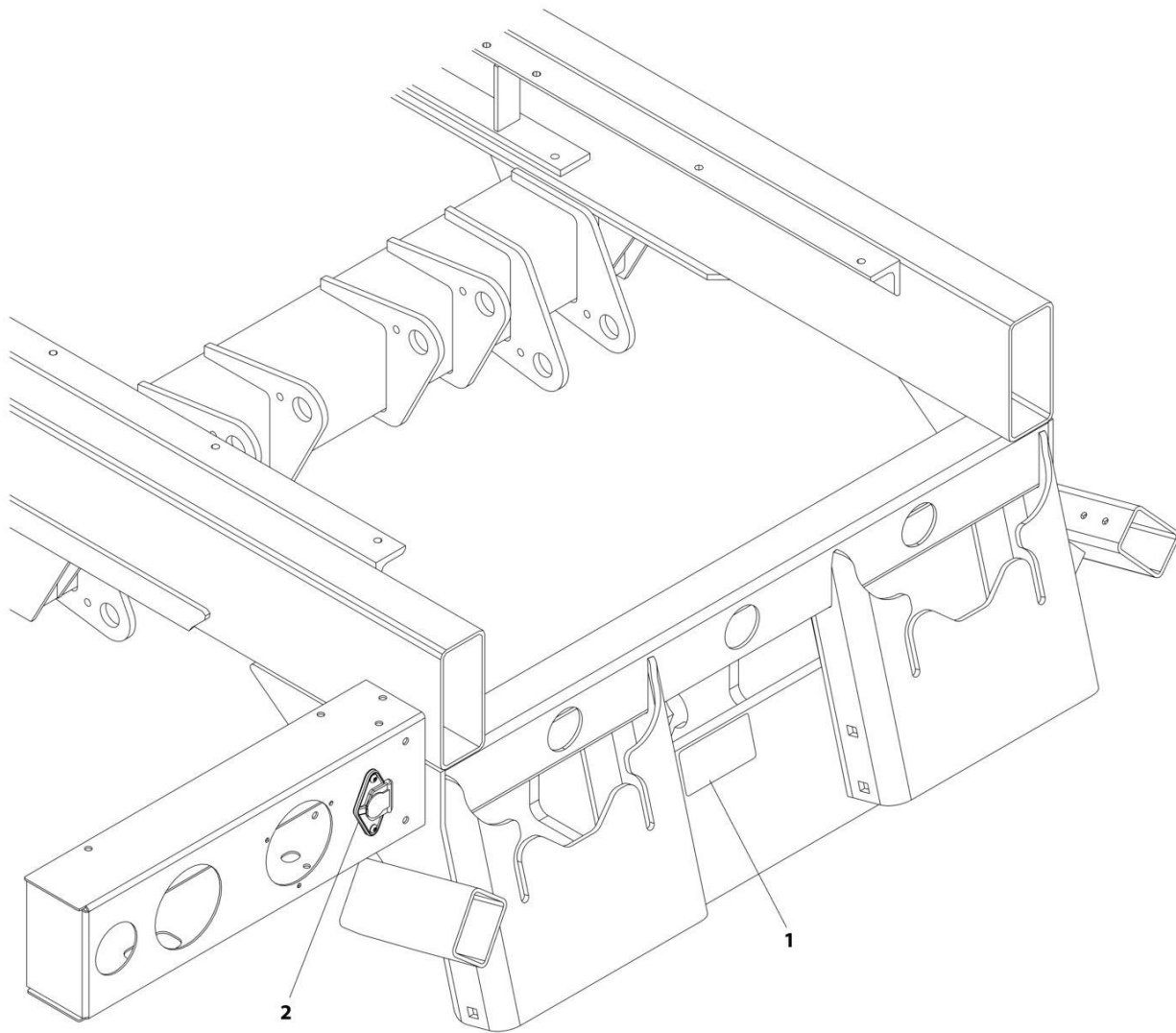
SECTION 8 - ACCESSORIES

FIGURE 8-48. TOW HITCH - PINTLE HITCH PLATE (MANUAL/HYDRAULIC)

| ITEM | PART NUMBER | QTY | DESCRIPTION | REV |
|------|-------------|-----|--|-----|
| | PHH35-MD | Ref | TOW HITCH INSTALLATION - MANUAL /HYDRAULIC PINTLE HITCH PLATE | 0 |
| 1 | 2570000055 | 1 | Hose Installation (Not Shown - See Separate Breakdown in HYDRAULIC Section) | |
| 2 | 2330000041 | Ref | Reflective Tape Installation | |
| 2 | 7330000645 | 1 | Decal - Red, Retro-reflective LH | |
| 2 | 7330000646 | 1 | Decal - Red, Retro-reflective RH | |
| 3 | 2170000089 | 1 | Boom Installation, Pintle Hitch (Hydraulic) (See Separate Breakdown in this Section) | |
| 4 | 2330000060 | Ref | Ball Hitch Decal Installation, Tow Option | |
| 4A | 7330000684 | 1 | Decal - Safety | |
| 4B | 7330000391 | 1 | Decal - Warning, Tow Boom Configuratio | |

SECTION 8 - ACCESSORIES

FIGURE 8-49. TOW HITCH - PINTLE HITCH PLATE (STATIONARY)



ART_PHS40-MD

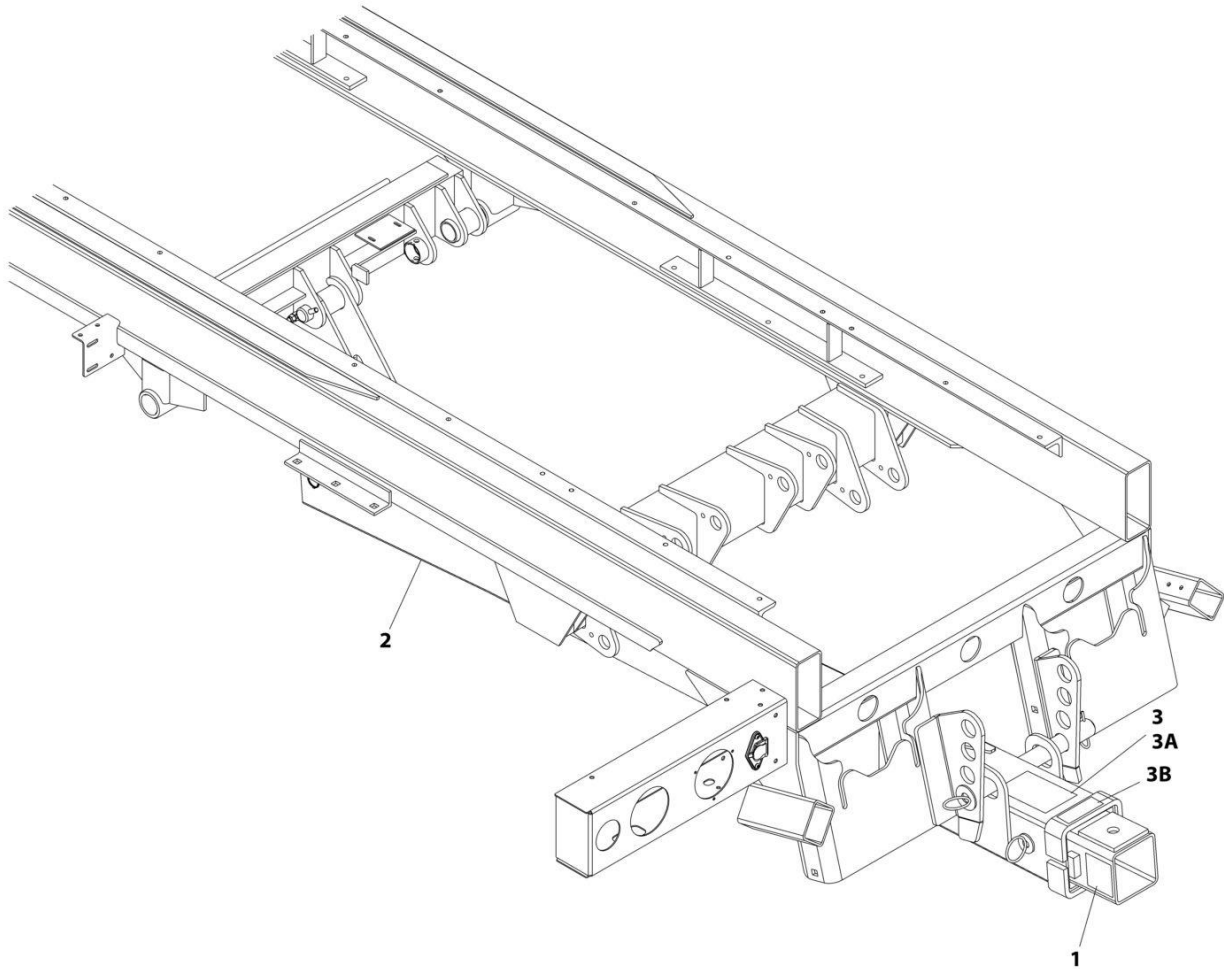
SECTION 8 - ACCESSORIES

FIGURE 8-49. TOW HITCH - PINTLE HITCH PLATE (STATIONARY)

| ITEM | PART NUMBER | QTY | DESCRIPTION | REV |
|------|-------------|-----|--|-----|
| | PHS40-MD | Ref | TOW HITCH INSTALLATION - STATIONARY PINTLE HITCH PLATE | 0 |
| 1 | 2330000062 | 1 | Tow Hitch Decal Installation | |
| 1 | 7330000274 | 1 | Decal - Warning | |
| 2 | 3556000040 | 1 | Stationary Pintle Hitch (See Separate Breakdown in this Section) | |

SECTION 8 - ACCESSORIES

FIGURE 8-50. TOW HITCH - BALL HITCH PLATE (MANUAL)



ART_BHM35-MD

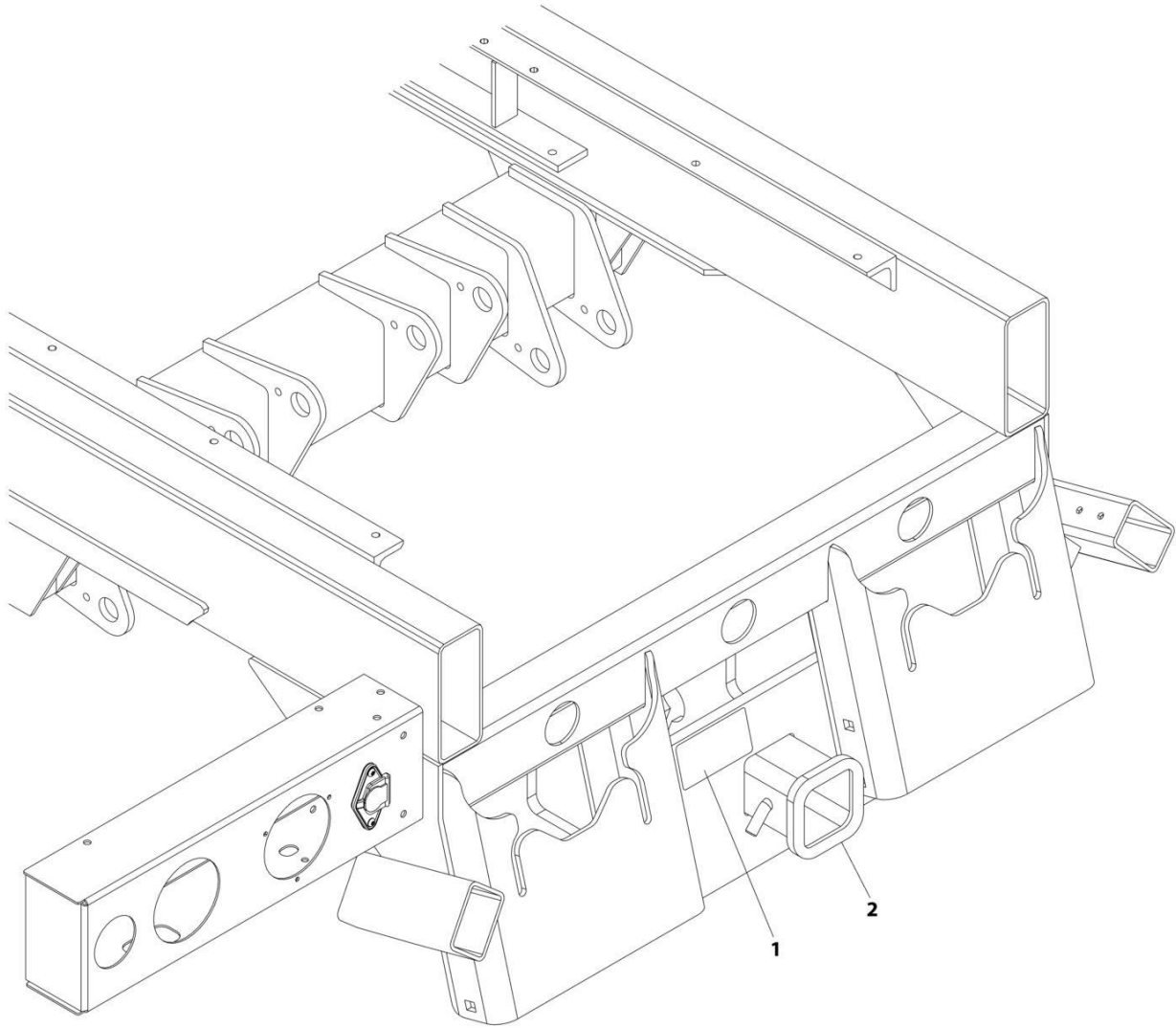
SECTION 8 - ACCESSORIES

FIGURE 8-50. TOW HITCH - BALL HITCH PLATE (MANUAL)

| ITEM | PART NUMBER | QTY | DESCRIPTION | REV |
|------|-------------|-----|---|-----|
| | BHM35-MD | Ref | TOW HITCH INSTALLATION - MANUAL BALL HITCH PLATE | 0 |
| 1 | 2330000040 | Ref | Hitch Decal Installation, Ball | |
| 1 | 4330000002 | 2 | Decal - Red Reflective | |
| 2 | 2170000088 | 1 | Boom Installation, Ball Hitch (Manual) (See Separate Breakdown in this Section) | |
| 3 | 2330000060 | Ref | Ball Hitch Decal Installation, Tow Option | |
| 3A | 7330000684 | 1 | Decal - Safety | |
| 3B | 7330000391 | 1 | Decal - Warning, Tow Boom Configuration | |

SECTION 8 - ACCESSORIES

FIGURE 8-51. TOW HITCH - STATIONARY 2.5 IN TOW HITCH RECEIVER



ART_1001137580

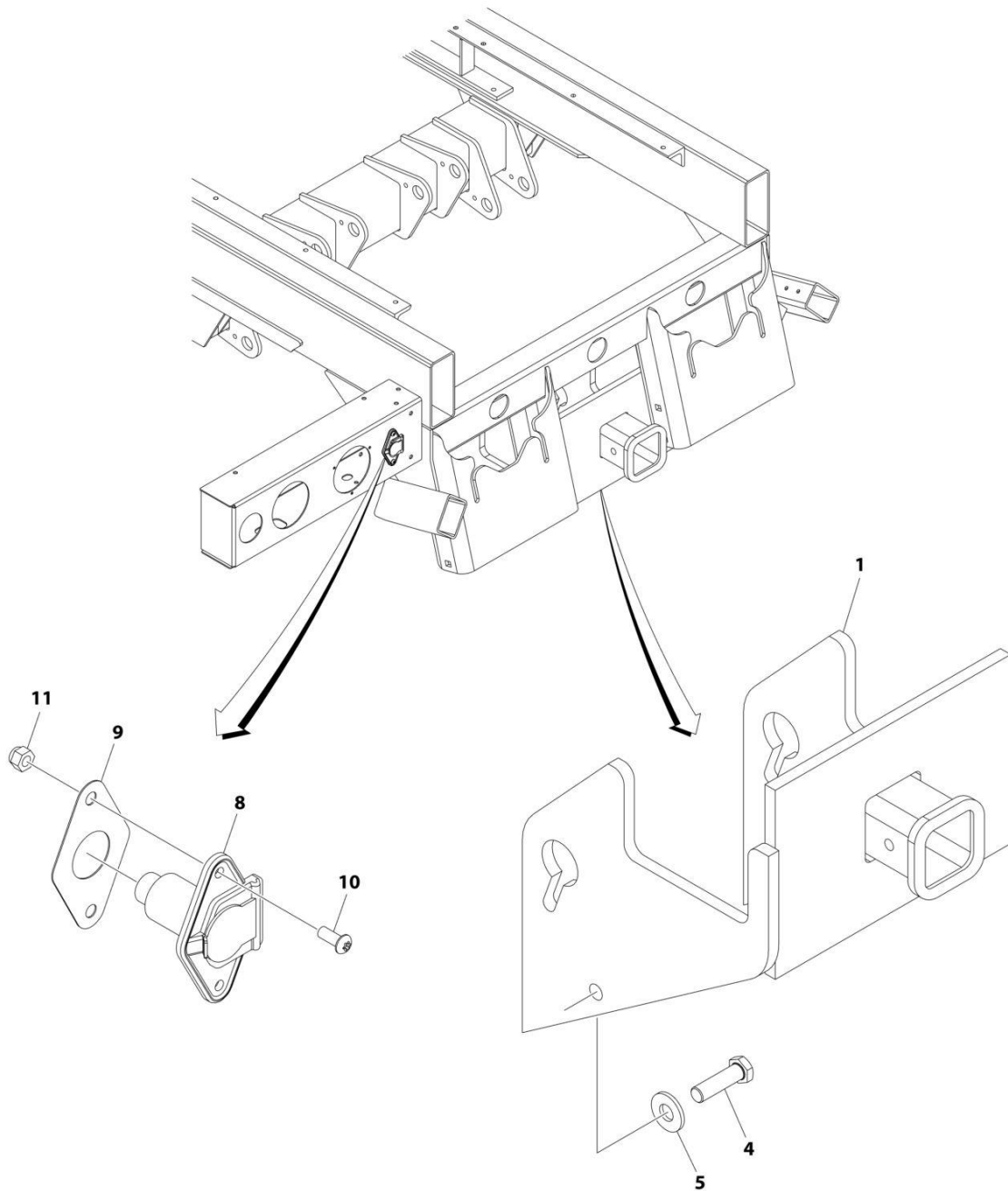
SECTION 8 - ACCESSORIES

FIGURE 8-51. TOW HITCH - STATIONARY 2.5 IN TOW HITCH RECEIVER

| ITEM | PART NUMBER | QTY | DESCRIPTION | REV |
|------|-------------|-----|---|-----|
| | 1001137580 | Ref | TOW HITCH INSTALLATION - STATIONARY 2.5 IN TOW HITCH RECEIVER | A |
| 1 | 2330000062 | Ref | Tow Hitch Decal Installation | |
| 1 | 7330000274 | 1 | Decal - Warning Overloading | |
| 2 | 1001137581 | 1 | Tow Hitch Installation (See Separate Breakdown in this Section) | |

SECTION 8 - ACCESSORIES

FIGURE 8-52. TOW HITCH RECEIVER INSTALLATION - 2IN BALL (STATIONARY)



ART_3556000041

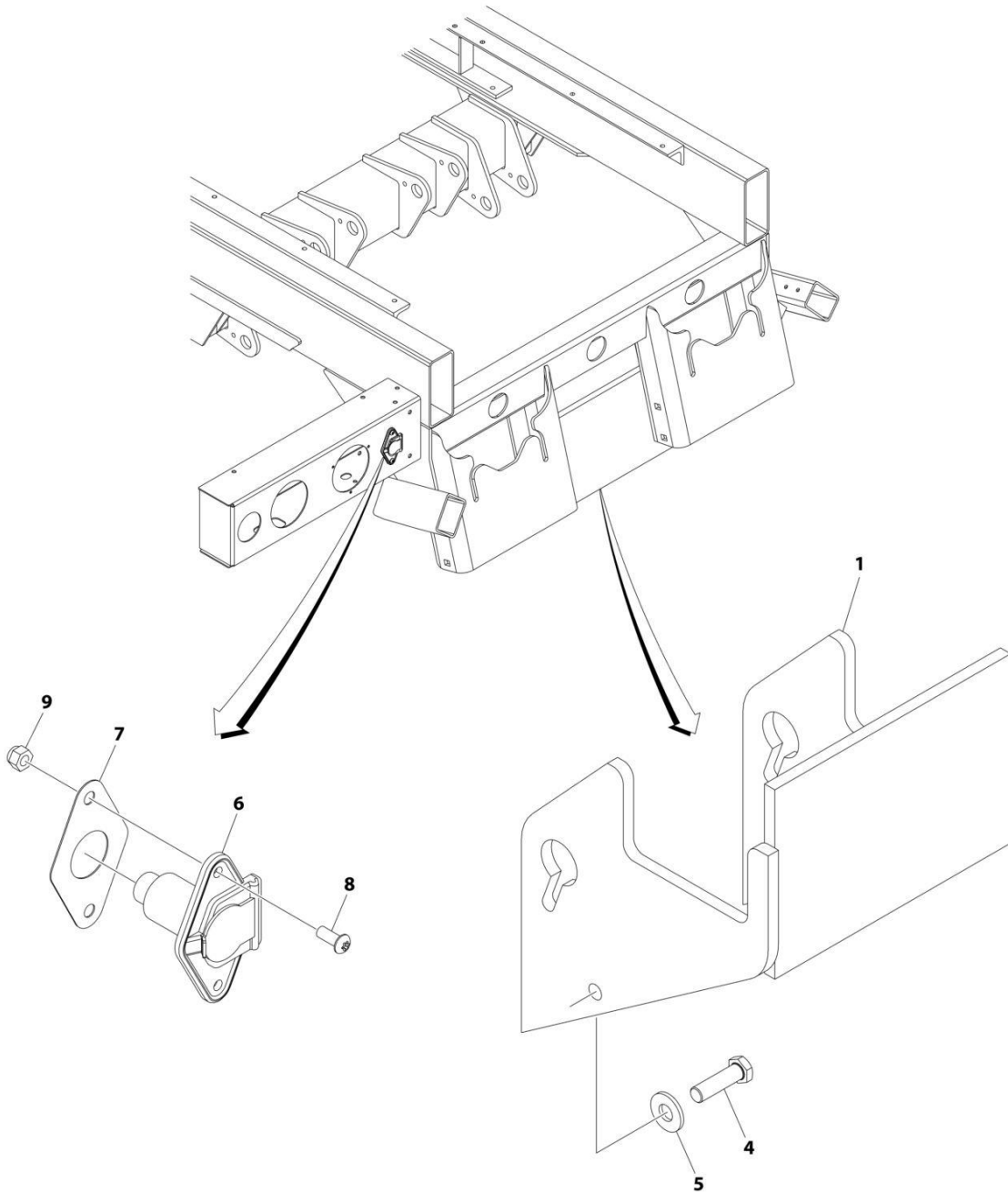
SECTION 8 - ACCESSORIES

FIGURE 8-52. TOW HITCH RECEIVER INSTALLATION - 2IN BALL (STATIONARY)

| ITEM | PART NUMBER | QTY | DESCRIPTION | REV |
|------|-------------|-----|----------------------------------|-----|
| | 3556000041 | Ref | TOW HITCH - STATIONARY | C |
| 1 | 1001180288 | 1 | Receiver, Hitch | |
| 4 | 7115181450 | 2 | Capscrew 1/2 x 1-3/4 | |
| 5 | 7950180150 | 2 | Washer 1/2 | |
| 8 | 7291000010 | 1 | Female Receptacle with Connector | |
| 9 | 7796000048 | 1 | Gasket | |
| 10 | 7114140528 | 2 | Screw 1/4 x 5/8 | |
| 11 | 7660142601 | 2 | Nut 1/4 | |

SECTION 8 - ACCESSORIES

FIGURE 8-53. TOW HITCH RECEIVER INSTALLATION - PINTLE (STATIONARY)



ART_355600040

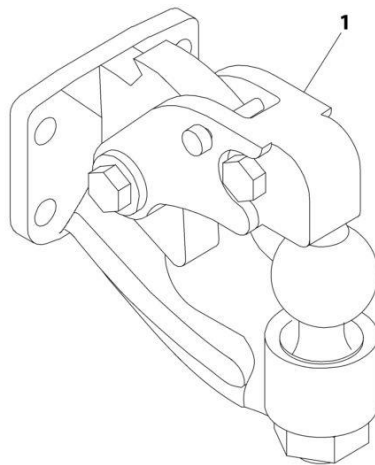
SECTION 8 - ACCESSORIES

FIGURE 8-53. TOW HITCH RECEIVER INSTALLATION - PINTLE (STATIONARY)

| ITEM | PART NUMBER | QTY | DESCRIPTION | REV |
|------|-------------|-----|-------------------------------|-----|
| | 3556000040 | Ref | TOW HITCH - STATIONARY PINTLE | C |
| 1 | 1001180290 | 1 | Hitch Receiver | |
| 4 | 7115181450 | 2 | Capscrew 1/2 x 1-3/4 | |
| 5 | 7950180150 | 2 | Washer 1/2 | |
| 6 | 7291000010 | 1 | Female Receptacle | |
| 7 | 7796000048 | 1 | Gasket | |
| 8 | 7114140528 | 2 | Screw 1/4 x 5/8 | |
| 9 | 7660142601 | 2 | Nut 1/4 | |

SECTION 8 - ACCESSORIES

FIGURE 8-54. TOW PINTLE - DUPLEX PINTLE HITCH



ART_DPH-16B

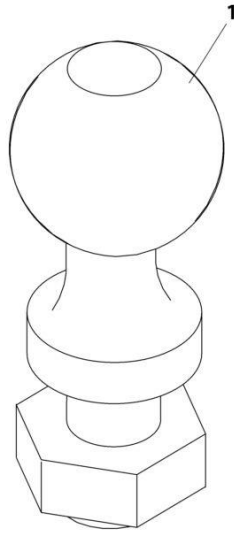
SECTION 8 - ACCESSORIES

FIGURE 8-54. TOW PINTLE - DUPLEX PINTLE HITCH

| ITEM | PART NUMBER | QTY | DESCRIPTION | REV |
|------|-----------------------|----------|--|-----|
| 1 | DPH-16B 7556000003 | Ref 1 | TRAILER PINTLE WITH BALL Pintle Hitch | B |

SECTION 8 - ACCESSORIES

FIGURE 8-55. TRAILER ACC, 2.31IN DIA BALL



ART_TB256

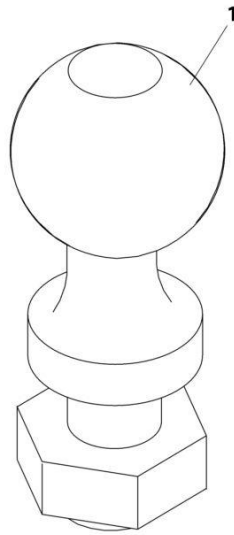
SECTION 8 - ACCESSORIES

FIGURE 8-55. TRAILER ACC, 2.31IN DIA BALL

| ITEM | PART NUMBER | QTY | DESCRIPTION | REV |
|------|---------------------|----------|--|-----|
| 1 | TB256 7056000009 | Ref 1 | TRAILER BALL - 2-5/16IN DIA BALL Ball | 0 |

SECTION 8 - ACCESSORIES

FIGURE 8-56. TRAILER ACC, 1.88IN DIA BALL



ART_TB178

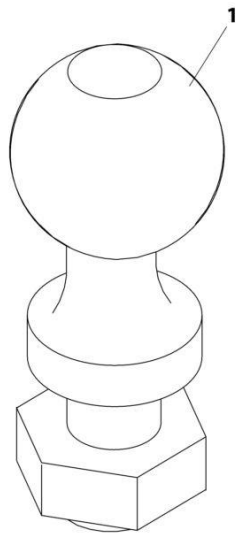
SECTION 8 - ACCESSORIES

FIGURE 8-56. TRAILER ACC, 1.88IN DIA BALL

| ITEM | PART NUMBER | QTY | DESCRIPTION | REV |
|------|---------------------|----------|--|-----|
| 1 | TB178 7056000007 | Ref 1 | TRAILER BALL - 1.88IN DIA BALL Ball | 0 |

SECTION 8 - ACCESSORIES

FIGURE 8-57. TRAILER ACC, 2IN DIA BALL



ART_TB200

SECTION 8 - ACCESSORIES

FIGURE 8-57. TRAILER ACC, 2IN DIA BALL

| ITEM | PART NUMBER | QTY | DESCRIPTION | REV |
|------|---------------------|----------|-------------------------------------|-----|
| 1 | TB200 7056000008 | Ref 1 | TRAILER BALL - 2IN DIA BALL Ball | 0 |

SECTION 9 - BUILD DOCUMENTS

SECTION 9 - BUILD DOCUMENTS

FIGURE 9-1. BUILD DOC_5376000268

| ITEM | PART NUMBER | QTY | DESCRIPTION | REV |
|------|-------------|-----|--|-----|
| | Note | Ref | Note: This list is for build tracking purposes only. Parts in this list are not available at this inventory stocking level. Parts in this list may not be applicable to all models. For more specific parts information contact Jerr-Dan Parts Department | |
| | 1001241870 | Ref | Service/Aftermarket Kit List | H |
| | CMKSTD-SD | Ref | Chassis Mounting Kit - Standard | |
| | 1001160796 | Ref | Chassis Mounting Kit - 2013-2018 Dodge | |
| | 1001160367 | Ref | Frame Modifications Installation (No Serviceable Parts) | |
| | 1001161298 | Ref | Frame Modifications Installation (No Serviceable Parts) | |
| | 1001161328 | Ref | Wiring Modification Installation (No Serviceable Parts) | |
| | 7577000194 | Ref | Chassis Wiring Kit (No Serviceable Parts) | |
| | 1001260337 | Ref | Chassis Mounting Kit - 2019+ Dodge | |
| | 1001160367 | Ref | Frame Modifications Installation (No Serviceable Parts) | |
| | 1001161298 | Ref | Frame Modifications Installation (No Serviceable Parts) | |
| | 7577000194 | Ref | Wiring Modification Installation (No Serviceable Parts) | |
| | 1001151534 | Ref | Chassis Mounting Kit - 2011-2016 Ford F550 Diesel | |
| | 2177000007 | Ref | Frame Modifications Installation (No Serviceable Parts) | |
| | 1001151446 | Ref | Frame Modifications Installation (No Serviceable Parts) | |
| | 7577000194 | Ref | Chassis Mounting Kit - 2019+ Dodge | |
| | 1001151533 | Ref | Chassis Mounting Kit - 2011-2016 Ford F550 Gas | |
| | 2177000007 | Ref | Frame Modifications Installation (No Serviceable Parts) | |
| | 1001151445 | Ref | Frame Modifications Installation (No Serviceable Parts) | |
| | 7577000194 | Ref | Chassis Wiring Kit (No Serviceable Parts) | |
| | 1001220100 | Ref | Chassis Mounting Kit - 2017+ Ford F550 Gas | |
| | 1001219801 | Ref | Frame Modifications Installation (No Serviceable Parts) | |
| | 1001220177 | Ref | Frame Modifications Installation (No Serviceable Parts) | |
| | 7577000194 | Ref | Chassis Wiring Kit (No Serviceable Parts) | |
| | 1001272551 | Ref | Parking Brake Cable Brackets Installation (See Separate Breakdown in FRAME Section) | |
| | 1001134107 | Ref | Chassis Mounting Kit - 2011-2015 Ford F650/F750 | |
| | 7577000194 | Ref | Chassis Wiring Kit (No Serviceable Parts) | |
| | 7346000210 | 1 | Flasher | |
| | 1001220105 | Ref | Chassis Mounting Kit - 2016 Ford F650/F750 | |
| | 7577000194 | Ref | Chassis Wiring Kit (No Serviceable Parts) | |
| | 1001212287 | Ref | Air Line Modifications Installation (No Serviceable Parts) | |
| | 1001141768 | Ref | Chassis Mounting Kit - 2012 Hino | |
| | 7577000194 | Ref | Chassis Wiring Kit (No Serviceable Parts) | |
| | 1001134108 | Ref | Chassis Mounting Kit - 2011+ IHC | |
| | 2754000001 | Ref | D-Rings, Welded-on 5/8IN 1 PR | |
| | 1001188647 | Ref | D-Rings, Welded-on 5/8IN 1 PR (at Winch) | |
| | DR063W-2 | Ref | D-Rings, Welded-on 5/8IN 2 PR | |
| | 1001130902 | Ref | D-Rings, Welded-on 5/8IN 3 PR | |
| | 2754000002 | Ref | D-Rings, Welded-on 1IN 1 PR | |
| | 2811000001 | Ref | Decking Material 19FT x 96IN (Smooth Steel) | |
| | 2811000004 | Ref | Decking Material 19FT x 96IN (Diamond Plate Steel) | |
| | 1001131949 | Ref | Decking Material 19FT x 102IN (Smooth Steel) | |
| | 2811000005 | Ref | Decking Material 19FT x 102IN (Diamond Plate Steel) | |
| | 1001131950 | Ref | Decking Material 20FT x 102IN (Smooth Steel) | |
| | 2811000002 | Ref | Decking Material 20FT x 96IN (Smooth Steel) | |

SECTION 9 - BUILD DOCUMENTS

| ITEM | PART NUMBER | QTY | DESCRIPTION | REV |
|------|--------------|-----|--|-----|
| | 1001131743 | Ref | Decking Material 21FT x 90IN (Diamond Plate Steel) | |
| | 2811000003 | Ref | Decking Material 21FT x 96IN (Smooth Steel) | |
| | 1001131951 | Ref | Decking Material 21FT x 102IN (Smooth Steel) | |
| | 1001152713 | Ref | Decking Material 21FT x 96IN (Diamond Plate over Wood) | |
| | 1001152997 | Ref | Decking Material 21FT x 96IN (Diamond Plate over Wood with Keyslots) | |
| | 1001152714 | Ref | Decking Material 21FT x 102IN (Diamond Plate over Wood) | |
| | 1001152998 | Ref | Decking Material 21FT x 102IN (Diamond Plate over Wood with Keyslots) | |
| | 1001131948 | Ref | Decking Material 22FT x 96IN (Smooth Steel) | |
| | 1001131952 | Ref | Decking Material 22FT x 102IN (Smooth Steel) | |
| | 2811000006 | Ref | Decking Material 20FT x 96IN (Diamond Plate Steel) | |
| | 2811000007 | Ref | Decking Material 20FT x 102IN (Diamond Plate Steel) | |
| | 2811000008 | Ref | Decking Material 21FT x 96IN (Diamond Plate Steel) | |
| | 2811000009 | Ref | Decking Material 21FT x 102IN (Diamond Plate Steel) | |
| | 2811000010 | Ref | Decking Material 22FT x 96IN (Diamond Plate Steel) | |
| | 2811000011 | Ref | Decking Material 22FT x 102IN (Diamond Plate Steel) | |
| | 1001125848 | Ref | Decking Material 21FT x 96IN (Wood) | |
| | 1001125849 | Ref | Decking Material 21FT x 102IN (Wood) | |
| | 1001228185 | Ref | Deck Seam Sealer Installation | |
| | 2002000008 | Ref | Faceplate Accessory Installation Kit | |
| | SSQF-21 | Ref | Fender, Quarter 19.50IN Wheels (SS) | |
| | SSQF-24 | Ref | Fender, Quarter 22.50IN Wheels (SS) | |
| | 1001230202 | Ref | Key Slots (Mid Section - Dual 180 Degree) | |
| | 2706000013 | Ref | Key Slots (Rubrails - Dual 90 Degree) | |
| | KSD120-AL | Ref | Key Slots (Pair of Dual1 20 Degree) (Std Width Decks) | |
| | KSD120-AL-2 | Ref | Key Slots (Pair of Dual1 20 Degree) (Std Width Decks) (Qty 2) | |
| | KSD120W-AL | Ref | Key Slots (Pair of Dual1 20 Degree) (Wide Width Decks) | |
| | KSD120W-AL-2 | Ref | Key Slots (Pair of Dual1 20 Degree) (Wide Width Decks) (Qty 2) | |
| | 1001211686 | Ref | Light Bar Channel (96W Deck) | |
| | 1001133677 | Ref | Light Bar Channel (102W Deck) | |
| | ML-TBTST-2 | Ref | Light, Marker for Toolbox Storage Tray (Qty 2 of PN 2590000261) | |
| | 1001181867 | Ref | Light, Marker for Toolbox Storage Tray (Qty 3 of PN 2590000261) | |
| | 1001181868 | Ref | Light, Marker for Toolbox Storage Tray (Qty 4 of PN 2590000261) | |
| | 1001161142 | Ref | Lubrication Installation | |
| | 1001210267 | Ref | Pivot Grease Joint Option, Subframe Only | |
| | 1001207209 | Ref | Pivot Grease Joint Option, Subframe and Wheellift | |
| | | Ref | PTO (Installation and replacement is based on individual characteristics of the unit - Contact Jerr-Dan Parts Dept.) | |
| | | Ref | Pump (Installation and replacement is based on individual characteristics of the unit - Contact Jerr-Dan Parts Dept.) | |
| | 2706000036 | Ref | Rubrail 6IN (19FT/20FT Decks) | |
| | 2706000037 | Ref | Rubrail 6IN (21FT/22FT Decks) | |
| | 2706000039 | Ref | Rubrail 8IN (19FT/20FT Decks) | |
| | 2706000040 | Ref | Rubrail 8IN (21FT/22FT Decks) | |
| | 2706000042 | Ref | Rubrail 10IN (19FT/20FT Decks) | |
| | 2706000043 | Ref | Rubrail 10IN (21FT/22FT Decks) | |
| | RCTH-2 | Ref | Remote Control 6 Function U/L Transmitter Holder (Duplicate of PN 2002000031) | |
| | 1001142066 | Ref | Saddle Brackets without Holes | |
| | 1001271987 | Ref | Side Recovery System - 10 K Winch with 3 Function Remote Control (Manual) | |

SECTION 9 - BUILD DOCUMENTS

| ITEM | PART NUMBER | QTY | DESCRIPTION | REV |
|------|-------------|-----|---|-----|
| | 1001271983 | Ref | WINCH INSTALLATION (SEE SEPARATE BREAKDOWN IN DECK SECTION) | |
| | 2570000152 | Ref | WINCH HOSE INSTALLATION (SEE SEPARATE BREAKDOWN IN HYDRAULIC SECTION) | |
| | 2330000068 | Ref | DECAL INSTALLATION (SRS) (SEE SEPARATE BREAKDOWN IN DECAL SECTION) | |
| | 1001271989 | Ref | Side Recovery System - 10 K Winch with 4 Function Remote Control (Manual) | |
| | 1001271985 | Ref | WINCH INSTALLATION (SEE SEPARATE BREAKDOWN IN DECK SECTION) | |
| | 2570000152 | Ref | WINCH HOSE INSTALLATION (SEE SEPARATE BREAKDOWN IN HYDRAULIC SECTION) | |
| | 2330000068 | Ref | DECAL INSTALLATION (SRS) (SEE SEPARATE BREAKDOWN IN DECAL SECTION) | |
| | 2577000017 | Ref | LINEAR ACTUATOR INSTALLATION (SEE SEPARATE BREAKDOWN IN DECK SECTION) | |
| | 1001271988 | Ref | Side Recovery System - 10 K Winch with 3 Function Remote Control (Air Free Spool) | |
| | 1001271984 | Ref | WINCH INSTALLATION (SEE SEPARATE BREAKDOWN IN DECK SECTION) | |
| | 2570000152 | Ref | WINCH HOSE INSTALLATION (SEE SEPARATE BREAKDOWN IN HYDRAULIC SECTION) | |
| | 2330000068 | Ref | DECAL INSTALLATION (SRS) (SEE SEPARATE BREAKDOWN IN DECAL SECTION) | |
| | 1001271990 | Ref | Side Recovery System - 10 K Winch with 4 Function Remote Control (Air Free Spool) | |
| | 1001271986 | Ref | WINCH INSTALLATION (SEE SEPARATE BREAKDOWN IN DECK SECTION) | |
| | 2570000152 | Ref | WINCH HOSE INSTALLATION (SEE SEPARATE BREAKDOWN IN HYDRAULIC SECTION) | |
| | 2330000068 | Ref | DECAL INSTALLATION (SRS) (SEE SEPARATE BREAKDOWN IN DECAL SECTION) | |
| | 2577000017 | Ref | LINEAR ACTUATOR INSTALLATION (SEE SEPARATE BREAKDOWN IN DECK SECTION) | |
| | TBSA36-2 | Ref | Shelf, Toolbox 36IN (Qty 2 of PN 2899000059) | |
| | TBSA36-3 | Ref | Shelf, Toolbox 36IN (Qty 3 of PN 2899000059) | |
| | TBSA36-4 | Ref | Shelf, Toolbox 36IN (Qty 4 of PN 2899000059) | |
| | TBSA48-2 | Ref | Shelf, Toolbox 48IN (Qty 2 of PN 2899000060) | |
| | 1001181855 | Ref | Shelf, Toolbox 48IN (Qty 3 of PN 2899000060) | |
| | TBSA48-4 | Ref | Shelf, Toolbox 48IN (Qty 4 of PN 2899000060) | |
| | TBSA60-2 | Ref | Shelf, Toolbox 60IN (Qty 2 of PN 2899000061) | |
| | 1001135795 | Ref | Stakes & Rubrails 19FT Aluminum | |
| | 1001148397 | Ref | Stakes & Rubrails 20FT Aluminum | |
| | 1001135796 | Ref | Stakes & Rubrails 21FT Aluminum | |
| | 1001154649 | Ref | Stakes & Rubrails 22FT Aluminum | |
| | 1001135792 | Ref | Stakes & Rubrails & Pipes 19FT Steel | |
| | 1001135793 | Ref | Stakes & Rubrails & Pipes 20FT Steel | |
| | 1001135794 | Ref | Stakes & Rubrails & Pipes 21FT Steel | |
| | 1001136271 | Ref | Stakes & Rubrails & Pipes 22FT Steel | |
| | 1001151547 | Ref | Subframe - 19FT/20FT Outboard (2012+ Dodge 5500 & 2012+ Ford F550) | |
| | 1001151462 | Ref | SUBFRAME INSTALLATION (SEE SEPARATE BREAKDOWN IN SUBFRAME SECTION) | |
| | 1001189460 | Ref | HOSE INSTALLATION - SUBFRAME (SEE SEPARATE BREAKDOWN IN HYDRAULIC SECTION) | |

SECTION 9 - BUILD DOCUMENTS

| ITEM | PART NUMBER | QTY | DESCRIPTION | REV |
|------|-------------|-----|---|-----|
| | 1001151548 | Ref | Subframe - 19FT/20FT Outboard (2012+ Dodge 5500 & 2012+ Ford F550) (Galvanized) | |
| | 1001151505 | Ref | SUBFRAME INSTALLATION (SEE SEPARATE BREAKDOWN IN SUBFRAME SECTION) | |
| | 1001189460 | Ref | HOSE INSTALLATION - SUBFRAME (SEE SEPARATE BREAKDOWN IN HYDRAULIC SECTION) | |
| | 1001254624 | Ref | Subframe - 20FT Outboard (2019+ CVC515) | |
| | 1001253907 | Ref | SUBFRAME INSTALLATION (SEE SEPARATE BREAKDOWN IN SUBFRAME SECTION) | |
| | 1001189460 | Ref | HOSE INSTALLATION - SUBFRAME (SEE SEPARATE BREAKDOWN IN HYDRAULIC SECTION) | |
| | 1001254625 | Ref | Subframe - 20FT Outboard (2019+ CVC515) (Galvanized) | |
| | 1001253909 | Ref | SUBFRAME INSTALLATION (SEE SEPARATE BREAKDOWN IN SUBFRAME SECTION) | |
| | 1001189460 | Ref | HOSE INSTALLATION - SUBFRAME (SEE SEPARATE BREAKDOWN IN HYDRAULIC SECTION) | |
| | 1001159627 | Ref | Subframe - 20FT Outboard (Isuzu) | |
| | 1001156359 | Ref | SUBFRAME INSTALLATION (SEE SEPARATE BREAKDOWN IN SUBFRAME SECTION) | |
| | 1001189460 | Ref | HOSE INSTALLATION - SUBFRAME (SEE SEPARATE BREAKDOWN IN HYDRAULIC SECTION) | |
| | 1001159628 | Ref | Subframe - 20FT Outboard (Isuzu) (Galvanized) | |
| | 1001159625 | Ref | SUBFRAME INSTALLATION (SEE SEPARATE BREAKDOWN IN SUBFRAME SECTION) | |
| | 1001189460 | Ref | HOSE INSTALLATION - SUBFRAME (SEE SEPARATE BREAKDOWN IN HYDRAULIC SECTION) | |
| | 1001211218 | Ref | Subframe - 21FT/22FT Outboard | |
| | 2868000146 | Ref | SUBFRAME INSTALLATION (SEE SEPARATE BREAKDOWN IN SUBFRAME SECTION) | |
| | 1001189460 | Ref | HOSE INSTALLATION - SUBFRAME (SEE SEPARATE BREAKDOWN IN HYDRAULIC SECTION) | |
| | 1001254626 | Ref | Subframe - 21FT/22FT Outboard (2019+ CVC515) (Galvanized) | |
| | 1001253908 | Ref | SUBFRAME INSTALLATION (SEE SEPARATE BREAKDOWN IN SUBFRAME SECTION) | |
| | 1001189461 | Ref | HOSE INSTALLATION - SUBFRAME (SEE SEPARATE BREAKDOWN IN HYDRAULIC SECTION) | |
| | 1001254627 | Ref | Subframe - 21FT/22FT Outboard (2019+ CVC515) (Galvanized) | |
| | 1001253910 | Ref | SUBFRAME INSTALLATION (SEE SEPARATE BREAKDOWN IN SUBFRAME SECTION) | |
| | 1001189461 | Ref | HOSE INSTALLATION - SUBFRAME (SEE SEPARATE BREAKDOWN IN HYDRAULIC SECTION) | |
| | 1001211219 | Ref | Subframe - 21FT/22FT Outboard (Galvanized) | |
| | 2868000148 | Ref | SUBFRAME INSTALLATION (SEE SEPARATE BREAKDOWN IN SUBFRAME SECTION) | |
| | 1001189461 | Ref | HOSE INSTALLATION - SUBFRAME (SEE SEPARATE BREAKDOWN IN HYDRAULIC SECTION) | |
| | 1001159902 | Ref | Subframe - 22FT Outboard (Hino 195) | |
| | 1001159903 | Ref | SUBFRAME INSTALLATION (SEE SEPARATE BREAKDOWN IN SUBFRAME SECTION) | |
| | 1001189461 | Ref | HOSE INSTALLATION - SUBFRAME (SEE SEPARATE BREAKDOWN IN HYDRAULIC SECTION) | |
| | 1001159904 | Ref | Subframe - 22FT Outboard (Hino 195) (Galvanized) | |
| | 1001159905 | Ref | SUBFRAME INSTALLATION (SEE SEPARATE BREAKDOWN IN SUBFRAME SECTION) | |
| | 1001189461 | Ref | HOSE INSTALLATION - SUBFRAME (SEE SEPARATE BREAKDOWN IN HYDRAULIC SECTION) | |

SECTION 9 - BUILD DOCUMENTS

| ITEM | PART NUMBER | QTY | DESCRIPTION | REV |
|------|-----------------|-----|--|-----|
| | 1001159635 | Ref | Subframe - 22FT Outboard (Isuzu) | |
| | 1001156359 | Ref | SUBFRAME INSTALLATION (SEE SEPARATE BREAKDOWN IN SUBFRAME SECTION) | |
| | 1001189461 | Ref | HOSE INSTALLATION - SUBFRAME (SEE SEPARATE BREAKDOWN IN HYDRAULIC SECTION) | |
| | 1001159636 | Ref | Subframe - 22FT Outboard (Isuzu) (Galvanized) | |
| | 1001159625 | Ref | SUBFRAME INSTALLATION (SEE SEPARATE BREAKDOWN IN SUBFRAME SECTION) | |
| | 1001189461 | Ref | HOSE INSTALLATION - SUBFRAME (SEE SEPARATE BREAKDOWN IN HYDRAULIC SECTION) | |
| | TB36-2 | Ref | Toolbox 36IN (Qty 2 of PN 2899000055) | |
| | TB36-3 | Ref | Toolbox 36IN (Qty 3 of PN 2899000055) | |
| | TB36-4 | Ref | Toolbox 36IN (Qty 4 of PN 2899000055) | |
| | TB48-2 | Ref | Toolbox 48IN (Qty 2 of PN 2899000057) | |
| | 1001181841 | Ref | Toolbox 48IN Underbox Mount (Qty 2 of PN 1001137931) | |
| | TB48-3 | Ref | Toolbox 48IN (Qty 3 of PN 2899000057) | |
| | TB48-4 | Ref | Toolbox 48IN (Qty 4 of PN 2899000057) | |
| | TB60-2 | Ref | Toolbox 60IN (Qty 2 of PN 2899000058) | |
| | 1001181843 | Ref | Toolbox 60IN Underbox Mount (Qty 2 of PN 1001137566) | |
| | 2178000027 | Ref | ToolBox Brackets Installation (Standard Mounts) (Duplicate of Brackets Included Toolbox Installations/Hydraulic Tank Uses Same Parts) | |
| | MBK-STD-2 | Ref | ToolBox Brackets Installation (QTY 2 of PN 2178000027) (Duplicate of Brackets Included Toolbox Installations/Hydraulic Tank Uses Same Parts) | |
| | MBK-STD-3 | Ref | ToolBox Brackets Installation (QTY 3 of PN 2178000027) (Duplicate of Brackets Included Toolbox Installations/Hydraulic Tank Uses Same Parts) | |
| | MBK-STD-4 | Ref | ToolBox Brackets Installation (QTY 4 of PN 2178000027) (Duplicate of Brackets Included Toolbox Installations/Hydraulic Tank Uses Same Parts) | |
| | 2178000028 | Ref | ToolBox Brackets Installation (Short Mounts) (Duplicate of Brackets Included Toolbox Installations/Hydraulic Tank Uses Same Parts) | |
| | 2178000025 | Ref | ToolBox Brackets Installation (Long Mounts) (Duplicate of Brackets Included Toolbox Installations/Hydraulic Tank Uses Same Parts) | |
| | 2178000068 | Ref | ToolBox Brackets Installation (High Mounts) (Duplicate of Brackets Included Toolbox Installations/Hydraulic Tank Uses Same Parts) | |
| | MBK-HM-2 | Ref | ToolBox Brackets Installation (High Mounts) (QTY 2 of PN 2178000027) (Duplicate of Brackets Included Toolbox Installations/Hydraulic Tank Uses Same Parts) | |
| | TBL-2 | Ref | ToolBox Lights (QTY 2 of PN 2178000031) | |
| | TBL-3 | Ref | ToolBox Lights (QTY 3 of PN 2178000031) | |
| | TBL-4 | Ref | ToolBox Lights (QTY 4 of PN 2178000031) | |
| | SP-D5500TOOLB | Ref | Toolbox Shims - 2011 Dodge 5500 | |
| | SP-D5500TOOLB-2 | Ref | Toolbox Shims - 2011 Dodge 5500 (QTY 2 of SP-D5500TOOLB) | |
| | TBTST36-2 | Ref | Tray, Storage (Top of Toolbox) (Qty 2 of PN 2002000048) | |
| | TBTST36-3 | Ref | Tray, Storage (Top of Toolbox) (Qty 3 of PN 2002000048) | |
| | TBTST36-4 | Ref | Tray, Storage (Top of Toolbox) (Qty 4 of PN 2002000048) | |
| | TBTST48-2 | Ref | Tray, Storage (Top of Toolbox) (Qty 2 of PN 2002000049) | |
| | 1001181859 | Ref | Tray, Storage (Top of Toolbox) (Qty 3 of PN 2002000049) | |
| | 1001181860 | Ref | Tray, Storage (Top of Toolbox) (Qty 4 of PN 2002000049) | |
| | TBTST60-2 | Ref | Tray, Storage (Top of Toolbox) (Qty 2 of PN 2002000050) | |
| | 1001127744 | Ref | Wheel Lift Prep Installation | |

PART NUMBER INDEX

SECTION 9 - BUILD DOCUMENTS

| | | | |
|---|---|---|---|
| 0100011.....239, 266, 270, 433, 441 | 0761015 60, 64, 148 | 1001132680 587, 591, 615, 617 | 1001136271.....910 |
| 0100071.....75, 79, 83, 87 | 1001095650 ... 75, 79, 83, 87 | 1001132684 603, 621 | 1001136657.....179, 181, 183, 185, 187, 189, 641 |
| 0440287.....433 | 1001100949 867 | 1001132685 625 | 1001136658.....641 |
| 0630448001.....449, 451 | 1001116720 869 | 1001132706 581 | 1001137524.....697 |
| 0641406.....262 | 1001116727 683, 727, 729, 731, 733 | 1001132707 609 | 1001137525.....699 |
| 0641407.....145 | 1001116729 711, 725 | 1001132708 619 | 1001137566.....129 |
| 0641416.....262 | 1001116747 711, 869 | 1001132710 607 | 1001137580.....893 |
| 0641504.....637, 639 | 1001121726 711, 869 | 1001132712 603 | 1001137581.....881, 893 |
| 0641508.....75, 79, 83, 87, 121, 123, 127, 447, 455, 457, 537, 539, 541, 543, 813, 815, 823, 825, 827, 851, 853 | 1001121727 711, 725 | 1001132713 621 | 1001137904.....262 |
| 0641510.....145 | 1001125848 909 | 1001132715 611 | 1001137931.....125 |
| 0641512.....537, 541 | 1001125849 909 | 1001132716 613 | 1001137970.....433, 465, 467, 469 |
| 0641516.....637, 639 | 1001126187 425, 429 | 1001132719 623 | 1001138460.....845 |
| 0641518.....637, 639 | 1001126188 425, 429 | 1001132722 579 | 1001138522.....391, 397, 403, 409, 415, 417 |
| 0641604.....266, 270 | 1001126192 425, 429 | 1001132737 581 | 1001138523.....391, 403 |
| 0641606.....74, 78, 82, 86 | 1001127221 776, 780 | 1001132738 609 | 1001138546.....433 |
| 0641610.....679, 681 | 1001127297 111 | 1001132739 619 | 1001139199.....433 |
| 0641612.....19, 23, 27, 31, 35, 39, 43, 47, 51, 55, 59, 63, 107, 109, 111, 197, 199, 201, 203, 205, 207, 209, 801, 803, 805, 807 | 1001127744 912 | 1001132741 607 | 1001139343.....74, 78, 82, 86, 433 |
| 0641624.....19, 23, 27, 31, 35, 39, 43, 47, 51, 55, 59, 63 | 1001128462 315 | 1001132743 603 | 1001139909.....667 |
| 0641806.....19, 23, 27, 31, 35, 39, 43, 47, 51, 55, 59, 63 | 1001129095 749 | 1001132744 621 | 1001141768.....908 |
| 0641808.....693, 695 | 1001129111 443 | 1001132746 611 | 1001142062.....27, 31, 35, 39, 47, 51, 59, 63 |
| 0641809.....145 | 1001129114 453 | 1001132747 613 | 1001142066.....909 |
| 0641812.....19, 74, 78, 82, 86, 419, 435 | 1001129116 459 | 1001132750 623 | 1001142329.....849 |
| 0641814.....23, 27, 31, 35, 39, 43, 47, 51, 55, 59, 63 | 1001129118 461 | 1001132752 579 | 1001142330.....847 |
| 0641816.....266, 270 | 1001129332 829 | 1001132760 601 | 1001142333.....849 |
| 0641820.....74, 78, 82, 86 | 1001129537 827, 851, 853 | 1001132761 601 | 1001142334.....847 |
| 0641834.....235, 237, 275 | 1001129570 853 | 1001132764 776, 780 | 1001142335.....849 |
| 0642028.....266, 270 | 1001129573 853 | 1001132766 776, 780 | 1001142336.....847 |
| 0642216.....19, 23, 27, 31, 35, 39, 43, 47, 51, 55, 59, 63 | 1001129576 853 | 1001132794 148, 575, 577, 579, 581, 583, 585, 587, 589, 591, 593, 595, 597, 599, 601, 603, 605, 607, 609, 611, 613, 615, 617, 619, 621, 623, 625, 627, 629 | 1001142337.....847 |
| 0651606.....75, 79, 83, 87 | 1001129882 659 | 1001132800 575, 577, 579, 581, 589, 599, 603, 605, 607, 609, 611, 613, 619, 621, 623, 625 | 1001142461.....433 |
| 0651816.....19, 23, 27, 31, 35, 39, 43, 47, 51, 55, 59, 63, 117, 119, 121, 123, 125, 127, 129 | 1001129883 659, 735, 737, 739, 751, 753, 755, 757 | 1001132801 575, 577, 579, 581, 583, 585, 587, 589, 591, 593, 595, 597, 599, 601, 603, 605, 607, 609, 611, 613, 615, 617, 619, 621, 623, 625, 627, 629 | 1001142543.....417 |
| 0651822.....60, 64, 441 | 1001130053 101 | 1001133675 877 | 1001142544.....415, 433 |
| 0652016.....75, 79, 83, 87, 443, 445, 449, 451, 453, 459, 461 | 1001130054 103 | 1001133677 909 | 1001142545.....417 |
| 0681406.....673, 675 | 1001130130 577, 581 | 1001133740 523 | 1001142546.....415 |
| 0681814.....143, 833 | 1001130132 577, 581 | 1001134107 908 | 1001142550.....433 |
| 0691810.....111 | 1001130587 148, 151, 153 | 1001134108 908 | 1001142553.....433 |
| 0701019.....145 | 1001130902 908 | 1001135272 499, 501, 503, 505, 507, 509, 511, 513, 515 | 1001142769.....687, 689, 867 |
| 0701024.....145 | 1001131230 105, 111 | 1001135273 499, 509 | 1001142771.....687, 689 |
| 0741408.....262 | 1001131255 111 | 1001135329 517 | 1001142962.....433 |
| 0741504.....273 | 1001131295 105 | 1001135792 910 | 1001142974.....667 |
| 0741610.....19, 24, 27, 31, 35, 39, 43, 47, 51, 55, 59, 63 | 1001131514 365 | 1001135793 910 | 1001143764.....499, 501, 503, 505, 507, 509, 511, 513, 515, 517 |
| 0741810.....266, 270 | 1001131570 709 | 1001135794 910 | 1001143842.....677 |
| | 1001131724 163 | 1001135795 910 | 1001144448.....647 |
| | 1001131743 909 | 1001135796 910 | 1001144486.....433 |
| | 1001131948 909 | 1001135813 753 | 1001144491.....433 |
| | 1001131949 908 | 1001135814 755 | 1001144498.....433 |
| | 1001131950 908 | 1001135815 755 | 1001144499.....433 |
| | 1001131951 909 | | 1001144543.....433 |
| | 1001131952 909 | | 1001144986.....677 |
| | 1001131998 847, 849 | | 1001145074.....677 |
| | 1001132599 613, 621 | | 1001145075.....677 |
| | 1001132601 611 | | 1001145076.....677 |
| | 1001132602 585 | | 1001145077.....677 |
| | 1001132603 595, 617, 629 | | 1001145636.....433 |
| | 1001132605 591 | | 1001145780.....433 |
| | 1001132609 579, 587 | | 1001145934.....415, 417, 647 |
| | 1001132613 607 | | 1001145935.....417 |
| | 1001132675 623 | | 1001145963.....647 |
| | 1001132679 609, 613, 619 | | 1001146027.....441 |

SECTION 9 - BUILD DOCUMENTS

| | | | |
|--|--------------------------------------|---|--|
| 1001146603 507, 515, 523 | 1001156359. 35, 911, 912 | 1001159913.....35, 39, 59, 63 | 1001173952 687, 689, 725 |
| 1001147116 20, 24 | 1001156392..... 148, 151 | 1001159914.....60, 64 | 1001175531 859 |
| 1001147117 157, 159, 165 | 1001156437..... 148, 151 | 1001159915.....27, 31, 47, 51, 60, 64 | 1001175532 859 |
| 1001148397 910 | 1001156677.....843 | 1001159916.....153 | 1001176337 715, 717, 719, 721 |
| 1001148999 493 | 1001157422.....389 | 1001159917.....153 | 1001176428 715 |
| 1001150704 433 | 1001157423.....389 | 1001159918.....153 | 1001176429 717 |
| 1001151248 ... 19, 23, 27, 31 | 1001157424.....389 | 1001160195.....239 | 1001176430 719 |
| 1001151297 143, 145 | 1001157425.....389 | 1001160367.....908 | 1001176431 721 |
| 1001151445 908 | 1001157651.....389 | 1001160796.....908 | 1001177459 449 |
| 1001151446 908 | 1001158298..... 673, 675 | 1001161142.....909 | 1001177601 99 |
| 1001151462 19, 910 | 1001158507..... 191 | 1001161298.....908 | 1001177603 167 |
| 1001151490 157 | 1001158508..... 191, 205 | 1001161328.....908 | 1001177605 169 |
| 1001151493 165 | 1001158509.....205 | 1001161526.....691 | 1001177633 167 |
| 1001151505 23, 911 | 1001158510.....205, 275 | 1001162403...19, 23, 27, 31, 35, 39, 43, 47, 51, 55, 59, 63 | 1001177634 169 |
| 1001151507 145 | 1001158512.....275 | 1001162798....19, 23, 27, 31, 35, 39, 43, 47, 51, 55, 59, 63 | 1001177719 ... 19, 27, 35, 43, 47, 59 |
| 1001151533 908 | 1001158617.....575 | 1001166855....19, 23, 27, 31, 35, 39, 43, 47, 51, 55, 59, 63, 67 | 1001177720 ... 23, 31, 39, 51, 55, 63 |
| 1001151534 908 | 1001158618.....575 | 1001166857..... 107, 109, 111, 113, 197, 199, 201, 203, 207, 209, 231 | 1001179025 537, 539, 547, 549 |
| 1001151547 910 | 1001158626.....219 | 1001167098..... 148, 151 | 1001180288 895 |
| 1001151548 911 | 1001158627.....211, 213, 215, 217 | 1001167244.....153 | 1001180289 881 |
| 1001151548 911 | 1001158630.....205, 219 | 1001167693.....435 | 1001180290 897 |
| 1001151548 911 | 1001158635..... 199, 213 | 1001168319.....649 | 1001181417 649 |
| 1001151766 357 | 1001158637.....203, 217 | 1001168591.....776, 780 | 1001181841 912 |
| 1001151767 361 | 1001158648..... 181, 187, 199 | 1001169147..... 148, 151, 153 | 1001181843 912 |
| 1001151768 359 | 1001158649..... 185, 189, 203 | 1001169913.....175 | 1001181855 910 |
| 1001151769 363 | 1001158665.....181 | 1001169958.....175 | 1001181859 912 |
| 1001151770 305 | 1001158666.....185 | 1001169959.....175 | 1001181860 912 |
| 1001151771 311 | 1001158667.....187 | 1001170187.....501, 503, 505, 507, 511, 513, 515, 517 | 1001181867 909 |
| 1001151772 303 | 1001158668.....189 | 1001170188.....501, 503, 505, 507, 511, 513, 515, 517 | 1001181868 909 |
| 1001151773 309 | 1001158674.....241, 243, 283 | 1001170189.....501, 503, 505, 507, 511, 513, 515 | 1001183326 111, 115 |
| 1001151774 307 | 1001158677.....245, 247, 285 | 1001170191.....517 | 1001187347 537, 541 |
| 1001151775 313 | 1001158678.....249, 251, 287 | 1001170192.....175 | 1001187663..... 537, 541 |
| 1001152350 689, 733 | 1001158695.....243 | 1001170378.....501 | 1001187663S..... 792 |
| 1001152460 845 | 1001158696.....247 | 1001170391.....505 | 1001187664 539, 543 |
| 1001152461 845 | 1001158697.....251 | 1001170393.....511 | 1001187665 541 |
| 1001152713 909 | 1001158698.....241 | 1001170399.....515 | 1001187666 543 |
| 1001152714 909 | 1001158699.....245 | 1001170401.....513 | 1001187688 445 |
| 1001152997 909 | 1001158707.....249 | 1001170423.....507 | 1001188129 107, 109, 111, 197, 199, 201, 203, 205, 207, 209, 801, 803, 805, 807 |
| 1001152998 909 | 1001159336.....867 | 1001171652.....475, 477, 479, 483 | 1001188132 197, 199, 201, 203, 205, 207, 209 |
| 1001153789 776, 780 | 1001159563..... 148, 151, 153 | 1001171658.....477 | 1001188133 197, 199, 201, 203, 207, 209 |
| 1001153944 239 | 1001159565..... 159 | 1001171662.....479 | 1001188134 ... 19, 23, 27, 31, 35, 39, 43, 47, 51, 55, 59, 63, 205 |
| 1001153945 239 | 1001159566..... 157, 159 | 1001173944.....171 | 1001188139 ... 19, 23, 27, 31, 35, 39, 43, 47, 51, 55, 59, 63 |
| 1001153946 239 | 1001159625. 39, 911, 912 | 1001173945.....171 | 1001188141 107, 109, 111 |
| 1001153947 239 | 1001159627.....911 | 1001173946.....173 | 1001188615 171, 173 |
| 1001153950 239 | 1001159628.....911 | 1001173947.....173 | 1001188616 171, 173 |
| 1001153951 239 | 1001159635.....912 | 1001173948....20, 28, 36, 44, 48, 56, 60, 171 | 1001188646 475 |
| 1001153971 239 | 1001159636.....912 | 1001173949....24, 32, 40, 52, 64, 173 | 1001188647 481, 908 |
| 1001154649 910 | 1001159638.....148 | | 1001188648 483 |
| 1001154689 776, 780 | 1001159639.....151 | | 1001189460 637, 910, 911 |
| 1001155971 148, 151 | 1001159670..... 191, 643 | | 1001189461 639, 911, 912 |
| 1001155972 148, 151 | 1001159822.... 36, 40, 60, 64 | | 1001189466 637, 639 |
| 1001155975 121, 137, 139, 141 | 1001159902.....911 | | |
| 1001156006 119, 121, 125, 129 | 1001159903..... 59, 911 | | |
| 1001156081 148 | 1001159904.....911 | | |
| 1001156082 151 | 1001159905..... 63, 911 | | |
| 1001156245 537, 539, 541, 543 | 1001159908..... 153 | | |
| 1001156247 541, 543 | 1001159909..... 153 | | |
| 1001156248 541, 543 | 1001159910..... 153 | | |
| 1001156249 537, 539 | 1001159911.....605 | | |
| 1001156252 537, 539, 541, 543 | 1001159912.....605 | | |
| 1001156274 148, 151, 153 | | | |
| 1001156357 121 | | | |
| 1001156358 119 | | | |

SECTION 9 - BUILD DOCUMENTS

| | | | |
|--------------------------------------|--|--|---|
| 1001189544.....449, 455 | 1001219311 675 | 1001232527 815 | 1001261008.....749 |
| 1001189548.....841 | 1001219314 675 | 1001232554 825 | 1001261016.....765 |
| 1001189550.....851 | 1001219321 661 | 1001232555 823 | 1001261022.....767 |
| 1001190037.....725 | 1001219737 487, 489, 491 | 1001232620 819 | 1001261023.....763 |
| 1001190131.....827, 851 | 1001219801 145, 908 | 1001232621 817 | 1001261028.....745 |
| 1001190140.....851 | 1001220100 908 | 1001232775 487 | 1001261039.....695 |
| 1001190184.....823, 825, 827, 831 | 1001220101 145 | 1001237244 669 | 1001262045.....737 |
| 1001190625.....776 | 1001220105 908 | 1001239119 433 | 1001262046.....735 |
| 1001190626.....776 | 1001220177 145, 908 | 1001241870 792, 908 | 1001262048.....739 |
| 1001191516.....537, 539, 541, 543 | 1001220181 663 | 1001247138 693, 695, 701 | 1001262049.....751 |
| 1001191543.....827 | 1001220280 262 | 1001248245 477, 479 | 1001262050.....757 |
| 1001191985.....537, 539 | 1001220832 145 | 1001252939 143, 833 | 1001262052.....755 |
| 1001192132.....449 | 1001220833 145 | 1001253659 143, 833 | 1001262053.....753 |
| 1001192987.....445, 447 | 1001220877 407 | 1001253907 27, 911 | 1001262106.....695 |
| 1001194676.....143, 833 | 1001220878 397 | 1001253908 47, 911 | 1001262544.....792 |
| 1001198871.....531, 533 | 1001220879 399 | 1001253909 31, 911 | 1001262545.....792 |
| 1001199476.....697, 699, 704 | 1001220881 401 | 1001253910 51, 911 | 1001262546.....792 |
| 1001203295.....787 | 1001220882 409 | 1001253941 143 | 1001263012.....389 |
| 1001203296.....787 | 1001220883 411 | 1001253942 143, 833 | 1001263013.....385 |
| 1001203297.....787 | 1001220885 413 | 1001253943 143 | 1001263014.....385, 389 |
| 1001203298.....787 | 1001220909 145 | 1001254044 745 | 1001263015.....389 |
| 1001203299.....787 | 1001221065 145 | 1001254139 143, 833 | 1001263016.....389 |
| 1001203300.....787 | 1001221232 145 | 1001254553 143 | 1001263017.....389 |
| 1001203301.....787 | 1001221375 747, 749, 763 | 1001254624 911 | 1001263057.....485 |
| 1001203302.....787 | 1001222487 577 | 1001254625 911 | 1001263247.....485 |
| 1001203303.....787 | 1001223152 577 | 1001254626 911 | 1001264084.....780 |
| 1001203309.....787 | 1001223266 443 | 1001254627 911 | 1001264085.....780 |
| 1001203829.....451 | 1001223267 453 | 1001254705 585 | 1001264086.....503 |
| 1001203833.....451 | 1001223268 459 | 1001254706 597 | 1001264087.....503 |
| 1001203834.....451, 457 | 1001223269 461 | 1001254707 615 | 1001264091.....321, 325, 337, 341, 780 |
| 1001204776.....69, 235, 237, 275 | 10012232814 117, 119, 121, 123, 125, 127, 129 | 1001254708 587 | 1001264092.....503 |
| 1001206161.....74, 78, 82, 86 | 1001223814 117, 119, 121 | 1001254709 627 | 1001264440.....325 |
| 1001206167.....74, 78, 82, 86 | 1001223815 117, 119, 121 | 1001254710 583 | 1001264442.....321 |
| 1001206171.....74, 78, 82, 86 | 1001223816 123, 125 | 1001254711 595 | 1001265039.....341 |
| 1001206388.....74, 78, 82, 86 | 1001223817 127, 129 | 1001254712 617 | 1001265040.....337 |
| 1001207209.....909 | 1001223819 117, 119, 121 | 1001254713 591 | 1001265236.....780, 792 |
| 1001208769.....117, 119 | 1001223820 123, 125 | 1001254714 629 | 1001265255.....792 |
| 1001208772.....121 | 1001223821 127, 129 | 1001254723 585 | 1001266452.....792 |
| 1001208776.....123, 125 | 1001223882 145 | 1001254725 597 | 1001266453.....792 |
| 1001208780.....127, 129 | 1001223882 145 | 1001254726 615 | 1001266454.....792 |
| 1001209867.....266, 270 | 1001225218 763 | 1001254727 587 | 1001266618.....785 |
| 1001210267.....909 | 1001225869 463 | 1001254728 627 | 1001268619.....785 |
| 1001211145.....319 | 1001225870 447, 455, 457, 463 | 1001254729 583 | 1001268620.....785 |
| 1001211147.....329 | 1001226003 447 | 1001254730 595 | 1001268621.....785 |
| 1001211148.....327 | 1001226004 455 | 1001254731 617 | 1001268622.....785 |
| 1001211150.....331 | 1001226005 457 | 1001254732 591 | 1001268623.....785 |
| 1001211151.....373 | 1001226847 463 | 1001254733 629 | 1001268624.....785 |
| 1001211152.....375 | 1001226848 463 | 1001254894 143 | 1001268625.....785 |
| 1001211162.....335 | 1001228185 909 | 1001254977 665 | 1001268626.....785 |
| 1001211163.....345 | 1001228190 489 | 1001254978 665 | 1001268627.....785 |
| 1001211164.....343 | 1001228388 669 | 1001257876 669 | 1001268628.....785 |
| 1001211165.....347 | 1001228491 262 | 1001257906 792 | 1001268629.....785 |
| 1001211166.....383 | 1001228493 205, 262 | 1001259575 693 | 1001268630.....785 |
| 1001211167.....387 | 1001229606 667 | 1001260060 689, 729 | 1001268631.....785 |
| 1001211218.....911 | 1001230127 571 | 1001260335 491 | 1001268635.....785 |
| 1001211219.....911 | 1001230202 909 | 1001260337 908 | 1001268636.....785 |
| 1001211686.....909 | 1001230968 776, 780 | 1001260345 689 | 1001268637.....785 |
| 1001212287.....908 | 1001231801 776, 780 | 1001260346 687 | 1001268638.....785 |
| 1001214653.....279, 281 | 1001232524 813, 817, 823 | 1001260349 687, 731 | 1001268639.....785 |
| 1001219309.....661, 673 | 1001232525 815, 819, 825 | 1001260898 737 | 1001268640.....785 |
| | 1001232526 813 | 1001261002 735, 743 | 1001268641.....785 |
| | | 1001261004 739, 741 | 1001268642.....785 |
| | | 1001261005 751, 753, 755, 759 | 1001268643.....785 |
| | | 1001261006 757, 761 | 1001268644.....785 |
| | | 1001261007 747 | 1001268645.....785 |
| | | | 1001268646.....785 |

SECTION 9 - BUILD DOCUMENTS

| | | | | | | |
|-------------------------|-------------|-----------------|-----------|---------------------|----------------|-------------------------|
| 1001268647 | 785 | 1001274469..... | 179 | 1001288413..... | 270 | 303, 305, 307, 309, |
| 1001268648 | 785 | 1001274470..... | 179, 197 | 1001288414..... | 209, 270 | 311, 313, 315, 317, |
| 1001268649 | 785 | 1001274493..... | 197, 211 | 1001288438..... | 195, 209 | 319, 323, 327, 329, |
| 1001268650 | 785 | 1001274496..... | 211 | 1001288756..... | 195 | 331, 333, 335, 339, |
| 1001268651 | 785 | 1001274784..... | 349 | 1001288778..... | 681, 685 | 343, 345, 347, 349, |
| 1001268652 | 785 | 1001274786..... | 353 | 1001289287..... | 679, 683 | 351, 353, 355, 357, |
| 1001268654 | 785 | 1001274787..... | 351 | 1001289796..... | 879 | 359, 361, 363, 365, |
| 1001268655 | 785 | 1001274788..... | 355 | 1001289797..... | 879 | 367, 369, 371, 373, |
| 1001268656 | 785 | 1001274790..... | 293 | 1001289800..... | 879 | 375, 377, 379, 381, |
| 1001268657 | 785 | 1001274791..... | 299 | 1001289982..... | 673 | 383, 385, 387, 776 |
| 1001268658 | 785 | 1001274792..... | 291 | 1001289983..... | 675 | 2330000040 |
| 1001268659 | 785 | 1001274793..... | 297 | 1001291593..... | 145 | 883, 891 |
| 1001268660 | 785 | 1001274794..... | 295 | 1001292348..... | 679, 681 | 2330000041 |
| 1001268661 | 785 | 1001274795..... | 301 | 1001292363..... | 679 | 887 |
| 1001268662 | 785 | 1001275791..... | 725 | 1001292365..... | 681 | 2330000051 |
| 1001268663 | 785 | 1001275792..... | 725 | 10837923..... | 527 | 191 |
| 1001268664 | 785 | 1001275793..... | 725 | 2002000008..... | 909 | 2330000055 |
| 1001268665 | 785 | 1001275927..... | 193, 195, | 2002000009..... | 799 | 295, 297, 299, 301, |
| 1001268666 | 785 | 645 | | 2002000016..... | 837 | 303, 305, 307, 309, |
| 1001268667 | 785 | 1001276175..... | 645 | 2002000028..... | 821 | 311, 313, 315, 317, |
| 1001268668 | 785 | 1001276329..... | 183 | 2002000030..... | 875 | 319, 321, 323, 325, |
| 1001269378 | 792 | 1001276330..... | 183, 201 | 2002000031..... | 571 | 327, 329, 331, 333, |
| 1001270102 | 835 | 1001276342..... | 201, 215 | 2002000048..... | 137 | 335, 337, 339, 341, |
| 1001270138 | 785 | 1001276343..... | 215 | 2002000049..... | 139 | 343, 345, 347, 349, |
| 1001270175 ... | 19, 23, 27, | 1001276427..... | 266, 270 | 2002000050..... | 141 | 351, 353, 355, 357, |
| 31, 35, 39, 43, 47, 51, | | 1001276938..... | 211, 213, | 2170000087..... | 801, 883 | 359, 361, 363, 365, |
| 55, 59, 63, 69 | | 215, 217, 223 | | 2170000088..... | 803, 891 | 367, 369, 371, 373, |
| 1001271716 | 266, 270 | 1001276939..... | 266, 270 | 2170000089..... | 805, 887 | 375, 377, 379, 381, |
| 1001271717 | 266, 270 | 1001276987..... | 645 | 2170000090..... | 807, 885 | 383, 385, 387 |
| 1001271725 | 266, 270 | 1001276988..... | 266, 270 | 2170000099..... | 908 | 2330000057 |
| 1001271726 | 266, 270 | 1001276989..... | 267, 270 | 2177000007..... | 912 | 179, 181, |
| 1001271727 | 266, 270 | 1001277282..... | 677 | 2178000025..... | 912 | 183, 185, 187, 189, 191 |
| 1001271775 ... | 74, 78, 82, | 1001277283..... | 677 | 2178000027..... | 912 | 2330000060 |
| 86 | | 1001277411..... | 371 | 2178000028..... | 912 | 887, 891 |
| 1001271842 ... | 74, 78, 82, | 1001277412..... | 377 | 2178000031..... | 713 | 2330000061 |
| 86 | | 1001277663..... | 315 | 2178000037..... | 795, 835, | 2330000062 |
| 1001271983 | 74, 910 | 1001277664..... | 365 | 839 | | 889, 893 |
| 1001271984 | 82, 910 | 1001277664..... | 365 | 2178000066..... | 351, 355, | 2330000063 |
| 1001271985 | 78, 910 | 1001278510..... | 645 | 359, 363, 369, 375, | | 103 |
| 1001271986 | 86, 910 | 1001280899..... | 669, 671 | 381, 387 | | 2330000064 |
| 1001271987 | 909 | 1001284178..... | 653 | 2178000068..... | 912 | 101 |
| 1001271988 | 910 | 1001284179..... | 653 | 21NGAF6T-LP | 317 | 2330000065 |
| 1001271989 | 910 | 1001284419..... | 653 | 21NGAR6T-LP | 323 | 179, 181, |
| 1001271990 | 910 | 1001285818..... | 267, 271, | 21SRR6T-LP | 367 | 183, 185, 187, 189 |
| 1001272015 | 266, 270, | 279 | | 21SRRD6T-LP | 369 | 2330000068 |
| 279, 281 | | 1001285819..... | 267, 271, | 2220415..... | 266, 270, 645 | 789, 910 |
| 1001272101 | 517, 527 | 281 | | 2220881..... | 229, 279, 281 | 2346000008 |
| 1001272108 | 266, 270 | 1001286497..... | 266 | 2220883..... | 229, 279, 281, | 795, 797 |
| 1001272136 | 221 | 1001286904..... | 266, 270 | 527 | | 2400066 |
| 1001272138 | 221, 223 | 1001286927..... | 266, 270 | 2249000017..... | 391, 393, | 669 |
| 1001272142 | 221, 223 | 1001286928..... | 266, 270 | 395, 397, 399, 401, | | 2484000008 |
| 1001272224 | 266, 270 | 1001286929..... | 266, 270 | 403, 405, 407, 409, | | 205, 273 |
| 1001272225 | 221, 223, | 1001287692..... | 645 | 411, 413, 437 | | 2484000010 |
| 229 | | 1001287693..... | 645 | 2249000018..... | 419, 439 | 243, 247, |
| 1001272454 | 266 | 1001287694..... | 266, 270 | 2262000011..... | 199, 179, 181, | 251, 255 |
| 1001272543 | 145 | 1001287713..... | 266, 270 | 183, 185, 187, 189, | | 2484000014 |
| 1001272544 | 145 | 1001287714..... | 266, 270 | 191, 193, 195 | | 241, 245, |
| 1001272545 | 145 | 1001287716..... | 673, 675 | 2296000106..... | 509 | 249, 253 |
| 1001272550 | 19, 23 | 1001287792..... | 266, 270 | 2296000107..... | 499 | 2570000032 |
| 1001272551 | 145, 908 | 1001287808..... | 207, 266 | 22NGAF6T-LP | 333 | 105, 635 |
| 1001272646 | 207, 221 | 1001288002..... | 266, 270 | 22NGAR6T-LP | 339 | 2570000049 |
| 1001272647 | 193, 207 | 1001288045..... | 683, 685 | 22SRR6T-LP | 379 | 633 |
| 1001273269 | 645 | 1001288073..... | 266, 270 | 22SRRD6T-LP | 381 | 2570000055 |
| 1001273634 | 715, 717, | 1001288201..... | 266, 270 | 2330000035..... | 179, 181, | 883, 887 |
| 719, 721 | | 1001288263..... | 266, 270 | 183, 185 | | 2570000091 |
| 1001274376 | 193 | 1001288383..... | 223 | 2330000036..... | 187, 189 | 589 |
| 1001274377 | 517 | 1001288398..... | 209, 223 | 2330000038..... | 291, 293, | 2570000092 |
| | | 1001288402..... | 270 | 295, 297, 299, 301, | | 593 |
| | | | | | | 2570000093 |
| | | | | | | 599 |
| | | | | | | 2570000094 |
| | | | | | | 625 |
| | | | | | | 2570000140 |
| | | | | | | 643 |
| | | | | | | 2570000152 |
| | | | | | | 631, 910 |
| | | | | | | 2577000016 |
| | | | | | | 79, 87, 535, |
| | | | | | | 551, 553, 555, 557, 559 |
| | | | | | | 2577000017 |
| | | | | | | 531, 910 |
| | | | | | | 2577000018 |
| | | | | | | 533 |
| | | | | | | 2577000029 |
| | | | | | | 551, 561 |
| | | | | | | 2577000030 |
| | | | | | | 553, 563 |
| | | | | | | 2577000031 |
| | | | | | | 555, 565 |
| | | | | | | 2577000034 |
| | | | | | | 557, 567 |
| | | | | | | 2577000035 |
| | | | | | | 559, 569 |
| | | | | | | 2590000215 |
| | | | | | | 707 |
| | | | | | | 2590000261 |
| | | | | | | 711 |
| | | | | | | 2590000292 |
| | | | | | | 867 |

SECTION 9 - BUILD DOCUMENTS

| | | | | | | | |
|-------------------------|-----------|-----------------------------|-----------|----------------------------|-----------|-------------------------|------------------------|
| 2638000017..... | 155 | 2899000059..... | 131 | 3097000656..... | 297 | 3271601..... | 20, 24, 27, 31, |
| 2638000019..... | 161 | 2899000060..... | 133 | 3097000661..... | 293 | 35, 39, 43, 47, 51, 55, | 59, 63 |
| 267900001071, 291, 293, | | 2899000061..... | 135 | 3097000662..... | 299 | 3271805..... | 143, 477, 479, |
| 295, 297, 299, 301, | | 2970000069..... | 547 | 3097000663..... | 307 | 833 | |
| 303, 305, 307, 309, | | 2970000080..... | 391 | 3097000664..... | 313 | 3300455.... | 19, 23, 27, 31, |
| 311, 313, 315, 317, | | 2970000082..... | 403 | 3097000665..... | 303 | 35, 39, 43, 47, 51, 55, | 59, 63, 637, 639 |
| 319, 321, 323, 325, | | 2970000088..... | 393 | 3097000666..... | 309 | 3300492.... | 19, 23, 27, 31, |
| 327, 329, 331, 333, | | 2970000089..... | 395 | 3097000671..... | 305 | 35, 39, 43, 47, 51, 55, | 59, 63, 107, 109, 111, |
| 335, 337, 339, 341, | | 2970000090..... | 405 | 3097000672..... | 311 | 197, 199, 201, 203, | 205, 207, 209, 679, |
| 343, 345, 347, 349, | | 2970000091..... | 407 | 3097000673..... | 323, 325 | 681, 801, 803, 805, 807 | |
| 351, 353, 355, 357, | | 2970000096..... | 419, 435 | 3097000674..... | 331 | 3311401..... | 145 |
| 359, 361, 363, 365, | | 2970000105..... | 549 | 3097000675..... | 317 | 3311505.... | 447, 455, 457 |
| 367, 369, 371, 373, | | 2970000107..... | 399 | 3097000676..... | 327 | 3311801..... | 145 |
| 375, 377, 379, 381, | | 2970000108..... | 411 | 3097000681..... | 319, 321 | 3312002..... | 266, 270 |
| 383, 385, 387 | | 2970000109..... | 397 | 3097000682..... | 329 | 3316000051..... | 107, 109, |
| 2706000013..... | 909 | 2970000110..... | 409 | 3097000777..... | 339, 341 | 111 | |
| 2706000036..... | 909 | 2970000111..... | 401 | 3097000778..... | 347 | 3320000134..... | 205, 233 |
| 2706000037..... | 909 | 2970000112..... | 413 | 3097000779..... | 333 | 3320000229.... | 74, 78, 82, |
| 2706000039..... | 909 | 3002000008..... | 847, 849 | 3097000780..... | 343 | 86, 97 | |
| 2706000040..... | 909 | 3002000009..... | 847, 849 | 3097000781..... | 345 | 3321701..... | 433 |
| 2706000042..... | 909 | 3017000104... 19, 23, 27, | | 3097000782..... | 335, 337 | 3321802.... | 537, 539, 541, |
| 2706000043..... | 909 | 31, 35, 39, 43, 47, 51, | | 3097000787..... | 349 | 543 | |
| 2729000073..... | 465 | 55, 59, 63 | | 3097000788..... | 353 | 3340898.... | 20, 24, 35, 39, |
| 2729000074..... | 467 | 3017000121 465, 467, | | 3097000789..... | 357 | 59, 63 | |
| 2729000075..... | 469 | 469 | | 3097000790..... | 361 | 3455000058.... | 74, 78, 82, |
| 2729000092..... | 351, 355 | 3017000122 465, 467, | | 3097000791..... | 367 | 86 | |
| 2729000093..... | 359, 363 | 469 | | 3097000792..... | 373 | 3484000016..... | 259 |
| 2729000094..... | 369, 375 | 3017000127..... | 465 | 3097000793..... | 379 | 3484000017..... | 257 |
| 2729000103..... | 381, 387 | 3017000128..... | 465 | 3097000794..... | 383 | 3484000046..... | 255, 259 |
| 2729000104..... | 471 | 3017000129..... | 467 | 3097000795..... | 351 | 3484000047..... | 255, 257 |
| 2729000105..... | 473 | 3017000130..... | 467 | 3097000796..... | 355 | 3484000090..... | 253 |
| 2750000008..... | 291, 293, | 3017000131..... | 469 | 3097000797..... | 359 | 3484000091..... | 253 |
| 295, 297, 299, 301, | | 3017000132..... | 469 | 3097000798..... | 363 | 3550001912..... | 495 |
| 303, 305, 307, 309, | | 3017000135..... | 351, 355 | 3097000799..... | 369 | 3550001913..... | 493, 495 |
| 311, 313, 315, 317, | | 3017000136..... | 351, 355 | 3097000800..... | 375 | 3551000036..... | 253, 257, |
| 319, 321, 323, 325, | | 3017000137..... | 359, 363 | 3097000801..... | 381 | 259 | |
| 327, 329, 331, 333, | | 3017000138..... | 359, 363 | 3097000802..... | 387 | 3553000011..... | 97 |
| 335, 337, 339, 341, | | 3017000139..... | 369, 375 | 3097000807..... | 371 | 3556000040..... | 889, 897 |
| 343, 345, 347, 349, | | 3017000140..... | 369, 375 | 3097000808..... | 377 | 3556000041..... | 895 |
| 351, 353, 355, 357, | | 3017000142..... | 381, 387 | 3170000162..... | 213 | 3558000019.... | 19, 23, 27, |
| 359, 361, 363, 365, | | 3017000143..... | 381, 387 | 3170000308..... | 801 | 31, 35, 39, 43, 47, 51, | 55, 59, 63 |
| 367, 369, 371, 373, | | 3020000029..... | 255 | 3170000309..... | 803 | 3560000010..... | 499, 501, |
| 375, 377, 379, 381, | | 3020000030..... | 255 | 3170000311..... | 805 | 503, 505, 507, 509, | 511, 513, 515, 517 |
| 383, 385, 387, 651 | | 3020000091..... | 547 | 3170000312..... | 807 | 3592000040..... | 197, 199, |
| 2754000001..... | 908 | 3020000102..... | 197, 199, | 3170000428..... | 219 | 201, 207, 235 | |
| 2754000002..... | 908 | 201, 207 | | 3170000473 ... 74, 78, 82, | 86 | 3592000042..... | 235 |
| 2811000001..... | 908 | 3020000111..... | 262 | 86 | | 3592000051..... | 262 |
| 2811000002..... | 908 | 3020000112..... | 273 | 3170000504..... | 217 | 3592000052..... | 262 |
| 2811000003..... | 909 | 3020000115..... | 262 | 3178000433..... | 437, 439 | 3592000058..... | 235 |
| 2811000004..... | 908 | 3020000123..... | 549 | 3178000437..... | 713, 723 | 3592000059..... | 275 |
| 2811000005..... | 908 | 3020000131..... | 203, 209 | 3178000471..... | 823, 825, | 3592000060..... | 237 |
| 2811000006..... | 909 | 3020000132..... | 253 | 827, 829, 831 | | 3592000065..... | 237 |
| 2811000007..... | 909 | 3020029 ... 75, 79, 83, 87, | | 3178000517 ... 74, 78, 82, | 86 | 3592000066..... | 203, 209, |
| 2811000008..... | 909 | 207, 209, 262, 266, | | 86 | | 237 | |
| 2811000009..... | 909 | 270, 283, 285, 287 | | 3178000518 ... 74, 78, 82, | 86 | 3619000010.... | 74, 78, 82, |
| 2811000010..... | 909 | 3020039 ... 20, 24, 28, 32, | | 86 | | 86 | |
| 2811000011..... | 909 | 36, 40, 44, 48, 52, 56, | | 3178000555..... | 847, 849 | 3636000144.... | 19, 23, 27, |
| 2849000052..... | 101, 107 | 60, 64, 75, 79, 83, 87, | | 3241000208 ... 74, 78, 82, | 86 | 31, 35, 39, 43, 47, 51, | 55, 59, 63 |
| 2849000053..... | 103, 109 | 111, 207, 209, 211, | | 86 | | 3691000064.... | 74, 78, 82, |
| 2868000146..... | 43, 911 | 213, 215, 217, 219, | | 3249000004S..... | 792 | 86, 111 | |
| 2868000148..... | 55, 911 | 221, 223, 262, 266, | | 3249000036..... | 437, 439 | | |
| 2870000013..... | 855 | 270, 283, 285, 287 | | 3271505 ... 262, 266, 270, | 86 | | |
| 2870000020..... | 545 | 3071000131..... | 233 | 537, 539, 541, 543, | | | |
| 2870000023..... | 83, 87 | 3071000213..... | 97 | 813, 815, 823, 825, | | | |
| 2899000055..... | 117 | 3097000653..... | 295 | 827, 851, 853 | | | |
| 2899000057..... | 123 | 3097000654..... | 301 | | | | |
| 2899000058..... | 127 | 3097000655..... | 291 | | | | |

SECTION 9 - BUILD DOCUMENTS

| | | | |
|--|--|--|--|
| 3691000097 801, 803, 805, 807 | 4017001706.....465 | 4460457.....685, 713, 715, 717, 721, 725, 727, 729, 731, 733 | 4567130205 575 |
| 3691000195 879 | 4017001707.....467 | 4460458.....567, 569 | 4567130208 589 |
| 3691000222 273 | 4017001708.....467 | 4460459.....725, 729 | 4567130216 605 |
| 3691000229 262 | 4017001709.....469 | 4460460.....729, 731 | 4567130223 599 |
| 3691000230 262 | 4017001710.....469 | 4460461.....727 | 4567130235 581 |
| 3691000259 ... 74, 78, 82, 86 | 4017001742..... 155, 161, 163 | 4460464.....669, 671, 677, 683, 685 | 4567130241 583, 601, 623 |
| 3691000260 ... 74, 78, 82, 86 | 4017001743..... 155, 161, 163 | 4460465.....561, 563, 565, 567, 569, 669, 671, 677, 683, 685, 769, 771 | 4567130247 611 |
| 3698000001 97 | 4062000318.....395, 401, 407, 413 | 4460466...683, 685, 733, 769, 771 | 4567130251 577, 585 |
| 3706000363 ... 74, 78, 82, 86 | 4178000283..... 143, 145 | 4460475.....683, 685 | 4567130256 579 |
| 3706000364 ... 74, 78, 82, 86 | 4178000290..... 117, 123, 127 | 4460476.....729, 731, 733 | 4567130262 595, 613 |
| 3729000281 471 | 4178000291..... 117, 119, 123, 125, 127, 129 | 4460742....713, 715, 717, 721, 725, 727, 729, 731, 733 | 4567130264 603 |
| 3729000282 473 | 4178000330..... 123, 127 | 4460743.....729 | 4567130268 609 |
| 3729000283 473 | 4178000339..... 121 | 4460746.....711 | 4567130270 597, 625 |
| 3729000284 471 | 4178000402..... 697, 715 | 4460790.....727, 729, 731 | 4567130276 617 |
| 3750000018 651, 655 | 4178000437.....699 | 4460842....561, 563, 565, 567, 569, 771 | 4567130278 591 |
| 3760133 ... 74, 78, 82, 86, 111, 211, 213, 215, 217, 219, 221, 223, 273 | 4178000578.....723 | 4460850....567, 569, 729, 731, 733, 855 | 4567130283 615 |
| 3760351 262, 266, 270 | 4178000599..... 117, 119, 121, 123, 125, 127, 129 | 4460867.....729, 731, 855 | 4567130287 587, 629 |
| 3763000139 233 | 4178000664.....535 | 4460891....669, 671, 677, 733, 769, 771 | 4567130290 619 |
| 3763000187 97 | 4178000665.....535 | 4460897....669, 671, 677, 733 | 4567130295 627 |
| 3763000188 74, 78 | 4178000666.....795, 835, 839 | 4460930.....561 | 4567130300 621 |
| 3811000053 137 | 4178000673.....547, 549 | 4460933....563, 565, 567, 569, 683, 685, 769, 771 | 4567130320 607 |
| 3811000054 139 | 4178000673..... 19, 23, 43, 55 | 4460941.....671, 683, 685 | 4567130320 607 |
| 3811000055 141 | 4178000873..... 351, 355, 359, 363, 369, 375, 381, 387 | 4460942....671, 683, 685, 733 | 4567133058 631 |
| 3841143 ... 20, 24, 28, 32, 36, 40, 43, 48, 52, 55, 60, 64, 75, 79, 83, 87, 107, 109, 111, 197, 199, 201, 203, 205, 207, 209, 801, 803, 805, 807 | 4178000874..... 351, 355, 359, 363, 369, 375, 381, 387 | 4460955....561, 563, 565, 567, 569, 771 | 4567430118 637 |
| 3849000043 107 | 4178000912.... 19, 23, 27, 31, 35, 39, 43, 47, 51, 55, 59, 63 | 4460970.....683, 685 | 4567430133 639 |
| 3849000044 109 | 4209000146.....537, 539 | 4461157....715, 721, 725, 733 | 4569142018 631 |
| 3899000125 117, 119 | 4209000212.....547, 549 | 4553000008.....97, 233 | 4569432122 637, 639 |
| 3899000126 121 | 4209000336....74, 78, 82, 86 | 4564088.....665 | 4569433122 637, 639 |
| 3899000127 123, 125 | 4209000358.... 19, 23, 27, 31, 35, 39, 43, 47, 51, 55, 59, 63 | 4567110034.....641, 643 | 4570000042 603 |
| 3899000128 127, 129 | 4211000001.....499, 501, 503, 505, 507, 531, 533 | 4567110041.....643 | 4570000091 589, 599, 625 |
| 3904000002 643 | 4254000005.....257, 259, 433 | 4567112042.....639 | 4570000098 575 |
| 3913000097 283 | 4259000001.....259 | 4567122012.....643 | 4570000099 575, 601, 605, 609, 623, 631 |
| 3913000100 285 | 4259000002.....257 | 4567122014.....641, 645 | 4570000101 599 |
| 3913000101 287 | 4314000167....74, 78, 82, 86 | 4567122016.....633, 635 | 4570000102 601 |
| 3931010 673, 675 | 4330000002.....883, 891 | 4567122019.....637, 639 | 4570000104 593, 631 |
| 3935000115 499, 501, 503, 519 | 4346000005.....659, 669, 687, 689, 741, 743, 745, 747, 749, 763, 765, 767 | 4567122022.....631 | 4570000105 593 |
| 3935000117 505, 509, 511, 513, 521 | 4460018741, 743, 747 | 4567122024.....637, 639 | 4570000113 605, 611 |
| 3935000118 529 | 4460019725 | 4567122030.....631 | 4570000115 579 |
| 3935000166 525 | 4460035 ...741, 743, 747, 759, 761 | 4567122032.....631 | 4570000118 583, 585, 595, 597 |
| 4017000739 211, 213, 215, 217, 219, 221, 223 | 4460042 ...741, 743, 759, 761 | 4567122034.....631 | 4570000121 627, 629 |
| 4017001194 547 | 4460256671, 733 | 4567122038.....643 | 4570000160 607 |
| 4017001271 ... 19, 23, 27, 31, 43, 47, 51, 55 | | 4567122042.....637 | 4570000193 589 |
| 4017001403 131, 133, 135 | | 4567122043.....641, 645 | 4570000352 597, 615, 619, 627 |
| 4017001504 549 | | 4567122050.....633, 635 | 4570000373 583 |
| 4017001699 465, 467, 469 | | 4567123023.....631 | 4570000376 637, 639 |
| 4017001700 465, 467, 469 | | 4567123036.....635 | 4570000379 637, 639 |
| 4017001705 465 | | 4567123040.....643 | 4577000006 631 |
| | | 4567123045.....641, 645 | 4577000013 637, 639 |
| | | 4567123051.....633, 635, 637, 639 | 4587000004 537, 539 |
| | | 4567130165.....593 | 4606000217 499, 501, 503, 505, 507, 509, 511, 513, 515, 517 |

SECTION 9 - BUILD DOCUMENTS

| | | | |
|--|---|---|---------------------------------|
| 4679000258.....123, 125 | 4711500 ... 145, 447, 455, 457, 637, 639 | 4892000 ... 19, 23, 27, 31, 35, 39, 43, 47, 51, 55, 59, 63, 463 | 70050639.....277 |
| 4679000259.....127, 129 | 4711600 75, 79, 83, 87 | 4912000130 433, 437, 439 | 70050640.....277 |
| 4679000268.....262 | 4711600001 266, 270 | 4912000345 433 | 70050641.....277 |
| 4679000274.....823, 825, 827, 829, 831 | 4711700 60, 64 | 4912000394 437, 439 | 70050642.....277 |
| 4679000332....35, 39, 43, 47, 51, 55, 59, 63 | 4711800 ... 145, 266, 270, 477, 479 | 4949000047 262, 283, 285, 287 | 70050643.....277 |
| 4691000103.....283, 285, 287 | 4712000 ... 443, 445, 447, 449, 451, 453, 459, 461 | 4949000059 ... 74, 78, 82, 86 | 70050644.....277 |
| 4691000183.....257, 259 | 4751300 ... 19, 23, 27, 31, 35, 39, 43, 47, 51, 55, 59, 63, 211, 213, 215, 217, 219, 221, 223, 673, 675 | 4949000072 273 | 70050662.....93 |
| 4691000186.....257, 259, 433 | 4751400001 823, 825, 827, 829, 831 | 5261000 60, 64, 148 | 70050677.....425, 429 |
| 4691000198.....262 | 4751500 ... 75, 79, 83, 87, 121, 123, 127, 145, 537, 539, 541, 543, 637, 639, 813, 815, 817, 819, 823, 825, 827, 851, 853 | 5525000537 661, 673 | 70050678.....421, 425 |
| 4691000268.....211, 213, 215, 217, 219, 221, 223 | 4751600 ... 20, 24, 27, 31, 35, 39, 43, 47, 51, 55, 59, 63 | 5526000553 145, 641, 643, 645, 663, 665, 715, 721, 761 | 70050679..421, 423, 425, 429 |
| 4691000296....74, 78, 82, 86, 211, 213, 215, 217, 219, 221, 223 | 4751800 537, 539 | 5746491 148, 151, 153 | 70050680.....425, 429 |
| 4691000354.....257, 259 | 4761400 262 | 70005866 279, 281 | 70050681.....425, 429 |
| 4691000357.....257, 259 | 4761500 827, 851, 853 | 7002000285 861 | 70050682..421, 423, 425, 429 |
| 4691000421433 | 4761800 ... 111, 235, 237, 275, 693, 695 | 7002000404 821 | 70050684.....429 |
| 4691000429....74, 78, 82, 86, 111 | 4763000184 257, 259, 433 | 7002000448 857 | 70050685.....429 |
| 4691000430.....111 | 4763000253 547, 549 | 7002000450 809 | 70050686.....423, 429 |
| 4691000495....74, 78, 82, 86 | 4763000279 499, 509 | 7002000451 811 | 70050687.....423, 429 |
| 4691000527273 | 4763000280 499, 509 | 7002000458 877 | 70050688.....423, 429 |
| 4691000568.....495 | 4763000348 441 | 7002000503 875 | 70050689.....423, 430 |
| 4691000573....19, 23, 27, 31, 35, 39, 43, 47, 51, 55, 59, 63 | 4771800 419, 435 | 7002000519 ... 75, 79, 83, 87 | 70050694.....421, 423 |
| 469800000797, 233 | 4796000009 117, 119, 121 | 7002000521 571 | 70050695.....423 |
| 4706000717541, 543 | 4796000010 123, 125 | 7005000003 535 | 70050696.....423 |
| 4706002361121, 123, 127 | 4796000011 127, 129 | 7005000065 423, 429 | 70050697.....423 |
| 4706003038637, 639 | 4796000037 443, 445, 449, 451, 453, 459, 461 | 70050100 93 | 70050698.....423 |
| 4706003374475, 477 | 4806000011 437, 439 | 70050456 89, 93 | 70050701.....94 |
| 4706003497262 | 4806000014 433, 437, 439 | 70050457 89, 93 | 70051167.....67 |
| 4706003766.....437 | 4811000841 131 | 70050458 89, 93 | 70051168....69, 113, 231 |
| 4706003844.....148, 575, 577, 579, 581, 583, 585, 587, 589, 591, 593, 595, 597, 599, 603, 605, 607, 609, 611, 613, 615, 617, 619, 621, 623, 625, 627, 629 | 4811000868 133, 135 | 70050459 89, 93 | 70051169.....225, 227 |
| 4706003857439 | 4812000 145 | 70050460 89, 93 | 70051170.....67 |
| 4706005146389 | 4819000008 143 | 70050461 89, 93 | 70051171.....67 |
| 4706005551845 | 4831000069 499, 501, 503, 505, 507, 509, 511, 513, 515, 517 | 70050462 89, 93 | 70051172....69, 113, 231 |
| 4706005595.....563, 565, 567, 569 | 4831000112 273 | 70050463 89, 93 | 70051173....69, 113, 231 |
| 4706005650....74, 78, 82, 86 | 4831000126 ... 75, 79, 83, 87 | 70050464 89, 93 | 70051174....67, 225, 227 |
| 470600567274, 78 | 4831000127 ... 75, 79, 83, 87 | 70050465 89, 93 | 70051175.....225, 227 |
| 4706005752....75, 79, 83, 87 | 4891800 ... 19, 23, 27, 31, 35, 39, 43, 47, 51, 55, 59, 63, 74, 78, 82, 86, 117, 119, 121, 123, 125, 127, 129, 143, 157, 165, 693, 695, 823, 825, 827, 829, 831, 833 | 70050466 89, 93 | 70051176.....225, 227 |
| 470600621182, 86 | | 70050467 89, 93 | 70051394.....67 |
| 4706006216137, 139, 141 | | 70050468 89, 93 | 70051395.....67 |
| 4706006228.....465, 467, 469 | | 70050469 89, 93 | 70052741.....69 |
| 4706006427155, 157, 159, 161, 163, 165 | | 70050470 89, 93 | 70070006.....527 |
| 4711000.....673, 675 | | 70050471 89, 93 | 70070007.....527 |
| 4711400.....145, 262 | | 70050472 89, 93 | 70070008.....527 |
| 4711400001449, 451 | | 70050473 89, 93 | 70070009.....527 |
| | | 70050474 89, 93 | 70070010.....527 |
| | | 70050475 89, 93 | 70070011.....527 |
| | | 70050476 89, 93 | 70070012.....527 |
| | | 70050477 89, 93 | 70070013.....527 |
| | | 70050478 89, 93 | 70070014.....229 |
| | | 70050479 89, 93 | 70070015.....229 |
| | | 70050480 89, 93 | 70070016.....229 |
| | | 70050481 89, 93 | 70070017.....229 |
| | | 70050482 89, 93 | 70070018.....229 |
| | | 70050483 89, 93 | 70070019.....229 |
| | | 70050484 89, 93 | 70070020.....229 |
| | | 70050485 89, 93 | 70070021.....229 |
| | | 70050486 89, 93 | 70070022.....229 |
| | | 70050487 89, 93 | 70070023.....279, 281 |
| | | 70050488 89, 93, 425, 429 | 70070024.....279, 281 |
| | | 70050489 277 | 70070025.....279, 281 |
| | | 70050490 277 | 70070026.....279, 281 |
| | | 70050491 277 | 70070027.....279, 281 |
| | | 70050492 277 | 7011000006.....687, 689 |
| | | 70050493 277 | 7027336.....277 |
| | | 70050494 277 | 7027338.....277 |
| | | 70050495 277 | 7027341.....277 |
| | | 70050496 277 | 7056000007.....903 |

SECTION 9 - BUILD DOCUMENTS

| | | | |
|----------------------------|---------------------------|-----------------------------|----------------------------|
| 7056000008 905 | 7115150664..... 499, 501, | 7118181216..... 117, 119, | 7274000042 575, 577, |
| 7056000009 901 | 503, 505, 507, 509, | 121, 123, 125, 127, 129 | 579, 581, 583, 585, |
| 7082000010 537, 539 | 511, 513, 515, 517, | 7118201616..... 653 | 587, 589, 591, 593, |
| 7082000016 69, 233, 235, | 531, 533 | 7120000005..... 351, 355, | 595, 597, 599, 601, |
| 237, 275 | 7115150723..... 266, 270, | 359, 363, 369, 375, | 603, 605, 607, 609, |
| 7082000017 ... 20, 24, 27, | 389 | 381, 387, 465, 467, 469 | 611, 613, 615, 617, |
| 32, 35, 39, 43, 47, 52, | 7115150850..... 131, 133, | 7120000032..... 19, 23, 27, | 619, 621, 623, 625, |
| 55, 59, 63, 107, 109, | 135, 499, 501, 503, | 31, 35, 39, 43, 47, 51, | 627, 629 |
| 111, 197, 199, 201, | 505, 507, 509, 511, | 7120000034..... 659, 661, | 7274000053 ... 75, 79, 83, |
| 203, 205, 207, 209 | 513, 515, 517, 547, 549 | 663, 665 | 87 |
| 7082000018 197, 199, | 7115150864..... 535 | 7178000029..... 827, 851, | 7274000063 447, 455, |
| 201, 203, 205, 207, | 7115151050..... 145, 159, | 853 | 457, 499, 501, 503, |
| 209, 233 | 165, 575, 577, 579, | 7183000004..... 655 | 505, 507, 509, 511, |
| 7082000026 277 | 581, 583, 585, 587, | 7189000020..... 389 | 513, 515, 517 |
| 7104100613 ... 74, 78, 82, | 589, 591, 593, 595, | 7189000026..... 19, 23, 27, | 7274000064 637, 639 |
| 86 | 597, 599, 601, 603, | 31, 35, 39, 43, 47, 51, | 7274000066 637, 639 |
| 7105171050 148, 151 | 605, 607, 609, 611, | 55, 59, 63 | 7274000076 145, 575, |
| 7105171450 153 | 613, 615, 617, 619, | 7209000011..... 433, 437, | 577, 579, 581, 583, |
| 7105181650 148, 151, | 621, 623, 625, 627, | 439 | 585, 587, 589, 591, |
| 463, 859 | 629, 651 | 7209000028..... 211, 213, | 593, 595, 597, 599, |
| 7105201650 148, 151, | 7115151064..... 148, 575, | 215, 217 | 601, 603, 605, 607, |
| 153 | 577, 579, 581, 583, | 7209000030..... 219 | 609, 611, 613, 615, |
| 7105201850 ... 35, 39, 43, | 585, 587, 589, 591, | 7248000063..... 391, 393, | 617, 619, 621, 623, |
| 55 | 593, 595, 597, 599, | 395, 397, 399, 401 | 625, 627, 629 |
| 7105202050 ... 19, 23, 27, | 603, 605, 607, 609, | 7248000064..... 403, 405, | 7274000080 575, 577, |
| 31, 47, 51, 59, 63 | 611, 613, 615, 617, | 407, 409, 411, 413, | 579, 581, 583, 585, |
| 7111141407 547, 549 | 619, 621, 623, 625, | 415, 417, 419, 435 | 587, 589, 591, 593, |
| 7111150813 797 | 627, 629 | 7248000077..... 75, 79, 83, | 595, 597, 599, 601, |
| 7111150864 155, 161, | 7115151250..... 547 | 87 | 603, 605, 607, 609, |
| 163 | 7115151264..... 157, 159, | 7248000114..... 117, 119, | 611, 613, 615, 617, |
| 7111161050 499, 501, | 165 | 121, 123, 125, 127, 129 | 619, 621, 623, 625, |
| 503, 505, 507, 509, | 7115160950..... 137, 139, | 7248000115..... 273 | 627, 629, 631 |
| 511, 513, 515, 517 | 141 | 7248000125..... 389 | 7274000086 262 |
| 7114060810 665 | 7115161050..... 875 | 7253000002..... 74, 78, 82, | 7274000105 148 |
| 7114100518 571 | 7115180606..... 847, 849 | 86, 239, 262, 266, 270, | 7274000122 143 |
| 7114100810 561, 563, | 7115180650..... 433 | 283, 285, 287, 433 | 7274000125 ... 19, 23, 27, |
| 565, 567, 569, 679, 681 | 7115180850..... 433, 697, | 7254000016..... 547, 549 | 31, 35, 39, 43, 47, 51, |
| 7114100818 ... 19, 23, 27, | 699 | 7262000040..... 99 | 55, 59, 63 |
| 31, 35, 39, 43, 47, 51, | 7115181050..... 471, 473, | 7274000002..... 575, 577, | 7280000007 499, 501, |
| 55, 59, 63, 679, 681 | 875 | 579, 581, 583, 585, | 503, 505, 507, 509, |
| 7114101018 867 | 7115181064..... 167, 169, | 587, 589, 591, 593, | 511, 513, 515, 517, 723 |
| 7114101618 637, 639 | 499, 501, 503, 505, | 595, 597, 599, 601, | 7280000011 717 |
| 7114140465 117, 119, | 507, 509, 511, 513, | 603, 605, 607, 609, | 7280000018 661, 663, |
| 121, 123, 125, 127, 129 | 515, 517 | 611, 613, 615, 617, | 665 |
| 7114140528 109, 111, | 7115181223..... 351, 355, | 619, 621, 623, 625, | 7291000010 109, 111, |
| 197, 199, 201, 203, | 359, 363, 369, 375, | 627, 629 | 197, 199, 201, 203, |
| 205, 207, 209, 687, | 381, 387 | 7274000005..... 143 | 205, 207, 209, 801, |
| 689, 801, 803, 805, | 7115181450..... 881, 895, | 7274000038..... 637, 639 | 803, 805, 807, 881, |
| 807, 881, 895, 897 | 897 | 7274000039..... 262, 637, | 895, 897 |
| 7114140529 171, 173 | 7115181464... 19, 23, 27, | 639 | 7295000106 561 |
| 7114140618 669 | 31, 35, 39, 43, 47, 51, | 7274000040..... 148, 575, | 7295000108 563 |
| 7114140823 841 | 55, 59, 63, 393, 399, | 577, 579, 581, 583, | 7295000109 565 |
| 7114141218 823, 825, | 405, 411, 419, 435, | 585, 587, 589, 591, | 7295000111 567, 569 |
| 827, 829, 831 | 437, 439, 795, 835, 839 | 593, 595, 597, 599, | 7295000118 74, 82 |
| 7114141450 ... 19, 23, 27, | 7115181664..... 167, 169 | 601, 603, 605, 607, | 7295000130 78, 86 |
| 31, 35, 39, 43, 47, 51, | 7115181864..... 389, 393, | 609, 611, 613, 615, | 7309000002 537, 539, |
| 55, 59, 63 | 405 | 617, 619, 621, 623, | 541, 543 |
| 7114150818 155, 161, | 7115182250..... 475, 483 | 625, 627, 629, 637, 639 | 7312000013 835, 837 |
| 163, 171, 173 | 7115182864..... 395, 401, | 7274000041..... 575, 577, | 7312000015 835, 837 |
| 7114181218 493 | 407, 413 | 579, 581, 583, 585, | 7312000016 835, 837 |
| 7114181418 847, 849 | 7115183264..... 395, 407 | 587, 589, 591, 593, | 7312000017 799 |
| 7115140450 649 | 7115201450..... 389 | 595, 597, 599, 601, | 7320000064 262, 277 |
| 7115140650 433, 499, | 7115202250..... 389 | 603, 605, 607, 609, | 7330000036 191, 266, |
| 501, 503, 505, 507, | 7118140418..... 211, 213, | 611, 613, 615, 617, | 270 |
| 509, 511, 513, 515, 517 | 215, 217, 219, 221, 223 | 619, 621, 623, 625, | 7330000060 179, 181, |
| 7115140850 99 | 7118161026..... 71 | 627, 629 | 183, 185, 187, 189 |
| | | | 7330000139 776, 780 |

SECTION 9 - BUILD DOCUMENTS

| | | | |
|--|--|--|--|
| 7330000143.....776, 780 | 7330000709.....789 | 619, 621, 623, 625, 627, 629 | 603, 605, 607, 609, 611, 613, 615, 617, 619, 621, 623, 625, 627, 629 |
| 7330000176.....776, 780 | 7330000710.....789 | 7443000245.....233 | 7470000027.....655 |
| 7330000242.....547 | 7330000711.....789 | 7443000319.....575, 577, 579, 581, 583, 585, 587, 589, 591, 593, 595, 597, 599, 601, 603, 605, 607, 609, 611, 613, 615, 617, 619, 621, 623, 625, 627, 629 | 7493000002.....687, 689, 867 |
| 7330000272.....776, 780 | 7330000713.....789 | 7443000364.....545 | 7493000003.....715 |
| 7330000274.....103, 889, 893 | 7330000714.....789 | 7443000365.....545 | 7493000009.....677, 687, 689, 707, 709, 711 |
| 7330000288.....741, 743, 759, 761 | 7330000723.....789 | 7443000366.....545, 799 | 7493000010.....687, 689, 707, 709 |
| 7330000330.....776 | 7345001714.....661, 669, 673, 675, 763, 765, 867 | 7443000371.....545 | 7493000015.....843 |
| 7330000391.....105, 883, 885, 887, 891 | 7345001914.....667, 745, 749, 763, 767 | 7443000374.....631 | 7493000023.....687, 689 |
| 7330000417.....179, 181, 183, 185 | 7345211702.....661, 673 | 7443000377.....713 | 7493000031.....711 |
| 7330000418.....179, 181, 183, 185 | 7345221902.....659, 667 | 7443000412.....653 | 7493000070.....841 |
| 7330000419.....179, 181, 183, 185, 187, 189, 191 | 7346000039.....661, 667, 673, 675, 867 | 7443000428.....855 | 7550000073.....495 |
| 7330000420.....187, 189 | 7346000055.....797 | 7443000432.....855 | 7550000074.....495 |
| 7330000428.....291, 293, 295, 297, 299, 301, 303, 305, 307, 309, 311, 313, 315, 317, 319, 321, 323, 325, 327, 329, 331, 333, 335, 337, 339, 341, 343, 345, 347, 349, 351, 353, 355, 357, 359, 361, 363, 365, 367, 369, 371, 373, 375, 377, 379, 381, 383, 385, 387 | 7346000078.....797 | 7443000443.....545 | 7551000017.....441, 537, 539, 541, 543 |
| 7330000432.....187, 189 | 7346000108.....729, 731 | 7443000445.....631 | 7551000018.....499, 501, 505, 507, 509, 511, 513, 515 |
| 7330000478.....776 | 7346000122.....765 | 7443000446.....631, 637, 639 | 7551000019.....517 |
| 7330000495.....549 | 7346000123.....765 | 7443000469.....855 | 7551000020.....499, 501, 503, 505, 507, 509, 511, 513, 515, 517 |
| 7330000580.....789 | 7346000125.....765 | 74430040843.....643 | 7551000021.....499, 501, 503, 505, 507, 509, 511, 513, 515, 517 |
| 7330000599.....101, 103, 191, 266, 270, 776, 780, 789 | 7346000132.....795 | 7444100850.....653 | 7552000074.....687, 727 |
| 7330000609.....262, 266, 270, 283, 285, 287 | 7346000157.....795 | 7445040431.....647 | 7552000166.....721 |
| 7330000645.....105, 885, 887 | 7346000208.....855 | 7445040443.....262, 637, 639 | 7552000212.....291, 293, 295, 297, 299, 301, 315, 349, 351, 353, 355, 365, 371, 377 |
| 7330000646.....105, 885, 887 | 7346000210.....908 | 7445040446.....641, 643, 645 | 7552000222.....715 |
| 7330000648.....499, 501, 509, 511, 515 | 7346000220.....869 | 7445040643.....855 | 7552000241.....855 |
| 7330000649.....499, 501, 509, 511, 515 | 7346000231.....869 | 7445040648.....641, 643, 645 | 7552000297.....713 |
| 7330000650.....505, 507, 513 | 7346000242.....747, 749, 759, 761 | 7445041043.....647 | 7552000367.....679, 681 |
| 7330000651.....505, 507, 513 | 7346000261.....679, 681 | 7445060643.....631, 637, 639 | 7552000385.....74, 82, 769 |
| 7330000657.....517 | 7413000002.....669 | 7445060646.....635 | 7552000391.....561 |
| 7330000658.....517 | 7413000013.....443, 445, 449, 451, 453, 459, 461 | 7445060648.....633, 635, 641, 643, 645 | 7552000392.....563 |
| 7330000675.....545 | 7430000003.....575, 577, 579, 581, 583, 585, 587, 589, 591, 593, 595, 597, 599, 601, 603, 605, 607, 609, 611, 613, 615, 617, 619, 621, 623, 625, 627, 629 | 7445060843.....635, 637, 639 | 7552000397.....717 |
| 7330000676.....545 | 7440030000.....239, 257, 259, 283, 285, 287, 433 | 7445060845.....633, 635 | 7552000413.....78, 86, 771 |
| 7330000683.....179, 181, 183, 185, 187, 189 | 7443000013.....575, 577, 579, 581, 583, 585, 587, 589, 591, 593, 595, 597, 599, 601, 603, 605, 607, 609, 611, 613, 615, 617, 619, 621, 623, 625, 627, 629 | 7445061043.....631 | 7552000426.....567, 569 |
| 7330000684.....105, 179, 181, 183, 185, 187, 189, 191, 883, 885, 887, 891 | 7443000030.....633, 635 | 7445080818.....631, 637, 639 | 7552000451.....711 |
| 7330000689.....776, 780 | 7443000048.....503, 505, 507 | 7445080843.....637, 639 | 7552000472.....867, 869 |
| 7330000696.....565, 567, 569 | 7443000129.....641, 643, 645 | 7445080853.....799 | 7555000015.....123, 125 |
| 7330000707.....789 | 7443000152.....545 | 7445080872.....647 | 7555000016.....117, 119, 121, 127, 129 |
| 7330000708.....789 | 7443000154.....545, 799 | 7445081043.....631 | 7556000003.....899 |
| | 7443000155.....545, 799, 875 | 7445081045.....631, 637, 639 | 7560000007.....499, 501, 503, 505, 507, 509, 511, 513, 515, 517 |
| | 7443000156.....545, 799 | 7445081046.....633, 635 | 7565000014.....545, 799, 835, 837 |
| | 7443000158.....575, 577, 579, 581, 583, 585, 587, 589, 591, 593, 595, 597, 599, 601, 603, 605, 607, 609, 611, 613, 615, 617, | 7446060435.....799, 835, 837 | 7565000016.....545 |
| | | 7446502506.....835, 837 | 7570000036.....145 |
| | | 7446502518.....799, 835, 837 | 7577000194.....145, 148, 151, 153, 908 |
| | | 7457000004.....659 | 7577000208.....291, 293, 295, 297, 299, 301, 303, 305, 307, 309, 311, 313, 315, 317, 319, 321, 323, 325, |
| | | 7470000002.....575, 577, 579, 581, 583, 585, 587, 589, 591, 593, 595, 597, 599, 601, | |

SECTION 9 - BUILD DOCUMENTS

| |
|--|
| 327, 329, 331, 333, 335, 337, 339, 341, 343, 345, 347, 349, 351, 353, 355, 357, 359, 361, 363, 365, 367, 369, 373, 375, 379, 381, 383, 385, 387 7577000215 519 7577000217 521, 523 7577000218 525, 529 7577000242 179, 181, 183, 185, 187, 189, 871 7577000329 765 7577000343 519, 521, 523, 525, 529 7577000376 191, 873 7577250024 97, 233 7590000132 691, 709 7590000133 709 7590000134 691 7590000135 691 7590000138 691 7590000142 691 7590000143 691 7590000148 709 7590000273 723 7590000339 707 7590000340 687, 689 7590000341 687, 689 7590000342 707, 711 7590000343 687, 689, 707 7590000432 867 7592000005 117, 119, 121, 123, 125, 127, 129 7626000014 391, 393, 395, 397, 399, 401, 403, 405, 407, 409, 411, 413 7626000018 419, 435 7638000004 155 7638000013 161 7640000002 545 7650080125 653 7660062604 665 7660102601 673, 675 7660102604 117, 119, 121, 123, 125, 127, 129, 561, 563, 565, 567, 569, 679, 681, 867 7660140001 433 7660142601 109, 111, 197, 199, 201, 203, 205, 207, 209, 266, 270, 499, 501, 503, 505, 507, 509, 511, 513, 515, 517, 547, 549, 687, 689, 801, 803, 805, 807, 823, 825, 827, 829, 831, 841, 881, 895, 897 7660142604 ... 19, 23, 27, 31, 35, 39, 43, 47, 51, 55, 59, 63, 117, 119, 121, 123, 125, 127, 129 7660152601 ... 75, 79, 83, 87, 121, 123, 127, 131, 133, 135, 145, 148, 155, 157, 159, 161, 163, 165, 171, 173, 499, 501, 503, 505, 507, 509, 511, 513, 515, 517, 531, 533, 535, 547, 549, 575, 577, 579, 581, 583, 585, 587, 589, 591, 593, 595, 597, 599, 601, 603, 605, 607, 609, 611, 613, 615, 617, 619, 621, 623, 625, 627, 629, 637, 639, 651, 797 7660162601 71, 137, 139, 141, 389, 499, 501, 503, 505, 507, 509, 511, 513, 515, 517, 847, 849, 875 7660172331 148, 151, 153 7660180001 99, 433 7660180234 441, 547, 549 7660182301 117, 119, 121, 123, 125, 127, 129, 235, 237, 275 7660182333 19, 23, 27, 31, 35, 39, 43, 47, 51, 55, 59, 63, 117, 119, 121, 123, 125, 127, 129, 148, 151, 463, 859 7660182601 19, 23, 27, 31, 35, 39, 43, 47, 51, 55, 59, 63, 74, 78, 82, 86, 99, 167, 169, 266, 270, 351, 355, 359, 363, 369, 375, 381, 387, 389, 391, 393, 395, 397, 399, 401, 403, 405, 407, 409, 411, 413, 415, 417, 419, 433, 435, 437, 439, 465, 467, 469, 475, 483, 493, 499, 501, 503, 505, 507, 509, 511, 513, 515, 517, 795, 835, 839, 845, 847, 849, 875 7660182631 537, 539, 541, 543 7660200035 443, 453, 459, 461 7660202347 19, 23, 27, 31, 35, 39, 43, 47, 51, 55, 59, 63, 75, 79, 83, 87, 148, 151, 153, 445, 449, 451 7660222308 19, 23, 27, 31, 35, 39, 43, 47, 51, 55, 59, 63 7660222601 389 7661000007 74, 78, 82, 86 7661000018 389, 653 7661000034 97, 233 7661000042 171, 173 7661000047 723 7661000055 295, 301, 307, 313, 323, 325, 331, 339, 341, 347 7661000056 571, 679, 681 7661000064 99, 171, 173, 262, 449, 451 7679000017 291, 293, 295, 297, 299, 301, 303, 305, 307, 309, 311, 313, 315, 317, 319, 321, 323, 325, 327, 329, 331, 333, 335, 337, 339, 341, 343, 345, 347 7679000020 99 7690021210 273 7690051274 537, 539, 541, 543, 547, 549 7690051641 75, 79 7690101200 499, 501, 503, 505, 507, 509, 511, 513, 515, 517 7690141600 273 7690144005 273 7691000001 74, 78, 82, 86, 111, 801, 803, 805, 807 7691000027 879 7691000033 109, 249, 251, 881 7691000056 499, 501, 503, 505, 507, 509, 511, 513, 515, 517 7691000064 499, 501, 503, 505, 507, 509, 511, 513, 515, 531 7691000065 517, 533 7701000031 655 7701000033 471, 473 7701000048 19, 23, 27, 31, 35, 39, 43, 47, 51, 55, 59, 63 7701000049 107, 443, 445, 449, 451, 453, 459, 461 7701000055 107 7701000063 19, 23, 27, 31, 35, 39, 43, 47, 51, 55, 59, 63 7719000005 273 7754000002 97, 233 7754000003 97, 233 7754000004 97, 233 7754000005 74, 78, 82, 86 7754000009 517 7754000019 74, 78, 82, 86 7754000022 433, 437, 439, 495 7754000024 262, 283, 285, 287 7754000026 97, 233 7754000037 257, 259 7754000068 481 7754000087 273 7755224000 97, 233 7755224609 97, 233 7755334000 97, 233 7755334609 97, 233 7759000004 776, 780, 785, 789 7759000006 499, 501, 503, 505, 507, 509, 511, 513, 515, 517 7759000020 117, 119, 121, 123, 125, 127, 129 7785140404 89, 93 7785150500 547, 549 7785152420 145, 575, 577, 579, 581, 583, 585, 587, 589, 591, 593, 595, 597, 599, 601, 603, 605, 607, 609, 611, 613, 615, 617, 619, 621, 623, 625, 627, 629 7786000006 257, 259 7790100856 723 7790142051 571 7790151253 145, 499, 501, 503, 505, 507, 509, 511, 513, 515, 517, 715, 817, 819, 853 7790161253 ... 75, 79, 82, 86 7796000008 97, 233 7796000024 97, 233 7796000048 109, 111, 197, 199, 201, 203, 205, 207, 209, 801, 803, 805, 807, 881, 895, 897 7796000063 97, 233 7804000007 ... 75, 79, 83, 87 7809000001 ... 74, 78, 82, 86 7819000005 631 7819000013 585, 587, 597, 615, 627 7843000004 433 7843000006 257, 259, 433 7843000007 547, 549 7843000016 257, 259 7843000035 ... 74, 78, 82, 86, 437, 439 7843000043 273 7870000100 743 7870000106 759 7870000115 723 7870000126 679, 681 7870000134 741 7870000137 761 7894000004 143, 148, 151, 153, 545, 631, 637, 639, 711 7894000010 661, 673, 675, 679, 681 7894000031 799 |
|--|

SECTION 9 - BUILD DOCUMENTS

| | | | |
|---|--|--|---|
| 7894000063.....823, 825, 827, 829, 831 | 7950150000 511, 517 | 7970000140 409, 411, 413, 429 | 9575960014.....421, 423, 425, 429 |
| 7894000071.....863 | 7950150153..... 155, 161, 163, 171, 173 | 7970000142 397, 399, 401, 423 | 9577000226.....792 |
| 7894000073.....865 | 7950150161 131, 133, 135, 137, 139, 141, | 7970000158 74, 78, 89 | 9577000227.....792 |
| 7904000001.....637, 639 | 148, 157, 159, 165, | 7970000166 82, 86, 93 | 9577930187.....519, 521, 523, 525, 529 |
| 7912000184.....262 | 499, 501, 503, 505, | 7978000020 749 | 960006..... 633, 635, 641, 645 |
| 7912000349.....637, 639 | 507, 509, 513, 515, | 7990000011 547, 549 | 9626960027.....89, 93 |
| 7913000006.....109, 249, 251, 881 | 531, 533, 547, 549, | 8035346 527 | 9691960001..89, 93, 421, 426, 430 |
| 7935000120.....545, 799 | 575, 577, 579, 581, | 8035348 527 | 9691960035.....421, 425 |
| 7935000170.....519, 521, 523, 525, 529 | 583, 585, 587, 589, | 80963055 685 | 9701960015..... 421, 423, 425, 430 |
| 7935000171.....529 | 591, 593, 595, 597, | 80963056 685 | 9701960016.....89, 93 |
| 7935000173.....519, 521, 523, 525, 529 | 599, 601, 603, 605, | 80963062 725 | 9742960064.....93 |
| 7935000174.....519, 521, 523, 525, 529 | 607, 609, 611, 613, | 80963064 729, 731 | 9754960039.....89, 93 |
| 7935000182.....545 | 615, 617, 619, 621, | 8220081 715, 721 | 9786960006.....89, 93 |
| 7935000227.....519, 521, 523, 525, 529 | 623, 625, 627, 629, | 8220089 733 | 9786960015.....421, 423, 425, 429 |
| 7935000229.....545 | 651, 715, 717, 875 | 8220099 677, 729, 731 | 9796960047.....89, 93 |
| 7935000248.....545 | 7950160000 ... 74, 78, 82, 86, 433 | 8220934 677 | 9796960049.....89, 93 |
| 7935000265.....525 | 7950160161 389, 499, 501, 503, 505, 507, | 8220935 677, 729, 731 | 9796960139.....425, 429 |
| 7935000305.....633, 635, 641, 643, 645 | 509, 511, 513, 515, 517, 847, 849 | 8220936 677 | 9796960176.....426, 430 |
| 7935000306.....637, 639 | 7950160162 433 | 8405006 148, 151, 153 | 9796960177.....426, 430 |
| 7935000369.....519, 521, 523, 525, 529 | 7950170000 647 | 8411080091 273 | 9806960009.....421, 423 |
| 7935000388.....519, 521, 523, 525, 529 | 7950170142 148, 151, 153 | 8411080102 465, 467, 469 | 9812960005.....89, 93 |
| 7949000008....19, 23, 27, 31, 35, 39, 43, 47, 51, 55, 59, 63 | 7950180000 433, 697, 699 | 85941016 266, 270 | 9843930044.....519, 521, 523, 525, 529 |
| 7949000011.....499, 501, 503, 505, 507, 509, 511, 513, 515, 517 | 7950180141 475, 483, 847, 849 | 8597650001 545 | 9912960035.....89, 93 |
| 7949000019.....145 | 7950180143 537, 539, 547, 549 | 8597650002 661, 673, 675 | 9935960142.....89 |
| 7949000023 99, 171, 173, 687, 689 | 7950180150 881, 895, 897 | 8597650003 761 | 9949960017.....90, 93 |
| 7949000030.....537, 539 | 7950180153 148, 151, 389, 391, 393, 395, 397, 399, 401, 403, 405, 407, 409, 411, 413, 415, 417, 419, 433, 435, 437, 439, 845, 859, 875 | 8632000012 499, 501, 503, 505, 507, 509, 511, 513, 515, 517 | 9949960031.....89, 93 |
| 7949000034.....433, 437, 439 | 7950180161 351, 355, 359, 363, 369, 375, 381, 387, 433, 499, 501, 503, 505, 507, 509, 511, 513, 515, 517 | 88671001 262 | 9949960054.....425, 429 |
| 7949000054.....499, 501, 503, 505, 507, 509, 511, 513, 515, 517 | 7950180252 697, 699 | 88671008 . 74, 78, 82, 86, 266, 270 | 9970300057.....421, 423, 425, 429 |
| 7949000055.....823, 825, 827, 829, 831 | 7950180400 389, 391, 393, 395, 397, 399, 401, 403, 405, 407, 409, 411, 413 | 8977010103 669, 675 | 9970316083.....421, 423 |
| 7949000072 19, 23, 27, 31, 35, 39, 43, 47, 51, 55, 59, 63 | 7950200000 257, 259 | 900115 633, 635, 641, 645 | 9970330010.....421, 423, 425, 429 |
| 7950100003.....679, 681 | 7950200141 389 | 9007960003 421, 425 | 9970342027.....421, 423, 425, 429 |
| 7950100143.....117, 119, 121, 123, 125, 127, 129 | 7950200242 148, 151, 153 | 90201389 527 | 9970400003.....425, 429 |
| 7950100151.....561, 563, 565, 567, 569, 659, 679, 681 | 7950220141 499, 501, 503, 505, 507, 509, 511, 513, 515, 517, 531, 533 | 9120960025 89, 93 | 9970402002.....421, 423, 425, 429 |
| 7950100163.....679, 681 | 7950220161 389 | 9120960034 421, 423, 425, 429 | 9970412003.....421, 423, 425, 429 |
| 7950140000.....99, 649 | 7970000083 419, 435 | 9120960059 421, 423, 425, 429 | 9970412045.....421, 423, 425, 430 |
| 7950140003.....669 | 7970000121 391, 393, 395, 421 | 9120960075 425, 429 | 9970414045.....421, 423, 425, 429 |
| 7950140141.....499, 501, 503, 505, 507, 509, 511, 513, 515, 517, 547, 549, 649 | 7970000123 403, 405, 407, 425 | 9120960081 89, 93 | 9970415177.....423 |
| 7950140143....19, 23, 27, 31, 35, 39, 43, 47, 51, 55, 59, 63, 433, 669 | | 9183960002 . 89, 93, 423, 430 | 9970418163.....89, 93 |
| 7950140153.....841 | | 9209960023 89, 93 | 9970418177.....421, 425, 429 |
| | | 9309960020 425, 429 | 9970431008.....421 |
| | | 9314960024 421, 423, 425, 429 | 9970442184.....421, 423, 425, 429 |
| | | 9443960010 89, 93 | 9970442205.....421, 423, 425, 429 |
| | | 9443960021 429 | 9970450006.....421, 423, 425, 429 |
| | | 9472960042 89 | 9970456008.....421, 423, 425, 429 |
| | | 9472960043 89, 93 | 9970468011.....421, 423, 425, 430 |
| | | 9472960068 425, 429 | 9970472013.....421, 423, 426, 430 |
| | | 9472960069 425, 429 | |
| | | 9472960072 421, 423 | |
| | | 9551960018 89 | |
| | | 9560960011 421, 423, 425, 429 | |
| | | 9560960021 421, 425 | |
| | | 9571960010 425, 429 | |

SECTION 9 - BUILD DOCUMENTS

| | | | |
|--|---------------------------------------|------------------------|----------------------|
| 9970486009 421, 423, 426, 430 | 9970960068..... 421, 423, 425, 429 | PHS40-MD.....889 | TB48-4 912 |
| 9970486017 421, 423, 426, 430 | A7WCON..... 795 | RC-1551 | TB60-2 912 |
| 9970494002 421, 423, 426, 430 | BHH35-MD 883 | RC-2553 | TBL-2 912 |
| 9970494053 421, 423, 426, 430 | BHM35-MD..... 891 | RC-3555 | TBL-3 912 |
| 9970518014 421, 423, 426, 430 | CAR8PTTD..... 865 | RC-4557 | TBL-4 912 |
| 9970518015 421, 423, 426, 430 | CHB38 811 | RC-5559 | TBSA36-2 910 |
| 9970960034 425, 429 | CHB50 809 | RCTH-2.....909 | TBSA36-3 910 |
| 9970960035 426, 430 | CMKSTD-SD 908 | RWC857 | TBSA36-4 910 |
| 9970960036 425, 429 | DPH-16B 899 | SP-D5500TOOLB912 | TBSA48-2 910 |
| 9970960037 426, 430 | DR063W-2..... 908 | SP-D5500TOOLB-2...912 | TBSA48-4 910 |
| 9970960038 425, 429 | KSD120-AL..... 909 | SSQF-21909 | TBSA60-2 910 |
| 9970960051 425, 429 | KSD120-AL-2909 | SSQF-24.....909 | TBTST36-2 912 |
| 9970960052 425, 429 | KSD120W-AL 909 | STK.....861 | TBTST36-3 912 |
| 9970960060 421, 423, 425, 429 | KSD120W-AL-2 909 | STRAP50.....863 | TBTST36-4 912 |
| 9970960062 421, 423 | MBK-HM-2 912 | TB178903 | TBTST48-2 912 |
| | MBK-STD-2 912 | TB200905 | TBTST60-2 912 |
| | MBK-STD-3 912 | TB256901 | W08WAL-SD..... 391 |
| | MBK-STD-4 912 | TB36-2912 | W08WST-SD..... 393 |
| | ML-TBTST-2..... 909 | TB36-3912 | W08WTRST-SD..... 395 |
| | PHH35-MD 887 | TB36-4912 | WO10WAL-SD..... 403 |
| | PHM35-MD..... 885 | TB48-2912 | WO10WST-SD..... 405 |
| | | TB48-3912 | WO12W-MD..... 419 |

JERR-DAN[®]

***Corporate Office
13224 Fountainhead Plaza
Hagerstown, MD 21742 USA***

***☎ (717) 597-7111 (Corporate)
☎ (800) 926-9666 (Customer Support)***

***Visit our website
www.jerrdan.com***



OSHKOSH™