

# ***JERR-DAN***<sup>®</sup>

---

## **Illustrated Parts Manual**

### ***Model 6 TON XLP CARRIER***

**SN 0220022847 to 0220025491**

**P/N  
5376000238**

**September 1, 2022 - Rev C**

---

# ***JERR-DAN***<sup>®</sup>

An Oshkosh Corporation Company





## **REVISION LOG**

April 30, 2021 - A - Original Release (Edited to 1001133285 Revision AH)  
August 27, 2021 - B - Revised (Edited to 1001133285 Revision AH-AJ)  
September 1, 2022 - C - Revised (Edited to 1001133285 Revision AH-AK)

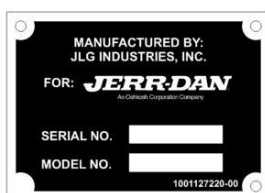
## GENERAL INFORMATION

JerrDan, LLC (Jerr-Dan) strives to provide information that is accurate, complete and useful. Descriptions and illustrative material contained within this manual are as accurate as known at the time of publication and are subject to change, without notice, as a result of continuous product improvements. Jerr-Dan reserves the right to amend the information in this document at any time without prior notice.

Information contained in this manual reflects how this vehicle was built at the factory. Modifications or additions by the distributor or owner are not reflected in this manual.

This parts manual does not include service parts information for the commercial chassis (IHC, Ford, GM, etc.). That information is provided by the chassis manufacturer.

When ordering parts, please refer to your unit's Serial Number and Model Number. This information is be found on the aluminum tag riveted to the inside of the driver's side rear compartment of the main body.



Additional or replacement manuals can be ordered by calling Jerr-Dan Parts at 717-597-7111. Price and availability will be quoted at time of the request.

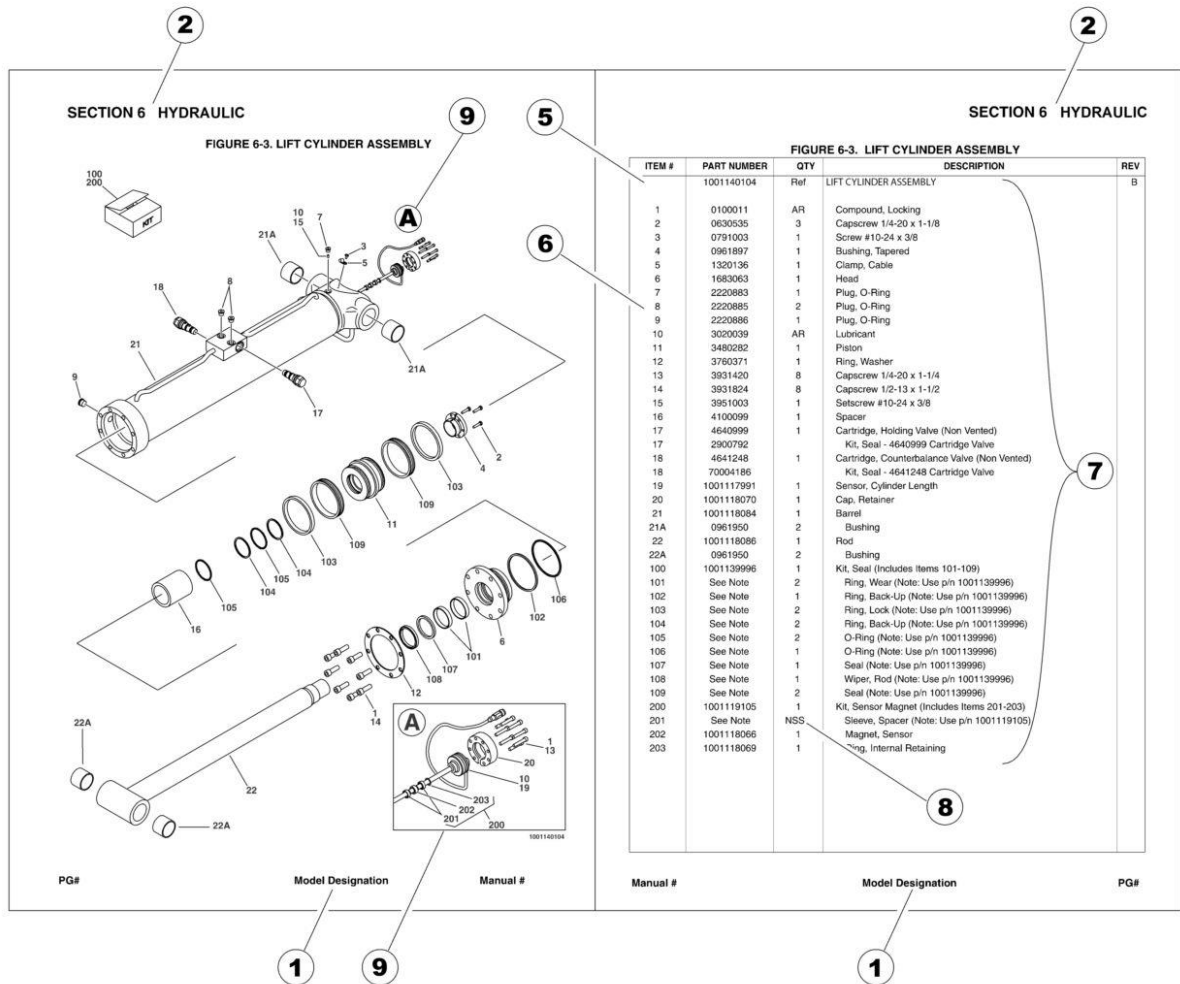
Please report comments and/or errors by contacting Jerr-Dan. Contact numbers are located on rear cover of Manual.

Manufactured under one or more of the following patents: 5,575,606; 5,672,042; 5,697,741; 5,713,714; 5,722,810; 5,782,596; 5,839,775 and 6,315,515 B1 with other Patents Pending.

Jerr-Dan and the Jerr-Dan logo are registered trademarks and Run Hard is a service mark of JerrDan, LLC, Hagerstown, MD USA.

The material in this document is confidential and the property of Jerr-Dan. No part of this document may be photocopied, reproduced or translated to another language without the express written consent of Jerr-Dan.

# GENERAL INFORMATION



## 1) MACHINE IDENTIFICATION

Machines are identified by model and in some cases a combination of models, serial number (SN) or regional standard (i.e ANSI, CE, CSA). Components may also be identified by SN or manufacturer. Common components that may be identified by these characteristics are engines and hydraulic components.

## 2) PARTS MANUAL ORGANIZATION

Product information in this manual is organized under section titles. Subframe, Hydraulic and Electrical are a few examples. Each section is organized by figure and page number. The information within the Figure is then organized by item number, part number, description and corresponding illustration (s).

## 3) TABLE OF CONTENTS (NOT SHOWN)

A table of contents is found toward the beginning of the manual. Figure number, description and page number are provided for quick reference to the page containing the related information.

## 4) BUILD DOCUMENTS (NOT SHOWN)

The Build Documents, located near the end of the manual, reference components not available at the purchase level. These PN's list assembly instructions and assist in the maintenance of the parts manual.

## GENERAL INFORMATION

### 5) NON-SERVICED PARTS

In some instances, it is necessary to display non-serviced parts, assemblies or installations. In the case of assemblies and installations there will be a Ref in the Qty. column. In case of parts that are not available for service within assemblies or components, there will be a NSS (Not Sold Separately) or NLA (No Longer Available) listed in the Qty. column of the manual.

### 6) PARTS LIST ITEM NUMBERS

Numbers shown in the item# column correspond to numbers used in the associated illustration (s). Item numbers which are missing from the sequence in the parts list are not used on that page.

### 7) INDENTED PARTS DESCRIPTION

An indented part description is included in the item under which it is indented.

### 8) ABBREVIATION AND SYMBOLS

AC.....	Alternating Current	L.....	Liter
ALUM.....	Aluminum	LD.....	Light Duty
AG.....	Agricultural	LB(LBS).....	Pounds
ANSI.....	American National Standards Institute	LCD.....	Liquid Crystal Display
AR.....	As Required	LED.....	Light Emitting Diodes
AUS.....	Australias	LH.....	Left Hand
ASSY.....	Assembly	M(m).....	Metric/Meter
AUX.....	Auxiliary	MD.....	Medium Duty
AWG.....	American Wire Gauge	MM (mm).....	Milimeter
CA.....	Cab To Axle	mA.....	Miliamps
CE.....	European Conformity	NLA.....	No Longer Available
CCW.....	Counter Clockwise	NPT.....	National Pipe Threads
CM.....	Centimeter	NSS.....	Not Sold Separately
CT.....	Cab To Tandem	OD.....	Outside Diameter
CW.....	Clockwise	ORB.....	O-Ring Boss
CSA.....	Canadian Standards Association	ORFS.....	O-Ring Face Seal
CYL.....	Cylinder	OZ (oz).....	Ounces
DIA.....	Diameter	PG.....	Page
DC.....	Direct Current	PN.....	Part Number
DOT.....	Department of Transportation	PTO.....	Power Take Off
EMS.....	Emergency Stop	QT(qt.).....	Quarts
ENG.....	Engine	QTY.....	Quantity
FT(ft).....	Feet	REF.....	Reference
GA(Ga).....	Gauge	REV.....	Revision Level
GAL.....	Gallons	RH.....	Right Hand
GVW.....	Gross Vehicle Weight	SAE.....	Society of Automotive Engineers
HD.....	Heavy Duty	SD.....	Standard Duty
HYD.....	Hydraulic	SN.....	Serial Number
Hz.....	Hertz	SPEC(S).....	Specifications
ID.....	Inside Diameter	SS.....	Stainless Steel
IN.....	inches	STD.....	Standards
IND.....	Independent	STL.....	Steel
IRL.....	Independent Reach/Lift	UGM.....	Universal Ground Module
INT.....	Integrated	V.....	Volts
ISO.....	International Organization for Standards	W.....	Watts
JIC.....	Joint Industry Council	WB.....	Wheel Base
KG.....	Kilogram	#.....	Number

### 9) ILLUSTRATION REFERENCE LETTERS

When necessary, illustrations may contain reference letters that are intended to track information (i. e. hoses, harnesses) from one point to another or to track visual enlargement of components to show details that may be located in another area on the illustration.

*Note: Due to continuous product improvements, Jerr-Dan Corporation reserves the right to make specification changes without prior notification. Contact Jerr-Dan for updated information.*

# TABLE OF CONTENTS

SECTION 1 - SUBFRAME .....	19
FIGURE 1-1. SUBFRAME INSTALLATION - 19FT/20FT (2012+ DODGE 5500 & 2012+ FORD F550).....	20
FIGURE 1-2. SUBFRAME INSTALLATION - 19FT/20FT (2012+ DODGE 5500 & 2012+ FORD F550) (GALVANIZED).....	24
FIGURE 1-3. SUBFRAME INSTALLATION - 20FT (2019+ CVC515) .....	28
FIGURE 1-4. SUBFRAME INSTALLATION - 20FT (2019+ CVC515) (GALVANIZED) .....	32
FIGURE 1-5. SUBFRAME INSTALLATION - 20FT/22FT (ISUZU).....	36
FIGURE 1-6. SUBFRAME INSTALLATION - 20FT/22FT (ISUZU) (GALVANIZED).....	40
FIGURE 1-7. SUBFRAME INSTALLATION - 21FT/22FT .....	44
FIGURE 1-8. SUBFRAME INSTALLATION - 21FT/22FT (2019+ CVC515).....	48
FIGURE 1-9. SUBFRAME INSTALLATION - 21FT/22FT (2019+ CVC515) (GALVANIZED).....	52
FIGURE 1-10. SUBFRAME INSTALLATION - 21FT/22FT (GALVANIZED).....	56
FIGURE 1-11. SUBFRAME INSTALLATION - 22FT (HINO 195).....	60
FIGURE 1-12. SUBFRAME INSTALLATION- 22FT (HINO 195) (GALVANIZED).....	64
FIGURE 1-13. ROLL CYLINDER ASSEMBLY .....	68
FIGURE 1-14. TILT CYLINDER ASSEMBLY .....	70
FIGURE 1-15. PAD INSTALLATION - SUBFRAME .....	72
FIGURE 1-16. SIDE RECOVERY SYSTEM (SRS) INSTALLATION - 8000 LBS WINCH.....	74
FIGURE 1-17. SIDE RECOVERY SYSTEM (SRS) INSTALLATION - 8000 LBS WINCH WITH REMOTE CONTROL.....	78
FIGURE 1-18. SIDE RECOVERY SYSTEM (SRS) INSTALLATION - 10000 LBS WINCH (SN 0220022847 through 0220024465) .....	82
FIGURE 1-19. SIDE RECOVERY SYSTEM (SRS) INSTALLATION - 10000 LBS WINCH (3 FUNCTION REMOTE CONTROL) (SN 0220024466 through 02200025491) .....	86
FIGURE 1-20. SIDE RECOVERY SYSTEM (SRS) INSTALLATION - 10000 LBS WINCH WITH REMOTE CONTROL (SN 0220022847 through 0220024465).....	90
FIGURE 1-21. SIDE RECOVERY SYSTEM (SRS) INSTALLATION - 10000 LBS WINCH (4 FUNCTION REMOTE CONTROL) (SN 0220024466 through 02200025491) .....	94
FIGURE 1-22. SIDE RECOVERY SYSTEM (SRS) INSTALLATION - 10000 LBS WINCH WITH AIR FREE SPOOL (SN 0220022847 through 0220024465).....	98
FIGURE 1-23. SIDE RECOVERY SYSTEM (SRS) INSTALLATION - 10000 LBS WINCH WITH AIR FREE SPOOL (3 FUNCTION REMOTE CONTROL) (SN 0220024466 through 02200025491) .....	102
FIGURE 1-24. SIDE RECOVERY SYSTEM (SRS) INSTALLATION - 10000 LBS WINCH WITH AIR FREE SPOOL & REMOTE CONTROL (SN 0220022847 through 0220024465).....	106
FIGURE 1-25. SIDE RECOVERY SYSTEM (SRS) INSTALLATION - 10000 LBS WINCH WITH AIR FREE SPOOL (4 FUNCTION REMOTE CONTROL) (SN 0220024466 through 02200025491) .....	110
FIGURE 1-26. WINCH (SRS) ASSEMBLY - 8000 LBS.....	114
FIGURE 1-27. WINCH (SRS) ASSEMBLY - 10000 LBS.....	118
FIGURE 1-28. WINCH (SRS) ASSEMBLY - 10000 LBS WITH AIR FREE SPOOL .....	122
FIGURE 1-29. CYLINDER ASSEMBLY - SIDE RECOVERY SYSTEM .....	126
FIGURE 1-30. CHAIN BOX INSTALLATION.....	128
FIGURE 1-31. REAR STABILIZER - COMPLETE.....	130
FIGURE 1-32. REAR STABILIZER - COMPLETE (2.5IN TOW HITCH).....	132
FIGURE 1-33. REAR STABILIZER - COMPLETE (PINTLE HITCH).....	134
FIGURE 1-34. REAR STABILIZER INSTALLATION .....	136
FIGURE 1-35. REAR STABILIZER INSTALLATION (2.5IN TOW HITCH).....	138
FIGURE 1-36. REAR STABILIZER INSTALLATION (PINTLE HITCH) .....	140
FIGURE 1-37. LIFT CYLINDER ASSEMBLY .....	142
FIGURE 1-38. PINTLE EXTEND/RETRACT CYLINDER ASSEMBLY.....	144

# TABLE OF CONTENTS

FIGURE 1-39. TOOLBOX - 36IN .....	146
FIGURE 1-40. TOOLBOX - 36IN NARROW .....	148
FIGURE 1-41. TOOLBOX - 36IN UNDERMOUNT .....	150
FIGURE 1-42. TOOLBOX - 36IN NARROW UNDERMOUNT .....	152
FIGURE 1-43. TOOLBOX - 48IN .....	154
FIGURE 1-44. TOOLBOX - 48IN UNDERMOUNT .....	156
FIGURE 1-45. TOOLBOX - 60IN .....	158
FIGURE 1-46. TOOLBOX - 60IN .....	160
FIGURE 1-47. TOOLBOX - 78IN .....	162
FIGURE 1-48. TOOLBOX DRAWER INSTALLATION - 24IN .....	164
FIGURE 1-49. TOOLBOX STORAGE BASKET.....	166
FIGURE 1-50. TOOLBOX STORAGE BASKET (DEEP).....	168
FIGURE 1-51. TOOLBOX SHELF - 36IN .....	170
FIGURE 1-52. TOOLBOX SHELF - 48IN .....	172
FIGURE 1-53. TOOLBOX SHELF - 60IN .....	174
FIGURE 1-54. TOOLBOX TOP STORAGE TRAY - 36IN .....	176
FIGURE 1-55. TOOLBOX TOP STORAGE TRAY - 48IN .....	178
FIGURE 1-56. TOOLBOX TOP STORAGE TRAY - 60IN .....	180
FIGURE 1-57. TOOLBOX TOP STORAGE TRAY - 78IN .....	182
FIGURE 1-58. TUNNEL (SIDE) TOOLBOX INSTALLATION - 24IN (DUAL COMPARTMENT) .....	184
FIGURE 1-59. TUNNEL (SIDE) TOOLBOX ASSEMBLY - 24IN (WITH DUAL COMPARTMENT TUNNEL) .....	186
FIGURE 1-60. TUNNEL (SIDE) TOOLBOX INSTALLATION - 24IN (SINGLE COMPARTMENT).....	188
FIGURE 1-61. TUNNEL (SIDE) TOOLBOX ASSEMBLY - 24IN (WITH SINGLE COMPARTMENT TUNNEL) .....	190
FIGURE 1-62. CHASSIS MOUNTING KIT, 2019+ CVC .....	192
FIGURE 1-63. CHASSIS MOUNTING KIT, 2017+ FORD F550 (DIESEL) .....	194
FIGURE 1-64. CHASSIS MOUNTING KIT, ISUZU 150WB .....	196
FIGURE 1-65. CHASSIS MOUNTING KIT, ISUZU 176WB .....	200
FIGURE 1-66. CHASSIS MOUNTING KIT, HINO.....	202
FIGURE 1-67. FUEL HOSE INSTALLATION - CHEVY/GMC 4500/5500 (2005 & EARLIER) .....	204
FIGURE 1-68. FUEL HOSE INSTALLATION - CHEVY/GMC 4500/5500 GAS (2006+) .....	206
FIGURE 1-69. FUEL HOSE INSTALLATION - CHEVY/GMC 4500/5500 DIESEL (2006+) .....	208
FIGURE 1-70. PARKING BRAKE REWORK - CHEVY/GMC 4500/5500.....	210
FIGURE 1-71. MUD FLAPS INSTALLATION - FACTORY SUPPLIED (2012+ DODGE D5500).....	212
FIGURE 1-72. MUD FLAPS INSTALLATION - FACTORY SUPPLIED (2012+ FORD F550).....	214
FIGURE 1-73. MUD FLAPS INSTALLATION - FACTORY SUPPLIED (ISUZU & HINO) .....	216
FIGURE 1-74. MUD FLAPS INSTALLATION - FACTORY SUPPLIED (HIGH FRAME).....	218
FIGURE 1-75. MUD FLAPS INSTALLATION - CUSTOMER SUPPLIED .....	220
FIGURE 1-76. MUD FLAPS INSTALLATION - CUSTOMER SUPPLIED (2012+ FORD F550, ISUZU & HINO).....	222
FIGURE 1-77. REAR BUMPER, SHORT GALVANIZED .....	224
FIGURE 1-78. REAR BUMPER, LONG GALVANIZED.....	226
FIGURE 1-79. LIGHT BOX AND COVER INSTALLATION.....	228
FIGURE 1-80. LIGHT BOX AND COVER INSTALLATION (GALVANIZED).....	230
FIGURE 1-81. FENDERS INSTALLATION - POLY .....	232
SECTION 2 - WHEEL LIFT.....	235
FIGURE 2-1. WHEEL LIFT - COMPLETE (3500 LBS - FIXED ARMS) (19FT DECK).....	236

# TABLE OF CONTENTS

FIGURE 2-2. WHEEL LIFT - COMPLETE (3500 LBS - FIXED ARMS) (20-22FT DECK) .....	238
FIGURE 2-3. WHEEL LIFT - COMPLETE (3500 LBS - FIXED ARMS) (GALVANIZED) (19FT DECK) .....	240
FIGURE 2-4. WHEEL LIFT - COMPLETE (3500 LBS - FIXED ARMS) (GALVANIZED) (20-22FT DECK) .....	242
FIGURE 2-5. WHEEL LIFT - COMPLETE (3500 LBS - T37 PIVOTING ARMS) .....	244
FIGURE 2-6. WHEEL LIFT - COMPLETE (3500 LBS - T37 PIVOTING ARMS) (GALVANIZED) .....	246
FIGURE 2-7. WHEEL LIFT - COMPLETE (3500 LBS - AUTO GRIDS HYDRAULIC ARMS).....	248
FIGURE 2-8. WHEEL LIFT BOOM INSTALLATION (3500 LBS) (19FT DECK).....	250
FIGURE 2-9. WHEEL LIFT BOOM INSTALLATION (3500 LBS) (20-22FT DECK).....	252
FIGURE 2-10. WHEEL LIFT BOOM INSTALLATION (3500 LBS GALVANIZED) (19FT DECK) .....	254
FIGURE 2-11. WHEEL LIFT BOOM INSTALLATION (3500 LBS GALVANIZED) (20-22FT DECK) .....	256
FIGURE 2-12. WHEEL LIFT BOOM INSTALLATION (3500 LBS WITH AUTOGRIDS) .....	258
FIGURE 2-13. BOOM ASSEMBLY (3500 LBS) (19FT DECK) .....	260
FIGURE 2-14. BOOM ASSEMBLY (3500 LBS) (20-22FT DECK).....	262
FIGURE 2-15. BOOM ASSEMBLY (3500 LBS GALVANIZED) (19FT DECK) .....	264
FIGURE 2-16. BOOM ASSEMBLY (3500 LBS GALVANIZED) (20-22FT DECK) .....	266
FIGURE 2-17. BOOM ASSEMBLY (3500 LBS WITH AUTO GRIDS) .....	268
FIGURE 2-18. CYLINDER ASSEMBLY - WHEEL LIFT EXTEND/RETRACT (WITHOUT AUTO GRIDS).....	270
FIGURE 2-19. CYLINDER ASSEMBLY - WHEEL LIFT EXTEND/RETRACT (WITH AUTO GRIDS) .....	272
FIGURE 2-20. CYLINDER ASSEMBLY - WHEEL LIFT EXTEND/RETRACT (WITH AUTO GRIDS) .....	274
FIGURE 2-21. CYLINDER ASSEMBLY - WHEEL LIFT BOOM LIFT (WITHOUT AUTO GRIDS).....	276
FIGURE 2-22. CYLINDER ASSEMBLY - WHEEL LIFT BOOM LIFT (WITH AUTO GRIDS) .....	278
FIGURE 2-23. LINK ASSEMBLY.....	280
FIGURE 2-24. LINK ASSEMBLY (GALVANIZED).....	282
FIGURE 2-25. WHEEL LIFT CROSSBAR CAM-LOCK.....	284
FIGURE 2-26. WHEEL LIFT GRID - COMPLETE (3500 LBS - MANUAL) (BALL HITCH).....	286
FIGURE 2-27. WHEEL LIFT GRID - COMPLETE (3500 LBS - T37) (BALL HITCH).....	288
FIGURE 2-28. WHEEL LIFT GRID - COMPLETE (3500 LBS - MANUAL) (2IN TOW HITCH).....	290
FIGURE 2-29. WHEEL LIFT GRID - COMPLETE (GRID), (3500 LBS - T37) (2IN TOW HITCH) .....	292
FIGURE 2-30. WHEEL LIFT GRID - COMPLETE (3500 LBS - MANUAL) (2.5IN TOW HITCH).....	294
FIGURE 2-31. WHEEL LIFT GRID - COMPLETE (3500 LBS - T37) (2.5IN TOW HITCH).....	296
FIGURE 2-32. WHEEL GRID INSTALLATION (3500 LBS MANUAL).....	298
FIGURE 2-33. WHEEL GRID INSTALLATION (3500 LBS T-37) .....	300
FIGURE 2-34. WHEEL LIFT ASSEMBLY (GRID), LH.....	302
FIGURE 2-35. WHEEL LIFT ASSEMBLY (GRID), RH.....	304
FIGURE 2-36. WHEEL LIFT GRID INSTALLATION (AUTO GRIDS) .....	306
FIGURE 2-37. WHEEL LIFT GRID INSTALLATION - WHEEL LIFT (AUTO GRIDS) (GALVANIZED).....	310
FIGURE 2-38. WHEEL LIFT ARM INSTALLATION (AUTO GRIDS).....	314
FIGURE 2-39. WHEEL LIFT LINK INSTALLATION (AUTO GRIDS).....	316
FIGURE 2-40. CYLINDER ASSEMBLY - WHEEL LIFT GRID .....	318
FIGURE 2-41. PIVOT TUBE INSTALLATION (BALL HITCH) .....	320
FIGURE 2-42. PIVOT TUBE INSTALLATION (2 IN TOW HITCH RECEIVER).....	322
FIGURE 2-43. PIVOT TUBE INSTALLATION (2.5 IN TOW HITCH RECEIVER).....	324
SECTION 3 - DECK.....	327
FIGURE 3-1. DECK MODEL - ALUMINUM 19N X 96IN FIXED RAIL .....	328
FIGURE 3-2. DECK MODEL - ALUMINUM 19IN X 96IN FIXED RAIL DUAL ANGLE.....	330

# TABLE OF CONTENTS

FIGURE 3-3. DECK MODEL - ALUMINUM 19IN X 96IN REMOVABLE RAIL .....	332
FIGURE 3-4. DECK MODEL - ALUMINUM 19N X 102IN FIXED RAIL.....	334
FIGURE 3-5. DECK MODEL - ALUMINUM 19IN X 102IN FIXED RAIL DUAL ANGLE .....	336
FIGURE 3-6. DECK MODEL - ALUMINUM 19IN X 102IN REMOVABLE RAIL .....	338
FIGURE 3-7. DECK MODEL - ALUMINUM 20IN X 96IN FIXED RAIL.....	340
FIGURE 3-8. DECK MODEL - ALUMINUM 20IN X 96IN FIXED RAIL DUAL ANGLE .....	342
FIGURE 3-9. DECK MODEL - ALUMINUM 20IN X 96IN REMOVABLE RAIL .....	344
FIGURE 3-10. DECK MODEL - ALUMINUM 20IN X 102IN FIXED RAIL.....	346
FIGURE 3-11. DECK MODEL - ALUMINUM 20IN X 102IN FIXED RAIL DUAL ANGLE .....	348
FIGURE 3-12. DECK MODEL - ALUMINUM 20IN X 102IN REMOVABLE RAIL .....	350
FIGURE 3-13. DECK MODEL - ALUMINUM 21IN X 90IN FIXED RAIL.....	352
FIGURE 3-14. DECK MODEL - ALUMINUM 21IN X 96IN FIXED RAIL.....	354
FIGURE 3-15. DECK MODEL - ALUMINUM 21IN X 96IN FIXED RAIL DUAL ANGLE .....	356
FIGURE 3-16. DECK MODEL - ALUMINUM 21IN X 96IN FIXED RAIL DUAL ANGLE CARGO HAULER.....	358
FIGURE 3-17. DECK MODEL - ALUMINUM 21IN X 96IN REMOVABLE RAIL .....	360
FIGURE 3-18. DECK MODEL - ALUMINUM 21IN X 96IN REMOVABLE RAIL CARGO HAULER .....	362
FIGURE 3-19. DECK MODEL - ALUMINUM 21IN X 102IN FIXED RAIL.....	364
FIGURE 3-20. DECK MODEL - ALUMINUM 21IN X 102IN FIXED RAIL DUAL ANGLE .....	366
FIGURE 3-21. DECK MODEL - ALUMINUM 21IN X 102IN REMOVABLE RAIL .....	368
FIGURE 3-22. DECK MODEL - ALUMINUM 22IN X 96IN FIXED RAIL.....	370
FIGURE 3-23. DECK MODEL - ALUMINUM 22IN X 96IN FIXED RAIL DUAL ANGLE .....	372
FIGURE 3-24. DECK MODEL - ALUMINUM 22IN X 96IN FIXED RAIL DUAL ANGLE CARGO HAULER.....	374
FIGURE 3-25. DECK MODEL - ALUMINUM 22IN X 96IN REMOVABLE RAIL .....	376
FIGURE 3-26. DECK MODEL - ALUMINUM 22IN X 96IN REMOVABLE RAIL CARGO HAULER .....	378
FIGURE 3-27. DECK MODEL - ALUMINUM 22IN X 102IN FIXED RAIL.....	380
FIGURE 3-28. DECK MODEL - ALUMINUM 22IN X 102IN FIXED RAIL DUAL ANGLE .....	382
FIGURE 3-29. DECK MODEL - ALUMINUM 22IN X 102IN REMOVABLE RAIL .....	384
FIGURE 3-30. DECK MODEL - STEEL 19IN X 96IN REMOVABLE RAIL.....	386
FIGURE 3-31. DECK MODEL - STEEL 19IN X 96IN REMOVABLE RAIL DUAL ANGLE SHARK.....	388
FIGURE 3-32. DECK MODEL - STEEL 19IN X 102IN REMOVABLE RAIL.....	390
FIGURE 3-33. DECK MODEL - STEEL 19IN X 102IN REMOVABLE RAIL DUAL ANGLE SHARK.....	392
FIGURE 3-34. DECK MODEL - STEEL 20IN X 96IN REMOVABLE RAIL.....	394
FIGURE 3-35. DECK MODEL - STEEL 20IN X 96IN REMOVABLE RAIL DUAL ANGLE SHARK.....	396
FIGURE 3-36. DECK MODEL - STEEL 20IN X 102IN REMOVABLE RAIL.....	398
FIGURE 3-37. DECK MODEL - STEEL 20IN X 102IN REMOVABLE RAIL DUAL ANGLE SHARK.....	400
FIGURE 3-38. DECK MODEL - STEEL 21IN X 90IN REMOVABLE RAIL.....	402
FIGURE 3-39. DECK MODEL - STEEL 21IN X 96IN REMOVABLE RAIL.....	404
FIGURE 3-40. DECK MODEL - STEEL 21IN X 96IN REMOVABLE RAIL DUAL ANGLE SHARK.....	406
FIGURE 3-41. DECK MODEL - STEEL 21IN X 96IN TRANSPORTER.....	408
FIGURE 3-42. DECK MODEL - STEEL 21IN X 102IN REMOVABLE RAIL.....	410
FIGURE 3-43. DECK MODEL - STEEL 21IN X 102IN REMOVABLE RAIL (GALVANIZED).....	412
FIGURE 3-44. DECK MODEL - STEEL 21IN X 102IN REMOVABLE RAIL DUAL ANGLE SHARK.....	414
FIGURE 3-45. DECK MODEL - STEEL 21IN X 102IN TRANSPORTER.....	416
FIGURE 3-46. DECK MODEL - STEEL 22IN X 96IN REMOVABLE RAIL.....	418
FIGURE 3-47. DECK MODEL - STEEL 22IN X 96IN REMOVABLE RAIL DUAL ANGLE SHARK.....	420



# TABLE OF CONTENTS

FIGURE 3-48. DECK MODEL - STEEL 22IN X 102IN REMOVABLE RAIL .....	422
FIGURE 3-49. DECK MODEL - STEEL 22IN X 102IN REMOVABLE RAIL (GALVANIZED) .....	424
FIGURE 3-50. DECK MODEL - STEEL 22IN X 102IN REMOVABLE RAIL CONTAINER TRANSPORTER .....	426
FIGURE 3-51. DECK MODEL - STEEL 22IN X 102IN REMOVABLE RAIL DUAL ANGLE SHARK .....	428
FIGURE 3-52. RAIL-BUMPER CONTAINER TRANSPORTER INSTALLATION .....	430
FIGURE 3-53. WINCH INSTALLATION - 8000 LBS (ALUMINUM DECK) .....	432
FIGURE 3-54. WINCH INSTALLATION - 8000 LBS (STEEL DECK) .....	434
FIGURE 3-55. WINCH INSTALLATION - 8000 LBS (TRANSPORTER) .....	436
FIGURE 3-56. WINCH INSTALLATION - 8000 LBS WITH AIR FREE SPOOL (ALUMINUM DECK) .....	438
FIGURE 3-57. WINCH INSTALLATION - 8000 LBS WITH AIR FREE SPOOL (STEEL DECK) .....	440
FIGURE 3-58. WINCH INSTALLATION - 8000 LBS WITH AIR FREE SPOOL (STEEL DECK) (TRANSPORTER) .....	442
FIGURE 3-59. WINCH INSTALLATION - 10000 LBS WORM GEAR (ALUMINUM DECK) .....	444
FIGURE 3-60. WINCH INSTALLATION - 10000 LBS WORM GEAR (STEEL DECK) .....	446
FIGURE 3-61. WINCH INSTALLATION - 10000 LBS WORM GEAR (TRANSPORTER) .....	448
FIGURE 3-62. WINCH INSTALLATION - 10000 LBS WORM GEAR & AIR FREE SPOOL (ALUMINUM DECK) .....	450
FIGURE 3-63. WINCH INSTALLATION - 10000 LBS WORM GEAR AND AIR FREE SPOOL (STEEL DECK) .....	452
FIGURE 3-64. WINCH INSTALLATION - 10000 LBS WORM GEAR AND AIR FREE SPOOL (TRANSPORTER) .....	454
FIGURE 3-65. WINCH INSTALLATION - 10000 LBS SLIDING PLANETARY GEAR .....	456
FIGURE 3-66. WINCH INSTALLATION - 10000 LBS SLIDING PLANETARY GEAR & AIR FREE SPOOL .....	458
FIGURE 3-67. WINCH INSTALLATION - 12000 LBS (STEEL DECK) .....	460
FIGURE 3-68. WINCH ASSEMBLY - 8000 LBS .....	462
FIGURE 3-69. WINCH ASSEMBLY - 8000 LBS WITH FREE SPOOL .....	464
FIGURE 3-70. WINCH ASSEMBLY - 10000 LBS WORM GEAR .....	466
FIGURE 3-71. WINCH ASSEMBLY, - 10000 LBS WORM GEAR WITH FREE SPOOL .....	470
FIGURE 3-72. WINCH ASSEMBLY - 10000 LBS PLANETARY GEAR .....	474
FIGURE 3-73. WINCH ASSEMBLY - 12000 LBS .....	476
FIGURE 3-74. CABLE TENSIONER INSTALLATION - 8000 LBS & /10000 LBS WORM GEAR WINCHES .....	478
FIGURE 3-75. CABLE TENSIONER INSTALLATION - 12000 LBS WORM GEAR WINCHES .....	480
FIGURE 3-76. WINCH HANDLE (PLANETARY WGEAR WINCH) .....	482
FIGURE 3-77. HEADBOARD INSTALLATION- 36.50IN (DELUXE BOLT-ON) .....	484
FIGURE 3-78. HEADBOARD INSTALLATION - 36.50IN (STATIONARY DELUXE BOLT-ON) .....	486
FIGURE 3-79. HEADBOARD INSTALLATION - 37.38IN (STANDARD BOLT-ON) .....	488
FIGURE 3-80. HEADBOARD INSTALLATION - 37.38IN (STATIONARY FIXED) .....	490
FIGURE 3-81. HEADBOARD INSTALLATION - 45.50IN (STATIONARY DELUXE BOLT-ON) .....	492
FIGURE 3-82. HEADBOARD INSTALLATION - 45.50IN- 65.50 (ADJUSTABLE BOLT-ON) .....	494
FIGURE 3-83. HEADBOARD INSTALLATION - 45.50IN- 65.50 (ADJUSTABLE BOLT-ON - SPECIAL PAINT) .....	496
FIGURE 3-84. HEADBOARD INSTALLATION - 45.50IN (DELUXE BOLT-ON) .....	498
FIGURE 3-85. HEADBOARD INSTALLATION - 45.50IN- 65.50 (STATIONARY ADJUSTABLE BOLT-ON .....	500
FIGURE 3-86. HEADBOARD INSTALLATION - 45.50IN- 65.50 (STATIONARY ADJUSTABLE BOLT-ON - SPECIAL PAINT) .	502
FIGURE 3-87. HEADBOARD INSTALLATION - 50IN (BUCKET REST) .....	504
FIGURE 3-88. HEADBOARD INSTALLATION - 50.50IN (DELUXE BOLT-ON) .....	506
FIGURE 3-89. HEADBOARD INSTALLATION - 50.50IN (STATIONARY DELUXE BOLT-ON) .....	508
FIGURE 3-90. HEADBOARD INSTALLATION - 54.75IN (BUCKET REST) .....	510
FIGURE 3-91. HEADBOARD INSTALLATION - 57.50IN (STATIONARY DELUXE BOLT-ON) .....	512
FIGURE 3-92. HEADBOARD INSTALLATION - 57.50IN (DELUXE BOLT-ON) .....	514

# TABLE OF CONTENTS

FIGURE 3-93. HEADBOARD INSTALLATION, 61.5IN (BUCKET REST).....	516
FIGURE 3-94. HEADBOARD BASE INSTALLATION.....	518
FIGURE 3-95. HEADBOARD SPACER INSTALLATION, BOLT ON.....	520
FIGURE 3-96. RAIL (REMOVABLE) INSTALLATION - 5IN ALUMINUM (19FT/20FT DECK).....	522
FIGURE 3-97. RAIL (REMOVABLE) INSTALLATION - 5IN ALUMINUM (21FT DECK).....	524
FIGURE 3-98. RAIL (REMOVABLE) INSTALLATION - 5IN ALUMINUM (22FT DECK).....	526
FIGURE 3-99. RAIL (REMOVABLE) INSTALLATION - 5IN STEEL (19FT/20FT DECK).....	528
FIGURE 3-100. RAIL (REMOVABLE) INSTALLATION - 5IN STEEL (21FT DECK).....	530
FIGURE 3-101. RAIL PLUG (PERMANENT) INSTALLATION - 6IN STEEL (19FT/20FT DECK).....	532
FIGURE 3-102. RAIL PLUG (PERMANENT) INSTALLATION - 6IN STEEL (21FT DECK).....	534
FIGURE 3-103. RAIL PLUG (PERMANENT) INSTALLATION - 6IN STEEL (22FT DECK).....	536
FIGURE 3-104. D-RINGS INSTALLATION - 1 PAIR (ALUMINIUM DECK).....	538
FIGURE 3-105. D-RINGS INSTALLATION - 2 PAIR (ALUMINIUM DECK).....	540
FIGURE 3-106. D-RINGS INSTALLATION - 3 PAIR (ALUMINIUM DECK).....	542
FIGURE 3-107. D-RINGS INSTALLATION - 1 PAIR (ALUMINIUM DECK NEAR WINCH).....	544
FIGURE 3-108. D-RINGS INSTALLATION - 4 PAIR (ALUMINIUM DECK).....	546
FIGURE 3-109. D-RINGS INSTALLATION - 1 PAIR (STEEL DECK).....	548
FIGURE 3-110. D-RINGS INSTALLATION - 2 PAIR (STEEL DECK).....	550
FIGURE 3-111. D-RINGS INSTALLATION - 3 PAIR (STEEL DECK).....	552
FIGURE 3-112. D-RINGS INSTALLATION - 4 PAIR (STEEL DECK).....	554
FIGURE 3-113. D-RINGS INSTALLATION - 1 PAIR (STEEL DECK NEAR WINCH).....	556
FIGURE 3-114. D-RINGS INSTALLATION - 1 PAIR (TRANSPORTER NEAR WINCH).....	558
FIGURE 3-115. ANTI-SLIP TAPE INSTALLATION (SIDES).....	560
FIGURE 3-116. ANTI-SLIP PAINT INSTALLATION (DECK APPROACH END).....	562
FIGURE 3-117. ANTI-SLIP PAINT INSTALLATION (STEEL DECK SIDES).....	564
FIGURE 3-118. ANTI-SLIP PAINT INSTALLATION (ALUMINUM DECK SIDES).....	566
FIGURE 3-119. DECK ROLLERS AT APPROACH TIP.....	568
FIGURE 3-120. ROLLER BRACKET ASSEMBLY.....	570
SECTION 4 - CONTROLS.....	573
FIGURE 4-1. 3 BANK VALVE CONTROLS INSTALLATION - NO/MANUAL TOW.....	574
FIGURE 4-2. 3 BANK VALVE INSTALLATION - NO/MANUAL TOW/REMOTE CONTROL.....	576
FIGURE 4-3. 3 BANK VALVE CONTROLS INSTALLATION - NO/MANUAL TOW/NO WINCH.....	578
FIGURE 4-4. 3 BANK VALVE CONTROLS INSTALLATION - NO/MANUAL TOW/WINCHMOTOR SPOOL.....	580
FIGURE 4-5. 3 BANK VALVE CONTROLS INSTALLATION - NO/MANUAL TOW/WINCHMOTOR SPOOL.....	582
FIGURE 4-6. 3 BANK VALVE CONTROLS INSTALLATION - NO/MANUAL TOW/REMOTE CONTROL.....	584
FIGURE 4-7. 3 BANK VALVE CONTROLS INSTALLATION - NO/MANUAL TOW/REMOTE CONTROL.....	586
FIGURE 4-8. 4 BANK VALVE INSTALLATION – HYDRAULIC TOW/REMOTE CONTROL.....	588
FIGURE 4-9. 4 BANK VALVE CONTROLS INSTALLATION - HYDRAULIC TOW.....	590
FIGURE 4-10. 4 BANK VALVE CONTROLS INSTALLATION - NO/MANUAL TOW/STABILIZERS.....	592
FIGURE 4-11. 4 BANK VALVE CONTROLS INSTALLATION - NO/MANUAL TOW/STABILIZERS.....	594
FIGURE 4-12. 4 BANK VALVE CONTROLS INSTALLATION - NO/MANUAL TOW/STABILIZERS/REMOTE CONTROL.....	596
FIGURE 4-13. 4 BANK VALVE INSTALLATION - NO/MANUAL TOW/STABILIZERS/REMOTE CONTROL.....	598
FIGURE 4-14. 4 BANK VALVE CONTROLS INSTALLATION - HYDRAULIC TOW.....	600
FIGURE 4-15. 4 BANK VALVE CONTROLS INSTALLATION - HYDRAULIC TOW/REMOTE CONTROL.....	602
FIGURE 4-16. 4 BANK VALVE CONTROLS INSTALLATION - HYDRAULIC TOW/WINCH MOTOR SPOOL.....	604

# TABLE OF CONTENTS

FIGURE 4-17. 4 BANK VALVE CONTROLS INSTALLATION - HYDRAULIC TOW/WINCH MOTOR SPOOL.....	606
FIGURE 4-18. 4 BANK VALVE CONTROLS INSTALLATION - HYDRAULIC TOW/WINCH MOTOR SPOOL/REMOTE CONTROL .....	608
FIGURE 4-19. 4 BANK VALVE CONTROLS INSTALLATION - HYDRAULIC TOW/WINCH MOTOR SPOOL/REMOTE CONTROL .....	610
FIGURE 4-20. 5 BANK VALVE INSTALLATION - HYDRAULIC TOW/STABILIZERS/REMOTE CONTROL.....	612
FIGURE 4-21. 5 BANK VALVE CONTROLS INSTALLATION - HYDRAULIC TOW/STABILIZER .....	614
FIGURE 4-22. 5 BANK VALVE CONTROLS INSTALLATION - HYDRAULIC TOW/STABILIZER .....	616
FIGURE 4-23. 5 BANK VALVE CONTROLS INSTALLATION - HYDRAULIC TOW/STABILIZER/REMOTE CONTROL .....	618
FIGURE 4-24. 5 BANK VALVE INSTALLATION – HYDRAULIC TOW/IRL/REMOTE CONTROL .....	620
FIGURE 4-25. 5 BANK VALVE CONTROLS INSTALLATION - HYDRAULIC TOW/IRL.....	622
FIGURE 4-26. 5 BANK VALVE CONTROLS INSTALLATION - HYDRAULIC TOW/IRL.....	624
FIGURE 4-27. 5 BANK VALVE CONTROLS INSTALLATION - HYD TOW/IRL/REMOTE CONTROL .....	626
FIGURE 4-28. 5 BANK VALVE CONTROLS INSTALLATION - HYDRAULIC TOW/IRL/WINCH MOTOR SPOOL .....	628
FIGURE 4-29. 5 BANK VALVE CONTROLS INSTALLATION - HYDRAULIC TOW/IRL/WINCH MOTOR SPOOL .....	630
FIGURE 4-30. 5 BANK VALVE CONTROLS INSTALLATION - HYDRAULIC TOW/IRL/WINCH MOTOR SPOOL/REMOTE CONTROL .....	632
FIGURE 4-31. 5 BANK VALVE CONTROLS INSTALLATION - HYDRAULIC TOW/IRL/WINCH MOTOR SPOOL/REMOTE CONTROL .....	634
FIGURE 4-32. 5 BANK VALVE CONTROLS INSTALLATION - HYDRAULIC TOW/IRL/COLOR HANDLES/RACEWAY .....	636
FIGURE 4-33. 5 BANK VALVE CONTROLS INSTALLATION - HYDRAULIC TOW/IRL/COLOR HANDLES/RACEWAY .....	638
FIGURE 4-34. 5 BANK VALVE CONTROLS INSTALLATION - HYDRAULIC TOW/IRL/COLOR HANDLES/RACEWAY .....	640
FIGURE 4-35. 5 BANK VALVE CONTROLS INSTALLATION - HYDRAULIC TOW/IRL/COLOR HANDLES/RACEWAY .....	642
FIGURE 4-36. 6 BANK VALVE INSTALLATION - HYDRAULIC TOW/IRL/HYDRAULIC GRID/REMOTE CONTROL .....	644
FIGURE 4-37. 6 BANK VALVE CONTROLS INSTALLATION - HYDRAULIC TOW/IRL/HYD GRID .....	646
FIGURE 4-38. 6 BANK VALVE CONTROLS INSTALLATION - HYDRAULIC TOW/IRL/HYD GRID .....	648
FIGURE 4-39. 6 BANK VALVE CONTROLS INSTALLATION - HYDRAULIC TOW/IRL/HYDRAULIC GRID/REMOTE CONTROL .....	650
FIGURE 4-40. 6 BANK VALVE CONTROLS INSTALLATION - HYDRAULIC TOW/IRL/ZOD .....	652
FIGURE 4-41. 6 BANK VALVE CONTROLS INSTALLATION - HYD TOW/IRL/ZOD/REMOTE CONTROL.....	654
FIGURE 4-42. VALVE ASSEMBLY - 3 BANK .....	656
FIGURE 4-43. VALVE ASSEMBLY - 5 BANK (WITHOUT WINCH MOTOR SPOOL).....	658
FIGURE 4-44. VALVE ASSEMBLY - 5 BANK (WITH WINCH MOTOR SPOOL) .....	660
FIGURE 4-45. VALVE ASSEMBLY - 6 BANK (WITH AUTO GRIDS).....	662
FIGURE 4-46. VALVE ASSEMBLY - 6 BANK (WITH ZOD) .....	664
FIGURE 4-47. LINEAR ACTUATOR MOUNTING KIT - 3 4, & 5 BANK VALVE.....	666
FIGURE 4-48. LINEAR ACTUATOR MOUNTING KIT - 6 BANK VALVE .....	668
FIGURE 4-49. LINEAR ACTUATOR INSTALLATION KIT .....	670
FIGURE 4-50. FREE SPOOL INSTALLATION - SINGLE 8K/10K WINCH (STANDARD HEADBOARD) .....	672
FIGURE 4-51. FREE SPOOL INSTALLATION - SINGLE 8K/10K WINCH (DELUXE HEADBOARD) .....	674
FIGURE 4-52. FREE SPOOL INSTALLATION - DUAL 8K/10K WINCH (STANDARD HEADBOARD).....	676
FIGURE 4-53. FREE SPOOL INSTALLATION - DUAL 8K/10K WINCH (DELUXE HEADBOARD).....	678
FIGURE 4-54. FREE SPOOL INSTALLATION - 8K/10K WINCH (AIR) (STANDARD HEADBOARD).....	680
FIGURE 4-55. FREE SPOOL INSTALLATION - 12K WINCH (BOLT-ON HEADBOARD) .....	682
FIGURE 4-56. FREE SPOOL INSTALLATION - 12K WINCH (STATIONARY HEADBOARD) .....	684
FIGURE 4-57. REMOTE CONTROL, ONE FUNCTION, WINCHES PLUS .....	686
FIGURE 4-58. REMOTE CONTROL, TWO FUNCTION, WINCHES PLUS .....	688

# TABLE OF CONTENTS

FIGURE 4-59. REMOTE CONTROL, THREE FUNCTION, WINCHES PLUS .....	690
FIGURE 4-60. REMOTE CONTROL, FOUR FUNCTION, WINCHES PLUS .....	692
FIGURE 4-61. REMOTE CONTROL, FIVE FUNCTION, WINCHES PLUS .....	694
FIGURE 4-62. MIRATRON WIRELESS INSTALLATION, ONE FUNCTION .....	696
FIGURE 4-63. MIRATRON WIRELESS INSTALLATION, TWO FUNCTION .....	698
FIGURE 4-64. MIRATRON WIRELESS INSTALLATION, THREE FUNCTION .....	700
FIGURE 4-65. MIRATRON WIRELESS INSTALLATION, FOUR FUNCTION .....	702
FIGURE 4-66. MIRATRON WIRELESS INSTALLATION, FIVE FUNCTION .....	704
FIGURE 4-67. REMOTE CONTROL 6 FUNCTION U/L TRANSMITTER HOLDER.....	706
SECTION 5 - HYDRAULIC .....	709
FIGURE 5-1. HOSE INSTALLATION - ALL CA STD CAB (ISUZU).....	710
FIGURE 5-2. HOSE INSTALLATION - 120IN CA STD CAB (2017+ FORD) .....	712
FIGURE 5-3. HOSE INSTALLATION - 120IN CA STD CAB (DODGE) .....	714
FIGURE 5-4. HOSE INSTALLATION - 120IN CA STD CAB (FORD) .....	716
FIGURE 5-5. HOSE INSTALLATION - 120IN CA, 201IN WB .....	718
FIGURE 5-6. HOSE INSTALLATION - 120IN CA, 201IN WB .....	720
FIGURE 5-7. HOSE INSTALLATION - 120IN CA, 235IN WB .....	722
FIGURE 5-8. HOSE INSTALLATION - 120IN CT STD CAB (INTERNATIONAL) .....	724
FIGURE 5-9. HOSE INSTALLATION - 120N CA, 235IN WB .....	726
FIGURE 5-10. HOSE INSTALLATION - 138IN CA STD CAB.....	728
FIGURE 5-11. HOSE INSTALLATION - 138IN CA, 219IN WB .....	730
FIGURE 5-12. HOSE INSTALLATION - 138IN CA, 219IN WB .....	732
FIGURE 5-13. HOSE INSTALLATION - 138IN CT STD CAB (INTERNATIONAL) .....	734
FIGURE 5-14. HOSE INSTALLATION - 144IN CA STD CAB (HINO).....	736
FIGURE 5-15. HOSE INSTALLATION - 144IN CT STD CAB (INTERNATIONAL) .....	738
FIGURE 5-16. HOSE INSTALLATION - 145IN CA STD CAB (HINO).....	740
FIGURE 5-17. HOSE INSTALLATION - 150IN CA CREW CAB (FORD - CREW CAB) .....	742
FIGURE 5-18. HOSE INSTALLATION - 150IN CA STD CAB (FORD/HINO) .....	744
FIGURE 5-19. HOSE INSTALLATION - 150IN CA STD CAB (PETERBILT) .....	746
FIGURE 5-20. HOSE INSTALLATION - 150IN CA STD CAB (PETERBILT) .....	748
FIGURE 5-21. HOSE INSTALLATION - 150IN CA, 231IN WB .....	750
FIGURE 5-22. HOSE INSTALLATION - 150IN CA, 231N WB .....	752
FIGURE 5-23. HOSE INSTALLATION - 150IN CT EXT CAB (FORD).....	754
FIGURE 5-24. HOSE INSTALLATION - 150IN CT EXT CAB (INTERNATIONAL) .....	756
FIGURE 5-25. HOSE INSTALLATION - 150IN CT STD CAB (FREIGHLINER).....	758
FIGURE 5-26. HOSE INSTALLATION - 150IN CT STD CAB (INTERNATIONAL) .....	760
FIGURE 5-27. HOSE INSTALLATION - 162IN CA, 243IN WB .....	762
FIGURE 5-28. HOSE INSTALLATION - 162IN CA, 243IN WB .....	764
FIGURE 5-29. HOSE INSTALLATION - SIDE RECOVERY SYSTEM (SRS).....	766
FIGURE 5-30. HOSE INSTALLATION - STABILIZER .....	768
FIGURE 5-31. HOSE INSTALLATION - STABILIZER (REAR DECK) .....	770
FIGURE 5-32. HOSE INSTALLATION - SUBFRAME (20FT DECK) .....	772
FIGURE 5-33. HOSE INSTALLATION - SUBFRAME (21FT/22FT DECK) .....	774
FIGURE 5-34. HOSE INSTALLATION - WHEEL LIFT 3500 LBS .....	776
FIGURE 5-35. HOSE INSTALLATION - WHEEL LIFT (AUTO GRIDS) .....	778

# TABLE OF CONTENTS

FIGURE 5-36. HOSE INSTALLATION - WINCH (PLANETARY GEAR) .....	780
FIGURE 5-37. HYDRAULIC FILTER COVER PLATE .....	782
FIGURE 5-38. TANK (HYDRAULIC) AND BRACKET MOUNT INSTALLATION.....	784
FIGURE 5-39. TANK (HYDRAULIC) ASSEMBLY .....	786
SECTION 6 - ELECTRICAL .....	789
FIGURE 6-1. BREAKER INSTALLATION - 50AMP.....	790
FIGURE 6-2. CAMERA (BACKUP) CARRIER INSTALLATION .....	792
FIGURE 6-3. CAMERA (BACKUP) CARRIER INSTALLATION - OEM.....	794
FIGURE 6-4. CAMERA (BACKUP) CARRIER INSTALLATION - OEM (CV515).....	796
FIGURE 6-5. CAMERA (BACKUP) IN REAR VIEW MIRROR INSTALLATION .....	798
FIGURE 6-6. CAMERA (CARGO) INSTALLATION - HEADBOARD MOUNTED.....	800
FIGURE 6-7. CAMERA HARNESS .....	802
FIGURE 6-8. DECK FLASHER REAR ILLUMINATION.....	804
FIGURE 6-9. LIGHTS AND WIRING INSTALLATION - BOLTED-ON HEADBOARD .....	806
FIGURE 6-10. LIGHTS AND WIRING INSTALLATION - STATIONARY HEADBOARD .....	808
FIGURE 6-11. LIGHTS - 24 VOLT LIGHT SWAP INSTALLATION .....	810
FIGURE 6-12. LIGHTS - BUMPER STROBE INSTALLATION .....	812
FIGURE 6-13. LIGHTS - LIGHTBAR INSTALLATION (STANDARD MOUNT) (ECCO BRAND) (STANDARD MOUNT) .....	814
FIGURE 6-14. LIGHTS - LIGHTBAR INSTALLATION (STANDARD MOUNT) (ECCO BRAND) (HIGH MOUNT) .....	816
FIGURE 6-15. LIGHTS - LIGHTBAR INSTALLATION (STANDARD MOUNT) (WHELEN BRAND) .....	818
FIGURE 6-16. LIGHTS - LIGHTBAR INSTALLATION (HIGH MOUNT) (WHELEN BRAND) .....	820
FIGURE 6-17. LIGHTS - LIGHTBAR ASSEMBLY (ECCO BRAND).....	822
FIGURE 6-18. LIGHTS - LIGHTBAR ASSEMBLY (WHELEN BRAND).....	824
FIGURE 6-19. LIGHTS - MARKER LIGHT INSTALLATION, CARRIER DECK.....	828
FIGURE 6-20. LIGHTS - MARKER LIGHT INSTALLATION, CARRIER DECK - 24V .....	830
FIGURE 6-21. LIGHTS - MARKER LIGHT, TOOL BOX TOP STORAGE TRAY .....	832
FIGURE 6-22. LIGHTS - TOOLBOX LIGHT INSTALLATION.....	834
FIGURE 6-23. LIGHTS - WORK LIGHTS INSTALLATION - HEADBOARD.....	836
FIGURE 6-24. LIGHTS - WORK LIGHTS INSTALLATION - HEADBOARD (BUCKET REST) .....	838
FIGURE 6-25. LIGHTS - WORK LIGHTS INSTALLATION - HEADBOARD (SRS) .....	840
FIGURE 6-26. LIGHTS - WORKLIGHTS INSTALLATION (REAR) .....	842
FIGURE 6-27. LIGHTS - WORKLIGHTS INSTALLATION (WINCH).....	844
FIGURE 6-28. LIGHT BRACKET ASSEMBLY - TOOLBOX.....	846
FIGURE 6-29. LIGHT MOUNTING BAR IINSTALLATION (BUCKET REST).....	848
FIGURE 6-30. SUBFRAME HARNESS.....	850
FIGURE 6-31. SUBFRAME TO CAB HARNESS (BOLT-ON HEADBOARD).....	852
FIGURE 6-32. SUBFRAME TO CAB HARNESS (STATIONARY HEADBOARD).....	854
FIGURE 6-33. SUBFRAME TO DECK HARNESS (BOLT-ON HEADBOARD) .....	856
FIGURE 6-34. SUBFRAME TO DECK HARNESS (STATIONARY HEADBOARD) .....	858
FIGURE 6-35. SWITCH PANEL INSTALLATION - 3 FUNCTION (IN-DASH COMPACT) .....	860
FIGURE 6-36. SWITCH PANEL INSTALLATION - 3 FUNCTION (IN-DASH MINI).....	862
FIGURE 6-37. SWITCH PANEL INSTALLATION - 3 FUNCTION (UNDER-DASH COMPACT) .....	864
FIGURE 6-38. SWITCH PANEL ASSEMBLY - 3 FUNCTION (UNDER-DASH COMPACT) .....	866
FIGURE 6-39. SWITCH PANEL ASSEMBLY - 3 FUNCTION (IN-DASH COMPACT) .....	868
FIGURE 6-40. SWITCH PANEL ASSEMBLY - 3 FUNCTION (OEM).....	870

# TABLE OF CONTENTS

FIGURE 6-41. SWITCH PANEL INSTALLATION - 4 FUNCTION (IN-DASH) (FORD 2008-2016 F550 OEM).....	872
FIGURE 6-42. SWITCH PANEL INSTALLATION - 4 FUNCTION (IN-DASH) (FORD 2011+ F650/750 OEM).....	874
FIGURE 6-43. SWITCH PANEL INSTALLATION - 5 FUNCTION (IN-DASH COMPACT).....	876
FIGURE 6-44. SWITCH PANEL INSTALLATION - 5 FUNCTION (IN-DASH COMPACT) (IHC WITHOUT OEM) .....	878
FIGURE 6-45. SWITCH PANEL INSTALLATION - 5 FUNCTION (IN-DASH) (PETERBILT).....	880
FIGURE 6-46. SWITCH PANEL INSTALLATION - 5 FUNCTION (UNDER-DASH COMPACT).....	882
FIGURE 6-47. SWITCH PANEL ASSEMBLY - 5 FUNCTION (IN-DASH).....	884
FIGURE 6-48. SWITCH PANEL ASSEMBLY - 5 FUNCTION UNDER-DASH (COMPACT).....	886
FIGURE 6-49. SWITCH PANEL INSTALLATION - 6 FUNCTION (FORD F550 2017+ OEM).....	888
FIGURE 6-50. SWITCH PANEL INSTALLATION - 6 FUNCTION (IN-DASH COMPACT) (IHC WITH OEM).....	890
FIGURE 6-51. SWITCH PANEL INSTALLATION - 6 FUNCTION (RAM 2013+) .....	892
FIGURE 6-52. SIDE RECOVERY SYSTEM (SRS) HARNESS (WITHOUT REMOTE CONTROL).....	894
FIGURE 6-53. SIDE RECOVERY SYSTEM (SRS) HARNESS (WITH REMOTE CONTROL) .....	896
SECTION 7 - DECALS .....	899
FIGURE 7-1. STANDARD DUTY DECALS INSTALLATION .....	900
FIGURE 7-2. STANDARD DUTY DECALS INSTALLATION (CARGO HAULER) .....	904
FIGURE 7-3. CARRIER DECAL INSTALLATION, SPANISH .....	908
FIGURE 7-4. HIGH VISIBILITY REFLECTIVE TAPE.....	912
FIGURE 7-5. DECAL INSTALLATION AND RELOCATION .....	914
SECTION 8 - ACCESSORIES.....	917
FIGURE 8-1. KITS LIST.....	918
FIGURE 8-2. 7-WAY ELECTRICAL CONNECTOR .....	920
FIGURE 8-3. 7-WAY ELECTRICAL INSTALLATION.....	922
FIGURE 8-4. AIR SUPPLY DISCONNECT .....	924
FIGURE 8-5. BOOM INSTALLATION - BALL HITCH (HYDRAULIC) .....	926
FIGURE 8-6. BOOM INSTALLATION - BALL HITCH (MANUAL) .....	928
FIGURE 8-7. BOOM INSTALLATION - PINTLE HITCH (HYDRAULIC).....	930
FIGURE 8-8. BOOM INSTALLATION, PINTLE HITCH (MANUAL) .....	932
FIGURE 8-9. BUMPER INSTALLATION - PUSH (FRONT) (NO GRILLE GUARD (DODGE 2011+) .....	934
FIGURE 8-10. BUMPER INSTALLATION - PUSH (FRONT) (NO GRILLE GUARD (FORD F550 2011-2016) .....	936
FIGURE 8-11. BUMPER INSTALLATION - PUSH (FRONT) (NO GRILLE GUARD (FORD F550 2017+) .....	938
FIGURE 8-12. BUMPER INSTALLATION - PUSH (FRONT) (NO GRILLE GUARD (FREIGHTLINER 2008+) .....	940
FIGURE 8-13. BUMPER INSTALLATION - PUSH (FRONT) (NO GRILLE GUARD) (FORD F650 2011-2016).....	942
FIGURE 8-14. BUMPER INSTALLATION - PUSH (FRONT) (NO GRILLE GUARD) (HINO) .....	944
FIGURE 8-15. BUMPER INSTALLATION - PUSH (FRONT) (NO GRILLE GUARD) (IHC 4300) .....	946
FIGURE 8-16. BUMPER INSTALLATION - PUSH (FRONT) (WITH GRILLE GUARD (FORD F550 2011-2016) .....	948
FIGURE 8-17. BUMPER INSTALLATION - PUSH (FRONT) (WITH GRILLE GUARD (FORD F550 2017+) .....	950
FIGURE 8-18. CHAIN BINDER, 1/2IN CHAIN .....	952
FIGURE 8-19. CHAIN BINDER, 3/8IN CHAIN .....	954
FIGURE 8-20. CHAIN RACKS (ADJUSTABLE/FIXED HEADBOARD).....	956
FIGURE 8-21. CHAIN RACKS (ADJUSTABLE/FIXED HEADBOARD) (LOCKING) .....	958
FIGURE 8-22. CHAIN RACKS (DELUXE HEADBOARD).....	960
FIGURE 8-23. CHAIN RACKS (DELUXE HEADBOARD) (LOCKING) .....	962
FIGURE 8-24. FIRE EXTINGUISHER ACCESSORY .....	964

# TABLE OF CONTENTS

FIGURE 8-25. FUEL CAN HOLDER & CHAIN RACK INSTALLATION (HEADBOARD).....	966
FIGURE 8-26. FUEL CAN HOLDER & LOCKING CHAIN RACK INSTALLATION (HEADBOARD).....	968
FIGURE 8-27. FUEL CAN HOLDER & PROPANE TANK HOLDER (ADJUSTABLE HEADBOARD) .....	970
FIGURE 8-28. FUEL CAN HOLDER INSTALLATION (DELUXE HEADBOARD).....	972
FIGURE 8-29. FUEL CAN HOLDER INSTALLATION (FIXED & ADJUSTABLE HEADBOARD) .....	974
FIGURE 8-30. FUEL TANK MODIFICATION INSTALLATION.....	976
FIGURE 8-31. GLAD HAND INSTALLATION WITH MTG BRACKET.....	978
FIGURE 8-32. GLAD HAND INSTALLATION WITHOUT MTG BRACKET .....	980
FIGURE 8-33. GLADHANDS BRACKET INSTALLATION .....	982
FIGURE 8-34. GRAB HANDLES (ADJUSTABLE HEADBOARD).....	984
FIGURE 8-35. HEADBOARD PLUG INSTALLATION - NO EMERGENCY LIGHTBAR.....	986
FIGURE 8-36. KEYSLOT INSTALLATION - EXTRUDED .....	988
FIGURE 8-37. LADDER, 3-STEP FOLDING (LEFT & RIGHT) .....	990
FIGURE 8-38. LADDER, 3-STEP FOLDING (LEFT).....	992
FIGURE 8-39. MAGNETIC MOUNTED TOW LIGHT KIT.....	994
FIGURE 8-40. PROPANE TANK HOLDERS (ADJUSTABLE HEADBOARD).....	996
FIGURE 8-41. PROPANE TANK HOLDERS (FIXED HEADBOARD) .....	998
FIGURE 8-42. REMOTE THROTTLE CONTROL .....	1000
FIGURE 8-43. RUBBER WHEEL CHOCKS .....	1002
FIGURE 8-44. SADDLE SPACERS INSTALLATION .....	1004
FIGURE 8-45. SAFETY TRIANGLE KIT.....	1006
FIGURE 8-46. STRAP EXTENSION WITH SWIVEL HOOK - 50FT.....	1008
FIGURE 8-47. STRAP KIT - CARRIER 8 POINT TIRE TIE DOWN .....	1010
FIGURE 8-48. SUCTION MOUNTED TOW LIGHT KIT .....	1012
FIGURE 8-49. TAIL LIGHT CONVERSION KIT, SPLIT STOP/TURN.....	1014
FIGURE 8-50. TAIL LIGHT CONVERSION HARNESS.....	1016
FIGURE 8-51. TIE DOWN STRAP/RACHET STRAP KIT .....	1018
FIGURE 8-52. TIE DOWN STRAP/RACHET STRAP KIT (AUTO GRIDS) .....	1020
FIGURE 8-53. TOOLBOX AIR COMPRESSOR/HOSE REEL .....	1022
FIGURE 8-54. TOOLBOX TRAY CARGO NET INSTALLATION .....	1024
FIGURE 8-55. TOW BALL - SS CONVERT-A-BALL KIT .....	1026
FIGURE 8-56. TOW HITCH RECEIVER INSTALLATION - 2.5IN BALL (STATIONARY) .....	1028
FIGURE 8-57. TOW HITCH - BALL HITCH PLATE (MANUAL/HYDRAULIC).....	1030
FIGURE 8-58. TOW HITCH - PINTLE HITCH PLATE (MANUAL).....	1032
FIGURE 8-59. TOW HITCH - PINTLE HITCH PLATE (MANUAL/HYDRAULIC).....	1034
FIGURE 8-60. TOW HITCH - PINTLE HITCH PLATE (STATIONARY).....	1036
FIGURE 8-61. TOW HITCH - BALL HITCH PLATE (MANUAL) .....	1038
FIGURE 8-62. TOW HITCH - STATIONARY 2 IN TOW HITCH RECEIVER.....	1040
FIGURE 8-63. TOW HITCH - STATIONARY 2.5 IN TOW HITCH RECEIVER.....	1042
FIGURE 8-64. TOW HITCH RECEIVER INSTALLATION - 2IN BALL (STATIONARY) .....	1044
FIGURE 8-65. TOW HITCH RECEIVER INSTALLATION - PINTLE (STATIONARY) .....	1046
FIGURE 8-66. TOW PINTLE - DUPLEX PINTLE HITCH .....	1048
FIGURE 8-67. TRAILER ACC, 2.31IN DIA BALL .....	1050
FIGURE 8-68. TRAILER ACC, 1.88IN DIA BALL .....	1052
FIGURE 8-69. TRAILER ACC, 2IN DIA BALL.....	1054

# TABLE OF CONTENTS

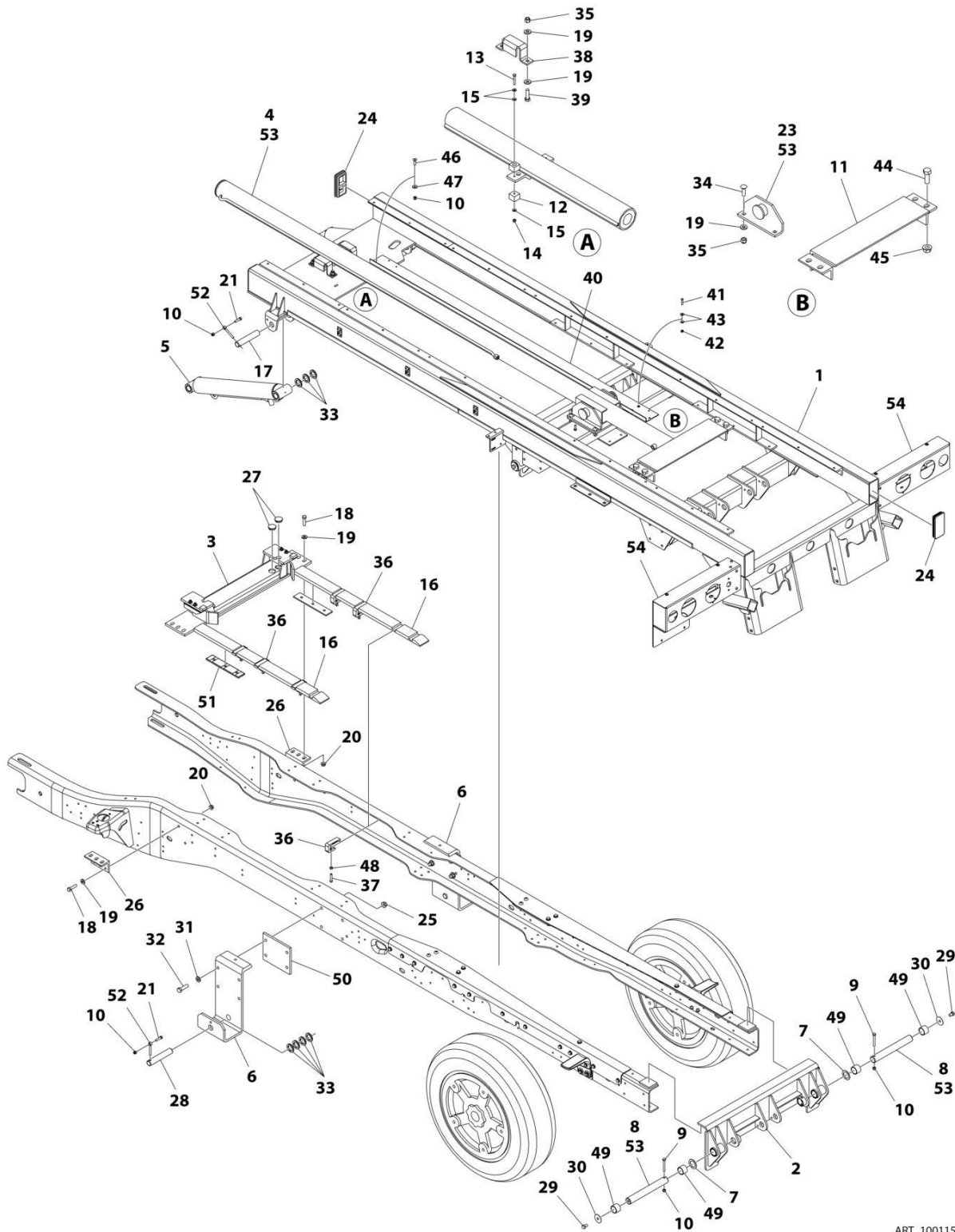
FIGURE 8-70. TRUCK SCALES - ON BOARD (AIR WEIGHT) (DEALER INSTALLED) .....	1056
FIGURE 8-71. TRUCK SCALES - ON BOARD (RIGHT WEIGHT) (DEALER INSTALLED) .....	1058
FIGURE 8-72. VALVE STEM EXTENSION KIT .....	1060
SECTION 9 - BUILD DOCUMENTS .....	1063
FIGURE 9-1. BUILD DOC_5376000238 .....	1064
PART NUMBER INDEX .....	1071



**SECTION 1 - SUBFRAME**

# SECTION 1 - SUBFRAME

FIGURE 1-1. SUBFRAME INSTALLATION - 19FT/20FT (2012+ DODGE 5500 & 2012+ FORD F550)



ART\_1001151462

## SECTION 1 - SUBFRAME

**FIGURE 1-1. SUBFRAME INSTALLATION - 19FT/20FT (2012+ DODGE 5500 & 2012+ FORD F550)**

ITEM	PART NUMBER	QTY	DESCRIPTION	REV
	1001151462	Ref	SUBFRAME INSTALLATION FORD DODGE	H
1	1001177719	1	Frame Weldment	
2	1001162403	1	Trunnion	
3	3558000019	1	Hold Down Assembly (prior to SN 0220023372 excluding 0220023219)	
3	1001272550	1	Hold Down Assembly (SN 0220023372 to present including 0220023219)	
4	1001166855	1	Roll Cylinder Assembly (See Separate Breakdown in this Section)	
5	1001270175	2	Tilt Cylinder Assembly (See Separate Breakdown in this Section)	
6	4178000805	2	Bracket	
7	7949000008	2	Washer 2-1/4	
8	4691000573	2	Pin	
9	0641624	2	Capscrew 3/8 x 3	
10	3300492	7	Nut 3/8	
11	3017000104	1	Angle	
12	7189000026	4	Bumper	
13	7114141450	2	Capscrew 1/4 x 1-3/4	
14	7660142604	2	Nut 1/4	
15	7950140143	6	Washer 1/4	
16	1001151248	2	Pad (prior to SN 0220023372 excluding 0220023219)	
17	1001188134	2	Pin	
18	0651816	8	Capscrew 1/2 x 2 (prior to SN 0220023372 excluding 0220023219)	
19	4891800	20	Washer 1/2 (prior to SN 0220023372 excluding 0220023219)	
19	4891800	12	Washer 1/2 (SN 0220023372 to present including 0220023219)	
20	7660182333	8	Nut 1/2 (prior to SN 0220023372 excluding 0220023219)	
21	0641612	4	Capscrew 3/8 x 1-1/2	
23	3636000144	2	Trunnion	
24	7701000048	4	Plug	
25	7660202347	8	Nut 5/8	
26	4017001271	2	Angle (prior to SN 0220023372 excluding 0220023219)	
27	7701000063	4	Plug	
28	1001188139	2	Pin	
29	0641806	2	Capscrew 1/2 x 3/4	
30	7949000072	2	Washer 2	
31	4892000	8	Washer 5/8	
32	7105202050	8	Capscrew 5/8 x 2-1/2	
33	4209000358	14	Bushing	
34	7115181464	4	Bolt 1/2 x 1-3/4	
35	7660182601	8	Nut 1/2	
36	7274000125	6	Clamp (prior to SN 0220023372 excluding 0220023219)	
37	7120000032	6	Bolt 3/8 x 1-3/4	
38	4178000912	2	Bracket	
39	0641812	4	Bolt 1/2 x 1-3/4	
40	1001162798	1	Plate	
41	7114100818	2	Capscrew #10 x 1	
42	3300455	2	Nut 10	
43	4751300	4	Washer 3/16	
44	0642216	4	Bolt 3/4 x 2	
45	7660222308	4	Nut 3/4	
46	0741610	1	Bolt 3/8 x 1-1/4	

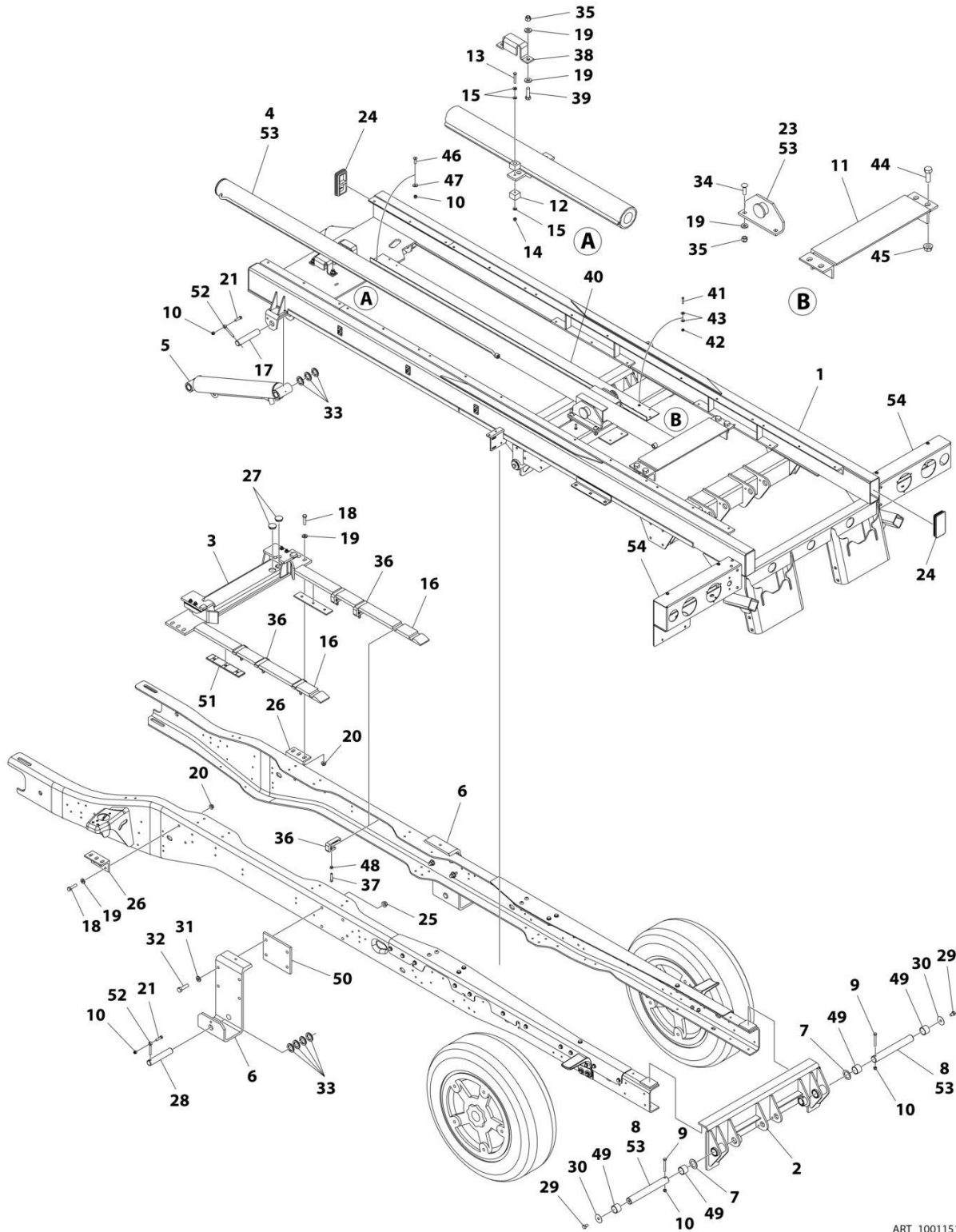
## SECTION 1 - SUBFRAME

ITEM	PART NUMBER	QTY	DESCRIPTION	REV
47	4751600	1	Washer 3/8	
48	3271601	6	Nut 3/8 (prior to SN 0220023372 excluding 0220023219)	
49	7082000017	4	Bearing	
50	1001147116	2	Shim	
51	3340898	2	Pad (prior to SN 0220023372 excluding 0220023219)	
52	3841143	4	Keeper, Shaft	
53	3020039	AR	Lubricant	
54	1001173948	1	Light Box and Cover Installation (See Separate Breakdown in this Section)	



# SECTION 1 - SUBFRAME

FIGURE 1-2. SUBFRAME INSTALLATION - 19FT/20FT (2012+ DODGE 5500 & 2012+ FORD F550)  
(GALVANIZED)



ART\_1001151505

## SECTION 1 - SUBFRAME

**FIGURE 1-2. SUBFRAME INSTALLATION - 19FT/20FT (2012+ DODGE 5500 & 2012+ FORD F550)  
(GALVANIZED)**

ITEM	PART NUMBER	QTY	DESCRIPTION	REV
	1001151505	Ref	SUBFRAME INSTALLATION FORD DODGE GALVANIZED	I
1	1001177720	1	Frame Weldment	
2	1001162403	1	Trunnion	
3	3558000019	1	Hold Down Assembly (prior to SN 0220023372 excluding 0220023219)	
3	1001272550	1	Hold Down Installation (SN 0220023372 to present including 0220023219)	
4	1001166855	1	Roll Cylinder Assembly (See Separate Breakdown in this Section)	
5	1001270175	2	Tilt Cylinder Assembly (See Separate Breakdown in this Section)	
6	4178000805	2	Bracket	
7	7949000008	2	Washer 2-1/4	
8	4691000573	2	Pin	
9	0641624	2	Capscrew 3/8 x 3	
10	3300492	7	Nut 3/8	
11	3017000104	1	Angle	
12	7189000026	4	Bumper	
13	7114141450	2	Capscrew 1/4 x 1-3/4	
14	7660142604	2	Nut 1/4	
15	7950140143	6	Washer 1/4	
16	1001151248	2	Pad (prior to SN 0220023372 excluding 0220023219)	
17	1001188134	2	Pin	
18	0651816	8	Capscrew 1/2 x 2 (prior to SN 0220023372 excluding 0220023219)	
19	4891800	20	Washer 1/2 (prior to SN 0220023372 excluding 0220023219)	
	4891800	1	Washer 1/2 (SN 0220023372 to present including 0220023219)	
20	7660182333	8	Nut 1/2 (prior to SN 0220023372 excluding 0220023219)	
21	0641612	4	Capscrew 3/8 x 1-1/2	
23	3636000144	2	Trunnion	
24	7701000048	4	Plug	
25	7660202347	8	Nut 5/8	
26	4017001271	2	Angle (prior to SN 0220023372 excluding 0220023219)	
27	7701000063	4	Plug (prior to SN 0220023372 excluding 0220023219)	
28	1001188139	2	Pin	
29	0641806	2	Capscrew 1/2 x 3/4	
30	7949000072	2	Washer 2	
31	4892000	8	Washer 5/8	
32	7105202050	8	Capscrew 5/8 x 2-1/2	
33	4209000358	14	Bushing	
34	7115181464	4	Bolt 1/2 x 1-3/4	
35	7660182601	8	Nut 1/2	
36	7274000125	6	Clamp (prior to SN 0220023372 excluding 0220023219)	
37	7120000032	6	Bolt 3/8 x 1-3/4 (prior to SN 0220023372 excluding 0220023219)	
38	4178000912	2	Bracket	
39	0641814	4	Bolt 1/2 x 1-3/4	
40	1001162798	1	Plate	
41	7114100818	2	Capscrew #10 x 1	
42	3300455	2	Nut 10	
43	4751300	4	Washer 3/16	
44	0642216	4	Bolt 3/4 x 2	
45	7660222308	4	Nut 3/4	

## SECTION 1 - SUBFRAME

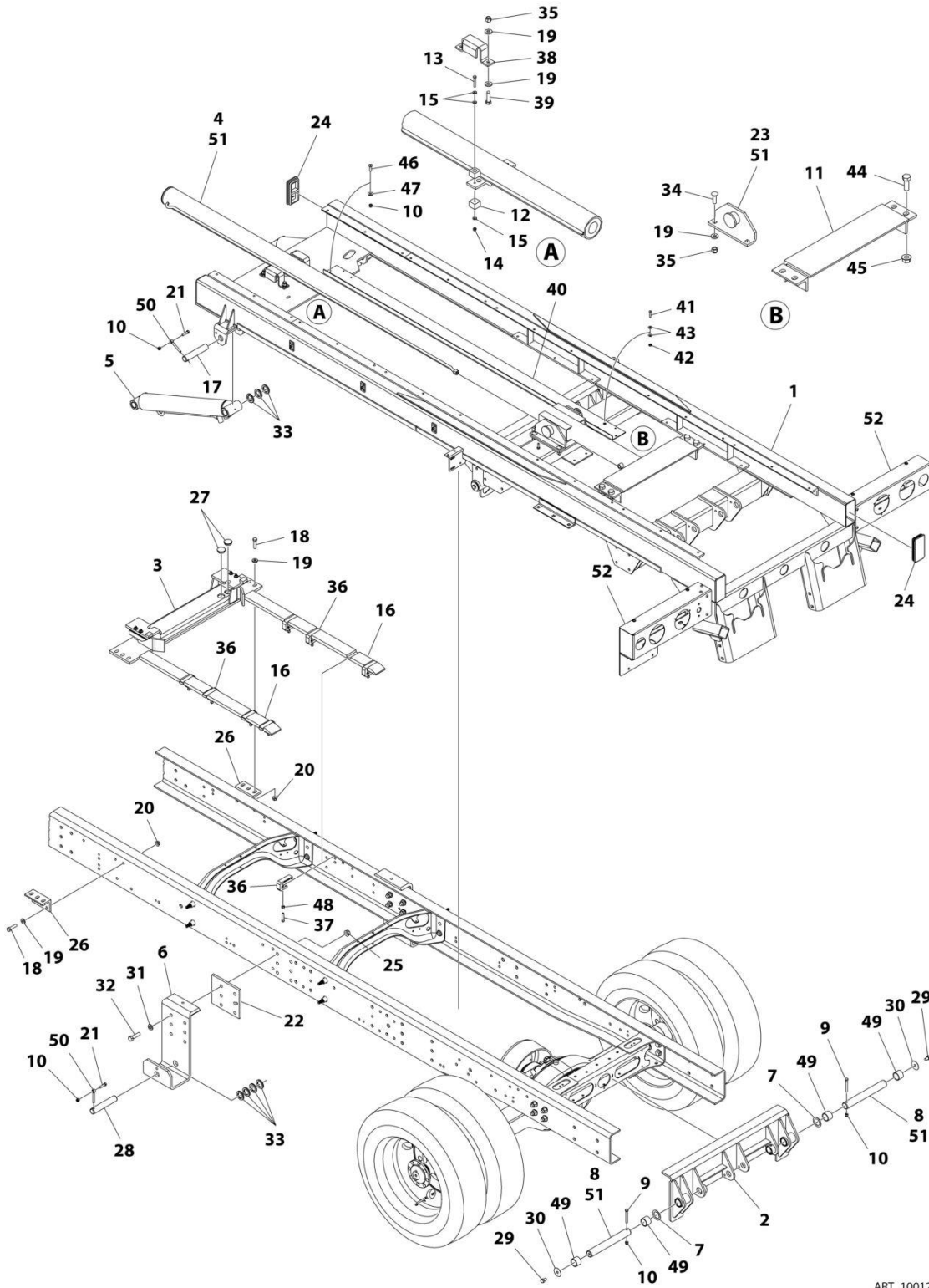
ITEM	PART NUMBER	QTY	DESCRIPTION	REV
46	0741610	1	Bolt 3/8 x 1-1/4	
47	4751600	1	Washer 3/8	
48	3271601	6	Nut 3/8 (prior to SN 0220023372 excluding 0220023219)	
49	7082000017	4	Bearing	
50	1001147116	2	Shim	
51	3340898	2	Pad (prior to SN 0220023372 excluding 0220023219)	
52	3841143	4	Keeper, Shaft	
53	3020039	AR	Lubricant	
54	1001173949	1	Light Box and Cover Installation (See Separate Breakdown in this Section)	





# SECTION 1 - SUBFRAME

## FIGURE 1-3. SUBFRAME INSTALLATION - 20FT (2019+ CVC515)



ART\_1001253907

## SECTION 1 - SUBFRAME

**FIGURE 1-3. SUBFRAME INSTALLATION - 20FT (2019+ CVC515)**

ITEM	PART NUMBER	QTY	DESCRIPTION	REV
	1001253907	Ref	SUBFRAME INSTALLATION XLP, OUTBOARD, 2019 GM/IHC	C
1	1001177719	1	Frame Weldment	
2	1001162403	1	Trunnion	
3	3558000019	1	Hold Down Assembly	
4	1001166855	1	Roll Cylinder Assembly (See Separate Breakdown in this Section)	
5	1001270175	2	Tilt Cylinder Assembly (See Separate Breakdown in this Section)	
6	1001142062	2	Bracket	
7	7949000008	2	Washer 2-1/4	
8	4691000573	2	Pin	
9	0641624	2	Capscrew 3/8 x 3	
10	3300492	7	Nut 3/8	
11	3017000104	1	Angle	
12	7189000026	4	Bumper	
13	7114141450	2	Capscrew 1/4 x 1-3/4	
14	7660142604	2	Nut 1/4	
15	7950140143	6	Washer 1/4	
16	1001151248	2	Pad	
17	1001188134	2	Pin	
18	0651816	8	Capscrew 1/2 x 2	
19	4891800	20	Washer 1/2	
20	7660182333	8	Nut 1/2	
21	0641612	4	Capscrew 3/8 x 1-1/2	
22	1001159915	2	Shim	
23	3636000144	2	Trunnion	
24	7701000048	4	Plug	
25	7660202347	8	Nut 5/8	
26	4017001271	2	Angle	
27	7701000063	4	Plug	
28	1001188139	2	Pin	
29	0641806	2	Capscrew 1/2 x 3/4	
30	7949000072	2	Washer 2	
31	4892000	8	Washer 5/8	
32	7105202050	8	Capscrew 5/8 x 2-1/2	
33	4209000358	14	Bushing	
34	7115181464	4	Bolt 1/2 x 1-3/4	
35	7660182601	8	Nut 1/2	
36	7274000125	8	Clamp	
37	7120000032	8	Bolt 3/8 x 1-3/4	
38	4178000912	2	Bracket	
39	0641814	4	Bolt 1/2 x 1-3/4	
40	1001162798	1	Plate	
41	7114100818	2	Capscrew #10 x 1	
42	3300455	2	Nut 10	
43	4751300	4	Washer 3/16	
44	0642216	4	Bolt 3/4 x 2	
45	7660222308	4	Nut 3/4	
46	0741610	1	Bolt 3/8 x 1-1/4	
47	4751600	1	Washer 3/8	
48	3271601	8	Nut 3/8	
49	7082000017	4	Bearing	

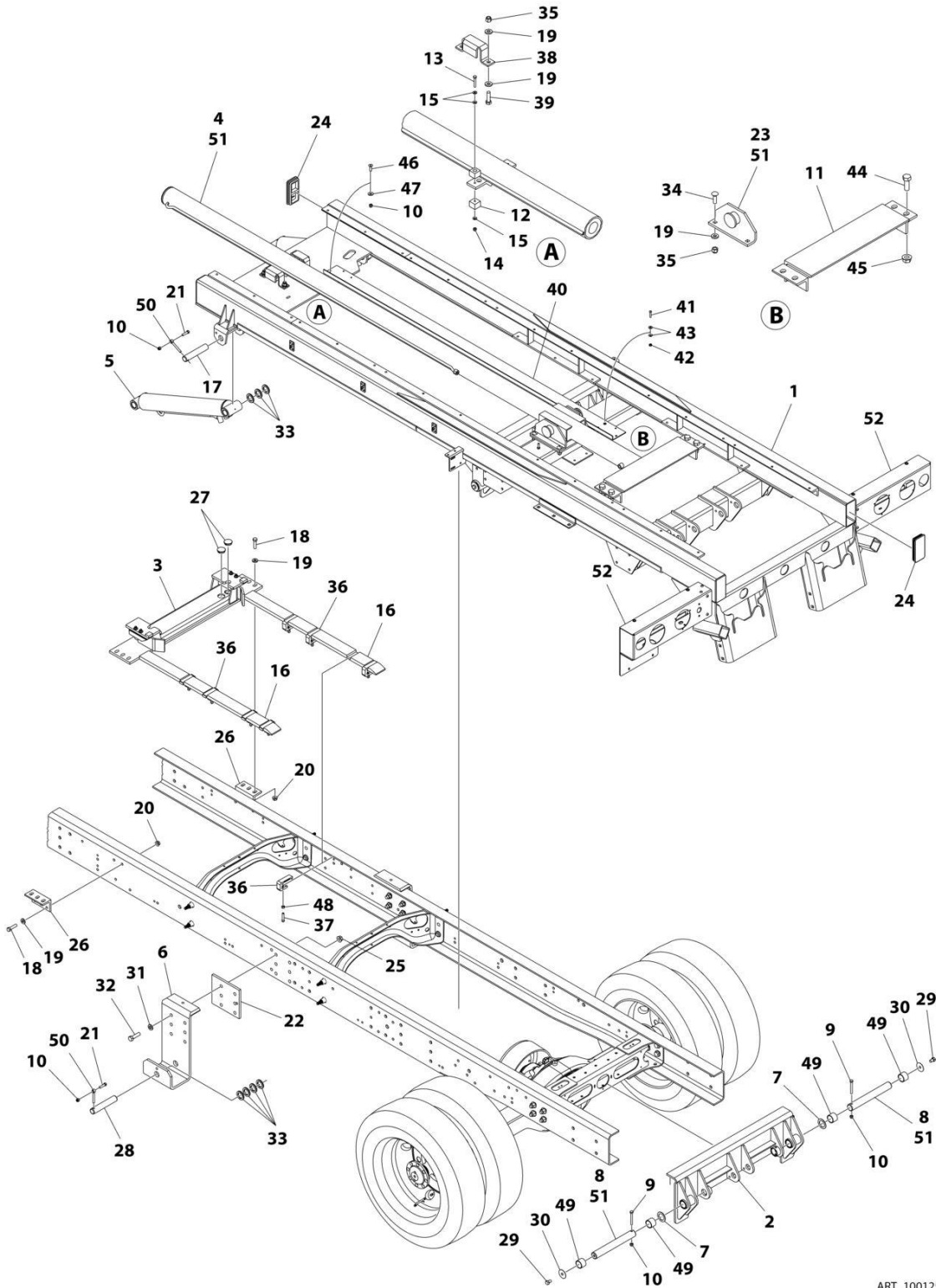
## SECTION 1 - SUBFRAME

ITEM	PART NUMBER	QTY	DESCRIPTION	REV
50	3841143	4	Keeper, Shaft	
51	3020039	AR	Lubricant	
52	1001173948	1	Light Box and Cover Installation (See Separate Breakdown in this Section)	



# SECTION 1 - SUBFRAME

FIGURE 1-4. SUBFRAME INSTALLATION - 20FT (2019+ CVC515) (GALVANIZED)



ART\_1001253909

## SECTION 1 - SUBFRAME

**FIGURE 1-4. SUBFRAME INSTALLATION - 20FT (2019+ CVC515) (GALVANIZED)**

ITEM	PART NUMBER	QTY	DESCRIPTION	REV
	1001253909	Ref	SUBFRAME INSTALLATION XLP, OUTBOARD GALVANIZED, 2019 GM/IHC	C
1	1001177720	1	Frame Weldment	
2	1001162403	1	Trunnion	
3	3558000019	1	Hold Down Assembly	
4	1001166855	1	Roll Cylinder Assembly (See Separate Breakdown in this Section)	
5	1001270175	2	Tilt Cylinder Assembly (See Separate Breakdown in this Section)	
6	1001142062	2	Bracket	
7	7949000008	2	Washer 2-1/4	
8	4691000573	2	Pin	
9	0641624	2	Capscrew 3/8 x 3	
10	3300492	7	Nut 3/8	
11	3017000104	1	Angle	
12	7189000026	4	Bumper	
13	7114141450	2	Capscrew 1/4 x 1-3/4	
14	7660142604	2	Nut 1/4	
15	7950140143	6	Washer 1/4	
16	1001151248	2	Pad	
17	1001188134	2	Pin	
18	0651816	8	Capscrew 1/2 x 2	
19	4891800	20	Washer 1/2	
20	7660182333	8	Nut 1/2	
21	0641612	4	Capscrew 3/8 x 1-1/2	
22	1001159915	2	Shim	
23	3636000144	2	Trunnion	
24	7701000048	4	Plug	
25	7660202347	8	Nut 5/8	
26	4017001271	2	Angle	
27	7701000063	4	Plug	
28	1001188139	2	Pin	
29	0641806	2	Capscrew 1/2 x 3/4	
30	7949000072	2	Washer 2	
31	4892000	8	Washer 5/8	
32	7105202050	8	Capscrew 5/8 x 2-1/2	
33	4209000358	14	Bushing	
34	7115181464	4	Bolt 1/2 x 1-3/4	
35	7660182601	8	Nut 1/2	
36	7274000125	8	Clamp	
37	7120000032	8	Bolt 3/8 x 1-3/4	
38	4178000912	2	Bracket	
39	0641814	4	Bolt 1/2 x 1-3/4	
40	1001162798	1	Plate	
41	7114100818	2	Capscrew #10 x 1	
42	3300455	2	Nut 10	
43	4751300	4	Washer 3/16	
44	0642216	4	Bolt 3/4 x 2	
45	7660222308	4	Nut 3/4	
46	0741610	1	Bolt 3/8 x 1-1/4	
47	4751600	1	Washer 3/8	
48	3271601	8	Nut 3/8	

## SECTION 1 - SUBFRAME

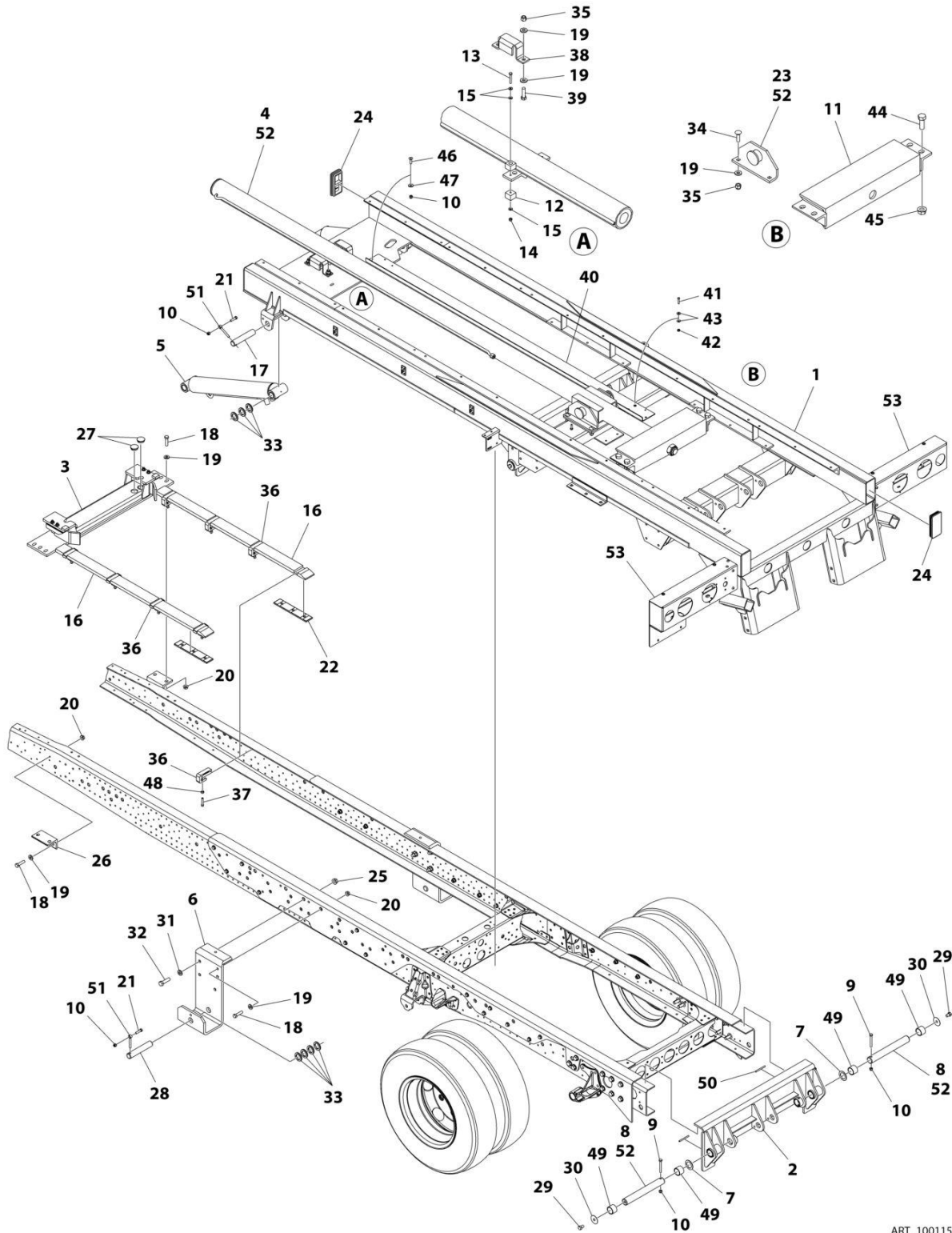
ITEM	PART NUMBER	QTY	DESCRIPTION	REV
49	7082000017	4	Bearing	
50	3841143	4	Keeper, Shaft	
51	3020039	AR	Lubricant	
52	1001173949	1	Light Box and Cover Installation (See Separate Breakdown in this Section)	





# SECTION 1 - SUBFRAME

## FIGURE 1-5. SUBFRAME INSTALLATION - 20FT/22FT (ISUZU)



ART\_1001156359

## SECTION 1 - SUBFRAME

**FIGURE 1-5. SUBFRAME INSTALLATION - 20FT/22FT (ISUZU)**

ITEM	PART NUMBER	QTY	DESCRIPTION	REV
	1001156359	Ref	SUBFRAME INSTALLATION XLP ISUZU NRR	G
1	1001177719	1	Frame Weldment	
2	1001162403	1	Trunnion	
3	3558000019	1	Hold Down Assembly	
4	1001166855	1	Roll Cylinder Assembly (See Separate Breakdown in this Section)	
5	1001270175	2	Tilt Cylinder Assembly (See Separate Breakdown in this Section)	
6	1001142062	2	Bracket	
7	7949000008	2	Washer 2-1/4	
8	4691000573	2	Pin	
9	0641624	2	Capscrew 3/8 x 3	
10	3300492	7	Nut 3/8	
11	3017000104	1	Angle	
12	7189000026	4	Bumper	
13	7114141450	2	Capscrew 1/4 x 1-3/4	
14	7660142604	2	Nut 1/4	
15	7950140143	6	Washer 1/4	
16	4679000332	2	Pad	
17	1001188134	2	Pin	
18	0651816	9	Capscrew 1/2 x 2	
19	4891800	21	Washer 1/2	
20	7660182333	9	Nut 1/2	
21	0641612	4	Capscrew 3/8 x 1-1/2	
22	3340898	10	Pad	
23	3636000144	2	Trunnion	
24	7701000048	4	Plug	
25	7660202347	8	Nut 5/8	
26	1001159913	2	Angle	
27	7701000063	4	Plug	
28	1001188139	2	Pin	
29	0641806	2	Capscrew 1/2 x 3/4	
30	7949000072	2	Washer 2	
31	4892000	8	Washer 5/8	
32	7105201850	8	Capscrew 5/8 x 2-1/4	
33	4209000358	14	Bushing	
34	7115181464	4	Bolt 1/2 x 1-3/4	
35	7660182601	8	Nut 1/2	
36	7274000125	8	Clamp	
37	7120000032	8	Bolt 3/8 x 1-3/4	
38	4178000912	2	Bracket	
39	0641814	4	Bolt 1/2 x 1-3/4	
40	1001162798	1	Plate	
41	7114100818	2	Capscrew #10 x 1	
42	3300455	2	Nut 10	
43	4751300	4	Washer 3/16	
44	0642216	4	Bolt 3/4 x 2	
45	7660222308	4	Nut 3/4	
46	0741610	1	Bolt 3/8 x 1-1/4	
47	4751600	1	Washer 3/8	
48	3271601	8	Nut 3/8	
49	7082000017	4	Bearing	

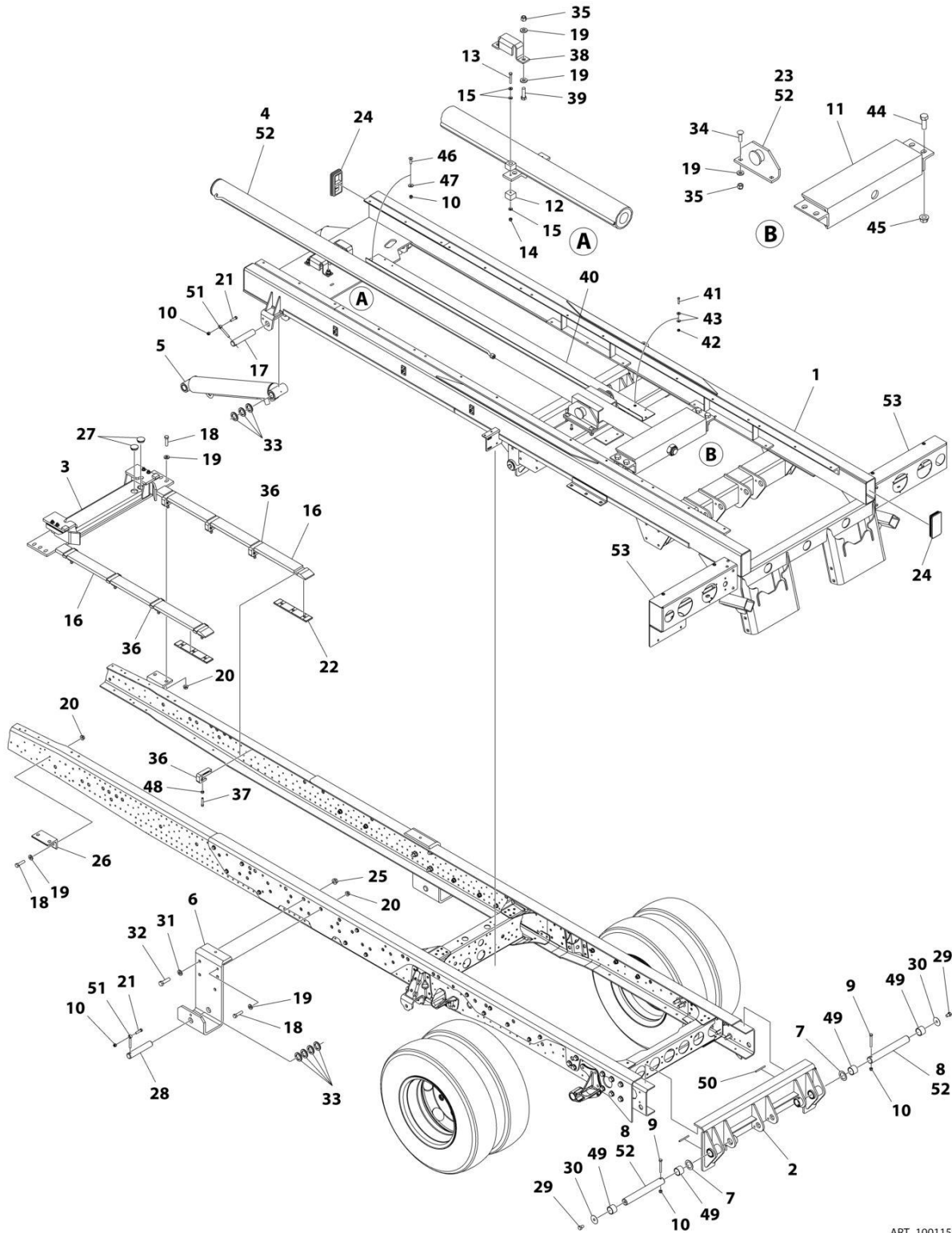
## SECTION 1 - SUBFRAME

ITEM	PART NUMBER	QTY	DESCRIPTION	REV
50	1001159822	2	Rod	
51	3841143	4	Keeper, Shaft	
52	3020039	AR	Lubricant	
53	1001173948	1	Light Box and Cover Installation (See Separate Breakdown in this Section)	



# SECTION 1 - SUBFRAME

## FIGURE 1-6. SUBFRAME INSTALLATION - 20FT/22FT (ISUZU) (GALVANIZED)



ART\_1001159625

## SECTION 1 - SUBFRAME

**FIGURE 1-6. SUBFRAME INSTALLATION - 20FT/22FT (ISUZU) (GALVANIZED)**

ITEM	PART NUMBER	QTY	DESCRIPTION	REV
	1001159625	Ref	SUBFRAME INSTALLATION XLP GALVANIZED ISUZU NRR	G
1	1001177720	1	Frame Weldment	
2	1001162403	1	Trunnion	
3	3558000019	1	Hold Down Assembly	
4	1001166855	1	Roll Cylinder Assembly (See Separate Breakdown in this Section)	
5	1001270175	2	Tilt Cylinder Assembly (See Separate Breakdown in this Section)	
6	1001142062	2	Bracket	
7	7949000008	2	Washer 2-1/4	
8	4691000573	2	Pin	
9	0641624	2	Capscrew 3/8 x 3	
10	3300492	7	Nut 3/8	
11	3017000104	1	Angle	
12	7189000026	4	Bumper	
13	7114141450	2	Capscrew 1/4 x 1-3/4	
14	7660142604	2	Nut 1/4	
15	7950140143	6	Washer 1/4	
16	4679000332	2	Pad	
17	1001188134	2	Pin	
18	0651816	9	Capscrew 1/2 x 2	
19	4891800	21	Washer 1/2	
20	7660182333	9	Nut 1/2	
21	0641612	4	Capscrew 3/8 x 1-1/2	
22	3340898	10	Pad	
23	3636000144	2	Trunnion	
24	7701000048	4	Plug	
25	7660202347	8	Nut 5/8	
26	1001159913	2	Angle	
27	7701000063	4	Plug	
28	1001188139	2	Pin	
29	0641806	2	Capscrew 1/2 x 3/4	
30	7949000072	2	Washer 2	
31	4892000	8	Washer 5/8	
32	7105201850	8	Capscrew 5/8 x 2-1/4	
33	4209000358	14	Bushing	
34	7115181464	4	Bolt 1/2 x 1-3/4	
35	7660182601	8	Nut 1/2	
36	7274000125	8	Clamp	
37	7120000032	8	Bolt 3/8 x 1-3/4	
38	4178000912	2	Bracket	
39	0641814	4	Bolt 1/2 x 1-3/4	
40	1001162798	1	Plate	
41	7114100818	2	Capscrew #10 x 1	
42	3300455	2	Nut 10	
43	4751300	4	Washer 3/16	
44	0642216	4	Bolt 3/4 x 2	
45	7660222308	4	Nut 3/4	
46	0741610	1	Bolt 3/8 x 1-1/4	
47	4751600	1	Washer 3/8	
48	3271601	8	Nut 3/8	
49	7082000017	4	Bearing	

## SECTION 1 - SUBFRAME

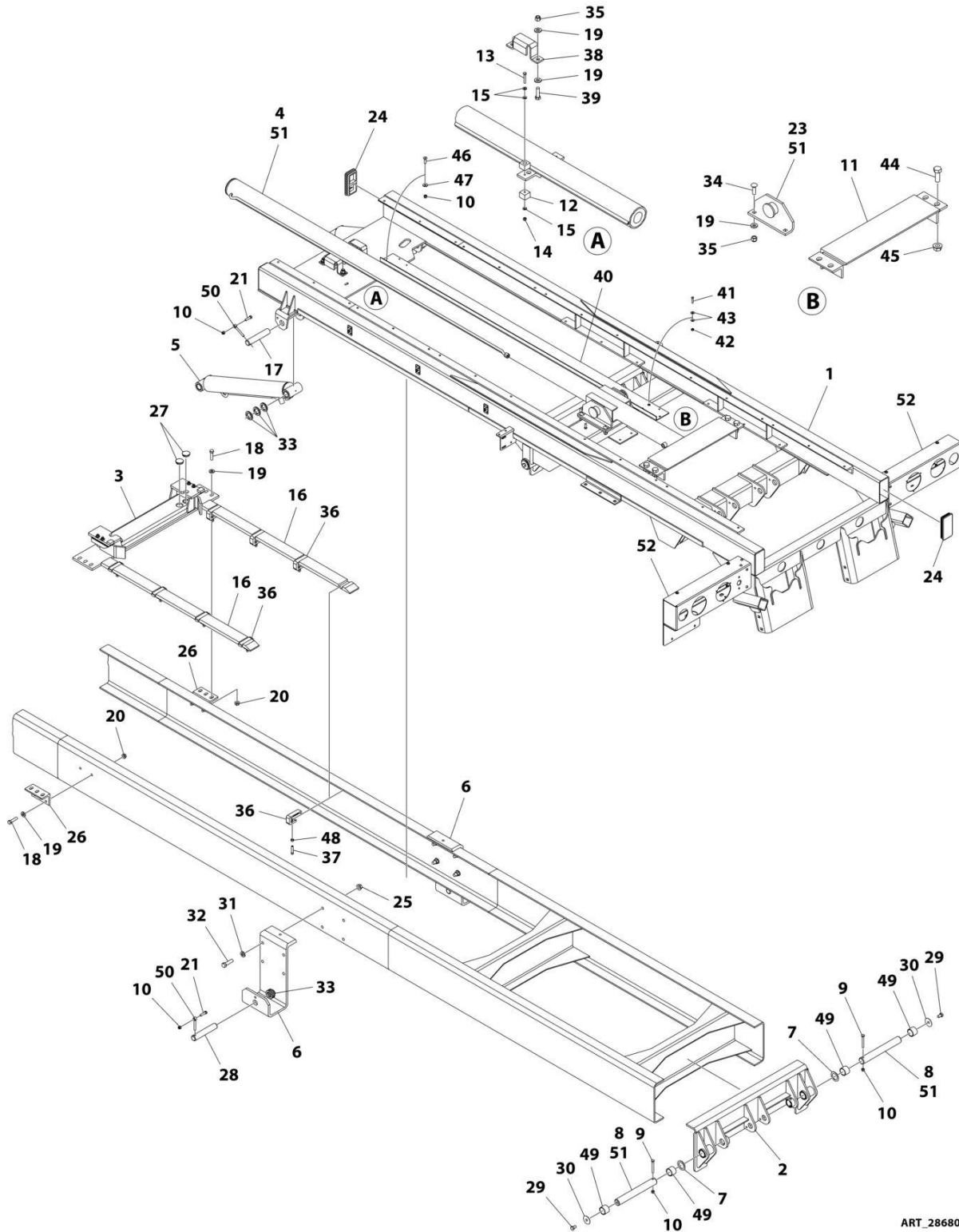
ITEM	PART NUMBER	QTY	DESCRIPTION	REV
50	1001159822	2	Rod	
51	3841143	4	Keeper, Shaft	
52	3020039	AR	Lubricant	
53	1001173949	1	Light Box and Cover Installation (See Separate Breakdown in this Section)	





# SECTION 1 - SUBFRAME

## FIGURE 1-7. SUBFRAME INSTALLATION - 21FT/22FT



ART\_2868000146

## SECTION 1 - SUBFRAME

**FIGURE 1-7. SUBFRAME INSTALLATION - 21FT/22FT**

ITEM	PART NUMBER	QTY	DESCRIPTION	REV
	2868000146	Ref	SUBFRAME INSTALLATION 6-TON XLP	K
1	1001177719	1	Frame Weldment	
2	1001162403	1	Trunnion	
3	3558000019	1	Hold Down Assembly	
4	1001166855	1	Roll Cylinder Assembly (See Separate Breakdown in this Section)	
5	1001270175	2	Tilt Cylinder Assembly (See Separate Breakdown in this Section)	
6	4178000805	2	Bracket	
7	7949000008	2	Washer 2-1/4	
8	4691000573	2	Pin	
9	0641624	2	Capscrew 3/8 x 3	
10	3300492	7	Nut 3/8	
11	3017000104	1	Angle	
12	7189000026	4	Bumper	
13	7114141450	2	Capscrew 1/4 x 1-3/4	
14	7660142604	2	Nut 1/4	
15	7950140143	6	Washer 1/4	
16	4679000332	2	Pad	
17	1001188134	2	Pin	
18	0651816	8	Capscrew 1/2 x 2	
19	4891800	20	Washer 1/2	
20	7660182333	8	Nut 1/2	
21	0641612	4	Capscrew 3/8 x 1-1/2	
23	3636000144	2	Trunnion	
24	7701000048	4	Plug	
25	7660202347	8	Nut 5/8	
26	4017001271	2	Angle	
27	7701000063	4	Plug	
28	1001188139	2	Pin	
29	0641806	2	Capscrew 1/2 x 3/4	
30	7949000072	2	Washer 2	
31	4892000	8	Washer 5/8	
32	7105201850	8	Capscrew 5/8 x 2-1/4	
33	4209000358	14	Bushing	
34	7115181464	4	Bolt 1/2 x 1-3/4	
35	7660182601	8	Nut 1/2	
36	7274000125	8	Clamp	
37	7120000032	8	Bolt 3/8 x 1-3/4	
38	4178000912	1	Bracket	
39	0641814	4	Bolt 1/2 x 1-3/4	
40	1001162798	1	Plate	
41	7114100818	2	Capscrew #10 x 1	
42	3300455	2	Nut 10	
43	4751300	4	Washer 3/16	
44	0642216	4	Bolt 3/4 x 2	
45	7660222308	4	Nut 3/4	
46	0741610	1	Bolt 3/8 x 1-1/4	
47	4751600	1	Washer 3/8	
48	3271601	8	Nut 3/8	
49	7082000017	4	Bearing	
50	3841143	4	Keeper, Shaft	

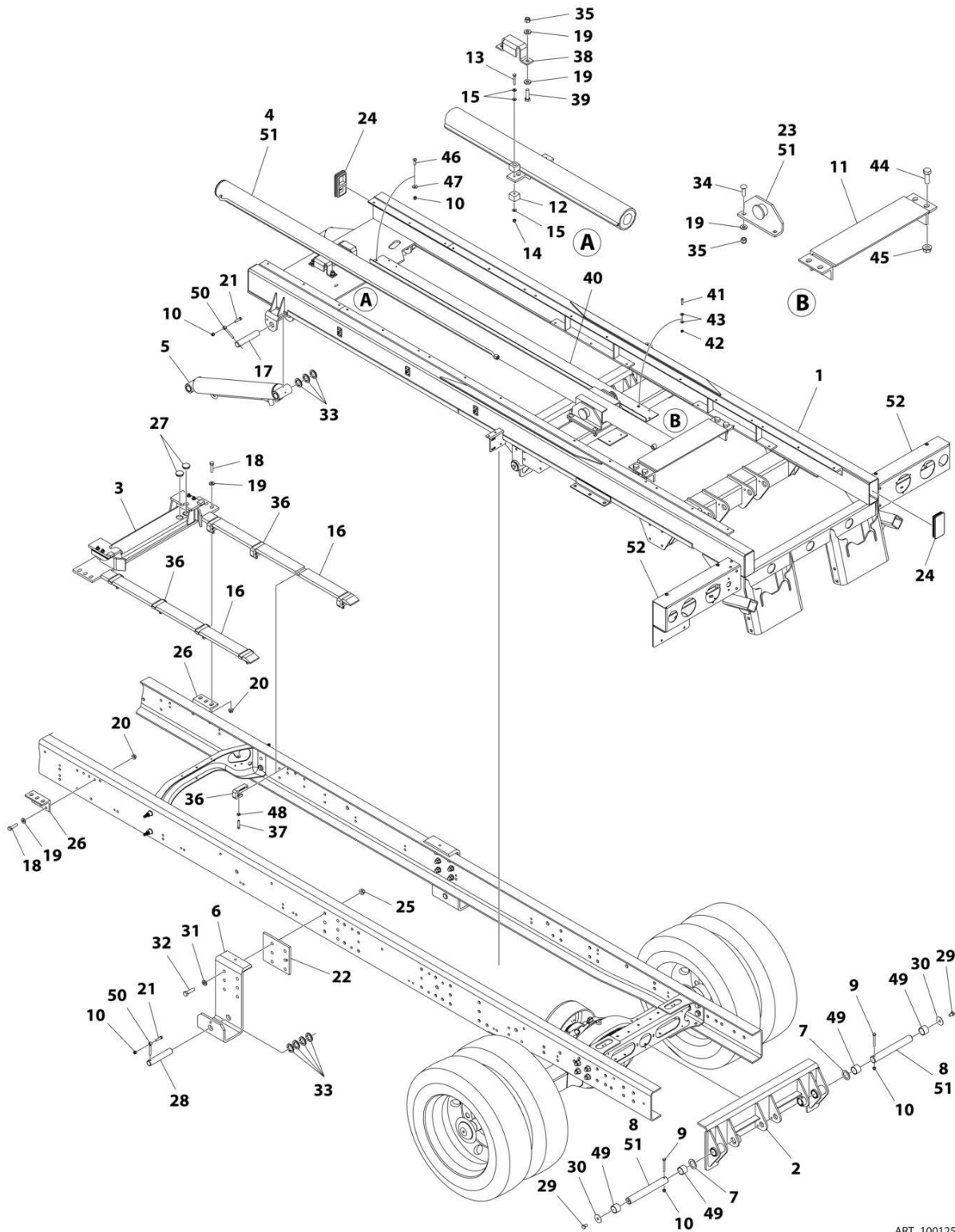
## SECTION 1 - SUBFRAME

ITEM	PART NUMBER	QTY	DESCRIPTION	REV
51	3020039	AR	Lubricant	
52	1001173948	1	Light Box and Cover Installation (See Separate Breakdown in this Section)	



# SECTION 1 - SUBFRAME

FIGURE 1-8. SUBFRAME INSTALLATION - 21FT/22FT (2019+ CVC515)



ART\_1001253908

## SECTION 1 - SUBFRAME

**FIGURE 1-8. SUBFRAME INSTALLATION - 21FT/22FT (2019+ CVC515)**

ITEM	PART NUMBER	QTY	DESCRIPTION	REV
	1001253908	Ref	SUBFRAME INSTALLATION XLP, OUTBOARD, 2019 CHEVY/IHC	C
1	1001177719	1	Frame Weldment	
2	1001162403	1	Trunnion	
3	3558000019	1	Hold Down Assembly	
4	1001166855	1	Roll Cylinder Assembly (See Separate Breakdown in this Section)	
5	1001270175	2	Tilt Cylinder Assembly (See Separate Breakdown in this Section)	
6	1001142062	2	Bracket	
7	7949000008	2	Washer 2-1/4	
8	4691000573	2	Pin	
9	0641624	2	Capscrew 3/8 x 3	
10	3300492	7	Nut 3/8	
11	3017000104	1	Angle	
12	7189000026	4	Bumper	
13	7114141450	2	Capscrew 1/4 x 1-3/4	
14	7660142604	2	Nut 1/4	
15	7950140143	6	Washer 1/4	
16	4679000332	2	Pad	
17	1001188134	2	Pin	
18	0651816	8	Capscrew 1/2 x 2	
19	4891800	20	Washer 1/2	
20	7660182333	8	Nut 1/2	
21	0641612	4	Capscrew 3/8 x 1-1/2	
22	1001159915	2	Shim	
23	3636000144	2	Trunnion	
24	7701000048	4	Plug	
25	7660202347	12	Nut 5/8	
26	4017001271	2	Angle	
27	7701000063	4	Plug	
28	1001188139	2	Pin	
29	0641806	2	Capscrew 1/2 x 3/4	
30	7949000072	2	Washer 2	
31	4892000	12	Washer 5/8	
32	7105202050	12	Capscrew 5/8 x 2-1/2	
33	4209000358	14	Bushing	
34	7115181464	4	Bolt 1/2 x 1-3/4	
35	7660182601	8	Nut 1/2	
36	7274000125	8	Clamp	
37	7120000032	8	Bolt 3/8 x 1-3/4	
38	4178000912	2	Bracket	
39	0641814	4	Bolt 1/2 x 1-3/4	
40	1001162798	1	Plate	
41	7114100818	2	Capscrew #10 x 1	
42	3300455	2	Nut 10	
43	4751300	4	Washer 3/16	
44	0642216	4	Bolt 3/4 x 2	
45	7660222308	4	Nut 3/4	
46	0741610	1	Bolt 3/8 x 1-1/4	
47	4751600	1	Washer 3/8	
48	3271601	8	Nut 3/8	
49	7082000017	4	Bearing	

## SECTION 1 - SUBFRAME

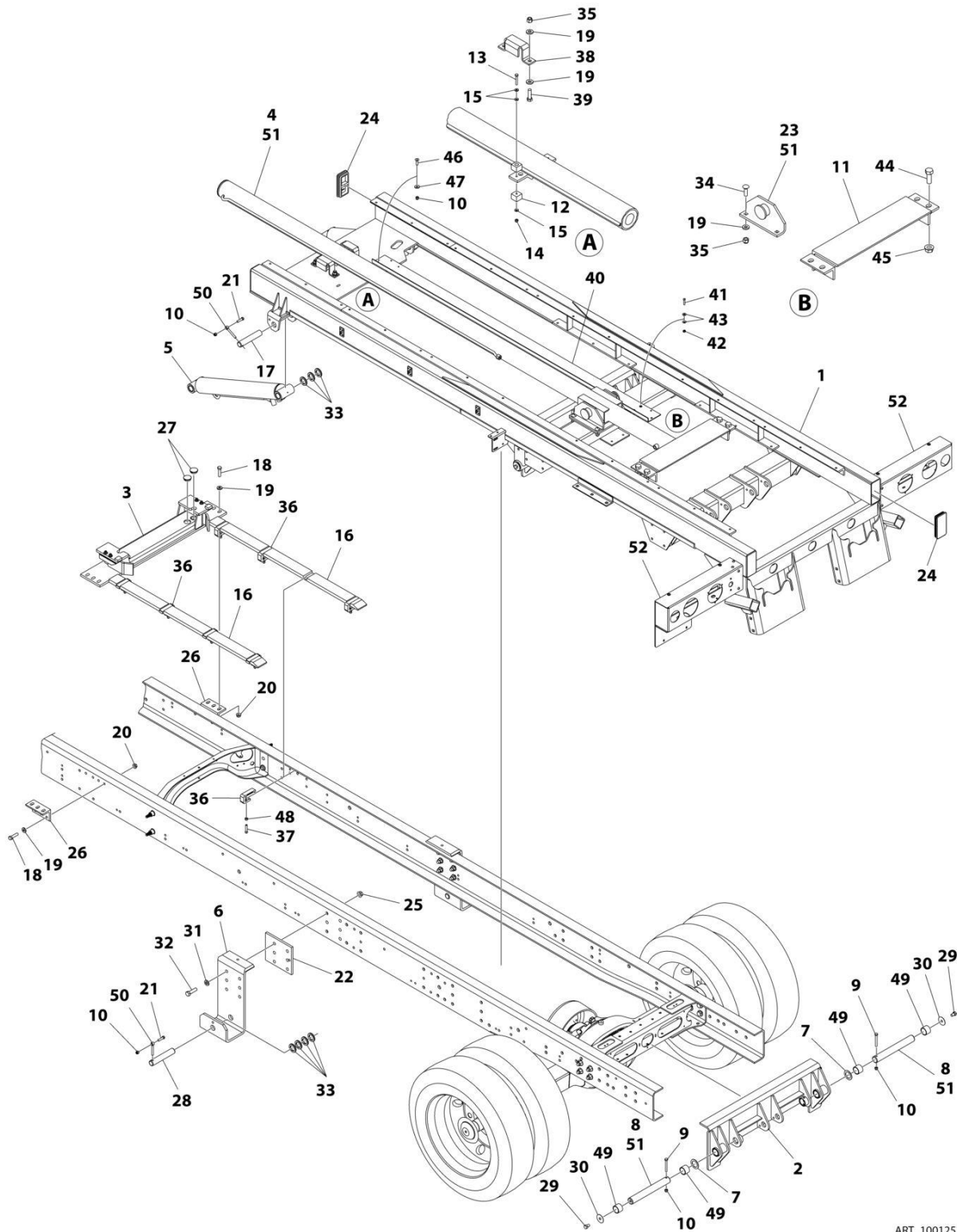
ITEM	PART NUMBER	QTY	DESCRIPTION	REV
50	3841143	4	Keeper, Shaft	
51	3020039	AR	Lubricant	
52	1001173948	1	Light Box and Cover Installation (See Separate Breakdown in this Section)	





# SECTION 1 - SUBFRAME

FIGURE 1-9. SUBFRAME INSTALLATION - 21FT/22FT (2019+ CVC515) (GALVANIZED)



ART\_1001253910

## SECTION 1 - SUBFRAME

**FIGURE 1-9. SUBFRAME INSTALLATION - 21FT/22FT (2019+ CVC515) (GALVANIZED)**

ITEM	PART NUMBER	QTY	DESCRIPTION	REV
	1001253910	Ref	SUBFRAME INSTALLATION XLP, OUTBOARD GALVANIZED, 2019 CHEVY/IHC	C
1	1001177720	1	Frame Weldment	
2	1001162403	1	Trunnion	
3	3558000019	1	Hold Down Assembly	
4	1001166855	1	Roll Cylinder Assembly (See Separate Breakdown in this Section)	
5	1001270175	2	Tilt Cylinder Assembly (See Separate Breakdown in this Section)	
6	1001142062	2	Bracket	
7	7949000008	2	Washer 2-1/4	
8	4691000573	2	Pin	
9	0641624	2	Capscrew 3/8 x 3	
10	3300492	7	Nut 3/8	
11	3017000104	1	Angle	
12	7189000026	4	Bumper	
13	7114141450	2	Capscrew 1/4 x 1-3/4	
14	7660142604	2	Nut 1/4	
15	7950140143	6	Washer 1/4	
16	4679000332	2	Pad	
17	1001188134	2	Pin	
18	0651816	8	Capscrew 1/2 x 2	
19	4891800	20	Washer 1/2	
20	7660182333	8	Nut 1/2	
21	0641612	4	Capscrew 3/8 x 1-1/2	
22	1001159915	2	Shim	
23	3636000144	2	Trunnion	
24	7701000048	4	Plug	
25	7660202347	12	Nut 5/8	
26	4017001271	2	Angle	
27	7701000063	4	Plug	
28	1001188139	2	Pin	
29	0641806	2	Capscrew 1/2 x 3/4	
30	7949000072	2	Washer 2	
31	4892000	12	Washer 5/8	
32	7105202050	12	Capscrew 5/8 x 2-1/2	
33	4209000358	14	Bushing	
34	7115181464	4	Bolt 1/2 x 1-3/4	
35	7660182601	8	Nut 1/2	
36	7274000125	8	Clamp	
37	7120000032	8	Bolt 3/8 x 1-3/4	
38	4178000912	2	Bracket	
39	0641814	4	Bolt 1/2 x 1-3/4	
40	1001162798	1	Plate	
41	7114100818	2	Capscrew #10 x 1	
42	3300455	2	Nut 10	
43	4751300	4	Washer 3/16	
44	0642216	4	Bolt 3/4 x 2	
45	7660222308	4	Nut 3/4	
46	0741610	1	Bolt 3/8 x 1-1/4	
47	4751600	1	Washer 3/8	
48	3271601	8	Nut 3/8	

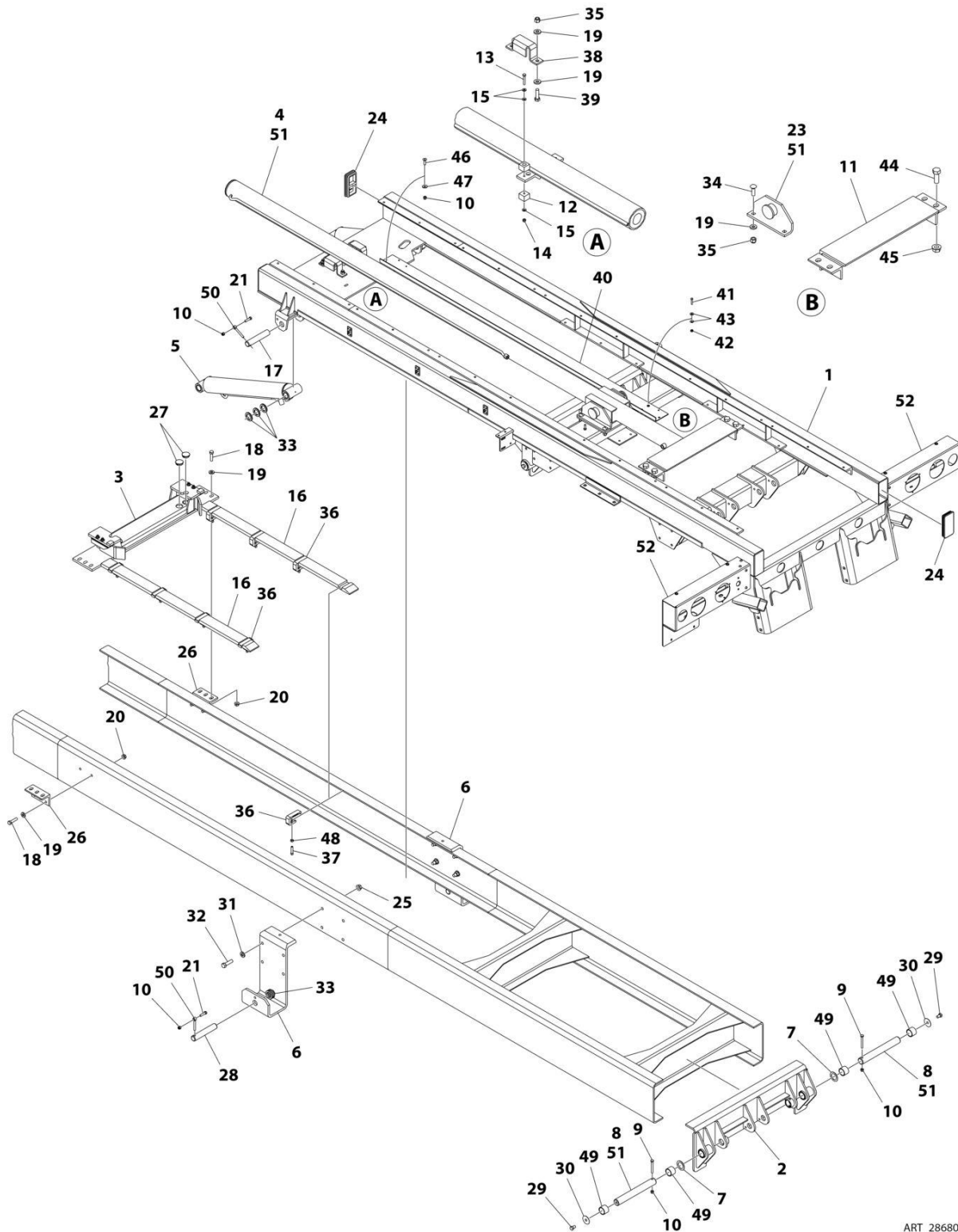
## SECTION 1 - SUBFRAME

ITEM	PART NUMBER	QTY	DESCRIPTION	REV
49	7082000017	4	Bearing	
50	3841143	4	Keeper, Shaft	
51	3020039	AR	Lubricant	
52	1001173949	1	Light Box and Cover Installation (See Separate Breakdown in this Section)	



# SECTION 1 - SUBFRAME

## FIGURE 1-10. SUBFRAME INSTALLATION - 21FT/22FT (GALVANIZED)



ART\_2868000148

## SECTION 1 - SUBFRAME

**FIGURE 1-10. SUBFRAME INSTALLATION - 21FT/22FT (GALVANIZED)**

ITEM	PART NUMBER	QTY	DESCRIPTION	REV
	2868000148	Ref	SUBFRAME INSTALLATION 6-TON XLP GALVANIZED	K
2	1001177720	1	Frame Weldment	
2	1001162403	1	Trunnion	
3	3558000019	1	Hold Down Assembly	
4	1001166855	1	Roll Cylinder Assembly (See Separate Breakdown in this Section)	
5	1001270175	2	Tilt Cylinder Assembly (See Separate Breakdown in this Section)	
6	4178000805	2	Bracket	
7	7949000008	2	Washer 2-1/4	
8	4691000573	2	Pin	
9	0641624	2	Capscrew 3/8 x 3	
10	3300492	7	Nut 3/8	
11	3017000104	1	Angle	
12	7189000026	4	Bumper	
13	7114141450	2	Capscrew 1/4 x 1-3/4	
14	7660142604	2	Nut 1/4	
15	7950140143	6	Washer 1/4	
16	4679000332	2	Pad	
17	1001188134	2	Pin	
18	0651816	8	Capscrew 1/2 x 2	
19	4891800	20	Washer 1/2	
20	7660182333	8	Nut 1/2	
21	0641612	4	Capscrew 3/8 x 1-1/2	
23	3636000144	2	Trunnion	
24	7701000048	4	Plug	
25	7660202347	8	Nut 5/8	
26	4017001271	2	Angle	
27	7701000063	4	Plug	
28	1001188139	2	Pin	
29	0641806	2	Capscrew 1/2 x 3/4	
30	7949000072	2	Washer 2	
31	4892000	8	Washer 5/8	
32	7105201850	8	Capscrew 5/8 x 2-1/4	
33	4209000358	14	Bushing	
34	7115181464	4	Bolt 1/2 x 1-3/4	
35	7660182601	8	Nut 1/2	
36	7274000125	8	Clamp	
37	7120000032	8	Bolt 3/8 x 1-3/4	
38	4178000912	1	Bracket	
39	0641814	4	Bolt 1/2 x 1-3/4	
40	1001162798	1	Plate	
41	7114100818	2	Capscrew #10 x 1	
42	3300455	2	Nut 10	
43	4751300	4	Washer 3/16	
44	0642216	4	Bolt 3/4 x 2	
45	7660222308	4	Nut 3/4	
46	0741610	1	Bolt 3/8 x 1-1/4	
47	4751600	1	Washer 3/8	
48	3271601	8	Nut 3/8	
49	7082000017	4	Bearing	
50	3841143	4	Keeper, Shaft	

## SECTION 1 - SUBFRAME

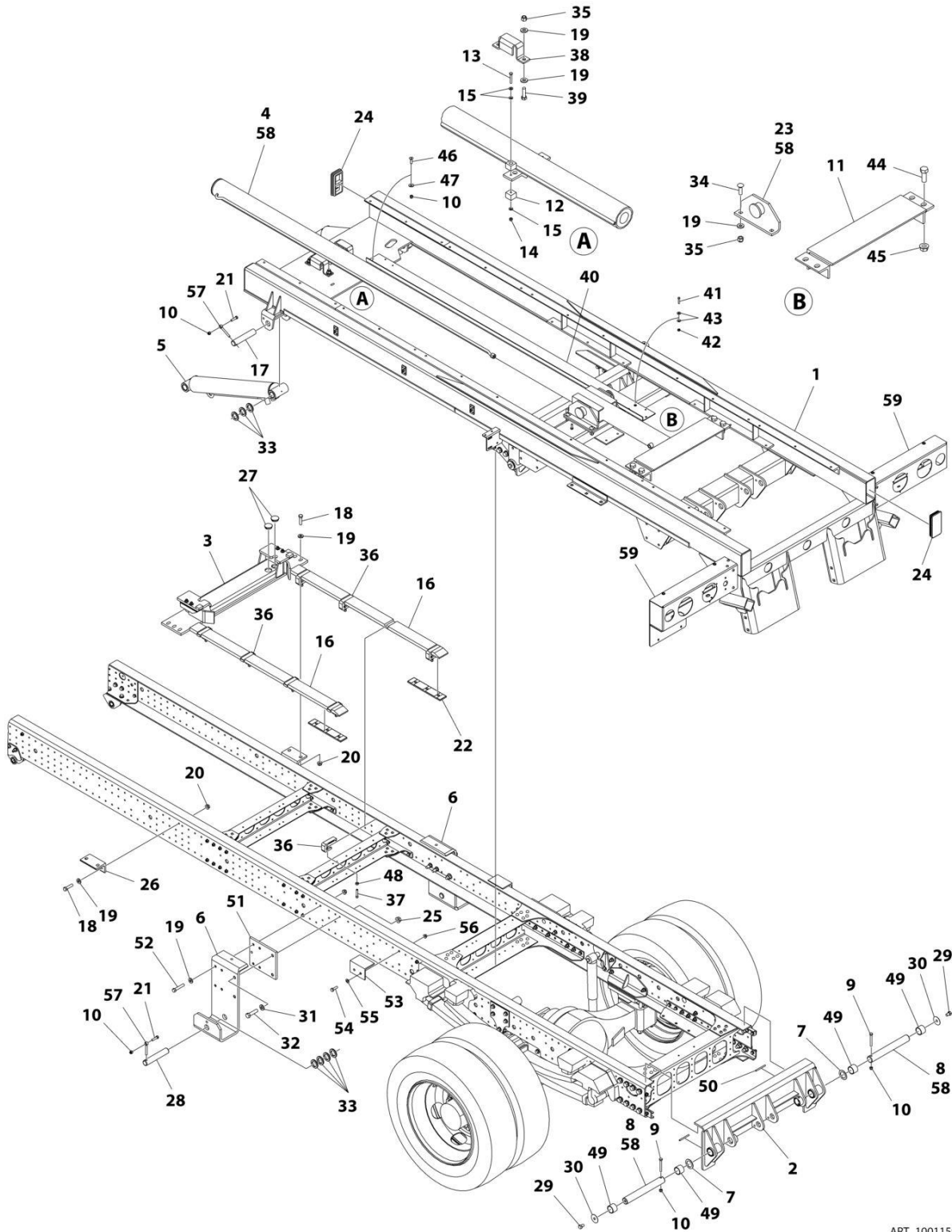
ITEM	PART NUMBER	QTY	DESCRIPTION	REV
51	3020039	AR	Lubricant	
52	1001173948	1	Light Box and Cover Installation (See Separate Breakdown in this Section)	





# SECTION 1 - SUBFRAME

## FIGURE 1-11. SUBFRAME INSTALLATION - 22FT (HINO 195)



ART\_1001159903

## SECTION 1 - SUBFRAME

**FIGURE 1-11. SUBFRAME INSTALLATION - 22FT (HINO 195)**

ITEM	PART NUMBER	QTY	DESCRIPTION	REV
	1001159903	Ref	SUBFRAME INSTALLATION XLP HINO	E
1	1001177719	1	Frame Weldment	
2	1001162403	1	Trunnion	
3	3558000019	1	Hold Down Assembly	
4	1001166855	1	Roll Cylinder Assembly (See Separate Breakdown in this Section)	
5	1001270175	2	Tilt Cylinder Assembly (See Separate Breakdown in this Section)	
6	1001142062	2	Bracket	
7	7949000008	2	Washer 2-1/4	
8	4691000573	2	Pin	
9	0641624	2	Capscrew 3/8 x 3	
10	3300492	7	Nut 3/8	
11	3017000104	1	Angle	
12	7189000026	4	Bumper	
13	7114141450	2	Capscrew 1/4 x 1-3/4	
14	7660142604	2	Nut 1/4	
15	7950140143	6	Washer 1/4	
16	4679000332	2	Pad	
17	1001188134	2	Pin	
18	0651816	8	Capscrew 1/2 x 2	
19	4891800	28	Washer 1/2	
20	7660182333	16	Nut 1/2	
21	0641612	4	Capscrew 3/8 x 1-1/2	
22	3340898	10	Pad	
23	3636000144	2	Trunnion	
24	7701000048	4	Plug	
25	7660202347	4	Nut 5/8	
26	1001159913	2	Angle	
27	7701000063	4	Plug	
28	1001188139	2	Pin	
29	0641806	2	Capscrew 1/2 x 3/4	
30	7949000072	2	Washer 2	
31	4892000	4	Washer 5/8	
32	7105202050	4	Capscrew 5/8 x 2-1/2	
33	4209000358	14	Bushing	
34	7115181464	4	Bolt 1/2 x 1-3/4	
35	7660182601	8	Nut 1/2	
36	7274000125	8	Clamp	
37	7120000032	8	Bolt 3/8 x 1-3/4	
38	4178000912	2	Bracket	
39	0641814	4	Bolt 1/2 x 1-3/4	
40	1001162798	1	Plate	
41	7114100818	2	Capscrew #10 x 1	
42	3300455	2	Nut 10	
43	4751300	4	Washer 3/16	
44	0642216	4	Bolt 3/4 x 2	
45	7660222308	4	Nut 3/4	
46	0741610	1	Bolt 3/8 x 1-1/4	
47	4751600	1	Washer 3/8	
48	3271601	8	Nut 3/8	
49	7082000017	4	Bearing	

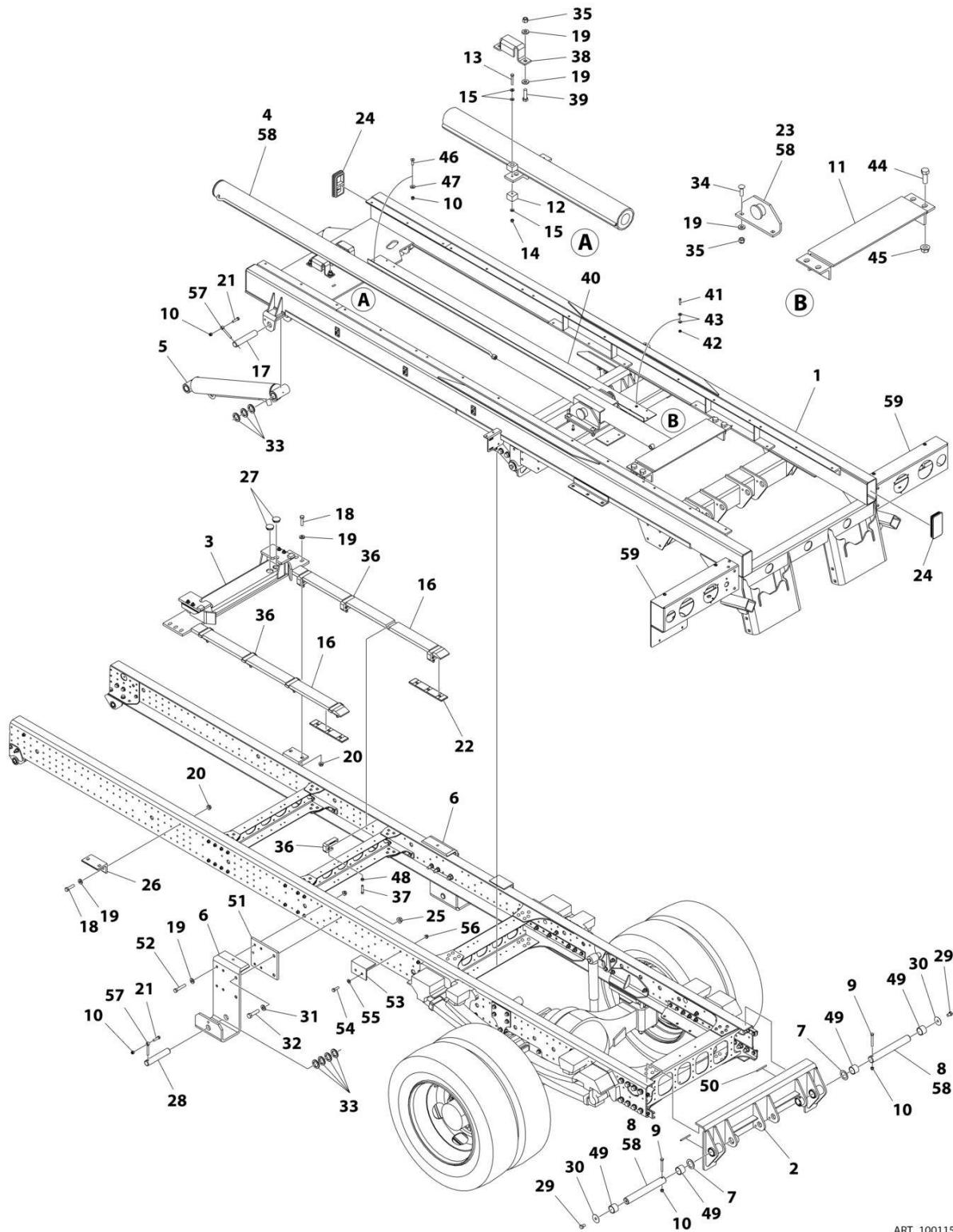
## SECTION 1 - SUBFRAME

ITEM	PART NUMBER	QTY	DESCRIPTION	REV
50	1001159822	2	Rod	
51	1001159915	2	Shim	
52	0651822	8	Bolt 1/2 x 2-3/4	
53	1001159914	2	Angle	
54	0761015	4	Bolt M10 x 35	
55	4711700	4	Washer 7/16	
56	5261000	4	Nut M10	
57	3841143	4	Keeper, Shaft	
58	3020039	AR	Lubricant	
59	1001173948	1	Light Box and Cover Installation (See Separate Breakdown in this Section)	



# SECTION 1 - SUBFRAME

## FIGURE 1-12. SUBFRAME INSTALLATION- 22FT (HINO 195) (GALVANIZED)



ART\_1001159905

## SECTION 1 - SUBFRAME

**FIGURE 1-12. SUBFRAME INSTALLATION- 22FT (HINO 195) (GALVANIZED)**

ITEM	PART NUMBER	QTY	DESCRIPTION	REV
	1001159905	Ref	SUBFRAME INSTALLATION XLP GALVANIZED HINO	E
1	1001177720	1	Frame Weldment	
2	1001162403	1	Trunnion	
3	3558000019	1	Hold Down Assembly	
4	1001166855	1	Roll Cylinder Assembly (See Separate Breakdown in this Section)	
5	1001270175	2	Tilt Cylinder Assembly (See Separate Breakdown in this Section)	
6	1001142062	2	Bracket	
7	7949000008	2	Washer 2-1/4	
8	4691000573	2	Pin	
9	0641624	2	Capscrew 3/8 x 3	
10	3300492	7	Nut 3/8	
11	3017000104	1	Angle	
12	7189000026	4	Bumper	
13	7114141450	2	Capscrew 1/4 x 1-3/4	
14	7660142604	2	Nut 1/4	
15	7950140143	6	Washer 1/4	
16	4679000332	2	Pad	
17	1001188134	2	Pin	
18	0651816	8	Capscrew 1/2 x 2	
19	4891800	28	Washer 1/2	
20	7660182333	16	Nut 1/2	
21	0641612	4	Capscrew 3/8 x 1-1/2	
22	3340898	10	Pad	
23	3636000144	2	Trunnion	
24	7701000048	4	Plug	
25	7660202347	4	Nut 5/8	
26	1001159913	2	Angle	
27	7701000063	4	Plug	
28	1001188139	2	Pin	
29	0641806	2	Capscrew 1/2 x 3/4	
30	7949000072	2	Washer 2	
31	4892000	4	Washer 5/8	
32	7105202050	4	Capscrew 5/8 x 2-1/2	
33	4209000358	14	Bushing	
34	7115181464	4	Bolt 1/2 x 1-3/4	
35	7660182601	8	Nut 1/2	
36	7274000125	8	Clamp	
37	7120000032	8	Bolt 3/8 x 1-3/4	
38	4178000912	2	Bracket	
39	0641814	4	Bolt 1/2 x 1-3/4	
40	1001162798	1	Plate	
41	7114100818	2	Capscrew #10 x 1	
42	3300455	2	Nut 10	
43	4751300	4	Washer 3/16	
44	0642216	4	Bolt 3/4 x 2	
45	7660222308	4	Nut 3/4	
46	0741610	1	Bolt 3/8 x 1-1/4	
47	4751600	1	Washer 3/8	
48	3271601	8	Nut 3/8	
49	7082000017	4	Bearing	

## SECTION 1 - SUBFRAME

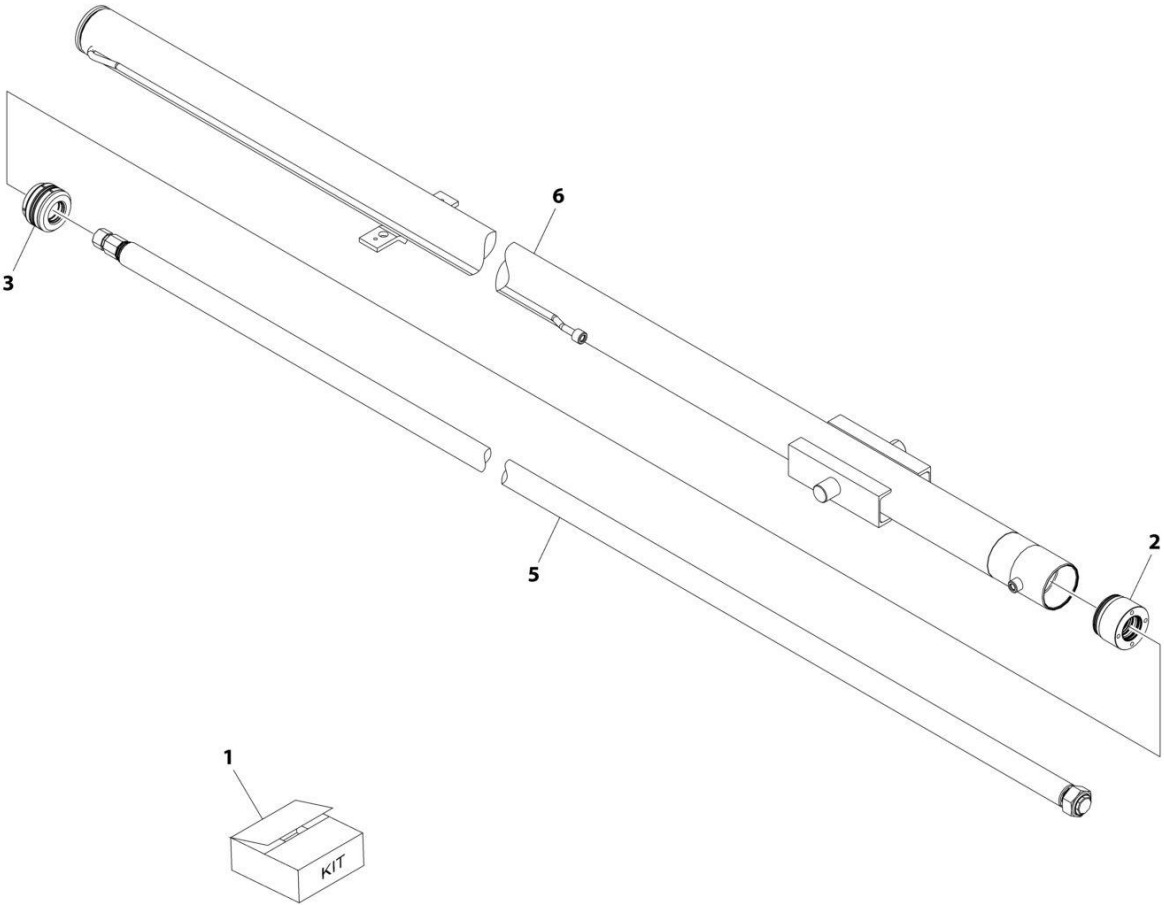
ITEM	PART NUMBER	QTY	DESCRIPTION	REV
50	1001159822	2	Rod	
51	1001159915	2	Shim	
52	0651822	8	Bolt 1/2 x 2-3/4	
53	1001159914	2	Angle	
54	0761015	4	Bolt M10 x 35	
55	4711700	4	Washer 7/16	
56	5261000	4	Nut M10	
57	3841143	4	Keeper, Shaft	
58	3020039	AR	Lubricant	
59	1001173949	1	Light Box and Cover Installation (See Separate Breakdown in this Section)	





**SECTION 1 - SUBFRAME**

**FIGURE 1-13. ROLL CYLINDER ASSEMBLY**



ART\_1001166855

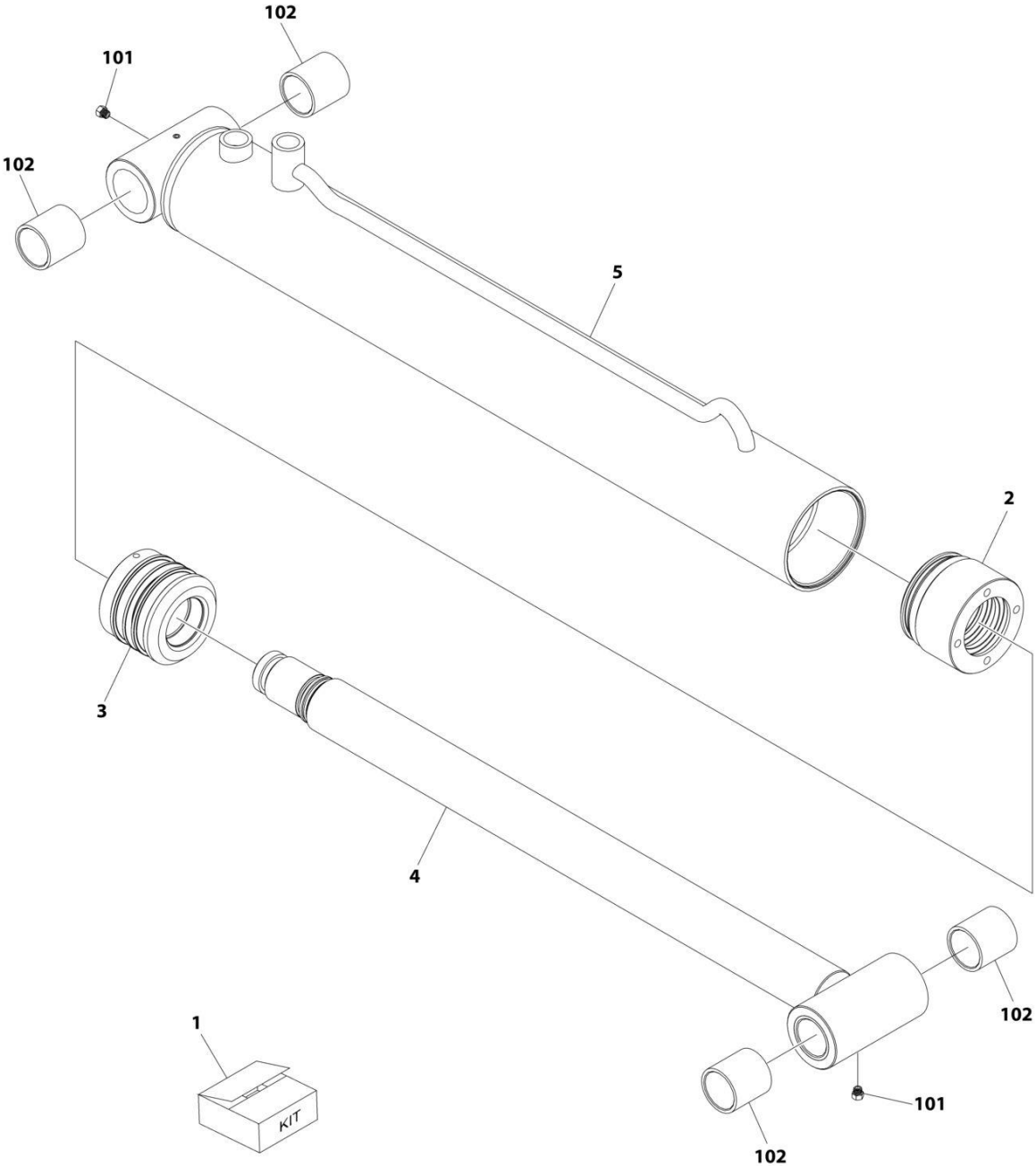
**SECTION 1 - SUBFRAME**

**FIGURE 1-13. ROLL CYLINDER ASSEMBLY**

<b>ITEM</b>	<b>PART NUMBER</b>	<b>QTY</b>	<b>DESCRIPTION</b>	<b>REV</b>
	1001166855	Ref	Roll Cylinder Assembly	C
1	70051167	1	Kit, Seal	
2	70051170	1	Kit, Head	
3	70051171	1	Kit, Piston	
4	70051174	1	Instruction Assembly/Disassembly (not shown)	
5	70051394	1	Rod	
6	70051395	1	Barrel	

**SECTION 1 - SUBFRAME**

**FIGURE 1-14. TILT CYLINDER ASSEMBLY**



ART\_1001270175

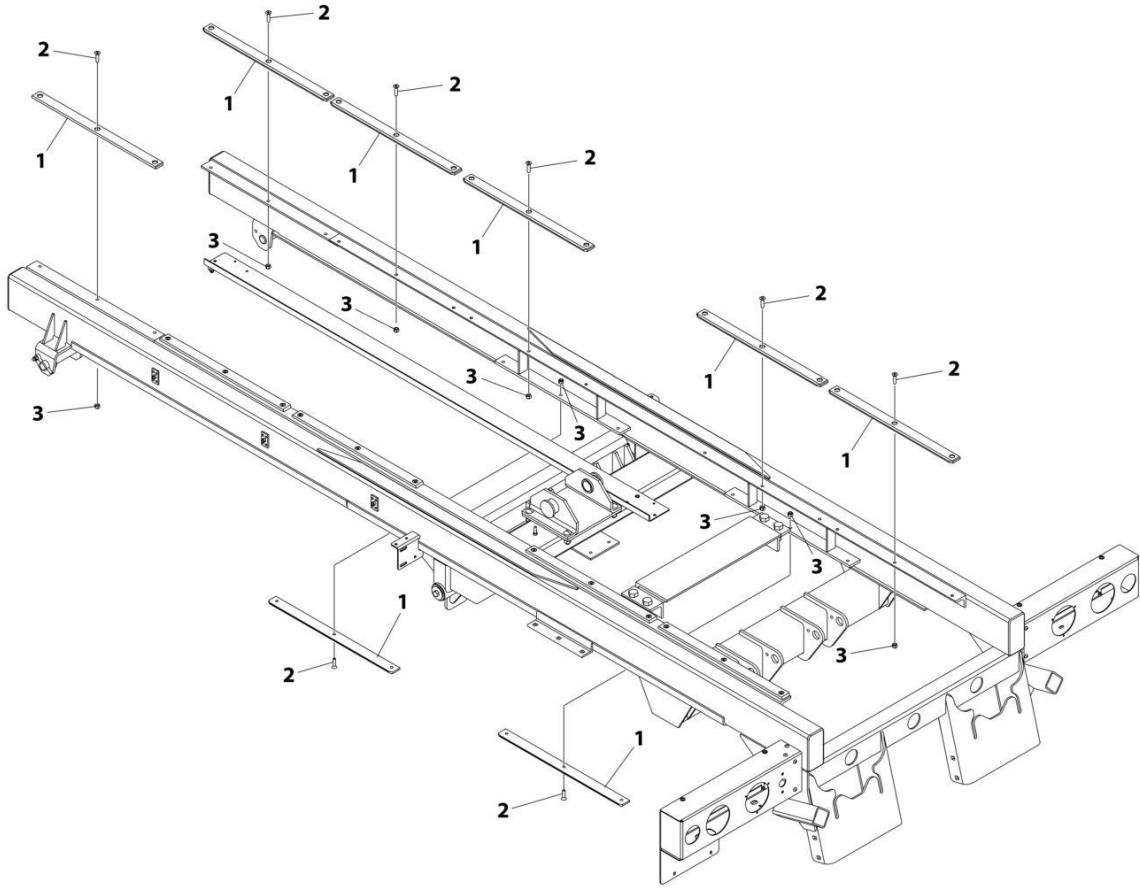
# SECTION 1 - SUBFRAME

## FIGURE 1-14. TILT CYLINDER ASSEMBLY

ITEM	PART NUMBER	QTY	DESCRIPTION	REV
	1001270175	Ref	TILT CYLINDER ASSEMBLY	B
1	70051168	1	Kit, Seal	
1	See Note	NSS	Ring, Back Up (Note: Use PN 70051168)	
1	See Note	NSS	O-Ring (Note: Use PN 70051168)	
1	See Note	NSS	Buffer Ring (Note: Use PN 70051168)	
1	See Note	NSS	Bushing (Note: Use PN 70051168)	
1	See Note	NSS	Rod Seal (Note: Use PN 70051168)	
1	See Note	NSS	Wiper (Note: Use PN 70051168)	
1	See Note	NSS	Piston Seal (Note: Use PN 70051168)	
1	See Note	NSS	Wearing (Note: Use PN 70051168)	
2	70051172	1	Head Kit	
2	See Note	NSS	Back Up Ring (Note: Use PN 70051172)	
2	See Note	NSS	Buffer Ring (Note: Use PN 70051172)	
2	See Note	NSS	Bushing (Note: Use PN 70051172)	
2	See Note	NSS	O-Ring (Note: Use PN 70051172)	
2	See Note	NSS	Retainer (Note: Use PN 70051172)	
2	See Note	NSS	Rod Seal (Note: Use PN 70051172)	
2	See Note	NSS	Wiper (Note: Use PN 70051172)	
3	70051173	1	Piston Kit	
3	See Note	NSS	Piston (Note: Use PN 70051173)	
3	See Note	NSS	Piston Seal (Note: Use PN 70051173)	
3	See Note	NSS	Setscrew (Note: Use PN 70051173)	
3	See Note	NSS	Wear Ring (Note: Use PN 70051173)	
4	70052741	1	Rod	
5	See Note	NSS	Barrel ( Note: Use PN 1001270175)	
101	1001204776	2	Fitting	
102	7082000016	4	Bearing	

# SECTION 1 - SUBFRAME

## FIGURE 1-15. PAD INSTALLATION - SUBFRAME



ART\_2679000010

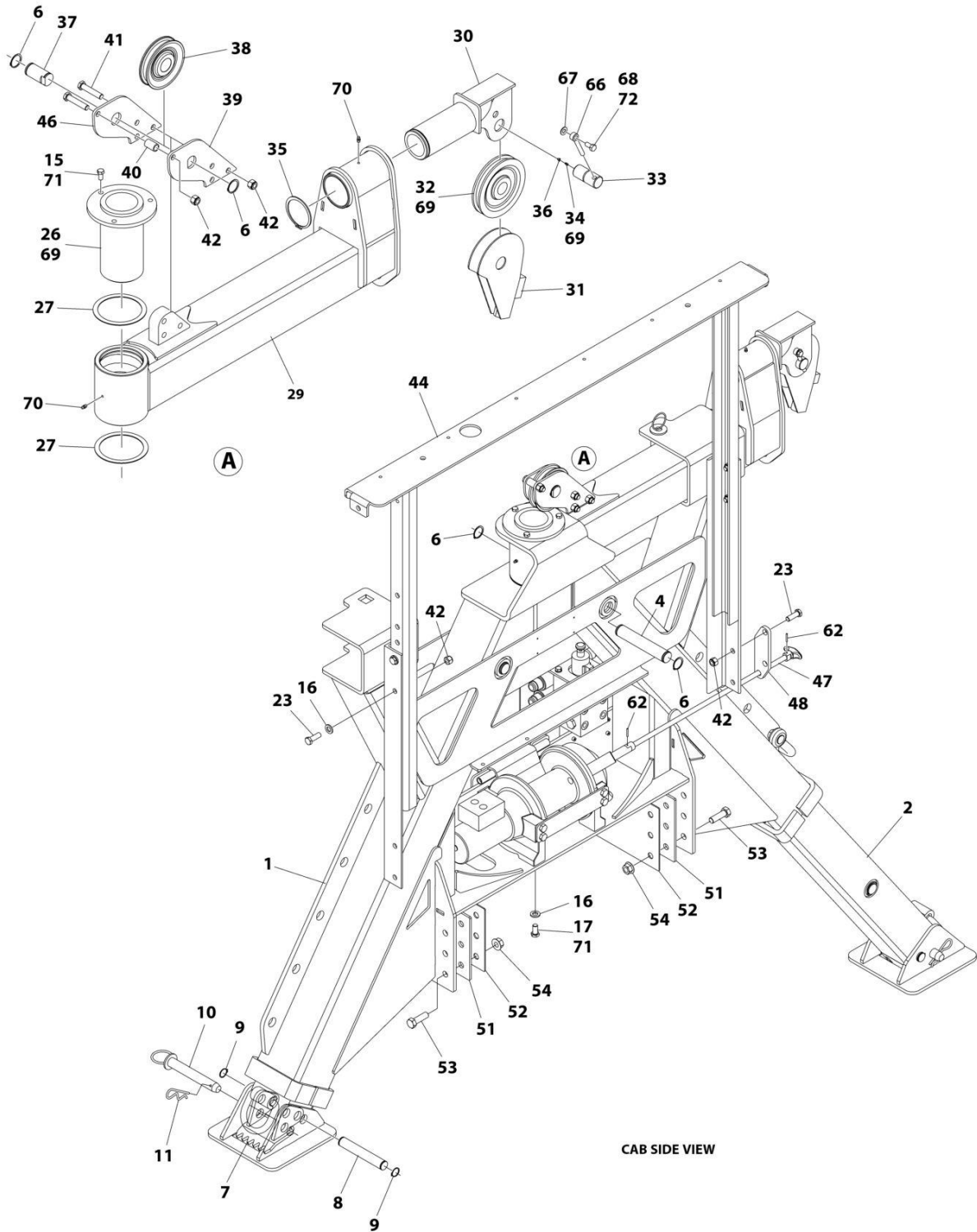
**SECTION 1 - SUBFRAME**

**FIGURE 1-15. PAD INSTALLATION - SUBFRAME**

<b>ITEM</b>	<b>PART NUMBER</b>	<b>QTY</b>	<b>DESCRIPTION</b>	<b>REV</b>
	2679000010	Ref	PAD INSTALLATION SLIDE 19-22FT XLP SUBFRAME	0
1	4679000145	14	Pad	
2	7118161026	42	Capscrew 3/8 x 1-1/4	
3	7660162601	42	Nut 3/8	

# SECTION 1 - SUBFRAME

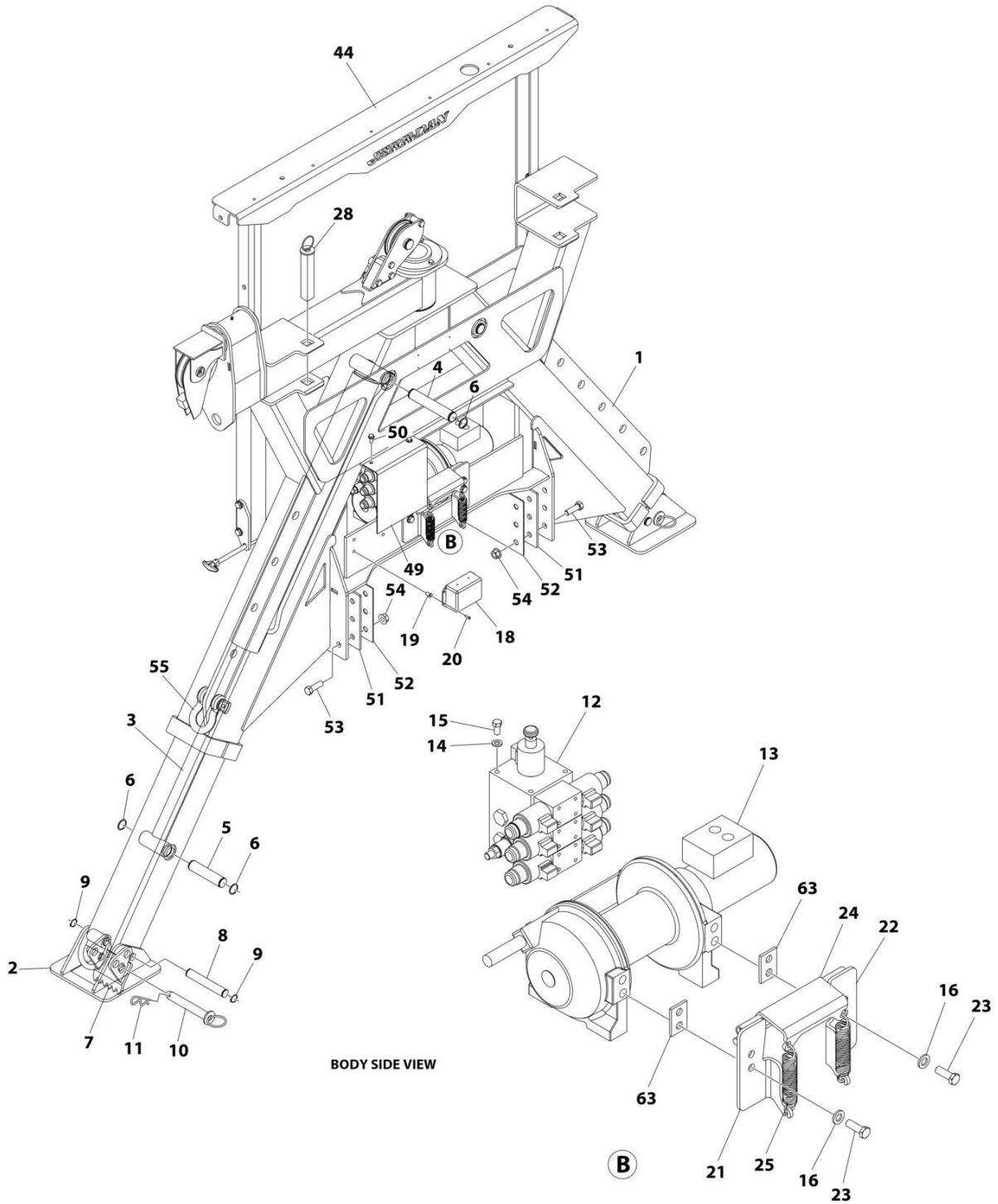
FIGURE 1-16. SIDE RECOVERY SYSTEM (SRS) INSTALLATION - 8000 LBS WINCH



ART\_3455000059\_10F2



# SECTION 1 - SUBFRAME



BODY SIDE VIEW

ART\_345500059\_2OF2

# SECTION 1 - SUBFRAME

**FIGURE 1-16. SIDE RECOVERY SYSTEM (SRS) INSTALLATION - 8000 LBS WINCH**

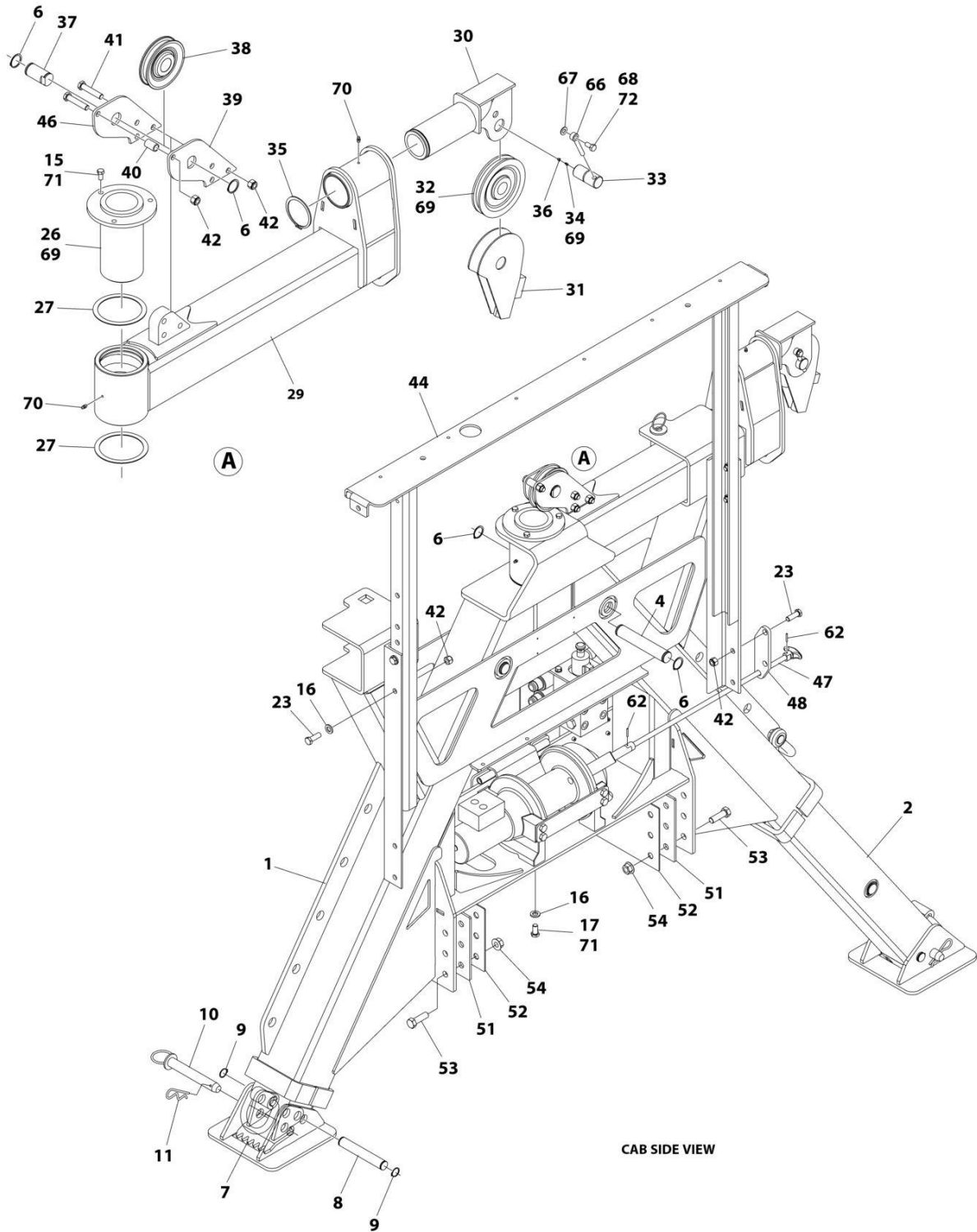
ITEM	PART NUMBER	QTY	DESCRIPTION	REV
	3455000059	Ref	FRAME ASSEMBLY (SRS-8)	D
1	3455000058	1	Frame Weldment	
2	3170000473	2	Boom Weldment	
3	3320000229	2	Cylinder Assembly (See Separate Breakdown in this Section)	
4	4691000296	2	Pin	
5	4691000429	2	Pin	
6	3760133	9	Ring	
7	3706000363	2	Plate	
8	4691000495	2	Pin	
9	7754000019	6	Ring	
10	3691000064	2	Pin	
11	7691000001	2	Hair Pin	
12	3619000010	1	Manifold Assembly	
13	7970000157	1	Winch Assembly (See Separate Breakdown in this Section)	
14	7950160000	3	Lockwasher	
15	0641606	6	Bolt 3/8 x 3/4	
16	4891800	20	Washer 1/2	
17	1001139343	8	Bolt 1/2 x 1-1/4	
18	7295000118	1	Controller	
19	7661000007	4	Nut #10	
20	7104100613	4	Screw #10	
21	3178000517	1	Bracket	
22	3178000518	1	Bracket	
23	0641812	10	Bolt 1/2 1-1/2	
24	3706000364	1	Plate	
25	7843000035	2	Spring	
26	3691000259	1	Pin	
27	4949000059	2	Washer 5 x 4-1/2	
28	3691000260	1	Pin	
29	1001206388	1	Boom	
30	1001206161	1	Support	
31	1001206167	1	Support	
32	7809000001	1	Sheave	
33	1001206171	1	Pin	
34	88671008	1	Fitting, Straight	
35	7754000005	1	Ring	
36	7253000002	1	Fitting	
37	4691000513	1	Pin	
38	7809000021	1	Sheave	
39	4706005651	1	Plate	
40	4209000336	1	Bushing	
41	0641820	4	Bolt 1/2 x 2	
42	7660182601	12	Nut 1/2	
44	3241000208	1	Headboard	
45	7552000385	1	Side Recovery System Harness (Not Shown - See Separate Breakdown in ELECTRICAL Section)	
46	4706005650	1	Plate	
47	3763000188	1	Rod	
48	4706005672	1	Plate	
49	4314000167	1	Cover	

## SECTION 1 - SUBFRAME

ITEM	PART NUMBER	QTY	DESCRIPTION	REV
50	7790161253	2	Screw 3/8 x 3/4	
51	4831000126	2	Spacer	
52	4831000127	2	Spacer	
53	0652016	12	Bolt 5/8 x 2	
54	7660202347	12	Nut 1/6	
55	7804000007	1	Shackle	
56	7248000077	1	Wire Rope (Not Shown)	
57	7274000053	4	Clamp (Not Shown)	
58	0641508	4	Bolt 5/16 x 1 (Not Shown)	
59	4751500	4	Washer 5/16 (Not Shown)	
60	7660152601	4	Nut 1/3 (Not Shown)	
61	7002000519	1	Snatch (Not Shown)	
62	7690051641	1	Pin	
63	4706005752	2	Plate	
66	3841143	1	Keeper	
67	4711600	1	Washer	
68	0651606	1	Bolt 3/8 x 3/4	
69	3020039	AR	Lubricant	
70	3020029	AR	Lube	
71	0100071	AR	Adhesive	
72	1001095650	AR	Adhesive	

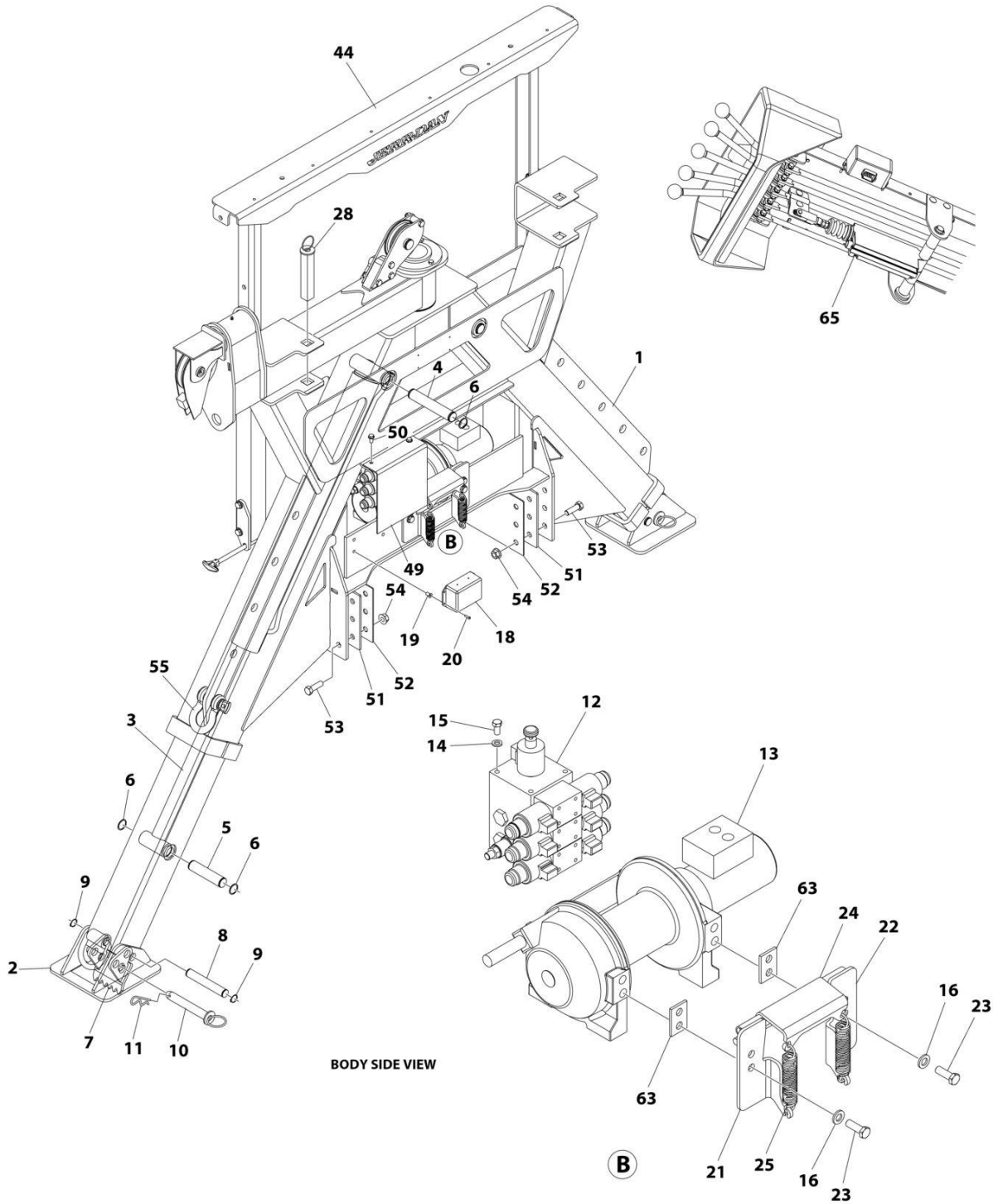
# SECTION 1 - SUBFRAME

## FIGURE 1-17. SIDE RECOVERY SYSTEM (SRS) INSTALLATION - 8000 LBS WINCH WITH REMOTE CONTROL



ART\_3455000064\_10F2

# SECTION 1 - SUBFRAME



BODY SIDE VIEW

ART\_345500064\_2OF2

## SECTION 1 - SUBFRAME

**FIGURE 1-17. SIDE RECOVERY SYSTEM (SRS) INSTALLATION - 8000 LBS WINCH WITH REMOTE CONTROL**

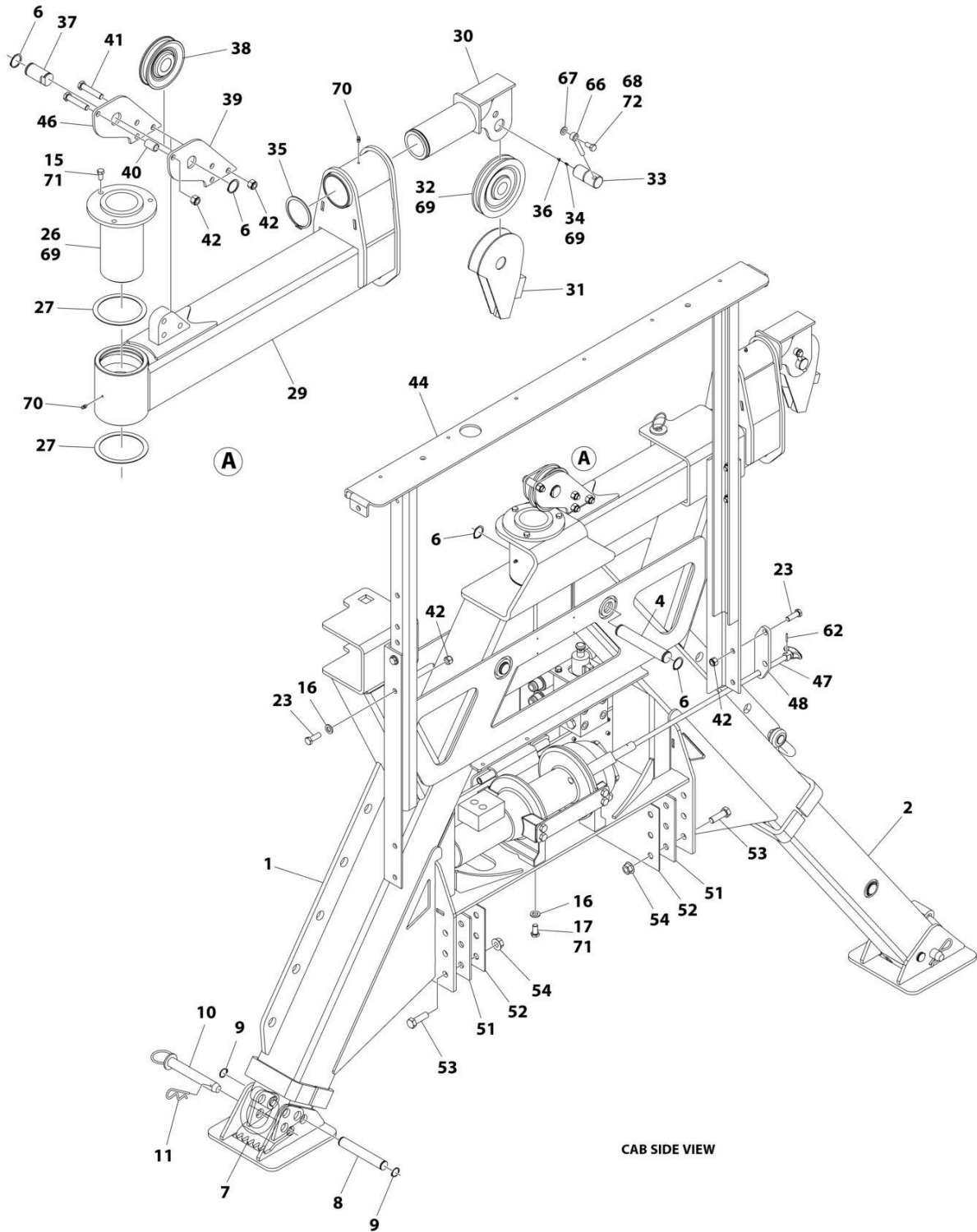
ITEM	PART NUMBER	QTY	DESCRIPTION	REV
	3455000064	Ref	FRAME ASSEMBLY (SRS-8), 3+1 REMOTE	C
1	3455000058	1	Frame Weldment	
2	3170000473	2	Boom Weldment	
3	3320000229	2	Cylinder Assembly (See Separate Breakdown in this Section)	
4	4691000296	2	Pin	
5	4691000429	2	Pin	
6	3760133	9	Ring	
7	3706000363	2	Plate	
8	4691000495	2	Pin	
9	7754000019	6	Ring	
10	3691000064	2	Pin	
11	7691000001	2	Hair Pin	
12	3619000010	1	Manifold Assembly	
13	7970000157	1	Winch Assembly (See Separate Breakdown in this Section)	
14	7950160000	3	Lockwasher	
15	0641606	6	Bolt 3/8 x 3/4	
16	4891800	20	Washer 1/2	
17	1001139343	8	Bolt 1/2 x 1-1/4	
18	7295000130	1	Controller	
19	7661000007	4	Nut #10	
20	7104100613	4	Screw #10	
21	3178000517	1	Bracket	
22	3178000518	1	Bracket	
23	0641812	10	Bolt 1/2 1-1/2	
24	3706000364	1	Plate	
25	7843000035	2	Spring	
26	3691000259	1	Pin	
27	4949000059	2	Washer 5 x 4-1/2	
28	3691000260	1	Pin	
29	1001206388	1	Boom	
30	1001206161	1	Support	
31	1001206167	1	Support	
32	7809000001	1	Sheave	
33	1001206171	1	Pin	
34	88671008	1	Fitting, Straight	
35	7754000005	1	Ring	
36	7253000002	1	Fitting	
37	4691000513	1	Pin	
38	7809000021	1	Sheave	
39	4706005651	1	Plate	
40	4209000336	1	Bushing	
41	0641820	4	Bolt 1/2 x 2	
42	7660182601	12	Nut 1/2	
44	3241000208	1	Headboard	
45	7552000413	1	Side Recovery System Harness (Not Shown - See Separate Breakdown in ELECTRICAL Section)	
46	4706005650	1	Plate	
47	3763000188	1	Rod	
48	4706005672	1	Plate	

## SECTION 1 - SUBFRAME

ITEM	PART NUMBER	QTY	DESCRIPTION	REV
49	4314000167	1	Cover	
50	7790161253	2	Screw 3/8 x 3/4	
51	4831000126	2	Spacer	
52	4831000127	2	Spacer	
53	0652016	12	Bolt 5/8 x 2	
54	7660202347	12	Nut 1/6	
55	7804000007	1	Shackle	
56	7248000077	1	Wire Rope (Not Shown)	
57	7274000053	4	Clamp (Not Shown)	
58	0641508	4	Bolt 5/16 x 1 (Not Shown)	
59	4751500	4	Washer 5/16 (Not Shown)	
60	7660152601	4	Nut 1/3 (Not Shown)	
61	7002000519	1	Snatch (Not Shown)	
62	7690051641	1	Pin	
63	4706005752	2	Plate	
65	2577000016	1	Actuator	
66	3841143	1	Keeper	
67	4711600	1	Washer	
68	0651606	1	Bolt 3/8 x 3/4	
69	3020039	AR	Lubricant	
70	3020029	AR	Lube	
71	0100071	AR	Compound Locking	
72	1001095650	AR	Compound Locking	

# SECTION 1 - SUBFRAME

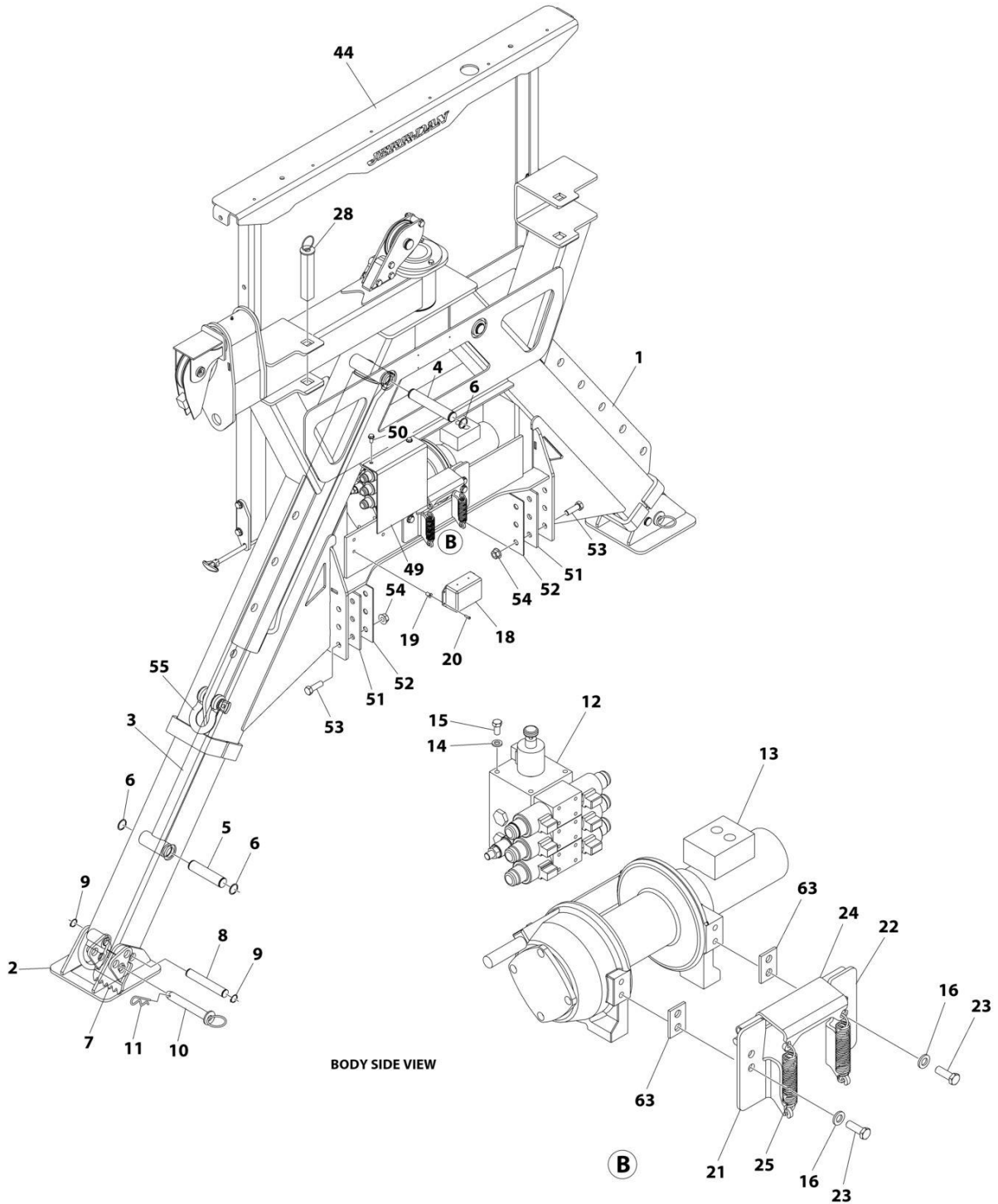
FIGURE 1-18. SIDE RECOVERY SYSTEM (SRS) INSTALLATION - 10000 LBS WINCH (SN 0220022847 through 0220024465)



ART\_3455000060\_10F2



# SECTION 1 - SUBFRAME



ART\_345500060\_2OF2

## SECTION 1 - SUBFRAME

**FIGURE 1-18. SIDE RECOVERY SYSTEM (SRS) INSTALLATION - 10000 LBS WINCH (SN 0220022847 through 0220024465)**

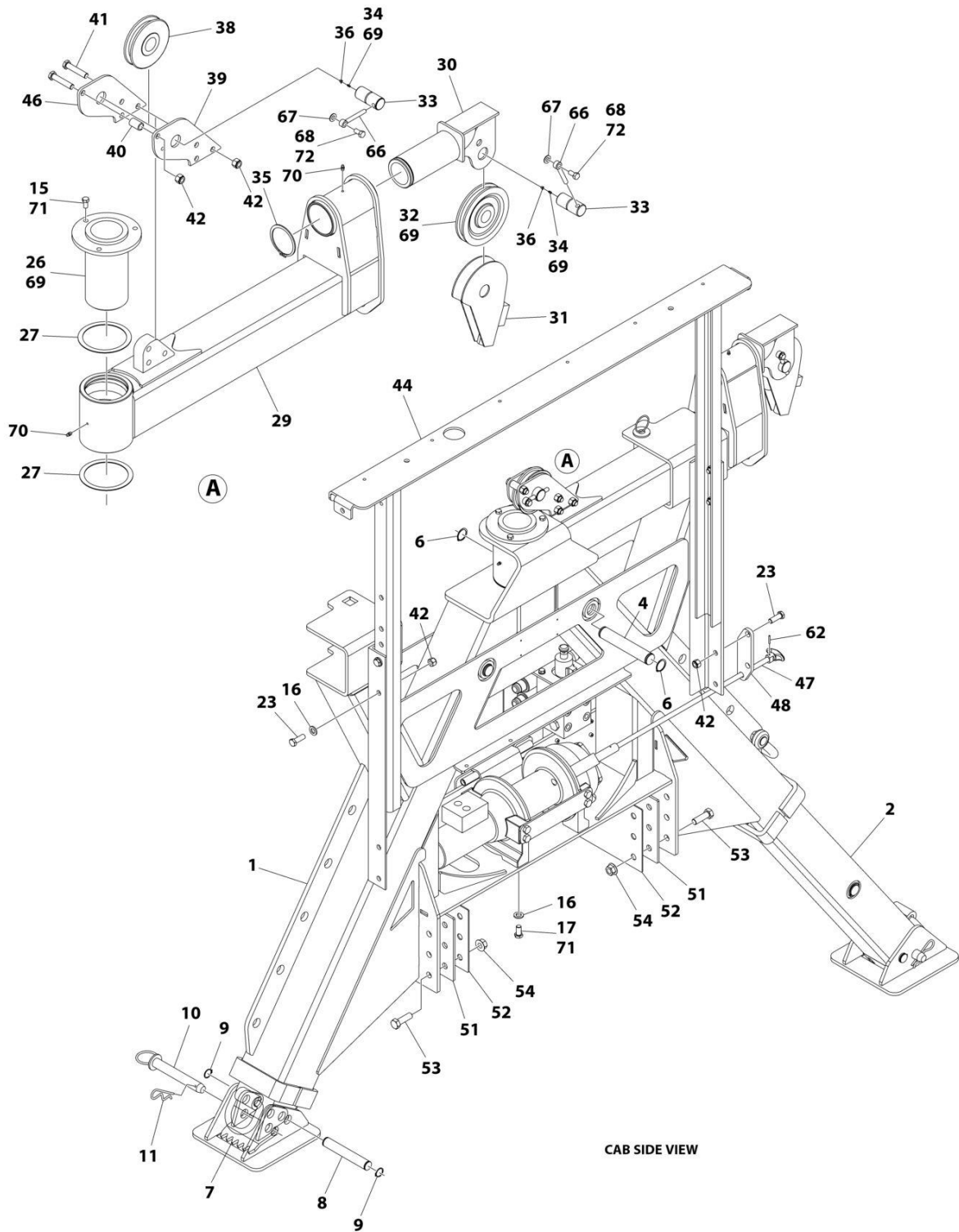
ITEM	PART NUMBER	QTY	DESCRIPTION	REV
	3455000060	Ref	FRAME ASSEMBLY (SRS-10)	D
1	3455000058	1	Frame Weldment	
2	3170000473	2	Boom Weldment	
3	3320000229	2	Cylinder Assembly (See Separate Breakdown in this Section)	
4	4691000296	2	Pin	
5	4691000429	2	Pin	
6	3760133	9	Ring	
7	3706000363	2	Plate	
8	4691000495	2	Pin	
9	7754000019	6	Ring	
10	3691000064	2	Pin	
11	7691000001	2	Hair Pin	
12	3619000010	1	Manifold Assembly	
13	7970000158	1	Winch Assembly (See Separate Breakdown in this Section)	
14	7950160000	3	Lockwasher	
15	0641606	6	Bolt 3/8 x 3/4	
16	4891800	20	Washer 1/2	
17	1001139343	8	Bolt 1/2 x 1-1/4	
18	7295000118	1	Controller	
19	7661000007	4	Nut #10	
20	7104100613	4	Screw #10	
21	3178000517	1	Bracket	
22	3178000518	1	Bracket	
23	0641812	10	Bolt 1/2 1-1/2	
24	3706000364	1	Plate	
25	7843000035	2	Spring	
26	3691000259	1	Pin	
27	4949000059	2	Washer 5 x 4-1/2	
28	3691000260	1	Pin	
29	1001206388	1	Boom	
30	1001206161	1	Support	
31	1001206167	1	Support	
32	7809000001	1	Sheave	
33	1001206171	1	Pin	
34	88671008	1	Fitting, Straight	
35	7754000005	1	Ring	
36	7253000002	1	Fitting	
37	4691000513	1	Pin	
38	7809000021	1	Sheave	
39	4706005651	1	Plate	
40	4209000336	1	Bushing	
41	0641820	4	Bolt 1/2 x 2	
42	7660182601	14	Nut 1/2	
44	3241000208	1	Headboard	
45	7552000385	1	Side Recovery System Harness (Not Shown - See Separate Breakdown in ELECTRICAL Section)	
46	4706005650	1	Plate	
47	3763000188	1	Rod	
48	4706005672	1	Plate	

## SECTION 1 - SUBFRAME

ITEM	PART NUMBER	QTY	DESCRIPTION	REV
49	4314000167	1	Cover	
50	7790161253	2	Screw 3/8 x 3/4	
51	4831000126	2	Spacer	
52	4831000127	2	Spacer	
53	0652016	12	Bolt 5/8 x 2	
54	7660202347	12	Nut 1/6	
55	7804000007	1	Shackle	
56	7248000070	1	Wire Rope (Not Shown)	
57	7274000053	4	Clamp (Not Shown)	
58	0641508	4	Bolt 5/16 x 1 (Not Shown)	
59	4751500	4	Washer 5/16 (Not Shown)	
60	7660152601	4	Nut 1/3 (Not Shown)	
61	7002000519	1	Snatch (Not Shown)	
62	7690051641	1	Pin	
63	4706005752	2	Plate	
66	3841143	1	Keeper	
67	4711600	1	Washer	
68	0651606	1	Bolt 3/8 x 3/4	
69	3020039	AR	Lubricant	
70	3020029	AR	Lube	
71	0100071	AR	Adhesive	
72	1001095650	AR	Adhesive	

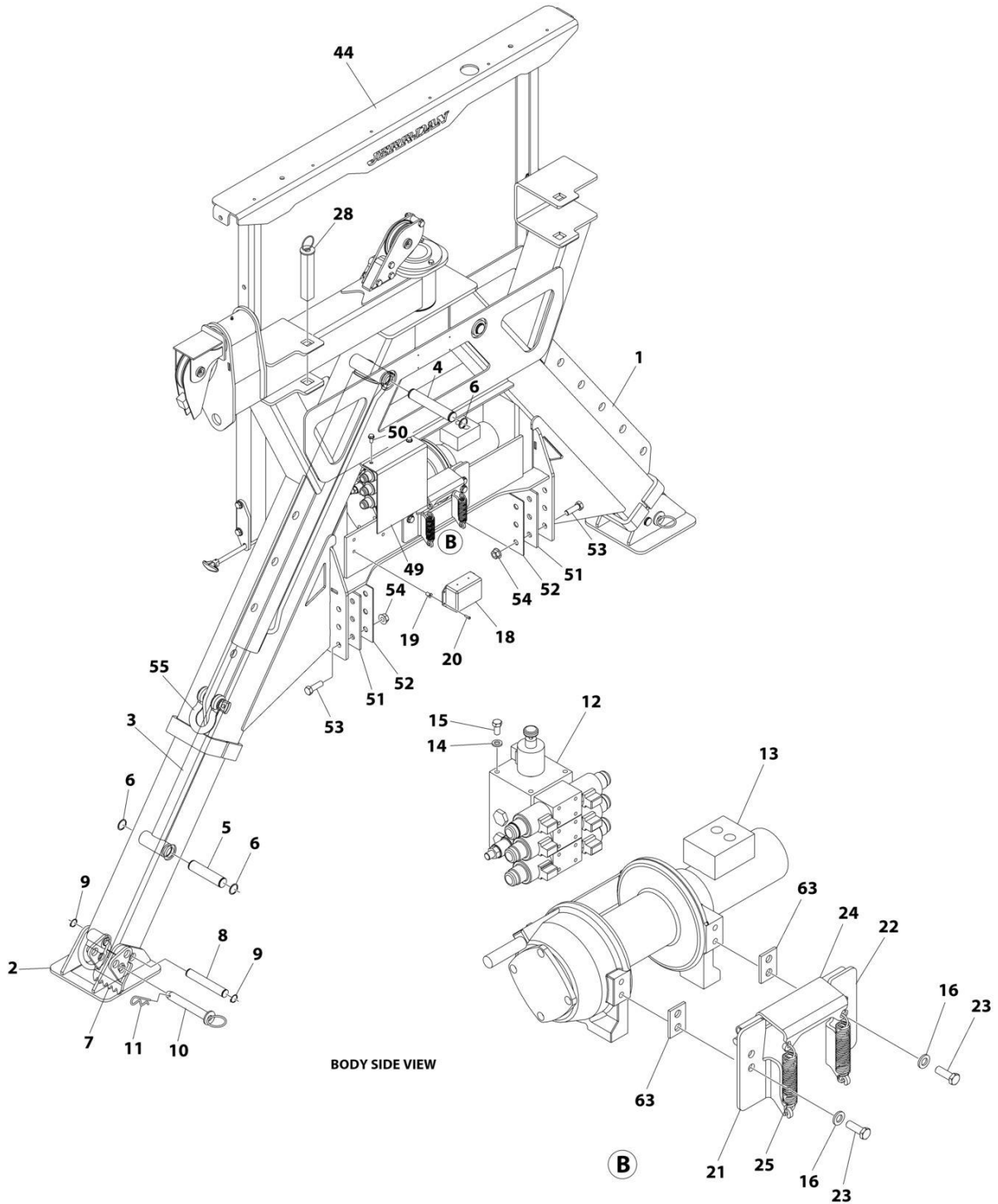
# SECTION 1 - SUBFRAME

FIGURE 1-19. SIDE RECOVERY SYSTEM (SRS) INSTALLATION - 10000 LBS WINCH (3 FUNCTION REMOTE CONTROL) (SN 0220024466 through 02200025491)



ART\_1001271983\_10F2

# SECTION 1 - SUBFRAME



BODY SIDE VIEW

ART\_1001271983\_2OF2

## SECTION 1 - SUBFRAME

**FIGURE 1-19. SIDE RECOVERY SYSTEM (SRS) INSTALLATION - 10000 LBS WINCH (3 FUNCTION REMOTE CONTROL) (SN 0220024466 through 02200025491)**

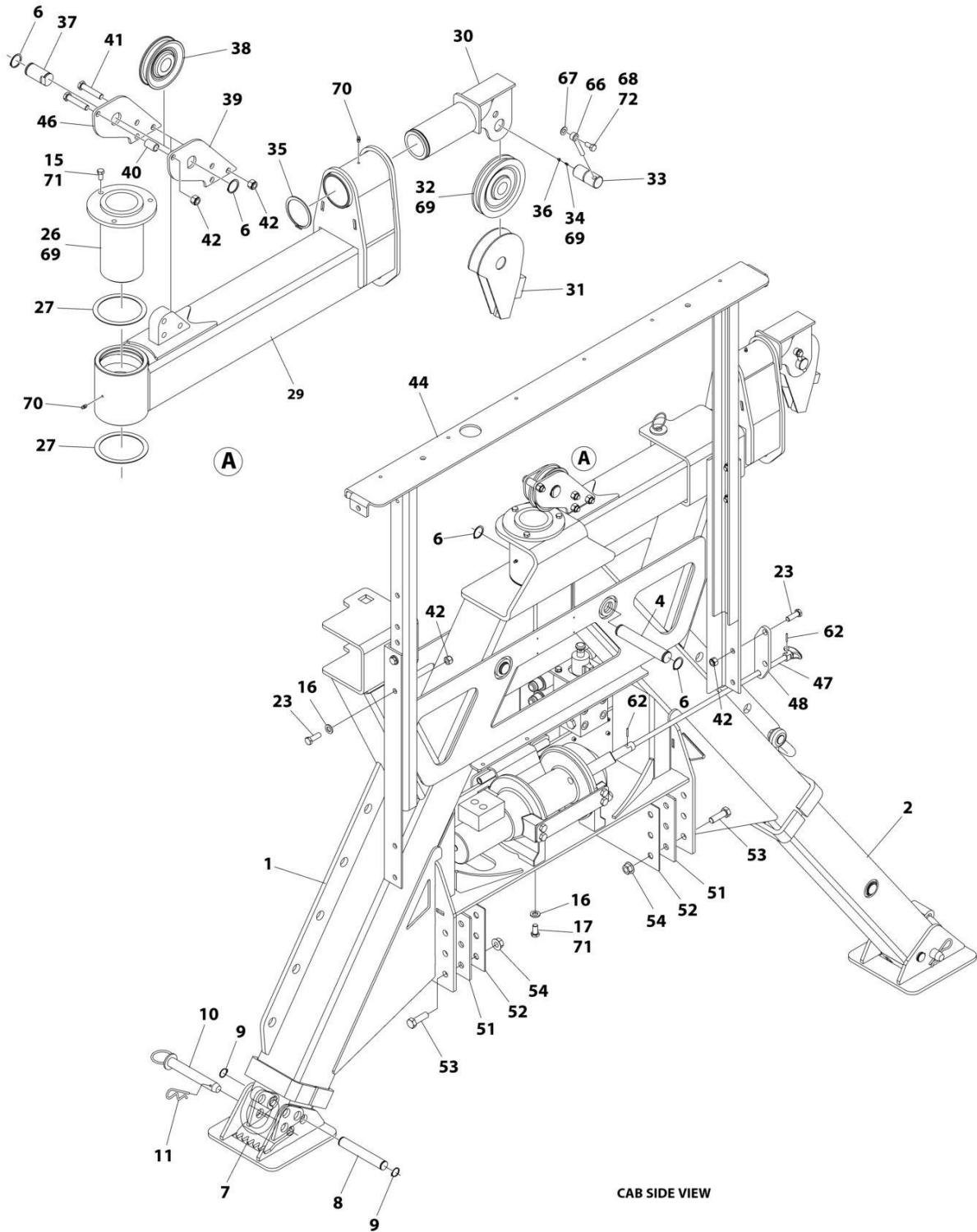
ITEM	PART NUMBER	QTY	DESCRIPTION	REV
	1001271983	Ref	FRAME ASSEMBLY (SRS-10), MAN F/S, 3 REMOTE	A
1	3455000058	1	Frame Weldment	
2	3170000473	2	Boom Weldment	
3	3320000229	2	Cylinder Assembly (See Separate Breakdown in this Section)	
4	4691000296	2	Pin	
5	4691000429	2	Pin	
6	3760133	7	Ring	
7	3706000363	2	Plate	
8	4691000495	2	Pin	
9	7754000019	6	Ring	
10	3691000064	2	Pin	
11	7691000001	2	Hair Pin	
12	3619000010	1	Manifold Assembly	
13	7970000158	1	Winch assembly (See Separate Breakdown in this Section)	
14	7950160000	3	Lockwasher	
15	0641606	6	Bolt 3/8 x 3/4	
16	4891800	20	Washer 1/2	
17	1001139343	8	Bolt 1/2 x 1-1/4	
18	7295000118	1	Controller	
19	7661000007	4	Nut #10	
20	7104100613	4	Screw #10	
21	3178000517	1	Bracket	
22	3178000518	1	Bracket	
23	0641812	10	Bolt 1/2 1-1/2	
24	3706000364	1	Plate	
25	7843000035	2	Spring	
26	3691000259	1	Pin	
27	4949000059	2	Washer 5 x 4-1/2	
28	3691000260	1	Pin	
29	1001206388	1	Boom	
30	1001206161	1	Support	
31	1001206167	1	Support	
32	7809000001	1	Sheave	
33	1001206171	2	Pin	
34	88671008	2	Fitting, Straight	
35	7754000005	1	Ring	
36	7253000002	2	Fitting	
38	1001271775	1	Sheave	
39	1001271842	1	Plate	
40	4209000336	1	Bushing	
41	0641820	4	Bolt 1/2 x 2	
42	7660182601	14	Nut 1/2	
44	3241000208	1	Headboard	
45	7552000385	1	Side Recovery System Harness (Not Shown - See Separate Breakdown in ELECTRICAL Section)	
46	4706005650	1	Plate	
47	3763000188	1	Rod	
48	4706005672	1	Plate	
49	4314000167	1	Cover	

## SECTION 1 - SUBFRAME

ITEM	PART NUMBER	QTY	DESCRIPTION	REV
50	7790161253	2	Screw 3/8 x 3/4	
51	4831000126	2	Spacer	
52	4831000127	2	Spacer	
53	0652016	12	Bolt 5/8 x 2	
54	7660202347	12	Nut 1/6	
55	7804000007	1	Shackle	
56	7248000077	1	Wire Rope (Not Shown)	
57	7274000053	4	Clamp (Not Shown)	
58	0641508	4	Bolt 5/16 x 1 (Not Shown)	
59	4751500	4	Washer 5/16 (Not Shown)	
60	7660152601	4	Nut 1/3 (Not Shown)	
61	7002000519	1	Snatch (Not Shown)	
62	7690051641	1	Pin	
63	4706005752	2	Plate	
66	3841143	2	Keeper	
67	4711600	2	Washer	
68	0651606	2	Bolt 3/8 x 3/4	
69	3020039	AR	Lubricant	
70	3020029	AR	Lube	
71	0100071	AR	Adhesive	
72	1001095650	AR	Adhesive	

# SECTION 1 - SUBFRAME

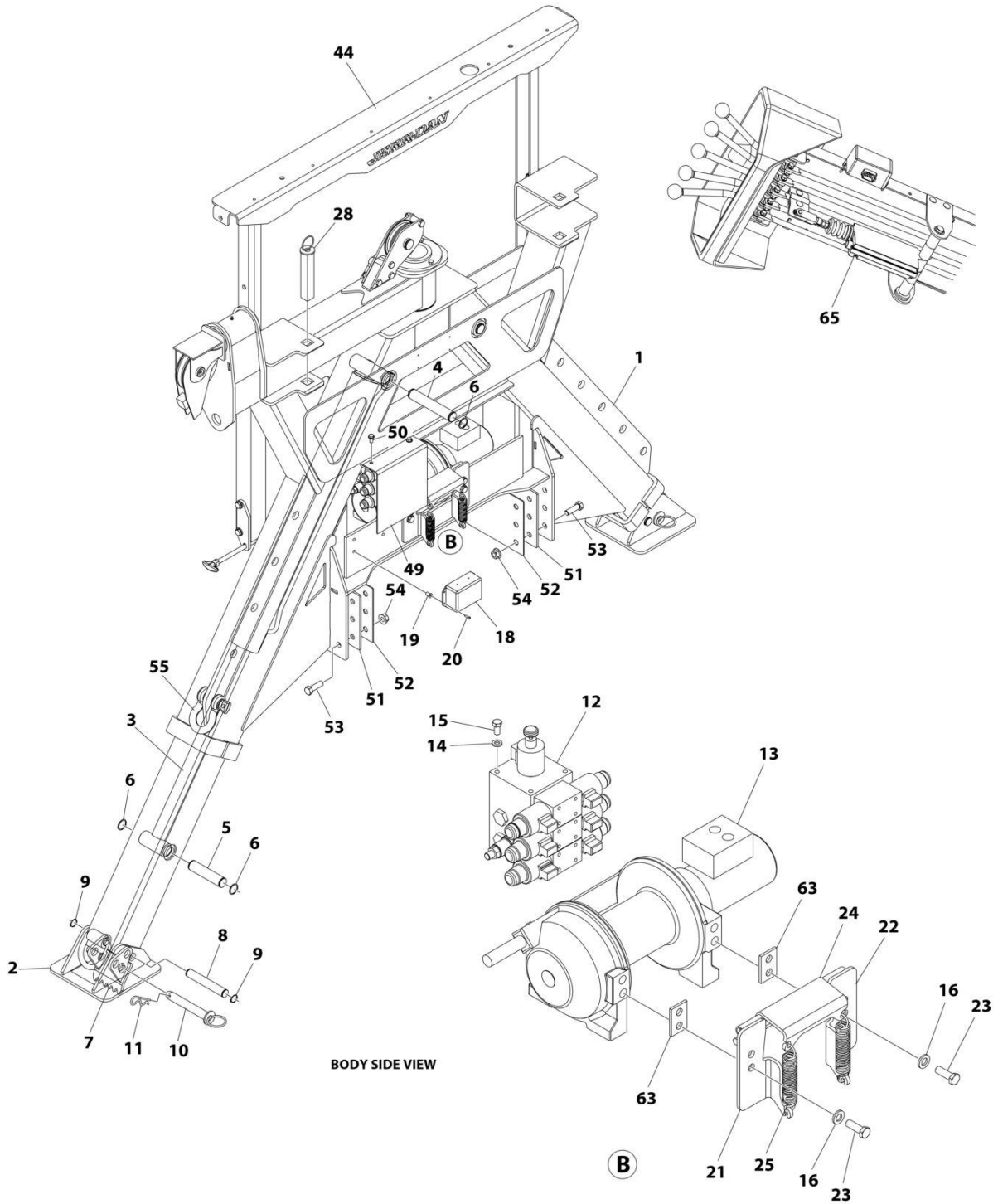
FIGURE 1-20. SIDE RECOVERY SYSTEM (SRS) INSTALLATION - 10000 LBS WINCH WITH REMOTE CONTROL (SN 0220022847 through 0220024465)



ART\_3455000065\_10F2



# SECTION 1 - SUBFRAME



BODY SIDE VIEW

ART\_345500065\_2OF2

## SECTION 1 - SUBFRAME

**FIGURE 1-20. SIDE RECOVERY SYSTEM (SRS) INSTALLATION - 10000 LBS WINCH WITH REMOTE CONTROL (SN 0220022847 through 0220024465)**

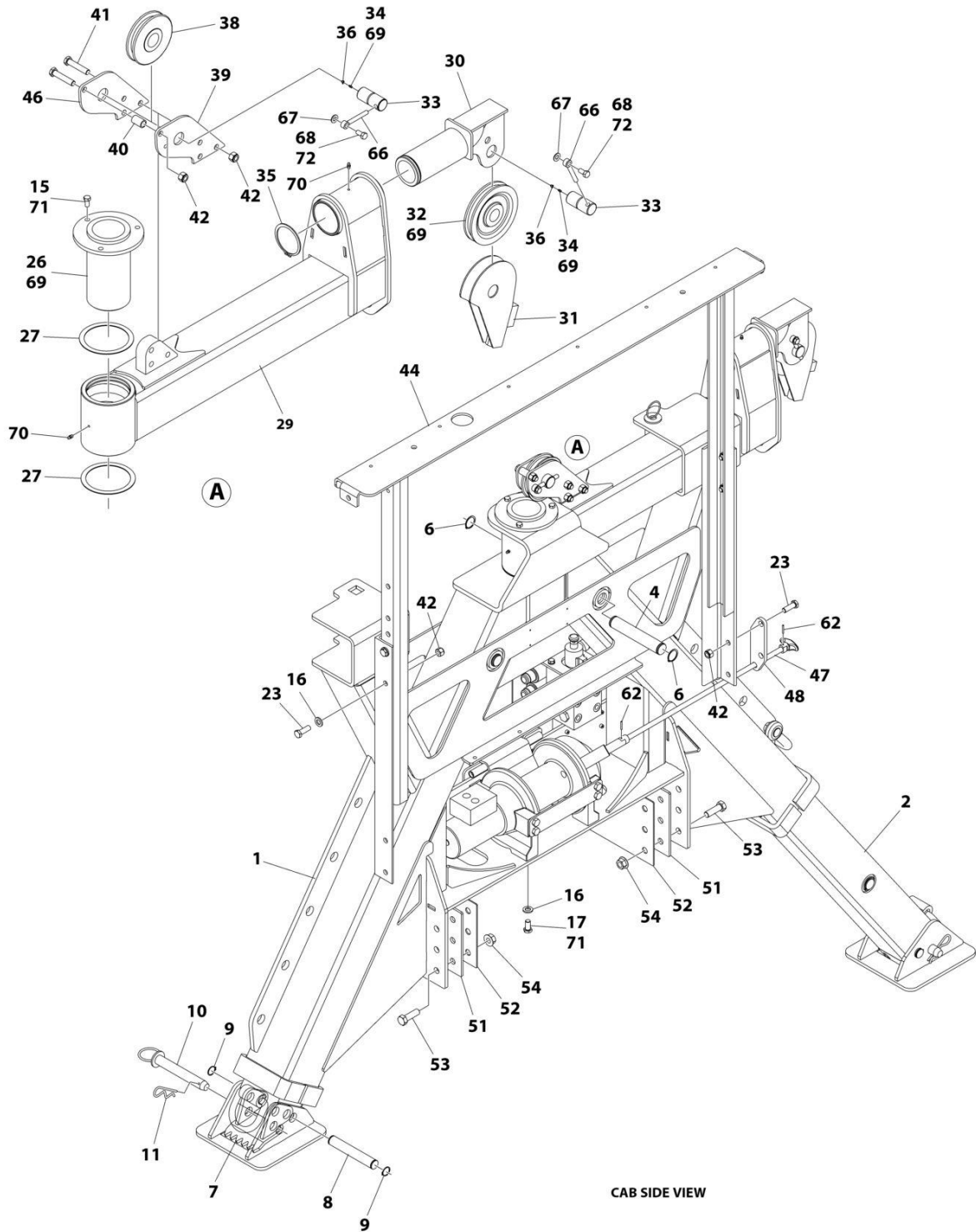
ITEM	PART NUMBER	QTY	DESCRIPTION	REV
	3455000065	Ref	FRAME ASSEMBLY (SRS-10), 3+1 REMOTE	C
1	3455000058	1	Frame Weldment	
2	3170000473	2	Boom Weldment	
3	3320000229	2	Cylinder Assembly (See Separate Breakdown in this Section)	
4	4691000296	2	Pin	
5	4691000429	2	Pin	
6	3760133	9	Ring	
7	3706000363	2	Plate	
8	4691000495	2	Pin	
9	7754000019	6	Ring	
10	3691000064	2	Pin	
11	7691000001	2	Hair Pin	
12	3619000010	1	Manifold Assembly	
13	7970000158	1	Winch Assembly (See Separate Breakdown in this Section)	
14	7950160000	3	Lockwasher	
15	0641606	6	Bolt 3/8 x 3/4	
16	4891800	20	Washer 1/2	
17	1001139343	8	Bolt 1/2 x 1-1/4	
18	7295000130	1	Controller	
19	7661000007	4	Nut #10	
20	7104100613	4	Screw #10	
21	3178000517	1	Bracket	
22	3178000518	1	Bracket	
23	0641812	10	Bolt 1/2 1-1/2	
24	3706000364	1	Plate	
25	7843000035	2	Spring	
26	3691000259	1	Pin	
27	4949000059	2	Washer 5 x 4-1/2	
28	3691000260	1	Pin	
29	1001206388	1	Boom	
30	1001206161	1	Support	
31	1001206167	1	Support	
32	7809000001	1	Sheave	
33	1001206171	1	Pin	
34	88671008	1	Fitting, Straight	
35	7754000005	1	Ring	
36	7253000002	1	Fitting	
37	4691000513	1	Pin	
38	7809000021	1	Sheave	
39	4706005651	1	Plate	
40	4209000336	1	Bushing	
41	0641820	4	Bolt 1/2 x 2	
42	7660182601	12	Nut 1/2	
44	3241000208	1	Headboard	
45	7552000413	1	Side Recovery System Harness (Not Shown - See Separate Breakdown in ELECTRICAL Section)	
46	4706005650	1	Plate	
47	3763000188	1	Rod	
48	4706005672	1	Plate	

## SECTION 1 - SUBFRAME

ITEM	PART NUMBER	QTY	DESCRIPTION	REV
49	4314000167	1	Cover	
50	7790161253	2	Screw 3/8 x 3/4	
51	4831000126	2	Spacer	
52	4831000127	2	Spacer	
53	0652016	12	Bolt 5/8 x 2	
54	7660202347	12	Nut 1/6	
55	7804000007	1	Shackle	
56	7248000070	1	Wire Rope (Not Shown)	
57	7274000053	4	Clamp (Not Shown)	
58	0641508	4	Bolt 5/16 x 1 (Not Shown)	
59	4751500	4	Washer 5/16 (Not Shown)	
60	7660152601	4	Nut 1/3 (Not Shown)	
61	7002000519	1	Snatch (Not Shown)	
62	7690051641	1	Pin	
63	4706005752	2	Plate	
65	2577000016	1	Linear Actuator Kit	
66	3841143	1	Keeper	
67	4711600	1	Washer	
68	0651606	1	Bolt 3/8 x 3/4	
69	3020039	AR	Lubricant	
70	3020029	AR	Lube	
71	0100071	AR	Adhesive	
72	1001095650	AR	Adhesive	

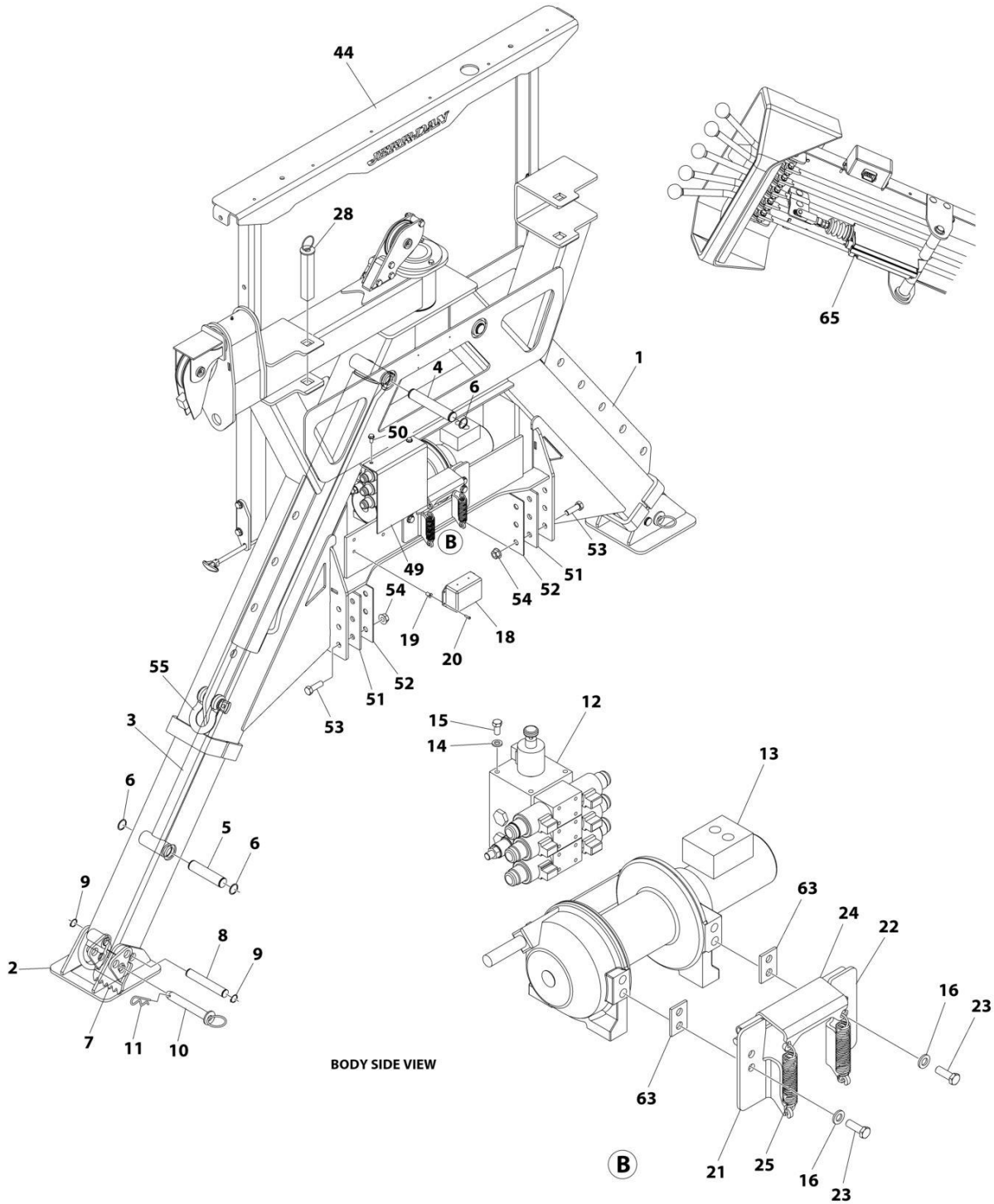
# SECTION 1 - SUBFRAME

FIGURE 1-21. SIDE RECOVERY SYSTEM (SRS) INSTALLATION - 10000 LBS WINCH (4 FUNCTION REMOTE CONTROL) (SN 0220024466 through 02200025491)



ART\_1001271985\_10F2

# SECTION 1 - SUBFRAME



ART\_1001271985\_2OF2

## SECTION 1 - SUBFRAME

**FIGURE 1-21. SIDE RECOVERY SYSTEM (SRS) INSTALLATION - 10000 LBS WINCH (4 FUNCTION REMOTE CONTROL) (SN 0220024466 through 02200025491)**

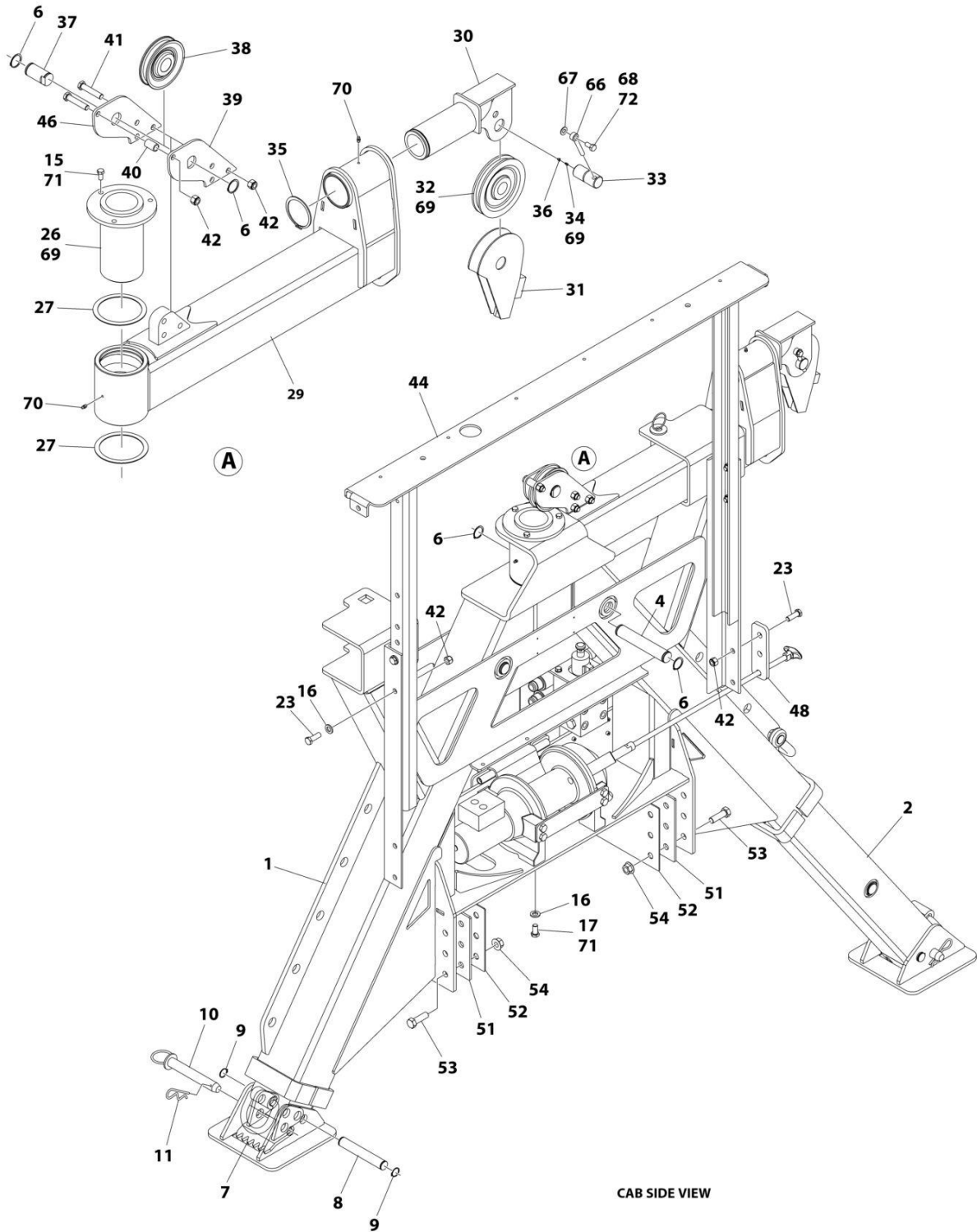
ITEM	PART NUMBER	QTY	DESCRIPTION	REV
	1001271985	Ref	FRAME ASSEMBLY (SRS-10), MAN F/S, 4 REMOTE	A
1	3455000058	1	Frame Weldment	
2	3170000473	2	Boom Weldment	
3	3320000229	2	Cylinder Assembly (See Separate Breakdown in this Section)	
4	4691000296	2	Pin	
5	4691000429	2	Pin	
6	3760133	7	Ring	
7	3706000363	2	Plate	
8	4691000495	2	Pin	
9	7754000019	6	Ring	
10	3691000064	2	Pin	
11	7691000001	2	Hair Pin	
12	3619000010	1	Manifold Assembly	
13	7970000158	1	Winch Assembly (See Separate Breakdown in this Section)	
14	7950160000	3	Lockwasher	
15	0641606	6	Bolt 3/8 x 3/4	
16	4891800	20	Washer 1/2	
17	1001139343	8	Bolt 1/2 x 1-1/4	
18	7295000130	1	Controller	
19	7661000007	4	Nut #10	
20	7104100613	4	Screw #10	
21	3178000517	1	Bracket	
22	3178000518	1	Bracket	
23	0641812	10	Bolt 1/2 1-1/2	
24	3706000364	1	Plate	
25	7843000035	2	Spring	
26	3691000259	1	Pin	
27	4949000059	2	Washer 5 x 4-1/2	
28	3691000260	1	Pin	
29	1001206388	1	Boom	
30	1001206161	1	Support	
31	1001206167	1	Support	
32	7809000001	1	Sheave	
33	1001206171	2	Pin	
34	88671008	2	Fitting, Straight	
35	7754000005	1	Ring	
36	7253000002	2	Fitting	
38	1001271775	1	Sheave	
39	1001271842	1	Plate	
40	4209000336	1	Bushing	
41	0641820	4	Bolt 1/2 x 2	
42	7660182601	12	Nut 1/2	
44	3241000208	1	Headboard	
45	7552000413	1	Harness Side Recovery System Harness (Not Shown - See Separate Breakdown in ELECTRICAL Section)	
46	4706005650	1	Plate	
47	3763000188	1	Rod	
48	4706005672	1	Plate	
49	4314000167	1	Cover	

## SECTION 1 - SUBFRAME

ITEM	PART NUMBER	QTY	DESCRIPTION	REV
50	7790161253	2	Screw 3/8 x 3/4	
51	4831000126	2	Spacer	
52	4831000127	2	Spacer	
53	0652016	12	Bolt 5/8 x 2	
54	7660202347	12	Nut 1/6	
55	7804000007	1	Shackle	
56	7248000077	1	Wire Rope (Not Shown)	
57	7274000053	4	Clamp (Not Shown)	
58	0641508	4	Bolt 5/16 x 1 (Not Shown)	
59	4751500	4	Washer 5/16 (Not Shown)	
60	7660152601	4	Nut 1/3 (Not Shown)	
61	7002000519	1	Snatch (Not Shown)	
62	7690051641	1	Pin	
63	4706005752	2	Plate	
65	2577000016	1	Linear Actuator Kit	
66	3841143	2	Keeper	
67	4711600	2	Washer	
68	0651606	2	Bolt 3/8 x 3/4	
69	3020039	AR	Lubricant	
70	3020029	AR	Lube	
71	0100071	AR	Adhesive	
72	1001095650	AR	Adhesive	

# SECTION 1 - SUBFRAME

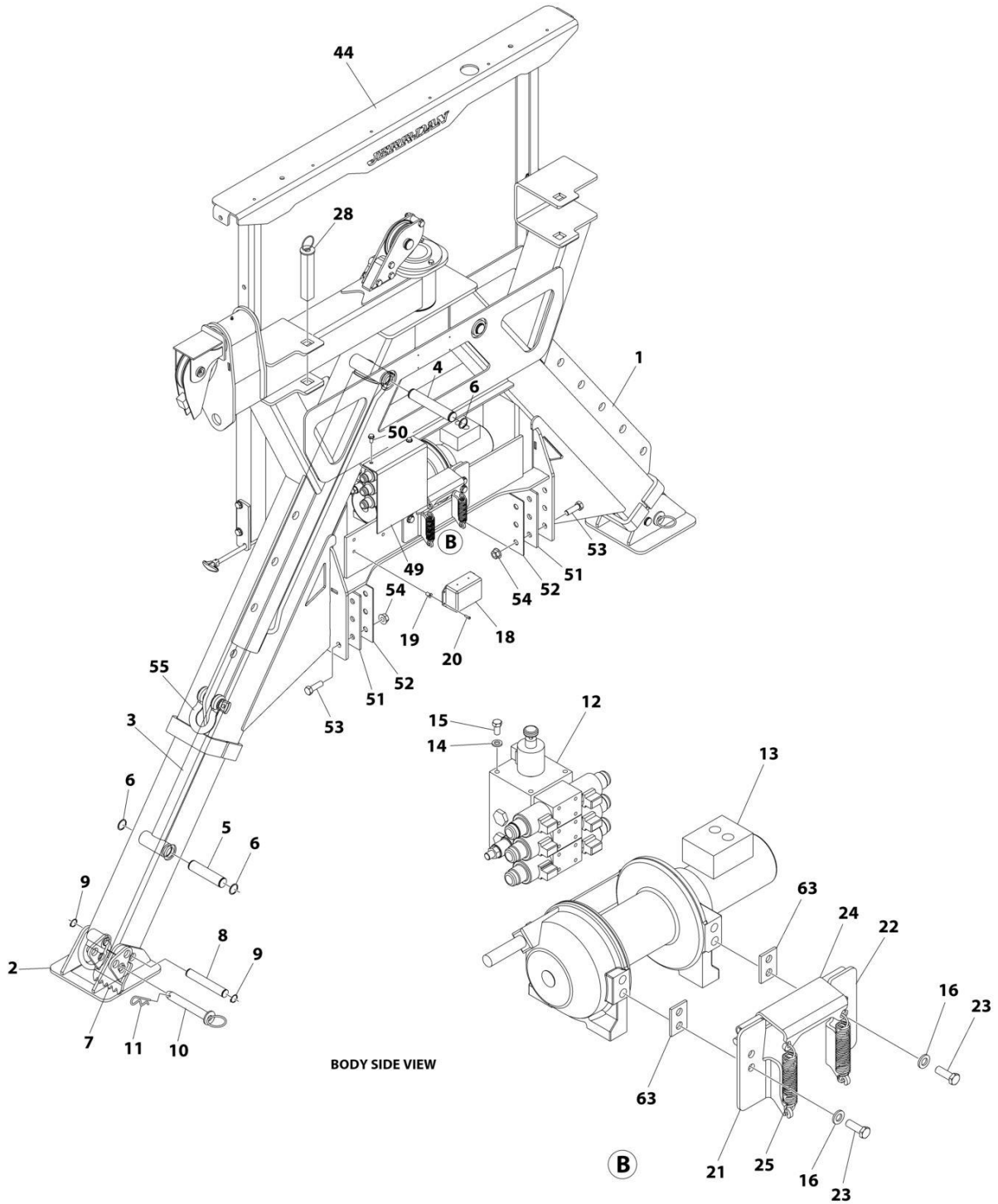
FIGURE 1-22. SIDE RECOVERY SYSTEM (SRS) INSTALLATION - 10000 LBS WINCH WITH AIR FREE SPOOL (SN 0220022847 through 0220024465)



ART\_3455000063\_10F2



# SECTION 1 - SUBFRAME



BODY SIDE VIEW

ART\_345500063\_2OF2

## SECTION 1 - SUBFRAME

**FIGURE 1-22. SIDE RECOVERY SYSTEM (SRS) INSTALLATION - 10000 LBS WINCH WITH AIR FREE SPOOL (SN 0220022847 through 0220024465)**

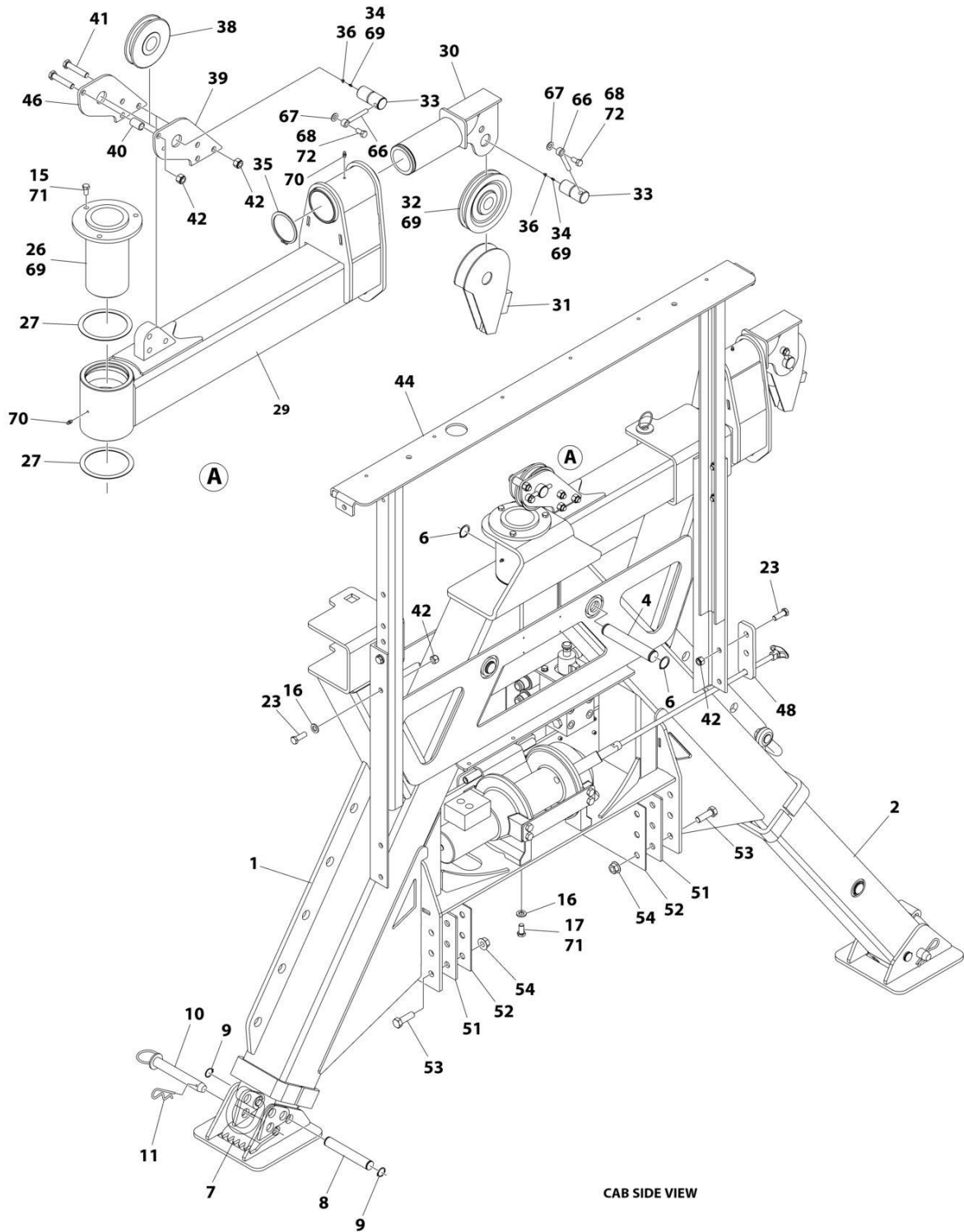
ITEM	PART NUMBER	QTY	DESCRIPTION	REV
	3455000063	Ref	FRAME ASSEMBLY (SRS-10), AIR F/S	C
1	3455000058	1	Frame Weldment	
2	3170000473	2	Boom Weldment	
3	3320000229	2	Cylinder Assembly (See Separate Breakdown in this Section)	
4	4691000296	2	Pin	
5	4691000429	2	Pin	
6	3760133	9	Ring	
7	3706000363	2	Plate	
8	4691000495	2	Pin	
9	7754000019	6	Ring	
10	3691000064	2	Pin	
11	7691000001	2	Hair Pin	
12	3619000010	1	Manifold Assembly	
13	7970000166	1	Winch Assembly (See Separate Breakdown in this Section)	
14	7950160000	3	Lockwasher	
15	0641606	6	Bolt 3/8 x 3/4	
16	4891800	20	Washer 1/2	
17	1001139343	8	Bolt 1/2 x 1-1/4	
18	7295000118	1	Controller	
19	7661000007	4	Nut #10	
20	7104100613	4	Screw #10	
21	3178000517	1	Bracket	
22	3178000518	1	Bracket	
23	0641812	12	Bolt 1/2 1-1/2	
24	3706000364	1	Plate	
25	7843000035	2	Spring	
26	3691000259	1	Pin	
27	4949000059	2	Washer 5 x 4-1/2	
28	3691000260	1	Pin	
29	1001206388	1	Boom	
30	1001206161	1	Support	
31	1001206167	1	Support	
32	7809000001	1	Sheave	
33	1001206171	1	Pin	
34	88671008	1	Fitting, Straight	
35	7754000005	1	Ring	
36	7253000002	1	Fitting	
37	4691000513	1	Pin	
38	7809000021	1	Sheave	
39	4706005651	1	Plate	
40	4209000336	1	Bushing	
41	0641820	4	Bolt 1/2 x 2	
42	7660182601	14	Nut 1/2	
44	3241000208	1	Headboard	
45	7552000385	1	Side Recovery System Harness (Not Shown - See Separate Breakdown in ELECTRICAL Section)	
46	4706005650	1	Plate	
48	4706006211	2	Plate	
49	4314000167	1	Cover	

## SECTION 1 - SUBFRAME

ITEM	PART NUMBER	QTY	DESCRIPTION	REV
50	7790161253	2	Screw 3/8 x 3/4	
51	4831000126	2	Spacer	
52	4831000127	2	Spacer	
53	0652016	12	Bolt 5/8 x 2	
54	7660202347	12	Nut 1/6	
55	7804000007	1	Shackle	
56	7248000070	1	Wire Rope (Not Shown)	
57	7274000053	4	Clamp (Not Shown)	
58	0641508	4	Bolt 5/16 x 1 (Not Shown)	
59	4751500	4	Washer 5/16 (Not Shown)	
60	7660152601	4	Nut 1/3 (Not Shown)	
61	7002000519	1	Snatch (Not Shown)	
63	4706005752	2	Plate	
64	2870000023	1	Switch Installation (Not Shown)	
66	3841143	1	Keeper	
67	4711600	1	Washer	
68	0651606	1	Bolt 3/8 x 3/4	
69	3020039	AR	Lubricant	
70	3020029	AR	Lube	
71	0100071	AR	Adhesive	
72	1001095650	AR	Adhesive	

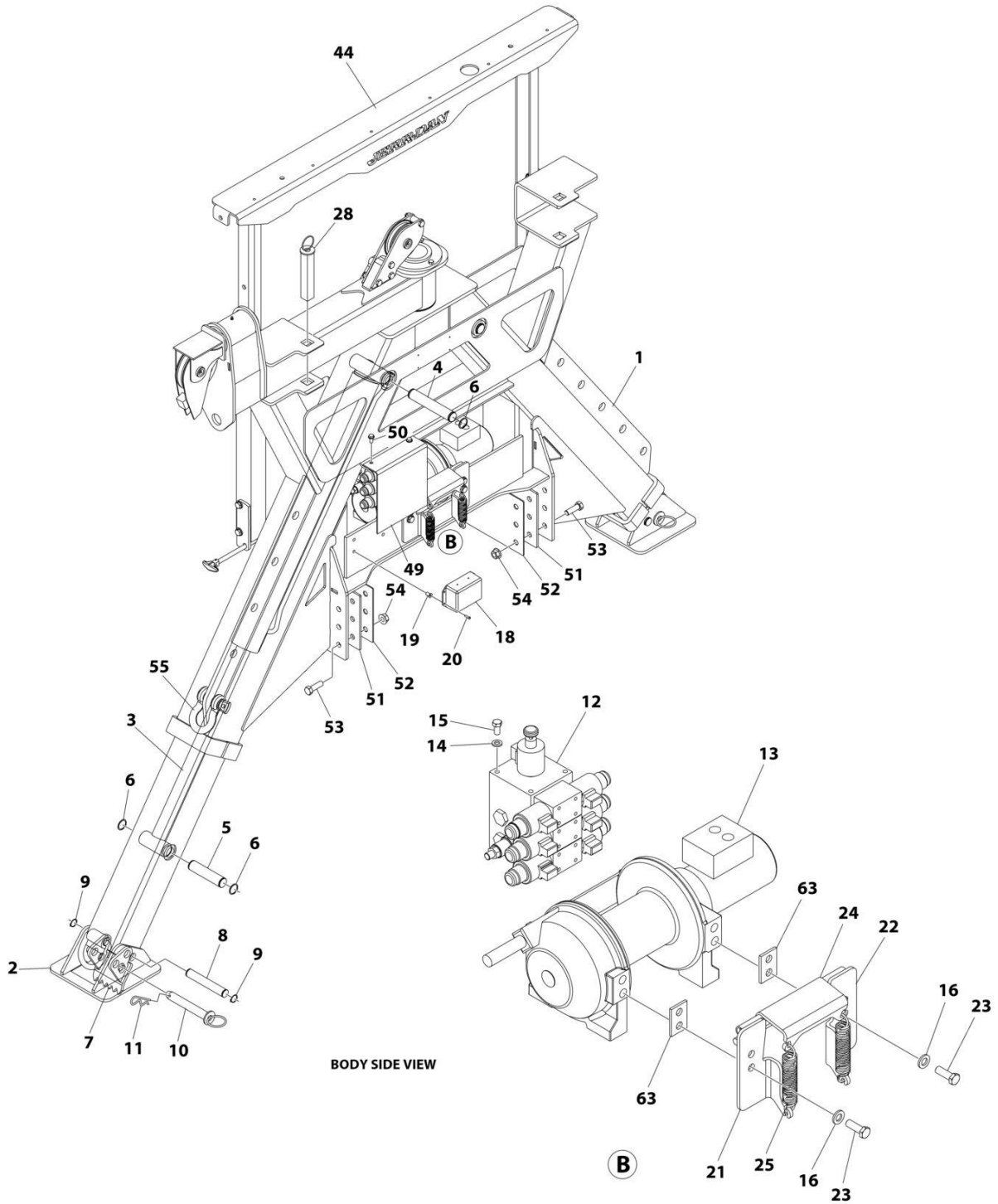
# SECTION 1 - SUBFRAME

FIGURE 1-23. SIDE RECOVERY SYSTEM (SRS) INSTALLATION - 10000 LBS WINCH WITH AIR FREE SPOOL (3 FUNCTION REMOTE CONTROL) (SN 0220024466 through 02200025491)



ART\_1001271984\_10F2

# SECTION 1 - SUBFRAME



BODY SIDE VIEW

ART\_1001271984\_20F2

## SECTION 1 - SUBFRAME

**FIGURE 1-23. SIDE RECOVERY SYSTEM (SRS) INSTALLATION - 10000 LBS WINCH WITH AIR FREE SPOOL (3 FUNCTION REMOTE CONTROL) (SN 0220024466 through 02200025491)**

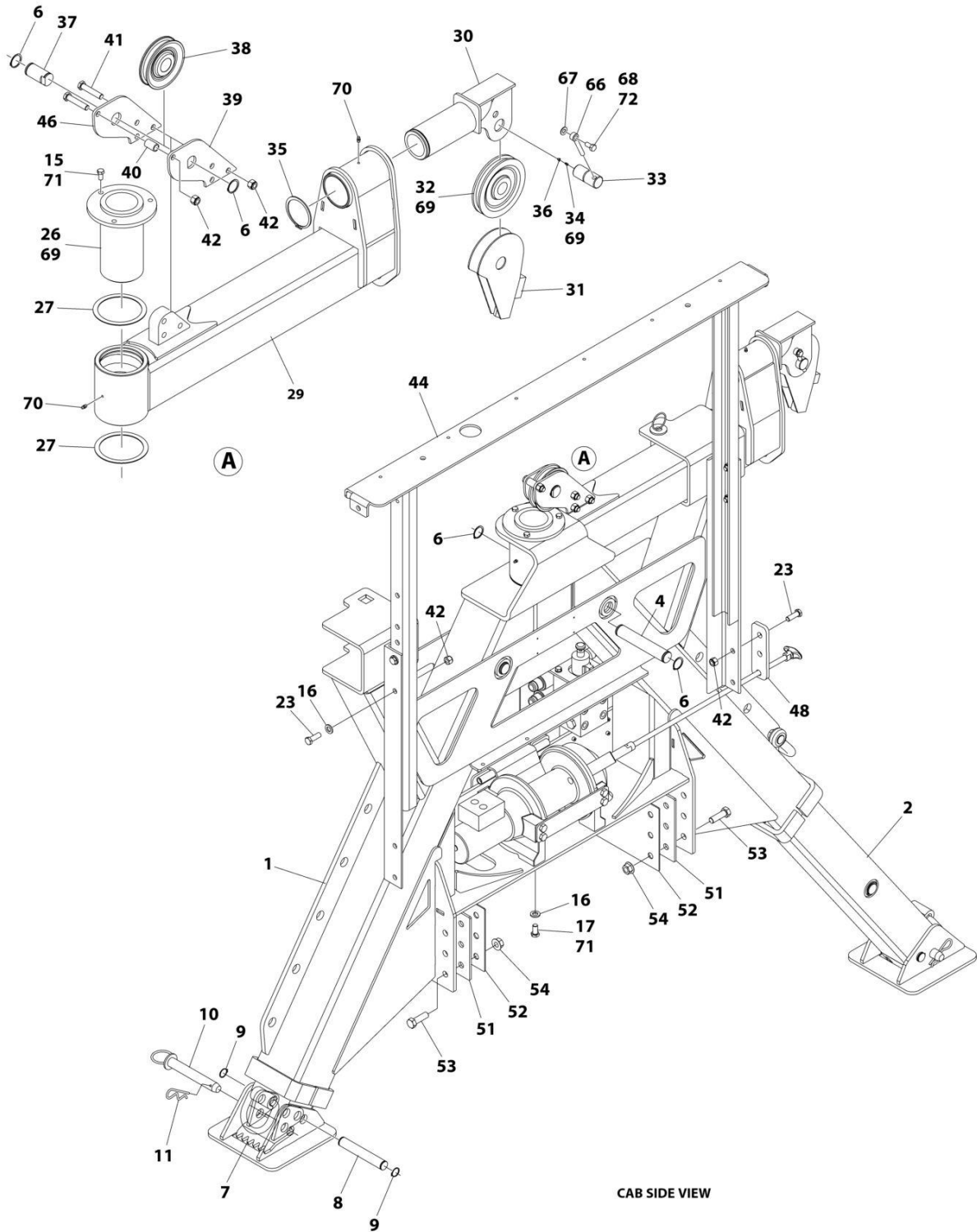
ITEM	PART NUMBER	QTY	DESCRIPTION	REV
	1001271984	Ref	FRAME ASSEMBLY (SRS-10), AIR F/S, 3 REMOTE	A
1	3455000058	1	Frame Weldment	
2	3170000473	2	Boom Weldment	
3	3320000229	2	Cylinder Assembly (See Separate Breakdown in this Section)	
4	4691000296	2	Pin	
5	4691000429	2	Pin	
6	3760133	7	Ring	
7	3706000363	2	Plate	
8	4691000495	2	Pin	
9	7754000019	6	Ring	
10	3691000064	2	Pin	
11	7691000001	2	Hair Pin	
12	3619000010	1	Manifold Assembly	
13	7970000166	1	Winch Assembly (See Separate Breakdown in this Section)	
14	7950160000	3	Lockwasher	
15	0641606	6	Bolt 3/8 x 3/4	
16	4891800	20	Washer 1/2	
17	1001139343	8	Bolt 1/2 x 1-1/4	
18	7295000118	1	Controller	
19	7661000007	4	Nut #10	
20	7104100613	4	Screw #10	
21	3178000517	1	Bracket	
22	3178000518	1	Bracket	
23	0641812	12	Bolt 1/2 1-1/2	
24	3706000364	1	Plate	
25	7843000035	2	Spring	
26	3691000259	1	Pin	
27	4949000059	2	Washer 5 x 4-1/2	
28	3691000260	1	Pin	
29	1001206388	1	Boom	
30	1001206161	1	Support	
31	1001206167	1	Support	
32	7809000001	1	Sheave	
33	1001206171	2	Pin	
34	88671008	2	Fitting, Straight	
35	7754000005	1	Ring	
36	7253000002	2	Fitting	
38	1001271775	1	Sheave	
39	1001271842	1	Plate	
40	4209000336	1	Bushing	
41	0641820	4	Bolt 1/2 x 2	
42	7660182601	14	Nut 1/2	
44	3241000208	1	Headboard	
45	7552000385	1	Side Recovery System Harness (Not Shown - See Separate Breakdown in ELECTRICAL Section)	
46	4706005650	1	Plate	
48	4706006211	2	Plate	
49	4314000167	1	Cover	
50	7790161253	2	Screw 3/8 x 3/4	

## SECTION 1 - SUBFRAME

ITEM	PART NUMBER	QTY	DESCRIPTION	REV
51	4831000126	2	Spacer	
52	4831000127	2	Spacer	
53	0652016	12	Bolt 5/8 x 2	
54	7660202347	12	Nut 1/6	
55	7804000007	1	Shackle	
56	7248000077	1	Wire Rope (Not Shown)	
57	7274000053	4	Clamp (Not Shown)	
58	0641508	4	Bolt 5/16 x 1 (Not Shown)	
59	4751500	4	Washer 5/16 (Not Shown)	
60	7660152601	4	Nut 1/3 (Not Shown)	
61	7002000519	1	Snatch (Not Shown)	
63	4706005752	2	Plate	
64	2870000023	1	Switch Installation (Not Shown)	
66	3841143	2	Keeper	
67	4711600	2	Washer	
68	0651606	2	Bolt 3/8 x 3/4	
69	3020039	AR	Lubricant	
70	3020029	AR	Lube	
71	0100071	AR	Adhesive	
72	1001095650	AR	Adhesive	

# SECTION 1 - SUBFRAME

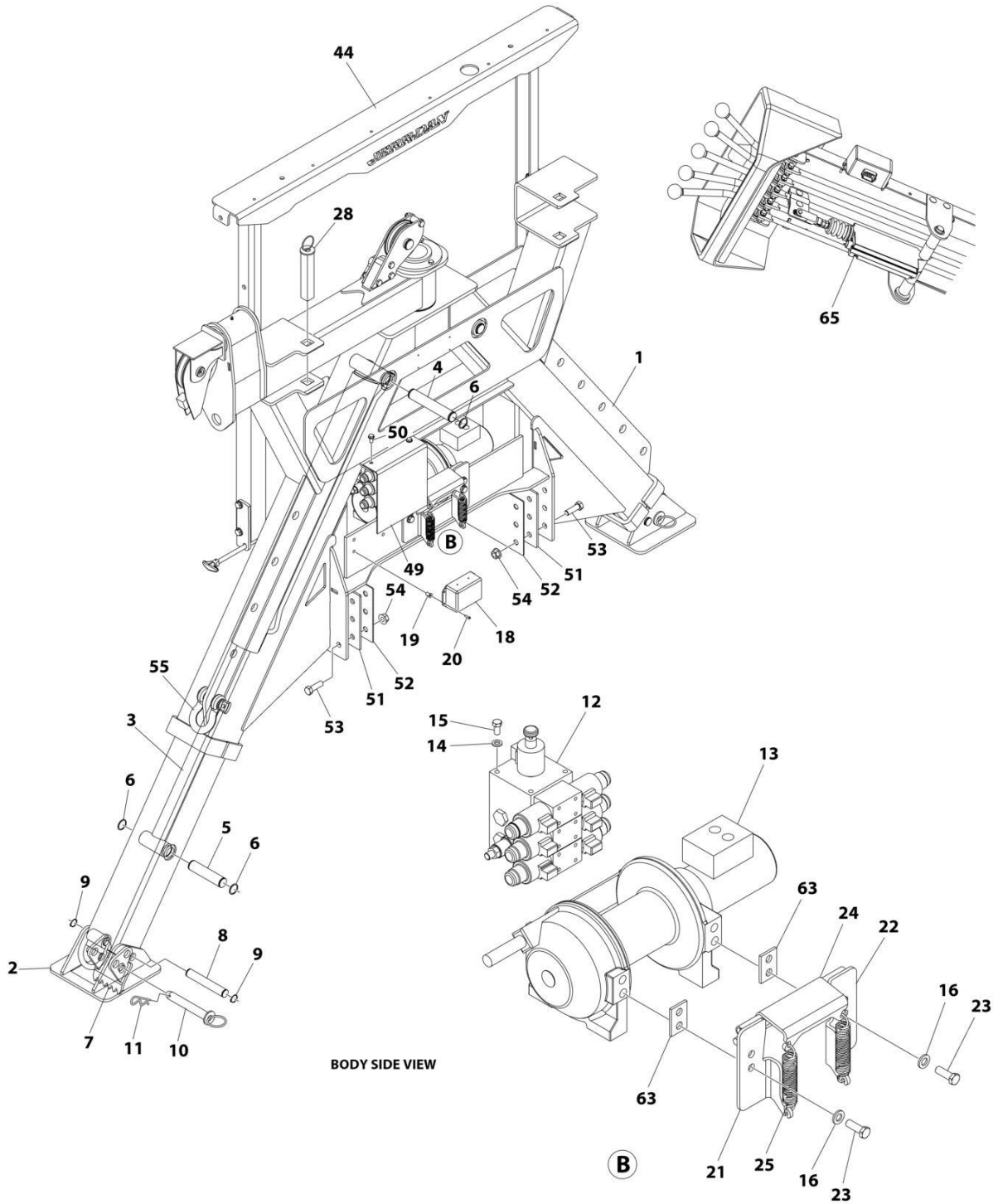
FIGURE 1-24. SIDE RECOVERY SYSTEM (SRS) INSTALLATION - 10000 LBS WINCH WITH AIR FREE SPOOL & REMOTE CONTROL (SN 0220022847 through 0220024465)



ART\_3455000066\_10F2



# SECTION 1 - SUBFRAME



BODY SIDE VIEW

ART\_345500066\_20F2

## SECTION 1 - SUBFRAME

**FIGURE 1-24. SIDE RECOVERY SYSTEM (SRS) INSTALLATION - 10000 LBS WINCH WITH AIR FREE SPOOL & REMOTE CONTROL (SN 0220022847 through 0220024465)**

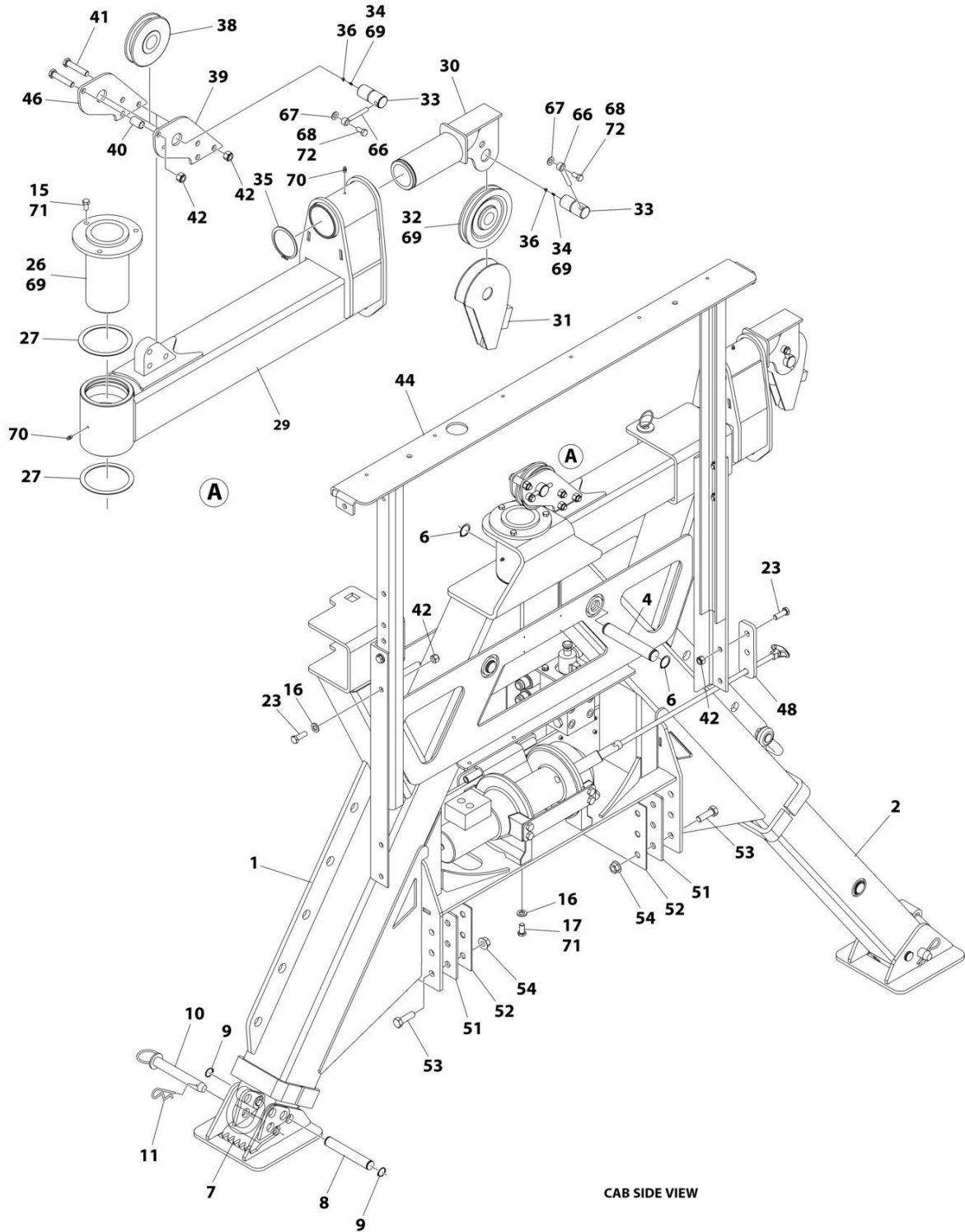
ITEM	PART NUMBER	QTY	DESCRIPTION	REV
	3455000066	Ref	FRAME ASSEMBLY (SRS-10), AIR F/S, 3+1 REMOTE	C
1	3455000058	1	Frame	
2	3170000473	2	Boom Weldment	
3	3320000229	2	Cylinder Assembly (See Separate Breakdown in this Section)	
4	4691000296	2	Pin	
5	4691000429	2	Pin	
6	3760133	9	Ring	
7	3706000363	2	Plate	
8	4691000495	2	Pin	
9	7754000019	6	Ring	
10	3691000064	2	Pin	
11	7691000001	2	Hair Pin	
12	3619000010	1	Manifold Assembly	
13	7970000166	1	Winch Assembly (See Separate Breakdown in this Section)	
14	7950160000	3	Lockwasher	
15	0641606	6	Bolt 3/8 x 3/4	
16	4891800	20	Washer 1/2	
17	1001139343	8	Bolt 1/2 x 1-1/4	
18	7295000130	1	Controller	
19	7661000007	4	Nut #10	
20	7104100613	4	Screw #10	
21	3178000517	1	Bracket	
22	3178000518	1	Bracket	
23	0641812	12	Bolt 1/2 1-1/2	
24	3706000364	1	Plate	
25	7843000035	2	Spring	
26	3691000259	1	Pin	
27	4949000059	2	Washer 5 x 4-1/2	
28	3691000260	1	Pin	
29	1001206388	1	Boom	
30	1001206161	1	Support	
31	1001206167	1	Support	
32	7809000001	1	Sheave	
33	1001206171	1	Pin	
34	88671008	1	Fitting, Straight	
35	7754000005	1	Ring	
36	7253000002	1	Fitting	
37	4691000513	1	Pin	
38	7809000021	1	Sheave	
39	4706005651	1	Plate	
40	4209000336	1	Bushing	
41	0641820	4	Bolt 1/2 x 2	
42	7660182601	14	Nut 1/2	
44	3241000208	1	Headboard	
45	7552000413	1	Side Recovery System Harness (Not Shown - See Separate Breakdown in ELECTRICAL Section)	
46	4706005650	1	Plate	
48	4706006211	2	Plate	
49	4314000167	1	Cover	

## SECTION 1 - SUBFRAME

ITEM	PART NUMBER	QTY	DESCRIPTION	REV
50	7790161253	2	Screw 3/8 x 3/4	
51	4831000126	2	Spacer	
52	4831000127	2	Spacer	
53	0652016	12	Bolt 5/8 x 2	
54	7660202347	12	Nut 1/6	
55	7804000007	1	Shackle	
56	7248000070	1	Wire Rope (Not Shown)	
57	7274000053	4	Clamp (Not Shown)	
58	0641508	4	Bolt 5/16 x 1 (Not Shown)	
59	4751500	4	Washer 5/16 (Not Shown)	
60	7660152601	4	Nut 1/3 (Not Shown)	
61	7002000519	1	Snatch (Not Shown)	
63	4706005752	2	Plate	
64	2870000023	1	Switch Installation (Not Shown)	
65	2577000016	1	Linear Actuator Kit	
66	3841143	1	Keeper	
67	4711600	1	Washer	
68	0651606	1	Bolt 3/8 x 3/4	
69	3020039	AR	Lubricant	
70	3020029	AR	Lube	
71	0100071	AR	Adhesive	
72	1001095650	AR	Adhesive	

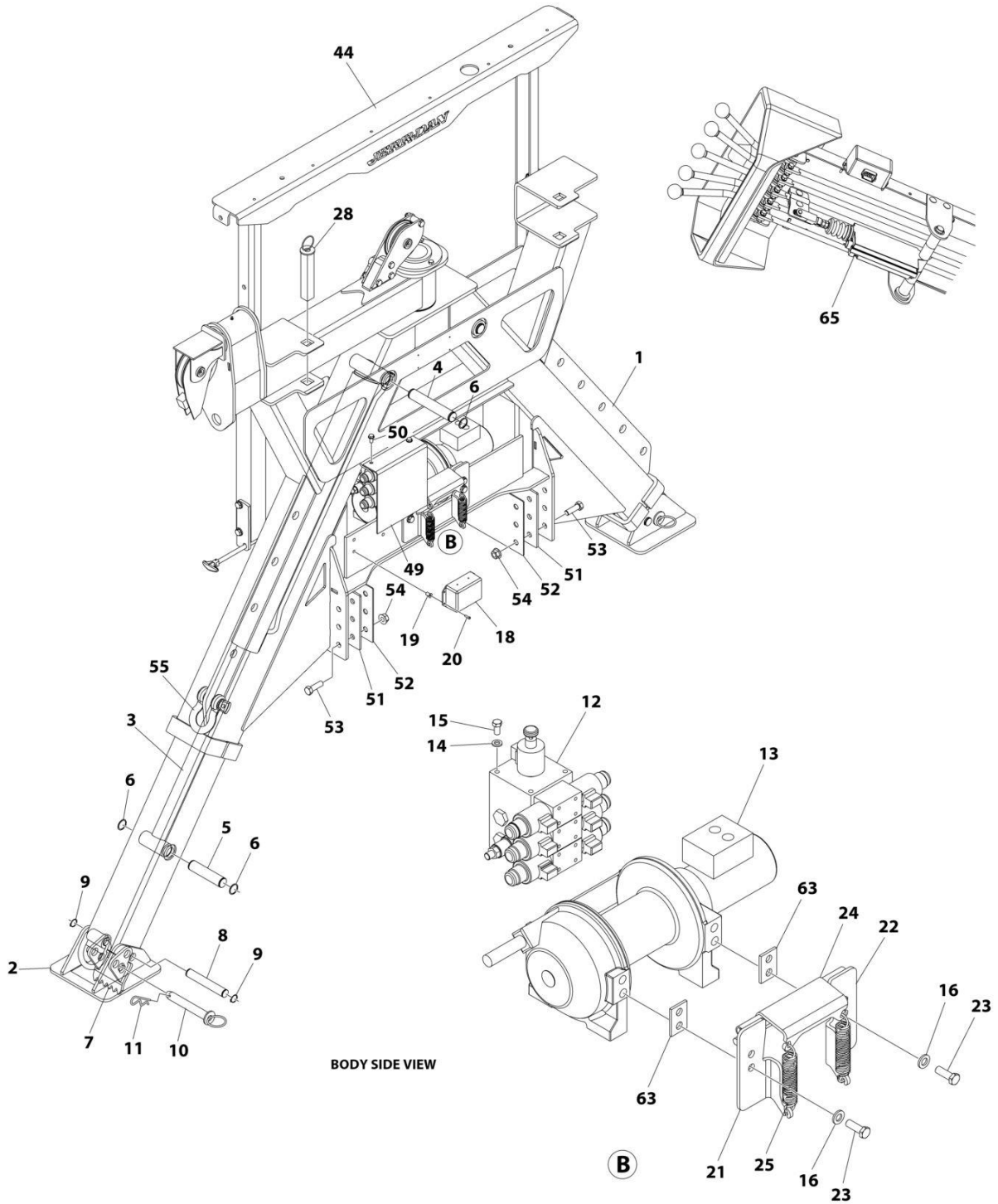
# SECTION 1 - SUBFRAME

FIGURE 1-25. SIDE RECOVERY SYSTEM (SRS) INSTALLATION - 10000 LBS WINCH WITH AIR FREE SPOOL (4 FUNCTION REMOTE CONTROL) (SN 0220024466 through 02200025491)



ART\_1001271986\_10F2

# SECTION 1 - SUBFRAME



BODY SIDE VIEW

ART\_1001271986\_20F2

## SECTION 1 - SUBFRAME

**FIGURE 1-25. SIDE RECOVERY SYSTEM (SRS) INSTALLATION - 10000 LBS WINCH WITH AIR FREE SPOOL (4 FUNCTION REMOTE CONTROL) (SN 0220024466 through 02200025491)**

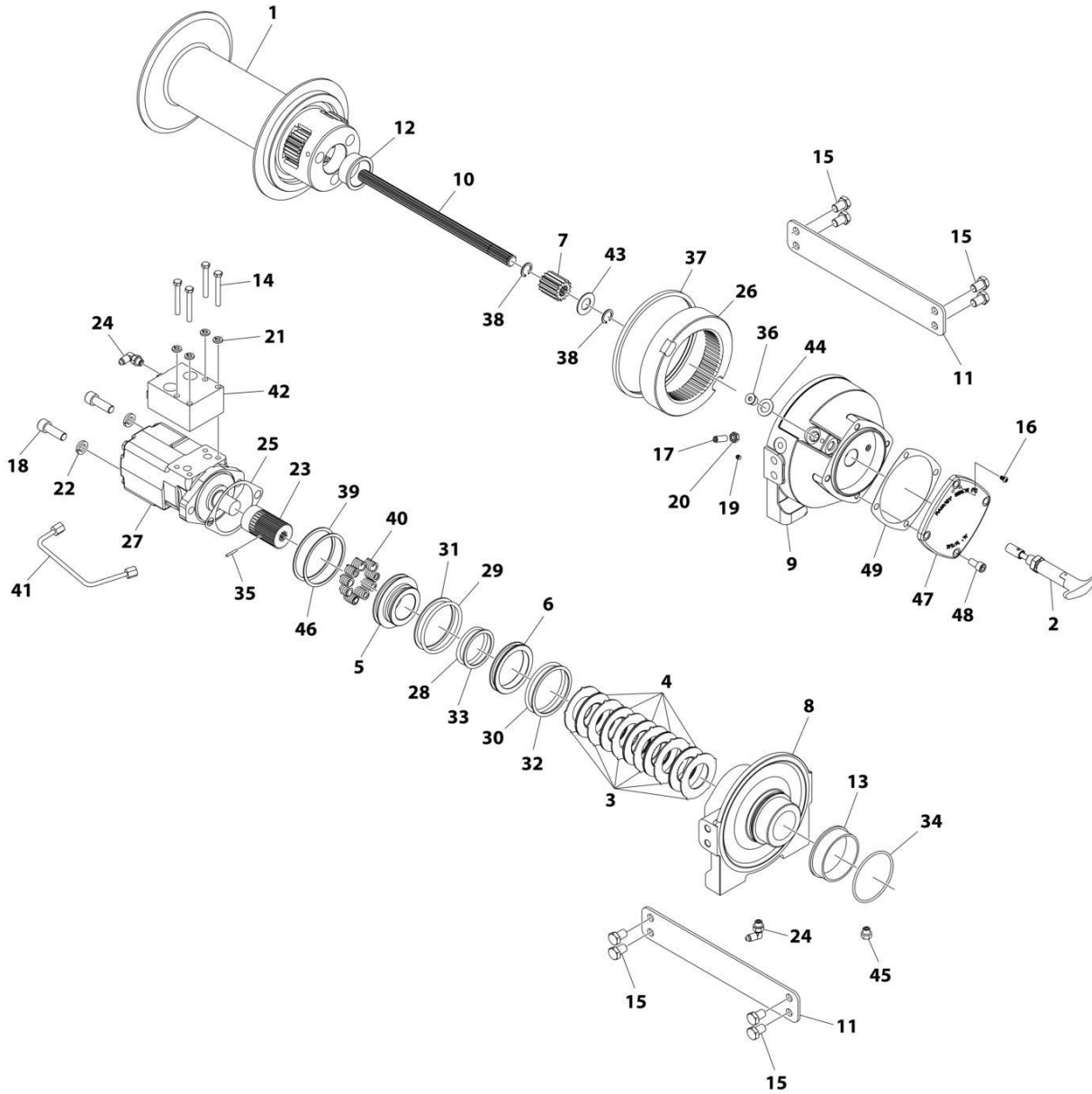
ITEM	PART NUMBER	QTY	DESCRIPTION	REV
	1001271986	Ref	FRAME ASSEMBLY (SRS-10), AIR F/S, 4 REMOTE	A
1	3455000058	1	Frame	
2	3170000473	2	Boom Weldment	
3	3320000229	2	Cylinder Assembly (See Separate Breakdown in this Section)	
4	4691000296	2	Pin	
5	4691000429	2	Pin	
6	3760133	7	Ring	
7	3706000363	2	Plate	
8	4691000495	2	Pin	
9	7754000019	6	Ring	
10	3691000064	2	Pin	
11	7691000001	2	Hair Pin	
12	3619000010	1	Manifold Assembly	
13	7970000166	1	Winch Assembly (See Separate Breakdown in this Section)	
14	7950160000	3	Lockwasher	
15	0641606	6	Bolt 3/8 x 3/4	
16	4891800	20	Washer 1/2	
17	1001139343	8	Bolt 1/2 x 1-1/4	
18	7295000130	1	Controller	
19	7661000007	4	Nut #10	
20	7104100613	4	Screw #10	
21	3178000517	1	Bracket	
22	3178000518	1	Bracket	
23	0641812	12	Bolt 1/2 1-1/2	
24	3706000364	1	Plate	
25	7843000035	2	Spring	
26	3691000259	1	Pin	
27	4949000059	2	Washer 5 x 4-1/2	
28	3691000260	1	Pin	
29	1001206388	1	Boom	
30	1001206161	1	Support	
31	1001206167	1	Support	
32	7809000001	1	Sheave	
33	1001206171	2	Pin	
34	88671008	2	Fitting	
35	7754000005	1	Ring	
36	7253000002	2	Fitting	
38	1001271775	1	Sheave	
39	1001271842	1	Plate	
40	4209000336	1	Bushing	
41	0641820	4	Bolt 1/2 x 2	
42	7660182601	14	Nut 1/2	
44	3241000208	1	Headboard	
45	7552000413	1	Side Recovery System Harness (Not Shown - See Separate Breakdown in ELECTRICAL Section)	
46	4706005650	1	Plate	
48	4706006211	2	Plate	
49	4314000167	1	Cover	
50	7790161253	2	Screw 3/8 x 3/4	

## SECTION 1 - SUBFRAME

ITEM	PART NUMBER	QTY	DESCRIPTION	REV
51	4831000126	2	Spacer	
52	4831000127	2	Spacer	
53	0652016	12	Bolt 5/8 x 2	
54	7660202347	12	Nut 1/6	
55	7804000007	1	Shackle	
56	7248000077	1	Wire Rope (Not Shown)	
57	7274000053	4	Clamp (Not Shown)	
58	0641508	4	Bolt 5/16 x 1 (Not Shown)	
59	4751500	4	Washer 5/16 (Not Shown)	
60	7660152601	4	Nut 1/3 (Not Shown)	
61	7002000519	1	Snatch (Not Shown)	
63	4706005752	2	Plate	
64	2870000023	1	Switch Installation (Not Shown)	
65	2577000016	1	Linear Actuator Kit	
66	3841143	2	Keeper	
67	4711600	2	Washer	
68	0651606	2	Bolt 3/8 x 3/4	
69	3020039	AR	Lubricant	
70	3020029	AR	Lube	
71	0100071	AR	Adhesive	
72	1001095650	AR	Adhesive	

# SECTION 1 - SUBFRAME

## FIGURE 1-26. WINCH (SRS) ASSEMBLY - 8000 LBS



ART\_7970000157



## SECTION 1 - SUBFRAME

**FIGURE 1-26. WINCH (SRS) ASSEMBLY - 8000 LBS**

ITEM	PART NUMBER	QTY	DESCRIPTION	REV
	7970000157	Ref	WINCH - 8000 LBS PLANETARY GEAR WITH MANUAL FREE SPOOL	B
1	9970960027	1	Drum Assembly "Y"	
2	9551960018	1	Shifter Assembly	
3	70050612	6	Stator - Brake	
4	70050613	5	Disc Brake	
5	70050614	1	Piston Brake	
6	70050615	1	Piston Brake Backup	
7	9472960042	1	Gear - Output, Sun	
8	70050456	1	End Bearing - Motor	
9	70050616	1	End Bearing - Gear housing	
10	70050617	1	Shaft - Input "Y" Drum	
11	70050618	2	Plate - Tie "Y" Drum	
12	9209960023	1	Bushing - Drum	
13	70050457	1	Bushing - Drum, Motor End	
14	70050619	4	Capscrew 5/16 x 2-1/2	
15	9120960025	8	Capscrew 1/2 x 3/4	
16	70050682	2	Screw 1/4 x 1-2	
17	9786960006	1	Setscrew 3/8 x 1	
18	70050627	2	Capscrew 1/2 x 1-3/4	
19	7785140404	1	Setscrew 1/4 x 1/4	
20	70050628	1	Nut 3/8	
21	9970418163	4	Washer 5/16	
22	9949960016	2	Washer 1/2	
23	9309960009	1	Coupling - Motor	
24	9443960010	2	Fitting	
25	70050458	1	Gasket	
26	9472960043	1	Gear - Ring	
27	9626960012	1	Motor - Hydraulic	
28	70050459	1	O-Ring	
29	70050460	1	O-Ring	
30	70050461	1	O-Ring	
31	70050462	1	Ring - Backup	
32	70050463	1	Ring - Backup	
33	70050464	1	Ring - Backup	
34	70050465	1	O-Ring	
35	9691960001	1	Spirol Pin	
36	9701960016	1	Plug	
37	9796960049	1	Seal	
38	9754960039	2	Snap Ring	
39	70050466	1	Ring - Internal Retaining	
40	70050622	9	Spring - Brake	
41	9912960035	1	Tube - Brake Release (Ports Up)	
42	9935960142	1	Valve - Motor Control "B" Rotation	
43	9812960005	1	Washer - Thrust	
44	9949960017	1	Washer - Thrust	
45	9183960002	1	Fitting, Vent	
46	70050626	1	Ring - Internal Retaining	
47	70050625	1	Cover - Gear Housing	
48	9120960081	4	Capscrew 3/8 x 3/4	

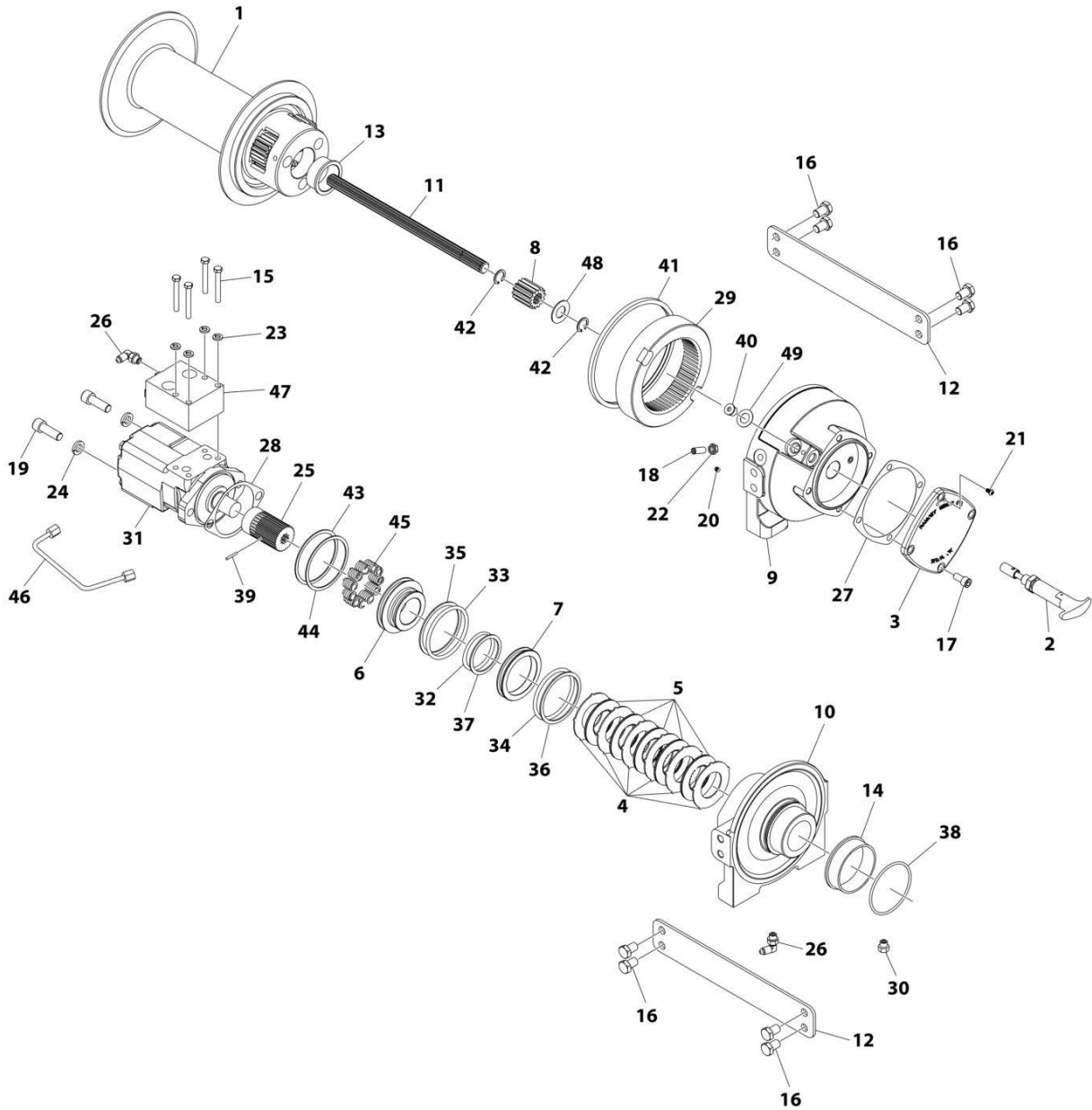
## SECTION 1 - SUBFRAME

ITEM	PART NUMBER	QTY	DESCRIPTION	REV
49	9796960047	1	Gasket	



# SECTION 1 - SUBFRAME

## FIGURE 1-27. WINCH (SRS) ASSEMBLY - 10000 LBS



ART\_7970000158

## SECTION 1 - SUBFRAME

**FIGURE 1-27. WINCH (SRS) ASSEMBLY - 10000 LBS**

ITEM	PART NUMBER	QTY	DESCRIPTION	REV
	7970000158	Ref	WINCH - 10000 LBS PLANETARY GEAR WITH MANUAL FREE SPOOL	B
1	70050525	1	Drum Assembly "Y"	
2	9551960018	1	Shifter Assembly	
3	70050625	1	Cover - Gear Housing	
4	70050612	6	Stator - Brake	
5	70050613	5	Disc Brake	
6	70050614	1	Piston Brake	
7	70050615	1	Piston Brake Backup	
8	9472960042	1	Gear - Output, Sun	
9	70050616	1	End Bearing - Gear housing	
10	70050456	1	End Bearing - Motor	
11	70050617	1	Shaft - Input "Y" Drum	
12	70050618	2	Plate - Tie "Y" Drum	
13	9209960023	1	Bushing - Drum	
14	70050457	1	Bushing - Drum, Motor End	
15	70050619	4	Capscrew 5/16 x 2-1/2	
16	9120960025	8	Capscrew 1/2 x 3/4	
17	9120960081	4	Capscrew 3/8 x 3/4	
18	9786960006	1	Setscrew 3/8 x 1	
19	70050627	2	Capscrew 1/2 x 1-3/4	
20	7785140404	1	Setscrew 1/4 x 1/4	
21	70050620	2	Screw #10 x 3/8	
22	70050628	1	Nut 3/8	
23	9970418163	4	Washer 5/16	
24	9949960031	2	Washer 1/2	
25	70050621	1	Coupling - Motor	
26	9443960010	2	Fitting	
27	9796960047	1	Gasket	
28	70050458	1	Gasket	
29	9472960043	1	Gear - Ring	
30	9183960002	1	Fitting, Vent	
31	9626960027	1	Motor - Hydraulic	
32	70050459	1	O-Ring	
33	70050460	1	O-Ring	
34	70050461	1	O-Ring	
35	70050462	1	Ring - Backup	
36	70050463	1	Ring - Backup	
37	70050464	1	Ring - Backup	
38	70050465	1	O-Ring	
39	9691960001	1	Spirol Pin	
40	9701960016	1	Plug	
41	9796960049	1	Seal	
42	9754960039	2	Snap Ring	
43	70050466	2	Ring - Internal Retaining	
44	70050626	1	Ring - Internal Retaining	
45	70050622	11	Spring - Brake	
46	9912960035	1	Tube - Brake Release (Ports Up)	
47	9935960142	1	Valve - Motor Control "B" Rotation	
48	9812960005	1	Washer - Thrust	

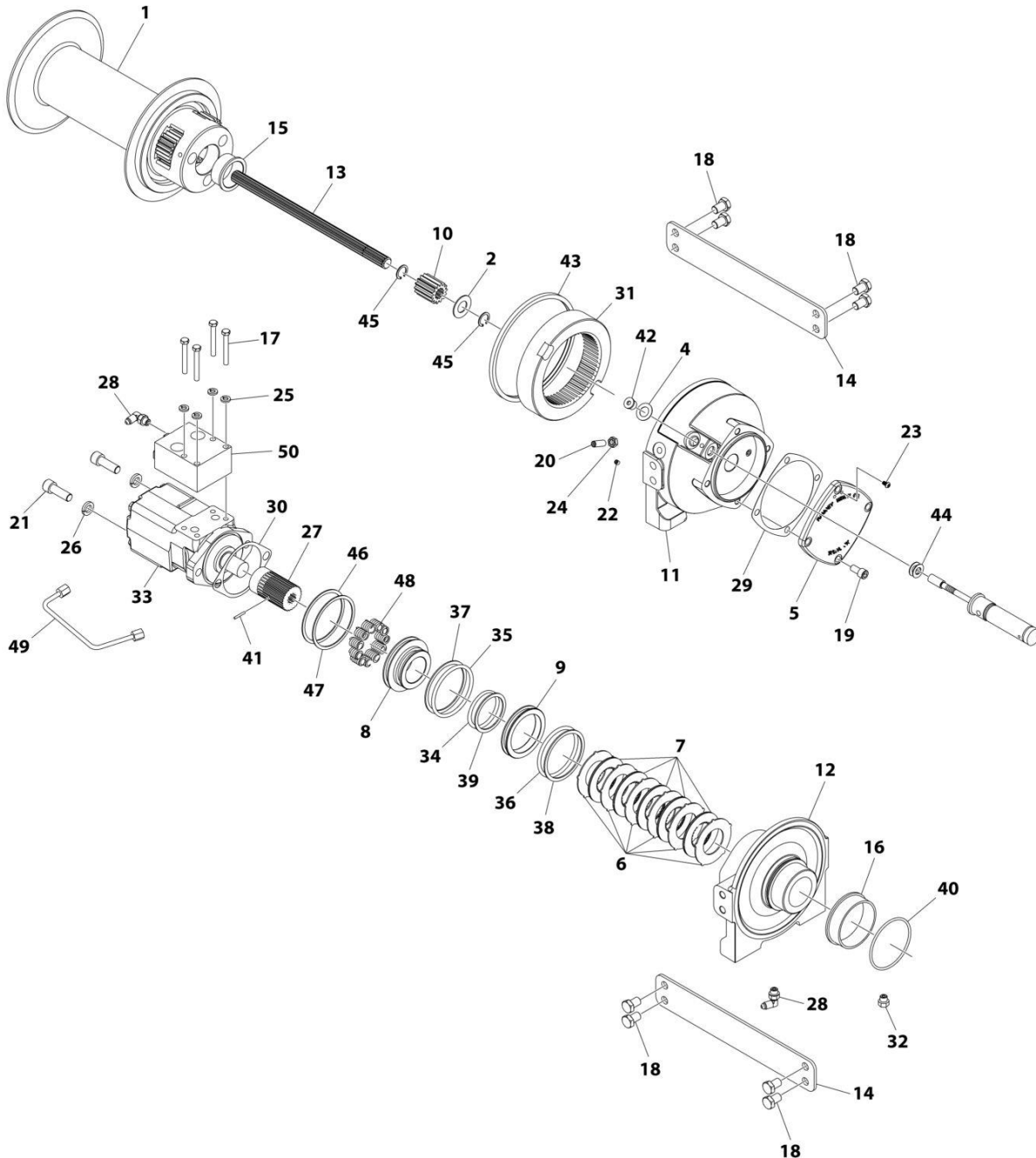
## SECTION 1 - SUBFRAME

ITEM	PART NUMBER	QTY	DESCRIPTION	REV
49	9949960017	1	Washer - Thrust	



# SECTION 1 - SUBFRAME

FIGURE 1-28. WINCH (SRS) ASSEMBLY - 10000 LBS WITH AIR FREE SPOOL



ART\_7970000166



## SECTION 1 - SUBFRAME

**FIGURE 1-28. WINCH (SRS) ASSEMBLY - 10000 LBS WITH AIR FREE SPOOL**

ITEM	PART NUMBER	QTY	DESCRIPTION	REV
	7970000166	Ref	WINCH - 10000 LBS PLANETARY GEAR WITH AIR FREE SPOOL	B
1	70050525	1	Drum Assembly "Y"	
2	9812960005	1	Washer - Thrust	
3	70050662	1	Decal - Slide Pad / Pivot Joint (Not Shown)	
4	9949960017	1	Washer - Thrust	
5	70050625	1	Cover - Gear Housing	
60	70050612	6	Stator - Brake	
7	70050613	5	Disc Brake	
8	70050614	1	Piston Brake	
9	70050615	1	Piston Brake Backup	
10	9742960064	1	Gear - Output, Sun	
11	70050616	1	End Bearing - Gear housing	
12	70050456	1	End Bearing - Motor	
13	70050617	1	Shaft - Input "Y" Drum	
14	70050618	2	Plate - Tie "Y" Drum	
15	9209960023	1	Bushing - Drum	
16	70050457	1	Bushing - Drum, Motor End	
17	70050619	4	Capscrew 5/16 x 2-1/2	
18	9120960025	8	Capscrew 1/2 x 3/4	
19	9120960081	4	Capscrew 3/8 x 3/4	
20	9786960006	1	Setscrew 3/8 x 1	
21	70050627	2	Capscrew 1/2 x 1-3/4	
22	7785140404	1	Setscrew 1/4 x 1/4	
23	70050620	2	Screw #10 x 3/8	
24	70050628	1	Nut 3/8	
25	9970418163	4	Washer 5/16	
26	9949960031	2	Washer 1/2	
27	70050621	1	Coupling - Motor	
28	9443960010	2	Fitting	
29	9796960047	1	Gasket	
30	70050458	1	Gasket	
31	9472960043	1	Gear - Ring	
32	9183960002	1	Fitting, Vent	
33	9626960027	1	Motor - Hydraulic	
34	70050459	1	O-Ring	
35	70050460	1	O-Ring	
36	70050461	1	O-Ring	
37	70050462	1	Ring - Backup	
38	70050463	1	Ring - Backup	
39	70050464	1	Ring - Backup	
40	70050465	1	O-Ring	
41	9691960001	1	Spirol Pin	
42	9701960016	1	Plug	
43	9796960049	1	Seal	
44	70050100	1	Shim	
45	9754960039	2	Snap Ring	
46	70050466	2	Ring - Internal Retaining	
47	70050626	1	Ring - Internal Retaining	
48	70050622	11	Spring - Brake	
49	9912960035	1	Tube - Brake Release (Ports Up)	

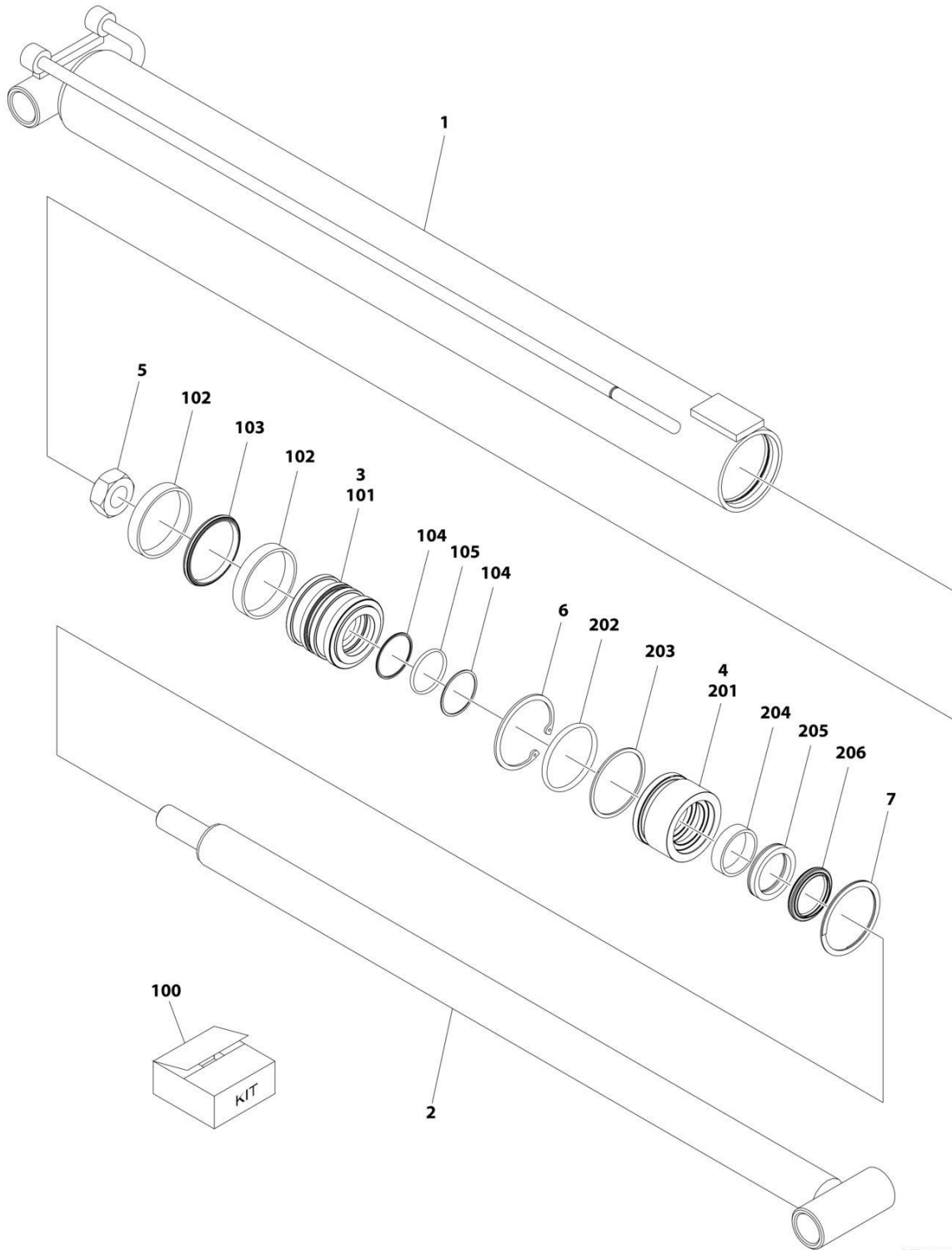
## SECTION 1 - SUBFRAME

ITEM	PART NUMBER	QTY	DESCRIPTION	REV
50	70050701	1	Valve - Motor Control "A" Rotation	



# SECTION 1 - SUBFRAME

## FIGURE 1-29. CYLINDER ASSEMBLY - SIDE RECOVERY SYSTEM



ART\_3320000229

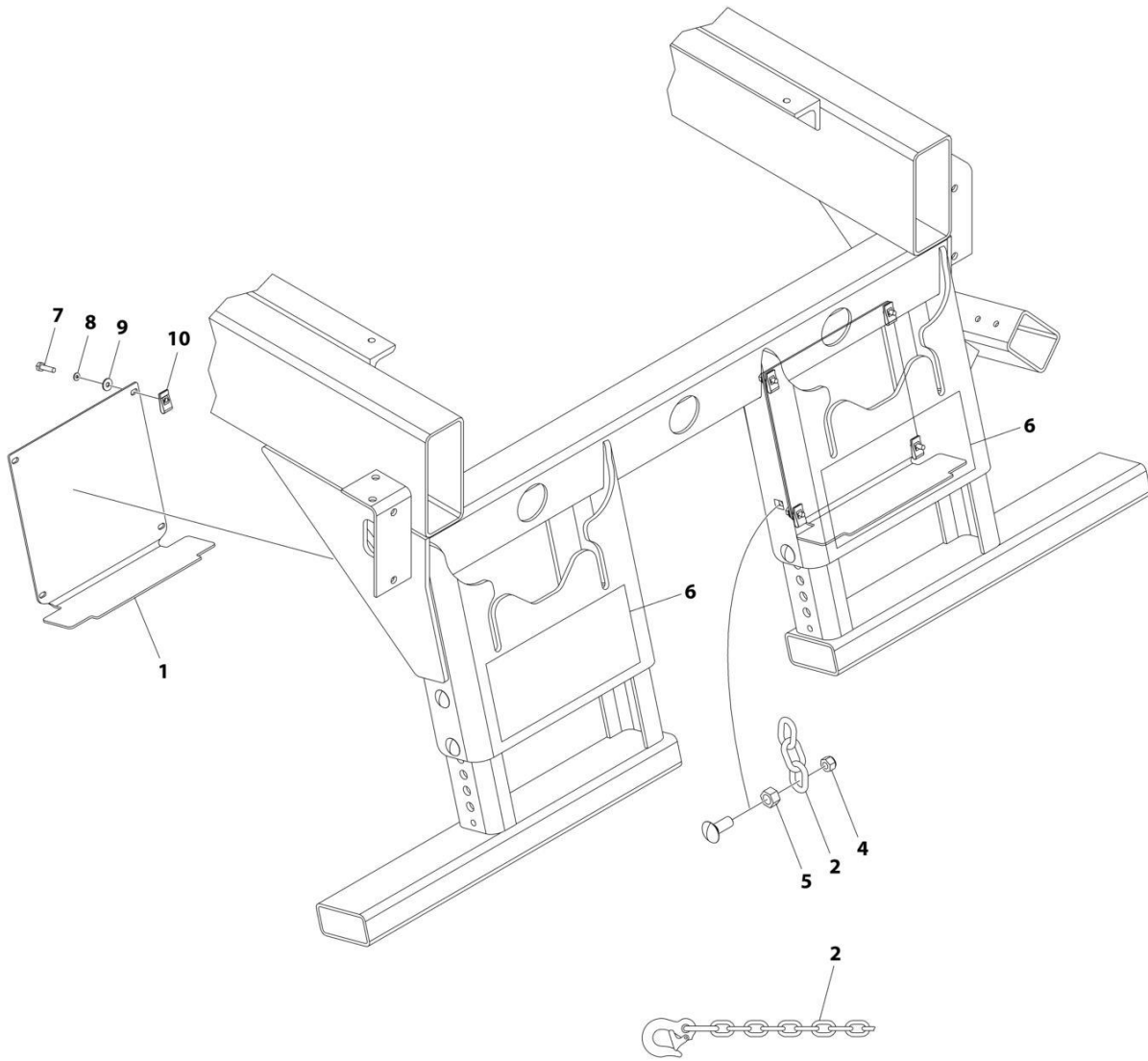
## SECTION 1 - SUBFRAME

**FIGURE 1-29. CYLINDER ASSEMBLY - SIDE RECOVERY SYSTEM**

ITEM	PART NUMBER	QTY	DESCRIPTION	REV
	3320000229	Ref	CYLINDER ASSEMBLY - SIDE RECOVERY SYSTEM	A
1	3071000213	1	Barrel	
2	3763000187	1	Rod	
3	3698000001	1	Piston Assembly (Includes Items 101-105)	
4	3553000011	1	Head Assembly (Includes Items 201-206)	
5	7661000034	1	Nut	
6	7754000002	1	Ring, Retaining	
7	7754000026	1	Ring, Retaining	
100	7577250024	1	Seal Kit (Includes Items 102-105 & 202-206)	
	3698000001	Ref	PISTON ASSEMBLY	
101	4698000007	1	Piston	
102	7754000003	2	Ring, Wear	
103	7796000063	1	Seal	
104	7755224609	2	Ring, Back-up	
105	7755224000	1	O-Ring	
	3553000011	Ref	HEAD ASSEMBLY	
201	4553000008	1	Head	
202	7755334000	1	O-Ring	
203	7755334609	1	Ring, Back-up	
204	7754000004	1	Ring, Wear	
205	7796000024	1	Seal	
206	7796000008	1	Wiper	

# SECTION 1 - SUBFRAME

## FIGURE 1-30. CHAIN BOX INSTALLATION



ART\_226200011

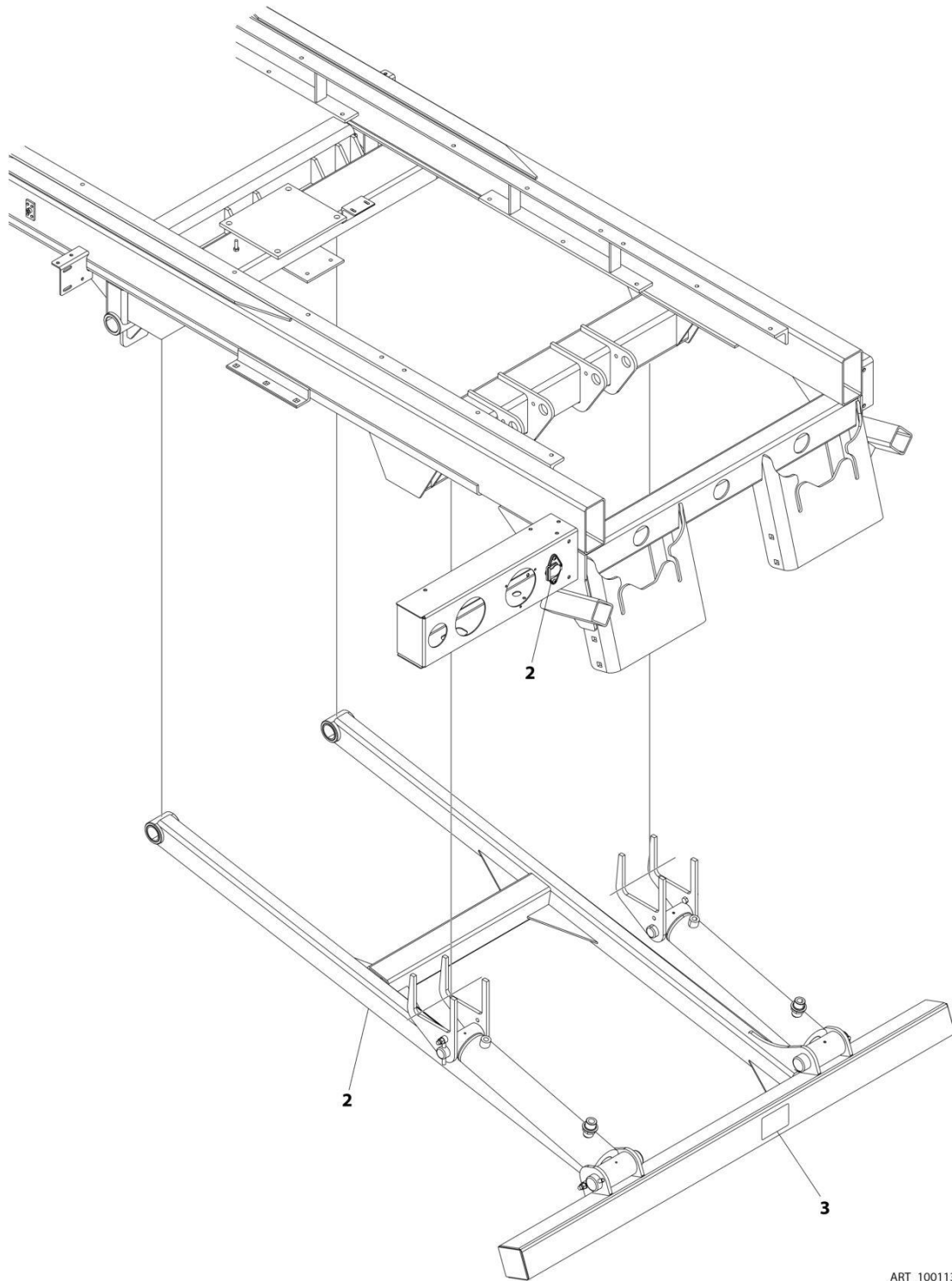
**SECTION 1 - SUBFRAME**

**FIGURE 1-30. CHAIN BOX INSTALLATION**

<b>ITEM</b>	<b>PART NUMBER</b>	<b>QTY</b>	<b>DESCRIPTION</b>	<b>REV</b>
	2262000011	Ref	CHAIN BOX INSTALLATION	C
1	1001177601	2	Panel	
2	7262000040	2	Chain	
4	7660182601	2	Nut 1/2	
5	7660180001	2	Nut 1/2	
6	7679000020	2	Pad	
7	7115140850	8	Capscrew 1/4 x 1	
8	7950140000	8	Washer 1/4	
9	7949000023	8	Washer	
10	7661000064	8	Clip, U-Nut 1/4	

# SECTION 1 - SUBFRAME

## FIGURE 1-31. REAR STABILIZER - COMPLETE



ART\_1001130053



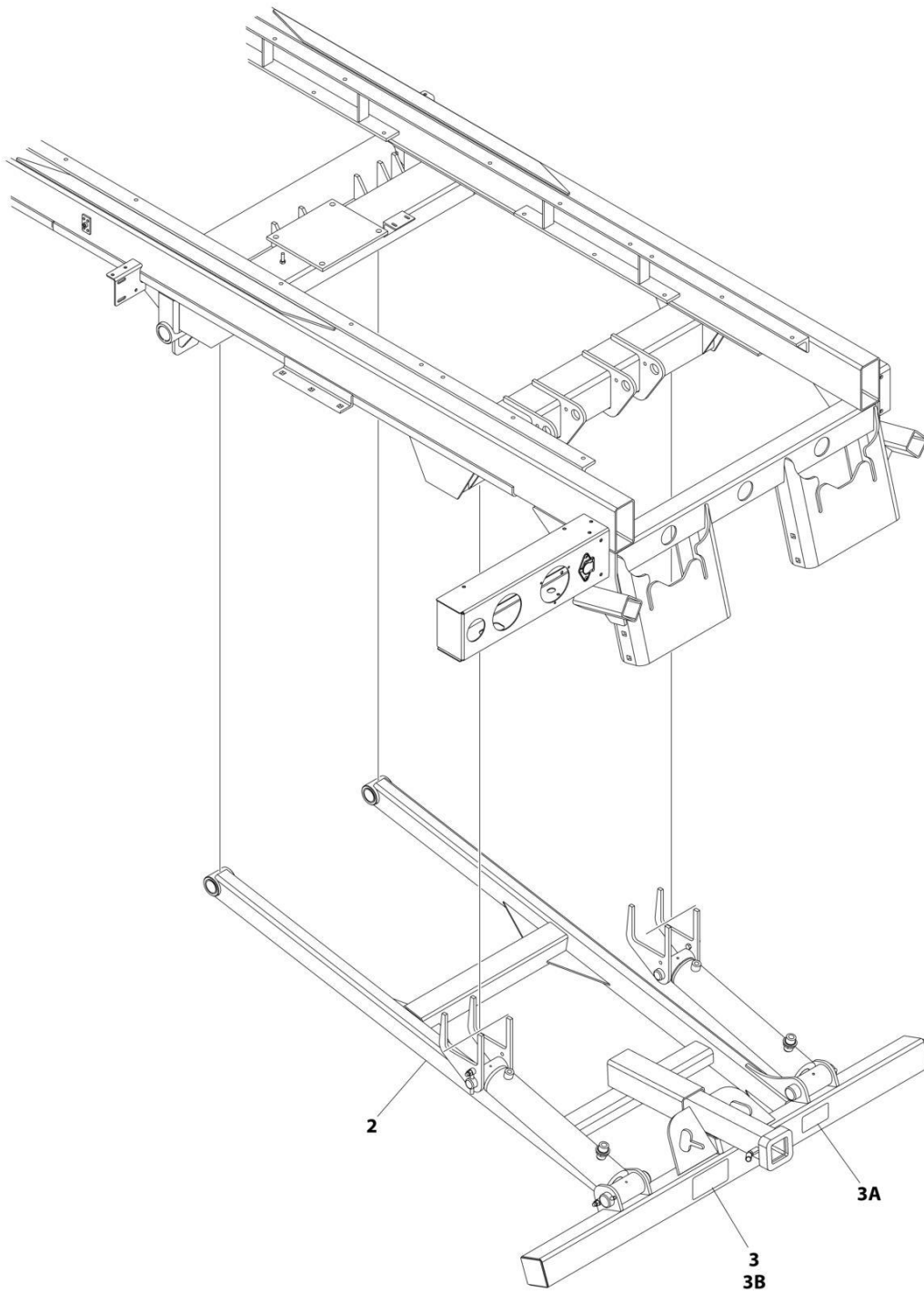
**SECTION 1 - SUBFRAME**

**FIGURE 1-31. REAR STABILIZER - COMPLETE**

<b>ITEM</b>	<b>PART NUMBER</b>	<b>QTY</b>	<b>DESCRIPTION</b>	<b>REV</b>
	1001130053	Ref	REAR DOCK STABILIZER LOW PROFILE	B
1	2570000049	1	Hose Installation (Not Shown - See Separate Breakdown in HYDRAULIC Section)	
2	2849000052	1	Stabilizer Installation (See Separate Breakdown in this Section)	
3	2330000064	Ref	Decal Installation	
3	7330000599	1	Decal - Warning Pinch Point	

# SECTION 1 - SUBFRAME

FIGURE 1-32. REAR STABILIZER - COMPLETE (2.5IN TOW HITCH)



ART\_1001130054

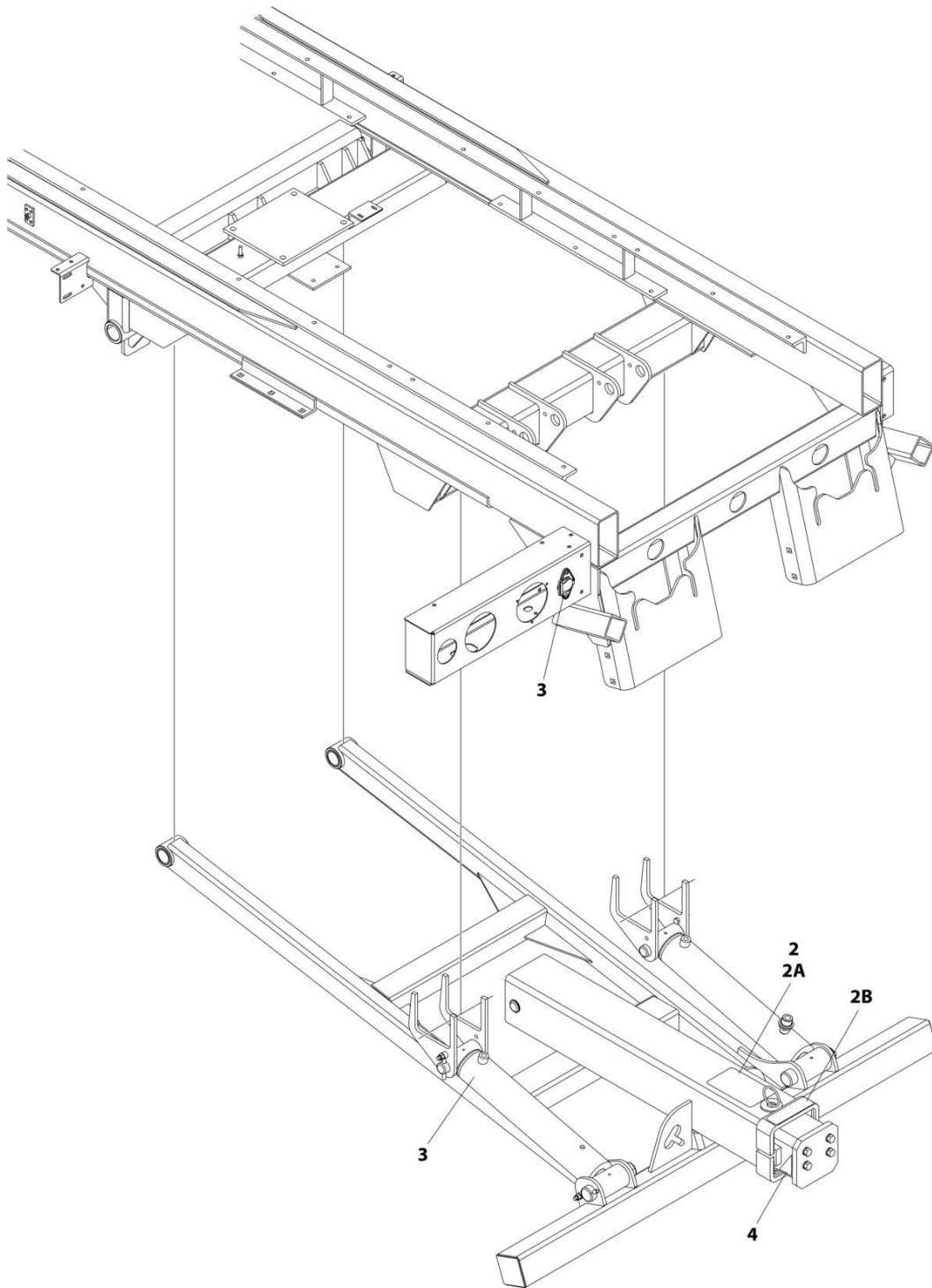
**SECTION 1 - SUBFRAME**

**FIGURE 1-32. REAR STABILIZER - COMPLETE (2.5IN TOW HITCH)**

<b>ITEM</b>	<b>PART NUMBER</b>	<b>QTY</b>	<b>DESCRIPTION</b>	<b>REV</b>
	1001130054	Ref	REAR DOCK STABILIZER LOW PROFILE	0
1	2570000049	1	Hose Installation (Not Shown - See Separate Breakdown in HYDRAULIC Section)	
2	2849000053	1	Stabilizer Installation (See Separate Breakdown in this Section)	
3	2330000063	Ref	Decal Installation	
3A	7330000599	1	Decal - Warning Pinch Point	
3B	7330000274	1	Decal - Warning Overload	

# SECTION 1 - SUBFRAME

## FIGURE 1-33. REAR STABILIZER - COMPLETE (PINTLE HITCH)



ART\_1001131295

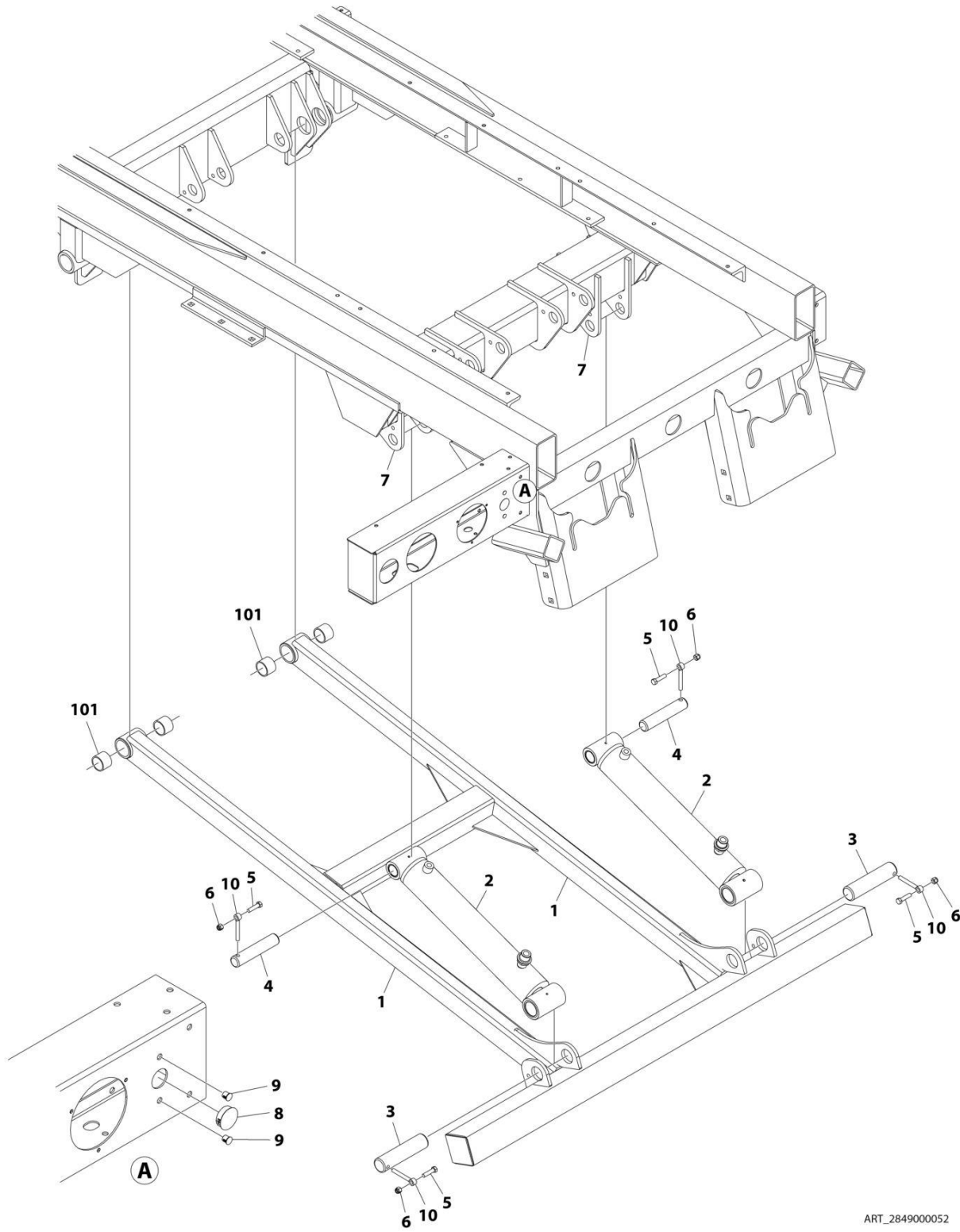
## SECTION 1 - SUBFRAME

**FIGURE 1-33. REAR STABILIZER - COMPLETE (PINTLE HITCH)**

ITEM	PART NUMBER	QTY	DESCRIPTION	REV
	1001131295	Ref	REAR DOCK STABILIZER WITH HYDRAULIC	0
1	2570000032	1	Hose Installation (Not Shown - See Separate Breakdown in HYDRAULIC Section)	
2	2330000061	Ref	Decal Installation	
2A	7330000684	1	Decal - Safety	
2B	7330000391	1	Decal - Warning, Tow Boom Configuration	
3	1001131230	1	Stabilizer Installation (See Separate Breakdown in this Section)	
4	2330000041	Ref	Reflective Tape Installation	
4	7330000645	1	Decal - Red, Retro-reflective LH	
4	7330000646	1	Decal - Red, Retro-reflective RH	

# SECTION 1 - SUBFRAME

## FIGURE 1-34. REAR STABILIZER INSTALLATION



ART\_2849000052

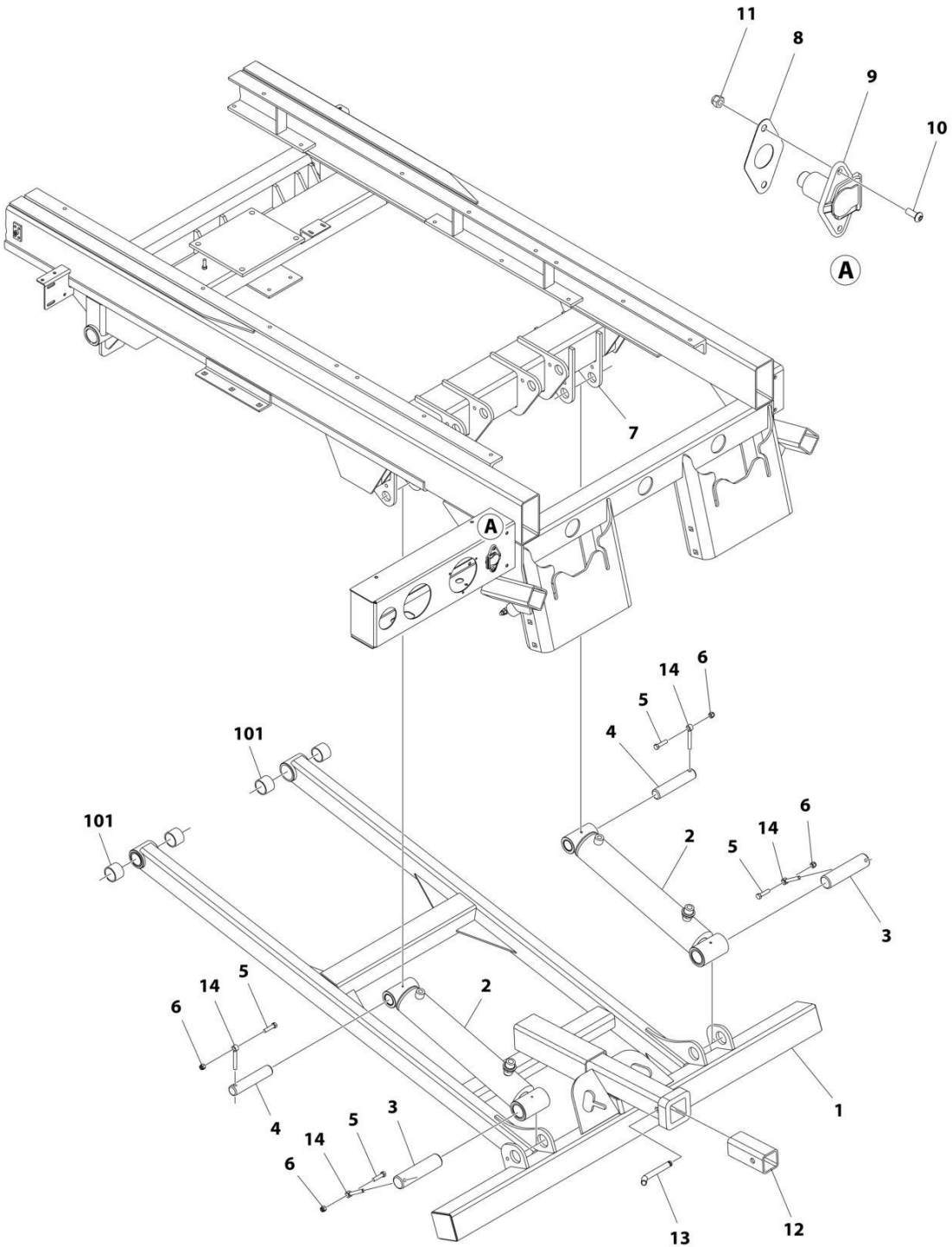
**SECTION 1 - SUBFRAME**

**FIGURE 1-34. REAR STABILIZER INSTALLATION**

<b>ITEM</b>	<b>PART NUMBER</b>	<b>QTY</b>	<b>DESCRIPTION</b>	<b>REV</b>
	2849000052	Ref	REAR DOCK STABILIZER INSTALLATION LOW PROFILE	E
1	3849000043	1	Rear Stabilizer Weldment	
2	1001166857	2	Cylinder Assembly (See Separate Breakdown in this Section)	
3	1001188141	2	Pin	
4	1001188129	2	Pin	
5	0641612	4	Capscrew 3/8 x 1-1/2	
6	3300492	4	Nut 3/8	
7	3316000051	1	Crossmember Weldment	
8	7701000049	1	Plug	
9	7701000055	2	Plug	
10	3841143	4	Keeper, Shaft	
101	7082000017	4	Bearing	

# SECTION 1 - SUBFRAME

## FIGURE 1-35. REAR STABILIZER INSTALLATION (2.5IN TOW HITCH)



ART\_2849000053



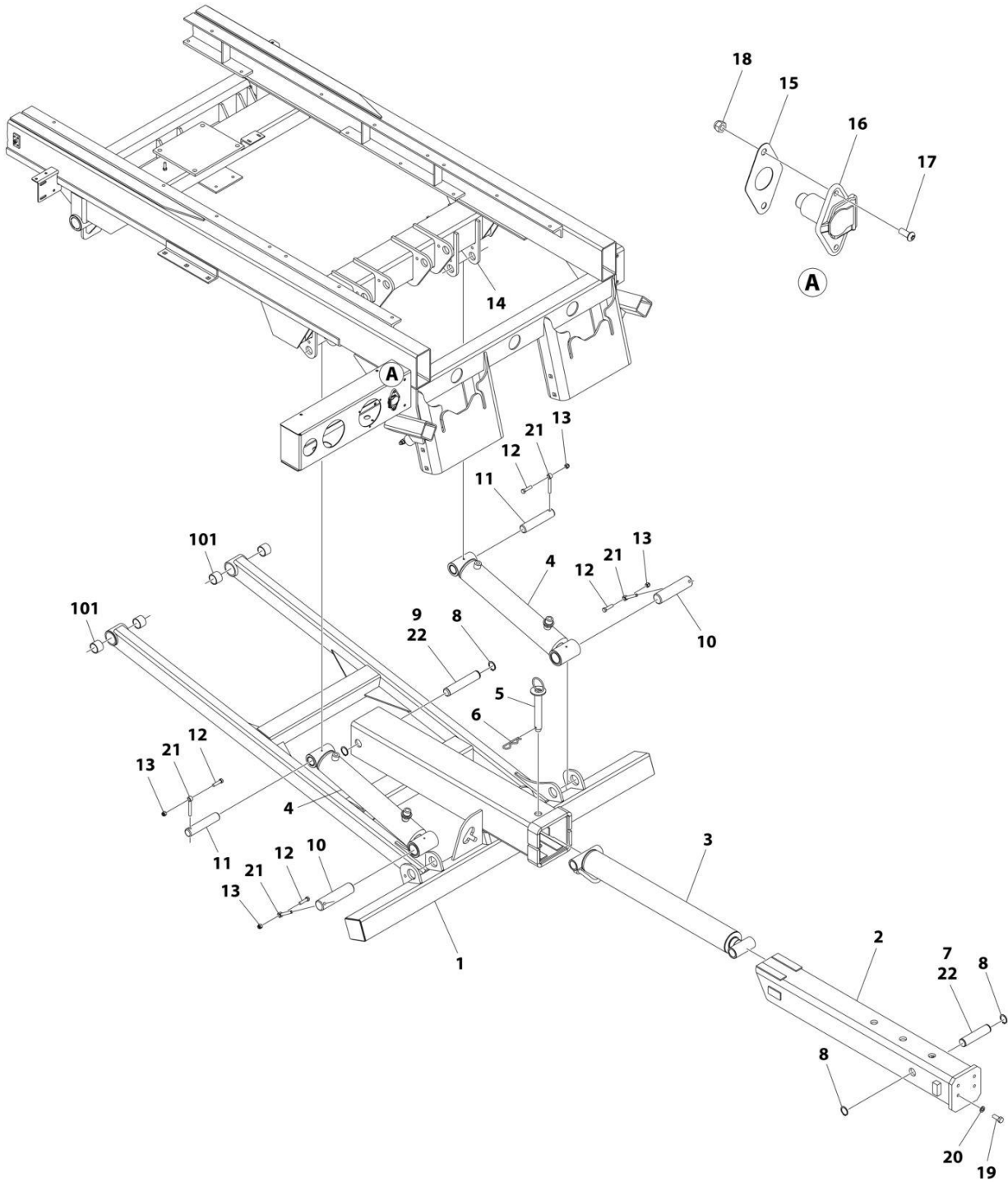
## SECTION 1 - SUBFRAME

**FIGURE 1-35. REAR STABILIZER INSTALLATION (2.5IN TOW HITCH)**

ITEM	PART NUMBER	QTY	DESCRIPTION	REV
	2849000053	Ref	STABILIZER INSTALLATION WITH HYDRAULIC TOW HITCH	D
1	3849000044	1	Rear Stabilizer Weldment	
2	1001166857	2	Cylinder Assembly (See Separate Breakdown in CYLINDER Section)	
3	1001188141	2	Pin	
4	1001188129	2	Pin	
5	0641612	4	Capscrew 3/8 x 1-1/2	
6	3300492	4	Nut 3/8	
7	3316000051	1	Crossmember Weldment	
8	7796000048	1	Gasket	
9	7291000010	1	Female Receptacle with Connector	
10	7114140528	2	Screw 1/4 x 5/8	
11	7660142601	2	Nut 1/4	
12	7913000006	1	Tube	
13	7691000033	1	Pin	
14	3841143	4	Keeper, Shaft	
101	7082000017	4	Bearing	

# SECTION 1 - SUBFRAME

## FIGURE 1-36. REAR STABILIZER INSTALLATION (PINTLE HITCH)



ART\_1001131230

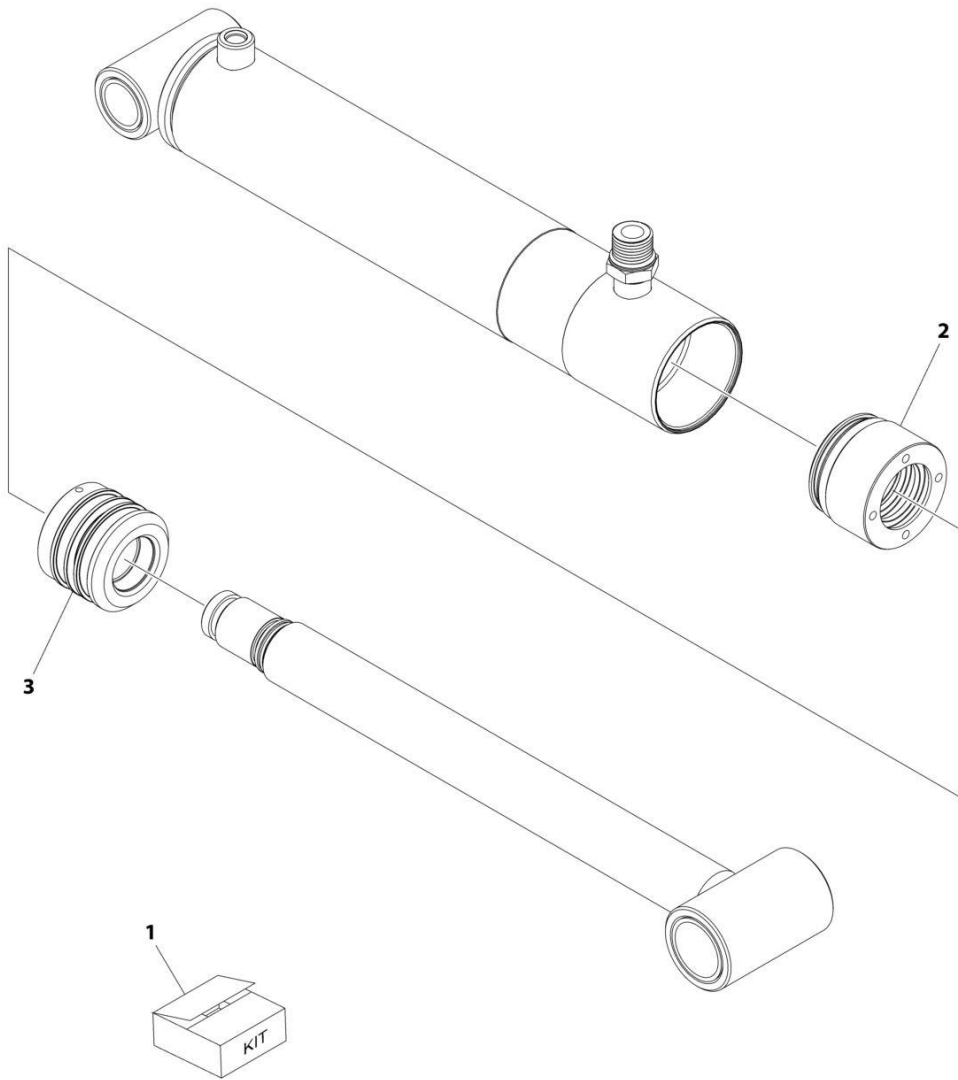
## SECTION 1 - SUBFRAME

**FIGURE 1-36. REAR STABILIZER INSTALLATION (PINTLE HITCH)**

ITEM	PART NUMBER	QTY	DESCRIPTION	REV
	1001131230	Ref	STABILIZER INSTALLATION WITH HYDRAULIC	G
1	1001131255	1	Stabilizer Weldment	
2	1001127297	1	Boom Weldment	
3	1001183326	1	Pintle Extend Cylinder Assembly (See Separate Breakdown in this Section)	
4	1001166857	2	Cylinder Assembly (See Separate Breakdown in this Section)	
5	3691000064	1	Pin, Weldment	
6	7691000001	1	Hair Pin	
7	4691000429	1	Pin	
8	3760133	4	Ring, Retaining	
9	4691000430	1	Pin	
10	1001188141	2	Pin	
11	1001188129	2	Pin	
12	0641612	4	Capscrew 3/8 x 1-1/2	
13	3300492	4	Nut 3/8	
14	3316000051	1	Crossmember Weldment	
15	7796000048	1	Gasket	
16	7291000010	1	Female Receptacle with Connector	
17	7114140528	2	Screw 1/4 x 5/8	
18	7660142601	2	Nut 1/4	
19	0691810	4	Capscrew 1/2 x 1-1/4	
20	4761800	4	Washer 1/2	
21	3841143	4	Keeper, Shaft	
22	3020039	AR	Lubricant	
101	7082000017	4	Bearing	

# SECTION 1 - SUBFRAME

## FIGURE 1-37. LIFT CYLINDER ASSEMBLY



ART\_1001166857

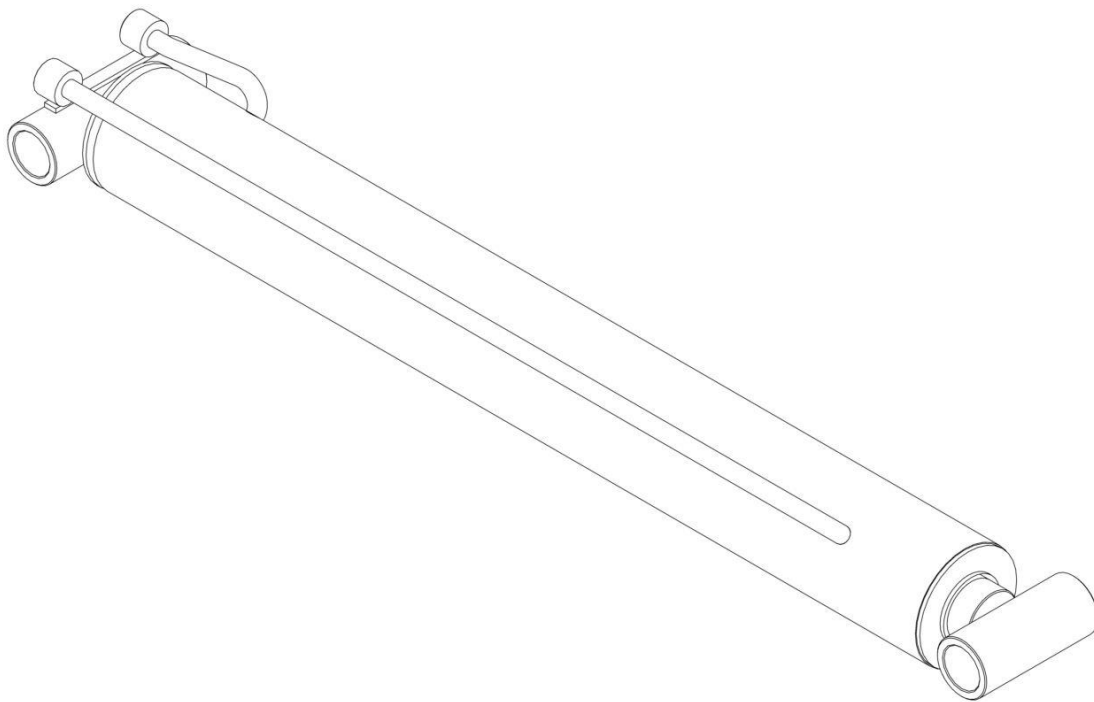
**SECTION 1 - SUBFRAME**

**FIGURE 1-37. LIFT CYLINDER ASSEMBLY**

<b>ITEM</b>	<b>PART NUMBER</b>	<b>QTY</b>	<b>DESCRIPTION</b>	<b>REV</b>
	1001166857	Ref	IRL CYLINDER ASSEMBLY	E
1	70051168	1	Kit, Seal	
2	70051172	1	Kit, Head	
3	70051173	1	Kit, Piston	

# SECTION 1 - SUBFRAME

FIGURE 1-38. PINTLE EXTEND/RETRACT CYLINDER ASSEMBLY



ART\_1001183326

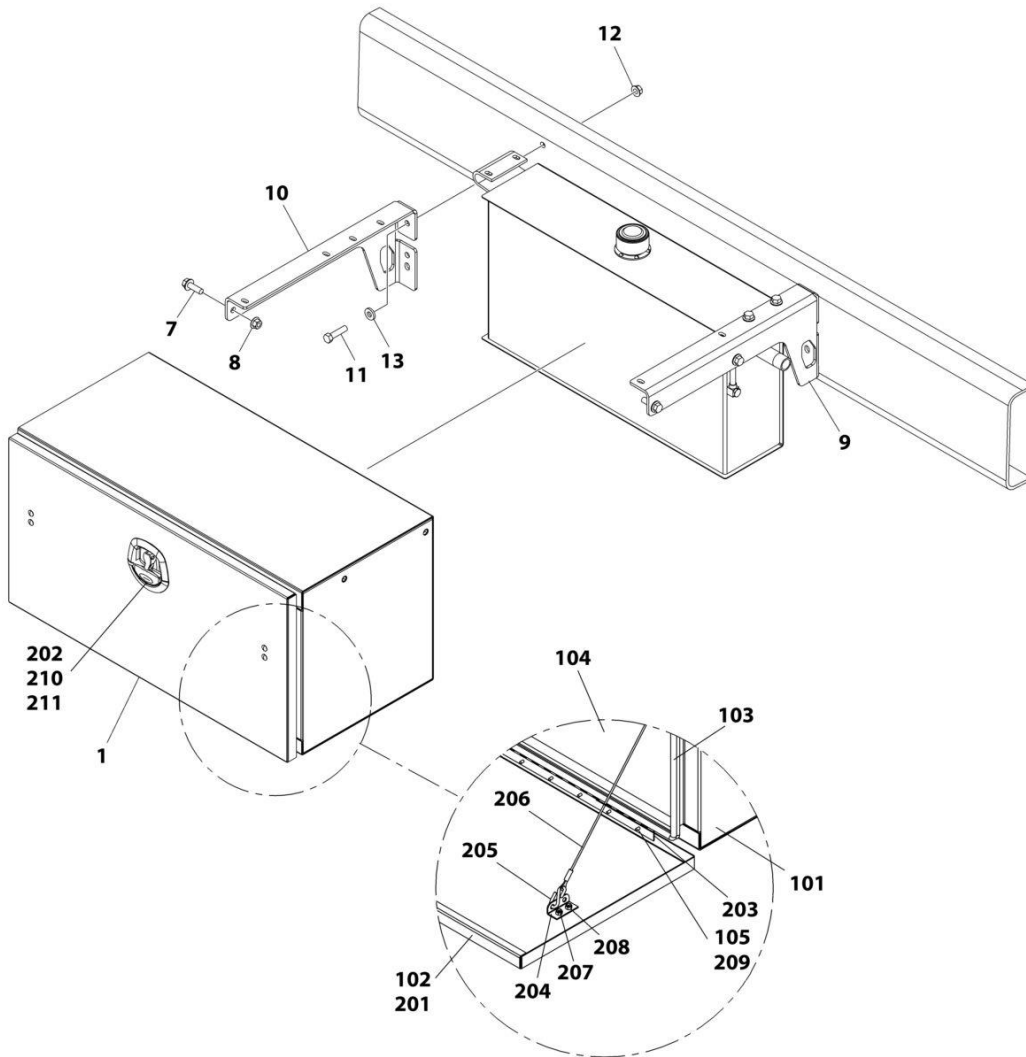
**SECTION 1 - SUBFRAME**

**FIGURE 1-38. PINTLE EXTEND/RETRACT CYLINDER ASSEMBLY**

ITEM	PART NUMBER	QTY	DESCRIPTION	REV
	1001183326	Ref Ref	Pintle Extend Cylinder Assembly Note: No Service Parts Available at Time of Printing.	D

# SECTION 1 - SUBFRAME

## FIGURE 1-39. TOOLBOX - 36IN



ART\_289900055



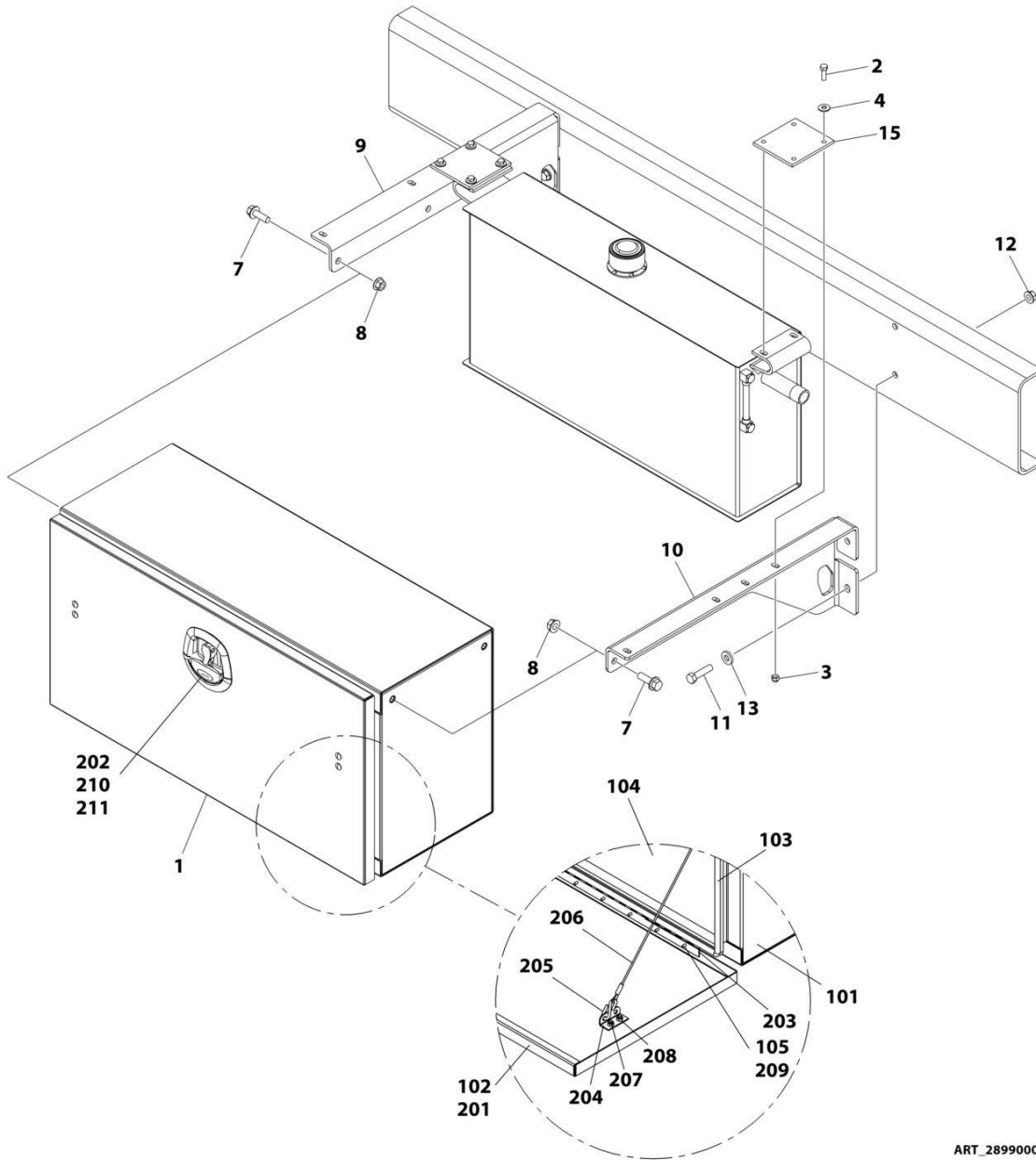
# SECTION 1 - SUBFRAME

## FIGURE 1-39. TOOLBOX - 36IN

ITEM	PART NUMBER	QTY	DESCRIPTION	REV
	2899000055	Ref	TOOLBOX, 36IN	F
1	1001208769	1	Toolbox Assembly (includes items 101 through 105)	A
7	7118181216	4	Capscrew 1/2 x 1-1/2	
8	7660182301	4	Nut 1/2	
9	4178000290	1	Bracket	
10	4178000291	1	Bracket	
11	0651816	4	Bolt 1/2 x 2	
12	7660182333	4	Nut 1/2	
13	4891800	4	Washer 1/2	
101	3899000125	1	Toolbox Weldment	
102	1001223819	1	Toolbox Door Assembly (includes items 201 through 211)	A
103	4796000009	1	Gasket	
104	4679000256	1	Pad	
105	7759000020	9	Rivet	
201	1001223815	1	Door Weldment	
202	1001223814	1	Latch	
203	7555000016	1	Hinge	
204	4178000599	2	Bracket	
205	7592000005	4	S-Link	
206	7248000114	2	Cable	
207	7114140465	4	Bolt 0.25-20X0.50	
208	7660142604	4	Locknut 0.25-20	
209	7759000020	9	Rivet	
210	7950100143	4	Washer 0.19	
211	7660102604	4	Locknut #10-24	

# SECTION 1 - SUBFRAME

## FIGURE 1-40. TOOLBOX - 36IN NARROW



ART\_289900065

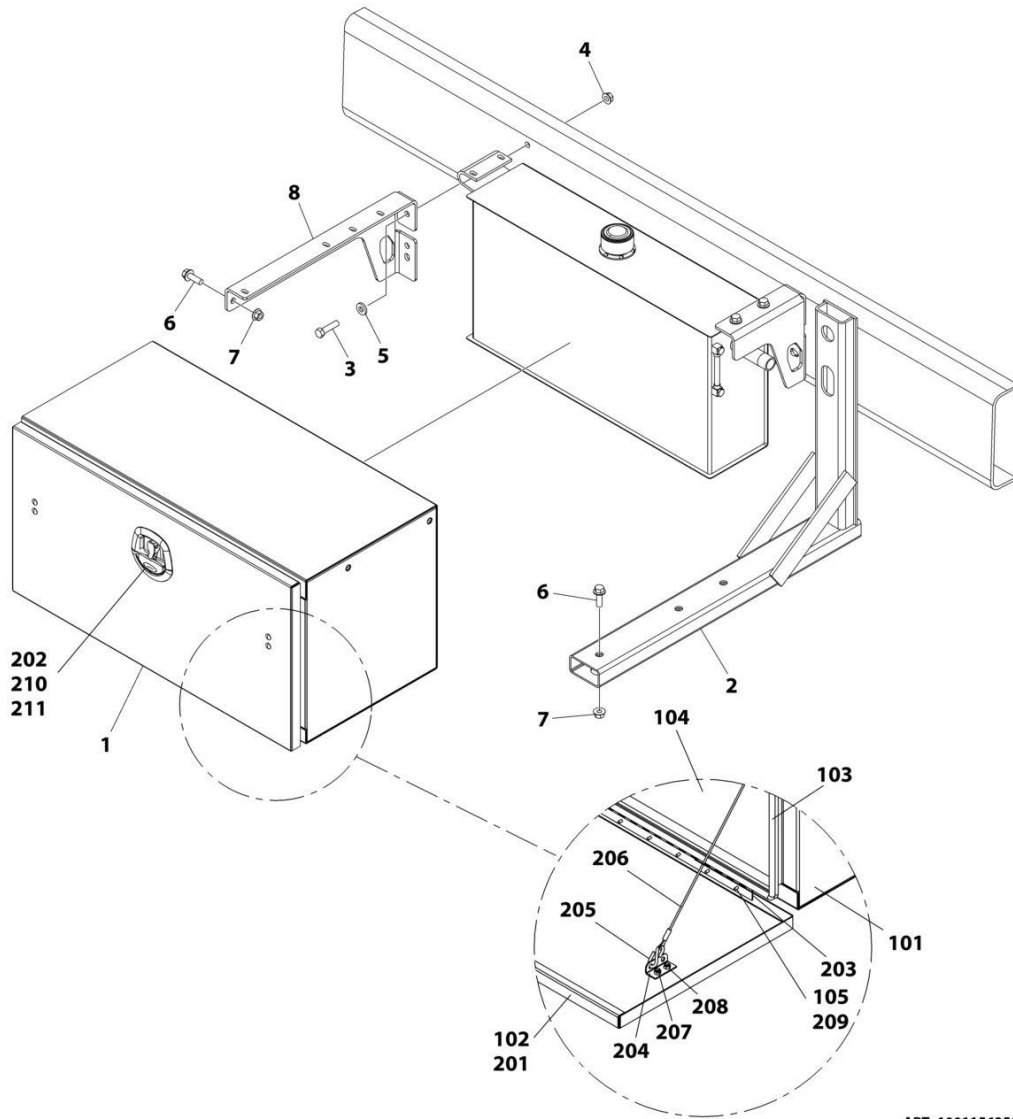
## SECTION 1 - SUBFRAME

### FIGURE 1-40. TOOLBOX - 36IN NARROW

ITEM	PART NUMBER	QTY	DESCRIPTION	REV
	2899000065	Ref	TOOLBOX, 36IN NARROW	F
1	1001208772	1	Toolbox Assembly (includes items 101 through 105)	A
2	0641508	4	Bolt 5/16 x 1	
3	7660152601	4	Nut 5/16	
4	4751500	8	Washer 5/16	
7	7118181216	4	Capscrew 1/2 x 1-1/2	
8	7660182301	4	Nut 1/2	
9	4178000338	1	Bracket	
10	4178000339	1	Bracket	
11	0651816	4	Bolt 1/2 x 2	
12	7660182333	4	Nut 1/2	
13	4891800	4	Washer 1/2	
15	4706002361	2	Plate	
101	3899000126	1	Toolbox Weldment	
102	1001223819	1	Toolbox Door Assembly (includes items 201 through 211)	A
103	4796000009	1	Gasket	
104	4679000257	1	Pad	
105	7759000020	9	Rivet	
201	1001223815	1	Toolbox Door	
202	1001223814	1	Latch	
203	7555000016	1	Hinge	
204	4178000599	2	Bracket	
205	7592000005	4	S-Link	
206	7248000114	2	Cable	
207	7114140465	4	Bolt 0.25-20X.050	
208	7660142604	4	Locknut 0.25-20	
209	7759000020	9	Rivet	
210	7950100143	4	Washer 0.19	
211	7660102604	4	Locknut #10-24	

# SECTION 1 - SUBFRAME

## FIGURE 1-41. TOOLBOX - 36IN UNDERMOUNT



ART\_1001156358

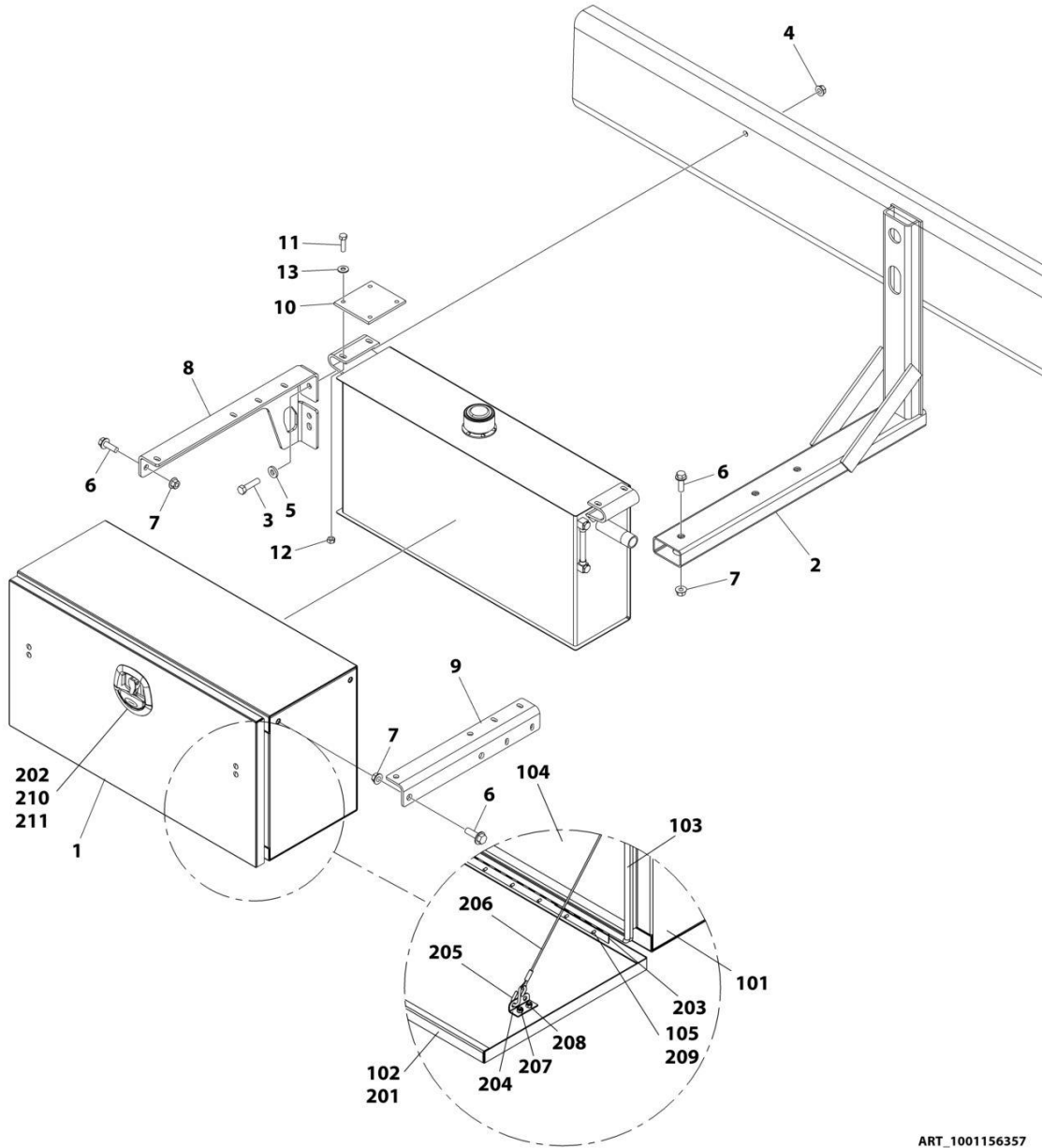
## SECTION 1 - SUBFRAME

**FIGURE 1-41. TOOLBOX - 36IN UNDERMOUNT**

ITEM	PART NUMBER	QTY	DESCRIPTION	REV
	1001156358	Ref	TOOLBOX, 36IN UNDERBOX MOUNT	B
1	1001208769	1	Toolbox Assembly (includes items 101 through 105)	A
2	1001156006	1	Frame Weldment	
3	0651816	4	Bolt 1/2 x 2	
4	7660182333	4	Nut 1/2	
5	4891800	4	Washer 1/2	
6	7118181216	4	Capscrew 1/2 x 1-1/2	
7	7660182301	4	Nut 1/2	
8	4178000291	1	Bracket	
101	3899000125	1	Toolbox Weldment	
102	1001223819	1	Toolbox Door Assembly (includes items 201 through 211)	A
103	4796000009	1	Gasket	
104	4679000256	1	Pad	
105	7759000020	1	Rivet	
201	1001223815	1	Toolbox Door	
202	1001223814	1	Latch	
203	7555000016	1	Hinge	
204	4178000599	2	Bracket	
205	7592000005	4	S-Link	
206	7248000114	2	Cable	
207	7114140465	4	Bolt 0.25-20X0.50	
208	7660142604	4	Locknut 0.25-20	
209	7759000020	9	Rivet	
210	7950100143	4	Washer 0.19	
211	7660102604	4	Locknut #10-24	

# SECTION 1 - SUBFRAME

## FIGURE 1-42. TOOLBOX - 36IN NARROW UNDERMOUNT



ART\_1001156357

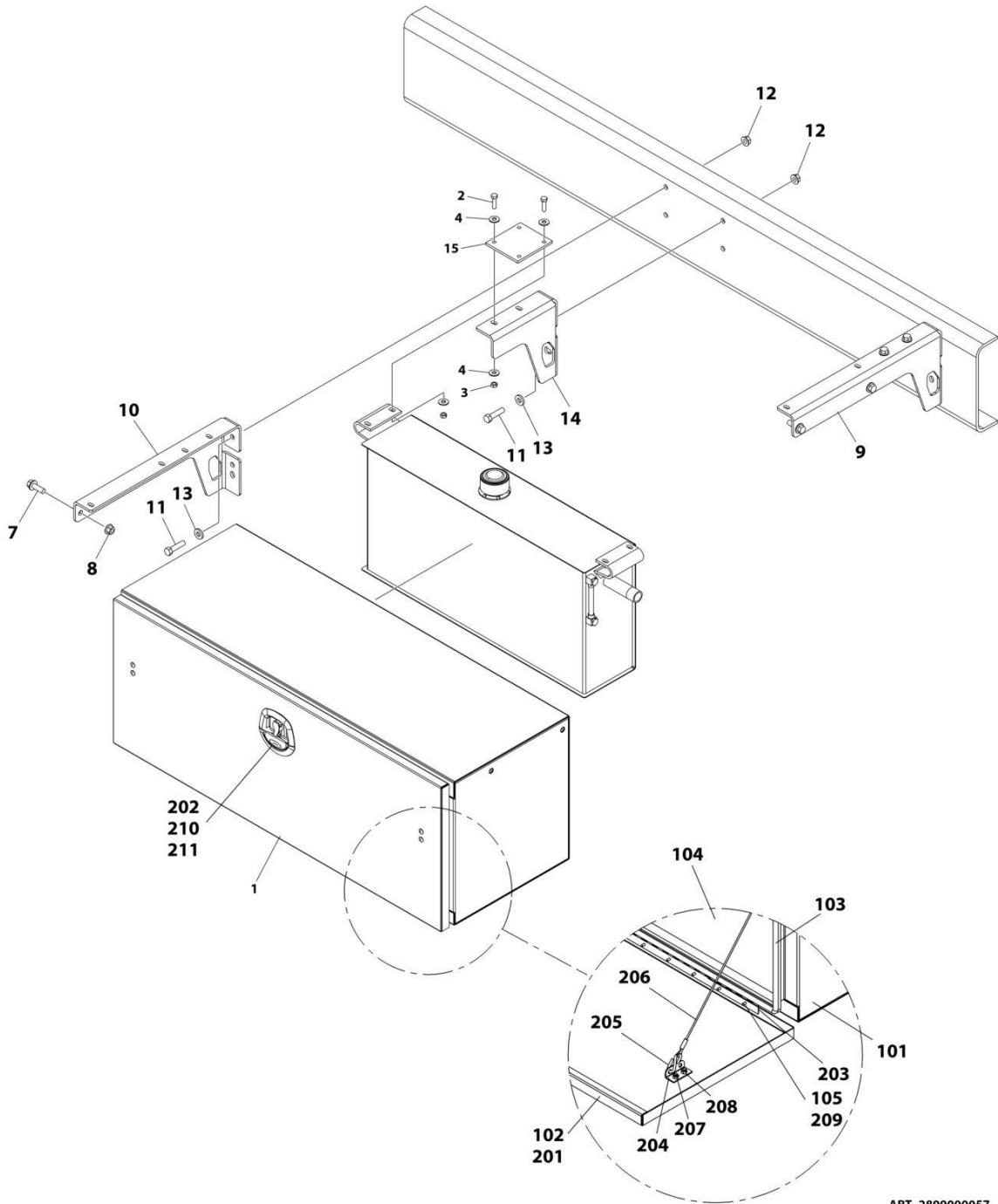
## SECTION 1 - SUBFRAME

**FIGURE 1-42. TOOLBOX - 36IN NARROW UNDERMOUNT**

ITEM	PART NUMBER	QTY	DESCRIPTION	REV
	1001156357	Ref	TOOLBOX, 36IN UNDERBOX MOUNT NARROW	B
1	1001208772	1	Toolbox Assembly (includes items 101 through 105)	A
2	1001156006	1	Frame Weldment	
3	0651816	4	Bolt 1/2 x 2	
4	7660182333	4	Nut 1/2	
5	4891800	4	Washer 1/2	
6	7118181216	6	Capscrew 1/2 x 1-1/2	
7	7660182301	6	Nut 1/2	
8	4178000339	1	Bracket	
9	1001155975	1	Bracket	
10	4706002361	1	Plate	
11	0641508	2	Bolt 5/16 x 1	
12	7660152601	2	Nut 5/16	
13	4751500	4	Washer 5/16	
101	3899000126	1	Toolbox Weldment	
102	1001223819	1	Toolbox Door Assembly (includes items 201 through 211)	A
103	4796000009	1	Gasket	
104	4679000257	1	Pad	
105	7759000020	9	Rivet	
201	1001223815	1	Toolbox Door	
202	1001223814	1	Latch	
203	7555000016	1	Hinge	
204	4178000599	2	Bracket	
205	7592000005	4	S-Link	
206	7248000114	2	Cable	
207	7114140465	4	Bolt 0.25-20X0.50	
208	7660142604	4	Locknut 0.25-20	
209	7759000020	9	Rivet	
210	7950100143	4	Washer 0.19	
211	7660102604	4	Locknut #10-24	

# SECTION 1 - SUBFRAME

## FIGURE 1-43. TOOLBOX - 48IN



ART\_2899000057



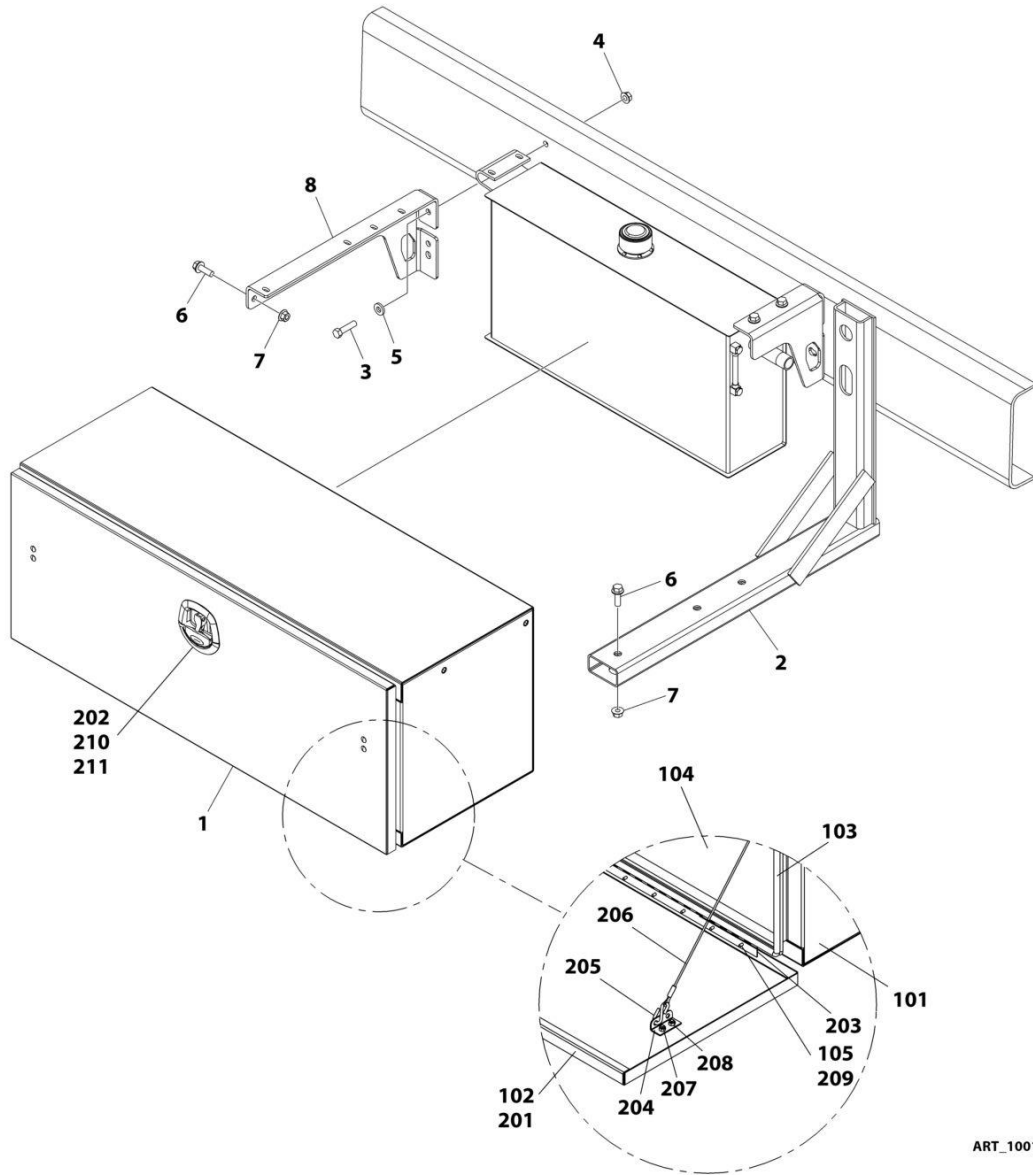
# SECTION 1 - SUBFRAME

## FIGURE 1-43. TOOLBOX - 48IN

ITEM	PART NUMBER	QTY	DESCRIPTION	REV
	2899000057	Ref	TOOLBOX, 48IN	E
1	1001208776	1	Toolbox Assembly (includes iotemss 101 through 105)	A
2	0641508	4	Bolt 5/16 x 1	
3	7660152601	4	Nut 5/16	
4	4751500	8	Washer 5/16	
7	7118181216	4	Capscrew 1/2 x 1-1/2	
8	7660182301	4	Nut 1/2	
9	4178000290	1	Bracket	
10	4178000291	1	Bracket	
11	0651816	6	Bolt 1/2 x 2	
12	7660182333	6	Nut 1/2	
13	4891800	6	Washer 1/2	
14	4178000330	1	Bracket	
15	4706002361	1	Plate	
101	3899000127	1	Toolbox Weldment	
102	1001223820	1	Toolbox Door Assembly (includes items 201 through 211)	A
103	4796000010	1	Gasket	
104	4679000258	1	Pad	
105	7759000020	14	Rivet	
201	1001223816	1	Toolbox Door	
202	1001223814	1	Latch	
203	7555000015	2	Hinge	
204	4178000599	2	Braclet	
205	7592000005	4	S-Link	
206	7248000114	2	Cable	
207	7114140465	4	Bolt 0.25-20X0.50	
208	7660142604	4	Locknut 0.25-20	
209	7759000020	14	Rivet	
210	7950100143	4	Washer 0.19	
211	7660102604	4	Locknut #10-24	

# SECTION 1 - SUBFRAME

## FIGURE 1-44. TOOLBOX - 48IN UNDERMOUNT



ART\_1001137931

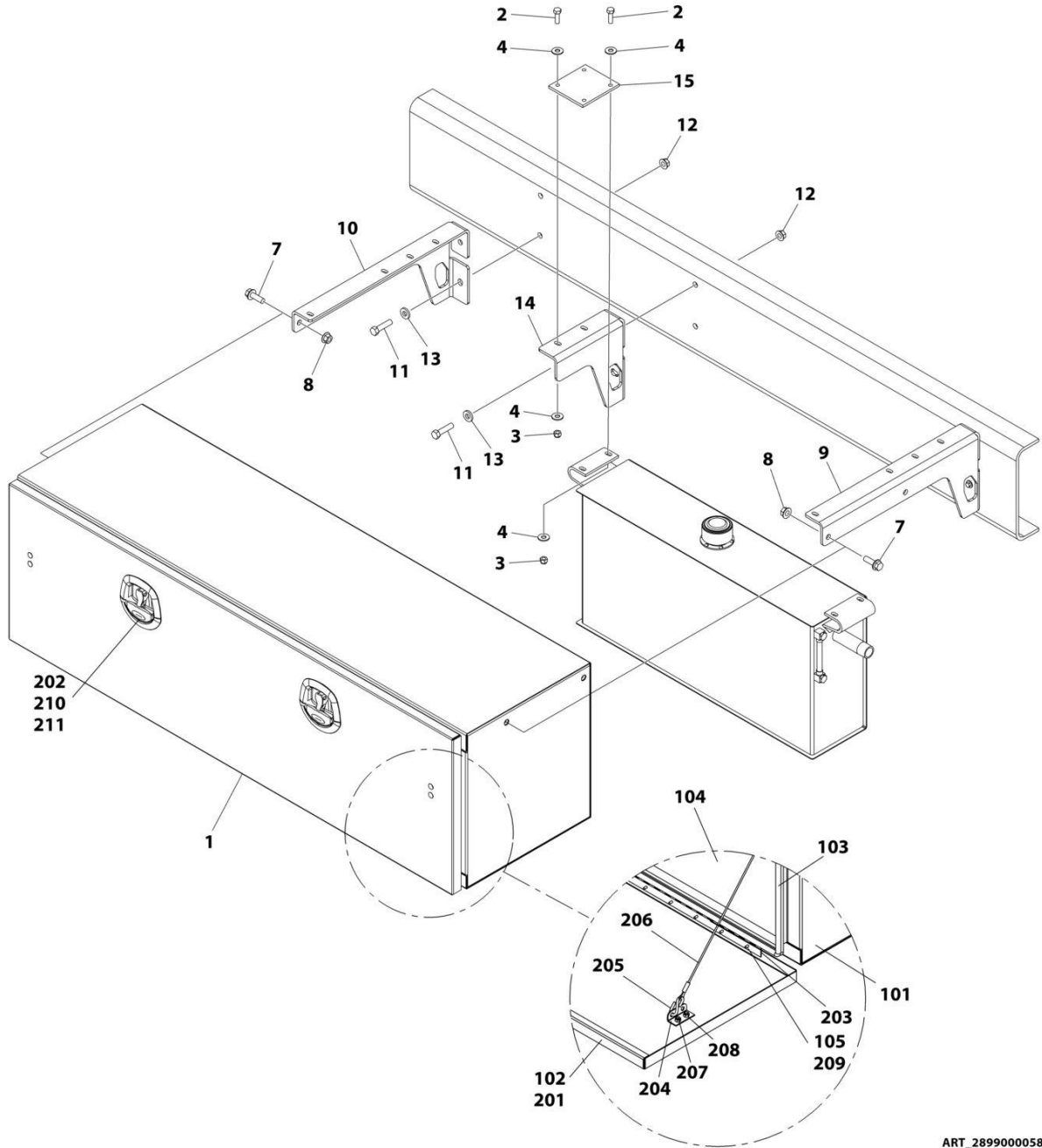
## SECTION 1 - SUBFRAME

**FIGURE 1-44. TOOLBOX - 48IN UNDERMOUNT**

ITEM	PART NUMBER	QTY	DESCRIPTION	REV
	1001137931	Ref	TOOLBOX, 48IN UNDERBOX MOUNT	D
1	1001208776	1	Toolbox Assembly (includes items 101 through 105)	A
2	1001156006	1	Frame Weldment	
3	0651816	4	Bolt 1/2 x 2	
4	7660182333	4	Nut 1/2	
5	4891800	4	Washer 1/2	
6	7118181216	6	Capscrew 1/2 x 1-1/2	
7	7660182301	6	Nut 1/2	
8	4178000291	1	Bracket	
101	3899000127	1	Toolbox Weldment	
102	1001223820	1	Toolbox Door Assembly (includes items 201 through 211)	
103	4796000010	1	Gasket	
104	4679000258	1	Pad	
105	7759000020	14	Rivet	
201	1001223816	1	Toolbox Door	
202	1001223814	1	Latch	
203	7555000015	2	Hinge	
204	4178000599	2	Bracket	
205	7592000005	4	S-Link	
206	7248000114	2	Cable	
207	7114140465	4	Bolt 0.25-20X0.50	
208	7660142604	4	Locknut 0.25-20	
209	7759000020	14	Rivet	
210	7950100143	4	Washer 0.19	
211	7660102604	4	Locknut #10-24	

# SECTION 1 - SUBFRAME

## FIGURE 1-45. TOOLBOX - 60IN



ART\_2899000058

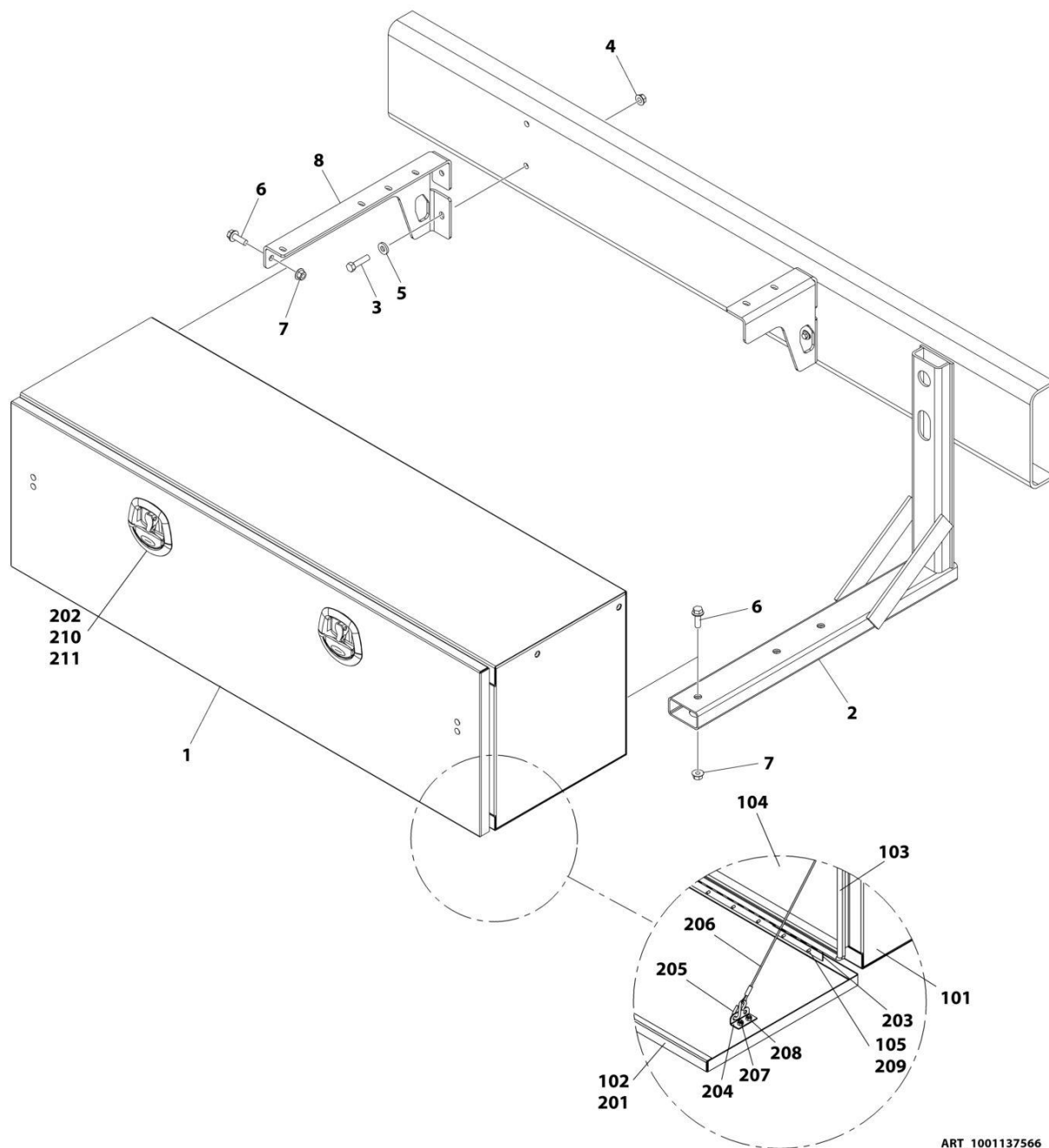
# SECTION 1 - SUBFRAME

## FIGURE 1-45. TOOLBOX - 60IN

ITEM	PART NUMBER	QTY	DESCRIPTION	REV
	2899000058	Ref	TOOLBOX, 60IN	E
1	1001208780	1	Toolbox Assembly (includes items 101 through 105)	A
2	0641508	4	Bolt 5/16 x 1	
3	7660152601	4	Nut 5/16	
4	4751500	8	Washer 5/16	
7	7118181216	4	Capscrew 1/2 x 1-1/2	
8	7660182301	4	Nut 1/2	
9	4178000290	1	Bracket	
10	4178000291	1	Bracket	
11	0651816	6	Bolt 1/2 x 2	
12	7660182333	6	Nut 1/2	
13	4891800	6	Washer 1/2	
14	4178000330	1	Bracket	
15	4706002361	1	Plate	
101	3899000128	1	Toolbox Weldment	
102	1001223821	1	Toolbox Door Assembly (includes items 201 through 211)	A
103	4796000011	1	Gasket	
104	4679000259	1	Pad	
105	7759000020	18	Rivet	
201	1001223817	1	Toolbox Door	
202	1001223814	2	Latch	
203	7555000016	2	Hinge	
204	4178000599	2	Bracket	
205	7592000005	4	S-Link	
206	7248000114	2	Cable	
207	7114140465	4	Bolt 0.25-20X.050	
208	7660142604	4	Locknut 0.25-20	
209	7759000020	18	Rivet	
210	7950100143	8	Washer 0.191	
211	7660102604	8	Locknut #10-24	

# SECTION 1 - SUBFRAME

## FIGURE 1-46. TOOLBOX - 60IN



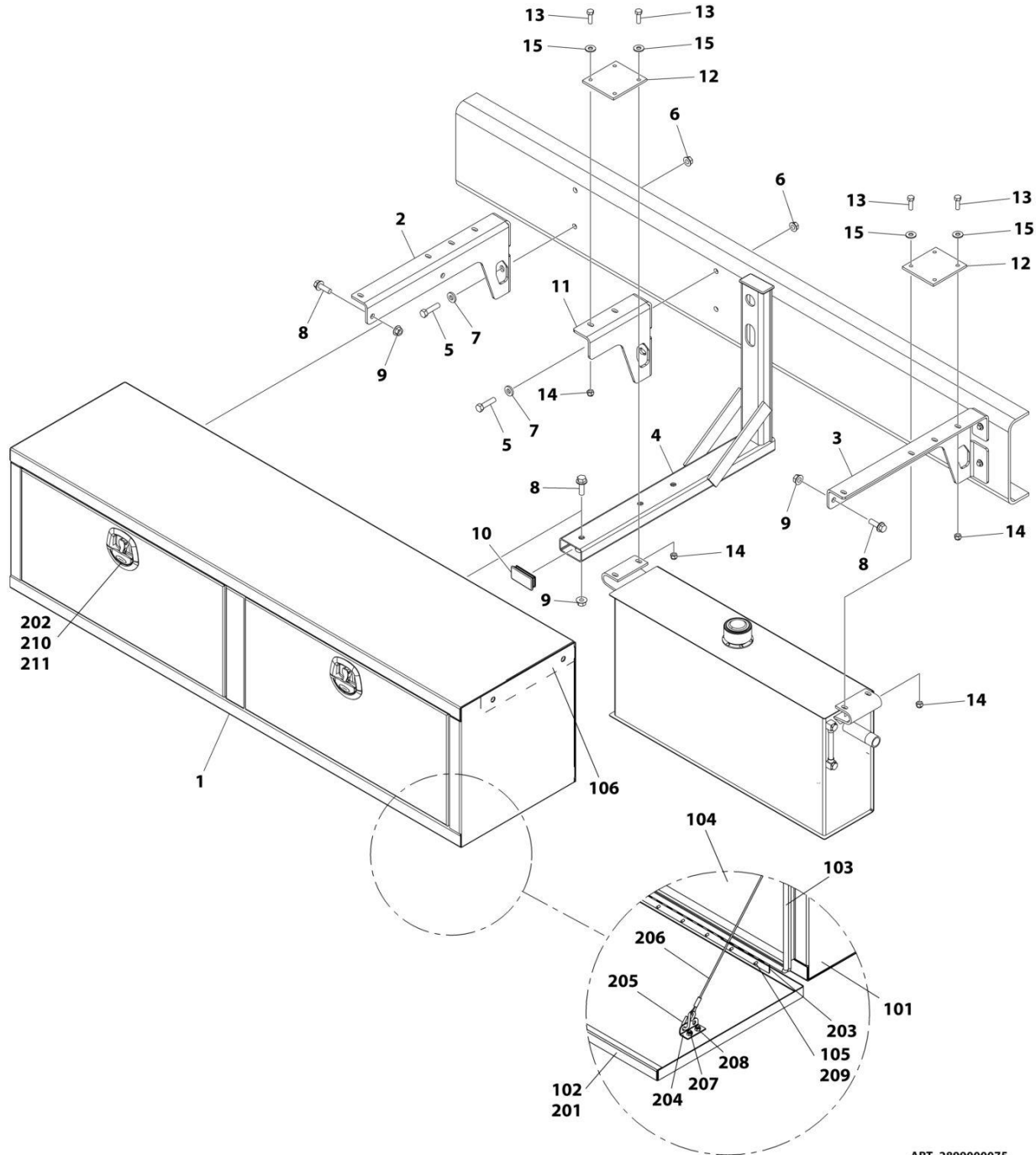
## SECTION 1 - SUBFRAME

### FIGURE 1-46. TOOLBOX - 60IN

ITEM	PART NUMBER	QTY	DESCRIPTION	REV
	1001137566	Ref	TOOLBOX, 60IN UNDERBOX MOUNT	D
1	1001208780	1	Toolbox Assembly (includes items 101 through 105)	A
2	1001156006	1	Frame Weldment	
3	0651816	4	Bolt 1/2 x 2	
4	7660182333	4	Nut 1/2	
5	4891800	4	Washer 1/2	
6	7118181216	6	Capscrew 1/2 x 1-1/2	
7	7660182301	6	Nut 1/2	
8	4178000291	1	Bracket	
101	3899000128	1	Toolbox Weldment	
102	1001223821	1	Toolbox Door Assembly (includes items 201 through 211)	A
103	4796000011	1	Gasket	
104	4679000259	1	Pad	
105	7759000020	18	Rivet	
201	1001223817	1	Toolbox Door	
202	1001223814	2	Latch	
203	7555000016	2	Hinge	
204	4178000599	2	Bracket	
205	7592000005	4	S-Link	
206	7248000114	2	Cable	
207	7114140465	4	Bolt 0.25-20X0.50	
208	7660142604	4	Locknut 0.25-20	
209	7759000020	18	Rivet	
210	7950100143	8	Washer 0.19	
211	7660102604	8	Locknut #10-24	

# SECTION 1 - SUBFRAME

## FIGURE 1-47. TOOLBOX - 78IN



ART\_2899000075



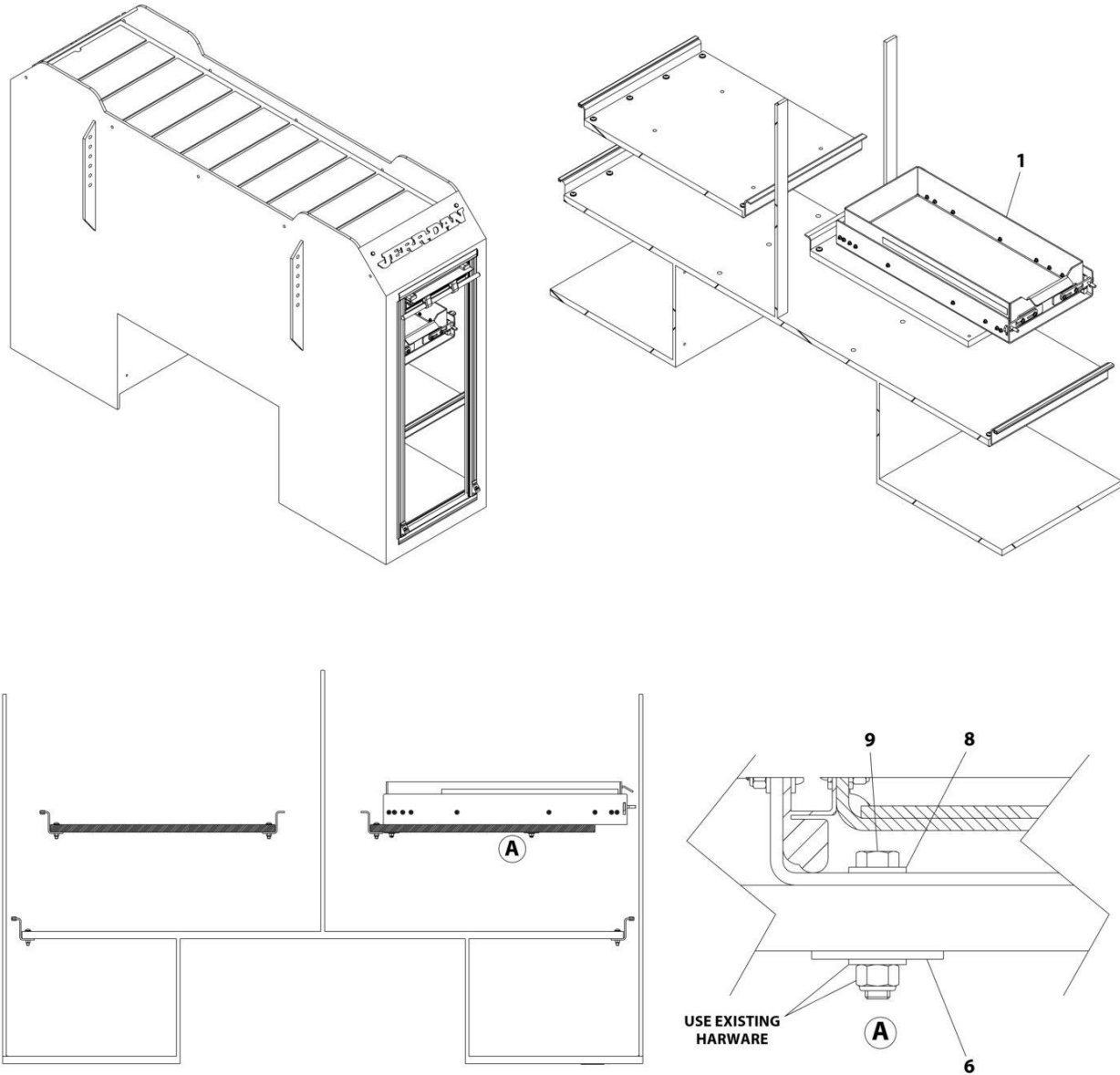
# SECTION 1 - SUBFRAME

## FIGURE 1-47. TOOLBOX - 78IN

ITEM	PART NUMBER	QTY	DESCRIPTION	REV
	2899000075	Ref	TOOLBOX, 78IN	C
1	1001208785	1	Toolbox Assembly (includes items 101 through 106)	A
2	4178000291	1	Bracket	
3	4178000290	1	Bracket	
4	3178000566	1	Bracket	
5	0651816	8	Bolt 1/2 x 2	
6	7660182333	8	Nut 1/2	
7	4891800	8	Washer 1/2	
8	7118181216	6	Capscrew 1/2 x 1-1/2	
9	7660182301	6	Nut 1/2	
10	7701000051	2	Plug	
11	4178000330	1	Bracket	
12	4706002361	2	Plate	
13	0641508	4	Bolt 5/16 x 1	
14	7660152601	4	Nut 5/16	
15	4751500	8	Washer 5/16	
101	3899000173	1	Toolbox Weldment	
102	1001223822	2	Toolbox Door Assembly (includes items 201 through 211)	A
103	4796000012	2	Gasket	
104	4679000322	1	Pad	
105	7759000020	18	Rivet	
106	7701000074	2	Plug	
201	1001223818	1	Toolbox Door	
202	1001223814	1	Latch	
203	7555000016	1	Hinge	
204	4178000599	2	Bracket	
205	7592000005	4	S-Link	
206	7248000155	2	Cable	
207	7114140465	4	Bolt 0.25-20X0.50	
208	7660142604	4	Locknut 0.25-20	
209	7759000020	9	Rivet	
210	7950100143	4	Washer 0.19	
211	7660102604	4	Locknut #10-24	

# SECTION 1 - SUBFRAME

## FIGURE 1-48. TOOLBOX DRAWER INSTALLATION - 24IN



ART\_1001147363

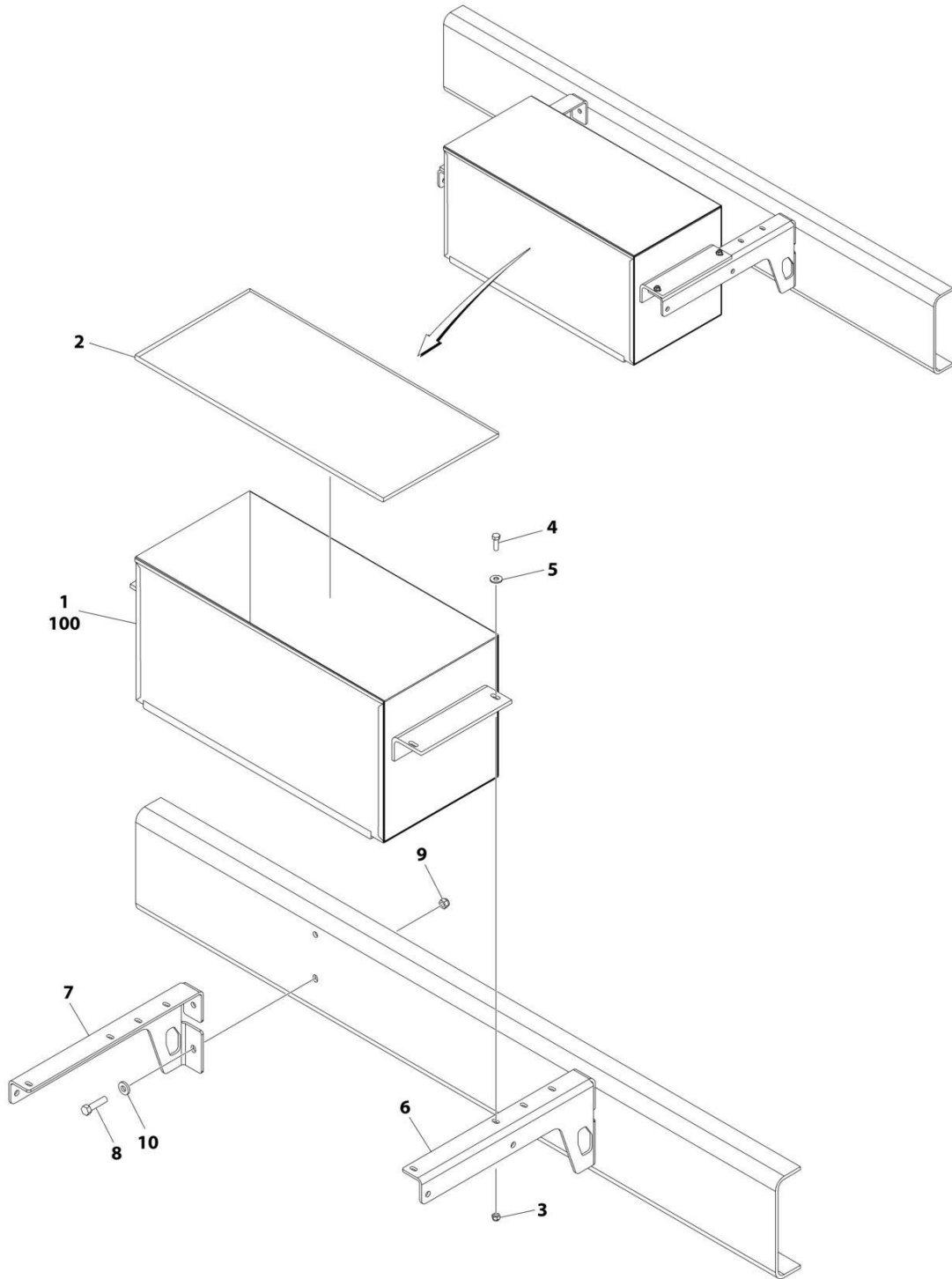
**SECTION 1 - SUBFRAME**

**FIGURE 1-48. TOOLBOX DRAWER INSTALLATION - 24IN**

<b>ITEM</b>	<b>PART NUMBER</b>	<b>QTY</b>	<b>DESCRIPTION</b>	<b>REV</b>
	1001147363	Ref	TOOLBOX DRAWER INSTALLATION - 24IN	B
1	1001143233	1	Drawer Assembly	
6	7949000015	4	Washer	
8	7950160153	4	Washer 3/8	
9	7115161650	4	Bolt 3/8 x 2	

# SECTION 1 - SUBFRAME

## FIGURE 1-49. TOOLBOX STORAGE BASKET



ART\_2899000030

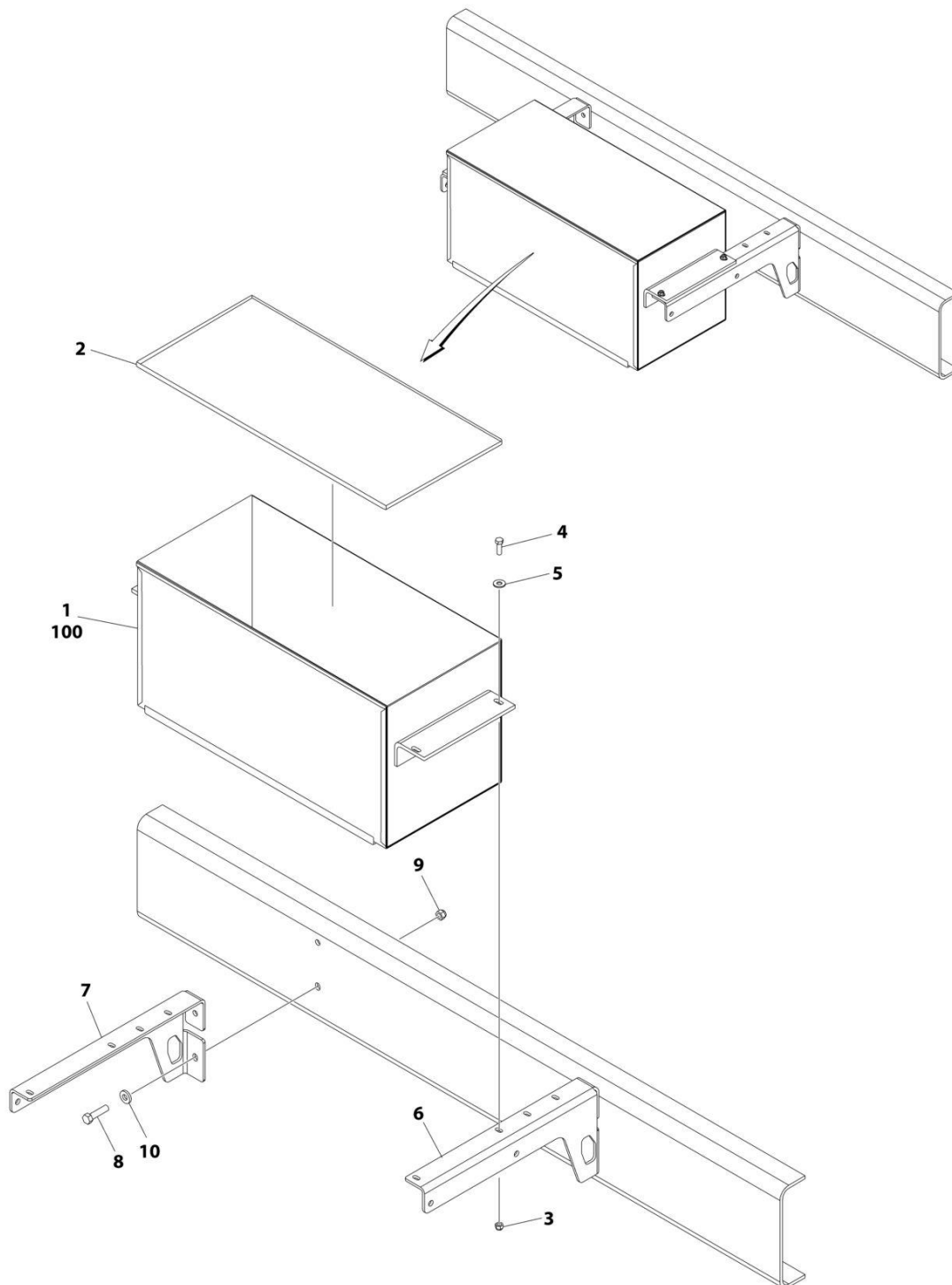
**SECTION 1 - SUBFRAME**

**FIGURE 1-49. TOOLBOX STORAGE BASKET**

ITEM	PART NUMBER	QTY	DESCRIPTION	REV
	2899000030	Ref	STORAGE BASKET	C
1	3899000053	1	Basket Weldment	
2	4632000015	1	Moulding	
3	7660152601	4	Nut 5/16	
4	7115150850	4	Capscrew 5/16 x 1	
5	7950150161	4	Washer 5/16	
6	4178000290	1	Bracket	
7	4178000291	1	Bracket	
8	7105181650	4	Capscrew 1/2 x 2	
9	7660182333	4	Nut 1/2	
10	7950180153	4	Washer 1/2	
100	2002000008	1	Cover Kit – Storage Basket (SS) (Includes SS Cover Face Plate and Rivets)	

# SECTION 1 - SUBFRAME

## FIGURE 1-50. TOOLBOX STORAGE BASKET (DEEP)



ART\_2899000041

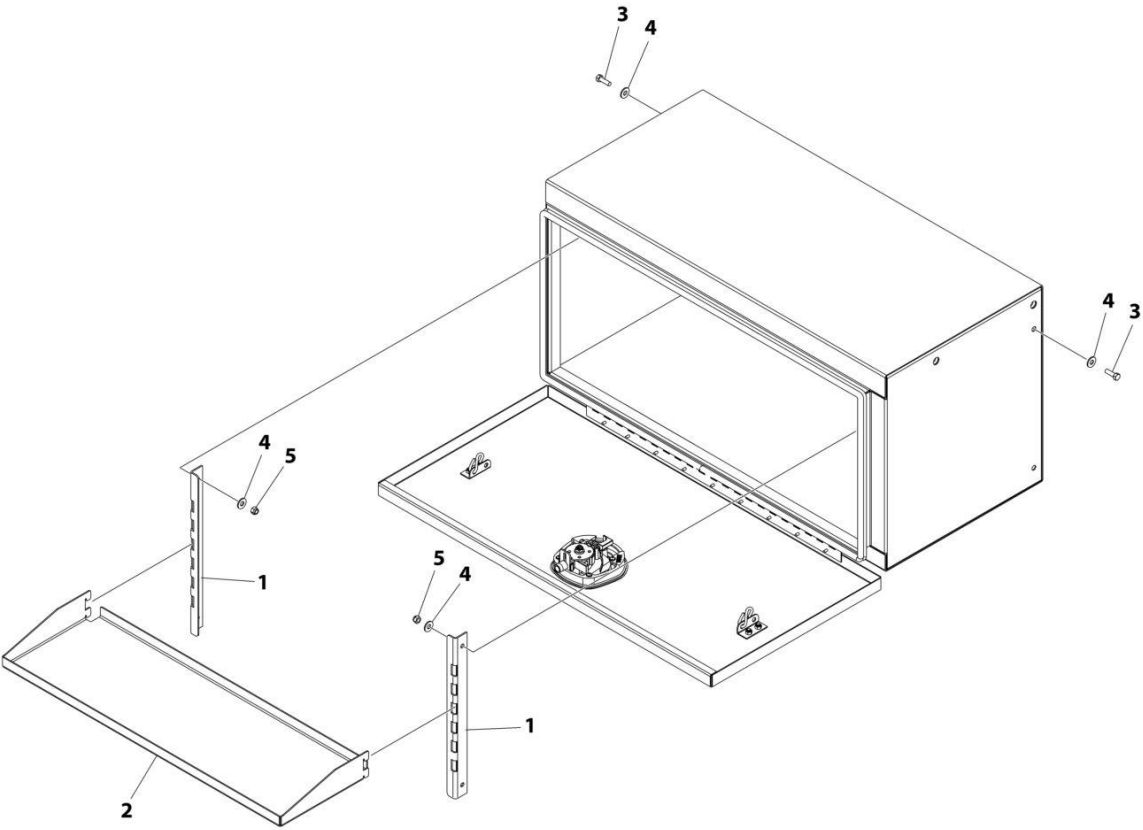
**SECTION 1 - SUBFRAME**

**FIGURE 1-50. TOOLBOX STORAGE BASKET (DEEP)**

ITEM	PART NUMBER	QTY	DESCRIPTION	REV
	2899000041	Ref	STORAGE BASKET, DEEP	B
1	3899000075	1	Basket Weldment	
2	4632000048	1	Moulding	
3	7660152601	4	Nut 5/16	
4	7115150850	4	Capscrew 5/16 x 1	
5	7950150161	4	Washer 5/16	
6	4178000290	1	Bracket	
7	4178000291	1	Bracket	
8	7105181650	4	Capscrew 1/2 x 2	
9	7660182333	4	Nut 1/2	
10	7950180153	4	Washer 1/2	
100	2002000008	1	Cover Kit – Storage Basket (SS) (Includes SS Cover Face Plate and Rivets)	

**SECTION 1 - SUBFRAME**

**FIGURE 1-51. TOOLBOX SHELF - 36IN**



ART\_2899000059



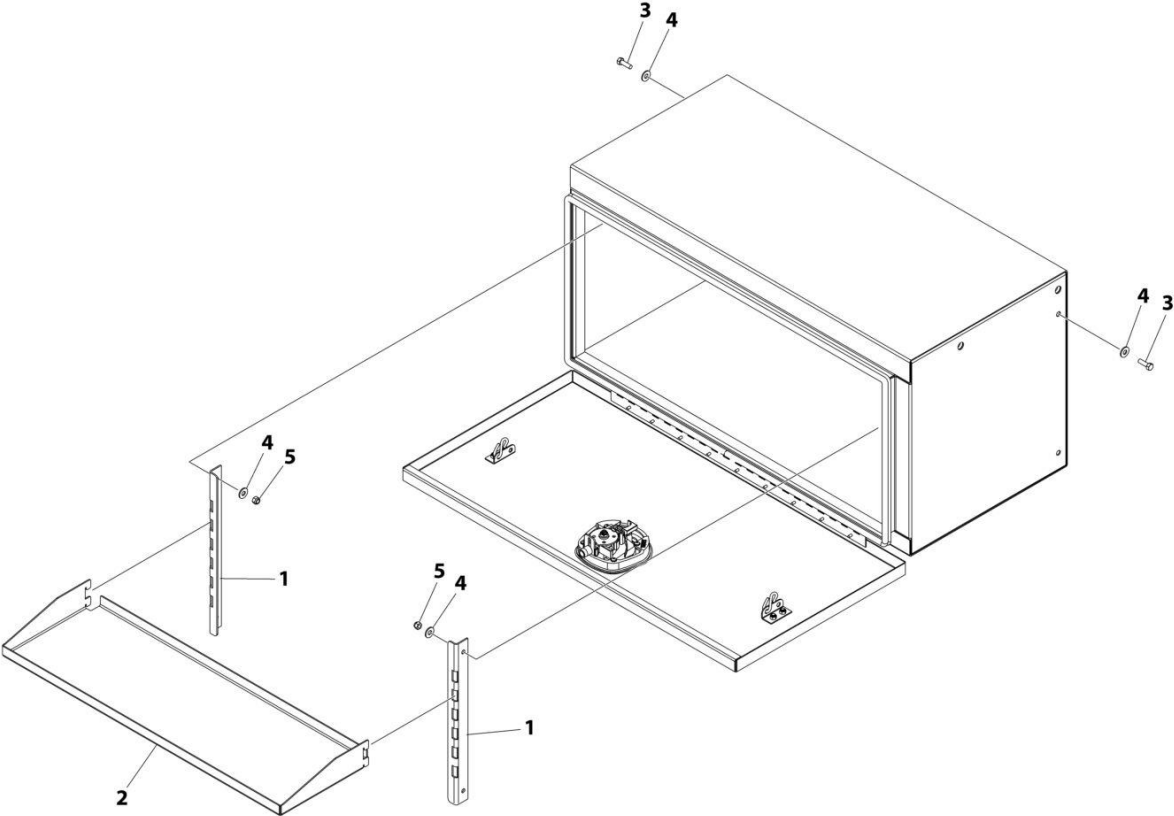
**SECTION 1 - SUBFRAME**

**FIGURE 1-51. TOOLBOX SHELF - 36IN**

<b>ITEM</b>	<b>PART NUMBER</b>	<b>QTY</b>	<b>DESCRIPTION</b>	<b>REV</b>
	2899000059	Ref	TOOL BOX SHELF, 36IN	B
1	4017001403	2	Angle	
2	4811000841	1	Sheet	
3	7115150850	4	Capscrew 5/16 x 1	
4	7950150161	8	Washer 5/16	
5	7660152601	4	Nut 5/16	

**SECTION 1 - SUBFRAME**

**FIGURE 1-52. TOOLBOX SHELF - 48IN**



ART\_2899000060

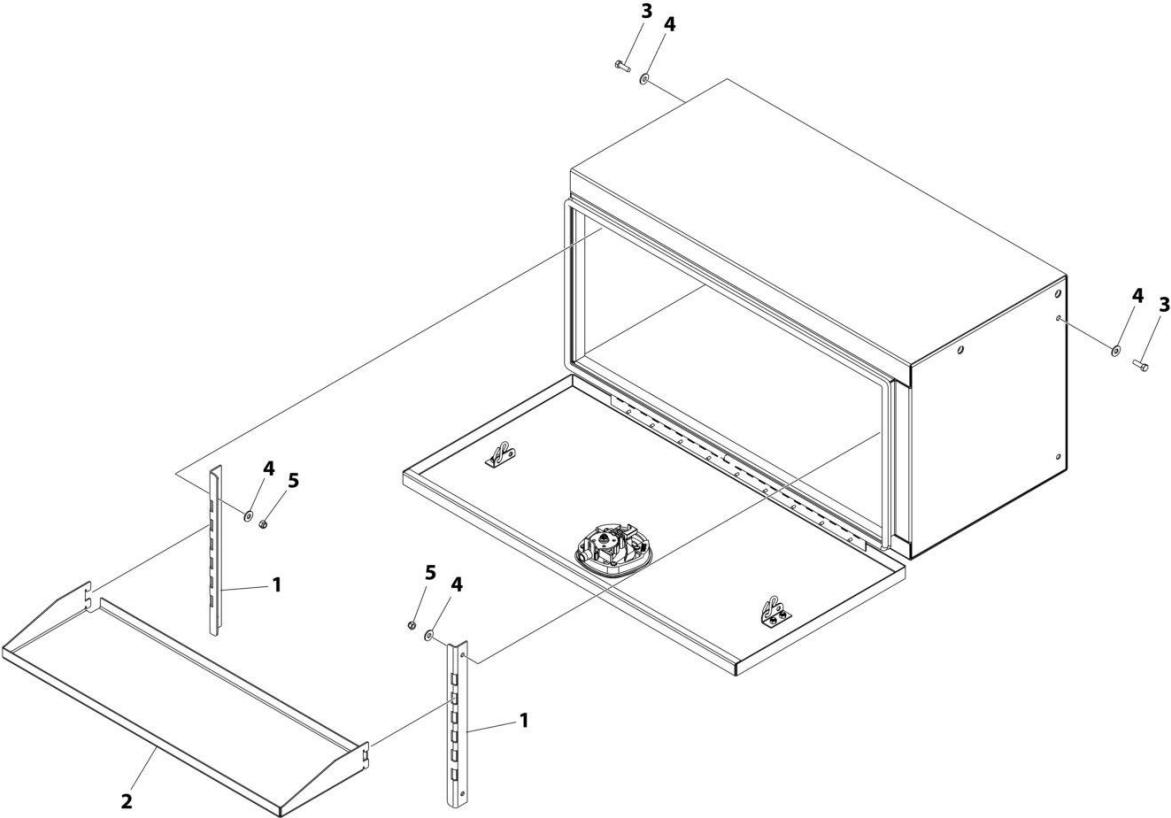
**SECTION 1 - SUBFRAME**

**FIGURE 1-52. TOOLBOX SHELF - 48IN**

<b>ITEM</b>	<b>PART NUMBER</b>	<b>QTY</b>	<b>DESCRIPTION</b>	<b>REV</b>
	2899000060	Ref	TOOL BOX SHELF, 48IN	B
1	4017001403	2	Angle	
2	4811000868	1	Sheet	
3	7115150850	4	Capscrew 5/16 x 1	
4	7950150161	8	Washer 5/16	
5	7660152601	4	Nut 5/16	

**SECTION 1 - SUBFRAME**

**FIGURE 1-53. TOOLBOX SHELF - 60IN**



ART\_289900061

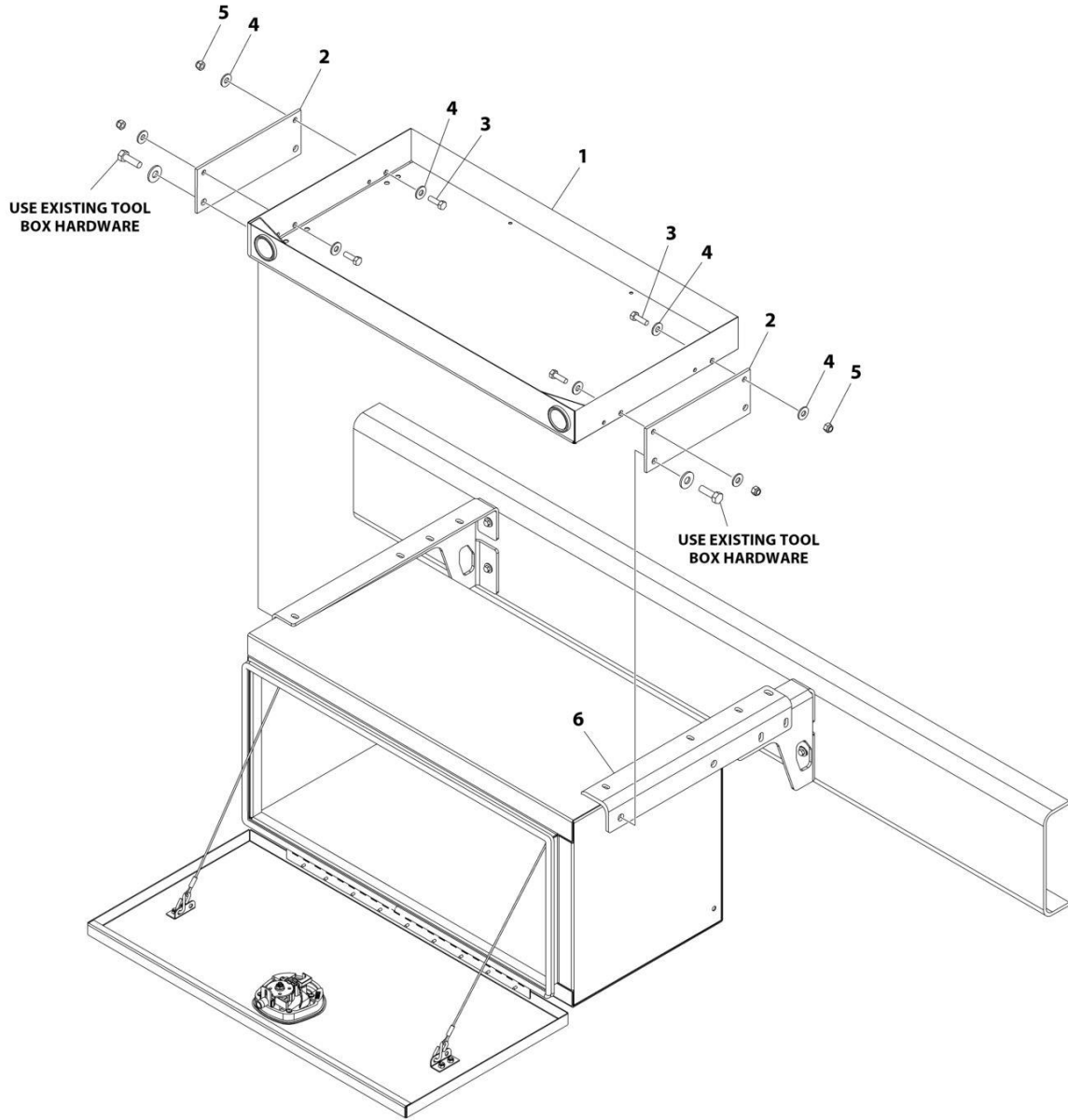
**SECTION 1 - SUBFRAME**

**FIGURE 1-53. TOOLBOX SHELF - 60IN**

<b>ITEM</b>	<b>PART NUMBER</b>	<b>QTY</b>	<b>DESCRIPTION</b>	<b>REV</b>
	2899000061	Ref	TOOL BOX SHELF, 60IN	B
1	4017001403	2	Angle	
2	4811000868	1	Sheet	
3	7115150850	4	Capscrew 5/16 x 1	
4	7950150161	8	Washer 5/16	
5	7660152601	4	Nut 5/16	

# SECTION 1 - SUBFRAME

FIGURE 1-54. TOOLBOX TOP STORAGE TRAY - 36IN



ART\_2002000048

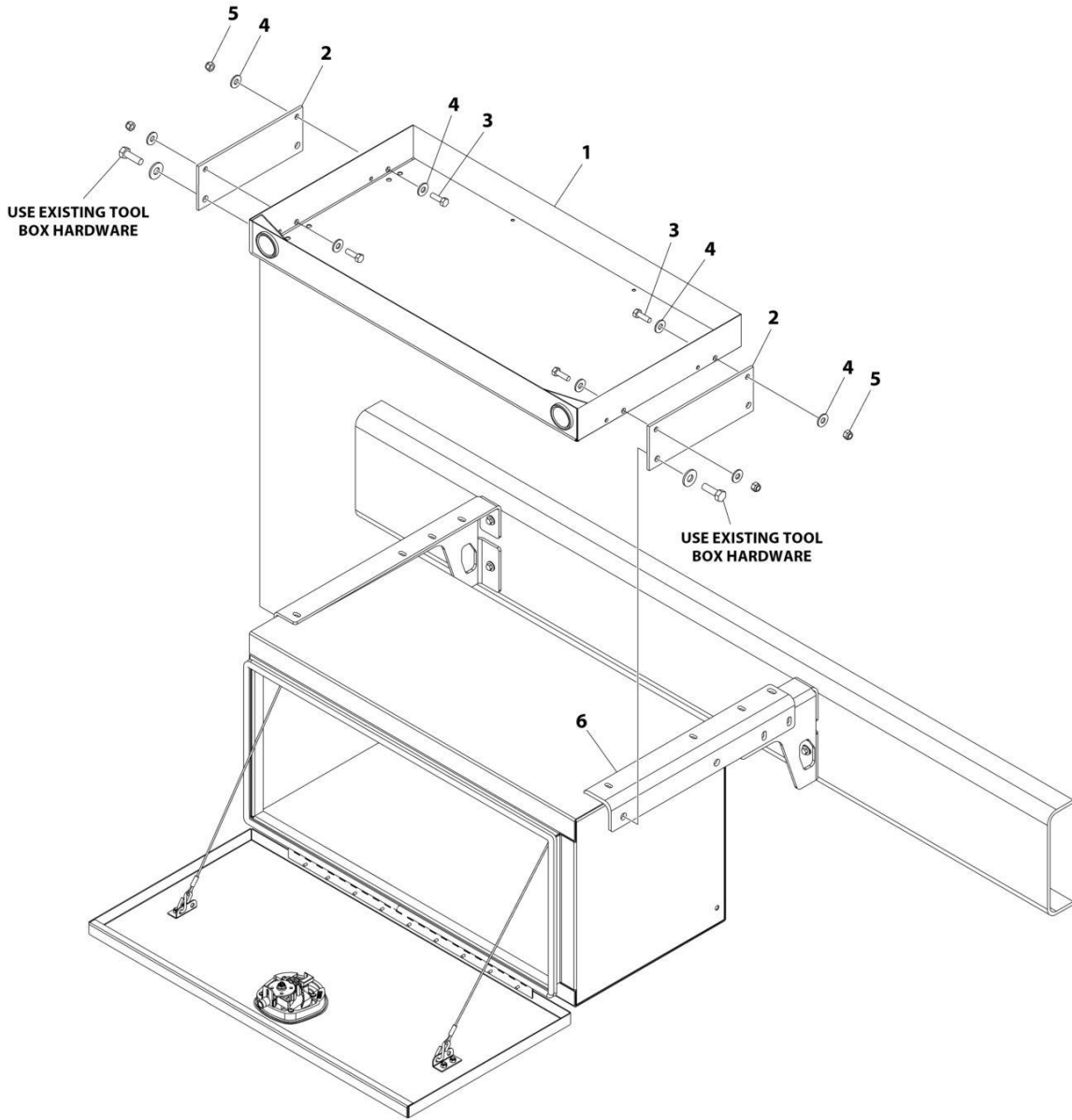
**SECTION 1 - SUBFRAME**

**FIGURE 1-54. TOOLBOX TOP STORAGE TRAY - 36IN**

<b>ITEM</b>	<b>PART NUMBER</b>	<b>QTY</b>	<b>DESCRIPTION</b>	<b>REV</b>
	2002000048	Ref	TOOL BOX TOP STORAGE TRAY, 36IN	B
1	3811000053	1	Sheet Weldment	
2	4706006216	1	Plate	
3	7115160950	4	Bolt 3/8 x 1-1/8	
4	7950150161	8	Washer 5/16	
5	7660162601	4	Nut 3/8	
6	1001155975	1	Bracket	

# SECTION 1 - SUBFRAME

## FIGURE 1-55. TOOLBOX TOP STORAGE TRAY - 48IN



ART\_200200049



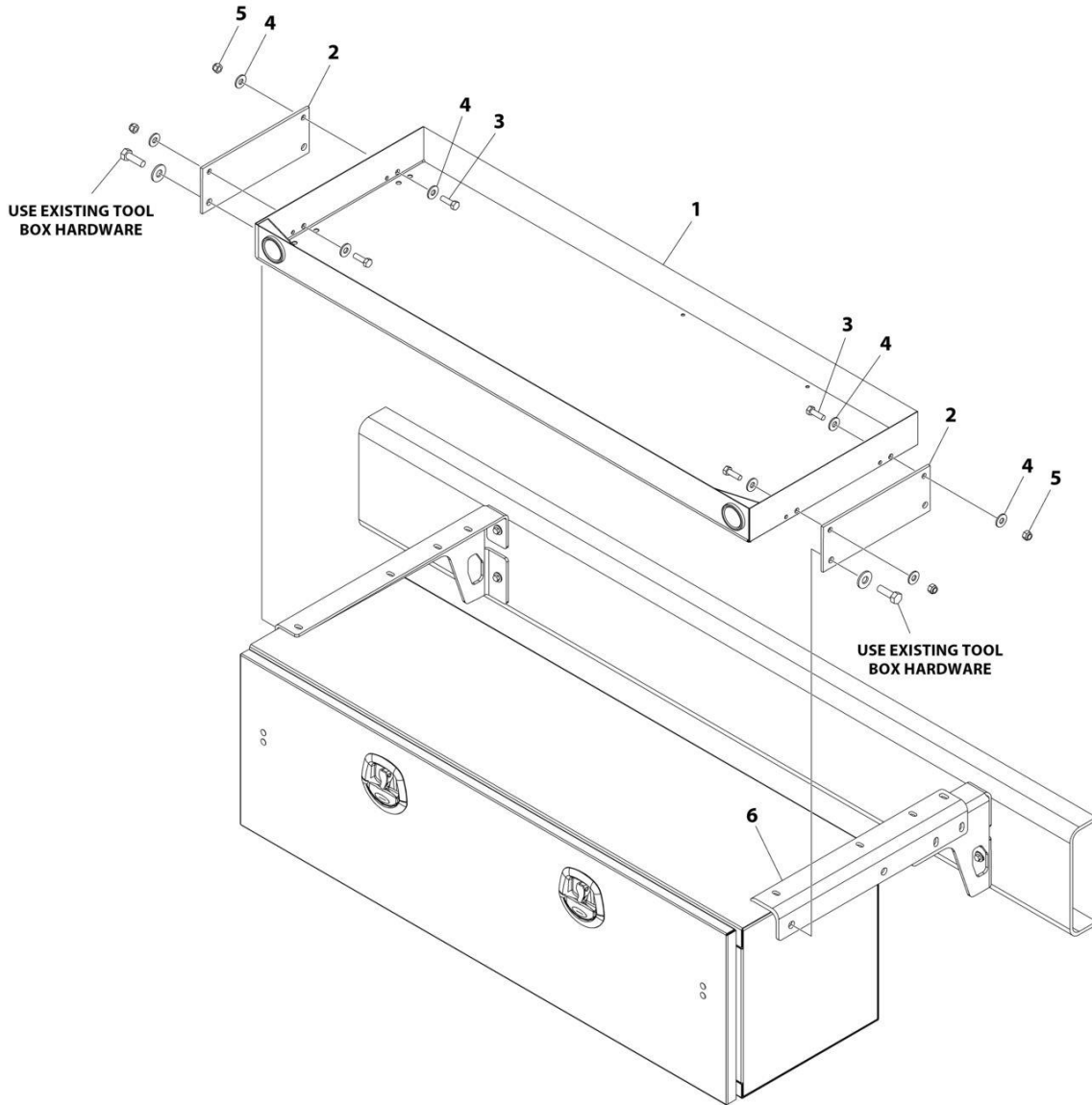
**SECTION 1 - SUBFRAME**

**FIGURE 1-55. TOOLBOX TOP STORAGE TRAY - 48IN**

<b>ITEM</b>	<b>PART NUMBER</b>	<b>QTY</b>	<b>DESCRIPTION</b>	<b>REV</b>
	2002000049	Ref	TOOL BOX TOP STORAGE TRAY, 48IN	B
1	3811000054	1	Sheet Weldment	
2	4706006216	2	Plate	
3	7115160950	1	Bolt 3/8 x 1-1/8	
4	7950150161	8	Washer 5/16	
5	7660162601	4	Nut 3/8	
6	1001155975	1	Bracket	

# SECTION 1 - SUBFRAME

FIGURE 1-56. TOOLBOX TOP STORAGE TRAY - 60IN



ART\_2002000050

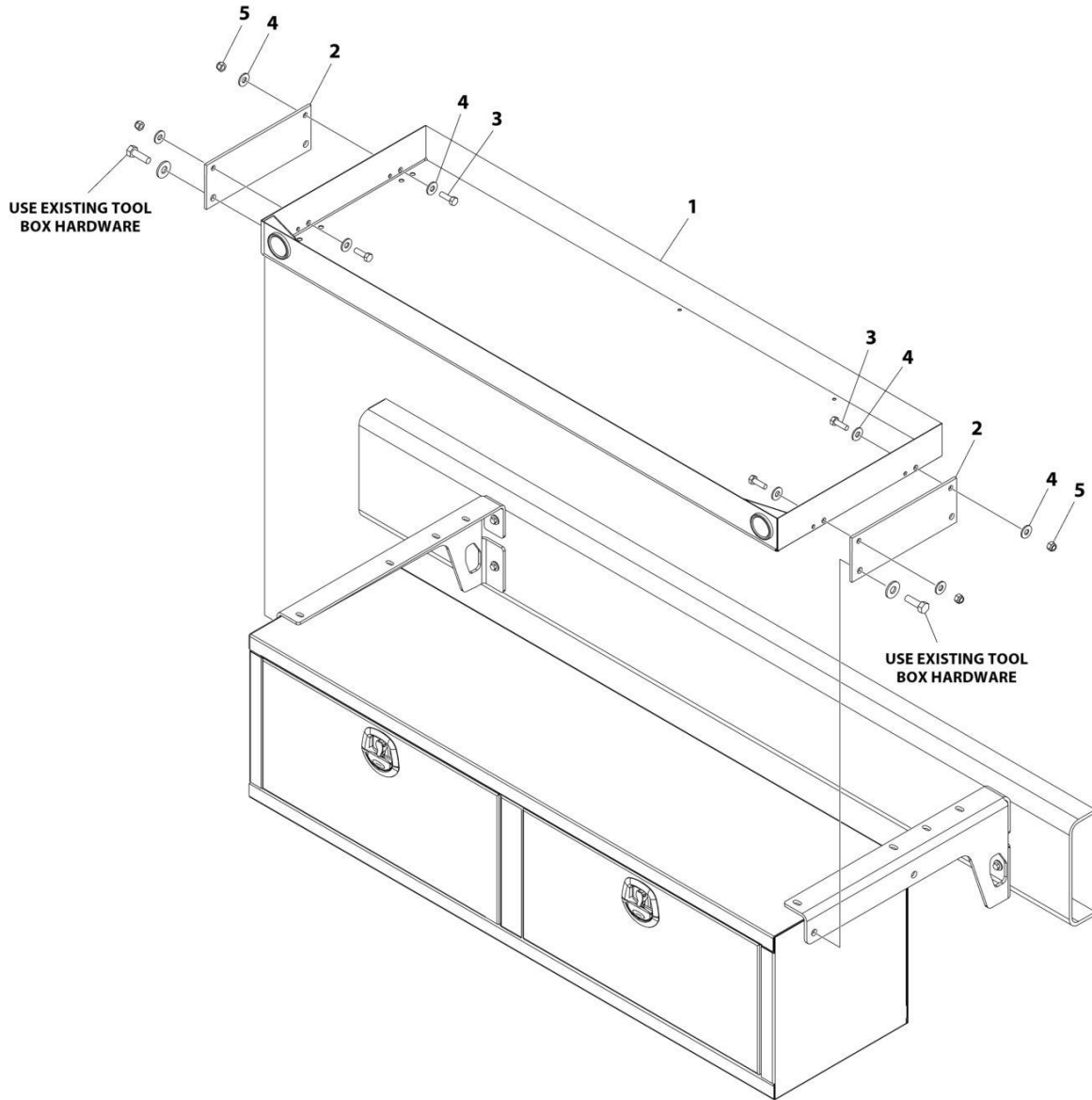
**SECTION 1 - SUBFRAME**

**FIGURE 1-56. TOOLBOX TOP STORAGE TRAY - 60IN**

<b>ITEM</b>	<b>PART NUMBER</b>	<b>QTY</b>	<b>DESCRIPTION</b>	<b>REV</b>
	2002000050	Ref	TOOL BOX TOP STORAGE TRAY, 60IN	B
1	3811000055	1	Sheet	
2	4706006216	2	Plate	
3	7115160950	4	Bolt 3/8 x 1-1/8	
4	7950150161	8	Washer 5/16	
5	7660162601	4	Nut 3/8	
6	1001155975	1	Bracket	

# SECTION 1 - SUBFRAME

## FIGURE 1-57. TOOLBOX TOP STORAGE TRAY - 78IN



ART\_2002000051

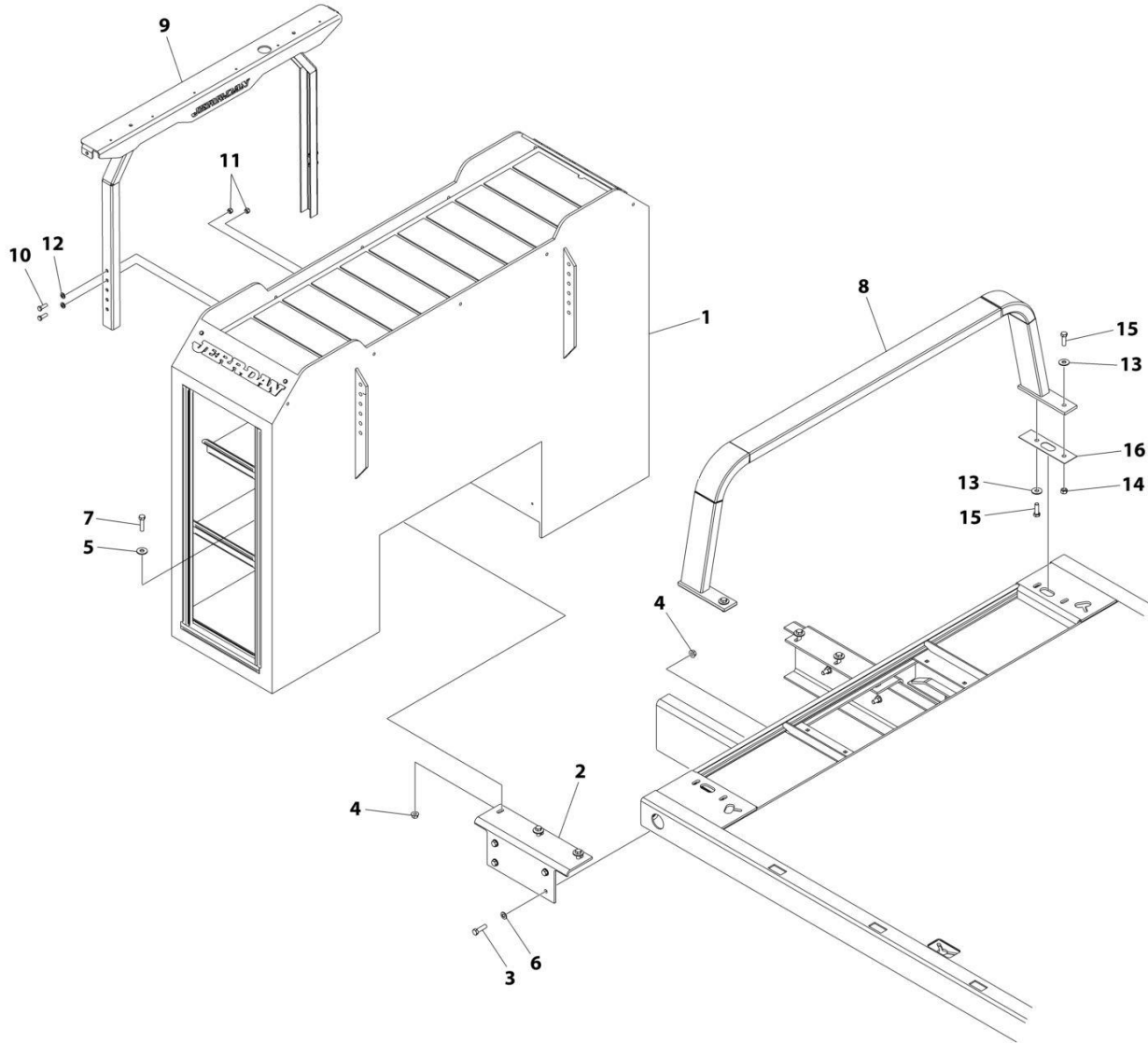
**SECTION 1 - SUBFRAME**

**FIGURE 1-57. TOOLBOX TOP STORAGE TRAY - 78IN**

<b>ITEM</b>	<b>PART NUMBER</b>	<b>QTY</b>	<b>DESCRIPTION</b>	<b>REV</b>
	2002000051	Ref	TOOL BOX TOP STORAGE TRAY, 78IN	B
1	3811000057	1	Sheet	
2	4706006216	2	Plate	
3	7115160950	4	Bolt 3/8 x 1-1/8	
4	7950150161	8	Washer 5/16	
5	7660162601	1	Nut 3/8	

# SECTION 1 - SUBFRAME

FIGURE 1-58. TUNNEL (SIDE) TOOLBOX INSTALLATION - 24IN (DUAL COMPARTMENT)



ART\_1001143228

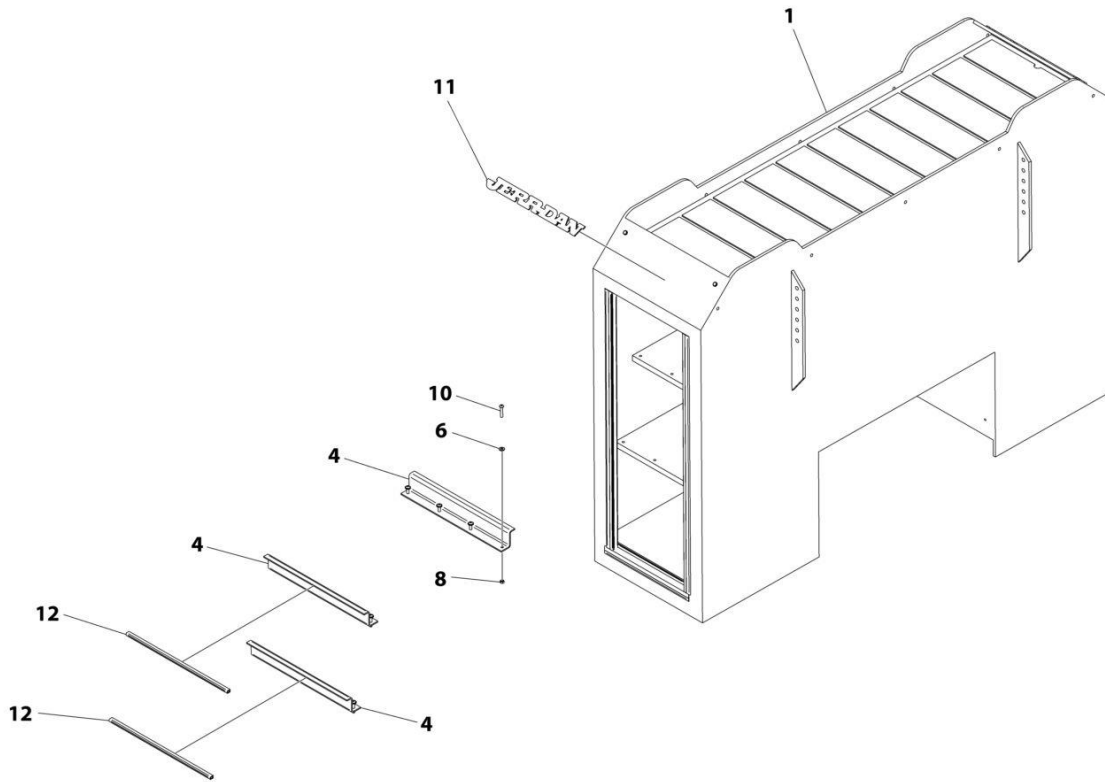
**SECTION 1 - SUBFRAME**

**FIGURE 1-58. TUNNEL (SIDE) TOOLBOX INSTALLATION - 24IN (DUAL COMPARTMENT)**

ITEM	PART NUMBER	QTY	DESCRIPTION	REV
	1001143228	Ref	TUNNEL TOOLBOX INSTALLATION - 24IN	B
1	1001143227	1	Toolbox Assembly (See Separate Breakdown in this Section)	
2	1001148455	2	Bracket	
3	7105201850	8	Capscrew 5/8 x 2-1/4	
4	7660202347	14	Nut 5/8	
5	7950200161	6	Washer 5/8	
6	7950200242	8	Washer 5/8	
7	7105202050	6	Capscrew 5/8 x 2-1/2	
8	1001148180	1	Bumper	
9	1001148385	1	Bracket	
10	7115181250	4	Capscrew 1/2 x 1-1/2	
11	7660182601	4	Nut 1/2	
12	7950180153	4	Washer 1/2	
13	7950200152	4	Washer 5/8	
14	7660200035	2	Nut 5/8	
15	7105201650	4	Capscrew 5/8	
16	4796000037	2	Gasket	
17	1001146552	1	Carrier Tunnel Harness (Not Shown)	

# SECTION 1 - SUBFRAME

FIGURE 1-59. TUNNEL (SIDE) TOOLBOX ASSEMBLY - 24IN (WITH DUAL COMPARTMENT TUNNEL)



ART\_1001143227



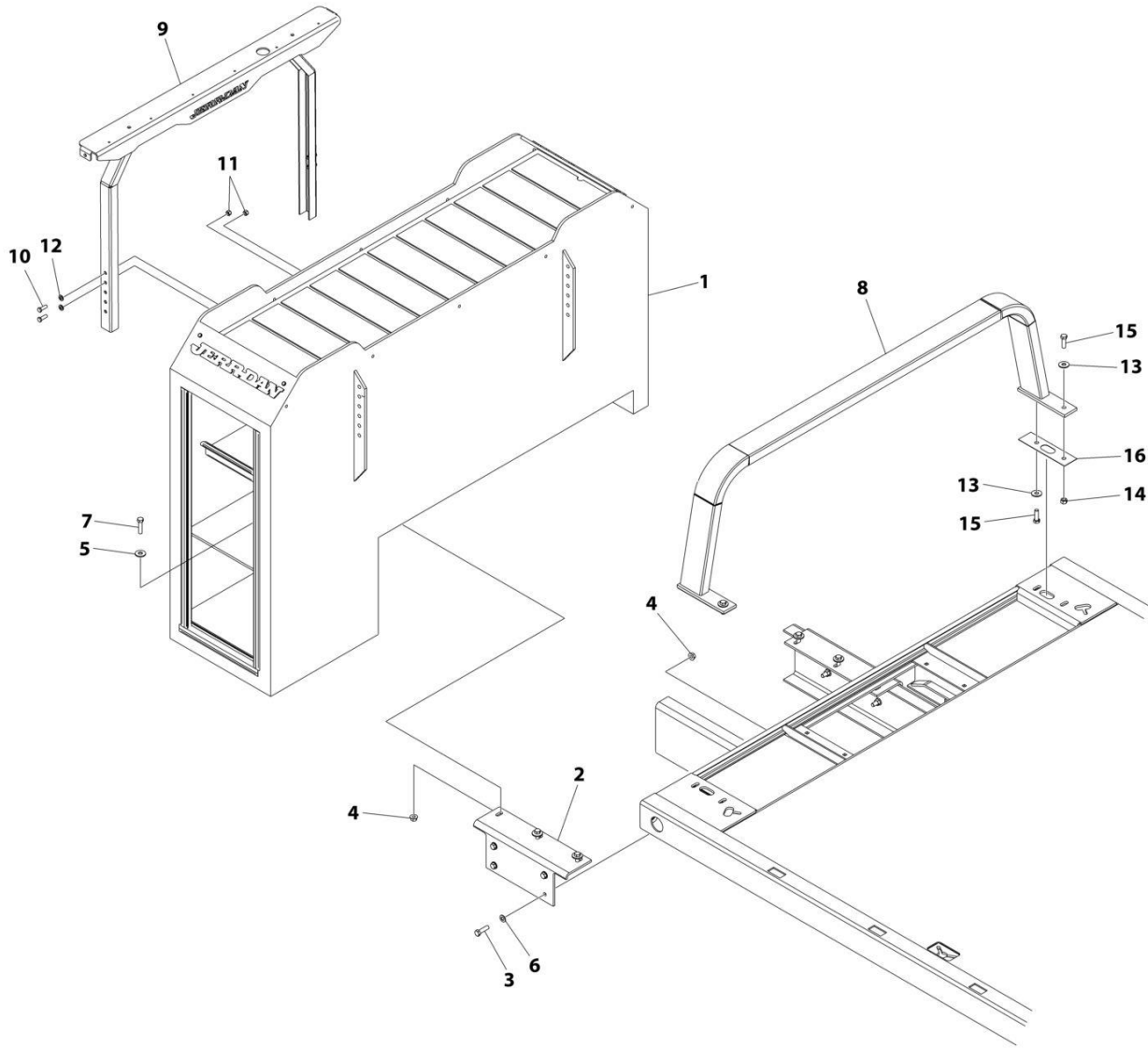
**SECTION 1 - SUBFRAME**

**FIGURE 1-59. TUNNEL (SIDE) TOOLBOX ASSEMBLY - 24IN (WITH DUAL COMPARTMENT TUNNEL)**

ITEM	PART NUMBER	QTY	DESCRIPTION	REV
	1001143227	Ref	TUNNEL TOOLBOX ASSEMBLY - 24IN	B
1	1001142430	1	Toolbox	
4	1001143257	6	Bracket	
6	7950160153	24	Washer 3/8	
8	7660162601	24	Nut 3/8	
10	7114161618	24	Capscrew 3/8	
11	7330000408	2	Decal, Jerr-dan Logo	
12	8632000002	7.5 ft	Trim	

# SECTION 1 - SUBFRAME

## FIGURE 1-60. TUNNEL (SIDE) TOOLBOX INSTALLATION - 24IN (SINGLE COMPARTMENT)



ART\_1001148035

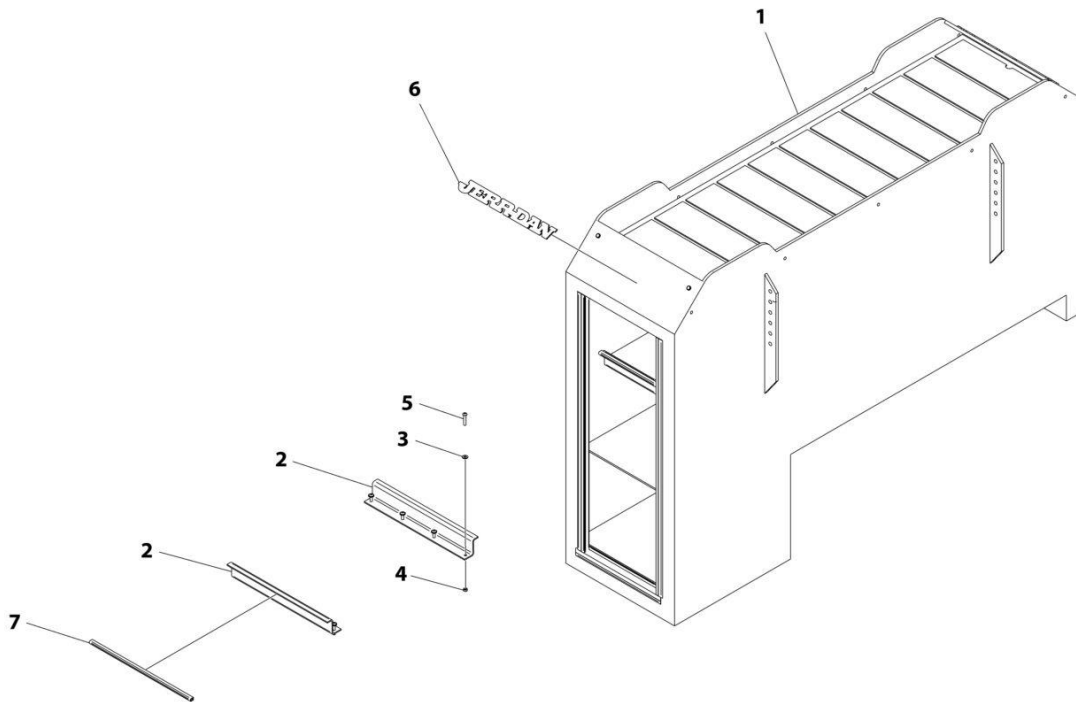
**SECTION 1 - SUBFRAME**

**FIGURE 1-60. TUNNEL (SIDE) TOOLBOX INSTALLATION - 24IN (SINGLE COMPARTMENT)**

ITEM	PART NUMBER	QTY	DESCRIPTION	REV
	1001148035	Ref	SIDE TUNNEL TOOLBOX INSTALLATION - 24IN	A
1	1001147361	1	Toolbox Assembly (See Separate Breakdown in this Section)	
2	1001148455	2	Bracket	
3	7105201850	8	Capscrew 5/8 x 2-1/4	
4	7660202347	14	Nut 5/8	
5	7950200161	6	Washer 5/8	
6	7950200242	8	Washer 5/8	
7	7105202050	6	Capscrew 5/8	
8	1001148180	1	Bumper	
9	1001148385	1	Bracket	
10	7115181250	4	Capscrew 1/2 x 1-1/2	
11	7660182601	4	Nut 1/2	
12	7950180153	4	Washer 1/2	
13	7950200152	4	Washer 5/8	
14	7660200035	2	Nut 5/8	
15	7105201650	4	Capscrew 5/8 x 2	
16	4796000037	2	Gasket	
17	1001147362	1	Carrier Tunnel Harness (Not Shown)	

# SECTION 1 - SUBFRAME

FIGURE 1-61. TUNNEL (SIDE) TOOLBOX ASSEMBLY - 24IN (WITH SINGLE COMPARTMENT TUNNEL)



ART\_1001147361

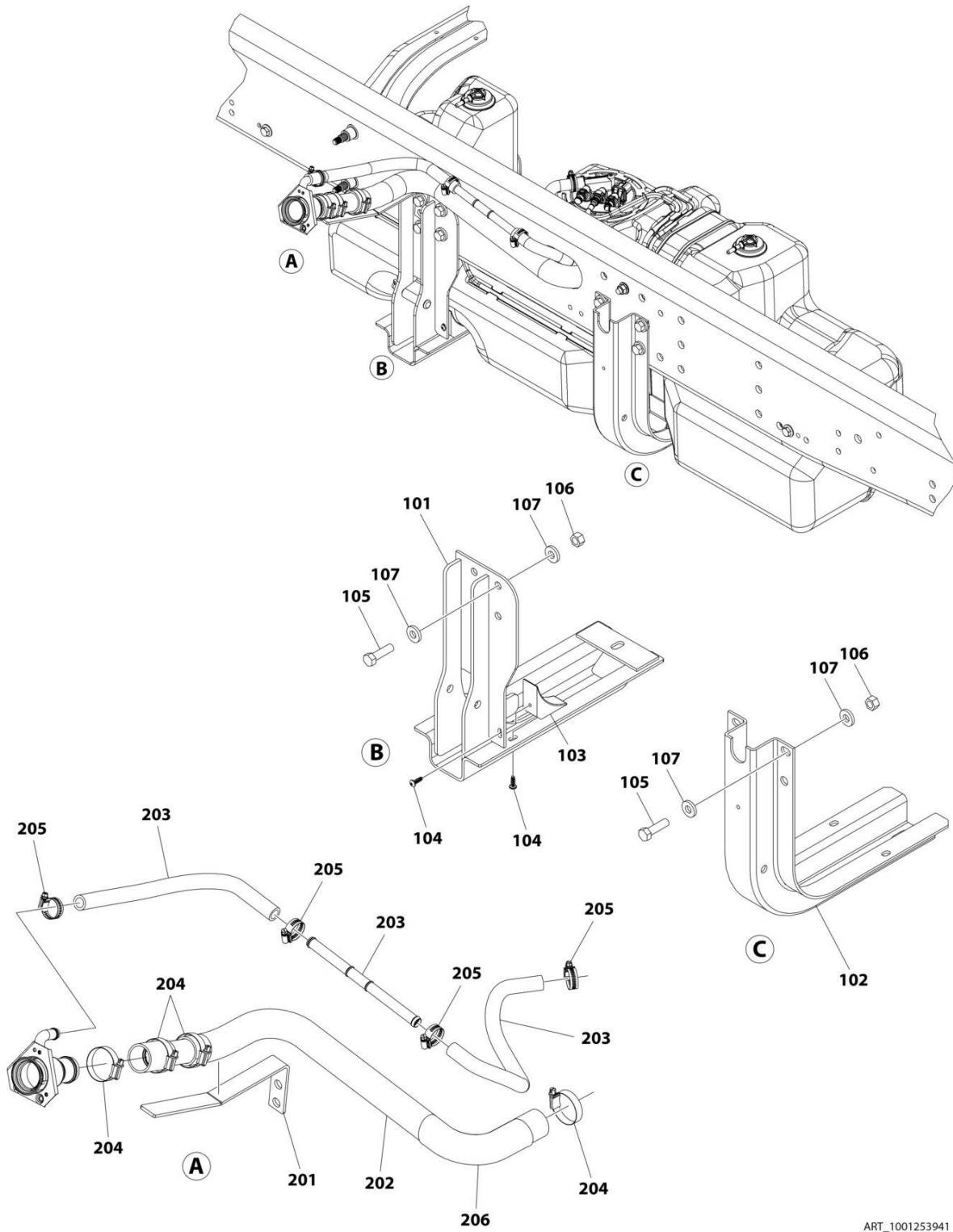
**SECTION 1 - SUBFRAME**

**FIGURE 1-61. TUNNEL (SIDE) TOOLBOX ASSEMBLY - 24IN (WITH SINGLE COMPARTMENT TUNNEL)**

<b>ITEM</b>	<b>PART NUMBER</b>	<b>QTY</b>	<b>DESCRIPTION</b>	<b>REV</b>
	1001147361	Ref	SIDE TUNNEL TOOLBOX ASSEMBLY - 24IN	A
1	1001147357	1	Toolbox	
2	1001143257	5	Bracket	
3	7950160153	20	Washer 3/8	
4	7660162601	20	Nut 3/8	
5	7114161618	20	Capscrew 3/8	
6	7330000408	2	Decal, Jerr-dan Logo	
7	8632000002	5.7 ft	Trim	

# SECTION 1 - SUBFRAME

## FIGURE 1-62. CHASSIS MOUNTING KIT, 2019+ CVC



ART\_1001253941

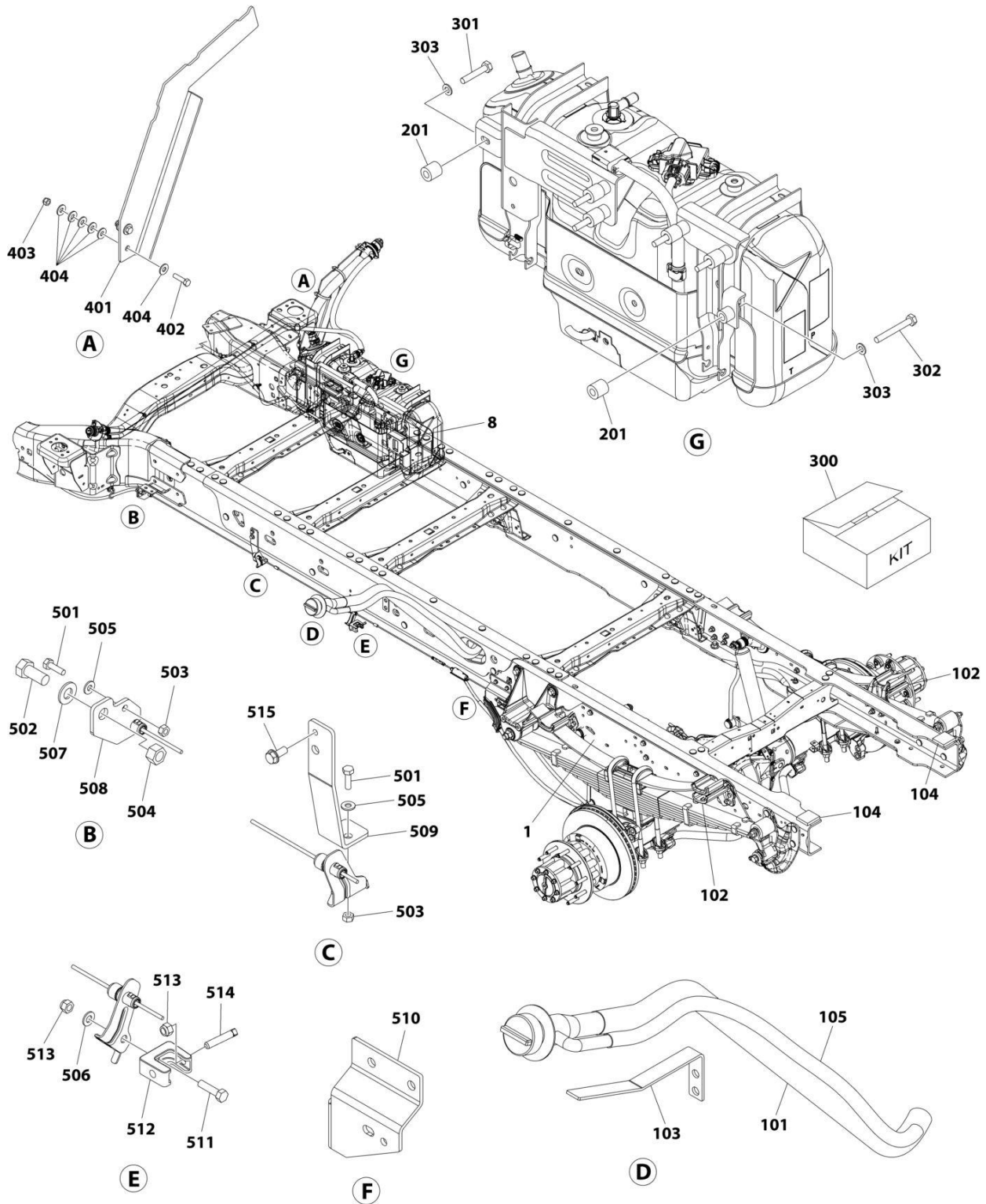
## SECTION 1 - SUBFRAME

**FIGURE 1-62. CHASSIS MOUNTING KIT, 2019+ CVC**

ITEM	PART NUMBER	QTY	DESCRIPTION	REV
	1001253941	Ref	CHASSIS MOUNTING KIT	A
1	1001253942	Ref	Fuel Tank Modification (Not Shown) (See Items 101-107)	
2	1001253943	Ref	Fuel Filler Modification (Not Shown) (See Item 201-207)	
3	1001254894	1	Electrical Chassis Installation (Not Shown)	
	1001253942	Ref	FUEL TANK MODIFICATION	B
101	1001252939	1	Support, Fuel Tank	
102	1001253659	1	Support, Fuel Tank	
103	1001254139	2	Support	
104	1001194676	4	Screw 1/4 x 3/4	
105	0681814	8	Bolt 1/2 x 1-3/4	
106	3271805	8	Nut 1/2	
107	4891800	16	Washer 1/2	
	1001253943	Ref	FUEL FILLER MODIFICATION	A
201	4178000283	1	Bracket	
202	1001151297	1	Hose (Fuel Fill)	
203	1001254553	1	Hose (Fuel Vent)	
204	7274000005	4	Clamp	
205	7274000122	4	Clamp	
206	4819000008	1	Sleeve, Hose	
207	7894000004	6	Tie-Strap (Not Shown)	

# SECTION 1 - SUBFRAME

## FIGURE 1-63. CHASSIS MOUNTING KIT, 2017+ FORD F550 (DIESEL)



ART\_1001220101



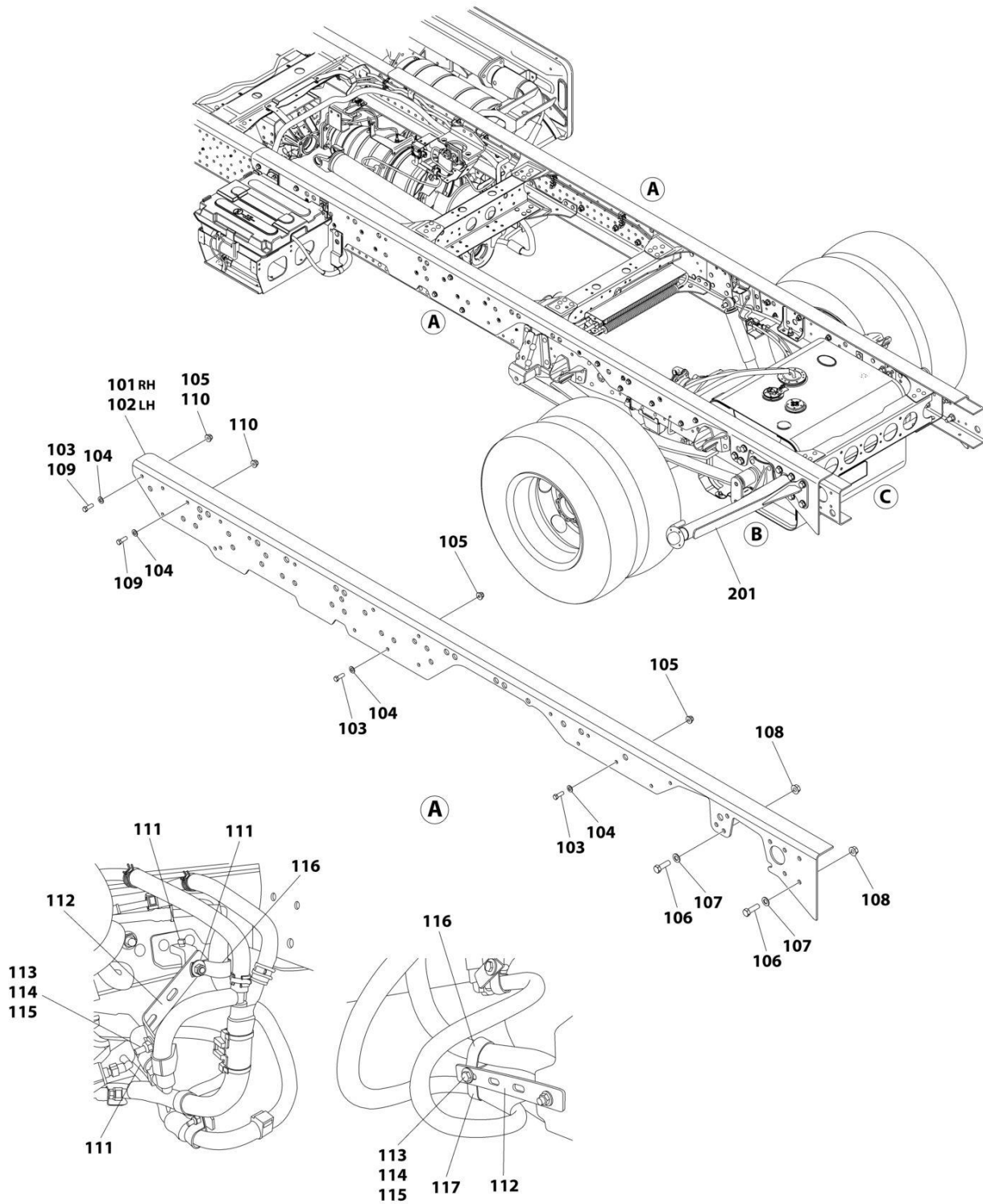
## SECTION 1 - SUBFRAME

**FIGURE 1-63. CHASSIS MOUNTING KIT, 2017+ FORD F550 (DIESEL)**

ITEM	PART NUMBER	QTY	DESCRIPTION	REV
	1001220101	Ref	CHASSIS MOUNTING KIT, 2017+ FORD	D
1	1001219801	1	Frame Reinforcement Installation	
2	1001220177	1	Subframe Modifications Installation (Not Shown) (See Items 101-105)	
3	7577000194	1	Kit Chassis Wiring Connector (Not Shown)	
4	1001220832	1	DEF Tank Installation (Not Shown) (See Items 201-303)	
5	1001220909	1	DEF Tank Filler Installation (Not Shown) (See Items 401-405)	
6	1001272551	1	Park Brake Cable Installation (Not Shown) (See Items 501-515)	
7	7949000019	4	Washer (Not Shown)	
8	1001223882	1	Module Spacer Installation	
	1001220177	Ref	SUBFRAME MODIFICATIONS INSTALLATION	C
101	1001151297	1	Hose, Fuel Filler	
102	1001151507	2	Bracket	
103	4178000283	1	Bracket	
104	1001291593	2	Plate	
105	7570000036	3.75 ft	Hose, Fuel Vent	
	1001220832	Ref	DEF TANK INSTALLATION	A
201	1001220833	6	Shim	
300	1001221065	1	DEF Tank Hardware Kit	
301	0701019	1	Bolt M10 x 55	
302	0701024	5	Bolt M10 x 80	
303	4812000	6	Washer M10	
	1001220909	Ref	DEF TANK FILLER INSTALLATION	B
401	1001221232	1	Bracket	
402	0641510	2	Bolt 5/16 x 1-1/4	
403	7660152601	2	Nut 5/16	
404	4751500	12	Washer 5/16	
405	5526000553	4	Tie-Strap (Not Shown)	
	1001272551	Ref	PARK BRAKE CABLE INSTALLATION	A
501	0641407	2	Bolt 1/4 x 7/8	
502	0641809	1	Bolt 1/2 x 1-1/8	
503	3311401	2	Nut 1/4	
504	3311801	1	Nut 1/2	
505	4711400	2	Washer 1/4	
506	4711500	1	Washer 5/16	
507	4711800	1	Washer 1/2	
508	1001272543	1	Plate	
509	1001272544	1	Bracket	
510	1001272545	1	Bracket	
511	7115151050	1	Bolt 5/16 x 1-1/4	
512	7274000076	1	Clamp	
513	7660152601	2	Nut 5/16	
514	7785152420	1	Setscrew 5/16 x 1-1/2	
515	7790151253	1	Screw 5/16 x 3/4	

# SECTION 1 - SUBFRAME

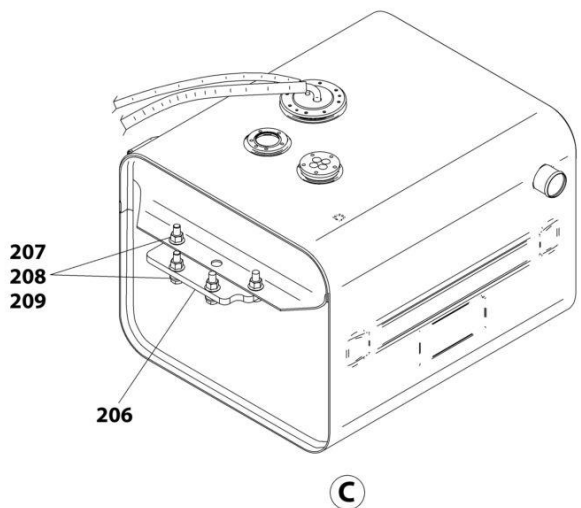
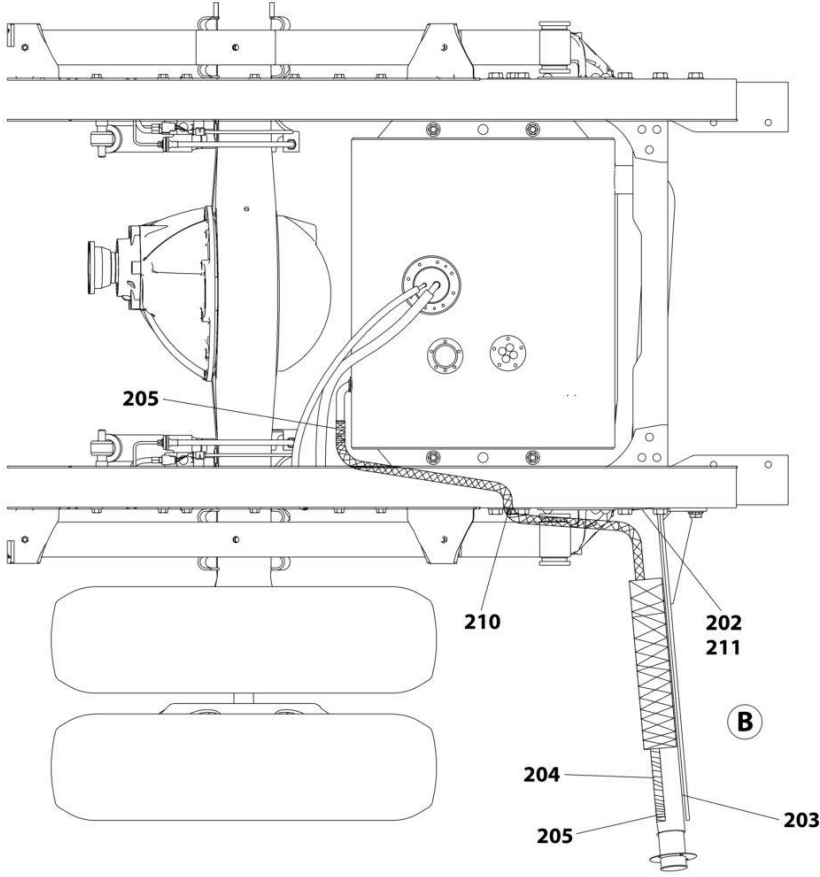
FIGURE 1-64. CHASSIS MOUNTING KIT, ISUZU 150WB



DEF HOSE SUPPORT INSTALLATION

ART\_1001159638\_10F2

**SECTION 1 - SUBFRAME**



ART\_1001159638\_2OF2

# SECTION 1 - SUBFRAME

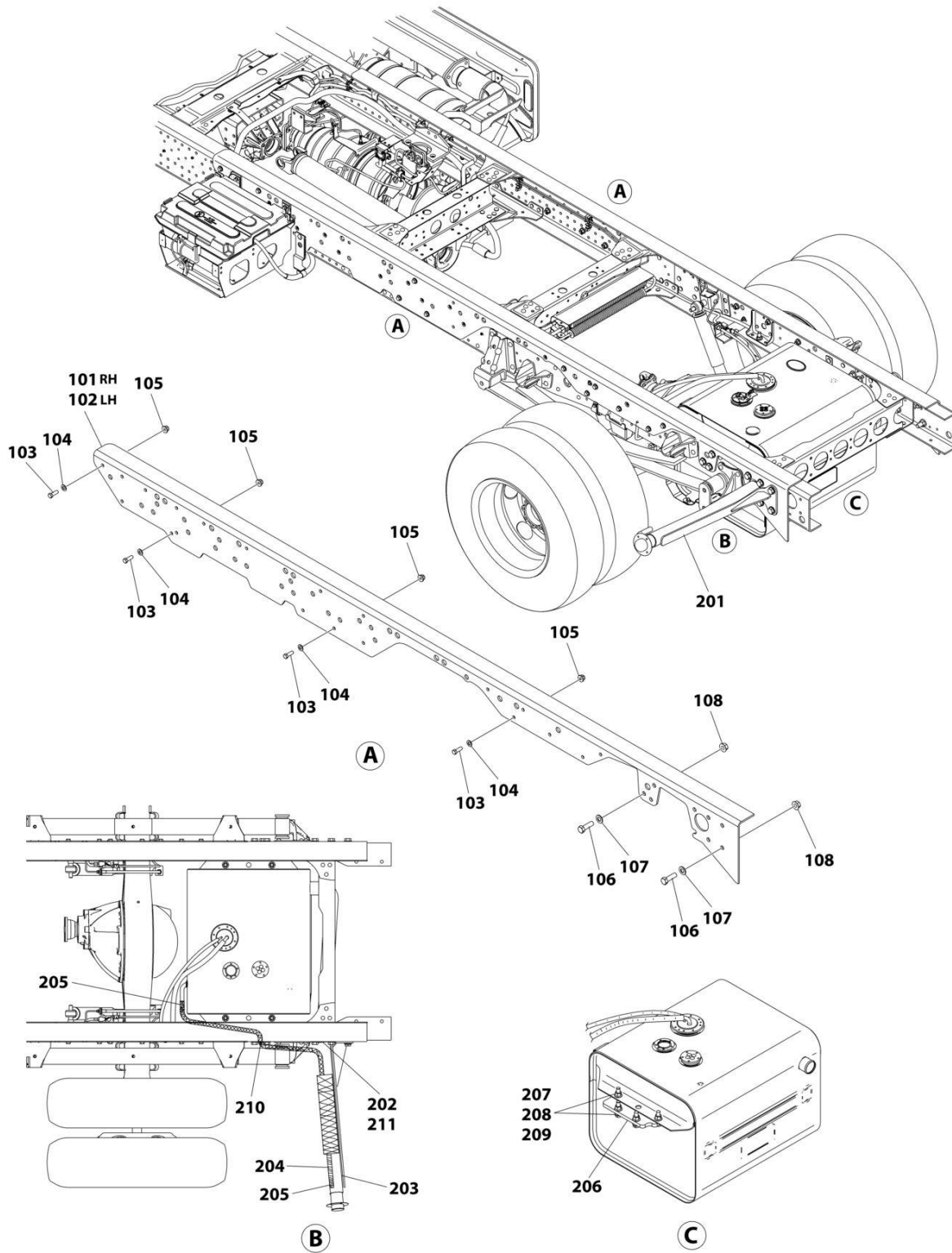
**FIGURE 1-64. CHASSIS MOUNTING KIT, ISUZU 150WB**

ITEM	PART NUMBER	QTY	DESCRIPTION	REV
	1001159638	Ref	CHASSIS MOUNTING KIT	A
1	1001156081	Ref	Frame Reinforcement Installation (Not Shown) (See Item 101-118)	
2	1001156392	Ref	Fuel Filler Installation (Not Shown) (See Item 201-212)	
3	7577000194	1	Kit Chassis Wiring Connector (Not Shown)	
	1001156081	Ref	FRAME REINFORCEMENT INSTALLATION	A
101	1001155971	1	Plate (LH)	
102	1001155972	1	Plate (RH)	
103	7105171050	22	Bolt 5/16 x 1-1/4	
104	7950170142	27	Washer 5/16	
105	7660172331	22	Nut 5/16	
106	7105201650	18	Bolt 5/8 x 2	
107	7950200242	18	Washer 5/8	
108	7660202347	18	Nut 5/8	
109	0761015	5	Bolt M10	
110	5261000	5	Nut	
111	1001132794	1	Clamp Kit	
112	4706003844	2	Plate	
113	7115151064	2	Bolt, Carriage 3/8 x 1-1/4	
114	7950150161	2	Washer 3/8	
115	7660152601	2	Nut 3/8	
116	7274000105	2	Clamp	
117	7274000040	1	Clamp	
118	7894000004	1	Tie-Strap (Not Shown)	
	1001156392	Ref	FUEL FILLER INSTALLATION	C
201	1001167098	1	Bracket	
202	1001156274	1	Pipe	
203	1001130587	1	Clamp	
204	1001169147	1	Hose (Fuel Vent)	
205	8405006	2	Clamp	
206	1001156437	2	Plate	
207	7105181650	8	Bolt 1/2 x 2	
208	7950180153	8	Washer 1/2	
209	7660182333	8	Nut 1/2	
210	5746491	1	Sleeve, Nylon	
211	1001159563	1	Sleeve, Nylon	
212	7894000004	4	Tie-Strap (Not Shown)	



# SECTION 1 - SUBFRAME

## FIGURE 1-65. CHASSIS MOUNTING KIT, ISUZU 176WB



ART\_1001159639

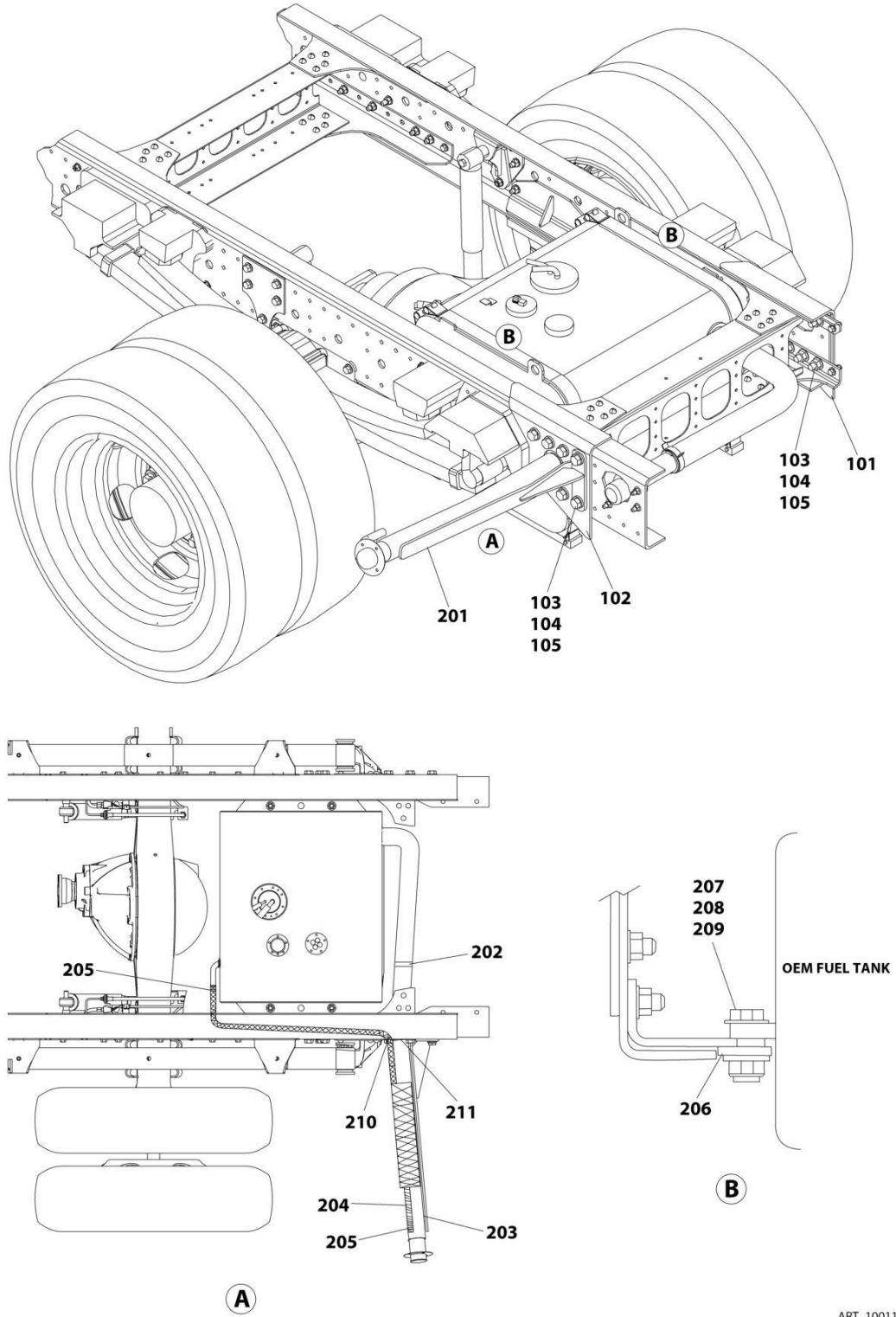
## SECTION 1 - SUBFRAME

**FIGURE 1-65. CHASSIS MOUNTING KIT, ISUZU 176WB**

ITEM	PART NUMBER	QTY	DESCRIPTION	REV
	1001159639	Ref	CHASSIS MOUNTING KIT	A
1	1001156082	Ref	Frame Reinforcement Installation (Not Shown) (See Item 101-108)	
2	1001156392	Ref	Fuel Filler Installation (Not Shown) (See Item 201-212)	
3	7577000194	1	Kit Chassis Wiring Connector (Not Shown)	
	1001156082	Ref	FRAME REINFORCEMENT INSTALLATION	A
101	1001155971	1	Plate, RH Side	
102	1001155972	1	Plate, LH Side	
103	7105171050	31	Bolt 5/16 x 1-1/4	
104	7950170142	31	Washer 5/16	
105	7660172331	31	Nut 5/16	
106	7105201650	18	Bolt 5/8 x 2	
107	7950200242	18	Washer 5/8	
108	7660202347	18	Nut 5/8	
	1001156392	Ref	FUEL FILLER INSTALLATION	C
201	1001167098	1	Bracket	
202	1001156274	1	Pipe	
203	1001130587	1	Clamp	
204	1001169147	1	Hose (Fuel Vent)	
205	8405006	2	Clamp	
206	1001156437	2	Plate	
207	7105181650	8	Bolt 1/2 x 2	
208	7950180153	8	Washer 1/2	
209	7660182333	8	Nut 1/2	
210	5746491	1	Sleeve, Nylon	
211	1001159563	1	Sleeve, Nylon	
212	7894000004	4	Tie-Strap (Not Shown)	

# SECTION 1 - SUBFRAME

FIGURE 1-66. CHASSIS MOUNTING KIT, HINO



ART\_1001159908



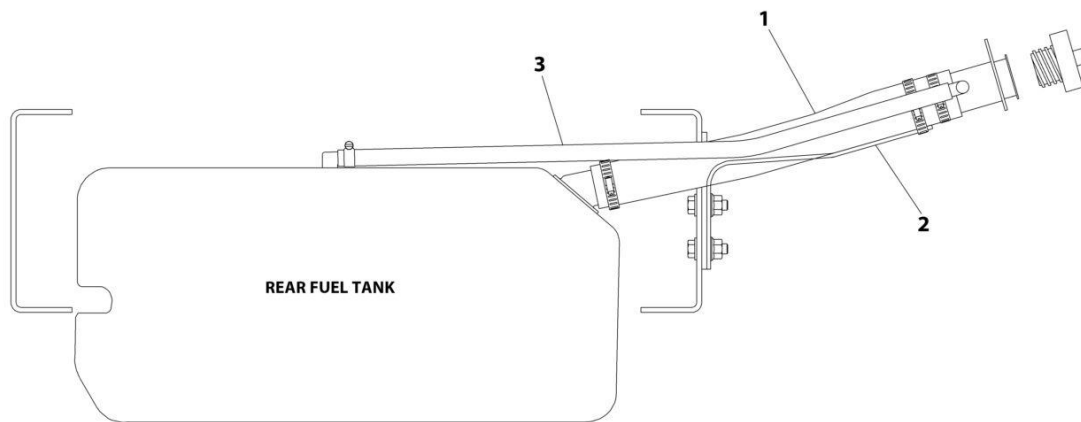
## SECTION 1 - SUBFRAME

**FIGURE 1-66. CHASSIS MOUNTING KIT, HINO**

ITEM	PART NUMBER	QTY	DESCRIPTION	REV
	1001159908	Ref	CHASSIS MOUNTING KIT	A
1	1001159909	Ref	Frame Reinforcement Installation (Not Shown) (See Items 101-105)	
2	1001159910	Ref	Fuel Filler Installation (Not Shown) (See Items 201-212)	
3	7577000194	1	Kit Chassis Wiring Connector (Not Shown)	
	1001159909	Ref	FRAME REINFORCEMENT INSTALLATION	A
101	1001159916	1	Plate (RH)	
102	1001159917	1	Plate (LH)	
103	7105201650	16	Bolt 5/8 x 2	
104	7950200242	16	Washer 5/8	
105	7660202347	16	Nut 5/8	
	1001159910	Ref	FUEL FILLER INSTALLATION	A
201	1001167244	1	Bracket	
202	1001156274	1	Pipe	
203	1001130587	1	Clamp	
204	1001169147	1	Hose (Fuel Vent)	
205	8405006	2	Clamp	
206	1001159918	2	Plate	
207	7105171450	8	Bolt 5/16 x 1-3/4	
208	7950170142	8	Washer 5/16	
209	7660172331	8	Nut 5/16	
210	5746491	1	Sleeve, Nylon	
211	1001159563	1	Sleeve, Nylon	
212	7894000004	4	Tie-Strap (Not Shown)	

## SECTION 1 - SUBFRAME

FIGURE 1-67. FUEL HOSE INSTALLATION - CHEVY/GMC 4500/5500 (2005 & EARLIER)



ART\_2570000120

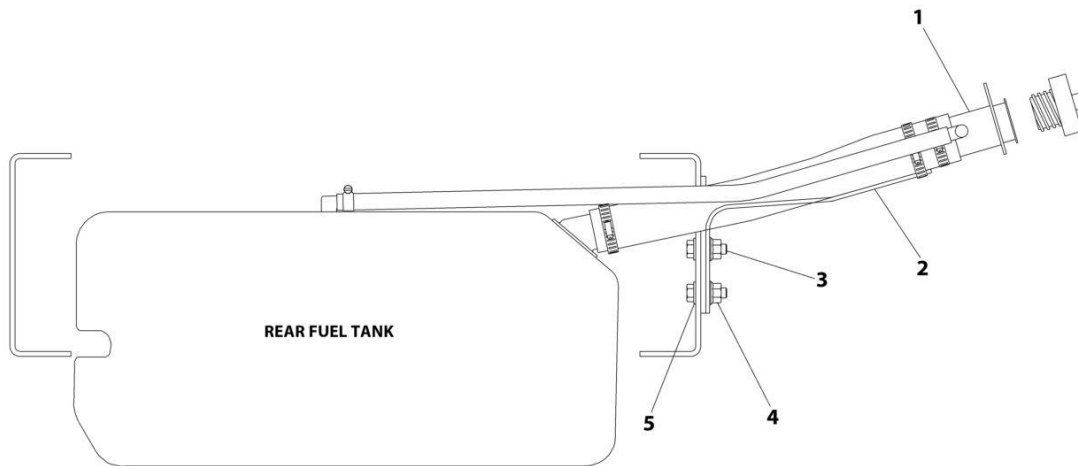
**SECTION 1 - SUBFRAME**

**FIGURE 1-67. FUEL HOSE INSTALLATION - CHEVY/GMC 4500/5500 (2005 & EARLIER)**

<b>ITEM</b>	<b>PART NUMBER</b>	<b>QTY</b>	<b>DESCRIPTION</b>	<b>REV</b>
	2570000120	Ref	HOSE INSTALLATION - CHEVY C4500/C5500 REAR FUEL	A
1	7570000025	1	Hose	
2	4178000421	1	Bracket	
3	4912000374	1	Tube	

# SECTION 1 - SUBFRAME

FIGURE 1-68. FUEL HOSE INSTALLATION - CHEVY/GMC 4500/5500 GAS (2006+)



ART\_2570000141

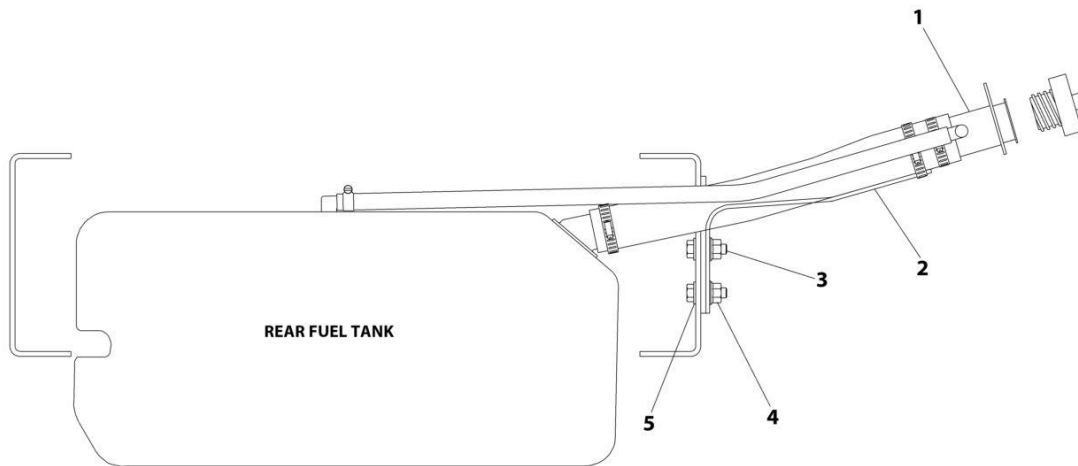
## SECTION 1 - SUBFRAME

**FIGURE 1-68. FUEL HOSE INSTALLATION - CHEVY/GMC 4500/5500 GAS (2006+)**

ITEM	PART NUMBER	QTY	DESCRIPTION	REV
	2570000141	Ref	HOSE INSTALLATION - C4500/C5500 REAR FUEL GAS	A
1	7912000236	1	Tube	
2	4178000421	1	Bracket	
3	7105181650	2	Capscrew 1/2 x 2	
4	7660182333	2	Nut 1/2	
5	7950180153	2	Washer 1/2	

# SECTION 1 - SUBFRAME

FIGURE 1-69. FUEL HOSE INSTALLATION - CHEVY/GMC 4500/5500 DIESEL (2006+)



ART\_2570000142

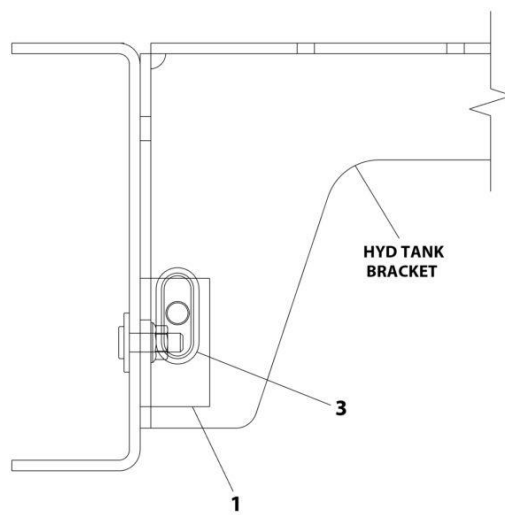
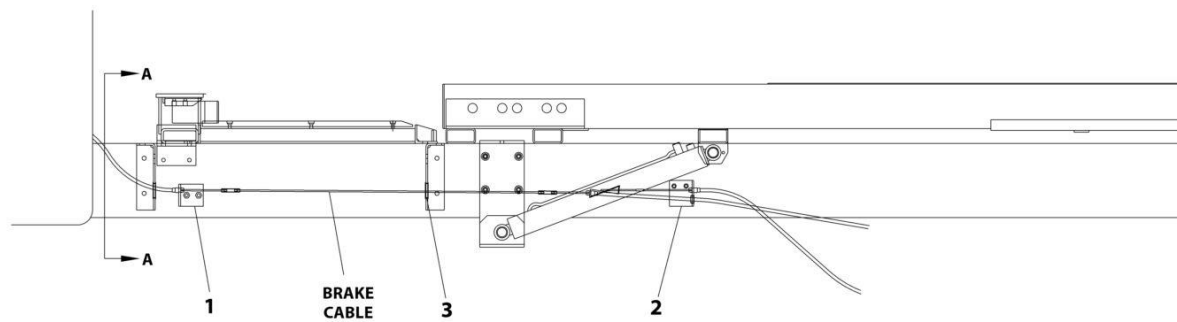
**SECTION 1 - SUBFRAME**

**FIGURE 1-69. FUEL HOSE INSTALLATION - CHEVY/GMC 4500/5500 DIESEL (2006+)**

<b>ITEM</b>	<b>PART NUMBER</b>	<b>QTY</b>	<b>DESCRIPTION</b>	<b>REV</b>
	2570000142	Ref	HOSE INSTALLATION - C4500/C5500 REAR FUEL DIES	A
1	7912000234	1	Tube	
2	4178000421	1	Bracket	
3	7105181650	2	Capscrew 1/2 x 2	
4	7660182333	2	Nut 1/2	
5	7950180153	2	Washer 1/2	

# SECTION 1 - SUBFRAME

## FIGURE 1-70. PARKING BRAKE REWORK - CHEVY/GMC 4500/5500



SECTION A-A

ART\_224800004



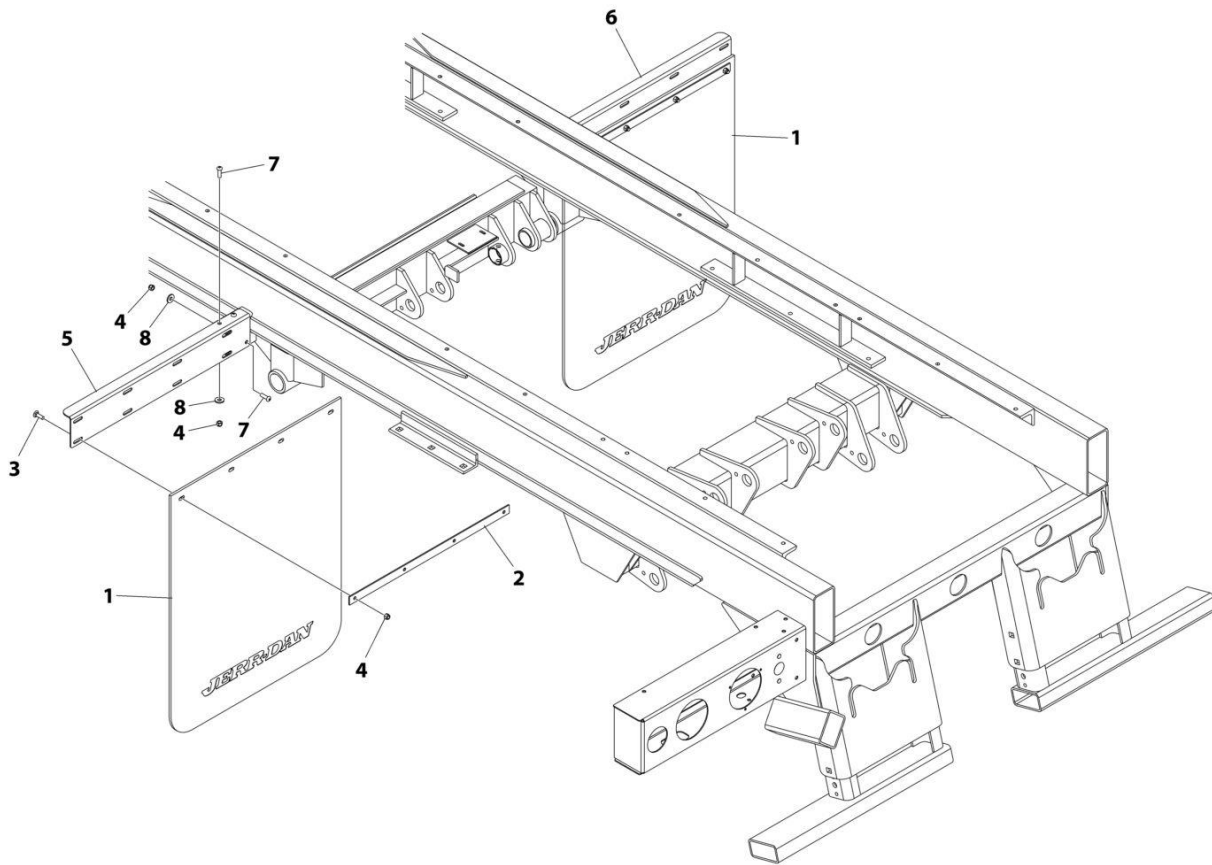
**SECTION 1 - SUBFRAME**

**FIGURE 1-70. PARKING BRAKE REWORK - CHEVY/GMC 4500/5500**

<b>ITEM</b>	<b>PART NUMBER</b>	<b>QTY</b>	<b>DESCRIPTION</b>	<b>REV</b>
	2248000004	Ref	CABLE REWORK C4500 C5000 PARK BRAKE	0
1	4178000474	1	Bracket	
2	4178000475	1	Bracket	
3	7493000011	2	Grommet	

# SECTION 1 - SUBFRAME

FIGURE 1-71. MUD FLAPS INSTALLATION - FACTORY SUPPLIED (2012+ DODGE D5500)



ART\_2638000017

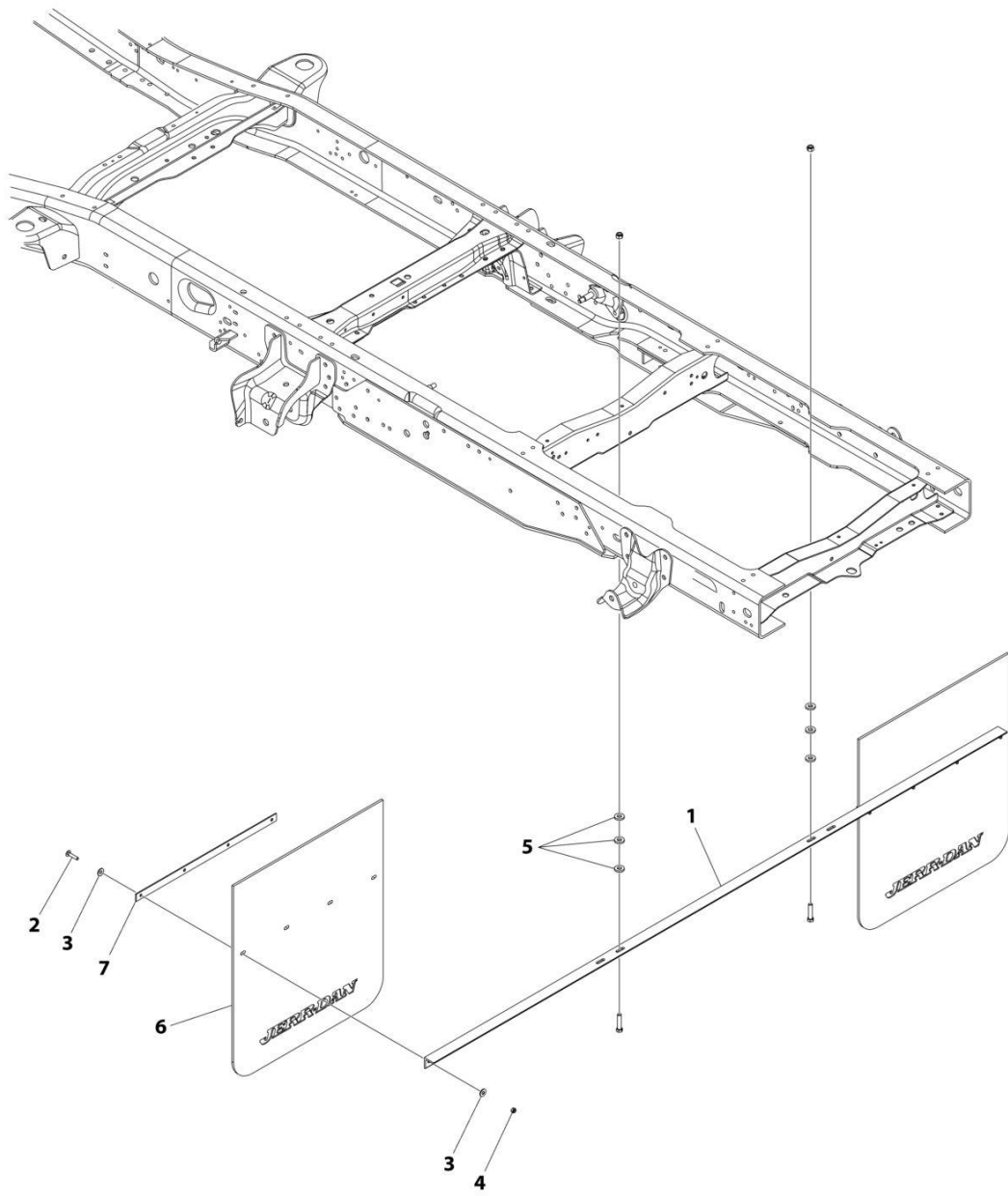
**SECTION 1 - SUBFRAME**

**FIGURE 1-71. MUD FLAPS INSTALLATION - FACTORY SUPPLIED (2012+ DODGE D5500)**

<b>ITEM</b>	<b>PART NUMBER</b>	<b>QTY</b>	<b>DESCRIPTION</b>	<b>REV</b>
	2638000017	Ref	Mud Flaps, Standard	B
1	7638000004	2	Mud Flaps with Jerr-Dan Logo	
2	4706006427	2	Plate	
3	7111150864	8	Bolt 5/16 x 1	
4	7660152601	14	Nut 5/16	
5	4017001742	1	Angle (LH)	
6	4017001743	1	Angle (RH)	
7	7114150818	6	Capscrew 5/16 x 1	
8	7950150153	6	Washer 5/16	

# SECTION 1 - SUBFRAME

FIGURE 1-72. MUD FLAPS INSTALLATION - FACTORY SUPPLIED (2012+ FORD F550)



ART\_1001151490

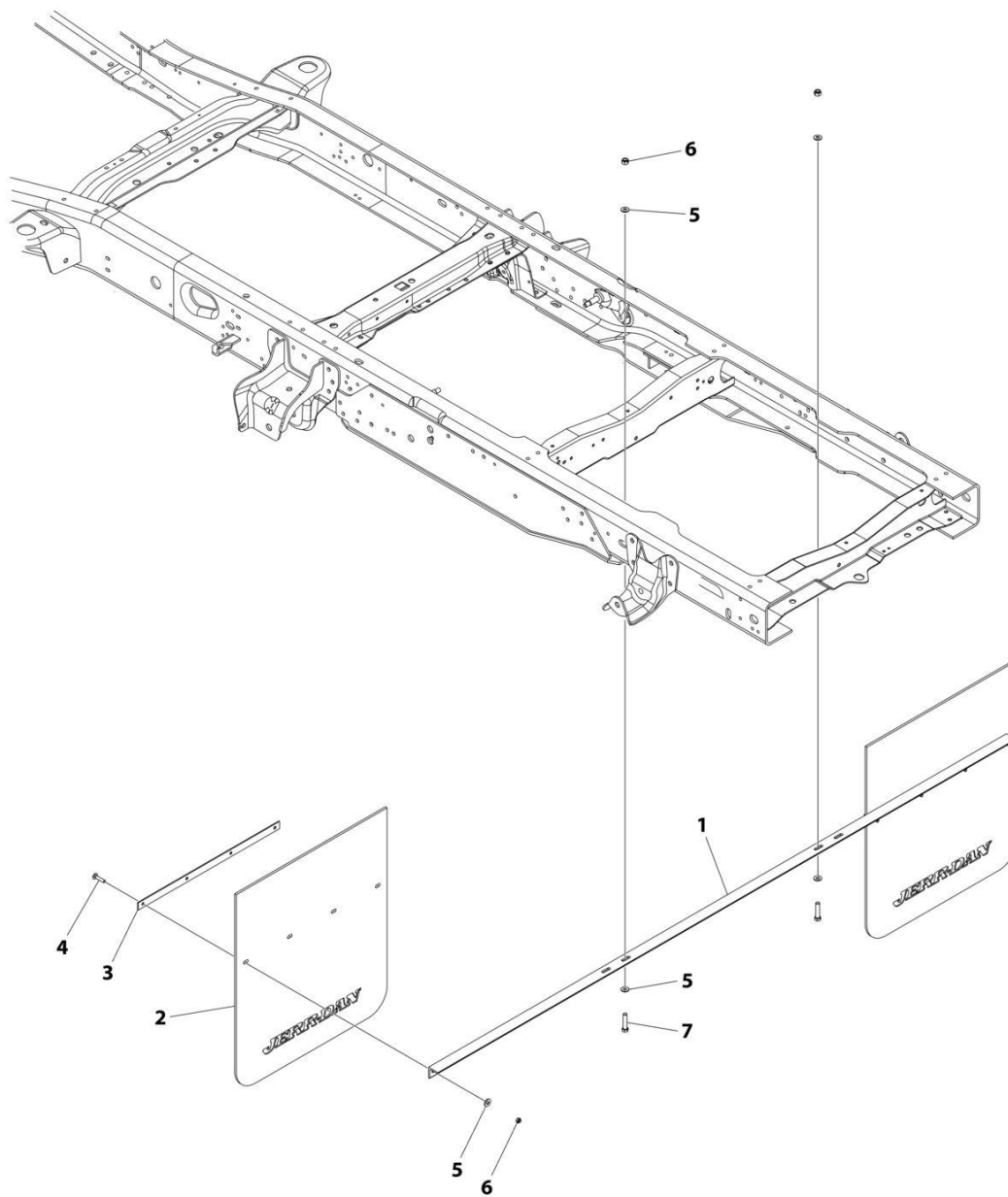
## SECTION 1 - SUBFRAME

**FIGURE 1-72. MUD FLAPS INSTALLATION - FACTORY SUPPLIED (2012+ FORD F550)**

ITEM	PART NUMBER	QTY	DESCRIPTION	REV
	1001151490	Ref	MUDFLAP INSTALLATION FORD F550	D
1	1001147117	1	Angle	
2	7115151264	8	Bolt 5/16 x 1-1/2	
3	7950150161	16	Washer 5/16	
4	7660152601	8	Nut 5/16	
5	4891800	6	Washer 1/2	
6	1001159566	2	Panel, Mud-flap	
7	4706006427	2	Plate	

# SECTION 1 - SUBFRAME

## FIGURE 1-73. MUD FLAPS INSTALLATION - FACTORY SUPPLIED (ISUZU & HINO)



ART\_1001159565

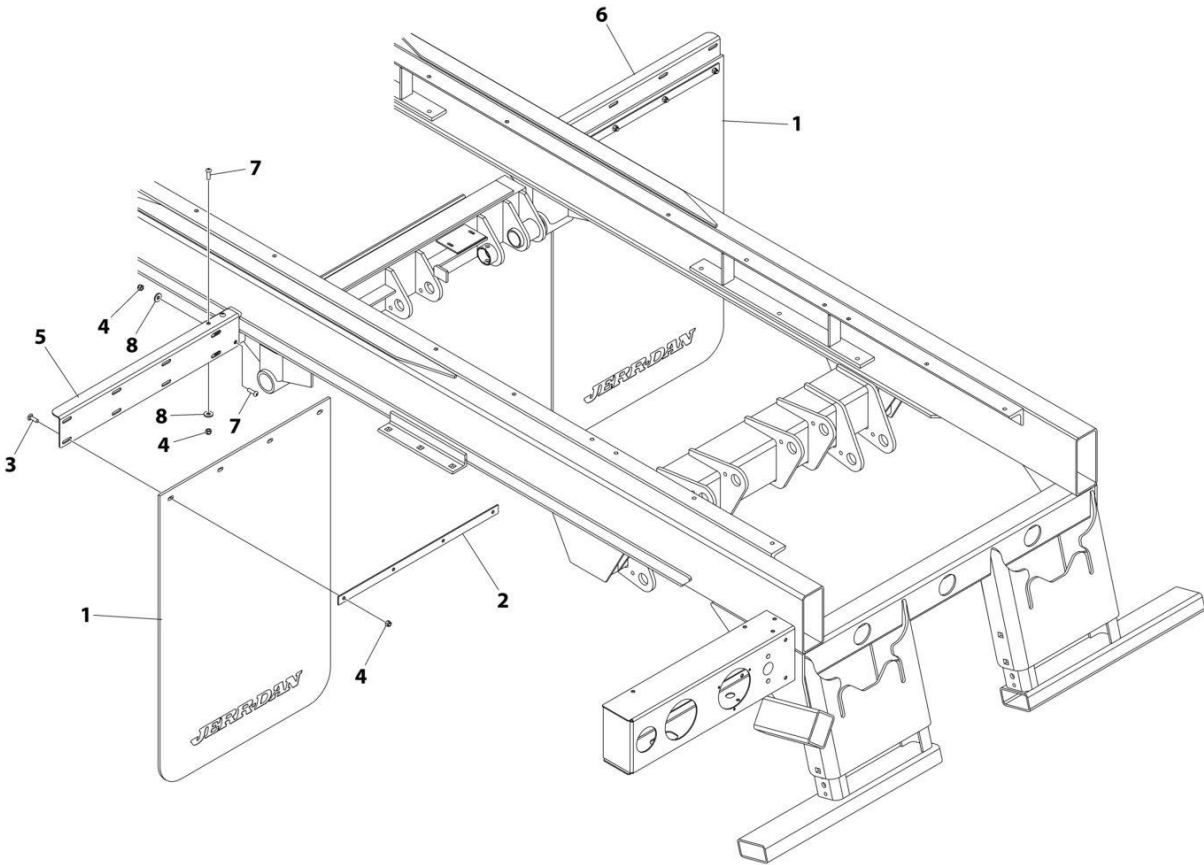
**SECTION 1 - SUBFRAME**

**FIGURE 1-73. MUD FLAPS INSTALLATION - FACTORY SUPPLIED (ISUZU & HINO)**

<b>ITEM</b>	<b>PART NUMBER</b>	<b>QTY</b>	<b>DESCRIPTION</b>	<b>REV</b>
	1001159565	Ref	MUDFLAP ISUZU NRR INSTALLATION	B
1	1001147117	1	Angle	
2	1001159566	2	Panel, Mud-flap	
3	4706006427	2	Plate	
4	7115151264	8	Bolt 5/16 x 1-1/2	
5	7950150161	12	Washer 5/16	
6	7660152601	10	Nut 5/16	
7	7115151050	2	Capscrew 5/16 x 1-1/4	

**SECTION 1 - SUBFRAME**

**FIGURE 1-74. MUD FLAPS INSTALLATION - FACTORY SUPPLIED (HIGH FRAME)**



ART\_2638000019



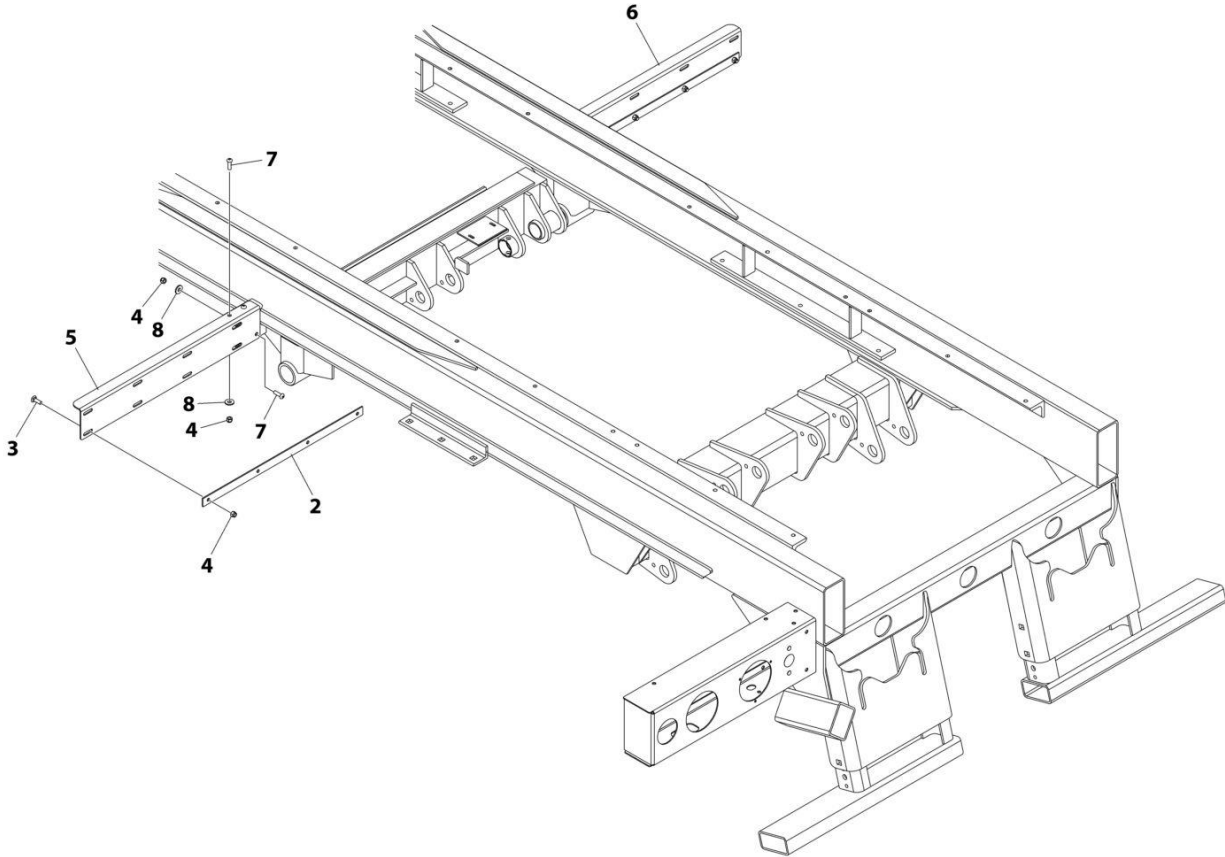
**SECTION 1 - SUBFRAME**

**FIGURE 1-74. MUD FLAPS INSTALLATION - FACTORY SUPPLIED (HIGH FRAME)**

<b>ITEM</b>	<b>PART NUMBER</b>	<b>QTY</b>	<b>DESCRIPTION</b>	<b>REV</b>
	2638000019	Ref	Mud Flap - High	D
1	7638000013	2	Mud Flap with Jerr-Dan Logo	
2	4706006427	2	Plate	
3	7111150864	8	Bolt 5/16 x 1	
4	7660152601	14	Nut 5/16	
5	4017001742	1	Angle (LH)	
6	4017001743	1	Angle (RH)	
7	7114150818	6	Capscrew 5/16 x 1	
8	7950150153	6	Washer 5/16	

**SECTION 1 - SUBFRAME**

**FIGURE 1-75. MUD FLAPS INSTALLATION - CUSTOMER SUPPLIED**



ART\_1001131724

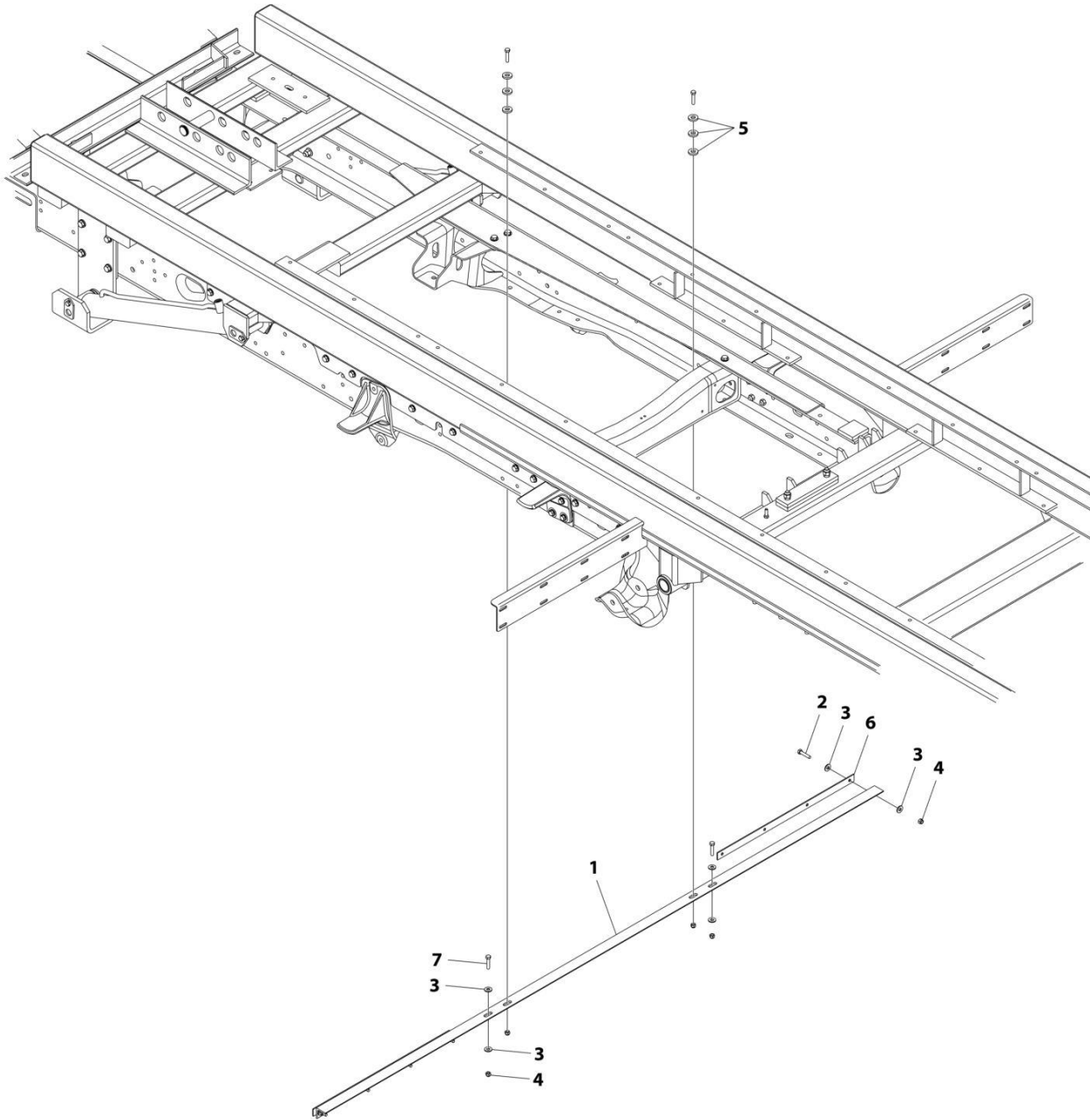
**SECTION 1 - SUBFRAME**

**FIGURE 1-75. MUD FLAPS INSTALLATION - CUSTOMER SUPPLIED**

<b>ITEM</b>	<b>PART NUMBER</b>	<b>QTY</b>	<b>DESCRIPTION</b>	<b>REV</b>
	1001131724	Ref	Mud Flaps, Customer Installation	0
2	4706006427	2	Plate Galvanneal	
3	7111150864	8	Bolt 5/16 x 1	
4	7660152601	14	Nut 5/16	
5	4017001742	1	Angle LH Galvanneal	
6	4017001743	1	Angle RH Galvanneal	
7	7114150818	6	Capscrew 5/16 x 1	
8	7950150153	6	Washer 5/16	

# SECTION 1 - SUBFRAME

FIGURE 1-76. MUD FLAPS INSTALLATION - CUSTOMER SUPPLIED (2012+ FORD F550, ISUZU & HINO)



ART\_1001151493

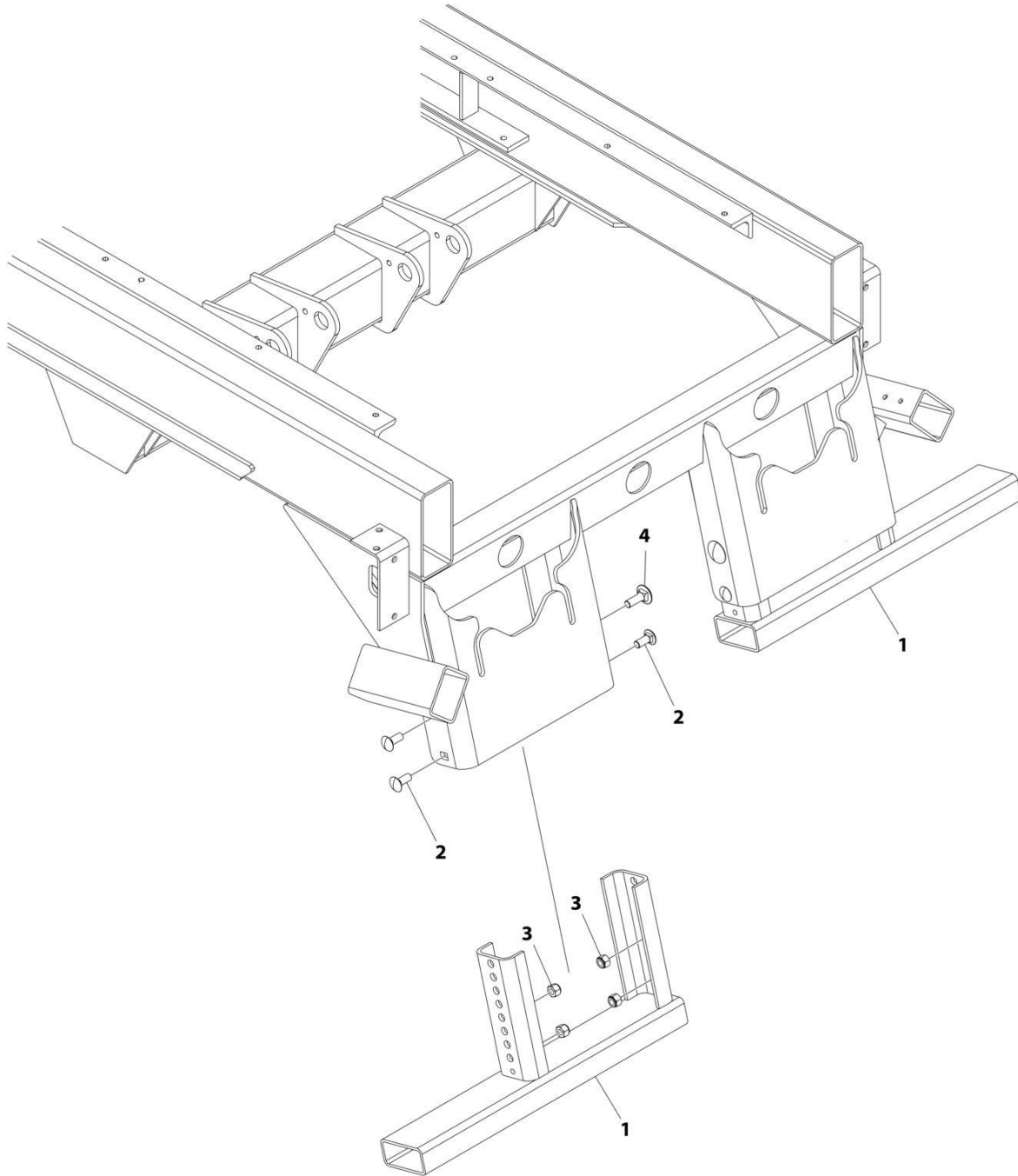
**SECTION 1 - SUBFRAME**

**FIGURE 1-76. MUD FLAPS INSTALLATION - CUSTOMER SUPPLIED (2012+ FORD F550, ISUZU & HINO)**

ITEM	PART NUMBER	QTY	DESCRIPTION	REV
	1001151493	Ref	MUDFLAPS INSTALLATION	C
1	1001147117	1	Angle	
2	7115151264	8	Bolt 5/16 x 1-1/2	
3	7950150161	20	Washer 5/16	
4	7660152601	10	Nut 5/16	
5	4891800	6	Washer	
6	4706006427	2	Plate	
7	7115151050	2	Bolt 5/16 x 1-1/4	

# SECTION 1 - SUBFRAME

## FIGURE 1-77. REAR BUMPER, SHORT GALVANIZED



ART\_1001177633

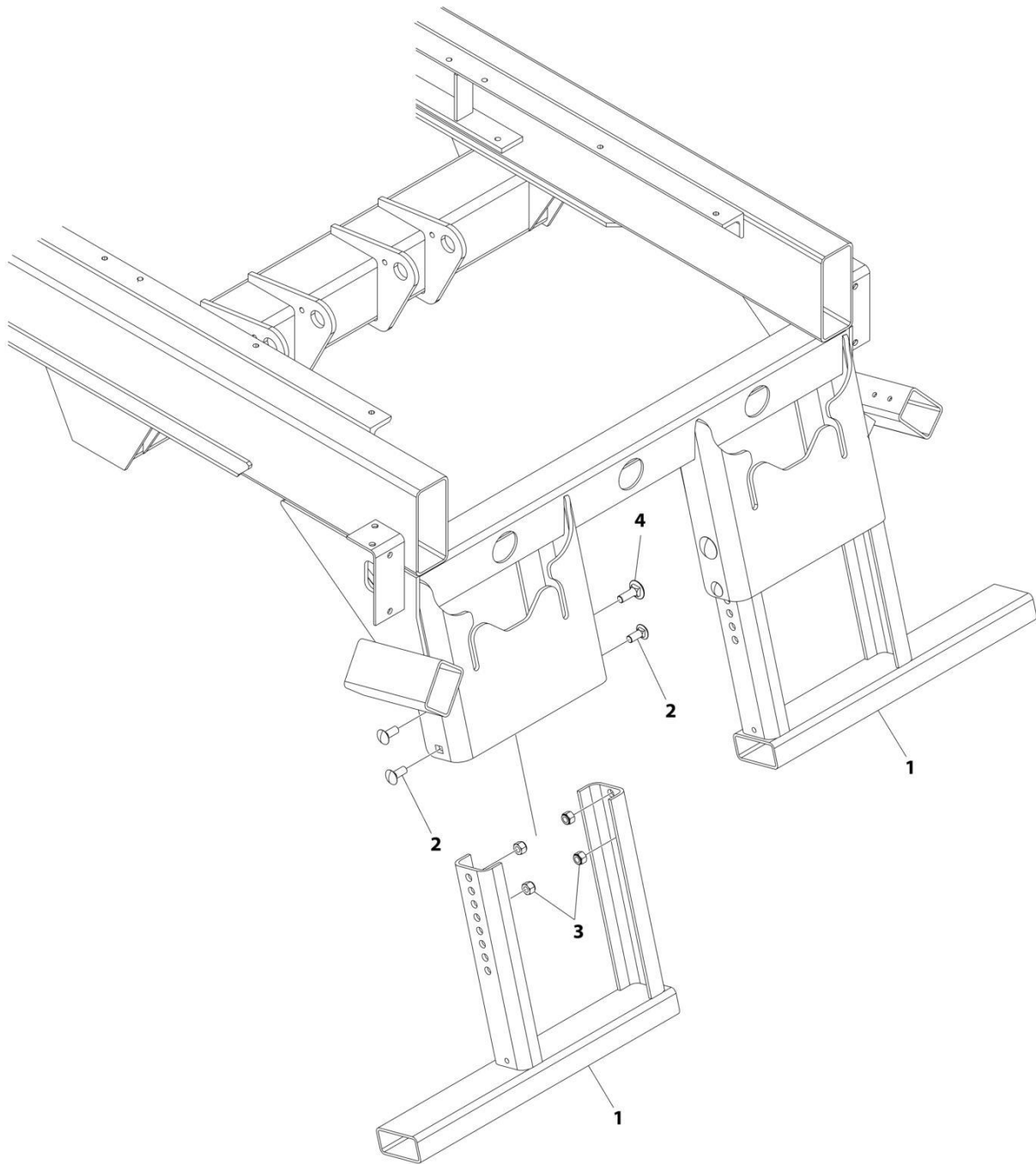
**SECTION 1 - SUBFRAME**

**FIGURE 1-77. REAR BUMPER, SHORT GALVANIZED**

<b>ITEM</b>	<b>PART NUMBER</b>	<b>QTY</b>	<b>DESCRIPTION</b>	<b>REV</b>
	1001177633	Ref	Rear Bumper - Short Galvanized	B
1	1001177603	2	Bumper	
2	7115181064	6	Bolt 1/2 x 1-1/4	
3	7660182601	8	Nut 1/2	
4	7115181664	2	Bolt 1/2 x 2	

# SECTION 1 - SUBFRAME

## FIGURE 1-78. REAR BUMPER, LONG GALVANIZED



ART\_1001177634



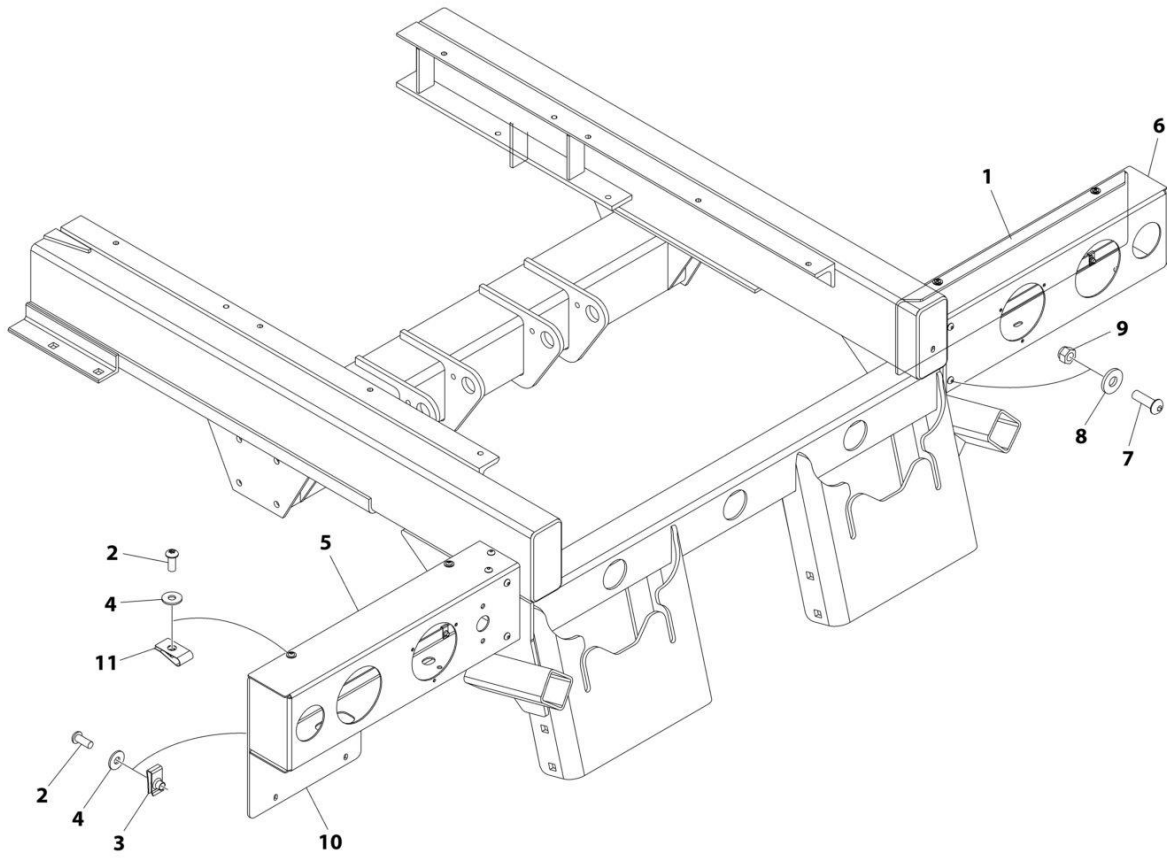
**SECTION 1 - SUBFRAME**

**FIGURE 1-78. REAR BUMPER, LONG GALVANIZED**

<b>ITEM</b>	<b>PART NUMBER</b>	<b>QTY</b>	<b>DESCRIPTION</b>	<b>REV</b>
	1001177634	Ref	Rear Bumper - Long Galvanized	B
1	1001177605	2	Bumper	
2	7115181064	6	Bolt 1/2 x 1-1/4	
3	7660182601	8	Nut 1/2	
4	7115181664	2	Bolt 1/2 x 2	

# SECTION 1 - SUBFRAME

## FIGURE 1-79. LIGHT BOX AND COVER INSTALLATION



ART\_1001173948

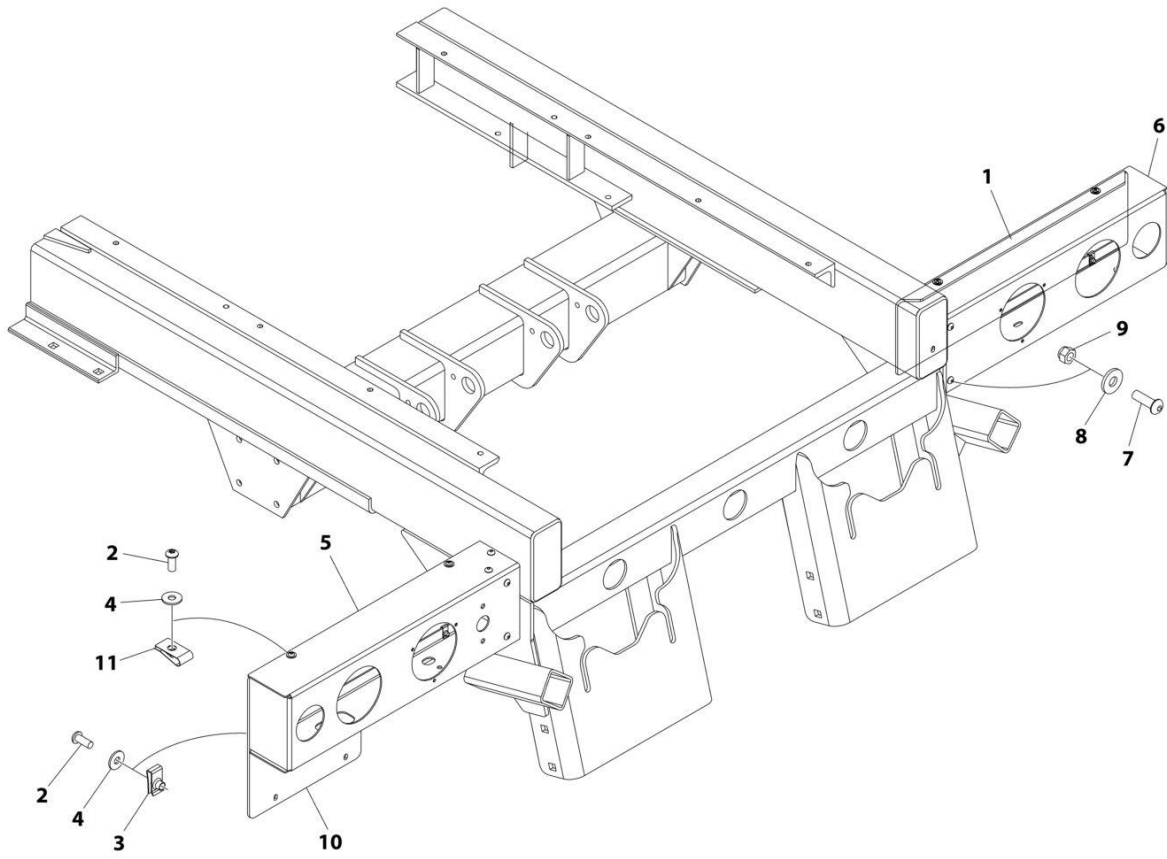
**SECTION 1 - SUBFRAME**

**FIGURE 1-79. LIGHT BOX AND COVER INSTALLATION**

<b>ITEM</b>	<b>PART NUMBER</b>	<b>QTY</b>	<b>DESCRIPTION</b>	<b>REV</b>
	1001173948	Ref	LIGHT BOX AND COVER INSTALLATION	B
1	1001188615	1	Cover, Light Box (RH)	
2	7114140529	8	Screw 1/4 x 5/8	
3	7661000042	4	U-Nut 1/4	
4	7949000023	8	Washer	
5	1001173945	1	Bracket, Light Box (LH)	
6	1001173944	1	Bracket, Light Box (RH)	
7	7114150818	8	Capscrew 3/8 x 1	
8	7950150153	8	Washer 3/8	
9	7660152601	8	Nut 3/8	
10	1001188616	1	Cover, Light Box (LH)	
11	7661000064	4	U-Nut 1/4	

# SECTION 1 - SUBFRAME

FIGURE 1-80. LIGHT BOX AND COVER INSTALLATION (GALVANIZED)



ART\_1001173949

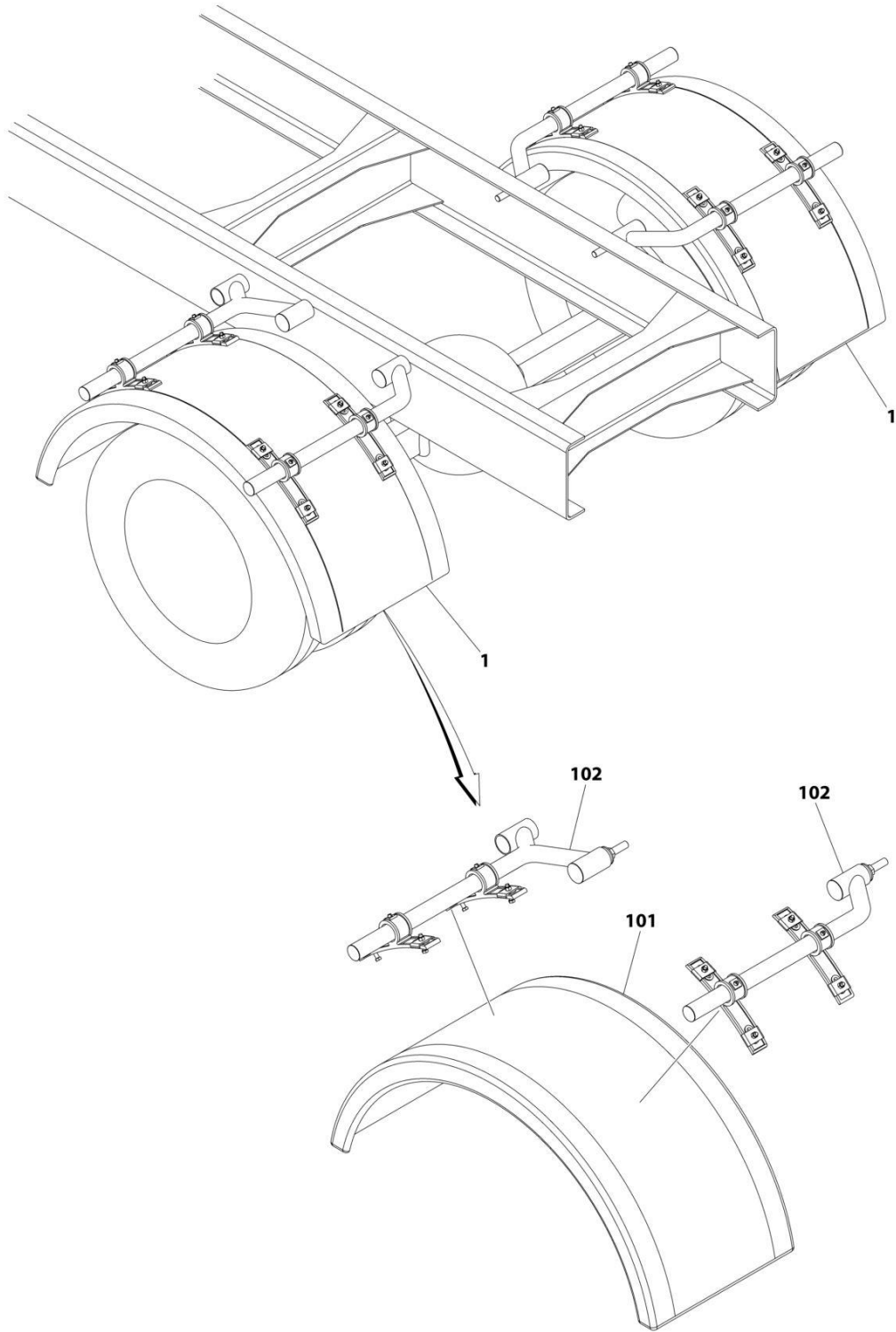
**SECTION 1 - SUBFRAME**

**FIGURE 1-80. LIGHT BOX AND COVER INSTALLATION (GALVANIZED)**

<b>ITEM</b>	<b>PART NUMBER</b>	<b>QTY</b>	<b>DESCRIPTION</b>	<b>REV</b>
	1001173949	Ref	LIGHT BOX AND COVER INSTALLATION	B
1	1001188615	1	Cover, Light Box (RH)	
2	7114140529	8	Screw 1/4 x 5/8	
3	7661000042	4	U-Nut 1/4	
4	7949000023	8	Washer	
5	1001173947	1	Bracket, Light Box (LH)	
6	1001173946	1	Bracket, Light Box (RH)	
7	7114150818	8	Screw 3/8 x 1	
8	7950150153	8	Washer 3/8	
9	7660152601	8	Nut 3/8	
10	1001188616	1	Cover, Light Box (LH)	
11	7661000064	4	U-Nut 1/4	

# SECTION 1 - SUBFRAME

## FIGURE 1-81. FENDERS INSTALLATION - POLY



ART\_1001169913

**SECTION 1 - SUBFRAME**

**FIGURE 1-81. FENDERS INSTALLATION - POLY**

<b>ITEM</b>	<b>PART NUMBER</b>	<b>QTY</b>	<b>DESCRIPTION</b>	<b>REV</b>
	1001169913	Ref	POLY FENDERS INSTALLATION 19.5IN	A
1	1001170192	2	Accessory, Poly Fender Kit	
101	1001169958	1	Fender, Poly	
102	1001169959	1	Mount, Poly Fender	

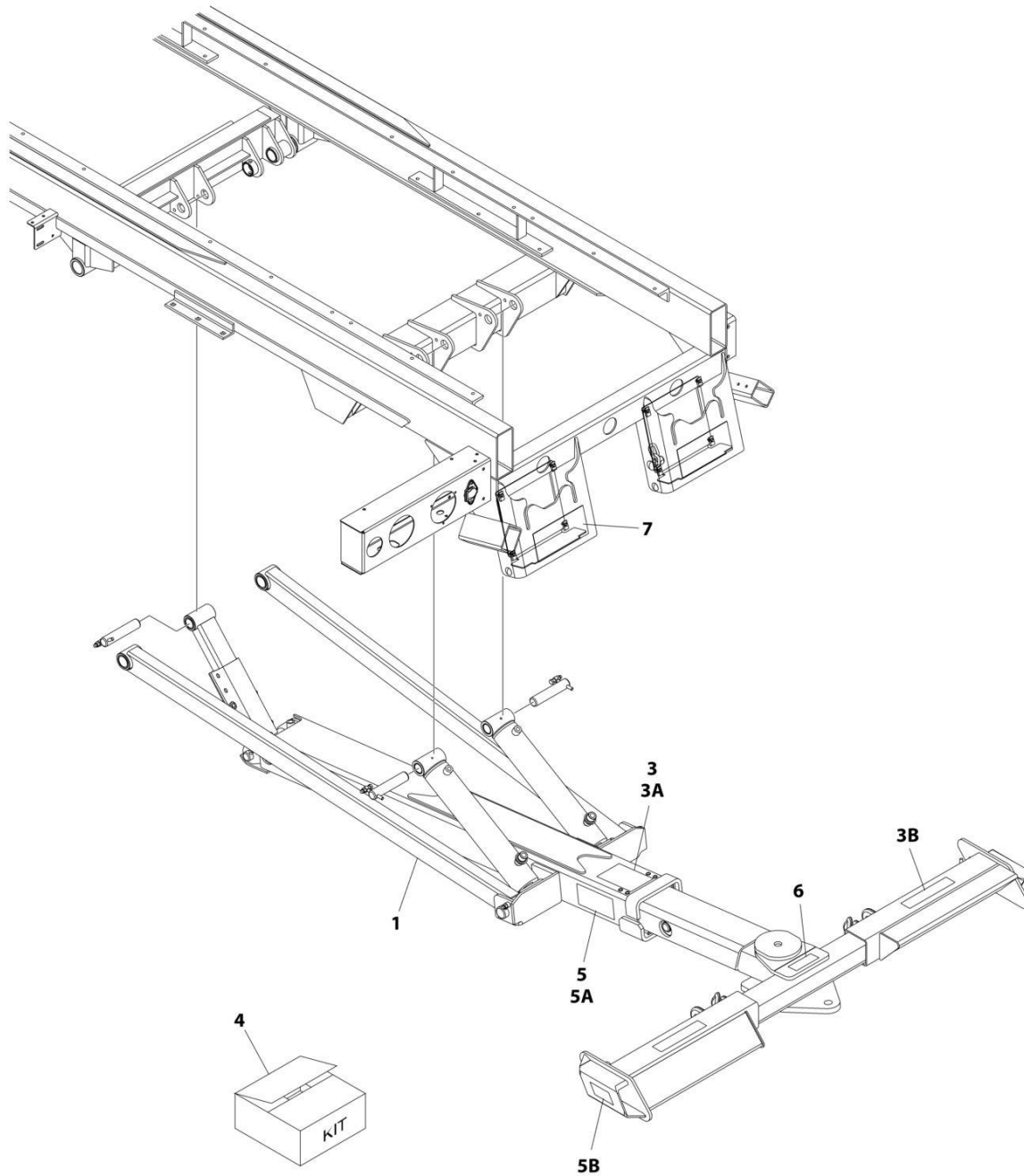




**SECTION 2 - WHEEL LIFT**

# SECTION 2 - WHEEL LIFT

FIGURE 2-1. WHEEL LIFT - COMPLETE (3500 LBS - FIXED ARMS) (19FT DECK)



ART\_1001276329

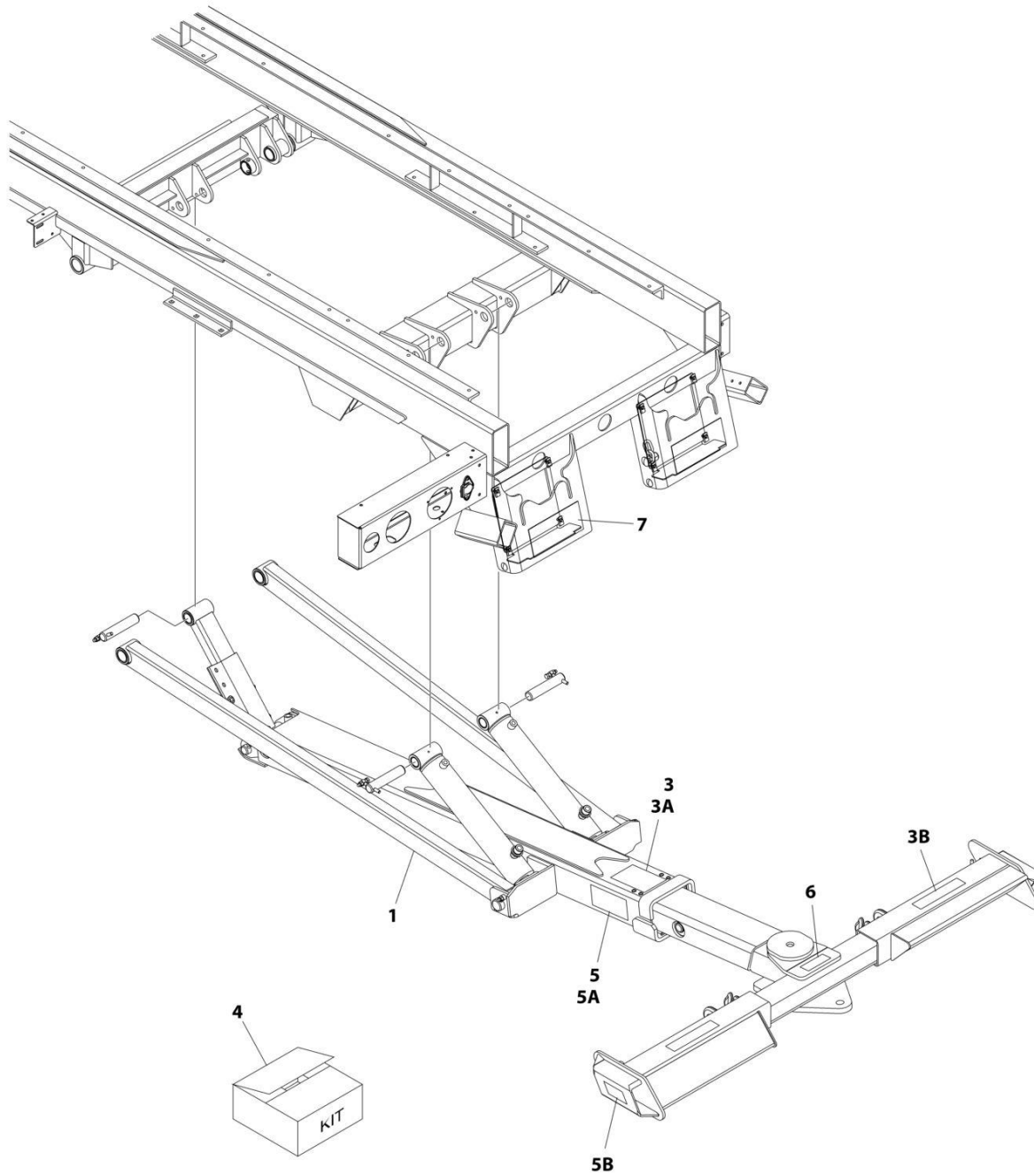
## SECTION 2 - WHEEL LIFT

**FIGURE 2-1. WHEEL LIFT - COMPLETE (3500 LBS - FIXED ARMS) (19FT DECK)**

ITEM	PART NUMBER	QTY	DESCRIPTION	REV
	1001274469	Ref	WHEEL LIFT - INSTALLATION (3500 LBS - FIXED) (XLP) - COMPLETE	A
1	1001274470	1	Wheel Lift Boom Installation - 3500 lbs (XLP) (See Separate Breakdown in this Section)	
2	1001136657	1	Hydraulic Installation (Not Shown - See Separate Breakdown in HYDRAULIC Section)	
3	2330000057	Ref	Decal Installation	
3A	7330000684	1	Decal - Safety	
3B	7330000683	2	Decal - Safety	
4	7577000242	1	Tie-Strap and Ratchet Kit (See Separate Breakdown in ACCESSORIES Section)	
5	2330000035	Ref	Wheel Lift Decal Installation	
5A	7330000419	2	Decal - Red Reflective (Boom)	
5B	7330000417	1	Decal - LH Red Reflective (Grid)	
5B	7330000418	1	Decal - RH Red Reflective (Grid)	
6	2330000065	Ref	Tow Hitch Decal Installation	
6	7330000060	1	Decal - Warning, Hitch on Wheel lift	
7	2262000011	1	Chain Box Installation (See Separate Breakdown in SUBFRAME Section)	

## SECTION 2 - WHEEL LIFT

FIGURE 2-2. WHEEL LIFT - COMPLETE (3500 LBS - FIXED ARMS) (20-22FT DECK)



ART\_1001158665

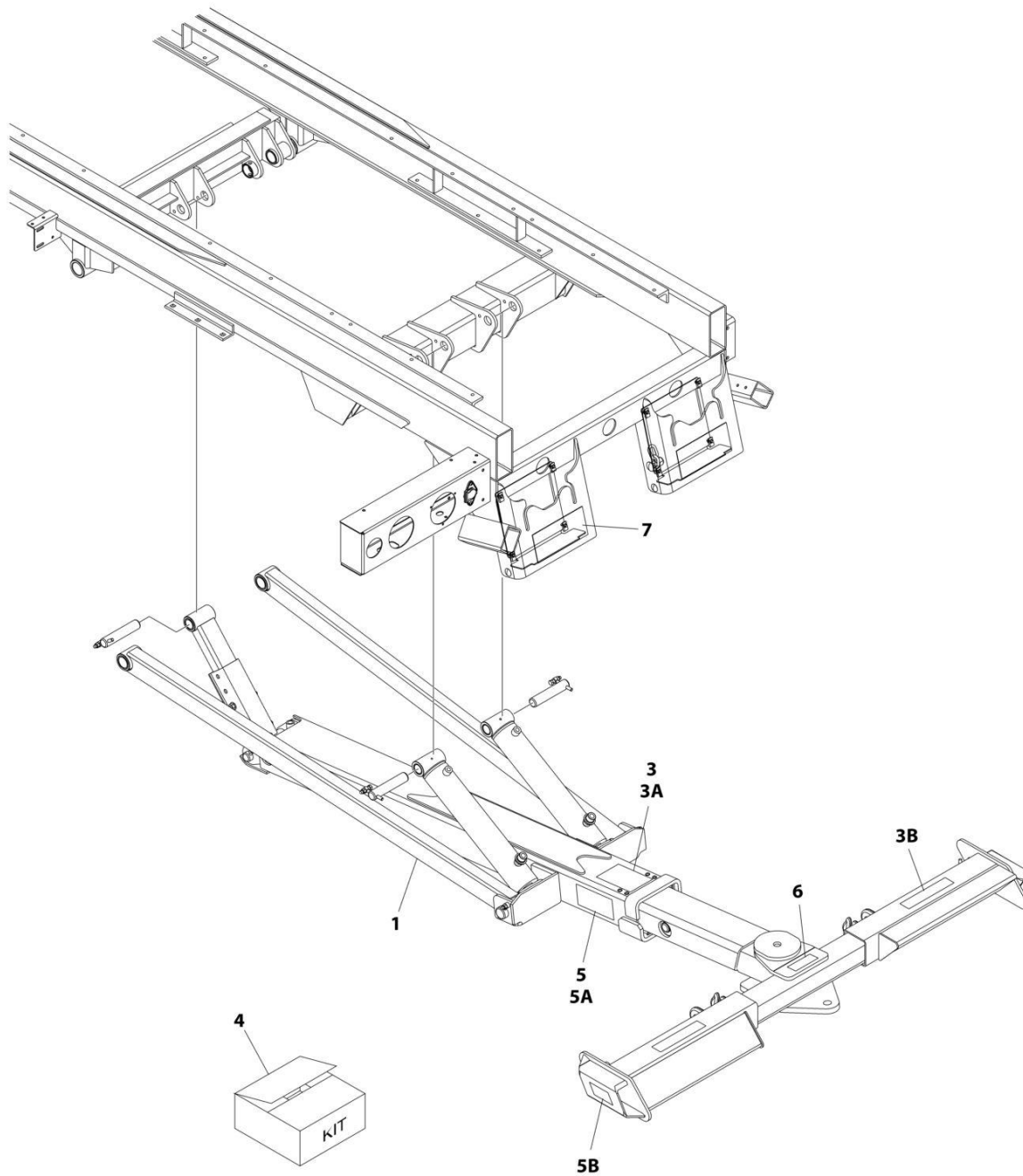
## SECTION 2 - WHEEL LIFT

**FIGURE 2-2. WHEEL LIFT - COMPLETE (3500 LBS - FIXED ARMS) (20-22FT DECK)**

ITEM	PART NUMBER	QTY	DESCRIPTION	REV
	1001158665	Ref	Wheel Lift Installation (3500 lbs - Fixed) - Complete	B
1	1001158648	1	Wheel Lift Boom Installation, 3500 lbs (See Separate Breakdown in this Section)	
2	1001136657	1	Hydraulic Installation (Not Shown - See Separate Breakdown in HYDRAULIC Section)	
3	2330000057	Ref	Decal Installation	
3A	7330000684	1	Decal - Safety	
3B	7330000683	2	Decal - Safety	
4	7577000242	1	Tie-Strap and Ratchet Kit (See Separate Breakdown in ACCESSORIES Section)	
5	2330000035	Ref	Wheel Lift Decal Installation	
5A	7330000419	2	Decal - Red Reflective (Boom)	
5B	7330000417	1	Decal - LH Red Reflective (Grid)	
5B	7330000418	1	Decal - RH Red Reflective (Grid)	
6	2330000065	Ref	Tow Hitch Decal Installation	
6	7330000060	1	Decal - Warning, Hitch on Wheel lift	
7	2262000011	1	Chain Box Installation (See Separate Breakdown in SUBFRAME Section)	

## SECTION 2 - WHEEL LIFT

FIGURE 2-3. WHEEL LIFT - COMPLETE (3500 LBS - FIXED ARMS) (GALVANIZED) (19FT DECK)



ART\_1001276329

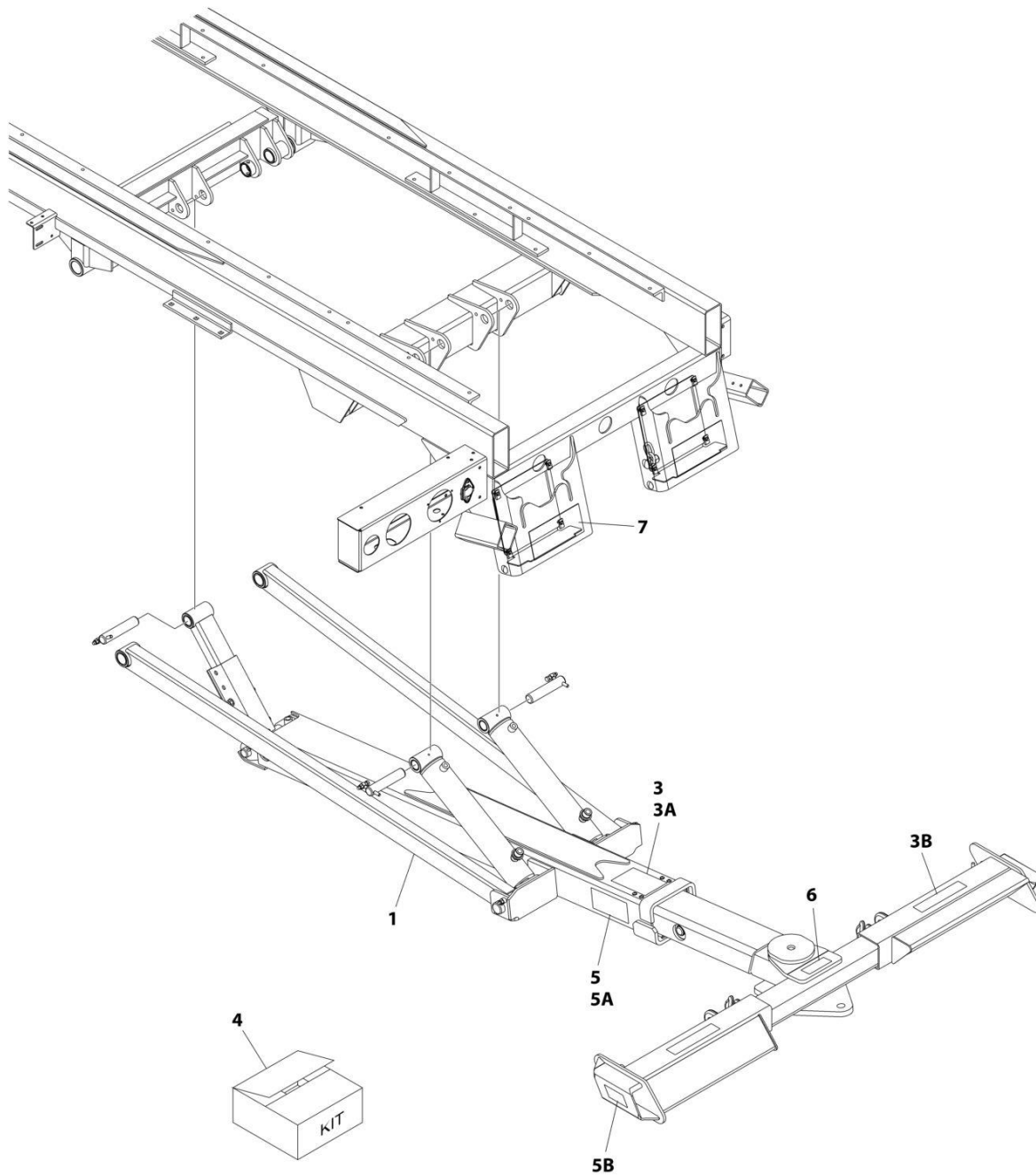
## SECTION 2 - WHEEL LIFT

**FIGURE 2-3. WHEEL LIFT - COMPLETE (3500 LBS - FIXED ARMS) (GALVANIZED) (19FT DECK)**

ITEM	PART NUMBER	QTY	DESCRIPTION	REV
	1001276329	Ref	WHEEL LIFT - INSTALLATION (3500 LBS - IRL) XLP GALVANIZED - COMPLETE	A
1	1001276330	1	Wheel Lift Boom Installation - 3500 lbs XLP Galvanized (See Separate Breakdown in this Section)	
2	1001136657	1	Hydraulic Installation (Not Shown - See Separate Breakdown in HYDRAULIC Section)	
3	2330000057	Ref	Decal Installation	
3A	7330000684	1	Decal - Safety	
3B	7330000683	2	Decal - Safety	
4	7577000242	1	Tie-Strap and Ratchet Kit (See Separate Breakdown in ACCESSORIES Section)	
5	2330000035	Ref	Wheel Lift Decal Installation	
5A	7330000419	2	Decal - Red Reflective (Boom)	
5B	7330000417	1	Decal - LH Red Reflective (Grid)	
5B	7330000418	1	Decal - RH Red Reflective (Grid)	
6	2330000065	Ref	Tow Hitch Decal Installation	
6	7330000060	1	Decal - Warning, Hitch on Wheel lift	
7	2262000011	1	Chain Box Installation (See Separate Breakdown in SUBFRAME Section)	

## SECTION 2 - WHEEL LIFT

FIGURE 2-4. WHEEL LIFT - COMPLETE (3500 LBS - FIXED ARMS) (GALVANIZED) (20-22FT DECK)



ART\_1001158666



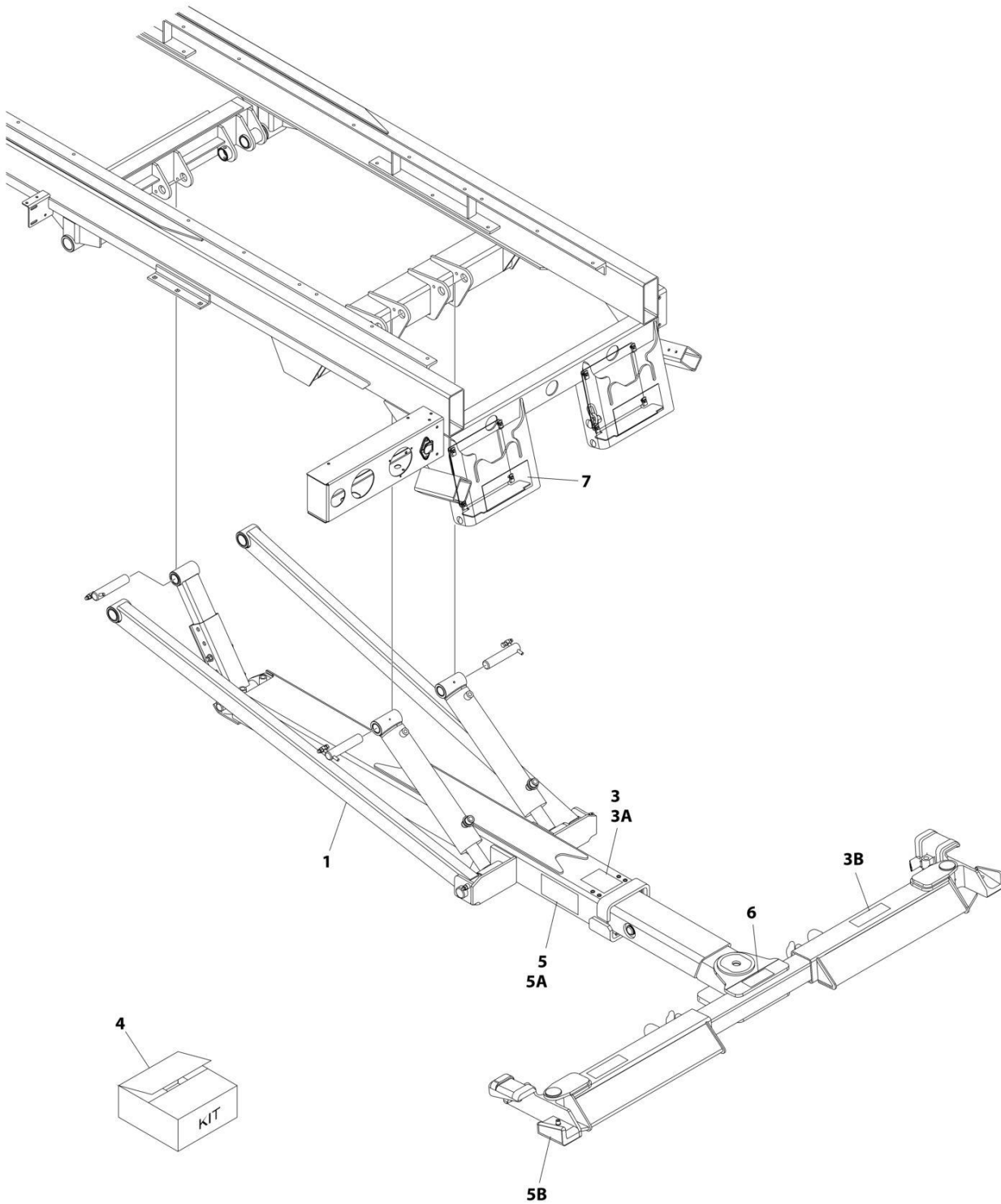
## SECTION 2 - WHEEL LIFT

**FIGURE 2-4. WHEEL LIFT - COMPLETE (3500 LBS - FIXED ARMS) (GALVANIZED) (20-22FT DECK)**

ITEM	PART NUMBER	QTY	DESCRIPTION	REV
	1001158666	Ref	Wheel Lift Installation - 3500 lbs Galvanized	B
1	1001158649	1	Wheel Lift Boom Installation - 3500 lbs Galvanized (See Separate Breakdown in this Section)	
2	1001136657	1	Hydraulic Installation (Not Shown - See Separate Breakdown in HYDRAULIC Section)	
3	2330000057	Ref	Decal Installation	
3A	7330000684	1	Decal - Safety	
3B	7330000683	2	Decal - Safety	
4	7577000242	1	Tie-Strap and Ratchet Kit (See Separate Breakdown in ACCESSORIES Section)	
5	2330000035	Ref	Wheel Lift Decal Installation	
5A	7330000419	2	Decal - Red Reflective (Boom)	
5B	7330000417	1	Decal - LH Red Reflective (Grid)	
5B	7330000418	1	Decal - RH Red Reflective (Grid)	
6	2330000065	Ref	Tow Hitch Decal Installation	
6	7330000060	1	Decal - Warning, Hitch on Wheel lift	
7	2262000011	1	Chain Box Installation (See Separate Breakdown in SUBFRAME Section)	

## SECTION 2 - WHEEL LIFT

FIGURE 2-5. WHEEL LIFT - COMPLETE (3500 LBS - T37 PIVOTING ARMS)



ART\_1001158667

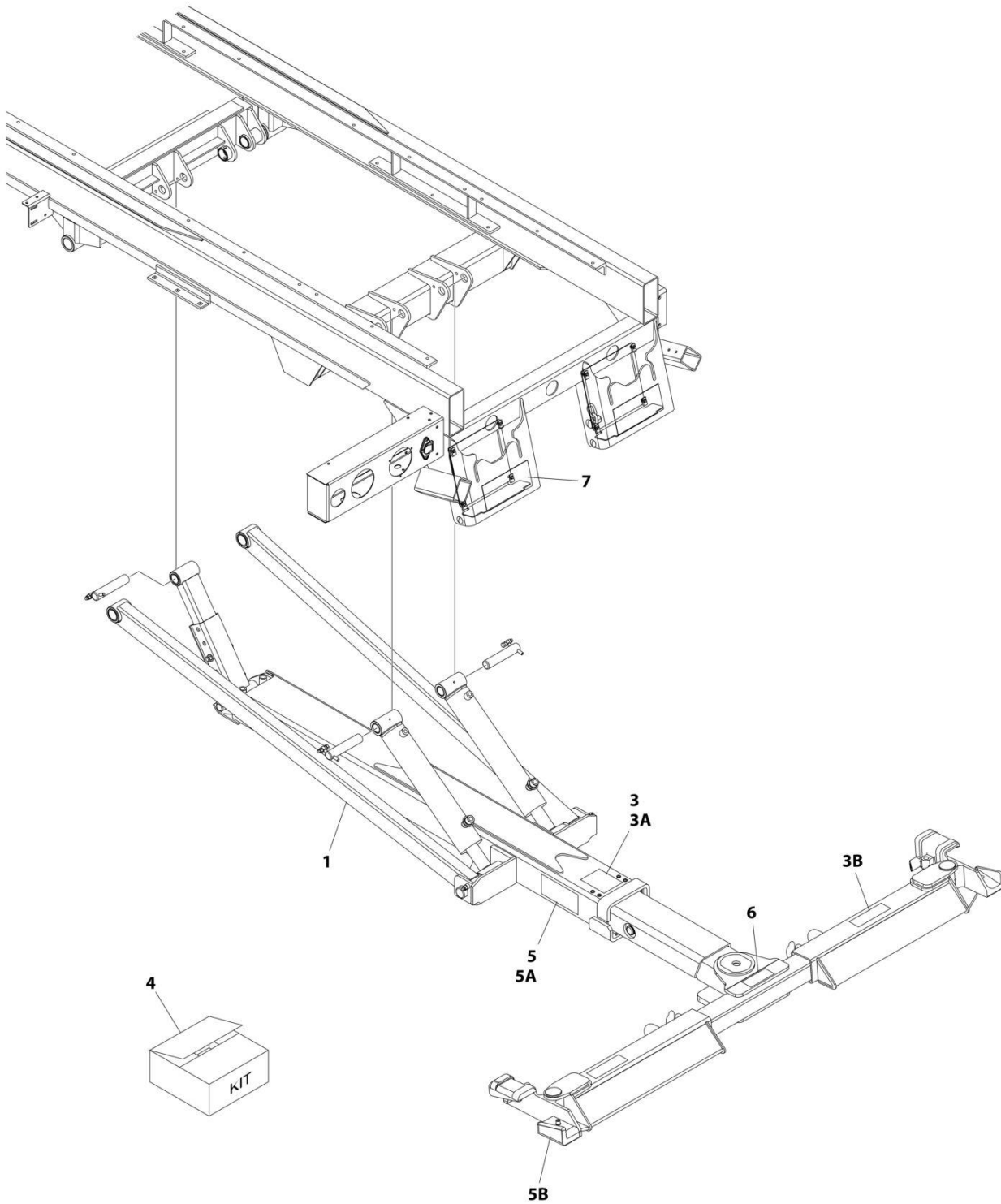
## SECTION 2 - WHEEL LIFT

**FIGURE 2-5. WHEEL LIFT - COMPLETE (3500 LBS - T37 PIVOTING ARMS)**

ITEM	PART NUMBER	QTY	DESCRIPTION	REV
	1001158667	Ref	Wheel Lift Installation (3500 lbs - T37) - Complete	A
1	1001158648	1	Wheel Lift Boom Installation (See Separate Breakdown in this Section)	
2	1001136657	1	Hydraulic Installation (Not Shown - See Separate Breakdown in HYDRAULIC Section)	
3	2330000057	Ref	Decal Installation	
3A	7330000684	1	Decal - Safety	
3B	7330000683	2	Decal - Safety	
4	7577000242	1	Tie-Strap and Ratchet Kit (See Separate Breakdown in ACCESSORIES Section)	
5	2330000036	Ref	Wheel Lift Decal Installation, T37	
5A	7330000419	2	Decal - Red Reflective (Boom)	
5B	7330000420	1	Decal - LH Red Reflective (T37 Grid)	
5B	7330000432	1	Decal - RH Red Reflective (T37 Grid)	
6	2330000065	Ref	Tow Hitch Decal Installation	
6	7330000060	1	Decal - Warning, Hitch on Wheel lift	
7	2262000011	1	Chain Box Installation (See Separate Breakdown in SUBFRAME Section)	

## SECTION 2 - WHEEL LIFT

FIGURE 2-6. WHEEL LIFT - COMPLETE (3500 LBS - T37 PIVOTING ARMS) (GALVANIZED)



ART\_1001158668

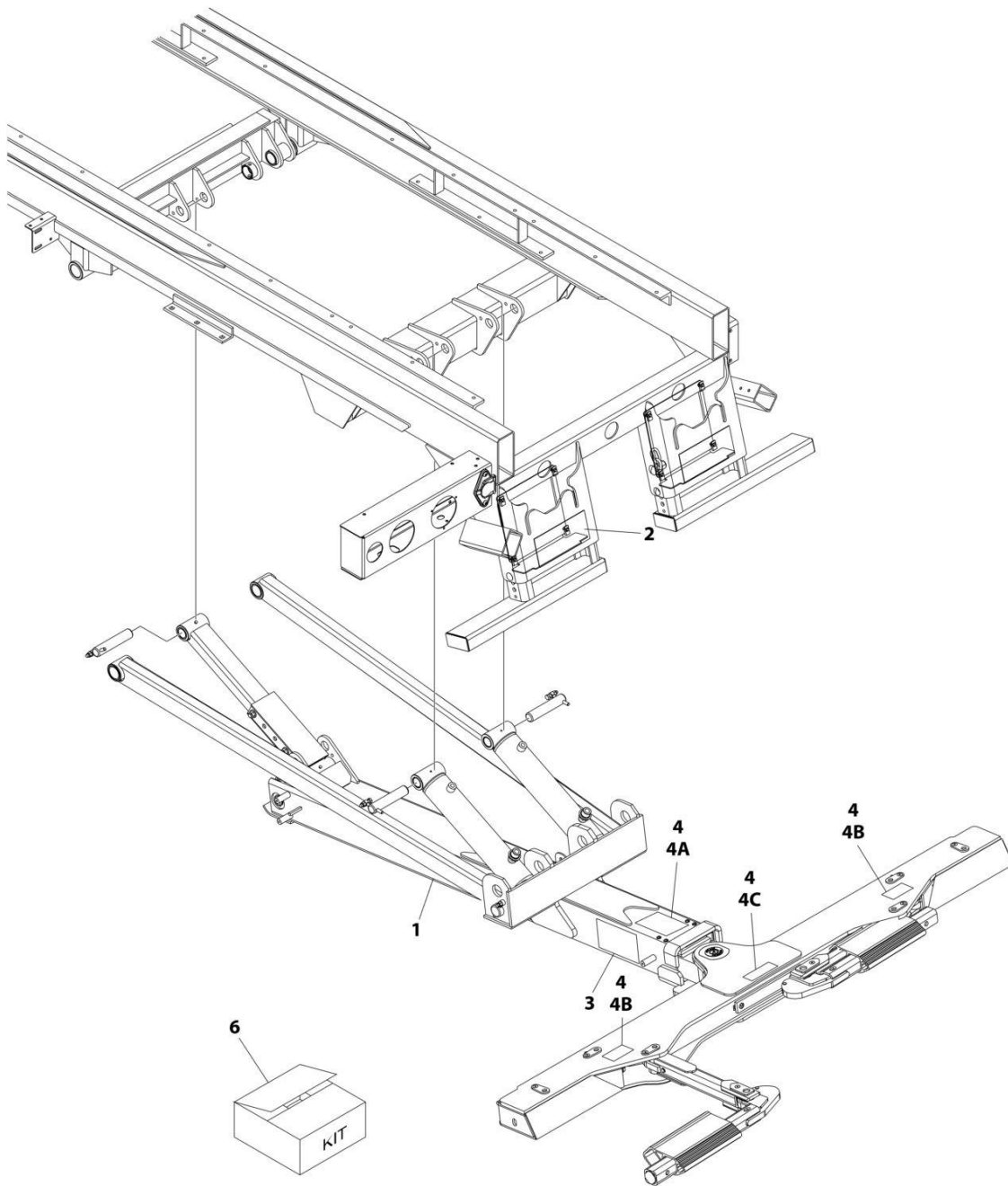
## SECTION 2 - WHEEL LIFT

**FIGURE 2-6. WHEEL LIFT - COMPLETE (3500 LBS - T37 PIVOTING ARMS) (GALVANIZED)**

ITEM	PART NUMBER	QTY	DESCRIPTION	REV
1	1001158668	Ref	Wheel Lift Installation (3500 lbs - T37) Galvanized - Complete	B
	1001158649	1	Wheel Lift Boom Installation - 3500 lbs Galvanized (See Separate Breakdown in this Section)	
2	1001136657	1	Hydraulic Installation (Not Shown - See Separate Breakdown in HYDRAULIC Section)	
3	2330000057	Ref	Decal Installation	
3A	7330000684	1	Decal - Safety	
3B	7330000683	2	Decal - Safety	
4	7577000242	1	Tie-Strap and Ratchet Kit (See Separate Breakdown in ACCESSORIES Section)	
5	2330000036	Ref	Wheel Lift Decal Installation, T37	
5A	7330000419	2	Decal - Red Reflective (Boom)	
5B	7330000420	1	Decal - LH Red Reflective (T37 Grid)	
5B	7330000432	1	Decal - RH Red Reflective (T37 Grid)	
6	2330000065	Ref	Tow Hitch Decal Installation	
6	7330000060	1	Decal - Warning, Hitch on Wheel lift	
7	2262000011	1	Chain Box Installation (See Separate Breakdown in SUBFRAME Section)	

## SECTION 2 - WHEEL LIFT

FIGURE 2-7. WHEEL LIFT - COMPLETE (3500 LBS - AUTO GRIDS HYDRAULIC ARMS)



ART\_1001158507

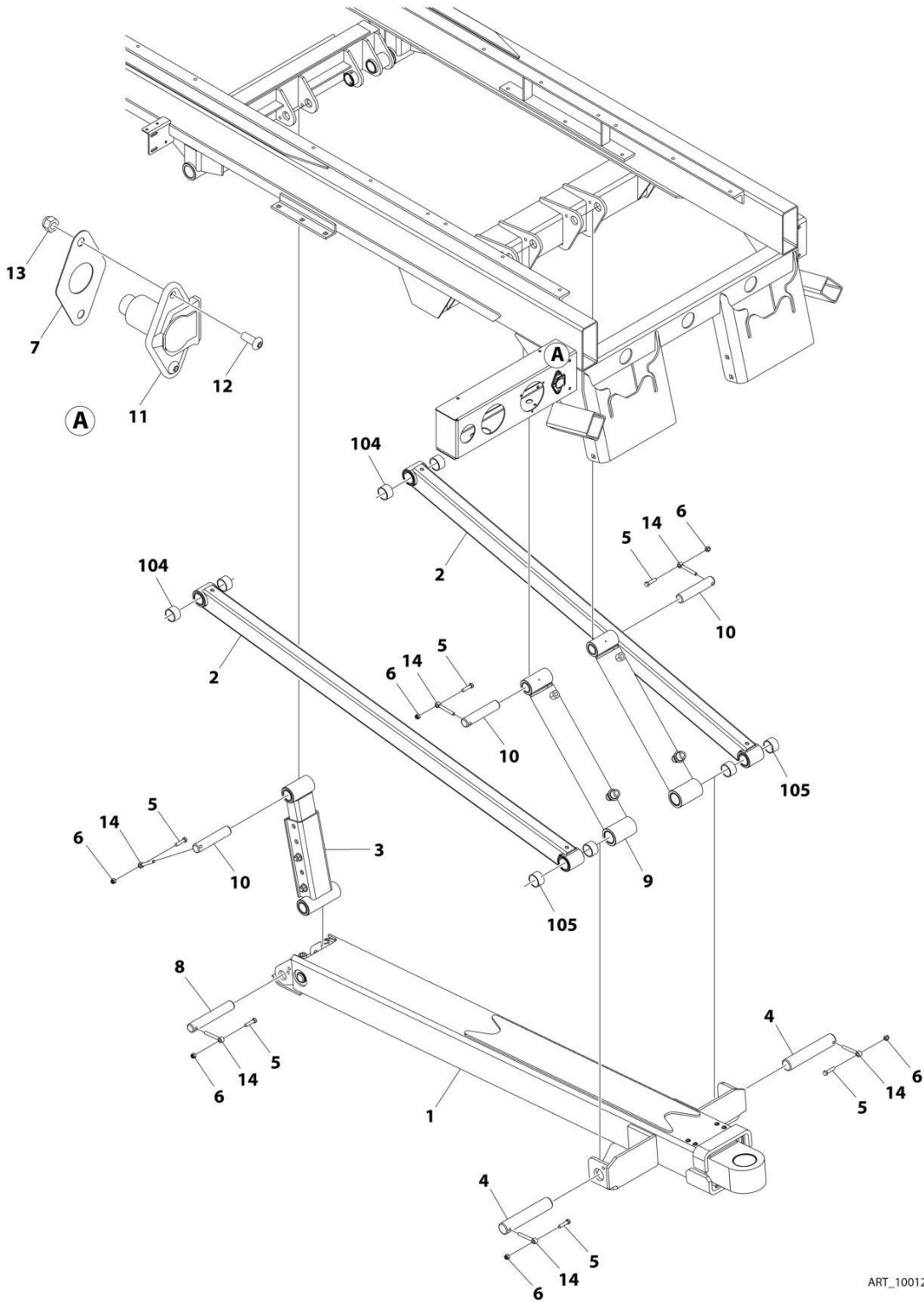
## SECTION 2 - WHEEL LIFT

**FIGURE 2-7. WHEEL LIFT - COMPLETE (3500 LBS - AUTO GRIDS HYDRAULIC ARMS)**

ITEM	PART NUMBER	QTY	DESCRIPTION	REV
	1001158507	Ref	IRL WHEEL LIFT INSTALLATION - 3500 LBS (AUTOGRID)	A
1	1001158508	1	Boom Installation (See Separate Breakdown in this Section)	
2	2262000011	1	Chain Installation (See Separate Breakdown in SUBFRAME Section)	
3	2330000051	Ref	Wheel Lift Decal Installation	
3	7330000419	2	Decal - Red Reflective (Boom)	
4	2330000057	Ref	Decal Installation	
4A	7330000684	1	Decal - Safety	
4B	7330000599	2	Decal - Safety	
4C	7330000036	1	Decal - Safety	
5	1001159670	1	Hydraulic Hose Installation (Not Shown - See Separate Breakdown in HYDRAULIC Section)	
6	7577000376	1	Tie-Strap and Ratchet Kit	

# SECTION 2 - WHEEL LIFT

## FIGURE 2-8. WHEEL LIFT BOOM INSTALLATION (3500 LBS) (19FT DECK)



ART\_1001274470



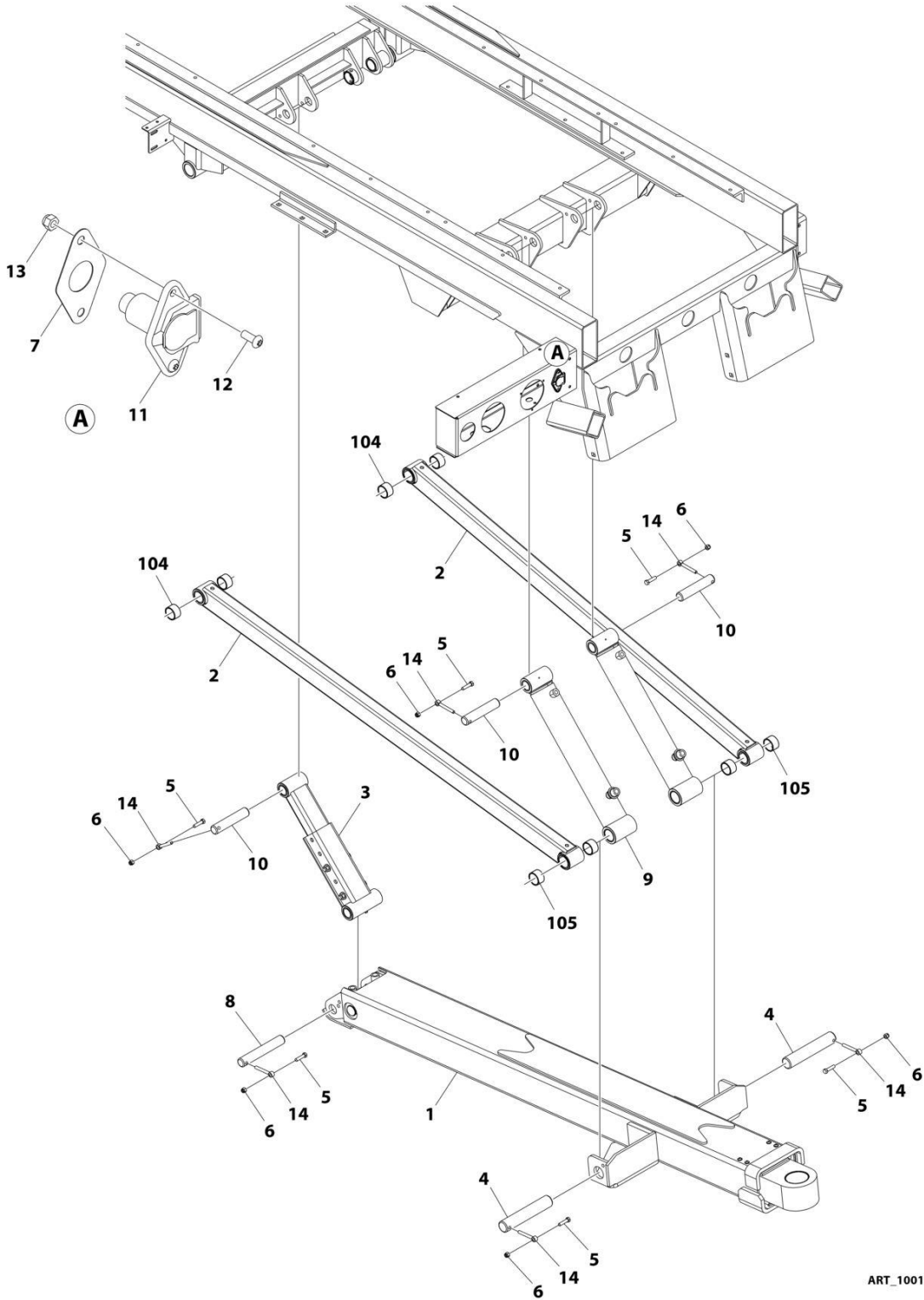
## SECTION 2 - WHEEL LIFT

**FIGURE 2-8. WHEEL LIFT BOOM INSTALLATION (3500 LBS) (19FT DECK)**

ITEM	PART NUMBER	QTY	DESCRIPTION	REV
	1001274470	Ref	WHEEL LIFT BOOM INSTALLATION - 3500 LBS XLP	A
1	1001274493	1	Boom Assembly Installation (See Separate Breakdown in this Section)	
2	3020000102	2	Arm Weldment	
3	3592000040	1	Link Assembly (See Separate Breakdown in this Section)	
4	1001188132	2	Pin	
5	0641612	6	Bolt 3/8 x 1-1/2	
6	3300492	6	Nut 3/8	
7	7796000048	1	Gasket	
8	1001188133	1	Pin	
9	1001166857	2	Wheel Lift Cylinder Assembly (See Separate Breakdown in CYLINDER Section)	
10	1001188129	3	Pin	
11	7291000010	1	Female Receptacle with Connector	
12	7114140528	2	Screw 1/4 x 5/8	
13	7660142601	2	Nut 1/4	
14	3841143	6	Keeper, Shaft	
104	7082000017	4	Bearing	
105	7082000018	4	Bearing	

# SECTION 2 - WHEEL LIFT

## FIGURE 2-9. WHEEL LIFT BOOM INSTALLATION (3500 LBS) (20-22FT DECK)



ART\_1001158648

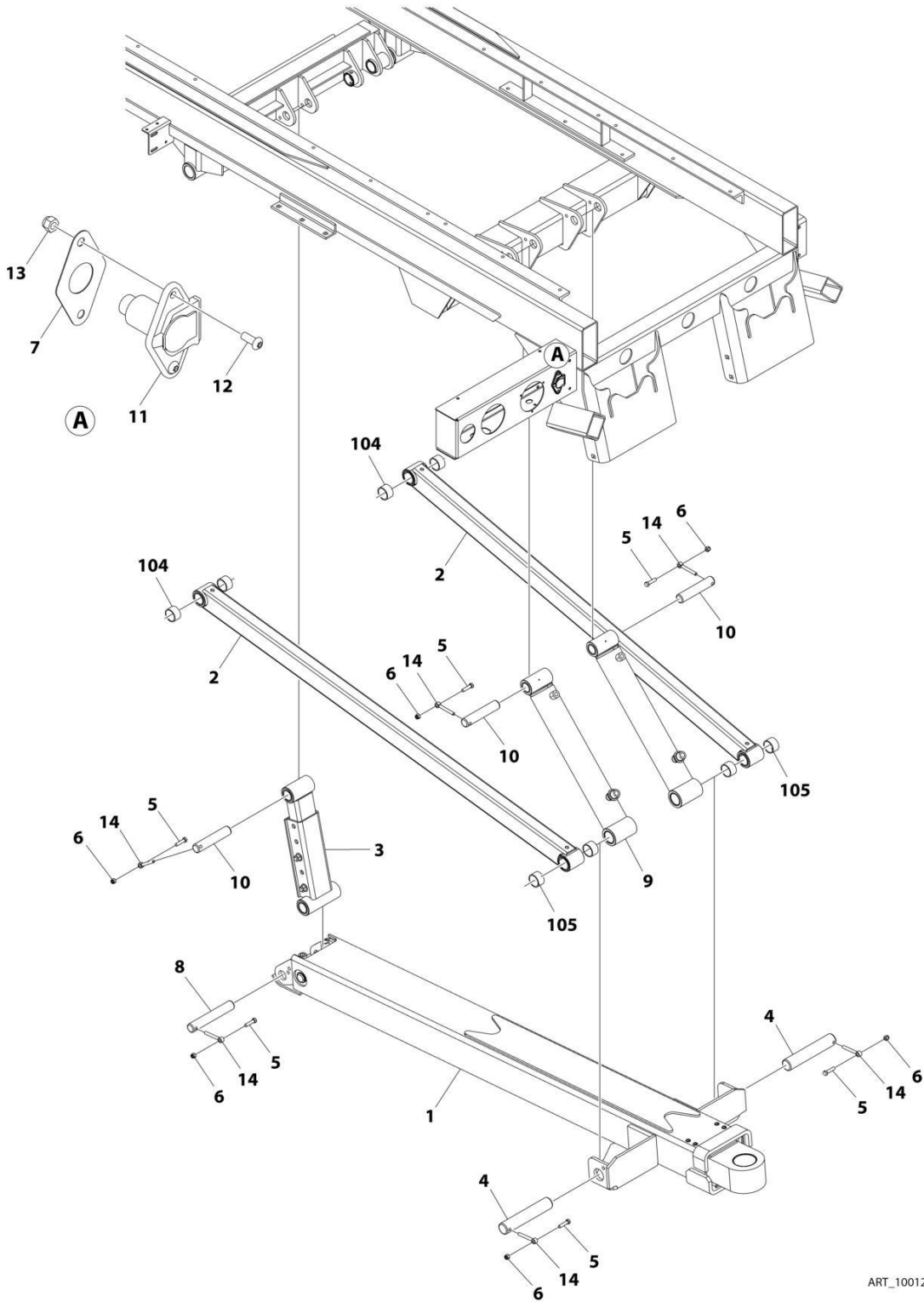
## SECTION 2 - WHEEL LIFT

**FIGURE 2-9. WHEEL LIFT BOOM INSTALLATION (3500 LBS) (20-22FT DECK)**

ITEM	PART NUMBER	QTY	DESCRIPTION	REV
	1001158648	Ref	Wheel Lift Boom Installation, 3500 lbs	B
1	1001158635	1	Boom Assembly (See Separate Breakdown in this Section)	
2	3020000102	2	Arm Weldment	
3	3592000040	1	Link Assembly (See Separate Breakdown in this Section)	
4	1001188132	2	Pin	
5	0641612	6	Bolt 3/8 x 1-1/2	
6	3300492	6	Nut 3/8	
7	7796000048	1	Gasket	
8	1001188133	1	Pin	
9	1001166857	2	Wheel Lift Cylinder Assembly (See Separate Breakdown in this Section)	
10	1001188129	3	Pin	
11	7291000010	1	Female Receptacle with Connector	
12	7114140528	2	Screw 1/4 x 5/8	
13	7660142601	2	Nut 1/4	
14	3841143	6	Keeper, Shaft	
104	7082000017	4	Bearing	
105	7082000018	4	Bearing	

# SECTION 2 - WHEEL LIFT

## FIGURE 2-10. WHEEL LIFT BOOM INSTALLATION (3500 LBS GALVANIZED) (19FT DECK)



ART\_1001276330

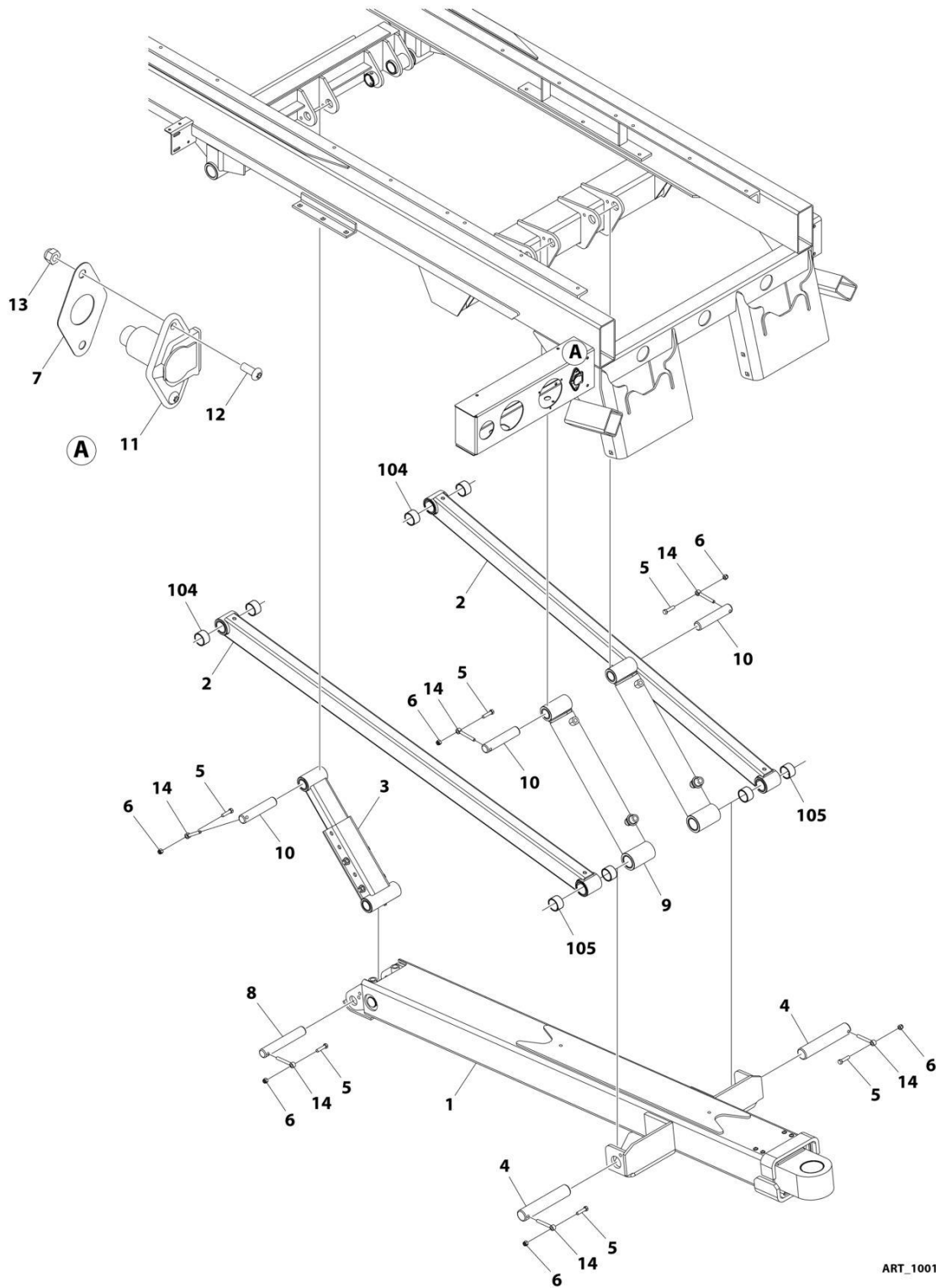
## SECTION 2 - WHEEL LIFT

**FIGURE 2-10. WHEEL LIFT BOOM INSTALLATION (3500 LBS GALVANIZED) (19FT DECK)**

ITEM	PART NUMBER	QTY	DESCRIPTION	REV
	1001276330	Ref	WHEEL LIFT BOOM INSTALLATION - 3500 LBS XLP GALVANIZED	A
1	1001276342	1	Boom Assembly Installation (See Separate Breakdown in this Section)	
2	3020000102	2	Arm Weldment	
3	3592000040	1	Link Assembly (See Separate Breakdown in this Section)	
4	1001188132	2	Pin	
5	0641612	6	Bolt 3/8 x 1-1/2	
6	3300492	6	Nut 3/8	
7	7796000048	1	Gasket	
8	1001188133	1	Pin	
9	1001166857	2	Wheel Lift Cylinder Assembly (See Separate Breakdown in CYLINDER Section)	
10	1001188129	3	Pin	
11	7291000010	1	Female Receptacle with Connector	
12	7114140528	2	Screw 1/4 x 5/8	
13	7660142601	2	Nut 1/4	
14	3841143	6	Keeper, Shaft	
104	7082000017	4	Bearing	
105	7082000018	4	Bearing	

## SECTION 2 - WHEEL LIFT

FIGURE 2-11. WHEEL LIFT BOOM INSTALLATION (3500 LBS GALVANIZED) (20-22FT DECK)



ART\_1001158649

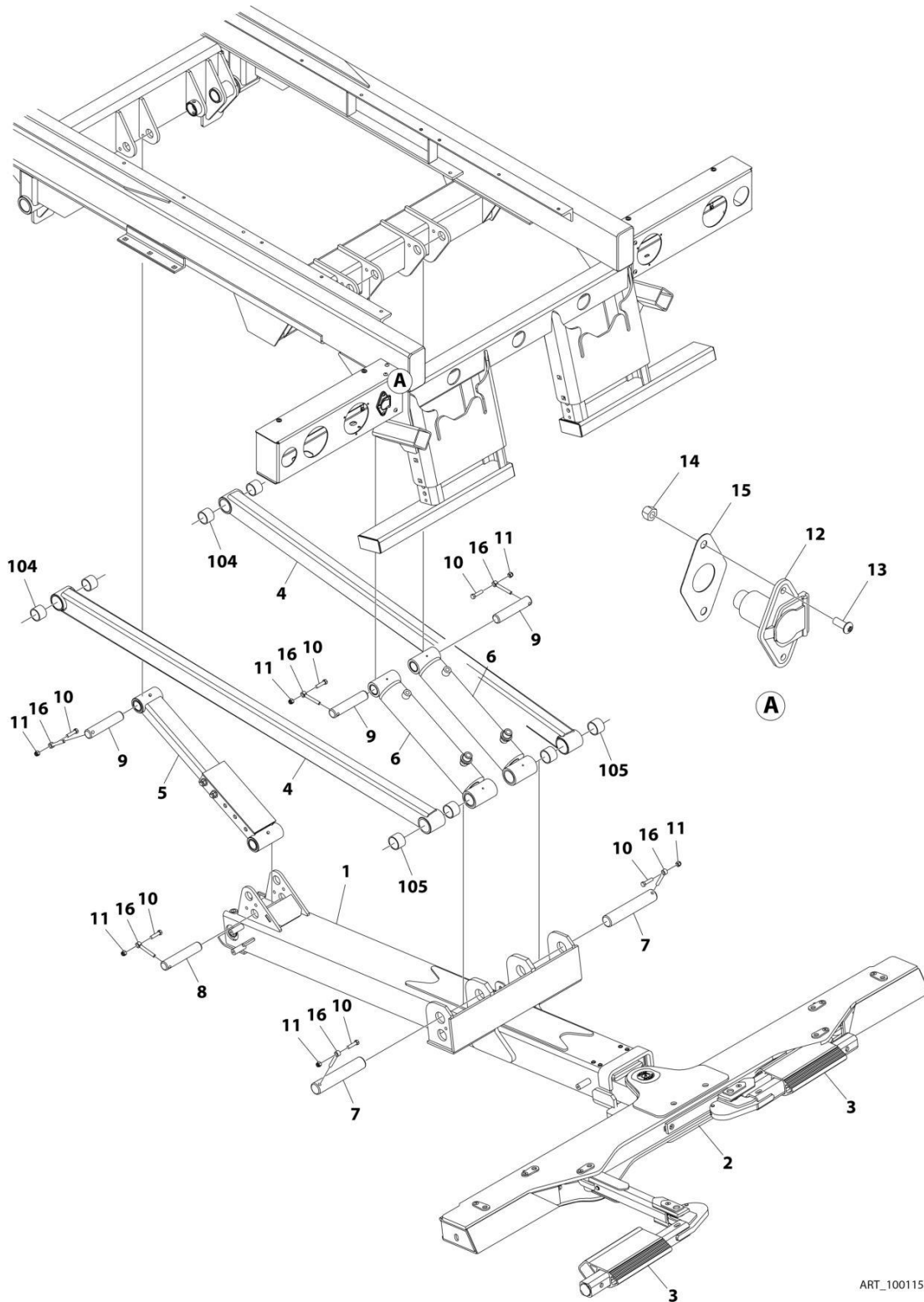
## SECTION 2 - WHEEL LIFT

**FIGURE 2-11. WHEEL LIFT BOOM INSTALLATION (3500 LBS GALVANIZED) (20-22FT DECK)**

ITEM	PART NUMBER	QTY	DESCRIPTION	REV
	1001158649	Ref	Wheel Lift Boom Installation, 3500 lbs Galvanized	B
1	1001158637	1	Boom Assembly (See Separate Breakdown in this Section)	
2	3020000131	2	Arm Weldment	
3	3592000066	1	Link Assembly (See Separate Breakdown in this Section)	
4	1001188132	2	Pin	
5	0641612	6	Bolt 3/8 x 1-1/2	
6	3300492	6	Nut 3/8	
7	7796000048	1	Gasket	
8	1001188133	1	Pin	
9	1001166857	2	Wheel Lift Cylinder Assembly (See Separate Breakdown in this Section)	
10	1001188129	3	Pin	
11	7291000010	1	Female Receptacle with Connector	
12	7114140528	2	Screw 1/4 x 5/8	
13	7660142601	2	Nut 1/4	
14	3841143	6	Keeper, Shaft	
104	7082000017	4	Bearing	
105	7082000018	4	Bearing	

# SECTION 2 - WHEEL LIFT

FIGURE 2-12. WHEEL LIFT BOOM INSTALLATION (3500 LBS WITH AUTOGRIDS)



ART\_1001158508



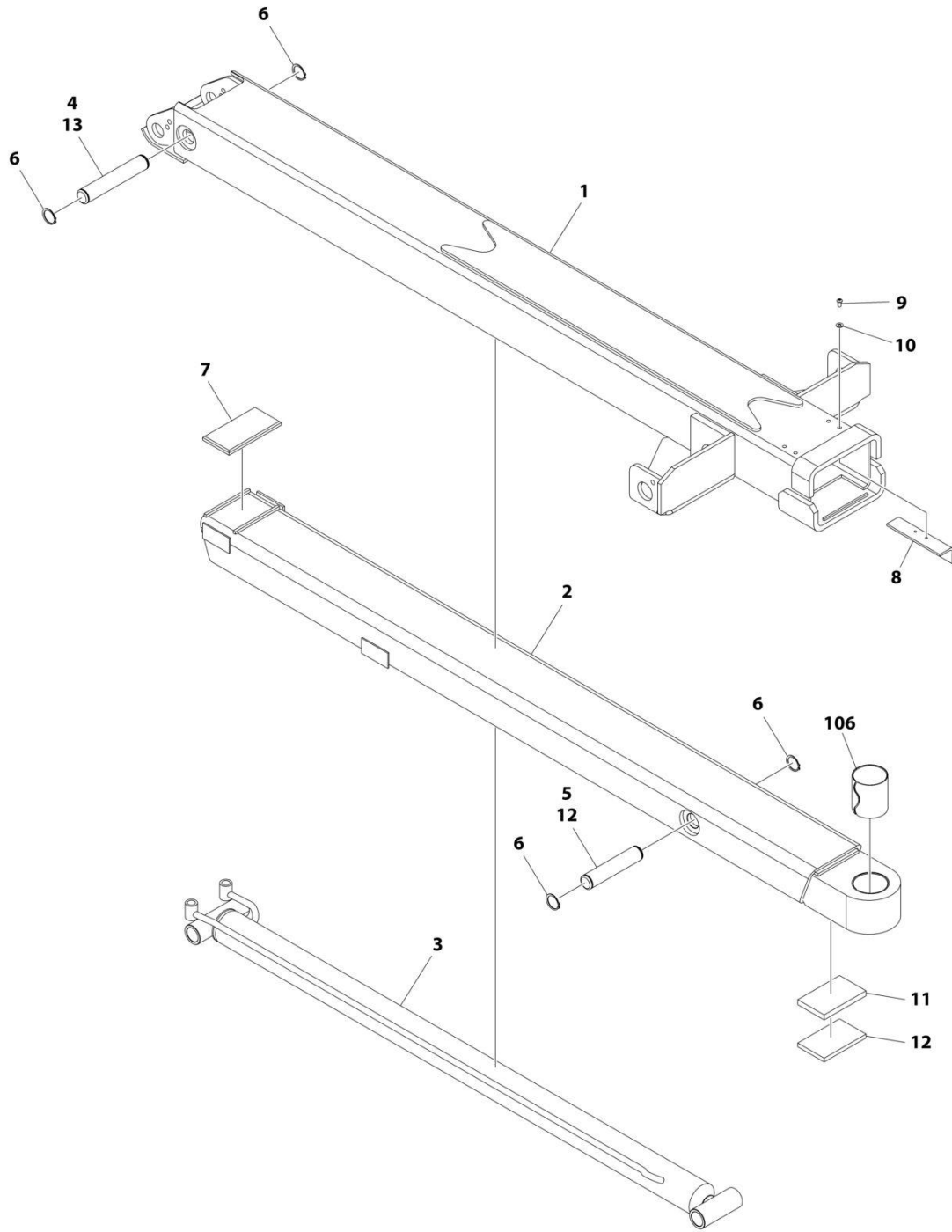
## SECTION 2 - WHEEL LIFT

**FIGURE 2-12. WHEEL LIFT BOOM INSTALLATION (3500 LBS WITH AUTOGRIDS)**

ITEM	PART NUMBER	QTY	DESCRIPTION	REV
	1001158508	Ref	IRL BOOM INSTALLATION - 3500 LBS (HYDRAULIC)	E
1	1001158630	1	Boom Assembly (See Separate Breakdown in this Section)	
2	1001228493	1	Auto Grid Installation (See Separate Breakdown in this Section)	
3	2484000008	1	Auto Grid Arm Installation (See Separate Breakdown in this Section)	
4	1001158509	2	Arm Weldment	
5	1001158510	1	Link Assembly (See Separate Breakdown in this Section)	
6	3320000134	2	Cylinder Assembly (See Separate Breakdown in this Section)	
7	1001188132	2	Pin	
8	1001188134	1	Pin	
9	1001188129	3	Pin	
10	0641612	6	Bolt 3/8 x 1-1/2	
11	3300492	6	Nut 3/8	
12	7291000010	1	Female Receptacle with Connector	
13	7114140528	2	Screw 1/4 x 5/8	
14	7660142601	2	Nut 1/4	
15	7796000048	1	Gasket	
16	3841143	6	Keeper	
104	7082000017	4	Bearing	
105	7082000018	4	Bearing	

# SECTION 2 - WHEEL LIFT

## FIGURE 2-13. BOOM ASSEMBLY (3500 LBS) (19FT DECK)



ART\_1001274493

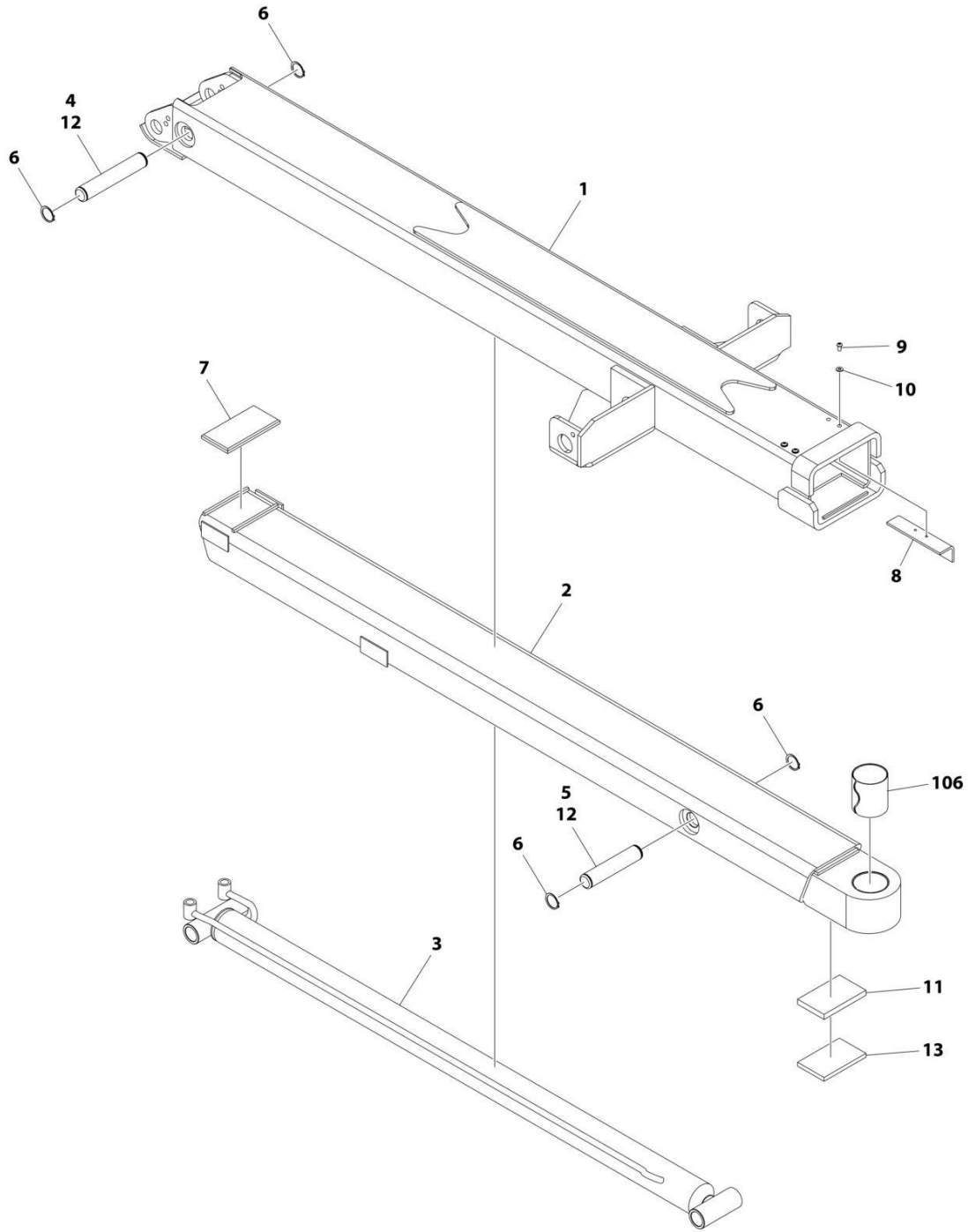
## SECTION 2 - WHEEL LIFT

**FIGURE 2-13. BOOM ASSEMBLY (3500 LBS) (19FT DECK)**

ITEM	PART NUMBER	QTY	DESCRIPTION	REV
	1001274493	1	BOOM ASSEMBLY INSTALLATION - 3500 LBS XLP	A
1	1001274496	1	Boom, Outer	
2	1001158627	1	Boom, Inner	
3	1001166858	1	Extend/Retract Cylinder Assembly (See Separate Breakdown in this Section)	
4	4691000296	1	Pin	
5	4691000268	1	Pin	
6	3760133	4	Ring	
7	4679000046	1	Pad	
8	4017000739	2	Angle	
9	7118140418	4	Capscrew 1/4 x 1/2	
10	4751300	4	Washer 3/16	
11	4679000211	1	Pad	
12	1001276938	AR	Pad	
13	3020039	AR	Lubricant	
106	7209000028	1	Bushing	

# SECTION 2 - WHEEL LIFT

## FIGURE 2-14. BOOM ASSEMBLY (3500 LBS) (20-22FT DECK)



ART\_1001158635

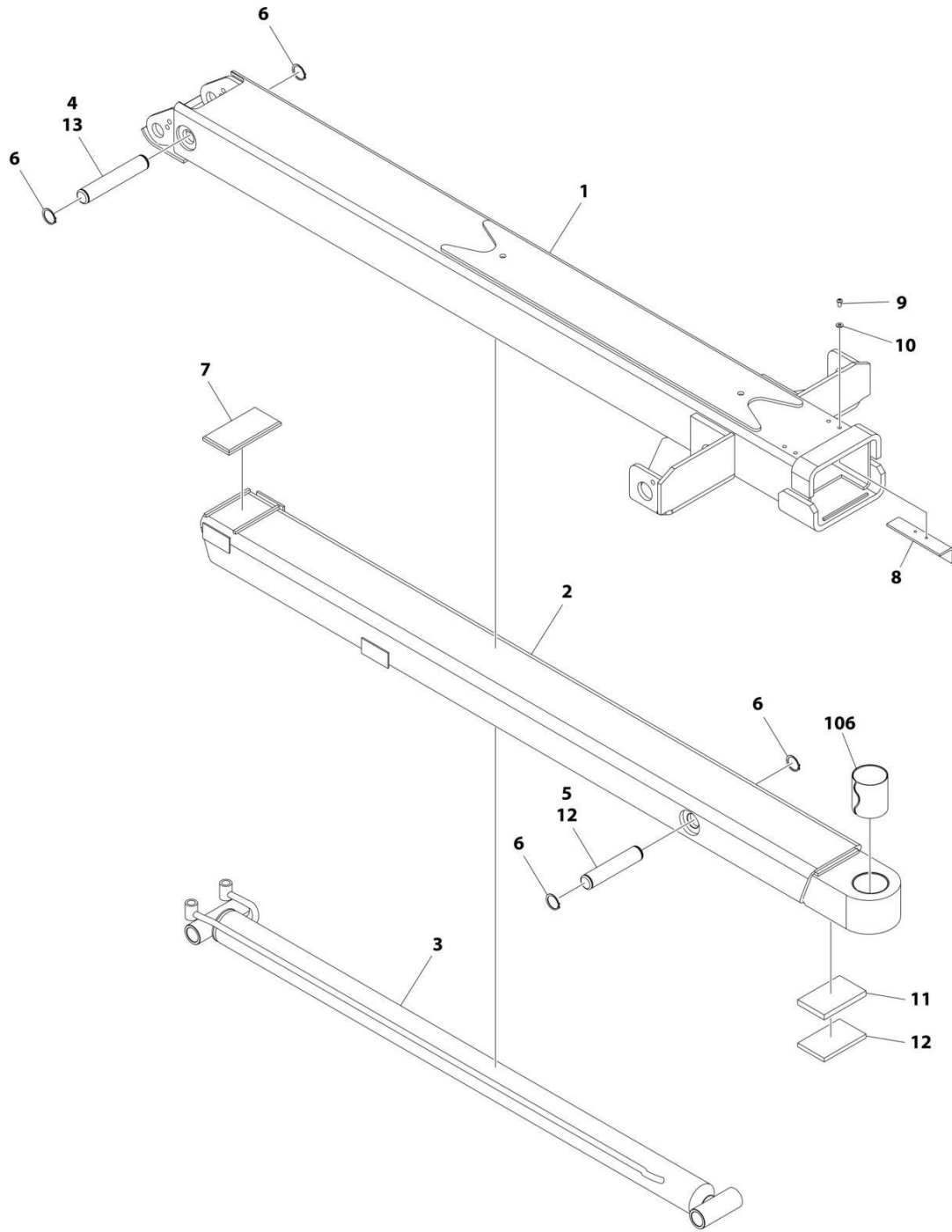
## SECTION 2 - WHEEL LIFT

**FIGURE 2-14. BOOM ASSEMBLY (3500 LBS) (20-22FT DECK)**

ITEM	PART NUMBER	QTY	DESCRIPTION	REV
	1001158635	Ref	BOOM ASSEMBLY - 3500 LBS	D
1	3170000162	1	Boom, Outer	
2	1001158627	1	Boom, Inner	
3	1001166858	1	Extend/Retract Cylinder Assembly (See Separate Breakdown in this Section)	
4	4691000296	1	Pin	
5	4691000268	1	Pin	
6	3760133	4	Ring	
7	4679000046	1	Pad	
8	4017000739	2	Angle	
9	7118140418	4	Capscrew 1/4 x 1/2	
10	4751300	4	Washer 3/16	
11	4679000211	AR	Pad	
12	3020039	AR	Lubricant	
13	1001276938	AR	Pad	
106	7209000028	1	Bushing	

# SECTION 2 - WHEEL LIFT

## FIGURE 2-15. BOOM ASSEMBLY (3500 LBS GALVANIZED) (19FT DECK)



ART\_1001276342

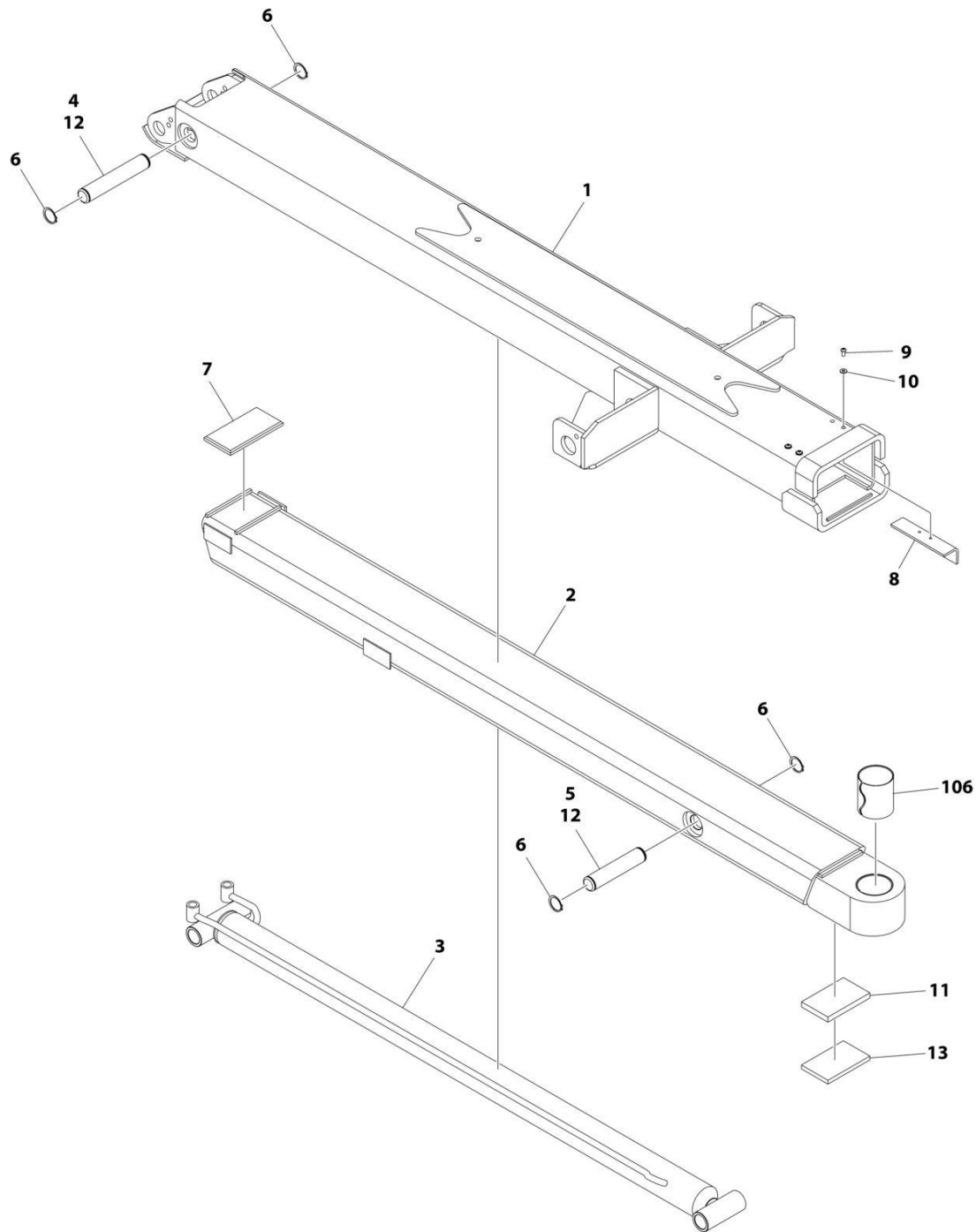
## SECTION 2 - WHEEL LIFT

**FIGURE 2-15. BOOM ASSEMBLY (3500 LBS GALVANIZED) (19FT DECK)**

ITEM	PART NUMBER	QTY	DESCRIPTION	REV
	1001276342	1	BOOM ASSEMBLY INSTALLATION - 3500 LBS	A
1	1001276343	1	Boom, Outer	
2	1001158627	1	Boom, Inner	
3	1001166858	1	Extend/Retract Cylinder Assembly (See Separate Breakdown in this Section)	
4	4691000296	1	Pin	
5	4691000268	1	Pin	
6	3760133	4	Ring	
7	4679000046	1	Pad	
8	4017000739	2	Angle	
9	7118140418	4	Capscrew 1/4 x 1/2	
10	4751300	4	Washer 3/16	
11	4679000211	1	Pad	
12	1001276938	AR	Pad	
13	3020039	AR	Lubricant	
106	7209000028	1	Bushing	

# SECTION 2 - WHEEL LIFT

FIGURE 2-16. BOOM ASSEMBLY (3500 LBS GALVANIZED) (20-22FT DECK)



ART\_1001158637



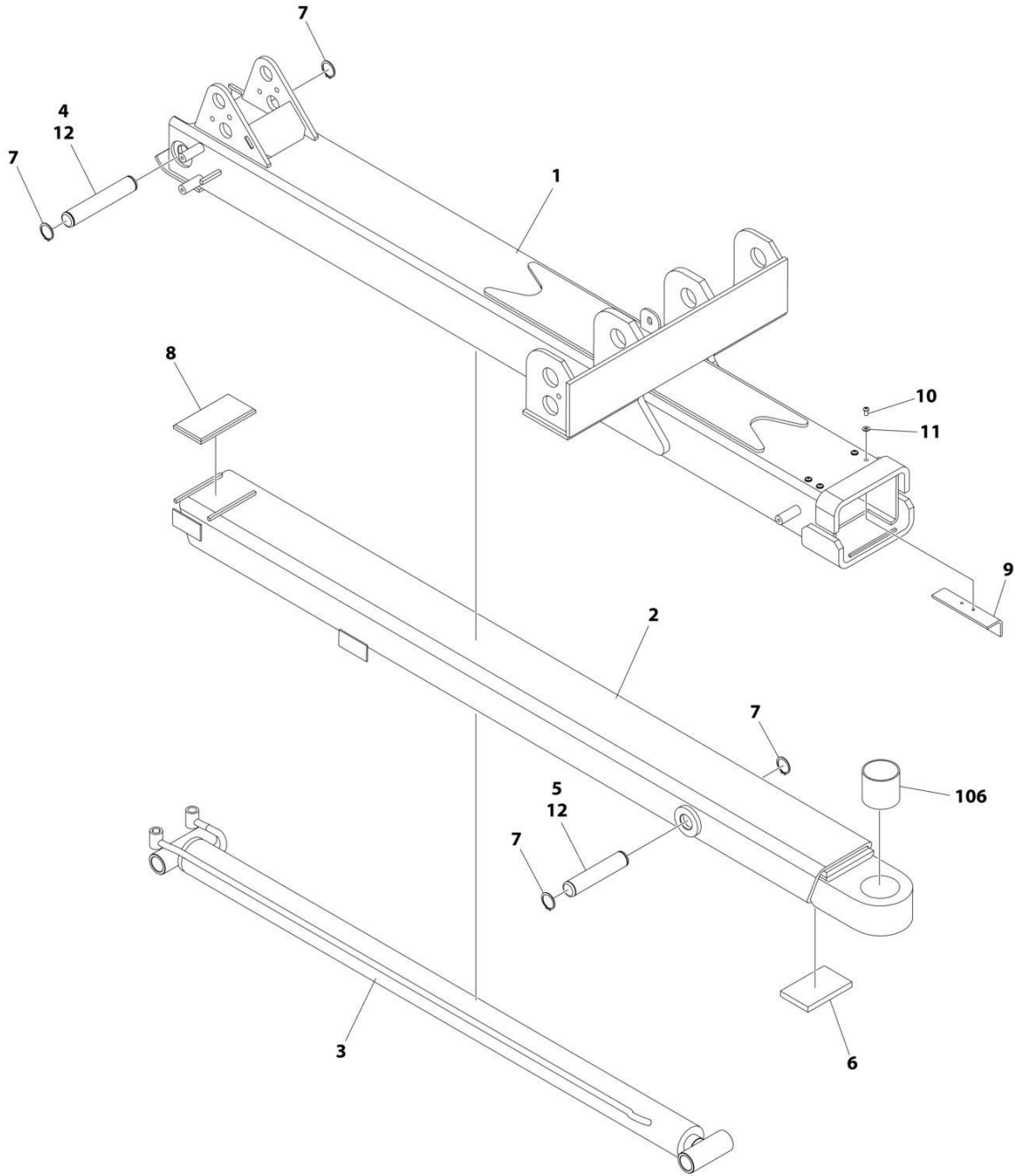
## SECTION 2 - WHEEL LIFT

**FIGURE 2-16. BOOM ASSEMBLY (3500 LBS GALVANIZED) (20-22FT DECK)**

ITEM	PART NUMBER	QTY	DESCRIPTION	REV
	1001158637	Ref	BOOM ASSEMBLY - 3500 LBS	D
1	3170000504	1	Boom, Outer	
2	1001158627	1	Boom, Inner	
3	1001166858	1	Extend/Retract Cylinder Assembly (See Separate Breakdown in this Section)	
4	4691000296	1	Pin	
5	4691000268	1	Pin	
6	3760133	4	Ring	
7	4679000046	1	Pad	
8	4017000739	2	Angle	
9	7118140418	4	Capscrew 1/4 x 1/2	
10	4751300	4	Washer 3/16	
11	4679000211	AR	Pad	
12	3020039	AR	Lubricant	
13	1001276938	AR	Pad	
106	7209000028	1	Bushing	

# SECTION 2 - WHEEL LIFT

## FIGURE 2-17. BOOM ASSEMBLY (3500 LBS WITH AUTO GRIDS)



ART\_1001158630

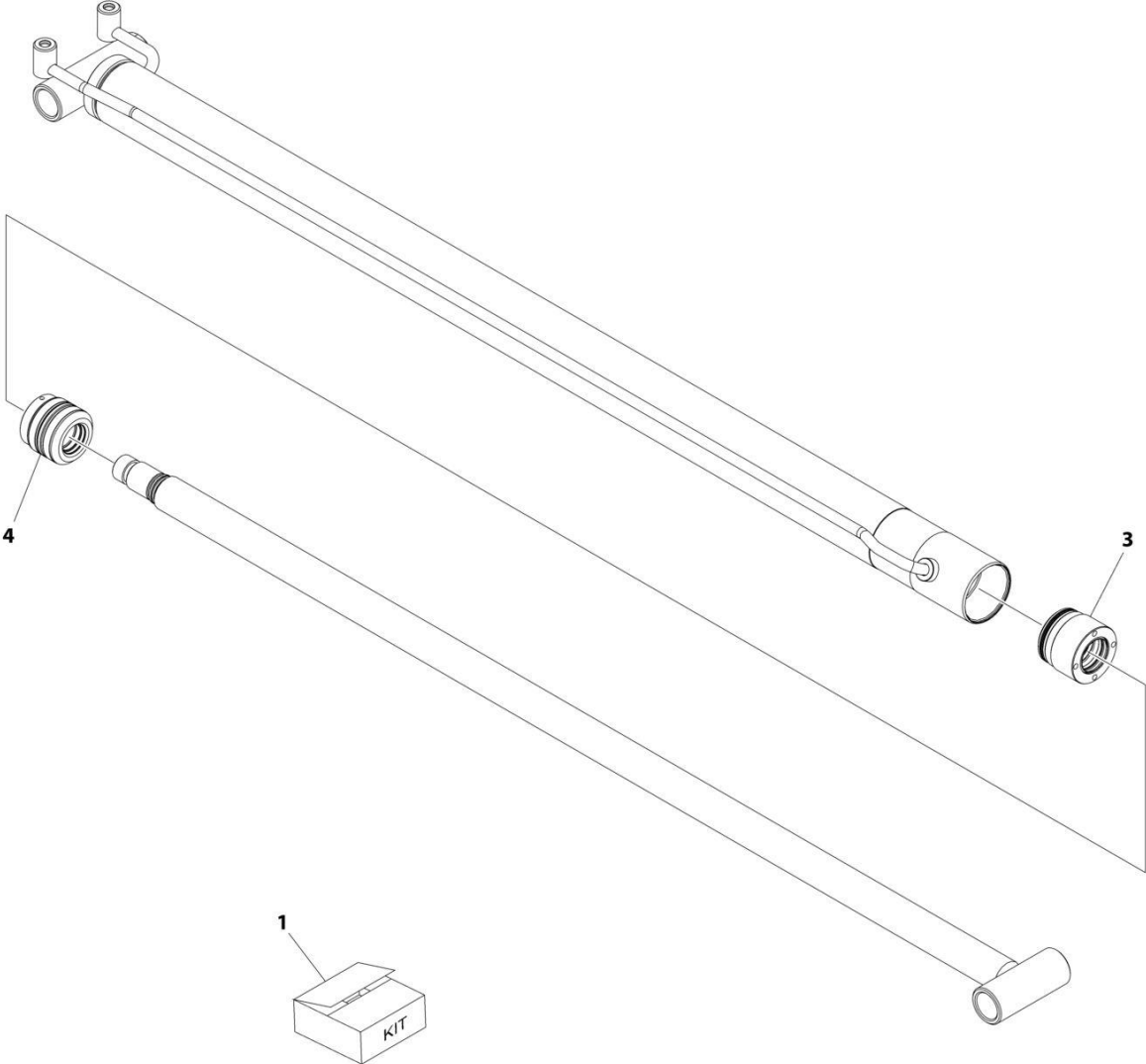
## SECTION 2 - WHEEL LIFT

**FIGURE 2-17. BOOM ASSEMBLY (3500 LBS WITH AUTO GRIDS)**

ITEM	PART NUMBER	QTY	DESCRIPTION	REV
	1001158630	Ref	BOOM ASSEMBLY - 3000 LBS (AUTOGRID, ZOD)	B
1	3170000428	1	Boom Weldment	
2	1001158626	1	Tube Weldment	
3	1001166858	1	Extend/Retract Cylinder Assembly (See Separate Breakdown in this Section)	
4	4691000296	1	Pin	
5	4691000268	1	Pin	
6	4679000211	1	Pad	
7	3760133	4	Ring	
8	4679000046	1	Pad	
9	4017000739	2	Angle	
10	7118140418	4	Capscrew 1/4 x 1/2	
11	4751300	4	Washer 3/16	
12	3020039	AR	Lubricant	
106	7209000030	1	Bushing	

**SECTION 2 - WHEEL LIFT**

**FIGURE 2-18. CYLINDER ASSEMBLY - WHEEL LIFT EXTEND/RETRACT (WITHOUT AUTO GRIDS)**



ART\_1001166858

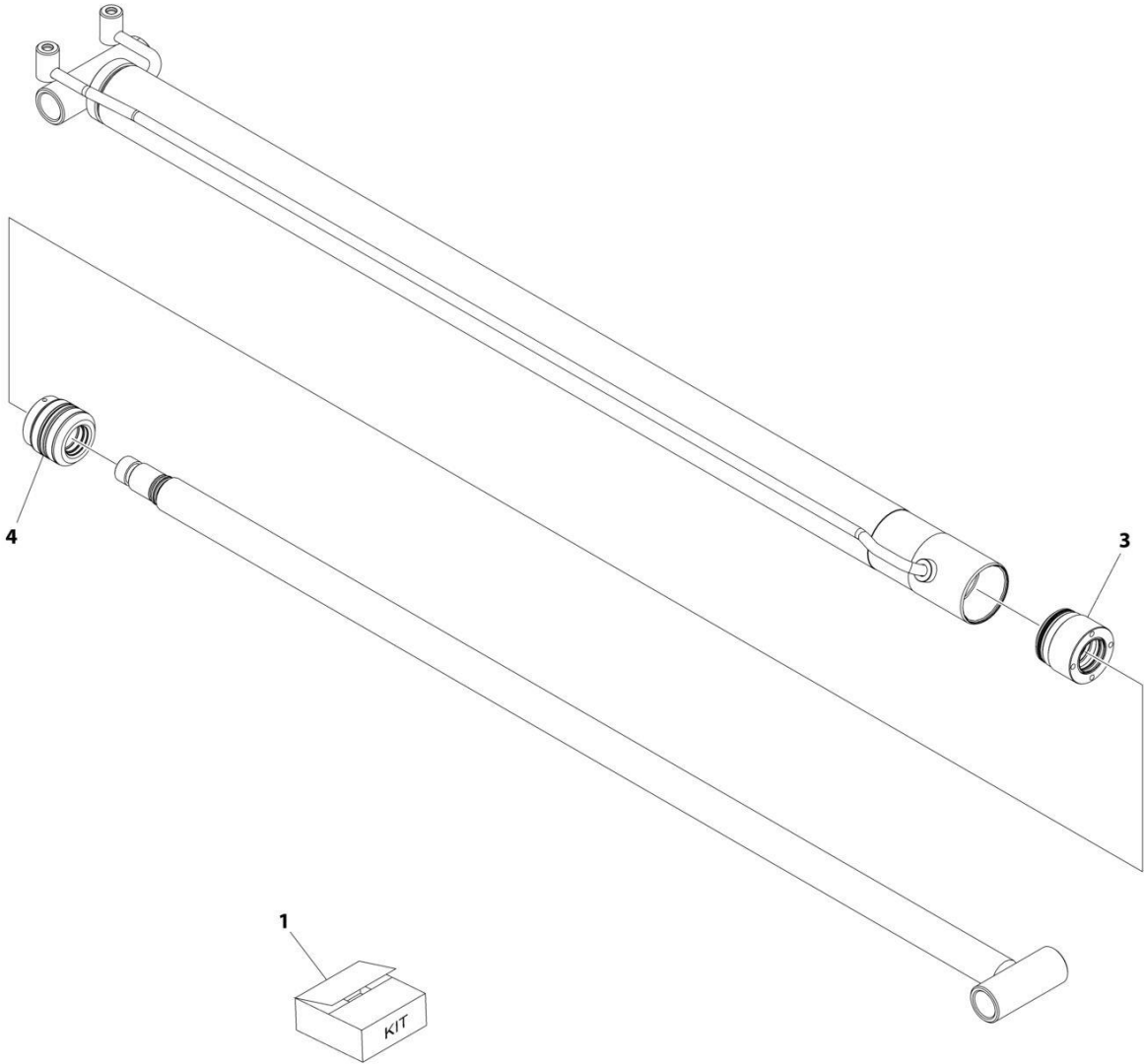
## SECTION 2 - WHEEL LIFT

**FIGURE 2-18. CYLINDER ASSEMBLY - WHEEL LIFT EXTEND/RETRACT (WITHOUT AUTO GRIDS)**

ITEM	PART NUMBER	QTY	DESCRIPTION	REV
	1001166858	Ref	EXTEND/RETRACT CYLINDER ASSEMBLY	D
1	70051169	1	Kit, Seal	
2	70051174	1	Instruction Assembly/Disassembly (not shown)	
3	70051175	1	Kit, Head	
4	70051176	1	Kit, Piston	

# SECTION 2 - WHEEL LIFT

FIGURE 2-19. CYLINDER ASSEMBLY - WHEEL LIFT EXTEND/RETRACT (WITH AUTO GRIDS)



ART\_1001166858

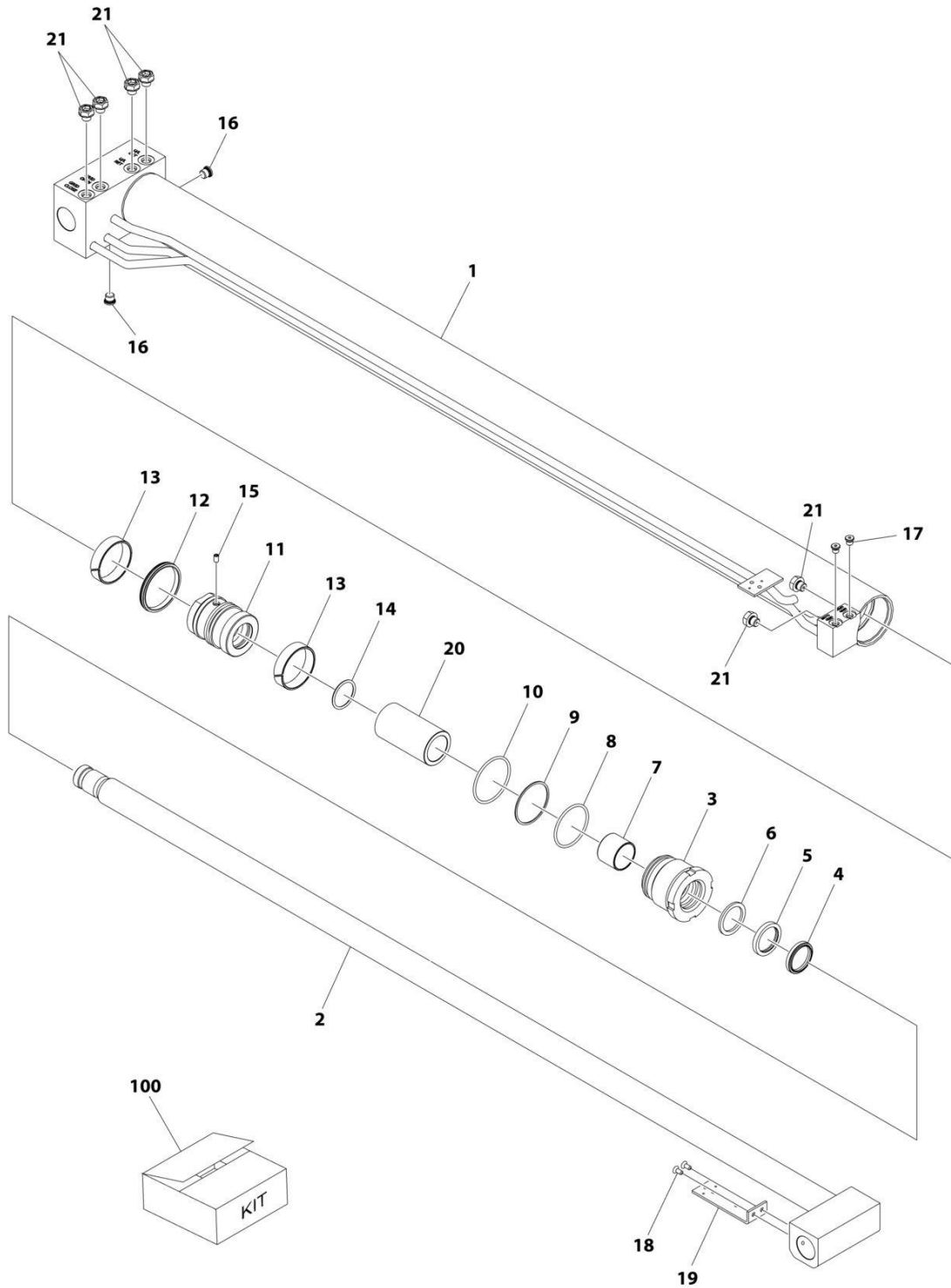
## SECTION 2 - WHEEL LIFT

**FIGURE 2-19. CYLINDER ASSEMBLY - WHEEL LIFT EXTEND/RETRACT (WITH AUTO GRIDS)**

ITEM	PART NUMBER	QTY	DESCRIPTION	REV
	1001166858	Ref	EXTEND/RETRACT CYLINDER ASSEMBLY	D
1	70051169	1	Kit, Seal	
2	70051174	1	Instruction Assembly/Disassembly (not shown)	
3	70051175	1	Kit, Head	
4	70051176	1	Kit, Piston	

# SECTION 2 - WHEEL LIFT

FIGURE 2-20. CYLINDER ASSEMBLY - WHEEL LIFT EXTEND/RETRACT (WITH AUTO GRIDS)



ART\_1001272225



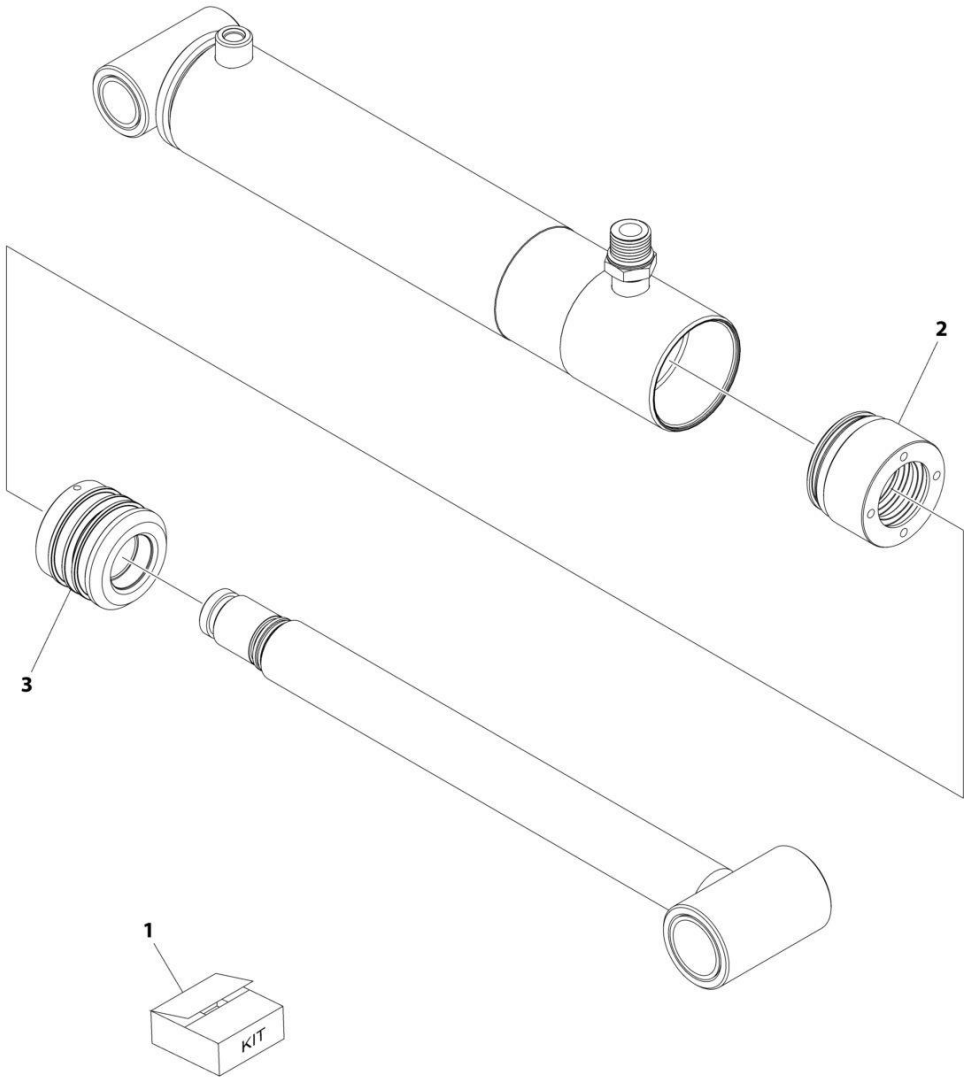
## SECTION 2 - WHEEL LIFT

**FIGURE 2-20. CYLINDER ASSEMBLY - WHEEL LIFT EXTEND/RETRACT (WITH AUTO GRIDS)**

ITEM	PART NUMBER	QTY	DESCRIPTION	REV
	1001272225	Ref	CYLINDER ASSEMBLY	D
		Ref	Note: Original Cylinder May Have Been Replaced with Service Replacement. Identify PN Stamped on Cylinder Before Ordering Parts.	
1	See Note	NSS	Barrel (Note: Use PN 1001272225)	
2	70070014	1	Rod	
3	70070015	1	Head	
4	See Note	NSS	Wiper (Note: Use Item 100)	
5	See Note	NSS	Seal, Rod (Note: Use Item 100)	
6	See Note	NSS	Ring, Backup (Note: Use Item 100)	
7	70070016	1	Bearing, Dry	
8	See Note	NSS	O-Ring (Note: Use Item 100)	
9	See Note	NSS	Ring, Backup (Note: Use Item 100)	
10	See Note	NSS	O-Ring (Note: Use Item 100)	
11	70070017	1	Piston	
12	See Note	NSS	Seal, Piston (Note: Use Item 100)	
13	See Note	NSS	Ring, Wear (Note: Use Item 100)	
14	See Note	NSS	O-Ring (Note: Use Item 100)	
15	70070018	1	Set Screw M6 x 10	
16	2220883	2	Plug 7/16	
17	2220881	2	Plug 5/16	
18	70070019	2	Bolt M5 x 11	
19	70070020	1	Plate	
20	70070021	1	Spacer	
21	2220883	6	Plug 7/16	
100	70070022	1	Seal Kit - 1001272225 Cylinder (Include Items 4-6, 8-10 & 12-14)	

**SECTION 2 - WHEEL LIFT**

**FIGURE 2-21. CYLINDER ASSEMBLY - WHEEL LIFT BOOM LIFT (WITHOUT AUTO GRIDS)**



ART\_1001166857

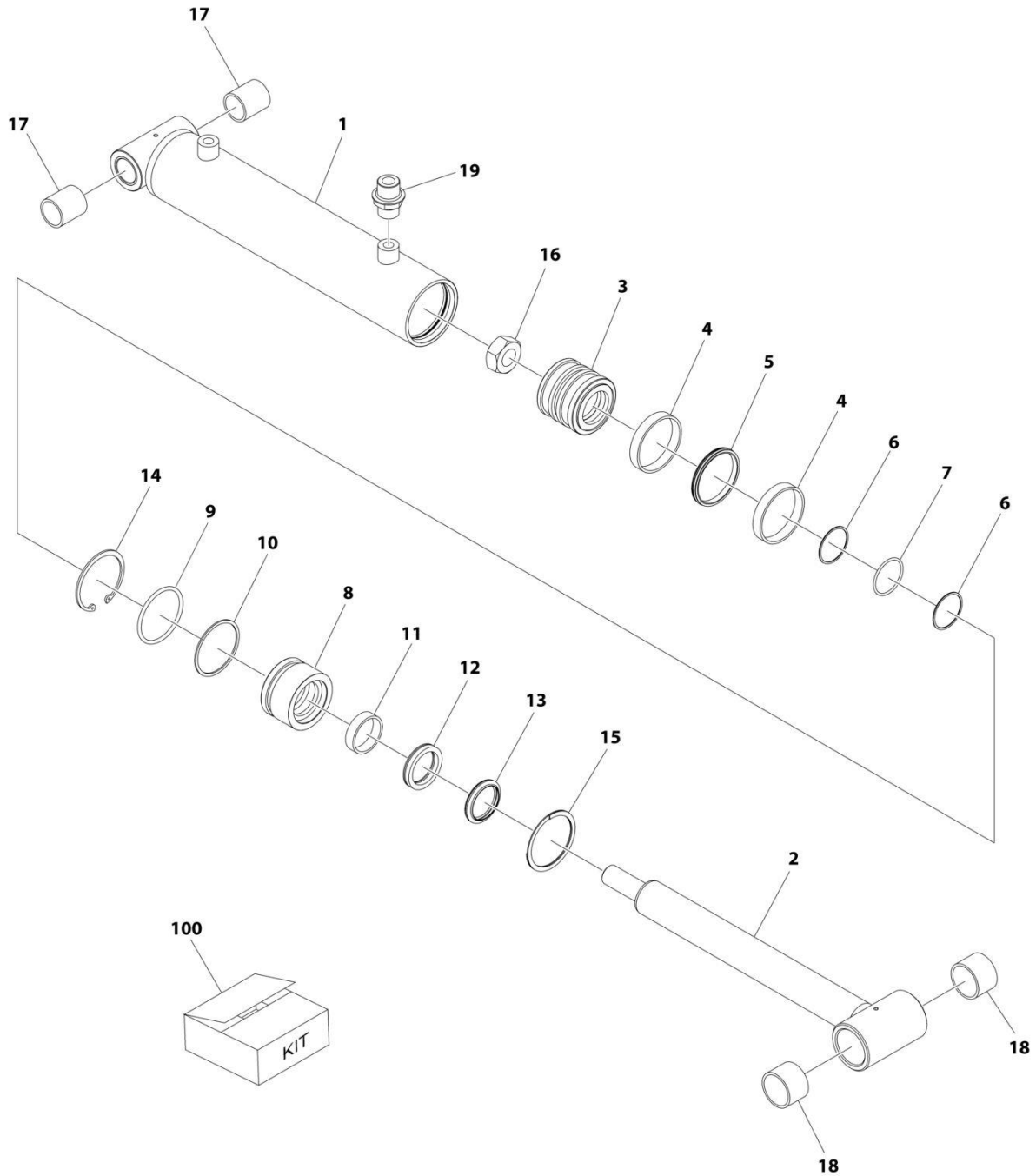
## SECTION 2 - WHEEL LIFT

**FIGURE 2-21. CYLINDER ASSEMBLY - WHEEL LIFT BOOM LIFT (WITHOUT AUTO GRIDS)**

ITEM	PART NUMBER	QTY	DESCRIPTION	REV
	1001166857	Ref	IRL CYLINDER ASSEMBLY	E
1	70051168	1	Kit, Seal	
2	70051172	1	Kit, Head	
3	70051173	1	Kit, Piston	

# SECTION 2 - WHEEL LIFT

FIGURE 2-22. CYLINDER ASSEMBLY - WHEEL LIFT BOOM LIFT (WITH AUTO GRIDS)



ART\_3320000134\_C

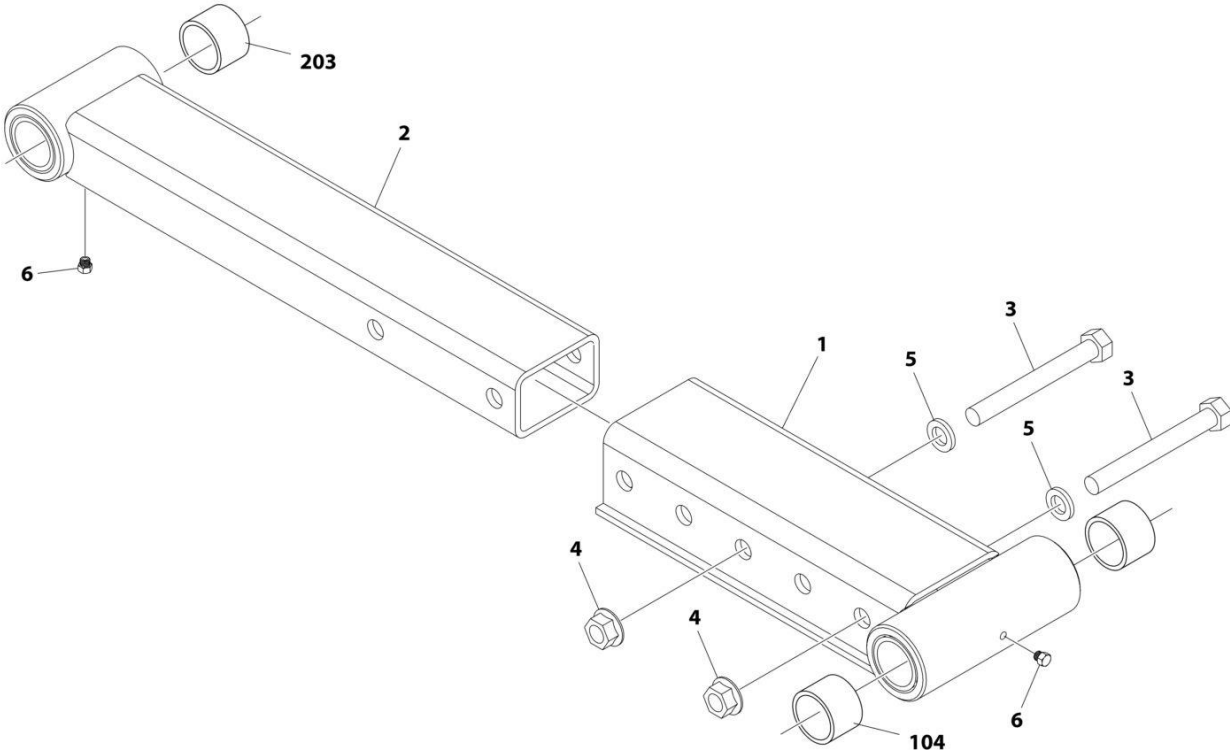
## SECTION 2 - WHEEL LIFT

**FIGURE 2-22. CYLINDER ASSEMBLY - WHEEL LIFT BOOM LIFT (WITH AUTO GRIDS)**

ITEM	PART NUMBER	QTY	DESCRIPTION	REV
	3320000134	Ref	CYLINDER ASSEMBLY - WHEEL LIFT (PRECISION BRAND)	C
1	3071000131	1	Barrel Weldment	
2	3763000139	1	Rod Weldment	
3	4698000007	1	Piston	
4	7754000003	2	Wear Ring	
5	7796000063	1	Piston Locking, T-Seal	
6	7755224609	2	Back-Up Ring	
7	7755224000	1	O-Ring	
8	4553000008	1	Head	
9	7755334000	1	O-Ring	
10	7755334609	1	Back-Up Ring	
11	7754000004	1	Wear Ring	
12	7796000024	1	Rod Seal	
13	7796000008	1	Rod Wiper Seal	
14	7754000002	1	Retaining Ring	
15	7754000026	1	Retaining Ring	
16	7661000034	1	Nut	
17	7082000016	2	Bearing	
18	7082000018	2	Bearing	
19	7443000245	1	Fitting, Straight	
100	7577250024	1	Service Kit (includes items 4-7 & 9-15)	

**SECTION 2 - WHEEL LIFT**

**FIGURE 2-23. LINK ASSEMBLY**



ART\_3592000040

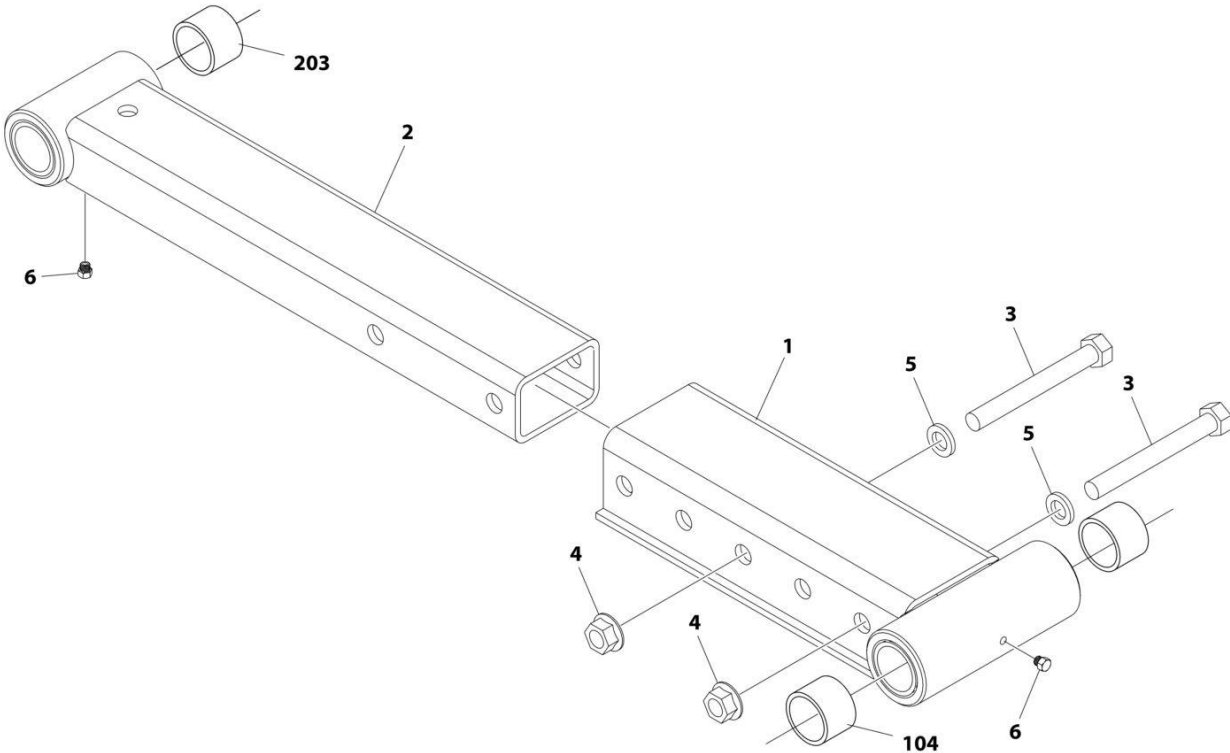
## SECTION 2 - WHEEL LIFT

### FIGURE 2-23. LINK ASSEMBLY

ITEM	PART NUMBER	QTY	DESCRIPTION	REV
	3592000040	Ref	Link Assembly, 4000 lbs	B
1	3592000058	1	Link, Outer	
2	3592000042	1	Link, Inner	
3	0641834	2	Bolt 1/2 x 4-1/4	
4	7660182301	2	Nut 1/2	
5	4761800	2	Washer 1/2	
6	1001204776	2	Fitting, Pipe	
104	7082000016	2	Bearing	
203	7082000016	2	Bearing	

**SECTION 2 - WHEEL LIFT**

**FIGURE 2-24. LINK ASSEMBLY (GALVANIZED)**



ART\_3592000066



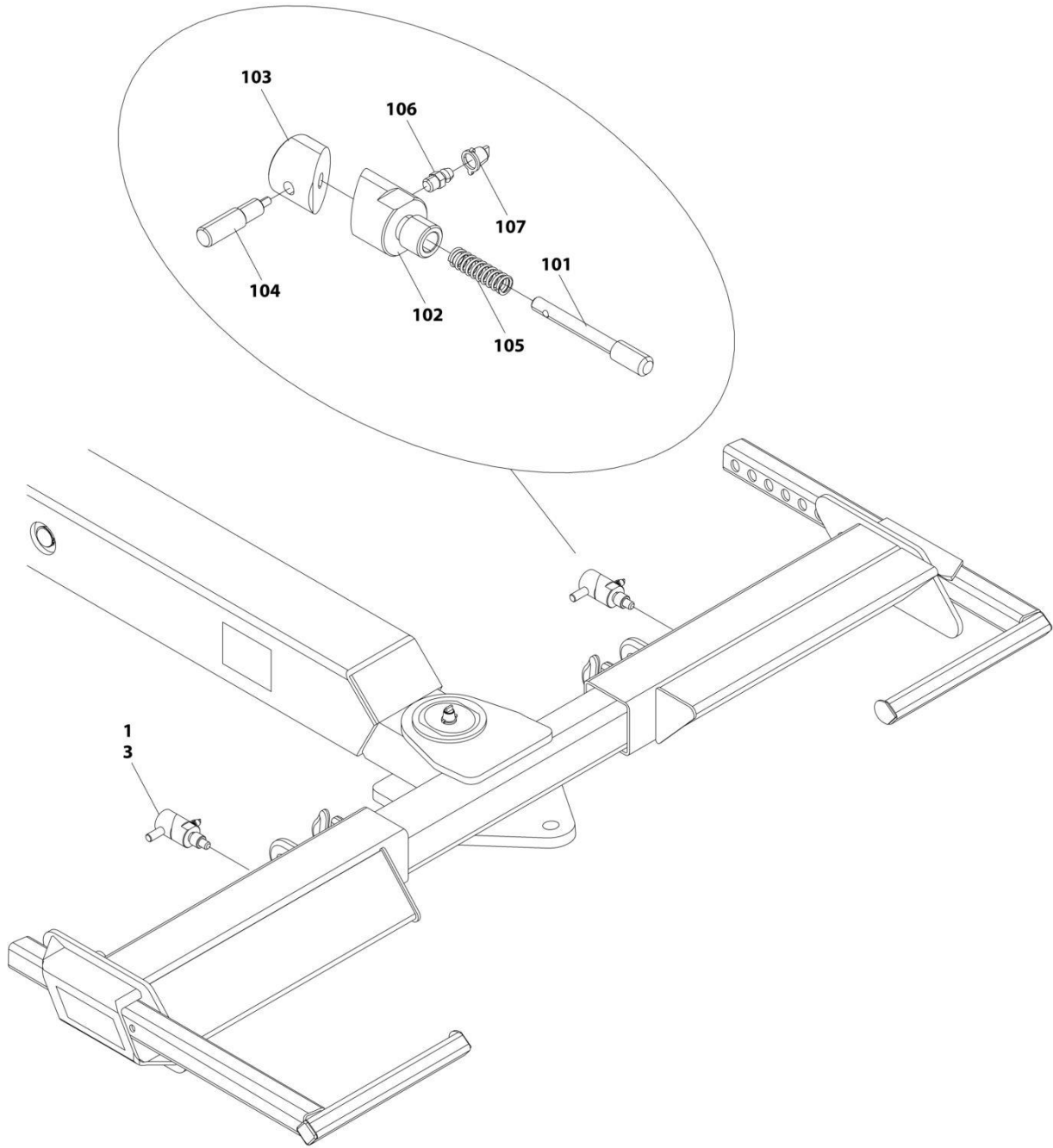
## SECTION 2 - WHEEL LIFT

**FIGURE 2-24. LINK ASSEMBLY (GALVANIZED)**

ITEM	PART NUMBER	QTY	DESCRIPTION	REV
	3592000066	Ref	Link Assembly, 4000 lbs Galvanized	B
1	3592000060	1	Link, Outer	
2	3592000065	1	Link, Inner	
3	0641834	2	Bolt 1/2 x 4-1/4	
4	7660182301	2	Nut 1/2	
5	4761800	2	Washer 1/2	
6	1001204776	2	Fitting, Pipe	
104	7082000016	2	Bearing	
203	7082000016	2	Bearing	

# SECTION 2 - WHEEL LIFT

## FIGURE 2-25. WHEEL LIFT CROSSBAR CAM-LOCK



ART\_1001160195

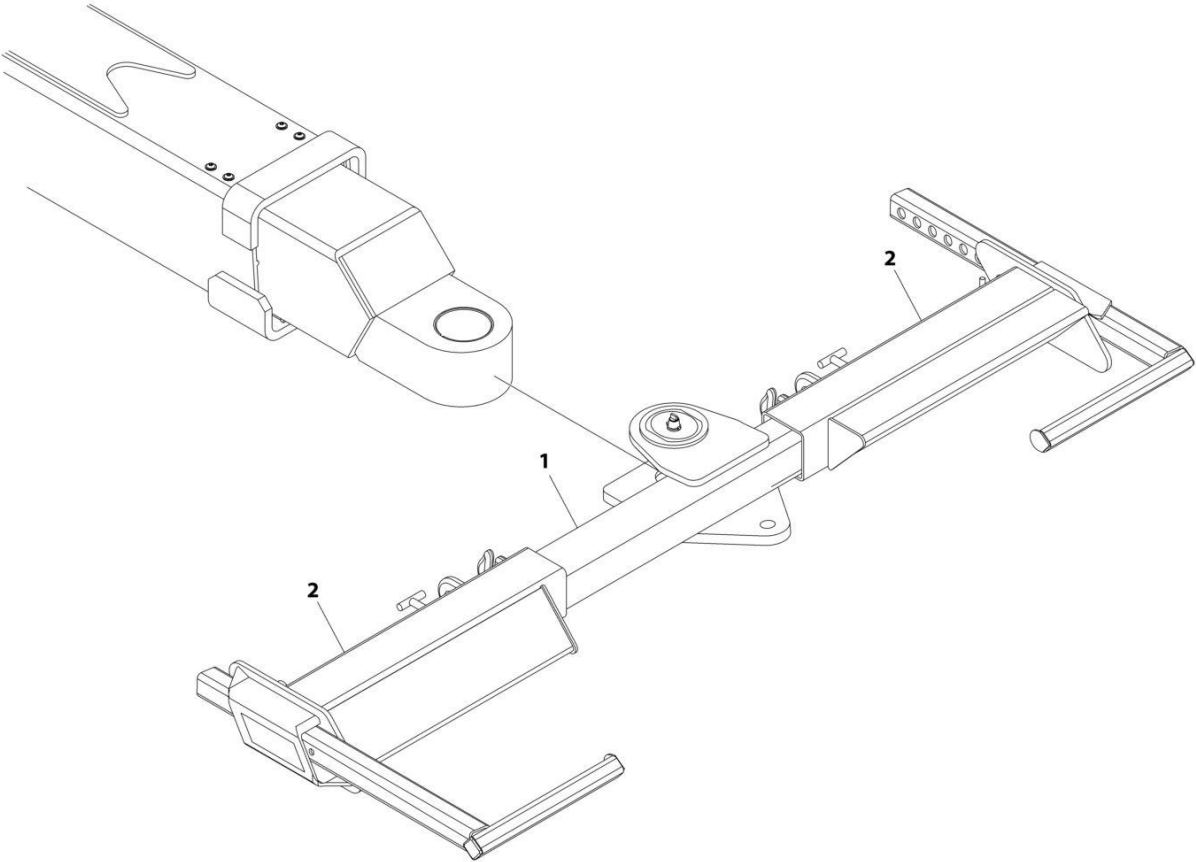
## SECTION 2 - WHEEL LIFT

### FIGURE 2-25. WHEEL LIFT CROSSBAR CAM-LOCK

ITEM	PART NUMBER	QTY	DESCRIPTION	REV
	1001160195	Ref	Wheel Lift Crossbar Cam-Lock	A
1	1001153950	2	Cam Lock (includes items 101 through 107)	
3	0100011	AR	Compound Locking	
101	1001153944	2	Pin	
102	1001153945	2	Cam-Lock Tube	
103	1001153946	2	Cam-Lock Cap	
104	1001153947	2	Handle	
105	1001153971	1	Spring	
106	7440030000	2	Fitting, Grease	
107	7253000002	2	Cap, Grease	

**SECTION 2 - WHEEL LIFT**

**FIGURE 2-26. WHEEL LIFT GRID - COMPLETE (3500 LBS - MANUAL) (BALL HITCH)**



ART\_1001158698

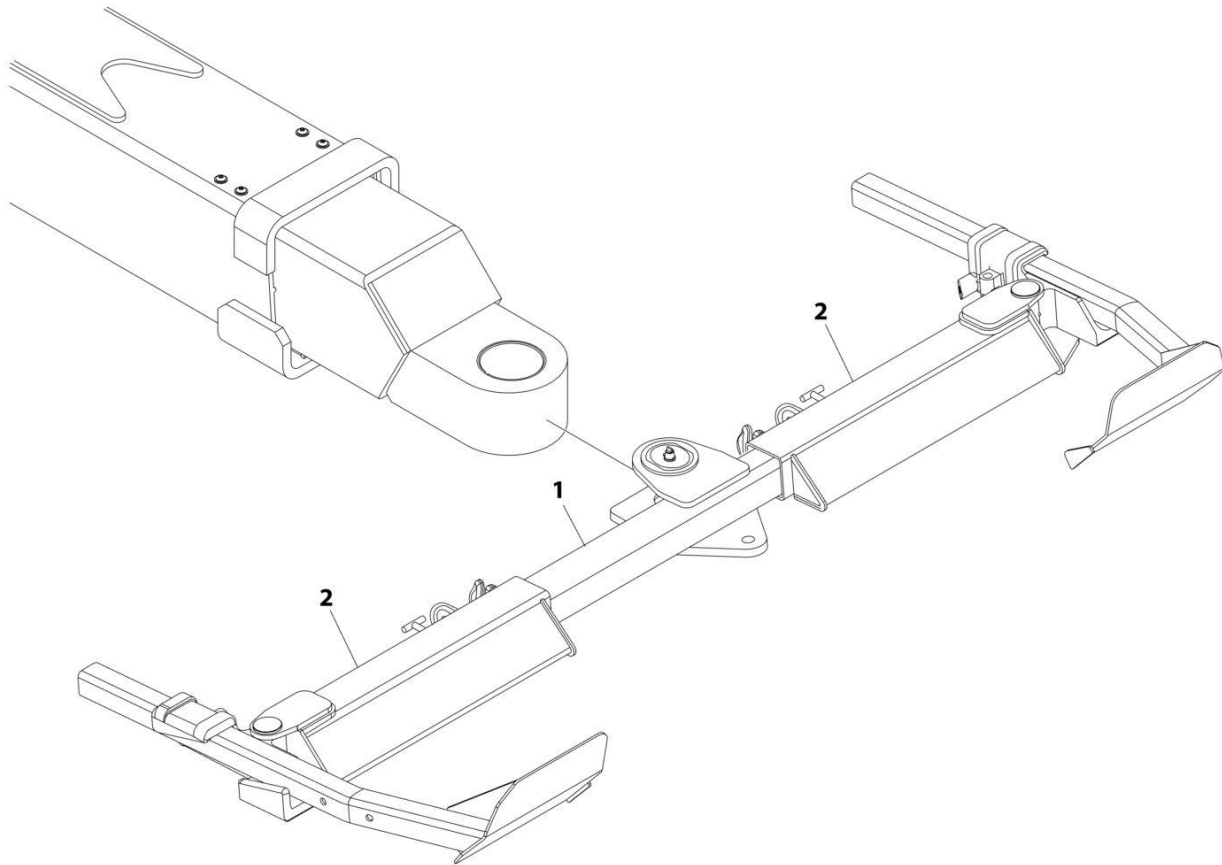
## SECTION 2 - WHEEL LIFT

**FIGURE 2-26. WHEEL LIFT GRID - COMPLETE (3500 LBS - MANUAL) (BALL HITCH)**

ITEM	PART NUMBER	QTY	DESCRIPTION	REV
	1001158698	Ref	IRL WHEEL LIFT (GRID) - (3500 LBS) (BALL) (GALVANIZED)	A
1	1001158674	1	Pivot Tube Installation (See Separate Breakdown in this Section)	
2	2484000014	1	Grid Wheel Installation (See Separate Breakdown in this Section)	

## SECTION 2 - WHEEL LIFT

FIGURE 2-27. WHEEL LIFT GRID - COMPLETE (3500 LBS - T37) (BALL HITCH)



ART\_1001158695

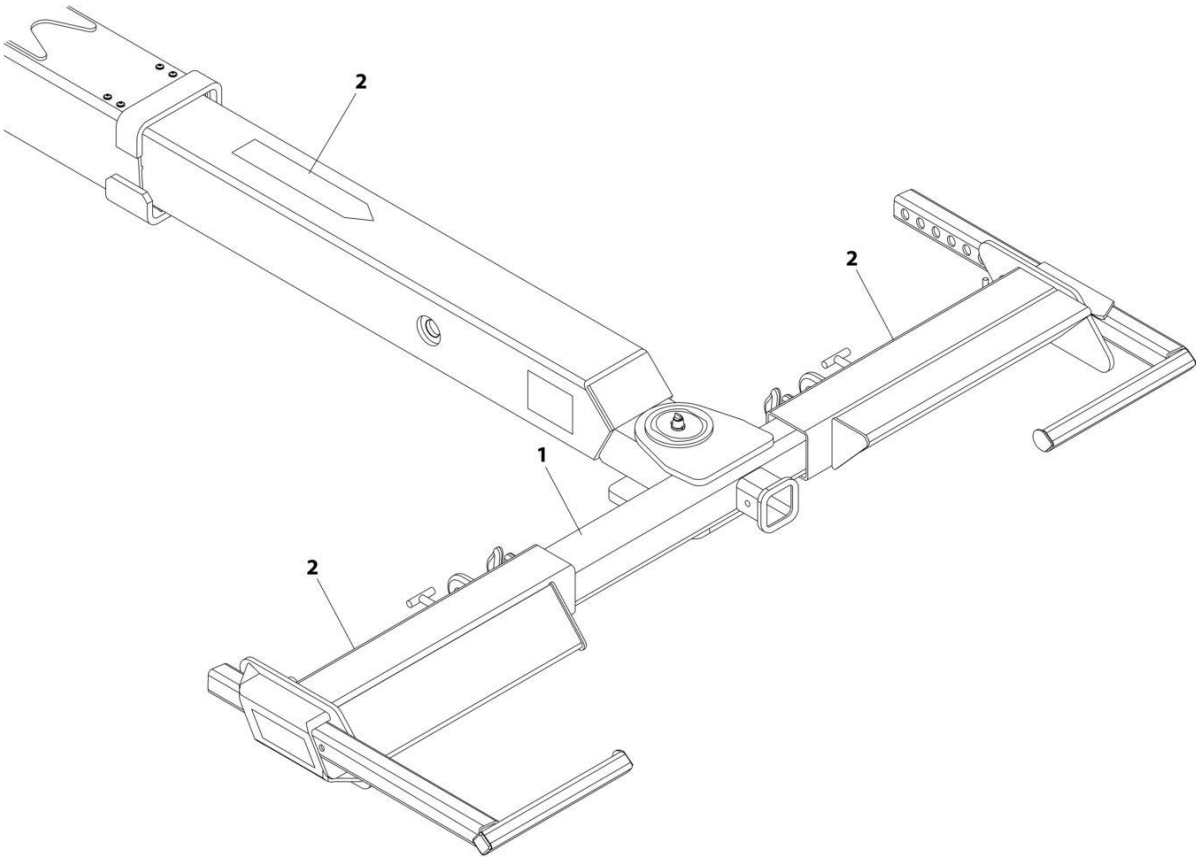
## SECTION 2 - WHEEL LIFT

**FIGURE 2-27. WHEEL LIFT GRID - COMPLETE (3500 LBS - T37) (BALL HITCH)**

ITEM	PART NUMBER	QTY	DESCRIPTION	REV
	1001158695	Ref	IRL WHEEL LIFT (GRID) - (3000 LBS - T37) (BALL)	A
1	1001158674	1	Pivot Tube Installation (See Separate Breakdown in this Section)	
2	2484000010	1	Grid Wheel Installation (See Separate Breakdown in this Section)	

**SECTION 2 - WHEEL LIFT**

**FIGURE 2-28. WHEEL LIFT GRID - COMPLETE (3500 LBS - MANUAL) (2IN TOW HITCH)**



ART\_1001158699



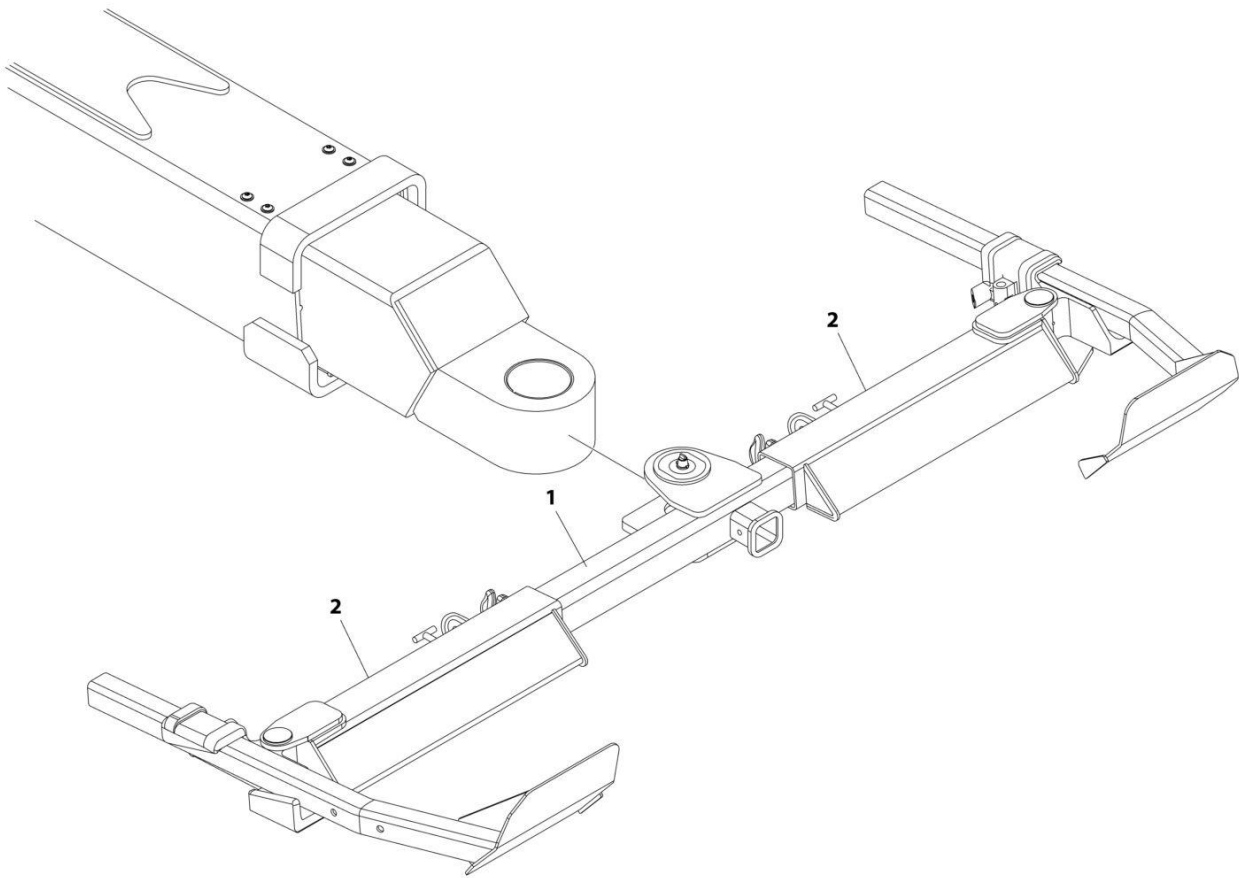
## SECTION 2 - WHEEL LIFT

**FIGURE 2-28. WHEEL LIFT GRID - COMPLETE (3500 LBS - MANUAL) (2IN TOW HITCH)**

ITEM	PART NUMBER	QTY	DESCRIPTION	REV
	1001158699	Ref	IRL WHEEL LIFT (GRID) - (3500 LBS) - GALVANIZED (2 IN TOW HITCH)	A
1	1001158677	1	Pivot Tube Installation (See Separate Breakdown in this Section)	
2	2484000014	1	Grid Wheel Installation (See Separate Breakdown in this Section)	

## SECTION 2 - WHEEL LIFT

FIGURE 2-29. WHEEL LIFT GRID - COMPLETE (GRID), (3500 LBS - T37) (2IN TOW HITCH)



ART\_1001158696

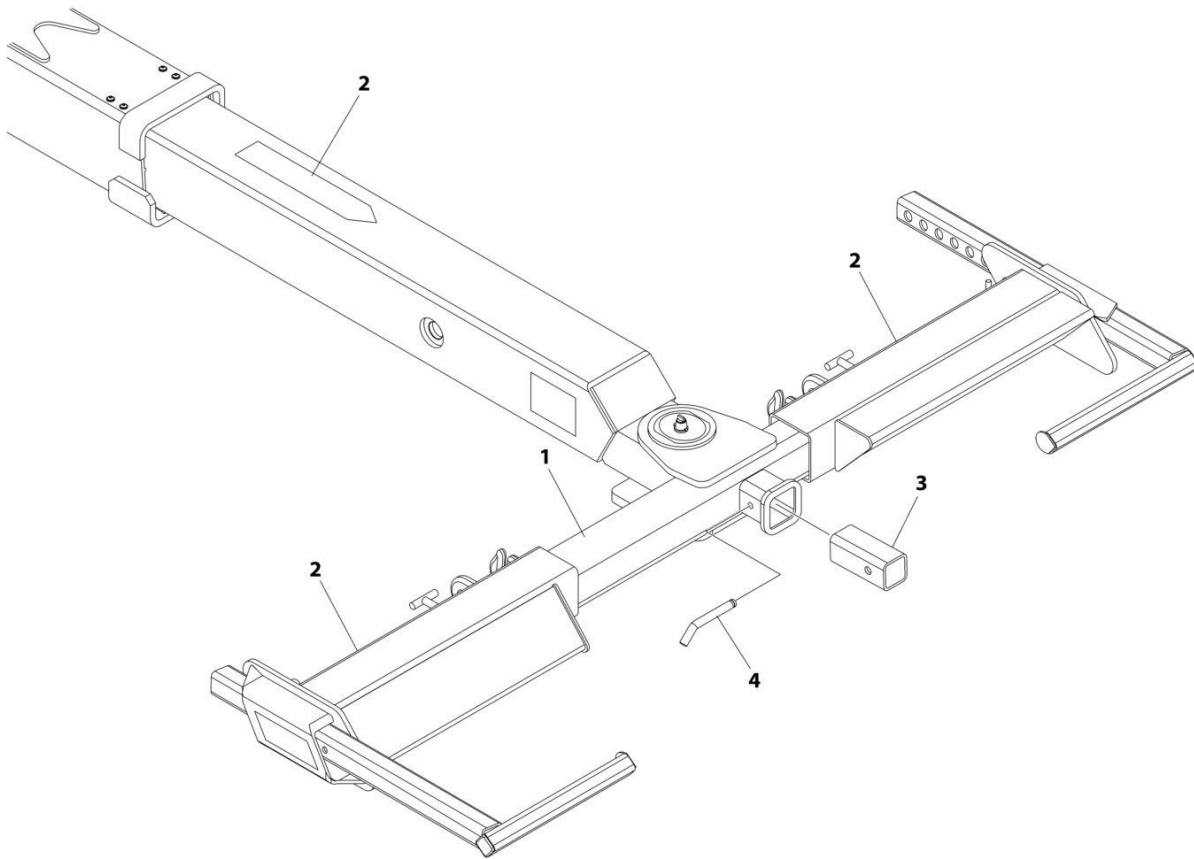
## SECTION 2 - WHEEL LIFT

**FIGURE 2-29. WHEEL LIFT GRID - COMPLETE (GRID), (3500 LBS - T37) (2IN TOW HITCH)**

ITEM	PART NUMBER	QTY	DESCRIPTION	REV
	1001158696	Ref	IRL WHEEL LIFT (GRID) - (3500 LBS - T37) (2 IN TOW HITCH)	A
1	1001158677	1	Pivot Tube Installation (See Separate Breakdown in this Section)	
2	2484000010	1	Grid Wheel Installation (See Separate Breakdown in this Section)	

## SECTION 2 - WHEEL LIFT

FIGURE 2-30. WHEEL LIFT GRID - COMPLETE (3500 LBS - MANUAL) (2.5IN TOW HITCH)



ART\_1001158707

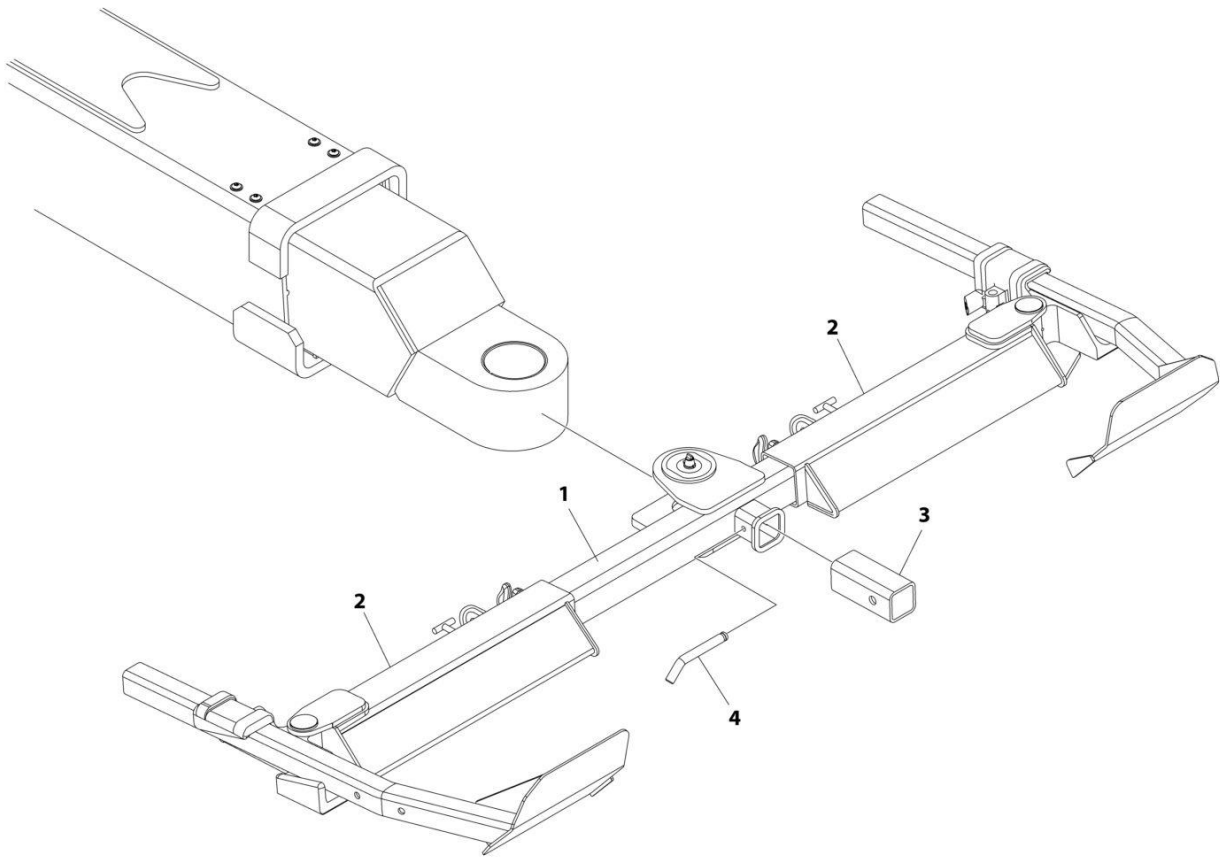
## SECTION 2 - WHEEL LIFT

**FIGURE 2-30. WHEEL LIFT GRID - COMPLETE (3500 LBS - MANUAL) (2.5IN TOW HITCH)**

ITEM	PART NUMBER	QTY	DESCRIPTION	REV
	1001158707	Ref	IRL WHEEL LIFT (GRID) - (3500 LBS) - GALVANIZED (2.5 IN TOW HITCH)	A
1	1001158678	1	Pivot Tube Installation (See Separate Breakdown in this Section)	
2	2484000014	1	Grid Wheel Installation (See Separate Breakdown in this Section)	
3	7913000006	1	Tube	
4	7691000033	1	Pin	

## SECTION 2 - WHEEL LIFT

FIGURE 2-31. WHEEL LIFT GRID - COMPLETE (3500 LBS - T37) (2.5IN TOW HITCH)



ART\_1001158697

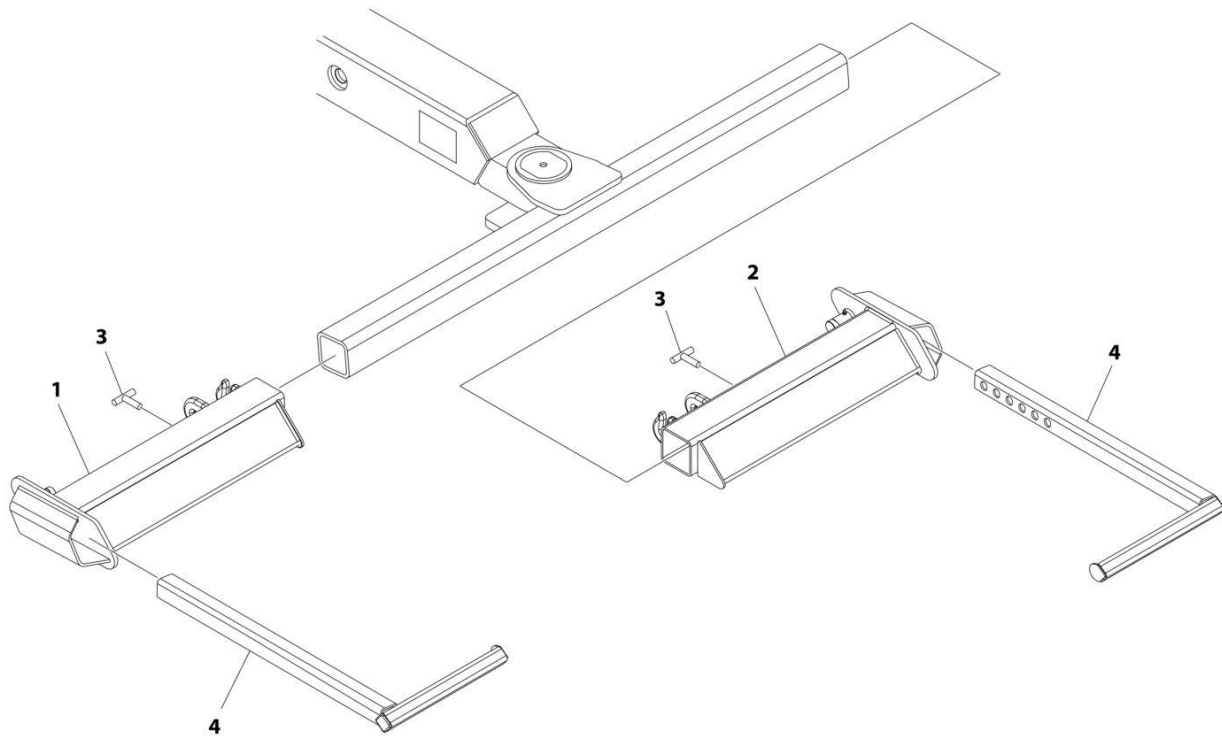
## SECTION 2 - WHEEL LIFT

**FIGURE 2-31. WHEEL LIFT GRID - COMPLETE (3500 LBS - T37) (2.5IN TOW HITCH)**

ITEM	PART NUMBER	QTY	DESCRIPTION	REV
	1001158697	Ref	IRL WHEEL LIFT (GRID) - (3500 LBS - T37) - BALL (2.5 IN TOW HITCH)	A
1	1001158678	1	Pivot Tube Installation (See Separate Breakdown in this Section)	
2	2484000010	1	Grid Wheel Installation (See Separate Breakdown in this Section)	
3	7913000006	1	Tube	
4	7691000033	1	Pin	

## SECTION 2 - WHEEL LIFT

FIGURE 2-32. WHEEL GRID INSTALLATION (3500 LBS MANUAL)



ART\_2484000014



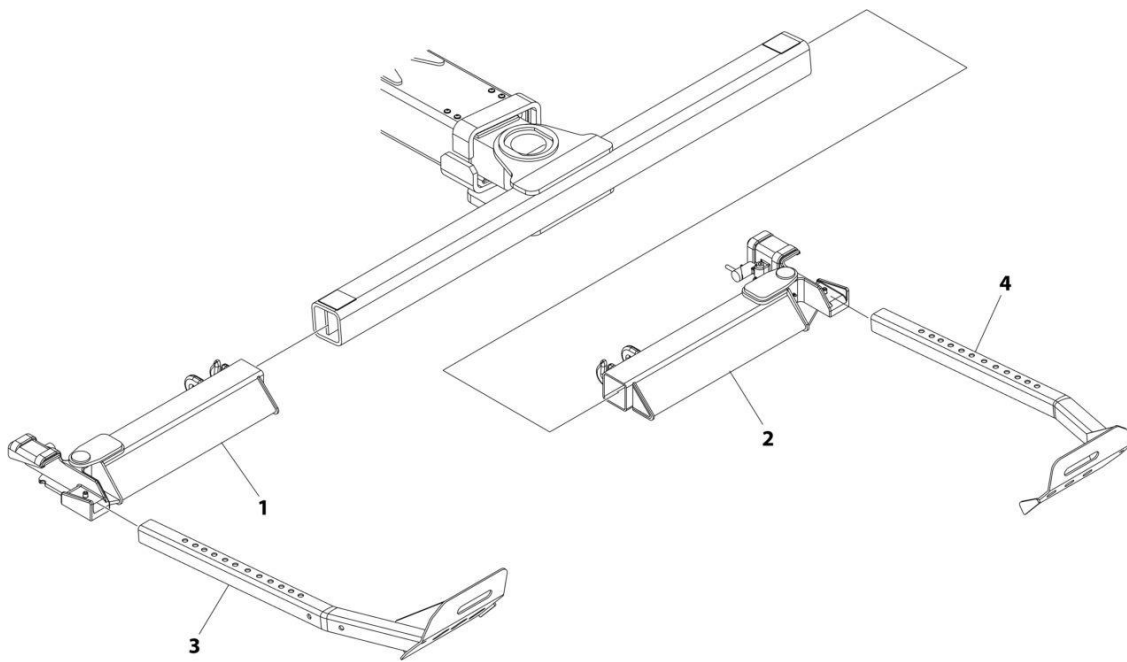
## SECTION 2 - WHEEL LIFT

**FIGURE 2-32. WHEEL GRID INSTALLATION (3500 LBS MANUAL)**

ITEM	PART NUMBER	QTY	DESCRIPTION	REV
	2484000014	Ref	WHEEL LIFT INSTALLATION (GRID), (3500 LBS)	0
1	3484000091	1	Grid Weldment LH	
2	3484000090	1	Grid Weldment RH	
3	3551000036	2	T-Handle	
4	3020000132	2	Arm Weldment	

## SECTION 2 - WHEEL LIFT

FIGURE 2-33. WHEEL GRID INSTALLATION (3500 LBS T-37)



ART\_248400010

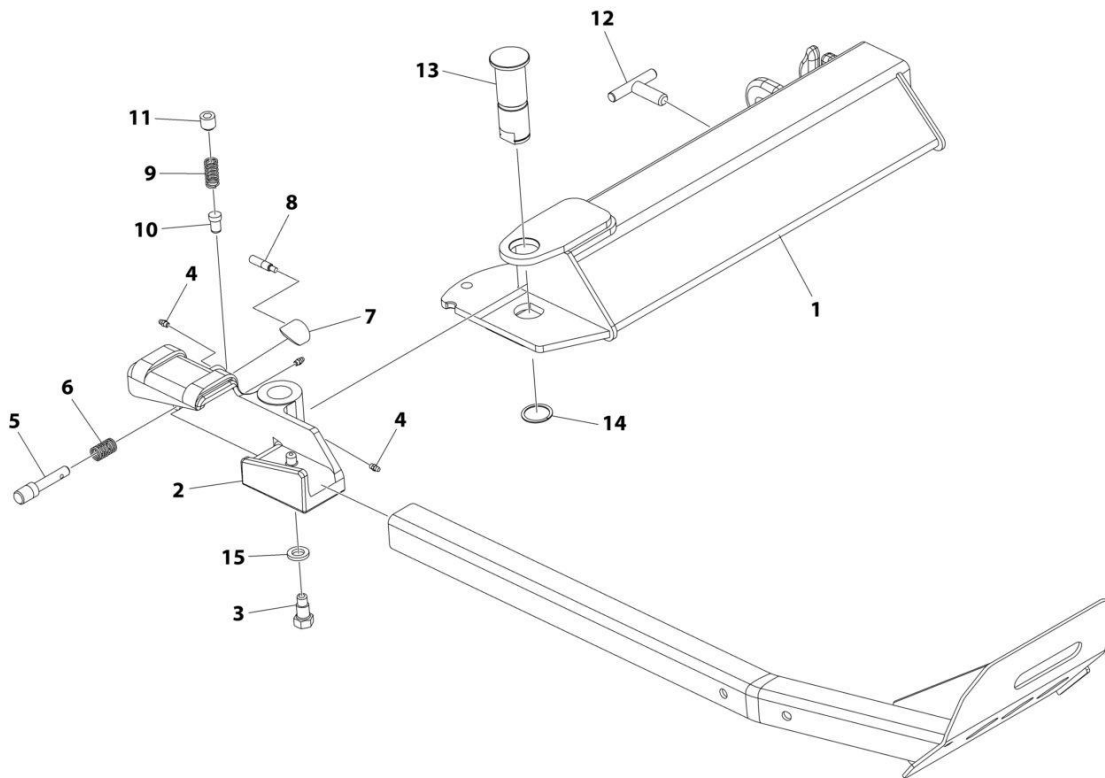
## SECTION 2 - WHEEL LIFT

**FIGURE 2-33. WHEEL GRID INSTALLATION (3500 LBS T-37)**

ITEM	PART NUMBER	QTY	DESCRIPTION	REV
	2484000010	Ref	WHEEL LIFT INSTALLATION (GRID) - (3500 LBS - T37)	0
1	3484000047	1	Pivoting Wheel Lift Assembly, LH (See Separate Breakdown in this Section)	
2	3484000046	1	Pivoting Wheel Lift Assembly, RH (See Separate Breakdown in this Section)	
3	3020000029	1	L-Arm Weldment, LH	
4	3020000030	1	L-Arm Weldment, RH	

# SECTION 2 - WHEEL LIFT

## FIGURE 2-34. WHEEL LIFT ASSEMBLY (GRID), LH



ART\_3484000047

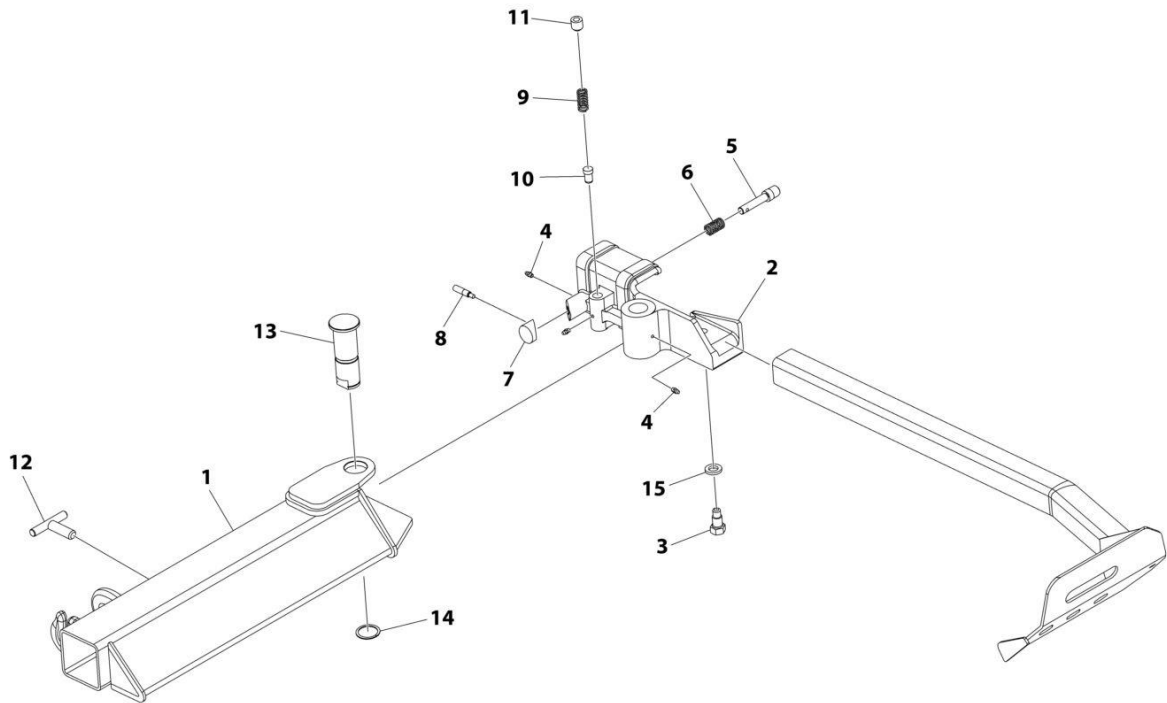
## SECTION 2 - WHEEL LIFT

**FIGURE 2-34. WHEEL LIFT ASSEMBLY (GRID), LH**

ITEM	PART NUMBER	QTY	DESCRIPTION	REV
	3484000047	Ref	WHEEL LIFT ASSEMBLY (GRID), LH	C
1	3484000017	1	Grid Weldment, LH	
2	4259000002	1	Pivot Weldment, LH	
3	4691000354	1	Pin	
4	7440030000	3	Fitting	
5	4691000186	1	Pin	
6	7843000006	1	Spring	
7	4254000005	1	Cap	
8	4763000184	1	Rod	
9	7843000016	1	Spring	
10	4691000183	1	Pin	
11	7786000006	1	Screw 3/4 x 5/8	
12	3551000036	1	T-Handle	
13	4691000357	1	Pin	
14	7754000037	1	Ring Retaining	
15	7950200000	1	Washer 5/8	

# SECTION 2 - WHEEL LIFT

## FIGURE 2-35. WHEEL LIFT ASSEMBLY (GRID), RH



ART\_3484000046

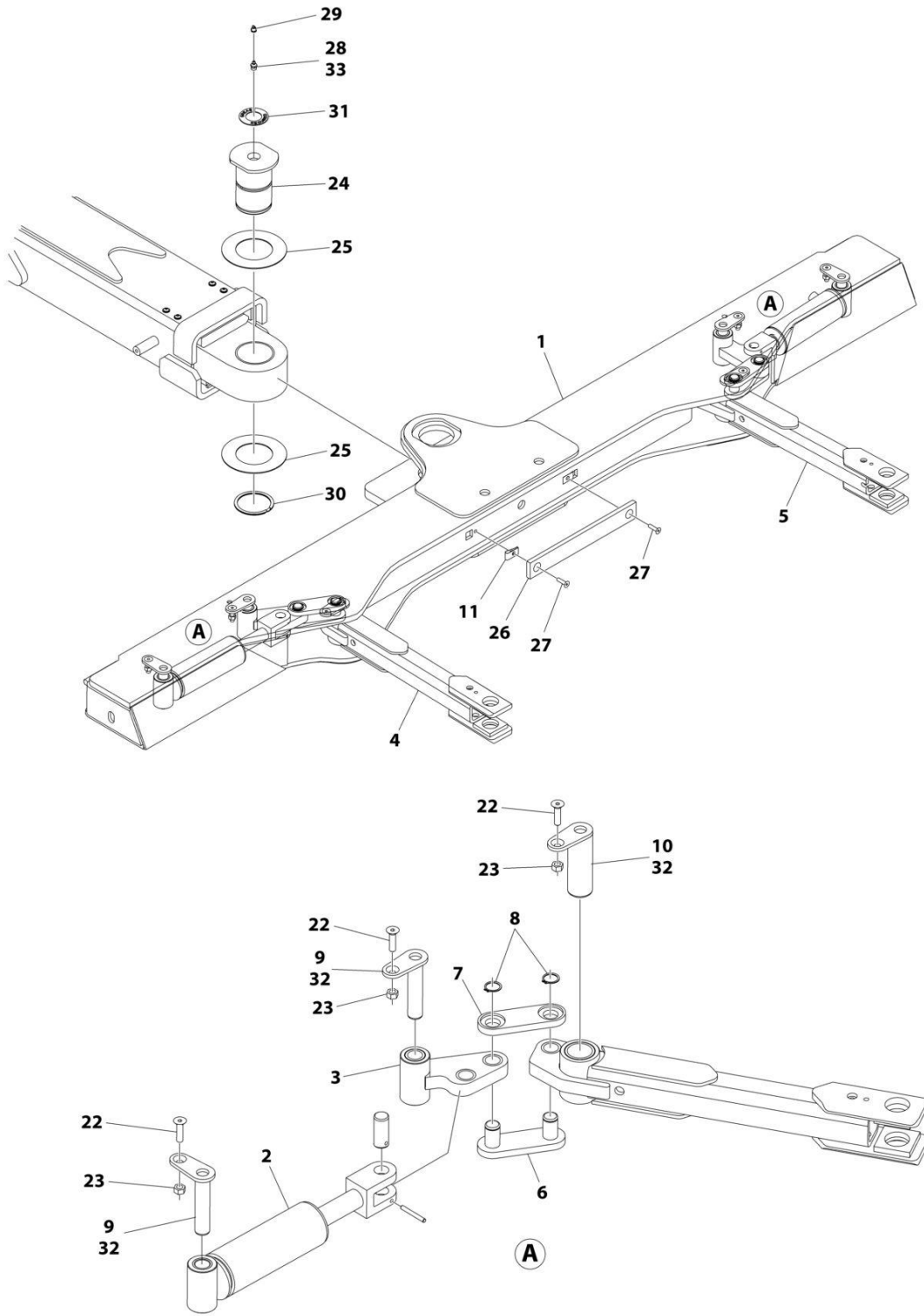
## SECTION 2 - WHEEL LIFT

**FIGURE 2-35. WHEEL LIFT ASSEMBLY (GRID), RH**

ITEM	PART NUMBER	QTY	DESCRIPTION	REV
	3484000046	Ref	WHEEL LIFT ASSEMBLY (GRID), RH	C
1	3484000016	1	Grid Weldment, RH	
2	4259000001	1	Pivot Weldment, RH	
3	4691000354	1	Pin	
4	7440030000	3	Fitting	
5	4691000186	1	Pin	
6	7843000006	1	Spring	
7	4254000005	1	Cap	
8	4763000184	1	Rod	
9	7843000016	1	Spring	
10	4691000183	1	Pin	
11	7786000006	1	Screw 3/4 x 5/8	
12	3551000036	1	T-Handle	
13	4691000357	1	Pin	
14	7754000037	1	Ring Retaining	
15	7950200000	1	Washer 5/8	

# SECTION 2 - WHEEL LIFT

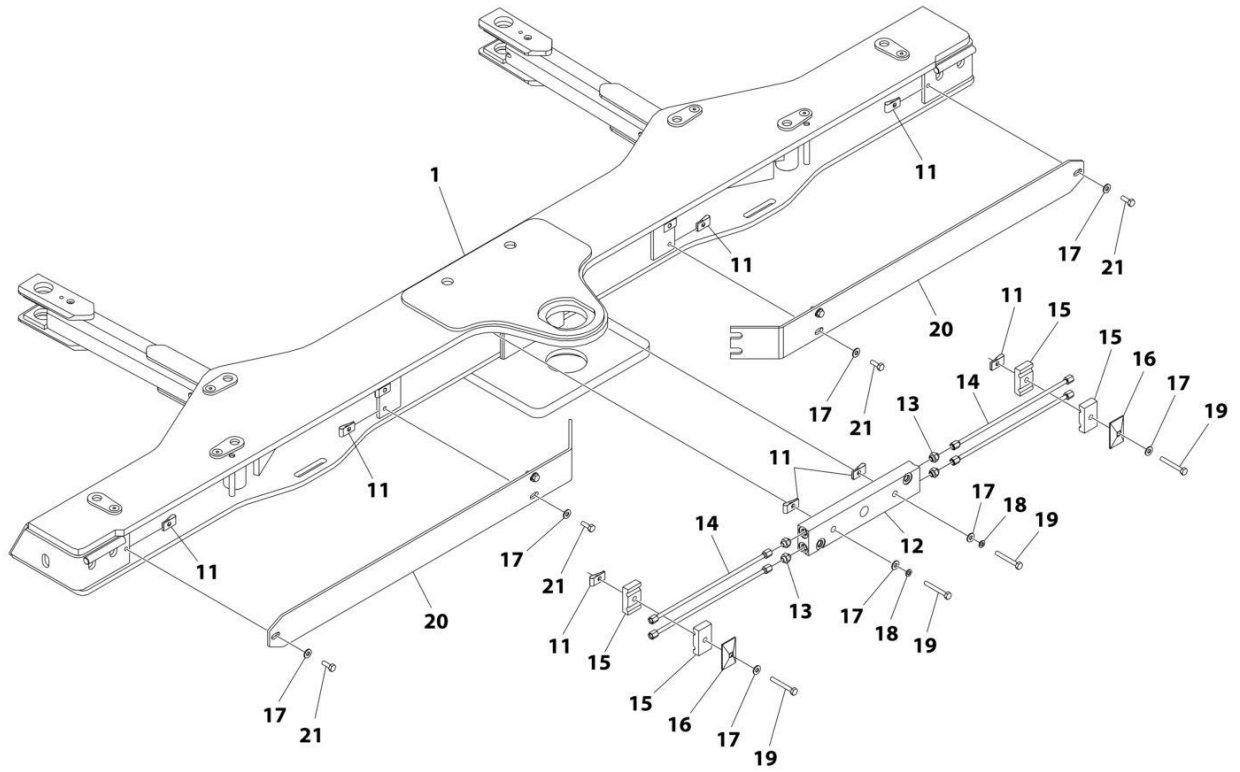
## FIGURE 2-36. WHEEL LIFT GRID INSTALLATION (AUTO GRIDS)



ART\_1001228493\_10F2



# SECTION 2 - WHEEL LIFT



ART\_1001228493\_2OF2

## SECTION 2 - WHEEL LIFT

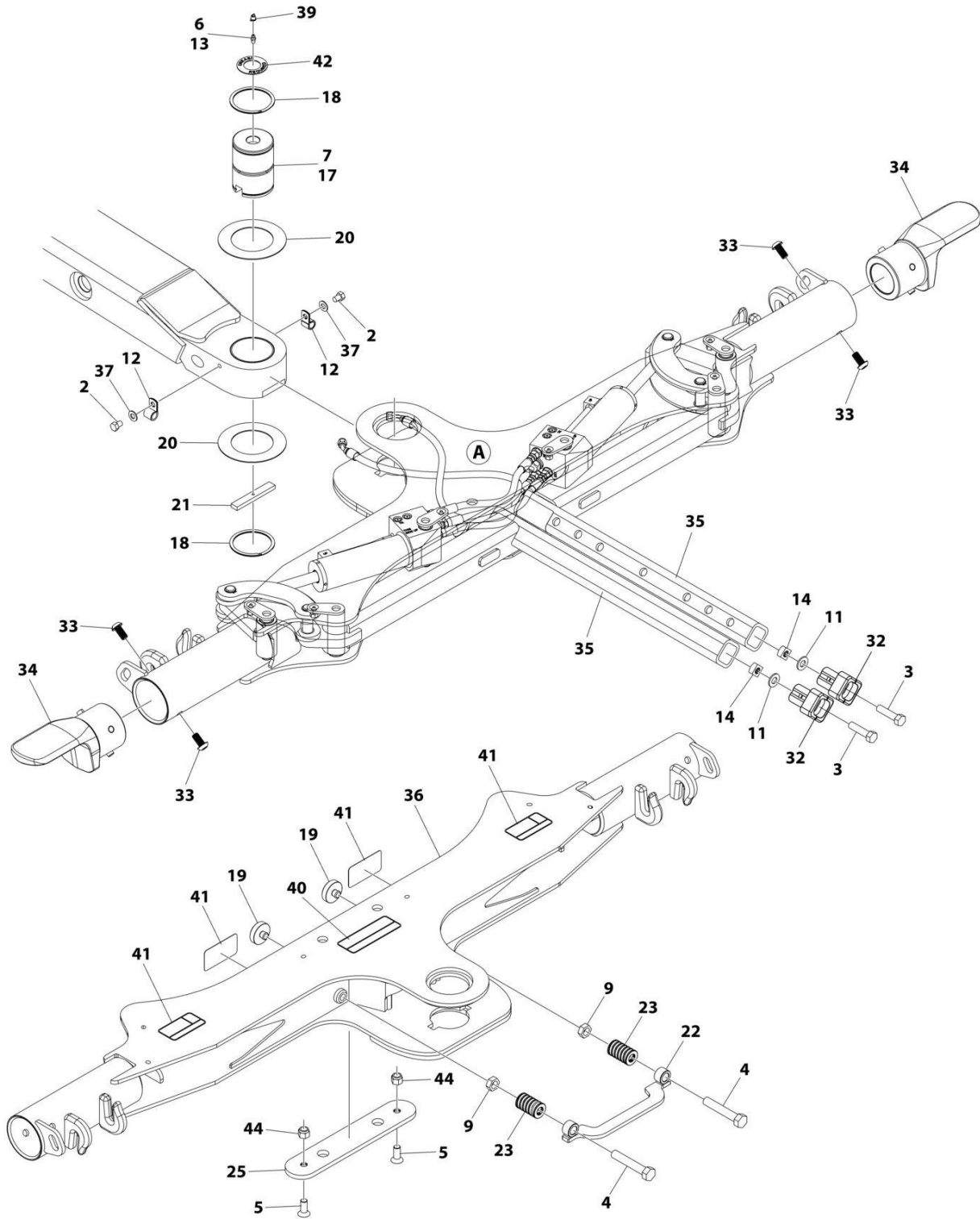
**FIGURE 2-36. WHEEL LIFT GRID INSTALLATION (AUTO GRIDS)**

ITEM	PART NUMBER	QTY	DESCRIPTION	REV
	1001228493	Ref	HYDRAULIC WHEEL LIFT GRID	A
1	1001228491	1	Plate	
2	7320000064	2	Cylinder Assembly - Hydraulic Grid (See Separate Breakdown in this Section)	
3	3592000052	2	Link	
4	3020000115	1	Arm (LH)	
5	3020000111	1	Arm (RH)	
6	3592000051	2	Link Weldment	
7	4706003497	2	Plate	
8	3760351	4	Ring, Retaining	
9	3691000229	4	Pin	
10	3691000230	2	Pin	
11	7661000064	12	Clip, U-Nut 1/4	
12	4619000013	1	Manifold	
13	7445040443	4	Fitting, Straight	
14	7912000184	4	Tube, Hydraulic	
15	7274000086	4	Clamp	
16	7274000039	2	Clamp Cover	
17	4711400	10	Washer 1/4	
18	4761400	2	Washer 1/4	
19	0641416	4	Bolt 1/4 x 2	
20	1001220280	2	Plate	
21	0641406	6	Bolt 1/4 x 3/4	
22	1001137904	6	Bolt 5/16 x 1-1/4	
23	3271505	6	Nut 5/16	
24	4691000198	1	Pin	
25	4949000047	2	Washer	
26	4679000268	1	Pad	
27	0741408	2	Flat	
28	88671001	1	Fitting, Straight	
29	7253000002	1	Cap, Grease	
30	7754000024	1	Retaining Ring	
31	7330000609	1	Decal, Grease Required	
32	3020039	AR	Lubricant	
33	3020029	AR	Lubricant	



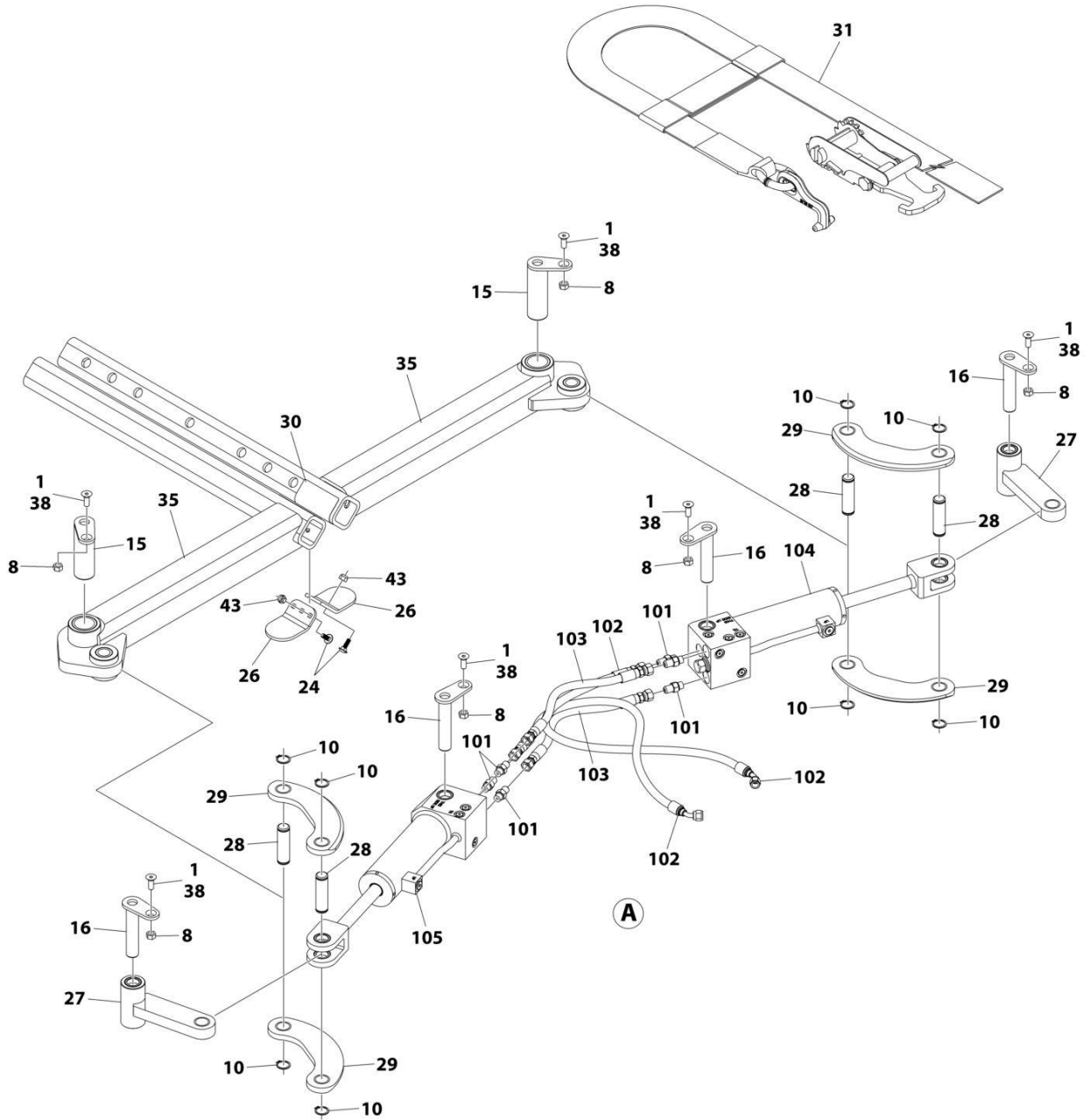
# SECTION 2 - WHEEL LIFT

## FIGURE 2-37. WHEEL LIFT GRID INSTALLATION - WHEEL LIFT (AUTO GRIDS) (GALVANIZED)



ART\_1001288414\_10F2

# SECTION 2 - WHEEL LIFT



ART\_1001288414\_2OF2

## SECTION 2 - WHEEL LIFT

FIGURE 2-37. WHEEL LIFT GRID INSTALLATION - WHEEL LIFT (AUTO GRIDS) (GALVANIZED)

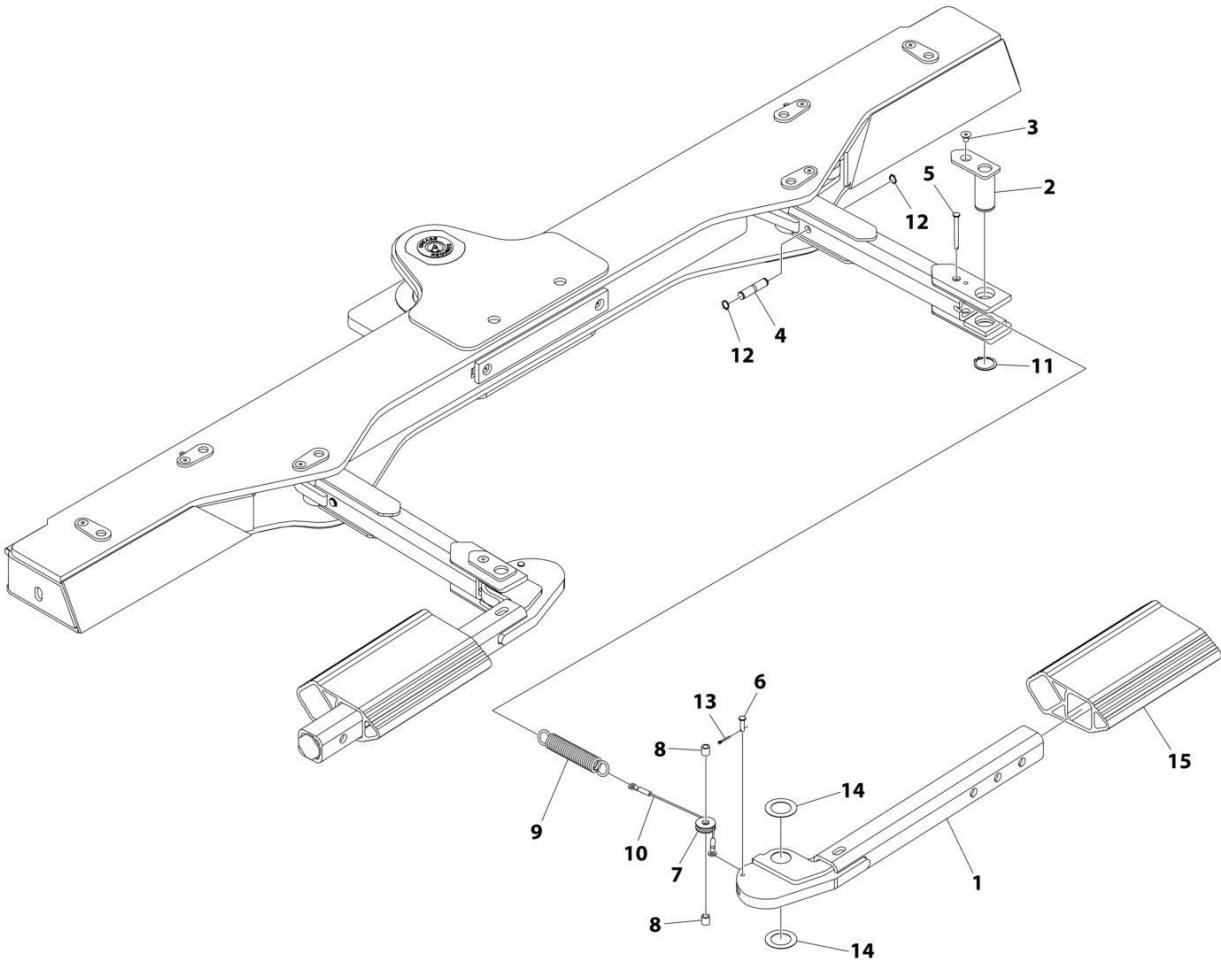
ITEM	PART NUMBER	QTY	DESCRIPTION	REV
	1001288414	Ref	WHEEL LIFT GRID INSTALLATION	A
1	0100011	AR	Compound, Locking	
2	0641604	2	Bolt 3/8 x 1/2	
3	0641816	2	Bolt 1/2 x 2	
4	0642028	2	Bolt 5/8 x 3-1/2	
5	0741810	2	Screw 1/2 x 1-1/4	
6	3020029	AR	Lubricant	
7	3020039	AR	Lubricant	
8	3271505	6	Nut 5/16	
9	3312002	2	Nut 5/8	
10	3760351	8	Ring, Retaining	
11	4711800	2	Washer 1/2	
12	85941016	2	Clamp	
13	88671008	1	Fitting, Grease	
14	1001209867	2	Nut 1/2	
15	1001271716	2	Pin	
16	1001271717	4	Pin	
17	1001271725	1	Pin	
18	1001271726	2	Ring	
19	1001271727	2	Bumper	
20	1001272108	2	Plate	
21	1001272224	1	Keeper, Pin	
22	1001276427	1	Bracket	
23	1001276939	2	Spring	
24	1001286904	4	Bolt 1/4 x 7/8	
25	1001286927	1	Plate, Wear	
26	1001286928	2	Plate, Wear	
27	1001286929	2	Cam	
28	1001287713	4	Pin	
29	1001287714	4	Link	
29	1001272015	8	Bushing (ZPBR Link)	
30	1001287792	2	Decal - Grid L - Arm	
31	1001288002	1	Safety Strap Kit	
32	1001288073	4	Bracket	
33	1001288201	4	Screw 1/2 x 1	
34	1001288263	2	Bracket	
35	1001288402	2	Arm Grid	
36	1001288413	1	Plate	
37	4711600001	2	Washer 3/8	
38	7115150723	6	Screw 5/16 x 7/8	
39	7253000002	1	Cap, Grease	
40	7330000036	1	Decal - Wheel Lift Warning	
41	7330000599	4	Decal - Pinch Point	
42	7330000609	1	Decal - Grease Required	
43	7660142601	4	Nut 1/4	
44	7660182601	2	Nut 1/2	
100	1001287694	1	Grid Cylinder/Fitting Kit (Not Shown)	
101	2220415	6	Fitting, Straight ORB/JIC	
102	1001276988	2	Hose	
103	1001276989	2	Hose	

## SECTION 2 - WHEEL LIFT

ITEM	PART NUMBER	QTY	DESCRIPTION	REV
104	1001285818	1	Cylinder Assembly - Wheel Lift Grid (LH) (See Separate Breakdown in This Section)	
105	1001285819	1	Cylinder Assembly - Wheel Lift Grid (RH) (See Separate Breakdown in This Section)	

**SECTION 2 - WHEEL LIFT**

**FIGURE 2-38. WHEEL LIFT ARM INSTALLATION (AUTO GRIDS)**



ART\_248400008



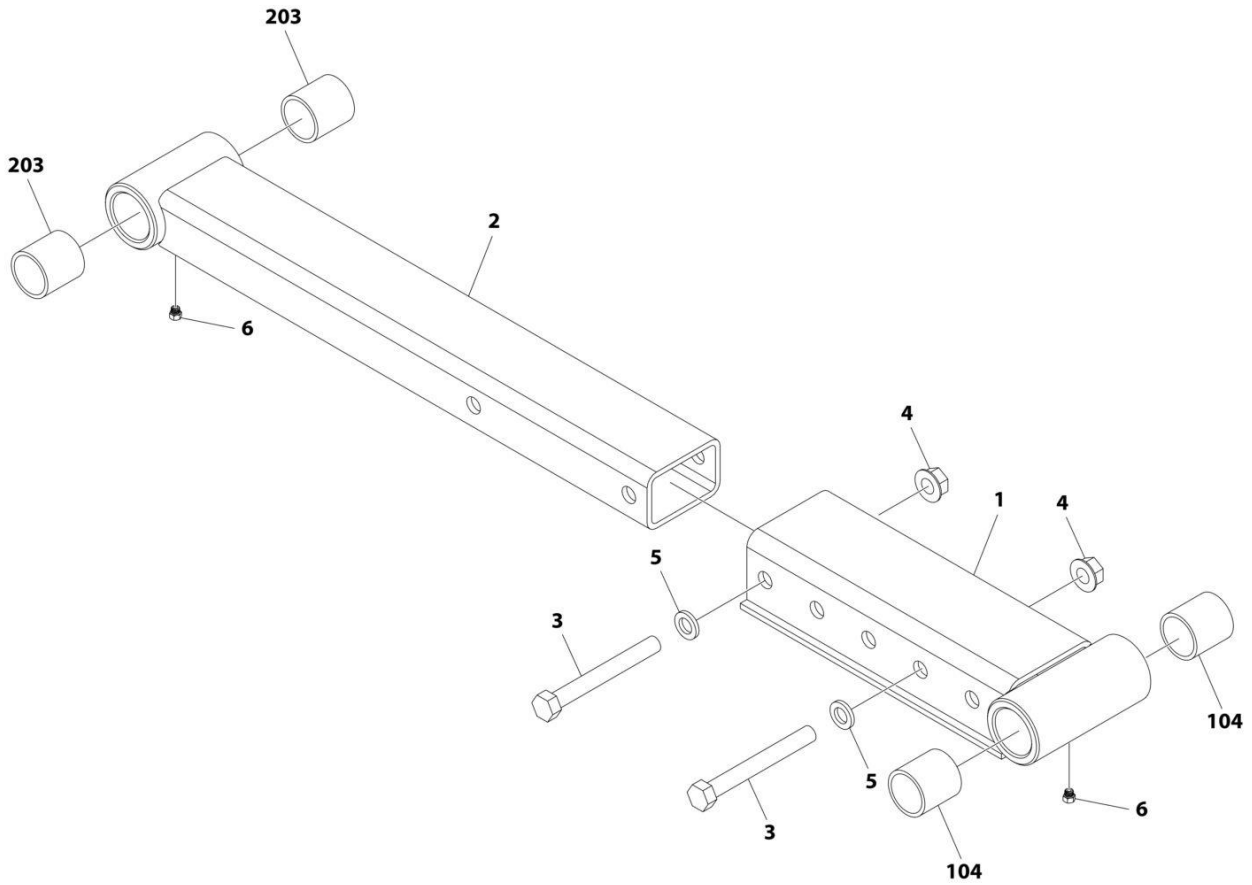
## SECTION 2 - WHEEL LIFT

**FIGURE 2-38. WHEEL LIFT ARM INSTALLATION (AUTO GRIDS)**

ITEM	PART NUMBER	QTY	DESCRIPTION	REV
	2484000008	Ref	GRID ARM INSTALLATION - AUTOGRID	C
1	3020000112	2	Arm Weldment	
2	3691000222	2	Pin	
3	0741504	2	Screw 5/16 x 1/2	
4	4691000527	2	Pin	
5	7690144005	2	Pin	
6	7690141600	2	Pin	
7	7719000005	2	Pulley	
8	4831000112	4	Spacer	
9	7843000043	2	Spring	
10	7248000115	2	Cable	
11	3760133	2	Retainer	
12	7754000087	4	Retainer	
13	7690021210	2	Pin	
14	4949000072	4	Washer	
15	8411080091	2	L-Arm Spacer	

# SECTION 2 - WHEEL LIFT

## FIGURE 2-39. WHEEL LIFT LINK INSTALLATION (AUTO GRIDS)



ART\_1001158510

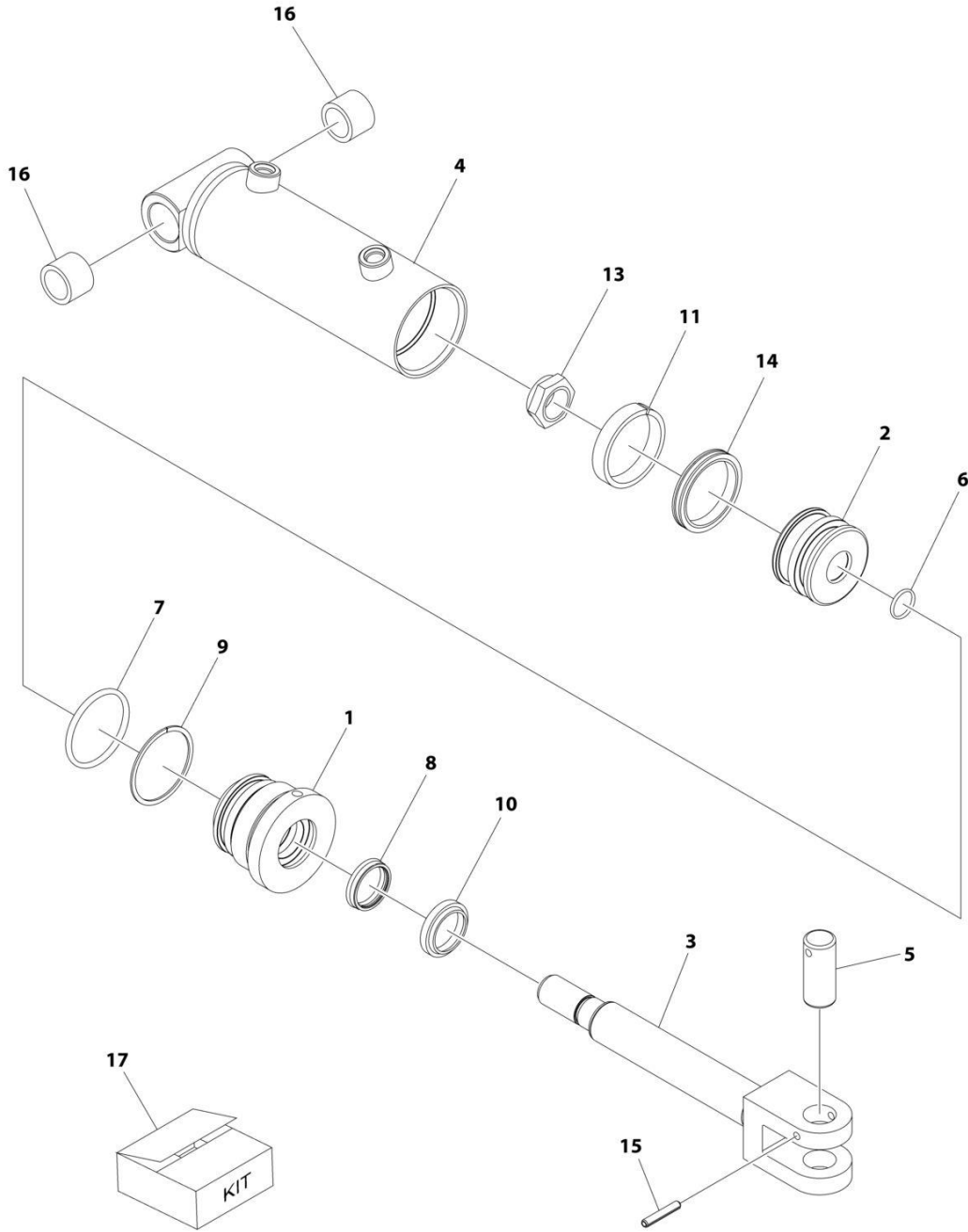
## SECTION 2 - WHEEL LIFT

### FIGURE 2-39. WHEEL LIFT LINK INSTALLATION (AUTO GRIDS)

ITEM	PART NUMBER	QTY	DESCRIPTION	REV
	1001158510	Ref	LINK ASSEMBLY (AUTOGRID)	B
1	3592000059	1	Lower Link Weldment	
2	1001158512	1	Upper Link Weldment	
3	0641834	2	Bolt 1/2 x 4-1/4	
4	7660182301	2	Nut 1/2	
5	4761800	2	Washer 1/2	
6	1001204776	2	Fitting, Pipe	
104	7082000016	2	Bearing	
203	7082000016	2	Bearing	

# SECTION 2 - WHEEL LIFT

## FIGURE 2-40. CYLINDER ASSEMBLY - WHEEL LIFT GRID



ART\_732000064

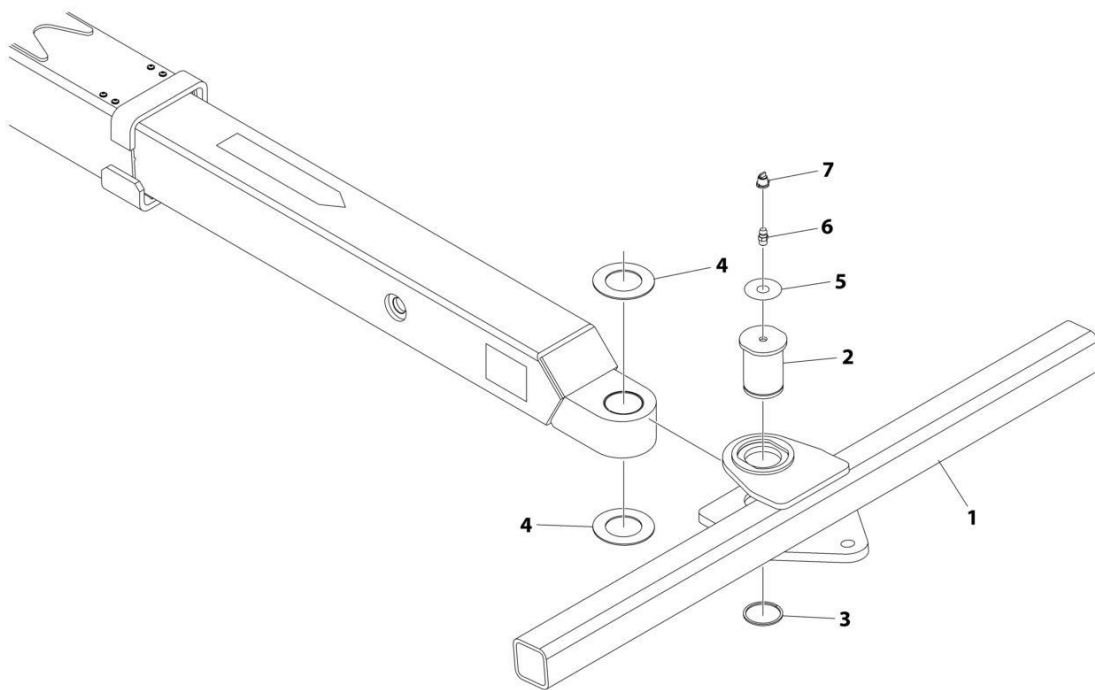
## SECTION 2 - WHEEL LIFT

**FIGURE 2-40. CYLINDER ASSEMBLY - WHEEL LIFT GRID**

ITEM	PART NUMBER	QTY	DESCRIPTION	REV
	732000064	Ref	CYLINDER ASSEMBLY	B
1	7027336	1	Gland	
2	7027338	1	Piston	
3	70050632	1	Rod Assembly	
4	70050633	1	Barrel Assembly	
5	70050634	1	Retention Pin	
6	70050635	1	O-Ring	
7	70050636	1	O-Ring	
8	70050637	1	Rod Seal	
9	70050638	1	Backup Ring	
10	70050639	1	Rod Wiper	
11	70050640	1	Wear Ring	
12	70050641	2	Plug	
13	70050642	1	Nut 3/4	
14	70050643	1	Piston Seal	
15	70050644	1	Roll Pin	
16	7082000026	2	Bearing	
17	7027341	1	Seal Kit (includes items 6-11)	

## SECTION 2 - WHEEL LIFT

FIGURE 2-41. PIVOT TUBE INSTALLATION (BALL HITCH)



ART\_1001158674

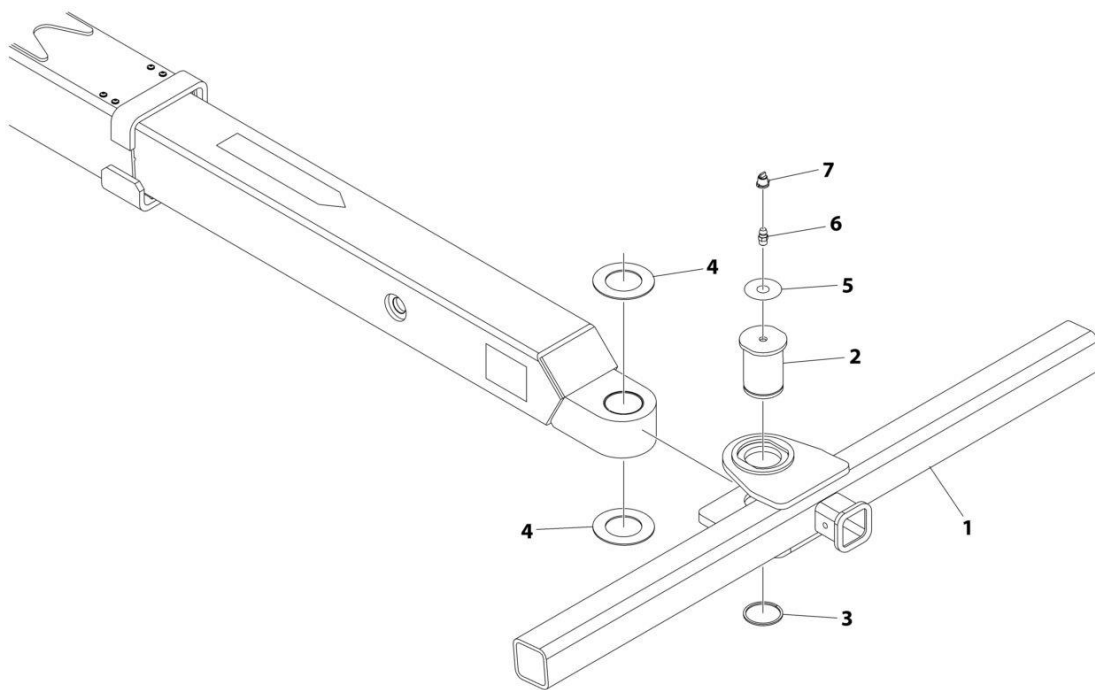
## SECTION 2 - WHEEL LIFT

**FIGURE 2-41. PIVOT TUBE INSTALLATION (BALL HITCH)**

ITEM	PART NUMBER	QTY	DESCRIPTION	REV
	1001158674	Ref	PIVOT TUBE INSTALLATION 4000 LBS	A
1	3913000097	1	Tube	
2	4691000103	1	Pin	
3	7754000024	1	Ring	
4	4949000047	2	Washer	
5	7330000609	1	Decal - Grease Required	
6	7440030000	1	Fitting	
7	7253000002	1	Fitting, Cap	
8	3020039	AR	Lubricant (Not Shown)	
9	3020029	AR	Lube Bearing Grease (Not Shown)	

## SECTION 2 - WHEEL LIFT

FIGURE 2-42. PIVOT TUBE INSTALLATION (2 IN TOW HITCH RECEIVER)



ART\_1001158677



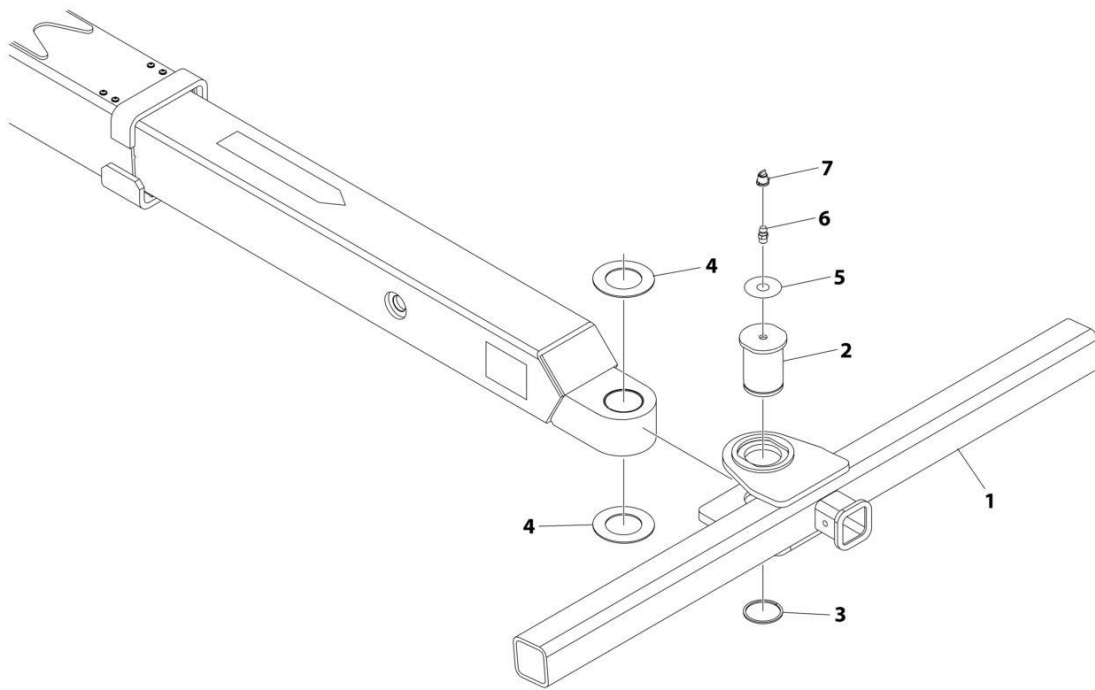
## SECTION 2 - WHEEL LIFT

**FIGURE 2-42. PIVOT TUBE INSTALLATION (2 IN TOW HITCH RECEIVER)**

ITEM	PART NUMBER	QTY	DESCRIPTION	REV
	1001158677	Ref	PIVOT TUBE INSTALLATION (4000 LBS) (2 IN TOW HITCH)	B
1	3913000100	1	Tube	
2	4691000103	1	Pin	
3	7754000024	1	Ring	
4	4949000047	2	Washer	
5	7330000609	1	Decal - Grease Required	
6	7440030000	1	Fitting	
7	7253000002	1	Fitting, Cap	
8	3020039	AR	Lubricant (Not Shown)	
9	3020029	AR	Lube Bearing Grease (Not Shown)	

## SECTION 2 - WHEEL LIFT

FIGURE 2-43. PIVOT TUBE INSTALLATION (2.5 IN TOW HITCH RECEIVER)



ART\_1001158678

## SECTION 2 - WHEEL LIFT

**FIGURE 2-43. PIVOT TUBE INSTALLATION (2.5 IN TOW HITCH RECEIVER)**

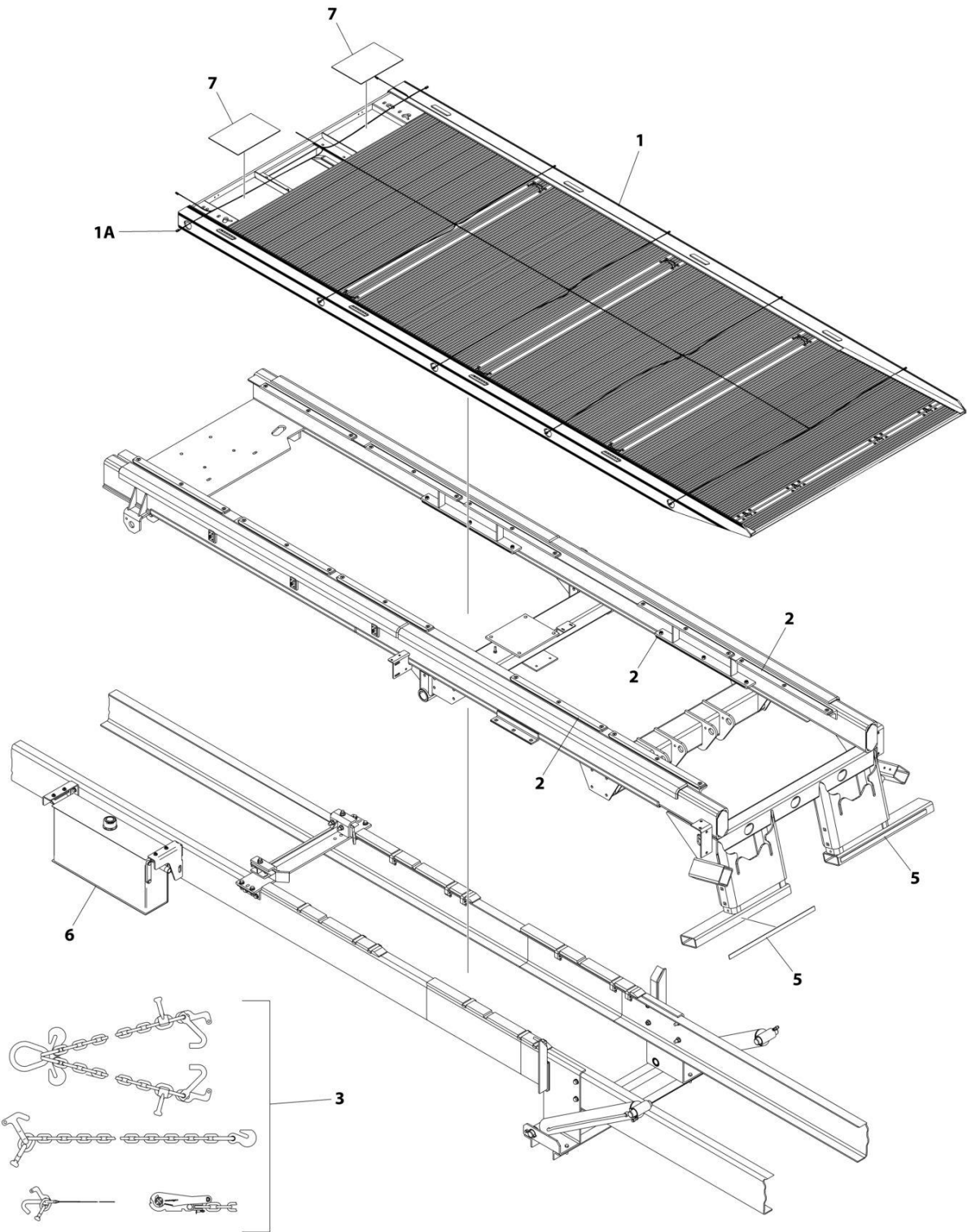
ITEM	PART NUMBER	QTY	DESCRIPTION	REV
	1001158678	Ref	PIVOT TUBE INSTALLATION (2.5 IN TOW HITCH)	A
1	3913000101	1	Tube	
2	4691000103	1	Pin	
3	7754000024	1	Ring	
4	4949000047	2	Washer	
5	7330000609	1	Decal - Grease Required	
6	7440030000	1	Fitting	
7	7253000002	1	Fitting, cap	
8	3020039	AR	Lubricant (Not Shown)	
9	3020029	AR	Lube Bearing Grease (Not Shown)	



**SECTION 3 - DECK**

# SECTION 3 - DECK

FIGURE 3-1. DECK MODEL - ALUMINUM 19N X 96IN FIXED RAIL



ART\_1001274792

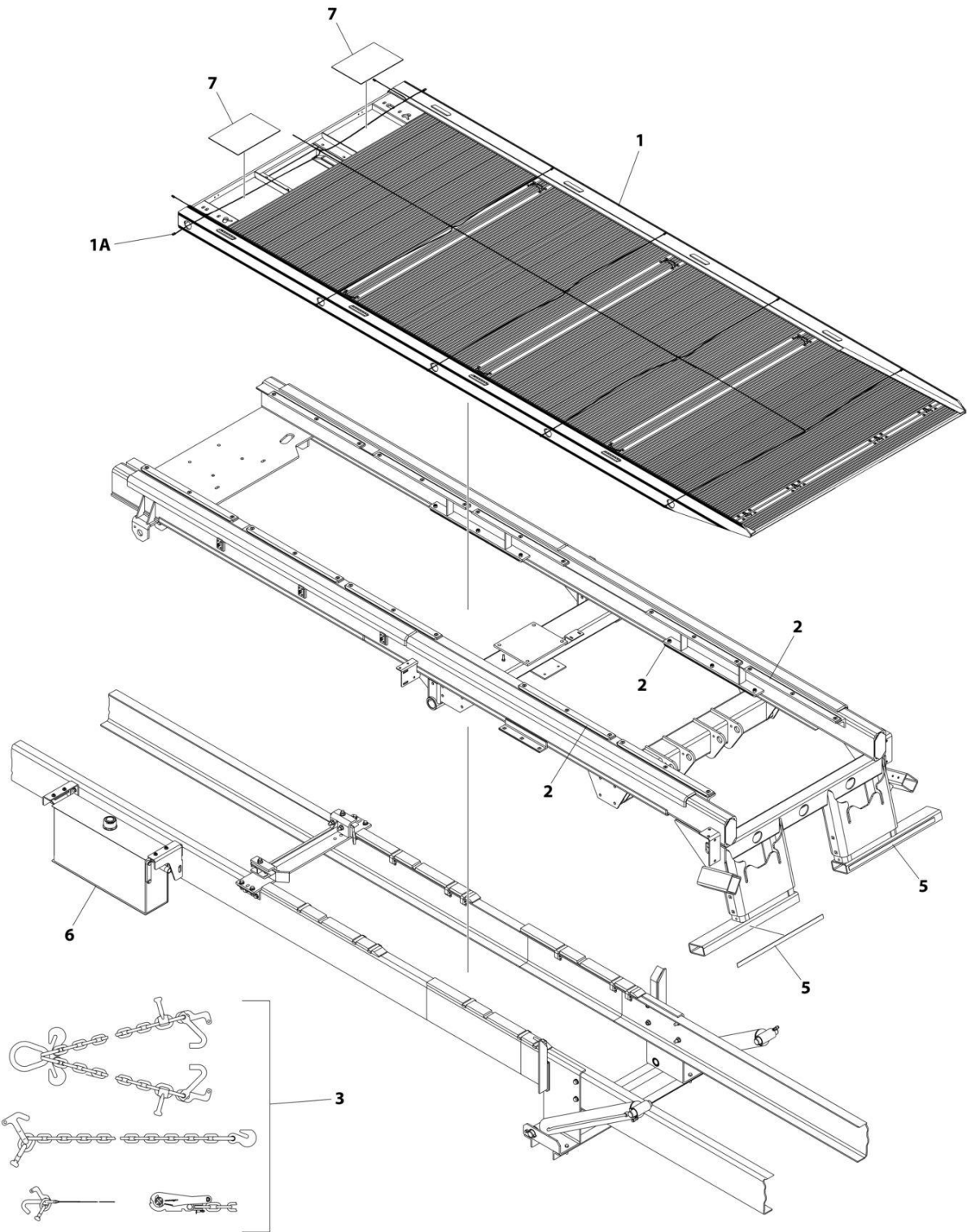
## SECTION 3 - DECK

**FIGURE 3-1. DECK MODEL - ALUMINUM 19N X 96IN FIXED RAIL**

ITEM	PART NUMBER	QTY	DESCRIPTION	REV
	1001274792	Ref	DECK INSTALLATION - 19FT X 96IN ALUMINIUM FIXED RAIL (NGAF6T-XLP)	A
1	3097000655	1	Deck Installation, 19ft (Aluminium)	
1A	7552000212	1	Harness	
2	2679000010	1	Main Subframe Pad Installation (See Separate Breakdown in SUBFRAME Section)	
3	7577000208	1	Chain/Tie-Down Kit	
4	2330000038	1	Standard Duty Decals Installation (Not Shown - See Separate Breakdown in DECAL Section)	
5	2330000055	Ref	Conspicuity Decal Installation	
5	7330000428	2	Decal - Red/White Reflective	
6	2750000008	1	Hydraulic Reservoir and Bracket Mount (See Separate Breakdown in HYDRAULIC Section)	
7	7679000017	2	Chain Tray Mat	

# SECTION 3 - DECK

## FIGURE 3-2. DECK MODEL - ALUMINUM 19IN X 96IN FIXED RAIL DUAL ANGLE



ART\_1001274790



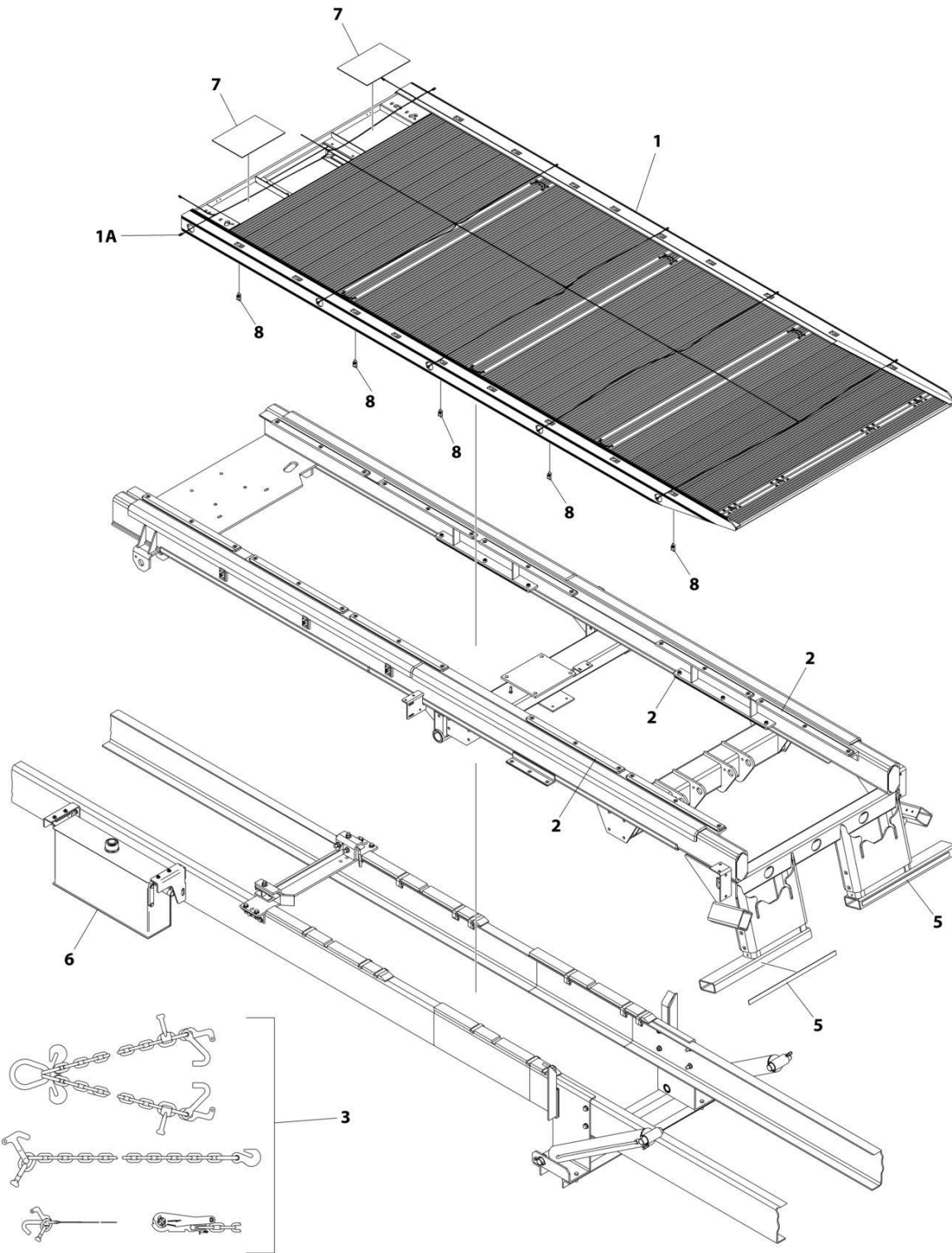
## SECTION 3 - DECK

**FIGURE 3-2. DECK MODEL - ALUMINUM 19IN X 96IN FIXED RAIL DUAL ANGLE**

ITEM	PART NUMBER	QTY	DESCRIPTION	REV
	1001274790	Ref	DECK INSTALLATION - 19FT X 96IN ALUMINIUM DUAL ANGLE FIXED RAIL (NGADF6T-XLP)	A
1	3097000661	1	Deck Installation, 19ft (Aluminium)	
1A	7552000212	1	Harness	
2	2679000010	1	Main Subframe Pad Installation (See Separate Breakdown in SUBFRAME Section)	
3	7577000208	1	Chain/Tie-Down Kit	
4	2330000038	1	Standard Duty Decals Installation (Not Shown - See Separate Breakdown in DECAL Section)	
5	2330000055	Ref	Conspicuity Decal Installation	
5	7330000428	2	Decal - Red/White Reflective	
6	2750000008	1	Hydraulic Reservoir and Bracket Mount (See Separate Breakdown in HYDRAULIC Section)	
7	7679000017	2	Chain Tray Mat	

# SECTION 3 - DECK

## FIGURE 3-3. DECK MODEL - ALUMINUM 19IN X 96IN REMOVABLE RAIL



ART\_1001274794

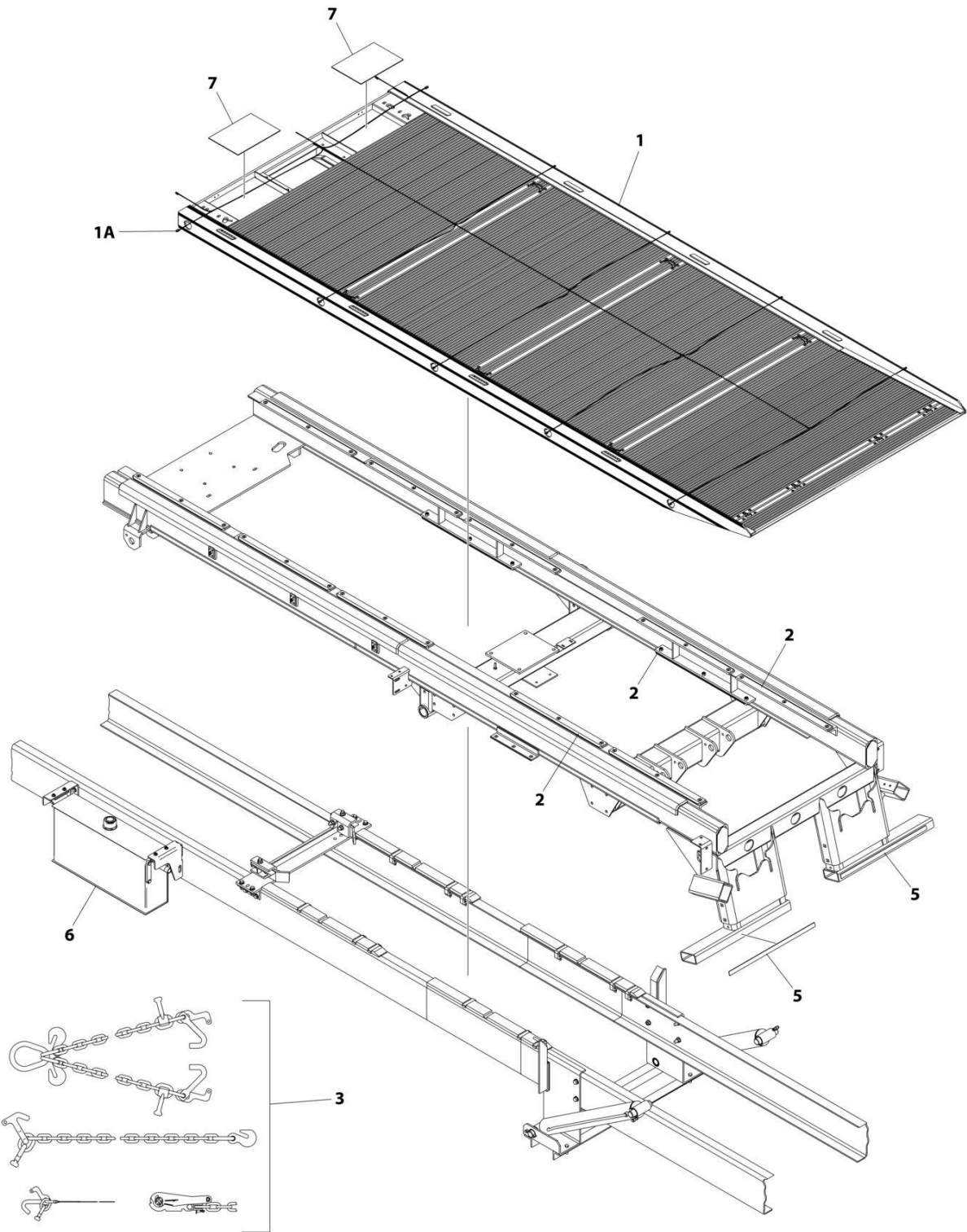
## SECTION 3 - DECK

**FIGURE 3-3. DECK MODEL - ALUMINUM 19IN X 96IN REMOVABLE RAIL**

ITEM	PART NUMBER	QTY	DESCRIPTION	REV
	1001274794	Ref	DECK INSTALLATION - 19FT X 96IN ALUMINIUM REMOVABLE RAIL (NGAR6T-XLP)	A
1	3097000653	1	Deck Installation, 19ft (Aluminium)	
1A	7552000212	1	Harness	
2	2679000010	1	Main Subframe Pad Installation (See Separate Breakdown in SUBFRAME Section)	
3	7577000208	1	Chain/Tie-Down Kit	
4	2330000038	1	Standard Duty Decals Installation (Not Shown - See Separate Breakdown in DECAL Section)	
5	2330000055	Ref	Conspicuity Decal Installation	
5	7330000428	2	Decal - Red/White Reflective	
6	2750000008	1	Hydraulic Reservoir and Bracket Mount (See Separate Breakdown in HYDRAULIC Section)	
7	7679000017	2	Chain Tray Mat	
8	7661000055	10	Nut 1/2	

# SECTION 3 - DECK

## FIGURE 3-4. DECK MODEL - ALUMINUM 19N X 102IN FIXED RAIL



ART\_1001274793

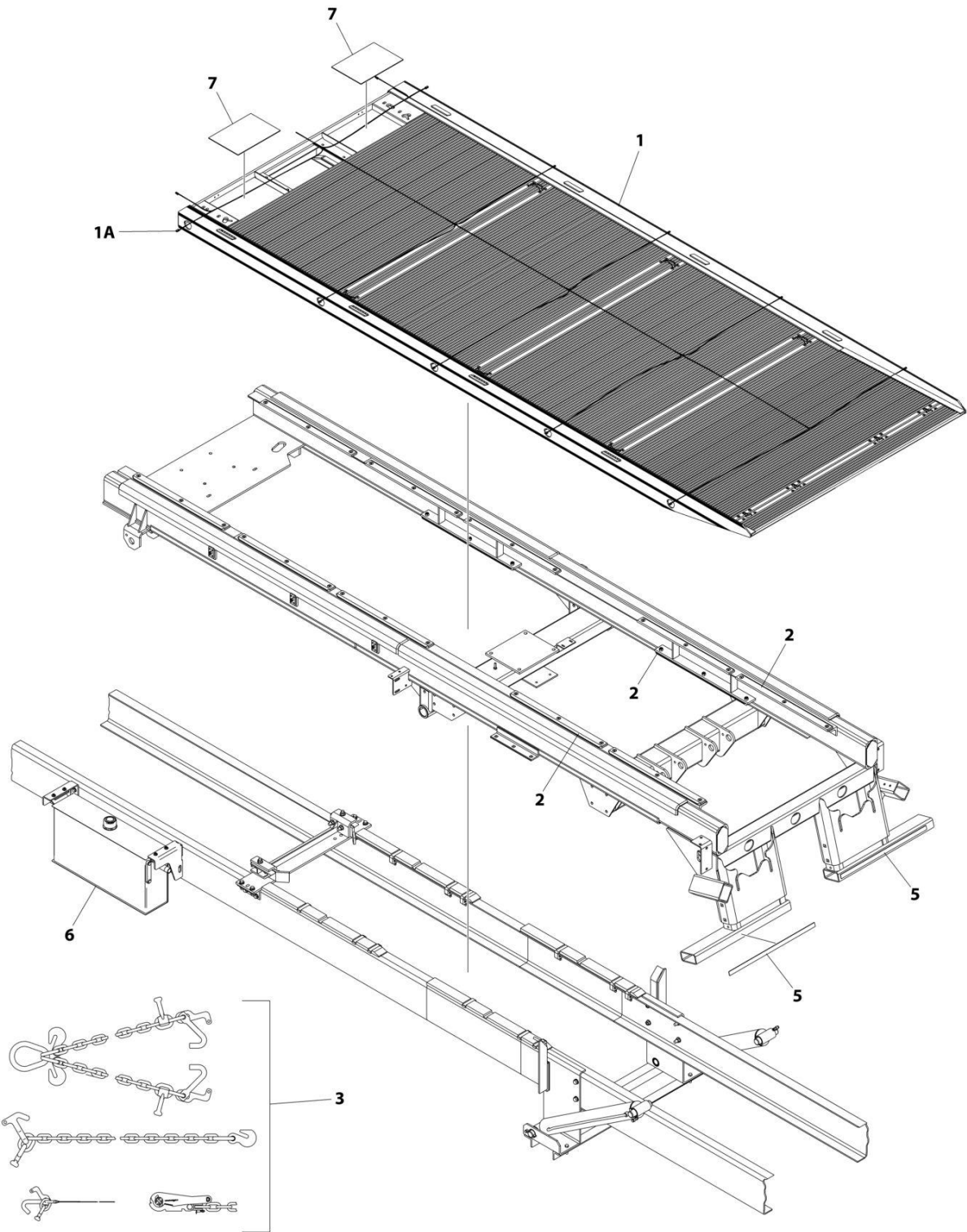
## SECTION 3 - DECK

**FIGURE 3-4. DECK MODEL - ALUMINUM 19N X 102IN FIXED RAIL**

ITEM	PART NUMBER	QTY	DESCRIPTION	REV
	1001274793	Ref	DECK INSTALLATION - 19FT X 102IN ALUMINIUM FIXED RAIL (NGAF6T-XLP)	A
1	3097000656	1	Deck Installation, 19ft (Aluminium)	
1A	7552000212	1	Harness	
2	2679000010	1	Main Subframe Pad Installation (See Separate Breakdown in SUBFRAME Section)	
3	7577000208	1	Chain/Tie-Down Kit	
4	2330000038	1	Standard Duty Decals Installation (Not Shown - See Separate Breakdown in DECAL Section)	
5	2330000055	Ref	Conspicuity Decal Installation	
5	7330000428	2	Decal - Red/White Reflective	
6	2750000008	1	Hydraulic Reservoir and Bracket Mount (See Separate Breakdown in HYDRAULIC Section)	
7	7679000017	2	Chain Tray Mat	

# SECTION 3 - DECK

## FIGURE 3-5. DECK MODEL - ALUMINUM 19IN X 102IN FIXED RAIL DUAL ANGLE



ART\_1001274791

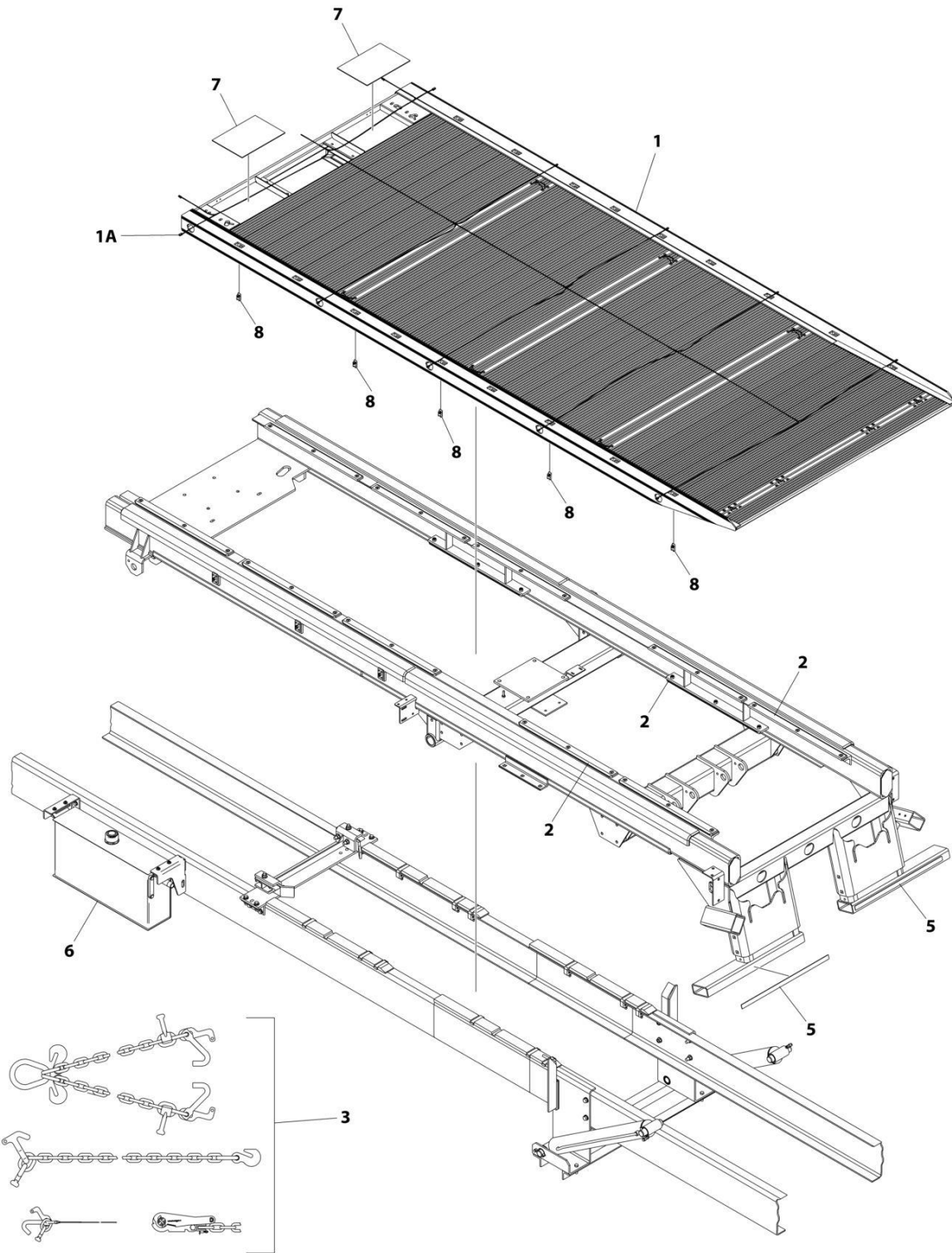
## SECTION 3 - DECK

**FIGURE 3-5. DECK MODEL - ALUMINUM 19IN X 102IN FIXED RAIL DUAL ANGLE**

ITEM	PART NUMBER	QTY	DESCRIPTION	REV
	1001274791	Ref	DECK INSTALLATION - 19FT X 102IN ALUMINIUM DUAL ANGLE FIXED RAIL (NGADF6T-XLP)	A
1	3097000662	1	Deck Installation, 19ft (Aluminium)	
1A	7552000212	1	Harness	
2	2679000010	1	Main Subframe Pad Installation (See Separate Breakdown in SUBFRAME Section)	
3	7577000208	1	Chain/Tie-Down Kit	
4	2330000038	1	Standard Duty Decals Installation (Not Shown - See Separate Breakdown in DECAL Section)	
5	2330000055	Ref	Conspicuity Decal Installation	
5	7330000428	2	Decal - Red/White Reflective	
6	2750000008	1	Hydraulic Reservoir and Bracket Mount (See Separate Breakdown in HYDRAULIC Section)	
7	7679000017	2	Chain Tray Mat	

# SECTION 3 - DECK

## FIGURE 3-6. DECK MODEL - ALUMINUM 19IN X 102IN REMOVABLE RAIL



ART\_1001274795



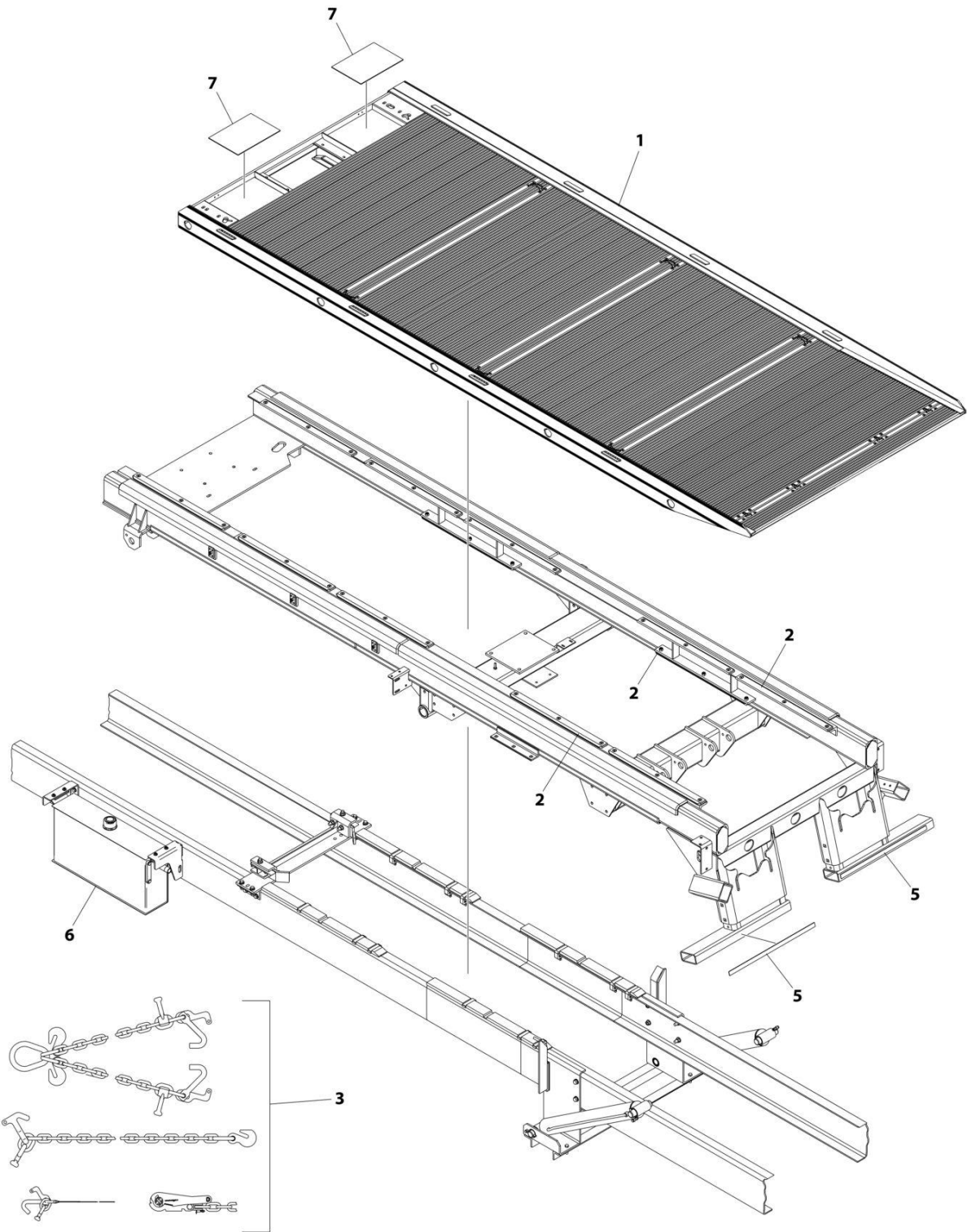
## SECTION 3 - DECK

**FIGURE 3-6. DECK MODEL - ALUMINUM 19IN X 102IN REMOVABLE RAIL**

ITEM	PART NUMBER	QTY	DESCRIPTION	REV
	1001274795	Ref	DECK INSTALLATION - 19FT X 102IN ALUMINIUM REMOVABLE RAIL (NGAR6T-XLP)	A
1	3097000654	1	Deck Installation, 19ft (Aluminium)	
1A	7552000212	1	Harness	
2	2679000010	1	Main Subframe Pad Installation (See Separate Breakdown in SUBFRAME Section)	
3	7577000208	1	Chain/Tie-Down Kit	
4	2330000038	1	Standard Duty Decals Installation (Not Shown - See Separate Breakdown in DECAL Section)	
5	2330000055	Ref	Conspicuity Decal Installation	
5	7330000428	2	Decal - Red/White Reflective	
6	2750000008	1	Hydraulic Reservoir and Bracket Mount (See Separate Breakdown in HYDRAULIC Section)	
7	7679000017	2	Chain Tray Mat	
8	7661000055	10	Nut 1/2	

# SECTION 3 - DECK

## FIGURE 3-7. DECK MODEL - ALUMINUM 20IN X 96IN FIXED RAIL



ART\_1001151772

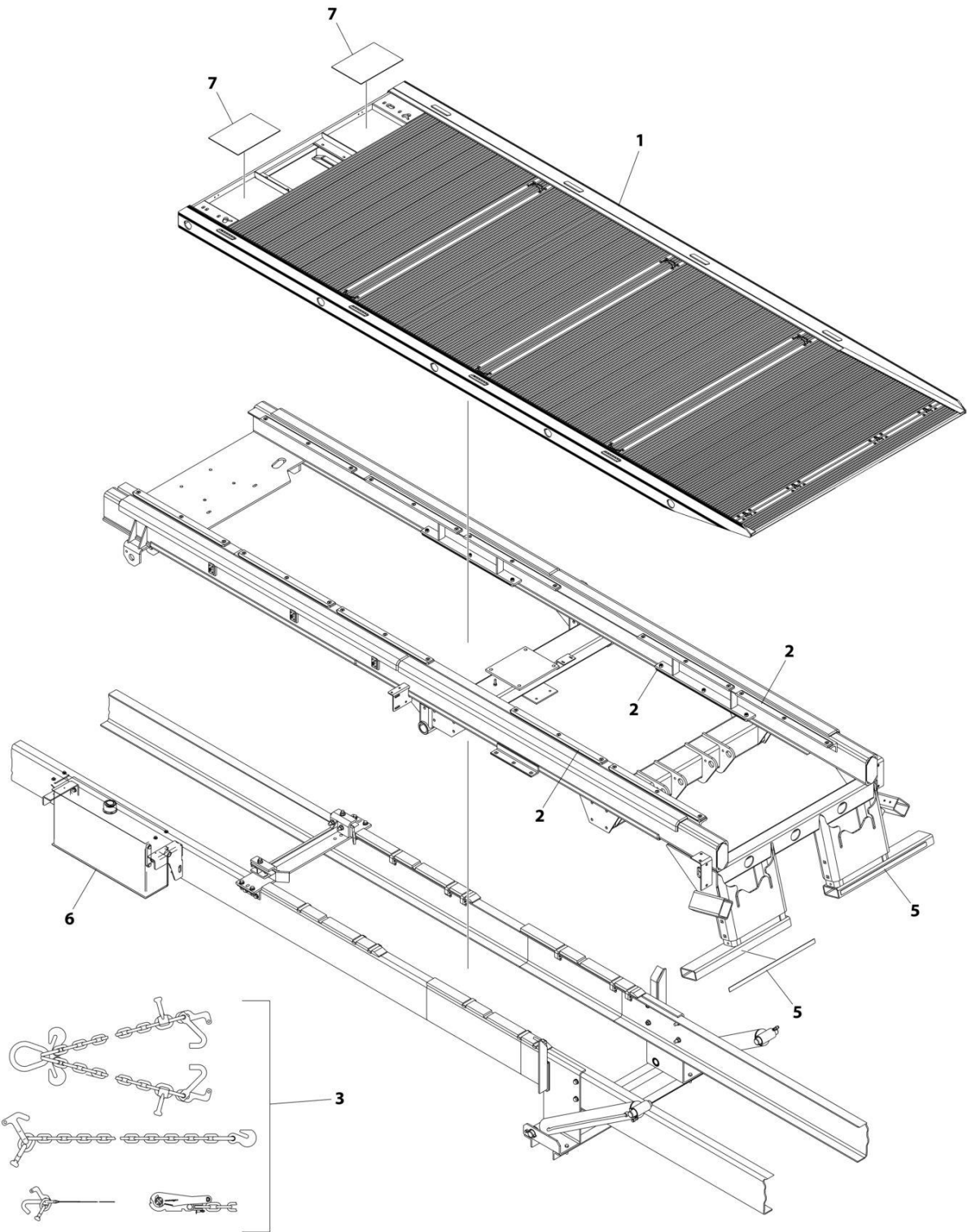
## SECTION 3 - DECK

**FIGURE 3-7. DECK MODEL - ALUMINUM 20IN X 96IN FIXED RAIL**

ITEM	PART NUMBER	QTY	DESCRIPTION	REV
	1001151772	Ref	DECK INSTALLATION - 20FTx96IN ALUMINIUM FIXED RAIL (NGAF6T-XLP)	B
1	3097000665	1	Deck Installation, 20ft (Aluminium)	
2	2679000010	1	Main Subframe Pad Installation (See Separate Breakdown in SUBFRAME Section)	
3	7577000208	1	Chain/Tie-Down Kit	
4	2330000038	1	Standard Duty Decals Installation (Not Shown - See Separate Breakdown in DECAL Section)	
5	2330000055	Ref	Conspicuity Decal Installation	
5	7330000428	2	Decal - Red/White Reflective	
6	2750000008	1	Hydraulic Reservoir and Bracket Mount (See Separate Breakdown in HYDRAULIC Section)	
7	7679000017	2	Chain Tray Mat	

# SECTION 3 - DECK

FIGURE 3-8. DECK MODEL - ALUMINUM 20IN X 96IN FIXED RAIL DUAL ANGLE



ART\_1001151770

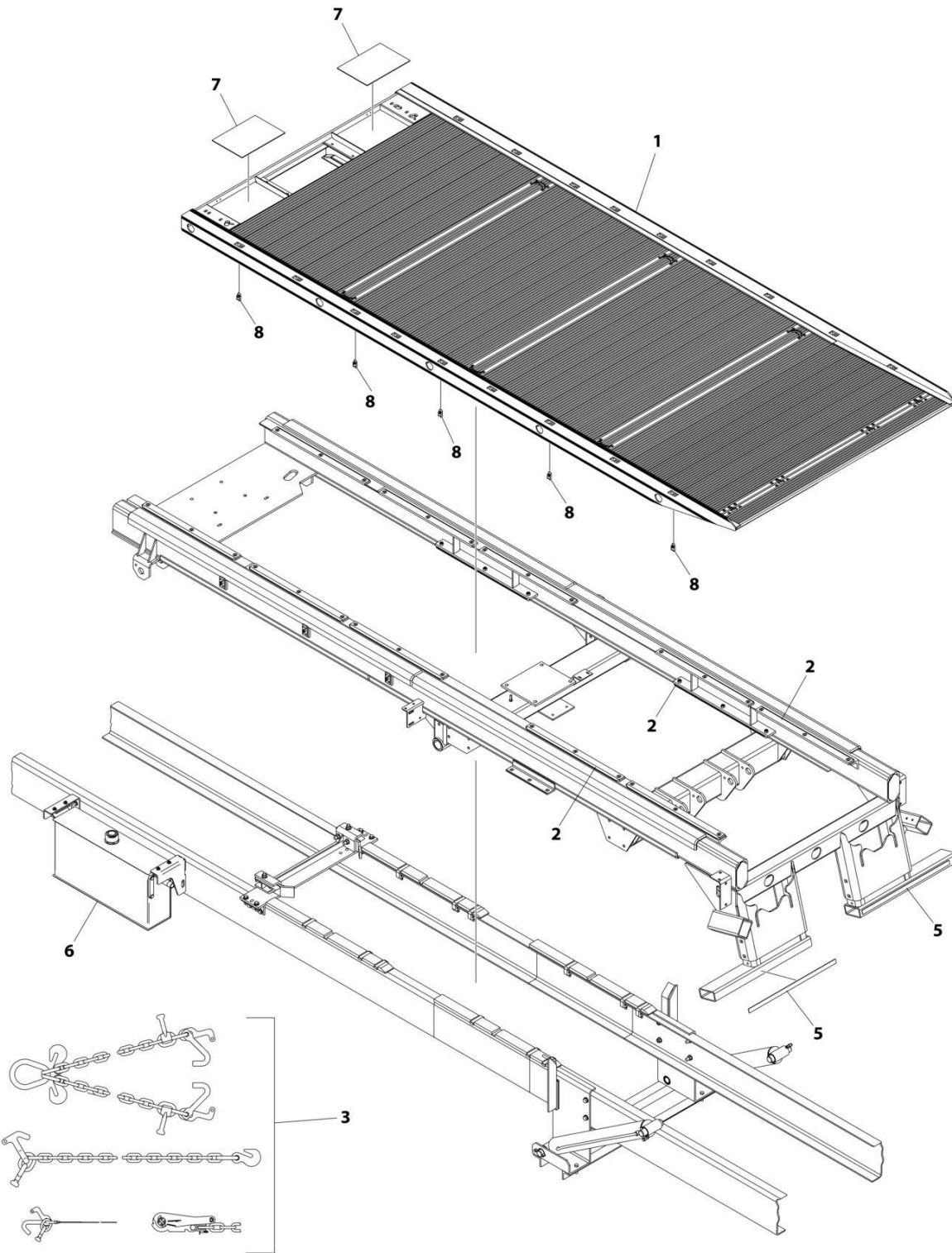
## SECTION 3 - DECK

**FIGURE 3-8. DECK MODEL - ALUMINUM 20IN X 96IN FIXED RAIL DUAL ANGLE**

ITEM	PART NUMBER	QTY	DESCRIPTION	REV
	1001151770	Ref	DECK INSTALLATION - 20FTx96IN ALUMINIUM DUAL ANGLE FIXED RAIL (NGADF6T-XLP)	B
1	3097000671	1	Deck Installation, 20ft (Aluminium)	
2	2679000010	1	Main Subframe Pad Installation (See Separate Breakdown in SUBFRAME Section)	
3	7577000208	1	Chain/Tie-Down Kit	
4	2330000038	1	Standard Duty Decals Installation (Not Shown - See Separate Breakdown in DECAL Section)	
5	2330000055	Ref	Conspicuity Decal Installation	
5	7330000428	2	Decal - Red/White Reflective	
6	2750000008	1	Hydraulic Reservoir and Bracket Mount (See Separate Breakdown in HYDRAULIC Section)	
7	7679000017	2	Chain Tray Mat	

# SECTION 3 - DECK

## FIGURE 3-9. DECK MODEL - ALUMINUM 20IN X 96IN REMOVABLE RAIL



ART\_1001151774

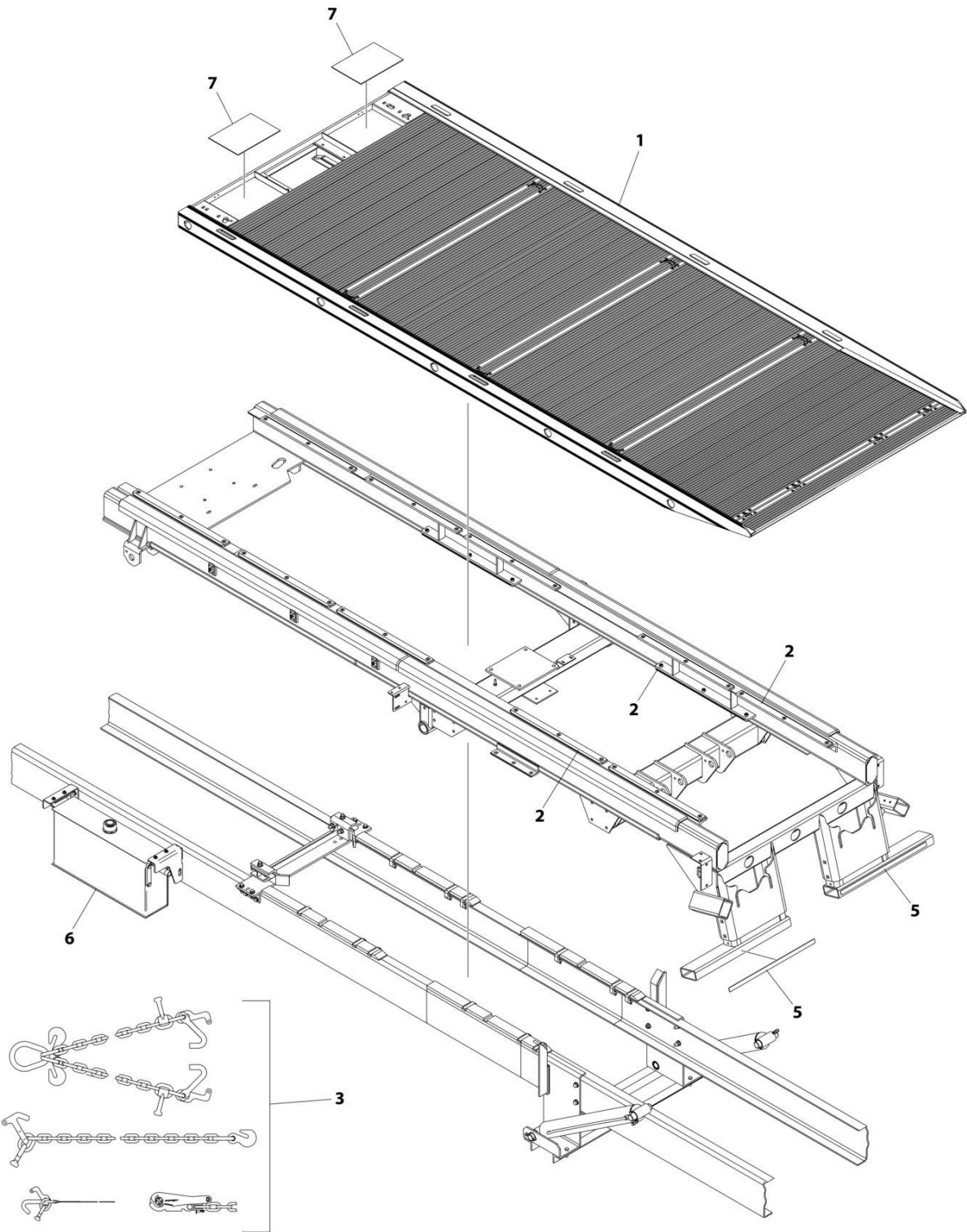
## SECTION 3 - DECK

**FIGURE 3-9. DECK MODEL - ALUMINUM 20IN X 96IN REMOVABLE RAIL**

ITEM	PART NUMBER	QTY	DESCRIPTION	REV
	1001151774	Ref	DECK INSTALLATION - 20FTx96IN ALUMINIUM REMOVABLE RAIL (NGAR6T-XLP)	B
1	3097000663	1	Deck Installation, 20ft (Aluminium)	
2	2679000010	1	Main Subframe Pad Installation (See Separate Breakdown in SUBFRAME Section)	
3	7577000208	1	Chain/Tie-Down Kit	
4	2330000038	1	Standard Duty Decals Installation (Not Shown - See Separate Breakdown in DECAL Section)	
5	2330000055	Ref	Conspicuity Decal Installation	
5	7330000428	2	Decal - Red/White Reflective	
6	2750000008	1	Hydraulic Reservoir and Bracket Mount (See Separate Breakdown in HYDRAULIC Section)	
7	7679000017	2	Chain Tray Mat	
8	7661000055	10	Nut 1/2	

# SECTION 3 - DECK

## FIGURE 3-10. DECK MODEL - ALUMINUM 20IN X 102IN FIXED RAIL



ART\_1001151773



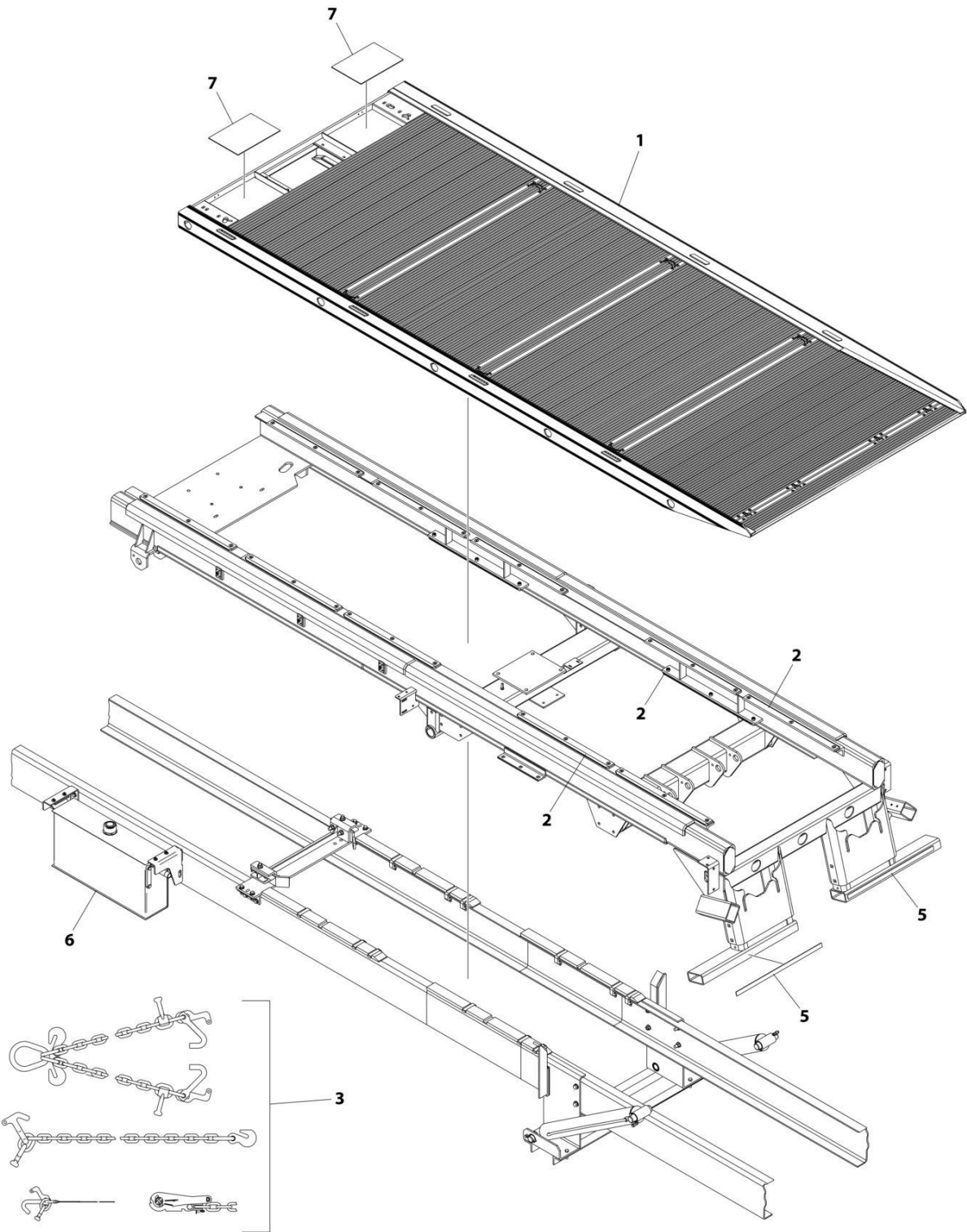
## SECTION 3 - DECK

**FIGURE 3-10. DECK MODEL - ALUMINUM 20IN X 102IN FIXED RAIL**

ITEM	PART NUMBER	QTY	DESCRIPTION	REV
	1001151773	Ref	DECK INSTALLATION - 20FTx102IN ALUMINIUM FIXED RAIL (NGAF6T-XLP)	B
1	3097000666	1	Deck Installation, 20ft (Aluminium)	
2	2679000010	1	Main Subframe Pad Installation (See Separate Breakdown in SUBFRAME Section)	
3	7577000208	1	Chain/Tie-Down Kit	
4	2330000038	1	Standard Duty Decals Installation (Not Shown - See Separate Breakdown in DECAL Section)	
5	2330000055	Ref	Conspicuity Decal Installation	
5	7330000428	2	Decal - Red/White Reflective	
6	2750000008	1	Hydraulic Reservoir and Bracket Mount (See Separate Breakdown in HYDRAULIC Section)	
7	7679000017	2	Chain Tray Mat	

# SECTION 3 - DECK

## FIGURE 3-11. DECK MODEL - ALUMINUM 20IN X 102IN FIXED RAIL DUAL ANGLE



ART\_1001151771

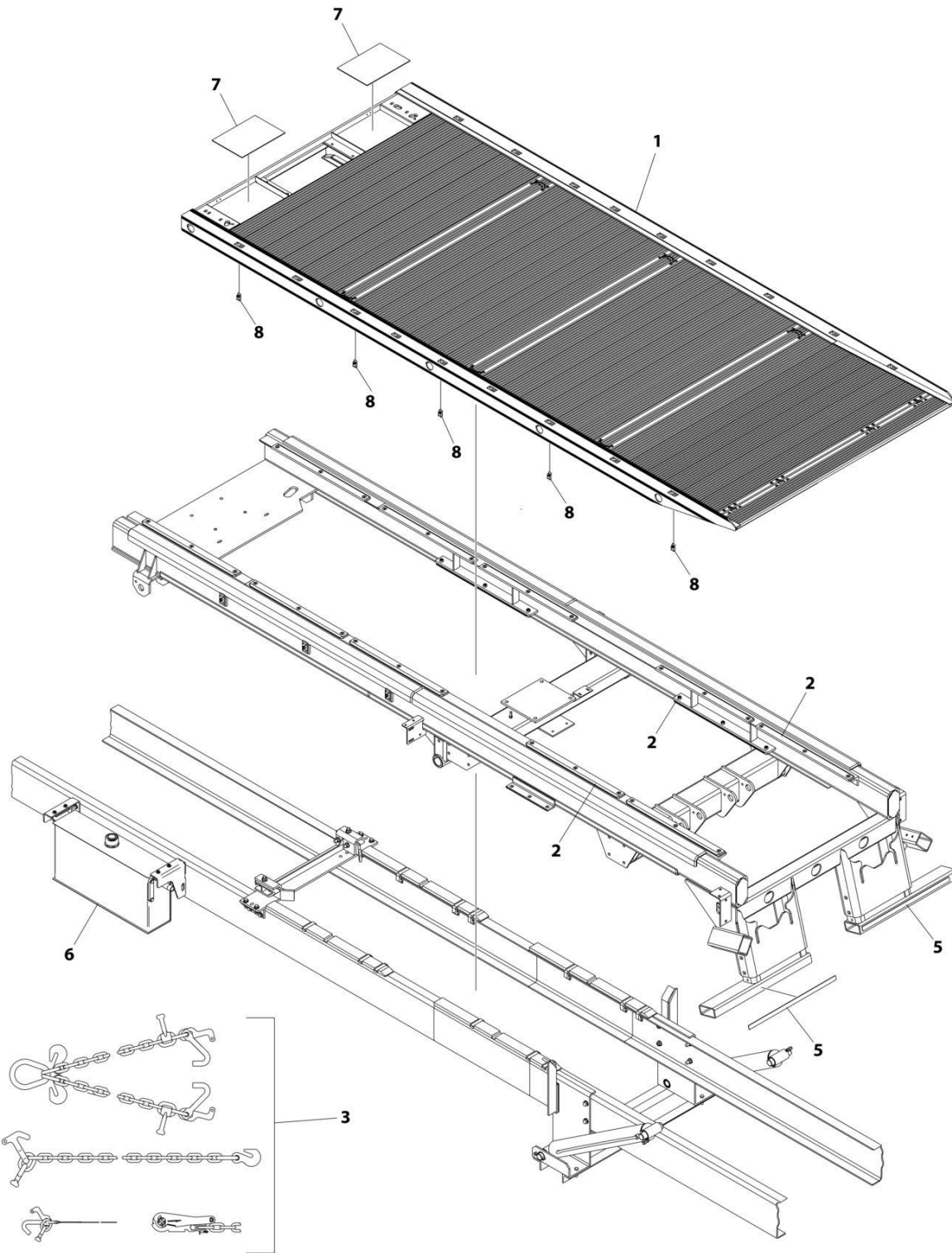
## SECTION 3 - DECK

**FIGURE 3-11. DECK MODEL - ALUMINUM 20IN X 102IN FIXED RAIL DUAL ANGLE**

ITEM	PART NUMBER	QTY	DESCRIPTION	REV
	1001151771	Ref	DECK INSTALLATION - 20FTx102IN ALUMINIUM DUAL ANGLE FIXED RAIL (NGADF6T-XLP)	B
1	3097000672	1	Deck Installation, 20ft (Aluminium)	
2	2679000010	1	Main Subframe Pad Installation (See Separate Breakdown in SUBFRAME Section)	
3	7577000208	1	Chain/Tie-Down Kit	
4	2330000038	1	Standard Duty Decals Installation (Not Shown - See Separate Breakdown in DECAL Section)	
5	2330000055	Ref	Conspicuity Decal Installation	
5	7330000428	2	Decal - Red/White Reflective	
6	2750000008	1	Hydraulic Reservoir and Bracket Mount (See Separate Breakdown in HYDRAULIC Section)	
7	7679000017	2	Chain Tray Mat	

# SECTION 3 - DECK

## FIGURE 3-12. DECK MODEL - ALUMINUM 20IN X 102IN REMOVABLE RAIL



ART\_1001151775

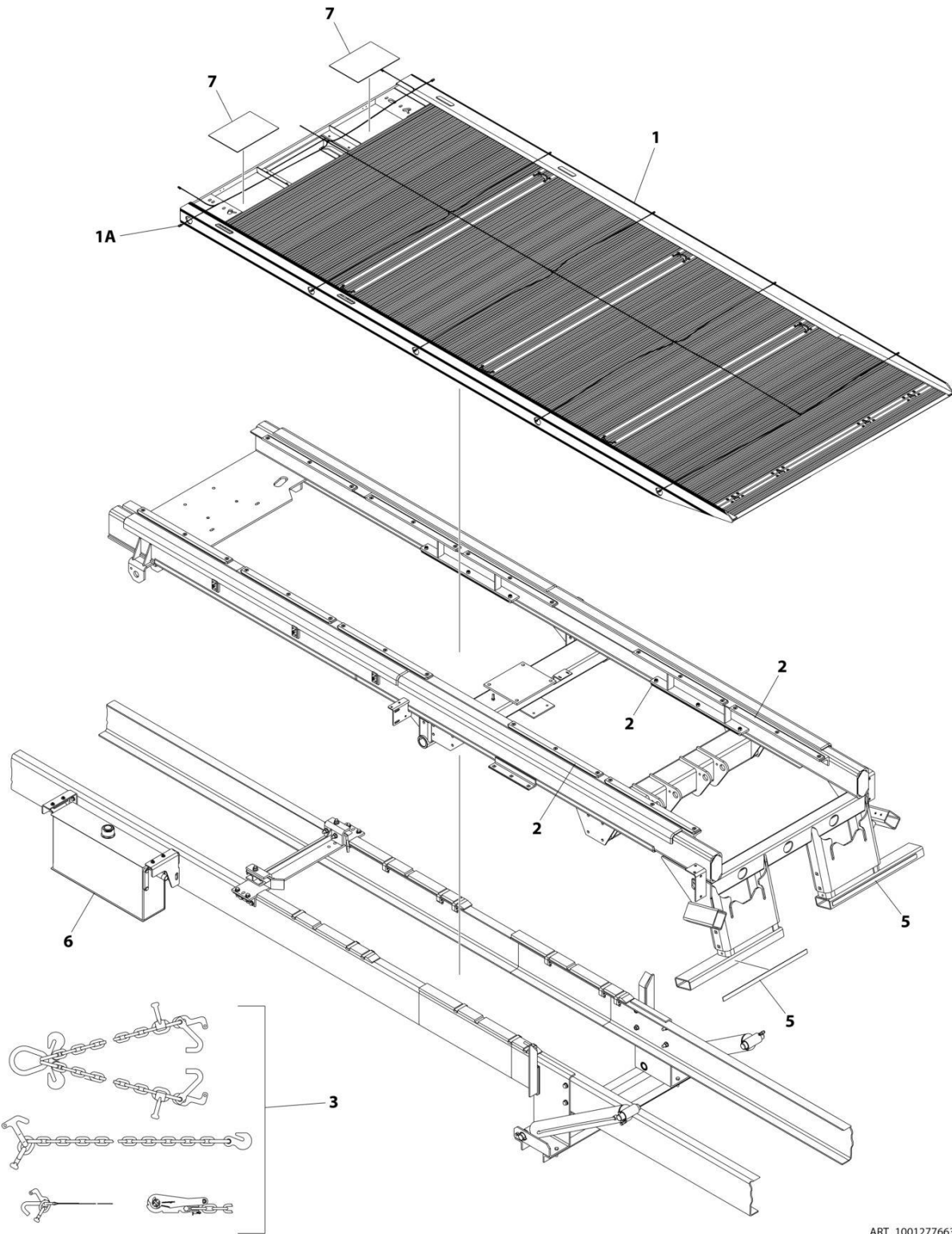
## SECTION 3 - DECK

**FIGURE 3-12. DECK MODEL - ALUMINUM 20IN X 102IN REMOVABLE RAIL**

ITEM	PART NUMBER	QTY	DESCRIPTION	REV
	1001151775	Ref	DECK INSTALLATION - 20FTx102IN ALUMINIUM REMOVABLE RAIL (NGAR6T-XLP)	B
1	3097000664	1	Deck Installation, 20ft (Aluminium)	
2	2679000010	1	Main Subframe Pad Installation (See Separate Breakdown in SUBFRAME Section)	
3	7577000208	1	Chain/Tie-Down Kit	
4	2330000038	1	Standard Duty Decals Installation (Not Shown - See Separate Breakdown in DECAL Section)	
5	2330000055	Ref	Conspicuity Decal Installation	
5	7330000428	2	Decal - Red/White Reflective	
6	2750000008	1	Hydraulic Reservoir and Bracket Mount (See Separate Breakdown in HYDRAULIC Section)	
7	7679000017	2	Chain Tray Mat	
8	7661000055	10	Nut 1/2	

# SECTION 3 - DECK

FIGURE 3-13. DECK MODEL - ALUMINUM 21IN X 90IN FIXED RAIL



ART\_100127663

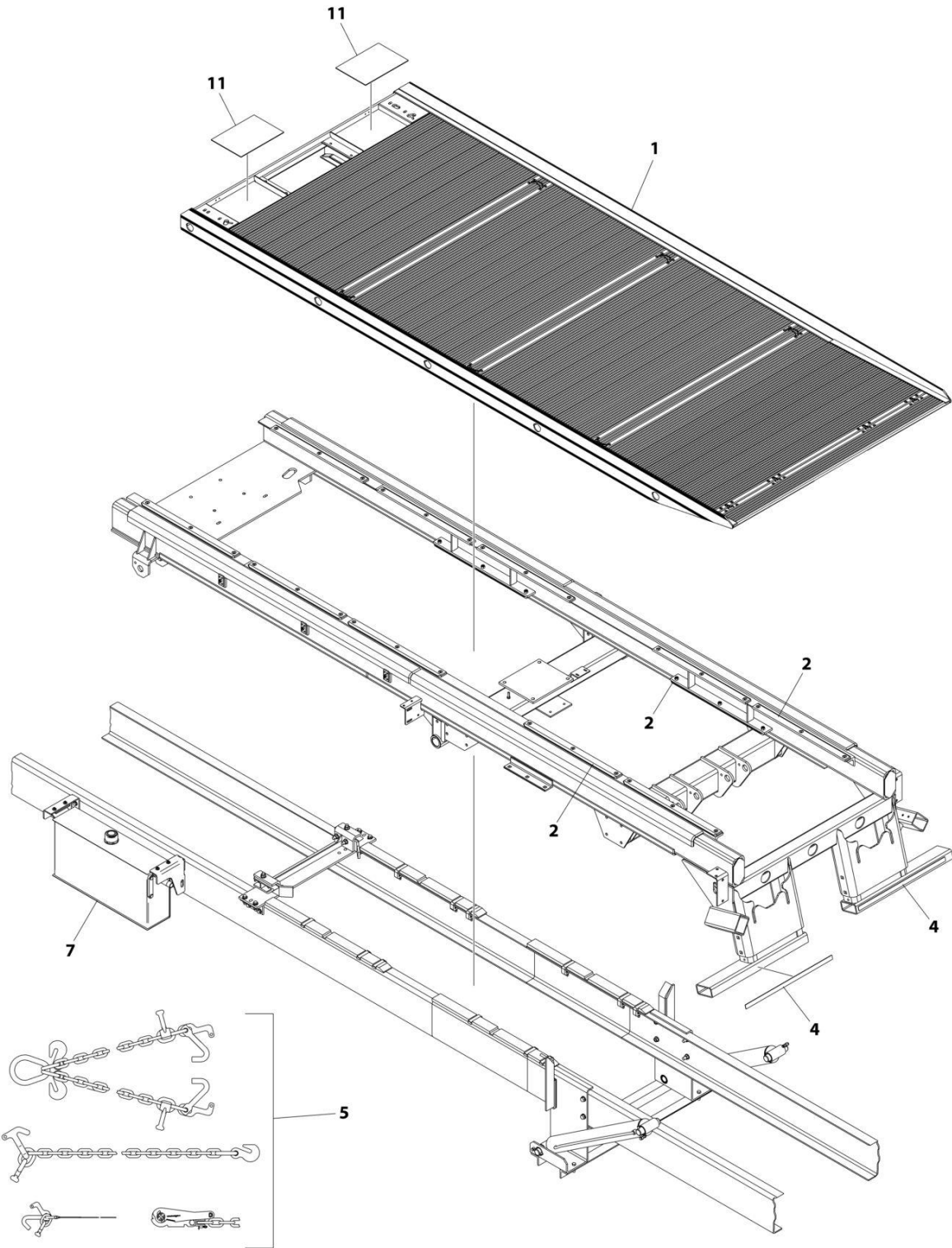
## SECTION 3 - DECK

**FIGURE 3-13. DECK MODEL - ALUMINUM 21IN X 90IN FIXED RAIL**

ITEM	PART NUMBER	QTY	DESCRIPTION	REV
	1001277663	Ref	DECK INSTALLATION - 21FT X 90IN ALUMINIUM FIXED RAIL (NGAF6T-LP)	A
1	1001128462	1	Deck Installation, 21ft (Aluminium)	
1A	7552000212	1	Harness	
2	2679000010	1	Main Subframe Pad Installation (See Separate Breakdown in SUBFRAME Section)	
3	7577000208	1	Chain/Tie-Down Kit	
4	2330000038	1	Standard Duty Decals Installation (Not Shown - See Separate Breakdown in DECAL Section)	
5	2330000055	Ref	Conspicuity Decal Installation	
5	7330000428	2	Decal - Red/White Reflective	
6	2750000008	1	Hydraulic Reservoir and Bracket Mount (See Separate Breakdown in HYDRAULIC Section)	
7	7679000017	2	Chain Tray Mat	

# SECTION 3 - DECK

FIGURE 3-14. DECK MODEL - ALUMINUM 21IN X 96IN FIXED RAIL



ART\_21NGAF6T-LP



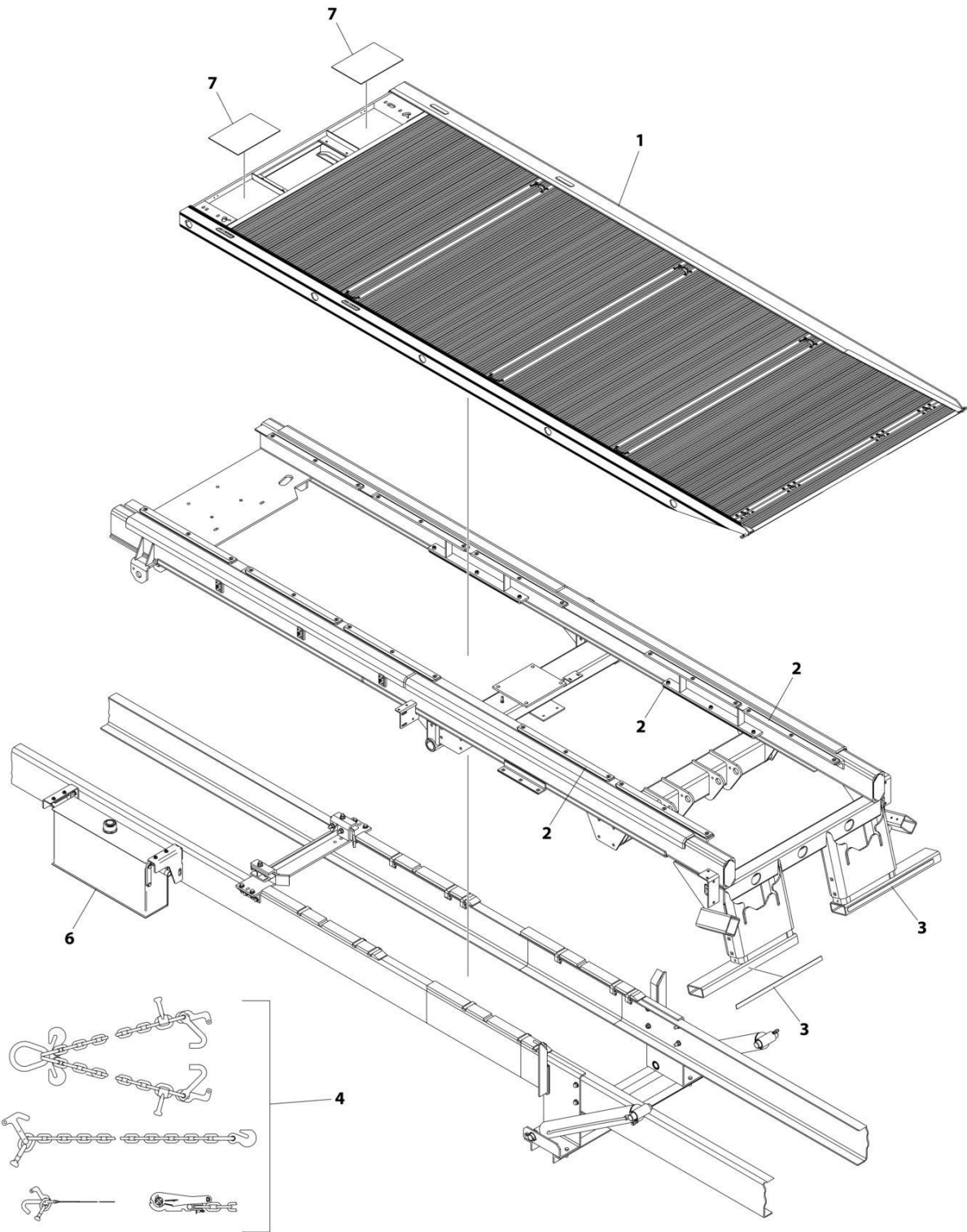
## SECTION 3 - DECK

**FIGURE 3-14. DECK MODEL - ALUMINUM 21IN X 96IN FIXED RAIL**

ITEM	PART NUMBER	QTY	DESCRIPTION	REV
	21NGAF6T-LP	Ref	DECK INSTALLATION - 21FTx96IN ALUMINIUM FIXED RAIL (NGAF6T-XLP)	D
1	3097000675	1	Deck Installation, 21ft (Aluminium)	
2	2679000010	1	Main Subframe Pad Installation (See Separate Breakdown in SUBFRAME Section)	
4	2330000055	Ref	Conspicuity Decal Installation	
4	7330000428	2	Decal - Red/White Reflective	
5	7577000208	1	Chain/Tie-Down Kit	
6	2330000038	1	Standard Duty Decals Installation (Not Shown - See Separate Breakdown in DECAL Section)	
7	2750000008	1	Hydraulic Reservoir and Bracket Mount (See Separate Breakdown in HYDRAULIC Section)	
11	7679000017	2	Chain Tray Mat	

# SECTION 3 - DECK

FIGURE 3-15. DECK MODEL - ALUMINUM 21IN X 96IN FIXED RAIL DUAL ANGLE



ART\_1001211145

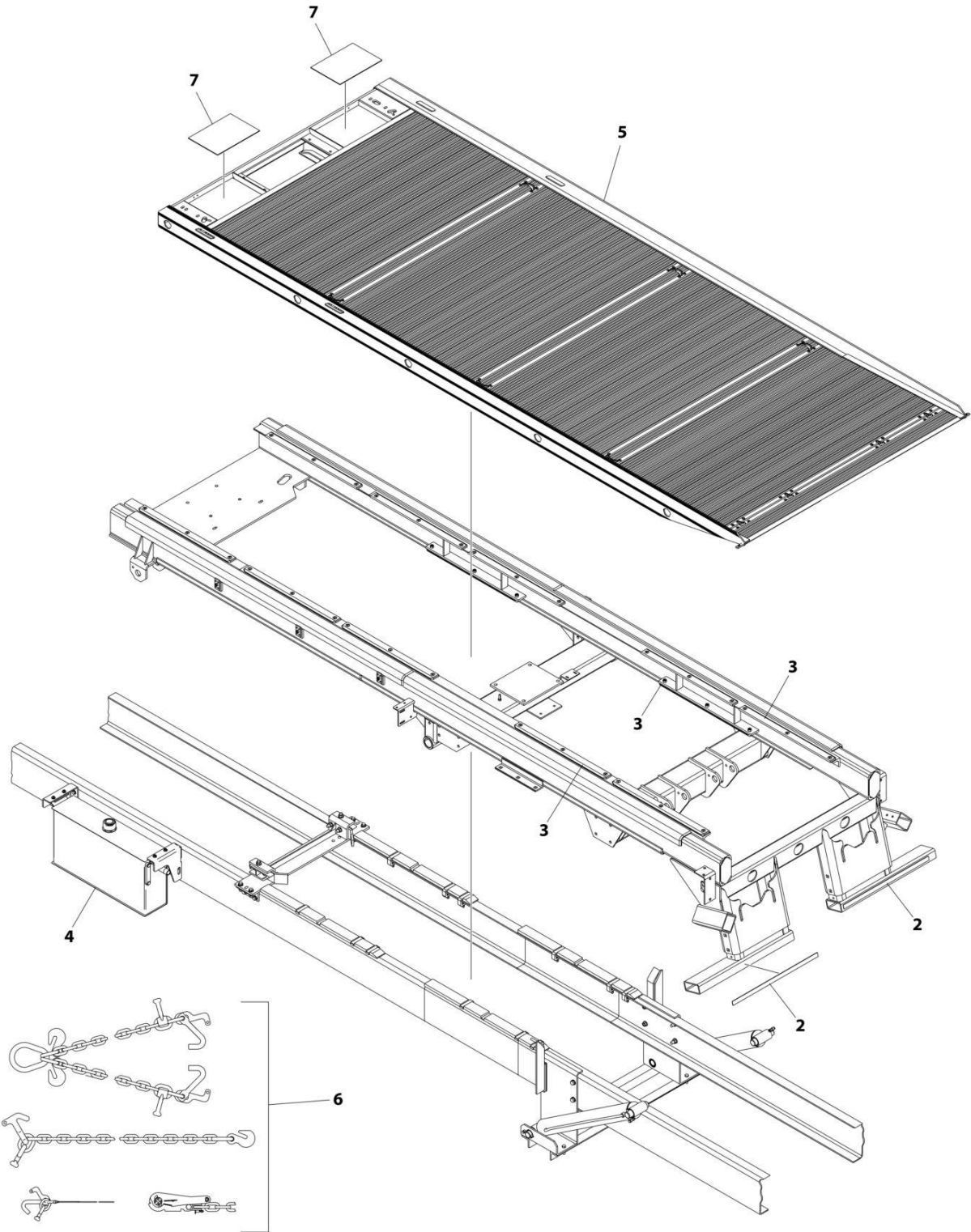
## SECTION 3 - DECK

**FIGURE 3-15. DECK MODEL - ALUMINUM 21IN X 96IN FIXED RAIL DUAL ANGLE**

ITEM	PART NUMBER	QTY	DESCRIPTION	REV
	1001211145	Ref	DECK INSTALLATION - 21FTx96IN ALUMINIUM DUAL ANGLE FIXED RAIL (NGADF6T-XLP)	B
1	3097000681	1	Deck Installation, 21ft (Aluminium)	
2	2679000010	1	Main Subframe Pad Installation (See Separate Breakdown in SUBFRAME Section)	
3	2330000055	Ref	Conspicuity Decal Installation	
3	7330000428	2	Decal - Red/White Reflective	
4	7577000208	1	Chain/Tie-Down Kit	
5	2330000038	1	Standard Duty Decals Installation (Not Shown - See Separate Breakdown in DECAL Section)	
6	2750000008	1	Hydraulic Reservoir and Bracket Mount (See Separate Breakdown in HYDRAULIC Section)	
7	7679000017	2	Chain Tray Mat	

# SECTION 3 - DECK

FIGURE 3-16. DECK MODEL - ALUMINUM 21IN X 96IN FIXED RAIL DUAL ANGLE CARGO HAULER



ART\_1001264442

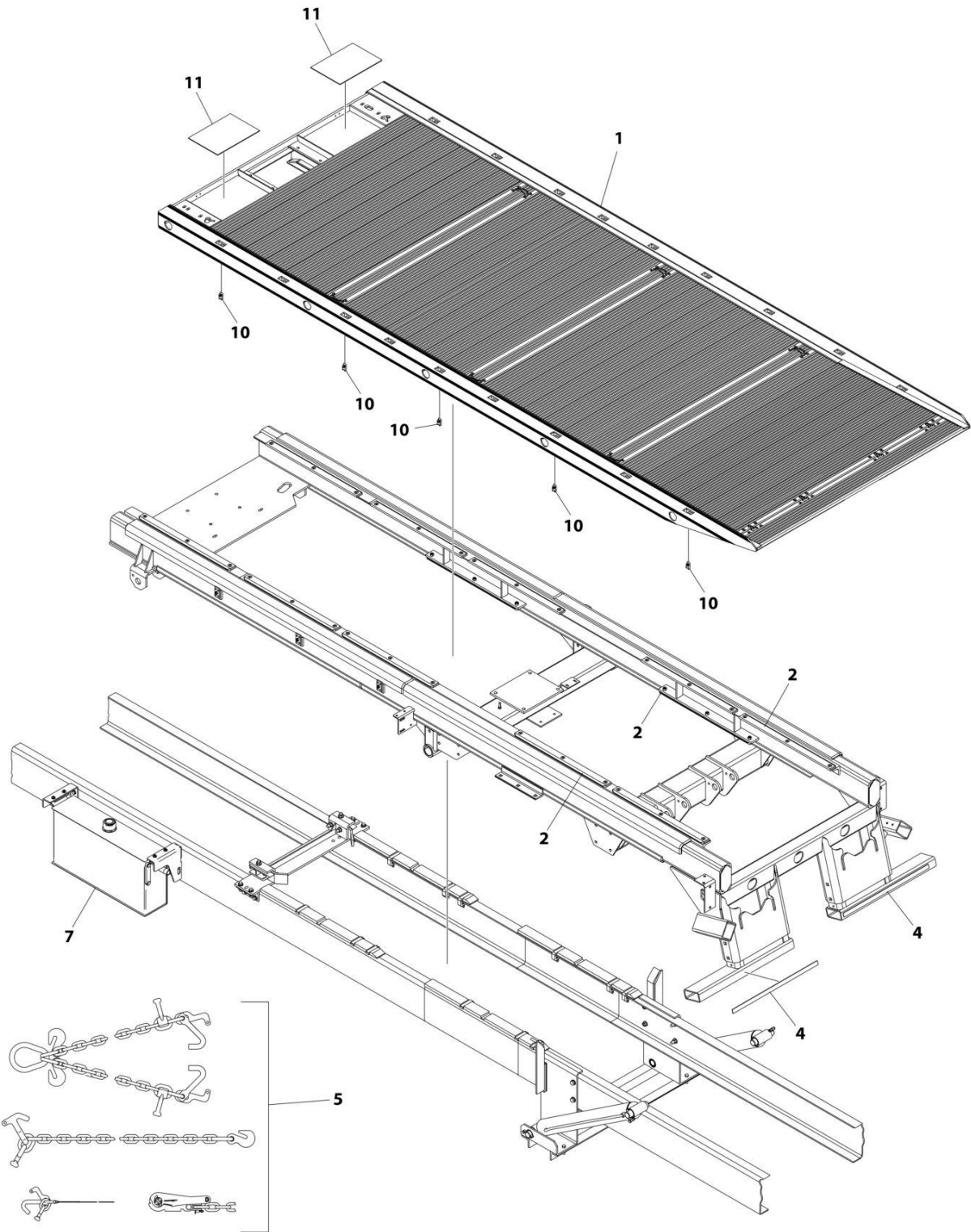
## SECTION 3 - DECK

**FIGURE 3-16. DECK MODEL - ALUMINUM 21IN X 96IN FIXED RAIL DUAL ANGLE CARGO HAULER**

ITEM	PART NUMBER	QTY	DESCRIPTION	REV
	1001264442	Ref	DECK INSTALLATION - 21FTx96IN ALUMINIUM DUAL ANGLE FIXED RAIL (NGADF6T-XLP), CARGO HAULER	A
1	1001264091	1	Standard Duty Decals Installation (Not Shown - See Separate Breakdown in DECAL Section)	
2	2330000055	Ref	Conspicuity Decal Installation	
2	7330000428	2	Decal - Red/White Reflective	
3	2679000010	1	Main Subframe Pad Installation (See Separate Breakdown in SUBFRAME Section)	
4	2750000008	1	Hydraulic Reservoir and Bracket Mount (See Separate Breakdown in HYDRAULIC Section)	
5	3097000681	1	Deck Installation, 21ft (Aluminium)	
6	7577000208	1	Chain/ Tie-Down Kit	
7	7679000017	2	Chain Tray Mat	

# SECTION 3 - DECK

## FIGURE 3-17. DECK MODEL - ALUMINUM 21IN X 96IN REMOVABLE RAIL



ART\_21NGAR6T-LP

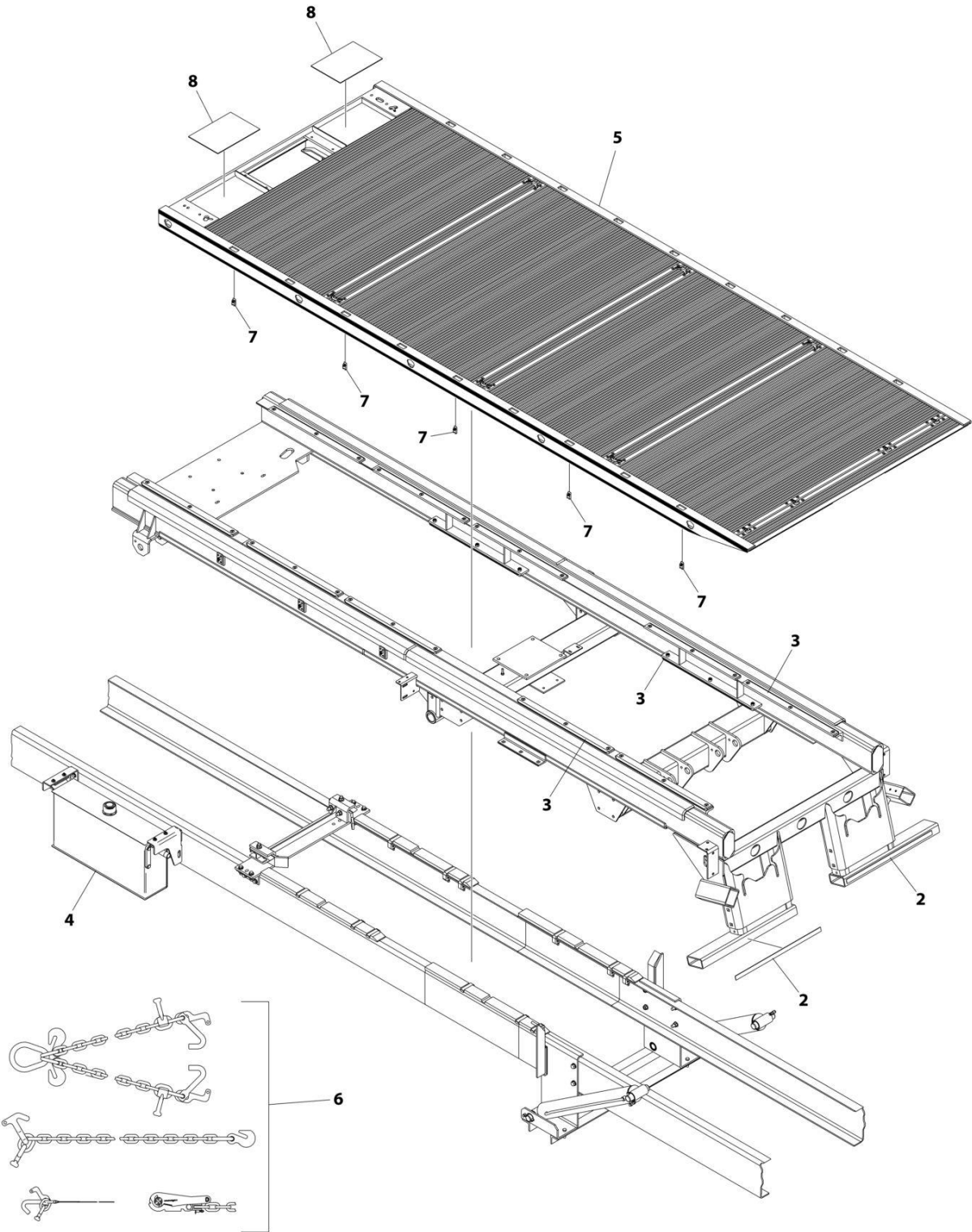
## SECTION 3 - DECK

**FIGURE 3-17. DECK MODEL - ALUMINUM 21IN X 96IN REMOVABLE RAIL**

ITEM	PART NUMBER	QTY	DESCRIPTION	REV
	21NGAR6T-LP	Ref	DECK INSTALLATION - 21FTx96IN ALUMINIUM REMOVABLE RAIL (NGAR6T-XLP)	C
1	3097000673	1	Deck Installation, 22ft (Aluminium)	
2	2679000010	1	Main Subframe Pad Installation (See Separate Breakdown in SUBFRAME Section)	
4	2330000055	Ref	Conspicuity Decal Installation	
4	7330000428	2	Decal - Red/White Reflective	
5	7577000208	1	Chain/Tie-Down Kit	
6	2330000038	1	Standard Duty Decals Installation (Not Shown - See Separate Breakdown in DECAL Section)	
7	2750000008	1	Hydraulic Reservoir and Bracket Mount (See Separate Breakdown in HYDRAULIC Section)	
10	7661000055	10	Nut 1/2	
11	7679000017	2	Chain Tray Mat	

# SECTION 3 - DECK

FIGURE 3-18. DECK MODEL - ALUMINUM 21IN X 96IN REMOVABLE RAIL CARGO HAULER



ART\_1001264440



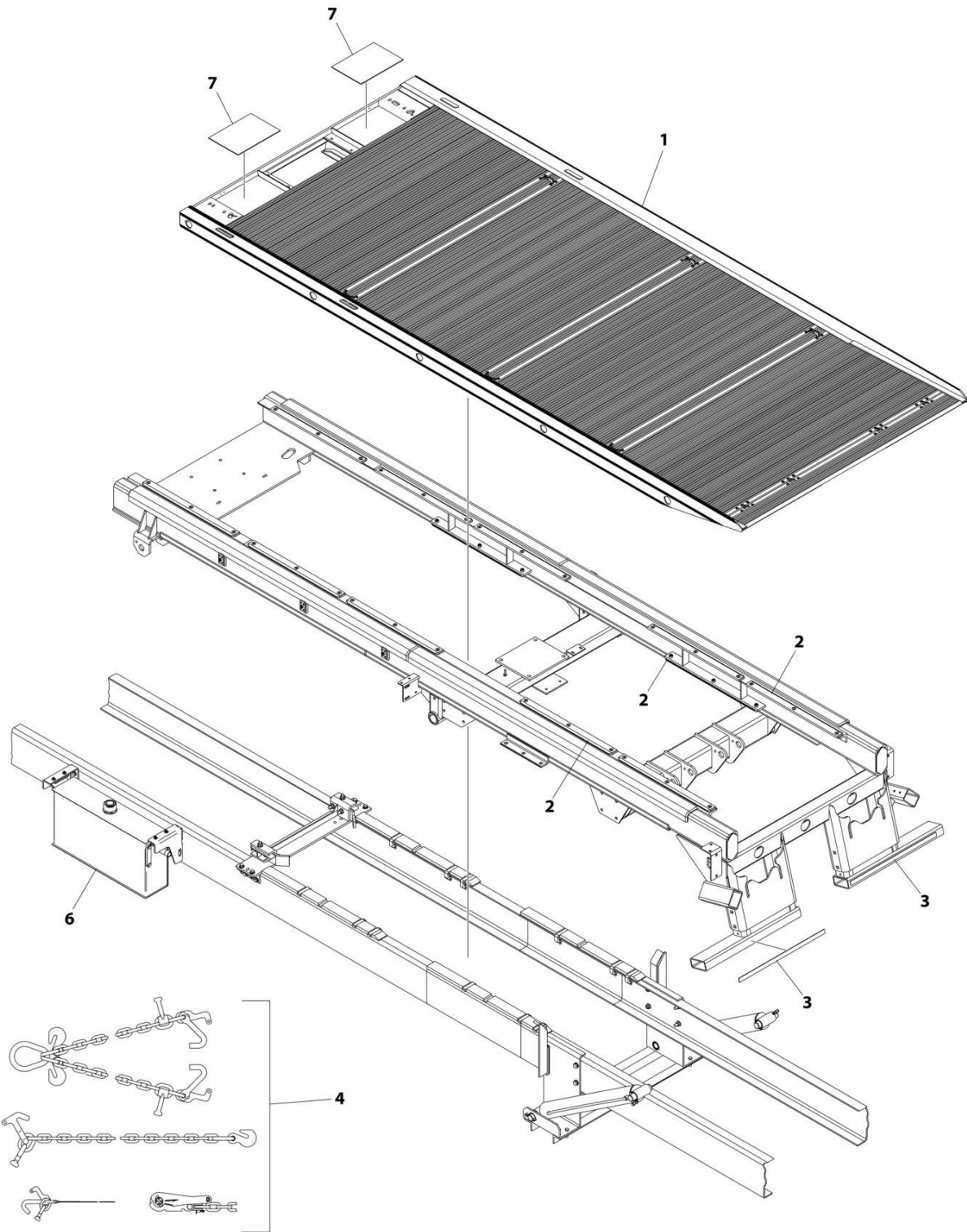
## SECTION 3 - DECK

**FIGURE 3-18. DECK MODEL - ALUMINUM 21IN X 96IN REMOVABLE RAIL CARGO HAULER**

ITEM	PART NUMBER	QTY	DESCRIPTION	REV
	1001264440	Ref	DECK INSTALLATION - 21FTx96IN ALUMINIUM REMOVABLE RAIL (NGAR6T-XLP), CARGO HAULER	A
1	1001264091	1	Standard Duty Decals Installation (Not Shown - See Separate Breakdown in DECAL Section)	
2	2330000055	Ref	Conspicuity Decal Installation	
2	7330000428	2	Decal - Red/White Reflective	
3	2679000010	1	Main Subframe Pad Installation (See Separate Breakdown in SUBFRAME Section)	
4	2750000008	1	Hydraulic Reservoir and Bracket Mount (See Separate Breakdown in HYDRAULIC Section)	
5	3097000673	1	Deck Installation, 21ft (Aluminium)	
6	7577000208	1	Chain/Tie-Down Kit	
7	7661000055	10	Nut 1/2	
8	7679000017	2	Chain Tray Mat	

# SECTION 3 - DECK

## FIGURE 3-19. DECK MODEL - ALUMINUM 21IN X 102IN FIXED RAIL



ART\_1001211148

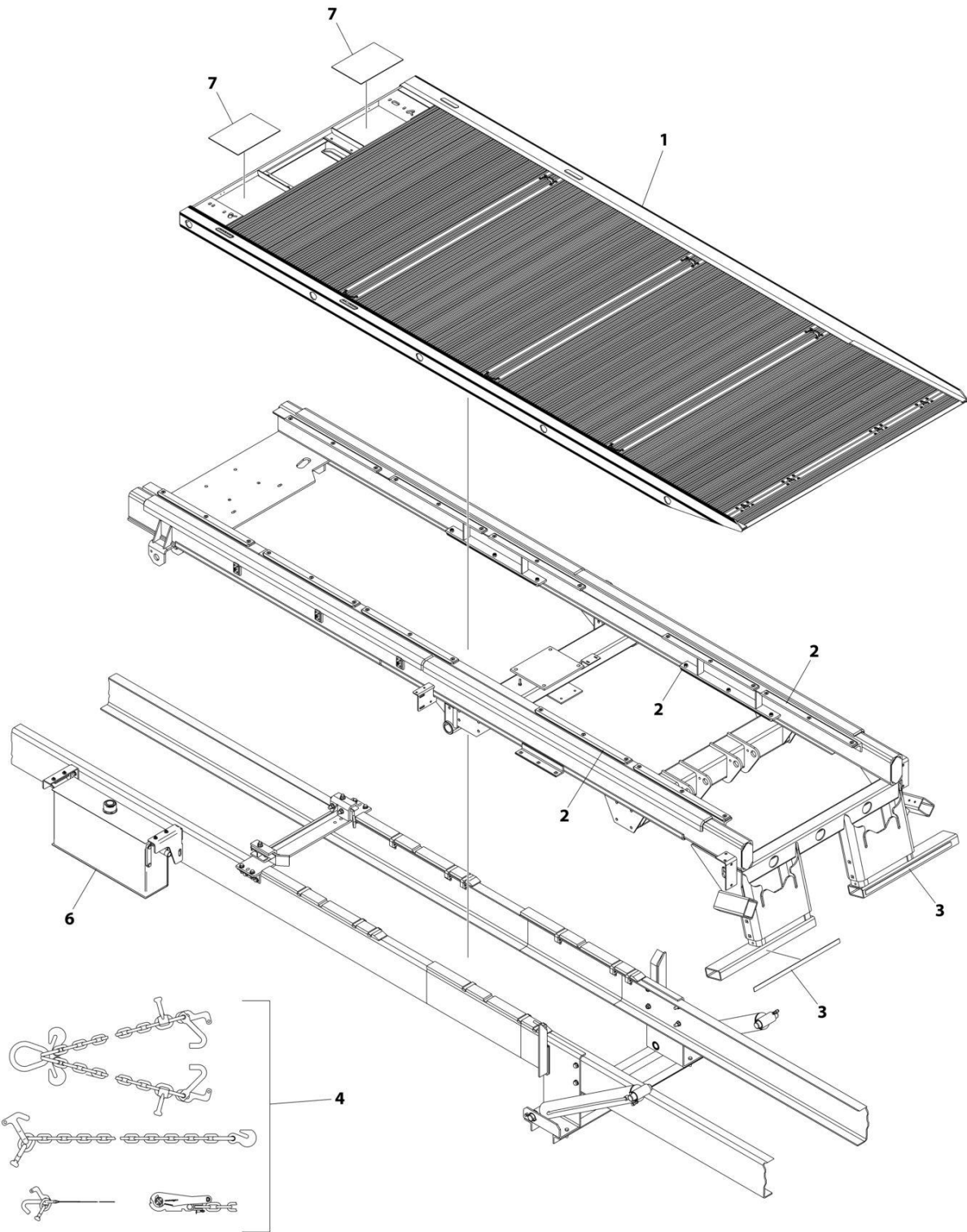
## SECTION 3 - DECK

**FIGURE 3-19. DECK MODEL - ALUMINUM 21IN X 102IN FIXED RAIL**

ITEM	PART NUMBER	QTY	DESCRIPTION	REV
	1001211148	Ref	DECK INSTALLATION - 21FTx102IN ALUMINIUM FIXED RAIL (NGAF6T-XLP)	B
1	3097000676	1	Deck Installation, 21ft (Aluminium)	
2	2679000010	1	Main Subframe Pad Installation (See Separate Breakdown in SUBFRAME Section)	
3	2330000055	Ref	Conspicuity Decal Installation	
3	7330000428	2	Decal - Red/White Reflective	
4	7577000208	1	Chain/Tie-Down Kit	
5	2330000038	1	Standard Duty Decals Installation (Not Shown - See Separate Breakdown in DECAL Section)	
6	2750000008	1	Hydraulic Reservoir and Bracket Mount (See Separate Breakdown in HYDRAULIC Section)	
7	7679000017	2	Chain Tray Mat	

# SECTION 3 - DECK

FIGURE 3-20. DECK MODEL - ALUMINUM 21IN X 102IN FIXED RAIL DUAL ANGLE



ART\_1001211147

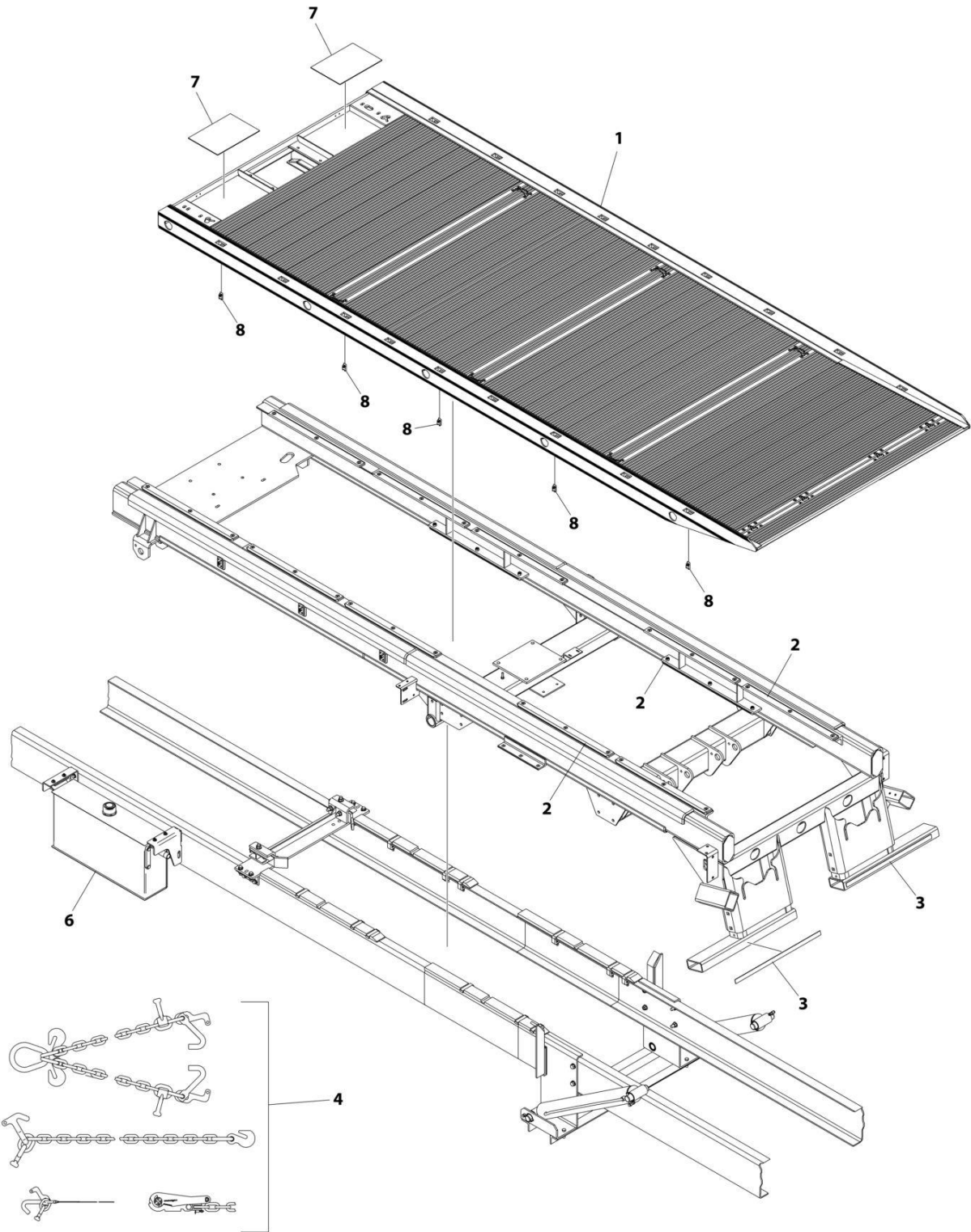
## SECTION 3 - DECK

**FIGURE 3-20. DECK MODEL - ALUMINUM 21IN X 102IN FIXED RAIL DUAL ANGLE**

ITEM	PART NUMBER	QTY	DESCRIPTION	REV
	1001211147	Ref	DECK INSTALLATION - 21FTx102IN ALUMINIUM DUAL ANGLE FIXED RAIL (NGADF6T-XLP)	B
1	3097000682	1	Deck Installation, 21ft (Aluminium)	
2	2679000010	1	Main Subframe Pad Installation (See Separate Breakdown in SUBFRAME Section)	
3	2330000055	Ref	Conspicuity Decal Installation	
3	7330000428	2	Decal - Red/White Reflective	
4	7577000208	1	Chain/Tie-Down Kit	
5	2330000038	1	Standard Duty Decals Installation (Not Shown - See Separate Breakdown in DECAL Section)	
6	2750000008	1	Hydraulic Reservoir and Bracket Mount (See Separate Breakdown in HYDRAULIC Section)	
7	7679000017	2	Chain Tray Mat	

# SECTION 3 - DECK

## FIGURE 3-21. DECK MODEL - ALUMINUM 21IN X 102IN REMOVABLE RAIL



ART\_1001211150

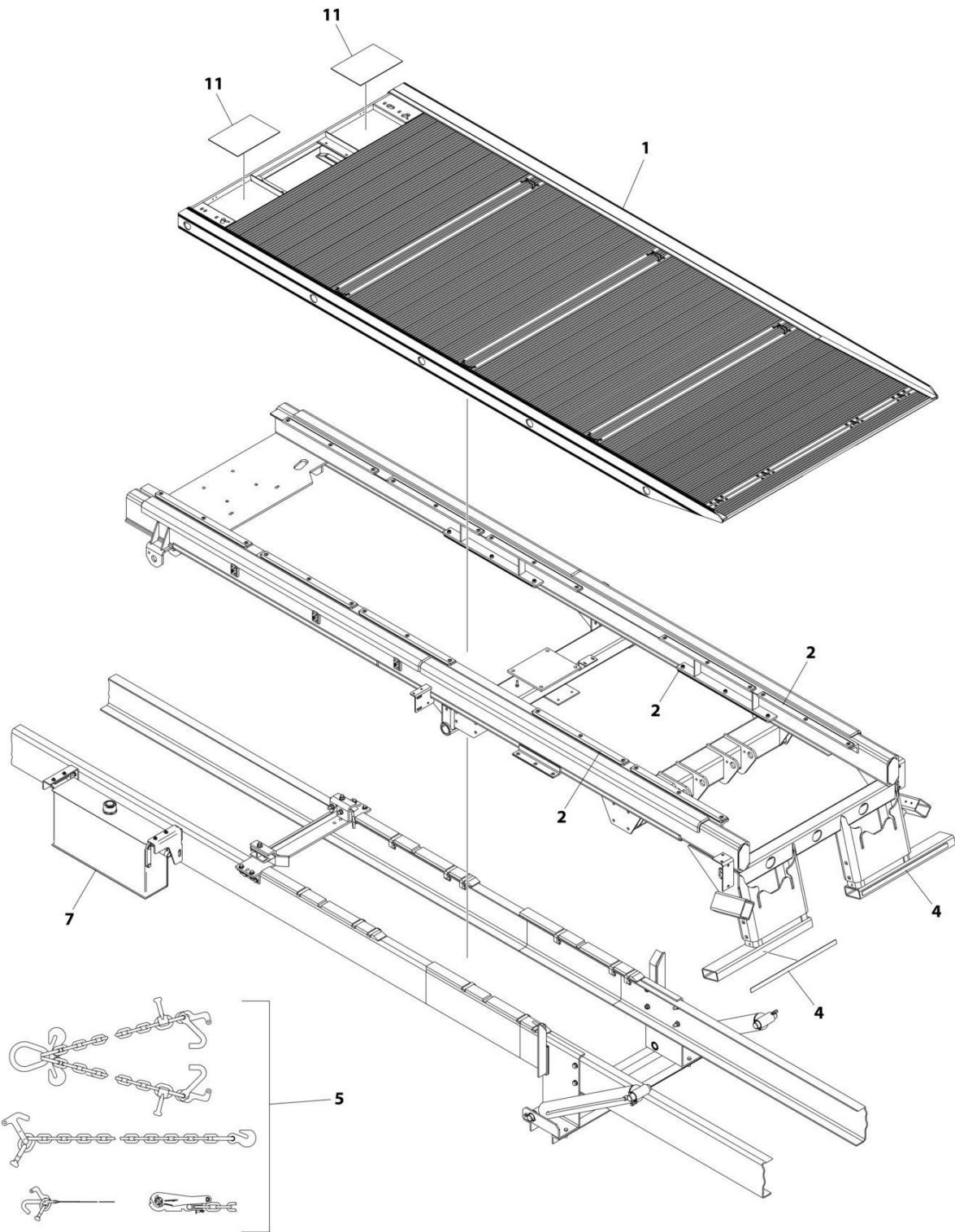
## SECTION 3 - DECK

**FIGURE 3-21. DECK MODEL - ALUMINUM 21IN X 102IN REMOVABLE RAIL**

ITEM	PART NUMBER	QTY	DESCRIPTION	REV
	1001211150	Ref	DECK INSTALLATION - 21FTx102IN ALUMINIUM REMOVABLE RAIL (NGAR6T-XLP)	B
1	3097000674	1	Deck Installation, 21ft (Aluminium)	
2	2679000010	1	Main Subframe Pad Installation (See Separate Breakdown in SUBFRAME Section)	
3	2330000055	Ref	Conspicuity Decal Installation	
3	7330000428	2	Decal - Red/White Reflective	
4	7577000208	1	Chain/Tie-Down Kit	
5	2330000038	1	Standard Duty Decals Installation (Not Shown - See Separate Breakdown in DECAL Section)	
6	2750000008	1	Hydraulic Reservoir and Bracket Mount (See Separate Breakdown in HYDRAULIC Section)	
7	7679000017	2	Chain Tray Mat	
8	7661000055	10	Nut 1/2	

# SECTION 3 - DECK

FIGURE 3-22. DECK MODEL - ALUMINUM 22IN X 96IN FIXED RAIL



ART\_22NGAF6T-LP



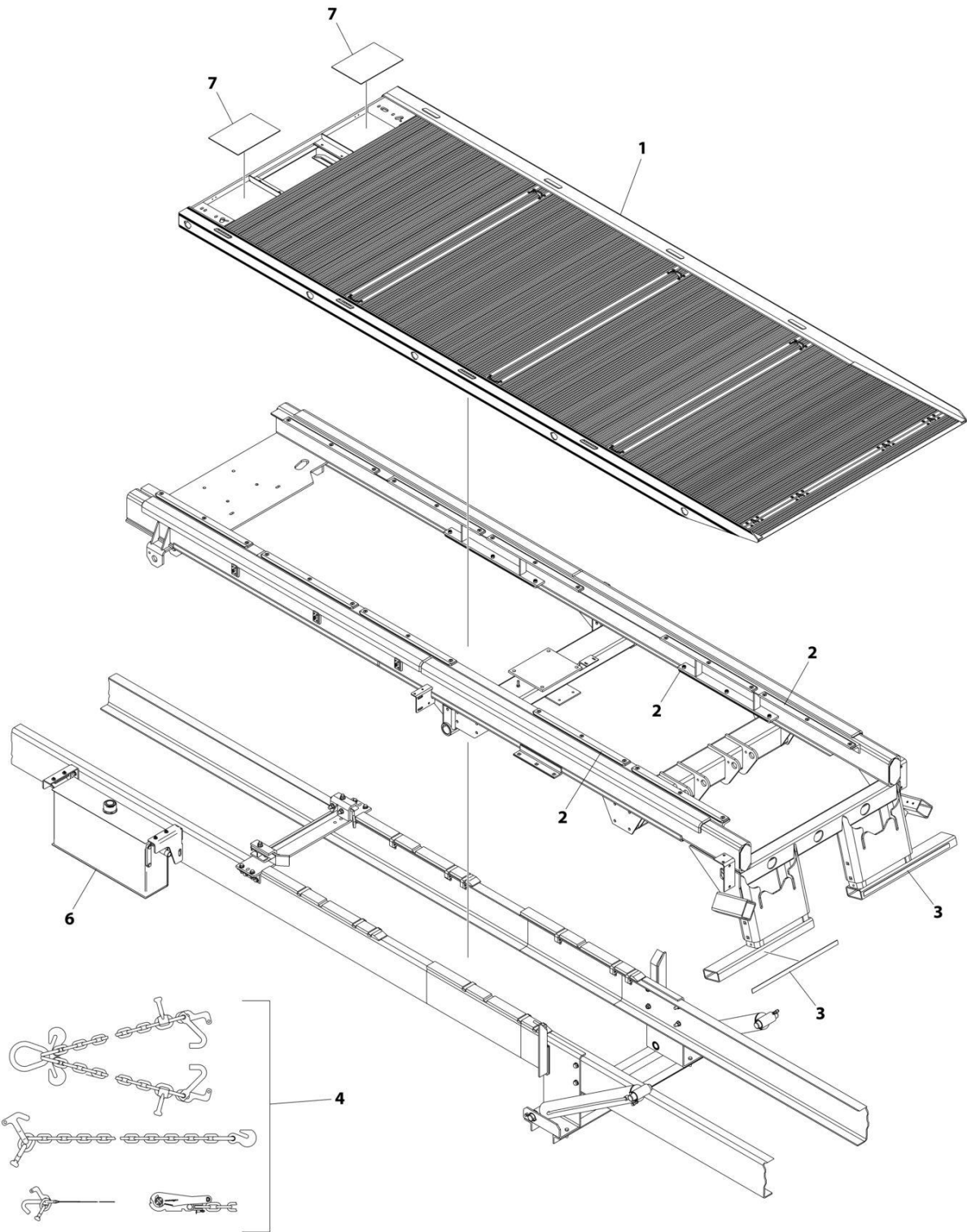
## SECTION 3 - DECK

**FIGURE 3-22. DECK MODEL - ALUMINUM 22IN X 96IN FIXED RAIL**

ITEM	PART NUMBER	QTY	DESCRIPTION	REV
	22NGAF6T-LP	Ref	DECK INSTALLATION - 22FTx96IN ALUMINIUM FIXED RAIL (NGAF6T-XLP)	D
1	3097000779	1	Deck Installation, 22ft (Aluminium)	
2	2679000010	1	Main Subframe Pad Installation (See Separate Breakdown in SUBFRAME Section)	
4	2330000055	Ref	Conspicuity Decal Installation	
4	7330000428	2	Decal - Red/White Reflective	
5	7577000208	1	Chain/Tie-Down Kit	
6	2330000038	1	Standard Duty Decals Installation (Not Shown - See Separate Breakdown in DECAL Section)	
7	2750000008	1	Hydraulic Reservoir and Bracket Mount (See Separate Breakdown in HYDRAULIC Section)	
11	7679000017	2	Chain Tray Mat	

# SECTION 3 - DECK

FIGURE 3-23. DECK MODEL - ALUMINUM 22IN X 96IN FIXED RAIL DUAL ANGLE



ART\_1001211162

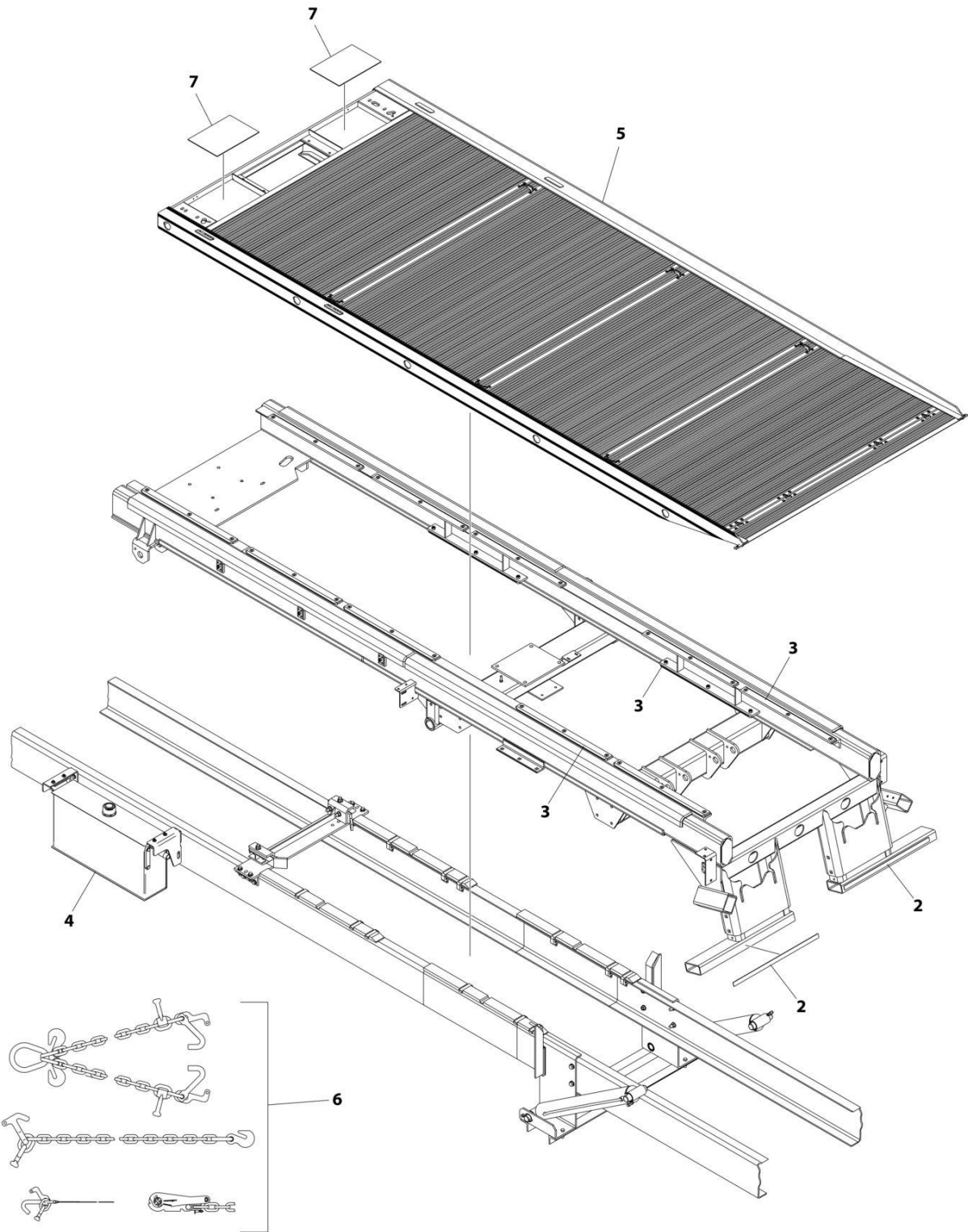
## SECTION 3 - DECK

**FIGURE 3-23. DECK MODEL - ALUMINUM 22IN X 96IN FIXED RAIL DUAL ANGLE**

ITEM	PART NUMBER	QTY	DESCRIPTION	REV
	1001211162	Ref	DECK INSTALLATION - 22FTx96IN ALUMINIUM DUAL ANGLE FIXED RAIL (NGADF6T-XLP)	B
1	3097000782	1	Deck Installation, 22ft (Aluminium)	
2	2679000010	1	Main Subframe Pad Installation (See Separate Breakdown in SUBFRAME Section)	
3	2330000055	Ref	Conspicuity Decal Installation	
3	7330000428	2	Decal - Red/White Reflective	
4	7577000208	1	Chain/Tie-Down Kit	
5	2330000038	1	Standard Duty Decals Installation (Not Shown - See Separate Breakdown in DECAL Section)	
6	2750000008	1	Hydraulic Reservoir and Bracket Mount (See Separate Breakdown in HYDRAULIC Section)	
7	7679000017	2	Chain Tray Mat	

# SECTION 3 - DECK

FIGURE 3-24. DECK MODEL - ALUMINUM 22IN X 96IN FIXED RAIL DUAL ANGLE CARGO HAULER



ART\_1001265040

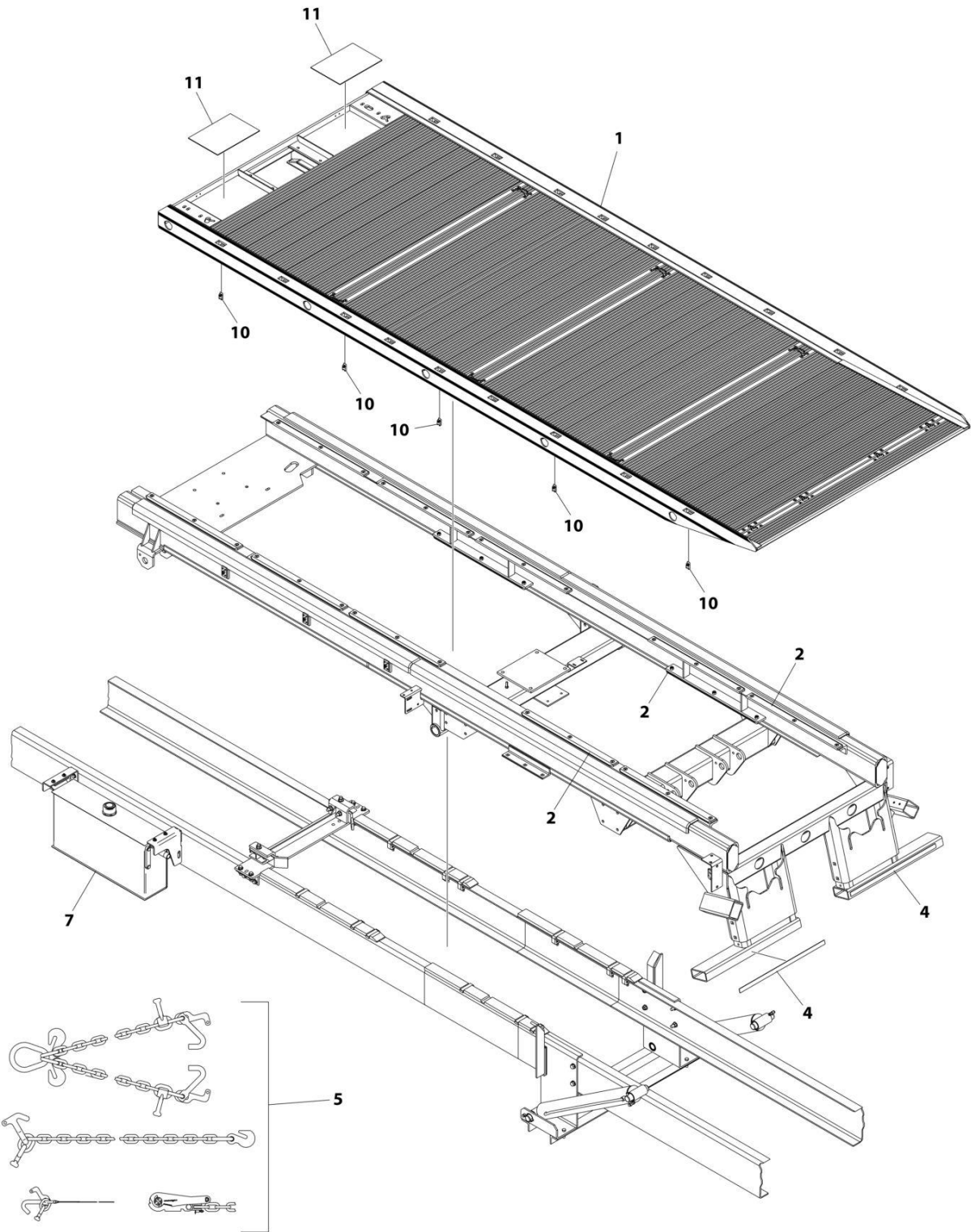
## SECTION 3 - DECK

**FIGURE 3-24. DECK MODEL - ALUMINUM 22IN X 96IN FIXED RAIL DUAL ANGLE CARGO HAULER**

ITEM	PART NUMBER	QTY	DESCRIPTION	REV
	1001265040	Ref	DECK INSTALLATION - 22FTx96IN ALUMINIUM DUAL ANGLE FIXED RAIL (NGADF6T-XLP), CARGO HAULER	A
1	1001264091	1	Standard Duty Decals Installation (Not Shown - See Separate Breakdown in DECAL Section)	
2	2330000055	Ref	Conspicuity Decal Installation	
2	7330000428	2	Decal - Red/White Reflective	
3	2679000010	1	Main Subframe Pad Installation (See Separate Breakdown in SUBFRAME Section)	
4	2750000008	1	Hydraulic Reservoir and Bracket Mount (See Separate Breakdown in HYDRAULIC Section)	
5	3097000782	1	Deck Installation, 22ft (Aluminium)	
6	7577000208	1	Chain/Tie-Down Kit	
7	7679000017	2	Chain Tray Mat	

# SECTION 3 - DECK

FIGURE 3-25. DECK MODEL - ALUMINUM 22IN X 96IN REMOVABLE RAIL



ART\_22NGAR6T-LP

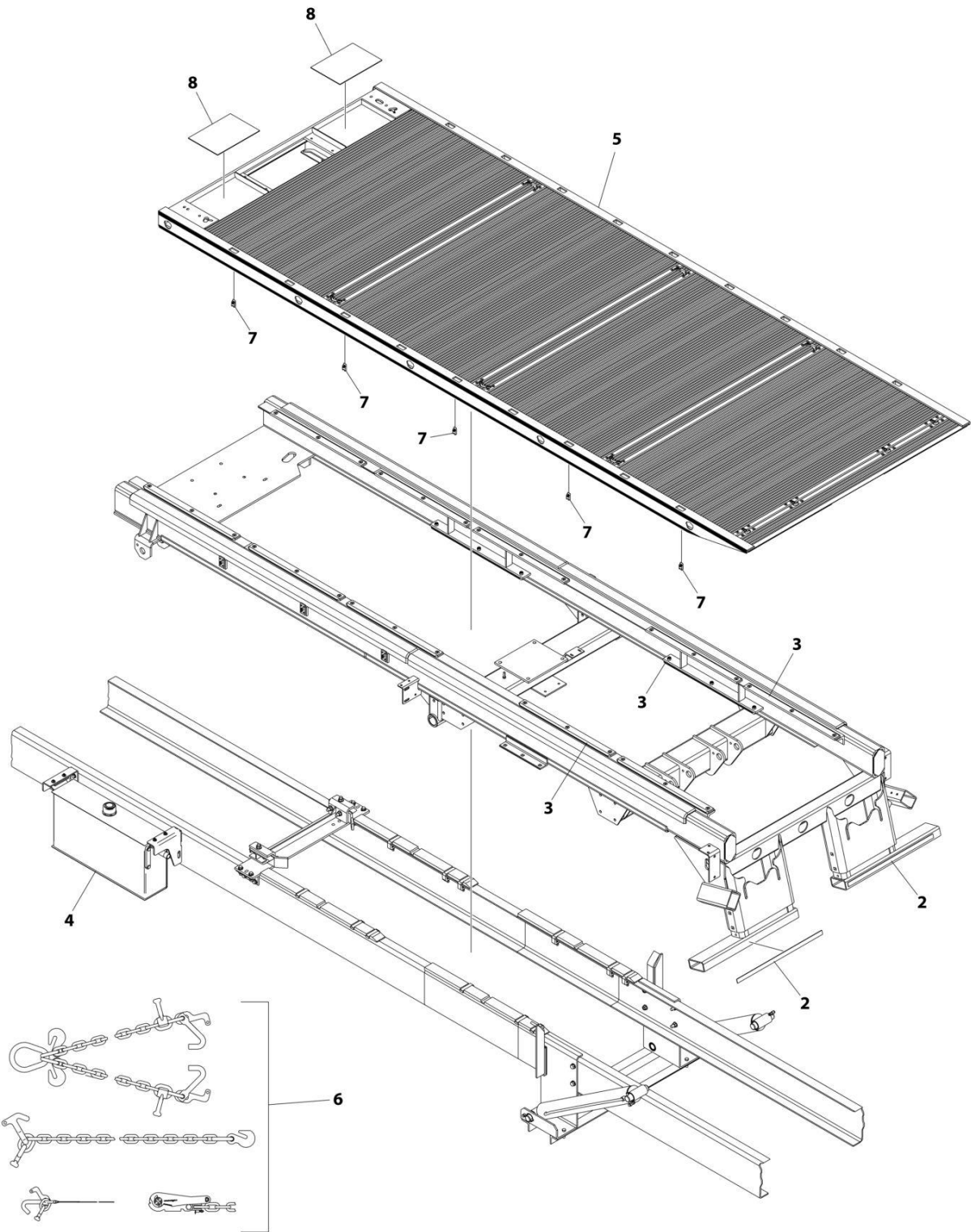
## SECTION 3 - DECK

**FIGURE 3-25. DECK MODEL - ALUMINUM 22IN X 96IN REMOVABLE RAIL**

ITEM	PART NUMBER	QTY	DESCRIPTION	REV
	22NGAR6T-LP	Ref	DECK INSTALLATION - 22FTx96IN ALUMINIUM REMOVABLE RAIL (NGAR6T-XLP)	C
1	3097000777	1	Deck Installation, 22ft (Aluminium)	
2	2679000010	1	Main Subframe Pad Installation (See Separate Breakdown in SUBFRAME Section)	
4	2330000055	Ref	Conspicuity Decal Installation	
4	7330000428	2	Decal - Red/White Reflective	
5	7577000208	1	Chain/Tie-Down Kit	
6	2330000038	1	Standard Duty Decals Installation (Not Shown - See Separate Breakdown in DECAL Section)	
7	2750000008	1	Hydraulic Reservoir and Bracket Mount (See Separate Breakdown in HYDRAULIC Section)	
10	7661000055	10	Nut 1/2	
11	7679000017	2	Chain Tray Mat	

# SECTION 3 - DECK

FIGURE 3-26. DECK MODEL - ALUMINUM 22IN X 96IN REMOVABLE RAIL CARGO HAULER



ART\_1001265039



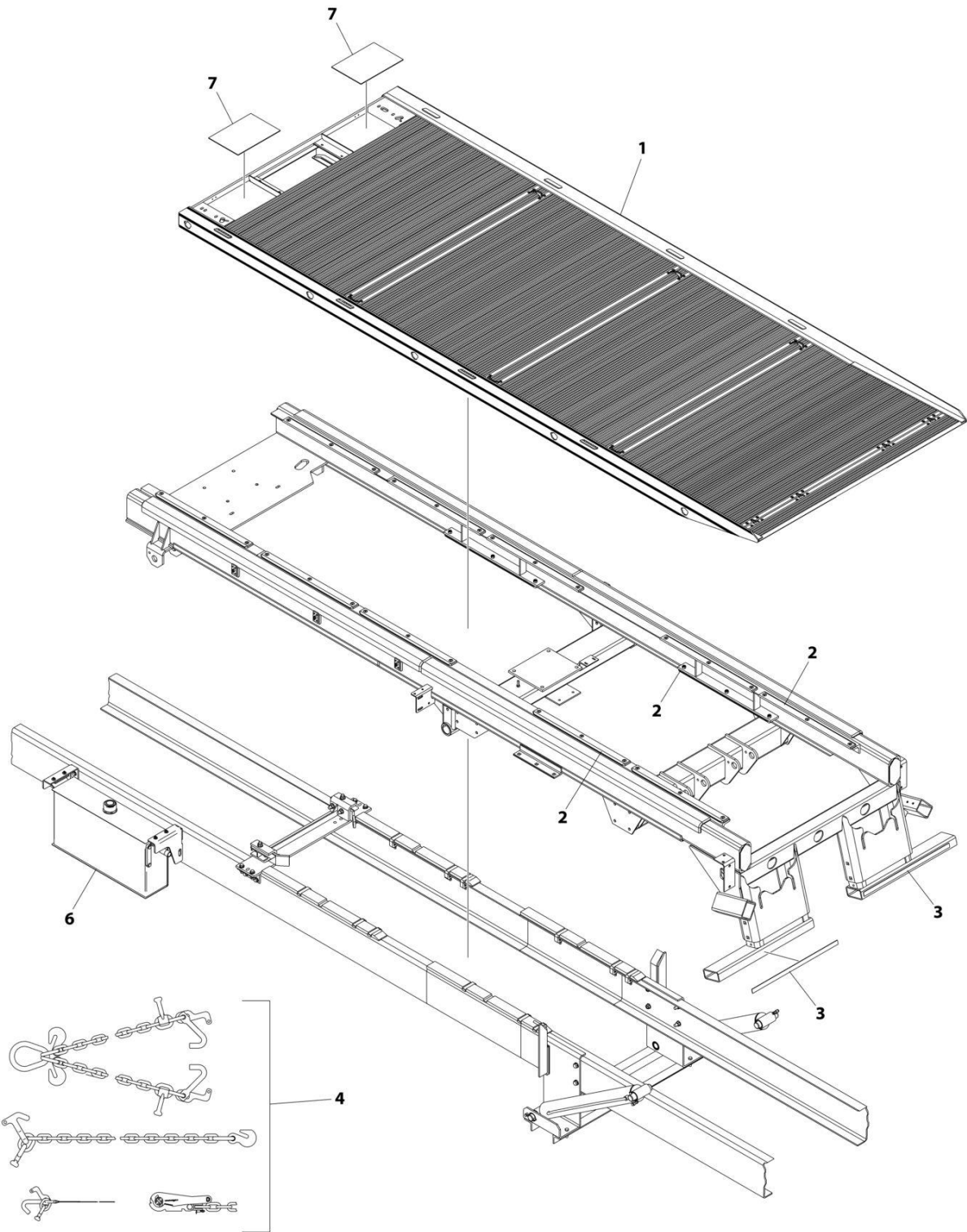
## SECTION 3 - DECK

**FIGURE 3-26. DECK MODEL - ALUMINUM 22IN X 96IN REMOVABLE RAIL CARGO HAULER**

ITEM	PART NUMBER	QTY	DESCRIPTION	REV
	1001265039	Ref	DECK INSTALLATION - 22FTx96IN ALUMINIUM REMOVABLE RAIL (NGAR6T-XLP), CARGO HAULER	A
1	1001264091	1	Standard Duty Decals Installation (Not Shown - See Separate Breakdown in DECAL Section)	
2	2330000055	Ref	Conspicuity Decal Installation	
2	7330000428	2	Decal - Red/White Reflective	
3	2679000010	1	Main Subframe Pad Installation (See Separate Breakdown in SUBFRAME Section)	
4	2750000008	1	Hydraulic Reservoir and Bracket Mount (See Separate Breakdown in HYDRAULIC Section)	
5	3097000777	1	Deck Installation, 22ft (Aluminium)	
6	7577000208	1	Chain/Tie-Down Kit	
7	7661000055	10	Nut U - 1/2	
8	7679000017	2	Chain Tray Mat	

# SECTION 3 - DECK

FIGURE 3-27. DECK MODEL - ALUMINUM 22IN X 102IN FIXED RAIL



ART\_1001211164

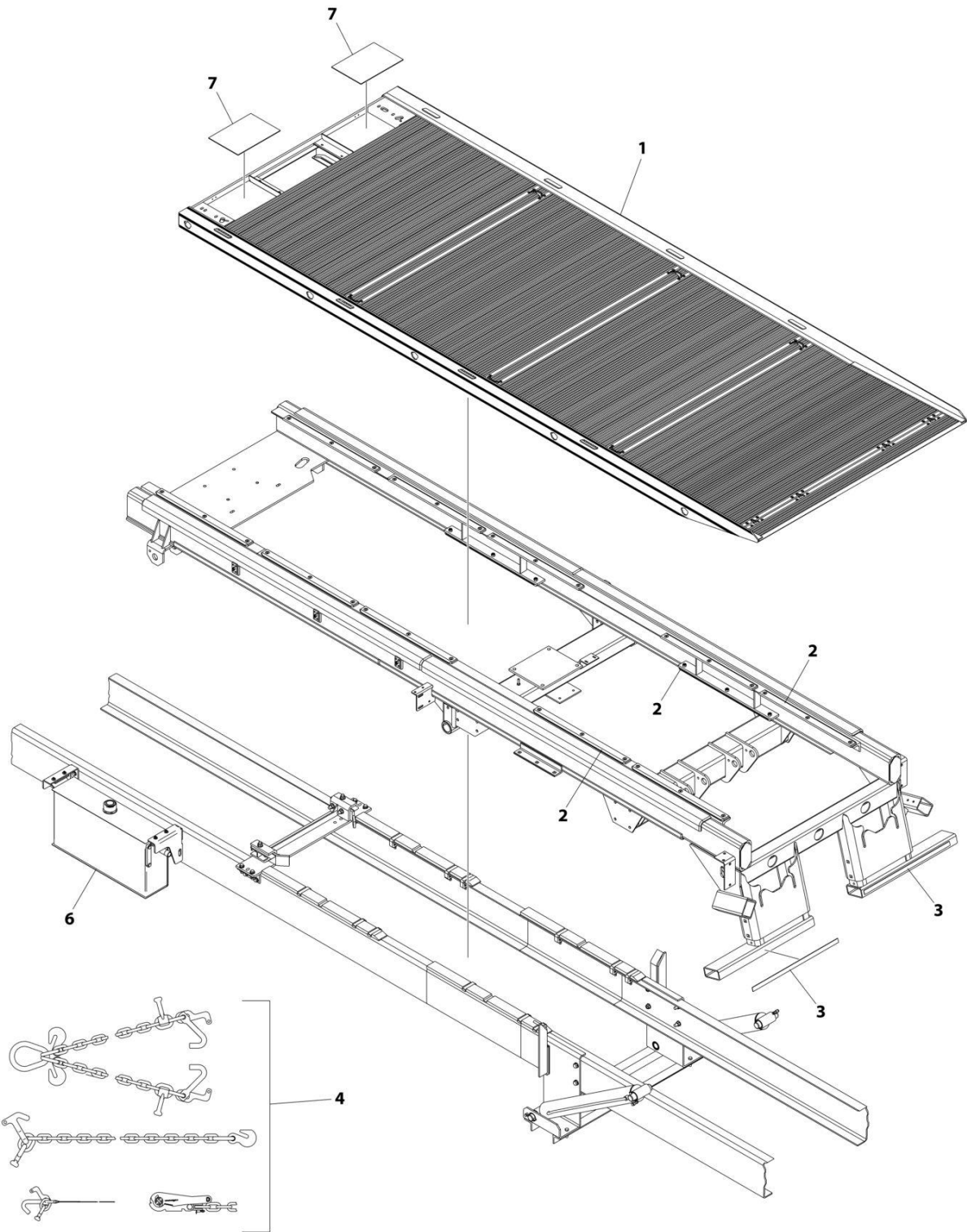
## SECTION 3 - DECK

**FIGURE 3-27. DECK MODEL - ALUMINUM 22IN X 102IN FIXED RAIL**

ITEM	PART NUMBER	QTY	DESCRIPTION	REV
	1001211164	Ref	DECK INSTALLATION - 22FTx102IN ALUMINIUM FIXED RAIL (NGAF6T-XLP)	B
1	3097000780	1	Deck Installation, 22ft (Aluminium)	
2	2679000010	1	Main Subframe Pad Installation (See Separate Breakdown in SUBFRAME Section)	
3	2330000055	Ref	Conspicuity Decal Installation	
3	7330000428	2	Decal - Red/White Reflective	
4	7577000208	1	Chain/Tie-Down Kit	
5	2330000038	1	Standard Duty Decals Installation (Not Shown - See Separate Breakdown in DECAL Section)	
6	2750000008	1	Hydraulic Reservoir and Bracket Mount (See Separate Breakdown in HYDRAULIC Section)	
7	7679000017	2	Chain Tray Mat	

# SECTION 3 - DECK

## FIGURE 3-28. DECK MODEL - ALUMINUM 22IN X 102IN FIXED RAIL DUAL ANGLE



ART\_1001211163

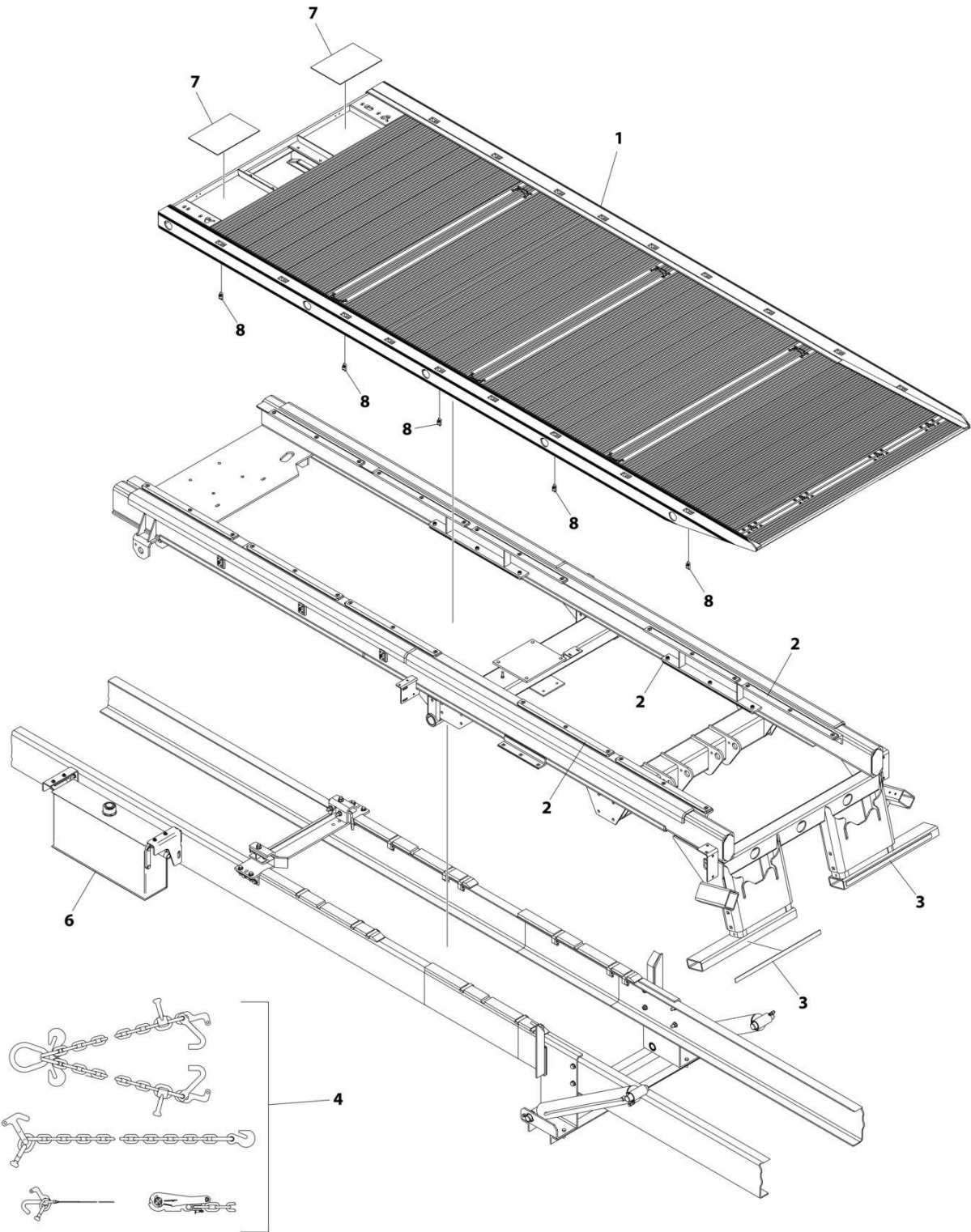
## SECTION 3 - DECK

**FIGURE 3-28. DECK MODEL - ALUMINUM 22IN X 102IN FIXED RAIL DUAL ANGLE**

ITEM	PART NUMBER	QTY	DESCRIPTION	REV
	1001211163	Ref	DECK INSTALLATION - 22FTx102IN ALUMINIUM DUAL ANGLE FIXED RAIL (NGADF6T-XLP)	B
1	3097000781	1	Deck Installation, 22ft (Aluminium)	
2	2679000010	1	Main Subframe Pad Installation (See Separate Breakdown in SUBFRAME Section)	
3	2330000055	Ref	Conspicuity Decal Installation	
3	7330000428	2	Decal - Red/White Reflective	
4	7577000208	1	Chain/Tie-Down Kit	
5	2330000038	1	Standard Duty Decals Installation (Not Shown - See Separate Breakdown in DECAL Section)	
6	2750000008	1	Hydraulic Reservoir and Bracket Mount (See Separate Breakdown in HYDRAULIC Section)	
7	7679000017	2	Chain Tray Mat	

# SECTION 3 - DECK

## FIGURE 3-29. DECK MODEL - ALUMINUM 22IN X 102IN REMOVABLE RAIL



ART\_1001211165

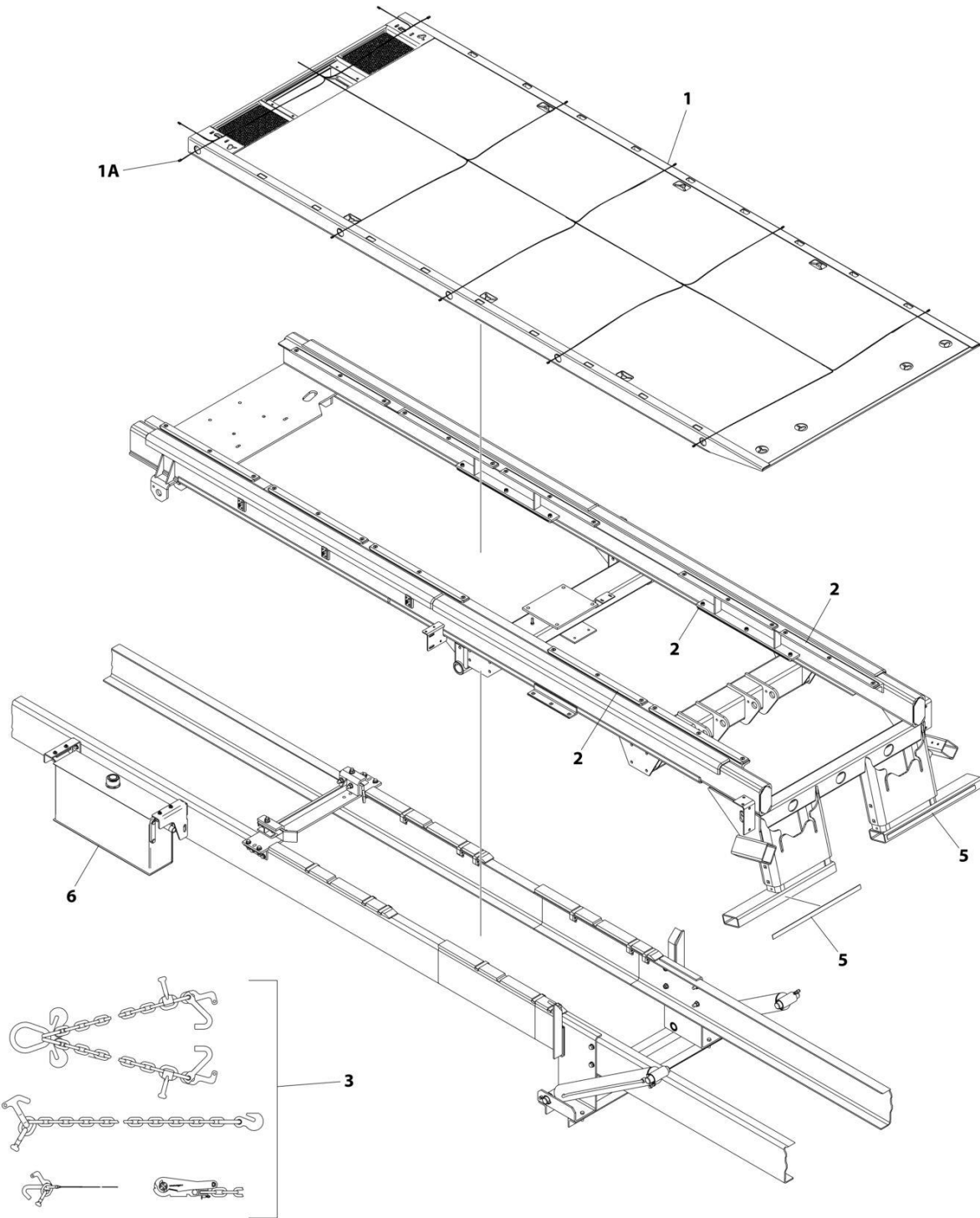
## SECTION 3 - DECK

**FIGURE 3-29. DECK MODEL - ALUMINUM 22IN X 102IN REMOVABLE RAIL**

ITEM	PART NUMBER	QTY	DESCRIPTION	REV
	1001211165	Ref	DECK INSTALLATION - 22FTx102IN ALUMINIUM REMOVABLE RAIL (NGAR6T-XLP)	B
1	3097000778	1	Deck Installation, 22ft (Aluminium)	
2	2679000010	1	Main Subframe Pad Installation (See Separate Breakdown in SUBFRAME Section)	
3	2330000055	Ref	Conspicuity Decal Installation	
3	7330000428	2	Decal - Red/White Reflective	
4	7577000208	1	Chain/Tie-Down Kit	
5	2330000038	1	Standard Duty Decals Installation (Not Shown - See Separate Breakdown in Decal Section)	
6	2750000008	1	Hydraulic Reservoir and Bracket Mount (See Separate Breakdown in HYDRAULIC Section)	
7	7679000017	2	Chain Tray Mat	
8	7661000055	10	Nut 1/2	

# SECTION 3 - DECK

## FIGURE 3-30. DECK MODEL - STEEL 19IN X 96IN REMOVABLE RAIL



ART\_1001274784



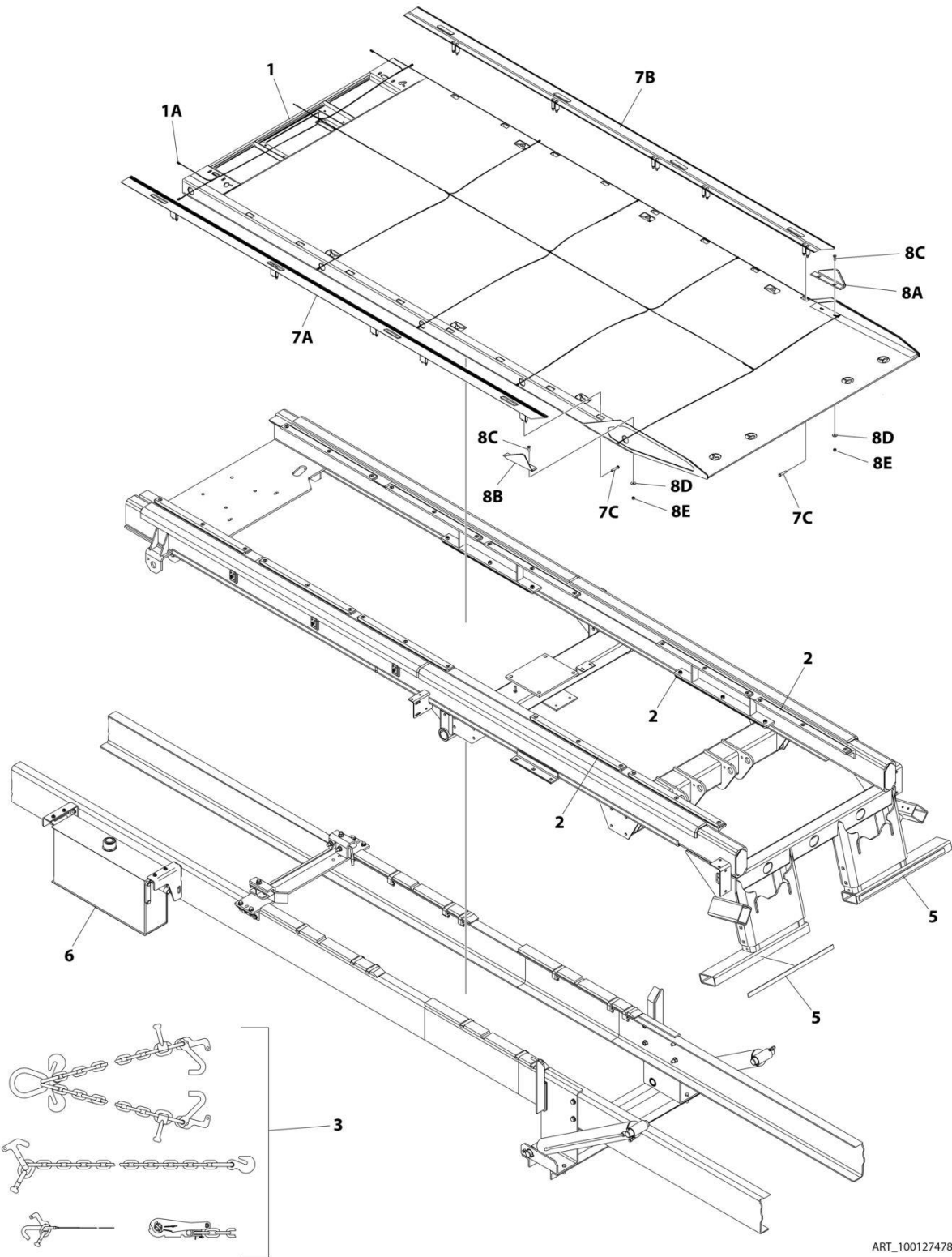
## SECTION 3 - DECK

**FIGURE 3-30. DECK MODEL - STEEL 19IN X 96IN REMOVABLE RAIL**

ITEM	PART NUMBER	QTY	DESCRIPTION	REV
	1001274784	Ref	DECK INSTALLATION - 19FT X 96IN STEEL REMOVABLE RAIL (SRR6T-LP)	A
1	3097000787	1	Deck Installation, 19ft (Steel)	
1A	7552000212	1	Harness	
2	2679000010	1	Main Subframe Pad Installation (See Separate Breakdown in SUBFRAME Section)	
3	7577000208	1	Chain/Tie-Down Kit	
4	2330000038	1	Standard Duty Decals Installation (Not Shown - See Separate Breakdown in DECAL Section)	
5	2330000055	Ref	Conspicuity Decal Installation	
5	7330000428	2	Decal - Red/White Reflective	
6	2750000008	1	Hydraulic Reservoir and Bracket Mount (See Separate Breakdown in HYDRAULIC Section)	

# SECTION 3 - DECK

FIGURE 3-31. DECK MODEL - STEEL 19IN X 96IN REMOVABLE RAIL DUAL ANGLE SHARK



ART\_1001274787

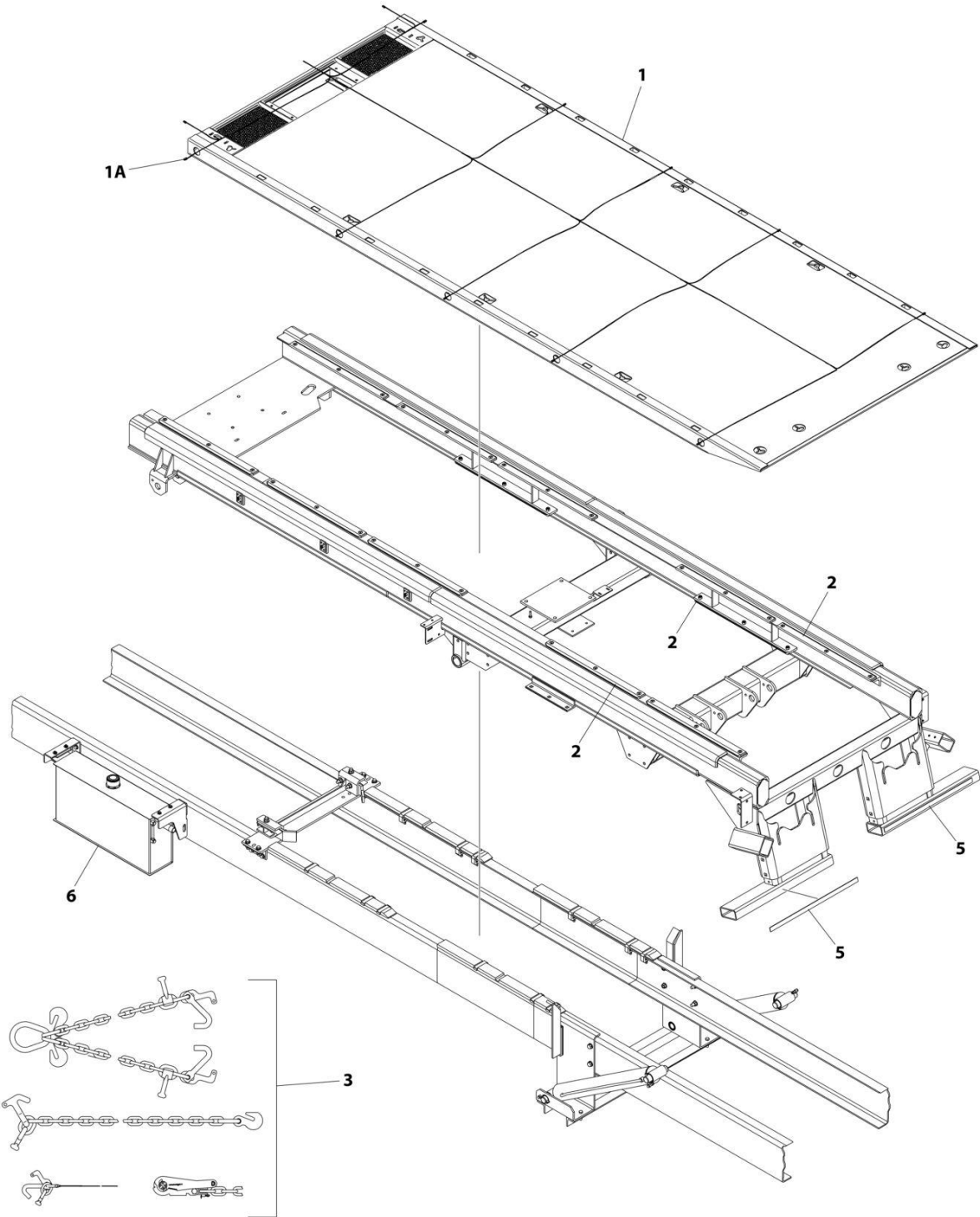
## SECTION 3 - DECK

**FIGURE 3-31. DECK MODEL - STEEL 19IN X 96IN REMOVABLE RAIL DUAL ANGLE SHARK**

ITEM	PART NUMBER	QTY	DESCRIPTION	REV
	1001274787	Ref	DECK INSTALLATION - 19FT X 96IN STEEL DUAL ANGLE REMOVABLE RAIL (SRRD6T-LP), SHARK	A
1	3097000795	1	Deck Installation, 19ft (Steel)	
1A	7552000212	1	Harness	
2	2679000010	1	Main Subframe Pad Installation (See Separate Breakdown in SUBFRAME Section)	
3	7577000208	1	Chain/Tie-Down Kit	
4	2330000038	1	Standard Duty Decals Installation (Not Shown - See Separate Breakdown in DECAL Section)	
5	2330000055	Ref	Conspicuity Decal Installation	
5	7330000428	2	Decal - Red/White Reflective	
6	2750000008	1	Hydraulic Reservoir and Bracket Mount (See Separate Breakdown in HYDRAULIC Section)	
7	2729000092	Ref	Rail Installation	
7A	3017000135	1	Angle Assembly LH	
7B	3017000136	1	Angle Assembly RH	
7C	7120000005	8	Capscrew 1/2 x 2-1/2	
8	2178000066	Ref	Bracket Installation	
8A	4178000873	1	Bracket, RH	
8B	4178000874	1	Bracket, LH	
8C	7115181223	4	Screw 1/2 x 1-1/2	
8D	7950180161	4	Washer 1/2	
8E	7660182601	4	Nut 1/2	

# SECTION 3 - DECK

## FIGURE 3-32. DECK MODEL - STEEL 19IN X 102IN REMOVABLE RAIL



ART\_1001274786

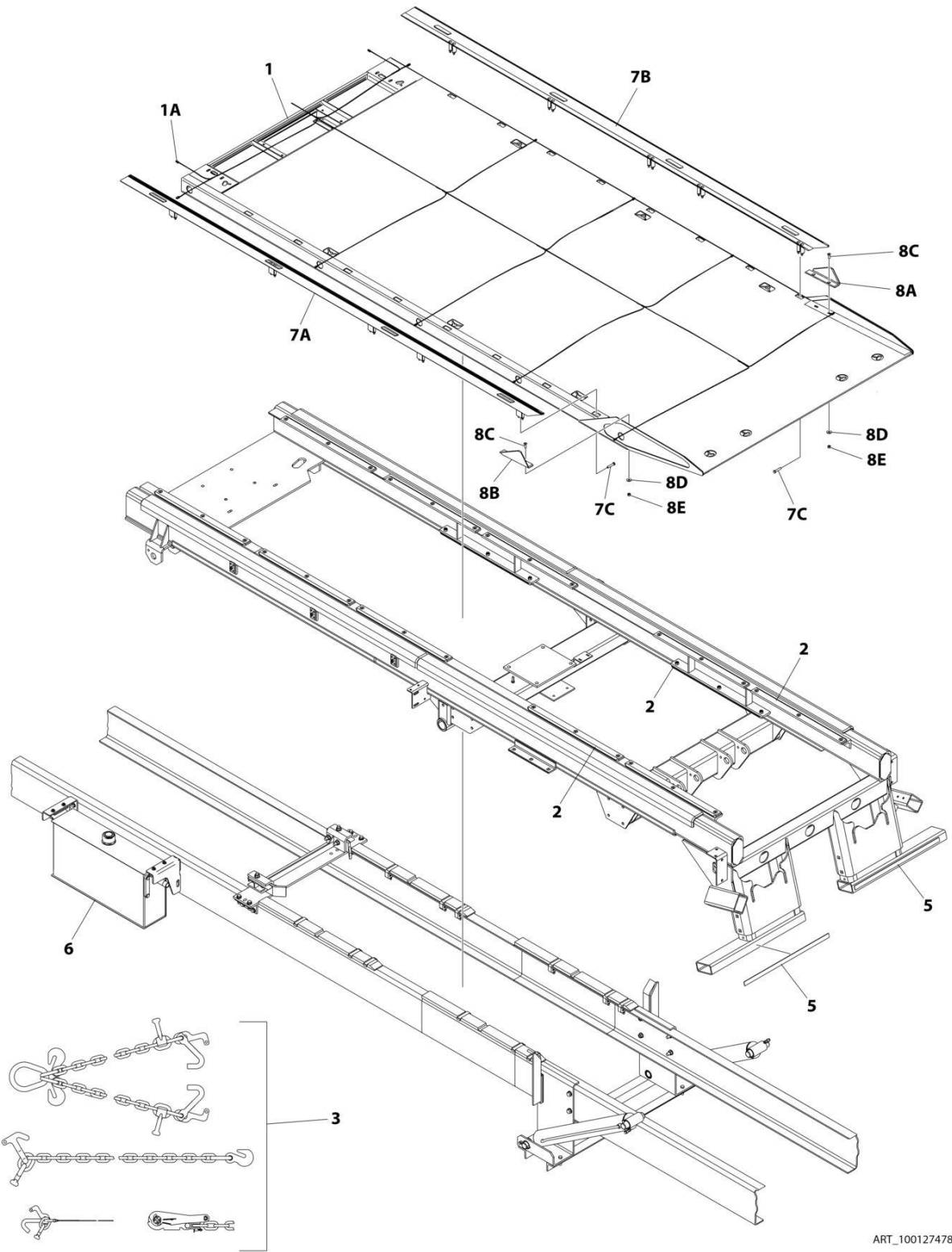
## SECTION 3 - DECK

**FIGURE 3-32. DECK MODEL - STEEL 19IN X 102IN REMOVABLE RAIL**

ITEM	PART NUMBER	QTY	DESCRIPTION	REV
	1001274786	Ref	DECK INSTALLATION - 19FT X 102IN STEEL REMOVABLE RAIL (SRR6T-LP)	A
1	3097000788	1	Deck Installation, 19ft (Steel)	
1A	7552000212	1	Harness	
2	2679000010	1	Main Subframe Pad Installation (See Separate Breakdown in SUBFRAME Section)	
3	7577000208	1	Chain/Tie-Down Kit	
4	2330000038	1	Standard Duty Decals Installation (Not Shown - See Separate Breakdown in DECAL Section)	
5	2330000055	Ref	Conspicuity Decal Installation	
5	7330000428	2	Decal - Red/White Reflective	
6	2750000008	1	Hydraulic Reservoir and Bracket Mount (See Separate Breakdown in HYDRAULIC Section)	

# SECTION 3 - DECK

FIGURE 3-33. DECK MODEL - STEEL 19IN X 102IN REMOVABLE RAIL DUAL ANGLE SHARK



ART\_1001274788

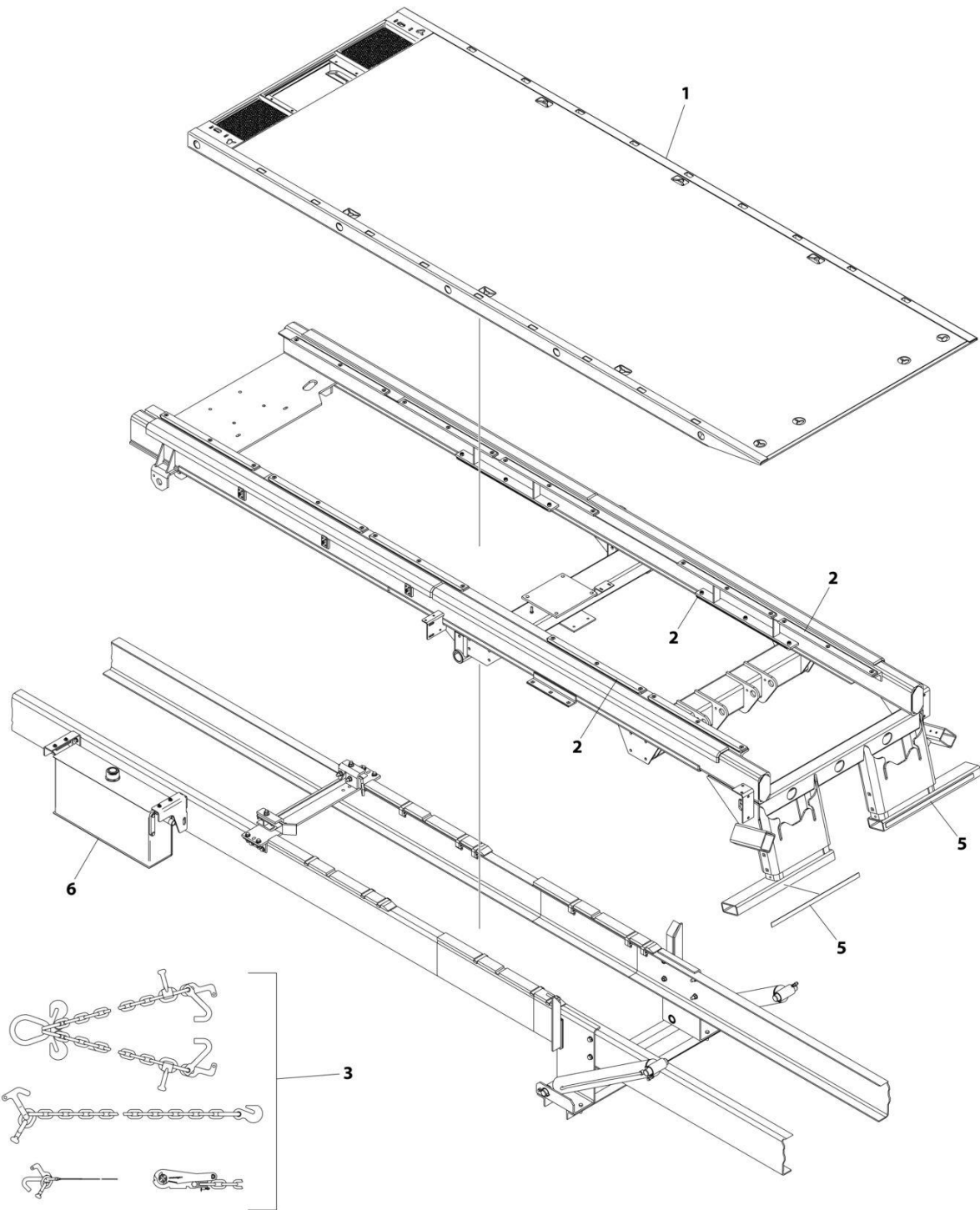
## SECTION 3 - DECK

**FIGURE 3-33. DECK MODEL - STEEL 19IN X 102IN REMOVABLE RAIL DUAL ANGLE SHARK**

ITEM	PART NUMBER	QTY	DESCRIPTION	REV
	1001274788	Ref	DECK INSTALLATION - 19FT X 102IN STEEL DUAL ANGLE REMOVABLE RAIL (SRRD6T-LP), SHARK	A
1	3097000796	1	Deck Installation, 19ft (Steel)	
1A	7552000212	1	Harness	
2	2679000010	1	Main Subframe Pad Installation (See Separate Breakdown in SUBFRAME Section)	
3	7577000208	1	Chain/Tie-Down Kit	
4	2330000038	1	Standard Duty Decals Installation (Not Shown - See Separate Breakdown in DECAL Section)	
5	2330000055	Ref	Conspicuity Decal Installation	
5	7330000428	2	Decal - Red/White Reflective	
6	2750000008	1	Hydraulic Reservoir and Bracket Mount (See Separate Breakdown in HYDRAULIC Section)	
7	2729000092	Ref	Rail Installation	
7A	3017000135	1	Angle Assembly LH	
7B	3017000136	1	Angle Assembly RH	
7C	7120000005	8	Capscrew 1/2 x 2-1/2	
8	2178000066	Ref	Bracket Installation	
8A	4178000873	1	Bracket, RH	
8B	4178000874	1	Bracket, LH	
8C	7115181223	4	Screw 1/2 x 1-1/2	
8D	7950180161	4	Washer 1/2	
8E	7660182601	4	Nut 1/2	

# SECTION 3 - DECK

## FIGURE 3-34. DECK MODEL - STEEL 20IN X 96IN REMOVABLE RAIL



ART\_1001151766



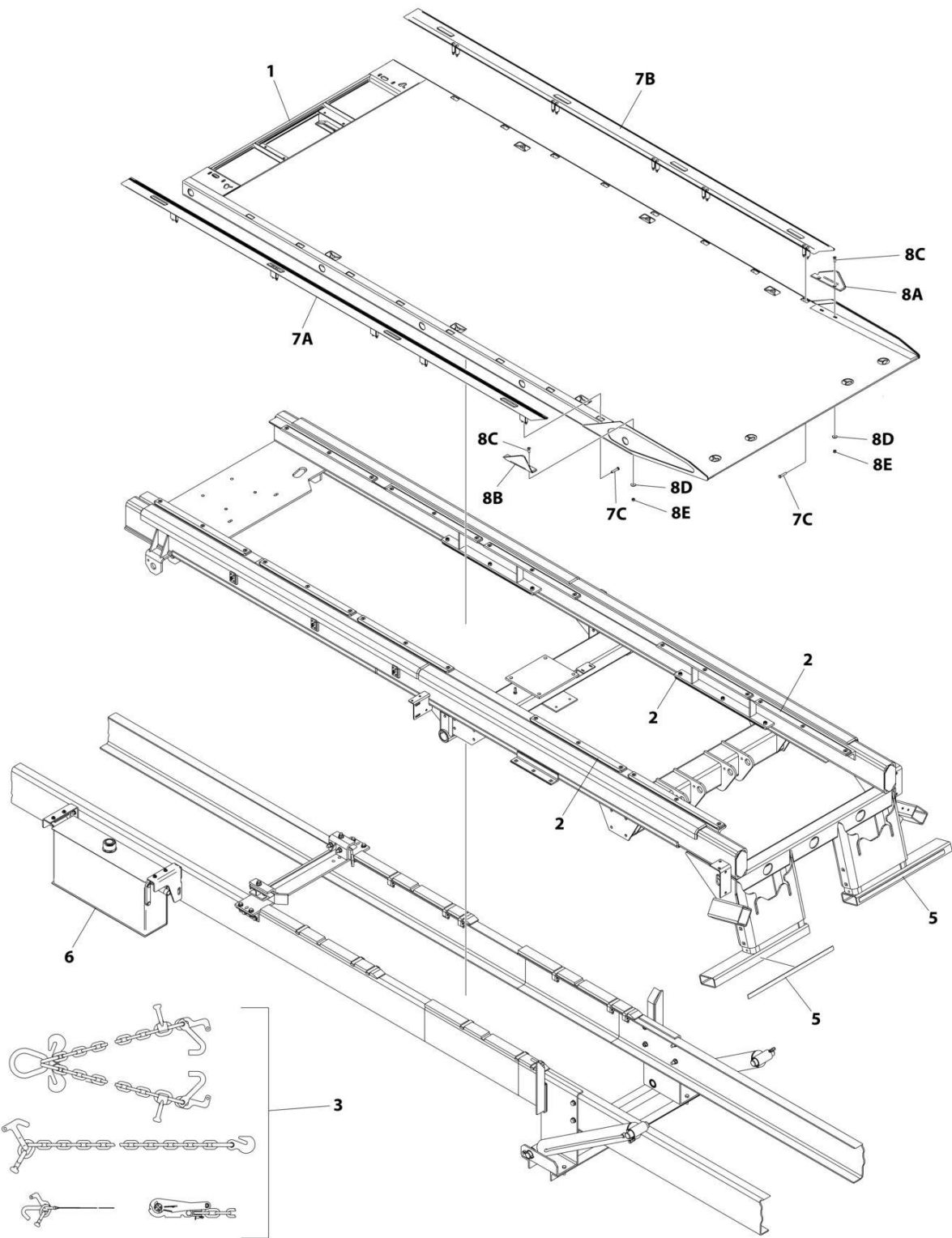
## SECTION 3 - DECK

**FIGURE 3-34. DECK MODEL - STEEL 20IN X 96IN REMOVABLE RAIL**

ITEM	PART NUMBER	QTY	DESCRIPTION	REV
	1001151766	Ref	DECK INSTALLATION - 20FTx96IN STEEL REMOVABLE RAIL (SRR6T-XLP)	A
1	3097000789	1	Deck Installation, 20ft (Steel)	
2	2679000010	1	Main Subframe Pad Installation (See Separate Breakdown in SUBFRAME Section)	
3	7577000208	1	Chain/Tie-Down Kit	
4	2330000038	1	Standard Duty Decals Installation (Not Shown - See Separate Breakdown in DECAL Section)	
5	2330000055	Ref	Conspicuity Decal Installation	
5	7330000428	2	Decal - Red/White Reflective	
6	2750000008	1	Hydraulic Reservoir and Bracket Mount (See Separate Breakdown in HYDRAULIC Section)	

# SECTION 3 - DECK

## FIGURE 3-35. DECK MODEL - STEEL 20IN X 96IN REMOVABLE RAIL DUAL ANGLE SHARK



ART\_1001151768

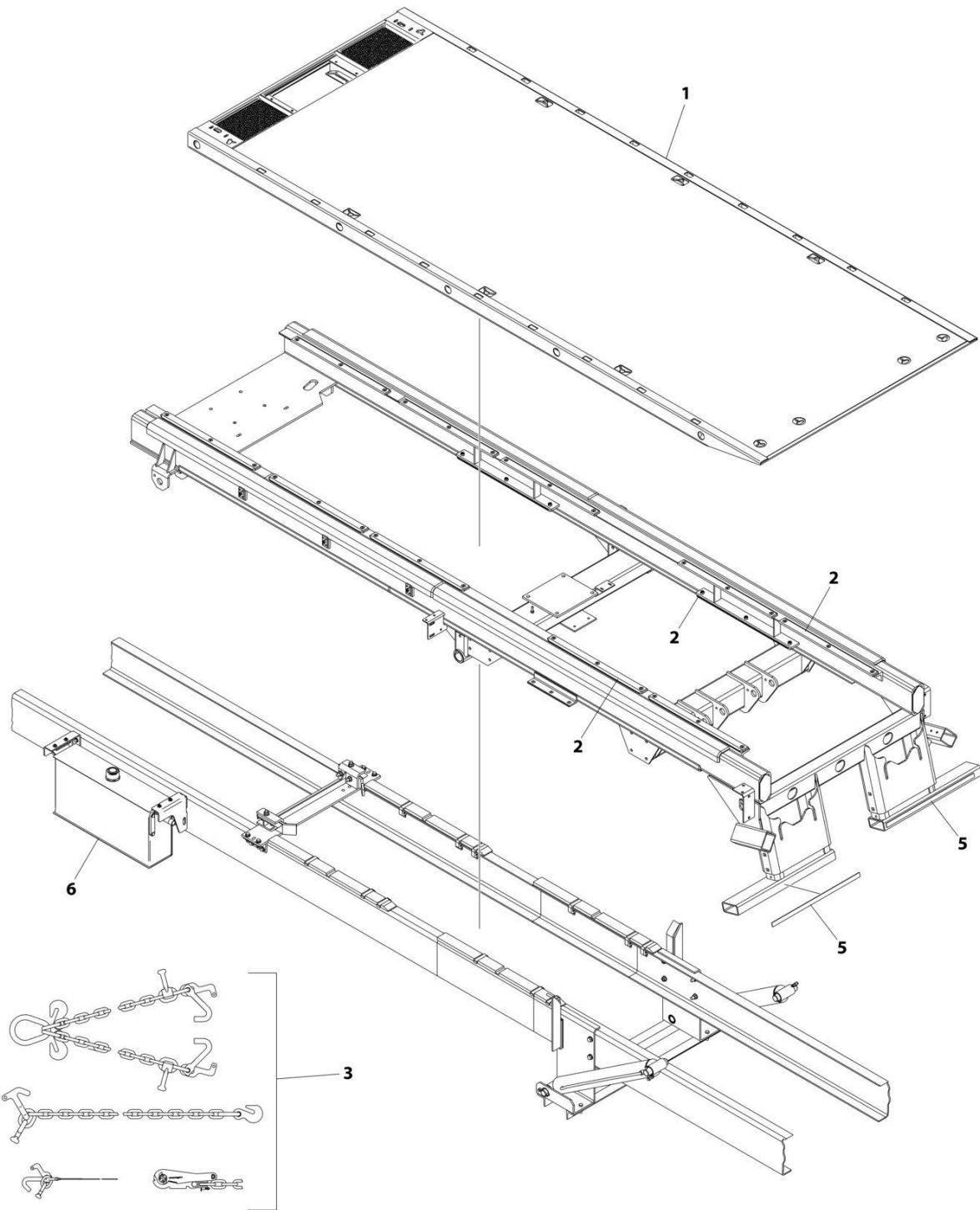
## SECTION 3 - DECK

**FIGURE 3-35. DECK MODEL - STEEL 20IN X 96IN REMOVABLE RAIL DUAL ANGLE SHARK**

ITEM	PART NUMBER	QTY	DESCRIPTION	REV
	1001151768	Ref	DECK INSTALLATION - 20FTx96IN STEEL DUAL ANGLE REMOVABLE RAIL (SRRD6T-XLP), SHARK	A
1	3097000797	1	Deck Installation, 20ft (Steel)	
2	2679000010	1	Main Subframe Pad Installation (See Separate Breakdown in SUBFRAME Section)	
3	7577000208	1	Chain/Tie-Down Kit	
4	2330000038	1	Standard Duty Decals Installation (Not Shown - See Separate Breakdown in DECAL Section)	
5	2330000055	Ref	Conspicuity Decal Installation	
5	7330000428	2	Decal - Red/White Reflective	
6	2750000008	1	Hydraulic Reservoir and Bracket Mount (See Separate Breakdown in HYDRAULIC Section)	
7	2729000093	Ref	Rail Installation	
7A	3017000137	1	Angle Assembly LH	
7B	3017000138	1	Angle Assembly RH	
7C	7120000005	8	Capscrew 1/2 x 2-1/2	
8	2178000066	Ref	Bracket Installation	
8A	4178000873	1	Bracket, RH	
8B	4178000874	1	Bracket, LH	
8C	7115181223	4	Screw 1/2 x 1-1/2	
8D	7950180161	4	Washer 1/2	
8E	7660182601	4	Nut 1/2	

# SECTION 3 - DECK

## FIGURE 3-36. DECK MODEL - STEEL 20IN X 102IN REMOVABLE RAIL



ART\_1001151767

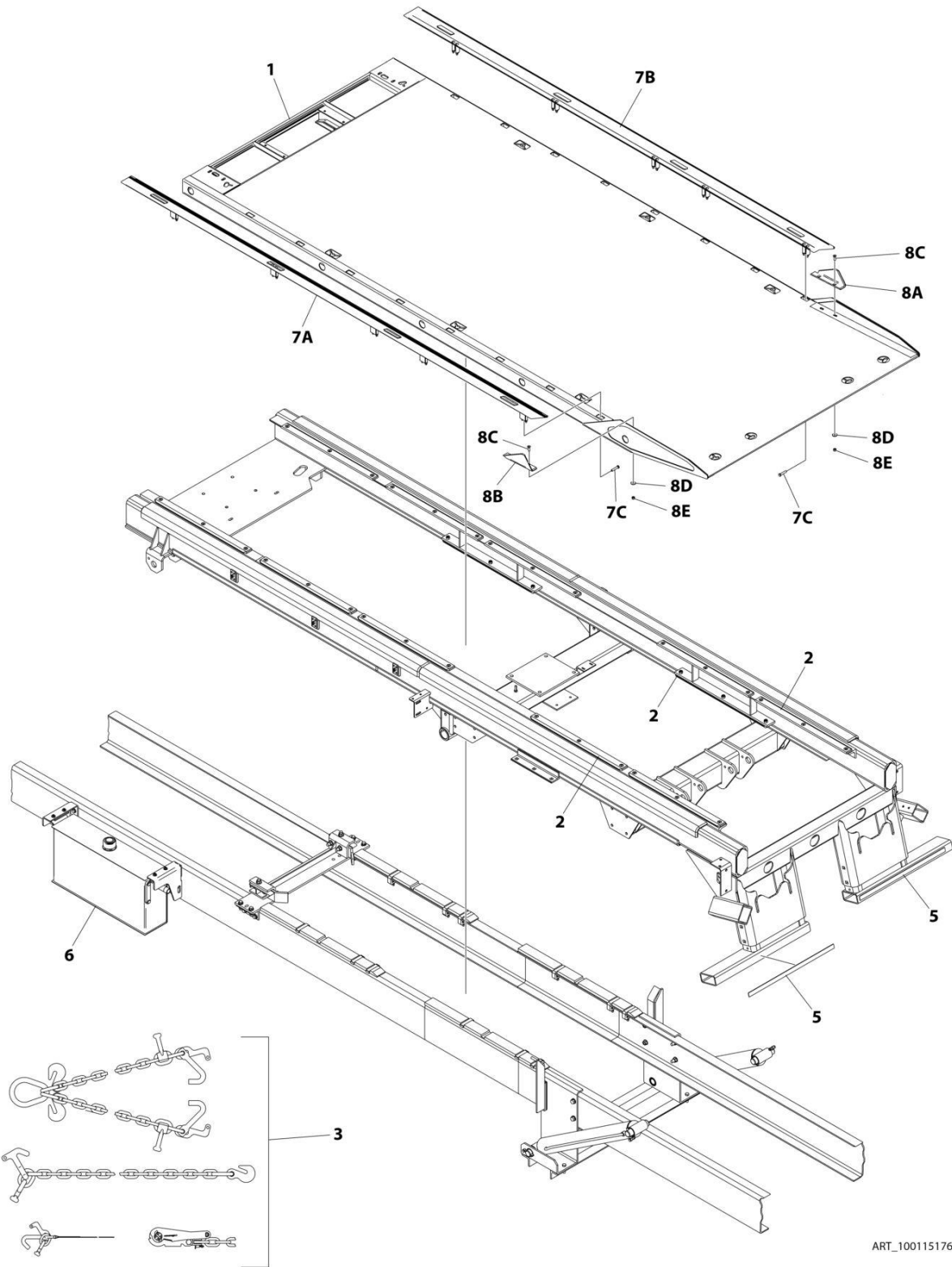
## SECTION 3 - DECK

**FIGURE 3-36. DECK MODEL - STEEL 20IN X 102IN REMOVABLE RAIL**

ITEM	PART NUMBER	QTY	DESCRIPTION	REV
	1001151767	Ref	DECK INSTALLATION - 20FTx102IN STEEL REMOVABLE RAIL (SRR6T-XLP)	A
1	3097000790	1	Deck Installation, 20ft (Steel)	
2	2679000010	1	Main Subframe Pad Installation (See Separate Breakdown in SUBFRAME Section)	
3	7577000208	1	Chain/Tie-Down Kit	
4	2330000038	1	Standard Duty Decals Installation (Not Shown - See Separate Breakdown in DECAL Section)	
5	2330000055	Ref	Conspicuity Decal Installation	
5	7330000428	2	Decal - Red/White Reflective	
6	2750000008	1	Hydraulic Reservoir and Bracket Mount (See Separate Breakdown in HYDRAULIC Section)	

# SECTION 3 - DECK

FIGURE 3-37. DECK MODEL - STEEL 20IN X 102IN REMOVABLE RAIL DUAL ANGLE SHARK



ART\_1001151769

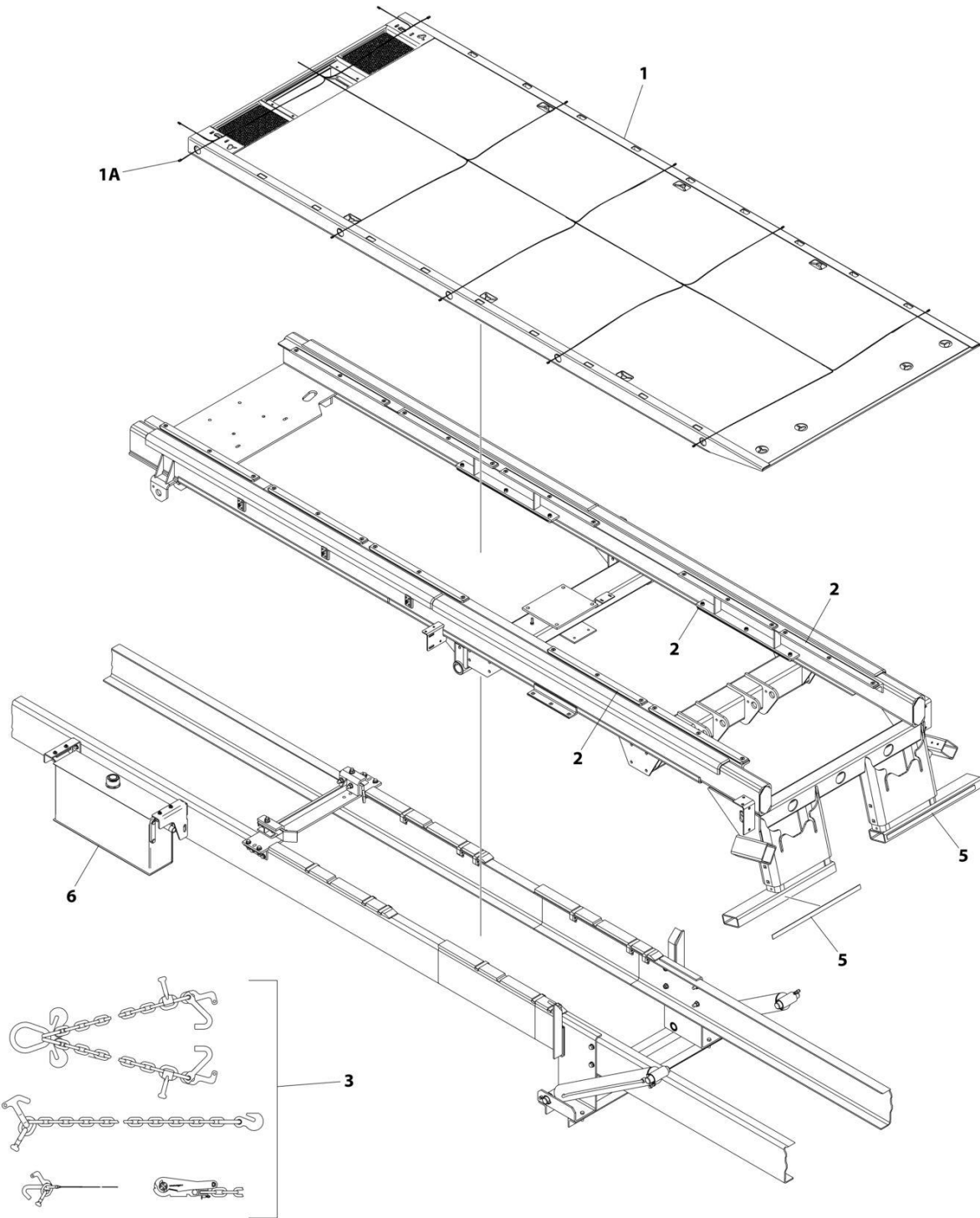
## SECTION 3 - DECK

**FIGURE 3-37. DECK MODEL - STEEL 20IN X 102IN REMOVABLE RAIL DUAL ANGLE SHARK**

ITEM	PART NUMBER	QTY	DESCRIPTION	REV
	1001151769	Ref	DECK INSTALLATION - 20FTx102IN STEEL DUAL ANGLE REMOVABLE RAIL (SRRD6T-XLP), SHARK	A
1	3097000798	1	Deck Installation, 20ft (Steel)	
2	2679000010	1	Main Subframe Pad Installation (See Separate Breakdown in SUBFRAME Section)	
3	7577000208	1	Chain/Tie-Down Kit	
4	2330000038	1	Standard Duty Decals Installation (Not Shown - See Separate Breakdown in DECAL Section)	
5	2330000055	Ref	Conspicuity Decal Installation	
5	7330000428	2	Decal - Red/White Reflective	
6	2750000008	1	Hydraulic Reservoir and Bracket Mount (See Separate Breakdown in HYDRAULIC Section)	
7	2729000093	Ref	Rail Installation	
7A	3017000137	1	Angle Assembly LH	
7B	3017000138	1	Angle Assembly RH	
7C	7120000005	8	Capscrew 1/2 x 2-1/2	
8	2178000066	Ref	Bracket Installation	
8A	4178000873	1	Bracket, RH	
8B	4178000874	1	Bracket, LH	
8C	7115181223	4	Screw 1/2 x 1-1/2	
8D	7950180161	4	Washer 1/2	
8E	7660182601	4	Nut 1/2	

# SECTION 3 - DECK

FIGURE 3-38. DECK MODEL - STEEL 21IN X 90IN REMOVABLE RAIL



ART\_1001277664



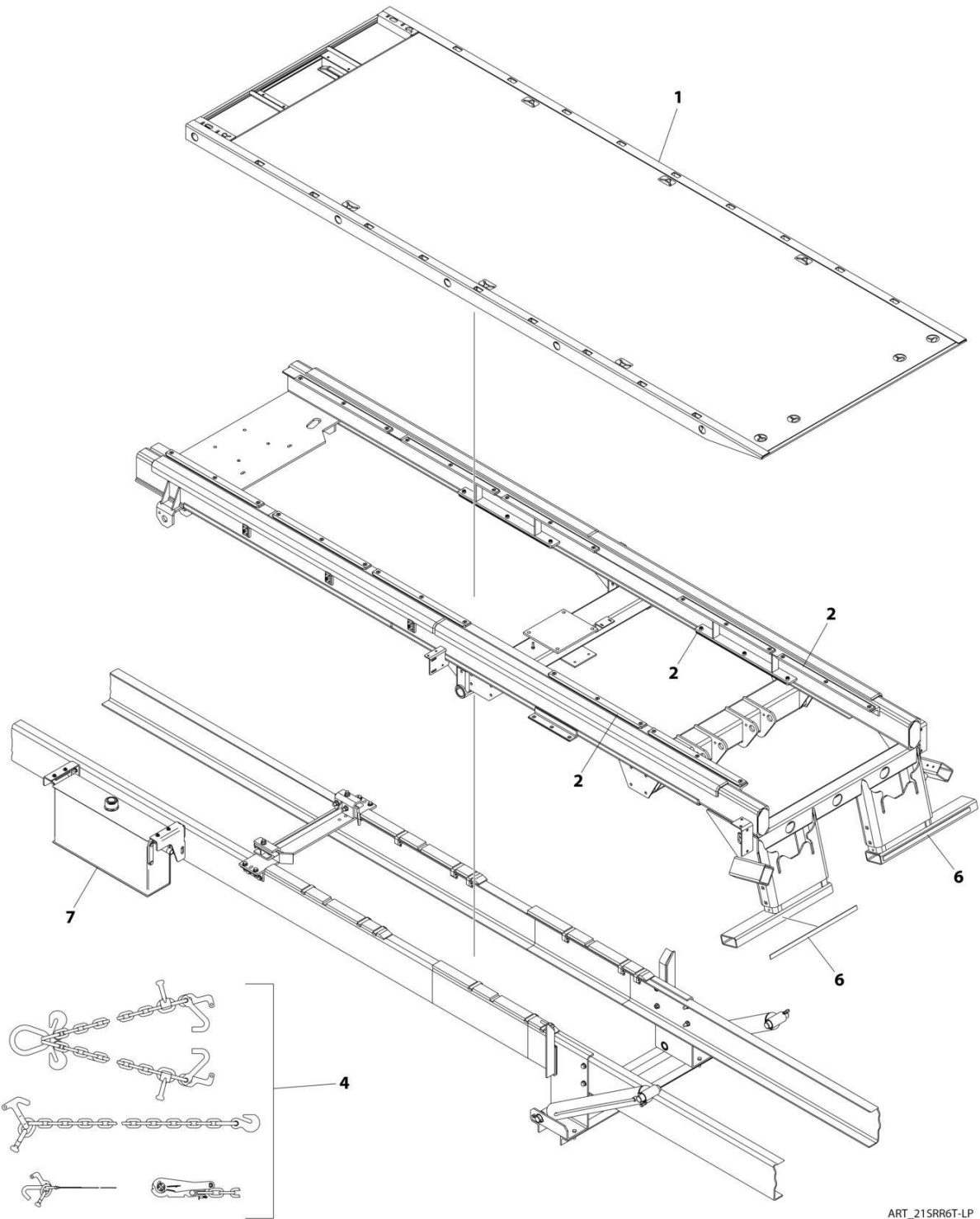
## SECTION 3 - DECK

**FIGURE 3-38. DECK MODEL - STEEL 21IN X 90IN REMOVABLE RAIL**

ITEM	PART NUMBER	QTY	DESCRIPTION	REV
	1001277664	Ref	DECK INSTALLATION - 21FT X 90IN STEEL REMOVABLE RAIL (SRR6T-LP)	A
1	1001131514	1	Deck Installation, 21ft (Steel)	
1A	7552000212	1	Harness	
2	2679000010	1	Main Subframe Pad Installation (See Separate Breakdown in SUBFRAME Section)	
3	7577000208	1	Chain/Tie-Down Kit	
4	2330000038	1	Standard Duty Decals Installation (Not Shown - See Separate Breakdown in DECAL Section)	
5	2330000055	Ref	Conspicuity Decal Installation	
5	7330000428	2	Decal - Red/White Reflective	
6	2750000008	1	Hydraulic Reservoir and Bracket Mount (See Separate Breakdown in HYDRAULIC Section)	

# SECTION 3 - DECK

FIGURE 3-39. DECK MODEL - STEEL 21IN X 96IN REMOVABLE RAIL



ART\_215RR6T-LP

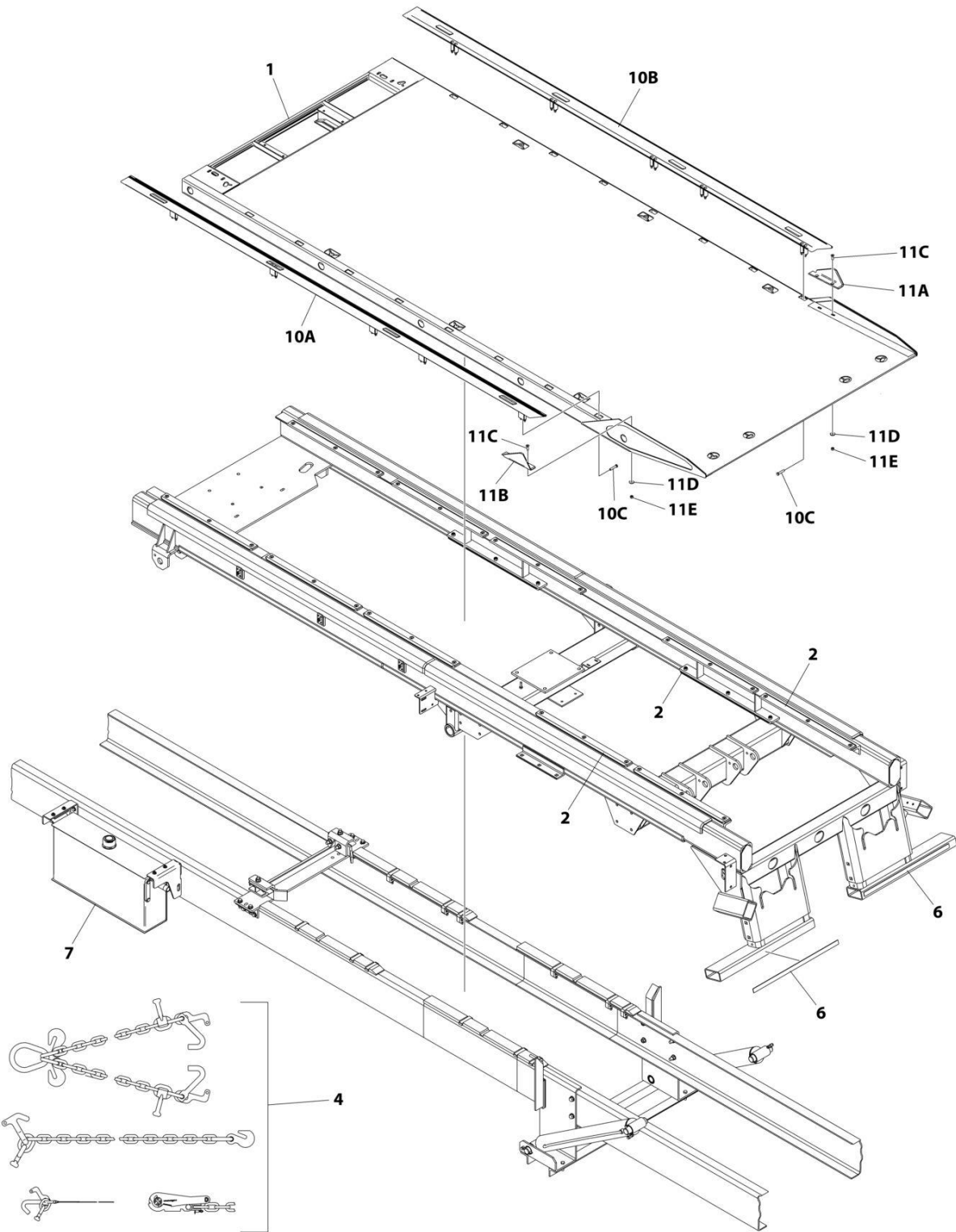
## SECTION 3 - DECK

**FIGURE 3-39. DECK MODEL - STEEL 21IN X 96IN REMOVABLE RAIL**

ITEM	PART NUMBER	QTY	DESCRIPTION	REV
	21SRR6T-LP	Ref	DECK INSTALLATION - 21FTx96IN STEEL REMOVABLE RAIL (SRR6T-XLP)	B
1	3097000791	1	Deck Installation, 21ft (Steel)	
2	2679000010	1	Main Subframe Pad Installation (See Separate Breakdown in SUBFRAME Section)	
4	7577000208	1	Chain/Tie-Down Kit	
5	2330000038	1	Standard Duty Decals Installation (Not Shown - See Separate Breakdown in DECAL Section)	
6	2330000055	Ref	Conspicuity Decal Installation	
6	7330000428	2	Decal - Red/White Reflective	
7	2750000008	1	Hydraulic Reservoir and Bracket Mount (See Separate Breakdown in HYDRAULIC Section)	

# SECTION 3 - DECK

FIGURE 3-40. DECK MODEL - STEEL 21IN X 96IN REMOVABLE RAIL DUAL ANGLE SHARK



ART\_21SRRD6T-LP

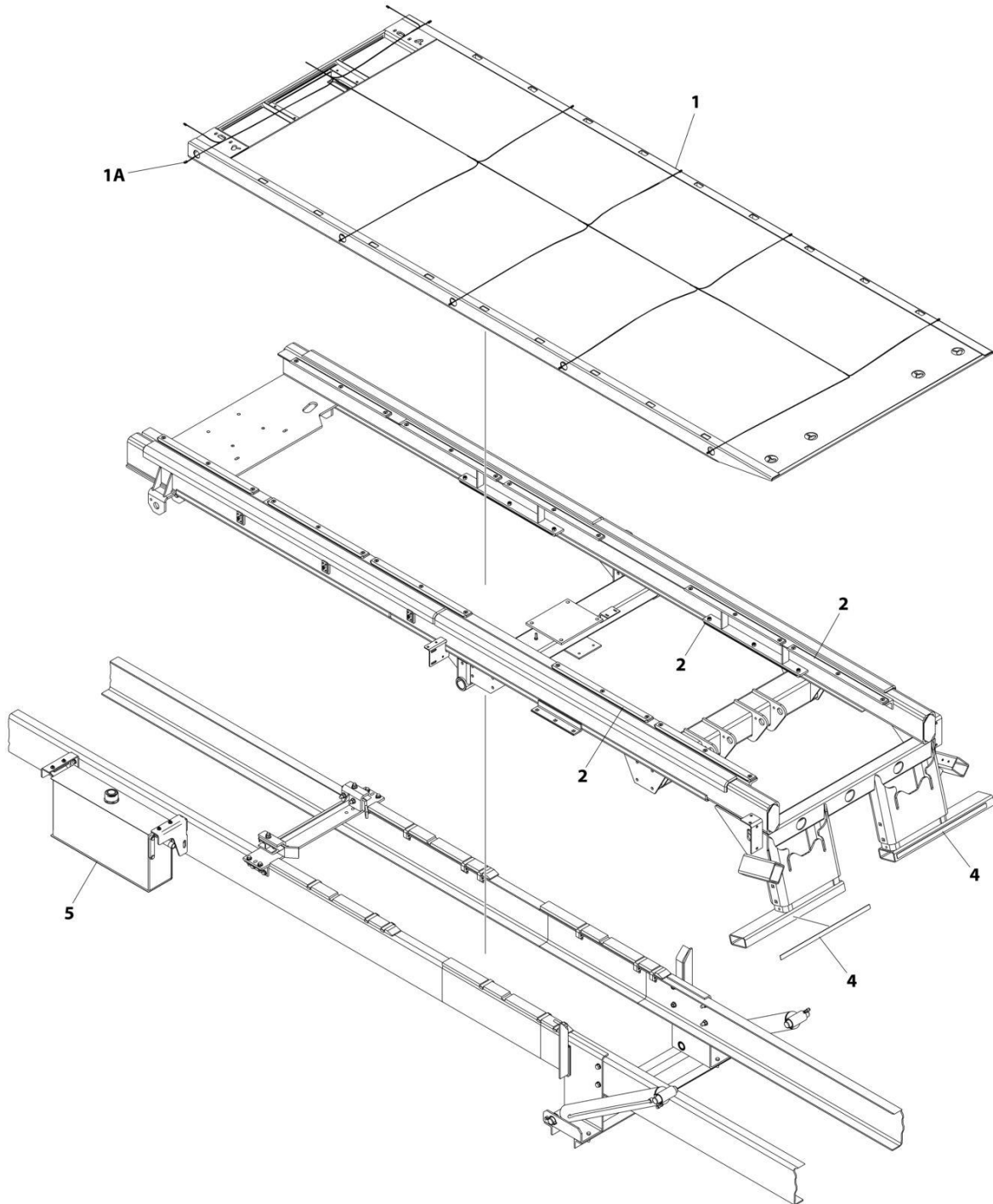
## SECTION 3 - DECK

**FIGURE 3-40. DECK MODEL - STEEL 21IN X 96IN REMOVABLE RAIL DUAL ANGLE SHARK**

ITEM	PART NUMBER	QTY	DESCRIPTION	REV
	21SRRD6T-LP	Ref	DECK INSTALLATION - 21FTx96IN STEEL DUAL ANGLE REMOVABLE RAIL (SRRD6T-XLP), SHARK	B
1	3097000799	1	Deck Installation, 21ft (Steel)	
2	2679000010	1	Main Subframe Pad Installation (See Separate Breakdown in SUBFRAME Section)	
4	7577000208	1	Chain/Tie-Down Kit	
5	2330000038	1	Standard Duty Decals Installation (Not Shown - See Separate Breakdown in DECAL Section)	
6	2330000055	Ref	Conspicuity Decal Installation	
6	7330000428	2	Decal - Red/White Reflective	
7	2750000008	1	Hydraulic Reservoir and Bracket Mount (See Separate Breakdown in HYDRAULIC Section)	
10	2729000094	Ref	Rail Installation	
10A	3017000139	1	Angle Assembly LH	
10B	3017000140	1	Angle Assembly RH	
10C	7120000005	8	Capscrew 1/2 x 2-1/2	
11	2178000066	Ref	Bracket Installation	
11A	4178000873	1	Bracket, RH	
11B	4178000874	1	Bracket, LH	
11C	7115181223	4	Screw 1/2 x 1-1/2	
11D	7950180161	4	Washer 1/2	
11E	7660182601	4	Nut 1/2	

# SECTION 3 - DECK

FIGURE 3-41. DECK MODEL - STEEL 21IN X 96IN TRANSPORTER



ART\_1001277411

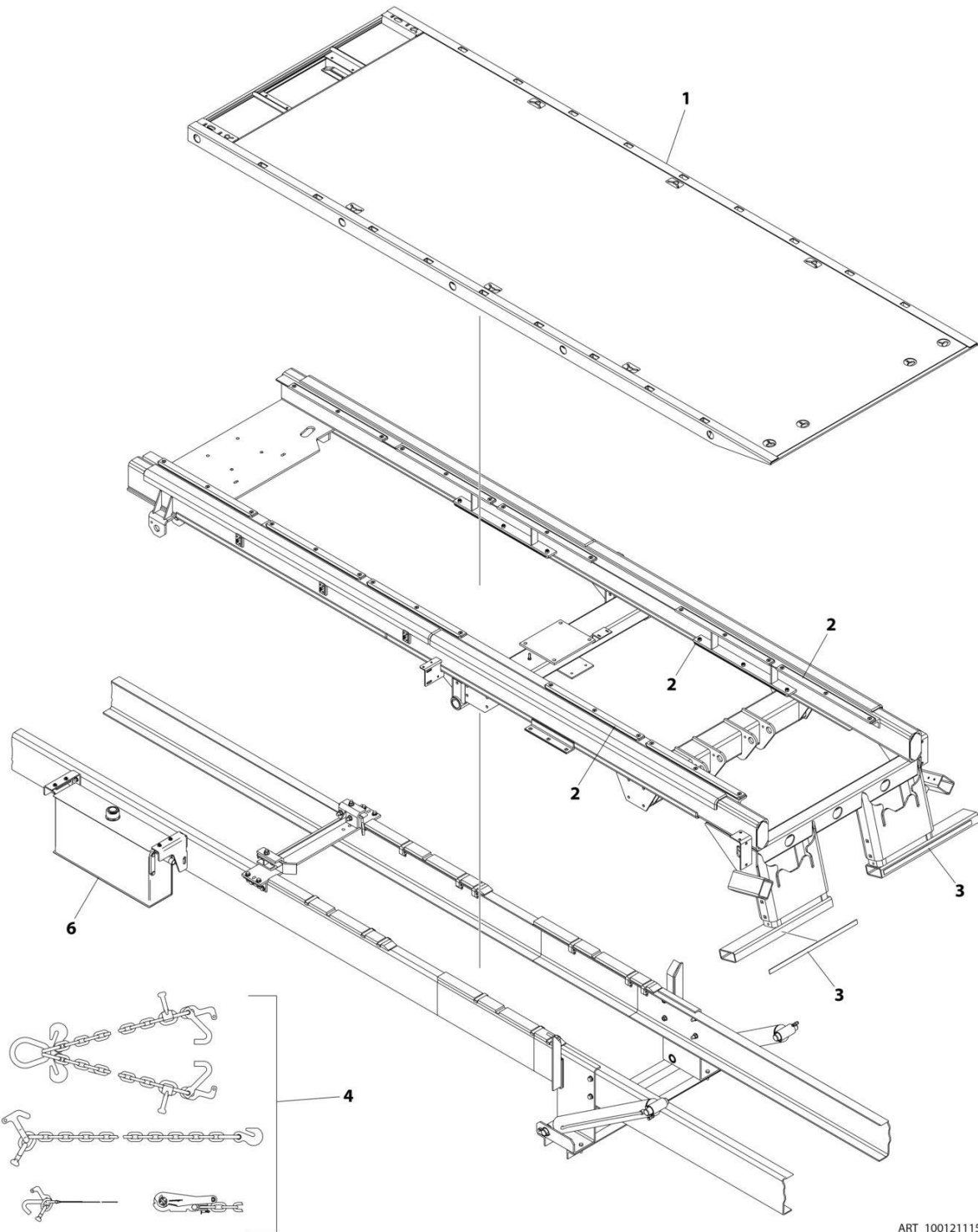
## SECTION 3 - DECK

**FIGURE 3-41. DECK MODEL - STEEL 21IN X 96IN TRANSPORTER**

ITEM	PART NUMBER	QTY	DESCRIPTION	REV
	1001277411	Ref	DECK INSTALLATION - 21FT X 96IN STEEL TRANSPORTER (STRB-LP)	A
1	3097000807	1	Deck Installation, 21ft (Steel)	
1A	7552000212	1	Harness	
2	2679000010	1	Main Subframe Pad Installation (See Separate Breakdown in SUBFRAME Section)	
3	2330000038	1	Standard Duty Decals Installation (Not Shown - See Separate Breakdown in DECAL Section)	
4	2330000055	Ref	Conspicuity Decal Installation	
4	7330000428	2	Decal - Red/White Reflective	
5	2750000008	1	Hydraulic Reservoir and Bracket Mount (See Separate Breakdown in HYDRAULIC Section)	

# SECTION 3 - DECK

## FIGURE 3-42. DECK MODEL - STEEL 21IN X 102IN REMOVABLE RAIL



ART\_1001211151



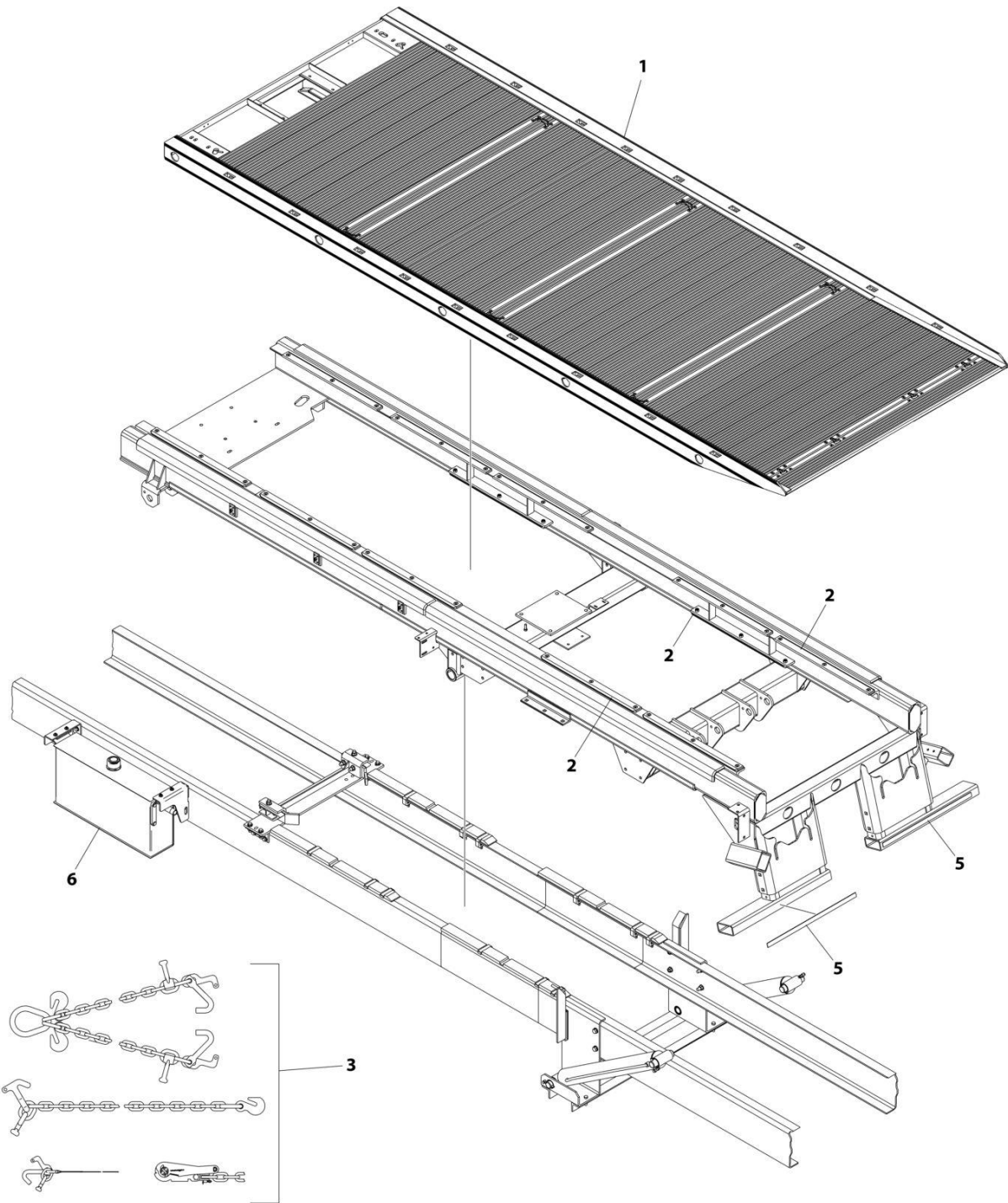
## SECTION 3 - DECK

**FIGURE 3-42. DECK MODEL - STEEL 21IN X 102IN REMOVABLE RAIL**

ITEM	PART NUMBER	QTY	DESCRIPTION	REV
	1001211151	Ref	DECK INSTALLATION - 21FTx102IN STEEL REMOVABLE RAIL (SRR6T-XLP)	A
1	3097000792	1	Deck Installation, 21ft (Steel)	
2	2679000010	1	Main Subframe Pad Installation (See Separate Breakdown in SUBFRAME Section)	
3	2330000055	Ref	Conspicuity Decal Installation	
3	7330000428	2	Decal - Red/White Reflective	
4	7577000208	1	Chain/Tie-Down Kit	
5	2330000038	1	Standard Duty Decals Installation (Not Shown - See Separate Breakdown in DECAL Section)	
6	2750000008	1	Hydraulic Reservoir and Bracket Mount (See Separate Breakdown in HYDRAULIC Section)	

# SECTION 3 - DECK

FIGURE 3-43. DECK MODEL - STEEL 21IN X 102IN REMOVABLE RAIL (GALVANIZED)



ART\_1001207107

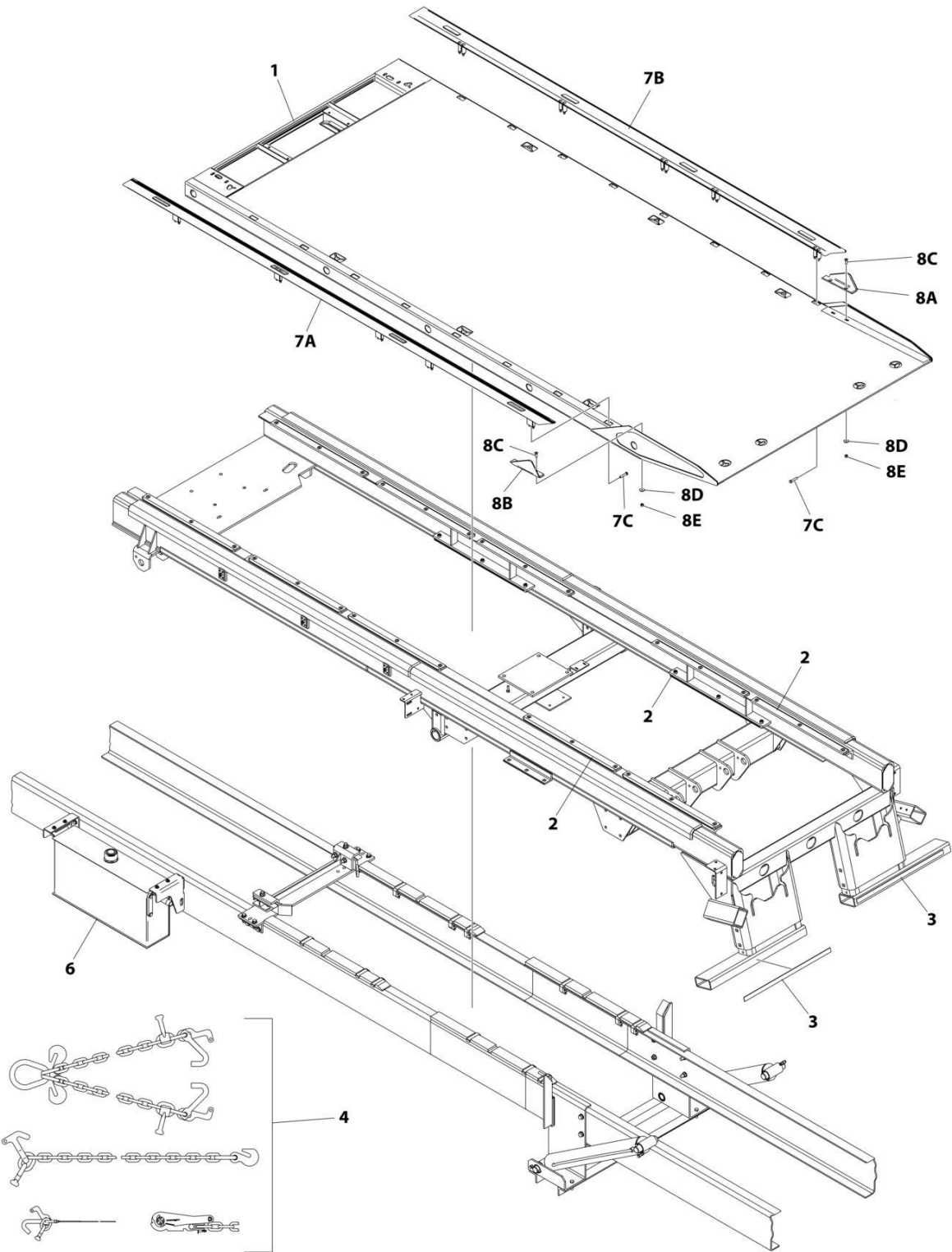
## SECTION 3 - DECK

**FIGURE 3-43. DECK MODEL - STEEL 21IN X 102IN REMOVABLE RAIL (GALVANIZED)**

ITEM	PART NUMBER	QTY	DESCRIPTION	REV
	1001207107	Ref	DECK INSTALLATION - 21FTx102IN STEEL REMOVABLE RAIL (SRR6T-XLP), GALVANIZED	A
1	1001203043	1	Deck Installation, 21ft (Steel)	
2	2679000010	1	Main Subframe Pad Installation (See Separate Breakdown in SUBFRAME Section)	
3	7577000208	1	Chain/Tie-Down Kit	
4	2330000038	1	Standard Duty Decals Installation (Not Shown - See Separate Breakdown in DECAL Section)	
5	2330000055	Ref	Conspicuity Decal Installation	
5	7330000428	2	Decal - Red/White Reflective	
6	2750000008	1	Hydraulic Reservoir and Bracket Mount (See Separate Breakdown in HYDRAULIC Section)	

# SECTION 3 - DECK

FIGURE 3-44. DECK MODEL - STEEL 21IN X 102IN REMOVABLE RAIL DUAL ANGLE SHARK



ART\_1001211152

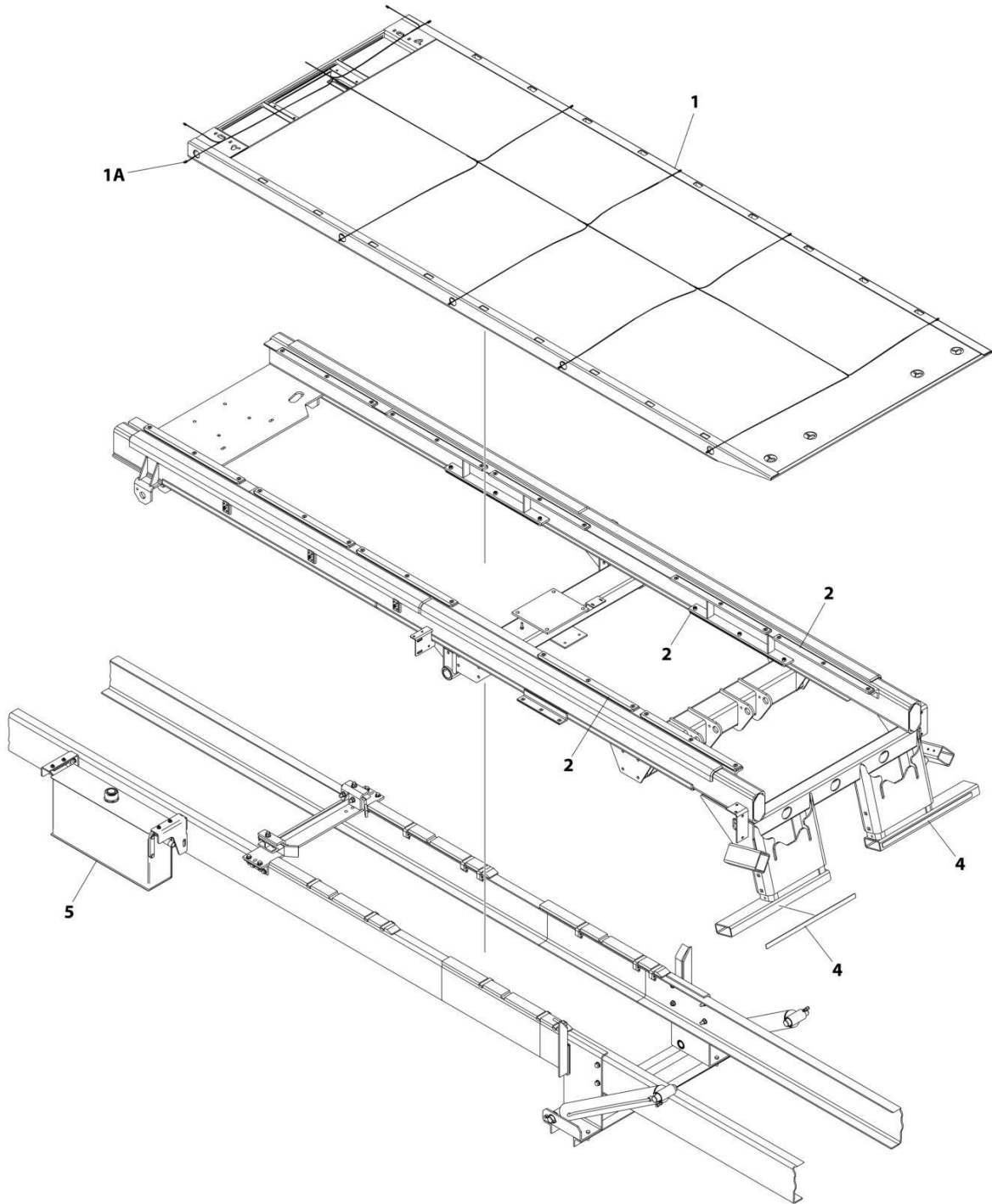
## SECTION 3 - DECK

**FIGURE 3-44. DECK MODEL - STEEL 21IN X 102IN REMOVABLE RAIL DUAL ANGLE SHARK**

ITEM	PART NUMBER	QTY	DESCRIPTION	REV
	1001211152	Ref	DECK INSTALLATION - 21FTx102IN STEEL DUAL ANGLE REMOVABLE RAIL (SRRD6T-XLP), SHARK	A
1	3097000800	1	Deck Installation, 21ft (Steel)	
2	2679000010	1	Main Subframe Pad Installation (See Separate Breakdown in SUBFRAME Section)	
3	2330000055	Ref	Conspicuity Decal Installation	
3	7330000428	2	Decal - Red/White Reflective	
4	7577000208	1	Chain/Tie-Down Kit	
5	2330000038	1	Standard Duty Decals Installation (Not Shown - See Separate Breakdown in DECAL Section)	
6	2750000008	1	Hydraulic Reservoir and Bracket Mount (See Separate Breakdown in HYDRAULIC Section)	
7	2729000094	Ref	Rail Installation	
7A	3017000139	1	Angle Assembly LH	
7B	3017000140	1	Angle Assembly RH	
7C	7120000005	8	Capscrew 1/2 x 2-1/2	
8	2178000066	Ref	Bracket Installation	
8A	4178000873	1	Bracket, RH	
8B	4178000874	1	Bracket, LH	
8C	7115181223	4	Screw 1/2 x 1-1/2	
8D	7950180161	4	Washer 1/2	
8E	7660182601	4	Nut 1/2	

# SECTION 3 - DECK

FIGURE 3-45. DECK MODEL - STEEL 21IN X 102IN TRANSPORTER



ART\_1001277412

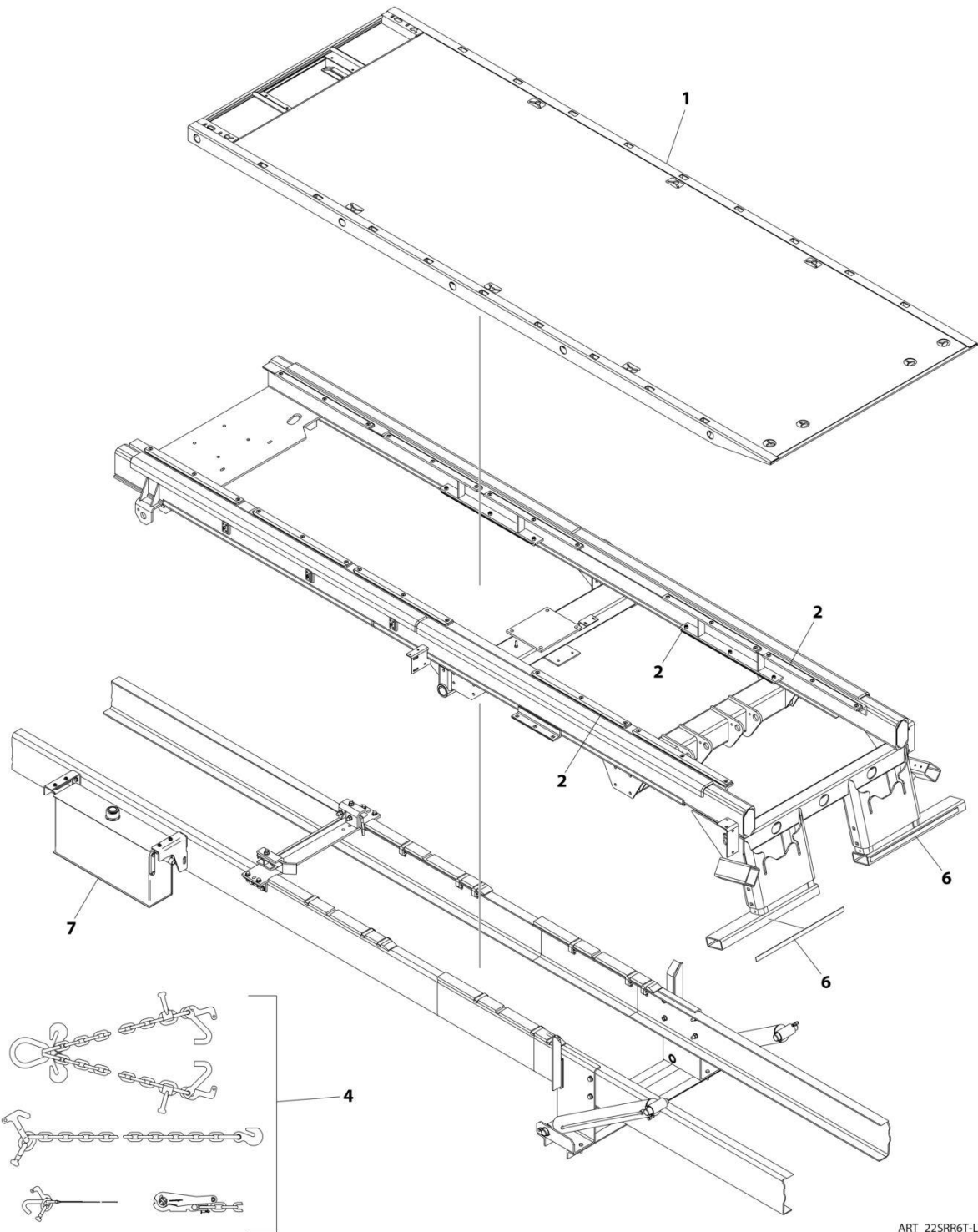
## SECTION 3 - DECK

**FIGURE 3-45. DECK MODEL - STEEL 21IN X 102IN TRANSPORTER**

ITEM	PART NUMBER	QTY	DESCRIPTION	REV
	1001277412	Ref	DECK INSTALLATION - 21FT X 102IN STEEL TRANSPORTER (STRB-LP)	A
1	3097000808	1	Deck Installation, 21ft (Steel)	
1A	7552000212	1	Harness	
2	2679000010	1	Main Subframe Pad Installation (See Separate Breakdown in SUBFRAME Section)	
3	2330000038	1	Standard Duty Decals Installation (Not Shown - See Separate Breakdown in DECAL Section)	
4	2330000055	Ref	Conspicuity Decal Installation	
4	7330000428	2	Decal - Red/White Reflective	
5	2750000008	1	Hydraulic Reservoir and Bracket Mount (See Separate Breakdown in HYDRAULIC Section)	

# SECTION 3 - DECK

FIGURE 3-46. DECK MODEL - STEEL 22IN X 96IN REMOVABLE RAIL



ART\_225RR6T-LP



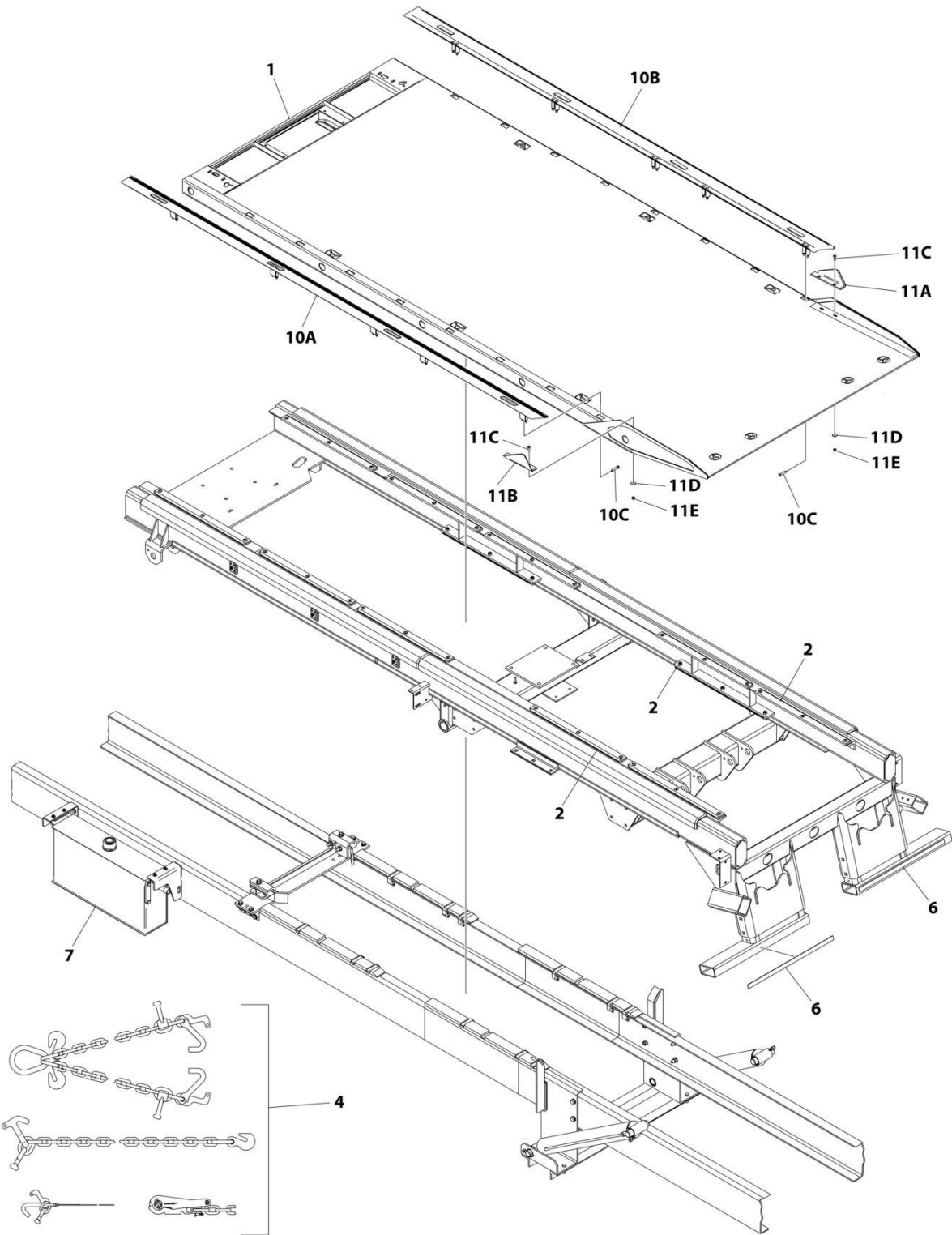
## SECTION 3 - DECK

**FIGURE 3-46. DECK MODEL - STEEL 22IN X 96IN REMOVABLE RAIL**

ITEM	PART NUMBER	QTY	DESCRIPTION	REV
	22SRR6T-LP	Ref	DECK INSTALLATION - 22FTx96IN STEEL REMOVABLE RAIL (SRR6T-XLP)	B
1	3097000793	1	Deck Installation, 22ft (Steel)	
2	2679000010	1	Main Subframe Pad Installation (See Separate Breakdown in SUBFRAME Section)	
4	7577000208	1	Chain/Tie-Down Kit	
5	2330000038	1	Standard Duty Decals Installation (Not Shown - See Separate Breakdown in DECAL Section)	
6	2330000055	Ref	Conspicuity Decal Installation	
6	7330000428	2	Decal - Red/White Reflective	
7	2750000008	1	Hydraulic Reservoir and Bracket Mount (See Separate Breakdown in HYDRAULIC Section)	

# SECTION 3 - DECK

## FIGURE 3-47. DECK MODEL - STEEL 22IN X 96IN REMOVABLE RAIL DUAL ANGLE SHARK



ART\_22SRRD6T-LP

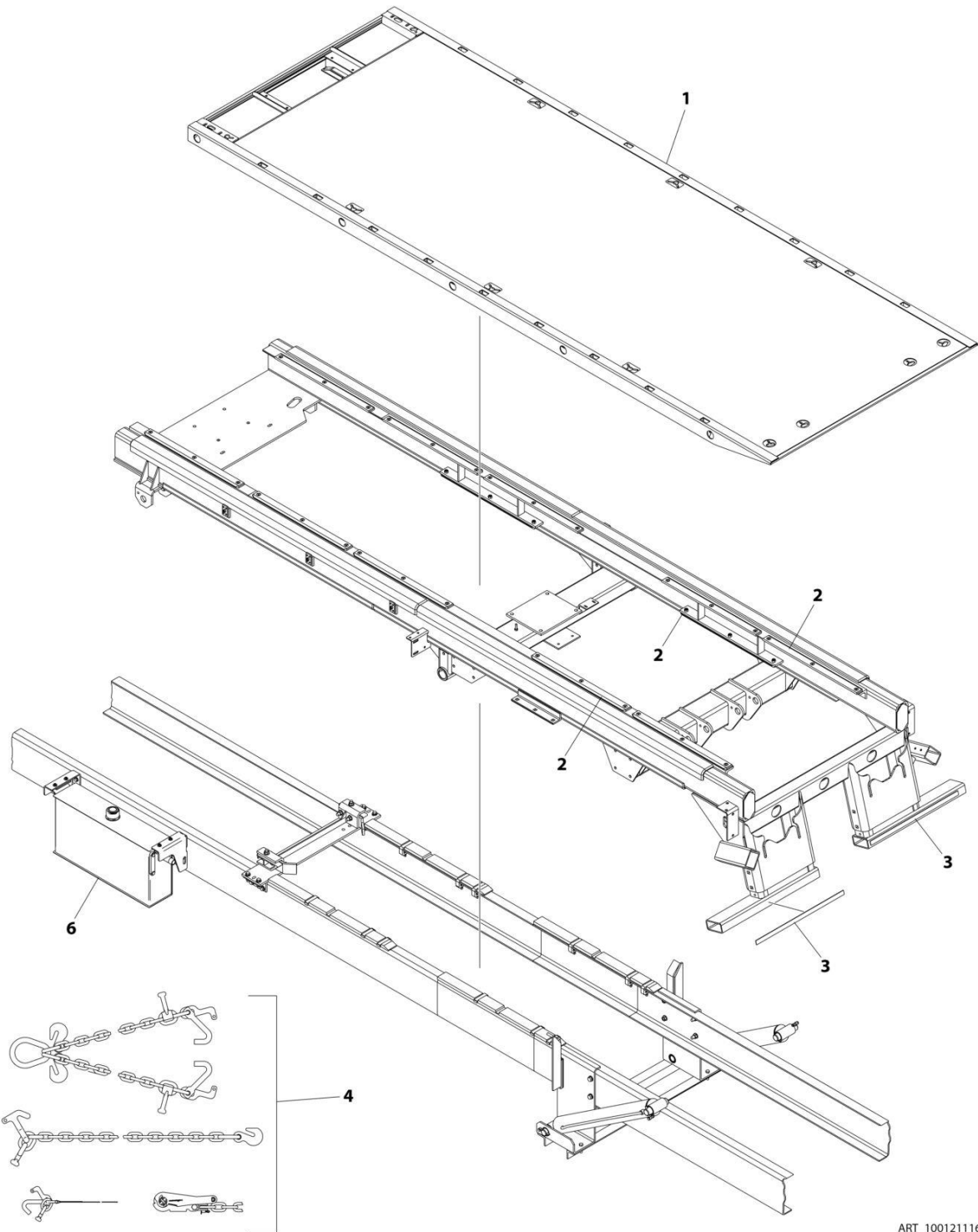
## SECTION 3 - DECK

**FIGURE 3-47. DECK MODEL - STEEL 22IN X 96IN REMOVABLE RAIL DUAL ANGLE SHARK**

ITEM	PART NUMBER	QTY	DESCRIPTION	REV
	22SRRD6T-LP	Ref	DECK INSTALLATION - 22FTx96IN STEEL DUAL ANGLE REMOVABLE RAIL (SRRD6T-XLP), SHARK	B
1	3097000801	1	Deck Installation, 22ft (Steel)	
2	2679000010	1	Main Subframe Pad Installation (See Separate Breakdown in SUBFRAME Section)	
4	7577000208	1	Chain/Tie-Down Kit	
5	2330000038	1	Standard Duty Decals Installation (Not Shown - See Separate Breakdown in DECAL Section)	
6	2330000055	Ref	Conspicuity Decal Installation	
6	7330000428	2	Decal - Red/White Reflective	
7	2750000008	1	Hydraulic Reservoir and Bracket Mount (See Separate Breakdown in HYDRAULIC Section)	
10	2729000103	Ref	Rail Installation	
10A	3017000142	1	Angle Assembly LH	
10B	3017000143	1	Angle Assembly RH	
10C	7120000005	10	Capscrew 1/2 x 2-1/2	
11	2178000066	Ref	Bracket Installation	
11A	4178000873	1	Bracket, RH	
11B	4178000874	1	Bracket, LH	
11C	7115181223	4	Screw 1/2 x 1-1/2	
11D	7950180161	4	Washer 1/2	
11E	7660182601	4	Nut 1/2	

# SECTION 3 - DECK

## FIGURE 3-48. DECK MODEL - STEEL 22IN X 102IN REMOVABLE RAIL



ART\_1001211166

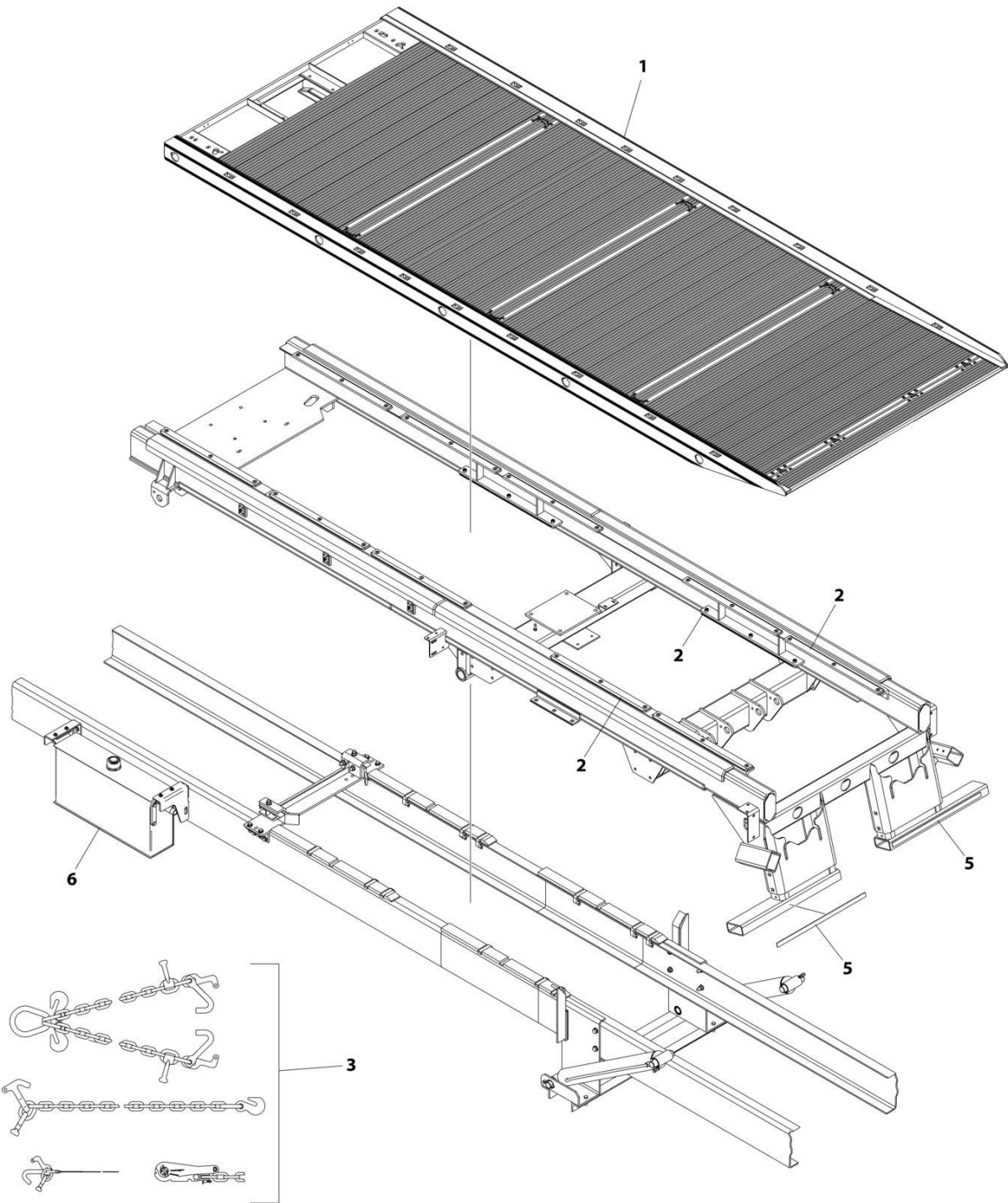
## SECTION 3 - DECK

**FIGURE 3-48. DECK MODEL - STEEL 22IN X 102IN REMOVABLE RAIL**

ITEM	PART NUMBER	QTY	DESCRIPTION	REV
	1001211166	Ref	DECK INSTALLATION - 22FTx102IN STEEL REMOVABLE RAIL (SRR6T-XLP)	A
1	3097000794	1	Deck Installation, 22ft (Steel)	
2	2679000010	1	Main Subframe Pad Installation (See Separate Breakdown in SUBFRAME Section)	
3	2330000055	Ref	Conspicuity Decal Installation	
3	7330000428	2	Decal - Red/White Reflective	
4	7577000208	1	Chain/Tie-Down Kit	
5	2330000038	1	Standard Duty Decals Installation (Not Shown - See Separate Breakdown in DECAL Section)	
6	2750000008	1	Hydraulic Reservoir and Bracket Mount (See Separate Breakdown in HYDRAULIC Section)	

# SECTION 3 - DECK

FIGURE 3-49. DECK MODEL - STEEL 22IN X 102IN REMOVABLE RAIL (GALVANIZED)



ART\_1001207108

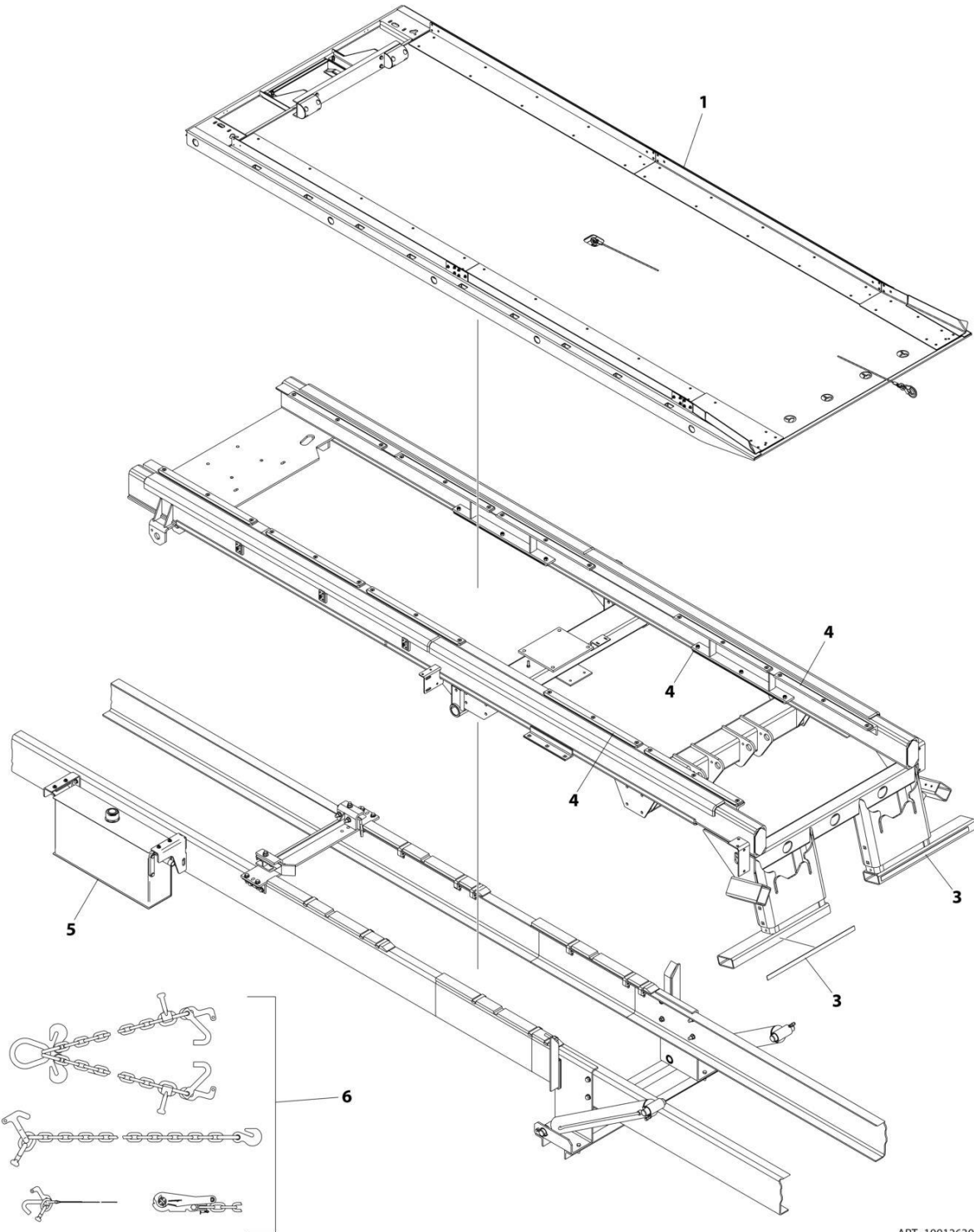
## SECTION 3 - DECK

**FIGURE 3-49. DECK MODEL - STEEL 22IN X 102IN REMOVABLE RAIL (GALVANIZED)**

ITEM	PART NUMBER	QTY	DESCRIPTION	REV
	1001207108	Ref	DECK INSTALLATION - 22FTx102IN STEEL REMOVABLE RAIL (SRR6T-XLP), GALVANIZED	A
1	1001203044	1	Deck Installation, 22ft (Steel)	
2	2679000010	1	Main Subframe Pad Installation (See Separate Breakdown in SUBFRAME Section)	
3	7577000208	1	Chain/Tie-Down Kit	
4	2330000038	1	Standard Duty Decals Installation (Not Shown - See Separate Breakdown in DECAL Section)	
5	2330000055	Ref	Conspicuity Decal Installation	
5	7330000428	2	Decal - Red/White Reflective	
6	2750000008	1	Hydraulic Reservoir and Bracket Mount (See Separate Breakdown in HYDRAULIC Section)	

# SECTION 3 - DECK

FIGURE 3-50. DECK MODEL - STEEL 22IN X 102IN REMOVABLE RAIL CONTAINER TRANSPORTER



ART\_1001263013



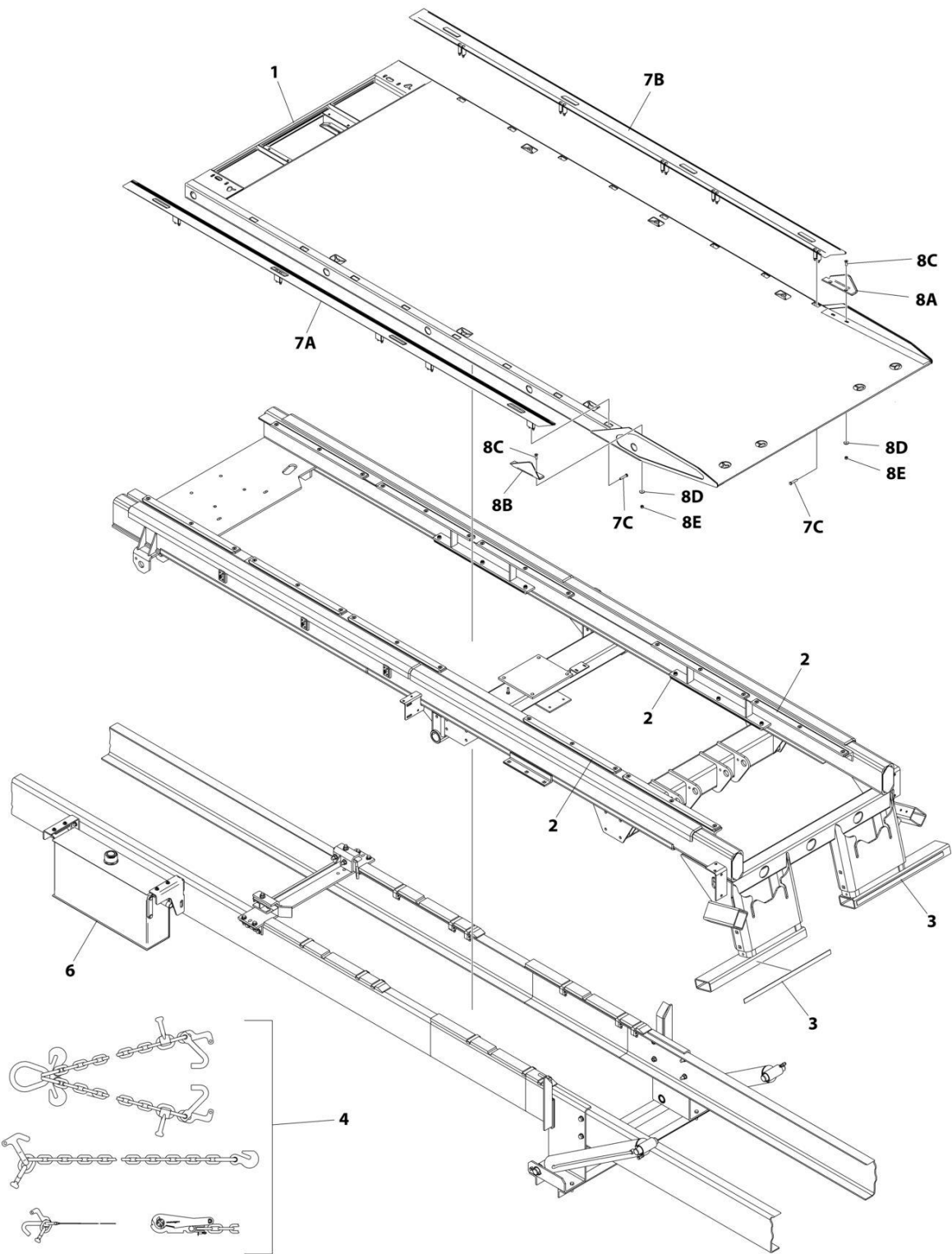
## SECTION 3 - DECK

**FIGURE 3-50. DECK MODEL - STEEL 22IN X 102IN REMOVABLE RAIL CONTAINER TRANSPORTER**

ITEM	PART NUMBER	QTY	DESCRIPTION	REV
	1001263013	Ref	DECK INSTALLATION - 22FT STEEL CONTAINER TRANSPORTER	A
1	1001263014	1	Rail-Bumper Container Transporter Installation (See Separate Breakdown in this Section)	
2	2330000038	1	Standard Duty Decals Installation (Not Shown - See Separate Breakdown in DECAL Section)	
3	2330000055	Ref	Conspicuity Decal Installation	
3	7330000428	2	Decal - Red/White Reflective	
4	2679000010	1	Main Subframe Pad Installation (See Separate Breakdown in SUBFRAME Section)	
5	2750000008	1	Hydraulic Reservoir and Bracket Mount (See Separate Breakdown in HYDRAULIC Section)	
6	7577000208	1	Chain/Tie-Down Kit	

# SECTION 3 - DECK

FIGURE 3-51. DECK MODEL - STEEL 22IN X 102IN REMOVABLE RAIL DUAL ANGLE SHARK



ART\_1001211167

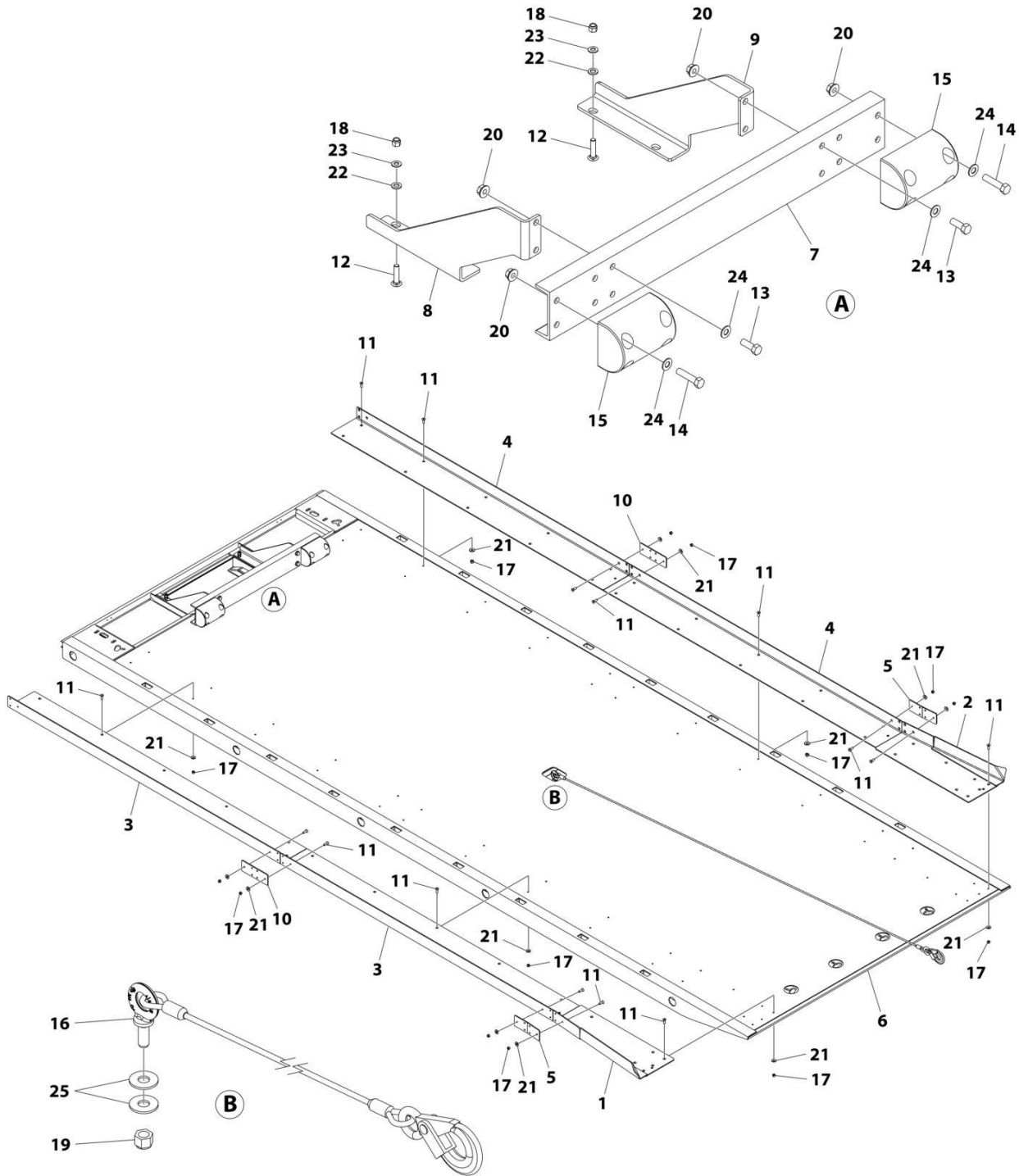
## SECTION 3 - DECK

**FIGURE 3-51. DECK MODEL - STEEL 22IN X 102IN REMOVABLE RAIL DUAL ANGLE SHARK**

ITEM	PART NUMBER	QTY	DESCRIPTION	REV
	1001211167	Ref	DECK INSTALLATION - 22FTx102IN STEEL DUAL ANGLE REMOVABLE RAIL (SRRD6T-XLP), SHARK	A
1	3097000802	1	Deck Installation, 22ft (Steel)	
2	2679000010	1	Main Subframe Pad Installation (See Separate Breakdown in SUBFRAME Section)	
3	2330000055	Ref	Conspicuity Decal Installation	
3	7330000428	2	Decal - Red/White Reflective	
4	7577000208	1	Chain/Tie-Down Kit	
5	2330000038	1	Standard Duty Decals Installation (Not Shown - See Separate Breakdown in DECAL Section)	
6	2750000008	1	Hydraulic Reservoir and Bracket Mount (See Separate Breakdown in HYDRAULIC Section)	
7	2729000103	Ref	Rail Installation	
7A	3017000142	1	Angle Assembly LH	
7B	3017000143	1	Angle Assembly RH	
7C	7120000005	10	Capscrew 1/2 x 2-1/2	
8	2178000066	Ref	Bracket Installation	
8A	4178000873	1	Bracket, RH	
8B	4178000874	1	Bracket, LH	
8C	7115181223	4	Screw 1/2 x 1-1/2	
8D	7950180161	4	Washer 1/2	
8E	7660182601	4	Nut 1/2	

# SECTION 3 - DECK

## FIGURE 3-52. RAIL-BUMPER CONTAINER TRANSPORTER INSTALLATION



ART\_1001263014

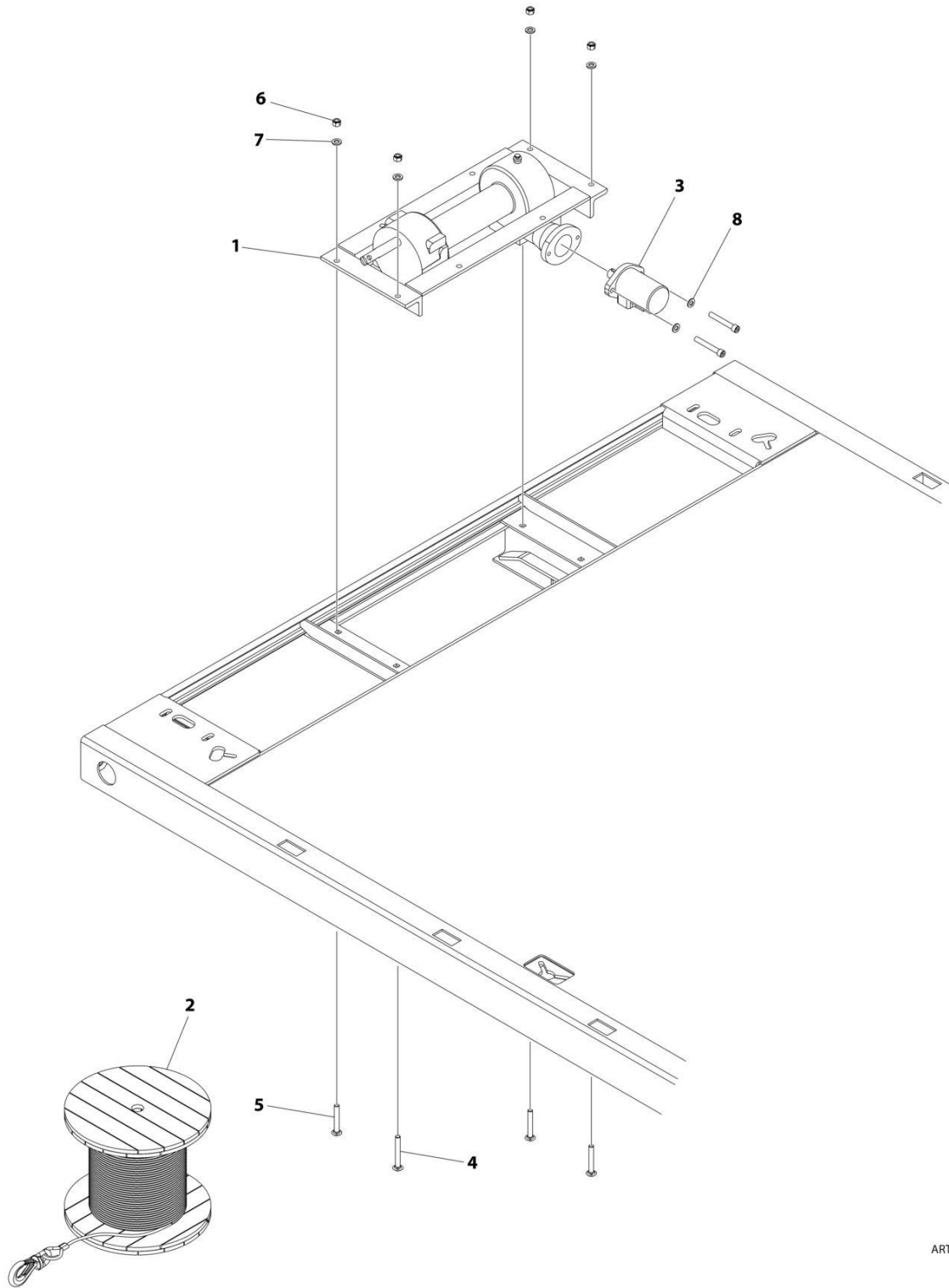
## SECTION 3 - DECK

**FIGURE 3-52. RAIL-BUMPER CONTAINER TRANSPORTER INSTALLATION**

ITEM	PART NUMBER	QTY	DESCRIPTION	REV
	1001263014	1	RAIL-BUMPER CONTAINER TRANSPORTER INSTALLATION	A
1	1001157422	1	Plate, Flare LH	
2	1001157423	1	Plate, Flare RH	
3	1001157424	2	Plate, Laminate LH	
4	1001157425	2	Plate, Laminate RH	
5	1001157651	2	Plate, Doubler Bend	
6	1001263012	1	Decl Weldment 22FT Steel	
7	1001263015	1	Channel	
8	1001263016	1	Bracket, Channel Support RH	
9	1001263017	1	Bracket, Channel Support LH	
10	4706005146	2	Plate	
11	7115150723	80	Screw 5/16 x 7/8	
12	7115181864	4	Bolt 1/2 x 2-1/4	
13	7115201450	4	Bolt 5/8 x 1-3/4	
14	7115202250	8	Bolt 5/8 x 2-3/4	
15	7189000020	2	Bumper, Rubber	
16	7248000125	1	Cable Assembly, Safety Hook and Eye Bolt	
17	7660162601	80	Nut 3/8	
18	7660182601	4	Nut 1/2	
19	7660222601	1	Nut 3/4	
20	7661000018	12	Nut 5/8	
21	7950160161	80	Washer 3/8	
22	7950180153	4	Washer 1/2	
23	7950180400	4	Washer 1/2	
24	7950200141	12	Washer 5/8	
25	7950220161	2	Washer 3/4	

# SECTION 3 - DECK

## FIGURE 3-53. WINCH INSTALLATION - 8000 LBS (ALUMINUM DECK)



ART\_W08WAL-SD

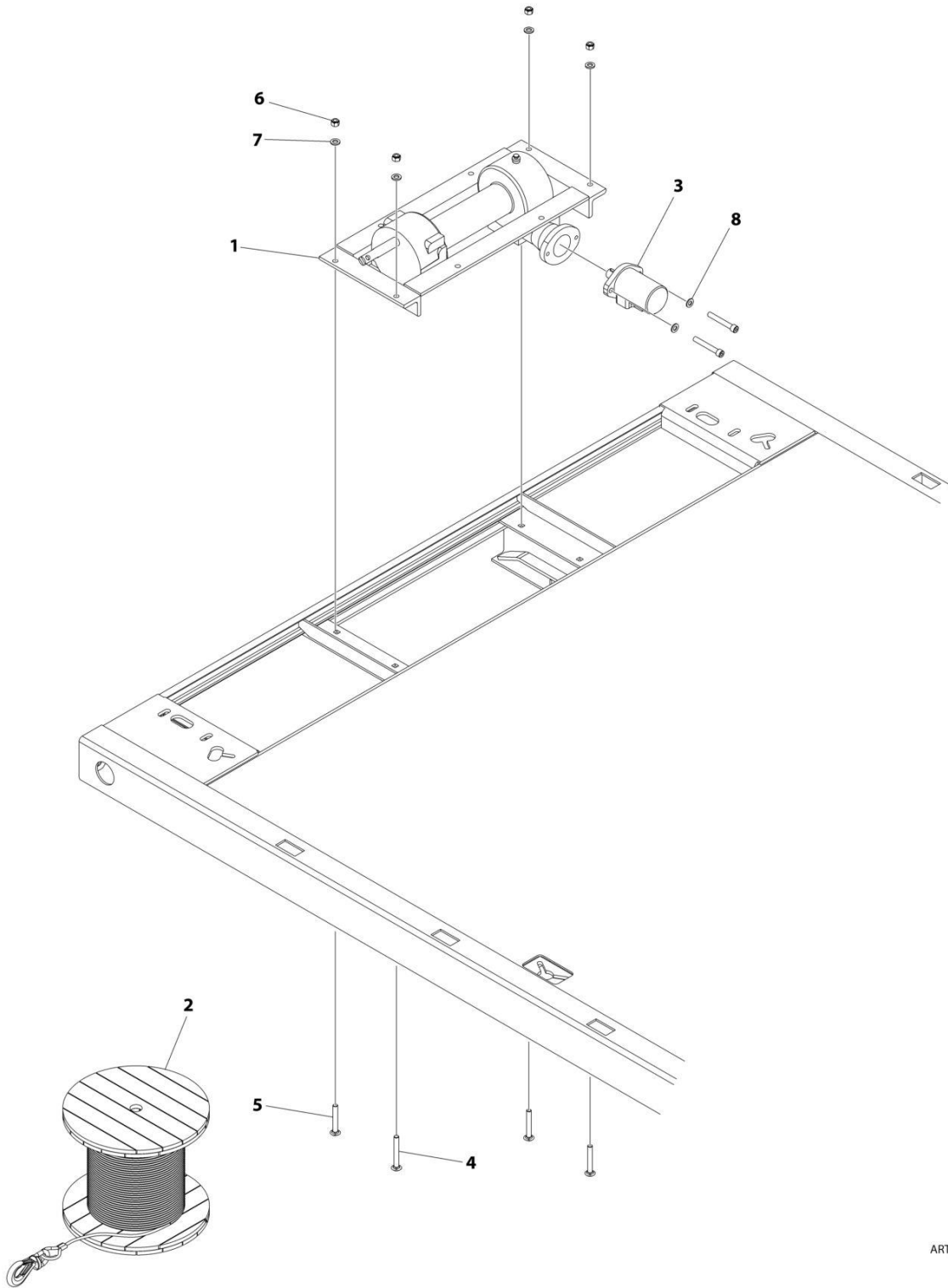
## SECTION 3 - DECK

**FIGURE 3-53. WINCH INSTALLATION - 8000 LBS (ALUMINUM DECK)**

ITEM	PART NUMBER	QTY	DESCRIPTION	REV
	W08WAL-SD	Ref	WINCH INSTALLATION	A
	2970000080	Ref	Winch Installation	D
1	7970000121	1	Winch Assembly, 8000 lbs (See Separate Breakdown in this Section)	
2	7248000063	1	Wire Rope	
3	7626000014	1	Motor	
4	1001138523	1	Bolt 1/2 x 2-3/4	
5	1001138522	3	Bolt 1/2 x 2-1/4	
6	7660182601	4	Nut 1/2	
7	7950180153	4	Washer 1/2	
8	7950180400	2	Washer 1/2	
20	2249000017	1	Cable Tensioner Assembly (Not Shown - See Separate Breakdown in this Section)	

# SECTION 3 - DECK

## FIGURE 3-54. WINCH INSTALLATION - 8000 LBS (STEEL DECK)



ART\_W08WST-SD



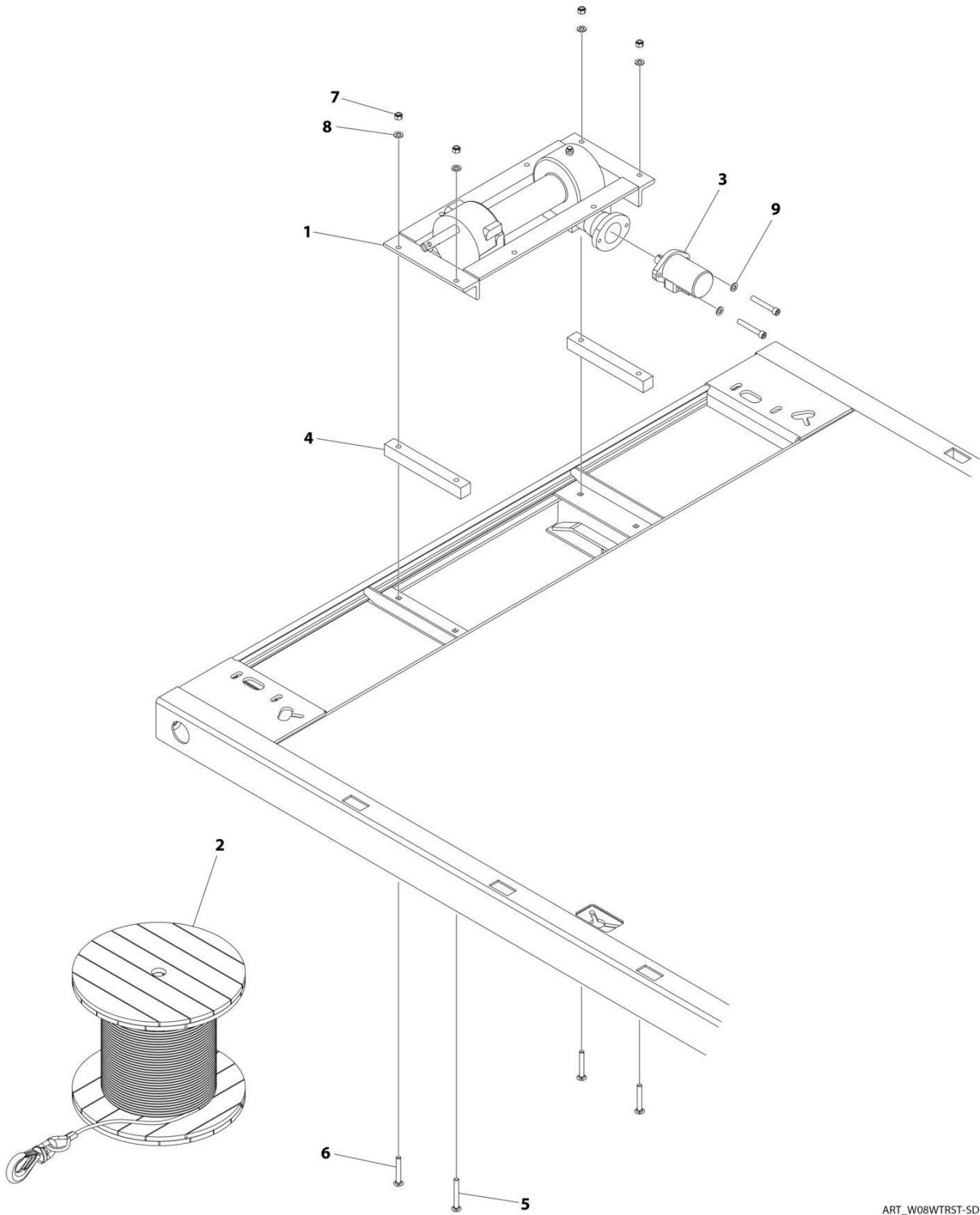
## SECTION 3 - DECK

**FIGURE 3-54. WINCH INSTALLATION - 8000 LBS (STEEL DECK)**

ITEM	PART NUMBER	QTY	DESCRIPTION	REV
	W08WST-SD	Ref	WINCH INSTALLATION	A
	2970000088	Ref	Winch Installation	C
1	7970000121	1	Winch Assembly, 8000 lbs (See Separate Breakdown in this Section)	
2	7248000063	1	Wire Rope	
3	7626000014	1	Motor	
4	7115181864	1	Bolt 1/2 x 2-1/4	
5	7115181464	3	Bolt 1/2 x 1-3/4	
6	7660182601	4	Nut 1/2	
7	7950180153	4	Washer 1/2	
8	7950180400	2	Washer 1/2	
20	2249000017	1	Cable Tensioner Assembly (Not Shown - See Separate Breakdown in this Section)	

# SECTION 3 - DECK

## FIGURE 3-55. WINCH INSTALLATION - 8000 LBS (TRANSPORTER)



ART\_W08WTRST-SD

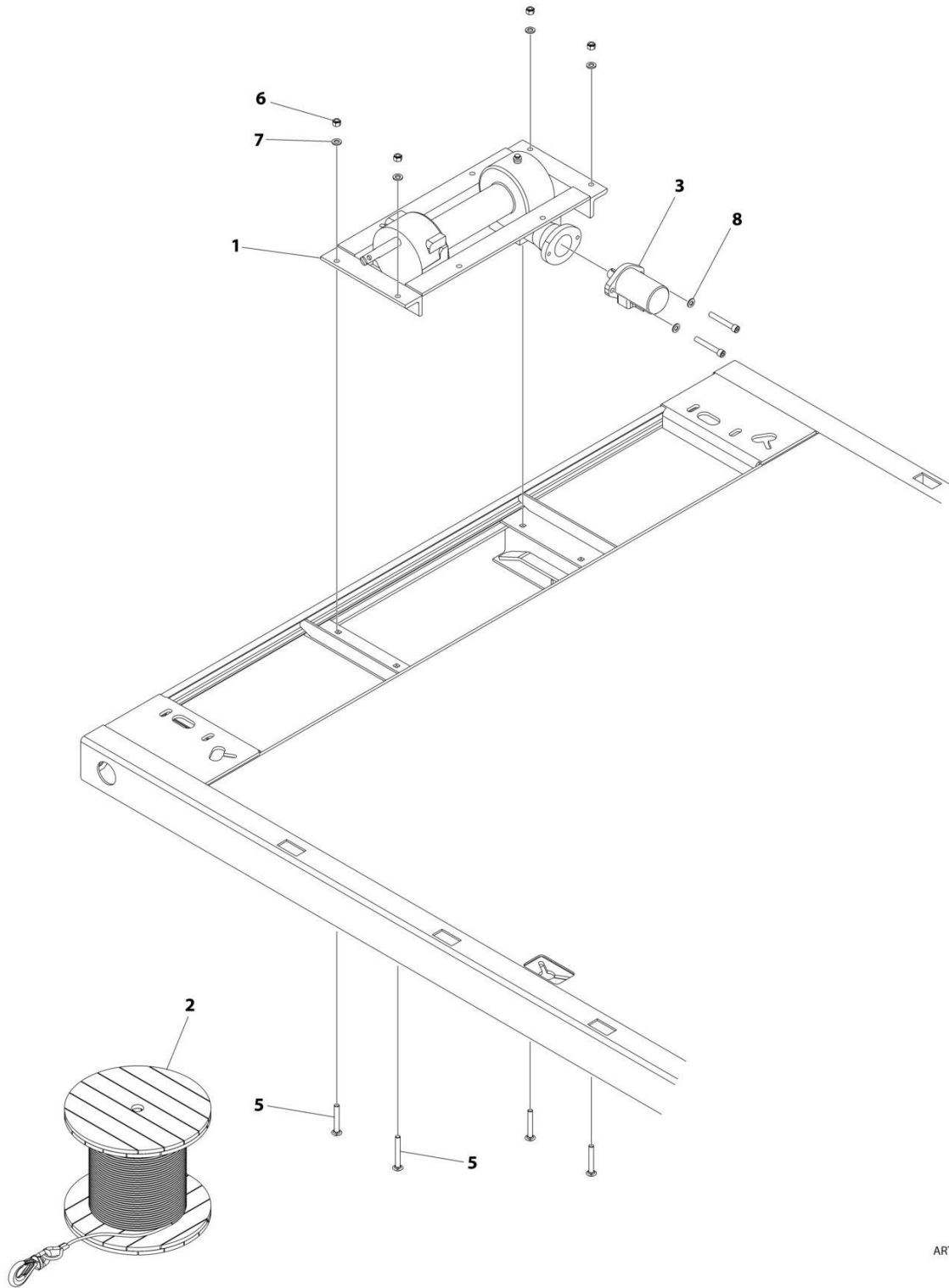
## SECTION 3 - DECK

**FIGURE 3-55. WINCH INSTALLATION - 8000 LBS (TRANSPORTER)**

ITEM	PART NUMBER	QTY	DESCRIPTION	REV
	W08WTRST-SD	Ref	WINCH INSTALLATION	A
	2970000089	Ref	Winch Installation	C
1	7970000121	1	Winch Assembly, 8000 lbs (See Separate Breakdown in this Section)	
2	7248000063	1	Wire Rope	
3	7626000014	1	Motor	
4	4062000318	2	Bar	
5	7115183264	1	Bolt 1/2 x 4	
6	7115182864	3	Bolt 1/2 x 3-1/2	
7	7660182601	4	Nut 1/2	
8	7950180153	4	Washer 1/2	
9	7950180400	2	Washer 1/2	
20	2249000017	1	Cable Tensioner Assembly (Not Shown - See Separate Breakdown in this Section)	

# SECTION 3 - DECK

FIGURE 3-56. WINCH INSTALLATION - 8000 LBS WITH AIR FREE SPOOL (ALUMINUM DECK)



ART\_1001220878

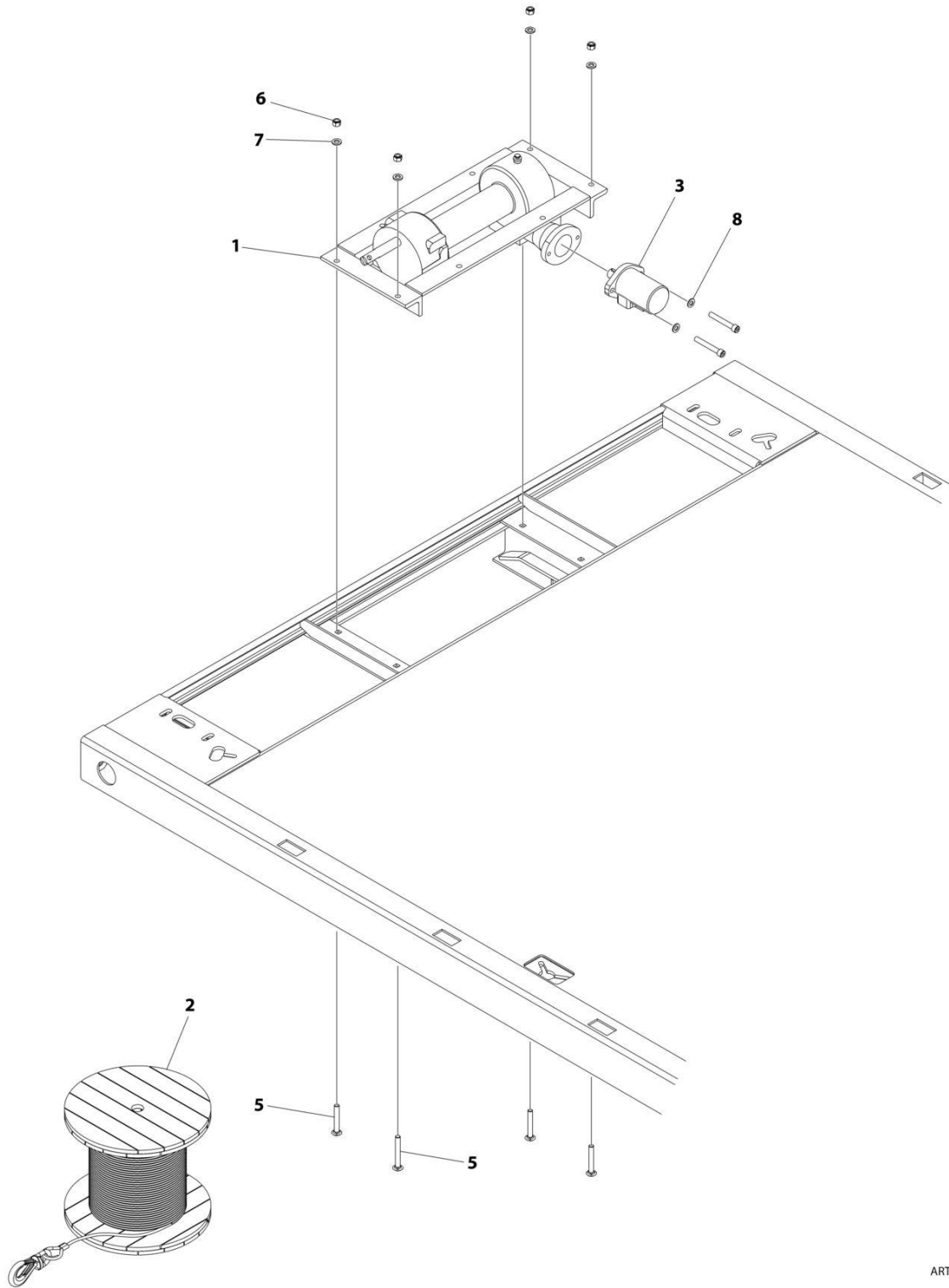
## SECTION 3 - DECK

**FIGURE 3-56. WINCH INSTALLATION - 8000 LBS WITH AIR FREE SPOOL (ALUMINUM DECK)**

ITEM	PART NUMBER	QTY	DESCRIPTION	REV
	1001220878	Ref	WINCH INSTALLATION	A
	2970000109	Ref	Winch Installation	B
1	7970000142	1	Winch Assembly, 8000 lbs (See Separate Breakdown in this Section)	
2	7248000063	1	Wire Rope	
3	7626000014	1	Motor	
5	1001138522	4	Bolt 1/2 x 2-1/4	
6	7660182601	4	Nut 1/2	
7	7950180153	4	Washer 1/2	
8	7950180400	2	Washer 1/2	
20	2249000017	1	Cable Tensioner Assembly (Not Shown - See Separate Breakdown in this Section)	

# SECTION 3 - DECK

FIGURE 3-57. WINCH INSTALLATION - 8000 LBS WITH AIR FREE SPOOL (STEEL DECK)



ART\_1001220879

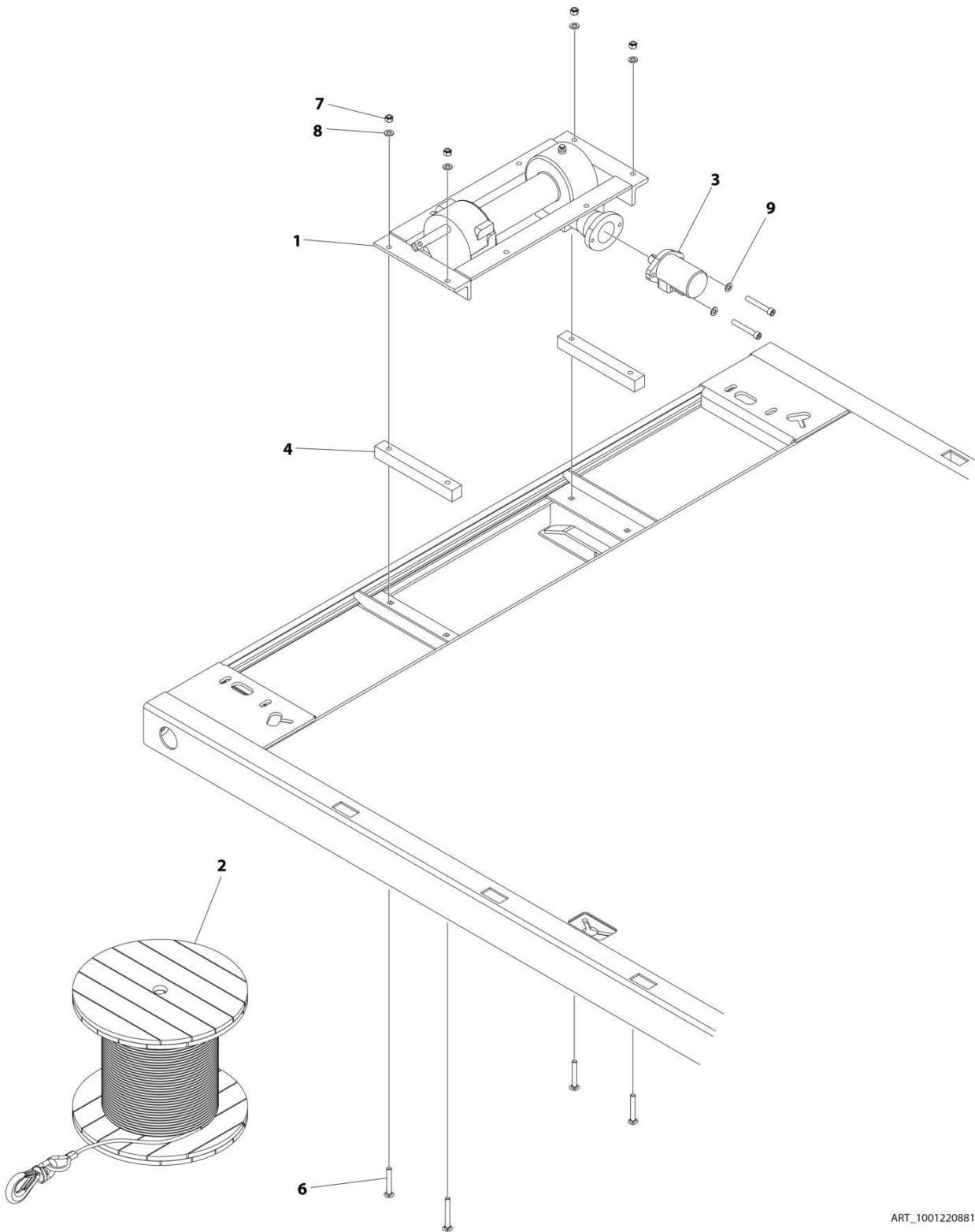
## SECTION 3 - DECK

**FIGURE 3-57. WINCH INSTALLATION - 8000 LBS WITH AIR FREE SPOOL (STEEL DECK)**

ITEM	PART NUMBER	QTY	DESCRIPTION	REV
	1001220879	Ref	WINCH INSTALLATION	A
	2970000107	Ref	Winch Installation	A
1	7970000142	1	Winch Assembly, 8000 lbs (See Separate Breakdown in this Section)	
2	7248000063	1	Wire Rope	
3	7626000014	1	Motor	
5	7115181464	4	Bolt 1/2 x 1-3/4	
6	7660182601	4	Nut 1/2	
7	7950180153	4	Washer 1/2	
8	7950180400	2	Washer 1/2	
20	2249000017	1	Cable Tensioner Assembly (Not Shown - See Separate Breakdown in this Section)	

# SECTION 3 - DECK

FIGURE 3-58. WINCH INSTALLATION - 8000 LBS WITH AIR FREE SPOOL (STEEL DECK)  
(TRANSPORTER)



ART\_1001220881



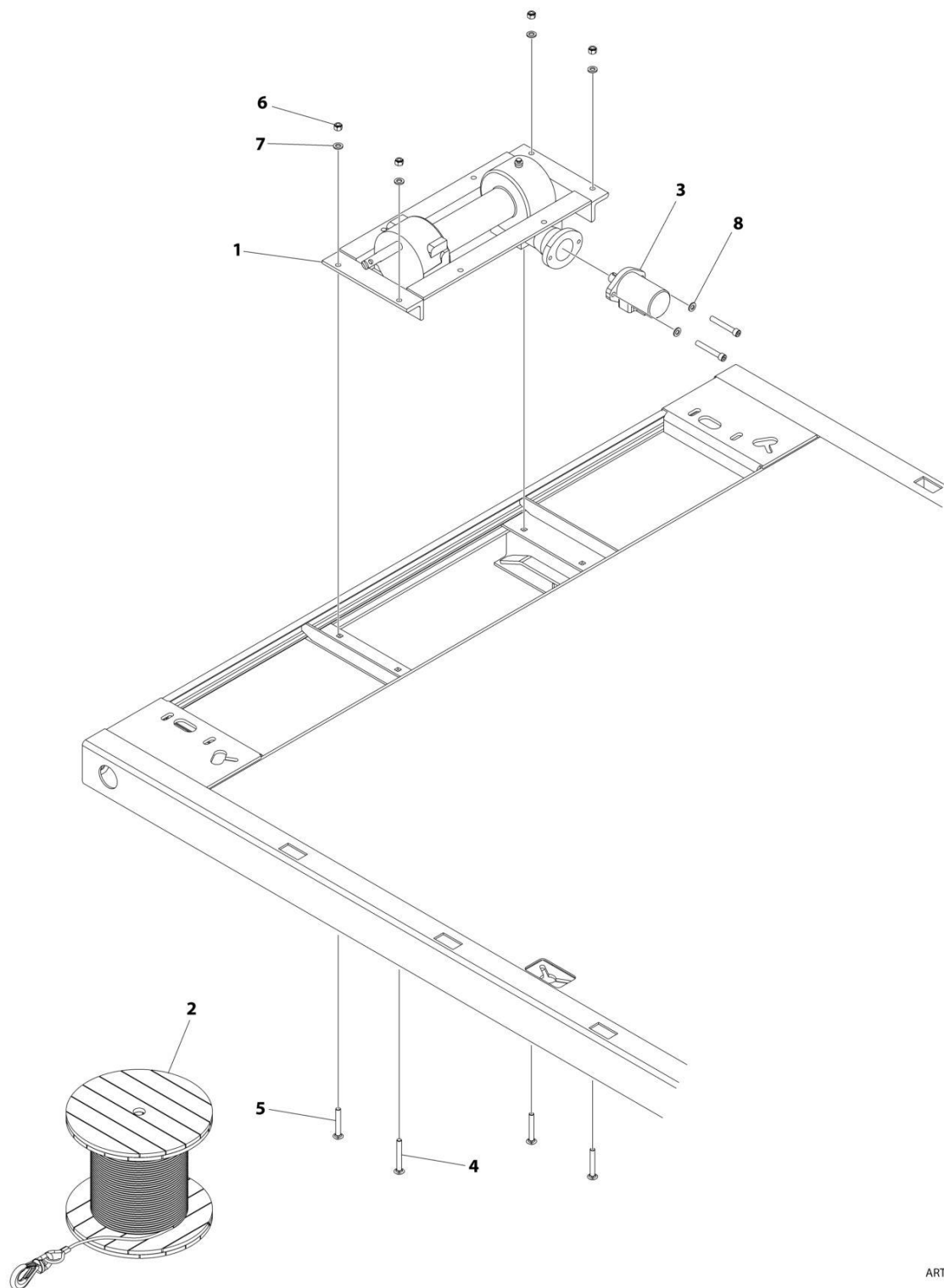
## SECTION 3 - DECK

**FIGURE 3-58. WINCH INSTALLATION - 8000 LBS WITH AIR FREE SPOOL (STEEL DECK)  
(TRANSPORTER)**

ITEM	PART NUMBER	QTY	DESCRIPTION	REV
	1001220881	Ref	WINCH INSTALLATION	A
	2970000111	Ref	Winch Installation	A
1	7970000142	1	Winch Assembly, 8000 lbs (See Separate Breakdown in this Section)	
2	7248000063	1	Wire Rope	
3	7626000014	1	Motor	
4	4062000318	2	Bar	
6	7115182864	4	Bolt 1/2 x 3-1/2	
7	7660182601	4	Nut 1/2	
8	7950180153	4	Washer 1/2	
9	7950180400	2	Washer 1/2	
20	2249000017	1	Cable Tensioner Assembly (Not Shown - See Separate Breakdown in this Section)	

# SECTION 3 - DECK

## FIGURE 3-59. WINCH INSTALLATION - 10000 LBS WORM GEAR (ALUMINUM DECK)



ART\_W010WAL-SD

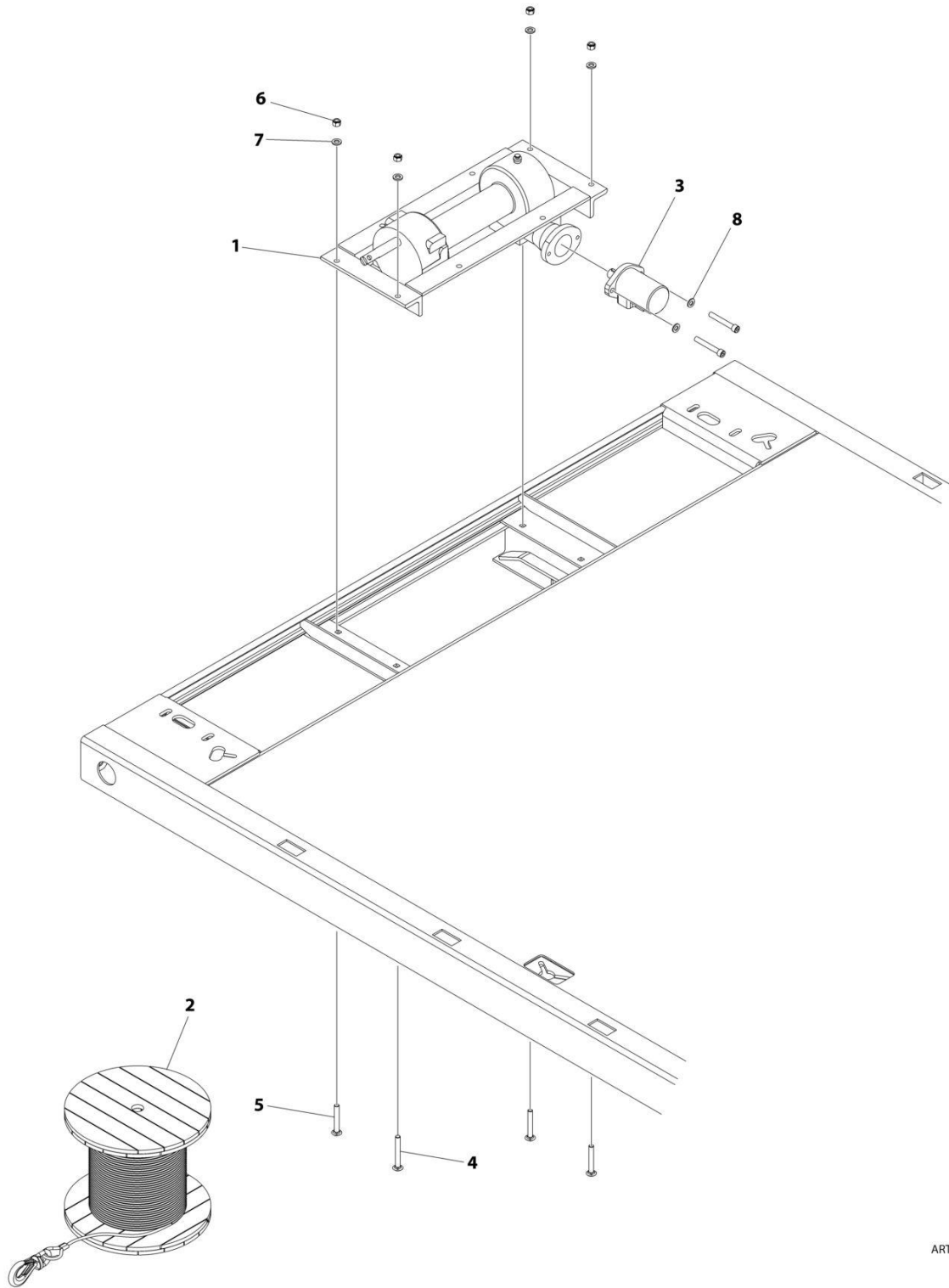
## SECTION 3 - DECK

**FIGURE 3-59. WINCH INSTALLATION - 10000 LBS WORM GEAR (ALUMINUM DECK)**

ITEM	PART NUMBER	QTY	DESCRIPTION	REV
	WO10WAL-SD	Ref	WINCH INSTALLATION	A
	2970000082	Ref	Winch Installation	D
1	7970000123	1	Winch Assembly, 10000 lbs (See Separate Breakdown in this Section)	
2	7248000064	1	Wire Rope	
3	7626000014	1	Motor	
4	1001138523	1	Bolt 1/2 x 2-3/4	
5	1001138522	3	Bolt 1/2 x 2-1/4	
6	7660182601	4	Nut 1/2	
7	7950180153	4	Washer 1/2	
8	7950180400	2	Washer 1/2	
20	2249000017	1	Cable Tensioner Assembly (Not Shown - See Separate Breakdown in this Section)	

# SECTION 3 - DECK

FIGURE 3-60. WINCH INSTALLATION - 10000 LBS WORM GEAR (STEEL DECK)



ART\_WO10WST-SD

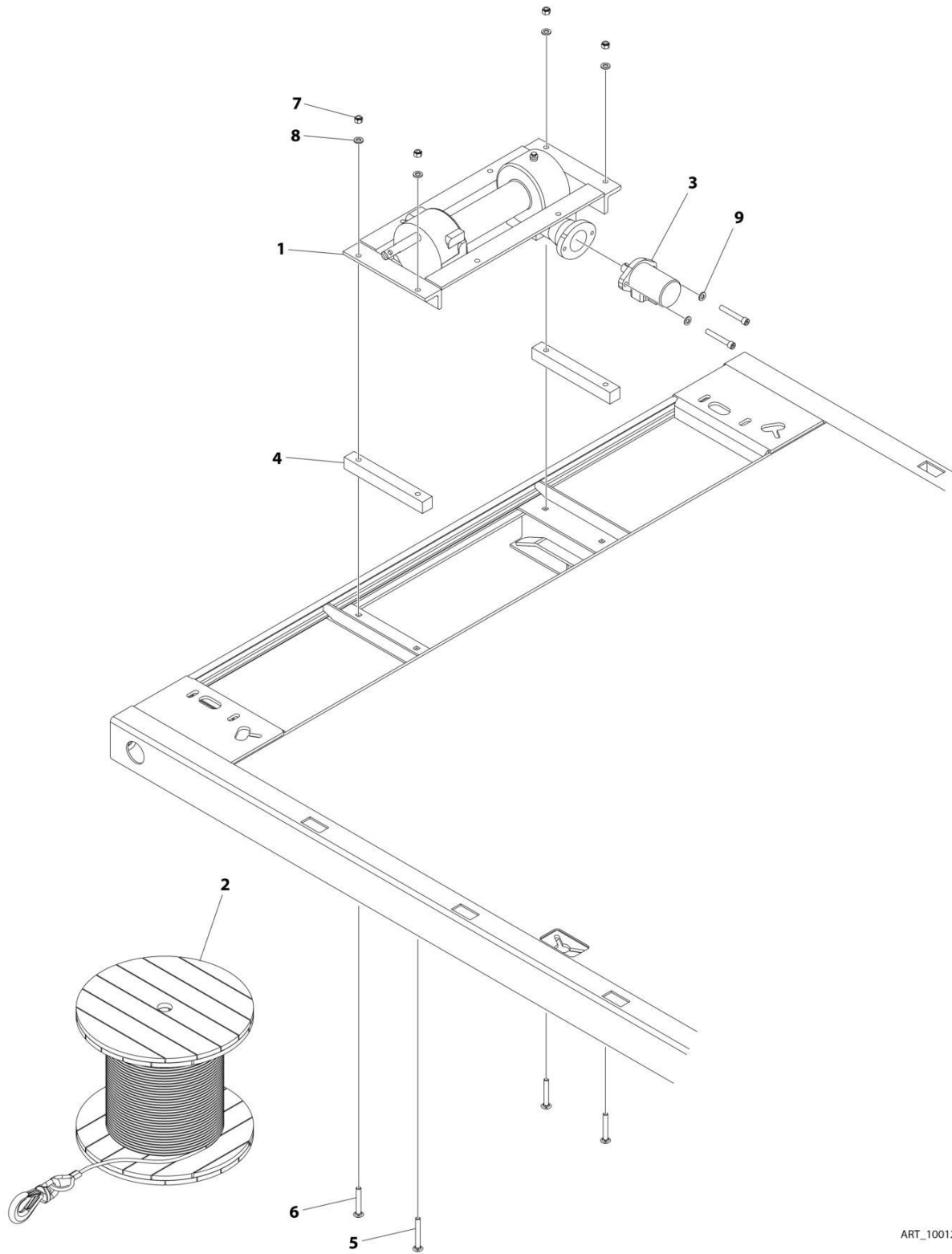
## SECTION 3 - DECK

**FIGURE 3-60. WINCH INSTALLATION - 10000 LBS WORM GEAR (STEEL DECK)**

ITEM	PART NUMBER	QTY	DESCRIPTION	REV
	WO10WST-SD	Ref	WINCH INSTALLATION	A
	2970000090	Ref	Winch Installation	C
1	7970000123	1	Winch Assembly, 10000 lbs (See Separate Breakdown in this Section)	
2	7248000064	1	Wire Rope	
3	7626000014	1	Motor	
4	7115181864	1	Bolt 1/2 x 2-1/4	
5	7115181464	3	Bolt 1/2 x 1-3/4	
6	7660182601	4	Nut 1/2	
7	7950180153	4	Washer 1/2	
8	7950180400	2	Washer 1/2	
20	2249000017	1	Cable Tensioner Assembly (Not Shown - See Separate Breakdown in this Section)	

# SECTION 3 - DECK

## FIGURE 3-61. WINCH INSTALLATION - 10000 LBS WORM GEAR (TRANSPORTER)



ART\_1001220877

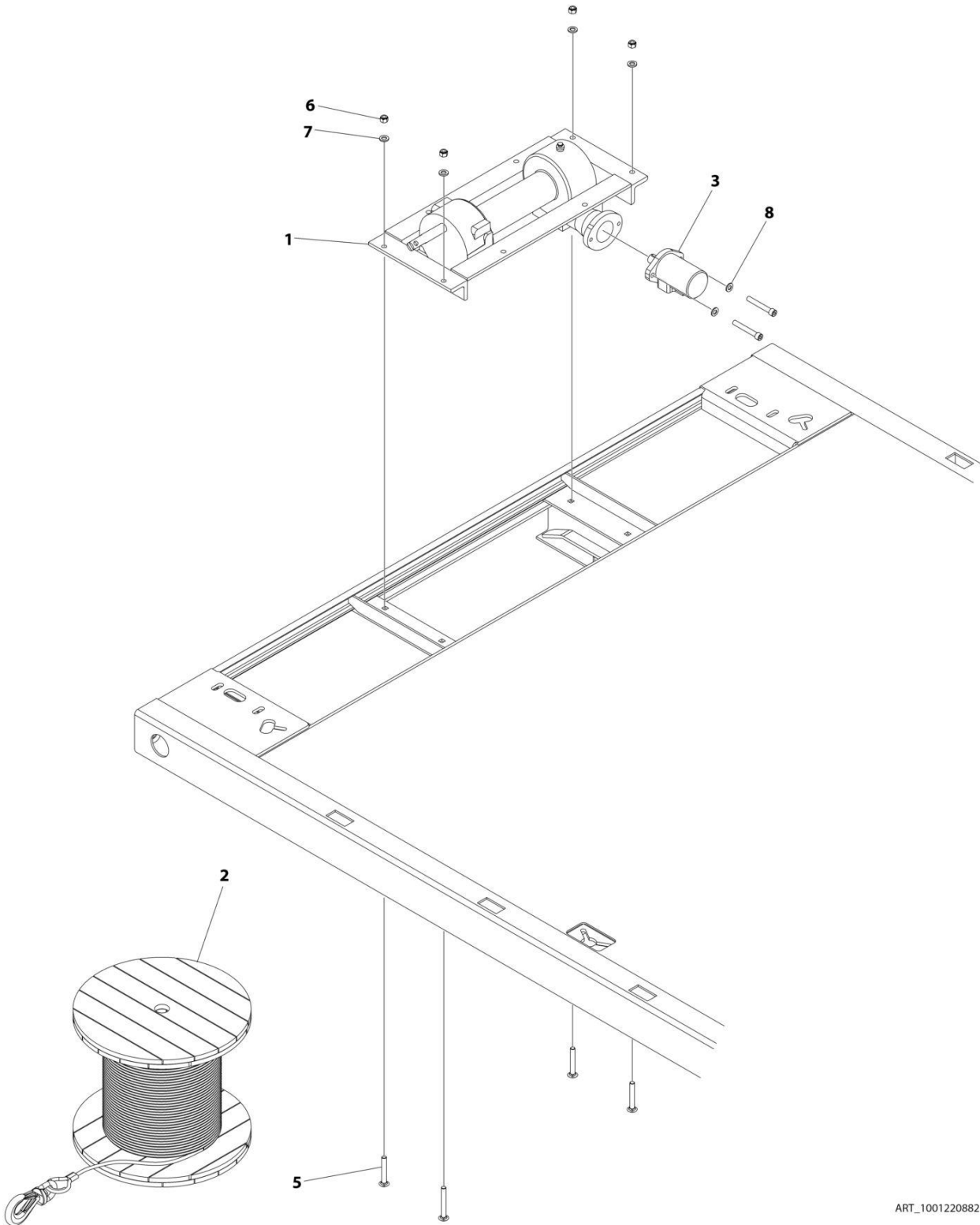
## SECTION 3 - DECK

**FIGURE 3-61. WINCH INSTALLATION - 10000 LBS WORM GEAR (TRANSPORTER)**

ITEM	PART NUMBER	QTY	DESCRIPTION	REV
	1001220877	Ref	WINCH INSTALLATION	A
	2970000091	Ref	Winch Installation	C
1	7970000123	1	Winch Assembly, 10000 lbs (See Separate Breakdown in this Section)	
2	7248000064	1	Wire Rope	
3	7626000014	1	Motor	
4	4062000318	2	Bar	
5	7115183264	1	Bolt 1/2 x 4	
6	7115182864	3	Bolt 1/2 x 3-1/2	
7	7660182601	4	Nut 1/2	
8	7950180153	4	Washer 1/2	
9	7950180400	2	Washer 1/2	
20	2249000017	1	Cable Tensioner Assembly (Not Shown - See Separate Breakdown in this Section)	

# SECTION 3 - DECK

FIGURE 3-62. WINCH INSTALLATION - 10000 LBS WORM GEAR & AIR FREE SPOOL (ALUMINUM DECK)



ART\_1001220882



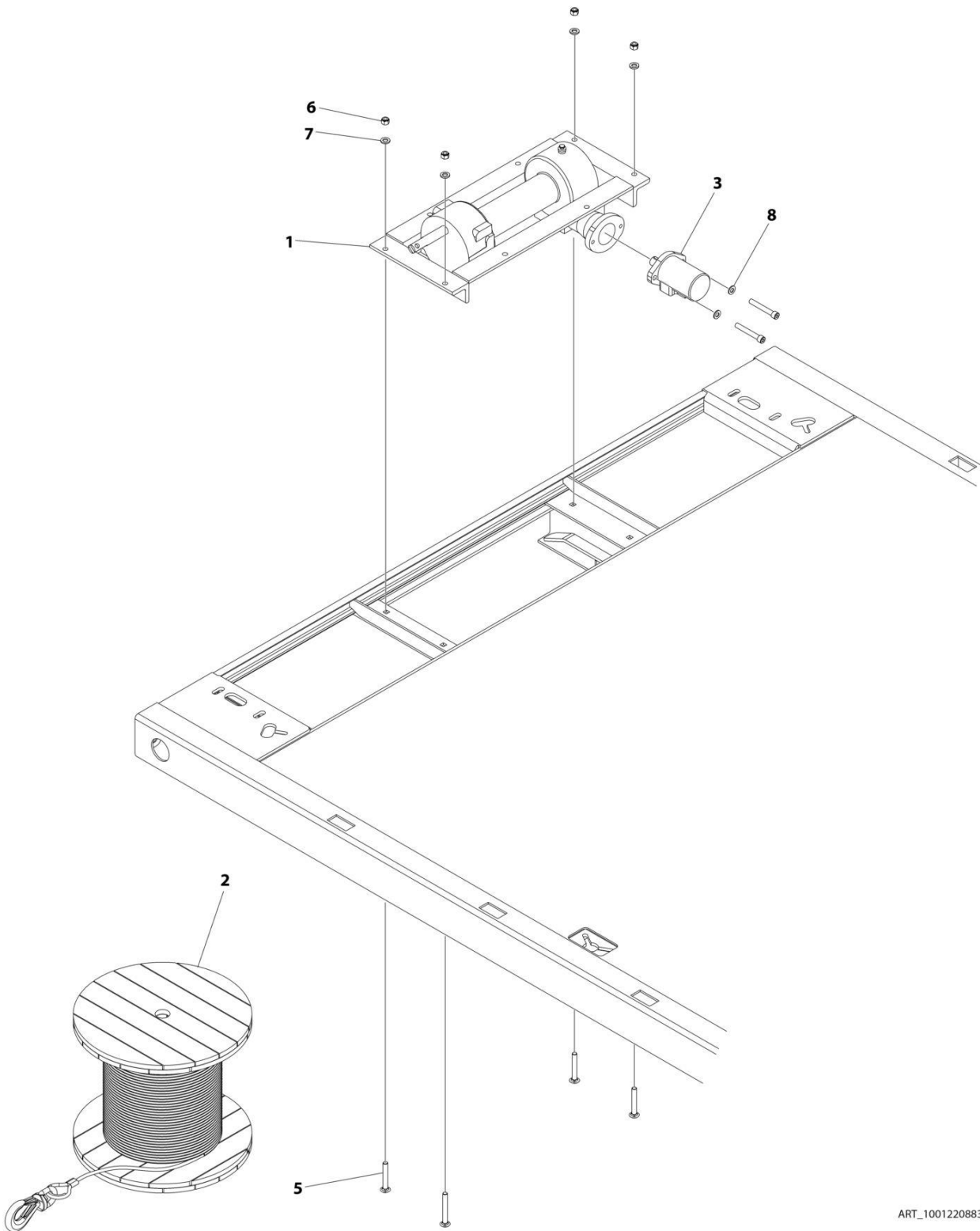
## SECTION 3 - DECK

**FIGURE 3-62. WINCH INSTALLATION - 10000 LBS WORM GEAR & AIR FREE SPOOL (ALUMINUM DECK)**

ITEM	PART NUMBER	QTY	DESCRIPTION	REV
	1001220882	Ref	WINCH INSTALLATION	A
	2970000110	Ref	Winch Installation	B
1	7970000140	1	Winch Assembly, 10000 lbs (See Separate Breakdown in this Section)	
2	7248000064	1	Wire Rope	
3	7626000014	1	Motor	
5	1001138522	3	Bolt 1/2 x 2-1/4	
6	7660182601	4	Nut 1/2	
7	7950180153	4	Washer 1/2	
8	7950180400	2	Washer 1/2	
20	2249000017	1	Cable Tensioner Assembly (Not Shown - See Separate Breakdown in this Section)	

# SECTION 3 - DECK

## FIGURE 3-63. WINCH INSTALLATION - 10000 LBS WORM GEAR AND AIR FREE SPOOL (STEEL DECK)



ART\_1001220883

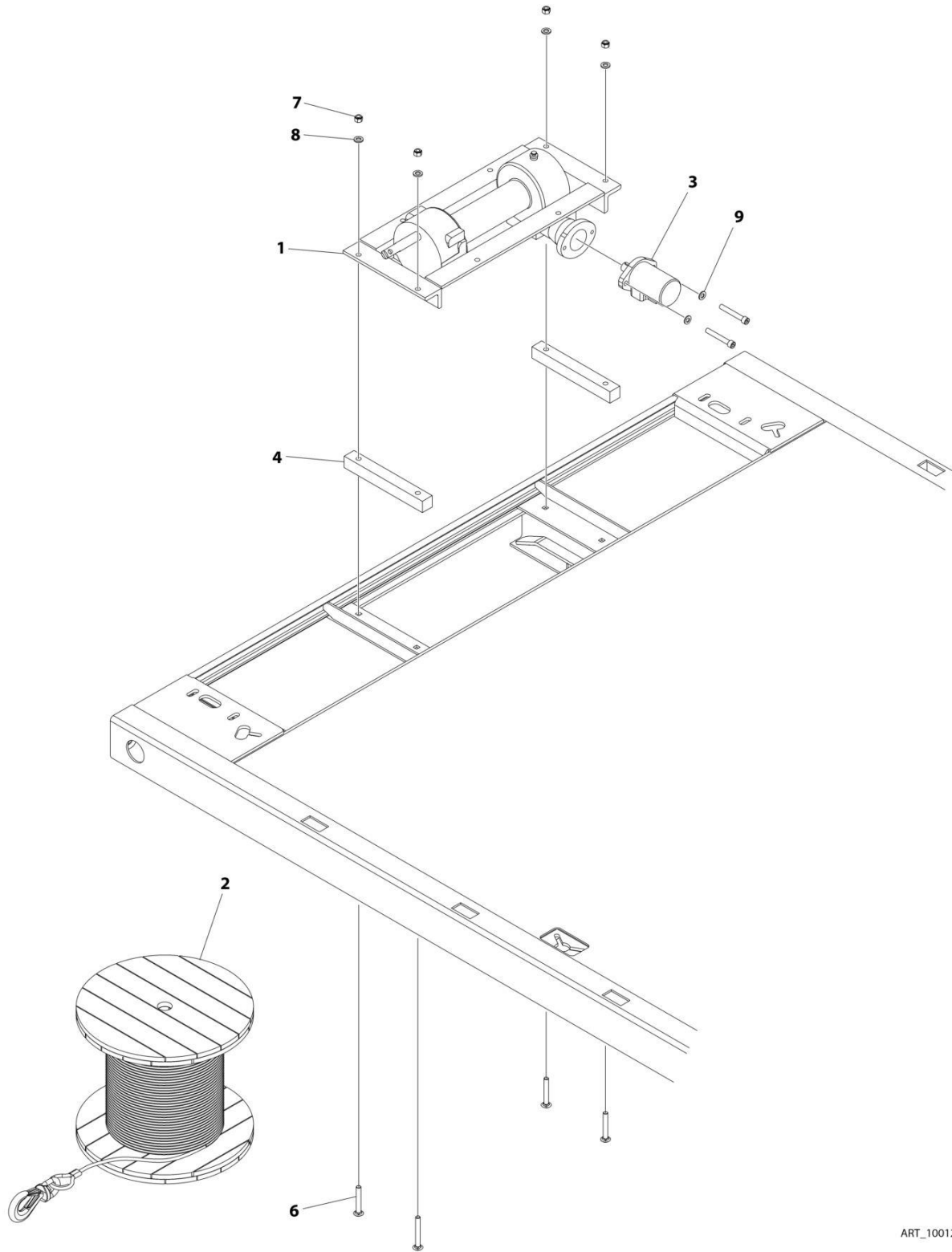
## SECTION 3 - DECK

**FIGURE 3-63. WINCH INSTALLATION - 10000 LBS WORM GEAR AND AIR FREE SPOOL (STEEL DECK)**

ITEM	PART NUMBER	QTY	DESCRIPTION	REV
	1001220883	Ref	WINCH INSTALLATION	A
	2970000108	Ref	Winch Installation	A
1	7970000140	1	Winch Assembly, 10000 lbs (See Separate Breakdown in this Section)	
2	7248000064	1	Wire Rope	
3	7626000014	1	Motor	
5	7115181464	3	Bolt 1/2 x 1-3/4	
6	7660182601	4	Nut 1/2	
7	7950180153	4	Washer 1/2	
8	7950180400	2	Washer 1/2	
20	2249000017	1	Cable Tensioner Assembly (Not Shown - See Separate Breakdown in this Section)	

# SECTION 3 - DECK

## FIGURE 3-64. WINCH INSTALLATION - 10000 LBS WORM GEAR AND AIR FREE SPOOL (TRANSPORTER)



ART\_1001220885

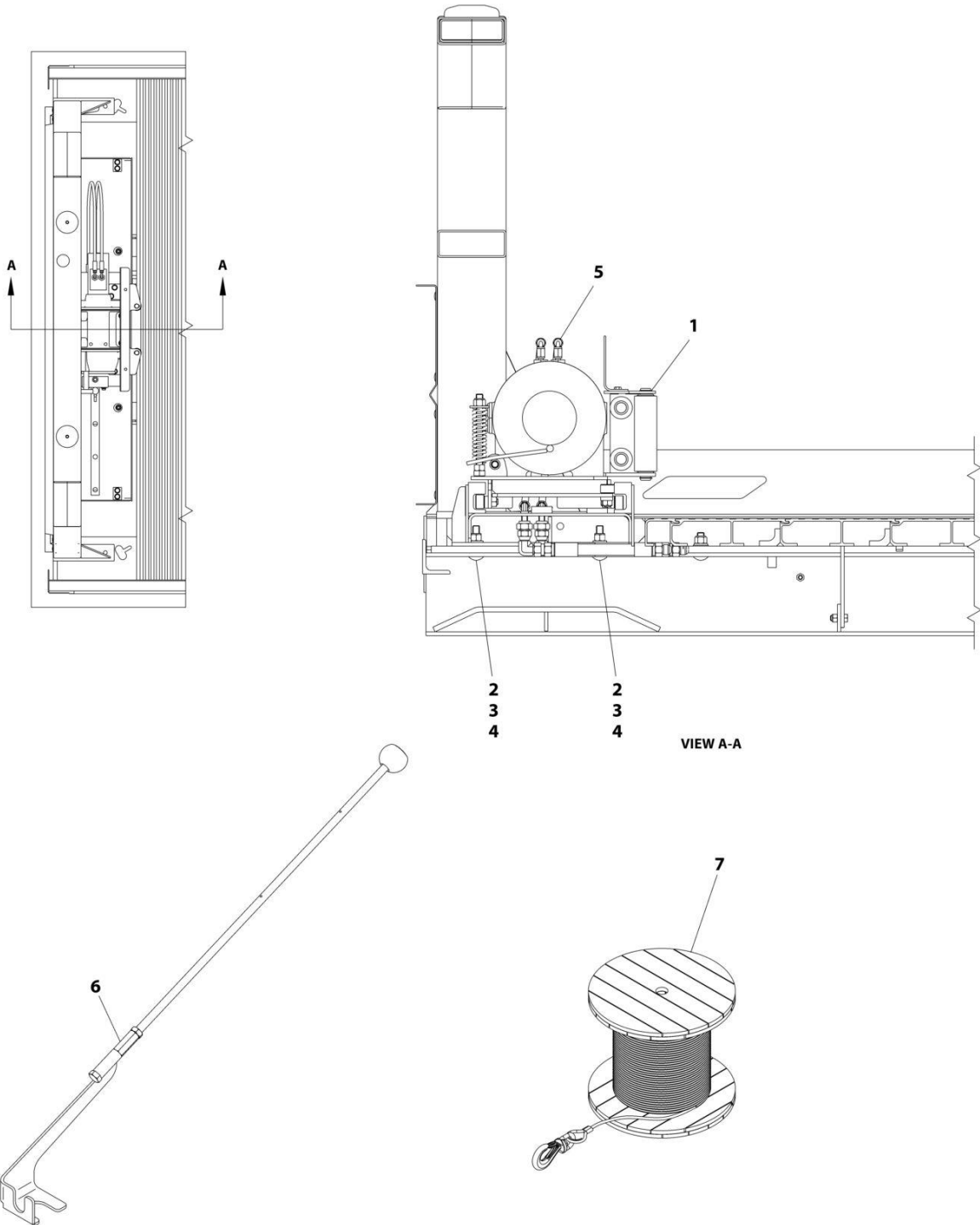
## SECTION 3 - DECK

**FIGURE 3-64. WINCH INSTALLATION - 10000 LBS WORM GEAR AND AIR FREE SPOOL  
(TRANSPORTER)**

ITEM	PART NUMBER	QTY	DESCRIPTION	REV
	1001220885	Ref	WINCH INSTALLATION	A
	2970000112	Ref	Winch Installation	A
1	7970000140	1	Winch Assembly, 10000 lbs (See Separate Breakdown in this Section)	
2	7248000064	1	Wire Rope	
3	7626000014	1	Motor	
4	4062000318	2	Bar	
6	7115182864	3	Bolt 1/2 x 3-1/2	
7	7660182601	4	Nut 1/2	
8	7950180153	4	Washer 1/2	
9	7950180400	2	Washer 1/2	
20	2249000017	1	Cable Tensioner Assembly (Not Shown - See Separate Breakdown in this Section)	

# SECTION 3 - DECK

## FIGURE 3-65. WINCH INSTALLATION - 10000 LBS SLIDING PLANETARY GEAR



ART\_1001142546

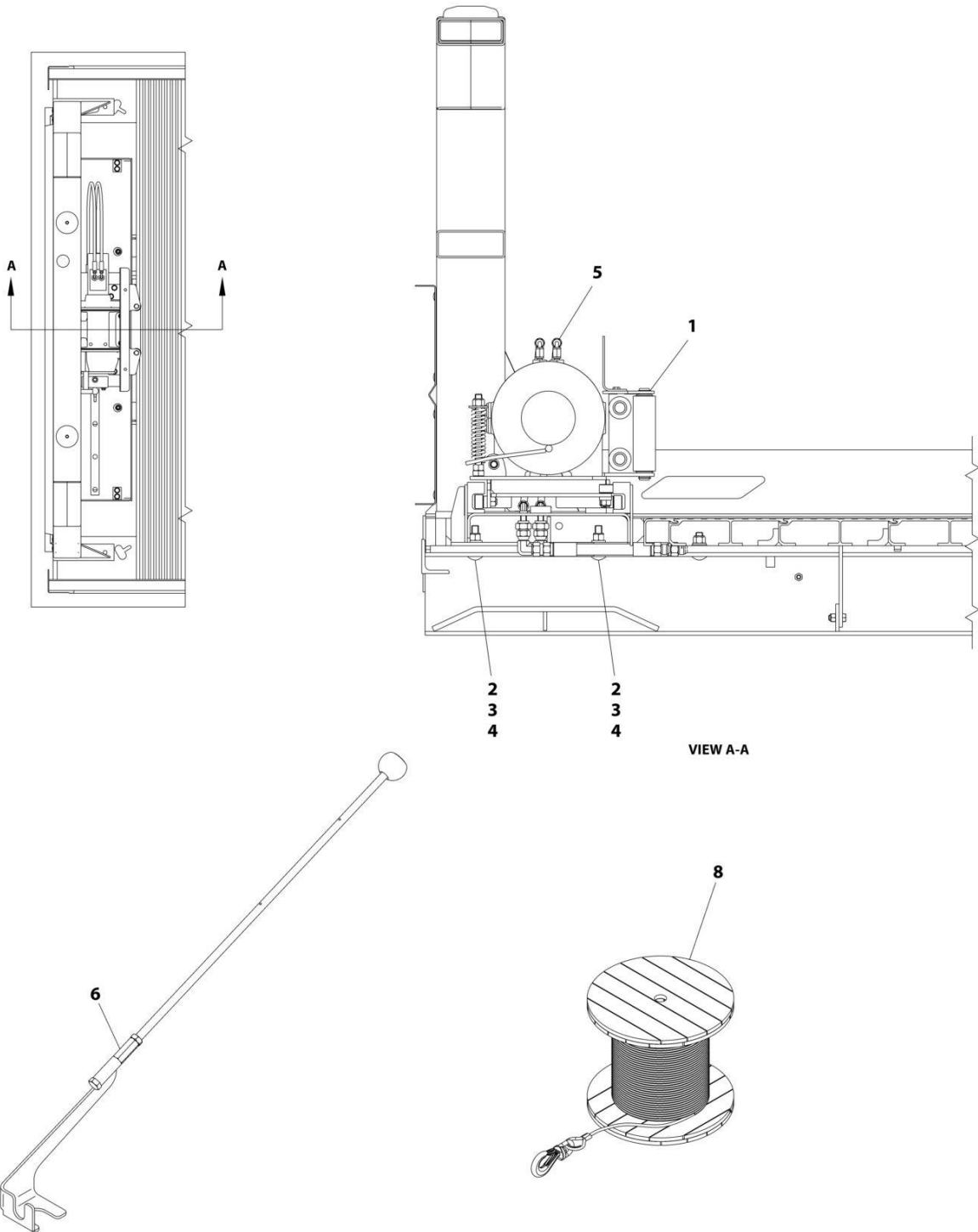
## SECTION 3 - DECK

### FIGURE 3-65. WINCH INSTALLATION - 10000 LBS SLIDING PLANETARY GEAR

ITEM	PART NUMBER	QTY	DESCRIPTION	REV
	1001142546	Ref	PLANETARY GEAR SLIDING WINCH - 10000 LBS	A
1	1001142544	1	Sliding Winch Assembly, 10000 lbs (See Separate Breakdown in this Section)	
2	1001138522	4	Bolt 1/2 x 2-1/4	
3	7950180153	4	Washer 1/2	
4	7660182601	4	Nut 1/2	
5	1001145934	1	Hose & Fitting Installation - Sliding Winch (See Separate Breakdown In Hydraulic Section)	
6	1001146028	1	Sliding Winch Handle, Accessory (See Separate Breakdown in this Section)	
7	7248000064	1	Wire Rope	

# SECTION 3 - DECK

FIGURE 3-66. WINCH INSTALLATION - 10000 LBS SLIDING PLANETARY GEAR & AIR FREE SPOOL



ART\_1001142545



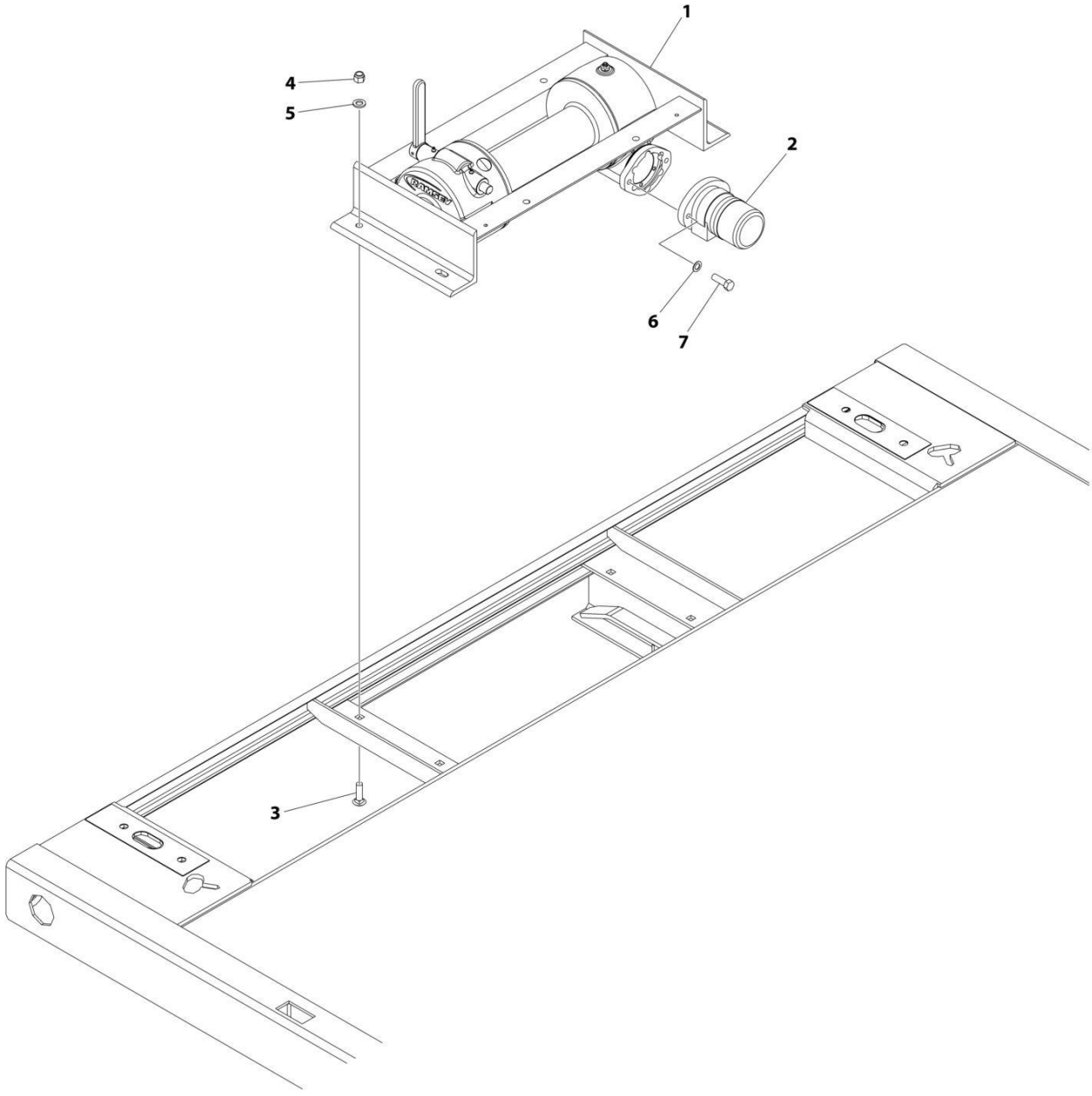
## SECTION 3 - DECK

**FIGURE 3-66. WINCH INSTALLATION - 10000 LBS SLIDING PLANETARY GEAR & AIR FREE SPOOL**

ITEM	PART NUMBER	QTY	DESCRIPTION	REV
	1001142545	Ref	PLANETARY GEAR SLIDING WINCH - 10000 LBS WITH AIR FREE SPOOL AT CONTROLS	A
1	1001142543	1	Sliding Winch Assembly, 10000 lbs (See Separate Breakdown in this Section)	
2	1001138522	4	Bolt 1/2 x 2-1/4	
3	7950180153	4	Washer 1/2	
4	7660182601	4	Nut 1/2	
5	1001145934	1	Hose & Fitting Installation - Sliding Winch (See Separate Breakdown In Hydraulic Section)	
6	1001146028	1	Sliding Winch Handle, Accessory (See Separate Breakdown in this Section)	
7	1001145935	1	Sliding Winch Air Free Spool, Installation ((Not Shown - See Separate Breakdown in this Section)	
8	7248000064	1	Wire Rope	

# SECTION 3 - DECK

FIGURE 3-67. WINCH INSTALLATION - 12000 LBS (STEEL DECK)



ART\_W012W-MD

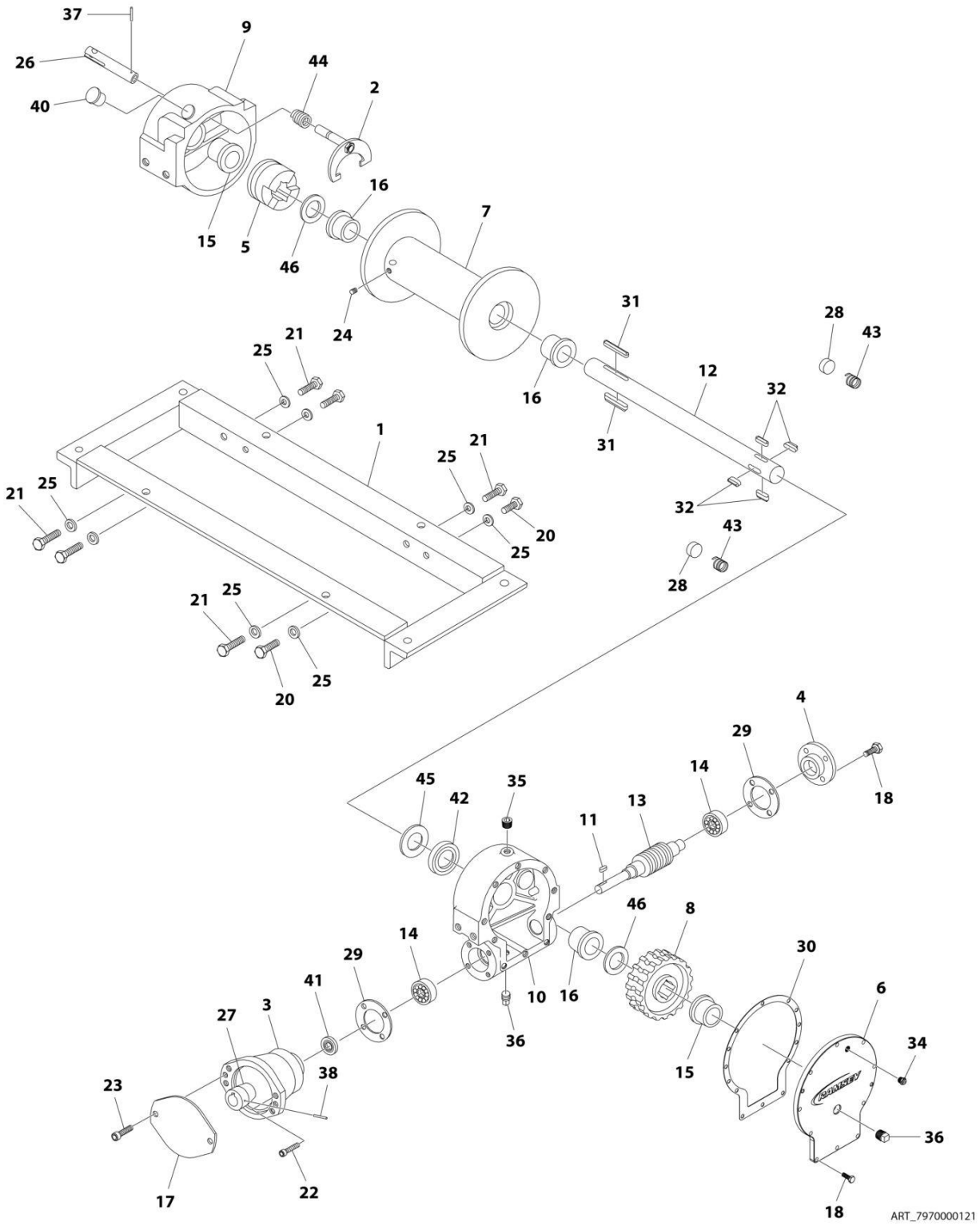
## SECTION 3 - DECK

**FIGURE 3-67. WINCH INSTALLATION - 12000 LBS (STEEL DECK)**

ITEM	PART NUMBER	QTY	DESCRIPTION	REV
	WO12W-MD	Ref	WINCH INSTALLATION	C
	2970000096	Ref	Winch Installation (See Separate Breakdown in this Section)	D
1	7970000083	1	Winch Assembly (See Separate Breakdown in this Section)	
2	7626000018	1	Motor	
3	7115181464	4	Bolt 1/2 x 1-3/4	
4	7660182601	4	Nut 1/2	
5	7950180153	4	Washer 1/2	
6	4771800	2	Washer 1/2	
7	0641812	2	Bolt 1/2 x 1-1/2	
8	7248000064	1	Wire Rope	
20	2249000018	1	Cable Tensioner Assembly (Not Shown - See Separate Breakdown in this Section)	

# SECTION 3 - DECK

## FIGURE 3-68. WINCH ASSEMBLY - 8000 LBS



ART\_7970000121

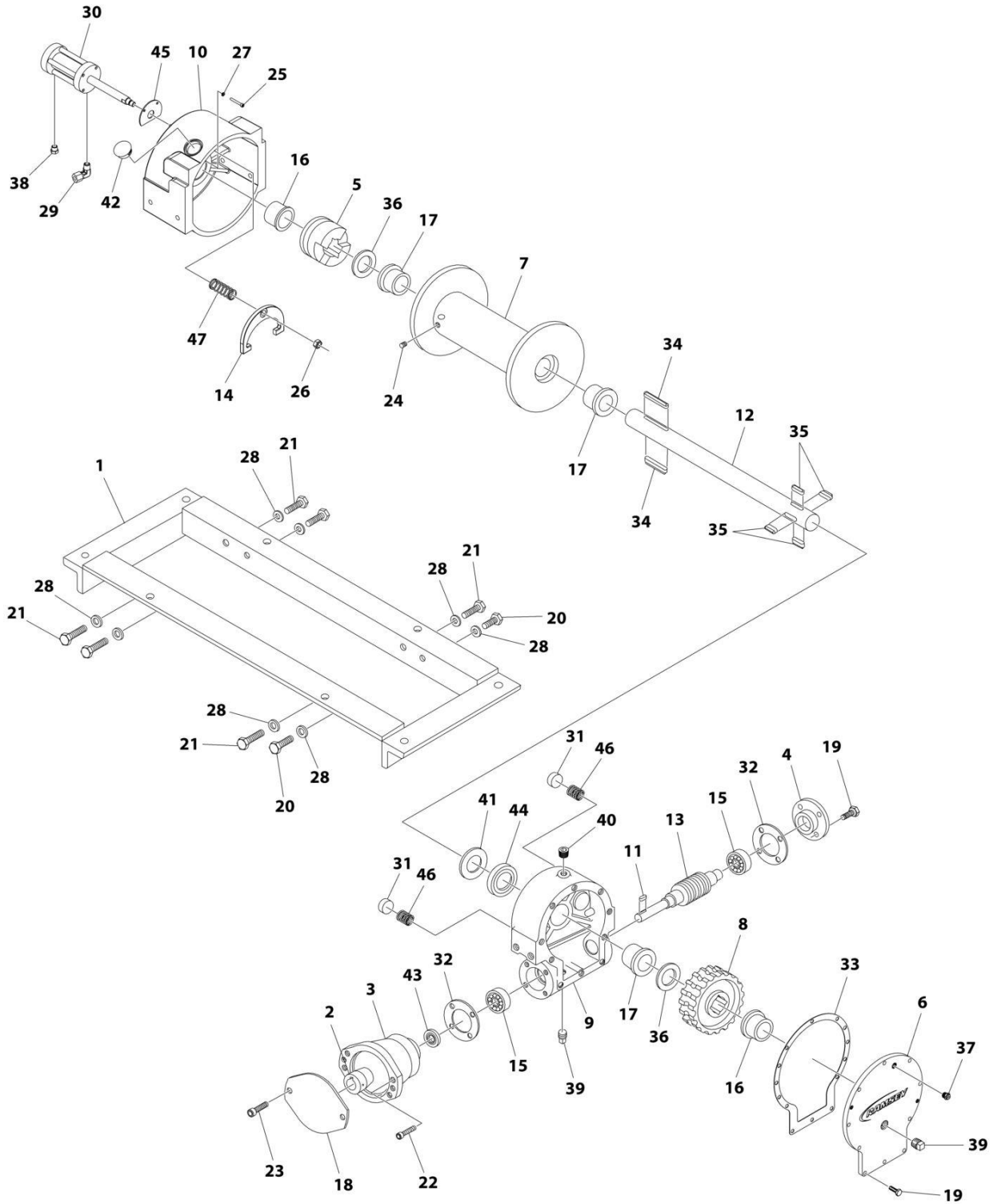
## SECTION 3 - DECK

### FIGURE 3-68. WINCH ASSEMBLY - 8000 LBS

ITEM	PART NUMBER	QTY	DESCRIPTION	REV
	7970000121	Ref	WINCH ASSEMBLY - 8000 LBS	D
1	70050694	1	Frame Assembly	
2	70050678	1	Shifter Assembly	
3	9970300057	1	Adapter	
4	9970316083	1	Bearing Cap	
5	9970960060	1	Jaw Clutch	
6	9314960024	1	Cover	
7	9970960068	1	Drum "Std"	
8	9472960072	1	Gear RH	
9	9560960021	1	Housing-Clutch	
10	9560960011	1	Housing-Gear	
11	9970342027	1	Key	
12	9806960009	1	Shaft-Drum "Std"	
13	9970960062	1	Worm RH	
14	9970402002	2	Bearing-Ball	
15	9970412003	4	Bushing	
16	9970412045	4	Bushing	
17	70050679	1	Adapter Cover	
18	9970414045	14	Capscrew 1/4 x 7/8	
20	9120960034	2	Bolt 3/8 x 1	
21	9120960059	6	Capscrew 3/8 x 1-1/4	
22	70050682	4	Capscrew 1/4 x 1-3/4	
23	9120960061	2	Capscrew 1/2 x 1-1/2	
24	9786960015	1	Setscrew 3/8 x 1/2	
25	9970418177	8	Washer 3/8	
26	9007960003	1	Adapter-Rod	
27	9970431008	1	Coupling	
28	9970330010	2	Disc Brake	
29	9970442184	2	Gasket	
30	9970442205	1	Gasket	
31	9970450006	2	Barth Key	
32	9575960014	4	Barth Key	
34	9970456008	1	Fitting-Relief	
35	9701960015	1	Pipe Plug	
36	9970468011	2	Pipe Plug	
37	9691960035	1	Spirol Pin	
38	9691960001	1	Spirol Pin	
40	9970472013	1	Plastic Plug	
41	9970486009	1	Oil Seal	
42	9970486017	1	Oil Seal	
43	9970494002	2	Spring	
44	9970494053	1	Spring	
45	9970518014	1	Thrust Washer	
46	9970518015	2	Thrust Washer	

# SECTION 3 - DECK

## FIGURE 3-69. WINCH ASSEMBLY - 8000 LBS WITH FREE SPOOL



ART\_7970000142

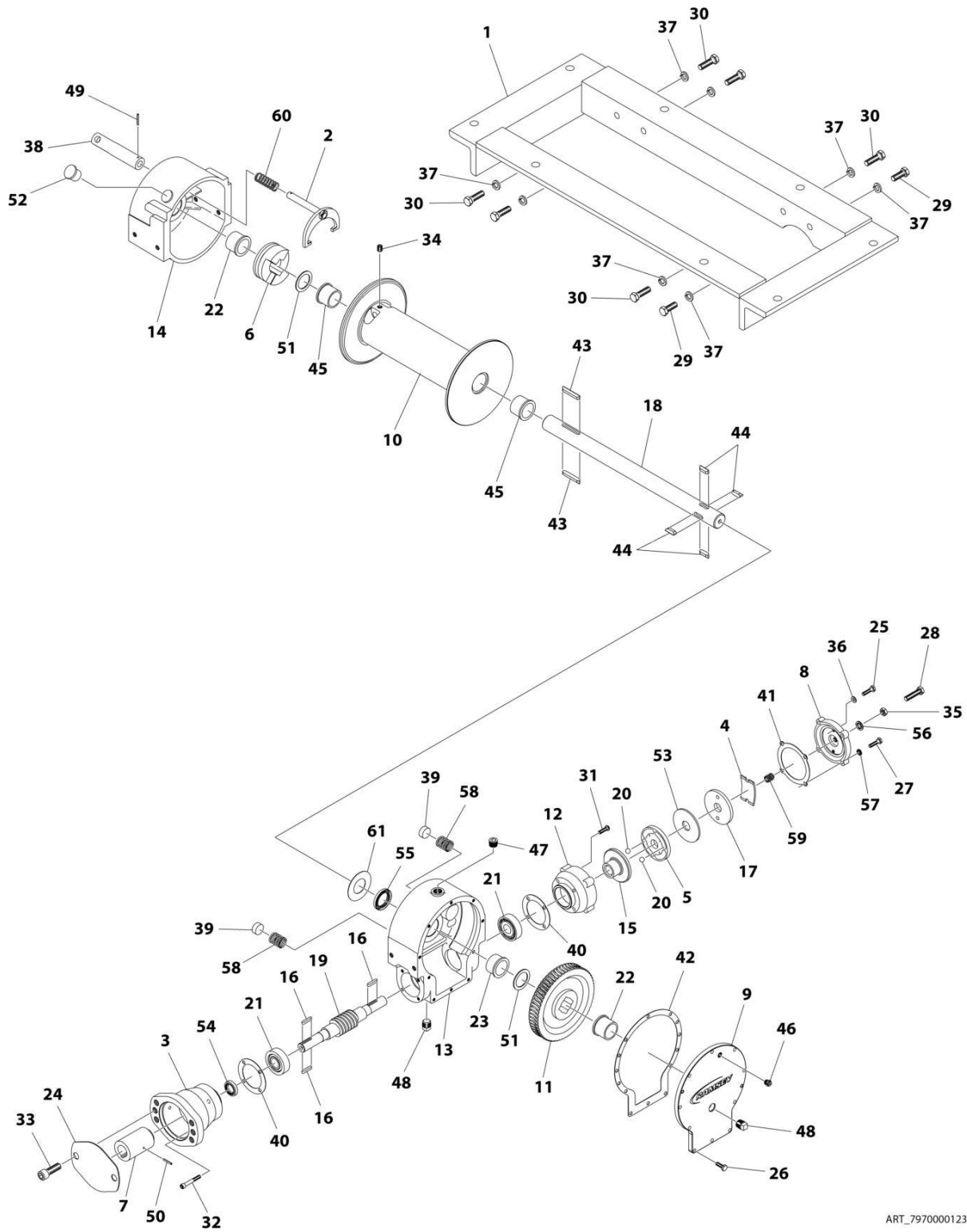
## SECTION 3 - DECK

**FIGURE 3-69. WINCH ASSEMBLY - 8000 LBS WITH FREE SPOOL**

ITEM	PART NUMBER	QTY	DESCRIPTION	REV
	7970000142	Ref	WINCH - 10,000 LBS WORM GEAR WITH AIR FREE SPOOL	B
1	70050694	1	Frame Assembly	
2	70050695	1	Coupling Assembly	
3	9970300057	1	Adapter	
4	9970316083	1	Bearing Cap	
5	9970960060	1	Jaw Clutch	
6	9314960024	1	Cover	
7	9970960068	1	Drum - Cable	
8	9472960072	1	Gear, Worm	
9	9560960011	1	Housing-Gear	
10	70050696	1	Housing - Clutch	
11	9970342027	3	Key	
12	9806960009	1	Shaft - Drum	
13	9970960062	1	Worm	
14	70050697	1	Yoke	
15	9970402002	2	Bearing-Ball	
16	9970412003	4	Bushing	
17	9970412045	3	Bushing	
18	70050679	1	Adapter Cover	
19	9970414045	14	Capscrew 1/4 x 7/8	
20	9120960034	2	Bolt 3/8 x 1	
21	9120960059	6	Capscrew 3/8 x 1-1/4	
22	70050682	4	Capscrew 1/4 x 1-3/4	
23	9120960061	2	Capscrew 1/2 x 1-1/2	
24	9786960015	1	Setscrew 3/8 x 1/2	
25	70050686	4	Screw #6 x 1	
26	70050687	1	Nut 3/8	
27	70050688	4	Washer #6	
28	9970415177	1	Washer 3/8	
29	70050698	1	Fitting, 90	
30	70050065	1	Cylinder, Air	
31	9970330010	2	Disc Brake	
32	9970442184	2	Gasket	
33	9970442205	1	Gasket	
34	9970450006	2	Barth Key	
35	9575960014	4	Barth Key	
36	9970518015	2	Thrust Washer	
37	9970456008	1	Fitting-Relief	
39	9183960002	1	Breather Vent	
39	9970468011	2	Pipe Plug	
40	9701960015	1	Pipe Plug	
41	9970518014	1	Thrust Washer	
42	9970472013	1	Plastic Plug	
43	9970486009	1	Oil Seal	
44	9970486017	1	Oil Seal	
45	70050689	1	Shim	
46	9970494002	2	Spring	
47	9970494053	1	Spring	

# SECTION 3 - DECK

## FIGURE 3-70. WINCH ASSEMBLY - 10000 LBS WORM GEAR



ART\_7970000123



## SECTION 3 - DECK

### FIGURE 3-70. WINCH ASSEMBLY - 10000 LBS WORM GEAR

ITEM	PART NUMBER	QTY	DESCRIPTION	REV
	7970000123	Ref	WINCH - 10000 LBS WORM GEAR WITH AIR FREE SPOOL	B
1	70050677	1	Frame Assembly	
2	70050678	1	Shifter Assembly	
3	9970300057	1	Adapter	
4	9970960036	1	Spring - Flat	
5	1001126187	1	Plate	
7	9970960060	1	Jaw Clutch	
6	9309960020	1	Coupling	
8	9970960034	1	Cover - Brake	
9	9314960024	1	Cover - Gear Housing	
10	9970960068	1	Drum - Cable	
11	9472960068	1	Gear R.H. 30:1	
12	9571960010	1	Housing - Brake	
13	9560960011	1	Housing-Gear	
14	9560960021	1	Housing - Clutch	
15	1001126188	1	Hub- Brake	
16	9970342027	3	Key	
17	1001126192	1	Plate - Retainer	
18	9970960051	1	Shaft - Drum	
19	9472960069	1	Worm R.H. 30:1	
20	9970400003	2	Ball	
21	9970402002	2	Bearing-Ball	
22	9970412003	4	Bushing	
23	9970960052	1	Bushing	
24	70050679	1	Adapter Cover	
25	9970960038	2	Capscrew 1/4 x 1	
26	9970414045	10	Capscrew 1/4 x 3/4	
27	70050680	4	Capscrew 1/4 x 1	
28	9120960075	1	Capscrew 3/8 x 1-1/2	
29	9120960034	2	Capscrew 3/8 x 1	
30	9120960059	6	Capscrew 3/8 x 1-1/4	
31	70050681	4	Capscrew 1/4 x 7/8	
32	70050682	4	Capscrew 1/4 x 1-3/4	
33	9120960061	2	Capscrew 1/2 x 1-1/2	
34	9786960015	1	Setscrew 3/8 x 1/2	
35	70050628	1	Nut 3/8	
36	9949960054	2	Washer 1/4	
37	9970418177	8	Washer 3/8	
38	9007960003	1	Adapter - Rod	
39	9970330010	2	Disc Brake	
40	9970442184	2	Gasket	
41	9796960139	1	Gasket	
42	9970442205	1	Gasket	
43	9970450006	2	Barth Key	
44	9575960014	4	Barth Key	
45	9970412045	2	Bushing	
46	9970456008	1	Fitting-Relief	
47	9701960015	1	Pipe Plug	
48	9970468011	2	Pipe Plug	
49	9691960035	1	Pin, Spiral	

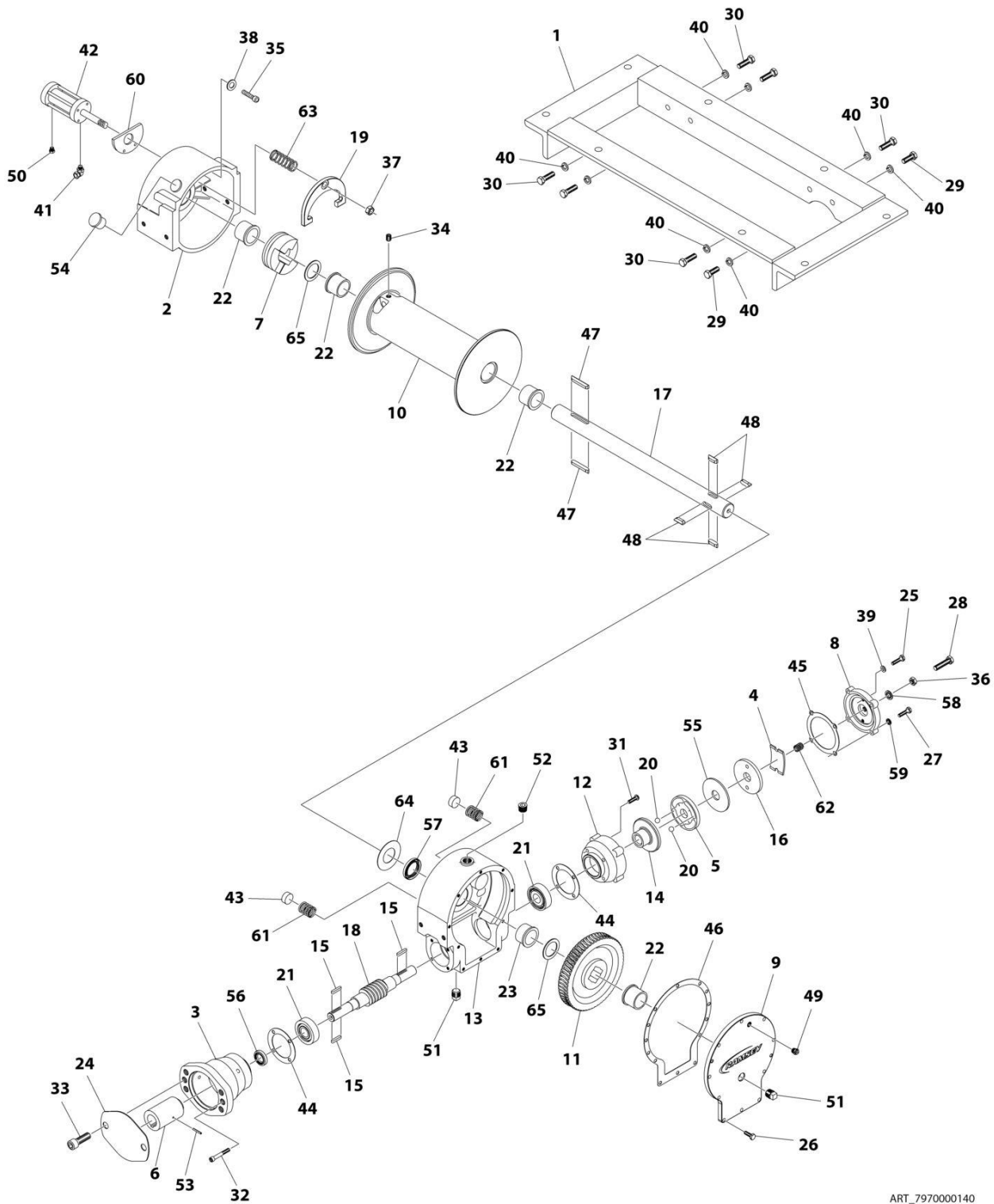
## SECTION 3 - DECK

ITEM	PART NUMBER	QTY	DESCRIPTION	REV
50	9691960001	1	Spirol Pin	
51	9970518015	2	Thrust Washer	
52	9970472013	1	Plastic Plug	
53	9970960037	1	Plate - Thrust	
54	9970486009	1	Oil Seal	
55	9970486017	1	Oil Seal	
56	9796960176	1	Seal, Thread	
57	9796960177	4	Seal, Thread	
58	9970494002	2	Spring	
59	9970960035	1	Spring	
60	9970494053	1	Spring	
61	9970518014	1	Thrust Washer	



# SECTION 3 - DECK

## FIGURE 3-71. WINCH ASSEMBLY, - 10000 LBS WORM GEAR WITH FREE SPOOL



ART\_797000140

## SECTION 3 - DECK

**FIGURE 3-71. WINCH ASSEMBLY, - 10000 LBS WORM GEAR WITH FREE SPOOL**

ITEM	PART NUMBER	QTY	DESCRIPTION	REV
	7970000140	Ref	WINCH - 10000 LBS WORM GEAR WITH AIR FREE SPOOL	B
1	70050677	1	Frame Assembly	
2	70050684	1	Housing - Clutch	
3	9970300057	1	Adapter	
4	9970960036	1	Spring - Flat	
5	1001126187	1	Plate	
6	9309960020	1	Coupling	
7	9970960060	1	Jaw Clutch	
8	9970960034	1	Cover - Brake	
9	9314960024	1	Cover	
10	9970960068	1	Drum - Cable	
11	9472960068	1	Gear R.H. 30:1	
12	9571960010	1	Housing - Brake	
13	9560960011	1	Housing-Gear	
14	1001126188	1	HUB,BRAKE,#340002	
15	9970342027	3	Key	
16	1001126192	1	Plate	
17	9970960051	1	Shaft - Drum	
18	9472960069	1	Worm R.H. 30:1	
19	70050685	1	Yoke	
20	9970400003	2	Ball	
21	9970402002	2	Bearing-Ball	
22	9970412003	4	Bushing	
23	9970960052	1	Bushing	
24	70050679	1	Adapter Cover	
25	9970960038	2	Capscrew 1/4 x 1	
26	9970414045	10	Capscrew 1/4 x 7/8	
27	70050680	4	Capscrew 1/4 x 1	
28	9120960075	1	Capscrew 3/8 x 1-1/2	
29	9120960034	2	Bolt 3/8 x 1	
30	9120960059	6	Capscrew 3/8 x 1-1/4	
31	70050681	4	Capscrew 1/4 x 7/8	
32	70050682	4	Capscrew 1/4 x 1-3/4	
33	9120960061	2	Capscrew 1/2 x 1-1/2	
34	9786960015	1	Setscrew 3/8 x 1/2	
35	70050686	4	Screw #6 x 1	
36	70050628	1	Nut 3/8	
37	70050687	1	Nut 3/8	
38	70050688	4	Washer #6	
39	9949960054	2	Washer 1/4	
40	9970418177	8	Washer 3/8	
41	9443960021	1	Fitting	
42	70050065	1	Cylinder, Air	
43	9970330010	2	Disc Brake	
44	9970442184	2	Gasket	
45	9796960139	1	Gasket	
46	9970442205	1	Gasket	
47	9970450006	2	Barth Key	
48	9575960014	4	Barth Key	
49	9970456008	1	Fitting-Relief	

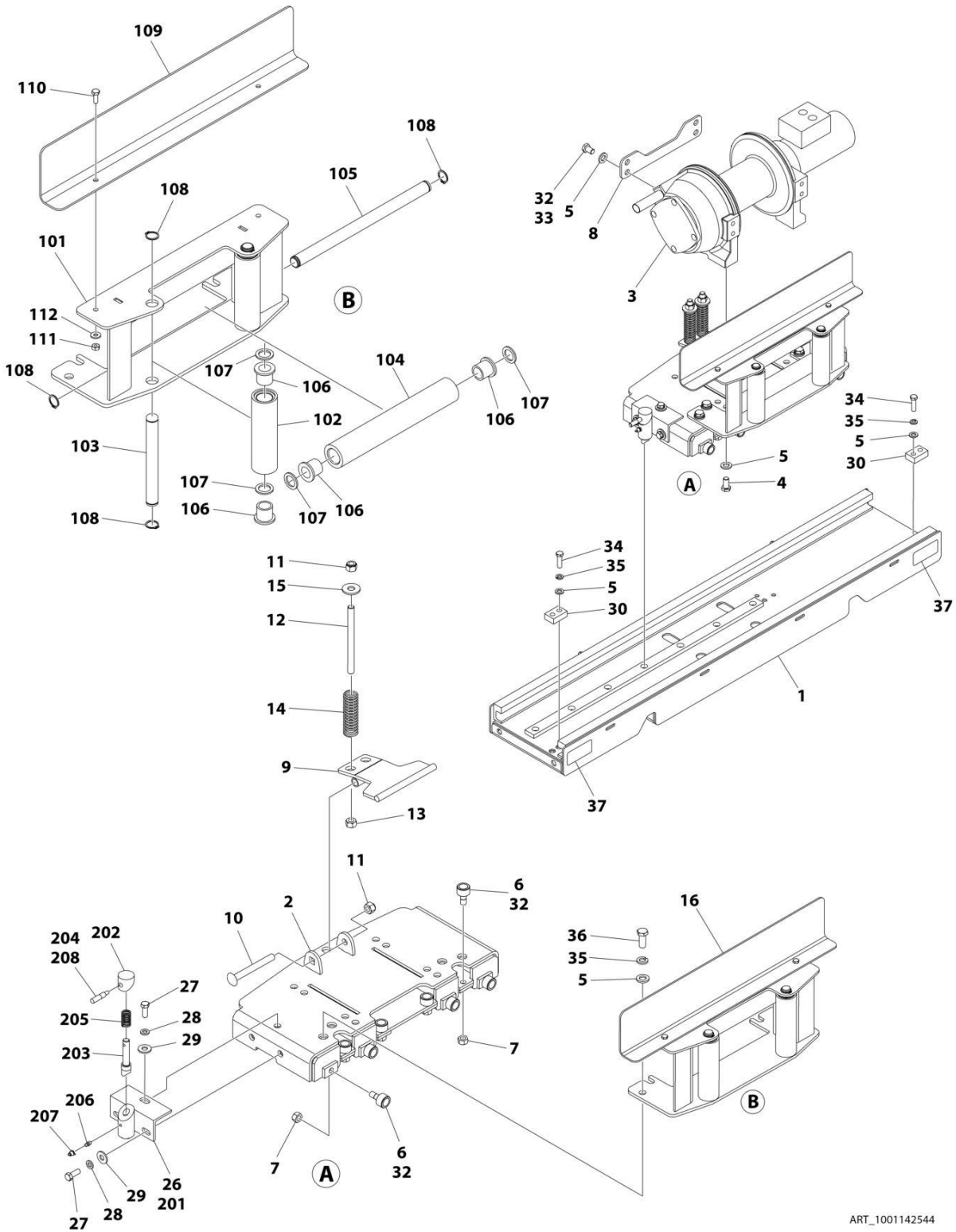
## SECTION 3 - DECK

ITEM	PART NUMBER	QTY	DESCRIPTION	REV
50	9183960002	1	Breather Vent	
51	9970468011	2	Pipe Plug	
52	9701960015	1	Pipe Plug	
53	9691960001	1	Spirol Pin	
54	9970472013	1	Plastic Plug	
55	9970960037	1	Plate - Thrust	
56	9970486009	1	Oil Seal	
57	9970486017	1	Oil Seal	
58	9796960176	1	Seal, Thread	
59	9796960177	4	Seal, Thread	
60	70050689	1	Shim	
61	9970494002	2	Spring	
62	9970960035	1	Spring	
63	9970494053	1	Spring	
64	9970518014	1	Thrust Washer	
65	9970518015	2	Thrust Washer	
66	9970412045	2	Bushing (Not Shown)	



# SECTION 3 - DECK

## FIGURE 3-72. WINCH ASSEMBLY - 10000 LBS PLANETARY GEAR



ART\_1001142544



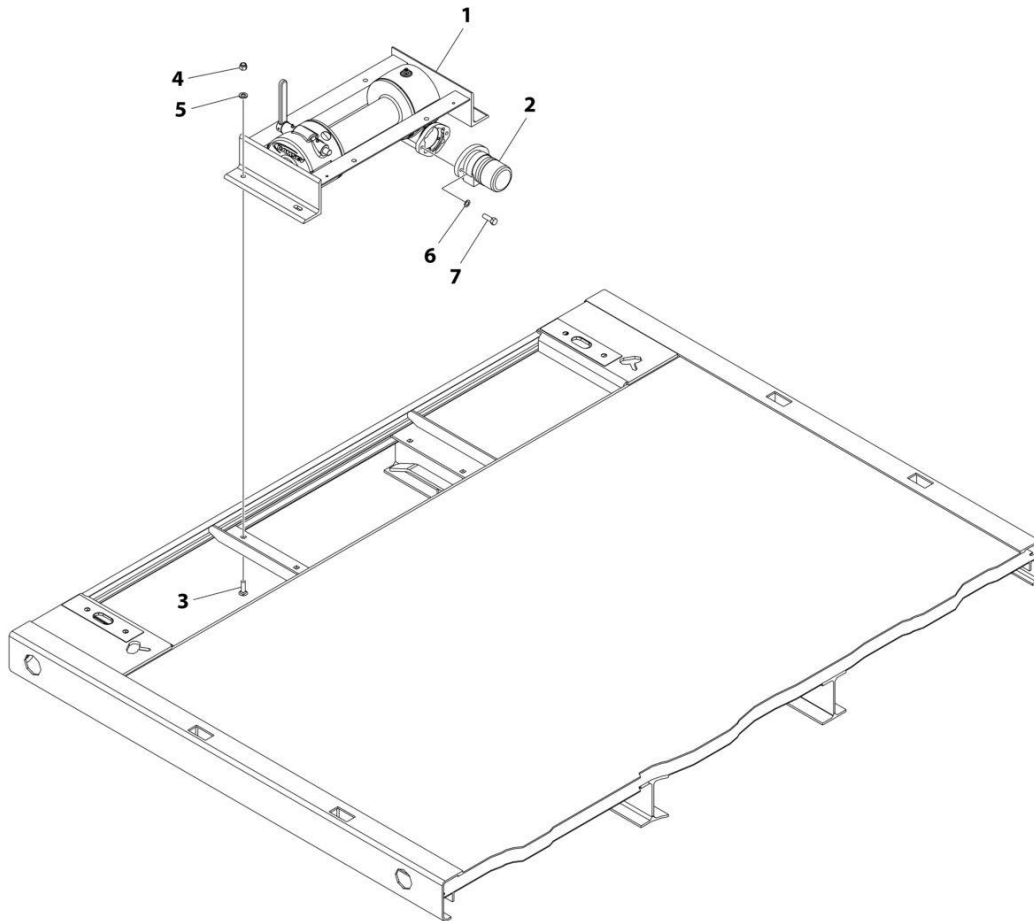
## SECTION 3 - DECK

**FIGURE 3-72. WINCH ASSEMBLY - 10000 LBS PLANETARY GEAR**

ITEM	PART NUMBER	QTY	DESCRIPTION	REV
	1001142544	Ref	SLIDING WINCH ASSEMBLY - 10000 LBS	C
1	1001144486	1	Base	
2	1001144491	1	Slider	
3	1001239119	1	Winch, Assembly - Sliding (See Separate Breakdown in this Section)	
4	7115180850	8	Capscrew 1/2 x 1	
5	7950180153	20	Washer 1/2	
6	0440287	12	Bearing	
7	3321701	12	Nut 7/16	
8	1001142550	1	Plate	
9	1001142461	1	Lever, Tensioner	
10	1001137970	1	Bolt 1/2 x 4-1/2	
11	7660182601	3	Nut 1/2	
12	1001142553	2	Rod	
13	7660180001	2	Nut 1/2	
14	7843000004	2	Spring	
15	7950180161	2	Washer 1/2	
16	1001145780	1	Roller Guide Assembly (Includes Items 101-112)	
26	1001144498	1	Cam Lock Assembly (Includes Item 201-208)	
27	1001138546	3	Bolt 3/8 x 1	
28	7950160000	3	Washer 1/3	
29	7950160162	3	Washer 1/3	
30	1001144543	2	Stop Block	
32	0100011	AR	Compound Locking	
33	7115180650	4	Capscrew 1/2 x 3/4	
34	1001139199	4	Bolt 1/2 x 1-3/4	
35	7950180000	8	Washer 19/32	
36	1001139343	4	Bolt 1/2 x 1-1/4	
37	1001142962	2	Decal	
101	1001145636	1	Mount	
102	4912000345	2	Tube	
103	4691000421	2	Pin	
104	4912000130	2	Tube	
105	4806000014	2	Shaft	
106	7209000011	8	Bushing	
107	7949000034	8	Spacer	
108	7754000022	8	Retaining Ring	
109	1001150704	1	Plate	
110	7115140650	2	Capscrew 1/4 x 3/4	
111	7660140001	2	Nut 1/4	
112	7950140143	2	Washer 1/4	
201	1001144499	1	Cam Weldment	
202	4254000005	1	Cap	
203	4691000186	1	Pin	
204	4763000184	1	Rod	
205	7843000006	1	Spring	
206	7440030000	1	Fitting	
207	7253000002	1	Fitting	
208	0100011	AR	Compound Locking	

# SECTION 3 - DECK

## FIGURE 3-73. WINCH ASSEMBLY - 12000 LBS



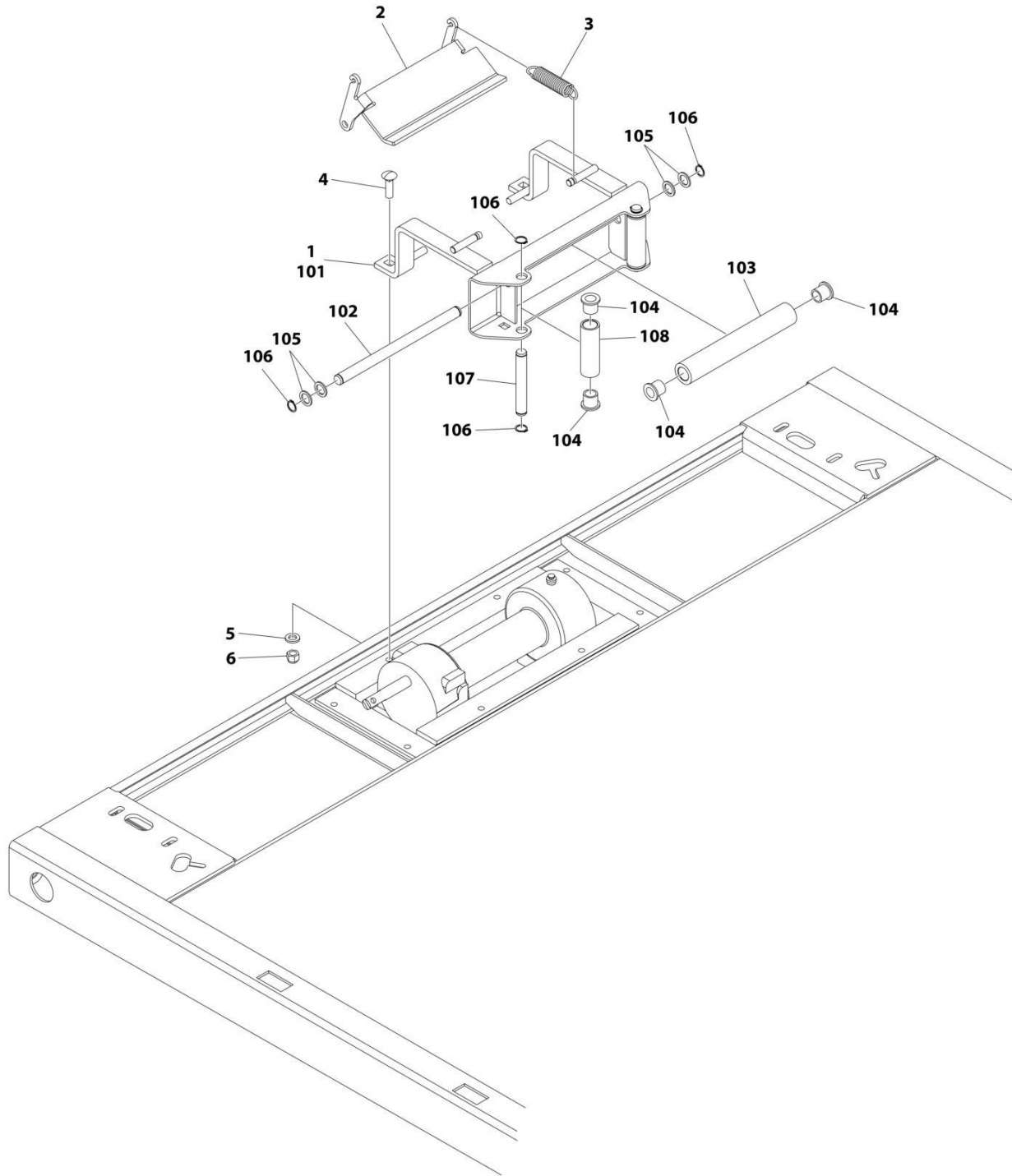
ART\_2970000096

**SECTION 3 - DECK****FIGURE 3-73. WINCH ASSEMBLY - 12000 LBS**

<b>ITEM</b>	<b>PART NUMBER</b>	<b>QTY</b>	<b>DESCRIPTION</b>	<b>REV</b>
	2970000096	Ref	WINCH INSTALLATION, WORM GEAR - 12000 LBS (STEEL)	D
1	7970000083	1	Winch Assembly (See Separate Breakdown in this Section)	
2	7626000018	1	Motor	
3	7115181464	4	Bolt 1/2 x 1-3/4	
4	7660182601	4	Nut 1/2	
5	7950180153	4	Washer 1/2	
6	4771800	2	Washer 1/2	
7	0641812	2	Bolt 1/2 x 1-1/2	
8	7248000064	1	Wire Rope Assembly	
9	1001167693	1	Deck	

# SECTION 3 - DECK

## FIGURE 3-74. CABLE TENSIONER INSTALLATION - 8000 LBS & /10000 LBS WORM GEAR WINCHES



ART\_2249000017

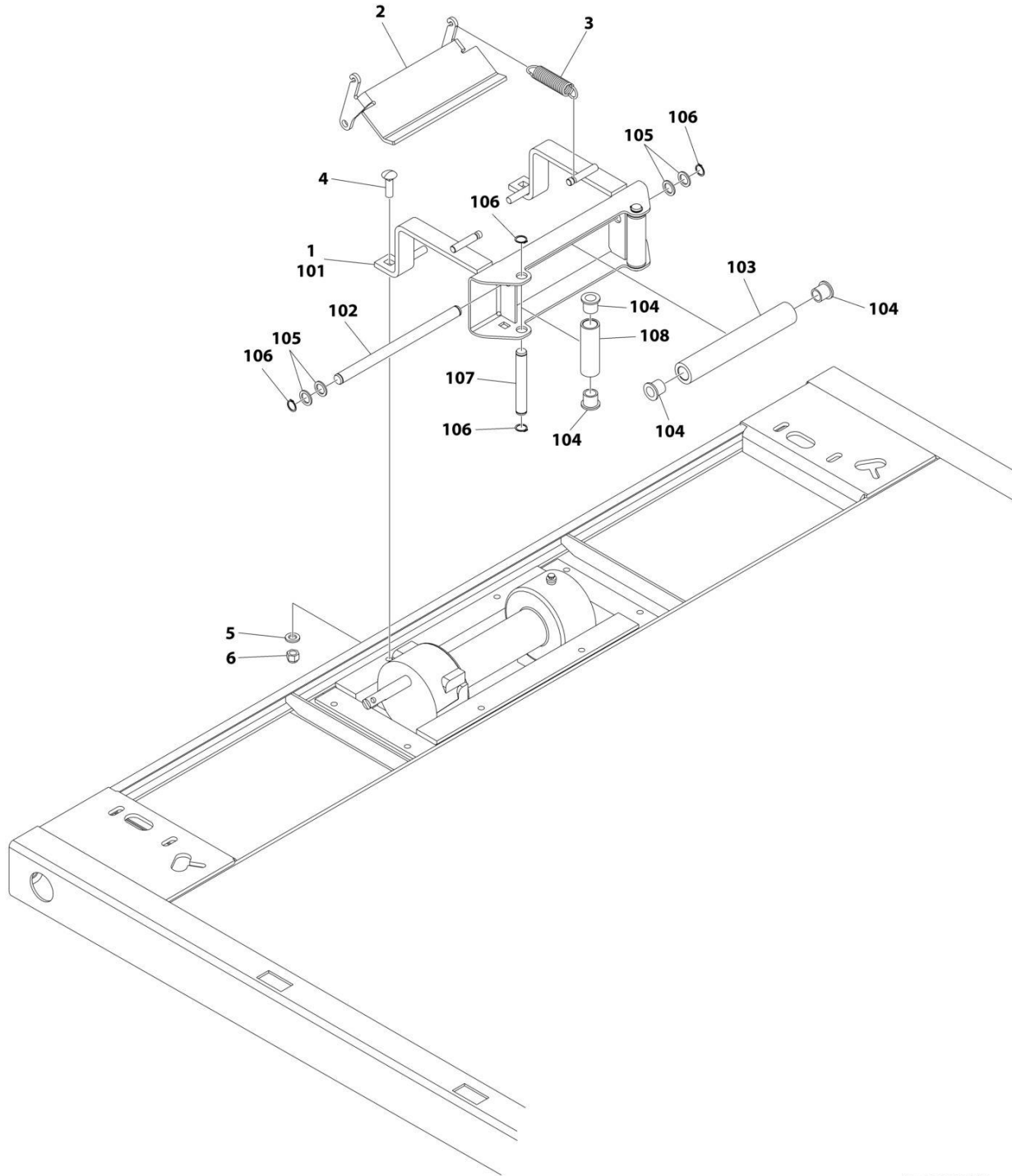
## SECTION 3 - DECK

**FIGURE 3-74. CABLE TENSIONER INSTALLATION - 8000 LBS & /10000 LBS WORM GEAR WINCHES**

ITEM	PART NUMBER	QTY	DESCRIPTION	REV
	2249000017	Ref	CABLE TENSIONER INSTALLATION, WORM GEAR - 8000/10000 LBS	0
1	3249000036	1	Cable Tensioner Assembly (Includes Items 101-108)	
2	4706003766	1	Plate	
3	7843000035	2	Spring	
4	7115181464	4	Bolt 1/2 x 1-3/4	
5	7950180153	4	Washer 1/2	
6	7660182601	4	Nut 1/2	
101	3178000433	1	Bracket Weld	
102	4806000014	1	Shaft	
103	4912000130	1	Roller	
104	7209000011	6	Bushing	
105	7949000034	4	Spacer	
106	7754000022	6	Retaining Ring	
107	4806000011	2	Shaft	
108	4912000394	2	Roller	

# SECTION 3 - DECK

## FIGURE 3-75. CABLE TENSIONER INSTALLATION - 12000 LBS WORM GEAR WINCHES



ART\_224900018

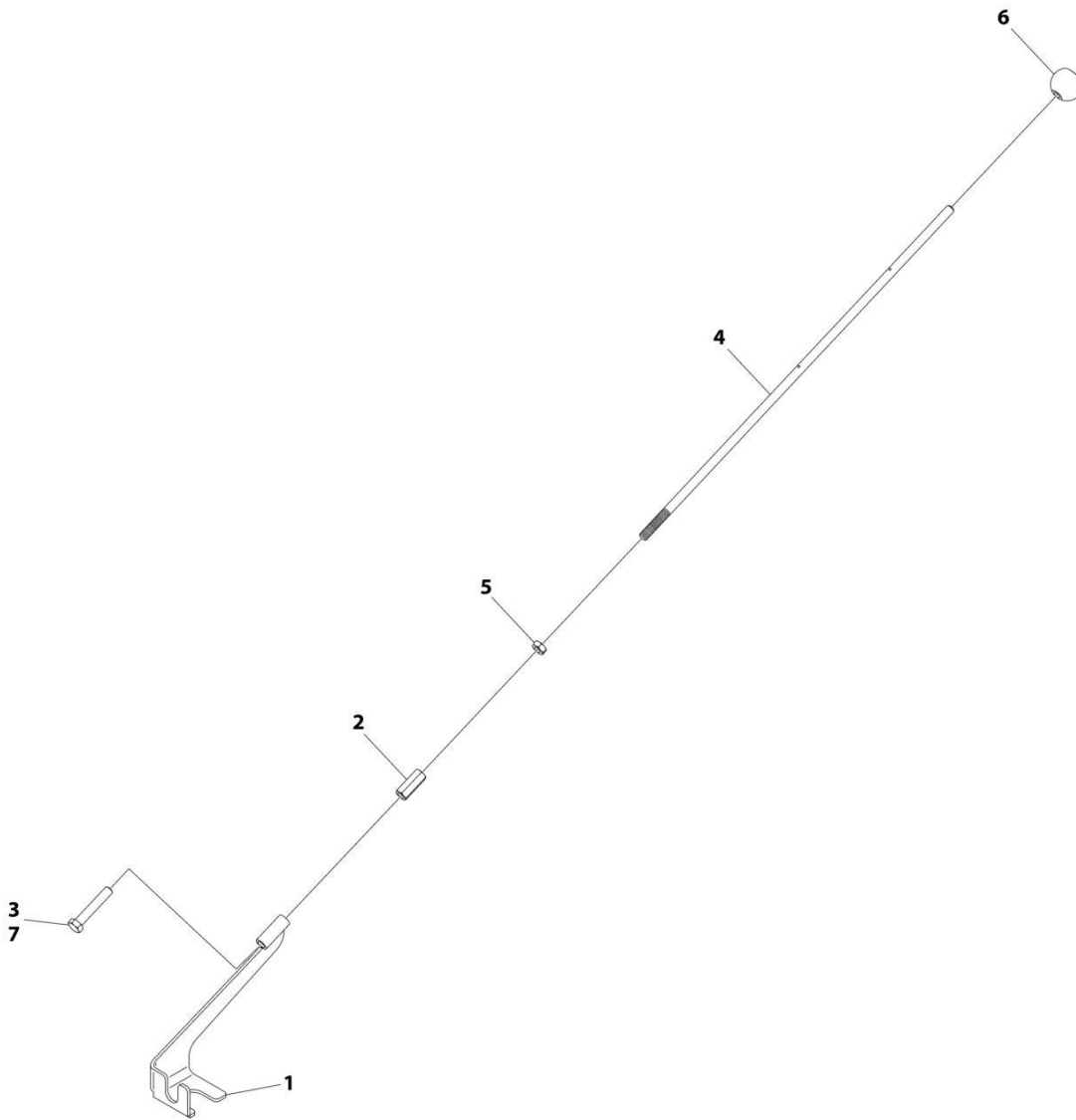
## SECTION 3 - DECK

**FIGURE 3-75. CABLE TENSIONER INSTALLATION - 12000 LBS WORM GEAR WINCHES**

ITEM	PART NUMBER	QTY	DESCRIPTION	REV
	2249000018	Ref	CABLE TENSIONER INSTALLATION, WORM GEAR - 12000 LBS	B
1	3249000036	1	Cable Tensioner Assembly (Includes Items 101-108)	
2	4706003857	1	Plate	
3	7843000035	2	Spring	
4	7115181464	4	Bolt 1/2 x 1-3/4	
5	7950180153	2	Washer 1/2	
6	7660182601	4	Nut 1/2	
101	3178000433	1	Bracket Weld	
102	4806000014	1	Shaft	
103	4912000130	1	Roller	
104	7209000011	6	Bushing	
105	7949000034	4	Spacer	
106	7754000022	6	Retaining Ring	
107	4806000011	2	Shaft	
108	4912000394	2	Roller	

# SECTION 3 - DECK

## FIGURE 3-76. WINCH HANDLE (PLANETARY WGEAR WINCH)



ART\_1001146028



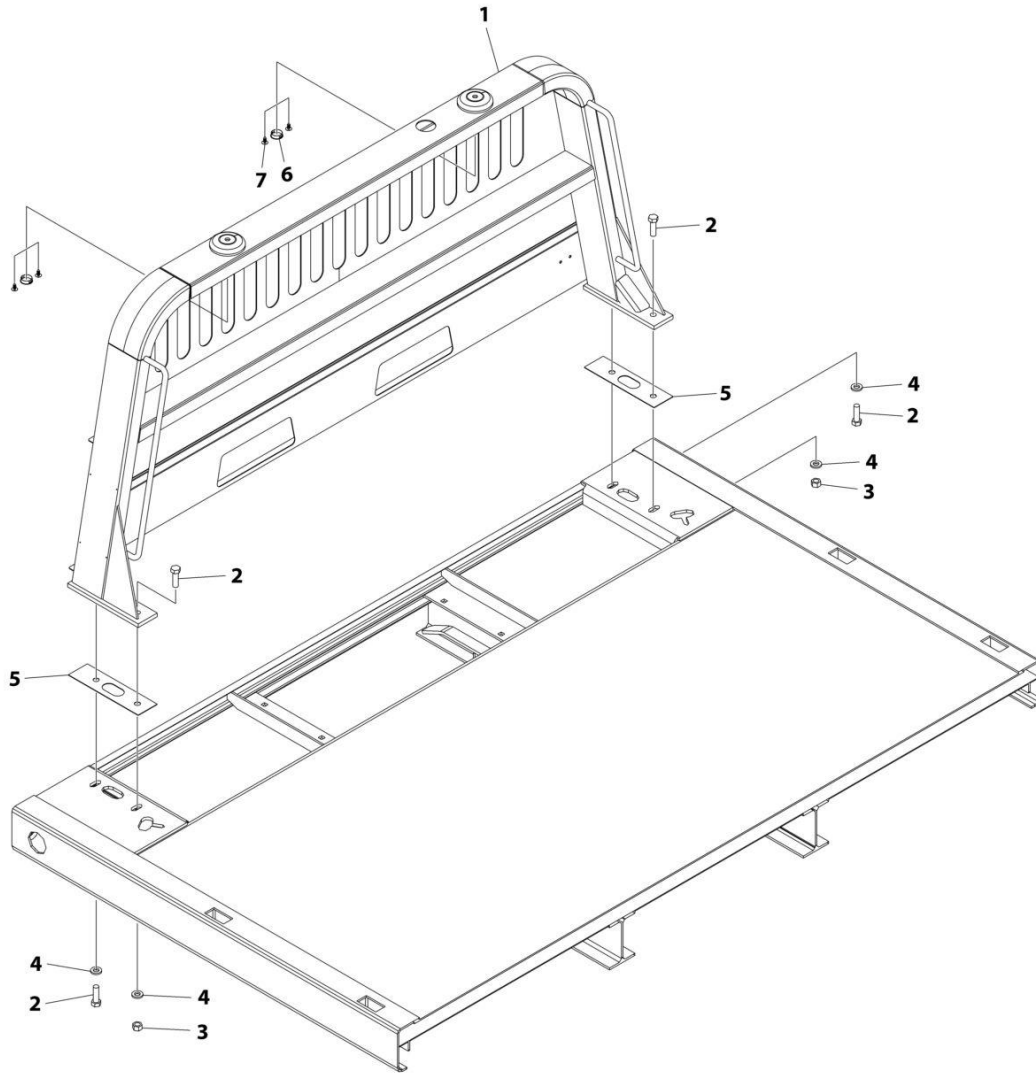
## SECTION 3 - DECK

### FIGURE 3-76. WINCH HANDLE (PLANETARY WGEAR WINCH)

ITEM	PART NUMBER	QTY	DESCRIPTION	REV
	1001146028	Ref	SLIDING WINCH HANDLE, ACCESSORY	A
1	1001146029	1	Handle	
2	1001146027	1	Nut 1/2	
3	0651822	1	Bolt 1/2 x 2-3/4	
4	4763000348	1	Rod	
5	7660180234	1	Nut 1/2	
6	7551000017	1	Knob	
7	0100011	AR	Compound Locking	

# SECTION 3 - DECK

FIGURE 3-77. HEADBOARD INSTALLATION- 36.50IN (DELUXE BOLT-ON )



ART\_1001129111

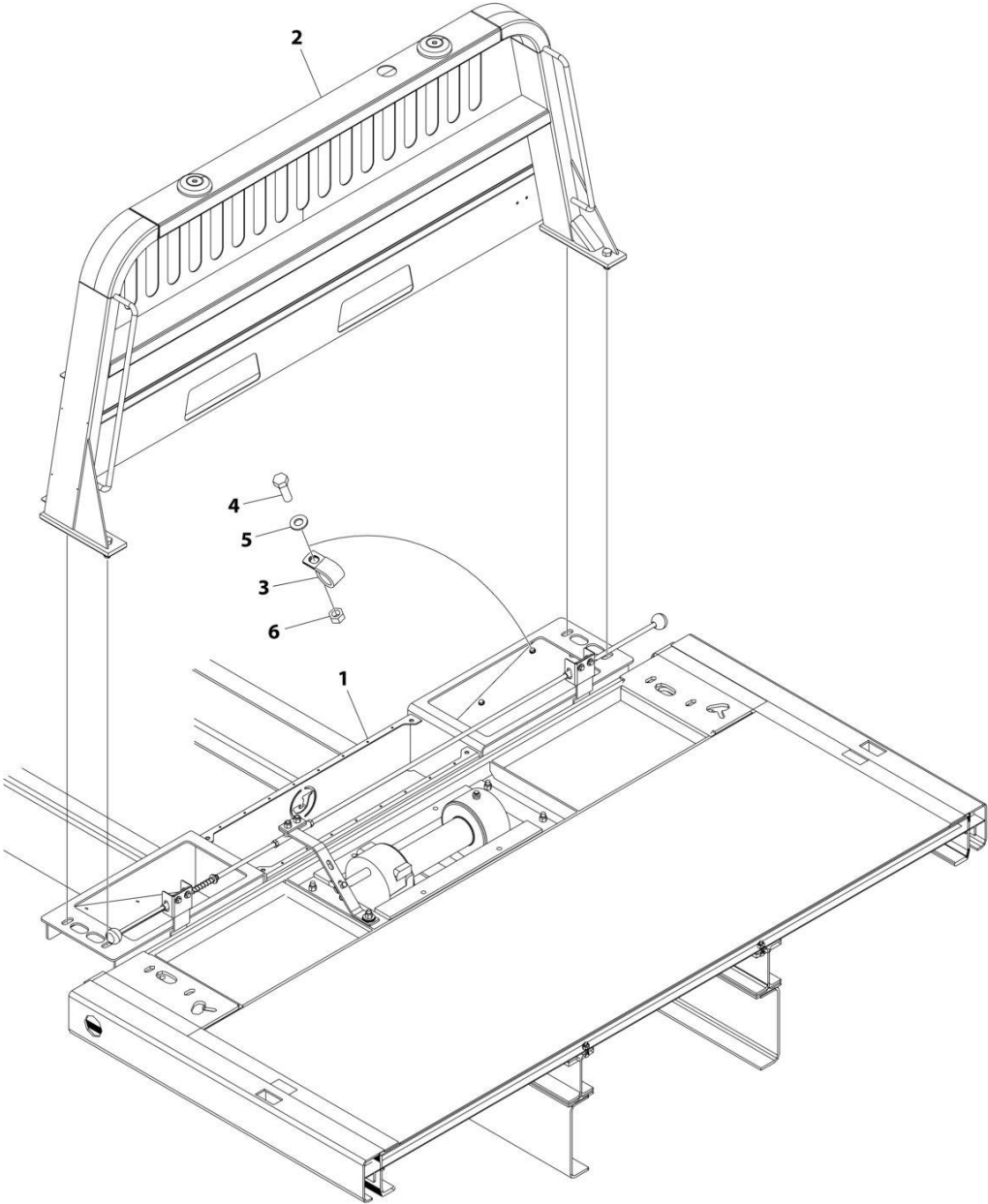
## SECTION 3 - DECK

**FIGURE 3-77. HEADBOARD INSTALLATION- 36.50IN (DELUXE BOLT-ON )**

ITEM	PART NUMBER	QTY	DESCRIPTION	REV
	1001129111	Ref	BUMPER HEADBOARD 36.50IN DELUXE	B
1	1001223266	1	Headboard Weldment	
2	0652016	4	Capscrew 5/8 x 2	
3	7660200035	2	Nut 5/8	
4	4712000	4	Washer 5/8	
5	4796000037	2	Gasket	
6	7701000049	2	Plug	
7	7413000013	4	Push-In Fastener	

# SECTION 3 - DECK

FIGURE 3-78. HEADBOARD INSTALLATION - 36.50IN (STATIONARY DELUXE BOLT-ON)



ART\_1001226006

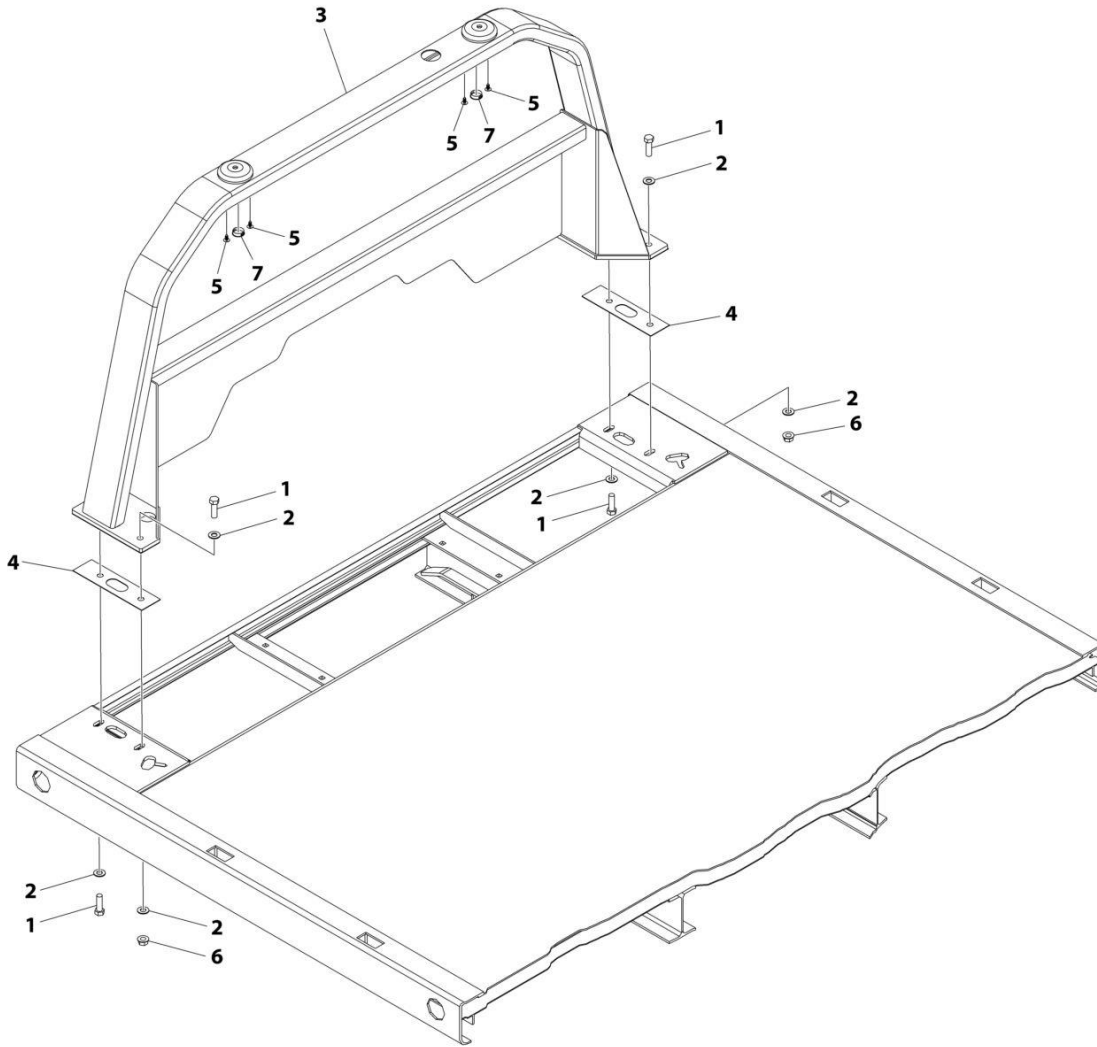
## SECTION 3 - DECK

**FIGURE 3-78. HEADBOARD INSTALLATION - 36.50IN (STATIONARY DELUXE BOLT-ON)**

ITEM	PART NUMBER	QTY	DESCRIPTION	REV
	1001226006	Ref	STATIONARY HEADBOARD 8.88 + 36.50IN DELUXE	B
1	1001225870	1	Headboard Base Installation (See Separate Breakdown in this Section)	
2	1001129111	1	Headboard Deluxe Installation (See Separate Breakdown in this Section)	
3	7274000063	3	Clamp	
4	0641508	3	Capscrew 5/16 x 1	
5	4711500	3	Washer 5/16	
6	3311505	3	Nut 5/16	

# SECTION 3 - DECK

FIGURE 3-79. HEADBOARD INSTALLATION - 37.38IN (STANDARD BOLT-ON)



ART\_1001192987

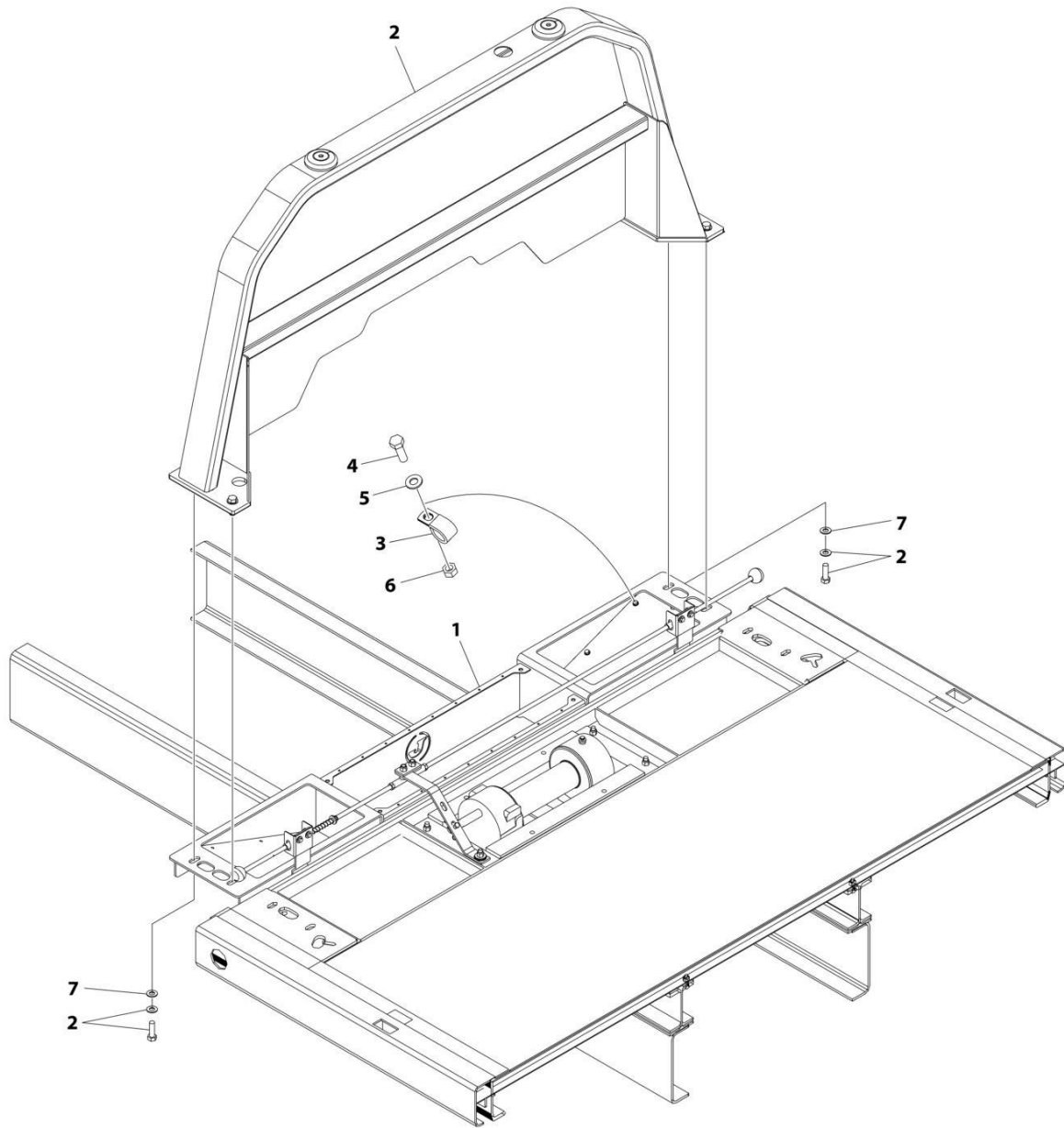
## SECTION 3 - DECK

**FIGURE 3-79. HEADBOARD INSTALLATION - 37.38IN (STANDARD BOLT-ON)**

ITEM	PART NUMBER	QTY	DESCRIPTION	REV
	1001192987	Ref	FIXED HEADBOARD INSTALLATION	A
1	0652016	4	Capscrew 5/8 x 2	
2	4712000	6	Washer 5/8	
3	1001187688	1	Bumper, Headboard	
4	4796000037	2	Gasket	
5	7413000013	4	Push-In Fastener	
6	7660202347	2	Nut 5/8	
7	7701000049	2	Plug	

# SECTION 3 - DECK

## FIGURE 3-80. HEADBOARD INSTALLATION - 37.38IN (STATIONARY FIXED)



ART\_1001226003



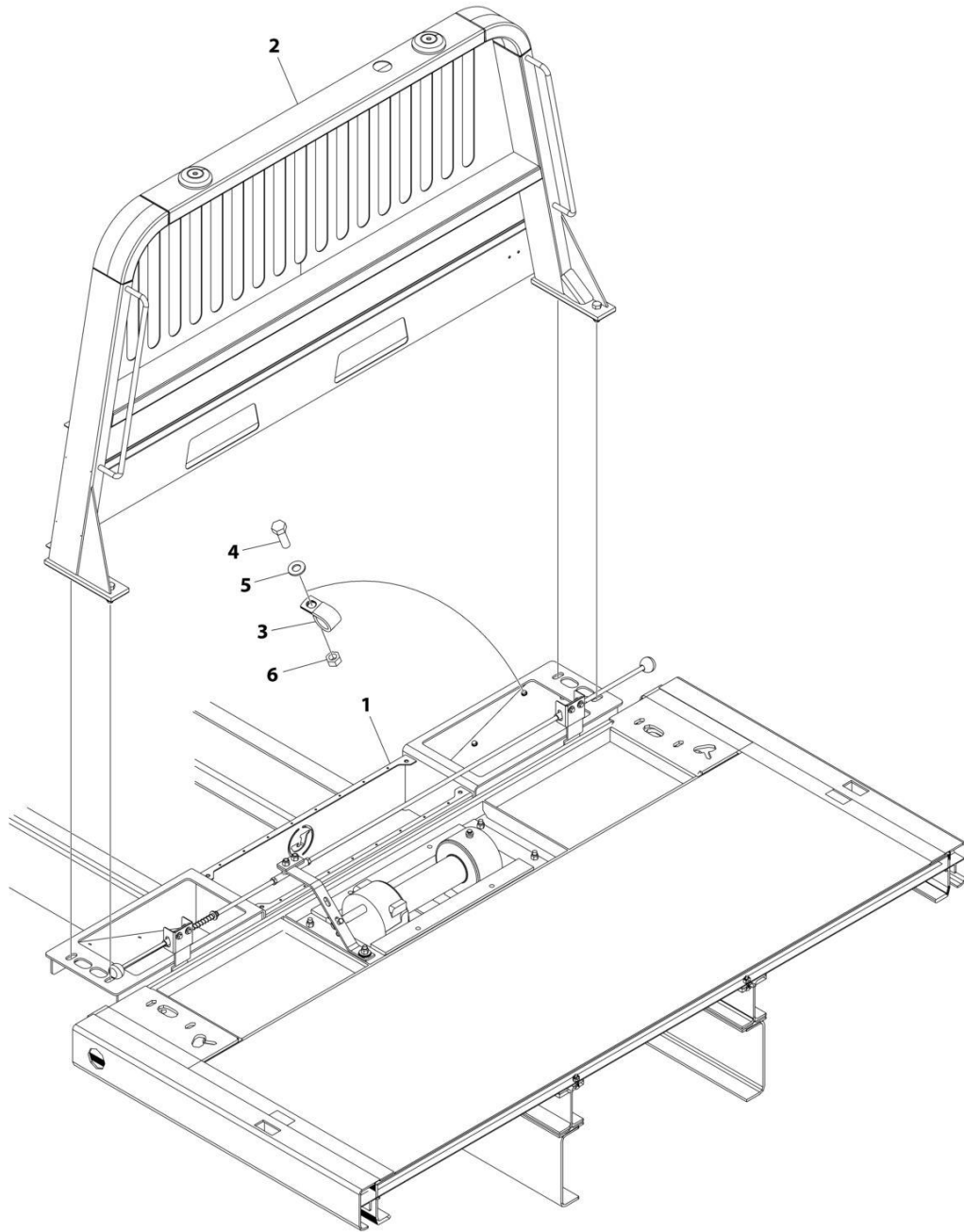
## SECTION 3 - DECK

**FIGURE 3-80. HEADBOARD INSTALLATION - 37.38IN (STATIONARY FIXED)**

ITEM	PART NUMBER	QTY	DESCRIPTION	REV
	1001226003	Ref	STATIONARY FIXED HEIGHT HEADBOARD INSTALLATION	A
1	1001225870	1	Headboard Base Installation (See Separate Breakdown in this Section)	
2	1001192987	1	Headboard Installation (See Separate Breakdown in this Section)	
3	7274000063	3	Clamp	
4	0641508	3	Bolt 5/16 x 1	
5	4711500	3	Washer 5/16	
6	3311505	3	Nut 5/16	
7	4712000	2	Washer 5/8	

# SECTION 3 - DECK

FIGURE 3-81. HEADBOARD INSTALLATION - 45.50IN (STATIONARY DELUXE BOLT-ON)



ART\_1001226007

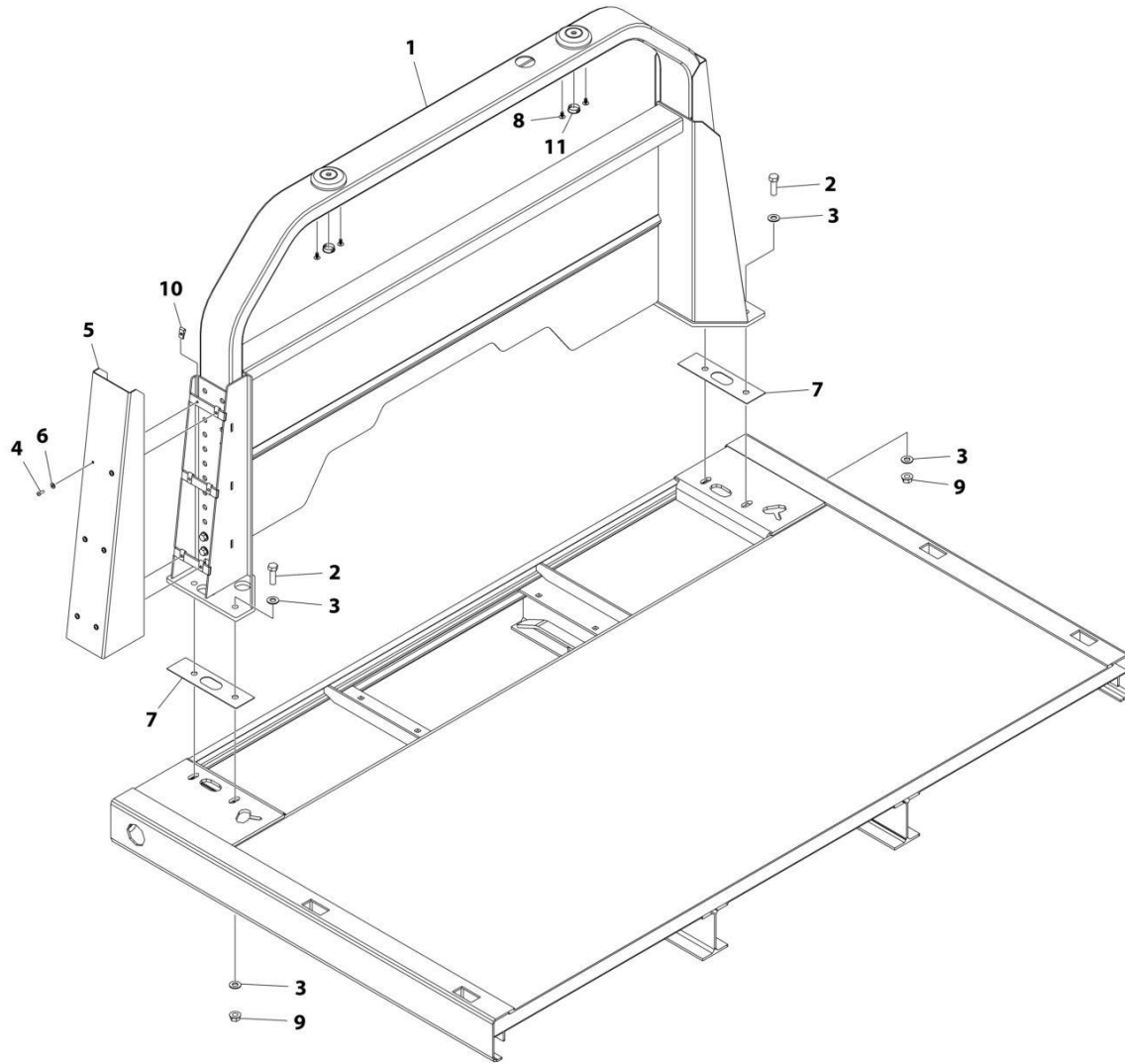
## SECTION 3 - DECK

**FIGURE 3-81. HEADBOARD INSTALLATION - 45.50IN (STATIONARY DELUXE BOLT-ON)**

ITEM	PART NUMBER	QTY	DESCRIPTION	REV
	1001226007	Ref	STATIONARY HEADBOARD 8.88 + 45.50IN DELUXE	B
1	1001225870	1	Headboard Base Installation (See Separate Breakdown in this Section)	
2	1001129114	1	Headboard Deluxe Installation (See Separate Breakdown in this Section)	
3	7274000063	3	Clamp	
4	0641508	3	Bolt 5/16 x 1	
5	4711500	3	Washer 5/16	
6	3311505	3	Nut 5/16	

# SECTION 3 - DECK

FIGURE 3-82. HEADBOARD INSTALLATION - 45.50IN- 65.50 (ADJUSTABLE BOLT-ON)



ART\_1001189544

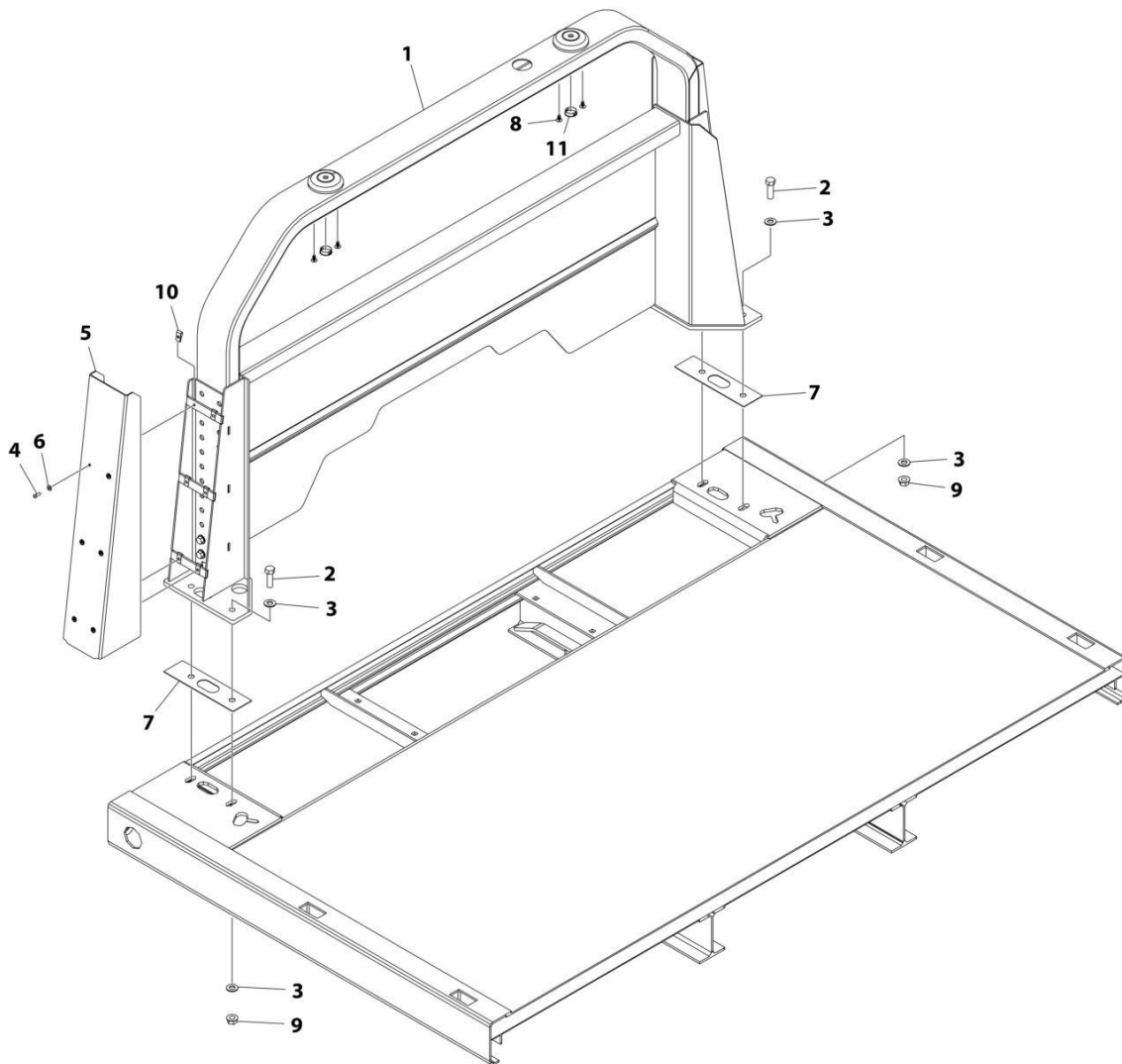
## SECTION 3 - DECK

**FIGURE 3-82. HEADBOARD INSTALLATION - 45.50IN- 65.50 (ADJUSTABLE BOLT-ON)**

ITEM	PART NUMBER	QTY	DESCRIPTION	REV
	1001189544	Ref	ADJUSTABLE HEADBOARD INSTALLATION 45.50 - 65.50IN	A
1	1001192132	1	Headboard Weldment	
2	0652016	4	Bolt 5/8 x 2	
3	4712000	8	Washer 5/8	
4	0630448001	12	Screw 1/4 x 3/4	
5	1001177459	2	Cover	
6	4711400001	12	Washer 1/4	
7	4796000037	2	Gasket	
8	7413000013	4	Push-In Fastener	
9	7660202347	4	Nut 5/8	
10	7661000064	12	Clip, U-Nut 1/4	
11	7701000049	2	Plug	

# SECTION 3 - DECK

FIGURE 3-83. HEADBOARD INSTALLATION - 45.50IN- 65.50 (ADJUSTABLE BOLT-ON - SPECIAL PAINT)



ART\_1001203834

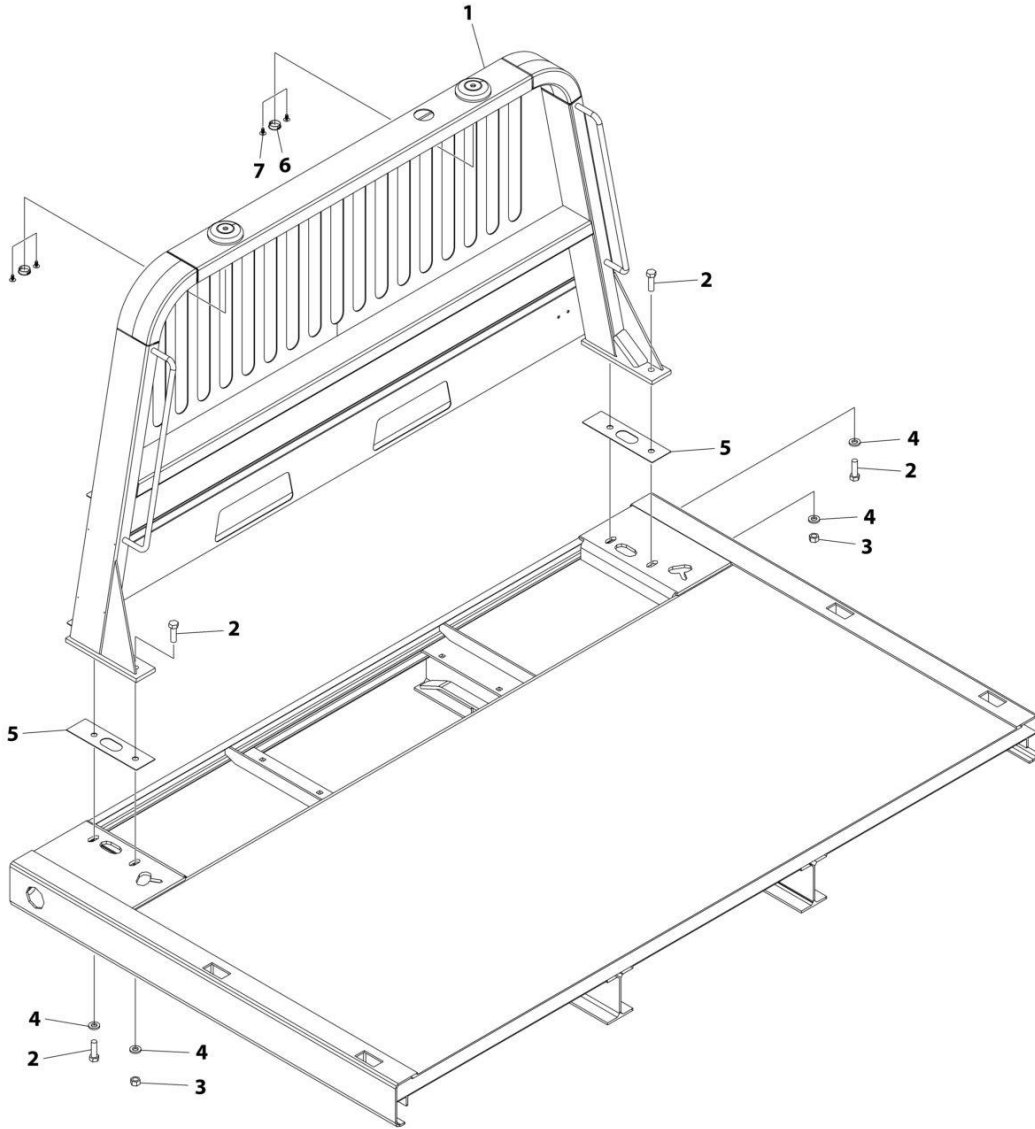
## SECTION 3 - DECK

**FIGURE 3-83. HEADBOARD INSTALLATION - 45.50IN- 65.50 (ADJUSTABLE BOLT-ON - SPECIAL PAINT)**

ITEM	PART NUMBER	QTY	DESCRIPTION	REV
	1001203834	Ref	ADJUSTABLE HEADBOARD INSTALLATION 45.50 - 65.50IN SPECIAL PAINT	B
1	1001203833	1	Headboard Weldment	
2	0652016	4	Bolt 5/8 x 2	
3	4712000	8	Washer 5/8	
4	0630448001	12	Screw 1/4 x 3/4	
5	1001203829	2	Cover	
6	4711400001	12	Washer 1/4	
7	4796000037	2	Gasket	
8	7413000013	4	Push-In Fastener	
9	7660202347	4	Nut 5/8	
10	7661000064	12	Clip, U-Nut 1/4	
11	7701000049	2	Plug	

# SECTION 3 - DECK

## FIGURE 3-84. HEADBOARD INSTALLATION - 45.50IN (DELUXE BOLT-ON)



ART\_1001129114



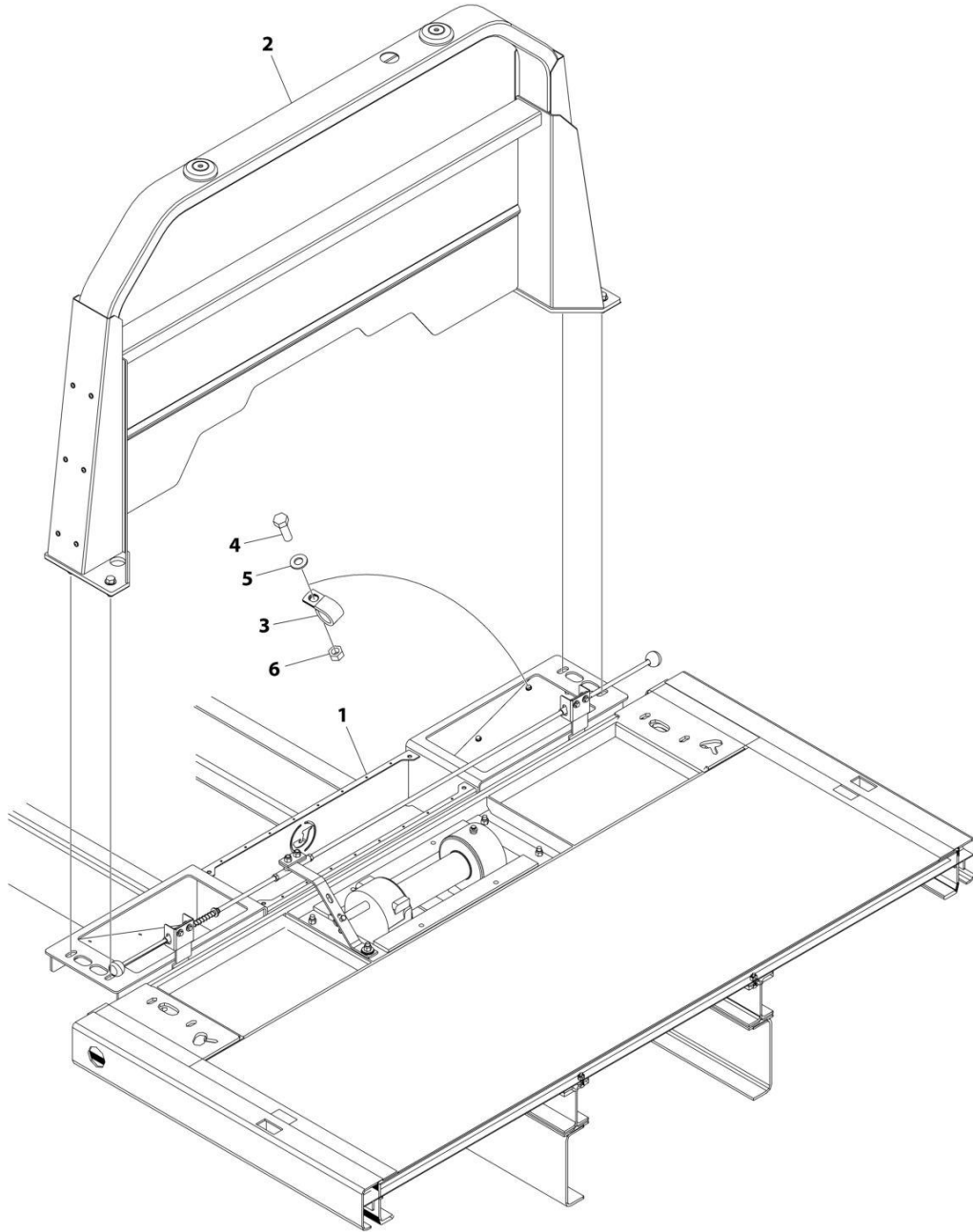
## SECTION 3 - DECK

**FIGURE 3-84. HEADBOARD INSTALLATION - 45.50IN (DELUXE BOLT-ON)**

ITEM	PART NUMBER	QTY	DESCRIPTION	REV
	1001129114	Ref	BUMPER HEADBOARD 45.50IN DELUXE	B
1	1001223267	1	Headboard Weldment	
2	0652016	4	Bolt 5/8 x 2	
3	7660200035	2	Nut 5/8	
4	4712000	4	Washer 5/8	
5	4796000037	2	Gasket	
6	7701000049	2	Plug	
7	7413000013	4	Push-In Fastener	

## SECTION 3 - DECK

FIGURE 3-85. HEADBOARD INSTALLATION - 45.50IN- 65.50 (STATIONARY ADJUSTABLE BOLT-ON)



ART\_1001226004

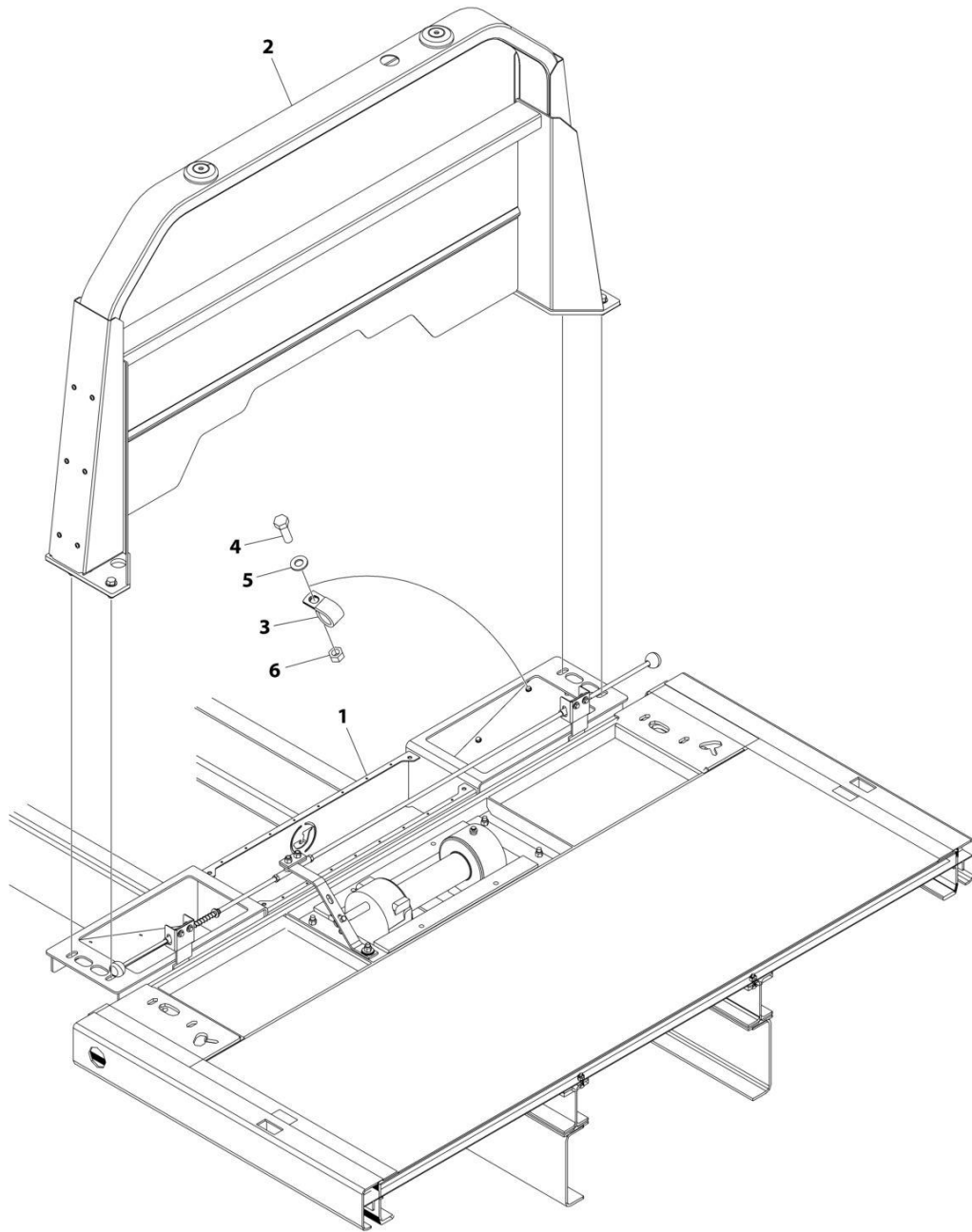
## SECTION 3 - DECK

**FIGURE 3-85. HEADBOARD INSTALLATION - 45.50IN- 65.50 (STATIONARY ADJUSTABLE BOLT-ON**

ITEM	PART NUMBER	QTY	DESCRIPTION	REV
	1001226004	Ref	STATIONARY ADJUSTABLE HEADBOARD 8.88IN	B
1	1001225870	1	Headboard Base Installation (See Separate Breakdown in this Section)	
2	1001189544	1	Headboard Installation (See Separate Breakdown in this Section)	
3	7274000063	3	Clamp	
4	0641508	3	Bolt 5/16 x 1	
5	4711500	3	Washer 5/16	
6	3311505	3	Nut 5/16	

## SECTION 3 - DECK

FIGURE 3-86. HEADBOARD INSTALLATION - 45.50IN- 65.50 (STATIONARY ADJUSTABLE BOLT-ON  
- SPECIAL PAINT)



ART\_1001226005

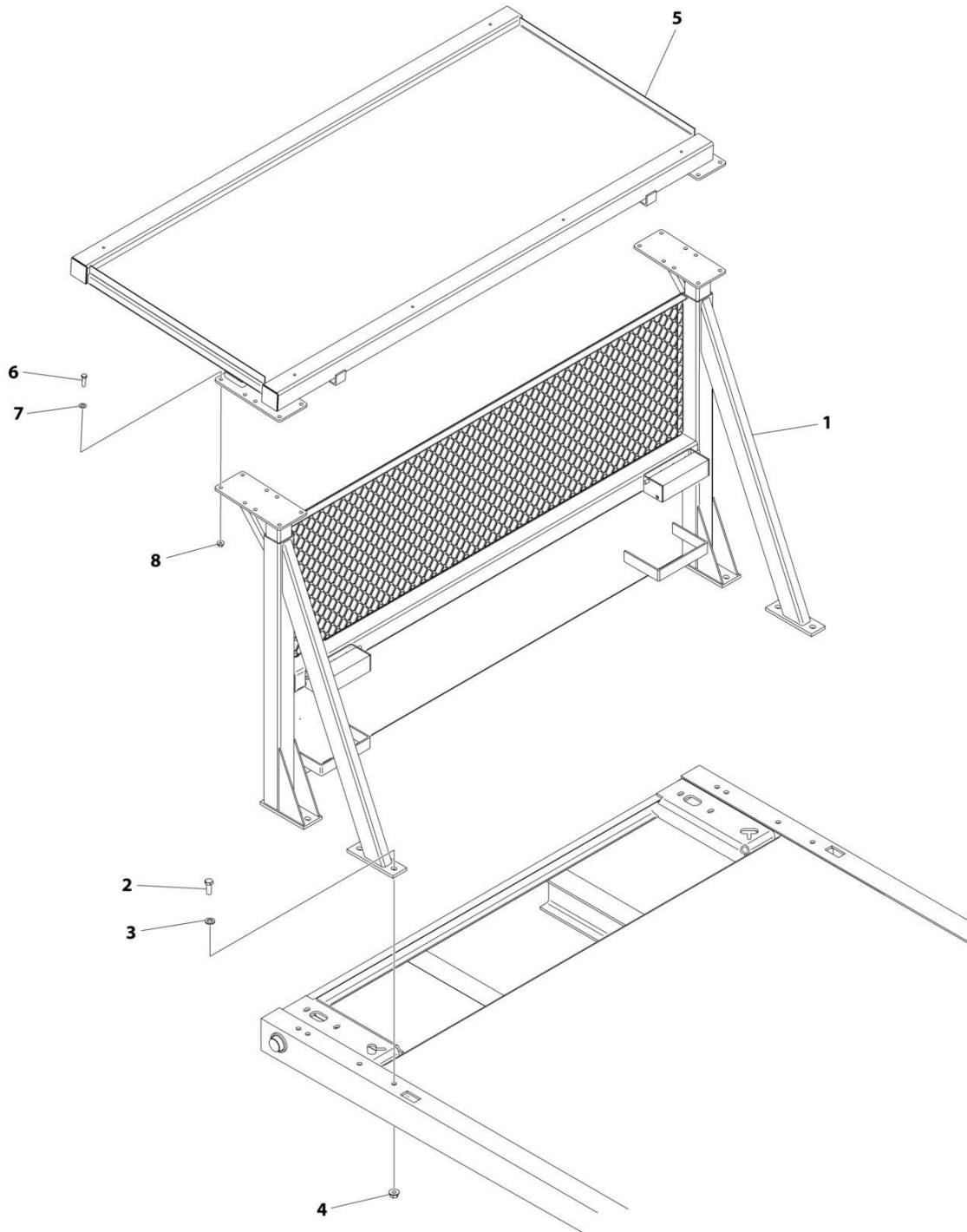
## SECTION 3 - DECK

**FIGURE 3-86. HEADBOARD INSTALLATION - 45.50IN- 65.50 (STATIONARY ADJUSTABLE BOLT-ON  
- SPECIAL PAINT)**

ITEM	PART NUMBER	QTY	DESCRIPTION	REV
	1001226005	Ref	STATIONARY ADJUSTABLE HEADBOARD 8.88IN SPECIAL PAINT	B
1	1001225870	1	Headboard Base Installation (See Separate Breakdown in this Section)	
2	1001203834	1	Headboard Installation (See Separate Breakdown in this Section)	
3	7274000063	3	Clamp	
4	0641508	3	Bolt 5/16 x 1	
5	4711500	3	Washer 5/16	
6	3311505	3	Nut 5/16	

# SECTION 3 - DECK

## FIGURE 3-87. HEADBOARD INSTALLATION - 50IN (BUCKET REST)



ART\_1001141922

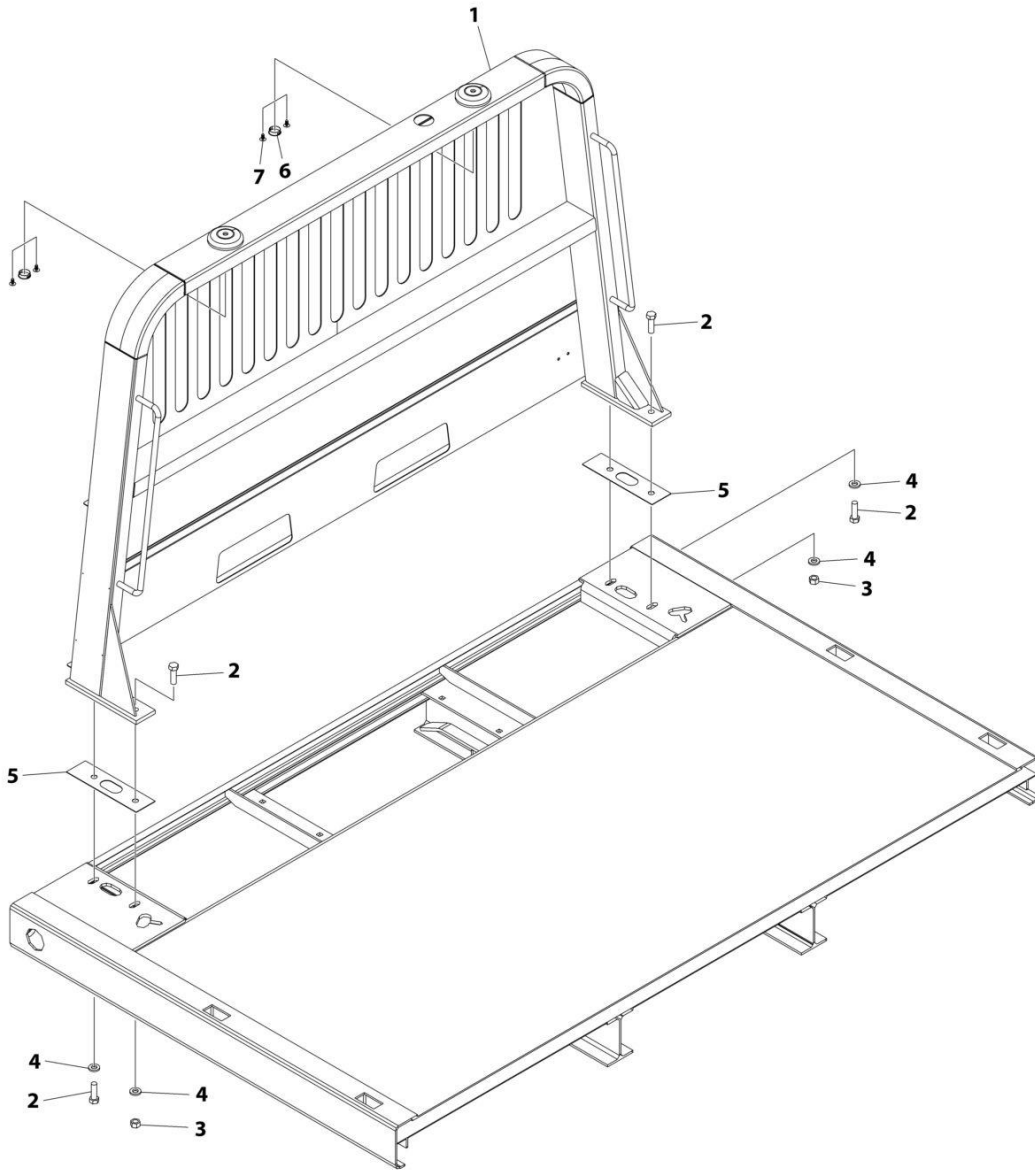
## SECTION 3 - DECK

**FIGURE 3-87. HEADBOARD INSTALLATION - 50IN (BUCKET REST)**

ITEM	PART NUMBER	QTY	DESCRIPTION	REV
	1001141922	Ref	BUCKET REST HEADBOARD - 50IN	B
1	1001141918	1	Lower Headboard Weldment	
2	7115222050	8	Capscrew 3/4 x 2-1/2	
3	7950220141	8	Washer 3/4	
4	7660222308	8	Nut 3/4	
5	1001141875	1	Upper Headboard Weldment	
6	7115181450	16	Capscrew 1/2 x 1-3/4	
7	7950180143	16	Washer 1/2	
8	7660182304	16	Nut 1/2	
9	1001142381	1	Deck Modified (Not Shown)	
10	7894000042	30	Tie Strap (Not Shown)	
11	7701000058	16	Plug (Not Shown)	

# SECTION 3 - DECK

FIGURE 3-88. HEADBOARD INSTALLATION - 50.50IN (DELUXE BOLT-ON)



ART\_1001129116



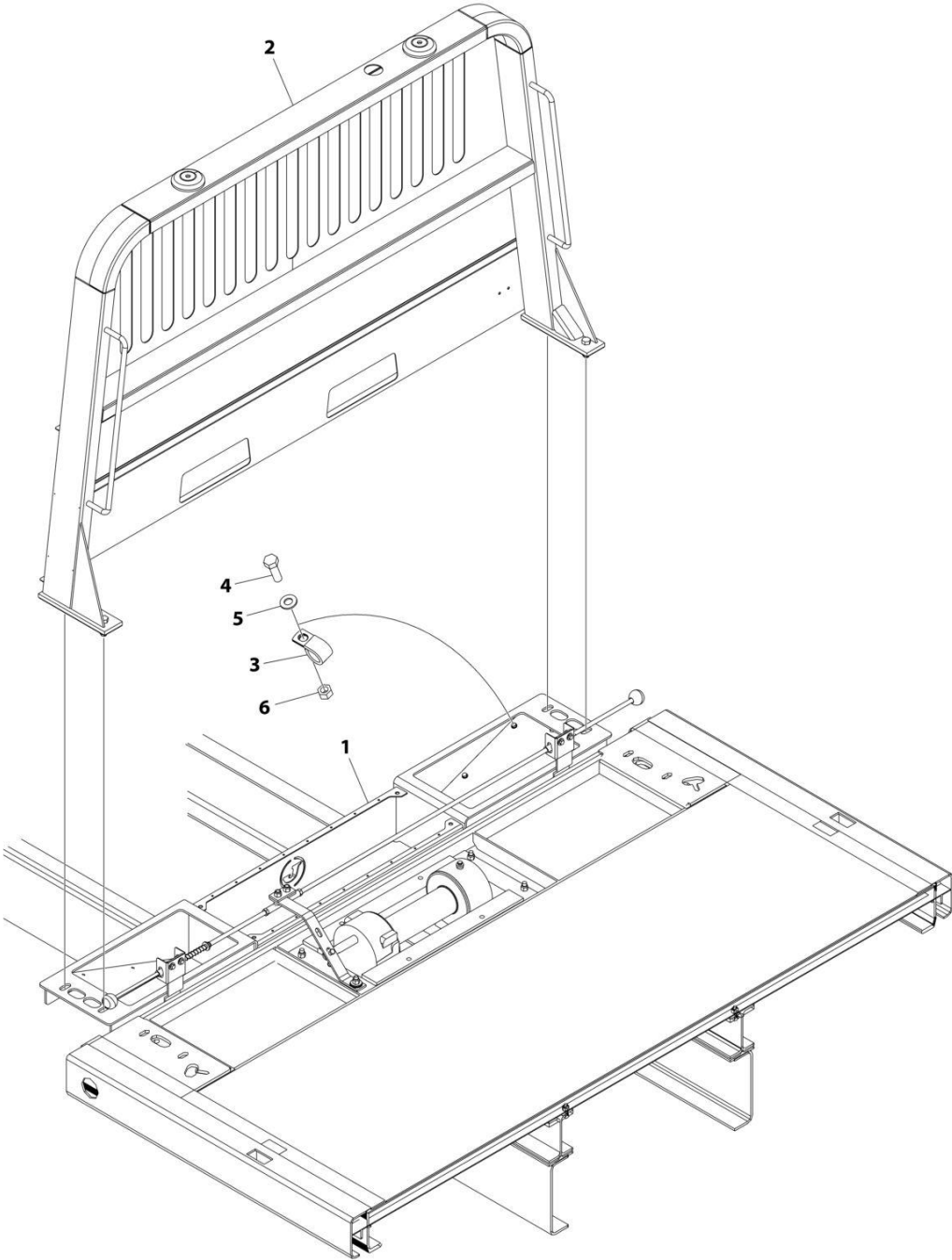
## SECTION 3 - DECK

**FIGURE 3-88. HEADBOARD INSTALLATION - 50.50IN (DELUXE BOLT-ON)**

ITEM	PART NUMBER	QTY	DESCRIPTION	REV
	1001129116	Ref	BUMPER HEADBOARD 50.50IN DELUXE	B
1	1001223268	1	Headboard Weldment	
2	0652016	4	Bolt 5/8 x 2	
3	7660200035	2	Nut 5/8	
4	4712000	4	Washer 5/8	
5	4796000037	2	Gasket	
6	7701000049	2	Plug	
7	7413000013	4	Push-In Fastener	

**SECTION 3 - DECK**

**FIGURE 3-89. HEADBOARD INSTALLATION - 50.50IN (STATIONARY DELUXE BOLT-ON))**



ART\_1001226008

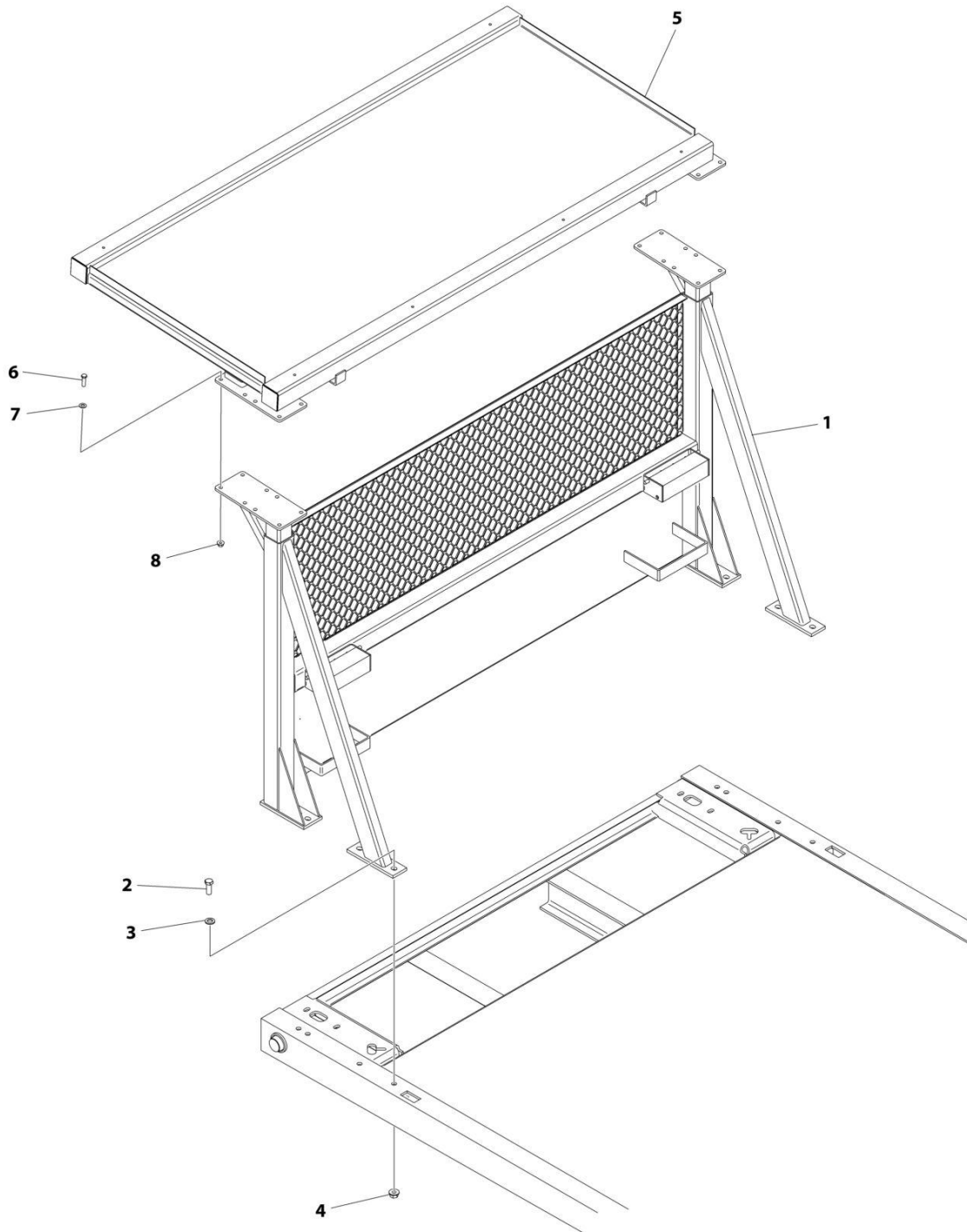
## SECTION 3 - DECK

**FIGURE 3-89. HEADBOARD INSTALLATION - 50.50IN (STATIONARY DELUXE BOLT-ON))**

ITEM	PART NUMBER	QTY	DESCRIPTION	REV
	1001226008	Ref	STATIONARY HEADBOARD 8.88 + 50.50IN DELUXE	B
1	1001225870	1	Headboard Base Installation (See Separate Breakdown in this Section)	
2	1001129116	1	Headboard Deluxe Installation (See Separate Breakdown in this Section)	
3	7274000063	3	Clamp	
4	0641508	3	Bolt 5/16 x 1	
5	4711500	3	Washer 5/16	
6	3311505	3	Nut 5/16	

# SECTION 3 - DECK

## FIGURE 3-90. HEADBOARD INSTALLATION - 54.75IN (BUCKET REST)



ART\_1001128443

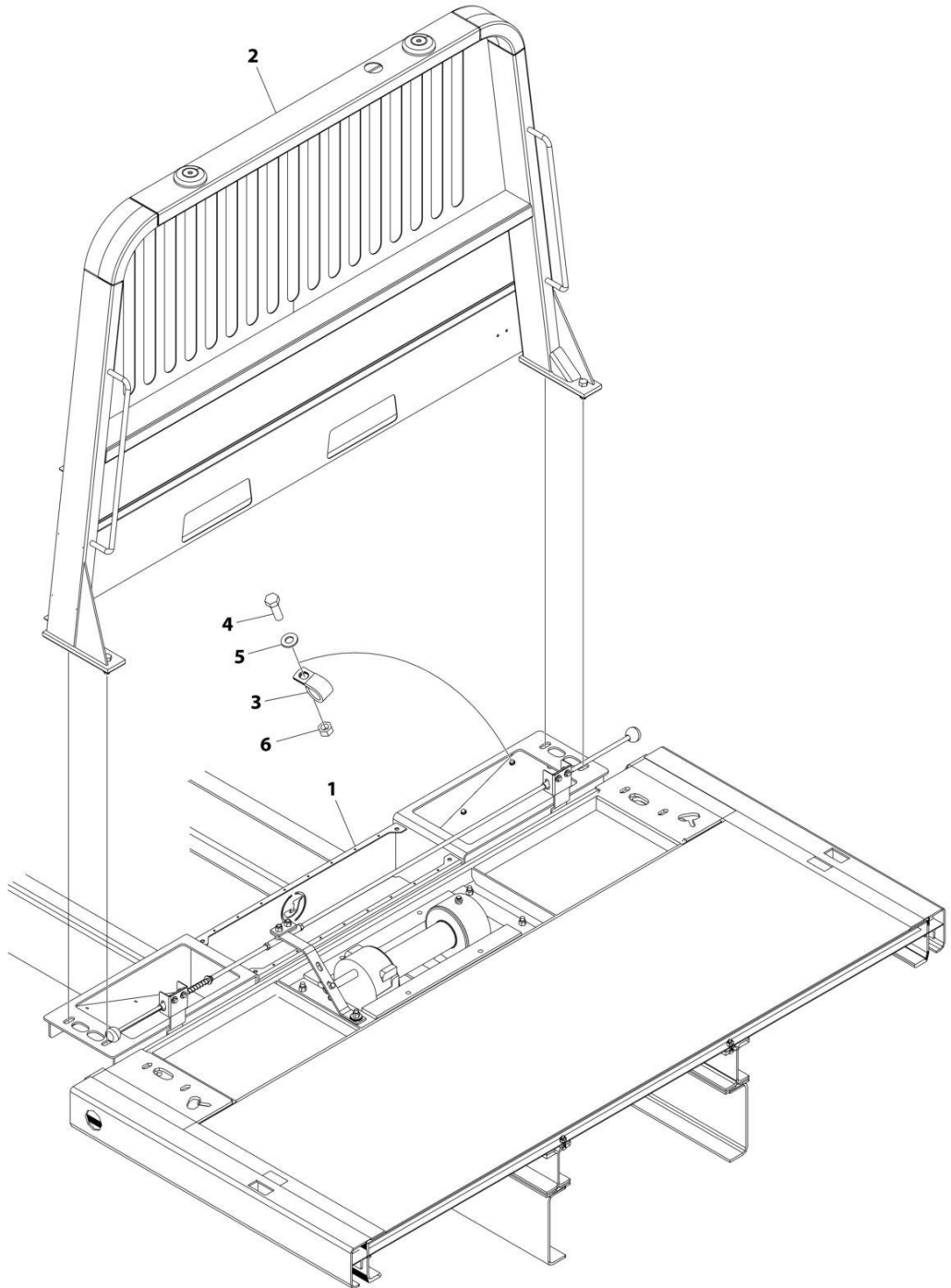
## SECTION 3 - DECK

**FIGURE 3-90. HEADBOARD INSTALLATION - 54.75IN (BUCKET REST)**

ITEM	PART NUMBER	QTY	DESCRIPTION	REV
	1001128443	Ref	BUCKET REST HEADBOARD - 54.75IN	D
1	1001132350	1	Lower Headboard Weldment	
2	7115222050	8	Capscrew 3/4 x 2-1/2	
3	7950220141	8	Washer 3/4	
4	7660222308	8	Nut 3/4	
5	1001141875	1	Upper Headboard Weldment	
6	7115181450	16	Capscrew 1/2 x 1-3/4	
7	7950180143	16	Washer 1/2	
8	7660182304	16	Nut 1/2	
9	1001142381	1	Deck Modified (Not Shown)	
10	7894000042	30	Tie Strap (Not Shown)	
11	7701000058	16	Plug (Not Shown)	

# SECTION 3 - DECK

FIGURE 3-91. HEADBOARD INSTALLATION - 57.50IN (STATIONARY DELUXE BOLT-ON)



ART\_1001226009

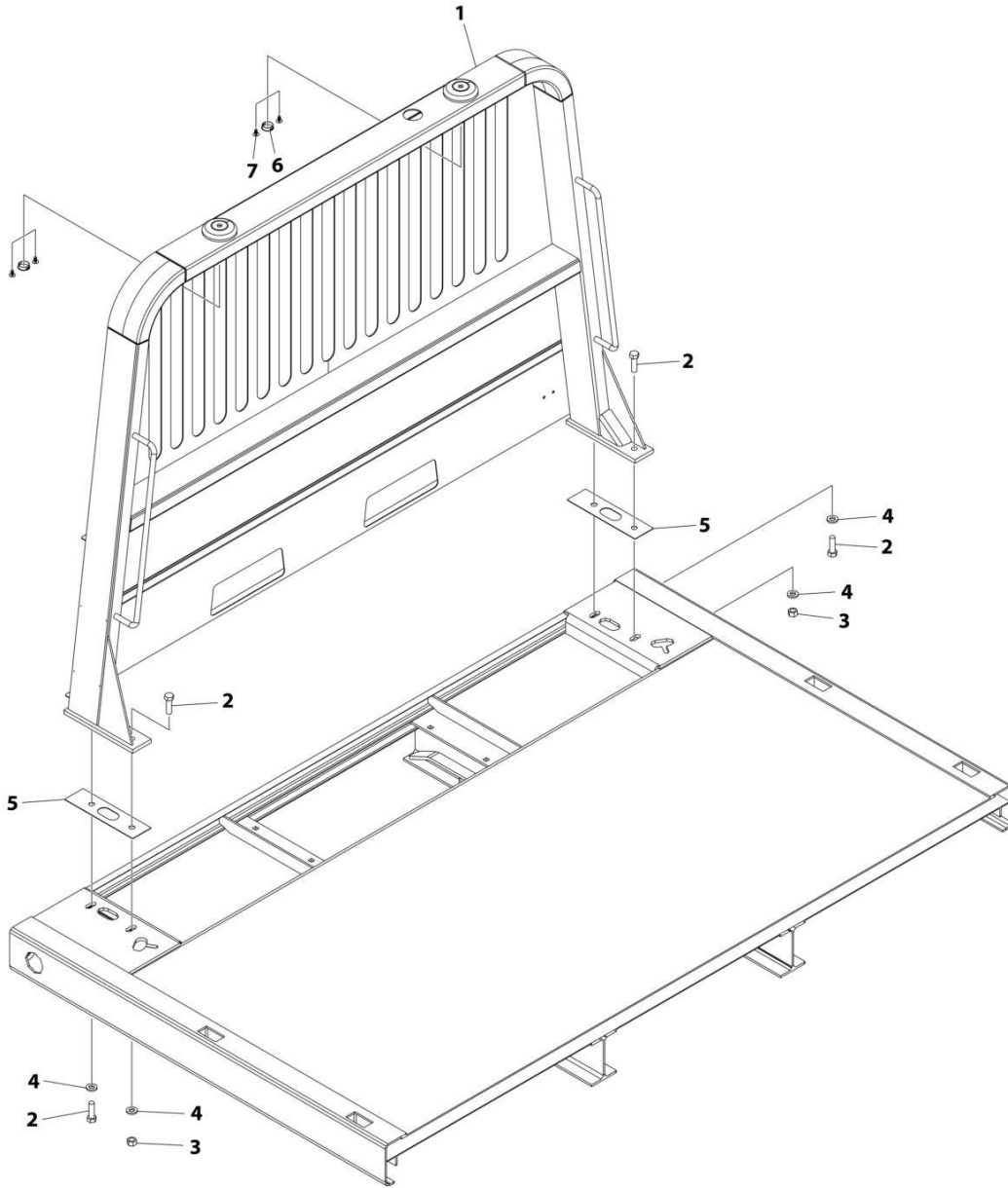
## SECTION 3 - DECK

**FIGURE 3-91. HEADBOARD INSTALLATION - 57.50IN (STATIONARY DELUXE BOLT-ON)**

ITEM	PART NUMBER	QTY	DESCRIPTION	REV
	1001226009	Ref	STATIONARY HEADBOARD 8.88 + 57.50IN DELUXE	B
1	1001225870	1	Headboard Base Installation (See Separate Breakdown in this Section)	
2	1001129118	1	Headboard Deluxe Installation (See Separate Breakdown in this Section)	
3	7274000063	3	Clamp	
4	0641508	3	Bolt 5/16 x 1	
5	4711500	3	Washer 5/16	
6	3311505	3	Nut 5/16	

# SECTION 3 - DECK

## FIGURE 3-92. HEADBOARD INSTALLATION - 57.50IN (DELUXE BOLT-ON)



ART\_1001129118



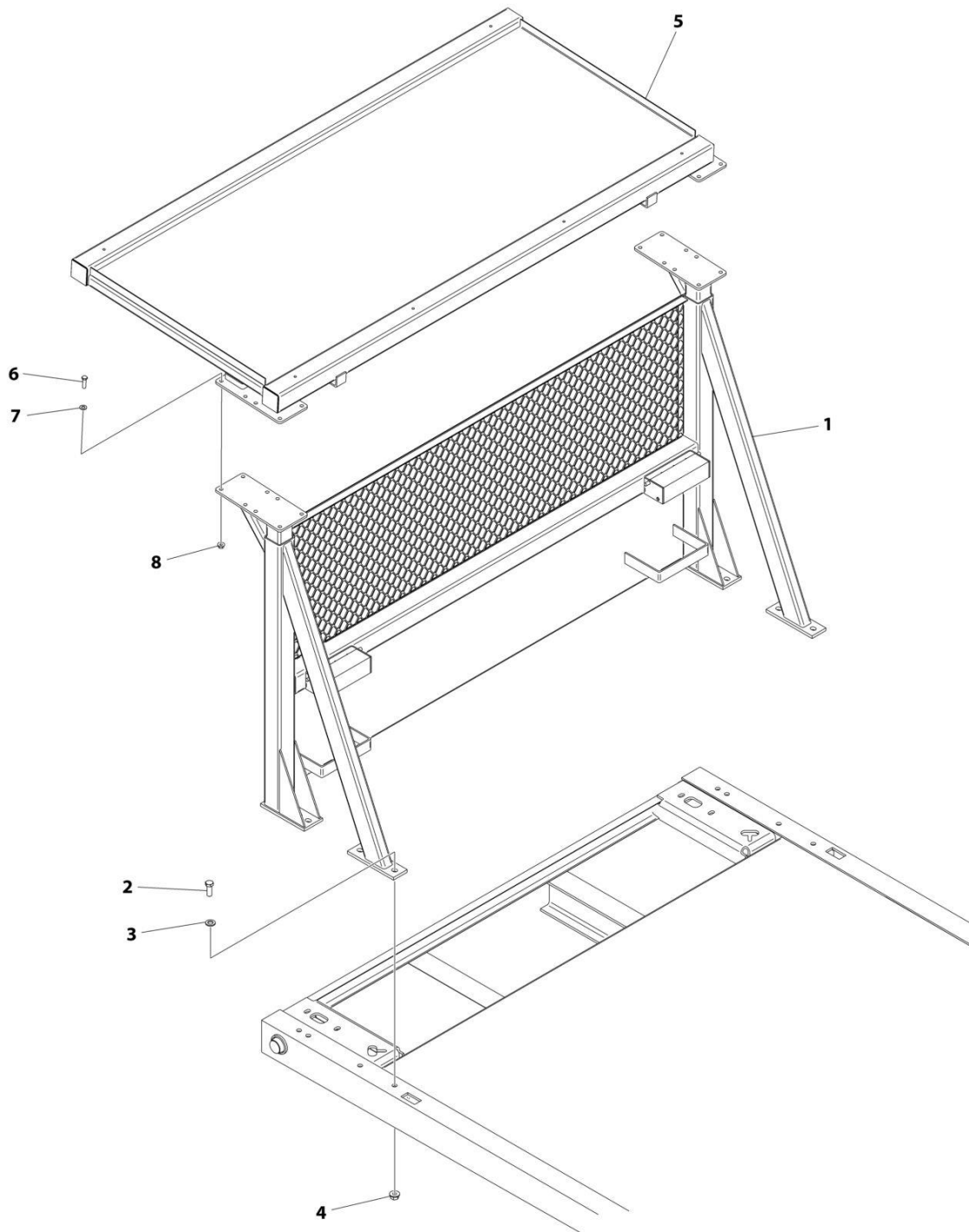
## SECTION 3 - DECK

**FIGURE 3-92. HEADBOARD INSTALLATION - 57.50IN (DELUXE BOLT-ON)**

ITEM	PART NUMBER	QTY	DESCRIPTION	REV
	1001129118	Ref	BUMPER HEADBOARD 57.50IN DELUXE	B
1	1001223269	1	Headboard Weldment	
2	0652016	4	Bolt 5/8 x 2	
3	7660200035	2	Nut 5/8	
4	4712000	4	Washer 5/8	
5	4796000037	2	Gasket	
6	7701000049	2	Plug	
7	7413000013	4	Push-In Fastener	

# SECTION 3 - DECK

FIGURE 3-93. HEADBOARD INSTALLATION, 61.5IN (BUCKET REST)



ART\_1001139579

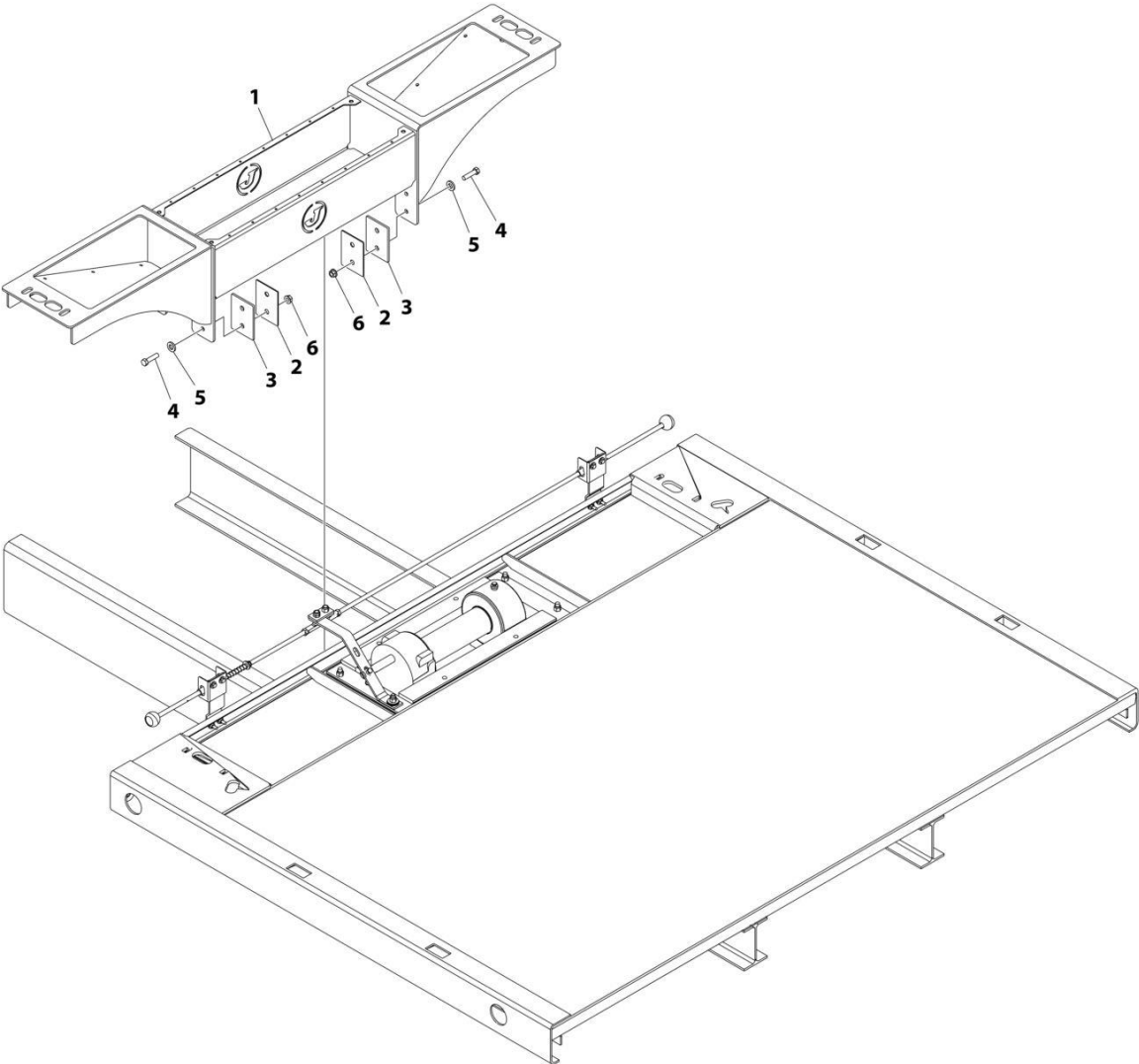
## SECTION 3 - DECK

**FIGURE 3-93. HEADBOARD INSTALLATION, 61.5IN (BUCKET REST)**

ITEM	PART NUMBER	QTY	DESCRIPTION	REV
	1001139579	Ref	BUCKET REST HEADBOARD - 61.5IN	C
1	1001139503	1	Lower Headboard Weldment	
2	7115222050	8	Capscrew 3/4 x 2-1/2	
3	7950220141	8	Washer 3/4	
4	7660222308	8	Nut 3/4	
5	1001141875	1	Upper Headboard Weldment	
6	7115181450	16	Capscrew 1/2 x 1-3/4	
7	7950180143	16	Washer 1/2	
8	7660182304	16	Nut 1/2	
9	1001142381	1	Deck Modified (Not Shown)	
10	7894000042	30	Tie Strap (Not Shown)	
11	7701000058	16	Plug (Not Shown)	

**SECTION 3 - DECK**

**FIGURE 3-94. HEADBOARD BASE INSTALLATION**



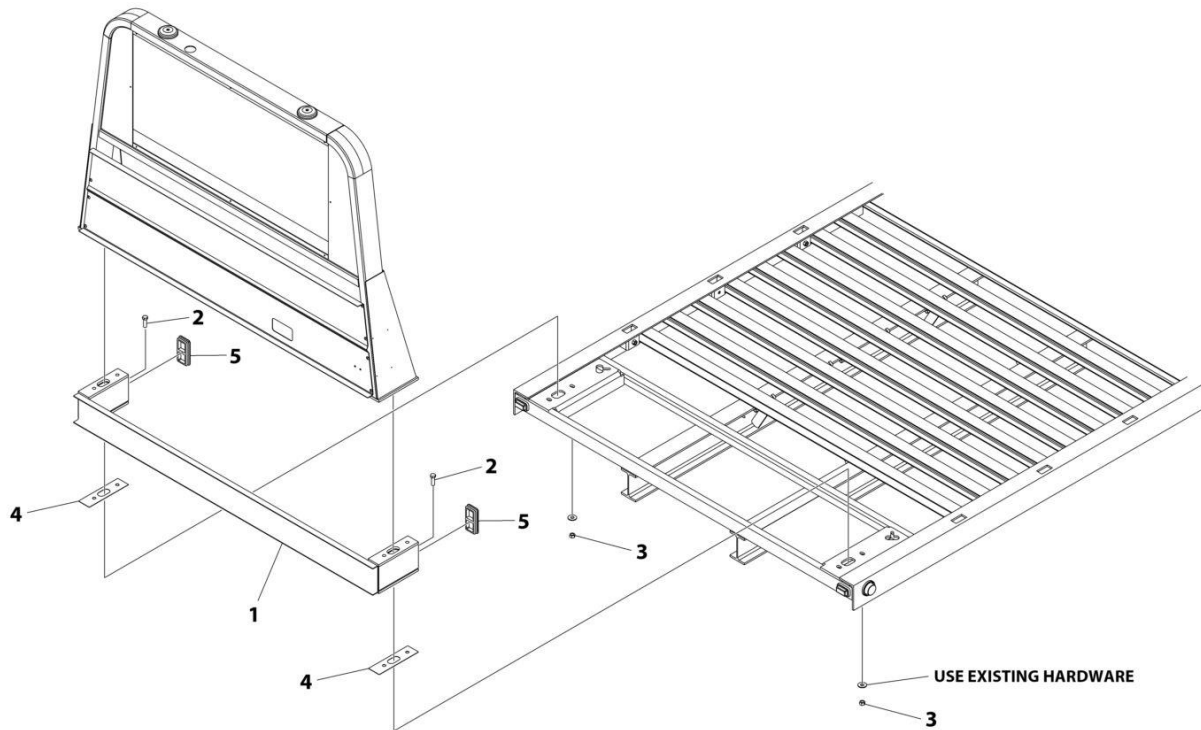
ART\_1001225870

FIGURE 3-94. HEADBOARD BASE INSTALLATION

ITEM	PART NUMBER	QTY	DESCRIPTION	REV
	1001225870	Ref	HEADBOARD BASE INSTALLATION	C
1	1001225869	1	Mount	
2	1001226847	4	Shim	
3	1001226848	4	Shim	
4	7105181650	8	Capscrew 1/2 x 2	
5	4892000	8	Washer 5/8	
6	7660182333	8	Nut 1/2	

# SECTION 3 - DECK

## FIGURE 3-95. HEADBOARD SPACER INSTALLATION, BOLT ON



ART\_1001134788

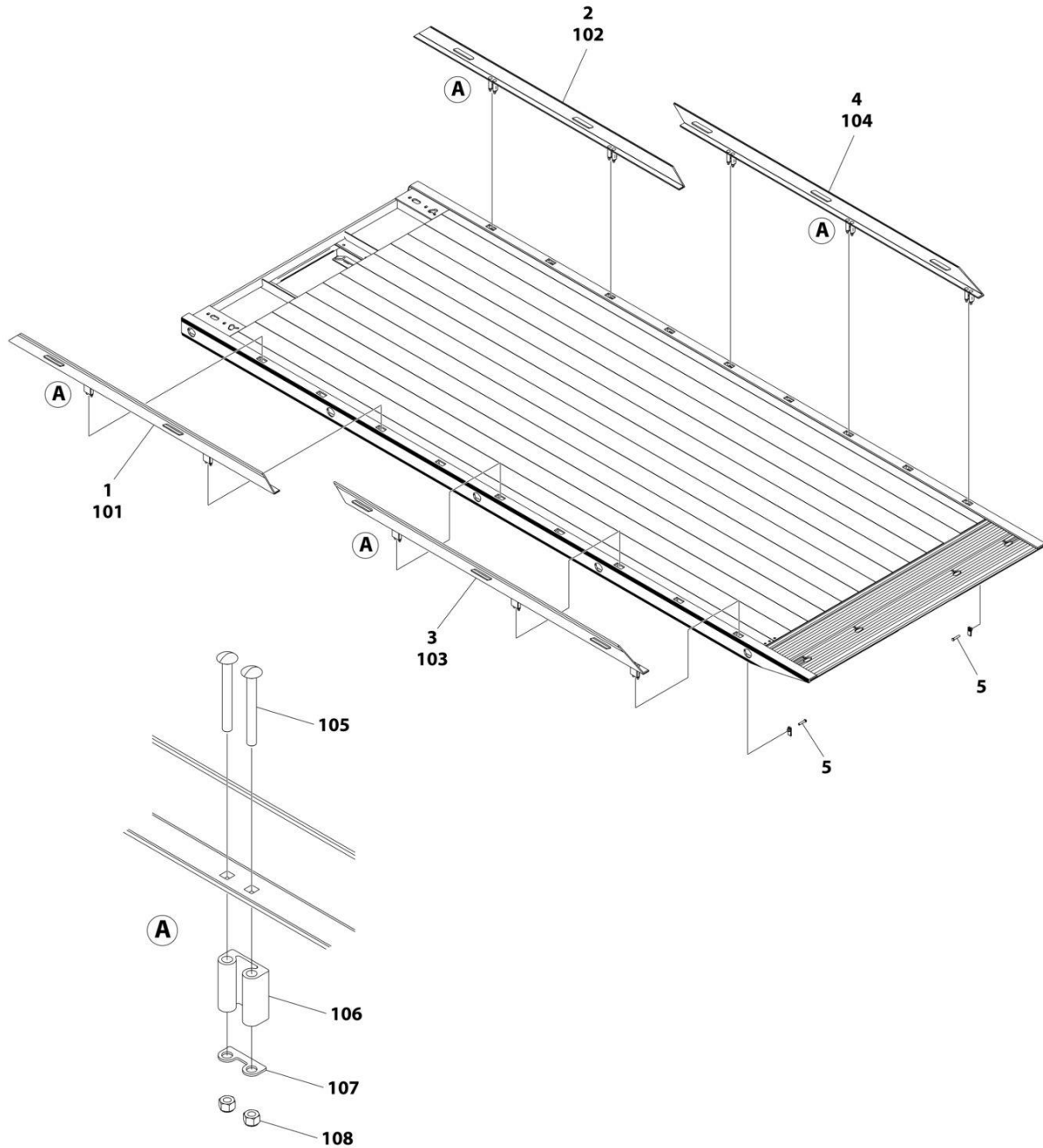
## SECTION 3 - DECK

### FIGURE 3-95. HEADBOARD SPACER INSTALLATION, BOLT ON

ITEM	PART NUMBER	QTY	DESCRIPTION	REV
	1001134788	Ref	SPACER BOLT ON HEADBOARD INSTALLATION	A
1	1001134776	1	Mount, Headboard	
2	7105201650	4	Screw M16 x 50	
3	7660200035	4	Nut M16	
4	4796000037	2	Gasket	
5	7701000048	2	Plug	

# SECTION 3 - DECK

## FIGURE 3-96. RAIL (REMOVABLE) INSTALLATION - 5IN ALUMINUM (19FT/20FT DECK)



ART\_2729000073



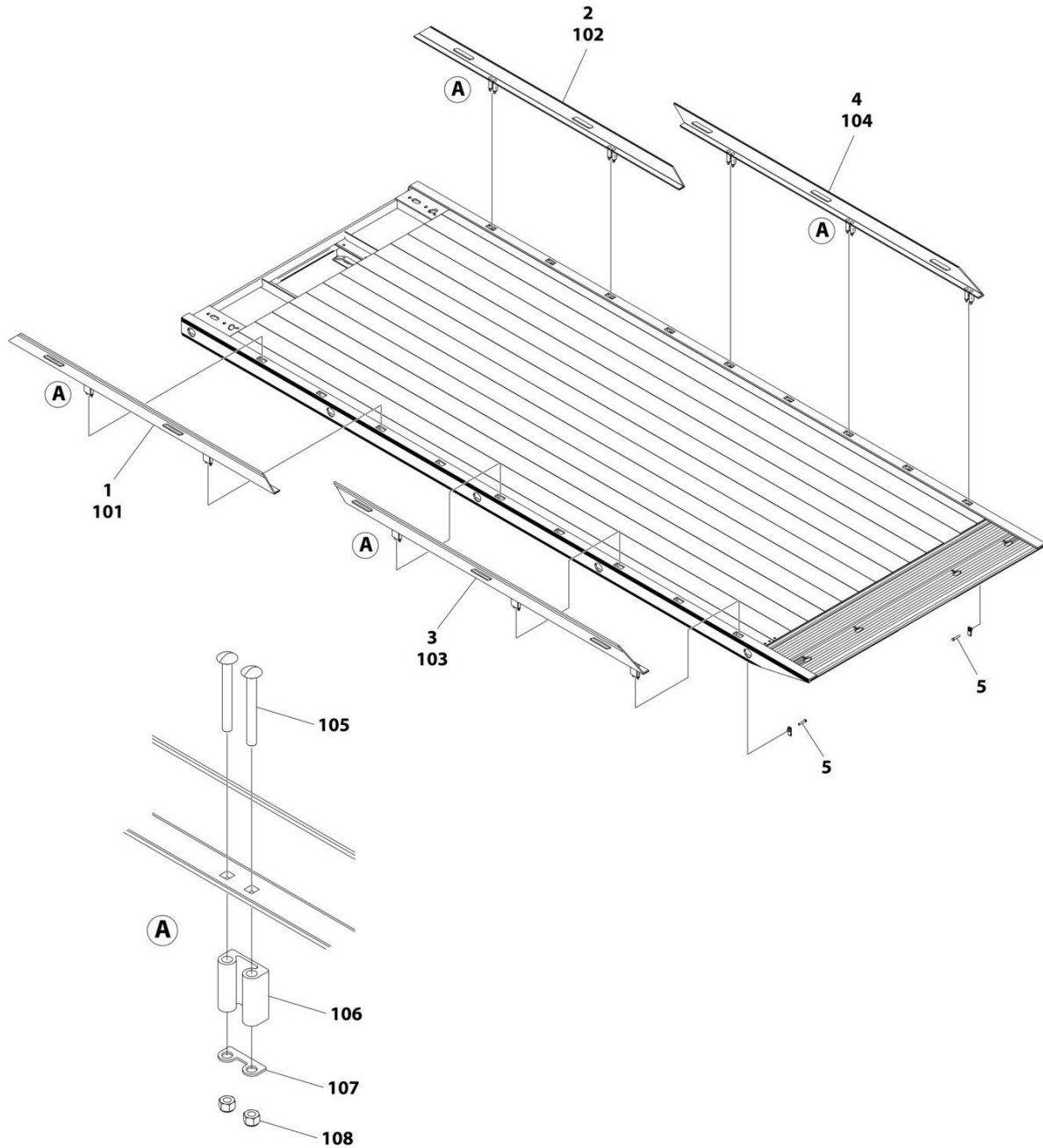
## SECTION 3 - DECK

**FIGURE 3-96. RAIL (REMOVABLE) INSTALLATION - 5IN ALUMINUM (19FT/20FT DECK)**

ITEM	PART NUMBER	QTY	DESCRIPTION	REV
	2729000073	Ref	RAISED RAILS INSTALLATION - 19-20IN	B
1	3017000121	1	Angle Assembly, Front LH (Includes Items 101 & 105-108)	
2	3017000122	1	Angle Assembly, Front RH (Includes Items 102 & 105-108)	
3	3017000127	1	Angle Assembly, Rear LH (Includes Items 103 & 105-108)	
4	3017000128	1	Angle Assembly, Rear RH (Includes Items 104-108)	
5	7120000005	10	Capscrew 1/2 x 2-1/2	
101	4017001699	1	Angle LH Front	
102	4017001700	1	Angle RH Front	
103	4017001705	1	Angle LH Rear	
104	4017001706	1	Angle RH Rear	
105	1001137970	20	Bolt 1/2 x 4-1/2	
106	8411080102	10	Extrusion	
107	4706006228	10	Plate	
108	7660182601	20	Nut 1/2	

# SECTION 3 - DECK

FIGURE 3-97. RAIL (REMOVABLE) INSTALLATION - 5IN ALUMINUM (21FT DECK)



ART\_2729000074

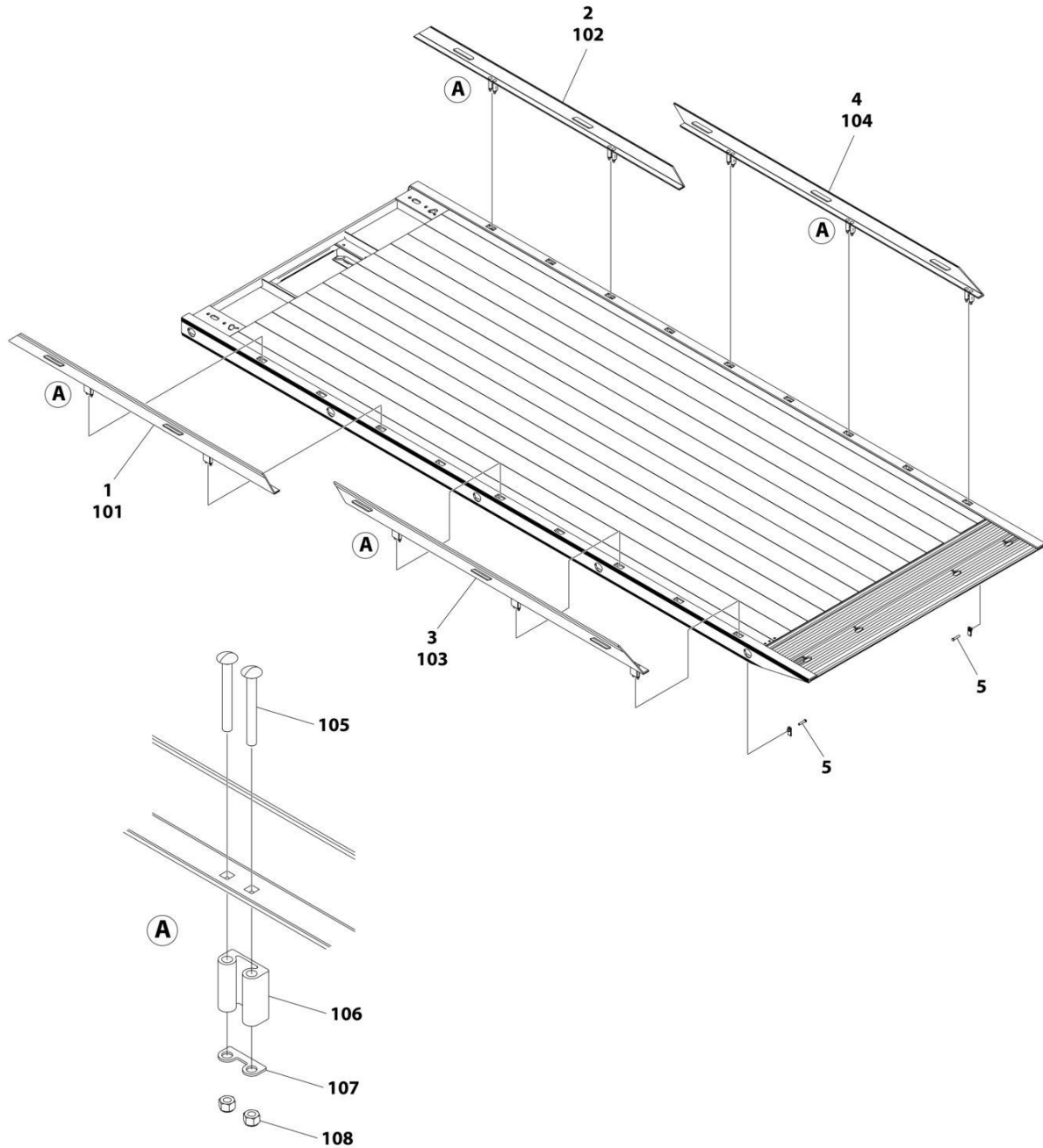
## SECTION 3 - DECK

**FIGURE 3-97. RAIL (REMOVABLE) INSTALLATION - 5IN ALUMINUM (21FT DECK)**

ITEM	PART NUMBER	QTY	DESCRIPTION	REV
	2729000074	Ref	RAISED RAILS INSTALLATION - 21IN	B
1	3017000121	1	Angle Assembly, Front LH (Includes Items 101 & 105-108)	
2	3017000122	1	Angle Assembly, Front RH (Includes Items 102 & 105-108)	
3	3017000129	1	Angle Assembly, Rear LH (Includes Items 103 & 105-108)	
4	3017000130	1	Angle Assembly, Rear RH (Includes Items 104-108)	
5	7120000005	12	Capscrew 1/2 x 2-1/2	
101	4017001699	1	Angle LH Front	
102	4017001700	1	Angle RH Front	
103	4017001707	1	Angle LH Rear	
104	4017001708	1	Angle RH Rear	
105	1001137970	20	Bolt 1/2 x 4-1/2	
106	8411080102	10	Extrusion	
107	4706006228	10	Plate	
108	7660182601	20	Nut 1/2	

# SECTION 3 - DECK

## FIGURE 3-98. RAIL (REMOVABLE) INSTALLATION - 5IN ALUMINUM (22FT DECK)



ART\_2729000075

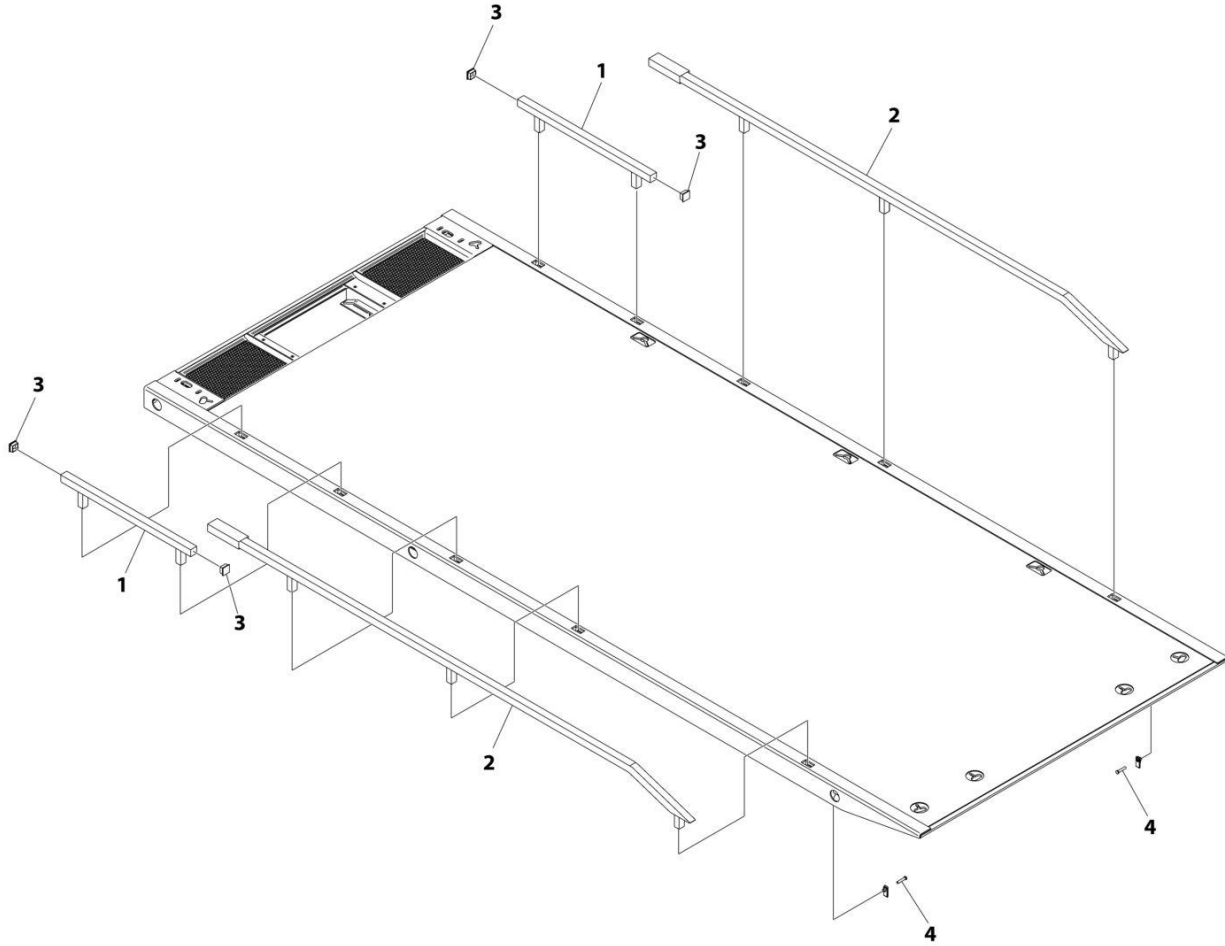
## SECTION 3 - DECK

**FIGURE 3-98. RAIL (REMOVABLE) INSTALLATION - 5IN ALUMINUM (22FT DECK)**

ITEM	PART NUMBER	QTY	DESCRIPTION	REV
	2729000075	Ref	RAISED RAILS INSTALLATION - 22FT	B
1	3017000121	1	Angle Assembly, Front LH (Includes Items 101 & 105-108)	
2	3017000122	1	Angle Assembly, Front RH (Includes Items 102 & 105-108)	
3	3017000131	1	Angle Assembly, Rear LH (Includes Items 103 & 105-108)	
4	3017000132	1	Angle Assembly, Rear RH (Includes Items 104-108)	
5	7120000005	10	Capscrew 1/2 x 2-1/2	
101	4017001699	1	Angle LH Front	
102	4017001700	1	Angle RH Front	
103	4017001709	1	Angle LH Rear	
104	4017001710	1	Angle RH Rear	
105	1001137970	22	Bolt 1/2 x 4-1/2	
106	8411080102	11	Extrusion	
107	4706006228	11	Plate	
108	7660182601	22	Nut 1/2	

# SECTION 3 - DECK

FIGURE 3-99. RAIL (REMOVABLE) INSTALLATION - 5IN STEEL (19FT/20FT DECK)



ART\_2729000104

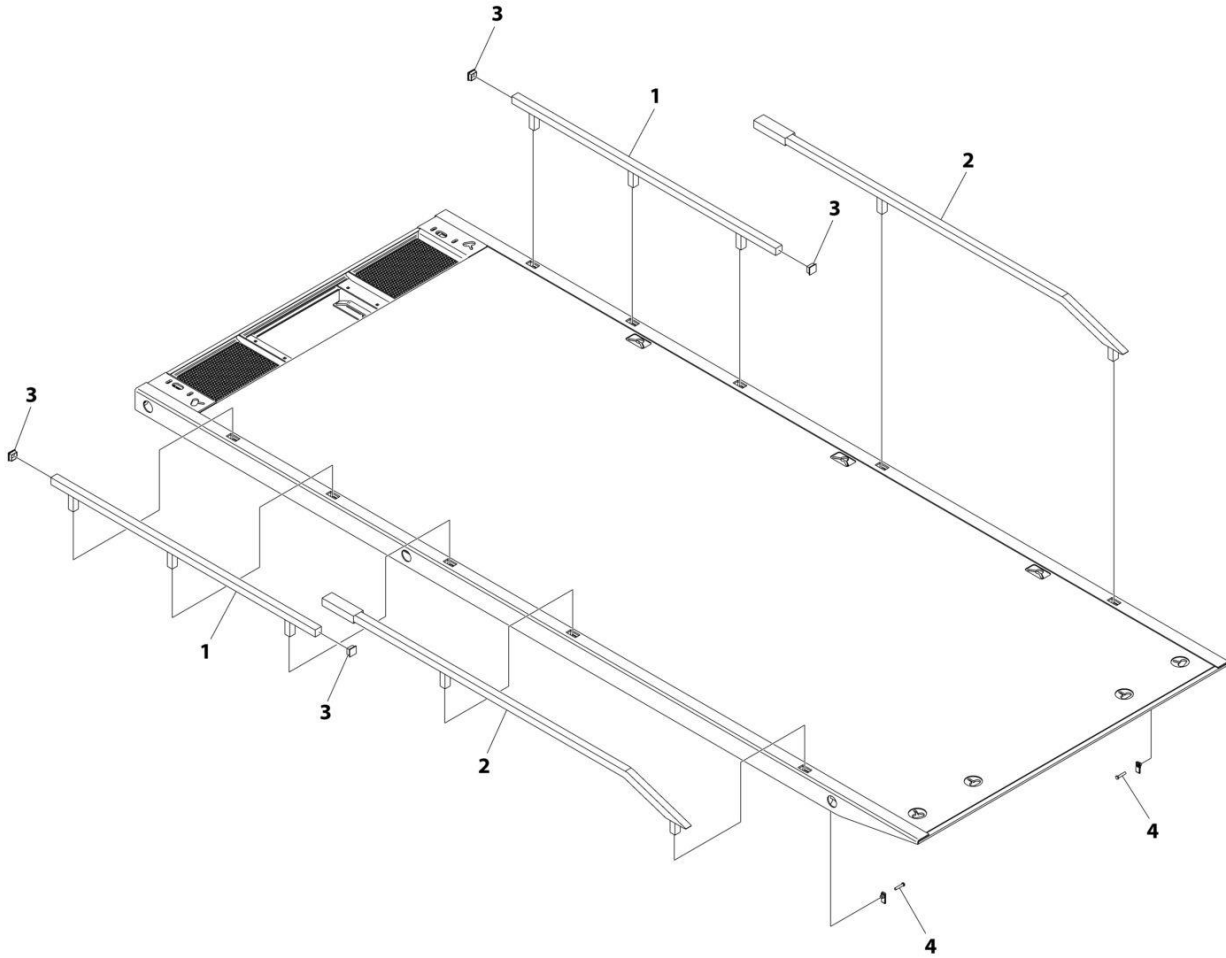
## SECTION 3 - DECK

**FIGURE 3-99. RAIL (REMOVABLE) INSTALLATION - 5IN STEEL (19FT/20FT DECK)**

ITEM	PART NUMBER	QTY	DESCRIPTION	REV
	2729000104	Ref	RAIL INSTALLATION	0
1	3729000281	2	Rail Weldment, Front	
2	3729000284	2	Rail Weldment, Rear	
3	7701000033	4	Plug	
4	7115181050	10	Capscrew 1/2 x 1-1/4	

# SECTION 3 - DECK

## FIGURE 3-100. RAIL (REMOVABLE) INSTALLATION - 5IN STEEL (21FT DECK)



ART\_2729000105



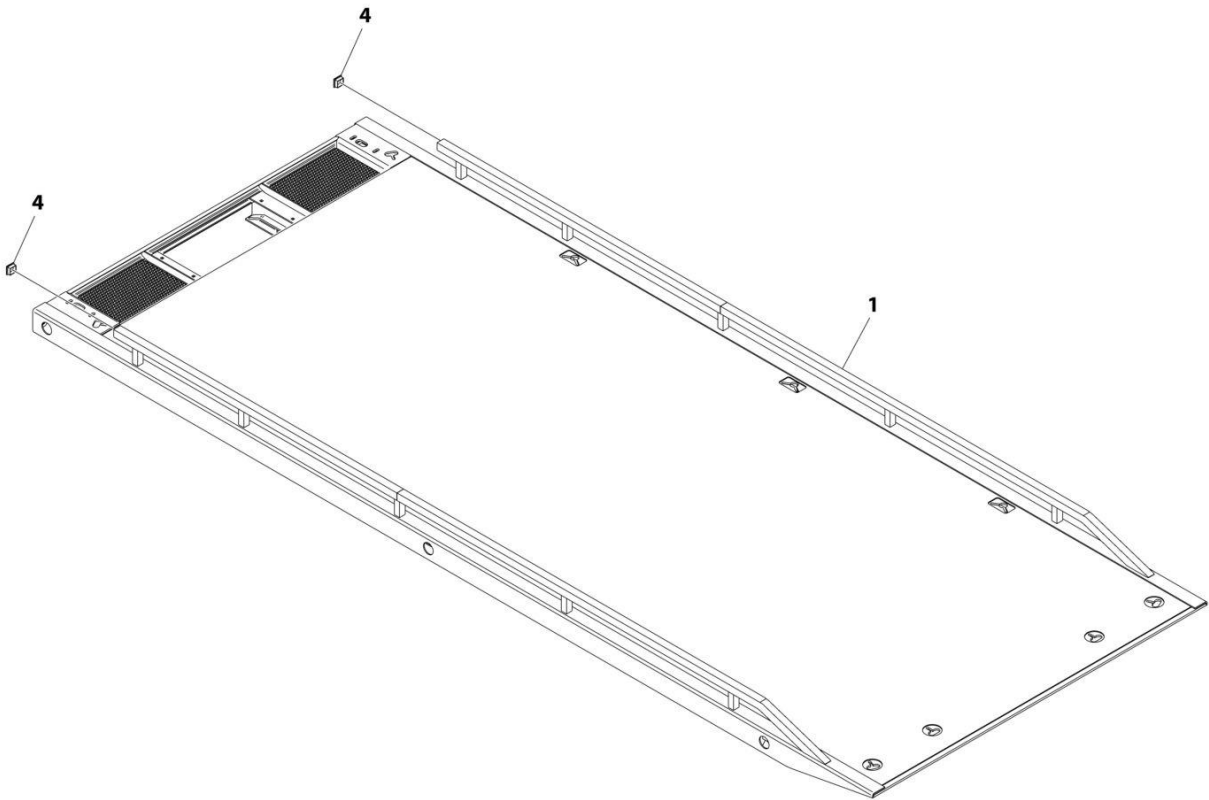
## SECTION 3 - DECK

**FIGURE 3-100. RAIL (REMOVABLE) INSTALLATION - 5IN STEEL (21FT DECK)**

ITEM	PART NUMBER	QTY	DESCRIPTION	REV
	2729000105	Ref	RAIL INSTALLATION	0
1	3729000282	2	Rail Weldment, Front	
2	3729000283	2	Rail Weldment, Rear	
3	7701000033	4	Plug	
4	7115181050	10	Capscrew 1/2 x 1-1/4	

**SECTION 3 - DECK**

**FIGURE 3-101. RAIL PLUG (PERMANENT) INSTALLATION - 6IN STEEL (19FT/20FT DECK)**



ART\_2729000038

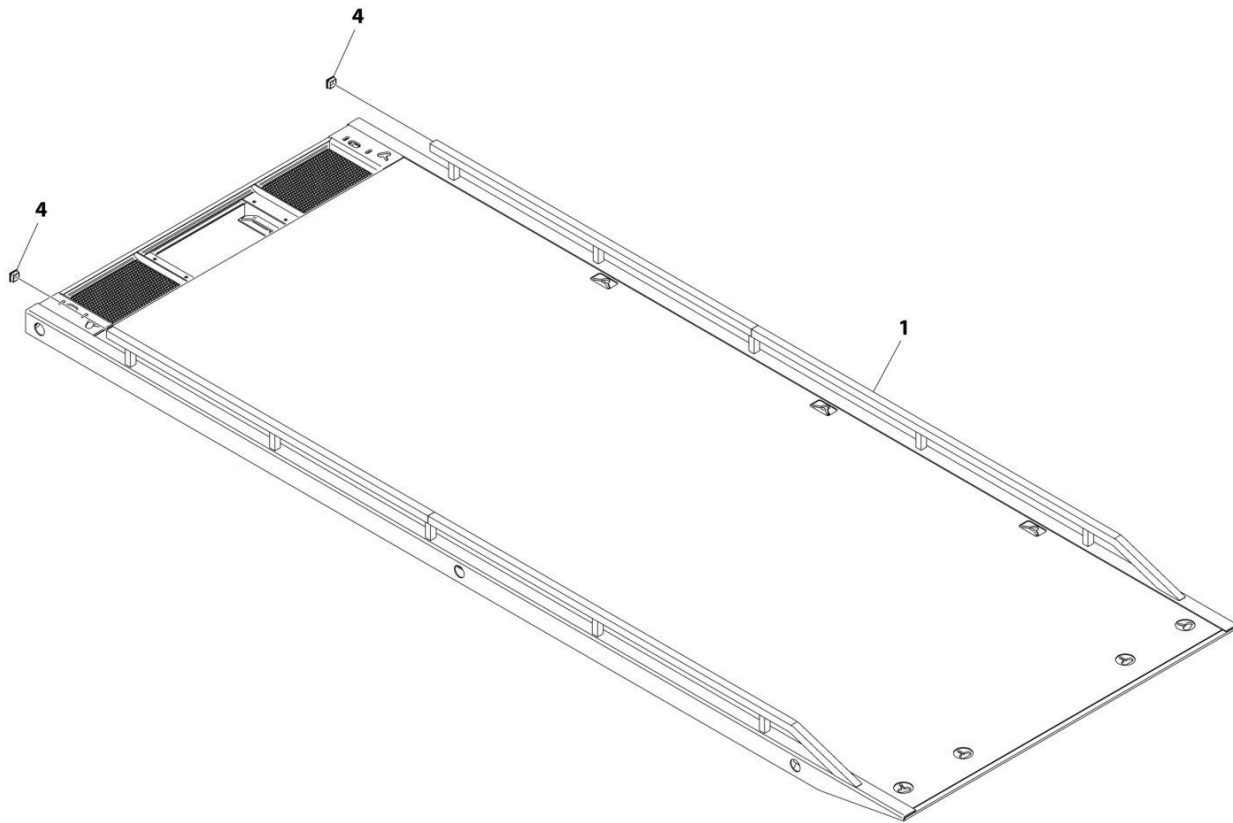
## SECTION 3 - DECK

**FIGURE 3-101. RAIL PLUG (PERMANENT) INSTALLATION - 6IN STEEL (19FT/20FT DECK)**

ITEM	PART NUMBER	QTY	DESCRIPTION	REV
1	2729000038	1	Permanent Raised Rail Installation - 19ft	A
4	7701000033	2	Plug	

# SECTION 3 - DECK

FIGURE 3-102. RAIL PLUG (PERMANENT) INSTALLATION - 6IN STEEL (21FT DECK)



ART\_2729000037

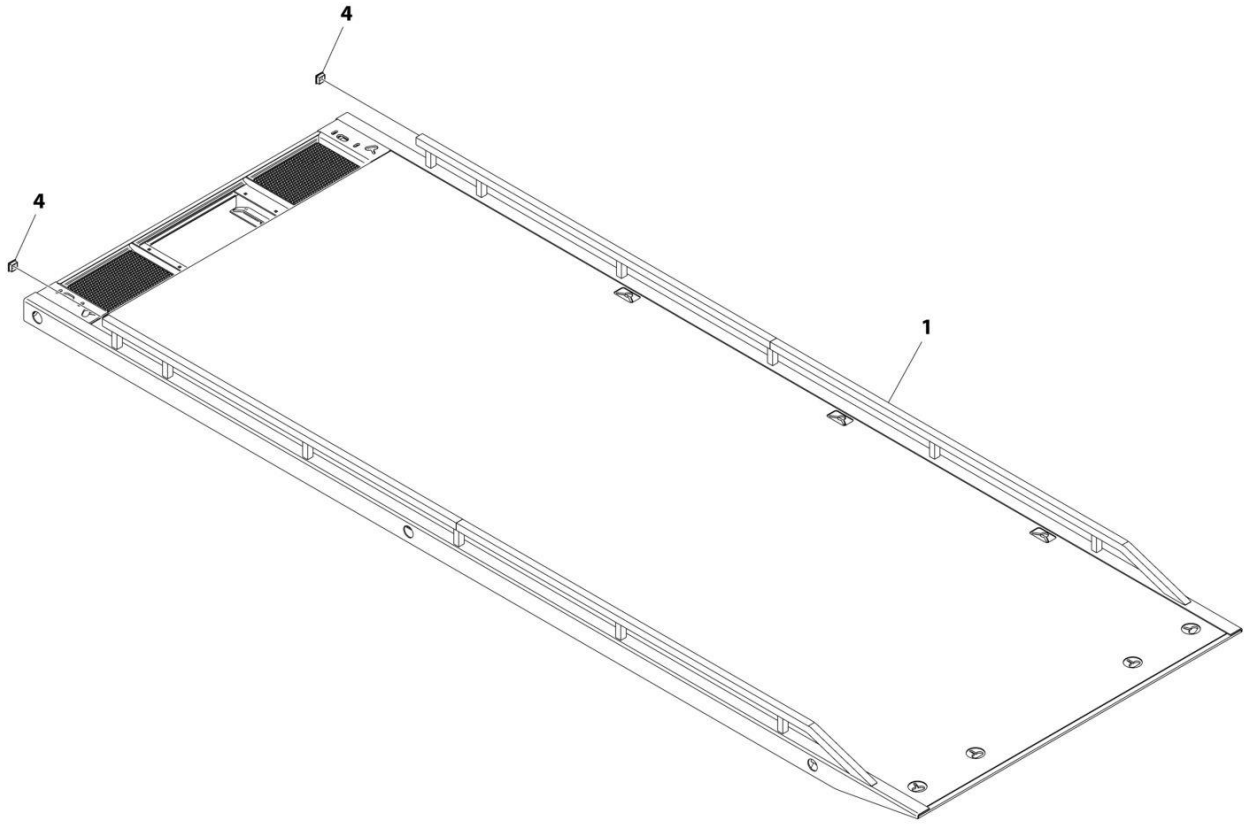
## SECTION 3 - DECK

**FIGURE 3-102. RAIL PLUG (PERMANENT) INSTALLATION - 6IN STEEL (21FT DECK)**

ITEM	PART NUMBER	QTY	DESCRIPTION	REV
1	2729000037	1	Permanent Raised Rail Installation - 21ft	A
4	7701000033	2	Plug	

# SECTION 3 - DECK

FIGURE 3-103. RAIL PLUG (PERMANENT) INSTALLATION - 6IN STEEL (22FT DECK)



ART\_2729000036

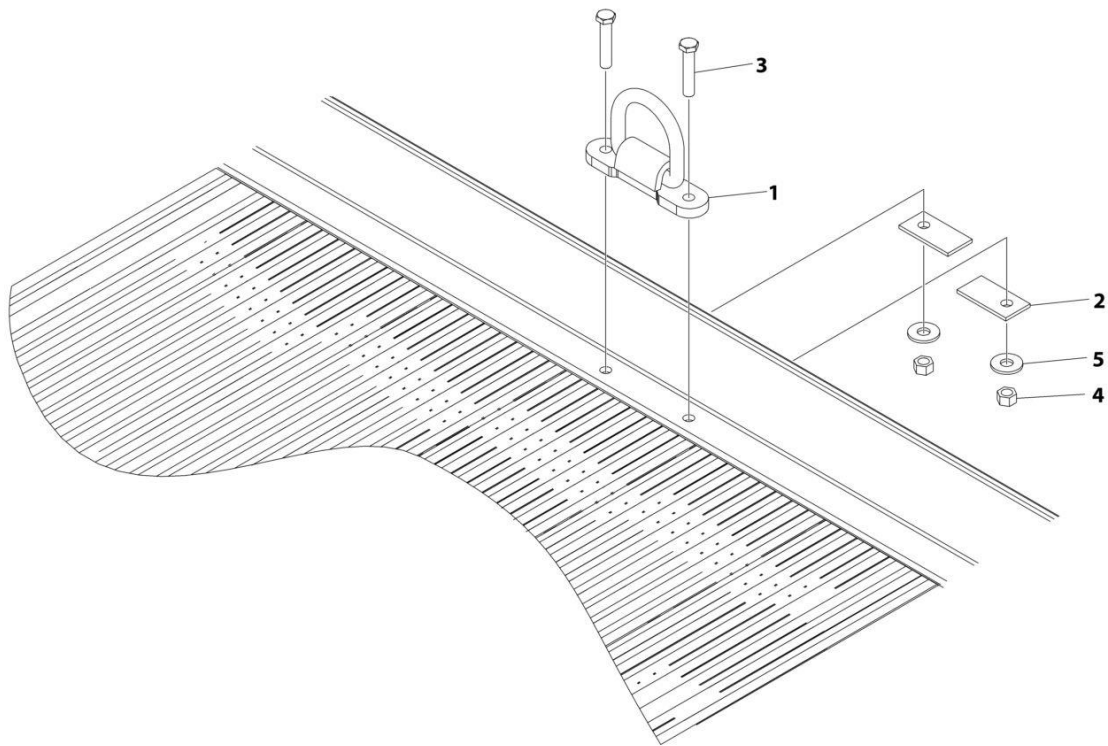
## SECTION 3 - DECK

**FIGURE 3-103. RAIL PLUG (PERMANENT) INSTALLATION - 6IN STEEL (22FT DECK)**

ITEM	PART NUMBER	QTY	DESCRIPTION	REV
1	2729000036	1	Permanent Raised Rail Installation - 22ft	A
4	7701000033	2	Plug	

# SECTION 3 - DECK

## FIGURE 3-104. D-RINGS INSTALLATION -1 PAIR (ALUMINIUM DECK)



ART\_1001171655



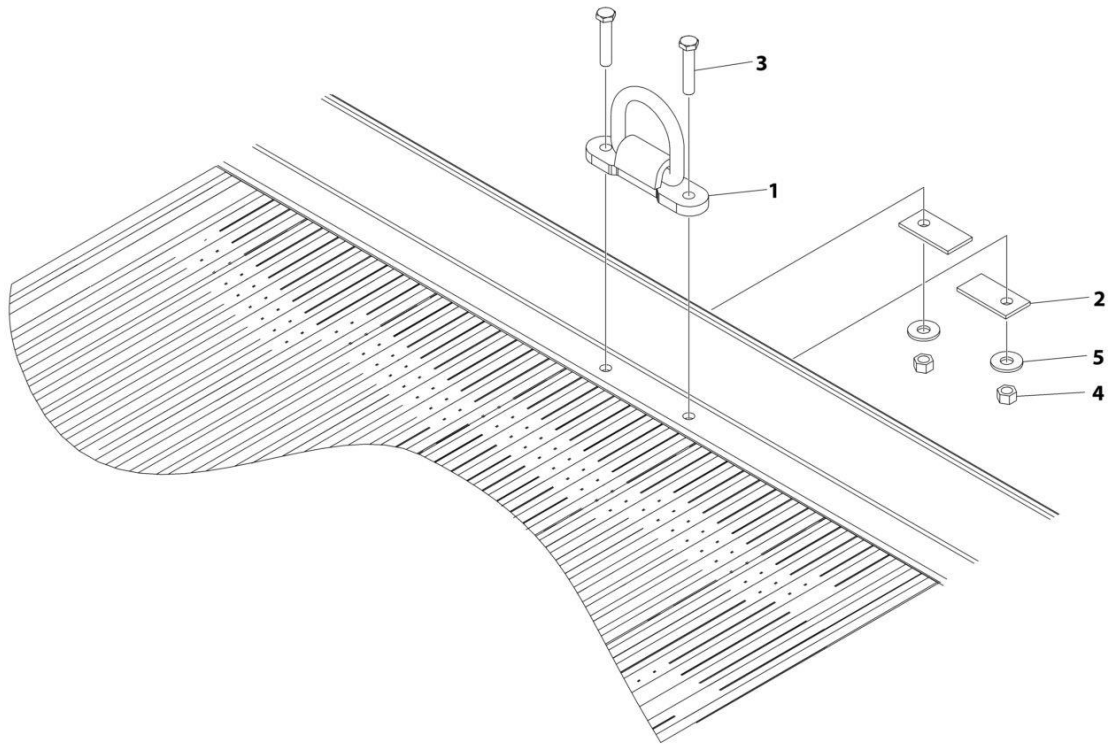
## SECTION 3 - DECK

**FIGURE 3-104. D-RINGS INSTALLATION -1 PAIR (ALUMINIUM DECK)**

ITEM	PART NUMBER	QTY	DESCRIPTION	REV
	1001171655	Ref	1 PAIR BOLT-ON D-RING ALUMINIUM DECK INSTALLATION	B
1	1001171652	2	D-Ring	
2	4706003374	4	Plate	
3	1001248245	4	Bolt 1/2 x 2-1/8	
4	3271805	4	Nut 1/2	
5	4711800	4	Washer 1/2	

# SECTION 3 - DECK

## FIGURE 3-105. D-RINGS INSTALLATION - 2 PAIR (ALUMINIUM DECK)



ART\_1001171656

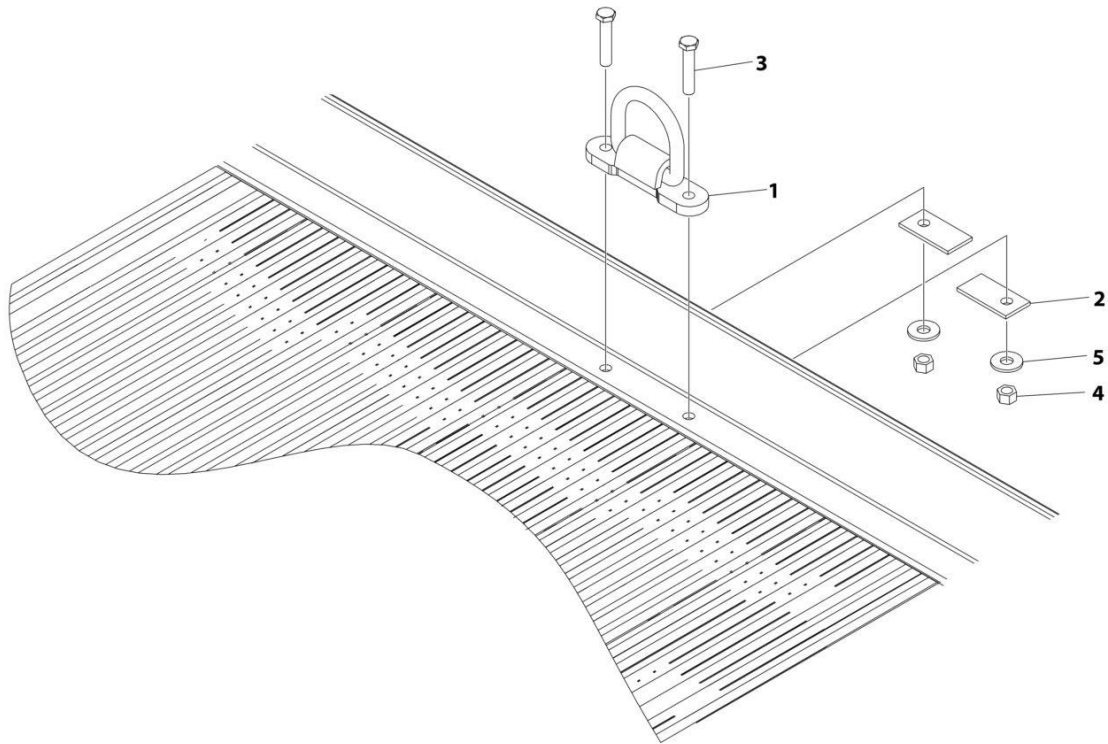
## SECTION 3 - DECK

**FIGURE 3-105. D-RINGS INSTALLATION - 2 PAIR (ALUMINIUM DECK)**

ITEM	PART NUMBER	QTY	DESCRIPTION	REV
	1001171656	Ref	2 PAIR BOLT-ON D-RING ALUMINIUM DECK INSTALLATION	B
1	1001171652	4	D-Ring	
2	4706003374	8	Plate	
3	1001248245	8	Bolt 1/2 x 2-1/8	
4	3271805	8	Nut 1/2	
5	4711800	8	Washer 1/2	

# SECTION 3 - DECK

## FIGURE 3-106. D-RINGS INSTALLATION - 3 PAIR (ALUMINIUM DECK)



ART\_1001171657

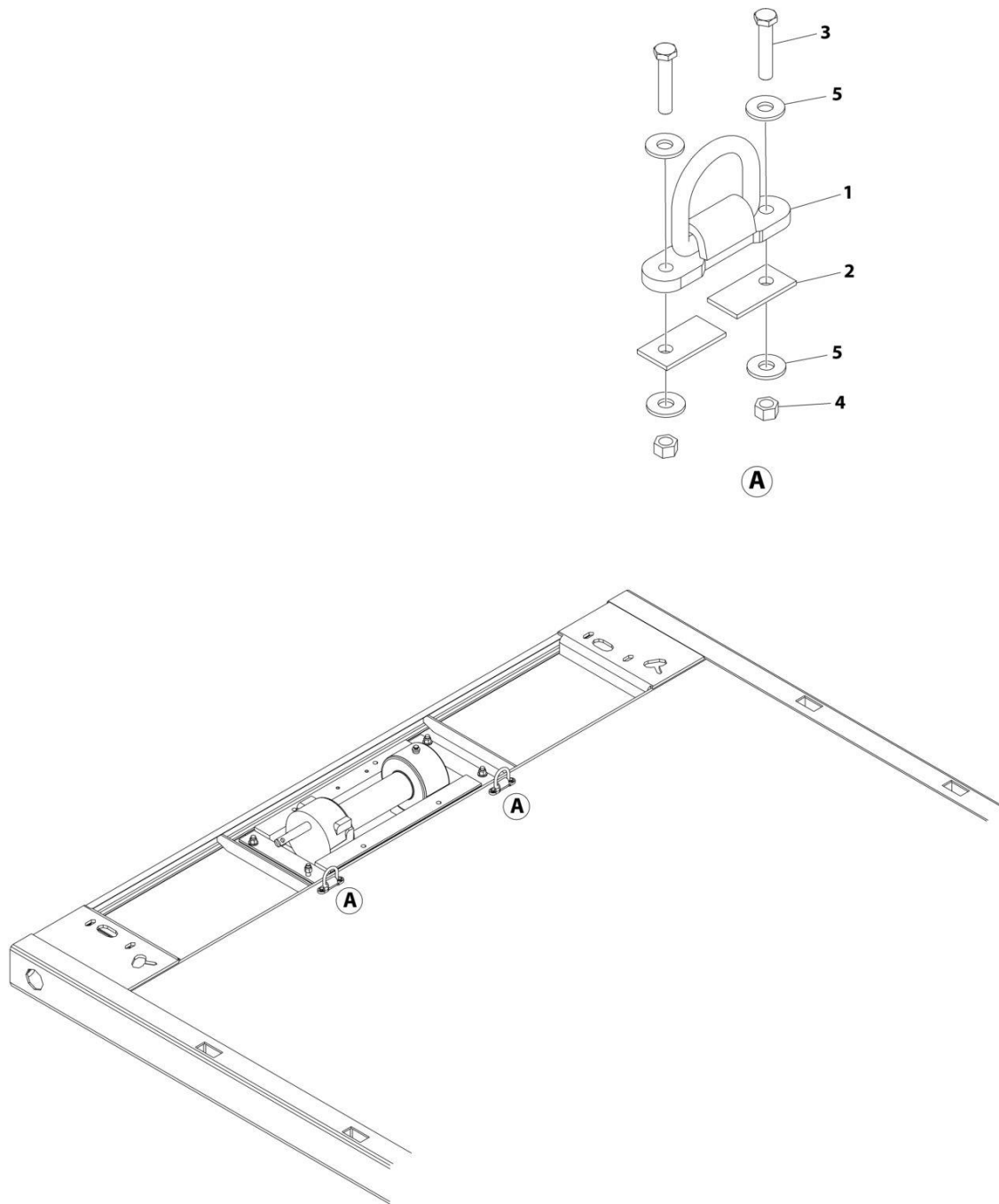
## SECTION 3 - DECK

**FIGURE 3-106. D-RINGS INSTALLATION - 3 PAIR (ALUMINIUM DECK)**

ITEM	PART NUMBER	QTY	DESCRIPTION	REV
	1001171657	Ref	D-RINGS INSTALLATION - BOLT-ON 3 PAIRS EQUALLY SPACED (ALUMINIUM DECK)	B
1	1001171652	6	D-Ring	
2	4706003374	12	Plate	
3	1001248245	12	Bolt 1/2 x 2-1/8	
4	3271805	12	Nut 1/2	
5	4711800	12	Washer 1/2	

# SECTION 3 - DECK

## FIGURE 3-107. D-RINGS INSTALLATION -1 PAIR (ALUMINIUM DECK NEAR WINCH)



ART\_1001188646

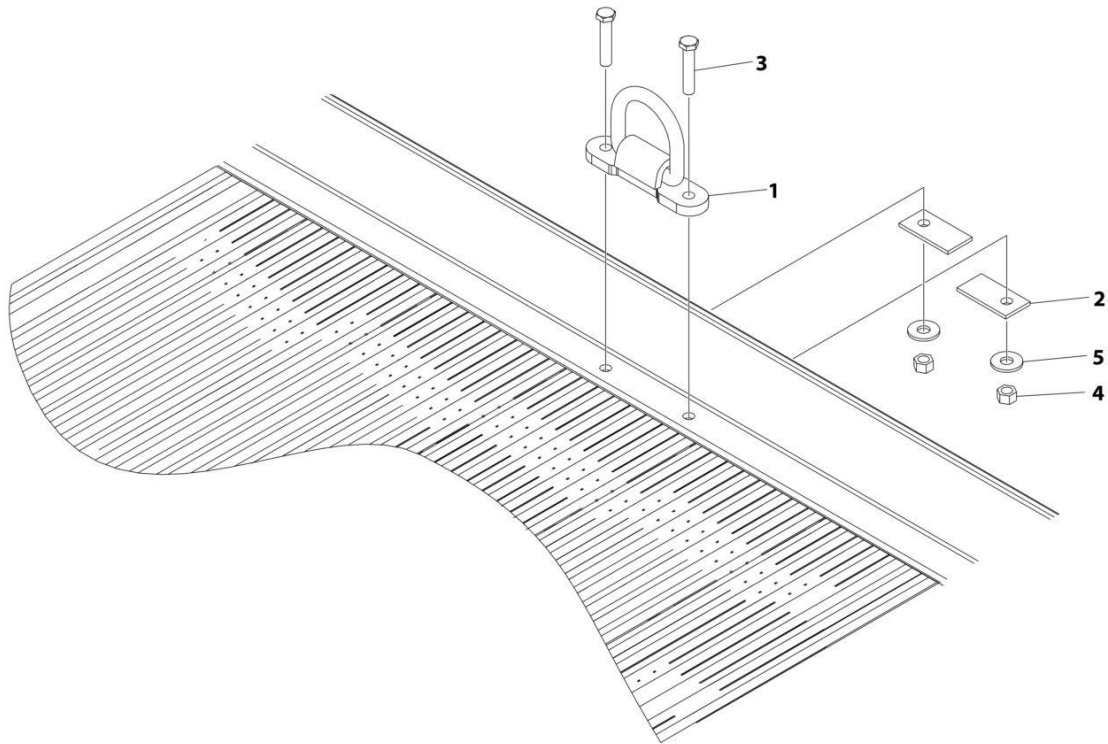
## SECTION 3 - DECK

**FIGURE 3-107. D-RINGS INSTALLATION -1 PAIR (ALUMINIUM DECK NEAR WINCH)**

ITEM	PART NUMBER	QTY	DESCRIPTION	REV
	1001188646	Ref	D-RINGS BOLT-ON AT WINCH ALUMINIUM DECK INSTALLATION	A
1	1001171652	2	D-Ring	
2	4706003374	4	Plate	
3	7115182250	4	Capscrew 1/2 x 2-3/4	
4	7660182601	4	Nut 1/2	
5	7950180141	8	Washer 1/2	

# SECTION 3 - DECK

## FIGURE 3-108. D-RINGS INSTALLATION - 4 PAIR (ALUMINIUM DECK)



ART\_1001171658



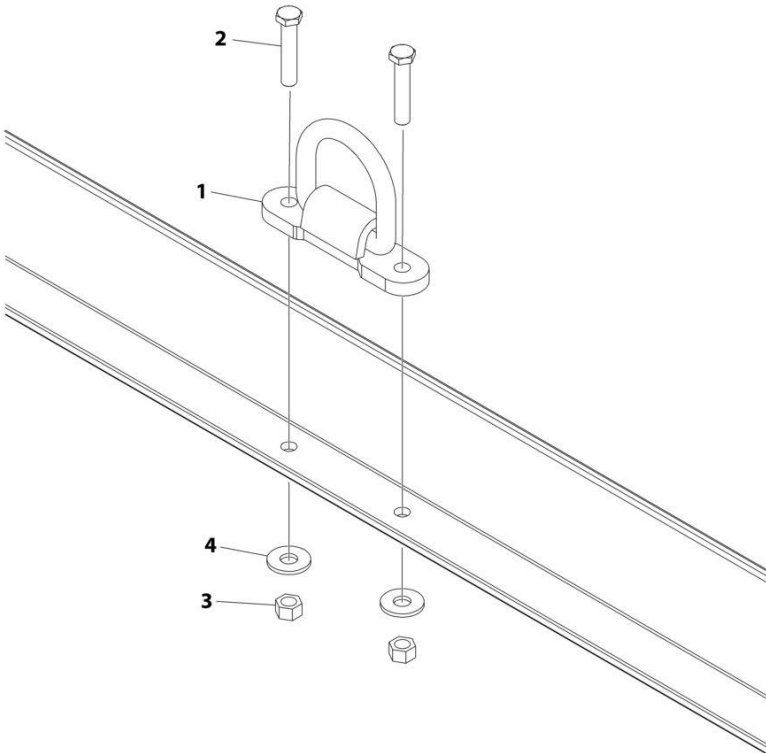
## SECTION 3 - DECK

**FIGURE 3-108. D-RINGS INSTALLATION - 4 PAIR (ALUMINIUM DECK)**

ITEM	PART NUMBER	QTY	DESCRIPTION	REV
	1001171658	Ref	D-RINGS INSTALLATION - BOLT-ON 4 PAIRS EQUALLY SPACED (ALUMINIUM DECK)	B
1	1001171652	8	D-Ring	
2	4706003374	16	Plate	
3	1001248245	16	Bolt 1/2 x 2-1/8	
4	3271805	16	Nut 1/2	
5	4711800	16	Washer 1/2	

**SECTION 3 - DECK**

**FIGURE 3-109. D-RINGS INSTALLATION - 1 PAIR (STEEL DECK)**



ART\_1001171659

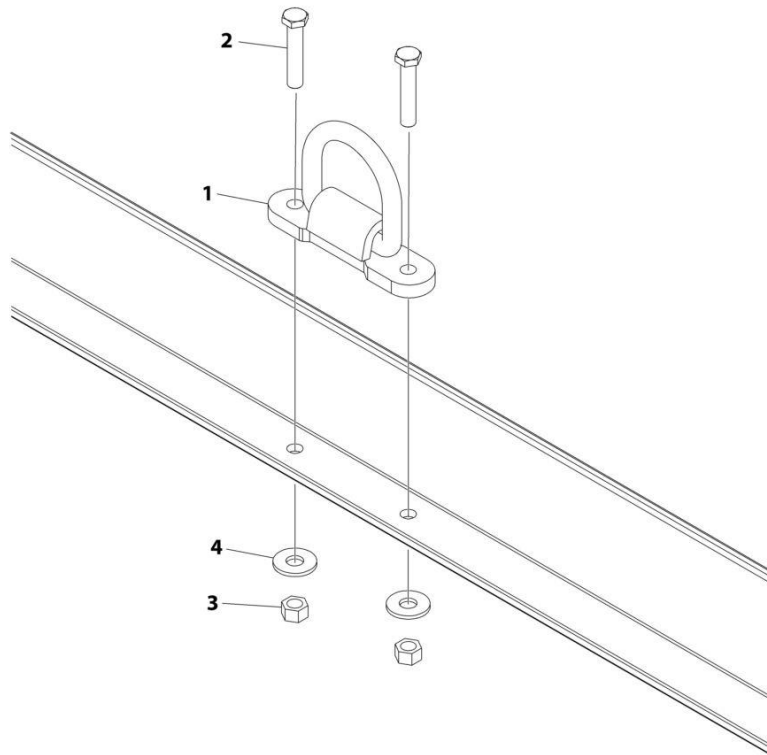
## SECTION 3 - DECK

### FIGURE 3-109. D-RINGS INSTALLATION - 1 PAIR (STEEL DECK)

ITEM	PART NUMBER	QTY	DESCRIPTION	REV
	1001171659	Ref	D-RINGS, 5/8IN BOLT-ON, 1 PAIR, STEEL DECK	B
1	1001171652	2	D-Ring	
2	1001248245	4	Bolt 1/2 x 2-1/8	
3	3271805	4	Nut 1/2	
4	4711800	4	Washer 1/2	

# SECTION 3 - DECK

## FIGURE 3-110. D-RINGS INSTALLATION - 2 PAIR (STEEL DECK)



ART\_1001171660

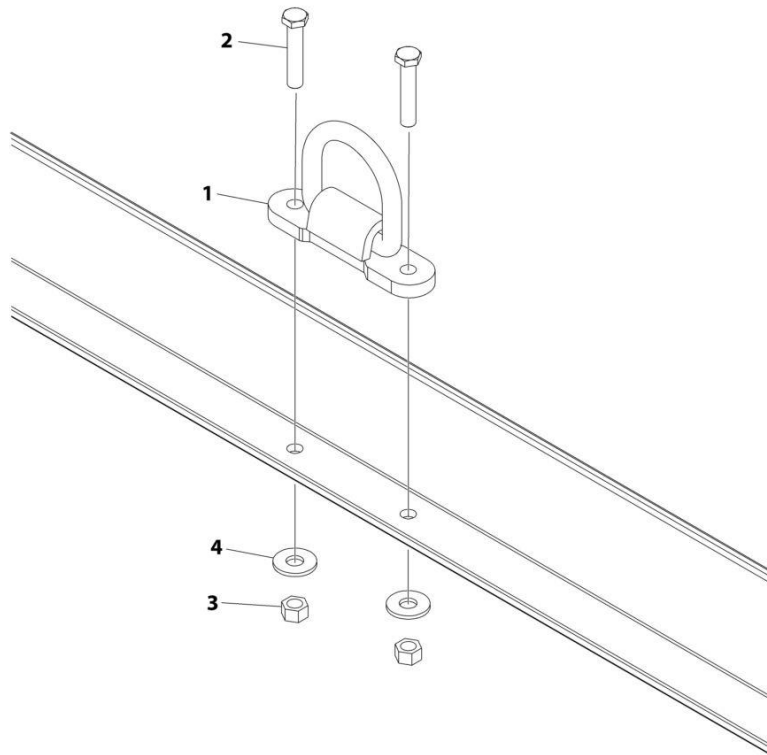
## SECTION 3 - DECK

### FIGURE 3-110. D-RINGS INSTALLATION - 2 PAIR (STEEL DECK)

ITEM	PART NUMBER	QTY	DESCRIPTION	REV
	1001171660	Ref	D-RINGS, 5/8IN BOLT-ON, 2 PAIR, STEEL	B
1	1001171652	4	D-Ring	
2	1001248245	8	Bolt 1/2 x 2-1/8	
3	3271805	8	Nut 1/2	
4	4711800	8	Washer 1/2	

# SECTION 3 - DECK

## FIGURE 3-111. D-RINGS INSTALLATION - 3 PAIR (STEEL DECK)



ART\_1001171661

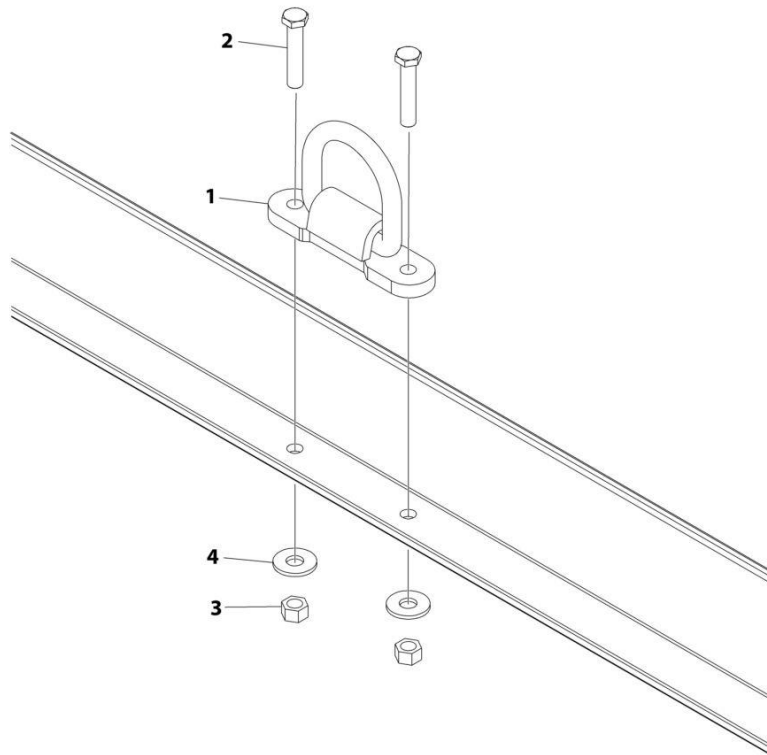
## SECTION 3 - DECK

### FIGURE 3-111. D-RINGS INSTALLATION - 3 PAIR (STEEL DECK)

ITEM	PART NUMBER	QTY	DESCRIPTION	REV
	1001171661	Ref	D-RINGS INSTALLATION - BOLT-ON 3 PAIRS EQUALLY SPACED (STEEL DECK)	B
1	1001171652	6	D-Ring	
2	1001248245	12	Bolt 1/2 x 2-1/8	
3	3271805	12	Nut 1/2	
4	4711800	12	Washer 1/2	

# SECTION 3 - DECK

## FIGURE 3-112. D-RINGS INSTALLATION - 4 PAIR (STEEL DECK)



ART\_1001171662



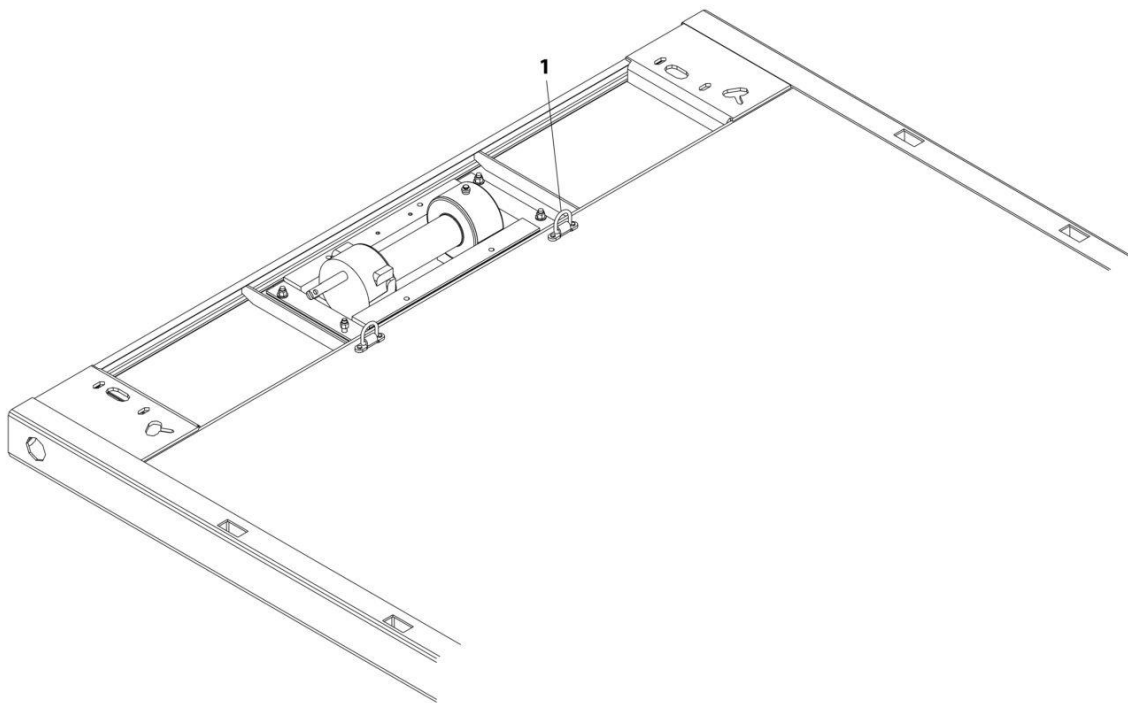
## SECTION 3 - DECK

### FIGURE 3-112. D-RINGS INSTALLATION - 4 PAIR (STEEL DECK)

ITEM	PART NUMBER	QTY	DESCRIPTION	REV
	1001171662	Ref	D-RINGS INSTALLATION - BOLT-ON 4 PAIRS EQUALLY SPACED (STEEL DECK)	B
1	1001171652	8	D-Ring	
2	1001248245	16	Bolt 1/2 x 2-1/8	
3	3271805	16	Nut 1/2	
4	4711800	16	Washer 1/2	

## SECTION 3 - DECK

FIGURE 3-113. D-RINGS INSTALLATION -1 PAIR (STEEL DECK NEAR WINCH)



ART\_1001188647

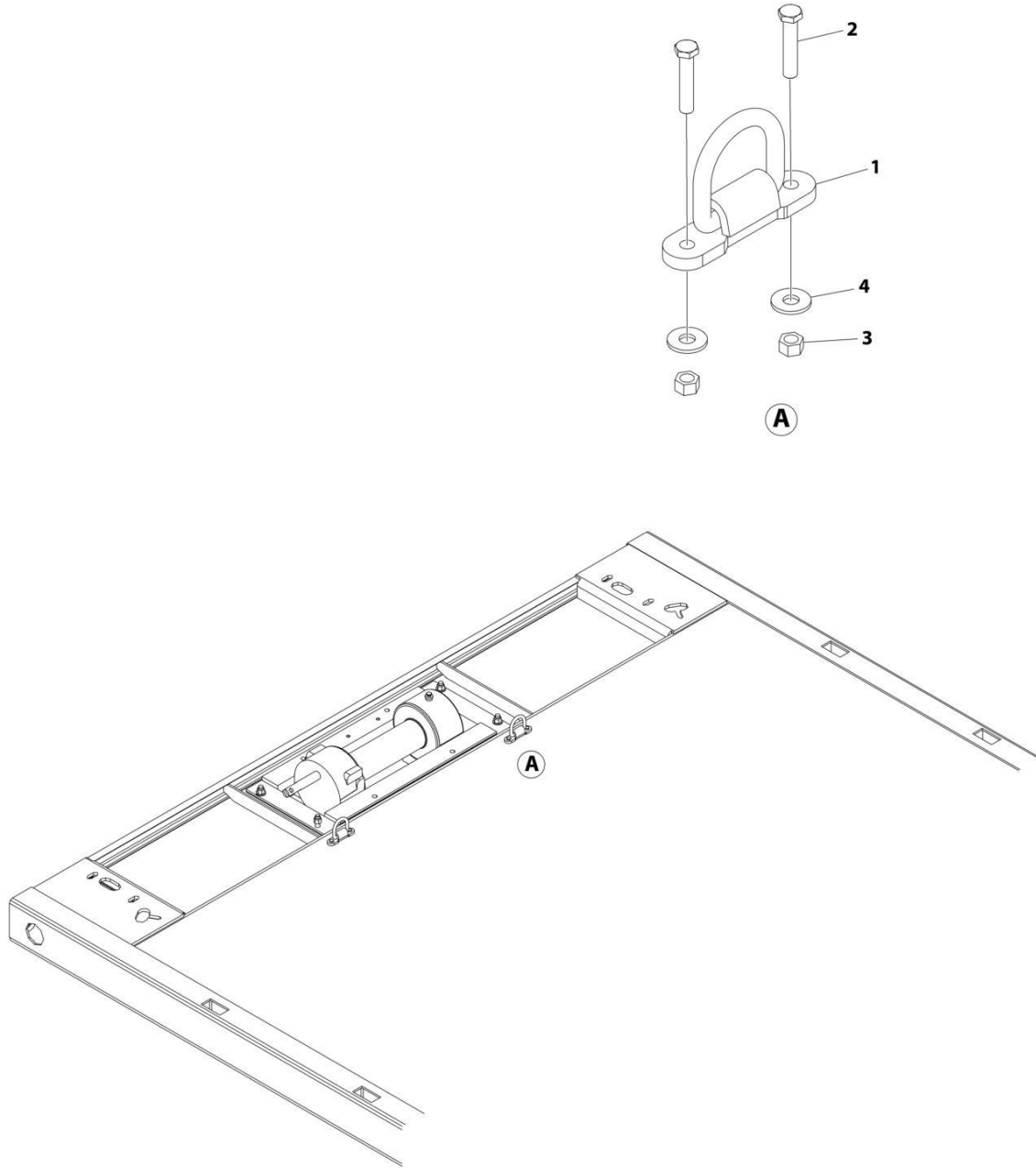
## SECTION 3 - DECK

**FIGURE 3-113. D-RINGS INSTALLATION -1 PAIR (STEEL DECK NEAR WINCH)**

ITEM	PART NUMBER	QTY	DESCRIPTION	REV
1	1001188647	Ref	D-RINGS, 5/8IN WELD-ON NEAR WINCH, 1 PAIR, STEEL	B
	7754000068	2	D-Ring	

# SECTION 3 - DECK

FIGURE 3-114. D-RINGS INSTALLATION -1 PAIR (TRANSPORTER NEAR WINCH)



ART\_1001188648

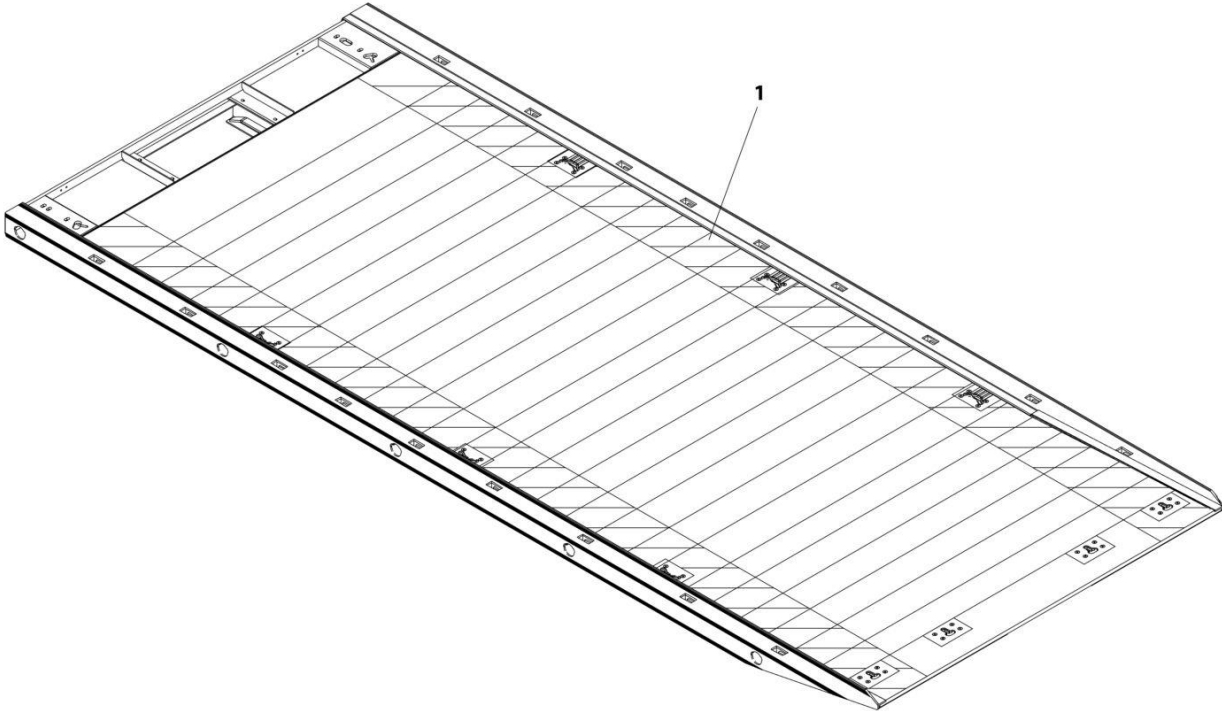
## SECTION 3 - DECK

**FIGURE 3-114. D-RINGS INSTALLATION -1 PAIR (TRANSPORTER NEAR WINCH)**

ITEM	PART NUMBER	QTY	DESCRIPTION	REV
	1001188648	Ref	D-RINGS, 5/8IN BOLT-ON NEAR WINCH, 1 PAIR, TRANSPORTER	B
1	1001171652	2	D-Ring	
2	7115182250	4	Capscrew 1/2 x 2-3/4	
3	7660182601	4	Nut 1/2	
4	7950180141	4	Washer 1/2	

**SECTION 3 - DECK**

**FIGURE 3-115. ANTI-SLIP TAPE INSTALLATION (SIDES)**



ART\_1001263057

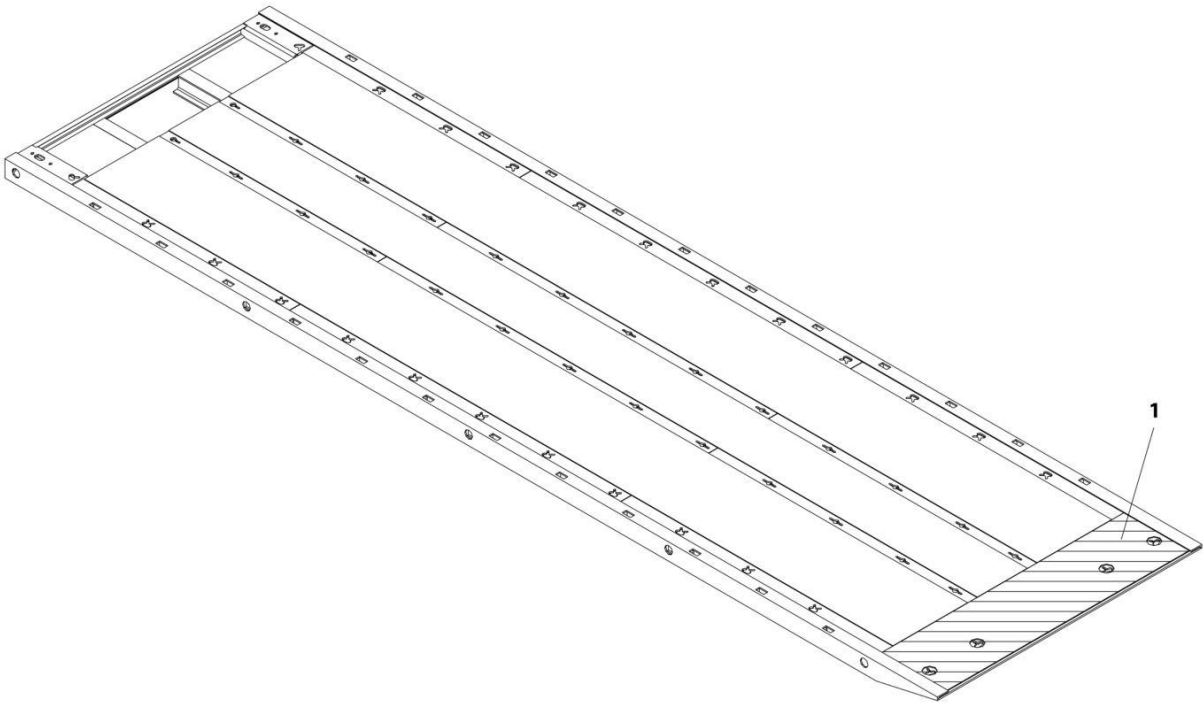
## SECTION 3 - DECK

**FIGURE 3-115. ANTI-SLIP TAPE INSTALLATION (SIDES)**

ITEM	PART NUMBER	QTY	DESCRIPTION	REV
1	1001263057 1001263247	Ref 60 ft / 18.3m	ANTI-SLIP TAPE INSTALLATION (SIDES) Tape	A

**SECTION 3 - DECK**

**FIGURE 3-116. ANTI-SLIP PAINT INSTALLATION (DECK APPROACH END)**



ART\_1001232775



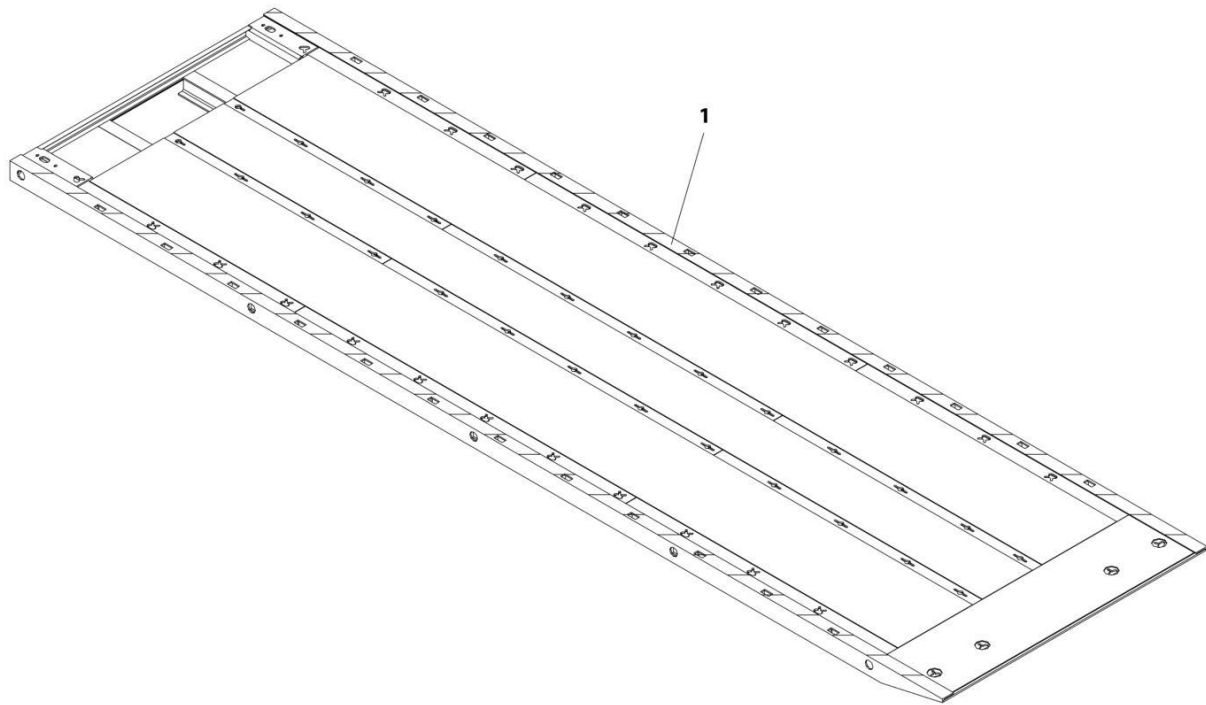
## SECTION 3 - DECK

**FIGURE 3-116. ANTI-SLIP PAINT INSTALLATION (DECK APPROACH END)**

ITEM	PART NUMBER	QTY	DESCRIPTION	REV
1	1001232775 1001219737	Ref AR	ANTI-SLIP PAINT INSTALLATION (DECK APPROACH END) Paint, Non-Skid Yellow (1GAL Can)	B

# SECTION 3 - DECK

## FIGURE 3-117. ANTI-SLIP PAINT INSTALLATION (STEEL DECK SIDES)



ART\_1001228190

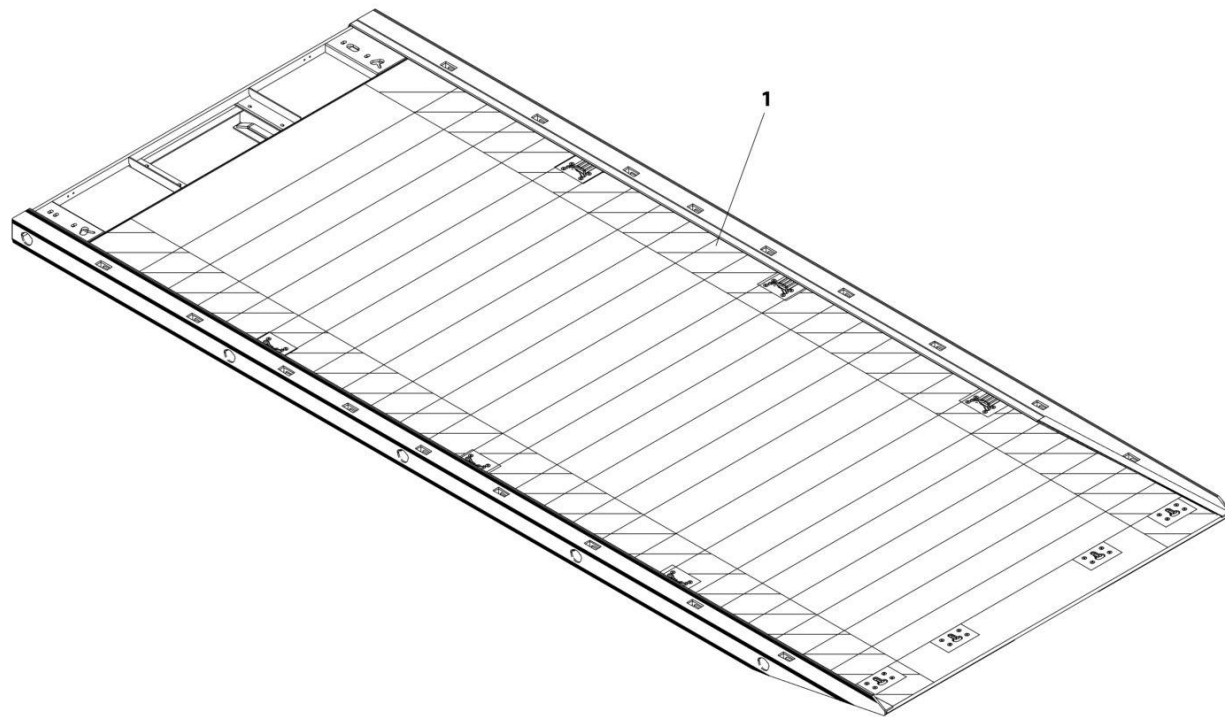
## SECTION 3 - DECK

**FIGURE 3-117. ANTI-SLIP PAINT INSTALLATION (STEEL DECK SIDES)**

ITEM	PART NUMBER	QTY	DESCRIPTION	REV
1	1001228190 1001219737	Ref AR	ANTI-SLIP PAINT INSTALLATION (STEEL DECK SIDES) Paint, Non-Skid Yellow (1GAL Can)	A

# SECTION 3 - DECK

FIGURE 3-118. ANTI-SLIP PAINT INSTALLATION (ALUMINUM DECK SIDES)



ART\_1001260335

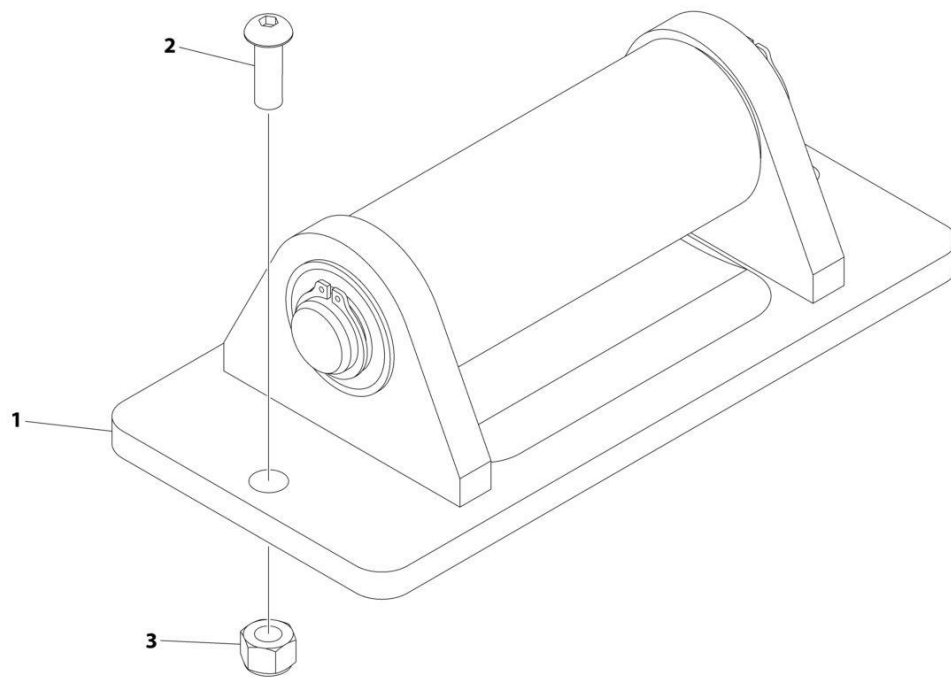
## SECTION 3 - DECK

**FIGURE 3-118. ANTI-SLIP PAINT INSTALLATION (ALUMINUM DECK SIDES)**

ITEM	PART NUMBER	QTY	DESCRIPTION	REV
1	1001260335 1001219737	Ref AR	ANTI-SLIP PAINT INSTALLATION (ALUMINUM DECK SIDES) Paint, Non-Skid Yellow (1GAL Can)	A

# SECTION 3 - DECK

FIGURE 3-119. DECK ROLLERS AT APPROACH TIP



ART\_1001148999

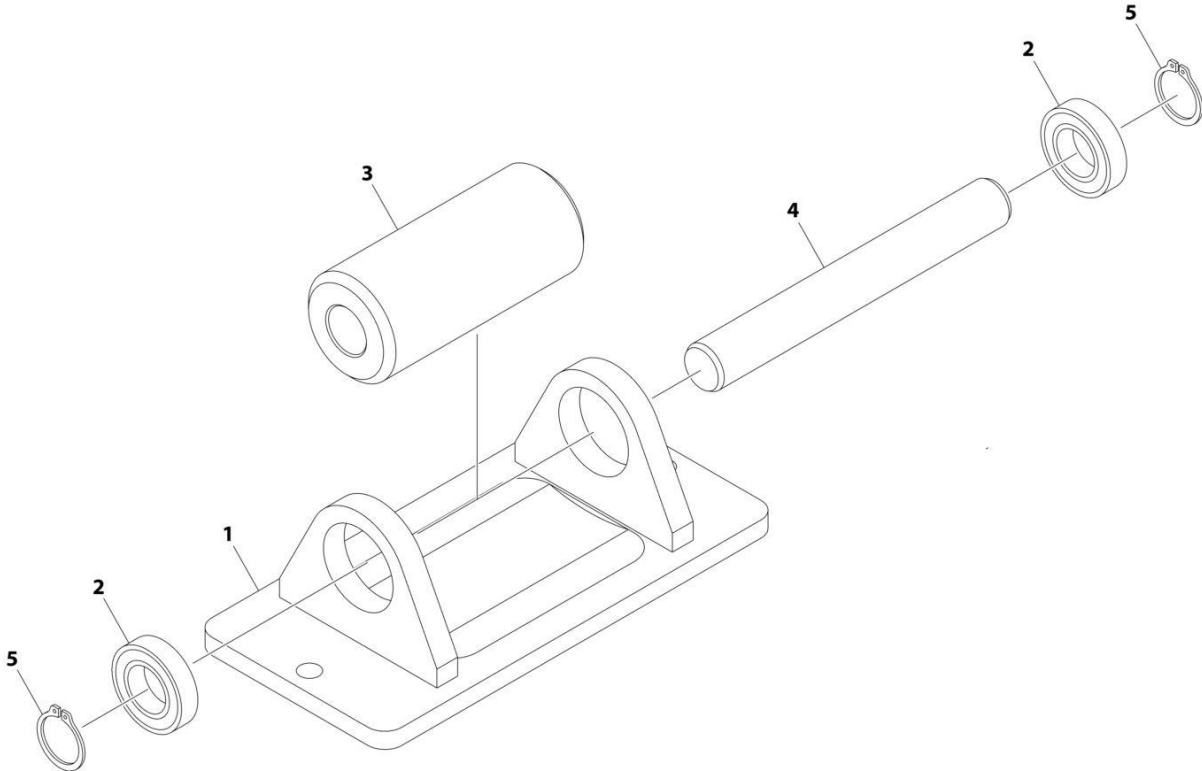
## SECTION 3 - DECK

**FIGURE 3-119. DECK ROLLERS AT APPROACH TIP**

ITEM	PART NUMBER	QTY	DESCRIPTION	REV
1	1001148999 3550001913	Ref 2	Deck Rollers at Approach Tip Roller Bracket Assembly (See Separate Breakdown in this Section)	A
2	7114181218	4	Capscrew 1/2 x 1-1/2	
3	7660182601	4	Nut 1/2	

**SECTION 3 - DECK**

**FIGURE 3-120. ROLLER BRACKET ASSEMBLY**



ART\_3550001913



FIGURE 3-120. ROLLER BRACKET ASSEMBLY

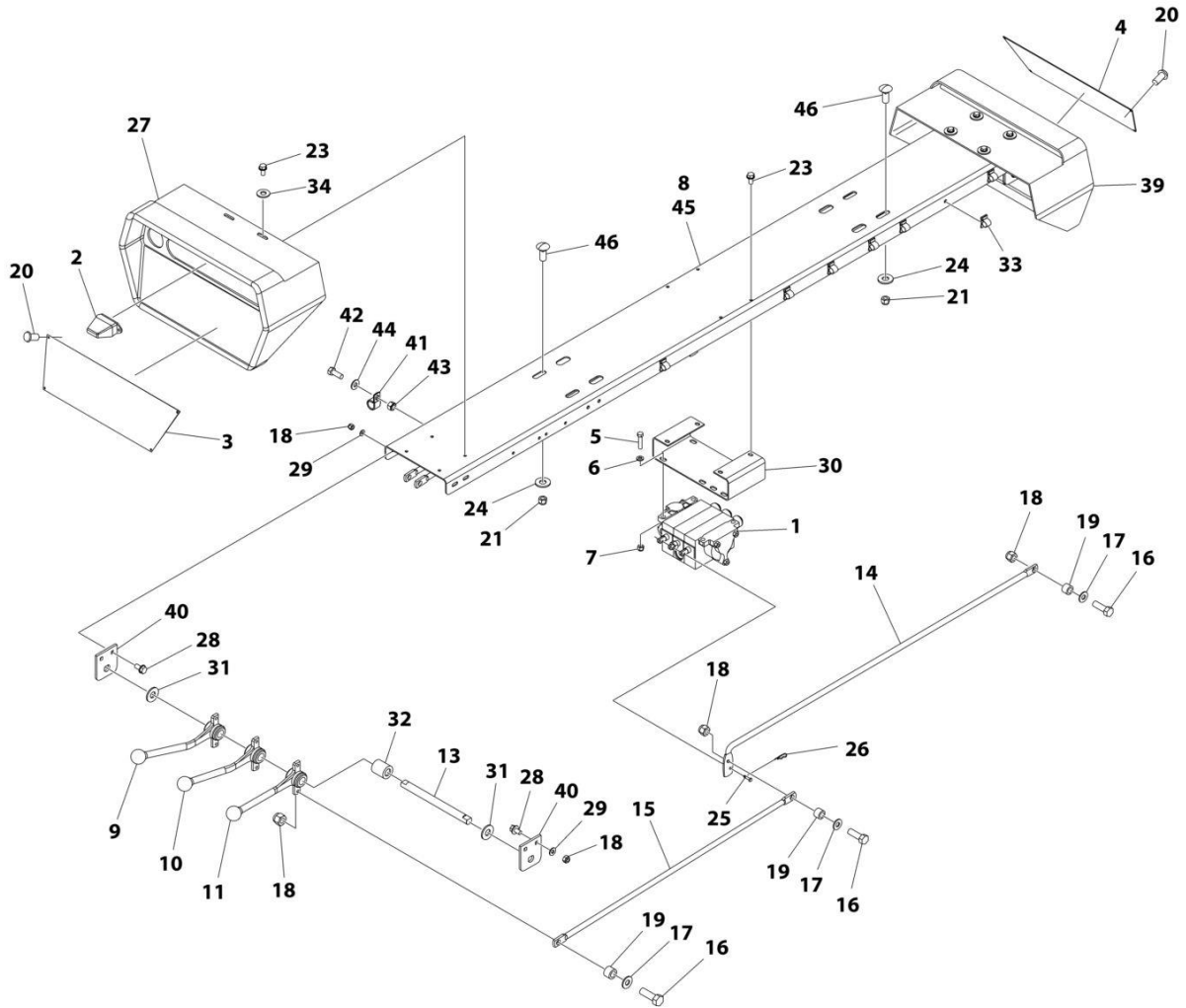
ITEM	PART NUMBER	QTY	DESCRIPTION	REV
	3550001913	Ref	Roller Bracket Assembly	B
1	3550001912	1	Bracket Weldment	
2	7550000074	2	Bearing	
3	7550000073	1	Roller	
4	4691000568	1	Pin	
5	7754000022	2	Retaining Ring	



**SECTION 4 - CONTROLS**

# SECTION 4 - CONTROLS

## FIGURE 4-1. 3 BANK VALVE CONTROLS INSTALLATION - NO/MANUAL TOW



ART\_2296000107

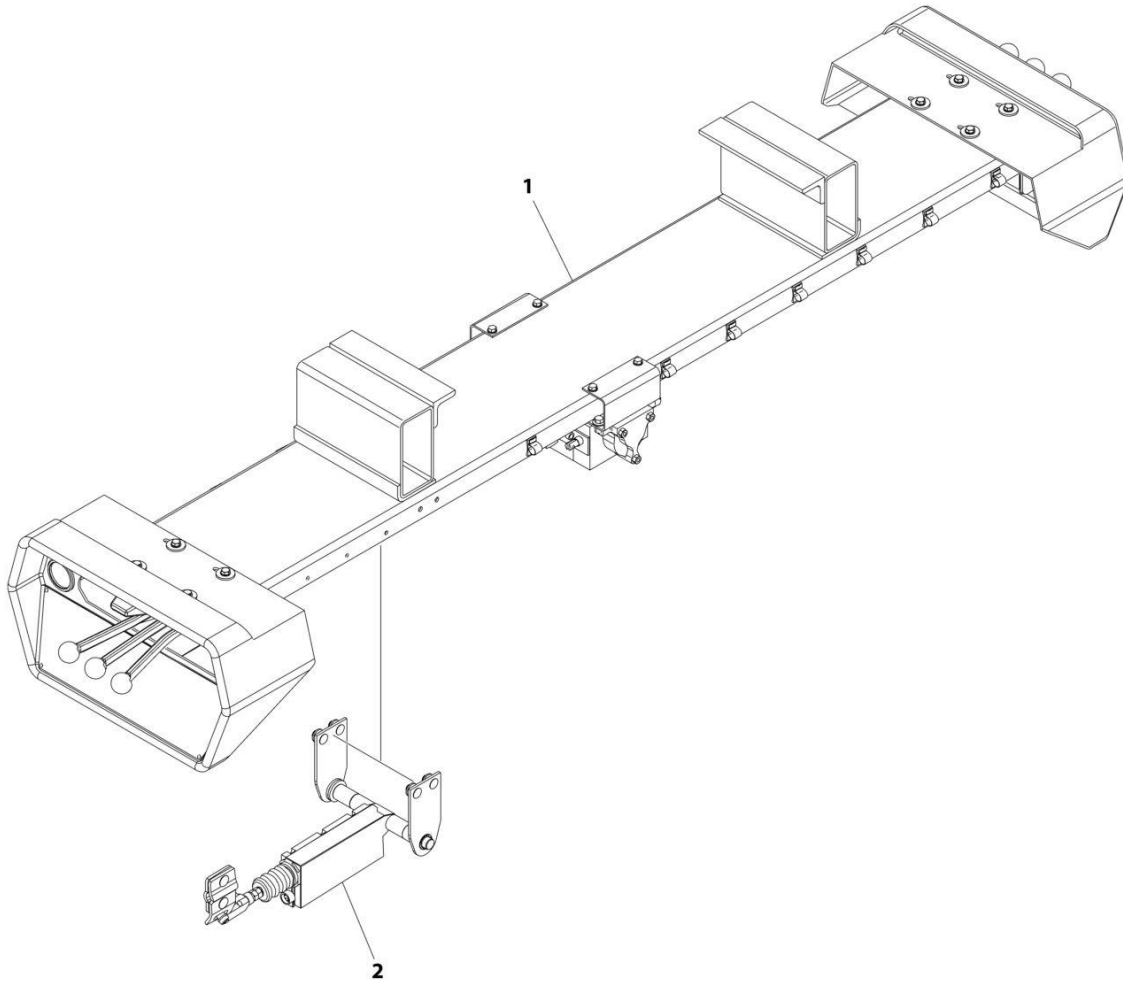
## SECTION 4 - CONTROLS

**FIGURE 4-1. 3 BANK VALVE CONTROLS INSTALLATION - NO/MANUAL TOW**

ITEM	PART NUMBER	QTY	DESCRIPTION	REV
	2296000107	Ref	3 BANK CONTROLS INSTALLATION - NO/MAN TOW	I
1	3935000115	1	Valve Assembly (See Separate Breakdown in this Section)	
2	1001143764	2	Lamp	
3	7330000648	1	Decal Control Panel, LH	
4	7330000649	1	Decal Control Panel, RH	
5	7111161050	4	Capscrew 3/8 x 1-1/4	
6	7950160161	4	Washer 3/8	
7	7660162601	4	Nut 3/8	
8	1001135273	1	Channel	
9	7551000021	2	Control Handle	
10	7551000020	2	Control Handle	
11	7551000018	2	Control Handle	
13	7691000064	2	Pin	
14	4763000280	3	Control Rod	
15	4763000279	3	Control Rod	
16	7115150850	9	Capscrew 5/16 x 1	
17	7949000011	9	Washer	
18	7660152601	17	Nut 5/16	
19	4831000069	9	Spacer	
20	7759000006	8	Rivet	
21	7660182601	4	Nut 1/2	
23	7790151253	12	Screw 5/16 x 3/4	
24	7950180161	4	Washer 1/2	
25	7690101200	3	Clevis Pin	
26	7691000056	3	Pin, Hairpin Cotter	
27	3560000010	1	Control Hood Assembly	
28	7115150664	8	Bolt 5/16 x 3/4	
29	7950150161	8	Washer 5/16	
30	1001135272	1	Channel	
31	7950220141	2	Washer 3/4	
32	4211000001	4	Bushing	
33	7280000007	11	Wire Clip	
34	7949000054	8	Washer	
39	7560000007	1	Control Hood, RH	
40	4606000217	4	Lug	
41	7274000063	1	Clamp	
42	7115140650	1	Capscrew 1/4 x 3/4	
43	7660142601	1	Nut 1/4	
44	7950140141	1	Washer 1/4	
45	8632000012	AR	Trim Lock	
46	7115181064	4	Bolt 1/2 x 1-1/4	

# SECTION 4 - CONTROLS

## FIGURE 4-2. 3 BANK VALVE INSTALLATION - NO/MANUAL TOW/REMOTE CONTROL



ART\_C3BNORC-TPR

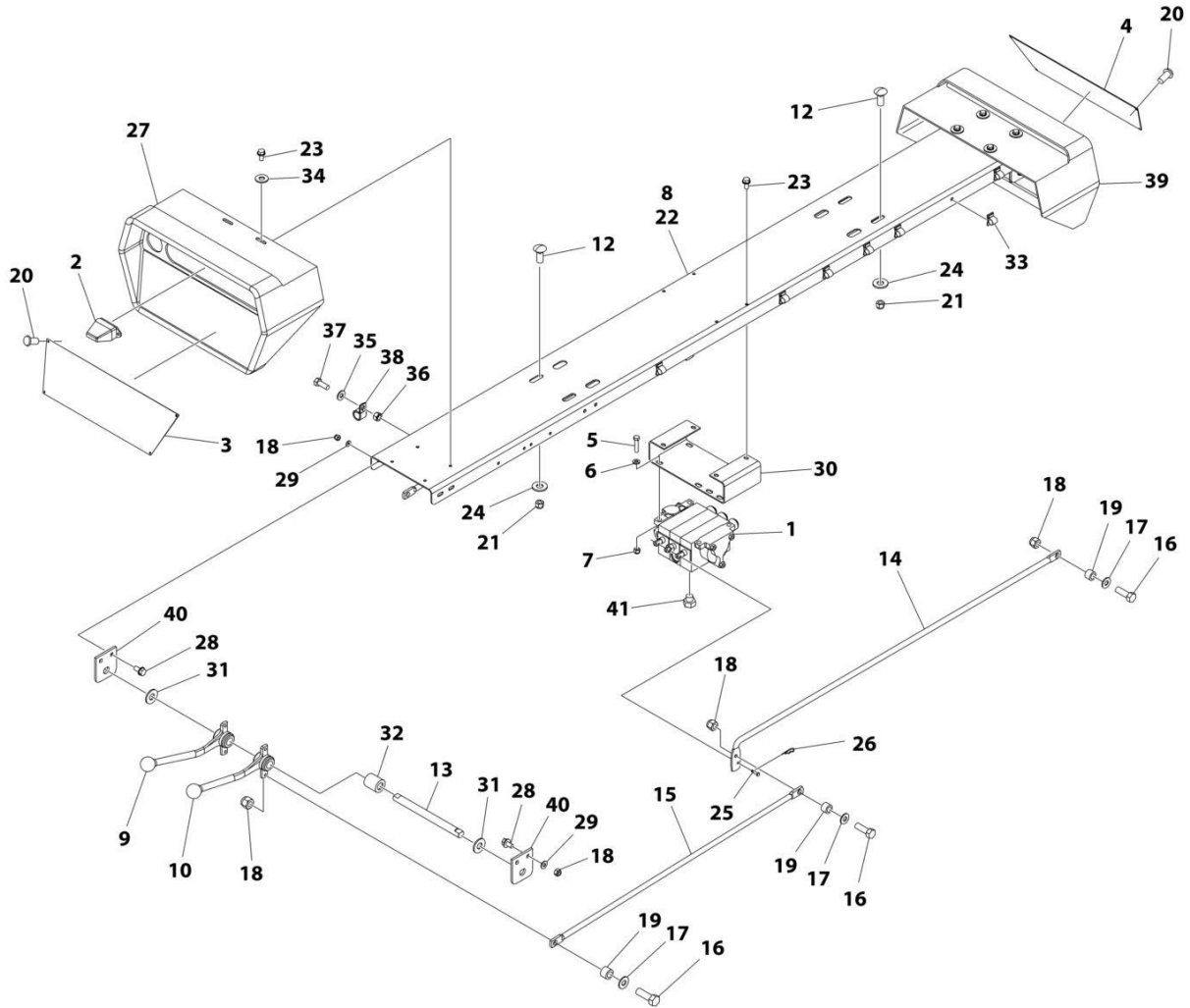
## SECTION 4 - CONTROLS

**FIGURE 4-2. 3 BANK VALVE INSTALLATION - NO/MANUAL TOW/REMOTE CONTROL**

ITEM	PART NUMBER	QTY	DESCRIPTION	REV
	C3BNORC-TPR	Ref	3 BANK VALVE INSTALLATION - NO/MANUAL TOW/REMOTE CONTROL	0
1	2296000107	1	3 Bank Controls Installation (See Separate Breakdown in this Section)	
2	2577000017	1	Linear Actuator Mount Kit (See Separate Breakdown in this Section)	

# SECTION 4 - CONTROLS

## FIGURE 4-3. 3 BANK VALVE CONTROLS INSTALLATION - NO/MANUAL TOW/NO WINCH



ART\_1001264092



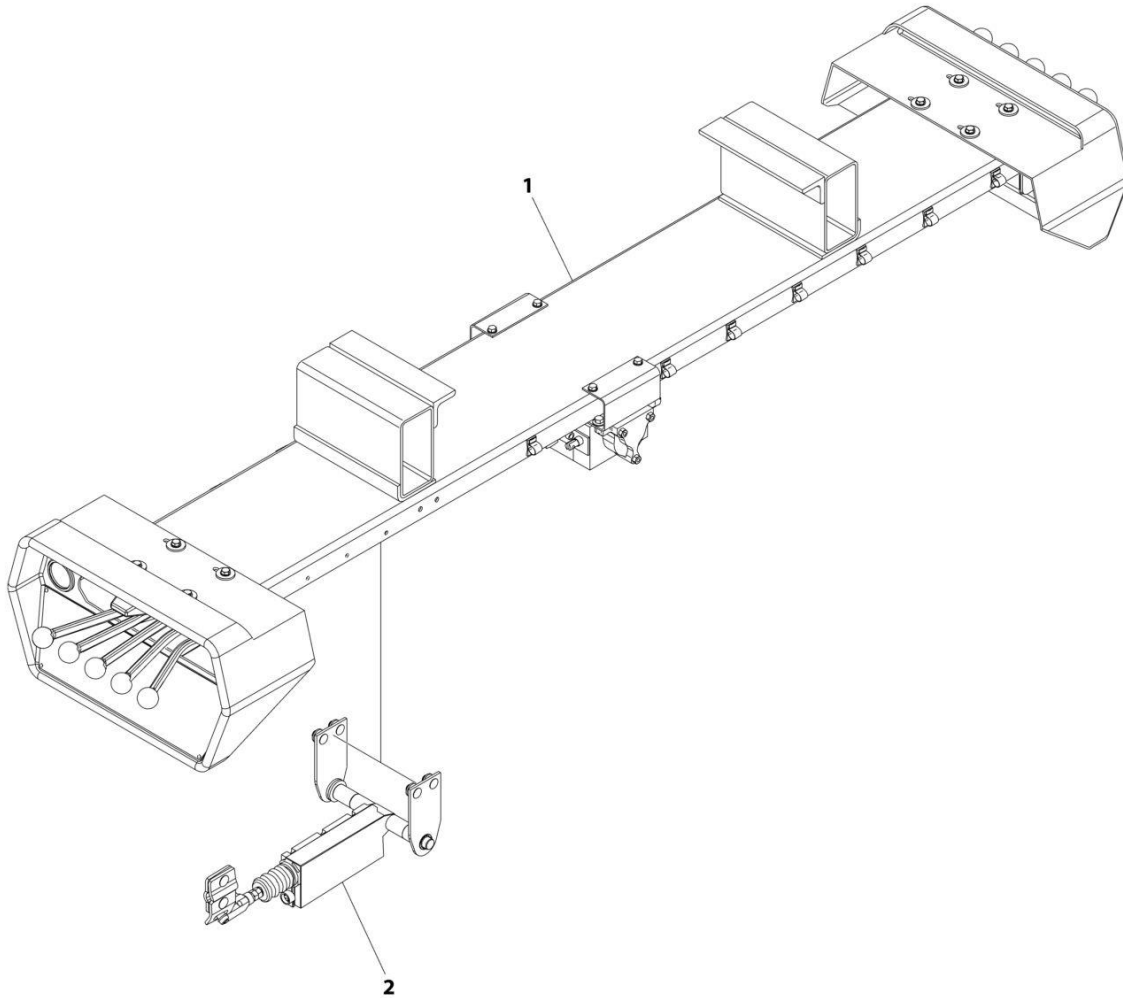
## SECTION 4 - CONTROLS

**FIGURE 4-3. 3 BANK VALVE CONTROLS INSTALLATION - NO/MANUAL TOW/NO WINCH**

ITEM	PART NUMBER	QTY	DESCRIPTION	REV
	1001264092	Ref	3 BANK CONTROLS INSTALLATION - WITHOUT WINCH MOTOR SPOOL	A
1	3935000115	1	Valve Assembly (See Separate Breakdown in this Section)	
2	1001143764	2	Lamp	
3	1001264086	1	Decal Control Panel, LH	
4	1001264087	1	Decal Control Panel, RH	
5	7111161050	2	Capscrew 3/8 x 1-1/4	
6	7950160161	2	Washer 3/8	
7	7660162601	2	Nut 3/8	
8	1001170189	1	Channel	
9	7551000021	2	Control Handle	
10	7551000020	2	Control Handle	
12	7115181064	4	Bolt 1/2 x 1-1/4	
13	7691000064	2	Pin	
14	1001170187	2	Control Rod	
15	1001170188	2	Control Rod	
16	7115150850	6	Capscrew 5/16 x 1	
17	7949000011	6	Washer	
18	7660152601	14	Nut 5/16	
19	4831000069	6	Spacer	
20	7759000006	8	Rivet	
21	7660182601	4	Nut 1/2	
22	8632000012	AR	Trim Lock	
23	7790151253	12	Screw 5/16 x 3/4	
24	7950180161	4	Washer 1/2	
25	7690101200	2	Clevis Pin	
26	7691000056	2	Pin, Hairpin Cotter	
27	3560000010	1	Control Hood Assembly	
28	7115150664	8	Bolt 5/16 x 3/4	
29	7950150161	8	Washer 5/16	
30	1001135272	1	Channel	
31	7950220141	2	Washer 3/4	
32	4211000001	6	Bushing	
33	7280000007	11	Wire Clip	
34	7949000054	8	Washer	
35	7950140141	1	Washer 1/4	
36	7660142601	1	Nut 1/4	
37	7115140650	1	Capscrew 1/4 x 3/4	
38	7274000063	1	Clamp	
39	7560000007	1	Control Hood, RH	
40	4606000217	4	Lug	
41	7443000048	2	Fitting Plug	

# SECTION 4 - CONTROLS

FIGURE 4-4. 3 BANK VALVE CONTROLS INSTALLATION - NO/MANUAL TOW/WINCHMOTOR SPOOL



ART\_1001261141

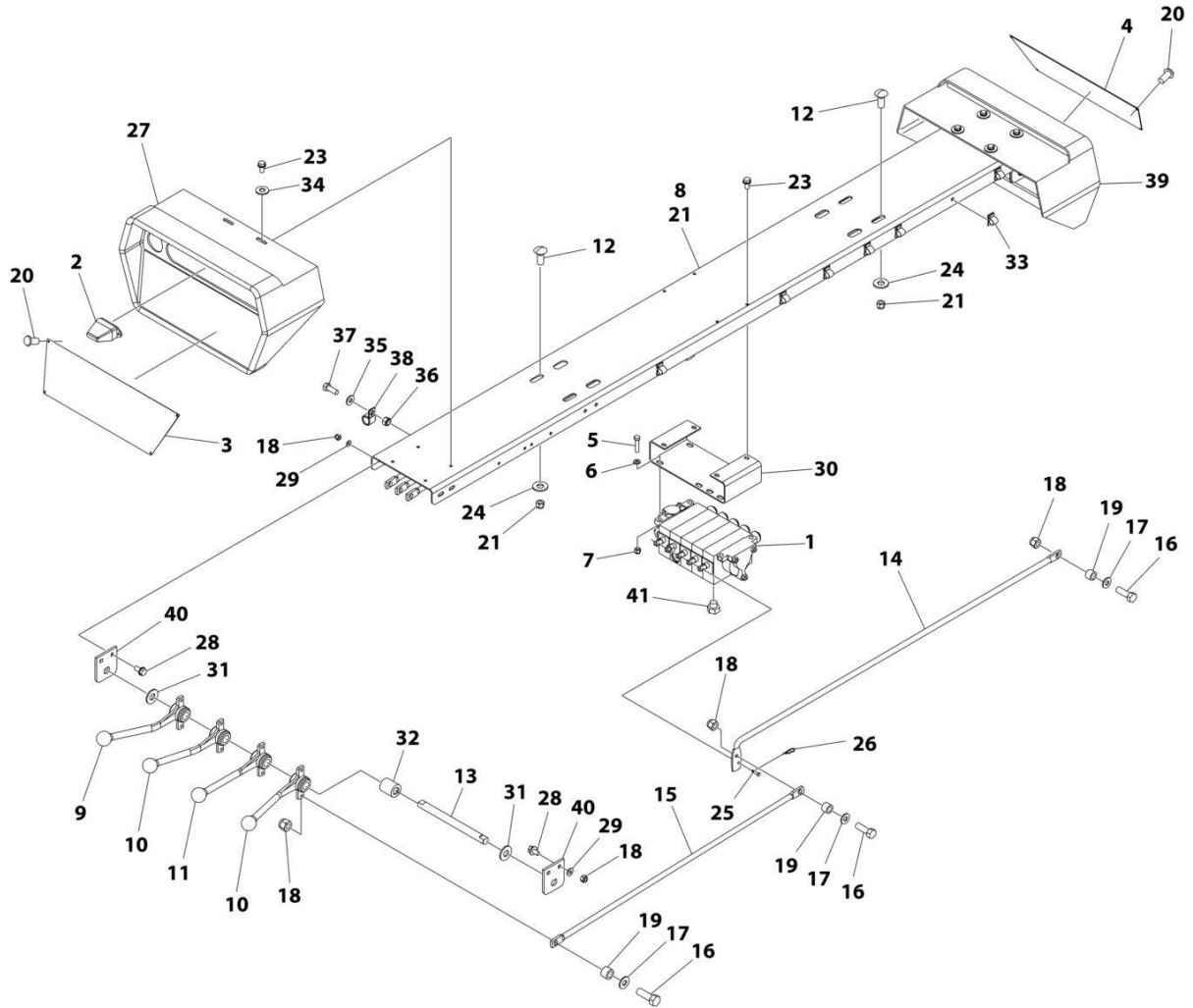
## SECTION 4 - CONTROLS

**FIGURE 4-4. 3 BANK VALVE CONTROLS INSTALLATION - NO/MANUAL TOW/WINCHMOTOR SPOOL**

ITEM	PART NUMBER	QTY	DESCRIPTION	REV
	1001261141	Ref	3 BANK CONTROLS INSTALLATION - WINCH MOTOR SPOOL, RADIO REMOTE	A
1	1001261140	Ref	3 Bank Controls Installation (See Separate Breakdown in this Section)	
2	2577000017	1	Linear Actuator Mount Kit (See Separate Breakdown in this Section)	

# SECTION 4 - CONTROLS

## FIGURE 4-5. 3 BANK VALVE CONTROLS INSTALLATION - NO/MANUAL TOW/WINCHMOTOR SPOOL



ART\_1001261140

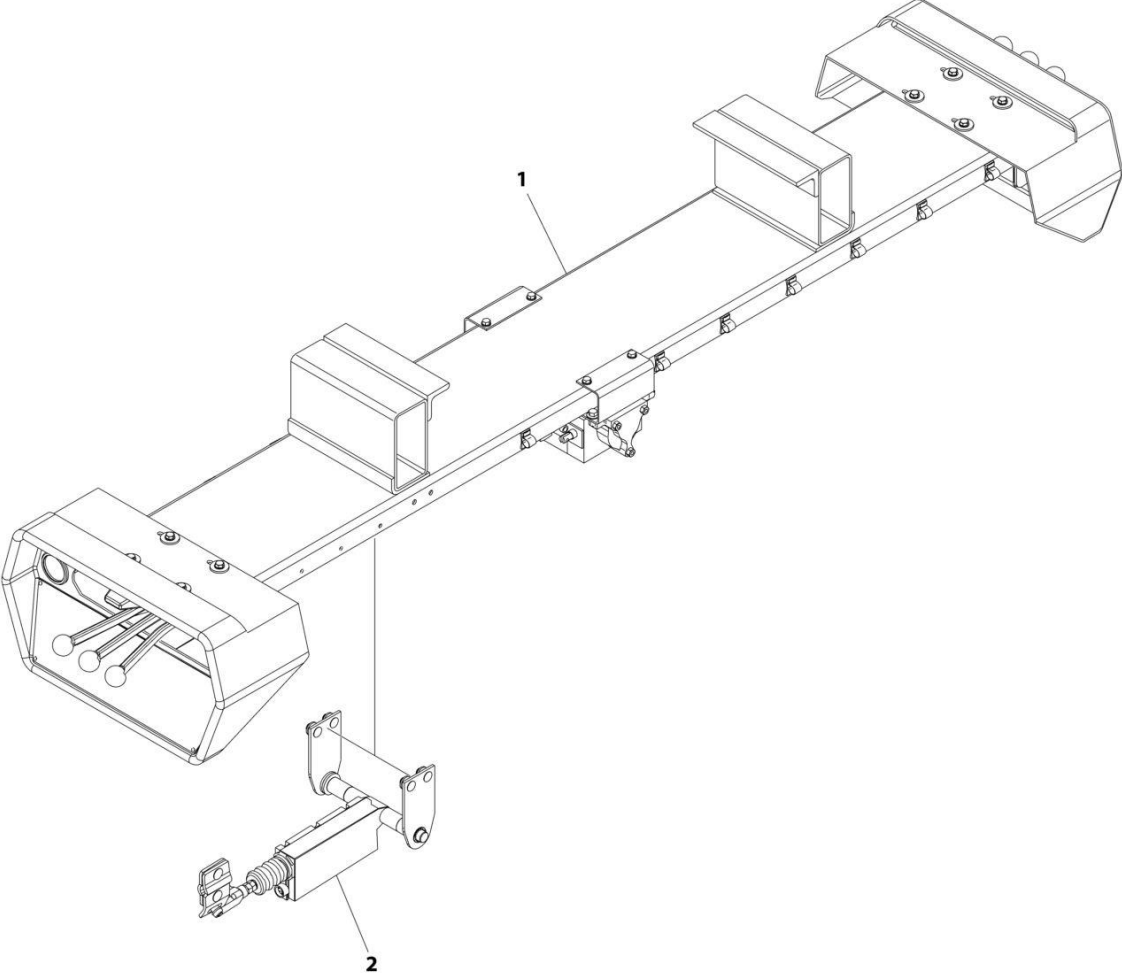
## SECTION 4 - CONTROLS

**FIGURE 4-5. 3 BANK VALVE CONTROLS INSTALLATION - NO/MANUAL TOW/WINCHMOTOR SPOOL**

ITEM	PART NUMBER	QTY	DESCRIPTION	REV
	1001261140	Ref	3 BANK CONTROLS INSTALLATION - WINCH MOTOR SPOOL	A
1	1001146603	1	Valve Assembly (See Separate Breakdown in this Section)	
2	1001143764	2	Lamp	
3	7330000648	1	Decal Control Panel, LH	
4	7330000649	1	Decal Control Panel, RH	
5	7111161050	4	Capscrew 3/8 x 1-1/4	
6	7950160161	4	Washer 3/8	
7	7660162601	4	Nut 3/8	
8	1001170189	1	Channel	
9	7551000021	2	Control Handle	
10	7551000020	2	Control Handle	
11	7551000018	2	Control Handle	
12	7115181064	2	Bolt 1/2 x 1-1/4	
13	7691000064	4	Pin	
14	1001170187	3	Control Rod	
15	1001170188	3	Control Rod	
16	7115150850	9	Capscrew 5/16 x 1	
17	7949000011	9	Washer	
18	7660152601	17	Nut 5/16	
19	4831000069	9	Sapcer	
20	7759000006	8	Rivet	
21	8632000012	AR	Trim Lock	
22	7660182601	4	Nut 1/2	
23	7790151253	12	Screw 5/16 x 3/4	
24	7950180161	4	Washer 1/2	
25	7690101200	3	Clevis Pin	
26	7691000056	3	Pin, Hairpin Cotter	
27	3560000010	1	Control Hood Assembly	
28	7115150664	8	Bolt 5/16 x 3/4	
29	7950150161	8	Washer 5/16	
30	1001135272	1	Channel	
31	7950220141	2	Washer 3/4	
32	4211000001	4	Bushing	
33	7280000007	11	Wire Clip	
34	7949000054	8	Washer	
35	7950140141	1	Washer 1/4	
36	7660142601	1	Nut 1/4	
37	7115140650	1	Capscrew 1/4 x 3/4	
38	7274000063	1	Clamp	
39	7560000007	1	Control Hood, RH	
40	4606000217	4	Lug	
41	7443000048	4	Fitting Plug	

# SECTION 4 - CONTROLS

FIGURE 4-6. 3 BANK VALVE CONTROLS INSTALLATION - NO/MANUAL TOW/REMOTE CONTROL



ART\_1001170381

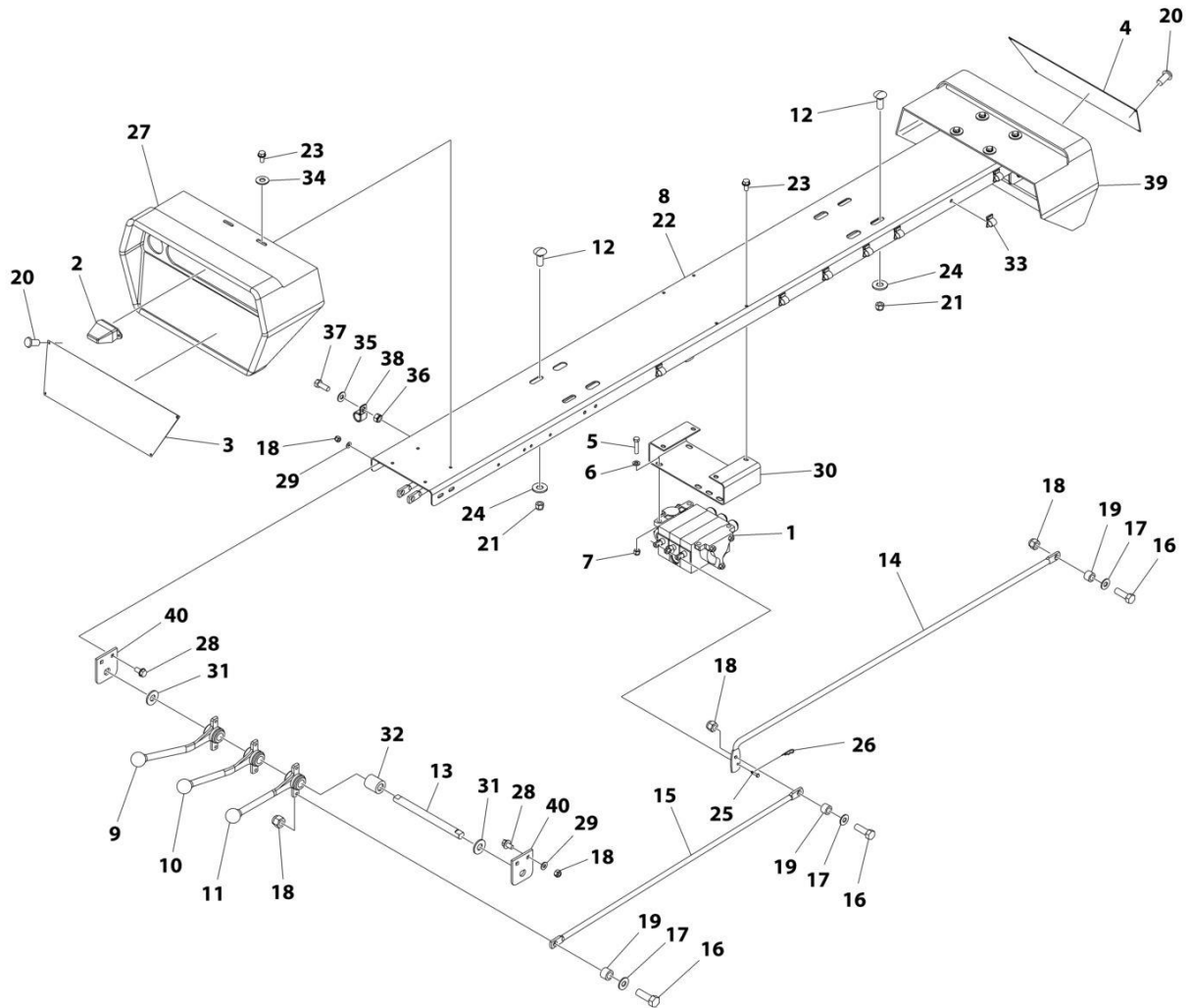
## SECTION 4 - CONTROLS

**FIGURE 4-6. 3 BANK VALVE CONTROLS INSTALLATION - NO/MANUAL TOW/REMOTE CONTROL**

ITEM	PART NUMBER	QTY	DESCRIPTION	REV
1	1001170381	Ref	3 BANK CONTROLS INSTALLATION - REMOTE CONTROL	A
	1001170378	Ref	3 Bank Controls Installation (See Separate Breakdown in this Section)	
2	2577000017	1	Linear Actuator Mount Kit (See Separate Breakdown in this Section)	

# SECTION 4 - CONTROLS

## FIGURE 4-7. 3 BANK VALVE CONTROLS INSTALLATION - NO/MANUAL TOW/REMOTE CONTROL



ART\_1001170378



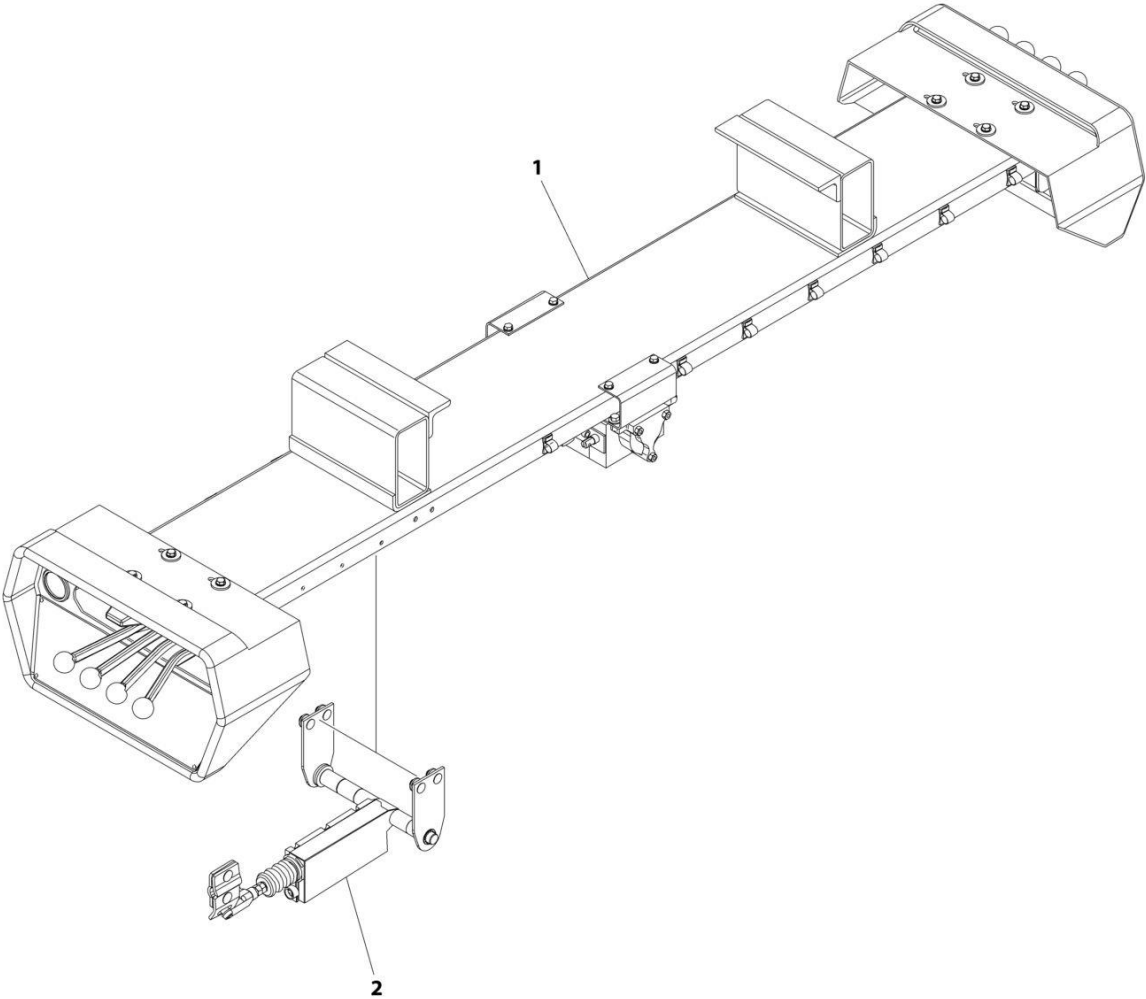
## SECTION 4 - CONTROLS

**FIGURE 4-7. 3 BANK VALVE CONTROLS INSTALLATION - NO/MANUAL TOW/REMOTE CONTROL**

ITEM	PART NUMBER	QTY	DESCRIPTION	REV
	1001170378	Ref	3 BANK CONTROLS INSTALLATION - NO/MAN TOW	A
1	3935000115	1	Valve Assembly (See Separate Breakdown in this Section)	
2	1001143764	2	Lamp	
3	7330000648	1	Decal, Control Panel, LH	
4	7330000649	1	Decal, Control Panel, RH	
5	7111161050	4	Capscrew 3/8 x 1-1/4	
6	7950160161	4	Washer 3/8	
7	7660162601	4	Nut 3/8	
8	1001170189	1	Channel	
9	7551000021	2	Control Handle	
10	7551000020	2	Control Handle	
11	7551000018	2	Control Handle	
12	7115181064	4	Bolt 1/2 x 1-1/4	
13	7691000064	2	Pin	
14	1001170187	3	Control Rod	
15	1001170188	3	Control Rod	
16	7115150850	9	Capscrew 5/16 x 1	
17	7949000011	9	Washer	
18	7660152601	17	Nut 5/16	
19	4831000069	9	Spacer	
20	7759000006	8	Rivet	
21	7660182601	4	Nut 1/2	
22	8632000012	AR	Trim Lock	
23	7790151253	12	Screw 5/16 x 3/4	
24	7950180161	4	Washer 1/2	
25	7690101200	3	Clevis Pin	
26	7691000056	3	Pin, Hairpin Cotter	
27	3560000010	1	Control Hood Assembly	
28	7115150664	8	Bolt 5/16 x 3/4	
29	7950150161	8	Washer 5/16	
30	1001135272	1	Channel	
31	7950220141	2	Washer 3/4	
32	4211000001	4	Bushing	
33	7280000007	11	Wire Clip	
34	7949000054	8	Washer	
35	7950140141	1	Washer 1/4	
36	7660142601	1	Nut 1/4	
37	7115140650	1	Capscrew 1/4 x 3/4	
38	7274000063	1	Clamp	
39	7560000007	1	Control Hood RH	
40	4606000217	4	Lug	

# SECTION 4 - CONTROLS

## FIGURE 4-8. 4 BANK VALVE INSTALLATION – HYDRAULIC TOW/REMOTE CONTROL



ART\_C4BHTRC-TPR

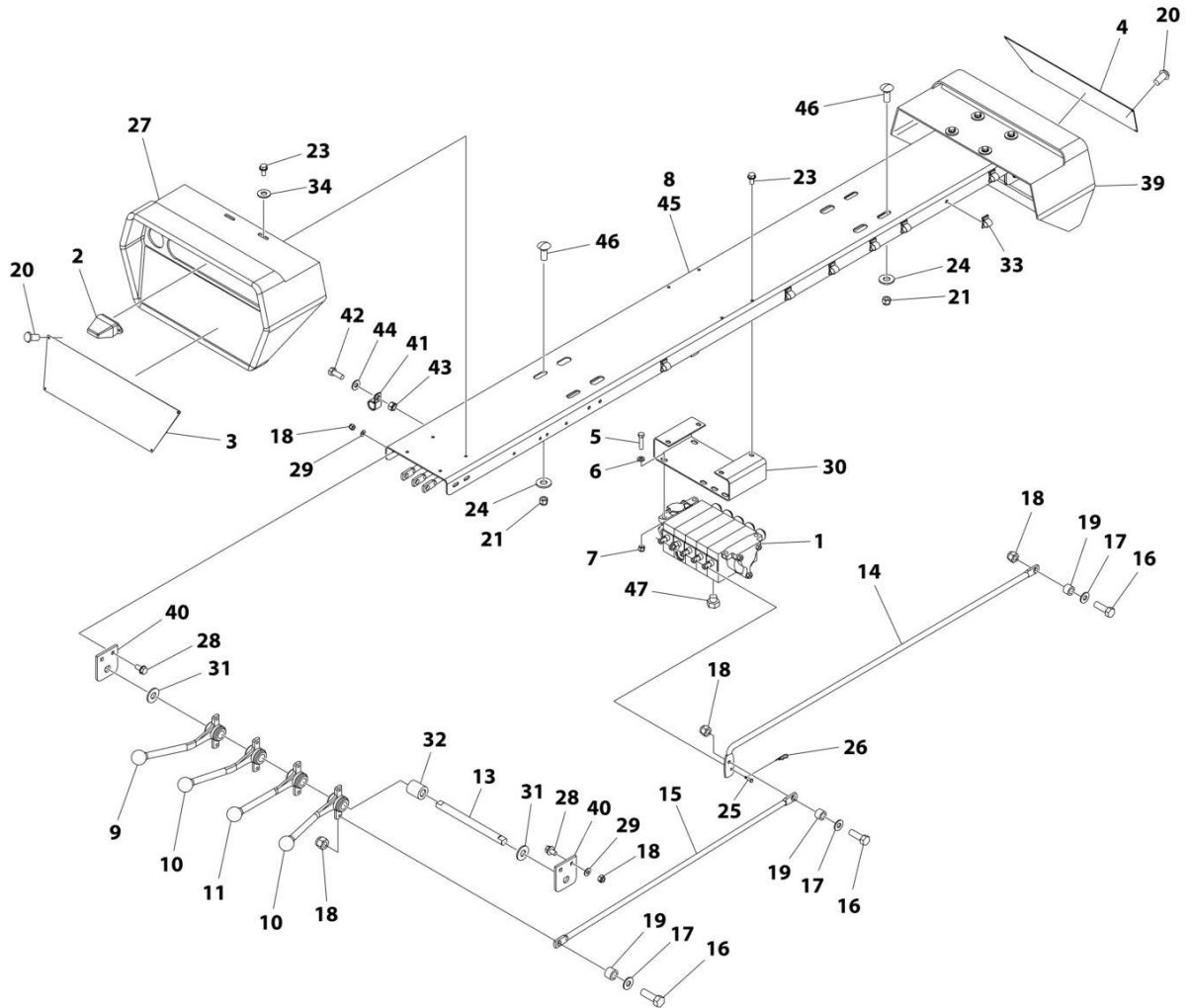
## SECTION 4 - CONTROLS

**FIGURE 4-8. 4 BANK VALVE INSTALLATION – HYDRAULIC TOW/REMOTE CONTROL**

ITEM	PART NUMBER	QTY	DESCRIPTION	REV
1	C4BHTRC-TPR 2296000112	Ref 1	4 BANK VALVE INSTALLATION - HYD TOW/REMOTE CONTROL 4 Bank Controls Installation (See Separate Breakdown in this Section)	0
2	2577000017	1	Linear Actuator Mount Kit (See Separate Breakdown in this Section)	

# SECTION 4 - CONTROLS

## FIGURE 4-9. 4 BANK VALVE CONTROLS INSTALLATION - HYDRAULIC TOW



ART\_2296000112

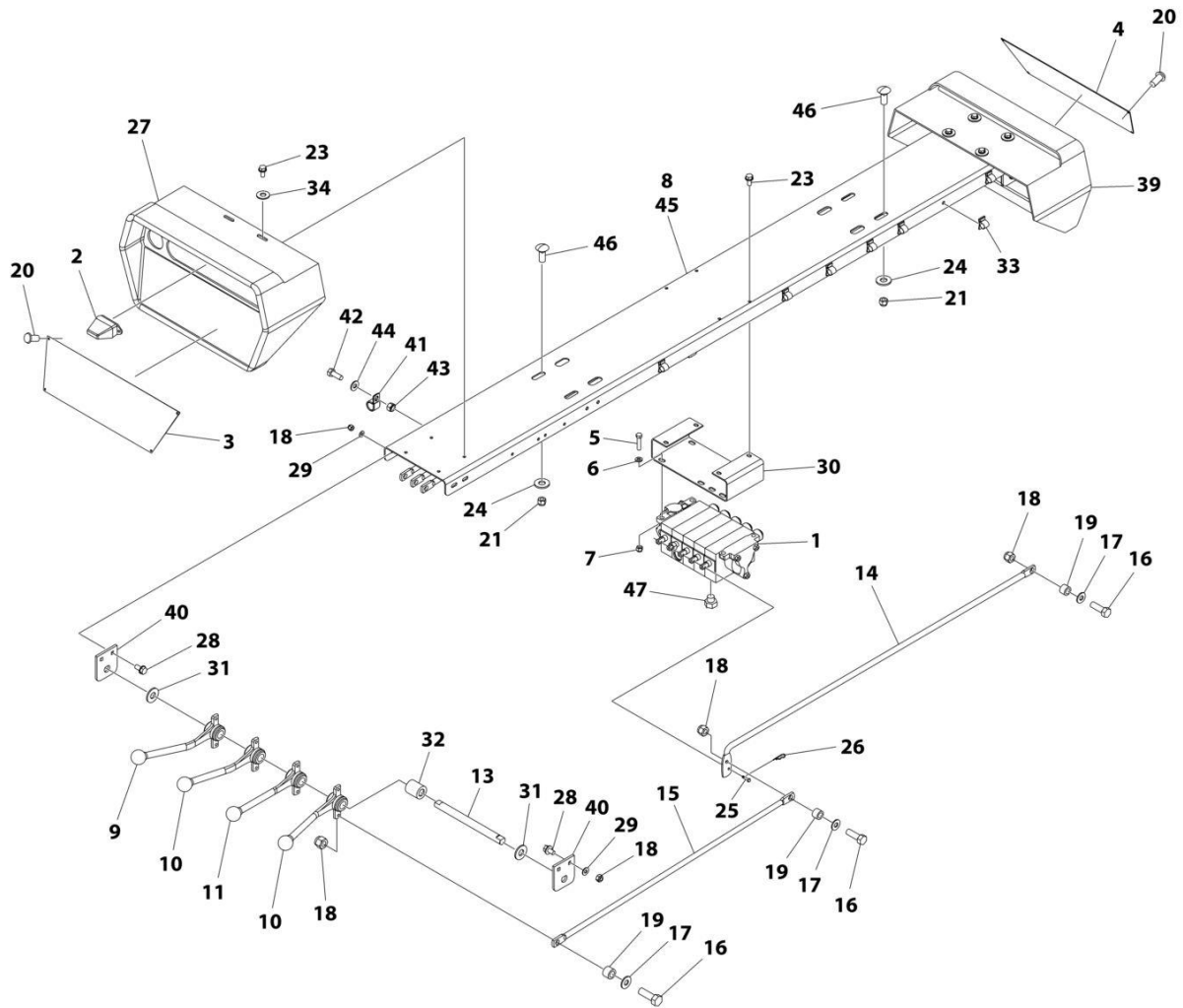
## SECTION 4 - CONTROLS

**FIGURE 4-9. 4 BANK VALVE CONTROLS INSTALLATION - HYDRAULIC TOW**

ITEM	PART NUMBER	QTY	DESCRIPTION	REV
	2296000112	Ref	4 BANK CONTROLS INSTALLATION WITH HITCH	K
1	3935000117	1	Valve Assembly (See Separate Breakdown in this Section)	
2	1001143764	2	Lamp	
3	7330000648	1	Decal Control Panel, LH	
4	7330000649	1	Decal Control Panel, RH	
5	7111161050	4	Capscrew 3/8 x 1-1/4	
6	7950160161	4	Washer 3/8	
7	7660162601	4	Nut 3/8	
8	1001135273	1	Channel	
9	7551000021	2	Control Handle	
10	7551000020	4	Control Handle	
11	7551000018	2	Control Handle	
13	7691000064	2	Pin	
14	4763000280	4	Control Rod	
15	4763000279	4	Control Rod	
16	7115150850	12	Capscrew 5/16 x 1	
17	7949000011	12	Washer	
18	7660152601	20	Nut 5/16	
19	4831000069	12	Spacer	
20	7759000006	8	Rivet	
21	7660182601	4	Nut 1/2	
23	7790151253	12	Screw 5/16 x 3/4	
24	7950180161	4	Washer 1/2	
25	7690101200	4	Clevis Pin	
26	7691000056	4	Pin, Hairpin Cotter	
27	3560000010	1	Control Hood Assembly	
28	7115150664	8	Bolt 5/16 x 3/4	
29	7950150161	8	Washer 5/16	
30	1001135272	1	Channel	
31	7950220141	2	Washer 3/4	
32	4211000001	2	Bushing	
33	7280000007	11	Wire Clip	
34	7949000054	8	Washer	
39	7560000007	1	Control Hood, RH	
40	4606000217	4	Lug	
41	7274000063	1	Clamp	
42	7115140650	1	Capscrew 1/4 x 3/4	
43	7660142601	1	Nut 1/4	
44	7950140141	1	Washer 1/4	
45	8632000012	AR	Trim Lock	
46	7115181064	4	Bolt 1/2 x 1-1/4	
47	7443000048	4	Fitting Plug	

# SECTION 4 - CONTROLS

## FIGURE 4-10. 4 BANK VALVE CONTROLS INSTALLATION - NO/MANUAL TOW/STABILIZERS



ART\_2296000108

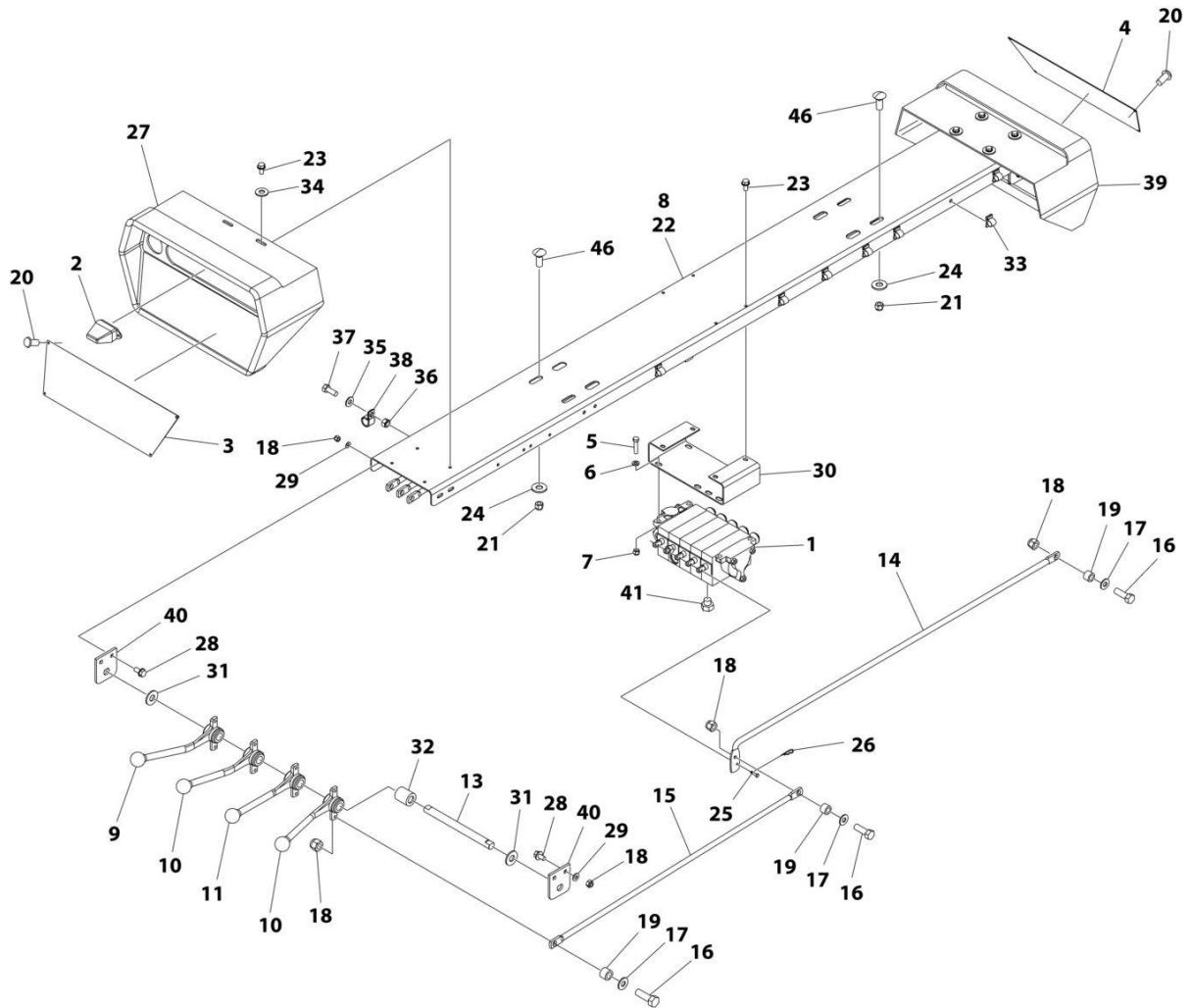
## SECTION 4 - CONTROLS

**FIGURE 4-10. 4 BANK VALVE CONTROLS INSTALLATION - NO/MANUAL TOW/STABILIZERS**

ITEM	PART NUMBER	QTY	DESCRIPTION	REV
	2296000108	Ref	4 BANK CONTROLS INSTALLATION - NO/MAN TOW, STABILIZER	J
1	3935000117	1	Valve Assembly (See Separate Breakdown in this Section)	
2	1001143764	2	Lamp	
3	7330000650	1	Decal, Control Panel Stabilizer, LH	
4	7330000651	1	Decal, Control Panel Stabilizer, RH	
5	7111161050	4	Capscrew 3/8 x 1-1/4	
6	7950160161	4	Washer 3/8	
7	7660162601	4	Nut 3/8	
8	1001135273	1	Channel	
9	7551000021	2	Control Handle	
10	7551000020	4	Control Handle	
11	7551000018	2	Control Handle	
13	7691000064	2	Pin	
14	4763000280	4	Control Rod	
15	4763000279	4	Control Rod	
16	7115150850	12	Capscrew 5/16 x 1	
17	7949000011	12	Washer	
18	7660152601	20	Nut 5/16	
19	4831000069	12	Spacer	
20	7759000006	8	Rivet	
21	7660182601	4	Nut 1/2	
23	7790151253	12	Screw 5/16 x 3/4	
24	7950180161	4	Washer 1/2	
25	7690101200	4	Clevis Pin	
26	7691000056	4	Pin, Hairpin Cotter	
27	3560000010	1	Control Hood Assembly	
28	7115150664	8	Bolt 5/16 x 3/4	
29	7950150161	8	Washer 5/16	
30	1001135272	1	Channel	
31	7950220141	2	Washer 3/4	
32	4211000001	2	Bushing	
33	7280000007	11	Wire Clip	
34	7949000054	8	Washer	
39	7560000007	1	Control Hood, RH	
40	4606000217	4	Lug	
41	7274000063	1	Clamp	
42	7115140650	1	Capscrew 1/4 x 3/4	
43	7660142601	1	Nut 1/4	
44	7950140141	1	Washer 1/4	
45	8632000012	AR	Trim Lock	
46	7115181064	4	Bolt 1/2 x 1-1/4	
47	7443000048	2	Fitting Plug	

# SECTION 4 - CONTROLS

## FIGURE 4-11. 4 BANK VALVE CONTROLS INSTALLATION - NO/MANUAL TOW/STABILIZERS



ART\_1001170391



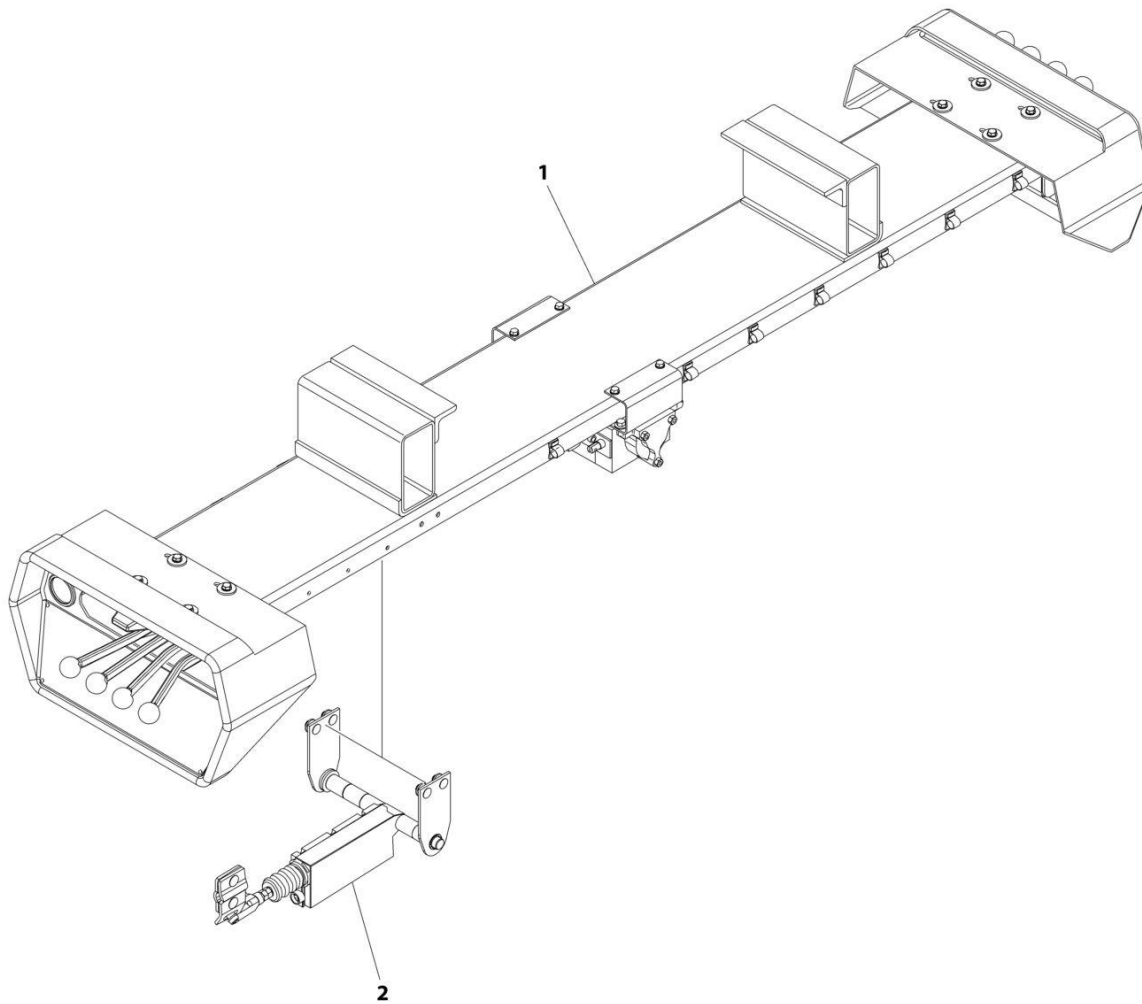
## SECTION 4 - CONTROLS

**FIGURE 4-11. 4 BANK VALVE CONTROLS INSTALLATION - NO/MANUAL TOW/STABILIZERS**

ITEM	PART NUMBER	QTY	DESCRIPTION	REV
	1001170391	Ref	4 BANK CONTROLS INSTALLATION WITH STABILIZER	B
1	3935000117	1	Valve Assembly (See Separate Breakdown in this Section)	
2	1001143764	2	Lamp	
3	7330000650	1	Decal, Control Panel Stabilizer, LH	
4	7330000651	1	Decal, Control Panel Stabilizer, RH	
5	7111161050	4	Capscrew 3/8 x 1-1/4	
6	7950160161	4	Washer 3/8	
7	7660162601	4	Nut 3/8	
8	1001170189	1	Channel	
9	7551000021	2	Control Handle	
10	7551000020	4	Control Handle	
11	7551000018	2	Control Handle	
12	7115181064	4	Bolt 1/2 x 1/4	
13	7691000064	2	Pin	
14	1001170187	4	Control Rod	
15	1001170188	4	Control Rod	
16	7115150850	12	Capscrew 5/16 x 1	
17	7949000011	12	Washer	
18	7660152601	20	Nut 5/16	
19	4831000069	12	Spacer	
20	7759000006	8	Rivet	
21	7660182601	4	Nut 1/2	
22	8632000012	AR	Trim lock	
23	7790151253	12	Screw 5/16 x 3/4	
24	7950180161	4	Washer 1/2	
25	7690101200	4	Clevis Pin	
26	7691000056	1	Pin, Hairpin Cotter	
27	3560000010	1	Control Hood Assembly	
28	7115150664	8	Bolt 5/16 x 3/4	
29	7950150161	8	Washer 5/16	
30	1001135272	1	Channel	
31	7950220141	2	Washer 3/4	
32	4211000001	2	Bushing	
33	7280000007	11	Wire Clip	
34	7949000054	8	Washer	
35	7950140141	1	Washer 1/4	
36	7660142601	1	Nut 1/4	
37	7115140650	1	Capscrew 1/4 x 3/4	
38	7274000063	1	Clamp	
39	7560000007	1	Control Hood, RH	
40	4606000217	4	Lug	
41	7443000048	2	Fitting Plug	

## SECTION 4 - CONTROLS

FIGURE 4-12. 4 BANK VALVE CONTROLS INSTALLATION - NO/MANUAL TOW/STABILIZERS/RMOTE CONTROL



ART\_1001170392

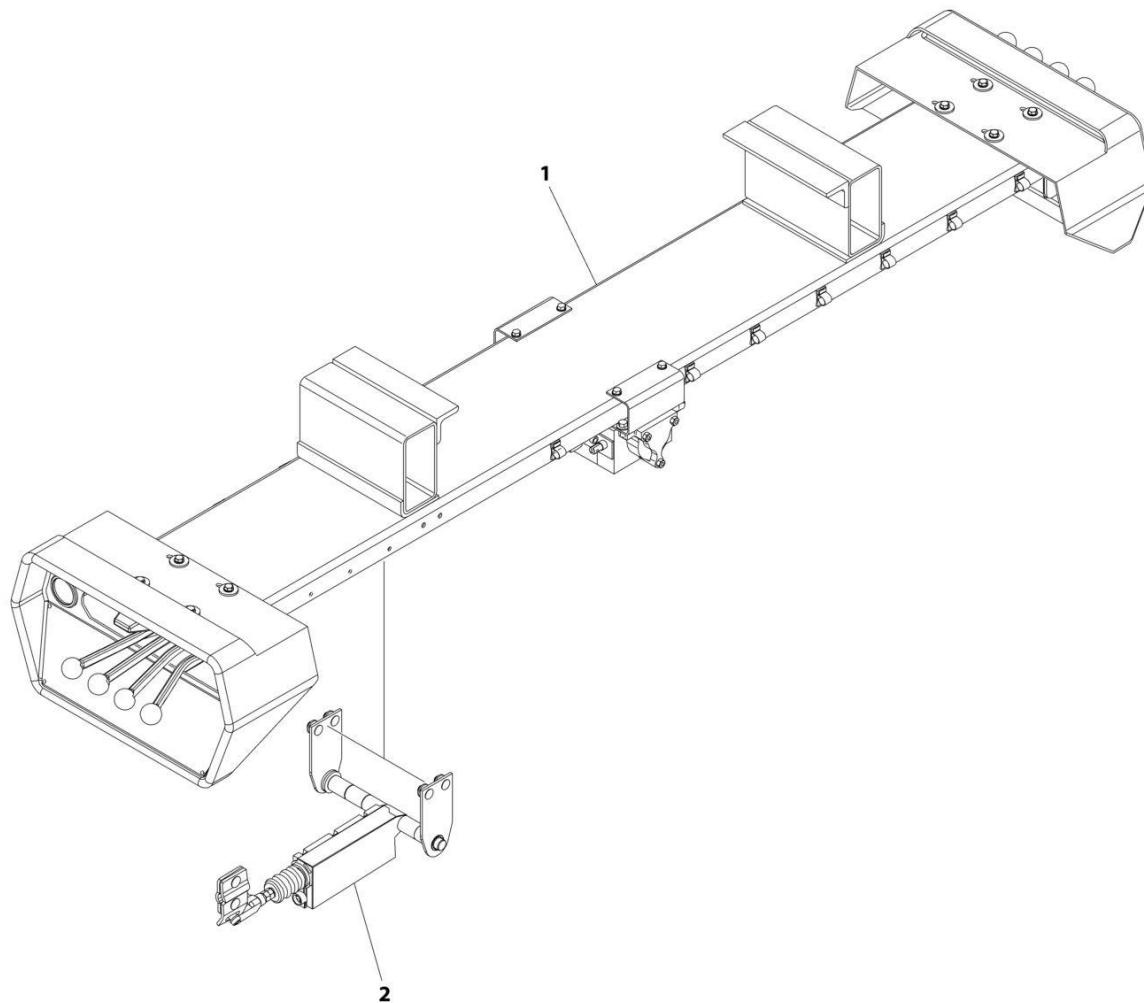
## SECTION 4 - CONTROLS

**FIGURE 4-12. 4 BANK VALVE CONTROLS INSTALLATION - NO/MANUAL TOW/STABILIZERS/REMOTE CONTROL**

ITEM	PART NUMBER	QTY	DESCRIPTION	REV
	1001170392	Ref	4 BANK CONTROLS INSTALLATION WITH STABILIZER - REMOTE CONTROL	A
1	1001170391	Ref	4 Bank Controls Installation (See Separate Breakdown in this Section)	
2	2577000017	1	Linear Actuator Mount Kit (See Separate Breakdown in this Section)	

## SECTION 4 - CONTROLS

FIGURE 4-13. 4 BANK VALVE INSTALLATION - NO/MANUAL TOW/STABILIZERS/REMOTE CONTROL



ART\_C4BSTRC-TPR

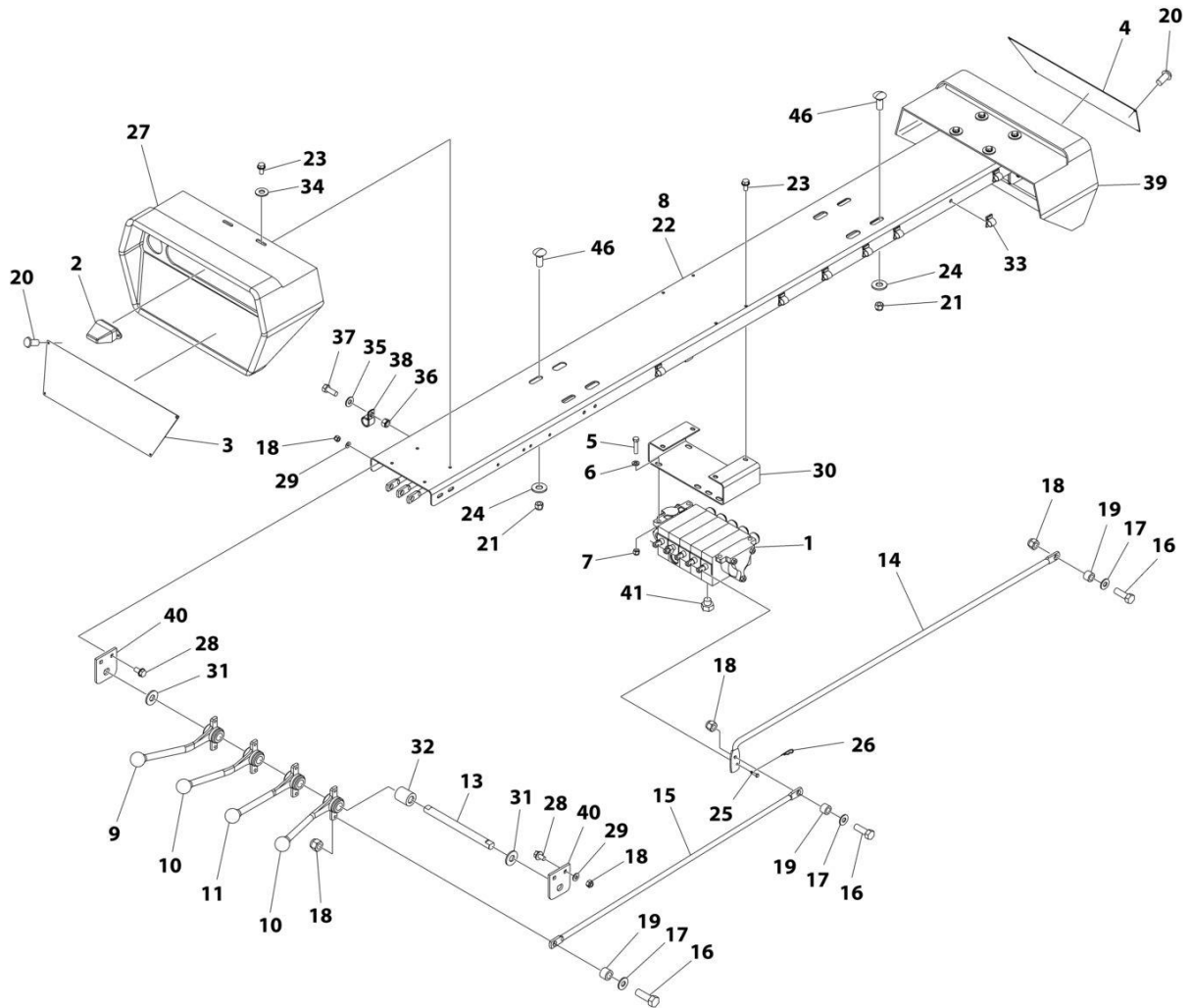
## SECTION 4 - CONTROLS

**FIGURE 4-13. 4 BANK VALVE INSTALLATION - NO/MANUAL TOW/STABILIZERS/REMOTE CONTROL**

ITEM	PART NUMBER	QTY	DESCRIPTION	REV
	C4BSTRC-TPR	Ref	4 BANK VALVE INSTALLATION - NO/MANUAL TOW/STABILIZERS/REMOTE CONTROL	0
1	2296000108	1	4 Bank Controls Installation (See Separate Breakdown in this Section)	
2	2577000017	1	Linear Actuator Mount Kit (See Separate Breakdown in this Section)	

# SECTION 4 - CONTROLS

## FIGURE 4-14. 4 BANK VALVE CONTROLS INSTALLATION - HYDRAULIC TOW



ART\_1001170390

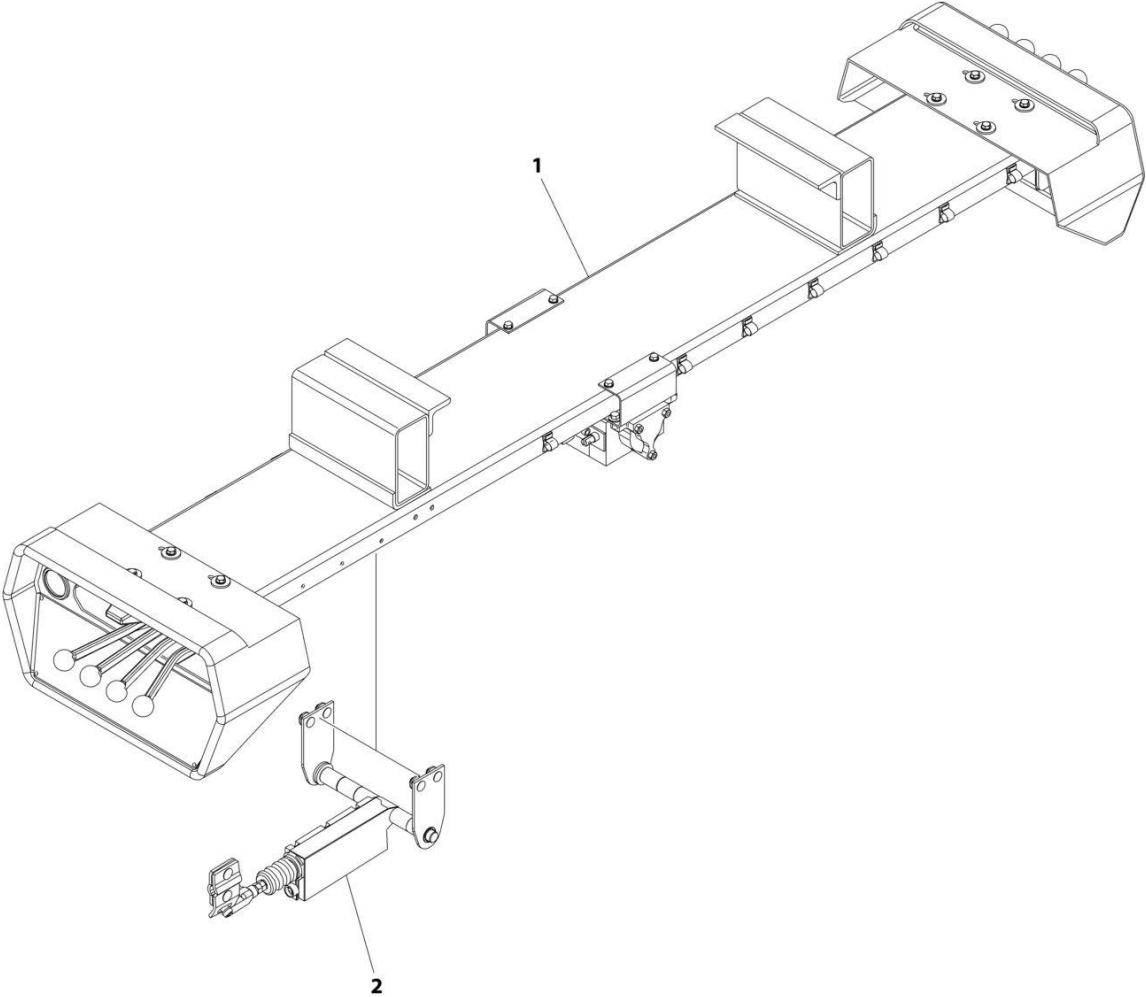
## SECTION 4 - CONTROLS

**FIGURE 4-14. 4 BANK VALVE CONTROLS INSTALLATION - HYDRAULIC TOW**

ITEM	PART NUMBER	QTY	DESCRIPTION	REV
	1001170390	Ref	4 BANK CONTROLS INSTALLATION WITH HITCH	B
1	3935000117	1	Valve Assembly (See Separate Breakdown in this Section)	
2	1001143764	2	Lamp	
3	7330000648	1	Decal Control Panel, LH	
4	7330000649	1	Decal Control Panel, RH	
5	7111161050	4	Capscrew 3/8 x 1-1/4	
6	7950160161	4	Washer 3/8	
7	7660162601	4	Nut 3/8	
8	1001170189	1	Channel	
9	7551000021	2	Control Handle	
10	7551000020	4	Control Handle	
11	7551000018	2	Control Handle	
12	7115181064	4	Bolt 1/2 x 1/4	
13	7691000064	2	Pin	
14	1001170187	4	Control Rod	
15	1001170188	4	Control Rod	
16	7115150850	12	Capscrew 5/16 x 1	
17	7949000011	12	Washer	
18	7660152601	20	Nut 5/16	
19	4831000069	12	Spacer	
20	7759000006	8	Rivet	
21	7660182601	4	Nut 1/2	
22	8632000012	AR	Trim lock	
23	7790151253	12	Screw 5/16 x 3/4	
24	7950180161	4	Washer 1/2	
25	7690101200	4	Clevis Pin	
26	7691000056	4	Pin, Hairpin Cotter	
27	3560000010	1	Control Hood Assembly	
28	7115150664	8	Bolt 5/16 x 3/4	
29	7950150161	8	Washer 5/16	
30	1001135272	1	Channel	
31	7950220141	2	Washer 3/4	
32	4211000001	2	Bushing	
33	7280000007	11	Wire Clip	
34	7949000054	8	Washer	
35	7950140141	1	Washer 1/4	
36	7660142601	1	Nut 1/4	
37	7115140650	1	Capscrew 1/4 x 3/4	
38	7274000063	1	Clamp	
39	7560000007	1	Control Hood, RH	
40	4606000217	4	Lug	
41	7443000048	2	Fitting Plug	

**SECTION 4 - CONTROLS**

**FIGURE 4-15. 4 BANK VALVE CONTROLS INSTALLATION - HYDRAULIC TOW/REMOTE CONTROL**



ART\_1001170385



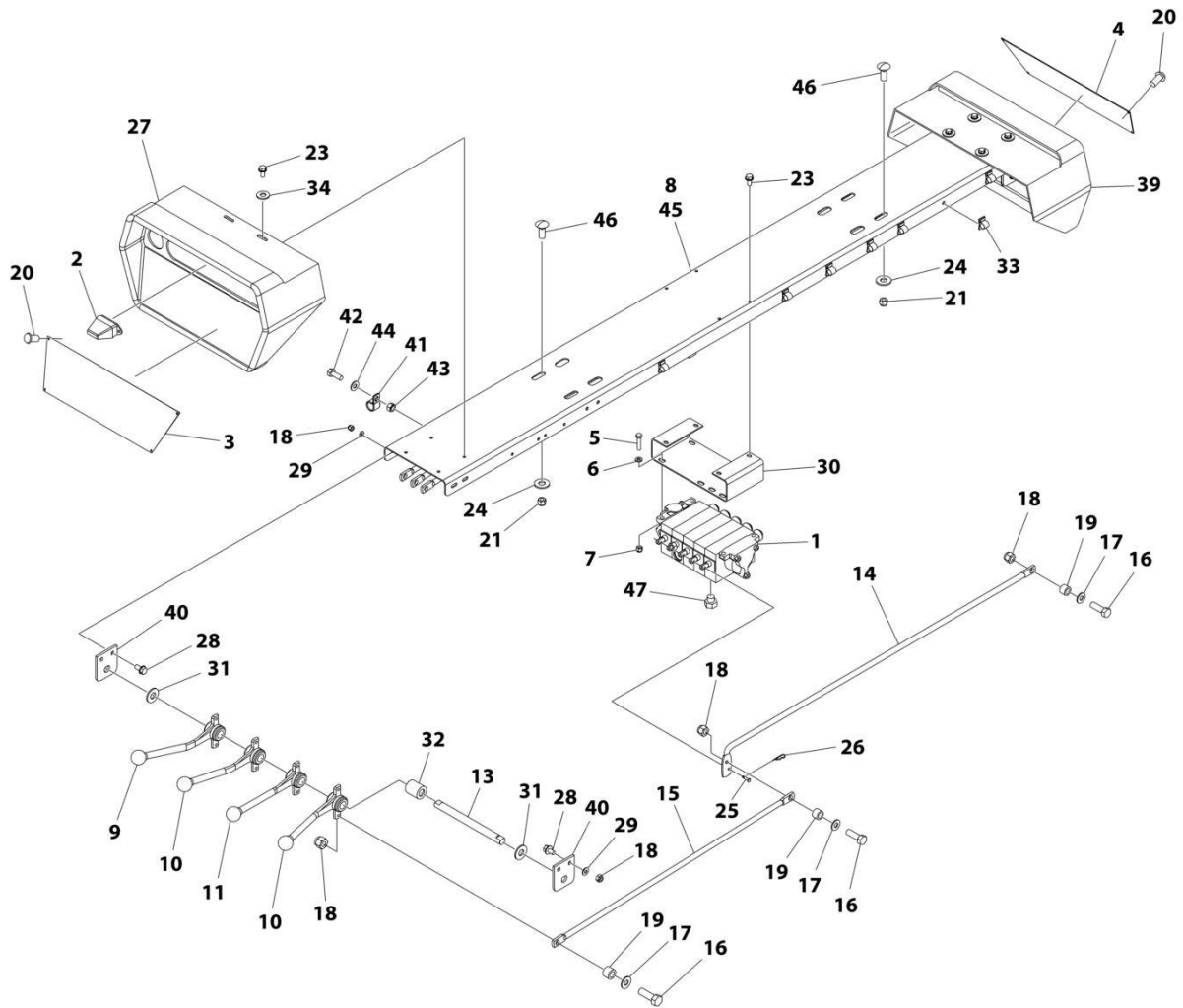
## SECTION 4 - CONTROLS

**FIGURE 4-15. 4 BANK VALVE CONTROLS INSTALLATION - HYDRAULIC TOW/REMOTE CONTROL**

ITEM	PART NUMBER	QTY	DESCRIPTION	REV
	1001170385	Ref	4 BANK CONTROLS INSTALLATION WITH HITCH - REMOTE CONTROL	A
1	1001170390	Ref	4 Bank Controls Installation (See Separate Breakdown in this Section)	
2	2577000017	1	Linear Actuator Mount Kit (See Separate Breakdown in this Section)	

# SECTION 4 - CONTROLS

## FIGURE 4-16. 4 BANK VALVE CONTROLS INSTALLATION - HYDRAULIC TOW/WINCH MOTOR SPOOL



ART\_1001145990

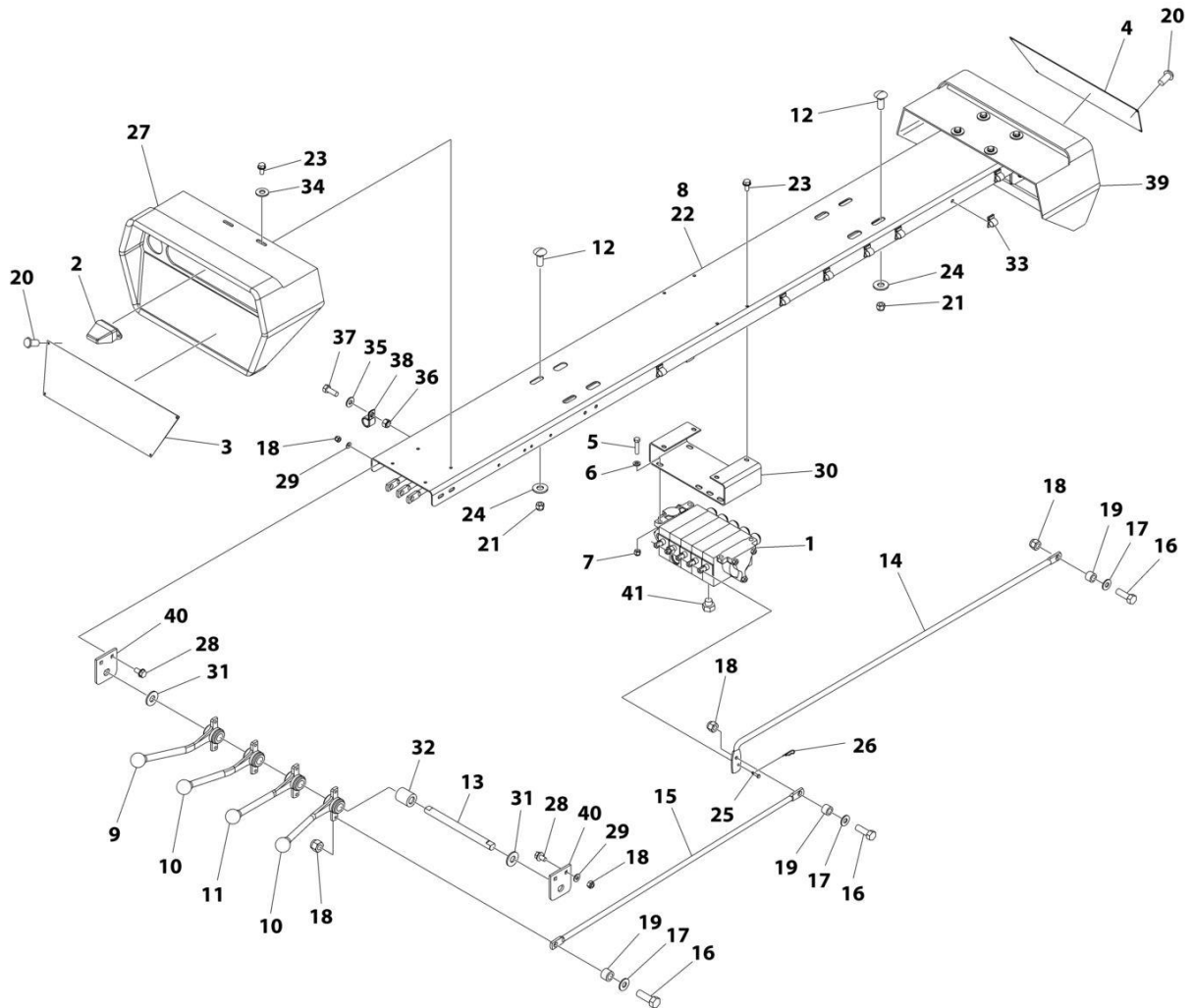
## SECTION 4 - CONTROLS

**FIGURE 4-16. 4 BANK VALVE CONTROLS INSTALLATION - HYDRAULIC TOW/WINCH MOTOR SPOOL**

ITEM	PART NUMBER	QTY	DESCRIPTION	REV
	1001145990	Ref	4 BANK CONTROLS INSTALLATION - HYDRAULIC TOW, WINCH MOTOR SPOOL	C
1	1001146603	1	Valve Assembly (See Separate Breakdown in this Section)	
2	1001143764	2	Lamp	
3	7330000650	1	Decal Control Panel Stabilizer, LH	
4	7330000651	1	Decal Control Panel Stabilizer, RH	
5	7111161050	4	Capscrew 3/8 x 1-1/4	
6	7950160161	4	Washer 3/8	
7	7660162601	4	Nut 3/8	
8	1001135273	1	Channel	
9	7551000021	2	Control Handle	
10	7551000020	4	Control Handle	
11	7551000018	2	Control Handle	
13	7691000064	2	Pin	
14	4763000280	4	Control Rod	
15	4763000279	4	Control Rod	
16	7115150850	12	Capscrew 5/16 x 1	
17	7949000011	12	Washer	
18	7660152601	20	Nut 5/16	
19	4831000069	12	Spacer	
20	7759000006	8	Rivet	
21	7660182601	4	Nut 1/2	
23	7790151253	12	Screw 5/16 x 3/4	
24	7950180161	4	Washer 1/2	
25	7690101200	4	Clevis Pin	
26	7691000056	1	Pin, Hairpin Cotter	
27	3560000010	8	Control Hood Assembly	
28	7115150664	8	Bolt 5/16 x 3/4	
29	7950150161	1	Washer 5/16	
30	1001135272	2	Channel	
31	7950220141	2	Washer 3/4	
32	4211000001	11	Bushing	
33	7280000007	8	Wire Clip	
34	7949000054	1	Washer	
39	7560000007	1	Control Hood, RH	
40	4606000217	4	Lug	
41	7274000063	1	Clamp	
42	7115140650	1	Capscrew 1/4 x 3/4	
43	7660142601	1	Nut 1/4	
44	7950140141	1	Washer 1/4	
45	8632000012	AR	Trim Lock	
46	7115181064	4	Bolt 1/2 x 1-1/4	
47	7443000048	2	Fitting Plug	

# SECTION 4 - CONTROLS

## FIGURE 4-17. 4 BANK VALVE CONTROLS INSTALLATION - HYDRAULIC TOW/WINCH MOTOR SPOOL



ART\_1001170423

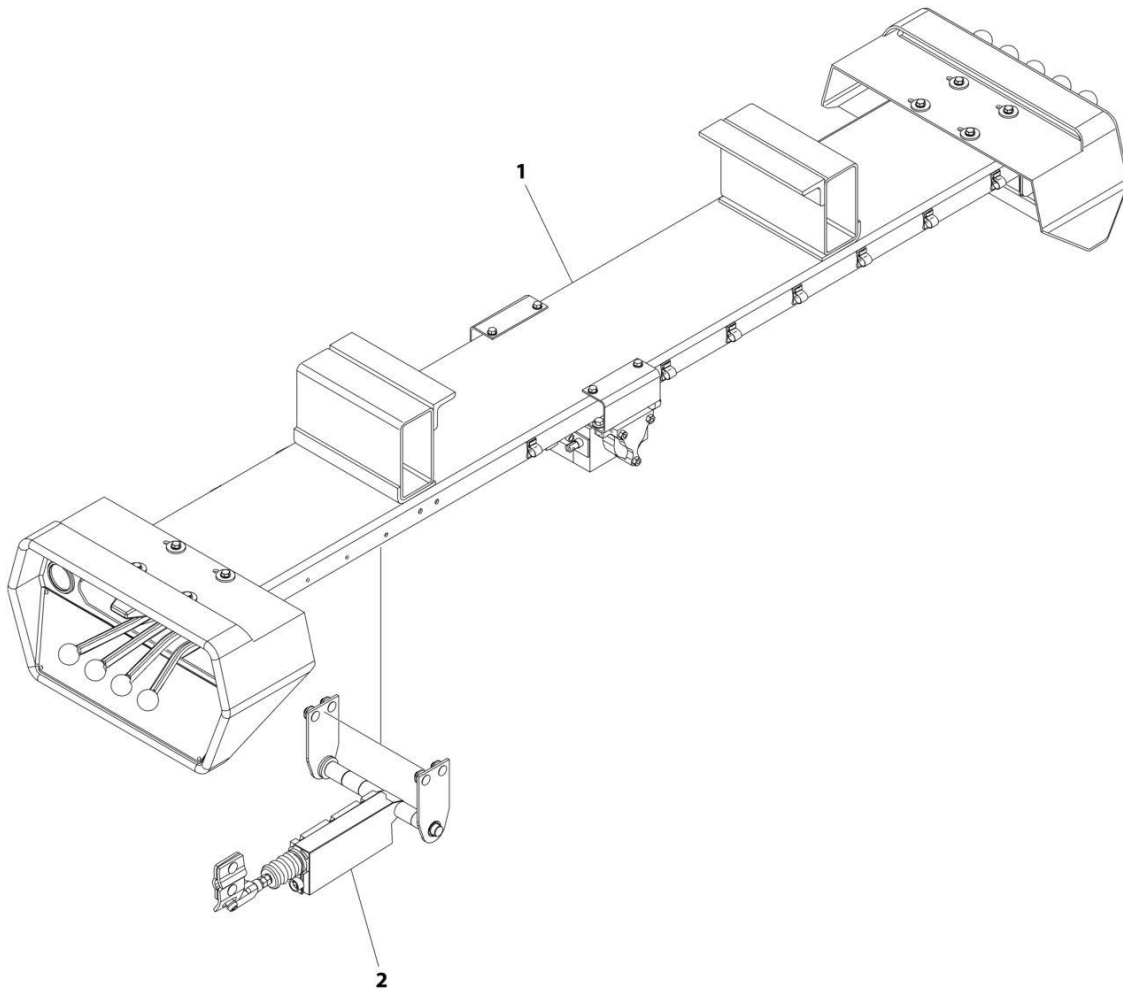
## SECTION 4 - CONTROLS

**FIGURE 4-17. 4 BANK VALVE CONTROLS INSTALLATION - HYDRAULIC TOW/WINCH MOTOR SPOOL**

ITEM	PART NUMBER	QTY	DESCRIPTION	REV
	1001170423	Ref	4 BANK CONTROLS INSTALLATION - HYDRAULIC TOW, WINCH MOTOR SPOOL	B
1	1001146603	1	Valve Assembly (See Separate Breakdown in this Section)	
2	1001143764	2	Lamp	
3	7330000650	1	Decal Control Panel, LH	
4	7330000651	1	Decal Control Panel, RH	
5	7111161050	4	Capscrew 3/8 x 1-1/4	
6	7950160161	4	Washer 3/8	
7	7660162601	4	Nut 3/8	
8	1001170189	1	Channel	
9	7551000021	2	Control Handle	
10	7551000020	4	Control Handle	
11	7551000018	2	Control Handle	
12	7115181064	4	Bolt 1/2 x 1/4	
13	7691000064	2	Pin	
14	1001170187	4	Control Rod	
15	1001170188	4	Control Rod	
16	7115150850	12	Capscrew 5/16 x 1	
17	7949000011	12	Washer	
18	7660152601	20	Nut 5/16	
19	4831000069	12	Spacer	
20	7759000006	8	Rivet	
21	7660182601	4	Nut 1/2	
22	8632000012	AR	Trim lock	
23	7790151253	12	Screw 5/16 x 3/4	
24	7950180161	4	Washer 1/2	
25	7690101200	4	Clevis Pin	
26	7691000056	4	Pin, Hairpin Cotter	
27	3560000010	1	Control Hood Assembly	
28	7115150664	8	Bolt 5/16 x 3/4	
29	7950150161	8	Washer 5/16	
30	1001135272	1	Channel	
31	7950220141	2	Washer 3/4	
32	4211000001	2	Bushing	
33	7280000007	11	Wire Clip	
34	7949000054	8	Washer	
35	7950140141	1	Washer 1/4	
36	7660142601	1	Nut 1/4	
37	7115140650	1	Capscrew 1/4 x 3/4	
38	7274000063	1	Clamp	
39	7560000007	1	Control Hood, RH	
40	4606000217	4	Lug	
41	7443000048	2	Fitting Plug	

# SECTION 4 - CONTROLS

FIGURE 4-18. 4 BANK VALVE CONTROLS INSTALLATION - HYDRAULIC TOW/WINCH MOTOR SPOOL/REMOTE CONTROL



ART\_1001153232

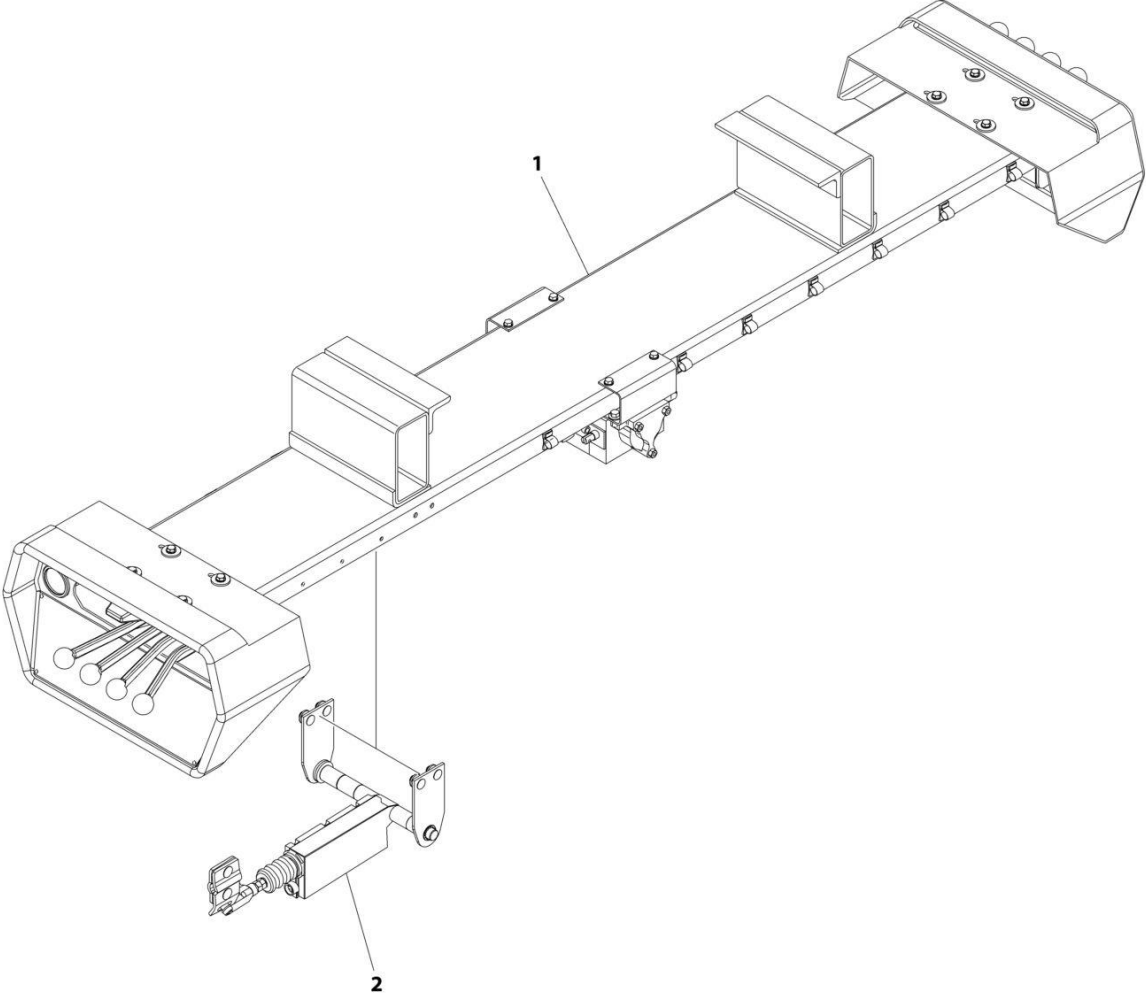
## SECTION 4 - CONTROLS

**FIGURE 4-18. 4 BANK VALVE CONTROLS INSTALLATION - HYDRAULIC TOW/WINCH MOTOR SPOOL/REMOTE CONTROL**

ITEM	PART NUMBER	QTY	DESCRIPTION	REV
1	1001153232	Ref	4 BANK CONTROLS - WINCH MOTOR SPOOL, RADIO REMOTE	A
	1001145990	1	4 Bank Controls Installation (See Separate Breakdown in this Section)	
2	2577000017	1	Linear Actuator Mount Kit (See Separate Breakdown in this Section)	

**SECTION 4 - CONTROLS**

**FIGURE 4-19. 4 BANK VALVE CONTROLS INSTALLATION - HYDRAULIC TOW/WINCH MOTOR SPOOL/REMOTE CONTROL**



ART\_1001170424



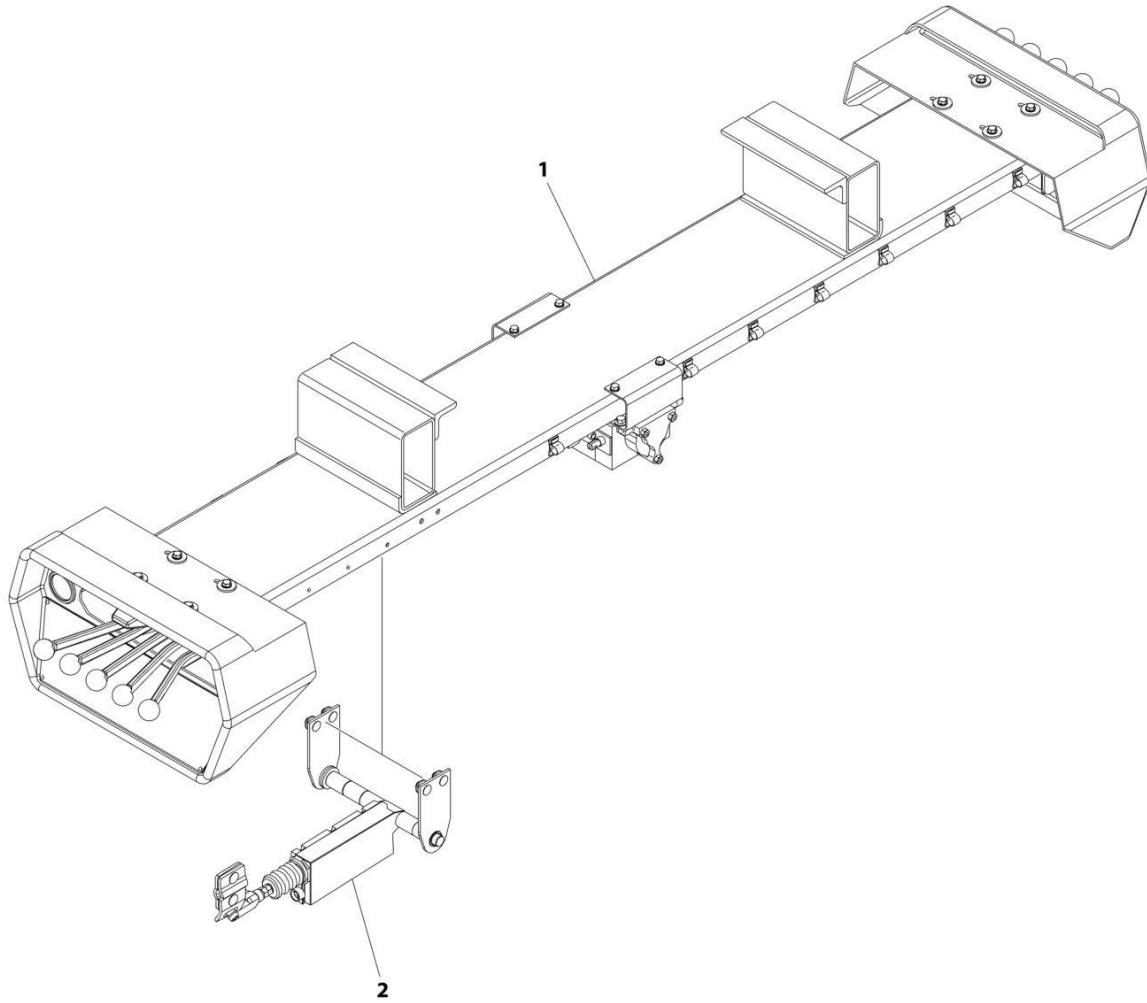
## SECTION 4 - CONTROLS

**FIGURE 4-19. 4 BANK VALVE CONTROLS INSTALLATION - HYDRAULIC TOW/WINCH MOTOR SPOOL/REMOTE CONTROL**

ITEM	PART NUMBER	QTY	DESCRIPTION	REV
	1001170424	Ref	4 BANK CONTROLS INSTALLATION - WINCH MOTOR SPOOL, RADIO REMOTE	A
1	1001170423	Ref	4 Bank Controls Installation (See Separate Breakdown in this Section)	
2	2577000017	1	Linear Actuator Mount Kit (See Separate Breakdown in this Section)	

# SECTION 4 - CONTROLS

FIGURE 4-20. 5 BANK VALVE INSTALLATION - HYDRAULIC TOW/STABILIZERS/REMOTE CONTROL



ART\_C5BSTRC-TPR

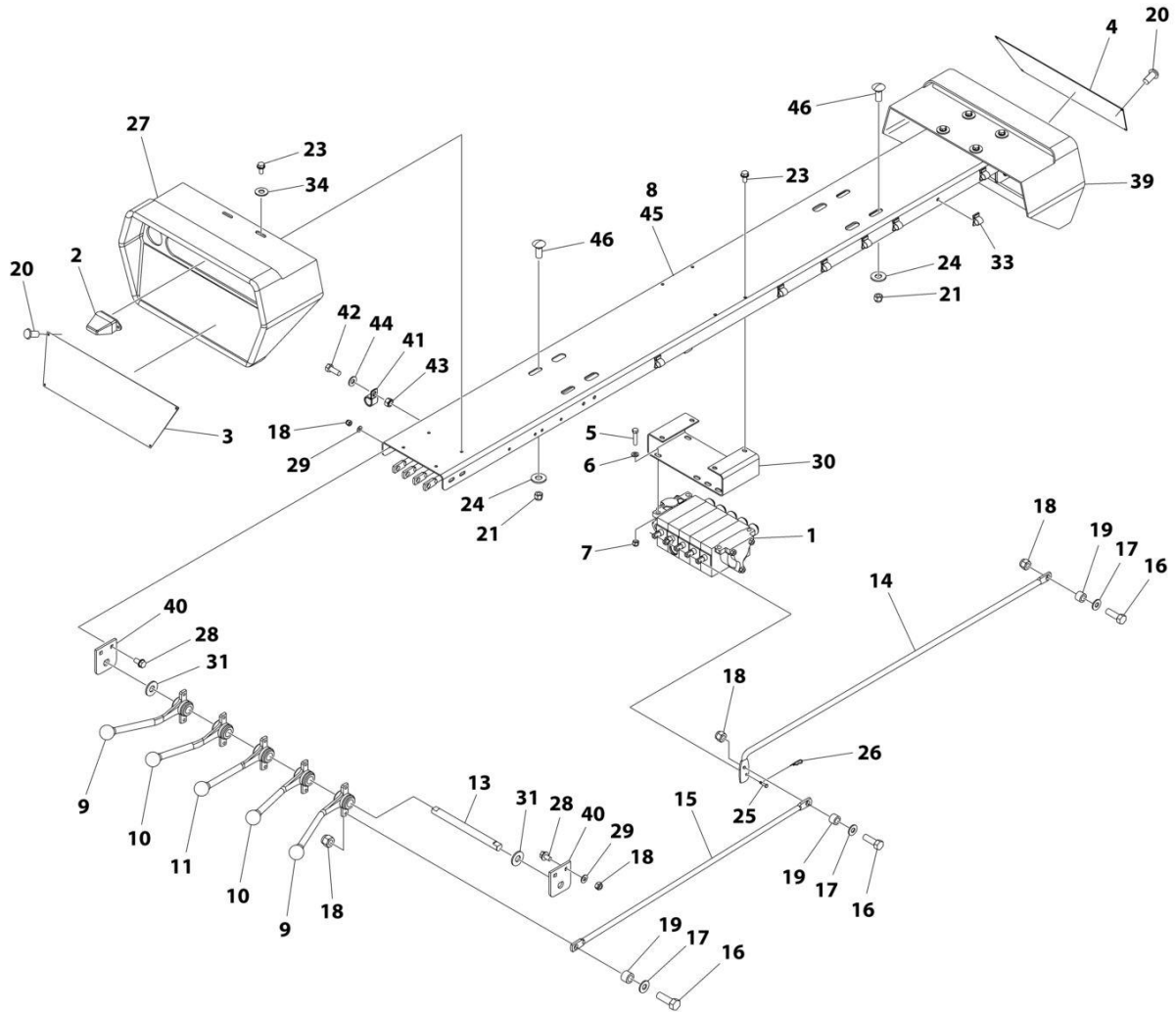
## SECTION 4 - CONTROLS

**FIGURE 4-20. 5 BANK VALVE INSTALLATION - HYDRAULIC TOW/STABILIZERS/REMOTE CONTROL**

ITEM	PART NUMBER	QTY	DESCRIPTION	REV
	C5BSTRC-TPR	Ref	5 BANK VALVE INSTALLATION - HYD TOW/STABILIZERS/REMOTE CONTROL	0
1	2296000111	1	5 Bank Controls Installation (See Separate Breakdown in this Section)	
2	2577000017	1	Linear Actuator Mount Kit (See Separate Breakdown in this Section)	

# SECTION 4 - CONTROLS

## FIGURE 4-21. 5 BANK VALVE CONTROLS INSTALLATION - HYDRAULIC TOW/STABILIZER



ART\_2296000111

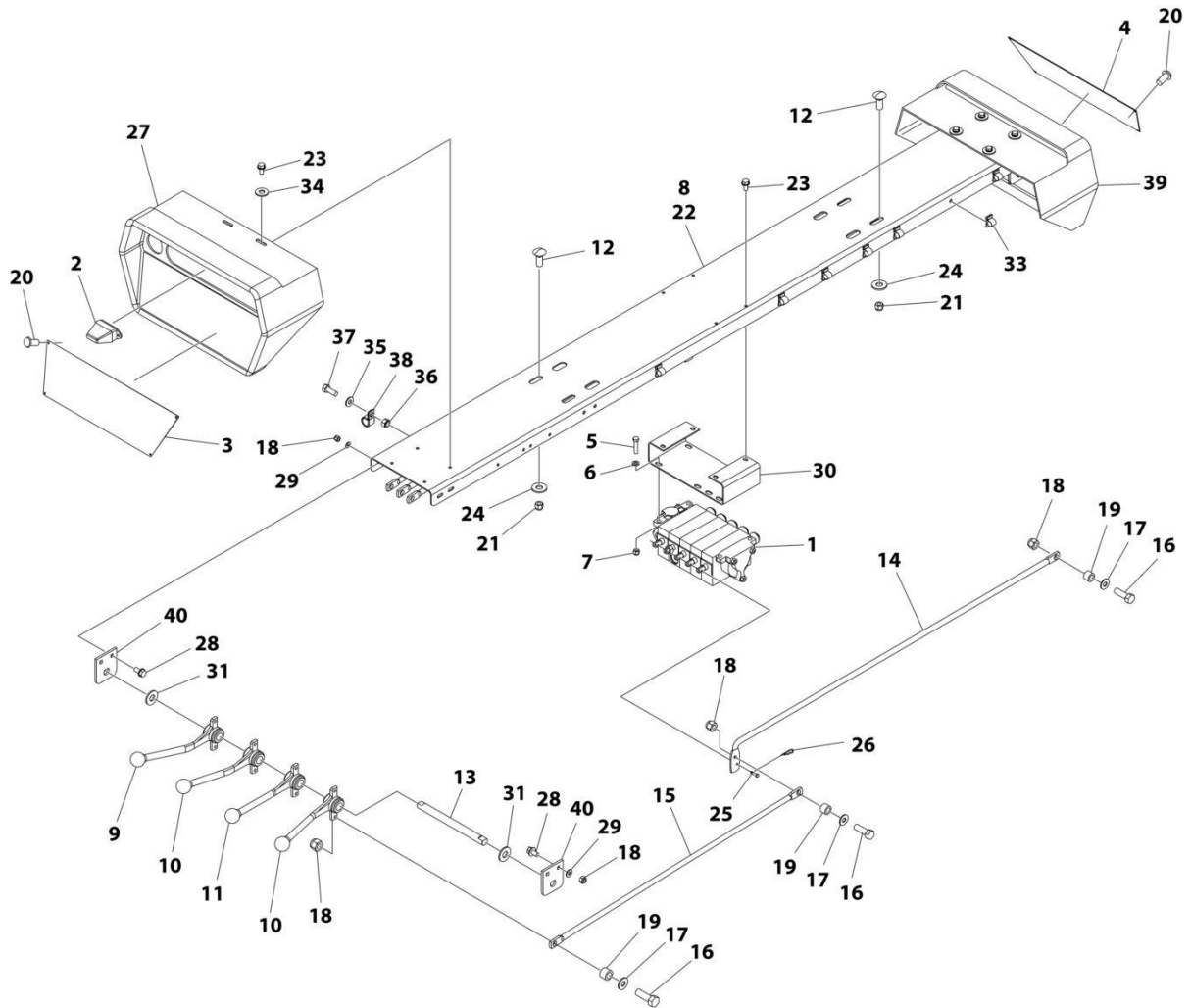
## SECTION 4 - CONTROLS

**FIGURE 4-21. 5 BANK VALVE CONTROLS INSTALLATION - HYDRAULIC TOW/STABILIZER**

ITEM	PART NUMBER	QTY	DESCRIPTION	REV
	2296000111	Ref	5 BANK CONTROLS INSTALLATION - HYDRAULIC TOW, STABILIZER	J
1	3935000117	1	Valve Assembly (See Separate Breakdown in this Section)	
2	1001143764	2	Lamp	
3	7330000650	1	Decal, Control Panel Stabilizer, LH	
4	7330000651	1	Decal, Control Panel Stabilizer, RH	
5	7111161050	4	Capscrew 3/8 x 1-1/4	
6	7950160161	4	Washer 3/8	
7	7660162601	4	Nut 3/8	
8	1001135273	1	Channel	
9	7551000021	2	Control Handle	
10	7551000020	4	Control Handle	
11	7551000018	2	Control Handle	
13	7691000064	2	Pin	
14	4763000280	5	Control Rod	
15	4763000279	5	Control Rod	
16	7115150850	15	Capscrew 5/16 x 1	
17	7949000011	15	Washer	
18	7660152601	23	Nut 5/16	
19	4831000069	15	Spacer	
20	7759000006	8	Rivet	
21	7660182601	4	Nut 1/2	
23	7790151253	12	Screw 5/16 x 3/4	
24	7950180161	4	Washer 1/2	
25	7690101200	5	Clevis Pin	
26	7691000056	5	Pin, Hairpin Cotter	
27	3560000010	1	Control Hood Assembly	
28	7115150664	8	Bolt 5/16 x 3/4	
29	7950150161	8	Washer 5/16	
30	1001135272	1	Channel	
31	7950220141	2	Washer 3/4	
33	7280000007	11	Wire Clip	
34	7949000054	8	Washer	
39	7560000007	1	Control Hood, RH	
40	4606000217	4	Lug	
41	7274000063	1	Clamp	
42	7115140650	1	Capscrew 1/4 x 3/4	
43	7660142601	1	Nut 1/4	
44	7950140141	1	Washer 1/4	
45	8632000012	AR	Trim Lock	
46	7115181064	4	Bolt 1/2 x 1-1/4	

# SECTION 4 - CONTROLS

## FIGURE 4-22. 5 BANK VALVE CONTROLS INSTALLATION - HYDRAULIC TOW/STABILIZER



ART\_1001170401

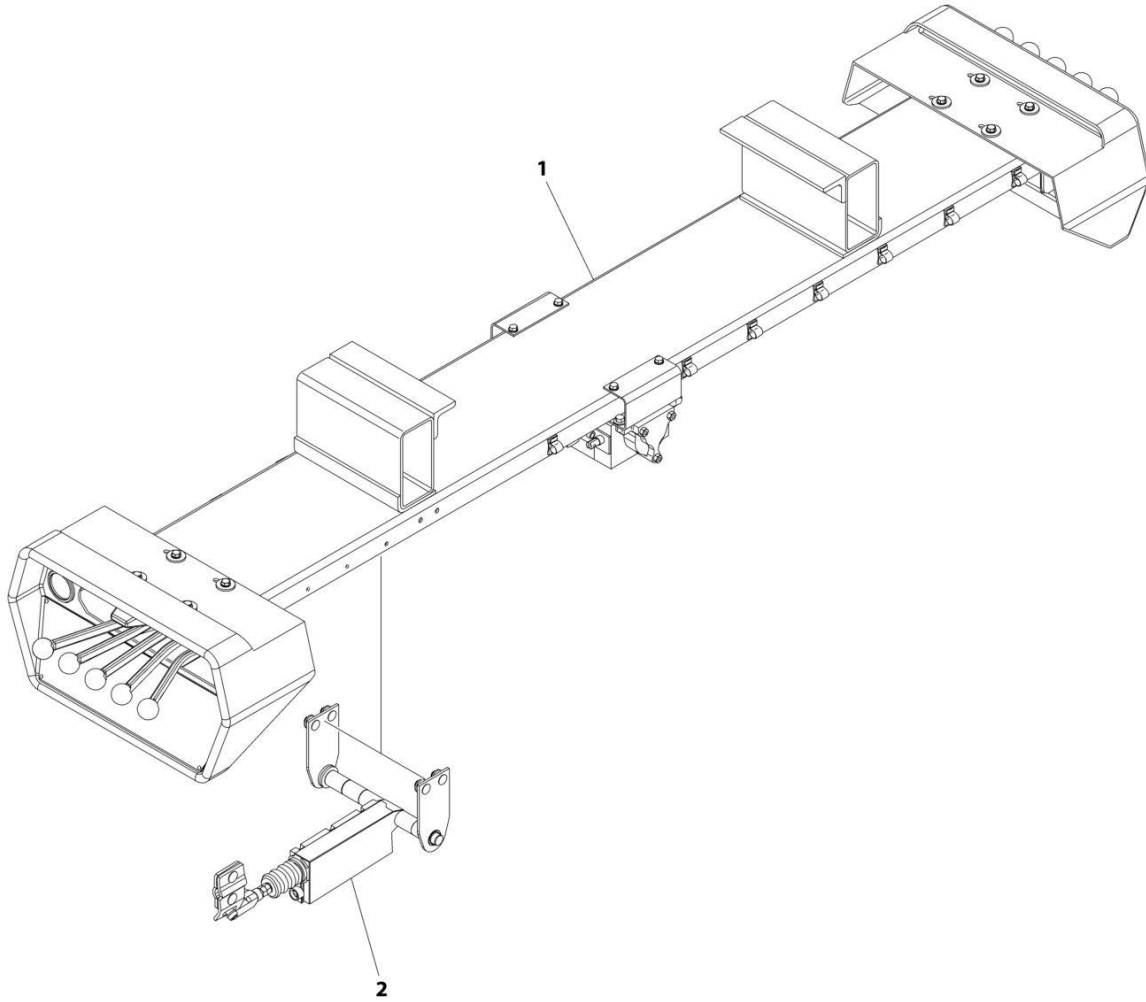
## SECTION 4 - CONTROLS

**FIGURE 4-22. 5 BANK VALVE CONTROLS INSTALLATION - HYDRAULIC TOW/STABILIZER**

ITEM	PART NUMBER	QTY	DESCRIPTION	REV
	1001170401	Ref	5 BANK CONTROLS INSTALLATION WITH STABILIZER - EXTEND	A
1	3935000117	1	Valve Assembly (See Separate Breakdown in this Section)	
2	1001143764	2	Lamp	
3	7330000650	1	Decal Control Panel Stabilizer, LH	
4	7330000651	1	Decal Control Panel Stabilizer, RH	
5	7111161050	4	Capscrew 3/8 x 1-1/4	
6	7950160161	4	Washer 3/8	
7	7660162601	4	Nut 3/8	
8	1001170189	1	Channel	
9	7551000021	4	Control Handle	
10	7551000020	4	Control Handle	
11	7551000018	2	Control Handle	
12	7115181064	4	Bolt 1/2 x 1/4	
13	7691000064	2	Pin	
14	1001170187	5	Control Rod	
15	1001170188	5	Control Rod	
16	7115150850	15	Capscrew 5/16 x 1	
17	7949000011	15	Washer	
18	7660152601	23	Nut 5/16	
19	4831000069	15	Spacer	
20	7759000006	8	Rivet	
21	7660182601	4	Nut 1/2	
22	8632000012	AR	Trim lock	
23	7790151253	12	Screw 5/16 x 3/4	
24	7950180161	4	Washer 1/2	
25	7690101200	5	Clevis Pin	
26	7691000056	5	Pin, Hairpin Cotter	
27	3560000010	1	Control Hood Assembly	
28	7115150664	8	Bolt 5/16 x 3/4	
29	7950150161	8	Washer 5/16	
30	1001135272	1	Channel	
31	7950220141	2	Washer 3/4	
33	7280000007	11	Wire Clip	
34	7949000054	8	Washer	
35	7950140141	1	Washer 1/4	
36	7660142601	1	Nut 1/4	
37	7115140650	1	Capscrew 1/4 x 3/4	
38	7274000063	1	Clamp	
39	7560000007	1	Control Hood, RH	
40	4606000217	4	Lug	

# SECTION 4 - CONTROLS

FIGURE 4-23. 5 BANK VALVE CONTROLS INSTALLATION - HYDRAULIC TOW/STABILIZER/REMOTE CONTROL



ART\_1001170402



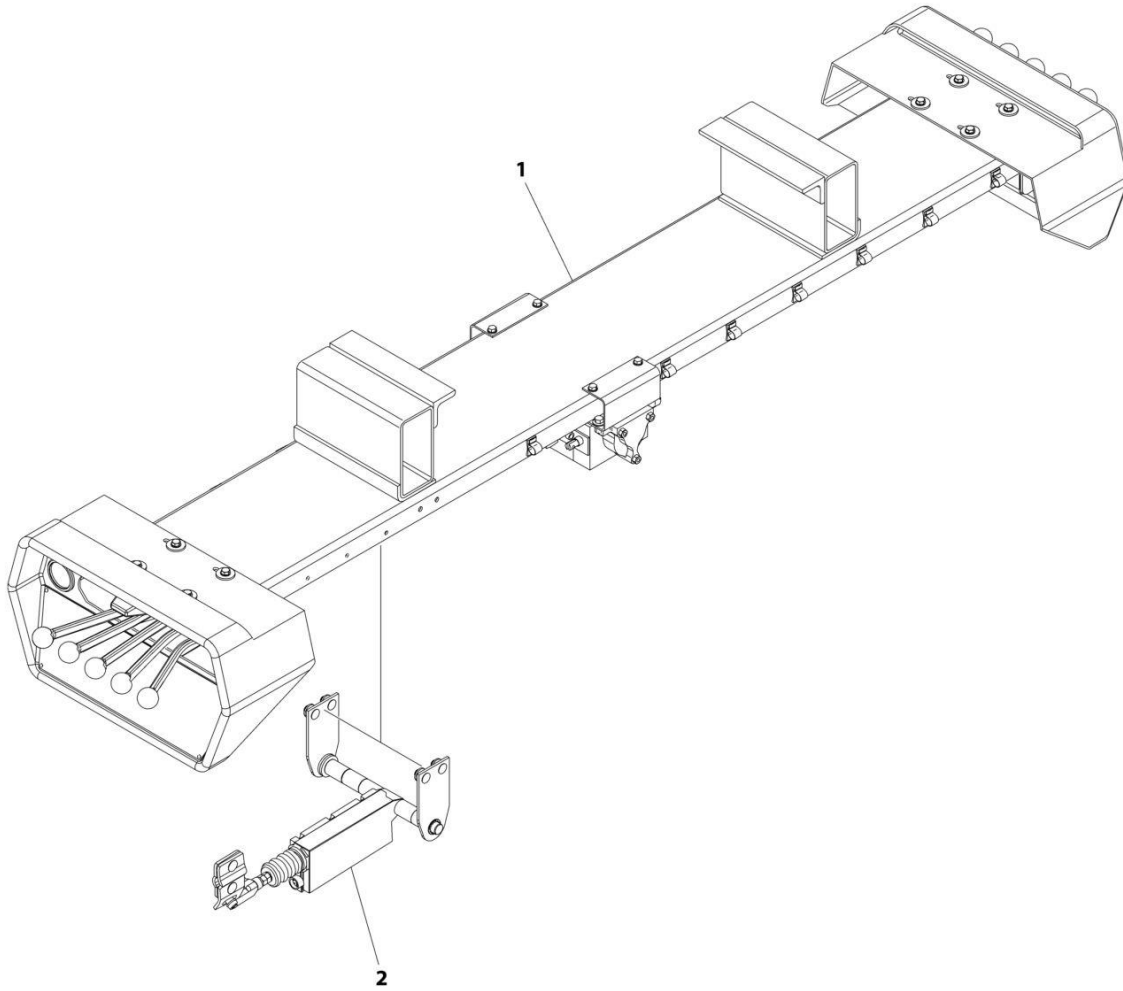
## SECTION 4 - CONTROLS

**FIGURE 4-23. 5 BANK VALVE CONTROLS INSTALLATION - HYDRAULIC  
TOW/STABILIZER/REMOTE CONTROL**

ITEM	PART NUMBER	QTY	DESCRIPTION	REV
	1001170402	Ref	5 BANK CONTROLS INSTALLATION WITH STABILIZER - REMOTE CONTROL	A
1	1001170401	1	5 Bank Controls Installation (See Separate Breakdown in this Section)	
2	2577000017	1	Linear Actuator Mount Kit (See Separate Breakdown in this Section)	

# SECTION 4 - CONTROLS

FIGURE 4-24. 5 BANK VALVE INSTALLATION – HYDRAULIC TOW/IRL/REMOTE CONTROL



ART\_C5BITRC-TPR

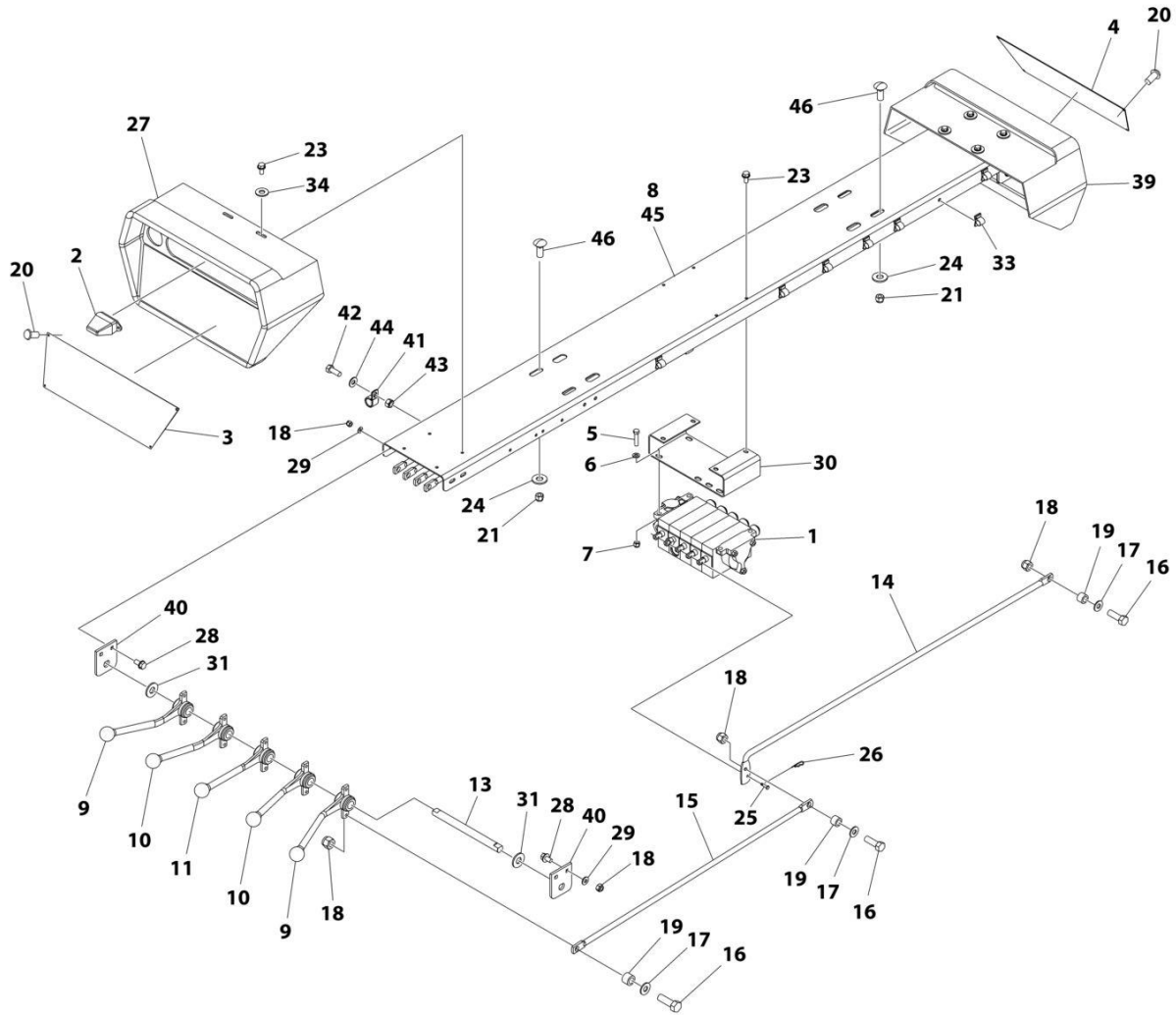
## SECTION 4 - CONTROLS

**FIGURE 4-24. 5 BANK VALVE INSTALLATION – HYDRAULIC TOW/IRL/REMOTE CONTROL**

ITEM	PART NUMBER	QTY	DESCRIPTION	REV
	C5BITRC-TPR	Ref	5 BANK VALVE INSTALLATION - HYD TOW/IRL/REMOTE CONTROL	0
1	2296000106	1	5 Bank Controls Installation (See Separate Breakdown in this Section)	
2	2577000017	1	Linear Actuator Mount Kit (See Separate Breakdown in this Section)	

# SECTION 4 - CONTROLS

## FIGURE 4-25. 5 BANK VALVE CONTROLS INSTALLATION - HYDRAULIC TOW/IRL



ART\_2296000106

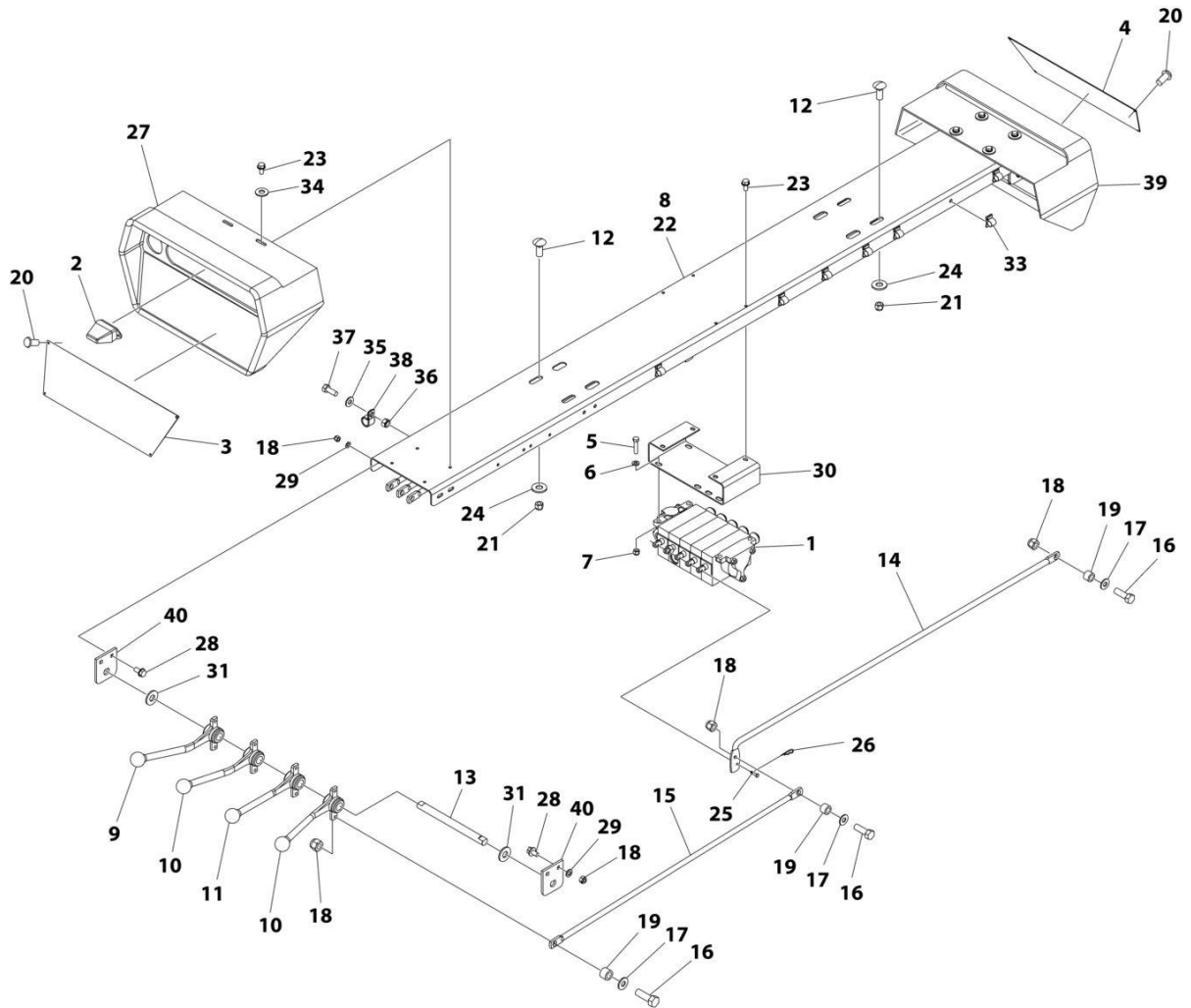
## SECTION 4 - CONTROLS

**FIGURE 4-25. 5 BANK VALVE CONTROLS INSTALLATION - HYDRAULIC TOW/IRL**

ITEM	PART NUMBER	QTY	DESCRIPTION	REV
	2296000106	Ref	5 BANK CONTROLS INSTALLATION - HYDRAULIC TOW, IRL	I
1	3935000117	1	Valve Assembly (See Separate Breakdown in this Section)	
2	1001143764	2	Lamp	
3	7330000648	1	Decal Control Panel, LH	
4	7330000649	1	Decal Control Panel, RH	
5	7111161050	4	Capscrew 3/8 x 1-1/4	
6	7950160161	4	Washer 3/8	
7	7660162601	4	Nut 3/8	
8	1001135273	1	Channel	
9	7551000021	4	Control Handle	
10	7551000020	4	Control Handle	
11	7551000018	2	Control Handle	
13	7691000064	2	Pin	
14	4763000280	5	Control Rod	
15	4763000279	5	Control Rod	
16	7115150850	15	Capscrew 5/16 x 1	
17	7949000011	15	Washer	
18	7660152601	23	Nut 5/16	
19	4831000069	15	Spacer	
20	7759000006	8	Rivet	
21	7660182601	4	Nut 1/2	
23	7790151253	12	Screw 5/16 x 3/4	
24	7950180161	4	Washer 1/2	
25	7690101200	5	Clevis Pin	
26	7691000056	5	Pin, Hairpin Cotter	
27	3560000010	1	Control Hood Assembly	
28	7115150664	8	Bolt 5/16 x 3/4	
29	7950150161	8	Washer 5/16	
30	1001135272	1	Channel	
31	7950220141	2	Washer 3/4	
33	7280000007	11	Wire Clip	
34	7949000054	8	Washer	
39	7560000007	1	Control Hood, RH	
40	4606000217	4	Lug	
41	7274000063	1	Clamp	
42	7115140650	1	Capscrew 1/4 x 3/4	
43	7660142601	1	Nut 1/4	
44	7950140141	1	Washer 1/4	
45	8632000012	AR	Trim Lock	
46	7115181064	4	Bolt 1/2 x 1-1/4	

# SECTION 4 - CONTROLS

## FIGURE 4-26. 5 BANK VALVE CONTROLS INSTALLATION - HYDRAULIC TOW/IRL



ART\_1001170393

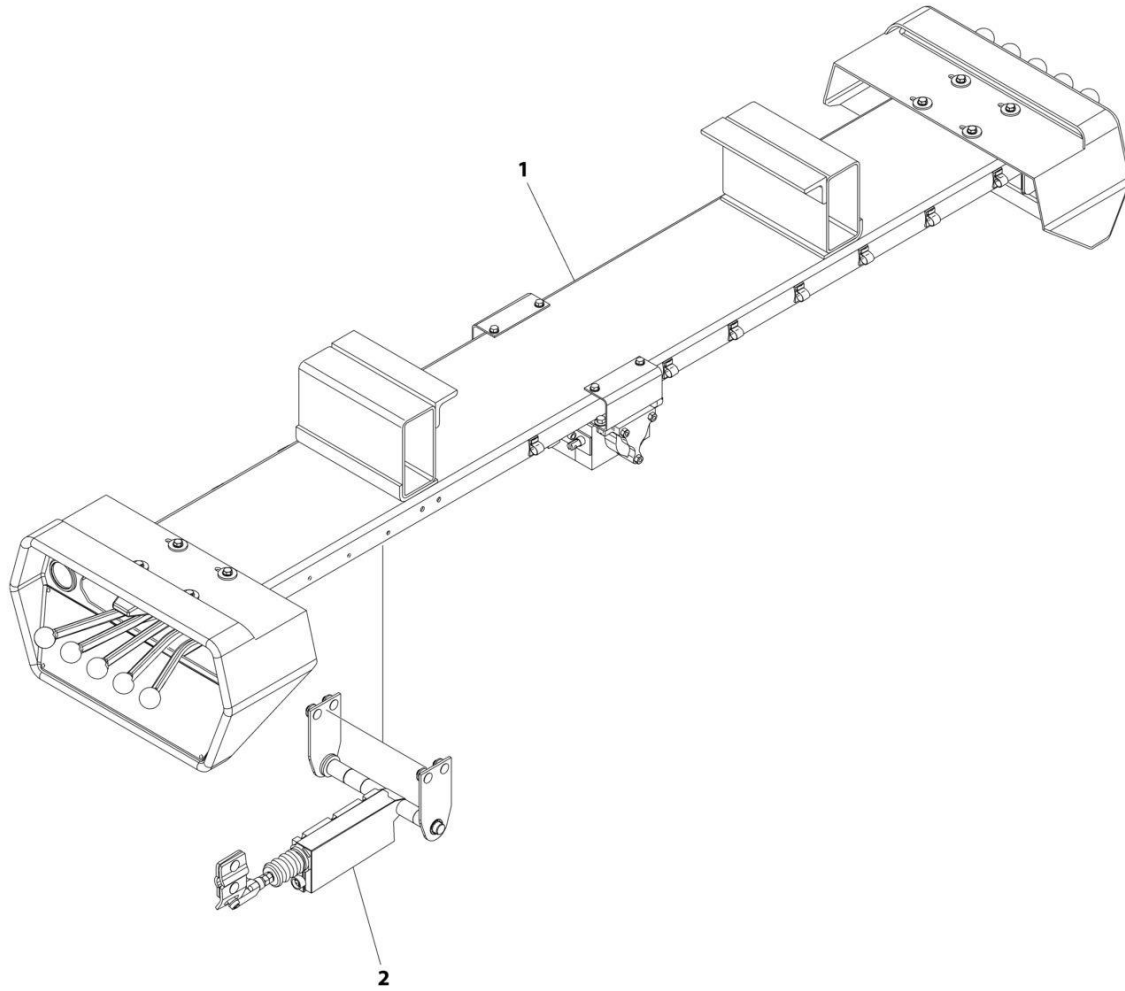
## SECTION 4 - CONTROLS

**FIGURE 4-26. 5 BANK VALVE CONTROLS INSTALLATION - HYDRAULIC TOW/IRL**

ITEM	PART NUMBER	QTY	DESCRIPTION	REV
	1001170393	Ref	5 BANK CONTROLS INSTALLATION - IRL	A
1	3935000117	1	Valve Assembly (See Separate Breakdown in this Section)	
2	1001143764	2	Lamp	
3	7330000648	1	Decal Control Panel, LH	
4	7330000649	1	Decal Control Panel, RH	
5	7111161050	4	Capscrew 3/8 x 1-1/4	
6	7950160161	4	Washer 3/8	
7	7660162601	4	Nut 3/8	
8	1001170189	1	Channel	
9	7551000021	4	Control Handle	
10	7551000020	4	Control Handle	
11	7551000018	2	Control Handle	
12	7115181064	4	Bolt 1/2 x 1-1/4	
13	7691000064	2	Pin	
14	1001170187	5	Control Rod	
15	1001170188	5	Control Rod	
16	7115150850	15	Capscrew 5/16 x 1	
17	7949000011	15	Washer	
18	7660152601	23	Nut 5/16	
19	4831000069	15	Sapcer	
20	7759000006	8	Rivet	
21	7660182601	4	Nut 1/2	
22	8632000012	AR	Trim Lock	
23	7790151253	12	Screw 5/16 x 3/4	
24	7950180161	4	Washer 1/2	
25	7690101200	5	Clevis Pin	
26	7691000056	5	Pin, Hairpin Cotter	
27	3560000010	1	Control Hood Assembly	
28	7115150664	8	Bolt 5/16 x 3/4	
29	7950150000	8	Washer 5/16	
30	1001135272	1	Channel	
31	7950220141	2	Washer 3/4	
33	7280000007	11	Wire Clip	
34	7949000054	8	Washer	
35	7950140141	1	Washer 1/4	
36	7660142601	1	Nut 1/4	
37	7115140650	1	Capscrew 1/4 x 3/4	
38	7274000063	1	Clamp	
39	7560000007	1	Control Hood, RH	
40	4606000217	4	Lug	

## SECTION 4 - CONTROLS

FIGURE 4-27. 5 BANK VALVE CONTROLS INSTALLATION - HYD TOW/IRL/REMOTE CONTROL



ART\_1001170397



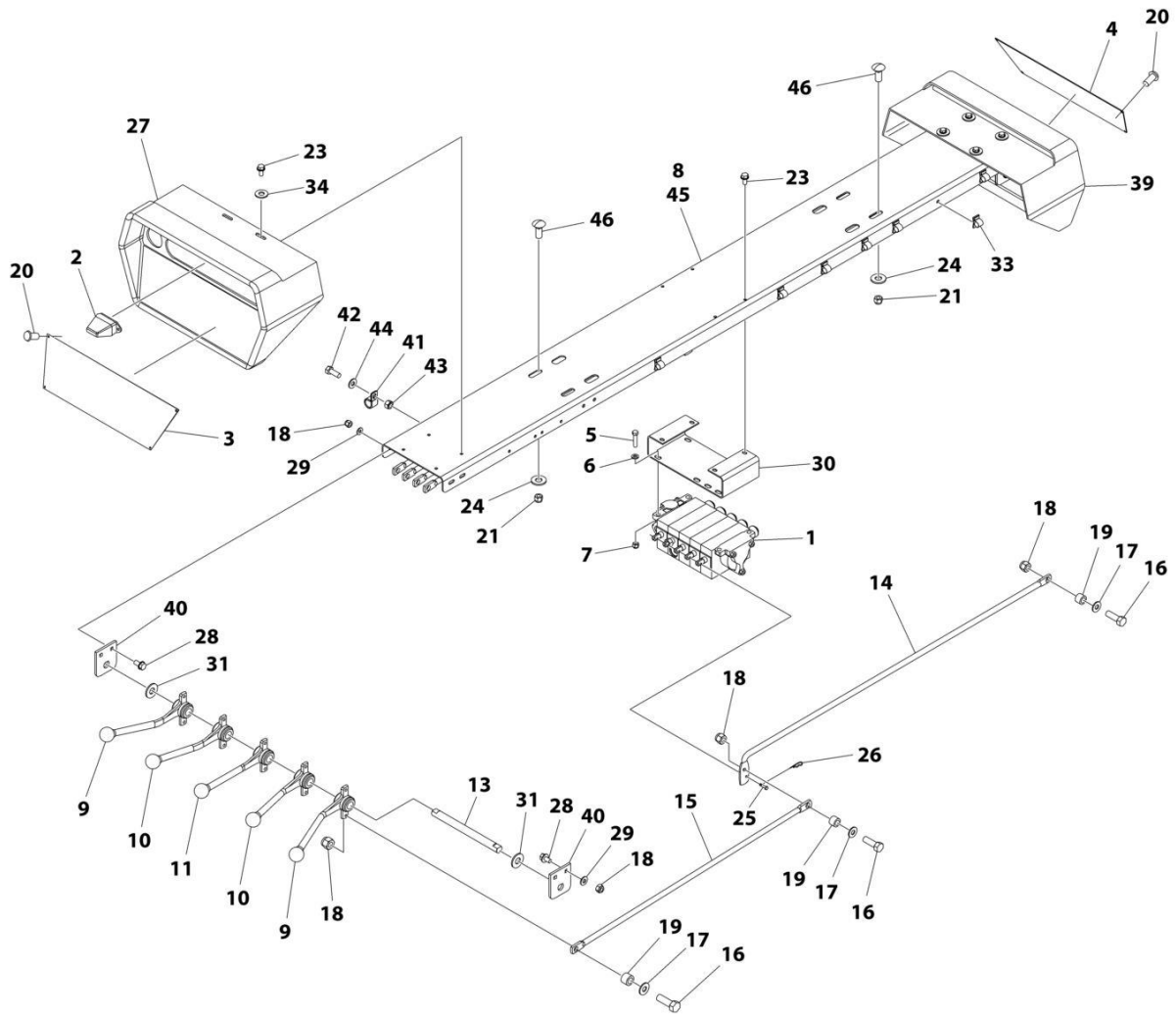
## SECTION 4 - CONTROLS

**FIGURE 4-27. 5 BANK VALVE CONTROLS INSTALLATION - HYD TOW/IRL/REMOTE CONTROL**

ITEM	PART NUMBER	QTY	DESCRIPTION	REV
	1001170397	Ref	5 BANK CONTROLS INSTALLATION - WINCH MOTOR SPOOL, RADIO REMOTE	A
1	1001170393	Ref	5 Bank Controls Installation (See Separate Breakdown in this Section)	
2	2577000017	1	Linear Actuator Mount Kit (See Separate Breakdown in this Section)	

# SECTION 4 - CONTROLS

## FIGURE 4-28. 5 BANK VALVE CONTROLS INSTALLATION - HYDRAULIC TOW/IRL/WINCH MOTOR SPOOL



ART\_1001146605

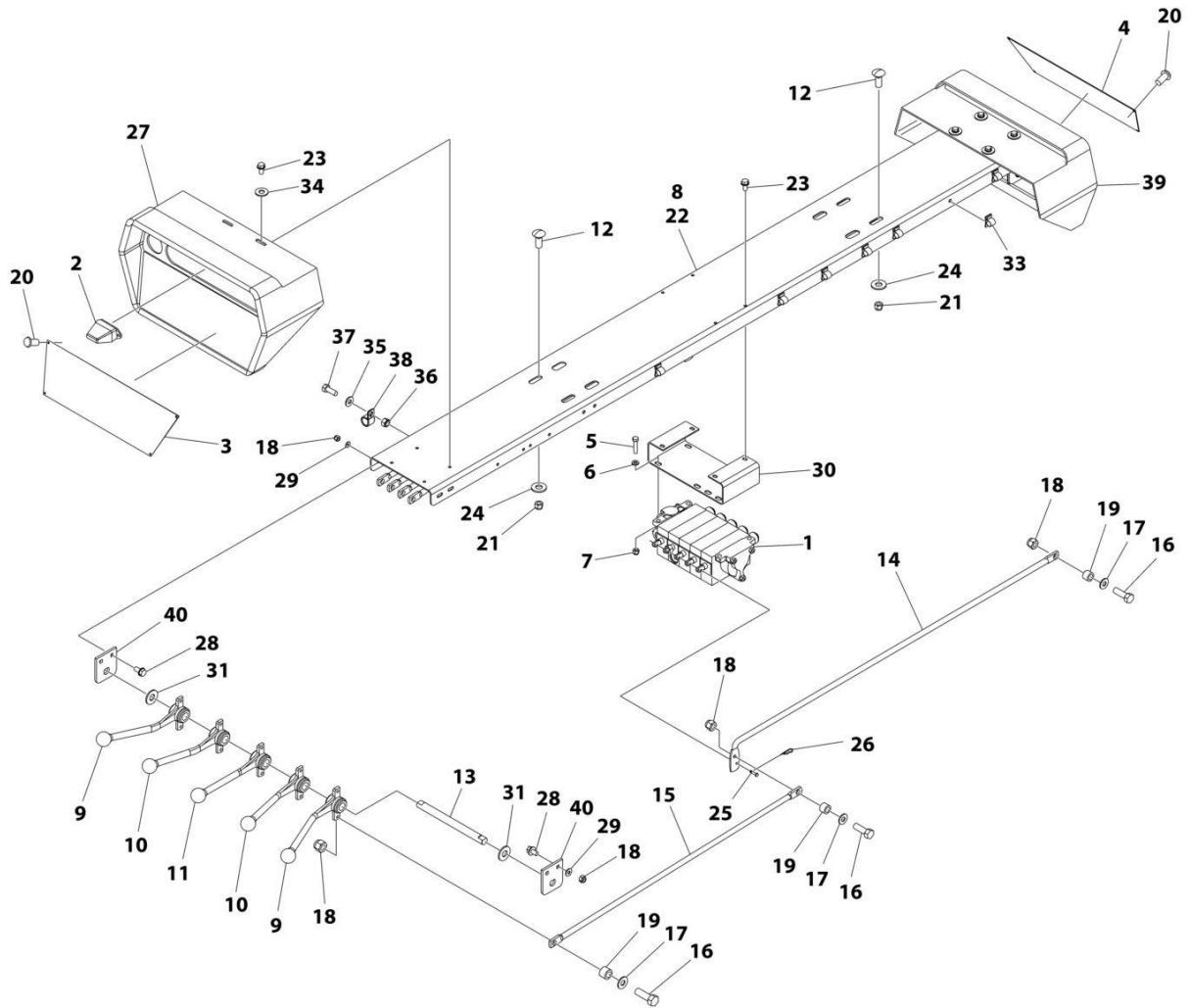
## SECTION 4 - CONTROLS

**FIGURE 4-28. 5 BANK VALVE CONTROLS INSTALLATION - HYDRAULIC TOW/IRL/WINCH MOTOR SPOOL**

ITEM	PART NUMBER	QTY	DESCRIPTION	REV
	1001146605	Ref	5 BANK CONTROLS INSTALLATION - HYDRAULIC TOW, IRL, WINCH MOTOR SPOOL	B
1	1001146603	1	Valve Assembly (See Separate Breakdown in this Section)	
2	1001143764	2	Lamp	
3	7330000648	1	Decal, Control Panel, LH	
4	7330000649	1	Decal, Control Panel, RH	
5	7111161050	4	Capscrew 3/8 x 1-1/4	
6	7950160161	4	Washer 3/8	
7	7660162601	4	Nut 3/8	
8	1001135273	1	Channel	
9	7551000021	4	Control Handle	
10	7551000020	4	Control Handle	
11	7551000018	2	Control Handle	
13	7691000064	2	Pin	
14	4763000280	5	Control Rod	
15	4763000279	5	Control Rod	
16	7115150850	15	Capscrew 5/16 x 1	
17	7949000011	15	Washer	
18	7660152601	23	Nut 5/16	
19	4831000069	15	Spacer	
20	7759000006	8	Rivet	
21	7660182601	4	Nut 1/2	
23	7790151253	12	Screw 5/16 x 3/4	
24	7950180161	4	Washer 1/2	
25	7690101200	5	Clevis Pin	
26	7691000056	5	Pin, Hairpin Cotter	
27	3560000010	1	Control Hood Assembly	
28	7115150664	8	Bolt 5/16 x 3/4	
29	7950150161	8	Washer 5/16	
30	1001135272	1	Channel	
31	7950220141	2	Washer 3/4	
33	7280000007	11	Wire Clip	
34	7949000054	8	Washer	
39	7560000007	1	Control Hood, RH	
40	4606000217	4	Lug	
41	7274000063	1	Clamp	
42	7115140650	1	Capscrew 1/4 x 3/4	
43	7660142601	1	Nut 1/4	
44	7950140141	1	Washer 1/4	
45	8632000012	AR	Trim Lock	
46	7115181064	4	Bolt 1/2 x 1-1/4	

# SECTION 4 - CONTROLS

## FIGURE 4-29. 5 BANK VALVE CONTROLS INSTALLATION - HYDRAULIC TOW/IRL/WINCH MOTOR SPOOL



ART\_1001170399

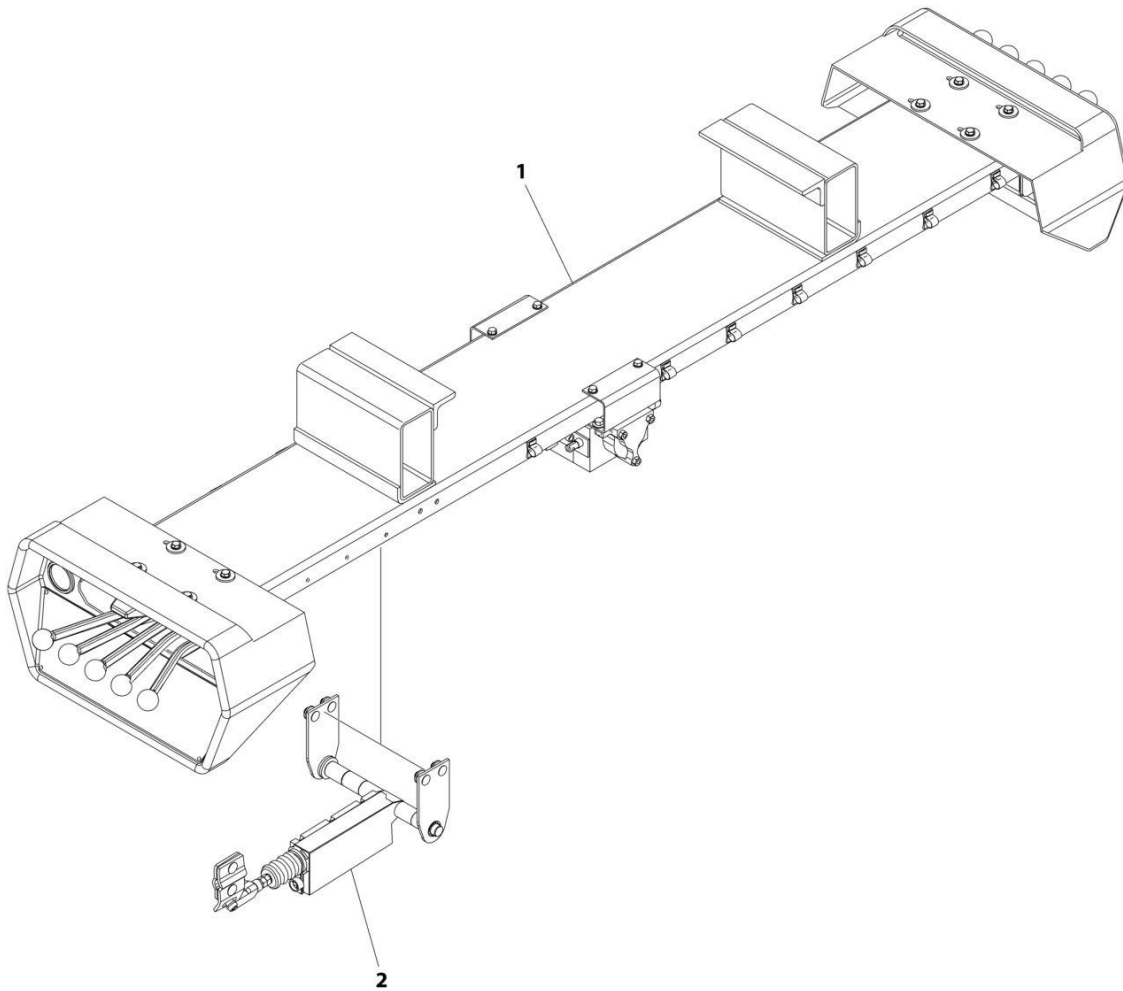
## SECTION 4 - CONTROLS

**FIGURE 4-29. 5 BANK VALVE CONTROLS INSTALLATION - HYDRAULIC TOW/IRL/WINCH MOTOR SPOOL**

ITEM	PART NUMBER	QTY	DESCRIPTION	REV
	1001170399	Ref	5 BANK CONTROLS INSTALLATION - HYDRAULIC TOW, IRL, WINCH MOTOR SPOOL	A
1	1001146603	1	Valve Assembly (See Separate Breakdown in this Section)	
2	1001143764	2	Lamp	
3	7330000648	1	Decal Control Panel, LH	
4	7330000649	1	Decal Control Panel, RH	
5	7111161050	4	Capscrew 3/8 x 1-1/4	
6	7950160161	4	Washer 3/8	
7	7660162601	4	Nut 3/8	
8	1001170189	1	Channel	
9	7551000021	4	Control Handle	
10	7551000020	4	Control Handle	
11	7551000018	2	Control Handle	
12	7115181064	4	Bolt 1/2 x 1-1/4	
13	7691000064	2	Pin	
14	1001170187	5	Control Rod	
15	1001170188	5	Control Rod	
16	7115150850	15	Capscrew 5/16 x 1	
17	7949000011	15	Washer	
18	7660152601	23	Nut 5/16	
19	4831000069	15	Sapcer	
20	7759000006	8	Rivet	
21	7660182601	4	Nut 1/2	
22	8632000012	AR	Trim Lock	
23	7790151253	12	Screw 5/16 x 3/4	
24	7950180161	4	Washer 1/2	
25	7690101200	5	Clevis Pin	
26	7691000056	5	Pin, Hairpin Cotter	
27	3560000010	1	Control Hood Assembly	
28	7115150664	8	Bolt 5/16 x 3/4	
29	7950150161	8	Washer 5/16	
30	1001135272	1	Channel	
31	7950220141	2	Washer 3/4	
33	7280000007	11	Wire Clip	
34	7949000054	8	Washer	
35	7950140141	1	Washer 1/4	
36	7660142601	1	Nut 1/4	
37	7115140650	1	Capscrew 1/4 x 3/4	
38	7274000063	1	Clamp	
39	7560000007	1	Control Hood, RH	
40	4606000217	4	Lug	

# SECTION 4 - CONTROLS

FIGURE 4-30. 5 BANK VALVE CONTROLS INSTALLATION - HYDRAULIC TOW/IRL/WINCH MOTOR SPOOL/REMOTE CONTROL



ART\_1001153233

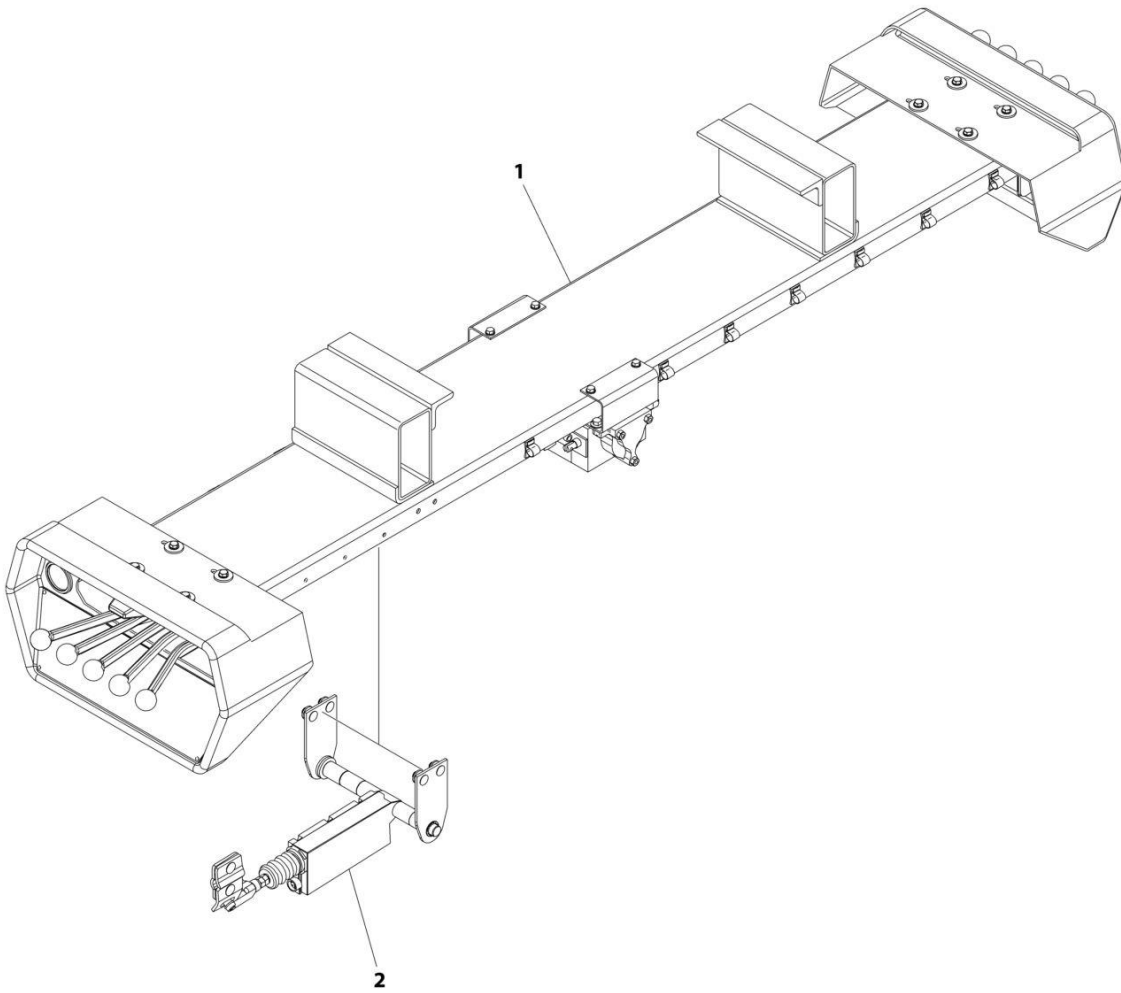
## SECTION 4 - CONTROLS

**FIGURE 4-30. 5 BANK VALVE CONTROLS INSTALLATION - HYDRAULIC TOW/IRL/WINCH MOTOR SPOOL/REMOTE CONTROL**

ITEM	PART NUMBER	QTY	DESCRIPTION	REV
1	1001153233	Ref	5 BANK CONTROLS - IRL, MOTOR SPOOL, RADIO REMOTE	B
	1001146605	Ref	5 Bank Controls Installation (See Separate Breakdown in this Section))	
2	2577000017	1	Linear Actuator Mount Kit (See Separate Breakdown in this Section)	

# SECTION 4 - CONTROLS

FIGURE 4-31. 5 BANK VALVE CONTROLS INSTALLATION - HYDRAULIC TOW/IRL/WINCH MOTOR SPOOL/REMOTE CONTROL



ART\_1001170400



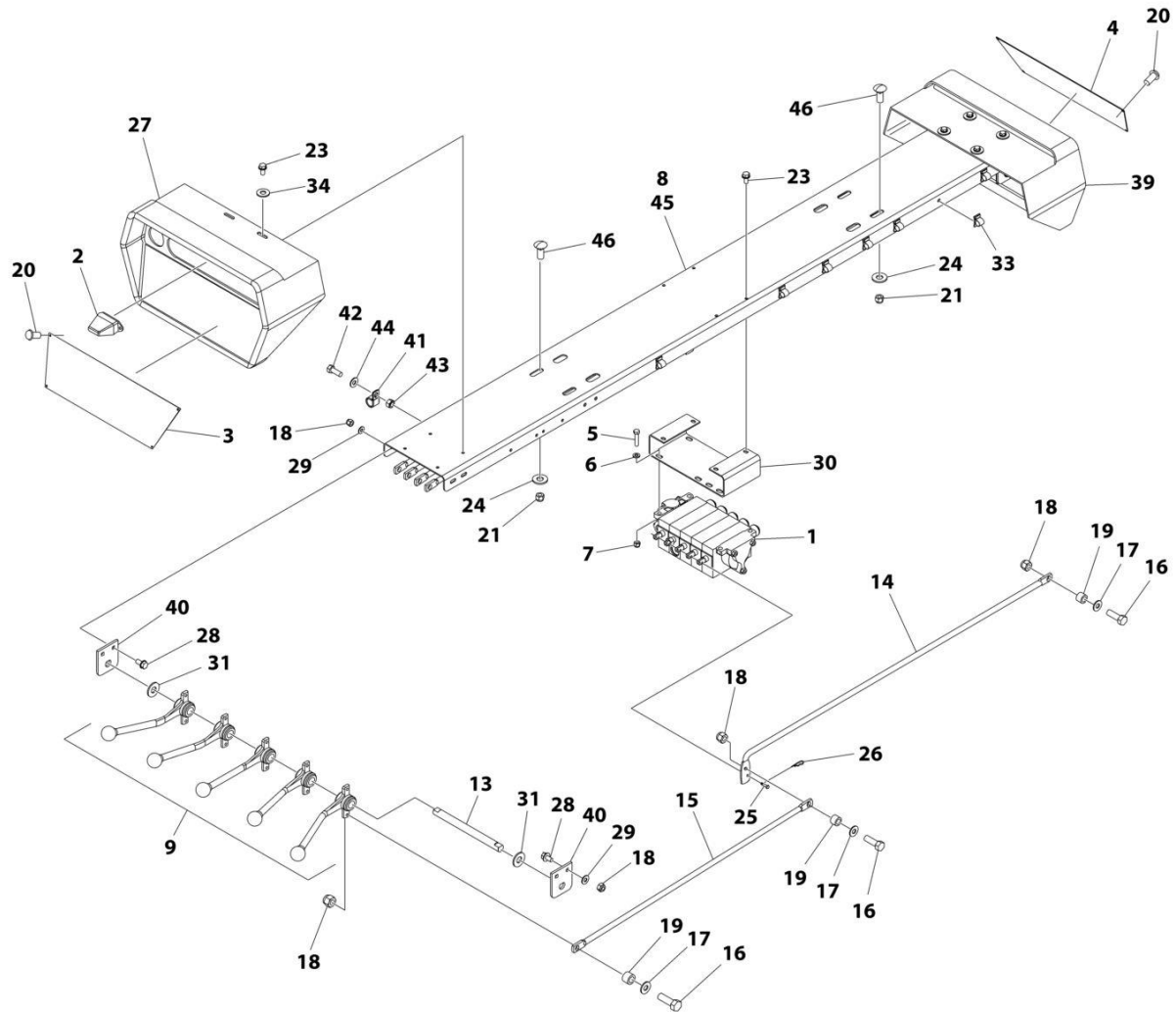
## SECTION 4 - CONTROLS

**FIGURE 4-31. 5 BANK VALVE CONTROLS INSTALLATION - HYDRAULIC TOW/IRL/WINCH MOTOR SPOOL/REMOTE CONTROL**

ITEM	PART NUMBER	QTY	DESCRIPTION	REV
1	1001170400	Ref	5 BANK CONTROLS INSTALLATION - IRL, RADIO REMOTE	A
	1001170399	1	5 Bank Controls Installation (See Separate Breakdown in this Section)	
2	2577000017	1	Linear Actuator Mount Kit (See Separate Breakdown in this Section)	

# SECTION 4 - CONTROLS

## FIGURE 4-32. 5 BANK VALVE CONTROLS INSTALLATION - HYDRAULIC TOW/IRL/COLOR HANDLES/RACEWAY



ART\_1001141629

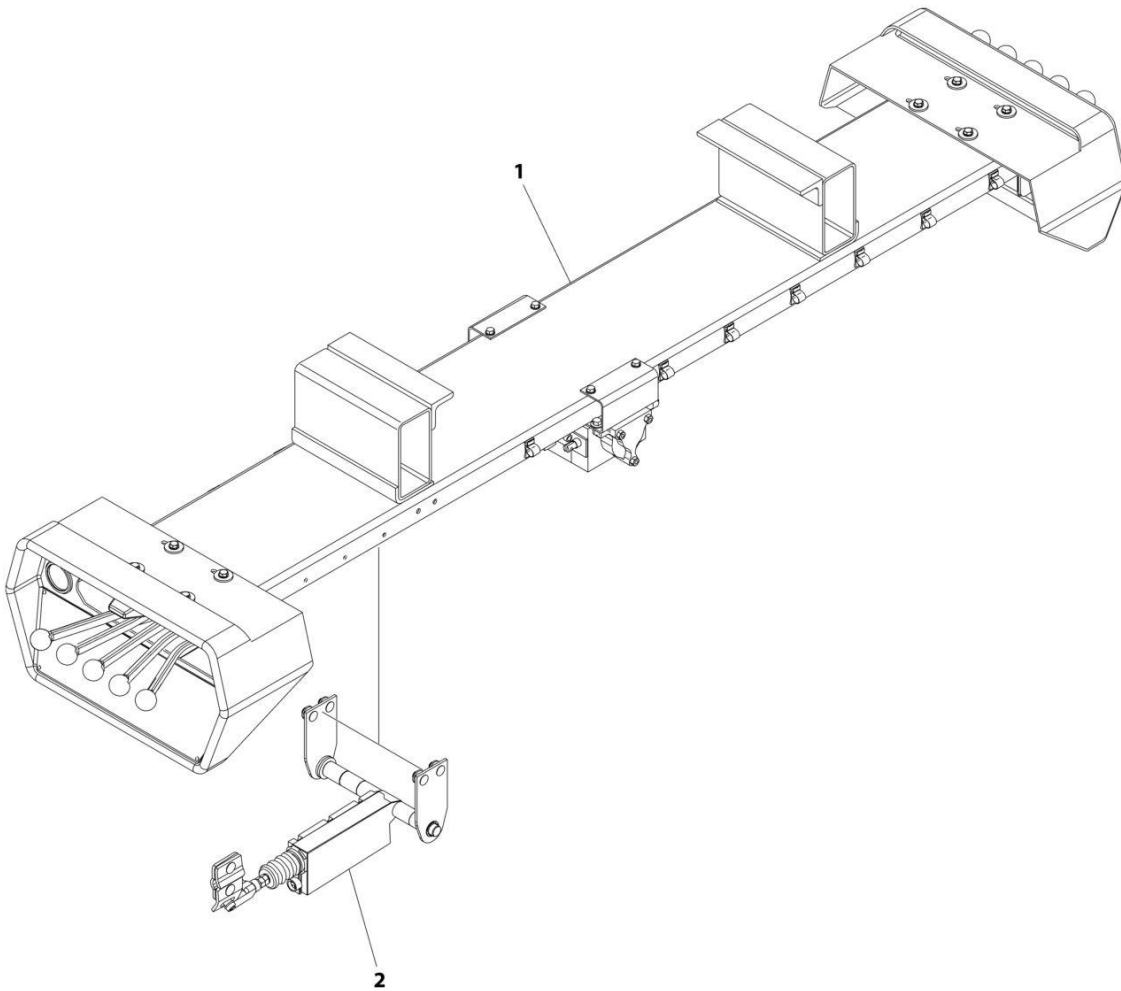
## SECTION 4 - CONTROLS

**FIGURE 4-32. 5 BANK VALVE CONTROLS INSTALLATION - HYDRAULIC TOW/IRL/COLOR HANDLES/RACEWAY**

ITEM	PART NUMBER	QTY	DESCRIPTION	REV
	1001141629	Ref	5 BANK CONTROLS INSTALLATION WITH IRL	C
1	3935000117	1	Valve Assembly (See Separate Breakdown in this Section)	
2	1001143764	2	Lamp	
3	7330000648	1	Decal Control Panel, LH	
4	7330000649	1	Decal Control Panel, RH	
5	7111161050	4	Capscrew 3/8 x 1-1/4	
6	7950160161	4	Washer 3/8	
7	7660162601	4	Nut 3/8	
8	1001135273	1	Channel	
9	1001141626	1	Control Handle	
13	7691000064	2	Pin	
14	4763000280	5	Control Rod	
15	4763000279	5	Control Rod	
16	7115150850	15	Capscrew 5/16 x 1	
17	7949000011	15	Washer	
18	7660152601	23	Nut 5/16	
19	4831000069	15	Spacer	
20	7759000006	8	Rivet	
21	7660182601	4	Nut 1/2	
23	7790151253	12	Screw 5/16 x 3/4	
24	7950180161	4	Washer 1/2	
25	7690101200	5	Clevis Pin	
26	7691000056	5	Pin, Hairpin Cotter	
27	3560000010	1	Control Hood Assembly	
28	7115150664	8	Bolt 5/16 x 3/4	
29	7950150161	8	Washer 5/16	
30	1001135272	1	Channel	
31	7950220141	2	Washer 3/4	
33	7280000007	11	Wire Clip	
34	7949000054	8	Washer	
39	7560000007	1	Control Hood, RH	
40	4606000217	4	Lug	
41	7274000063	1	Clamp	
42	7115140650	1	Capscrew 1/4 x 3/4	
43	7660142601	1	Nut 1/4	
44	7950140141	1	Washer 1/4	
45	8632000012	AR	Trim Lock	
46	7115181064	4	Bolt 1/2 x 1-1/4	

# SECTION 4 - CONTROLS

FIGURE 4-33. 5 BANK VALVE CONTROLS INSTALLATION - HYDRAULIC TOW/IRL/COLOR HANDLES/RACEWAY



ART\_1001141684

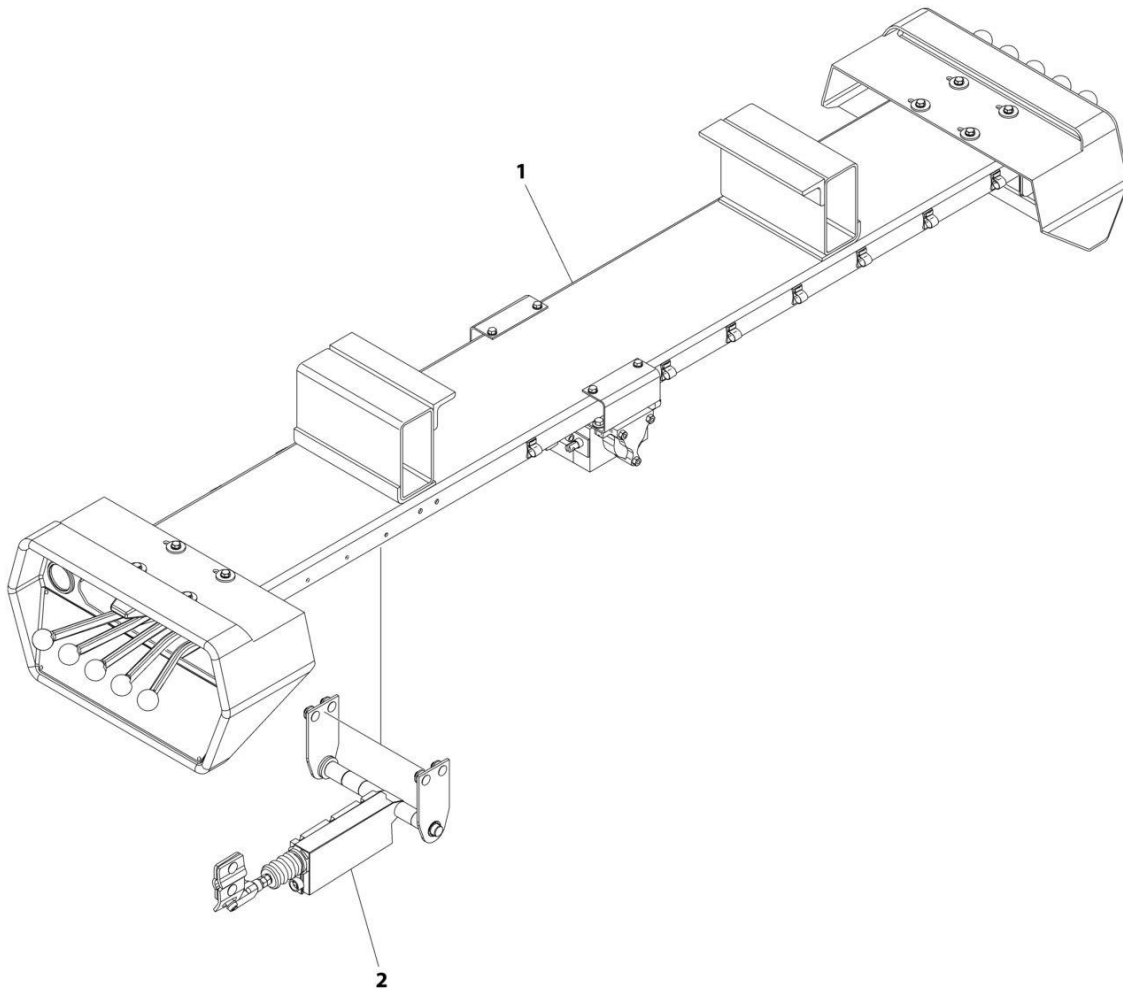
## SECTION 4 - CONTROLS

**FIGURE 4-33. 5 BANK VALVE CONTROLS INSTALLATION - HYDRAULIC TOW/IRL/COLOR HANDLES/RACEWAY**

ITEM	PART NUMBER	QTY	DESCRIPTION	REV
1	1001141684	Ref	5 BANK CONTROLS WITH IRL (TOW OPT)	A
	1001141629	Ref	5 Bank Controls Installation (See Separate Breakdown in this Section)	
2	2577000017	1	Linear Actuator Mount Kit (See Separate Breakdown in this Section)	

# SECTION 4 - CONTROLS

FIGURE 4-34. 5 BANK VALVE CONTROLS INSTALLATION - HYDRAULIC TOW/IRL/COLOR HANDLES/RACEWAY



ART\_1001170396

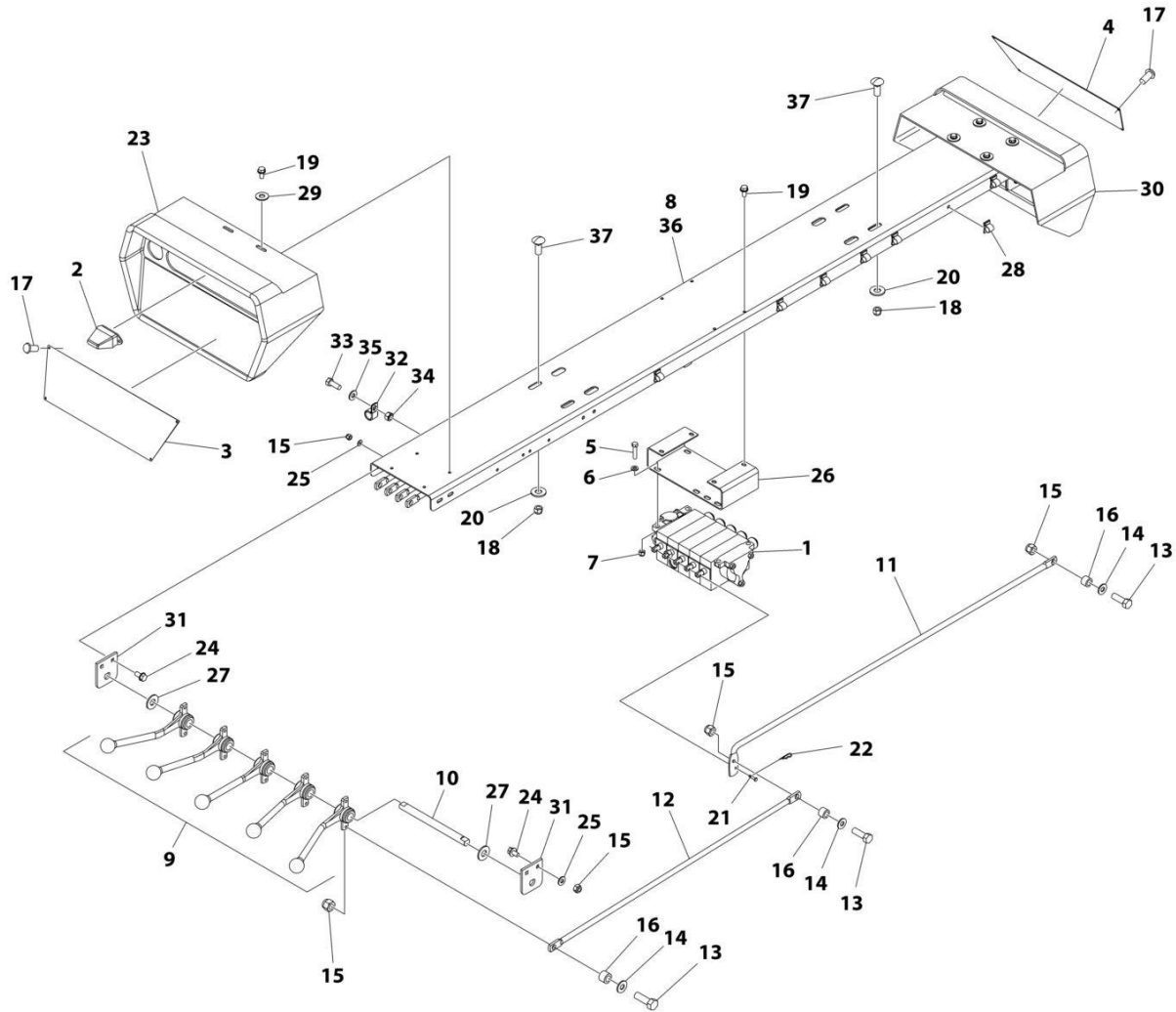
## SECTION 4 - CONTROLS

**FIGURE 4-34. 5 BANK VALVE CONTROLS INSTALLATION - HYDRAULIC TOW/IRL/COLOR HANDLES/RACEWAY**

ITEM	PART NUMBER	QTY	DESCRIPTION	REV
	1001170396	Ref	5 BANK CONTROLS INSTALLATION - IRL, RACEWAY, RADIO REMOTE	A
1	1001170395	1	5 Bank Controls Installation (See Separate Breakdown in this Section)	
2	2577000017	1	Linear Actuator Mount Kit (See Separate Breakdown in this Section)	

# SECTION 4 - CONTROLS

## FIGURE 4-35. 5 BANK VALVE CONTROLS INSTALLATION - HYDRAULIC TOW/IRL/COLOR HANDLES/RACEWAY



ART\_1001170395



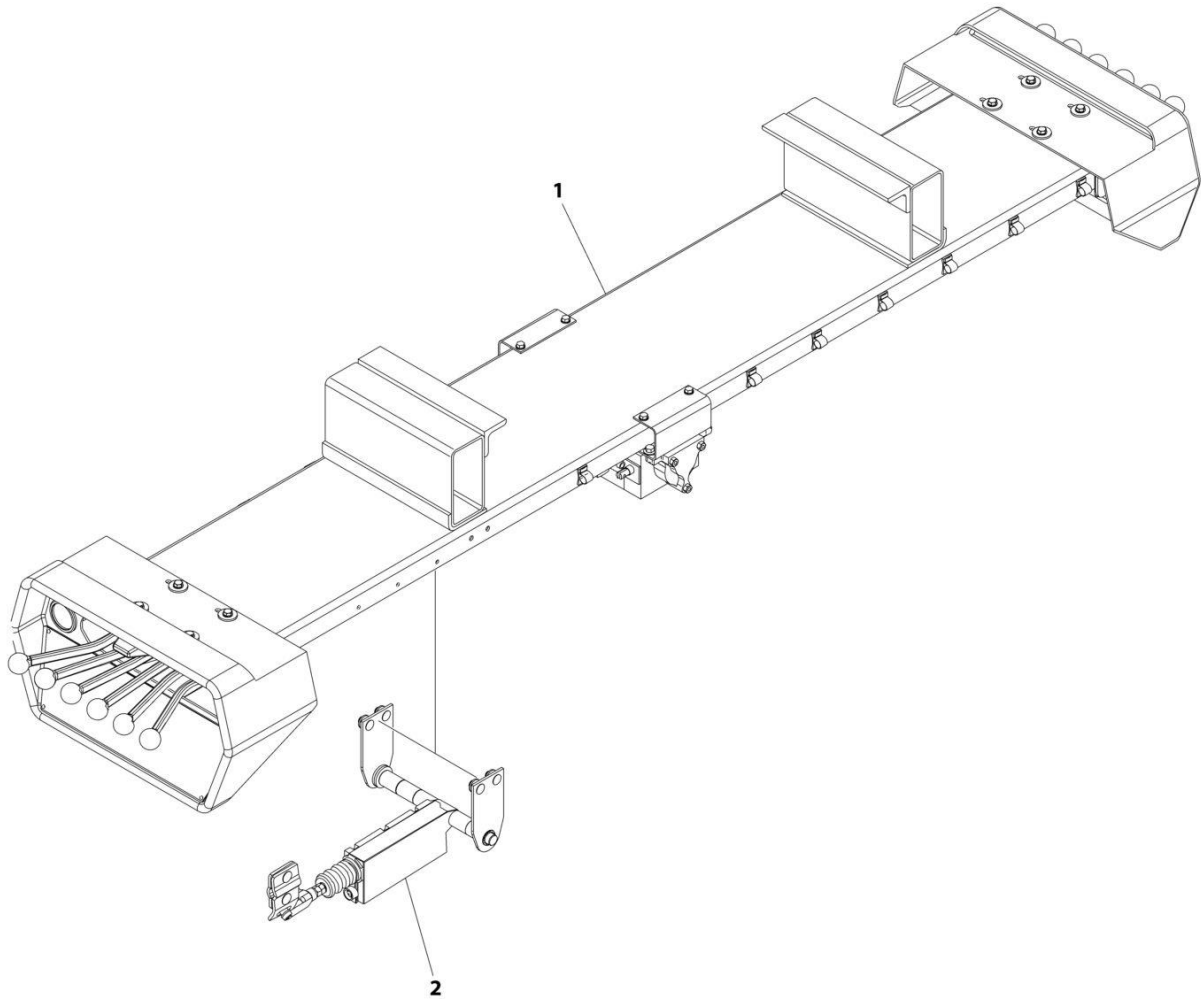
## SECTION 4 - CONTROLS

**FIGURE 4-35. 5 BANK VALVE CONTROLS INSTALLATION - HYDRAULIC TOW/IRL/COLOR HANDLES/RACEWAY**

ITEM	PART NUMBER	QTY	DESCRIPTION	REV
	1001170395	Ref	5 BANK CONTROLS INSTALLATION - IRL, RACEWAY	A
1	3935000117	1	Valve Assembly (See Separate Breakdown in this Section)	
2	1001143764	2	Lamp	
3	7330000648	1	Decal, Control Panel, LH	
4	7330000649	1	Decal, Control Panel, RH	
5	7111161050	4	Capscrew 3/8 x 1-1/4	
6	7950160161	4	Washer 3/8	
7	7660162601	4	Nut 3/8	
8	1001170189	1	Channel	
9	1001141626	1	Control Handle	
10	7691000064	2	Pin	
11	1001170187	5	Control Rod	
12	1001170188	5	Control Rod	
13	7115150850	15	Capscrew 5/16 x 1	
14	7949000011	15	Washer	
15	7660152601	23	Nut 5/16	
16	4831000069	15	Spacer	
17	7759000006	8	Rivet	
18	7660182601	4	Nut 1/2	
19	7790151253	12	Screw 5/16 x 3/4	
20	7950180161	4	Washer 1/2	
21	7690101200	5	Clevis Pin	
22	7691000056	5	Pin, Hairpin Cotter	
23	3560000010	1	Control Hood Assembly	
24	7115150664	8	Bolt 5/16 x 3/4	
25	7950150161	8	Washer 5/16	
26	1001135272	1	Channel	
27	7950220141	2	Washer 3/4	
28	7280000007	11	Wire Clip	
29	7949000054	8	Washer	
30	7560000007	1	Control Hood, RH	
31	4606000217	4	Lug	
32	7274000063	1	Clamp	
33	7115140650	1	Capscrew 1/4 x 3/4	
34	7660142601	1	Nut 1/4	
35	7950140141	1	Washer 1/4	
36	8632000012	AR	Trim Lock	
37	7115181064	4	Bolt 1/2 x 1-1/4	

## SECTION 4 - CONTROLS

FIGURE 4-36. 6 BANK VALVE INSTALLATION - HYDRAULIC TOW/IRL/HYDRAULIC GRID/REMOTE CONTROL



ART\_C6BITAGRC-TPR

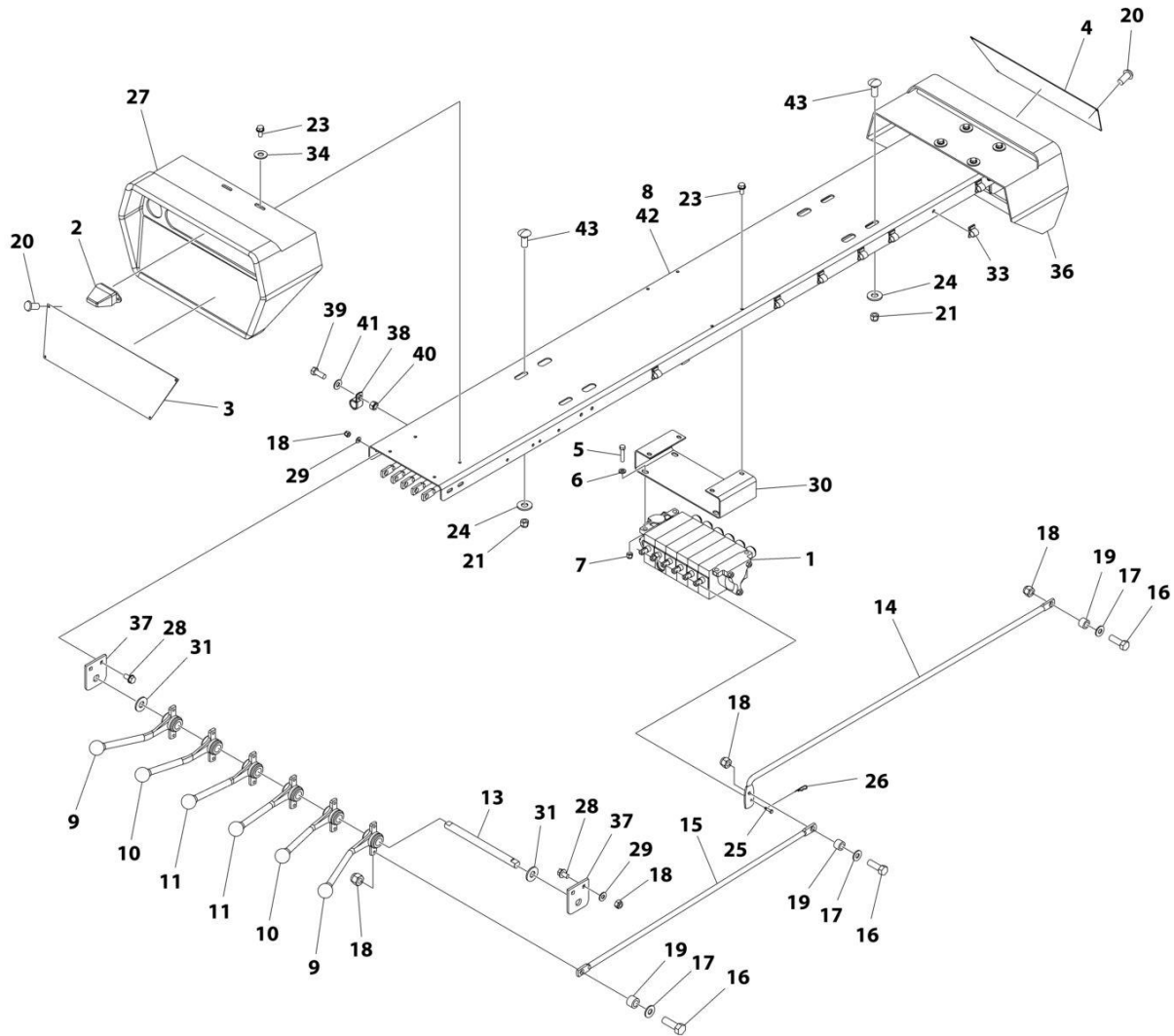
## SECTION 4 - CONTROLS

**FIGURE 4-36. 6 BANK VALVE INSTALLATION - HYDRAULIC TOW/IRL/HYDRAULIC GRID/REMOTE CONTROL**

ITEM	PART NUMBER	QTY	DESCRIPTION	REV
	C6BITAGRC-TPR	Ref	6 BANK VALVE INSTALLATION - HYD TOW/IRL/HYD GRID/REMOTE CONTROL	0
1	2296000144	1	6 Bank Controls Installation (See Separate Breakdown in this Section)	
2	2577000018	1	Linear Actuator Mount Kit (See Separate Breakdown in this Section)	

# SECTION 4 - CONTROLS

## FIGURE 4-37. 6 BANK VALVE CONTROLS INSTALLATION - HYDRAULIC TOW/IRL/HYD GRID



ART\_2296000144

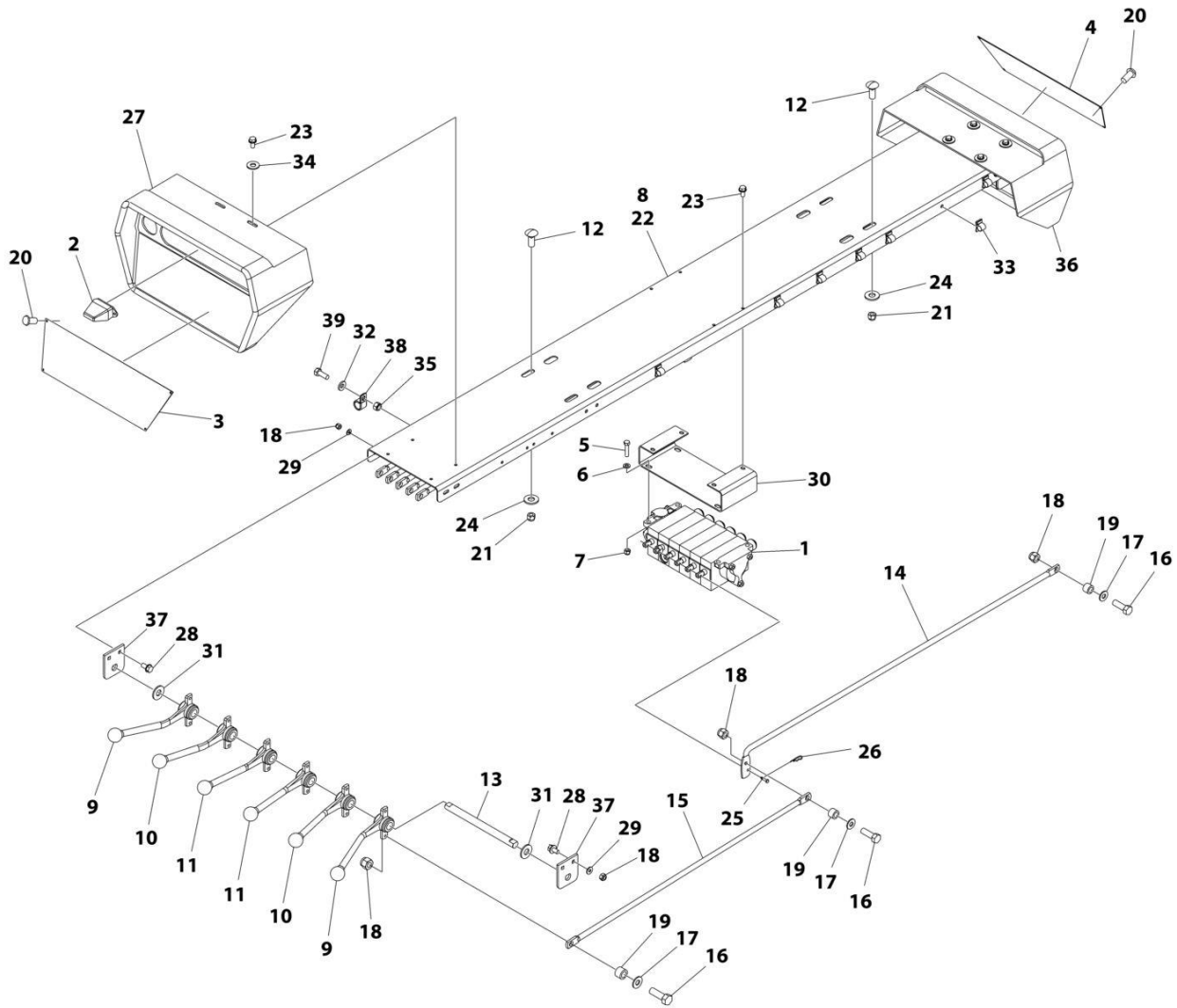
## SECTION 4 - CONTROLS

**FIGURE 4-37. 6 BANK VALVE CONTROLS INSTALLATION - HYDRAULIC TOW/IRL/HYD GRID**

ITEM	PART NUMBER	QTY	DESCRIPTION	REV
	2296000144	Ref	6 BANK CONTROLS INSTALLATION - HYDRAULIC TOW, IRL, HYDRAULIC GRILL	G
1	3935000166	1	Valve Assembly (See Separate Breakdown in this Section)	
2	1001143764	2	Lamp	
3	7330000657	1	Decal Control Panel, LH	
4	7330000658	1	Decal Control Panel, RH	
5	7111161050	4	Capscrew 3/8 x 1-1/4	
6	7950160161	4	Washer 3/8	
7	7660162601	4	Nut 3/8	
8	1001135330	1	Channel	
9	7551000021	4	Control Handle	
10	7551000020	4	Control Handle	
11	7551000019	4	Control Handle	
13	7691000065	2	Pin	
14	4763000280	6	Control Rod	
15	4763000279	6	Control Rod	
16	7115150850	18	Capscrew 5/16 x 1	
17	7949000011	18	Washer	
18	7660152601	26	Nut 5/16	
19	4831000069	18	Spacer	
20	7759000006	8	Rivet	
21	7660182601	4	Nut 1/2	
23	7790151253	12	Screw 5/16 x 3/4	
24	7950180161	4	Washer 1/2	
25	7690101200	6	Clevis Pin	
26	7691000056	6	Pin, Hairpin Cotter	
27	3560000010	1	Control Hood Assembly	
28	7115150664	8	Bolt 5/16 x 3/4	
29	7950150161	8	Washer 5/16	
30	1001135329	1	Channel	
31	7950220141	2	Washer 3/4	
33	7280000007	11	Wire Clip	
34	7949000054	8	Washer	
36	7560000007	1	Control Hood	
37	4606000217	4	Lug	
38	7274000063	1	Clamp	
39	7115140650	1	Capscrew 1/4 x 3/4	
40	7660142601	1	Nut 1/4	
41	7950140141	1	Washer 1/4	
42	8632000012	AR	Trim Lock	
43	7115181064	4	Bolt 1/2 x 1-1/4	

# SECTION 4 - CONTROLS

## FIGURE 4-38. 6 BANK VALVE CONTROLS INSTALLATION - HYDRAULIC TOW/IRL/HYD GRID



ART\_1001170411

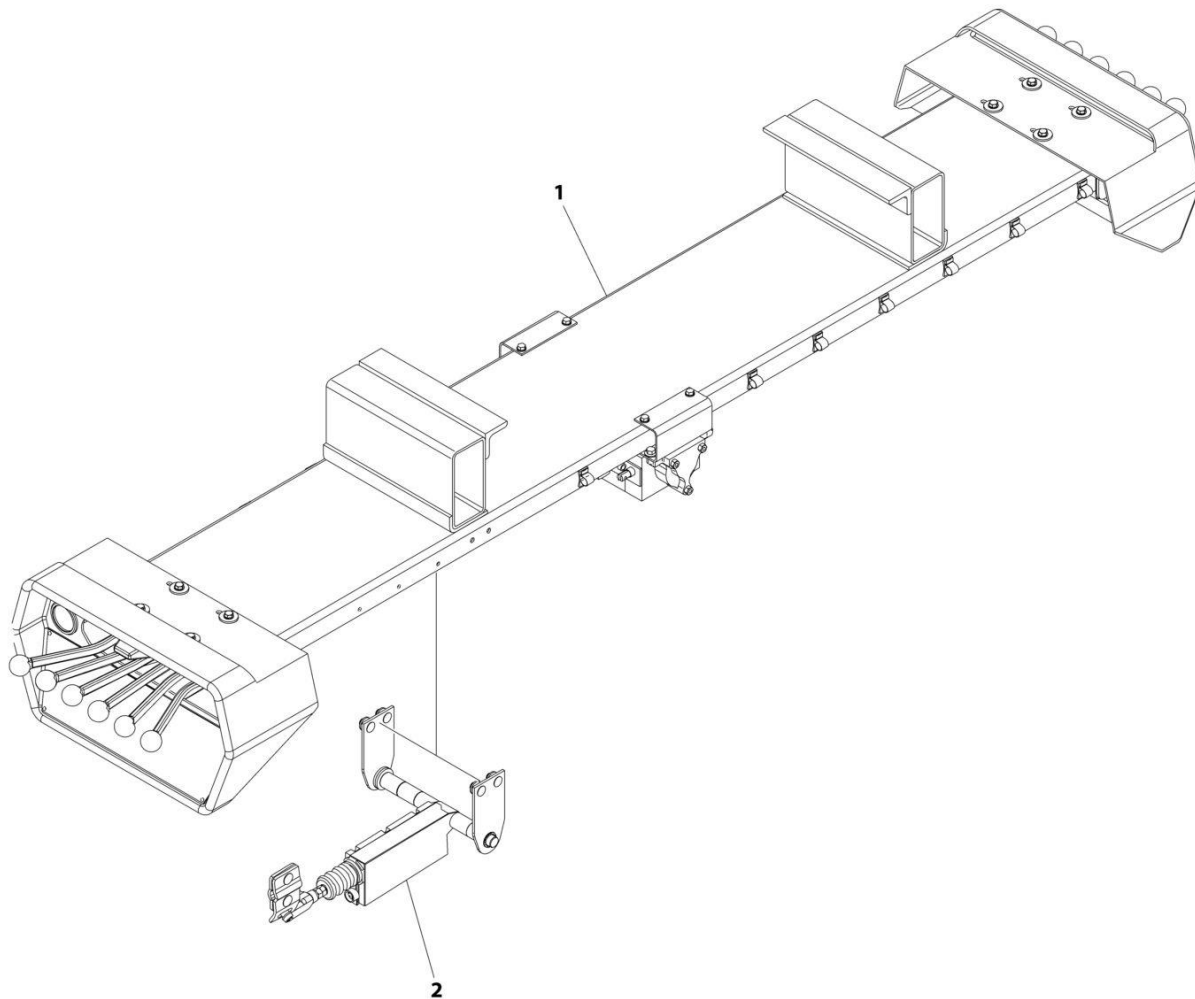
## SECTION 4 - CONTROLS

**FIGURE 4-38. 6 BANK VALVE CONTROLS INSTALLATION - HYDRAULIC TOW/IRL/HYD GRID**

ITEM	PART NUMBER	QTY	DESCRIPTION	REV
	1001170411	Ref	CONTROLS 6-BANK, IRL, HYDRAULIC GRID	A
1	3935000166	1	Valve Assembly (See Separate Breakdown in this Section)	
2	1001143764	2	Lamp	
3	7330000657	1	Decal Control Panel, LH	
4	7330000658	1	Decal Control Panel, RH	
5	7111161050	4	Capscrew 3/8 x 1-1/4	
6	7950160161	4	Washer 3/8	
7	7660162601	4	Nut 3/8	
8	1001170191	4	Channel	
9	7551000021	4	Control Handle	
10	7551000020	4	Control Handle	
11	7551000019	1	Control Handle	
12	7115181064	4	Bolt 1/2 x 1-1/4	
13	7691000065	2	Pin	
14	1001170187	6	Control Rod	
15	1001170188	6	Control Rod	
16	7115150850	18	Capscrew 5/16 x 1	
17	7949000011	18	Washer	
18	7660152601	26	Nut 5/16	
19	4831000069	18	Sapcer	
20	7759000006	8	Rivet	
21	7660182601	4	Nut 1/2	
22	8632000012	AR	Trim Lock	
23	7790151253	12	Screw 5/16 x 3/4	
24	7950180161	4	Washer 1/2	
25	7690101200	6	Clevis Pin	
26	7691000056	6	Pin, Hairpin Cotter	
27	3560000010	1	Control Hood Assembly	
28	7115150664	8	Bolt 5/16 x 3/4	
29	7950150161	8	Washer 5/16	
30	1001135329	1	Channel	
31	7950220141	2	Washer 3/4	
32	7950140141	1	Washer 1/4	
33	7280000007	11	Wire Clip	
34	7949000054	8	Washer	
35	7660142601	1	Nut 1/4	
36	7560000007	1	Control Hood, RH	
37	4606000217	4	Lug	
38	7274000063	1	Clamp	
39	7115140650	1	Capscrew 1/4 x 3/4	

## SECTION 4 - CONTROLS

FIGURE 4-39. 6 BANK VALVE CONTROLS INSTALLATION - HYDRAULIC TOW/IRL/HYDRAULIC GRID/REMOTE CONTROL



ART\_1001170412



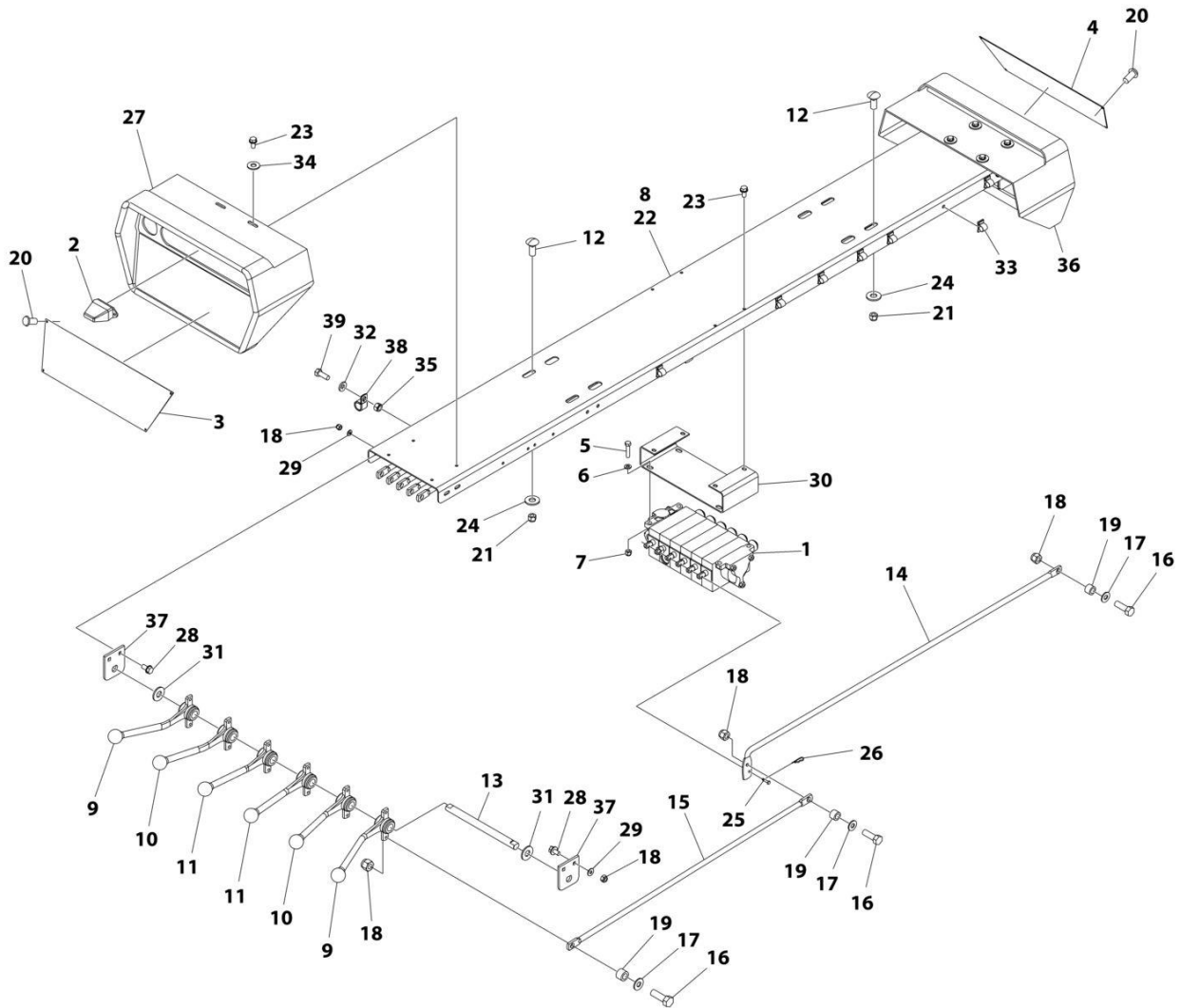
## SECTION 4 - CONTROLS

**FIGURE 4-39. 6 BANK VALVE CONTROLS INSTALLATION - HYDRAULIC TOW/IRL/HYDRAULIC GRID/REMOTE CONTROL**

ITEM	PART NUMBER	QTY	DESCRIPTION	REV
	1001170412	Ref	6 BANK CONTROLS INSTALLATION - IRL, HYDRAULIC GRID, RADIO REMOTE	A
1	1001170411	Ref	6 Bank Controls Installation (See Separate Breakdown in this Section)	
2	2577000018	1	Linear Actuator Mount Kit (See Separate Breakdown in this Section)	

# SECTION 4 - CONTROLS

## FIGURE 4-40. 6 BANK VALVE CONTROLS INSTALLATION - HYDRAULIC TOW/IRL/ZOD



ART\_1001170404

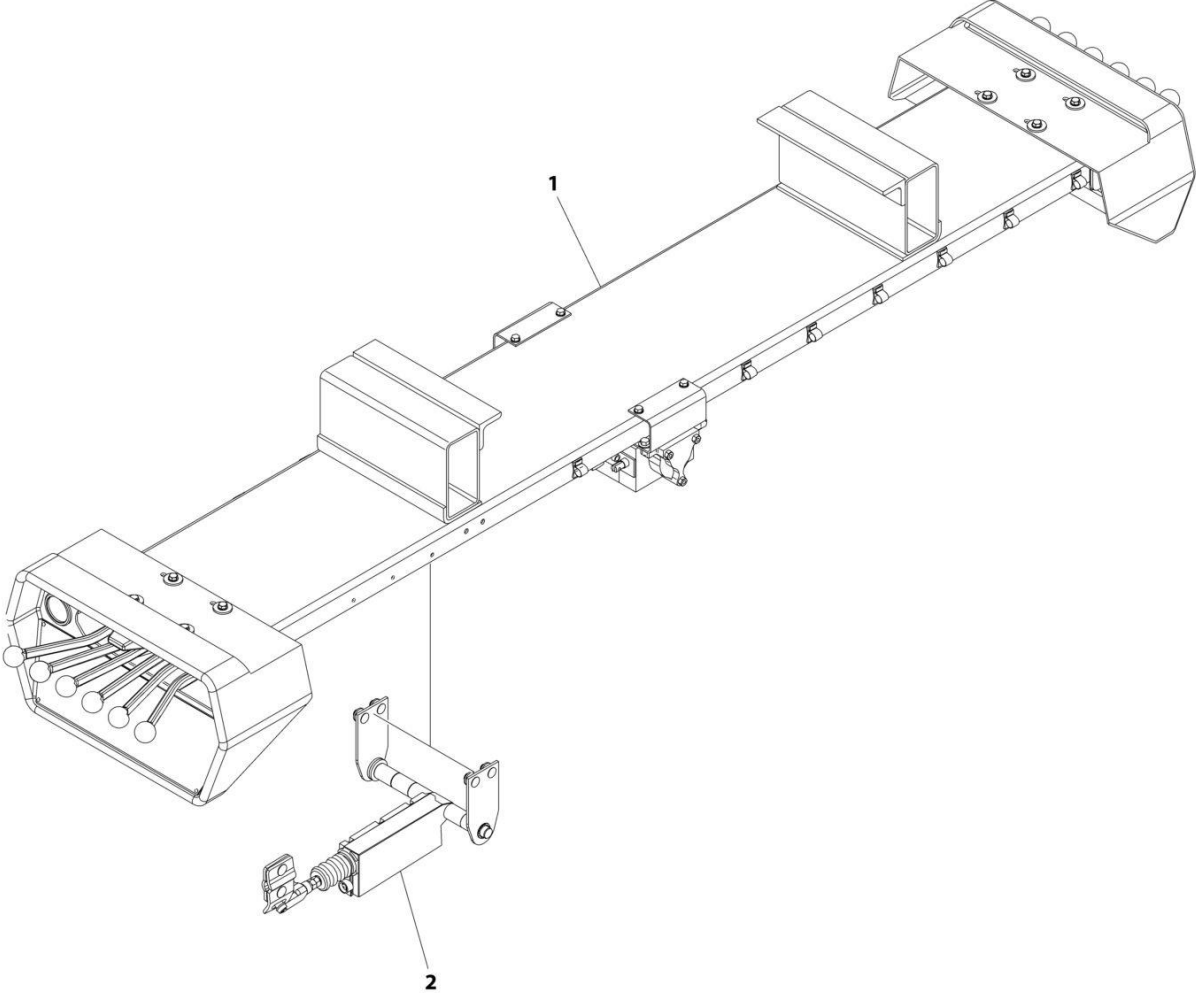
## SECTION 4 - CONTROLS

**FIGURE 4-40. 6 BANK VALVE CONTROLS INSTALLATION - HYDRAULIC TOW/IRL/ZOD**

ITEM	PART NUMBER	QTY	DESCRIPTION	REV
	1001170404	Ref	6 BANK CONTROLS INSTALLATION - IRL, HYDRAULIC GRID, ZOD	A
1	3935000118	1	Valve Assembly (See Separate Breakdown in this Section)	
2	1001143764	2	Lamp	
3	7330000652	1	Decal Control Panel, LH	
4	7330000653	1	Decal Control Panel, RH	
5	7111161050	4	Capscrew 3/8 x 1-1/4	
6	7950160161	4	Washer 3/8	
7	7660162601	4	Nut 3/8	
8	1001170191	1	Channel	
9	7551000021	4	Control Handle	
10	7551000020	4	Control Handle	
11	7551000019	4	Control Handle	
12	7115181064	4	Bolt 1/2 x 1-1/4	
13	7691000065	2	Pin	
14	1001170187	6	Control Rod	
15	1001170188	6	Control Rod	
16	7115150850	18	Capscrew 5/16 x 1	
17	7949000011	18	Washer	
18	7660152601	26	Nut 5/16	
19	4831000069	18	Sapcer	
20	7759000006	8	Rivet	
21	7660182601	4	Nut 1/2	
22	8632000012	AR	Trim Lock	
23	7790151253	12	Screw 5/16 x 3/4	
24	7950180161	4	Washer 1/2	
25	7690101200	6	Clevis Pin	
26	7691000056	6	Pin, Hairpin Cotter	
27	3560000010	1	Control Hood Assembly	
28	7115150664	8	Bolt 5/16 x 3/4	
29	7950150161	8	Washer 5/16	
30	1001135329	1	Channel	
31	7950220141	2	Washer 3/4	
32	7950140141	1	Washer 1/4	
33	7280000007	11	Wire Clip	
34	7949000054	8	Washer	
35	7660142601	1	Nut 1/4	
36	7560000007	1	Control Hood, RH	
37	4606000217	4	Lug	
38	7274000063	1	Clamp	
39	7115140650	1	Capscrew 1/4 x 3/4	

# SECTION 4 - CONTROLS

FIGURE 4-41. 6 BANK VALVE CONTROLS INSTALLATION - HYD TOW/IRL/ZOD/REMOTE CONTROL



ART\_1001170414

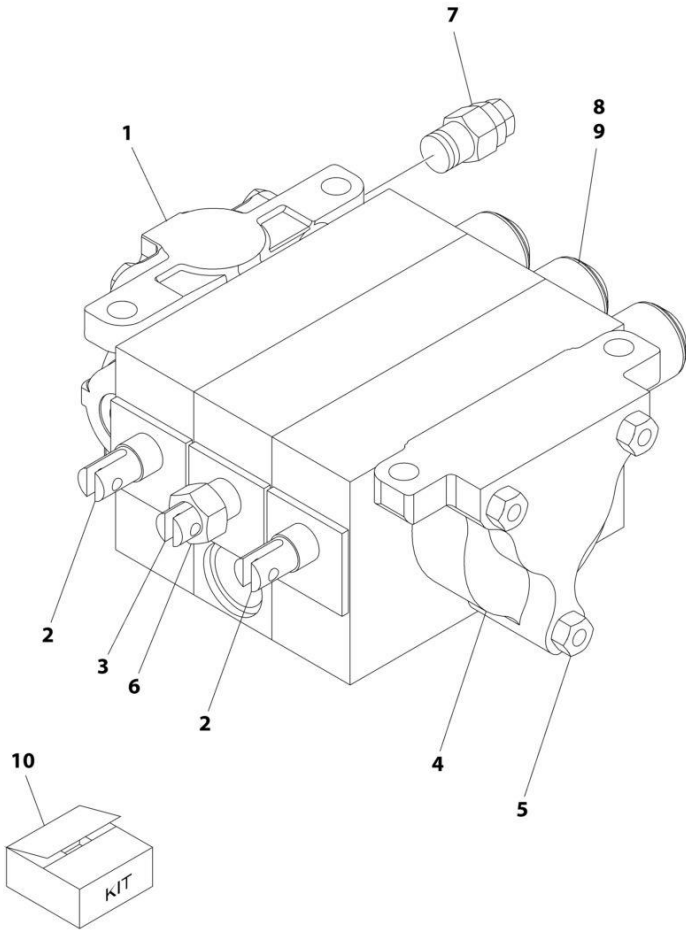
## SECTION 4 - CONTROLS

**FIGURE 4-41. 6 BANK VALVE CONTROLS INSTALLATION - HYD TOW/IRL/ZOD/REMOTE CONTROL**

ITEM	PART NUMBER	QTY	DESCRIPTION	REV
	1001170414	Ref	6 BANK CONTROLS INSTALLATION - IRL, HYDRAULIC TOW, ZOD	A
1	1001170404	Ref	6 Bank Controls Installation (See Separate Breakdown in this Section))	
2	2577000018	1	Linear Actuator Mount Kit (See Separate Breakdown in this Section)	

**SECTION 4 - CONTROLS**

**FIGURE 4-42. VALVE ASSEMBLY - 3 BANK**



ART\_3935000115

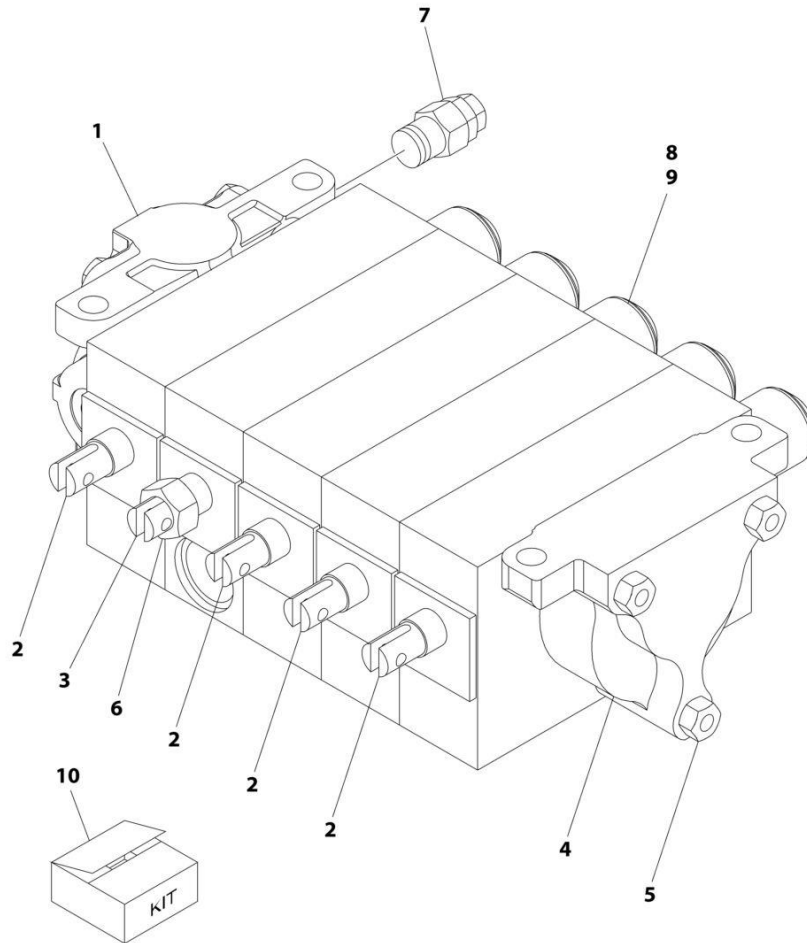
## SECTION 4 - CONTROLS

### FIGURE 4-42. VALVE ASSEMBLY - 3 BANK

ITEM	PART NUMBER	QTY	DESCRIPTION	REV
	3935000115	Ref	VALVE ASSEMBLY - 3 BANK	B
1	7935000369	1	Inlet/Outlet Valve	
2	7935000170	4	Single Clevis Valve	
3	7935000227	1	Relief Valve	
4	7935000173	1	End Valve	
5	7577000215	1	Bolt Kit	
6	7935000388	1	Relief Valve	
7	7935000174	1	Relief Valve	
8	9843930044	AR	Cap	
9	7577000343	AR	Cap	
10	9577930187	AR	Kit, Spool Seal	

# SECTION 4 - CONTROLS

FIGURE 4-43. VALVE ASSEMBLY - 5 BANK (WITHOUT WINCH MOTOR SPOOL)



ART\_3935000117



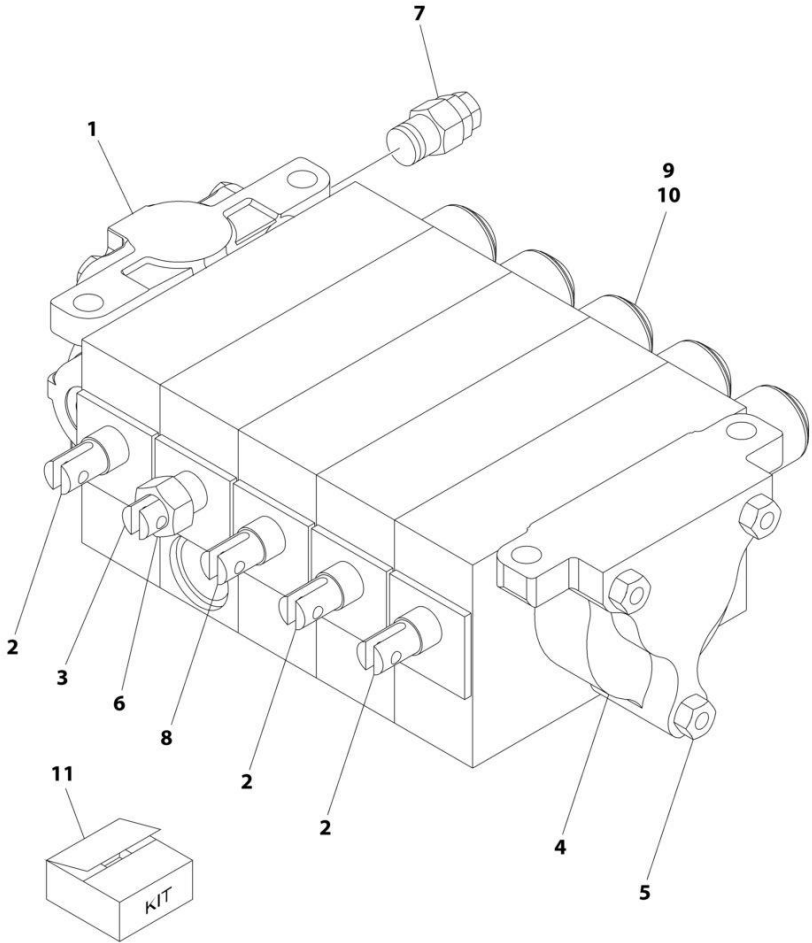
## SECTION 4 - CONTROLS

**FIGURE 4-43. VALVE ASSEMBLY - 5 BANK (WITHOUT WINCH MOTOR SPOOL)**

ITEM	PART NUMBER	QTY	DESCRIPTION	REV
	3935000117	Ref	VALVE ASSEMBLY - 5 BANK	B
1	7935000369	1	Inlet/Outlet Valve	
2	7935000170	4	Single Clevis Valve	
3	7935000227	1	Relief Valve	
4	7935000173	1	End Valve	
5	7577000217	1	Bolt Kit	
6	7935000388	1	Relief Valve	
7	7935000174	1	Relief Valve	
8	9843930044	AR	Cap	
9	7577000343	AR	Cap	
10	9577930187	AR	Kit, Spool Seal	

**SECTION 4 - CONTROLS**

**FIGURE 4-44. VALVE ASSEMBLY - 5 BANK (WITH WINCH MOTOR SPOOL)**



ART\_1001146603

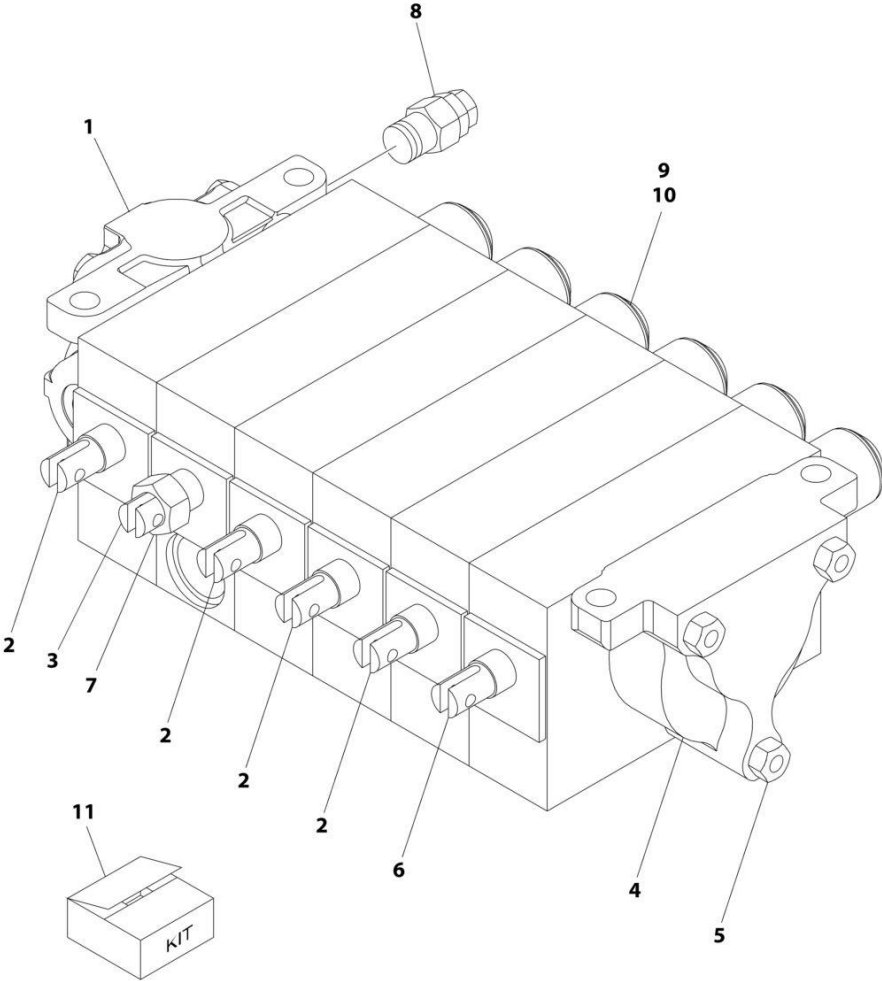
## SECTION 4 - CONTROLS

**FIGURE 4-44. VALVE ASSEMBLY - 5 BANK (WITH WINCH MOTOR SPOOL)**

ITEM	PART NUMBER	QTY	DESCRIPTION	REV
	1001146603	Ref	VALVE ASSEMBLY - 5 BANK	A
1	7935000369	1	Inlet/Outlet Valve	
2	7935000170	4	Single Clevis Valve	
3	7935000227	1	Relief Valve	
4	7935000173	1	End Valve	
6	7577000217	1	Bolt Kit	
6	7935000388	1	Relief Valve	
7	7935000174	1	Relief Valve	
8	1001133740	1	Single Clevis Motor	
9	9843930044	AR	Cap	
10	7577000343	AR	Cap	
11	9577930187	AR	Kit, Spool Seal	

**SECTION 4 - CONTROLS**

**FIGURE 4-45. VALVE ASSEMBLY - 6 BANK (WITH AUTO GRIDS)**



ART\_3935000166

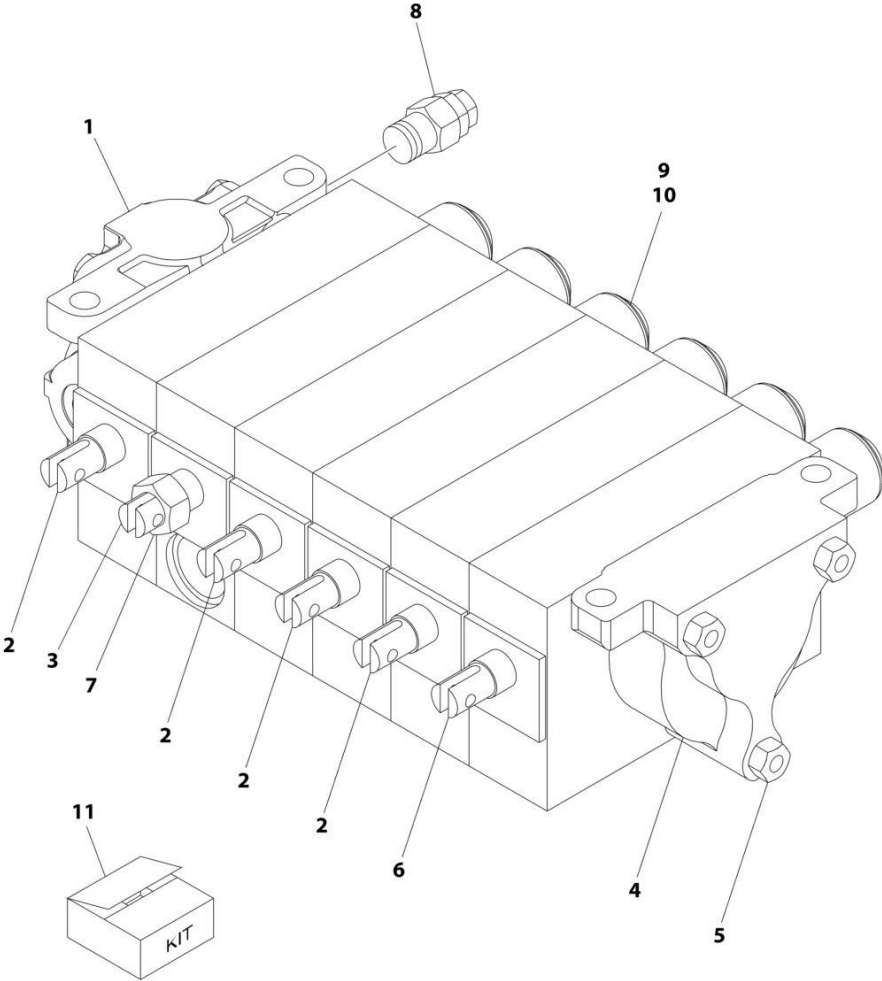
## SECTION 4 - CONTROLS

**FIGURE 4-45. VALVE ASSEMBLY - 6 BANK (WITH AUTO GRIDS)**

ITEM	PART NUMBER	QTY	DESCRIPTION	REV
	3935000166	Ref	VALVE ASSEMBLY - 6 BANK	B
1	7935000369	1	Inlet/Outlet Valve	
2	7935000170	4	Single Clevis Valve	
3	7935000227	1	Relief Valve	
4	7935000173	1	End Valve	
5	7577000218	1	Bolt Kit	
6	7935000265	1	Valve with PO Check	
7	7935000388	1	Relief Valve	
8	7935000174	1	Relief Valve	
9	9843930044	AR	Cap	
10	7577000343	AR	Cap	
11	9577930187	AR	Kit, Spool Seal	

**SECTION 4 - CONTROLS**

**FIGURE 4-46. VALVE ASSEMBLY - 6 BANK (WITH ZOD)**



ART\_3935000118

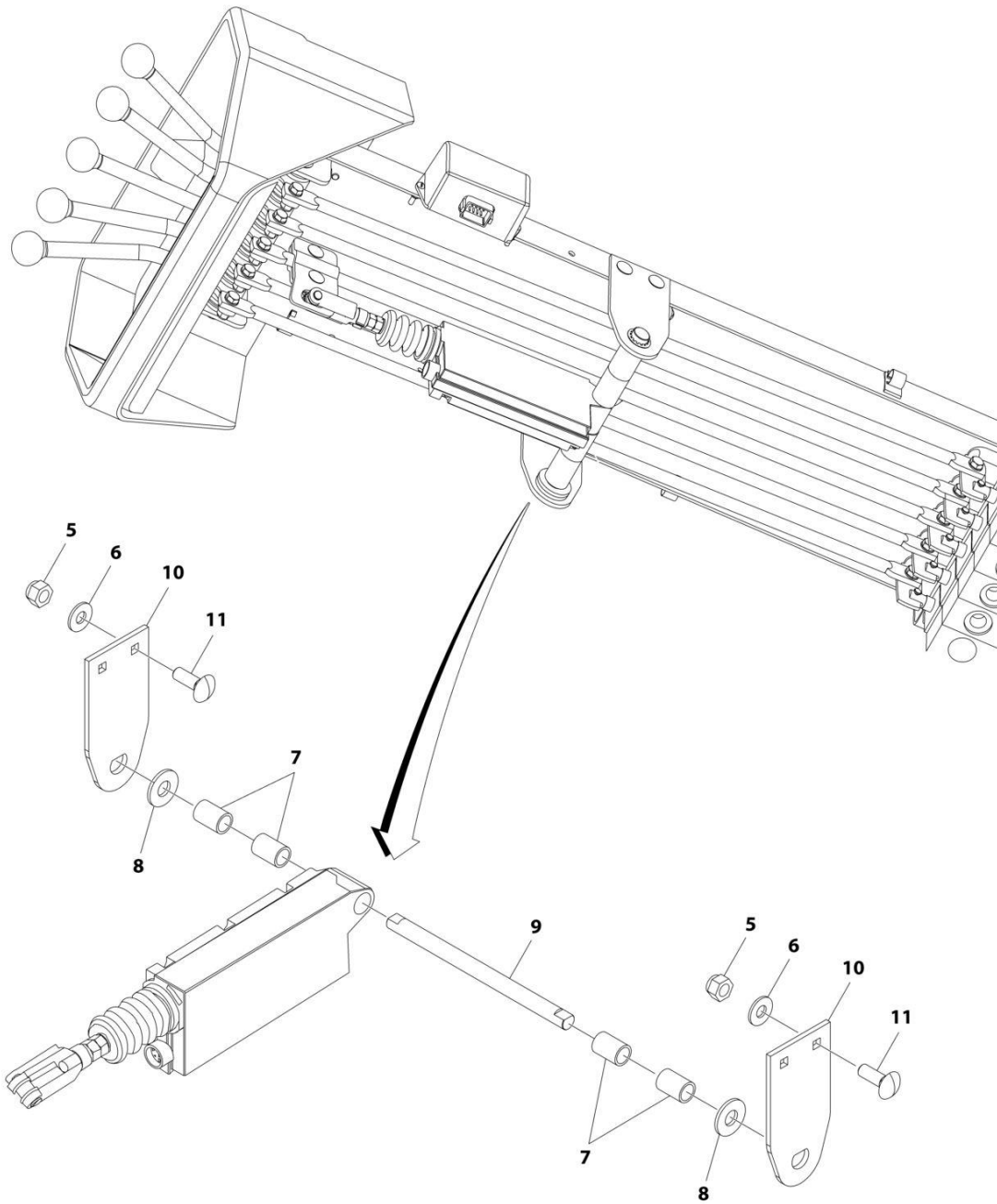
## SECTION 4 - CONTROLS

**FIGURE 4-46. VALVE ASSEMBLY - 6 BANK (WITH ZOD)**

ITEM	PART NUMBER	QTY	DESCRIPTION	REV
	3935000118	Ref	VALVE ASSEMBLY - 6 BANK	B
1	7935000369	1	Inlet/Outlet Valve	
2	7935000170	4	Single Clevis Valve	
3	7935000227	1	Relief Valve	
4	7935000173	1	End Valve	
5	7577000218	1	Bolt Kit	
6	7935000171	1	Valve with Counter Balance	
7	7935000388	1	Relief Valve	
8	7935000174	1	Relief Valve	
9	9843930044	AR	Cap	
10	7577000343	AR	Cap	
11	9577930187	AR	Kit, Spool Seal	

# SECTION 4 - CONTROLS

FIGURE 4-47. LINEAR ACTUATOR MOUNTING KIT - 3 4, & 5 BANK VALVE



ART\_2577000017



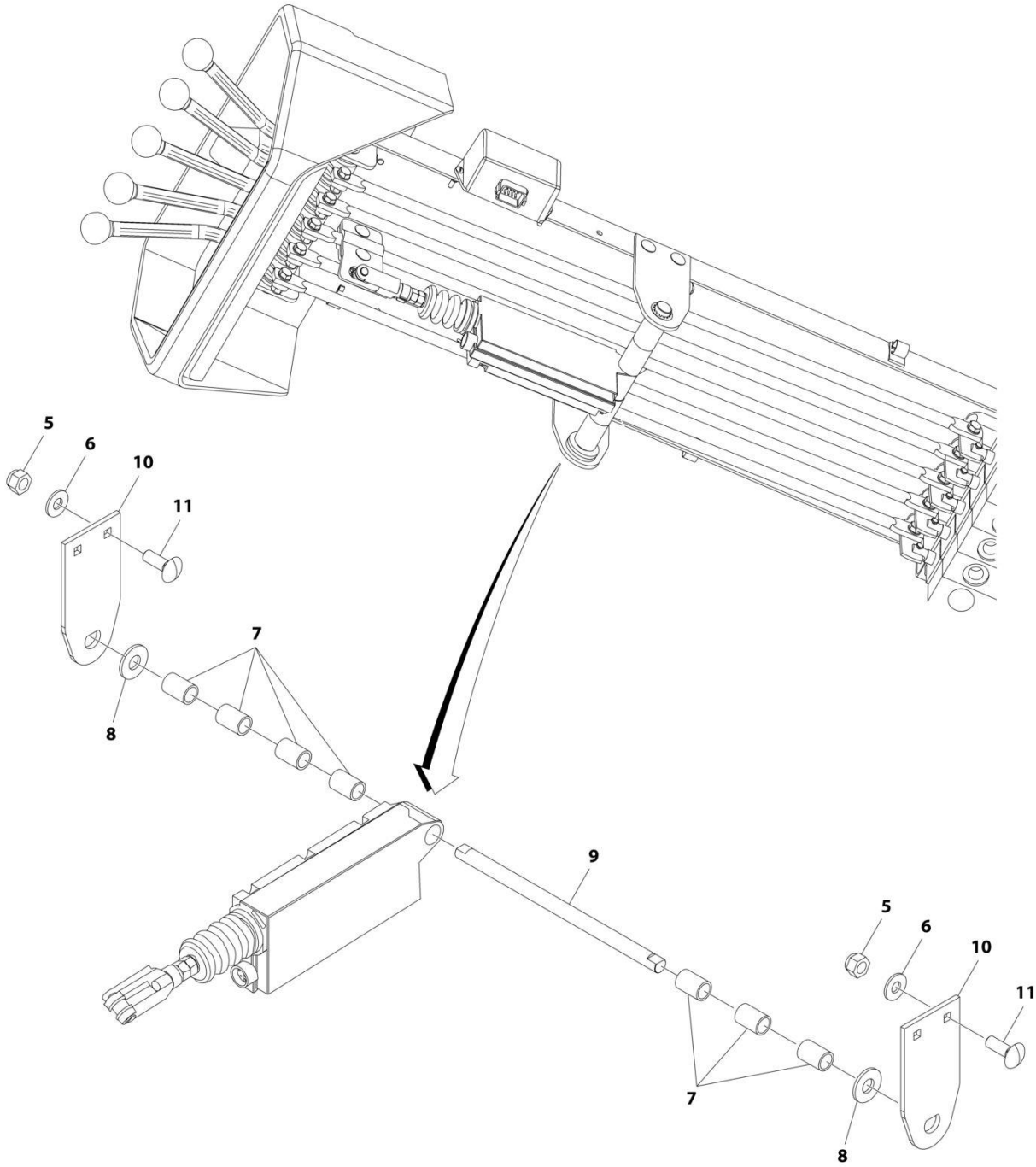
## SECTION 4 - CONTROLS

**FIGURE 4-47. LINEAR ACTUATOR MOUNTING KIT - 3 4, & 5 BANK VALVE**

ITEM	PART NUMBER	QTY	DESCRIPTION	REV
	2577000017	Ref	LINEAR ACTUATOR MOUNT KIT	B
5	7660152601	4	Nut 1/3	
6	7950150161	4	Washer 1/3	
7	4211000001	4	Bushing	
8	7950220141	2	Washer 3/4	
9	7691000064	1	Pin	
10	1001198871	2	Plate	
11	7115150664	4	Bolt 1/3 x 3/4	

# SECTION 4 - CONTROLS

## FIGURE 4-48. LINEAR ACTUATOR MOUNTING KIT - 6 BANK VALVE



ART\_2577000018

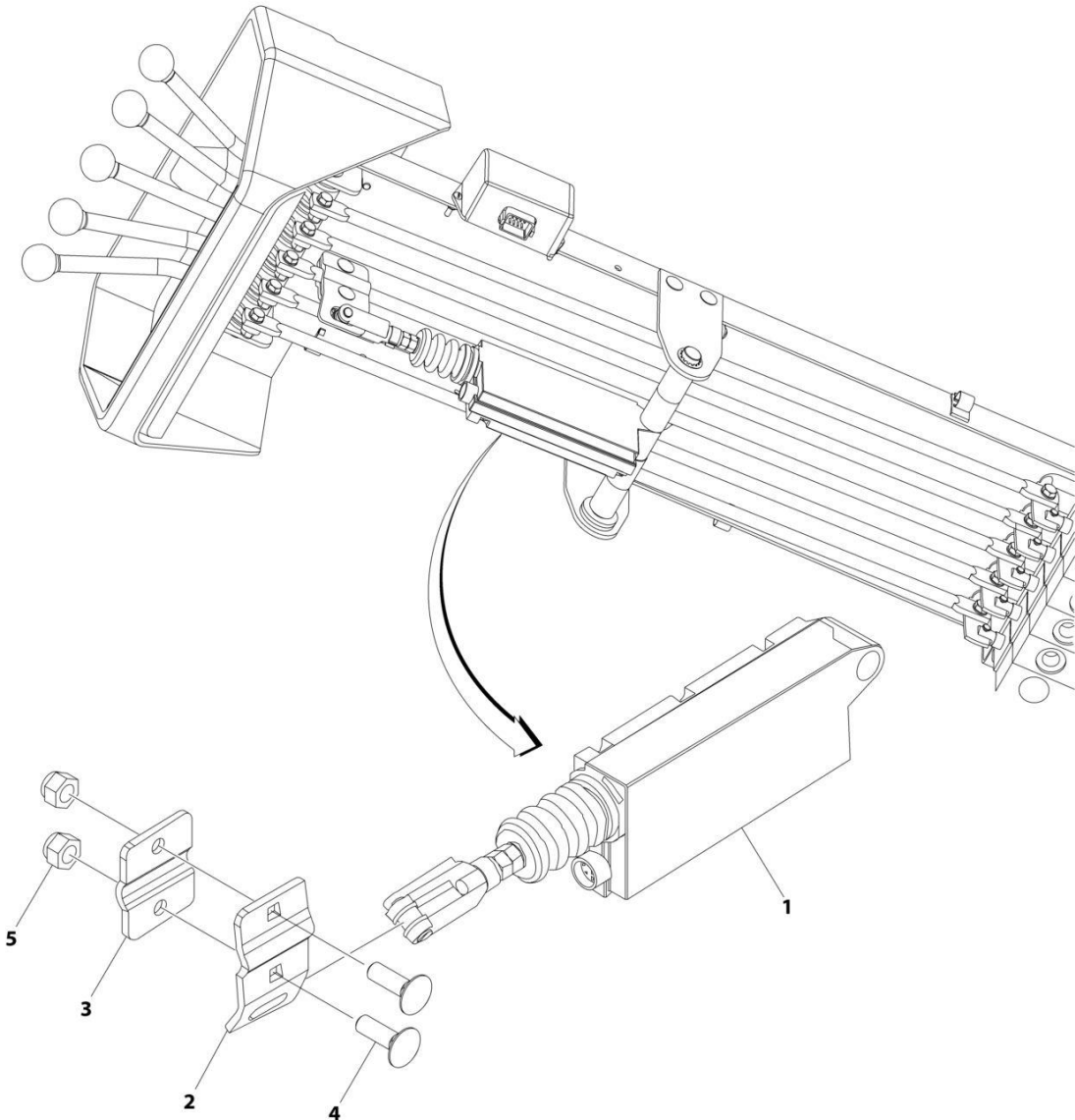
## SECTION 4 - CONTROLS

**FIGURE 4-48. LINEAR ACTUATOR MOUNTING KIT - 6 BANK VALVE**

ITEM	PART NUMBER	QTY	DESCRIPTION	REV
	2577000018	Ref	6 BANK LINEAR ACTUATOR MOUNT KIT	B
5	7660152601	4	Nut 5/16	
6	7950150161	4	Washer 5/16	
7	4211000001	5	Bushing	
8	7950220141	2	Washer 3/4	
9	7691000065	1	Pin	
10	1001198871	2	Plate	
11	7115150664	4	Bolt 5/16 x 3/4	

**SECTION 4 - CONTROLS**

**FIGURE 4-49. LINEAR ACTUATOR INSTALLATION KIT**



ART\_2577000016

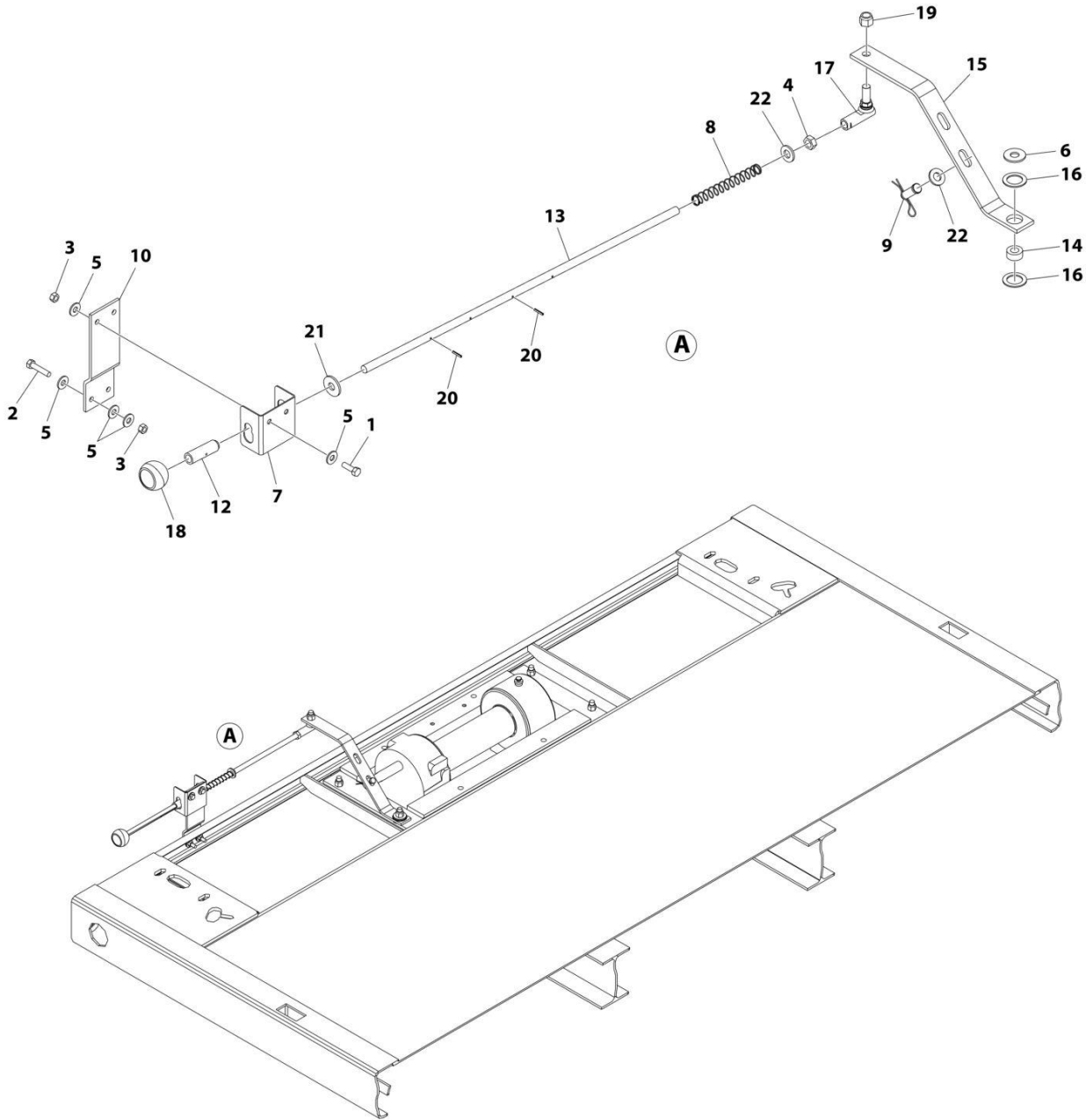
## SECTION 4 - CONTROLS

**FIGURE 4-49. LINEAR ACTUATOR INSTALLATION KIT**

ITEM	PART NUMBER	QTY	DESCRIPTION	REV
	2577000016	Ref	LINEAR ACTUATOR INSTALLATION KIT	A
1	7005000003	1	Linear Actuator 12V	
2	4178000664	1	Bracket	
3	4178000665	1	Bracket	
4	7115150864	2	Bolt 5/16 x 1	
5	7660152601	2	Nut 5/16	

# SECTION 4 - CONTROLS

FIGURE 4-50. FREE SPOOL INSTALLATION - SINGLE 8K/10K WINCH (STANDARD HEADBOARD)



ART\_1001187663

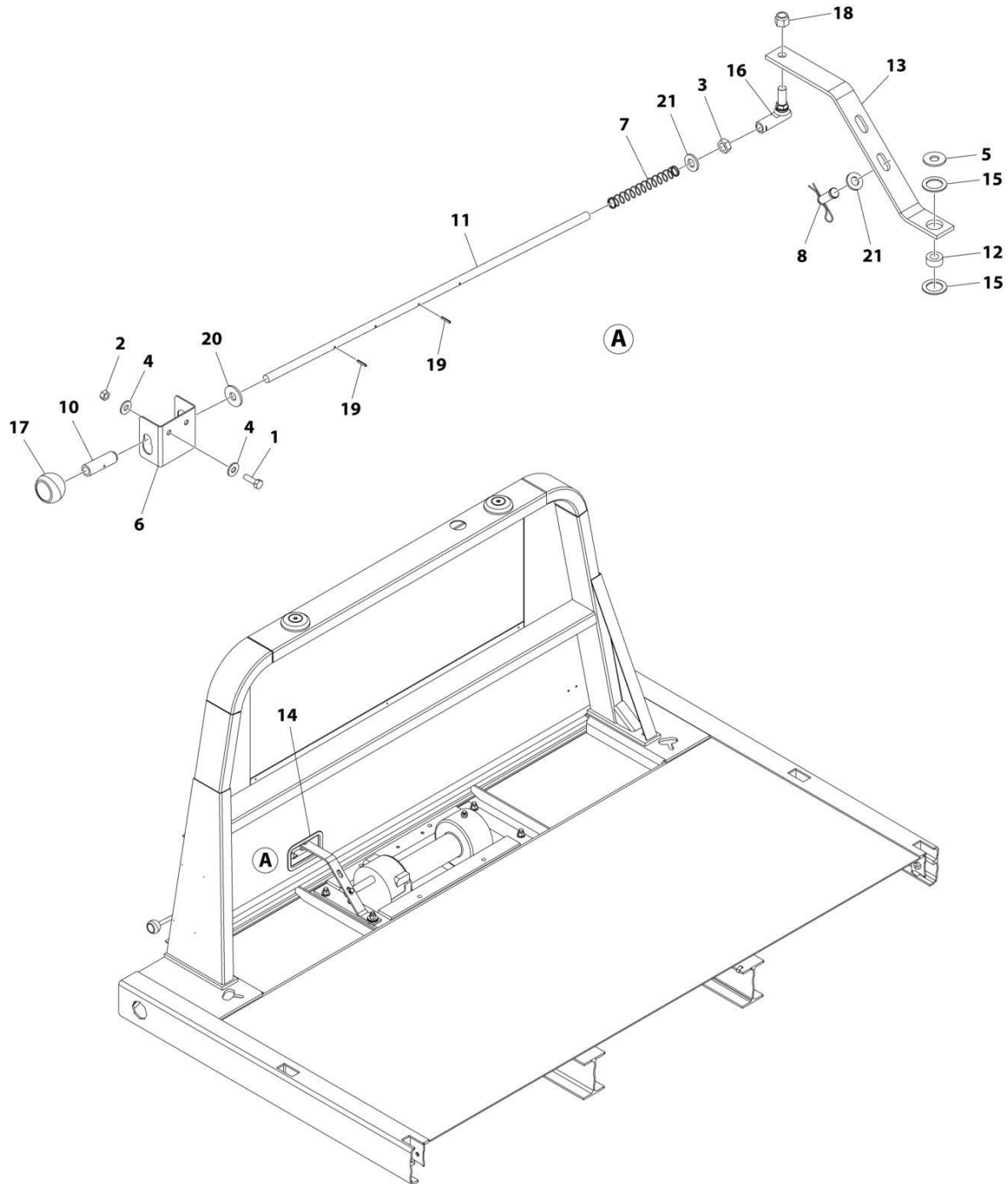
## SECTION 4 - CONTROLS

**FIGURE 4-50. FREE SPOOL INSTALLATION - SINGLE 8K/10K WINCH (STANDARD HEADBOARD)**

ITEM	PART NUMBER	QTY	DESCRIPTION	REV
	1001187663	Ref	HEADBOARD INSTALLATION, SINGLE FREE SPOOL - 8000/10000 LBS	B
1	0641508	2	Bolt 5/16 x 1	
2	0641512	2	Bolt 5/16 x 1-1/2	
3	3271505	4	Nut 5/16	
4	3321802	1	Nut 1/2	
5	4751500	10	Washer 5/16	
6	4751800	1	Washer 1/2	
7	1001156245	1	Bracket	
8	1001156249	1	Spring	
9	1001179025	1	Pin	
10	1001187347	1	Bracket	
11	1001156252	1	Decal (Not Shown)	
12	1001191516	1	Sleeve	
13	1001191985	1	Rod	
14	4209000146	1	Bushing	
15	4587000004	1	Lever	
16	7082000010	2	Washer 1-1/2 x 1	
17	7309000002	1	Coupling	
18	7551000017	1	Knob	
19	7660182631	1	Nut 1/2	
20	7690051274	2	Pin	
21	7949000030	1	Washer	
22	7950180143	2	Washer 1/2	

# SECTION 4 - CONTROLS

FIGURE 4-51. FREE SPOOL INSTALLATION - SINGLE 8K/10K WINCH (DELUXE HEADBOARD)



ART\_1001187664



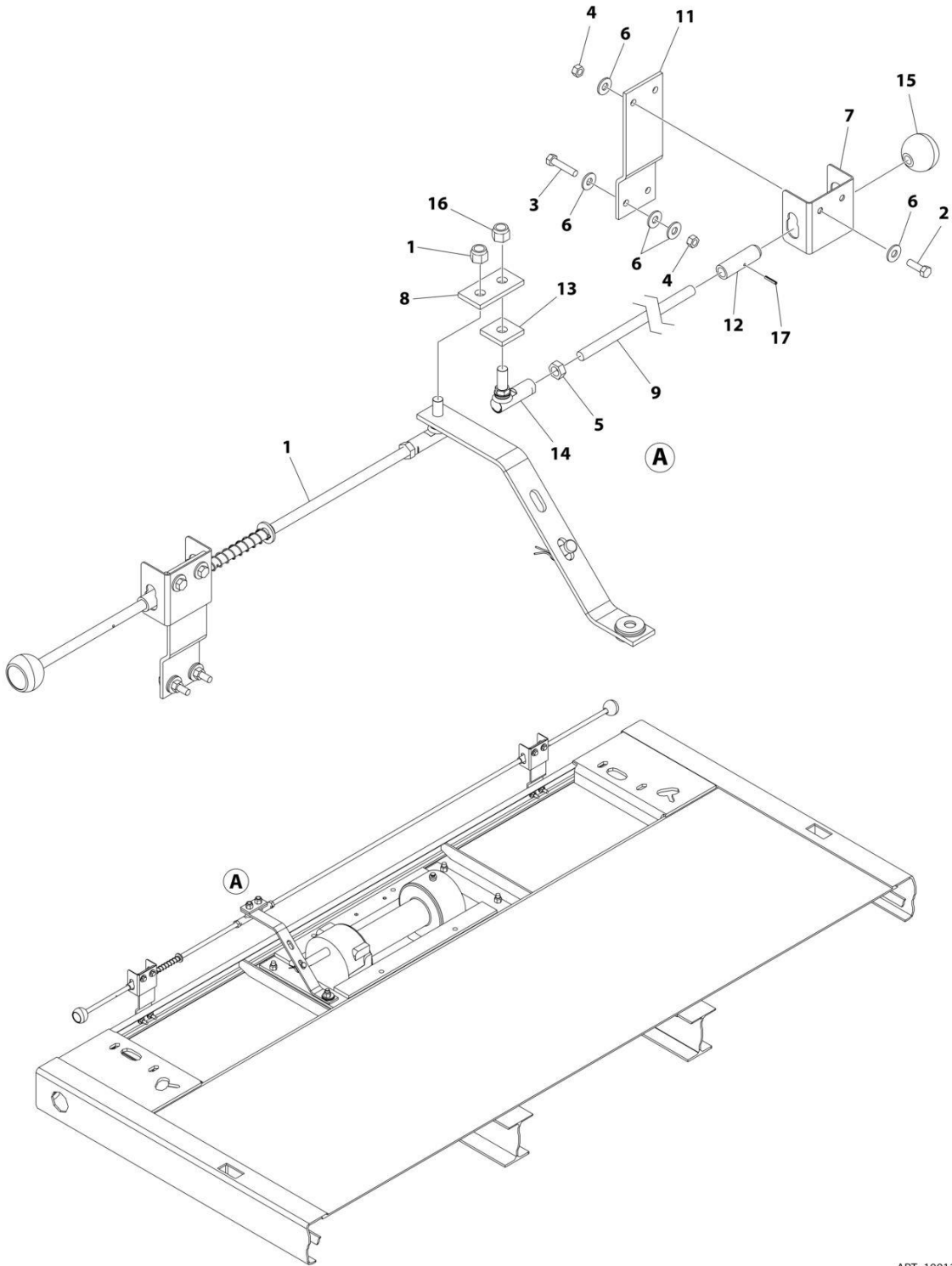
## SECTION 4 - CONTROLS

**FIGURE 4-51. FREE SPOOL INSTALLATION - SINGLE 8K/10K WINCH (DELUXE HEADBOARD)**

ITEM	PART NUMBER	QTY	DESCRIPTION	REV
	1001187664	Ref	DELUXE HEADBOARD INSTALLATION, SINGLE FREE SPOOL - 8000/10000 LBS	B
1	0641508	2	Bolt 5/16 x 1	
2	3271505	2	Nut 5/16	
3	3321802	1	Nut 1/2	
4	4751500	4	Washer 5/16	
5	4751800	1	Washer 1/2	
6	1001156245	1	Bracket	
7	1001156249	1	Spring	
8	1001179025	1	Pin	
9	1001156252	1	Decal (Not Shown)	
10	1001191516	1	Sleeve	
11	1001191985	1	Rod	
12	4209000146	1	Bushing	
13	4587000004	1	Lever	
14	4632000009	1	Trim Lock	
15	7082000010	2	Washer 1-1/2 x 1	
16	7309000002	1	Coupling	
17	7551000017	1	Knob	
18	7660182631	1	Nut 1/2	
19	7690051274	2	Pin	
20	7949000030	1	Washer	
21	7950180143	2	Washer 1/2	

# SECTION 4 - CONTROLS

FIGURE 4-52. FREE SPOOL INSTALLATION - DUAL 8K/10K WINCH (STANDARD HEADBOARD)



ART\_1001187665

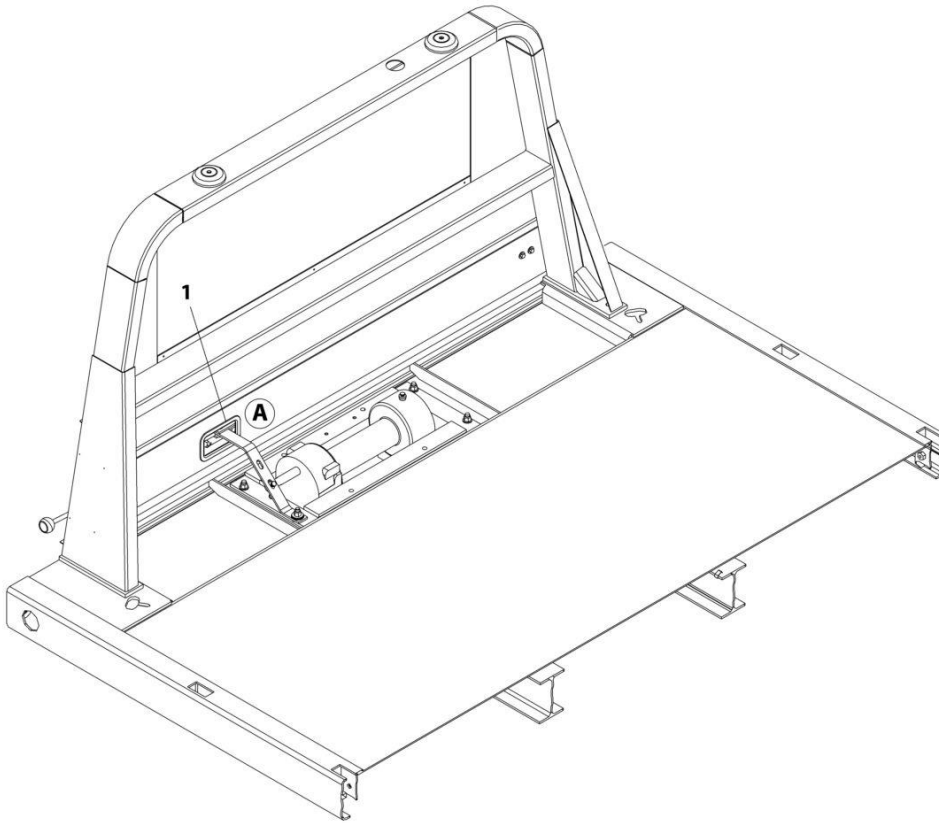
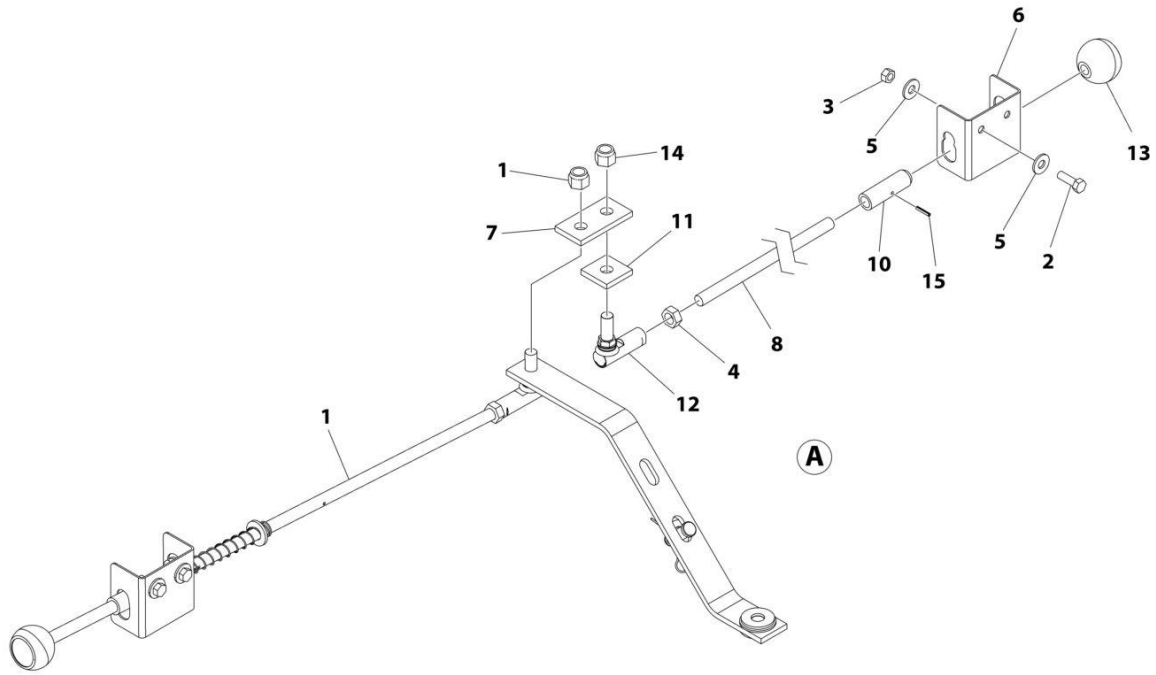
## SECTION 4 - CONTROLS

**FIGURE 4-52. FREE SPOOL INSTALLATION - DUAL 8K/10K WINCH (STANDARD HEADBOARD)**

ITEM	PART NUMBER	QTY	DESCRIPTION	REV
	1001187665	Ref	HEADBOARD INSTALLATION, DUAL FREE SPOOL - 8000/10000 LBS	C
1	1001187663	1	Single Free Spool Installation (See Separate Breakdown in this Section)	
2	0641508	2	Bolt 5/16 x 1	
3	0641512	2	Bolt 5/16 x 1-1/2	
4	3271505	4	Nut 5/16	
5	3321802	1	Nut 1/2	
6	4751500	10	Washer 5/16	
7	1001156245	1	Bracket	
8	1001156247	1	Bar	
9	1001156248	1	Rod	
10	1001156252	1	Decal (Not Shown)	
11	1001187347	1	Bracket	
12	1001191516	1	Sleeve	
13	4706000717	1	Plate	
14	7309000002	1	Coupling	
15	7551000017	1	Knob	
16	7660182631	1	Nut 1/2	
17	7690051274	1	Pin	

# SECTION 4 - CONTROLS

FIGURE 4-53. FREE SPOOL INSTALLATION - DUAL 8K/10K WINCH (DELUXE HEADBOARD)



ART\_1001187666

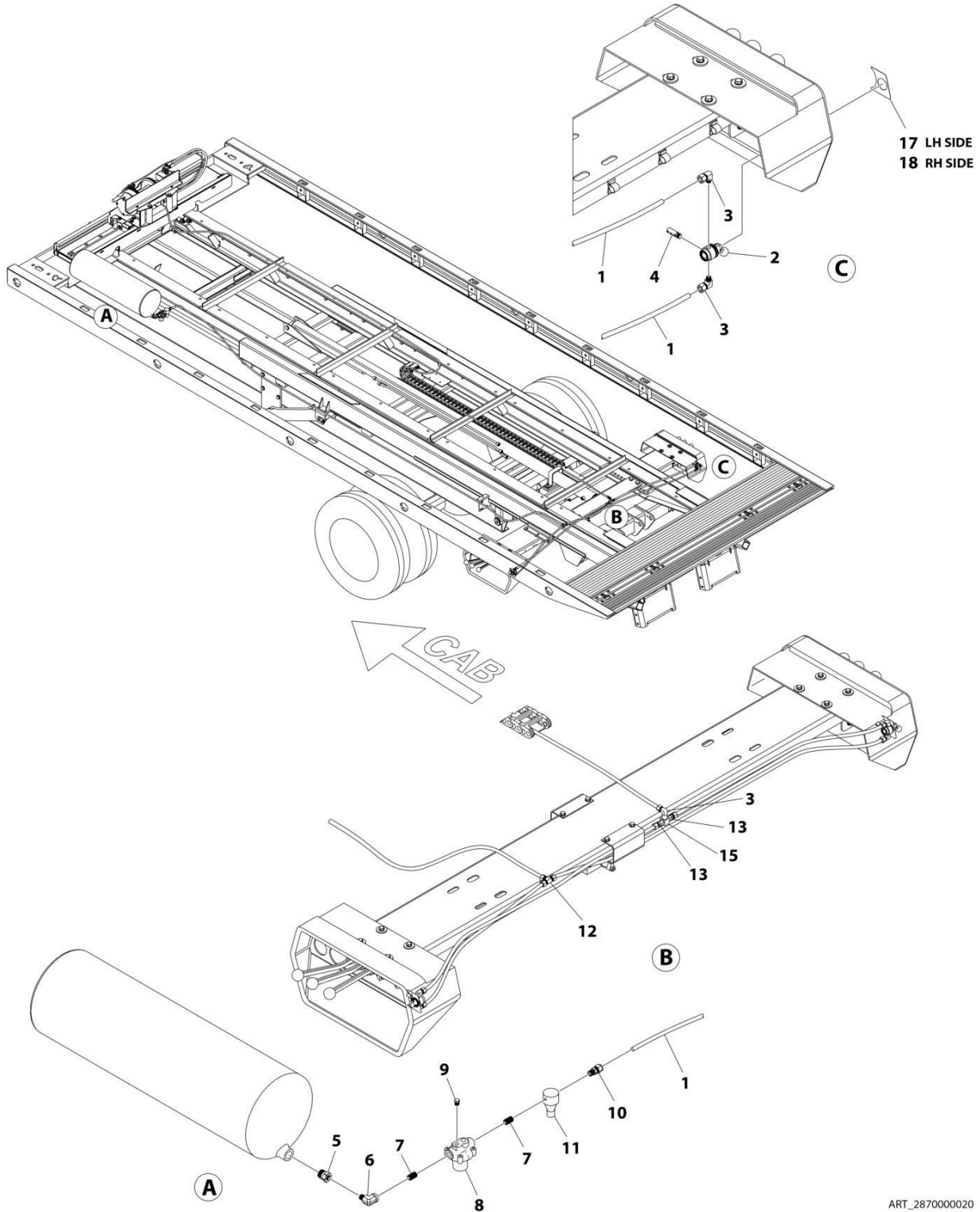
## SECTION 4 - CONTROLS

**FIGURE 4-53. FREE SPOOL INSTALLATION - DUAL 8K/10K WINCH (DELUXE HEADBOARD)**

ITEM	PART NUMBER	QTY	DESCRIPTION	REV
	1001187666	Ref	DELUX HEADBOARD INSTALLATION, DUAL FREE SPOOL - 8000/10000 LBS	B
1	1001187664	1	Single Free Spool, Deluxe Headboard Installation (See Separate Breakdown in this Section)	
2	0641508	2	Bolt 5/16 x 1	
3	3271505	2	Nut 5/16	
4	3321802	1	Nut 1/2	
5	4751500	4	Washer 5/16	
6	1001156245	1	Bracket	
7	1001156247	1	Bar	
8	1001156248	1	Rod	
9	1001156252	1	Decal (Not Shown)	
10	1001191516	1	Sleeve	
11	4706000717	1	Plate	
12	7309000002	1	Coupling	
13	7551000017	1	Knob	
14	7660182631	1	Nut 1/2	
15	7690051274	1	Pin	

# SECTION 4 - CONTROLS

## FIGURE 4-54. FREE SPOOL INSTALLATION - 8K/10K WINCH (AIR) (STANDARD HEADBOARD)



ART\_287000020

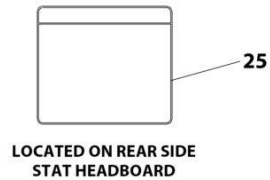
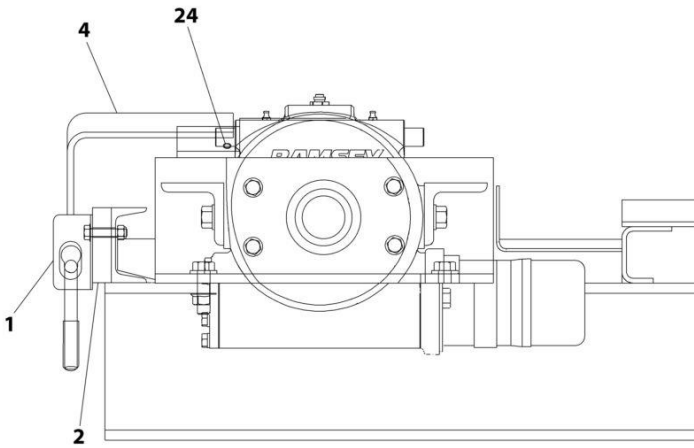
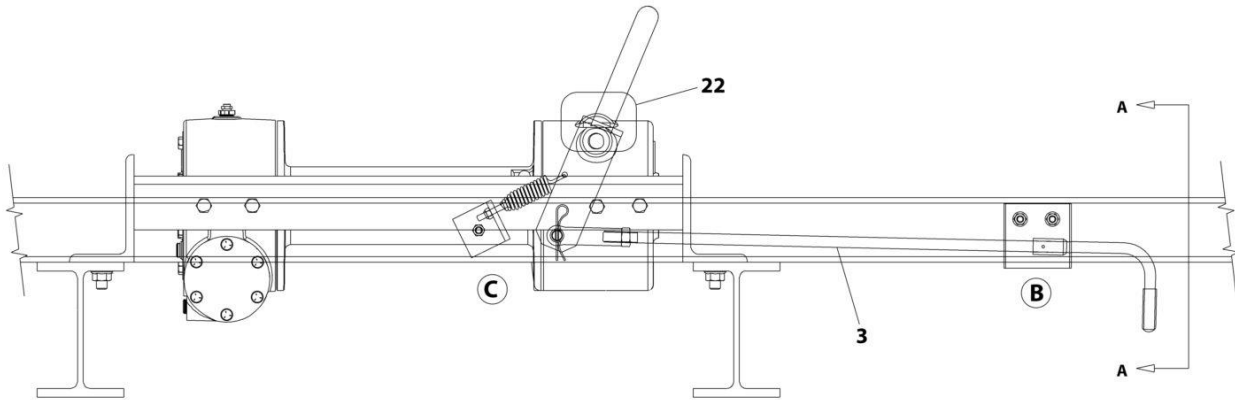
## SECTION 4 - CONTROLS

**FIGURE 4-54. FREE SPOOL INSTALLATION - 8K/10K WINCH (AIR) (STANDARD HEADBOARD)**

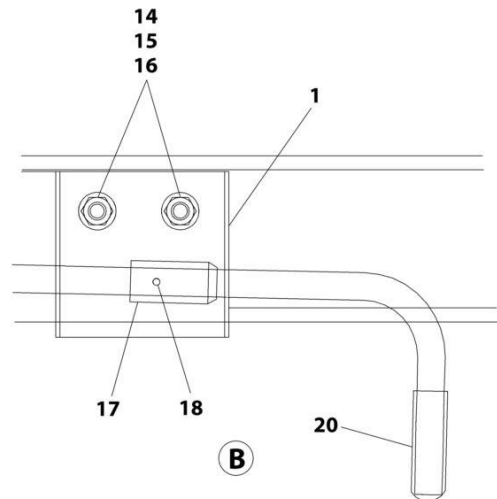
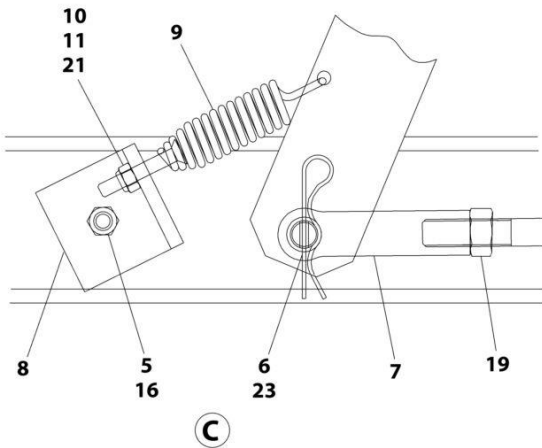
ITEM	PART NUMBER	QTY	DESCRIPTION	REV
	2870000020	Ref	DUAL AIR FREE SPOOL SWITCH INSTALLATION - 8000/10000 LBS	B
1	7565000014	AR	Airline Tube	
2	7935000182	2	Air Valve	
3	7443000364	5	Fitting,Tube	
4	7640000002	2	Air Exhaust Muffler	
5	7443000154	1	Fitting	
6	7443000155	1	Fitting 90	
7	7443000156	2	Fitting, Nipple	
8	7935000120	1	Pressure Protection Valve	
9	7443000152	1	Plug	
10	7443000366	1	Fitting,Tube	
11	7935000248	1	Air Regulator	
12	7443000371	1	Fitting, Tee	
13	7443000365	2	Fitting,Tube	
14	8597650001	1	Loom (Not Shown)	
15	7935000229	1	Shuttle Valve	
16	7894000004	8	Tie-Strap (Not Shown)	
17	7330000675	1	Decal LH	
18	7330000676	1	Decal RH	
19	7443000443	1	Fitting,Tube (Not Shown)	
20	7565000016	AR	Airline Tubing (Not Shown)	

# SECTION 4 - CONTROLS

FIGURE 4-55. FREE SPOOL INSTALLATION - 12K WINCH (BOLT-ON HEADBOARD)



VIEW A-A



ART\_2970000069



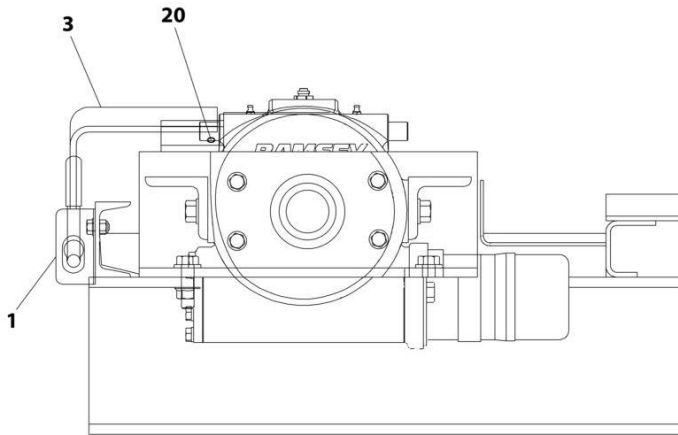
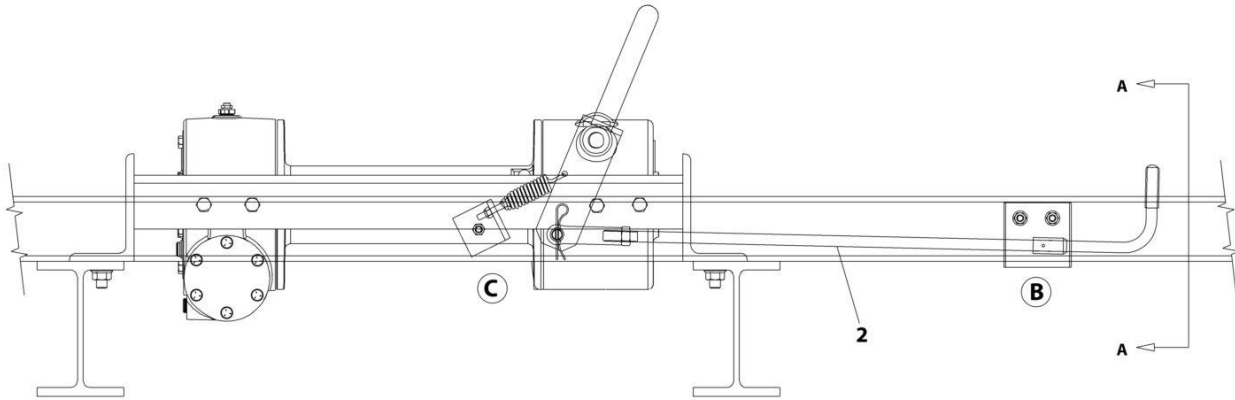
## SECTION 4 - CONTROLS

**FIGURE 4-55. FREE SPOOL INSTALLATION - 12K WINCH (BOLT-ON HEADBOARD)**

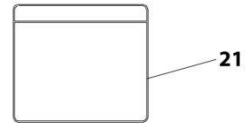
ITEM	PART NUMBER	QTY	DESCRIPTION	REV
	297000069	Ref	FREE SPOOL INSTALLATION	F
1	4178000673	1	Bracket	
2	4679000208	1	Pad	
3	4763000253	1	Rod	
4	3020000091	1	Arm Weldment Lever	
5	7115150850	1	Capscrew 5/16 x 1	
6	7950180143	2	Washer 1/2	
7	7990000011	1	Yoke	
8	4017001194	1	Angle	
9	7843000007	1	Spring	
10	7111141407	1	Bolt 1/4 x 1-3/4	
11	7660142601	1	Nut 1/4	
14	7950150161	2	Washer 5/16	
15	7115151250	2	Capscrew 5/16 x 1-1/2	
16	7660152601	3	Nut 5/16	
17	4209000212	1	Bushing	
18	7690051274	1	Pin	
19	7660180234	1	Nut 1/2	
20	7254000016	1	Cap	
21	7950140141	1	Washer 1/4	
22	4632000030	1	Moulding	
23	1001179025	1	Pin	
24	7785150500	1	Screw 5/16 x 5/16	
25	7330000242	1	Decal, Free Spool	

# SECTION 4 - CONTROLS

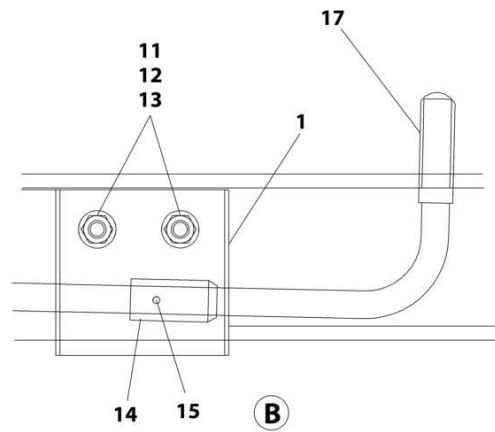
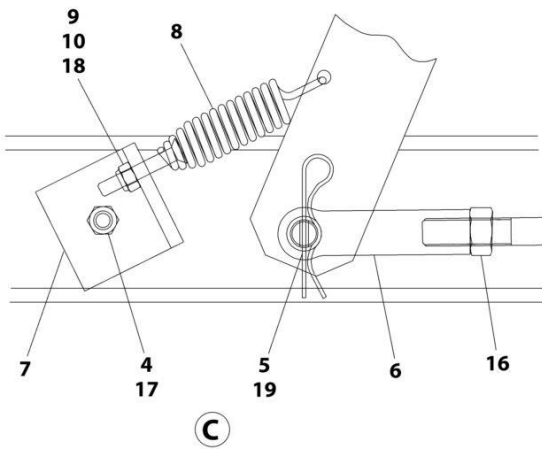
FIGURE 4-56. FREE SPOOL INSTALLATION - 12K WINCH (STATIONARY HEADBOARD)



VIEW A-A



LOCATED ON REAR SIDE  
STAT HEADBOARD



ART\_2970000105

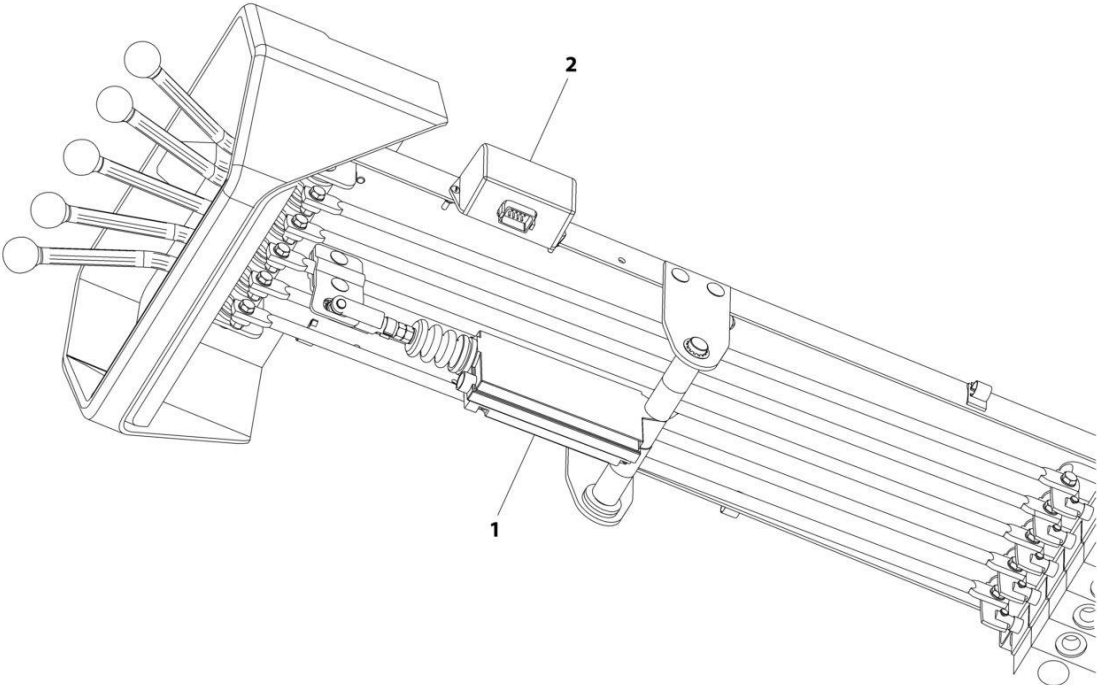
## SECTION 4 - CONTROLS

**FIGURE 4-56. FREE SPOOL INSTALLATION - 12K WINCH (STATIONARY HEADBOARD)**

ITEM	PART NUMBER	QTY	DESCRIPTION	REV
	2970000105	Ref	FREE SPOOL INSTALLATION	C
1	4178000673	1	Bracket	
2	4763000253	1	Rod	
3	3020000123	1	Arm Weldment Lever	
4	7115150850	1	Capscrew 5/16 x 1	
5	7950180143	2	Washer 1/2	
6	7990000011	1	Yoke	
7	4017001504	1	Angle	
8	7843000007	1	Spring	
9	7111141407	1	Bolt 1/4 x 1-3/4	
10	7660142601	1	Nut 1/4	
11	7950150161	2	Washer 5/16	
13	7115150850	3	Capscrew 5/16 x 1	
12	7660152601	2	Nut 5/16	
14	4209000212	1	Bushing	
15	7690051274	1	Pin	
16	7660180234	1	Nut	
17	7254000016	1	Cap	
18	7950140141	1	Washer 1/4	
19	1001179025	1	Pin	
20	7785150500	1	Screw 5/16 x 5/16	
21	7330000495	1	Decal, Free Spool	

**SECTION 4 - CONTROLS**

**FIGURE 4-57. REMOTE CONTROL, ONE FUNCTION, WINCHES PLUS**



ART\_RC-1

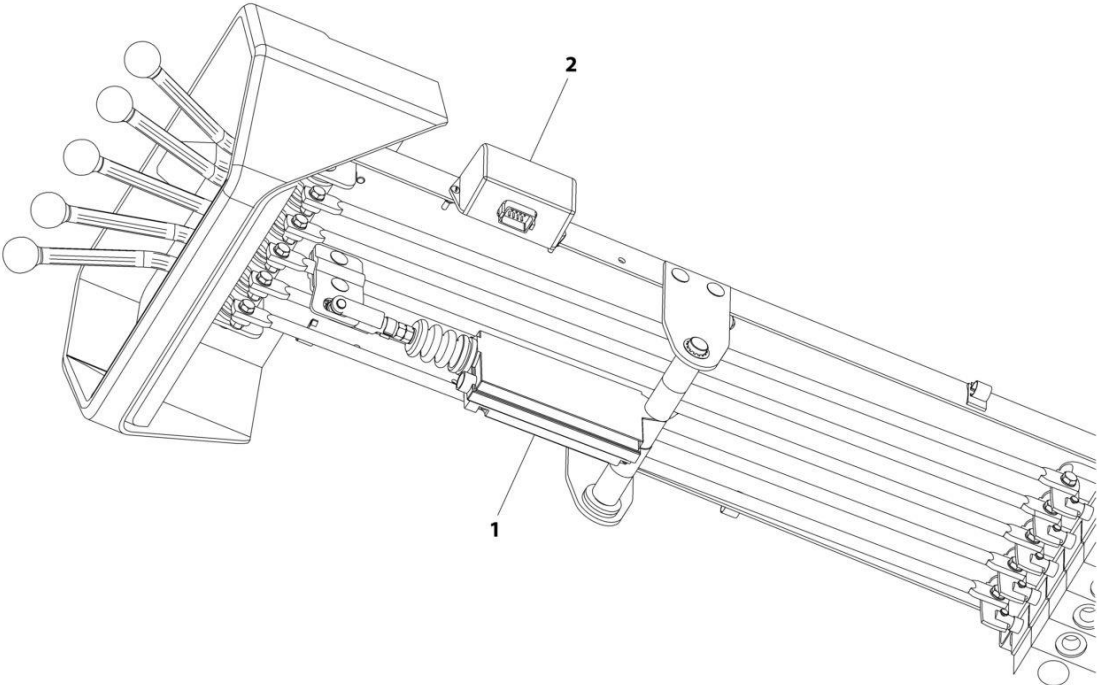
## SECTION 4 - CONTROLS

**FIGURE 4-57. REMOTE CONTROL, ONE FUNCTION, WINCHES PLUS**

ITEM	PART NUMBER	QTY	DESCRIPTION	REV
	RC-1	Ref	REMOTE CONTROL - ONE FUNCTION	0
1	2577000016	1	Linear Actuator Installation Kit (See Separate Breakdown in this Section)	
2	2577000029	1	Miratron Wireless Installation (See Separate Breakdown in this Section)	

**SECTION 4 - CONTROLS**

**FIGURE 4-58. REMOTE CONTROL, TWO FUNCTION, WINCHES PLUS**



ART\_RC-2

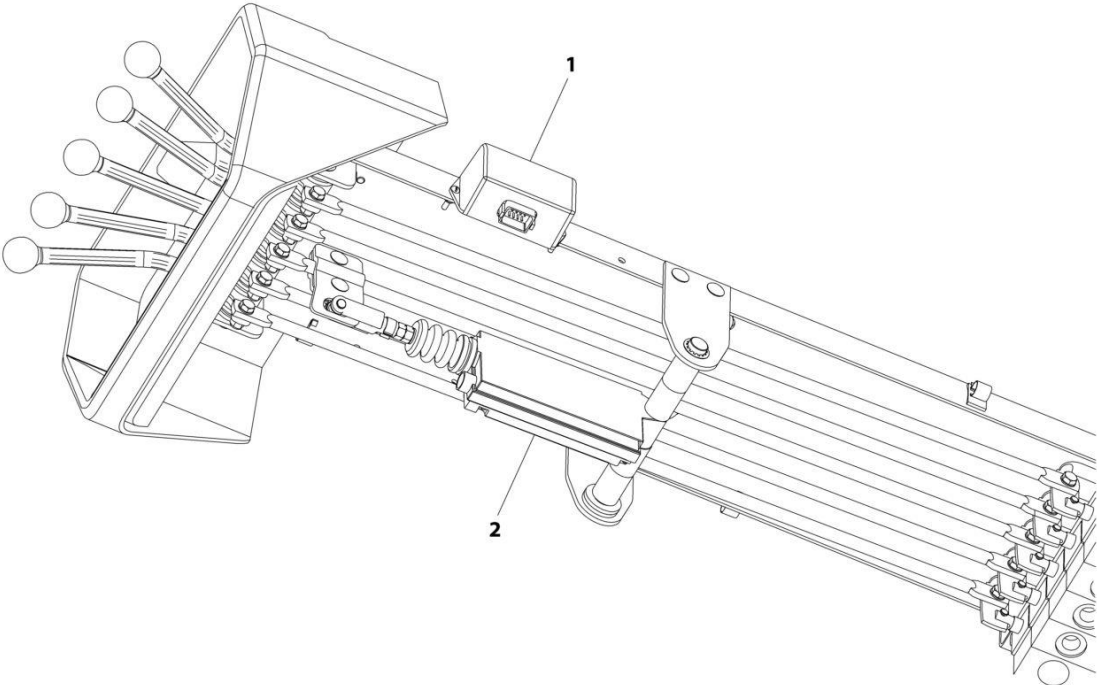
## SECTION 4 - CONTROLS

**FIGURE 4-58. REMOTE CONTROL, TWO FUNCTION, WINCHES PLUS**

ITEM	PART NUMBER	QTY	DESCRIPTION	REV
1	RC-2 2577000016	Ref 2	REMOTE CONTROL - TWO FUNCTION, WINCHES PLUS Linear Actuator Installation Kit (See Separate Breakdown in this Section)	0
2	2577000030	1	Miratron Wireless Installation (See Separate Breakdown in this Section)	

**SECTION 4 - CONTROLS**

**FIGURE 4-59. REMOTE CONTROL, THREE FUNCTION, WINCHES PLUS**



ART\_RC-3



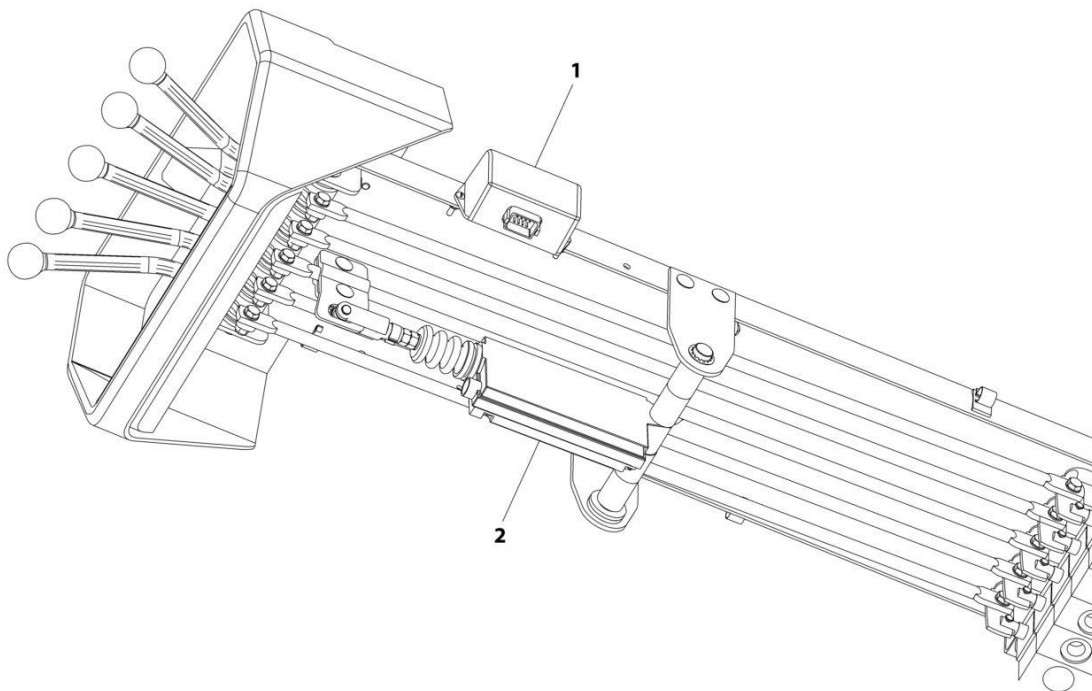
## SECTION 4 - CONTROLS

**FIGURE 4-59. REMOTE CONTROL, THREE FUNCTION, WINCHES PLUS**

ITEM	PART NUMBER	QTY	DESCRIPTION	REV
1	RC-3 2577000016	Ref 3	Remote Control, Three Function, Winches Plus Linear Actuator Installation Kit (See Separate Breakdown in this Section)	0
2	2577000031	1	Miratron Wireless Installation (See Separate Breakdown in this Section)	

## SECTION 4 - CONTROLS

FIGURE 4-60. REMOTE CONTROL, FOUR FUNCTION, WINCHES PLUS



ART\_RC-4

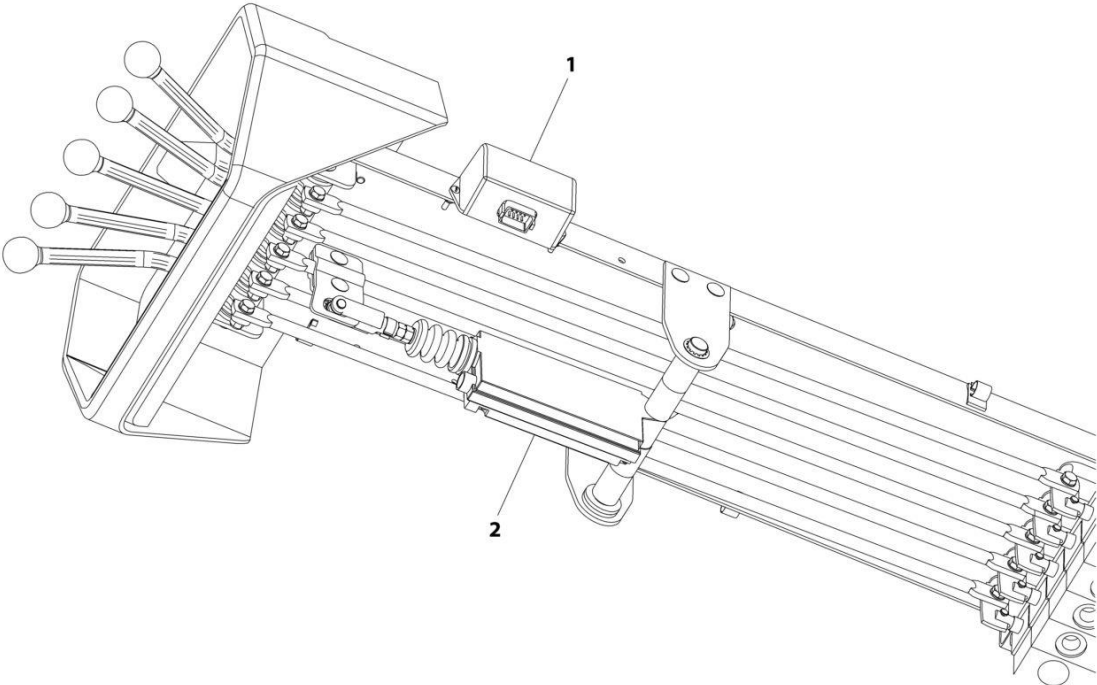
## SECTION 4 - CONTROLS

**FIGURE 4-60. REMOTE CONTROL, FOUR FUNCTION, WINCHES PLUS**

ITEM	PART NUMBER	QTY	DESCRIPTION	REV
1	RC-4 2577000016	Ref 4	Remote Control, Four Function, Winches Plus Linear Actuator Installation Kit (See Separate Breakdown in this Section)	0
2	2577000034	1	Miratron Wireless Installation (See Separate Breakdown in this Section)	

**SECTION 4 - CONTROLS**

**FIGURE 4-61. REMOTE CONTROL, FIVE FUNCTION, WINCHES PLUS**



ART\_RC-5

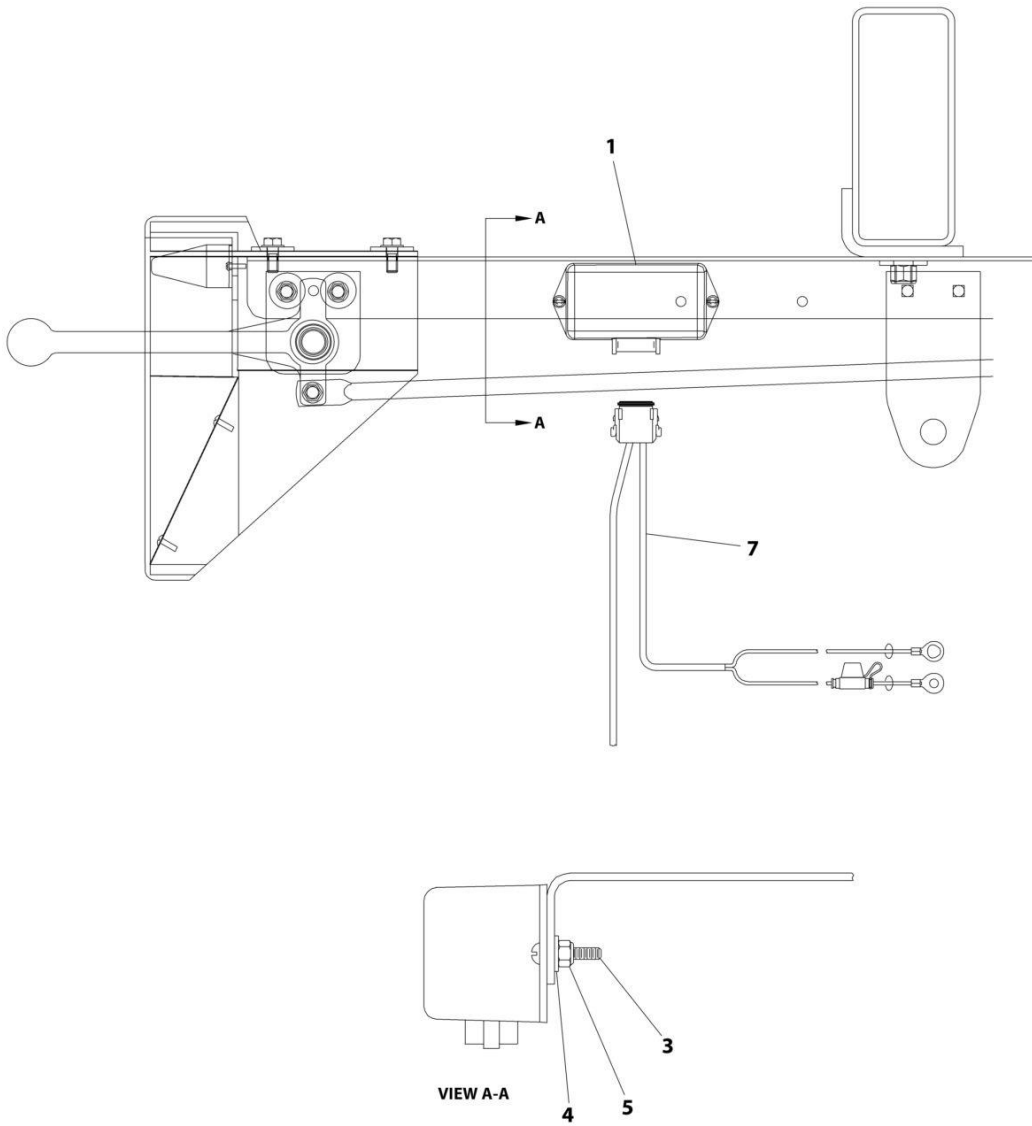
## SECTION 4 - CONTROLS

**FIGURE 4-61. REMOTE CONTROL, FIVE FUNCTION, WINCHES PLUS**

ITEM	PART NUMBER	QTY	DESCRIPTION	REV
1	RC-5 2577000016	Ref 5	Remote Control, Five Function, Winches Plus Linear Actuator Installation Kit (See Separate Breakdown in this Section)	0
2	2577000035	1	Miratron Wireless Installation (See Separate Breakdown in this Section)	

# SECTION 4 - CONTROLS

## FIGURE 4-62. MIRATRON WIRELESS INSTALLATION, ONE FUNCTION



ART\_2577000029

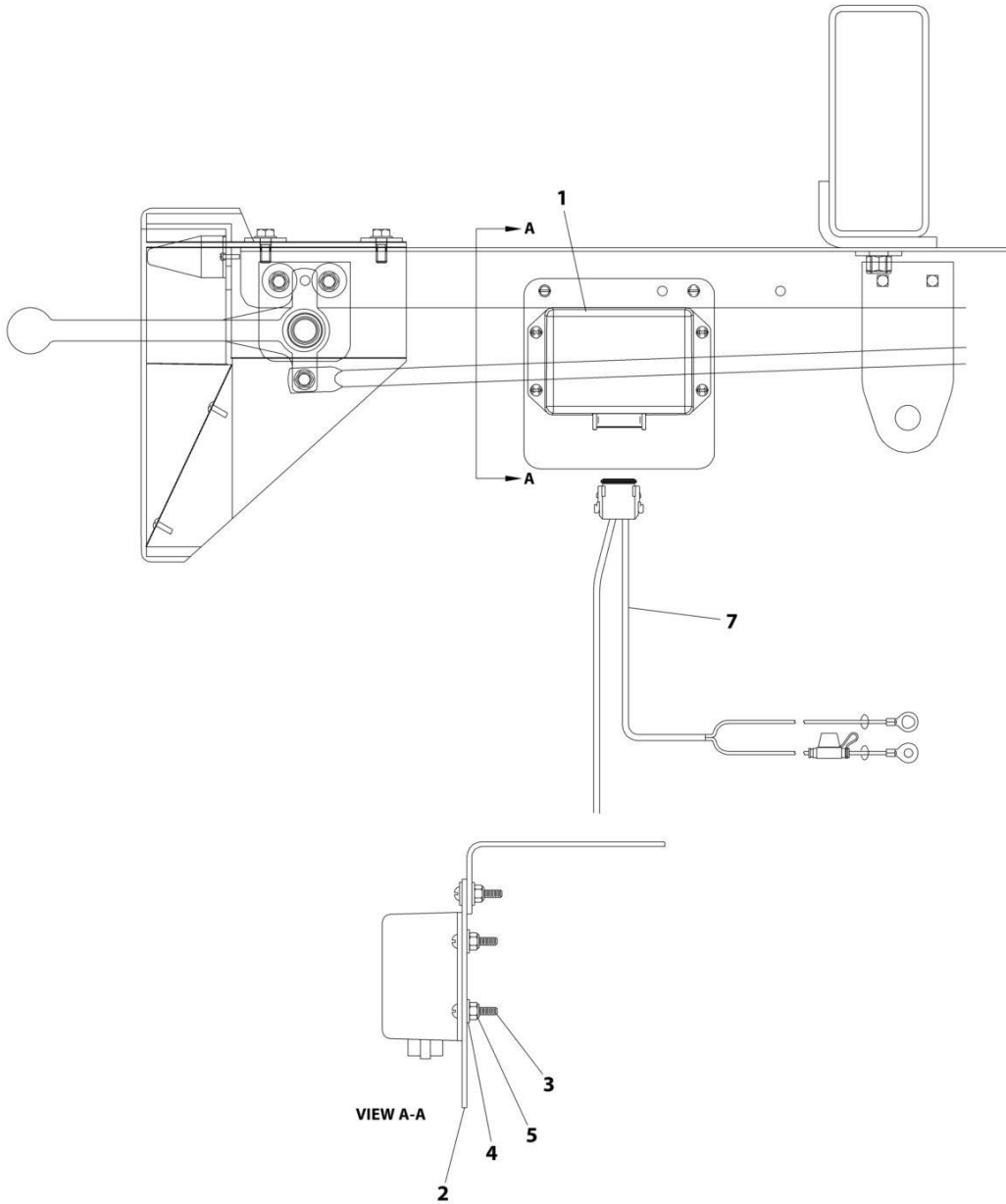
## SECTION 4 - CONTROLS

**FIGURE 4-62. MIRATRON WIRELESS INSTALLATION, ONE FUNCTION**

ITEM	PART NUMBER	QTY	DESCRIPTION	REV
	2577000029	Ref	CONT INST WIRELESS MIRATRON 2 FUNCT	0
1	7295000106	1	Wireless Cont 2 Function Miratron Rollback	
3	7114100810	2	Screw #10 x 1	
4	7950100151	2	Washer 3/16	
5	7660102604	2	Nut #10	
7	7552000391	1	Harness 2 Function Miratron Rollback	
7	4460930	1	Plug, Male - 8 Position	
7	4460465	6	Socket, Female	
7	4460955	2	Plug, Male - 2 Position	
7	4460842	4	Terminal	
7		Ref	Fuse - 10Amp ATO (Purchase Locally)	

# SECTION 4 - CONTROLS

## FIGURE 4-63. MIRATRON WIRELESS INSTALLATION, TWO FUNCTION



ART\_2577000030



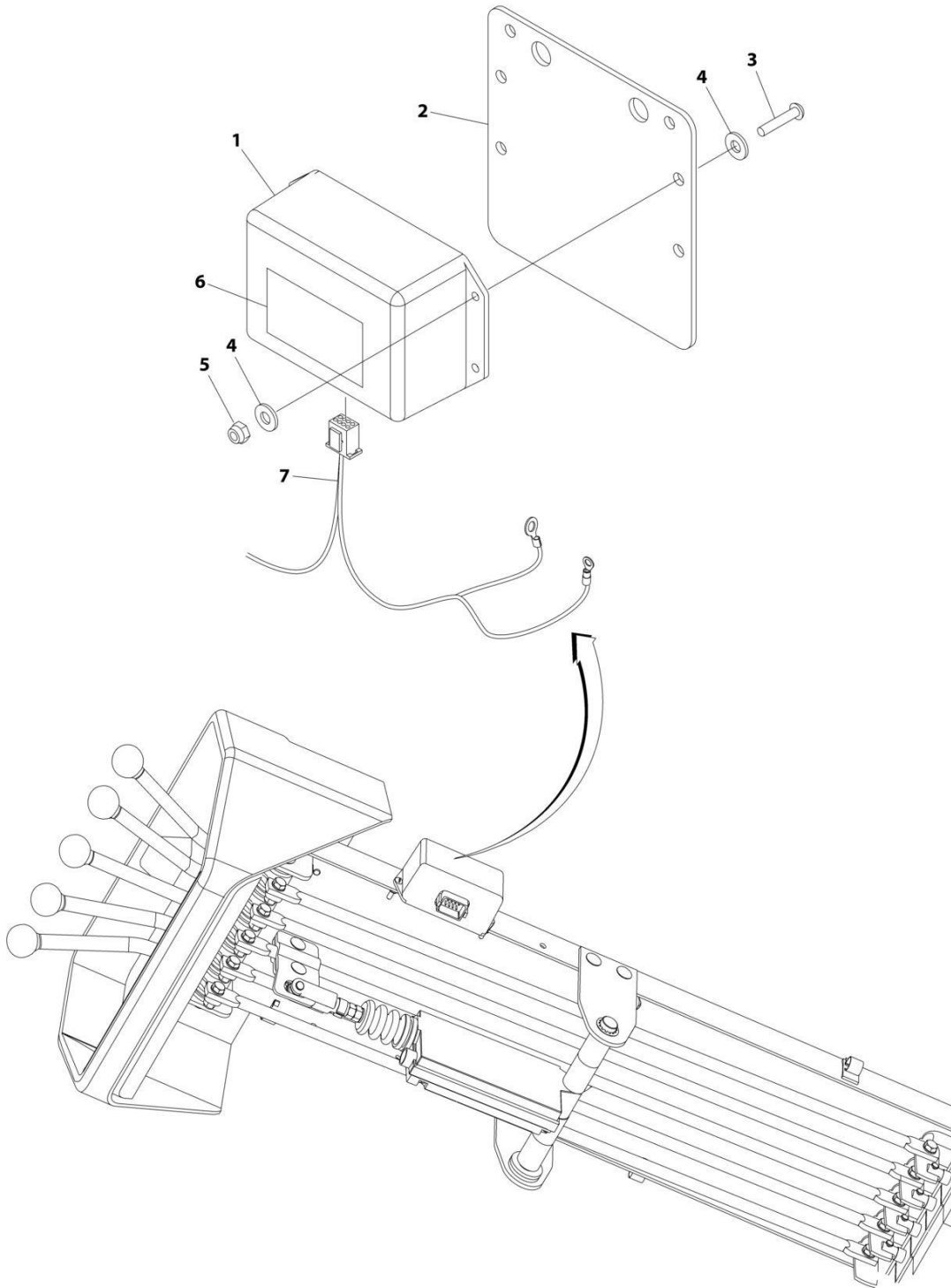
## SECTION 4 - CONTROLS

**FIGURE 4-63. MIRATRON WIRELESS INSTALLATION, TWO FUNCTION**

ITEM	PART NUMBER	QTY	DESCRIPTION	REV
	2577000030	Ref	REMOTE CONTROL INSTALLATION - FOUR FUNCTION	A
1	7295000108	1	Controller, Wireless - 4 Function	
2	4706005595	1	Plate	
3	7114100810	6	Screw #10 x 1	
4	7950100151	8	Washer 3/16	
5	7660102604	6	Nut #10	
7	7552000392	1	Harness 4 Function Miratron Rollback	
7	4460933	1	Plug, Male - 12 Position	
7	4460465	10	Socket, Female	
7	4460955	4	Plug, Male - 2 Position	
7	4460842	8	Terminal	
7		Ref	Fuse - 10AMP ATO (Purchase Locally)	

# SECTION 4 - CONTROLS

## FIGURE 4-64. MIRATRON WIRELESS INSTALLATION, THREE FUNCTION



ART\_2577000031

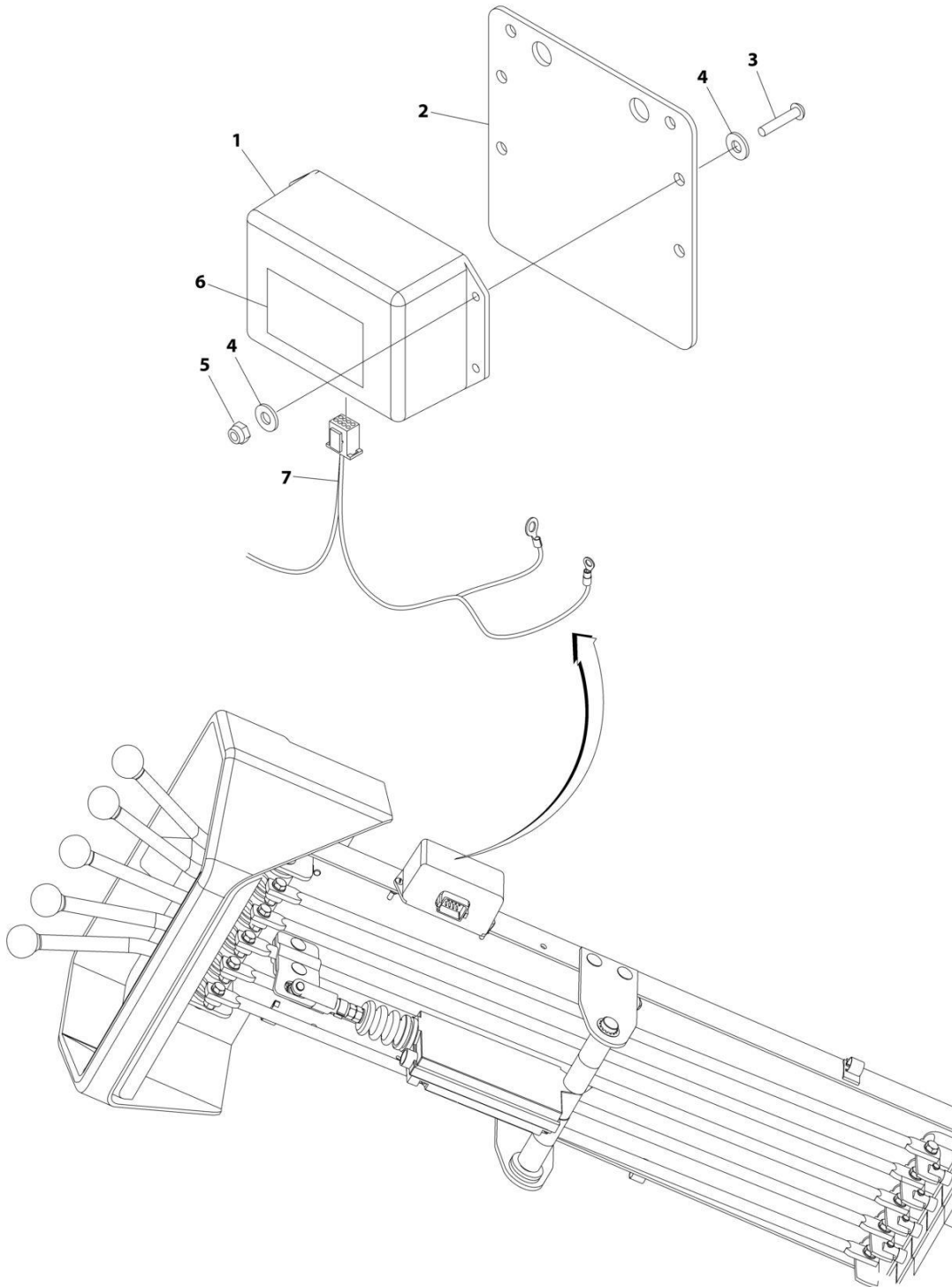
## SECTION 4 - CONTROLS

**FIGURE 4-64. MIRATRON WIRELESS INSTALLATION, THREE FUNCTION**

ITEM	PART NUMBER	QTY	DESCRIPTION	REV
	2577000031	Ref	Remote Control Installation - Three Function	A
1	7295000109	1	Controller (3 remote operations)	
2	4706005595	1	Plate	
3	7114100810	6	Screw #10	
4	7950100151	8	Washer 3/16	
5	7660102604	6	Nut #10	
6	7330000696	1	Decal - Controller Functions	
7	7552000393	1	Harness - 6 Function	
7	4460933	1	Plug, Male - 12 Position	
7	4460465	8	Socket, Female	
7	4460955	6	Plug, Male - 2 Position	
7	4460842	12	Terminal	
7		Ref	Fuse - 10AMP ATO (Purchase Locally)	

# SECTION 4 - CONTROLS

FIGURE 4-65. MIRATRON WIRELESS INSTALLATION, FOUR FUNCTION



ART\_2577000034

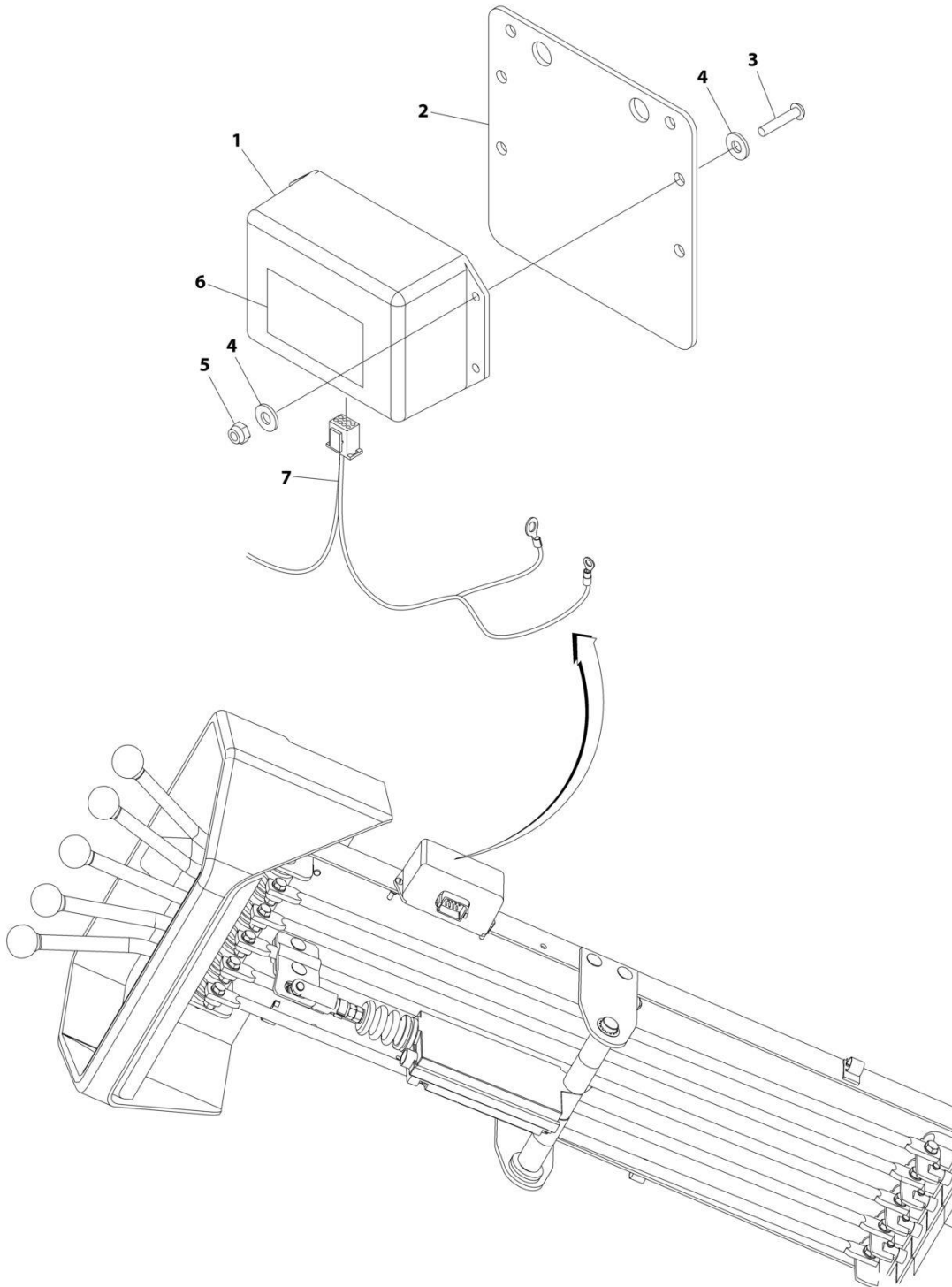
## SECTION 4 - CONTROLS

**FIGURE 4-65. MIRATRON WIRELESS INSTALLATION, FOUR FUNCTION**

ITEM	PART NUMBER	QTY	DESCRIPTION	REV
	2577000034	Ref	Remote Control Installation - Four Function	0
1	7295000111	1	Controller (4 remote operations)	
2	4706005595	1	Plate	
3	7114100810	6	Screw #10	
4	7950100151	8	Washer 3/16	
5	7660102604	6	Nut #10	
6	7330000696	1	Decal - Controller Functions	
7	7552000426	1	Harness - 4 Function	
7	4460933	1	Plug, Male - 12 Position	
7	4460465	11	Socket, Female	
7	4460955	10	Plug, Male - 2 Position	
7	4460842	20	Terminal	
7		Ref	Fuse - 10Amp ATO (Purchase Locally)	
7		Ref	Connector - 1 Position	
7	4460850	1	Terminal	
7	4460458	1	Seal	

# SECTION 4 - CONTROLS

FIGURE 4-66. MIRATRON WIRELESS INSTALLATION, FIVE FUNCTION



ART\_2577000035

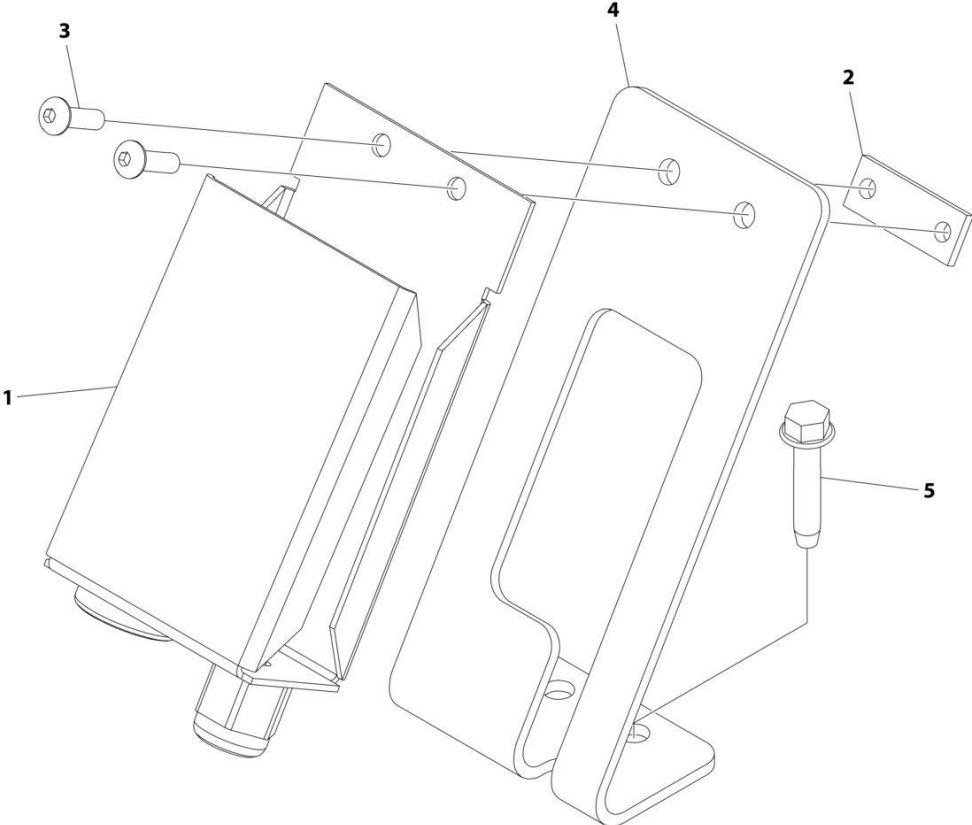
## SECTION 4 - CONTROLS

**FIGURE 4-66. MIRATRON WIRELESS INSTALLATION, FIVE FUNCTION**

ITEM	PART NUMBER	QTY	DESCRIPTION	REV
	2577000035	Ref	Remote Control Installation - Five Function	0
1	7295000111	1	Controller (5 remote operations)	
2	4706005595	1	Plate	
3	7114100810	6	Screw #10	
4	7950100151	8	Washer 3/16	
5	7660102604	6	Nut #10	
6	7330000696	1	Decal - Controller Functions	
7	7552000426	1	Harness	
7	4460933	1	Plug, Male - 12 Position	
7	4460465	11	Socket, Female	
7	4460955	10	Plug, Male - 2 Position	
7	4460842	20	Terminal	
7		Ref	Fuse - 10Amp ATO (Purchase Locally)	
7		Ref	Connector - 1 Position	
7	4460850	1	Terminal	
7	4460458	1	Seal	

**SECTION 4 - CONTROLS**

**FIGURE 4-67. REMOTE CONTROL 6 FUNCTION U/L TRANSMITTER HOLDER**



ART\_2002000031



## SECTION 4 - CONTROLS

**FIGURE 4-67. REMOTE CONTROL 6 FUNCTION U/L TRANSMITTER HOLDER**

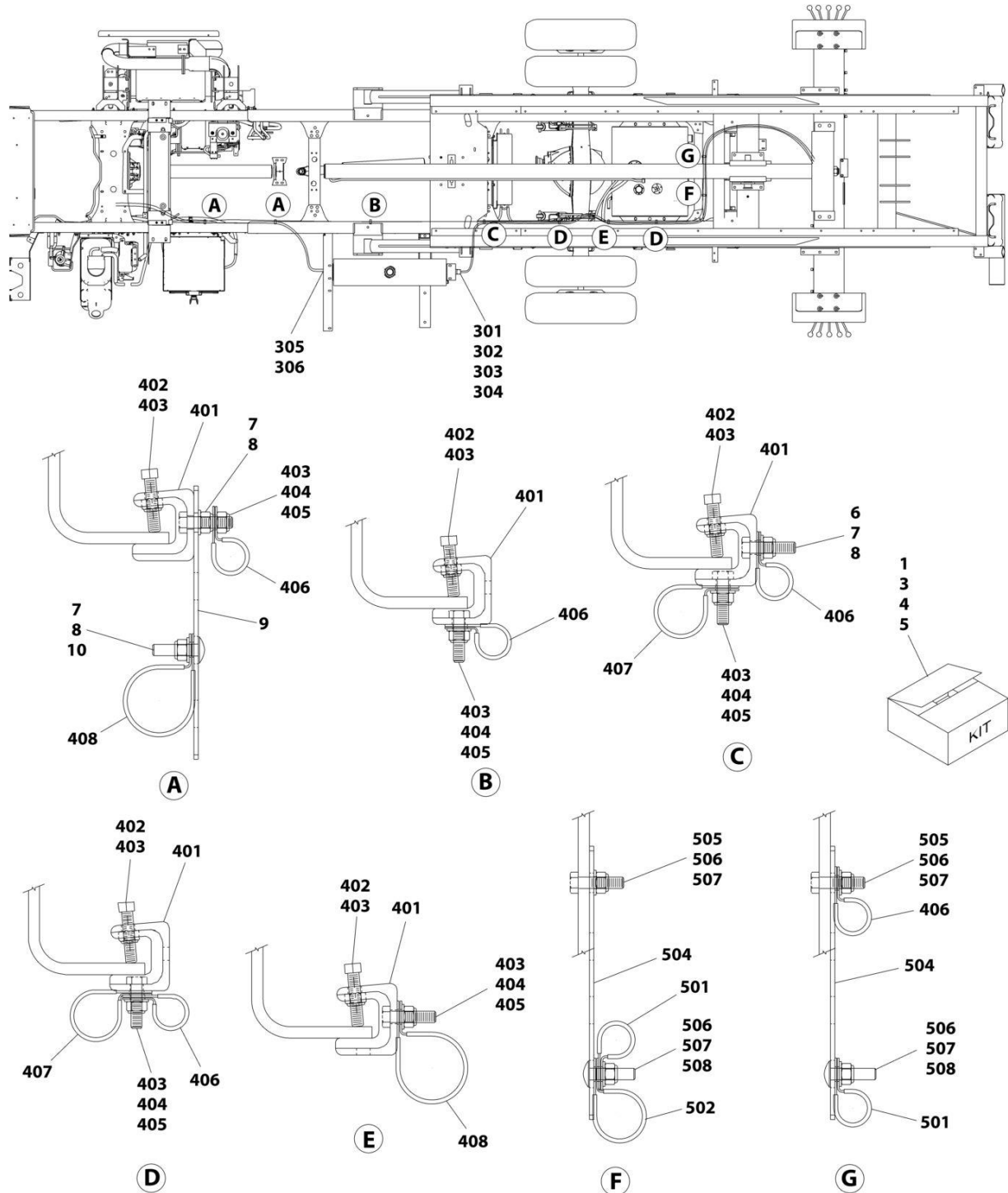
ITEM	PART NUMBER	QTY	DESCRIPTION	REV
	2002000031	Ref	Remote Control Transmitter Holder	D
1	7002000521	1	Holder, Box	
2	7661000056	1	Nut #10	
3	7114100518	2	Screw #10 x 5/8	
4	1001230127	1	Mount	
5	7790142051	2	Screw 1/4 x 1-1/4	



**SECTION 5 - HYDRAULIC**

# SECTION 5 - HYDRAULIC

## FIGURE 5-1. HOSE INSTALLATION - ALL CA STD CAB (ISUZU)



ART\_1001158617

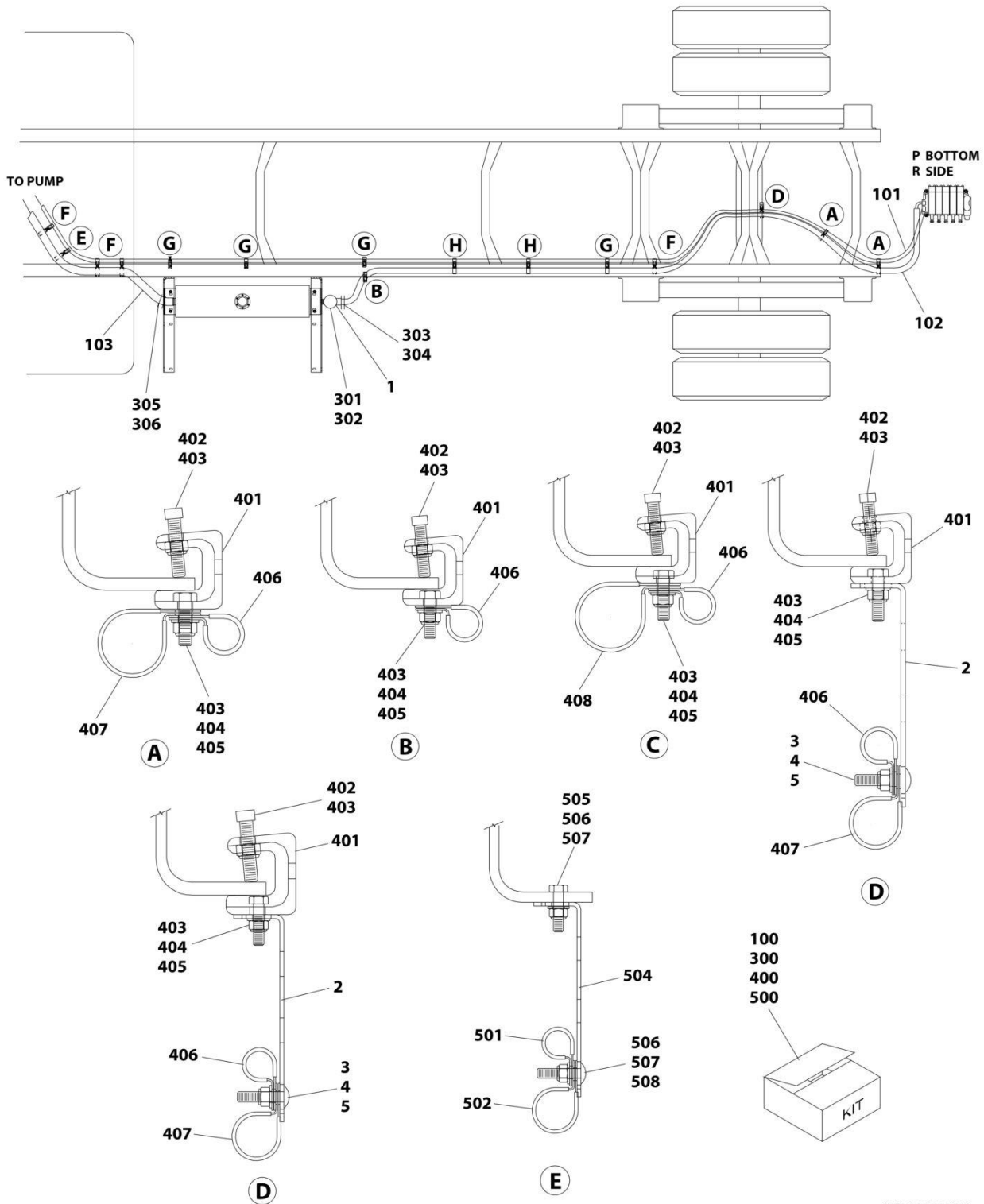
## SECTION 5 - HYDRAULIC

**FIGURE 5-1. HOSE INSTALLATION - ALL CA STD CAB (ISUZU)**

ITEM	PART NUMBER	QTY	DESCRIPTION	REV
	1001158617	Ref	HOSE INSTALLATION - ALL CA'S (STD CAB ISUZU NRR)	A
1	1001158618	1	Hose Kit (Includes Items 101-103)	
2	7430000003	1	Filter, Oil (Not Shown)	
3	1001132801	1	Clamp, Hose (Includes Items 301-306)	
4	1001132794	7	Clamp, Hose (Includes Items 401-408)	
5	1001132800	2	Clamp, Hose (Includes Items 501-508)	
6	7115151050	1	Capscrew 5/16 x 1-1/4	
7	7950150161	7	Washer 5/16	
8	7660152601	5	Nut 5/16	
9	4706003844	2	Plate	
10	7115151064	2	Bolt 5/16 x 1-1/4	
101	4567130205	1	Hose (Not Shown)	
102	4570000098	1	Hose (Not Shown)	
103	4570000099	1	Hose (Not Shown)	
301	7470000002	1	Gauge, Oil Filter Head	
302	7443000158	1	Fitting, 90	
303	7443000319	1	Fitting, 90	
304	7274000080	2	Clamp	
305	7443000013	1	Fitting, Nipple	
306	7274000002	2	Clamp	
401	7274000076	1	Clamp	
402	7785152420	1	Screw 5/16 x 1-1/2	
403	7660152601	2	Nut 5/16	
404	7115151050	1	Capscrew 5/16 x 1-1/4	
405	7950150161	1	Washer 5/16	
406	7274000040	1	Clamp	
407	7274000041	1	Clamp	
408	7274000042	1	Clamp	
501	7274000040	1	Clamp	
502	7274000041	1	Clamp	
503	7274000042	1	Clamp (Not Shown)	
504	4706003844	1	Plate	
505	7115151050	1	Capscrew 5/16 x 1-1/4	
506	7950150161	3	Washer 5/16	
507	7660152601	2	Nut 5/16	
508	7115151064	1	Bolt 5/16 x 1-1/4	

# SECTION 5 - HYDRAULIC

FIGURE 5-2. HOSE INSTALLATION - 120IN CA STD CAB (2017+ FORD)



ART\_1001222487

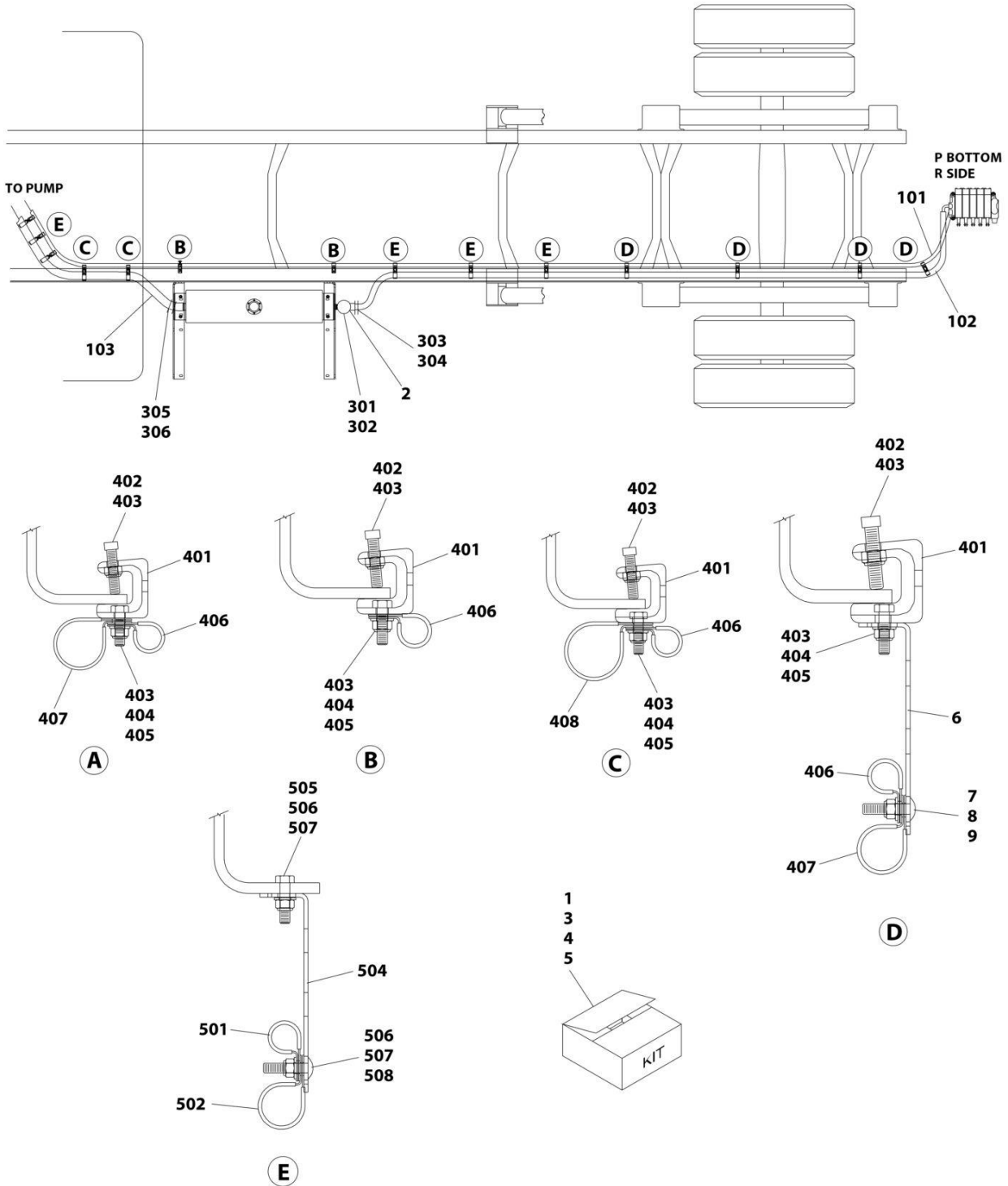
## SECTION 5 - HYDRAULIC

**FIGURE 5-2. HOSE INSTALLATION - 120IN CA STD CAB (2017+ FORD)**

ITEM	PART NUMBER	QTY	DESCRIPTION	REV
	1001222487	Ref	HOSE INSTALLATION - 120IN CA (STD CAB 2017+ FORD)	B
1	7430000003	1	Filter, Oil	
2	4706003844	8	Plate	
3	7115151064	8	Bolt 5/16 x 1-1/4	
4	7950150161	8	Washer 5/16	
5	7660152601	8	Nut 5/16	
100	1001223152	1	Hose Kit	
101	4567130251	1	Hose	
102	1001130132	1	Hose	
103	1001130130	1	Hose	
300	1001132801	1	Clamp Kit	
301	7470000002	1	Gauge, Oil Filter Head	
302	7443000158	1	Fitting, 90	
303	7443000319	1	Fitting, 90	
304	7274000080	2	Clamp	
305	7443000013	1	Fitting, Nipple	
306	7274000002	2	Clamp	
400	1001132794	13	Clamp Kit	
401	7274000076	1	Clamp	
402	7785152420	1	Screw 5/16 x 1-1/2	
403	7660152601	2	Nut 5/16	
404	7115151050	1	Capscrew 5/16 x 1-1/4	
405	7950150161	1	Washer 5/16	
406	7274000040	1	Clamp	
407	7274000041	1	Clamp	
408	7274000042	1	Clamp	
500	1001132800	2	Clamp Kit	
501	7274000040	1	Clamp	
502	7274000041	1	Clamp	
503	7274000042	1	Clamp (Not Shown)	
504	4706003844	1	Plate	
505	7115151050	1	Capscrew 5/16 x 1-1/4	
506	7950150161	3	Washer 5/16	
507	7660152601	2	Nut 5/16	
508	7115151064	1	Bolt 5/16 x 1-1/4	

# SECTION 5 - HYDRAULIC

FIGURE 5-3. HOSE INSTALLATION - 120IN CA STD CAB (DODGE)



ART\_1001132752



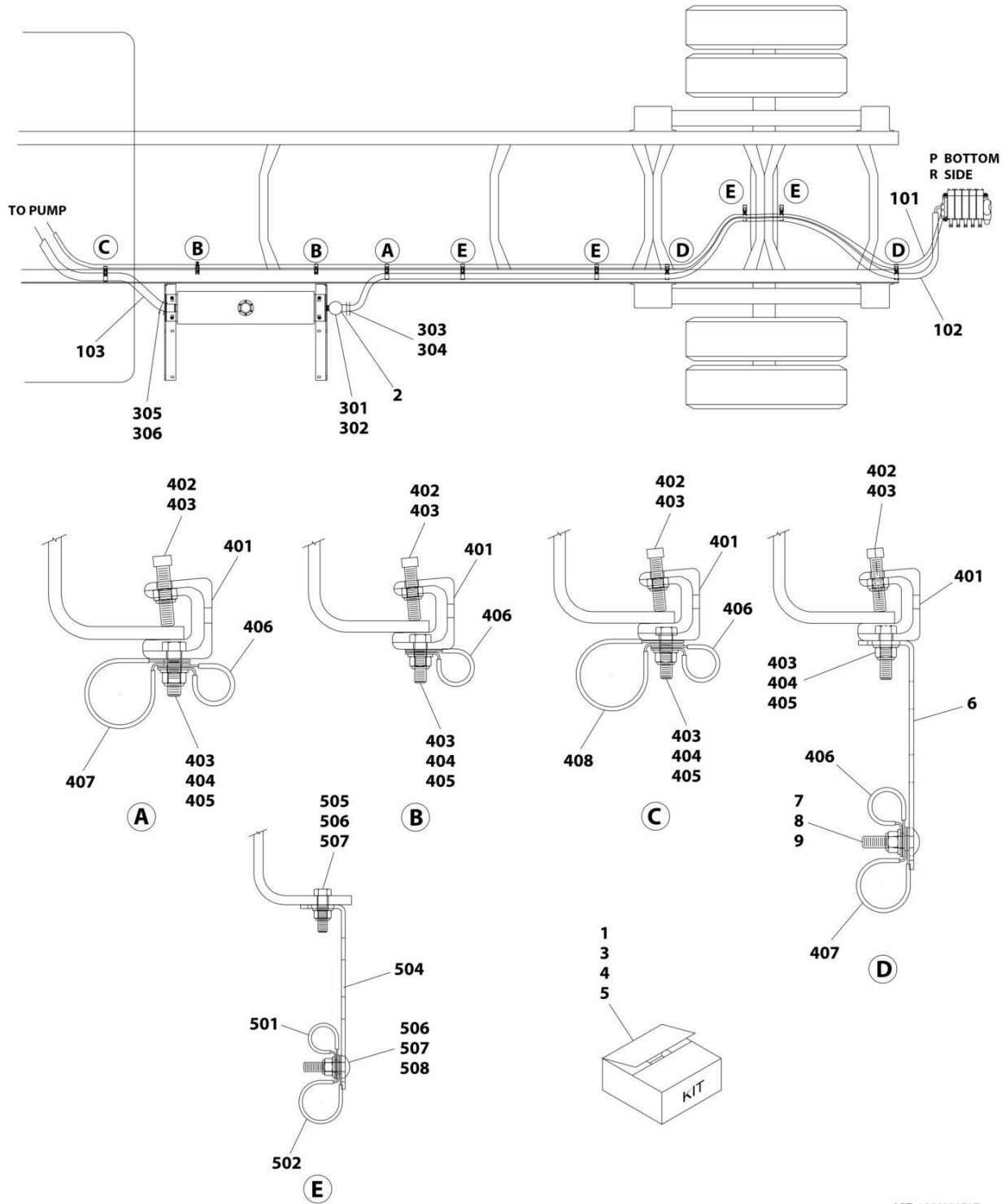
## SECTION 5 - HYDRAULIC

**FIGURE 5-3. HOSE INSTALLATION - 120IN CA STD CAB (DODGE)**

ITEM	PART NUMBER	QTY	DESCRIPTION	REV
	1001132752	Ref	HOSE INSTALLATION - 120IN CA (STD CAB DODGE)	0
1	1001132722	1	Hose Kit (Include Items 101-103)	
2	7430000003	1	Filter, Oil	
3	1001132801	1	Clamp, Hose Kit (Includes Items 301-306)	
4	1001132794	8	Clamp, Hose Kit (Includes Items 401-408)	
5	1001132800	6	Clamp, Hose Kit (Includes Items 501-508)	
6	4706003844	4	Plate	
7	7115151064	4	Capscrew 5/16 x 1-1/4	
8	7950150161	4	Washer 5/16	
9	7660152601	4	Nut 5/16	
101	4567130256	1	Hose	
102	4570000115	1	Hose	
103	1001132609	1	Hose	
301	7470000002	1	Gauge, Oil Filter Head	
302	7443000158	1	Fitting, 90	
303	7443000319	1	Fitting, 90	
304	7274000080	2	Clamp	
305	7443000013	1	Fitting, Nipple	
306	7274000002	2	Clamp	
401	7274000076	1	Clamp	
402	7785152420	1	Screw 5/16 x 1-1/2	
403	7660152601	2	Nut 5/16	
404	7115151050	1	Capscrew 5/16 x 1-1/4	
405	7950150161	1	Washer 5/16	
406	7274000040	1	Clamp	
407	7274000041	1	Clamp	
408	7274000042	1	Clamp	
501	7274000040	1	Clamp	
502	7274000041	1	Clamp	
503	7274000042	1	Clamp (Not Shown)	
504	4706003844	1	Plate	
505	7115151050	1	Capscrew 5/16 x 1-1/4	
506	7950150161	3	Washer 5/16	
507	7660152601	2	Nut 5/16	
508	7115151064	1	Bolt 5/16 x 1-1/4	

# SECTION 5 - HYDRAULIC

## FIGURE 5-4. HOSE INSTALLATION - 120IN CA STD CAB (FORD)



ART\_1001132737

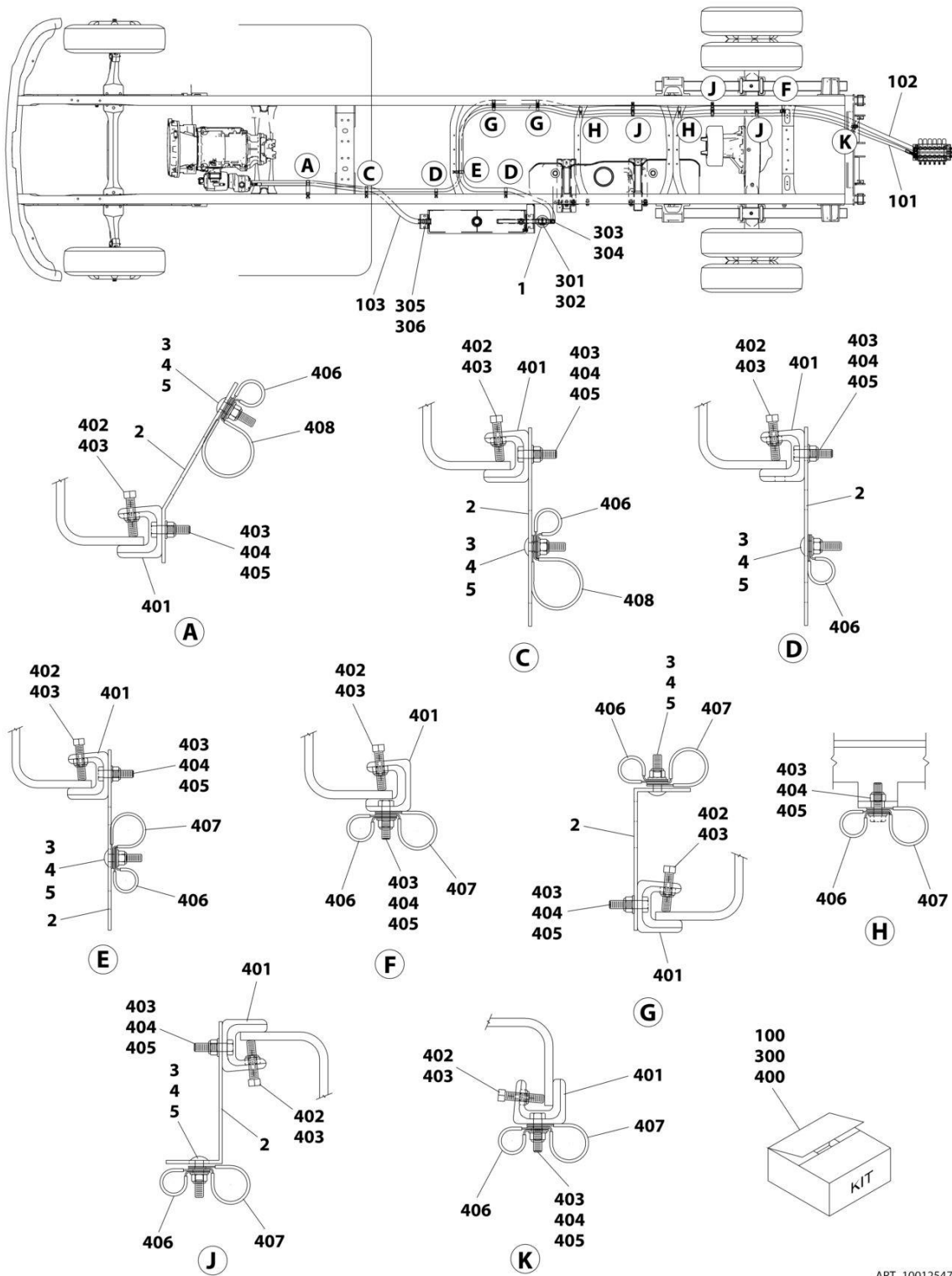
## SECTION 5 - HYDRAULIC

**FIGURE 5-4. HOSE INSTALLATION - 120IN CA STD CAB (FORD)**

ITEM	PART NUMBER	QTY	DESCRIPTION	REV
	1001132737	Ref	HOSE INSTALLATION - 120IN CA (STD CAB FORD)	0
1	1001132706	1	Hose Kit (Include Items 101-103)	
2	7430000003	1	Filter, Oil	
3	1001132801	1	Clamp, Hose Kit (Includes Items 301-306)	
4	1001132794	11	Clamp, Hose Kit (Includes Items 401-408)	
5	1001132800	4	Clamp, Hose Kit (Includes Items 501-508)	
6	4706003844	2	Plate	
7	7115151064	2	Bolt 5/16 x 1-1/4	
8	7950150161	2	Washer 5/16	
9	7660152601	2	Nut 5/16	
101	4567130235	1	Hose	
102	1001130132	1	Hose	
103	1001130130	1	Hose	
301	7470000002	1	Gauge, Oil Filter Head	
302	7443000158	1	Fitting, 90	
303	7443000319	1	Fitting, 90	
304	7274000080	2	Clamp	
305	7443000013	1	Fitting, Nipple	
306	7274000002	2	Clamp	
401	7274000076	1	Clamp	
402	7785152420	1	Screw 5/16 x 1-1/2	
403	7660152601	2	Nut 5/16	
404	7115151050	1	Capscrew 5/16 x 1-1/4	
405	7950150161	1	Washer 5/16	
406	7274000040	1	Clamp	
407	7274000041	1	Clamp	
408	7274000042	1	Clamp	
501	7274000040	1	Clamp	
502	7274000041	1	Clamp	
503	7274000042	1	Clamp	
504	4706003844	1	Plate	
505	7115151050	1	Capscrew 5/16 x 1-1/4	
506	7950150161	3	Washer 5/16	
507	7660152601	2	Nut 5/16	
508	7115151064	1	Bolt 5/16 x 1-1/4	

# SECTION 5 - HYDRAULIC

## FIGURE 5-5. HOSE INSTALLATION - 120IN CA, 201IN WB



ART\_1001254710

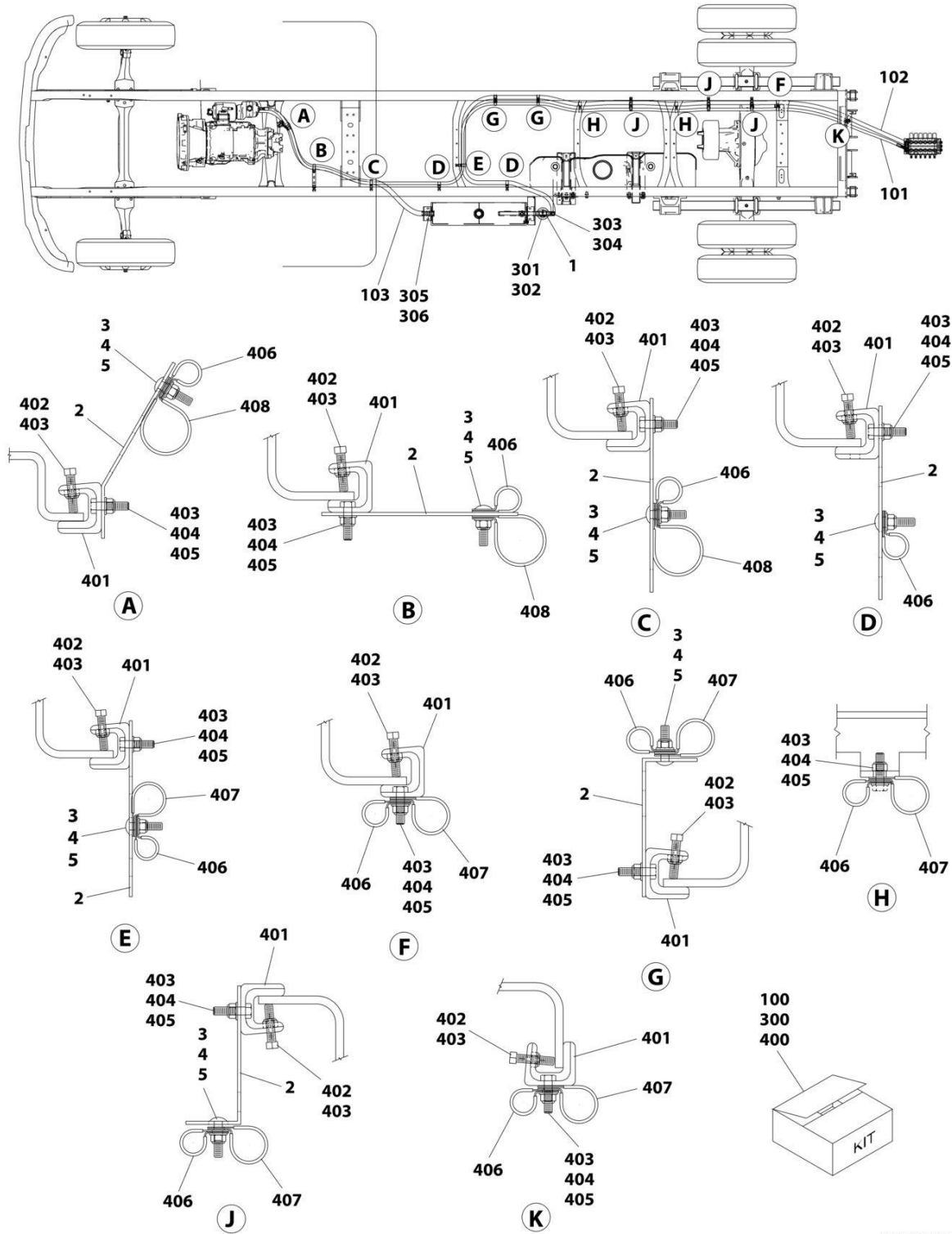
## SECTION 5 - HYDRAULIC

**FIGURE 5-5. HOSE INSTALLATION - 120IN CA, 201IN WB**

ITEM	PART NUMBER	QTY	DESCRIPTION	REV
	1001254710	Ref	HOSE INSTALLATION - 120IN CA (RC, DS PTO)	A
1	7430000003	1	Filter, Oil	
2	4706003844	11	Plate	
3	7115151064	11	Bolt 5/16 x 1-1/4	
4	7950150161	11	Washer 5/16	
5	7660152601	11	Nut 5/16	
100	1001254729	1	Hose Kit	
101	4567130241	1	Hose	
102	4570000118	1	Hose	
103	4570000373	1	Hose	
300	1001132801	1	Clamp Kit	
301	7470000002	1	Gauge, Oil Filter Head	
302	7443000158	1	Fitting, 90	
303	7443000319	1	Fitting, 90	
304	7274000080	2	Clamp	
305	7443000013	1	Fitting, Nipple	
306	7274000002	2	Clamp	
400	1001132794	1	Clamp Kit	
401	7274000076	1	Clamp	
402	7785152420	1	Screw 5/16 x 1-1/2	
403	7660152601	2	Nut 5/16	
404	7115151050	1	Capscrew 5/16 x 1-1/4	
405	7950150161	1	Washer 5/16	
406	7274000040	1	Clamp	
407	7274000041	1	Clamp	
408	7274000042	1	Clamp (Not Shown)	

# SECTION 5 - HYDRAULIC

FIGURE 5-6. HOSE INSTALLATION - 120IN CA, 201IN WB



ART\_1001254705

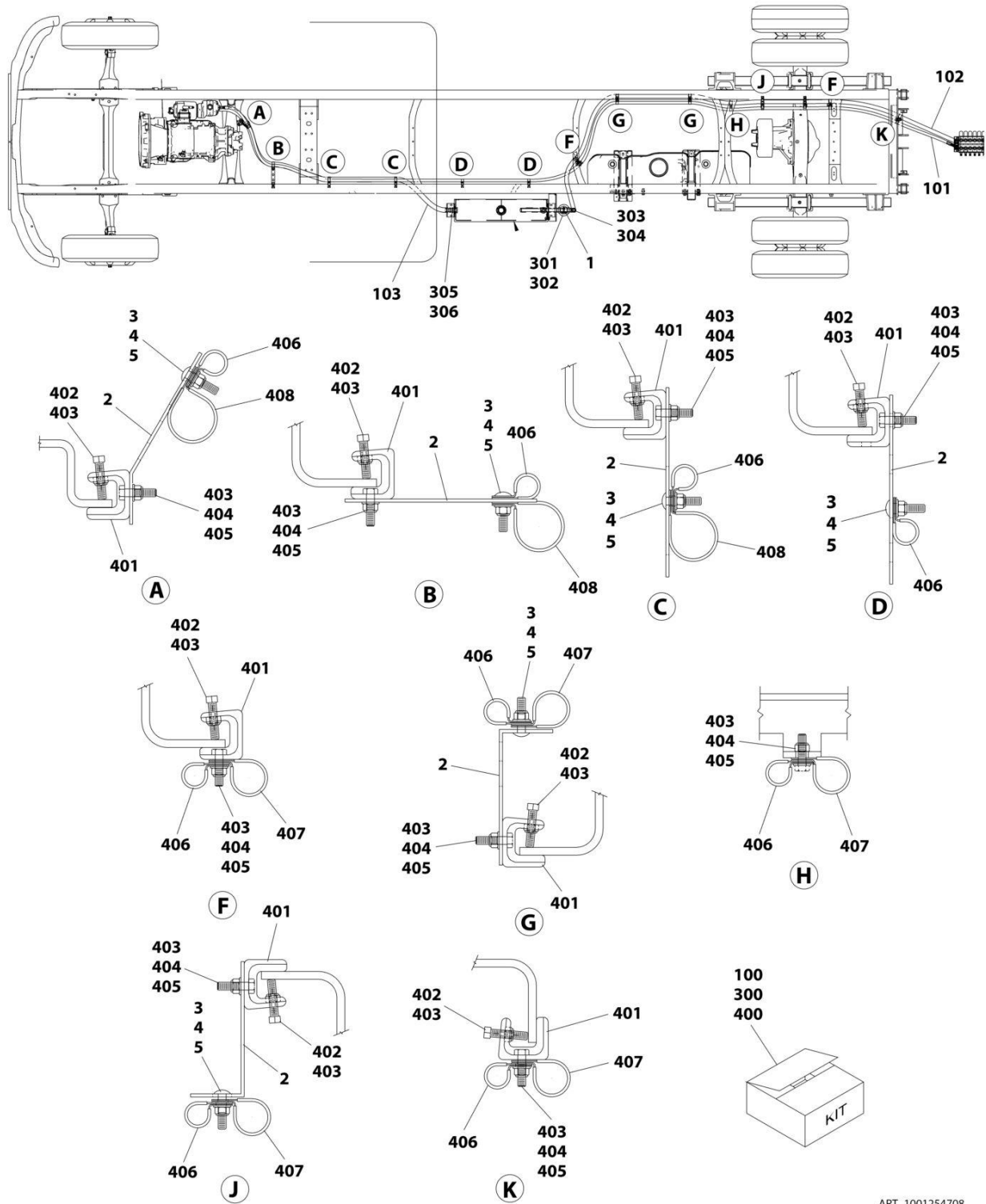
## SECTION 5 - HYDRAULIC

**FIGURE 5-6. HOSE INSTALLATION - 120IN CA, 201IN WB**

ITEM	PART NUMBER	QTY	DESCRIPTION	REV
	1001254705	Ref	HOSE INSTALLATION - 120IN CA (RC, PS PTO)	A
1	7430000003	1	Filter, Oil	
2	4706003844	11	Plate	
3	7115151064	11	Bolt 5/16 x 1-1/4	
4	7950150161	11	Washer 5/16	
5	7660152601	11	Nut 5/16	
6	7819000013	1	Sleeve (Not Shown)	
100	1001254723	1	Hose Kit	
101	4567130251	1	Hose	
102	4570000118	1	Hose	
103	1001132602	1	Hose	
300	1001132801	1	Clamp Kit	
301	7470000002	1	Gauge, Oil Filter Head	
302	7443000158	1	Fitting, 90	
303	7443000319	1	Fitting, 90	
304	7274000080	2	Clamp	
305	7443000013	1	Nipple	
306	7274000002	2	Clamp	
400	1001132794	1	Clamp Kit	
401	7274000076	1	Clamp	
402	7785152420	1	Screw 5/16 x 1-1/2	
403	7660152601	2	Nut 5/16	
404	7115151050	1	Capscrew 5/16 x 1-1/4	
405	7950150161	1	Washer 5/16	
406	7274000040	1	Clamp	
407	7274000041	1	Clamp	
408	7274000042	1	Clamp (Not Shown)	

# SECTION 5 - HYDRAULIC

FIGURE 5-7. HOSE INSTALLATION - 120IN CA, 235IN WB



ART\_1001254708



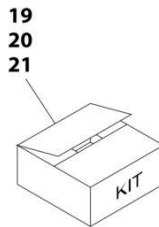
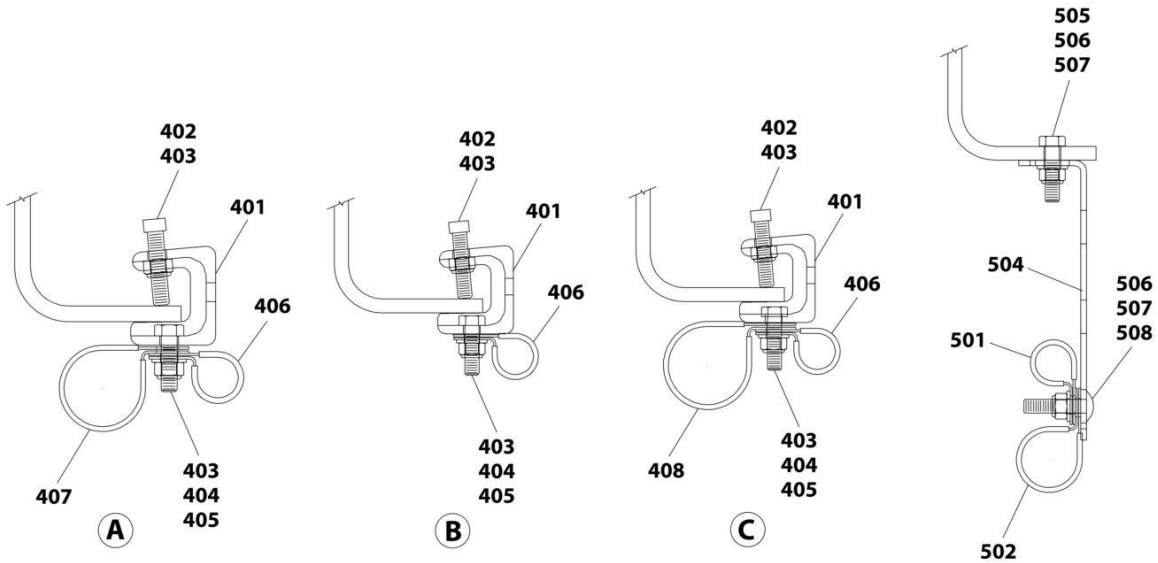
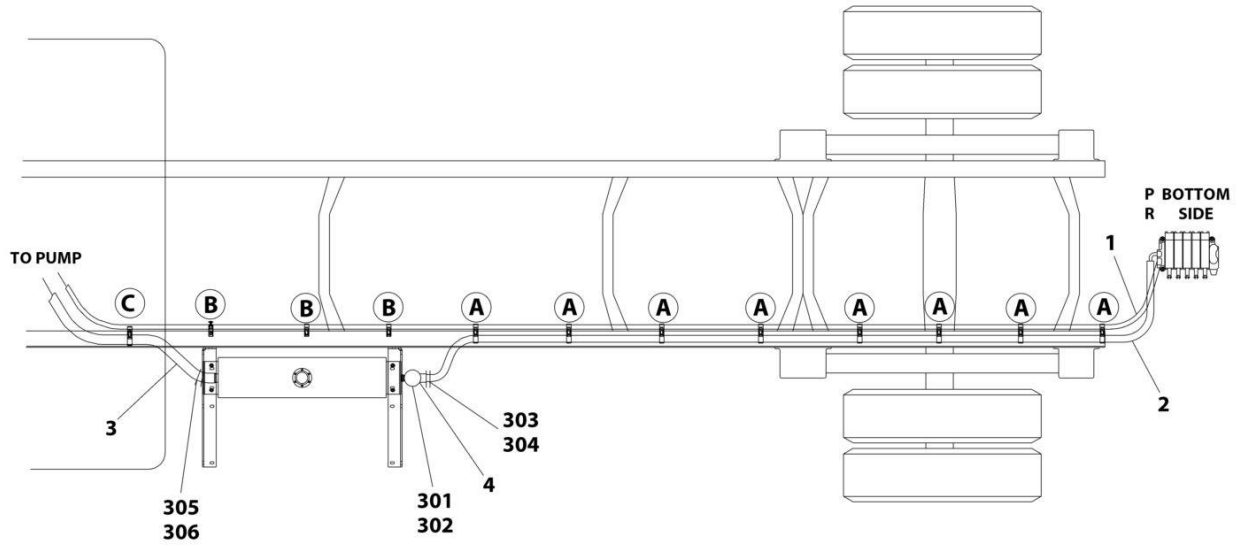
## SECTION 5 - HYDRAULIC

**FIGURE 5-7. HOSE INSTALLATION - 120IN CA, 235IN WB**

ITEM	PART NUMBER	QTY	DESCRIPTION	REV
	1001254708	Ref	HOSE INSTALLATION - 120IN CA (CS, PS PTO)	A
1	7430000003	1	Filter, Oil	
2	4706003844	10	Plate	
3	7115151064	10	Bolt 5/16 x 1-1/4	
4	7950150161	10	Washer 5/16	
5	7660152601	10	Nut 5/16	
6	7819000013	1	Sleeve (Not Shown)	
100	1001254727	1	Hose Kit	
101	4567130287	1	Hose	
102	1001132680	1	Hose	
103	1001132609	1	Hose	
300	1001132801	1	Clamp Kit	
301	7470000002	1	Gauge, Oil Filter Head	
302	7443000158	1	Fitting, 90	
303	7443000319	1	Fitting, 90	
304	7274000080	2	Clamp	
305	7443000013	1	Nipple	
306	7274000002	2	Clamp	
400	1001132794	1	Clamp Kit	
401	7274000076	1	Clamp	
402	7785152420	1	Screw 5/16 x 1-1/2	
403	7660152601	2	Nut 5/16	
404	7115151050	1	Capscrew 5/16 x 1-1/4	
405	7950150161	1	Washer 5/16	
406	7274000040	1	Clamp	
407	7274000041	1	Clamp	
408	7274000042	1	Clamp (Not Shown)	

# SECTION 5 - HYDRAULIC

FIGURE 5-8. HOSE INSTALLATION - 120IN CT STD CAB (INTERNATIONAL)



ART\_2570000091

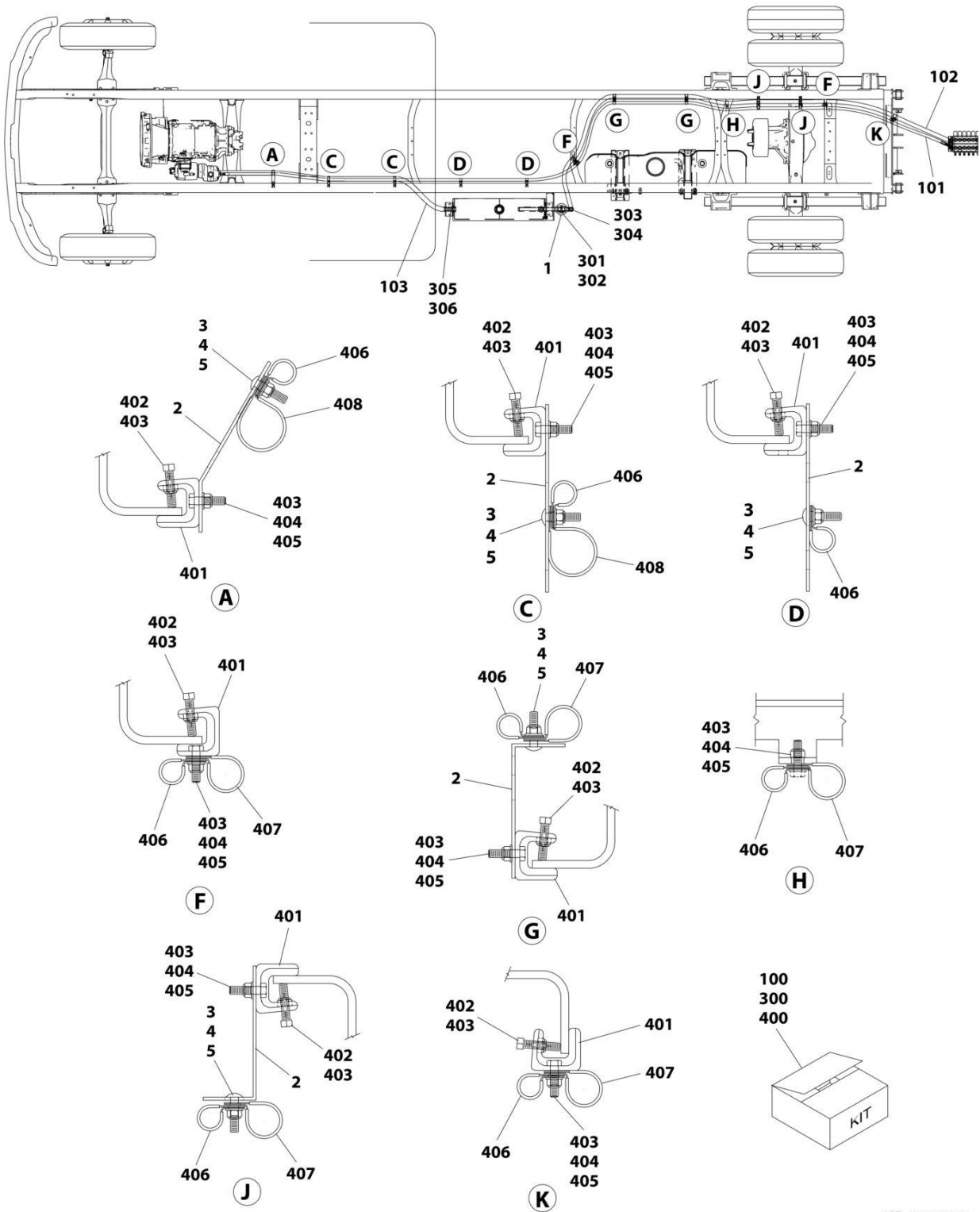
## SECTION 5 - HYDRAULIC

**FIGURE 5-8. HOSE INSTALLATION - 120IN CT STD CAB (INTERNATIONAL)**

ITEM	PART NUMBER	QTY	DESCRIPTION	REV
	2570000091	Ref	HOSE INSTALLATION - 120IN CA (STD CAB IHC NGV)	2
1	4567130208	1	Hose	
2	4570000193	1	Hose, Return	
3	4570000091	1	Hose, Supply	
4	7430000003	1	Filter, Oil	
19	1001132801	1	Clamp, Hose Kit (Includes Items 301-306)	
20	1001132794	11	Clamp, Hose Kit (Includes Items 401-408)	
21	1001132800	5	Clamp, Hose Kit (Includes Items 501-508)	
301	7470000002	1	Gauge, Oil Filter Head	
302	7443000158	1	Fitting, 90	
303	7443000319	1	Fitting, 90	
304	7274000080	2	Clamp	
305	7443000013	1	Fitting, Nipple	
306	7274000002	2	Clamp	
401	7274000076	1	Clamp	
402	7785152420	1	Screw 5/16 x 1-1/2	
403	7660152601	2	Nut 5/16	
404	7115151050	1	Capscrew 5/16 x 1-1/4	
405	7950150161	1	Washer 5/16	
406	7274000040	1	Clamp	
407	7274000041	1	Clamp	
408	7274000042	1	Clamp	
501	7274000040	1	Clamp	
502	7274000041	1	Clamp	
503	7274000042	1	Clamp	
504	4706003844	1	Plate	
505	7115151050	1	Capscrew 5/16 x 1-1/4	
506	7950150161	3	Washer 5/16	
507	7660152601	2	Nut 5/16	
508	7115151064	1	Bolt 5/16 x 1-1/4	

# SECTION 5 - HYDRAULIC

## FIGURE 5-9. HOSE INSTALLATION - 120N CA, 235IN WB



ART\_1001254713

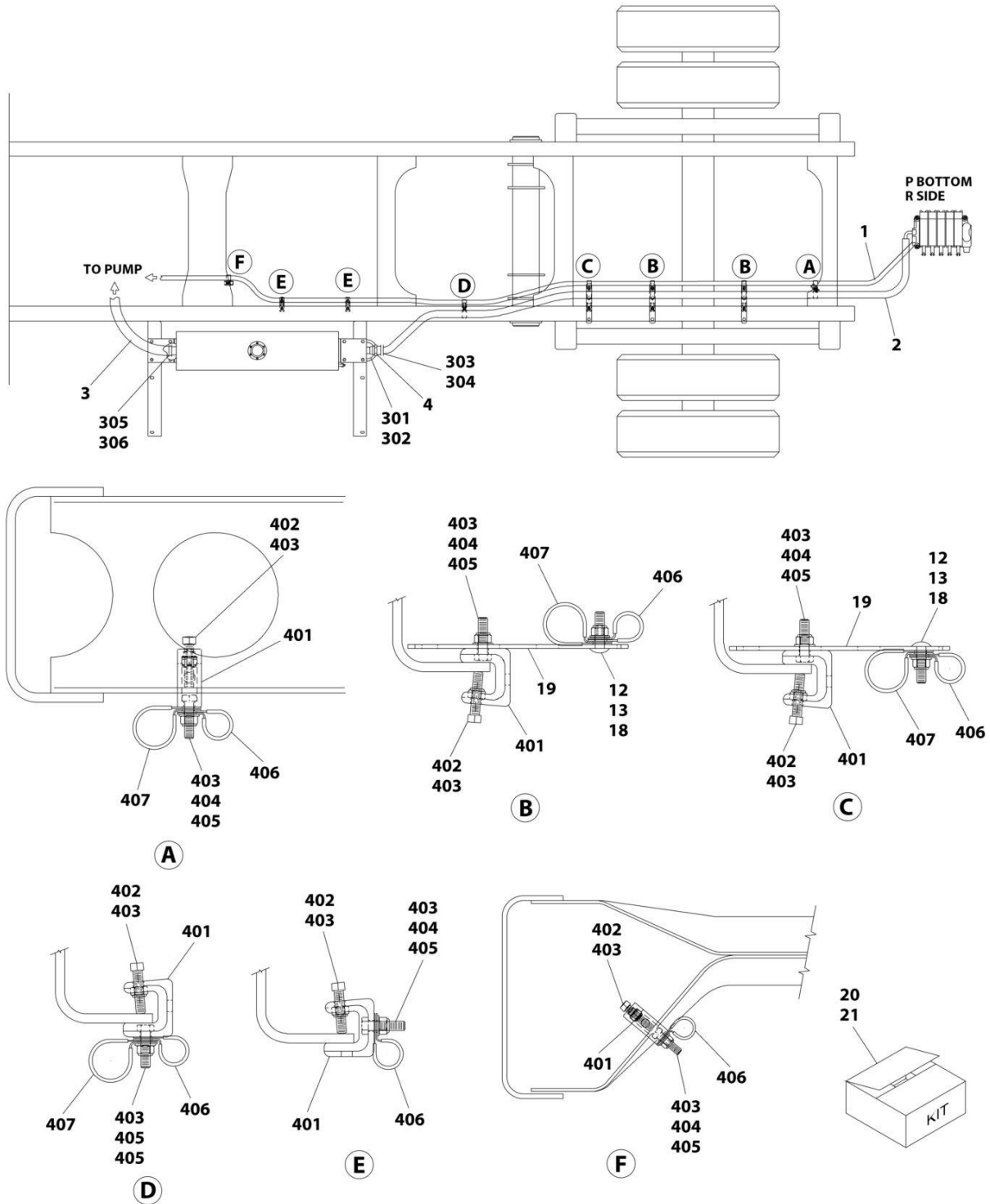
## SECTION 5 - HYDRAULIC

**FIGURE 5-9. HOSE INSTALLATION - 120N CA, 235IN WB**

ITEM	PART NUMBER	QTY	DESCRIPTION	REV
	1001254713	Ref	HOSE INSTALLATION - 120IN CA (CC, DS PTO)	A
1	7430000003	1	Filter, Oil	
2	4706003844	10	Plate	
3	7115151064	10	Bolt 5/16 x 1-1/4	
4	7950150161	10	Washer 5/16	
5	7660152601	10	Nut 5/16	
100	1001254732	1	Hose Kit	
101	4567130278	1	Hose	
102	1001132680	1	Hose	
103	1001132605	1	Hose	
300	1001132801	1	Clamp Kit	
301	7470000002	1	Gauge, Oil Filter Head	
302	7443000158	1	Fitting, 90	
303	7443000319	1	Fitting, 90	
304	7274000080	2	Clamp	
305	7443000013	1	Nipple	
306	7274000002	2	Clamp	
400	1001132794	1	Clamp Kit	
401	7274000076	1	Clamp	
402	7785152420	1	Screw 5/16 x 1-1/2	
403	7660152601	2	Nut 5/16	
404	7115151050	1	Capscrew 5/16 x 1-1/4	
405	7950150161	1	Washer 5/16	
406	7274000040	1	Clamp	
407	7274000041	1	Clamp	
408	7274000042	1	Clamp (Not Shown)	

# SECTION 5 - HYDRAULIC

## FIGURE 5-10. HOSE INSTALLATION - 138IN CA STD CAB



ART\_257000092

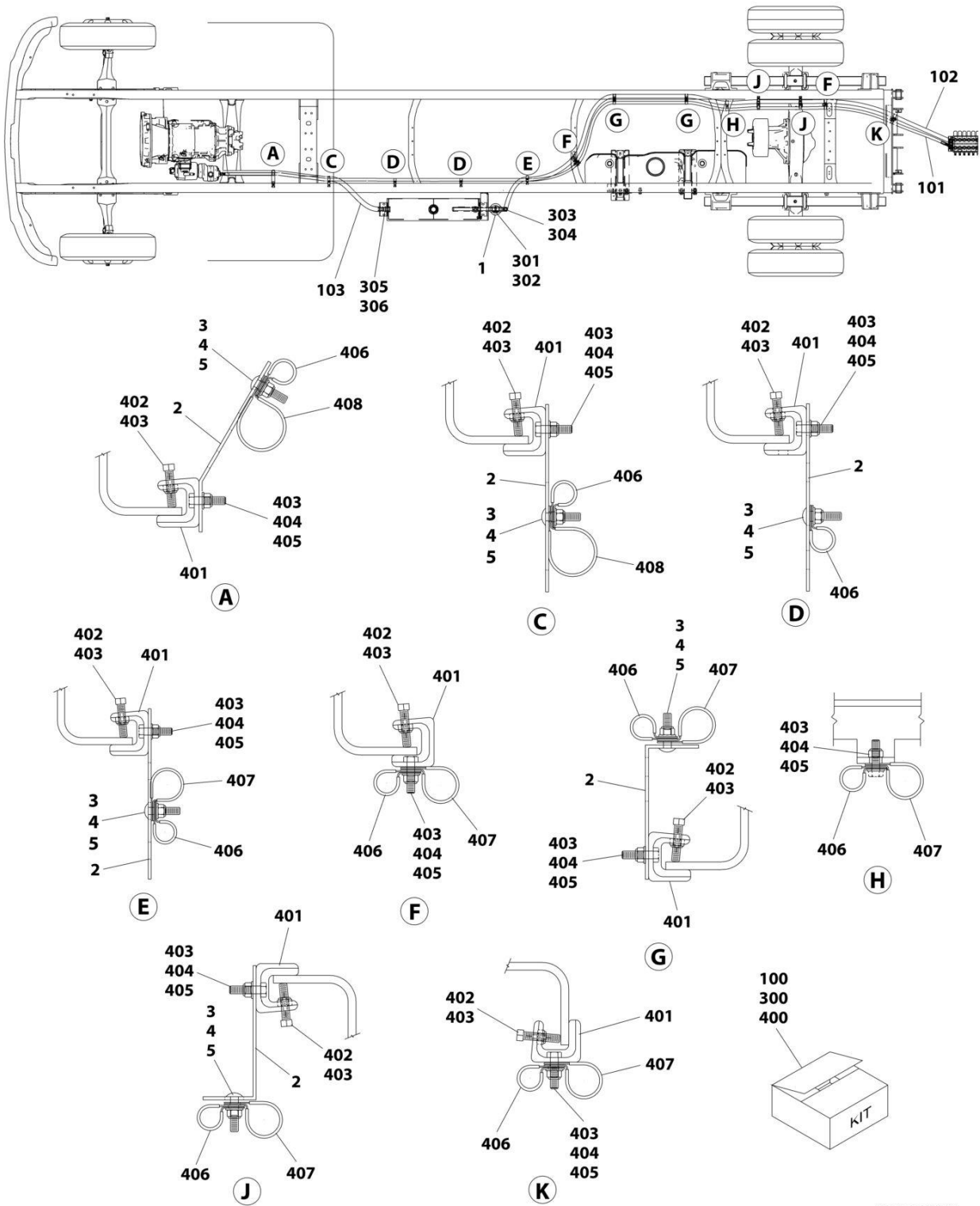
## SECTION 5 - HYDRAULIC

**FIGURE 5-10. HOSE INSTALLATION - 138IN CA STD CAB**

ITEM	PART NUMBER	QTY	DESCRIPTION	REV
	2570000092	Ref	HOSE INSTALLATION - 138IN CA (STD CAB UD)	2
1	4567130165	1	Hose	
2	4570000104	1	Hose	
3	4570000105	1	Hose	
4	7430000003	1	Filter, Oil	
12	7950150161	3	Washer 5/16	
13	7660152601	3	Nut 5/16	
18	7115151064	3	Bolt 5/16 x 1-1/4	
19	4706003844	3	Plate	
20	1001132801	1	Clamp, Hose Kit (Includes Items 301-306)	
21	1001132794	8	Clamp, Hose Kit (Includes Items 401-408)	
301	7470000002	1	Gauge, Oil Filter Head	
302	7443000158	1	Fitting, 90	
303	7443000319	1	Fitting, 90	
304	7274000080	2	Clamp	
305	7443000013	1	Nipple	
306	7274000002	2	Clamp	
401	7274000076	1	Clamp	
402	7785152420	1	Screw 5/16 x 1-1/2	
403	7660152601	2	Nut 5/16	
404	7115151050	1	Capscrew 5/16 x 1-1/4	
405	7950150161	1	Washer 5/16	
406	7274000040	1	Clamp	
407	7274000041	1	Clamp	
408	7274000042	1	Clamp (Not Shown)	

# SECTION 5 - HYDRAULIC

FIGURE 5-11. HOSE INSTALLATION - 138IN CA, 219IN WB



ART\_1001254711



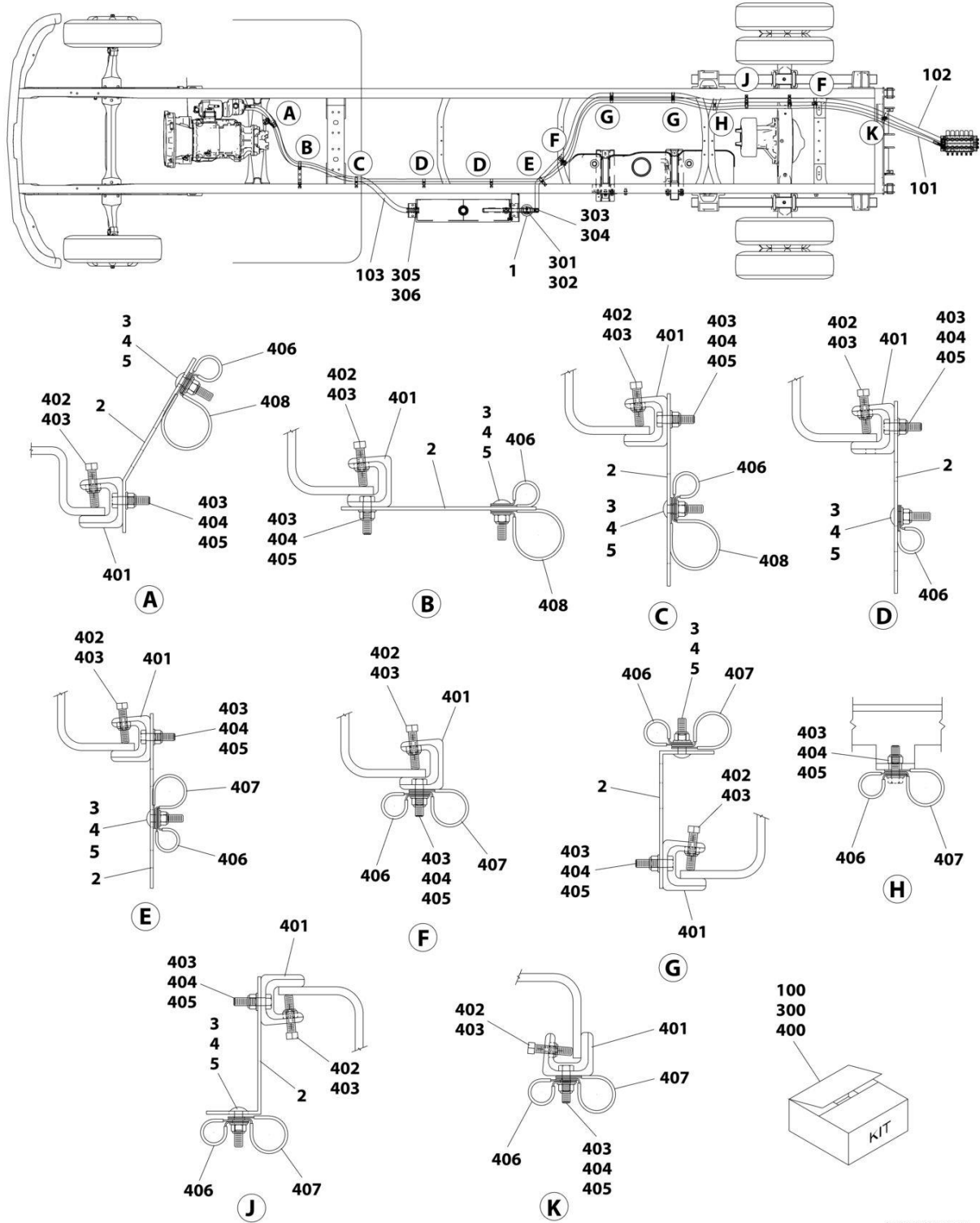
## SECTION 5 - HYDRAULIC

**FIGURE 5-11. HOSE INSTALLATION - 138IN CA, 219IN WB**

ITEM	PART NUMBER	QTY	DESCRIPTION	REV
	1001254711	Ref	HOSE INSTALLATION - 138IN CA (RC, DS PTO)	A
1	7430000003	1	Filter, Oil	
2	4706003844	10	Plate	
3	7115151064	10	Bolt 5/16 x 1-1/4	
4	7950150161	10	Washer 5/16	
5	7660152601	10	Nut 5/16	
100	1001254730	1	Hose Kit	
101	4567130262	1	Hose	
102	4570000118	1	Hose	
103	1001132603	1	Hose	
300	1001132801	1	Clamp Kit	
301	7470000002	1	Gauge, Oil Filter Head	
302	7443000158	1	Fitting, 90	
303	7443000319	1	Fitting, 90	
304	7274000080	2	Clamp	
305	7443000013	1	Nipple	
306	7274000002	2	Clamp	
400	1001132794	1	Clamp Kit	
401	7274000076	1	Clamp	
402	7785152420	1	Screw 5/16 x 1-1/2	
403	7660152601	2	Nut 5/16	
404	7115151050	1	Capscrew 5/16 x 1-1/4	
405	7950150161	1	Washer 5/16	
406	7274000040	1	Clamp	
407	7274000041	1	Clamp	
408	7274000042	1	Clamp (Not Shown)	

# SECTION 5 - HYDRAULIC

FIGURE 5-12. HOSE INSTALLATION - 138IN CA, 219IN WB



ART\_1001254706

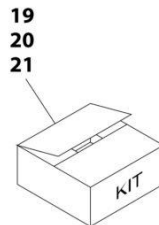
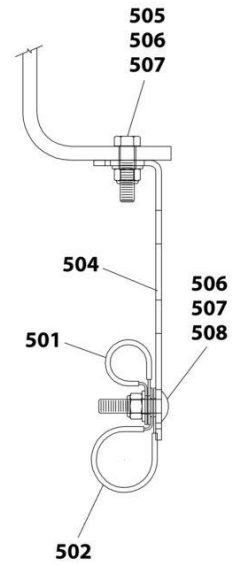
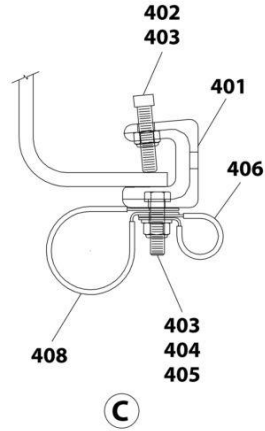
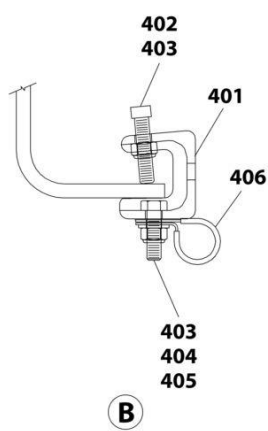
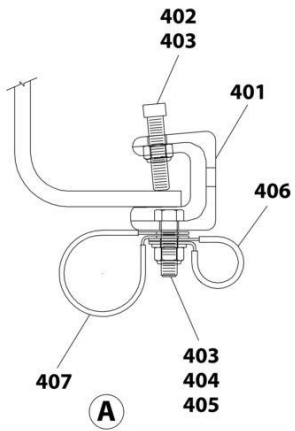
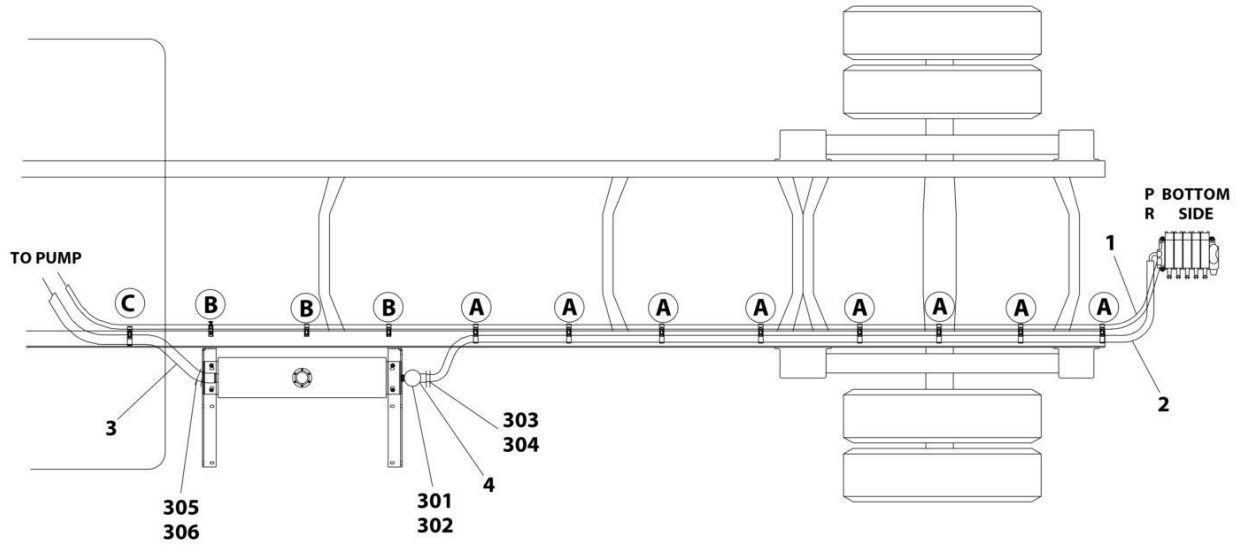
## SECTION 5 - HYDRAULIC

**FIGURE 5-12. HOSE INSTALLATION - 138IN CA, 219IN WB**

ITEM	PART NUMBER	QTY	DESCRIPTION	REV
	1001254706	Ref	HOSE INSTALLATION - 138IN CA (RC, PS PTO)	A
1	7430000003	1	Filter, Oil	
2	4706003844	10	Plate	
3	7115151064	10	Bolt 5/16 x 1-1/4	
4	7950150161	10	Washer 5/16	
5	7660152601	10	Nut 5/16	
6	7819000013	1	Sleeve (Not Shown)	
100	1001254725	1	Hose Kit	
101	4567130270	1	Hose	
102	4570000118	1	Hose	
103	4570000352	1	Hose	
300	1001132801	1	Clamp Kit	
301	7470000002	1	Gauge, Oil Filter Head	
302	7443000158	1	Fitting, 90	
303	7443000319	1	Fitting, 90	
304	7274000080	2	Clamp	
305	7443000013	1	Fitting, Nipple	
306	7274000002	2	Clamp	
400	1001132794	1	Clamp Kit	
401	7274000076	1	Clamp	
402	7785152420	1	Screw 5/16 x 1-1/2	
403	7660152601	2	Nut 5/16	
404	7115151050	1	Capscrew 5/16 x 1-1/4	
405	7950150161	1	Washer 5/16	
406	7274000040	1	Clamp	
407	7274000041	1	Clamp	
408	7274000042	1	Clamp (Not Shown)	

# SECTION 5 - HYDRAULIC

FIGURE 5-13. HOSE INSTALLATION - 138IN CT STD CAB (INTERNATIONAL)



ART\_257000093

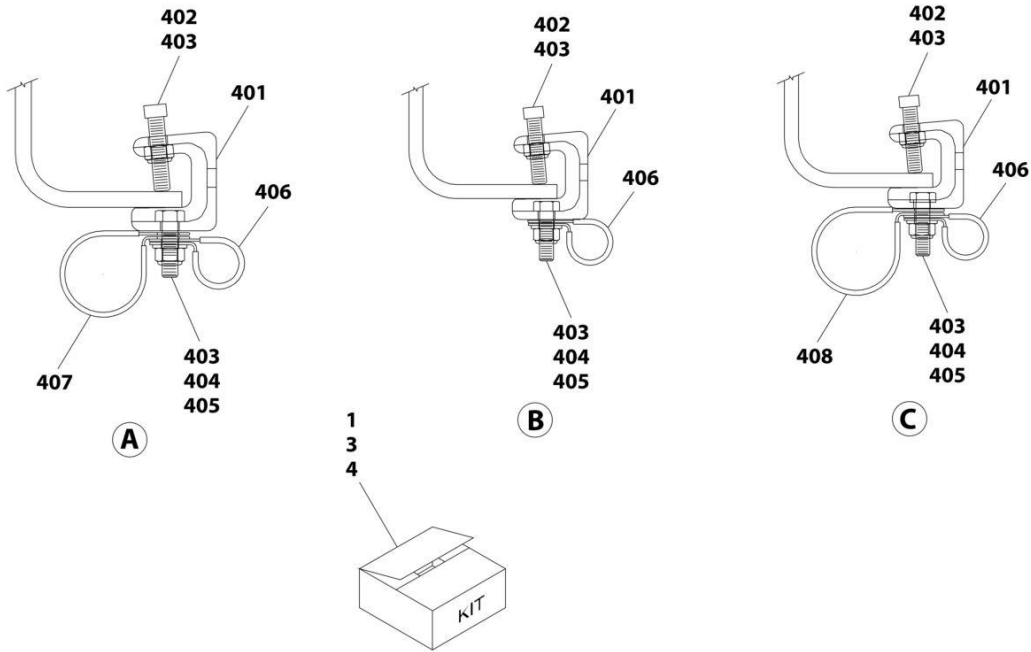
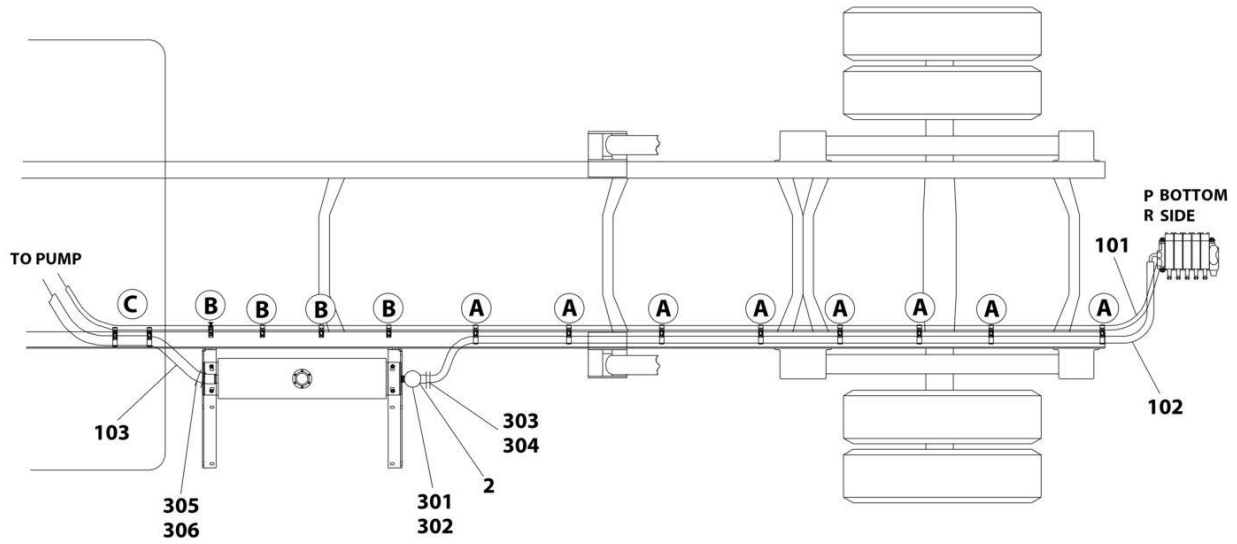
## SECTION 5 - HYDRAULIC

**FIGURE 5-13. HOSE INSTALLATION - 138IN CT STD CAB (INTERNATIONAL)**

ITEM	PART NUMBER	QTY	DESCRIPTION	REV
	2570000093	Ref	HOSE INSTALLATION - 138IN CA (STD CAB IHC NGV)	2
1	4567130223	1	Hose	
2	4570000101	1	Hose, Return	
3	4570000091	1	Hose, Supply	
4	7430000003	1	Filter, Oil	
19	1001132801	1	Clamp, Hose Kit (Includes Items 301-306)	
20	1001132794	11	Clamp, Hose Kit (Includes Items 401-408)	
21	1001132800	5	Clamp, Hose Kit (Includes Items 501-508)	
301	7470000002	1	Gauge, Oil Filter Head	
302	7443000158	1	Fitting, 90	
303	7443000319	1	Fitting, 90	
304	7274000080	2	Clamp	
305	7443000013	1	Fitting, Nipple	
306	7274000002	2	Clamp	
401	7274000076	1	Clamp	
402	7785152420	1	Screw 5/16 x 1-1/2	
403	7660152601	2	Nut 5/16	
404	7115151050	1	Capscrew 5/16 x 1-1/4	
405	7950150161	1	Washer 5/16	
406	7274000040	1	Clamp	
407	7274000041	1	Clamp	
408	7274000042	1	Clamp	
501	7274000040	1	Clamp	
502	7274000041	1	Clamp	
503	7274000042	1	Clamp	
504	4706003844	1	Plate	
505	7115151050	1	Capscrew 5/16 x 1-1/4	
506	7950150161	3	Washer 5/16	
507	7660152601	2	Nut 5/16	
508	7115151064	1	Bolt 5/16 x 1-1/4	

# SECTION 5 - HYDRAULIC

FIGURE 5-14. HOSE INSTALLATION - 144IN CA STD CAB (HINO)



ART\_1001132761

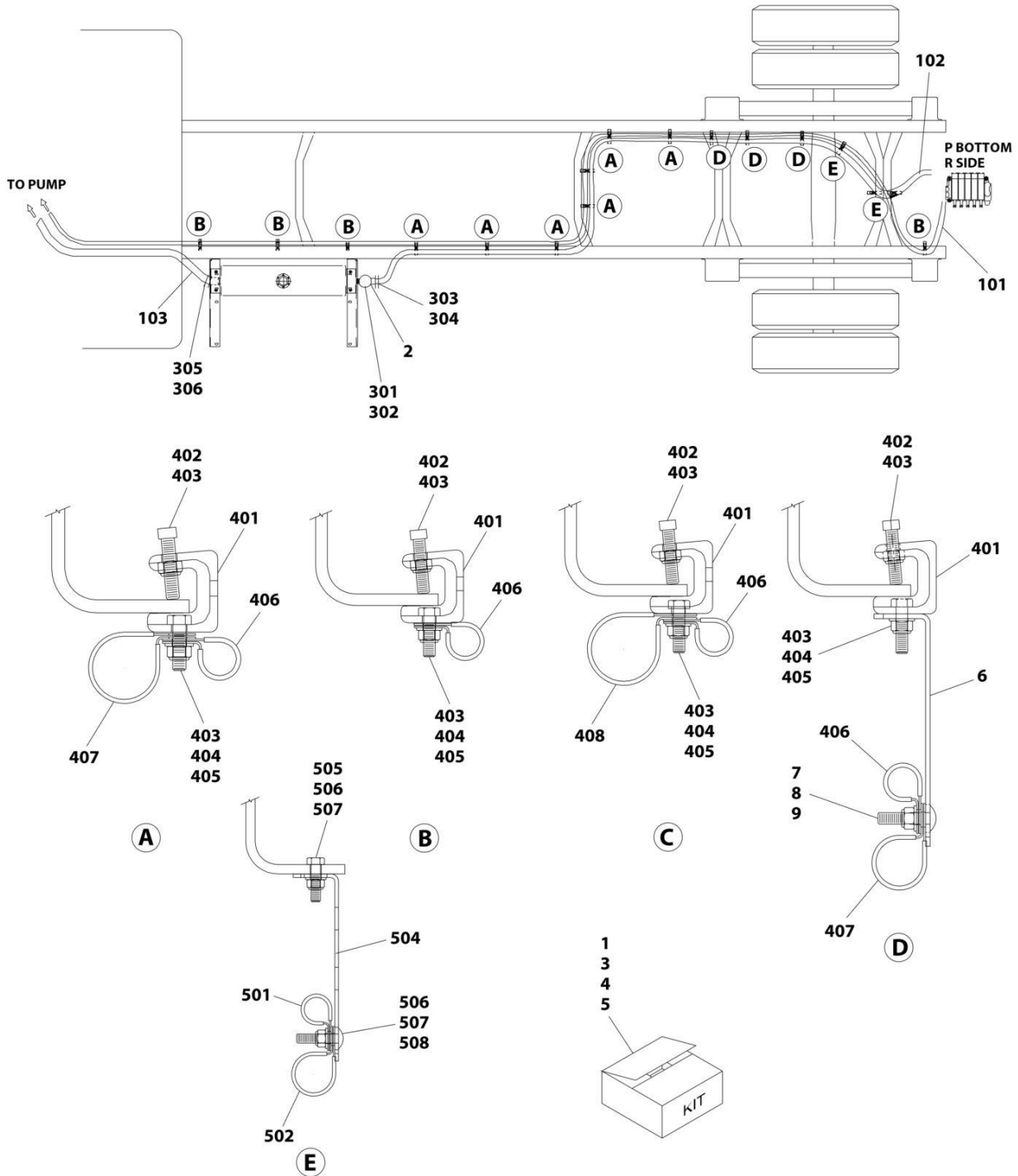
## SECTION 5 - HYDRAULIC

**FIGURE 5-14. HOSE INSTALLATION - 144IN CA STD CAB (HINO)**

ITEM	PART NUMBER	QTY	DESCRIPTION	REV
	1001132761	Ref	HOSE INSTALLATION - 144IN CA (STD CAB HINO)	0
1	1001132760	1	Hose Kit (Include Items 101-103)	
2	7430000003	1	Filter, Oil	
3	1001132801	1	Clamp, Hose Kit (Includes Items 301-306)	
4	1001132794	13	Clamp, Hose Kit (Includes Items 401-408)	
101	4567130241	1	Hose	
102	4570000102	1	Hose	
103	4570000099	1	Hose	
301	7470000002	1	Gauge, Oil Filter Head	
302	7443000158	1	Fitting, 90	
303	7443000319	1	Fitting, 90	
304	7274000080	2	Clamp	
305	7443000013	1	Nipple	
306	7274000002	2	Clamp	
401	7274000076	1	Clamp	
402	7785152420	1	Screw 5/16 x 1-1/2	
403	7660152601	2	Nut 5/16	
404	7115151050	1	Capscrew 5/16 x 1-1/4	
405	7950150161	1	Washer 5/16	
406	7274000040	1	Clamp	
407	7274000041	1	Clamp	
408	7274000042	1	Clamp	

# SECTION 5 - HYDRAULIC

## FIGURE 5-15. HOSE INSTALLATION - 144IN CT STD CAB (INTERNATIONAL)



ART\_1001132743



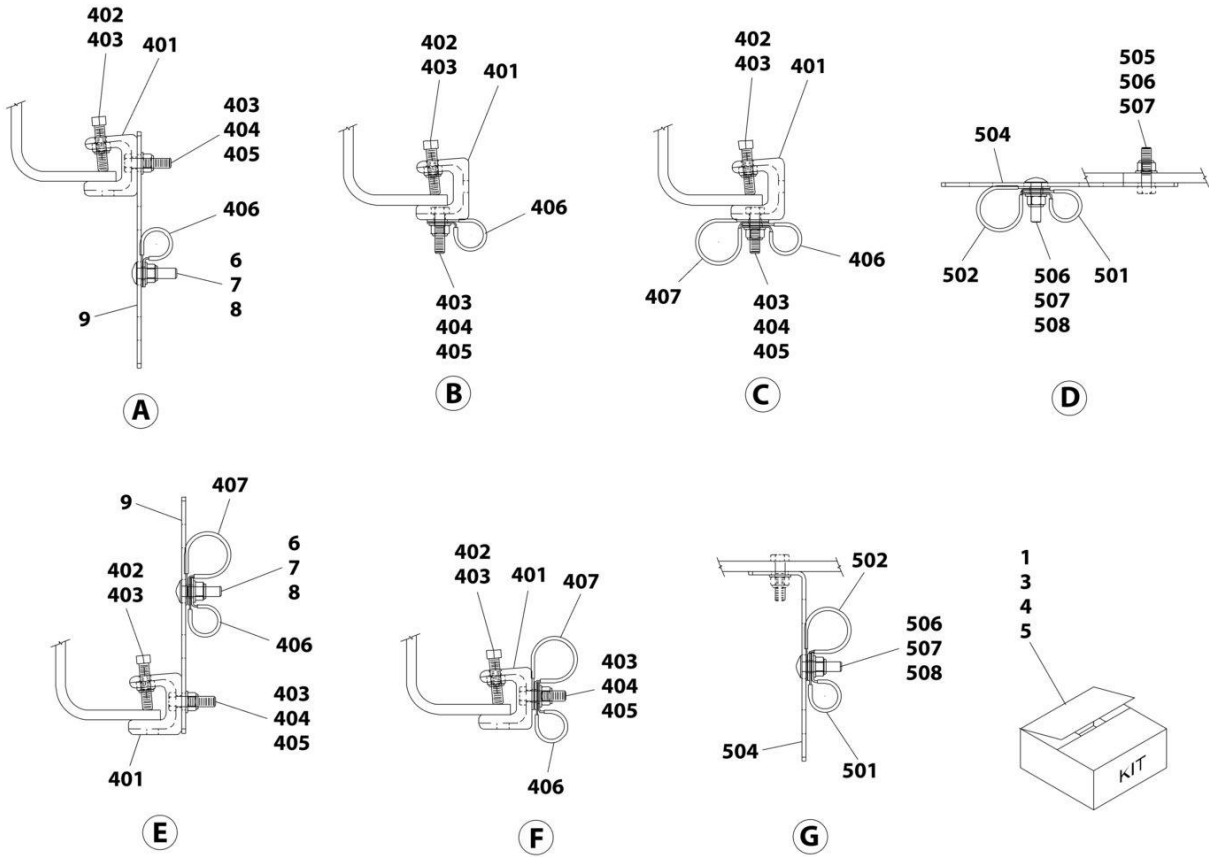
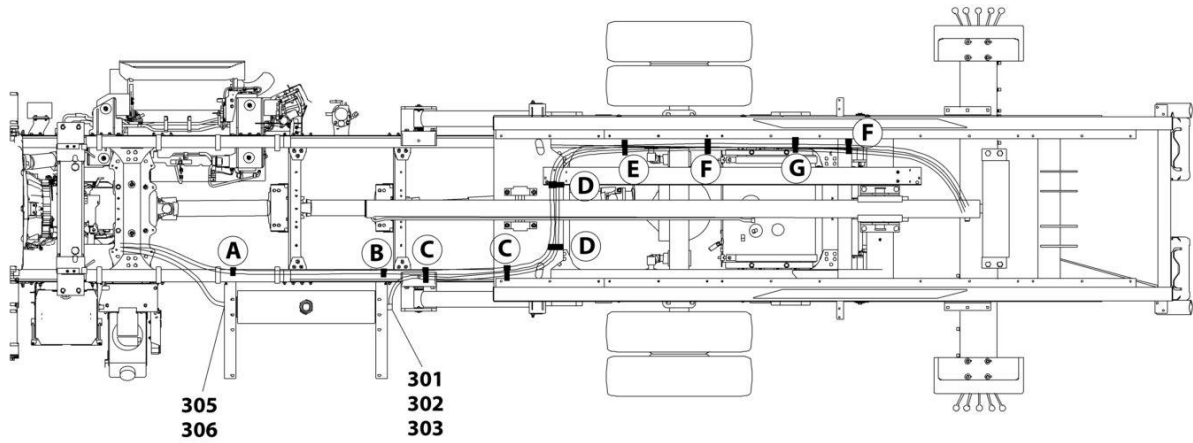
## SECTION 5 - HYDRAULIC

**FIGURE 5-15. HOSE INSTALLATION - 144IN CT STD CAB (INTERNATIONAL)**

ITEM	PART NUMBER	QTY	DESCRIPTION	REV
	1001132743	Ref	HOSE INSTALLATION - 144IN CA (STD CAB IHC NGV)	0
1	1001132712	1	Hose Kit (Include Items 101-103)	
2	7430000003	1	Filter, Oil	
3	1001132801	1	Clamp, Hose Kit (Includes Items 301-306)	
4	1001132794	14	Clamp, Hose Kit (Includes Items 401-408)	
5	1001132800	3	Clamp, Hose Kit (Includes Items 501-508)	
6	4706003844	3	Plate	
7	7115151064	3	Bolt 5/16 x 1-1/4	
8	7950150161	3	Washer 5/16	
9	7660152601	3	Nut 5/16	
101	4567130264	1	Hose	
102	1001132684	1	Hose	
103	4570000042	1	Hose	
301	7470000002	1	Gauge, Oil Filter Head	
302	7443000158	1	Fitting, 90	
303	7443000319	1	Fitting, 90	
304	7274000080	2	Clamp	
305	7443000013	1	Fitting, Nipple	
306	7274000002	2	Clamp	
401	7274000076	1	Clamp	
402	7785152420	1	Screw 5/16 x 1-1/2	
403	7660152601	2	Nut 5/16	
404	7115151050	1	Capscrew 5/16 x 1-1/4	
405	7950150161	1	Washer 5/16	
406	7274000040	1	Clamp	
407	7274000041	1	Clamp	
408	7274000042	1	Clamp	
501	7274000040	1	Clamp	
502	7274000041	1	Clamp	
503	7274000042	1	Clamp	
504	4706003844	1	Plate	
505	7115151050	1	Capscrew 5/16 x 1-1/4	
506	7950150161	3	Washer 5/16	
507	7660152601	2	Nut 5/16	
508	7115151064	1	Bolt 5/16 x 1-1/4	

# SECTION 5 - HYDRAULIC

## FIGURE 5-16. HOSE INSTALLATION - 145IN CA STD CAB (HINO)



ART\_1001159911

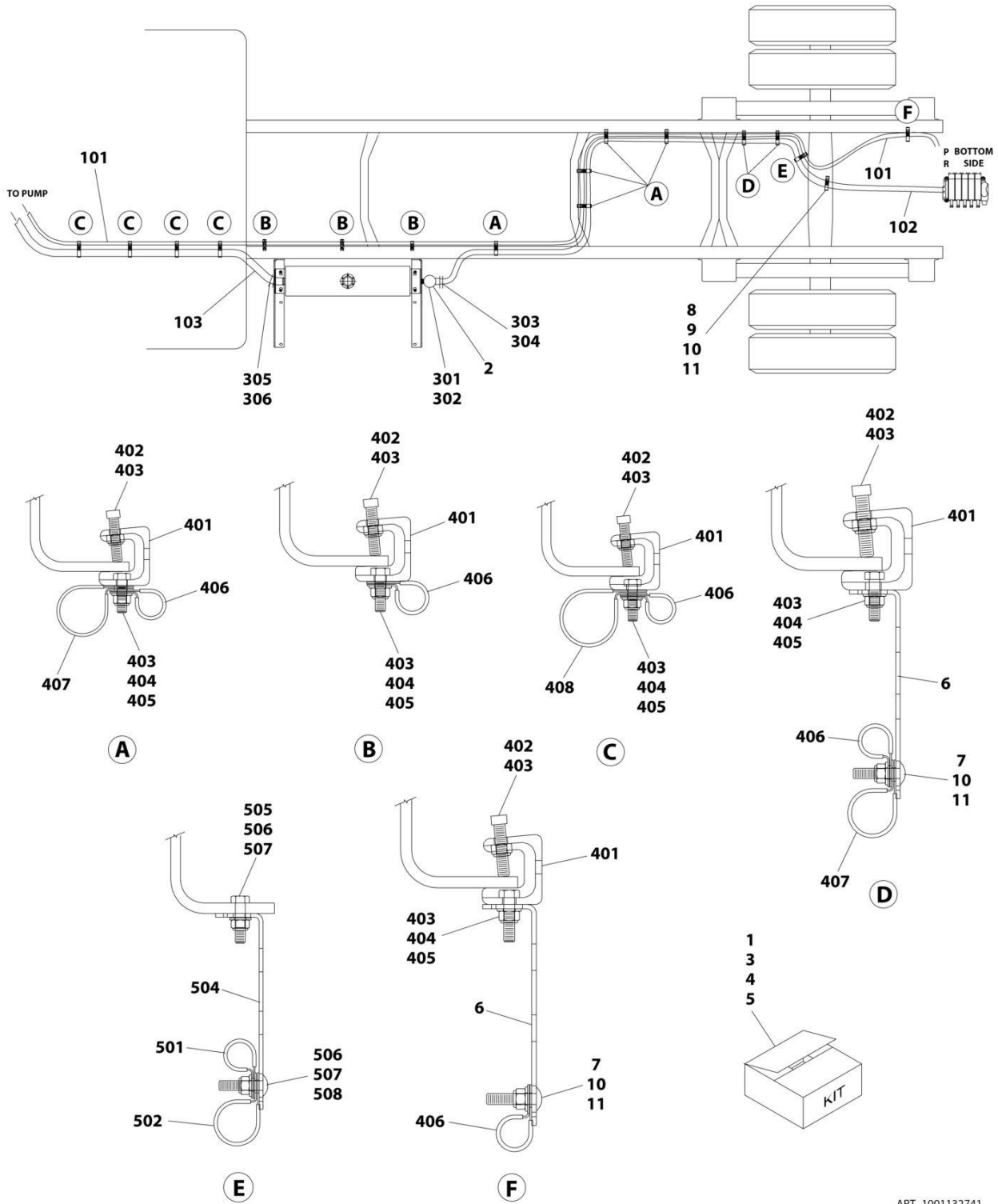
## SECTION 5 - HYDRAULIC

**FIGURE 5-16. HOSE INSTALLATION - 145IN CA STD CAB (HINO)**

ITEM	PART NUMBER	QTY	DESCRIPTION	REV
	1001159911	Ref	HOSE INSTALLATION - 145IN CA (STD HINO)	A
1	1001159912	1	Hose Kit (Includes Items 101-103)	
2	7430000003	1	Filter, Oil (Not Shown)	
3	1001132801	1	Clamp, Hose (Includes Items 301-306)	
4	1001132794	7	Clamp, Hose (Includes Items 401-408)	
5	1001132800	3	Clamp, Hose (Includes Items 501-508)	
6	7115151064	2	Bolt 5/16 x 1-1/4	
7	7950150161	2	Washer 5/16	
8	7660152601	2	Nut 5/16	
9	4706003844	2	Plate	
101	4567130216	1	Hose (Not Shown)	
102	4570000113	1	Hose (Not Shown)	
103	4570000099	1	Hose (Not Shown)	
301	7470000002	1	Gauge, Oil Filter Head	
302	7443000158	1	Fitting, 90	
303	7443000319	1	Fitting, 90	
304	7274000080	2	Clamp (Not Shown)	
305	7443000013	1	Fitting, Nipple	
306	7274000002	2	Clamp	
401	7274000076	1	Clamp	
402	7785152420	1	Screw 5/16 x 1-1/2	
403	7660152601	2	Nut 5/16	
404	7115151050	1	Capscrew 5/16 x 1-1/4	
405	7950150161	1	Washer 5/16	
406	7274000040	1	Clamp	
407	7274000041	1	Clamp	
408	7274000042	1	Clamp (Not Shown)	
501	7274000040	1	Clamp	
502	7274000041	1	Clamp	
503	7274000042	1	Clamp (Not Shown)	
504	4706003844	1	Plate	
505	7115151050	1	Capscrew 5/16 x 1-1/4	
506	7950150161	3	Washer 5/16	
507	7660152601	2	Nut 5/16	
508	7115151064	1	Bolt 5/16 x 1-1/4	

# SECTION 5 - HYDRAULIC

FIGURE 5-17. HOSE INSTALLATION - 150IN CA CREW CAB (FORD - CREW CAB)



ART\_1001132741

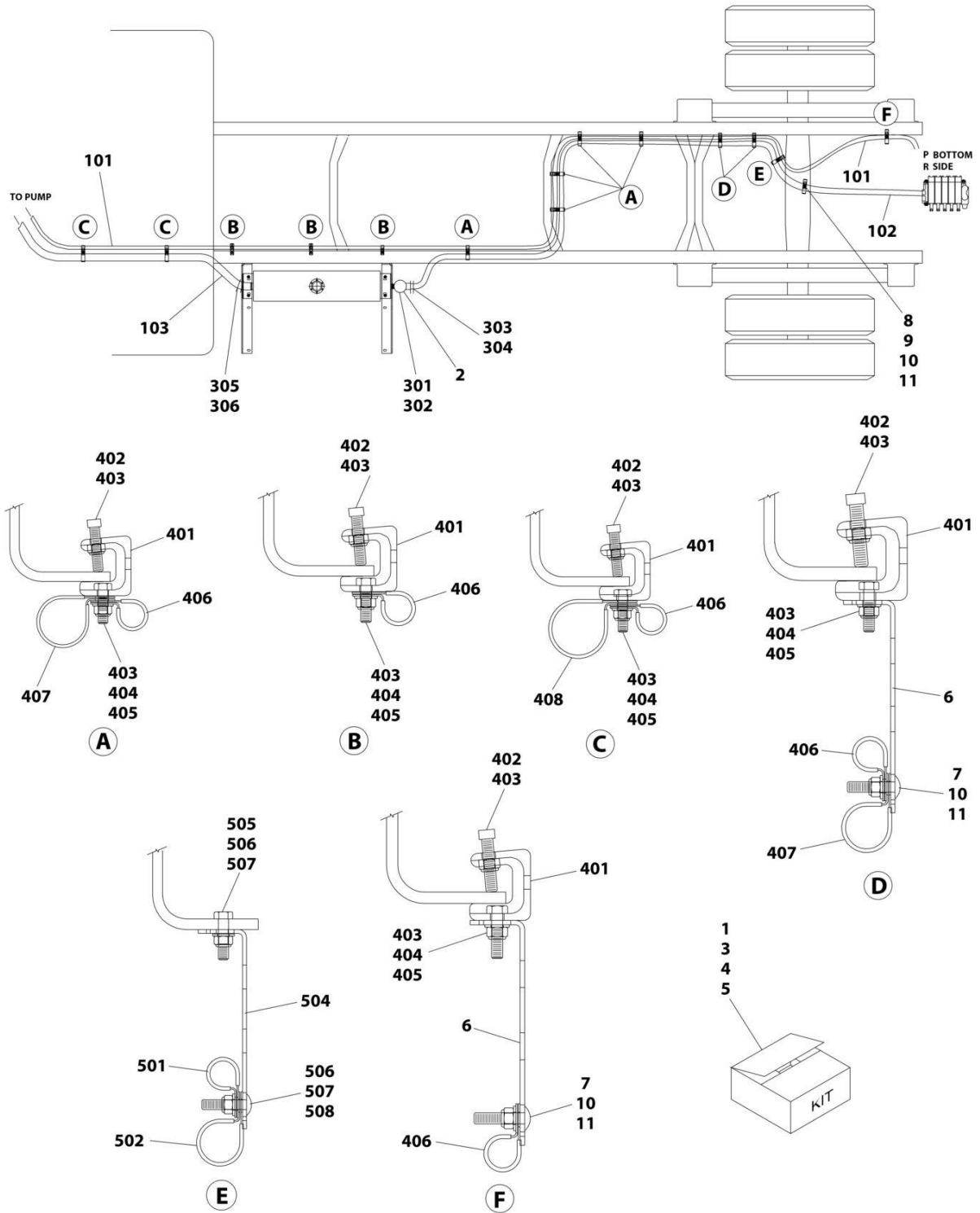
## SECTION 5 - HYDRAULIC

**FIGURE 5-17. HOSE INSTALLATION - 150IN CA CREW CAB (FORD - CREW CAB)**

ITEM	PART NUMBER	QTY	DESCRIPTION	REV
	1001132741	Ref	HOSE & CLAMP INSTALLATION - 150IN CA CREW CAB (FORD - CREW CAB)	0
1	1001132710	1	Hose Kit (Include Items 101-103)	
2	7430000003	1	Filter, Oil	
3	1001132801	1	Clamp, Hose (Includes Items 301-306)	
4	1001132794	15	Clamp, Hose (Includes Items 401-408)	
5	1001132800	1	Clamp, Hose (Includes items 501-508)	
6	4706003844	3	Plate	
7	7115151064	3	Bolt 5/16 x 1-1/4	
8	7274000041	1	Clamp, Hose	
9	7115151050	1	Capscrew 5/16 x 1-1/4	
10	7950150161	4	Washer 5/16	
11	7660152601	4	Nut 5/16	
101	4567130320	1	Hose	
102	4570000160	1	Hose	
103	1001132613	1	Hose	
301	7470000002	1	Gauge, Oil Filter Head	
302	7443000158	1	Fitting, 90	
303	7443000319	1	Fitting, 90	
304	7274000080	2	Clamp	
305	7443000013	1	Fitting, Nipple	
306	7274000002	2	Clamp	
401	7274000076	1	Clamp	
402	7785152420	1	Screw 5/16 x 1-1/2	
403	7660152601	2	Nut 5/16	
404	7115151050	1	Capscrew 5/16 x 1-1/4	
405	7950150161	1	Washer 5/16	
406	7274000040	1	Clamp	
407	7274000041	1	Clamp	
408	7274000042	1	Clamp	
501	7274000040	1	Clamp	
502	7274000041	1	Clamp	
503	7274000042	1	Clamp (Not Shown)	
504	4706003844	1	Plate	
505	7115151050	1	Capscrew 5/16 x 1-1/4	
506	7950150161	3	Washer 5/16	
507	7660152601	2	Nut 5/16	
508	7115151064	1	Bolt 5/16 x 1-1/4	

# SECTION 5 - HYDRAULIC

FIGURE 5-18. HOSE INSTALLATION - 150IN CA STD CAB (FORD/HINO)



ART\_1001132738

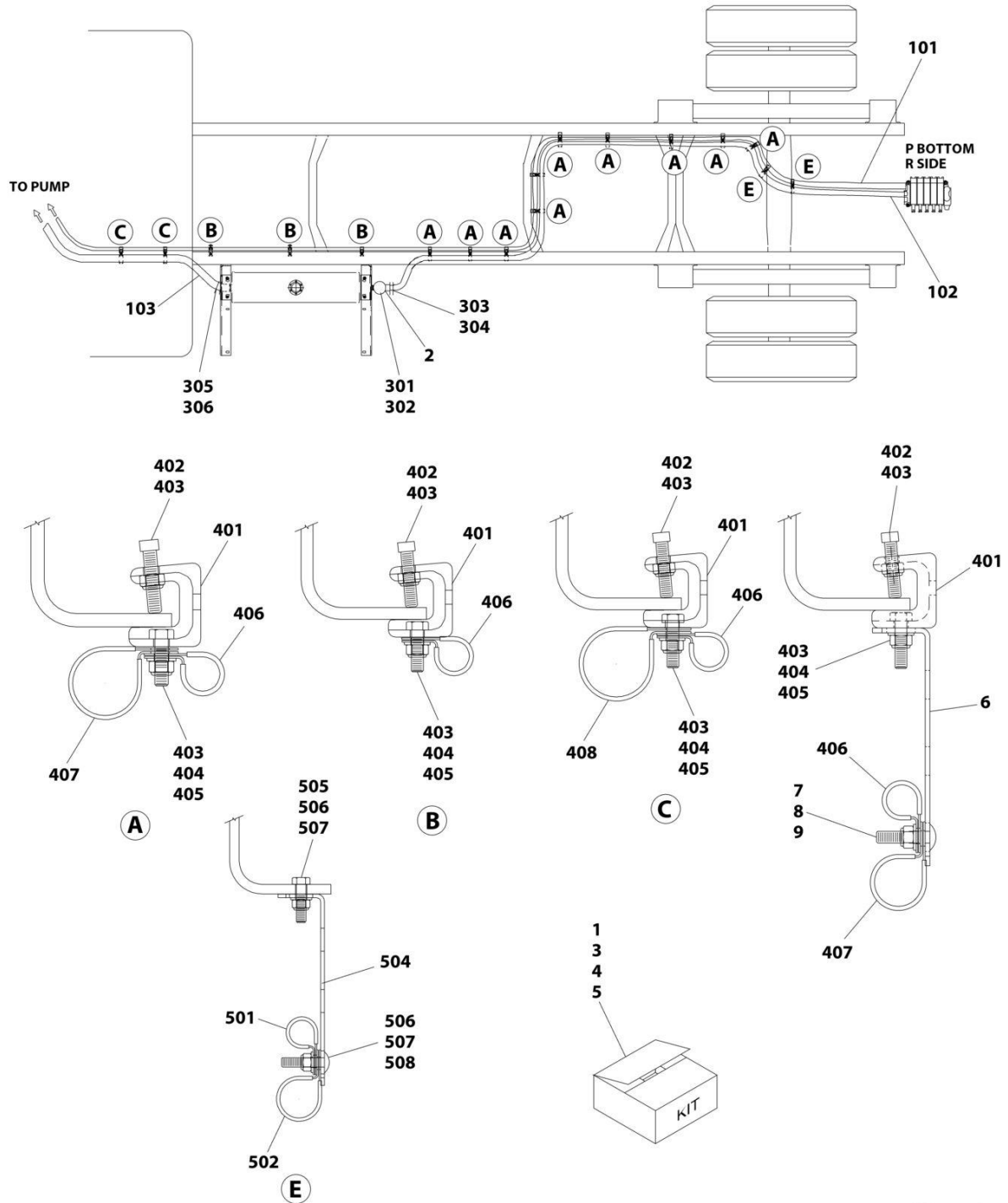
## SECTION 5 - HYDRAULIC

**FIGURE 5-18. HOSE INSTALLATION - 150IN CA STD CAB (FORD/HINO)**

ITEM	PART NUMBER	QTY	DESCRIPTION	REV
	1001132738	Ref	HOSE INSTALLATION - 150IN CA (STD CAB FORD/HINO AIR)	0
1	1001132707	1	Hose Kit (Include Items 101-103)	
2	7430000003	1	Filter, Oil	
3	1001132801	1	Clamp, Hose Kit (Includes Items 301-306)	
4	1001132794	13	Clamp, Hose Kit (Includes Items 401-408)	
5	1001132800	1	Clamp, Hose Kit (Includes Items 501-508)	
6	4706003844	3	Plate	
7	7115151064	3	Bolt 5/16 x 1-1/4	
8	7274000041	1	Clamp	
9	7115151050	1	Capscrew 5/16 x 1-1/4	
10	7950150161	4	Washer 5/16	
11	7660152601	4	Nut 5/16	
101	4567130268	1	Hose	
102	1001132679	1	Hose	
103	4570000099	1	Hose	
301	7470000002	1	Gauge, Oil Filter Head	
302	7443000158	1	Fitting, 90	
303	7443000319	1	Fitting, 90	
304	7274000080	2	Clamp	
305	7443000013	1	Fitting, Nipple	
306	7274000002	2	Clamp	
401	7274000076	1	Clamp	
402	7785152420	1	Screw 5/16 x 1-1/2	
403	7660152601	2	Nut 5/16	
404	7115151050	1	Capscrew 5/16 x 1-1/4	
405	7950150161	1	Washer 5/16	
406	7274000040	1	Clamp	
407	7274000041	1	Clamp	
408	7274000042	1	Clamp	
501	7274000040	1	Clamp	
502	7274000041	1	Clamp	
503	7274000042	1	Clamp	
504	4706003844	1	Plate	
505	7115151050	1	Capscrew 5/16 x 1-1/4	
506	7950150161	3	Washer 5/16	
507	7660152601	2	Nut 5/16	
508	7115151064	1	Bolt 5/16 x 1-1/4	

# SECTION 5 - HYDRAULIC

FIGURE 5-19. HOSE INSTALLATION - 150IN CA STD CAB (PETERBILT)



ART\_1001132746



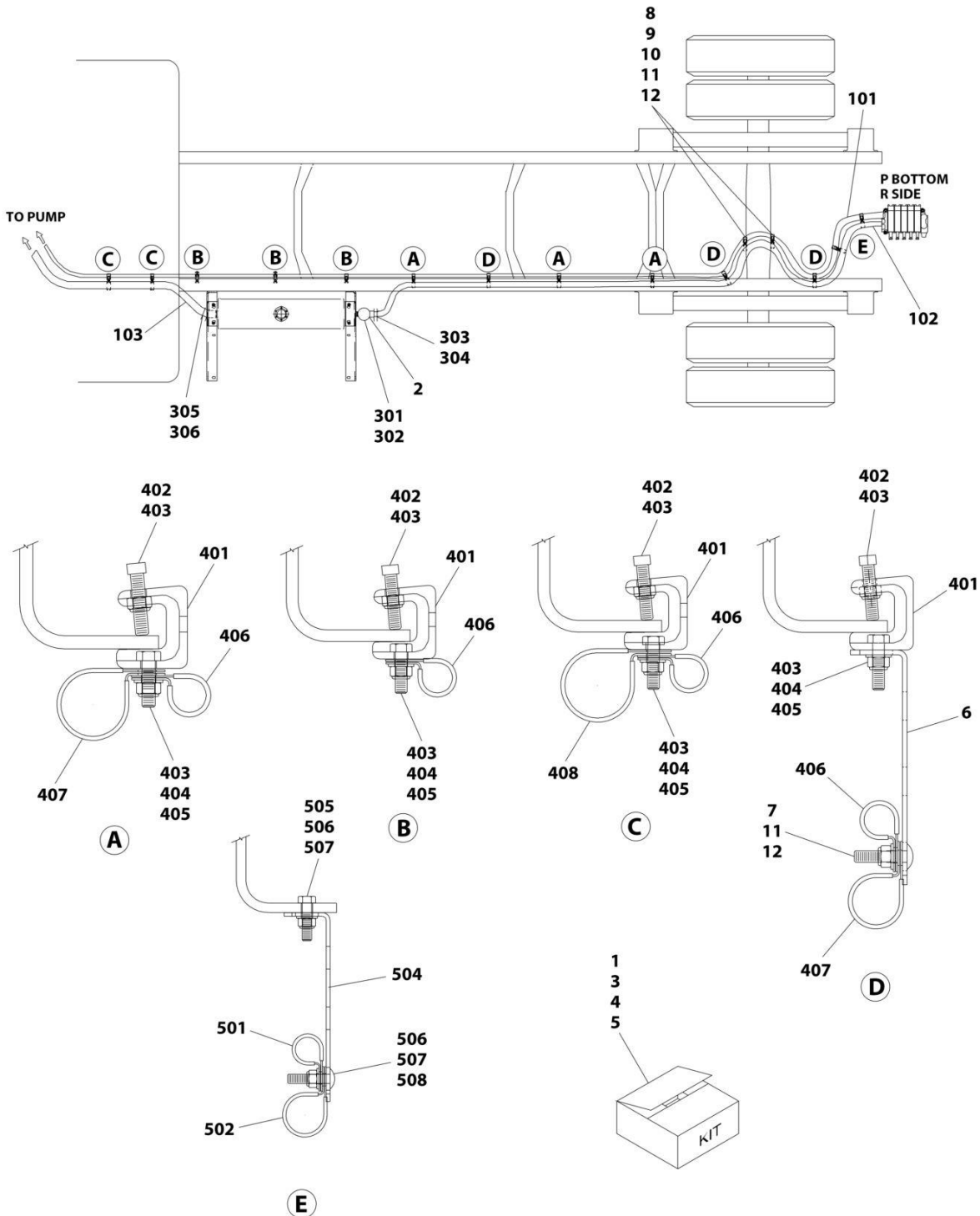
## SECTION 5 - HYDRAULIC

**FIGURE 5-19. HOSE INSTALLATION - 150IN CA STD CAB (PETERBILT)**

ITEM	PART NUMBER	QTY	DESCRIPTION	REV
	1001132746	Ref	HOSE INSTALLATION - 150IN CA (STD CAB PETERBILT)	0
1	1001132715	1	Hose Kit (Include Items 101-103)	
2	7430000003	1	Filter, Oil	
3	1001132801	1	Clamp, Hose Kit (Includes Items 301-306)	
4	1001132794	15	Clamp, Hose Kit (Includes Items 401-408)	
5	1001132800	4	Clamp, Hose Kit (Includes Items 501-508)	
6	4706003844	4	Plate	
7	7115151064	4	Bolt 5/16 x 1-1/4	
8	7950150161	4	Washer 5/16	
9	7660152601	4	Nut 5/16	
101	4567130247	1	Hose	
102	4570000113	1	Hose	
103	1001132601	1	Hose	
301	7470000002	1	Gauge, Oil Filter Head	
302	7443000158	1	Fitting, 90	
303	7443000319	1	Fitting, 90	
304	7274000080	2	Clamp	
305	7443000013	1	Fitting, Nipple	
306	7274000002	2	Clamp	
401	7274000076	1	Clamp	
402	7785152420	1	Screw 5/16 x 1-1/2	
403	7660152601	2	Nut 5/16	
404	7115151050	1	Capscrew 5/16 x 1-1/4	
405	7950150161	1	Washer 5/16	
406	7274000040	1	Clamp	
407	7274000041	1	Clamp	
408	7274000042	1	Clamp	
501	7274000040	1	Clamp	
502	7274000041	1	Clamp	
503	7274000042	1	Clamp	
504	4706003844	1	Plate	
505	7115151050	1	Capscrew 5/16 x 1-1/4	
506	7950150161	3	Washer 5/16	
507	7660152601	2	Nut 5/16	
508	7115151064	1	Bolt 5/16 x 1-1/4	

# SECTION 5 - HYDRAULIC

FIGURE 5-20. HOSE INSTALLATION - 150IN CA STD CAB (PETERBILT)



ART\_1001132747

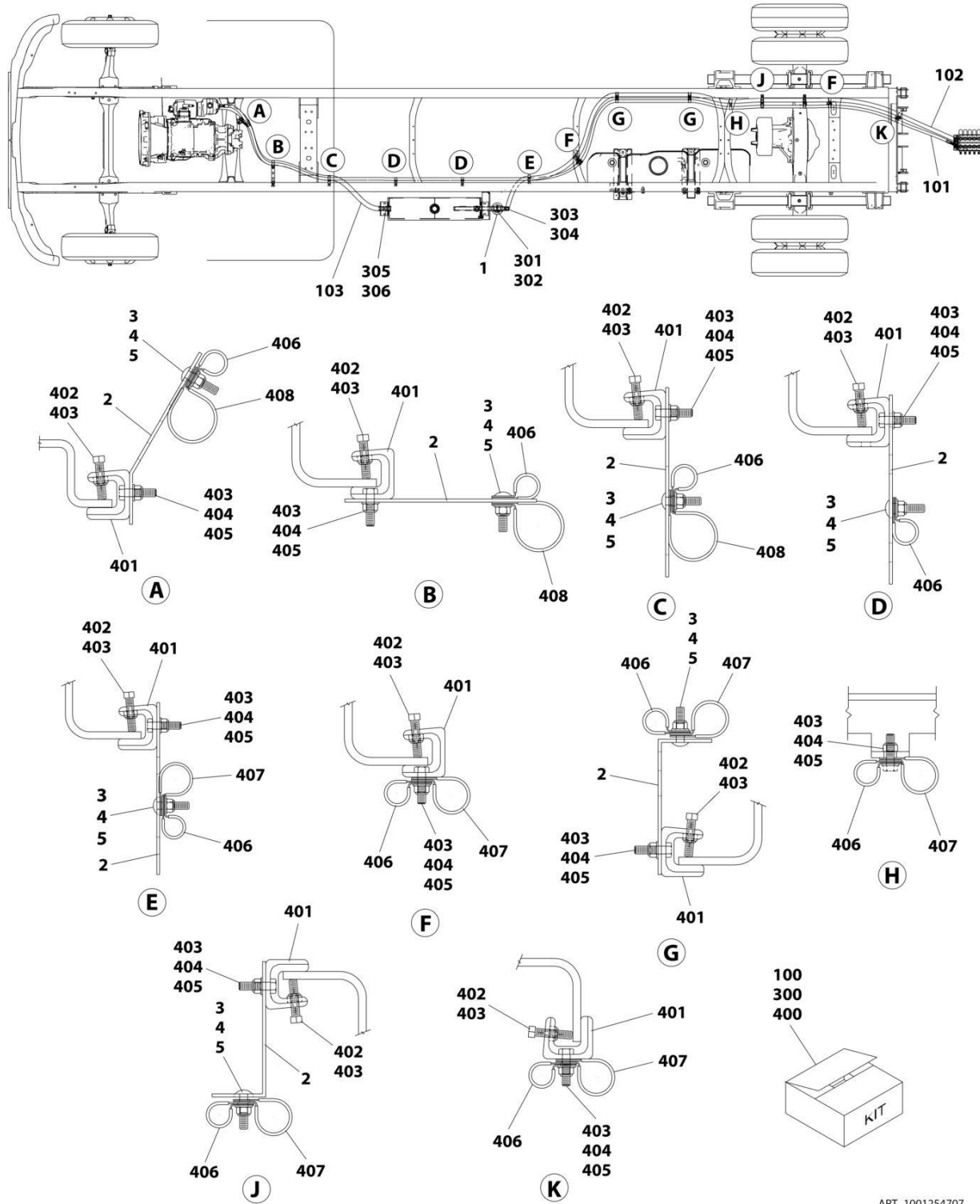
## SECTION 5 - HYDRAULIC

**FIGURE 5-20. HOSE INSTALLATION - 150IN CA STD CAB (PETERBILT)**

ITEM	PART NUMBER	QTY	DESCRIPTION	REV
	1001132747	Ref	HOSE INSTALLATION - 162IN CA (STD CAB PETERBILT)	0
1	1001132716	1	Hose Kit (Include Items 101-103)	
2	7430000003	1	Filter, Oil	
3	1001132801	1	Clamp, Hose Kit (Includes Items 301-306)	
4	1001132794	11	Clamp, Hose Kit (Includes Items 401-408)	
5	1001132800	2	Clamp, Hose Kit (Includes Items 501-508)	
6	4706003844	3	Plate	
7	7115151064	3	Bolt 5/16 x 1-1/4	
8	7274000040	2	Clamp	
9	7274000041	2	Clamp	
10	7115151050	2	Capscrew 5/16 x 1-1/4	
11	7950150161	5	Washer 5/16	
12	7660152601	5	Nut 5/16	
101	4567130262	1	Hose	
102	1001132679	1	Hose	
103	1001132599	1	Hose	
301	7470000002	1	Gauge, Oil Filter Head	
302	7443000158	1	Fitting, 90	
303	7443000319	1	Fitting, 90	
304	7274000080	2	Clamp	
305	7443000013	1	Fitting, Nipple	
306	7274000002	2	Clamp	
401	7274000076	1	Clamp	
402	7785152420	1	Screw 5/16 x 1-1/2	
403	7660152601	2	Nut 5/16	
404	7115151050	1	Capscrew 5/16 x 1-1/4	
405	7950150161	1	Washer 5/16	
406	7274000040	1	Clamp	
407	7274000041	1	Clamp	
408	7274000042	1	Clamp	
501	7274000040	1	Clamp	
502	7274000041	1	Clamp	
503	7274000042	1	Clamp	
504	4706003844	1	Plate	
505	7115151050	1	Capscrew 5/16 x 1-1/4	
506	7950150161	3	Washer 5/16	
507	7660152601	2	Nut 5/16	
508	7115151064	1	Bolt 5/16 x 1-1/4	

# SECTION 5 - HYDRAULIC

FIGURE 5-21. HOSE INSTALLATION - 150IN CA, 231IN WB



ART\_1001254707

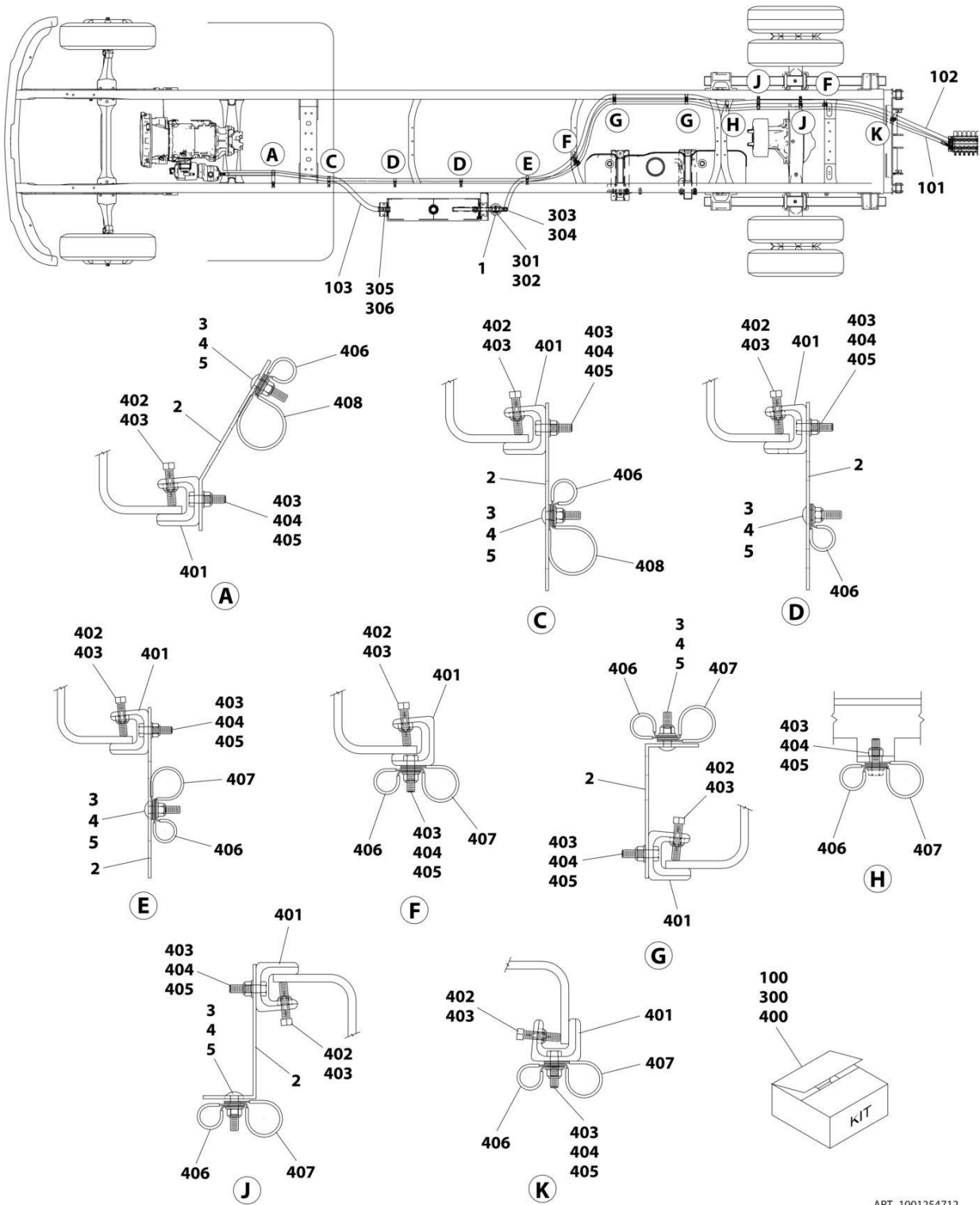
## SECTION 5 - HYDRAULIC

**FIGURE 5-21. HOSE INSTALLATION - 150IN CA, 231IN WB**

ITEM	PART NUMBER	QTY	DESCRIPTION	REV
	1001254707	Ref	HOSE INSTALLATION - 150IN CA (RC, PS PTO)	B
1	7430000003	1	Filter, Oil	
2	4706003844	10	Plate	
3	7115151064	10	Bolt 5/16 x 1-1/4	
4	7950150161	10	Washer 5/16	
5	7660152601	10	Nut 5/16	
6	7819000013	1	Sleeve (Not Shown)	
100	1001254726	1	Hose Kit	
101	4567130283	1	Hose	
102	1001132680	1	Hose	
103	4570000352	1	Hose	
300	1001132801	1	Clamp Kit	
301	7470000002	1	Gauge, Oil Filter Head	
302	7443000158	1	Fitting, 90	
303	7443000319	1	Fitting, 90	
304	7274000080	2	Clamp	
305	7443000013	1	Fitting, Nipple	
306	7274000002	2	Clamp	
400	1001132794	1	Clamp Kit	
401	7274000076	1	Clamp	
402	7785152420	1	Screw 5/16 x 1-1/2	
403	7660152601	2	Nut 5/16	
404	7115151050	1	Capscrew 5/16 x 1-1/4	
405	7950150161	1	Washer 5/16	
406	7274000040	1	Clamp	
407	7274000041	1	Clamp	
408	7274000042	1	Clamp (Not Shown)	

# SECTION 5 - HYDRAULIC

FIGURE 5-22. HOSE INSTALLATION - 150IN CA, 231N WB



ART\_1001254712

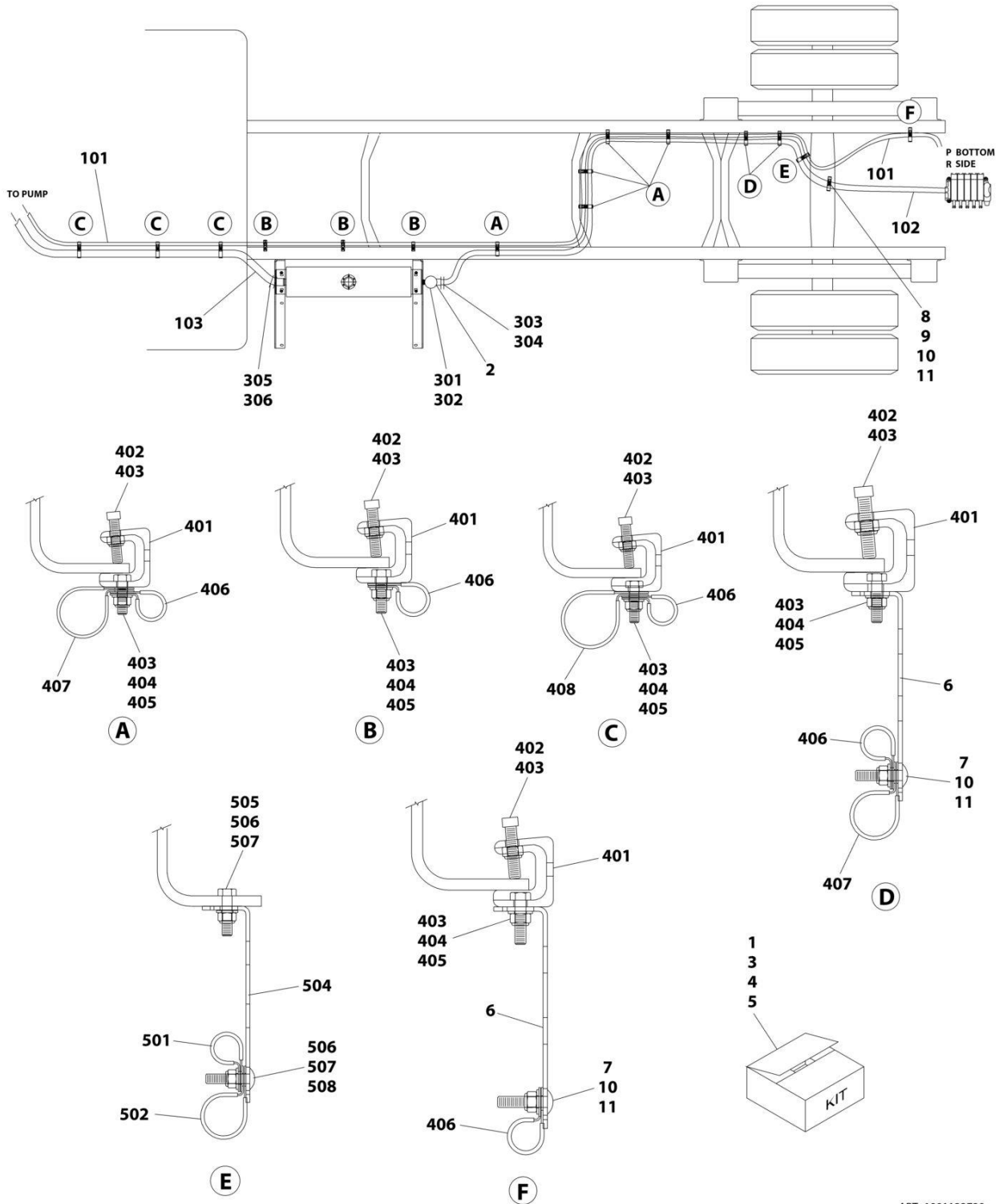
## SECTION 5 - HYDRAULIC

**FIGURE 5-22. HOSE INSTALLATION - 150IN CA, 231N WB**

ITEM	PART NUMBER	QTY	DESCRIPTION	REV
	1001254712	Ref	HOSE INSTALLATION - 150IN CA (RC, DS PTO)	A
1	7430000003	1	Filter, Oil	
2	4706003844	10	Plate	
3	7115151064	10	Bolt 5/16 x 1-1/4	
4	7950150161	10	Washer 5/16	
5	7660152601	10	Nut 5/16	
100	1001254731	1	Hose Kit	
101	4567130276	1	Hose	
102	1001132680	1	Hose	
103	1001132603	1	Hose	
300	1001132801	1	Clamp Kit	
301	7470000002	1	Gauge, Oil Filter Head	
302	7443000158	1	Fitting, 90	
303	7443000319	1	Fitting, 90	
304	7274000080	2	Clamp	
305	7443000013	1	Fitting, Nipple	
306	7274000002	2	Clamp	
400	1001132794	1	Clamp Kit	
401	7274000076	1	Clamp	
402	7785152420	1	Screw 5/16 x 1-1/2	
403	7660152601	2	Nut 5/16	
404	7115151050	1	Capscrew 5/16 x 1-1/4	
405	7950150161	1	Washer 5/16	
406	7274000040	1	Clamp	
407	7274000041	1	Clamp	
408	7274000042	1	Clamp (Not Shown)	

# SECTION 5 - HYDRAULIC

## FIGURE 5-23. HOSE INSTALLATION - 150IN CT EXT CAB (FORD)



ART\_1001132739



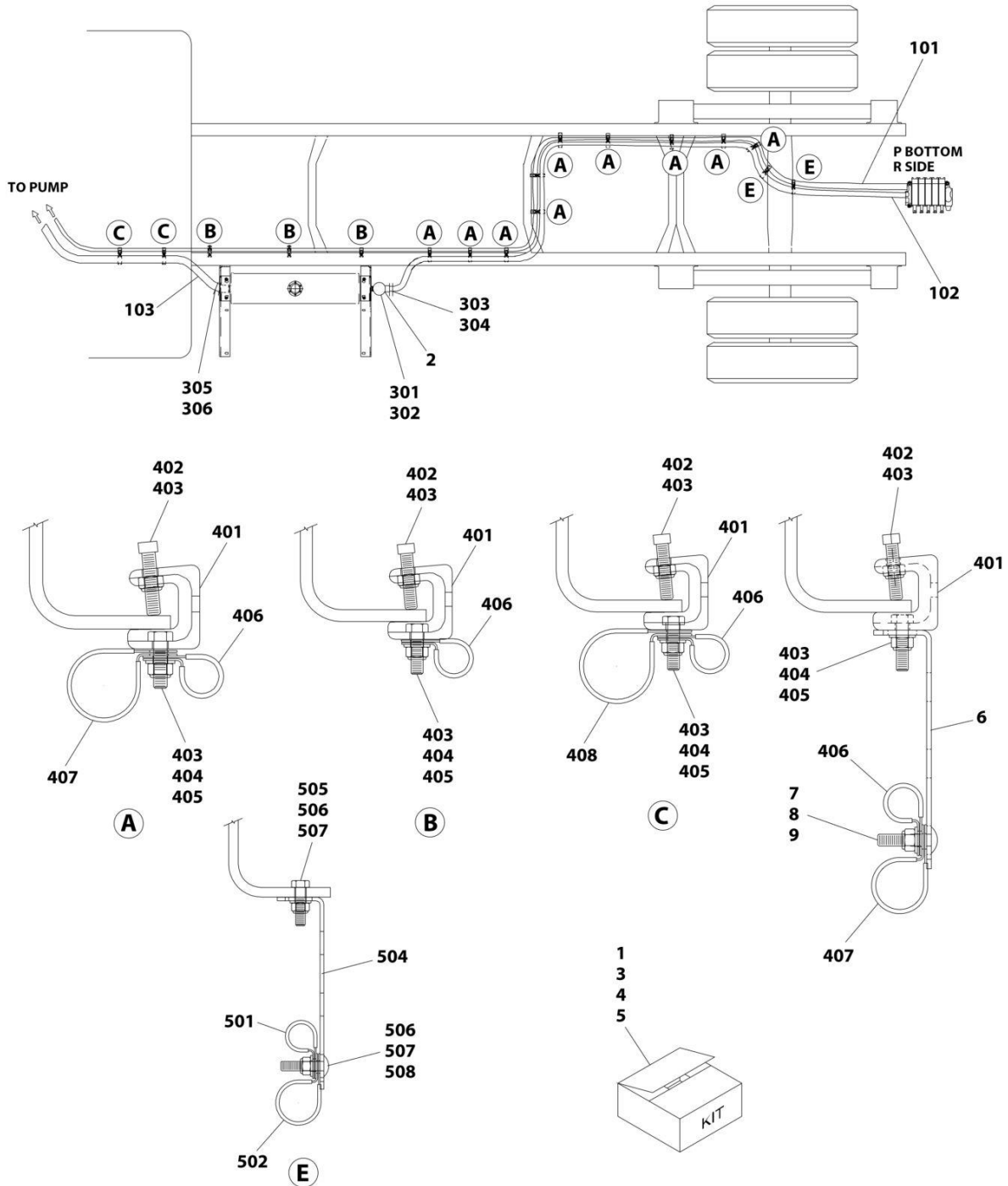
## SECTION 5 - HYDRAULIC

**FIGURE 5-23. HOSE INSTALLATION - 150IN CT EXT CAB (FORD)**

ITEM	PART NUMBER	QTY	DESCRIPTION	REV
	1001132739	Ref	HOSE INSTALLATION - 150IN CA (EXT CAB FORD)	0
1	1001132708	1	Hose Kit (Include Items 101-103)	
2	7430000003	1	Filter, Oil	
3	1001132801	1	Clamp, Hose Kit (Includes Items 301-306)	
4	1001132794	14	Clamp, Hose Kit (Includes Items 401-408)	
5	1001132800	1	Clamp, Hose Kit (Includes Items 501-508)	
6	4706003844	3	Plate	
7	7115151064	3	Bolt 5/16 x 1-1/4	
8	7274000041	1	Clamp	
9	7115151050	1	Capscrew 5/16 x 1-1/4	
10	7950150161	4	Washer 5/16	
11	7660152601	4	Nut 5/16	
101	4567130290	1	Hose	
102	1001132679	1	Hose	
103	4570000352	1	Hose	
301	7470000002	1	Gauge, Oil Filter Head	
302	7443000158	1	Fitting, 90	
303	7443000319	1	Fitting, 90	
304	7274000080	2	Clamp	
305	7443000013	1	Fitting, Nipple	
306	7274000002	2	Clamp	
401	7274000076	1	Clamp	
402	7785152420	1	Screw 5/16 x 1-1/2	
403	7660152601	2	Nut 5/16	
404	7115151050	1	Capscrew 5/16 x 1-1/4	
405	7950150161	1	Washer 5/16	
406	7274000040	1	Clamp	
407	7274000041	1	Clamp	
408	7274000042	1	Clamp	
501	7274000040	1	Clamp	
502	7274000041	1	Clamp	
503	7274000042	1	Clamp	
504	4706003844	1	Plate	
505	7115151050	1	Capscrew 5/16 x 1-1/4	
506	7950150161	3	Washer 5/16	
507	7660152601	2	Nut 5/16	
508	7115151064	1	Bolt 5/16 x 1-1/4	

# SECTION 5 - HYDRAULIC

FIGURE 5-24. HOSE INSTALLATION - 150IN CT EXT CAB (INTERNATIONAL)



ART\_1001132744

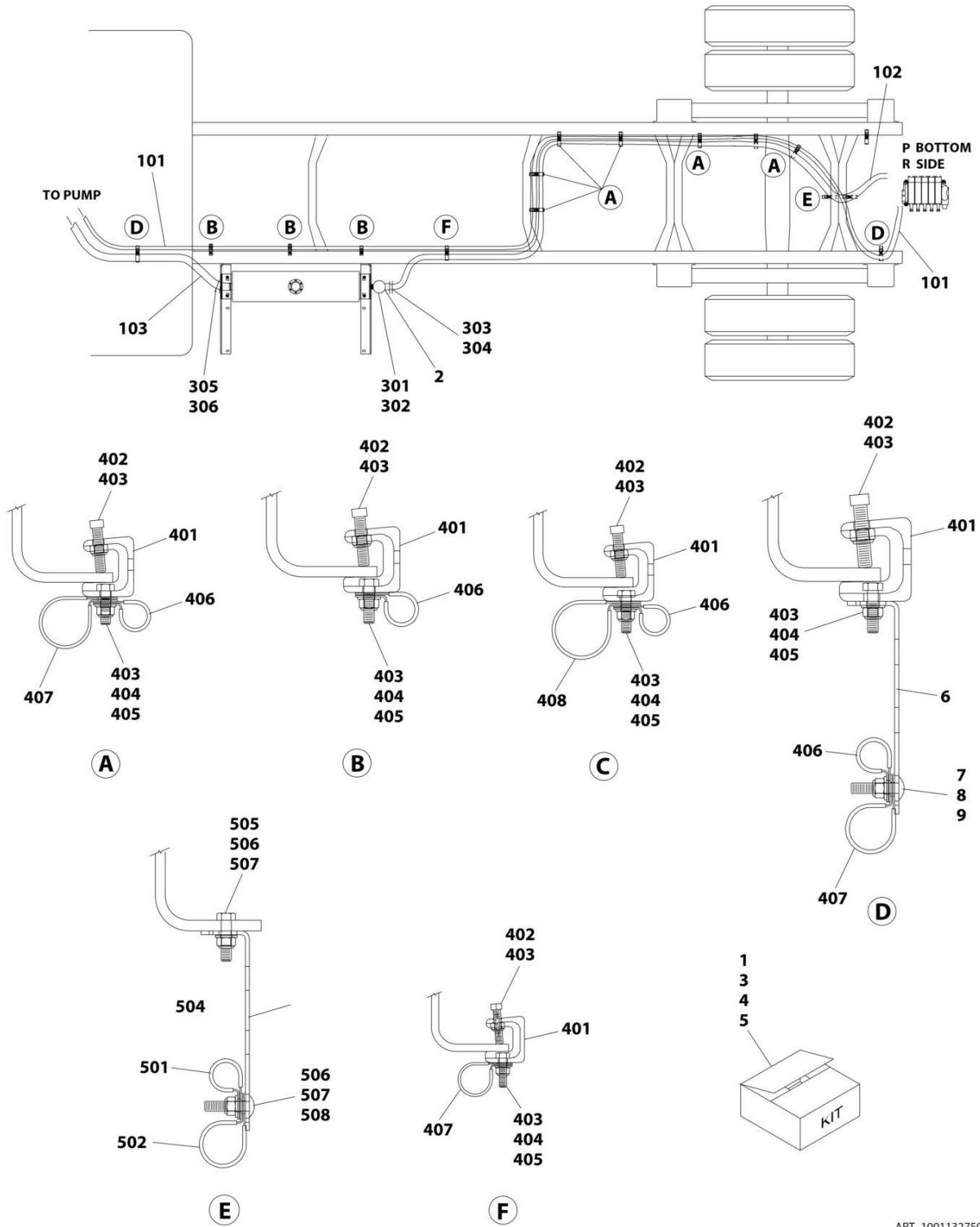
## SECTION 5 - HYDRAULIC

**FIGURE 5-24. HOSE INSTALLATION - 150IN CT EXT CAB (INTERNATIONAL)**

ITEM	PART NUMBER	QTY	DESCRIPTION	REV
	1001132744	Ref	HOSE INSTALLATION - 150IN CA (EXT CAB IHC NGV)	0
1	1001132713	1	Hose Kit (Include Items 101-103)	
2	7430000003	1	Filter, Oil	
3	1001132801	1	Clamp, Hose Kit (Includes Items 301-306)	
4	1001132794	15	Clamp, Hose Kit (Includes Items 401-408)	
5	1001132800	2	Clamp, Hose Kit (Includes Items 501-508)	
6	4706003844	1	Plate	
7	7115151064	1	Bolt 5/16 x 1-1/4	
8	7950150161	1	Washer 5/16	
9	7660152601	1	Nut 5/16	
101	4567130300	1	Hose	
102	1001132684	1	Hose	
103	1001132599	1	Hose	
301	7470000002	1	Gauge, Oil Filter Head	
302	7443000158	1	Fitting, 90	
303	7443000319	1	Fitting, 90	
304	7274000080	2	Clamp	
305	7443000013	1	Fitting, Nipple	
306	7274000002	2	Clamp	
401	7274000076	1	Clamp	
402	7785152420	1	Screw 5/16 x 1-1/2	
403	7660152601	2	Nut 5/16	
404	7115151050	1	Capscrew 5/16 x 1-1/4	
405	7950150161	1	Washer 5/16	
406	7274000040	1	Clamp	
407	7274000041	1	Clamp	
408	7274000042	1	Clamp	
501	7274000040	1	Clamp	
502	7274000041	1	Clamp	
503	7274000042	1	Clamp	
504	4706003844	1	Plate	
505	7115151050	1	Capscrew 5/16 x 1-1/4	
506	7950150161	3	Washer 5/16	
507	7660152601	2	Nut 5/16	
508	7115151064	1	Bolt 5/16 x 1-1/4	

# SECTION 5 - HYDRAULIC

## FIGURE 5-25. HOSE INSTALLATION - 150IN CT STD CAB (FREIGHLINER)



ART\_1001132750

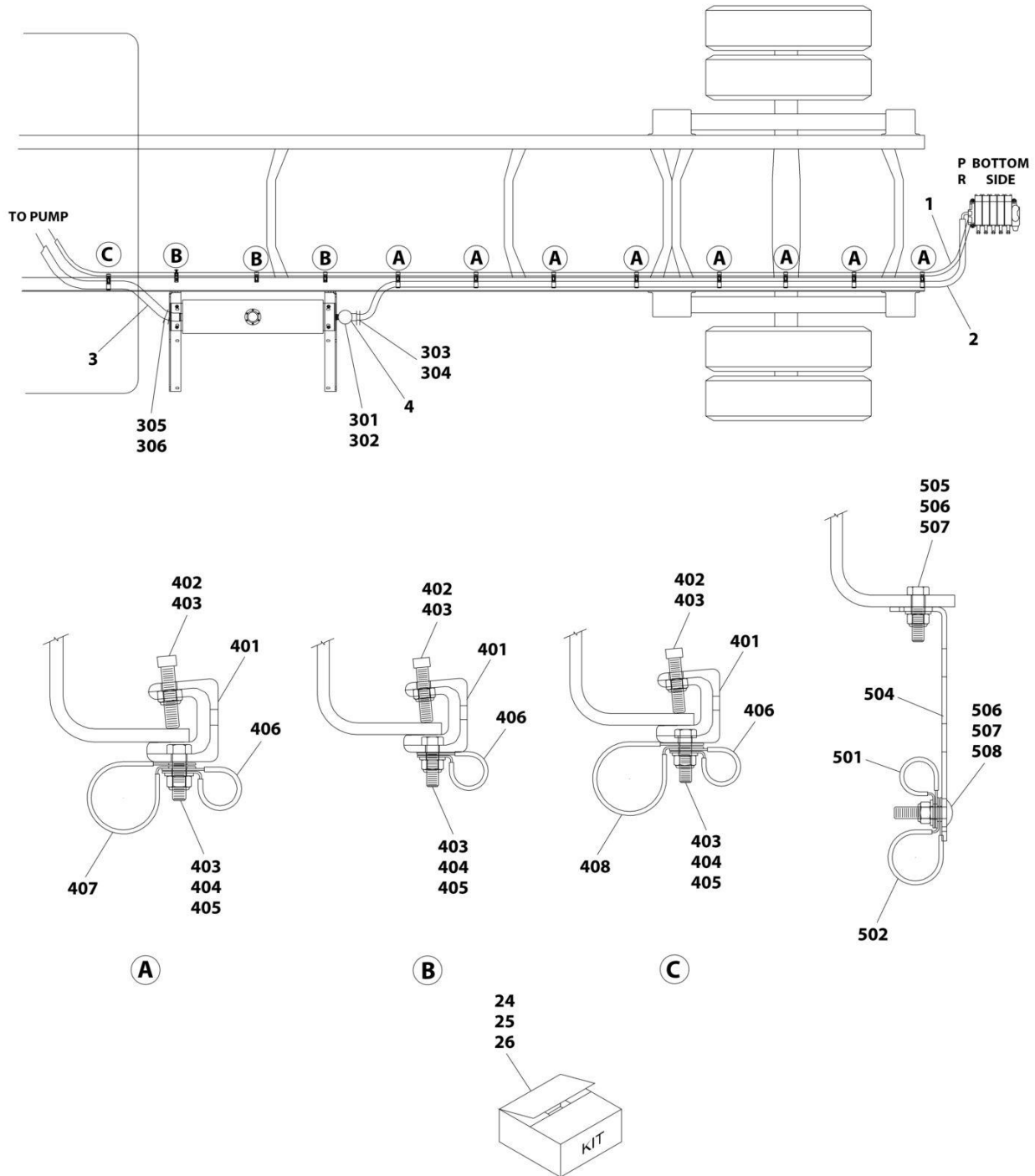
## SECTION 5 - HYDRAULIC

**FIGURE 5-25. HOSE INSTALLATION - 150IN CT STD CAB (FREIGHLINER)**

ITEM	PART NUMBER	QTY	DESCRIPTION	REV
	1001132750	Ref	HOSE INSTALLATION - 150IN CA (STD CAB FREIGHLINER)	0
1	1001132719	1	Hose Kit (Include Items 101-103)	
2	7430000003	1	Filter, Oil	
3	1001132801	1	Clamp, Hose Kit (Includes Items 301-306)	
4	1001132794	13	Clamp, Hose Kit (Includes Items 401-408)	
5	1001132800	2	Clamp, Hose Kit (Includes Items 501-508)	
6	4706003844	1	Plate	
7	7115151064	1	Bolt 5/16 x 1-1/4	
8	7950150161	1	Washer 5/16	
9	7660152601	1	Nut 5/16	
101	4567130241	1	Hose	
102	1001132675	1	Hose	
103	4570000099	1	Hose	
301	7470000002	1	Gauge, Oil Filter Head	
302	7443000158	1	Fitting, 90	
303	7443000319	1	Fitting, 90	
304	7274000080	2	Clamp	
305	7443000013	1	Fitting, Nipple	
306	7274000002	2	Clamp	
401	7274000076	1	Clamp	
402	7785152420	1	Screw 5/16 x 1-1/2	
403	7660152601	2	Nut 5/16	
404	7115151050	1	Capscrew 5/16 x 1-1/4	
405	7950150161	1	Washer 5/16	
406	7274000040	1	Clamp	
407	7274000041	1	Clamp	
408	7274000042	1	Clamp	
501	7274000040	1	Clamp	
502	7274000041	1	Clamp	
503	7274000042	1	Clamp	
504	4706003844	1	Plate	
505	7115151050	1	Capscrew 5/16 x 1-1/4	
506	7950150161	3	Washer 5/16	
507	7660152601	2	Nut 5/16	
508	7115151064	1	Bolt 5/16 x 1-1/4	

# SECTION 5 - HYDRAULIC

FIGURE 5-26. HOSE INSTALLATION - 150IN CT STD CAB (INTERNATIONAL)



ART\_2570000094

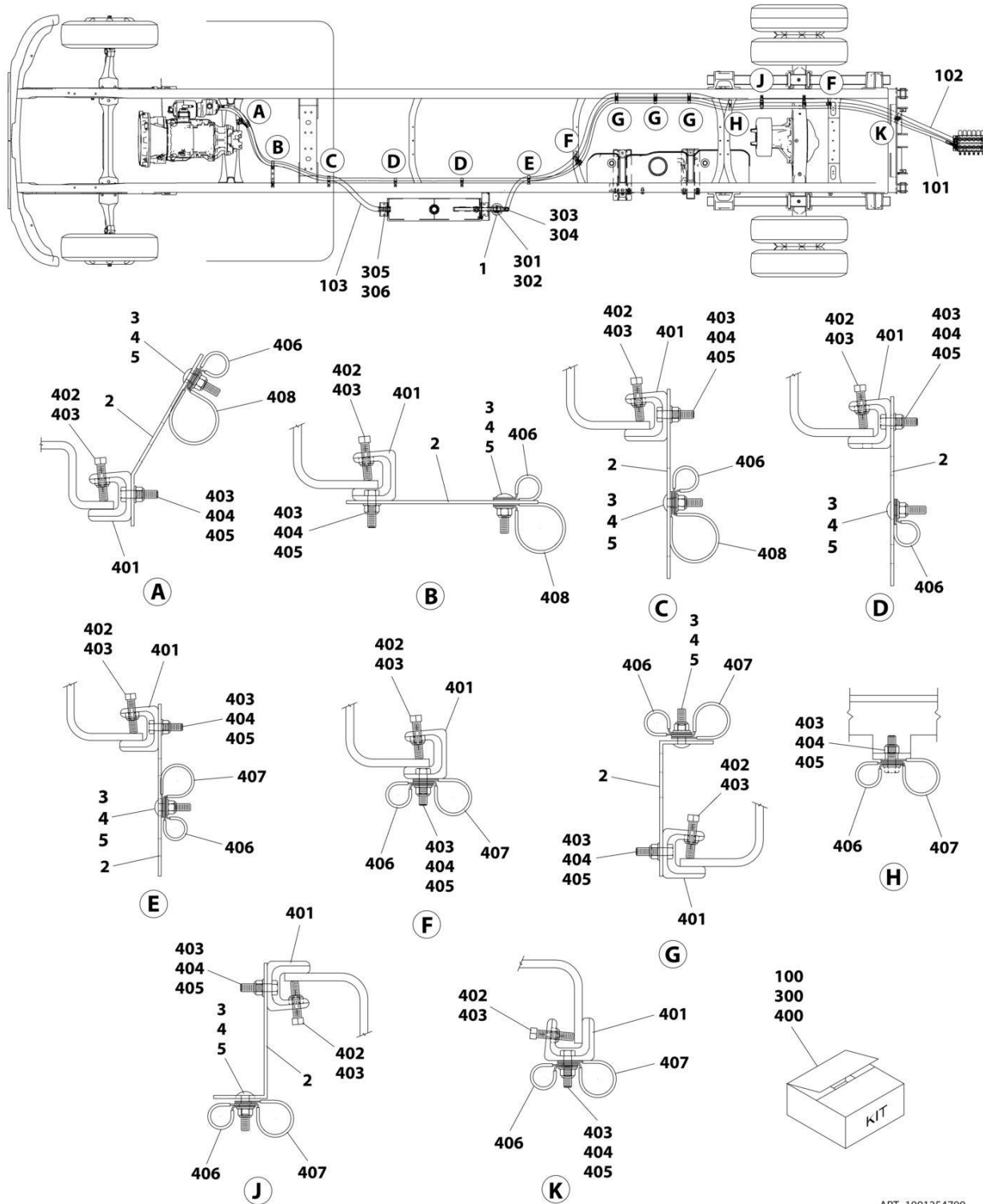
## SECTION 5 - HYDRAULIC

**FIGURE 5-26. HOSE INSTALLATION - 150IN CT STD CAB (INTERNATIONAL)**

ITEM	PART NUMBER	QTY	DESCRIPTION	REV
	2570000094	Ref	HOSE INSTALLATION - 150IN CA (STD CAB IHC NGV)	D
1	4567130270	1	Hose	
2	1001132685	1	Hose	
3	4570000091	1	Hose	
4	7430000003	1	Filter Assembly	
24	1001132801	1	Clamp, Hose Kit (Includes Items 301-306)	
25	1001132794	12	Clamp, Hose Kit (Includes Items 401-408)	
26	1001132800	6	Clamp, Hose Kit (Includes Items 501-508)	
301	7470000002	1	Gauge, Oil Filter Head	
302	7443000158	1	Fitting, 90	
303	7443000319	1	Fitting, 90	
304	7274000080	2	Clamp	
305	7443000013	1	Fitting, Nipple	
306	7274000002	2	Clamp	
401	7274000076	1	Clamp	
402	7785152420	1	Screw 5/16 x 1-1/2	
403	7660152601	2	Nut 5/16	
404	7115151050	1	Capscrew 5/16 x 1-1/4	
405	7950150161	1	Washer 5/16	
406	7274000040	1	Clamp	
407	7274000041	1	Clamp	
408	7274000042	1	Clamp	
501	7274000040	1	Clamp	
502	7274000041	1	Clamp	
503	7274000042	1	Clamp	
504	4706003844	1	Plate	
505	7115151050	1	Capscrew 5/16 x 1-1/4	
506	7950150161	3	Washer 5/16	
507	7660152601	2	Nut 5/16	
508	7115151064	1	Bolt 5/16 x 1-1/4	

# SECTION 5 - HYDRAULIC

FIGURE 5-27. HOSE INSTALLATION - 162IN CA, 243IN WB



ART\_1001254709



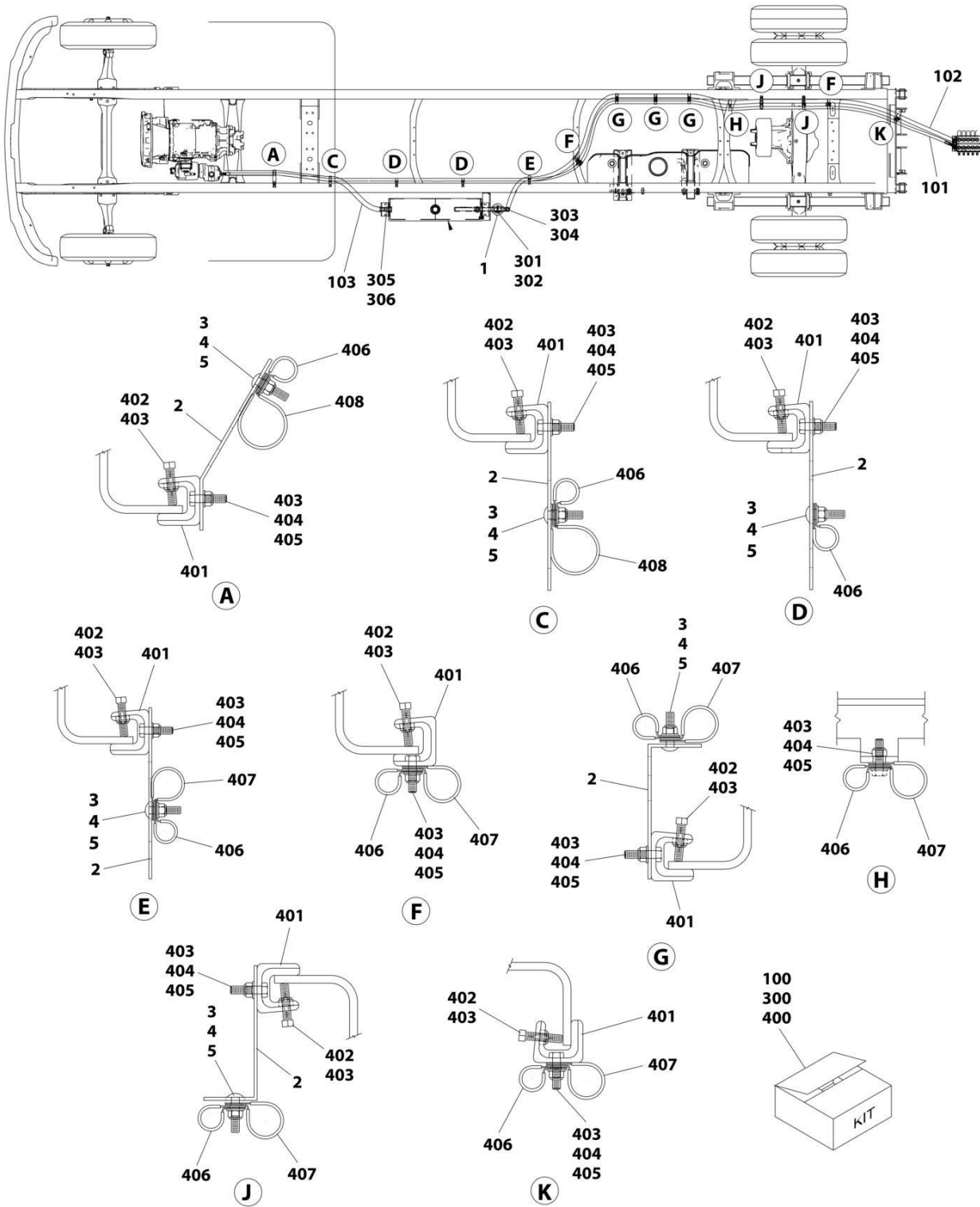
## SECTION 5 - HYDRAULIC

**FIGURE 5-27. HOSE INSTALLATION - 162IN CA, 243IN WB**

ITEM	PART NUMBER	QTY	DESCRIPTION	REV
	1001254709	Ref	HOSE INSTALLATION - 162IN CA (RC, PS PTO)	A
1	7430000003	1	Filter, Oil	
2	4706003844	11	Plate	
3	7115151064	11	Bolt 5/16 x 1-1/4	
4	7950150161	11	Washer 5/16	
5	7660152601	11	Nut 5/16	
6	7819000013	1	Sleeve (Not Shown)	
100	1001254728	1	Hose Kit	
101	4567130295	1	Hose	
102	4570000121	1	Hose	
103	4570000352	1	Hose	
300	1001132801	1	Clamp Kit	
301	7470000002	1	Gauge, Oil Filter Head	
302	7443000158	1	Fitting, 90	
303	7443000319	1	Fitting, 90	
304	7274000080	2	Clamp	
305	7443000013	1	Fitting, Nipple	
306	7274000002	2	Clamp	
400	1001132794	1	Clamp Kit	
401	7274000076	1	Clamp	
402	7785152420	1	Screw 5/16 x 1-1/2	
403	7660152601	2	Nut 5/16	
404	7115151050	1	Capscrew 5/16 x 1-1/4	
405	7950150161	1	Washer 5/16	
406	7274000040	1	Clamp	
407	7274000041	1	Clamp	
408	7274000042	1	Clamp (Not Shown)	

# SECTION 5 - HYDRAULIC

FIGURE 5-28. HOSE INSTALLATION - 162IN CA, 243IN WB



ART\_1001254714

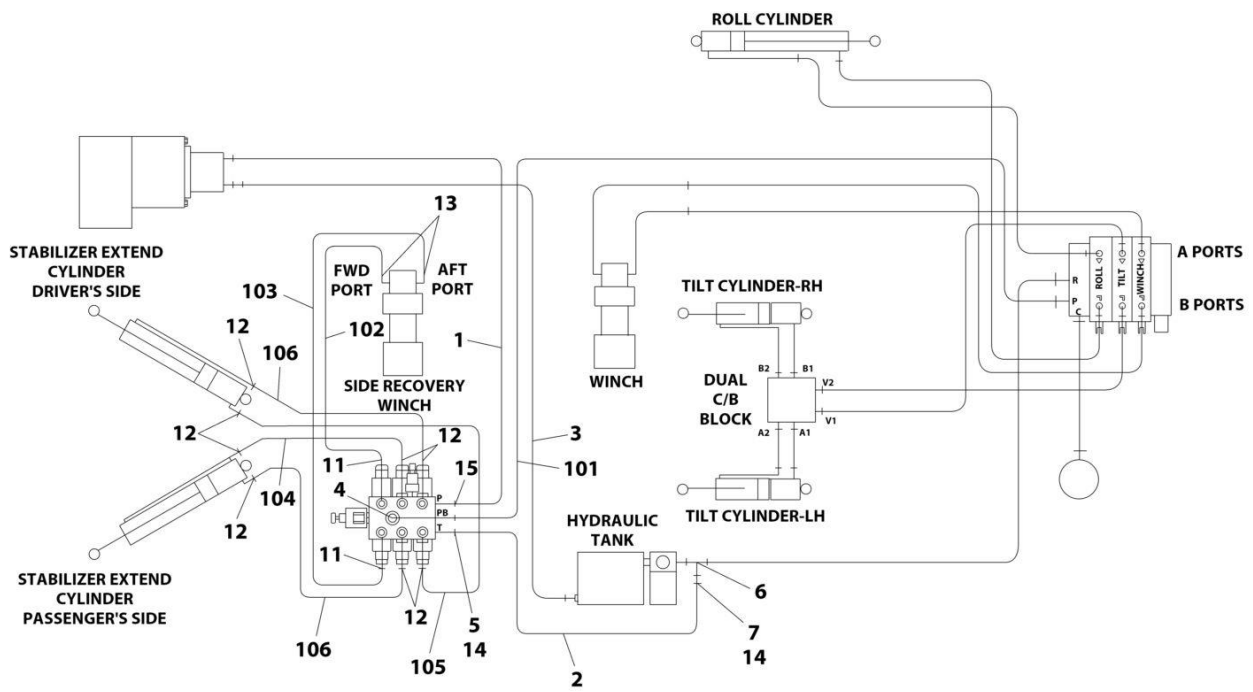
## SECTION 5 - HYDRAULIC

**FIGURE 5-28. HOSE INSTALLATION - 162IN CA, 243IN WB**

ITEM	PART NUMBER	QTY	DESCRIPTION	REV
	1001254714	Ref	HOSE INSTALLATION - 162IN CA (RC, DS PTO)	A
1	7430000003	1	Filter, Oil	
2	4706003844	11	Plate	
3	7115151064	11	Bolt 5/16 x 1-1/4	
4	7950150161	11	Washer 5/16	
5	7660152601	11	Nut 5/16	
100	1001254733	1	Hose Kit	
101	4567130287	1	Hose	
102	4570000121	1	Hose	
103	1001132603	1	Hose	
300	1001132801	1	Clamp Kit	
301	7470000002	1	Gauge, Oil Filter Head	
302	7443000158	1	Fitting, 90	
303	7443000319	1	Fitting, 90	
304	7274000080	2	Clamp	
305	7443000013	1	Fitting, Nipple	
306	7274000002	2	Clamp	
400	1001132794	1	Clamp Kit	
401	7274000076	1	Clamp	
402	7785152420	1	Screw 5/16 x 1-1/2	
403	7660152601	2	Nut 5/16	
404	7115151050	1	Capscrew 5/16 x 1-1/4	
405	7950150161	1	Washer 5/16	
406	7274000040	1	Clamp	
407	7274000041	1	Clamp	
408	7274000042	1	Clamp (Not Shown)	

# SECTION 5 - HYDRAULIC

FIGURE 5-29. HOSE INSTALLATION - SIDE RECOVERY SYSTEM (SRS)



ART\_2570000152

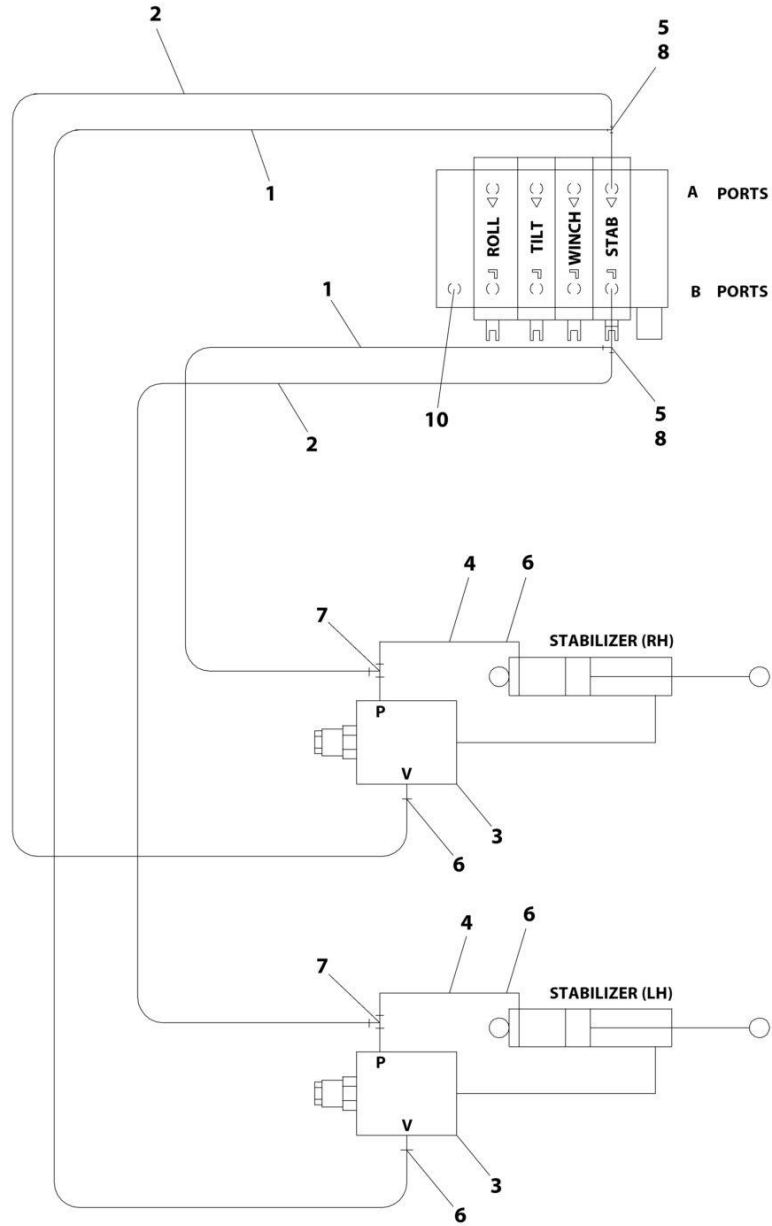
## SECTION 5 - HYDRAULIC

**FIGURE 5-29. HOSE INSTALLATION - SIDE RECOVERY SYSTEM (SRS)**

ITEM	PART NUMBER	QTY	DESCRIPTION	REV
	2570000152	Ref	HOSE INSTALLATION SPR/HLF (SRS)	C
1	4567133058	1	Hose	
2	4570000104	1	Hose	
3	4570000099	1	Hose	
4	7445081043	1	Fitting, Straight	
5	7443000446	1	Fitting, Straight	
6	7443000445	1	Fitting, Tee	
7	7443000374	1	Fitting, Straight	
8	4577000006	1	Hose, Kit (Not Shown) (Includes Items 101-106)	
9	7819000005	1	Sleeve (Not Shown)	
10	7894000004	8	Tie-Strap (Not Shown)	
11	7445060643	2	Fitting, Straight	
12	7445060645	8	Fitting, 90	
13	7445061043	2	Fitting, Straight	
14	7274000080	2	Clamp	
15	7445081045	1	Fitting, 90	
16	7445080818	1	Nut #8 (Not Shown)	
101	4569142018	1	Hose	
102	4567123023	1	Hose	
103	4567122022	1	Hose	
104	4567122034	1	Hose	
105	4567122032	1	Hose	
106	4567122030	1	Hose	

# SECTION 5 - HYDRAULIC

## FIGURE 5-30. HOSE INSTALLATION - STABILIZER



ART\_2570000049

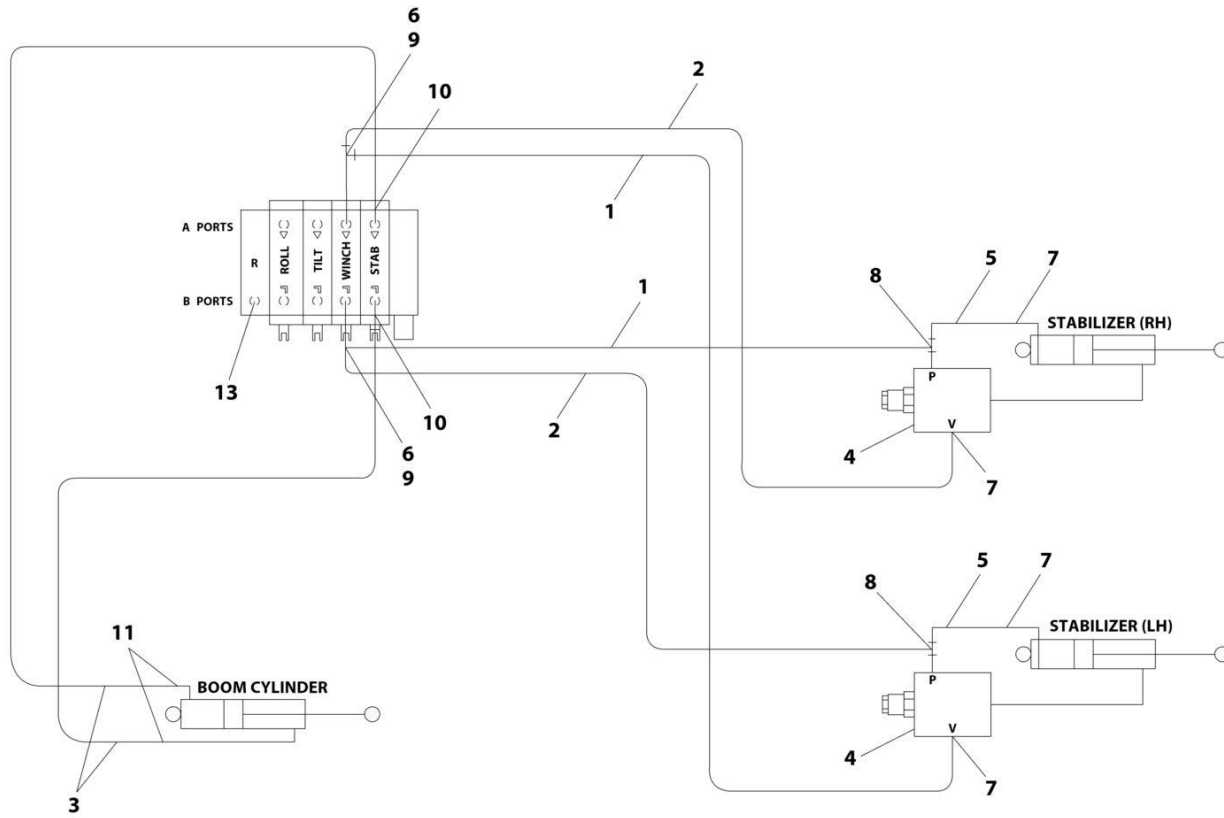
## SECTION 5 - HYDRAULIC

### FIGURE 5-30. HOSE INSTALLATION - STABILIZER

ITEM	PART NUMBER	QTY	DESCRIPTION	REV
	2570000049	Ref	Stabilizer Hydraulic Installation	E
1	4567122050	2	Hose	
2	4567123051	2	Hose	
3	7935000305	2	Valve Assembly - Counter Balance	
3	900115	2	Valve, Counter Balance Cartridge (1 Per Assembly)	
3	960006	2	Seal Kit - 900115 Cartridge Valve (1 Per Cartridge)	
4	4567122016	2	Hose	
5	7445060845	2	Fitting, 90	
6	7445060645	4	Fitting, 90	
7	7445060648	2	Fitting, Tee	
8	7443000030	2	Fitting, Tee	
10	7445081046	1	Fitting, 45	

# SECTION 5 - HYDRAULIC

## FIGURE 5-31. HOSE INSTALLATION - STABILIZER (REAR DECK)



ART\_2570000032



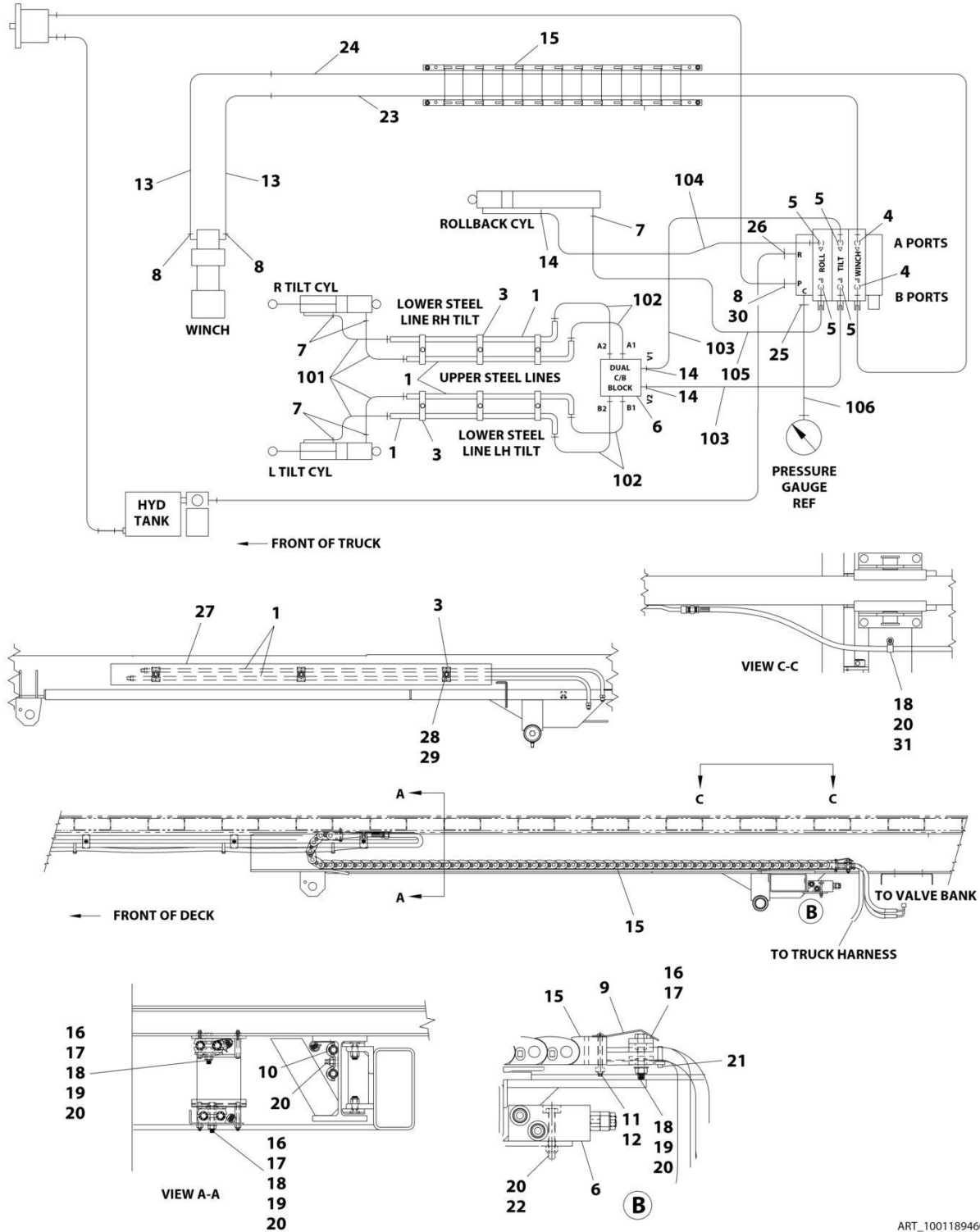
## SECTION 5 - HYDRAULIC

**FIGURE 5-31. HOSE INSTALLATION - STABILIZER (REAR DECK)**

ITEM	PART NUMBER	QTY	DESCRIPTION	REV
	2570000032	Ref	Stabilizer with Hydraulic Extend Hydraulic Installation	E
1	4567122050	2	Hose	
2	4567123051	2	Hose	
3	4567123036	2	Hose	
4	7935000305	2	Valve Assembly	
4	900115	2	Valve, Counterbalance Cartridge(1 Per Assembly)	
4	960006	2	Seal Kit - 900115 Cartridge Valve (1 Per Cartridge)	
5	4567122016	2	Hose	
6	7445060845	2	Fitting, 90	
7	7445060645	4	Fitting, 90	
8	7445060648	2	Fitting, Tee	
9	7443000030	2	Fitting, Tee	
10	7445060843	2	Fitting, Straight	
11	7445060646	2	Fitting, 45	
13	7445081046	1	Fitting, 45	

# SECTION 5 - HYDRAULIC

## FIGURE 5-32. HOSE INSTALLATION - SUBFRAME (20FT DECK)



ART\_1001189460

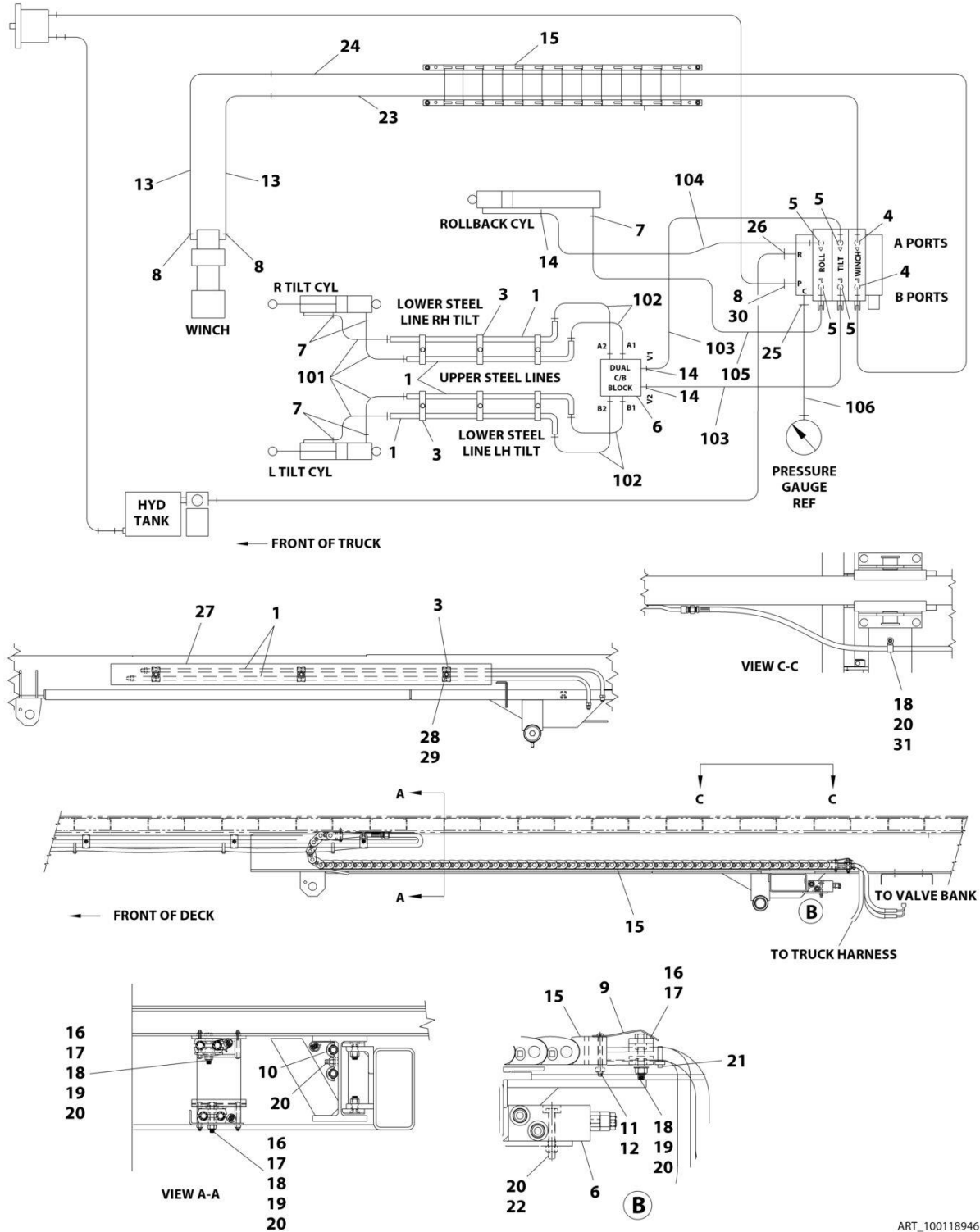
## SECTION 5 - HYDRAULIC

**FIGURE 5-32. HOSE INSTALLATION - SUBFRAME (20FT DECK)**

ITEM	PART NUMBER	QTY	DESCRIPTION	REV
	1001189460	Ref	HOSE INSTALLATION HLF STANDARD DUTY XLP	A
1	7912000349	4	Tube	
2	4577000013	1	Hose Kit (Not Shown) (Includes Items 101-106)	
3	7274000064	6	Clamp	
4	7445080843	2	Fitting, Straight	
5	7445060843	4	Fitting, Straight	
6	7935000306	1	Valve Assembly	
7	7445060645	5	Fitting, 90	
8	7445081045	3	Fitting, 90	
9	4706003038	1	Plate	
10	7274000066	5	Clamp	
11	7114101618	4	Capscrew #10 x 2	
12	3300455	4	Nut #10	
13	4567430118	2	Hose	
14	7445060643	3	Fitting, Straight	
15	7904000001	1	Cable Track	
16	7274000038	4	Clamp	
17	7274000039	2	Cover	
18	4751500	3	Washer	
19	0641516	2	Bolt 5/16 x 2	
20	7660152601	10	Nut 5/16	
21	7894000004	10	Tie-Strap	
22	0641518	2	Bolt 5/16 x 2-1/4	
23	4569433122	1	Hose	
24	4569432122	1	Hose	
25	7445040443	1	Fitting, Straight	
26	7443000446	1	Fitting, Straight	
27	1001189466	2	Cover	
28	0641504	6	Bolt 5/16 x 1/2	
29	4711500	12	Washer 5/16	
30	7445080818	1	Nut #8	
31	7274000040	1	Clamp	
101	4570000376	4	Hose	
102	4570000379	4	Hose	
103	4567122019	2	Hose	
104	4567123051	1	Hose	
105	4567122024	1	Hose	
106	4567122042	1	Hose	

# SECTION 5 - HYDRAULIC

## FIGURE 5-33. HOSE INSTALLATION - SUBFRAME (21FT/22FT DECK)



ART\_1001189461

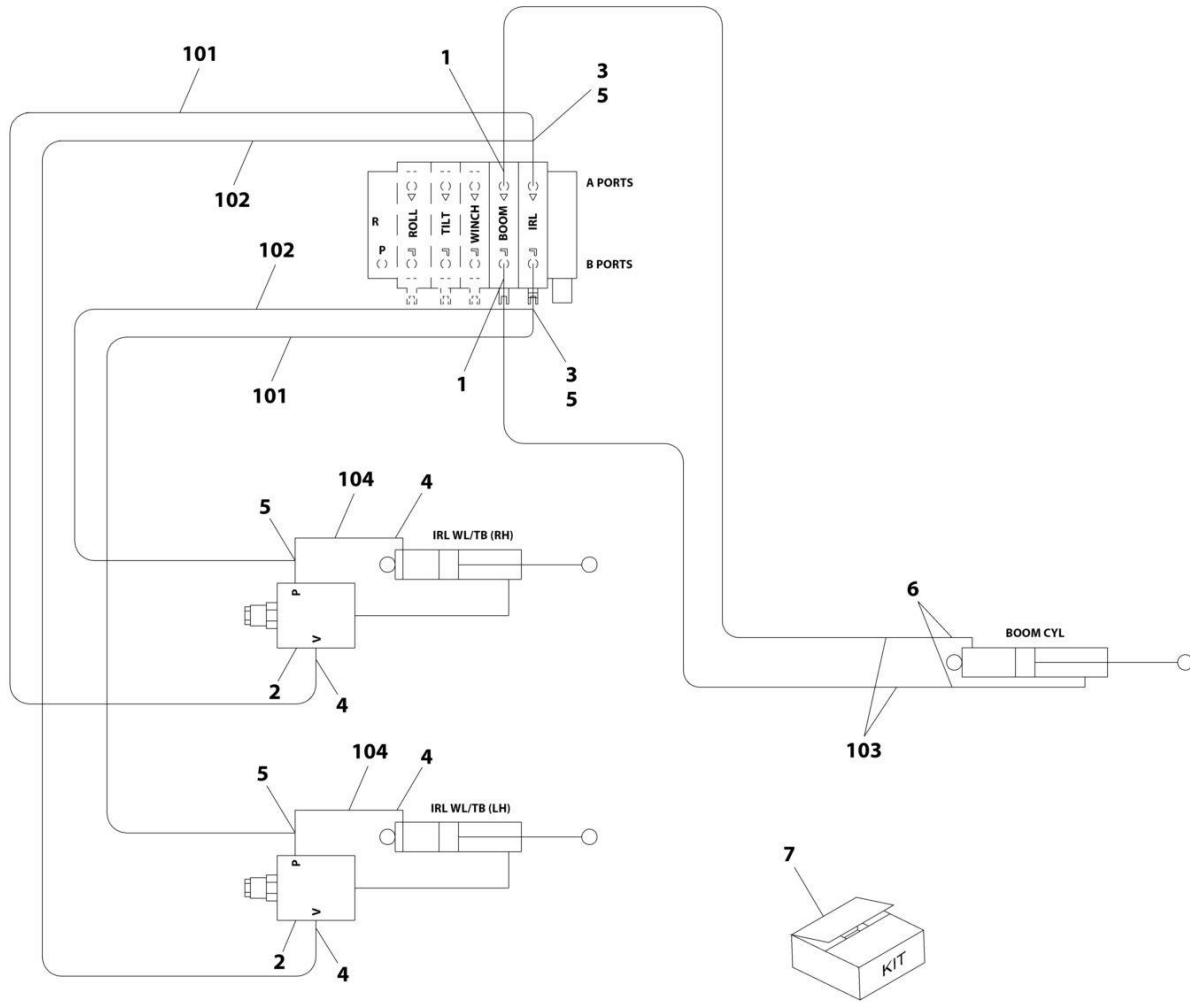
## SECTION 5 - HYDRAULIC

**FIGURE 5-33. HOSE INSTALLATION - SUBFRAME (21FT/22FT DECK)**

ITEM	PART NUMBER	QTY	DESCRIPTION	REV
	1001189461	Ref	HOSE INSTALLATION STANDARD DUTY XLP	A
1	7912000349	4	Tube	
2	4577000013	1	Hose Kit (Not Shown) (Includes Items 101-106)	
3	7274000064	6	Clamp	
4	7445080843	2	Fitting, Straight	
5	7445060843	4	Fitting, Straight	
6	7935000306	1	Valve Assembly	
7	7445060645	5	Fitting, 90	
8	7445081045	3	Fitting, 90	
9	4706003038	1	Plate	
10	7274000066	5	Clamp	
11	7114101618	4	Capscrew #10 x 2	
12	3300455	4	Nut #10	
13	4567430133	2	Hose	
14	7445060643	3	Fitting, Straight	
15	7904000001	1	Cable Track	
16	7274000038	4	Clamp	
17	7274000039	2	Cover	
18	4751500	3	Washer	
19	0641516	2	Bolt 5/16 x 2	
20	7660152601	10	Nut 5/16	
21	7894000004	10	Tie-Strap	
22	0641518	2	Bolt 5/16 x 2-1/4	
23	4569433122	1	Hose	
24	4569432122	1	Hose	
25	7445040443	1	Fitting, Straight	
26	7443000446	1	Fitting, Straight	
27	1001189466	2	Cover	
28	0641504	6	Bolt 5/16 x 1/2	
29	4711500	12	Washer 5/16	
30	7445080818	1	Nut #8	
31	7274000040	1	Clamp	
101	4570000376	4	Hose	
102	4570000379	4	Hose	
103	4567122019	2	Hose	
104	4567123051	1	Hose	
105	4567122024	1	Hose	
106	4567112042	1	Hose	

# SECTION 5 - HYDRAULIC

## FIGURE 5-34. HOSE INSTALLATION - WHEEL LIFT 3500 LBS



ART\_1001136657

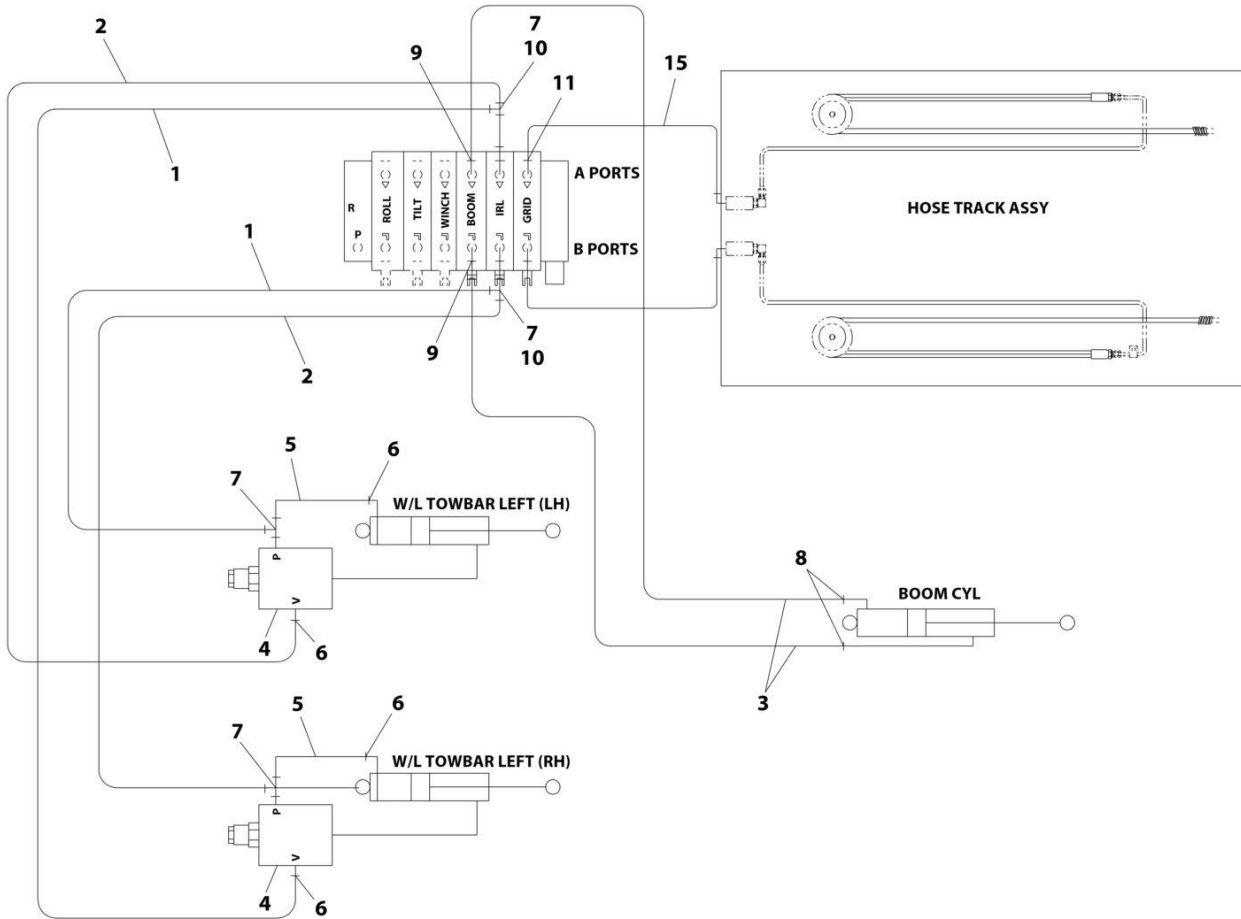
## SECTION 5 - HYDRAULIC

**FIGURE 5-34. HOSE INSTALLATION - WHEEL LIFT 3500 LBS**

ITEM	PART NUMBER	QTY	DESCRIPTION	REV
	1001136657	Ref	Wheel Lift Hydraulic Installation (IRL 3500LBS)	E
1	7445040843	2	Fitting, Straight	
2	7935000305	2	Valve Assembly	
2	900115	2	Valve, Counterbalance Cartridge (1 Per Assembly)	
2	960006	2	Seal Kit - 900115 Cartridge Valve (1 Per Cartridge)	
3	7443000129	2	Reducer	
4	7445060645	4	Fitting, 90	
5	7445060648	4	Fitting, Tee	
6	7445040446	2	Fitting, 45	
7	1001136658	1	Hose Kit (includes items 101-104)	
8	5526000553	12	Tie-Strap (Not Shown)	
101	4567122043	2	Hose	
102	4567123045	2	Hose	
103	4567110034	2	Hose	
104	4567122014	2	Hose	

# SECTION 5 - HYDRAULIC

## FIGURE 5-35. HOSE INSTALLATION - WHEEL LIFT (AUTO GRIDS)



ART\_1001159670



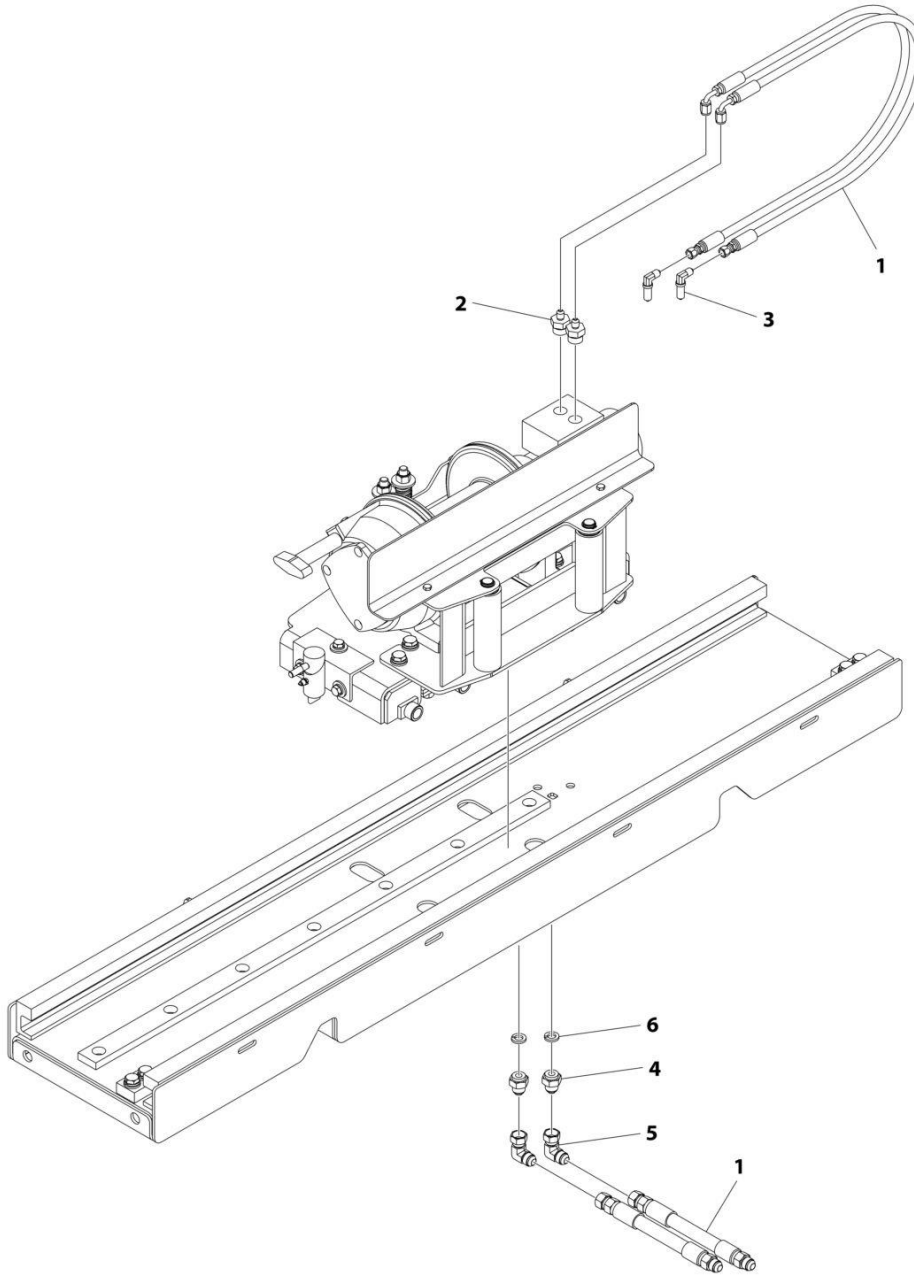
## SECTION 5 - HYDRAULIC

**FIGURE 5-35. HOSE INSTALLATION - WHEEL LIFT (AUTO GRIDS)**

ITEM	PART NUMBER	QTY	DESCRIPTION	REV
	1001159670	Ref	HOSE INSTALLATION (HLF AUTOGRID)	B
1	4567122038	2	Hose	
2	4567123040	2	Hose	
3	4567110034	2	Hose	
4	7935000305	2	Valve Assembly	
5	4567122012	2	Hose	
6	7445060645	4	Fitting, 90	
7	7445060648	4	Fitting, Tee	
8	7445040446	2	Fitting, 45	
9	7445040843	2	Fitting, Straight	
10	7443000129	2	Reducer	
11	7443040843	2	Fitting, Straight	
12	5526000553	12	Tie-Strap (Not Shown)	
13	3904000002	1	Track Assembly (Not Shown)	
14	2570000140	1	Hose (Not Shown)	
15	4567110041	2	Hose	

# SECTION 5 - HYDRAULIC

## FIGURE 5-36. HOSE INSTALLATION - WINCH (PLANETARY GEAR)



ART\_1001145934

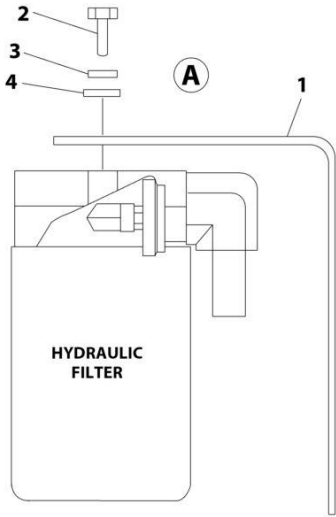
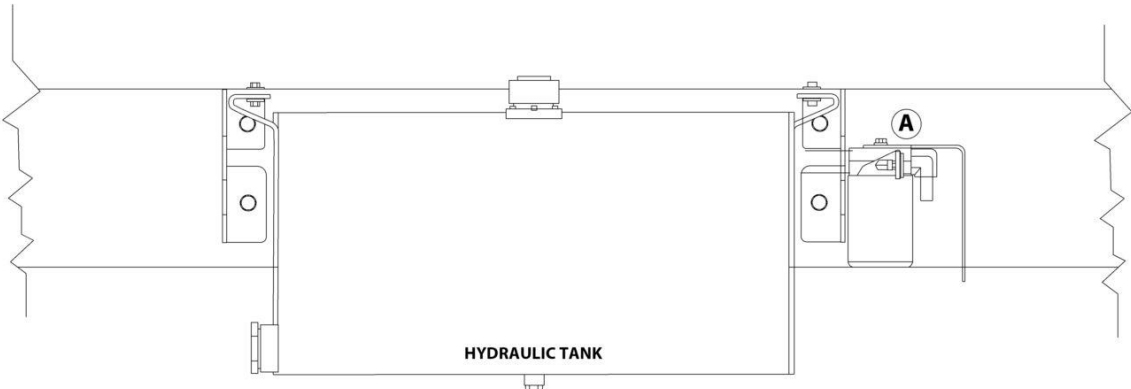
## SECTION 5 - HYDRAULIC

**FIGURE 5-36. HOSE INSTALLATION - WINCH (PLANETARY GEAR)**

ITEM	PART NUMBER	QTY	DESCRIPTION	REV
	1001145934	Ref	SLIDING WINCH HLF INSTALLATION	B
1	1001145963	1	Hose Sliding Winch	
2	7445041043	2	Fitting, Straight	
3	7445040431	2	Fitting, 90	
4	1001144448	2	Fitting, Straight	
5	7445080872	2	Fitting, 90	
6	7950170000	2	Washer 1/2	

**SECTION 5 - HYDRAULIC**

**FIGURE 5-37. HYDRAULIC FILTER COVER PLATE**



ART\_1001168319

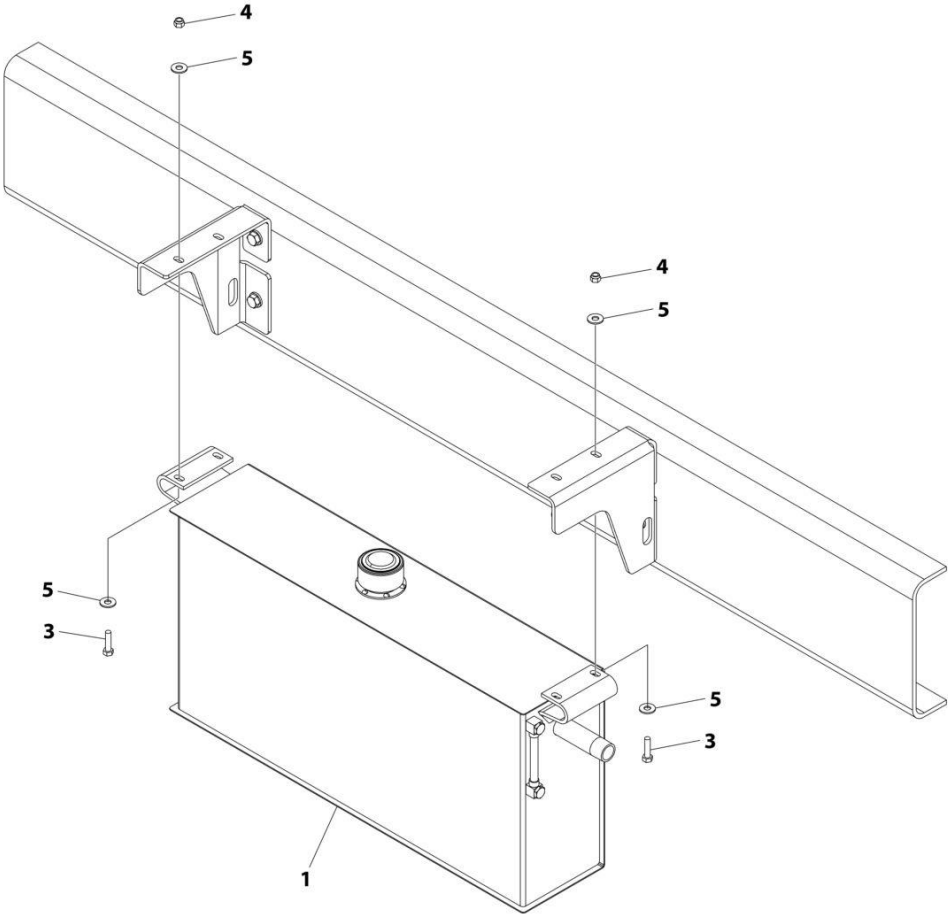
## SECTION 5 - HYDRAULIC

### FIGURE 5-37. HYDRAULIC FILTER COVER PLATE

ITEM	PART NUMBER	QTY	DESCRIPTION	REV
	1001168319	Ref	Filter (Hydraulic) Cover Plate Installation	B
1	1001181417	1	Cover	
2	7115140450	2	Capscrew 1/4 x 1/2	
3	7950140000	2	Washer 1/4	
4	7950140141	2	Washer 1/4	

**SECTION 5 - HYDRAULIC**

**FIGURE 5-38. TANK (HYDRAULIC) AND BRACKET MOUNT INSTALLATION**



ART\_275000008

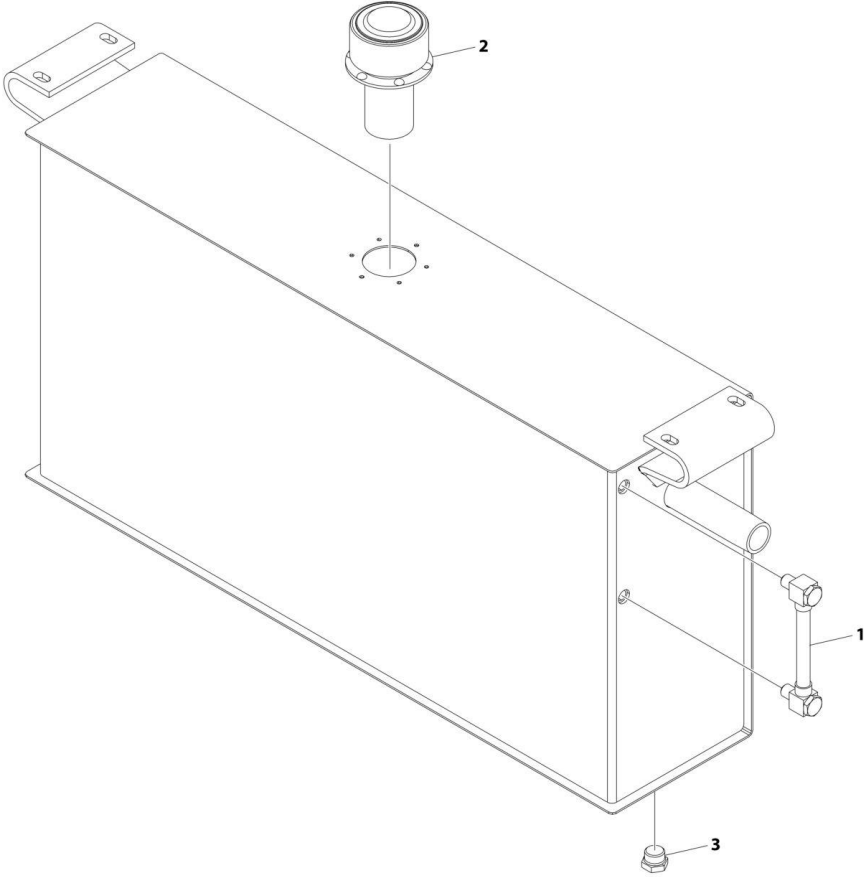
## SECTION 5 - HYDRAULIC

**FIGURE 5-38. TANK (HYDRAULIC) AND BRACKET MOUNT INSTALLATION**

ITEM	PART NUMBER	QTY	DESCRIPTION	REV
	2750000008	Ref	Hydraulic Reservoir and Bracket Mount	C
1	3750000018	1	Hydraulic Tank Assembly (See Seperate Breakdown in HYDRAULIC Section)	
3	7115151050	4	Capscrew 5/8 x 1-1/4	
4	7660152601	4	Nut 5/8	
5	7950150161	8	Washer 5/8	

**SECTION 5 - HYDRAULIC**

**FIGURE 5-39. TANK (HYDRAULIC) ASSEMBLY**



ART\_375000018



## SECTION 5 - HYDRAULIC

### FIGURE 5-39. TANK (HYDRAULIC) ASSEMBLY

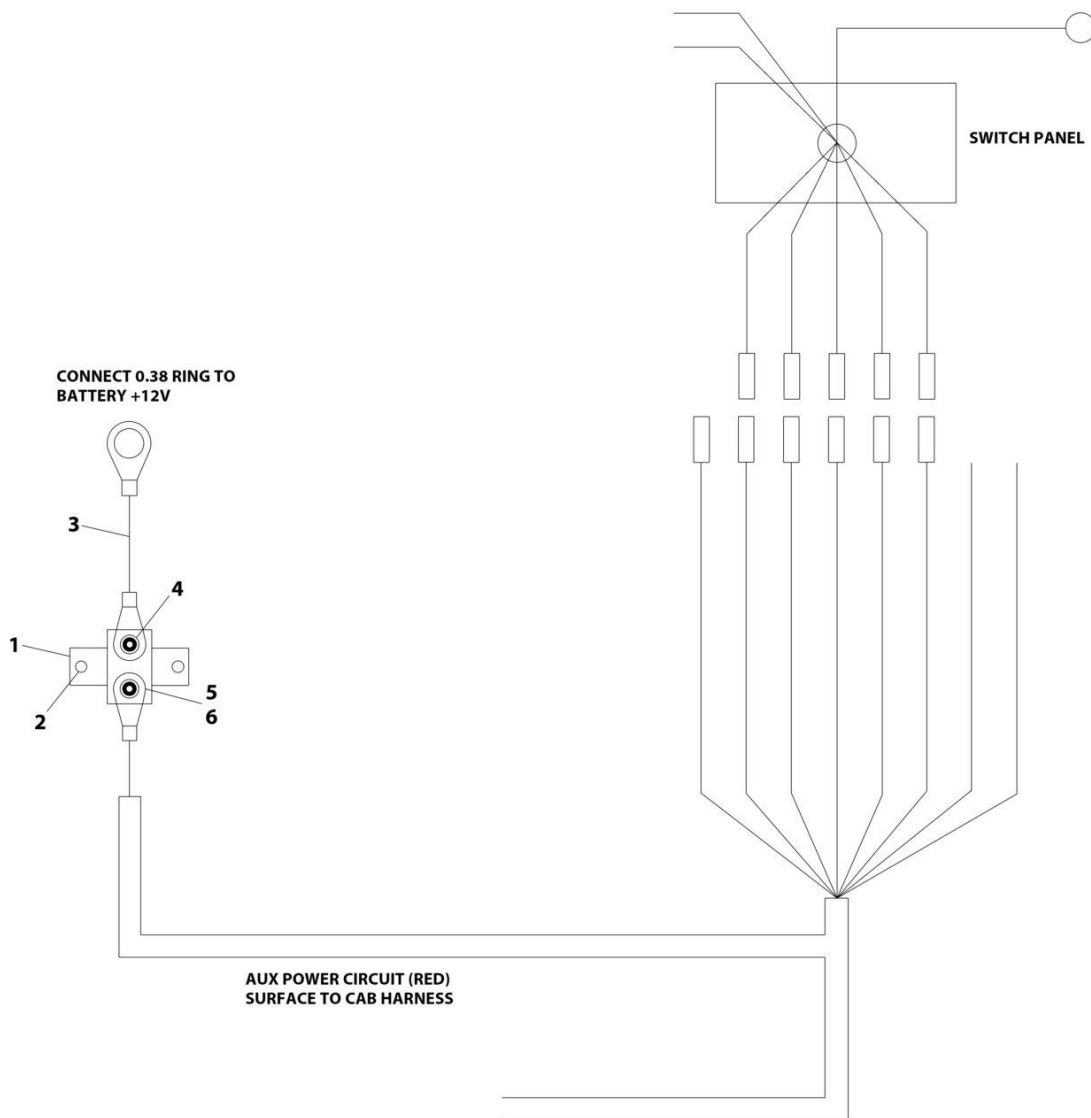
ITEM	PART NUMBER	QTY	DESCRIPTION	REV
	375000018	1	Hydraulic Assembly - Tank	I
1	747000027	1	Oil Level Gauge	
2	718300004	1	Breather Filter	
3	770100031	1	Plug w/O-ring	



**SECTION 6 - ELECTRICAL**

# SECTION 6 - ELECTRICAL

## FIGURE 6-1. BREAKER INSTALLATION - 50AMP



ART\_1001129883

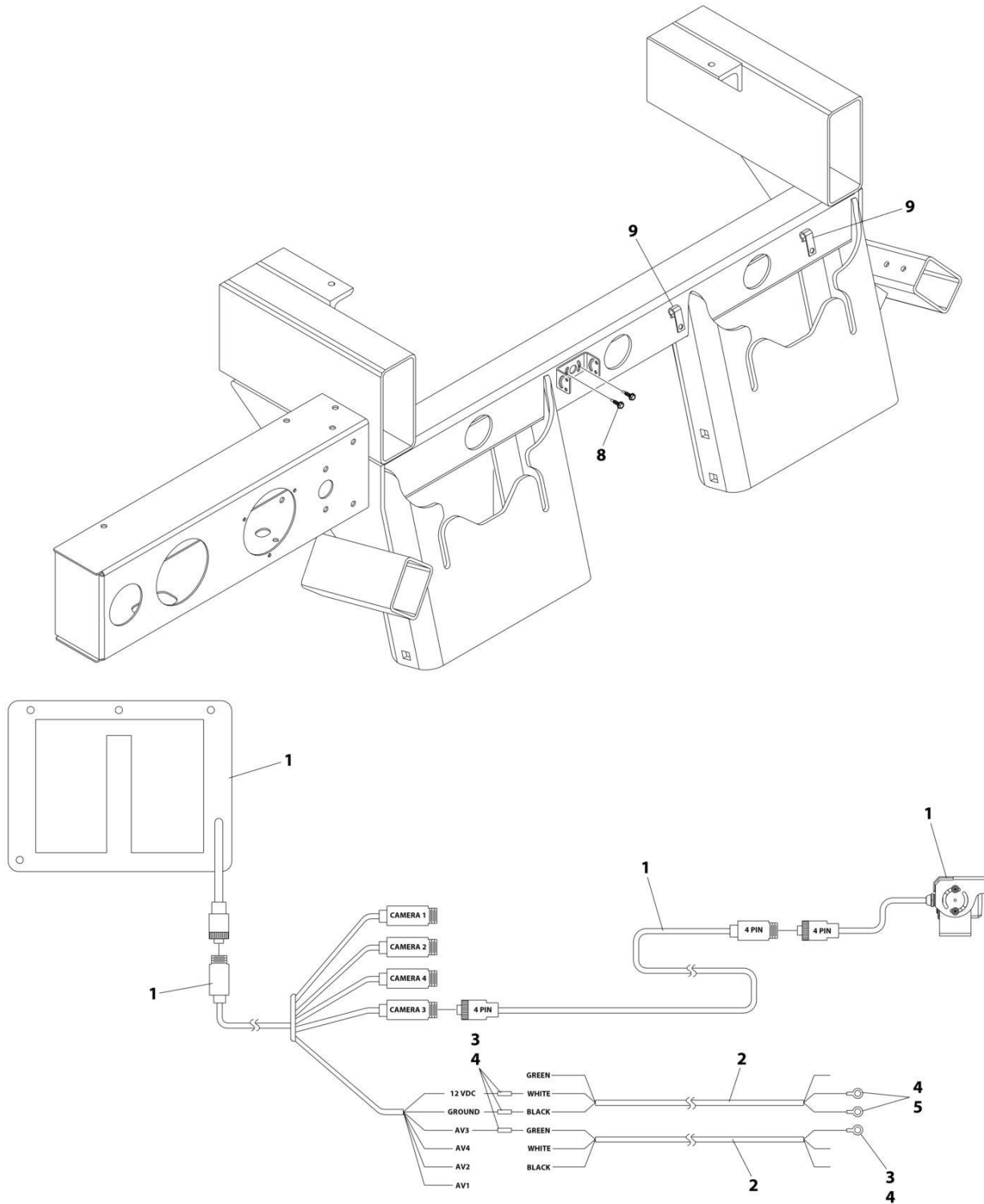
## SECTION 6 - ELECTRICAL

### FIGURE 6-1. BREAKER INSTALLATION - 50AMP

ITEM	PART NUMBER	QTY	DESCRIPTION	REV
	1001129883	Ref	50A BREAKER INSTALLATION	C
1	7457000004	1	Breaker, 50A	
2	7120000034	2	Screw #10 x 3/4	
3	1001129882	1	Harness	
4	7950100151	2	Washer 3/16	
5	7345221902	1	Terminal	
6	4346000005	1	Heat Shrink	

# SECTION 6 - ELECTRICAL

## FIGURE 6-2. CAMERA (BACKUP) CARRIER INSTALLATION



ART\_1001219321

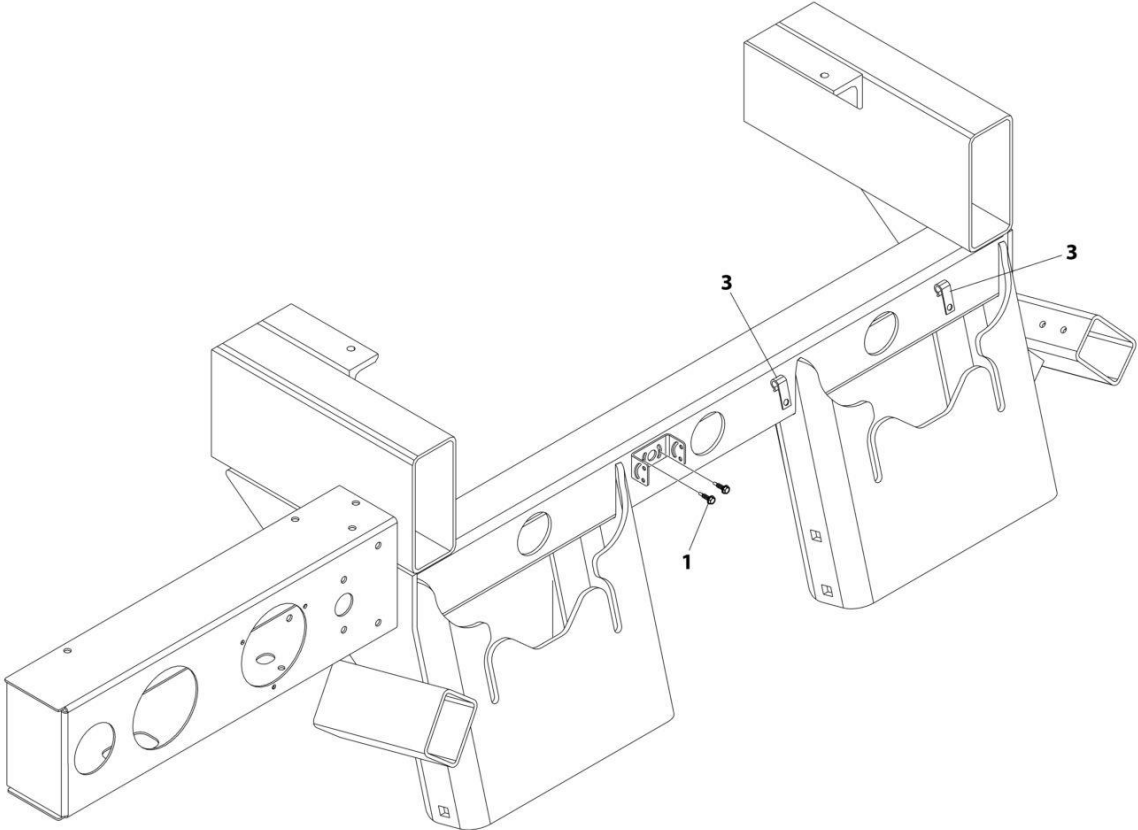
## SECTION 6 - ELECTRICAL

### FIGURE 6-2. CAMERA (BACKUP) CARRIER INSTALLATION

ITEM	PART NUMBER	QTY	DESCRIPTION	REV
	1001219321	Ref	Backup Camera Carrier Installation	E
1	1001219309	1	Camera	
2	5525000537	AR	Wire	
3	7345001714	4	Terminal	
4	7346000039	AR	Tubing	
5	7345211702	3	Terminal	
6	8597650002	AR	Wire (Not Shown)	
7	7894000010	40	Tie Strap (Not Shown)	
8	7120000034	2	Screw #10 x 3/4	
9	7280000018	2	Clip	

**SECTION 6 - ELECTRICAL**

**FIGURE 6-3. CAMERA (BACKUP) CARRIER INSTALLATION - OEM**



ART\_1001220181



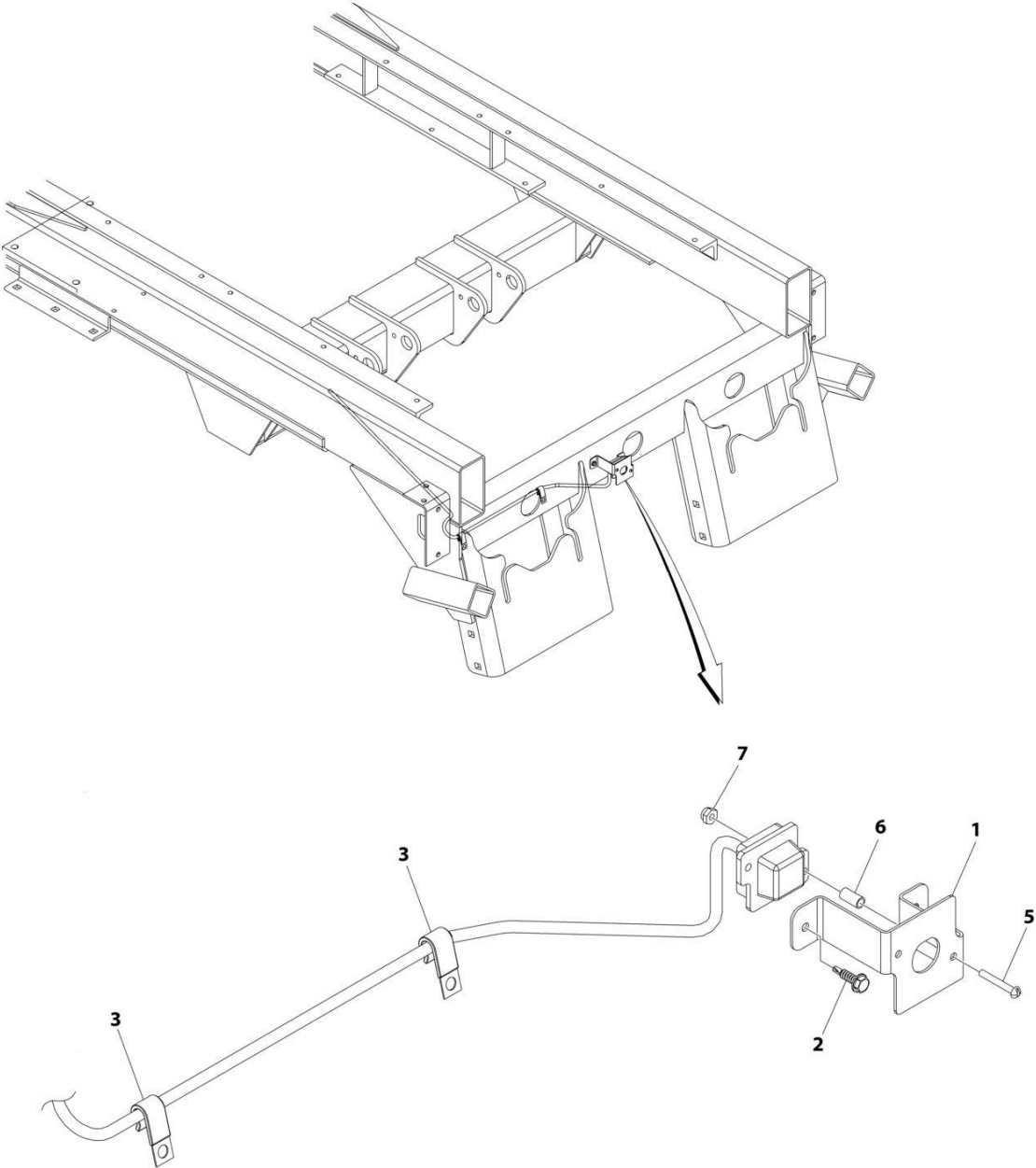
## SECTION 6 - ELECTRICAL

**FIGURE 6-3. CAMERA (BACKUP) CARRIER INSTALLATION - OEM**

ITEM	PART NUMBER	QTY	DESCRIPTION	REV
	1001220181	Ref	Backup Camera Installation - Chassis (OEM Supplied)	C
1	7120000034	2	Screw #10 x 3/4	
2	5526000553	40	Tie Strap	
3	7280000018	2	Clip	

**SECTION 6 - ELECTRICAL**

**FIGURE 6-4. CAMERA (BACKUP) CARRIER INSTALLATION - OEM (CV515)**



ART\_1001254978

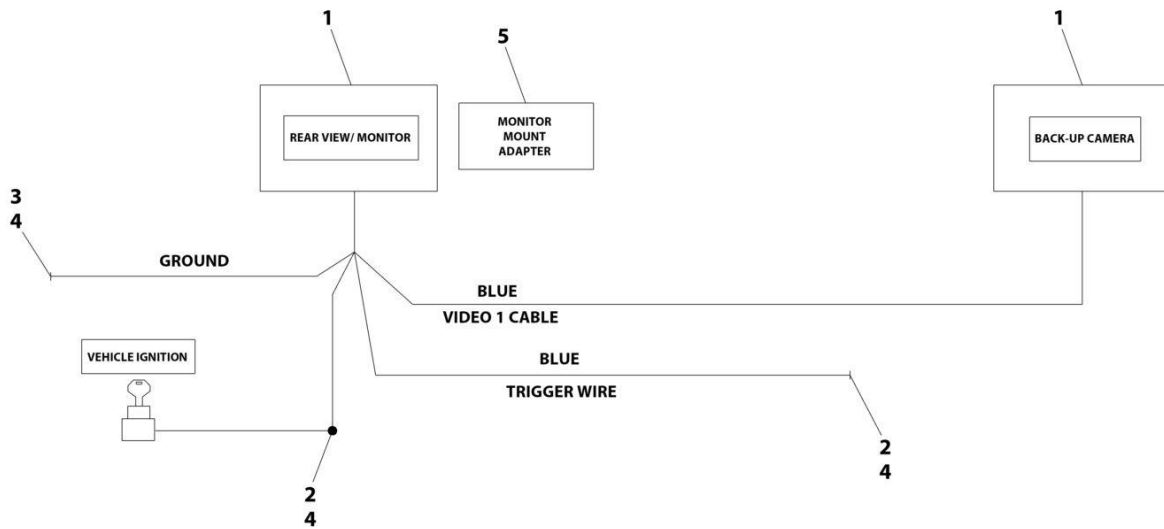
## SECTION 6 - ELECTRICAL

**FIGURE 6-4. CAMERA (BACKUP) CARRIER INSTALLATION - OEM (CV515)**

ITEM	PART NUMBER	QTY	DESCRIPTION	REV
	1001254978	Ref	BACKUP CAMERA, OEM CV515, INSTALLATION	A
1	1001254977	1	Bracket	
2	7120000034	2	Screw #10 x 3/4	
3	7280000018	2	Clip	
4	5526000553	40	Tie-Strap (Not Shown)	
5	7114060810	2	Capscrew #6 x 1	
6	4564088	2	Spacer	
7	7660062604	2	Nut #6	

# SECTION 6 - ELECTRICAL

## FIGURE 6-5. CAMERA (BACKUP) IN REAR VIEW MIRROR INSTALLATION



ART\_1001142974

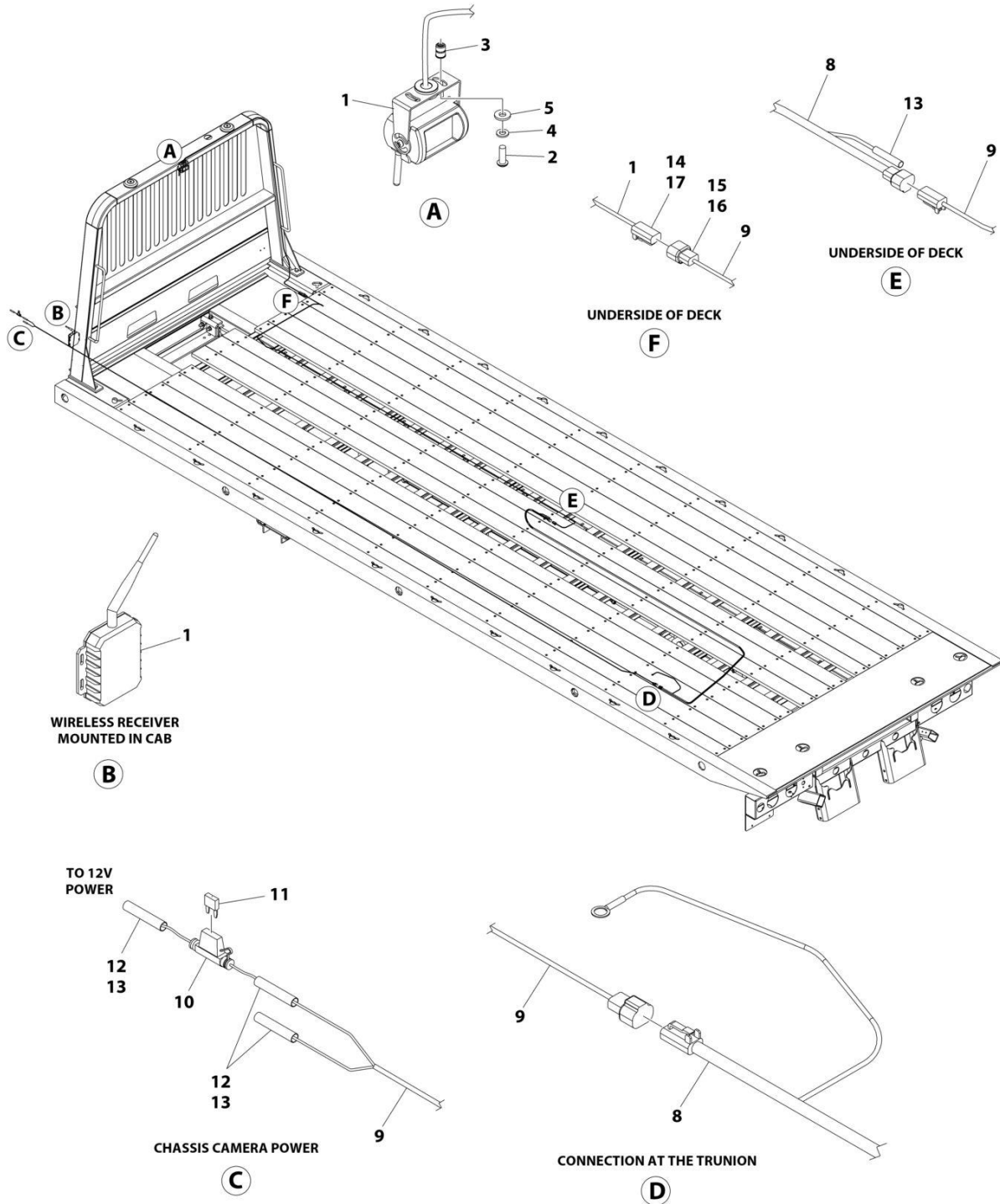
## SECTION 6 - ELECTRICAL

**FIGURE 6-5. CAMERA (BACKUP) IN REAR VIEW MIRROR INSTALLATION**

ITEM	PART NUMBER	QTY	DESCRIPTION	REV
	1001142974	Ref	BACKUP CAMERA IN REAR VIEW MIRROR INSTALLATION	B
1	1001139909	1	Camera System	
2	7345001914	2	Terminal	
3	7345221902	1	Terminal	
4	7346000039	AR	Tubing	
5	1001229606	1	Monitor Mount Adapter	

# SECTION 6 - ELECTRICAL

## FIGURE 6-6. CAMERA (CARGO) INSTALLATION - HEADBOARD MOUNTED



ART\_1001257876

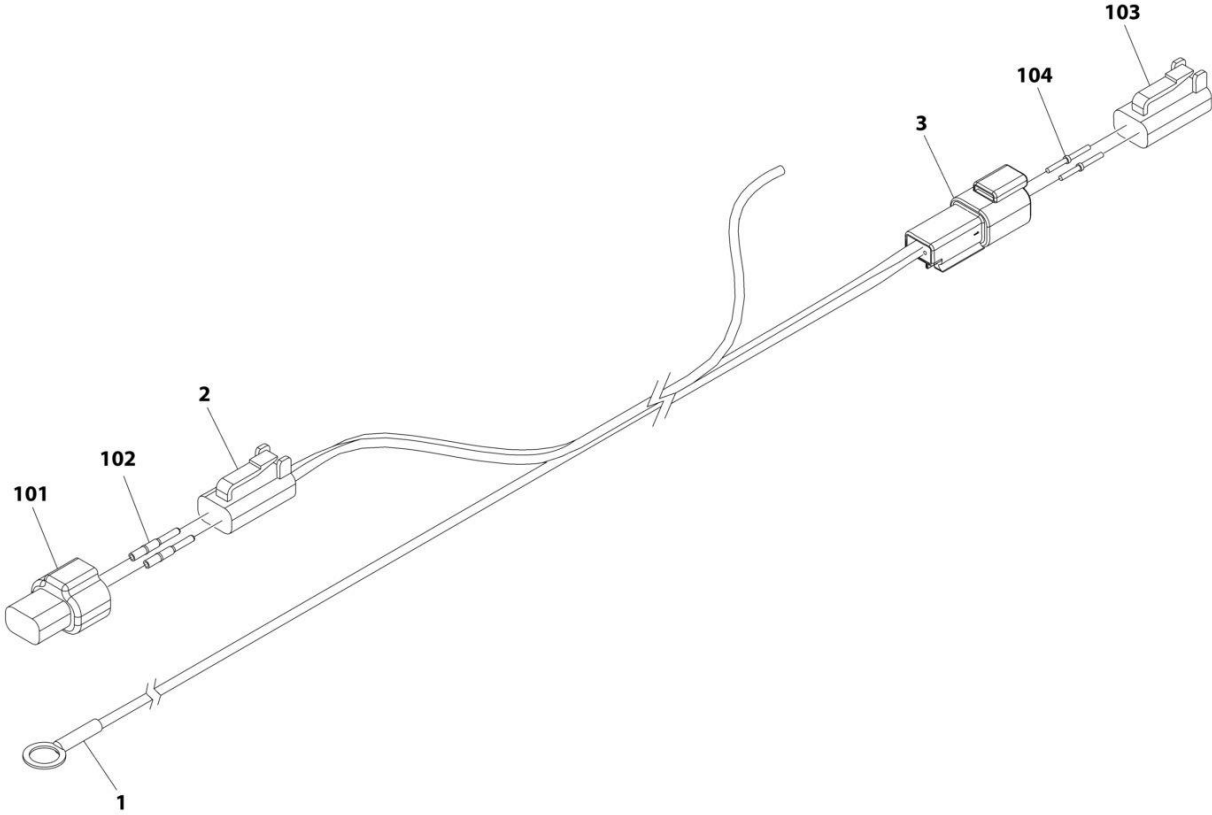
## SECTION 6 - ELECTRICAL

**FIGURE 6-6. CAMERA (CARGO) INSTALLATION - HEADBOARD MOUNTED**

ITEM	PART NUMBER	QTY	DESCRIPTION	REV
	1001257876	Ref	CARGO CAMERA, WIRELESS HEADBOARD, INSTALLATION	B
1	1001237244	1	Kit, Wireless Backup Camera	
2	7114140618	2	Screw 1/4 x 3/4	
3	7413000002	2	Nut 1/4	
4	7950140003	2	Washer 1/4	
5	7950140143	2	Washer 1/4	
8	1001280899	1	Camera Harness (See Separate Breakdown in this Section)	
9	8977010103	1	Wire #16 GA 2-Conductor	
10	2400066	1	Fuse, Holder	
11	1001228388	1	Fuse, Lamp	
12	7345001714	3	Terminal	
13	4346000005	4	Heat Shrink	
14	4460891	1	Plug, 2 Position	
15	4460897	1	Receptacle, 2 Position	
16	4460464	2	Pin, Male	
17	4460465	2	Socket, Female	

**SECTION 6 - ELECTRICAL**

**FIGURE 6-7. CAMERA HARNESS**



ART\_1001280899



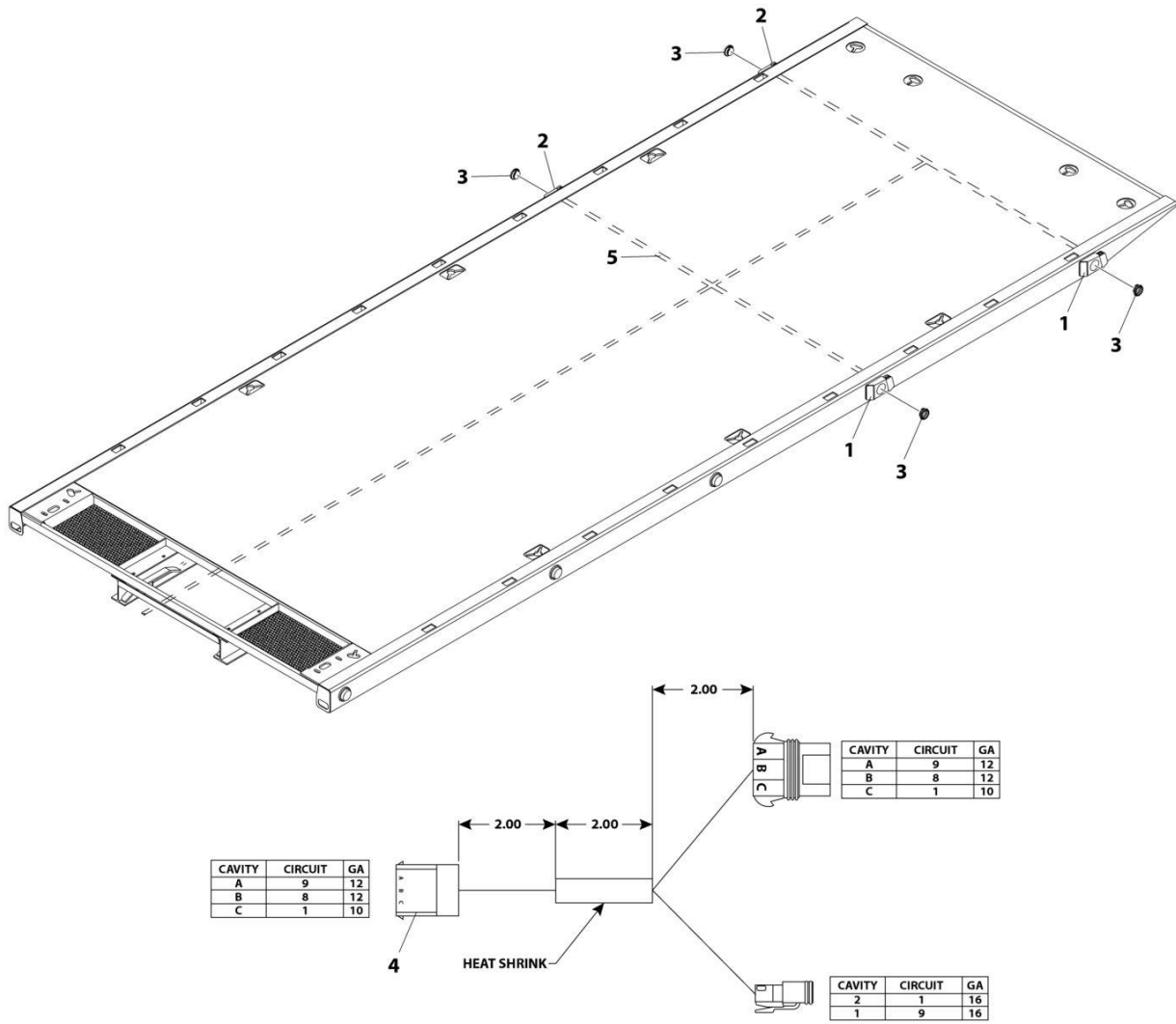
## SECTION 6 - ELECTRICAL

### FIGURE 6-7. CAMERA HARNESS

ITEM	PART NUMBER	QTY	DESCRIPTION	REV
	1001280899	Ref	CAMERA HARNESS	A
1	4460256	1	Terminal, Ring	
2	4460891	1	Plug, Male - 2 Position	
2	4460942	2	Socket, Female	
3	4460897	1	Receptacle, Female - 2 Position	
3	4460941	2	Pin, Male	
101	4460897	1	Receptacle, Female - 2 Position	
102	4460464	2	Pin, Male	
103	4460891	1	Plug, Male - 2 Position	
104	4460465	2	Socket, Female	

# SECTION 6 - ELECTRICAL

## FIGURE 6-8. DECK FLASHER REAR ILLUMINATION



ART\_1001145076

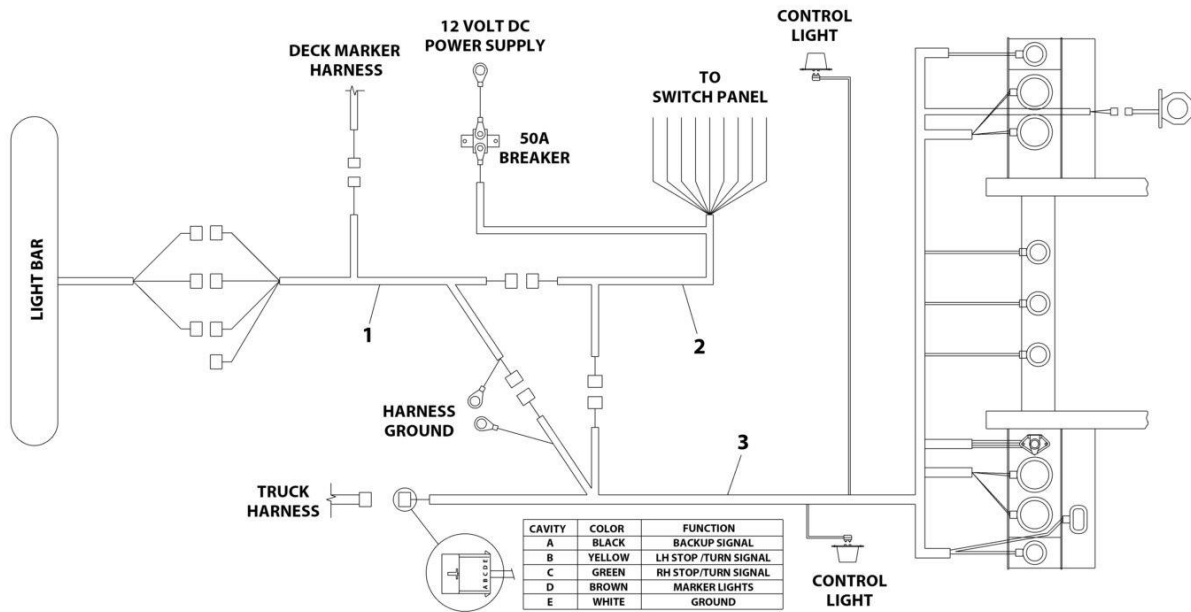
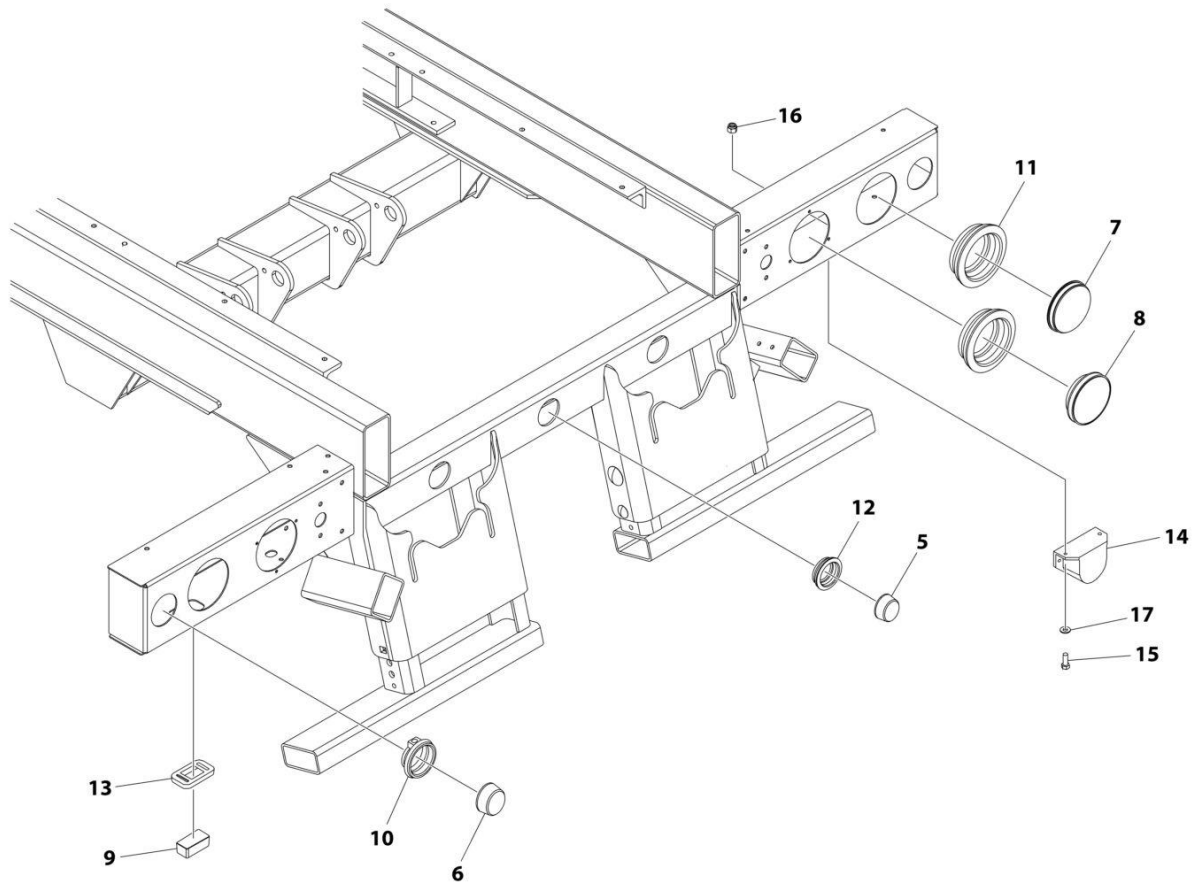
## SECTION 6 - ELECTRICAL

**FIGURE 6-8. DECK FLASHER REAR ILLUMINATION**

ITEM	PART NUMBER	QTY	DESCRIPTION	REV
	1001145076	Ref	Deck Flasher Rear Illumination	B
1	1001145074	2	Bracket, LH Whelen Flash	
2	1001145075	2	Bracket, RH Whelen Flash	
3	7493000009	4	Grommet	
4	1001144986	1	Flashers Jumper Wire Harness	
4	8220934	1	Receptacle, Female - 3 Position	
4	8220936	1	Lock	
4	1001277282	3	Terminal	
4	1001277283	3	Seal	
4	4460891	1	Plug, Male - 2 Position	
4	4460465	2	Socket, Female	
4	8220935	1	Plug, Male - 3 Position	
4	8220936	1	Lock	
4	8220099	1	Terminal	
4	1001277283	1	Seal	
5	1001145077	Ref	Flasher Harness Installation	
5	1001143842	1	Flasher Harness	
5	4460897	5	Receptacle, Female - 2 Position	
5	4460464	10	Pin, Male	

# SECTION 6 - ELECTRICAL

## FIGURE 6-9. LIGHTS AND WIRING INSTALLATION - BOLTED-ON HEADBOARD



ART\_1001260346

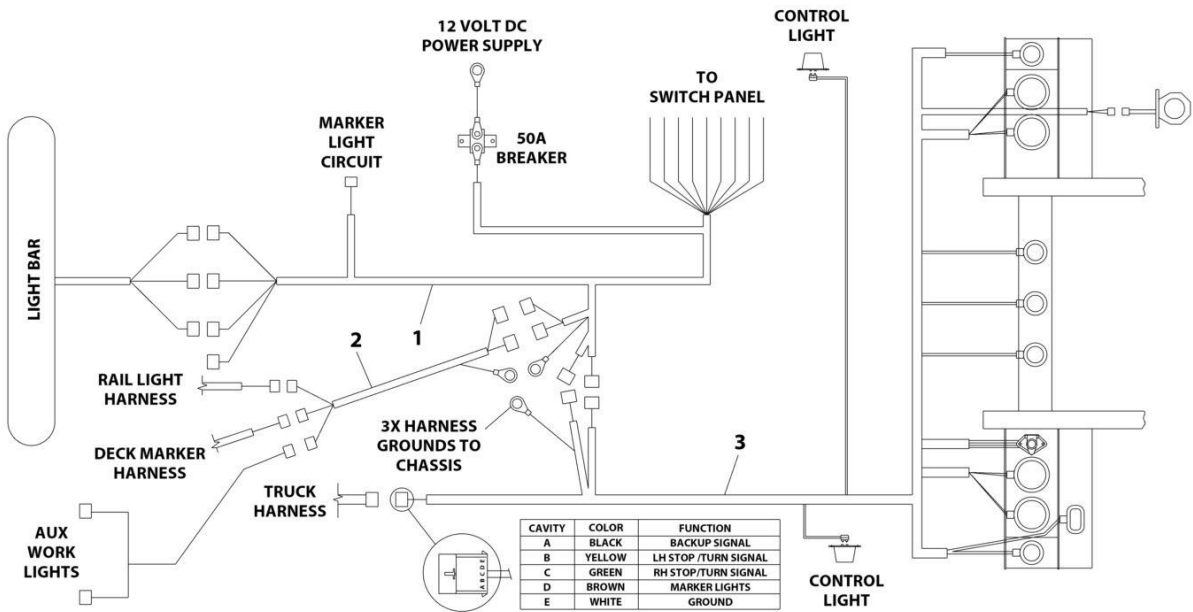
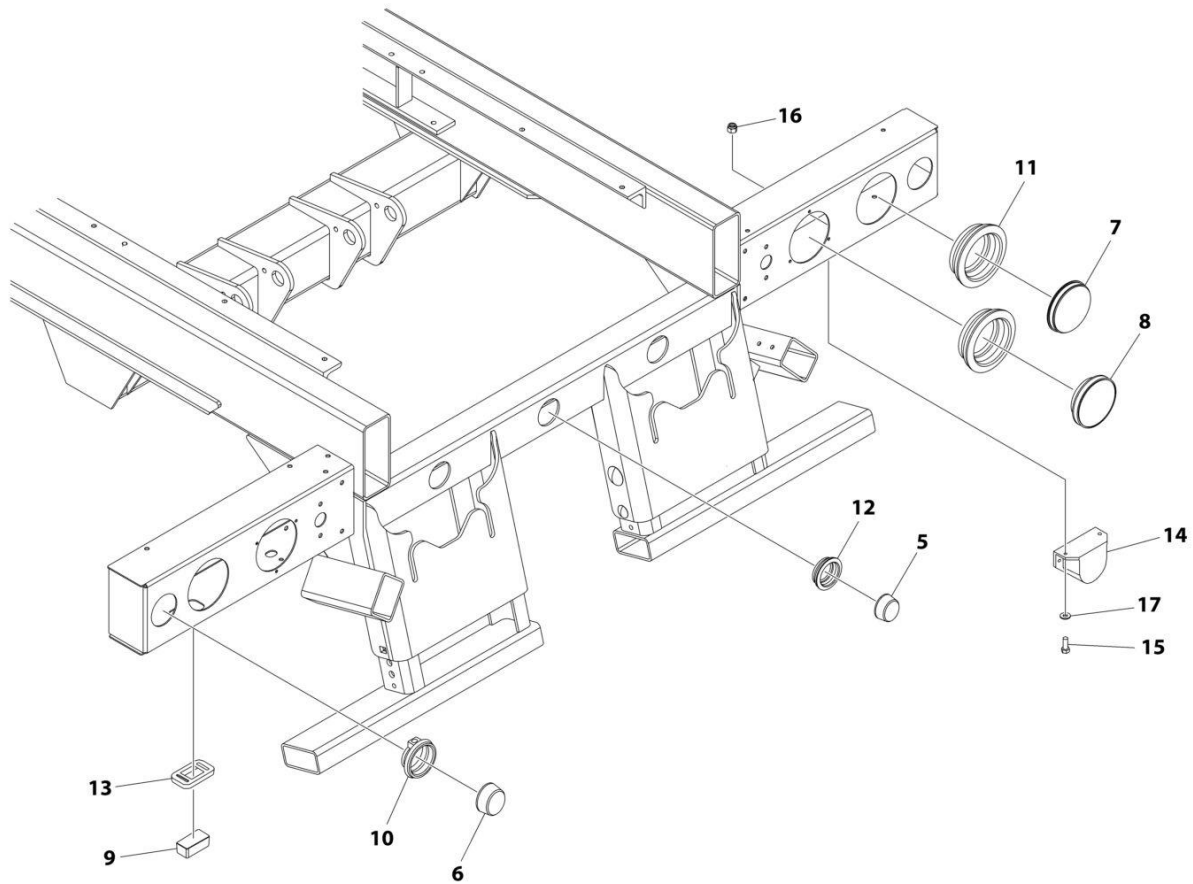
## SECTION 6 - ELECTRICAL

**FIGURE 6-9. LIGHTS AND WIRING INSTALLATION - BOLTED-ON HEADBOARD**

ITEM	PART NUMBER	QTY	DESCRIPTION	REV
	1001260346	Ref	LIGHTS AND WIRING INSTALLATION - BOLT-ON HEADBOARD	A
1	1001260349	1	Subframe to Deck Wiring Harness (See Separate Breakdown in this Section)	
2	7552000074	1	Subframe to Cab Wiring Harness (See Separate Breakdown in this Section)	
3	1001173952	1	Subframe Harness (See Separate Breakdown in this Section)	
4	4346000005	5	Heat Shrink (Not Shown)	
5	7590000340	3	Marker Light - Red (LED)	
6	7590000343	2	Marker Light - Red (LED)	
7	7590000341	2	Marker Light - Red (LED)	
8	1001142769	2	Light	
9	1001142771	1	Lamp	
10	7493000009	2	Grommet	
11	7493000002	4	Grommet	
12	7493000023	3	Grommet	
13	7493000010	1	Grommet	
14	7011000006	1	Backup Alarm	
15	7114140528	2	Screw 1/4 x 5/8	
16	7660142601	2	Nut 1/4	
17	7949000023	2	Washer	

# SECTION 6 - ELECTRICAL

## FIGURE 6-10. LIGHTS AND WIRING INSTALLATION - STATIONARY HEADBOARD



ART\_1001260345

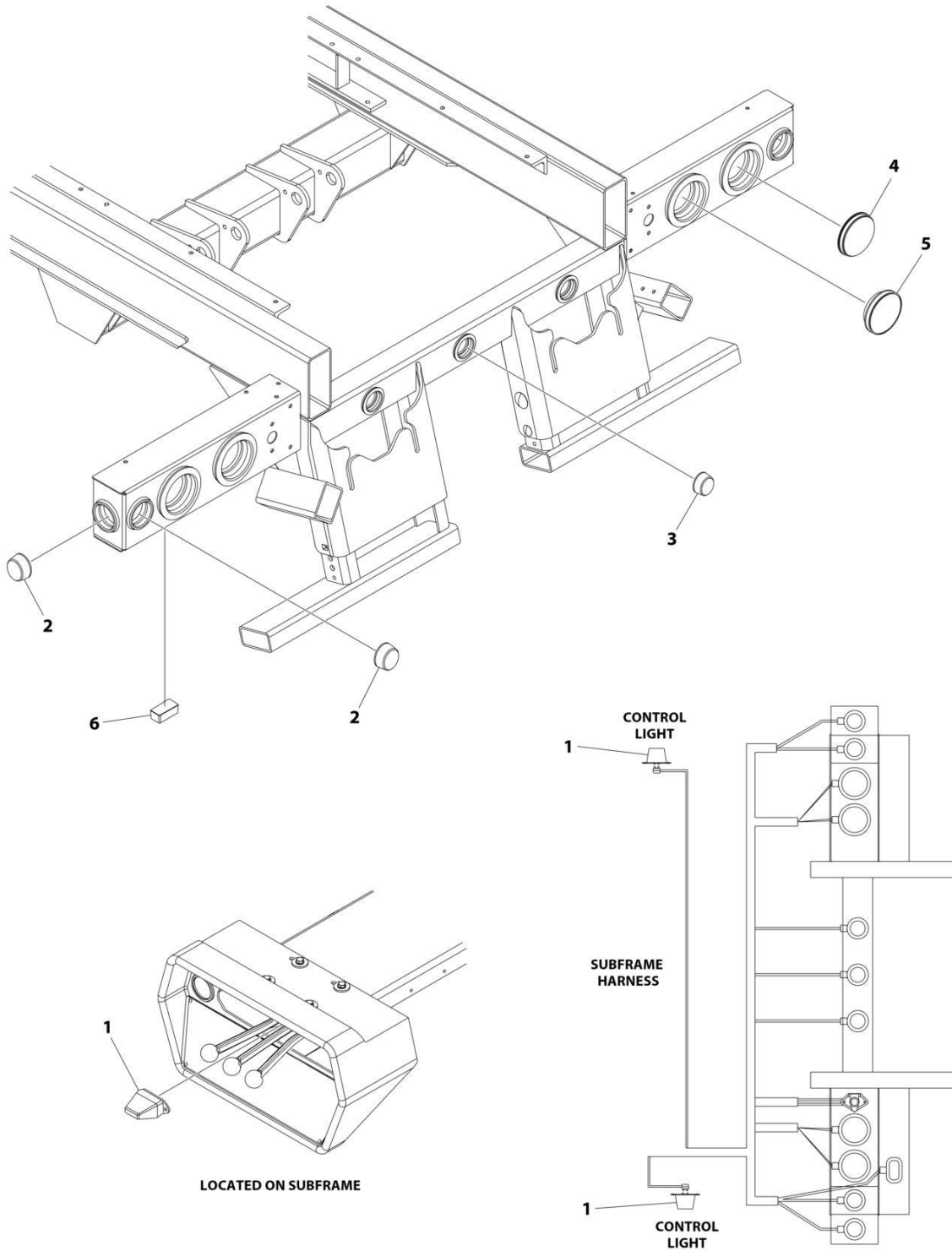
## SECTION 6 - ELECTRICAL

**FIGURE 6-10. LIGHTS AND WIRING INSTALLATION - STATIONARY HEADBOARD**

ITEM	PART NUMBER	QTY	DESCRIPTION	REV
	1001260345	Ref	LIGHTS AND WIRING INSTALLATION - STATIONARY HEADBOARD	A
1	1001260060	1	Subframe to Cab Wiring Harness (See Separate Breakdown in this Section)	
2	1001152350	1	Subframe to Deck Wiring Harness (See Separate Breakdown in this Section)	
3	1001173952	1	Subframe Harness (See Separate Breakdown in this Section)	
4	4346000005	5	Heat Shrink (Not Shown)	
5	7590000340	3	Marker Light - Red (LED)	
6	7590000343	2	Marker Light - Red (LED)	
7	7590000341	2	Marker Light - Red (LED)	
8	1001142769	2	Backup Alarm	
9	1001142771	1	Lamp	
10	7493000009	2	Grommet	
11	7493000002	4	Grommet	
12	7493000023	3	Grommet	
13	7493000010	1	Grommet	
14	7011000006	1	Backup Alarm	
15	7114140528	2	Screw 1/4 x 5/8	
16	7660142601	2	Nut 1/4	
17	7949000023	2	Washer	

# SECTION 6 - ELECTRICAL

## FIGURE 6-11. LIGHTS - 24 VOLT LIGHT SWAP INSTALLATION



ART\_1001161526



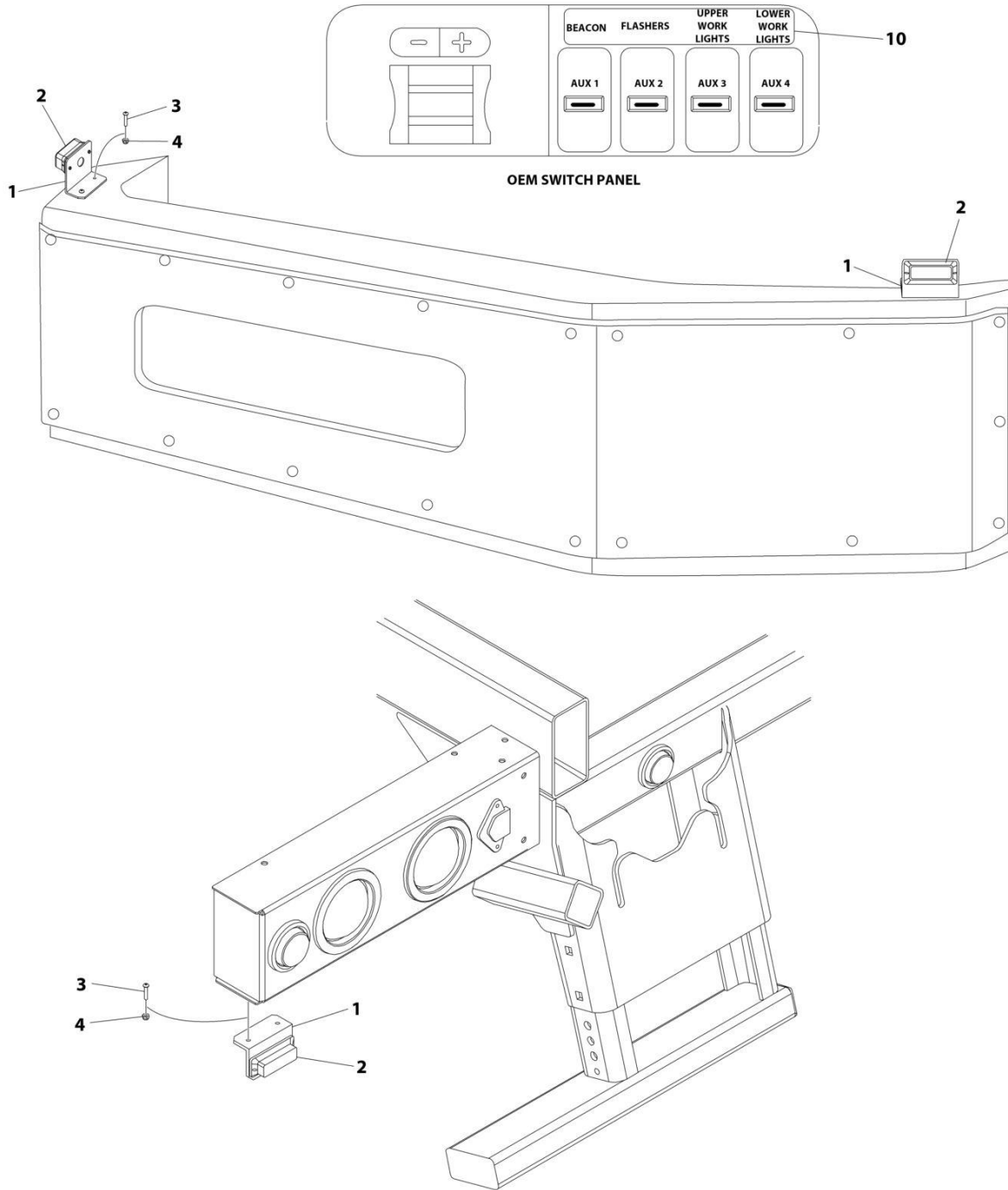
## SECTION 6 - ELECTRICAL

### FIGURE 6-11. LIGHTS - 24 VOLT LIGHT SWAP INSTALLATION

ITEM	PART NUMBER	QTY	DESCRIPTION	REV
	1001161526	Ref	LIGHT CONVERSION - 24 VOLT	A
1	7590000143	2	Light, Courtesy	
2	7590000132	4	Marker Light - Red (LED)	
3	7590000142	3	Marker Light with Grommet - Red (LED)	
4	7590000135	2	Stop Light	
5	7590000134	2	Backup Light	
6	7590000138	1	Lamp	

# SECTION 6 - ELECTRICAL

## FIGURE 6-12. LIGHTS - BUMPER STROBE INSTALLATION



ART\_1001140607

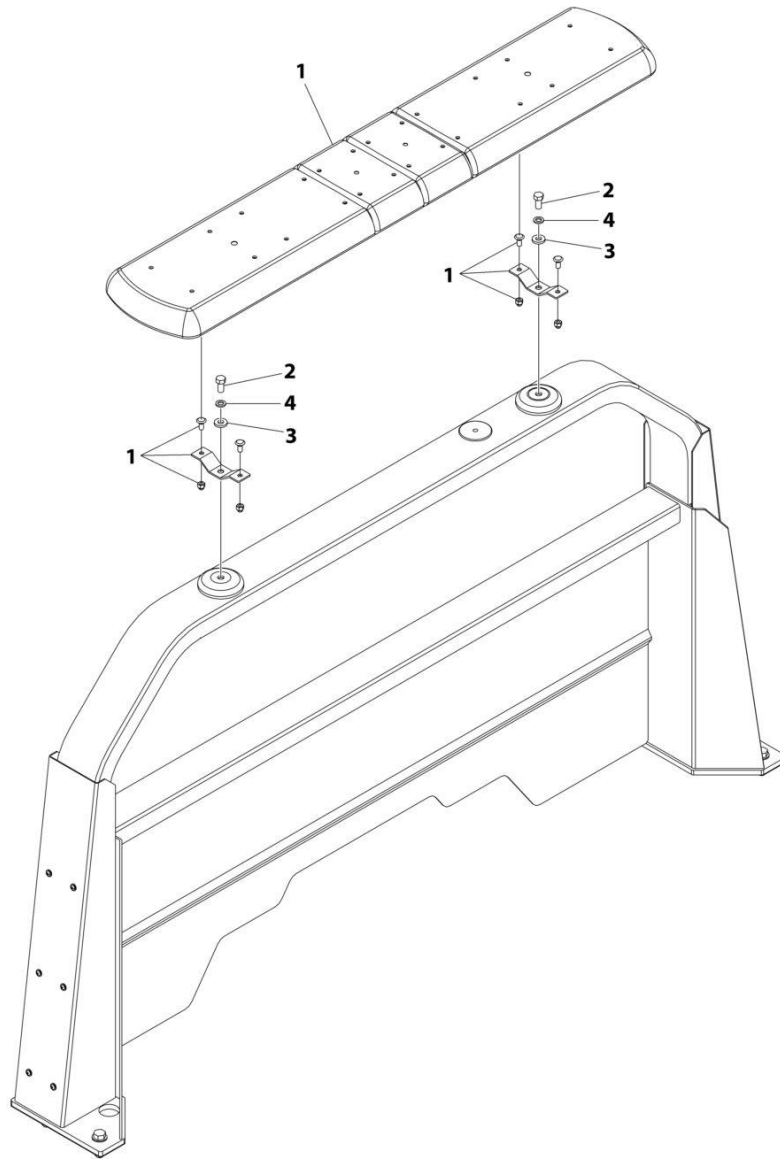
## SECTION 6 - ELECTRICAL

### FIGURE 6-12. LIGHTS - BUMPER STROBE INSTALLATION

ITEM	PART NUMBER	QTY	DESCRIPTION	REV
	1001140607	Ref	BUMPER STROBE LIGHTS INSTALLATION	C
1	1001140536	4	Bracket	
2	7590000291	4	Light 3-LED Flash (Amber)	
3	7114100818	8	Bolt #10 x 1	
4	7660102604	8	Nut #10	
10	1001129461	1	Decal-Switch	

# SECTION 6 - ELECTRICAL

FIGURE 6-13. LIGHTS - LIGHTBAR INSTALLATION (STANDARD MOUNT) (ECCO BRAND)  
(STANDARD MOUNT)



ART\_1001259575

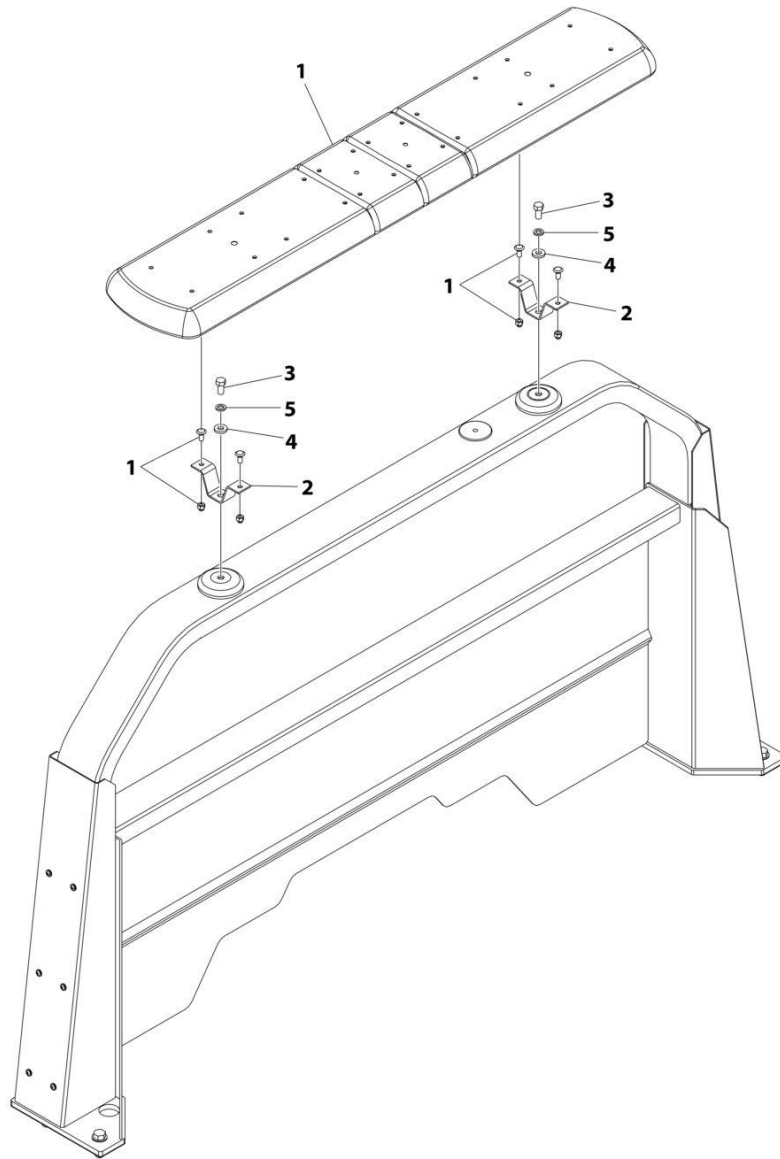
## SECTION 6 - ELECTRICAL

**FIGURE 6-13. LIGHTS - LIGHTBAR INSTALLATION (STANDARD MOUNT) (ECCO BRAND)  
(STANDARD MOUNT)**

ITEM	PART NUMBER	QTY	DESCRIPTION	REV
	1001259575	Ref	EMERGENCY LIGHTBAR AMBER ECCO 12+ 60 STD MOUNT INSTALLATION	A
1	1001247138	1	Lightbar Assembly (See Separate Breakdown in this Section)	
2	0641808	2	Bolt 1/2 x 1	
3	4891800	2	Washer 1/2	
4	4761800	2	Washer 1/2	

# SECTION 6 - ELECTRICAL

FIGURE 6-14. LIGHTS - LIGHTBAR INSTALLATION (STANDARD MOUNT) (ECCO BRAND) (HIGH MOUNT)



ART\_1001261039

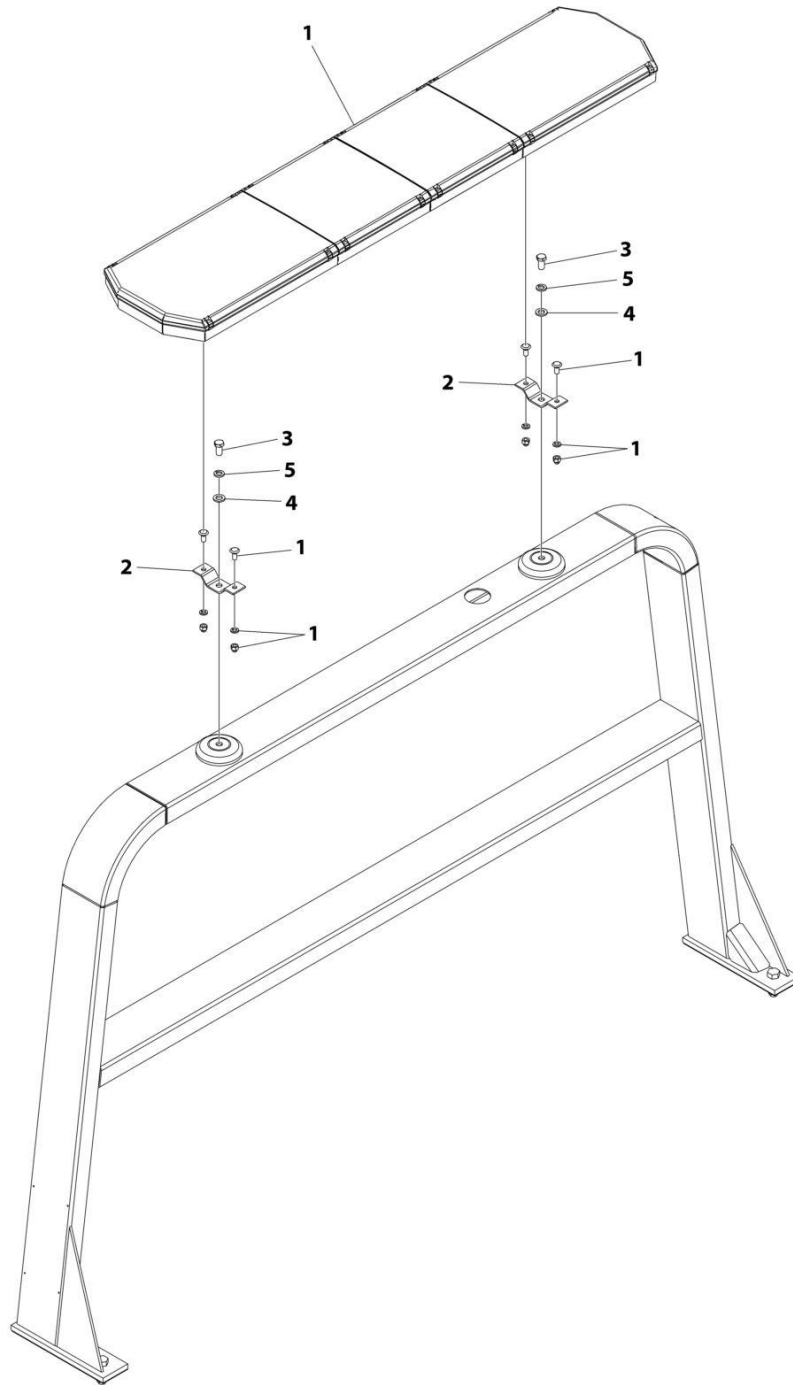
## SECTION 6 - ELECTRICAL

**FIGURE 6-14. LIGHTS - LIGHTBAR INSTALLATION (STANDARD MOUNT) (ECCO BRAND) (HIGH MOUNT)**

ITEM	PART NUMBER	QTY	DESCRIPTION	REV
	1001261039	Ref	EMERGENCY LIGHTBAR AMBER ECCO 12+ 60 HIGH MOUNT INSTALLATION	A
1	1001247138	1	Lightbar Assembly (See Separate Breakdown in this Section)	
2	1001262106	2	Bracket	
3	0641808	2	Bolt 1/2 x 1	
4	4891800	2	Washer 1/2	
5	4761800	2	Washer 1/2	

# SECTION 6 - ELECTRICAL

FIGURE 6-15. LIGHTS - LIGHTBAR INSTALLATION (STANDARD MOUNT) (WHELEN BRAND)



ART\_1001137524



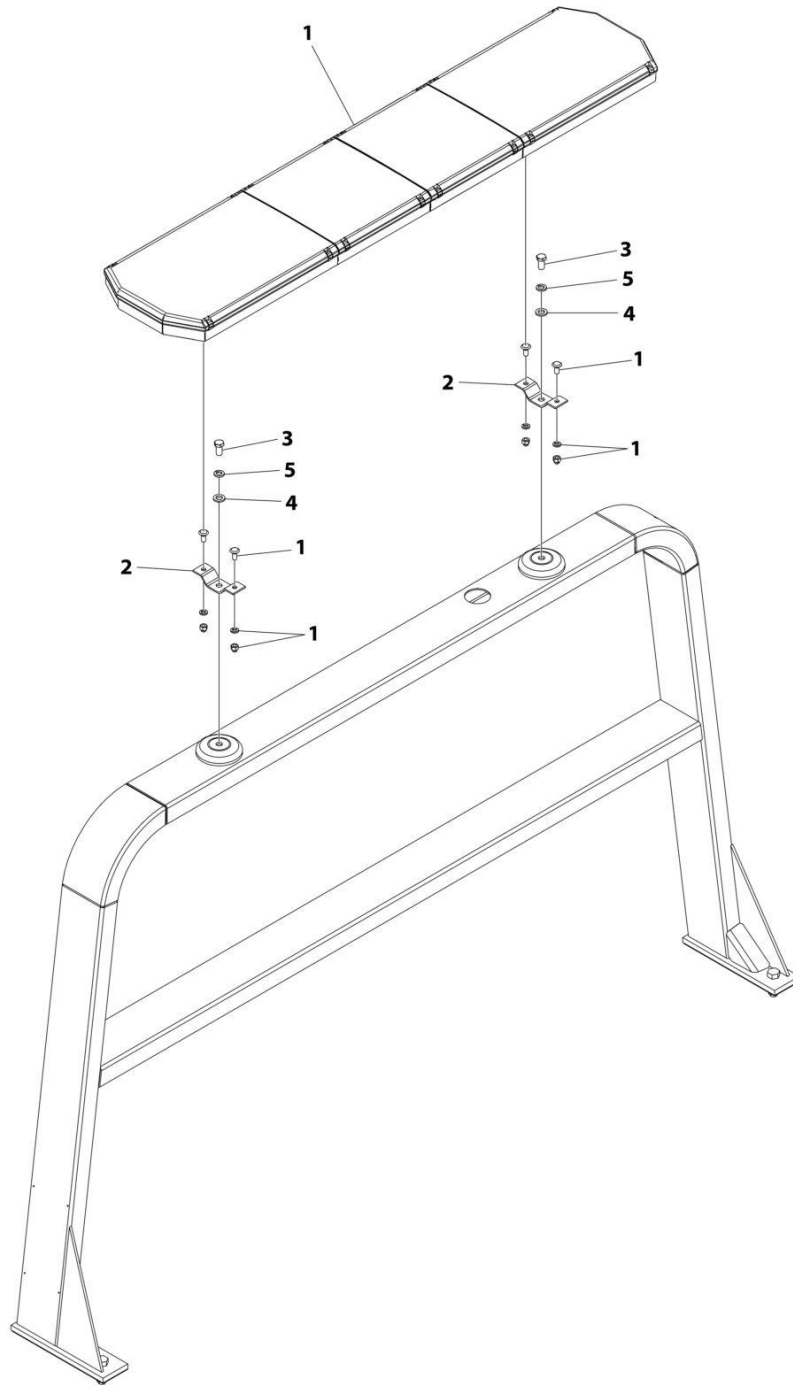
## SECTION 6 - ELECTRICAL

**FIGURE 6-15. LIGHTS - LIGHTBAR INSTALLATION (STANDARD MOUNT) (WHELEN BRAND)**

ITEM	PART NUMBER	QTY	DESCRIPTION	REV
	1001137524	Ref	EMERGENCY LIGHTBAR, AMBER, WHELEN, STANDARD MOUNT	C
1	1001199476	1	Lightbar Assembly (See Separate Breakdown in this Section)	
2	4178000402	2	Bracket	
3	7115180850	2	Capscrew 1/2 x 1	
4	7950180252	2	Washer 1/2	
5	7950180000	2	Washer 19/32	

# SECTION 6 - ELECTRICAL

## FIGURE 6-16. LIGHTS - LIGHTBAR INSTALLATION (HIGH MOUNT) (WHELEN BRAND)



ART\_1001137525

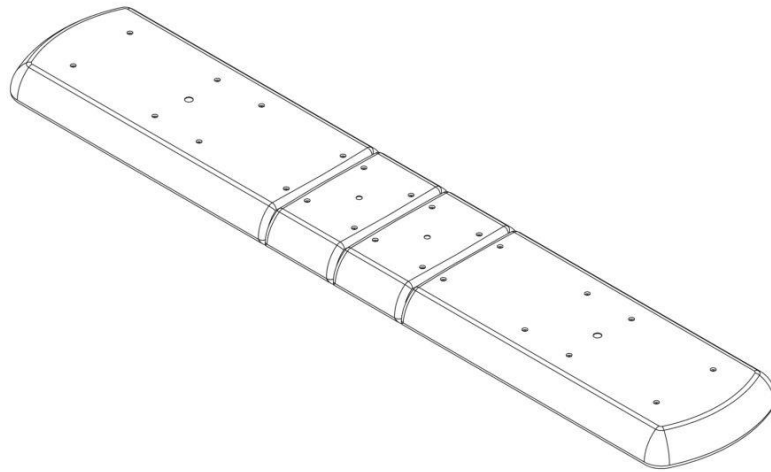
## SECTION 6 - ELECTRICAL

**FIGURE 6-16. LIGHTS - LIGHTBAR INSTALLATION (HIGH MOUNT) (WHELEN BRAND)**

ITEM	PART NUMBER	QTY	DESCRIPTION	REV
	1001137525	Ref	EMERGENCY LIGHTBAR, AMBER, WHELEN, HIGH MOUNT	C
1	1001199476	1	Lamp, Lightbar (See Separate Breakdown in this Section)	
2	4178000437	2	Bracket	
3	7115180850	2	Capscrew 1/2 x 1	
4	7950180252	2	Washer 1/2	
5	7950180000	2	Washer 19/32	

## SECTION 6 - ELECTRICAL

FIGURE 6-17. LIGHTS - LIGHTBAR ASSEMBLY (ECCO BRAND)



ART\_1001247138

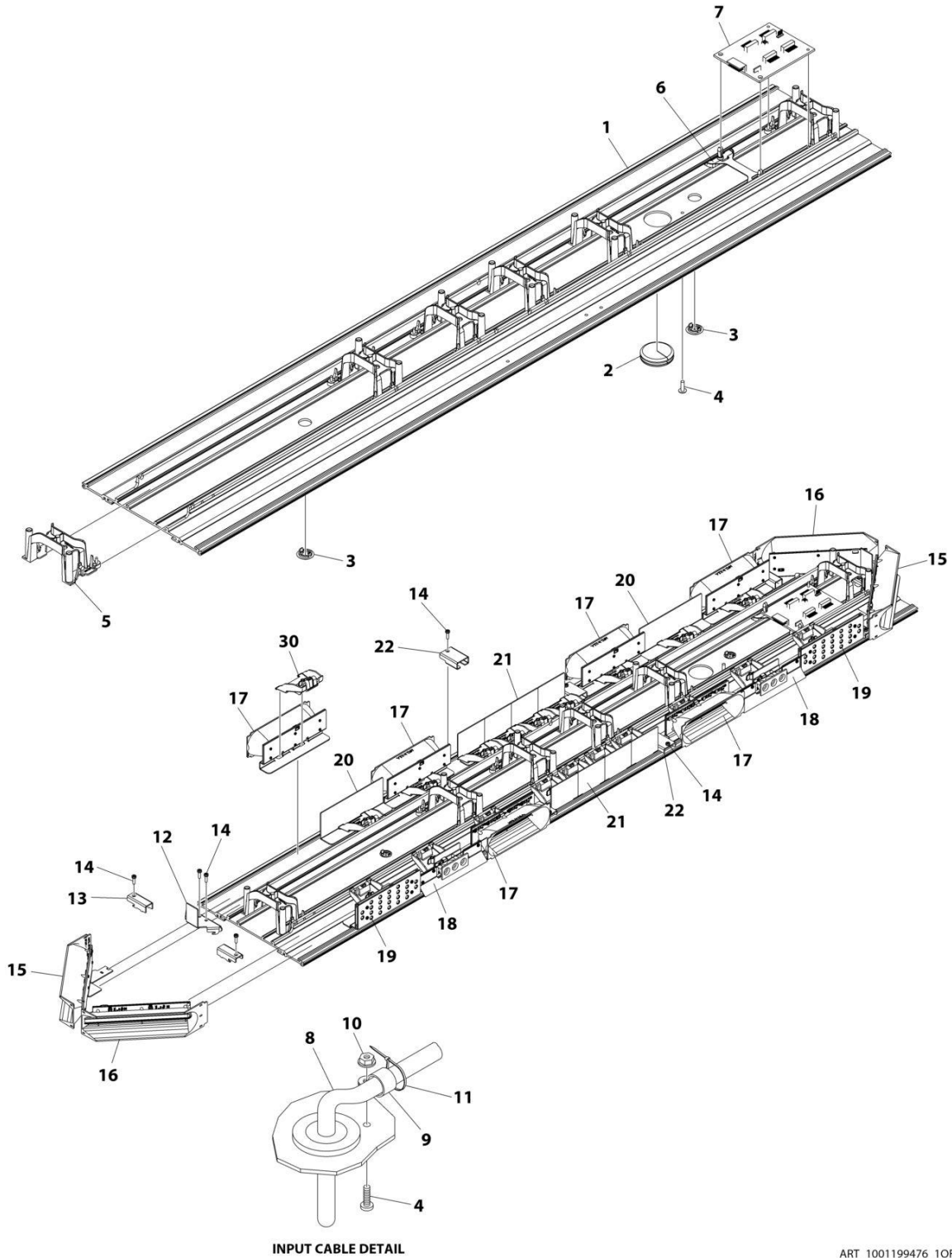
## SECTION 6 - ELECTRICAL

### FIGURE 6-17. LIGHTS - LIGHTBAR ASSEMBLY (ECCO BRAND)

ITEM	PART NUMBER	QTY	DESCRIPTION	REV
	1001247138	Ref	LIGHTBAR ASSEMBLY (ECCO BRAND)	A
		Ref	Replacement Amber Module	
		Ref	Work/Alley Light (Pair)	
		Ref	Stop/Turn/Taillight Kit (Includes 2 Modules, Harness and STT Cable)	
		Ref	Replacement Driver Board	

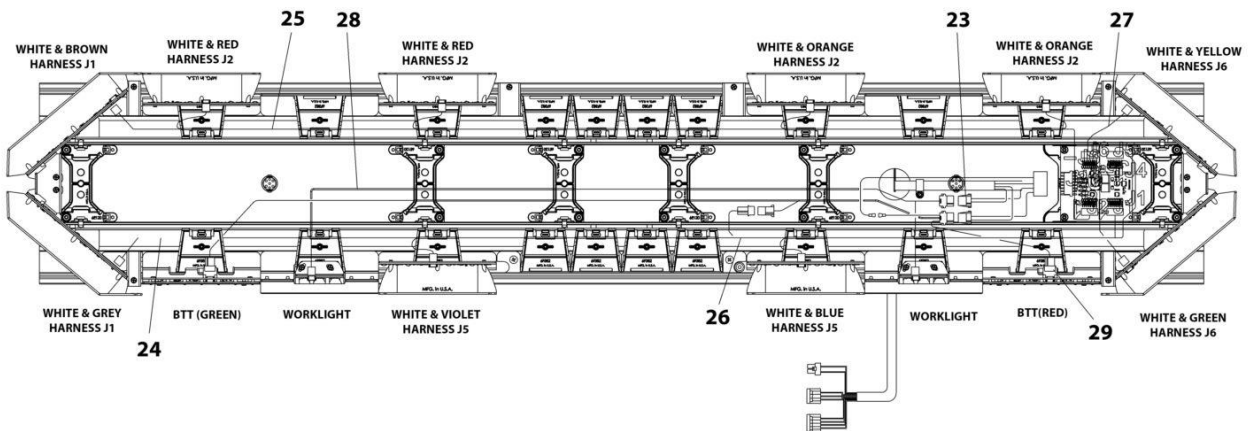
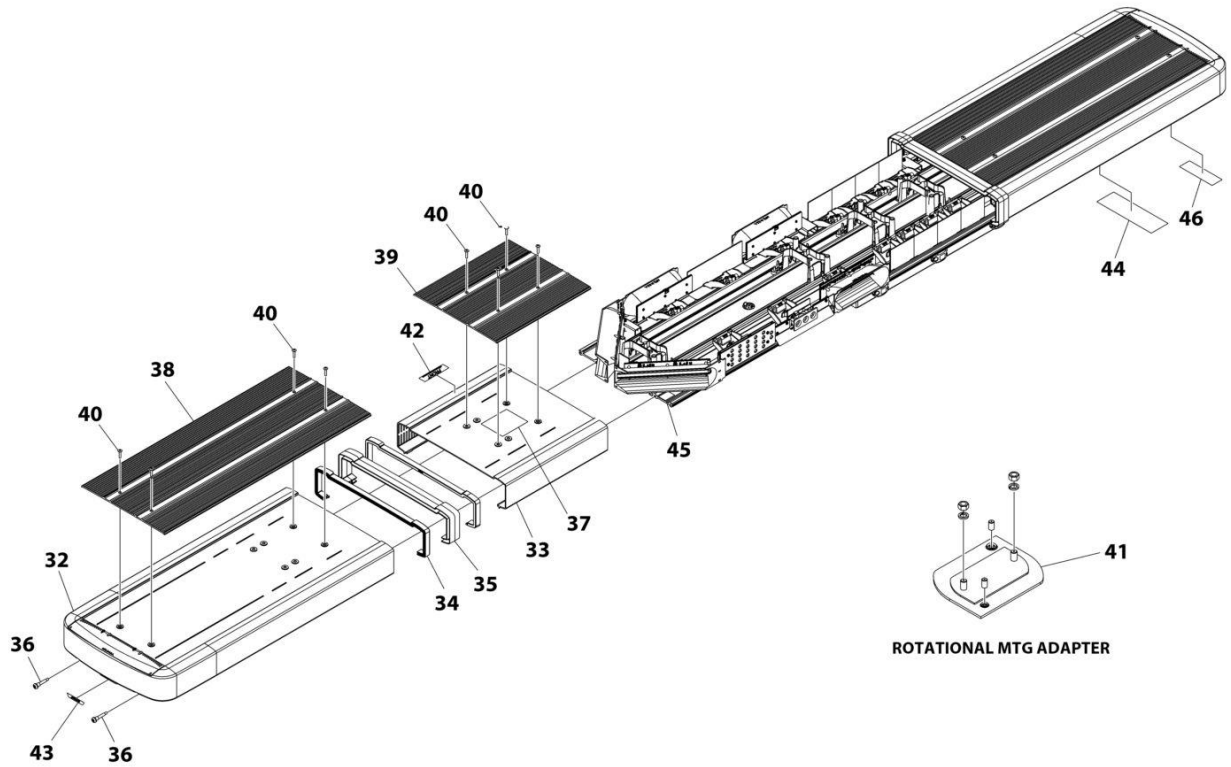
# SECTION 6 - ELECTRICAL

## FIGURE 6-18. LIGHTS - LIGHTBAR ASSEMBLY (WHELEN BRAND)



ART\_1001199476\_10F2

# SECTION 6 - ELECTRICAL



ART\_1001199476\_2OF2

## SECTION 6 - ELECTRICAL

**FIGURE 6-18. LIGHTS - LIGHTBAR ASSEMBLY (WHELEN BRAND)**

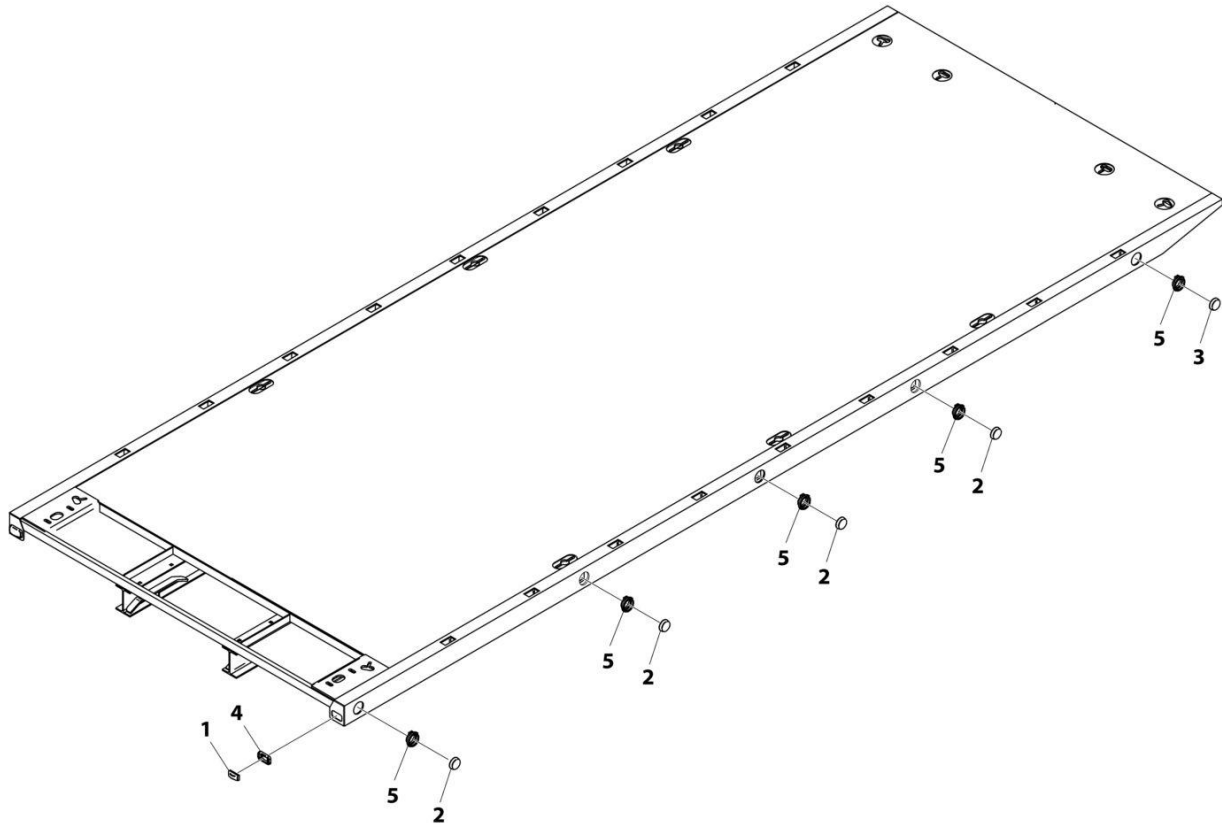
ITEM	PART NUMBER	QTY	DESCRIPTION	REV
	1001199476	Ref	LAMP LIGHTBAR WHELEN LIB2 60 CARR	B
1		Ref	Base, Extruded	
2		Ref	Grommet	
3		Ref	Plug	
4		Ref	Screw 10 x 5/8	
5		Ref	Bracket	
6		Ref	Bracket	
7		Ref	Board Assembly	
8		Ref	Cable Assembly	
9		Ref	Clamp	
10		Ref	Nut 10	
11		Ref	Tie-Strap (Not Shown)	
12		Ref	Bracket	
13		Ref	Bracket	
14		Ref	Screw 6 x 1/2	
15		Ref	Corner Assembly, L-Front/R-Rear	
16		Ref	Corner Assembly, L-Rear/R-Front	
17		Ref	Sub Assembly, Full Directional Liberty	
18		Ref	Sub Assembly, Single 3 Led Full T-D Liberty	
19		Ref	Sub Assembly, 12V Stop/Turn, Tail LC Liberty	
20		Ref	Bracket	
21		Ref	Bracket	
22		Ref	Bracket	
23		Ref	Housing, 6-Position Socket Motor	
24		Ref	Harness, Driver Corner J1	
25		Ref	Harness, Front Inboard J2	
26		Ref	Harness, Rear In Boards J5	
27		Ref	Harness, Pass Corners J6	
28		Ref	Harness, Work Light	
29		Ref	Harness, B/T/T W/Dot LTS	
30		Ref	Bracket	
31		Ref	Tie-Strap (Not Shown)	
32		Ref	Sub Assembly, Full Lens	
33		Ref	Lens, Clear Optic Cut Center	
34		Ref	Seal, Lens Divider	
35		Ref	Divider, Lens Independence Lightbar	
36		Ref	Screw 10 x 1-1/4	
37		Ref	Label, Center Dome Removal Instructions	
38		Ref	Cover, Top Extruded	
39		Ref	Cover, Top Extruded	
40		Ref	Screw 10 x 7/8	
41		Ref	Kit, Rotational	
42		Ref	Label, "Front" Lightbar Assembly	
43		Ref	Label, Jerr-Dan Liberty	
44		Ref	Label, MN/SN	
45		Ref	Label, Serial Number	
46		Ref	Label, "Pre-Production"	





# SECTION 6 - ELECTRICAL

## FIGURE 6-19. LIGHTS - MARKER LIGHT INSTALLATION, CARRIER DECK



ART\_2590000215

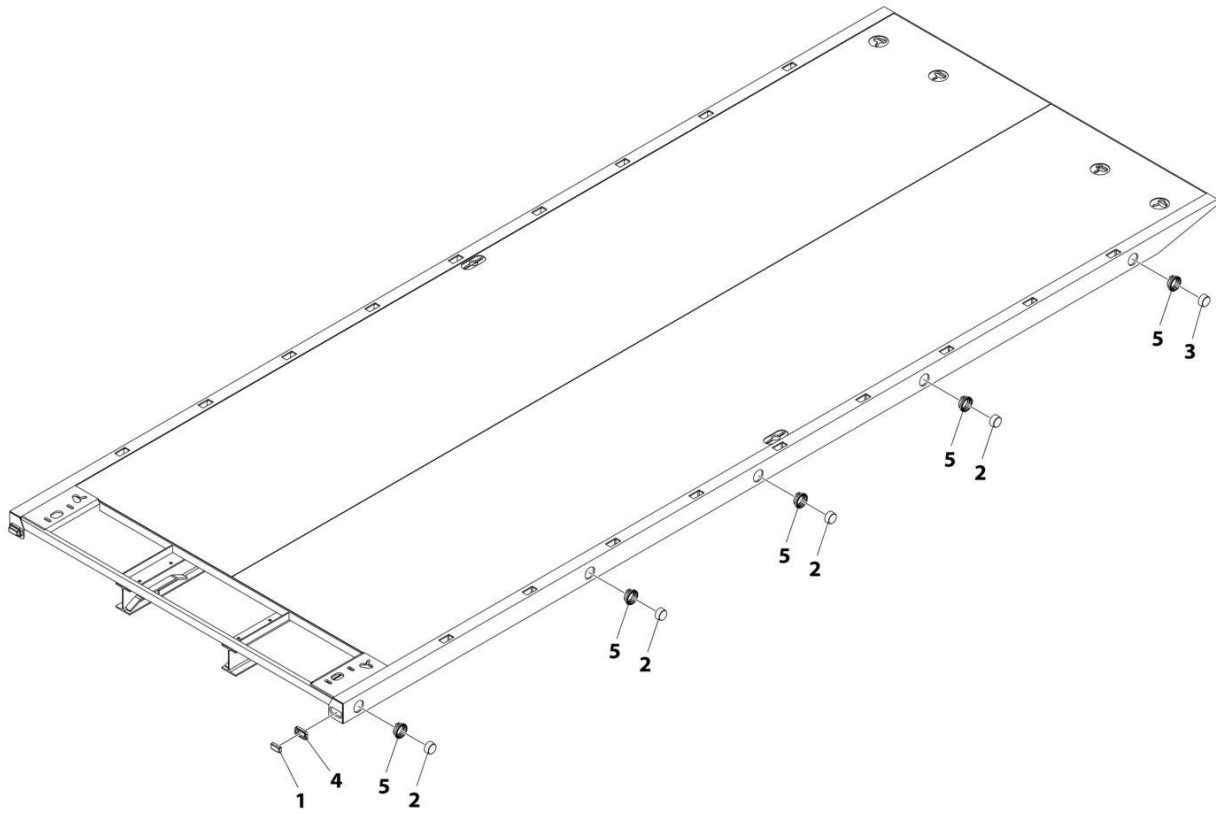
## SECTION 6 - ELECTRICAL

**FIGURE 6-19. LIGHTS - MARKER LIGHT INSTALLATION, CARRIER DECK**

ITEM	PART NUMBER	QTY	DESCRIPTION	REV
	2590000215	Ref	LIGHTS INSTALLATION - STANDARD CARRIER DECK	B
1	7590000339	2	Marker Light - Amber (LED)	
2	7590000342	8	Marker Light - Amber (LED)	
3	7590000343	2	Marker Light - Red (LED)	
4	7493000010	2	Grommet	
5	7493000009	10	Grommet	

# SECTION 6 - ELECTRICAL

FIGURE 6-20. LIGHTS - MARKER LIGHT INSTALLATION, CARRIER DECK - 24V



ART\_1001131570

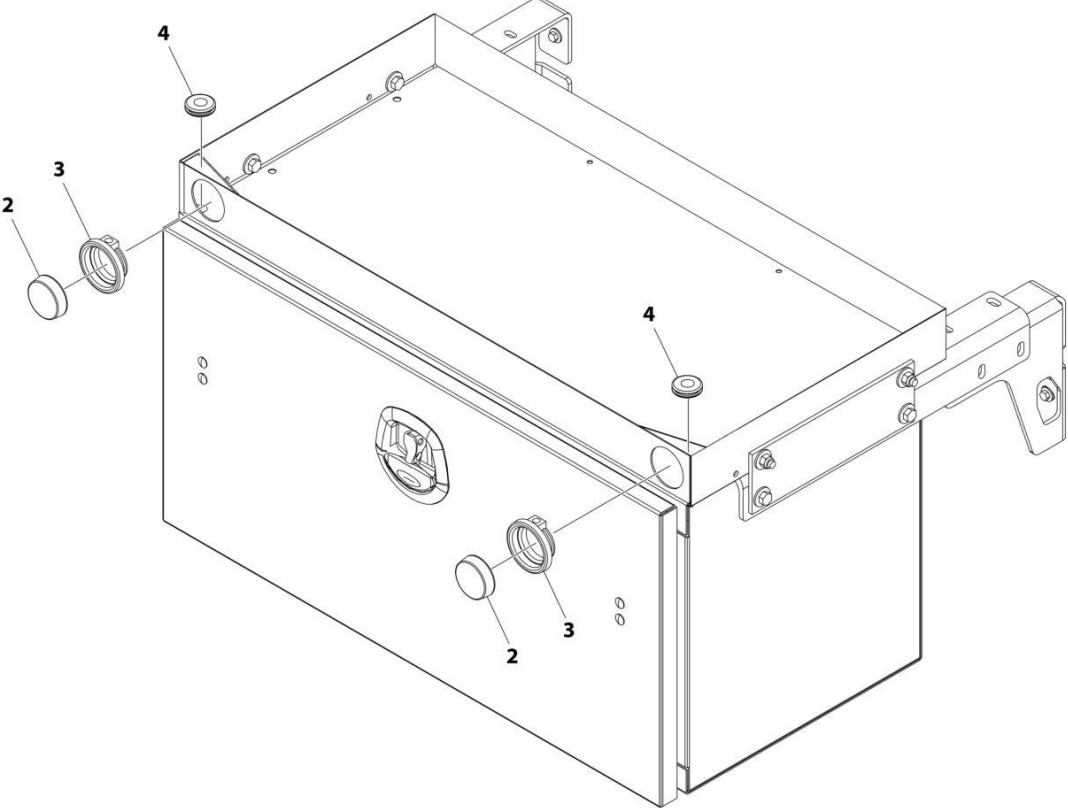
## SECTION 6 - ELECTRICAL

**FIGURE 6-20. LIGHTS - MARKER LIGHT INSTALLATION, CARRIER DECK - 24V**

ITEM	PART NUMBER	QTY	DESCRIPTION	REV
	1001131570	Ref	DECK MARKER LIGHTS	B
1	7590000148	2	Marker Light - Amber	
2	7590000133	8	Light, Round - Amber - 24V	
3	7590000132	2	Light, Round - Red - 24V	
4	7493000010	2	Grommet	
5	7493000009	10	Grommet	

**SECTION 6 - ELECTRICAL**

**FIGURE 6-21. LIGHTS - MARKER LIGHT, TOOL BOX TOP STORAGE TRAY**



ART\_2590000261

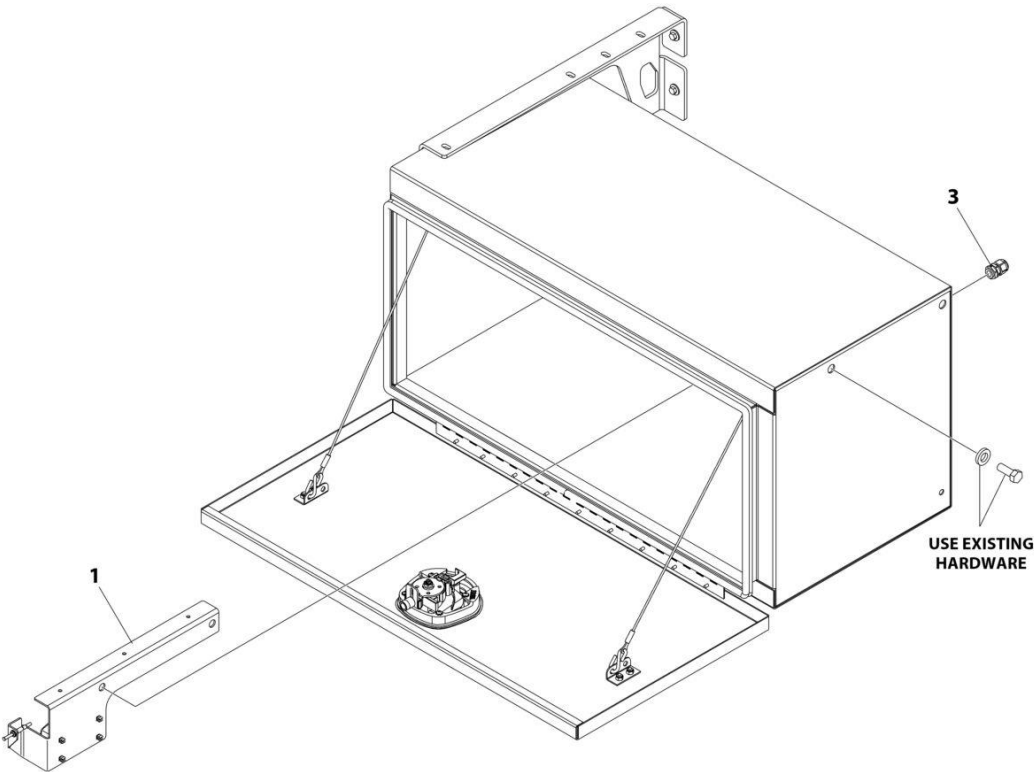
## SECTION 6 - ELECTRICAL

**FIGURE 6-21. LIGHTS - MARKER LIGHT, TOOL BOX TOP STORAGE TRAY**

ITEM	PART NUMBER	QTY	DESCRIPTION	REV
1	2590000261	Ref	Marker Light, Tool Box Top Storage Tray	C
	7552000451	1	Harness Toolbox Marker Light (Not Shown)	
	1001121727	1	Receptacle - 5 Position Female	
	1001116729	5	Terminal	
	1001121726	1	Plug, Male - 5 Position	
	1001116747	5	Terminal	
	4460746	AR	Terminal, Square	
		Ref	<b>Connecotr, Truck Light</b>	
2	7590000342	2	Marker Light - Amber (LED)	
3	7493000009	2	Grommet	
4	7493000031	2	Grommet	
5	7894000004	6	Tie Strap (Not Shown)	

**SECTION 6 - ELECTRICAL**

**FIGURE 6-22. LIGHTS - TOOLBOX LIGHT INSTALLATION**



ART\_217800031



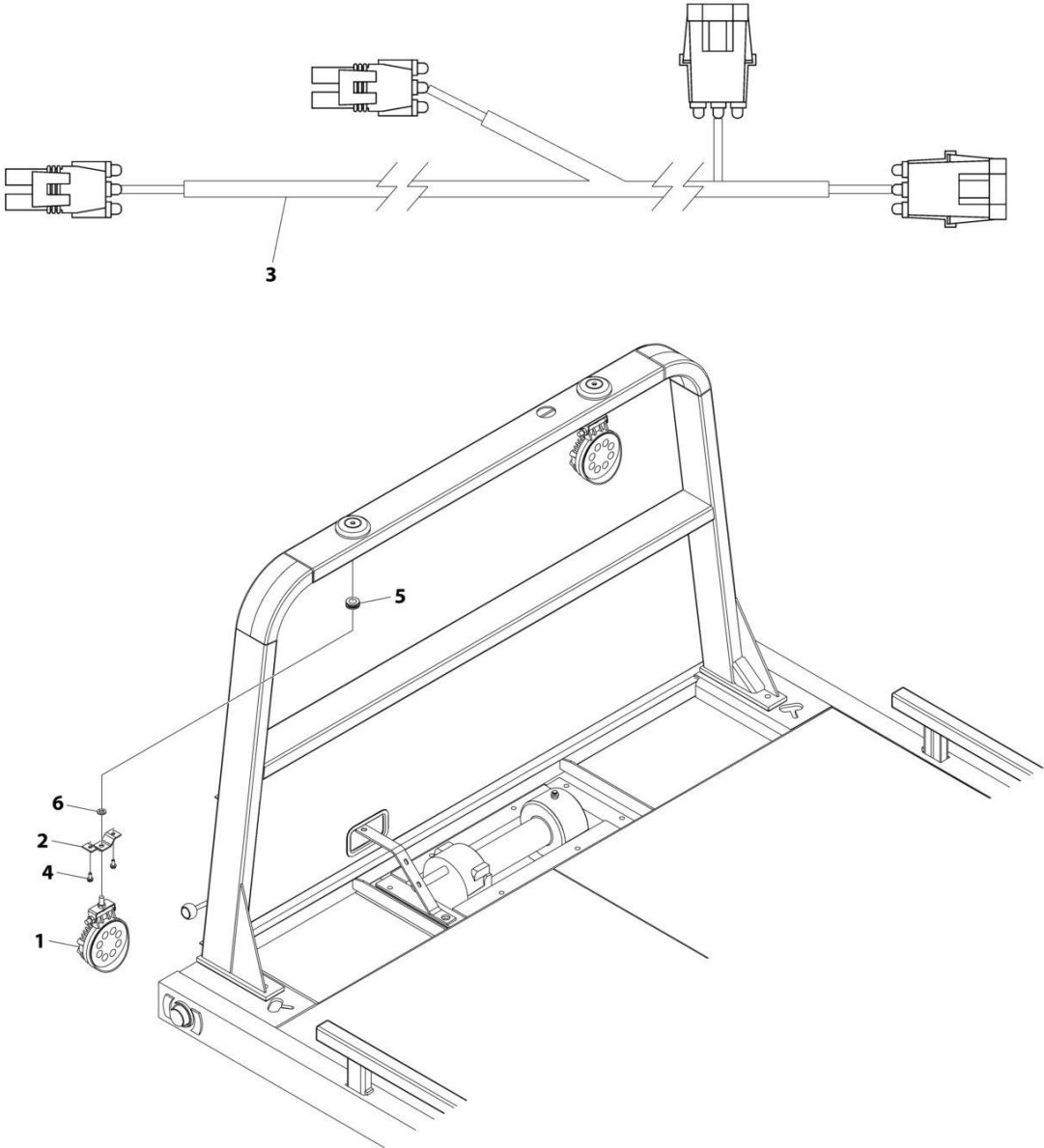
## SECTION 6 - ELECTRICAL

### FIGURE 6-22. LIGHTS - TOOLBOX LIGHT INSTALLATION

ITEM	PART NUMBER	QTY	DESCRIPTION	REV
	2178000031	Ref	Toolbox Light Installation	0
1	3178000437	1	Bracket Assembly (See Separate Breakdown in this Section)	
2	7552000297	1	Harness, Tool Box Light (Not Shown)	
2	4460742	1	Plug, Male - 2 Position	
2	4460457	2	Socket, Female	
3	7443000377	1	Fitting	

**SECTION 6 - ELECTRICAL**

**FIGURE 6-23. LIGHTS - WORK LIGHTS INSTALLATION - HEADBOARD**



ART\_1001176428

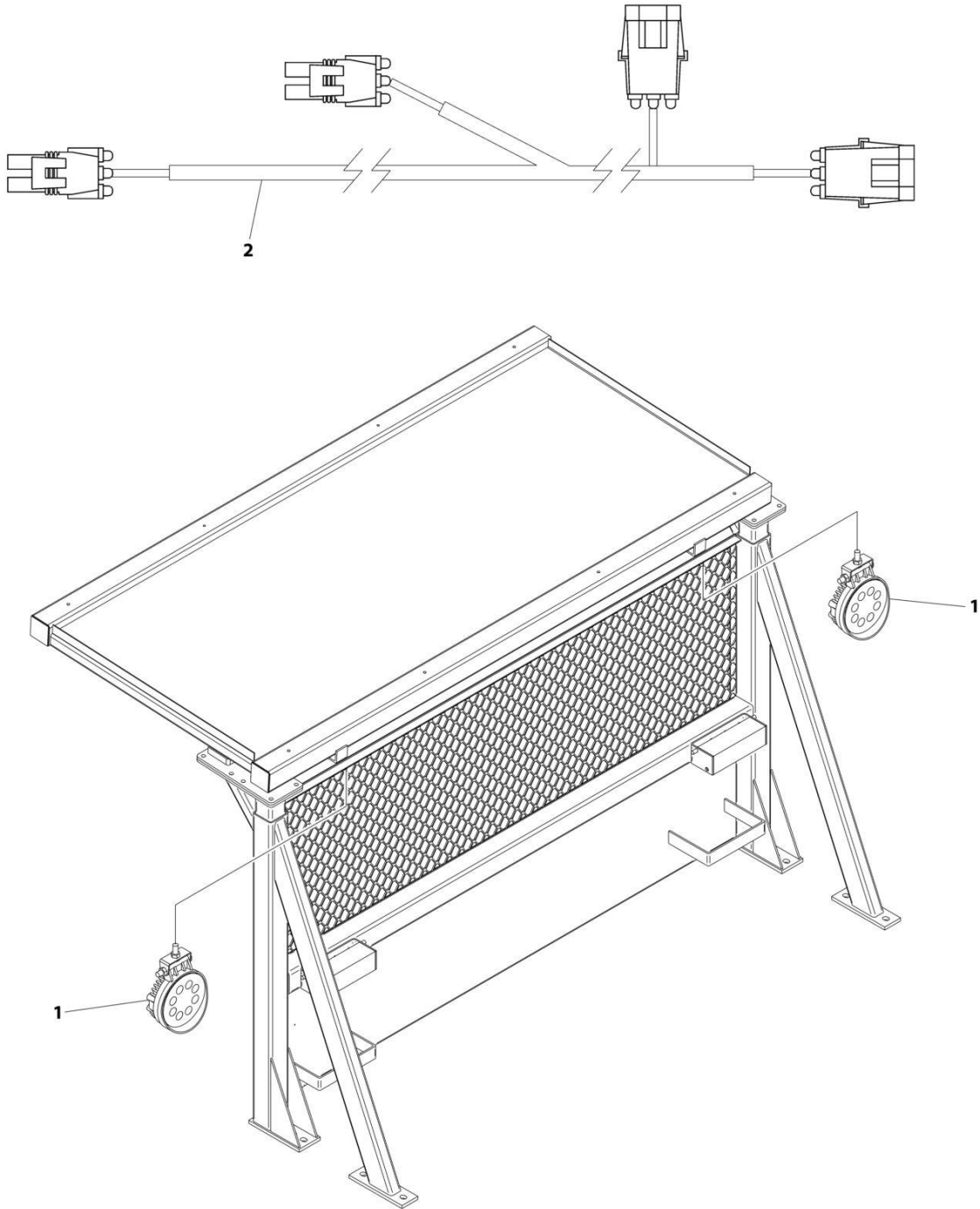
## SECTION 6 - ELECTRICAL

**FIGURE 6-23. LIGHTS - WORK LIGHTS INSTALLATION - HEADBOARD**

ITEM	PART NUMBER	QTY	DESCRIPTION	REV
	1001176428	Ref	LED WORK LIGHTS REAR HEADBOARD INSTALLATION	B
1	1001176337	2	Lamp, LED Work Light 10V-30V <b>(Prior to SN 0220026465)</b>	
1	1001273634	2	Lamp, LED Work Light 10V-30V <b>(SN 0220026465 to Present)</b>	
2	4178000402	2	Bracket	
3	7552000222	1	Harness, Headboard Work Light	
3	4460742	3	Plug, Male - 2 Position	
3	4461157	1	Receptacle, Female - 2 Position	
3	4460457	8	Terminal	
3	8220081	8	Seal	
4	7790151253	4	Screw 5/16 x 3/4	
5	7493000003	2	Grommet	
6	7950150161	2	Washer 5/16	
7	5526000553	4	Tie-Strap (Not Shown)	

# SECTION 6 - ELECTRICAL

FIGURE 6-24. LIGHTS - WORK LIGHTS INSTALLATION - HEADBOARD (BUCKET REST)



ART\_1001176427

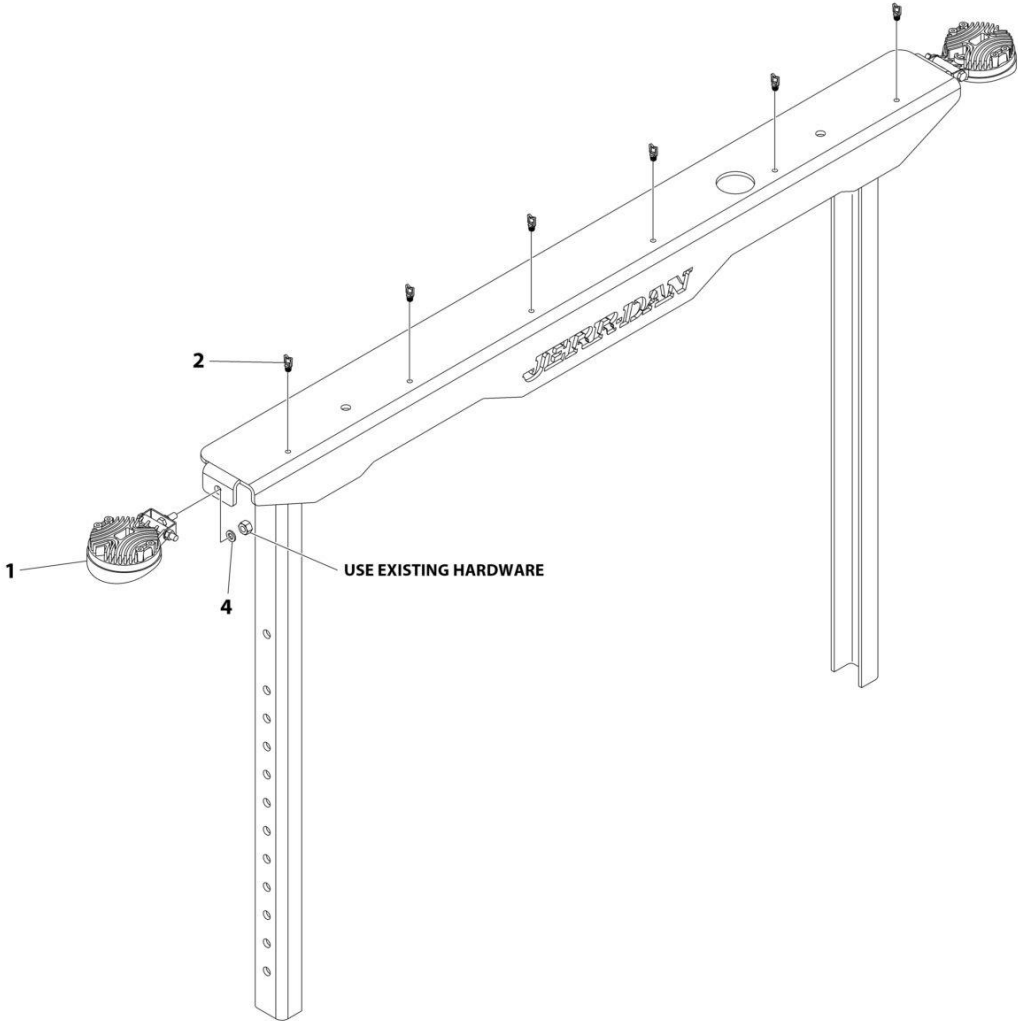
## SECTION 6 - ELECTRICAL

**FIGURE 6-24. LIGHTS - WORK LIGHTS INSTALLATION - HEADBOARD (BUCKET REST)**

ITEM	PART NUMBER	QTY	DESCRIPTION	REV
	1001176427	Ref	LED WORK LIGHTS BRACKET HEADBOARD INSTALLATION	B
1	1001176337	2	Lamp, LED Work Light 10V-30V <b>(Prior to SN 0220026465)</b>	
1	1001273634	2	Lamp, LED Work Light 10V-30V <b>(SN 0220026465 to Present)</b>	
2	7552000360	1	Harness, Deck Work Light	
2	4460742	3	Plug, Male - 2 Position	
2	4461157	2	Receptacle, Female - 2 Postion	
2	4460457	8	Terminal	
2	8220081	6	Seal	
2	4460748	2	Plug, Cavity	
3	5526000553	4	Tie-Strap (Not Shown)	

**SECTION 6 - ELECTRICAL**

**FIGURE 6-25. LIGHTS - WORK LIGHTS INSTALLATION - HEADBOARD (SRS)**



ART\_1001176429

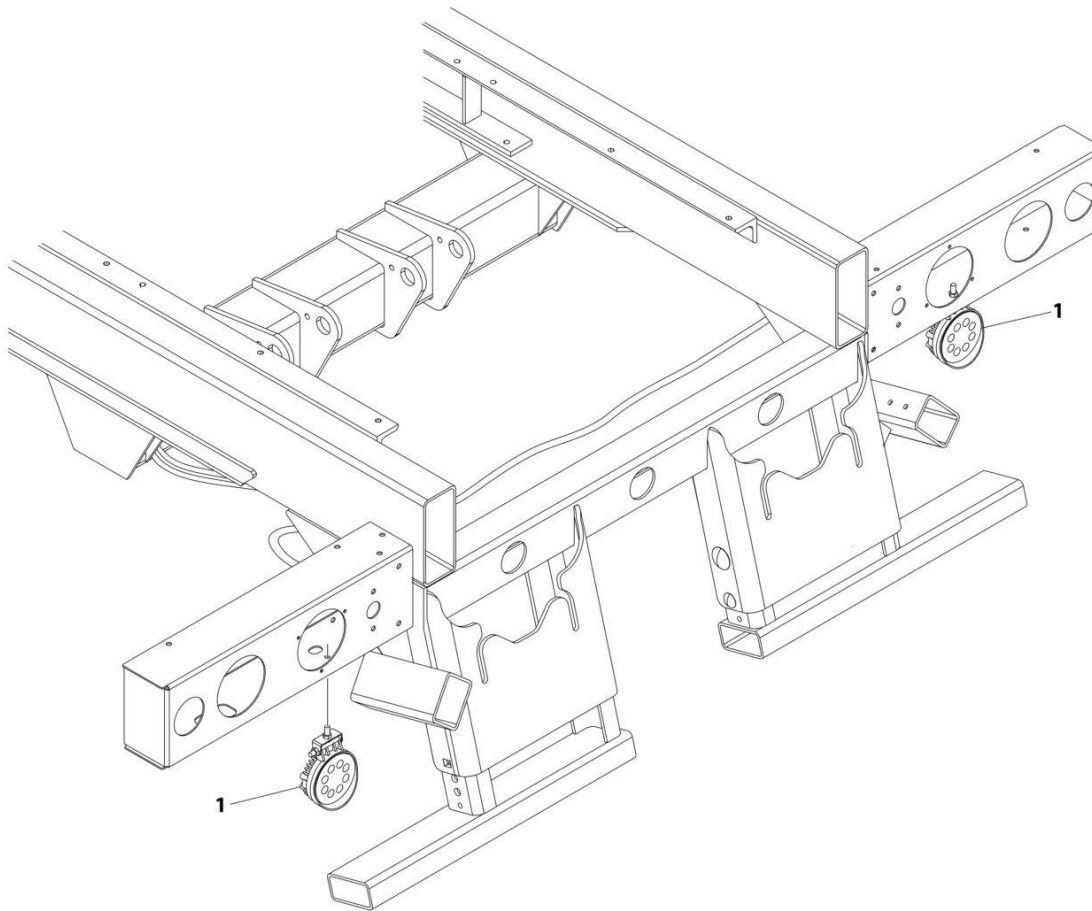
## SECTION 6 - ELECTRICAL

**FIGURE 6-25. LIGHTS - WORK LIGHTS INSTALLATION - HEADBOARD (SRS)**

ITEM	PART NUMBER	QTY	DESCRIPTION	REV
	1001176429	Ref	LED WORK LIGHTS HEADBOARD INSTALLATION - SRS	B
1	1001176337	2	Lamp, LED Work Light 10V-30V <b>(Prior to SN 0220026465)</b>	
1	1001273634	2	Lamp, LED Work Light 10V-30V <b>(SN 0220026465 to Present)</b>	
2	7280000011	6	Clip	
3	7552000397	1	Harness, Deck Work Light (Not Shown)	
3	4460742	2	Plug, Male - 2 Position	
3	4460457	4	Terminal	
4	7950150161	2	Washer 5/16	

# SECTION 6 - ELECTRICAL

## FIGURE 6-26. LIGHTS - WORKLIGHTS INSTALLATION (REAR)



ART\_1001176430



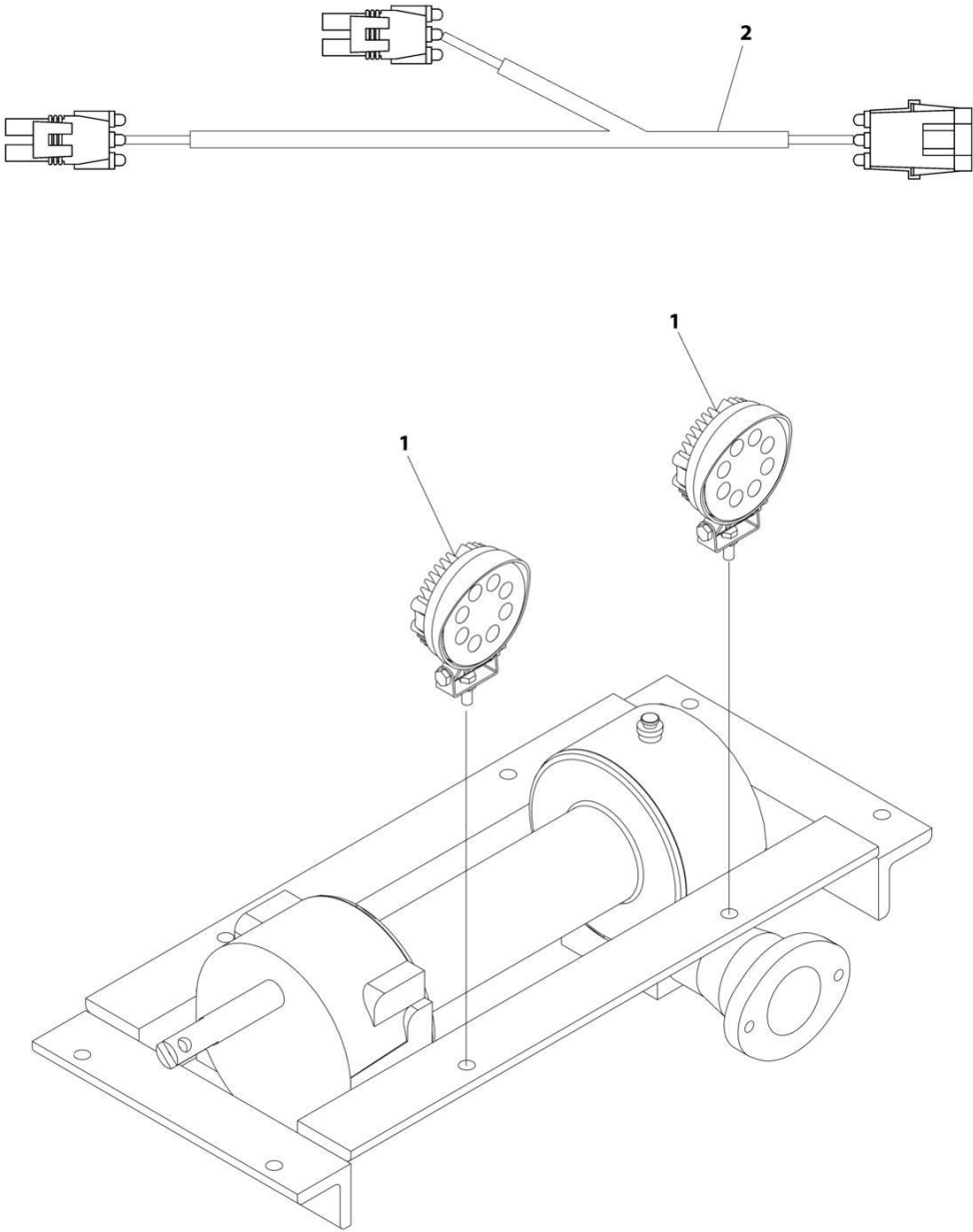
## SECTION 6 - ELECTRICAL

**FIGURE 6-26. LIGHTS - WORKLIGHTS INSTALLATION (REAR)**

ITEM	PART NUMBER	QTY	DESCRIPTION	REV
	1001176430	Ref	LED WORK LIGHTS REAR INSTALLATION	B
1	1001176337	2	Lamp, LED Work Light 10V-30V <b>(Prior to SN 0220026465)</b>	
1	1001273634	2	Lamp, LED Work Light 10V-30V <b>(SN 0220026465 to Present)</b>	

**SECTION 6 - ELECTRICAL**

**FIGURE 6-27. LIGHTS - WORKLIGHTS INSTALLATION (WINCH)**



ART\_1001176431

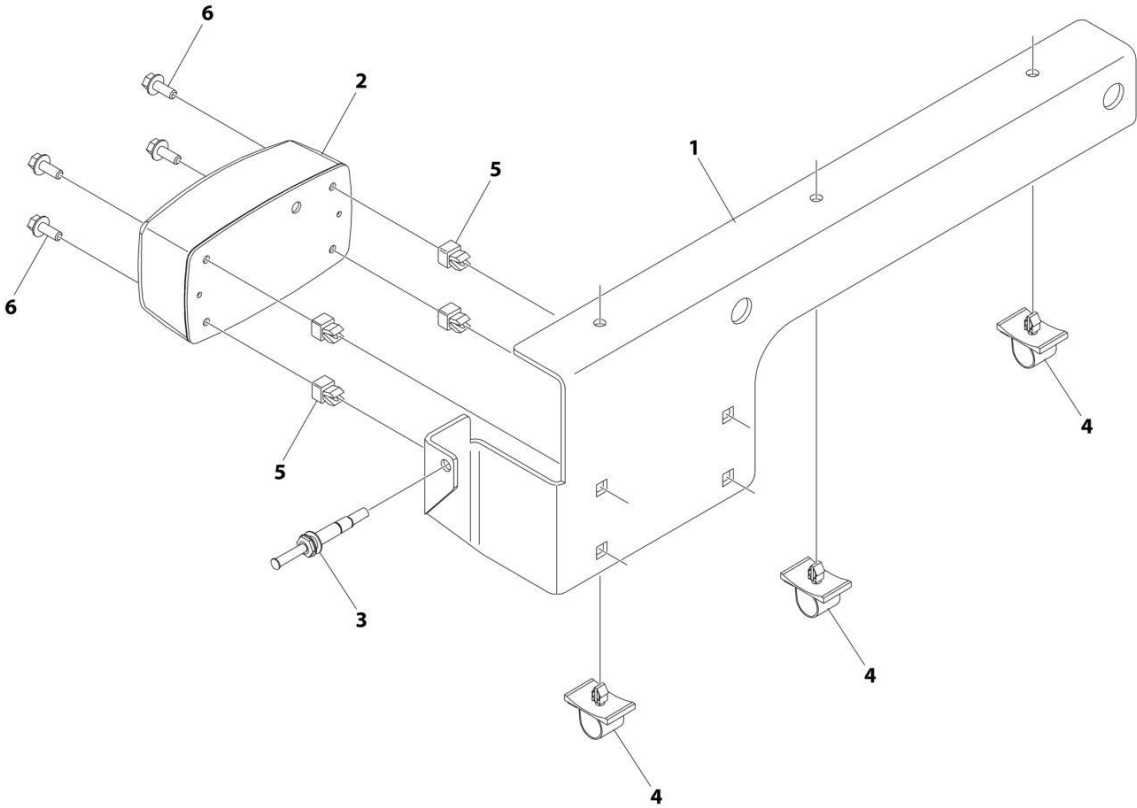
## SECTION 6 - ELECTRICAL

**FIGURE 6-27. LIGHTS - WORKLIGHTS INSTALLATION (WINCH)**

ITEM	PART NUMBER	QTY	DESCRIPTION	REV
	1001176431	Ref	LED WORK LIGHTS WINCH INSTALLATION	C
1	1001176337	2	Lamp, LED Work Light 10V-30V <b>(Prior to SN 0220026465)</b>	
1	1001273634	2	Lamp, LED Work Light 10V-30V <b>(SN 0220026465 to Present)</b>	
2	7552000166	1	Harness, Deck Work Light	
2	4460742	2	Plug, Male - 2 Position	
2	4461157	1	Receptacle, Female - 2 Position	
2	4460457	6	Terminal	
2	8220081	6	Seal	
3	5526000553	4	Tie-Strap (Not Shown)	

**SECTION 6 - ELECTRICAL**

**FIGURE 6-28. LIGHT BRACKET ASSEMBLY - TOOLBOX**



ART\_3178000437

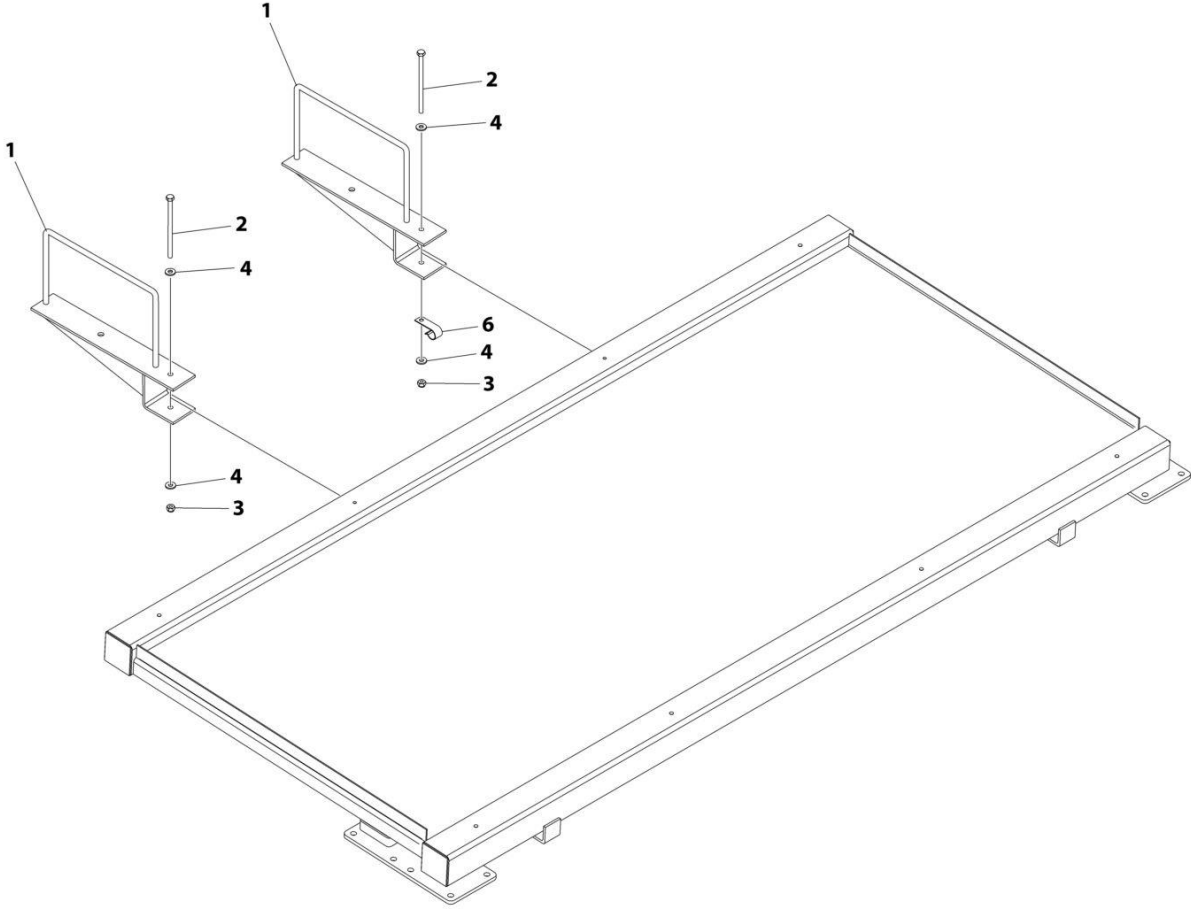
## SECTION 6 - ELECTRICAL

**FIGURE 6-28. LIGHT BRACKET ASSEMBLY - TOOLBOX**

ITEM	PART NUMBER	QTY	DESCRIPTION	REV
	3178000437	Ref	Toolbox Light Bracket Assembly	0
1	4178000578	1	Bracket	
2	7590000273	1	Light Dome Lamp	
3	7870000115	1	Switch	
4	7280000007	3	Clip	
5	7661000047	4	Nut #10 x 1/8	
6	7790100856	4	Screw #10 x 1/2	

# SECTION 6 - ELECTRICAL

FIGURE 6-29. LIGHT MOUNTING BAR IINSTALLATION (BUCKET REST)



ART\_1001141894

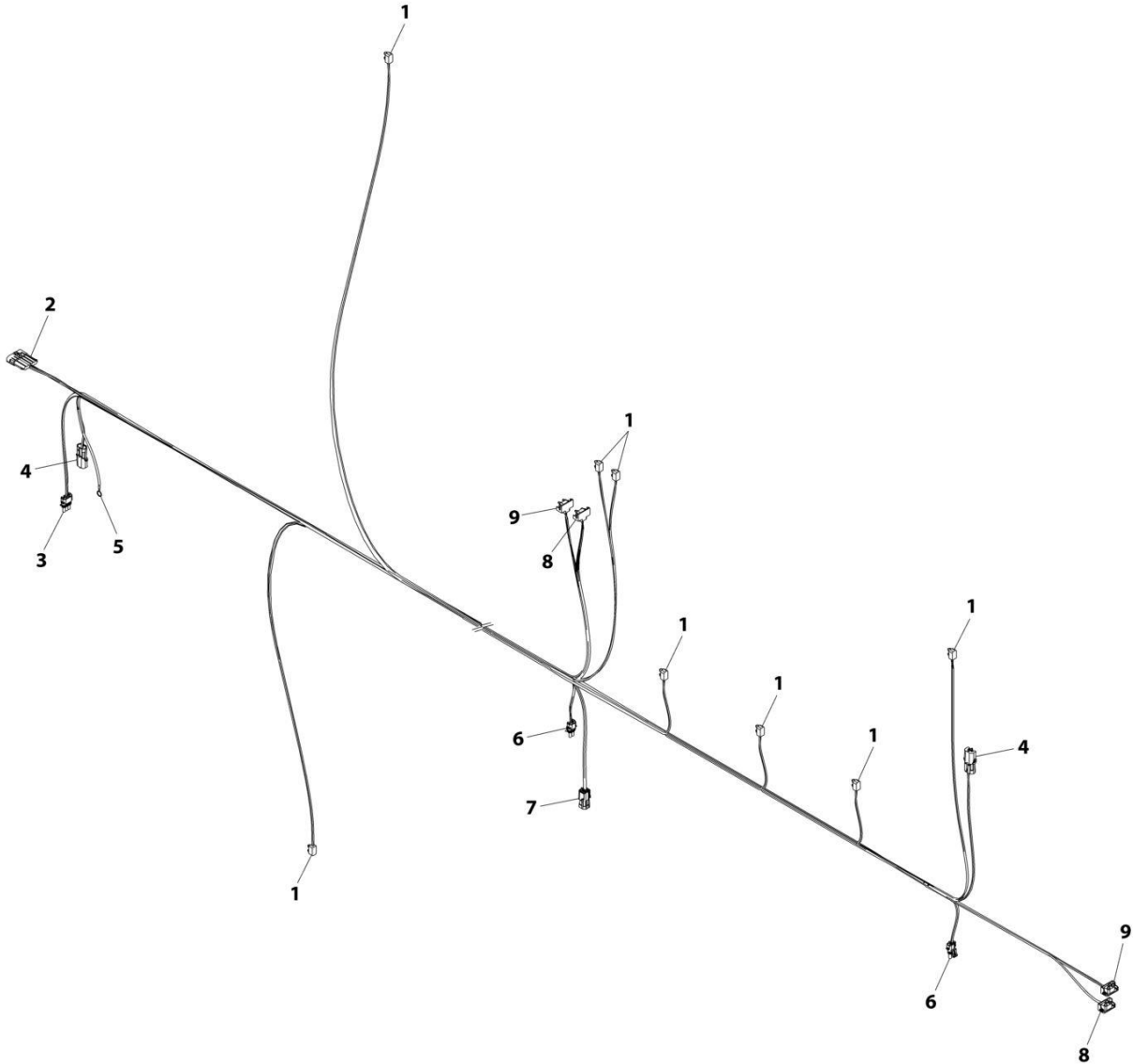
## SECTION 6 - ELECTRICAL

**FIGURE 6-29. LIGHT MOUNTING BAR IINSTALLATION (BUCKET REST)**

ITEM	PART NUMBER	QTY	DESCRIPTION	REV
	1001141894	Ref	LIGHT MOUNTING BRACKET INSTALLATION	A
1	1001141889	2	Light Bar Bracket	
2	0641436	2	Bolt 1/4 x 4-1/2	
3	7660142601	2	Nut 1/4	
4	7950140143	4	Washer 1/4	
5	7660142601	2	Nut 1/2 (Not Shown)	
6	7280000019	1	Clip	

**SECTION 6 - ELECTRICAL**

**FIGURE 6-30. SUBFRAME HARNESS**



ART\_1001173952



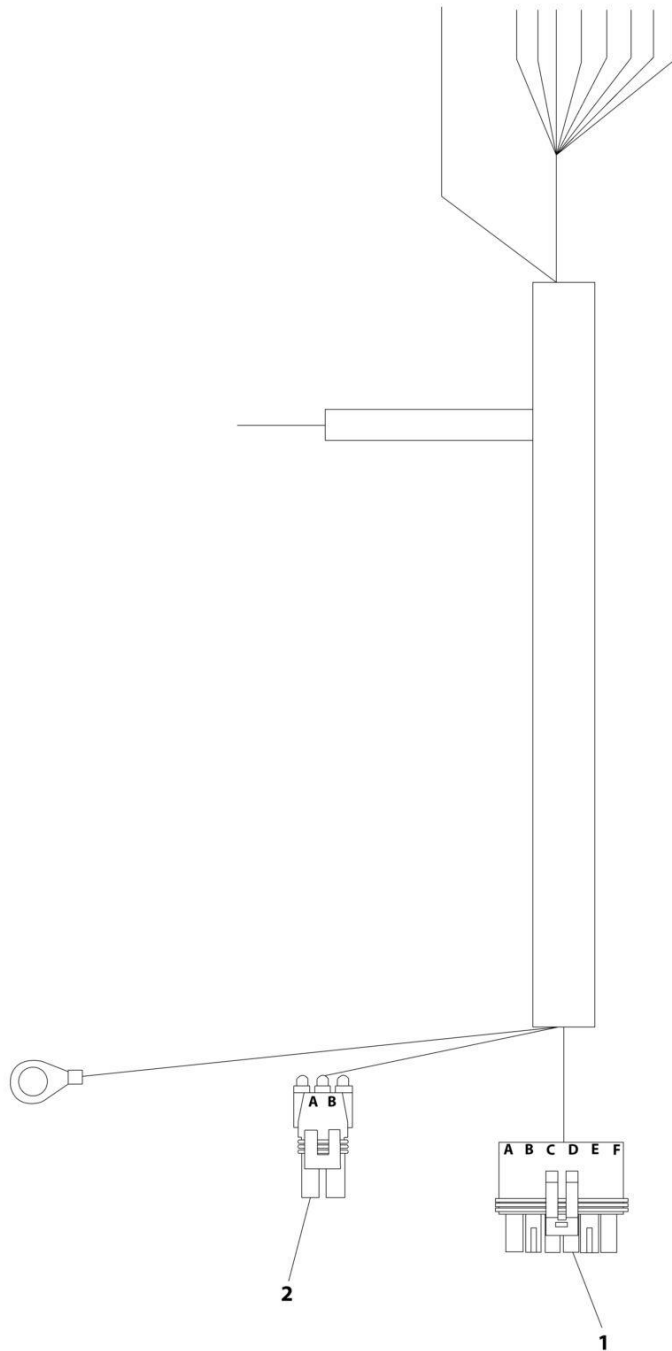
## SECTION 6 - ELECTRICAL

### FIGURE 6-30. SUBFRAME HARNESS

ITEM	PART NUMBER	QTY	DESCRIPTION	REV
	1001173952	Ref	SUBFRAME HARNESS	C
1	1001275791	8	Connector & Lead Wire - 2 Position (Marker Lights)	
2	1001121727	1	Connector - 5 Position	
2	1001116729	5	Terminal	
2	1001190037	5	Seal	
3	4460459	1	Plug, Male - 3 Position	
3	4460457	3	Terminal	
3	1001190037	3	Seal	
4	4461157	2	Plug, Male - 2 Position	
4	4460457	4	Terminal	
4	1001190037	4	Seal	
5	4460019	1	Terminal, Ring	
6	4460742	2	Plug, Male - 2 Position	
6	4460457	4	Terminal	
7	80963062	1	Plug, Male - 4 Position	
7	4460457	4	Terminal	
7	1001190037	4	Seal	
8	1001275792	2	Connector & Lead Wire - 2 Position (Stop/Turn/Taillights)	
9	1001275793	2	Connector & Lead Wire - 2 Position (Stop/Turn/Taillights)	

# SECTION 6 - ELECTRICAL

FIGURE 6-31. SUBFRAME TO CAB HARNESS (BOLT-ON HEADBOARD)



ART\_7552000074

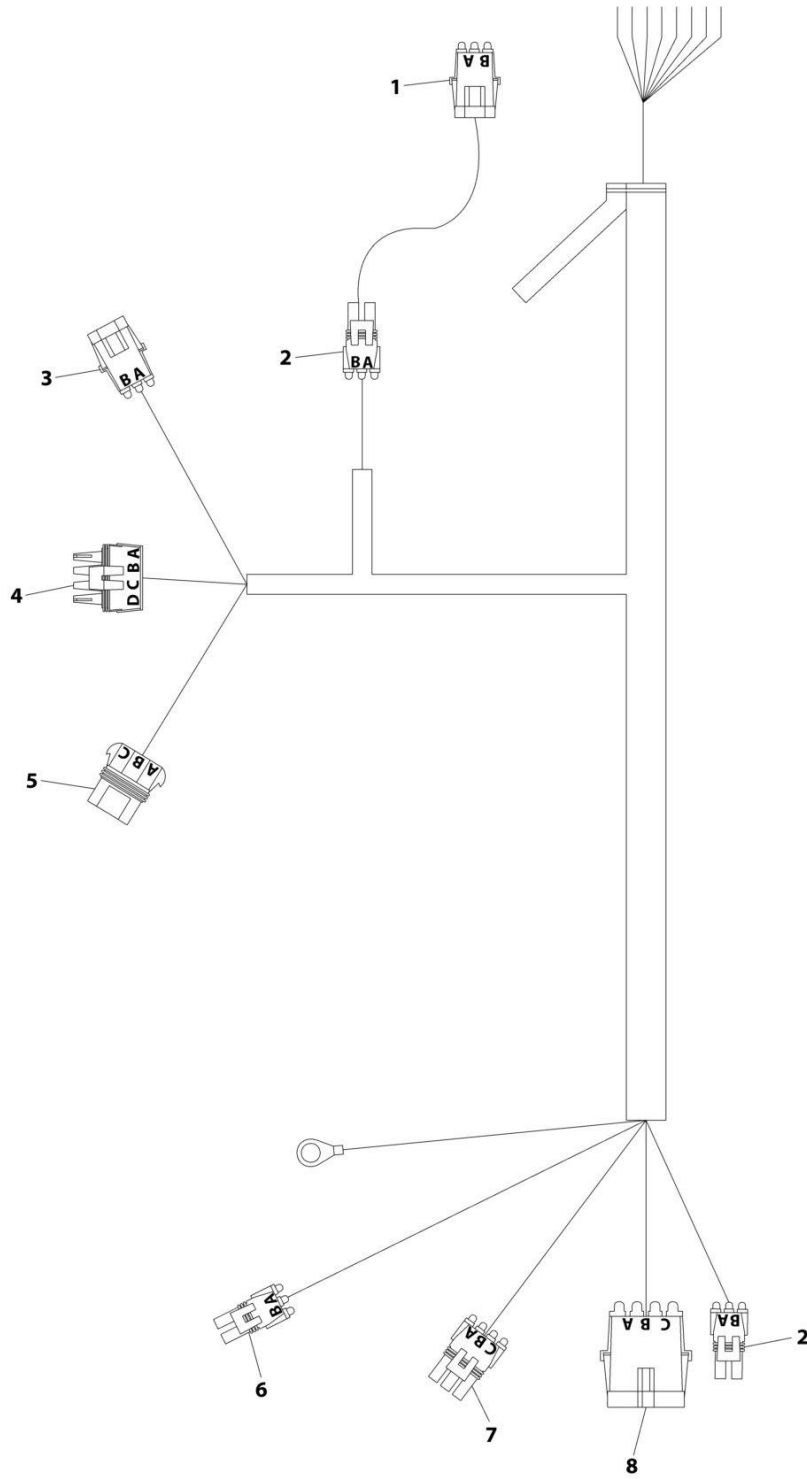
## SECTION 6 - ELECTRICAL

**FIGURE 6-31. SUBFRAME TO CAB HARNESS (BOLT-ON HEADBOARD)**

ITEM	PART NUMBER	QTY	DESCRIPTION	REV
	7552000074	Ref	SUBFRAME TO CAB HARNESS	4
1	4460461	1	Plug, Male - 6 Position	
1	4460790	5	Socket, Female	
1	NPN	6	Seal	
1	1001116727	1	Plug, Terminal	
2	4460742	1	Plug, Male - 2 Position	
2	4460457	2	Terminal	
2	NPN	2	Seal	

# SECTION 6 - ELECTRICAL

## FIGURE 6-32. SUBFRAME TO CAB HARNESS (STATIONARY HEADBOARD)



ART\_1001260060

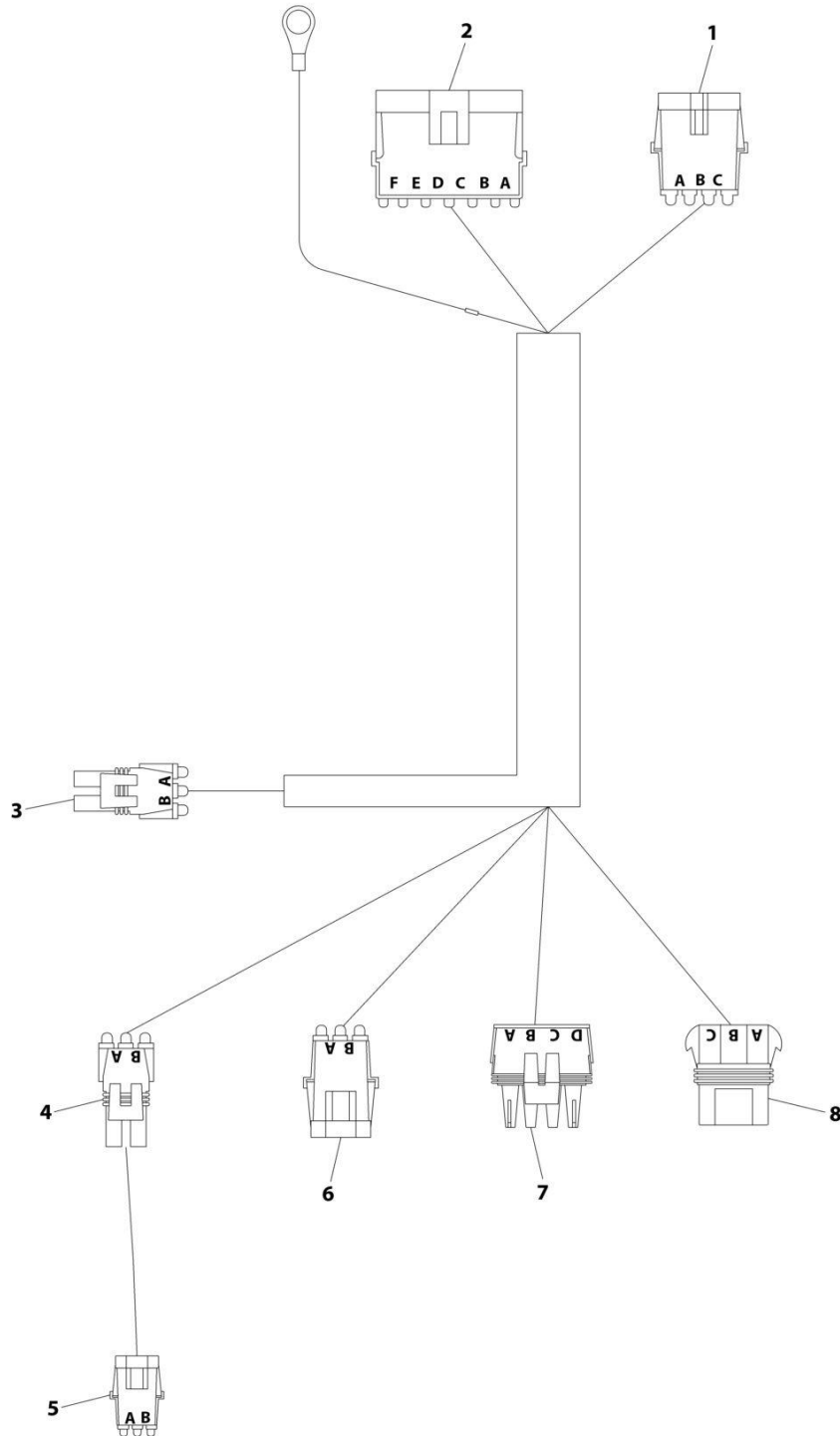
## SECTION 6 - ELECTRICAL

**FIGURE 6-32. SUBFRAME TO CAB HARNESS (STATIONARY HEADBOARD)**

ITEM	PART NUMBER	QTY	DESCRIPTION	REV
	1001260060	Ref	SUBFRAME TO CAB HARNESS	A
1	4460867	1	Receptacle, Female - 2 Position	
1	1001116727	2	Plug, Terminal	
2	4460742	2	Plug, Male - 2 Position	
2	4460457	4	Terminal	
2	NPN	4	Seal	
2	80963064	1	Connector - 6 Position	
2	4460850	5	Terminal	
2	NPN	3	Seal	
2	1001116727	1	Plug, Terminal	
3	4460867	1	Receptacle, Female - 2 Position	
3	4460850	2	Terminal	
3	NPN	2	Seal	
4	4460460	1	Receptacle, Female - 4 Position	
4	4460790	4	Terminal	
4	NPN	4	Seal	
5	8220935	1	Connector - 3 Position	
5	7346000108	1	Lock	
5	8220099	3	Terminal	
5	NPN	2	Seal	
5	NPN	1	Seal	
6	4460742	1	Plug, Male - 2 Position	
6	4460790	2	Terminal	
6	NPN	2	Seal	
7	4460459	1	Plug, Male - 3 Position	
7	4460743	2	Socket, Female	
7	1001116727	1	Plug, Terminal	
7	NPN	3	Seal	
8	4460476	1	Receptacle, Female - 3 Position	
8	4460850	3	Terminal	
8	NPN	3	Seal	

# SECTION 6 - ELECTRICAL

## FIGURE 6-33. SUBFRAME TO DECK HARNESS (BOLT-ON HEADBOARD)



ART\_1001260349

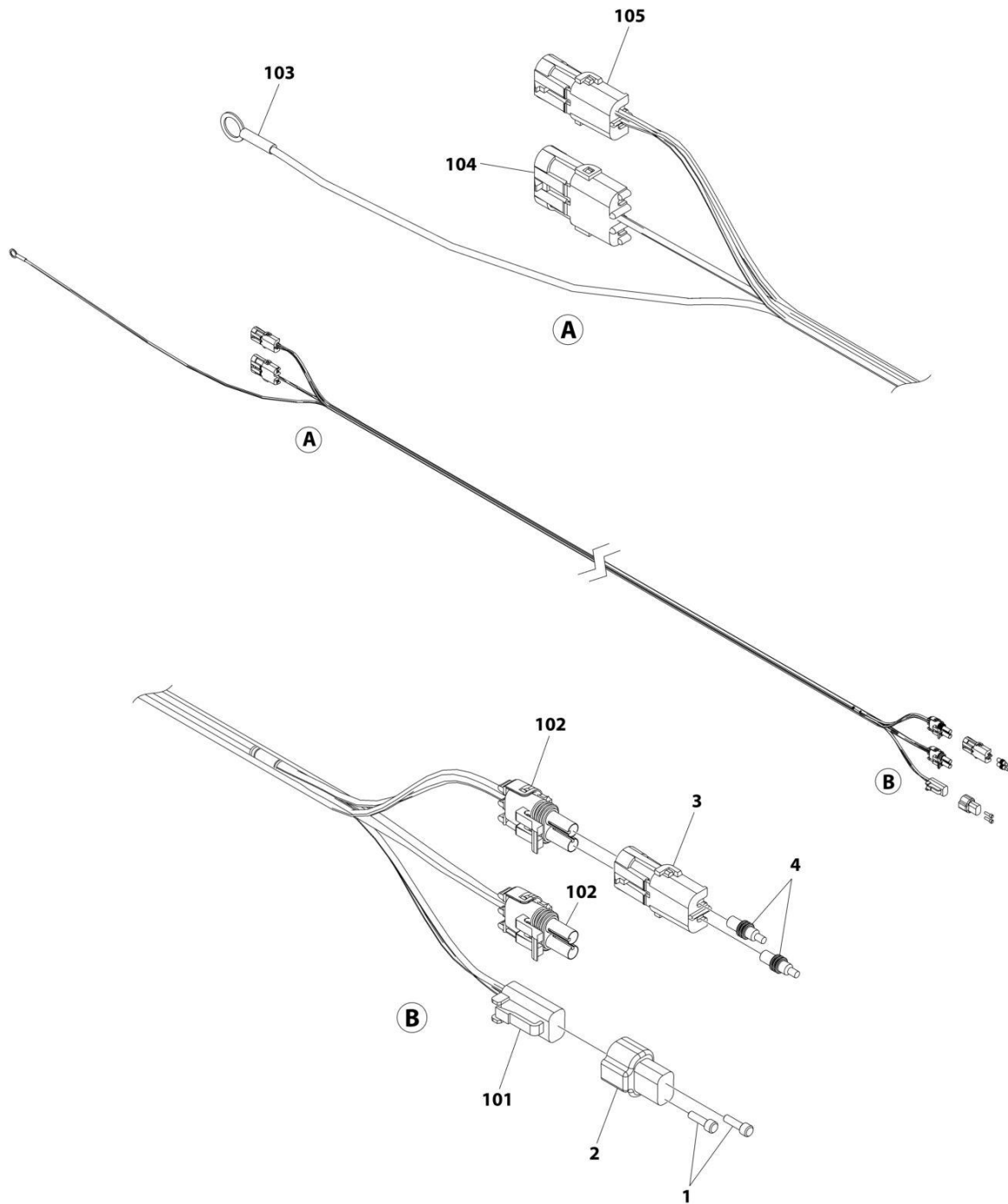
## SECTION 6 - ELECTRICAL

**FIGURE 6-33. SUBFRAME TO DECK HARNESS (BOLT-ON HEADBOARD)**

ITEM	PART NUMBER	QTY	DESCRIPTION	REV
	1001260349	Ref	SUBFRAME TO DECK HARNESS	A
1	4460476	1	Connector - 3 Position	
1	4460850	3	Terminal	
1	NPN	3	Seal	
2	80963064	1	Connector - 6 Position	
2	4460850	5	Terminal	
2	NPN	3	Seal	
2	1001116727	1	Plug, Terminal	
3	4460742	1	Plug, Male - 2 Position	
3	4460457	2	Terminal	
3	NPN	2	Seal	
4	4460742	1	Plug, Male - 2 Position	
4	4460790	2	Terminal	
4	NPN	2	Seal	
5	4460867	1	Receptacle, Female - 2 Position	
5	1001116727	2	Plug, Terminal	
6	4460867	1	Receptacle, Female - 2 Position	
6	4460850	2	Terminal	
6	NPN	2	Seal	
7	4460460	1	Plug, Male - 4 Position	
7	4460790	4	Terminal	
7	NPN	4	Seal	
8	8220935	1	Connector - 3 Position	
8	7346000108	1	Lock	
8	8220099	3	Terminal	
8	NPN	2	Seal	
8	NPN	1	Seal	

# SECTION 6 - ELECTRICAL

## FIGURE 6-34. SUBFRAME TO DECK HARNESS (STATIONARY HEADBOARD)



ART\_1001152350



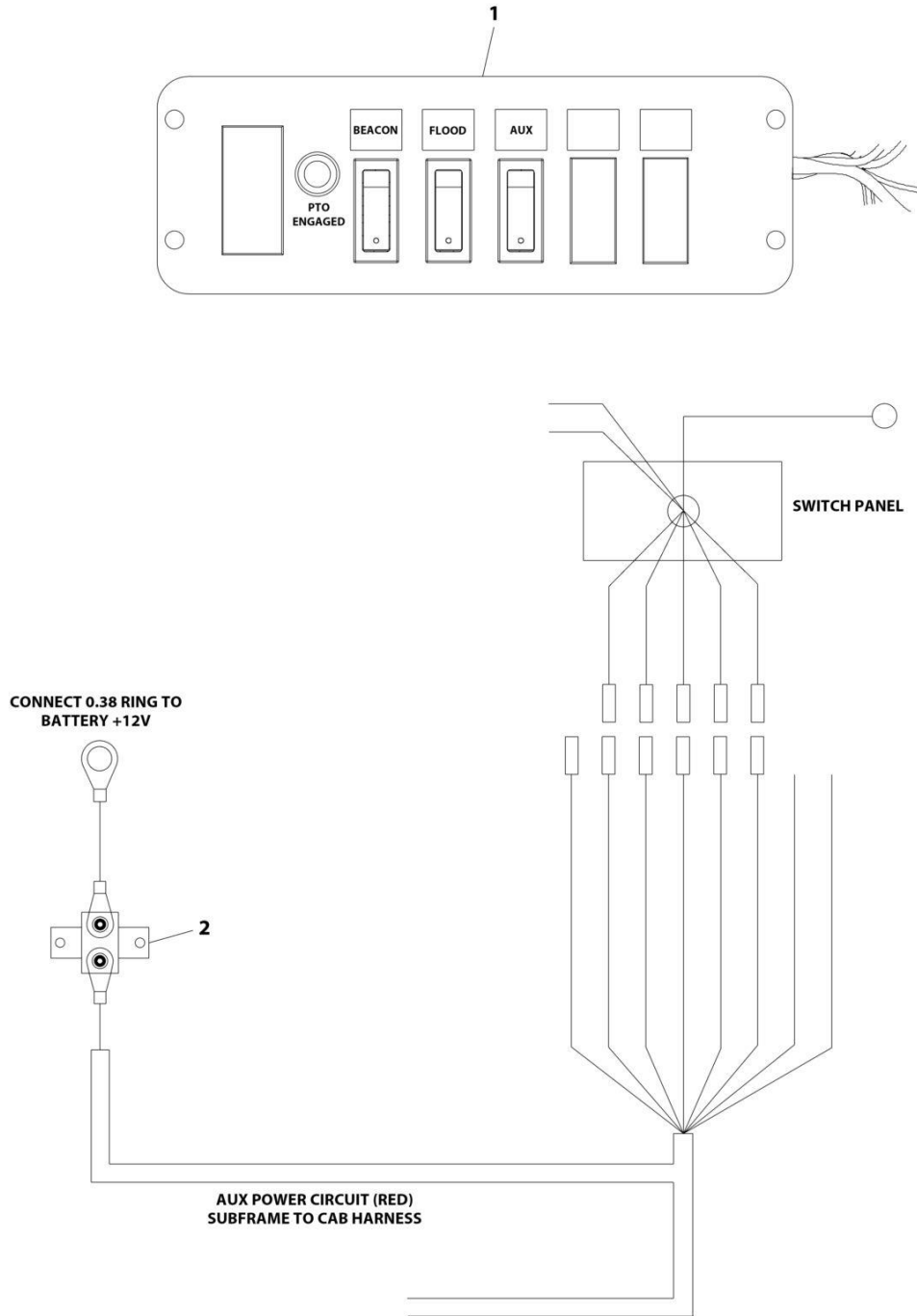
## SECTION 6 - ELECTRICAL

**FIGURE 6-34. SUBFRAME TO DECK HARNESS (STATIONARY HEADBOARD)**

ITEM	PART NUMBER	QTY	DESCRIPTION	REV
	1001152350	Ref	SUBFRAME TO DECK HARNESS	C
1	4460466	2	Plug, Terminal	
2	4460897	1	Receptacle, Female - 2 Position	
3	4461157	1	Receptacle, Female - 2 Position	
4	1001116727	2	Plug, Terminal	
101	4460891	1	Plug, Male - 2 Position	
101	4460942	2	Socket, Female	
102	4460742	2	Plug, Male - 2 Position	
102	4460457	4	Terminal	
103	4460256	1	Terminal, Ring	
104	4460476	1	Receptacle, Female - 3 Position	
104	4460850	1	Terminal	
104	1001116727	2	Plug, Terminal	
105	4461157	1	Plug, Male - 2 Position	
105	4460850	2	Terminal	
105	8220089	2	Seal	

# SECTION 6 - ELECTRICAL

## FIGURE 6-35. SWITCH PANEL INSTALLATION - 3 FUNCTION (IN-DASH COMPACT)



ART\_1001262046

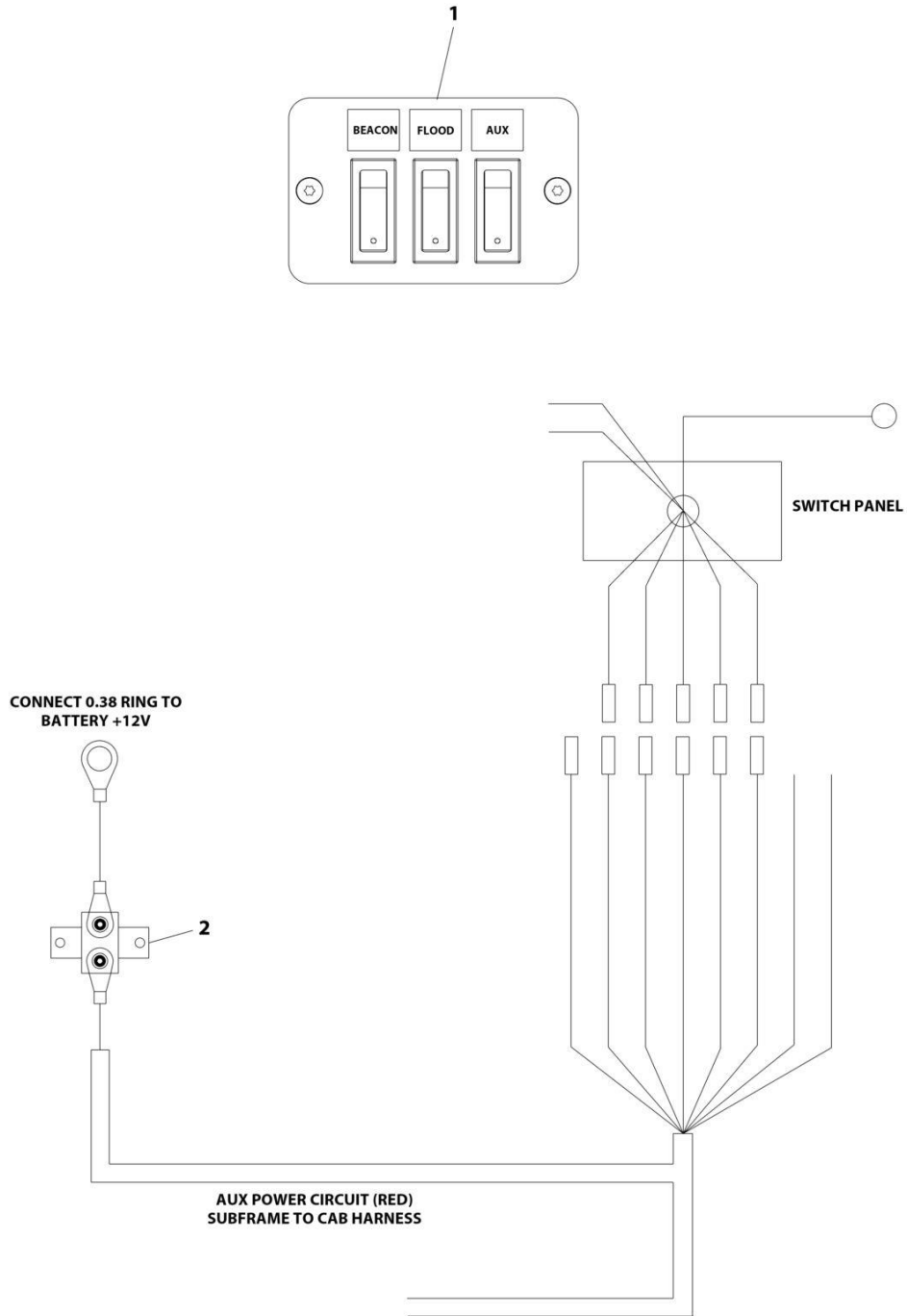
## SECTION 6 - ELECTRICAL

**FIGURE 6-35. SWITCH PANEL INSTALLATION - 3 FUNCTION (IN-DASH COMPACT)**

ITEM	PART NUMBER	QTY	DESCRIPTION	REV
1	1001262046	Ref	3 FUNCTION IN-DASH COMPACT SWITCH PANEL	A
	1001261002	1	3 Function In-Dash Compact Installation (See Separate Breakdown in this Section)	
2	1001129883	1	Breaker Installation (See Separate Breakdown in this Section)	

# SECTION 6 - ELECTRICAL

## FIGURE 6-36. SWITCH PANEL INSTALLATION - 3 FUNCTION (IN-DASH MINI)



ART\_1001262045

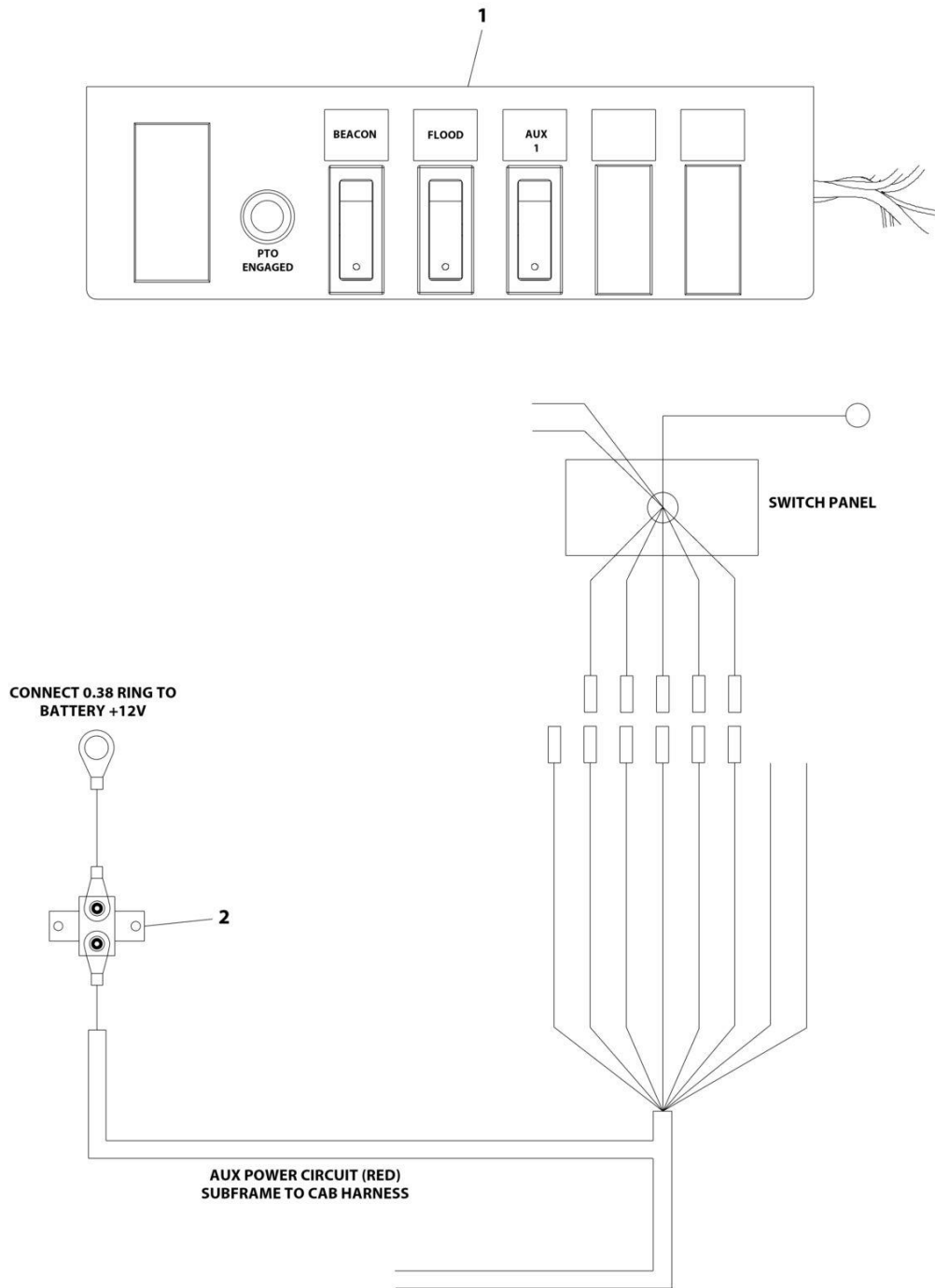
## SECTION 6 - ELECTRICAL

**FIGURE 6-36. SWITCH PANEL INSTALLATION - 3 FUNCTION (IN-DASH MINI)**

ITEM	PART NUMBER	QTY	DESCRIPTION	REV
	1001262045	Ref	3 FUNCTION IN-DASH MINI SWITCH PANEL	A
1	1001260898	1	3 Function In-Dash Mini Installation	
2	1001129883	1	Breaker Installation (See Separate Breakdown in this Section)	

# SECTION 6 - ELECTRICAL

## FIGURE 6-37. SWITCH PANEL INSTALLATION - 3 FUNCTION (UNDER-DASH COMPACT)



ART\_1001262048

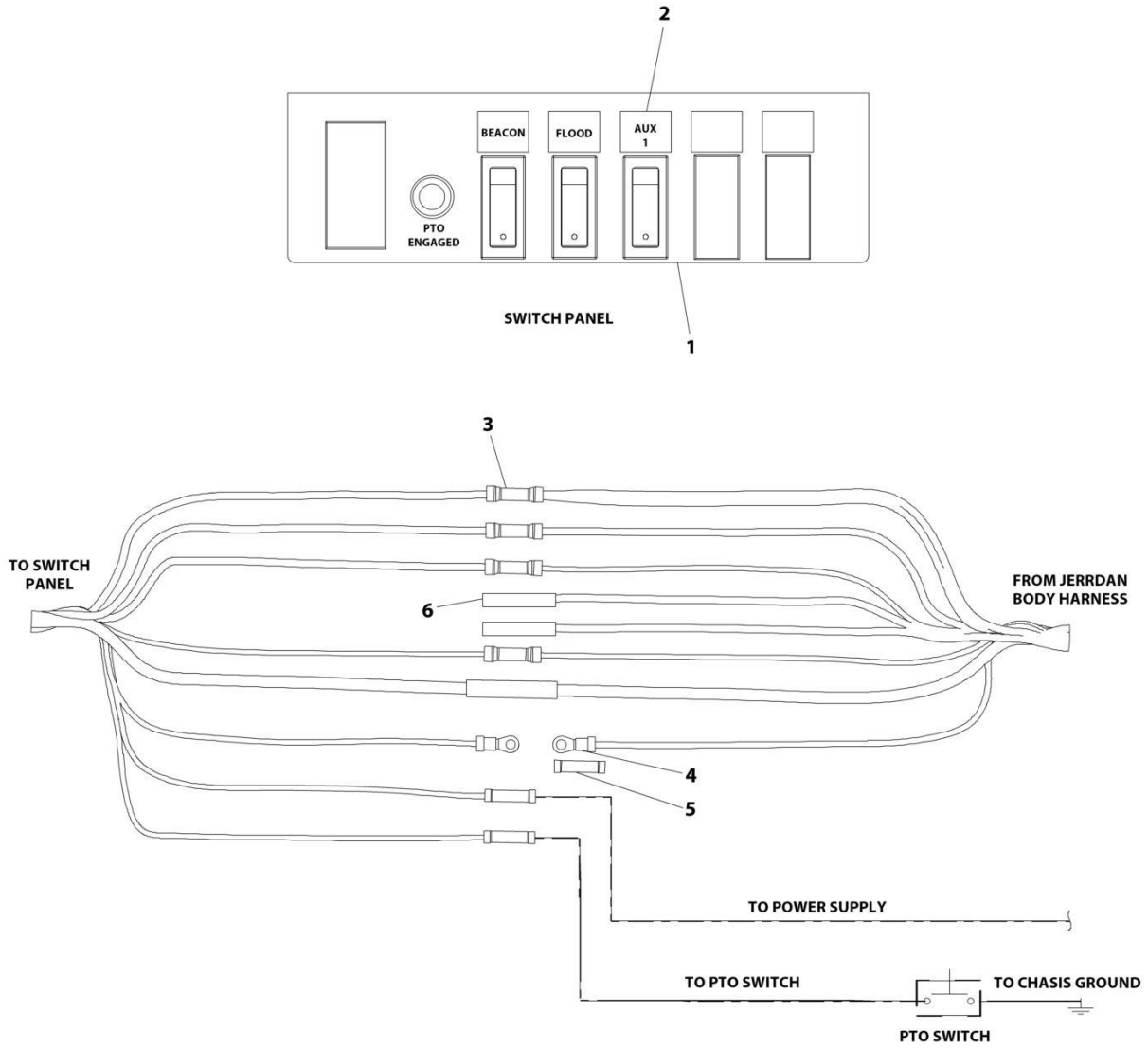
## SECTION 6 - ELECTRICAL

**FIGURE 6-37. SWITCH PANEL INSTALLATION - 3 FUNCTION (UNDER-DASH COMPACT)**

ITEM	PART NUMBER	QTY	DESCRIPTION	REV
1	1001262048	Ref	3 FUNCTION UNDER-DASH COMPACT SWITCH PANEL	A
	1001261004	1	3 Function Under-Dash Compact Switch Installation (See Separate Breakdown in this Section)	
2	1001129883	1	Breaker Installation (See Separate Breakdown in this Section)	

# SECTION 6 - ELECTRICAL

## FIGURE 6-38. SWITCH PANEL ASSEMBLY - 3 FUNCTION (UNDER-DASH COMPACT)



ART\_1001261004



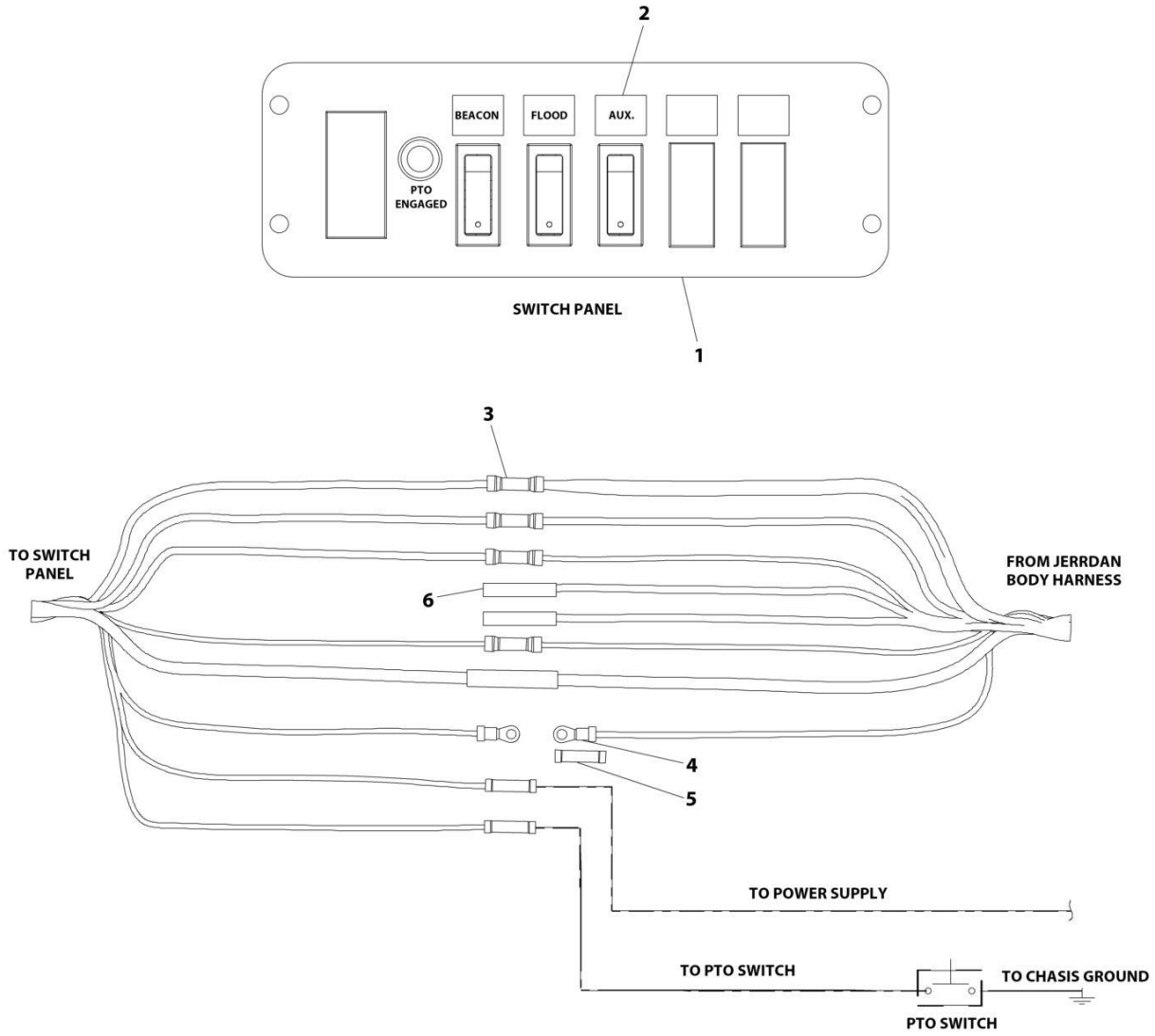
## SECTION 6 - ELECTRICAL

**FIGURE 6-38. SWITCH PANEL ASSEMBLY - 3 FUNCTION (UNDER-DASH COMPACT)**

ITEM	PART NUMBER	QTY	DESCRIPTION	REV
	1001261004	Ref	3 FUNCTION UNDER-DASH COMPACT INSTALLATION	B
1	7870000134	1	Switch Panel	
2	7330000288	1	Decal	
3	4460018	4	Connector	
4	4460042	1	Terminal, Ring	
5	4460035	1	Connector	
6	4346000005	2	Heat Shrink	

# SECTION 6 - ELECTRICAL

## FIGURE 6-39. SWITCH PANEL ASSEMBLY - 3 FUNCTION (IN-DASH COMPACT)



ART\_1001261002

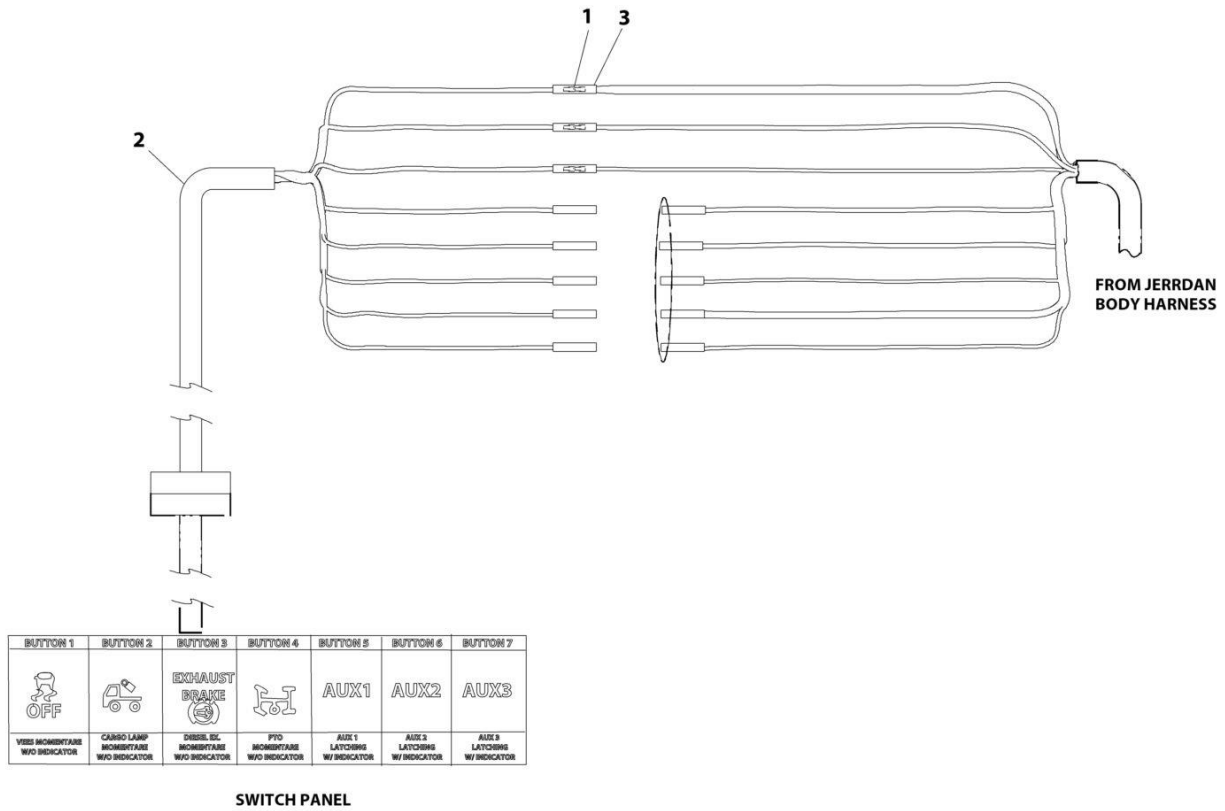
## SECTION 6 - ELECTRICAL

**FIGURE 6-39. SWITCH PANEL ASSEMBLY - 3 FUNCTION (IN-DASH COMPACT)**

ITEM	PART NUMBER	QTY	DESCRIPTION	REV
	1001261002	Ref	3 FUNCTION IN-DASH COMPACT SWITCH PANEL INSTALLATION	B
1	7870000100	1	Switch Panel	
2	7330000288	1	Decal	
3	4460018	4	Connector	
4	4460042	1	Terminal, Ring	
5	4460035	1	Connector	
6	4346000005	2	Heat Shrink	

# SECTION 6 - ELECTRICAL

FIGURE 6-40. SWITCH PANEL ASSEMBLY - 3 FUNCTION (OEM)



ART\_1001261028

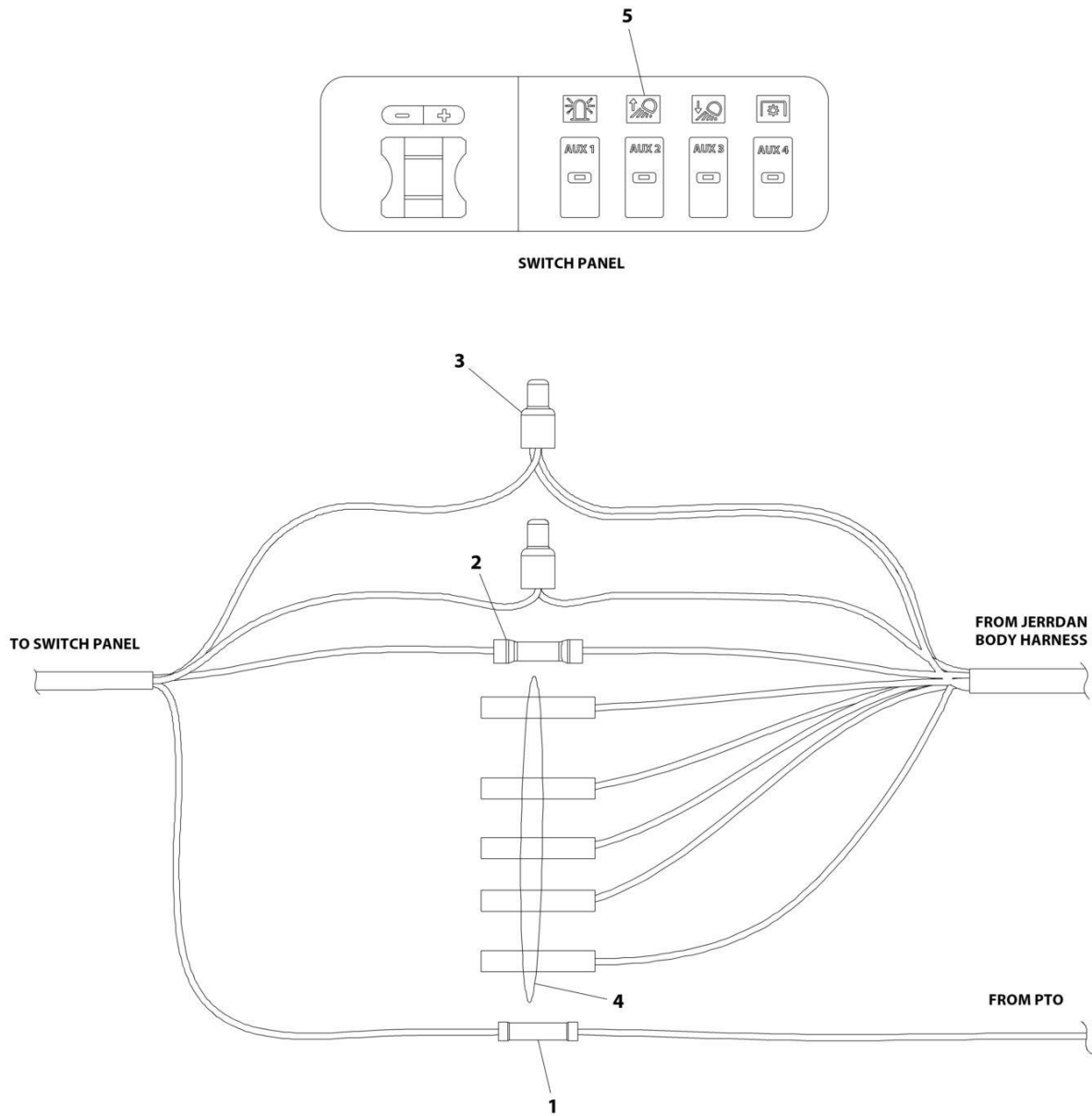
## SECTION 6 - ELECTRICAL

**FIGURE 6-40. SWITCH PANEL ASSEMBLY - 3 FUNCTION (OEM)**

ITEM	PART NUMBER	QTY	DESCRIPTION	REV
	1001261028	Ref	3 FUNCTION SWITCH PANEL, CV515 OEM 2019+	A
1	7345001914	3	Terminal	
2	1001254044	1	Harness	
3	4346000005	8	Heat Shrink, Tubing	

# SECTION 6 - ELECTRICAL

FIGURE 6-41. SWITCH PANEL INSTALLATION - 4 FUNCTION (IN-DASH) (FORD 2008-2016 F550 OEM)



ART\_1001261007

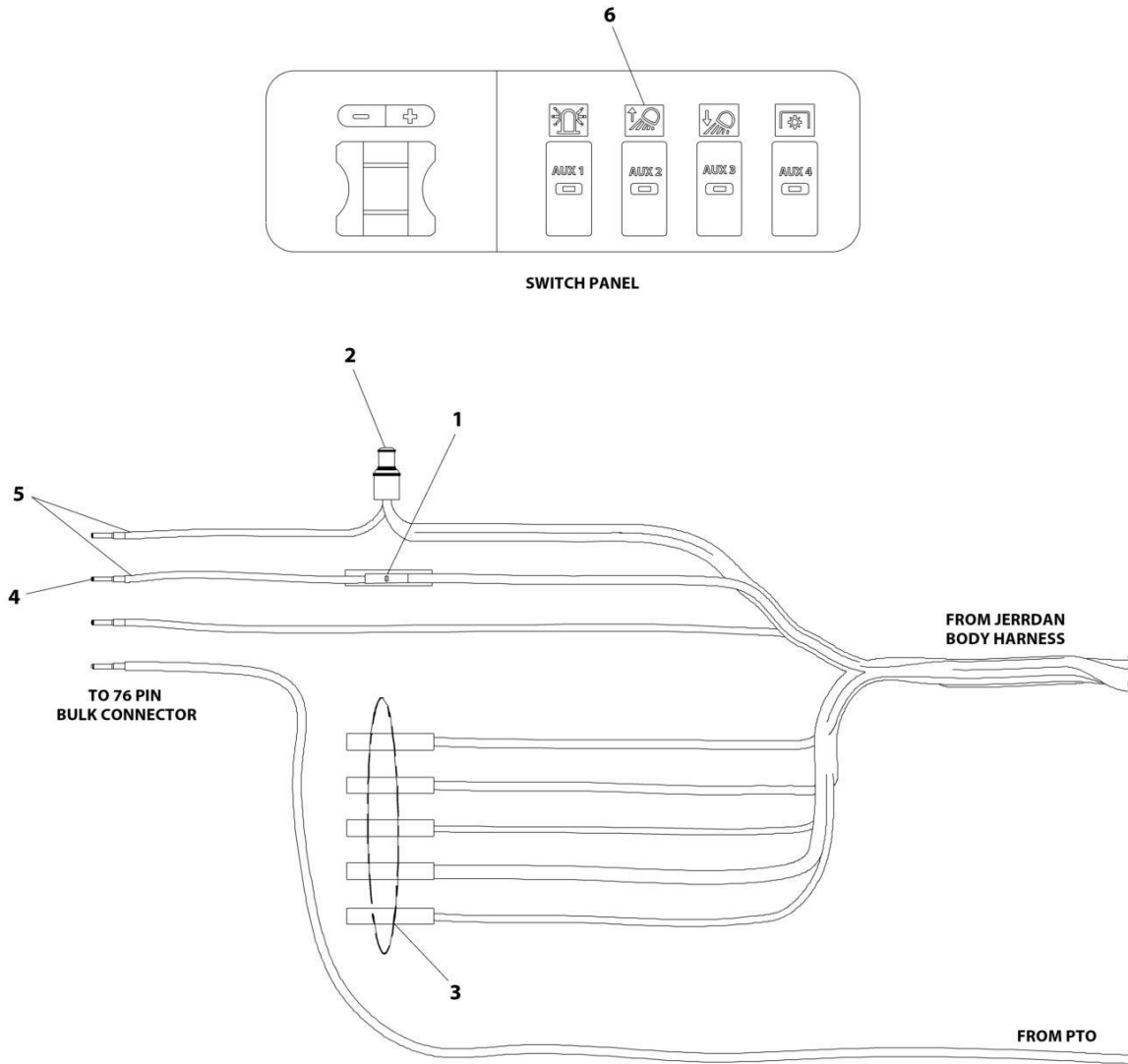
## SECTION 6 - ELECTRICAL

**FIGURE 6-41. SWITCH PANEL INSTALLATION - 4 FUNCTION (IN-DASH) (FORD 2008-2016 F550 OEM)**

ITEM	PART NUMBER	QTY	DESCRIPTION	REV
	1001261007	Ref	4 FUNCTION IN-DASH SWITCH PANEL FORD F550 OEM 2008-2016	A
1	4460035	1	Terminal	
2	4460018	1	Terminal	
3	7346000242	2	Connector	
4	4346000005	5	Heat Shrink, Tubing	
5	1001221375	AR	Decal	

# SECTION 6 - ELECTRICAL

## FIGURE 6-42. SWITCH PANEL INSTALLATION - 4 FUNCTION (IN-DASH) (FORD 2011+ F650/750 OEM)



ART\_1001261008



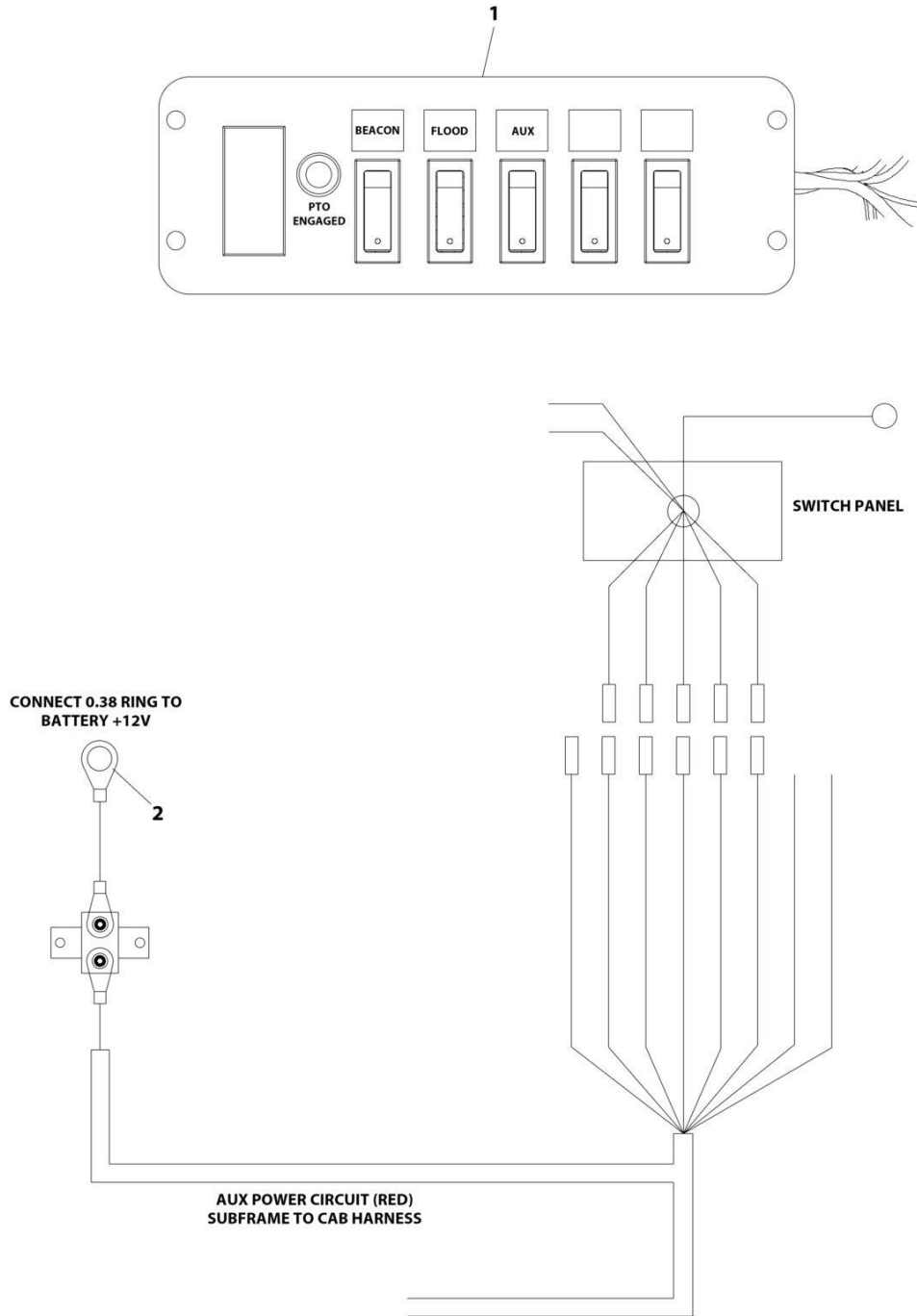
## SECTION 6 - ELECTRICAL

**FIGURE 6-42. SWITCH PANEL INSTALLATION - 4 FUNCTION (IN-DASH) (FORD 2011+ F650/750 OEM)**

ITEM	PART NUMBER	QTY	DESCRIPTION	REV
	1001261008	Ref	4 FUNCTION IN-DASH SWITCH PANEL, FORD F650/750 OEM 2011+	A
1	7345001914	1	Terminal	
2	7346000242	1	Connector	
3	4346000005	7	Heat Shrink, Tubing	
4	1001129095	4	Terminal	
5	7978000020	AR	Wire	
6	1001221375	AR	Decal	

# SECTION 6 - ELECTRICAL

## FIGURE 6-43. SWITCH PANEL INSTALLATION - 5 FUNCTION (IN-DASH COMPACT)



ART\_1001262049

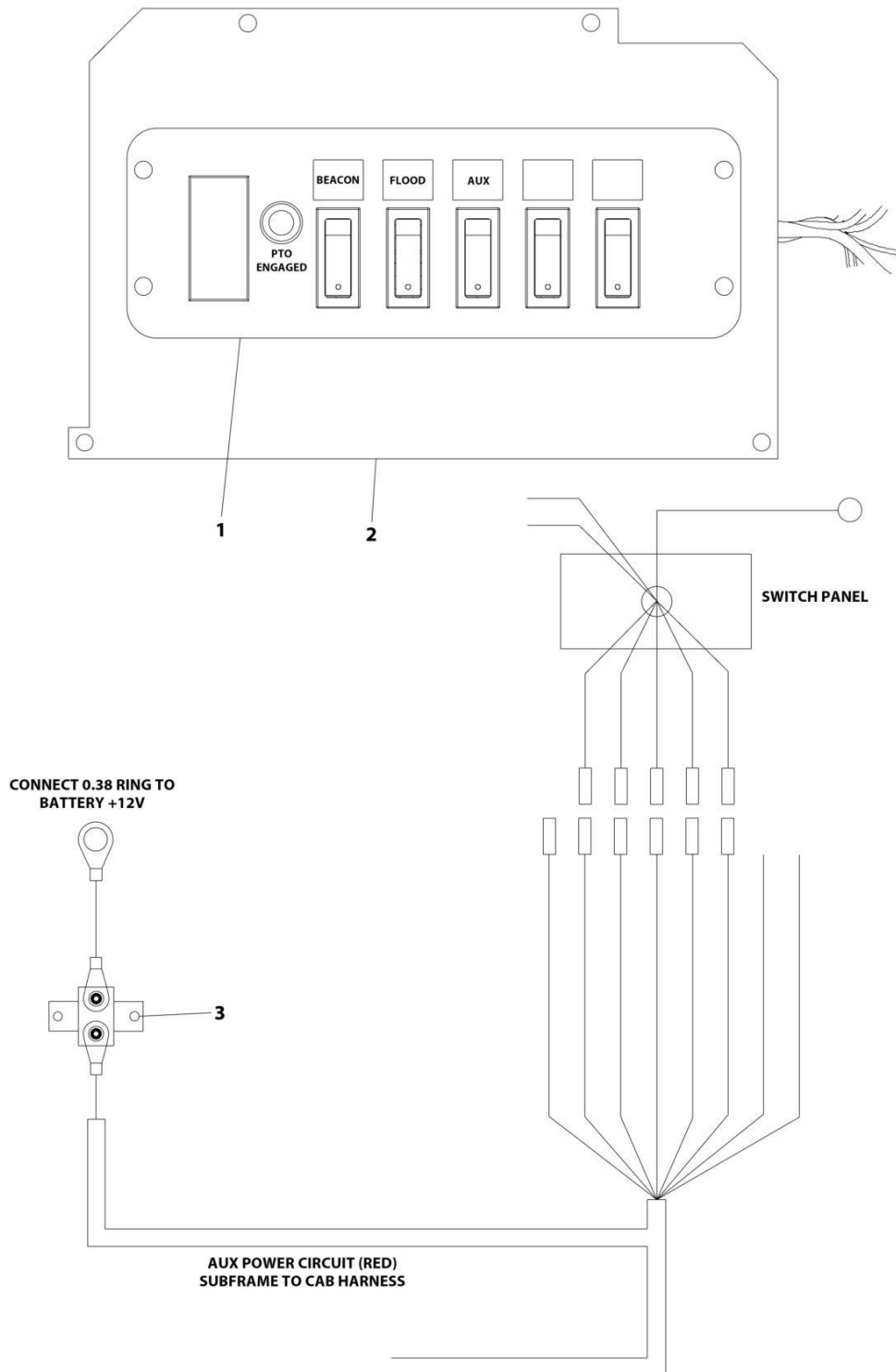
## SECTION 6 - ELECTRICAL

**FIGURE 6-43. SWITCH PANEL INSTALLATION - 5 FUNCTION (IN-DASH COMPACT)**

ITEM	PART NUMBER	QTY	DESCRIPTION	REV
1	1001262049	Ref	5 FUNCTION IN-DASH COMPACT SWITCH PANEL	A
	1001261005	1	5 Function In-Dash Switch Panel Installation (See Separate Breakdown in this Section)	
2	1001129883	1	Breaker Installation (See Separate Breakdown in this Section)	

# SECTION 6 - ELECTRICAL

## FIGURE 6-44. SWITCH PANEL INSTALLATION - 5 FUNCTION (IN-DASH COMPACT) (IHC WITHOUT OEM)



ART\_1001262053

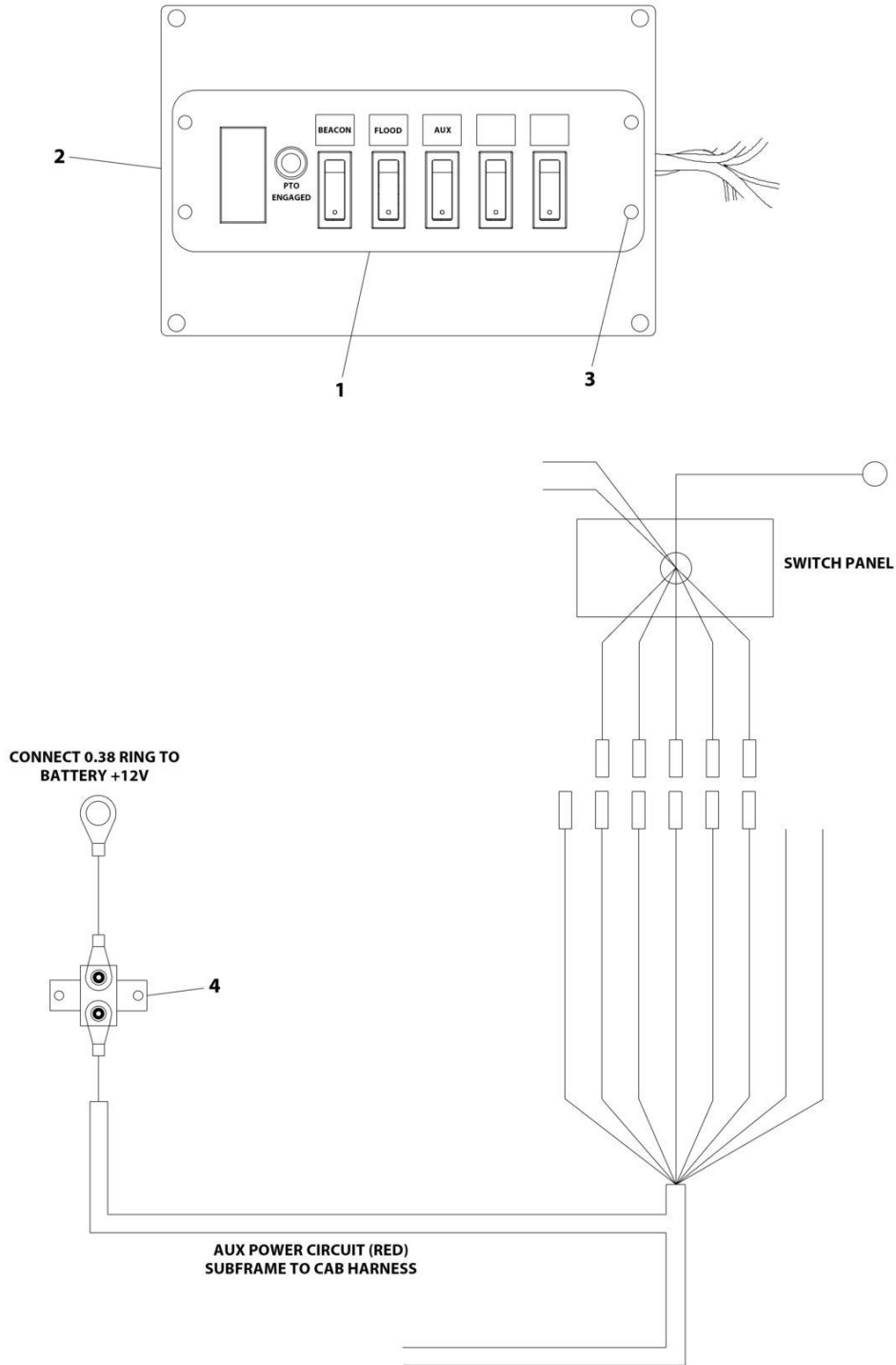
## SECTION 6 - ELECTRICAL

**FIGURE 6-44. SWITCH PANEL INSTALLATION - 5 FUNCTION (IN-DASH COMPACT) (IHC WITHOUT OEM)**

ITEM	PART NUMBER	QTY	DESCRIPTION	REV
	1001262053	Ref	5 FUNCTION IN-DASH SWITCH PANEL, IHC WITHOUT OEM	A
1	1001261005	1	5 Function In-Dash Switch Panel Installation (See Separate Breakdown in this Section)	
2	1001135813	1	Switch Panel	
3	1001129883	1	Breaker Installation (See Separate Breakdown in this Section)	

# SECTION 6 - ELECTRICAL

## FIGURE 6-45. SWITCH PANEL INSTALLATION - 5 FUNCTION (IN-DASH) (PETERBILT)



ART\_1001262052

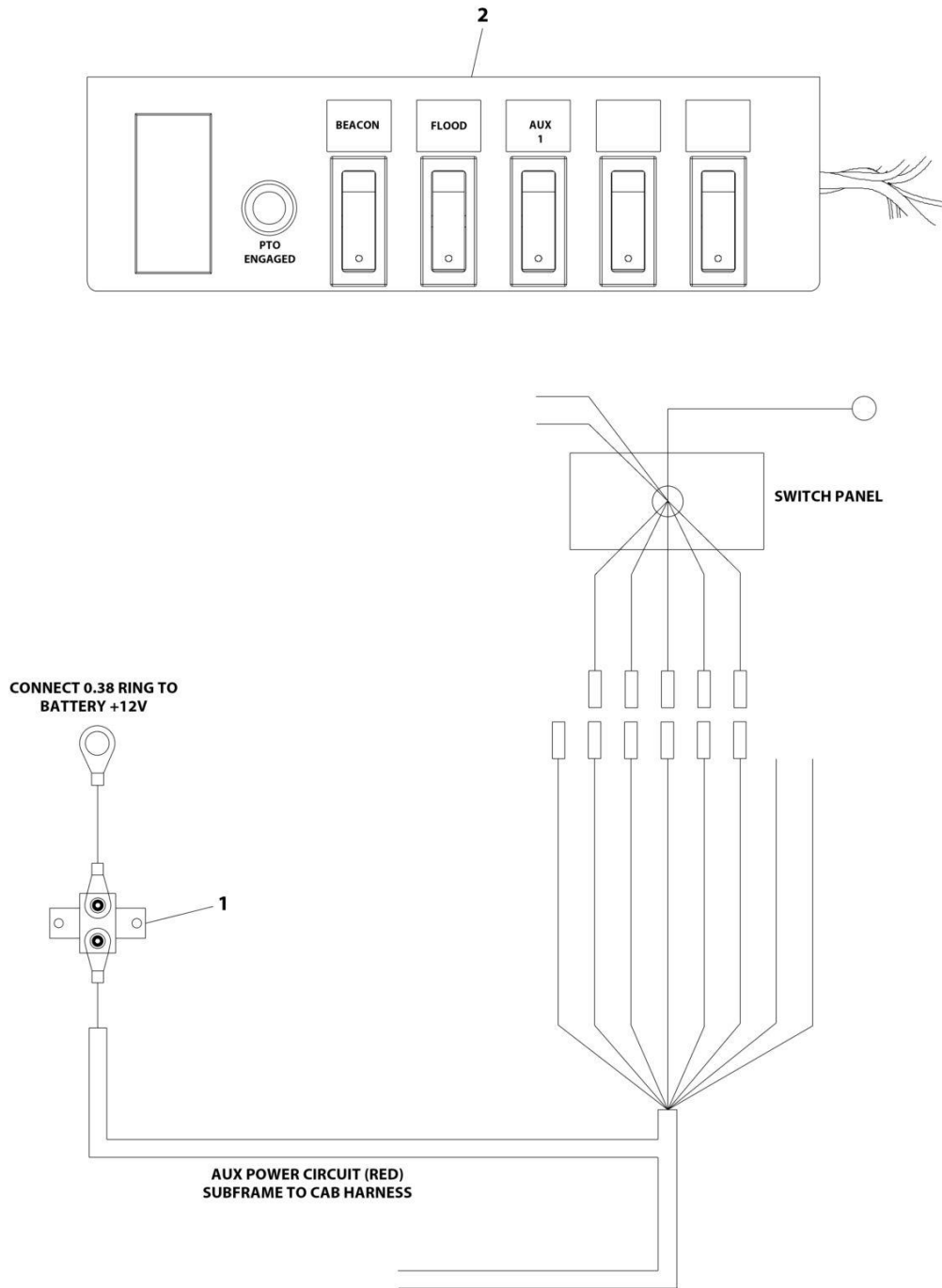
## SECTION 6 - ELECTRICAL

**FIGURE 6-45. SWITCH PANEL INSTALLATION - 5 FUNCTION (IN-DASH) (PETERBILT)**

ITEM	PART NUMBER	QTY	DESCRIPTION	REV
	1001262052	Ref	5 FUNCTION IN-DASH SWITCH PANEL, PETERBILT	A
1	1001261005	1	5 Function In-Dash Switch Panel Installation (See Separate Breakdown in this Section)	
2	1001135814	1	Switch Panel	
3	1001135815	1	Screw #8 x 3/8	
4	1001129883	1	Breaker Installation (See Separate Breakdown in this Section)	

# SECTION 6 - ELECTRICAL

## FIGURE 6-46. SWITCH PANEL INSTALLATION - 5 FUNCTION (UNDER-DASH COMPACT)



ART\_1001262050



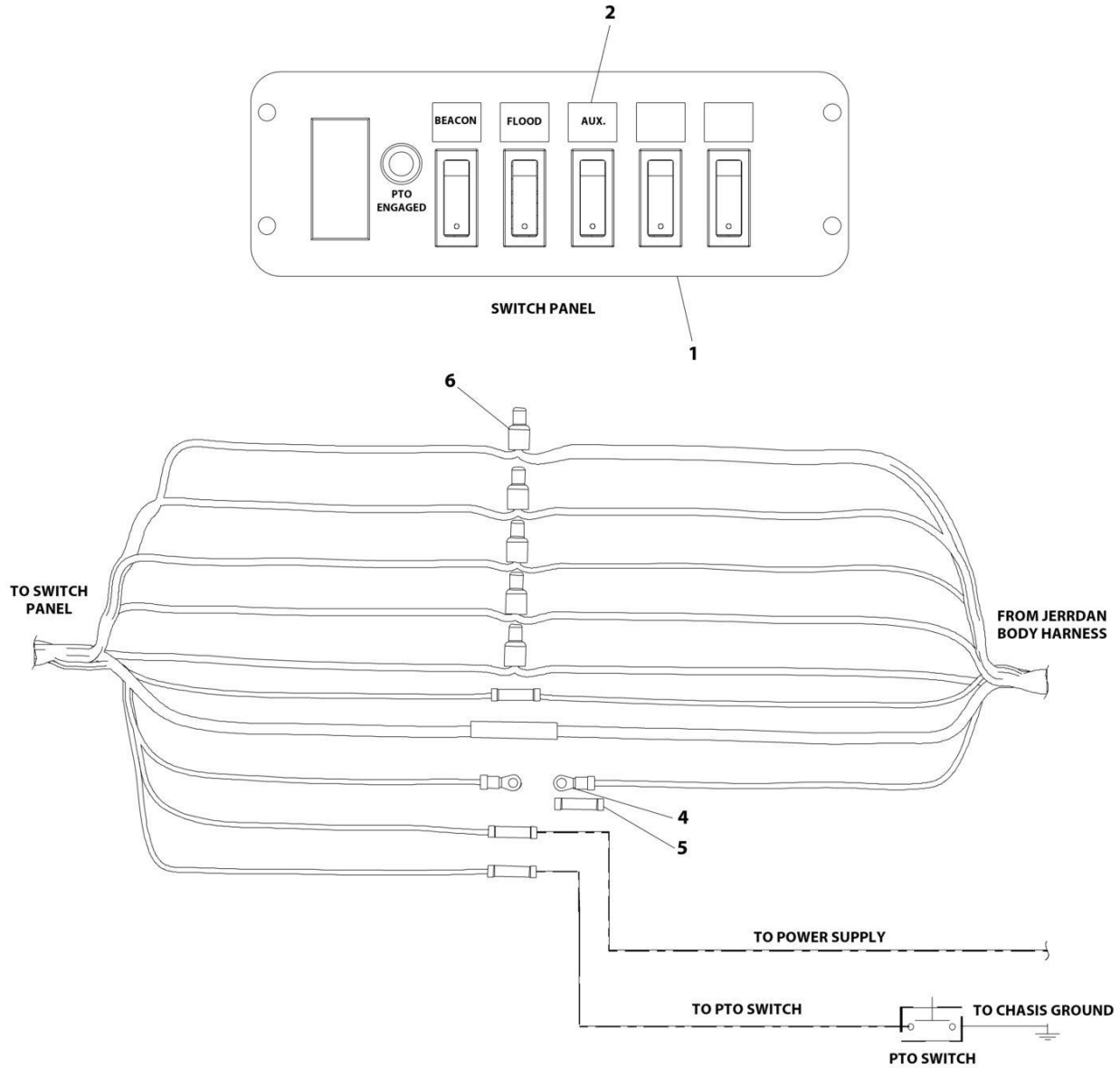
## SECTION 6 - ELECTRICAL

**FIGURE 6-46. SWITCH PANEL INSTALLATION - 5 FUNCTION (UNDER-DASH COMPACT)**

ITEM	PART NUMBER	QTY	DESCRIPTION	REV
	1001262050	Ref	5 FUNCTION UNDER-DASH COMPACT SWITCH PANEL	A
1	1001129883	1	Breaker Installation (See Separate Breakdown in this Section)	
2	1001261006	1	5 Function Under-Dash Switch Panel Installation (See Separate Breakdown in this Section)	

# SECTION 6 - ELECTRICAL

## FIGURE 6-47. SWITCH PANEL ASSEMBLY - 5 FUNCTION (IN-DASH)



ART\_1001261005

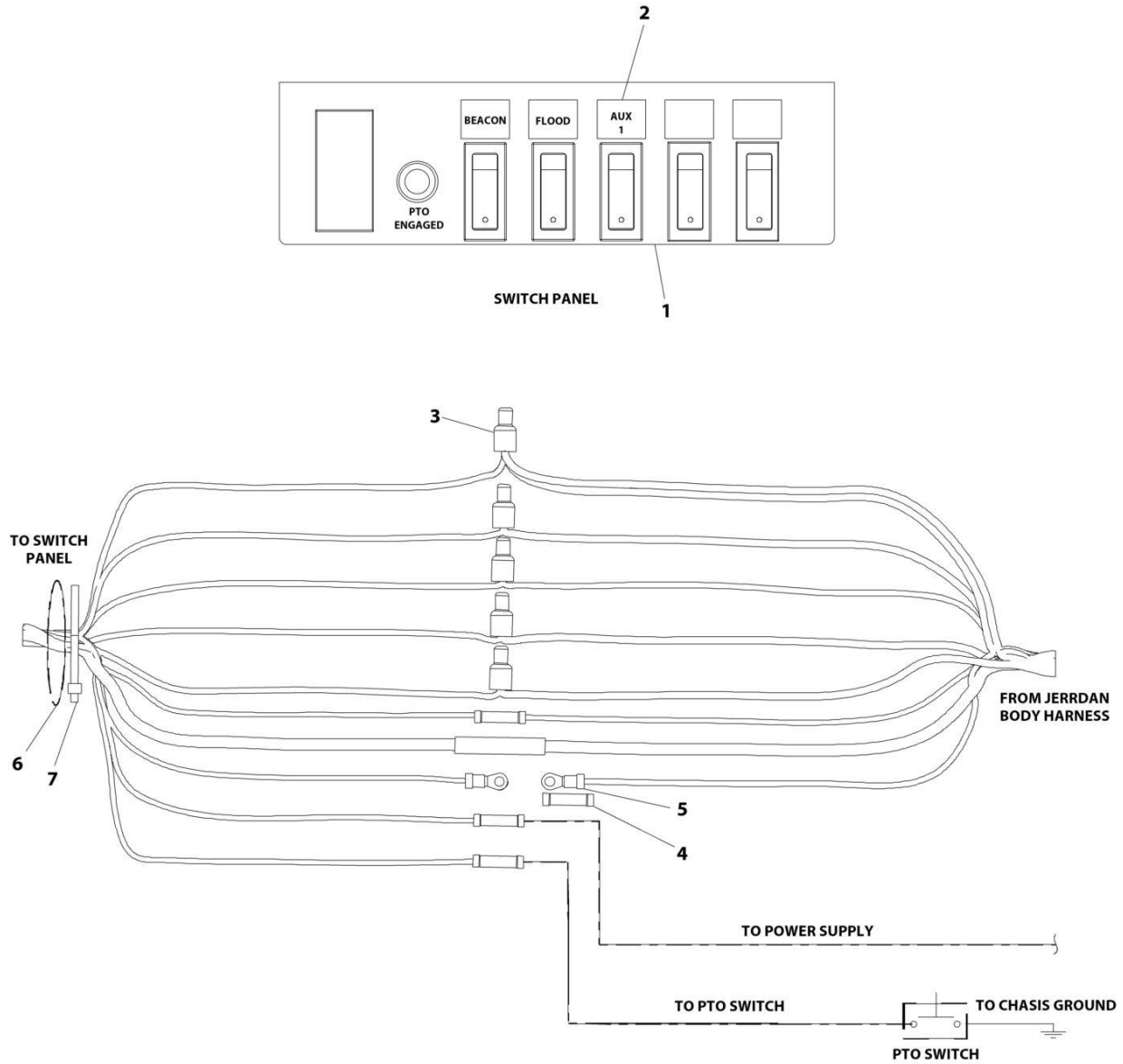
## SECTION 6 - ELECTRICAL

**FIGURE 6-47. SWITCH PANEL ASSEMBLY - 5 FUNCTION (IN-DASH)**

ITEM	PART NUMBER	QTY	DESCRIPTION	REV
	1001261005	Ref	5 FUNCTION IN-DASH COMPACT SWITCH PANEL INSTALLATION	B
1	7870000106	1	Switch Panel	
2	7330000288	1	Decal	
4	4460042	1	Terminal, Ring	
5	4460035	2	Connector	
6	7346000242	5	Connector	

# SECTION 6 - ELECTRICAL

## FIGURE 6-48. SWITCH PANEL ASSEMBLY - 5 FUNCTION UNDER-DASH (COMPACT)



ART\_1001261006

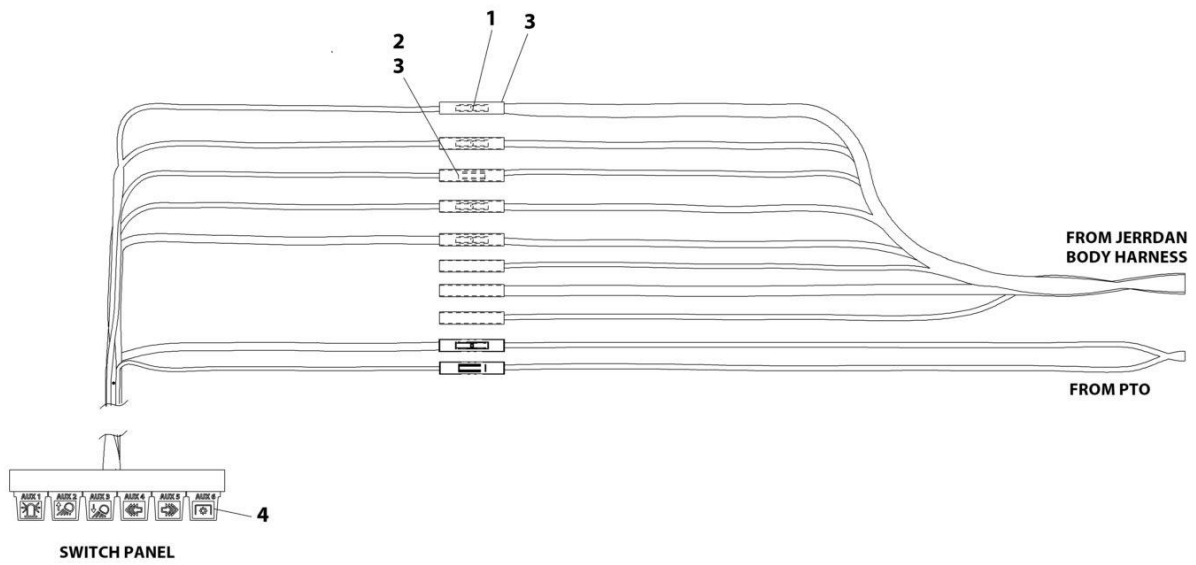
## SECTION 6 - ELECTRICAL

**FIGURE 6-48. SWITCH PANEL ASSEMBLY - 5 FUNCTION UNDER-DASH (COMPACT)**

ITEM	PART NUMBER	QTY	DESCRIPTION	REV
	1001261006	Ref	5 FUNCTION UNDER-DASH COMPACT SWITCH PANEL INSTALLATION	B
1	7870000137	1	Switch Panel	
2	7330000288	1	Decal	
3	7346000242	5	Connector	
4	4460035	2	Connector	
5	4460042	1	Terminal, Ring	
6	8597650003	2	Wire	
7	5526000553	6	Tie Strap	

# SECTION 6 - ELECTRICAL

FIGURE 6-49. SWITCH PANEL INSTALLATION - 6 FUNCTION (FORD F550 2017+ OEM)



ART\_1001261023

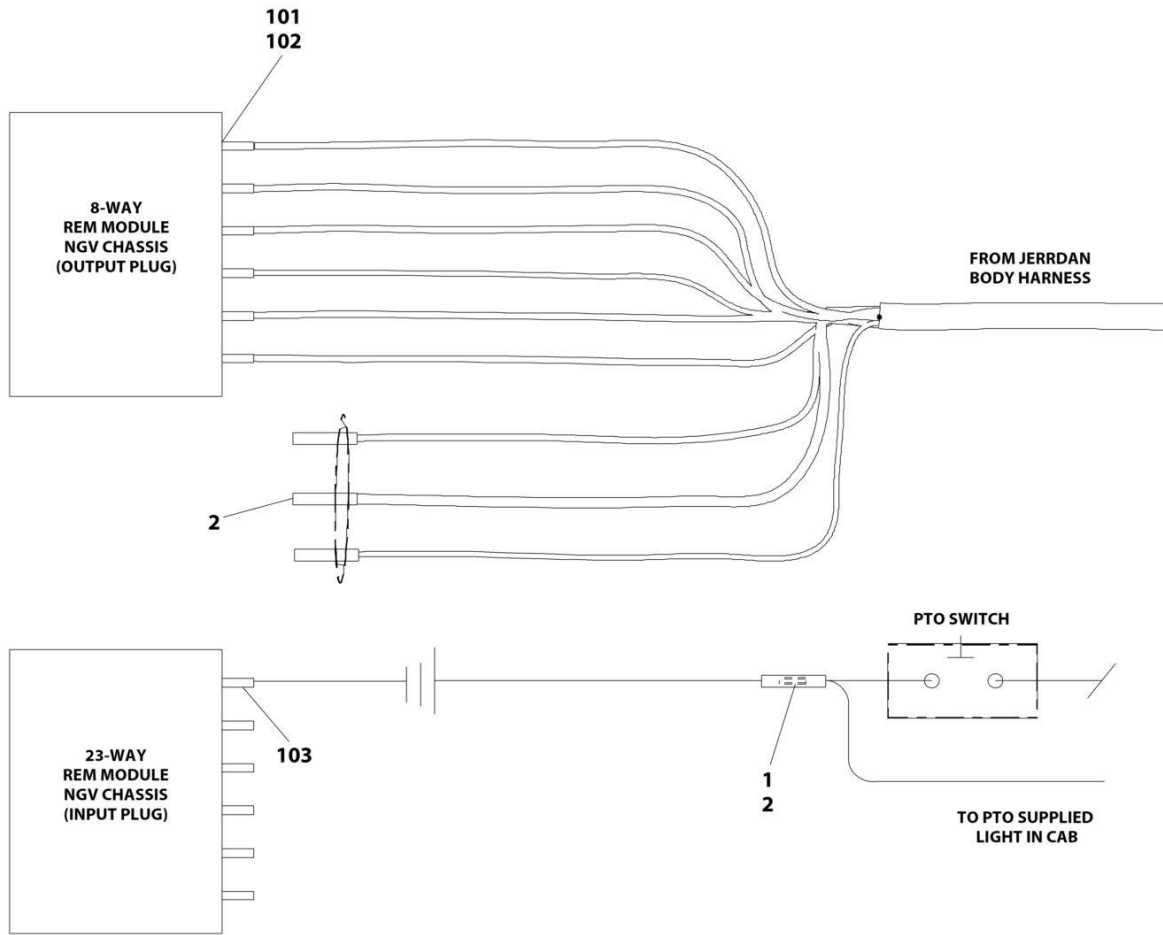
## SECTION 6 - ELECTRICAL

**FIGURE 6-49. SWITCH PANEL INSTALLATION - 6 FUNCTION (FORD F550 2017+ OEM)**

ITEM	PART NUMBER	QTY	DESCRIPTION	REV
	1001261023	Ref	6 FUNCTION SWITCH PANEL, FORD F550 OEM 2017+	A
1	7345001914	4	Terminal	
2	7345001714	1	Terminal	
3	4346000005	8	Heat Shrink, Tubing	
4	1001221375	1	Decal	
5	1001225218	1	Electrical Assembly (Not Shown)	

# SECTION 6 - ELECTRICAL

FIGURE 6-50. SWITCH PANEL INSTALLATION - 6 FUNCTION (IN-DASH COMPACT) (IHC WITH OEM)



ART\_1001261016



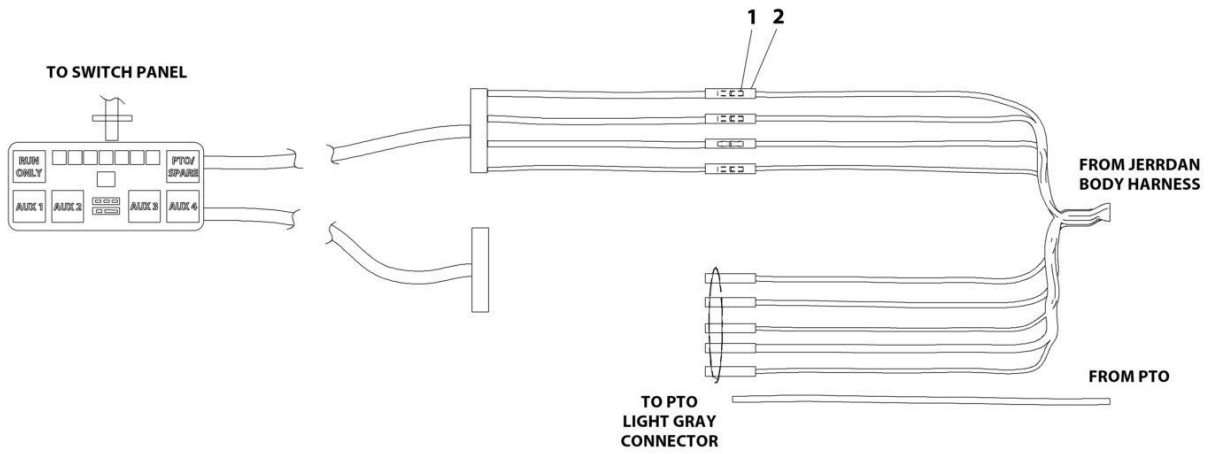
## SECTION 6 - ELECTRICAL

**FIGURE 6-50. SWITCH PANEL INSTALLATION - 6 FUNCTION (IN-DASH COMPACT) (IHC WITH OEM)**

ITEM	PART NUMBER	QTY	DESCRIPTION	REV
	1001261016	Ref	6 FUNCTION IN-DASH SWITCH PANEL, IHC OEM	A
1	7345001714	1	Terminal	
2	4346000005	4	Heat Shrink, Tubing	
100	7577000329	1	Seal Kit (Not Shown)	
101	7346000122	AR	Terminal	
102	7346000123	AR	Seal	
103	7346000125	AR	Terminal	

# SECTION 6 - ELECTRICAL

## FIGURE 6-51. SWITCH PANEL INSTALLATION - 6 FUNCTION (RAM 2013+)



ART\_1001261022

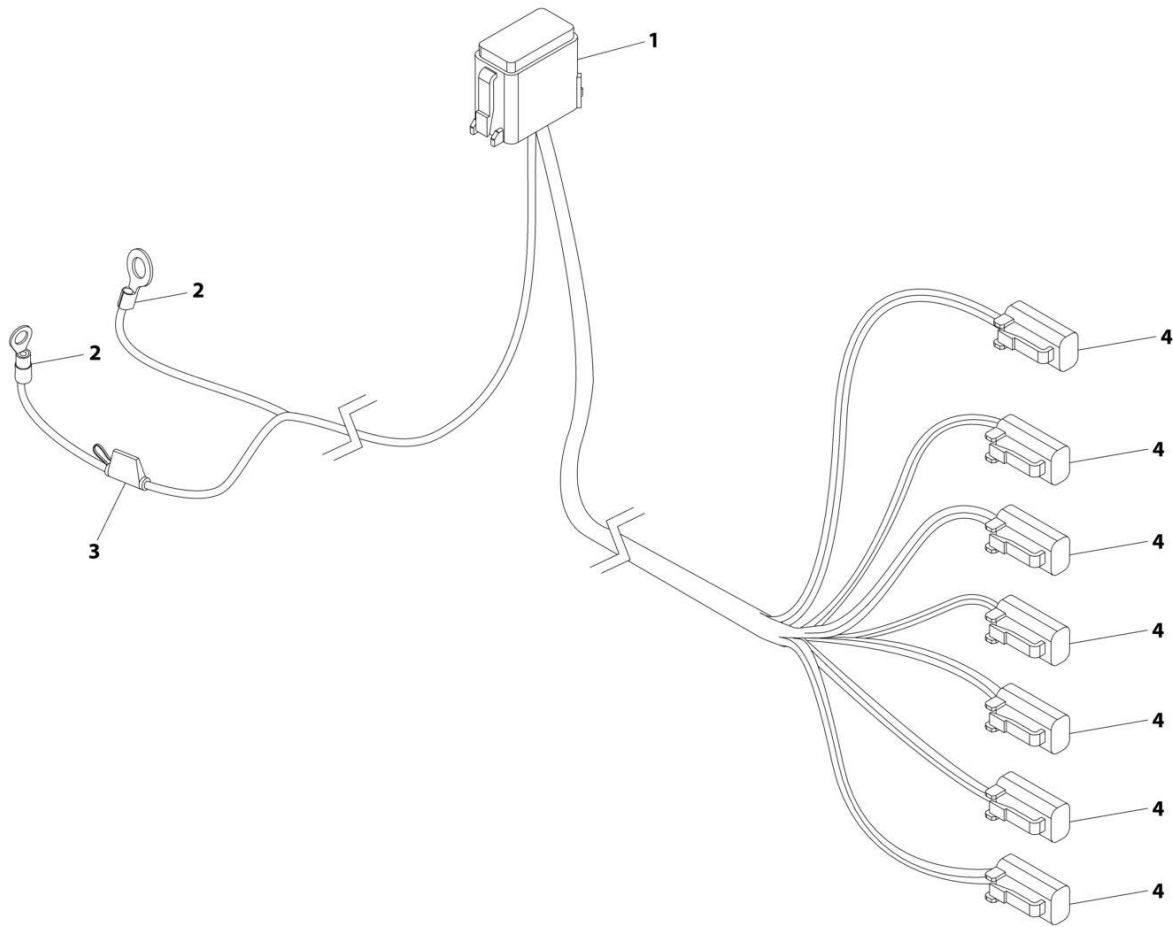
## SECTION 6 - ELECTRICAL

**FIGURE 6-51. SWITCH PANEL INSTALLATION - 6 FUNCTION (RAM 2013+)**

ITEM	PART NUMBER	QTY	DESCRIPTION	REV
	1001261022	Ref	6 FUNCTION SWITCH PANEL RAM 2013+	A
1	7345001914	5	Terminal	
2	4346000005	9	Heat Shrink	

# SECTION 6 - ELECTRICAL

## FIGURE 6-52. SIDE RECOVERY SYSTEM (SRS) HARNESS (WITHOUT REMOTE CONTROL)



ART\_7552000385

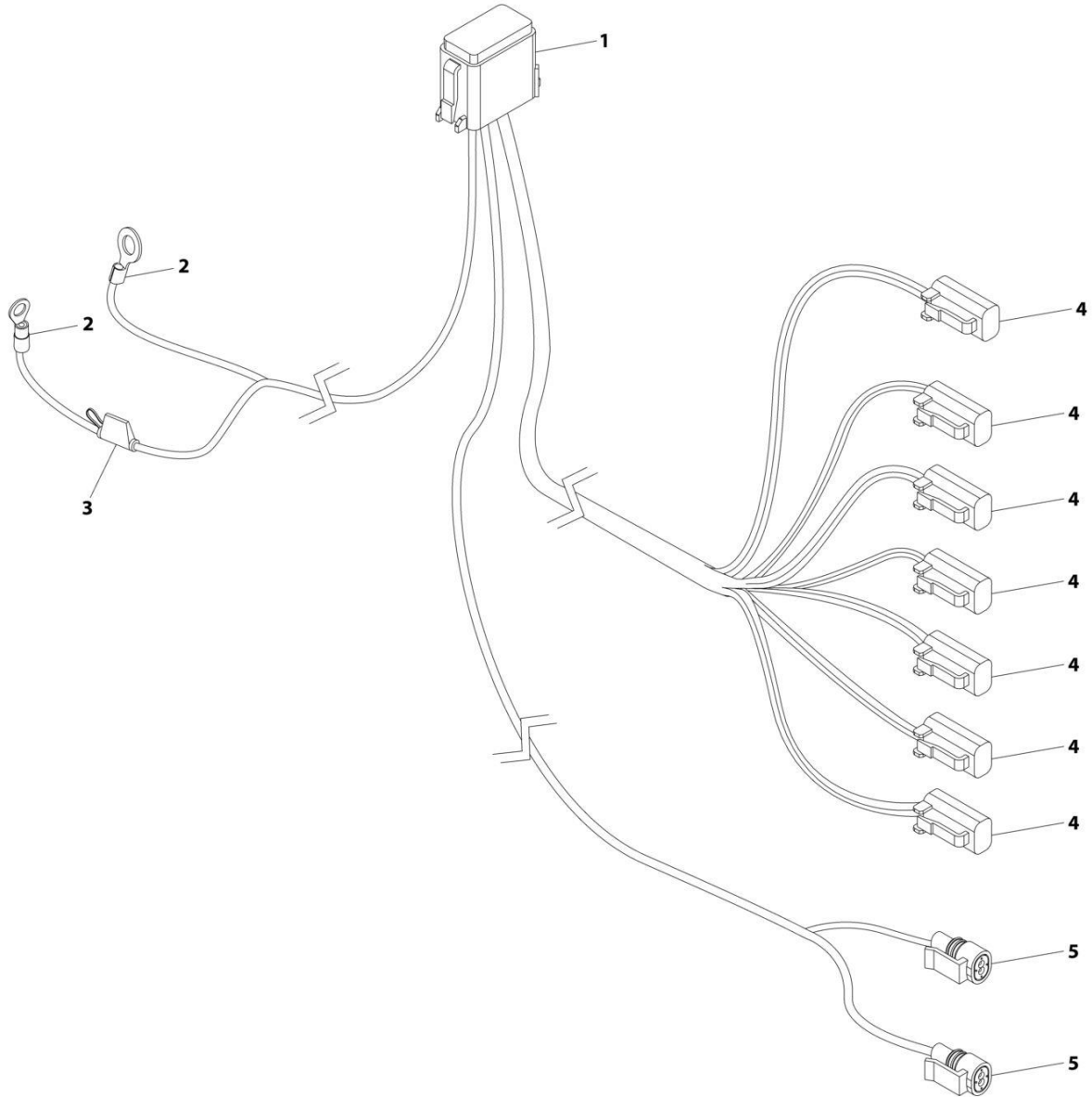
## SECTION 6 - ELECTRICAL

**FIGURE 6-52. SIDE RECOVERY SYSTEM (SRS) HARNESS (WITHOUT REMOTE CONTROL)**

ITEM	PART NUMBER	QTY	DESCRIPTION	REV
	7552000385	Ref	SIDE RECOVERY SYSTEM HARNESS (WITHOUT REMOTE CONTROL)	2
1	4460933	1	Plug, Male - 12 Position	
1	4460465	9	Socket, Female	
1	4460466	3	Plug, Terminal	
2		Ref	Terminal, Ring	
3		Ref	Fuseholder	
3		Ref	Fuse - 10Amp ATO	
4	4460891	7	Plug, Male - 2 Position	
4	4460465	14	Socket, Female	

# SECTION 6 - ELECTRICAL

## FIGURE 6-53. SIDE RECOVERY SYSTEM (SRS) HARNESS (WITH REMOTE CONTROL)



ART\_7552000413

## SECTION 6 - ELECTRICAL

**FIGURE 6-53. SIDE RECOVERY SYSTEM (SRS) HARNESS (WITH REMOTE CONTROL)**

ITEM	PART NUMBER	QTY	DESCRIPTION	REV
	7552000413	Ref	SIDE RECOVERY SYSTEM (SRS) HARNESS (WITH REMOTE CONTROL)	0
1	4460933	1	Plug, Male - 12 position	
1	4460465	11	Socket, Female	
1	4460466	1	Plug, Terminal	
2		Ref	Terminal, Ring	
3		Ref	Fuseholder	
3		Ref	Fuse - 10Amp ATO	
4	4460891	7	Plug, Male - 2 Position	
4	4460465	14	Socket, Female	
5	4460955	2	Plug, Male - 2 Position	
5	4460842	4	Socket, Female	

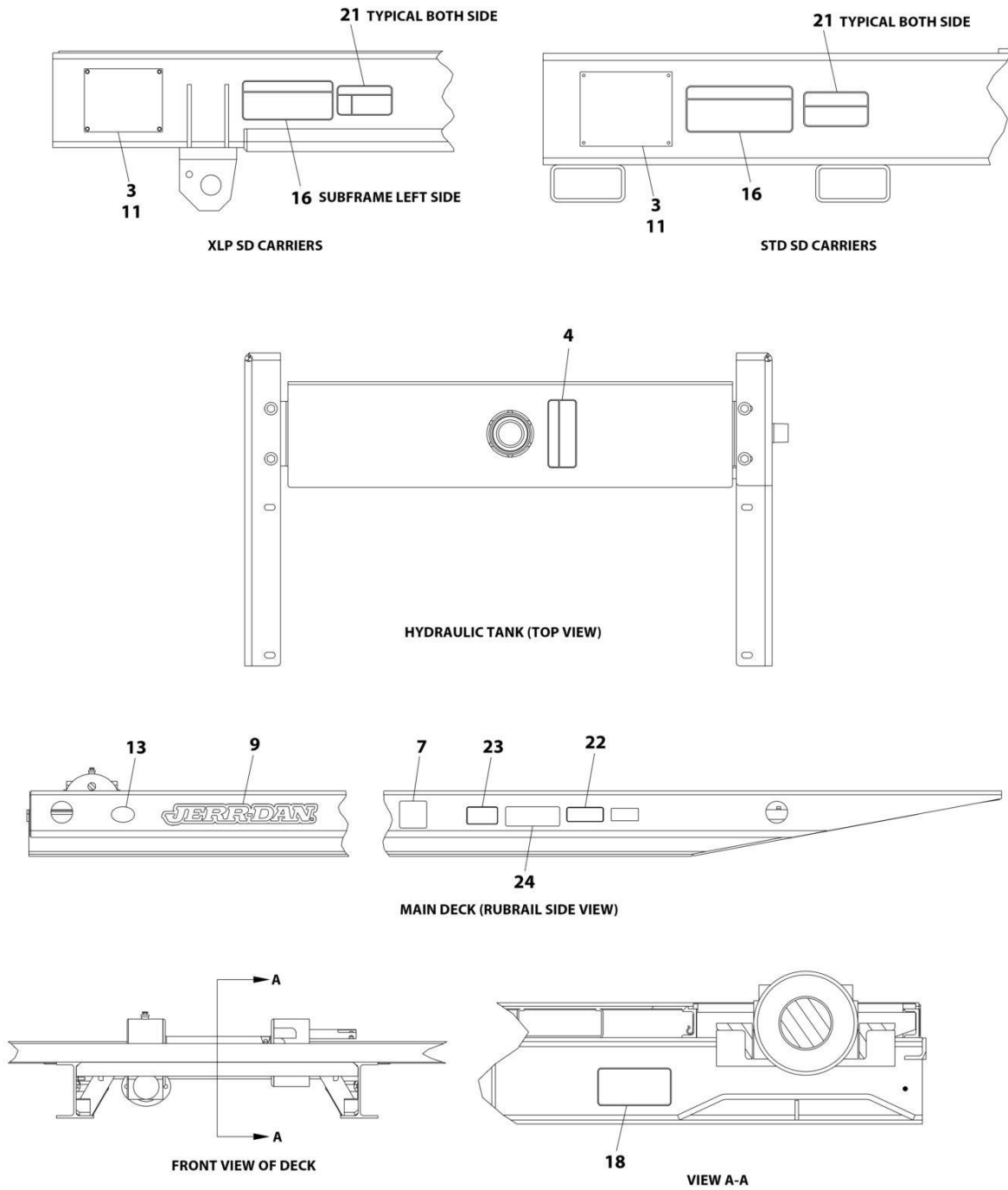




**SECTION 7 - DECALS**

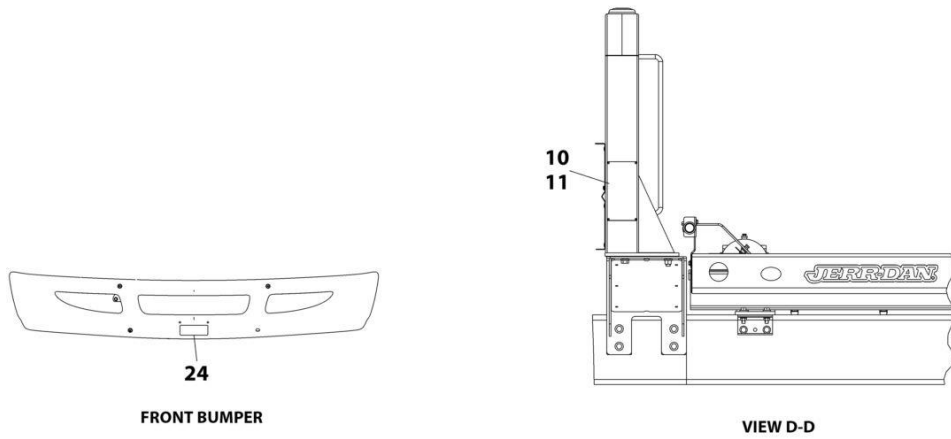
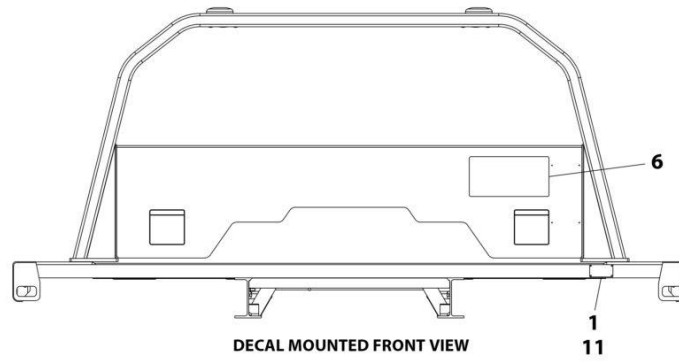
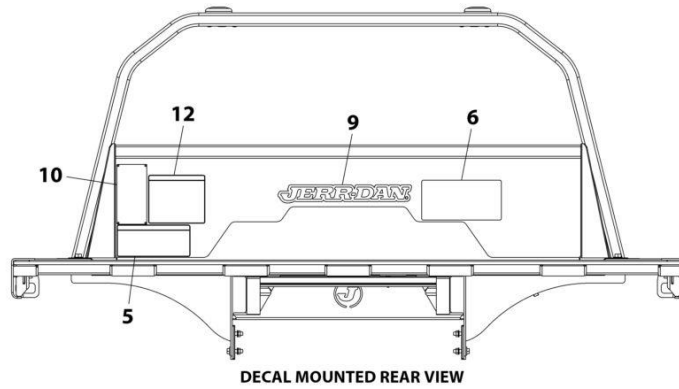
# SECTION 7 - DECALS

## FIGURE 7-1. STANDARD DUTY DECALS INSTALLATION



ART\_233000038\_1OF2

# SECTION 7 - DECALS



ART\_233000038\_2OF2

## SECTION 7 - DECALS

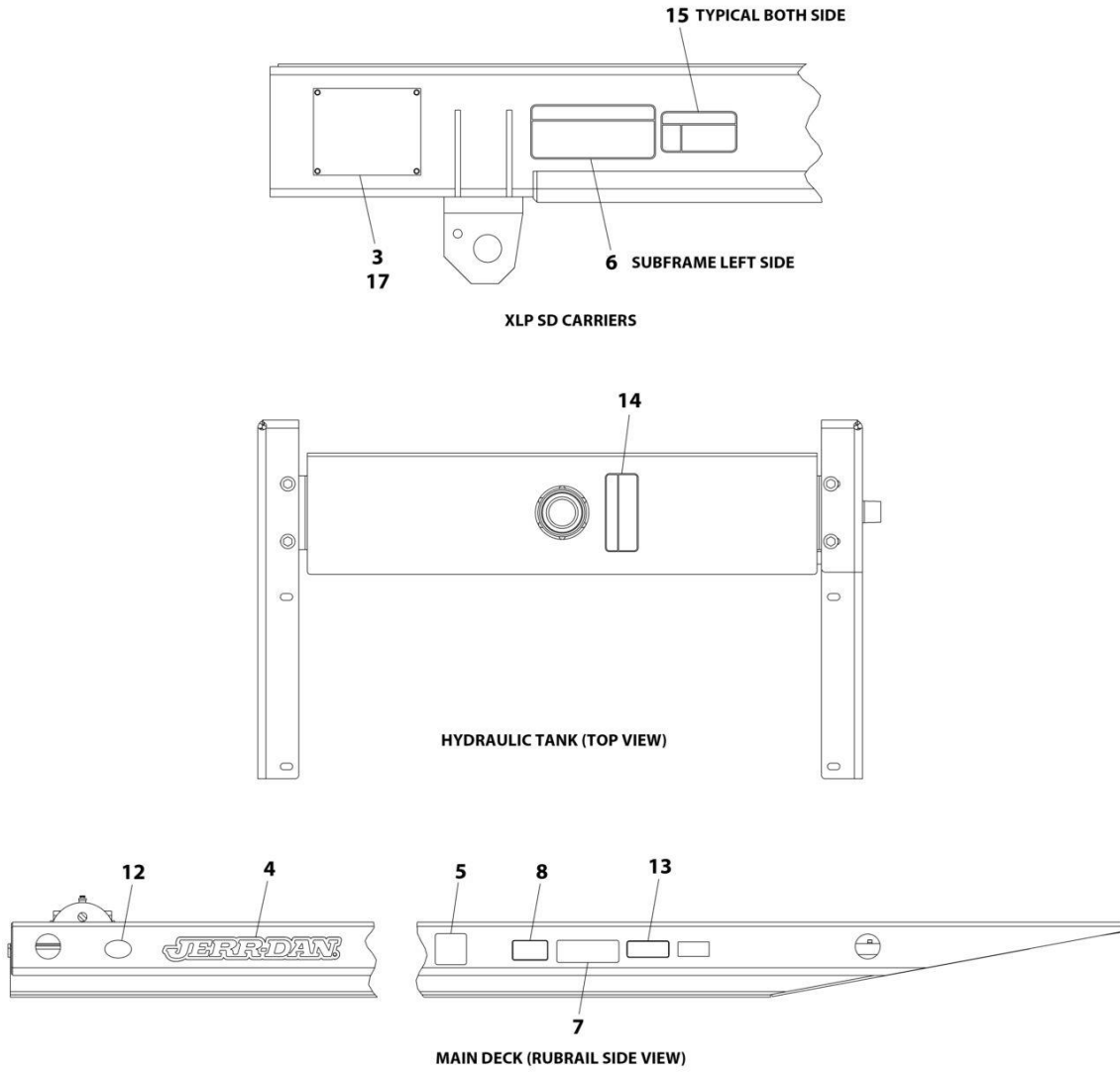
FIGURE 7-1. STANDARD DUTY DECALS INSTALLATION

ITEM	PART NUMBER	QTY	DESCRIPTION	REV
	2330000038	Ref	STANDARD DUTY DECALS, INSTALLATION	O
1	1001127221	1	Decal - Ident Tag	
2	7330000689	1	Decal - Certification (Not Shown)	
3	1001132766	1	Decal - Patent/Subframe	
4	7330000272	1	Decal - Oil Level	
5	1001190626	1	Decal - Winch Warning	
6	7330000478	1	Decal - Lub Chart Bic	
7	1001154689	2	Decal - Arrow Rollback Tilt	
9	1001153789	3	Decal - Amber Reflect	
10	1001132764	1	Decal - S.T.A.R. Placard Carrier	
11	7759000004	12	Rivet	
12	1001190625	1	Decal - Checklist	
13	7330000143	1	Decal - Made in the USA	
14	7330000139	1	Decal - Wheel Lift (Not Shown)	
16	1001168591	1	Decal - Slide Pad Lubrication	
18	7330000330	1	Decal - Hose Track Carrier	
21	7330000599	2	Decal - Pinch Point	
22	7330000176	3	Decal - Air Suspension	
23	1001231801	2	Decal - Warning Prop 65 Diesel	
24	1001230968	3	Decal - Electrocution Hazard	



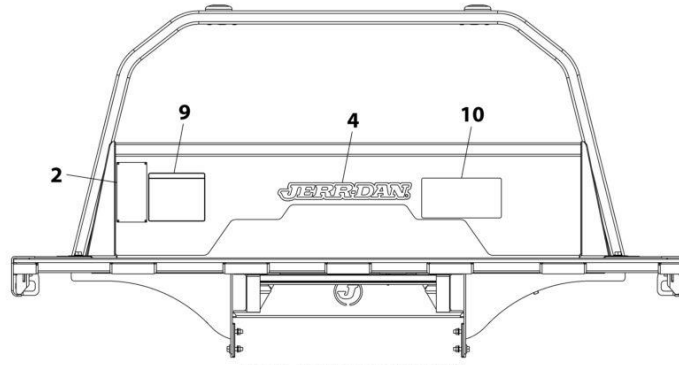
# SECTION 7 - DECALS

## FIGURE 7-2. STANDARD DUTY DECALS INSTALLATION (CARGO HAULER)

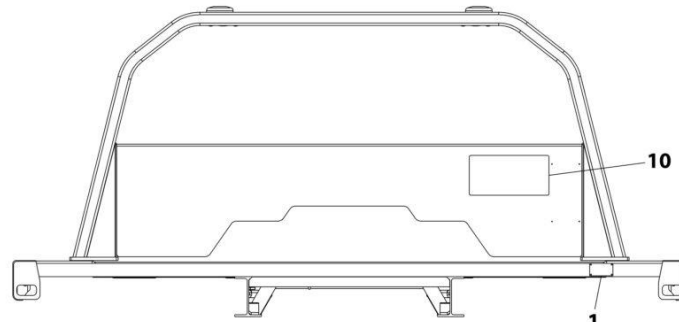


ART\_1001264091\_1OF2

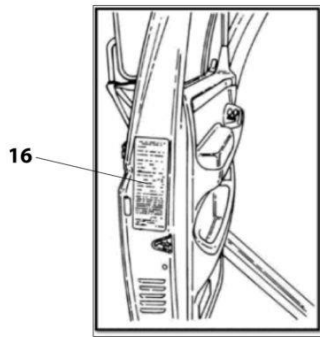
# SECTION 7 - DECALS



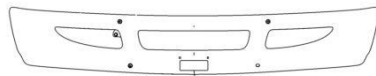
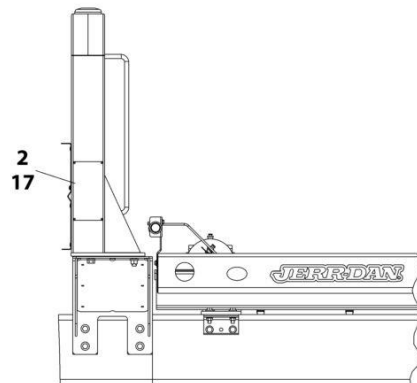
DECAL MOUNTED REAR VIEW



DECAL MOUNTED FRONT VIEW



CAB DOOR



FRONT BUMPER

ART\_1001264091\_20F2

## SECTION 7 - DECALS

**FIGURE 7-2. STANDARD DUTY DECALS INSTALLATION (CARGO HAULER)**

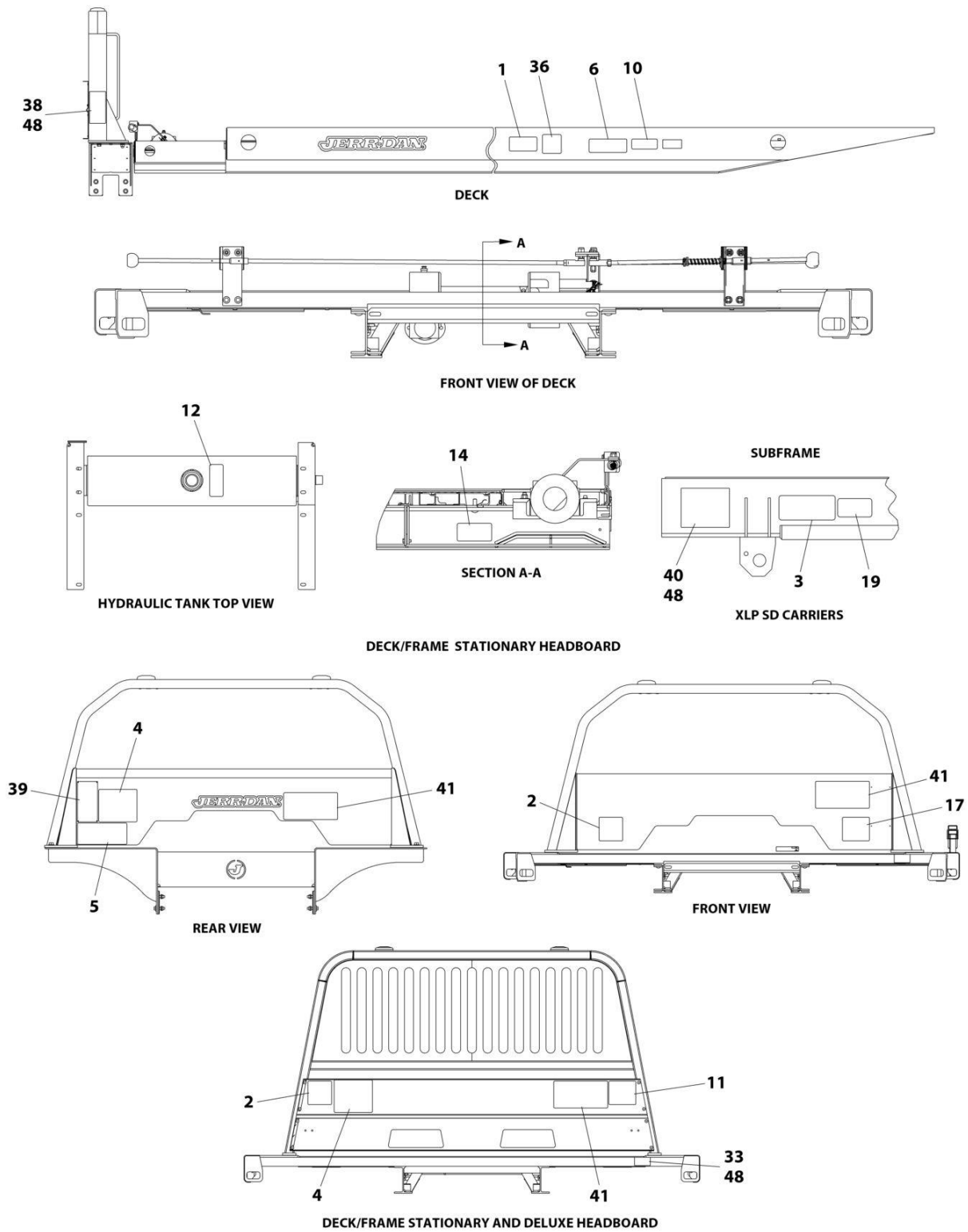
ITEM	PART NUMBER	QTY	DESCRIPTION	REV
	1001264091	Ref	DECALS INSTALLATION - CARGO HAULER	A
1	1001127221	1	Decal - Ident Tag	
2	1001132764	1	Decal - S.T.A.R. Placard Carrier	
3	1001132766	1	Decal - Patent/Subframe	
4	1001153789	3	Decal - Amber Reflect	
5	1001154689	2	Decal - Arrow Rollback Tilt	
6	1001168591	1	Decal - Slide Pad Lubrication	
7	1001230968	3	Decal - Electrocution Hazard	
8	1001231801	2	Decal - Warning Prop 65 Diesel	
9	1001264084	1	Decal - Checklist	
10	1001264085	1	Decal - Lub Chart Bic	
11	7330000139	1	Decal - Wheel Lift (Not Shown)	
12	7330000143	1	Decal - Made in the USA	
13	7330000176	3	Decal - Air Suspension	
14	7330000272	1	Decal - Oil Level	
15	7330000599	2	Decal - Pinch Point	
16	7330000689	1	Decal - Certification	
17	7759000004	12	Rivet	
50	1001265236	1	Decal Kit - Cargo Hauler (Not Shown - Includes items 9,10 & PNs 1001264086, 1001264087 & 1001263057)	





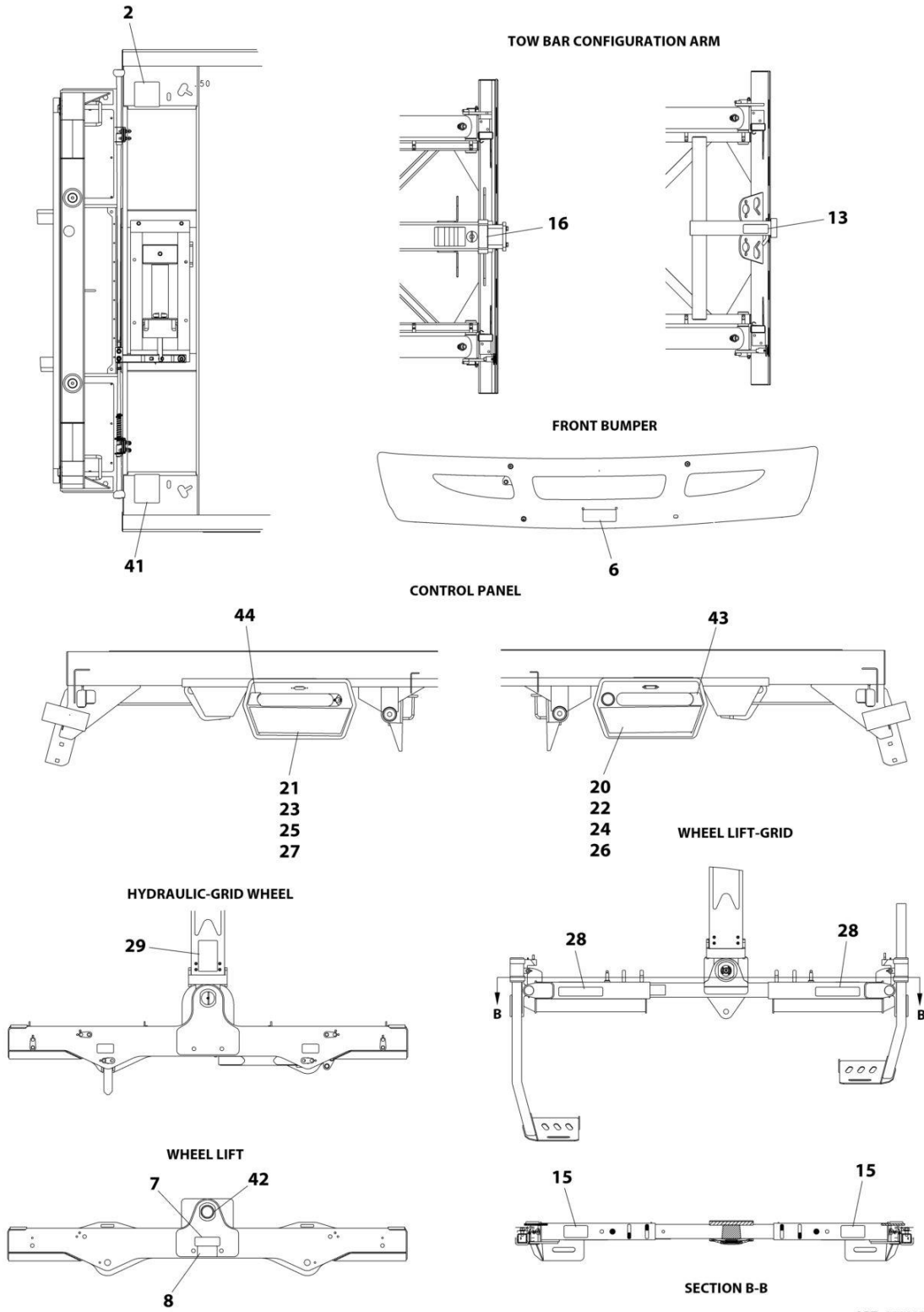
# SECTION 7 - DECALS

## FIGURE 7-3. CARRIER DECAL INSTALLATION, SPANISH



ART\_1001270138\_10F3

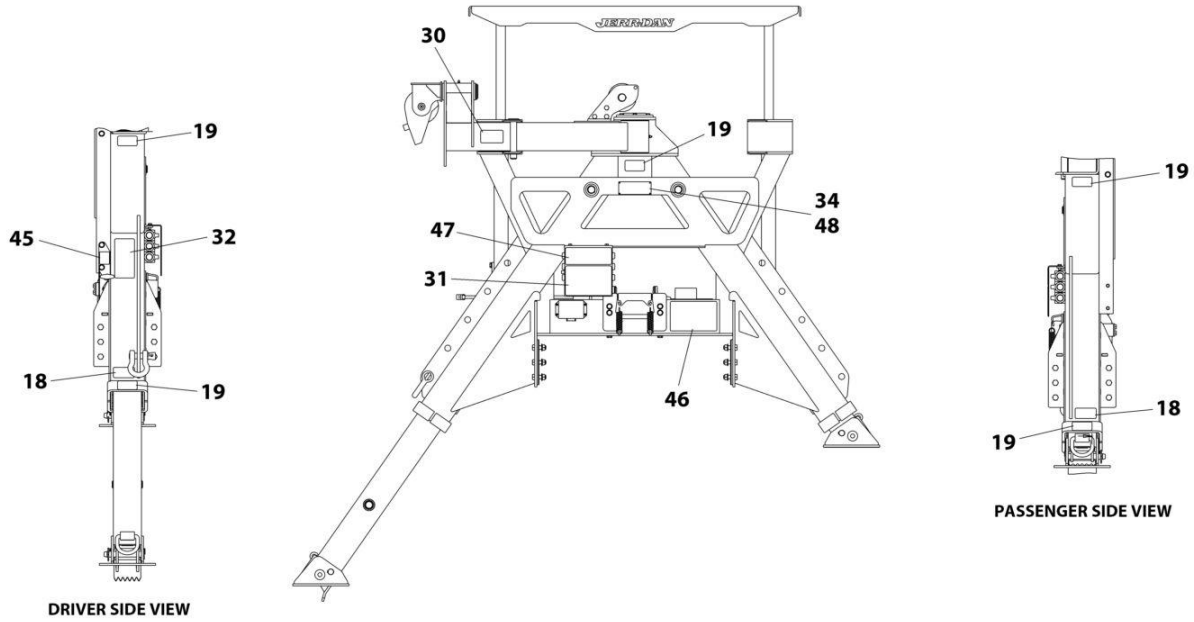
# SECTION 7 - DECALS



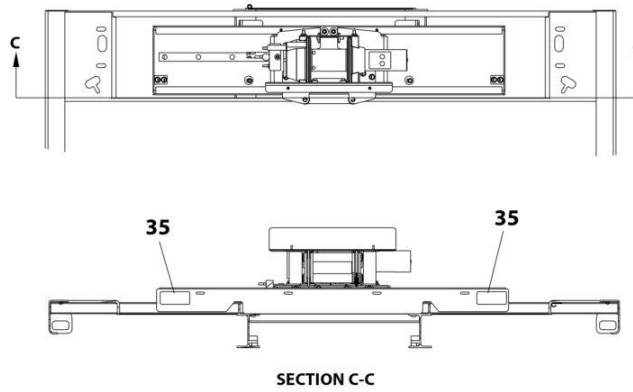
ART\_1001270138\_20F3

# SECTION 7 - DECALS

## SIDE RECOVERY SYSTEM



## SLIDING WINCH



ART\_1001270138\_30F3

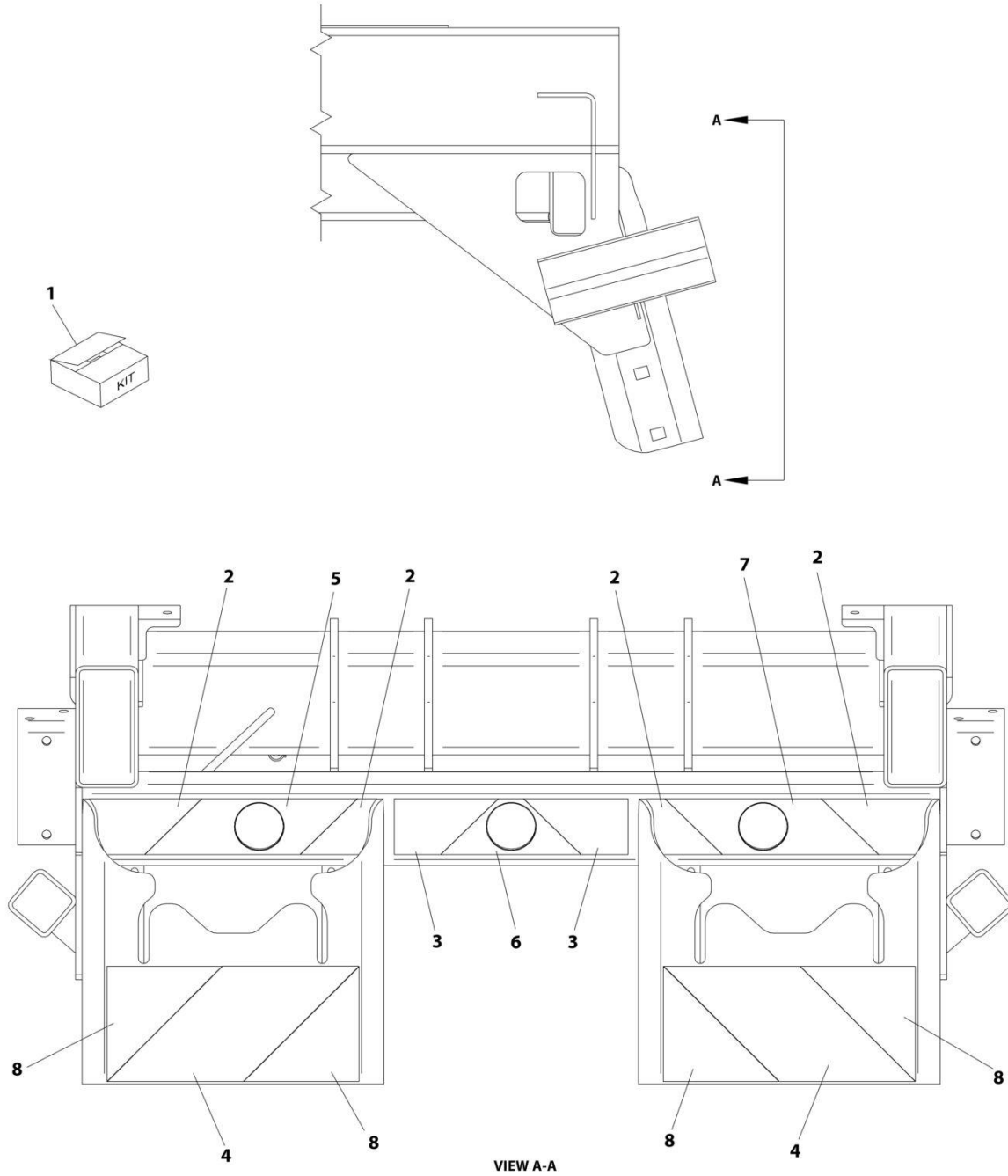
## SECTION 7 - DECALS

**FIGURE 7-3. CARRIER DECAL INSTALLATION, SPANISH**

ITEM	PART NUMBER	QTY	DESCRIPTION	REV
	1001270138	Ref	CARRIER DECAL INSTALLATION - SPANISH	B
1	1001268618	2	Decal - Ladder Carrier	
2	1001268619	1	Decal - Dual Free Spool Release	
3	1001268620	1	Decal - Slide Pad Lubrication	
4	1001268621	1	Decal - Winch Warning	
5	1001268622	1	Decal - Winch Warning	
6	1001268623	3	Decal - Electrocutation Hazard	
7	1001268624	1	Decal - Wheel Lift	
8	1001268625	1	Decal - Hitch on Wheel lift	
9	1001268626	1	Decal - Wheel Lift (Not Shown)	
10	1001268627	3	Decal - Air Suspension	
11	1001268628	1	Decal - Free Spool Release	
12	1001268629	1	Decal - Oil Level	
13	1001268630	1	Decal - Wheel Lift	
14	1001268631	1	Decal - Hose Track Carrier	
15	1001268635	2	Decal - T37 Patent 3-1/2 in	
16	1001268636	1	Decal - Tow Boom Configuration	
17	1001268637	1	Decal - Free Spool Release Stat Hybrid	
18	1001268638	2	Decal - Outrigger/Stabilizer	
19	1001268639	7	Decal - Pinch Point	
20	1001268640	1	Decal - Control Panel 5 Bank	
21	1001268641	1	Decal - Control Panel 5 Bank	
22	1001268642	1	Decal - Control Panel Stabilizer	
23	1001268643	1	Decal - Control Panel Stabilizer	
24	1001268644	1	Decal - Control Panel 6 Bank	
25	1001268645	1	Decal - Control Panel 6 Bank	
26	1001268646	1	Decal - Control Panel 6 Bank	
27	1001268647	1	Decal - Control Panel 6 Bank	
28	1001268648	2	Decal - Safety	
29	1001268649	1	Decal - Safety	
30	1001268650	2	Decal - Pivoting Boom	
31	1001268651	1	Decal - Winch Warning	
32	1001268652	1	Decal - Safety	
33	1001268654	1	Decal - Ident Tag	
34	1001268655	1	Decal - Ident Tag	
35	1001268656	2	Decal - Sliding Winch Warning	
36	1001268657	2	Decal - Arrow Rollback Tilt	
37	1001268658	1	Decal - Lub Chart Greased Option (Not Shown)	
38	1001268659	1	Decal - Placard Carrier	
39	1001268660	1	Decal - Structural Capacity	
40	1001268661	1	Decal - Patent/Subframe I.D.	
41	1001268662	1	Decal - Lube Chart (Lube Free Joints)	
42	1001268663	1	Decal - Grease Required	
43	1001268664	1	Decal - Air Free Spool Control Hood LH	
44	1001268665	1	Decal - Air Free Spool Control Hood RH	
45	1001268666	1	Decal - Winch Free Spool (T-Handle)	
46	1001268667	1	Decal - Lubrication (SRS)	
47	1001268668	1	Decal - Valve Manual Override	
48	7759000004	16	Pop Rivet	

# SECTION 7 - DECALS

## FIGURE 7-4. HIGH VISIBILITY REFLECTIVE TAPE



ART\_1001203303

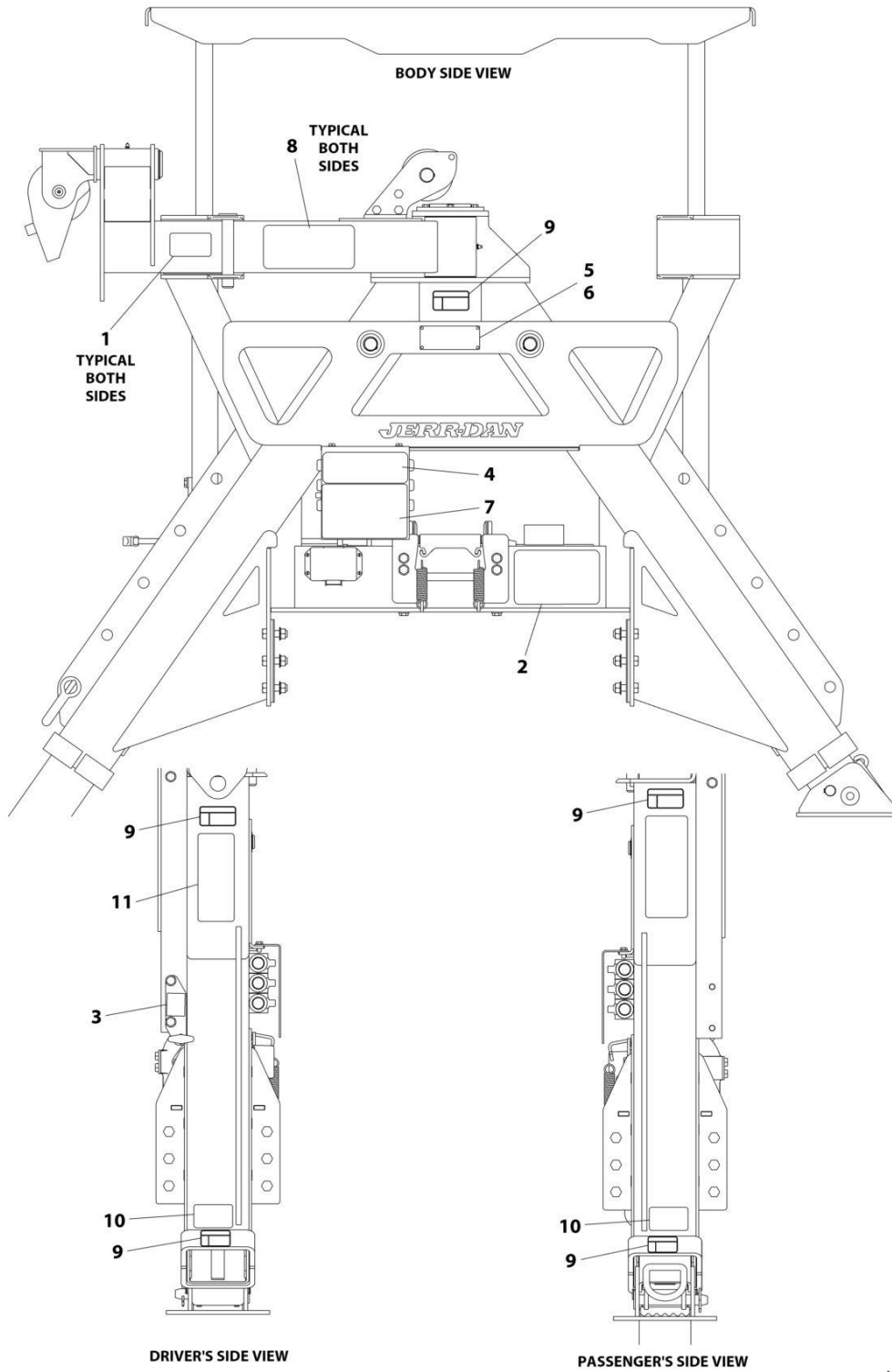
## SECTION 7 - DECALS

### FIGURE 7-4. HIGH VISIBILITY REFLECTIVE TAPE

ITEM	PART NUMBER	QTY	DESCRIPTION	REV
	1001203303	Ref	High Visibility Reflective Tape Intallation	A
1	1001203302	1	Decal - Conspicuity Tape Kit (Includes Items 2-8)	
2	1001203295	1	Tape, Yellow	
3	1001203296	1	Tape, Yellow	
4	1001203297	1	Tape, Yellow	
5	1001203298	1	Tape, Red	
6	1001203299	1	Tape, Red	
7	1001203300	1	Tape, Red	
8	1001203301	1	Tape, Red	

# SECTION 7 - DECALS

## FIGURE 7-5. DECAL INSTALLATION AND RELOCATION



ART\_233000068



## SECTION 7 - DECALS

**FIGURE 7-5. DECAL INSTALLATION AND RELOCATION**

ITEM	PART NUMBER	QTY	DESCRIPTION	REV
	2330000068	Ref	DECAL INSTALLATION - SIDE RECOVERY SYSTEM	A
1	7330000708	2	Decal, Warning	
2	7330000709	1	Decal, Lubrication	
3	7330000707	1	Decal, Winch Free Spool	
4	7330000711	1	Decal, Valve Manual Override	
5	7330000710	1	Decal, Seal	
6	7759000004	4	Rivet	
7	7330000713	1	Decal, Winch Warning	
8	7330000714	2	Decal, SRS Logo	
9	7330000599	5	Decal, Pinch Point	
10	7330000580	2	Decal, Outrigger	
11	7330000723	1	Decal, Safety	



**SECTION 8 - ACCESSORIES**

## SECTION 8 - ACCESSORIES

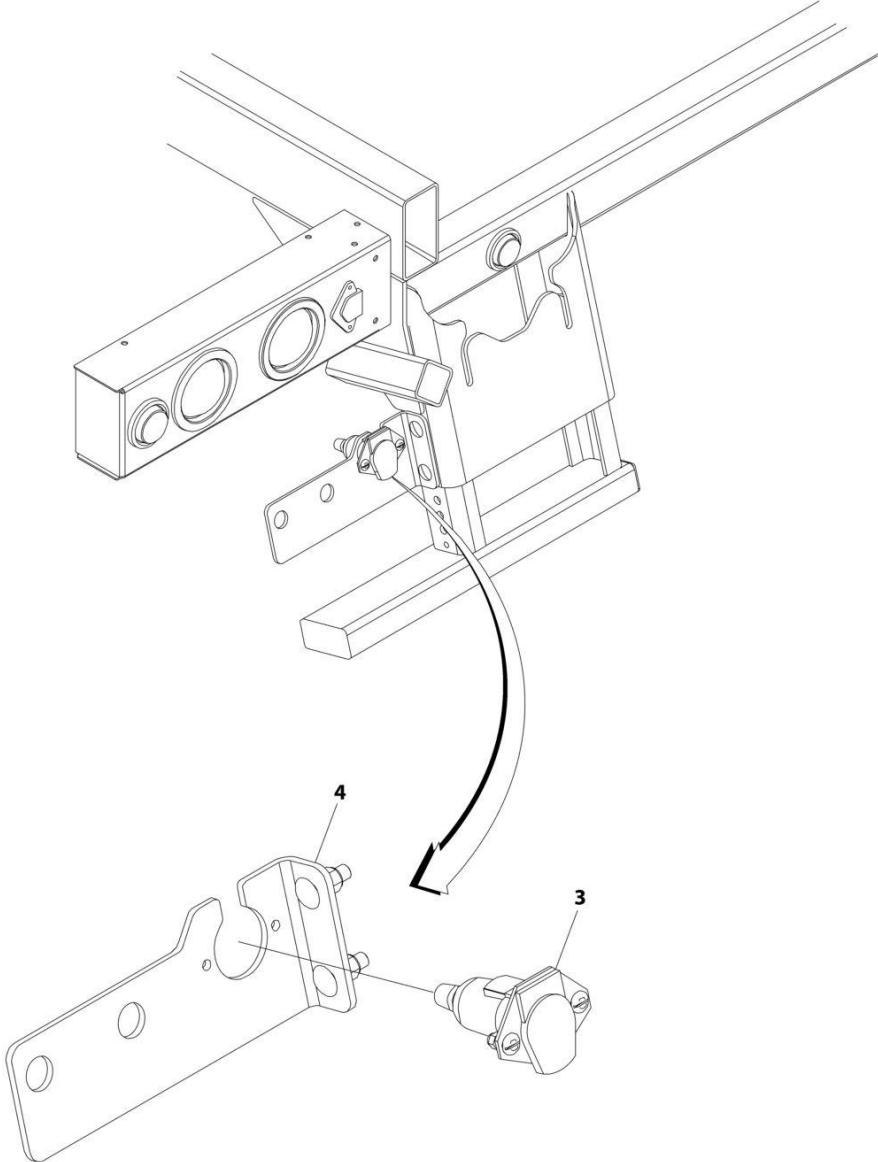
**FIGURE 8-1. KITS LIST**

ITEM	PART NUMBER	QTY	DESCRIPTION	REV
	1001241870	Ref	KITS LIST	K
		Ref	Note: Contact JERR-DAN Parts Department for exact contents of kit:	
	1001262545	Ref	Chain Rack Kit - Non-Locking (Standard Headboard) (Includes Rack & Attaching Hardware)	
	1001262546	Ref	Chain Rack Kit - Non-Locking (Deluxe Headboard) (Includes Rack & Attaching Hardware)	
	1001265255	Ref	Chain Rack Kit - Locking (Standard Headboard) (Includes Rack & Attaching Hardware)	
	1001262544	Ref	Chain Rack Kit - Locking (Deluxe Headboard) (Includes Rack & Attaching Hardware)	
	1001265236	Ref	Decal Kit - Cargo Hauler	
	1001187663S	Ref	Free Spool Kit - Single Winch (8000-10000 LBS)	
	1001266452	Ref	Maintenance Kit - 9FT Carrier (Includes Hydraulic Filter Element, Wheel Lift Wear Pads, Slide Pads, Hold Down Wear Pads, Arrow Decals, Controls Placards & Attaching Hardware)	
	1001266453	Ref	Maintenance Kit -19-22FT Carrier Low Profile (Includes Hydraulic Filter Element, Wheel Lift Wear Pads, Slide Pads, Hold Down Wear Pads, Arrow Decals, Controls Placards & Attaching Hardware)	
	1001266454	Ref	Maintenance Kit - 20-21FT Carrier (Includes Hydraulic Filter Element, Wheel Lift Wear Pads, Slide Pads, Hold Down Wear Pads, Arrow Decals, Controls Placards & Attaching Hardware)	
	1001269378	Ref	Pin Kit (Provides Greaseable Pivot Pin)	
	3249000004S	Ref	Roller Cable Guide Kit	
	9577000226	Ref	Slide Pad Kit - 19FT Carrier	
	9577000227	Ref	Slide Pad Kit - 20-21FT Carrier	
	1001257906	Ref	Subframe Saddle Bracket Kit (Includes Saddle Bracket, Shims & Attaching Hardware)	



**SECTION 8 - ACCESSORIES**

**FIGURE 8-2. 7-WAY ELECTRICAL CONNECTOR**



ART\_A7WCON

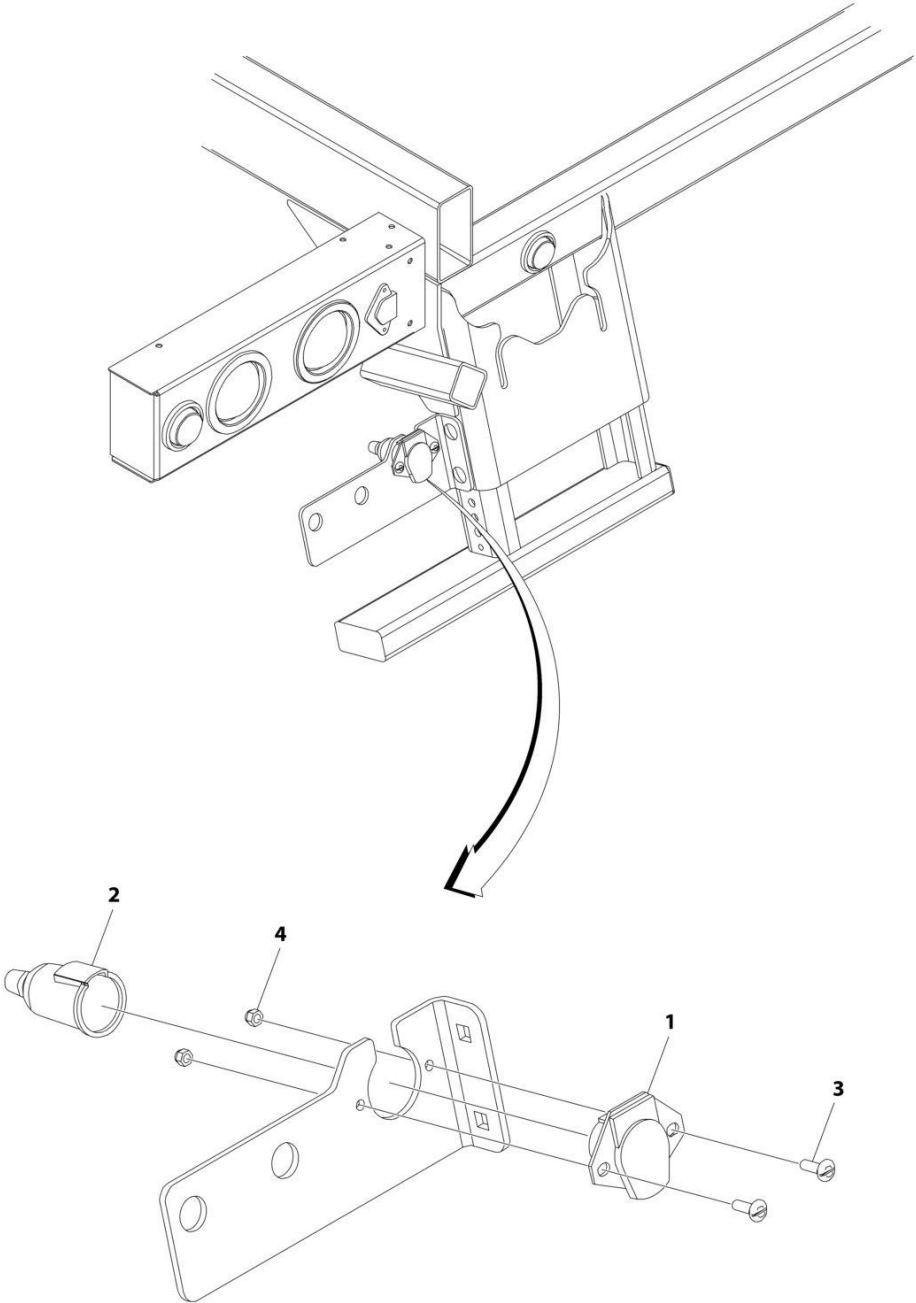
## SECTION 8 - ACCESSORIES

### FIGURE 8-2. 7-WAY ELECTRICAL CONNECTOR

ITEM	PART NUMBER	QTY	DESCRIPTION	REV
	A7WCON	Ref	7 Way Electric Connector Installation	0
1	7346000132	1	Electrical Adapter 7 to 4 way (Not Shown)	
2	7346000157	1	Electrical Adapter 7 to 6 way (Not Shown)	
3	2346000008	1	7-Way Electrical Connector (See Separate Breakdown in this Section)	
4	2178000037	Ref	Glad Hands Bracket Installation	
4	4178000666	1	Bracket	
4	7115181464	2	Bolt 1/2 x 1-3/4	
4	7660182601	2	Nut 1/2	

**SECTION 8 - ACCESSORIES**

**FIGURE 8-3. 7-WAY ELECTRICAL INSTALLATION**



ART\_234600008



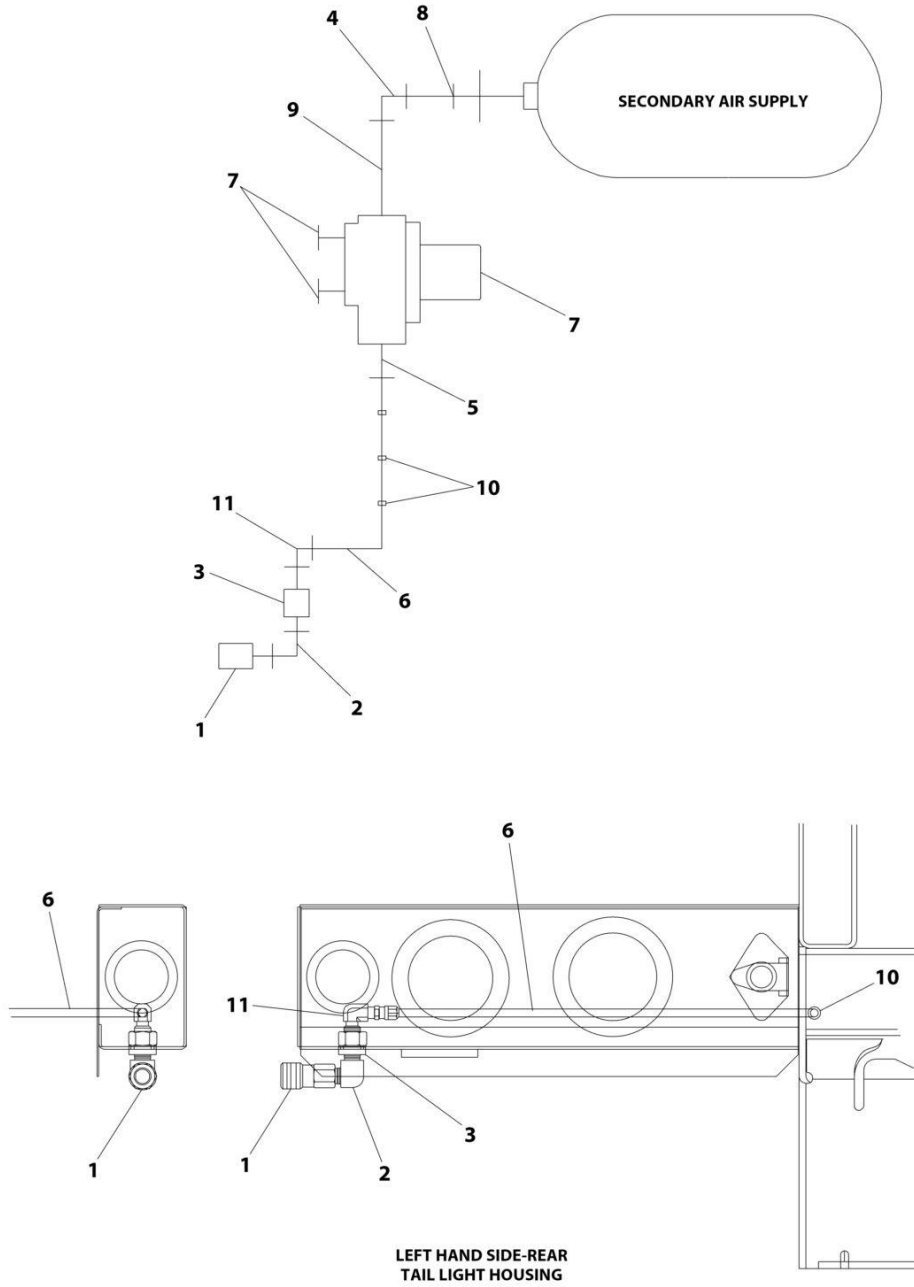
## SECTION 8 - ACCESSORIES

**FIGURE 8-3. 7-WAY ELECTRICAL INSTALLATION**

ITEM	PART NUMBER	QTY	DESCRIPTION	REV
	2346000008	Ref	7-Way Electrical Connector	0
1	7346000055	1	Electrical Receptacle 7-way Connect	
2	7346000078	1	Electrical Boot	
3	7111150813	2	Screw 5/16 x 1	
4	7660152601	2	Nut 5/16	

# SECTION 8 - ACCESSORIES

## FIGURE 8-4. AIR SUPPLY DISCONNECT



ART\_2002000009

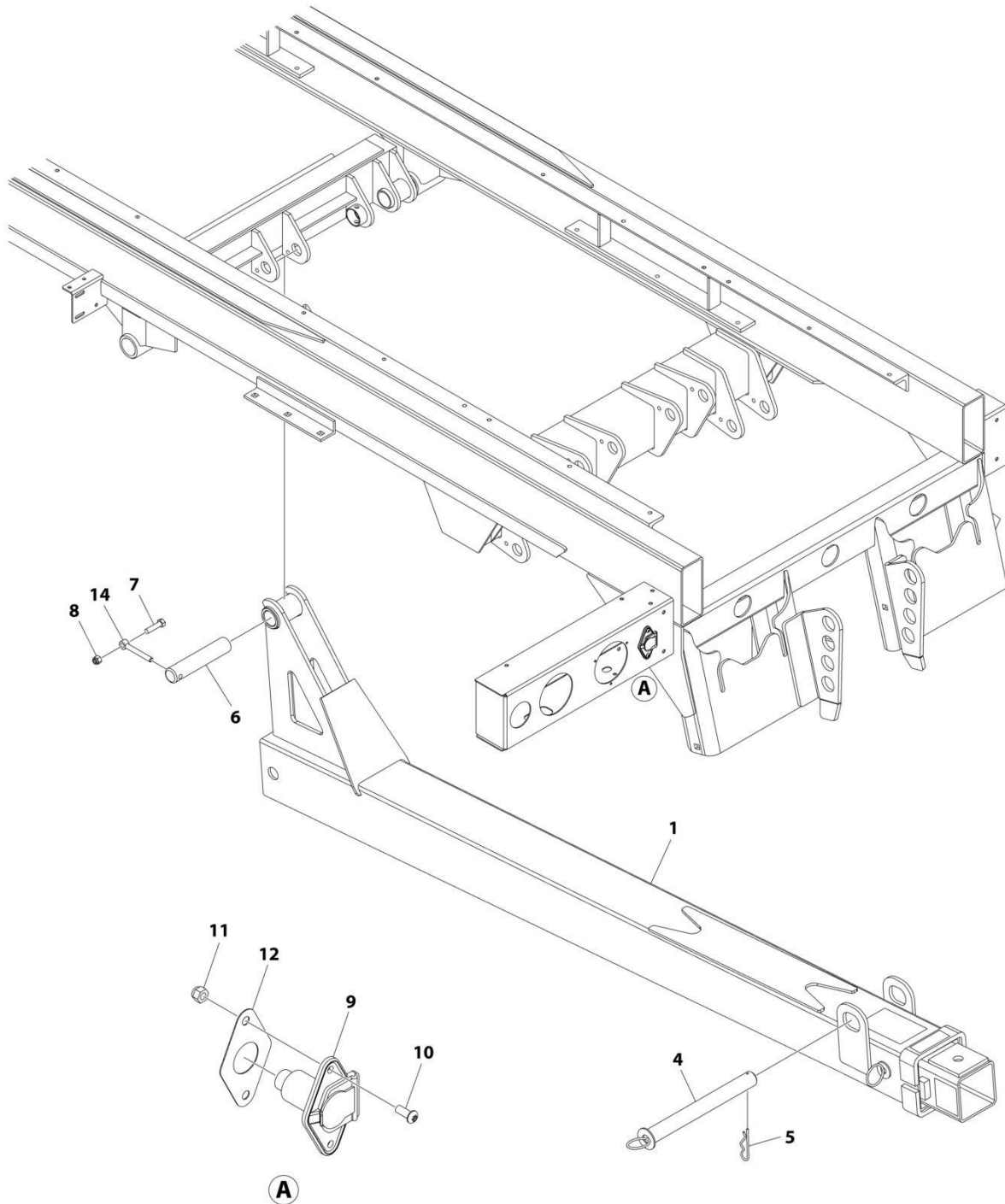
## SECTION 8 - ACCESSORIES

### FIGURE 8-4. AIR SUPPLY DISCONNECT

ITEM	PART NUMBER	QTY	DESCRIPTION	REV
	2002000009	Ref	AIR SUPPLY DISCONNECT	E
1	7312000017	1	Fitting, Coupling	
2	7445080853	1	Fitting, 90	
3	7446502518	1	Fitting	
4	7443000155	1	Fitting, 90	
5	7446060435	2	Tube	
6	7565000014	32	Tubing, Airline	
7	7935000120	1	Valve, Pressure Protection	
8	7443000154	1	Bushing	
9	7443000156	1	Fitting, Nipple	
10	7894000031	6	Tie-Strap	
11	7443000366	1	Fitting, Tube	

# SECTION 8 - ACCESSORIES

## FIGURE 8-5. BOOM INSTALLATION - BALL HITCH (HYDRAULIC)



ART\_217000087

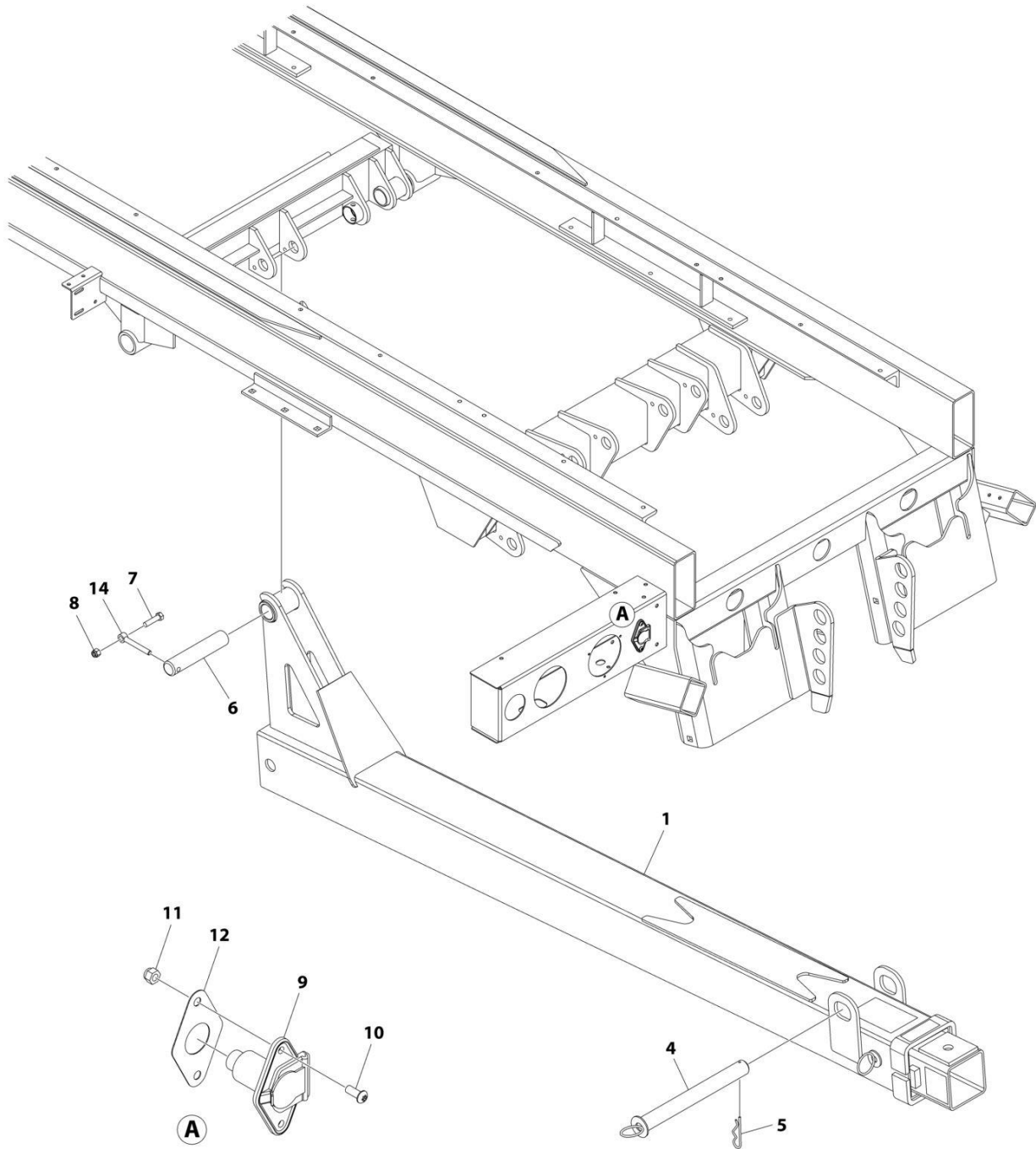
## SECTION 8 - ACCESSORIES

**FIGURE 8-5. BOOM INSTALLATION - BALL HITCH (HYDRAULIC)**

ITEM	PART NUMBER	QTY	DESCRIPTION	REV
	2170000087	Ref	TOW HITCH BOOM INSTALLATION - BALL HITCH (HYDRAULIC)	D
1	3170000308	1	Boom Assembly (See Separate Breakdown in this Section)	
4	3691000097	1	Pin	
5	7691000001	1	Hairpin	
6	1001188129	1	Pin	
7	0641612	1	Bolt 3/8 x 1-1/2	
8	3300492	1	Nut 3/8	
9	7291000010	1	Female Receptacle	
10	7114140528	2	Screw 1/4 x 5/8	
11	7660142601	2	Nut 1/4	
12	7796000048	1	Gasket	
14	3841143	1	Keeper	

# SECTION 8 - ACCESSORIES

## FIGURE 8-6. BOOM INSTALLATION - BALL HITCH (MANUAL)



ART\_217000088

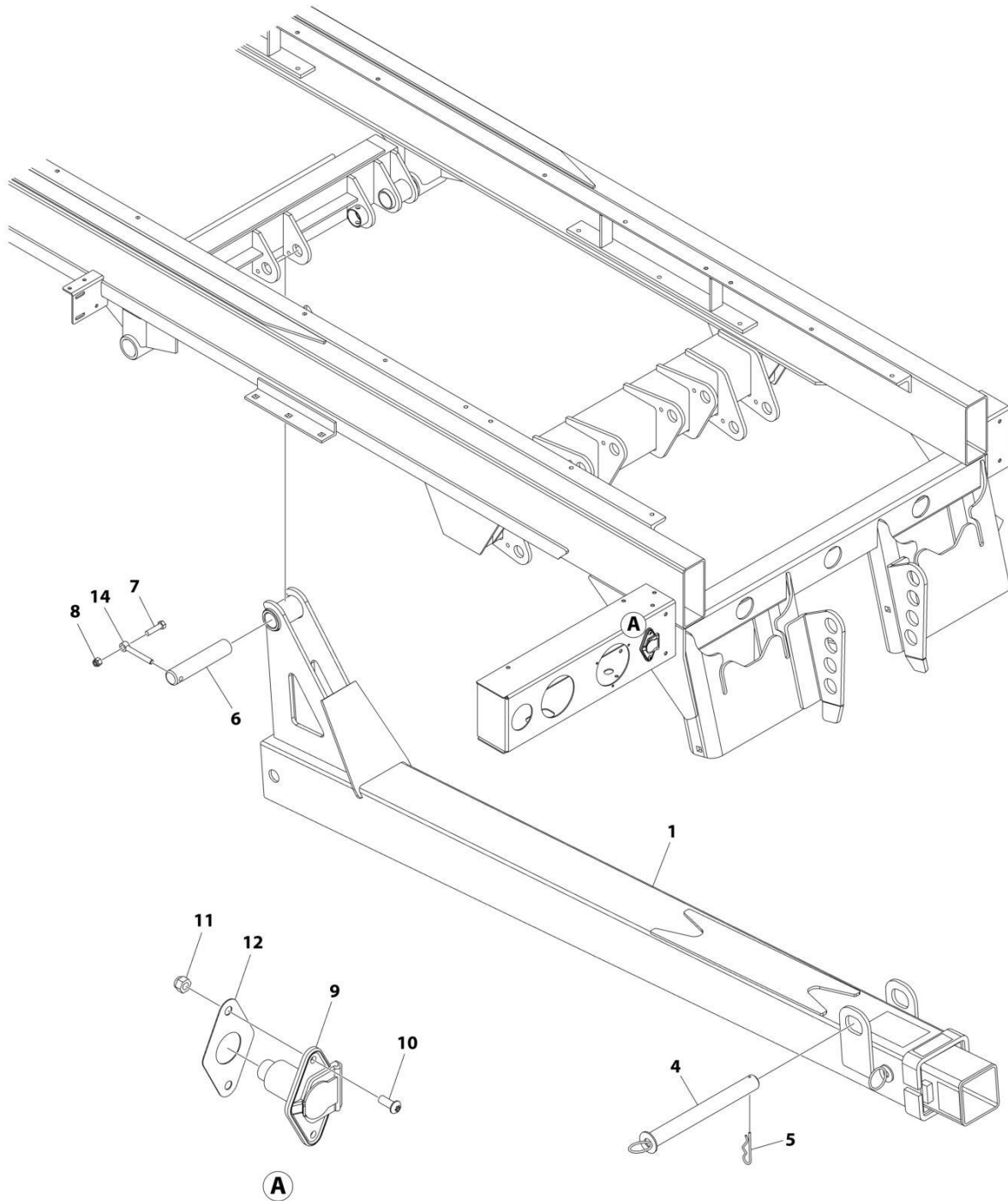
## SECTION 8 - ACCESSORIES

**FIGURE 8-6. BOOM INSTALLATION - BALL HITCH (MANUAL)**

ITEM	PART NUMBER	QTY	DESCRIPTION	REV
	2170000088	Ref	TOW HITCH BOOM INSTALLATION - BALL HITCH (MANUAL)	D
1	3170000309	1	Boom Assembly (See Separate Breakdown in this Section)	
4	3691000097	1	Pin	
5	7691000001	1	Hairpin	
6	1001188129	1	Pin	
7	0641612	1	Bolt 3/8 x 1-1/2	
8	3300492	1	Nut 3/8	
9	7291000010	1	Female Receptacle	
10	7114140528	2	Screw 1/4 x 5/8	
11	7660142601	2	Nut 1/4	
12	7796000048	1	Gasket	
14	3841143	1	Keeper	

# SECTION 8 - ACCESSORIES

## FIGURE 8-7. BOOM INSTALLATION - PINTLE HITCH (HYDRAULIC)



ART\_217000089



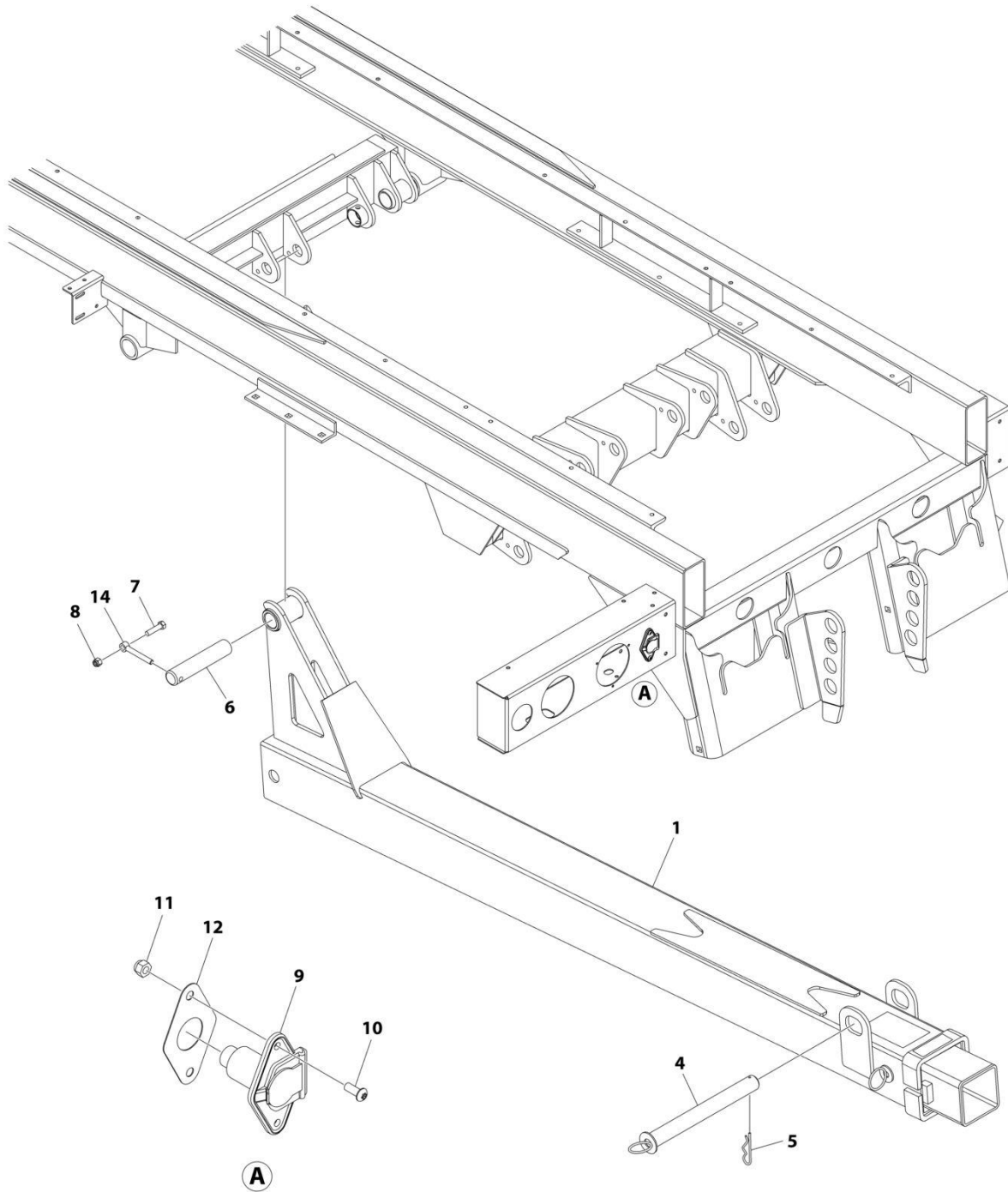
## SECTION 8 - ACCESSORIES

**FIGURE 8-7. BOOM INSTALLATION - PINTLE HITCH (HYDRAULIC)**

ITEM	PART NUMBER	QTY	DESCRIPTION	REV
	2170000089	Ref	TOW HITCH BOOM INSTALLATION - PINTLE HITCH (HYDRAULIC)	D
1	3170000311	1	Boom Assembly (See Separate Breakdown in this Section)	
4	3691000097	1	Pin	
5	7691000001	1	Hiarpin	
6	1001188129	1	Pin	
7	0641612	1	Bolt 3/8 x 1-1/2	
8	3300492	1	Nut 3/8	
9	7291000010	1	Female Receptacle	
10	7114140528	2	Screw 1/4 x 5/8	
11	7660142601	2	Nut 1/4	
12	7796000048	1	Gasket	
14	3841143	1	Keeper	

# SECTION 8 - ACCESSORIES

## FIGURE 8-8. BOOM INSTALLATION, PINTLE HITCH (MANUAL)



ART\_217000090

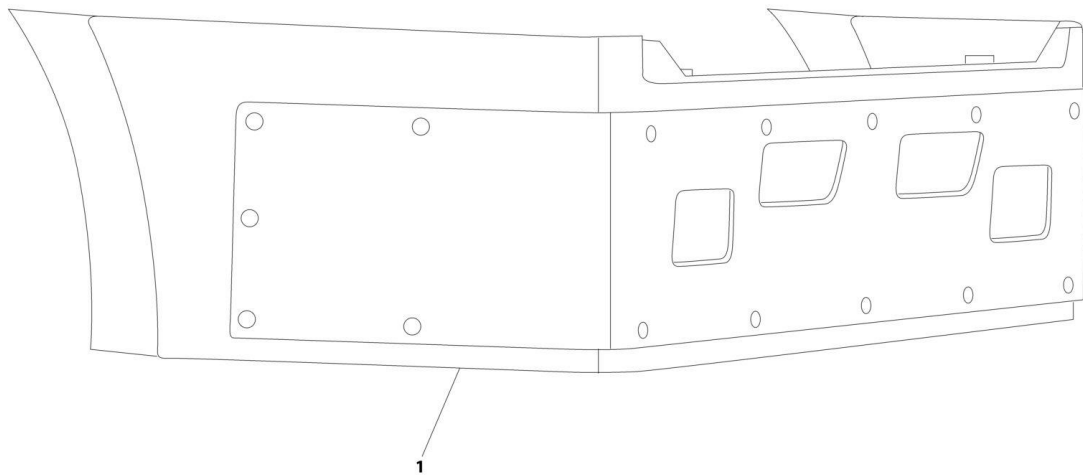
## SECTION 8 - ACCESSORIES

**FIGURE 8-8. BOOM INSTALLATION, PINTLE HITCH (MANUAL)**

ITEM	PART NUMBER	QTY	DESCRIPTION	REV
	2170000090	Ref	TOW HITCH BOOM INSTALLATION - PINTLE HITCH (MANUAL)	D
1	3170000312	1	Boom Assembly (See Separate Breakdown in this Section)	
4	3691000097	1	Pin	
5	7691000001	1	Hairpin	
6	1001188129	1	Pin	
7	0641612	1	Bolt 3/8 x 1-1/2	
8	3300492	1	Nut 3/8	
9	7291000010	1	Female Receptacle	
10	7114140528	2	Screw 1/4 x 5/8	
11	7660142601	2	Nut 1/4	
12	7796000048	1	Gasket	
14	3841143	1	Keeper	

## SECTION 8 - ACCESSORIES

FIGURE 8-9. BUMPER INSTALLATION - PUSH (FRONT) (NO GRILLE GUARD (DODGE 2011+))



ART\_1001155476

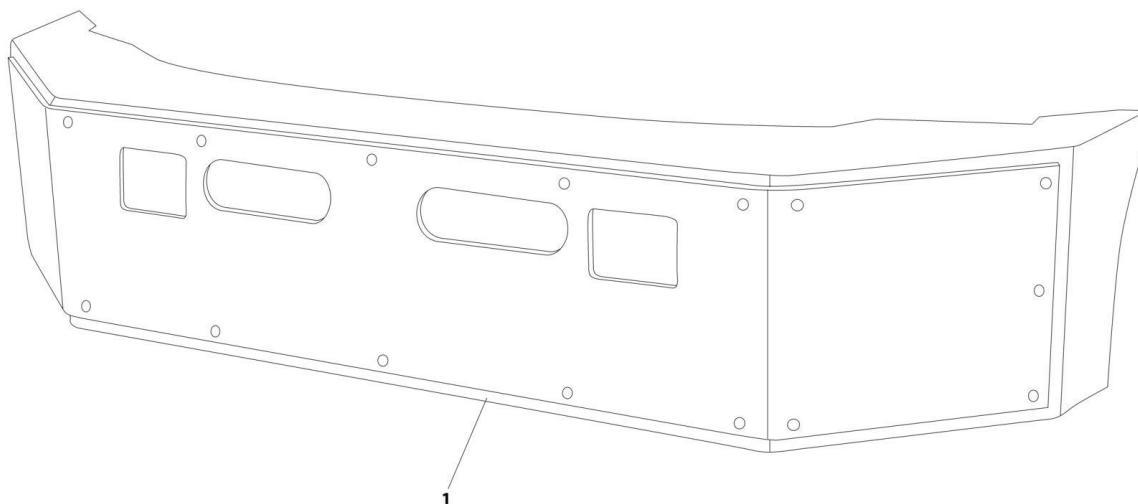
## SECTION 8 - ACCESSORIES

**FIGURE 8-9. BUMPER INSTALLATION - PUSH (FRONT) (NO GRILLE GUARD (DODGE 2011+))**

ITEM	PART NUMBER	QTY	DESCRIPTION	REV
	1001155476	Ref	BUMPER INSTALLATION - PUSH (FRONT) (NO GRILLE GUARD (DODGE 2011+))	A
1	1001155475	1	Bumper	

## SECTION 8 - ACCESSORIES

FIGURE 8-10. BUMPER INSTALLATION - PUSH (FRONT) (NO GRILLE GUARD (FORD F550 2011-2016))



ART\_1001134181

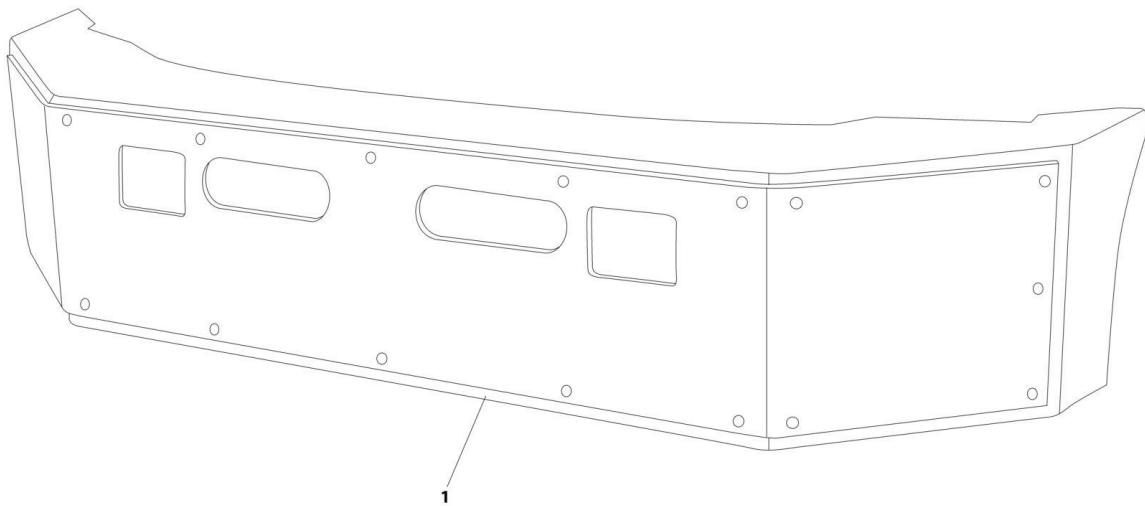
## SECTION 8 - ACCESSORIES

**FIGURE 8-10. BUMPER INSTALLATION - PUSH (FRONT) (NO GRILLE GUARD (FORD F550 2011-2016))**

ITEM	PART NUMBER	QTY	DESCRIPTION	REV
	1001134181	Ref	BUMPER INSTALLATION - PUSH (FRONT) (NO GRILLE GUARD) (FORD 2011-2016)	B
1	1001134178	1	Bumper	

## SECTION 8 - ACCESSORIES

FIGURE 8-11. BUMPER INSTALLATION - PUSH (FRONT) (NO GRILLE GUARD (FORD F550 2017+))



ART\_1001221466



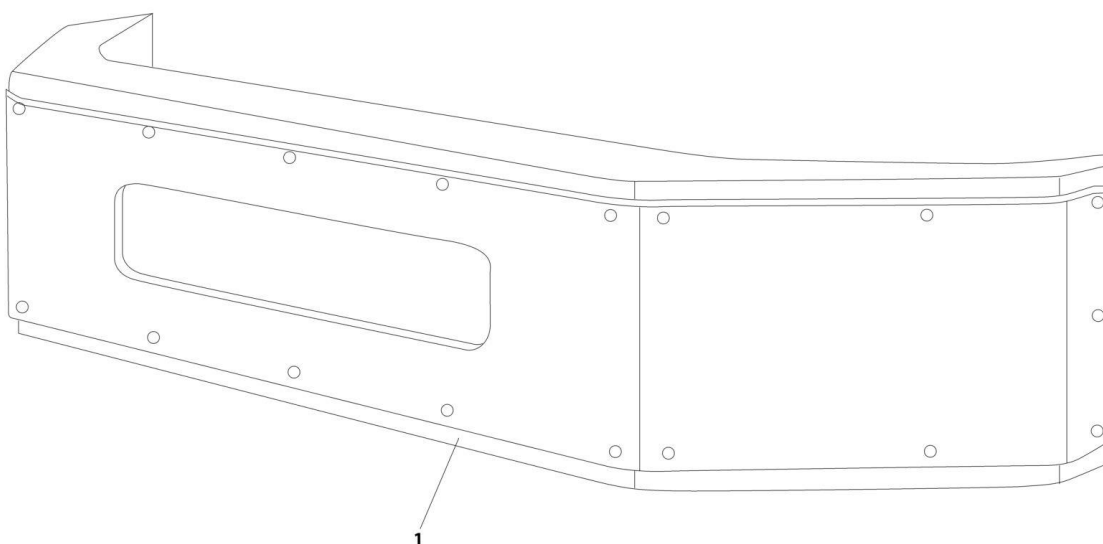
## SECTION 8 - ACCESSORIES

**FIGURE 8-11. BUMPER INSTALLATION - PUSH (FRONT) (NO GRILLE GUARD (FORD F550 2017+))**

ITEM	PART NUMBER	QTY	DESCRIPTION	REV
	1001221466	Ref	BUMPER INSTALLATION - PUSH (FRONT) (NO GRILLE GUARD) (FORD 2017+)	A
1	1001226914	1	Bumper	

## SECTION 8 - ACCESSORIES

FIGURE 8-12. BUMPER INSTALLATION - PUSH (FRONT) (NO GRILLE GUARD (FREIGHTLINER 2008+))



ART\_1001146879

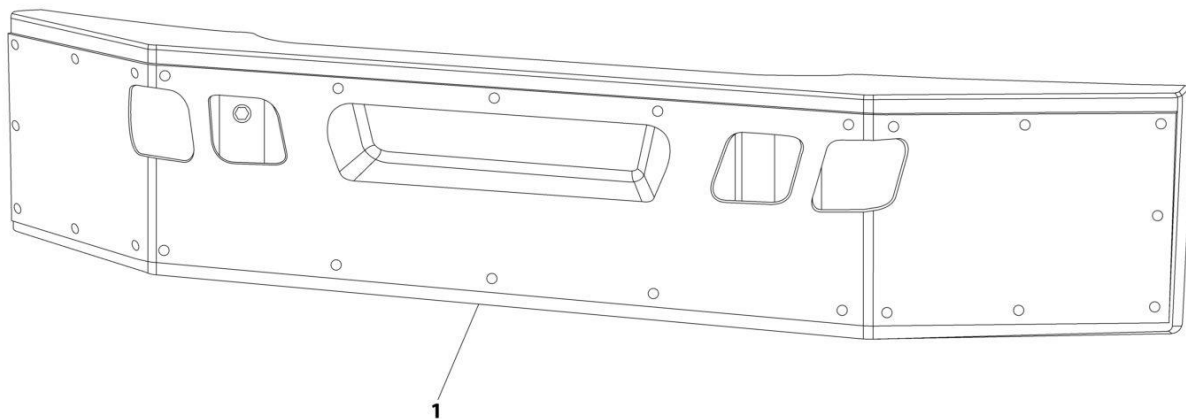
## SECTION 8 - ACCESSORIES

**FIGURE 8-12. BUMPER INSTALLATION - PUSH (FRONT) (NO GRILLE GUARD (FREIGHTLINER 2008+))**

ITEM	PART NUMBER	QTY	DESCRIPTION	REV
	1001146879	Ref	BUMPER INSTALLATION - PUSH (FRONT) (NO GRILLE GUARD) (FREIGHTLINER 2008+)	A
1	1001146878	1	Bumper	

## SECTION 8 - ACCESSORIES

FIGURE 8-13. BUMPER INSTALLATION - PUSH (FRONT) (NO GRILLE GUARD) (FORD F650 2011-2016)



ART\_1001133674

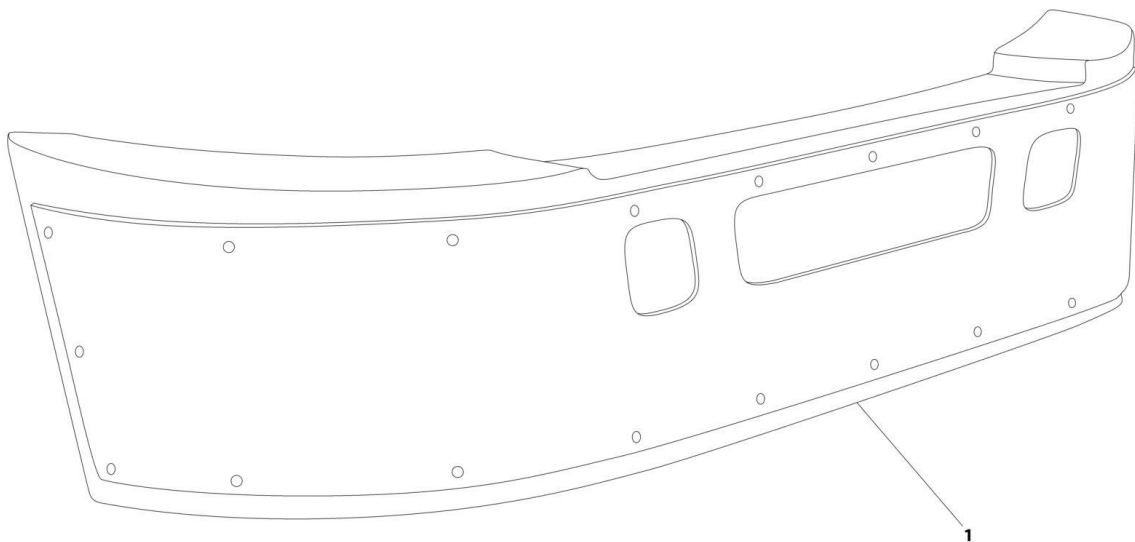
## SECTION 8 - ACCESSORIES

**FIGURE 8-13. BUMPER INSTALLATION - PUSH (FRONT) (NO GRILLE GUARD) (FORD F650 2011-2016)**

ITEM	PART NUMBER	QTY	DESCRIPTION	REV
	1001133674	Ref	BUMPER INSTALLATION - PUSH (FRONT) (NO GRILLE GUARD) (FORD F650 2011-2016)	A
1	1001129909	1	Bumper	

## SECTION 8 - ACCESSORIES

FIGURE 8-14. BUMPER INSTALLATION - PUSH (FRONT) (NO GRILLE GUARD) (HINO)



ART\_1001242699

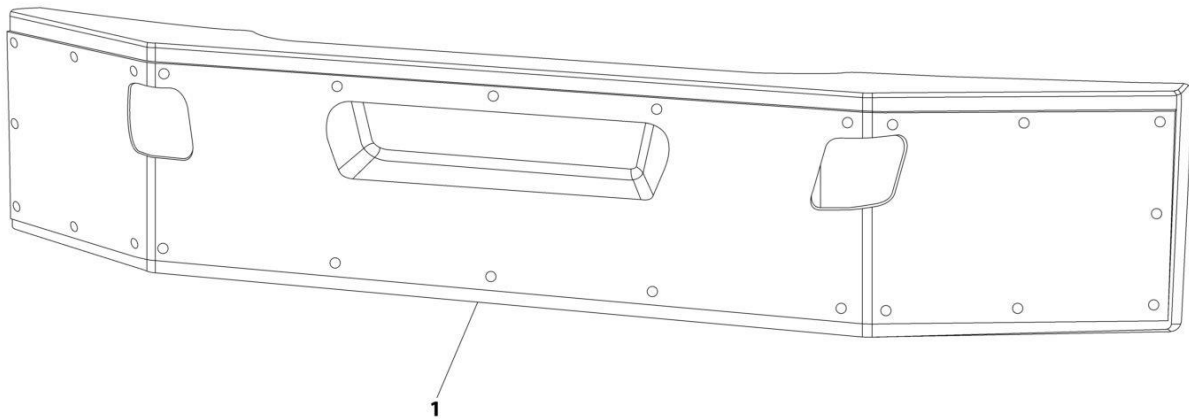
## SECTION 8 - ACCESSORIES

**FIGURE 8-14. BUMPER INSTALLATION - PUSH (FRONT) (NO GRILLE GUARD) (HINO)**

ITEM	PART NUMBER	QTY	DESCRIPTION	REV
	1001242699	Ref	BUMPER INSTALLATION - PUSH (FRONT) (WITHOUT GRILLE GUARD) (HINO)	A
1	1001225228	1	Bumper	

## SECTION 8 - ACCESSORIES

FIGURE 8-15. BUMPER INSTALLATION - PUSH (FRONT) (NO GRILLE GUARD) (IHC 4300)



ART\_1001144805



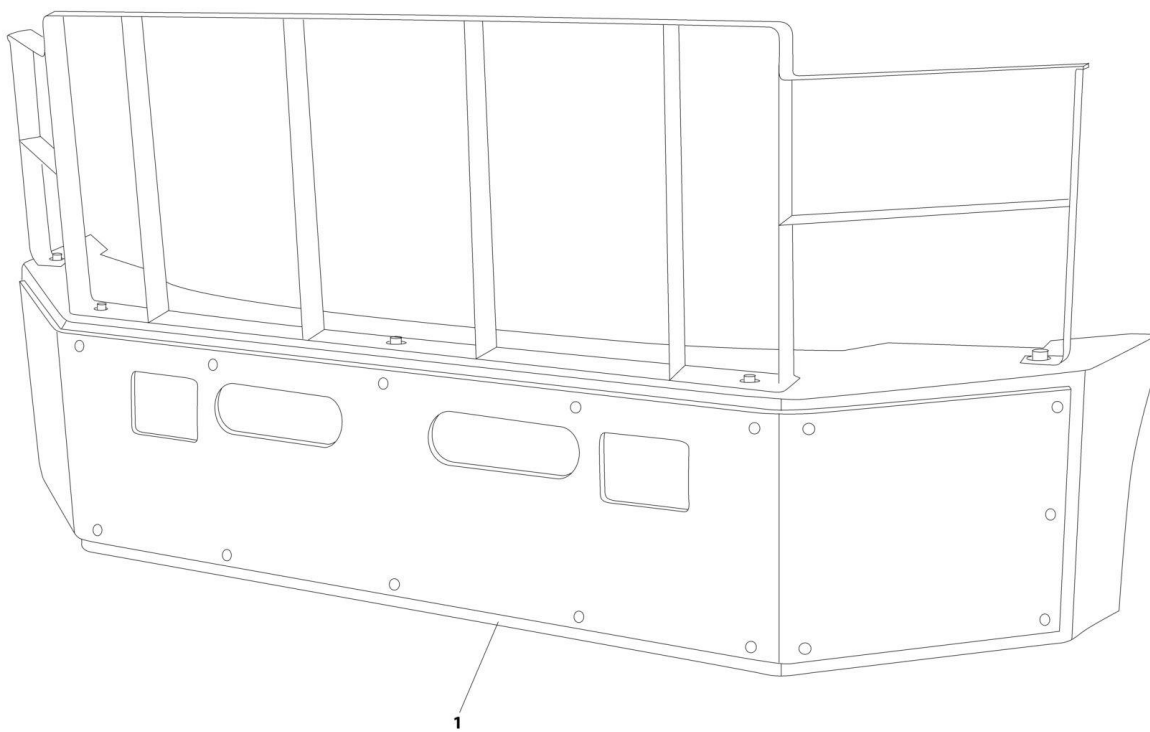
## SECTION 8 - ACCESSORIES

**FIGURE 8-15. BUMPER INSTALLATION - PUSH (FRONT) (NO GRILLE GUARD) (IHC 4300)**

ITEM	PART NUMBER	QTY	DESCRIPTION	REV
	1001144805	Ref	BUMPER INSTALLATION - PUSH (FRONT) (NO GRILLE GUARD) (IHC 4300)	A
1	1001144804	1	Bumper	

## SECTION 8 - ACCESSORIES

FIGURE 8-16. BUMPER INSTALLATION - PUSH (FRONT) (WITH GRILLE GUARD (FORD F550 2011-2016))



ART\_1001123179

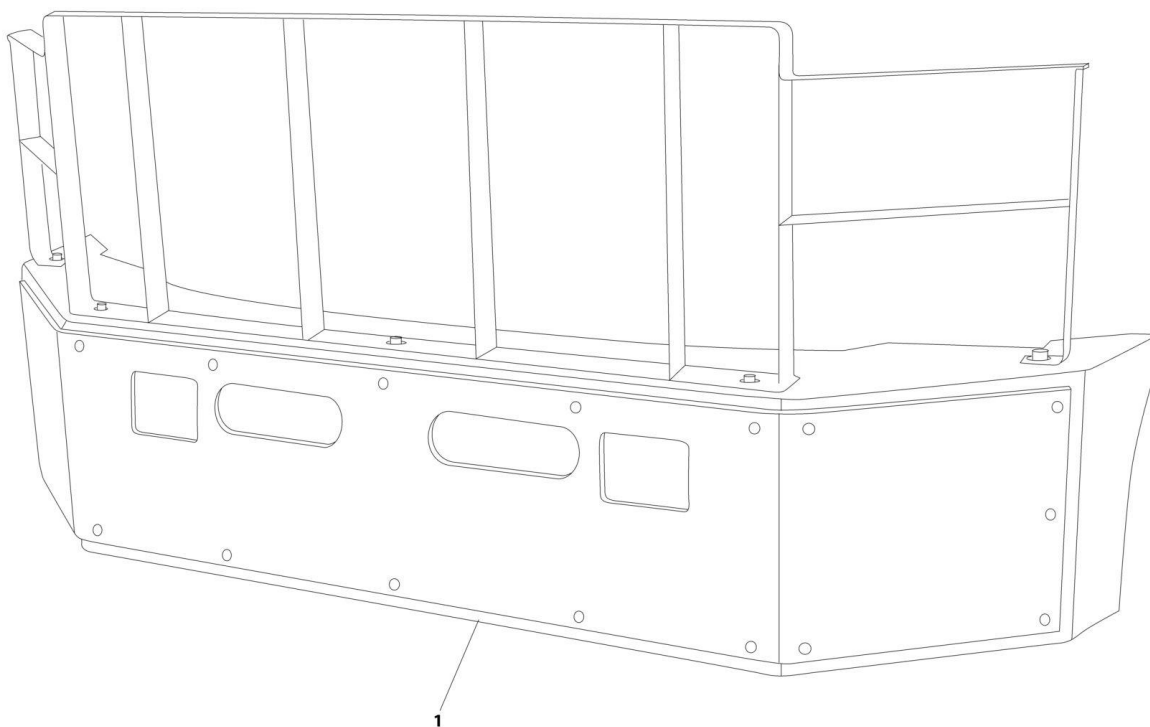
## SECTION 8 - ACCESSORIES

**FIGURE 8-16. BUMPER INSTALLATION - PUSH (FRONT) (WITH GRILLE GUARD (FORD F550 2011-2016))**

ITEM	PART NUMBER	QTY	DESCRIPTION	REV
	1001123179	Ref	BUMPER INSTALLATION - PUSH (FRONT) (WITH GRILLE GUARD) (FORD 2011-2016)	B
1	7190000066	1	Bumper	

## SECTION 8 - ACCESSORIES

FIGURE 8-17. BUMPER INSTALLATION - PUSH (FRONT) (WITH GRILLE GUARD (FORD F550 2017+))



ART\_1001221467

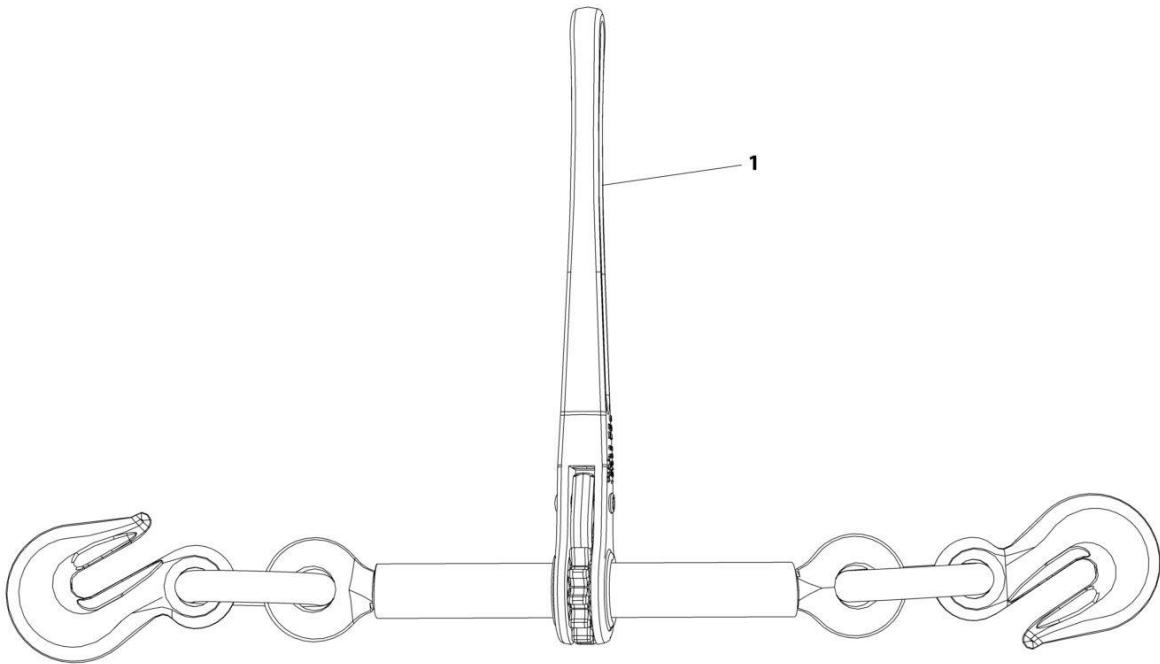
## SECTION 8 - ACCESSORIES

**FIGURE 8-17. BUMPER INSTALLATION - PUSH (FRONT) (WITH GRILLE GUARD (FORD F550 2017+))**

ITEM	PART NUMBER	QTY	DESCRIPTION	REV
	1001221467	Ref	BUMPER INSTALLATION - PUSH (FRONT) (WITH GRILLE GUARD) (FORD 2017+)	A
1	1001226915	1	Bumper	

## SECTION 8 - ACCESSORIES

FIGURE 8-18. CHAIN BINDER, 1/2IN CHAIN



ART\_CHB50

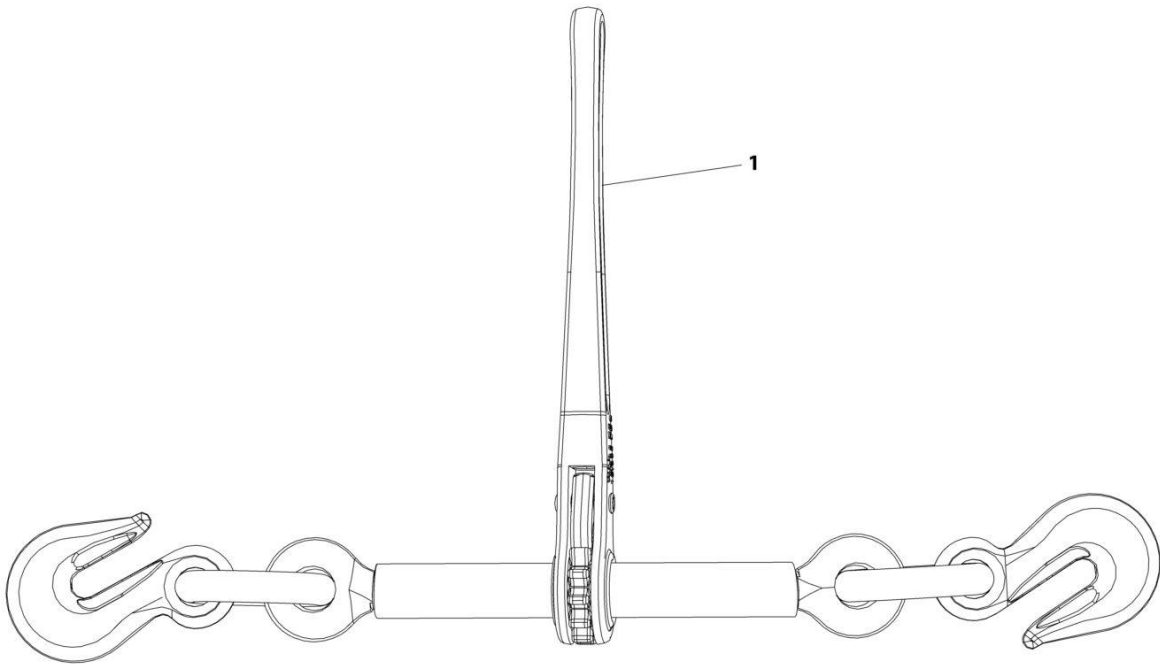
## SECTION 8 - ACCESSORIES

FIGURE 8-18. CHAIN BINDER, 1/2IN CHAIN

ITEM	PART NUMBER	QTY	DESCRIPTION	REV
1	CHB50 7002000450	Ref 1	CHAIN BINDER 1/2IN Load Binder	0

# SECTION 8 - ACCESSORIES

FIGURE 8-19. CHAIN BINDER, 3/8IN CHAIN



ART\_CHB38



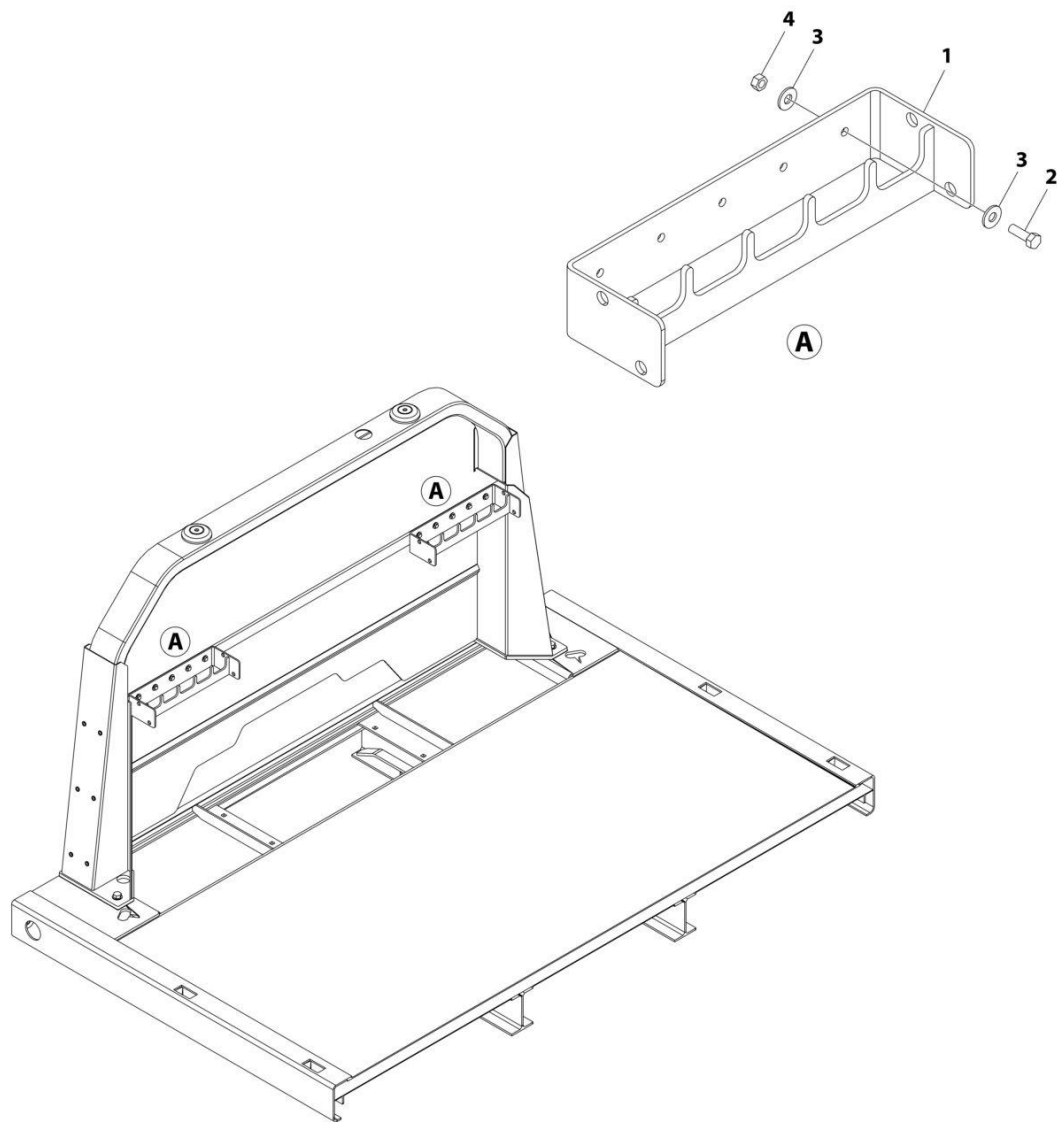
## SECTION 8 - ACCESSORIES

**FIGURE 8-19. CHAIN BINDER, 3/8IN CHAIN**

ITEM	PART NUMBER	QTY	DESCRIPTION	REV
1	CHB38 7002000451	Ref 1	CHAIN BINDER 3/8IN Load Binder	0

# SECTION 8 - ACCESSORIES

FIGURE 8-20. CHAIN RACKS (ADJUSTABLE/FIXED HEADBOARD)



ART\_1001232526

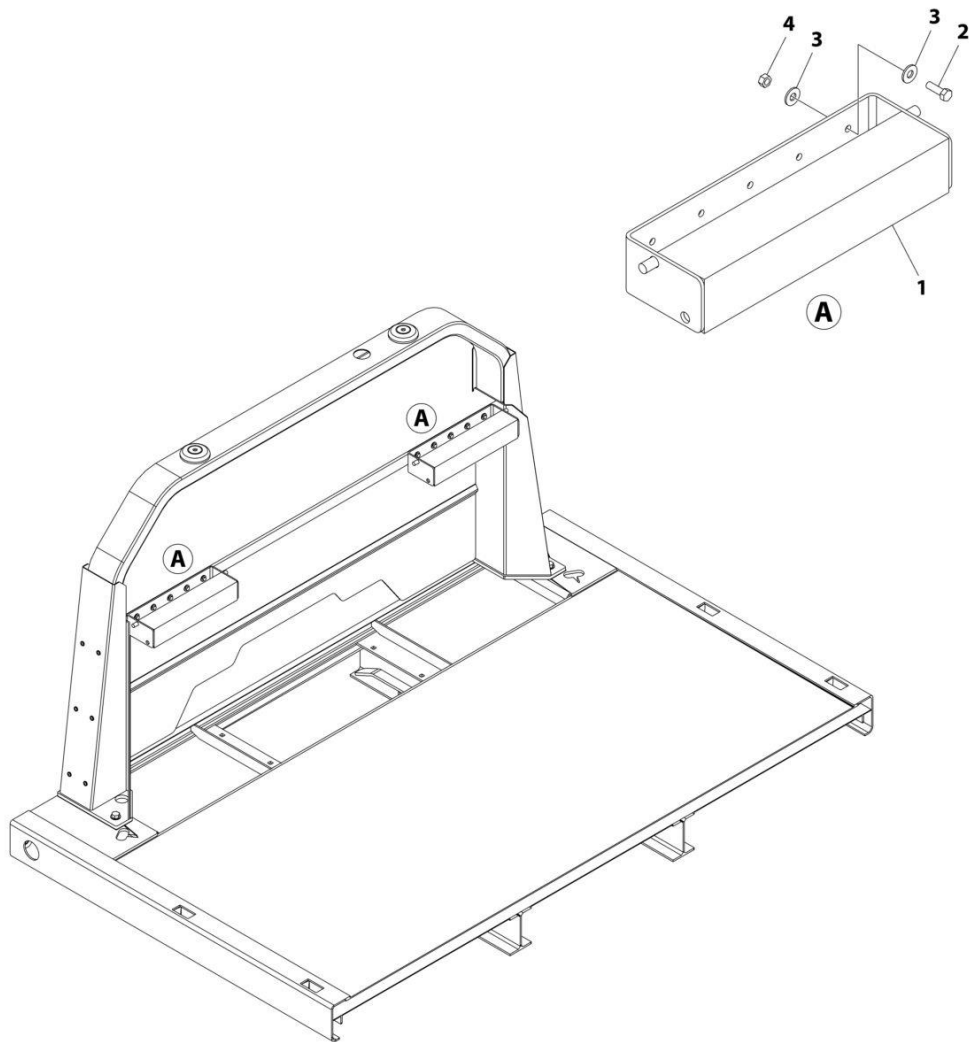
## SECTION 8 - ACCESSORIES

**FIGURE 8-20. CHAIN RACKS (ADJUSTABLE/FIXED HEADBOARD)**

ITEM	PART NUMBER	QTY	DESCRIPTION	REV
	1001232526	Ref	CHAIN RACKS ADJUSTABLE/FIXED HEIGHT, HEADBOARD INSTALLATION	A
1	1001232524	2	Bracket	
2	0641508	10	Bolt 5/16 x 1	
3	4751500	20	Washer 5/16	
4	3271505	10	Nut 5/16	

## SECTION 8 - ACCESSORIES

FIGURE 8-21. CHAIN RACKS (ADJUSTABLE/FIXED HEADBOARD) (LOCKING)



ART\_1001232527

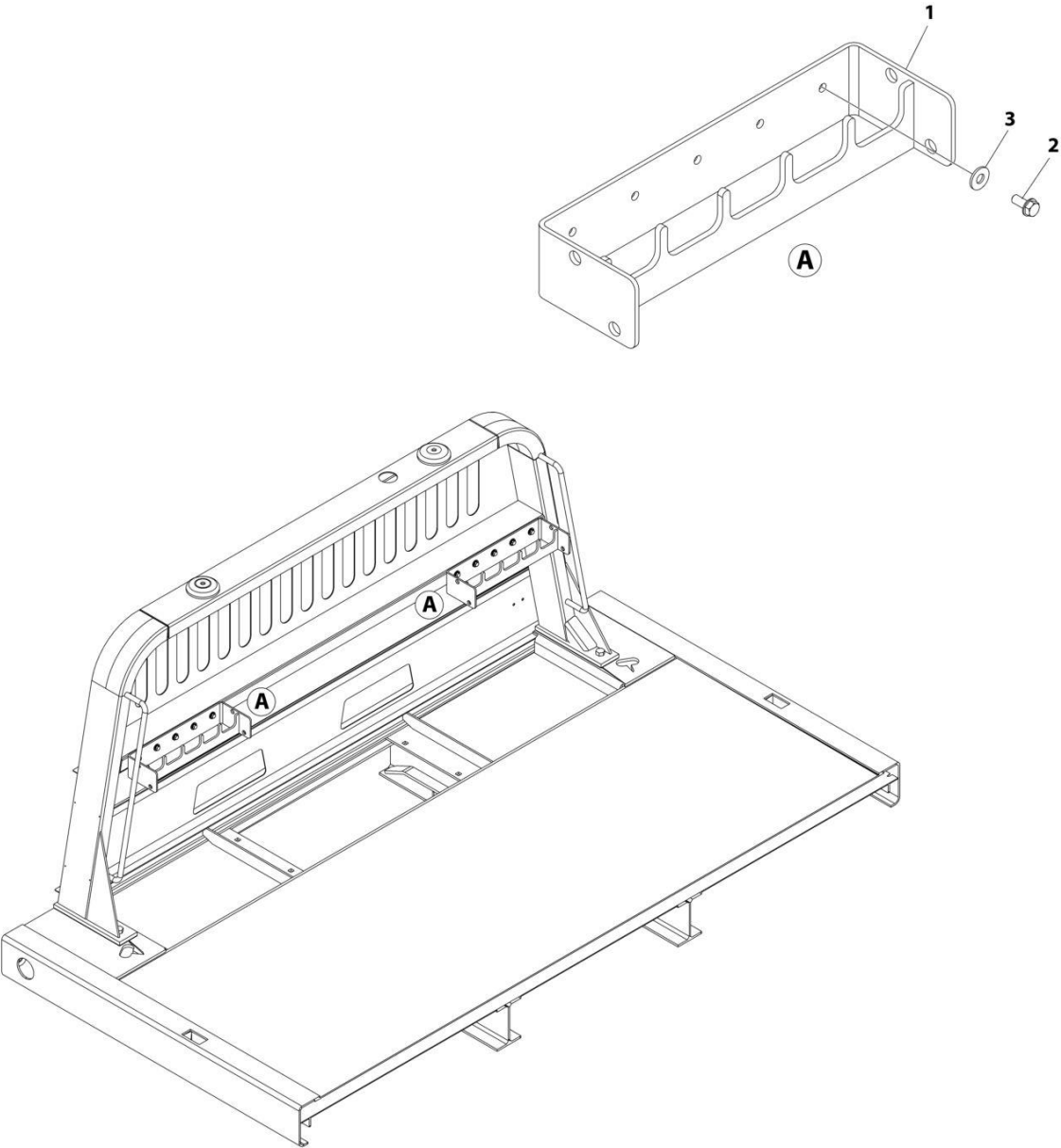
## SECTION 8 - ACCESSORIES

**FIGURE 8-21. CHAIN RACKS (ADJUSTABLE/FIXED HEADBOARD) (LOCKING)**

ITEM	PART NUMBER	QTY	DESCRIPTION	REV
	1001232527	Ref	LOCKING CHAIN RACKS, ADJUSTABLE/FIXED HEIGHT, HEADBOARD INSTALLATION	A
1	1001232525	2	Bracket	
2	0641508	10	Bolt 5/16 x 1	
3	4751500	20	Washer 5/16	
4	3271505	10	Nut 5/16	

**SECTION 8 - ACCESSORIES**

**FIGURE 8-22. CHAIN RACKS (DELUXE HEADBOARD)**



ART\_1001232621

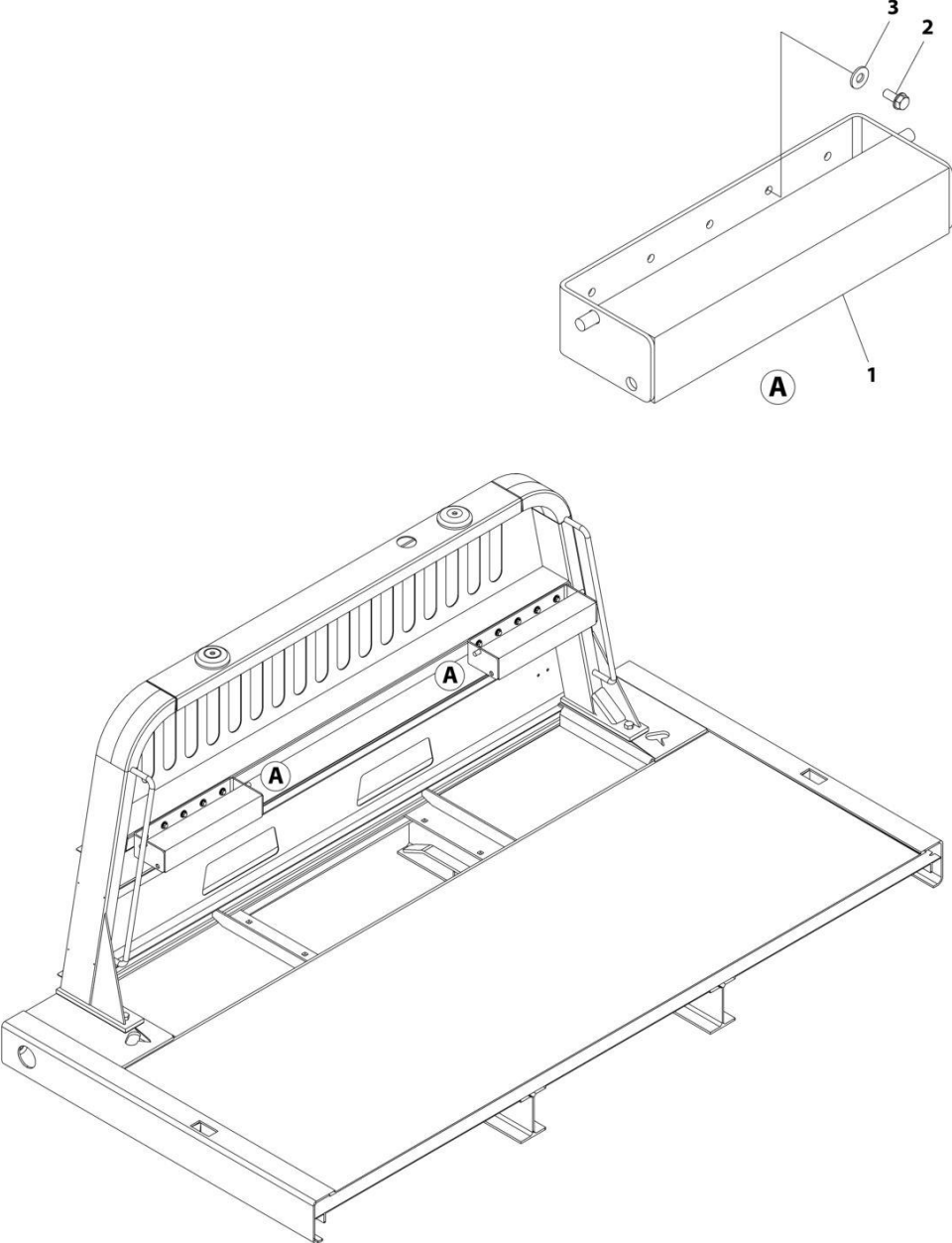
## SECTION 8 - ACCESSORIES

**FIGURE 8-22. CHAIN RACKS (DELUXE HEADBOARD)**

ITEM	PART NUMBER	QTY	DESCRIPTION	REV
	1001232621	Ref	CHAIN RACKS, DELUXE HEADBOARD INSTALLATION	A
1	1001232524	2	Bracket	
2	7790151253	10	Screw 5/16 x 3/4	
3	4751500	10	Washer 5/16	

**SECTION 8 - ACCESSORIES**

**FIGURE 8-23. CHAIN RACKS (DELUXE HEADBOARD) (LOCKING)**



ART\_1001232620



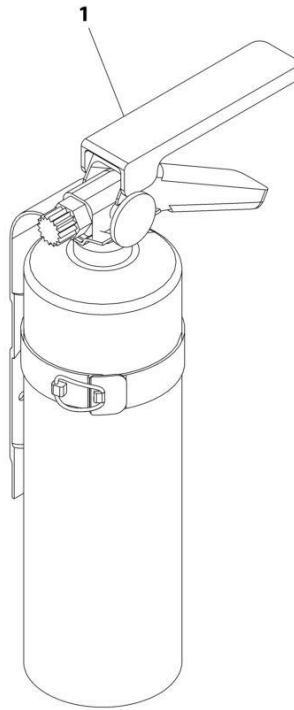
## SECTION 8 - ACCESSORIES

**FIGURE 8-23. CHAIN RACKS (DELUXE HEADBOARD) (LOCKING)**

ITEM	PART NUMBER	QTY	DESCRIPTION	REV
	1001232620	Ref	LOCKING CHAIN RACKS, DELUXE HEADBOARD INSTALLATION	A
1	1001232525	2	Bracket	
2	7790151253	10	Screw 5/16 x 3/4	
3	4751500	10	Washer 5/16	

## SECTION 8 - ACCESSORIES

FIGURE 8-24. FIRE EXTINGUISHER ACCESSORY



ART\_2002000028

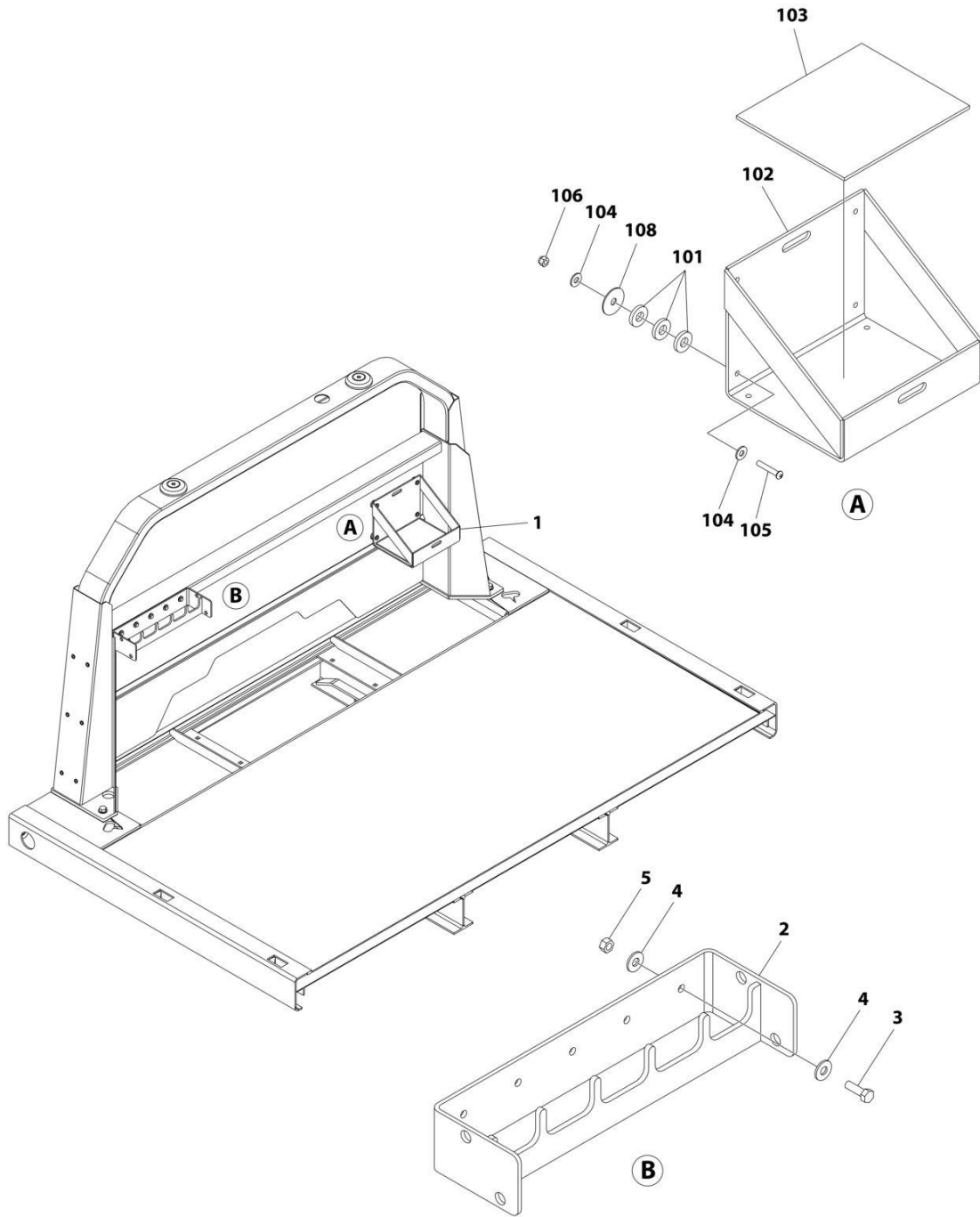
## SECTION 8 - ACCESSORIES

**FIGURE 8-24. FIRE EXTINGUISHER ACCESSORY**

ITEM	PART NUMBER	QTY	DESCRIPTION	REV
1	2002000028	Ref	Fire Extinguisher Accessory	0
	7002000404	1	Fire Extinguisher	

# SECTION 8 - ACCESSORIES

## FIGURE 8-25. FUEL CAN HOLDER & CHAIN RACK INSTALLATION (HEADBOARD)



ART\_1001232555

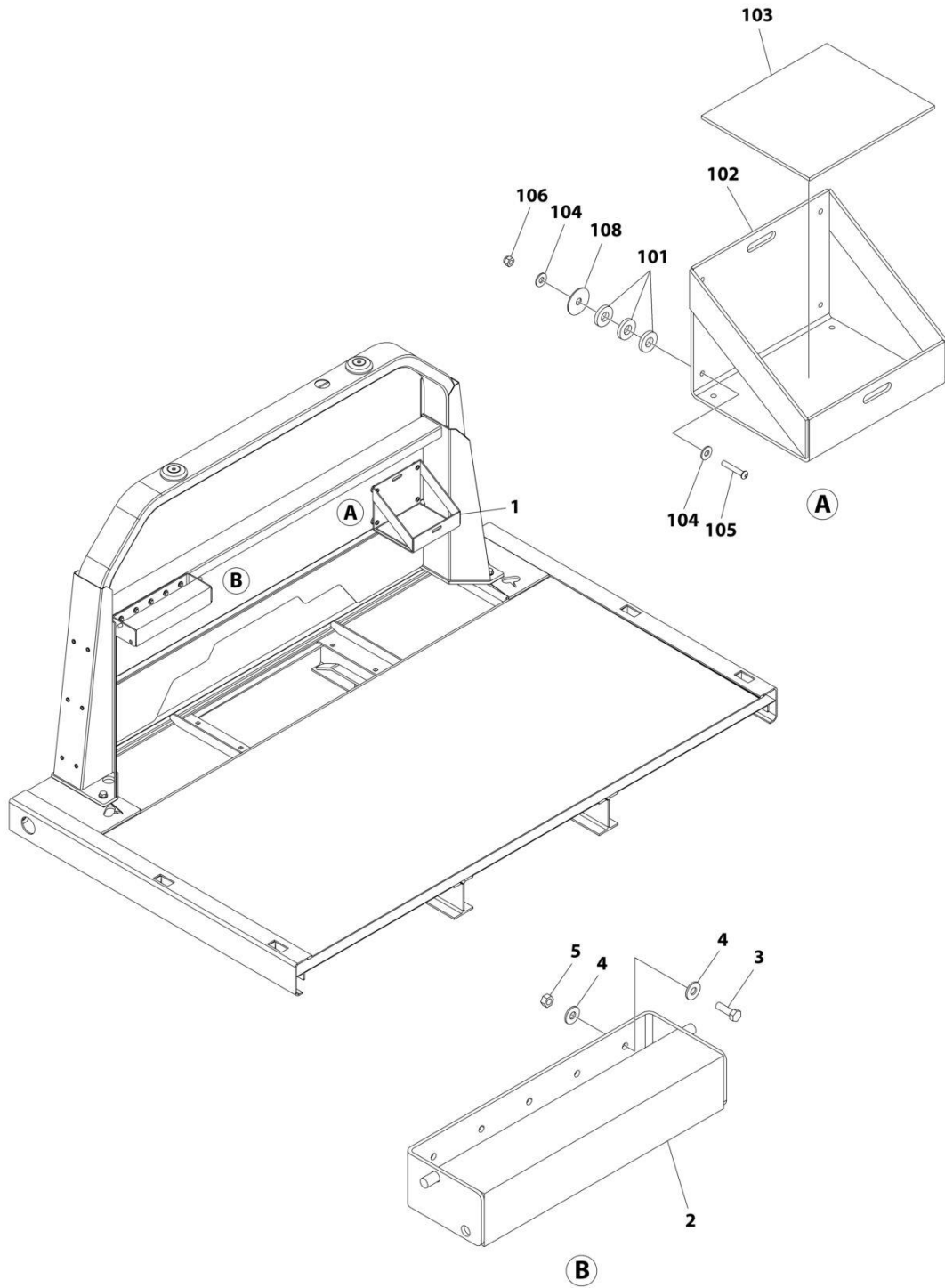
## SECTION 8 - ACCESSORIES

**FIGURE 8-25. FUEL CAN HOLDER & CHAIN RACK INSTALLATION (HEADBOARD)**

ITEM	PART NUMBER	QTY	DESCRIPTION	REV
	1001232555	Ref	FUEL CAN HOLDER AND CHAIN RACK INSTALLATION	A
1	1001190184	1	Fuel Can Holder Installation (Includes Items 101-108)	
2	1001232524	1	Bracket	
3	0641508	5	Bolt 5/16	
4	4751500	10	Washer 5/16	
5	3271505	5	Nut 5/16	
101	4891800	12	Washer 1/2	
102	3178000471	1	Bracket	
103	4679000274	1	Pad	
104	4751400001	8	Washer 1/4	
105	7114141218	4	Capscrew 1/4-20 x 1-1/2	
106	7660142601	4	Nut 1/4	
107	7894000063	1	Tie-Strap (Not Shown)	
108	7949000055	4	Washer	

# SECTION 8 - ACCESSORIES

## FIGURE 8-26. FUEL CAN HOLDER & LOCKING CHAIN RACK INSTALLATION (HEADBOARD)



ART\_1001232554

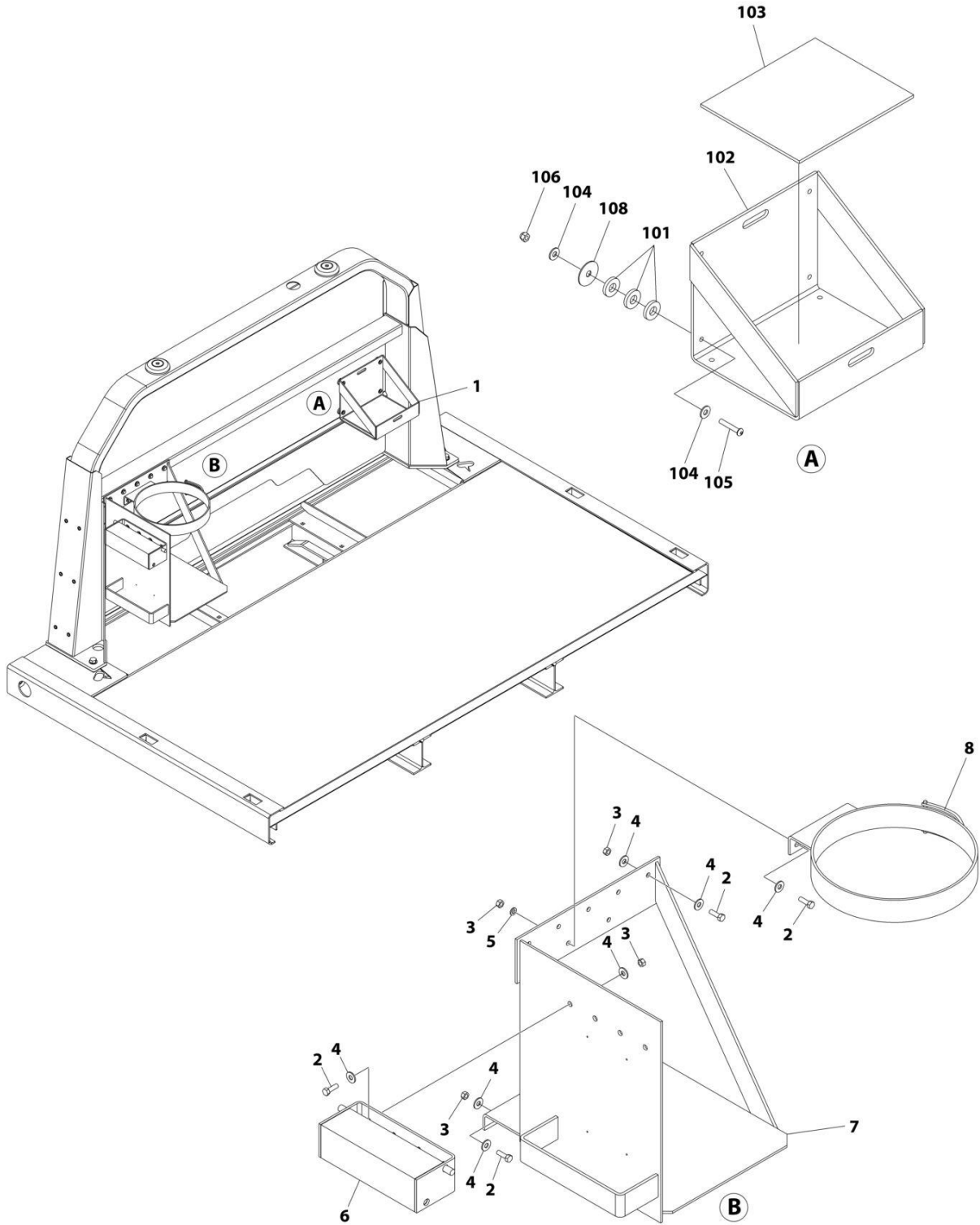
## SECTION 8 - ACCESSORIES

**FIGURE 8-26. FUEL CAN HOLDER & LOCKING CHAIN RACK INSTALLATION (HEADBOARD)**

ITEM	PART NUMBER	QTY	DESCRIPTION	REV
	1001232554	Ref	FUEL CAN HOLDER AND LOCKING CHAIN RACK INSTALLATION	A
1	1001190184	1	Fuel Can Holder Installation (Includes Items 101-108)	
2	1001232525	1	Bracket	
3	0641508	5	Bolt 5/16	
4	4751500	10	Washer 5/16	
5	3271505	5	Nut 5/16	
101	4891800	12	Washer 1/2	
102	3178000471	1	Bracket	
103	4679000274	1	Pad	
104	4751400001	8	Washer 1/4	
105	7114141218	4	Capscrew 1/4-20 x 1-1/2	
106	7660142601	4	Nut 1/4	
107	7894000063	1	Tie-Strap (Not Shown)	
108	7949000055	4	Washer	

# SECTION 8 - ACCESSORIES

## FIGURE 8-27. FUEL CAN HOLDER & PROPANE TANK HOLDER (ADJUSTABLE HEADBOARD)



ART\_1001191543



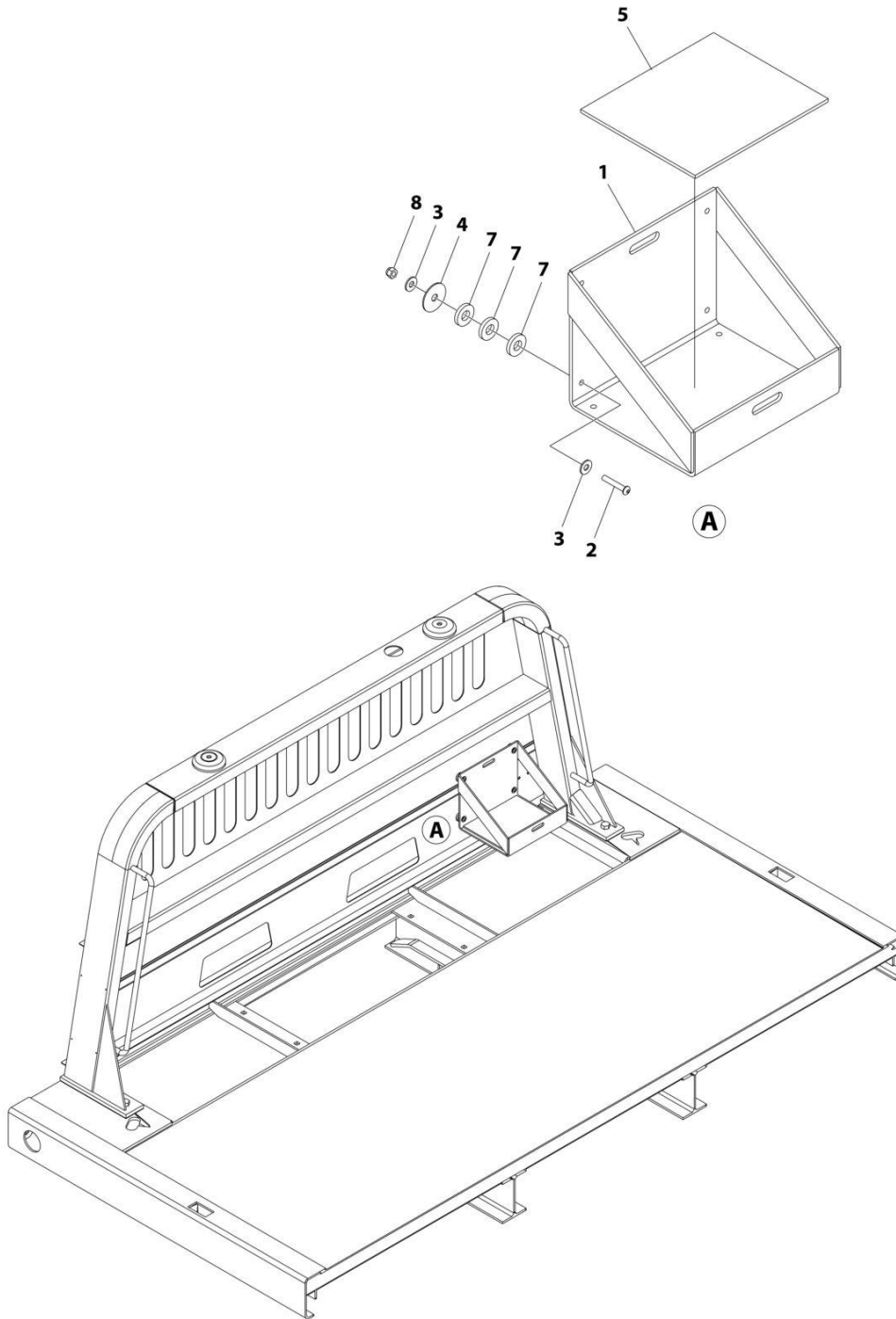
## SECTION 8 - ACCESSORIES

**FIGURE 8-27. FUEL CAN HOLDER & PROPANE TANK HOLDER (ADJUSTABLE HEADBOARD)**

ITEM	PART NUMBER	QTY	DESCRIPTION	REV
	1001191543	Ref	FUEL CAN HOLDER AND PROPANE TANK INSTALLATION	D
1	1001190184	1	Fuel Can Holder Installation (Includes Items 101-108)	
2	0641508	15	Bolt 5/16 x 1	
3	3271505	15	Nut 5/16	
4	4751500	28	Washer 5/16	
5	4761500	2	Washer 5/16	
6	1001129537	1	Bracket	
7	1001190131	1	Support, LH	
8	7178000029	1	Bracket	
101	4891800	12	Washer 1/2	
102	3178000471	1	Bracket	
103	4679000274	1	Pad	
104	4751400001	8	Washer 1/4	
105	7114141218	4	Capscrew 1/4-20 x 1-1/2	
106	7660142601	4	Nut 1/4	
107	7894000063	1	Tie-Strap (Not Shown)	
108	7949000055	4	Washer	

# SECTION 8 - ACCESSORIES

FIGURE 8-28. FUEL CAN HOLDER INSTALLATION (DELUXE HEADBOARD)



ART\_1001129332

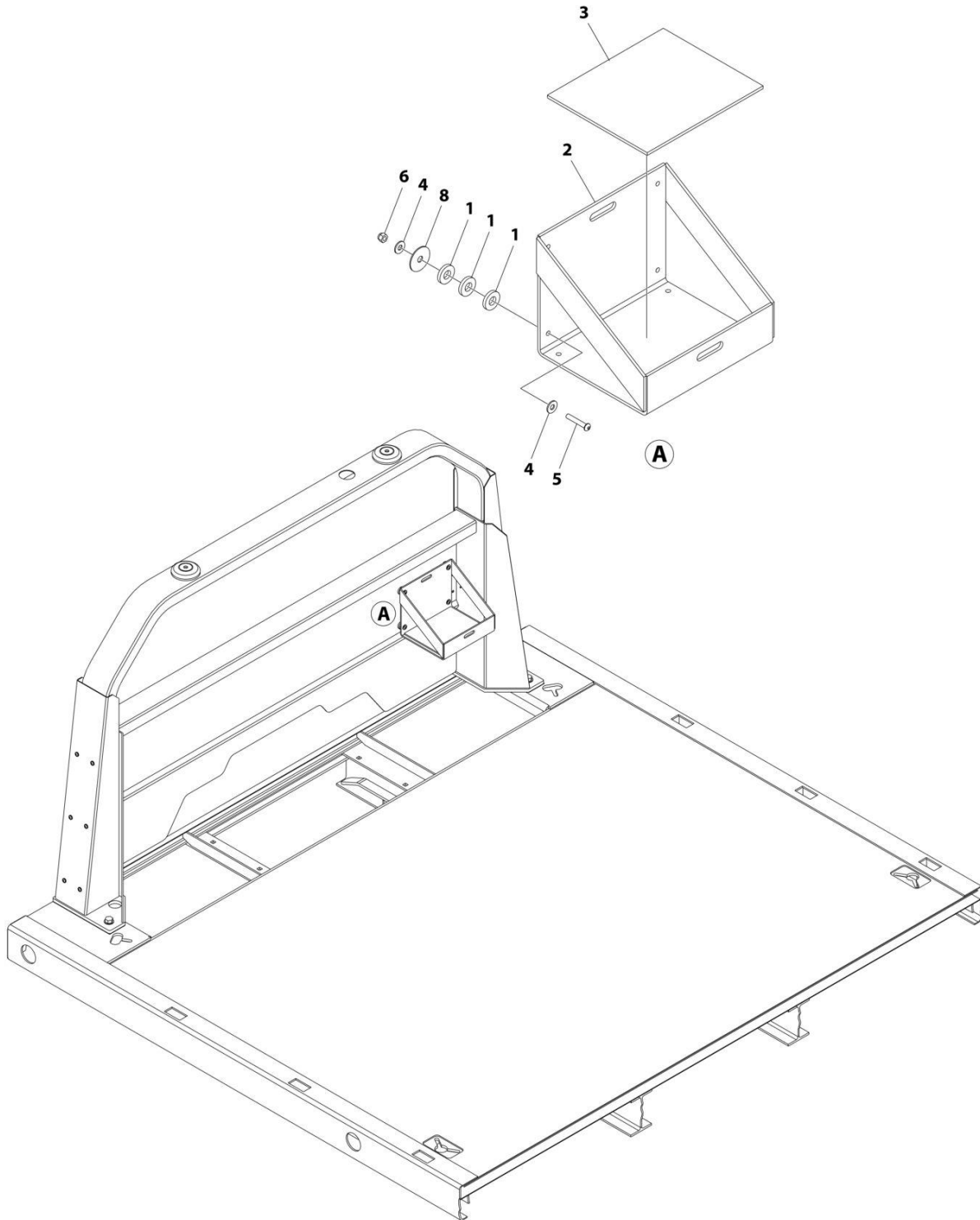
## SECTION 8 - ACCESSORIES

**FIGURE 8-28. FUEL CAN HOLDER INSTALLATION (DELUXE HEADBOARD)**

ITEM	PART NUMBER	QTY	DESCRIPTION	REV
	1001129332	Ref	FUEL CAN HOLDER INSTALLATION	F
1	3178000471	1	Bracket	
2	7114141218	4	Capscrew 1/4	
3	4751400001	8	Washer 1/4	
4	7949000055	4	Washer	
5	4679000274	1	Pad	
6	7894000063	1	Tie-Strap (Not Shown)	
7	4891800	12	Washer 1/2	
8	7660142601	4	Nut 1/4	

# SECTION 8 - ACCESSORIES

FIGURE 8-29. FUEL CAN HOLDER INSTALLATION (FIXED & ADJUSTABLE HEADBOARD)



ART\_1001190184

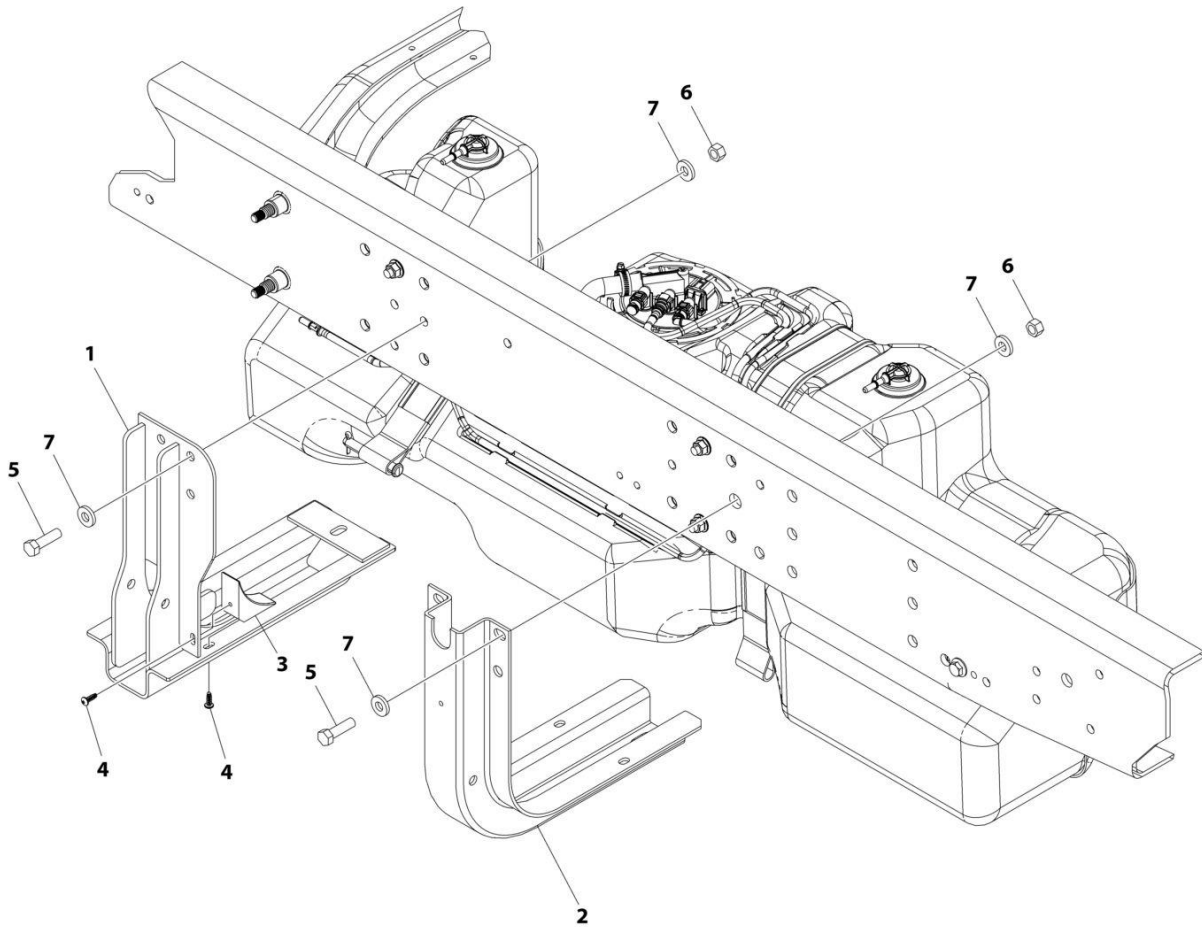
## SECTION 8 - ACCESSORIES

**FIGURE 8-29. FUEL CAN HOLDER INSTALLATION (FIXED & ADJUSTABLE HEADBOARD)**

ITEM	PART NUMBER	QTY	DESCRIPTION	REV
	1001190184	Ref	FUEL CAN HOLDER INSTALLATION	C
1	4891800	12	Washer 1/2	
2	3178000471	1	Bracket	
3	4679000274	1	Pad	
4	4751400001	8	Washer 1/4	
5	7114141218	4	Capscrew 1/4	
6	7660142601	4	Nut 1/4	
7	7894000063	1	Tie Strap (Not Shown)	
8	7949000055	4	Washer	

# SECTION 8 - ACCESSORIES

## FIGURE 8-30. FUEL TANK MODIFICATION INSTALLATION



ART\_1001253942

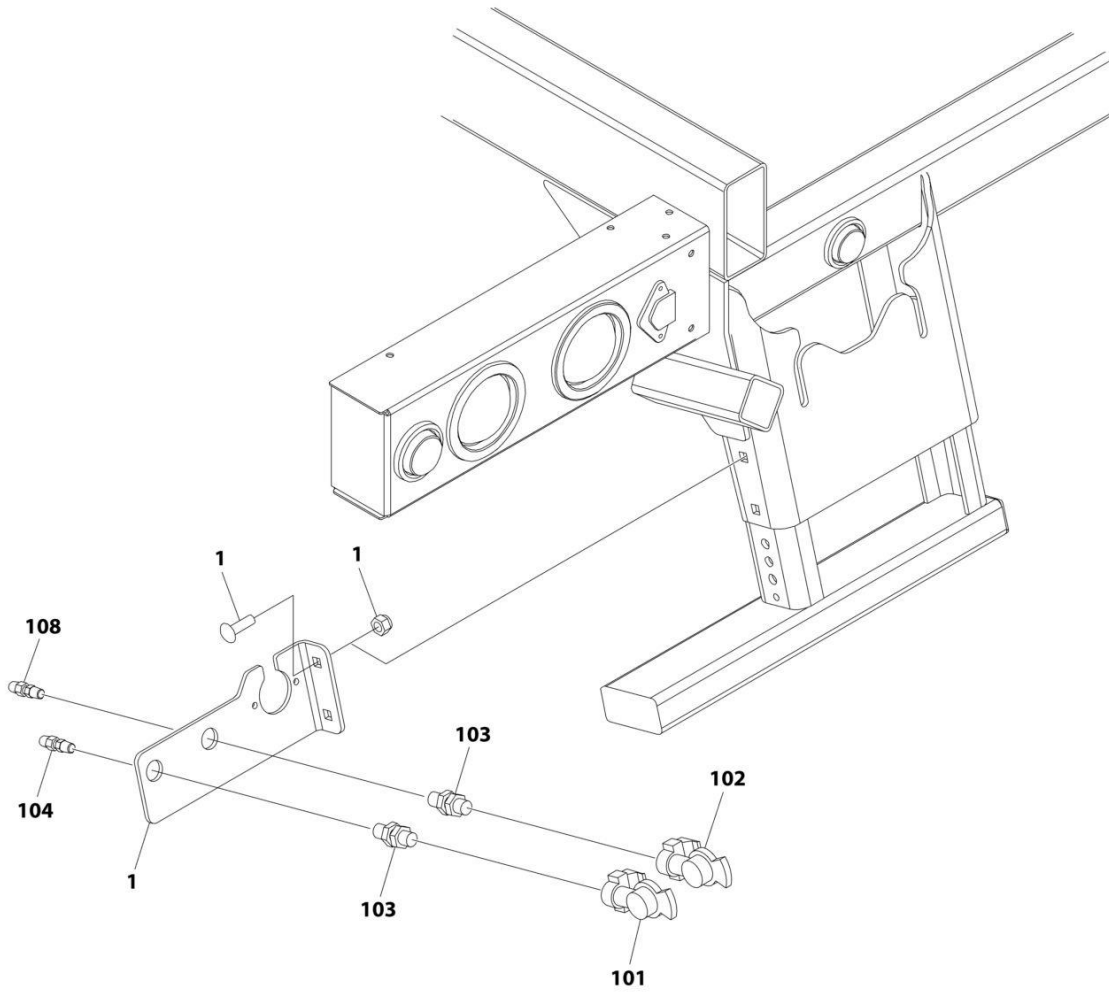
## SECTION 8 - ACCESSORIES

### FIGURE 8-30. FUEL TANK MODIFICATION INSTALLATION

ITEM	PART NUMBER	QTY	DESCRIPTION	REV
	1001253942	Ref	FUEL TANK MODIFICATION INSTALLATION	B
1	1001252939	1	Fuel Tank Support Mount	
2	1001253659	1	Fuel Tank Support Modification	
3	1001254139	2	Support	
4	1001194676	4	Screw 1/4 x 3/4	
5	0681814	8	Bolt 1/2 x 3/4	
6	3271805	8	Nut 1/2	
7	4891800	16	Washer 1/2	

# SECTION 8 - ACCESSORIES

FIGURE 8-31. GLAD HAND INSTALLATION WITH MTG BRACKET



ART\_1001270102



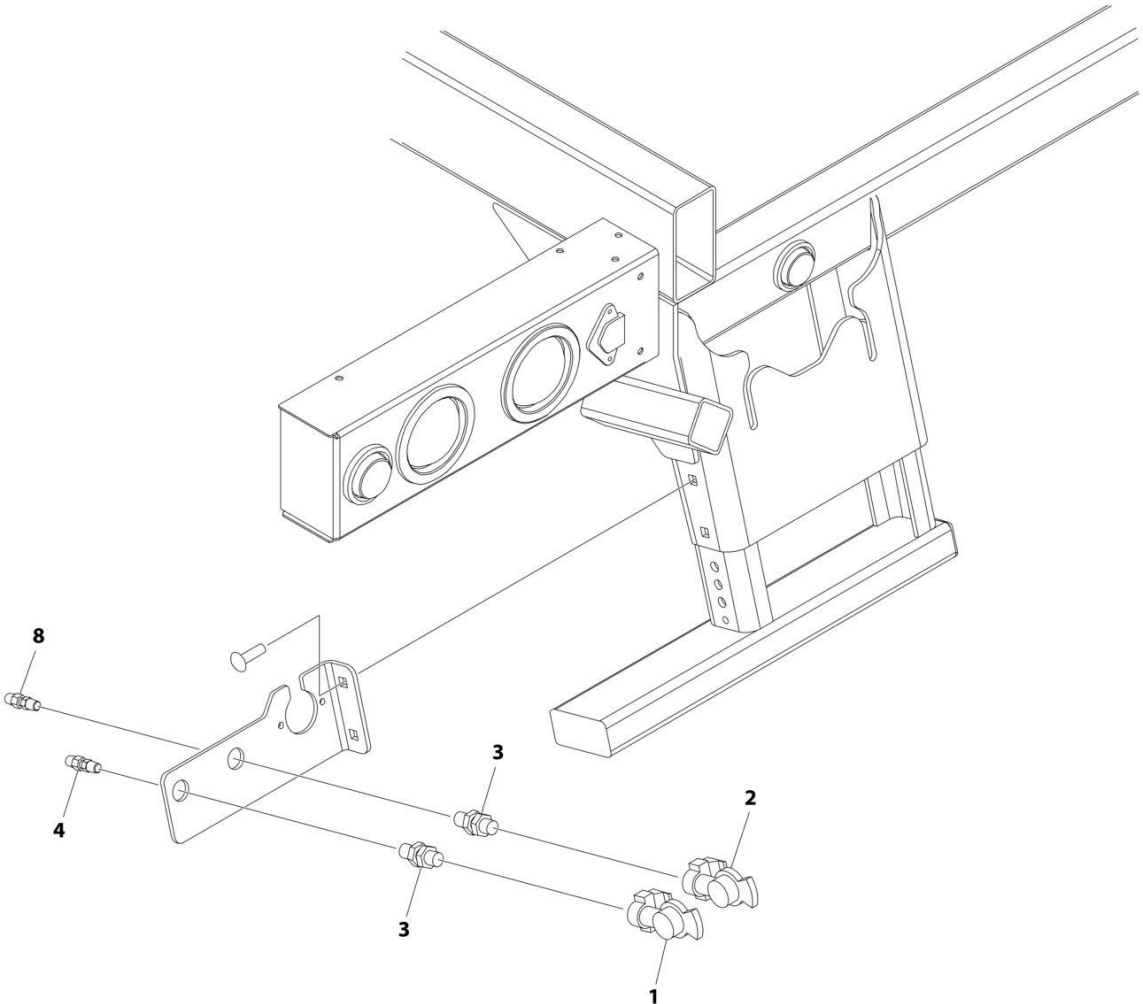
## SECTION 8 - ACCESSORIES

**FIGURE 8-31. GLAD HAND INSTALLATION WITH MTG BRACKET**

ITEM	PART NUMBER	QTY	DESCRIPTION	REV
	1001270102	Ref	GLAND HAND INSTALLATION WITH MOUNTING BRACKET	A
1	2178000037	Ref	Glad Hand Bracket Installation	
1	4178000666	1	Bracket	
1	7115181464	2	Bolt 1/2 x 1-3/4	
1	7660182601	2	Nut 1/2	
101	7312000016	1	Gladhand	
102	7312000015	1	Gladhand	
103	7446502518	2	Fitting, Straight	
104	7446060435	1	Fitting, Straight	
106	7565000014	50 ft	Airline Tubing (Not Shown)	
107	7312000013	2	Union (Not Shown)	
108	7446502506	1	Connector	

**SECTION 8 - ACCESSORIES**

**FIGURE 8-32. GLAD HAND INSTALLATION WITHOUT MTG BRACKET**



ART\_2002000016

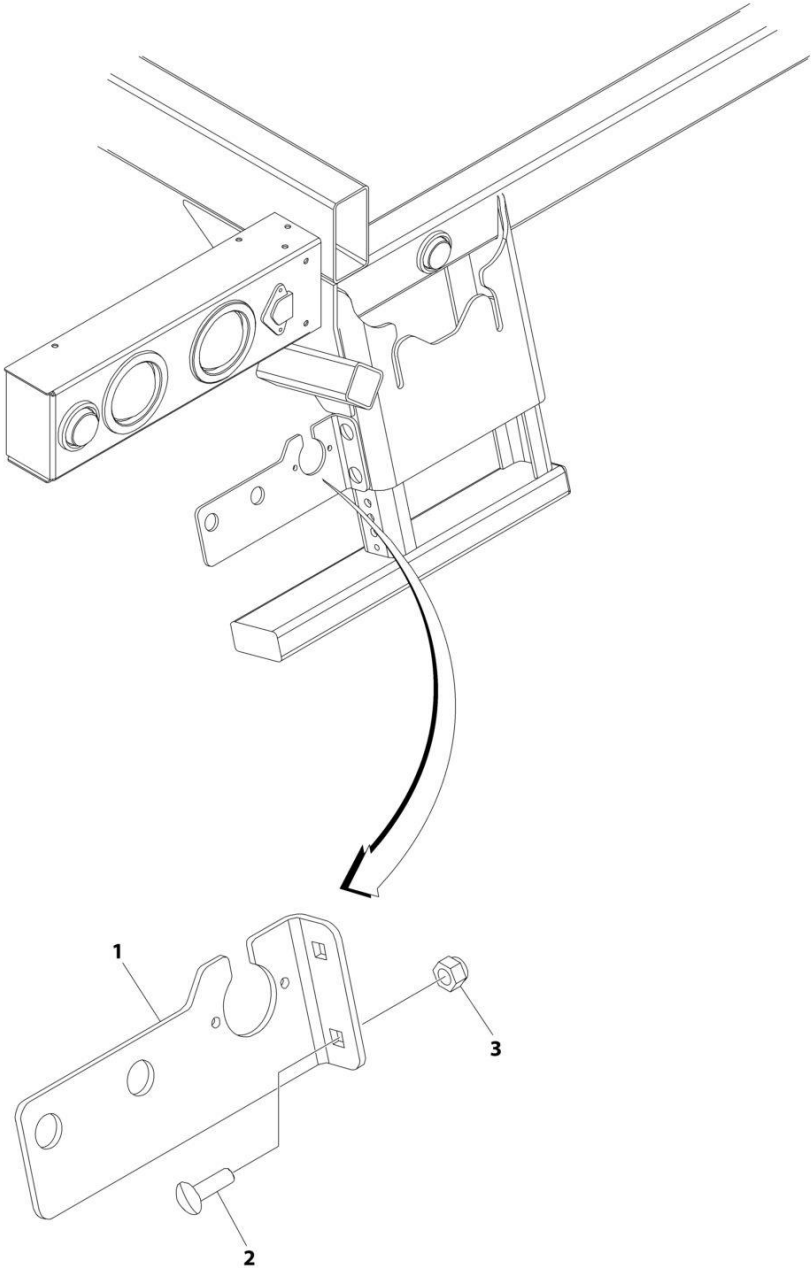
## SECTION 8 - ACCESSORIES

**FIGURE 8-32. GLAD HAND INSTALLATION WITHOUT MTG BRACKET**

ITEM	PART NUMBER	QTY	DESCRIPTION	REV
	2002000016	Ref	Glad Hands Installation	D
1	7312000016	1	Gladhand	
2	7312000015	1	Gladhand	
3	7446502518	2	Fitting, Straight	
4	7446060435	1	Fitting, Straight	
6	7565000014	50 ft	Tubing, Airline (Not Shown)	
7	7312000013	2	Fitting (Not Shown)	
8	7446502506	1	Connector, Tubing	

**SECTION 8 - ACCESSORIES**

**FIGURE 8-33. GLADHANDS BRACKET INSTALLATION**



ART\_2178000037

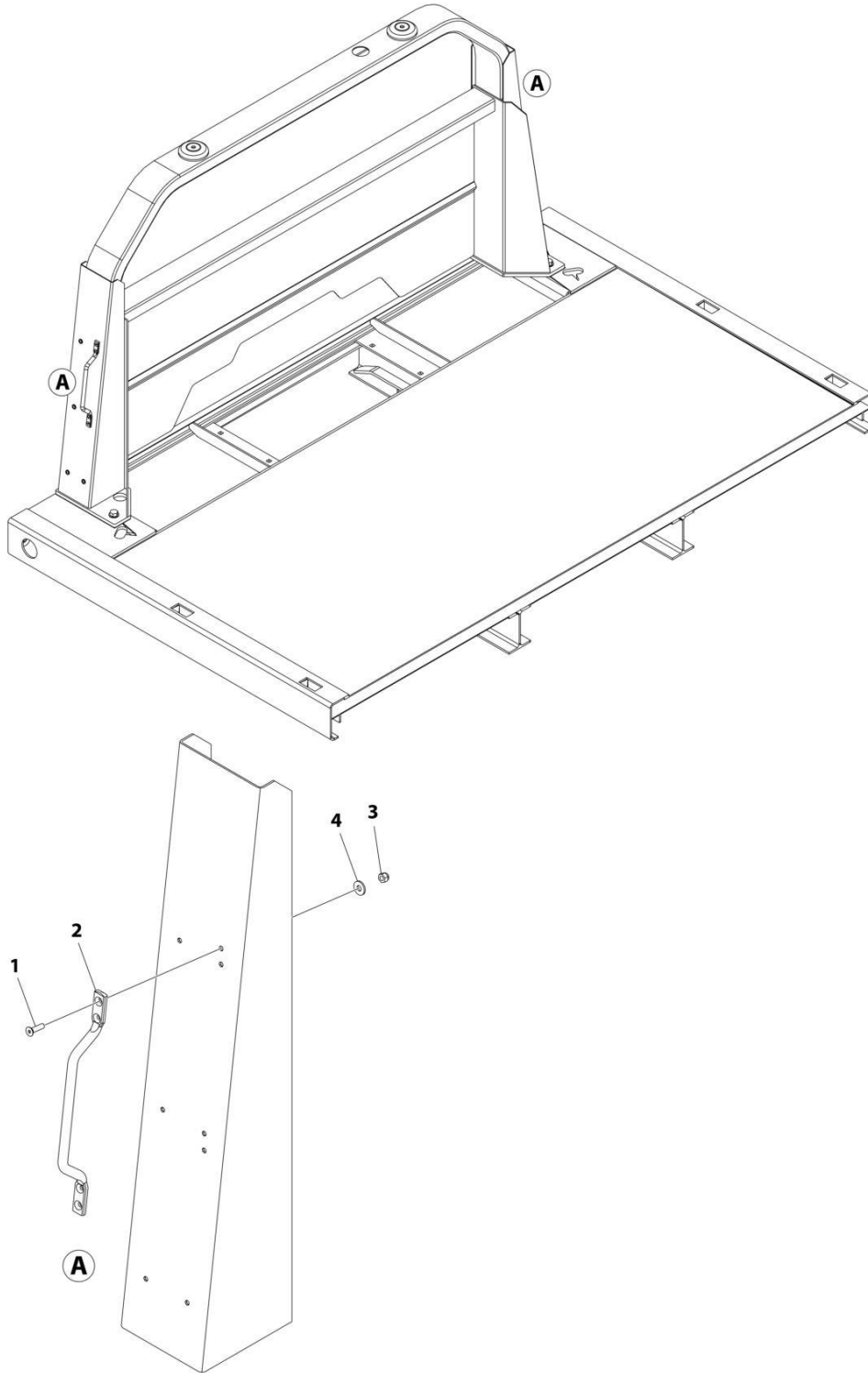
## SECTION 8 - ACCESSORIES

**FIGURE 8-33. GLADHANDS BRACKET INSTALLATION**

ITEM	PART NUMBER	QTY	DESCRIPTION	REV
	2178000037	Ref	GLAD HAND BRACKET INSTALLATION	0
1	4178000666	1	Bracket	
2	7115181464	2	Bolt 1/2 x 1-3/4	
3	7660182601	2	Nut 1/2	

# SECTION 8 - ACCESSORIES

FIGURE 8-34. GRAB HANDLES (ADJUSTABLE HEADBOARD)



ART\_1001189548

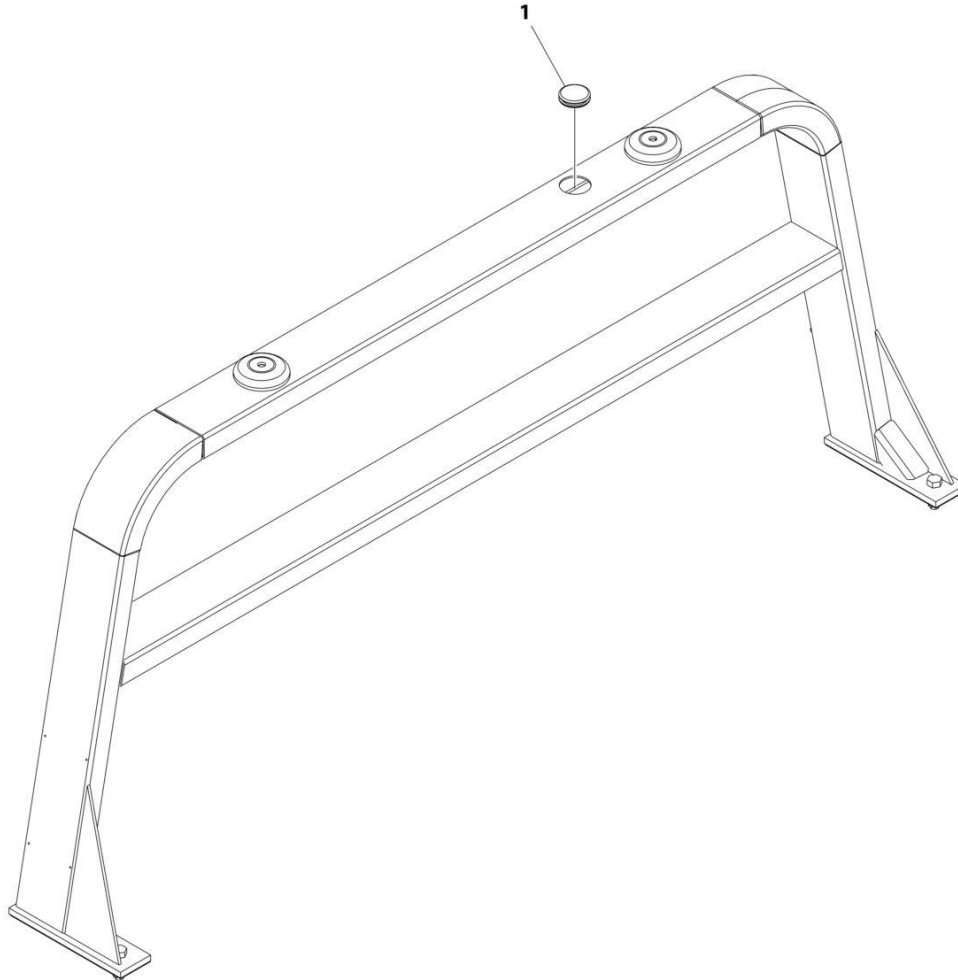
## SECTION 8 - ACCESSORIES

**FIGURE 8-34. GRAB HANDLES (ADJUSTABLE HEADBOARD)**

ITEM	PART NUMBER	QTY	DESCRIPTION	REV
	1001189548	Ref	GRAB HANDLES ADJUSTABLE HEADBOARD INSTALLATION	A
1	7114140823	8	Capscrew 1/4 x 1	
2	7550000070	2	Handle	
3	7660142601	4	Nut 5/16	
4	7950140153	4	Washer 5/16	

## SECTION 8 - ACCESSORIES

FIGURE 8-35. HEADBOARD PLUG INSTALLATION - NO EMERGENCY LIGHTBAR



ART\_1001156677



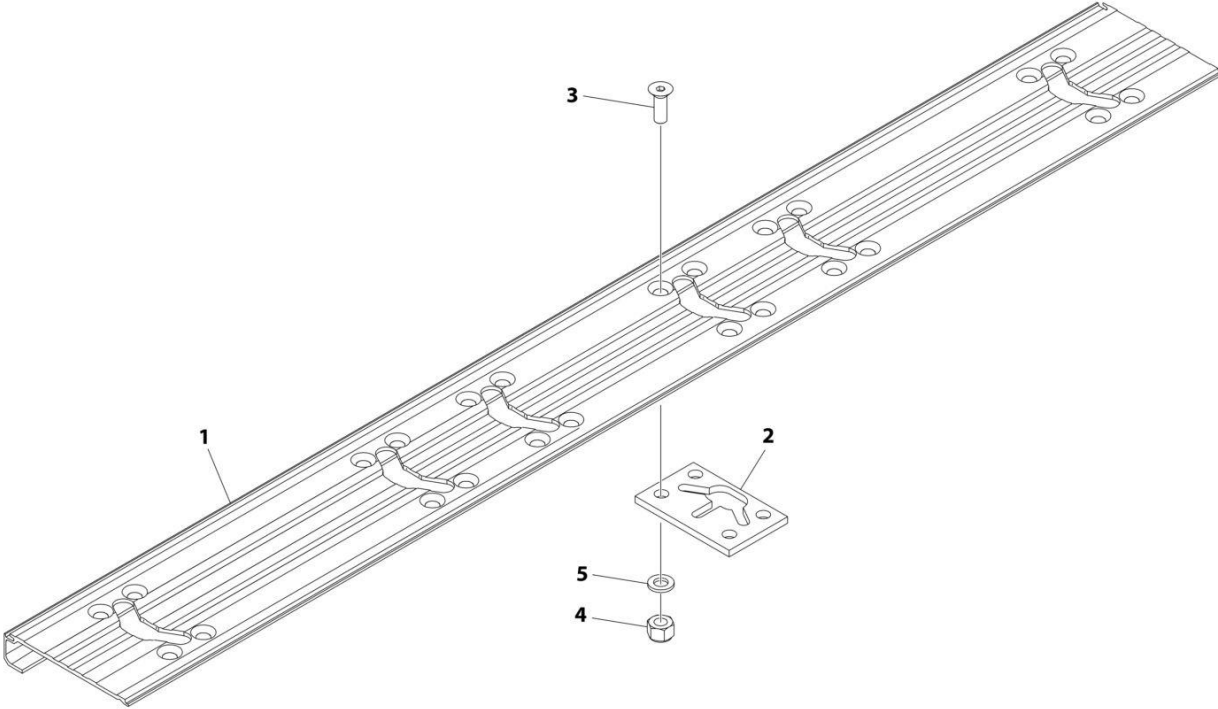
## SECTION 8 - ACCESSORIES

**FIGURE 8-35. HEADBOARD PLUG INSTALLATION - NO EMERGENCY LIGHTBAR**

ITEM	PART NUMBER	QTY	DESCRIPTION	REV
1	1001156677 7493000015	Ref 1	NO EMERGENCY LIGHTBAR INSTALLATION GROMMET	A

**SECTION 8 - ACCESSORIES**

**FIGURE 8-36. KEYSLOT INSTALLATION - EXTRUDED**



ART\_1001152461

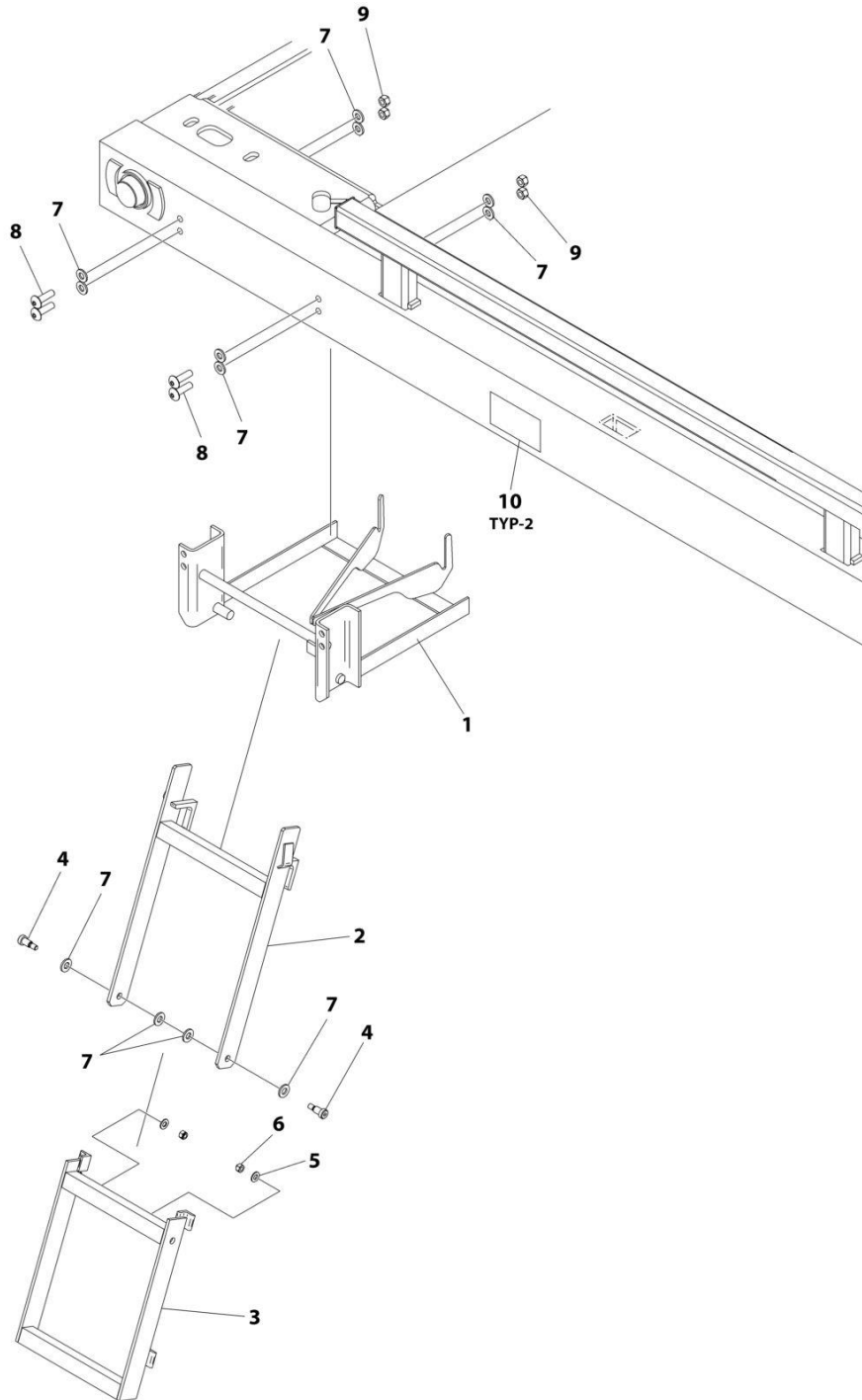
## SECTION 8 - ACCESSORIES

**FIGURE 8-36. KEYSLOT INSTALLATION - EXTRUDED**

ITEM	PART NUMBER	QTY	DESCRIPTION	REV
	1001152461	Ref	Extrusion Keyslot Installation	B
1	1001152460	1	Keyslot Channel	
2	4706005551	6	Keyslot Plate	
3	1001138460	24	Bolt 1/2 x 1-1/2	
4	7660182601	24	Nut 1/2	
5	7950180153	24	Washer 1/2	

# SECTION 8 - ACCESSORIES

FIGURE 8-37. LADDER, 3-STEP FOLDING (LEFT & RIGHT)



ART\_1001142330

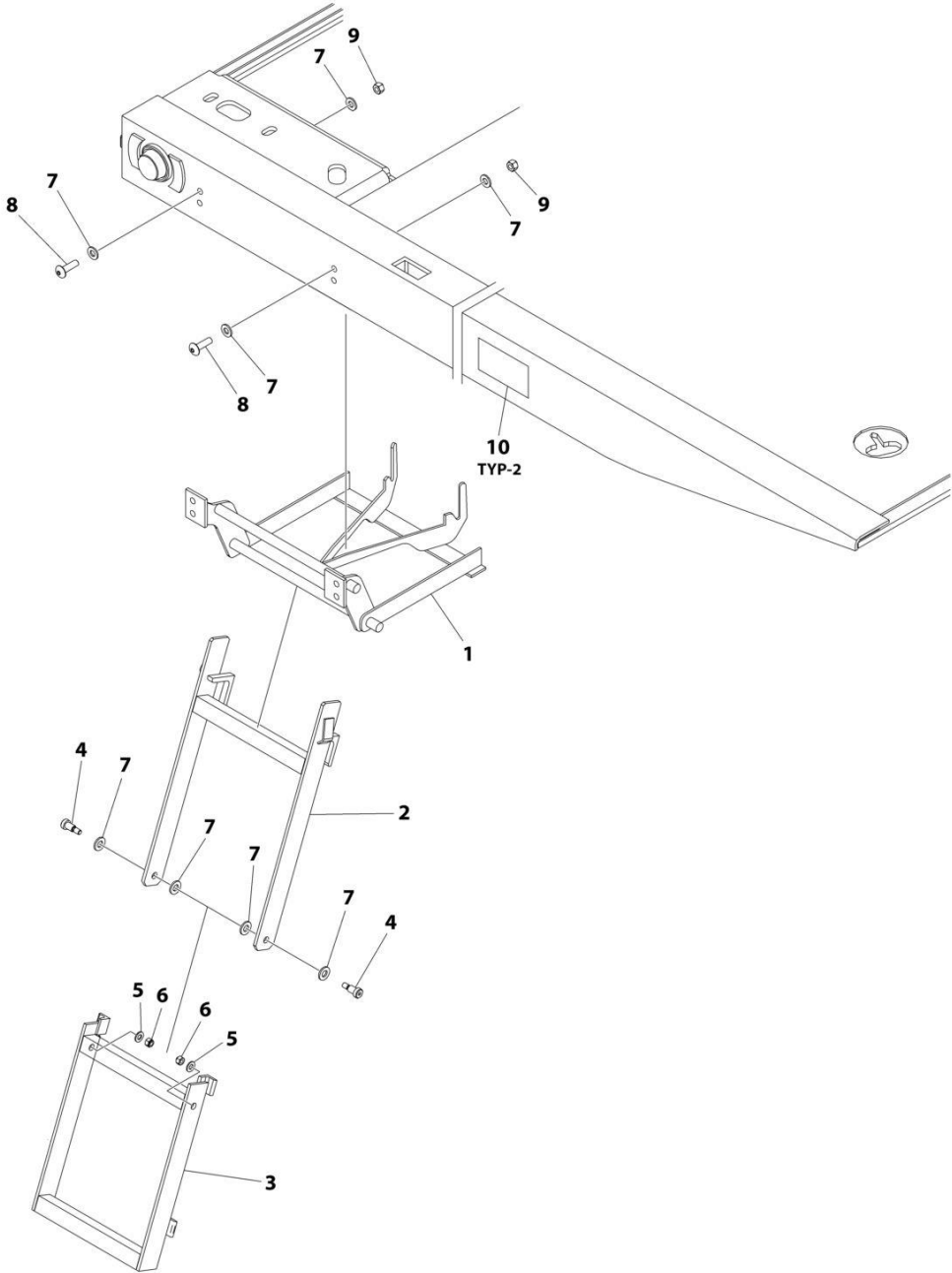
## SECTION 8 - ACCESSORIES

**FIGURE 8-37. LADDER, 3-STEP FOLDING (LEFT & RIGHT)**

ITEM	PART NUMBER	QTY	DESCRIPTION	REV
	1001142330	Ref	FOLDING DECK LADDER	B
1	3178000555	2	Bracket Weldment	
2	3002000009	2	Ladder Top Weldment	
3	3002000008	2	Ladder Bottom Weldment	
4	7115180606	4	Bolt 1/2 x 3/4	
5	7950160161	4	Washer 3/8	
6	7660162601	4	Nut	
7	7950180141	24	Washer 1/2	
8	7114181418	8	Capscrew 1/2 x 1- 3/4	
9	7660182601	8	Nut 1/2	
10	1001131998	2	Decal	
11	1001142334	1	Front Left/Right Drill, Ladder, Specification (Not Shown)	

**SECTION 8 - ACCESSORIES**

**FIGURE 8-38. LADDER, 3-STEP FOLDING (LEFT)**



ART\_1001142329

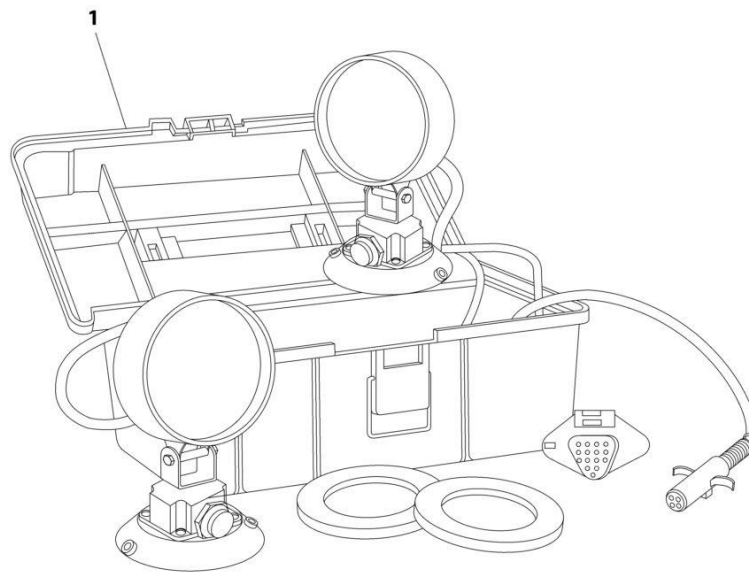
## SECTION 8 - ACCESSORIES

**FIGURE 8-38. LADDER, 3-STEP FOLDING (LEFT)**

ITEM	PART NUMBER	QTY	DESCRIPTION	REV
	1001142329	Ref	LADDER, FOLDING 3-STEP, FRONT LEFT INSTALLATION	B
1	3178000555	1	Bracket	
2	3002000009	1	Top Ladder Weld, Accessory	
3	3002000008	1	Bottom Ladder Weld, Accessory	
4	7115180606	2	Bolt 1/2 x 3/4	
5	7950160161	2	Washer	
6	7660162601	2	Nut	
7	7950180141	12	Washer 1/2	
8	7114181418	4	Capscrew 1/2 x 1- 3/4	
9	7660182601	4	Nut 1/2	
10	1001131998	2	Decal	
11	1001142333	1	Front Left Drill, Ladder, Specification (Not Shown)	

## SECTION 8 - ACCESSORIES

FIGURE 8-39. MAGNETIC MOUNTED TOW LIGHT KIT



ART\_LMT



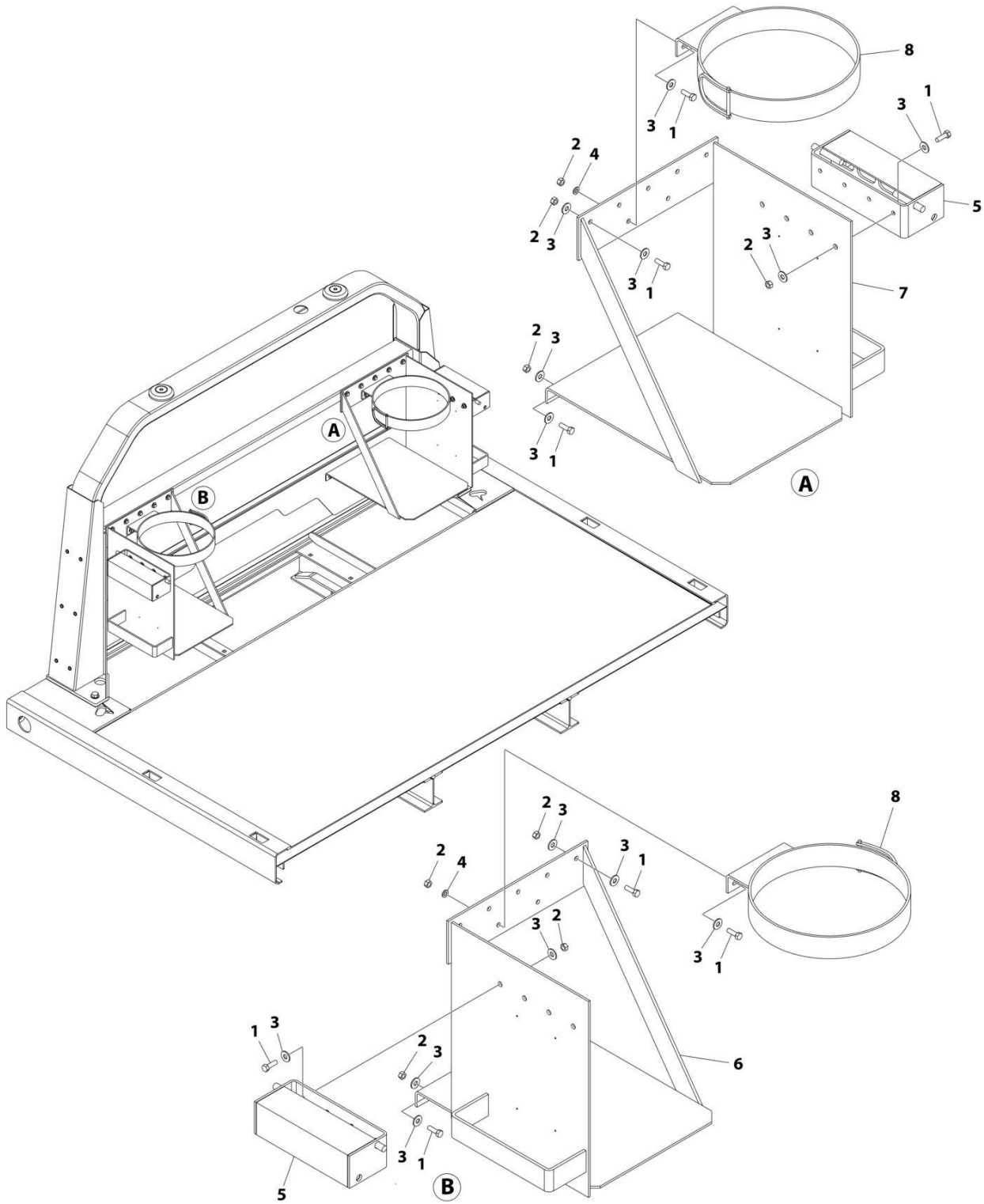
## SECTION 8 - ACCESSORIES

**FIGURE 8-39. MAGNETIC MOUNTED TOW LIGHT KIT**

ITEM	PART NUMBER	QTY	DESCRIPTION	REV
1	LMT 5525000752	Ref 1	TOW LIGHT KIT - MAGNETIC MOUNTED Magnetic Light Kit Towing - with Case	0

# SECTION 8 - ACCESSORIES

## FIGURE 8-40. PROPANE TANK HOLDERS (ADJUSTABLE HEADBOARD)



ART\_1001189550

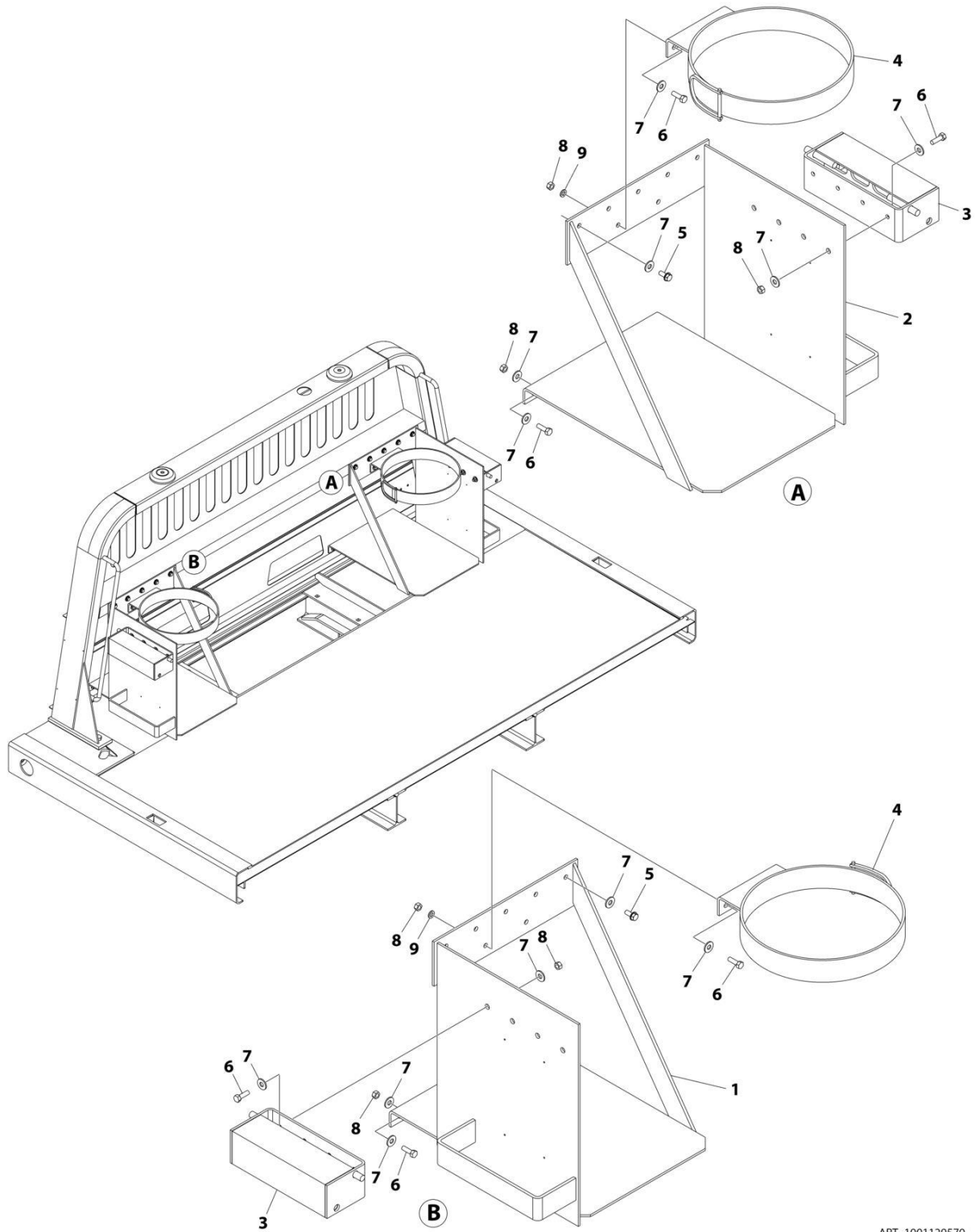
## SECTION 8 - ACCESSORIES

**FIGURE 8-40. PROPANE TANK HOLDERS (ADJUSTABLE HEADBOARD)**

ITEM	PART NUMBER	QTY	DESCRIPTION	REV
	1001189550	Ref	PROPANE TANK HOLDERS, ADJUSTABLE HEADBOARD INSTALLATION	D
1	0641508	30	Bolt 5/16 x 1	
2	3271505	30	Nut 5/16	
3	4751500	56	Washer 5/16	
4	4761500	4	Washer 5/16	
5	1001129537	2	Bracket	
6	1001190131	1	Propane Tank Support Weld, LH	
7	1001190140	1	Propane Tank Support Weld, RH	
8	7178000029	1	Bracket	

# SECTION 8 - ACCESSORIES

## FIGURE 8-41. PROPANE TANK HOLDERS (FIXED HEADBOARD)



ART\_1001129570

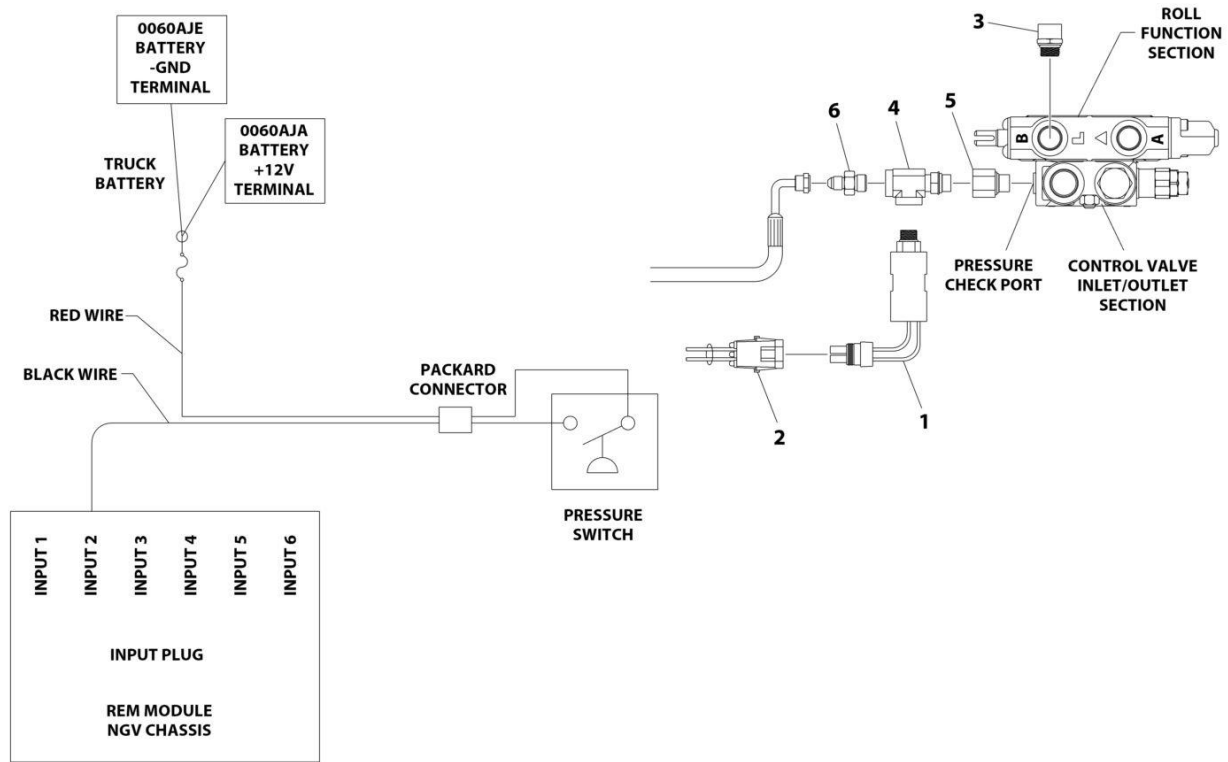
## SECTION 8 - ACCESSORIES

**FIGURE 8-41. PROPANE TANK HOLDERS (FIXED HEADBOARD)**

ITEM	PART NUMBER	QTY	DESCRIPTION	REV
	1001129570	Ref	PROPANE TANK HOLDERS, HEADBOARD INSTALLATION	E
1	1001129573	1	Propane Tank Support Weld, LH	
2	1001129576	1	Propane Tank Support Weld, RH	
3	1001129537	2	Bracket	
4	7178000029	1	Bracket	
5	7790151253	10	Screw 5/16 x 3/4	
6	0641508	20	Bolt 5/16 x 1	
7	4751500	46	Washer 5/16	
8	3271505	20	Nut 5/16	
9	4761500	4	Washer 5/16	

# SECTION 8 - ACCESSORIES

## FIGURE 8-42. REMOTE THROTTLE CONTROL



ART\_287000013

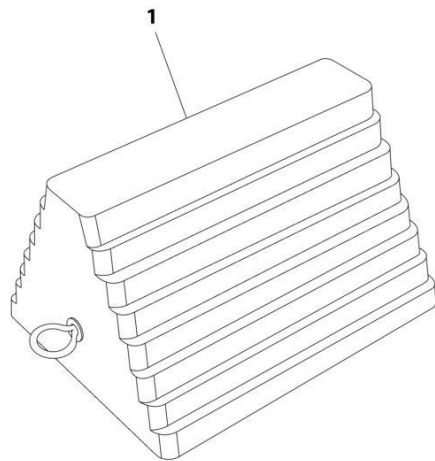
## SECTION 8 - ACCESSORIES

**FIGURE 8-42. REMOTE THROTTLE CONTROL**

ITEM	PART NUMBER	QTY	DESCRIPTION	REV
	2870000013	Ref	REMOTE THROTTLE CONTROL	D
1	7346000208	1	Pressure Switch	
2	7552000241	1	Harness, Throttle Control	
2	4460867	1	Plug, Male - 2 Position	
2	4460850	2	Terminal	
2		Ref	Seal	
2		Ref	Fuse - 5 Amp ATO (Purchase Locally)	
3	7443000428	1	Valve, Check	
4	7443000432	1	Fitting, Tee	
5	7443000469	1	Fitting, Straight	
6	7445040643	1	Fitting, Straight	

## SECTION 8 - ACCESSORIES

FIGURE 8-43. RUBBER WHEEL CHOCKS



ART\_RWC



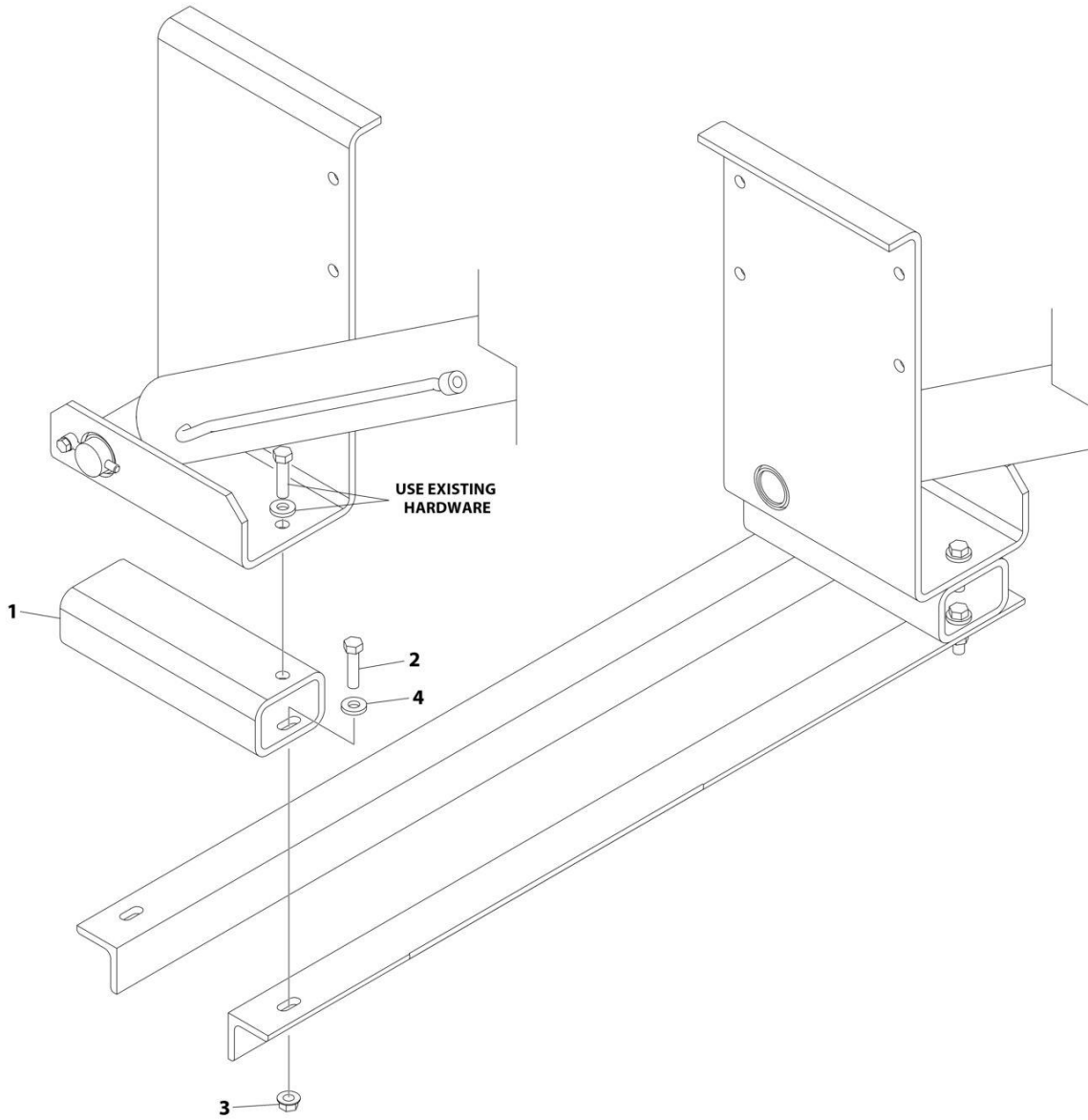
## SECTION 8 - ACCESSORIES

### FIGURE 8-43. RUBBER WHEEL CHOCKS

ITEM	PART NUMBER	QTY	DESCRIPTION	REV
1	RWC 7002000448	Ref 2	WHEEL CHOCKS Wheel Chock - Rubber	0

# SECTION 8 - ACCESSORIES

## FIGURE 8-44. SADDLE SPACERS INSTALLATION



ART\_1001175532

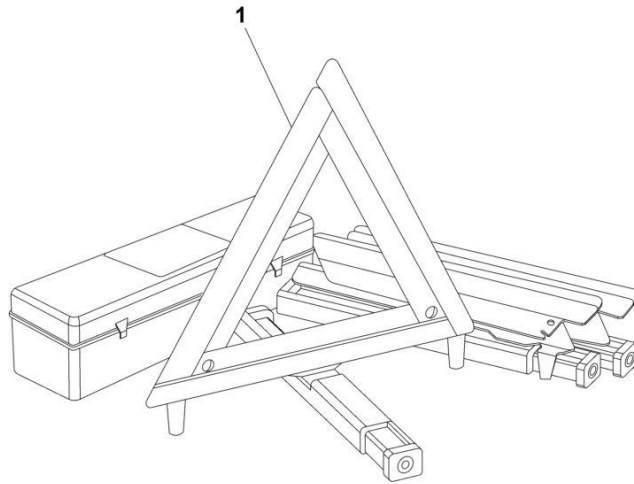
## SECTION 8 - ACCESSORIES

**FIGURE 8-44. SADDLE SPACERS INSTALLATION**

ITEM	PART NUMBER	QTY	DESCRIPTION	REV
	1001175532	Ref	Saddle Spacer Installation	A
1	1001175531	2	Saddle Spacer	
2	7105181650	4	Capscrew 1/2 x 2	
3	7660182333	4	Nut 1/2	
4	7950180153	4	Washer 1/2	

## SECTION 8 - ACCESSORIES

FIGURE 8-45. SAFETY TRIANGLE KIT



ART\_STK

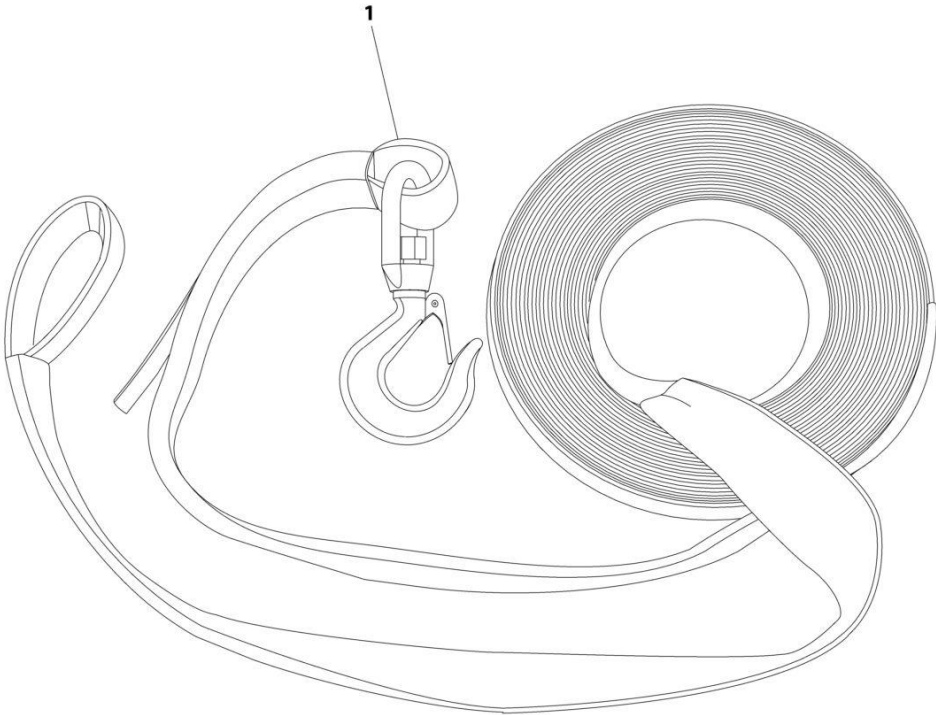
## SECTION 8 - ACCESSORIES

**FIGURE 8-45. SAFETY TRIANGLE KIT**

ITEM	PART NUMBER	QTY	DESCRIPTION	REV
1	STK 7002000285	Ref 1	Safety Triangle Kit Reflective Triangles	0

**SECTION 8 - ACCESSORIES**

**FIGURE 8-46. STRAP EXTENSION WITH SWIVEL HOOK - 50FT**



ART\_STRAP50

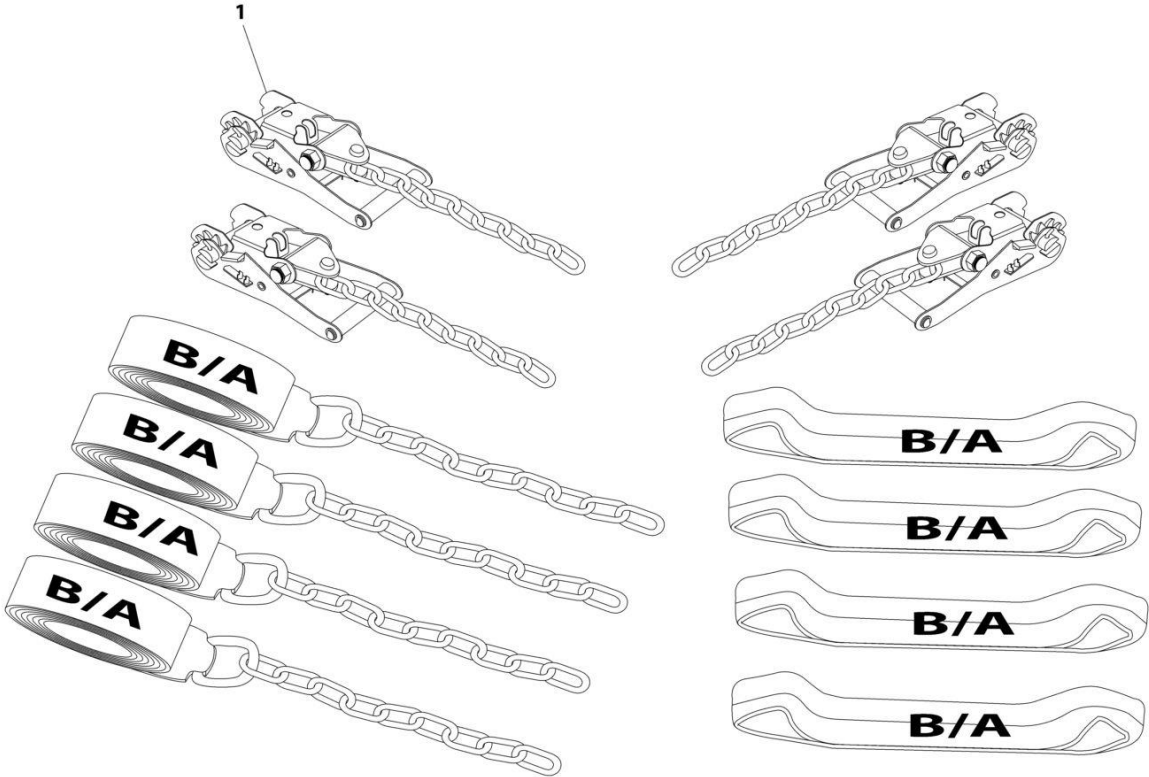
## SECTION 8 - ACCESSORIES

**FIGURE 8-46. STRAP EXTENSION WITH SWIVEL HOOK - 50FT**

ITEM	PART NUMBER	QTY	DESCRIPTION	REV
1	STRAP50 7894000071	Ref 1	50FT STRAP EXTENSION WITH SWIVEL HOOK Strap Extension with Swivel Hook	0

**SECTION 8 - ACCESSORIES**

**FIGURE 8-47. STRAP KIT - CARRIER 8 POINT TIRE TIE DOWN**



ART\_CAR8PTTD



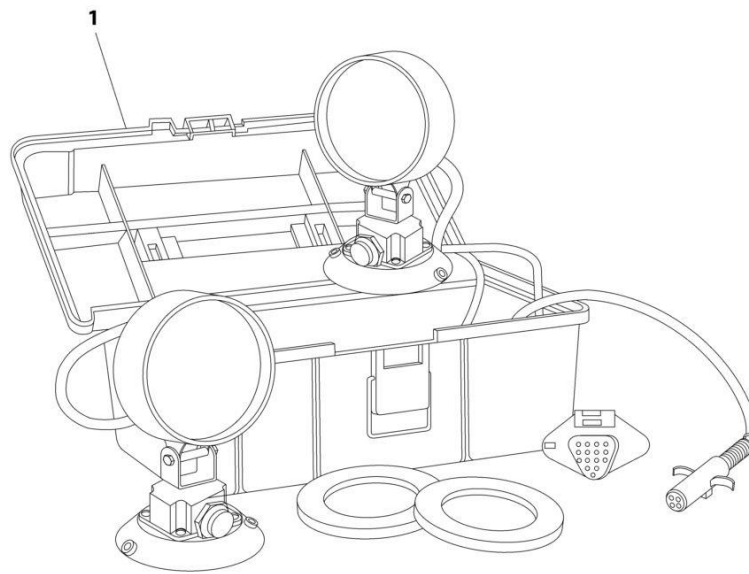
## SECTION 8 - ACCESSORIES

**FIGURE 8-47. STRAP KIT - CARRIER 8 POINT TIRE TIE DOWN**

ITEM	PART NUMBER	QTY	DESCRIPTION	REV
1	CAR8PTTD 7894000073	Ref 1	STRAP/TIE DOWN KIT - 8-POINT TIRE STRAP Chain Strap and Chain Tyre Tie-Down	0

## SECTION 8 - ACCESSORIES

FIGURE 8-48. SUCTION MOUNTED TOW LIGHT KIT



ART\_LST

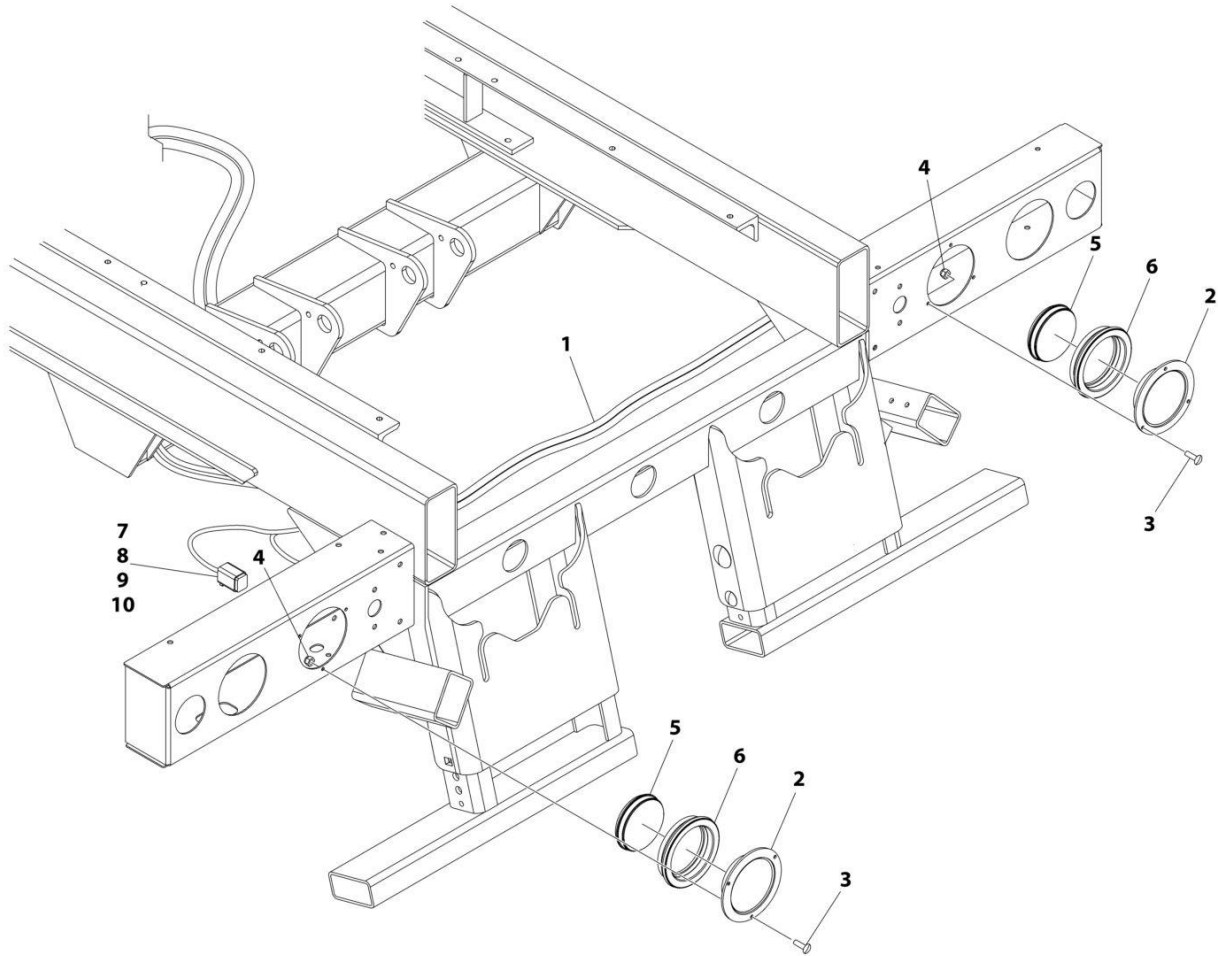
## SECTION 8 - ACCESSORIES

FIGURE 8-48. SUCTION MOUNTED TOW LIGHT KIT

ITEM	PART NUMBER	QTY	DESCRIPTION	REV
1	LST 7002000449	Ref 1	SUCTION MOUNTED TOW LIGHT KIT Tow Lights Suction	0

# SECTION 8 - ACCESSORIES

## FIGURE 8-49. TAIL LIGHT CONVERSION KIT, SPLIT STOP/TURN



ART\_2590000292

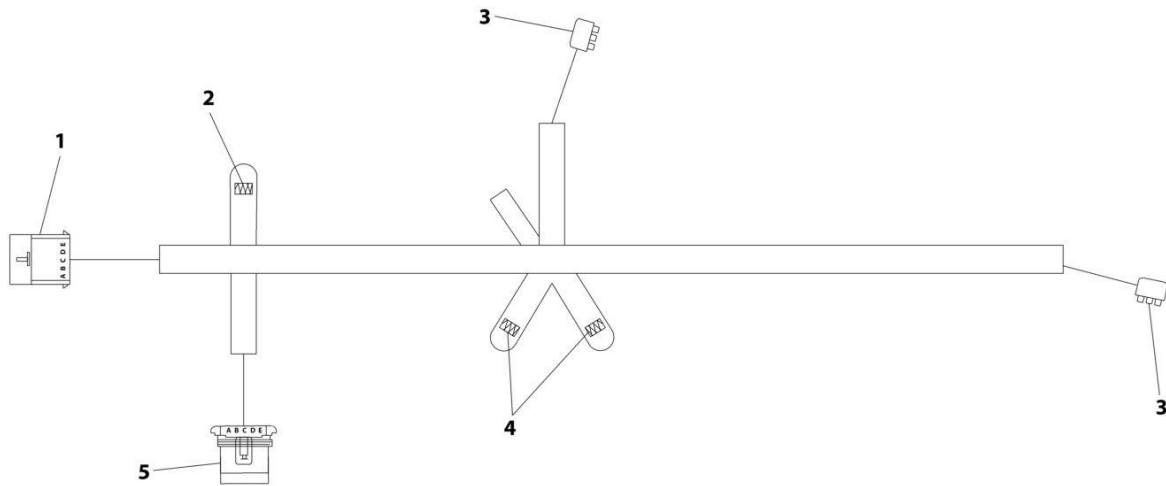
## SECTION 8 - ACCESSORIES

**FIGURE 8-49. TAIL LIGHT CONVERSION KIT, SPLIT STOP/TURN**

ITEM	PART NUMBER	QTY	DESCRIPTION	REV
	2590000292	Ref	TAIL LIGHT CONVERSION KIT, SPLIT STOP/TURN	E
1	7552000472	1	Harness, Tail Light (See Separate Breakdown in this Section)	
2	7590000432	2	Light	
3	7114101018	6	Capscrew #10 x 1-1/4	
4	7660102604	6	Nut #10	
5	1001142769	2	Lamp	
6	7493000002	2	Grommet	
7	1001159336	1	Electrical Assembly, Tail Light Converter	
8	7345001714	6	Terminal	
9	7346000039	AR	Heat Shrink 1/4IN	
10	1001100949	1	Diode - IN5400, 50V, 3.0Amp	

# SECTION 8 - ACCESSORIES

## FIGURE 8-50. TAIL LIGHT CONVERSION HARNESS



ART\_7552000472

## SECTION 8 - ACCESSORIES

**FIGURE 8-50. TAIL LIGHT CONVERSION HARNESS**

ITEM	PART NUMBER	QTY	DESCRIPTION	REV
	7552000472	Ref	TAILLIGHT HARNESS	B
1		Ref	Connector - 5 Position	
1	1001116720	5	Terminal	
1		Ref	Seal	
2	7346000220	1	Resistor 100 Ohm/10 Watt	
3		Ref	Connector - 3 Position	
4	7346000231	2	Resistor 10 Ohm/50 Watt	
5	1001121726	1	Connector - 5 Position	
5	1001116747	5	Terminal	
5		Ref	Seal	

## **SECTION 8 - ACCESSORIES**

### **FIGURE 8-51. TIE DOWN STRAP/RACHET STRAP KIT**

**INFORMATION NOT AVAILABLE AT THE TIME OF PRINTING**

ART\_7577000242



## SECTION 8 - ACCESSORIES

FIGURE 8-51. TIE DOWN STRAP/RACHET STRAP KIT

ITEM	PART NUMBER	QTY	DESCRIPTION	REV
	7577000242	Ref Ref	Tie Down Strap/Ratchet Strap Kit Note: No Service Parts Available at Time of Printing.	0

## **SECTION 8 - ACCESSORIES**

### **FIGURE 8-52. TIE DOWN STRAP/RACHET STRAP KIT (AUTO GRIDS)**

**INFORMATION NOT AVAILABLE AT THE TIME OF PRINTING**

ART\_7577000376

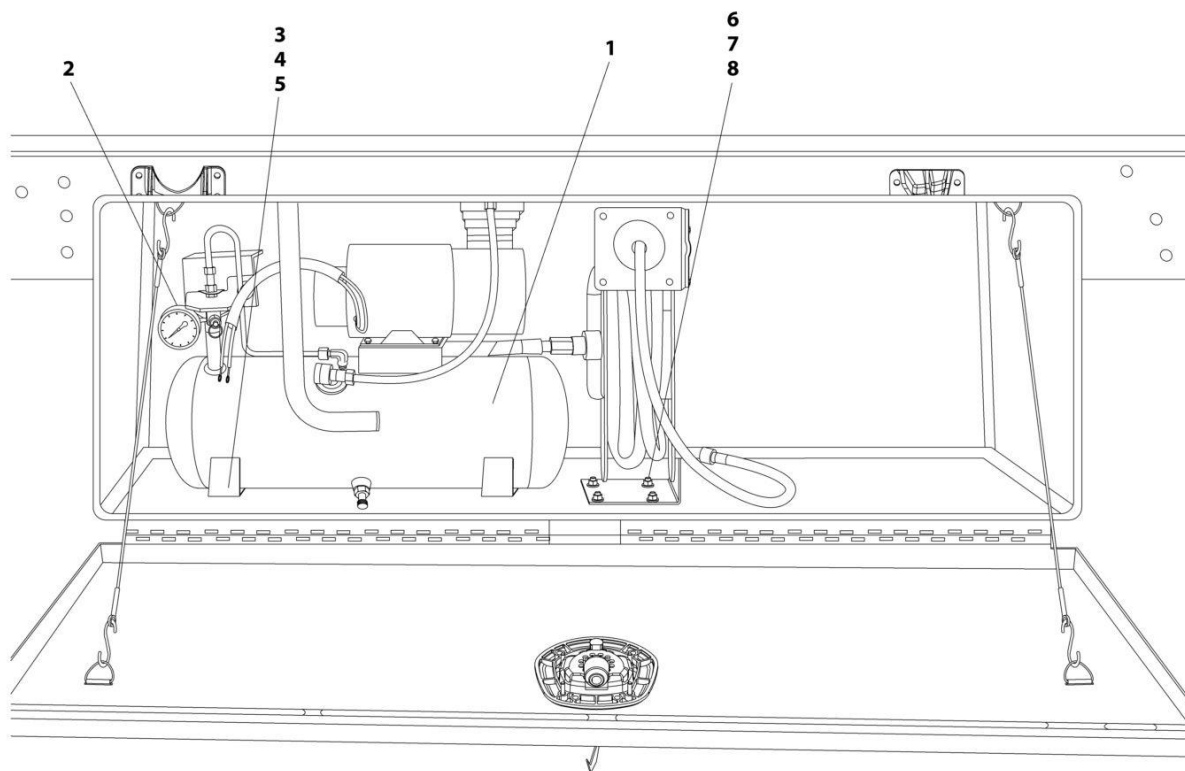
## SECTION 8 - ACCESSORIES

**FIGURE 8-52. TIE DOWN STRAP/RACHET STRAP KIT (AUTO GRIDS)**

ITEM	PART NUMBER	QTY	DESCRIPTION	REV
	7577000376	Ref Ref	TIE-STRAP, RATCHET KIT, AUTOGRID Note: No Service Parts Available at Time of Printing.	00

# SECTION 8 - ACCESSORIES

## FIGURE 8-53. TOOLBOX AIR COMPRESSOR/HOSE REEL



SHOWN MOUNTED INSIDE 48IN TOOLBOX

ART\_2002000030

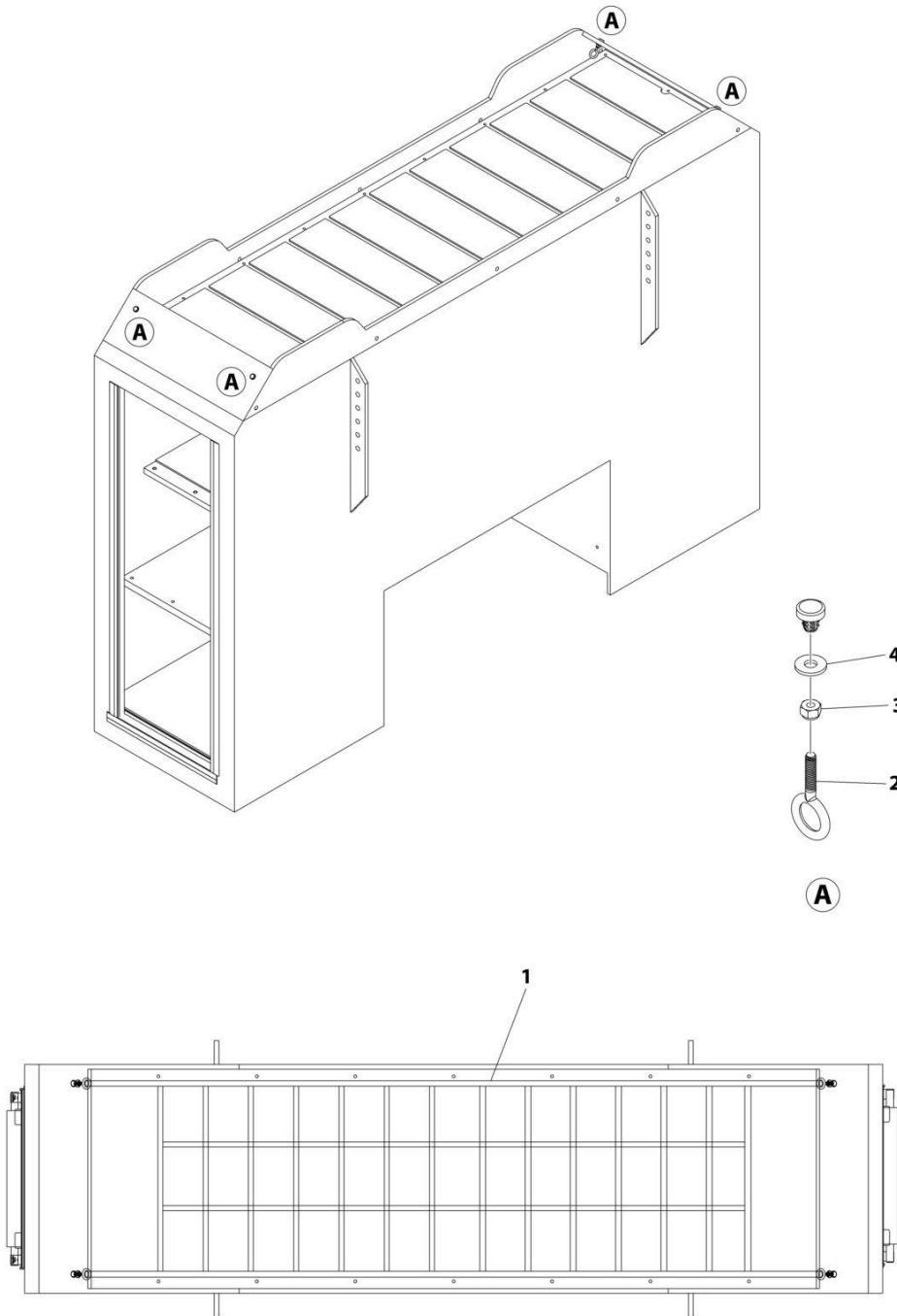
## SECTION 8 - ACCESSORIES

### FIGURE 8-53. TOOLBOX AIR COMPRESSOR/HOSE REEL

ITEM	PART NUMBER	QTY	DESCRIPTION	REV
	2002000030	Ref	Toolbox Air Compressor/Hose Reel	B
1	7002000503	1	Air Compressor with Hose Reel	
2	7443000155	1	Fitting, 90	
3	7115161050	4	Capscrew 3/8 x 1-1/4	
4	7950150161	4	Washer 3/8	
5	7660162601	4	Nut 3/8	
6	7115181050	4	Capscrew 1/2 x 1-1/4	
7	7950180153	8	Washer 1/2	
8	7660182601	4	Nut 1/2	

# SECTION 8 - ACCESSORIES

## FIGURE 8-54. TOOLBOX TRAY CARGO NET INSTALLATION



ART\_1001148490

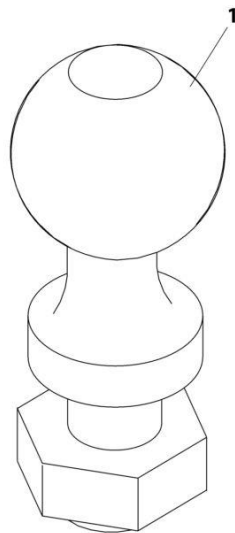
## SECTION 8 - ACCESSORIES

**FIGURE 8-54. TOOLBOX TRAY CARGO NET INSTALLATION**

ITEM	PART NUMBER	QTY	DESCRIPTION	REV
	1001148490	Ref	CARGO NET TOOLBOX TRAY INSTALLATION	A
1	1001148489	1	Accessory, Toolbox Tray	
2	1001148920	4	Hook	
3	7660142604	4	Nut 1/4	
4	7950140153	4	Washer 1/4	

## SECTION 8 - ACCESSORIES

FIGURE 8-55. TOW BALL - SS CONVERT-A-BALL KIT



ART\_1001133675



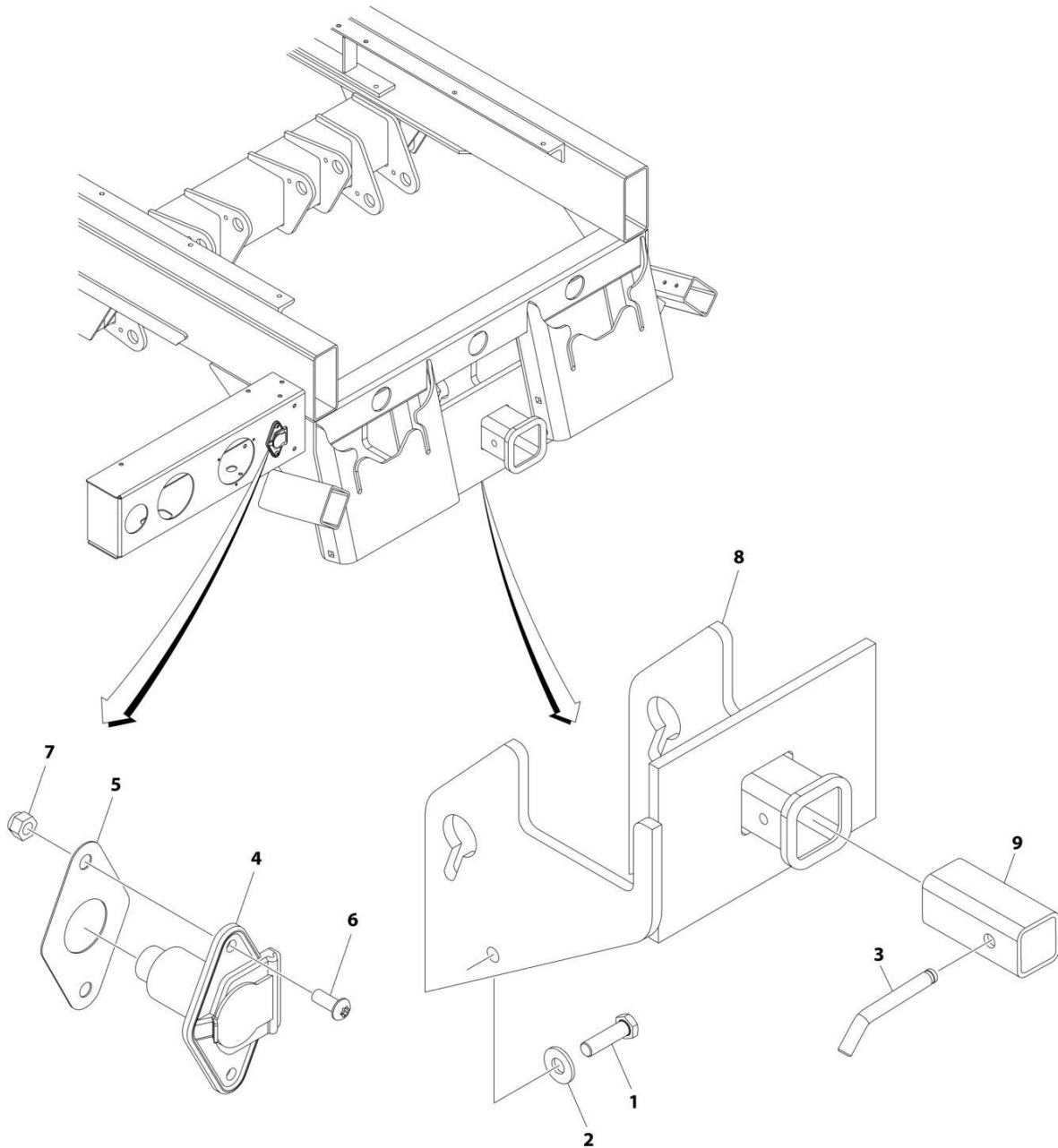
## SECTION 8 - ACCESSORIES

FIGURE 8-55. TOW BALL - SS CONVERT-A-BALL KIT

ITEM	PART NUMBER	QTY	DESCRIPTION	REV
1	1001133675 7002000458	Ref 1	TRAILER BALL - SS CONVERT-A-BALL KIT Ball	A

# SECTION 8 - ACCESSORIES

## FIGURE 8-56. TOW HITCH RECEIVER INSTALLATION - 2.5IN BALL (STATIONARY)



ART\_1001137581

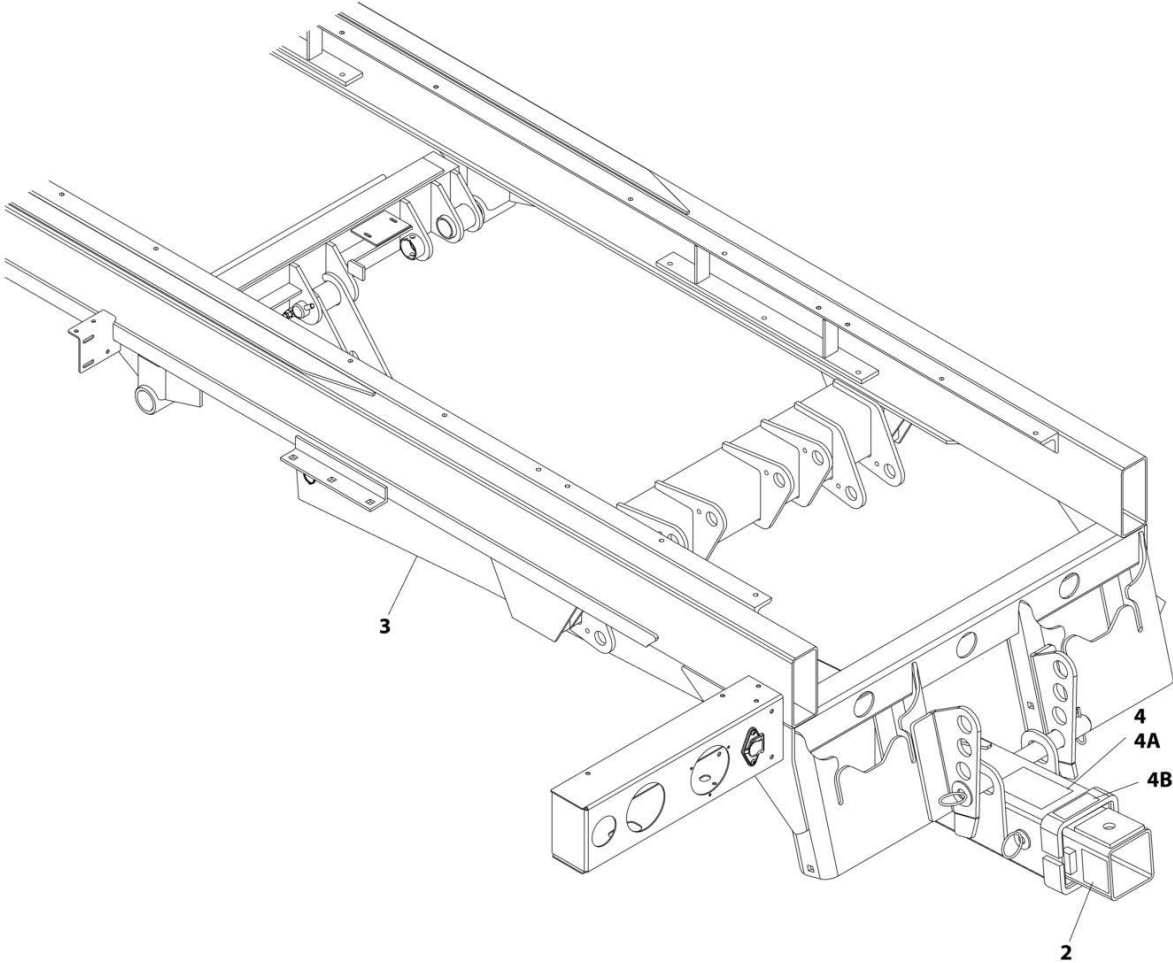
## SECTION 8 - ACCESSORIES

**FIGURE 8-56. TOW HITCH RECEIVER INSTALLATION - 2.5IN BALL (STATIONARY)**

ITEM	PART NUMBER	QTY	DESCRIPTION	REV
	1001137581	Ref	TOW HITCH INSTALLATION, 2.5 IN	B
1	7115181450	2	Capscrew 1/2 x 1-3/4	
2	7950180150	2	Washer 1/2	
3	7691000033	1	Cotter Pin	
4	7291000010	1	Connector	
5	7796000048	1	Gasket	
6	7114140528	2	Screw 1/4 x 5/8	
7	7660142601	2	Nut 1/4	
8	1001180289	1	Hitch Receiver	
9	7913000006	1	Tube	

**SECTION 8 - ACCESSORIES**

**FIGURE 8-57. TOW HITCH - BALL HITCH PLATE (MANUAL/HYDRAULIC)**



ART\_BHH35-MD

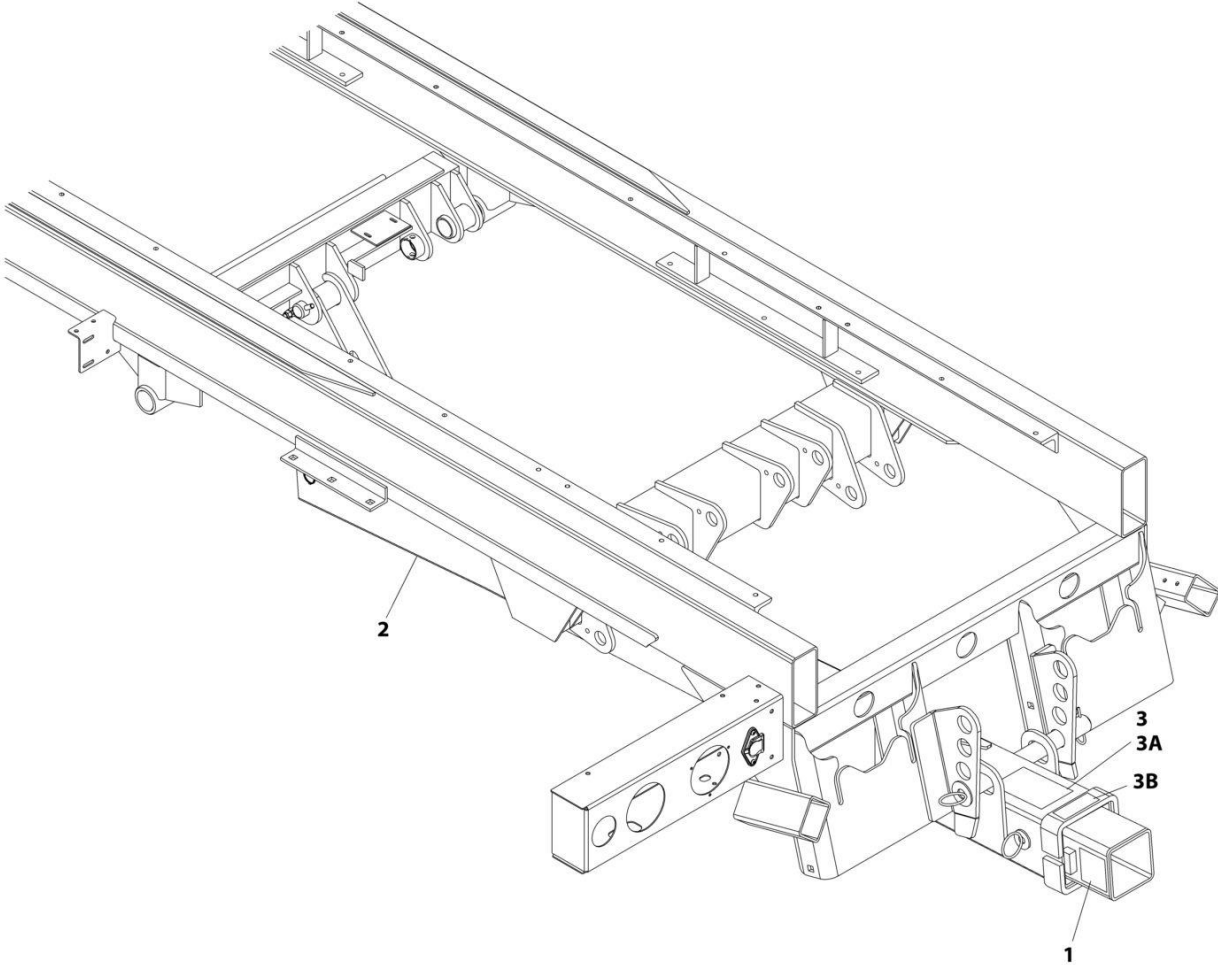
## SECTION 8 - ACCESSORIES

**FIGURE 8-57. TOW HITCH - BALL HITCH PLATE (MANUAL/HYDRAULIC)**

ITEM	PART NUMBER	QTY	DESCRIPTION	REV
	BHH35-MD	Ref	TOW HITCH INSTALLATION - MANUAL/HYDRAULIC BALL HITCH PLATE	0
1	2570000055	1	Hose Installation (Not Shown - See Separate Breakdown in HYDRAULIC Section)	
2	2330000040	Ref	Hitch Decal Installation, Ball	
2	4330000002	2	Decal - Red Reflective	
3	2170000087	1	Boom Installation, Ball Hitch (Hydraulic) (See Separate Breakdown in this Section)	
4	2330000060	Ref	Ball Hitch Decal Installation, Tow Option	
4A	7330000684	1	Decal - Safety	
4B	7330000391	1	Decal - Warning, Tow Boom Configuration	

**SECTION 8 - ACCESSORIES**

**FIGURE 8-58. TOW HITCH - PINTLE HITCH PLATE (MANUAL)**



ART\_PHM35-MD

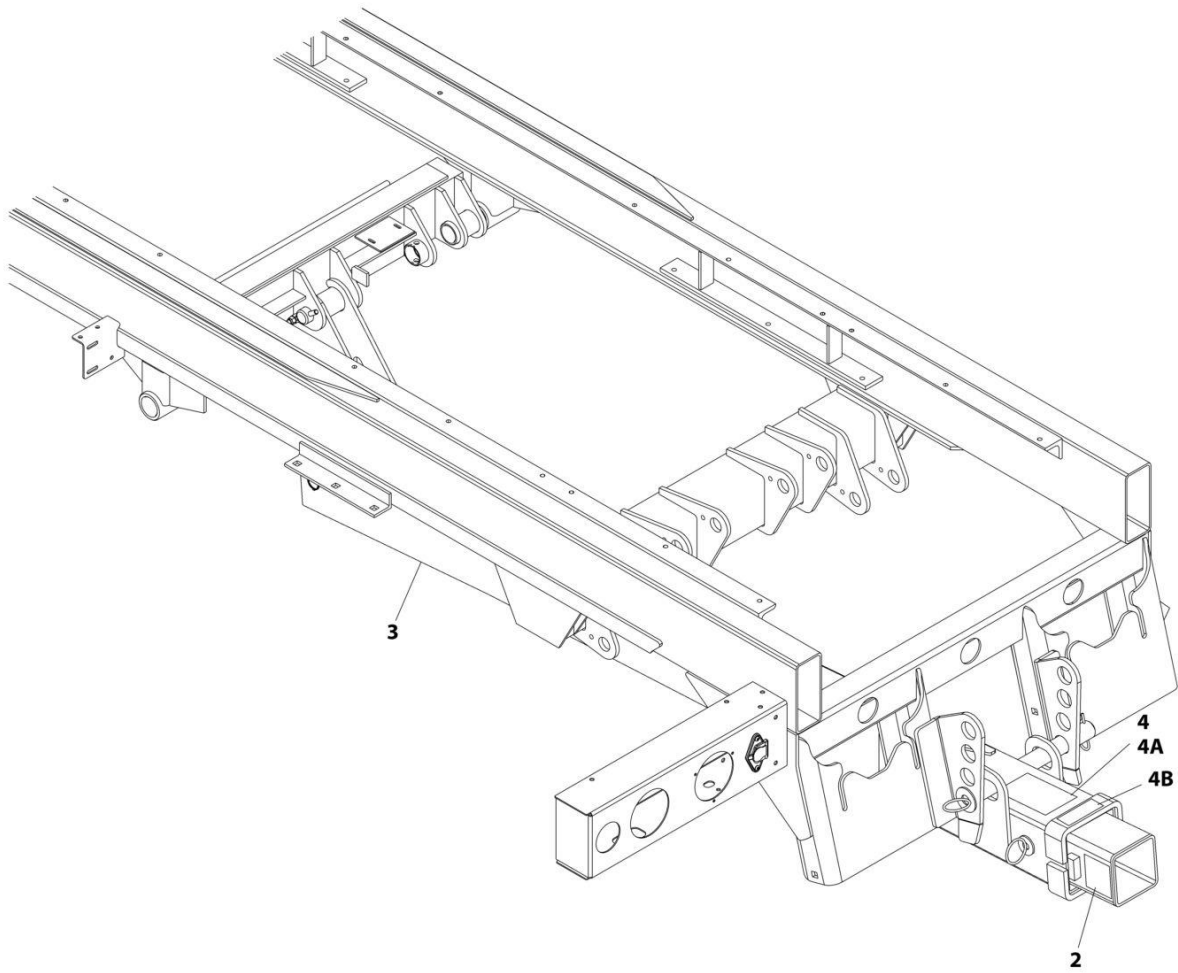
## SECTION 8 - ACCESSORIES

**FIGURE 8-58. TOW HITCH - PINTLE HITCH PLATE (MANUAL)**

ITEM	PART NUMBER	QTY	DESCRIPTION	REV
	PHM35-MD	Ref	TOW HITCH BOOM INSTALLATION - PINTLE HITCH (HYDRAULIC)	0
1	2330000041	Ref	Reflective Tape Installation	
1	7330000645	1	Decal - Red, Retro-reflective LH	
1	7330000646	1	Decal - Red, Retro-reflective RH	
2	2170000090	1	Boom Installation, Pintle Hitch (Manual) (See Separate Breakdown in this Section)	
3	2330000060	Ref	Ball Hitch Decal Installation, Tow Option	
3A	7330000684	1	Decal - Safety	
3B	7330000391	1	Decal - Warning, Tow Boom Configuration	

# SECTION 8 - ACCESSORIES

FIGURE 8-59. TOW HITCH - PINTLE HITCH PLATE (MANUAL/HYDRAULIC)



ART\_PHH35-MD



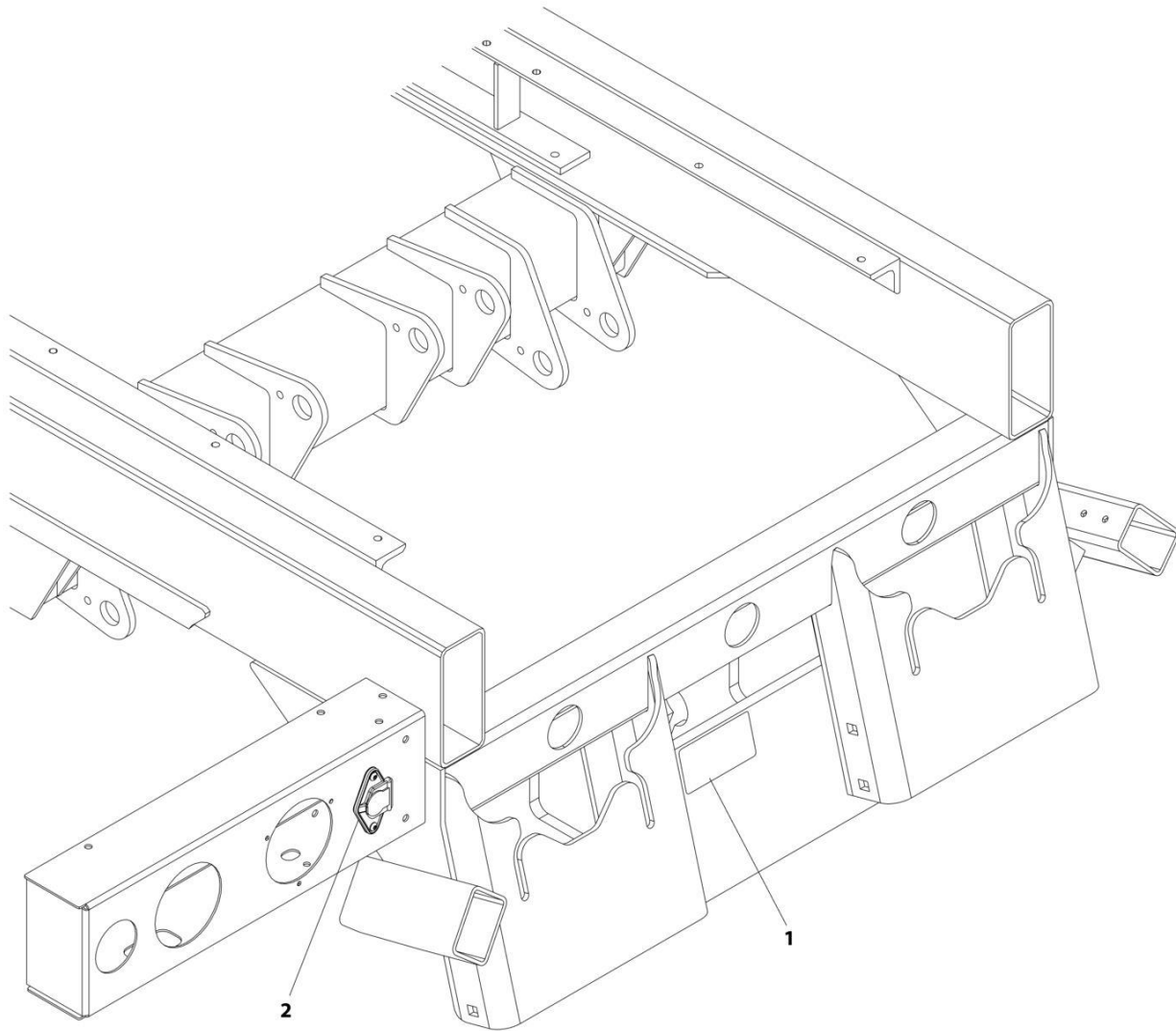
## SECTION 8 - ACCESSORIES

**FIGURE 8-59. TOW HITCH - PINTLE HITCH PLATE (MANUAL/HYDRAULIC)**

ITEM	PART NUMBER	QTY	DESCRIPTION	REV
	PHH35-MD	Ref	TOW HITCH INSTALLATION - MANUAL /HYDRAULIC PINTLE HITCH PLATE	0
1	2570000055	1	Hose Installation (Not Shown - See Separate Breakdown in HYDRAULIC Section)	
2	2330000041	Ref	Reflective Tape Installation	
2	7330000645	1	Decal - Red, Retro-reflective LH	
2	7330000646	1	Decal - Red, Retro-reflective RH	
3	2170000089	1	Boom Installation, Pintle Hitch (Hydraulic) (See Separate Breakdown in this Section)	
4	2330000060	Ref	Ball Hitch Decal Installation, Tow Option	
4A	7330000684	1	Decal - Safety	
4B	7330000391	1	Decal - Warning, Tow Boom Configuratio	

## SECTION 8 - ACCESSORIES

FIGURE 8-60. TOW HITCH - PINTLE HITCH PLATE (STATIONARY)



ART\_PHS40-MD

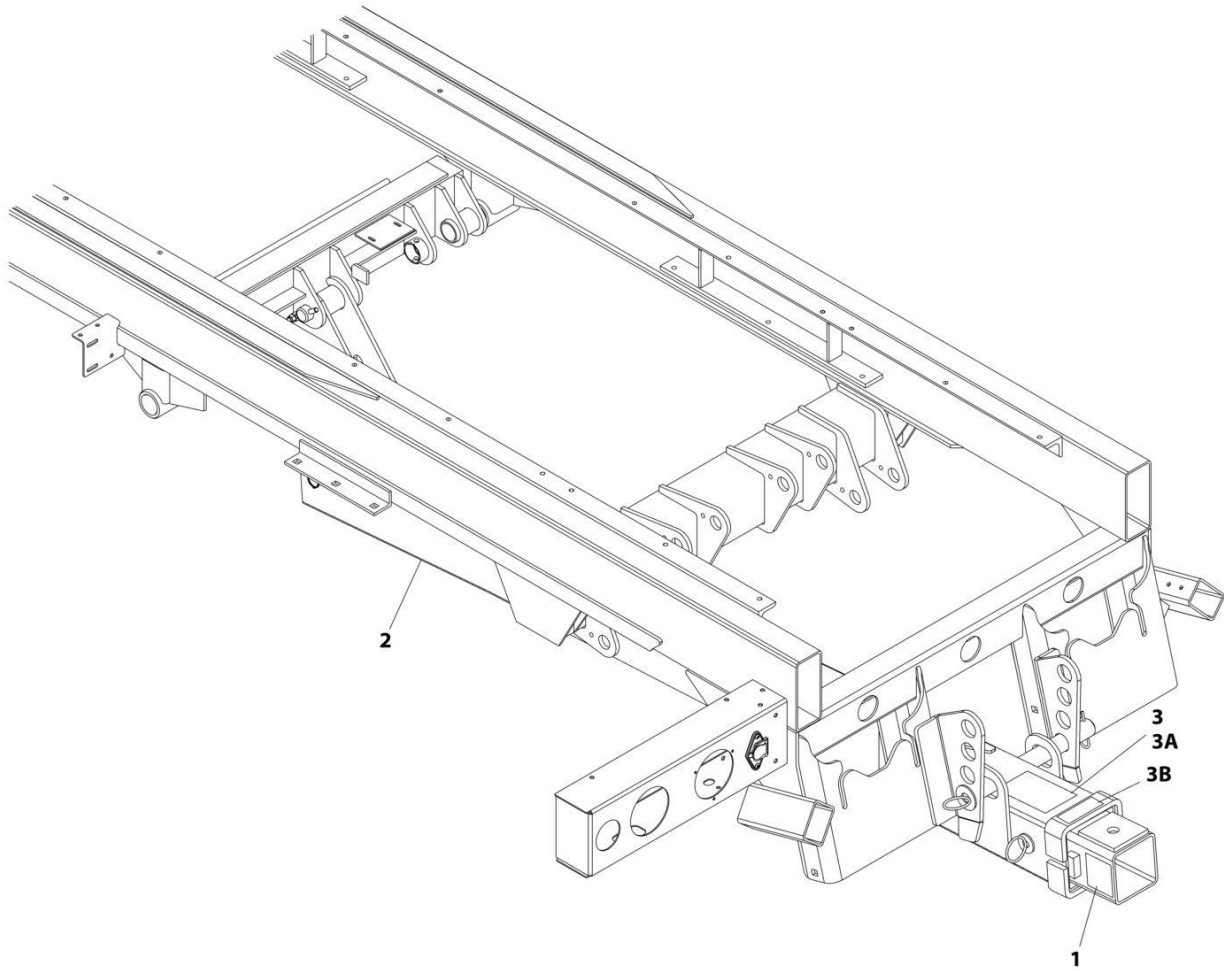
## SECTION 8 - ACCESSORIES

**FIGURE 8-60. TOW HITCH - PINTLE HITCH PLATE (STATIONARY)**

ITEM	PART NUMBER	QTY	DESCRIPTION	REV
	PHS40-MD	Ref	TOW HITCH INSTALLATION - STATIONARY PINTLE HITCH PLATE	0
1	2330000062	1	Tow Hitch Decal Installation	
1	7330000274	1	Decal - Warning	
2	3556000040	1	Stationary Pintle Hitch (See Separate Breakdown in this Section)	

# SECTION 8 - ACCESSORIES

FIGURE 8-61. TOW HITCH - BALL HITCH PLATE (MANUAL)



ART\_BHM35-MD

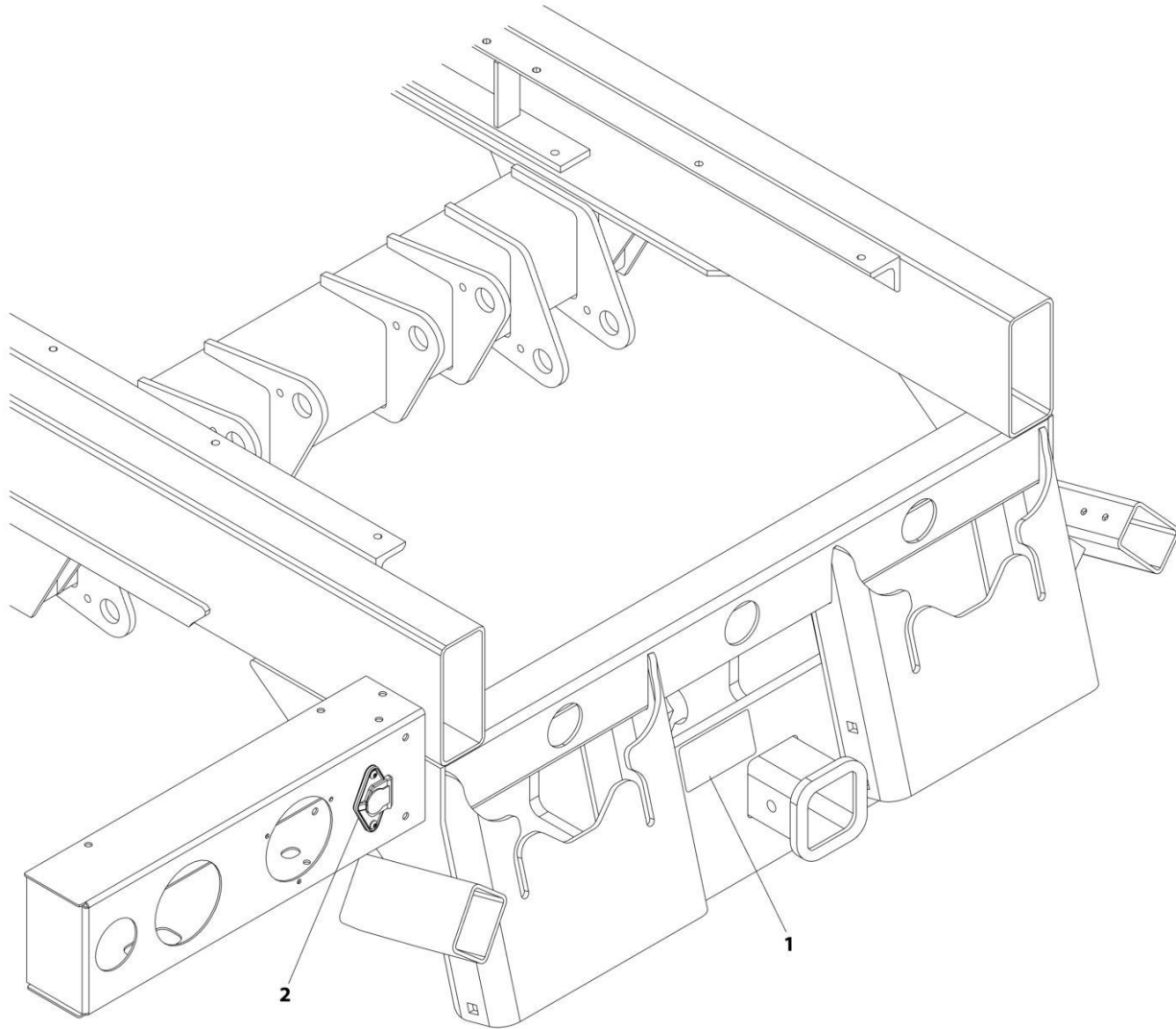
## SECTION 8 - ACCESSORIES

**FIGURE 8-61. TOW HITCH - BALL HITCH PLATE (MANUAL)**

ITEM	PART NUMBER	QTY	DESCRIPTION	REV
	BHM35-MD	Ref	TOW HITCH INSTALLATION - MANUAL BALL HITCH PLATE	0
1	2330000040	Ref	Hitch Decal Installation, Ball	
1	4330000002	2	Decal - Red Reflective	
2	2170000088	1	Boom Installation, Ball Hitch (Manual) (See Separate Breakdown in this Section)	
3	2330000060	Ref	Ball Hitch Decal Installation, Tow Option	
3A	7330000684	1	Decal - Safety	
3B	7330000391	1	Decal - Warning, Tow Boom Configuration	

# SECTION 8 - ACCESSORIES

FIGURE 8-62. TOW HITCH - STATIONARY 2 IN TOW HITCH RECEIVER



ART\_RH505-MD

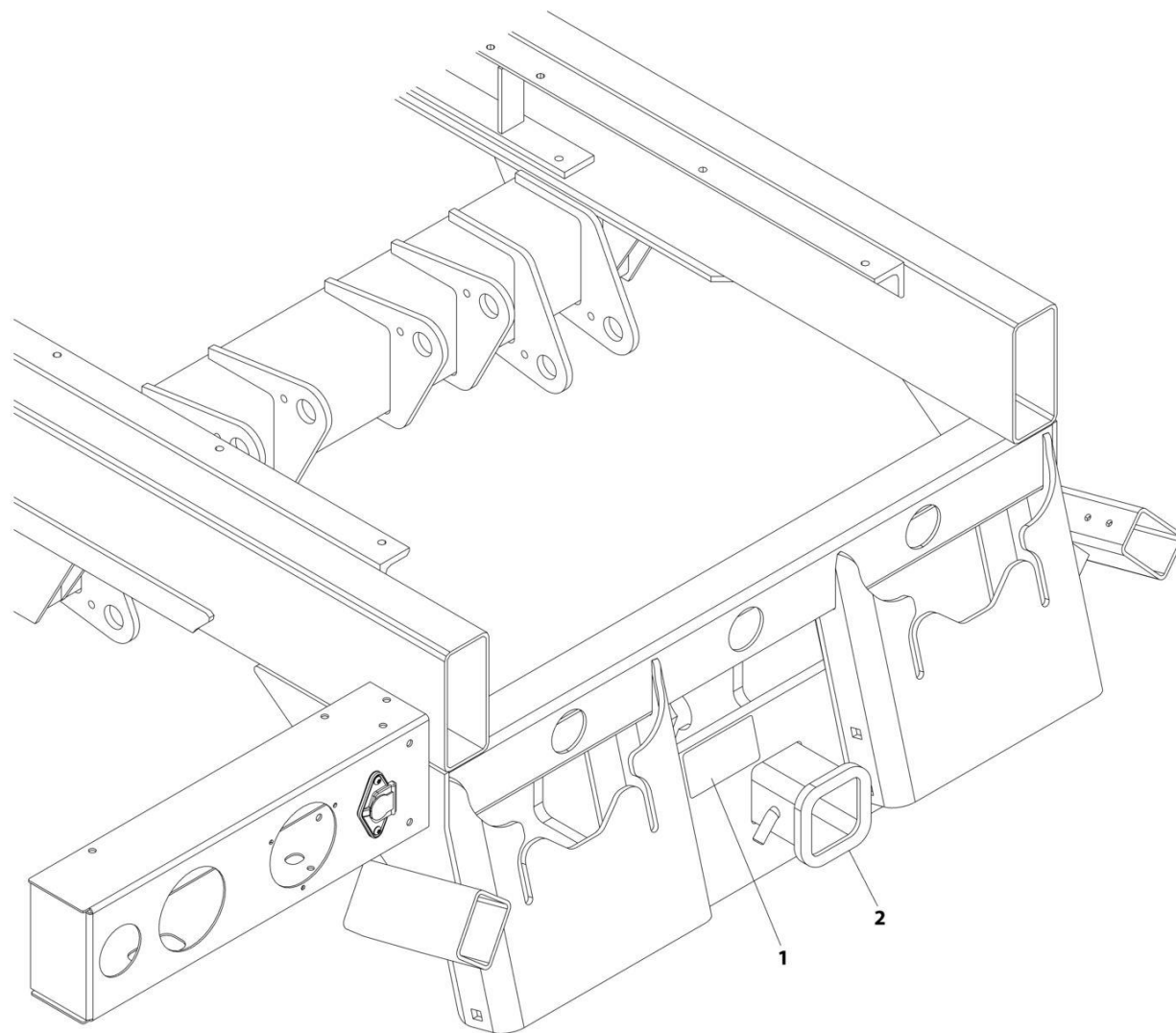
## SECTION 8 - ACCESSORIES

**FIGURE 8-62. TOW HITCH - STATIONARY 2 IN TOW HITCH RECEIVER**

ITEM	PART NUMBER	QTY	DESCRIPTION	REV
	RHS05-MD	Ref	TOW HITCH INSTALLATION - STATIONARY 2 IN TOW HITCH RECEIVER	0
1	2330000062	Ref	Tow Hitch Decal Installation	
1	7330000274	1	Decal Warning	
2	3556000041	1	Stationary Tow Hitch (See Separate Breakdown in this Section)	

# SECTION 8 - ACCESSORIES

FIGURE 8-63. TOW HITCH - STATIONARY 2.5 IN TOW HITCH RECEIVER



ART\_1001137580



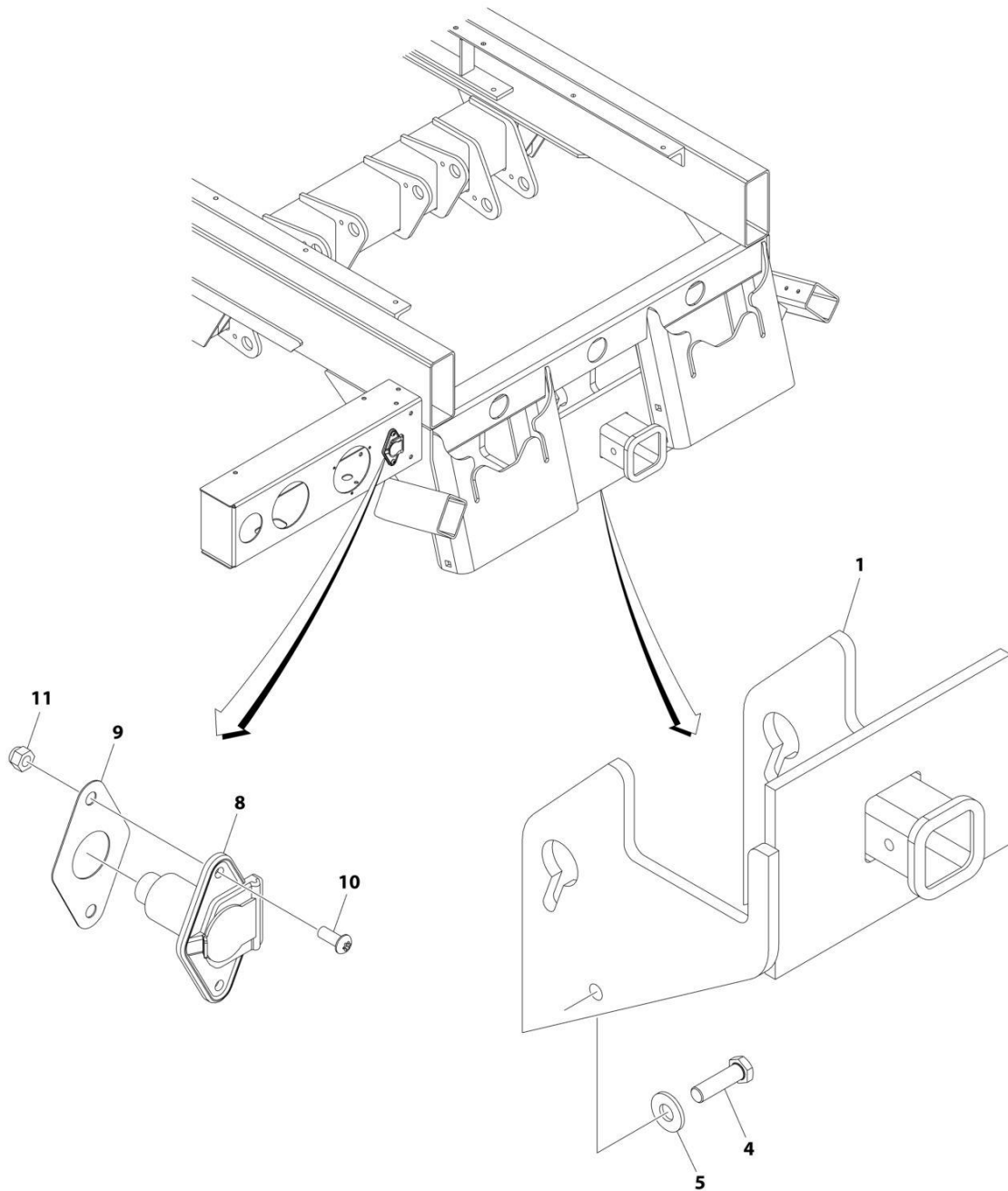
## SECTION 8 - ACCESSORIES

**FIGURE 8-63. TOW HITCH - STATIONARY 2.5 IN TOW HITCH RECEIVER**

ITEM	PART NUMBER	QTY	DESCRIPTION	REV
	1001137580	Ref	TOW HITCH INSTALLATION - STATIONARY 2.5 IN TOW HITCH RECEIVER	A
1	2330000062	Ref	Tow Hitch Decal Installation	
1	7330000274	1	Decal - Warning Overloading	
2	1001137581	1	Tow Hitch Installation (See Separate Breakdown in this Section)	

# SECTION 8 - ACCESSORIES

FIGURE 8-64. TOW HITCH RECEIVER INSTALLATION - 2IN BALL (STATIONARY)



ART\_3556000041

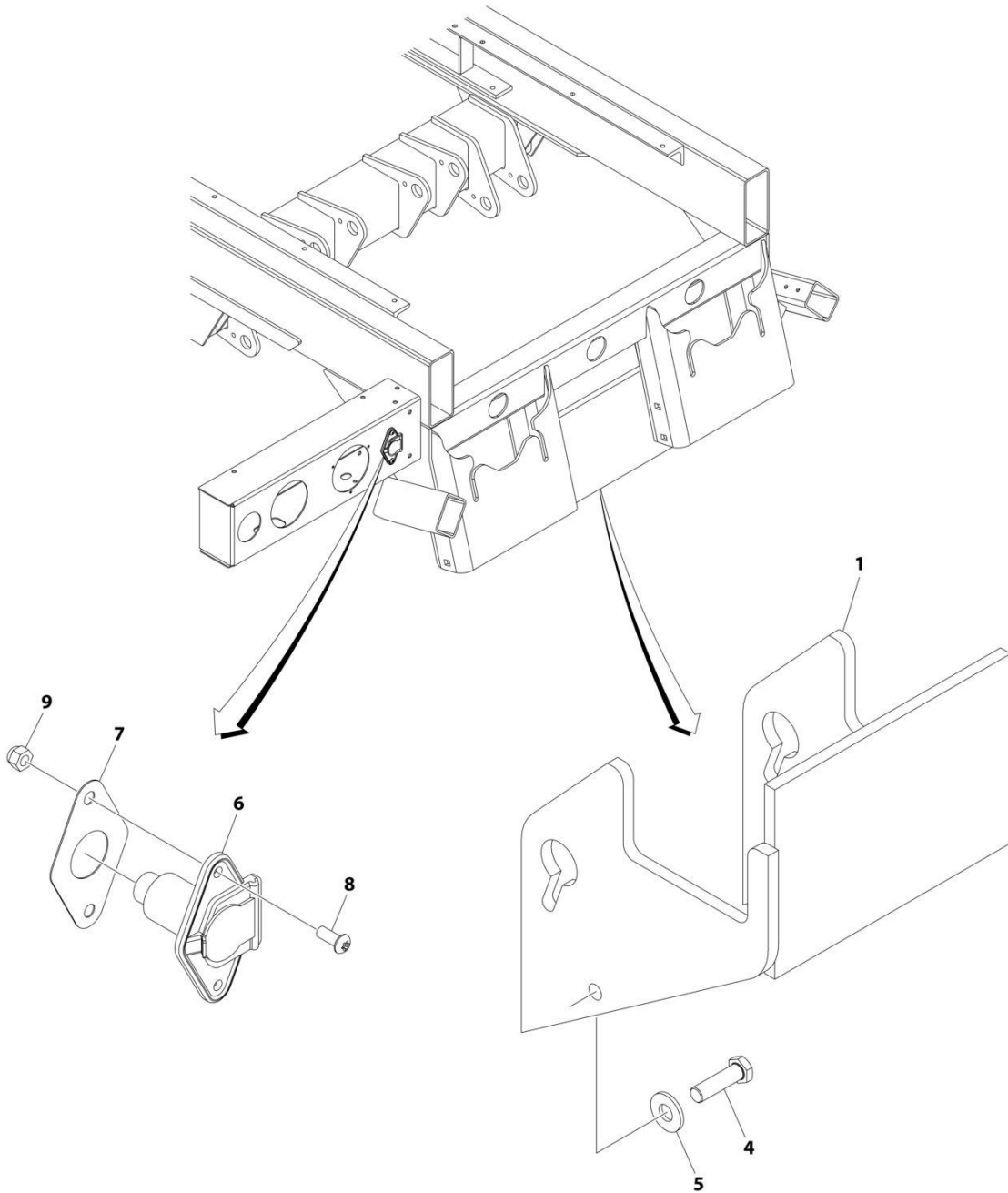
## SECTION 8 - ACCESSORIES

**FIGURE 8-64. TOW HITCH RECEIVER INSTALLATION - 2IN BALL (STATIONARY)**

ITEM	PART NUMBER	QTY	DESCRIPTION	REV
	3556000041	Ref	TOW HITCH - STATIONARY	C
1	1001180288	1	Receiver, Hitch	
4	7115181450	2	Capscrew 1/2 x 1-3/4	
5	7950180150	2	Washer 1/2	
8	7291000010	1	Female Receptacle with Connector	
9	7796000048	1	Gasket	
10	7114140528	2	Screw 1/4 x 5/8	
11	7660142601	2	Nut 1/4	

# SECTION 8 - ACCESSORIES

## FIGURE 8-65. TOW HITCH RECEIVER INSTALLATION - PINTLE (STATIONARY)



ART\_355600040

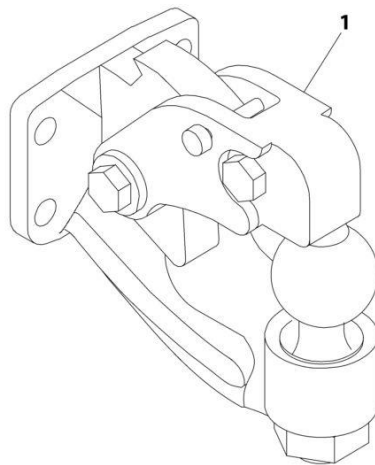
## SECTION 8 - ACCESSORIES

### FIGURE 8-65. TOW HITCH RECEIVER INSTALLATION - PINTLE (STATIONARY)

ITEM	PART NUMBER	QTY	DESCRIPTION	REV
	3556000040	Ref	TOW HITCH - STATIONARY PINTLE	C
1	1001180290	1	Hitch Receiver	
4	7115181450	2	Capscrew 1/2 x 1-3/4	
5	7950180150	2	Washer 1/2	
6	7291000010	1	Female Receptacle	
7	7796000048	1	Gasket	
8	7114140528	2	Screw 1/4 x 5/8	
9	7660142601	2	Nut 1/4	

## SECTION 8 - ACCESSORIES

FIGURE 8-66. TOW PINTLE - DUPLEX PINTLE HITCH



ART\_DPH-16B

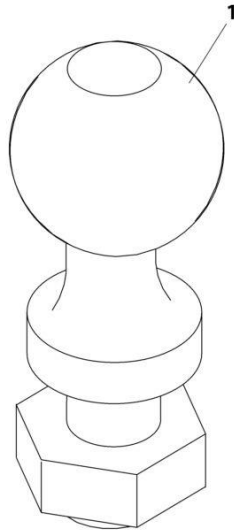
## SECTION 8 - ACCESSORIES

FIGURE 8-66. TOW PINTLE - DUPLEX PINTLE HITCH

ITEM	PART NUMBER	QTY	DESCRIPTION	REV
1	DPH-16B 7556000003	Ref 1	TRAILER PINTLE WITH BALL Pintle Hitch	B

## SECTION 8 - ACCESSORIES

FIGURE 8-67. TRAILER ACC, 2.31IN DIA BALL



ART\_TB256



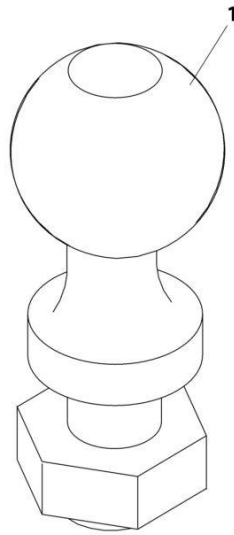
## SECTION 8 - ACCESSORIES

FIGURE 8-67. TRAILER ACC, 2.31IN DIA BALL

ITEM	PART NUMBER	QTY	DESCRIPTION	REV
1	TB256 7056000009	Ref 1	TRAILER BALL - 2-5/16IN DIA BALL Ball	0

## SECTION 8 - ACCESSORIES

FIGURE 8-68. TRAILER ACC, 1.88IN DIA BALL



ART\_TB178

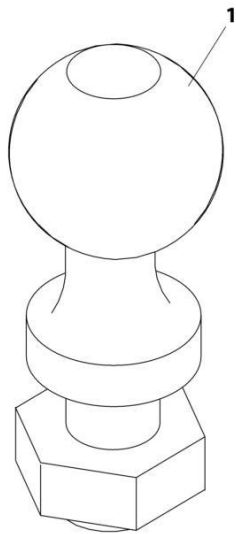
## SECTION 8 - ACCESSORIES

**FIGURE 8-68. TRAILER ACC, 1.88IN DIA BALL**

ITEM	PART NUMBER	QTY	DESCRIPTION	REV
1	TB178 7056000007	Ref 1	TRAILER BALL - 1.88IN DIA BALL Ball	0

## SECTION 8 - ACCESSORIES

FIGURE 8-69. TRAILER ACC, 2IN DIA BALL



ART\_TB200

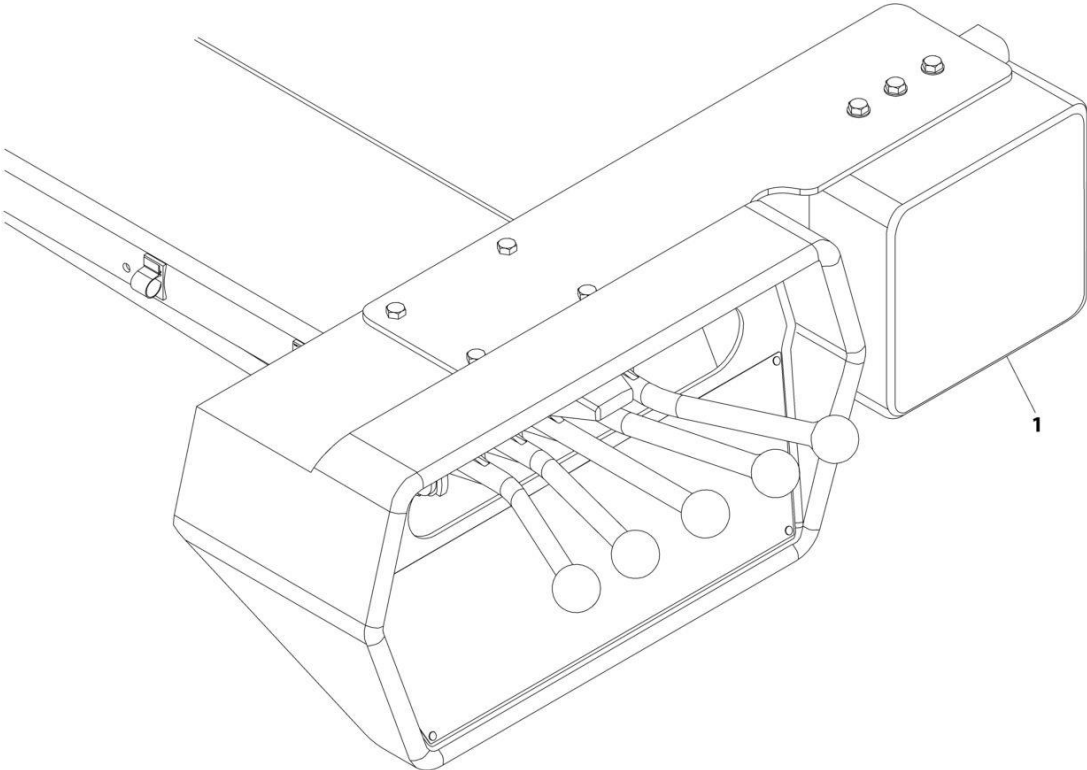
## SECTION 8 - ACCESSORIES

FIGURE 8-69. TRAILER ACC, 2IN DIA BALL

ITEM	PART NUMBER	QTY	DESCRIPTION	REV
1	TB200 7056000008	Ref 1	TRAILER BALL - 2IN DIA BALL Ball	0

**SECTION 8 - ACCESSORIES**

**FIGURE 8-70. TRUCK SCALES - ON BOARD (AIR WEIGHT) (DEALER INSTALLED)**



ART\_1001133721

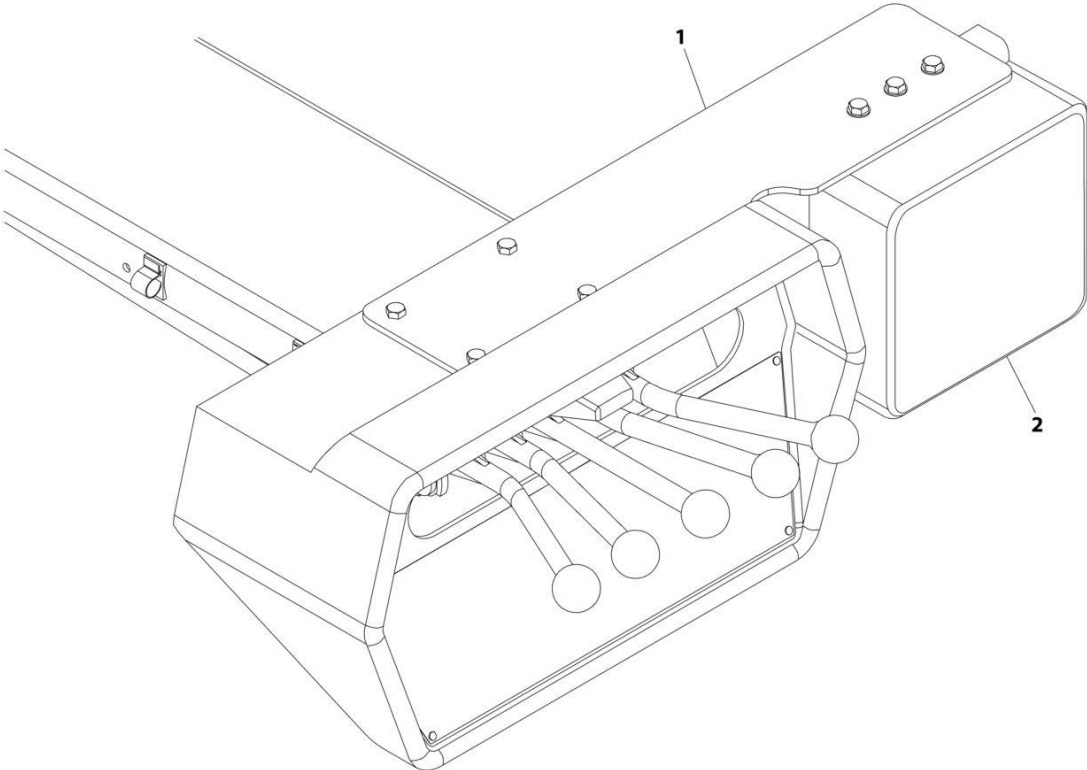
## SECTION 8 - ACCESSORIES

**FIGURE 8-70. TRUCK SCALES - ON BOARD (AIR WEIGHT) (DEALER INSTALLED)**

ITEM	PART NUMBER	QTY	DESCRIPTION	REV
	1001133721	Ref	TRUCK SCALES - ON BOARD (AIR WEIGH) (DEALER INSTALLED)	A
1	7577000442	1	Truck Scales - On Board (Air Weigh) Add - On Kit	

**SECTION 8 - ACCESSORIES**

**FIGURE 8-71. TRUCK SCALES - ON BOARD (RIGHT WEIGHT) (DEALER INSTALLED)**



ART\_1001130142



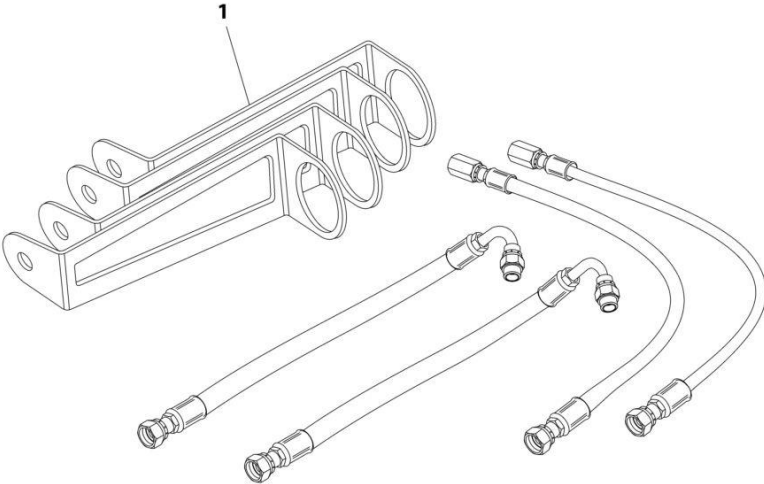
## SECTION 8 - ACCESSORIES

**FIGURE 8-71. TRUCK SCALES - ON BOARD (RIGHT WEIGHT) (DEALER INSTALLED)**

ITEM	PART NUMBER	QTY	DESCRIPTION	REV
	1001130142	Ref	TRUCK SCALES - ONBOARD (RIGHT WEIGHT, DEALER INSTALLED)	0
1	1001130151	1	Plate Weight Mount	
2	1001129875	1	Accessory Weight Load Scale	

**SECTION 8 - ACCESSORIES**

**FIGURE 8-72. VALVE STEM EXTENSION KIT**



ART\_2002000029

## SECTION 8 - ACCESSORIES

FIGURE 8-72. VALVE STEM EXTENSION KIT

ITEM	PART NUMBER	QTY	DESCRIPTION	REV
1	2002000029 7002000447	Ref 1	Valve System Extension Kit Valve Stem	0



**SECTION 9 - BUILD DOCUMENTS**

## SECTION 9 - BUILD DOCUMENTS

FIGURE 9-1. BUILD DOC\_5376000238

ITEM	PART NUMBER	QTY	DESCRIPTION	REV
	Note	Ref	<b>Note: This list is for build tracking purposes only. Parts in this list are not available at this inventory stocking level. Parts in this list may not be applicable to all models. For more specific parts information contact Jerr-Dan Parts Department</b>	
	1001241870	Ref	Service/Aftermarket Kit List	H
	BSKT-2	Ref	Basket, Storage (Standard) (Qty 2 of PN 2899000030)	
	BSKT24-2	Ref	Basket, Storage (Deep) (Qty 2 of PN 2899000041)	
	CMKSTD-SD	Ref	Chassis Mounting Kit - Standard	
	1001160796	Ref	Chassis Mounting Kit - 2013-2018 Dodge	
	1001160367	Ref	Frame Modifications Installation (No Serviceable Parts)	
	1001161298	Ref	Frame Modifications Installation (No Serviceable Parts)	
	1001161328	Ref	Wiring Modification Installation (No Serviceable Parts)	
	7577000194	Ref	Chassis Wiring Kit (No Serviceable Parts)	
	1001260337	Ref	Chassis Mounting Kit - 2019+ Dodge	
	1001160367	Ref	Frame Modifications Installation (No Serviceable Parts)	
	1001161298	Ref	Frame Modifications Installation (No Serviceable Parts)	
	7577000194	Ref	Chassis Wiring Kit (No Serviceable Parts)	
	1001151534	Ref	Chassis Mounting Kit - 2011-2016 Ford F550 Diesel	
	2177000007	Ref	Frame Modifications Installation (No Serviceable Parts)	
	1001151446	Ref	Frame Modifications Installation (No Serviceable Parts)	
	7577000194	Ref	Chassis Wiring Kit (No Serviceable Parts)	
	1001151533	Ref	Chassis Mounting Kit - 2011-2016 Ford F550 Gas	
	2177000007	Ref	Frame Modifications Installation (No Serviceable Parts)	
	1001151445	Ref	Frame Modifications Installation (No Serviceable Parts)	
	7577000194	Ref	Chassis Wiring Kit (No Serviceable Parts)	
	1001220100	Ref	Chassis Mounting Kit - 2017+ Ford F550 Gas	
	1001219801	Ref	Frame Modifications Installation (No Serviceable Parts)	
	1001220177	Ref	Frame Modifications Installation (No Serviceable Parts)	
	7577000194	Ref	Chassis Wiring Kit (No Serviceable Parts)	
	1001272551	Ref	Parking Brake Cable Brackets Installation (See Separate Breakdown in FRAME Section)	
	1001134107	Ref	Chassis Mounting Kit - 2011-2015 Ford F650/F750	
	7577000194	Ref	Chassis Wiring Kit (No Serviceable Parts)	
	7346000210	1	Flasher	
	1001220105	Ref	Chassis Mounting Kit - 2016 Ford F650/F750	
	7577000194	Ref	Chassis Wiring Kit (No Serviceable Parts)	
	1001212287	Ref	Air Line Modifications Installation (No Serviceable Parts)	
	1001141768	Ref	Chassis Mounting Kit - 2012 Hino	
	7577000194	Ref	Chassis Wiring Kit (No Serviceable Parts)	
	1001134108	Ref	Chassis Mounting Kit - 2011+ IHC	
	1001133075	Ref	Chassis Mounting Kit - 2012 IHC Terrastar	
	1001133073	Ref	Frame Modifications Installation (No Serviceable Parts)	
	2754000001	Ref	D-Rings, Welded-on 5/8IN 1 PR	
	1001188647	Ref	D-Rings, Welded-on 5/8IN 1 PR (at Winch)	
	DR063W-2	Ref	D-Rings, Welded-on 5/8IN 2 PR	
	1001130902	Ref	D-Rings, Welded-on 5/8IN 3 PR	
	2754000002	Ref	D-Rings, Welded-on 1IN 1 PR	
	2811000001	Ref	Decking Material 19FT x 96IN (Smooth Steel)	
	2811000004	Ref	Decking Material 19FT x 96IN (Diamond Plate Steel)	

## SECTION 9 - BUILD DOCUMENTS

ITEM	PART NUMBER	QTY	DESCRIPTION	REV
	1001131949	Ref	Decking Material 19FT x 102IN (Smooth Steel)	
	2811000005	Ref	Decking Material 19FT x 102IN (Diamond Plate Steel)	
	1001131950	Ref	Decking Material 20FT x 102IN (Smooth Steel)	
	2811000002	Ref	Decking Material 20FT x 96IN (Smooth Steel)	
	1001131743	Ref	Decking Material 21FT x 90IN (Diamond Plate Steel)	
	2811000003	Ref	Decking Material 21FT x 96IN (Smooth Steel)	
	1001131951	Ref	Decking Material 21FT x 102IN (Smooth Steel)	
	1001152713	Ref	Decking Material 21FT x 96IN (Diamond Plate over Wood)	
	1001152997	Ref	Decking Material 21FT x 96IN (Diamond Plate over Wood with Keyslots)	
	1001152714	Ref	Decking Material 21FT x 102IN (Diamond Plate over Wood)	
	1001152998	Ref	Decking Material 21FT x 102IN (Diamond Plate over Wood with Keyslots)	
	1001131948	Ref	Decking Material 22FT x 96IN (Smooth Steel)	
	1001131952	Ref	Decking Material 22FT x 102IN (Smooth Steel)	
	2811000006	Ref	Decking Material 20FT x 96IN (Diamond Plate Steel)	
	2811000007	Ref	Decking Material 20FT x 102IN (Diamond Plate Steel)	
	2811000008	Ref	Decking Material 21FT x 96IN (Diamond Plate Steel)	
	2811000009	Ref	Decking Material 21FT x 102IN (Diamond Plate Steel)	
	2811000010	Ref	Decking Material 22FT x 96IN (Diamond Plate Steel)	
	2811000011	Ref	Decking Material 22FT x 102IN (Diamond Plate Steel)	
	1001125848	Ref	Decking Material 21FT x 96IN (Wood)	
	1001125849	Ref	Decking Material 21FT x 102IN (Wood)	
	1001128868	Ref	Deck Modification - Bucket Rest Headboard (102IN Wide Deck)	
	1001228185	Ref	Deck Seam Sealer Installation	
	2002000008	Ref	Faceplate Accessory Installation Kit	
	SSQF-21	Ref	Fender, Quarter 19.50IN Wheels (SS)	
	SSQF-24	Ref	Fender, Quarter 22.50IN Wheels (SS)	
	1001230202	Ref	Key Slots (Mid Section - Dual 180 Degree)	
	2706000013	Ref	Key Slots (Rubrails - Dual 90 Degree)	
	KSD120-AL	Ref	Key Slots (Pair of Dual1 20 Degree) (Std Width Decks)	
	KSD120-AL-2	Ref	Key Slots (Pair of Dual1 20 Degree) (Std Width Decks) (Qty 2)	
	KSD120W-AL	Ref	Key Slots (Pair of Dual1 20 Degree) (Wide Width Decks)	
	KSD120W-AL-2	Ref	Key Slots (Pair of Dual1 20 Degree) (Wide Width Decks) (Qty 2)	
	1001211686	Ref	Light Bar Channel (96W Deck)	
	1001133677	Ref	Light Bar Channel (102W Deck)	
	ML-TBTST-2	Ref	Light, Marker for Toolbox Storage Tray (Qty 2 of PN 2590000261)	
	1001181867	Ref	Light, Marker for Toolbox Storage Tray (Qty 3 of PN 2590000261)	
	1001181868	Ref	Light, Marker for Toolbox Storage Tray (Qty 4 of PN 2590000261)	
	1001161142	Ref	Lubrication Installation	
	1001210267	Ref	Pivot Grease Joint Option, Subframe Only	
	1001207209	Ref	Pivot Grease Joint Option, Subframe and Wheellift	
		Ref	<b>PTO (Installation and replacement is based on individual characteristics of the unit - Contact Jerr-Dan Parts Dept.)</b>	
		Ref	<b>Pump (Installation and replacement is based on individual characteristics of the unit - Contact Jerr-Dan Parts Dept.)</b>	
	2706000036	Ref	Rubrail 6IN (19FT/20FT Decks)	
	2706000037	Ref	Rubrail 6IN (21FT/22FT Decks)	
	2706000039	Ref	Rubrail 8IN (19FT/20FT Decks)	
	2706000040	Ref	Rubrail 8IN (21FT/22FT Decks)	
	2706000042	Ref	Rubrail 10IN (19FT/20FT Decks)	
	2706000043	Ref	Rubrail 10IN (21FT/22FT Decks)	

## SECTION 9 - BUILD DOCUMENTS

ITEM	PART NUMBER	QTY	DESCRIPTION	REV
	RCTH-2	Ref	Remote Control 6 Function U/L Transmitter Holder (Duplicate of PN 2002000031)	
	1001142066	Ref	Saddle Brackets without Holes	
	SRS-8	Ref	Side Recovery System - 8 K Winch	
	2570000152	Ref	WINCH HOSE INSTALLATION (SEE SEPARATE BREAKDOWN IN HYDRAULIC SECTION)	
	2330000068	Ref	DECAL INSTALLATION (SRS) (SEE SEPARATE BREAKDOWN IN DECAL SECTION)	
	3455000059	Ref	WINCH INSTALLATION (SEE SEPARATE BREAKDOWN IN DECK SECTION)	
	SRS-8-CRC	Ref	Side Recovery System - 8 K Winch with Combo Remote	
	3455000064	Ref	WINCH INSTALLATION (SEE SEPARATE BREAKDOWN IN DECK SECTION)	
	2570000152	Ref	WINCH HOSE INSTALLATION (SEE SEPARATE BREAKDOWN IN HYDRAULIC SECTION)	
	2330000068	Ref	DECAL INSTALLATION (SRS) (SEE SEPARATE BREAKDOWN IN DECAL SECTION)	
	2577000017	Ref	LINEAR ACTUATOR INSTALLATION (SEE SEPARATE BREAKDOWN IN DECK SECTION)	
	SRS-10	Ref	Side Recovery System - 10 K Winch ( <b>SN 0220022847 through 0220024465</b> )	
	2570000152	Ref	WINCH HOSE INSTALLATION (SEE SEPARATE BREAKDOWN IN HYDRAULIC SECTION) ( <b>SN 0220022847 through 0220024465</b> )	
	2330000068	Ref	DECAL INSTALLATION (SRS) (SEE SEPARATE BREAKDOWN IN DECAL SECTION) ( <b>SN 0220022847 through 0220024465</b> )	
	3455000060	Ref	LINEAR ACTUATOR INSTALLATION (SEE SEPARATE BREAKDOWN IN DECK SECTION) ( <b>SN 0220022847 through 0220024465</b> )	
	1001271987	Ref	Side Recovery System - 10 K Winch with 3 Function Remote Control (Manual) ( <b>SN 0220024466 through 02200025491</b> )	
	1001271983	Ref	WINCH INSTALLATION (SEE SEPARATE BREAKDOWN IN DECK SECTION) ( <b>SN 0220024466 through 02200025491</b> )	
	2570000152	Ref	WINCH HOSE INSTALLATION (SEE SEPARATE BREAKDOWN IN HYDRAULIC SECTION) ( <b>SN 0220024466 through 02200025491</b> )	
	2330000068	Ref	DECAL INSTALLATION (SRS) (SEE SEPARATE BREAKDOWN IN DECAL SECTION) ( <b>SN 0220024466 through 02200025491</b> )	
	SRS-10-CRC	Ref	Side Recovery System - 10 K Winch with Remote Control ( <b>SN 0220022847 through 0220024465</b> )	
	3455000065	Ref	WINCH INSTALLATION (SEE SEPARATE BREAKDOWN IN DECK SECTION) ( <b>SN 0220022847 through 0220024465</b> )	
	2570000152	Ref	WINCH HOSE INSTALLATION (SEE SEPARATE BREAKDOWN IN HYDRAULIC SECTION) ( <b>SN 0220022847 through 0220024465</b> )	
	2330000068	Ref	DECAL INSTALLATION (SRS) (SEE SEPARATE BREAKDOWN IN DECAL SECTION) ( <b>SN 0220022847 through 0220024465</b> )	
	2577000017	Ref	LINEAR ACTUATOR INSTALLATION (SEE SEPARATE BREAKDOWN IN DECK SECTION) ( <b>SN 0220022847 through 0220024465</b> )	
	1001271989	Ref	Side Recovery System - 10 K Winch with 4 Function Remote Control (Manual) ( <b>SN 0220024466 through 02200025491</b> )	
	1001271985	Ref	WINCH INSTALLATION (SEE SEPARATE BREAKDOWN IN DECK SECTION) ( <b>SN 0220024466 through 02200025491</b> )	



## SECTION 9 - BUILD DOCUMENTS

ITEM	PART NUMBER	QTY	DESCRIPTION	REV
	2570000152	Ref	WINCH HOSE INSTALLATION (SEE SEPARATE BREAKDOWN IN HYDRAULIC SECTION) (SN 0220024466 through 02200025491)	
	2330000068	Ref	DECAL INSTALLATION (SRS) (SEE SEPARATE BREAKDOWN IN DECAL SECTION) (SN 0220024466 through 02200025491)	
	2577000017	Ref	LINEAR ACTUATOR INSTALLATION (SEE SEPARATE BREAKDOWN IN DECK SECTION) (SN 0220024466 through 02200025491)	
	SRS-10-AFS	Ref	Side Recovery System - 10 K Winch with Air Free Spool (SN 0220022847 through 0220024465)	
	3455000063	Ref	WINCH INSTALLATION (SEE SEPARATE BREAKDOWN IN DECK SECTION) (SN 0220022847 through 0220024465)	
	2570000152	Ref	WINCH HOSE INSTALLATION (SEE SEPARATE BREAKDOWN IN HYDRAULIC SECTION) (SN 0220022847 through 0220024465)	
	2330000068	Ref	DECAL INSTALLATION (SRS) (SEE SEPARATE BREAKDOWN IN DECAL SECTION) (SN 0220022847 through 0220024465)	
	1001271988	Ref	Side Recovery System - 10 K Winch with 3 Function Remote Control (Air Free Spool) (SN 0220024466 through 02200025491)	
	1001271984	Ref	WINCH INSTALLATION (SEE SEPARATE BREAKDOWN IN DECK SECTION) (SN 0220024466 through 02200025491)	
	2570000152	Ref	WINCH HOSE INSTALLATION (SEE SEPARATE BREAKDOWN IN HYDRAULIC SECTION) (SN 0220024466 through 02200025491)	
	2330000068	Ref	DECAL INSTALLATION (SRS) (SEE SEPARATE BREAKDOWN IN DECAL SECTION) (SN 0220024466 through 02200025491)	
	1001211215	Ref	Side Recovery System - 10 K Winch with Air Free Spool & Remote Conbo (SN 0220022847 through 0220024465)	
	3455000066	Ref	WINCH INSTALLATION (SEE SEPARATE BREAKDOWN IN DECK SECTION) (SN 0220022847 through 0220024465)	
	2570000152	Ref	WINCH HOSE INSTALLATION (SEE SEPARATE BREAKDOWN IN HYDRAULIC SECTION) (SN 0220022847 through 0220024465)	
	2330000068	Ref	DECAL INSTALLATION (SRS) (SEE SEPARATE BREAKDOWN IN DECAL SECTION) (SN 0220022847 through 0220024465)	
	2577000017	Ref	LINEAR ACTUATOR INSTALLATION (SEE SEPARATE BREAKDOWN IN DECK SECTION) (SN 0220022847 through 0220024465)	
	1001271990	Ref	Side Recovery System - 10 K Winch with 4 Function Remote Control (Air Free Spool) (SN 0220024466 through 02200025491)	
	1001271986	Ref	WINCH INSTALLATION (SEE SEPARATE BREAKDOWN IN DECK SECTION) (SN 0220024466 through 02200025491)	
	2570000152	Ref	WINCH HOSE INSTALLATION (SEE SEPARATE BREAKDOWN IN HYDRAULIC SECTION) (SN 0220024466 through 02200025491)	
	2330000068	Ref	DECAL INSTALLATION (SRS) (SEE SEPARATE BREAKDOWN IN DECAL SECTION) (SN 0220024466 through 02200025491)	
	2577000017	Ref	LINEAR ACTUATOR INSTALLATION (SEE SEPARATE BREAKDOWN IN DECK SECTION) (SN 0220024466 through 02200025491)	
	TBSA36-2	Ref	Shelf, Toolbox 36IN (Qty 2 of PN 2899000059)	
	TBSA36-3	Ref	Shelf, Toolbox 36IN (Qty 3 of PN 2899000059)	
	TBSA36-4	Ref	Shelf, Toolbox 36IN (Qty 4 of PN 2899000059)	
	TBSA48-2	Ref	Shelf, Toolbox 48IN (Qty 2 of PN 2899000060)	

## SECTION 9 - BUILD DOCUMENTS

ITEM	PART NUMBER	QTY	DESCRIPTION	REV
	1001181855	Ref	Shelf, Toolbox 48IN (Qty 3 of PN 2899000060)	
	TBSA48-4	Ref	Shelf, Toolbox 48IN (Qty 4 of PN 2899000060)	
	TBSA60-2	Ref	Shelf, Toolbox 60IN (Qty 2 of PN 2899000061)	
	1001135795	Ref	Stakes & Rubrails 19FT Aluminum	
	1001148397	Ref	Stakes & Rubrails 20FT Aluminum	
	1001135796	Ref	Stakes & Rubrails 21FT Aluminum	
	1001154649	Ref	Stakes & Rubrails 22FT Aluminum	
	1001135792	Ref	Stakes & Rubrails & Pipes 19FT Steel	
	1001135793	Ref	Stakes & Rubrails & Pipes 20FT Steel	
	1001135794	Ref	Stakes & Rubrails & Pipes 21FT Steel	
	1001136271	Ref	Stakes & Rubrails & Pipes 22FT Steel	
	1001151547	Ref	Subframe - 19FT/20FT Outboard (2012+ Dodge 5500 & 2012+ Ford F550)	
	1001151462	Ref	SUBFRAME INSTALLATION (SEE SEPARATE BREAKDOWN IN SUBFRAME SECTION)	
	1001189460	Ref	HOSE INSTALLATION - SUBFRAME (SEE SEPARATE BREAKDOWN IN HYDRAULIC SECTION)	
	1001151548	Ref	Subframe - 19FT/20FT Outboard (2012+ Dodge 5500 & 2012+ Ford F550) (Galvanized)	
	1001151505	Ref	SUBFRAME INSTALLATION (SEE SEPARATE BREAKDOWN IN SUBFRAME SECTION)	
	1001189460	Ref	HOSE INSTALLATION - SUBFRAME (SEE SEPARATE BREAKDOWN IN HYDRAULIC SECTION)	
	1001254624	Ref	Subframe - 20FT Outboard (2019+ CVC515)	
	1001253907	Ref	SUBFRAME INSTALLATION (SEE SEPARATE BREAKDOWN IN SUBFRAME SECTION)	
	1001189460	Ref	HOSE INSTALLATION - SUBFRAME (SEE SEPARATE BREAKDOWN IN HYDRAULIC SECTION)	
	1001254625	Ref	Subframe - 20FT Outboard (2019+ CVC515) (Galvanized)	
	1001253909	Ref	SUBFRAME INSTALLATION (SEE SEPARATE BREAKDOWN IN SUBFRAME SECTION)	
	1001189460	Ref	HOSE INSTALLATION - SUBFRAME (SEE SEPARATE BREAKDOWN IN HYDRAULIC SECTION)	
	1001159627	Ref	Subframe - 20FT Outboard (Isuzu)	
	1001156359	Ref	SUBFRAME INSTALLATION (SEE SEPARATE BREAKDOWN IN SUBFRAME SECTION)	
	1001189460	Ref	HOSE INSTALLATION - SUBFRAME (SEE SEPARATE BREAKDOWN IN HYDRAULIC SECTION)	
	1001159628	Ref	Subframe - 20FT Outboard (Isuzu) (Galvanized)	
	1001159625	Ref	SUBFRAME INSTALLATION (SEE SEPARATE BREAKDOWN IN SUBFRAME SECTION)	
	1001189460	Ref	HOSE INSTALLATION - SUBFRAME (SEE SEPARATE BREAKDOWN IN HYDRAULIC SECTION)	
	1001211218	Ref	Subframe - 21FT/22FT Outboard	
	2868000146	Ref	SUBFRAME INSTALLATION (SEE SEPARATE BREAKDOWN IN SUBFRAME SECTION)	
	1001189461	Ref	HOSE INSTALLATION - SUBFRAME (SEE SEPARATE BREAKDOWN IN HYDRAULIC SECTION)	
	1001254626	Ref	Subframe - 21FT/22FT Outboard (2019+ CVC515) (Galvanized)	
	1001253908	Ref	SUBFRAME INSTALLATION (SEE SEPARATE BREAKDOWN IN SUBFRAME SECTION)	
	1001189461	Ref	HOSE INSTALLATION - SUBFRAME (SEE SEPARATE BREAKDOWN IN HYDRAULIC SECTION)	
	1001254627	Ref	Subframe - 21FT/22FT Outboard (2019+ CVC515) (Galvanized)	

## SECTION 9 - BUILD DOCUMENTS

ITEM	PART NUMBER	QTY	DESCRIPTION	REV
	1001253910	Ref	SUBFRAME INSTALLATION (SEE SEPARATE BREAKDOWN IN SUBFRAME SECTION)	
	1001189461	Ref	HOSE INSTALLATION - SUBFRAME (SEE SEPARATE BREAKDOWN IN HYDRAULIC SECTION)	
	1001211219	Ref	Subframe - 21FT/22FT Outboard (Galvanized)	
	2868000148	Ref	SUBFRAME INSTALLATION (SEE SEPARATE BREAKDOWN IN SUBFRAME SECTION)	
	1001189461	Ref	HOSE INSTALLATION - SUBFRAME (SEE SEPARATE BREAKDOWN IN HYDRAULIC SECTION)	
	1001159902	Ref	Subframe - 22FT Outboard (Hino 195)	
	1001159903	Ref	SUBFRAME INSTALLATION (SEE SEPARATE BREAKDOWN IN SUBFRAME SECTION)	
	1001189461	Ref	HOSE INSTALLATION - SUBFRAME (SEE SEPARATE BREAKDOWN IN HYDRAULIC SECTION)	
	1001159904	Ref	Subframe - 22FT Outboard (Hino 195) (Galvanized)	
	1001159905	Ref	SUBFRAME INSTALLATION (SEE SEPARATE BREAKDOWN IN SUBFRAME SECTION)	
	1001189461	Ref	HOSE INSTALLATION - SUBFRAME (SEE SEPARATE BREAKDOWN IN HYDRAULIC SECTION)	
	1001159635	Ref	Subframe - 22FT Outboard (Isuzu)	
	1001156359	Ref	SUBFRAME INSTALLATION (SEE SEPARATE BREAKDOWN IN SUBFRAME SECTION)	
	1001189461	Ref	HOSE INSTALLATION - SUBFRAME (SEE SEPARATE BREAKDOWN IN HYDRAULIC SECTION)	
	1001159636	Ref	Subframe - 22FT Outboard (Isuzu) (Galvanized)	
	1001159625	Ref	SUBFRAME INSTALLATION (SEE SEPARATE BREAKDOWN IN SUBFRAME SECTION)	
	1001189461	Ref	HOSE INSTALLATION - SUBFRAME (SEE SEPARATE BREAKDOWN IN HYDRAULIC SECTION)	
	TB36-2	Ref	Toolbox 36IN (Qty 2 of PN 2899000055)	
	TB36-3	Ref	Toolbox 36IN (Qty 3 of PN 2899000055)	
	TB36-4	Ref	Toolbox 36IN (Qty 4 of PN 2899000055)	
	TB48-2	Ref	Toolbox 48IN (Qty 2 of PN 2899000057)	
	1001181841	Ref	Toolbox 48IN Underbox Mount (Qty 2 of PN 1001137931)	
	TB48-3	Ref	Toolbox 48IN (Qty 3 of PN 2899000057)	
	TB48-4	Ref	Toolbox 48IN (Qty 4 of PN 2899000057)	
	TB60-2	Ref	Toolbox 60IN (Qty 2 of PN 2899000058)	
	1001181843	Ref	Toolbox 60IN Underbox Mount (Qty 2 of PN 1001137566)	
	TB78-2	Ref	Toolbox 78IN (Qty 2 of PN 2899000075)	
	2178000027	Ref	ToolBox Brackets Installation (Standard Mounts) (Duplicate of Brackets Included Toolbox Installations/Hydraulic Tank Uses Same Parts)	
	MBK-STD-2	Ref	ToolBox Brackets Installation (QTY 2 of PN 2178000027) (Duplicate of Brackets Included Toolbox Installations/Hydraulic Tank Uses Same Parts)	
	MBK-STD-3	Ref	ToolBox Brackets Installation (QTY 3 of PN 2178000027) (Duplicate of Brackets Included Toolbox Installations/Hydraulic Tank Uses Same Parts)	
	MBK-STD-4	Ref	ToolBox Brackets Installation (QTY 4 of PN 2178000027) (Duplicate of Brackets Included Toolbox Installations/Hydraulic Tank Uses Same Parts)	
	2178000028	Ref	ToolBox Brackets Installation (Short Mounts) (Duplicate of Brackets Included Toolbox Installations/Hydraulic Tank Uses Same Parts)	
	2178000025	Ref	ToolBox Brackets Installation (Long Mounts) (Duplicate of Brackets Included Toolbox Installations/Hydraulic Tank Uses Same Parts)	

## SECTION 9 - BUILD DOCUMENTS

ITEM	PART NUMBER	QTY	DESCRIPTION	REV
	2178000068	Ref	ToolBox Brackets Installation (High Mounts) (Duplicate of Brackets Included Toolbox Installations/Hydraulic Tank Uses Same Parts)	
	MBK-HM-2	Ref	ToolBox Brackets Installation (High Mounts) (QTY 2 of PN 2178000027) (Duplicate of Brackets Included Toolbox Installations/Hydraulic Tank Uses Same Parts)	
	2178000067	Ref	ToolBox Brackets Installation (Alternative for 78IN Toolbox) (Duplicate of Brackets Included Toolbox Installations)	
	TBL-2	Ref	ToolBox Lights (QTY 2 of PN 2178000031)	
	TBL-3	Ref	ToolBox Lights (QTY 3 of PN 2178000031)	
	TBL-4	Ref	ToolBox Lights (QTY 4 of PN 2178000031)	
	SP-D5500TOOLB	Ref	Toolbox Shims - 2011 Dodge 5500	
	SP-D5500TOOLB-2	Ref	Toolbox Shims - 2011 Dodge 5500 (QTY 2 of SP-D5500TOOLB)	
	TBTST36-2	Ref	Tray, Storage (Top of Toolbox) (Qty 2 of PN 2002000048)	
	TBTST36-3	Ref	Tray, Storage (Top of Toolbox) (Qty 3 of PN 2002000048)	
	TBTST36-4	Ref	Tray, Storage (Top of Toolbox) (Qty 4 of PN 2002000048)	
	TBTST48-2	Ref	Tray, Storage (Top of Toolbox) (Qty 2 of PN 2002000049)	
	1001181859	Ref	Tray, Storage (Top of Toolbox) (Qty 3 of PN 2002000049)	
	1001181860	Ref	Tray, Storage (Top of Toolbox) (Qty 4 of PN 2002000049)	
	TBTST60-2	Ref	Tray, Storage (Top of Toolbox) (Qty 2 of PN 2002000050)	
	TBTST78-2	Ref	Tray, Storage (Top of Toolbox) (Qty 2 of PN 2002000051)	
	1001147364	Ref	Tunnel Drawer, Toolbox 24IN (Qty 2 of PN 1001147363)	
	1001127744	Ref	Wheel Lift Prep Installation	

**PART NUMBER INDEX**

## SECTION 9 - BUILD DOCUMENTS

0100011.....285, 312, 475, 483	113, 485, 489, 495, 497, 499, 507, 515	1001131570 ..... 831	747, 749, 751, 753, 755, 757, 759, 761, 763, 765
0100071.....77, 81, 85, 89, 93, 97, 101, 105, 109, 113	0681814 ..... 193, 977	1001131724 ..... 221	1001133073.....1064
0440287 .....475	0691810 ..... 141	1001131743 ..... 1065	1001133075.....1064
0630448001.....495, 497	0701019 ..... 195	1001131948 ..... 1065	1001133674.....943
0641406.....308	0701024 ..... 195	1001131949 ..... 1065	1001133675.....1027
0641407.....195	0741408 ..... 308	1001131950 ..... 1065	1001133677.....1065
0641416.....308	0741504 ..... 315	1001131951 ..... 1065	1001133721.....1057
0641436.....849	0741610... 21, 26, 29, 33, 37, 41, 45, 49, 53, 57, 61, 65	1001131952 ..... 1065	1001133740.....661
0641504.....773, 775	0741810 ..... 312	1001132599 ..... 749, 757	1001134107.....1064
0641508.....77, 81, 85, 89, 93, 97, 101, 105, 109, 113, 149, 153, 155, 159, 163, 487, 491, 493, 501, 503, 509, 513, 673, 675, 677, 679, 957, 959, 967, 969, 971, 997, 999	0761015 ..... 62, 66, 198	1001132601 ..... 747	1001134108.....1064
0641510.....195	1001095650... 77, 81, 85, 89, 93, 97, 101, 105, 109, 113	1001132602 ..... 721	1001134178.....937
0641512.....673, 677	1001100949 ..... 1015	1001132603 ..... 731, 753, 765	1001134181.....937
0641516.....773, 775	1001116720 ..... 1017	1001132605 ..... 727	1001134778.....521
0641518.....773, 775	1001116727 ..... 853, 855, 857, 859	1001132609 ..... 715, 723	1001135272.....575, 579, 583, 587, 591, 593, 595, 601, 605, 607, 615, 617, 623, 625, 629, 631, 637, 643
0641604.....312	1001116729 ..... 833, 851	1001132613 ..... 743	1001135273.....575, 591, 593, 605, 615, 623, 629, 637
0641606.....76, 80, 84, 88, 92, 96, 100, 104, 108, 112	1001116747 .... 833, 1017	1001132675 ..... 759	1001135329.....647, 649, 653
0641612.....21, 25, 29, 33, 37, 41, 45, 49, 53, 57, 61, 65, 137, 139, 141, 251, 253, 255, 257, 259, 927, 929, 931, 933	1001121726 .... 833, 1017	1001132679 ..... 745, 749, 755	1001135330.....647
0641624.....21, 25, 29, 33, 37, 41, 45, 49, 53, 57, 61, 65	1001121727 ..... 833, 851	1001132680 ..... 723, 727, 751, 753	1001135792.....1068
0641806.....21, 25, 29, 33, 37, 41, 45, 49, 53, 57, 61, 65	1001123179 ..... 949	1001132684 ..... 739, 757	1001135793.....1068
0641808.....815, 817	1001125848 ..... 1065	1001132685 ..... 761	1001135794.....1068
0641809.....195	1001125849 ..... 1065	1001132706 ..... 717	1001135795.....1068
0641812.....21, 76, 80, 84, 88, 92, 96, 100, 104, 108, 112, 461, 477	1001126187 ..... 467, 471	1001132707 ..... 745	1001135796.....1068
0641814.....25, 29, 33, 37, 41, 45, 49, 53, 57, 61, 65	1001126188 ..... 467, 471	1001132708 ..... 755	1001135813.....879
0641816.....312	1001126192 ..... 467, 471	1001132710 ..... 743	1001135814.....881
0641820.....76, 80, 84, 88, 92, 96, 100, 104, 108, 112	1001127221 ..... 902, 906	1001132712 ..... 739	1001135815.....881
0641834.....281, 283, 317	1001127227 ..... 141	1001132713 ..... 757	1001136271.....1068
0642028.....312	1001127297 ..... 141	1001132715 ..... 747	1001136657.....237, 239, 241, 243, 245, 247, 777
0642216.....21, 25, 29, 33, 37, 41, 45, 49, 53, 57, 61, 65	1001127744 ..... 1070	1001132716 ..... 749	1001136658.....777
0651606.....77, 81, 85, 89, 93, 97, 101, 105, 109, 113	1001128443 ..... 511	1001132719 ..... 759	1001137524.....819
0651816.....21, 25, 29, 33, 37, 41, 45, 49, 53, 57, 61, 65, 147, 149, 151, 153, 155, 157, 159, 161, 163	1001128462 ..... 353	1001132722 ..... 715	1001137525.....821
0651822.....62, 66, 483	1001128868 ..... 1065	1001132737 ..... 717	1001137566.....161
0652016.....77, 81, 85, 89, 93, 97, 101, 105, 109,	1001129095 ..... 875	1001132738 ..... 745	1001137580.....1043
	1001129111 ..... 485, 487	1001132739 ..... 755	1001137581... 1029, 1043
	1001129114 ..... 493, 499	1001132741 ..... 743	1001137904.....308
	1001129116 ..... 507, 509	1001132743 ..... 739	1001137931.....157
	1001129118 ..... 513, 515	1001132744 ..... 757	1001137970.....475, 523, 525, 527
	1001129332 ..... 973	1001132746 ..... 747	1001138460.....989
	1001129461 ..... 813	1001132747 ..... 749	1001138522.....433, 439, 445, 451, 457, 459
	1001129537 ..... 971, 997, 999	1001132749 ..... 749	1001138523.....433, 445
	1001129570 ..... 999	1001132750 ..... 759	1001138546.....475
	1001129573 ..... 999	1001132752 ..... 715	1001139199.....475
	1001129576 ..... 999	1001132759 ..... 737	1001139343... 76, 80, 84, 88, 92, 96, 100, 104, 108, 112, 475
	1001129875 ..... 1059	1001132760 ..... 737	1001139503.....517
	1001129882 ..... 791	1001132761 ..... 737	1001139579.....517
	1001129883 ..... 791, 861, 863, 865, 877, 879, 881, 883	1001132764 ..... 902, 906	1001139909.....799
	1001129909 ..... 943	1001132766 ..... 902, 906	1001140536.....813
	1001130053 ..... 131	1001132794 ..... 198, 711, 713, 715, 717, 719, 721, 723, 725, 727, 729, 731, 733, 735, 737, 739, 741, 743, 745, 747, 749, 751, 753, 755, 757, 759, 761, 763, 765	1001140607.....813
	1001130054 ..... 133	1001132800 ..... 711, 713, 715, 717, 725, 735, 739, 741, 743, 745, 747, 749, 755, 757, 759, 761	1001141626.....637, 643
	1001130130 ..... 713, 717	1001132801 ..... 711, 713, 715, 717, 719, 721, 723, 725, 727, 729, 731, 733, 735, 737, 739, 741, 743, 745,	1001141629.....637, 639
	1001130132 ..... 713, 717		1001141684.....639
	1001130142 ..... 1059		1001141768.....1064
	1001130151 ..... 1059		
	1001130587 ..... 198, 201, 203		
	1001130902 ..... 1064		
	1001131230 ..... 135, 141		
	1001131255 ..... 141		
	1001131295 ..... 135		
	1001131514 ..... 403		

## SECTION 9 - BUILD DOCUMENTS

1001141875 ..... 505, 511, 517	1001146878..... 941	1001155975..... 153, 177, 179, 181	1001159627 ..... 1068
1001141889 ..... 849	1001146879..... 941	1001156006..... 151, 153, 157, 161	1001159628 ..... 1068
1001141894 ..... 849	1001147116..... 22, 26	1001156081 ..... 198	1001159635 ..... 1069
1001141918 ..... 505	1001147117..... 215, 217, 223	1001156082 ..... 201	1001159636 ..... 1069
1001141922 ..... 505	1001147357..... 191	1001156245..... 673, 675, 677, 679	1001159638 ..... 198
1001142062 ... 29, 33, 37, 41, 49, 53, 61, 65	1001147361..... 189, 191	1001156247 ..... 677, 679	1001159639 ..... 201
1001142066 ..... 1066	1001147362..... 189	1001156248..... 677, 679	1001159670 ..... 249, 779
1001142329 ..... 993	1001147363..... 165	1001156249..... 673, 675	1001159822 ... 38, 42, 62, 66
1001142330 ..... 991	1001147364..... 1070	1001156252..... 673, 675, 677, 679	1001159902 ..... 1069
1001142333 ..... 993	1001148035..... 189	1001156274..... 198, 201, 203	1001159903 ..... 61, 1069
1001142334 ..... 991	1001148180..... 185, 189	1001156357 ..... 153	1001159904 ..... 1069
1001142381 ..... 505, 511, 517	1001148385..... 185, 189	1001156358..... 151	1001159905 ..... 65, 1069
1001142430 ..... 187	1001148397..... 1068	1001156359..... 37, 1068, 1069	1001159908 ..... 203
1001142461 ..... 475	1001148455..... 185, 189	1001156392..... 198, 201	1001159909 ..... 203
1001142543 ..... 459	1001148489..... 1025	1001156437..... 198, 201	1001159910 ..... 203
1001142544 ..... 457, 475	1001148490..... 1025	1001156677 ..... 987	1001159911 ..... 741
1001142545 ..... 459	1001148920..... 1025	1001157422 ..... 431	1001159912 ..... 741
1001142546 ..... 457	1001148999..... 569	1001157423 ..... 431	1001159913 ... 37, 41, 61, 65
1001142550 ..... 475	1001150704..... 475	1001157424 ..... 431	1001159914 ..... 62, 66
1001142553 ..... 475	1001151248... 21, 25, 29, 33	1001157425 ..... 431	1001159915 ... 29, 33, 49, 53, 62, 66
1001142769 ..... 807, 809, 1015	1001151297..... 193, 195	1001157651 ..... 431	1001159916 ..... 203
1001142771 ..... 807, 809	1001151445..... 1064	1001158507 ..... 249	1001159917 ..... 203
1001142962 ..... 475	1001151446..... 1064	1001158508 ..... 249, 259	1001159918 ..... 203
1001142974 ..... 799	1001151462..... 21, 1068	1001158509 ..... 259	1001160195 ..... 285
1001143227 ..... 185, 187	1001151490..... 215	1001158510 ..... 259, 317	1001160367 ..... 1064
1001143228 ..... 185	1001151493..... 223	1001158512 ..... 317	1001160796 ..... 1064
1001143233 ..... 165	1001151505..... 25, 1068	1001158617 ..... 711	1001161142 ..... 1065
1001143257 ..... 187, 191	1001151507..... 195	1001158618 ..... 711	1001161298 ..... 1064
1001143764 ..... 575, 579, 583, 587, 591, 593, 595, 601, 605, 607, 615, 617, 623, 625, 629, 631, 637, 643, 647, 649, 653	1001151533..... 1064	1001158626 ..... 269	1001161328 ..... 1064
1001143842 ..... 805	1001151534..... 1064	1001158627 ..... 261, 263, 265, 267	1001161526 ..... 811
1001144448 ..... 781	1001151547..... 1068	1001158630 ..... 259, 269	1001162403 ... 21, 25, 29, 33, 37, 41, 45, 49, 53, 57, 61, 65
1001144486 ..... 475	1001151548..... 1068	1001158635 ..... 253, 263	1001162798 ... 21, 25, 29, 33, 37, 41, 45, 49, 53, 57, 61, 65
1001144491 ..... 475	1001151549..... 395	1001158637 ..... 257, 267	1001166855 ... 21, 25, 29, 33, 37, 41, 45, 49, 53, 57, 61, 65, 69
1001144498 ..... 475	1001151766..... 399	1001158648 ..... 239, 245, 253	1001166857 .... 137, 139, 141, 143, 251, 253, 255, 257, 277
1001144499 ..... 475	1001151767..... 397	1001158649 ..... 243, 247, 257	1001166858 ..... 261, 263, 265, 267, 269, 271, 273
1001144543 ..... 475	1001151768..... 401	1001158665 ..... 239	1001167098 ..... 198, 201
1001144804 ..... 947	1001151769..... 401	1001158666 ..... 243	1001167244 ..... 203
1001144805 ..... 947	1001151770..... 343	1001158667 ..... 245	1001167693 ..... 477
1001144986 ..... 805	1001151771..... 349	1001158668 ..... 247	1001168319 ..... 783
1001145074 ..... 805	1001151772..... 341	1001158674 ..... 287, 289, 321	1001168591 ..... 902, 906
1001145075 ..... 805	1001151773..... 347	1001158677 ..... 291, 293, 323	1001169147 ..... 198, 201, 203
1001145076 ..... 805	1001151774..... 345	1001158678 ..... 295, 297, 325	1001169913 ..... 233
1001145077 ..... 805	1001151775..... 351	1001158695 ..... 289	1001169958 ..... 233
1001145636 ..... 475	1001152350..... 809, 859	1001158696 ..... 293	1001169959 ..... 233
1001145780 ..... 475	1001152460..... 989	1001158697 ..... 297	1001170187 .... 579, 583, 587, 595, 601, 607, 617, 625, 631, 643, 649, 653
1001145934 ..... 457, 459, 781	1001152461..... 989	1001158698 ..... 287	1001170188 ..... 579, 583, 587, 595, 601, 607, 617, 625, 631, 643, 649, 653
1001145935 ..... 459	1001152713..... 1065	1001158699 ..... 291	
1001145963 ..... 781	1001152714..... 1065	1001158707 ..... 295	
1001145990 ..... 605, 609	1001152997..... 1065	1001159336 ..... 1015	
1001146027 ..... 483	1001152998..... 1065	1001159563 ..... 198, 201, 203	
1001146028 ..... 457, 459, 483	1001153232..... 609	1001159565 ..... 217	
1001146029 ..... 483	1001153233..... 633	1001159566 ..... 215, 217	
1001146552 ..... 185	1001153789..... 902, 906	1001159625 ..... 41, 1068, 1069	
1001146603 ..... 583, 605, 607, 629, 631, 661	1001153944..... 285		
1001146605 ..... 629, 633	1001153945..... 285		
	1001153946..... 285		
	1001153947..... 285		
	1001153950..... 285		
	1001153971..... 285		
	1001154649..... 1068		
	1001154689..... 902, 906		
	1001155475..... 935		
	1001155476..... 935		
	1001155971..... 198, 201		
	1001155972..... 198, 201		

## SECTION 9 - BUILD DOCUMENTS

1001170189.....579, 583, 587, 595, 601, 607, 617, 625, 631, 643	1001180288 ..... 1045	1001203296 ..... 913	1001220879.....441
1001170191.....649, 653	1001180289 ..... 1029	1001203297 ..... 913	1001220881.....443
1001170192.....233	1001180290 ..... 1047	1001203298 ..... 913	1001220882.....451
1001170378.....585, 587	1001181417 ..... 783	1001203299 ..... 913	1001220883.....453
1001170381.....585	1001181841 ..... 1069	1001203300 ..... 913	1001220885.....455
1001170385.....603	1001181843 ..... 1069	1001203301 ..... 913	1001220909.....195
1001170390.....601, 603	1001181855 ..... 1068	1001203302 ..... 913	1001221065.....195
1001170391.....595, 597	1001181859 ..... 1070	1001203303 ..... 913	1001221232.....195
1001170392.....597	1001181860 ..... 1070	1001203829 ..... 497	1001221375.....873, 875, 889
1001170393.....625, 627	1001181867 ..... 1065	1001203833 ..... 497	1001221466.....939
1001170395.....641, 643	1001181868 ..... 1065	1001203834 ..... 497, 503	1001221467.....951
1001170396.....641	1001183326 ..... 141, 145	1001204776 71, 281, 283, 317	1001222487.....713
1001170397.....627	1001187347 ..... 673, 677	1001206161 ... 76, 80, 84, 88, 92, 96, 100, 104, 108, 112	1001223152.....713
1001170399.....631, 635	1001187663 ..... 673, 677	1001206167 ... 76, 80, 84, 88, 92, 96, 100, 104, 108, 112	1001223266.....485
1001170400.....635	1001187663S.....918	1001206171 ... 76, 80, 84, 88, 92, 96, 100, 104, 108, 112	1001223267.....499
1001170401.....617, 619	1001187664 ..... 675, 679	1001206388 ... 76, 80, 84, 88, 92, 96, 100, 104, 108, 112	1001223268.....507
1001170402.....619	1001187665 ..... 677	1001207107 ..... 413	1001223269.....515
1001170404.....653, 655	1001187666 ..... 679	1001207108 ..... 425	1001223814.....147, 149, 151, 153, 155, 157, 159, 161, 163
1001170411.....649, 651	1001187688 ..... 489	1001207209 ..... 1065	1001223815.....147, 149, 151, 153
1001170412.....651	1001188129 ..... 137, 139, 141, 251, 253, 255, 257, 259, 927, 929, 931, 933	1001208769 ..... 147, 151	1001223816.....155, 157
1001170414.....655	1001188132 ..... 251, 253, 255, 257, 259	1001208772 ..... 149, 153	1001223817.....159, 161
1001170423.....607, 611	1001188133 ..... 251, 253, 255, 257	1001208776 ..... 155, 157	1001223818.....163
1001170424.....611	1001188134 ... 21, 25, 29, 33, 37, 41, 45, 49, 53, 57, 61, 65, 259	1001208780 ..... 159, 161	1001223819.....147, 149, 151, 153
1001171652.....539, 541, 543, 545, 547, 549, 551, 553, 555, 559	1001188139 ... 21, 25, 29, 33, 37, 41, 45, 49, 53, 57, 61, 65	1001208785 ..... 163	1001223820.....155, 157
1001171655.....539	1001188141 ..... 137, 139, 141	1001209867 ..... 312	1001223821.....163
1001171656.....541	1001188615 ..... 229, 231	1001210267 ..... 1065	1001223822.....195
1001171657.....543	1001188616 ..... 229, 231	1001211145 ..... 357	1001225218.....889
1001171658.....547	1001188646 ..... 545	1001211147 ..... 367	1001225228.....945
1001171659.....549	1001188647 ... 557, 1064	1001211148 ..... 365	1001225869.....519
1001171660.....551	1001188648 ..... 559	1001211150 ..... 369	1001225870.....487, 491, 493, 501, 503, 509, 513, 519
1001171661.....553	1001189460 ... 773, 1068	1001211151 ..... 411	1001226003.....491
1001171662.....555	1001189461 ... 775, 1068, 1069	1001211152 ..... 415	1001226004.....501
1001173944.....229	1001189466 ..... 773, 775	1001211162 ..... 373	1001226005.....503
1001173945.....229	1001189544 ..... 495, 501	1001211163 ..... 383	1001226006.....487
1001173946.....231	1001189548 ..... 985	1001211164 ..... 381	1001226007.....493
1001173947.....231	1001189550 ..... 997	1001211165 ..... 385	1001226008.....509
1001173948.....22, 30, 38, 46, 50, 58, 62, 229	1001190037 ..... 851	1001211166 ..... 423	1001226009.....513
1001173949.....26, 34, 42, 54, 66, 231	1001190131 ..... 971, 997	1001211167 ..... 429	1001226847.....519
1001173952.....807, 809, 851	1001190140 ..... 997	1001211215 ..... 1067	1001226848.....519
1001175531.....1005	1001190184 ..... 967, 969, 971, 975	1001211218 ..... 1068	1001226914.....939
1001175532.....1005	1001190625 ..... 902	1001211219 ..... 1069	1001226915.....951
1001176337.....837, 839, 841, 843, 845	1001190626 ..... 902	1001211686 ..... 1065	1001228185.....1065
1001176427.....839	1001191516 ..... 673, 675, 677, 679	1001212287 ..... 1064	1001228190.....565
1001176428.....837	1001191543 ..... 971	1001219309 ..... 793	1001228388.....801
1001176429.....841	1001191985 ..... 673, 675	1001219321 ..... 793	1001228491.....308
1001176430.....843	1001192132 ..... 495	1001219737 ..... 563, 565, 567	1001228493.....259, 308
1001176431.....845	1001192987 ..... 489, 491	1001219801 ..... 195, 1064	1001229606.....799
1001177459.....495	1001194676 ..... 193, 977	1001220100 ..... 1064	1001230127.....707
1001177601.....129	1001198871 ..... 667, 669	1001220101 ..... 195	1001230202.....1065
1001177603.....225	1001199476 ..... 819, 821, 826	1001220105 ..... 1064	1001230968.....902, 906
1001177605.....227	1001203043 ..... 413	1001220177 ... 195, 1064	1001231801.....902, 906
1001177633.....225	1001203044 ..... 425	1001220181 ..... 795	1001232524.....957, 961, 967
1001177634.....227	1001203295 ..... 913	1001220280 ..... 308	1001232525.....959, 963, 969
1001177719.....21, 29, 37, 45, 49, 61		1001220832 ..... 195	1001232526.....957
1001177720.....25, 33, 41, 53, 57, 65		1001220833 ..... 195	1001232527.....959
1001179025.....673, 675, 683, 685		1001220877 ..... 449	1001232554.....969
		1001220878 ..... 439	1001232555.....967



## SECTION 9 - BUILD DOCUMENTS

1001232620 ..... 963	1001261008..... 875	1001268645 .....911	1001274792 ..... 329
1001232621 ..... 961	1001261016..... 891	1001268646 .....911	1001274793 ..... 335
1001232775 ..... 563	1001261022..... 893	1001268647 .....911	1001274794 ..... 333
1001237244 ..... 801	1001261023..... 889	1001268648 .....911	1001274795 ..... 339
1001239119 ..... 475	1001261028..... 871	1001268649 .....911	1001275791 ..... 851
1001241870 .... 918, 1064	1001261039..... 817	1001268650 .....911	1001275792 ..... 851
1001242699 ..... 945	1001261140..... 581, 583	1001268651 .....911	1001275793 ..... 851
1001247138 .... 815, 817, 823	1001261141..... 581	1001268652 .....911	1001276329 ..... 241
1001248245 .... 539, 541, 543, 547, 549, 551, 553, 555	1001262045..... 863	1001268654 .....911	1001276330 .... 241, 255
1001252939 ..... 193, 977	1001262046..... 861	1001268655 .....911	1001276342 .... 255, 265
1001253659 ..... 193, 977	1001262048..... 865	1001268656 .....911	1001276343 ..... 265
1001253907 ..... 29, 1068	1001262049..... 877	1001268657 .....911	1001276427 ..... 312
1001253908 ..... 49, 1068	1001262050..... 883	1001268658 .....911	1001276938 .... 261, 263, 265, 267
1001253909 ..... 33, 1068	1001262052..... 881	1001268659 .....911	1001276939 ..... 312
1001253910 ..... 53, 1069	1001262053..... 879	1001268660 .....911	1001276988 ..... 312
1001253941 ..... 193	1001262106..... 817	1001268661 .....911	1001276989 ..... 312
1001253942 ..... 193, 977	1001262544..... 918	1001268662 .....911	1001277282 ..... 805
1001253943 ..... 193	1001262545..... 918	1001268663 .....911	1001277283 ..... 805
1001254044 ..... 871	1001262546..... 918	1001268664 .....911	1001277411 ..... 409
1001254139 ..... 193, 977	1001263012..... 431	1001268665 .....911	1001277412 ..... 417
1001254553 ..... 193	1001263013..... 427	1001268666 .....911	1001277663 ..... 353
1001254624 ..... 1068	1001263014..... 427, 431	1001268667 .....911	1001277664 ..... 403
1001254625 ..... 1068	1001263015..... 431	1001268668 .....911	1001280899 .... 801, 803
1001254626 ..... 1068	1001263016..... 431	1001269378 .....918	1001285818 ..... 313
1001254627 ..... 1068	1001263017..... 431	1001270102 .....979	1001285819 ..... 313
1001254705 ..... 721	1001263057..... 561	1001270138 .....911	1001286904 ..... 312
1001254706 ..... 733	1001263247..... 561	1001270175 ....21, 25, 29, 33, 37, 41, 45, 49, 53, 57, 61, 65, 71	1001286927 ..... 312
1001254707 ..... 751	1001264084..... 906	1001271716 .....312	1001286929 ..... 312
1001254708 ..... 723	1001264085..... 906	1001271717 .....312	1001287694 ..... 312
1001254709 ..... 763	1001264086..... 579	1001271725 .....312	1001287713 ..... 312
1001254710 ..... 719	1001264087..... 579	1001271726 .....312	1001287714 ..... 312
1001254711 ..... 731	1001264091..... 359, 363, 375, 379, 906	1001271727 .....312	1001287792 ..... 312
1001254712 ..... 753	1001264092..... 579	1001271775 ..88, 96, 104, 112	1001288002 ..... 312
1001254713 ..... 727	1001264440..... 363	1001271842 ..88, 96, 104, 112	1001288073 ..... 312
1001254714 ..... 765	1001264442..... 359	1001271983..... 88, 1066	1001288201 ..... 312
1001254723 ..... 721	1001265039..... 379	1001271984 .... 104, 1067	1001288263 ..... 312
1001254725 ..... 733	1001265040..... 375	1001271985 ..... 96, 1066	1001288402 ..... 312
1001254726 ..... 751	1001265236..... 906, 918	1001271986 ..... 112, 1067	1001288413 ..... 312
1001254727 ..... 723	1001265255..... 918	1001271987 ..... 1066	1001288414 ..... 312
1001254728 ..... 763	1001266452..... 918	1001271988 ..... 1067	1001291593 ..... 195
1001254729 ..... 719	1001266453..... 918	1001271989 ..... 1066	2002000008 .... 167, 169, 1065
1001254730 ..... 731	1001266454..... 918	1001271990 ..... 1067	2002000009 ..... 925
1001254731 ..... 753	1001268618..... 911	1001272015 .....312	2002000016 ..... 981
1001254732 ..... 727	1001268619..... 911	1001272108 .....312	2002000028 ..... 965
1001254733 ..... 765	1001268620..... 911	1001272224 .....312	2002000029 ..... 1061
1001254894 ..... 193	1001268621..... 911	1001272225 .....275	2002000030 ..... 1023
1001254977 ..... 797	1001268622..... 911	1001272543 .....195	2002000031 ..... 707
1001254978 ..... 797	1001268623..... 911	1001272544 .....195	2002000048 ..... 177
1001257876 ..... 801	1001268624..... 911	1001272545 .....195	2002000050 ..... 181
1001257906 ..... 918	1001268625..... 911	1001272550 .....21, 25	2002000051 ..... 183
1001259575 ..... 815	1001268626..... 911	1001272551 ..... 195, 1064	2170000087 ... 927, 1031
1001260060 .... 809, 855	1001268627..... 911	1001273634 .... 837, 839, 841, 843, 845	2170000088 ... 929, 1039
1001260335 ..... 567	1001268628..... 911	1001274469 .....237	2170000089 .... 931, 1035
1001260337 ..... 1064	1001268629..... 911	1001274470 .....237, 251	2170000090 ... 933, 1033
1001260345 ..... 809	1001268630..... 911	1001274493 .....251, 261	2177000007 ..... 1064
1001260346 ..... 807	1001268631..... 911	1001274496 .....261	2178000025 ..... 1069
1001260349 .... 807, 857	1001268632..... 911	1001274784 .....387	2178000027 ..... 1069
1001260898 ..... 863	1001268633..... 911	1001274786 .....391	2178000028 ..... 1069
1001261002 .... 861, 869	1001268634..... 911	1001274787 .....389	2178000031 ..... 835
1001261004 .... 865, 867	1001268635..... 911	1001274788 .....393	2178000037 .... 921, 979, 983
1001261005 .... 877, 879, 881, 885	1001268636..... 911	1001274790 .....331	
1001261006 ..... 883, 887	1001268637..... 911	1001274791 .....337	
1001261007 ..... 873	1001268638..... 911		
	1001268639..... 911		
	1001268640..... 911		
	1001268641..... 911		
	1001268642..... 911		
	1001268643..... 911		
	1001268644..... 911		

## SECTION 9 - BUILD DOCUMENTS

2178000066.....389, 393, 397, 401, 407, 415, 421, 429	2330000060 . 1031, 1033, 1035, 1039	2706000036 ..... 1065	2970000089.....437
2178000067 .....1070	2330000061 ..... 135	2706000037 ..... 1065	2970000090.....447
2178000068 .....1070	2330000062 . 1037, 1041, 1043	2706000039 ..... 1065	2970000091.....449
21NGAF6T-LP .....355	2330000063 ..... 133	2706000040 ..... 1065	2970000096.....461, 477
21NGAR6T-LP.....361	2330000064 ..... 131	2706000042 ..... 1065	2970000105.....685
21SRR6T-LP .....405	2330000065 .... 237, 239, 241, 243, 245, 247	2706000043 ..... 1065	2970000107.....441
21SRRD6T-LP .....407	2330000068 ... 915, 1066, 1067	2729000036 ..... 537	2970000108.....453
2220415.....312	2346000008 ..... 921, 923	2729000037 ..... 535	2970000109.....439
2220881 .....275	24000066 ..... 801	2729000038 ..... 533	2970000110.....451
2220883 .....275	2484000008 ..... 259, 315	2729000073 ..... 523	2970000111.....443
2248000004 .....211	2484000010 .... 289, 293, 297, 301	2729000074 ..... 525	2970000112.....455
2249000017 .....433, 435, 437, 439, 441, 443, 445, 447, 449, 451, 453, 455, 479	2484000014 .... 287, 291, 295, 299	2729000075 ..... 527	3002000008.....991, 993
2249000018 .....461, 481	2570000032 ..... 135, 771	2729000092 ..... 389, 393	3002000009.....991, 993
2262000011 .....129, 237, 239, 241, 243, 245, 247, 249	2570000049 ..... 131, 133, 769	2729000093 ..... 397, 401	3017000104....21, 25, 29, 33, 37, 41, 45, 49, 53, 57, 61, 65
2296000106 .....621, 623	2570000055 .. 1031, 1035	2729000094 ..... 407, 415	3017000121.....523, 525, 527
2296000107 .....575, 577	2570000091 ..... 725	2729000103 ..... 421, 429	3017000122.....523, 525, 527
2296000108 .....593, 599	2570000092 ..... 729	2729000104 ..... 529	3017000127.....523
2296000111 .....613, 615	2570000093 ..... 735	2729000105 ..... 531	3017000128.....523
2296000112 .....589, 591	2570000094 ..... 761	2750000008 .... 329, 331, 333, 335, 337, 339, 341, 343, 345, 347, 349, 351, 353, 355, 357, 359, 361, 363, 365, 367, 369, 371, 373, 375, 377, 379, 381, 383, 385, 387, 389, 391, 393, 395, 397, 399, 401, 403, 405, 407, 409, 411, 413, 415, 417, 419, 421, 423, 425, 427, 429, 785	3017000129.....525
2296000144 .....645, 647	2570000120 ..... 205	2754000001 ..... 1064	3017000130.....525
22NGAF6T-LP .....371	2570000140 ..... 779	2754000002 ..... 1064	3017000131.....527
22NGAR6T-LP.....377	2570000141 ..... 207	2811000001 ..... 1064	3017000132.....527
22SRR6T-LP .....419	2570000142 ..... 209	2811000002 ..... 1064	3017000133.....389, 393
22SRRD6T-LP .....421	2570000152 ... 767, 1066, 1067	2811000003 ..... 1065	3017000135.....389, 393
2330000035 .....237, 239, 241, 243	2577000016 ... 81, 93, 97, 109, 113, 671, 687, 689, 691, 693, 695	2811000004 ..... 1064	3017000136.....389, 393
2330000036 .....245, 247	2577000017 ..... 577, 581, 585, 589, 597, 599, 603, 609, 611, 613, 619, 621, 627, 633, 635, 639, 641, 667, 1066, 1067	2811000005 ..... 1065	3017000137.....397, 401
2330000038 .....329, 331, 333, 335, 337, 339, 341, 343, 345, 347, 349, 351, 353, 355, 357, 361, 365, 367, 369, 371, 373, 377, 381, 383, 385, 387, 389, 391, 393, 395, 397, 399, 401, 403, 405, 407, 409, 411, 413, 415, 417, 419, 421, 423, 425, 427, 429, 902	2577000018 .... 645, 651, 655, 669	2811000006 ..... 1065	3017000138.....397, 401
2330000040 ... 1031, 1039	2577000029 ..... 687, 697	2811000007 ..... 1065	3017000139.....407, 415
2330000041 .... 135, 1033, 1035	2577000030 ..... 689, 699	2811000008 ..... 1065	3017000140.....407, 415
2330000051 .....249	2577000031 ..... 691, 701	2811000009 ..... 1065	3017000142.....421, 429
2330000055 .....329, 331, 333, 335, 337, 339, 341, 343, 345, 347, 349, 351, 353, 355, 357, 359, 361, 363, 365, 367, 369, 371, 373, 375, 377, 379, 381, 383, 385, 387, 389, 391, 393, 395, 397, 399, 401, 403, 405, 407, 409, 411, 413, 415, 417, 419, 421, 423, 425, 427, 429	2577000034 ..... 693, 703	2811000010 ..... 1065	3020000029.....301
2330000057 .....237, 239, 241, 243, 245, 247, 249	2577000035 ..... 695, 705	2811000011 ..... 1065	3020000030.....301
	2590000215 ..... 829	2849000052 ..... 131, 137	3020000091.....683
	2590000261 ..... 833	2849000053 ..... 133, 139	3020000102.....251, 253, 255
	2590000292 ..... 1015	2868000146 ..... 45, 1068	3020000111.....308
	2638000017 ..... 213	2868000148 ..... 57, 1069	3020000112.....315
	2638000019 ..... 219	2870000013 ..... 1001	3020000115.....308
	267900001073, 329, 331, 333, 335, 337, 339, 341, 343, 345, 347, 349, 351, 353, 355, 357, 359, 361, 363, 365, 367, 369, 371, 373, 375, 377, 379, 381, 383, 385, 387, 389, 391, 393, 395, 397, 399, 401, 403, 405, 407, 409, 411, 413, 415, 417, 419, 421, 423, 425, 427, 429	2870000020 ..... 681	3020000123.....685
	2706000013 ..... 1065	2870000023 .... 101, 105, 109, 113	3020000131.....257
		2899000030 ..... 167	3020000132.....299
		2899000041 ..... 169	3020029....77, 81, 85, 89, 93, 97, 101, 105, 109, 113, 308, 312, 321, 323, 325
		2899000055 ..... 147	3020039....22, 26, 30, 34, 38, 42, 46, 50, 54, 58, 62, 66, 77, 81, 85, 89, 93, 97, 101, 105, 109, 113, 141, 261, 263, 265, 267, 269, 308, 312, 321, 323, 325
		2899000057 ..... 155	3071000131.....279
		2899000058 ..... 159	3071000213.....127
		2899000059 ..... 171	3097000653.....333
		2899000060 ..... 173	3097000654.....339
		2899000061 ..... 175	3097000655.....329
		2899000065 ..... 149	3097000656.....335
		2899000075 ..... 163	3097000661.....331
		2970000069 ..... 683	3097000662.....337
		2970000080 ..... 433	3097000663.....345
		2970000082 ..... 445	3097000664.....351
		2970000088 ..... 435	3097000665.....341

## SECTION 9 - BUILD DOCUMENTS

3097000666 ..... 347	3271805 ... 193, 539, 541, 543, 547, 549, 551, 553, 555, 977	3592000066 ..... 257, 283	3935000115 ..... 575, 579, 587, 657
3097000671 ..... 343	3300455 ... 21, 25, 29, 33, 37, 41, 45, 49, 53, 57, 61, 65, 773, 775	3619000010 .... 76, 80, 84, 88, 92, 96, 100, 104, 108, 112	3935000117 ..... 591, 593, 595, 601, 615, 617, 623, 625, 637, 643, 659
3097000672 ..... 349	3300492 ... 21, 25, 29, 33, 37, 41, 45, 49, 53, 57, 61, 65, 137, 139, 141, 251, 253, 255, 257, 259, 927, 929, 931, 933	3636000144 .... 21, 25, 29, 33, 37, 41, 45, 49, 53, 57, 61, 65	3935000118 ..... 653, 665
3097000673 ..... 361, 363	3311401 ..... 195	3691000064 .... 76, 80, 84, 88, 92, 96, 100, 104, 108, 112, 141	3935000166 ..... 647, 649, 663
3097000674 ..... 369	3311505 ... 487, 491, 493, 501, 503, 509, 513	3691000097 ..... 927, 929, 931, 933	4017000739 ..... 261, 263, 265, 267, 269
3097000675 ..... 355	3311801 ..... 195	3691000222 ..... 315	4017001194 ..... 683
3097000676 ..... 365	3312002 ..... 312	3691000229 ..... 308	4017001271 ... 21, 25, 29, 33, 45, 49, 53, 57
3097000681 ..... 357, 359	3316000051 ..... 137, 139, 141	3691000230 ..... 308	4017001403 ..... 171, 173, 175
3097000682 ..... 367	3320000134 ..... 259, 279	3691000259 .... 76, 80, 84, 88, 92, 96, 100, 104, 108, 112	4017001504 ..... 685
3097000777 ..... 377, 379	3320000229 .... 76, 80, 84, 88, 92, 96, 100, 104, 108, 112, 127	3691000260 .... 76, 80, 84, 88, 92, 96, 100, 104, 108, 112	4017001699 ..... 523, 525, 527
3097000778 ..... 385	3321701 ..... 475	3698000001 ..... 127	4017001700 ..... 523, 525, 527
3097000779 ..... 371	3321802 ... 673, 675, 677, 679	3706000363 .... 76, 80, 84, 88, 92, 96, 100, 104, 108, 112	4017001705 ..... 523
3097000780 ..... 381	3340898 ... 22, 26, 37, 41, 61, 65	3706000364 .... 76, 80, 84, 88, 92, 96, 100, 104, 108, 112	4017001706 ..... 523
3097000781 ..... 383	3455000058 .... 76, 80, 84, 88, 92, 96, 100, 104, 108, 112	3729000281 ..... 529	4017001707 ..... 525
3097000782 ..... 373, 375	3455000059 ..... 76, 1066	3729000282 ..... 531	4017001708 ..... 525
3097000787 ..... 387	3455000060 ..... 84, 1066	3729000283 ..... 531	4017001709 ..... 527
3097000788 ..... 391	3455000063 ..... 100, 1067	3750000018 ..... 785, 787	4017001710 ..... 527
3097000789 ..... 395	3455000064 ..... 80, 1066	3760133 .... 76, 80, 84, 88, 92, 96, 100, 104, 108, 112, 141, 261, 263, 265, 267, 269, 315	4017001742 ..... 213, 219, 221
3097000790 ..... 399	3455000065 ..... 92, 1066	3760351 ..... 308, 312	4017001743 ..... 213, 219, 221
3097000791 ..... 405	3455000066 ..... 108, 1067	3763000139 ..... 279	4062000318 ..... 437, 443, 449, 455
3097000792 ..... 411	3484000016 ..... 305	3763000187 ..... 127	4178000283 ..... 193, 195
3097000793 ..... 419	3484000017 ..... 303	3763000188 .... 76, 80, 84, 88, 92, 96	4178000290 ..... 147, 155, 159, 163, 167, 169
3097000794 ..... 423	3484000046 ..... 301, 305	3811000053 ..... 177	4178000291 ..... 147, 151, 155, 157, 159, 161, 163, 167, 169
3097000795 ..... 389	3484000047 ..... 301, 303	3811000054 ..... 179	4178000330 ..... 155, 159, 163
3097000796 ..... 393	3484000090 ..... 299	3811000055 ..... 181	4178000338 ..... 149
3097000797 ..... 397	3484000091 ..... 299	3811000057 ..... 183	4178000339 ..... 149, 153
3097000798 ..... 401	3550001912 ..... 571	3841143 .... 22, 26, 30, 34, 38, 42, 45, 50, 54, 57, 62, 66, 77, 81, 85, 89, 93, 97, 101, 105, 109, 113, 137, 139, 141, 251, 253, 255, 257, 259, 927, 929, 931, 933	4178000402 ..... 819, 837
3097000799 ..... 407	3550001913 ..... 569, 571	3849000043 ..... 137	4178000421 ..... 205, 207, 209
3097000800 ..... 415	3551000036 ..... 299, 303, 305	3849000044 ..... 139	4178000437 ..... 821
3097000801 ..... 421	3553000011 ..... 127	3899000053 ..... 167	4178000474 ..... 211
3097000802 ..... 429	3556000040 ... 1037, 1047	3899000075 ..... 169	4178000475 ..... 211
3097000807 ..... 409	3556000041 ... 1041, 1045	3899000125 ..... 147, 151	4178000578 ..... 847
3097000808 ..... 417	3558000019 .... 21, 25, 29, 33, 37, 41, 45, 49, 53, 57, 61, 65	3899000126 ..... 149, 153	4178000599 ..... 147, 149, 151, 153, 155, 157, 159, 161, 163
3170000162 ..... 263	3560000010 ..... 575, 579, 583, 587, 591, 593, 595, 601, 605, 607, 615, 617, 623, 625, 629, 631, 637, 643, 647, 649, 653	3899000127 ..... 155, 157	4178000664 ..... 671
3170000308 ..... 927	3592000040 ..... 251, 253, 255, 281	3899000128 ..... 159, 161	4178000665 ..... 671
3170000309 ..... 929	3592000042 ..... 281	3899000173 ..... 163	4178000666 ..... 921, 979, 983
3170000311 ..... 931	3592000051 ..... 308	3904000002 ..... 779	4178000673 ..... 683, 685
3170000312 ..... 933	3592000052 ..... 308	3913000097 ..... 321	4178000805 ... 21, 25, 45, 57
3170000428 ..... 269	3592000058 ..... 281	3913000100 ..... 323	4178000873 ..... 389, 393, 397, 401, 407, 415, 421, 429
3170000473 ... 76, 80, 84, 88, 92, 96, 100, 104, 108, 112	3592000059 ..... 317	3913000101 ..... 325	4178000874 ..... 389, 393, 397, 401, 407, 415, 421, 429
3170000504 ..... 267	3592000060 ..... 283		
3178000433 ..... 479, 481	3592000065 ..... 283		
3178000437 ..... 835, 847			
3178000471 ..... 967, 969, 971, 973, 975			
3178000517 ... 76, 80, 84, 88, 92, 96, 100, 104, 108, 112			
3178000518 ... 76, 80, 84, 88, 92, 96, 100, 104, 108, 112			
3178000555 ..... 991, 993			
3178000566 ..... 163			
3241000208 ... 76, 80, 84, 88, 92, 96, 100, 104, 108, 112			
3249000004S ..... 918			
3249000036 ..... 479, 481			
3271505 ... 308, 312, 673, 675, 677, 679, 957, 959, 967, 969, 971, 997, 999			
3271601 ... 22, 26, 29, 33, 37, 41, 45, 49, 53, 57, 61, 65			

## SECTION 9 - BUILD DOCUMENTS

4178000912.....21, 25, 29, 33, 37, 41, 45, 49, 53, 57, 61, 65	4460942 ..... 803, 859	4570000105 ..... 729	4691000527.....315
4209000146.....673, 675	4460955... 697, 699, 701, 703, 705, 897	4570000113 ..... 741, 747	4691000568.....571
4209000212.....683, 685	4461157 ... 837, 839, 845, 851, 859	4570000115 ..... 715	4691000573.....21, 25, 29, 33, 37, 41, 45, 49, 53, 57, 61, 65
4209000336.....76, 80, 84, 88, 92, 96, 100, 104, 108, 112	4553000008 ..... 127, 279	4570000118 ..... 719, 721, 731, 733	4698000007..... 127, 279
4209000358.....21, 25, 29, 33, 37, 41, 45, 49, 53, 57, 61, 65	4564088 ..... 797	4570000121 ..... 763, 765	4706000717.....677, 679
4211000001.....575, 579, 583, 587, 591, 593, 595, 601, 605, 607, 667, 669	4567110034 ..... 777, 779	4570000160 ..... 743	4706002361..... 149, 153, 155, 159, 163
4254000005.....303, 305, 475	4567112041 ..... 779	4570000193 ..... 725	4706003038.....773, 775
4259000001.....305	4567112042 ..... 775	4570000352 ..... 733, 751, 755, 763	4706003374.....539, 541, 543, 545, 547
4259000002.....303	4567122012 ..... 779	4570000373 ..... 719	4706003497.....308
4314000167.....76, 81, 85, 88, 93, 96, 100, 104, 108, 112	4567122014 ..... 777	4570000376 ..... 773, 775	4706003766.....479
4330000002...1031, 1039	4567122016 ..... 769, 771	4570000379 ..... 773, 775	4706003844..... 198, 711, 713, 715, 717, 719, 721, 723, 725, 727, 729, 731, 733, 735, 739, 741, 743, 745, 747, 749, 751, 753, 755, 757, 759, 761, 763, 765
4346000005.....791, 801, 807, 809, 867, 869, 871, 873, 875, 889, 891, 893	4567122019 ..... 773, 775	4577000006 ..... 767	4706003857.....481
4460018.....867, 869, 873	4567122022 ..... 767	4577000013 ..... 773, 775	4706005146.....431
4460019.....851	4567122024 ..... 773, 775	4587000004 ..... 673, 675	4706005551.....989
4460035.....867, 869, 873, 885, 887	4567122030 ..... 767	4606000217 ..... 575, 579, 583, 587, 591, 593, 595, 601, 605, 607, 615, 617, 623, 625, 629, 631, 637, 643, 647, 649, 653	4706005595..... 699, 701, 703, 705
4460042.....867, 869, 885, 887	4567122032 ..... 767	4619000046 ..... 261, 263, 265, 267, 269	4706005650....76, 80, 84, 88, 92, 96, 100, 104, 108, 112
4460256.....803, 859	4567122034 ..... 767	4619000145 ..... 73	4706005651....76, 80, 84, 92, 100, 108
4460457.....835, 837, 839, 841, 845, 851, 853, 855, 857, 859	4567122038 ..... 779	4679000208 ..... 683	4706005672....76, 80, 84, 88, 92, 96
4460458.....703, 705	4567122042 ..... 773	4679000211 ..... 261, 263, 265, 267, 269	4706005752....77, 81, 85, 89, 93, 97, 101, 105, 109, 113
4460459.....851, 855	4567122043 ..... 777	4679000256 ..... 147, 151	4706006211..... 100, 104, 108, 112
4460460.....855, 857	4567122050 ..... 769, 771	4679000257 ..... 149, 153	4706006216..... 177, 179, 181, 183
4460461.....853	4567123023 ..... 767	4679000258 ..... 155, 157	4706006228..... 523, 525, 527
4460464.....801, 803, 805	4567123036 ..... 771	4679000259 ..... 159, 161	4706006427.....213, 215, 217, 219, 221, 223
4460465.....697, 699, 701, 703, 705, 801, 803, 805, 895, 897	4567123040 ..... 779	4679000268 ..... 308	4711400..... 195, 308
4460466.....859, 895, 897	4567123045 ..... 777	4679000274 ..... 967, 969, 971, 973, 975	4711400001.....495, 497
4460476.....855, 857, 859	4567123051 ..... 769, 771, 773, 775	4679000322 ..... 163	4711500.... 195, 487, 491, 493, 501, 503, 509, 513, 773, 775
4460742.....835, 837, 839, 841, 845, 851, 853, 855, 857, 859	4567130165 ..... 729	4679000332 ... 37, 41, 45, 49, 53, 57, 61, 65	4711600.....77, 81, 85, 89, 93, 97, 101, 105, 109, 113
4460743.....855	4567130205 ..... 711	4691000103 ..... 321, 323, 325	4711600001.....312
4460746.....833	4567130208 ..... 725	4691000183 ..... 303, 305	4711700.....62, 66
4460748.....839	4567130216 ..... 741	4691000186 ..... 303, 305, 475	4711800.... 195, 312, 539, 541, 543, 547, 549, 551, 553, 555
4460790.....853, 855, 857	4567130223 ..... 735	4691000198 ..... 308	4712000.... 485, 489, 491, 495, 497, 499, 507, 515
4460842.....697, 699, 701, 703, 705, 897	4567130235 ..... 717	4691000268 ..... 261, 263, 265, 267, 269	4751300....21, 25, 29, 33, 37, 41, 45, 49, 53, 57, 61, 65, 261, 263, 265, 267, 269
4460850....703, 705, 855, 857, 859, 1001	4567130264 ..... 739	4691000296 ... 76, 80, 84, 88, 92, 96, 100, 104, 108, 112, 261, 263, 265, 267, 269	4751400001..... 967, 969, 971, 973, 975
4460867...855, 857, 1001	4567130268 ..... 745	4691000354 ..... 303, 305	
4460891....801, 803, 805, 859, 895, 897	4567130270 ..... 733, 761	4691000357 ..... 303, 305	
4460897....801, 803, 805, 859	4567130276 ..... 753	4691000421 ..... 475	
4460930.....697	4567130278 ..... 727	4691000429 ... 76, 80, 84, 88, 92, 96, 100, 104, 108, 112, 141	
4460933....699, 701, 703, 705, 895, 897	4567130283 ..... 751	4691000430 ..... 141	
4460941.....803	4567130287 ..... 723, 765	4691000495 ... 76, 80, 84, 88, 92, 96, 100, 104, 108, 112	
	4567130290 ..... 755	4691000513 ... 76, 80, 84, 92, 100, 108	
	4567130295 ..... 763		
	4567130300 ..... 757		
	4567130320 ..... 743		
	4567133058 ..... 767		
	4567430118 ..... 773		
	4567430133 ..... 775		
	4569142018 ..... 767		
	4569432122 ..... 773, 775		
	4569433122 ..... 773, 775		
	4570000042 ..... 739		
	4570000091 ..... 725, 735, 761		
	4570000098 ..... 711		
	4570000099 ..... 711, 737, 741, 745, 759, 767		
	4570000101 ..... 735		
	4570000102 ..... 737		
	4570000104 ..... 729, 767		

## SECTION 9 - BUILD DOCUMENTS

4751500 ... 77, 81, 85, 89, 93, 97, 101, 105, 109, 113, 149, 153, 155, 159, 163, 195, 673, 675, 677, 679, 773, 775, 957, 959, 961, 963, 967, 969, 971, 997, 999	4912000130..... 475, 479, 481 4912000345..... 475 4912000374..... 205 4912000394..... 479, 481 4949000047..... 308, 321, 323, 325 4949000059.... 76, 80, 84, 88, 92, 96, 100, 104, 108, 112 4949000072..... 315 5261000 ..... 62, 66, 198 5525000537..... 793 5525000752..... 995 5526000553..... 195, 777, 779, 795, 797, 837, 839, 845, 887 5746491 .... 198, 201, 203 7002000285..... 1007 7002000404..... 965 7002000447..... 1061 7002000448..... 1003 7002000449..... 1013 7002000450..... 953 7002000451..... 955 7002000458..... 1027 7002000503..... 1023 7002000519.... 77, 81, 85, 89, 93, 97, 101, 105, 109, 113 7002000521..... 707 7005000003..... 671 70050065 ..... 465, 471 70050100 ..... 123 70050456 .. 115, 119, 123 70050457 .. 115, 119, 123 70050458 .. 115, 119, 123 70050459 .. 115, 119, 123 70050460 .. 115, 119, 123 70050461 .. 115, 119, 123 70050462 .. 115, 119, 123 70050463 .. 115, 119, 123 70050464 .. 115, 119, 123 70050465 .. 115, 119, 123 70050466 .. 115, 119, 123 70050525 ..... 119, 123 70050612 .. 115, 119, 123 70050613 .. 115, 119, 123 70050614 .. 115, 119, 123 70050615 .. 115, 119, 123 70050616 .. 115, 119, 123 70050617 .. 115, 119, 123 70050618 .. 115, 119, 123 70050619 .. 115, 119, 123 70050620 ..... 119, 123 70050621 ..... 119, 123 70050622 .. 115, 119, 123 70050625 .. 115, 119, 123 70050626 .. 115, 119, 123 70050627 .. 115, 119, 123 70050628 .. 115, 119, 123, 467, 471 70050632 ..... 319 70050633 ..... 319 70050634 ..... 319 70050635 ..... 319 70050636 ..... 319	70050637..... 319 70050638..... 319 70050639..... 319 70050640..... 319 70050641..... 319 70050642..... 319 70050643..... 319 70050644..... 319 70050662..... 123 70050677..... 467, 471 70050678..... 463, 467 70050679.. 463, 465, 467, 471 70050680..... 467, 471 70050681..... 467, 471 70050682.. 115, 463, 465, 467, 471 70050684..... 471 70050685..... 471 70050686..... 465, 471 70050687..... 465, 471 70050688..... 465, 471 70050689..... 465, 472 70050694..... 463, 465 70050695..... 465 70050696..... 465 70050697..... 465 70050698..... 465 70050701..... 124 70051167..... 69 70051168..... 71, 143, 277 70051169..... 271, 273 70051170..... 69 70051171..... 69 70051172..... 71, 143, 277 70051173..... 71, 143, 277 70051174..... 69, 271, 273 70051175..... 271, 273 70051176..... 271, 273 70051394..... 69 70051395..... 69 70052741..... 71 70070014..... 275 70070015..... 275 70070016..... 275 70070017..... 275 70070018..... 275 70070019..... 275 70070020..... 275 70070021..... 275 70070022..... 275 7011000006..... 807, 809 7027336..... 319 7027338..... 319 7027341..... 319 7056000007..... 1053 7056000008..... 1055 7056000009..... 1051 7082000010..... 673, 675 708200001671, 279, 281, 283, 317 7082000017.... 22, 26, 29, 34, 37, 41, 45, 49, 54, 57, 61, 65, 137, 139, 141, 251, 253, 255, 257, 259	7082000018..... 251, 253, 255, 257, 259, 279 7082000026 ..... 319 7104100613 ... 76, 80, 84, 88, 92, 96, 100, 104, 108, 112 7105171050 ..... 198, 201 7105171450 ..... 203 7105181650 ..... 167, 169, 198, 201, 207, 209, 519, 1005 7105201650 ..... 185, 189, 198, 201, 203, 521 7105201850 ... 37, 41, 45, 57, 185, 189 7105202050 ... 21, 25, 29, 33, 49, 53, 61, 65, 185, 189 7111141407 ..... 683, 685 7111150813 ..... 923 7111150864 ..... 213, 219, 221 7111161050 ..... 575, 579, 583, 587, 591, 593, 595, 601, 605, 607, 615, 617, 623, 625, 629, 631, 637, 643, 647, 649, 653 7114060810 ..... 797 7114100518 ..... 707 7114100810 ..... 697, 699, 701, 703, 705 7114100818 ... 21, 25, 29, 33, 37, 41, 45, 49, 53, 57, 61, 65, 813 7114101018 ..... 1015 7114101618 ..... 773, 775 7114140465 ..... 147, 149, 151, 153, 155, 157, 159, 161, 163 7114140528 ..... 139, 141, 251, 253, 255, 257, 259, 807, 809, 927, 929, 931, 933, 1029, 1045, 1047 7114140529 ..... 229, 231 7114140618 ..... 801 7114140823 ..... 985 7114141218 ..... 967, 969, 971, 973, 975 7114141450 ... 21, 25, 29, 33, 37, 41, 45, 49, 53, 57, 61, 65 7114150818 ..... 213, 219, 221, 229, 231 7114161618 ..... 187, 191 7114181218 ..... 569 7114181418 ..... 991, 993 7115140450 ..... 783 7115140650 ..... 475, 575, 579, 583, 587, 591, 593, 595, 601, 605, 607, 615, 617, 623, 625, 629, 631, 637, 643, 647, 649, 653 7115140850 ..... 129
--	--	--	--

## SECTION 9 - BUILD DOCUMENTS

7115150664.....	575, 579, 583, 587, 591, 593, 595, 601, 605, 607, 615, 617, 623, 625, 629, 631, 637, 643, 647, 649, 653, 667, 669
7115150723.....	312, 431
7115150850.....	167, 169, 171, 173, 175, 575, 579, 583, 587, 591, 593, 595, 601, 605, 607, 615, 617, 623, 625, 629, 631, 637, 643, 647, 649, 653, 683, 685
7115150864.....	671
7115151050.....	195, 217, 223, 711, 713, 715, 717, 719, 721, 723, 725, 727, 729, 731, 733, 735, 737, 739, 741, 743, 745, 747, 749, 751, 753, 755, 757, 759, 761, 763, 765, 785
7115151064.....	198, 711, 713, 715, 717, 719, 721, 723, 725, 727, 729, 731, 733, 735, 739, 741, 743, 745, 747, 749, 751, 753, 755, 757, 759, 761, 763, 765
7115151250.....	683
7115151264.....	215, 217, 223
7115160950.....	177, 179, 181, 183
7115161050.....	1023
7115161650.....	165
7115180606.....	991, 993
7115180650.....	475
7115180850.....	475, 819, 821
7115181050.....	529, 531, 1023
7115181064.....	225, 227, 575, 579, 583, 587, 591, 593, 595, 601, 605, 607, 615, 617, 623, 625, 629, 631, 637, 643, 647, 649, 653
7115181223.....	389, 393, 397, 401, 407, 415, 421, 429
7115181250.....	185, 189
7115181450.....	505, 511, 517, 1029, 1045, 1047
7115181464.....	21, 25, 29, 33, 37, 41, 45, 49, 53, 57, 61, 65, 435, 441, 447, 453, 461, 477, 479, 481, 921, 979, 983
7115181664.....	225, 227
7115181864.....	431, 435, 447
7115182250.....	545, 559
7115182864.....	437, 443, 449, 455
7115183264.....	437, 449
7115201450.....	431
7115202250.....	431
7115222050.....	505, 511, 517
7118140418.....	261, 263, 265, 267, 269
7118161026.....	73
7118181216.....	147, 149, 151, 153, 155, 157, 159, 161, 163
7120000005.....	389, 393, 397, 401, 407, 415, 421, 429, 523, 525, 527
7120000032... ..	21, 25, 29, 33, 37, 41, 45, 49, 53, 57, 61, 65
7120000034.....	791, 793, 795, 797
7178000029.....	971, 997, 999
7183000004.....	787
7189000020.....	431
7189000026... ..	21, 25, 29, 33, 37, 41, 45, 49, 53, 57, 61, 65
7190000066.....	949
7209000011.....	475, 479, 481
7209000028.....	261, 263, 265, 267
7209000030.....	269
7248000063.....	433, 435, 437, 439, 441, 443
7248000064.....	445, 447, 449, 451, 453, 455, 457, 459, 461, 477
7248000070.....	85, 93, 101, 109
7248000077... ..	77, 81, 89, 97, 105, 113
7248000114.....	147, 149, 151, 153, 155, 157, 159, 161
7248000115.....	315
7248000125.....	431
7248000155.....	163
7253000002... ..	76, 80, 84, 88, 92, 96, 100, 104, 108, 112, 285, 308, 312, 321, 323, 325, 475
7254000016.....	683, 685
7262000040.....	129
7274000002.....	711, 713, 715, 717, 719, 721, 723, 725, 727, 729, 731, 733, 735, 737, 739, 741, 743, 745, 747, 749, 751, 753, 755, 757, 759, 761, 763, 765
7274000005.....	193
7274000038.....	773, 775
7274000039.....	308, 773, 775
7274000040.....	198, 711, 713, 715, 717, 719, 721, 723, 725, 727, 729, 731, 733, 735, 737, 739, 741, 743, 745, 747, 749, 751, 753, 755, 757, 759, 761, 763, 765, 773, 775
7274000041.....	711, 713, 715, 717, 719, 721, 723, 725, 727, 729, 731, 733, 735, 737, 739, 741, 743, 745, 747, 749, 751, 753, 755, 757, 759, 761, 763, 765
7274000042.....	711, 713, 715, 717, 719, 721, 723, 725, 727, 729, 731, 733, 735, 737, 739, 741, 743, 745, 747, 749, 751, 753, 755, 757, 759, 761, 763, 765
7274000053... ..	77, 81, 85, 89, 93, 97, 101, 105, 109, 113
7274000063.....	487, 491, 493, 501, 503, 509, 513, 575, 579, 583, 587, 591, 593, 595, 601, 605, 607, 615, 617, 623, 625, 629, 631, 637, 643, 647, 649, 653
7274000064.....	773, 775
7274000066.....	773, 775
7274000076.....	195, 711, 713, 715, 717, 719, 721, 723, 725, 727, 729, 731, 733, 735, 737, 739, 741, 743, 745, 747, 749, 751, 753, 755, 757, 759, 761, 763, 765
7274000080.....	711, 713, 715, 717, 719, 721, 723, 725, 727, 729, 731, 733, 735, 737, 739, 741, 743, 745, 747, 749, 751, 753, 755, 757, 759, 761, 763, 765, 767
7274000086.....	308
7274000105.....	198
7274000122.....	193
7274000125... ..	21, 25, 29, 33, 37, 41, 45, 49, 53, 57, 61, 65
7280000007.....	575, 579, 583, 587, 591, 593, 595, 601, 605, 607, 615, 617, 623, 625, 629, 631, 637, 643, 647, 649, 653, 847
7280000011.....	841
7280000018.....	793, 795, 797
7280000019.....	849
7291000010.....	139, 141, 251, 253, 255, 257, 259, 927, 929, 931, 933, 1029, 1045, 1047
7295000106.....	697
7295000108.....	699
7295000109.....	701
7295000111.....	703, 705
7295000118.....	76, 84, 88, 100, 104
7295000130.....	80, 92, 96, 108, 112
7309000002.....	673, 675, 677, 679
7312000013.....	979, 981
7312000015.....	979, 981
7312000016.....	979, 981
7312000017.....	925
7320000064.....	308, 319
7330000036.....	249, 312
7330000060.....	237, 239, 241, 243, 245, 247
7330000139.....	902, 906
7330000143.....	902, 906
7330000176.....	902, 906
7330000242.....	683
7330000272.....	902, 906
7330000274.....	133, 1037, 1041, 1043
7330000288.....	867, 869, 885, 887
7330000330.....	902
7330000391... ..	135, 1031, 1033, 1035, 1039
7330000408.....	187, 191
7330000417.....	237, 239, 241, 243
7330000418.....	237, 239, 241, 243
7330000419.....	237, 239, 241, 243, 245, 247, 249
7330000420.....	245, 247
7330000428.....	329, 331, 333, 335, 337, 339, 341, 343, 345, 347, 349, 351, 353, 355, 357, 359, 361, 363, 365, 367, 369, 371, 373, 375, 377, 379, 381, 383, 385, 387, 389, 391, 393, 395, 397, 399, 401, 403, 405, 407, 409, 411, 413, 415, 417, 419, 421, 423, 425, 427, 429
7330000432.....	245, 247
7330000478.....	902
7330000495.....	685
7330000580.....	915
7330000599.....	131, 133, 249, 312, 902, 906, 915
7330000609.....	308, 312, 321, 323, 325

## SECTION 9 - BUILD DOCUMENTS

7330000645 ... 135, 1033, 1035	747, 749, 751, 753, 755, 757, 759, 761, 763, 765	7445060648.....769, 771, 777, 779	353, 387, 389, 391, 393, 403, 409, 417
7330000646 ... 135, 1033, 1035	7440030000.....285, 303, 305, 321, 323, 325, 475	7445060843.....771, 773, 775	7552000222 ..... 837
7330000648 ..... 575, 583, 587, 591, 601, 623, 625, 629, 631, 637, 643	7443000013.....711, 713, 715, 717, 719, 721, 723, 725, 727, 729,	7445060845.....769, 771	7552000241 ..... 1001
7330000649 ..... 575, 583, 587, 591, 601, 623, 625, 629, 631, 637, 643	731, 733, 735, 737, 739, 741, 743, 745, 747, 749, 751, 753, 755, 757, 759, 761, 763, 765	7445061043.....767	7552000297 ..... 835
7330000650 ..... 593, 595, 605, 607, 615, 617	7443000030.....769, 771	7445080818.....767, 773, 775	7552000360 ..... 839
7330000651 ..... 593, 595, 605, 607, 615, 617	7443000048.....579, 583, 591, 593, 595, 601, 605, 607	7445080843.....773, 775	7552000385 ... 76, 84, 88, 100, 104, 895
7330000652 ..... 653	7443000129.....777, 779	7445080853.....925	7552000391 ..... 697
7330000653 ..... 653	7443000152.....681	7445080872.....781	7552000392 ..... 699
7330000657 ..... 647, 649	7443000154.....681, 925	7445081043.....767	7552000393 ..... 701
7330000658 ..... 647, 649	7443000155.....681, 925, 1023	7445081045.....767, 773, 775	7552000397 ..... 841
7330000675 ..... 681	7443000156.....681, 925	7445081046.....769, 771	7552000413 ... 80, 92, 96, 108, 112, 897
7330000676 ..... 681	7443000158.....711, 713, 715, 717, 719, 721, 723, 725, 727, 729,	7446060435.....925, 979, 981	7552000426 ..... 703, 705
7330000683 ..... 237, 239, 241, 243, 245, 247	731, 733, 735, 737, 739, 741, 743, 745, 747, 749, 751, 753, 755, 757, 759, 761, 763, 765	7446502506.....979, 981	7552000451 ..... 833
7330000684 ..... 135, 237, 239, 241, 243, 245, 247, 249, 1031, 1033, 1035, 1039	7443000129.....777, 779	7446502518.....925, 979, 981	7552000472 .. 1015, 1017
7330000689 ..... 902, 906	7443000152.....681	7446502506.....979, 981	7555000015 ..... 155, 157
7330000696 ..... 701, 703, 705	7443000154.....681, 925	7446502518.....925, 979, 981	7555000016 ..... 147, 149, 151, 153, 159, 161, 163
7330000707 ..... 915	7443000155.....681, 925, 1023	7457000004.....791	7556000003 ..... 1049
7330000708 ..... 915	7443000156.....681, 925	7470000002.....711, 713, 715, 717, 719, 721, 723, 725, 727, 729,	7560000007 ..... 575, 579, 583, 587, 591, 593, 595, 601, 605, 607, 615, 617, 623, 625, 629, 631, 637, 643, 647, 649, 653
7330000709 ..... 915	7443000158.....711, 713, 715, 717, 719, 721, 723, 725, 727, 729,	7470000027.....787	7565000014 ..... 681, 925, 979, 981
7330000710 ..... 915	731, 733, 735, 737, 739, 741, 743, 745, 747, 749, 751, 753, 755, 757, 759, 761, 763, 765	7493000002.....807, 809, 1015	7565000016 ..... 681
7330000711 ..... 915	7443000245.....279	7493000003.....837	7570000025 ..... 205
7330000713 ..... 915	7443000319.....711, 713, 715, 717, 719, 721, 723, 725, 727, 729,	7493000009.....805, 807, 809, 829, 831, 833	7570000036 ..... 195
7330000714 ..... 915	731, 733, 735, 737, 739, 741, 743, 745, 747, 749, 751, 753, 755, 757, 759, 761, 763, 765	7493000010.....807, 809, 829, 831	7577000194 ..... 195, 198, 201, 203, 1064
7330000723 ..... 915	7443000364.....681	7493000011.....211	7577000208 ..... 329, 331, 333, 335, 337, 339, 341, 343, 345, 347, 349, 351, 353, 355, 357, 359, 361, 363, 365, 367, 369, 371, 373, 375, 377, 379, 381, 383, 385, 387, 389, 391, 393, 395, 397, 399, 401, 403, 405, 407, 411, 413, 415, 419, 421, 423, 425, 427, 429
7345001714 ..... 793, 801, 889, 891, 1015	7443000365.....681	7493000015.....987	7577000215 ..... 657
7345001914 ..... 799, 871, 875, 889, 893	7443000366.....681, 925	7493000023.....807, 809	7577000217 ..... 659, 661
7345211702 ..... 793	7443000371.....681	7493000031.....833	7577000218 ..... 663, 665
7345221902 ..... 791, 799	7443000374.....767	7550000070.....985	7577000242 ..... 237, 239, 241, 243, 245, 247, 1019
7346000039 ..... 793, 799, 1015	7443000377.....835	7550000073.....571	7577000329 ..... 891
7346000055 ..... 923	7443000428.....1001	7550000074.....571	7577000343 ..... 657, 659, 661, 663, 665
7346000078 ..... 923	7443000432.....1001	7551000017 .....483, 673, 675, 677, 679	7577000376 .... 249, 1021
7346000108 ..... 855, 857	7443000443.....681	7551000018.....575, 583, 587, 591, 593, 595, 601, 605, 607, 615, 617, 623, 625, 629, 631	7577000442 ..... 1057
7346000122 ..... 891	7443000445.....767	7551000019.....647, 649, 653	7577250024 ..... 127, 279
7346000123 ..... 891	7443000446.....767, 773, 775	7551000020.....575, 579, 583, 587, 591, 593, 595, 601, 605, 607, 615, 617, 623, 625, 629, 631, 647, 649, 653	7590000132 ..... 811, 831
7346000125 ..... 891	7443000469.....1001	7551000021.....575, 579, 583, 587, 591, 593, 595, 601, 605, 607, 615, 617, 623, 625, 629, 631, 647, 649, 653	7590000133 ..... 831
7346000132 ..... 921	7443000483.....779	7552000074.....807, 853	7590000134 ..... 811
7346000157 ..... 921	7443040843.....779	7552000166.....845	7590000135 ..... 811
7346000208 ..... 1001	7445040431.....781	7552000212.....329, 331, 333, 335, 337, 339,	7590000138 ..... 811
7346000210 ..... 1064	7445040443.....308, 773, 775		7590000142 ..... 811
7346000220 ..... 1017	7445040446.....777, 779		7590000143 ..... 811
7346000231 ..... 1017	7445040643.....777, 779		7590000148 ..... 831
7346000242 ..... 873, 875, 885, 887	7445041043.....781		
7413000002 ..... 801	7445060643.....767, 773, 775		
7413000013 ..... 485, 489, 495, 497, 499, 507, 515	7445060645.....767, 769, 771, 773, 775, 777, 779		
7430000003 ..... 711, 713, 715, 717, 719, 721, 723, 725, 727, 729, 731, 733, 735, 737, 739, 741, 743, 745,	7445060646.....771		

# SECTION 9 - BUILD DOCUMENTS

7590000273.....847	7660162601 73, 177, 179,	7661000007 ... 76, 80, 84,	7701000063.....21, 25, 29,
7590000291.....813	181, 183, 187, 191,	88, 92, 96, 100, 104,	33, 37, 41, 45, 49, 53,
7590000339.....829	431, 575, 579, 583,	108, 112	57, 61, 65
7590000340.....807, 809	587, 591, 593, 595,	7661000018 ..... 431	7701000074.....163
7590000341.....807, 809	601, 605, 607, 615,	7661000034 ..... 127, 279	7719000005.....315
7590000342.....829, 833	617, 623, 625, 629,	7661000042 ..... 229, 231	7754000002..... 127, 279
7590000343.....807, 809,	631, 637, 643, 647,	7661000047 ..... 847	7754000003..... 127, 279
829	649, 653, 991, 993,	7661000055 ..... 333, 339,	7754000004..... 127, 279
7590000432.....1015	1023	345, 351, 361, 363,	7754000005.....76, 80, 84,
7592000005.....147, 149,	7660172331 ..... 198, 201,	369, 377, 379, 385	88, 92, 96, 100, 104,
151, 153, 155, 157,	203	7661000056 ..... 707	108, 112
159, 161, 163	7660180001 ..... 129, 475	7661000064 ..... 129, 229,	7754000019.....76, 80, 84,
7626000014.....433, 435,	7660180234 ..... 483, 683,	231, 308, 495, 497	88, 92, 96, 100, 104,
437, 439, 441, 443,	685	7679000017 ..... 329, 331,	108, 112
445, 447, 449, 451,	7660182301 ..... 147, 149,	333, 335, 337, 339,	7754000022.....475, 479,
453, 455	151, 153, 155, 157,	341, 343, 345, 347,	481, 571
7626000018.....461, 477	159, 161, 163, 281,	349, 351, 353, 355,	7754000024.....308, 321,
7638000004.....213	283, 317	357, 359, 361, 363,	323, 325
7638000013.....219	7660182304 ..... 505, 511,	365, 367, 369, 371,	7754000026..... 127, 279
7640000002.....681	517	373, 375, 377, 379,	7754000037.....303, 305
7660062604.....797	7660182333 ... 21, 25, 29,	381, 383, 385	7754000068.....557
7660102604.....147, 149,	33, 37, 41, 45, 49, 53,	7679000020 ..... 129	7754000087.....315
151, 153, 155, 157,	57, 61, 65, 147, 149,	7690021210 ..... 315	7755224000..... 127, 279
159, 161, 163, 697,	151, 153, 155, 157,	7690051274 ..... 673, 675,	7755224609..... 127, 279
699, 701, 703, 705,	159, 161, 163, 167,	677, 679, 683, 685	7755334000..... 127, 279
813, 1015	169, 198, 201, 207,	7690051641 ... 77, 81, 85,	7755334609..... 127, 279
7660140001.....475	209, 519, 1005	89, 93, 97	7759000004.....902, 906,
7660142601.....139, 141,	7660182601 ... 21, 25, 29,	7690101200 ..... 575, 579,	911, 915
251, 253, 255, 257,	33, 37, 41, 45, 49, 53,	583, 587, 591, 593,	7759000006.....575, 579,
259, 312, 575, 579,	57, 61, 65, 76, 80, 84,	595, 601, 605, 607,	583, 587, 591, 593,
583, 587, 591, 593,	88, 92, 96, 100, 104,	615, 617, 623, 625,	595, 601, 605, 607,
595, 601, 605, 607,	108, 112, 129, 185,	629, 631, 637, 643,	615, 617, 623, 625,
615, 617, 623, 625,	189, 225, 227, 312,	647, 649, 653	629, 631, 637, 643,
629, 631, 637, 643,	389, 393, 397, 401,	7690141600 ..... 315	647, 649, 653
647, 649, 653, 683,	407, 415, 421, 429,	7690144005 ..... 315	7759000020..... 147, 149,
685, 807, 809, 849,	431, 433, 435, 437,	7691000001 ... 76, 80, 84,	151, 153, 155, 157,
927, 929, 931, 933,	439, 441, 443, 445,	88, 92, 96, 100, 104,	159, 161, 163
967, 969, 971, 973,	447, 449, 451, 453,	108, 112, 141, 927,	7785140404..... 115, 119,
975, 985, 1029, 1045,	455, 457, 459, 461,	929, 931, 933	123
1047	475, 477, 479, 481,	7691000033 ..... 139, 295,	7785150500..... 683, 685
7660142604.....21, 25, 29,	523, 525, 527, 545,	297, 1029	7785152420..... 195, 711,
33, 37, 41, 45, 49, 53,	559, 569, 575, 579,	7691000056 ..... 575, 579,	713, 715, 717, 719,
57, 61, 65, 147, 149,	583, 587, 591, 593,	583, 587, 591, 593,	721, 723, 725, 727,
151, 153, 155, 157,	595, 601, 605, 607,	595, 601, 605, 607,	729, 731, 733, 735,
159, 161, 163, 1025	615, 617, 623, 625,	615, 617, 623, 625,	737, 739, 741, 743,
7660152601.....77, 81, 85,	629, 631, 637, 643,	629, 631, 637, 643,	745, 747, 749, 751,
89, 93, 97, 101, 105,	647, 649, 653, 921,	647, 649, 653	753, 755, 757, 759,
109, 113, 149, 153,	979, 983, 989, 991,	7691000064 ..... 575, 579,	761, 763, 765
155, 159, 163, 167,	993, 1023	583, 587, 591, 593,	7786000006..... 303, 305
169, 171, 173, 175,	7660182631 ..... 673, 675,	595, 601, 605, 607,	7790100856.....847
195, 198, 213, 215,	677, 679	615, 617, 623, 625,	7790142051.....707
217, 219, 221, 223,	7660200035 ..... 185, 189,	629, 631, 637, 643, 667	7790151253..... 195, 575,
229, 231, 575, 579,	485, 499, 507, 515, 521	7691000065 ..... 647, 649,	579, 583, 587, 591,
583, 587, 591, 593,	7660202347 ... 21, 25, 29,	653, 669	593, 595, 601, 605,
595, 601, 605, 607,	33, 37, 41, 45, 49, 53,	7701000031 ..... 787	607, 615, 617, 623,
615, 617, 623, 625,	57, 61, 65, 77, 81, 85,	7701000033 ..... 529, 531,	625, 629, 631, 637,
629, 631, 637, 643,	89, 93, 97, 101, 105,	533, 535, 537	643, 647, 649, 653,
647, 649, 653, 667,	109, 113, 185, 189,	7701000048 ... 21, 25, 29,	837, 961, 963, 999
669, 671, 683, 685,	198, 201, 203, 489,	33, 37, 41, 45, 49, 53,	7790161253..... 77, 81, 85,
711, 713, 715, 717,	495, 497	57, 61, 65, 521	89, 93, 97, 101, 104,
719, 721, 723, 725,	7660222308 ... 21, 25, 29,	7701000049 ..... 137, 485,	109, 112
727, 729, 731, 733,	33, 37, 41, 45, 49, 53,	489, 495, 497, 499,	7796000008..... 127, 279
735, 737, 739, 741,	57, 61, 65, 505, 511,	507, 515	7796000024..... 127, 279
743, 745, 747, 749,	517	7701000051 ..... 163	7796000048..... 139, 141,
751, 753, 755, 757,	7660222601 ..... 431	7701000055 ..... 137	251, 253, 255, 257,
759, 761, 763, 765,		7701000058 ..... 505, 511,	259, 927, 929, 931,
773, 775, 785, 923		517	933, 1029, 1045, 1047



## SECTION 9 - BUILD DOCUMENTS

<p>7796000063 ..... 127, 279            7804000007 ... 77, 81, 85,            89, 93, 97, 101, 105,            109, 113            7809000001 ... 76, 80, 84,            88, 92, 96, 100, 104,            108, 112            7809000021 ... 76, 80, 84,            92, 100, 108            7819000005 ..... 767            7819000013 ..... 721, 723,            733, 751, 763            7843000004 ..... 475            7843000006 ..... 303, 305,            475            7843000007 ..... 683, 685            7843000016 ..... 303, 305            7843000035 ... 76, 80, 84,            88, 92, 96, 100, 104,            108, 112, 479, 481            7843000043 ..... 315            7870000100 ..... 869            7870000106 ..... 885            7870000115 ..... 847            7870000134 ..... 867            7870000137 ..... 887            7894000004 ..... 193, 198,            201, 203, 681, 767,            773, 775, 833            7894000010 ..... 793            7894000031 ..... 925            7894000042 ..... 505, 511,            517            7894000063 ..... 967, 969,            971, 973, 975            7894000071 ..... 1009            7894000073 ..... 1011            7904000001 ..... 773, 775            7912000184 ..... 308            7912000234 ..... 209            7912000236 ..... 207            7912000349 ..... 773, 775            7913000006 ..... 139, 295,            297, 1029            7935000120 ..... 681, 925            7935000170 ..... 657, 659,            661, 663, 665            7935000171 ..... 665            7935000173 ..... 657, 659,            661, 663, 665            7935000174 ..... 657, 659,            661, 663, 665            7935000182 ..... 681            7935000227 ..... 657, 659,            661, 663, 665            7935000229 ..... 681            7935000248 ..... 681            7935000265 ..... 663            7935000305 ..... 769, 771,            777, 779            7935000306 ..... 773, 775            7935000369 ..... 657, 659,            661, 663, 665            7935000388 ..... 657, 659,            661, 663, 665</p>	<p>7949000008.....21, 25, 29,            33, 37, 41, 45, 49, 53,            57, 61, 65            7949000011.....575, 579,            583, 587, 591, 593,            595, 601, 605, 607,            615, 617, 623, 625,            629, 631, 637, 643,            647, 649, 653            7949000015..... 165            7949000019..... 195            7949000023..... 129, 229,            231, 807, 809            7949000030..... 673, 675            7949000034..... 475, 479,            481            7949000054..... 575, 579,            583, 587, 591, 593,            595, 601, 605, 607,            615, 617, 623, 625,            629, 631, 637, 643,            647, 649, 653            7949000055..... 967, 969,            971, 973, 975            7949000072..... 21, 25, 29,            33, 37, 41, 45, 49, 53,            57, 61, 65            7950100143..... 147, 149,            151, 153, 155, 157,            159, 161, 163            7950100151..... 697, 699,            701, 703, 705, 791            7950140000..... 129, 783            7950140003..... 801            7950140141..... 575, 579,            583, 587, 591, 593,            595, 601, 605, 607,            615, 617, 623, 625,            629, 631, 637, 643,            647, 649, 653, 683,            685, 783            7950140143.... 21, 25, 29,            33, 37, 41, 45, 49, 53,            57, 61, 65, 475, 801,            849            7950140153..... 985, 1025            7950150000..... 625            7950150153..... 213, 219,            221, 229, 231            7950150161..... 167, 169,            171, 173, 175, 177,            179, 181, 183, 198,            215, 217, 223, 575,            579, 583, 587, 591,            593, 595, 601, 605,            607, 615, 617, 623,            629, 631, 637, 643,            647, 649, 653, 667,            669, 683, 685, 711,            713, 715, 717, 719,            721, 723, 725, 727,            729, 731, 733, 735,            737, 739, 741, 743,            745, 747, 749, 751,            753, 755, 757, 759,            761, 763, 765, 785,            837, 841, 1023</p>	<p>7950160000....76, 80, 84,            88, 92, 96, 100, 104,            108, 112, 475            7950160153..... 165, 187,            191            7950160161.....431, 575,            579, 583, 587, 591,            593, 595, 601, 605,            607, 615, 617, 623,            625, 629, 631, 637,            643, 647, 649, 653,            991, 993            7950160162.....475            7950170000.....781            7950170142..... 198, 201,            203            7950180000.....475, 819,            821            7950180141.....545, 559,            991, 993            7950180143.....505, 511,            517, 673, 675, 683, 685            7950180150..1029, 1045,            1047            7950180153..... 167, 169,            185, 189, 198, 201,            207, 209, 431, 433,            435, 437, 439, 441,            443, 445, 447, 449,            451, 453, 455, 457,            459, 461, 475, 477,            479, 481, 989, 1005,            1023            7950180161.....389, 393,            397, 401, 407, 415,            421, 429, 475, 575,            579, 583, 587, 591,            593, 595, 601, 605,            607, 615, 617, 623,            625, 629, 631, 637,            643, 647, 649, 653            7950180252.....819, 821            7950180400.....431, 433,            435, 437, 439, 441,            443, 445, 447, 449,            451, 453, 455            7950200000.....303, 305            7950200141 .....431            7950200152..... 185, 189            7950200161..... 185, 189            7950200242..... 185, 189,            198, 201, 203            7950220141 .....505, 511,            517, 575, 579, 583,            587, 591, 593, 595,            601, 605, 607, 615,            617, 623, 625, 629,            631, 637, 643, 647,            649, 653, 667, 669            7950220161 .....431            7970000083.....461, 477            7970000121.....433, 435,            437, 463            7970000123.....445, 447,            449, 467            7970000140.....451, 453,            455, 471</p>	<p>7970000142 ..... 439, 441,            443, 465            7970000157 .. 76, 80, 115            7970000158 ... 84, 88, 92,            96, 119            7970000166 ..... 100, 104,            108, 112, 123            7978000020 ..... 875            7990000011 ..... 683, 685            80963062 ..... 851            80963064 ..... 855, 857            8220081 .... 837, 839, 845            8220089 ..... 859            8220099 .... 805, 855, 857            8220934 ..... 805            8220935 .... 805, 855, 857            8220936 ..... 805            8405006 .... 198, 201, 203            8411080091 ..... 315            8411080102 ..... 523, 525,            527            85941016 ..... 312            8597650001 ..... 681            8597650002 ..... 793            8597650003 ..... 887            8632000002 ..... 187, 191            8632000012 ..... 575, 579,            583, 587, 591, 593,            595, 601, 605, 607,            615, 617, 623, 625,            629, 631, 637, 643,            647, 649, 653            88671001 ..... 308            88671008 . 76, 80, 84, 88,            92, 96, 100, 104, 108,            112, 312            8977010103 ..... 801            900115 ..... 769, 771, 777            9007960003 ..... 463, 467            9120960025 ..... 115, 119,            123            9120960034 ..... 463, 465,            467, 471            9120960059 ..... 463, 465,            467, 471            9120960061 ..... 463, 465,            467, 471            9120960075 ..... 467, 471            9120960081 ..... 115, 119,            123            9183960002 .... 115, 119,            123, 465, 472            9209960023 ..... 115, 119,            123            9309960009 ..... 115            9309960020 ..... 467, 471            9314960024 ..... 463, 465,            467, 471            9443960010 ..... 115, 119,            123            9443960021 ..... 471            9472960042 ..... 115, 119            9472960043 ..... 115, 119,            123            9472960068 ..... 467, 471            9472960069 ..... 467, 471            9472960072 ..... 463, 465</p>
--	--	---	--

## SECTION 9 - BUILD DOCUMENTS

9551960018.....115, 119	9970300057 ..... 463, 465, 467, 471	9970960035 ..... 468, 472	RHS05-MD ..... 1041
9560960011.....463, 465, 467, 471	9970316083 ..... 463, 465	9970960036 ..... 467, 471	RWC ..... 1003
9560960021.....463, 467	9970330010 ..... 463, 465, 467, 471	9970960037 ..... 468, 472	SP-D5500TOOLB .... 1070
9571960010.....467, 471	9970342027 ..... 463, 465, 467, 471	9970960038 ..... 467, 471	SP-D5500TOOLB-2. 1070
9575960014.....463, 465, 467, 471	9970400003 ..... 467, 471	9970960051 ..... 467, 471	SRS-10 ..... 1066
9577000226 ..... 918	9970402002 ..... 463, 465, 467, 471	9970960052 ..... 467, 471	SRS-10-AFS ..... 1067
9577000227 ..... 918	9970412003 ..... 463, 465, 467, 471	9970960060 ..... 463, 465, 467, 471	SRS-10-CRC ..... 1066
9577930187 ..... 657, 659, 661, 663, 665	9970412045 ..... 463, 465, 467, 472	9970960062 ..... 463, 465	SRS-8 ..... 1066
960006.....769, 771, 777	9970414045 ..... 463, 465, 467, 471	9970960068 ..... 463, 465, 467, 471	SRS-8-CRC ..... 1066
9626960012 ..... 115	9970415177 ..... 465	A7WCON..... 921	SSQF-21 ..... 1065
9626960027 ..... 119, 123	9970418163 ..... 115, 119, 123	BHH35-MD ..... 1031	SSQF-24 ..... 1065
9691960001 ..... 115, 119, 123, 463, 468, 472	9970418177 ..... 463, 467, 471	BHM35-MD..... 1039	STK..... 1007
9691960035.....463, 467	9970431008 ..... 463	BSKT-2..... 1064	STRAP50..... 1009
9701960015.....463, 465, 467, 472	9970442184 ..... 463, 465, 467, 471	BSKT24-2..... 1064	TB178 ..... 1053
9701960016.....115, 119, 123	9970442205 ..... 463, 465, 467, 471	C3BNORC-TPR ..... 577	TB200 ..... 1055
9742960064 ..... 123	9970450006 ..... 463, 465, 467, 471	C4BHTRC-TPR ..... 589	TB256 ..... 1051
9754960039 ..... 115, 119, 123	9970456008 ..... 463, 465, 467, 471	C4BSTRC-TPR ..... 599	TB36-2 ..... 1069
9786960006 ..... 115, 119, 123	9970468011 ..... 463, 465, 467, 472	C5BITRC-TPR..... 621	TB36-3 ..... 1069
9786960015 ..... 463, 465, 467, 471	9970472013 ..... 463, 465, 468, 472	C5BSTRC-TPR ..... 613	TB36-4 ..... 1069
9796960047 ..... 116, 119, 123	9970486009 ..... 463, 465, 468, 472	C6BITAGRC-TPR ..... 645	TB48-2 ..... 1069
9796960049 ..... 115, 119, 123	9970486017 ..... 463, 465, 468, 472	CAR8PTTD ..... 1011	TB48-3 ..... 1069
9796960139 ..... 467, 471	9970494002 ..... 463, 465, 468, 472	CHB38 ..... 955	TB48-4 ..... 1069
9796960176 ..... 468, 472	9970494053 ..... 463, 465, 468, 472	CHB50 ..... 953	TB60-2 ..... 1069
9796960177 ..... 468, 472	9970518014 ..... 463, 465, 468, 472	CMKSTD-SD ..... 1064	TB78-2 ..... 1069
9806960009 ..... 463, 465	9970518015 ..... 463, 465, 468, 472	DPH-16B ..... 1049	TBL-2 ..... 1070
9812960005 ..... 115, 119, 123	9970960027 ..... 115	DR063W-2..... 1064	TBL-3 ..... 1070
9843930044 ..... 657, 659, 661, 663, 665	9970960034 ..... 467, 471	KSD120-AL ..... 1065	TBL-4 ..... 1070
9912960035 ..... 115, 119, 123		KSD120-AL-2 ..... 1065	TBSA36-2 ..... 1067
9935960142 ..... 115, 119		KSD120W-AL ..... 1065	TBSA36-3 ..... 1067
9949960016 ..... 115		KSD120W-AL-2 ..... 1065	TBSA36-4 ..... 1067
9949960017 ..... 115, 120, 123		LMT ..... 995	TBSA48-2 ..... 1067
9949960031 ..... 119, 123		LST ..... 1013	TBSA48-4 ..... 1068
9949960054 ..... 467, 471		MBK-HM-2..... 1070	TBSA60-2 ..... 1068
		MBK-STD-2 ..... 1069	TBTST36-2 ..... 1070
		MBK-STD-3 ..... 1069	TBTST36-3 ..... 1070
		MBK-STD-4 ..... 1069	TBTST36-4 ..... 1070
		ML-TBTST-2 ..... 1065	TBTST48-2 ..... 1070
		PHH35-MD ..... 1035	TBTST60-2 ..... 1070
		PHM35-MD..... 1033	TBTST78-2 ..... 1070
		PHS40-MD ..... 1037	W08WAL-SD ..... 433
		RC-1 ..... 687	W08WST-SD ..... 435
		RC-2 ..... 689	W08WTRST-SD ..... 437
		RC-3 ..... 691	WO10WAL-SD..... 445
		RC-4 ..... 693	WO10WST-SD ..... 447
		RC-5 ..... 695	WO12W-MD ..... 461
		RCTH-2 ..... 1066	



# ***JERR-DAN***<sup>®</sup>

***Corporate Office  
13224 Fountainhead Plaza  
Hagerstown, MD 21742 USA***

***☎ (717) 597-7111 (Corporate)  
☎ (800) 926-9666 (Customer Support)***

***Visit our website  
[www.jerrdan.com](http://www.jerrdan.com)***



**OSHKOSH™**