



Illustrated Parts Manual

JD 50TON IND HEAVY DUTY WRECKER

SN 0230008702 to Present

5376000330

June 1, 2024 - Rev A

English (en-US)

REVISION LOG

June 1, 2024 - A - Original Issue of Manual (Edited to B/M 1001195086 Revision K to M)

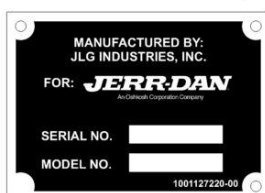
GENERAL INFORMATION

JerrDan, LLC (Jerr-Dan) strives to provide information that is accurate, complete and useful. Descriptions and illustrative material contained within this manual are as accurate as known at the time of publication and are subject to change, without notice, as a result of continuous product improvements. Jerr-Dan reserves the right to amend the information in this document at any time without prior notice.

Information contained in this manual reflects how this vehicle was built at the factory. Modifications or additions by the distributor or owner are not reflected in this manual.

This parts manual does not include service parts information for the commercial chassis (IHC, Ford, GM, etc.). That information is provided by the chassis manufacturer.

When ordering parts, please refer to your unit's Serial Number and Model Number. This information is be found on the aluminum tag riveted to the inside of the driver's side rear compartment of the main body.



Additional or replacement manuals can be ordered by calling Jerr-Dan Parts at 717-597-7111. Price and availability will be quoted at time of the request.

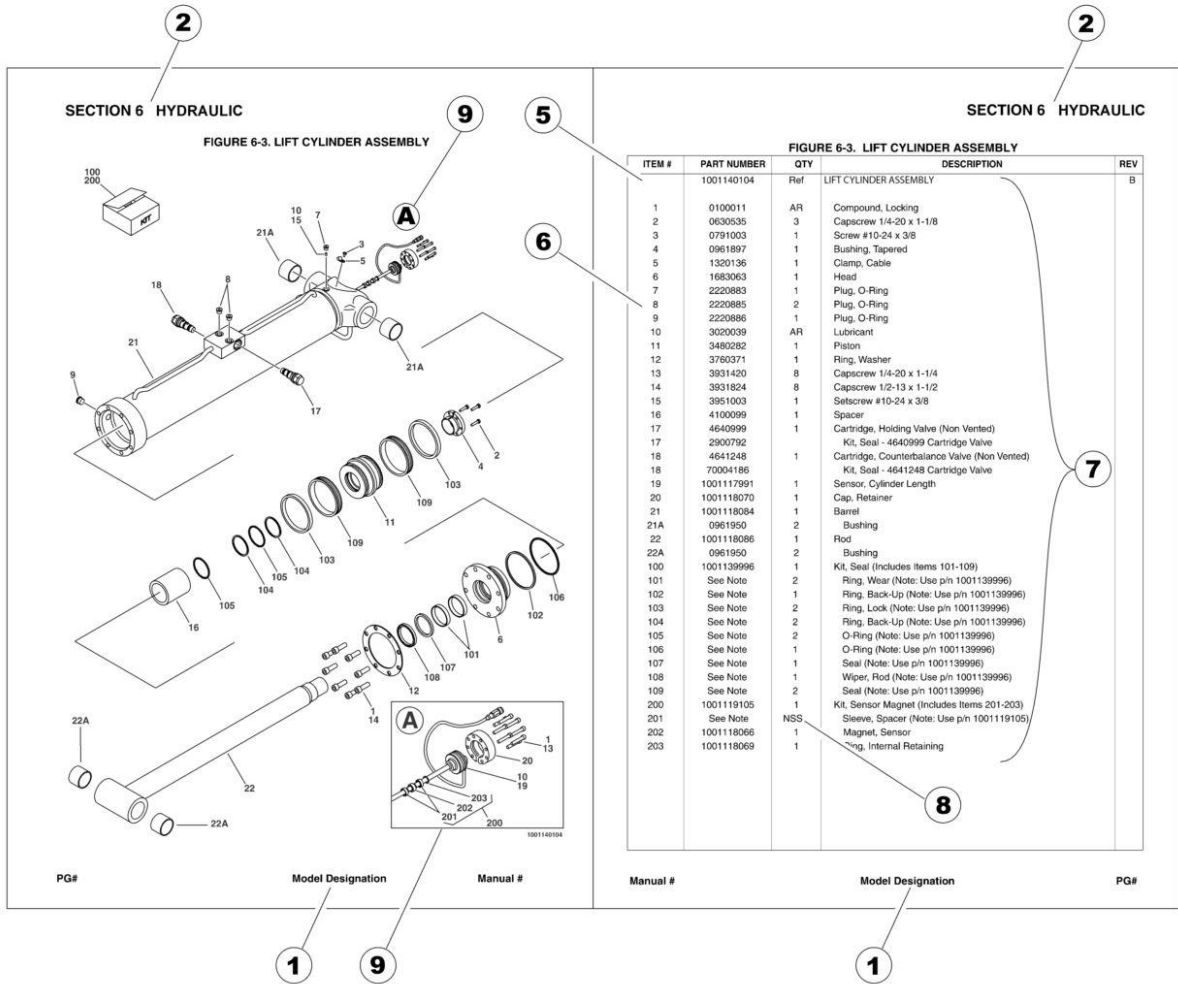
Please report comments and/or errors by contacting Jerr-Dan. Contact numbers are located on rear cover of Manual.

Manufactured under one or more of the following patents: 5,575,606; 5,672,042; 5,697,741; 5,713,714; 5,722,810; 5,782,596; 5,839,775 and 6,315,515 B1 with other Patents Pending.

Jerr-Dan and the Jerr-Dan logo are registered trademarks and Run Hard is a service mark of JerrDan, LLC, Hagerstown, MD USA.

The material in this document is confidential and the property of Jerr-Dan. No part of this document may be photocopied, reproduced or translated to another language without the express written consent of Jerr-Dan.

GENERAL INFORMATION



1) MACHINE IDENTIFICATION

Machines are identified by model and in some cases a combination of models, serial number (SN) or regional standard (i.e ANSI, CE, CSA). Components may also be identified by SN or manufacturer. Common components that may be identified by these characteristics are engines and hydraulic components.

2) PARTS MANUAL ORGANIZATION

Product information in this manual is organized under section titles. Subframe, Hydraulic and Electrical are a few examples. Each section is organized by figure and page number. The information within the Figure is then organized by item number, part number, description and corresponding illustration (s).

3) TABLE OF CONTENTS (NOT SHOWN)

A table of contents is found toward the beginning of the manual. Figure number, description and page number are provided for quick reference to the page containing the related information.

4) BUILD DOCUMENTS (NOT SHOWN)

The Build Documents, located near the end of the manual, reference components not available at the purchase level. These PN's list assembly instructions and assist in the maintenance of the parts manual.

GENERAL INFORMATION

5) NON-SERVICED PARTS

In some instances, it is necessary to display non-serviced parts, assemblies or installations. In the case of assemblies and installations there will be a Ref in the Qty. column. In case of parts that are not available for service within assemblies or components, there will be a NSS (Not Sold Separately) or NLA (No Longer Available) listed in the Qty. column of the manual.

6) PARTS LIST ITEM NUMBERS

Numbers shown in the item# column correspond to numbers used in the associated illustration (s). Item numbers which are missing from the sequence in the parts list are not used on that page.

7) INDENTED PARTS DESCRIPTION

An indented part description is included in the item under which it is indented.

8) ABBREVIATION AND SYMBOLS

AC.....	Alternating Current	L.....	Liter
ALUM.....	Aluminum	LD.....	Light Duty
AG.....	Agricultural	LB(LBS).....	Pounds
ANSI.....	American National Standards Institute	LCD.....	Liquid Crystal Display
AR.....	As Required	LED.....	Light Emitting Diodes
AUS.....	Australias	LH.....	Left Hand
ASSY.....	Assembly	M(m).....	Metric/Meter
AUX.....	Auxiliary	MD.....	Medium Duty
AWG.....	American Wire Gauge	MM (mm).....	Milimeter
CA.....	Cab To Axle	mA.....	Miliamps
CE.....	European Conformity	NLA.....	No Longer Available
CCW.....	Counter Clockwise	NPT.....	National Pipe Threads
CM.....	Centimeter	NSS.....	Not Sold Separately
CT.....	Cab To Tandem	OD.....	Outside Diameter
CW.....	Clockwise	ORB.....	O-Ring Boss
CSA.....	Canadian Standards Association	ORFS.....	O-Ring Face Seal
CYL.....	Cylinder	OZ (oz).....	Ounces
DIA.....	Diameter	PG.....	Page
DC.....	Direct Current	PN.....	Part Number
DOT.....	Department of Transportation	PTO.....	Power Take Off
EMS.....	Emergency Stop	QT(qt.).....	Quarts
ENG.....	Engine	QTY.....	Quantity
FT(ft).....	Feet	REF.....	Reference
GA(Ga).....	Gauge	REV.....	Revision Level
GAL.....	Gallons	RH.....	Right Hand
GVW.....	Gross Vehicle Weight	SAE.....	Society of Automotive Engineers
HD.....	Heavy Duty	SD.....	Standard Duty
HYD.....	Hydraulic	SN.....	Serial Number
Hz.....	Hertz	SPEC(S).....	Specifications
ID.....	Inside Diameter	SS.....	Stainless Steel
IN.....	inches	STD.....	Standards
IND.....	Independent	STL.....	Steel
IRL.....	Independent Reach/Lift	UGM.....	Universal Ground Module
INT.....	Integrated	V.....	Volts
ISO.....	International Organization for Standards	W.....	Watts
JIC.....	Joint Industry Council	WB.....	Wheel Base
KG.....	Kilogram	#.....	Number

9) ILLUSTRATION REFERENCE LETTERS

When necessary, illustrations may contain reference letters that are intended to track information (i. e. hoses, harnesses) from one point to another or to track visual enlargement of components to show details that may be located in another area on the illustration.

Note: Due to continuous product improvements, Jerr-Dan Corporation reserves the right to make specification changes without prior notification. Contact Jerr-Dan for updated information.

TABLE OF CONTENTS

SECTION 1 - SUBFRAME	17
FIGURE 1-1. SUBFRAME INSTALLATION - INT.....	18
FIGURE 1-2. STABILIZERS INSTALLATION - REAR.....	20
FIGURE 1-3. CYLINDER ASSEMBLY - REAR STABILIZER	22
FIGURE 1-4. BOOM ASSEMBLY (SRS) (35K WINCH)	24
FIGURE 1-5. SIDE RECOVERY SYSTEM (SRS) INSTALLATION (25K WINCH).....	26
FIGURE 1-6. SIDE RECOVERY SYSTEM (SRS) INSTALLATION (35K WINCH).....	28
FIGURE 1-7. STABILIZER LEG ASSEMBLY (SIDE RECOVERY SYSTEM - SRS).....	30
FIGURE 1-8. CYLINDER ASSEMBLY - BOOM RECOVERY (SRS STABILIZER)	32
FIGURE 1-9. CYLINDER ASSEMBLY - EXTEND/RETRACT (SRS STABILIZER).....	34
FIGURE 1-10. SIDE STABILIZER INSTALLATION.....	36
FIGURE 1-11. SIDE STABILIZER ASSEMBLY	38
FIGURE 1-12. SIDE STABILIZER (SRS SS-70) BOOM/LEG ASSEMBLY	40
FIGURE 1-13. CYLINDER ASSEMBLY - EXTEND/RETRACT (SS-70 STABILIZER)	42
FIGURE 1-14. WINCH ASSEMBLY (SRS) (25K WINCH)	44
FIGURE 1-15. WINCH ASSEMBLY (SRS) (35K WINCH)	46
FIGURE 1-16. WINCH COMPONENTS - SRS 25K	48
FIGURE 1-17. WINCH COMPONENTS - SRS 35K	50
FIGURE 1-18. STABILIZER (SRS SS-70) BRACKET INSTALLATION.....	52
FIGURE 1-19. CABLE ASSEMBLY - 5/8 X 200FT (STABILIZERS).....	54
FIGURE 1-20. CABLE ASSEMBLY - 5/8 X 250FT (STABILIZERS).....	56
SECTION 2 - BOOM	59
FIGURE 2-1. BOOM INSTALLATION - 3 PIECE.....	60
FIGURE 2-2. BOOM INSTALLATION - 3 PIECE (DRAG WINCH).....	62
FIGURE 2-3. BOOM ASSEMBLY.....	64
FIGURE 2-4. CYLINDER ASSEMBLY - BOOM LIFT (NO DRAG WINCH)	66
FIGURE 2-5. CYLINDER ASSEMBLY - BOOM LIFT (DRAG WINCH)	68
FIGURE 2-6. CYLINDER ASSEMBLY - EXTEND/RETRACT (3 PIECE BOOM)	70
FIGURE 2-7. WINCH INSTALLATION - DP PLANETARY WINCHES	72
FIGURE 2-8. WINCH INSTALLATION - 50K RAMSEY.....	74
FIGURE 2-9. WINCH ASSEMBLY - 50K RAMSEY (FRONT).....	76
FIGURE 2-10. WINCH ASSEMBLY - 50K RAMSEY (REAR)	78
FIGURE 2-11. WINCH ASSEMBLY - LH (DP50).....	80
FIGURE 2-12. WINCH ASSEMBLY - RH (DP50).....	86
FIGURE 2-13. CABLE INSTALLATION - 0.75 X 250FT WITH SWIVEL HOOK.....	92
SECTION 3 - UNDERLIFT	95
FIGURE 3-1. UNDERLIFT INSTALLATION - UL530.....	96
FIGURE 3-2. UNDERLIFT INSTALLATION - UL530 (WITH WINCH MOUNT)	98
FIGURE 3-3. UNDERLIFT INSTALLATION - UL565.....	100
FIGURE 3-4. UNDERLIFT INSTALLATION - UL565 (3 PIECE WITH WINCH MOUNT)	102
FIGURE 3-5. UNDERLIFT INSTALLATION - UL565 (4 PIECE).....	104
FIGURE 3-6. UNDERLIFT INSTALLATION - UL565 (4 PIECE WITH WINCH MOUNT)	106
FIGURE 3-7. UNDERLIFT ASSEMBLY- 53000LBS (UL530).....	108

TABLE OF CONTENTS

FIGURE 3-8. UNDERLIFT ASSEMBLY - 3 PIECE (UL565)	110
FIGURE 3-9. UNDERLIFT ASSEMBLY - 4 PIECE (UL565)	112
FIGURE 3-10. UNDERLIFT HYDRAULIC TUBE INSTALLATION.....	114
FIGURE 3-11. CYLINDER ASSEMBLY - EXTEND/RETRACT - UL530.....	116
FIGURE 3-12. CYLINDER ASSEMBLY - EXTEND/RETRACT - UL565 (3 PIECE).....	118
FIGURE 3-13. CYLINDER ASSEMBLY - EXTEND/RETRACT - UL565 (4 PIECE).....	120
FIGURE 3-14. CYLINDER ASSEMBLY - TILT (UL530).....	122
FIGURE 3-15. CYLINDER ASSEMBLY - TILT (UL565).....	124
FIGURE 3-16. CROSSTUBE INSTALLATION.....	126
FIGURE 3-17. FRAME FORK INSTALLATION.....	128
FIGURE 3-18. GRID INSTALLATION - TIRE LIFT (140000LBS)	130
FIGURE 3-19. GRID INSTALLATION - TIRE LIFT (250000LBS)	132
FIGURE 3-20. WINCH INSTALLATION - UNDERLIFT.....	134
FIGURE 3-21. WINCH ASSEMBLY - UNDERLIFT.....	136
FIGURE 3-22. WINCH ASSEMBLY - UNDERLIFT.....	138
FIGURE 3-23. CABLE INSTALLATION - 0.63IN X 250FT WITH SWIVEL HOOK.....	142
FIGURE 3-24. CABLE INSTALLATION - 0.75IN X 200FT WITH SWIVEL HOOK.....	144
SECTION 4 - BODY.....	147
FIGURE 4-1. BATTERY COVER INSTALLATION, 39".....	148
FIGURE 4-2. BATTERY COVER INSTALLATION, 51".....	150
FIGURE 4-3. BATTERY COVER INSTALLATION, 51".....	152
FIGURE 4-4. BODY INSTALLATION - TANDEM.....	154
FIGURE 4-5. BODY INSTALLATION - TRI-AXLE.....	156
FIGURE 4-6. COVER INSTALLATION (WITHOUT CAMERA)	158
FIGURE 4-7. COVER PLATE INSTALLATION - SRS TOOLBOX	160
FIGURE 4-8. DIAMOND PLATE INSTALLATION.....	162
FIGURE 4-9. DIAMOND PLATE INSTALLATION - FILLER PANEL.....	164
FIGURE 4-10. DIAMOND PLATE INSTALLATION - REAR.....	166
FIGURE 4-11. DIAMOND PLATE INSTALLATION WITH MARKER (BODY)	168
FIGURE 4-12. DIAMOND PLATE INSTALLATION - TUNNEL FRONT	170
FIGURE 4-13. DIAMOND PLATE INSTALLATION WITH MARKER (SRS).....	172
FIGURE 4-14. NO FRONT DIAMOND, MARKER ONLY	174
FIGURE 4-15. DIAMOND PLATE INSTALLATION - CWT TUNNEL FRONT	176
FIGURE 4-16. DIAMOND PLATE INSTALLATION - SRS TOOLBOX	178
FIGURE 4-17. DIAMOND PLATE INSTALLATION - TUNNEL TOP (39IN)	180
FIGURE 4-18. DIAMOND PLATE INSTALLATION - TUNNEL TOP (51IN)	182
FIGURE 4-19. DIAMOND PLATE INSTALLATION - TUNNEL TOP (39IN) (WITH PYLON).....	184
FIGURE 4-20. DIAMOND PLATE INSTALLATION - TUNNEL TOP (51IN) (WITH PYLON).....	186
FIGURE 4-21. DOORS INSTALLATION WITH TUNNEL 39IN (PAINTED DOOR)	188
FIGURE 4-22. DOORS INSTALLATION WITH TUNNEL 39IN (PAINTED DOOR & FRAME).....	190
FIGURE 4-23. DOORS INSTALLATION WITH TUNNEL 51IN (PAINTED DOOR)	192
FIGURE 4-24. DOORS INSTALLATION WITH TUNNEL 51IN (PAINTED DOOR & FRAME).....	194
FIGURE 4-25. DOORS INSTALLATION - REAR TANDEM BODY (PAINTED).....	196
FIGURE 4-26. DOORS AND FRAME INSTALLATION - REAR TANDEM BODY (PAINTED).....	198
FIGURE 4-27. DOORS INSTALLATION - REAR TRI-AXLE BODY (PAINTED).....	200

TABLE OF CONTENTS

FIGURE 4-28. DOORS AND FRAME INSTALLATION - REAR TRI-AXLE BODY (PAINTED)	202
FIGURE 4-29. DOORS INSTALLATION - SRS TOOLBOX (PAINTED DOORS ONLY)	204
FIGURE 4-30. DOORS INSTALLATION - SRS TOOLBOX (PAINTED DOORS & FRAME).....	206
FIGURE 4-31. FENDER FLARES INSTALLATION - TANDEM.....	208
FIGURE 4-32. FENDER FLARES INSTALLATION - TRI-AXLE.....	210
FIGURE 4-33. FILLER PANEL INSTALLATION - 24IN FRONT "A" TUNNEL	212
FIGURE 4-34. FILLER PANEL INSTALLATION - 24IN FRONT MAIN BODY.....	214
FIGURE 4-35. FILLER PANEL ELECTRICAL INSTALLATION.....	216
FIGURE 4-36. GRAB HANDLE INSTALLATION.....	218
FIGURE 4-37. GRAB HANDLES INSTALLATION - SRS.....	220
FIGURE 4-38. LIFTING LUGS INSTALLATION.....	222
FIGURE 4-39. LIFTING LUGS INSTALLATION - TUNNEL (38IN-51IN).....	224
FIGURE 4-40. LIFTING LUGS INSTALLATION - SRS.....	226
FIGURE 4-41. MUD FLAP INSTALLATION	228
FIGURE 4-42. PIN STORAGE INSTALLATION.....	230
FIGURE 4-43. PYLON INSTALLATION (34IN)	232
FIGURE 4-44. PYLON INSTALLATION (39IN)	234
FIGURE 4-45. PYLON INSTALLATION (57IN)	236
FIGURE 4-46. PYLON COVER INSTALLATION (39IN PYLON).....	238
FIGURE 4-47. PYLON COVER INSTALLATION (57IN PYLON).....	240
FIGURE 4-48. PYLON DRESS-UP KIT - POLISHED SS (34IN).....	242
FIGURE 4-49. PYLON DRESS-UP KIT - BRUSHED SS (34IN)	244
FIGURE 4-50. PYLON DRESS-UP KIT - POLISHED SS (39IN).....	246
FIGURE 4-51. PYLON DRESS-UP KIT - BRUSHED SS (39IN)	248
FIGURE 4-52. PYLON DRESS-UP KIT - POLISHED SS (57IN).....	250
FIGURE 4-53. PYLON DRESS-UP KIT - BRUSHED SS (57IN)	252
FIGURE 4-54. PYLON ADAPTER INSTALLATION - 39IN TUNNEL.....	254
FIGURE 4-55. PYLON ADAPTER INSTALLATION - 51IN TUNNEL.....	256
FIGURE 4-56. RUB RAIL DRESS-UP INSTALLATION (TANDEM AXLE)	258
FIGURE 4-57. RUB RAIL DRESS-UP INSTALLATION (TRI-AXLE)	260
FIGURE 4-58. RUB RAIL DRESS-UP INSTALLATION (SRS BOX)	262
FIGURE 4-59. RUBRAIL TRIM INSTALLATION (39IN TUNNEL)	264
FIGURE 4-60. RUBRAIL TRIM INSTALLATION (51IN TUNNEL)	266
FIGURE 4-61. SRS TOOLBOX INSTALLATION.....	268
FIGURE 4-62. STABILIZER FILLER PANEL INSTALLATION	270
FIGURE 4-63. STEPS INSTALLATION.....	272
FIGURE 4-64. STEP INSTALLATION - SRS.....	274
FIGURE 4-65. STORAGE - BROOMS INSTALLATION	276
FIGURE 4-66. STORAGE - CHAIN/ BINDER RACK INSTALLATION	278
FIGURE 4-67. STORAGE - CRIBBING STORAGE INSTALLATION	280
FIGURE 4-68. STORAGE - DRAWER INSTALLATION.....	282
FIGURE 4-69. STORAGE - FIFTH WHEEL/PINTLE STORAGE INSTALLATION (TANDEM).....	284
FIGURE 4-70. STORAGE - FIFTH WHEEL/PINTLE STORAGE INSTALLATION (TRI-AXLE).....	286
FIGURE 4-71. STORAGE - FIFTH WHEEL/PINTLE STORAGE INSTALLATION (TRI-AXLE) (BB).....	288
FIGURE 4-72. STORAGE - FIFTH WHEEL/PINTLE STORAGE INSTALLATION (TRI-AXLE) (35T).....	290

TABLE OF CONTENTS

FIGURE 4-73. STORAGE - FIRE EXTINGUISHER STORAGE INSTALLATION	292
FIGURE 4-74. STORAGE - FLARE STORAGE INSTALLATION	294
FIGURE 4-75. STORAGE - FLASHLIGHT STORAGE INSTALLATION	296
FIGURE 4-76. STORAGE - FORK ORGANIZER INSTALLATION (TANDEM)	298
FIGURE 4-77. STORAGE - FORK ORGANIZER INSTALLATION (TRI-AXLE)	300
FIGURE 4-78. STORAGE - FORK RISERS STORAGE INSTALLATION (TANDEM)	302
FIGURE 4-79. STORAGE - FORK RISERS STORAGE INSTALLATION (TRI-AXLE)	304
FIGURE 4-80. STORAGE - JACK STORAGE INSTALLATION (TANDEM)	306
FIGURE 4-81. STORAGE - JACK STORAGE INSTALLATION (TRI-AXLE)	308
FIGURE 4-82. STORAGE - LADDER STORAGE INSTALLATION.....	310
FIGURE 4-83. STORAGE - ROTARY RACK INSTALLATION (TUNNEL).....	312
FIGURE 4-84. STORAGE - ROTARY RACK INSTALLATION (BASE BODY).....	314
FIGURE 4-85. STORAGE - SHACKLE RACK INSTALLATION (TANDEM)	316
FIGURE 4-86. STORAGE - SHACKLE RACK INSTALLATION (TRI-AXLE)	318
FIGURE 4-87. STORAGE - SHOVEL/GRIZZLY BAR STORAGE INSTALLATION - TANDEM.....	320
FIGURE 4-88. STORAGE - SHOVEL/GRIZZLY BAR STORAGE INSTALLATION - TRI-AXLE.....	322
FIGURE 4-89. STORAGE - SILO INSTALLATION - STAY DRY	324
FIGURE 4-90. STORAGE - SNATCH BLOCKS INSTALLATION (TANDEM).....	326
FIGURE 4-91. STORAGE - SNATCH BLOCKS INSTALLATION (ROTARY RACK)	328
FIGURE 4-92. STORAGE - SPILL CONTAINER STORAGE INSTALLATION	330
FIGURE 4-93. STORAGE - SPREADER BAR INSTALLATION - SINGLE	332
FIGURE 4-94. STORAGE - SPREADER BAR INSTALLATION - DUAL.....	334
FIGURE 4-95. STORAGE - STRAPS INSTALLATION - TANDEM.....	336
FIGURE 4-96. STORAGE - STRAPS INSTALLATION - TRI-AXLE	338
FIGURE 4-97. STORAGE - TIRE LIFT/BUS ARMS & RATCHETS - BB	340
FIGURE 4-98. STORAGE - TIRE LIFT/BUS ARMS & RATCHETS - 36IN	342
FIGURE 4-99. STORAGE - TOOL DRAWER INSTALLATION.....	344
FIGURE 4-100. STORAGE - TOOL STORAGE INSTALLATION	346
FIGURE 4-101. STORAGE - TOOL DRAWER INSTALLATION (TANDEM)	348
FIGURE 4-102. STORAGE - TOOL DRAWER INSTALLATION (TRI-AXLE PASSENGERS SIDE)	350
FIGURE 4-103. STORAGE - TOW LIGHT STORAGE INSTALLATION	352
FIGURE 4-104. STORAGE - TRAFFIC CONE STORAGE INSTALLATION.....	354
FIGURE 4-105. STORAGE - UPPER SHELF - 48IN	356
FIGURE 4-106. STORAGE - UPPER SHELF - 36IN	358
FIGURE 4-107. STORAGE - WHEEL CHOCK STORAGE INSTALLATION	360
FIGURE 4-108. TUNNEL INSTALLATION - 39IN	362
FIGURE 4-109. TUNNEL INSTALLATION - 51IN	364
FIGURE 4-110. TUNNEL INSTALLATION - 51IN WITH 3.5K CWT	366
FIGURE 4-111. TUNNEL INSTALLATION - 51IN WITH 4.5K CWT	368
FIGURE 4-112. TUNNEL INSTALLATION - 51IN WITH 6.5K CWT	370
FIGURE 4-113. TUNNEL HARNESS INSTALLATION.....	372
FIGURE 4-114. WINCH AIR INSTALLATION	374
SECTION 5 - CONTROLS.....	377
FIGURE 5-1. IN-CAB CONTROLS INSTALLATION - FLOOR MOUNTED WITHOUT UNDERLIFT	378
FIGURE 5-2. IN-CAB CONTROLS INSTALLATION - FLOOR MOUNTED WITH UNDERLIFT	380

TABLE OF CONTENTS

FIGURE 5-3. IN-CAB CONTROLS INSTALLATION - KENWORTH T440 & T800 & W9 WITHOUT UNDERLIFT	382
FIGURE 5-4. IN-CAB CONTROLS INSTALLATION - KENWORTH T440 & T800 & W9 WITH UNDERLIFT	384
FIGURE 5-5. IN-CAB CONTROLS INSTALLATION - KENWORTH T880 WITHOUT UNDERLIFT	386
FIGURE 5-6. IN-CAB CONTROLS INSTALLATION - KENWORTH T880 WITH UNDERLIFT	388
FIGURE 5-7. IN-CAB CONTROLS INSTALLATION - PETERBILT 389 LOW ROOF WITHOUT UNDERLIFT	390
FIGURE 5-8. IN-CAB CONTROLS INSTALLATION - PETERBILT 389 LOW ROOF WITH UNDERLIFT	392
FIGURE 5-9. IN-CAB CONTROLS INSTALLATION - PETERBILT 389 HIGH ROOF WITHOUT UNDERLIFT	394
FIGURE 5-10. IN-CAB CONTROLS INSTALLATION - PETERBILT 389 HIGH ROOF WITH UNDERLIFT	396
FIGURE 5-11. IN-CAB CONTROLS INSTALLATION - PETERBILT 567 WITHOUT UNDERLIFT	398
FIGURE 5-12. IN-CAB CONTROLS INSTALLATION - PETERBILT 567 WITH UNDERLIFT	400
FIGURE 5-13. CONTROLS VALVE INSTALLATION 9 SECTION 3 SOLENOID	402
FIGURE 5-14. CONTROLS VALVE INSTALLATION 9 SECTION 3 SOLENOID	404
FIGURE 5-15. CONTROLS VALVE INSTALLATION 9 SECTION 7 SOLENOID	408
FIGURE 5-16. CONTROLS VALVE INSTALLATION 9 SECTION 7 SOLENOID	410
FIGURE 5-17. CONTROLS VALVE INSTALLATION 10 SECTION 8 SOLENOID	414
FIGURE 5-18. CONTROLS VALVE INSTALLATION 10 SECTION 8 SOLENOID	416
FIGURE 5-19. REMOTE CONTROL INSTALLATION (6 FUNCTION NON-PROP 9 SECTION)	420
FIGURE 5-20. REMOTE CONTROL INSTALLATION (14 FUNCTION NON-PROP 9 SECTION)	422
FIGURE 5-21. REMOTE CONTROL INSTALLATION (14 FUNCTION PROP 9 SECTION)	424
FIGURE 5-22. REMOTE CONTROL INSTALLATION (16 FUNCTION PROP 10 SECTION)	426
FIGURE 5-23. REMOTE CONTROL ASSEMBLY - WIRELESS (6 FUNCTION NON-PROP 9 SECTION)	428
FIGURE 5-24. REMOTE CONTROL ASSEMBLY - WIRELESS (16 FUNCTION PROP 10 SECTION)	430
FIGURE 5-25. REMOTE CONTROL ASSEMBLY - WIRELESS (14 FUNCTION NON-PROP 9 SECTION)	432
FIGURE 5-26. REMOTE CONTROL ASSEMBLY - HAND HELD (SRS)	434
FIGURE 5-27. REMOTE CONTROL HOLDER INSTALLATION	436
SECTION 6 - HYDRAULIC	439
FIGURE 6-1. AIR INSTALLATION - 2-SP MOTOR	440
FIGURE 6-2. AIR INSTALLATION - 2-SP MOTOR (WITH UL WINCH)	442
FIGURE 6-3. GAUGES INSTALLATION - HYDRAULIC (DRIVERS SIDE)	444
FIGURE 6-4. HYDRAULIC LINE AND FITTING INSTALLATION - NO UL WINCH	446
FIGURE 6-5. HYDRAULIC LINE AND FITTING INSTALLATION - NO UL WINCH	448
FIGURE 6-6. HYDRAULIC LINE AND FITTING INSTALLATION - NO UL WINCH	450
FIGURE 6-7. HYDRAULIC LINE AND FITTING INSTALLATION - NO UL WINCH	452
FIGURE 6-8. HYDRAULIC LINE AND FITTING INSTALLATION - WITH UL WINCH	456
FIGURE 6-9. HYDRAULIC LINE AND FITTING INSTALLATION - WITH UL WINCH	458
FIGURE 6-10. HYDRAULIC LINE AND FITTING INSTALLATION - WITH UL WINCH	460
FIGURE 6-11. HYDRAULIC LINE AND FITTING INSTALLATION - WITH UL WINCH	462
FIGURE 6-12. HYDRAULIC SUPPLY INSTALLATION - 245IN-285IN WB	466
FIGURE 6-13. HYDRAULIC SUPPLY INSTALLATION - 275IN-325IN WB	468
FIGURE 6-14. HYDRAULIC SUPPLY INSTALLATION - 326IN-365IN WB	470
FIGURE 6-15. HYDRAULIC SUPPLY INSTALLATION - 366IN-405IN WB	472
FIGURE 6-16. HYDRAULIC SUPPLY INSTALLATION - 406IN-445IN WB	474
FIGURE 6-17. HYDRAULIC INSTALLATION - SIDE RECOVERY SYSTEM (SRS)	476
FIGURE 6-18. HYDRAULIC INSTALLATION - SIDE STABILIZER (SS-70)	480
FIGURE 6-19. UNDERLIFT HYDRAULIC HOSE INSTALLATION (53K LBS)	482

TABLE OF CONTENTS

FIGURE 6-20. UNDERLIFT HYDRAULIC HOSE INSTALLATION (48K LBS).....	484
FIGURE 6-21. TANK (HYDRAULIC) INSTALLATION - WITHOUT UL WINCH	486
FIGURE 6-22. TANK (HYDRAULIC) INSTALLATION - WITH UL WINCH.....	488
FIGURE 6-23. TANK (HYDRAULIC) ASSEMBLY - WITHOUT UL WINCH	490
FIGURE 6-24. TANK (HYDRAULIC) ASSEMBLY - WITH UL WINCH.....	492
FIGURE 6-25. TUBE INSTALLATION - SUBFRAME (WITHOUT UL WINCH).....	494
FIGURE 6-26. TUBE INSTALLATION - SUBFRAME (WITH UL WINCH)	496
FIGURE 6-27. VALVE SUB-ASSEMBLY - 9 SECTION/3 SOLENOID.....	498
FIGURE 6-28. VALVE SUB-ASSEMBLY - 9 SECTION/7 SOLENOID.....	500
FIGURE 6-29. VALVE SUB-ASSEMBLY - 10 SECTION/8 SOLENOID.....	502
FIGURE 6-30. VALVE ASSEMBLY - 9 SECTION/3 SOLENOID	504
FIGURE 6-31. VALVE ASSEMBLY - 9 SECTION/7 SOLENOID	506
FIGURE 6-32. VALVE ASSEMBLY - 10 SECTION/8 SOLENOID	508
FIGURE 6-33. VALVE ASSEMBLY - AIR 2 SPEED.....	510
FIGURE 6-34. VALVE ASSEMBLY - AIR 2 SPEED WITH UL WINCH.....	512
FIGURE 6-35. VALVE ASSEMBLY - SIDE RECOVERY SYSTEM (SRS).....	514
FIGURE 6-36. VALVE ASSEMBLY - SIDE STABILIZER (SS-70).....	516
SECTION 7 - ELECTRICAL.....	519
FIGURE 7-1. ELECTRICAL INSTALLATION - TANDEM AXLE.....	520
FIGURE 7-2. ELECTRICAL INSTALLATION - TRI-AXLE.....	526
FIGURE 7-3. ALARM, BACKUP, FIXED	532
FIGURE 7-4. ALARM, BACKUP, VARIABLE	534
FIGURE 7-5. BATTERY RELOCATION HARDWARE AND WIRE INSTALLATION.....	536
FIGURE 7-6. BATTERY RELOCATION HARDWARE INSTALLATION.....	538
FIGURE 7-7. CAMERA INSTALLATION - CABINET MOUNTED BACK - UP	540
FIGURE 7-8. CAMERA INSTALLATION - CABINET MOUNTED BACK - UP (PACCAR)	542
FIGURE 7-9. CAMERA INSTALLATION - CABINET MOUNTED ONLY	544
FIGURE 7-10. CAMERA INSTALLATION - UNDERLIFT MOUNTED.....	546
FIGURE 7-11. CAMERA INSTALLATION - UNDERLIFT MOUNTED (PACCAR)	548
FIGURE 7-12. CAMERA INSTALLATION - UNDERLIFT MOUNTED ONLY	550
FIGURE 7-13. CAMERA INSTALLATION - WINCH MOUNTED (DP)	552
FIGURE 7-14. CAMERA INSTALLATION - WINCH MOUNTED (RAMSEY).....	554
FIGURE 7-15. CAMERA INSTALLATION - CONTROLS MOUNTED (DRIVERS SIDE)	556
FIGURE 7-16. CENTER HARNESS INSTALLATION - 174IN WB.....	558
FIGURE 7-17. CENTER HARNESS INSTALLATION - 225IN WB.....	560
FIGURE 7-18. DRAG WINCH HARNESS.....	562
FIGURE 7-19. EMERGENCY STOP INSTALLATION	564
FIGURE 7-20. EMERGENCY STOP HARNESS	566
FIGURE 7-21. LIGHTS - COMPARTMENT LIGHTS INSTALLATION (SRS TOOLBOX)	568
FIGURE 7-22. LIGHTS - COMPARTMENT LIGHTS INSTALLATION (TANDEM).....	570
FIGURE 7-23. LIGHTS - COMPARTMENT LIGHTS INSTALLATION (TRI-AXLE).....	572
FIGURE 7-24. LIGHTS - COMPARTMENT LIGHTS INSTALLATION (TUNNEL)	574
FIGURE 7-25. LIGHTS HARNESS - FILLER PANEL	576
FIGURE 7-26. LIGHTS - FLASHER LIGHTS INSTALLATION - TANDEM	578
FIGURE 7-27. LIGHTS - FLASHER LIGHTS INSTALLATION - TRI-AXLE	580

TABLE OF CONTENTS

FIGURE 7-28. LIGHTS - HOOK UP LIGHTS INSTALLATION (LOWER).....	582
FIGURE 7-29. LIGHTS - HOOK UP LIGHTS INSTALLATION (UPPER)	584
FIGURE 7-30. LIGHTS - LIGHTBAR INSTALLATION (CAB MOUNTED).....	586
FIGURE 7-31. LIGHTS - LIGHTBAR HARNESS (CAB MOUNTED).....	588
FIGURE 7-32. LIGHTS - LIGHTBAR INSTALLATION (PYLON MOUNTED) (CODE 3 & ECCO 60IN AMBER)	590
FIGURE 7-33. LIGHTS - LIGHTBAR INSTALLATION (PYLON MOUNTED) (WHELEN 60IN).....	592
FIGURE 7-34. LIGHTS - LIGHTBAR ASSEMBLY - CODE 3 60IN AMBER.....	594
FIGURE 7-35. LIGHTS - LIGHTBAR ASSEMBLY - ECCO AMBER.....	596
FIGURE 7-36. LIGHTS - LIGHTBAR ASSEMBLY - WHELEN (72IN)	598
FIGURE 7-37. LIGHTS - LIGHTBAR ASSEMBLY - WHELEN 60IN.....	600
FIGURE 7-38. LIGHTS - MARKER LIGHTS INSTALLATION (TANDEM).....	604
FIGURE 7-39. LIGHTS - MARKER LIGHTS INSTALLATION (TRI-AXLE).....	606
FIGURE 7-40. LIGHTS - MARKER LIGHTS INSTALLATION (TUNNEL).....	608
FIGURE 7-41. LIGHTS - MARKER LIGHTS INSTALLATION - PYLON.....	610
FIGURE 7-42. LIGHTS - MARKER WITH SIDE STABILIZER.....	612
FIGURE 7-43. LIGHTS - MARKER WITH SIDE RECOVERY SYSTEM (SRS) TOOLBOX	614
FIGURE 7-44. LIGHTS - MARKER LIGHT HARNESS WITH SIDE STABILIZER	616
FIGURE 7-45. LIGHTS - SRS TOOLBOX HARNESS - MAIN.....	618
FIGURE 7-46. LIGHTS - SRS TOOLBOX HARNESS.....	620
FIGURE 7-47. LIGHTS - WING LIGHTS MOUNT INSTALLATION (WHELEN)	622
FIGURE 7-48. LIGHTS - WING LIGHTS ASSEMBLY - 22IN AMBER (WHELEN).....	624
FIGURE 7-49. LIGHTS - WING LIGHTS MOUNT ONLY INSTALLATION	628
FIGURE 7-50. LIGHTS - WORKLIGHT INSTALLATION - BOOM.....	630
FIGURE 7-51. LIGHTS - WORKLIGHT INSTALLATION - BOOM (WHELEN)	632
FIGURE 7-52. LIGHTS - WORKLIGHT LIGHTS INSTALLATION - UNDERLIFT.....	634
FIGURE 7-53. LIGHTS - WORKLIGHT LIGHTS HARNESS - UNDERLIFT	636
FIGURE 7-54. LIGHTS - WORKLIGHT LIGHTS INSTALLATION (UPPER)	638
FIGURE 7-55. MULTIPLEX INSTALLATION (WITHOUT UL WINCH)	640
FIGURE 7-56. MULTIPLEX INSTALLATION (WITH DRAG WINCH).....	644
FIGURE 7-57. MULTIPLEX INSTALLATION (WITH DRAG WINCH).....	646
FIGURE 7-58. MULTIPLEX HARNESS - BODY (LH).....	648
FIGURE 7-59. MULTIPLEX HARNESS - BODY (RH).....	650
FIGURE 7-60. MULTIPLEX HARNESS - CROSSOVER.....	652
FIGURE 7-61. MULTIPLEX HARNESS - JUMPER.....	654
FIGURE 7-62. MULTIPLEX TO PDP HARNESS.....	656
FIGURE 7-63. MULTIPLEX IN - CAB CONTROL HARNESS	658
FIGURE 7-64. MULTIPLEX IN-CAB CONTROLS HARNESS (CONSOLE MOUNTED).....	660
FIGURE 7-65. MULTIPLEX IN-CAB CONTROLS HARNESS (FLOOR MOUNTED)	662
FIGURE 7-66. PYLON ELECTRICAL INSTALLATION (34IN & 39IN PYLON)	664
FIGURE 7-67. PYLON ELECTRICAL INSTALLATION (57IN PYLON)	666
FIGURE 7-68. PYLON HARNESS - JUMPER.....	668
FIGURE 7-69. PYLON HARNESS - MAIN (34IN & 39IN PYLON).....	670
FIGURE 7-70. PYLON HARNESS - MAIN (57IN PYLON)	672
FIGURE 7-71. REMOTE 6 FUNCTION NON-PROP HARNESS.....	674
FIGURE 7-72. REMOTE 6 FUNCTION NON-PROP HARNESS.....	676

TABLE OF CONTENTS

FIGURE 7-73. REMOTE CONTROL HARNESS ASSEMBLY (8 FUNCTION) (SRS WINCH).....	678
FIGURE 7-74. REMOTE 14 FUNCTION NON-PROP HARNESS	680
FIGURE 7-75. REMOTE 14 FUNCTION PROP HARNESS	682
FIGURE 7-76. REMOTE 14 & 16 FUNCTION HARNESS	684
FIGURE 7-77. SIDE STABILIZER ELECTRICAL INSTALLATION (WITH NO PANEL).....	686
FIGURE 7-78. SIDE STABILIZER ELECTRICAL INSTALLATION	688
FIGURE 7-79. SIDE STABILIZER (SRS SS-70) SWITCH HARNESS (REAR HARNESS)	690
FIGURE 7-80. SIDE STABILIZER (SRS SS-70) VALVE HARNESS (FRONT HARNESS)	692
FIGURE 7-81. SIDE STABILIZER HARNESS EXTENTIONS (SS-70)	694
FIGURE 7-82. TAILLIGHT CONVERSION KIT	696
FIGURE 7-83. TOOLBOX HARNESS INSTALLATION.....	698
FIGURE 7-84. TUNNEL HARNESS - MAIN.....	700
FIGURE 7-85. TUNNEL HARNESS - FRONT	702
FIGURE 7-86. TUNNEL HARNESS - REAR.....	704
FIGURE 7-87. TRAILER PLUG INSTALLATION - 7WAY	706
FIGURE 7-88. WINCH MONITOR HARNESS	708
FIGURE 7-89. WINCH MONITOR HARNESS	710
FIGURE 7-90. WINCH ELECTRICAL INSTALLATION (SRS TOOLBOX)	712
SECTION 8 - DECAL.....	715
FIGURE 8-1. DECAL INSTALLATION - COMMON	716
FIGURE 8-2. DECAL INSTALLATION - COMMON	718
FIGURE 8-3. DECAL INSTALLATION - JERR-DAN LOGO (RED).....	720
FIGURE 8-4. DECAL INSTALLATION - JERR-DAN LOGO (WHITE).....	722
FIGURE 8-5. DECAL INSTALLATION - BOOM.....	724
FIGURE 8-6. DECAL INSTALLATION - SIDE RECOVERY SYSTEM (SRS)	726
FIGURE 8-7. DECAL INSTALLATION - SIDE STABILIZER (SS-70).....	728
SECTION 9 - ACCESSORIES.....	731
FIGURE 9-1. KITS LIST HD WRECKERS	732
FIGURE 9-2. AIR, EMERGENCY AND SERVICE GLAD HANDS	734
FIGURE 9-3. AUXILIARY AIR INSTALLATION	736
FIGURE 9-4. CHAIN KIT - HEAVY DUTY LEVEL 1.....	738
FIGURE 9-5. CHAIN KIT - HEAVY DUTY LEVEL 2.....	740
FIGURE 9-6. D-RINGS INSTALLATION - TAILBOARD.....	742
FIGURE 9-7. FIFTH WHEEL TOW ATTACHMENT	744
FIGURE 9-8. FORK RISER ADAPTERS	746
FIGURE 9-9. FORK RISERS - 7IN	748
FIGURE 9-10. LOOP SLING KIT LEVEL 1	750
FIGURE 9-11. LOOP SLING KIT LEVEL 2	752
FIGURE 9-12. PINTLE HOOK WITH 2IN BALL.....	754
FIGURE 9-13. PINTLE HOOK WITH 50MM BALL.....	756
FIGURE 9-14. RISC ACCESSORY PACKAGE (1OF5)	758
FIGURE 9-15. RUGGED KIT	766
FIGURE 9-16. SHACKLE KIT LEVEL 1	768
FIGURE 9-17. SHACKLE KIT LEVEL 2	770

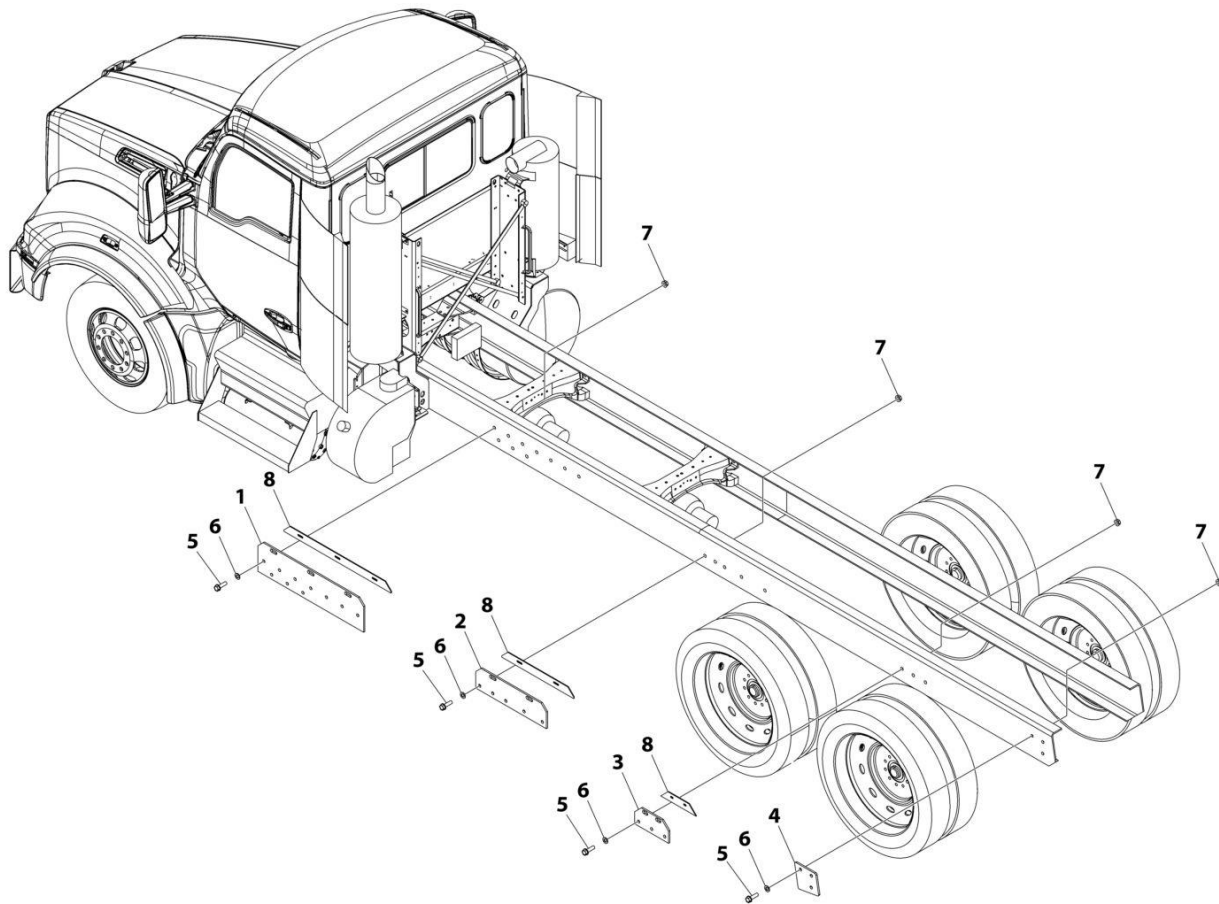
TABLE OF CONTENTS

FIGURE 9-18. SNATCH BLOCK KIT.....	772
FIGURE 9-19. SPREADER BAR KIT	774
FIGURE 9-20. SPREADER BAR ACCESSORY PACKAGE	776
FIGURE 9-21. STRAP EXTENSION ASSEMBLY	778
FIGURE 9-22. STRAP, TIE-DOWN - 7000LBS SMALL	780
FIGURE 9-23. STRAP, TIE-DOWN - 7000LBS LARGE	782
FIGURE 9-24. STRAP, TIE-DOWN - 9800LBS LARGE	784
FIGURE 9-25. TOW BALL - 1,88IN DIA	786
FIGURE 9-26. TOW BALL - 2IN DIA	788
FIGURE 9-27. TOW BALL - 2IN DIA	790
FIGURE 9-28. TOW BALL - 50MM DIA.....	792
FIGURE 9-29. TOW LIGHTS - MAGNETIC.....	794
FIGURE 9-30. TRUCK SCALES - ON-BOARD (AIR WEIGH).....	796
SECTION 10 - BUILD DOCUMENTS.....	799
FIGURE 10-1. BUILD DOC_5376000330.....	800
PART NUMBER INDEX	803

SECTION 1 - SUBFRAME

SECTION 1 - SUBFRAME

FIGURE 1-1. SUBFRAME INSTALLATION - INT



ART_1001152543

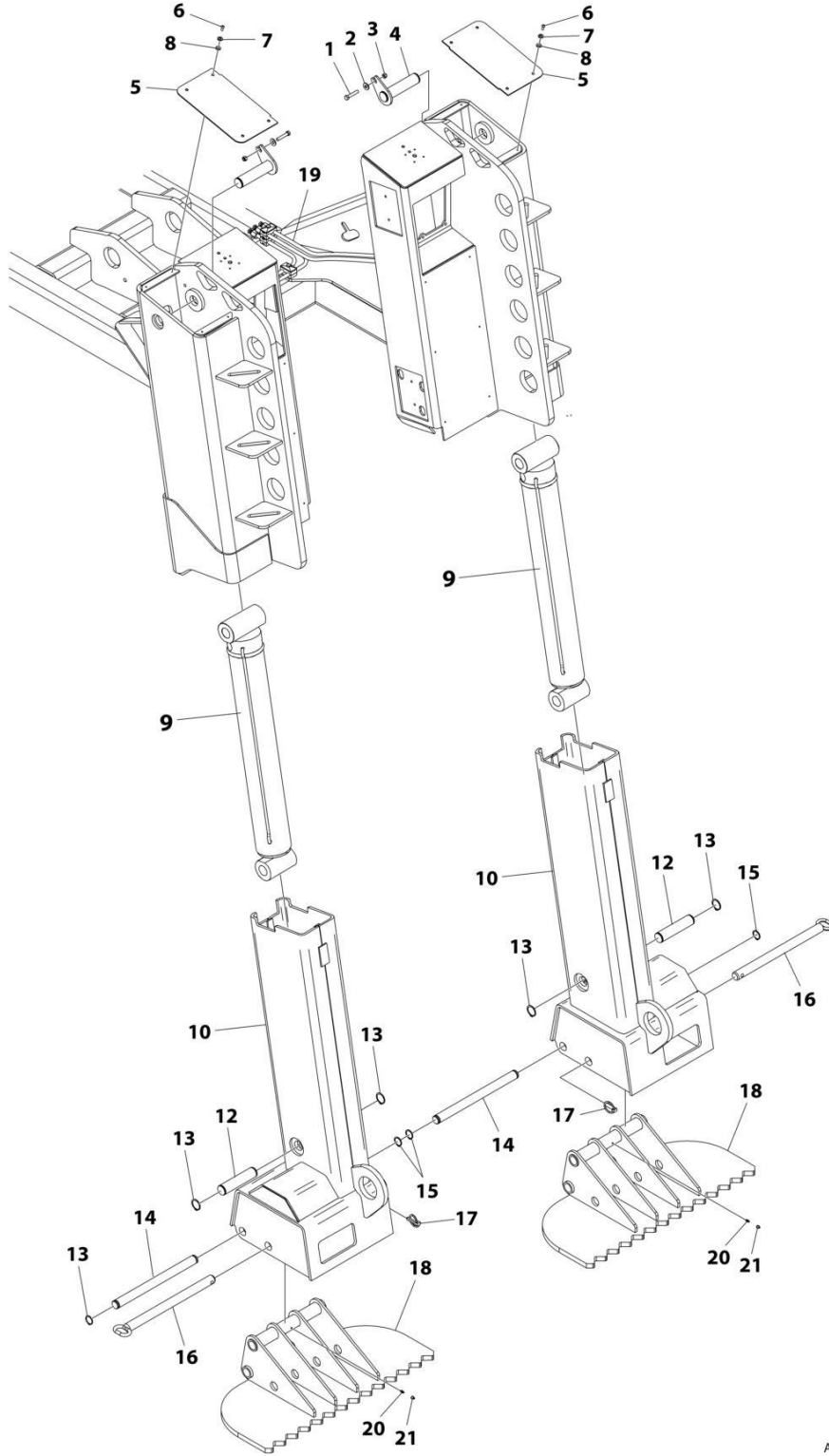
SECTION 1 - SUBFRAME

FIGURE 1-1. SUBFRAME INSTALLATION - INT

ITEM	PART NUMBER	QTY	DESCRIPTION	REV
	1001152543	Ref	SUBFRAME INSTALLATION - IND	E
1	1001152381	2	Plate	
2	1001152511	2	Plate	
3	1001144730	2	Plate	
4	4706006016	2	Plate	
5	7118242450	42	Capscrew 7/8 x 3	
6	7949000061	42	Washer	
7	7660242308	42	Nut 3/4	
8	1001152547	1	Shim, Kit	
8	1001152548	2	Plate	
8	1001152549	2	Plate	
8	4706002555	2	Plate	
9	7118242050	AR	Capscrew 7/8 x 2-1/2 (Not Shown)	
10	0682428001	AR	Bolt 7/8 x 3-1/2 (Not Shown)	

SECTION 1 - SUBFRAME

FIGURE 1-2. STABILIZERS INSTALLATION - REAR



ART_2507690090

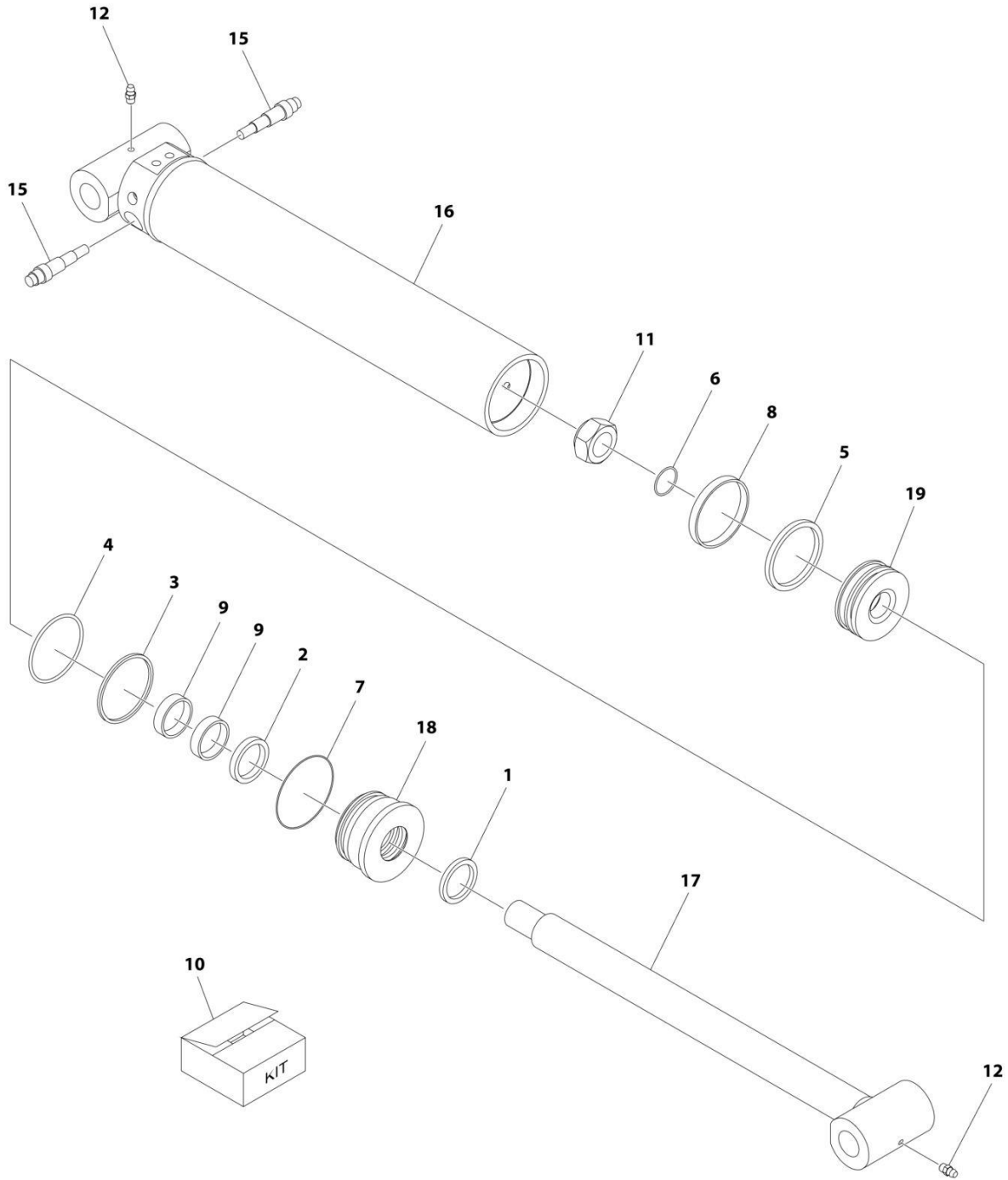
SECTION 1 - SUBFRAME

FIGURE 1-2. STABILIZERS INSTALLATION - REAR

ITEM	PART NUMBER	QTY	DESCRIPTION	REV
	2507690090	Ref	STABILIZERS INSTALLATION - REAR	C
1	7115161650	2	Bolt 3/8 x 2	
2	7950160161	2	Washer 3/8	
3	7660162601	2	Nut 3/8	
4	3691000267	2	Pin	
5	4706003716	2	Plate	
6	7114140518	8	Capscrew 1/4 x 5/8	
7	7949000025	8	Washer	
8	7950140153	8	Washer 1/4	
9	7320000006	2	Cylinder Assembly (See Separate Breakdown in this Section)	
10	3263000118	2	Channel Weldment	
12	4691000207	2	Pin	
13	7754000033	4	Ring, Retaining	
14	4691000200	2	Pin	
15	7754000008	4	Ring, Retaining	
16	3691000126	2	Pin	
17	7691000019	2	Pin	
18	3706000261	2	Plate	
19	3912000036	1	Tube Spade Assembly	
20	7440030000	4	Fitting, Straight	
21	7253000002	4	Fitting, Cap	

SECTION 1 - SUBFRAME

FIGURE 1-3. CYLINDER ASSEMBLY - REAR STABILIZER



ART_732000006

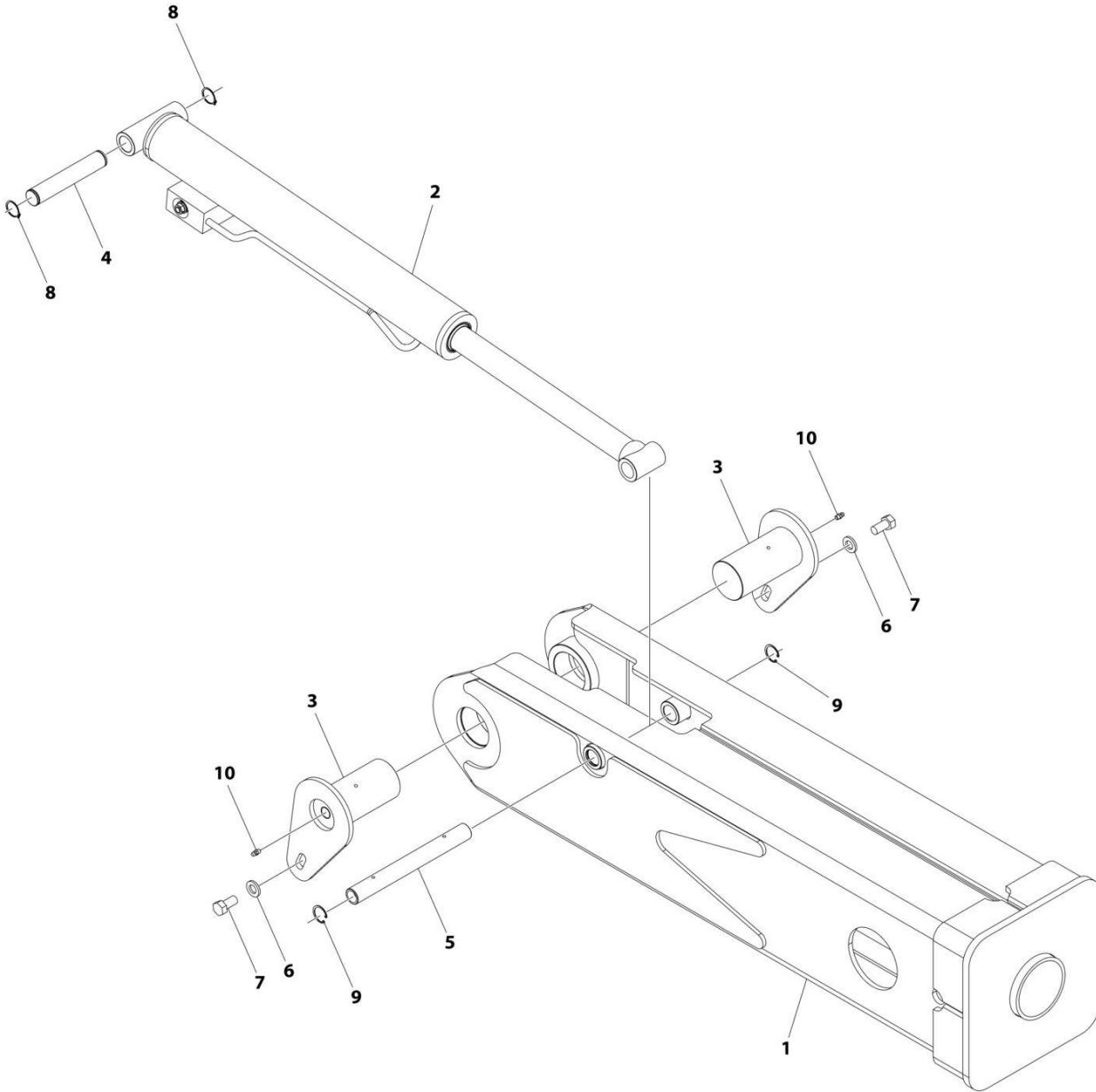
SECTION 1 - SUBFRAME

FIGURE 1-3. CYLINDER ASSEMBLY - REAR STABILIZER

ITEM	PART NUMBER	QTY	DESCRIPTION	REV
	7320000006	Ref	Rear Spade Cylinder	C
1	9796250080	1	Seal, Wiper	
2	7019828	1	Seal	
3	9754250009	1	Ring, Back-up	
4	9796250057	1	Seal, O-Ring	
5	9796250073	1	Seal	
6	9796250061	1	Seal, O-Ring	
7	9796250066	1	Seal, O-Ring	
8	9724250014	1	Ring, Wear	
9	9754250015	2	Ring, Wear	
10	7577000167	1	Kit, Seal	
11	7003212	1	Nut	
12	7005322	2	Grease Fitting	
13	7005365	2	Plug, Port (Not Shown)	
14	70021648	2	Plug, Port (Not Shown)	
15	70050215	2	Valve, Counterbalance	
16	9912250004	1	Assembly, Tube	
17	9763250009	1	Assembly, Rod	
18	9553250009	1	Head	
19	70050531	1	Piston	

SECTION 1 - SUBFRAME

FIGURE 1-4. BOOM ASSEMBLY (SRS) (35K WINCH)



ART_3548100001

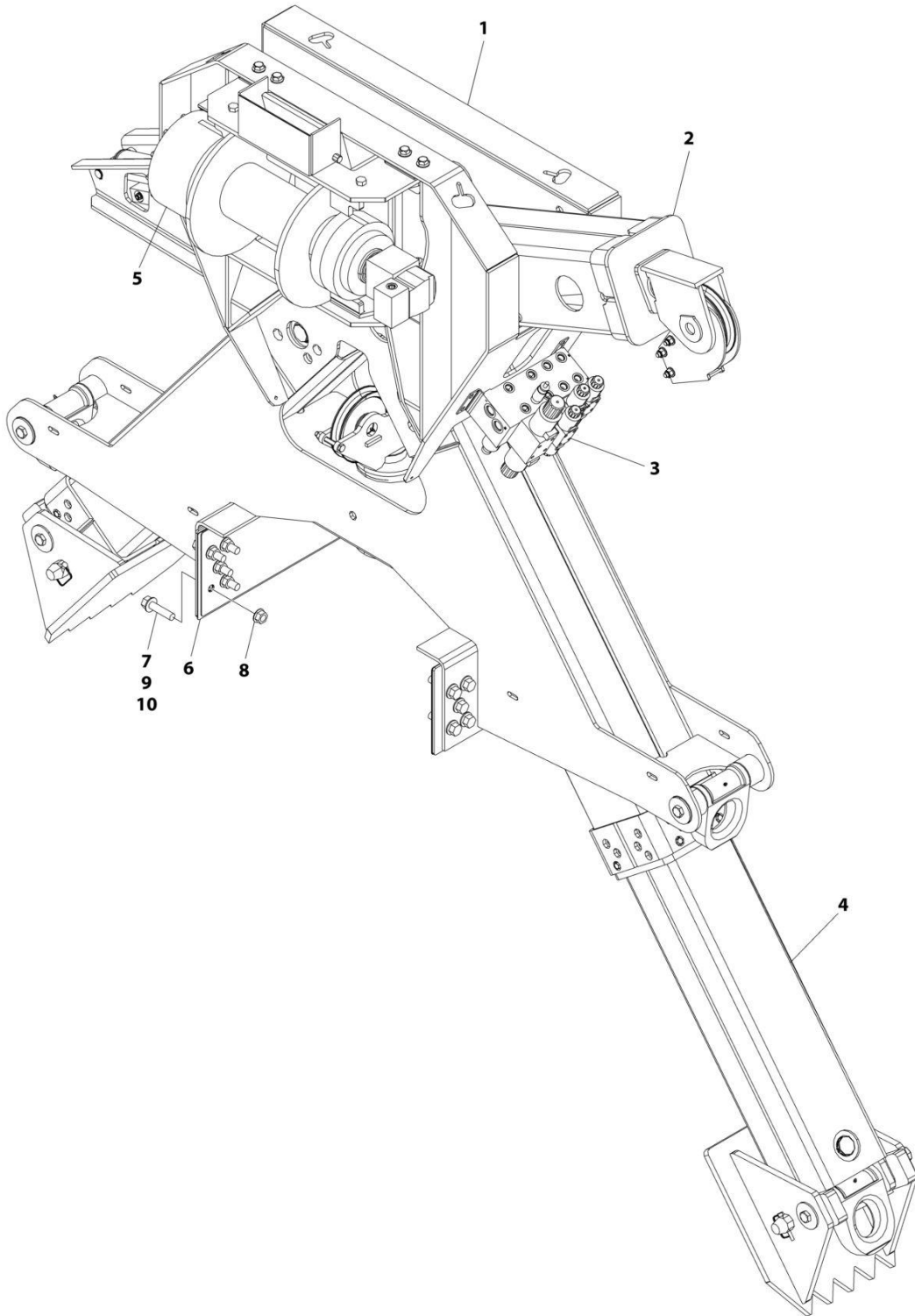
SECTION 1 - SUBFRAME

FIGURE 1-4. BOOM ASSEMBLY (SRS) (35K WINCH)

ITEM	PART NUMBER	QTY	DESCRIPTION	REV
	3548100001	Ref	BOOM ASSEMBLY (SRS)	0
1	3170000448	1	Boom Weld	
2	3320000232	1	Cylinder Assembly - Boom Recovery (SRS Stabilizer) (See Separate Breakdown in CYLINDER Section)	
3	3691000262	2	Pin	
4	4691000578	1	Pin	
5	4691000574	1	Pin	
6	7950180153	2	Flatwasher 1/2	
7	7115180850	2	Capscrew 1/2 x 1	
8	7754000019	2	Retaining Ring	
9	7754000056	2	Snap Ring	
10	7440030000	4	Fitting	

SECTION 1 - SUBFRAME

FIGURE 1-5. SIDE RECOVERY SYSTEM (SRS) INSTALLATION (25K WINCH)



ART_1001200002

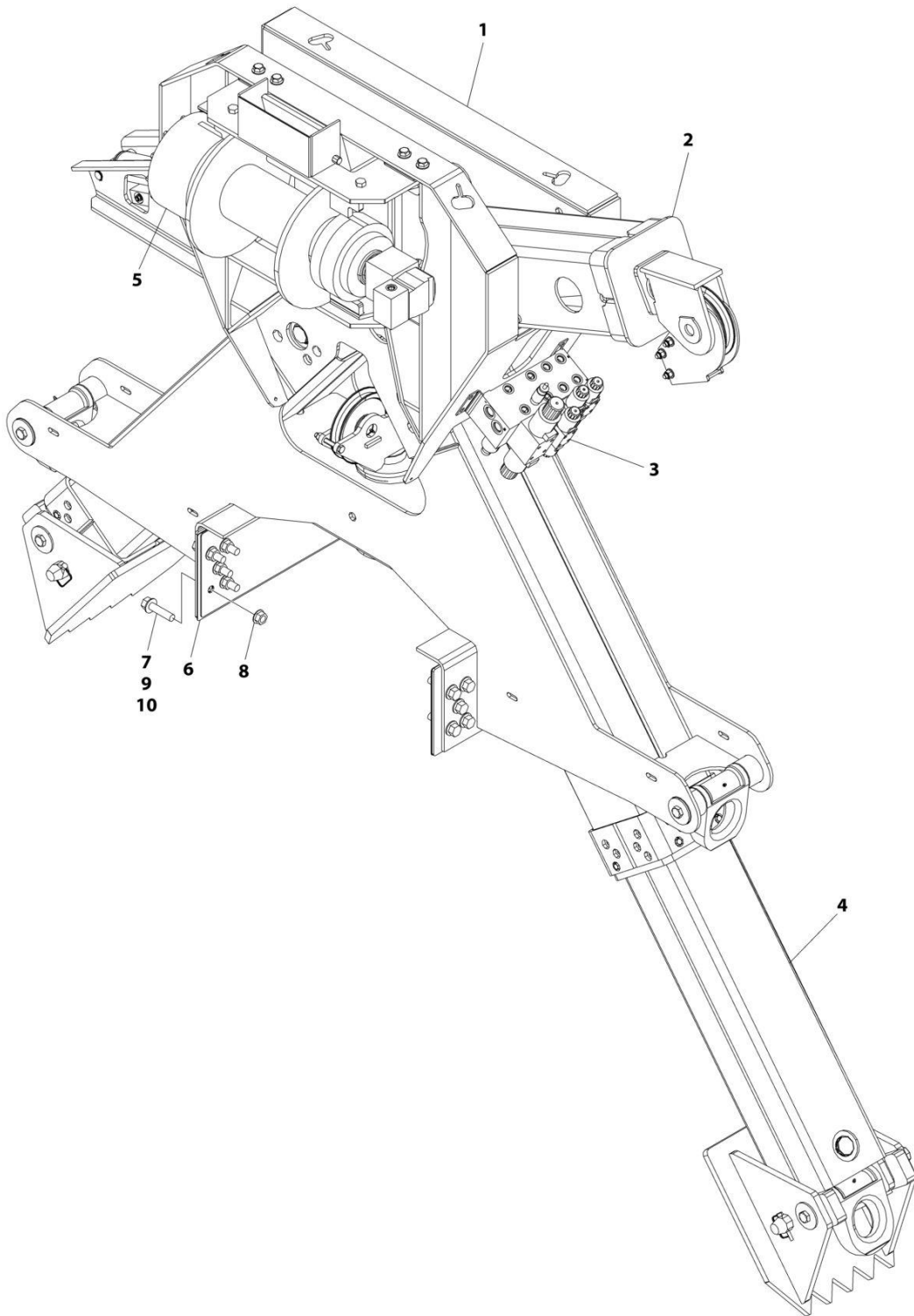
SECTION 1 - SUBFRAME

FIGURE 1-5. SIDE RECOVERY SYSTEM (SRS) INSTALLATION (25K WINCH)

ITEM	PART NUMBER	QTY	DESCRIPTION	REV
	1001200002	Ref	SIDE RECOVERY SYSTEM (SRS) INSTALLATION (25K WINCH)	C
1	3455000055	1	Frame	
2	3548100001	1	Boom Assembly (See Separate Breakdown in this Section)	
3	3548530005	1	Hydraulic Installation (See Separate Breakdown in HYDRAULIC Section)	
4	3548690002	1	Side Stabilizer Assembly (SRS) (See Separate Breakdown in this Section)	
5	3548900004	1	Winch Assembly (See Separate Breakdown in this Section)	
6	3577000129	1	Shim Kit	
7	7118222416	AR	Bolt 3/4 x 3	
8	7660222308	20	Nut 3/4	
9	7118222016	AR	Bolt 3/4 x 2-1/2	
10	7118222816	AR	Bolt 3/4 x 3-1/2	

SECTION 1 - SUBFRAME

FIGURE 1-6. SIDE RECOVERY SYSTEM (SRS) INSTALLATION (35K WINCH)



ART_1001200003

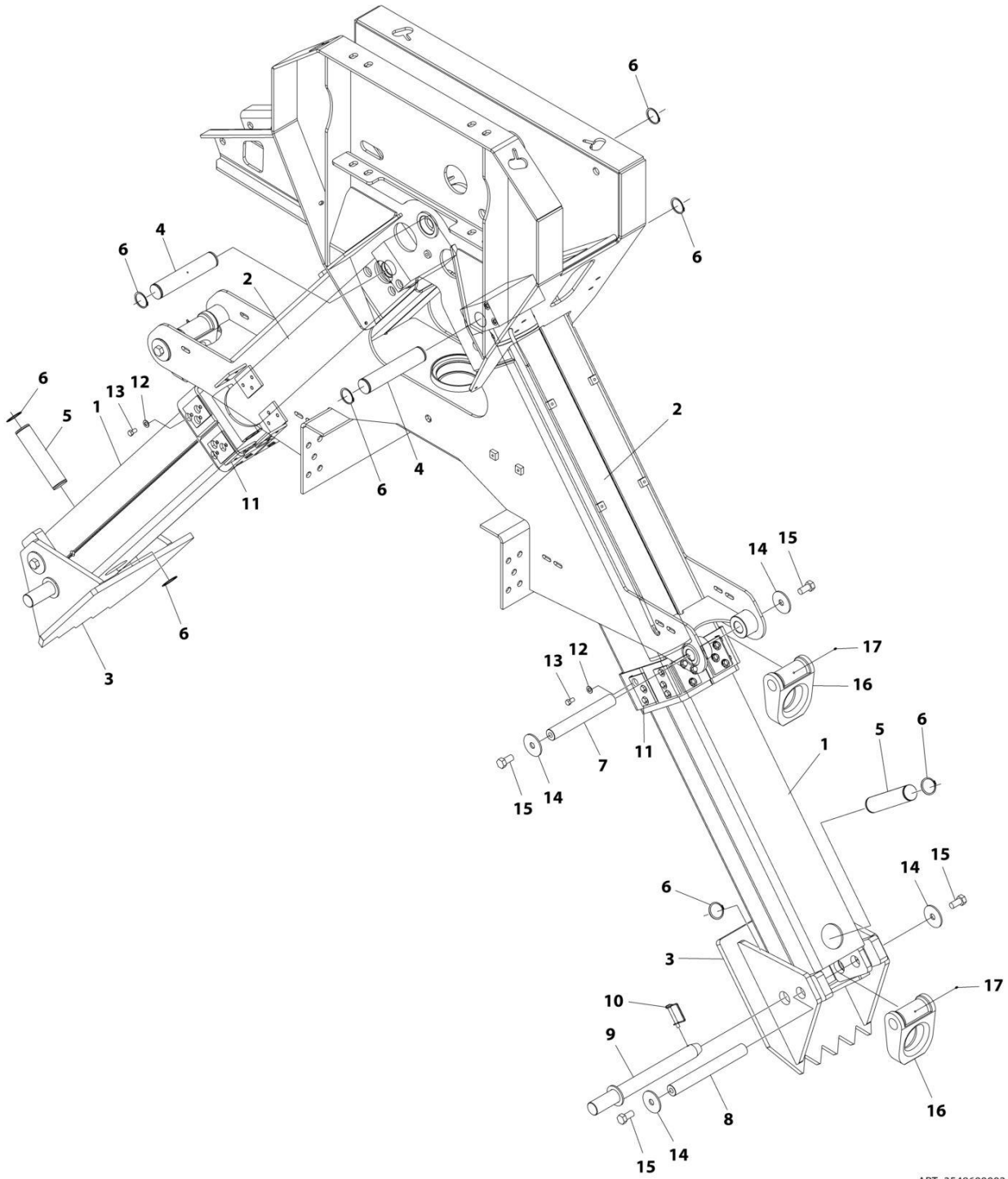
SECTION 1 - SUBFRAME

FIGURE 1-6. SIDE RECOVERY SYSTEM (SRS) INSTALLATION (35K WINCH)

ITEM	PART NUMBER	QTY	DESCRIPTION	REV
	1001200003	Ref	SIDE RECOVERY SYSTEM (SRS) INSTALLATION (35K WINCH)	C
1	3455000055	1	Frame	
2	3548100001	1	Boom Assembly (See Separate Breakdown in this Section)	
3	3548530005	1	Hydraulic Installation (See Separate Breakdown in HYDRAULIC Section)	
4	3548690002	1	Side Stabilizer Assembly (SRS) (See Separate Breakdown in this Section)	
5	3548900003	1	Winch Assembly (See Separate Breakdown in this Section)	
6	3577000129	1	Shim Kit	
7	7118222416	AR	Bolt 3/4 x 3	
8	7660222308	20	Nut 3/4	
9	7118222016	AR	Bolt 3/4 x 2-1/2	
10	7118222816	AR	Bolt 3/4 x 3-1/2	

SECTION 1 - SUBFRAME

FIGURE 1-7. STABILIZER LEG ASSEMBLY (SIDE RECOVERY SYSTEM - SRS)



ART_3548690002

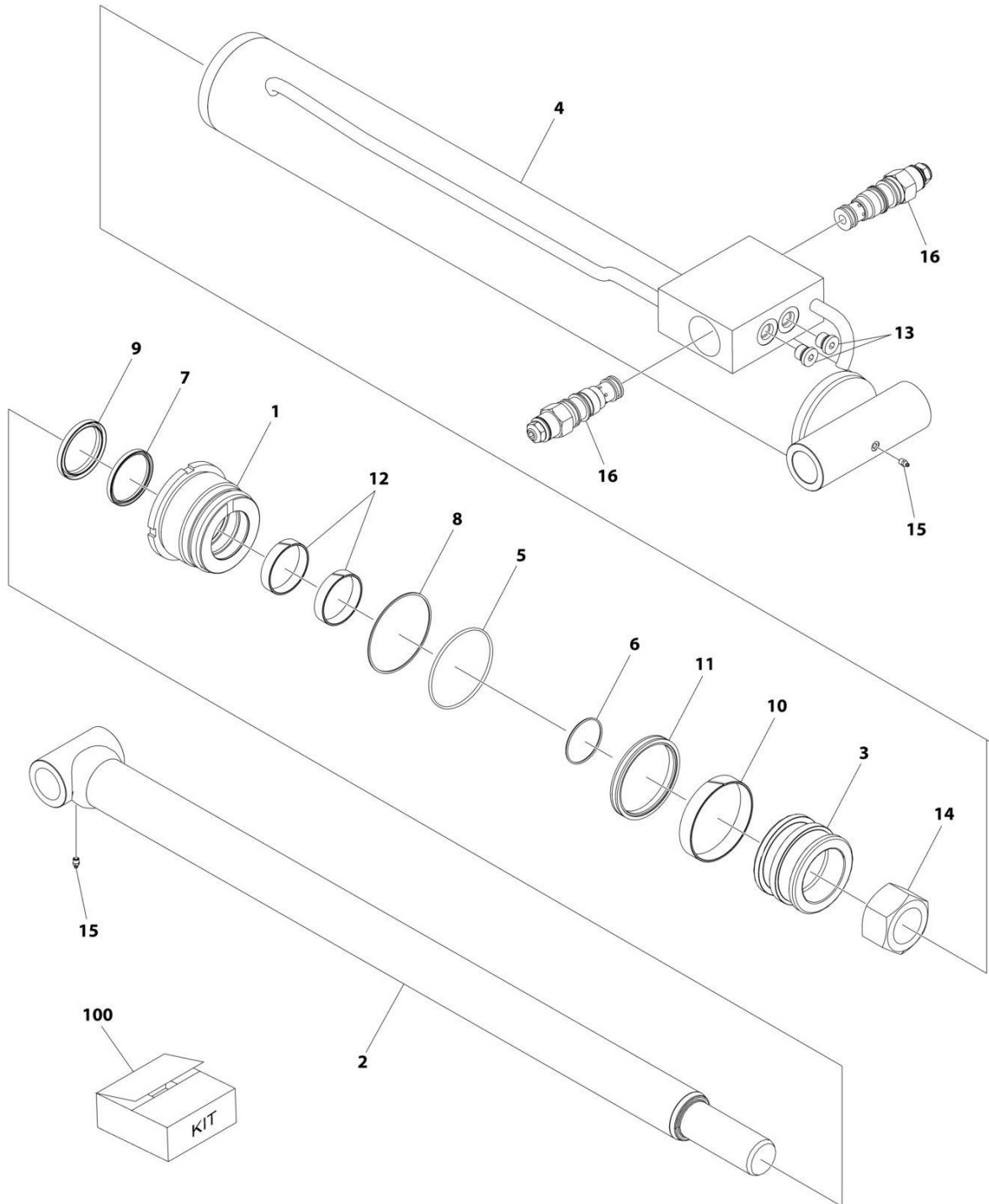
SECTION 1 - SUBFRAME

FIGURE 1-7. STABILIZER LEG ASSEMBLY (SIDE RECOVERY SYSTEM - SRS)

ITEM	PART NUMBER	QTY	DESCRIPTION	REV
	3548690002	Ref	STABILIZER LEG ASSEMBLY (SIDE RECOVERY SYSTEM - SRS)	0
1	3263000133	2	Channel	
2	3320000233	2	Cylinder Assembly - Extend/Retract (Side Stabilizer) (See Separate Breakdown in this Section)	
3	3706000366	2	Plate	
4	4691000576	2	Pin	
5	4691000577	2	Pin	
6	7754000048	8	Ring, Retaining	
7	4691000581	2	Pin	
8	4691000582	2	Pin	
9	3691000263	2	Pin	
10	7691000025	2	Pin	
11	4679000291	16	Pad	
12	7950170142	96	Washer 7/16	
13	7118170650	48	Capscrew 7/16 x 3/4	
14	7949000018	8	Washer	
15	7115221250	8	Capscrew 3/4 x 1-1/2	
16	4754000004	4	D-Ring	
17	7440030000	6	Grease Fitting	

SECTION 1 - SUBFRAME

FIGURE 1-8. CYLINDER ASSEMBLY - BOOM RECOVERY (SRS STABILIZER)



ART_3320000232

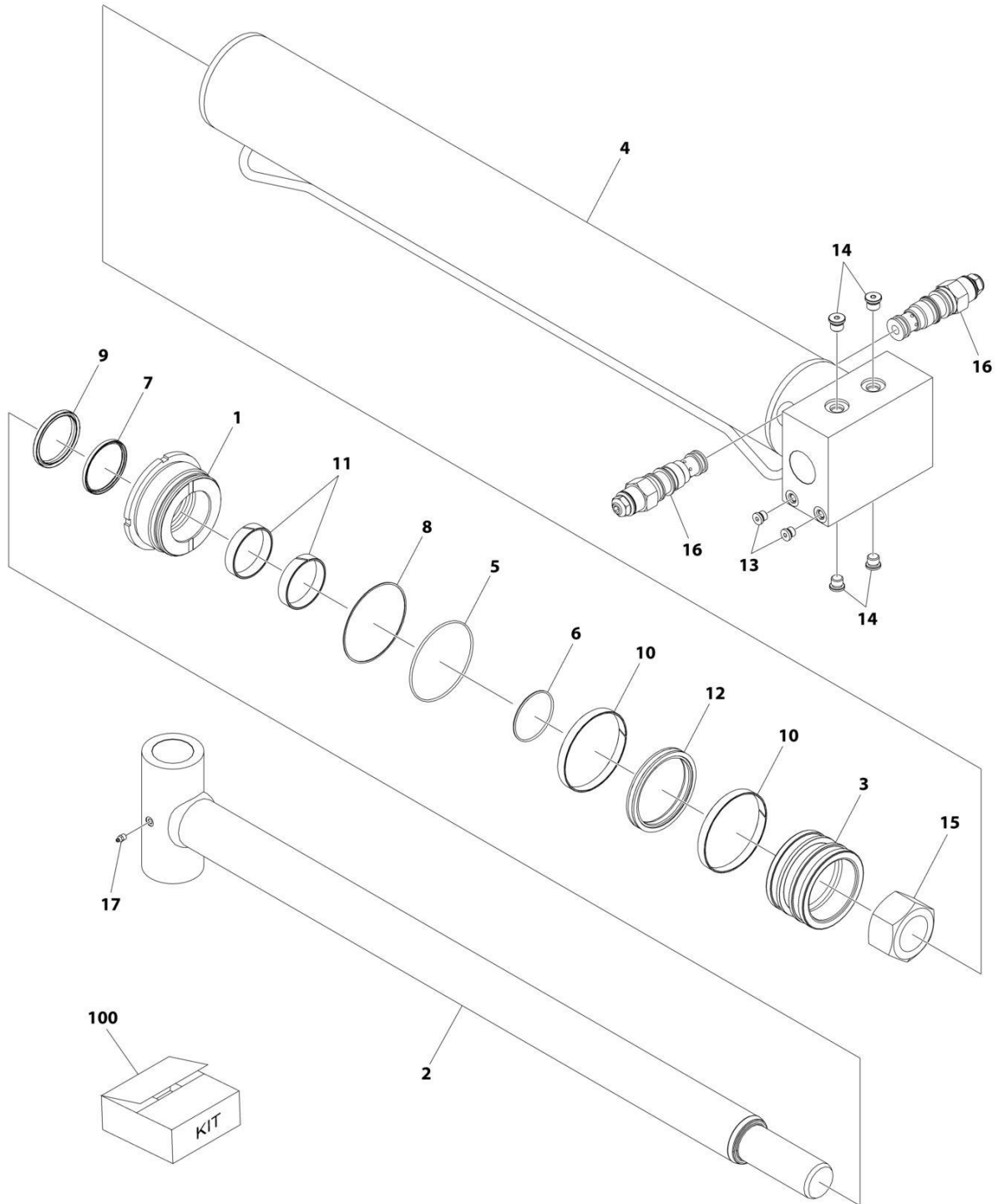
SECTION 1 - SUBFRAME

FIGURE 1-8. CYLINDER ASSEMBLY - BOOM RECOVERY (SRS STABILIZER)

ITEM	PART NUMBER	QTY	DESCRIPTION	REV
	3320000232	Ref	Cylinder Assembly - Boom Recovery (SRS Stabilizer)	0
		Ref	Note: Original Cylinder May Have Been Replaced with Service Replacement. Identify PN Stamped on Cylinder Before Ordering Parts.	
1	70051142	1	Gland	
2	70051141	1	Rod Assembly	
3	70051140	1	Piston	
4	NSS	1	Barrel Assembly	
5	See Note	1	O-Ring (Note: Use Item 100)	
6	See Note	1	O-Ring (Note: Use Item 100)	
7	See Note	1	Rod Seal (Note: Use Item 100)	
8	See Note	1	Back-up Ring (Note: Use Item 100)	
9	See Note	1	Rod Wiper (Note: Use Item 100)	
10	See Note	1	Wear Ring (Note: Use Item 100)	
11	See Note	1	Piston Seal (Note: Use Item 100)	
12	See Note	2	Wear Ring (Note: Use Item 100)	
13	70050641	2	Plug	
14	70051138	1	Nut	
15	70051137	2	Grease Fitting	
16	70040300	2	Cartridge, Counterbalance Valve	
16	2900770	2	Seal Kit - Valve Cartridge (1 Per Cartridge)	
100	9577200245	1	Seal Kit - Cylinder (Includes Items 5-12)	

SECTION 1 - SUBFRAME

FIGURE 1-9. CYLINDER ASSEMBLY - EXTEND/RETRACT (SRS STABILIZER)



ART_3320000233

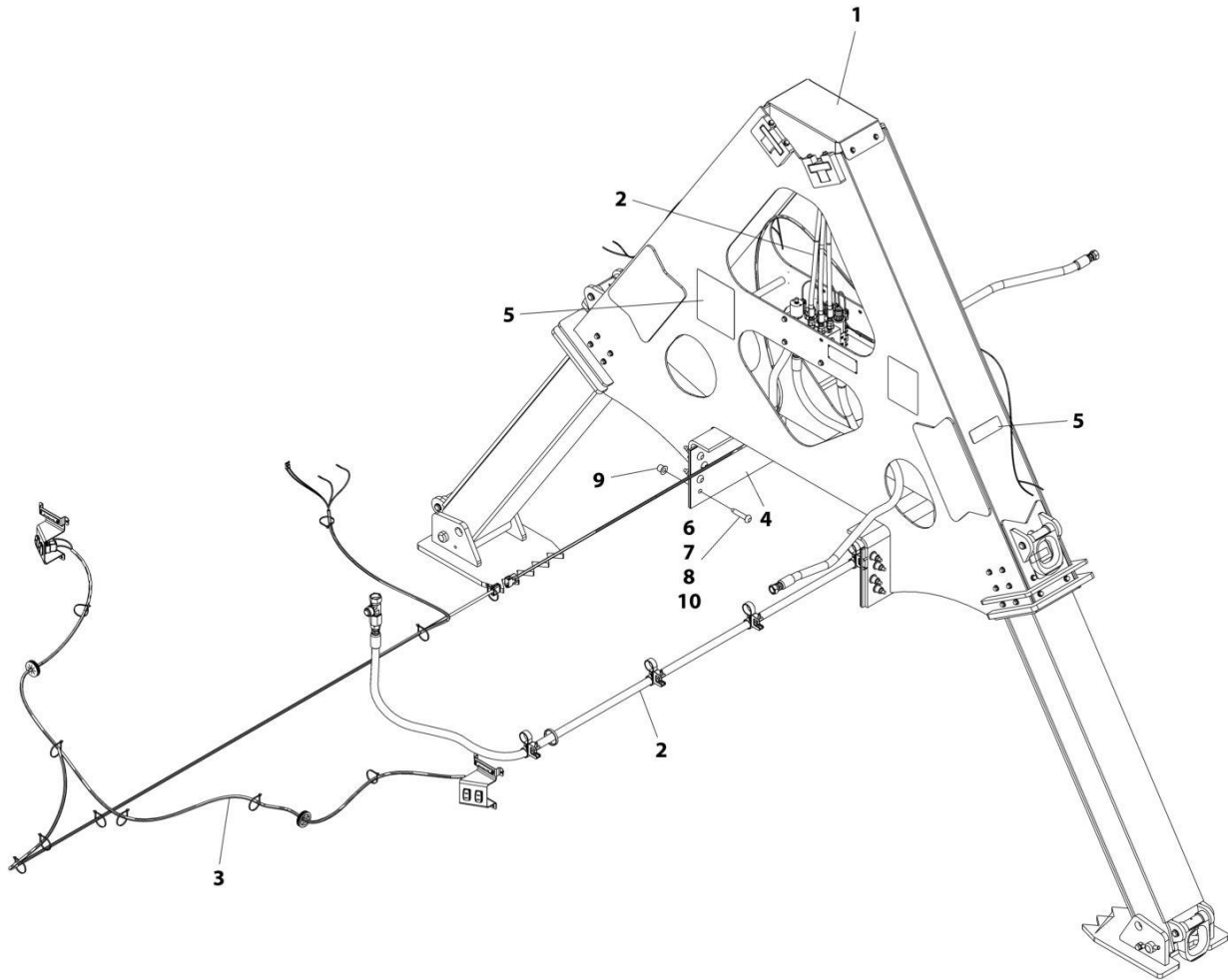
SECTION 1 - SUBFRAME

FIGURE 1-9. CYLINDER ASSEMBLY - EXTEND/RETRACT (SRS STABILIZER)

ITEM	PART NUMBER	QTY	DESCRIPTION	REV
	3320000233	Ref	CYLINDER ASSEMBLY - SRS STABILIZER (SIDE)	0
		Ref	Note: Original Cylinder May Have Been Replaced with Service Replacement. Identify PN Stamped on Cylinder Before Ordering Parts.	
1	70051133	1	Gland	
2	70051134	1	Rod Assembly	
3	70051135	1	Piston	
4	NSS	1	Barrel Assembly	
5	See Note	1	O-Ring (Note: Use Item 100)	
6	See Note	1	O-Ring (Note: Use Item 100)	
7	See Note	1	Rod Seal (Note: Use Item 100)	
8	See Note	1	Back-up Ring (Note: Use Item 100)	
9	See Note	1	Rod Wiper (Note: Use Item 100)	
10	See Note	2	Wear Ring (Note: Use Item 100)	
11	See Note	2	Wear Ring (Note: Use Item 100)	
12	See Note	1	Piston Seal (Note: Use Item 100)	
13	70051130	2	Plug	
14	70050641	4	Plug	
15	70051131	1	Nut	
16	70040300	1	Valve, Counterbalance Cartridge	
16	2900770	1	Seal Kit - Cartridge Valve	
17	70051137	1	Grease Fitting	
100	9577200246	1	Seal Kit - Cylinder (Includes Items 5-12)	

SECTION 1 - SUBFRAME

FIGURE 1-10. SIDE STABILIZER INSTALLATION



ART_1001239622

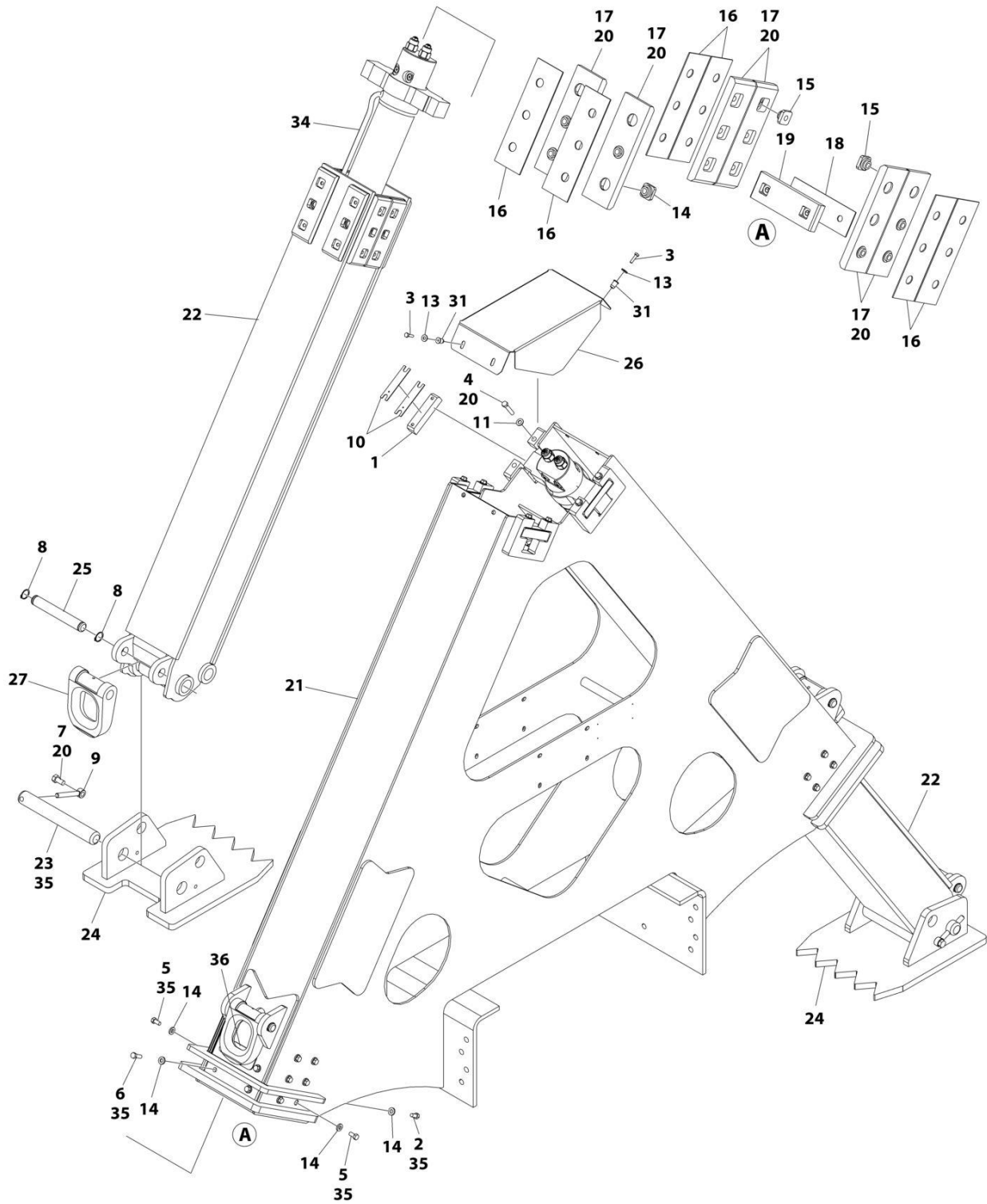
SECTION 1 - SUBFRAME

FIGURE 1-10. SIDE STABILIZER INSTALLATION

ITEM	PART NUMBER	QTY	DESCRIPTION	REV
	1001239622	Ref	SIDE STABILIZER (SS-70) INSTALLATION	C
1	1001239624	1	Stabilizer Assembly (SS-70) (See Separate Breakdown in this Section)	
2	1001243239	1	Hose & Fitting Installation (SS-70) (See Separate Breakdown in HYDRAULIC Section)	
3	1001244142	1	Electrical Installation (SS-70) (See Separate Breakdown in ELECTRICAL Section)	
4	1001246419	1	Frame Shims Installation	
4	1001246165	2	Shim 0.25in	
4	1001246166	2	Shim 11GA	
4	1001246167	2	Shim 16GA	
5	1001246420	1	Decal Installation (SS-70) (See Separate Breakdown in DECAL Section)	
6	1001246980	AR	Bolt 5/8 x 1-3/8	
7	1001246981	16	Bolt 5/8 x 1-5/8	
8	1001246982	AR	Bolt 5/8 x 1-7/8	
9	1001246983	16	Nut 5/8	
10	1001247174	AR	Bolt 5/8 x 2-1/8	

SECTION 1 - SUBFRAME

FIGURE 1-11. SIDE STABILIZER ASSEMBLY



ART_1001239624

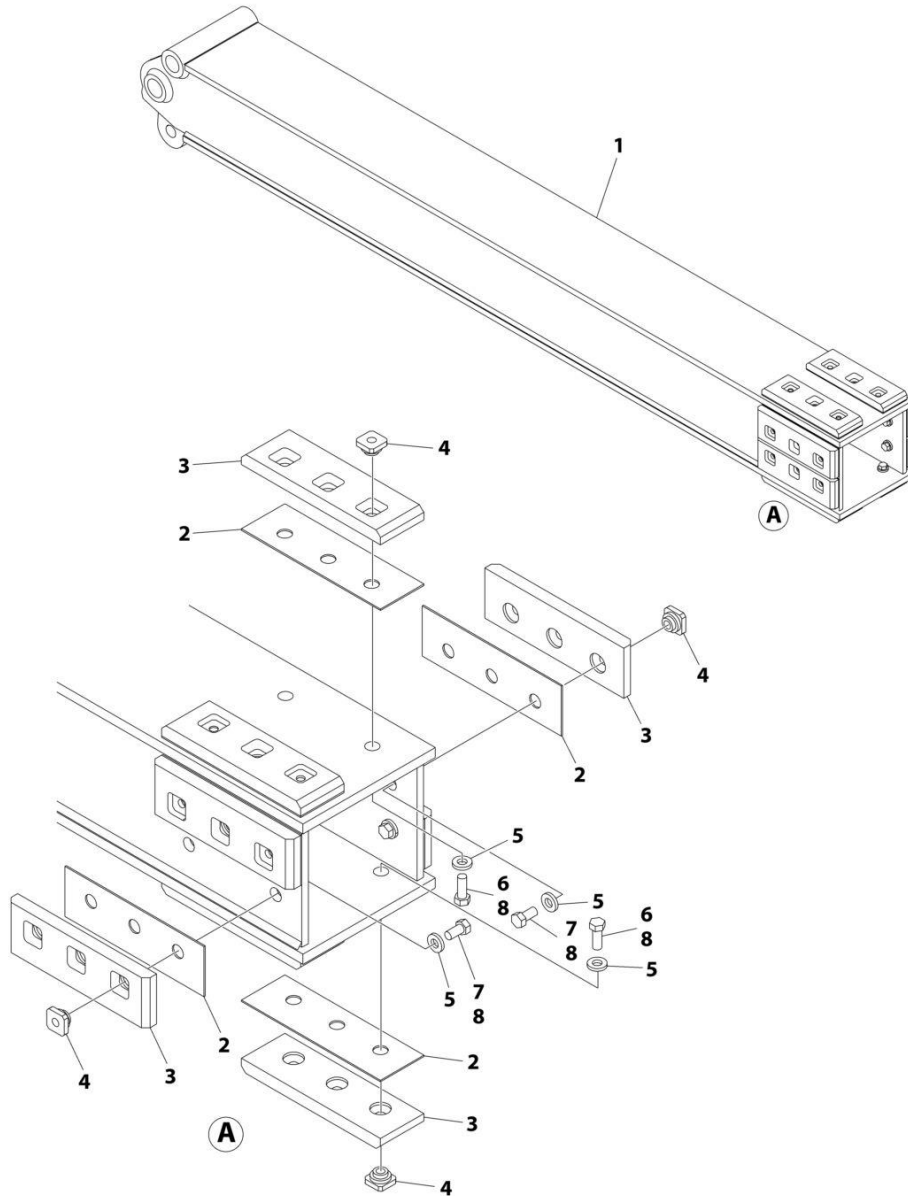
SECTION 1 - SUBFRAME

FIGURE 1-11. SIDE STABILIZER ASSEMBLY

ITEM	PART NUMBER	QTY	DESCRIPTION	REV
	1001239624	Ref	SIDE STABILIZER (SS-70) ASSEMBLY	D
1	0561482	4	Block, Keeper	
2	0651606	4	Bolt 3/8 x 3/4	
3	0681408	4	Bolt 1/4 x 1	
4	0681616	8	Bolt 3/8 x 2	
5	0681606	24	Bolt 3/8 x 3/4	
6	0681609	8	Bolt 3/8 x 1-1/8	
7	0681808	2	Bolt 1/2 x 1	
8	3760115	8	Ring, Retaining	
9	3841203	2	Keeper, Pin	
10	4071031	8	Shim	
11	4711600	8	Washer 3/8	
13	4751400	4	Washer 1/4	
14	4891600	36	Washer 3/8	
15	7082311	32	Insert, Wear Pad	
16	7082342	12	Shim .075	
17	7111572	12	Pad, Wear	
18	91031236	2	Shim	
19	91033189	2	Pad, Bearing	
20	1001095650	AR	Compound, Locking	
21	1001239626	1	Frame, Stabilizer	
22	1001239645	2	Stabilizer (SRS SS-70) Boom/Leg Assembly (See Separate Breakdown In this Section)	
23	1001239647	2	Pin	
24	1001239652	2	Foot	
25	1001245044	4	Pin	
26	1001245230	1	Cover	
27	4754000003	4	D-Ring	
28	1001245737	2	Pin (Not Shown)	
29	1001246753	1	Bracket (Not Shown)	
30	7950140143	4	Washer 1/4 (Not Shown)	
31	7661000006	4	Nut 1/4	
32	1001194676	4	Screw 1/4 x 3/4 (Not Shown)	
33	7691000025	2	Pin (Not Shown)	
34	1001239646	2	Cylinder Assembly - Stabilizer (SS-70) Extend/Retract (See Separate Breakdown in this Section)	
35	3020039	AR	Compound, Locking	
36	1001157348	2	Decal	

SECTION 1 - SUBFRAME

FIGURE 1-12. SIDE STABILIZER (SRS SS-70) BOOM/LEG ASSEMBLY



ART_1001239645

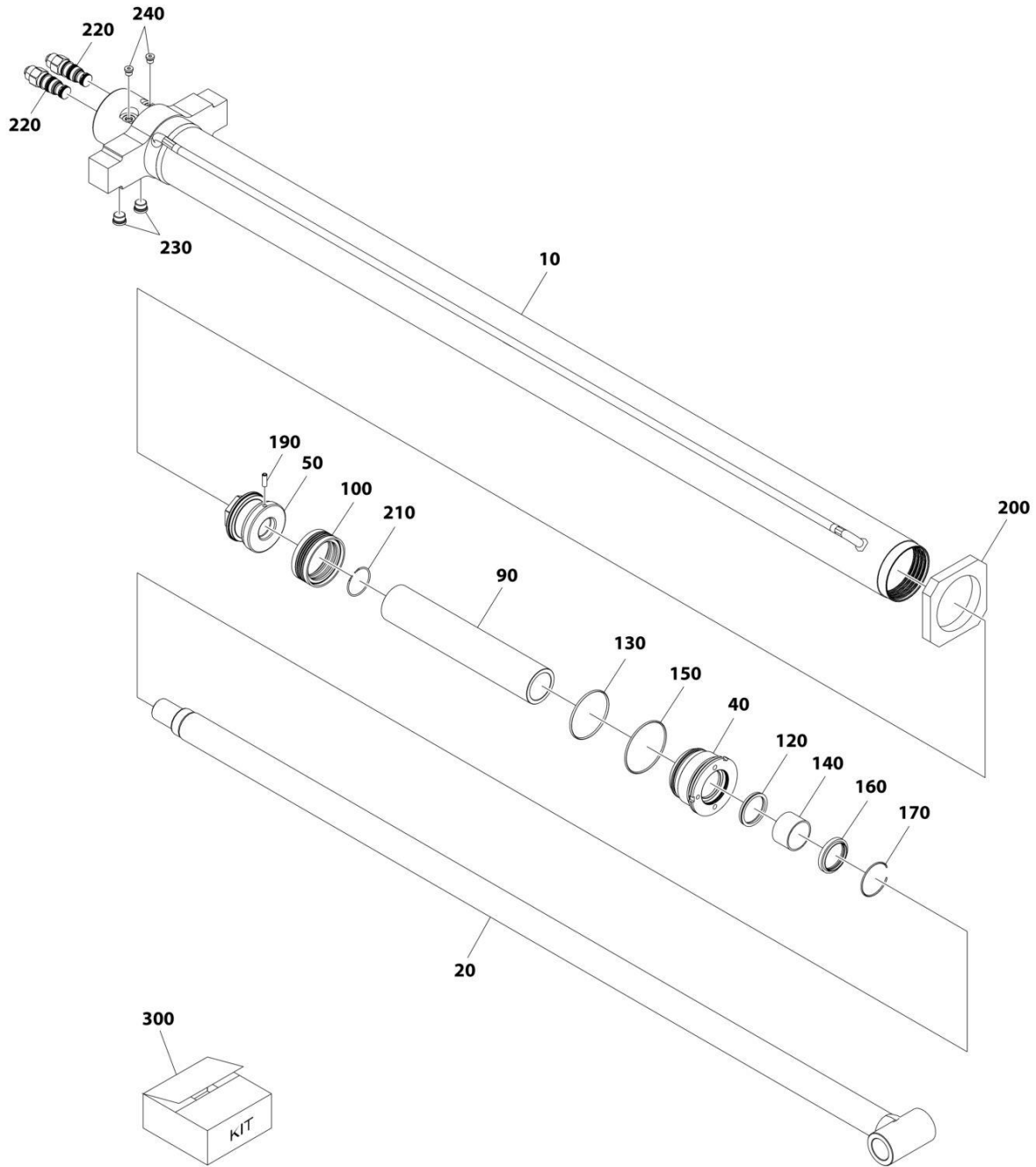
SECTION 1 - SUBFRAME

FIGURE 1-12. SIDE STABILIZER (SRS SS-70) BOOM/LEG ASSEMBLY

ITEM	PART NUMBER	QTY	DESCRIPTION	REV
	1001239645	Ref	STABILIZER (SRS SS-70) BOOM/LEG ASSEMBLY	A
1	1001239648	1	Boom, Leg	
2	7082342	8	Shim .075	
3	7111572	8	Pad, Wear	
4	7082311	16	Insert, Wear Pad	
5	4891600	16	Washer 3/8	
6	0681608	8	Bolt 3/8 x 1	
7	0681606	8	Bolt 3/8 x 3/4	
8	1001095650	AR	Adhesive	

SECTION 1 - SUBFRAME

FIGURE 1-13. CYLINDER ASSEMBLY - EXTEND/RETRACT (SS-70 STABILIZER)



ART_1001239646

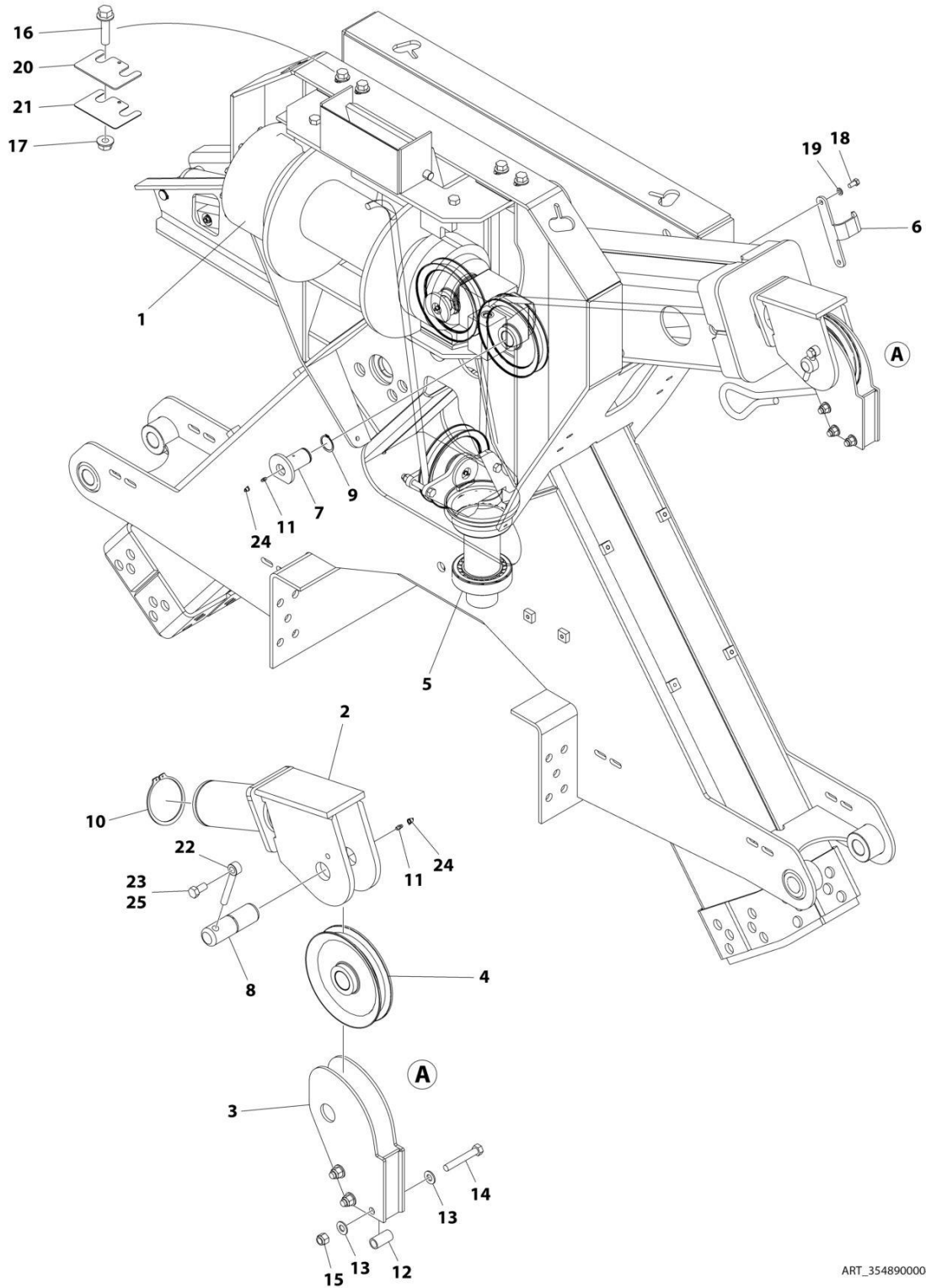
SECTION 1 - SUBFRAME

FIGURE 1-13. CYLINDER ASSEMBLY - EXTEND/RETRACT (SS-70 STABILIZER)

ITEM	PART NUMBER	QTY	DESCRIPTION	REV
	1001239646	Ref	CYLINDER ASSEMBLY	B
10	See Note	NSS	Barrel (Note: Use PN 1001239646)	
20	70007179	1	Rod	
40	70007180	1	Head	
50	70007181	1	Piston	
90	70007182	1	Spacer	
100	See Note	NSS	Seal (Note: Use Item 300)	
120	See Note	NSS	Seal (Note: Use Item 300)	
130	See Note	NSS	O-Ring (Note: Use Item 300)	
140	70007183	1	Bushing	
150	See Note	NSS	O-Ring (Note: Use Item 300)	
160	See Note	NSS	Wiper (Note: Use Item 300)	
170	70027076	1	Ring, Wire	
190	70006319	1	Cap Screw M8 x 25	
200	70007184	1	Plate, Support	
210	70027084	1	Ring, Wire	
220	70007186	1	Valve, Counterbalance	
220	7011367	2	Seal Kit - 70007186 Valve	
230	NPN	NSS	Plug	
240	70025619	2	Plug	
300	70007185	1	Seal Kit - 1001239646 Cylinder (Includes Items 100,120,130,150 & 160)	

SECTION 1 - SUBFRAME

FIGURE 1-14. WINCH ASSEMBLY (SRS) (25K WINCH)



ART_354890004

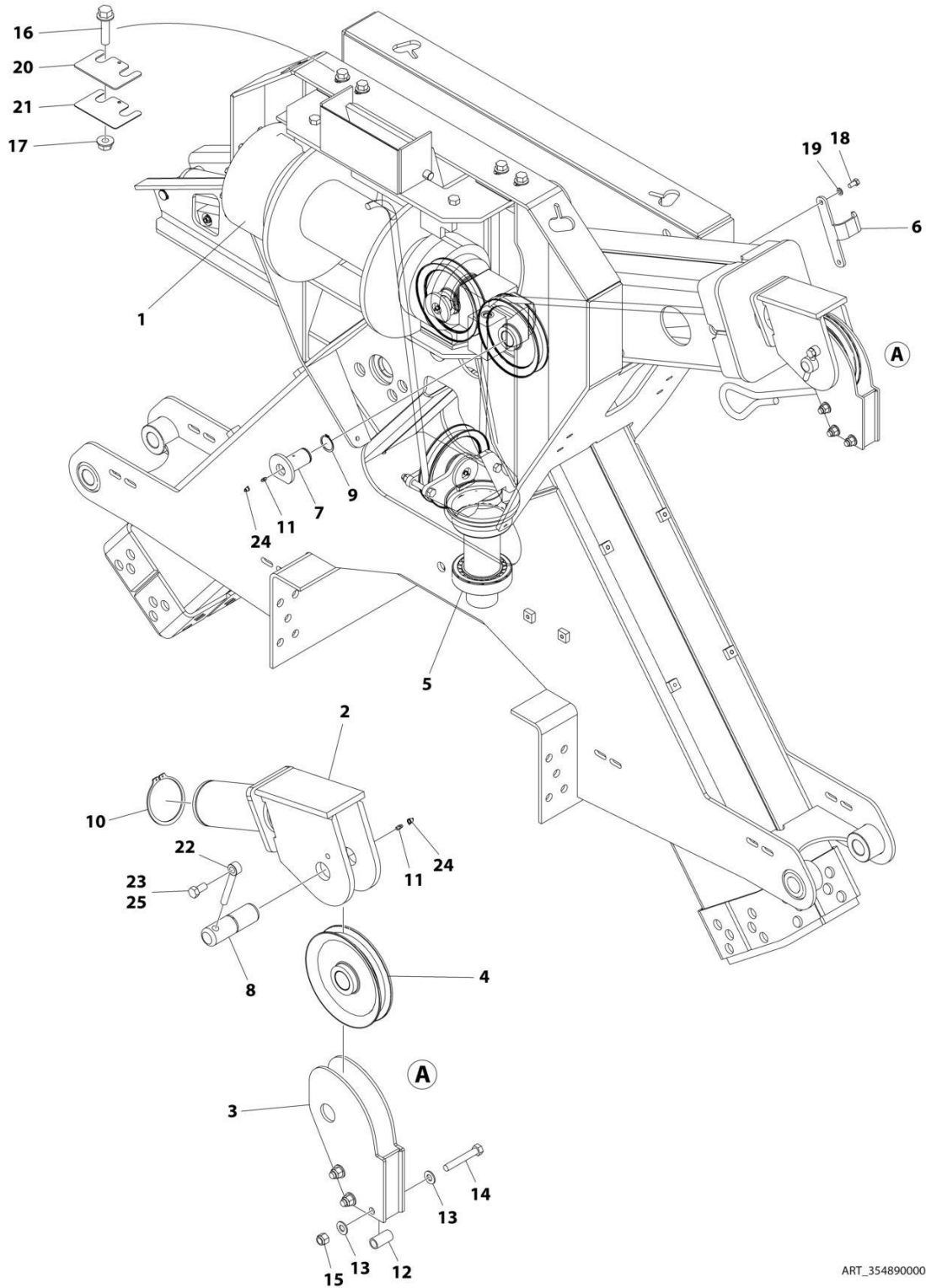
SECTION 1 - SUBFRAME

FIGURE 1-14. WINCH ASSEMBLY (SRS) (25K WINCH)

ITEM	PART NUMBER	QTY	DESCRIPTION	REV
	3548900004	Ref	WINCH ASSEMBLY - SRS 25000 LBS	B
1	7970000163	1	Winch Components 25000 LBS (See Separate Breakdown in this Section)	
2	1001169617	1	Support	
3	3249000043	1	Sheave Guide	
4	7809000006	3	Sheave	
5	2249000020	1	Sheave Assembly	
6	4178000763	1	Bracket	
7	3691000261	2	Pin	
8	1001169893	1	Pin	
9	7754000058	2	Ring	
10	7754000049	1	Ring Retaining	
11	7440030000	4	Grease Fitting	
12	4831000104	3	Spacer	
13	7950180141	6	Washer 1/2	
14	7115182650	3	Capscrew 1/2 x 3-1/4	
15	7660182601	3	Nut 1/2	
16	7118202016	8	Bolt 5/8 x 2-1/2	
17	7661000018	8	Nut 5/8	
18	7115160650	2	Bolt 3/8 x 3/4	
19	7950160000	2	Washer 3/8	
20	4812000103	2	Shim	
21	4812000104	2	Shim	
22	3841203	1	Rod, Keeper	
23	7115180850	1	Capscrew 1/2 x 1	
24	7253000002	4	Fitting	
25	0100011	AR	Compound, Locking	

SECTION 1 - SUBFRAME

FIGURE 1-15. WINCH ASSEMBLY (SRS) (35K WINCH)



ART_354890003

SECTION 1 - SUBFRAME

FIGURE 1-15. WINCH ASSEMBLY (SRS) (35K WINCH)

ITEM	PART NUMBER	QTY	DESCRIPTION	REV
	3548900003	Ref	WINCH ASSEMBLY - SRS 35000 LBS	B
1	7970000162	1	Winch Components 35000 LBS (See Separate Breakdown in this Section)	
2	1001169617	1	Support	
3	3249000043	1	Sheave Guide	
4	7809000006	3	Sheave	
5	2249000020	1	Sheave Assembly	
6	4178000763	1	Bracket	
7	3691000261	2	Pin	
8	1001169893	1	Pin	
9	7754000058	2	Ring	
10	7754000049	1	Ring Retaining	
11	7440030000	4	Grease Fitting	
12	4831000104	3	Spacer	
13	7950180141	6	Washer 1/2	
14	7115182650	3	Capscrew 1/2 x 3-1/4	
15	7660182601	3	Nut 1/2	
16	7118202016	8	Bolt 5/8 x 2-1/2	
17	7661000018	8	Nut 5/8	
18	7115160650	2	Bolt 3/8 x 3/4	
19	7950160000	2	Washer 3/8	
20	4812000103	2	Shim	
21	4812000104	2	Shim	
22	3841203	1	Rod, Keeper	
23	7115180850	1	Capscrew 1/2 x 1	
24	7253000002	4	Fitting	
25	0100011	AR	Compound, Locking	

SECTION 1 - SUBFRAME

FIGURE 1-16. WINCH COMPONENTS - SRS 25K

INFORMATION WAS NOT AVAILABLE AT TIME OF PRINTING.

ART_7970000163

SECTION 1 - SUBFRAME

FIGURE 1-16. WINCH COMPONENTS - SRS 25K

ITEM	PART NUMBER	QTY	DESCRIPTION	REV
	7970000163	Ref Ref	WINCH COMPONENTS - SRS 25000 LBS Note: No Service Parts Available at Time of Printing.	0

SECTION 1 - SUBFRAME

FIGURE 1-17. WINCH COMPONENTS - SRS 35K

INFORMATION WAS NOT AVAILABLE AT TIME OF PRINTING.

ART_7970000162

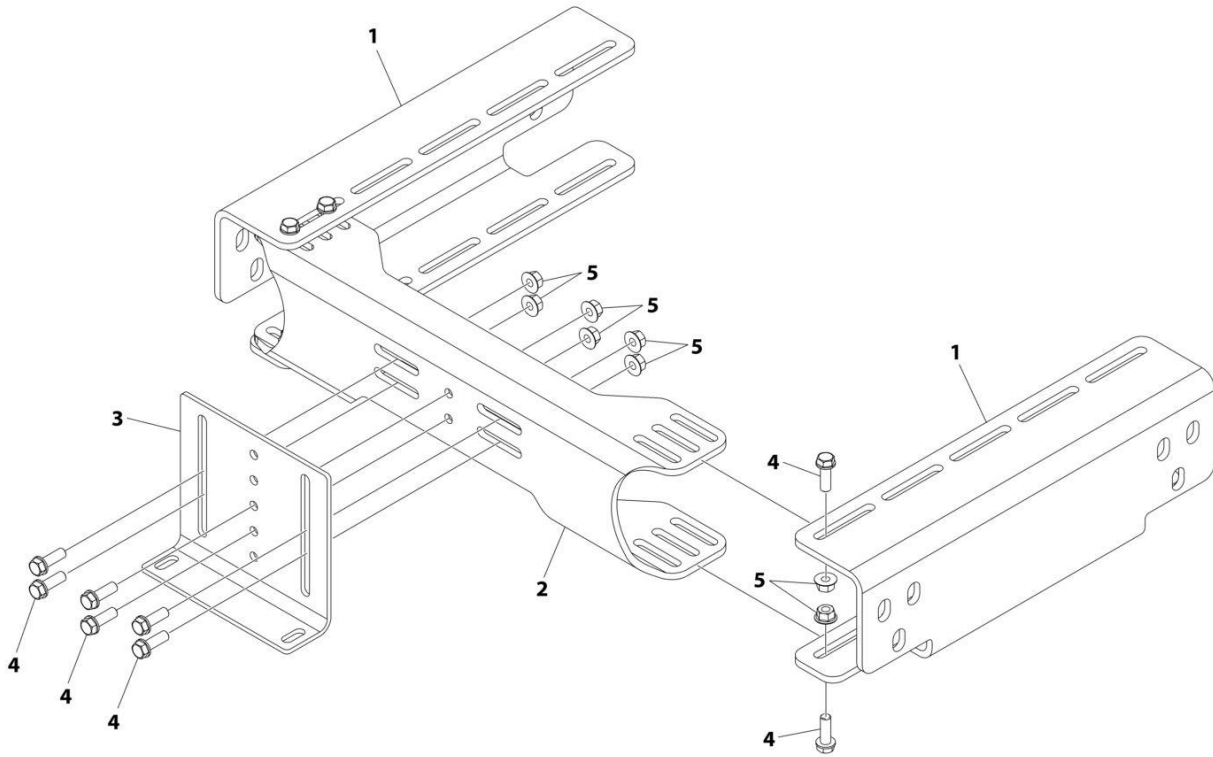
SECTION 1 - SUBFRAME

FIGURE 1-17. WINCH COMPONENTS - SRS 35K

ITEM	PART NUMBER	QTY	DESCRIPTION	REV
	7970000162	Ref Ref	WINCH COMPONENTS - SRS 35000 LBS Note: No Service Parts Available at Time of Printing.	0

SECTION 1 - SUBFRAME

FIGURE 1-18. STABILIZER (SRS SS-70) BRACKET INSTALLATION



ART_217800064

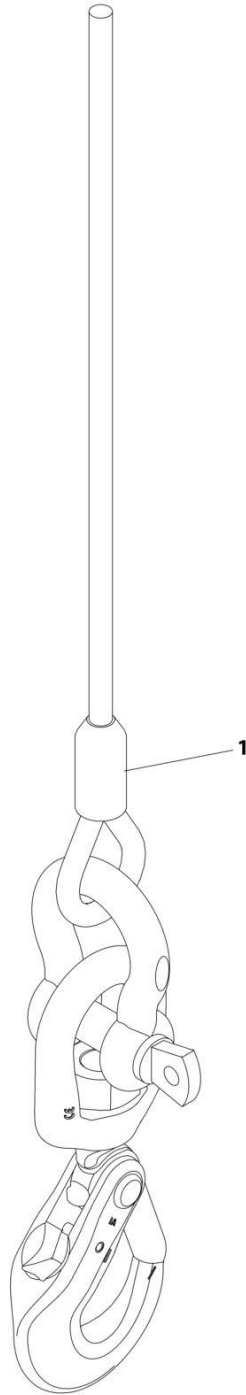
SECTION 1 - SUBFRAME

FIGURE 1-18. STABILIZER (SRS SS-70) BRACKET INSTALLATION

ITEM	PART NUMBER	QTY	DESCRIPTION	REV
	2178000064	Ref	STABILIZER (SRS SS-70) FRAME BRACKET INSTALLATION	00
1	4263000884	2	Channel, Frame Side	
2	3263000141	1	Channel, Cross	
3	4017001675	1	Plate, Angle	
4	7118181216	14	Bolt 1/2 x 1-1/2	
5	7660182301	14	Nut 1/2	

SECTION 1 - SUBFRAME

FIGURE 1-19. CABLE ASSEMBLY - 5/8 X 200FT (STABILIZERS)



ART_1001207498

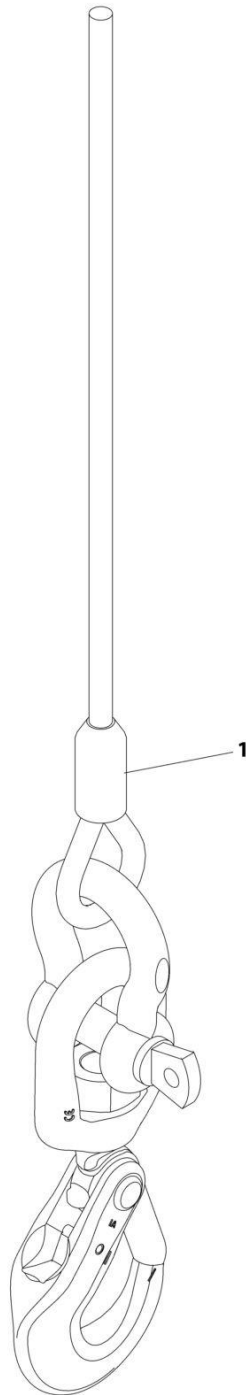
SECTION 1 - SUBFRAME

FIGURE 1-19. CABLE ASSEMBLY - 5/8 X 200FT (STABILIZERS)

ITEM	PART NUMBER	QTY	DESCRIPTION	REV
1	1001207498 3248000001	Ref 1	CABLE ASSEMBLY - 5/8 X 200FT (STABILIZERS) Cable Assembly	A

SECTION 1 - SUBFRAME

FIGURE 1-20. CABLE ASSEMBLY - 5/8 X 250FT (STABILIZERS)



ART_1001207499

SECTION 1 - SUBFRAME

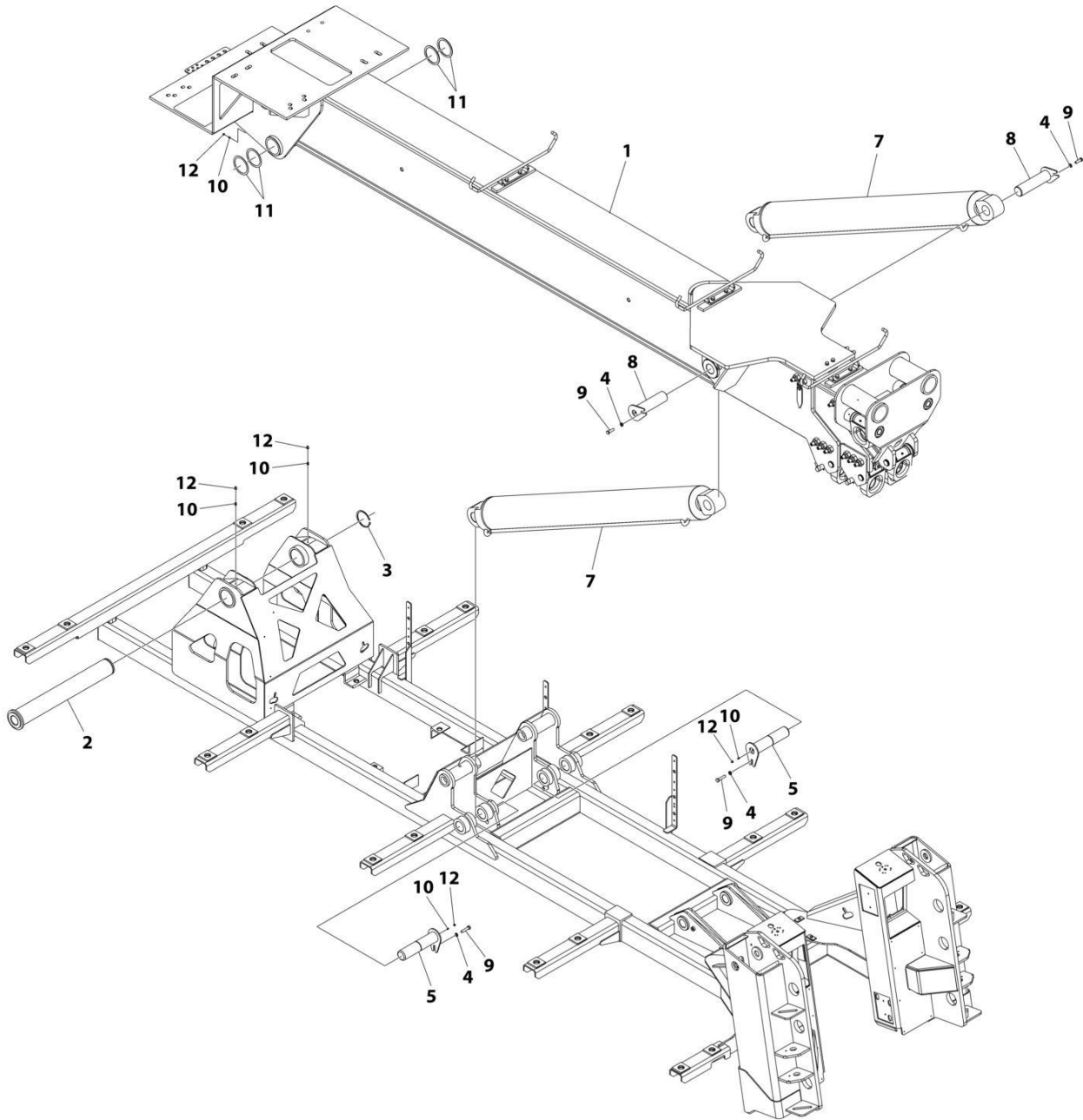
FIGURE 1-20. CABLE ASSEMBLY - 5/8 X 250FT (STABILIZERS)

ITEM	PART NUMBER	QTY	DESCRIPTION	REV
1	1001207499 3248000002	Ref 1	CABLE ASSEMBLY - 5/8 X 250FT (STABILIZERS) Cable Assembly	A

SECTION 2 - BOOM

SECTION 2 - BOOM

FIGURE 2-1. BOOM INSTALLATION - 3 PIECE



ART_2517100030

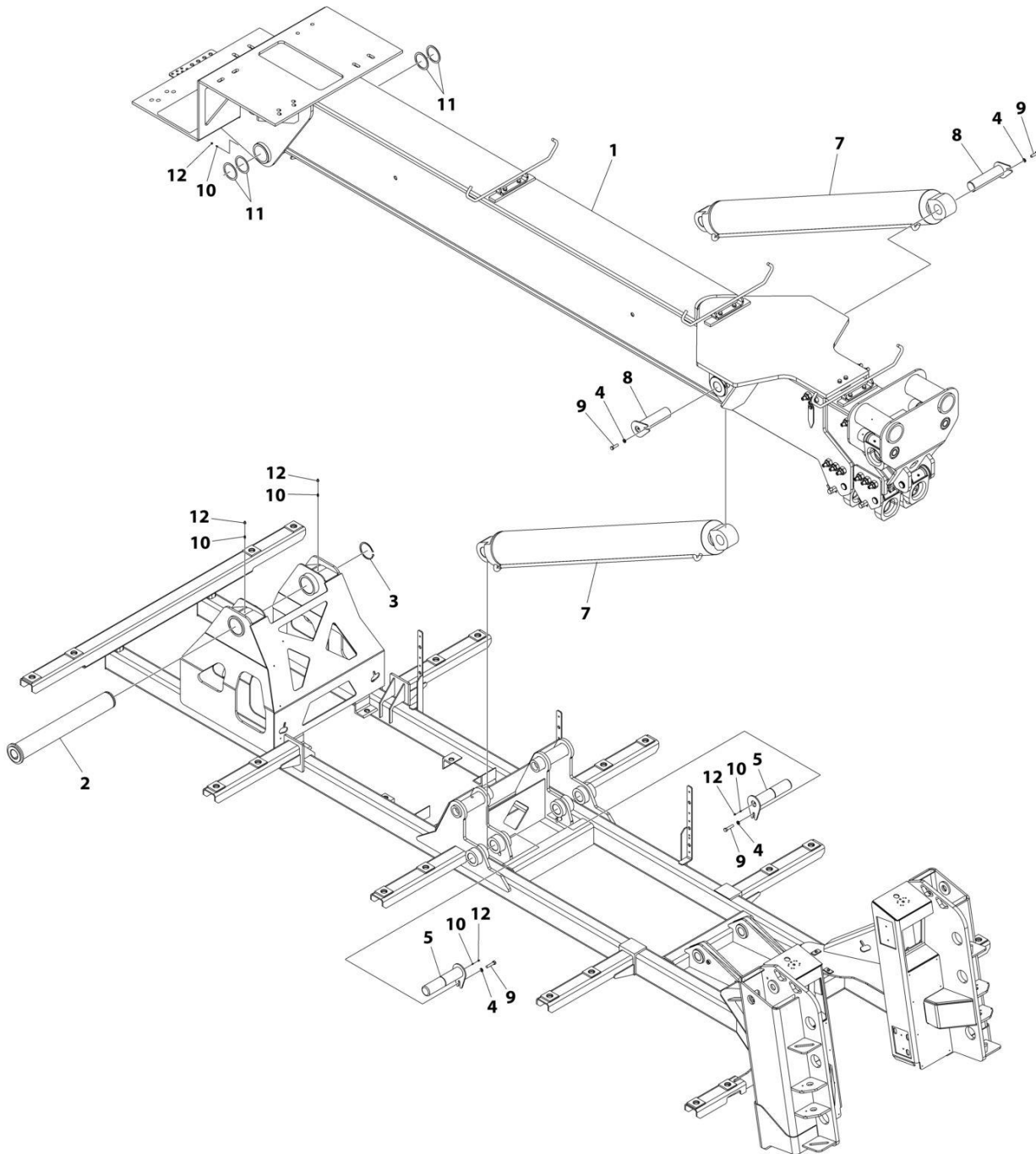
SECTION 2 - BOOM

FIGURE 2-1. BOOM INSTALLATION - 3 PIECE

ITEM	PART NUMBER	QTY	DESCRIPTION	REV
	2517100030	Ref	BOOM INSTALLATION - 3 PIECE	C
1	3170000384	1	Boom Assembly (See Separate Breakdown in this Section)	
2	3691000274	1	Pin	
3	7754000059	1	Ring	
4	7950180000	4	Washer 1/2	
5	3691000149	2	Pin	
7	7320000027	2	Cylinder Assembly (See Separate Breakdown in this Section)	
7	7577250190	2	Seal Kit	
7	9935250032	4	Valve	
8	3691000148	2	Pin	
9	7115181450	4	Bolt 1/2 x 1-3/4	
10	7440030000	5	Fitting, Straight	
11	3577000071	1	Shim, Kit	
11	4949000059	2	Washer 5/8	
11	4949000060	2	Washer 1/8	
12	7253000002	7	Cap, Fitting	
13	1001172491	1	Strap, Cable (Not Shown)	

SECTION 2 - BOOM

FIGURE 2-2. BOOM INSTALLATION - 3 PIECE (DRAG WINCH)



ART_2517100029

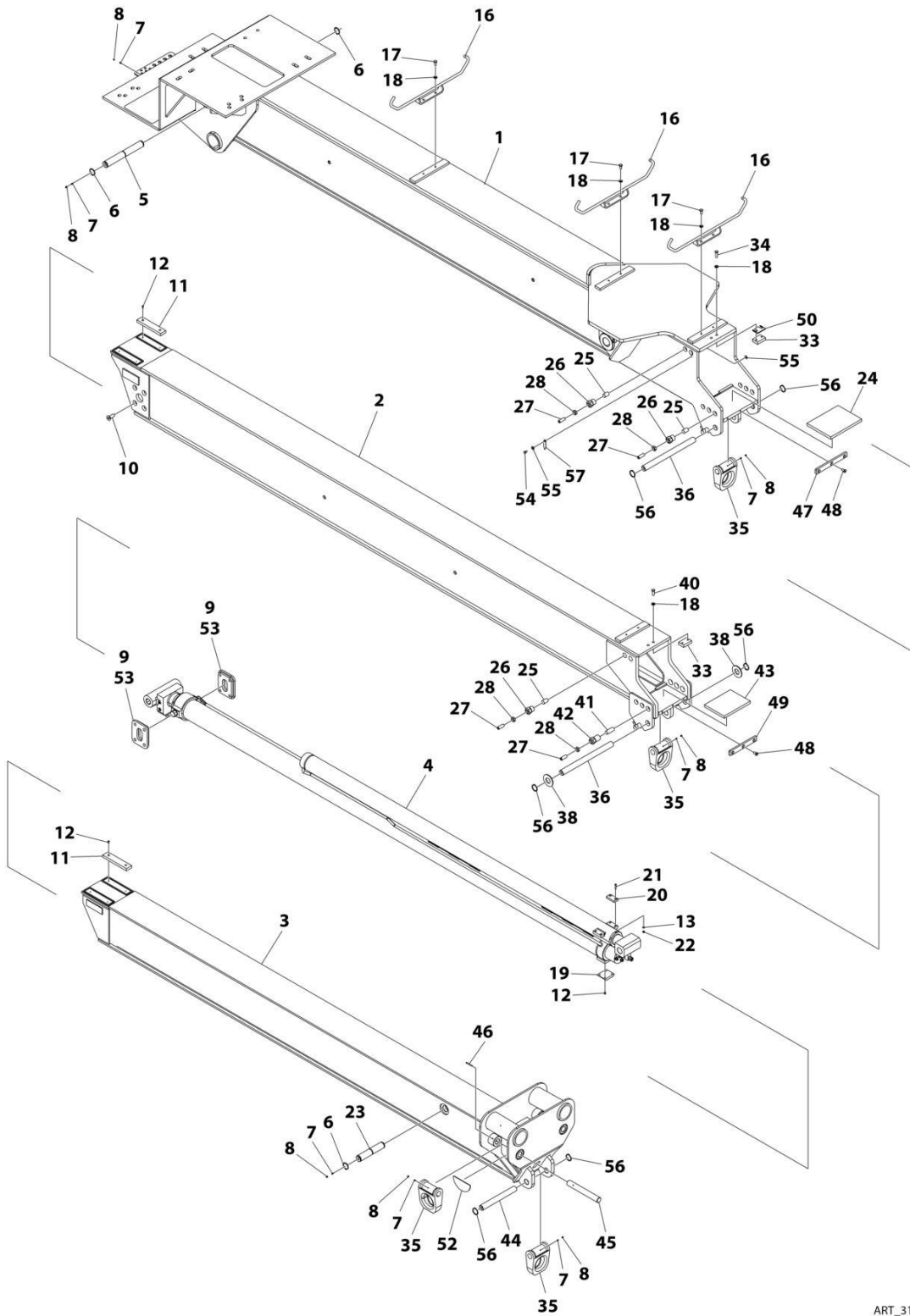
SECTION 2 - BOOM

FIGURE 2-2. BOOM INSTALLATION - 3 PIECE (DRAG WINCH)

ITEM	PART NUMBER	QTY	DESCRIPTION	REV
	2517100029	Ref	BOOM INSTALLATION - 3 PIECE (DRAG WINCH)	C
1	3170000384	1	Boom Assembly (See Separate Breakdown in this Section)	
2	3691000274	1	Pin	
3	7754000059	1	Ring	
4	7950180000	4	Washer 1/2	
5	3691000149	2	Pin	
7	7320000062	2	Cylinder Assembly (See Separate Breakdown in this Section)	
8	3691000148	2	Pin	
9	7115181450	4	Bolt 1/2 x 1-3/4	
10	7440030000	5	Fitting, Straight	
11	3577000071	1	Shim, Kit	
11	4949000059	2	Washer 5/8	
11	4949000060	2	Washer 1/8	
12	7253000002	7	Cap, Fitting	
13	1001172491	1	Strap, Cable (Not Shown)	

SECTION 2 - BOOM

FIGURE 2-3. BOOM ASSEMBLY



ART_3170000384

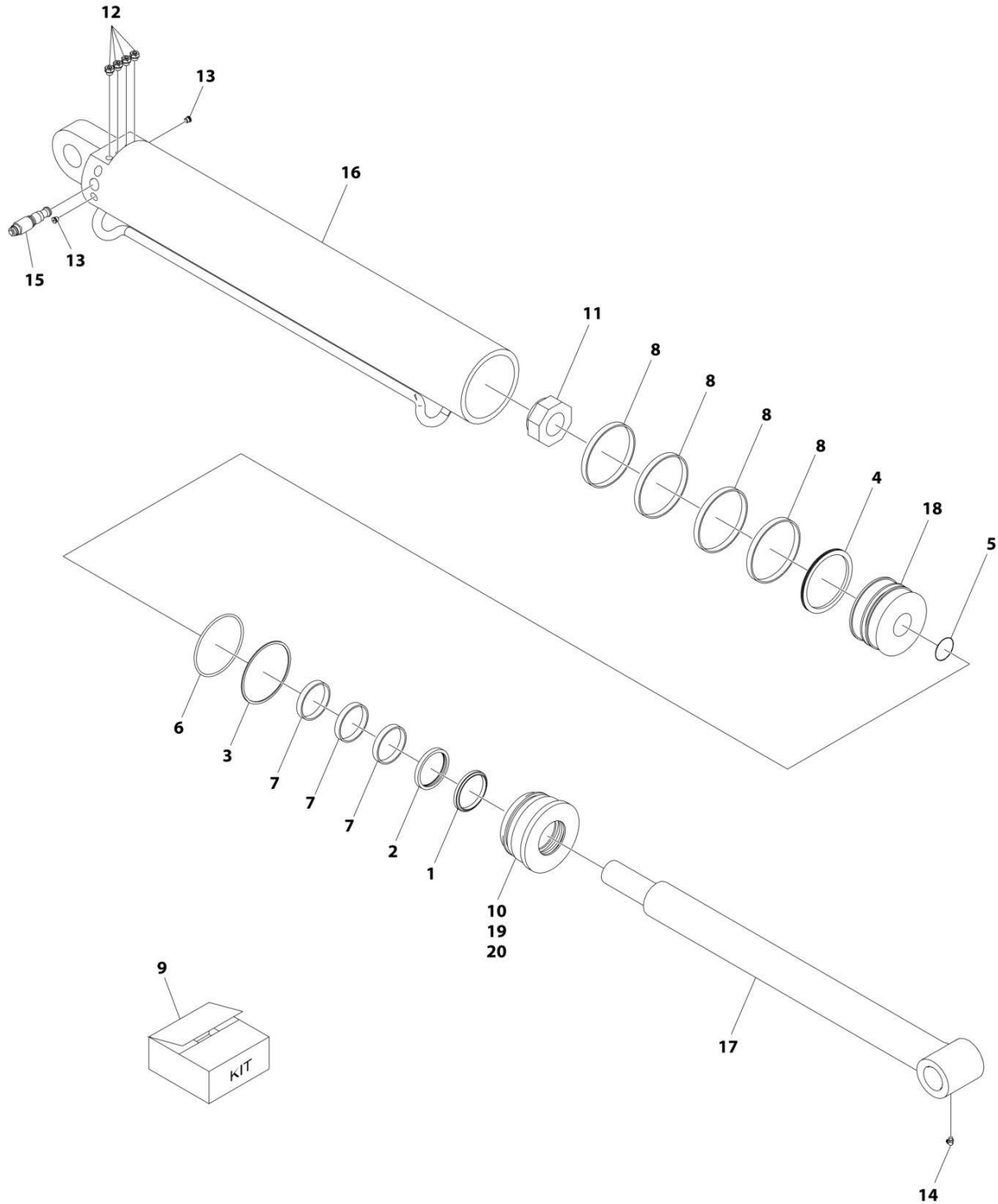
SECTION 2 - BOOM

FIGURE 2-3. BOOM ASSEMBLY

ITEM	PART NUMBER	QTY	DESCRIPTION	REV
	3170000384	Ref	BOOM ASSEMBLY	I
1	1001269186	1	Boom Weldment, Base	
2	3170000266	1	Boom Weldment, Mid	
3	3170000383	1	Boom Weldment, Fly	
4	7320000085	1	Cylinder Assembly (See Separate Breakdown in this Section)	
5	4691000417	1	Pin	
6	7754000055	4	Ring, Retaining	
7	7440030000	9	Fitting, Straight	
8	7253000002	9	Cap, Fitting	
9	3706000241	2	Plate	
10	7120000040	8	Bolt 3/4 x 2	
11	4679000140	4	Pad	
12	7118140427	12	Bolt 1/4 x 1/2	
13	7950140141	4	Washer 1/4	
16	1001251640	3	Bracket	
17	7115180850	6	Bolt 1/2 x 1	
18	7950180000	10	Washer 1/2	
19	4679000216	1	Pad	
20	4679000220	2	Pad	
21	7114141218	4	Bolt 1/4 x 1-1/2	
22	7660142604	4	Nut 1/4	
23	4691000416	1	Pin	
24	4679000215	1	Pad	
25	4064000033	14	Bar	
26	4701000004	14	Bolt 1-1/2 x 2	
27	7786000005	20	Screw 3/4 x 2	
28	7660220230	20	Nut 3/4	
33	4062000562	2	Bar	
34	7115181450	2	Bolt 1/2 x 1-3/4	
35	4754000004	7	D-Ring	
36	1001129006	2	Pin	
38	7950340161	2	Washer 1-1/2	
40	7115181250	2	Bolt 1/2 x 1-1/2	
41	4064000076	6	Bar	
42	4701000005	6	Bolt 1-1/2 x 2-3/4	
43	4679000217	1	Pad	
44	1001129393	1	Pin	
45	4691000285	2	Pin	
46	7690144840	2	Pin	
47	4706005215	1	Plate	
48	7118180820	6	Screw 1/2 x 1	
49	4706005216	1	Plate	
50	4062000613	1	Bar	
52	1001151805	2	Decal	
53	1001095650	AR	Compound, Locking	
54	0641605	2	Bolt 3/8 x 5/8	
55	4751600	4	Washer 3/8	
56	7754000033	6	Ring, Retaining	
57	1001251652	2	Plate	

SECTION 2 - BOOM

FIGURE 2-4. CYLINDER ASSEMBLY - BOOM LIFT (NO DRAG WINCH)



ART_732000027

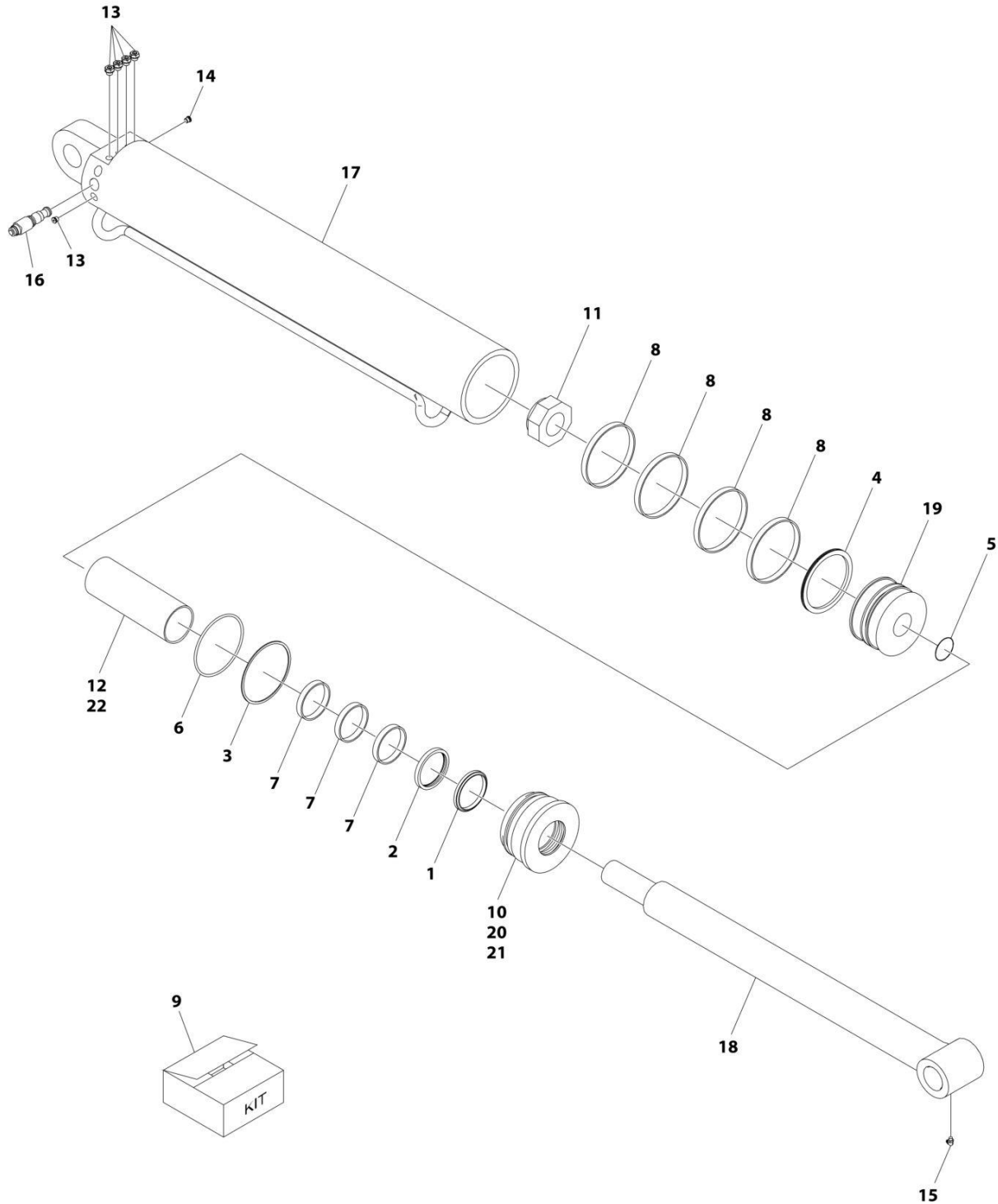
SECTION 2 - BOOM

FIGURE 2-4. CYLINDER ASSEMBLY - BOOM LIFT (NO DRAG WINCH)

ITEM	PART NUMBER	QTY	DESCRIPTION	REV
	732000027	Ref	CYLINDER ASSEMBLY - BOOM LIFT	C
		Ref	Note: Original Cylinder May Have Been Replaced with Service Replacement. Identify PN Stamped on Cylinder Before Ordering Parts.	
1	See Note	NSS	Wiper (Note: Use Item 9)	
2	See Note	NSS	Seal (Note: Use Item 9)	
3	See Note	NSS	Ring, Back-up (Note: Use Item 9)	
4	See Note	NSS	Seal (Note: Use Item 9)	
5	See Note	NSS	O-Ring (Note: Use Item 9)	
6	See Note	NSS	O-Ring (Note: Use Item 9)	
7	See Note	NSS	Ring, Wear (Note: Use Item 9)	
8	See Note	NSS	Ring, Wear (Note: Use Item 9)	
9	7577250190	NSS	Kit, Seal (Includes Items 1-8)	
10	9786250005	1	Set Screw	
11	9661250018	1	Nut	
12	7005365	4	Plug	
13	7023593	2	Plug	
14	7440030200	1	Fitting, 90	
15	9935250032	2	Valve, Counterbalance	
16	9912250007	1	Tube	
17	9763250012	1	Rod	
18	9698250002	1	Piston	
19	9254250009	1	Head	
20	9553250004	1	Head	

SECTION 2 - BOOM

FIGURE 2-5. CYLINDER ASSEMBLY - BOOM LIFT (DRAG WINCH)



ART_7320000062

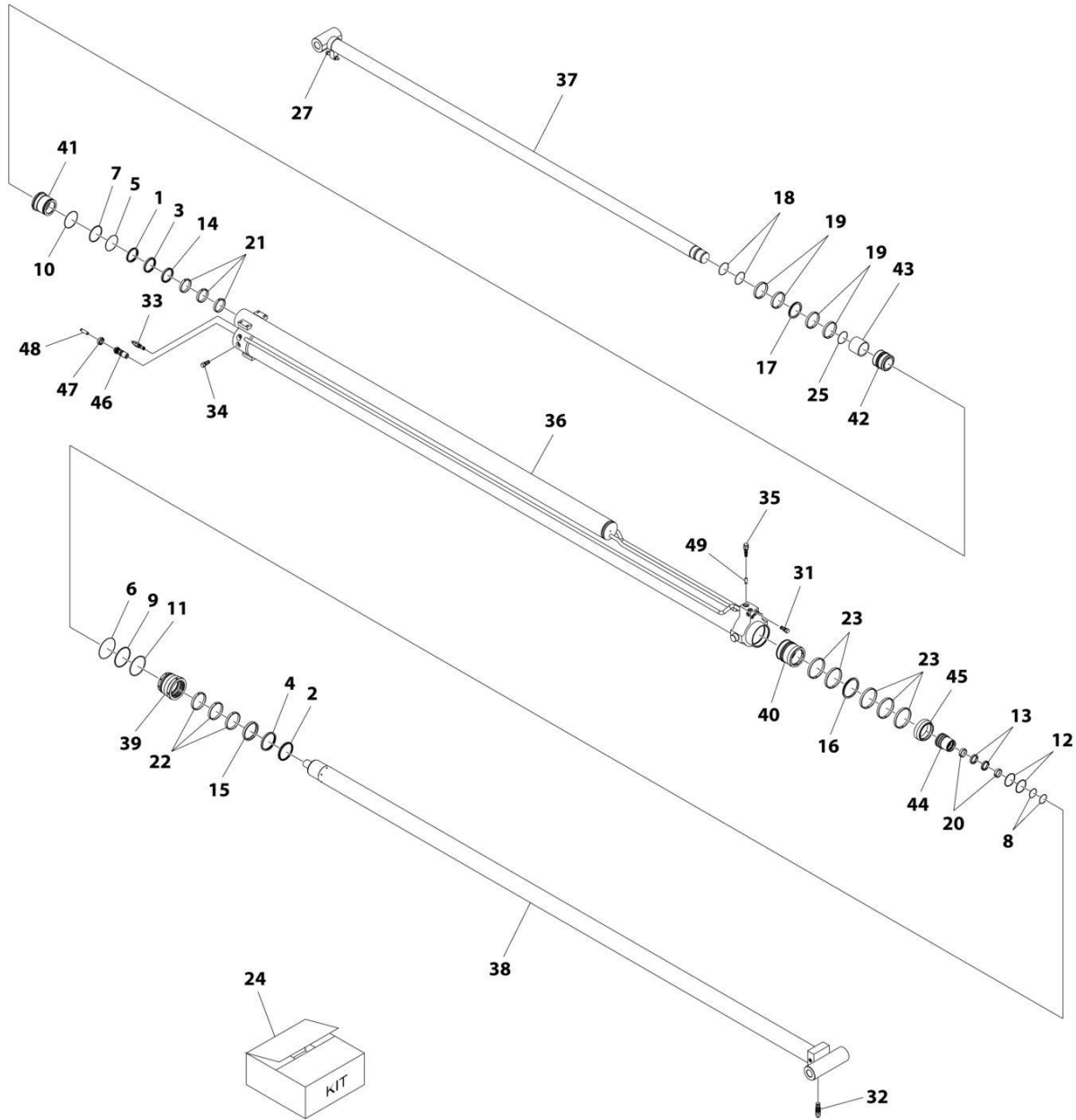
SECTION 2 - BOOM

FIGURE 2-5. CYLINDER ASSEMBLY - BOOM LIFT (DRAG WINCH)

ITEM	PART NUMBER	QTY	DESCRIPTION	REV
	732000062	Ref	CYLINDER ASSEMBLY - BOOM LIFT	C
		Ref	Note: Original Cylinder May Have Been Replaced with Service Replacement. Identify PN Stamped on Cylinder Before Ordering Parts.	
1	See Note	NSS	Wiper (Note: Use Item 9)	
2	See Note	NSS	Seal (Note: Use Item 9)	
3	See Note	NSS	Ring, Back-up (Note: Use Item 9)	
4	See Note	NSS	Seal (Note: Use Item 9)	
5	See Note	NSS	O-Ring (Note: Use Item 9)	
6	See Note	NSS	O-Ring (Note: Use Item 9)	
7	See Note	NSS	Ring, Wear (Note: Use Item 9)	
8	See Note	NSS	Ring, Wear (Note: Use Item 9)	
9	7577250190	NSS	Kit, Seal (Includes Items 1-8)	
10	9786250005	1	Set Screw	
11	9661250018	1	Nut	
12	9754250056	2	Ring, Wear	
13	7005365	4	Plug	
14	7023593	2	Plug	
15	7440030200	1	Fitting, 90	
16	9935250032	2	Valve, Counterbalance	
17	9912250007	1	Tube	
18	9763250012	1	Rod	
19	9698250002	1	Piston	
20	9254250009	1	Head	
21	9553250004	1	Head	
22	70051333	1	Spacer	

SECTION 2 - BOOM

FIGURE 2-6. CYLINDER ASSEMBLY - EXTEND/RETRACT (3 PIECE BOOM)



ART_732000085

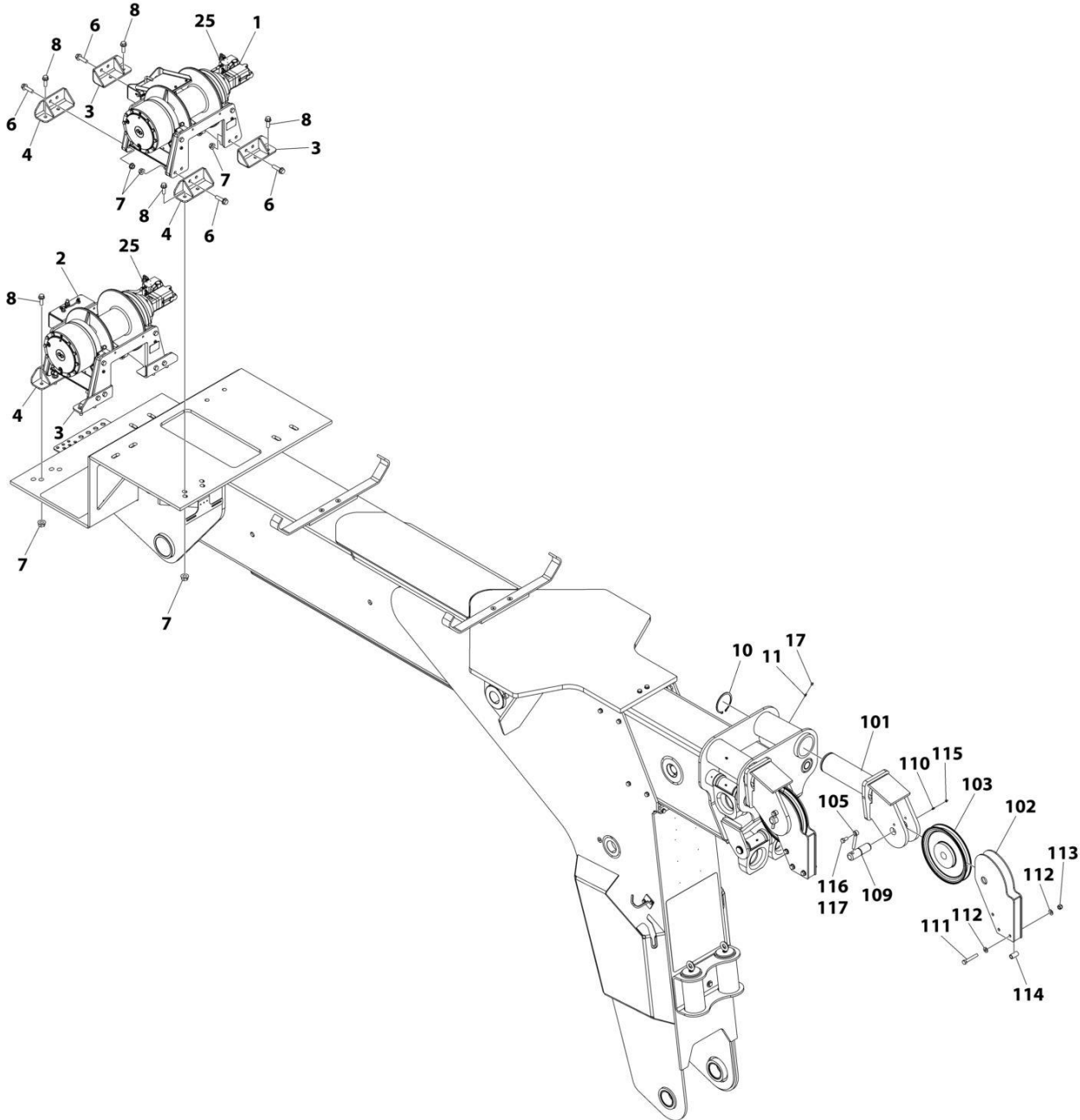
SECTION 2 - BOOM

FIGURE 2-6. CYLINDER ASSEMBLY - EXTEND/RETRACT (3 PIECE BOOM)

ITEM	PART NUMBER	QTY	DESCRIPTION	REV
	7320000085	Ref	Wrecker Boom Extension Cylinder	C
1	83304143	1	Seal, Wiper	
2	9796250084	1	Seal, Wiper	
3	9796250071	1	Seal	
4	70050556	1	Seal	
5	70050557	1	Seal, O-Ring	
6	70050558	1	Seal, O-Ring	
7	9754250009	1	Ring, Back-up	
8	70050559	2	Seal, O-Ring	
9	9754250054	1	Ring, Back-up	
10	9796250058	1	Seal, O-Ring	
11	9796250149	1	Seal, O-Ring	
12	70050560	2	Seal, O-Ring	
13	70050561	2	Seal	
14	70050562	1	Seal	
15	70050563	1	Seal	
16	70050564	1	Seal	
17	70050565	1	Seal	
18	70050566	2	Seal, O-Ring	
19	9754250014	4	Ring, Wear	
20	83304181	2	Ring, Wear	
21	83304140	3	Ring, Wear	
22	70050568	3	Ring, Wear	
23	9754250055	5	Ring, Wear	
24	70050569	1	Kit, Seal	
25	70050570	1	Seal, O-Ring	
26	70021774	4	Setscrew (Not Shown)	
27	70050572	2	Nut	
28	7005365	2	Plug, Port (Not Shown)	
29	70021648	4	Plug, Port (Not Shown)	
30	7023593	5	Plug, Port (Not Shown)	
31	70050574	1	Valve, Check	
32	70050575	1	Valve, Counterbalance	
33	70050576	1	Valve, Relief	
34	70050577	1	Valve, Check	
35	70050578	1	Valve, Directional	
36	70050579	1	Assembly, Tube	
37	70050580	1	Assembly, Rod-Tube	
38	70050581	1	Assembly, Rod-Tube	
39	70050582	1	Head	
40	70050583	1	Piston	
41	70050584	1	Head	
42	70050585	1	Piston	
43	70050586	1	Spacer	
44	70050587	1	Adapter, RT	
45	70050588	1	Spacer	
46	70050589	1	Assembly, Valve	
47	70050590	1	Valve Retainer	
48	70050591	1	Valve Retainer	
49	70050592	1	Plunger	

SECTION 2 - BOOM

FIGURE 2-7. WINCH INSTALLATION - DP PLANETARY WINCHES



ART_2507900105

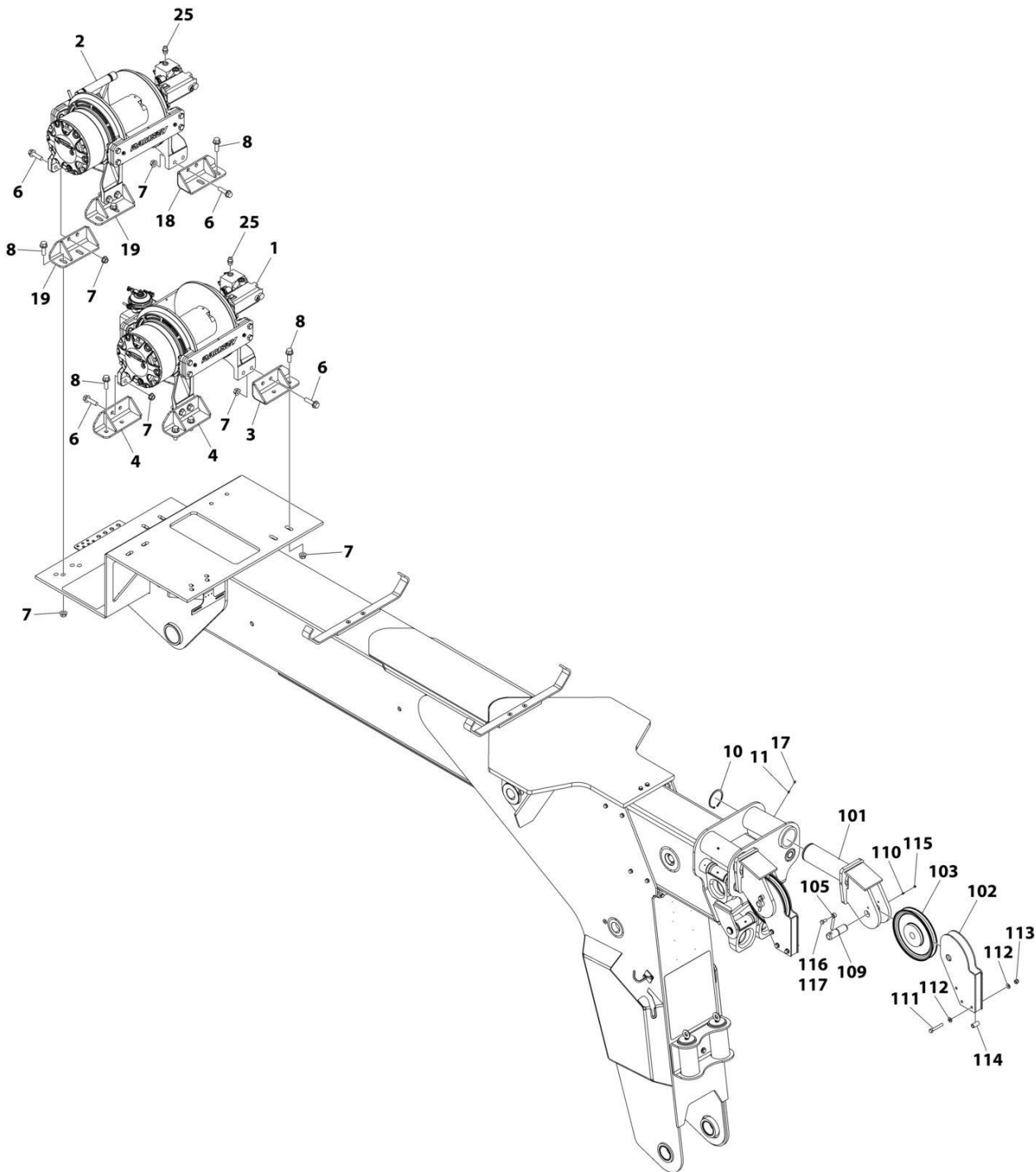
SECTION 2 - BOOM

FIGURE 2-7. WINCH INSTALLATION - DP PLANETARY WINCHES

ITEM	PART NUMBER	QTY	DESCRIPTION	REV
	2507900105	Ref	WINCH INSTALLATION DP PLANETARY WINCHES	E
1	7970000168	1	Winch Assembly - LH (DP50) (See Separate Breakdown in this Section)	
2	7970000169	1	Winch Assembly - RH (DP50) (See Separate Breakdown in this Section)	
3	3178000575	4	Bracket, RH	
4	3178000576	4	Bracket, LH	
6	7118223216	16	Capscrew 3/4 x 4	
7	7660222308	32	Nut 3/4	
8	7118221816	16	Capscrew 3/4 x 2-1/4	
9	3249000009	2	Sheave Support Assembly (Not Shown) (Includes Items 101 -117)	
10	7754000059	2	Ring, Retaining	
11	7440030000	2	Fitting, Grease	
16	7577000573	1	Kit, Hydraulic Hose (Not Shown)	
17	7253000002	2	Cap, Fitting	
25	7445100843	4	Fitting, Straight JIC	
	3249000009	Ref	SHEAVE SUPPORT ASSEMBLY	D
101	1001169560	1	Sheave Support Weldment	
102	3249000035	1	Cable Guide Weldment	
103	7809000004	1	Sheave	
105	3841203	1	Keeper, Pin	
109	1001169893	1	Pin	
110	7440030000	1	Fitting, Straight	
111	7115182650	3	Capscrew 1/2 x 3-1/4	
112	7950180141	6	Washer 1/2	
113	7660182601	3	Nut 1/2	
114	4831000104	3	Spacer	
115	7253000002	1	Cap, Fitting	
116	7115180850	1	Bolt 1/2 x 1	
117	0100011	AR	Compound, Locking	

SECTION 2 - BOOM

FIGURE 2-8. WINCH INSTALLATION - 50K RAMSEY



ART_1001266455

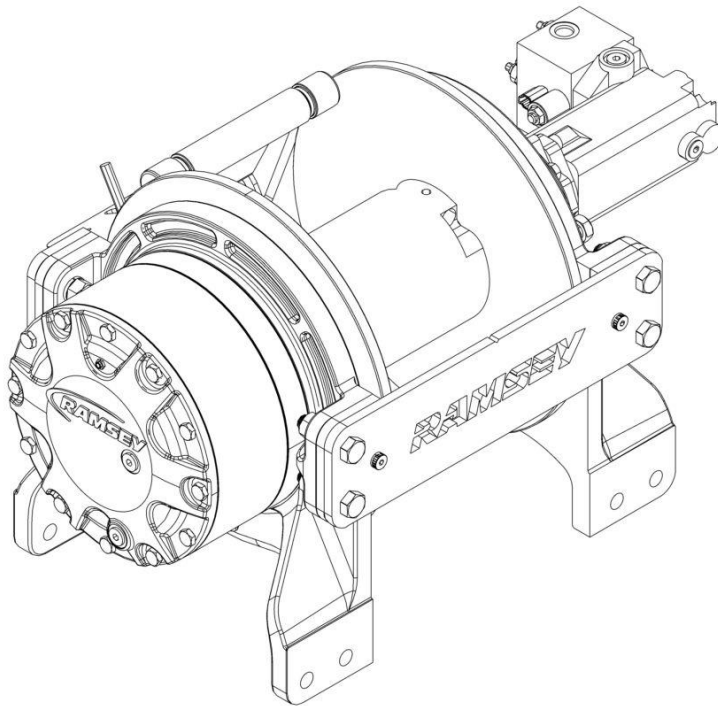
SECTION 2 - BOOM

FIGURE 2-8. WINCH INSTALLATION - 50K RAMSEY

ITEM	PART NUMBER	QTY	DESCRIPTION	REV
	1001266455	Ref	WINCH INSTALLATION - 50K RAMSEY	B
1	1001266496	1	Winch Assembly - 50K Ramsey (Rear) (See Separate Breakdown in this Section)	
2	1001266495	1	Winch Assembly - 50K Ramsey (Front) (See Separate Breakdown in this Section)	
3	3178000575	2	Bracket, RH	
4	3178000576	2	Bracket, LH	
6	0812222	16	Screw 3/4 x 2-3/4	
7	7660222308	32	Nut 3/4	
8	7118221816	16	Capscrew 3/4 x 2-1/4	
9	3249000009	2	Sheave Support Assembly (Not Shown) (Includes Items 101 -117)	
10	7754000059	2	Ring, Retainer	
11	7440030000	2	Fitting, Grease	
16	7577000573	1	Kit, Hydraulic Hose (Not Shown)	
17	7253000002	2	Cap, Fitting	
18	1001266364	2	Bracket, RH	
19	1001266362	2	Bracket, LH	
25	2220947	4	Fitting, Straight JIC/ORB	
	3249000009	Ref	SHEAVE SUPPORT ASSEMBLY	D
101	1001169560	1	Sheave Support Weldment	
102	3249000035	1	Cable Guide Weldment	
103	7809000004	1	Sheave	
105	3841203	1	Keeper, Pin	
109	1001169893	1	Pin	
110	7440030000	1	Fitting, Straight	
111	7115182650	3	Capscrew 1/2 x 3-1/4	
112	7950180141	6	Washer 1/2	
113	7660182601	3	Nut 1/2	
114	4831000104	3	Spacer	
115	7253000002	1	Cap, Fitting	
116	7115180850	1	Bolt 1/2 x 1	
117	0100011	1	Compound, Locking	

SECTION 2 - BOOM

FIGURE 2-9. WINCH ASSEMBLY - 50K RAMSEY (FRONT)



ART_1001266495

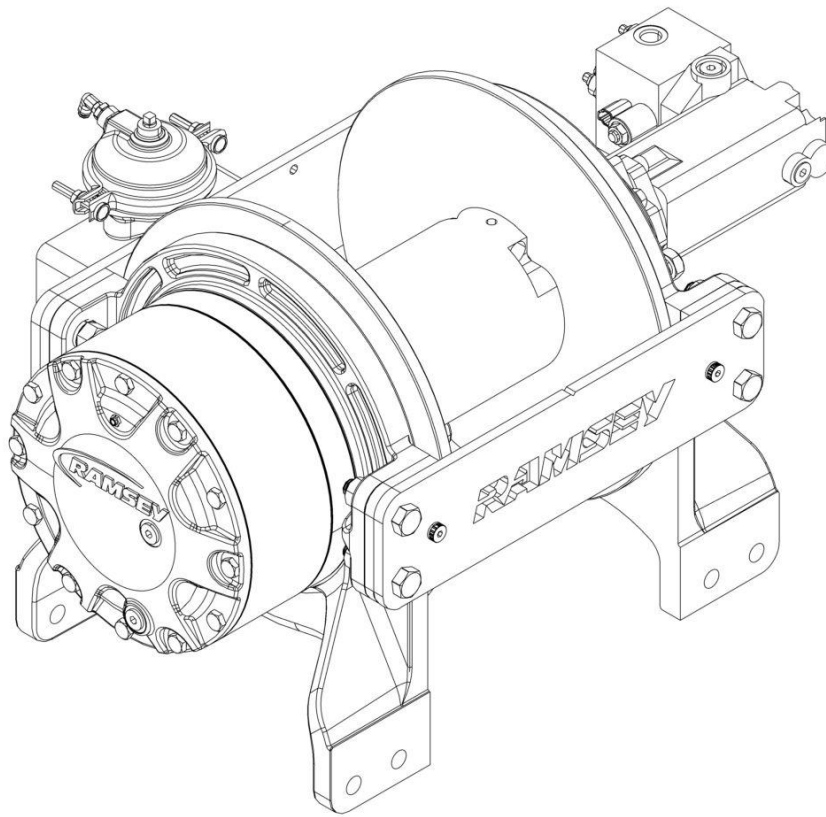
SECTION 2 - BOOM

FIGURE 2-9. WINCH ASSEMBLY - 50K RAMSEY (FRONT)

ITEM	PART NUMBER	QTY	DESCRIPTION	REV
	1001266495	Ref	WINCH COMPONENTS - 50K RAMSEY (FRONT)	A
	See Note	Ref	Note: No Service Parts Available at Time of Printing	

SECTION 2 - BOOM

FIGURE 2-10. WINCH ASSEMBLY - 50K RAMSEY (REAR)



ART_1001266496

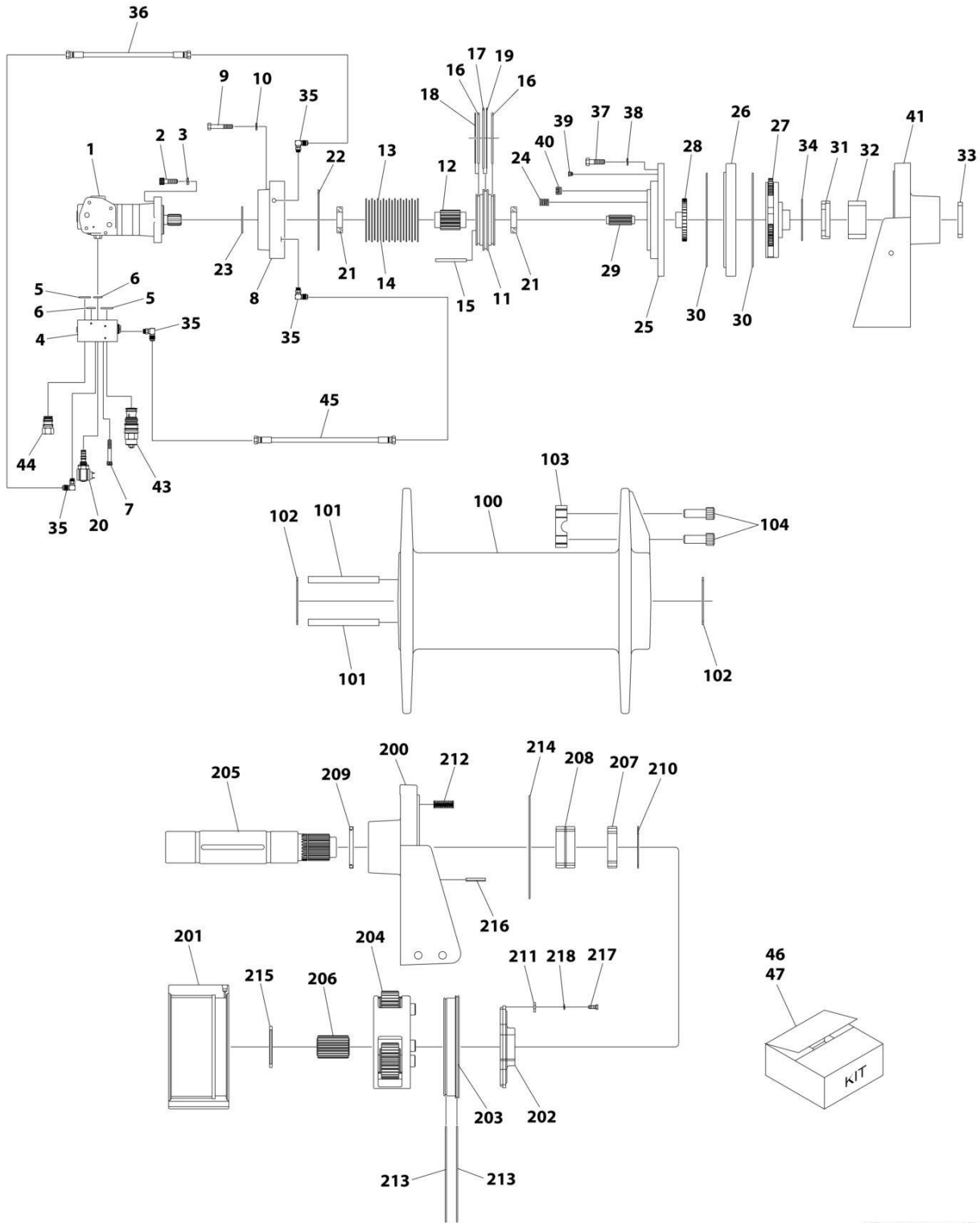
SECTION 2 - BOOM

FIGURE 2-10. WINCH ASSEMBLY - 50K RAMSEY (REAR)

ITEM	PART NUMBER	QTY	DESCRIPTION	REV
	1001266496	Ref	WINCH COMPONENTS - 50K RAMSEY (REAR)	A
	See Note	Ref	Note: No Service Parts Available at Time of Printing	

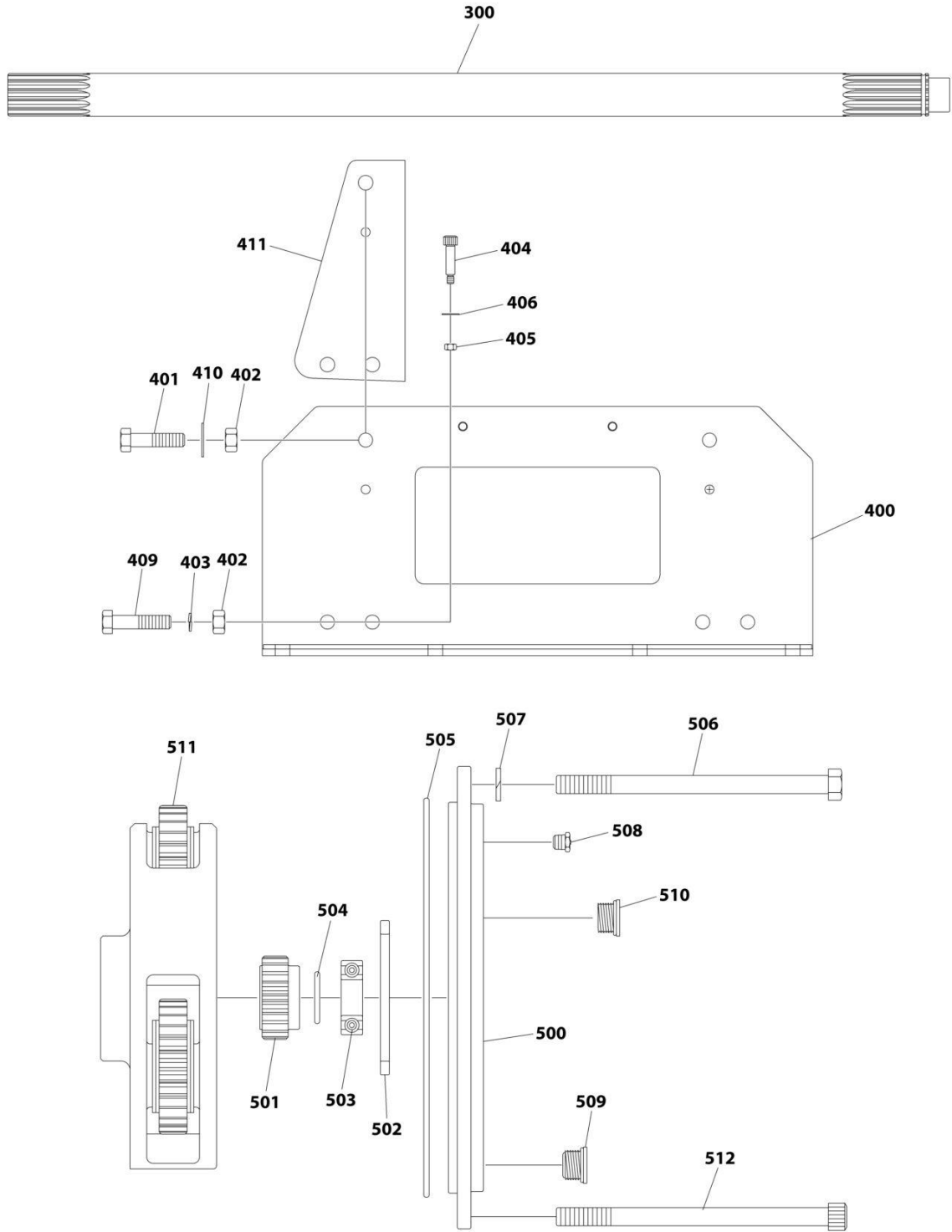
SECTION 2 - BOOM

FIGURE 2-11. WINCH ASSEMBLY - LH (DP50)



ART_7970000168_1OF2

SECTION 2 - BOOM



ART_7970000168_2OF2

SECTION 2 - BOOM

FIGURE 2-11. WINCH ASSEMBLY - LH (DP50)

ITEM	PART NUMBER	QTY	DESCRIPTION	REV
	7970000168	Ref	WINCH ASSEMBLY - LH (DP50)	A
		Ref	MOTOR END ASSEMBLY	
1	70050367	1	Motor, Hydraulic	
2	7118181205	2	Capscrew 1/2 x 1-1/2	
3	7950180800	2	Washer 1/2	
4	70050368	1	Valve, Counterbalance	
5	70050369	2	O-Ring	
6	9796960088	2	O-Ring	
7	70050370	4	Capscrew 3/8 x 2-1/2	
8	9571960006	1	Housing, Brake	
9	7118172050	6	Capscrew 7/16 x 2-1/2	
10	7950170000	6	Washer 7/16	
11	9698960008	1	Piston, Brake	
12	9806960013	1	Shaft, Brake	
13	Kit	10	Plate, Disc Friction	
14	Kit	9	Plate, Drive Brake	
15	9691960021	2	Pin	
16	Kit	2	O-Ring	
17	Kit	1	O-Ring	
18	Kit	1	Ring, Backup	
19	Kit	1	Ring, Backup	
20	70050371	1	Cartridge, Valve	
21	9082960013	2	Bearing	
22	Kit	1	O-Ring	
23	9796960090	1	O-Ring	
24	Kit	12	Spring, Compression	
25	7007960040	1	Adapter, Brake	
26	9472960032	1	Gear, Ring 92 Teeth	
27	9472960029	1	Carrier, Planetary Assembly	
28	9472960033	1	Gear, Sun	
29	9806960014	1	Shaft, Extension	
30	9796960085	2	O-Ring	
31	9706960027	1	Plate, Thrust - 45	
32	9082960014	1	Bearing	
33	9796960087	1	Seal	
34	9754960029	1	Ring, Retainer	
35	7445040445	3	Fitting, 90	
36	70050372	1	Hose	
37	7115182250	4	Capscrew 1/2 x 2-3/4	
38	7950180000	4	Washer 1/2	
39	9183960001	1	Vent - Relief	
40	9701960010	2	Plug	
41	9177960002	1	Support, Motor End	
42	9443960006	1	Fitting, Straight (Not Shown)	
43	9935960026	1	Cartridge, Counterbalance	
44	9701960013	1	Plug Assembly	
45	70050373	1	Hose	
46	9577960119	Ref	Disk and Spring Kit (includes items 13, 14 & 24)	
47	9577960120	Ref	Brake Seal Kit (includes items 16 to 19 & 22)	
		Ref	DRUM ASSEMBLY	

SECTION 2 - BOOM

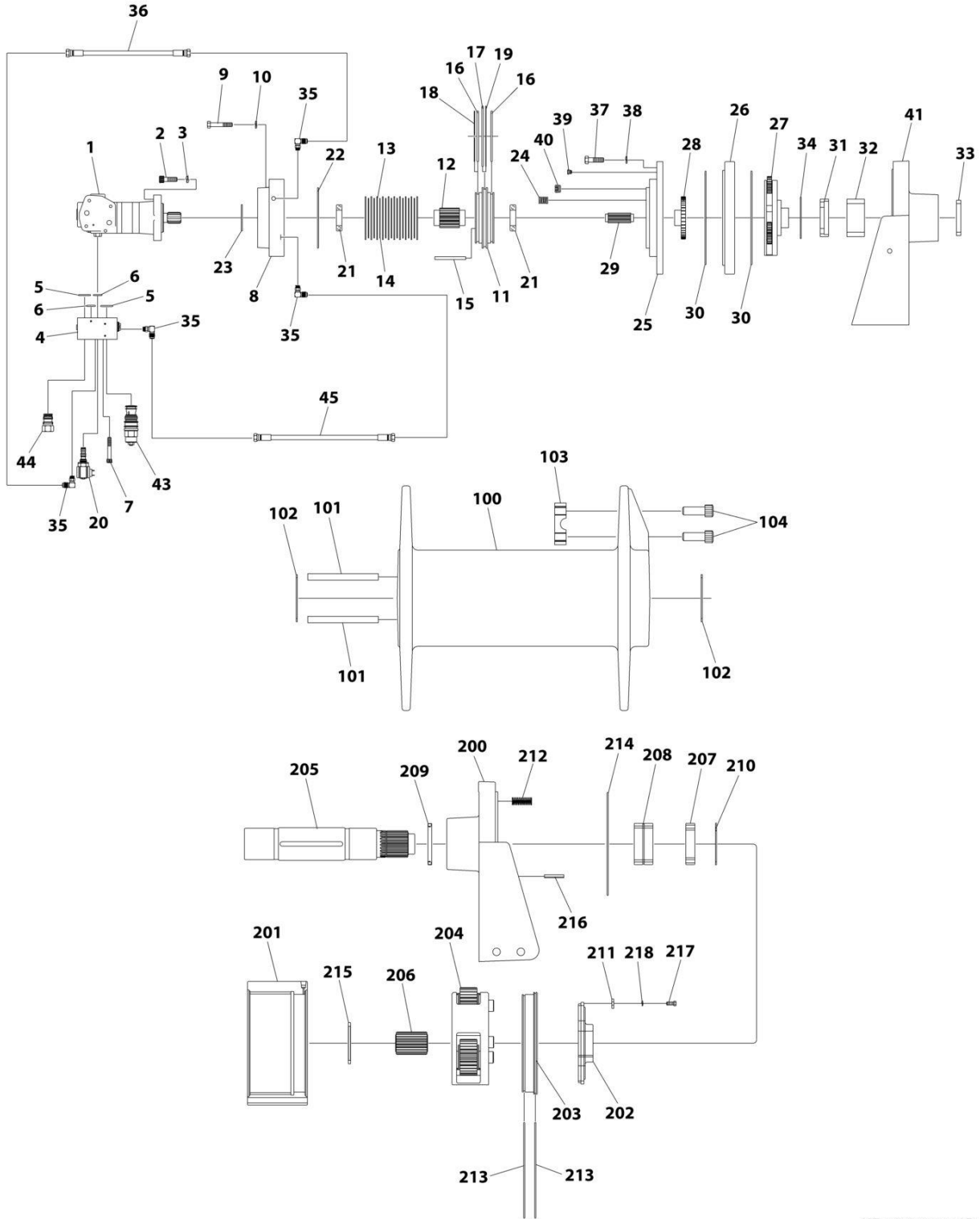
ITEM	PART NUMBER	QTY	DESCRIPTION	REV
100	70050381	1	Drum, Winch	
101	70050382	2	Key, Shaft Output	
102	70050383	2	Ring, Retaining	
103	9280960002	1	Clip, Cable	
104	7110201823	2	Capscrew 5/8 x 2-1/4	
		Ref	GEAR END ASSEMBLY	
200	9177960001	1	Support, Gear End	
201	9472960036	1	Gear, Ring - 103 Teeth	
202	9281960004	1	Clutch	
203	9698960009	1	Piston	
204	9472960030	1	Carrier Assembly	
205	9806960015	1	Shaft, Output	
206	70050380	1	Gear, Sun	
207	9754960027	1	Ring, Thrust	
208	9082960014	1	Bearing	
209	9796960087	1	Seal	
210	9754960029	1	Ring, Retainer	
211	9698960010	3	Retainer, Piston	
212	9843960025	3	Spring	
213	9796960093	2	O-Ring	
214	9796960085	1	O-Ring	
215	9949960013	1	Washer	
216	7690153245	2	Pin	
217	7115150650	6	Capscrew 5/8 x 3/4	
218	7950150000	6	Washer 5/8	
		Ref	INPUT SHAFT ASSEMBLY	
300	70050374	1	Input Shaft Installation	
		Ref	BASE MOUNT ASSEMBLY	
400	9073960002	2	Mount, Base	
401	7115222450	4	Capscrew 3/4 x 3	
402	7660220001	12	Nut 3/4	
403	7950220000	8	Washer 3/4	
404	9120960020	4	Bolt 1/2 x 2	
405	7660160001	4	Nut 3/8	
406	7950160151	4	Washer 3/8	
407	9706960026	1	Plate, Information Winch (Not Shown)	
408	9759960001	4	Rivet, Type U (Not Shown)	
409	7115222650	8	Capscrew 3/4 x 3-1/4	
410	7950220151	4	Washer 3/4	
411	9831960007	4	Spacer	
		Ref	GEAR END COVER ASSEMBLY	
500	70050375	1	Cover, End	
501	70050376	1	Gear, Sun - 29 Teeth	
502	9949960013	1	Washer	
503	9082960015	1	Bearing	
504	9754960030	1	Ring, Retaining	
505	9796960085	1	O-Ring	
506	70050377	10	Capscrew 1/2 x 7-1/2	
507	7950180000	10	Washer 1/2	
508	9183960001	1	Vent - Relief	
509	9701960012	1	Plug	

SECTION 2 - BOOM

ITEM	PART NUMBER	QTY	DESCRIPTION	REV
510	9701960011	1	Plug	
511	70050378	1	Carrier Assembly	
512	70050379	2	Capscrew 1/2 x 7	

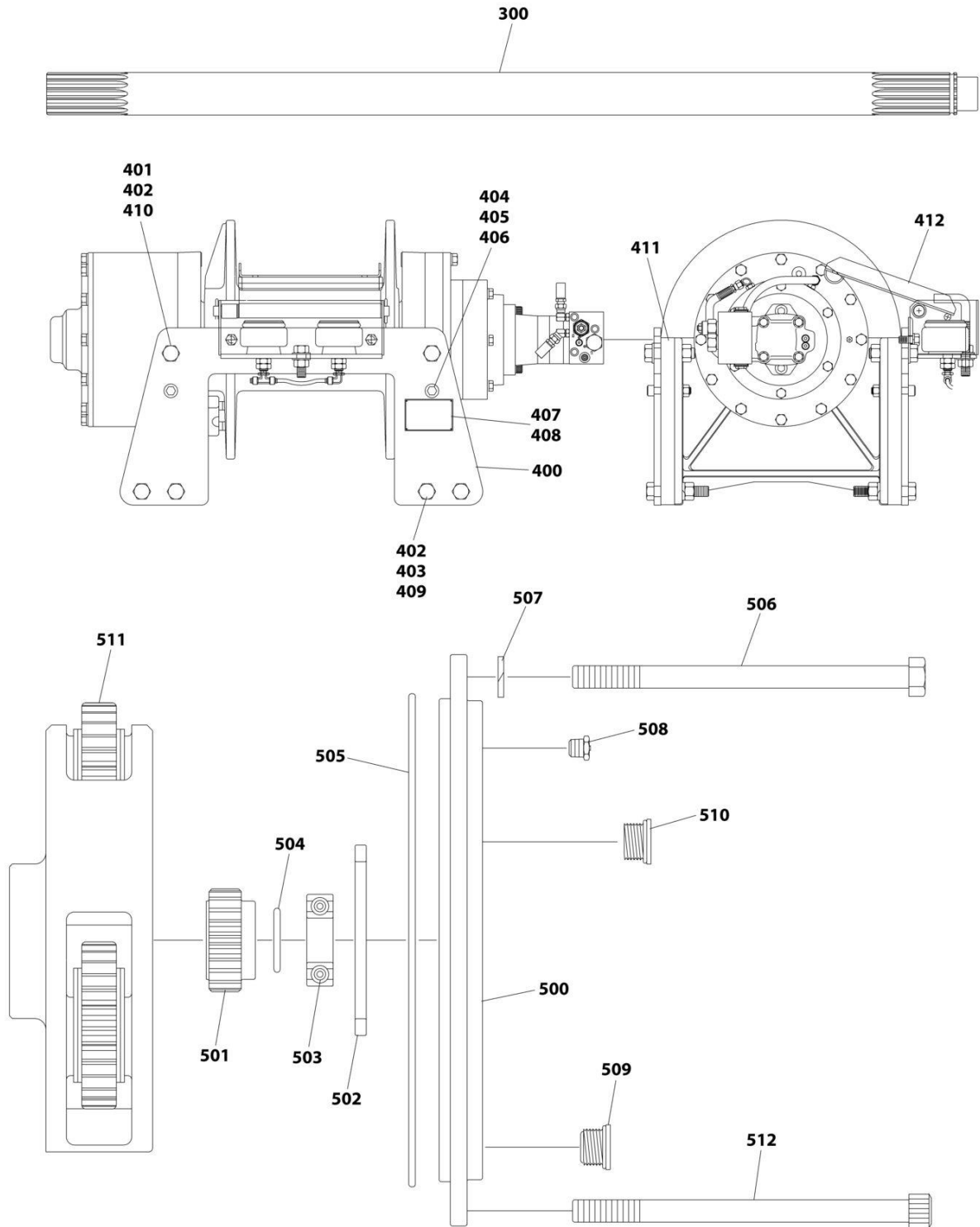
SECTION 2 - BOOM

FIGURE 2-12. WINCH ASSEMBLY - RH (DP50)



ART_7970000169_1OF2

SECTION 2 - BOOM



ART_7970000169_20F2

SECTION 2 - BOOM

FIGURE 2-12. WINCH ASSEMBLY - RH (DP50)

ITEM	PART NUMBER	QTY	DESCRIPTION	REV
	7970000169	Ref	WINCH ASSEMBLY - RH (DP50)	A
		Ref	MOTOR END ASSEMBLY	
1	70050367	1	Motor, Hydraulic	
2	7118181205	2	Capscrew 1/2 x 1-1/2	
3	7950180800	2	Washer 1/2	
4	70050368	1	Valve, Counterbalance	
5	70050369	2	O-Ring	
6	9796960088	2	O-Ring	
7	70050370	4	Capscrew 3/8 x 2-1/2	
8	9571960006	1	Housing, Brake	
9	7118172050	6	Capscrew 7/16 x 2-1/2	
10	7950170000	6	Washer 7/16	
11	9698960008	1	Piston, Brake	
12	9806960013	1	Shaft, Brake	
13	9706960023	10	Plate, Disc Friction	
14	9706960025	9	Plate, Drive Brake	
15	9691960021	2	Pin	
16	70051303	2	O-Ring	
17	70051304	1	Ring, Backup	
18	70051305	1	O-Ring	
19	70051306	1	Ring, Backup	
20	70050371	1	Cartridge, Valve	
21	9082960013	2	Bearing	
22	70051307	1	O-Ring	
23	9796960090	1	O-Ring	
24	9843960024	12	Spring, Compression	
25	7007960040	1	Adapter, Brake	
26	9472960032	1	Gear, Ring - 92 Teeth	
27	9472960029	1	Carrier, Planetary Assembly	
28	9472960033	1	Gear, Sun	
29	9806960014	1	Shaft, Extension	
30	9796960085	2	O-Ring	
31	9706960027	1	Plate, Thrust - 45	
32	9082960014	1	Bearing	
33	9796960087	1	Seal	
34	9754960029	1	Ring, Retainer	
35	7445040445	3	Fitting, 90	
36	70050372	1	Hose	
37	7115182250	4	Capscrew 1/2 x 2-3/4	
38	7950180000	4	Washer 1/2	
39	9183960001	1	Vent - Relief	
40	9701960010	2	Plug	
41	9177960002	1	Support, Motor End	
42	9443960006	1	Fitting, Straight (Not Shown)	
43	9935960026	1	Cartridge, Counterbalance	
44	9701960013	1	Plug Assembly	
45	70050373	1	Hose	
		Ref	DRUM ASSEMBLY	
100	70050381	1	Drum, Winch	
101	70050382	2	Key, Shaft Output	

SECTION 2 - BOOM

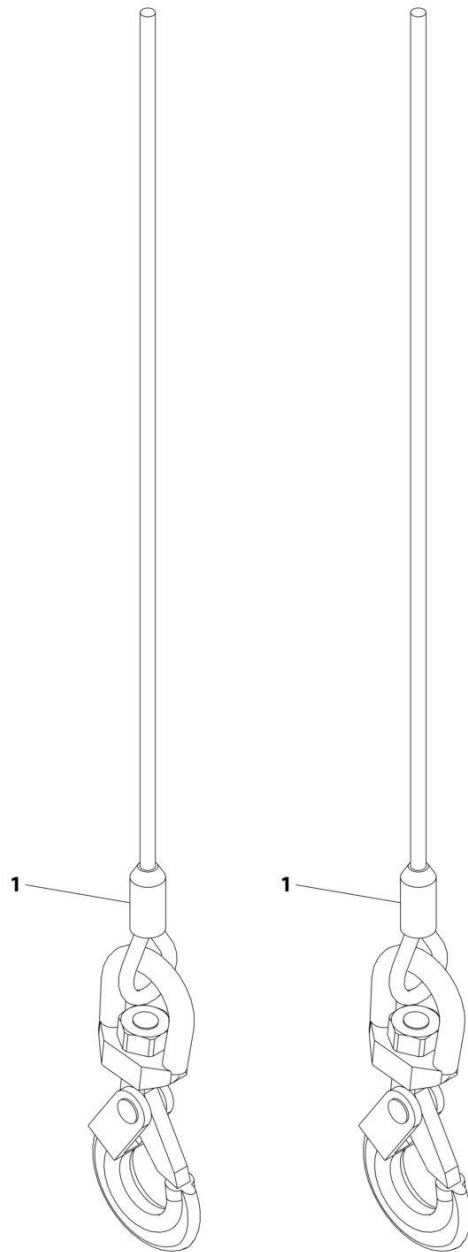
ITEM	PART NUMBER	QTY	DESCRIPTION	REV
102	70050383	2	Ring, Retaining	
103	9280960002	1	Clip, Cable - Threaded	
104	7110201823	2	Capscrew 5/8 x 2-1/4	
		Ref	GEAR END ASSEMBLY	
200	9177960001	1	Support, Gear End	
201	9472960036	1	Gear, Ring - 103 Teeth	
202	9281960004	1	Clutch	
203	9698960009	1	Piston	
204	9472960030	1	Carrier Assembly	
205	9806960015	1	Shaft, Output	
206	70050380	1	Gear, Sun	
207	9754960027	1	Ring, Thrust	
208	9082960014	1	Bearing	
209	9796960087	1	Seal	
210	9754960029	1	Ring, Retaining	
211	9698960010	3	Retainer, Piston	
212	9843960025	3	Spring	
213	9796960093	2	O-Ring	
214	9796960085	1	O-Ring	
215	9949960013	1	Washer 4 x 1/4	
216	7690153245	2	Pin	
217	7115150650	6	Capscrew 5/8 x 3/4	
218	7950150000	6	Washer 5/8	
		Ref	INPUT SHAFT ASSEMBLY	
300	70050374	1	Input Shaft Installation	
		Ref	BASE MOUNT ASSEMBLY	
400	70051310	2	Mount, Base	
401	7115222450	4	Capscrew 3/4 x 3	
402	7660220001	12	Nut 3/4	
403	7950220000	8	Washer 3/4	
404	9120960020	4	Bolt 1/2 x 2	
405	7660160001	4	Nut 3/8	
406	7950160151	4	Washer 3/8	
407	9759960001	4	Rivet, Type U (Not Shown)	
408	9706960026	1	Plate, Information Winch (Not Shown)	
409	70051311	8	Capscrew 3/8 x 4	
410	7950220151	4	Washer 3/4	
411	9831960007	4	Spacer	
412	9577960113	1	Kit, Cable Hold Down	
		Ref	GEAR END COVER ASSEMBLY	
500	70050375	1	Cover, End	
501	70050376	1	Gear, Sun - 29 Teeth	
502	9949960013	1	Washer	
503	9082960015	1	Bearing	
504	9754960030	1	Ring, Retainer	
505	9796960085	1	O-Ring	
506	70050377	10	Capscrew 1/2 x 7-1/2	
507	7950180000	10	Washer 1/2	
508	9183960001	1	Vent - Relief	
509	9701960012	1	Plug	
510	9701960011	1	Plug	

SECTION 2 - BOOM

ITEM	PART NUMBER	QTY	DESCRIPTION	REV
511	70050378	1	Carrier Assembly	
512	70050379	2	Capscrew 1/2 x 7	

SECTION 2 - BOOM

FIGURE 2-13. CABLE INSTALLATION - 0.75 X 250FT WITH SWIVEL HOOK



ART_1001269190

SECTION 2 - BOOM

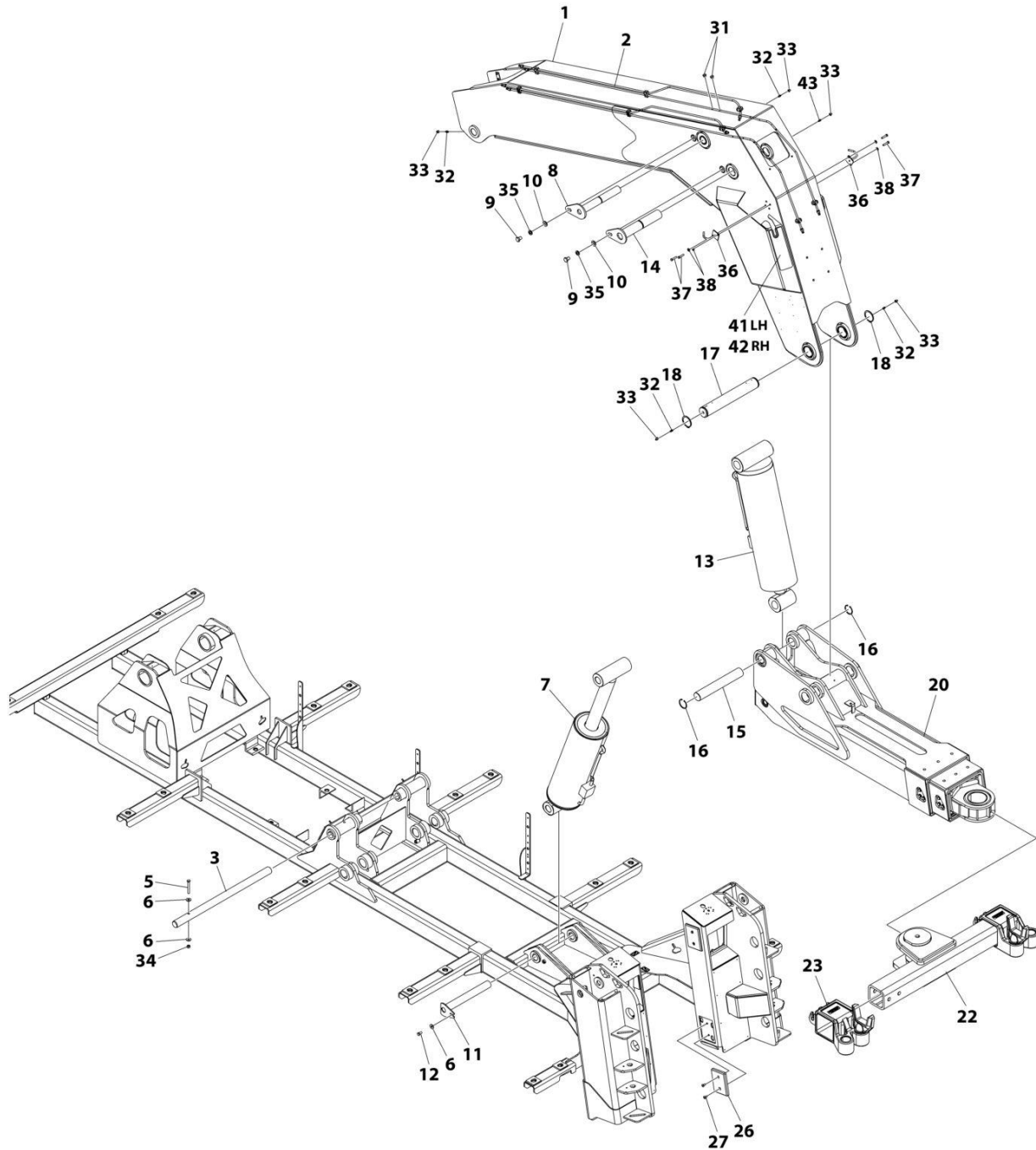
FIGURE 2-13. CABLE INSTALLATION - 0.75 X 250FT WITH SWIVEL HOOK

ITEM	PART NUMBER	QTY	DESCRIPTION	REV
1	1001269190 7248000085	Ref 2	CABLE INSTALLATION - 0.75 X 250FT WITH SWIVEL HOOK Cable Assembly	A

SECTION 3 - UNDERLIFT

SECTION 3 - UNDERLIFT

FIGURE 3-1. UNDERLIFT INSTALLATION - UL530



ART_2507100084

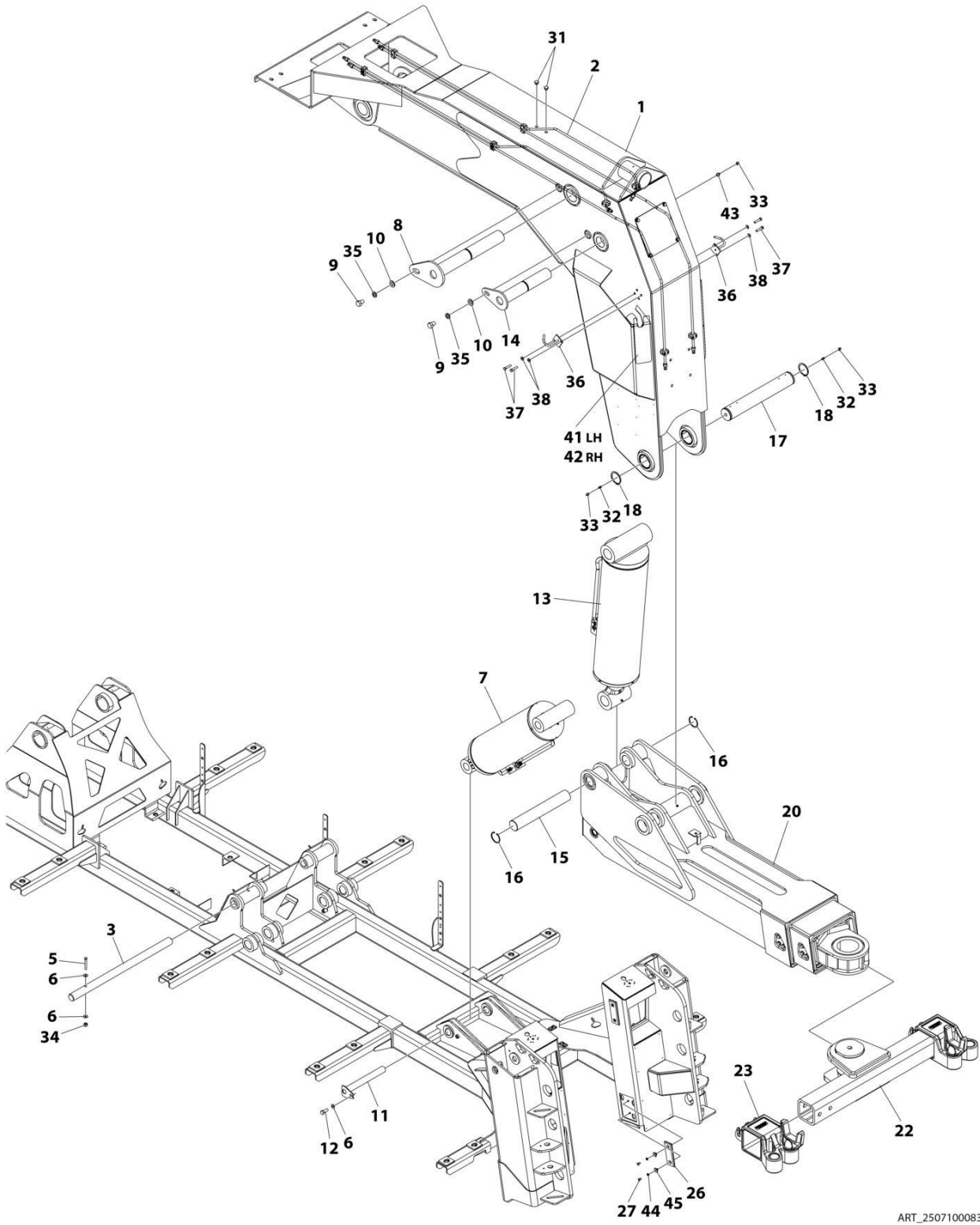
SECTION 3 - UNDERLIFT

FIGURE 3-1. UNDERLIFT INSTALLATION - UL530

ITEM	PART NUMBER	QTY	DESCRIPTION	REV
	2507100084	Ref	UNDERLIFT INSTALLATION - UL530	E
1	3170000408	1	Knee Boom	
2	3507530029	1	Underlift Assembly (See Separate Breakdown in this Section)	
3	4691000284	1	Pin	
4	3577000037	1	Shim Kit (Not Shown)	
5	7115183250	1	Bolt 1/2 x 4	
6	7950180161	3	Washer 1/2	
7	7320000024	1	Cylinder Assembly - Lift	
7	7577250187	1	Seal kit	
7	9935250032	1	Valve	
8	3691000251	1	Pin	
9	7115220850	2	Bolt 3/4 x 1	
10	7950220141	2	Washer 3/4	
11	3691000152	1	Pin	
12	7115180850	1	Capscrew 1/2 x 1	
13	7320000096	1	Cylinder Assembly - Tilt (See Separate Breakdown in this Section)	
14	3691000232	1	Pin	
15	4691000290	1	Pin	
16	7754000051	2	Ring, Retaining	
17	4691000291	1	Pin	
18	7754000018	2	Ring, Retaining	
20	3507100001	1	Underlift Assembly (See Separate Breakdown in this Section)	
22	2503880012	1	Cross Tube Installation (See Separate Breakdown in this Section)	
23	2503870011	1	Frame Fork Installation (See Separate Breakdown in this Section)	
26	4679000127	4	Pad	
27	7115160623	8	Screw 3/8 x 7	
28	7262000025	2	Chain (Not Shown)	
29	7115201250	2	Bolt 5/8 x 1-1/2 (Not Shown)	
30	7660202601	2	Nut 5/8 (Not Shown)	
31	7189000017	2	Bumper, Rubber	
32	7440030000	5	Fitting, Straight	
33	7253000002	5	Cap, Fitting	
34	7660182601	1	Nut 1/2	
35	7950220000	2	Washer 3/4	
36	3561000017	2	Hook Weldment	
37	7115161450	4	Bolt 3/8 x 1-3/4	
38	7950160141	4	Washer 3/8	
39	7577000639	1	Hydraulic Hose Installation (Not Shown - See Separate Breakdown in HYDRAULIC Section)	
40	7577000640	1	Hydraulic Hose Installation - Underlift (Not Shown - See Separate Breakdown in HYDRAULIC Section)	
41	1001151184	1	Decal, Wear - LH	
42	1001151185	1	Decal, Wear - RH	
43	7440000000	1	Fitting, Straight	

SECTION 3 - UNDERLIFT

FIGURE 3-2. UNDERLIFT INSTALLATION - UL530 (WITH WINCH MOUNT)



ART_2507100083

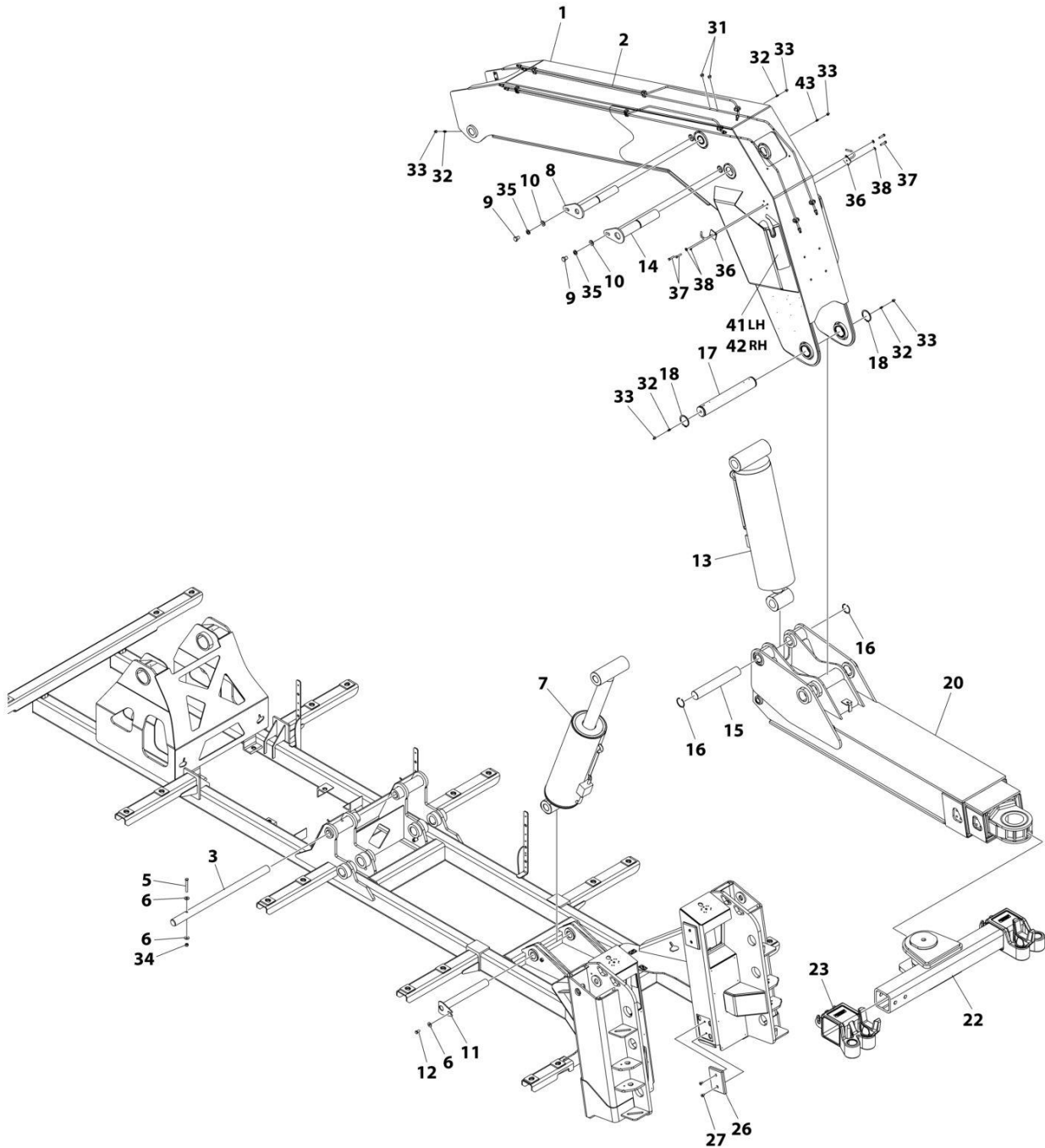
SECTION 3 - UNDERLIFT

FIGURE 3-2. UNDERLIFT INSTALLATION - UL530 (WITH WINCH MOUNT)

ITEM	PART NUMBER	QTY	DESCRIPTION	REV
	2507100083	Ref	UNDERLIFT INSTALLATION - UL530 (WITH WINCH MOUNT)	F
1	3170000409	1	Boom, Knee	
2	3507530029	1	Underlift Boom Assembly (See Separate Breakdown in this Section)	
3	4691000284	1	Pin	
4	3577000037	1	Shim (Not Shown)	
5	7115183250	1	Bolt 1/2 x 4	
6	7950180161	3	Washer 1/2	
7	7320000024	1	Cylinder Assembly - Lift	
7	7577250187	1	SEAL KIT	
7	9935250032	1	VALVE, COUNTERBALANCE	
8	3691000251	1	Pin	
9	7115220850	2	Bolt 3/4 x 1	
10	7950220141	2	Washer 3/4	
11	3691000152	1	Pin	
12	7115180850	1	Bolt 1/2 x 1	
13	7320000096	1	Cylinder Assembly - Tilt (See Separate Breakdown in this Section)	
14	3691000232	1	Pin	
15	4691000290	1	Pin	
16	7754000051	2	Ring, Retaining	
17	4691000291	1	Pin	
18	7754000018	2	Ring, Retaining	
20	3507100001	1	Underlift Assembly (See Separate Breakdown in this Section)	
22	2503880012	1	Cross Tube Installation (See Separate Breakdown in this Section)	
23	2503870011	1	Frame Fork Installation (See Separate Breakdown in this Section)	
26	1001250858	4	Pad	
27	0641605	8	Bolt 3/8 x 5/8	
28	7262000025	2	Chain (Not Shown)	
29	7115201250	2	Bolt 5/8 x 1-1/2 (Not Shown)	
30	7660202601	2	Nut 5/8 (Not Shown)	
31	7189000017	2	Bumper, Rubber	
32	7440030000	5	Fitting, Straight	
33	7253000002	5	Cap, Fitting (Not Shown)	
34	7660182601	1	Nut 1/2	
35	7950220000	2	Washer 3/4	
36	3561000017	2	Hook Weldment	
37	7115161450	4	Bolt 3/8 x 1-3/4	
38	7950160141	4	Washer 3/8	
39	1001212830	1	Hose, Kit (Not Shown - See Separate Breakdown in HYDRAULIC Section)	
40	7577000640	1	Hydraulic Hose Installation - Underlift (Not Shown - See Separate Breakdown in HYDRAULIC Section)	
41	1001151184	1	Decal, Wear - LH	
42	1001151185	1	Decal, Wear - RH	
43	7440000000	1	Fitting, Straight	
44	7082311	8	Pad	
45	4891600	8	Washer 3/8	

SECTION 3 - UNDERLIFT

FIGURE 3-3. UNDERLIFT INSTALLATION - UL565



ART_2507100086

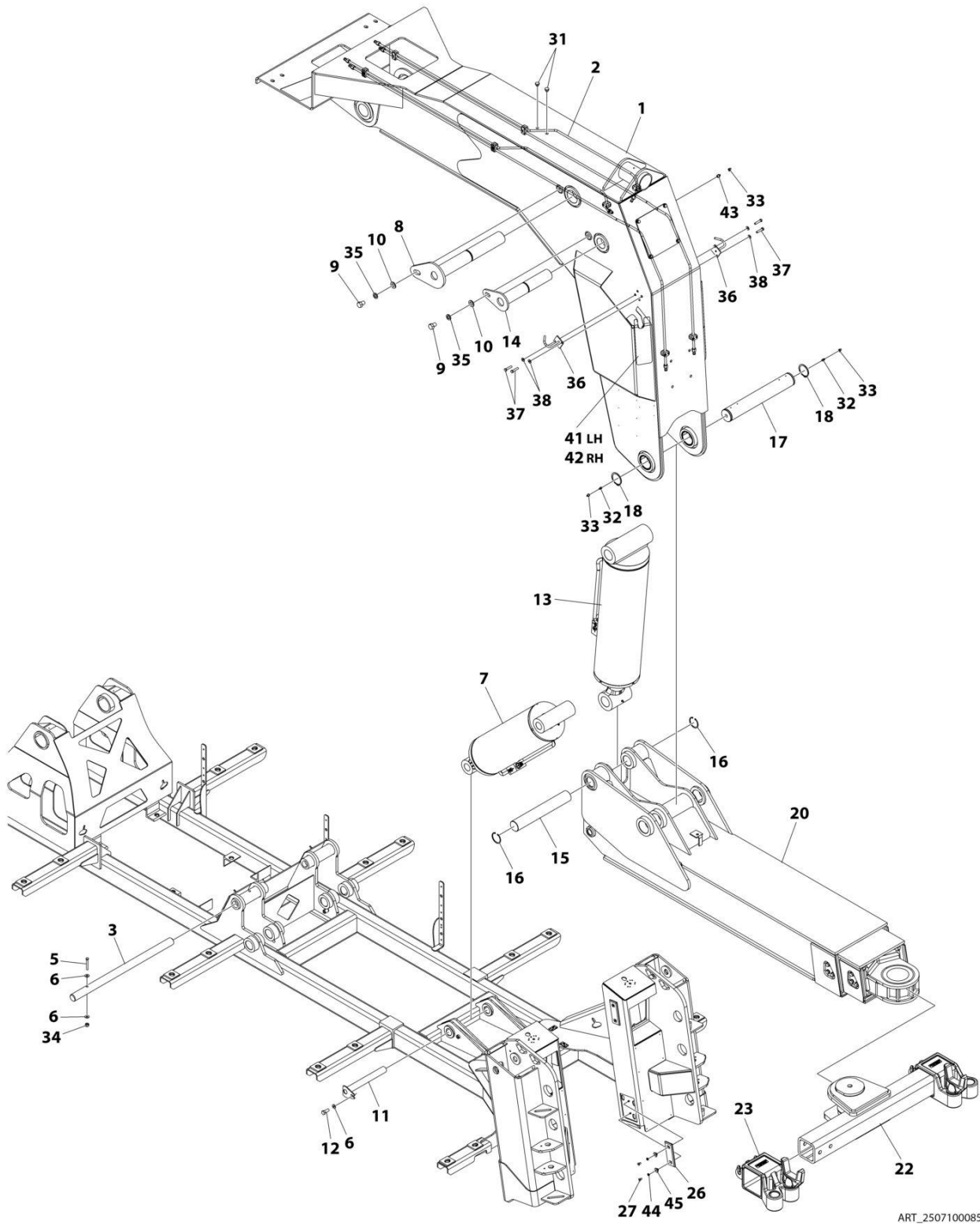
SECTION 3 - UNDERLIFT

FIGURE 3-3. UNDERLIFT INSTALLATION - UL565

ITEM	PART NUMBER	QTY	DESCRIPTION	REV
	2507100086	Ref	UNDERLIFT INSTALLATION - UL565	E
1	3170000408	1	Knee Boom	
2	3507530029	1	Underlift Assembly (See Separate Breakdown in this Section)	
3	4691000284	1	Pin	
4	3577000037	1	Shim Kit (Not Shown)	
5	7115183250	1	Bolt 1/2 x 4	
6	7950180161	3	Washer 1/2	
7	7320000024	1	Cylinder Assembly - Lift	
7	7577250187	1	Seal kit	
7	9935250032	1	Valve	
8	3691000251	1	Pin	
9	7115220850	2	Bolt 3/4 x 1	
10	7950220141	2	Washer 3/4	
11	3691000152	1	Pin	
12	7115180850	1	Capscrew 1/2 x 1	
13	7320000097	1	Cylinder Assembly - Tilt (See Separate Breakdown in this Section)	
14	3691000232	1	Pin	
15	4691000290	1	Pin	
16	7754000051	2	Ring, Retaining	
17	4691000291	1	Pin	
18	7754000018	2	Ring, Retaining	
20	3170000407	1	Underlift Assembly (See Separate Breakdown in this Section)	
22	2503880012	1	Cross Tube Installation (See Separate Breakdown in this Section)	
23	2503870011	1	Frame Fork Installation (See Separate Breakdown in this Section)	
26	4679000127	4	Pad	
27	7115160623	8	Screw 3/8 x 7	
28	7262000025	2	Chain (Not Shown)	
29	7115201250	2	Bolt 5/8 x 1-1/2 (Not Shown)	
30	7660202601	2	Nut 5/8 (Not Shown)	
31	7189000017	2	Bumper, Rubber	
32	7440030000	5	Fitting, Straight	
33	7253000002	5	Cap, Fitting	
34	7660182601	1	Nut 1/2	
35	7950220000	2	Washer 3/4	
36	3561000017	2	Hook Weldment	
37	7115161450	4	Bolt 3/8 x 1-3/4	
38	7950160141	4	Washer 3/8	
39	7577000639	1	Hydraulic Hose Installation (Not Shown - See Separate Breakdown in HYDRAULIC Section)	
40	7577000641	1	Hydraulic Hose Installation - Underlift (Not Shown - See Separate Breakdown in HYDRAULIC Section)	
41	1001151184	1	Decal, Wear - LH	
42	1001151185	1	Decal, Wear - RH	
43	7440000000	1	Fitting, Straight	

SECTION 3 - UNDERLIFT

FIGURE 3-4. UNDERLIFT INSTALLATION - UL565 (3 PIECE WITH WINCH MOUNT)



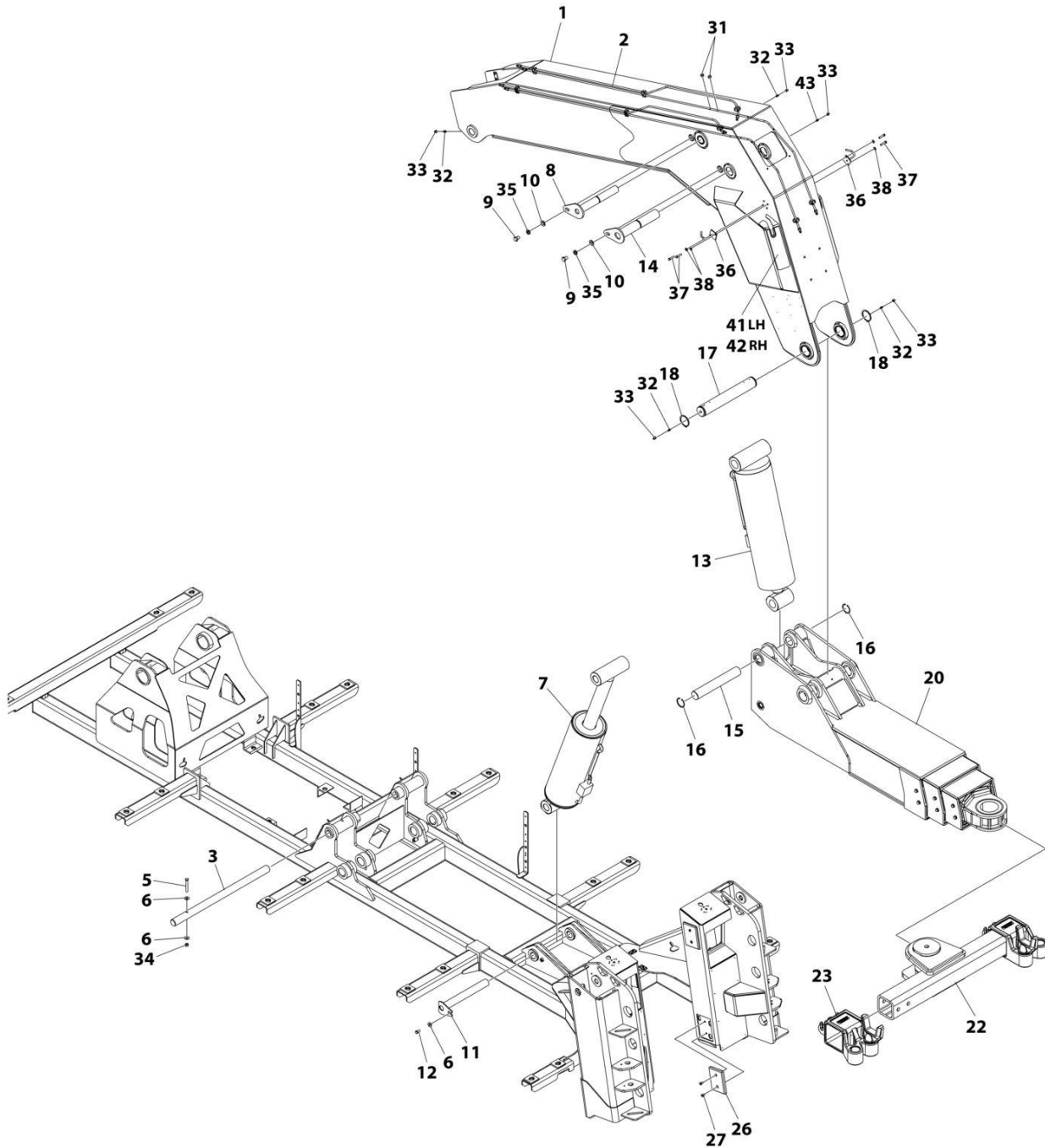
SECTION 3 - UNDERLIFT

FIGURE 3-4. UNDERLIFT INSTALLATION - UL565 (3 PIECE WITH WINCH MOUNT)

ITEM	PART NUMBER	QTY	DESCRIPTION	REV
	2507100085	Ref	UNDERLIFT INSTALLATION - UL565 (3 PIECE WITH WINCH MOUNT)	F
1	3170000409	1	Boom, Knee	
2	3507530029	1	Underlift Boom Assembly (See Separate Breakdown in this Section)	
3	4691000284	1	Pin	
4	3577000037	1	Shim (Not Shown)	
5	7115183250	1	Bolt 1/2 x 4	
6	7950180161	3	Washer 1/2	
7	7320000024	1	Cylinder Assembly - Lift	
7	7577250187	1	SEAL KIT	
7	9935250032	1	VALVE, COUNTERBALANCE	
8	3691000251	1	Pin	
9	7115220850	2	Bolt 3/4 x 1	
10	7950220141	2	Washer 3/4	
11	3691000152	1	Pin	
12	7115180850	1	Bolt 1/2 x 1	
13	7320000097	1	Cylinder Assembly - Tilt (See Separate Breakdown in this Section)	
14	3691000232	1	Pin	
15	4691000290	1	Pin	
16	7754000051	2	Ring, Retaining	
17	4691000291	1	Pin	
18	7754000018	2	Ring, Retaining	
20	3170000407	1	Underlift Boom Assembly - 56,500 lbs (See Separate Breakdown in this Section)	
22	2503880012	1	Cross Tube Installation (See Separate Breakdown in this Section)	
23	2503870011	1	Frame Fork Installation (See Separate Breakdown in this Section)	
26	1001250858	4	Pad	
27	0641605	8	Bolt 3/8 x 5/8	
28	7262000025	2	Chain (Not Shown)	
29	7115201250	2	Bolt 5/8 x 1-1/2 (Not Shown)	
30	7660202601	2	Nut 5/8 (Not Shown)	
31	7189000017	2	Bumper, Rubber	
32	7440030000	5	Fitting, Straight	
33	7253000002	5	Cap, Fitting (Not Shown)	
34	7660182601	1	Nut 1/2	
35	7950220000	2	Washer 3/4	
36	3561000017	2	Hook Weldment	
37	7115161450	4	Bolt 3/8 x 1-3/4	
38	7950160141	4	Washer 3/8	
39	1001212830	1	Hose, Kit (Not Shown - See Separate Breakdown in HYDRAULIC Section)	
40	7577000641	1	Hydraulic Hose Installation - Underlift (Not Shown - See Separate Breakdown in HYDRAULIC Section)	
41	1001151184	1	Decal, Wear - LH	
42	1001151185	1	Decal, Wear - RH	
43	7440000000	1	Fitting, Straight	
44	7082311	8	Pad	
45	4891600	8	Washer 3/8	

SECTION 3 - UNDERLIFT

FIGURE 3-5. UNDERLIFT INSTALLATION - UL565 (4 PIECE)



ART_1001139137

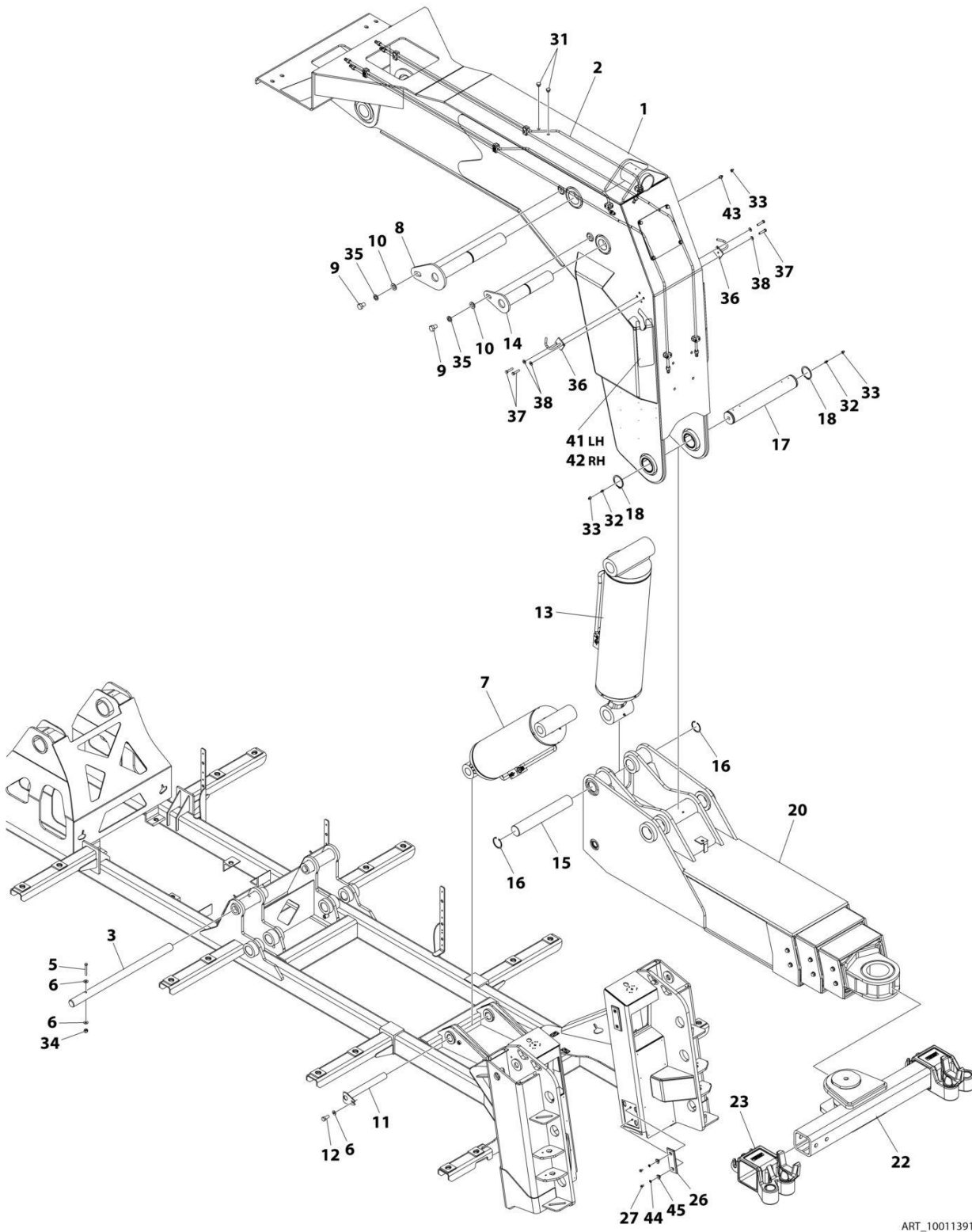
SECTION 3 - UNDERLIFT

FIGURE 3-5. UNDERLIFT INSTALLATION - UL565 (4 PIECE)

ITEM	PART NUMBER	QTY	DESCRIPTION	REV
	1001139137	Ref	UNDERLIFT INSTALLATION - UL565 (4 PIECE)	D
1	3170000408	1	Knee Boom	
2	3507530029	1	Underlift Assembly (See Separate Breakdown in this Section)	
3	4691000284	1	Pin	
4	3577000037	1	Shim Kit (Not Shown)	
5	7115183250	1	Bolt 1/2 x 4	
6	7950180161	3	Washer 1/2	
7	7320000024	1	Cylinder Assembly - Lift	
7	7577250187	1	Seal kit	
7	9935250032	1	Valve	
8	3691000251	1	Pin	
9	7115220850	2	Bolt 3/4 x 1	
10	7950220141	2	Washer 3/4	
11	3691000152	1	Pin	
12	7115180850	1	Capscrew 1/2 x 1	
13	7320000097	1	Cylinder Assembly - Tilt (See Separate Breakdown in this Section)	
14	3691000232	1	Pin	
15	4691000290	1	Pin	
16	7754000051	2	Ring, Retaining	
17	4691000291	1	Pin	
18	7754000018	2	Ring, Retaining	
20	3170000381	1	Underlift Assembly (See Separate Breakdown in this Section)	
22	2503880012	1	Cross Tube Installation (See Separate Breakdown in this Section)	
23	2503870011	1	Frame Fork Installation (See Separate Breakdown in this Section)	
26	4679000127	4	Pad	
27	7115160623	8	Screw 3/8 x 7	
28	7262000025	2	Chain (Not Shown)	
29	7115201250	2	Bolt 5/8 x 1-1/2 (Not Shown)	
30	7660202601	2	Nut 5/8 (Not Shown)	
31	7189000017	2	Bumper, Rubber	
32	7440030000	5	Fitting, Straight	
33	7253000002	5	Cap, Fitting	
34	7660182601	1	Nut 1/2	
35	7950220000	2	Washer 3/4	
36	3561000017	2	Hook Weldment	
37	7115161450	4	Bolt 3/8 x 1-3/4	
38	7950160141	4	Washer 3/8	
39	7577000639	1	Hydraulic Hose Installation (Not Shown - See Separate Breakdown in HYDRAULIC Section)	
40	7577000641	1	Hydraulic Hose Installation - Underlift (Not Shown - See Separate Breakdown in HYDRAULIC Section)	
41	1001151184	1	Decal, Wear - LH	
42	1001151185	1	Decal, Wear - RH	
43	7440000000	1	Fitting, Straight	

SECTION 3 - UNDERLIFT

FIGURE 3-6. UNDERLIFT INSTALLATION - UL565 (4 PIECE WITH WINCH MOUNT)



ART_1001139138

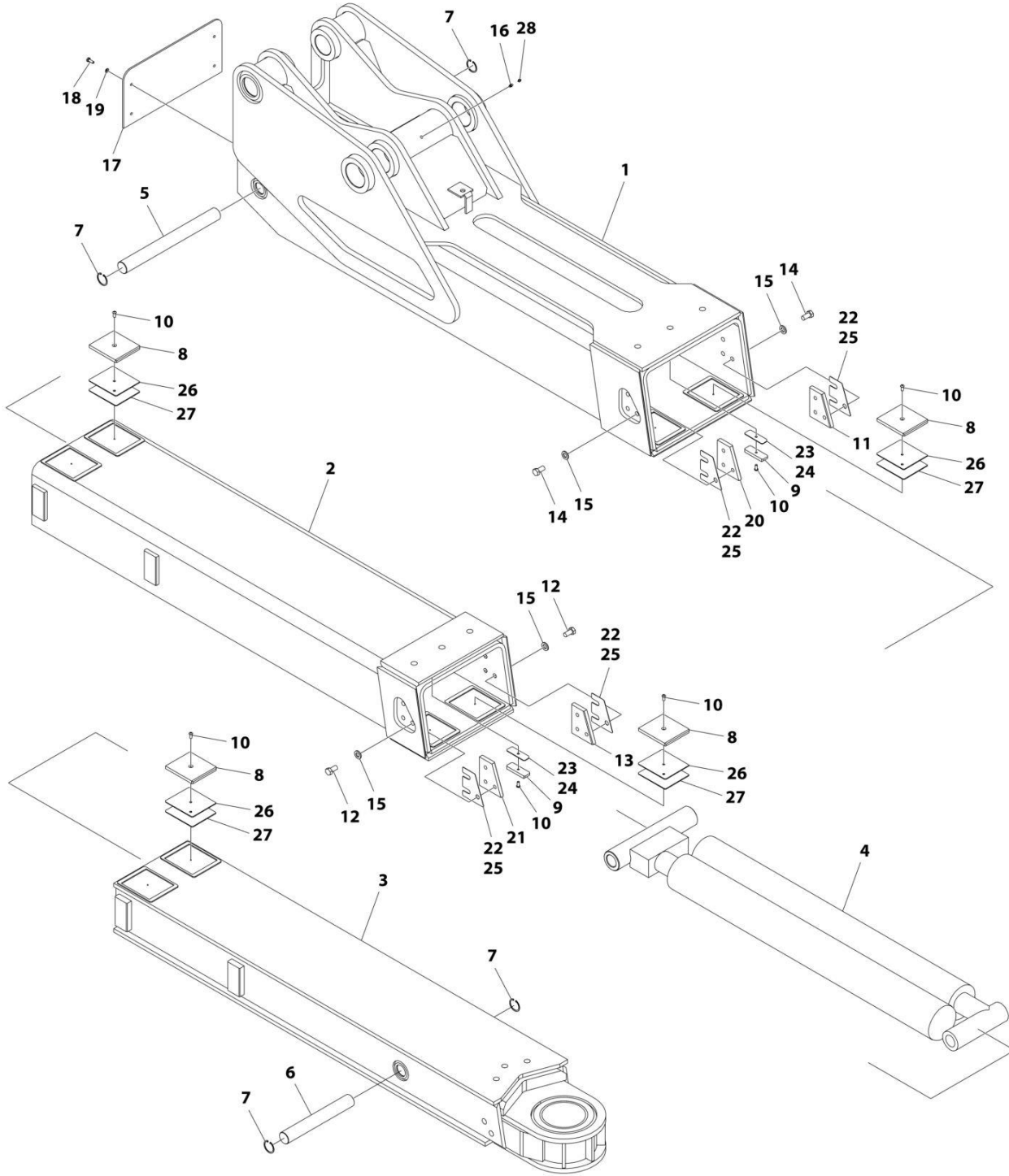
SECTION 3 - UNDERLIFT

FIGURE 3-6. UNDERLIFT INSTALLATION - UL565 (4 PIECE WITH WINCH MOUNT)

ITEM	PART NUMBER	QTY	DESCRIPTION	REV
	1001139138	Ref	UNDERLIFT INSTALLATION - UL565 (4 PIECE WITH WINCH MOUNT)	D
1	3170000409	1	Boom, Knee	
2	3507530029	1	Underlift Boom Assembly (See Separate Breakdown in this Section)	
3	4691000284	1	Pin	
4	3577000037	1	Shim (Not Shown)	
5	7115183250	1	Bolt 1/2 x 4	
6	7950180161	3	Washer 1/2	
7	7320000024	1	Cylinder Assembly - Lift	
7	7577250187	1	Kit, Seal	
7	9935250032	1	VALVE, COUNTERBALANCE	
8	3691000251	1	Pin	
9	7115220850	2	Bolt 3/4 x 1	
10	7950220141	2	Washer 3/4	
11	3691000152	1	Pin	
12	7115180850	1	Bolt 1/2 x 1	
13	7320000097	1	Cylinder Assembly - Tilt (See Separate Breakdown in this Section)	
14	3691000232	1	Pin	
15	4691000290	1	Pin	
16	7754000051	2	Ring, Retaining	
17	4691000291	1	Pin	
18	7754000018	2	Ring, Retaining	
20	3170000381	1	Underlift Assembly (See Separate Breakdown in this Section)	
22	2503880012	1	Cross Tube Installation (See Separate Breakdown in this Section)	
23	2503870011	1	Frame Fork Installation (See Separate Breakdown in this Section)	
26	1001250858	4	Pad	
27	0641605	8	Bolt 3/8 x 5/8	
28	7262000025	2	Chain (Not Shown)	
29	7115201250	2	Bolt 5/8 x 1-1/2 (Not Shown)	
30	7660202601	2	Nut 5/8 (Not Shown)	
31	7189000017	2	Bumper, Rubber	
32	7440030000	5	Fitting, Straight	
33	7253000002	5	Cap, Fitting (Not Shown)	
34	7660182601	1	Nut 1/2	
35	7950220000	2	Washer 3/4	
36	3561000017	2	Hook Weldment	
37	7115161450	4	Bolt 3/8 x 1-3/4	
38	7950160141	4	Washer 3/8	
39	1001212830	1	Hose, Kit (Not Shown - See Separate Breakdown in HYDRAULIC Section)	
40	7577000641	1	Hydraulic Hose Installation - Underlift (Not Shown - See Separate Breakdown in HYDRAULIC Section)	
41	1001151184	1	Decal, Wear - LH	
42	1001151185	1	Decal, Wear - RH	
43	7440000000	1	Fitting, Straight	
44	4891600	8	Washer 3/8	
45	7082311	8	Pad	

SECTION 3 - UNDERLIFT

FIGURE 3-7. UNDERLIFT ASSEMBLY- 53000LBS (UL530)



ART_3507100001

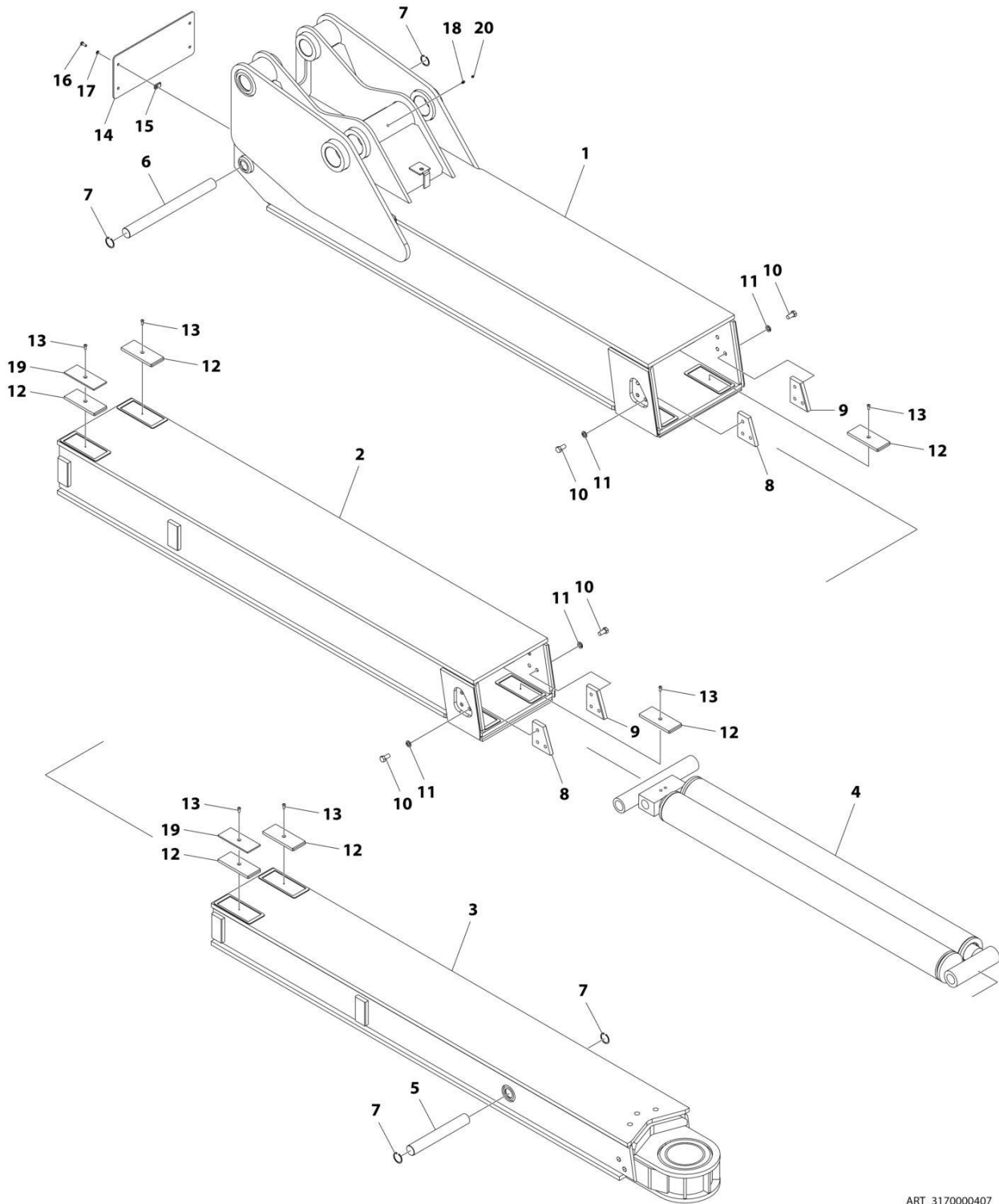
SECTION 3 - UNDERLIFT

FIGURE 3-7. UNDERLIFT ASSEMBLY- 53000LBS (UL530)

ITEM	PART NUMBER	QTY	DESCRIPTION	REV
	3507100001	Ref	UNDERLIFT ASSEMBLY - 53,000 LBS	B
1	3170000125	1	Base Section Boom Weldment	
2	3170000124	1	Mid Section Boom Weldment	
3	3170000123	1	Fly Section Boom Weldment	
4	7320000026	1	Underlift Extension Cylinder Assembly (See Separate Breakdown in this Section)	
5	4691000292	1	Pin	
6	4691000293	1	Pin	
7	7754000043	4	Ring, Retaining	
8	4679000146	8	Pad	
9	4679000147	2	Pad	
10	7114140518	10	Capscrew 1/4 x 5/8	
11	4706002209	1	Plate	
12	7108181050	6	Capscrew 1/2 x 1-1/4	
13	4706002208	1	Plate	
14	7108180850	6	Capscrew 1/2 x 1	
15	7950180153	12	Washer 1/2	
16	7440030000	1	Grease Fitting	
17	4706002207	1	Plate	
18	7115140650	4	Capscrew 1/4 x 3/4	
19	7950140000	4	Washer 1/4	
20	4706002211	1	Plate	
21	4706002210	1	Plate	
22	4812000057	4	Shim	
23	4706003708	2	Plate	
24	4706003709	2	Plate	
25	4706003710	4	Plate	
26	4706003717	8	Plate	
27	4706003718	8	Plate	
28	7253000002	3	Grease Fitting Cap	

SECTION 3 - UNDERLIFT

FIGURE 3-8. UNDERLIFT ASSEMBLY - 3 PIECE (UL565)



ART_3170000407

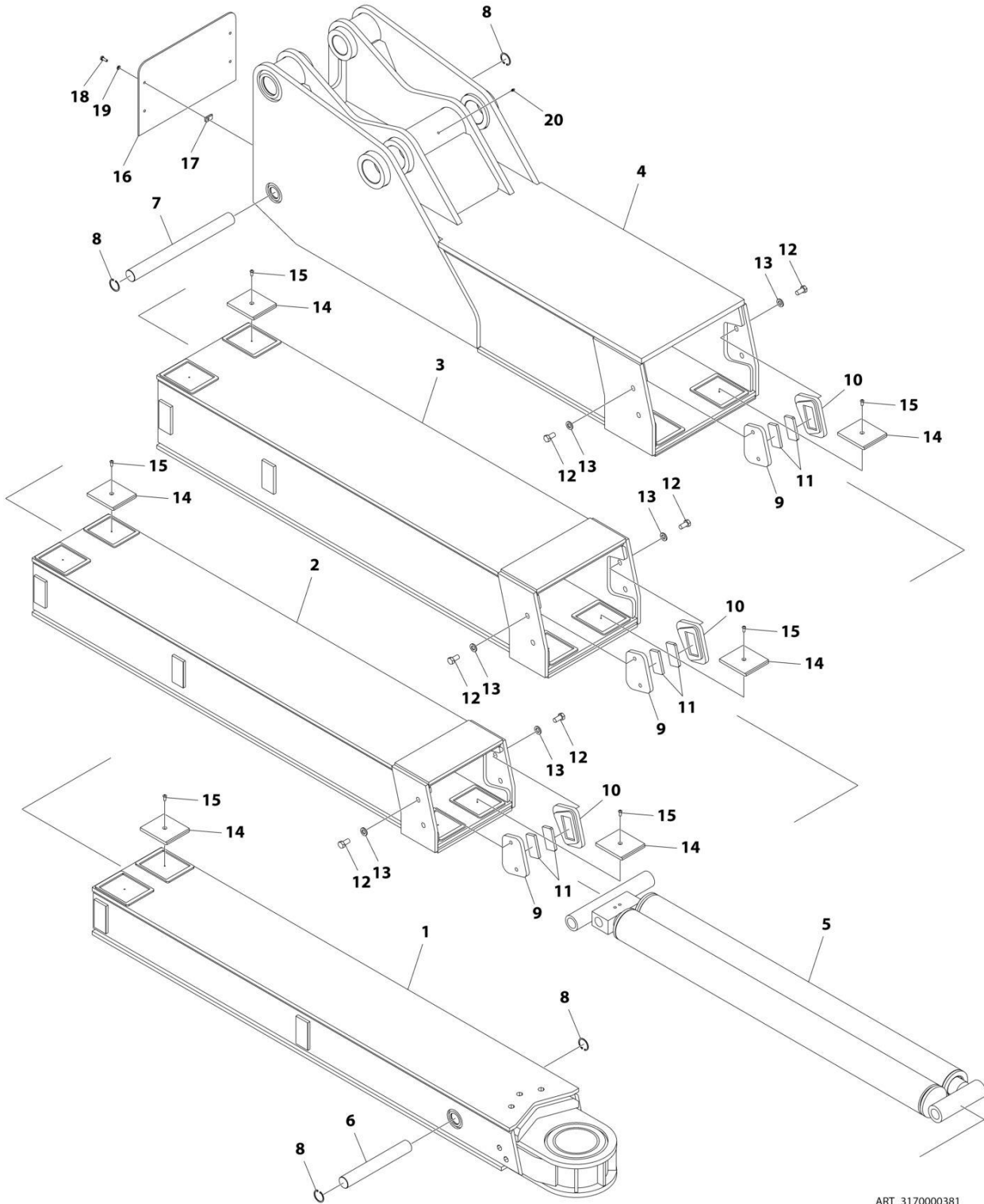
SECTION 3 - UNDERLIFT

FIGURE 3-8. UNDERLIFT ASSEMBLY - 3 PIECE (UL565)

ITEM	PART NUMBER	QTY	DESCRIPTION	REV
	3170000407	Ref	UNDERLIFT ASSEMBLY - 3 PIECE 48K LBS	B
1	3170000400	1	Base Section Boom Weldment	
2	3170000401	1	Mid Section Boom Weldment	
3	3170000406	1	Fly Section Boom Weldment	
4	7320000068	1	Underlift Extension Cylinder Assembly (See Separate Breakdown in this Section)	
5	4691000293	1	Pin	
6	4691000321	1	Pin	
7	7754000043	4	Ring, Retaining	
8	4706005262	2	Plate	
9	4706005263	2	Plate	
10	7108180850	12	Capscrew 1/2 x 1	
11	7950180000	12	Washer 19/32	
12	4679000277	8	Pad	
13	7114140518	8	Capscrew 1/4 x 5/8	
14	4706005281	1	Plate	
15	7661000019	4	U-Nut 1/4	
16	7115140650	4	Capscrew 1/4 x 3/4	
17	7950140000	4	Washer 1/4	
18	7440030000	1	Grease Fitting	
19	4679000293	2	Pad	
20	7253000002	3	Grease Fitting Cap	

SECTION 3 - UNDERLIFT

FIGURE 3-9. UNDERLIFT ASSEMBLY - 4 PIECE (UL565)



ART_3170000381

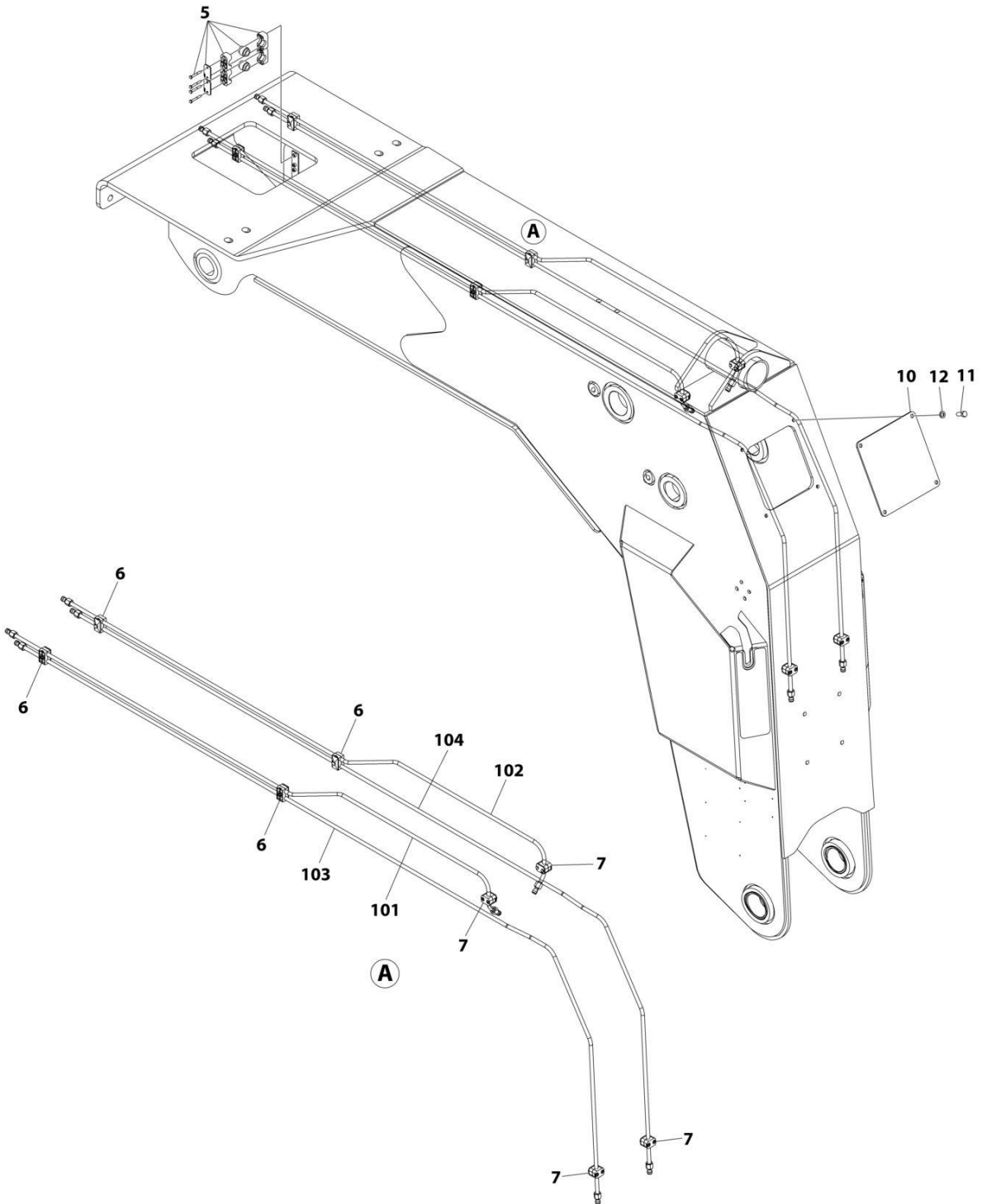
SECTION 3 - UNDERLIFT

FIGURE 3-9. UNDERLIFT ASSEMBLY - 4 PIECE (UL565)

ITEM	PART NUMBER	QTY	DESCRIPTION	REV
	3170000381	Ref	BOOM ASSEMBLY 4 PIECE	C
1	3170000379	1	Fly Section Boom Weldment	
2	3170000380	1	2nd Stage Boom Weldment	
3	3170000178	1	3rd Stage Boom Weldment	
4	3170000179	1	Base Section Boom Weldment	
5	7320000038	1	Underlift Extend Cylinder Assembly (See Separate Breakdown in this Section)	
6	4691000293	1	Pin	
7	4691000321	1	Pin	
8	7754000043	1	Ring, Retaining	
9	3178000273	4	Bracket LH	
10	3178000275	3	Bracket RH	
11	4679000170	3	Pad	
12	7108180850	6	Capscrew 1/2 x 1	
13	7950180153	12	Washer 1/2	
14	4679000146	12	Pad	
15	7114140518	12	Capscrew 1/4 x 5/8	
16	4706002428	12	Plate	
17	7661000019	1	U-Nut 1/4	
18	7115140650	4	Capscrew 1/4 x 3/4	
19	7950140000	4	Washer 1/4	
20	7440030000	4	Grease Fitting	

SECTION 3 - UNDERLIFT

FIGURE 3-10. UNDERLIFT HYDRAULIC TUBE INSTALLATION



ART_3507530029

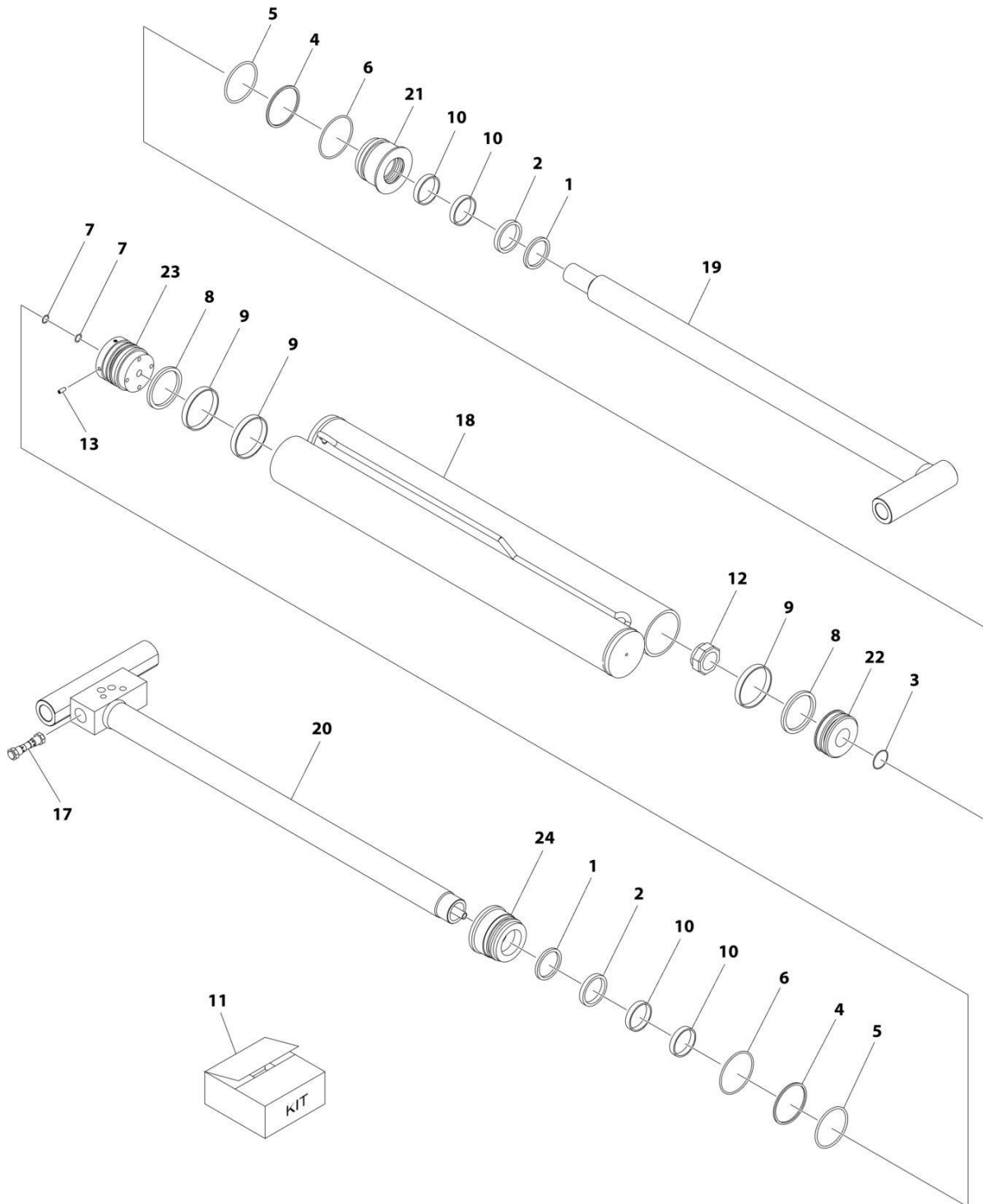
SECTION 3 - UNDERLIFT

FIGURE 3-10. UNDERLIFT HYDRAULIC TUBE INSTALLATION

ITEM	PART NUMBER	QTY	DESCRIPTION	REV
	3507530029	Ref	UNDERLIFT HYDRAULIC TUBE INSTALLATION	B
5	1001142074	4	Clamp	
6	1001136447	4	Clamp	
7	1001136559	4	Clamp	
10	4706002206	1	Plate	
11	7115161250	4	Bolt 3/8 x 1-1/2	
12	7950160000	4	Washer 3/8	
13	7577000638	1	Tube, Kit (Not Shown)	
101	7912000055	1	Tube	
102	7912000056	1	Tube	
103	7912000057	1	Tube	
104	7912000058	1	Tube	

SECTION 3 - UNDERLIFT

FIGURE 3-11. CYLINDER ASSEMBLY - EXTEND/RETRACT - UL530



ART_732000026

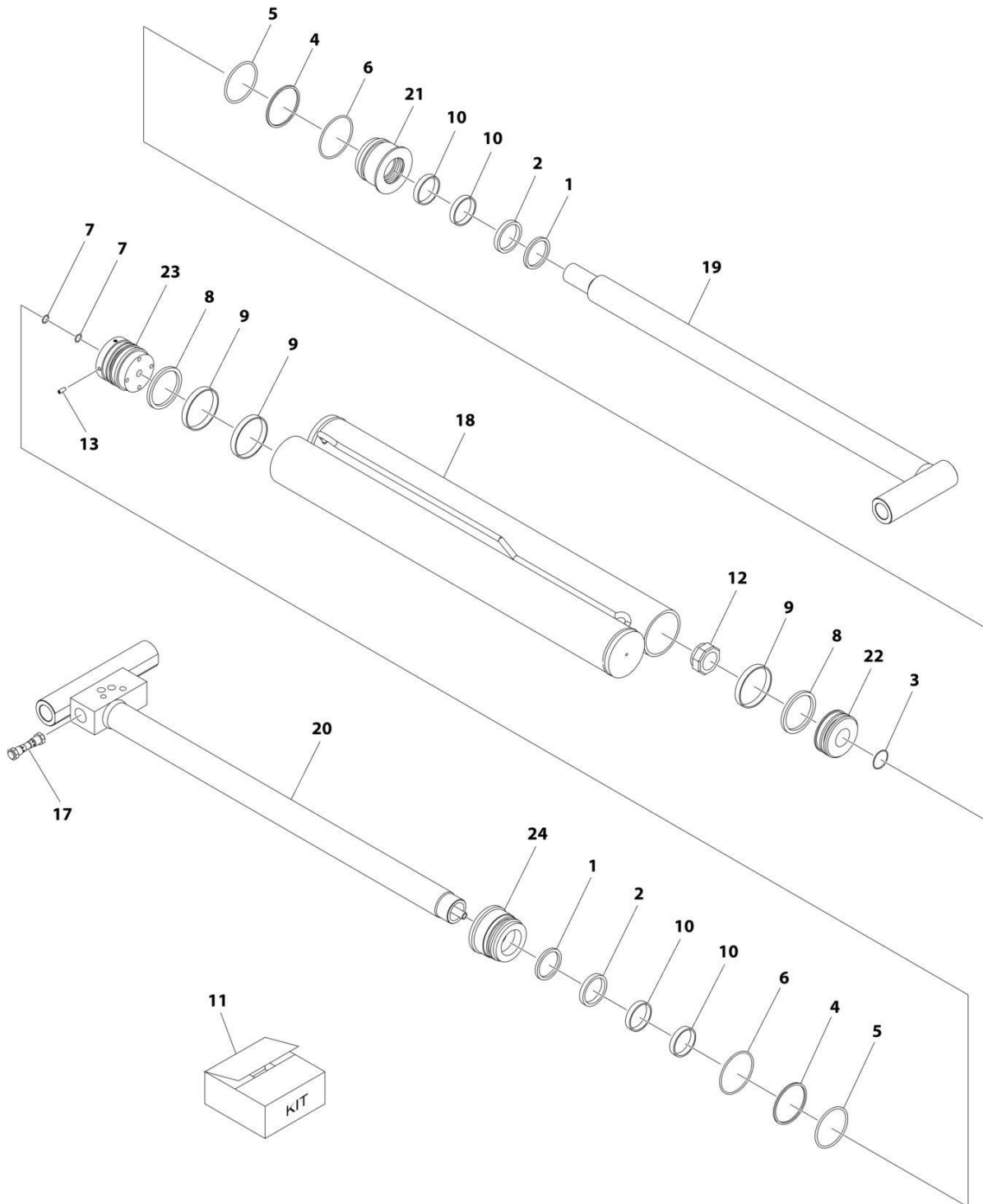
SECTION 3 - UNDERLIFT

FIGURE 3-11. CYLINDER ASSEMBLY - EXTEND/RETRACT - UL530

ITEM	PART NUMBER	QTY	DESCRIPTION	REV
	732000026	Ref	UNDERLIFT EXTENSION CYLINDER ASSEMBLY - 53,000 LBS	B
1	9796250081	2	Seal, Wiper	
2	7019829	2	Seal	
3	7023518	1	Seal, O-Ring	
4	9754250009	2	Ring, Back-up	
5	9796250057	2	Seal, O-Ring	
6	9796250058	2	Seal, O-Ring	
7	70050534	2	Seal, O-Ring	
8	9796250073	2	Seal	
9	9754250014	3	Ring, Wear	
10	70050568	4	Ring, Wear	
11	7577250334	1	Kit, Seal (Includes Items 1-10)	
12	7003116	1	Nut	
13	70050535	4	Setscrew	
14	7005348	2	Grease Fitting (Not Shown)	
15	7005365	2	Plug, Port (Not Shown)	
16	70021648	2	Plug, Port (Not Shown)	
17	9935250025	1	Cartridge, Check Valve	
18	70050536	1	Assembly, Tube	
19	70050537	1	Assembly, Rod	
20	70050538	1	Assembly, Rod	
21	9553250010	1	Head	
22	7024101	1	Piston	
23	70050540	1	Piston	
24	70050541	1	Head	

SECTION 3 - UNDERLIFT

FIGURE 3-12. CYLINDER ASSEMBLY - EXTEND/RETRACT - UL565 (3 PIECE)



ART_732000068

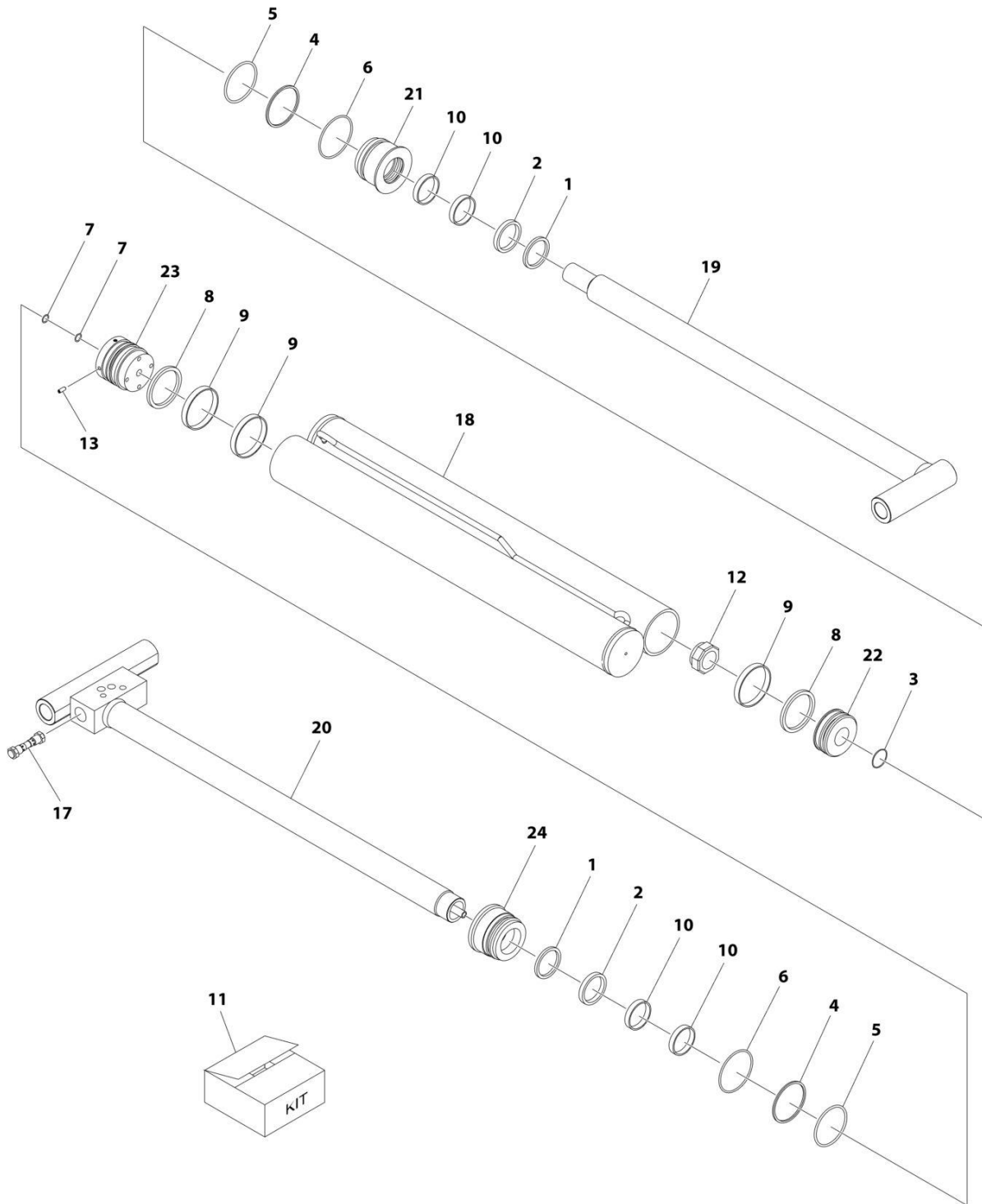
SECTION 3 - UNDERLIFT

FIGURE 3-12. CYLINDER ASSEMBLY - EXTEND/RETRACT - UL565 (3 PIECE)

ITEM	PART NUMBER	QTY	DESCRIPTION	REV
	732000068	1	UNDERLIFT EXTENSION CYLINDER ASSEMBLY - 56,500 LBS	B
1	9796250081	2	Seal, Wiper	
2	7019829	2	Seal	
3	7023518	1	Seal, O-Ring	
4	9754250009	2	Ring, Back-up	
5	9796250057	2	Seal, O-Ring	
6	9796250058	2	Seal, O-Ring	
7	70050534	2	Seal, O-Ring	
8	9796250073	2	Seal	
9	9754250014	3	Ring, Wear	
10	80004056	4	Ring, Wear	
11	7577250334	1	Kit, Seal (Includes Items 1-10)	
12	7003116	1	Nut	
13	70050535	4	Setscrew	
14	7005348	2	Grease Fitting (Not Shown)	
15	7005365	2	Plug, Port (Not Shown)	
16	70021648	2	Plug, Port (Not Shown)	
17	9935250025	1	Cartridge, Check Valve	
18	70050550	1	Assembly, Tube	
19	70050551	1	Assembly, Rod	
20	70050552	1	Assembly, Rod	
21	9553250010	1	Head	
22	7024101	1	Piston	
23	70050540	1	Piston	
24	70050541	1	Head	

SECTION 3 - UNDERLIFT

FIGURE 3-13. CYLINDER ASSEMBLY - EXTEND/RETRACT - UL565 (4 PIECE)



ART_732000038

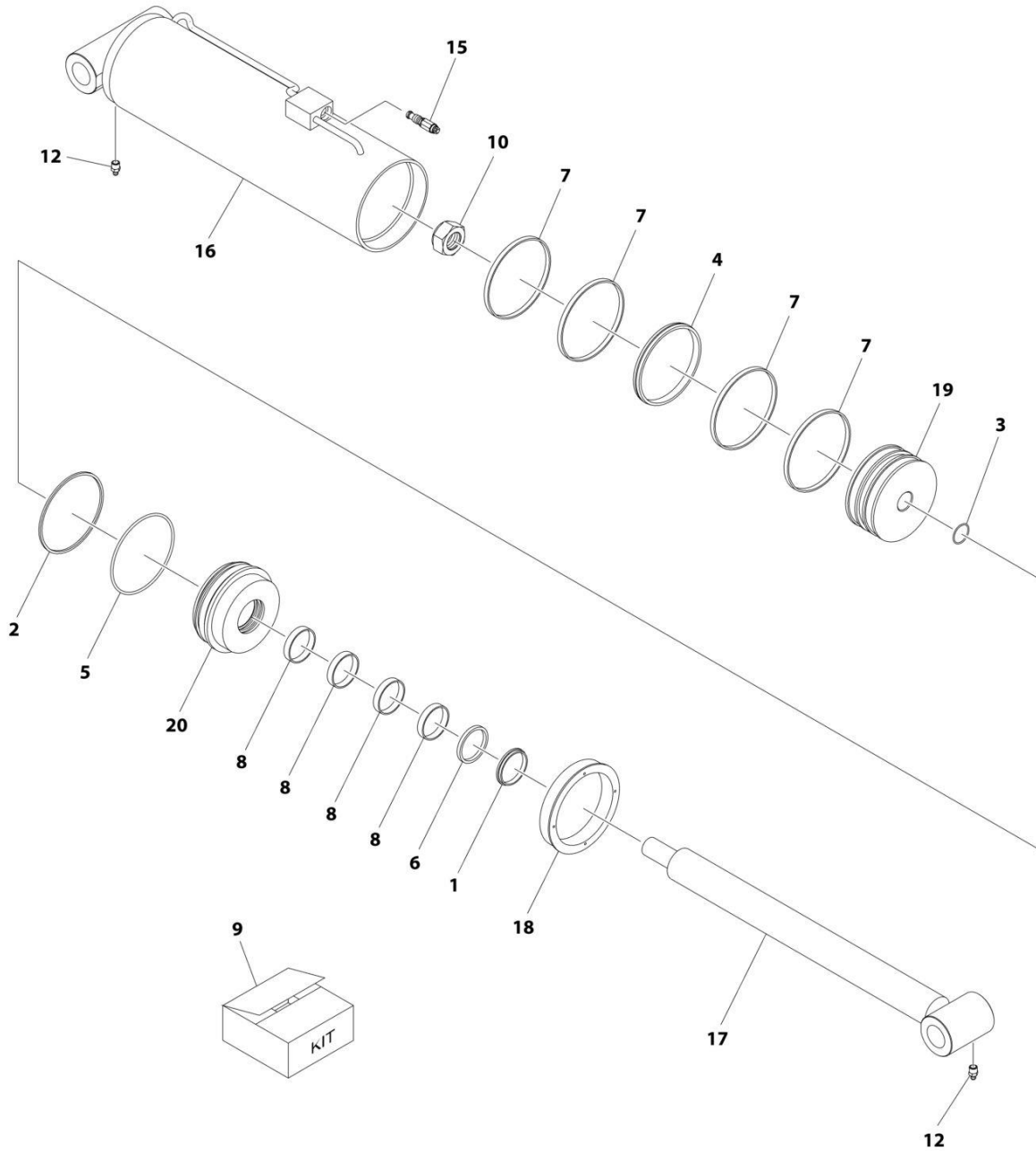
SECTION 3 - UNDERLIFT

FIGURE 3-13. CYLINDER ASSEMBLY - EXTEND/RETRACT - UL565 (4 PIECE)

ITEM	PART NUMBER	QTY	DESCRIPTION	REV
	732000038	Ref	UNDERLIFT 4-PC EXTENSION CYLINDER ASSEMBLY	C
1	9796250081	2	Seal, Wiper	
2	7019829	2	Seal	
3	7023518	1	Seal, O-Ring	
4	9754250009	2	Ring, Back-up	
5	9796250057	2	Seal, O-Ring	
6	9796250058	2	Seal, O-Ring	
7	70050534	2	Seal, O-Ring	
8	9796250073	2	Seal	
9	9754250014	3	Ring, Wear	
10	70050568	4	Ring, Wear	
11	7577250334	1	Kit, Seal (Includes Items 1-10)	
12	7003116	1	Nut	
13	70050535	4	Setscrew	
14	7005348	2	Grease Fitting (Not Shown)	
15	7005365	2	Plug, Port (Not Shown)	
16	70021648	2	Plug, Port (Not Shown)	
17	9935250025	1	Cartridge, Check Valve	
18	70051197	1	Assembly, Tube	
19	70051196	1	Assembly, Rod	
20	70050075	1	Assembly, Rod	
21	9553250010	1	Head	
22	7024101	1	Piston	
23	70050540	1	Piston	
24	70050541	1	Head	

SECTION 3 - UNDERLIFT

FIGURE 3-14. CYLINDER ASSEMBLY - TILT (UL530)



ART_7320000096

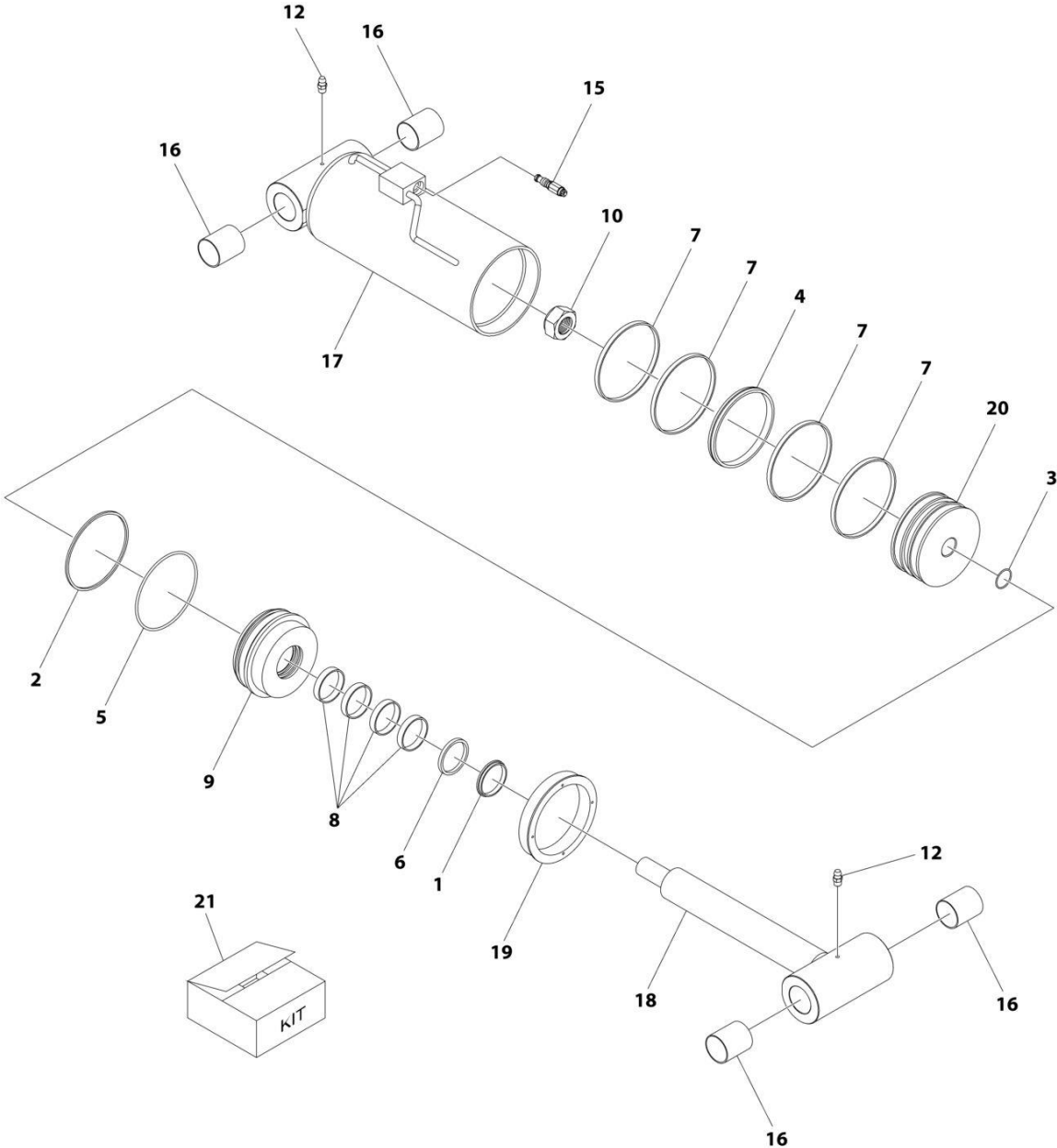
SECTION 3 - UNDERLIFT

FIGURE 3-14. CYLINDER ASSEMBLY - TILT (UL530)

ITEM	PART NUMBER	QTY	DESCRIPTION	REV
	7320000096	Ref	UNDERLIFT TILT CYLINDER ASSEMBLY - 53,000/56,500 LBS	B
1	9796250083	1	Seal, Wiper	
2	9754250011	1	Ring, Back-up	
3	9796250062	1	Seal, O-Ring	
4	70050544	1	Seal	
5	9796250068	1	Seal, O-Ring	
6	70050545	1	Seal	
7	9754250017	4	Ring, Wear	
8	80004049	4	Ring, Wear	
9	7577000063	1	Kit, Seal (Includes Items 1-8)	
10	7005314	1	Nut	
11	70021757	1	Setscrew (Not Shown)	
12	7005348	2	Grease Fitting	
13	70021648	2	Plug, Port (Not Shown)	
14	7005365	1	Plug, Port (Not Shown)	
15	70050215	1	Valve, Counterbalance	
16	70050594	1	Assembly, Tube	
17	70050595	1	Assembly, Rod	
18	9254250007	1	Headcap	
19	70050548	1	Piston	
20	70050549	1	Head	

SECTION 3 - UNDERLIFT

FIGURE 3-15. CYLINDER ASSEMBLY - TILT (UL565)



ART_732000097

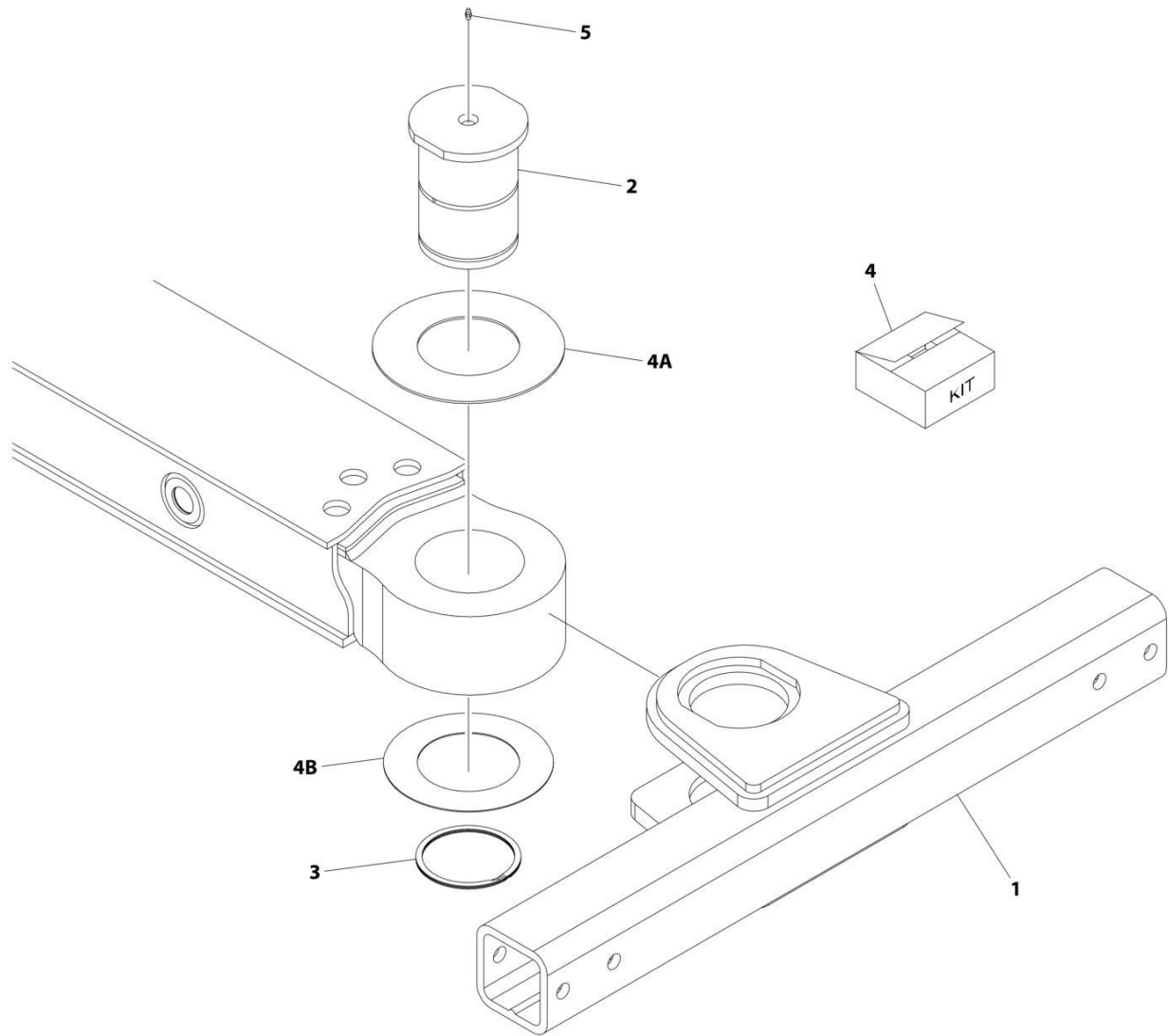
SECTION 3 - UNDERLIFT

FIGURE 3-15. CYLINDER ASSEMBLY - TILT (UL565)

ITEM	PART NUMBER	QTY	DESCRIPTION	REV
	732000097	Ref	CYLINDER ASSEMBLY - UNDERLIFT EXTEND/RETRACT (48K LBS)	C
1	9796250084	1	Wiper	
2	9796250059	1	O-Ring	
3	9796250065	1	O-Ring	
4	9796250077	1	Seal	
5	9754250012	1	Ring, Back-up	
6	9796250078	1	Seal	
7	9754250022	4	Ring, Wear	
8	9754250023	4	Ring, Wear	
9	70051199	1	Piston Head	
10	9661250019	1	Nut	
11	9701250006	2	Nylon Plug (Not Shown)	
12	83304181	2	Fitting, Straight	
13	9786250005	1	Screw (Not Shown)	
14	9786250004	4	Screw (Not Shown)	
15	9935250032	1	Counterbalance	
16	70050232	4	Bushing	
17	9912250008	1	Tube	
18	9763250013	1	Rod	
19	9254250008	1	Headcap	
20	9698250005	1	Piston	
21	7577250188	1	Kit, Seal (Includes Items 1-8)	
22	70021648	2	Plug (Not Shown)	
23	7005365	1	Plug (Not Shown)	

SECTION 3 - UNDERLIFT

FIGURE 3-16. CROSTUBE INSTALLATION



ART_2503880012

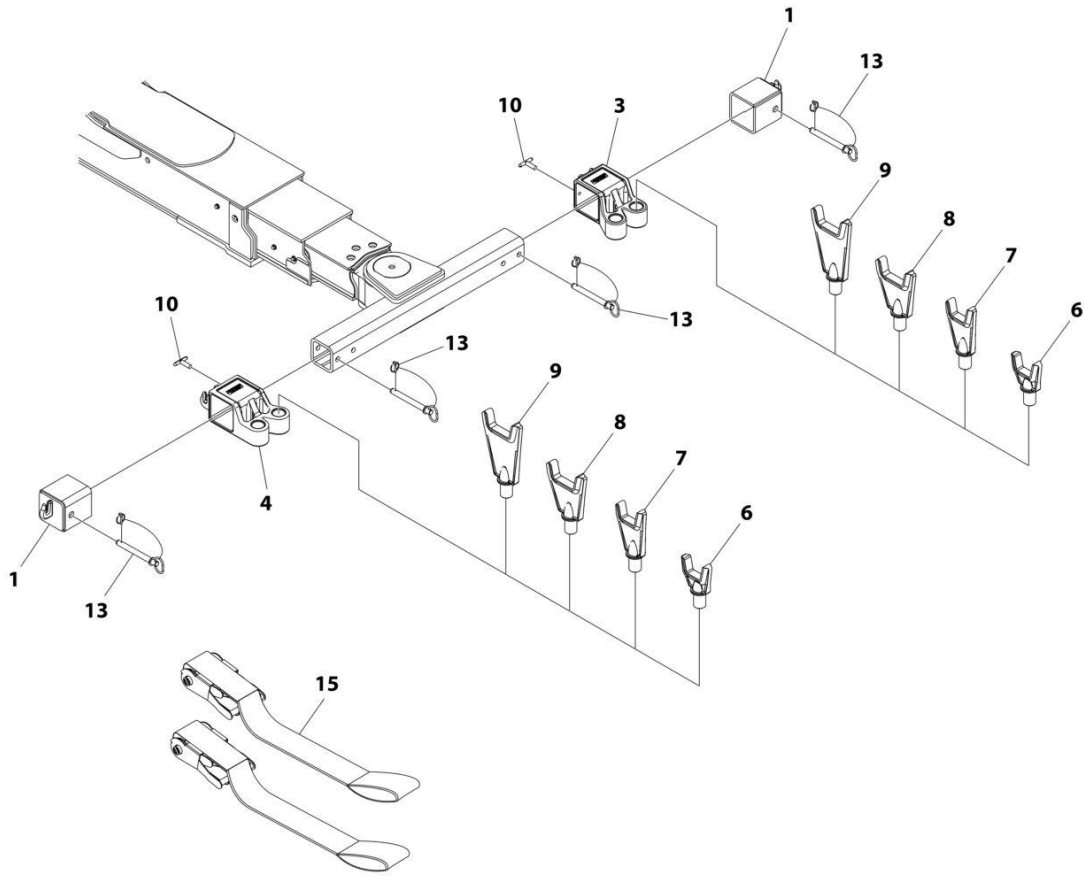
SECTION 3 - UNDERLIFT

FIGURE 3-16. CROSSTUBE INSTALLATION

ITEM	PART NUMBER	QTY	DESCRIPTION	REV
	2503880012	Ref	CROSSTUBE INSTALLATION	A
1	3913000094	1	Crosstube Weldment	
2	4691000242	1	Pin	
3	7754000042	1	Ring, Retaining	
4	3577000018	1	Shim Kit	
4A	4949000041	1	Washer 1/8	
4B	4949000042	1	Washer 1/16	
5	7440030000	1	Grease Fitting	

SECTION 3 - UNDERLIFT

FIGURE 3-17. FRAME FORK INSTALLATION



ART_2503870011_J

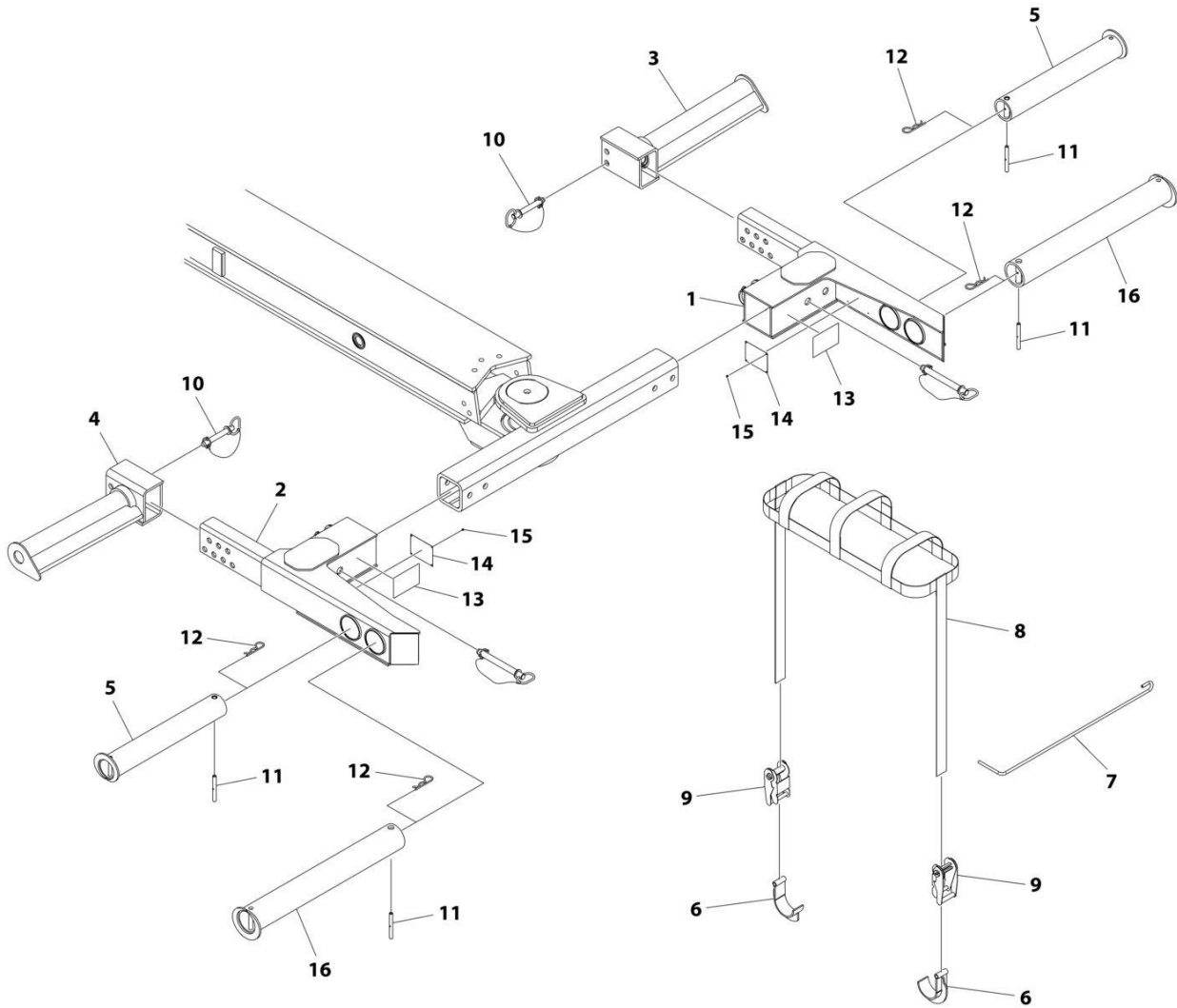
SECTION 3 - UNDERLIFT

FIGURE 3-17. FRAME FORK INSTALLATION

ITEM	PART NUMBER	QTY	DESCRIPTION	REV
	2503870011	Ref	FRAME FORK INSTALLATION	I
1	3007000004	2	Chain Hook Adapter	
3	7007000056	1	Frame Fork Adapter, RH	
4	7007000055	1	Frame Fork Adapter, LH	
6	7454000006	2	Fork, Short	
7	7454000005	2	Fork, Medium	
8	7454000003	2	Fork, Medium	
9	7454000004	2	Fork, Long	
10	3551000036	2	T-Handle	
13	7691000021	4	Pin	
15	1001159568	2	Strap	

SECTION 3 - UNDERLIFT

FIGURE 3-18. GRID INSTALLATION - TIRE LIFT (140000LBS)



ART_2503880088

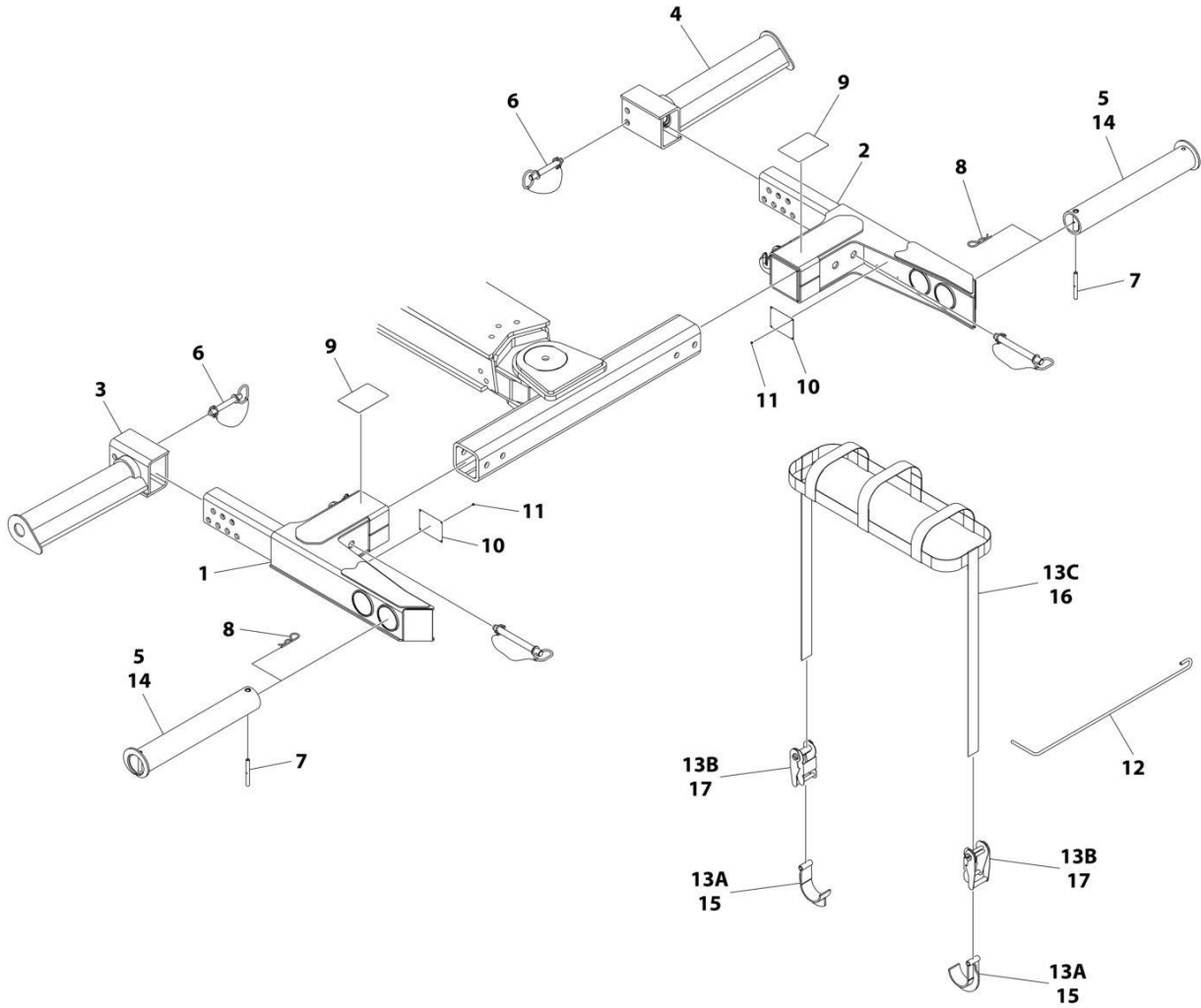
SECTION 3 - UNDERLIFT

FIGURE 3-18. GRID INSTALLATION - TIRE LIFT (140000LBS)

ITEM	PART NUMBER	QTY	DESCRIPTION	REV
	2503880088	Ref	UNDERLIFT GRID TOOLS, 14000 LBS TIRE LIFT	C
1	3484000048	1	Tire Lift Grid, RH	
2	3484000049	1	Tire Lift Grid, LH	
3	3020000120	1	Tire Lift Arm Weldment, RH	
4	3020000119	1	Tire Lift Arm Weldment, LH	
5	3912000038	2	Tire Lift Tube Weldment	
6	3561000008	4	Hook	
7	4561000012	1	Pull Hook	
8	7894000037	2	Strap Assembly Heavy Duty	
9	7894000028	4	Ratchet Strap	
10	7691000026	2	Hitch Pin	
11	4691000274	4	Pin	
12	7691000020	4	Hairpin	
13	7330000278	2	Decal, Caution	
14	1001132268	2	Decal, Rating	
15	7759000004	8	Pop Rivet	
16	3912000033	2	Tire Lift Tube Weldment	

SECTION 3 - UNDERLIFT

FIGURE 3-19. GRID INSTALLATION - TIRE LIFT (250000LBS)



ART_2502880300

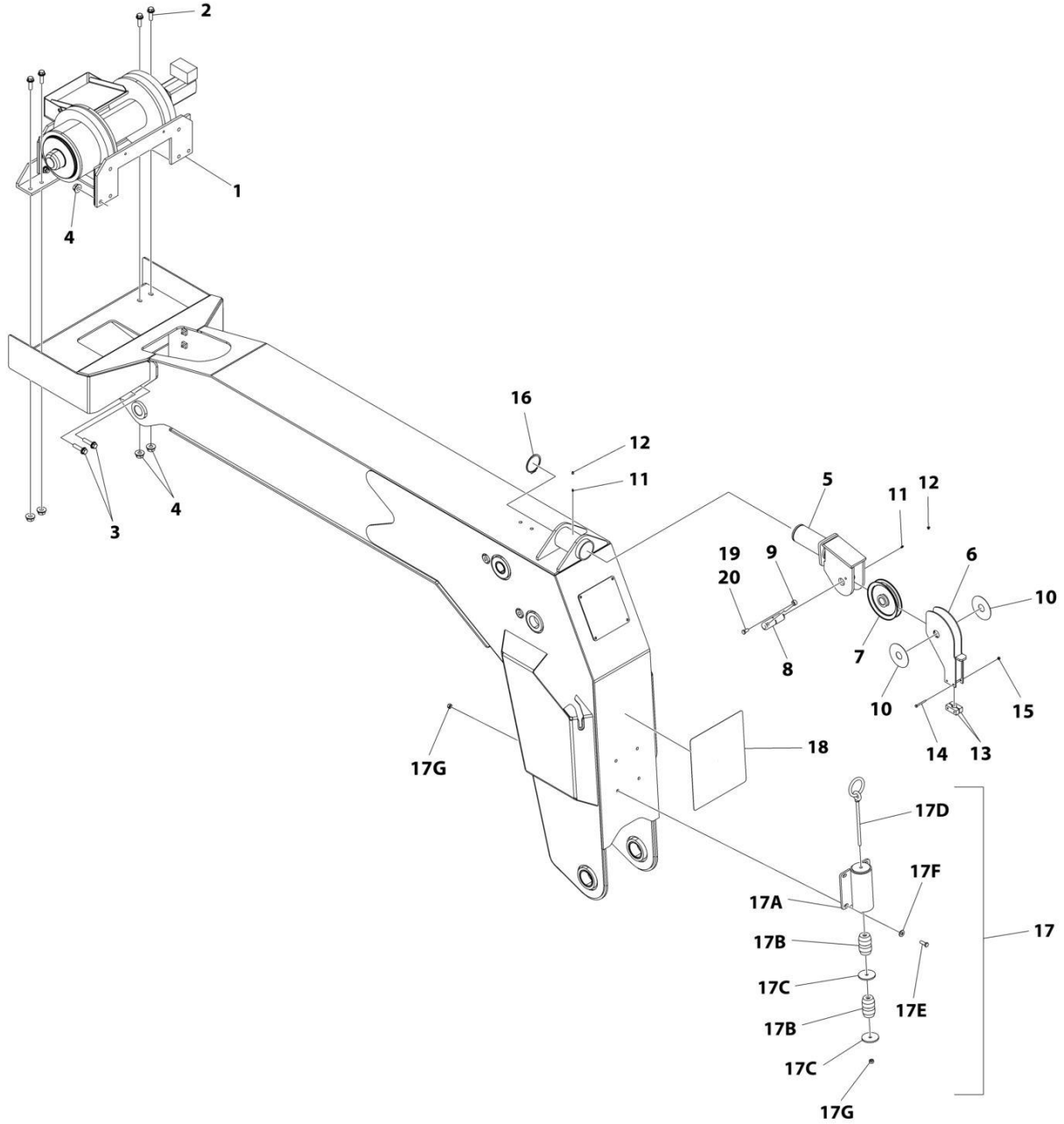
SECTION 3 - UNDERLIFT

FIGURE 3-19. GRID INSTALLATION - TIRE LIFT (250000LBS)

ITEM	PART NUMBER	QTY	DESCRIPTION	REV
	2502880300	Ref	Underlift Tools - 25,000 lbs Tire Lift	D
1	3484000072	1	Tire Lift Grid - LH	
2	3484000073	1	Tire Lift Grid - RH	
3	3020000119	1	Tire Lift Arm Weldment - LH	
4	3020000120	1	Tire Lift Arm Weldment - RH	
5	3912000033	2	Tire Lift Tube Weldment - 27.5" Long	
6	7691000026	2	Hitch Pin	
7	4691000274	4	Pin	
8	7691000020	4	Hairpin	
9	7330000278	2	Decal	
10	1001132265	2	Decal	
11	7759000004	8	Rivet	
12	4561000012	1	Hook, Pull	
13	7577000368	1	Strap Kit	
13A	3561000015	4	Hook, 3" Wide Strap	
13B	7894000060	2	Ratchet, 3" Wide Strap	
13C	7894000057	1	Strap, 3" Wide	
14	3912000038	2	Tire Lift Tube Weldment - 23" Long	
15	3561000008	4	Hook, 2" Wide Strap	
16	7894000037	2	Strap, 2" Wide	
17	7894000028	4	Ratchet, 2" Wide Strap	
18	7894000041	2	Tie-Strap (Not Shown)	

SECTION 3 - UNDERLIFT

FIGURE 3-20. WINCH INSTALLATION - UNDERLIFT



ART_1001145079

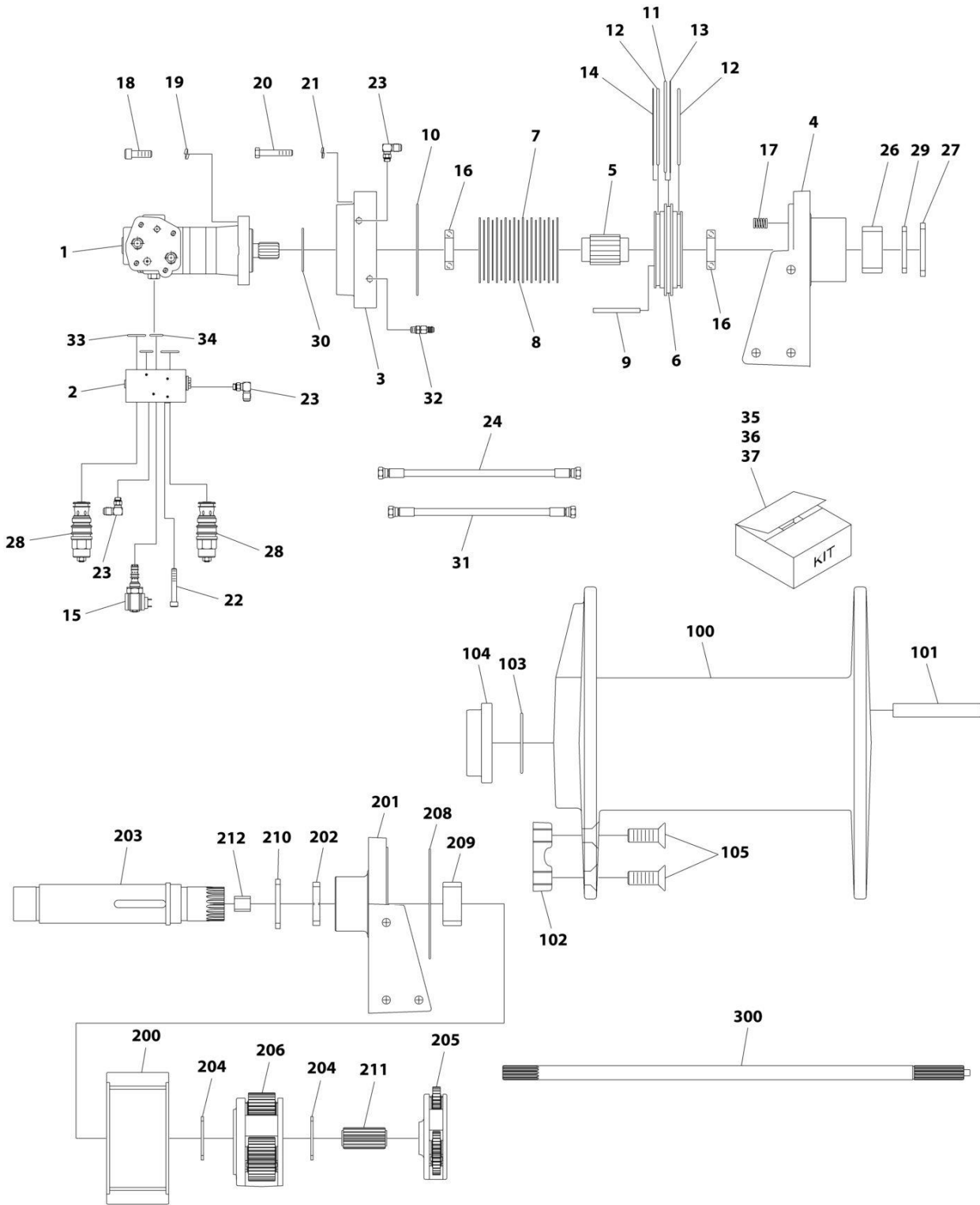
SECTION 3 - UNDERLIFT

FIGURE 3-20. WINCH INSTALLATION - UNDERLIFT

ITEM	PART NUMBER	QTY	DESCRIPTION	REV
	1001145079	Ref	WINCH INSTALLATION - UNDERLIFT	D
1	1001143297	1	Winch Assembly (See Separate Breakdown in this Section)	
2	7118201616	4	Bolt 5/8 x 2	
3	7118202016	4	Bolt 5/8 x 2-1/2	
4	7661000018	8	Nut 5/8	
5	1001169617	1	Sheave Support Weldment	
6	3249000012	1	Guide, Cable	
7	7809000006	1	Sheave	
8	1001169893	1	Pin	
9	3841203	1	Rod	
10	4949000045	2	Washer	
11	7440030000	2	Fitting, Grease	
12	7253000002	2	Cap, Grease Fitting	
13	4249000002	1	Guide, Cable (SN 0230004275 through 0230009234)	
13	4249000001	2	Guide, Cable (SN 0230009235 to Present)	
14	7115142050	2	Bolt 1/4 x 2-1/2	
15	7660142604	2	Nut 1/4	
16	7754000049	1	Ring, Retaining	
17	3249000038	1	Cable Tie Back Assembly	
17A	3912000034	1	Tie Back Tube	
17B	7189000014	2	Spring	
17C	4831000115	2	Spacer	
17D	7120000053	1	Ring Bolt	
17E	7115181250	4	Bolt 1/2 x 1-1/2	
17F	7950180150	4	Washer 1/2	
17G	7660182601	5	Nut 1/2	
18	1001151050	1	Decal, Wear	
19	7115180850	1	Bolt 1/2 x 1	
20	0100011	AR	Compound locking	

SECTION 3 - UNDERLIFT

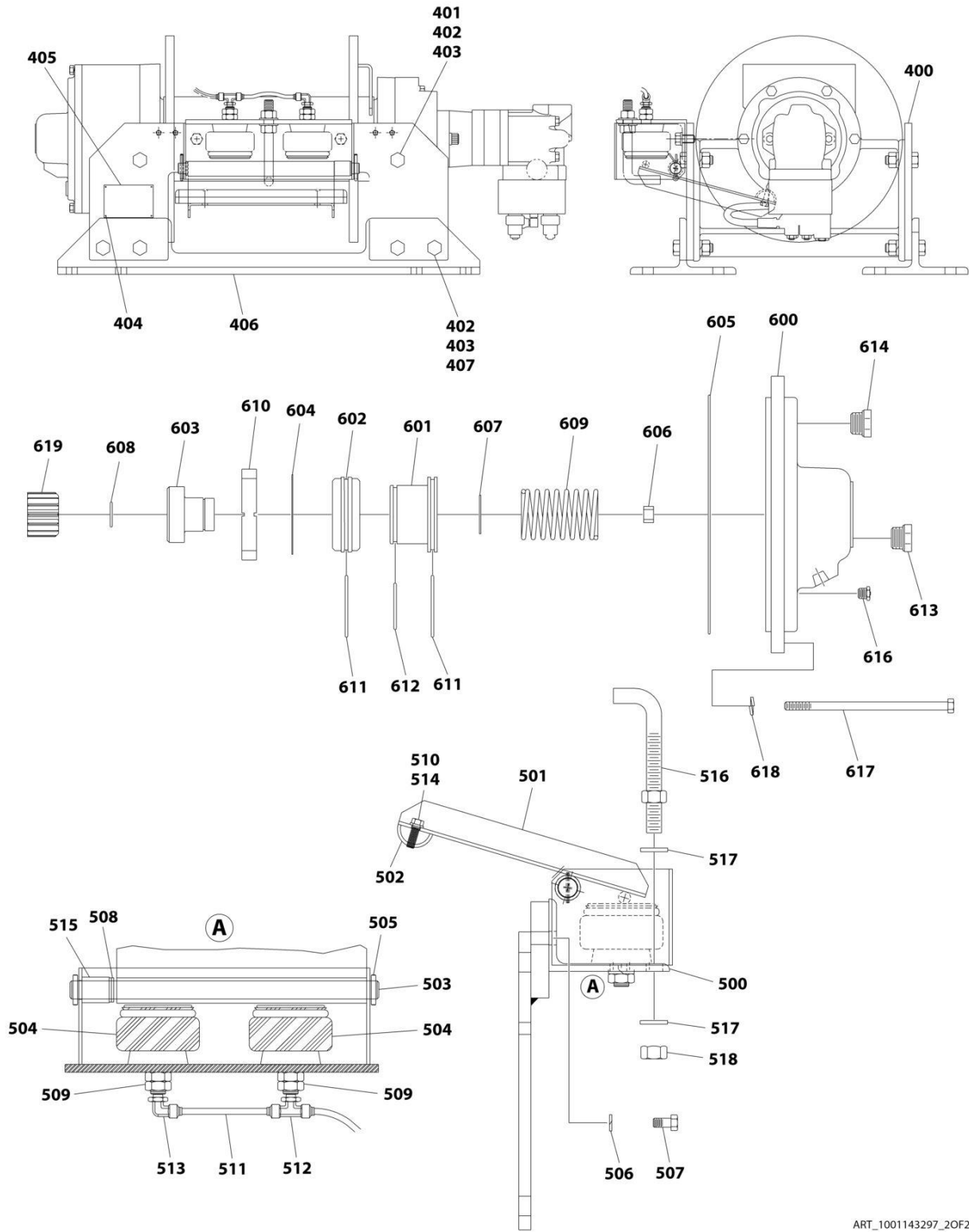
FIGURE 3-21. WINCH ASSEMBLY - UNDERLIFT



ART_1001143297_10F2

SECTION 3 - UNDERLIFT

FIGURE 3-22. WINCH ASSEMBLY - UNDERLIFT



ART_1001143297_2OF2

SECTION 3 - UNDERLIFT

FIGURE 3-22. WINCH ASSEMBLY - UNDERLIFT

ITEM	PART NUMBER	QTY	DESCRIPTION	REV
	1001143297	Ref	WINCH ASSEMBLY - UNDERLIFT	A
		Ref	Motor End Assembly	
1	70050399	1	Motor, Hydraulic	
2	70050368	1	Valve, Counterbalance	
3	9571960006	1	Brake Housing	
4	9177960004	1	Support, Motor End	
5	6906960019	1	Shaft Brake	
6	9698960008	1	Piston, Brake	
7	Kit	10	Plate, Friction Disk	
8	Kit	9	Plate, Brake Drive	
9	9691960021	2	Pin	
10	Kit	1	O-Ring	
11	Kit	1	O-Ring	
12	Kit	2	O-Ring	
13	Kit	1	Ring	
14	Kit	1	Ring	
15	70050371	1	Cartridge	
16	9082960013	2	Bearing	
17	Kit	12	Compression Spring	
18	7118181205	2	Capscrew 1/2 x 1-1/2	
19	7950180800	2	Washer 1/2	
20	7118172050	6	Capscrew 7/16 x 2-1/2	
21	7950170000	6	Washer 7/16	
22	70050370	4	Capscrew 3/8 x 2-1/2	
23	7445040445	3	Adapter	
24	70050400	1	Hose	
25	70050401	1	Tag, Warning (Not Shown)	
26	9082960018	1	Bearing	
27	Kit	1	Seal	
28	9935960026	2	Cartridge	
29	9949960028	1	Thrust Washer	
30	Kit	1	O-Ring	
31	70050372	1	Hose	
32	9443960006	1	Adapter	
33	70050369	2	O-Ring	
34	9796960088	2	O-Ring	
35	9577960139	Ref	Disk and Spring Kit (Includes Items 7, 8 & 17)	
36	9577960120	Ref	Brake Seal Kit (Includes Items 10 to 14)	
37	70050402	Ref	Service Kit (Includes Items 27, 30, 33 & 34)	
		Ref	Drum Assembly	
100	9970960020	1	Drum	
101	9575960012	2	Key, Drum	
102	9280960002	1	Clip	
103	9796960089	1	O-Ring	
104	9831960018	1	Spacer	
105	7110201423	2	Capscrew 5/8 x 1-3/4	
		Ref	Gear End Assembly	
200	9472960056	1	Gear	
201	9177960003	1	Support, Gear End	
202	9949960028	1	Thrust Washer	

SECTION 3 - UNDERLIFT

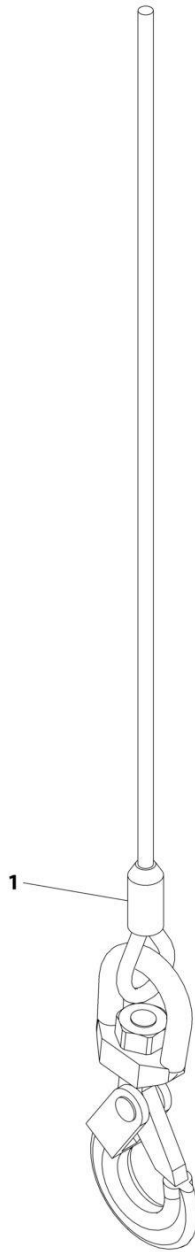
ITEM	PART NUMBER	QTY	DESCRIPTION	REV
203	9806960021	1	Shaft, Output	
204	9949960027	2	Thrust Washer	
205	9472960052	1	Carrier Assembly, Primary	
206	9472960053	1	Carrier Assembly, Secondary	
207	9330960006	1	Label, Warning (Not Shown)	
208	9796960120	1	O-Ring	
209	9082960018	1	Bearing	
210	9796960121	1	Seal	
211	9472960055	1	Gear, Sun Secondary	
212	9209960025	1	Bushing	
		Ref	Input Shaft Assembly	
300	9806960020	1	Input Shaft	
		Ref	Base Mount Assembly	
400	9073960003	2	Base Mount	
401	7115201850	4	Capscrew 5/8 x 2-1/4	
402	7660200001	12	Nut 5/8	
403	7950200000	12	Washer 5/8	
404	70050147	4	Rivet	
405	70050384	1	Plate, Winch ID	
406	9073960004	2	Base Mount	
407	7115202250	8	Capscrew 5/8 x 2-3/4	
		Ref	Cable Hold Down Assembly	
500	9178960011	1	Mounting Bracket	
501	9020960002	1	Pivot Arm	
502	9064960007	1	Rub Bar	
503	9691960019	1	Pin	
504	9843960023	2	Air Spring	
505	9690960039	2	Cotter Pin	
506	7950180000	2	Washer 1/2	
507	7115181650	2	Capscrew 1/2 x 1	
508	9949960012	2	Thrust Washer	
509	7660200200	4	Nut 5/8	
510	9120960063	2	Capscrew 5/16 x 1	
511	9912960010	3	Tubing	
512	7443000205	3	Adapter	
513	7443000204	1	Adapter	
514	9949960050	2	Washer 5/16	
515	9831960009	1	Spacer	
516	9120960019	1	Anchor Bolt	
517	7950200151	2	Washer 5/8	
518	7660200001	1	Nut 5/8	
		Ref	Gear End Cover Assembly	
600	9314960022	1	Cover, Gear End	
601	9698960016	1	Piston	
602	9698960015	1	Cylinder, Piston	
603	9309960011	1	Coupling	
604	9754960026	1	Retainer Ring	
605	9796960120	1	O-Ring	
606	9209960026	1	Bushing	
607	9754960046	1	Retainer Ring	
608	9754960047	1	Retainer Ring	

SECTION 3 - UNDERLIFT

ITEM	PART NUMBER	QTY	DESCRIPTION	REV
609	9843960032	1	Spring	
610	9949960028	1	Thrust Washer	
611	9796960119	2	O-Ring	
612	9796960118	1	O-Ring	
613	9701960011	1	Plug	
614	9701960012	1	Plug	
615	9701960018	1	Plug (Not Shown)	
616	9183960001	1	Vent	
617	7118165250	12	Capscrew 3/8 x 6-1/2	
618	7950160000	12	Washer 3/8	
619	9472960054	1	Gear, 15 Teeth	

SECTION 3 - UNDERLIFT

FIGURE 3-23. CABLE INSTALLATION - 0.63IN X 250FT WITH SWIVEL HOOK



ART_1001209015

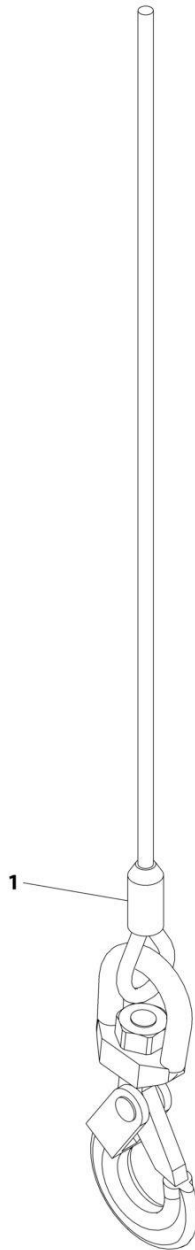
SECTION 3 - UNDERLIFT

FIGURE 3-23. CABLE INSTALLATION - 0.63IN X 250FT WITH SWIVEL HOOK

ITEM	PART NUMBER	QTY	DESCRIPTION	REV
1	1001209015 7248000079	Ref 1	CABLE INSTALLATION - 0.63IN X 250FT WITH SWIVEL HOOK Cable Assembly	A

SECTION 3 - UNDERLIFT

FIGURE 3-24. CABLE INSTALLATION - 0.75IN X 200FT WITH SWIVEL HOOK



ART_1001209025

SECTION 3 - UNDERLIFT

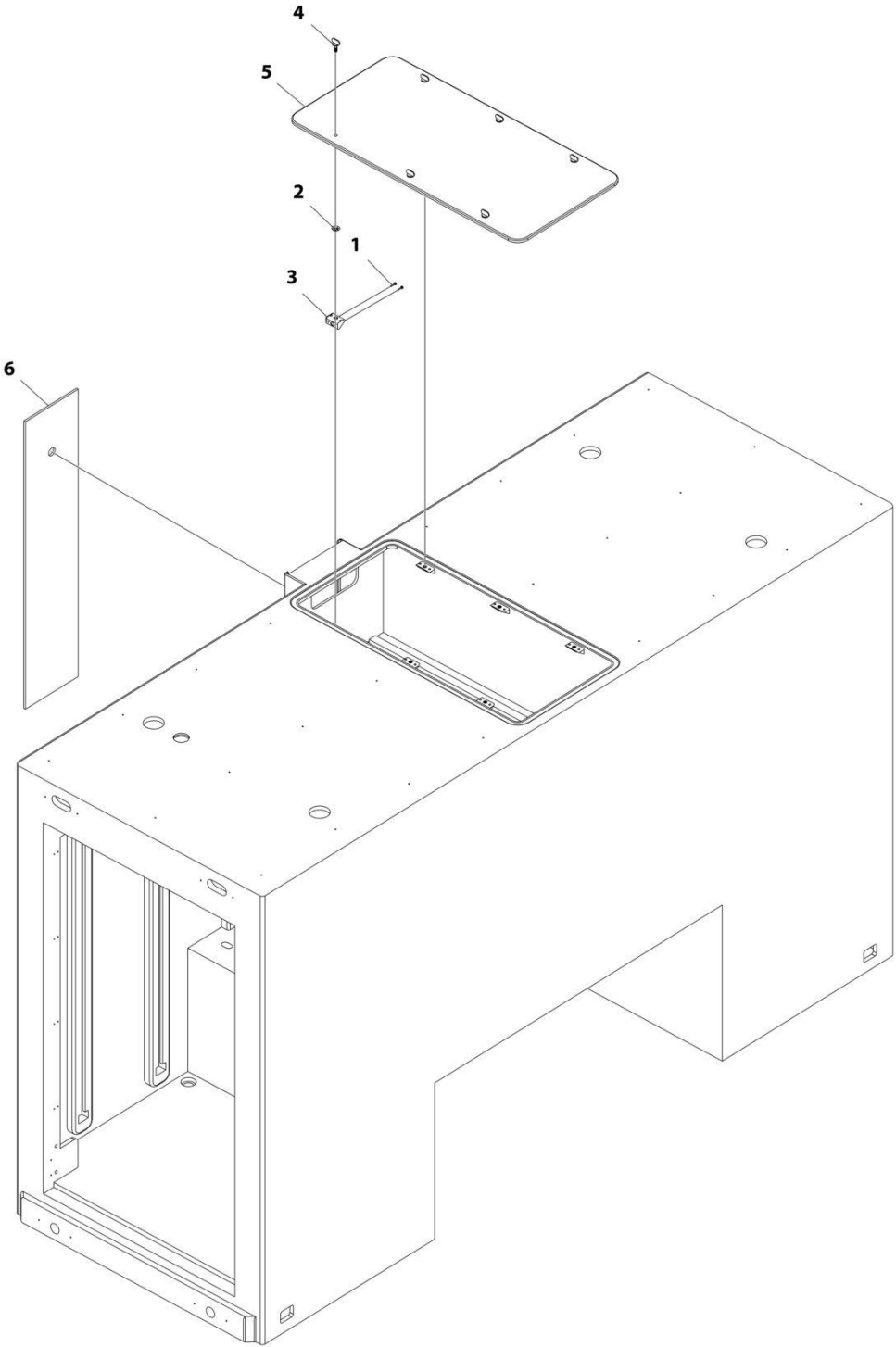
FIGURE 3-24. CABLE INSTALLATION - 0.75IN X 200FT WITH SWIVEL HOOK

ITEM	PART NUMBER	QTY	DESCRIPTION	REV
1	1001209025 7248000080	Ref 1	CABLE INSTALLATION - 0.75IN X 200FT WITH SWIVEL HOOK Cable Assembly	A

SECTION 4 - BODY

SECTION 4 - BODY

FIGURE 4-1. BATTERY COVER INSTALLATION, 39"



ART_1001197133

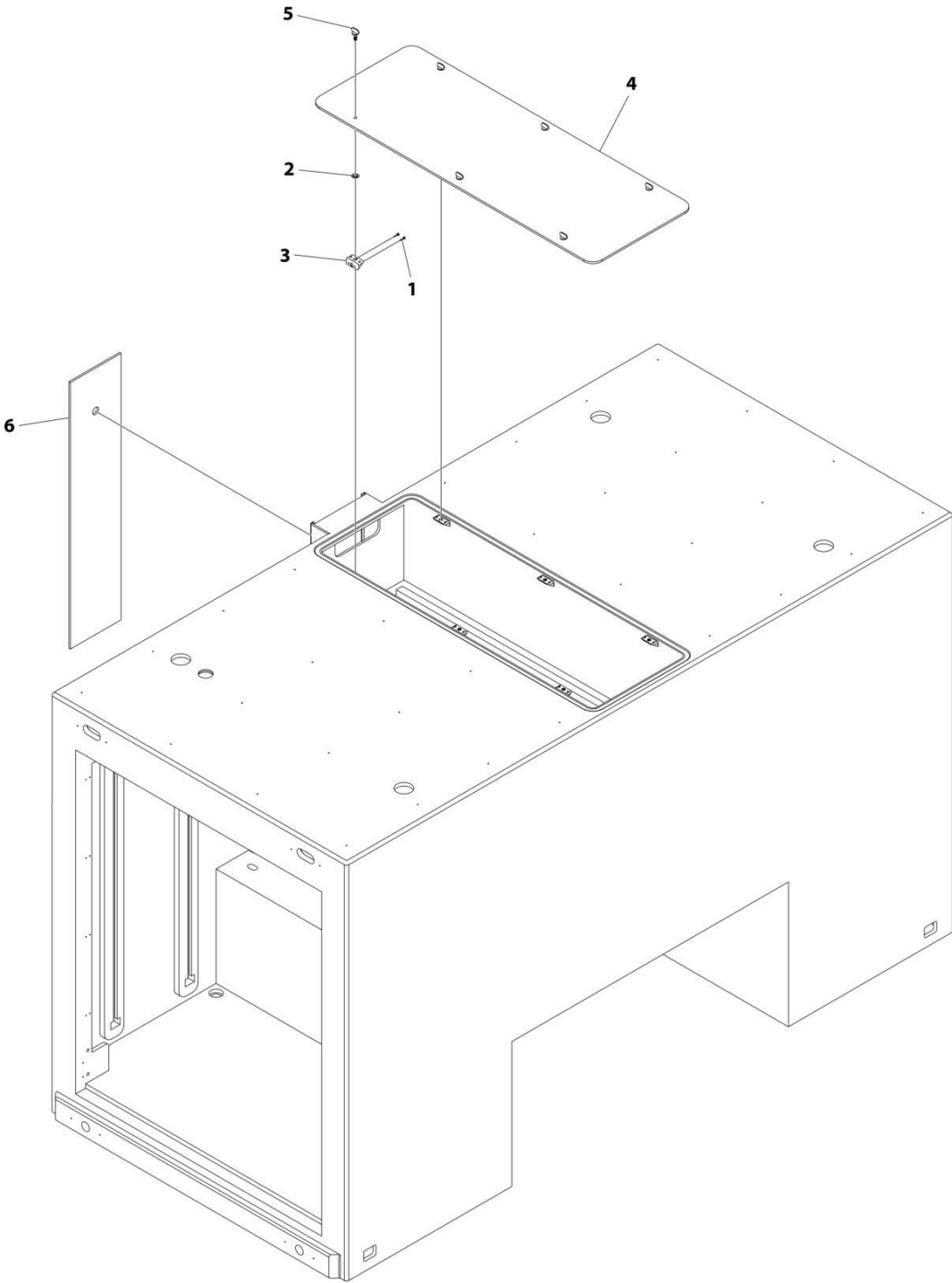
SECTION 4 - BODY

FIGURE 4-1. BATTERY COVER INSTALLATION, 39"

ITEM	PART NUMBER	QTY	DESCRIPTION	REV
	1001197133	Ref	BATTERY COVER INSTALLATION (39IN TUNNEL WITH BATTERY)	C
1	0750605	12	Screw	
2	3760308	6	Retainer	
3	1001122235	6	Bracket	
4	1001166930	6	Latch	
5	1001182569	1	Battery Cover	
6	1001185654	1	Battery Cover	

SECTION 4 - BODY

FIGURE 4-2. BATTERY COVER INSTALLATION, 51"



ART_1001197134

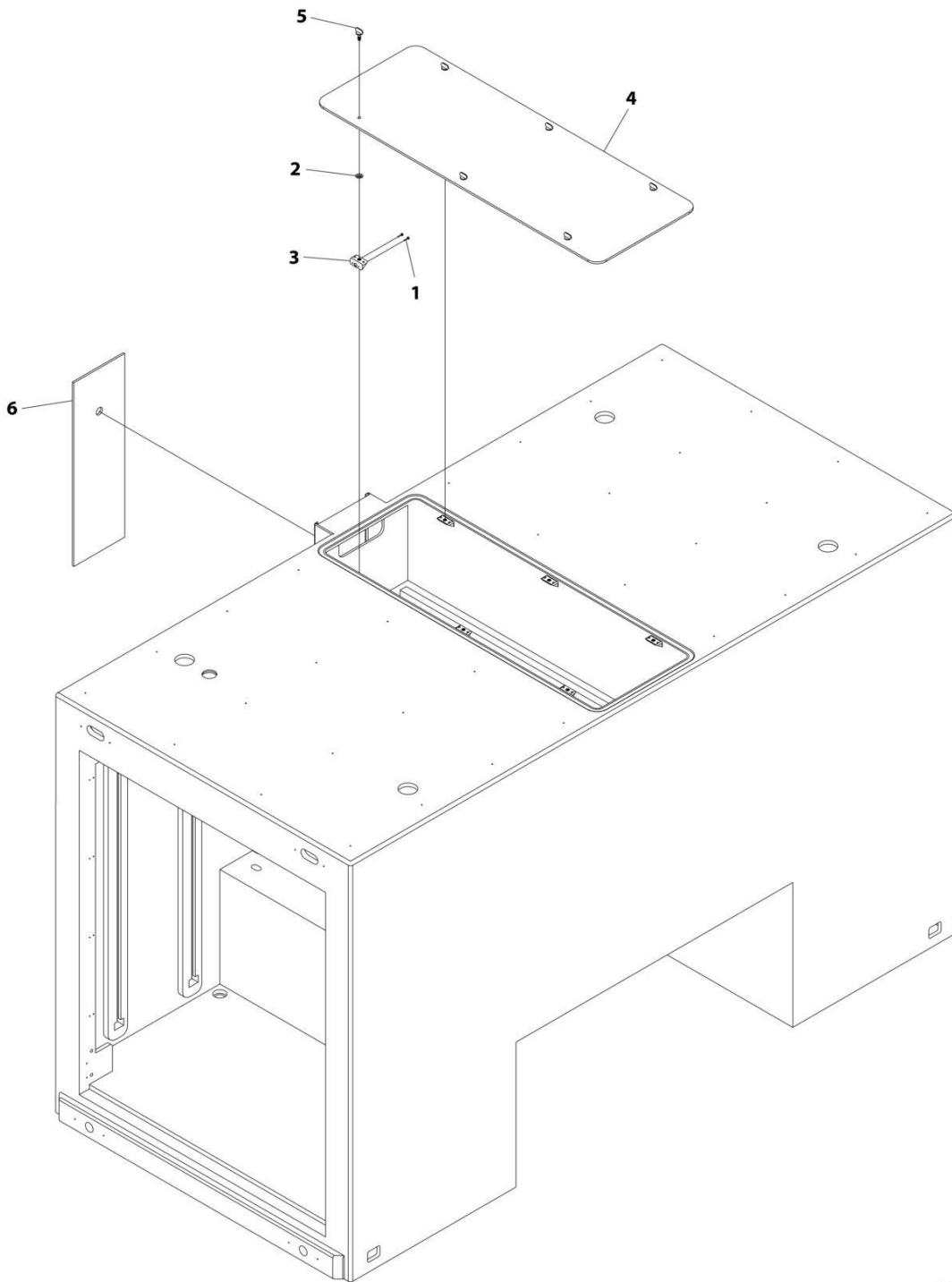
SECTION 4 - BODY

FIGURE 4-2. BATTERY COVER INSTALLATION, 51"

ITEM	PART NUMBER	QTY	DESCRIPTION	REV
	1001197134	Ref	BATTERY COVER INSTALLATION (51IN TUNNEL WITH BATTERY)	C
1	0750605	12	Screw	
2	3760308	6	Retainer	
3	1001122235	6	Bracket	
4	1001166674	1	Battery Cover	
5	1001166930	6	Latch	
6	1001185654	1	Battery Cover	

SECTION 4 - BODY

FIGURE 4-3. BATTERY COVER INSTALLATION, 51"



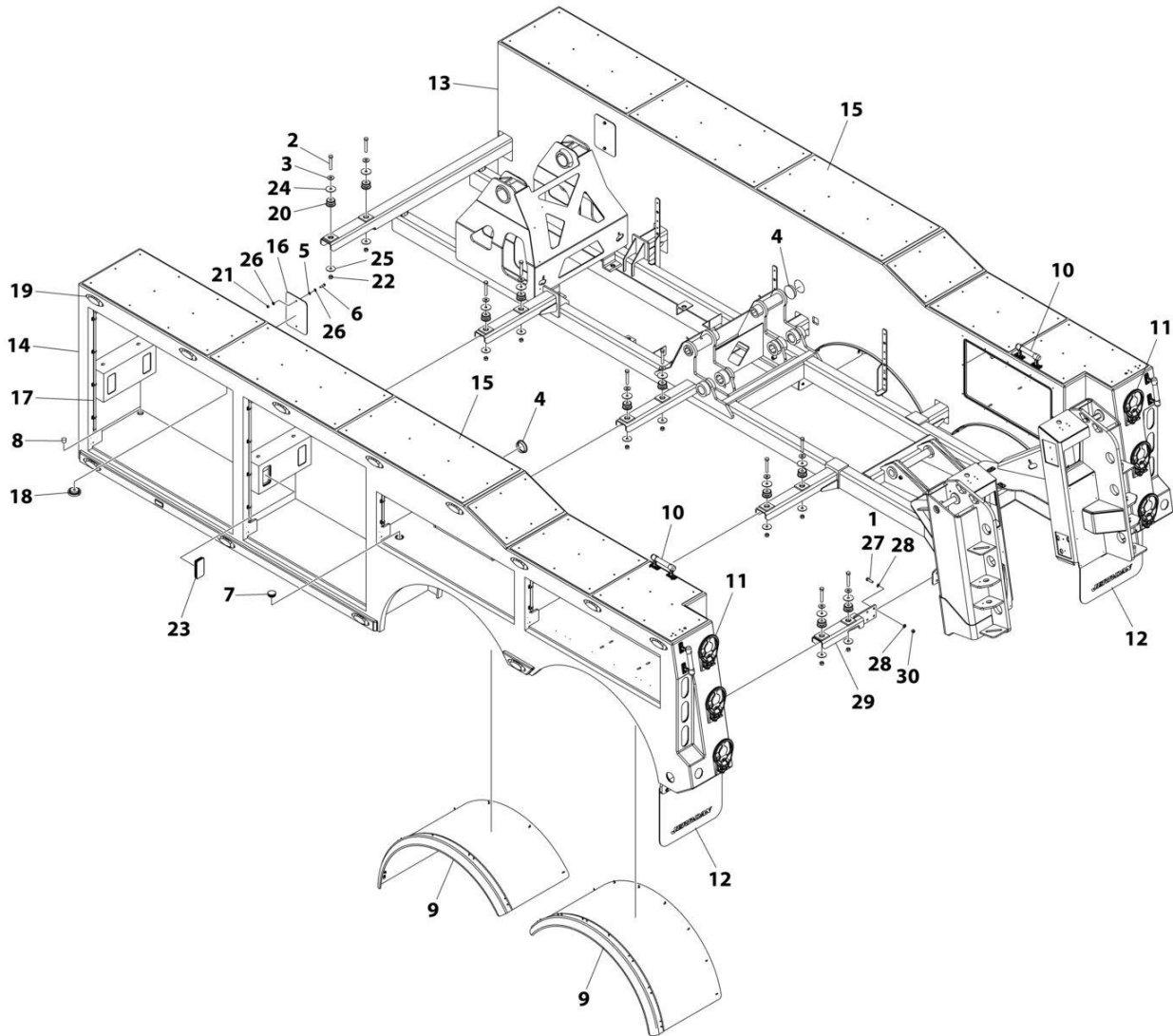
ART_1001219741

FIGURE 4-3. BATTERY COVER INSTALLATION, 51"

ITEM	PART NUMBER	QTY	DESCRIPTION	REV
	1001219741	Ref	BATTERY COVER INSTALLATION (51IN TUNNEL WITH COUNTERWEIGHT)	A
1	0750605	12	Screw	
2	3760308	6	Retainer	
3	1001122235	6	Bracket	
4	1001166674	1	Battery Cover	
5	1001166930	6	Latch	
6	1001219742	1	Battery Cover	

SECTION 4 - BODY

FIGURE 4-4. BODY INSTALLATION - TANDEM



ART_1001235746

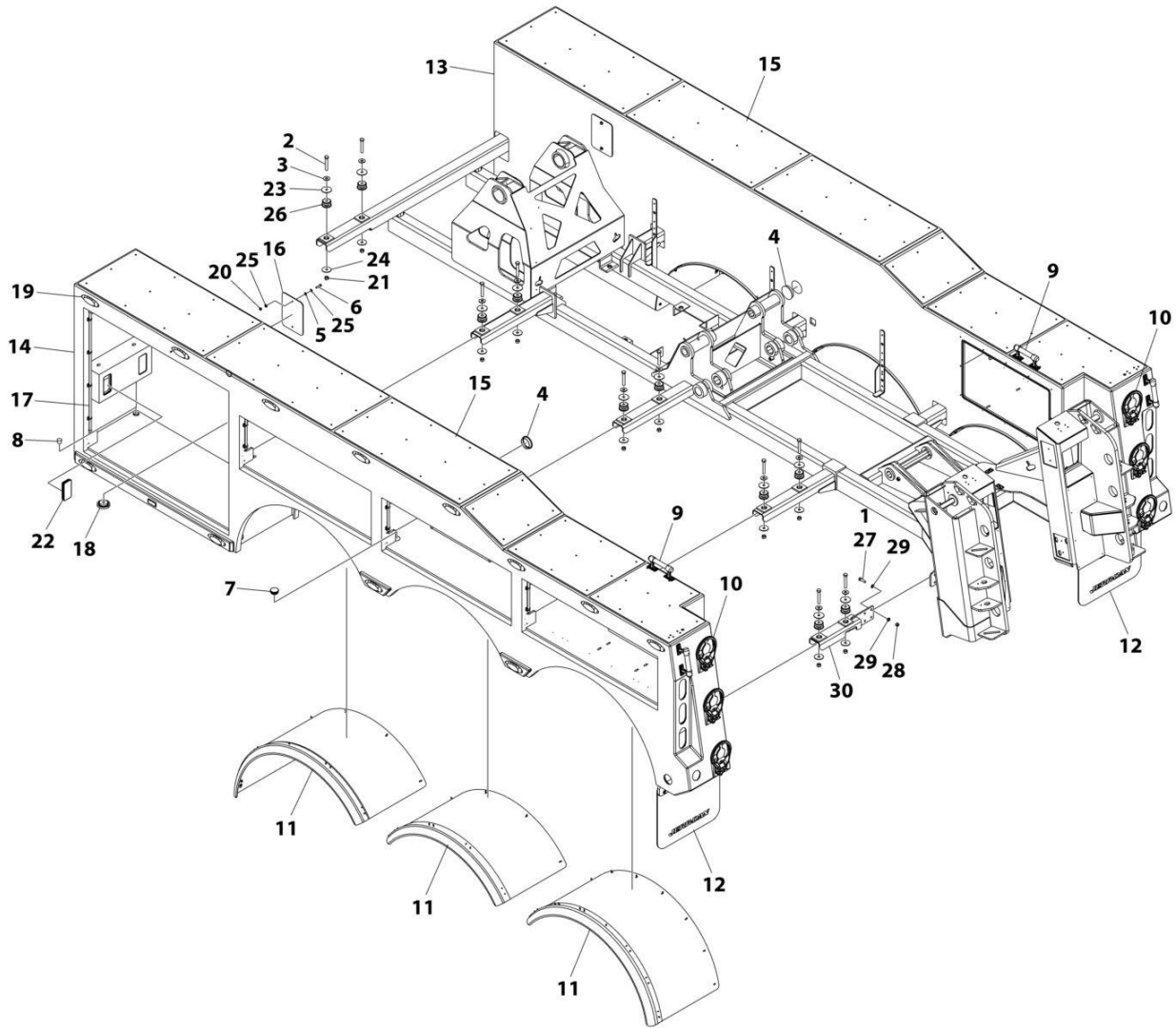
SECTION 4 - BODY

FIGURE 4-4. BODY INSTALLATION - TANDEM

ITEM	PART NUMBER	QTY	DESCRIPTION	REV
	1001235746	Ref	BODY INSTALLATION - TANDEM	C
1	0100011	AR	Compound, Locking	
2	0642032	20	Bolt 5/8 x 4	
3	4752000	20	Washer 5/8	
4	1001151789	2	Plug	
5	1001166974	4	Washer	
6	1001168993	4	Bolt 3/8 x 1-1/2	
7	1001169078	6	Plug	
8	1001173847	8	Plug	
9	1001187182	1	Fender Flare Plate Installation (See Separate Breakdown in this Section)	
10	1001196639	1	Grab Handles Installation (See Separate Breakdown in this Section)	
11	1001196666	1	Steps Installation (See Separate Breakdown in this Section)	
12	1001196790	1	Mudflaps Installation (See Separate Breakdown in this Section)	
13	1001235735	1	Body Box RH	
14	1001220272	1	Body Box LH	
15	1001205921	1	Body Diamond Plate Installation (See Separate Breakdown in this Section)	
16	1001206679	2	Panel	
17	1001206680	1	Body Compartment Lights Installation (See Separate Breakdown in ELECTRICAL Section)	
18	1001206682	1	Lifting Lugs Installation (See Separate Breakdown in this Section)	
19	1001206683	1	Marker Lights Installation (See Separate Breakdown in ELECTRICAL Section)	
20	7636000008	20	Mount	
21	7660162601	4	Nut 3/8	
22	7660200001	20	Nut 5/8	
23	7701000048	8	Plug	
24	7949000019	20	Washer	
25	7949000020	20	Washer	
26	7950160143	8	Washer 3/8	
27	0641814	8	Bolt 1/2 x 1-3/4	
28	4711800	16	Washer 1/2	
29	1001263262	2	Mount	
30	7660182601	8	Nut 1/2	

SECTION 4 - BODY

FIGURE 4-5. BODY INSTALLATION - TRI-AXLE



ART_1001235747

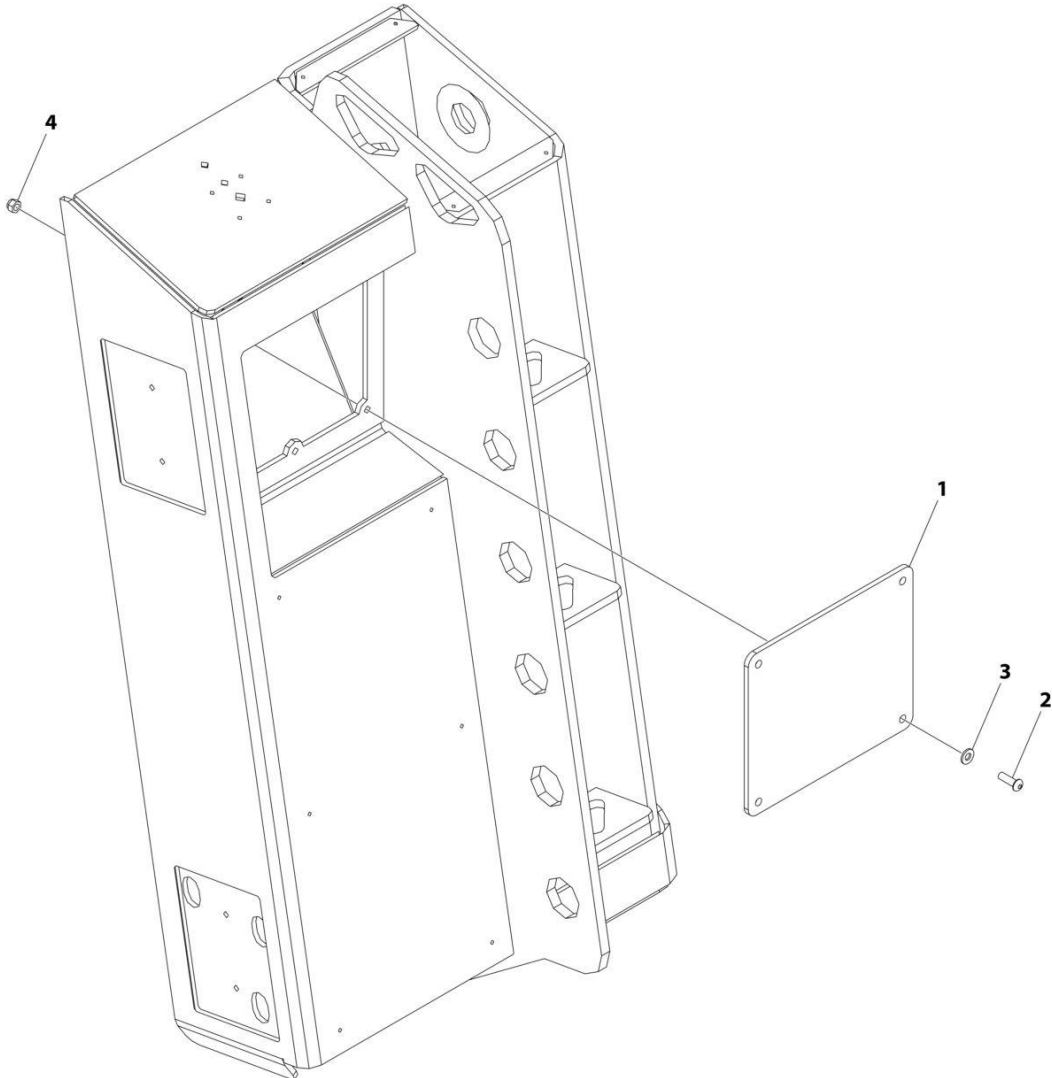
SECTION 4 - BODY

FIGURE 4-5. BODY INSTALLATION - TRI-AXLE

ITEM	PART NUMBER	QTY	DESCRIPTION	REV
	1001235747	Ref	BODY INSTALLATION - TRI-AXLE	D
1	0100011	AR	Compound, Locking	
2	0642032	20	Bolt 5/8 x 4	
3	4752000	20	Washer 5/8	
4	1001151789	2	Plug	
5	1001166974	4	Washer	
6	1001168993	4	Bolt 3/8 x 1-1/2	
7	1001169078	6	Plug	
8	1001173847	4	Plug	
9	1001196639	1	Grab Handles Installation (See Separate Breakdown in this Section)	
10	1001196666	1	Steps Installation (See Separate Breakdown in this Section)	
11	1001196730	1	Fender Flare Plate Installation (See Separate Breakdown in this Section)	
12	1001196790	1	Mudflaps Installation (See Separate Breakdown in this Section)	
13	1001235741	1	Body Box RH	
14	1001220273	1	Body Box LH	
15	1001205921	1	Body Diamond Plate Installation (See Separate Breakdown in this Section)	
16	1001206679	2	Panel	
17	1001206681	1	Body Compartment Lights Installation (See Separate Breakdown in ELECTRICAL Section)	
18	1001206682	1	Lifting Lugs Installation (See Separate Breakdown in this Section)	
19	1001206684	1	Marker Lights Installation (See Separate Breakdown in ELECTRICAL Section)	
20	7660162601	4	Nut 3/8	
21	7660200001	20	Nut 5/8	
22	7701000048	4	Plug	
23	7949000019	20	Washer	
24	7949000020	20	Washer	
25	7950160143	8	Washer 3/8	
26	7636000008	20	Mount	
27	0641814	8	Bolt 1/2 x 1-3/4	
28	7660182601	8	Nut 1/2	
29	4711800	16	Washer 1/2	
30	1001263262	2	Mount	

SECTION 4 - BODY

FIGURE 4-6. COVER INSTALLATION (WITHOUT CAMERA)



ART_1001134265

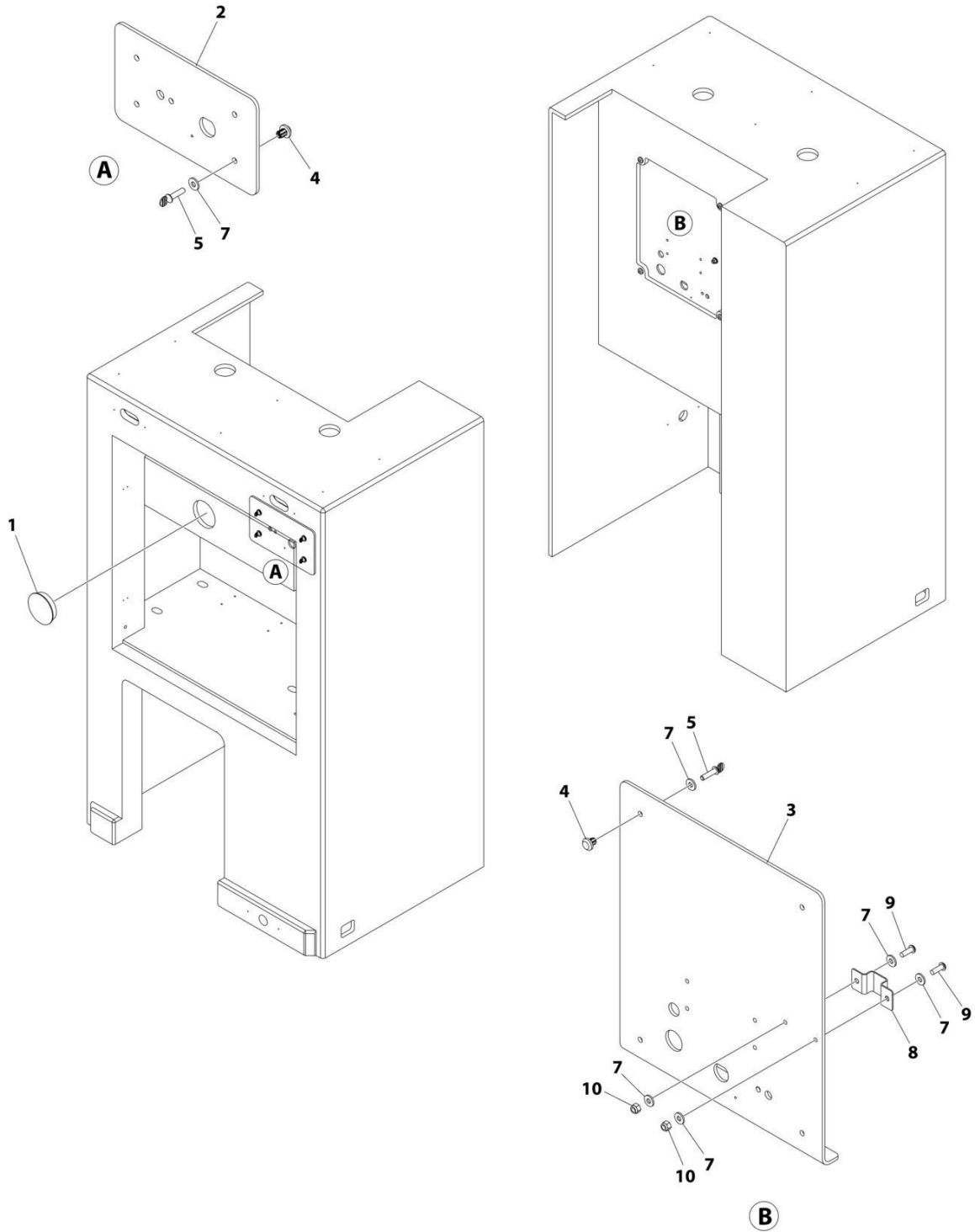
SECTION 4 - BODY

FIGURE 4-6. COVER INSTALLATION (WITHOUT CAMERA)

ITEM	PART NUMBER	QTY	DESCRIPTION	REV
	1001134265	Ref	COVER INSTALLATION (WITHOUT CAMERA)	A
1	1001134266	1	Plate	
2	7114150818	4	Capscrew 5/16 x 1	
3	7950150143	4	Washer 5/16	
4	7660152604	4	Nut 5/16	

SECTION 4 - BODY

FIGURE 4-7. COVER PLATE INSTALLATION - SRS TOOLBOX



ART_1001199098

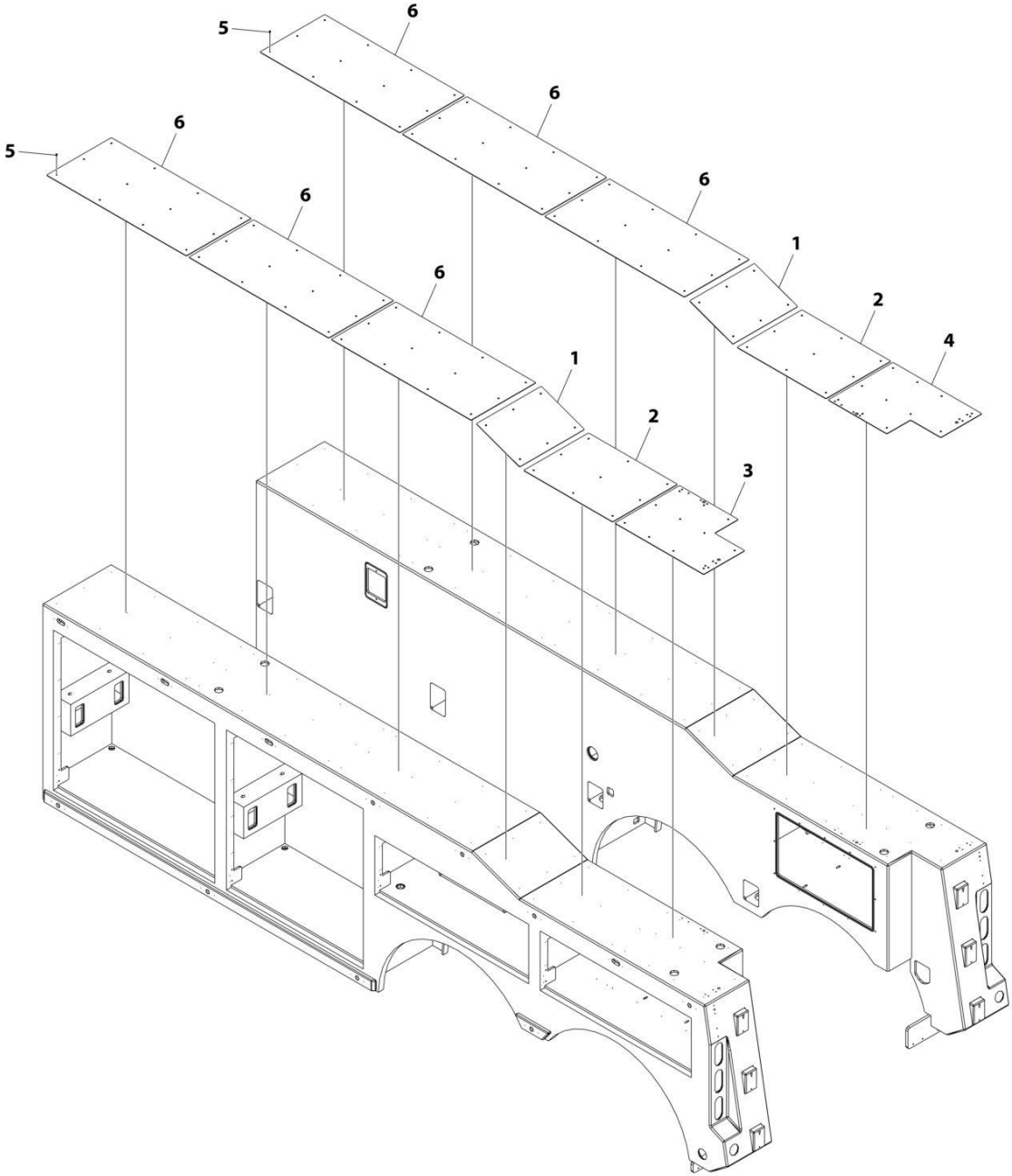
SECTION 4 - BODY

FIGURE 4-7. COVER PLATE INSTALLATION - SRS TOOLBOX

ITEM	PART NUMBER	QTY	DESCRIPTION	REV
	1001199098	Ref	COVER PLATE INSTALLATION	C
1	1001151789	1	Plug	
2	1001189750	1	LH Plate	
3	1001189751	1	RH Plate	
4	1001199082	8	Nut 1/4	
5	1001214908	8	Screw	
7	7950140143	12	Washer 1/4	
8	1001214900	1	Bracket	
9	7114140618	2	Screw 1/4 x 3/4	
10	7660142604	2	Nut 1/4	

SECTION 4 - BODY

FIGURE 4-8. DIAMOND PLATE INSTALLATION



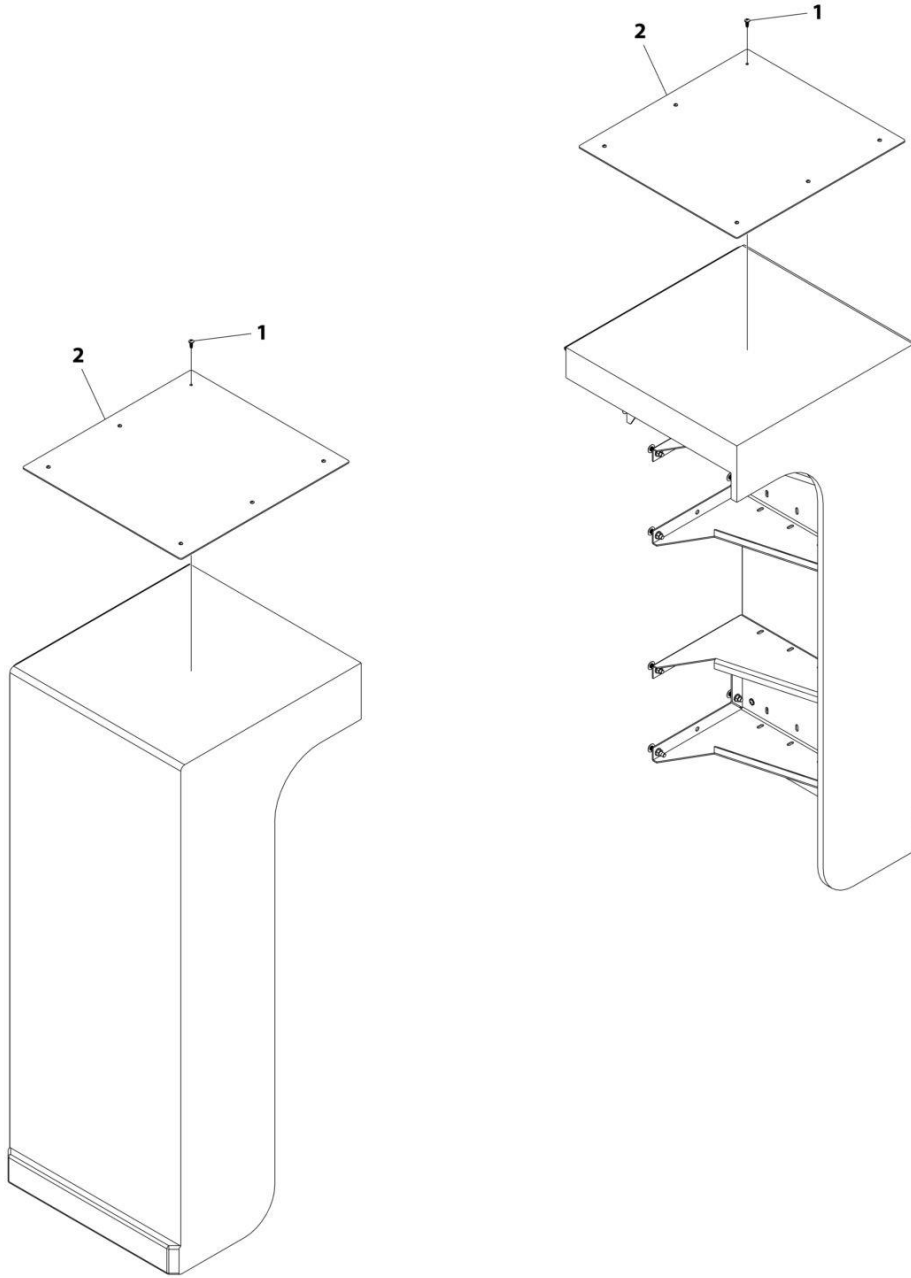
ART_1001205921

FIGURE 4-8. DIAMOND PLATE INSTALLATION

ITEM	PART NUMBER	QTY	DESCRIPTION	REV
	1001205921	Ref	DIAMOND PLATE INSTALLATION	B
1	1001186725	2	Plate	
2	1001186727	2	Plate	
3	1001186728	1	Plate	
4	1001186835	1	Plate	
5	1001192958	124	Screw #10 x 1/2	
6	1001205877	6	Plate	

SECTION 4 - BODY

FIGURE 4-9. DIAMOND PLATE INSTALLATION - FILLER PANEL



ART_1001245742

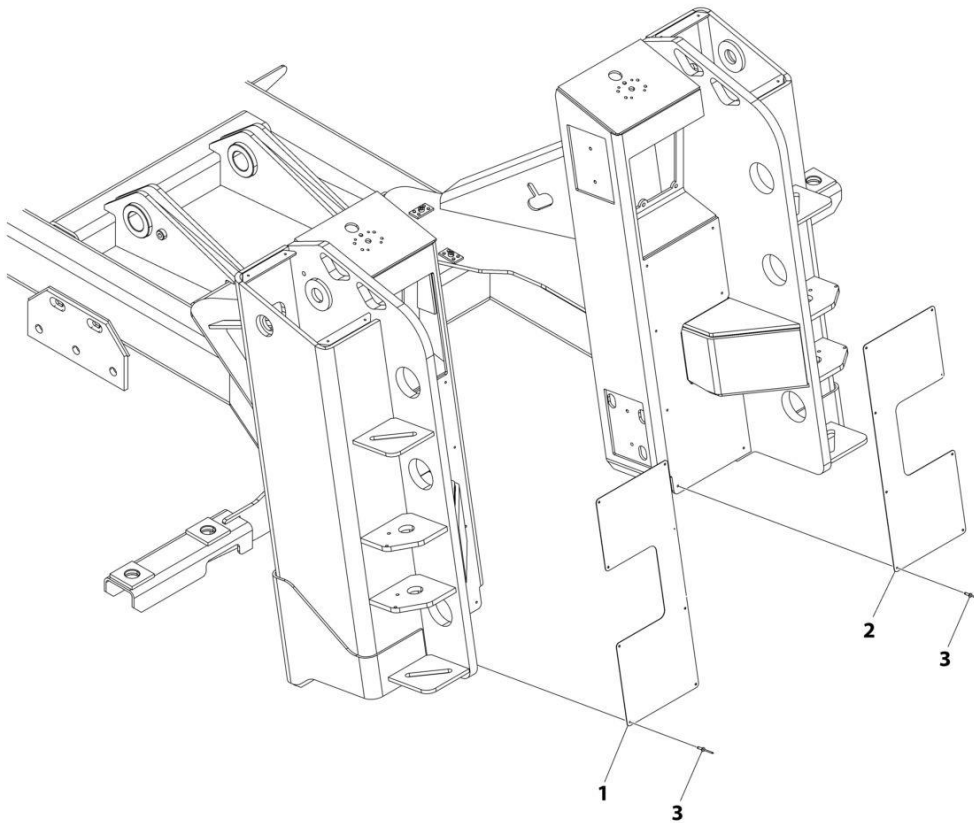
SECTION 4 - BODY

FIGURE 4-9. DIAMOND PLATE INSTALLATION - FILLER PANEL

ITEM	PART NUMBER	QTY	DESCRIPTION	REV
	1001245742	Ref	DIAMOND PLATE INSTALLATION (TOP OF 24IN FILLER BOX)	A
1	1001192958	12	Screw #10 x 1/2	
2	1001245740	2	Plate	

SECTION 4 - BODY

FIGURE 4-10. DIAMOND PLATE INSTALLATION - REAR



ART_2507700108

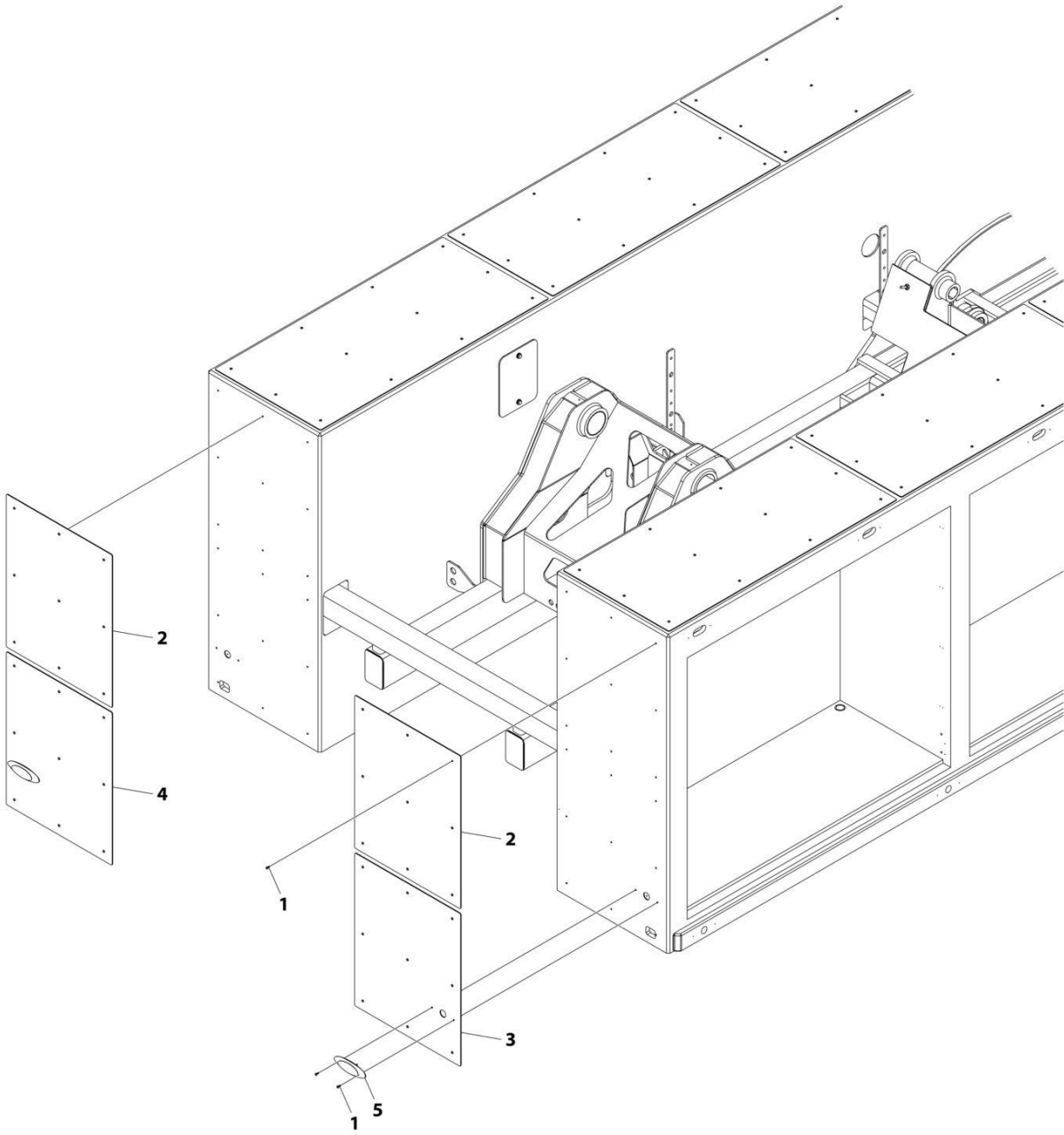
SECTION 4 - BODY

FIGURE 4-10. DIAMOND PLATE INSTALLATION - REAR

ITEM	PART NUMBER	QTY	DESCRIPTION	REV
	2507700108	Ref	DIAMOND PLATE INSTALLATION - REAR	B
1	4706006008	1	Plate	
2	4706006009	1	Plate	
3	7759000018	16	Rivet	

SECTION 4 - BODY

FIGURE 4-11. DIAMOND PLATE INSTALLATION WITH MARKER (BODY)



ART_1001205954

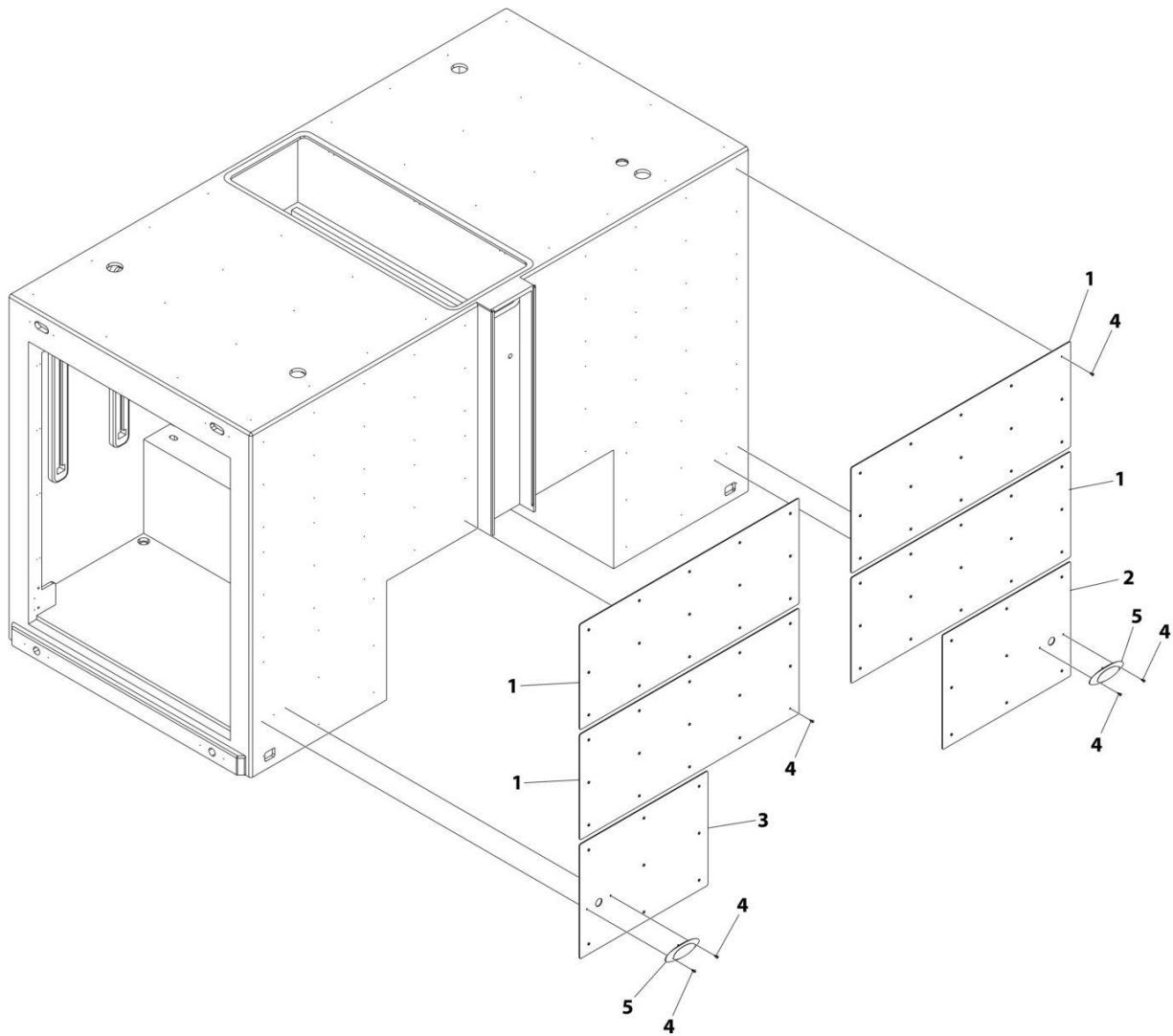
SECTION 4 - BODY

FIGURE 4-11. DIAMOND PLATE INSTALLATION WITH MARKER (BODY)

ITEM	PART NUMBER	QTY	DESCRIPTION	REV
	1001205954	Ref	DIAMOND PLATE INSTALLATION WITH MARKER (BODY)	C
1	1001192958	40	Screw #10 x 1/2	
2	1001205915	2	Plate	
3	1001205916	1	Plate	
4	1001205917	1	Plate	
5	7590000358	2	Light	

SECTION 4 - BODY

FIGURE 4-12. DIAMOND PLATE INSTALLATION - TUNNEL FRONT



ART_1001196586

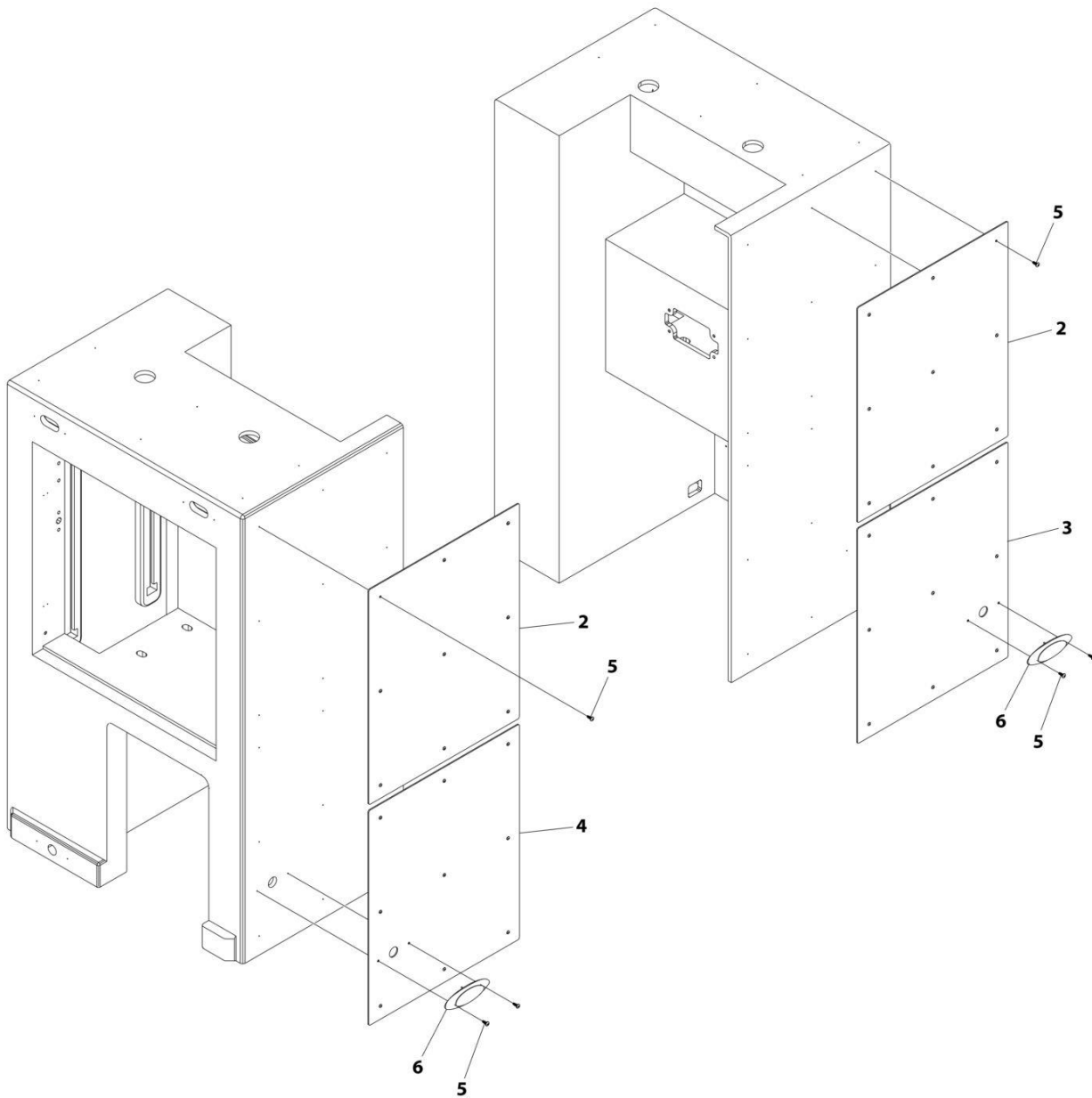
SECTION 4 - BODY

FIGURE 4-12. DIAMOND PLATE INSTALLATION - TUNNEL FRONT

ITEM	PART NUMBER	QTY	DESCRIPTION	REV
	1001196586	Ref	DIAMOND PLATE INSTALLATION - TUNNEL FRONT (WITH MARKER LIGHT)	E
1	1001188156	4	Plate	
2	1001188157	1	Plate	
3	1001188158	1	Plate	
4	1001192958	80	Screw #10 x 1/2	
5	7590000358	2	Light, Amber	

SECTION 4 - BODY

FIGURE 4-13. DIAMOND PLATE INSTALLATION WITH MARKER (SRS)



ART_1001199405

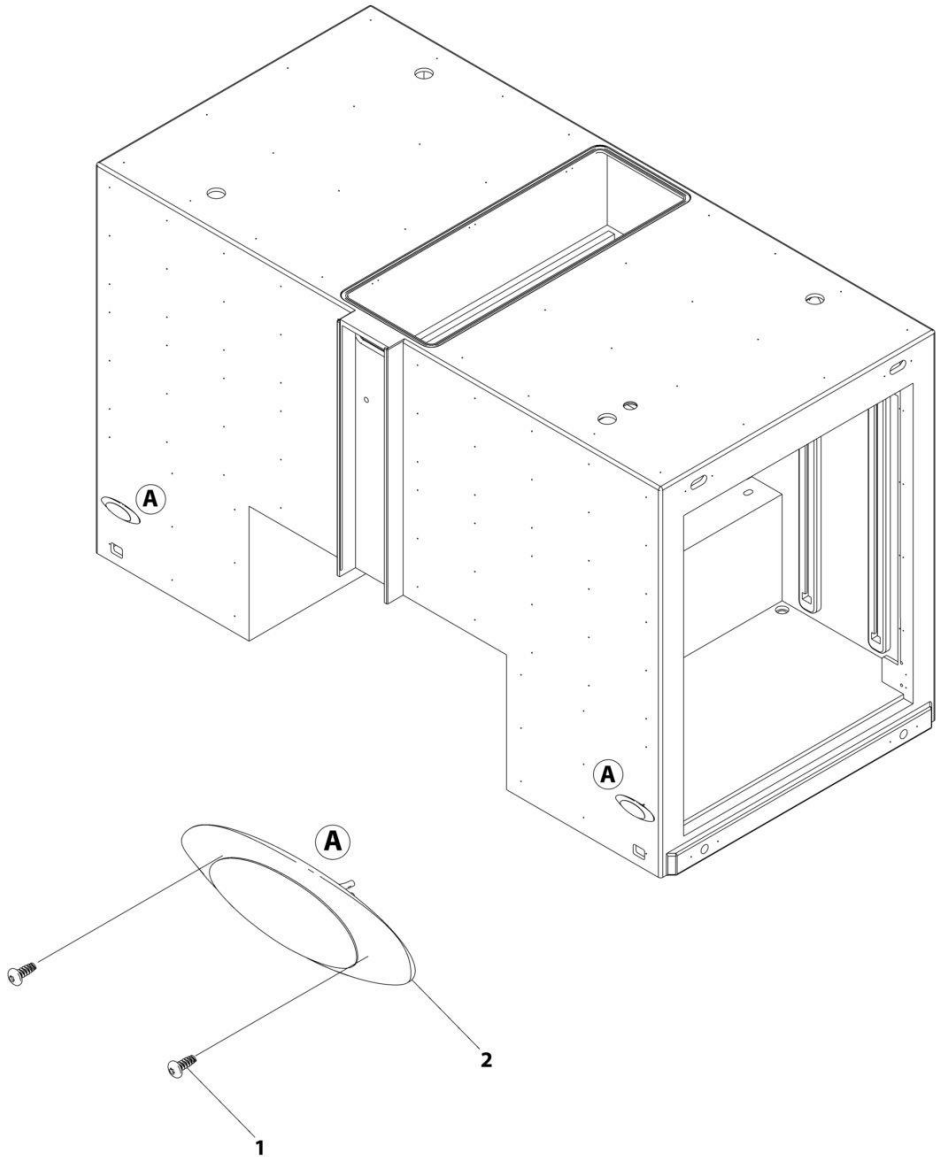
SECTION 4 - BODY

FIGURE 4-13. DIAMOND PLATE INSTALLATION WITH MARKER (SRS)

ITEM	PART NUMBER	QTY	DESCRIPTION	REV
	1001199405	Ref	DIAMOND PLATE INSTALLATION WITH MARKER	D
2	1001189507	2	SRS Box Front	
3	1001189508	1	SRS Box LH	
4	1001189510	1	SRS Box RH	
5	1001192958	40	Screw #10 x 1/2	
6	7590000358	2	Light	

SECTION 4 - BODY

FIGURE 4-14. NO FRONT DIAMOND, MARKER ONLY



ART_1001219785

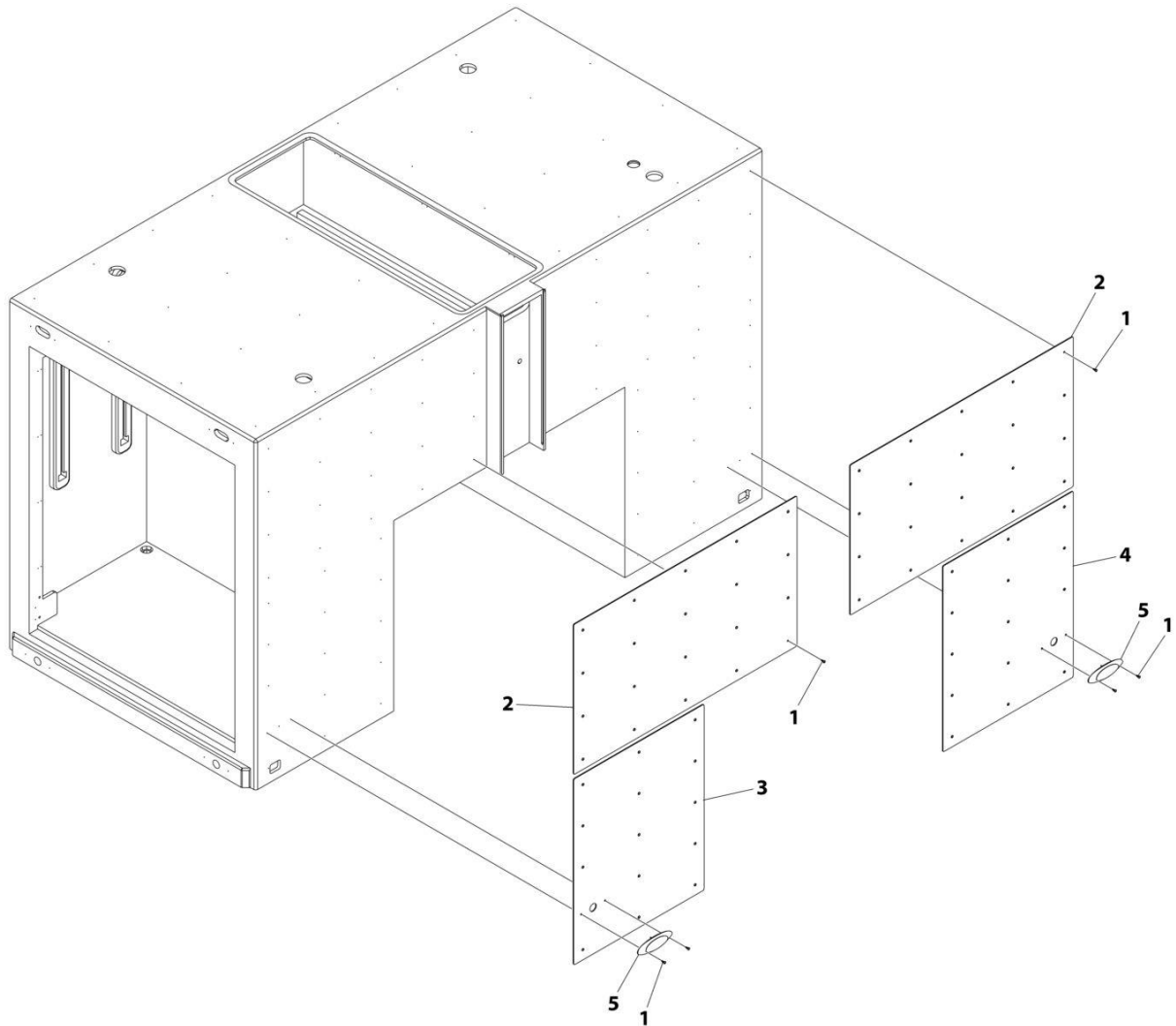
SECTION 4 - BODY

FIGURE 4-14. NO FRONT DIAMOND, MARKER ONLY

ITEM	PART NUMBER	QTY	DESCRIPTION	REV
	1001219785	Ref	NO FRONT DIAMOND, MARKER ONLY	E
1	1001192958	4	Screw #10 x 1/2	
2	7590000358	2	Light	

SECTION 4 - BODY

FIGURE 4-15. DIAMOND PLATE INSTALLATION - CWT TUNNEL FRONT



ART_1001219747

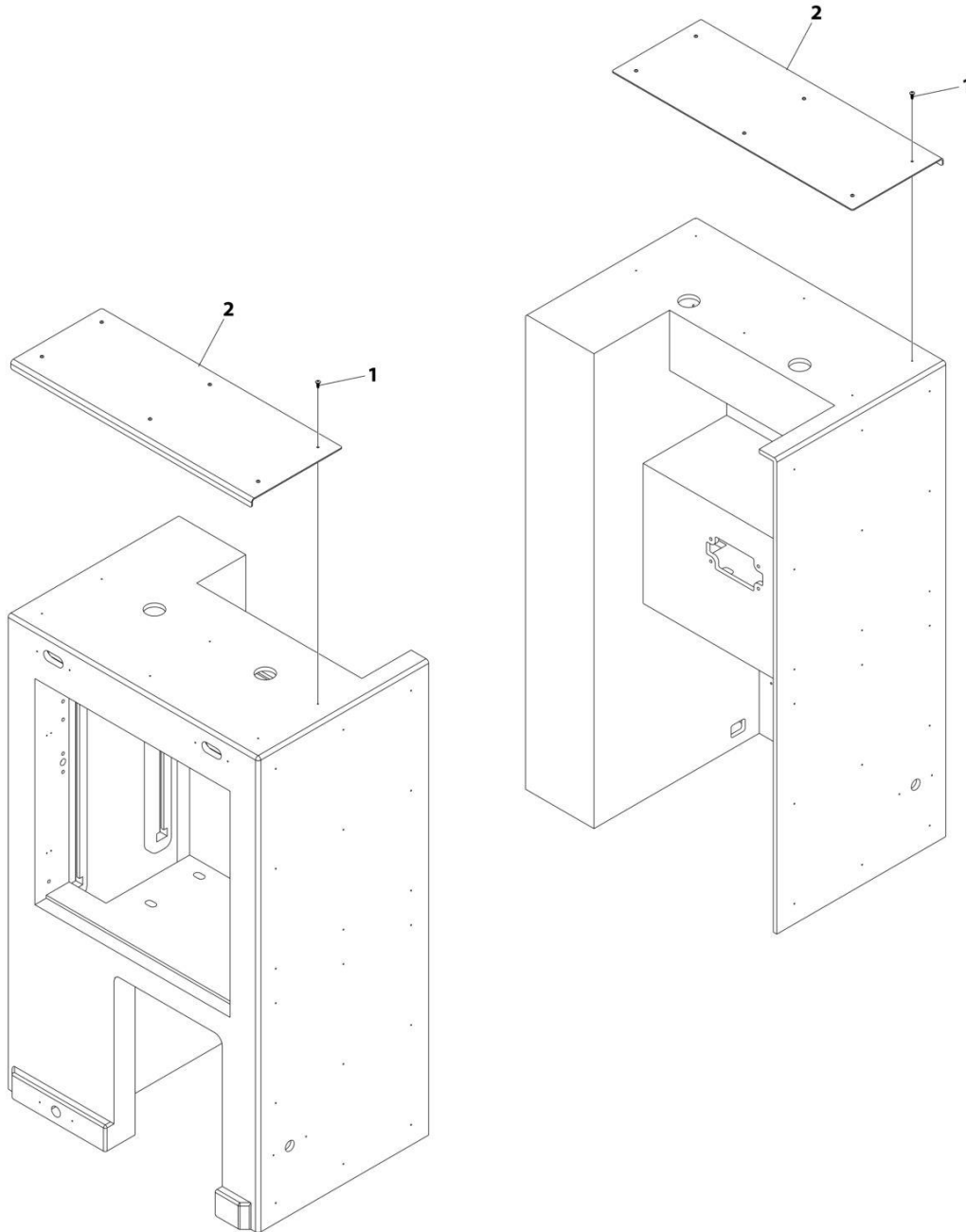
SECTION 4 - BODY

FIGURE 4-15. DIAMOND PLATE INSTALLATION - CWT TUNNEL FRONT

ITEM	PART NUMBER	QTY	DESCRIPTION	REV
	1001219747	Ref	DIAMOND PLATE INSTALLATION - CWT TUNNEL FRONT (WITH MARKER LIGHT)	C
1	1001192958	72	Screw #10 x 1/2	
2	1001219748	2	Plate	
3	1001219749	1	Plate	
4	1001219750	1	Plate	
5	7590000358	2	Light, Amber	

SECTION 4 - BODY

FIGURE 4-16. DIAMOND PLATE INSTALLATION - SRS TOOLBOX



ART_1001258511

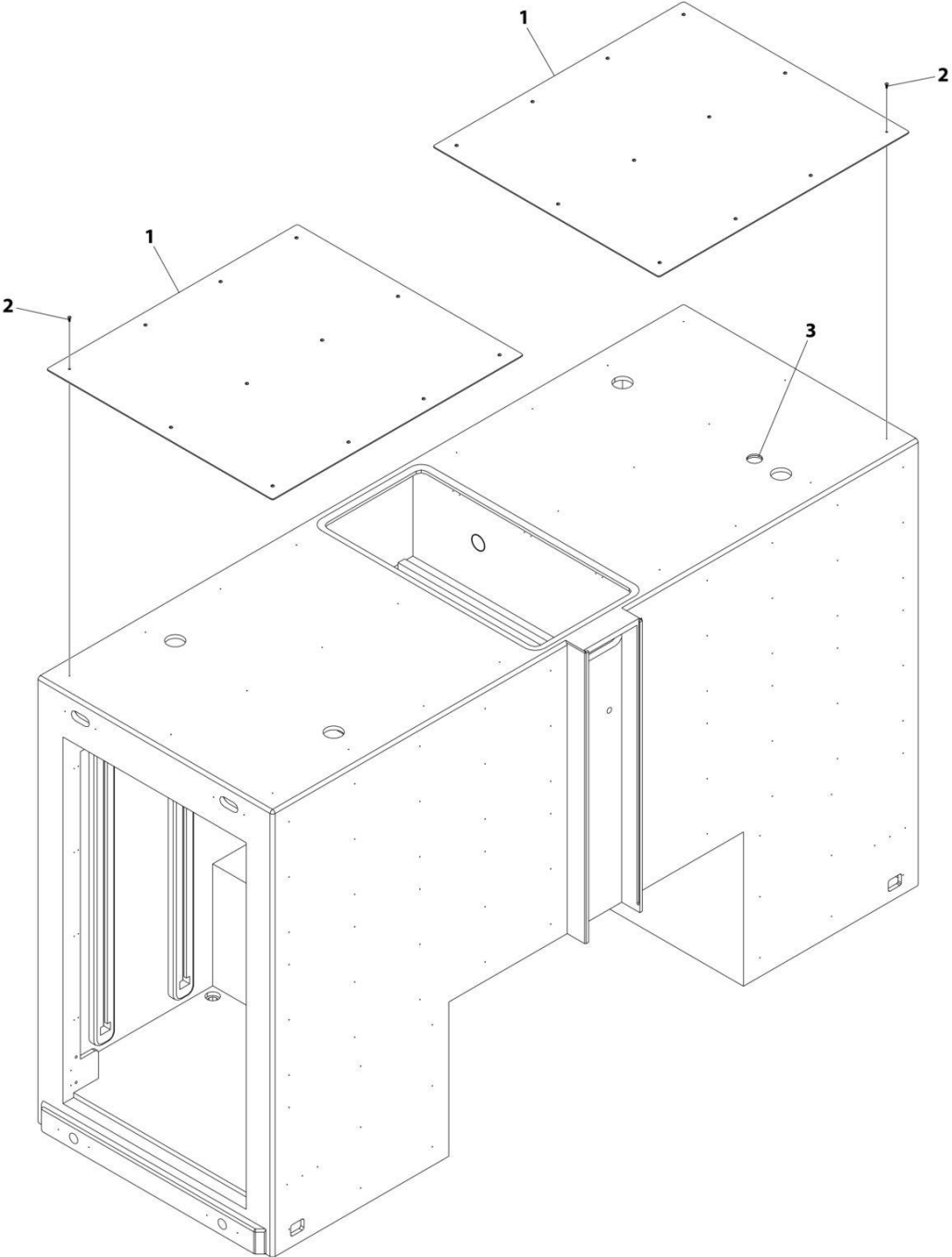
SECTION 4 - BODY

FIGURE 4-16. DIAMOND PLATE INSTALLATION - SRS TOOLBOX

ITEM	PART NUMBER	QTY	DESCRIPTION	REV
	1001258511	Ref	DIAMOND PLATE INSTALLATION (TOP)	A
1	1001192958	12	Screw #10 x 1/2	
2	1001258518	2	Plate	

SECTION 4 - BODY

FIGURE 4-17. DIAMOND PLATE INSTALLATION - TUNNEL TOP (39IN)



ART_1001186994

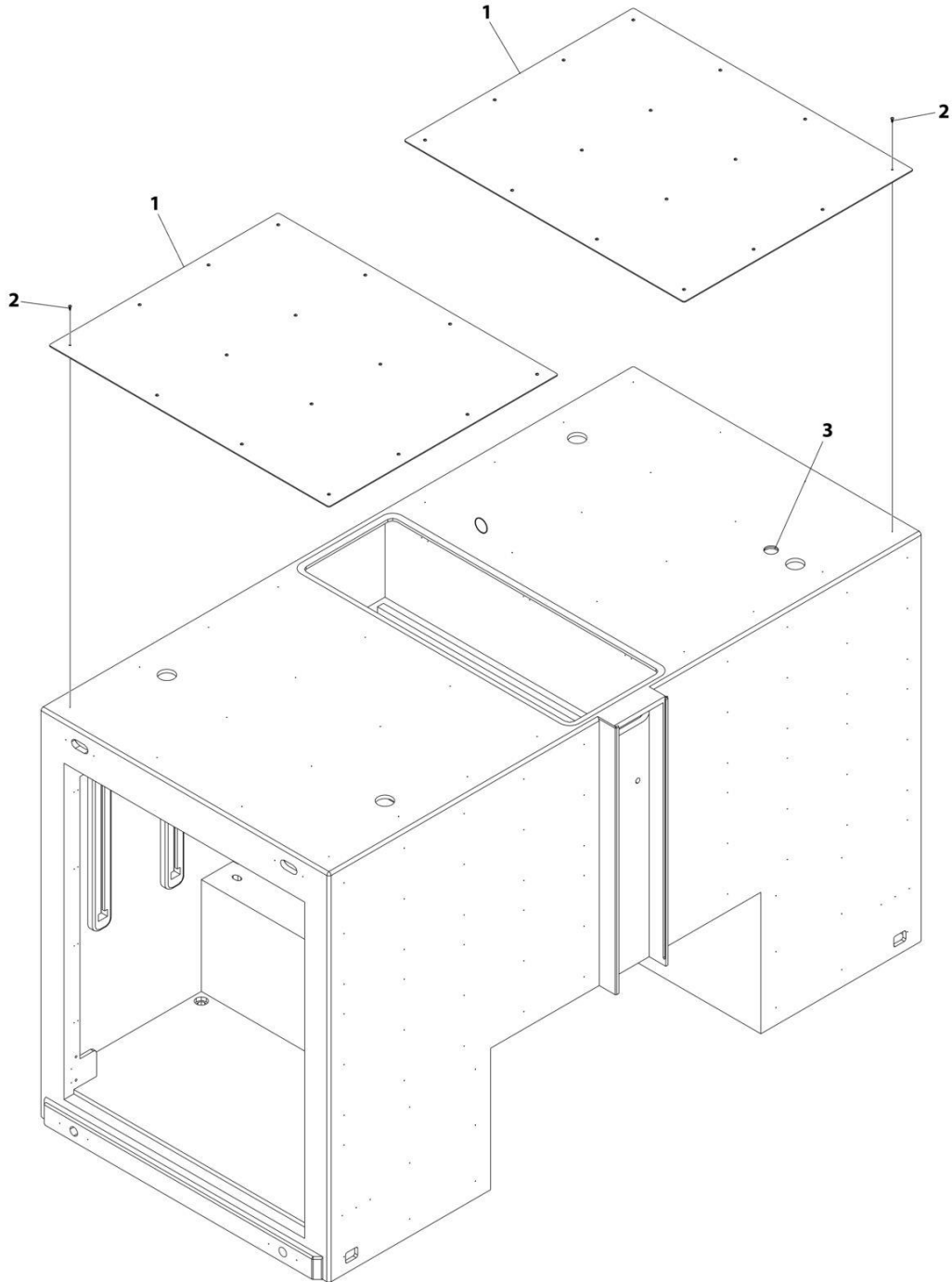
SECTION 4 - BODY

FIGURE 4-17. DIAMOND PLATE INSTALLATION - TUNNEL TOP (39IN)

ITEM	PART NUMBER	QTY	DESCRIPTION	REV
	1001186994	Ref	DIAMOND PLATE INSTALLATION - TUNNEL TOP (39IN) (WITHOUT PYLON)	C
1	1001186993	2	Plate	
2	1001192958	24	Screw #10 x 1/2	
3	8798820001	AR	Sealant	

SECTION 4 - BODY

FIGURE 4-18. DIAMOND PLATE INSTALLATION - TUNNEL TOP (51IN)



ART_1001187001

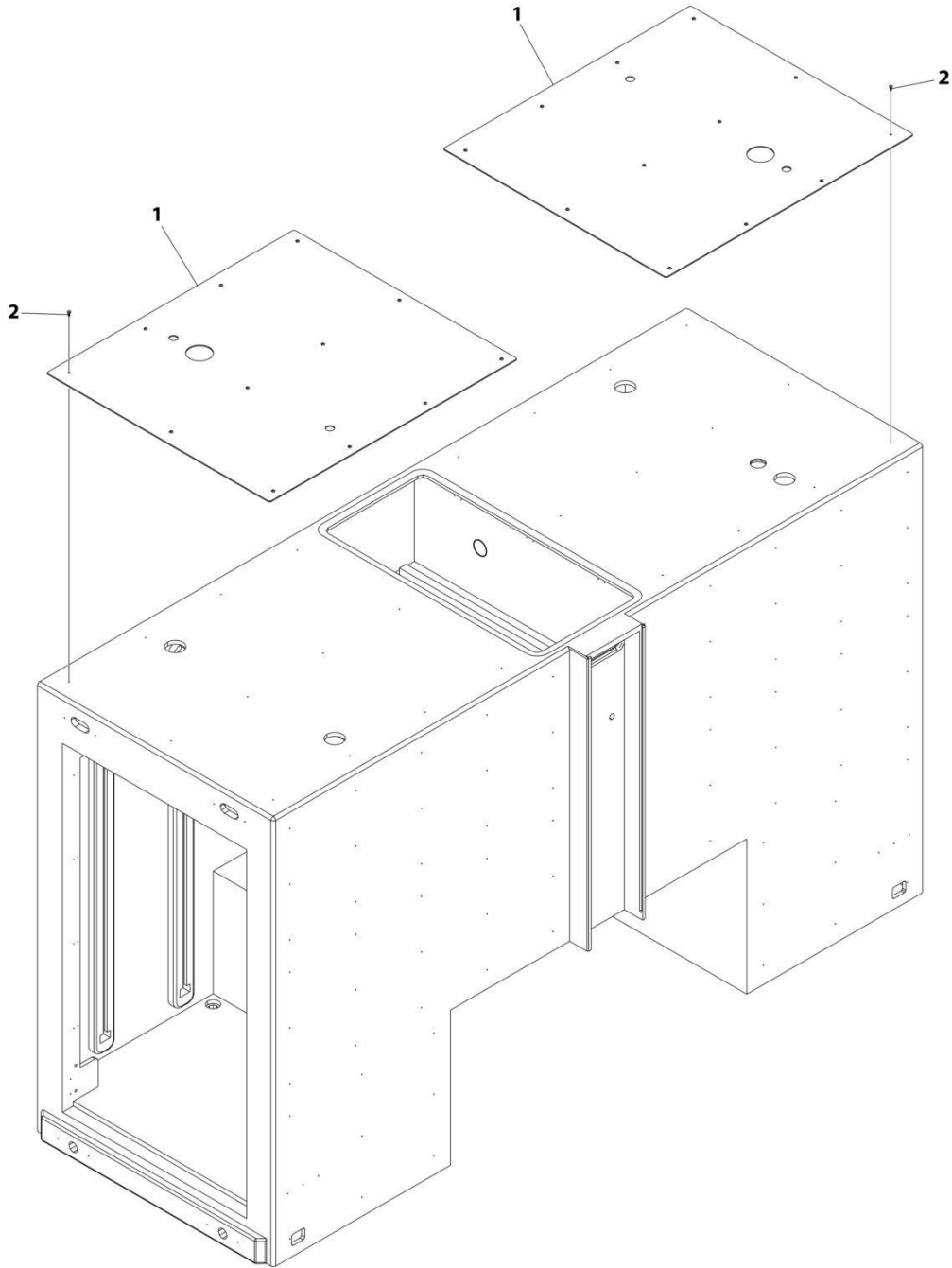
SECTION 4 - BODY

FIGURE 4-18. DIAMOND PLATE INSTALLATION - TUNNEL TOP (51IN)

ITEM	PART NUMBER	QTY	DESCRIPTION	REV
	1001187001	Ref	DIAMOND PLATE INSTALLATION - TUNNEL TOP (51IN) (WITHOUT PYLON)	C
1	1001187000	2	Plate	
2	1001192958	32	Screw #10 x 1/2	
3	8798820001	AR	Sealant	

SECTION 4 - BODY

FIGURE 4-19. DIAMOND PLATE INSTALLATION - TUNNEL TOP (39IN) (WITH PYLON)



ART_1001214328

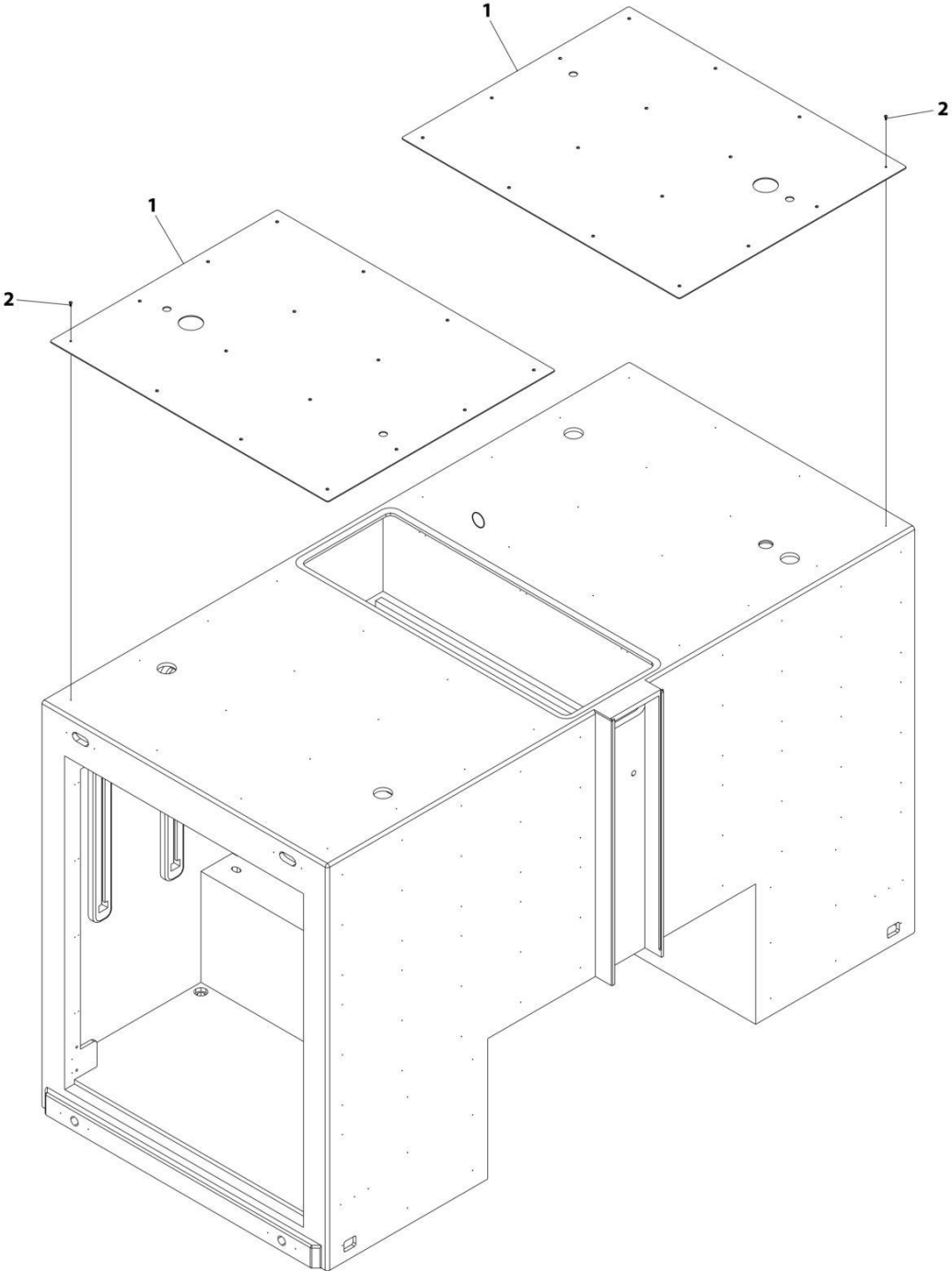
SECTION 4 - BODY

FIGURE 4-19. DIAMOND PLATE INSTALLATION - TUNNEL TOP (39IN) (WITH PYLON)

ITEM	PART NUMBER	QTY	DESCRIPTION	REV
	1001214328	Ref	DIAMOND PLATE INSTALLATION - TUNNEL TOP (39IN) (WITH PYLON)	B
1	1001214330	2	Plate	
2	1001192958	24	Screw #10 x 1/2	

SECTION 4 - BODY

FIGURE 4-20. DIAMOND PLATE INSTALLATION - TUNNEL TOP (51IN) (WITH PYLON)



ART_1001214327

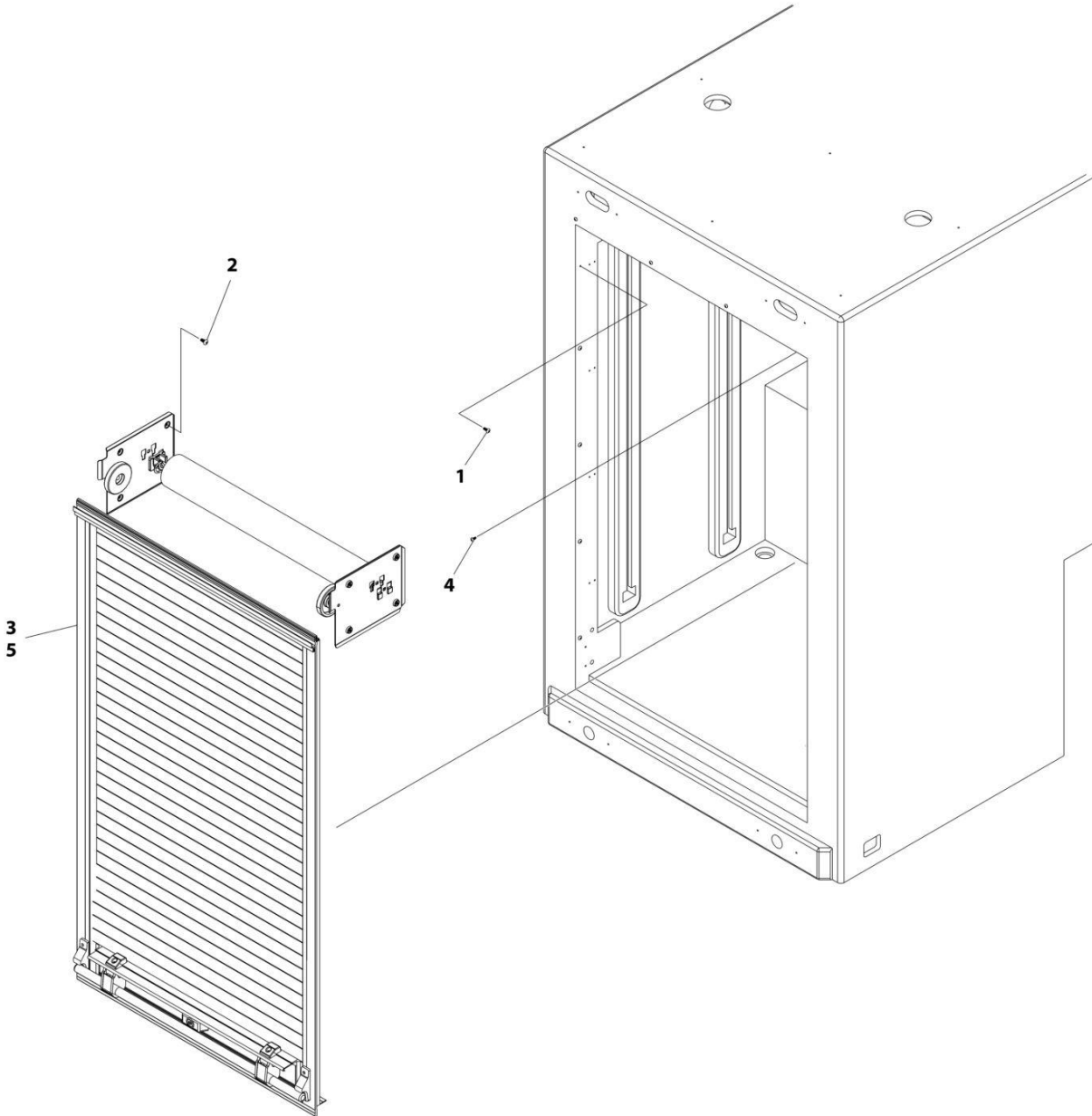
SECTION 4 - BODY

FIGURE 4-20. DIAMOND PLATE INSTALLATION - TUNNEL TOP (51IN) (WITH PYLON)

ITEM	PART NUMBER	QTY	DESCRIPTION	REV
	1001214327	Ref	DIAMOND PLATE INSTALLATION - TUNNEL TOP (51IN) (WITH PYLON)	B
1	1001214329	2	Plate	
2	1001192958	32	Screw #10 x 1/2	

SECTION 4 - BODY

FIGURE 4-21. DOORS INSTALLATION WITH TUNNEL 39IN (PAINTED DOOR)



ART_1001197567

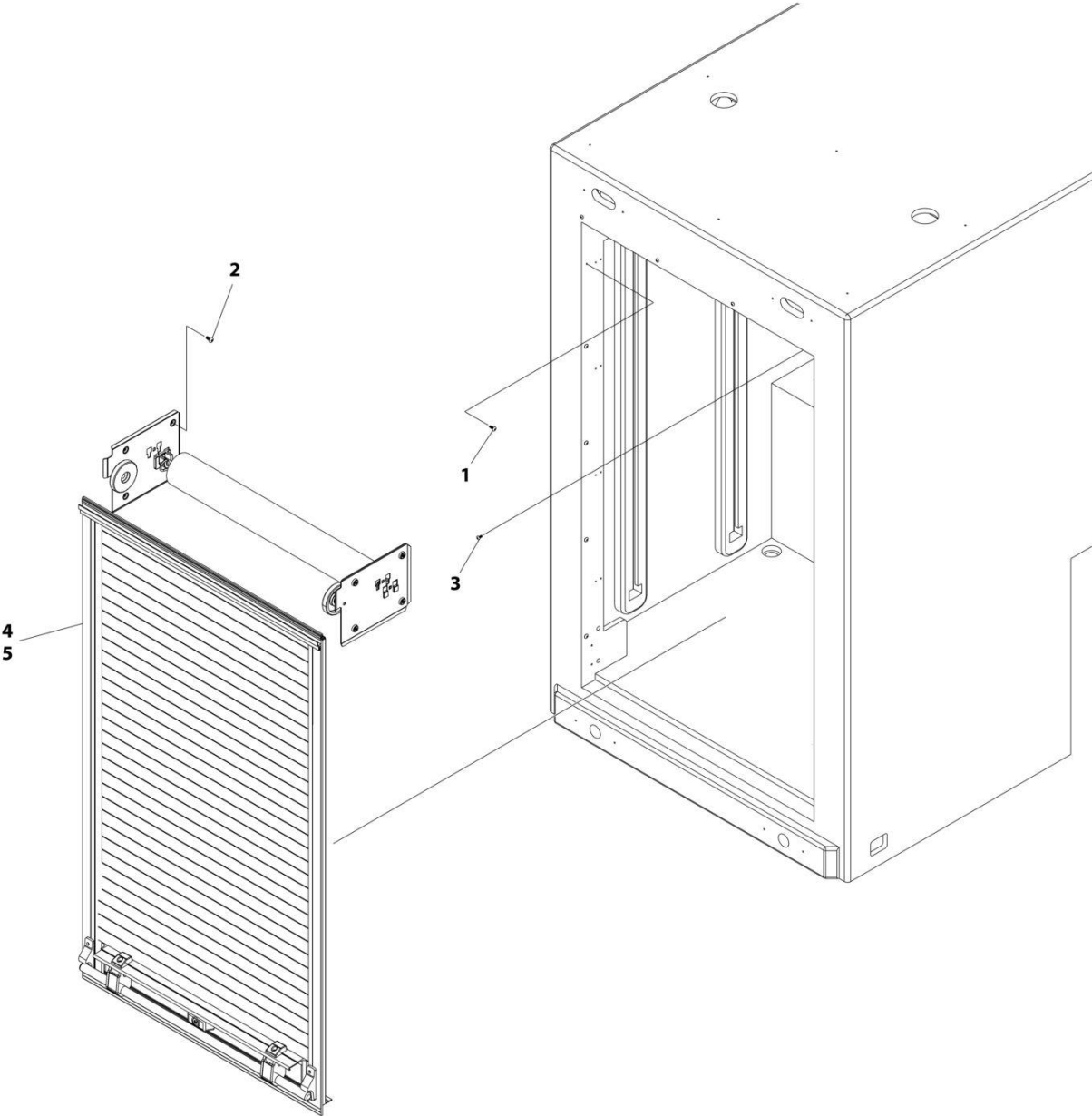
SECTION 4 - BODY

FIGURE 4-21. DOORS INSTALLATION WITH TUNNEL 39IN (PAINTED DOOR)

ITEM	PART NUMBER	QTY	DESCRIPTION	REV
	1001197567	Ref	DOOR INSTALLATION W/TUNNEL, 39IN (PAINTED DOOR)	A
1	1001192958	20	Screw #10 x 1/2	
2	1001195257	16	Screw 1/4 x 1/2	
3	1001197181	2	Door	
4	1001198602	8	Screw #8 x 3/8	
5	8798820001	AR	Sealant	

SECTION 4 - BODY

FIGURE 4-22. DOORS INSTALLATION WITH TUNNEL 39IN (PAINTED DOOR & FRAME)



ART_1001255362

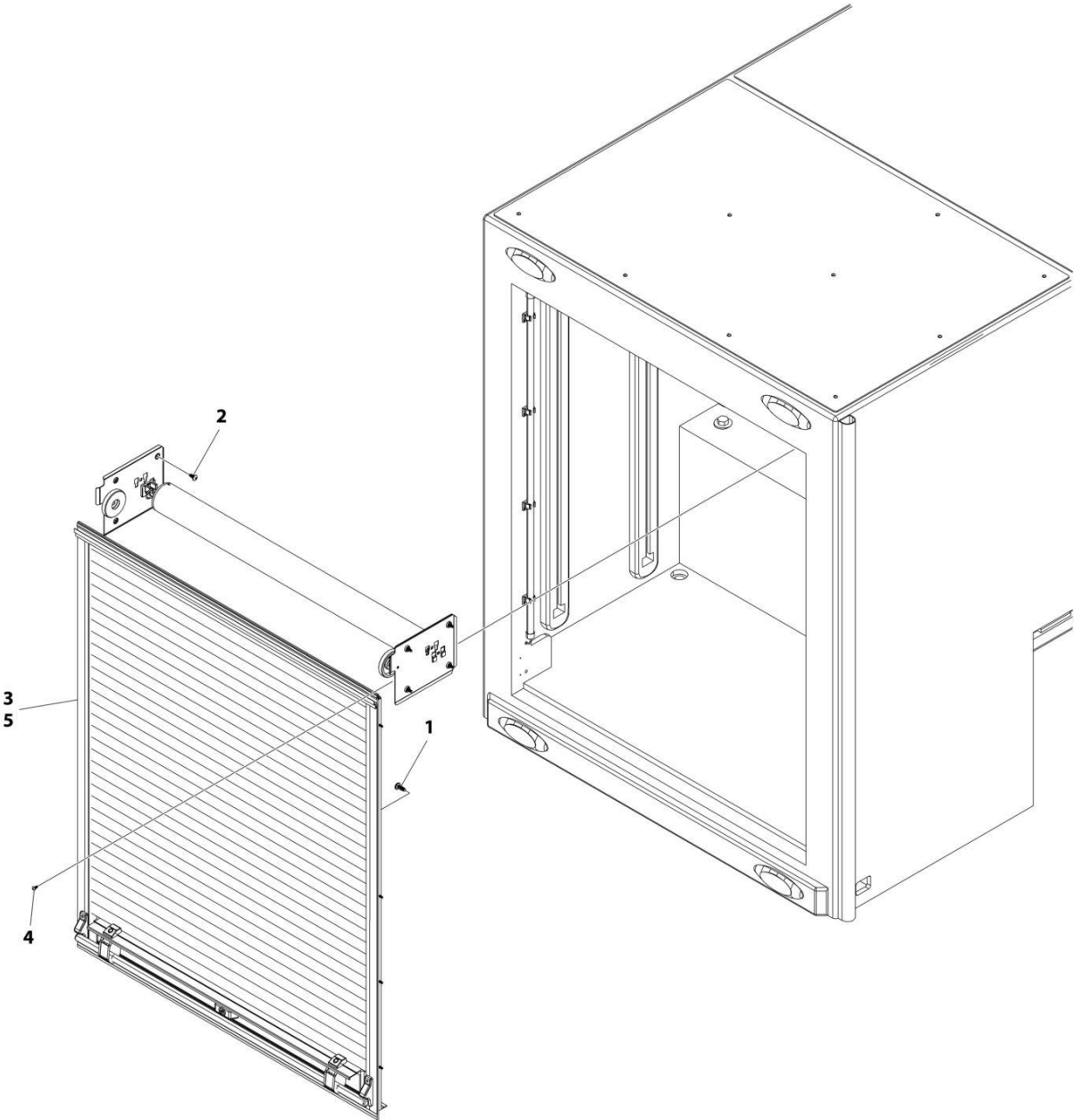
SECTION 4 - BODY

FIGURE 4-22. DOORS INSTALLATION WITH TUNNEL 39IN (PAINTED DOOR & FRAME)

ITEM	PART NUMBER	QTY	DESCRIPTION	REV
	1001255362	Ref	DOOR INSTALLATION W/TUNNEL, 39IN (PAINTED DOOR AND FRAME)	B
1	1001192958	20	Screw #10 x 1/2	
2	1001195257	16	Screw 1/4 x 1/2	
3	1001198602	8	Screw #8 x 3/8	
4	1001253561	2	Door	
5	8798820001	AR	Sealant	

SECTION 4 - BODY

FIGURE 4-23. DOORS INSTALLATION WITH TUNNEL 51IN (PAINTED DOOR)



ART_1001197687

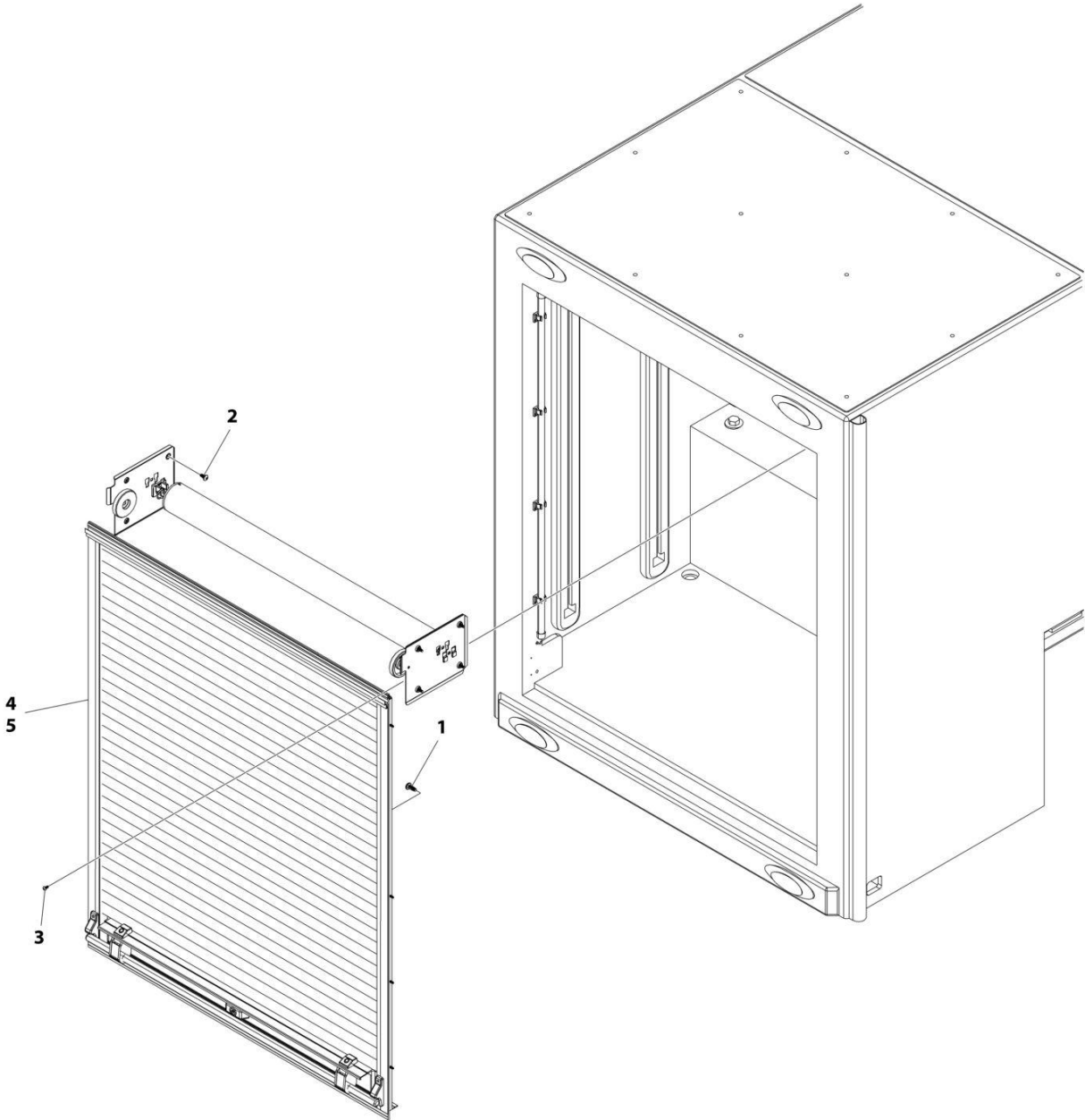
SECTION 4 - BODY

FIGURE 4-23. DOORS INSTALLATION WITH TUNNEL 51IN (PAINTED DOOR)

ITEM	PART NUMBER	QTY	DESCRIPTION	REV
	1001197687	Ref	DOOR INSTALLATION W/TUNNEL, 48IN (PAINTED DOOR)	A
1	1001192958	20	Screw #10 x 1/2	
2	1001195257	16	Screw 1/4 x 1/2	
3	1001197158	2	Door	
4	1001198602	8	Screw #8 x 3/8	
5	8798820001	AR	Sealant	

SECTION 4 - BODY

FIGURE 4-24. DOORS INSTALLATION WITH TUNNEL 51IN (PAINTED DOOR & FRAME)



ART_1001255361

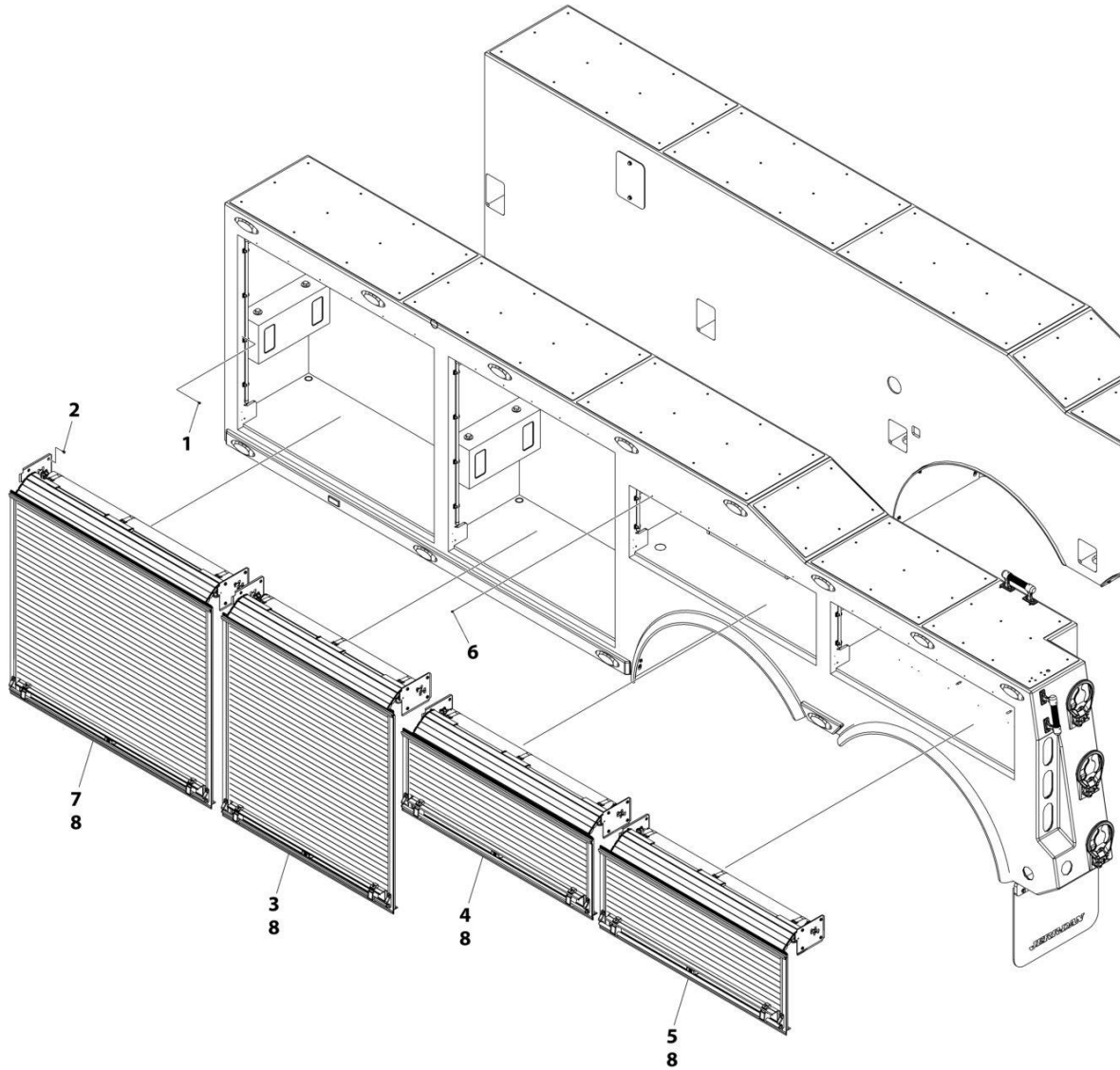
SECTION 4 - BODY

FIGURE 4-24. DOORS INSTALLATION WITH TUNNEL 51IN (PAINTED DOOR & FRAME)

ITEM	PART NUMBER	QTY	DESCRIPTION	REV
	1001255361	Ref	Door Installation W/Tunnel, 48IN (Painted Door and Frame)	B
1	1001192958	20	Screw #10 x 1/2	
2	1001195257	16	Screw 1/4 x 1/2	
3	1001198602	8	Screw #8 x 3/8	
4	1001253560	2	Door	
5	8798820001	AR	Sealant	

SECTION 4 - BODY

FIGURE 4-25. DOORS INSTALLATION - REAR TANDEM BODY (PAINTED)



ART_1001206691

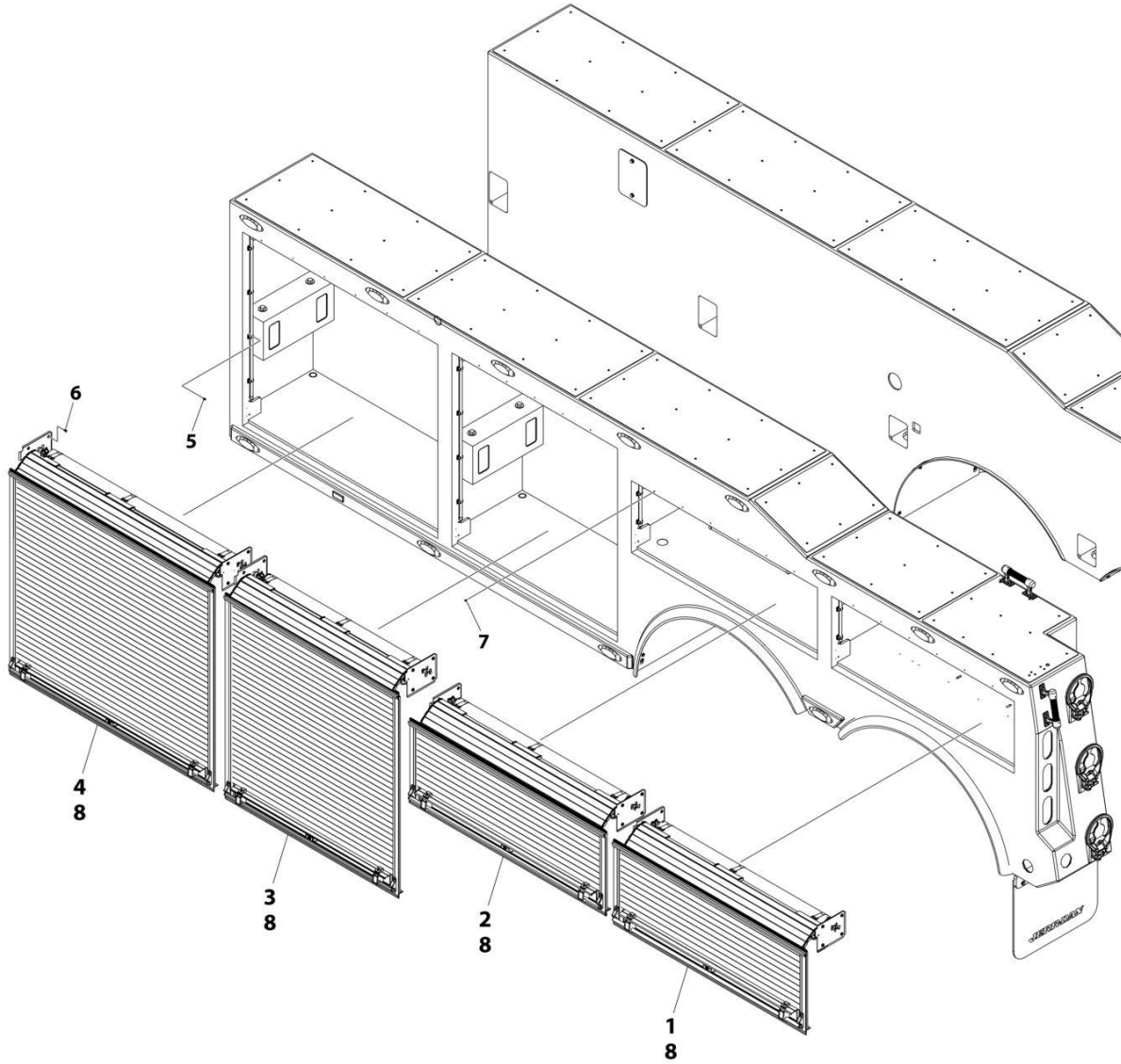
SECTION 4 - BODY

FIGURE 4-25. DOORS INSTALLATION - REAR TANDEM BODY (PAINTED)

ITEM	PART NUMBER	QTY	DESCRIPTION	REV
	1001206691	Ref	DOOR INSTALLATION - REAR TANDEM BODY (PAINTED)	B
1	1001192958	56	Screw #10 x 1/2	
2	1001195257	64	Screw 1/4 x 1/2	
3	1001197159	2	Door	
4	1001197160	2	Door	
5	1001197161	2	Door	
6	1001198602	46	Screw #8 x 3/8	
7	1001205855	2	Door	
8	8798820001	AR	Sealant	

SECTION 4 - BODY

FIGURE 4-26. DOORS AND FRAME INSTALLATION - REAR TANDEM BODY (PAINTED)



ART_1001269191

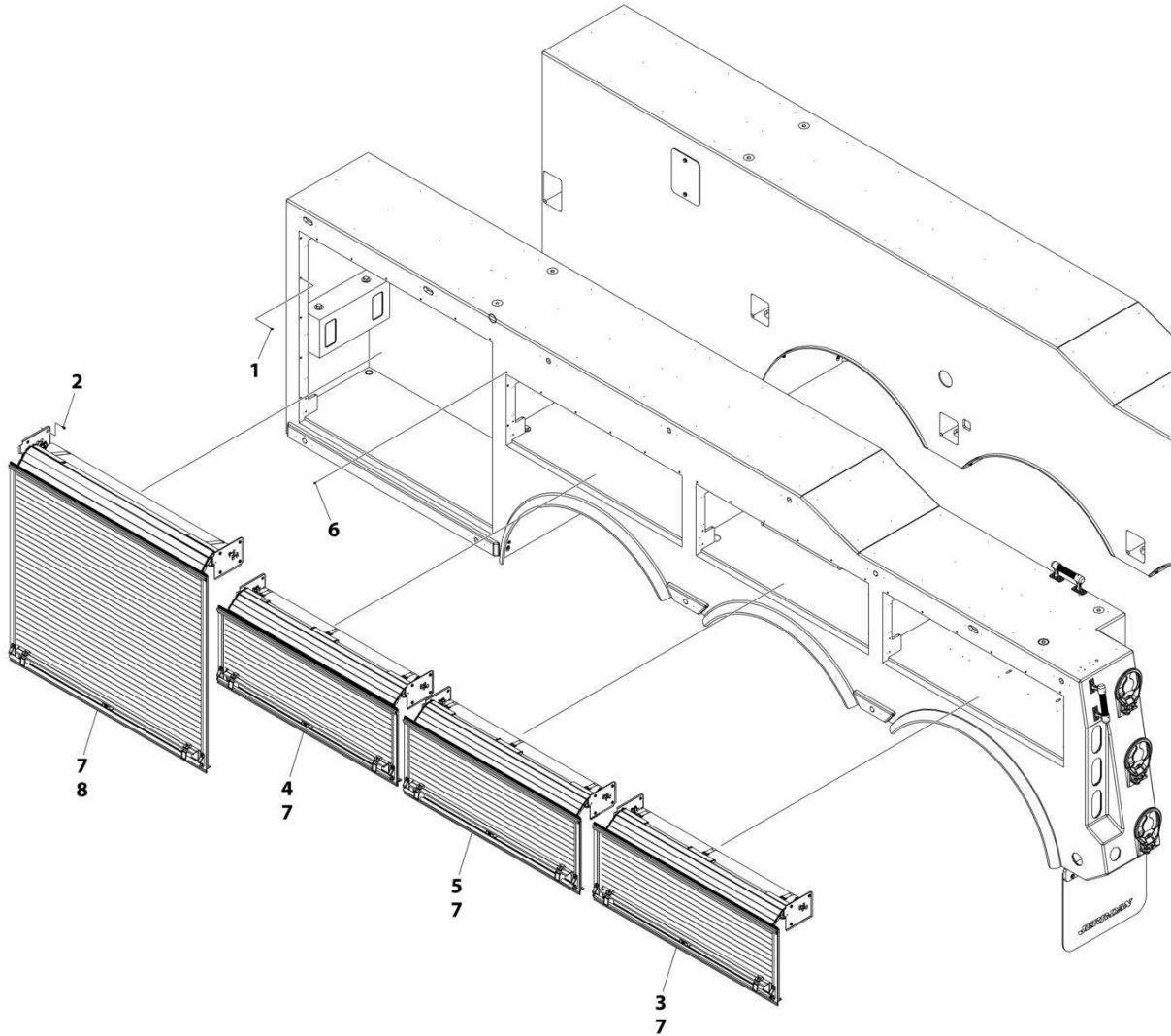
SECTION 4 - BODY

FIGURE 4-26. DOORS AND FRAME INSTALLATION - REAR TANDEM BODY (PAINTED)

ITEM	PART NUMBER	QTY	DESCRIPTION	REV
	1001269191	Ref	DOORS AND FRAME INSTALLATION - REAR TANDEM BODY (PAINTED)	B
1	1001253559	2	Door	
2	1001253558	2	Door	
3	1001253557	2	Door	
4	1001261524	2	Door	
5	1001192958	56	Screw #10 x 1/2	
6	1001195257	64	Screw 1/4 x 1/2	
7	1001198602	46	Screw #8 x 3/8	
8	8798820001	AR	Sealant	

SECTION 4 - BODY

FIGURE 4-27. DOORS INSTALLATION - REAR TRI-AXLE BODY (PAINTED)



ART_1001206695

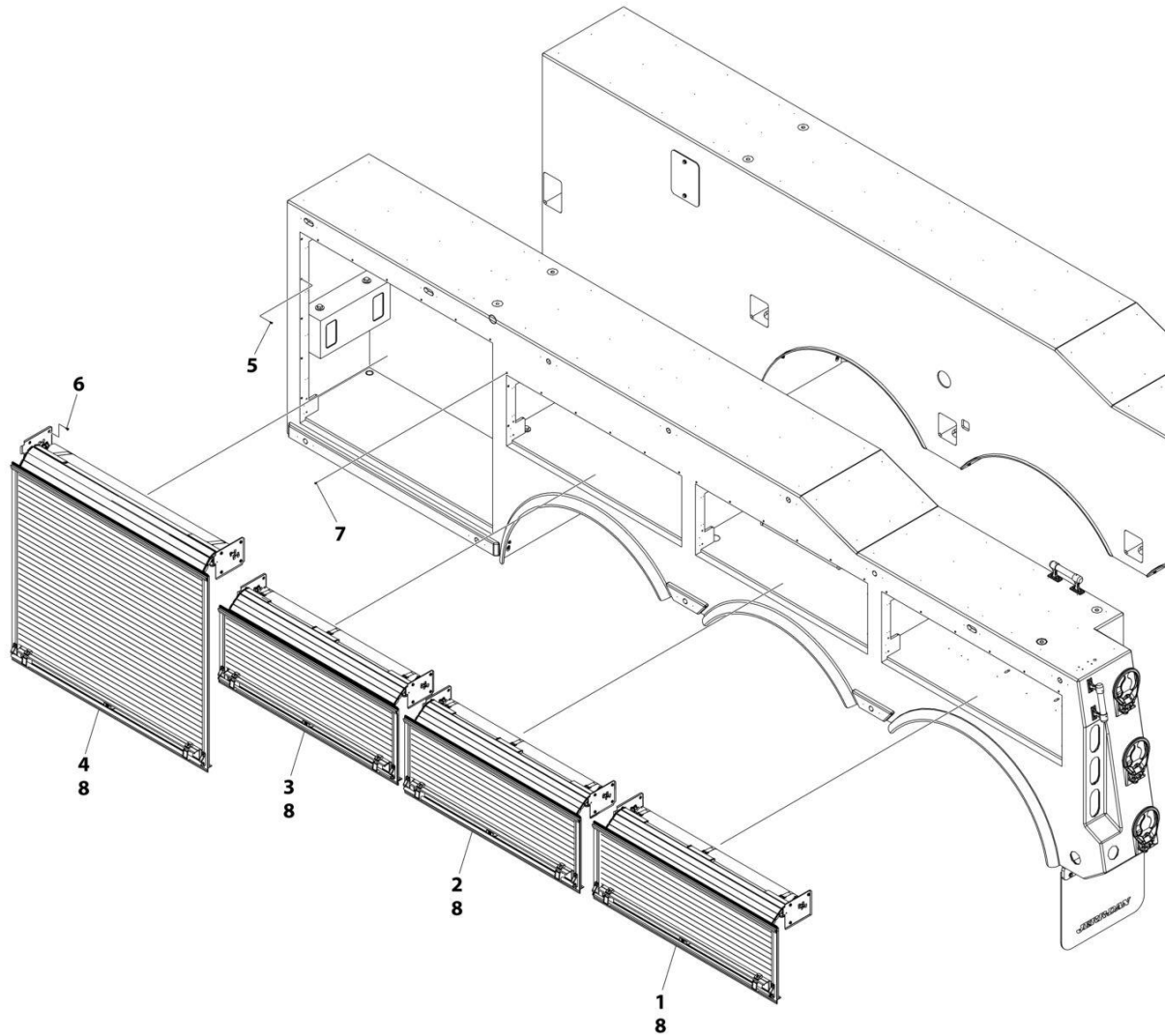
SECTION 4 - BODY

FIGURE 4-27. DOORS INSTALLATION - REAR TRI-AXLE BODY (PAINTED)

ITEM	PART NUMBER	QTY	DESCRIPTION	REV
	1001206695	Ref	DOORS INSTALLATION - REAR TRI-AXLE BODY (PAINTED)	B
1	1001192958	44	Screw #10 x 1/2	
2	1001195257	64	Screw 1/4 x 1/2	
3	1001197161	2	Door	
4	1001197162	2	Door	
5	1001197163	2	Door	
6	1001198602	48	Screw #8 x 3/8	
7	8798820001	AR	Sealant	
8	1001205855	2	Door	

SECTION 4 - BODY

FIGURE 4-28. DOORS AND FRAME INSTALLATION - REAR TRI-AXLE BODY (PAINTED)



ART_1001269192

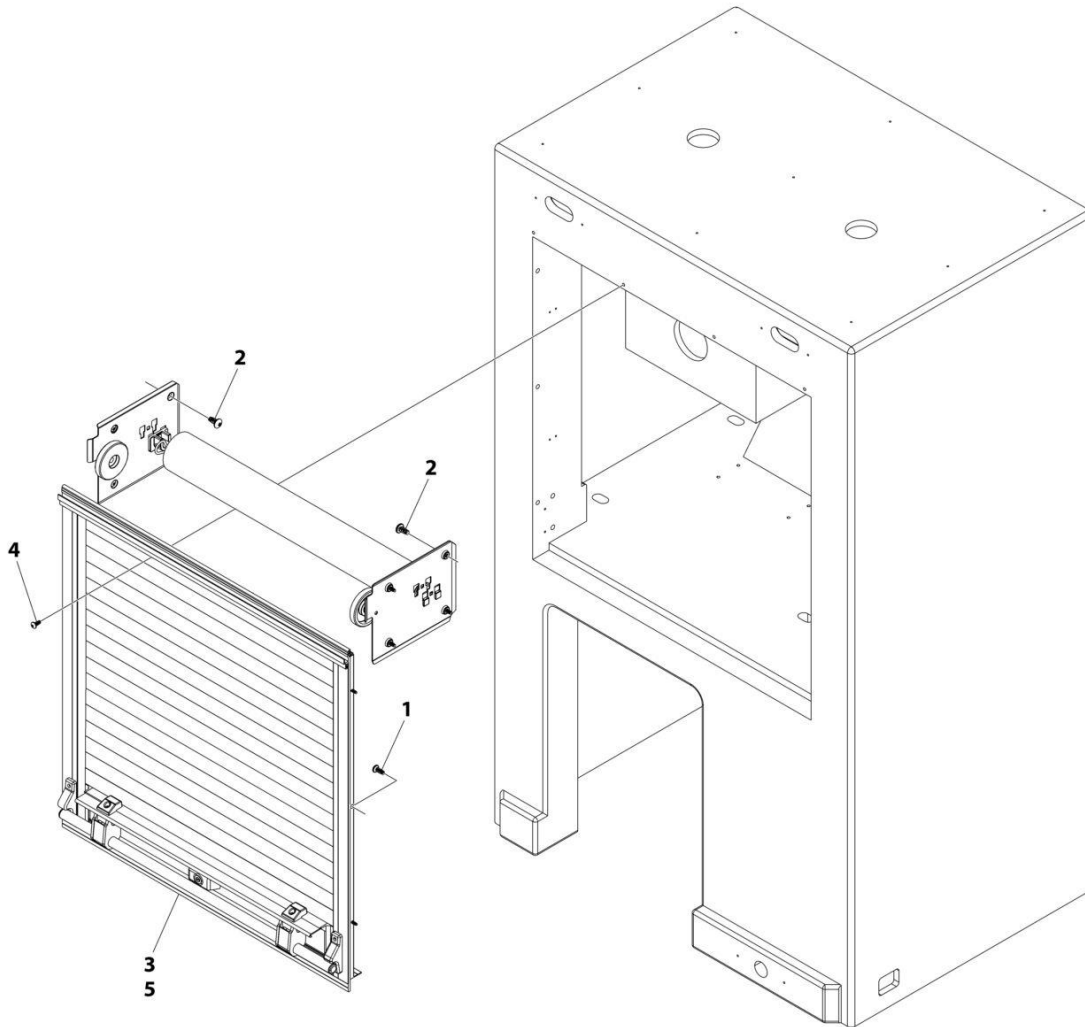
SECTION 4 - BODY

FIGURE 4-28. DOORS AND FRAME INSTALLATION - REAR TRI-AXLE BODY (PAINTED)

ITEM	PART NUMBER	QTY	DESCRIPTION	REV
	1001269192	Ref	DOORS AND FRAME INSTALLATION - REAR TRI-AXLE BODY (PAINTED)	B
1	1001253559	2	Door	
2	1001261523	2	Door	
3	1001261522	2	Door	
4	1001261524	2	Door	
5	1001192958	44	Screw #10 x 1/2	
6	1001195257	64	Screw 1/4 x 1/2	
7	1001198602	48	Screw #8 x 3/8	
8	8798820001	AR	Sealant	

SECTION 4 - BODY

FIGURE 4-29. DOORS INSTALLATION - SRS TOOLBOX (PAINTED DOORS ONLY)



ART_1001197791

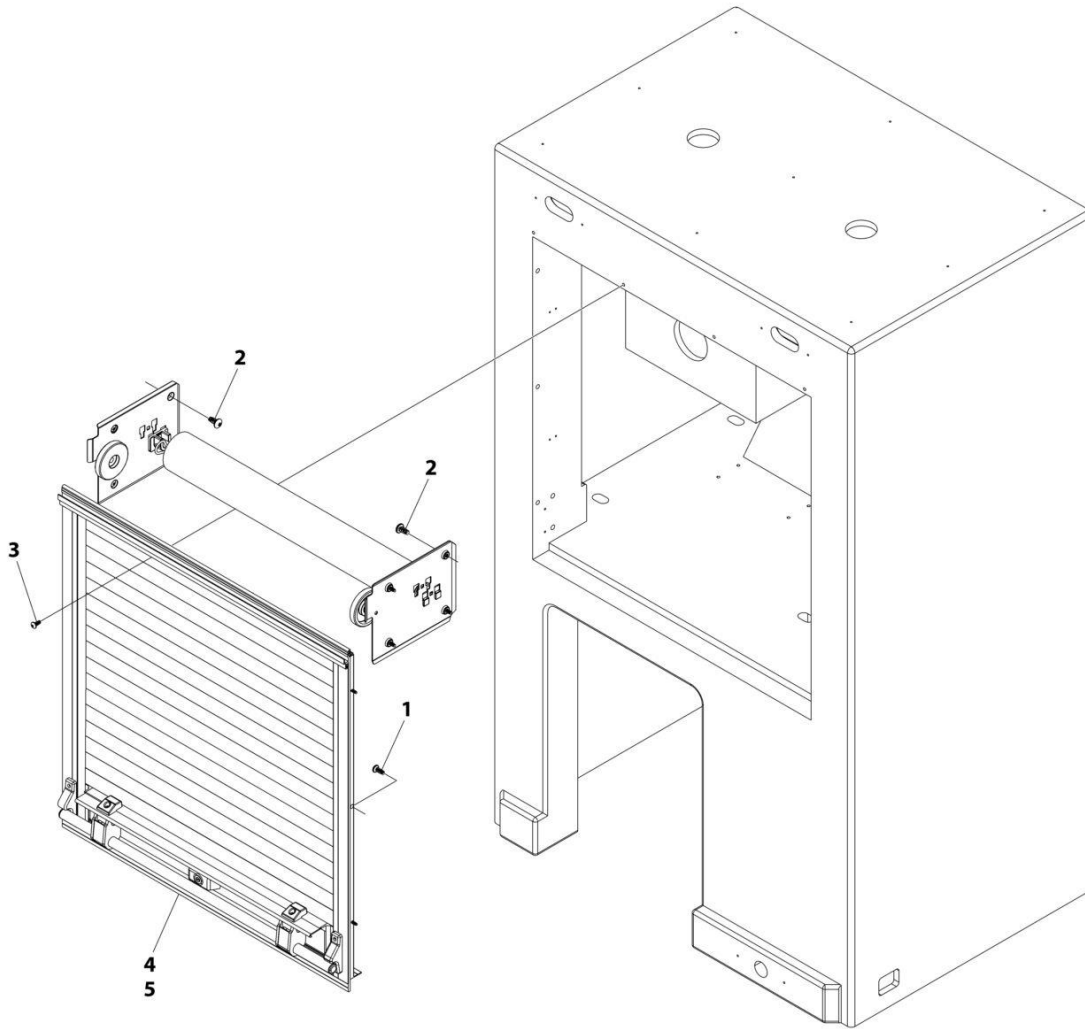
SECTION 4 - BODY

FIGURE 4-29. DOORS INSTALLATION - SRS TOOLBOX (PAINTED DOORS ONLY)

ITEM	PART NUMBER	QTY	DESCRIPTION	REV
	1001197791	Ref	DOORS INSTALLATION - SRS TOOLBOX (PAINTED DOORS ONLY)	B
1	1001192958	12	Screw #10 x 1/2	
2	1001195257	16	Screw 1/4 x 1/2	
3	1001197164	2	Frame Cover	
4	1001198602	8	Screw #8 x 3/8	
5	8798820001	AR	Sealant	

SECTION 4 - BODY

FIGURE 4-30. DOORS INSTALLATION - SRS TOOLBOX (PAINTED DOORS & FRAME)



ART_1001258415

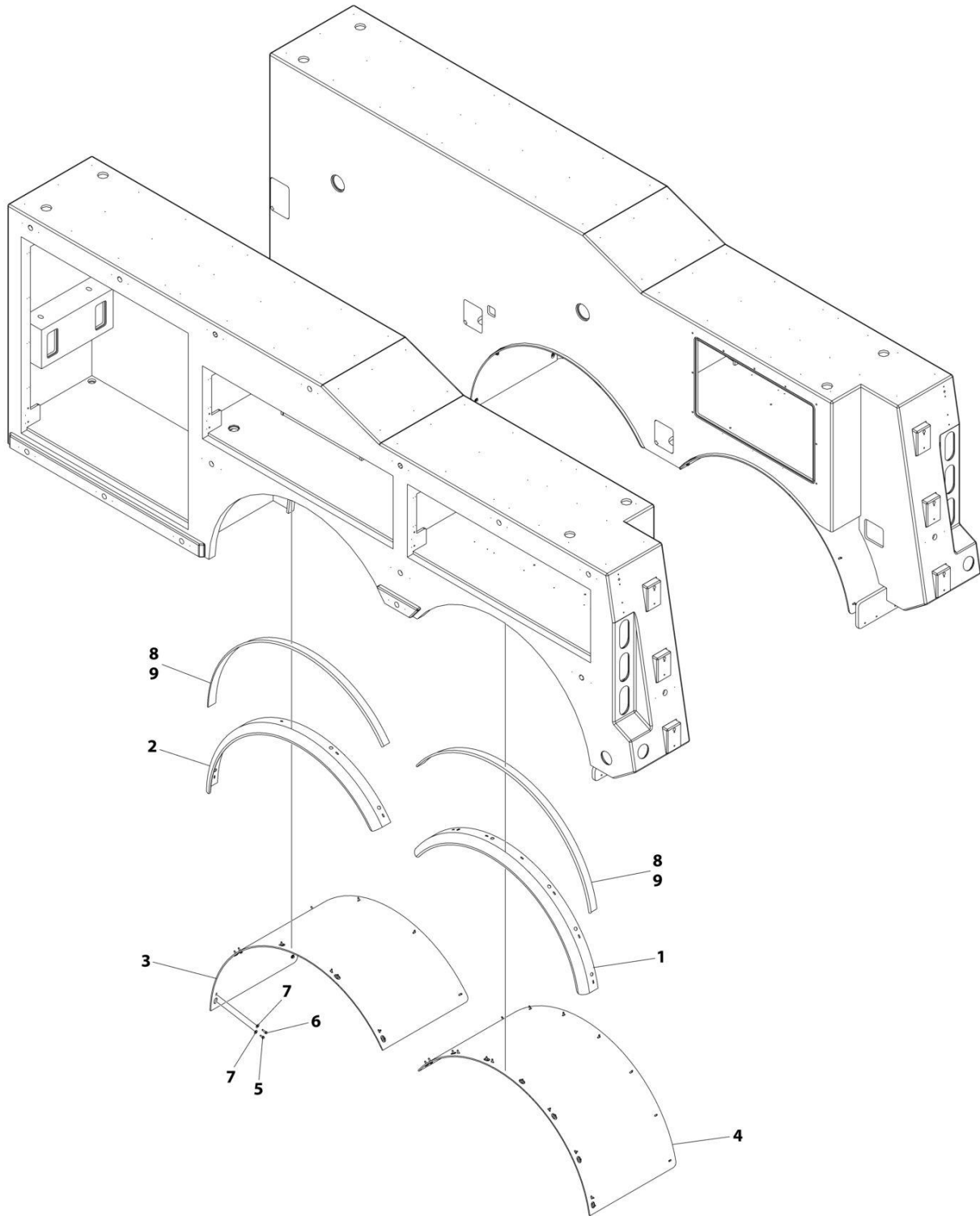
SECTION 4 - BODY

FIGURE 4-30. DOORS INSTALLATION - SRS TOOLBOX (PAINTED DOORS & FRAME)

ITEM	PART NUMBER	QTY	DESCRIPTION	REV
	1001258415	Ref	DOOR INSTALLATION (PAINTED FRAME)	A
1	1001192958	12	Screw #10 x 1/2	
2	1001195257	16	Screw 1/4 x 1/2	
3	1001198602	8	Screw #8 x 3/8	
4	1001258416	2	Frame Cover	
5	8798820001	AR	Sealant	

SECTION 4 - BODY

FIGURE 4-31. FENDER FLARES INSTALLATION - TANDEM



ART_1001187182

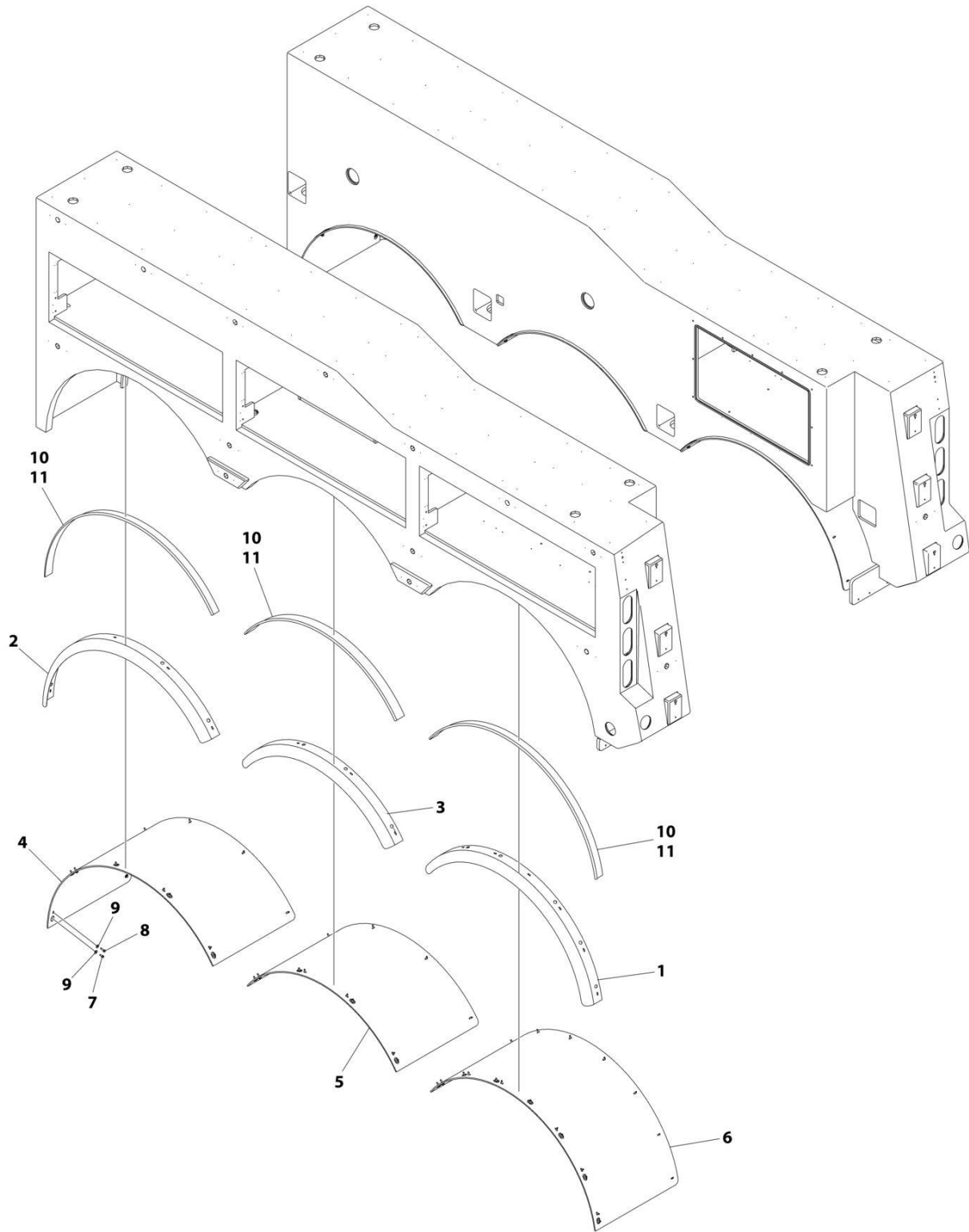
SECTION 4 - BODY

FIGURE 4-31. FENDER FLARES INSTALLATION - TANDEM

ITEM	PART NUMBER	QTY	DESCRIPTION	REV
	1001187182	Ref	FENDER FLARES INSTALLATION - TANDEM	C
1	1001163358	2	Fender, Rear Body	
2	1001186584	2	Fender Wrecker, Front Body	
3	1001186606	2	Fender Liner, Front Body	
4	1001186608	2	Fender Liner, Rear Body	
5	7790141251	24	Screw 1/4 x 3/4	
6	7790141651	42	Screw 1/4 x 1	
7	7950140163	66	Washer 1/4	
8	1001167358	AR	Moulding, Fender (Prior to SN 0230009202)	
8	1001253744	23 ft	Moulding, Fender (SN 0230009202 to Present)	
9	1001217088	AR	Tape, Double sided (Prior to SN 0230009202)	

SECTION 4 - BODY

FIGURE 4-32. FENDER FLARES INSTALLATION - TRI-AXLE



ART_1001196730

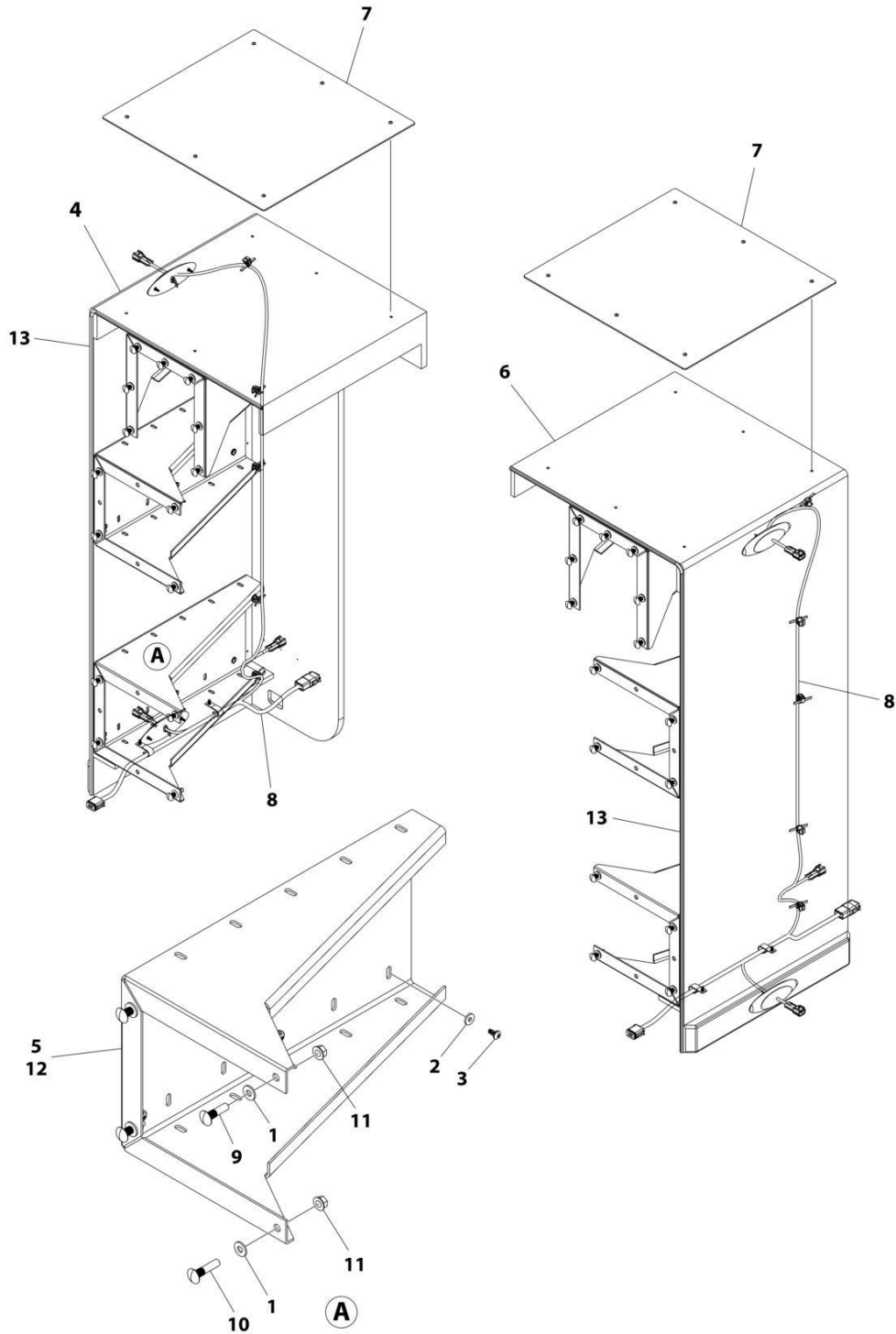
SECTION 4 - BODY

FIGURE 4-32. FENDER FLARES INSTALLATION - TRI-AXLE

ITEM	PART NUMBER	QTY	DESCRIPTION	REV
	1001196730	Ref	FENDER FLARES INSTALLATION - TRI-AXLE	C
1	1001163358	2	Fender, Rear Body	
2	1001186584	2	Fender Wrecker, Front Body	
3	1001186585	2	Fender Wrecker, Middle Body	
4	1001186606	2	Fender Liner, Front Body	
5	1001186607	2	Fender Liner, Middle Body	
6	1001186608	2	Fender Liner, Rear Body	
7	7790141251	32	Screw 1/4 x 3/4	
8	7790141651	56	Screw 1/4 x 1	
9	7950140163	88	Washer 1/4	
10	1001167358	AR	Moulding, Fender (Prior to SN 0230009202)	
10	1001253744	32 ft	Moulding, Fender (SN 0230009202 to Present)	
11	1001217088	AR	Tape, Double sided (Prior to SN 0230009202)	

SECTION 4 - BODY

FIGURE 4-33. FILLER PANEL INSTALLATION - 24IN FRONT "A" TUNNEL



ART_1001248216

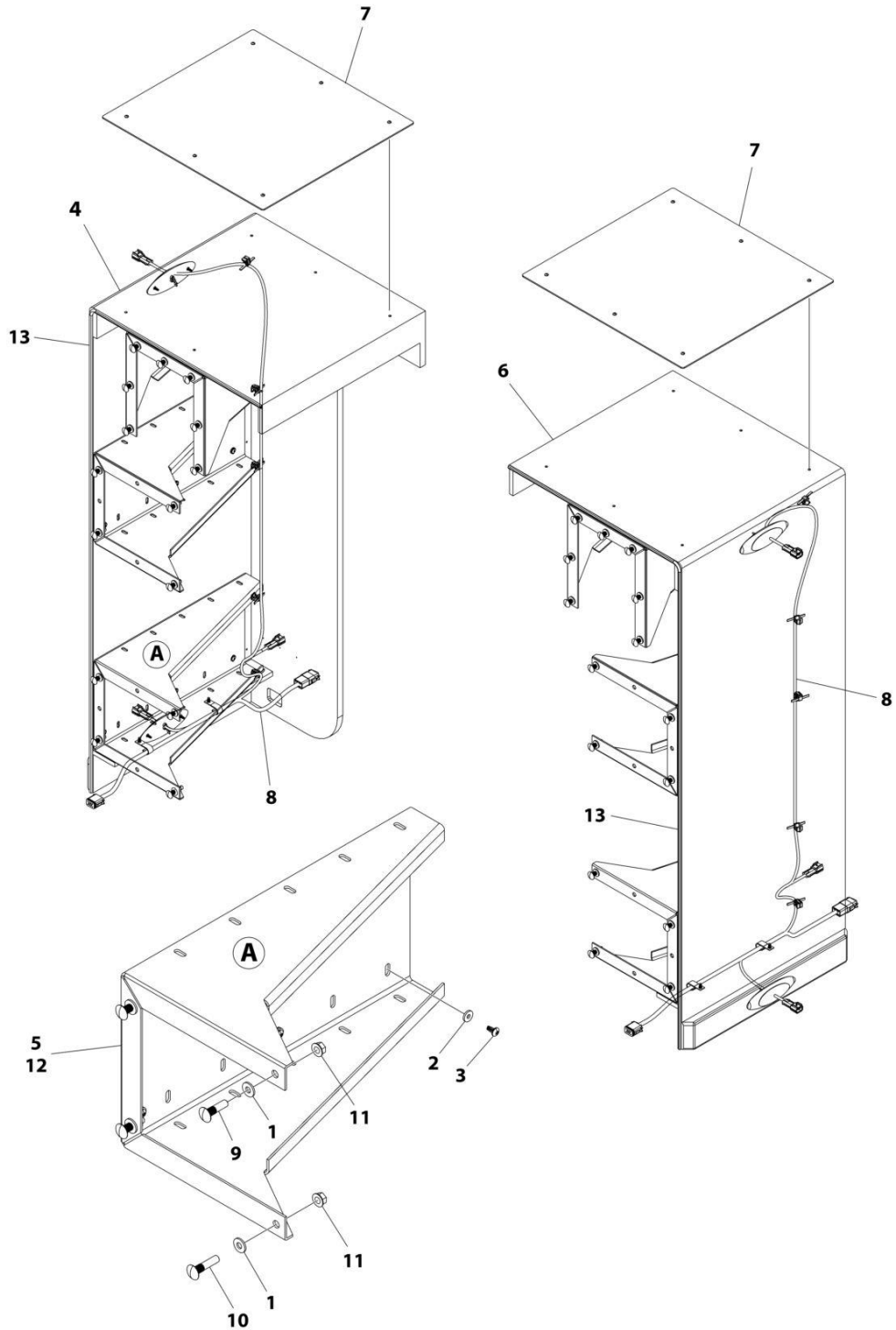
SECTION 4 - BODY

FIGURE 4-33. FILLER PANEL INSTALLATION - 24IN FRONT "A" TUNNEL

ITEM	PART NUMBER	QTY	DESCRIPTION	REV
	1001248216	Ref	FILLER PANEL INSTALLATION - 24IN FRONT "A" TUNNEL	A
	1001244580	Ref	FILLER PANEL INSTALLATION	B
1	1001166974	30	Washer 3/8	
2	7950140143	43	Washer 1/4	
3	1001195257	43	Screw 1/4 x 1/2	
4	1001244556	1	Cover	
5	1001244564	6	Support	
6	1001244578	1	Cover	
7	1001245742	1	Top Diamond Filler Installation (See Separate Breakdown in this Section)	
8	1001246622	1	Electrical Filler Panel Installation (See Separate Breakdown in this Section)	
9	1001247902	30	Bolt 3/8 x 1-1/2	
10	1001247903	AR	Bolt 3/8 x 1-3/4	
11	7660162301	30	Nut 3/8	
12	8798820001	AR	Sealant	
13	8632000017	14 ft	Seal	

SECTION 4 - BODY

FIGURE 4-34. FILLER PANEL INSTALLATION - 24IN FRONT MAIN BODY



ART_1001248217

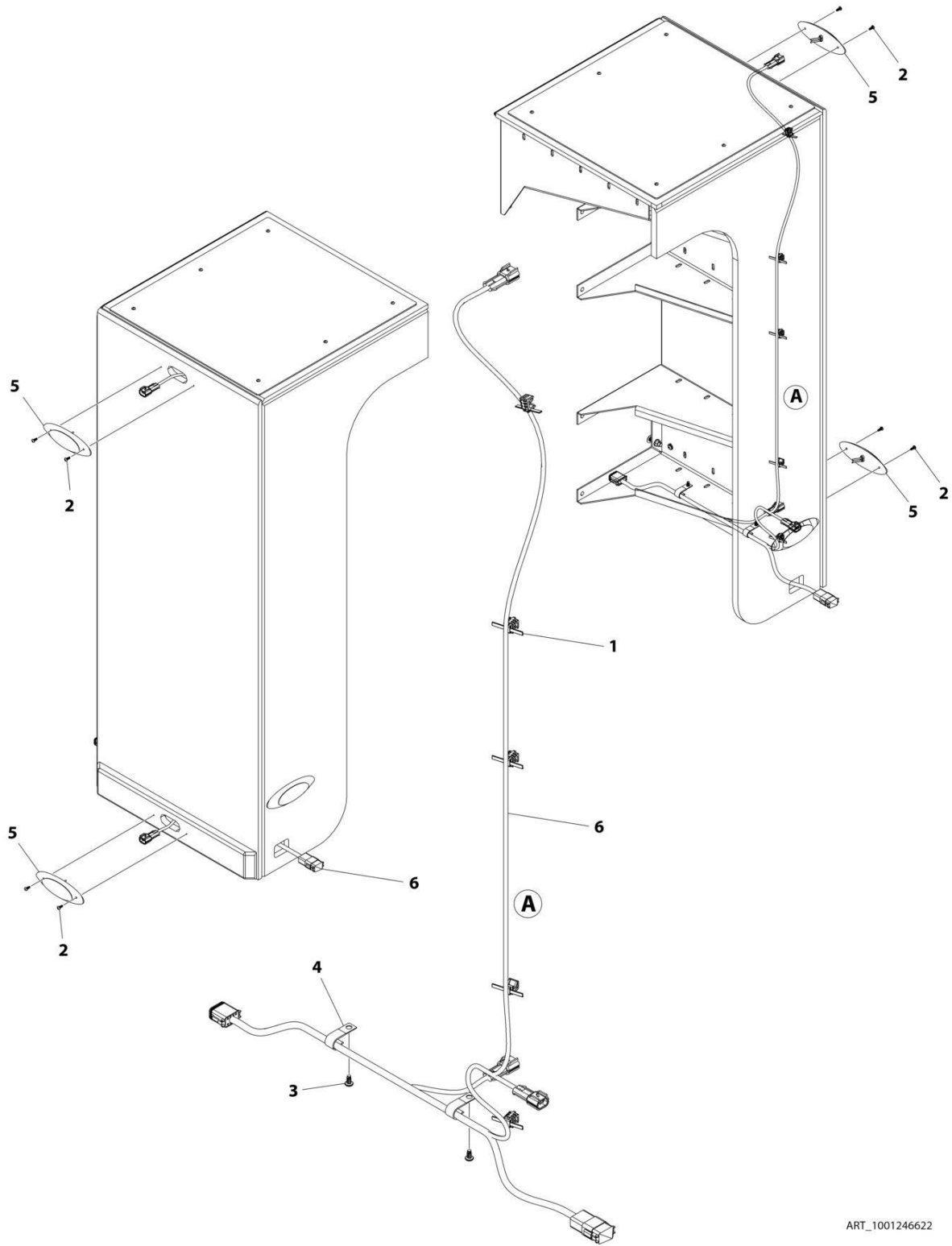
SECTION 4 - BODY

FIGURE 4-34. FILLER PANEL INSTALLATION - 24IN FRONT MAIN BODY

ITEM	PART NUMBER	QTY	DESCRIPTION	REV
	1001248217	Ref	FILLER PANEL INSTALLATION - 24IN FRONT MAIN BODY	A
	1001244580	Ref	FILLER PANEL INSTALLATION	B
1	1001166974	30	Washer 3/8	
2	7950140143	43	Washer 1/4	
3	1001195257	43	Screw 1/4 x 1/2	
4	1001244556	1	Cover	
5	1001244564	6	Support	
6	1001244578	1	Cover	
7	1001245742	1	Top Diamond Filler Installation (See Separate Breakdown in this Section)	
8	1001246622	1	Electrical Filler Panel Installation (See Separate Breakdown in this Section)	
9	1001247902	30	Bolt 3/8 x 1-1/2	
10	1001247903	AR	Bolt 3/8 x 1-3/4	
11	7660162301	30	Nut 3/8	
12	8798820001	AR	Sealant	
13	8632000017	14 ft	Seal	

SECTION 4 - BODY

FIGURE 4-35. FILLER PANEL ELECTRICAL INSTALLATION



ART_1001246622

SECTION 4 - BODY

FIGURE 4-35. FILLER PANEL ELECTRICAL INSTALLATION

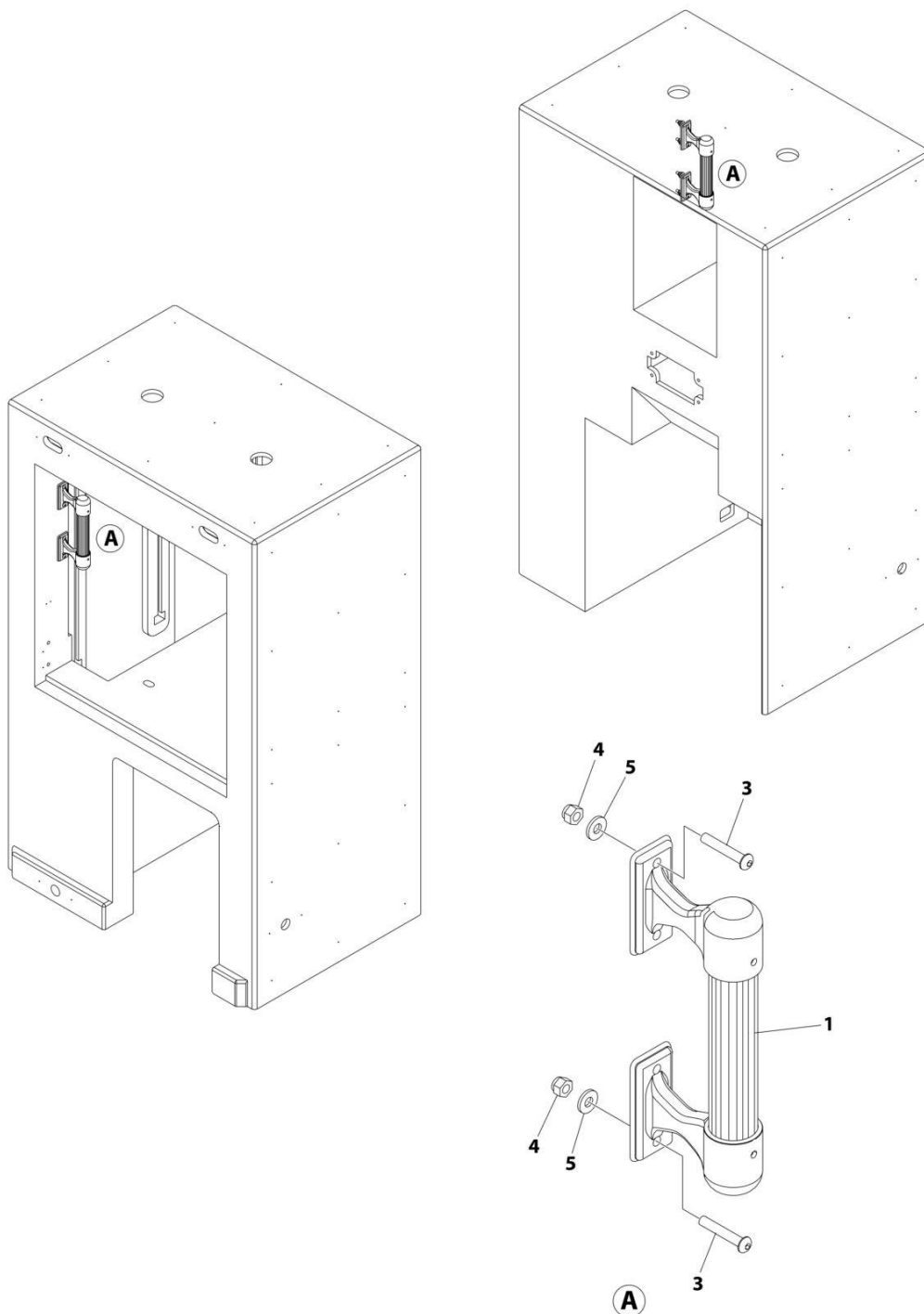
ITEM	PART NUMBER	QTY	DESCRIPTION	REV
	1001246622	Ref	FILLER PANEL INSTALLATION - 24IN ELECTRICAL ENCLOSURE	A
1	1001152419	10	Clip	
2	1001192958	8	Screw #10 x 1/2	
3	1001195257	4	Screw 1/4 x 1/2	
4	7280000006	4	Clip	
5	7590000358	4	LED	
6	1001244217	2	Lighting Filler Panel Harness (See Separate Breakdown in ELECTRICAL Section)	

FIGURE 4-36. GRAB HANDLE INSTALLATION

ITEM	PART NUMBER	QTY	DESCRIPTION	REV
	1001196639	Ref	Grab Handle Installation	C
1	1001170849	4	Grab Handle	
3	7114141218	16	Capscrew 1/4 x 1-1/2	
4	7660142600	16	Nut 1/4	
5	7950140143	16	Washer 1/2	
6	1001166978	8	Washer, Rubber 1/4	
7	8798820001	AR	Sealant	

SECTION 4 - BODY

FIGURE 4-37. GRAB HANDLES INSTALLATION - SRS



ART_1001198964

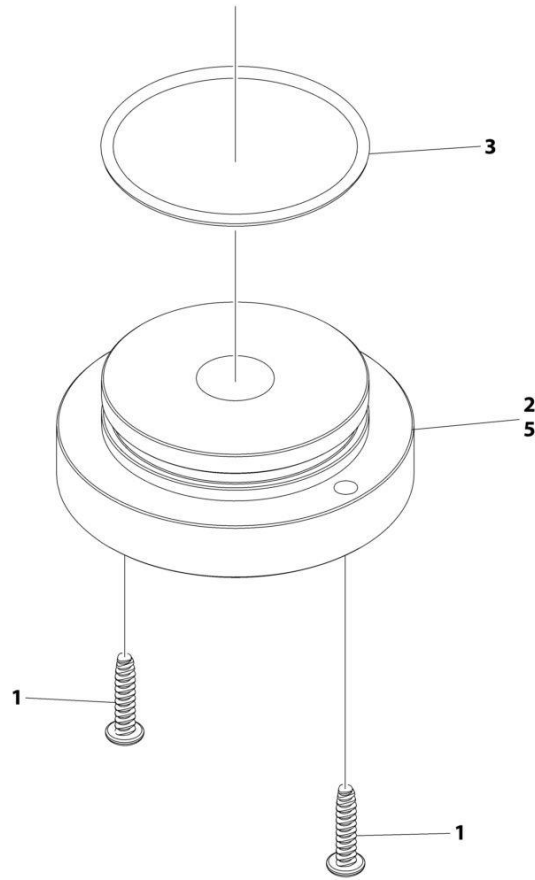
SECTION 4 - BODY

FIGURE 4-37. GRAB HANDLES INSTALLATION - SRS

ITEM	PART NUMBER	QTY	DESCRIPTION	REV
	1001198964	Ref	GRAB HANDLE INSTALLATION	B
1	1001170849	2	Grab Handle	
3	7114141218	8	Capscrew 1/4 x 1-1/2	
4	7660142600	8	Nut 1/4	
5	7950140143	8	Washer 1/4	

SECTION 4 - BODY

FIGURE 4-38. LIFTING LUGS INSTALLATION



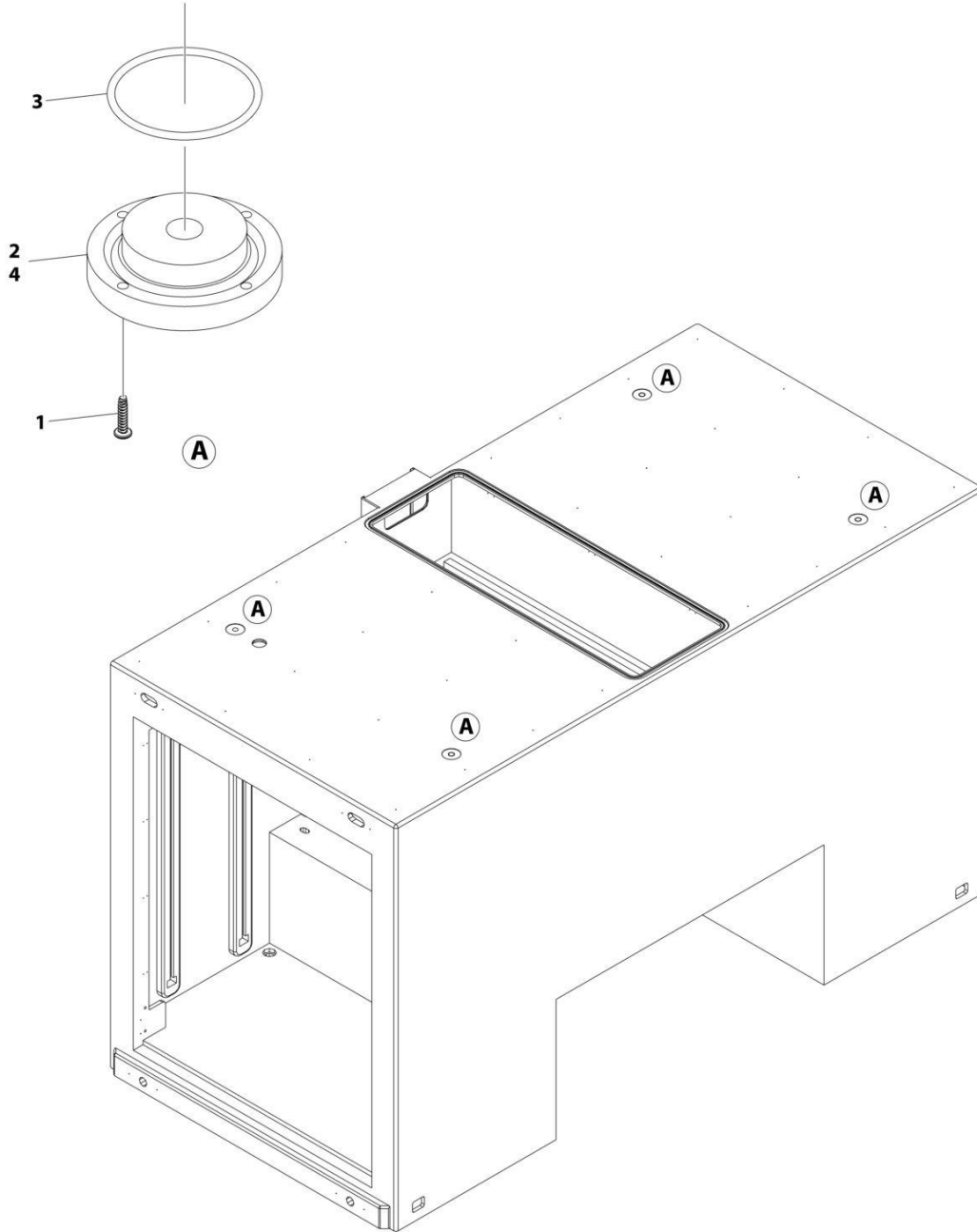
ART_1001206682

FIGURE 4-38. LIFTING LUGS INSTALLATION

ITEM	PART NUMBER	QTY	DESCRIPTION	REV
	1001206682	Ref	LIFTING LUGS INSTALLATION	C
1	1001196552	32	Screw #8 x 3/4	
2	1001288629	8	Nut	
3	3790230	8	O-Ring	
5	8798820001	AR	Sealant	

SECTION 4 - BODY

FIGURE 4-39. LIFTING LUGS INSTALLATION - TUNNEL (38IN-51IN)



ART_1001196808_D

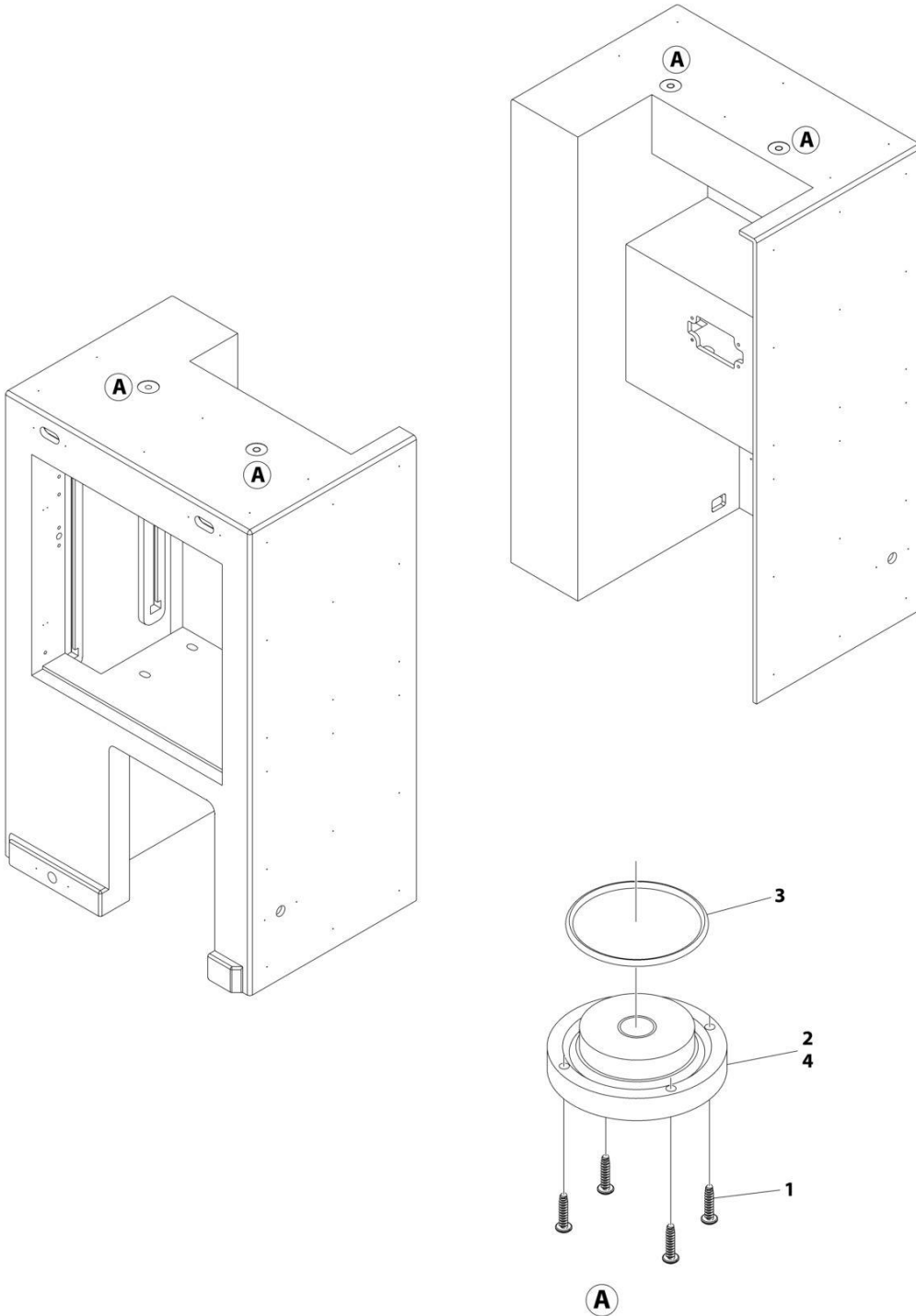
SECTION 4 - BODY

FIGURE 4-39. LIFTING LUGS INSTALLATION - TUNNEL (38IN-51IN)

ITEM	PART NUMBER	QTY	DESCRIPTION	REV
	1001196808	Ref	BODY LIFTING LUGS INSTALLATION	D
1	1001196552	16	Screw #8 x 3/4	
2	1001288629	4	Nut	
3	3790230	4	O-Ring	
4	8798820001	AR	Sealant	

SECTION 4 - BODY

FIGURE 4-40. LIFTING LUGS INSTALLATION - SRS



ART_1001197896_C

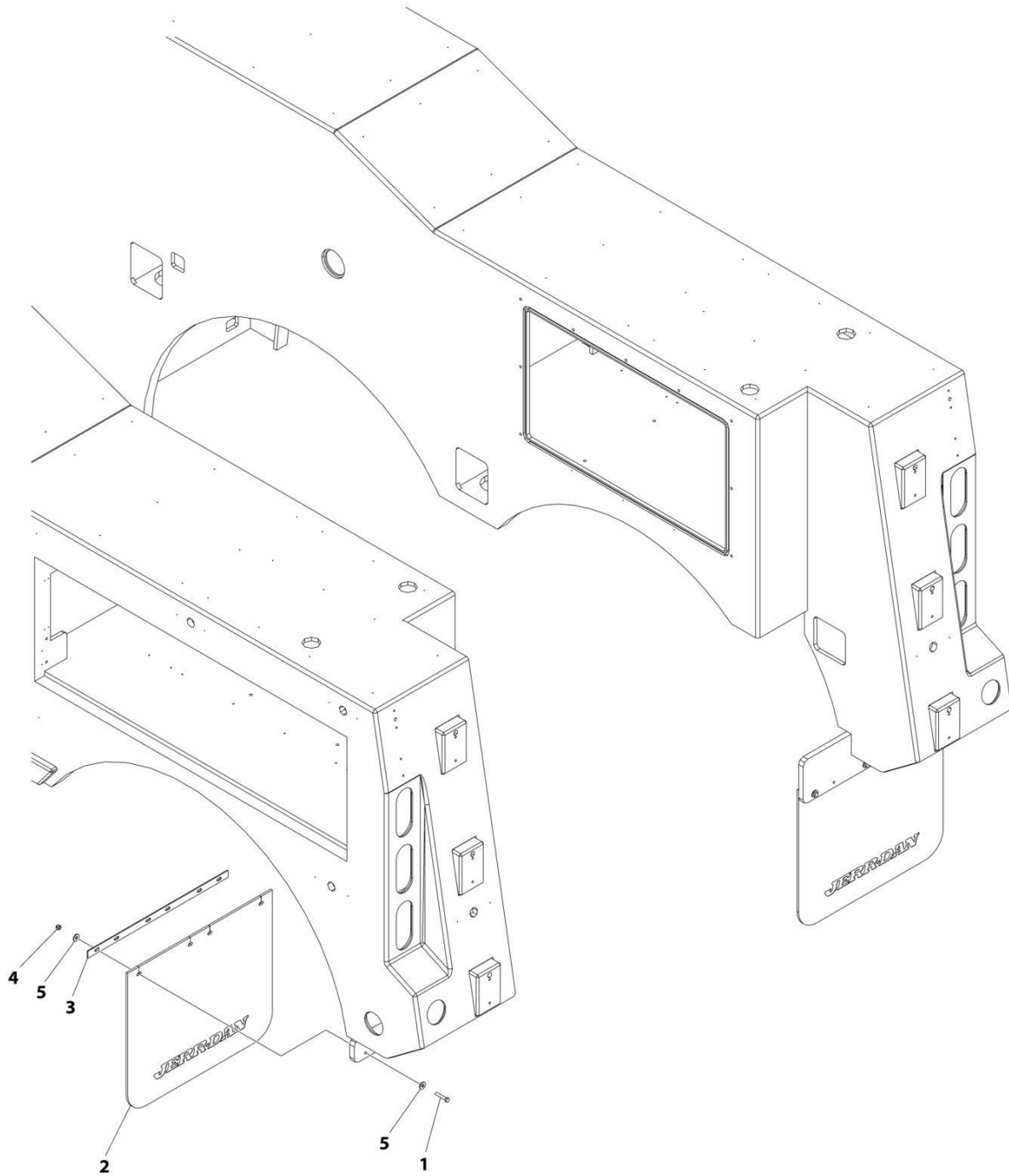
SECTION 4 - BODY

FIGURE 4-40. LIFTING LUGS INSTALLATION - SRS

ITEM	PART NUMBER	QTY	DESCRIPTION	REV
	1001197896	Ref	LIFTING LUGS INSTALLATION	C
1	1001196552	16	Screw #8 x 3/4	
2	1001288629	4	Nut	
3	3790230	4	O-Ring	
4	8798820001	AR	Sealant	

SECTION 4 - BODY

FIGURE 4-41. MUD FLAP INSTALLATION



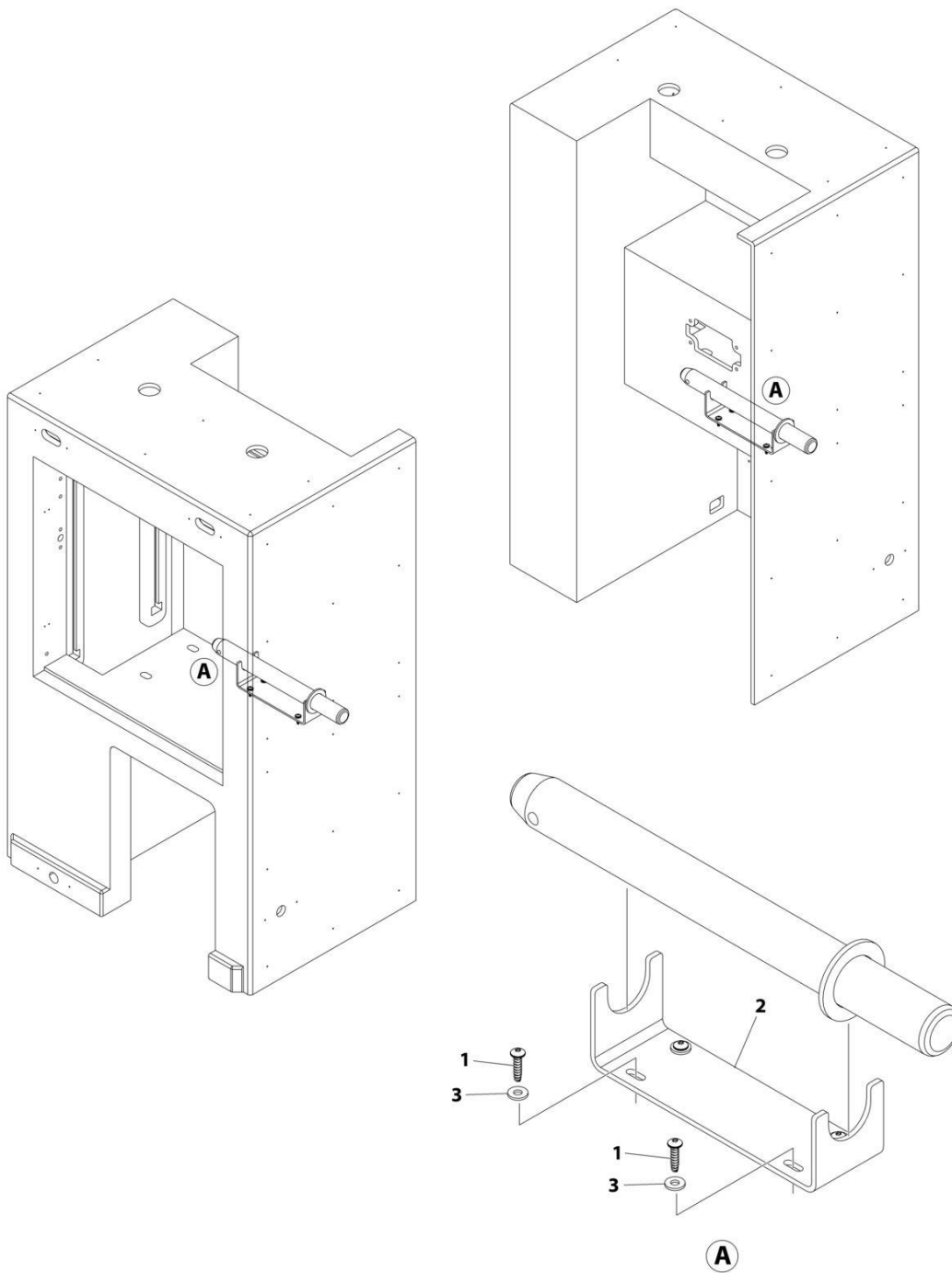
ART_1001196790

FIGURE 4-41. MUD FLAP INSTALLATION

ITEM	PART NUMBER	QTY	DESCRIPTION	REV
	1001196790	Ref	MUD FLAP INSTALLATION	C
1	0641514	8	Bolt 5/16 x 1-3/4	
2	1001174051	2	Mud Flap	
3	4706001815	2	Plate	
4	7660152601	8	Nut 5/16	
5	7950150153	16	Washer 5/16	

SECTION 4 - BODY

FIGURE 4-42. PIN STORAGE INSTALLATION



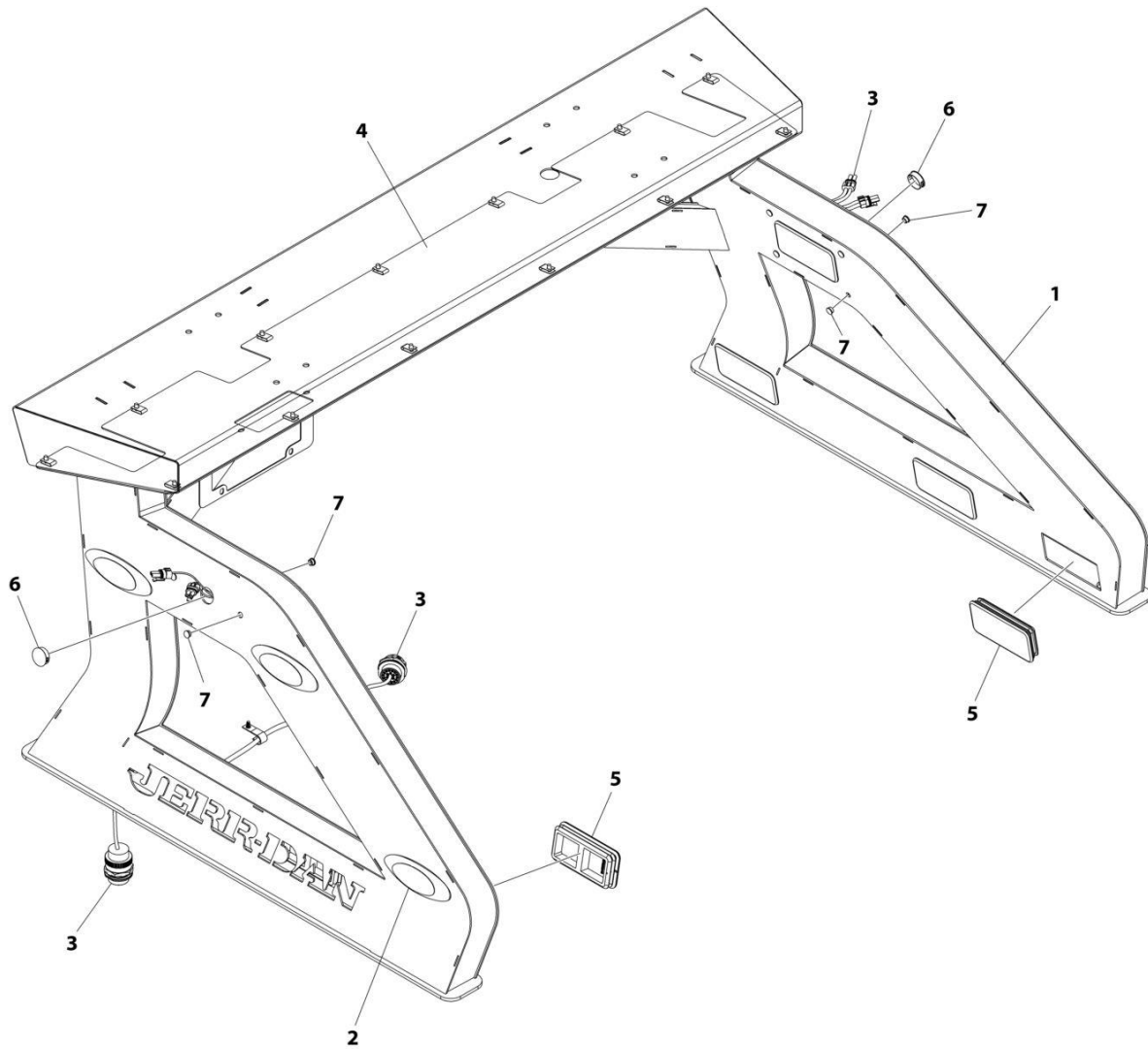
ART_1001213909

FIGURE 4-42. PIN STORAGE INSTALLATION

ITEM	PART NUMBER	QTY	DESCRIPTION	REV
	1001213909	Ref	PIN STORAGE INSTALLATION	A
1	1001195523	8	Screw 1/4 x 1	
2	1001213912	2	Bracket	
3	7950140143	8	Washer 1/4	

SECTION 4 - BODY

FIGURE 4-43. PYLON INSTALLATION (34IN)



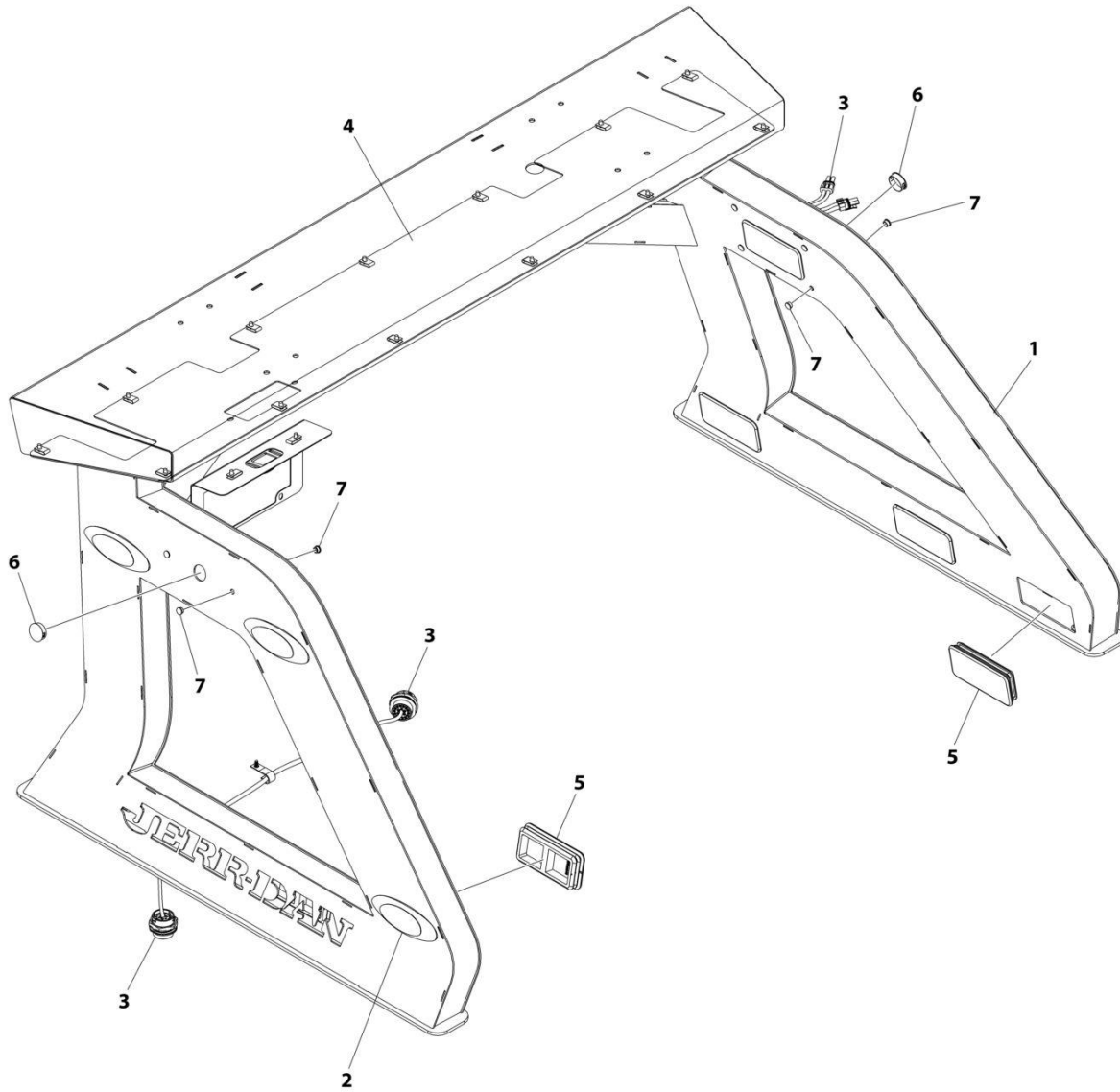
ART_1001228888

SECTION 4 - BODY**FIGURE 4-43. PYLON INSTALLATION (34IN)**

ITEM	PART NUMBER	QTY	DESCRIPTION	REV
	1001228888	Ref	PYLON INSTALLATION (34IN)	A
1	1001228805	1	Support	
2	1001207488	1	Marker Lights Installation - Pylon (See Separate Breakdown in ELECTRICAL Section)	
3	1001215020	1	Pylon Electrical Installation (See Separate Breakdown in ELECTRICAL Section)	
4	1001214252	1	Pylon Cover Installation	
5	7701000048	8	Plug	
6	7701000049	2	Plug	
7	7701000056	12	Plug	

SECTION 4 - BODY

FIGURE 4-44. PYLON INSTALLATION (39IN)



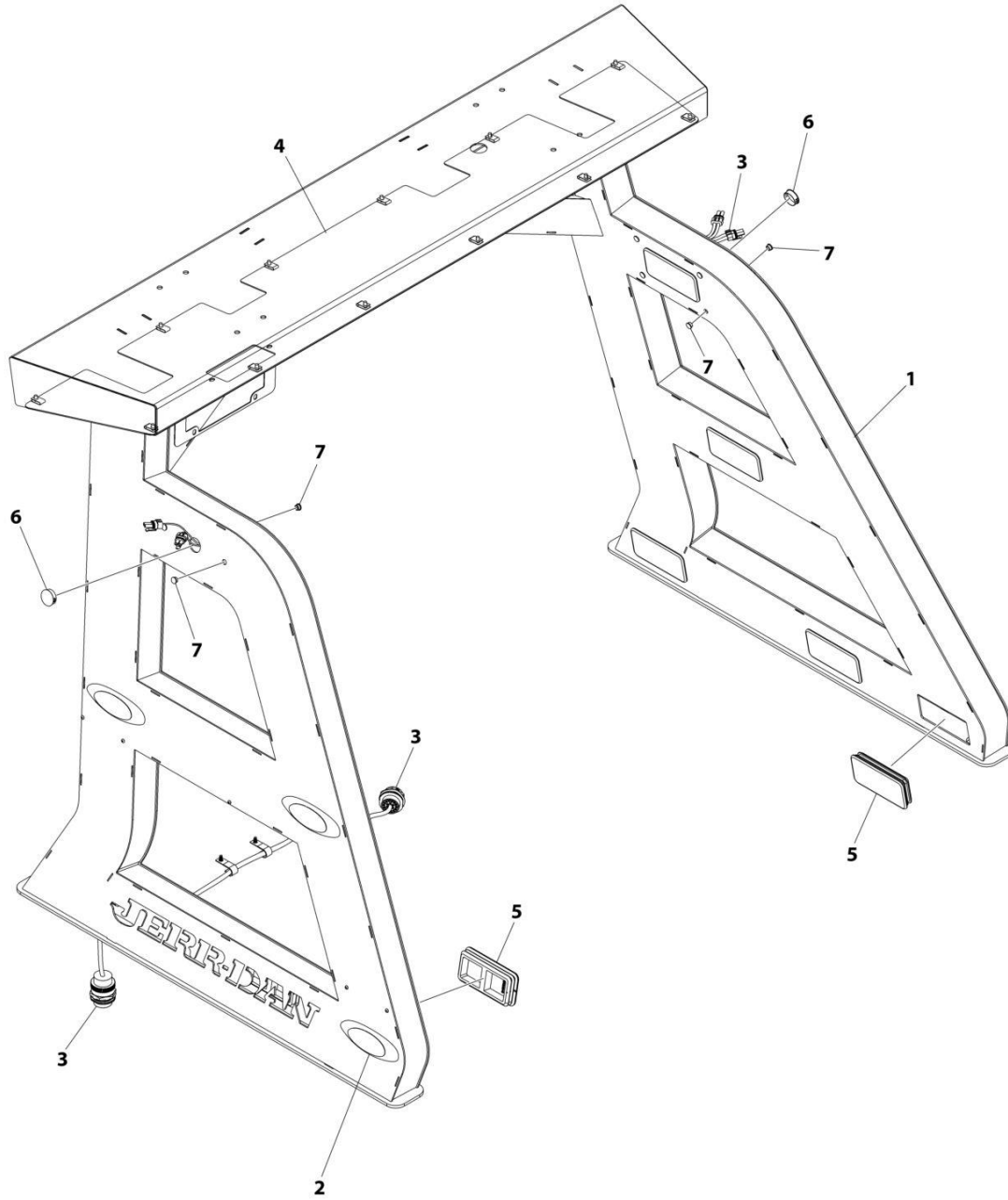
ART_1001228889

SECTION 4 - BODY**FIGURE 4-44. PYLON INSTALLATION (39IN)**

ITEM	PART NUMBER	QTY	DESCRIPTION	REV
	1001228889	Ref	PYLON INSTALLATION (39IN)	A
1	1001228818	1	Support	
2	1001207488	1	Marker Lights Installation - Pylon (See Separate Breakdown in ELECTRICAL Section)	
3	1001215020	1	Pylon Electrical Installation (See Separate Breakdown in ELECTRICAL Section)	
4	1001214262	1	Pylon Cover Installation (See Separate Breakdown in this Section)	
5	7701000048	8	Plug	
6	7701000049	2	Plug	
7	7701000056	12	Plug	

SECTION 4 - BODY

FIGURE 4-45. PYLON INSTALLATION (57IN)



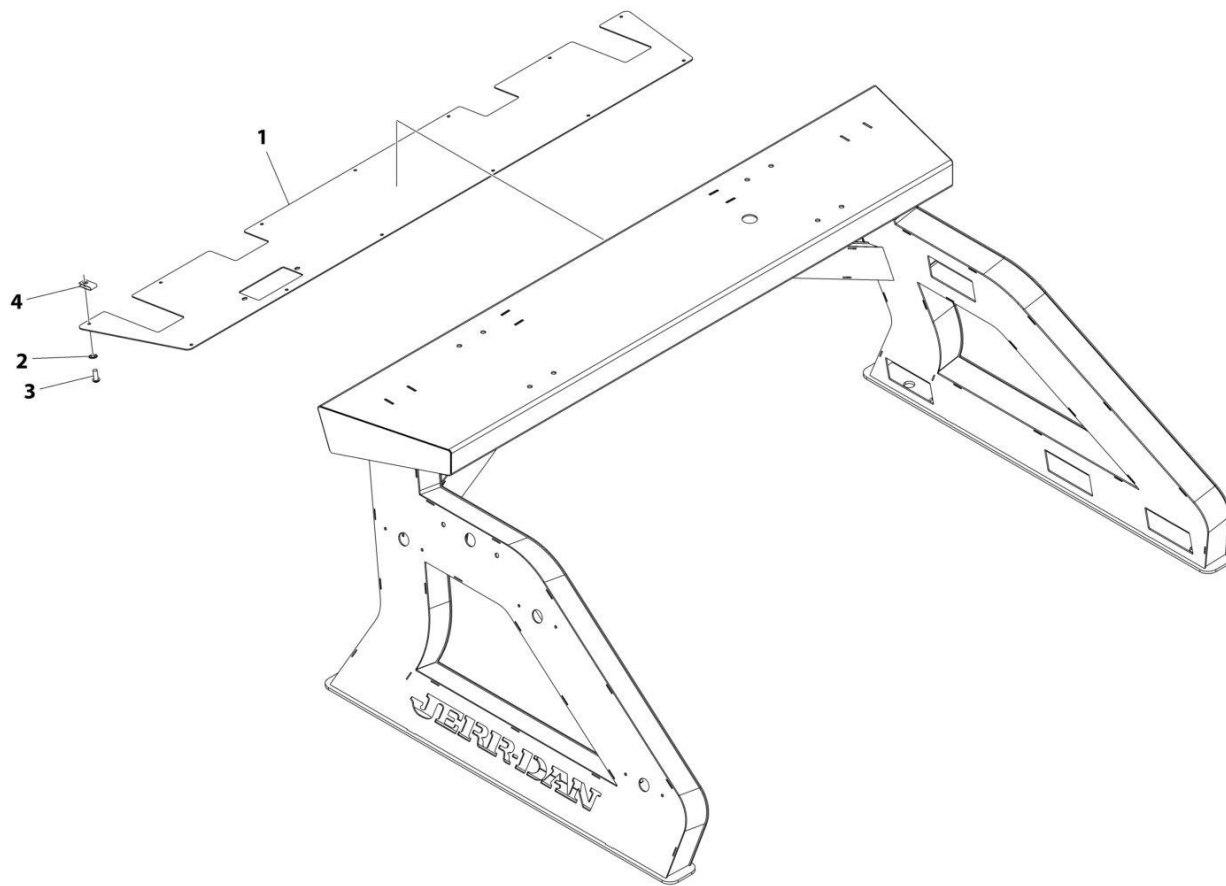
ART_1001228890

SECTION 4 - BODY**FIGURE 4-45. PYLON INSTALLATION (57IN)**

ITEM	PART NUMBER	QTY	DESCRIPTION	REV
	1001228890	Ref	PYLON INSTALLATION (57IN)	A
1	1001228824	1	Support	
2	1001207488	1	Marker Lights Installation - Pylon (See Separate Breakdown in ELECTRICAL Section)	
3	1001215034	1	Pylon Electrical Installation (See Separate Breakdown in ELECTRICAL Section)	
4	1001214973	1	Pylon Cover Installation (See Separate Breakdown in this Section)	
5	7701000048	10	Plug	
6	7701000049	2	Plug	
7	7701000056	12	Plug	

SECTION 4 - BODY

FIGURE 4-46. PYLON COVER INSTALLATION (39IN PYLON)



ART_1001214262

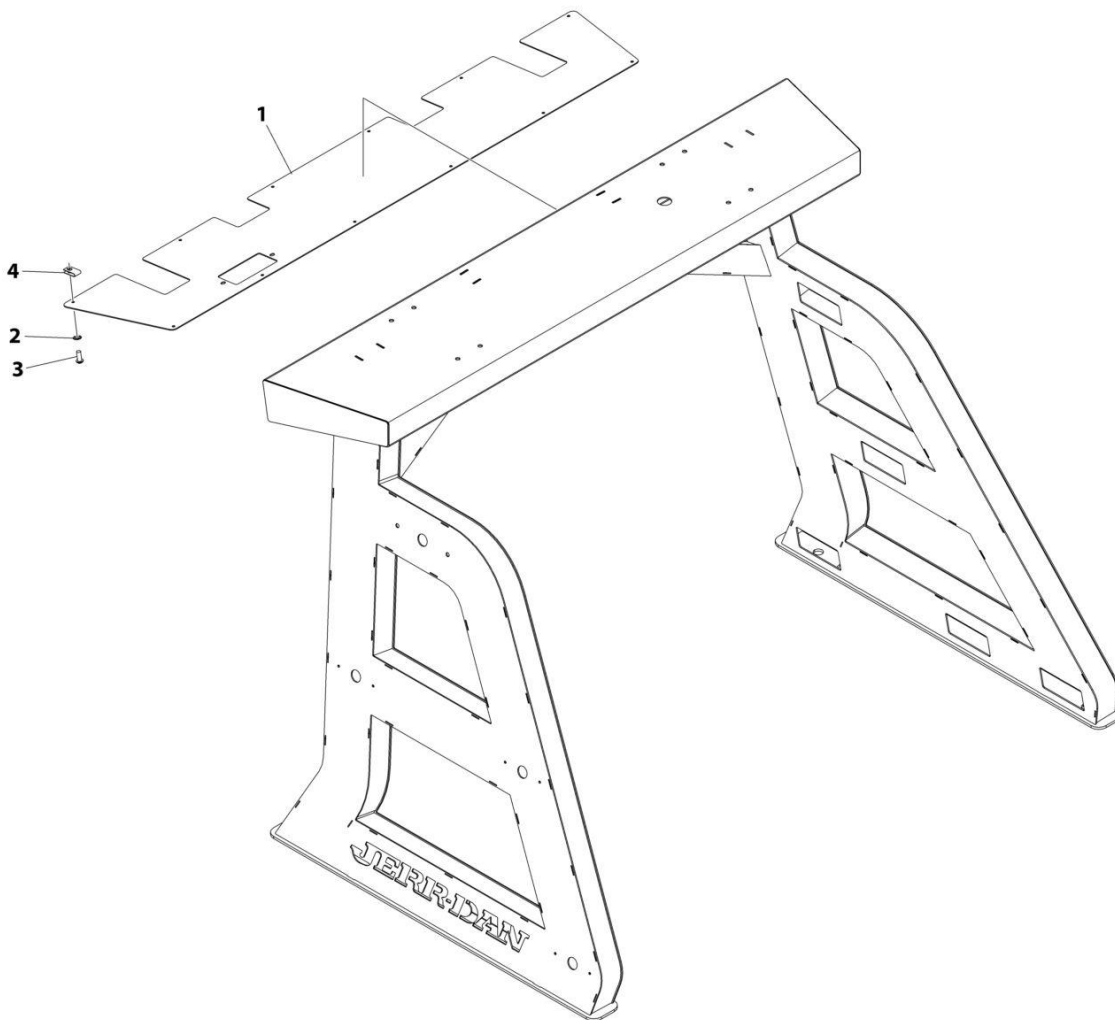
SECTION 4 - BODY

FIGURE 4-46. PYLON COVER INSTALLATION (39IN PYLON)

ITEM	PART NUMBER	QTY	DESCRIPTION	REV
	1001214262	Ref	PYLON COVER INSTALLATION (39IN)	B
1	1001213522	1	Cover	
2	1001143686	13	Star Washer 1/4	
3	7114140518	13	Screw 1/4 x 5/8	
4	7661000019	13	U-Nut 1/4	

SECTION 4 - BODY

FIGURE 4-47. PYLON COVER INSTALLATION (57IN PYLON)



ART_1001214973

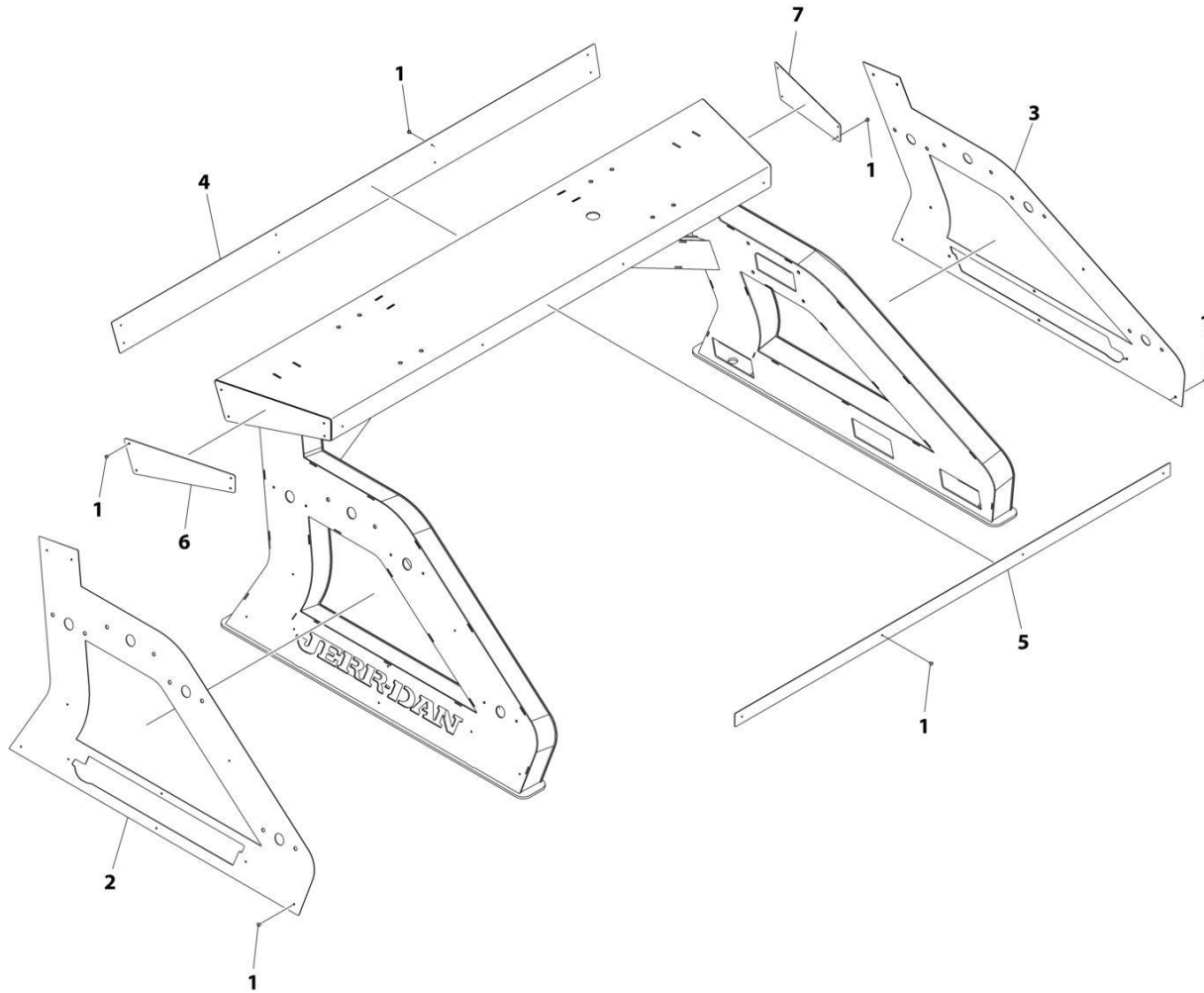
SECTION 4 - BODY

FIGURE 4-47. PYLON COVER INSTALLATION (57IN PYLON)

ITEM	PART NUMBER	QTY	DESCRIPTION	REV
	1001214973	Ref	PYLON COVER INSTALLATION (57IN)	B
1	1001214590	1	Cover	
2	1001143686	12	Star Washer 1/4	
3	7114140518	12	Screw 1/4 x 5/8	
4	7661000019	12	U-Nut 1/4	

SECTION 4 - BODY

FIGURE 4-48. PYLON DRESS-UP KIT - POLISHED SS (34IN)



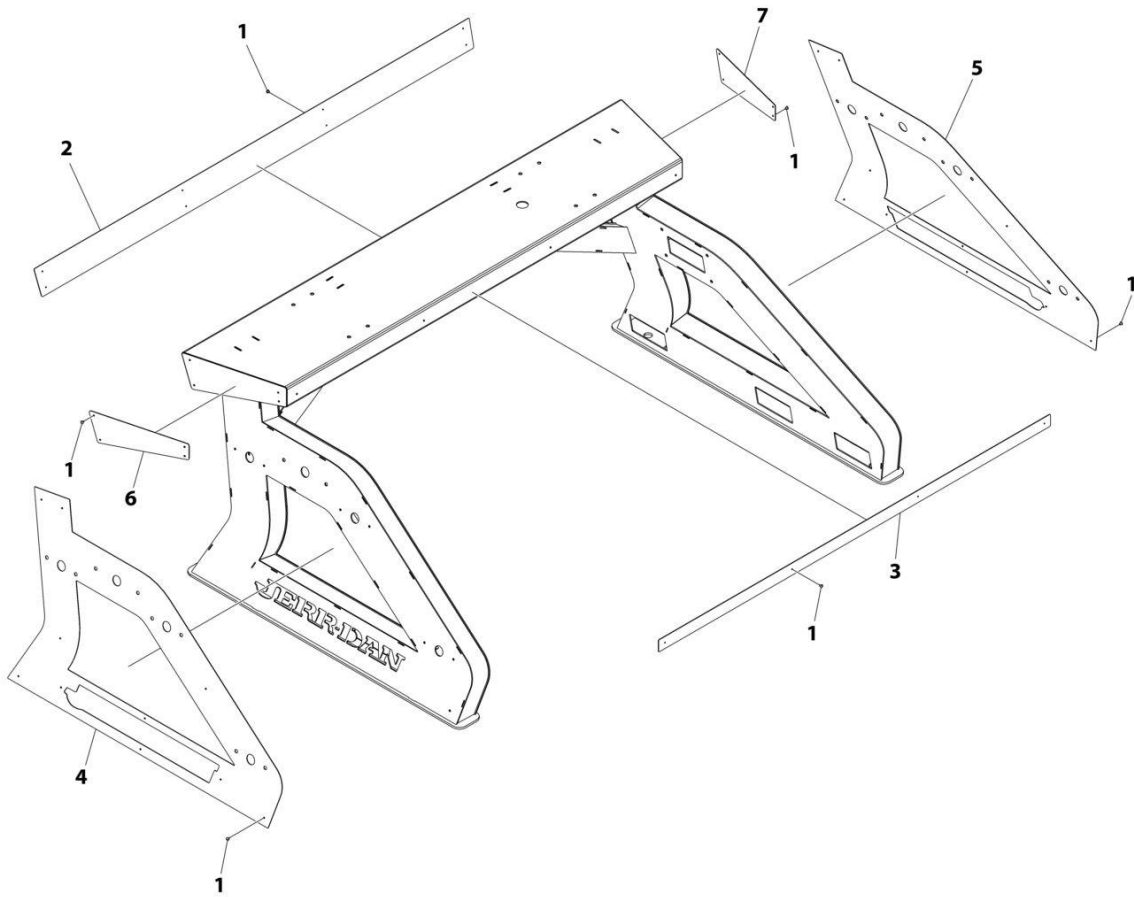
ART_100122897

SECTION 4 - BODY**FIGURE 4-48. PYLON DRESS-UP KIT - POLISHED SS (34IN)**

ITEM	PART NUMBER	QTY	DESCRIPTION	REV
	1001228897	Ref	PYLON DRESS-UP KIT - POLISHED SS (34IN)	A
1	1001156424	46	Rivet	
2	1001228903	1	Cover (LH)	
3	1001228904	1	Cover (RH)	
4	1001220369	1	Cover (Front)	
5	1001220370	1	Cover (Back)	
6	1001220371	1	Cover (Side LH)	
7	1001220372	1	Cover (Side RH)	

SECTION 4 - BODY

FIGURE 4-49. PYLON DRESS-UP KIT - BRUSHED SS (34IN)



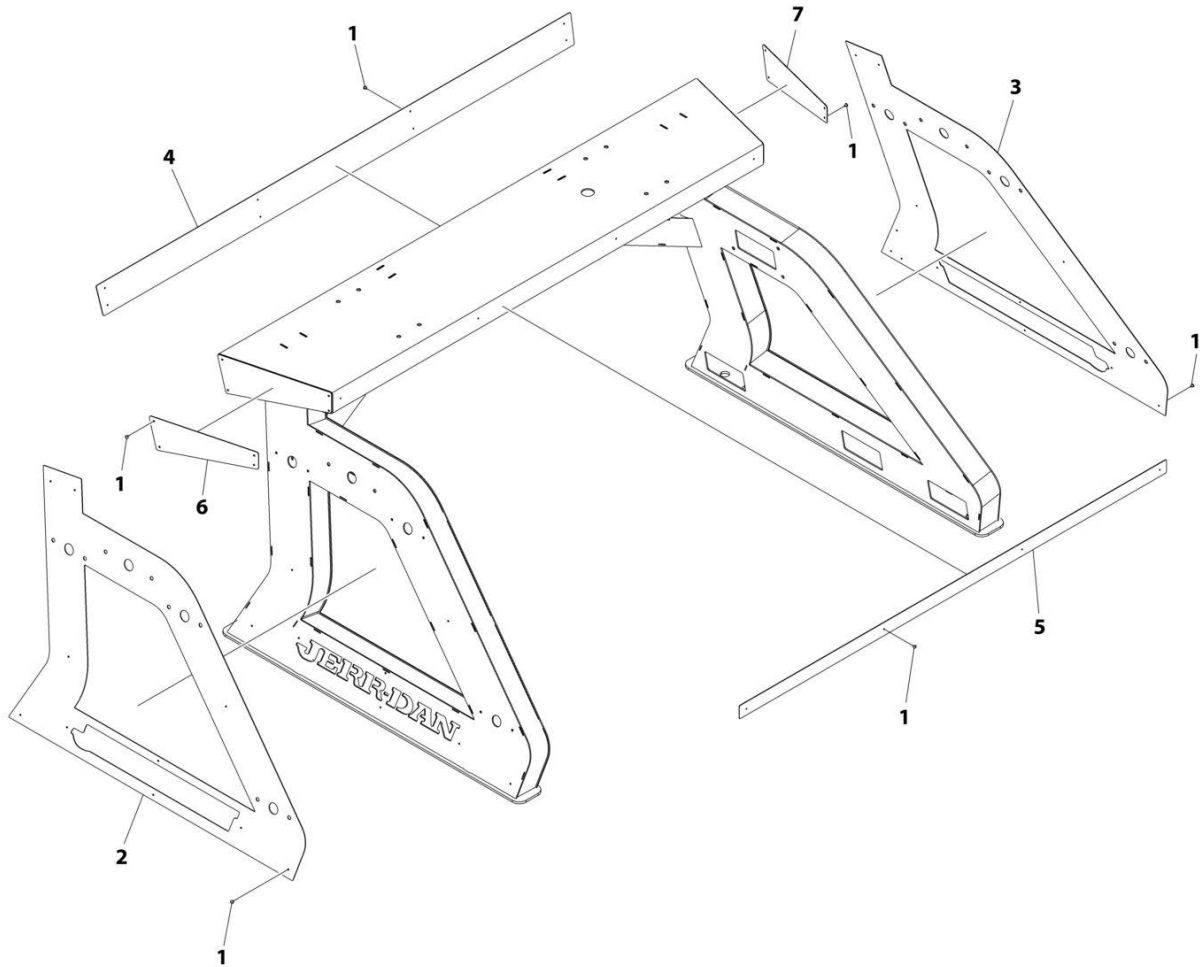
ART_1001228895

SECTION 4 - BODY**FIGURE 4-49. PYLON DRESS-UP KIT - BRUSHED SS (34IN)**

ITEM	PART NUMBER	QTY	DESCRIPTION	REV
	1001228895	Ref	PYLON DRESS-UP KIT - BRUSHED SS (34IN)	B
1	1001156424	46	Rivet	
2	1001220169	1	Cover (Front)	
3	1001220234	1	Cover (Top Back)	
4	1001228901	1	Cover (LH)	
5	1001228902	1	Cover (RH)	
6	1001220352	1	Cover (Side LH)	
7	1001220353	1	Cover (Side RH)	

SECTION 4 - BODY

FIGURE 4-50. PYLON DRESS-UP KIT - POLISHED SS (39IN)



ART_1001228899

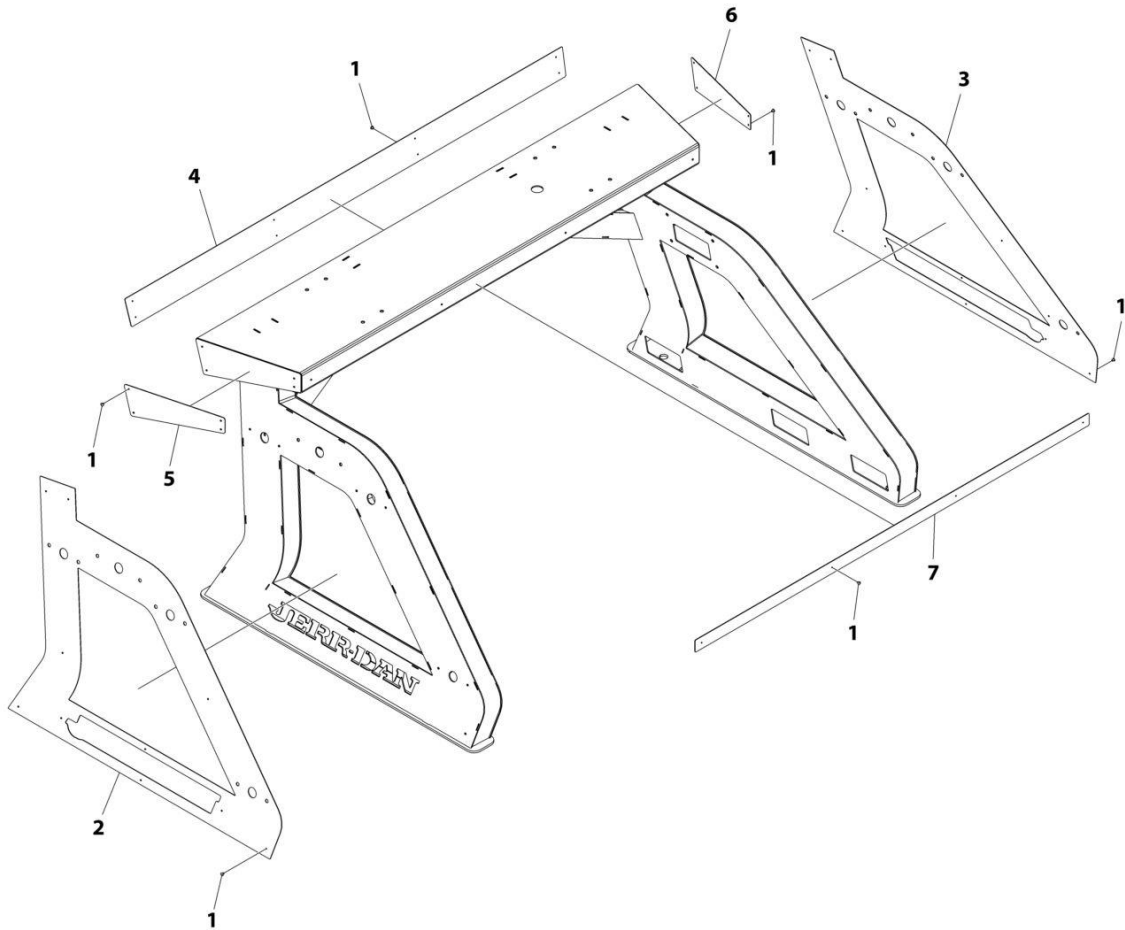
SECTION 4 - BODY

FIGURE 4-50. PYLON DRESS-UP KIT - POLISHED SS (39IN)

ITEM	PART NUMBER	QTY	DESCRIPTION	REV
	1001228899	Ref	PYLON DRESS-UP KIT - POLISHED SS (39IN)	A
1	1001156424	48	Rivet	
2	1001228907	1	Cover (LH)	
3	1001228908	1	Cover (RH)	
4	1001220369	1	Cover (Front)	
5	1001220370	1	Cover (Back)	
6	1001220373	1	Cover (Side LH)	
7	1001220374	1	Cover (Side RH)	

SECTION 4 - BODY

FIGURE 4-51. PYLON DRESS-UP KIT - BRUSHED SS (39IN)



ART_1001228898

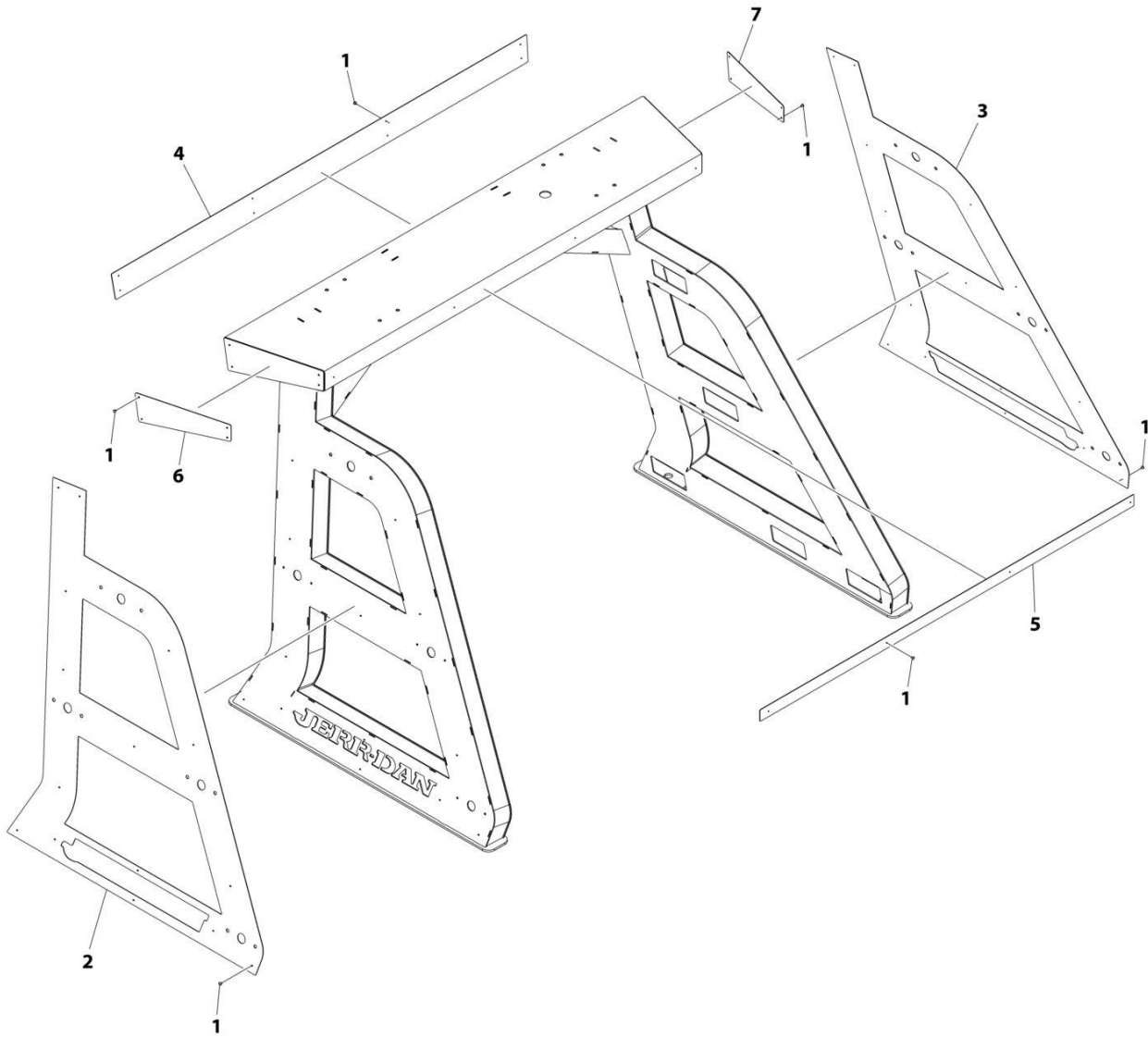
SECTION 4 - BODY

FIGURE 4-51. PYLON DRESS-UP KIT - BRUSHED SS (39IN)

ITEM	PART NUMBER	QTY	DESCRIPTION	REV
	1001228898	Ref	PYLON DRESS-UP KIT - BRUSHED SS (39IN)	B
1	1001156424	48	Rivet	
2	1001228905	1	Cover (LH)	
3	1001228906	1	Cover (RH)	
4	1001220169	1	Cover (Front)	
5	1001220170	1	Cover (Side LH)	
6	1001220171	1	Cover (Side RH)	
7	1001220234	1	Cover (Top Back)	

SECTION 4 - BODY

FIGURE 4-52. PYLON DRESS-UP KIT - POLISHED SS (57IN)



ART_1001220348

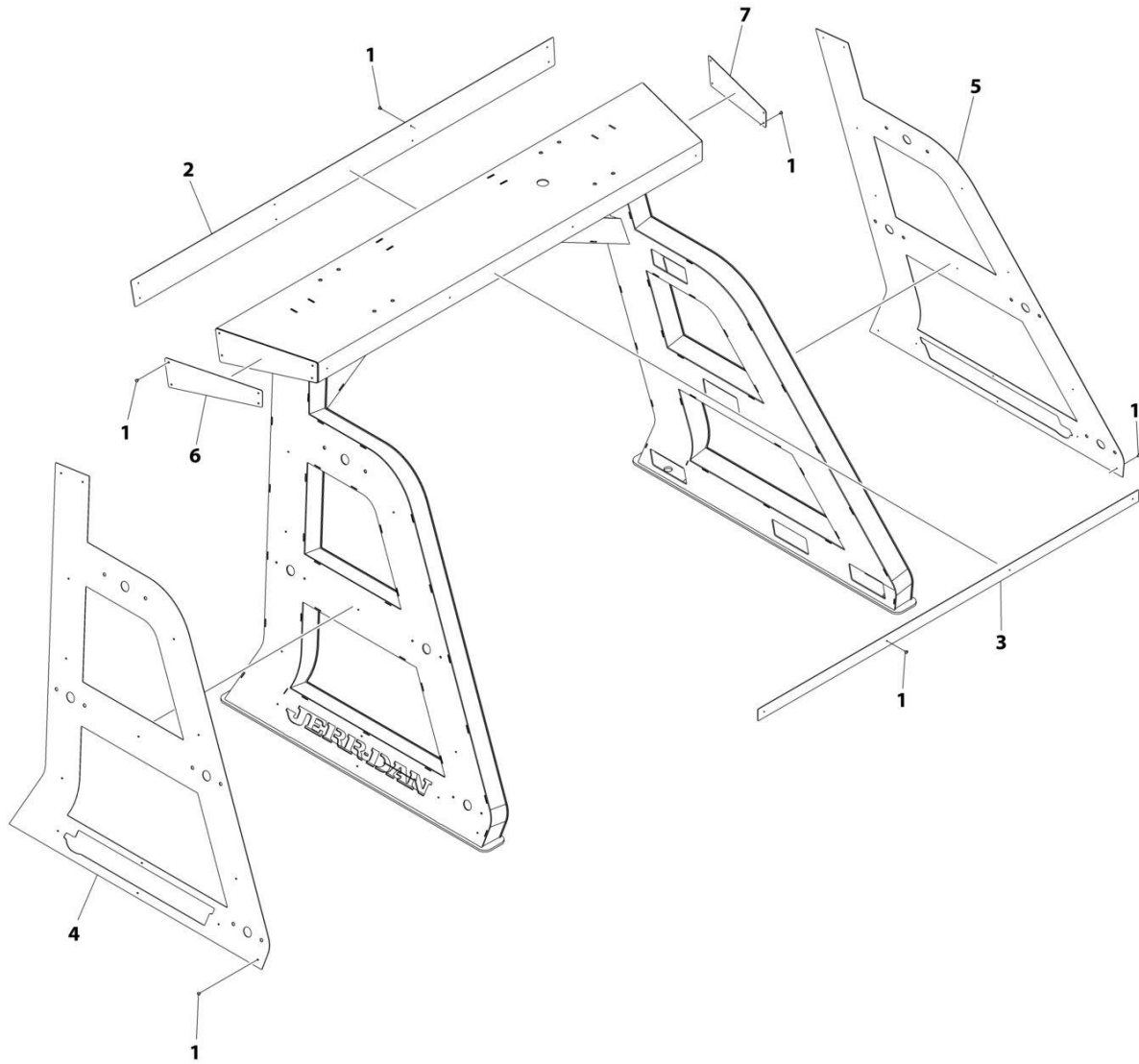
SECTION 4 - BODY

FIGURE 4-52. PYLON DRESS-UP KIT - POLISHED SS (57IN)

ITEM	PART NUMBER	QTY	DESCRIPTION	REV
	1001220348	Ref	PYLON DRESS-UP KIT - POLISHED SS (57IN)	B
1	1001156424	58	Rivet	
2	1001220367	1	Cover (LH)	
3	1001220368	1	Cover (RH)	
4	1001220369	1	Cover (Front)	
5	1001220370	1	Cover (Back)	
6	1001220375	1	Cover (Side LH)	
7	1001220376	1	Cover (Side RH)	

SECTION 4 - BODY

FIGURE 4-53. PYLON DRESS-UP KIT - BRUSHED SS (57IN)



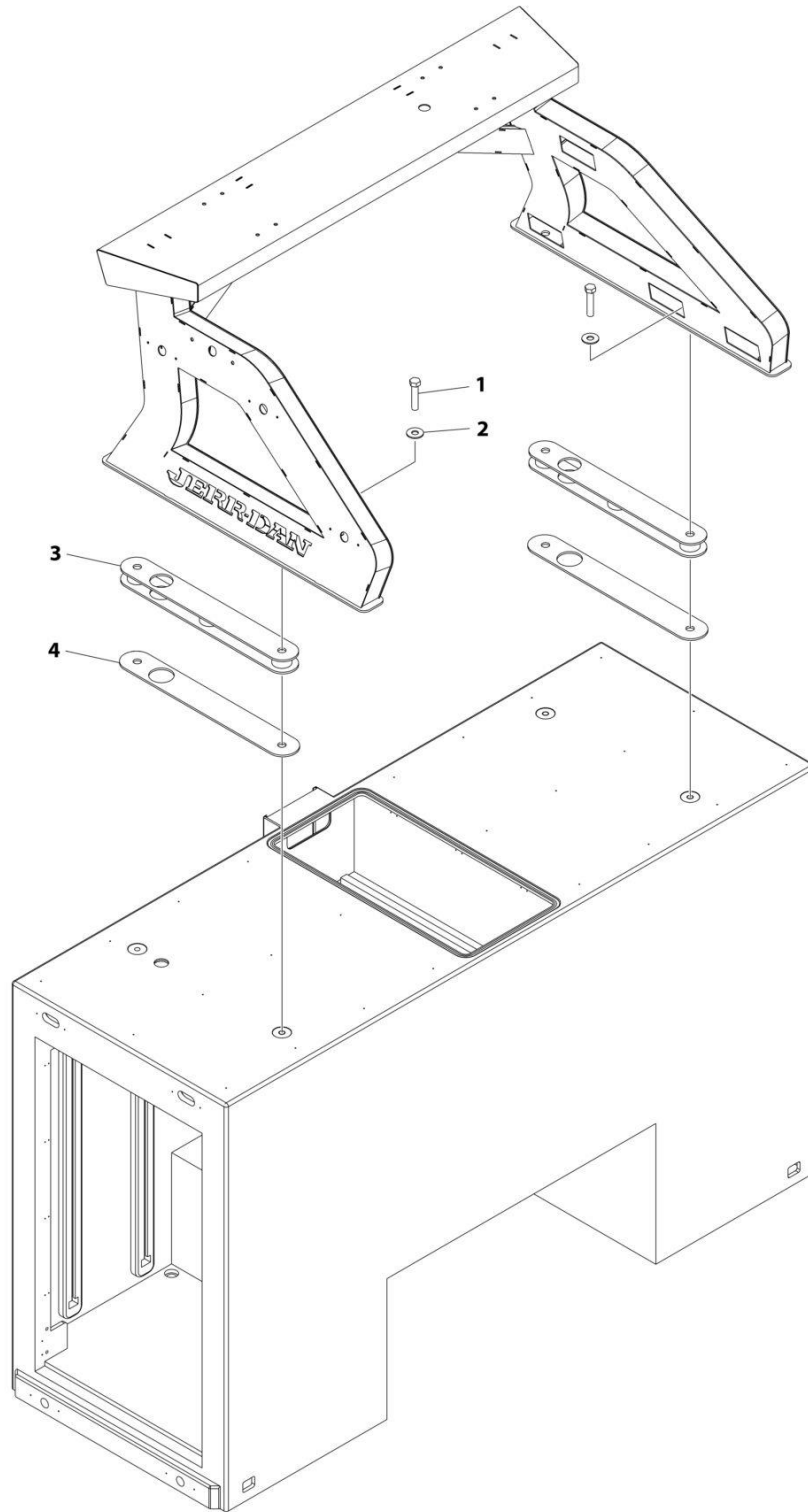
ART_1001220186

SECTION 4 - BODY**FIGURE 4-53. PYLON DRESS-UP KIT - BRUSHED SS (57IN)**

ITEM	PART NUMBER	QTY	DESCRIPTION	REV
	1001220186	Ref	PYLON DRESS-UP KIT - BRUSHED SS (57IN)	C
1	1001156424	58	Rivet	
2	1001220169	1	Cover (Front)	
3	1001220234	1	Cover (Top Back)	
4	1001220350	1	Cover (LH)	
5	1001220351	1	Cover (RH)	
6	1001220354	1	Cover (Side LH)	
7	1001220355	1	Cover (Side RH)	

SECTION 4 - BODY

FIGURE 4-54. PYLON ADAPTER INSTALLATION - 39IN TUNNEL



ART_1001214336

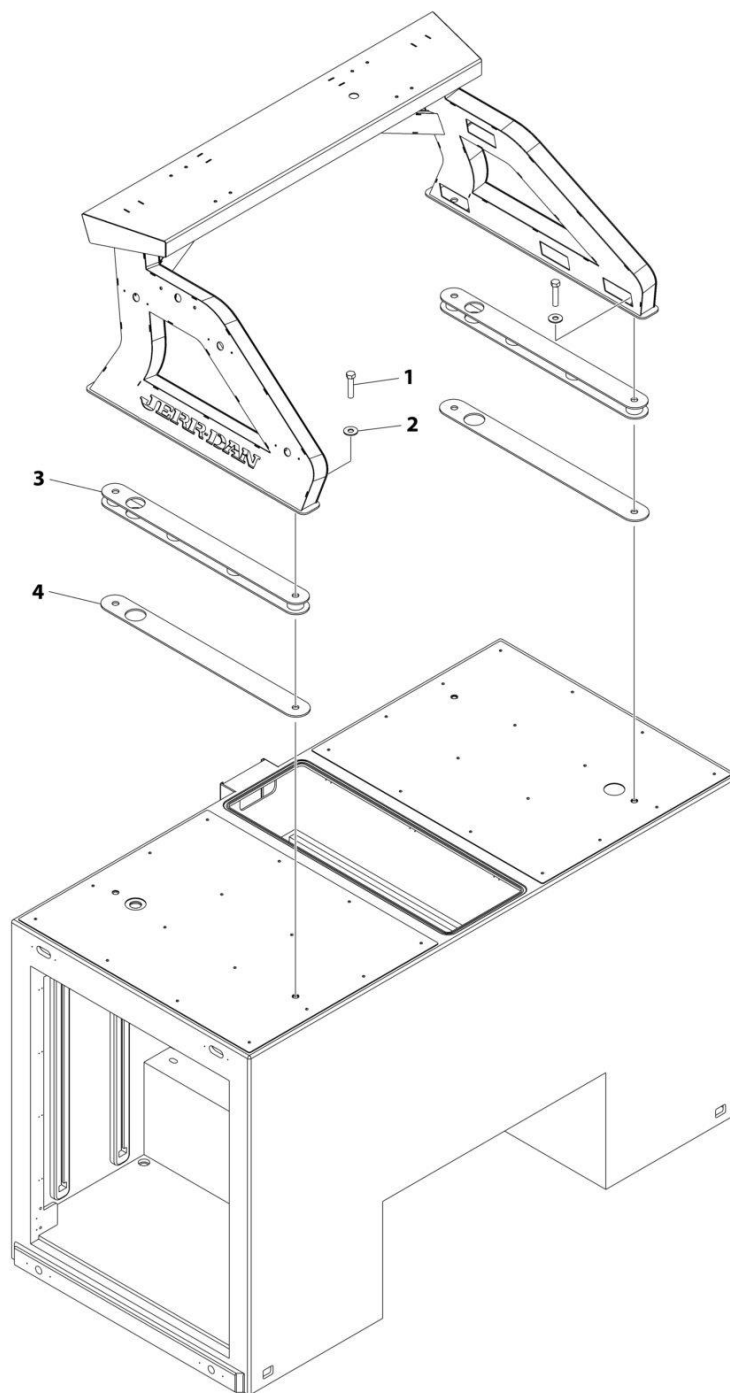
SECTION 4 - BODY

FIGURE 4-54. PYLON ADAPTER INSTALLATION - 39IN TUNNEL

ITEM	PART NUMBER	QTY	DESCRIPTION	REV
	1001214336	Ref	PYLON ADAPTER INSTALLATION - 39IN TUNNEL	A
1	0642228	4	Capscrew 3/4 x 3-1/2	
2	4752200	4	Washer 3/4	
3	1001213112	2	Mount	
4	1001214350	2	Seal	

SECTION 4 - BODY

FIGURE 4-55. PYLON ADAPTER INSTALLATION - 51IN TUNNEL



ART_1001214335

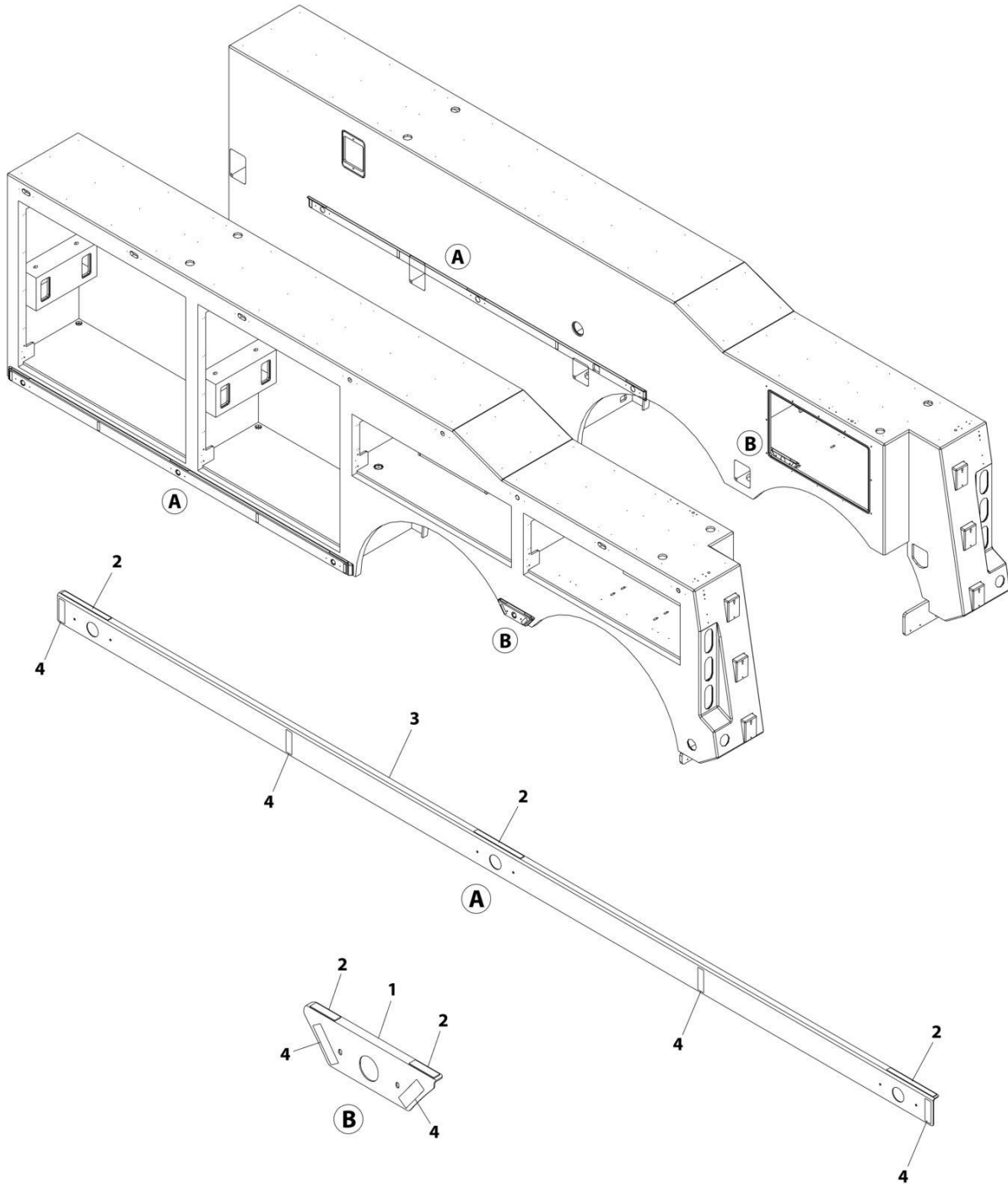
SECTION 4 - BODY

FIGURE 4-55. PYLON ADAPTER INSTALLATION - 51IN TUNNEL

ITEM	PART NUMBER	QTY	DESCRIPTION	REV
	1001214335	Ref	PYLON ADAPTER INSTALLATION - 51IN TUNNEL	A
1	0642228	4	Capscrew 3/4 x 3-1/2	
2	4752200	4	Washer 3/4	
3	1001213111	2	Mount	
4	1001214130	2	Seal	

SECTION 4 - BODY

FIGURE 4-56. RUB RAIL DRESS-UP INSTALLATION (TANDEM AXLE)



ART_1001234484

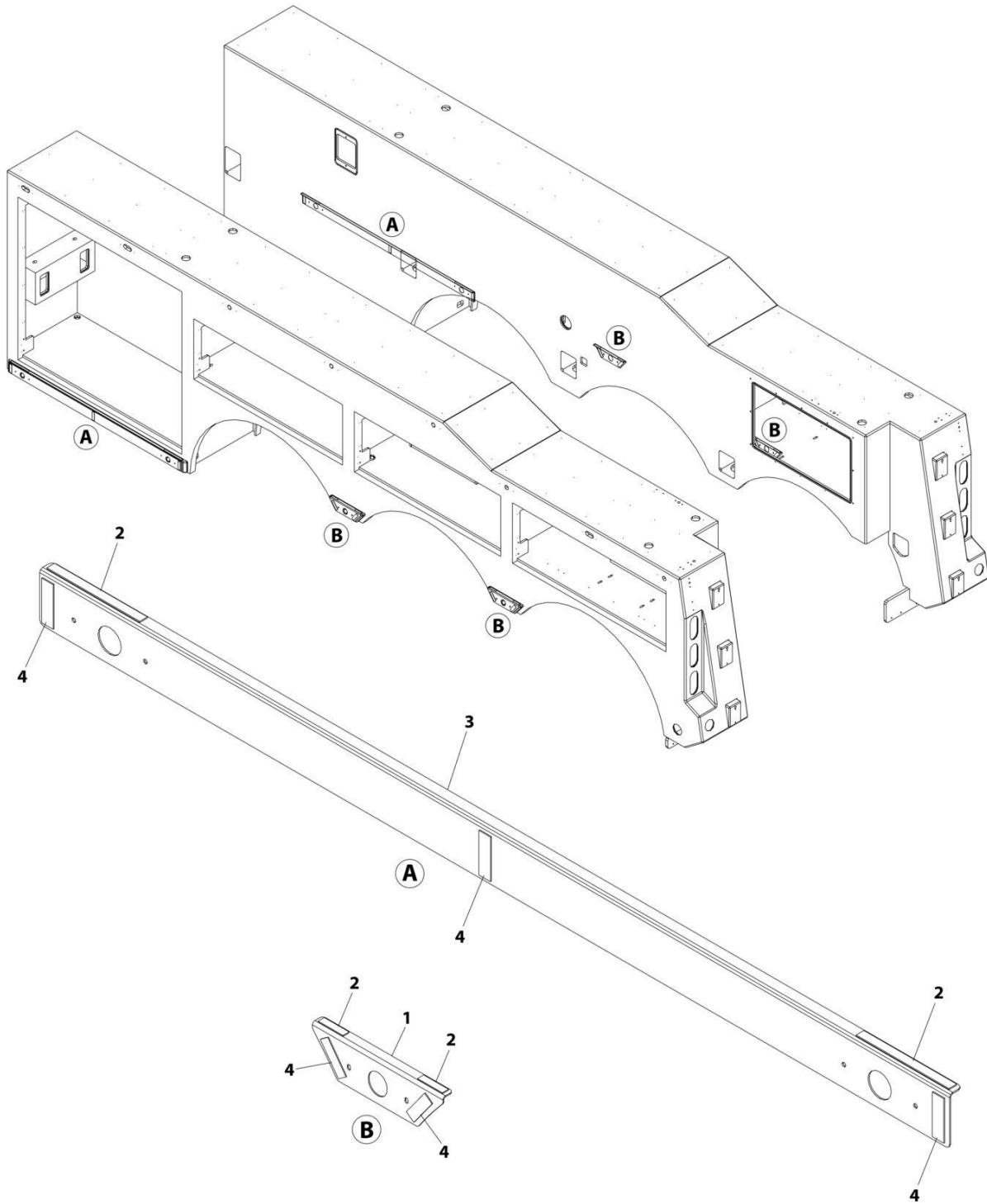
SECTION 4 - BODY

FIGURE 4-56. RUB RAIL DRESS-UP INSTALLATION (TANDEM AXLE)

ITEM	PART NUMBER	QTY	DESCRIPTION	REV
	1001234484	Ref	RUB RAIL DRESS-UP INSTALLATION (TANDEM AXLE)	B
1	1001230966	2	Angle	
2	1001230987	3.7 ft	Tape	
3	1001234486	2	Angle	
4	7796000012	2.5 ft	Seal	

SECTION 4 - BODY

FIGURE 4-57. RUB RAIL DRESS-UP INSTALLATION (TRI-AXLE)



ART_1001234523

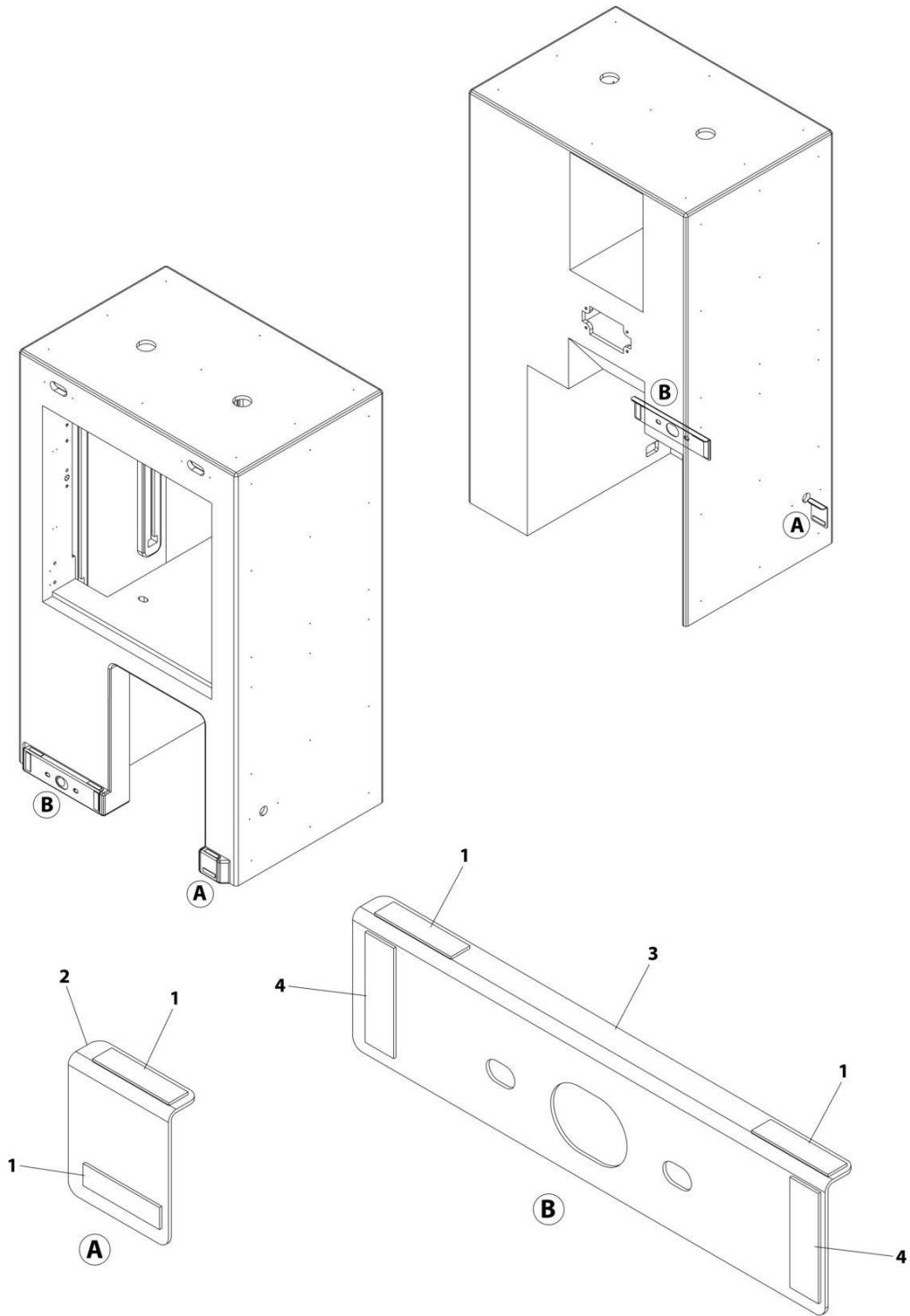
SECTION 4 - BODY

FIGURE 4-57. RUB RAIL DRESS-UP INSTALLATION (TRI-AXLE)

ITEM	PART NUMBER	QTY	DESCRIPTION	REV
	1001234523	Ref	RUB RAIL DRESS-UP INSTALLATION (TRI-AXLE)	B
1	1001230966	4	Angle	
2	1001230987	3.3 ft	Tape	
3	1001234524	2	Angle	
4	7796000012	3 ft	Seal	

SECTION 4 - BODY

FIGURE 4-58. RUB RAIL DRESS-UP INSTALLATION (SRS BOX)



ART_1001234557

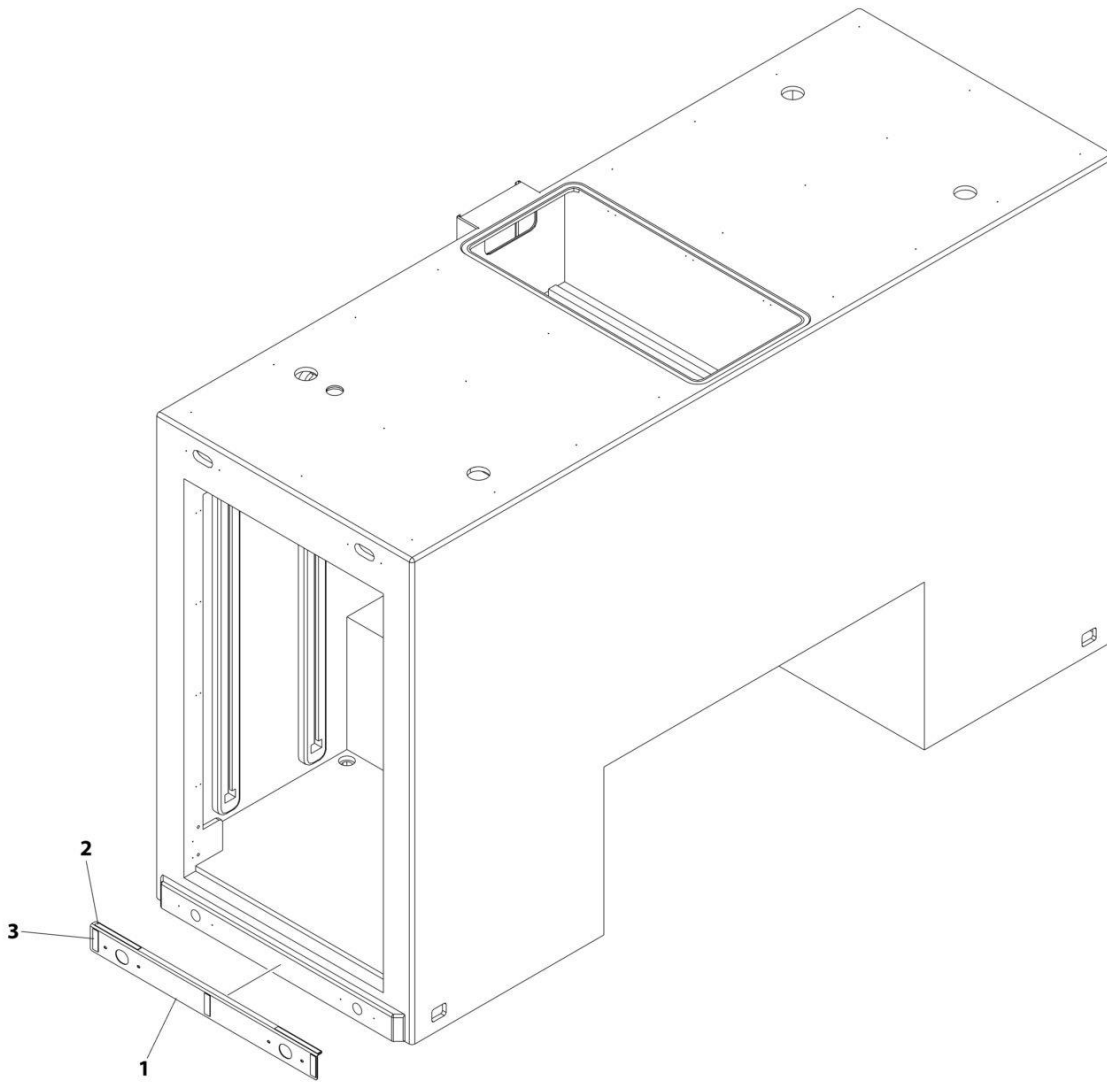
SECTION 4 - BODY

FIGURE 4-58. RUB RAIL DRESS-UP INSTALLATION (SRS BOX)

ITEM	PART NUMBER	QTY	DESCRIPTION	REV
	1001234557	Ref	RUB RAIL DRESS-UP INSTALLATION (SRS BOX)	B
1	1001230987	1.3 ft	Tape	
2	1001234558	2	Angle	
3	1001234559	2	Angle	
4	7796000012	1 ft	Seal	

SECTION 4 - BODY

FIGURE 4-59. RUBRAIL TRIM INSTALLATION (39IN TUNNEL)



ART_1001234549

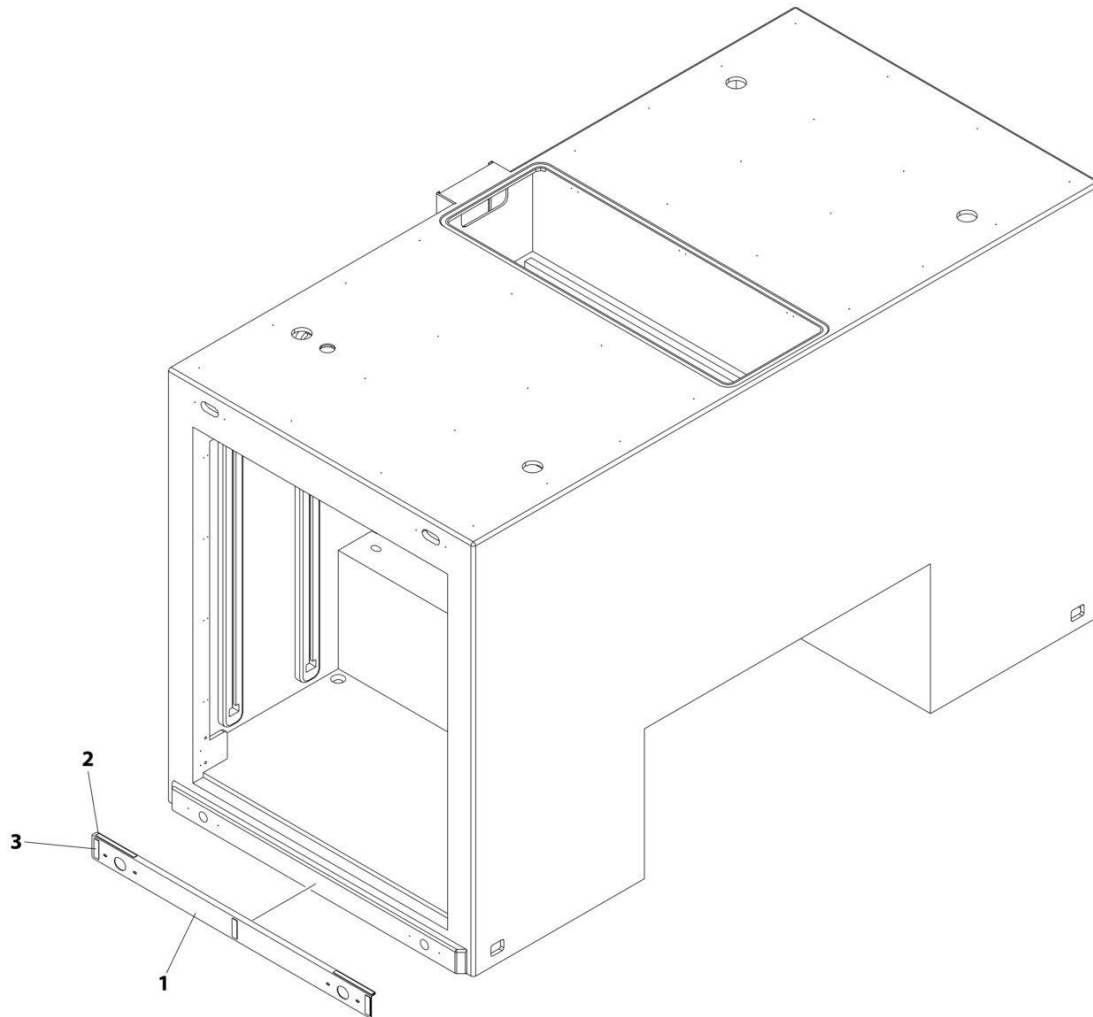
SECTION 4 - BODY

FIGURE 4-59. RUBRAIL TRIM INSTALLATION (39IN TUNNEL)

ITEM	PART NUMBER	QTY	DESCRIPTION	REV
	1001234549	Ref	RUB RAIL DRESS-UP INSTALLATION	B
1	1001230977	2	Angle	
2	1001230987	2 ft	Tape	
3	7796000012	1.3 ft	Seal	

SECTION 4 - BODY

FIGURE 4-60. RUBRAIL TRIM INSTALLATION (51IN TUNNEL)



ART_1001234536

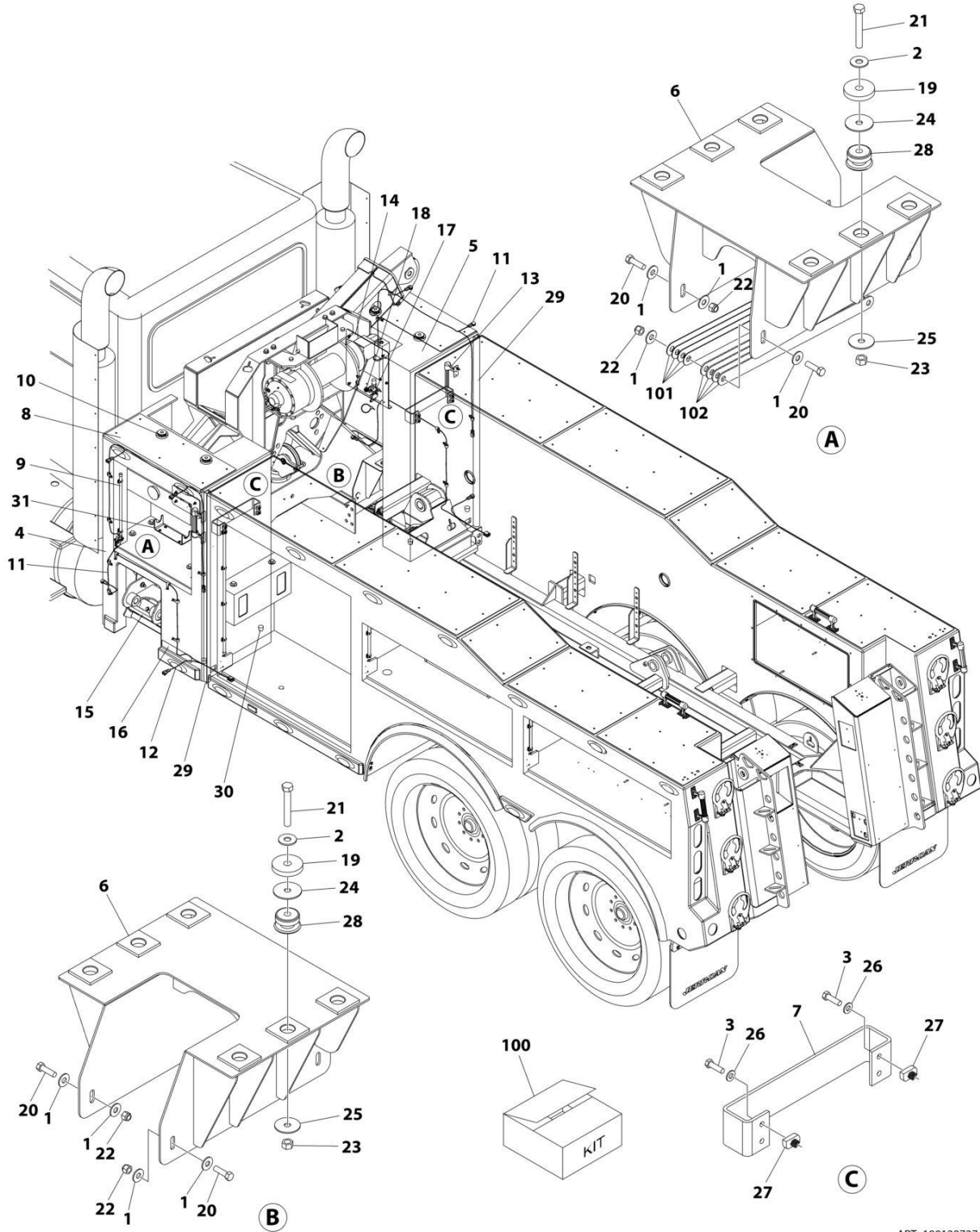
SECTION 4 - BODY

FIGURE 4-60. RUBRAIL TRIM INSTALLATION (51IN TUNNEL)

ITEM	PART NUMBER	QTY	DESCRIPTION	REV
	1001234536	Ref	RUB RAIL DRESS-UP INSTALLATION (51IN TUNNEL) (A SLOT)	B
1	1001230976	2	Angle	
2	1001230987	2 ft	Tape	
3	7796000012	1.3 ft	Seal	

SECTION 4 - BODY

FIGURE 4-61. SRS TOOLBOX INSTALLATION



ART_1001207274

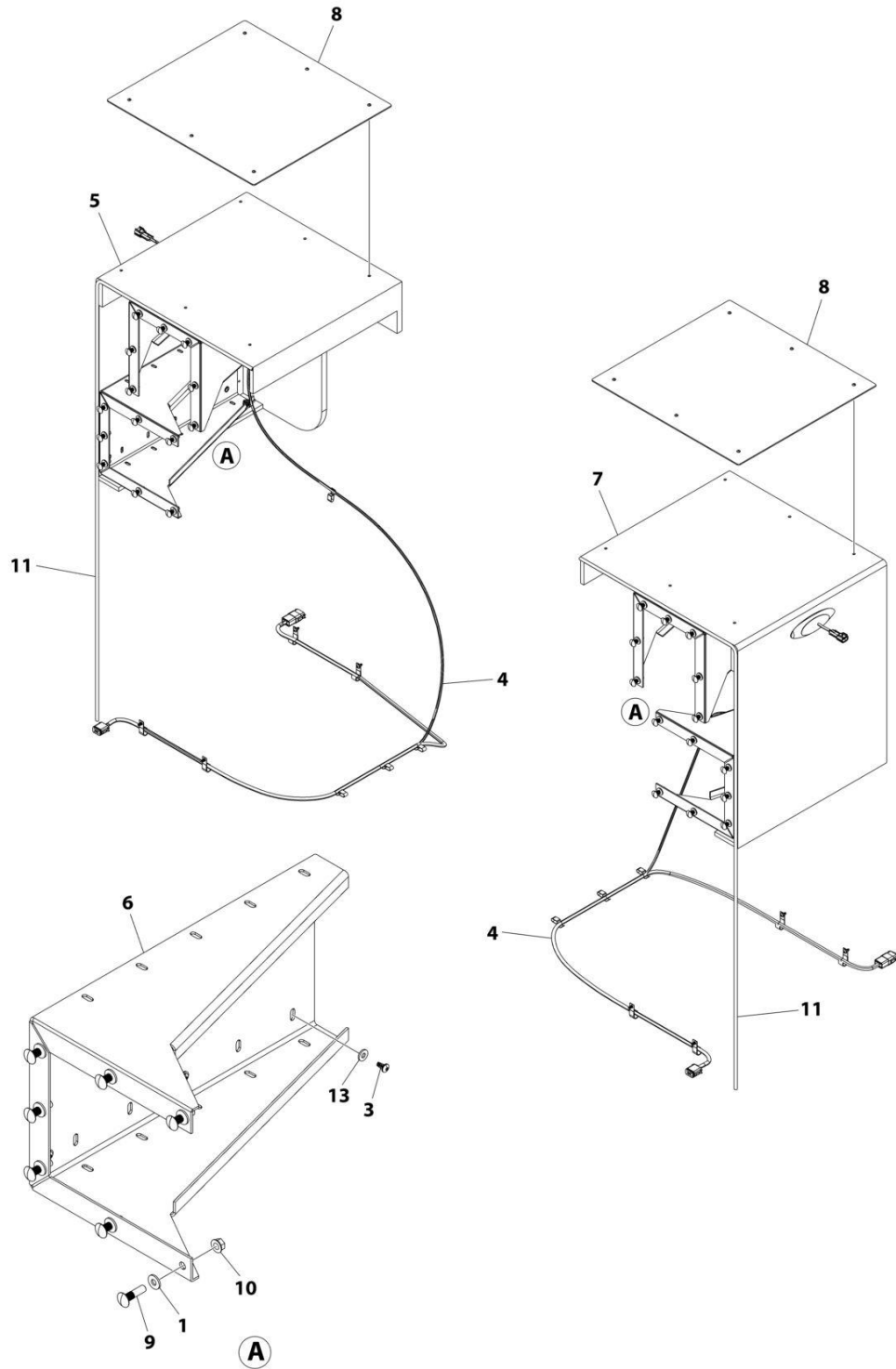
SECTION 4 - BODY

FIGURE 4-61. SRS TOOLBOX INSTALLATION

ITEM	PART NUMBER	QTY	DESCRIPTION	REV
	1001207274	Ref	TOOLBOX AT SRS STABILIZER INSTALLATION	C
1	4751800	16	Washer 1/2	
2	4752000	8	Washer 5/8	
3	1001169080	8	Capscrew 3/8 x 1-1/4	
	1001189455	1	Box, SRS (LH) (SN 0230004275 through 0230007822)	
4	1001258816	1	Box, SRS (LH) (SN 0230007823 to Present)	
	1001189457	1	Box, SRS (RH) (SN 0230004275 through 0230007822)	
5	1001258817	1	Box, SRS (RH) (SN 0230007823 to Present)	
6	1001189532	2	Mount	
7	1001189776	2	Plate	
8	1001258511	1	Diamond Top Installation (See Separate Breakdown in this Section)	
9	1001197895	1	Compartment Lights Installation (See Separate Breakdown in ELECTRICAL Section)	
10	1001197896	1	Lifting Lugs Installation (See Separate Breakdown in this Section)	
11	1001207275	1	SRS Toolbox Harness (See Separate Breakdown ELECTRICAL Section)	
12	1001197898	1	Marker Lights Installation (See Separate Breakdown in ELECTRICAL Section)	
13	1001198964	1	Grab Handle Installation (See Separate Breakdown in this Section)	
14	1001199098	1	Cover Plate Installation (See Separate Breakdown in this Section)	
15	1001199185	1	Step Installation (See Separate Breakdown in this Section)	
16	1001199196	1	Decal Installation (See Separate Breakdown in DECAL Section)	
17	1001199291	1	Winch Air Installation (See Separate Breakdown in this Section)	
18	3548330007	1	Single Winch Electrical Assembly (See Separate Breakdown in ELECTRICAL Section)	
19	4831000128	8	Spacer	
20	7115181450	8	Capscrew 1/2 x 1-3/4	
21	0642034	8	Capscrew 5/8 x 4-1/4	
22	7660182601	8	Nut 1/2	
23	7660200001	8	Nut 5/8	
24	7949000019	8	Washer	
25	7949000020	8	Washer	
26	7950160143	8	Washer 3/8	
27	1001166644	8	Nut 3/8	
28	7636000008	8	Mount	
29	8632000011	2	Seal	
30	1001173847	4	Plug	
31	1001213909	1	Pin Storage Installation (See Separate Breakdown in this Section)	
100	1001214802	1	Shim Kit	
101	1001214806	4	Shim	
102	1001214807	4	Shim	

SECTION 4 - BODY

FIGURE 4-62. STABILIZER FILLER PANEL INSTALLATION



ART_1001244581

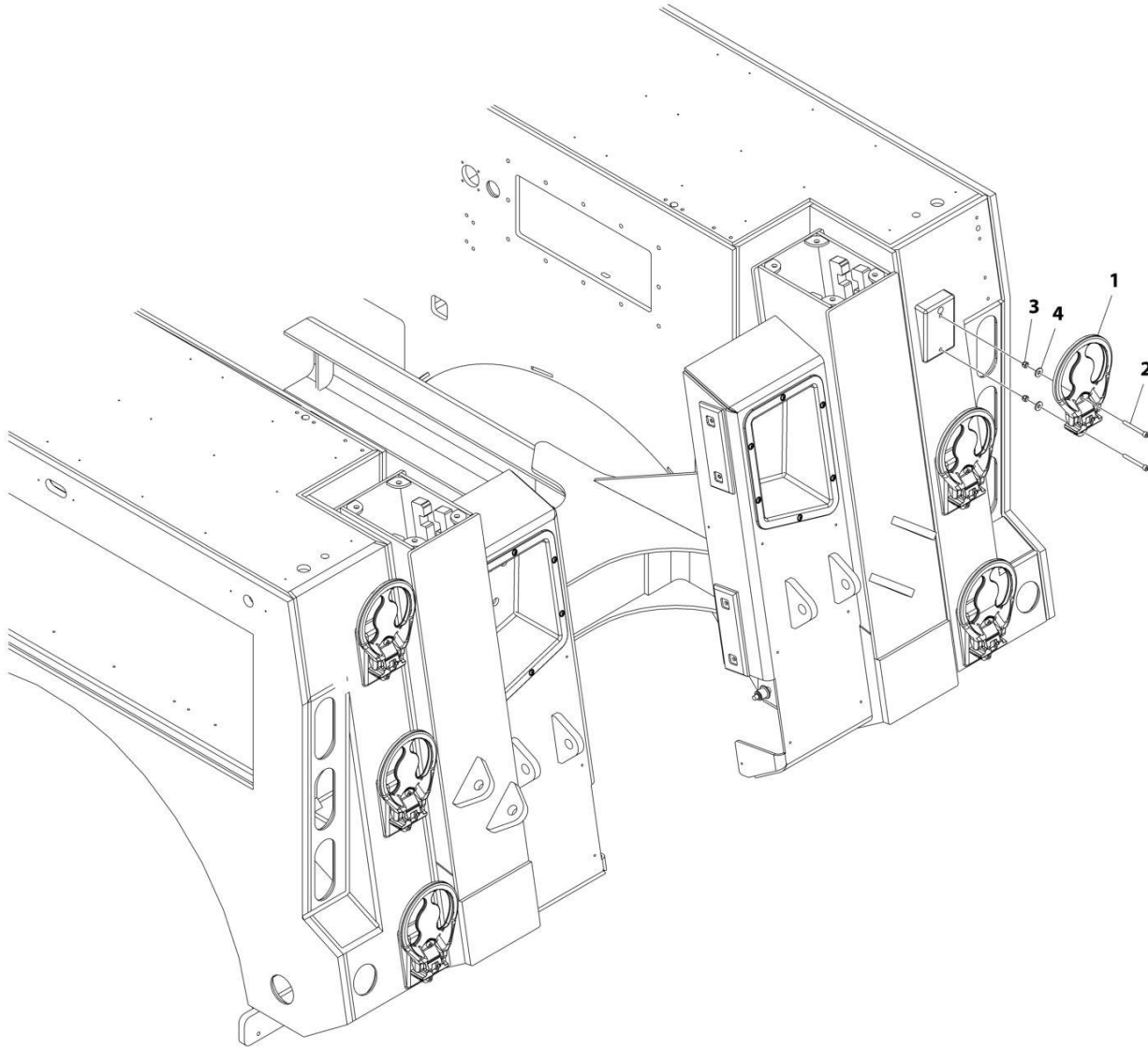
SECTION 4 - BODY

FIGURE 4-62. STABILIZER FILLER PANEL INSTALLATION

ITEM	PART NUMBER	QTY	DESCRIPTION	REV
	1001244581	Ref	STABILIZER FILLER PANEL INSTALLATION	C
1	1001166974	28	Washer, Rubber 3/8	
3	1001195257	28	Screw 1/4 x 1/2	
4	1001244297	1	Marker Light - Electrical Installation - SS 70 (See Separate Breakdown in ELECTRICAL Section)	
5	1001244557	1	Cover (LH)	
6	1001244564	4	Support	
7	1001244579	1	Cover (RH)	
8	1001245742	1	Diamond Plate Installation - Top (Not Shown)	
8	1001192958	12	Screw #10 x 1/2	
8	1001255740	2	Plate, Diamond (Top)	
9	1001247902	28	Bolt 3/8 x 1-1/2	
10	7660162301	28	Nut 3/8	
11	8632000017	14 ft	Seal	
12	8798820001	AR	Sealant	
13	7950140143	28	Washer 1/4	

SECTION 4 - BODY

FIGURE 4-63. STEPS INSTALLATION



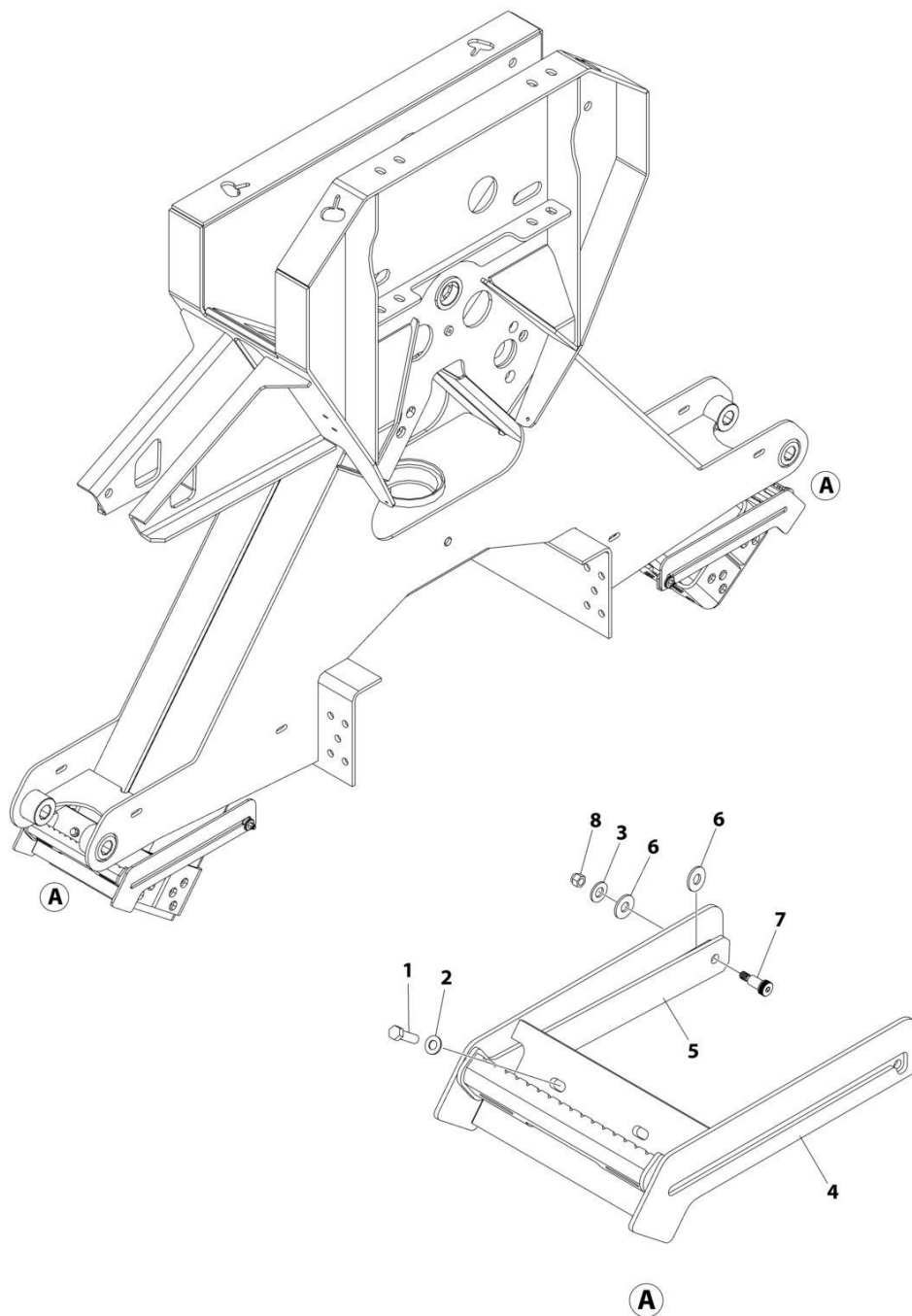
ART_1001196666

FIGURE 4-63. STEPS INSTALLATION

ITEM	PART NUMBER	QTY	DESCRIPTION	REV
	1001196666	Ref	Step Installation	B
1	1001167456	6	Step	
2	1001231751	12	Screw 5/16 x 2-3/4	
3	7660152601	12	Nut 5/16	
4	7950150153	12	Washer 5/16	

SECTION 4 - BODY

FIGURE 4-64. STEP INSTALLATION - SRS



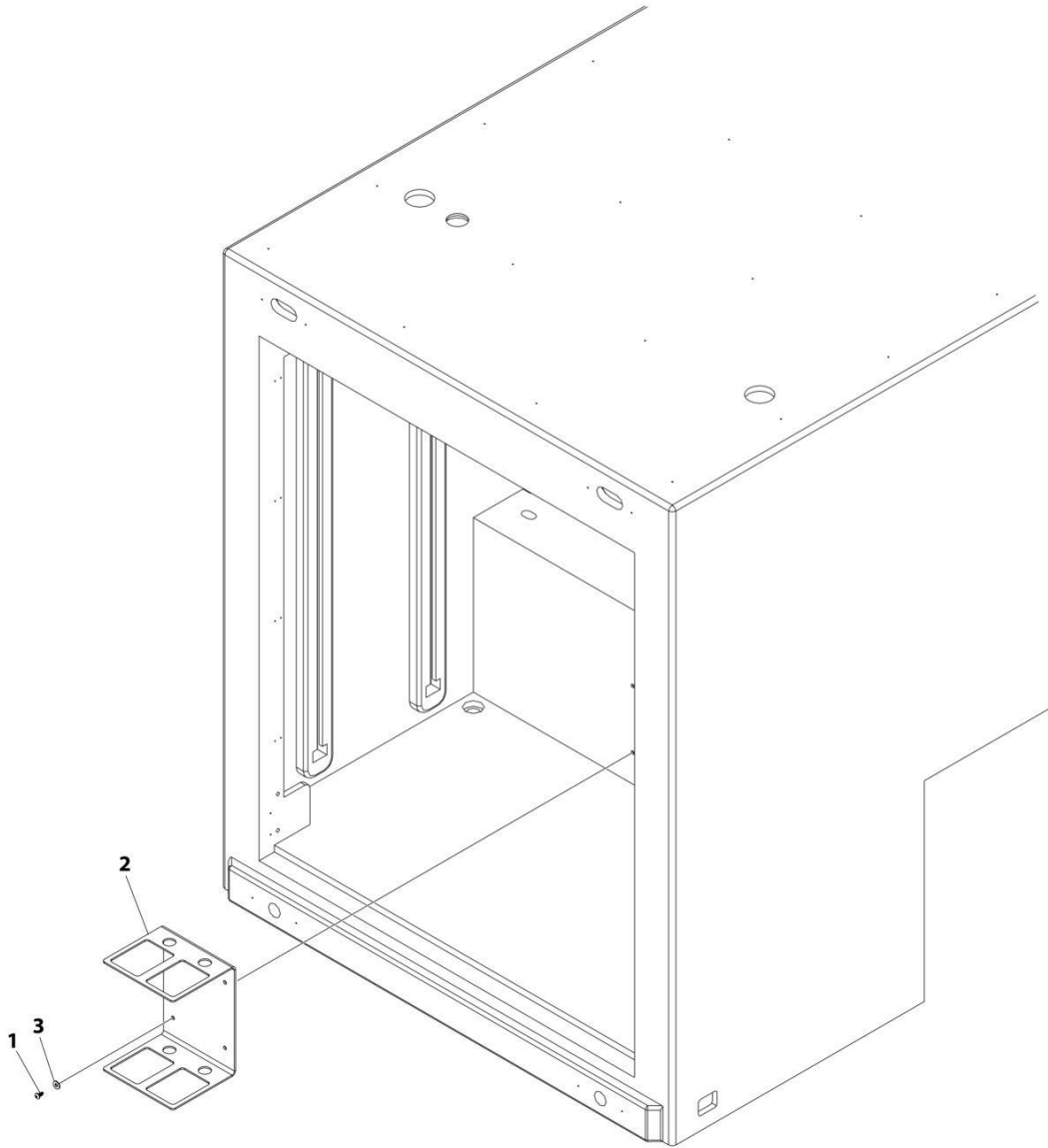
ART_1001199185

FIGURE 4-64. STEP INSTALLATION - SRS

ITEM	PART NUMBER	QTY	DESCRIPTION	REV
	1001199185	Ref	STEP INSTALLATION	B
1	0641712	4	Capscrew 7/16 x 1-1/2	
2	4711700	4	Washer 7/16	
3	4711800	4	Washer 1/2	
4	1001190176	2	Mount	
5	1001214494	2	Ladder	
6	1001190343	8	Washer 1/2	
7	1001191540	4	Bolt 1/2 x 7/8	
8	7660162604	4	Nut 3/8	

SECTION 4 - BODY

FIGURE 4-65. STORAGE - BROOMS INSTALLATION



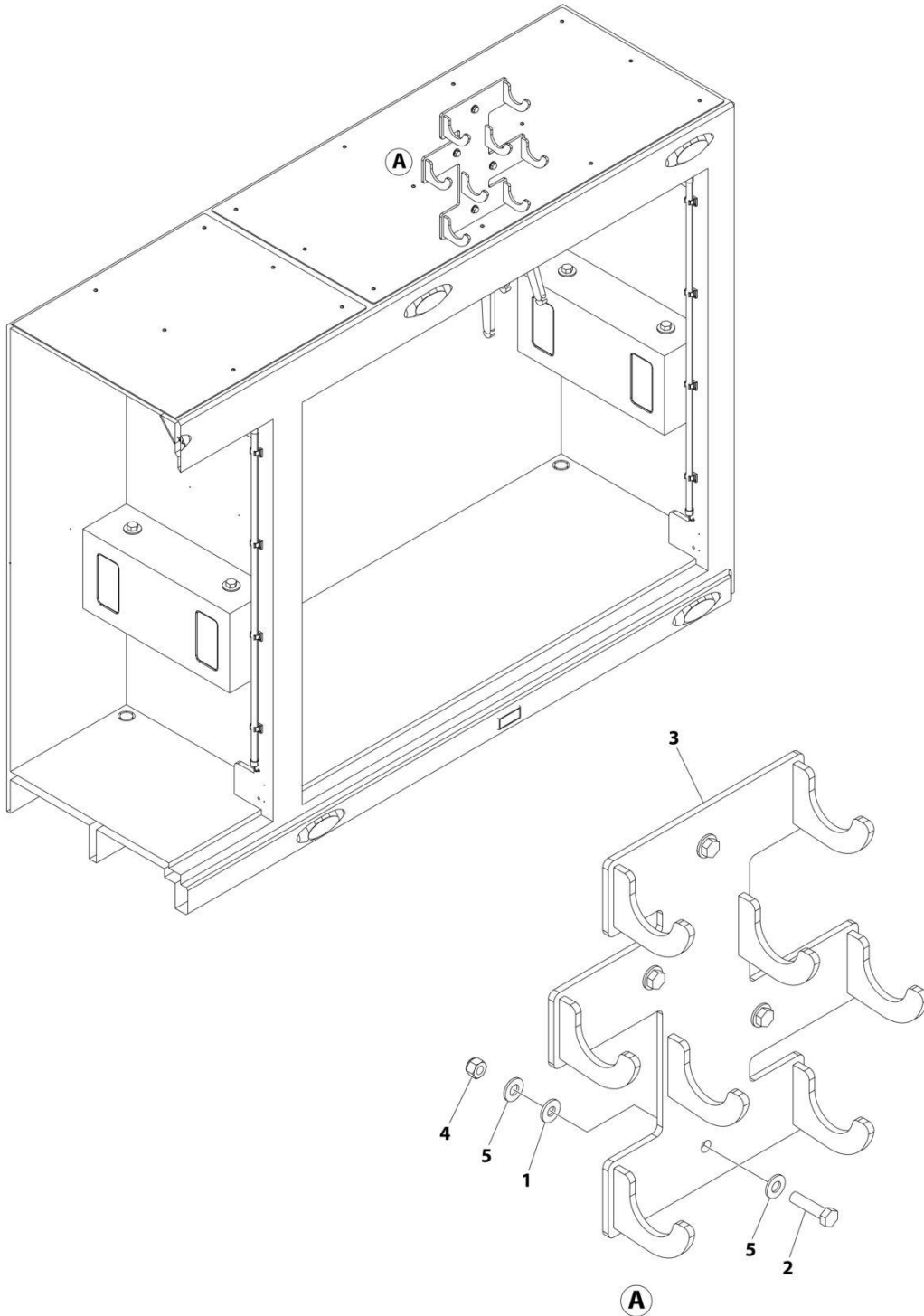
ART_1001207496

FIGURE 4-65. STORAGE - BROOMS INSTALLATION

ITEM	PART NUMBER	QTY	DESCRIPTION	REV
	1001207496	Ref	BROOMS STORAGE INSTALLATION	B
1	1001195257	4	Screw 1/4 x 1/2	
2	1001207300	1	Bracket	
3	7950140143	4	Washer 1/4	

SECTION 4 - BODY

FIGURE 4-66. STORAGE - CHAIN/ BINDER RACK INSTALLATION



ART_1001207623

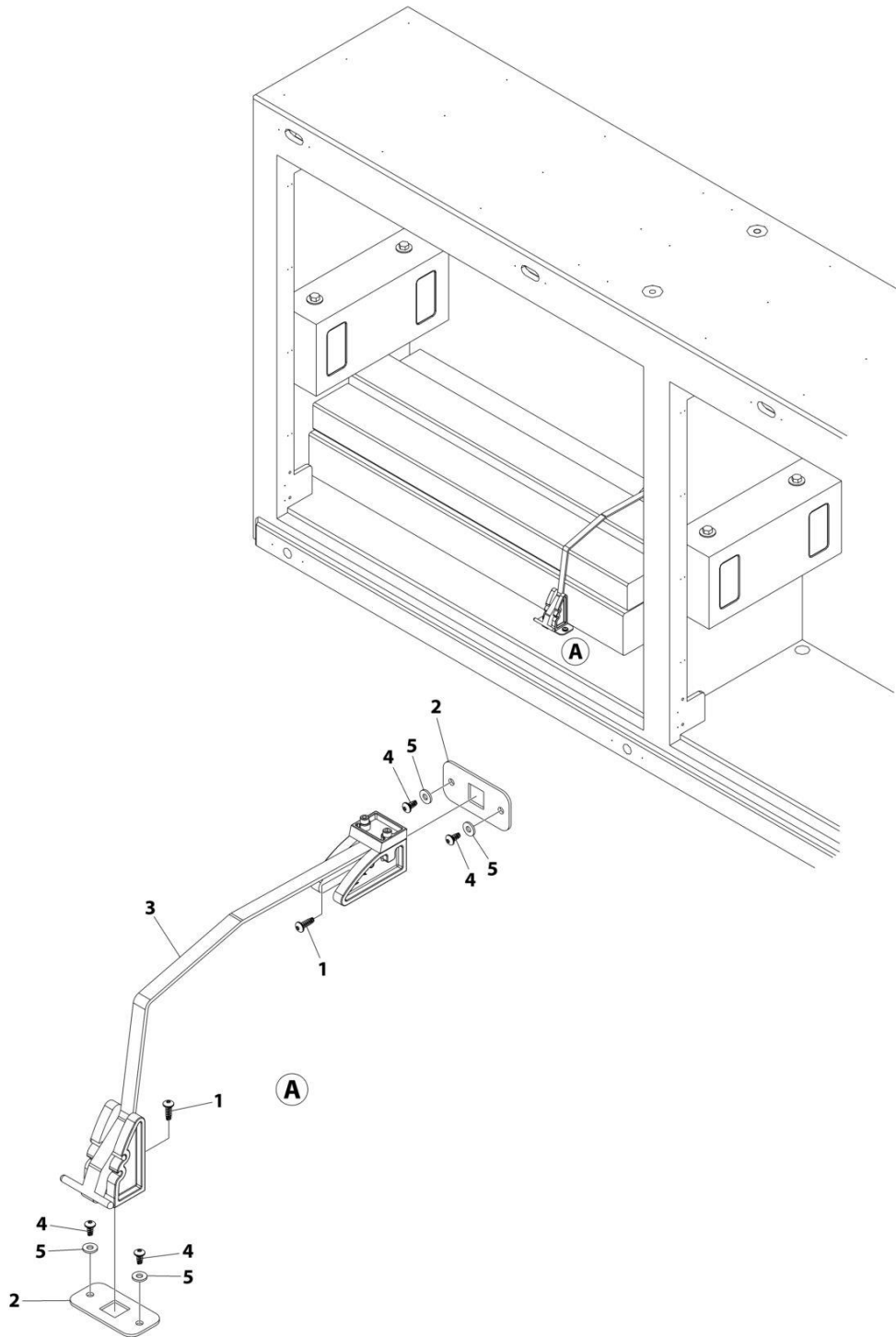
SECTION 4 - BODY

FIGURE 4-66. STORAGE - CHAIN/ BINDER RACK INSTALLATION

ITEM	PART NUMBER	QTY	DESCRIPTION	REV
	1001207623	Ref	STORAGE - CHAIN/BINDER RACK INSTALLATION	B
1	1001166974	4	Washer 3/8	
2	1001168993	4	Bolt 3/8 x 1-1/2	
3	1001207599	1	Plate	
4	7660162601	4	Nut 3/8	
5	7950160143	8	Washer 3/8	

SECTION 4 - BODY

FIGURE 4-67. STORAGE - CRIBBING STORAGE INSTALLATION



ART_1001207510

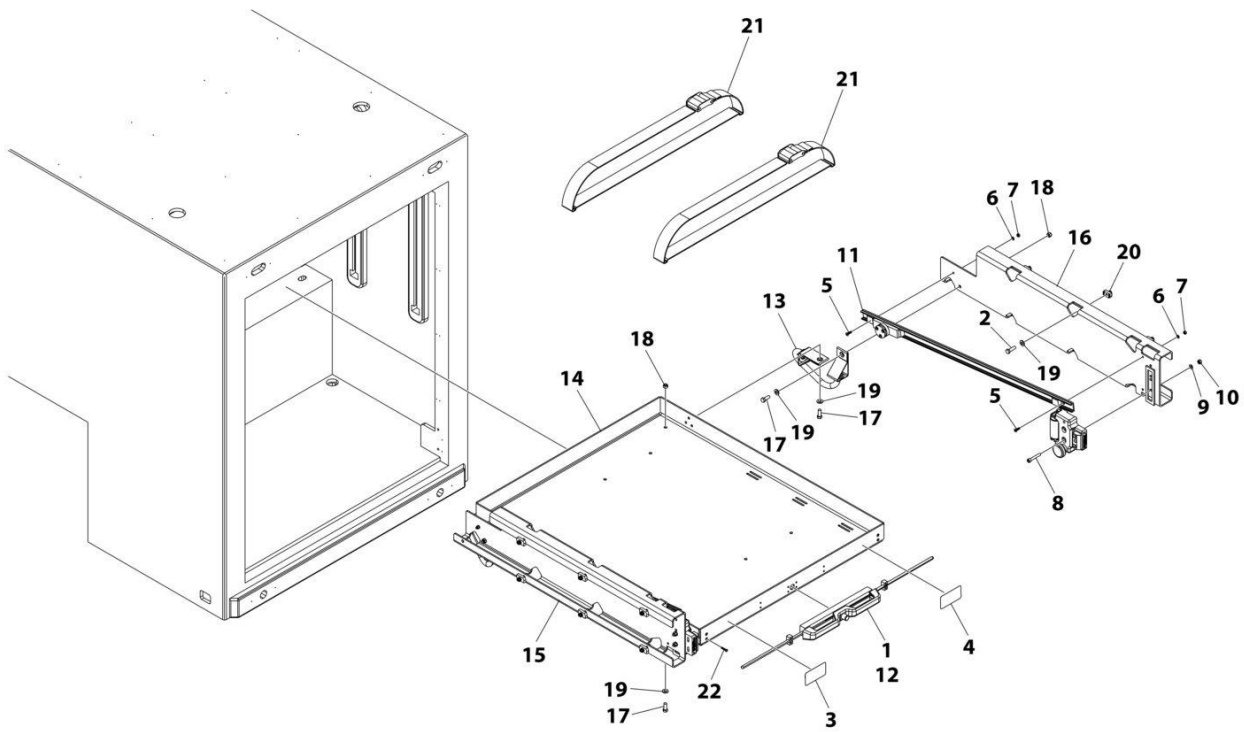
SECTION 4 - BODY

FIGURE 4-67. STORAGE - CRIBBING STORAGE INSTALLATION

ITEM	PART NUMBER	QTY	DESCRIPTION	REV
	1001207510	Ref	CRIBBING STORAGE INSTALLATION	C
1	1001194676	2	Screw 1/4 x 3/4	
2	1001207509	2	Plate	
3	1001207539	1	Adjustment Mount	
4	1001195257	4	Screw 1/4 x 1/2	
5	7950140143	4	Washer 1/4	

SECTION 4 - BODY

FIGURE 4-68. STORAGE - DRAWER INSTALLATION



ART_1001208631

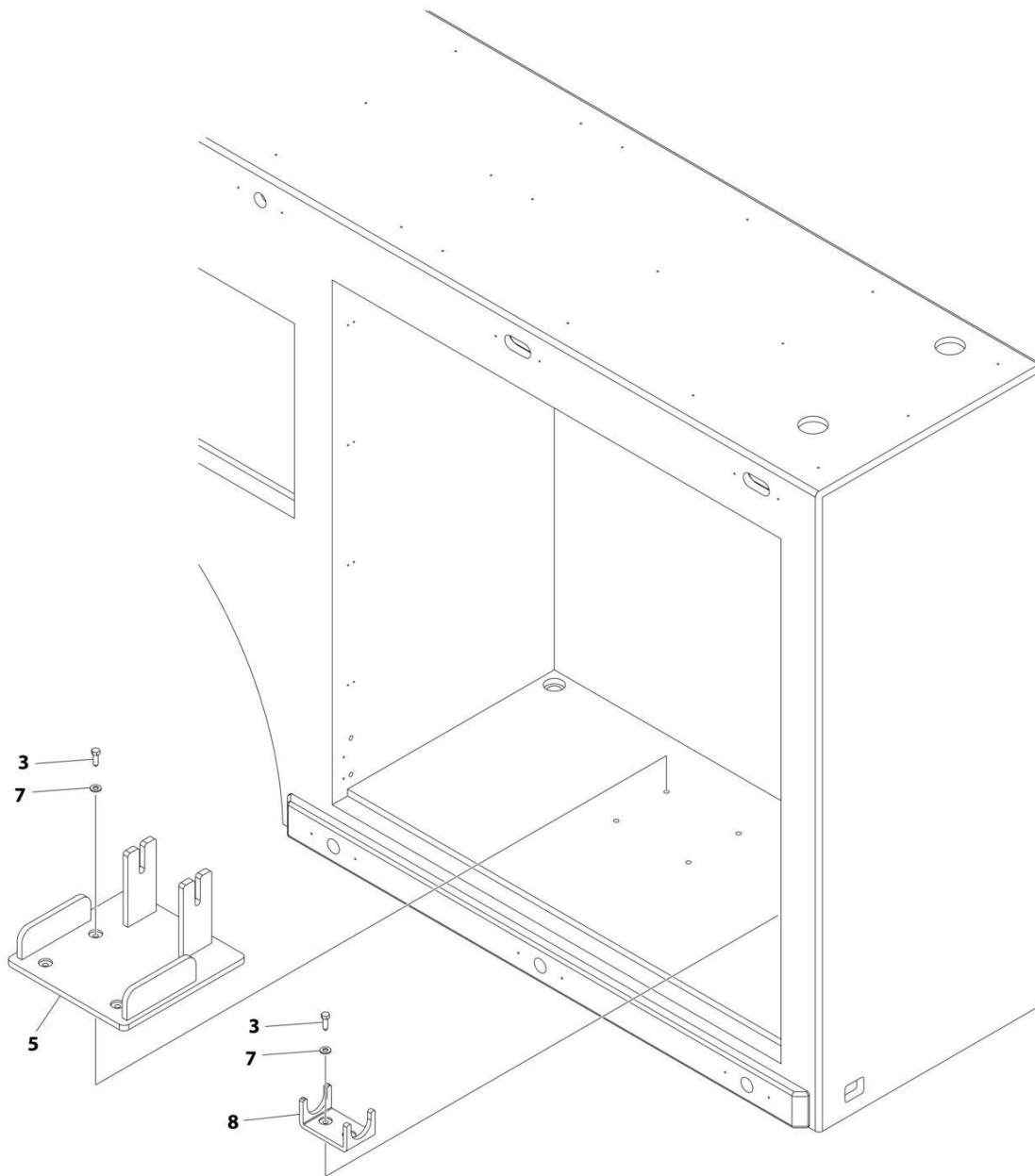
SECTION 4 - BODY

FIGURE 4-68. STORAGE - DRAWER INSTALLATION

ITEM	PART NUMBER	QTY	DESCRIPTION	REV
	1001208631	Ref	DRAWER INSTALLATION - TILT DOWN (48IN)	B
1	3020029	AR	Lubricant	
2	1001169080	12	Bolt 3/8 x 1-1/4	
3	1001170090	1	Decal, Warning	
4	1001170091	1	Decal, Capacity	
5	1001170305	4	Bolt	
6	1001170307	4	Washer M6	
7	1001170310	4	Nut M6	
8	1001170328	4	Screw	
9	1001170329	4	Washer M8	
10	1001170330	4	Nut M8	
11	1001170331	1	Roller Assembly	
12	1001170332	1	Handle and Latch Assembly	
13	1001179349	2	Strap	
14	1001197693	1	Tray, Tilt-Down	
15	1001183735	1	Bracket, LH	
16	1001183736	1	Bracket, RH	
17	7114160850	4	Capscrew 3/8 x 1	
18	7660162601	4	Nut 3/8	
19	7950160141	16	Washer 3/8	
20	1001166644	12	Spring Nut 3/8	
21	1001170428	2	Strap	
22	1001200997	4	Screw M5 x 25	

SECTION 4 - BODY

FIGURE 4-69. STORAGE - FIFTH WHEEL/PINTLE STORAGE INSTALLATION (TANDEM)



ART_1001195942

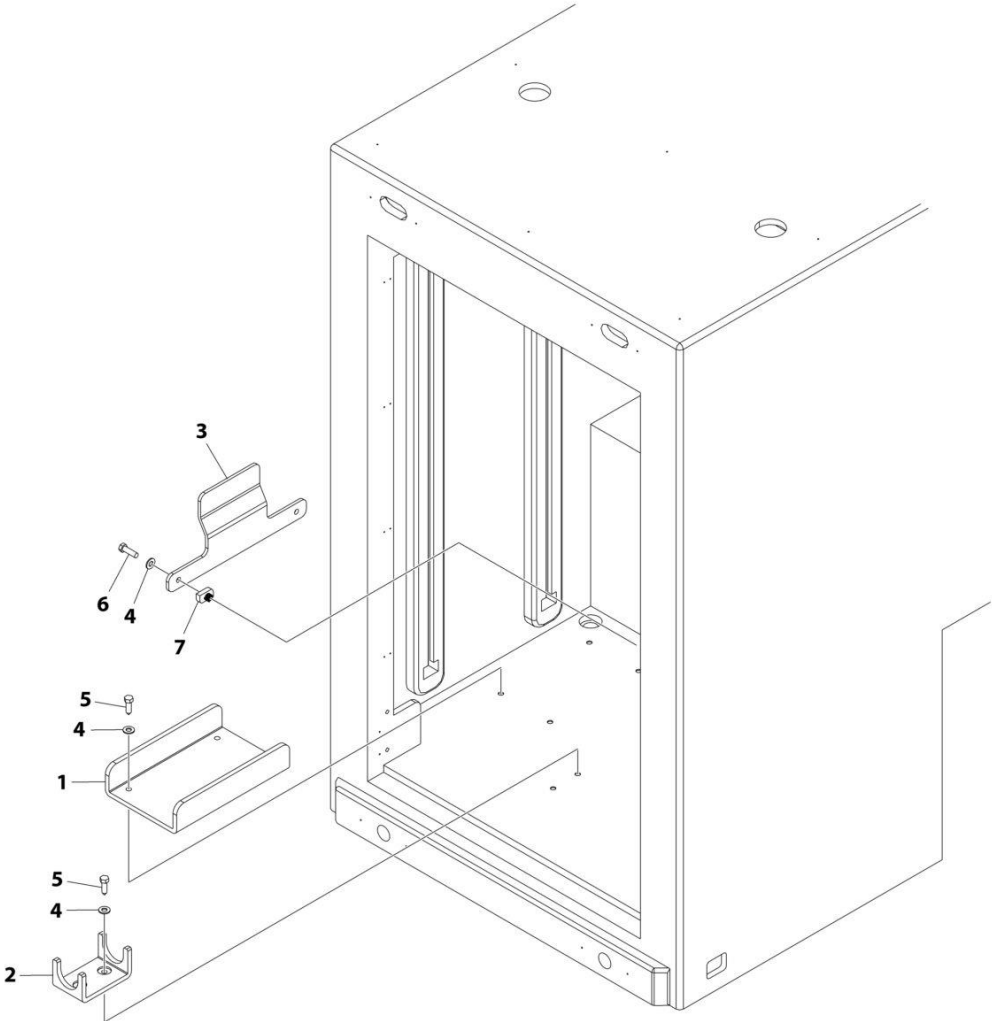
SECTION 4 - BODY

FIGURE 4-69. STORAGE - FIFTH WHEEL/PINTLE STORAGE INSTALLATION (TANDEM)

ITEM	PART NUMBER	QTY	DESCRIPTION	REV
	1001195942	Ref	Fifth Wheel Storage Installation	C
3	1001168545	6	Screw 3/8 x 1-1/4	
5	1001190568	1	Bracket	
7	7950160143	6	Washer 3/8	
8	1001191810	1	Bracket	

SECTION 4 - BODY

FIGURE 4-70. STORAGE - FIFTH WHEEL/PINTLE STORAGE INSTALLATION (TRI-AXLE)



ART_1001208636

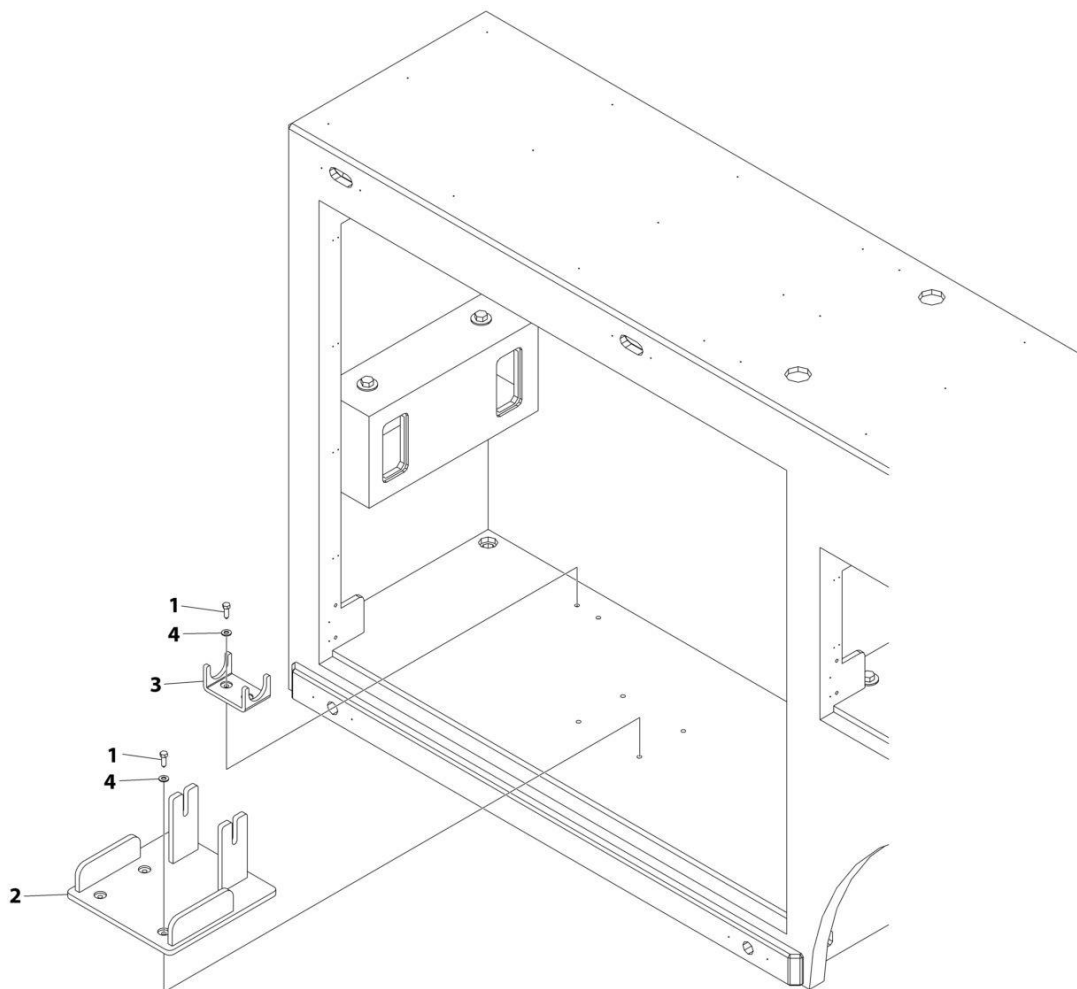
SECTION 4 - BODY

FIGURE 4-70. STORAGE - FIFTH WHEEL/PINTLE STORAGE INSTALLATION (TRI-AXLE)

ITEM	PART NUMBER	QTY	DESCRIPTION	REV
	1001208636	Ref	FIFTH WHEEL STORAGE INSTALLATION (WITH PINTEL)	B
1	1001183001	1	Channel	
2	1001191810	1	Bracket	
3	1001208652	1	Bracket	
4	7950160143	8	Washer 3/8	
5	1001168545	6	Screw 3/8 x 1-1/4	
6	1001169080	2	Bolt 3/8 x 1-1/4	
7	1001166644	2	Spring Nut 3/8	

SECTION 4 - BODY

FIGURE 4-71. STORAGE - FIFTH WHEEL/PINTLE STORAGE INSTALLATION (TRI-AXLE) (BB)



ART_1001224451

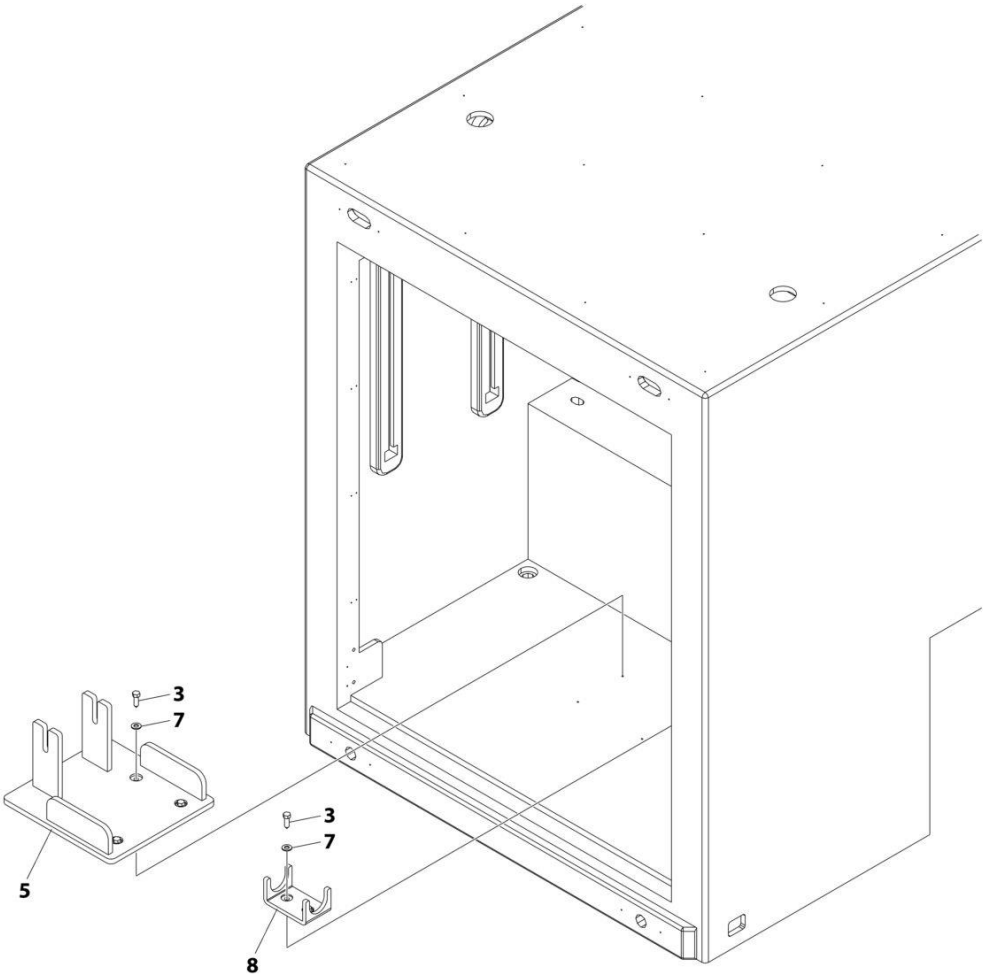
SECTION 4 - BODY

FIGURE 4-71. STORAGE - FIFTH WHEEL/PINTLE STORAGE INSTALLATION (TRI-AXLE) (BB)

ITEM	PART NUMBER	QTY	DESCRIPTION	REV
	1001224451	Ref	FIFTH WHEEL STORAGE INSTALLATION	B
1	1001168545	6	Capscrew 3/8 x 1-1/4	
2	1001190568	1	Bracket	
3	1001191810	1	Bracket	
4	7950160143	6	Washer 3/8	

SECTION 4 - BODY

FIGURE 4-72. STORAGE - FIFTH WHEEL/PINTLE STORAGE INSTALLATION (TRI-AXLE) (35T)



ART_1001195943

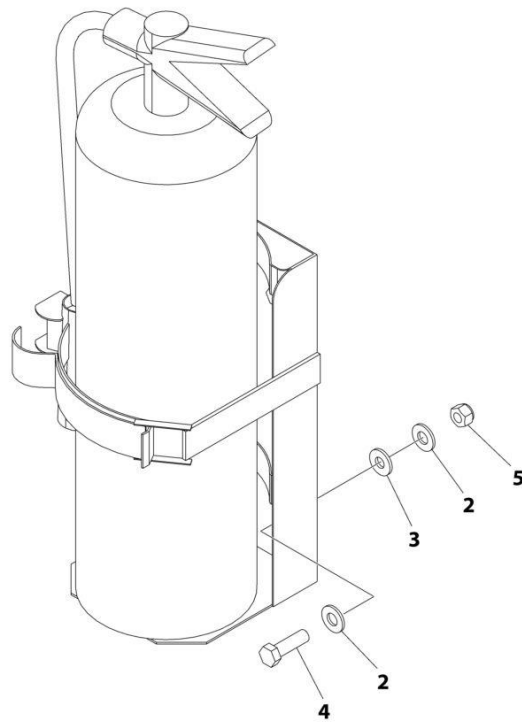
SECTION 4 - BODY

FIGURE 4-72. STORAGE - FIFTH WHEEL/PINTLE STORAGE INSTALLATION (TRI-AXLE) (35T)

ITEM	PART NUMBER	QTY	DESCRIPTION	REV
	1001195943	Ref	Fifth Wheel Storage Installation	C
3	1001168545	6	Screw 3/8 x 1-1/4	
5	1001190568	1	Bracket	
7	7950160143	6	Washer 3/8	
8	1001191810	1	Bracket	

SECTION 4 - BODY

FIGURE 4-73. STORAGE - FIRE EXTINGUISHER STORAGE INSTALLATION



ART_1001195698

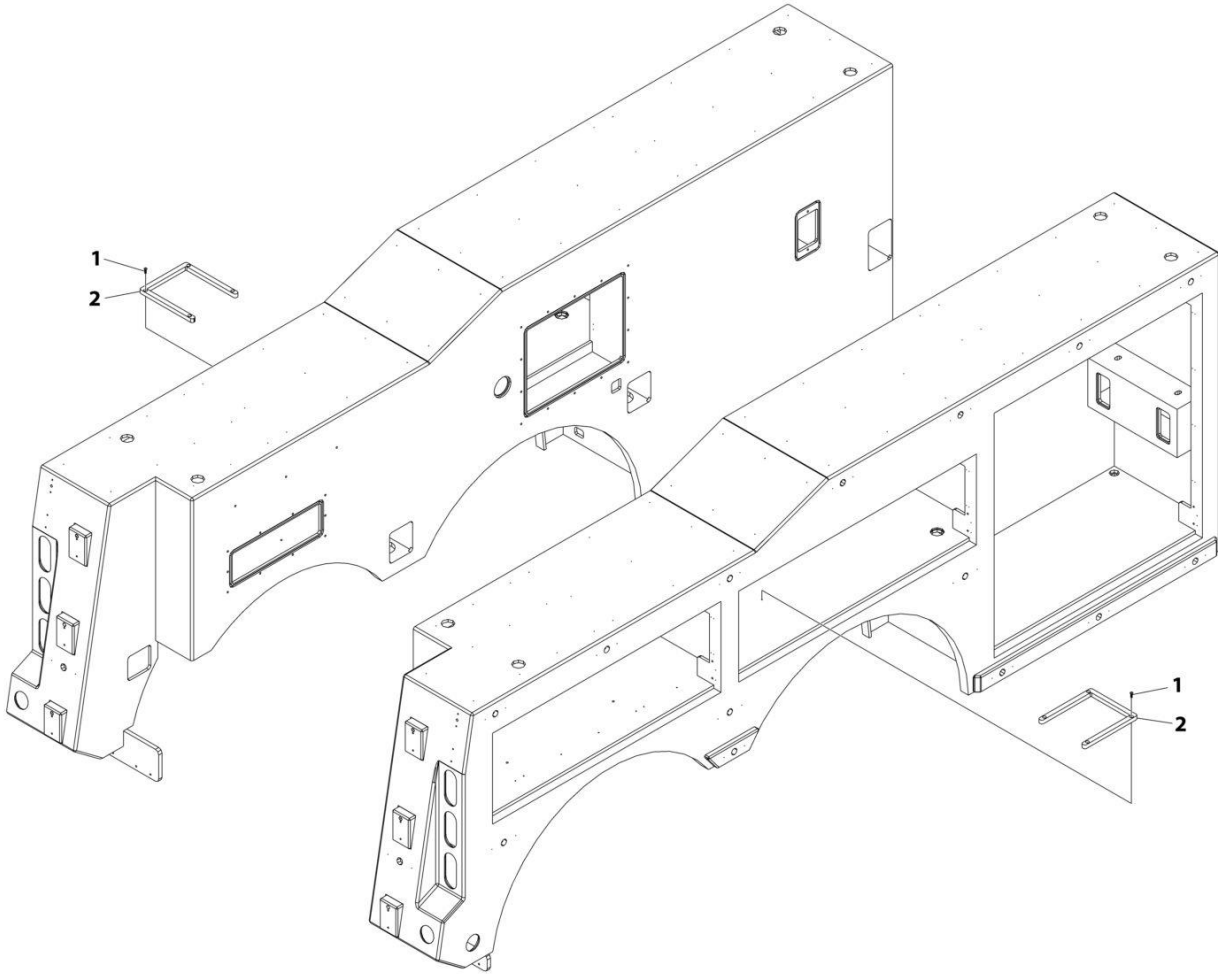
SECTION 4 - BODY

FIGURE 4-73. STORAGE - FIRE EXTINGUISHER STORAGE INSTALLATION

ITEM	PART NUMBER	QTY	DESCRIPTION	REV
	1001195698	Ref	FIRE EXTINGUISHER STORAGE INSTALLATION	D
2	7950160143	16	Washer 3/8	
3	1001166974	8	Washer 3/8	
4	1001169080	8	Bolt 3/8 x 1/4	
5	7660162601	8	Nut 3/8	

SECTION 4 - BODY

FIGURE 4-74. STORAGE - FLARE STORAGE INSTALLATION



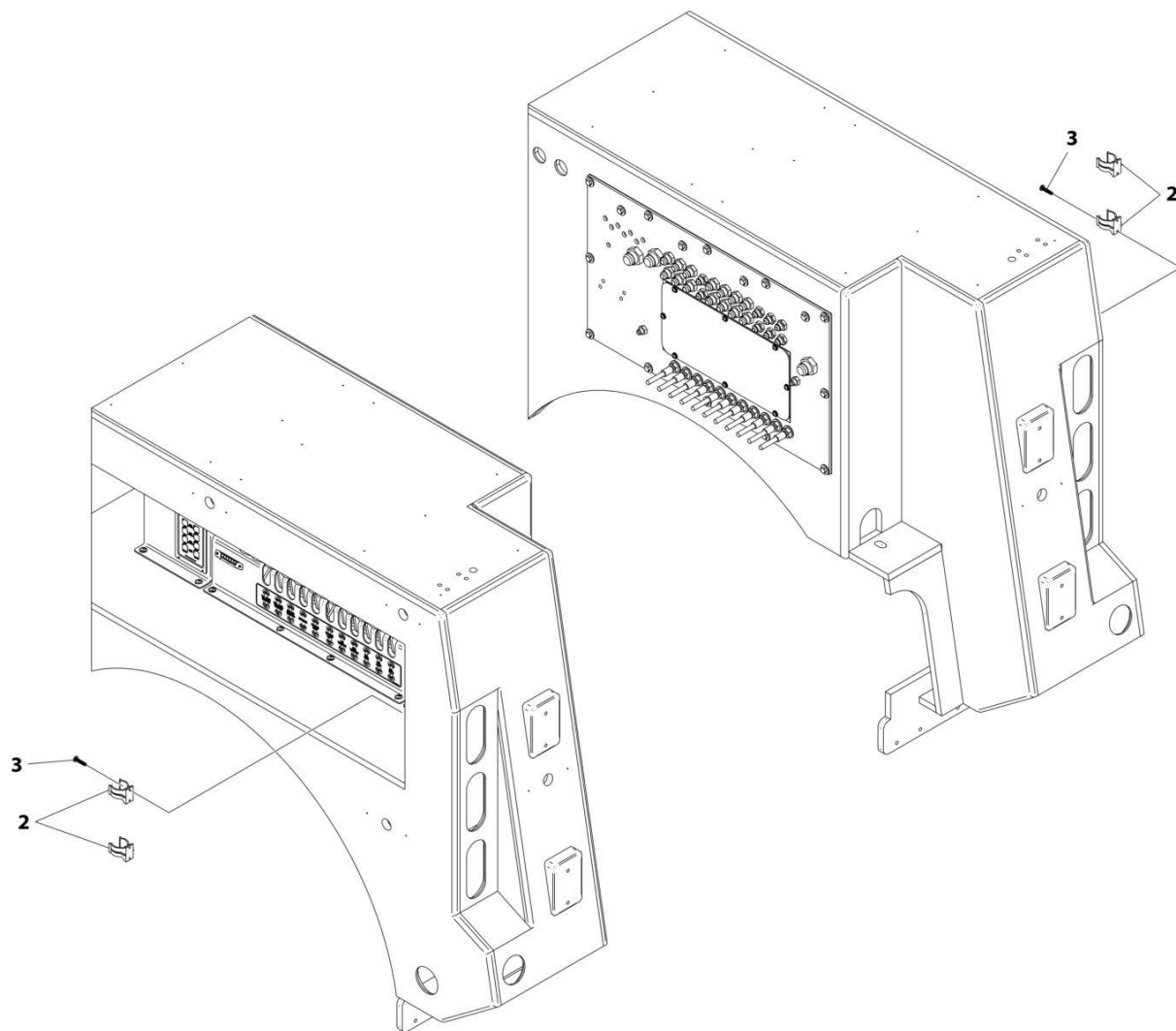
ART_1001201704

FIGURE 4-74. STORAGE - FLARE STORAGE INSTALLATION

ITEM	PART NUMBER	QTY	DESCRIPTION	REV
	1001201704	Ref	FLARE STORAGE INSTALLATION	B
1	1001195523	8	Screw 1/4 x 1	
2	1001201695	2	Bracket	

SECTION 4 - BODY

FIGURE 4-75. STORAGE - FLASHLIGHT STORAGE INSTALLATION



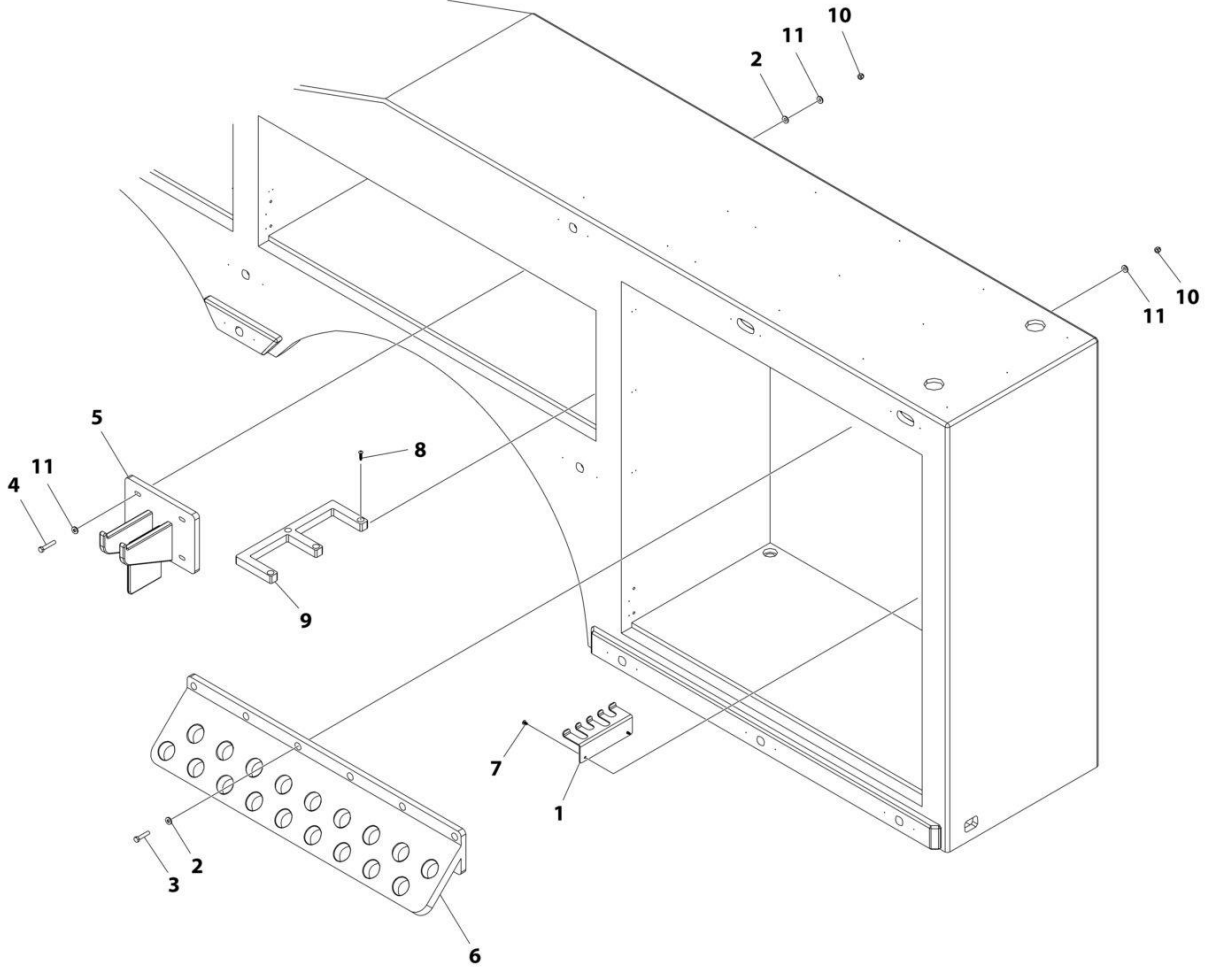
ART_1001170727

FIGURE 4-75. STORAGE - FLASHLIGHT STORAGE INSTALLATION

ITEM	PART NUMBER	QTY	DESCRIPTION	REV
	1001170727	Ref	Flashlight Mount Installation	D
2	1001170725	2	Mount, Flashlight	
3	1001196552	8	Screw #8 x 3/4	

SECTION 4 - BODY

FIGURE 4-76. STORAGE - FORK ORGANIZER INSTALLATION (TANDEM)



ART_1001195839

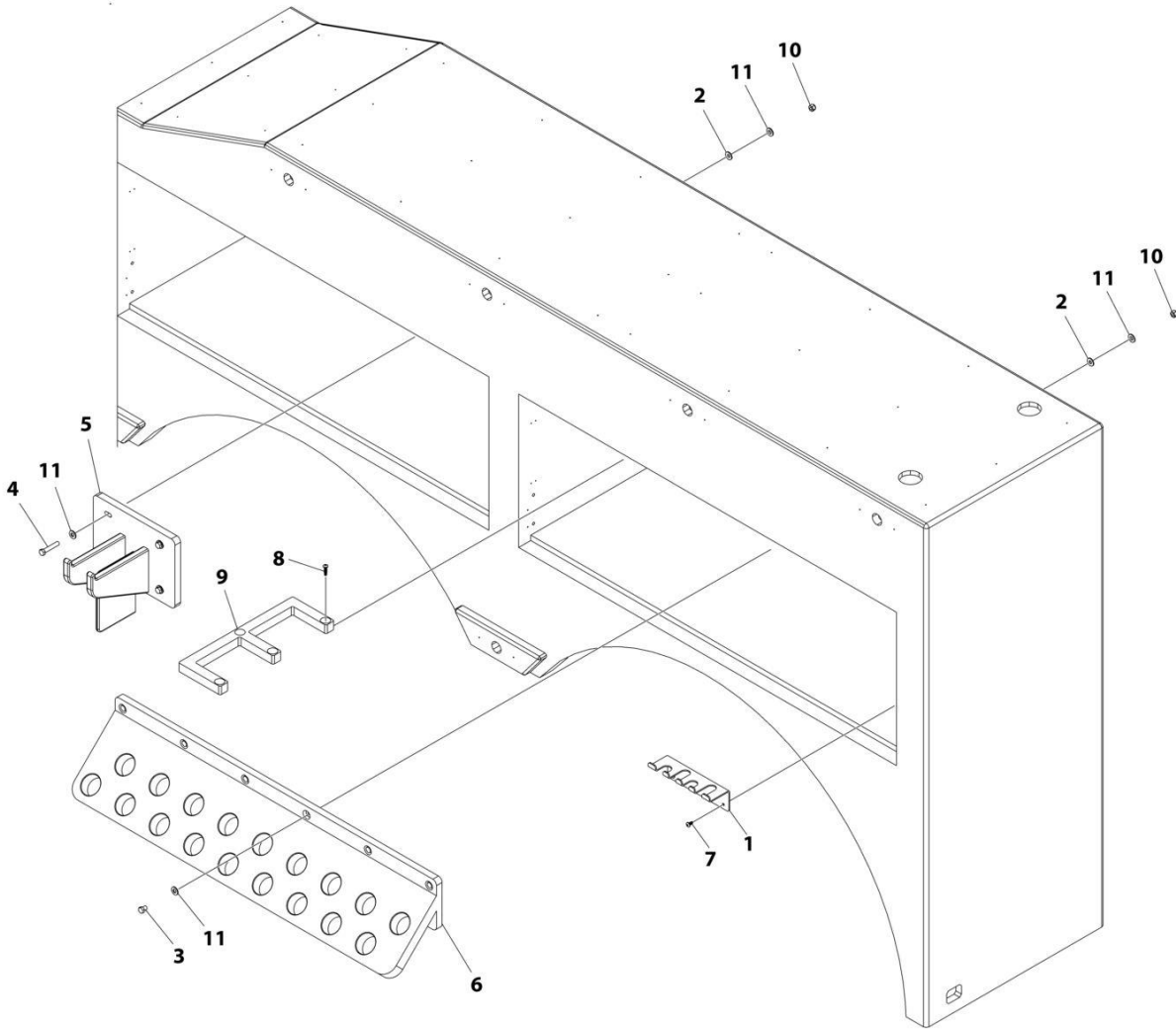
SECTION 4 - BODY

FIGURE 4-76. STORAGE - FORK ORGANIZER INSTALLATION (TANDEM)

ITEM	PART NUMBER	QTY	DESCRIPTION	REV
	1001195839	Ref	Frame Fork Storage Installation	C
1	1001160799	1	Bracket	
2	1001166974	10	Washer 3/8	
3	1001168544	6	Screw 3/4 x 1-3/4	
4	1001169083	4	Capscrew 3/8 x 2	
5	1001190926	1	Bracket	
6	1001190988	1	Bracket	
7	1001195257	2	Screw 1/4 x 1/2	
8	1001195523	4	Screw 1/4 x 1	
9	1001195838	1	Bracket	
10	7660162601	10	Nut 3/8	
11	7950160143	20	Washer 3/8	

SECTION 4 - BODY

FIGURE 4-77. STORAGE - FORK ORGANIZER INSTALLATION (TRI-AXLE)



ART_1001195840

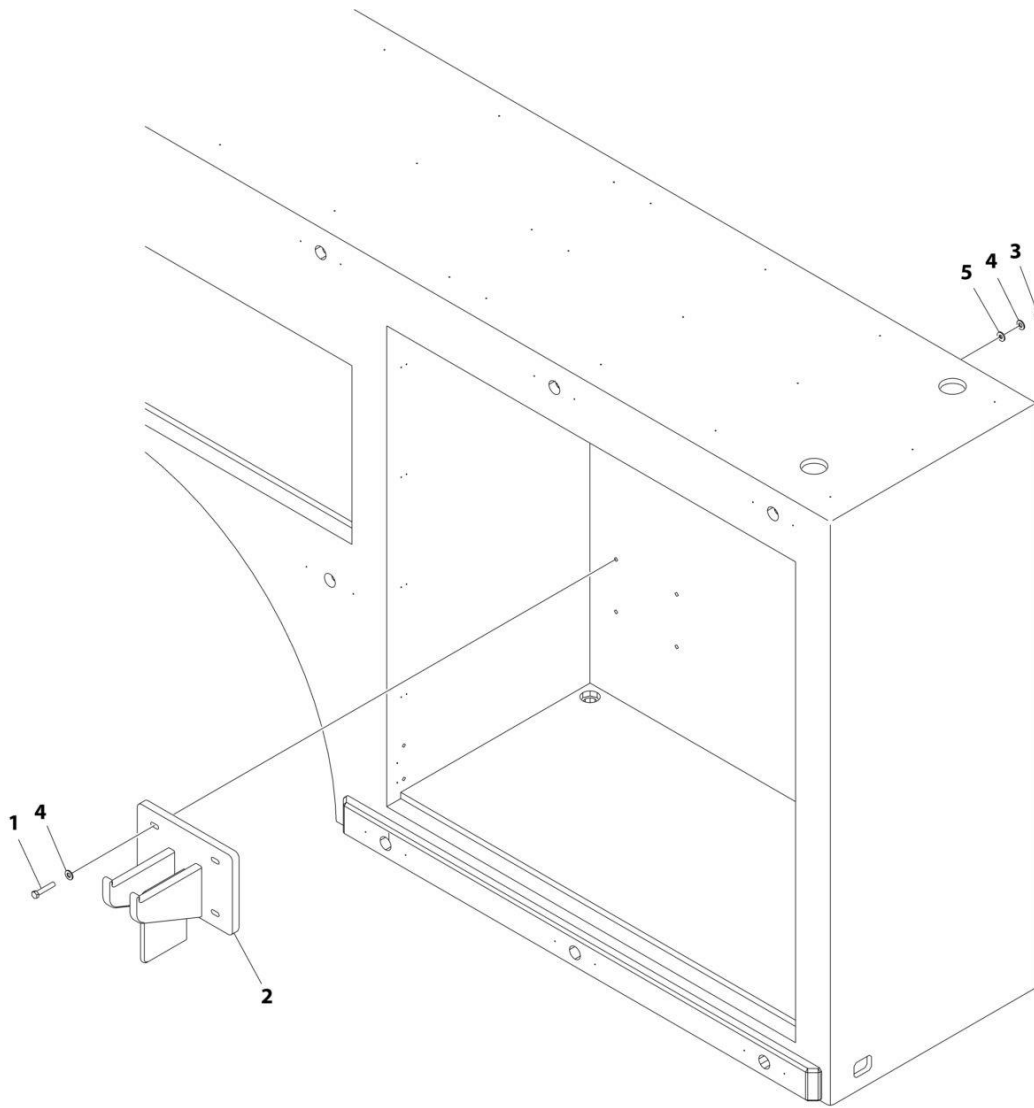
SECTION 4 - BODY

FIGURE 4-77. STORAGE - FORK ORGANIZER INSTALLATION (TRI-AXLE)

ITEM	PART NUMBER	QTY	DESCRIPTION	REV
	1001195840	Ref	STORAGE INSTALLATION - FORK ORGANIZER (TRI-AXLE)	C
1	1001160799	1	Bracket	
2	1001166974	10	Washer 3/8	
3	1001168544	6	Screw 3/4 x 1-3/4	
4	1001169083	4	Capscrew 3/8 x 2	
5	1001190926	1	Bracket	
6	1001190988	1	Bracket	
7	1001195257	2	Screw 1/4 x 1/2	
8	1001195523	4	Screw 1/4 x 1	
9	1001195838	1	Bracket	
10	7660162601	10	Nut 3/8	
11	7950160143	20	Washer 3/8	

SECTION 4 - BODY

FIGURE 4-78. STORAGE - FORK RISERS STORAGE INSTALLATION (TANDEM)



ART_1001195788

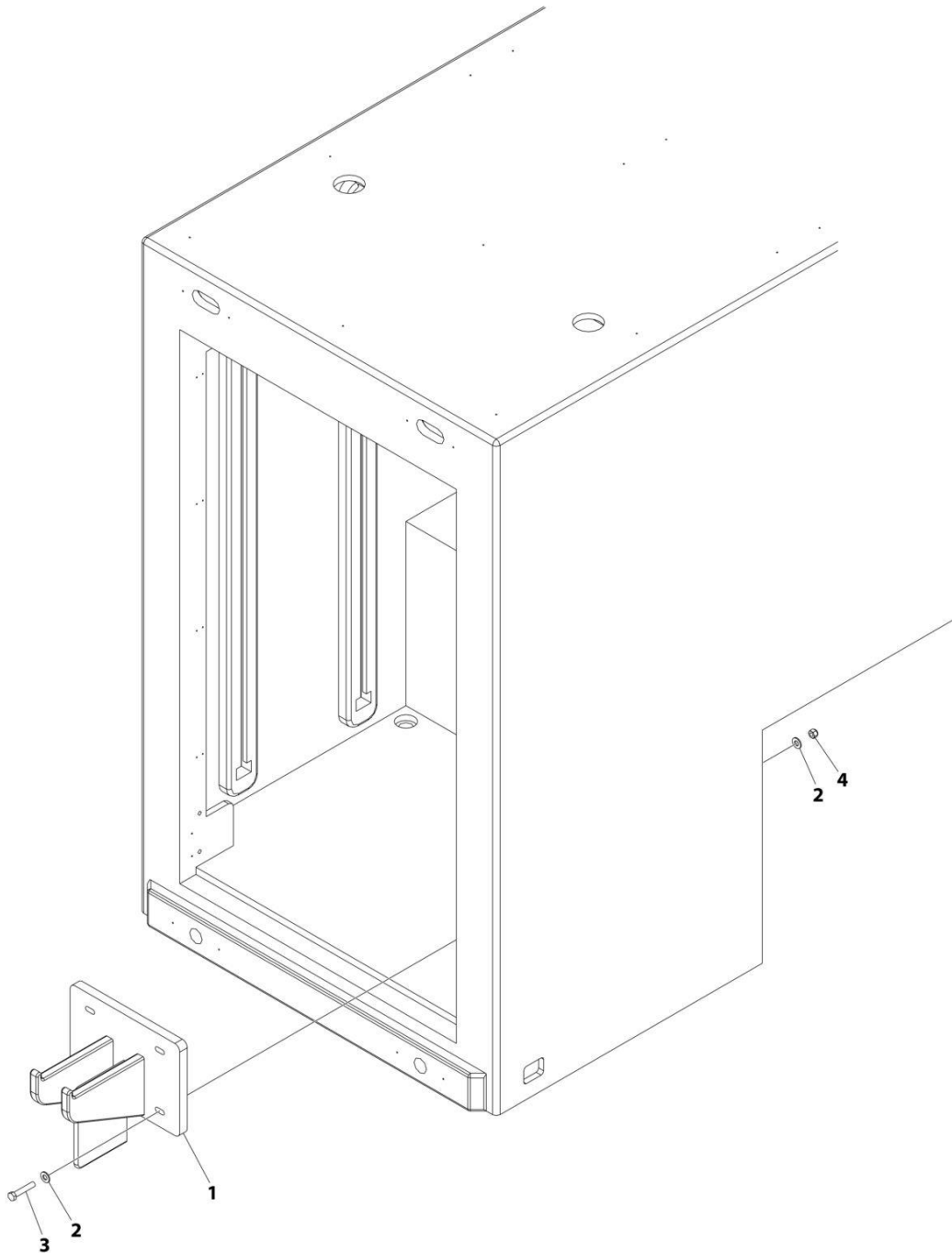
SECTION 4 - BODY

FIGURE 4-78. STORAGE - FORK RISERS STORAGE INSTALLATION (TANDEM)

ITEM	PART NUMBER	QTY	DESCRIPTION	REV
	1001195788	Ref	FORK RISERS STORAGE INSTALLATION	C
1	1001169083	4	Bolt 3/8 x 2	
2	1001190926	1	Bracket, Storage	
3	7660162601	4	Nut 3/8	
4	7950160143	8	Washer 3/8	
5	1001166974	4	Washer, Rubber	

SECTION 4 - BODY

FIGURE 4-79. STORAGE - FORK RISERS STORAGE INSTALLATION (TRI-AXLE)



ART_1001210749

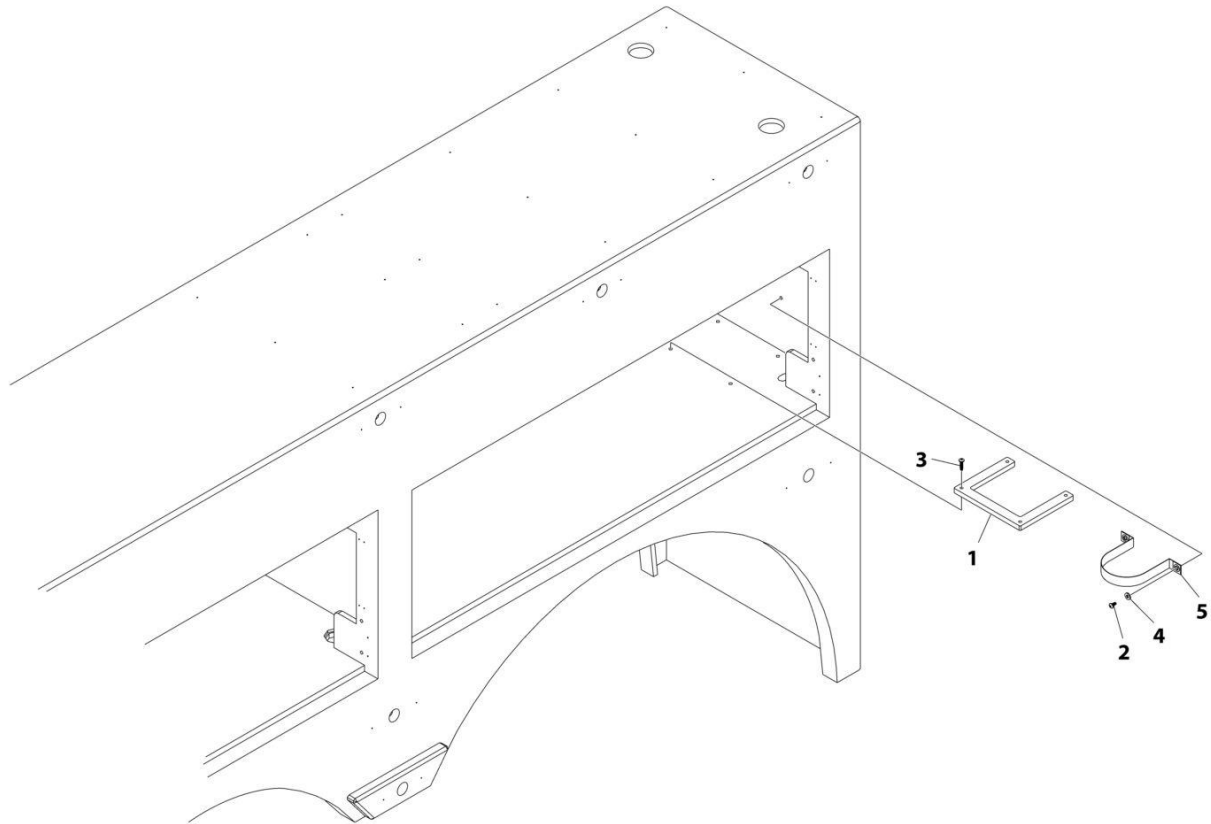
SECTION 4 - BODY

FIGURE 4-79. STORAGE - FORK RISERS STORAGE INSTALLATION (TRI-AXLE)

ITEM	PART NUMBER	QTY	DESCRIPTION	REV
	1001210749	Ref	FORK RISERS STORAGE INSTALLATION	C
1	1001190926	1	Bracket, Storage	
2	7950160143	8	Washer 3/8	
3	1001169083	4	Bolt 3/8 x 2	
4	7660162601	4	Nut 3/8	

SECTION 4 - BODY

FIGURE 4-80. STORAGE - JACK STORAGE INSTALLATION (TANDEM)



ART_1001196215

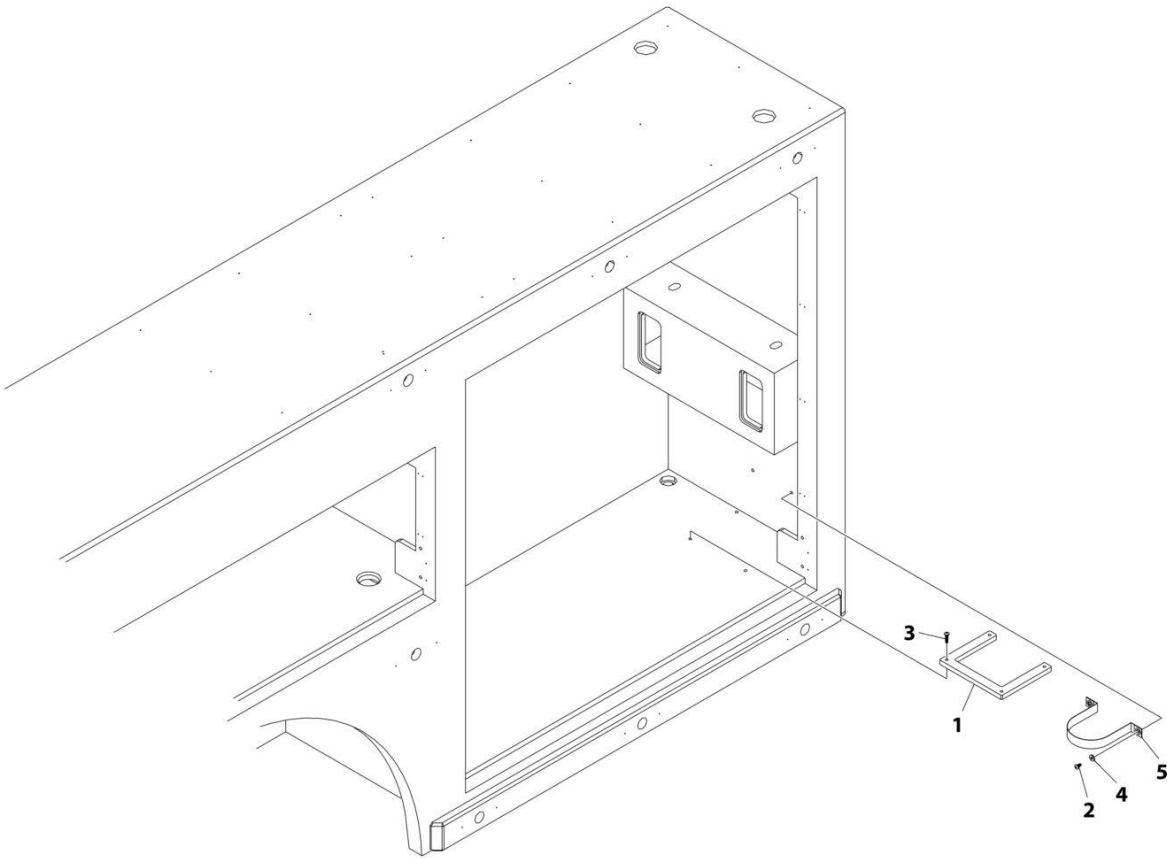
SECTION 4 - BODY

FIGURE 4-80. STORAGE - JACK STORAGE INSTALLATION (TANDEM)

ITEM	PART NUMBER	QTY	DESCRIPTION	REV
	1001196215	Ref	JACK STORAGE INSTALLATION (TANDEM)	C
1	1001170839	1	Bracket	
2	1001195257	2	Screw 1/4 x 1/2	
3	1001195523	4	Screw 1/4 x 1	
4	7950140143	2	Washer 1/4	
5	1001167286	2	Tie-Strap	

SECTION 4 - BODY

FIGURE 4-81. STORAGE - JACK STORAGE INSTALLATION (TRI-AXLE)



ART_1001196214

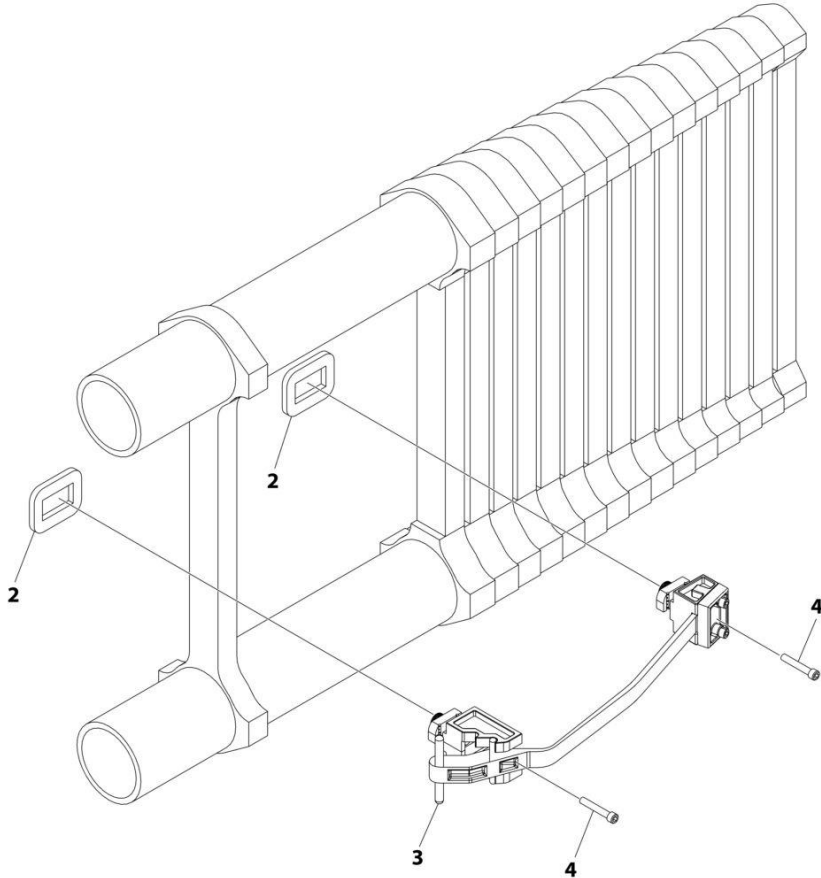
SECTION 4 - BODY

FIGURE 4-81. STORAGE - JACK STORAGE INSTALLATION (TRI-AXLE)

ITEM	PART NUMBER	QTY	DESCRIPTION	REV
	1001196214	Ref	JACK STORAGE INSTALLATION (TRI-AXLE)	B
1	1001170839	1	Bracket	
2	1001195257	2	Screw 1/4 x 1/2	
3	1001195523	4	Screw 1/4 x 1	
4	7950140143	2	Washer 1/4	
5	1001167286	2	Tie-Strap	

SECTION 4 - BODY

FIGURE 4-82. STORAGE - LADDER STORAGE INSTALLATION



ART_1001200001

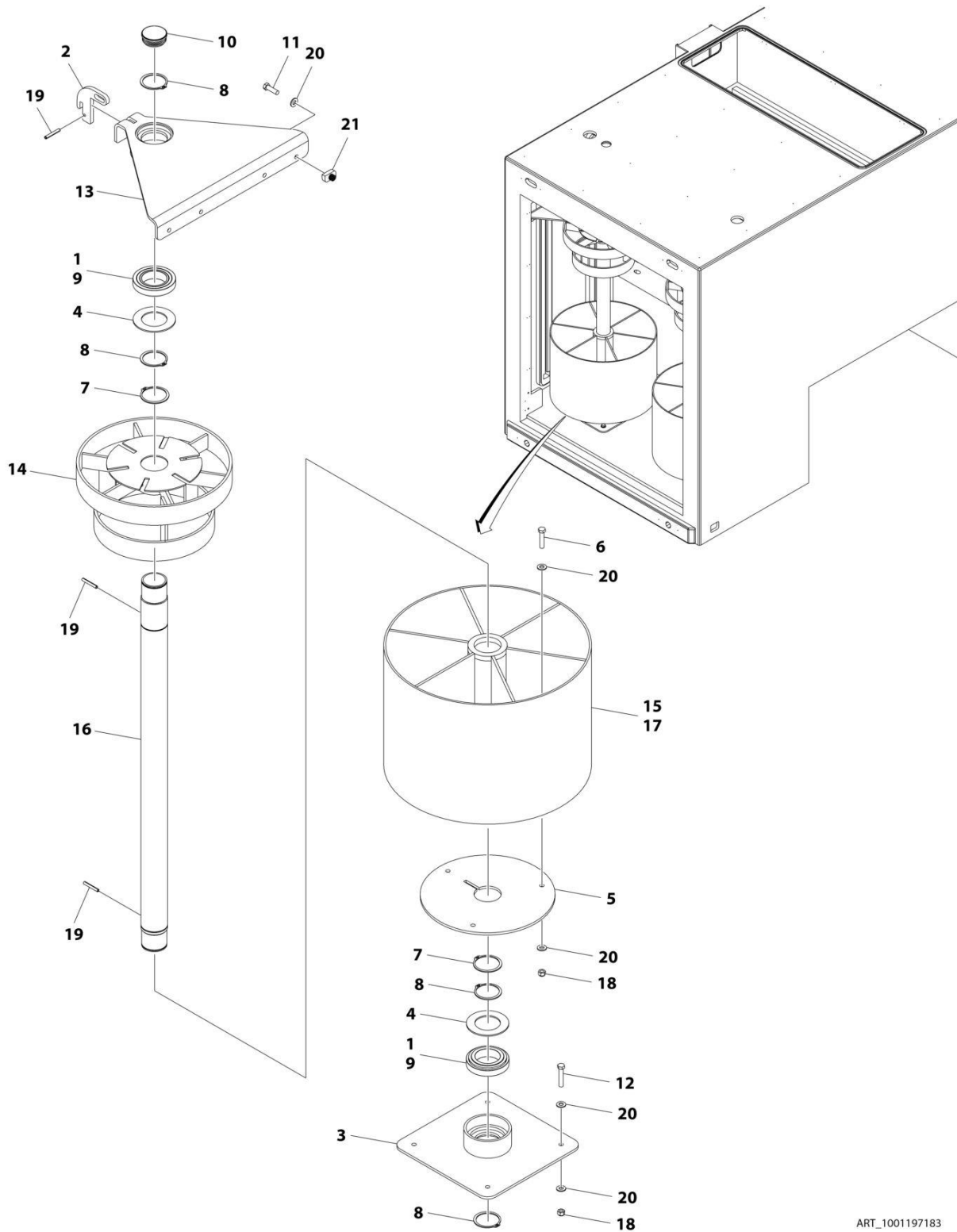
SECTION 4 - BODY

FIGURE 4-82. STORAGE - LADDER STORAGE INSTALLATION

ITEM	PART NUMBER	QTY	DESCRIPTION	REV
	1001200001	Ref	LADDER STORAGE INSTALLATION	C
2	1001213971	2	Plate	
3	1001201534	1	Bracket	
4	3931424	2	Capscrew 1/4 x 1-1/2	

SECTION 4 - BODY

FIGURE 4-83. STORAGE - ROTARY RACK INSTALLATION (TUNNEL)



ART_1001197183

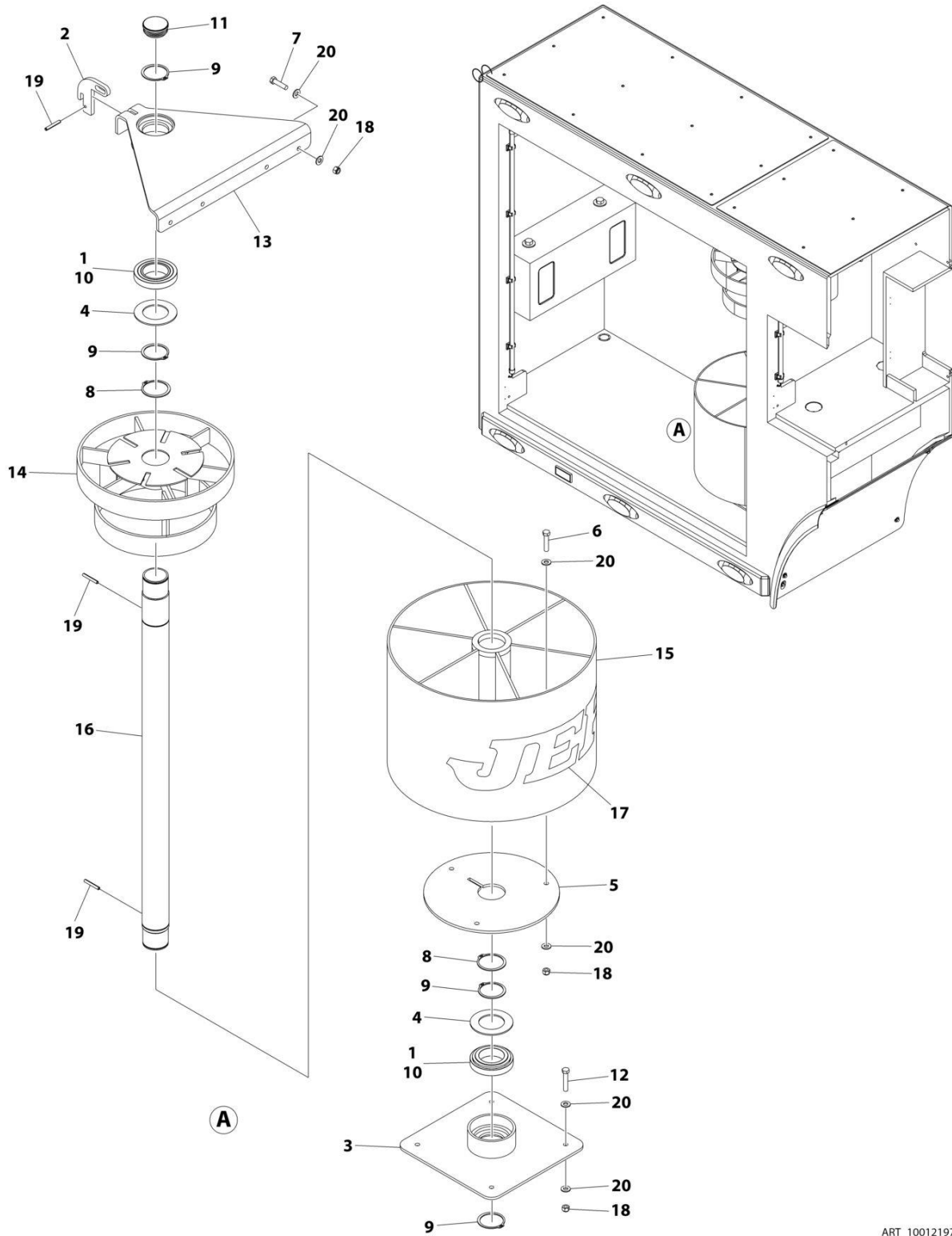
SECTION 4 - BODY

FIGURE 4-83. STORAGE - ROTARY RACK INSTALLATION (TUNNEL)

ITEM	PART NUMBER	QTY	DESCRIPTION	REV
	1001197183	Ref	Rotary Tool Rack Installation	E
1	3020029	1	Bearing Grease	
2	1001165564	1	Plate	
3	1001165571	1	Bracket	
4	1001165584	2	Plate	
5	1001165652	1	Support	
6	1001168544	3	Screw 3/4 x 1-3/4	
7	1001169063	2	Retaining Ring	
8	1001169064	4	Retaining Ring	
9	1001169076	2	Bearing	
10	1001169078	1	Plug	
11	1001169080	2	Capscrew 3/8 x 1/4	
12	1001169083	4	Capscrew 3/8 x 2	
13	1001190218	1	Bracket	
14	1001190223	1	Bracket	
15	1001190228	1	Tray	
16	1001190265	1	Tube	
17	7330000535	1	Decal	
18	7660162601	7	Nut 3/8	
19	7690142845	3	Pin	
20	7950160143	16	Washer 3/8	
21	1001166644	2	Nut 3/8	

SECTION 4 - BODY

FIGURE 4-84. STORAGE - ROTARY RACK INSTALLATION (BASE BODY)



ART_1001219776

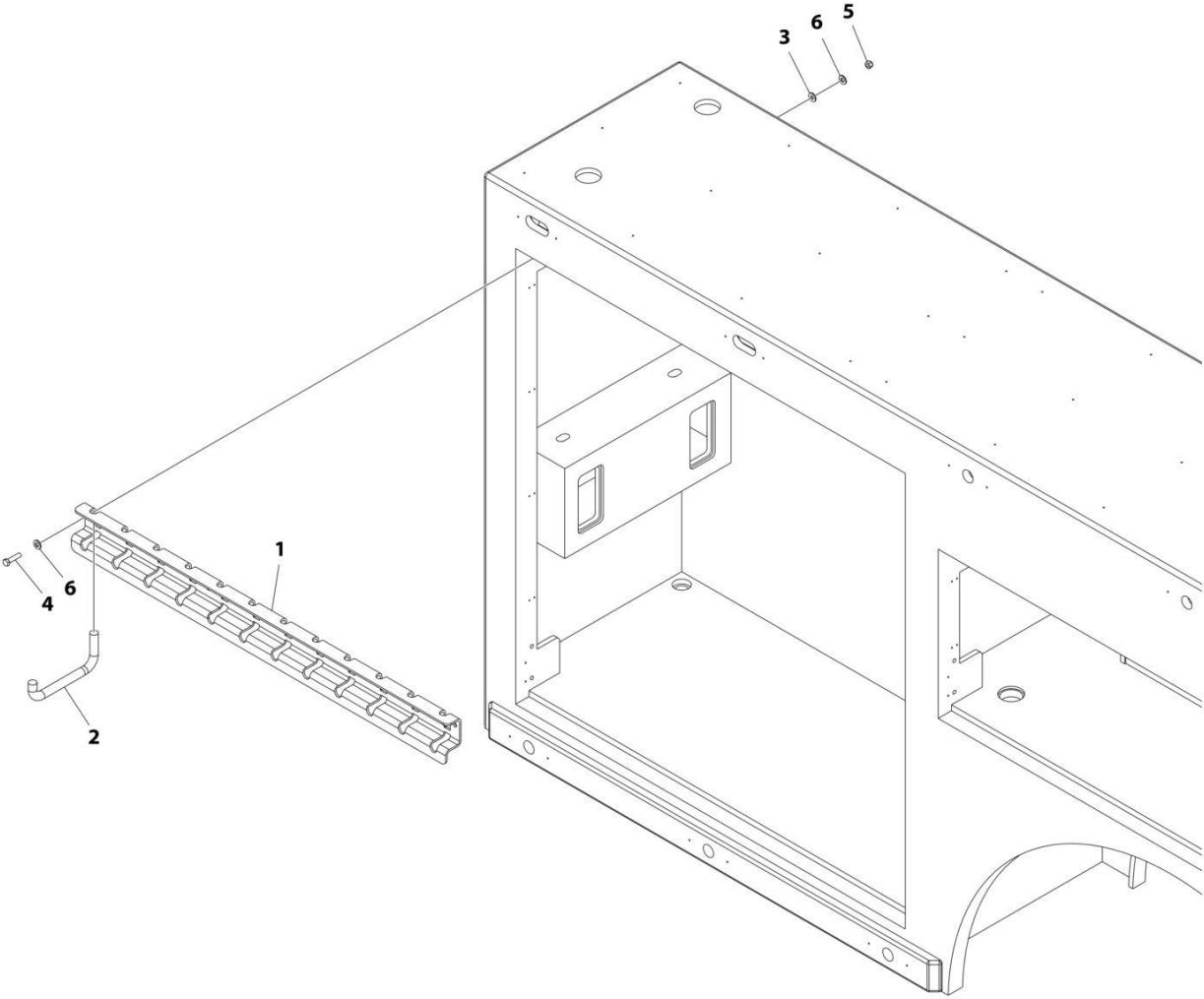
SECTION 4 - BODY

FIGURE 4-84. STORAGE - ROTARY RACK INSTALLATION (BASE BODY)

ITEM	PART NUMBER	QTY	DESCRIPTION	REV
	1001219776	Ref	ROTARY TOOL RACK INSTALLATION	B
1	3020029	1	Lubricant	
2	1001165564	1	Plate	
3	1001165571	1	Bracket	
4	1001165584	2	Plate	
5	1001165652	1	Support	
6	1001168544	3	Bolt 3/4 x 1-3/4	
7	1001168993	2	Bolt 3/8 x 1-1/2	
8	1001169063	2	Ring, Retaining	
9	1001169064	4	Ring, Retaining	
10	1001169076	2	Bearing	
11	1001169078	1	Plug	
12	1001169083	4	Bolt 3/8 x 2	
13	1001190218	1	Bracket	
14	1001190223	1	Bracket	
15	1001190228	1	Tray	
16	1001190265	1	Tube	
17	7330000535	1	Decal	
18	7660162601	9	Nut 3/8	
19	7690142845	3	Pin	
20	7950160143	18	Washer 3/8	

SECTION 4 - BODY

FIGURE 4-85. STORAGE - SHACKLE RACK INSTALLATION (TANDEM)



ART_1001195038

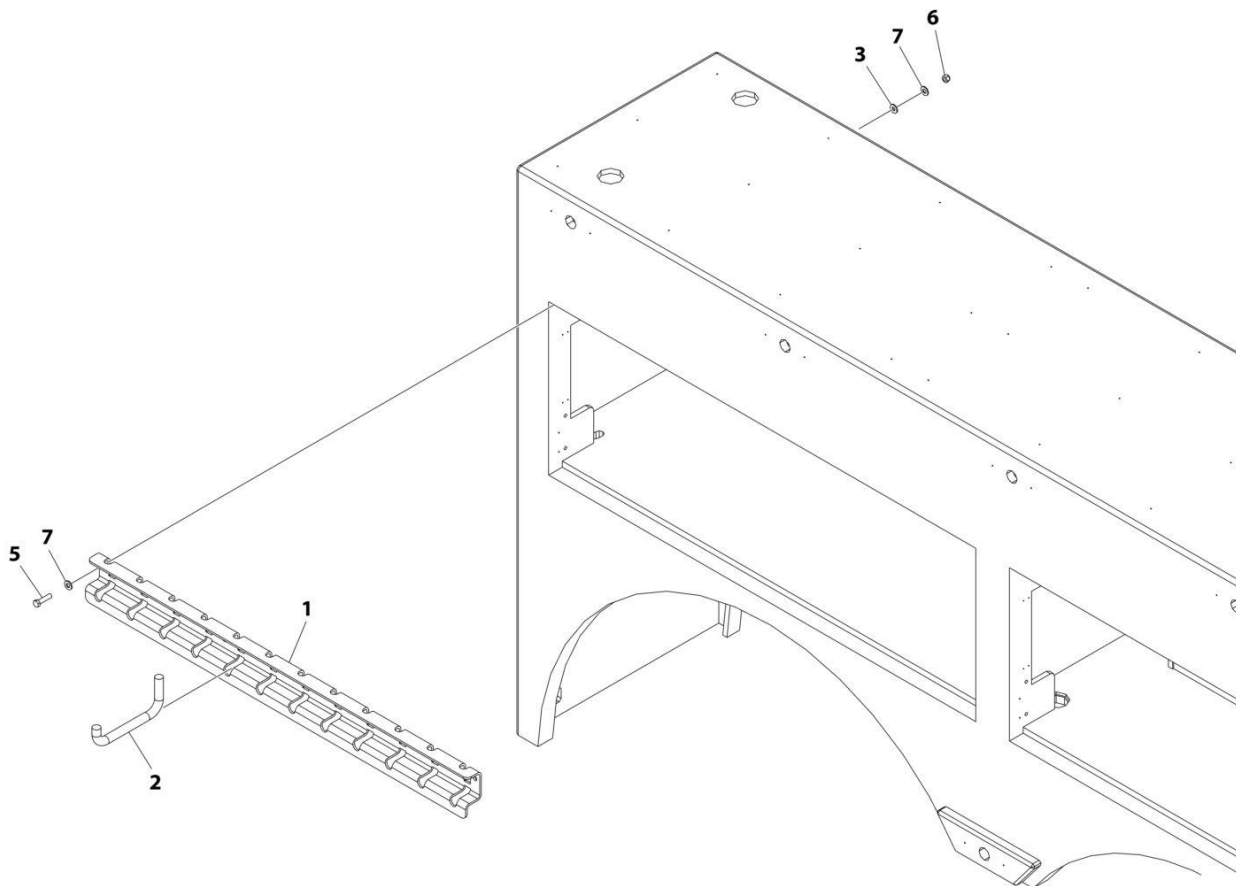
SECTION 4 - BODY

FIGURE 4-85. STORAGE - SHACKLE RACK INSTALLATION (TANDEM)

ITEM	PART NUMBER	QTY	DESCRIPTION	REV
	1001195038	Ref	Shackle Rack Installation	D
1	1001164601	2	Bracket	
2	1001164614	16	Rod	
3	1001166974	10	Washer 3/8	
4	1001168993	10	Capscrew 3/8 x 1-1/2	
5	7660162601	10	Nut 3/8	
6	7950160143	20	Washer 3/8	

SECTION 4 - BODY

FIGURE 4-86. STORAGE - SHACKLE RACK INSTALLATION (TRI-AXLE)



ART_1001195083

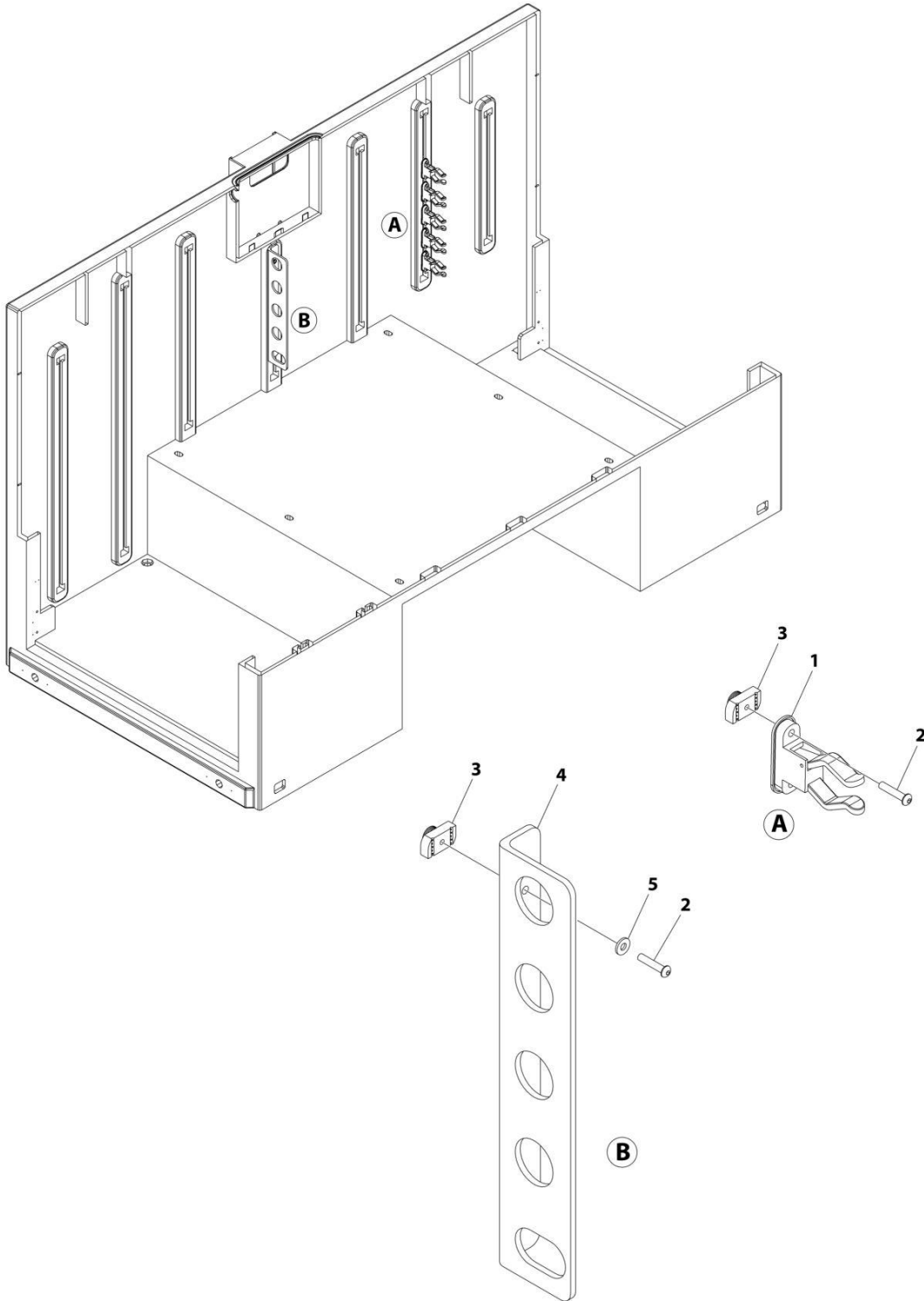
SECTION 4 - BODY

FIGURE 4-86. STORAGE - SHACKLE RACK INSTALLATION (TRI-AXLE)

ITEM	PART NUMBER	QTY	DESCRIPTION	REV
	1001195083	Ref	SHACKLE RACK INSTALLATION	E
1	1001164601	2	Bracket	
2	1001164614	16	Rod	
3	1001166974	10	Washer 3/8	
5	1001168993	10	Capscrew 3/8 x 1-1/2	
6	7660162601	10	Nut 3/8	
7	7950160143	20	Washer 3/8	

SECTION 4 - BODY

FIGURE 4-87. STORAGE - SHOVEL/GRIZZLY BAR STORAGE INSTALLATION - TANDEM



ART_1001210746

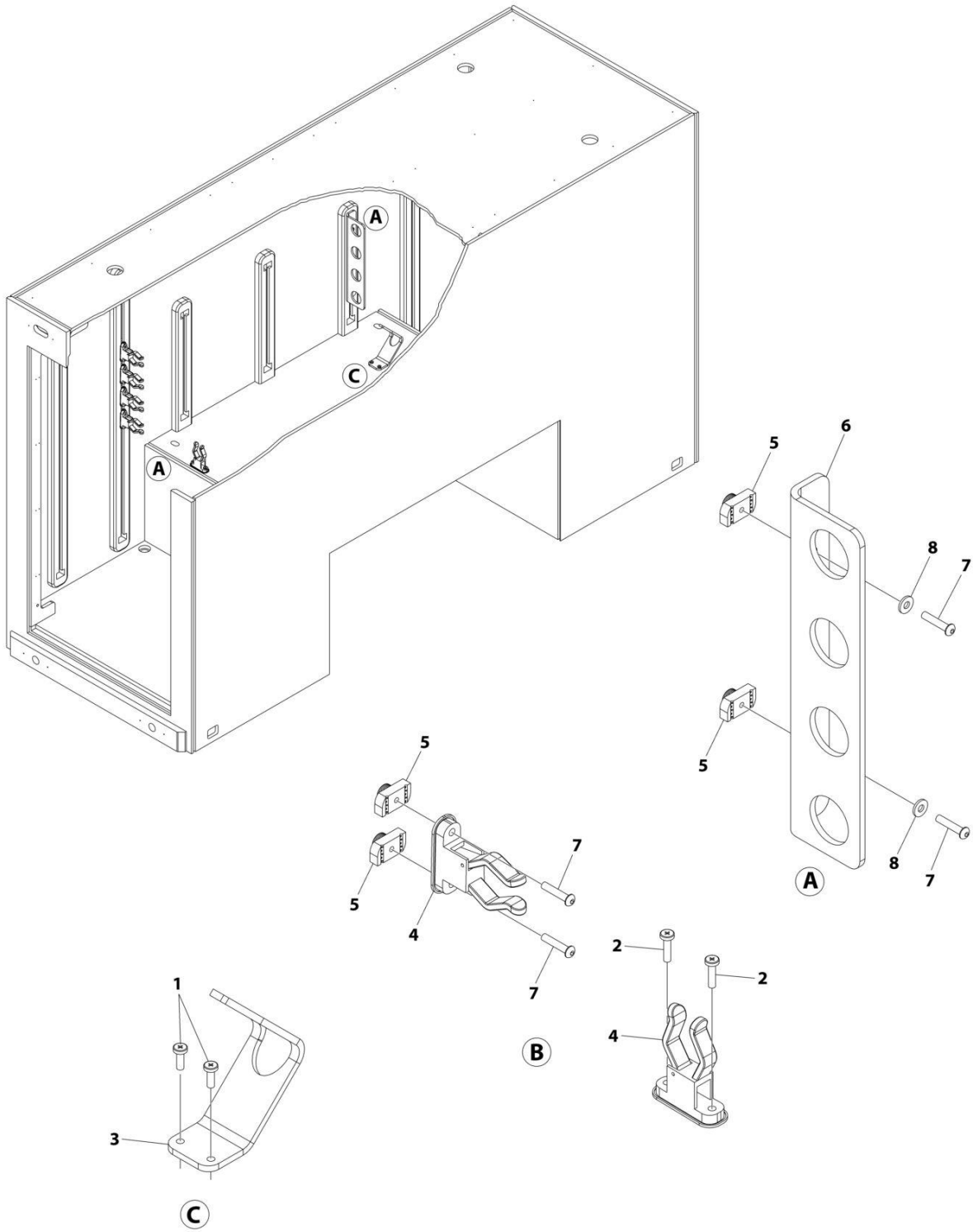
SECTION 4 - BODY

FIGURE 4-87. STORAGE - SHOVEL/GRIZZLY BAR STORAGE INSTALLATION - TANDEM

ITEM	PART NUMBER	QTY	DESCRIPTION	REV
	1001210746	Ref	SHOVEL STORAGE INSTALLATION	B
1	1001175059	5	Clamp	
2	7114141018	13	Capscrew 1/4 x 1-1/4	
3	1001183037	13	Spring Nut 1/4	
4	1001183038	1	Bracket	
5	7950140143	3	Washer 1/4	

SECTION 4 - BODY

FIGURE 4-88. STORAGE - SHOVEL/GRIZZLY BAR STORAGE INSTALLATION - TRI-AXLE



ART_1001210747

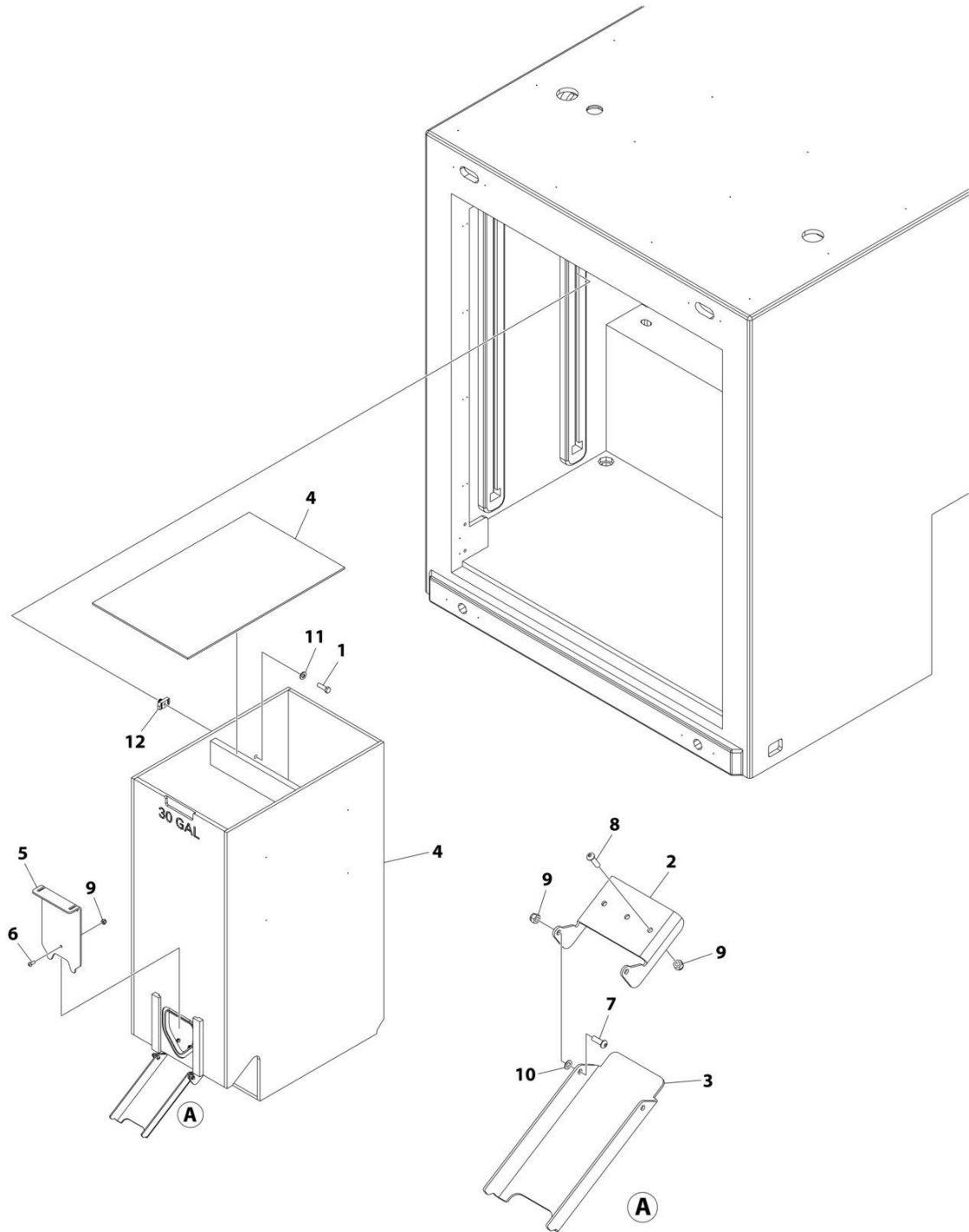
SECTION 4 - BODY

FIGURE 4-88. STORAGE - SHOVEL/GRIZZLY BAR STORAGE INSTALLATION - TRI-AXLE

ITEM	PART NUMBER	QTY	DESCRIPTION	REV
	1001210747	Ref	SHOVEL STORAGE INSTALLATION	B
1	0751406	2	Screw 1/4 x 3/4	
2	0751408	2	Screw 1/4 x 1	
3	1001174992	1	Bracket	
4	1001175059	5	Clamp	
5	1001183037	10	Spring Nut 1/4	
6	1001212194	1	Angle Bracket	
7	7114141018	10	Capscrew 1/4 x 1-1/4	
8	7950140143	2	Washer 1/4	

SECTION 4 - BODY

FIGURE 4-89. STORAGE - SILO INSTALLATION - STAY DRY



ART_1001195421

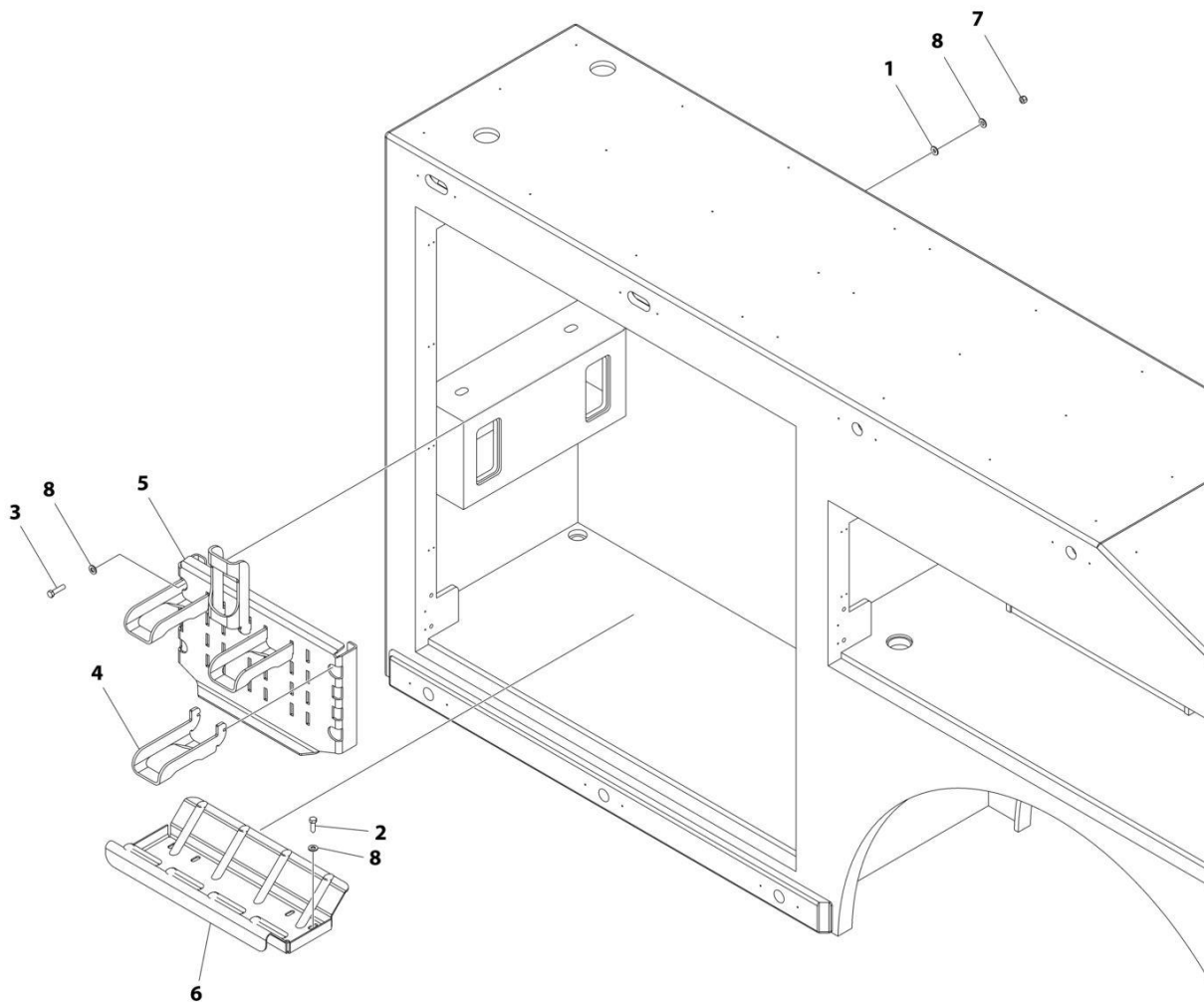
SECTION 4 - BODY

FIGURE 4-89. STORAGE - SILO INSTALLATION - STAY DRY

ITEM	PART NUMBER	QTY	DESCRIPTION	REV
	1001195421	Ref	SILO INSTALLATION - STAY DRY	C
1	1001169080	4	Bolt 3/8 x 1-1/4	
2	1001190050	1	Bracket	
3	1001190055	1	Bracket	
4	1001190128	1	Container	
5	1001190148	1	Cover	
6	7114140518	1	Capscrew 1/4 x 5/8	
7	7114140618	2	Capscrew 1/4 x 3/4	
8	7114140818	3	Bolt 1/4 x 1	
9	7660142600	6	Nut 1/4	
10	7949000056	2	Washer 1/2	
11	7950160143	4	Washer 3/8	
12	1001166644	4	Spring Nut 3/8	

SECTION 4 - BODY

FIGURE 4-90. STORAGE - SNATCH BLOCKS INSTALLATION (TANDEM)



ART_1001217105

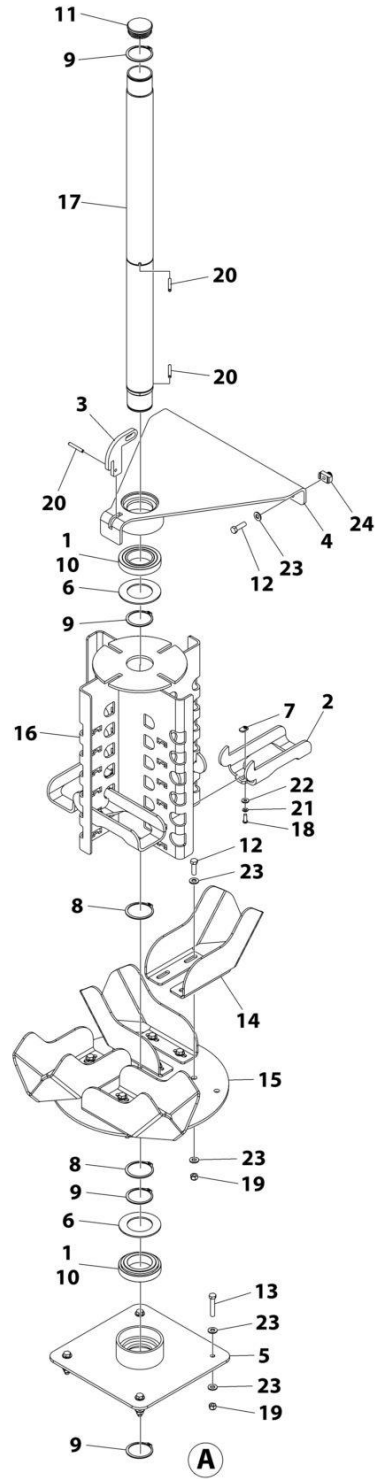
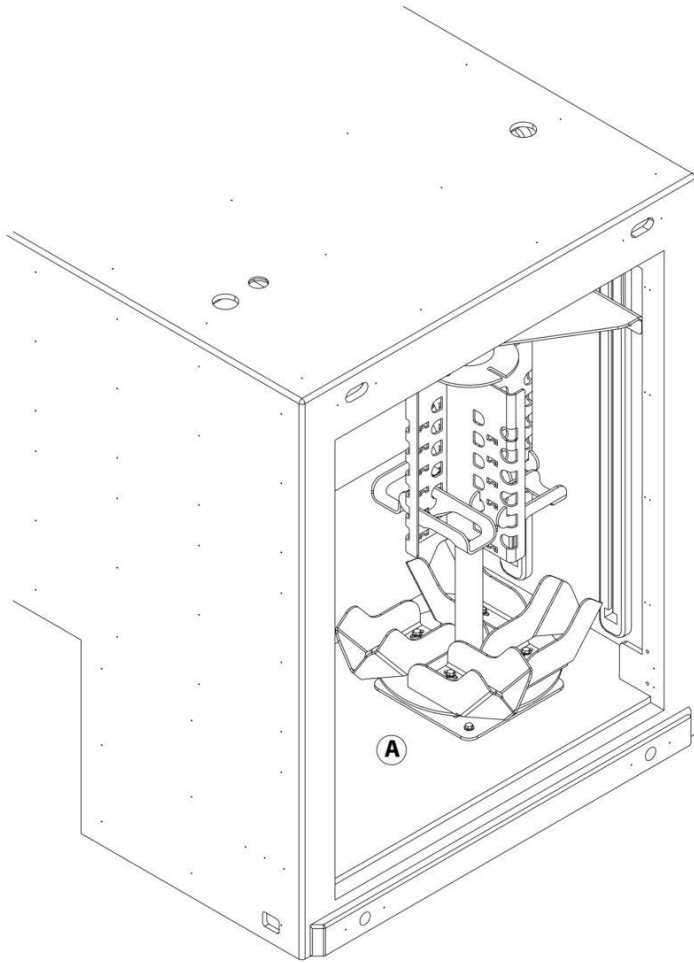
SECTION 4 - BODY

FIGURE 4-90. STORAGE - SNATCH BLOCKS INSTALLATION (TANDEM)

ITEM	PART NUMBER	QTY	DESCRIPTION	REV
	1001217105	Ref	Snatch Blocks Installation, Tandem	B
1	1001166974	4	Washer 3/8	
2	1001168545	8	Capscrew 3/8 x 1-1/4	
3	1001168993	4	Capscrew 3/8 x 1-1/2	
4	1001217101	4	Bracket	
5	1001217102	1	Bracket	
6	1001217103	1	Tray	
7	7660162601	4	Nut 3/8	
8	7950160143	16	Washer 3/8	

SECTION 4 - BODY

FIGURE 4-91. STORAGE - SNATCH BLOCKS INSTALLATION (ROTARY RACK)



ART_1001195134

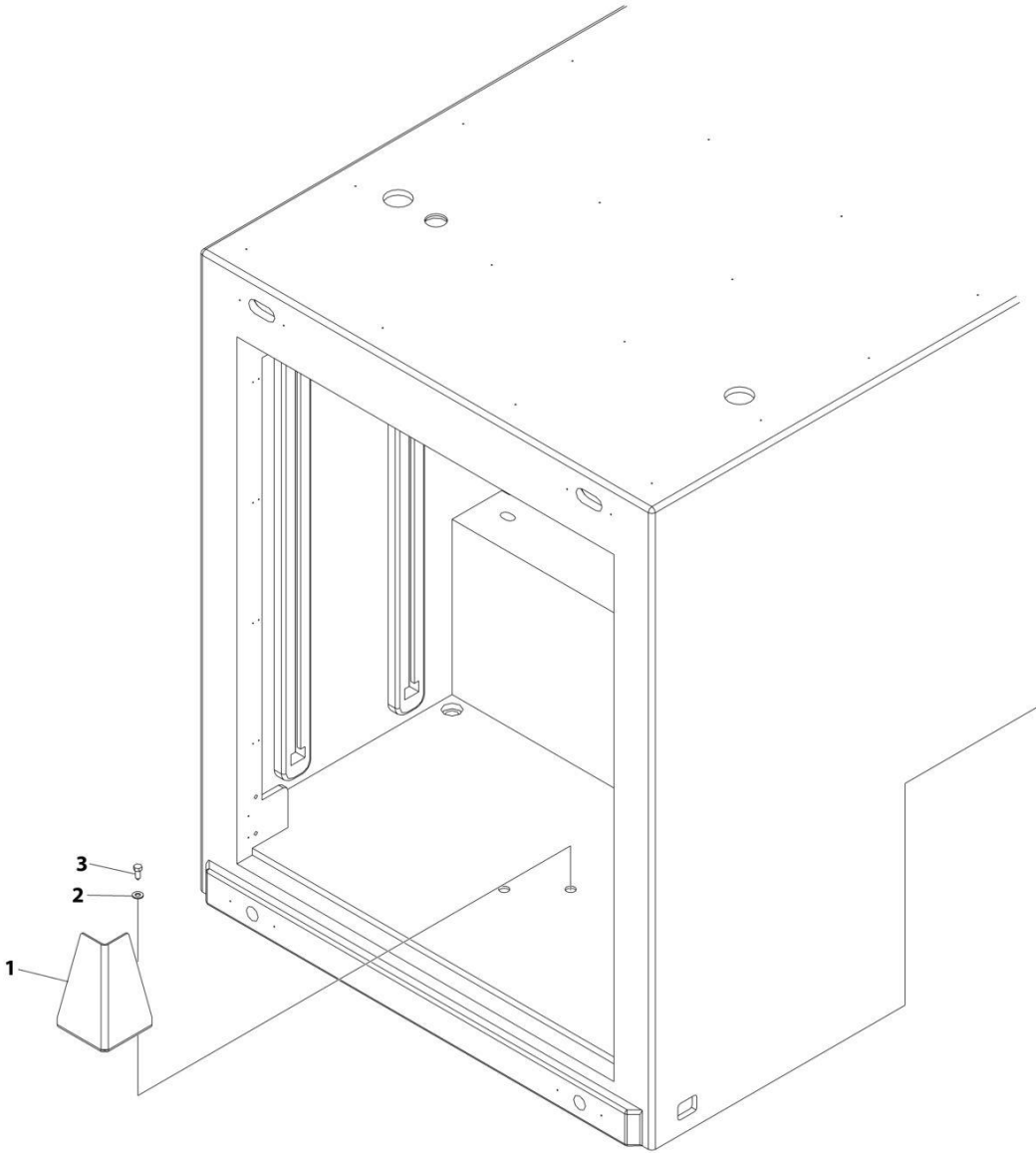
SECTION 4 - BODY

FIGURE 4-91. STORAGE - SNATCH BLOCKS INSTALLATION (ROTARY RACK)

ITEM	PART NUMBER	QTY	DESCRIPTION	REV
	1001195134	Ref	SNATCH BLOCKS STORAGE INSTALLATION	B
1	3020029	AR	Bearing Grease	
2	1001164560	4	Bracket	
3	1001165564	1	Plate	
4	1001165570	1	Bracket	
5	1001165571	1	Bracket	
6	1001165584	2	Plate	
7	1001168733	4	Nut 1/4	
8	1001169063	2	Retaining Ring	
9	1001169064	4	Retaining Ring	
10	1001169076	2	Bearing	
11	1001169078	1	Plug	
12	1001169080	18	Bolt 3/8 x 1-1/4	
13	1001169083	4	Bolt 3/8 x 2	
14	1001190342	4	Bracket	
15	1001190359	1	Support	
16	1001190361	1	Bracket	
17	1001192126	1	Tube	
18	7114140618	4	Capscrew 1/4 x 3/4	
19	7660162601	20	Nut 3/8	
20	7690142845	3	Pin	
21	7950140003	4	Washer 1/4	
22	7950140143	4	Washer 1/4	
23	7950160143	42	Washer 3/8	
24	1001166644	2	Spring Nut 3/8	

SECTION 4 - BODY

FIGURE 4-92. STORAGE - SPILL CONTAINER STORAGE INSTALLATION



ART_1001210748

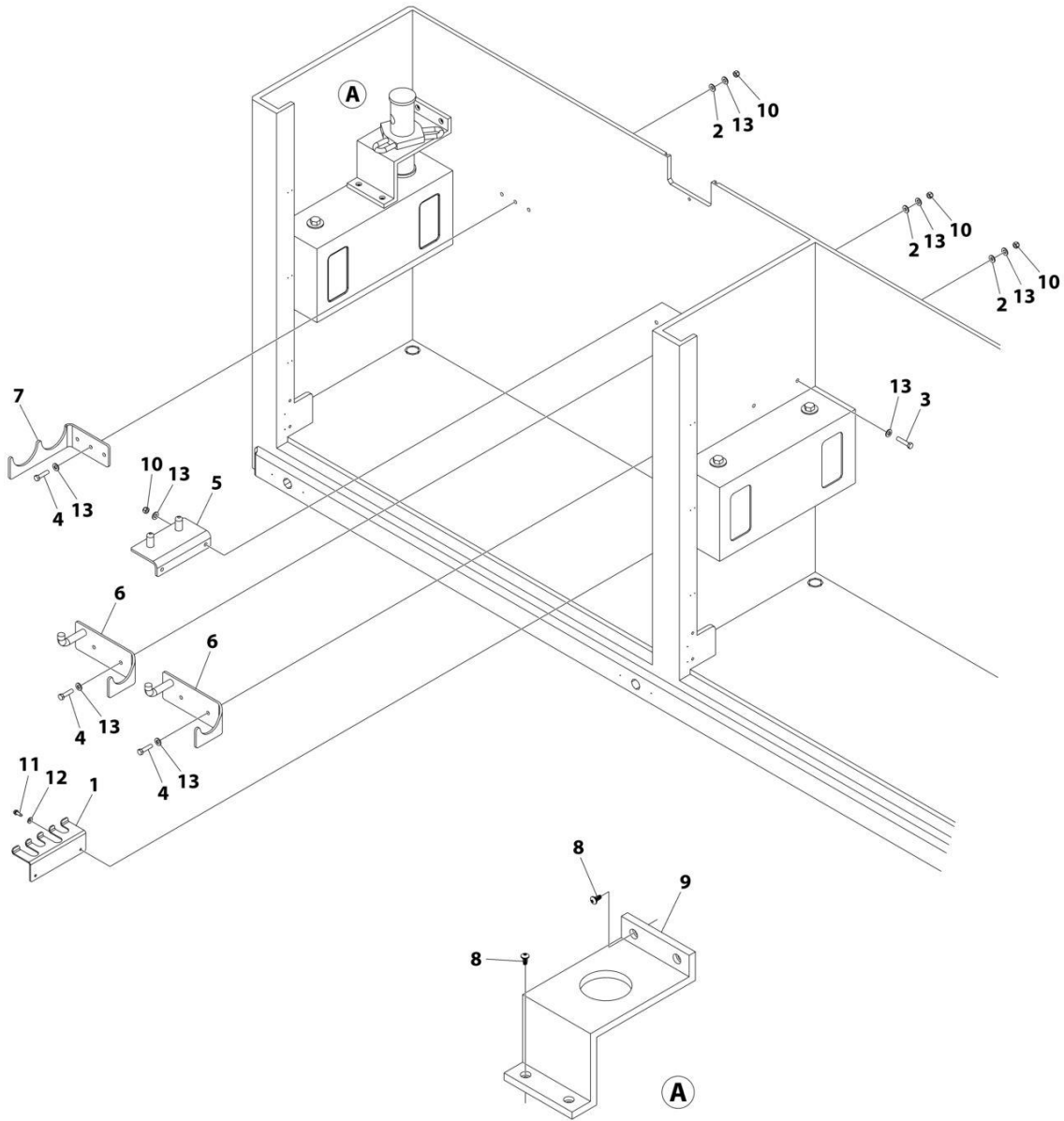
SECTION 4 - BODY

FIGURE 4-92. STORAGE - SPILL CONTAINER STORAGE INSTALLATION

ITEM	PART NUMBER	QTY	DESCRIPTION	REV
	1001210748	Ref	SPILL CONTAINER STORAGE INSTALLATION	B
1	1001183152	1	Bracket	
2	7950160143	2	Washer 3/8	
3	1001168428	2	Screw 3/8 x 1	

SECTION 4 - BODY

FIGURE 4-93. STORAGE - SPREADER BAR INSTALLATION - SINGLE



ART_1001210750

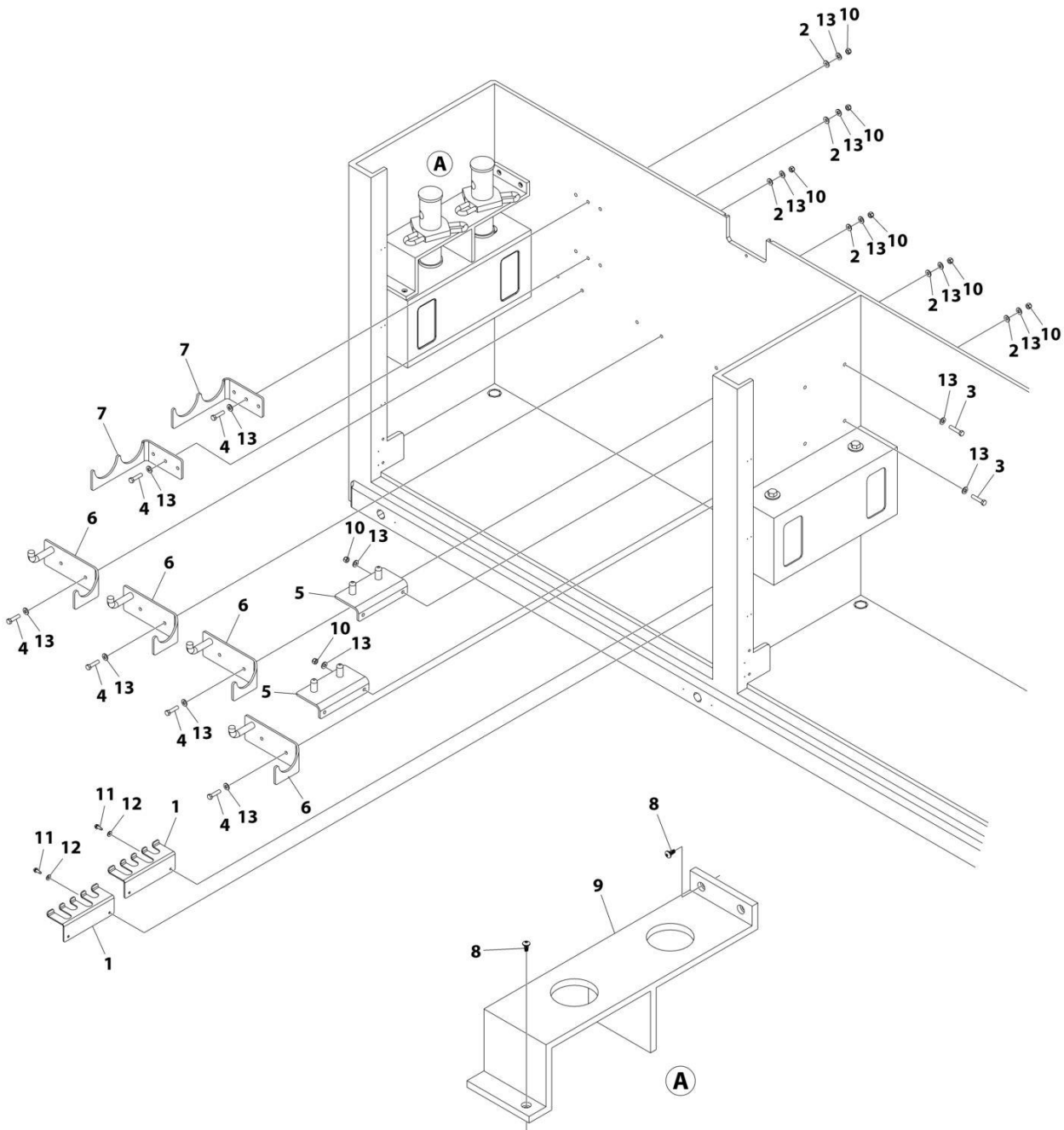
SECTION 4 - BODY

FIGURE 4-93. STORAGE - SPREADER BAR INSTALLATION - SINGLE

ITEM	PART NUMBER	QTY	DESCRIPTION	REV
	1001210750	Ref	SPREADER BAR STORAGE INSTALLATION - SINGLE	C
1	1001160799	1	Bracket	
2	1001166974	7	Washer 3/8	
3	1001168544	2	Bolt 3/8 x 1-3/4	
4	1001168993	7	Bolt 3/8 x 1-1/2	
5	1001174138	1	Support	
6	1001174140	2	Support	
7	1001191613	1	Bracket	
8	1001195257	4	Screw 1/4 x 1/2	
9	1001211394	1	Support	
10	7660162601	9	Nut 3/8	
11	7790141251	2	Screw 1/4 x 3/4	
12	7950140143	2	Washer 1/4	
13	7950160143	18	Washer 3/8	

SECTION 4 - BODY

FIGURE 4-94. STORAGE - SPREADER BAR INSTALLATION - DUAL



ART_1001207548

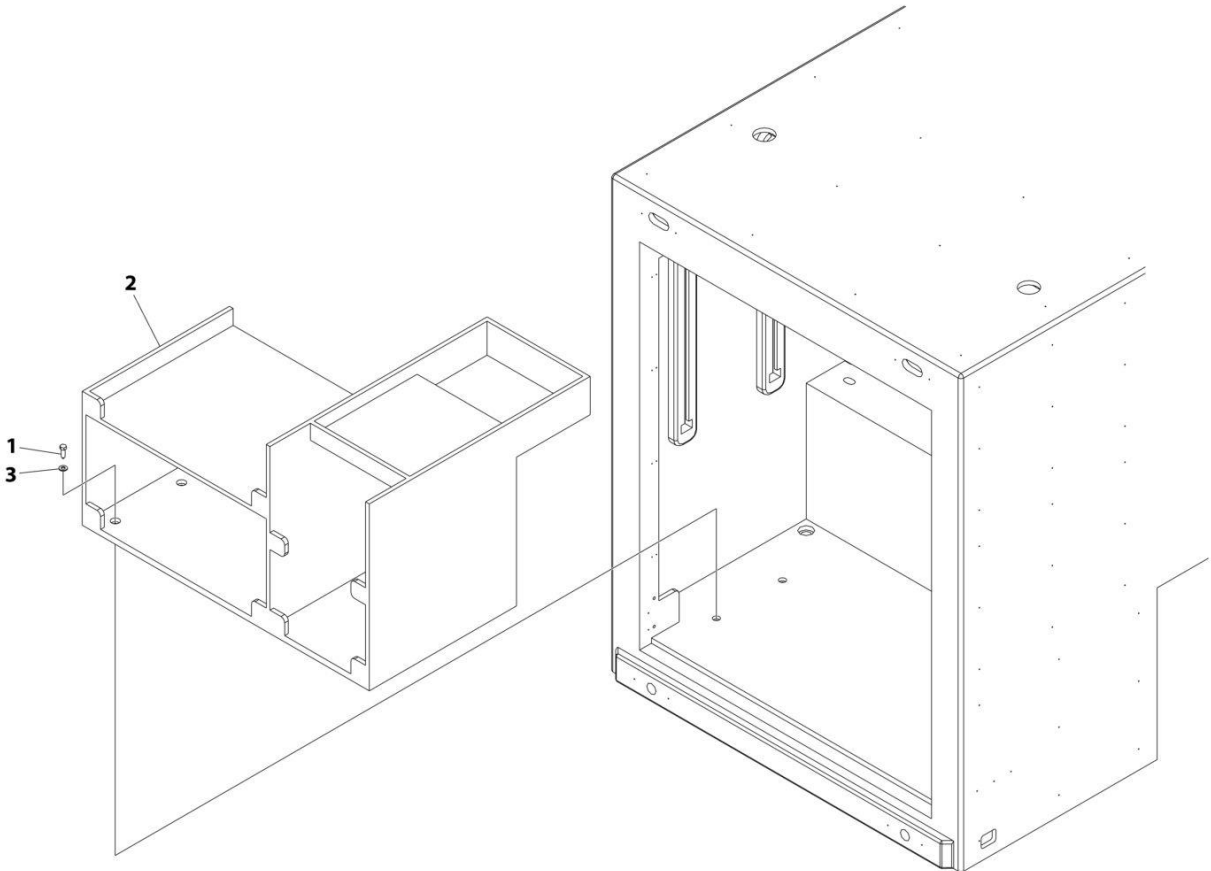
SECTION 4 - BODY

FIGURE 4-94. STORAGE - SPREADER BAR INSTALLATION - DUAL

ITEM	PART NUMBER	QTY	DESCRIPTION	REV
	1001207548	Ref	SPREADER BAR STORAGE INSTALLATION - DUAL	C
1	1001160799	2	Bracket	
2	1001166974	14	Washer 3/8	
3	1001168544	4	Bolt 3/8 x 1-3/4	
4	1001168993	14	Bolt 3/8 x 1-1/2	
5	1001174138	2	Support	
6	1001174140	4	Support	
7	1001191613	2	Bracket	
8	1001195257	3	Screw 1/4 x 1/2	
9	1001207543	1	Support	
10	7660162601	18	Nut 3/8	
11	7790141251	4	Screw 1/4 x 3/4	
12	7950140143	4	Washer 1/4	
13	7950160143	36	Washer 3/8	

SECTION 4 - BODY

FIGURE 4-95. STORAGE - STRAPS INSTALLATION - TANDEM



ART_1001207593

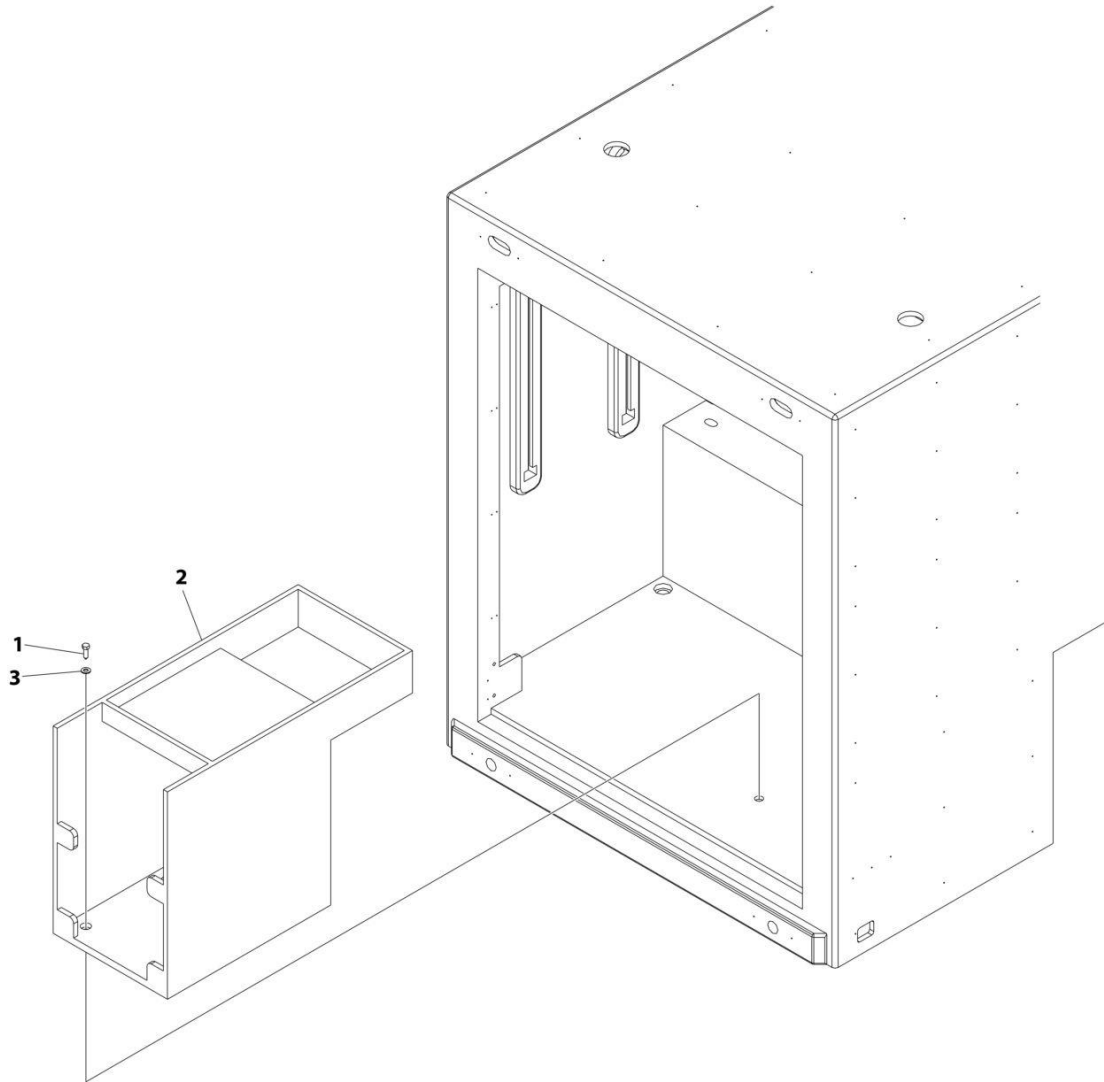
SECTION 4 - BODY

FIGURE 4-95. STORAGE - STRAPS INSTALLATION - TANDEM

ITEM	PART NUMBER	QTY	DESCRIPTION	REV
	1001207593	Ref	STRAPS STORAGE INSTALLATION	B
1	1001168545	4	Capscrew 3/8 x 1-1/4	
2	1001208651	1	Organizer - Tandem	
3	7950160143	4	Washer 3/8	

SECTION 4 - BODY

FIGURE 4-96. STORAGE - STRAPS INSTALLATION - TRI-AXLE



ART_1001208637

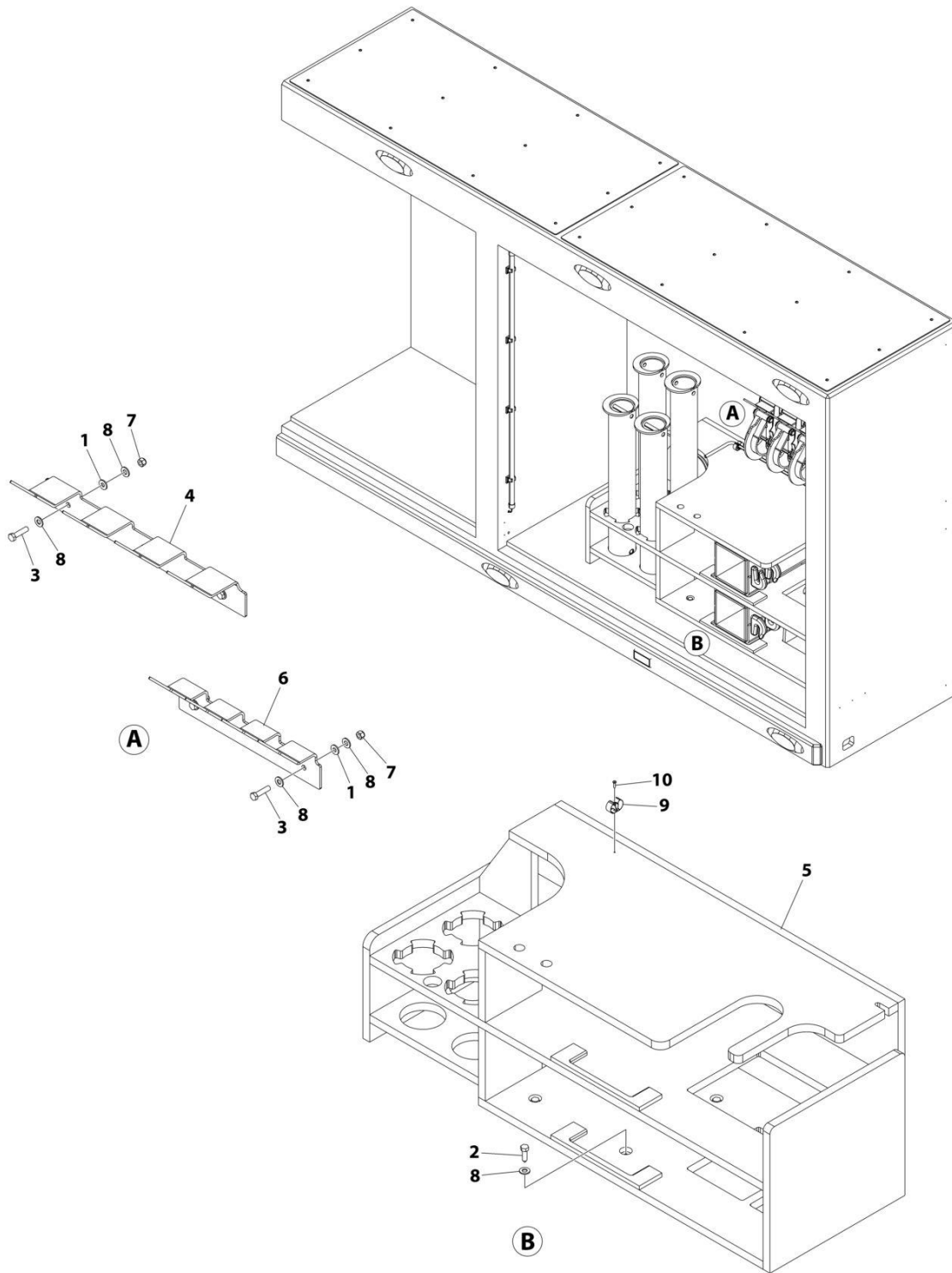
SECTION 4 - BODY

FIGURE 4-96. STORAGE - STRAPS INSTALLATION - TRI-AXLE

ITEM	PART NUMBER	QTY	DESCRIPTION	REV
	1001208637	Ref	STRAPS STORAGE INSTALLATION	B
1	1001168545	4	Capscrew 3/8 x 1-1/4	
2	1001208650	1	Organizer - Tri-Axle	
3	7950160143	4	Washer 3/8	

SECTION 4 - BODY

FIGURE 4-97. STORAGE - TIRE LIFT/BUS ARMS & RATCHETS - BB



ART_1001207556

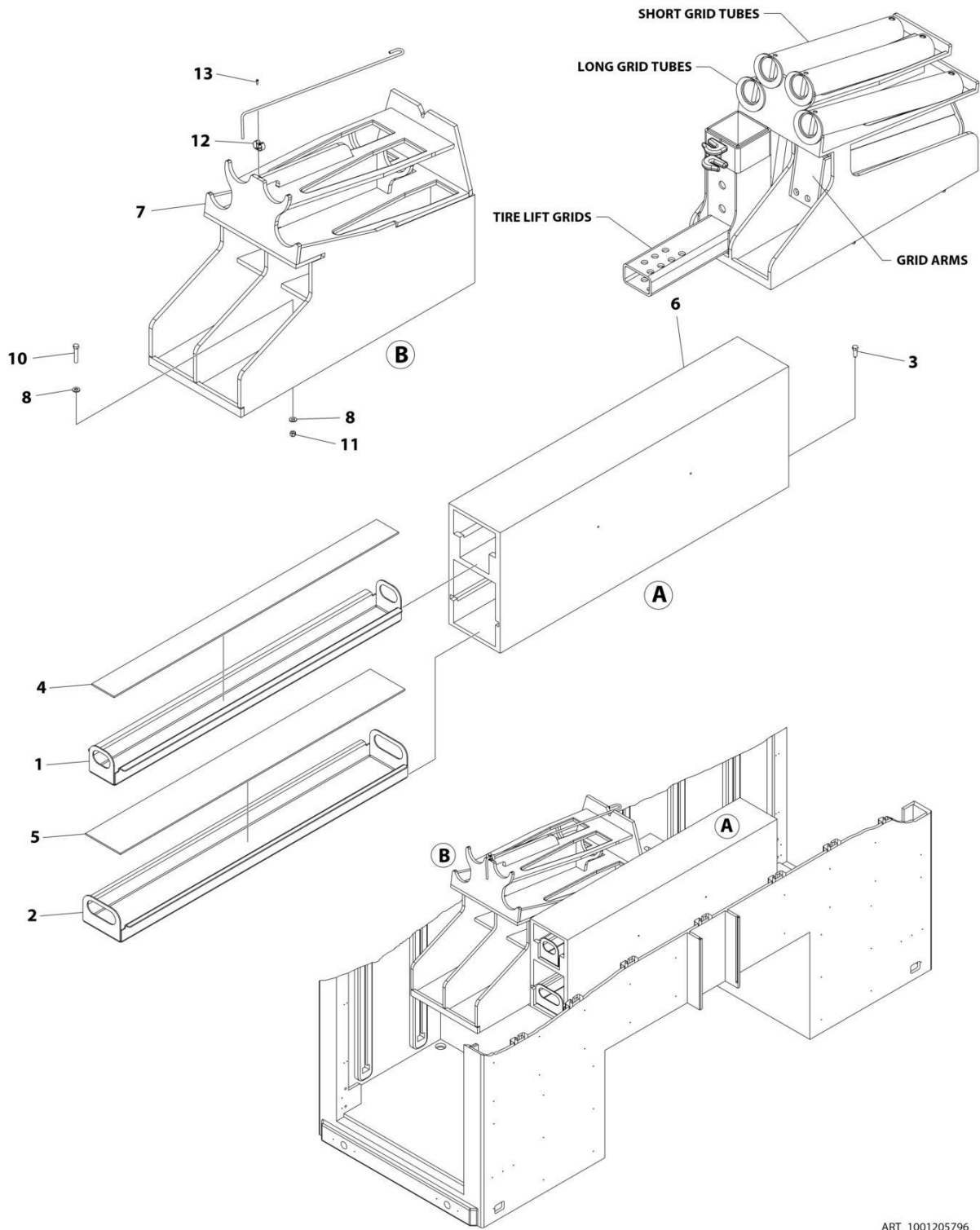
SECTION 4 - BODY

FIGURE 4-97. STORAGE - TIRE LIFT/BUS ARMS & RATCHETS - BB

ITEM	PART NUMBER	QTY	DESCRIPTION	REV
	1001207556	Ref	TIRE LIFT INSTALLATION	C
1	1001166974	5	Washer 3/8	
2	1001168545	4	Capscrew 3/8 x 1-1/4	
3	1001168993	5	Bolt 3/8 x 1-1/2	
4	1001182248	1	Bracket	
5	1001190409	1	Storage	
6	1001207624	1	Bracket	
7	7660162601	5	Nut 3/8	
8	7950160143	14	Washer 3/8	
9	1380135	1	Clip	
10	3900339	1	Screw #6 x 1/2	

SECTION 4 - BODY

FIGURE 4-98. STORAGE - TIRE LIFT/BUS ARMS & RATCHETS - 36IN



ART_1001205796

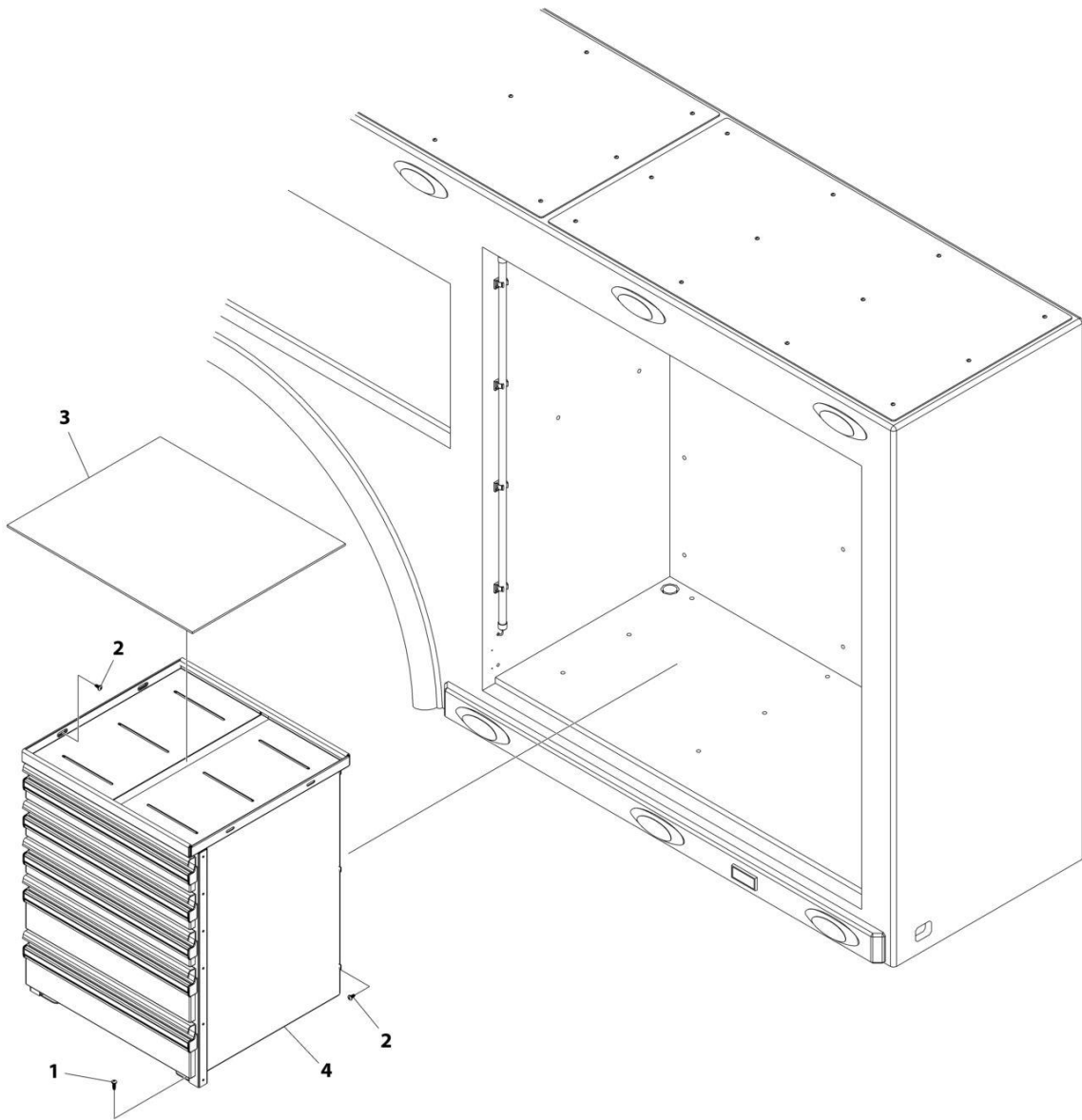
SECTION 4 - BODY

FIGURE 4-98. STORAGE - TIRE LIFT/BUS ARMS & RATCHETS - 36IN

ITEM	PART NUMBER	QTY	DESCRIPTION	REV
	1001205796	Ref	TIRE STORAGE INSTALLATION, 36IN	B
1	1001165862	1	Tray, Small	
2	1001165863	1	Tray, Large	
3	1001168545	4	Capscrew 3/8 x 1-1/4	
4	1001170968	1	Pad, Small	
5	1001170970	1	Pad, Large	
6	1001170971	1	Bracket	
7	1001192287	1	Storage	
8	7950160143	8	Washer 3/8	
10	7115161650	4	Capscrew 3/8 x 2	
11	7660162601	4	Nut 3/8	
12	1380135	1	Clip	
13	3900339	1	Screw #6 x 1/2	

SECTION 4 - BODY

FIGURE 4-99. STORAGE - TOOL DRAWER INSTALLATION



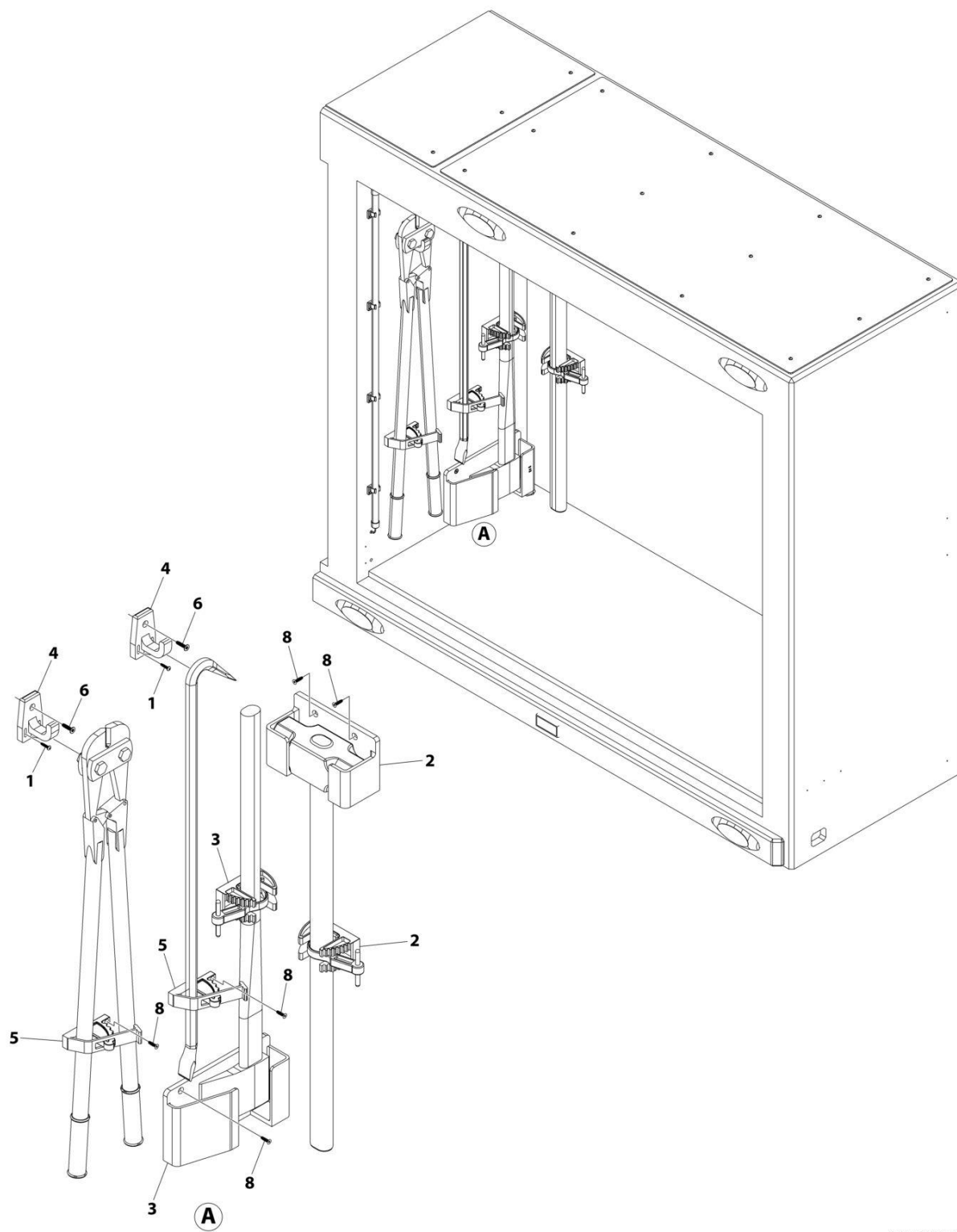
ART_1001220164

FIGURE 4-99. STORAGE - TOOL DRAWER INSTALLATION

ITEM	PART NUMBER	QTY	DESCRIPTION	REV
	1001220164	Ref	TOOL DRAWER INSTALLATION (TANDEM)	B
1	1001194676	6	Screw 1/4 x 3/4	
2	1001195257	8	Screw 1/4 x 1/2	
3	1001195279	1	Pad	
4	1001266946	1	Toolbox	

SECTION 4 - BODY

FIGURE 4-100. STORAGE - TOOL STORAGE INSTALLATION



ART_1001208205

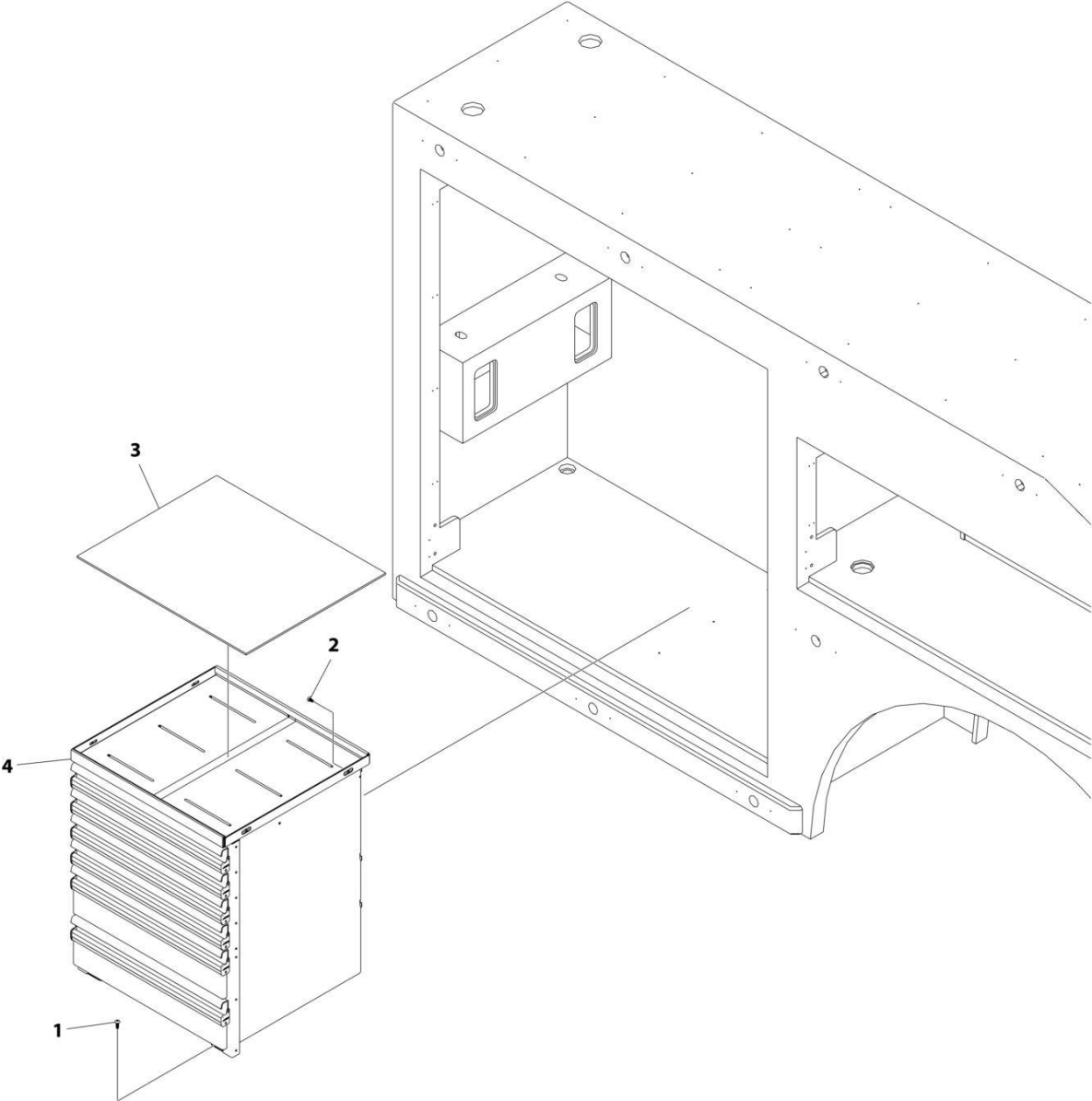
SECTION 4 - BODY

FIGURE 4-100. STORAGE - TOOL STORAGE INSTALLATION

ITEM	PART NUMBER	QTY	DESCRIPTION	REV
	1001208205	Ref	TOOL STORAGE INSTALLATION	C
1	1001196552	4	Screw #8 x 3/4	
2	1001201215	1	Bracket	
3	1001201216	1	Bracket	
4	1001201217	2	Bracket	
5	1001201218	2	Bracket	
6	1001201367	6	Screw 1/4 x 1	
8	1001210868	10	Screw #10 x 3/4	

SECTION 4 - BODY

FIGURE 4-101. STORAGE - TOOL DRAWER INSTALLATION (TANDEM)



ART_1001195256

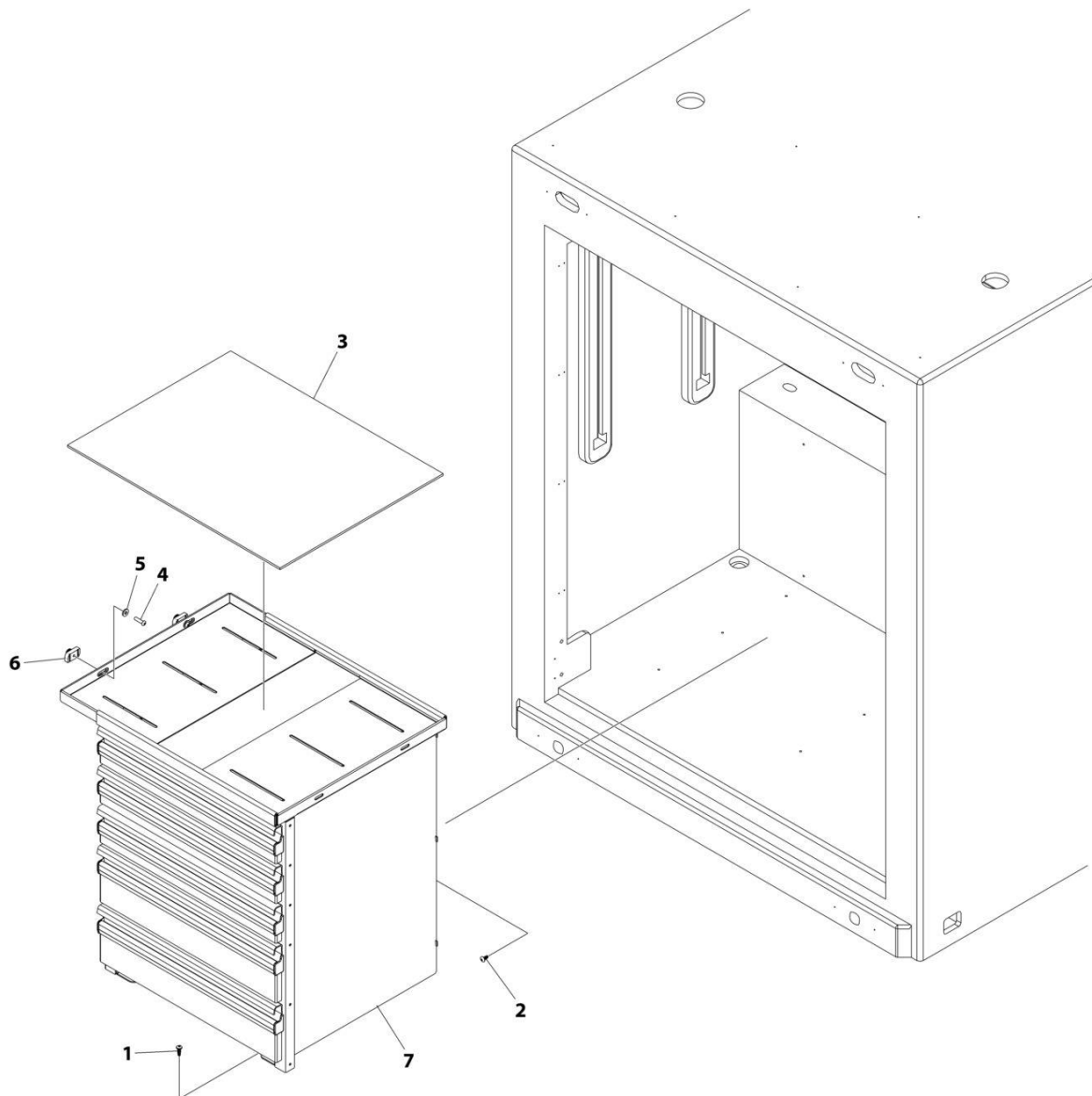
SECTION 4 - BODY

FIGURE 4-101. STORAGE - TOOL DRAWER INSTALLATION (TANDEM)

ITEM	PART NUMBER	QTY	DESCRIPTION	REV
	1001195256	Ref	Tool Drawer Installation, Tandem	B
1	1001194676	6	Screw 1/4 x 3/4	
2	1001195257	8	Screw 1/4 x 1/2	
3	1001195279	1	Pad	
3	1001190410	1	Toolbox (SN 0230004275 through 0230008203)	
4	1001266946	1	Toolbox (SN 0230008204 to Present)	

SECTION 4 - BODY

FIGURE 4-102. STORAGE - TOOL DRAWER INSTALLATION (TRI-AXLE PASSENGERS SIDE)



ART_1001208635

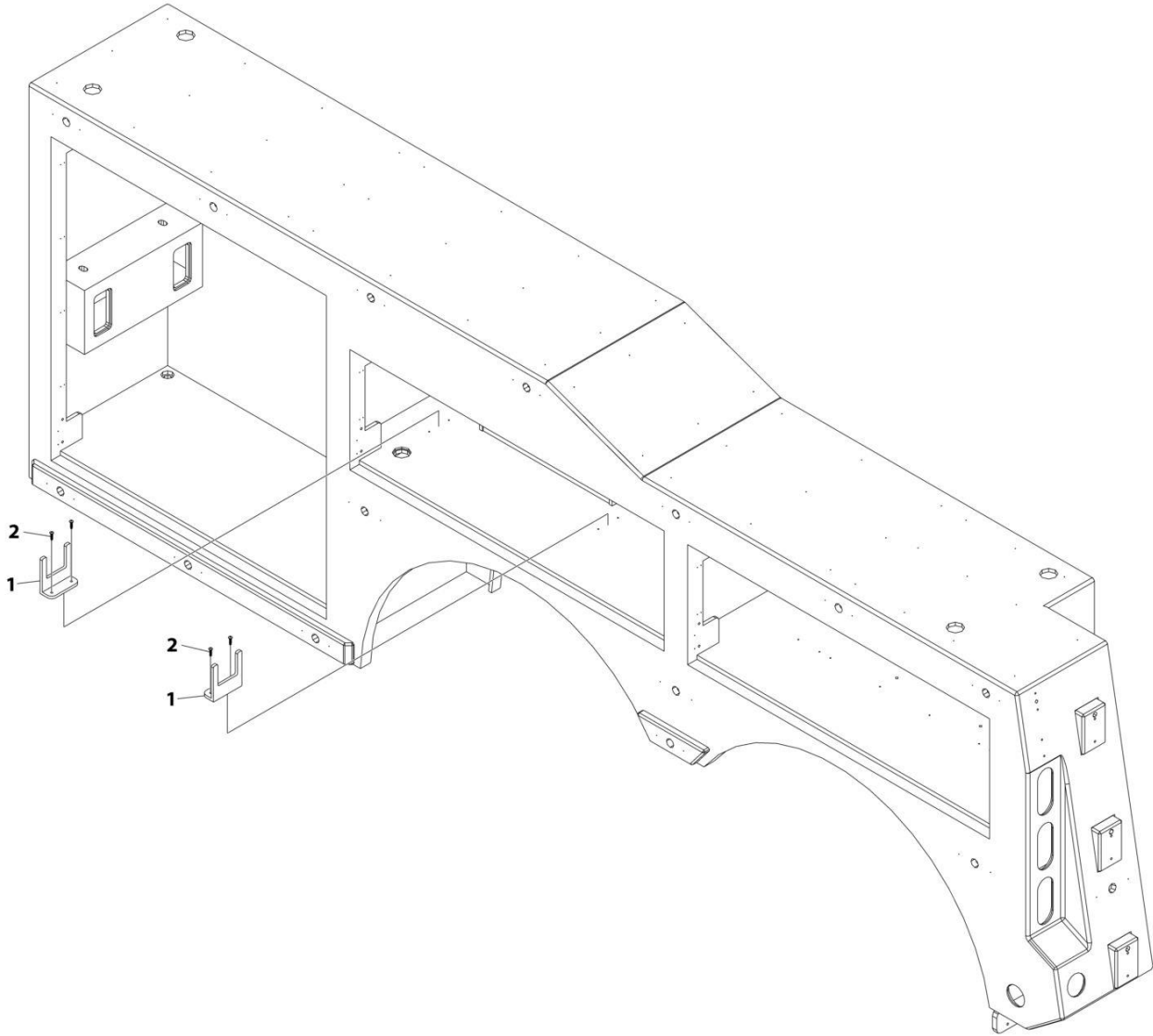
SECTION 4 - BODY

FIGURE 4-102. STORAGE - TOOL DRAWER INSTALLATION (TRI-AXLE PASSENGERS SIDE)

ITEM	PART NUMBER	QTY	DESCRIPTION	REV
	1001208635	Ref	TOOLBOX/DRAWER INSTALLATION	C
1	1001194676	6	Screw 1/4 x 3/4	
2	1001195257	4	Screw 1/4 x 1/2	
3	1001195341	1	Pad	
4	7114140818	2	Capscrew 1/2 x 1	
5	7950140143	2	Washer 1/4	
6	1001183037	2	Nut 1/4	
7	1001190410	1	Toolbox (SN 0230004275 through 0230008203)	
7	1001266946	1	Toolbox (SN 0230008204 to Present)	

SECTION 4 - BODY

FIGURE 4-103. STORAGE - TOW LIGHT STORAGE INSTALLATION



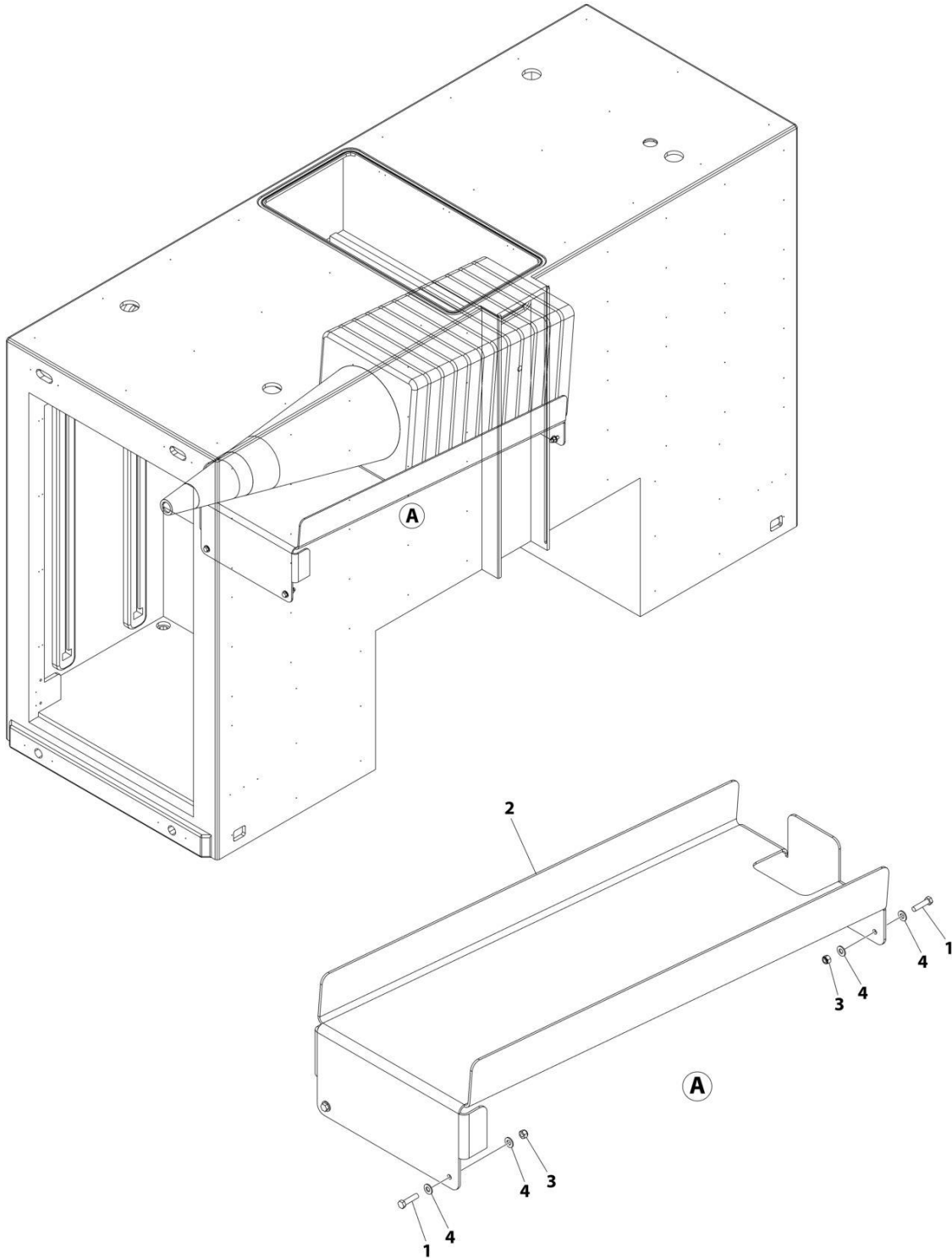
ART_1001195592

FIGURE 4-103. STORAGE - TOW LIGHT STORAGE INSTALLATION

ITEM	PART NUMBER	QTY	DESCRIPTION	REV
	1001195592	Ref	TOW LIGHT STORAGE INSTALLATION	B
1	1001170618	2	Bracket	
2	1001195523	4	Screw 1/4 x 1	

SECTION 4 - BODY

FIGURE 4-104. STORAGE - TRAFFIC CONE STORAGE INSTALLATION



ART_1001207508

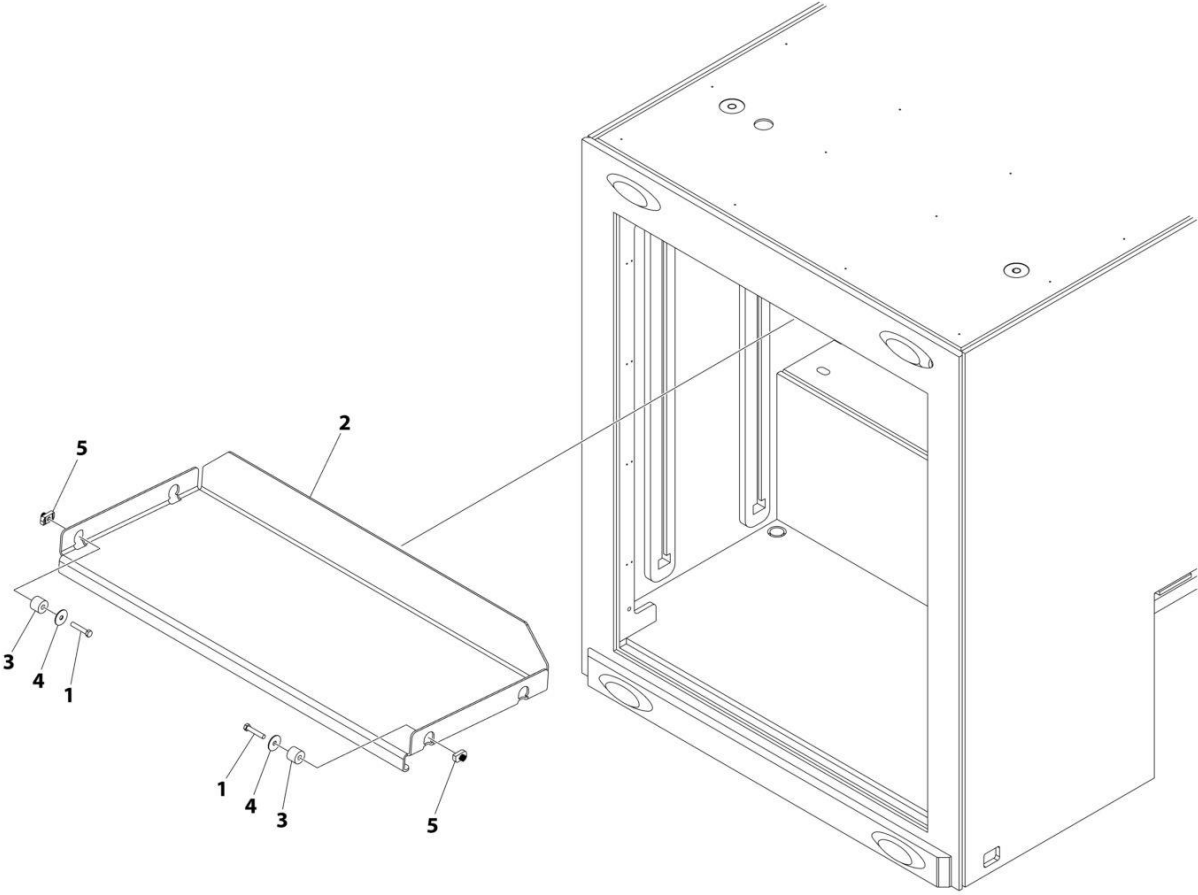
SECTION 4 - BODY

FIGURE 4-104. STORAGE - TRAFFIC CONE STORAGE INSTALLATION

ITEM	PART NUMBER	QTY	DESCRIPTION	REV
	1001207508	Ref	TRAFFIC CONE INSTALLATION	B
1	1001168993	4	Bolt 3/8 x 1-1/2	
2	1001190551	1	Bracket	
3	7660162601	4	Nut 3/8	
4	7950160143	8	Washer 3/8	

SECTION 4 - BODY

FIGURE 4-105. STORAGE - UPPER SHELF - 48IN



ART_1001214303

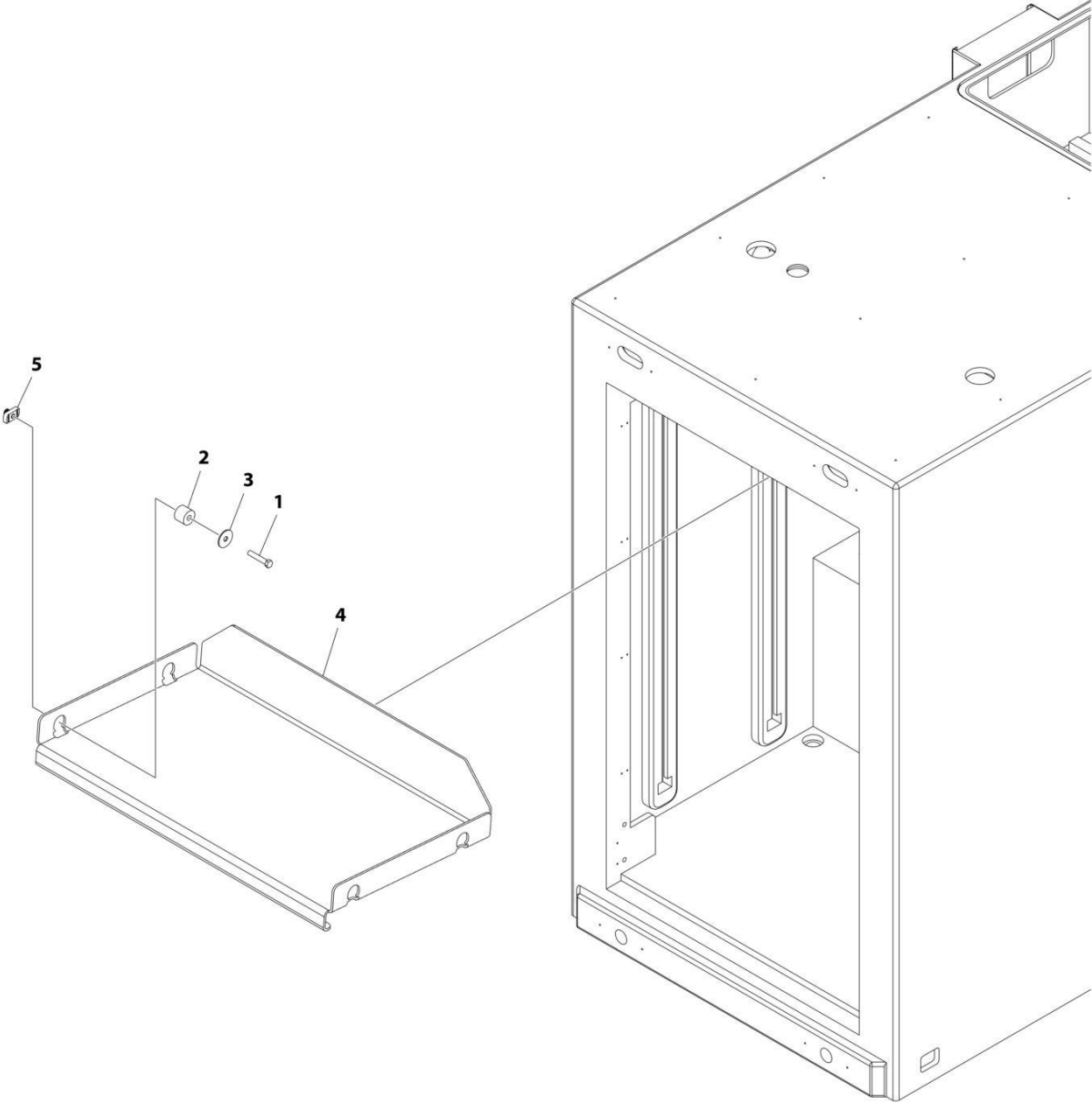
SECTION 4 - BODY

FIGURE 4-105. STORAGE - UPPER SHELF - 48IN

ITEM	PART NUMBER	QTY	DESCRIPTION	REV
	1001214303	Ref	UPPER SHELF INSTALLATION - 48IN (51IN SIL LITE)	A
1	1001169083	4	Capscrew 3/8 x 2	
2	1001214265	1	Panel	
3	1001214266	4	Mount	
4	1001214267	4	Washer 3/8	
5	1001166644	4	Nut 3/8	

SECTION 4 - BODY

FIGURE 4-106. STORAGE - UPPER SHELF - 36IN



ART_1001214298

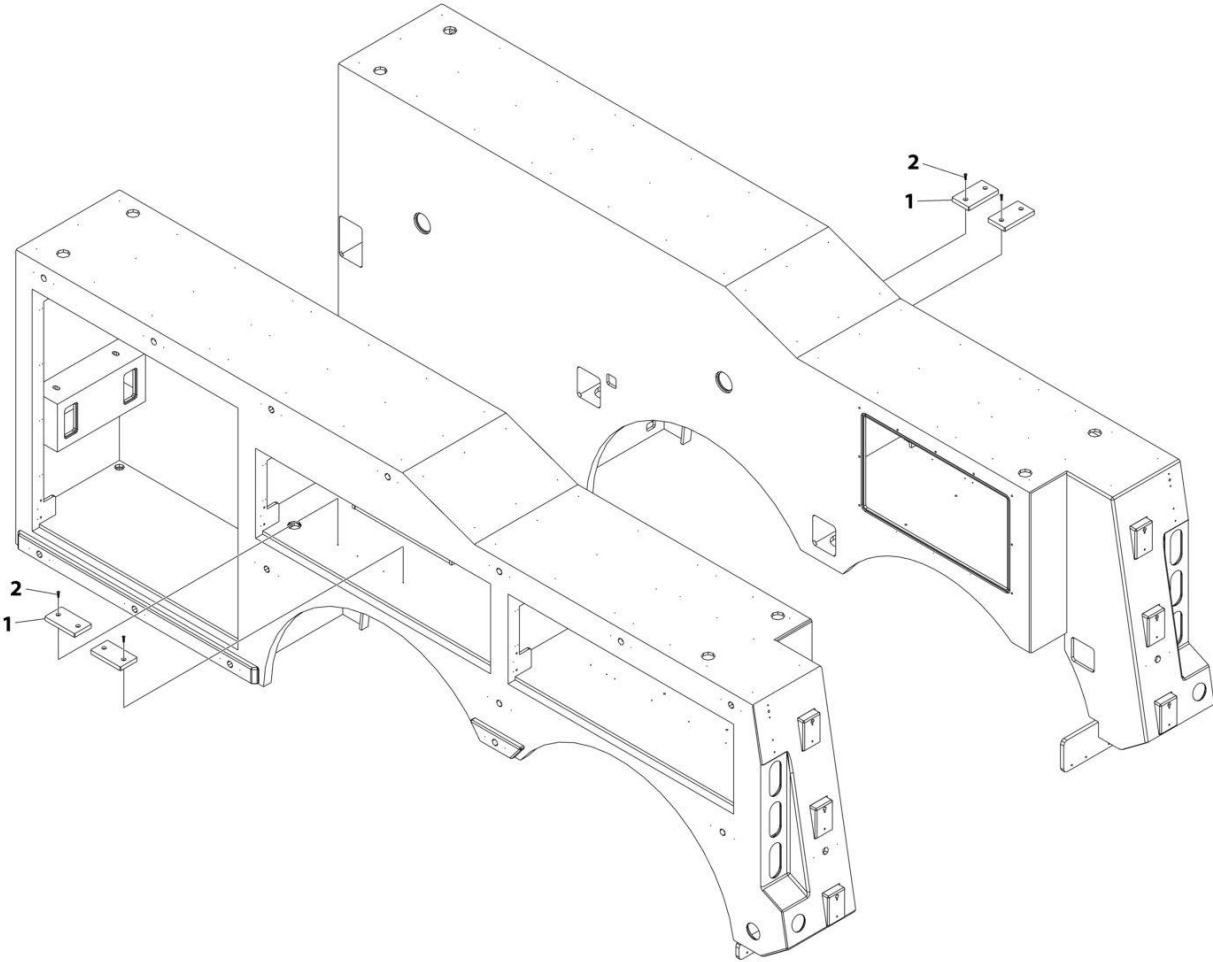
SECTION 4 - BODY

FIGURE 4-106. STORAGE - UPPER SHELF - 36IN

ITEM	PART NUMBER	QTY	DESCRIPTION	REV
	1001214298	Ref	UPPER SHELF INSTALLATION - 36IN (39IN JFB)	A
1	1001169083	8	Capscrew 3/8 x 2	
2	1001214266	8	Mount	
3	1001214267	8	Washer 3/8	
4	1001214301	2	Panel	
5	1001166644	8	Nut 3/8	

SECTION 4 - BODY

FIGURE 4-107. STORAGE - WHEEL CHOCK STORAGE INSTALLATION



ART_1001195520

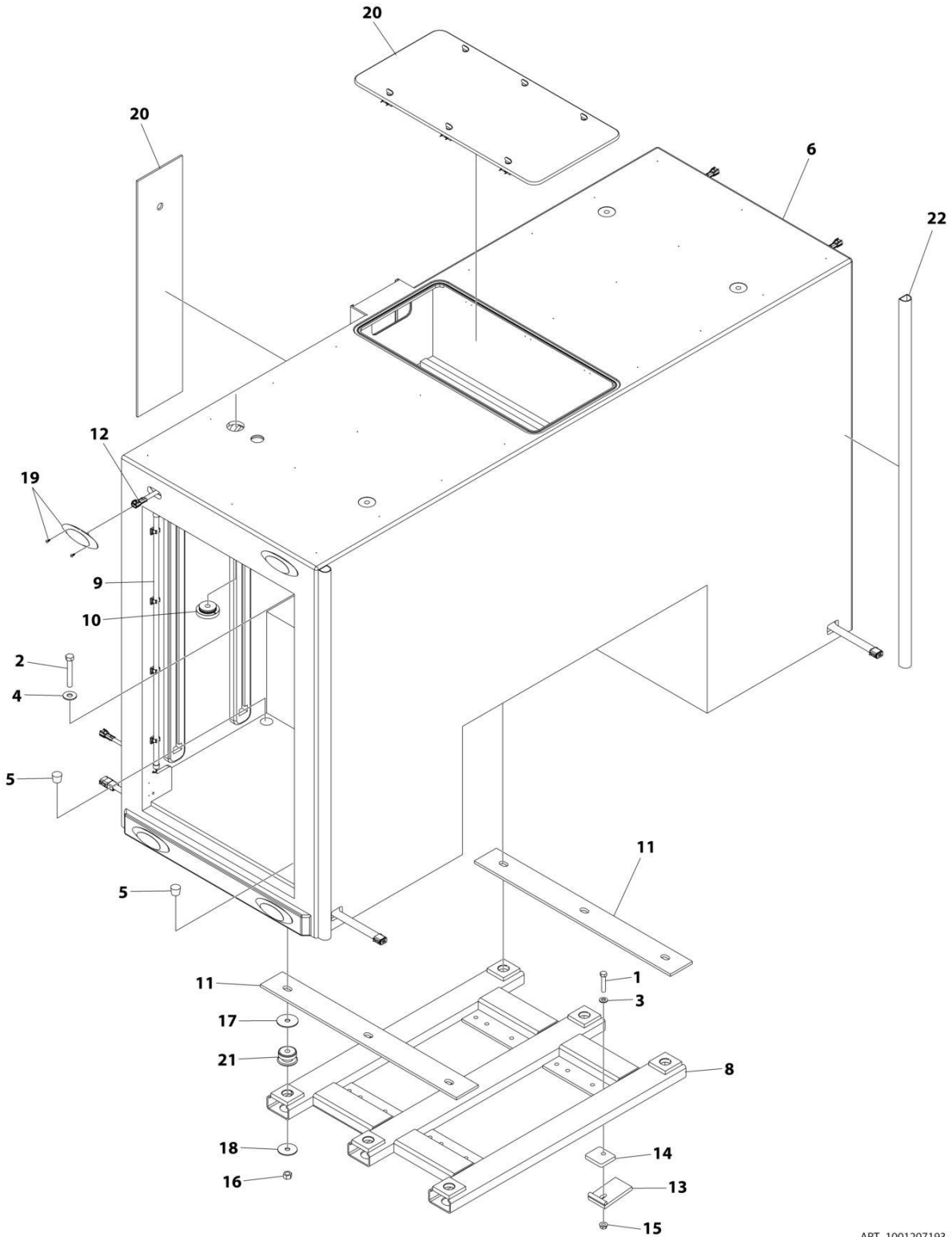
SECTION 4 - BODY

FIGURE 4-107. STORAGE - WHEEL CHOCK STORAGE INSTALLATION

ITEM	PART NUMBER	QTY	DESCRIPTION	REV
	1001195520	Ref	WHEEL CHOCK STORAGE INSTALLATION	C
1	1001170707	4	Wheel Chock Stops	
2	1001195523	8	Screw 1/4 x 1	

SECTION 4 - BODY

FIGURE 4-108. TUNNEL INSTALLATION - 39IN



ART_1001207193_E

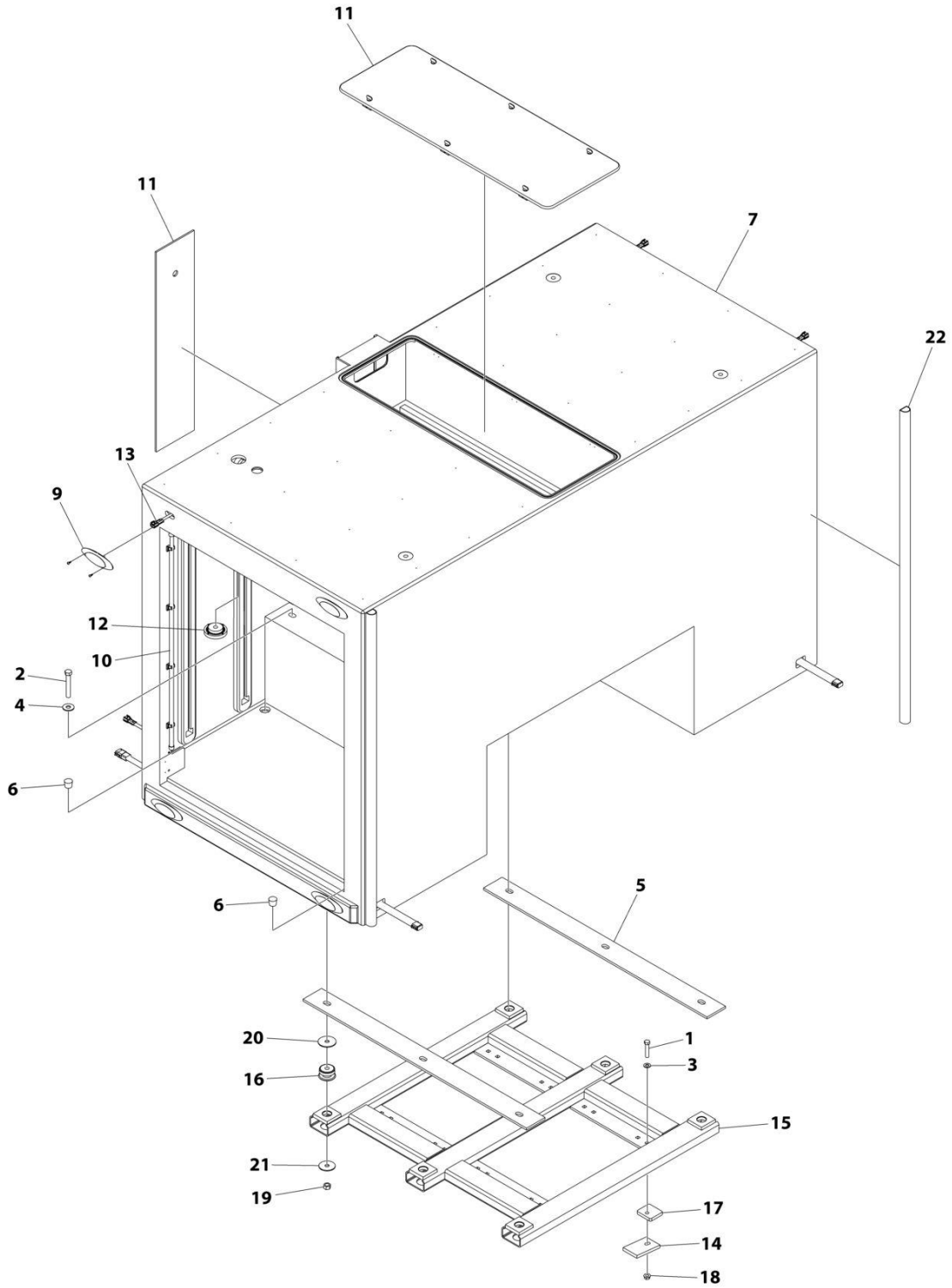
SECTION 4 - BODY

FIGURE 4-108. TUNNEL INSTALLATION - 39IN

ITEM	PART NUMBER	QTY	DESCRIPTION	REV
	1001207193	Ref	TUNNEL INSTALLATION - 39IN	E
1	0641820	8	Bolt 1/2 x 2-1/2	
2	0642034	6	Bolt 5/8 x 4-1/4	
3	4711800	8	Washer 1/2	
4	4752000	6	Washer 5/8	
5	1001173847	4	Plug	
6	1001186491	1	Tunnel Toolbox	
8	1001187063	1	Toolbox Mount	
9	1001196583	1	Tunnel Compartment Lights Installation (See Separate Breakdown in ELECTRICAL Section)	
10	1001196808	1	Lifting Lugs Installation (See Separate Breakdown in this Section)	
11	1001197338	2	Support	
12	1001207199	1	Harness Installation - Tunnel (See Separate Breakdown in this Section)	
13	3274000011	8	Clamp Weldment	
14	4705000705	8	Plate	
15	7660182301	8	Nut 1/2	
16	7660200001	6	Nut 5/8	
17	7949000019	6	Washer	
18	7949000020	6	Washer	
19	1001196625	1	Marker Lights Installation (See Separate Breakdown in ELECTRICAL Section)	
20	1001197133	1	Battery Cover Installation (See Separate Breakdown in this Section)	
21	7636000008	6	Mount	
22	8632000011	10 ft	Seal	

SECTION 4 - BODY

FIGURE 4-109. TUNNEL INSTALLATION - 51IN



ART_1001207195

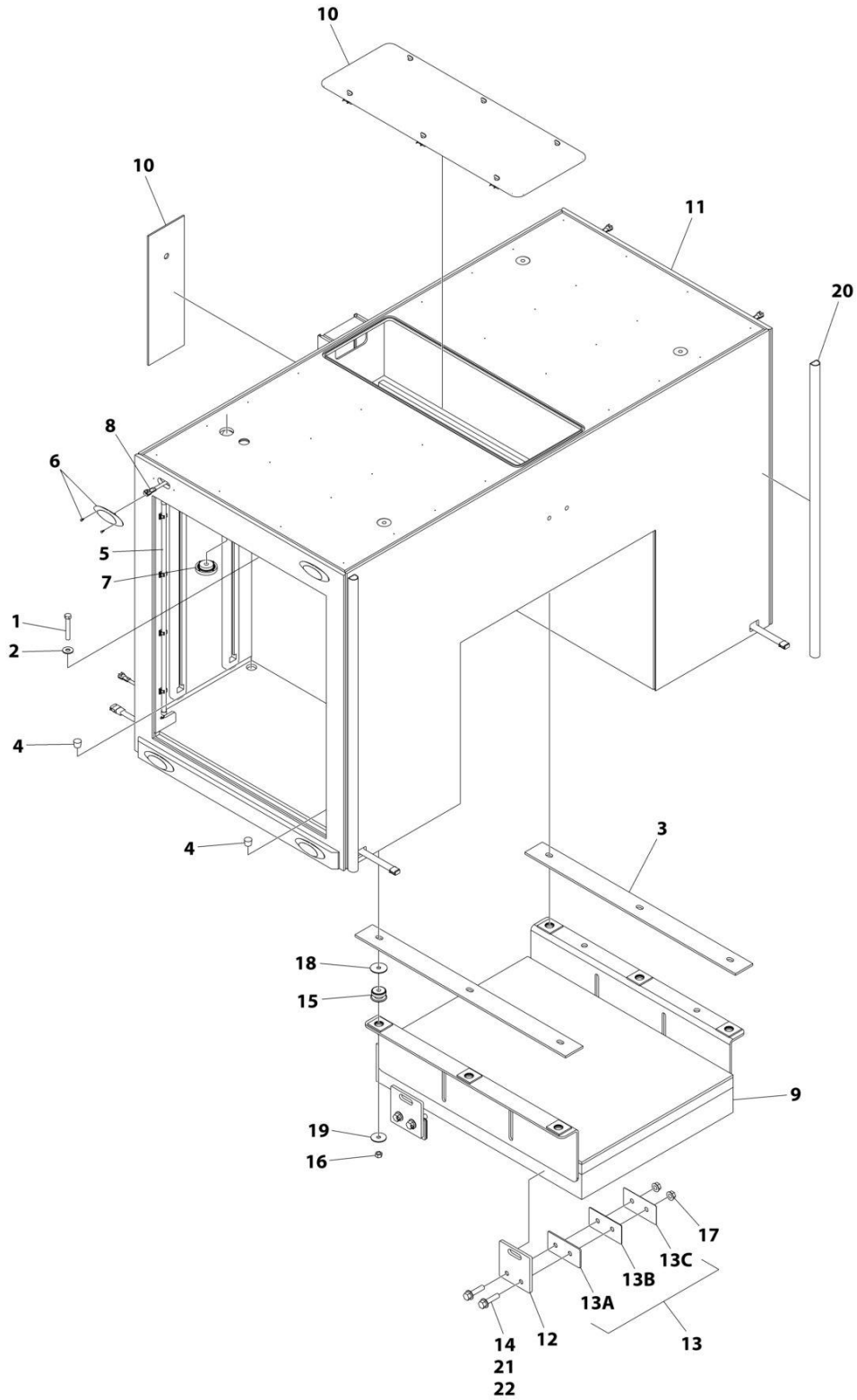
SECTION 4 - BODY

FIGURE 4-109. TUNNEL INSTALLATION - 51IN

ITEM	PART NUMBER	QTY	DESCRIPTION	REV
	1001207195	Ref	TUNNEL INSTALLATION - 51IN	D
1	0641820	8	Bolt 1/2 x 2-1/2	
2	0642034	6	Bolt 5/8 x 4-1/4	
3	4711800	8	Washer 1/2	
4	4752000	6	Washer 5/8	
5	1001165692	2	Support	
6	1001173847	4	Plug	
7	1001185657	1	Tunnel Toolbox	
9	1001196625	1	Marker Lights Installation (See Separate Breakdown in ELECTRICAL Section)	
10	1001196583	1	Tunnel Compartment Lights Installation (See Separate Breakdown in ELECTRICAL Section)	
11	1001197134	1	Battery Cover 6 Installation (See Separate Breakdown in this Section)	
12	1001196808	1	Lifting Lugs Installation (See Separate Breakdown in this Section)	
13	1001207199	1	Harness Installation - Tunnel (See Separate Breakdown in ELECTRICAL Section)	
14	3274000011	8	Clamp Weldment	
15	3911000068	1	Toolbox Mount	
16	7636000008	6	Mount	
17	4705000705	8	Plate	
18	7660182301	8	Nut 1/2	
19	7660200001	6	Nut 5/8	
20	7949000019	6	Washer	
21	7949000020	6	Washer	
22	8632000011	10 ft	Seal	

SECTION 4 - BODY

FIGURE 4-110. TUNNEL INSTALLATION - 51IN WITH 3.5K CWT



ART_1001211490

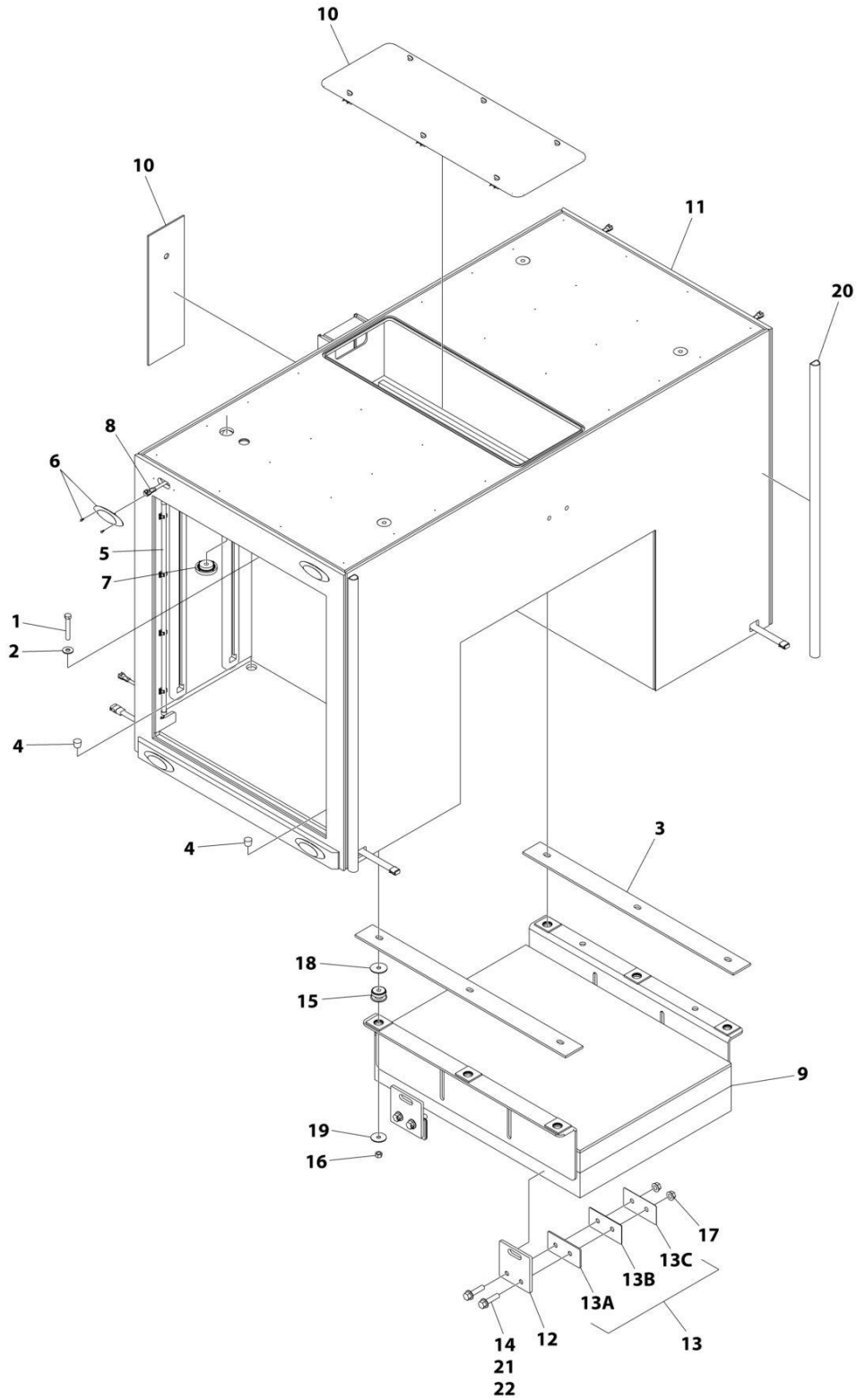
SECTION 4 - BODY

FIGURE 4-110. TUNNEL INSTALLATION - 51IN WITH 3.5K CWT

ITEM	PART NUMBER	QTY	DESCRIPTION	REV
	1001211490	Ref	TUNNEL INSTALLATION - 51IN WITH 3.5K CWT	C
1	0642034	6	Bolt 5/8 x 4-1/4	
2	4752000	6	Washer 5/8	
3	1001165692	2	Support	
4	1001173847	4	Plug	
5	1001196583	1	Tunnel Compartment Lights Installation (See Separate Breakdown in ELECTRICAL Section)	
6	1001196625	1	Marker Lights Installation (See Separate Breakdown in ELECTRICAL Section)	
7	1001196808	1	Lifting Lugs Installation (See Separate Breakdown in this Section)	
8	1001207199	1	Harness Installation - Tunnel (See Separate Breakdown in ELECTRICAL Section)	
9	1001211486	1	Tunnel Weight	
10	1001219741	1	Battery Cover Installation (See Separate Breakdown in this Section)	
11	1001219833	1	Tunnel Toolbox	
12	1001219916	1	Plate	
13	1001219921	1	Shim Kit	
13A	1001219917	4	Shim 1/4	
13B	1001219918	4	Shim 11 ga	
13C	1001219919	4	Shim 16 ga	
14	7118222416	8	Bolt 3/4 x 3	
15	7636000008	6	Mount	
16	7660200001	6	Nut 5/8	
17	7660222308	8	Nut 3/4	
18	7949000019	6	Washer	
19	7949000020	6	Washer	
20	8632000011	10 ft	Seal	
21	7118222016	AR	Bolt 3/4 x 2-1/2	
22	7118222816	AR	Bolt 3/4 x 3-1/2	

SECTION 4 - BODY

FIGURE 4-111. TUNNEL INSTALLATION - 51IN WITH 4.5K CWT



ART_1001211491

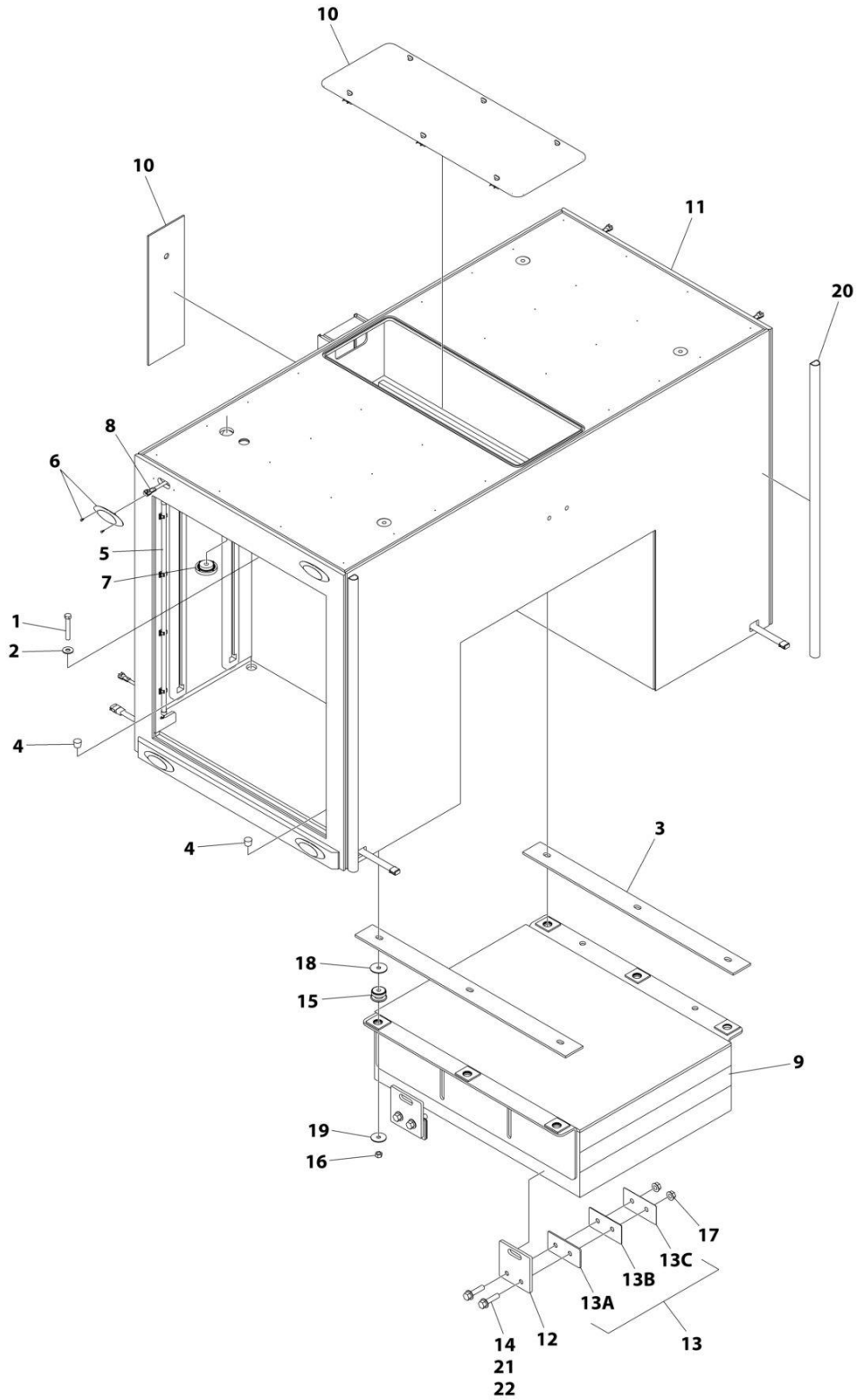
SECTION 4 - BODY

FIGURE 4-111. TUNNEL INSTALLATION - 51IN WITH 4.5K CWT

ITEM	PART NUMBER	QTY	DESCRIPTION	REV
	1001211491	Ref	TUNNEL INSTALLATION - 51IN WITH 4.5K CWT	D
1	0642034	6	Bolt 5/8 x 4-1/4	
2	4752000	6	Washer 5/8	
3	1001165692	2	Support	
4	1001173847	4	Plug	
5	1001196583	1	Tunnel Compartment Lights Installation (See Separate Breakdown in ELECTRICAL Section)	
6	1001196625	1	Marker Lights Installation (See Separate Breakdown in ELECTRICAL Section)	
7	1001196808	1	Lifting Lugs Installation (See Separate Breakdown in this Section)	
8	1001207199	1	Harness Installation - Tunnel (See Separate Breakdown in ELECTRICAL Section)	
9	1001211487	1	Tunnel Weight	
10	1001219741	1	Battery Cover Installation (See Separate Breakdown in this Section)	
11	1001219833	1	Tunnel Toolbox	
12	1001219916	1	Plate	
13	1001219921	1	Shim Kit	
13A	1001219917	4	Shim 1/4	
13B	1001219918	4	Shim 11 ga	
13C	1001219919	4	Shim 16 ga	
14	7118222416	8	Bolt 3/4 x 3	
15	7636000008	6	Mount	
16	7660200001	6	Nut 5/8	
17	7660222308	8	Nut 3/4	
18	7949000019	6	Washer	
19	7949000020	6	Washer	
20	8632000011	10 ft	Seal	
21	7118222016	AR	Bolt 3/4 x 2-1/2	
22	7118222816	AR	Bolt 3/4 x 3-1/2	

SECTION 4 - BODY

FIGURE 4-112. TUNNEL INSTALLATION - 51IN WITH 6.5K CWT



ART_1001219832

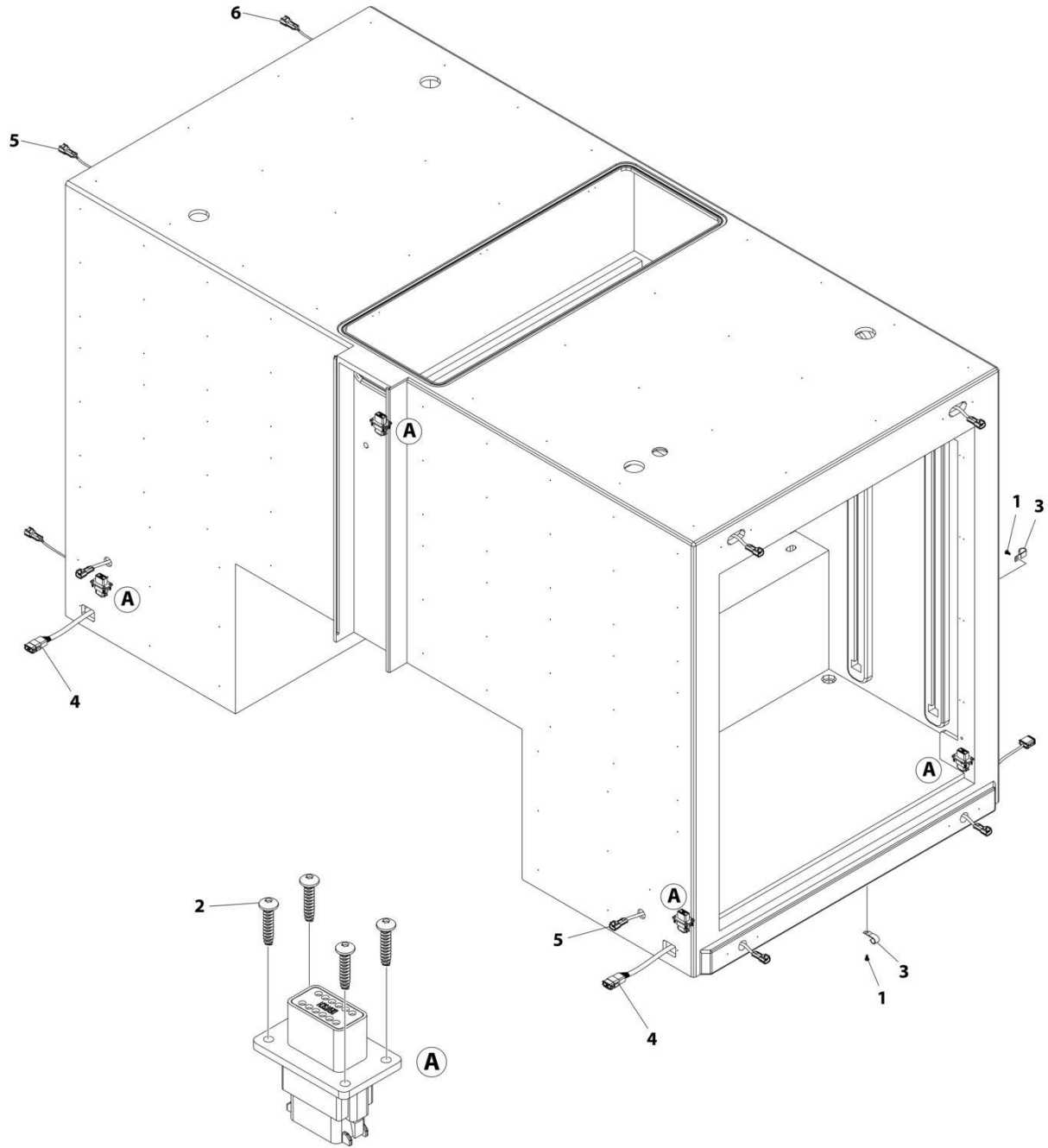
SECTION 4 - BODY

FIGURE 4-112. TUNNEL INSTALLATION - 51IN WITH 6.5K CWT

ITEM	PART NUMBER	QTY	DESCRIPTION	REV
	1001219832	Ref	TUNNEL INSTALLATION - 51IN WITH 6.5K CWT	C
1	0642034	6	Bolt 5/8 x 4-1/4	
2	4752000	6	Washer 5/8	
3	1001165692	2	Support	
4	1001173847	4	Plug	
5	1001196583	1	Tunnel Compartment Lights Installation (See Separate Breakdown in ELECTRICAL Section)	
6	1001196625	1	Marker Lights Installation (See Separate Breakdown in ELECTRICAL Section)	
7	1001196808	1	Lifting Lugs Installation (See Separate Breakdown in this Section)	
8	1001207199	1	Harness Installation - Tunnel (See Separate Breakdown in ELECTRICAL Section)	
9	1001219831	1	Tunnel Weight	
10	1001219741	1	Battery Cover Installation (See Separate Breakdown in this Section)	
11	1001219833	1	Tunnel Toolbox	
12	1001219916	1	Plate	
13	1001219921	1	Shim Kit	
13A	1001219917	4	Shim 1/4	
13B	1001219918	4	Shim 11 ga	
13C	1001219919	4	Shim 16 ga	
14	7118222416	8	Bolt 3/4 x 3	
15	7636000008	6	Mount	
16	7660200001	6	Nut 5/8	
17	7660222308	8	Nut 3/4	
18	7949000019	6	Washer	
19	7949000020	6	Washer	
20	8632000011	10 ft	Seal	
21	7118222016	AR	Bolt 3/4 x 2-1/2	
22	7118222816	AR	Bolt 3/4 x 3-1/2	

SECTION 4 - BODY

FIGURE 4-113. TUNNEL HARNESS INSTALLATION



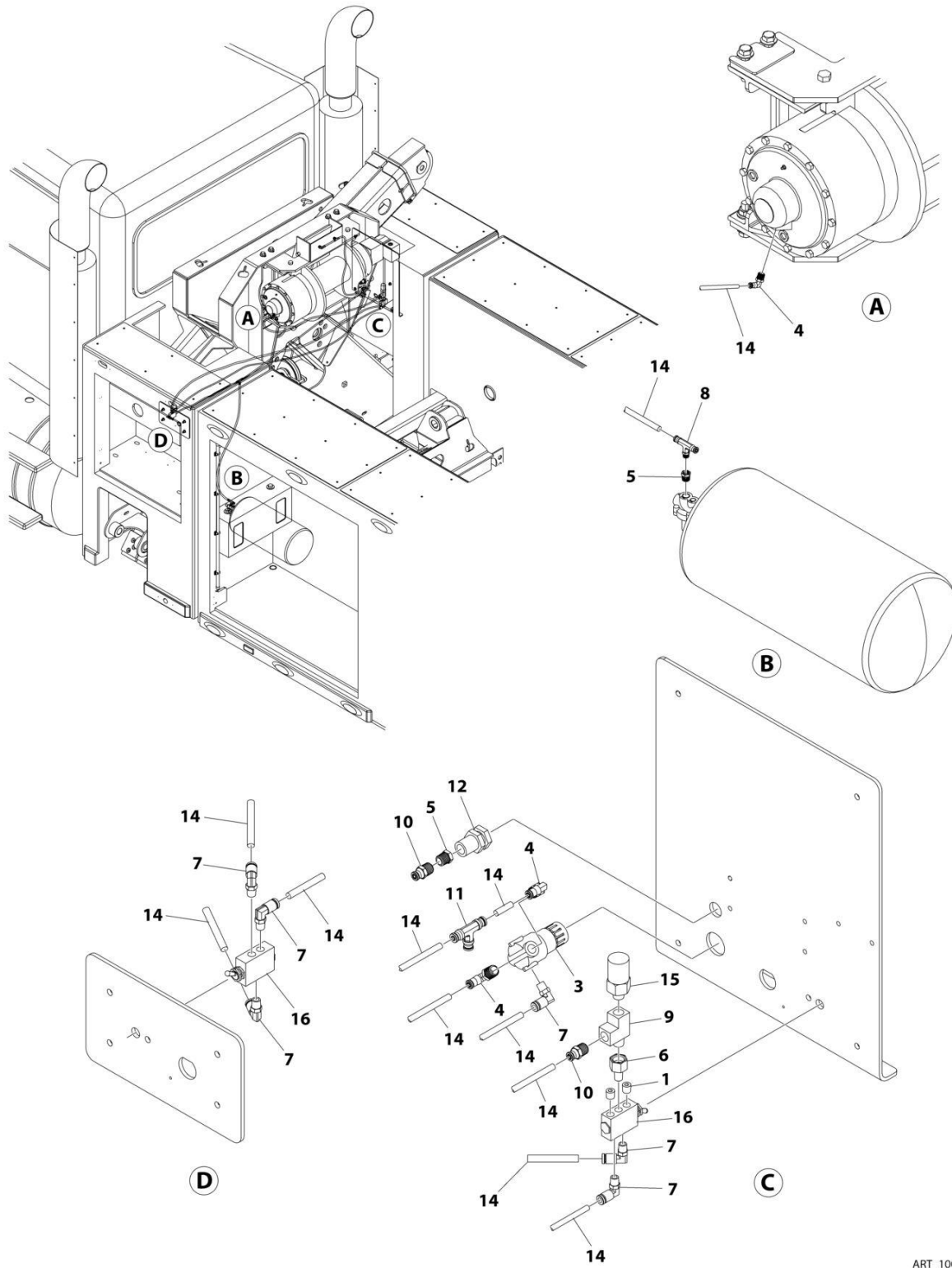
ART_10011207199

FIGURE 4-113. TUNNEL HARNESS INSTALLATION

ITEM	PART NUMBER	QTY	DESCRIPTION	REV
	1001207199	Ref	TUNNEL HARNESS INSTALLATION (48IN & 51IN TUNNELS)	B
1	1001195257	20	Screw 1/4 x 1/2	
2	1001196552	16	Screw #8 x 3/4	
3	7280000006	20	Clip	
4	1001209050	2	Harness, Tunnel Main (See Separate Breakdown in this Section)	
5	1001209055	2	Harness, Tunnel Front (See Separate Breakdown in this Section)	
6	1001209056	2	Harness, Tunnel Rear (See Separate Breakdown in this Section)	

SECTION 4 - BODY

FIGURE 4-114. WINCH AIR INSTALLATION



ART_1001199291

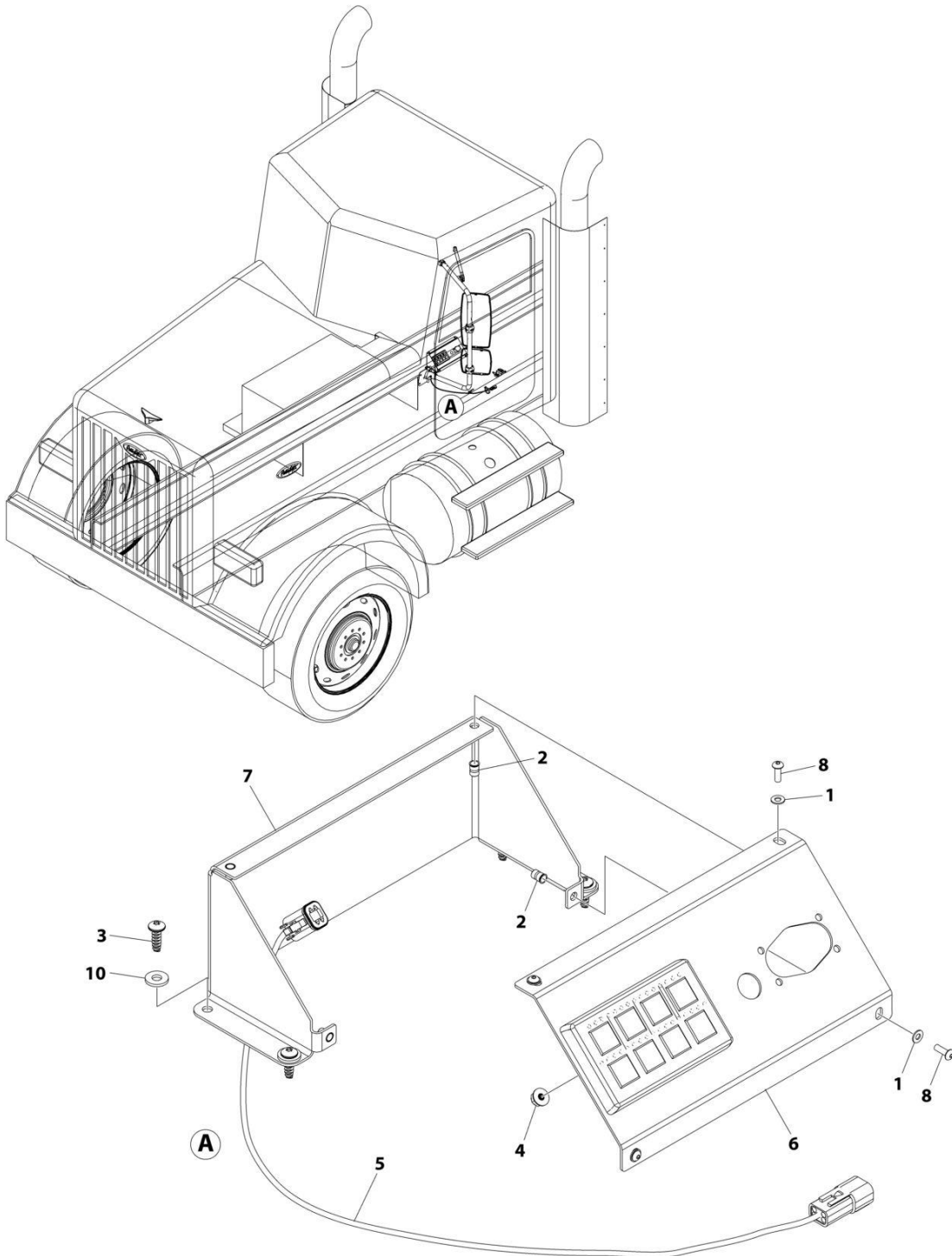
FIGURE 4-114. WINCH AIR INSTALLATION

ITEM	PART NUMBER	QTY	DESCRIPTION	REV
	1001199291	Ref	WINCH AIR INSTALLATION	C
1	2200221	2	Plug	
3	7295000029	1	Air Regulator	
4	7443000139	3	Fitting	
5	7443000149	2	Bushing	
6	7443000150	1	Adapter	
7	7443000173	6	Fitting	
8	7443000174	1	Fitting	
9	7443000287	1	Fitting	
10	7443000329	2	Fitting	
11	7443000330	1	Fitting	
12	7443000456	1	Fitting	
14	7565000016	40 ft	Airline Tubing	
15	7870000136	1	Switch Pressure	
16	7935000351	2	Valve 4 way	
17	7894000004	10	Tie Strap (Not Shown)	

SECTION 5 - CONTROLS

SECTION 5 - CONTROLS

FIGURE 5-1. IN-CAB CONTROLS INSTALLATION - FLOOR MOUNTED WITHOUT UNDERLIFT



ART_1001212106

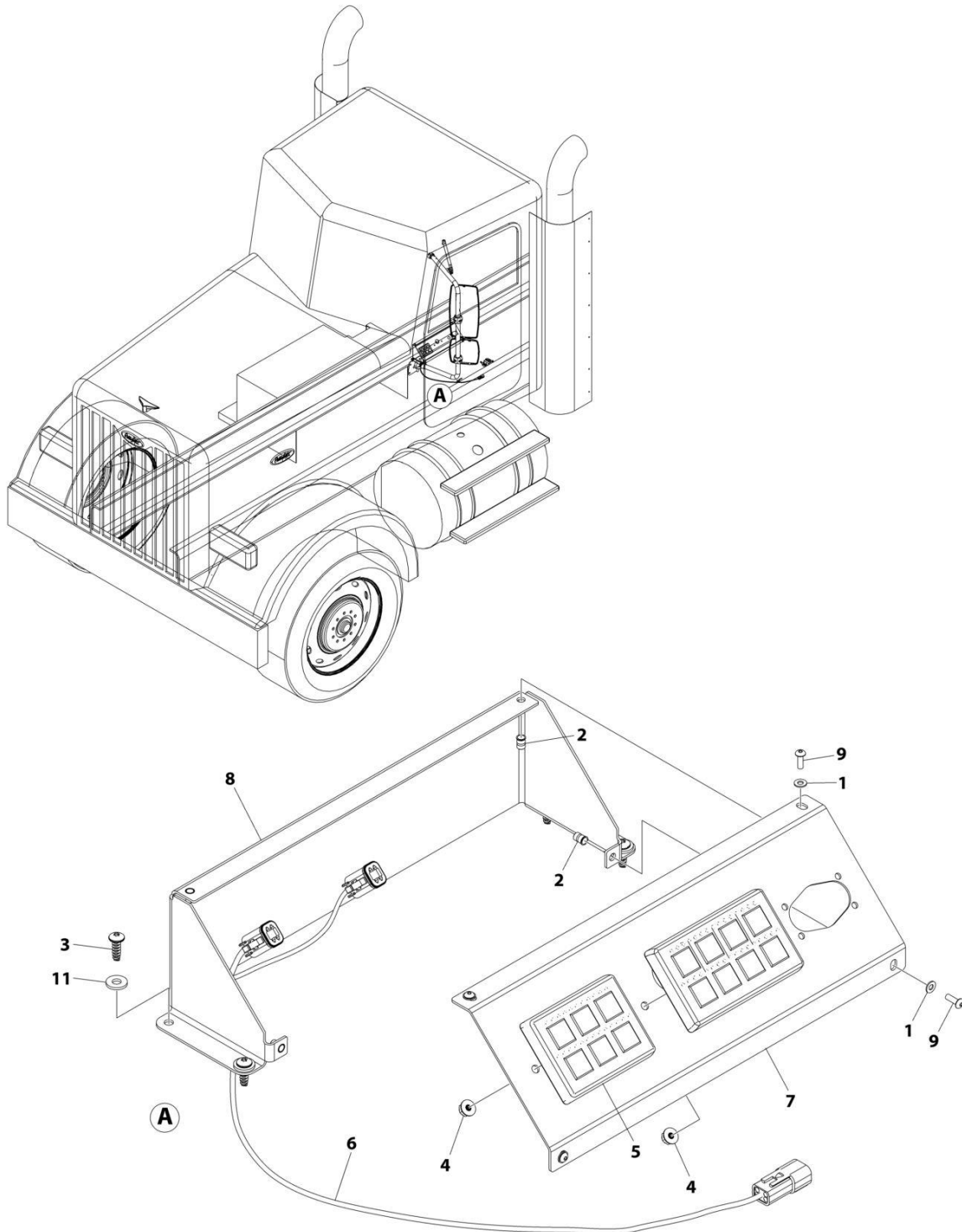
SECTION 5 - CONTROLS

FIGURE 5-1. IN-CAB CONTROLS INSTALLATION - FLOOR MOUNTED WITHOUT UNDERLIFT

ITEM	PART NUMBER	QTY	DESCRIPTION	REV
	1001212106	Ref	CONTROLS (IN-CAB) INSTALLATION (FLOOR MOUNTED)	A
1	1001097942	4	Washer #8	
2	1001151546	4	Nut #8	
3	1001194676	4	Screw 1/4 x 3/4	
4	1001209616	2	Nut #10	
5	1001215421	1	Multiplex In-Cab Control Harness (See Separate Breakdown in ELECTRICAL Section)	
6	1001216233	1	Panel	
7	1001216239	1	Panel	
8	7114080418	4	Screw #8 x 1/2	
9	7894000004	6	Tie-Strap (Not Shown)	
10	7950140143	4	Washer 1/4	

SECTION 5 - CONTROLS

FIGURE 5-2. IN-CAB CONTROLS INSTALLATION - FLOOR MOUNTED WITH UNDERLIFT



ART_1001215432

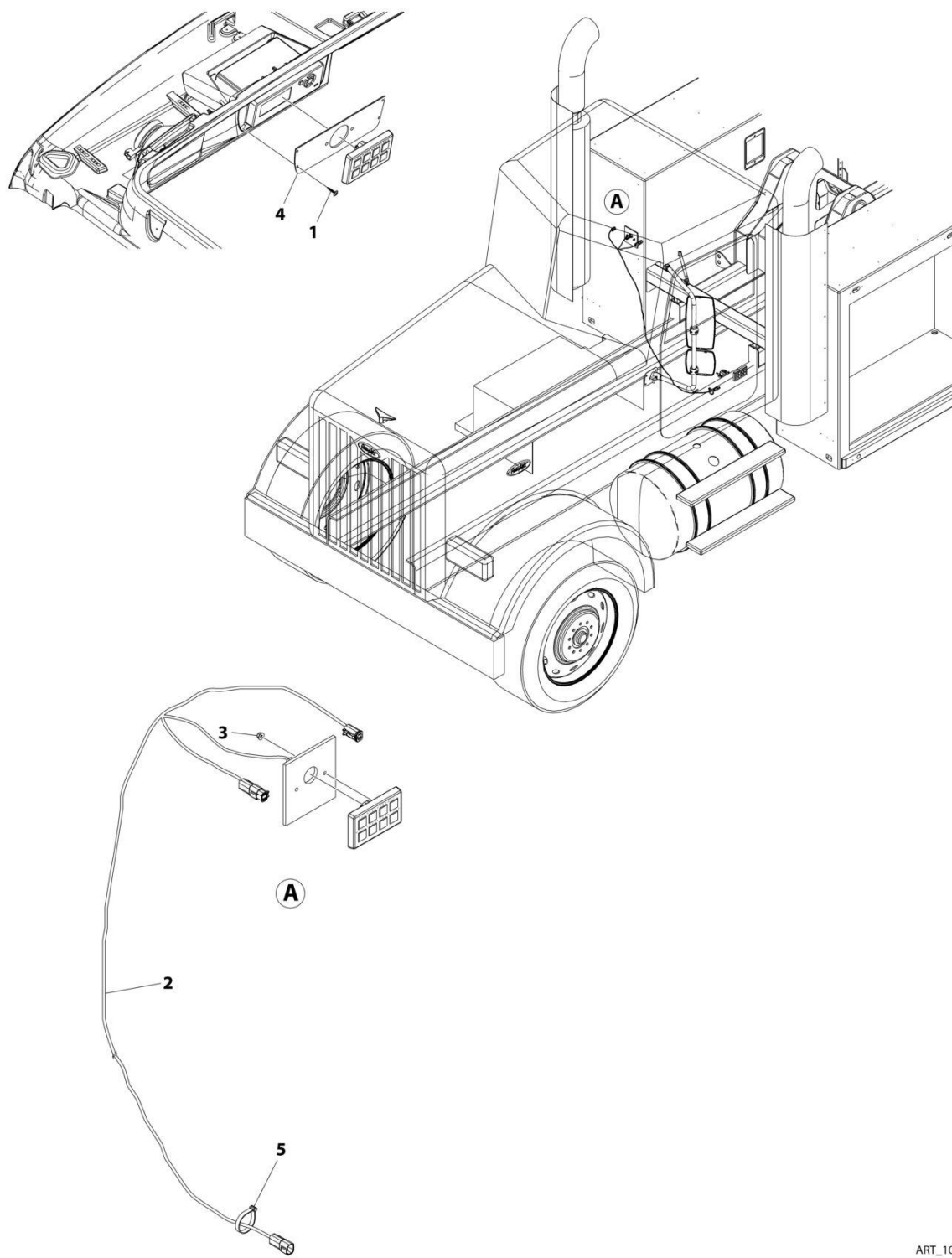
SECTION 5 - CONTROLS

FIGURE 5-2. IN-CAB CONTROLS INSTALLATION - FLOOR MOUNTED WITH UNDERLIFT

ITEM	PART NUMBER	QTY	DESCRIPTION	REV
	1001215432	Ref	CONTROLS (IN-CAB) INSTALLATION (FLOOR MOUNTED WITH UNDERLIFT)	B
1	1001097942	4	Washer #8	
2	1001151546	4	Nut #8	
3	1001194676	4	Screw 1/4 x 3/4	
4	1001209616	4	Nut #10	
5	1001288016	1	Keypad, Underlift	
6	1001215421	1	Multiplex In-Cab Control Harness (See Separate Breakdown in ELECTRICAL Section)	
7	1001216315	1	Panel	
8	1001216316	1	Panel	
9	7114080418	4	Screw #8 x 1/2	
10	7894000004	6	Tie-Strap (Not Shown)	
11	7950140143	4	Washer 1/4	

SECTION 5 - CONTROLS

FIGURE 5-3. IN-CAB CONTROLS INSTALLATION - KENWORTH T440 & T800 & W9 WITHOUT UNDERLIFT



ART_1001232969

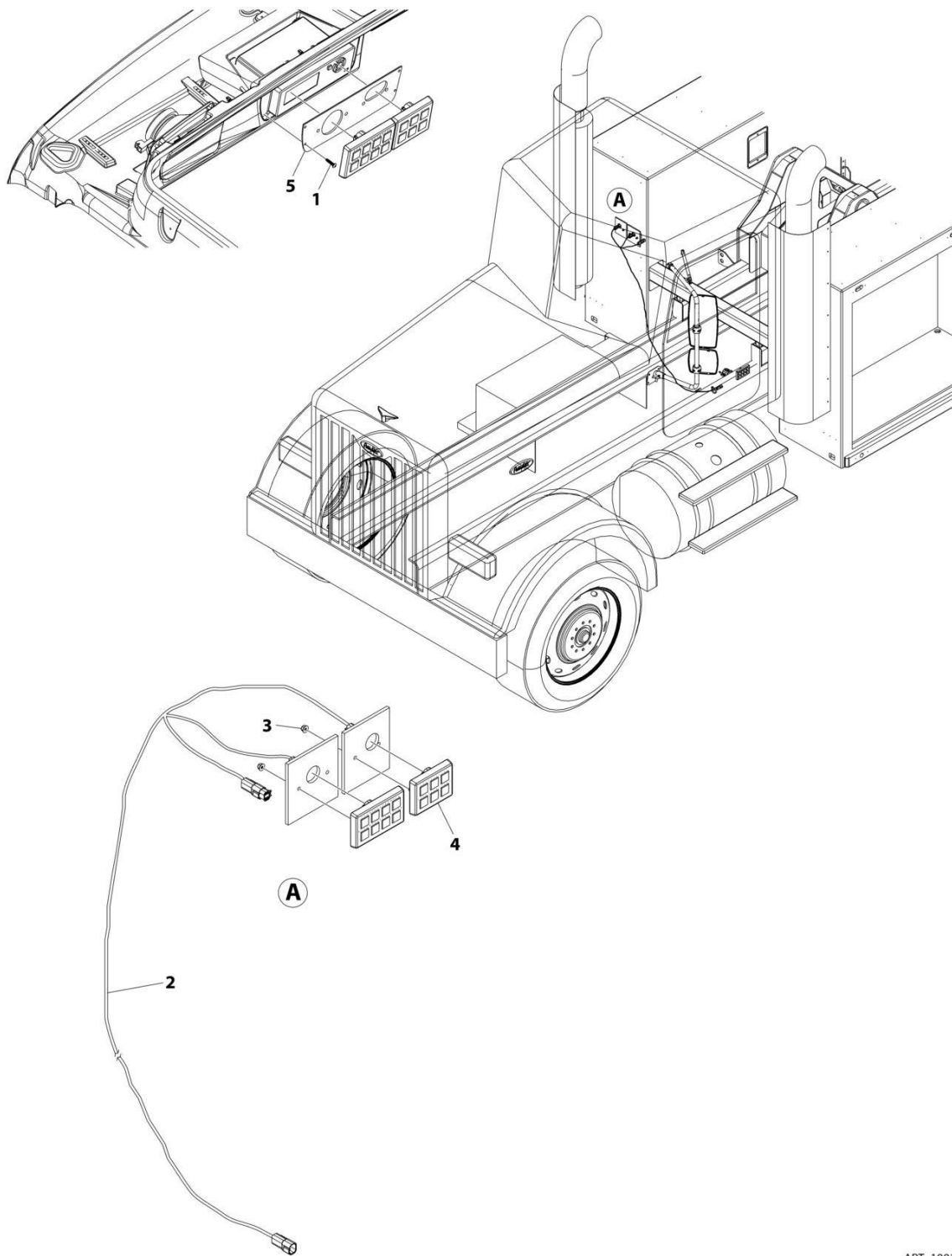
SECTION 5 - CONTROLS

FIGURE 5-3. IN-CAB CONTROLS INSTALLATION - KENWORTH T440 & T800 & W9 WITHOUT UNDERLIFT

ITEM	PART NUMBER	QTY	DESCRIPTION	REV
	1001232969	Ref	SWITCH PANEL KW T800, W9, T440, SINGLE LIGHTING INSTALLATION	B
1	1001232209	4	Screw #8	
2	1001208976	1	Harness (See Separate Breakdown in ELECTRICAL Section)	
3	1001209616	2	Nut #10	
4	1001232957	1	Support, Switch Panel	
5	7894000004	7	Tie Strap	

SECTION 5 - CONTROLS

FIGURE 5-4. IN-CAB CONTROLS INSTALLATION - KENWORTH T440 & T800 & W9 WITH UNDERLIFT



ART_1001232970

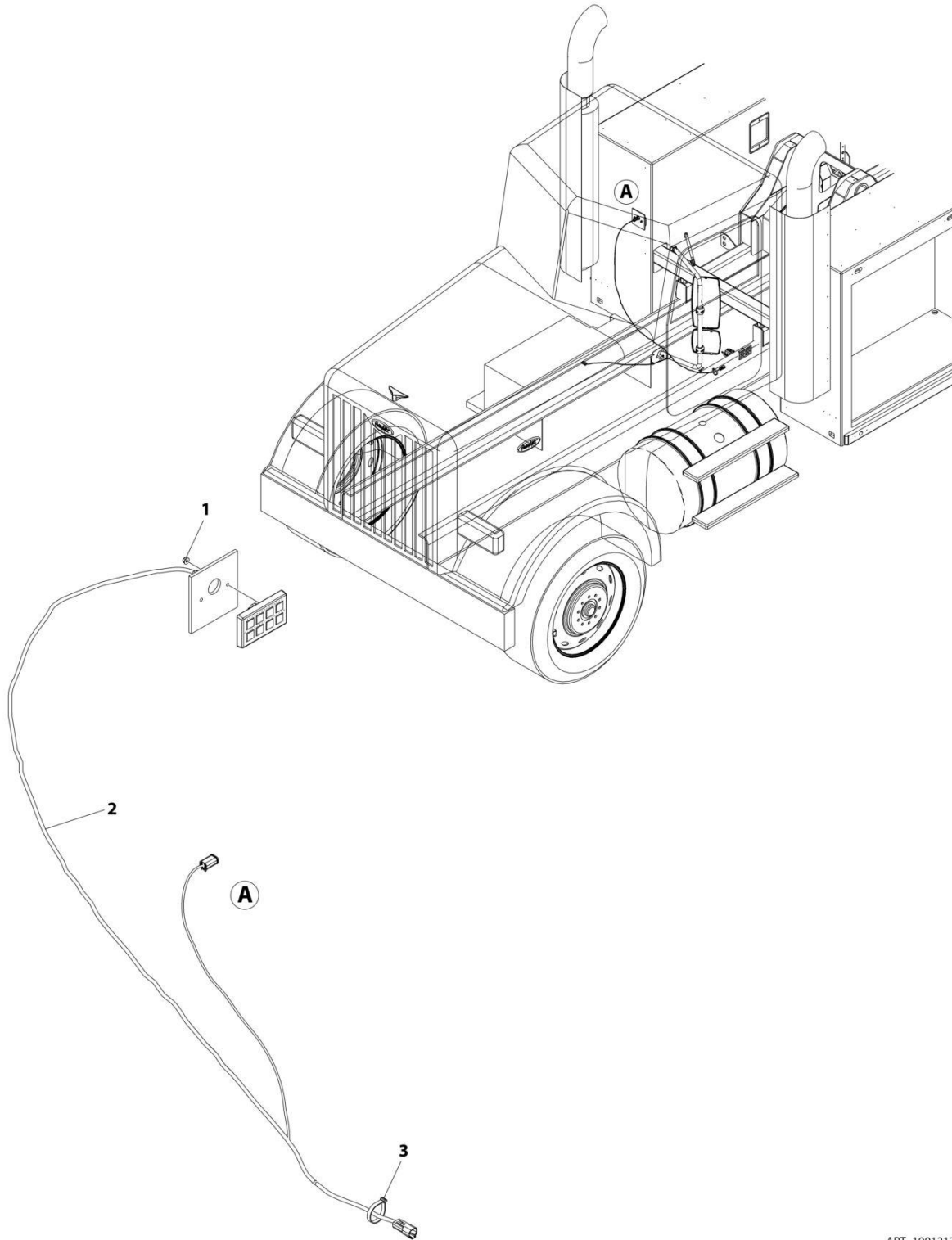
SECTION 5 - CONTROLS

FIGURE 5-4. IN-CAB CONTROLS INSTALLATION - KENWORTH T440 & T800 & W9 WITH UNDERLIFT

ITEM	PART NUMBER	QTY	DESCRIPTION	REV
	1001232970	Ref	CONTROLS (IN-CAB) INSTALLATION (CONSOLE MOUNTED)	B
1	1001196552	4	Screw #8 x 3/4	
2	1001208976	1	Multiplex In-Cab Control Harness (See Separate Breakdown in ELECTRICAL Section)	
3	1001209616	4	Nut #10	
4	1001288016	1	Keypad, Underlift	
5	1001232958	1	Support	
6	7894000004	7	Tie-Strap (Not Shown)	

SECTION 5 - CONTROLS

FIGURE 5-5. IN-CAB CONTROLS INSTALLATION - KENWORTH T880 WITHOUT UNDERLIFT



ART_1001212107

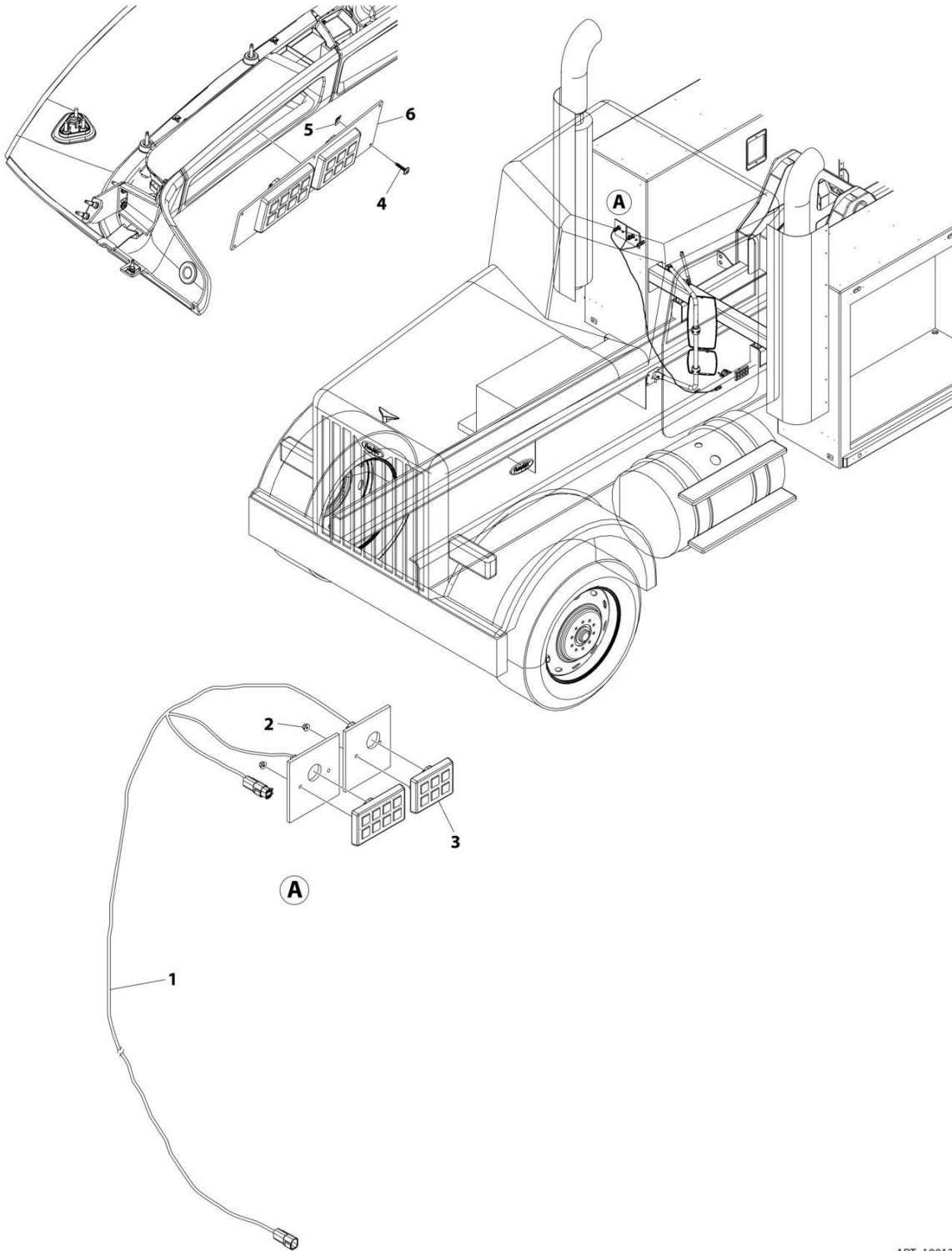
SECTION 5 - CONTROLS

FIGURE 5-5. IN-CAB CONTROLS INSTALLATION - KENWORTH T880 WITHOUT UNDERLIFT

ITEM	PART NUMBER	QTY	DESCRIPTION	REV
	1001212107	Ref	Switch Panel KW T880 Lighting Installation	B
1	1001209616	2	Nut #10	
2	1001215436	1	Harness (See Separate Breakdown in ELECTRICAL Section)	
3	7894000004	5	Tie Strap	

SECTION 5 - CONTROLS

FIGURE 5-6. IN-CAB CONTROLS INSTALLATION - KENWORTH T880 WITH UNDERLIFT



ART_1001235395

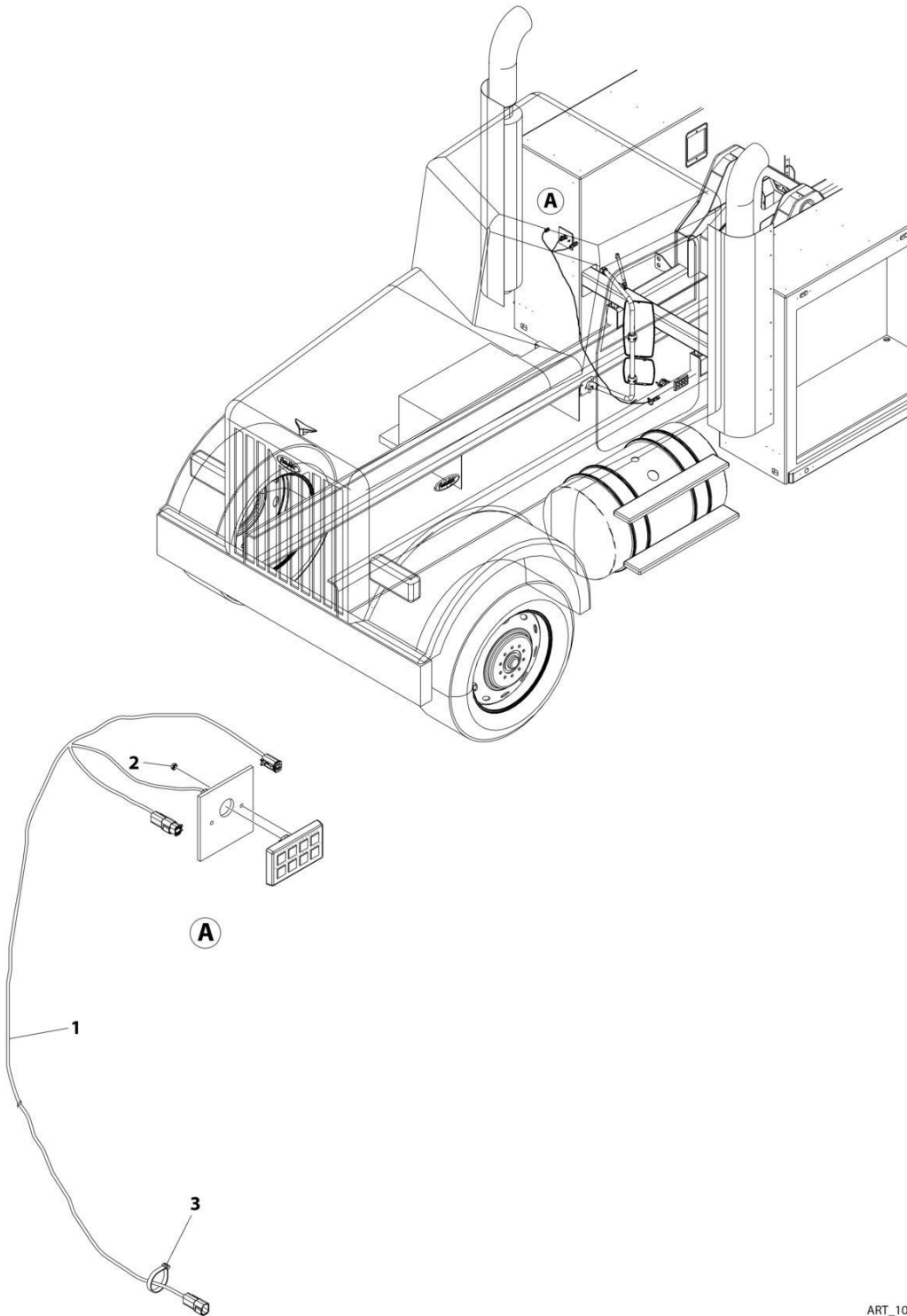
SECTION 5 - CONTROLS

FIGURE 5-6. IN-CAB CONTROLS INSTALLATION - KENWORTH T880 WITH UNDERLIFT

ITEM	PART NUMBER	QTY	DESCRIPTION	REV
	1001235395	Ref	CONTROLS (IN-CAB) INSTALLATION (CONSOLE MOUNTED)	B
1	1001208976	1	Multiplex In-Cab Control Harness (See Separate Breakdown in ELECTRICAL Section)	
2	1001209616	4	Nut #10	
3	1001288016	1	Keypad, Underlift	
4	1001232209	6	Screw #8	
5	1001232211	6	Nut #8	
6	1001235394	1	Support	
7	7894000004	7	Tie-Strap (Not Shown)	

SECTION 5 - CONTROLS

FIGURE 5-7. IN-CAB CONTROLS INSTALLATION - PETERBILT 389 LOW ROOF WITHOUT UNDERLIFT



ART_1001232965

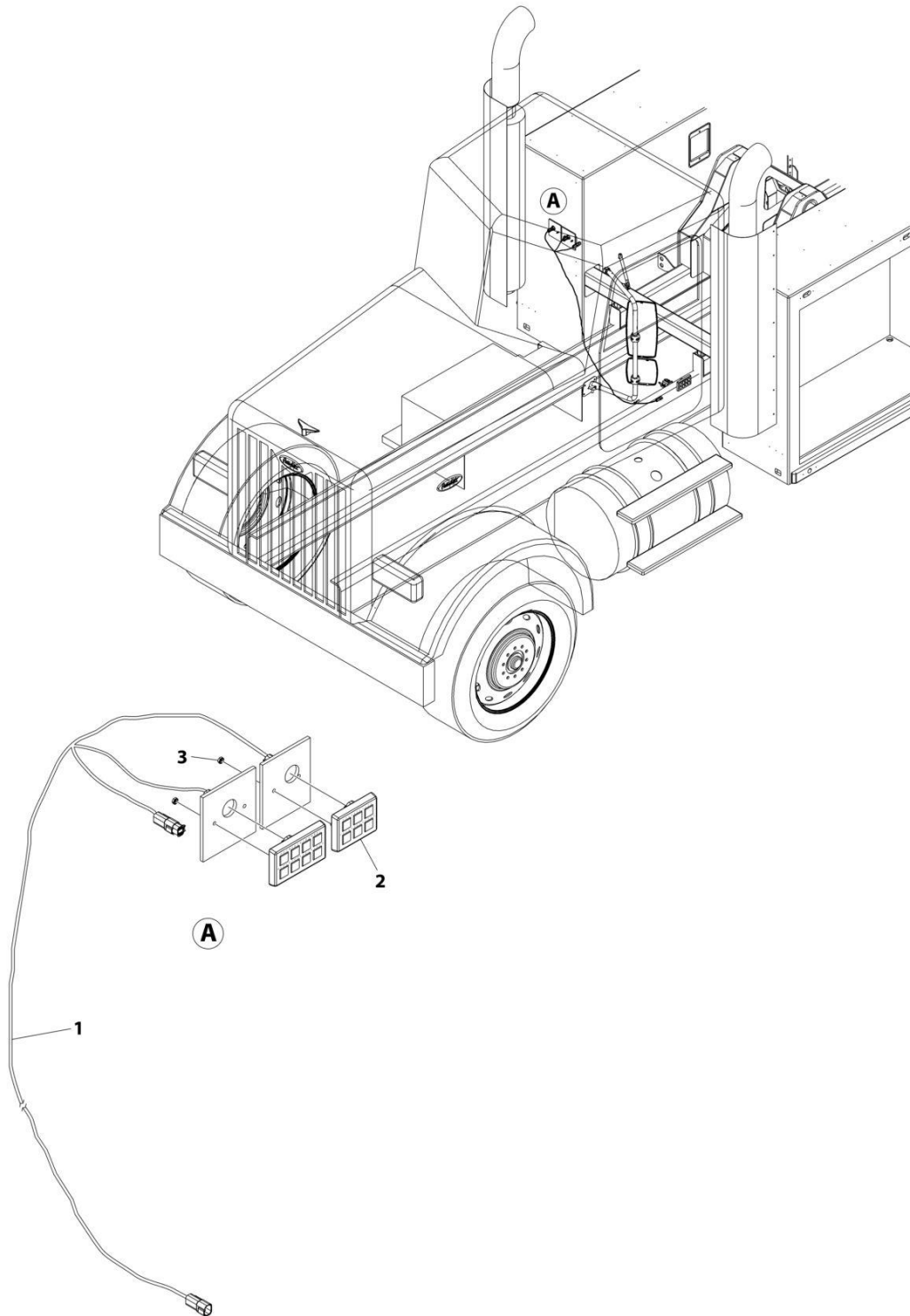
SECTION 5 - CONTROLS

FIGURE 5-7. IN-CAB CONTROLS INSTALLATION - PETERBILT 389 LOW ROOF WITHOUT UNDERLIFT

ITEM	PART NUMBER	QTY	DESCRIPTION	REV
	1001232965	Ref	Switch Panel Pete 389 Low Single Lighting Installation	A
1	1001208976	1	Harness (See Separate Breakdown in ELECTRICAL Section)	
2	7661000023	2	Nut #10	
3	7894000004	7	Tie Strap	

SECTION 5 - CONTROLS

FIGURE 5-8. IN-CAB CONTROLS INSTALLATION - PETERBILT 389 LOW ROOF WITH UNDERLIFT



ART_1001232966

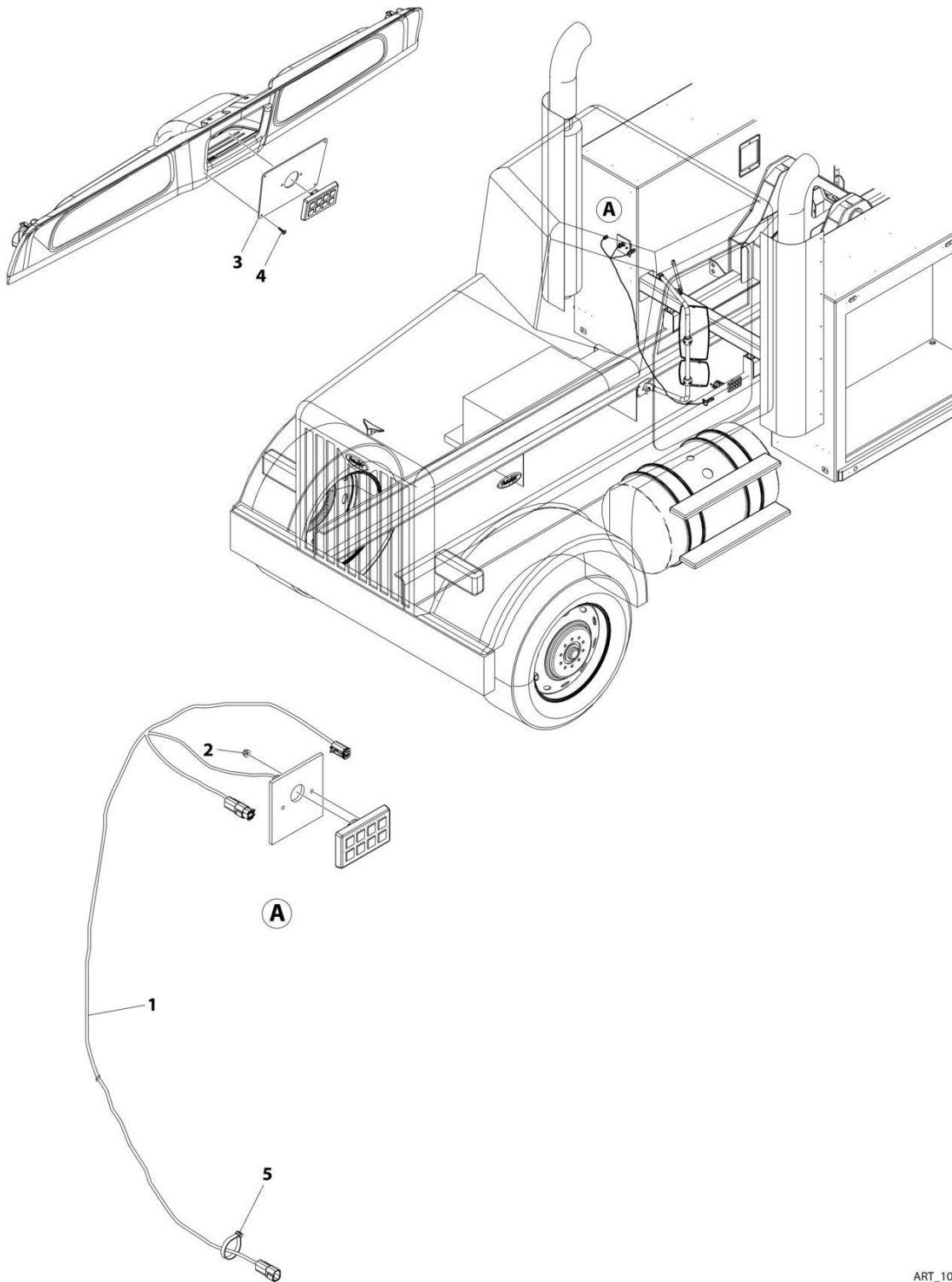
SECTION 5 - CONTROLS

FIGURE 5-8. IN-CAB CONTROLS INSTALLATION - PETERBILT 389 LOW ROOF WITH UNDERLIFT

ITEM	PART NUMBER	QTY	DESCRIPTION	REV
1	1001232966	Ref	CONTROLS (IN-CAB) INSTALLATION (CONSOLE MOUNTED)	B
	1001208976	1	Multiplex In-Cab Control Harness (See Separate Breakdown in ELECTRICAL Section)	
2	1001288016	1	Keypad, Underlift	
3	7661000023	4	Nut #10	
4	7894000004	7	Tie-Strap (Not Shown)	

SECTION 5 - CONTROLS

FIGURE 5-9. IN-CAB CONTROLS INSTALLATION - PETERBILT 389 HIGH ROOF WITHOUT UNDERLIFT



ART_1001231975

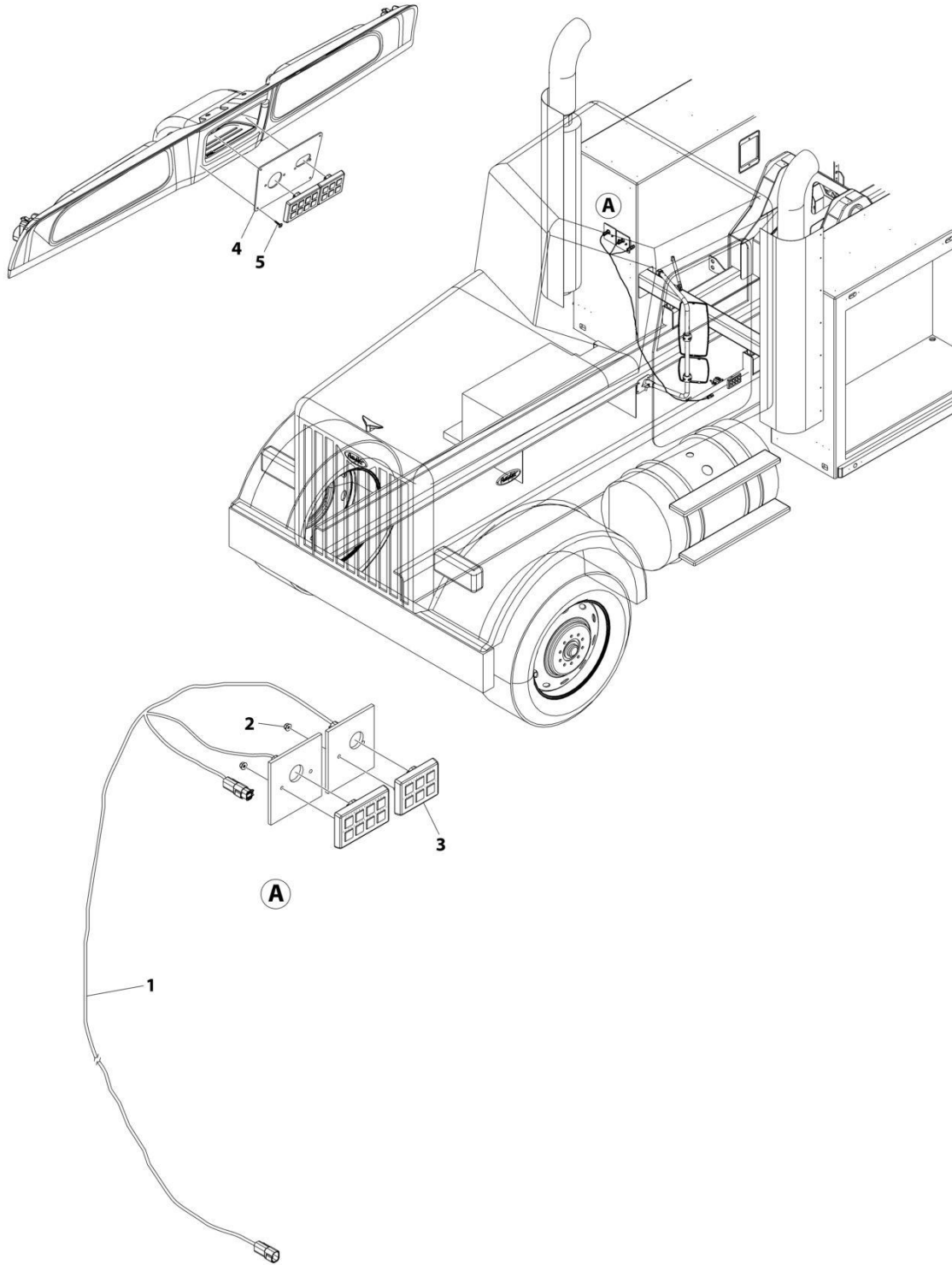
SECTION 5 - CONTROLS

FIGURE 5-9. IN-CAB CONTROLS INSTALLATION - PETERBILT 389 HIGH ROOF WITHOUT UNDERLIFT

ITEM	PART NUMBER	QTY	DESCRIPTION	REV
	1001231975	Ref	Switch Panel Pete 389 High Single Lighting Installation	A
1	1001208976	1	Harness (See Separate Breakdown in ELECTRICAL Section)	
2	1001209616	2	Nut #10	
3	1001231974	1	Support, Switch Panel	
4	1001232209	4	Screw #8	
5	7894000004	7	Tie Strap	

SECTION 5 - CONTROLS

FIGURE 5-10. IN-CAB CONTROLS INSTALLATION - PETERBILT 389 HIGH ROOF WITH UNDERLIFT



ART_1001231977

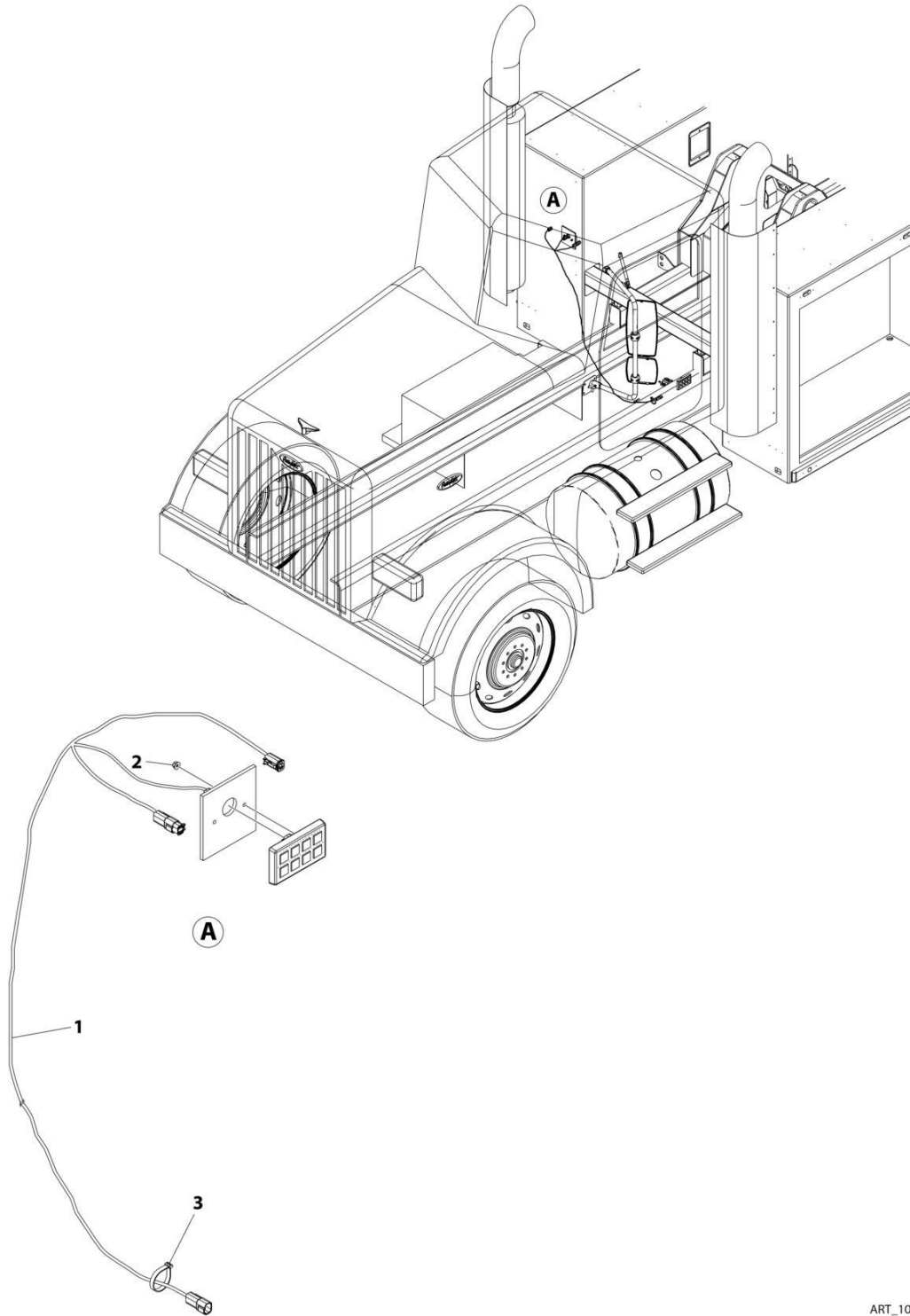
SECTION 5 - CONTROLS

FIGURE 5-10. IN-CAB CONTROLS INSTALLATION - PETERBILT 389 HIGH ROOF WITH UNDERLIFT

ITEM	PART NUMBER	QTY	DESCRIPTION	REV
	1001231977	Ref	CONTROLS (IN-CAB) INSTALLATION (CONSOLE MOUNTED)	B
1	1001208976	1	Multiplex In-Cab Control Harness (See Separate Breakdown in ELECTRICAL Section)	
2	1001209616	4	Nut #10	
3	1001288016	1	Keypad, Underlift	
4	1001231976	1	Support	
5	1001232209	4	Screw #8	
6	7894000004	7	Tie-Strap (Not Shown)	

SECTION 5 - CONTROLS

FIGURE 5-11. IN-CAB CONTROLS INSTALLATION - PETERBILT 567 WITHOUT UNDERLIFT



ART_1001232967

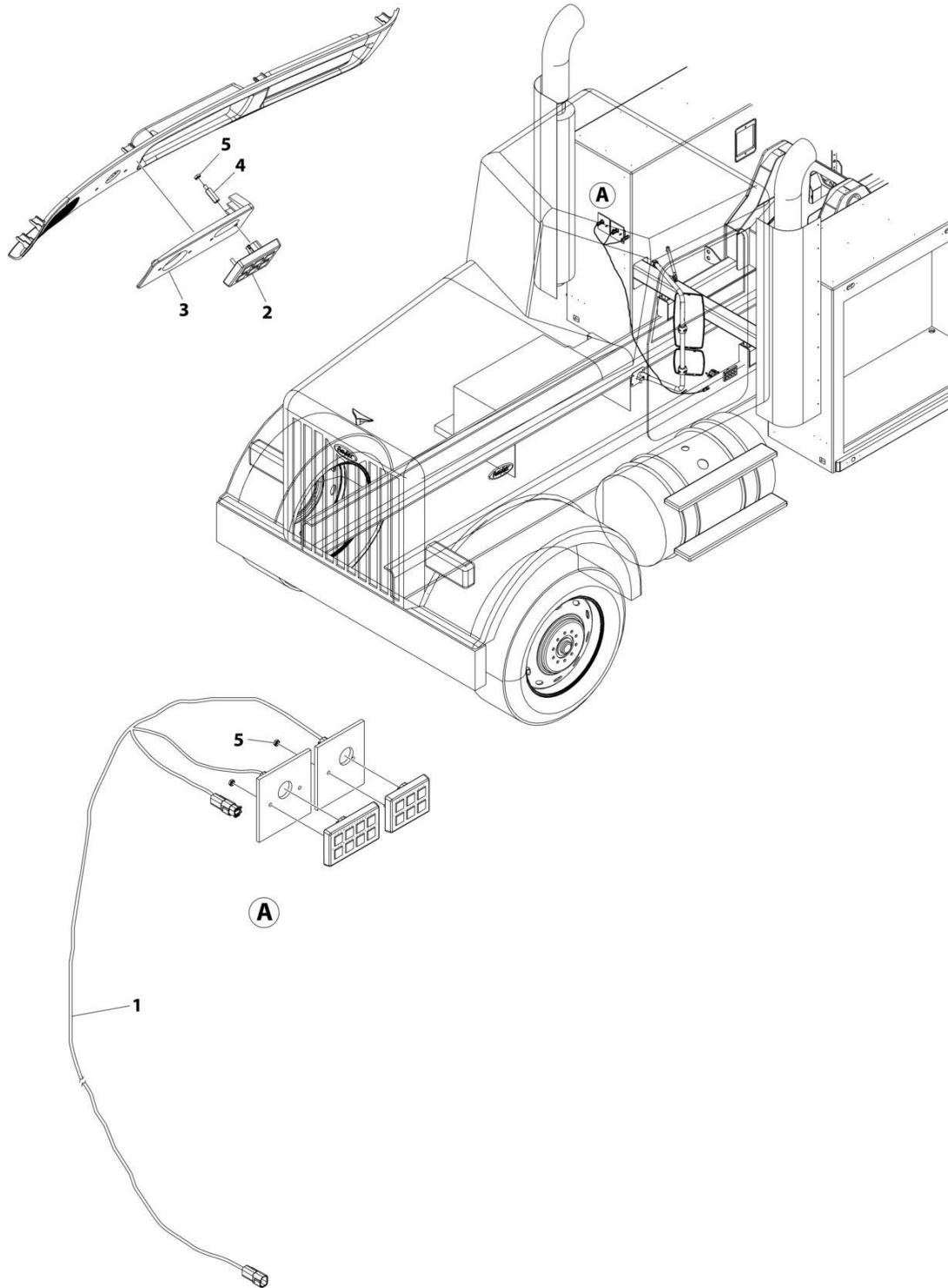
SECTION 5 - CONTROLS

FIGURE 5-11. IN-CAB CONTROLS INSTALLATION - PETERBILT 567 WITHOUT UNDERLIFT

ITEM	PART NUMBER	QTY	DESCRIPTION	REV
	1001232967	Ref	Switch Panel PETE 567 Lighting Installation	A
1	1001208976	1	Harness (See Separate Breakdown in ELECTRICAL Section)	
2	1001209616	2	Nut #10	
3	7894000004	7	Tie Strap	

SECTION 5 - CONTROLS

FIGURE 5-12. IN-CAB CONTROLS INSTALLATION - PETERBILT 567 WITH UNDERLIFT



ART_1001232968

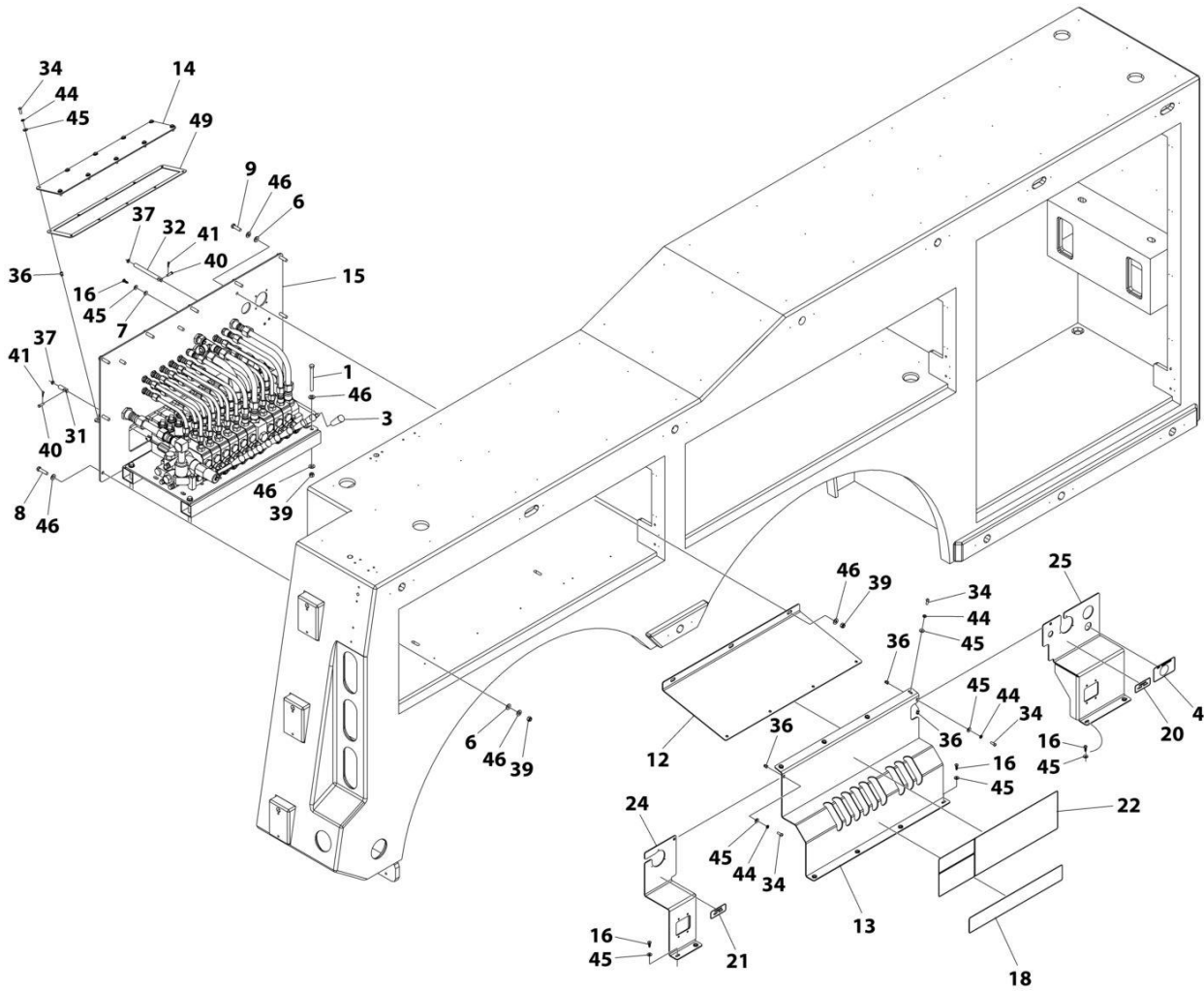
SECTION 5 - CONTROLS

FIGURE 5-12. IN-CAB CONTROLS INSTALLATION - PETERBILT 567 WITH UNDERLIFT

ITEM	PART NUMBER	QTY	DESCRIPTION	REV
	1001232968	Ref	CONTROLS (IN-CAB) INSTALLATION (CONSOLE MOUNTED)	B
1	1001208976	1	Multiplex In-Cab Control Harness (See Separate Breakdown in ELECTRICAL Section)	
2	1001288016	1	Keypad, Underlift	
3	1001232956	1	Support	
4	1001234537	1	Stud	
5	7661000023	4	Nut #10	
6	7894000004	7	Tie-Strap (Not Shown)	

SECTION 5 - CONTROLS

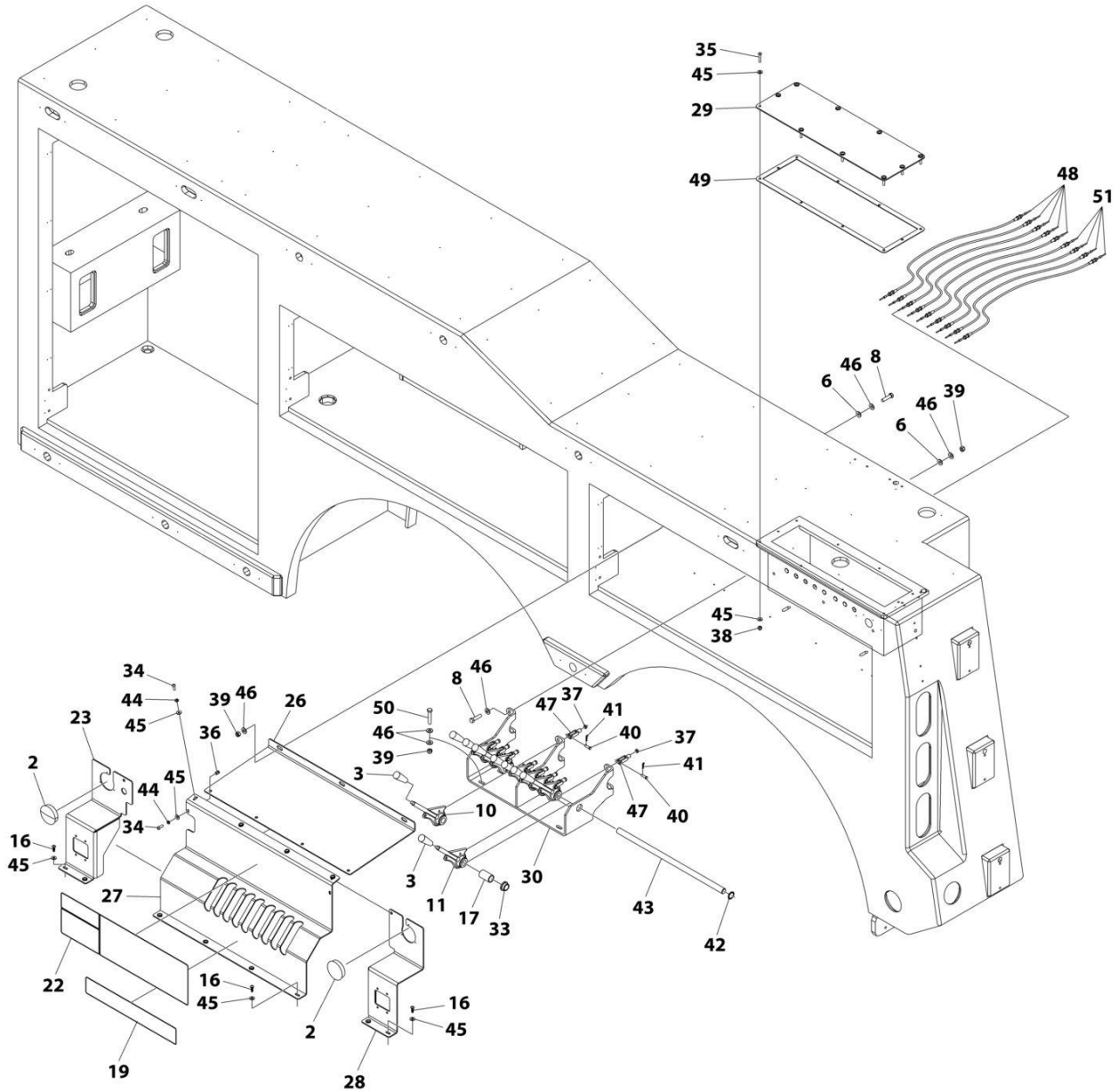
FIGURE 5-13. CONTROLS VALVE INSTALLATION 9 SECTION 3 SOLENOID



ART_1001235578_1OF2

SECTION 5 - CONTROLS

FIGURE 5-14. CONTROLS VALVE INSTALLATION 9 SECTION 3 SOLENOID



ART_1001235578_20F2

SECTION 5 - CONTROLS

FIGURE 5-14. CONTROLS VALVE INSTALLATION 9 SECTION 3 SOLENOID

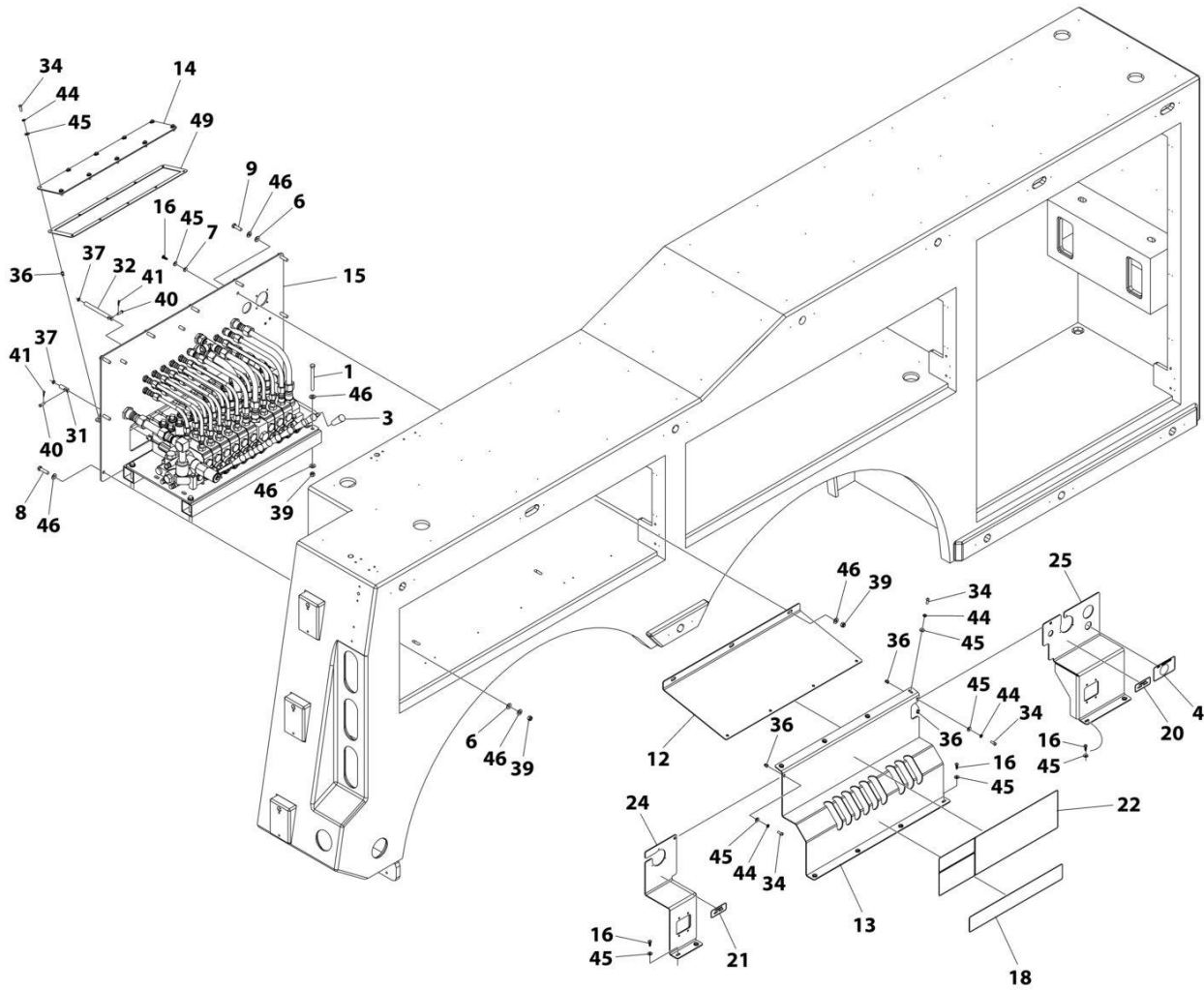
ITEM	PART NUMBER	QTY	DESCRIPTION	REV
	1001235578	Ref	CONTROLS INSTALLATION - 9 SECTION/3 SOLENOID	C
1	0641632	4	Bolt 3/8 x 4	
2	3520064	2	Plug	
3	1001130491	18	Knob, Control	
4	1001257300	1	Decal	
6	1001166974	21	Washer 3/8	
7	1001166978	3	Washer 1/4	
8	1001168993	18	Bolt 3/8 x 1-1/2	
9	1001169080	3	Bolt 3/8 x 1-1/4	
10	1001184827	2	Handle, Long	
11	1001184828	7	Handle, Short	
12	1001189784	1	Panel, Controls Top RH	
13	1001202508	1	Panel, Controls 9 Section RH	
14	1001189993	1	Panel, Cover	
15	1001202432	1	Valve Sub-Assembly (See Separate Breakdown in HYDRAULIC Section)	
16	1001194676	19	Screw 1/4 x 3/4	
17	1001194736	1	Spacer	
18	1001202517	1	Decal	
19	1001202518	1	Decal	
20	1001196909	1	Decal	
21	1001196910	1	Decal	
22	1001196911	2	Decal	
23	1001235583	1	Panel, Controls Front LH	
24	1001199322	1	Panel, Controls Rear RH	
25	1001235584	1	Panel, Controls Front RH	
26	1001214902	1	Panel, Controls Top LH	
27	1001219743	1	Panel, Controls 9 Section LH	
28	1001219691	1	Panel, Controls Rear LH	
29	1001219937	1	Plate, Cover	
30	1001220068	1	Bracket, Controls Handles LH	
31	4309000001	3	Coupling	
32	4309000007	6	Coupling	
33	7082000005	2	Bearing	
34	7114140618	22	Capscrew 1/4 x 3/4	
35	7114141018	10	Capscrew 1/4 x 1-1/4	
36	7413000002	22	Nutsert 1/4	
37	7660140230	18	Nut 1/4	
38	7660142601	10	Nut 1/4	
39	7660162601	29	Nut 3/8	
40	7690141200	18	Pin	
41	7691000075	18	Pin	
42	7754000009	2	Ring, Retaining	
43	7806000008	1	Shaft	
44	7950140003	22	Washer 1/4	
45	7950140143	61	Washer 1/4	
46	7950160143	58	Washer 3/8	
47	7990000003	9	Yoke	
48	1001202741	5	Cable, Push-Pull	
49	7796000012	9 ft	Seal	

SECTION 5 - CONTROLS

ITEM	PART NUMBER	QTY	DESCRIPTION	REV
50	1001169083	4	Bolt 3/8 x 2	
51	1001206801	4	Cable, Push-Pull	

SECTION 5 - CONTROLS

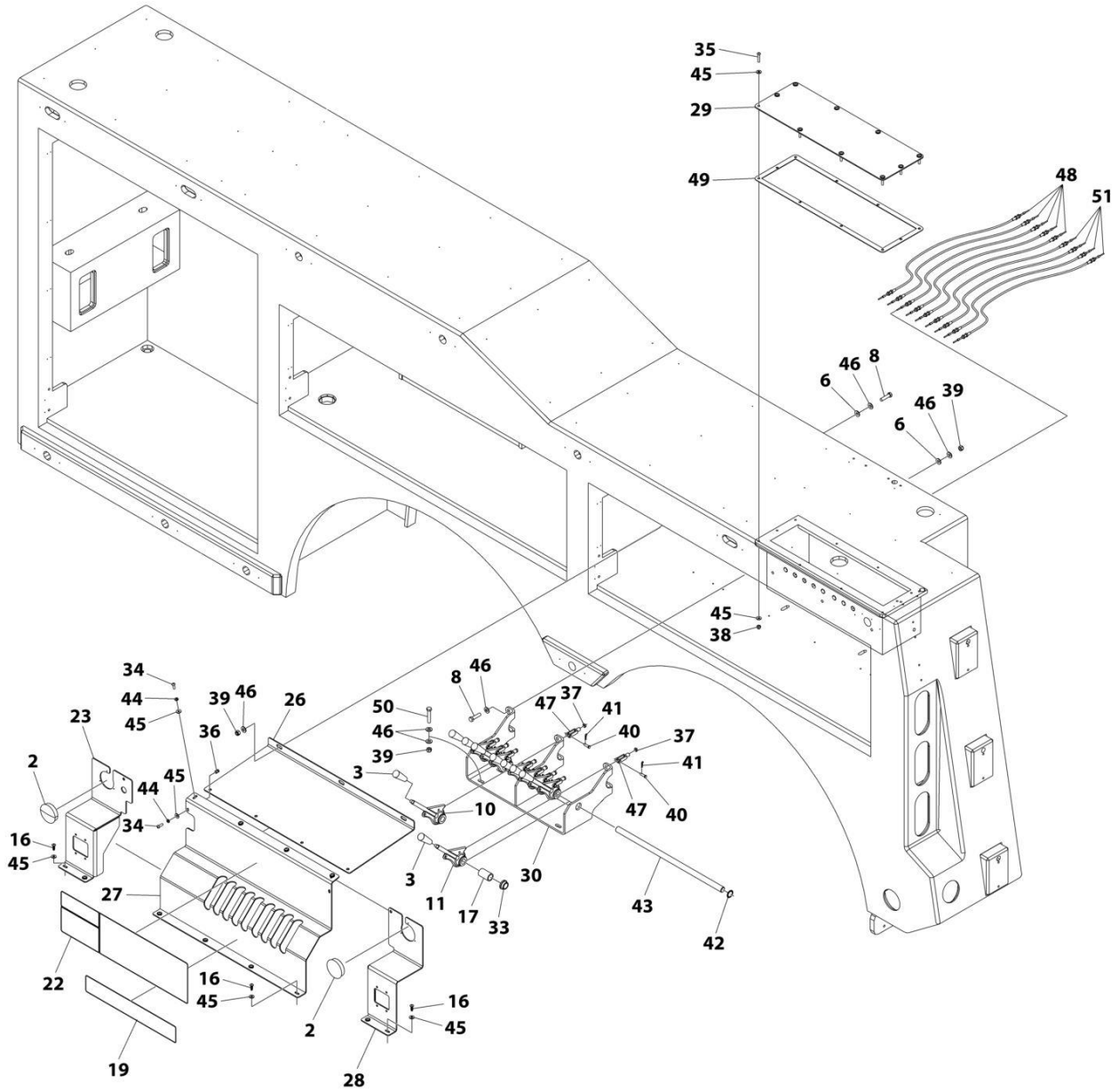
FIGURE 5-15. CONTROLS VALVE INSTALLATION 9 SECTION 7 SOLENOID



ART_1001235579_10F2

SECTION 5 - CONTROLS

FIGURE 5-16. CONTROLS VALVE INSTALLATION 9 SECTION 7 SOLENOID



ART_1001235579_20F2

SECTION 5 - CONTROLS

FIGURE 5-16. CONTROLS VALVE INSTALLATION 9 SECTION 7 SOLENOID

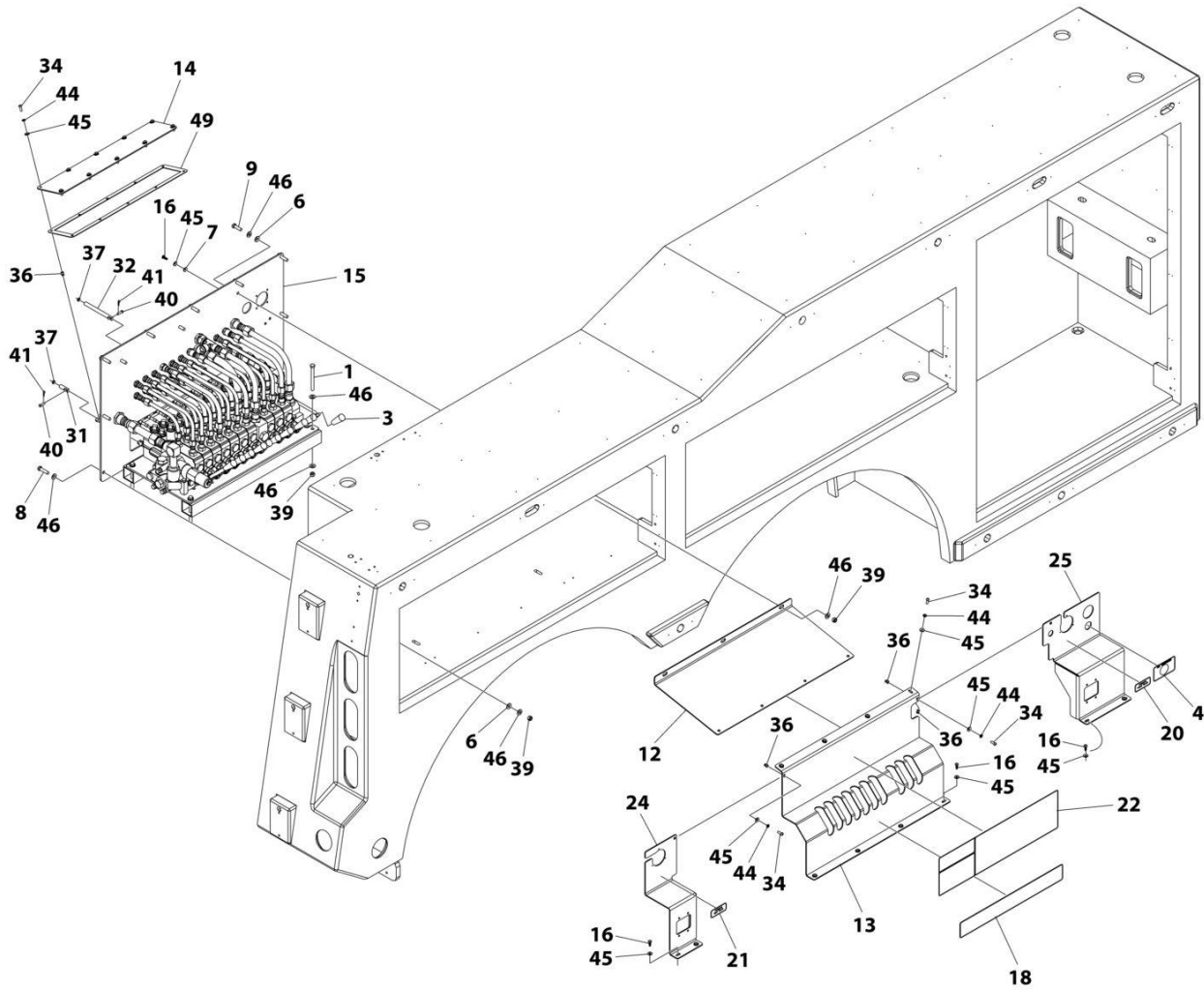
ITEM	PART NUMBER	QTY	DESCRIPTION	REV
	1001235579	Ref	CONTROLS INSTALLATION - 9 SECTION/7 SOLENOID	C
1	0641632	4	Bolt 3/8 x 4	
2	3520064	2	Plug	
3	1001130491	18	Knob, Control	
4	1001257300	1	Decal	
6	1001166974	21	Washer 3/8	
7	1001166978	3	Washer 1/4	
8	1001168993	18	Bolt 3/8 x 1-1/2	
9	1001169080	3	Bolt 3/8 x 1-1/4	
10	1001184827	2	Handle, Long	
11	1001184828	7	Handle, Short	
12	1001189784	1	Panel, Controls Top RH	
13	1001202508	1	Panel, Controls 9 Section RH	
14	1001189993	1	Panel, Cover	
15	1001202433	1	Valve Sub-Assembly (See Separate Breakdown in HYDRAULIC Section)	
16	1001194676	19	Screw 1/4 x 3/4	
17	1001194736	1	Spacer	
18	1001202517	1	Decal	
19	1001202518	1	Decal	
20	1001196909	1	Decal	
21	1001196910	1	Decal	
22	1001196911	2	Decal	
23	1001235583	1	Panel, Controls Front LH	
24	1001199322	1	Panel, Controls Rear RH	
25	1001235584	1	Panel, Controls Front RH	
26	1001214902	1	Panel, Controls Top LH	
27	1001219743	1	Panel, Controls 9 Section LH	
28	1001219691	1	Panel, Controls Rear LH	
29	1001219937	1	Plate, Cover	
30	1001220068	1	Bracket, Controls Handles LH	
31	4309000001	7	Coupling	
32	4309000007	2	Coupling	
33	7082000005	2	Bearing	
34	7114140618	22	Capscrew 1/4 x 3/4	
35	7114141018	10	Capscrew 1/4 x 1-1/4	
36	7413000002	22	Nutsert 1/4	
37	7660140230	18	Nut 1/4	
38	7660142601	10	Nut 1/4	
39	7660162601	29	Nut 3/8	
40	7690141200	18	Pin	
41	7691000075	18	Pin	
42	7754000009	2	Ring, Retaining	
43	7806000008	1	Shaft	
44	7950140003	22	Washer 1/4	
45	7950140143	61	Washer 1/4	
46	7950160143	58	Washer 3/8	
47	7990000003	9	Yoke	
48	1001202741	5	Cable, Push-Pull	
49	7796000012	9 ft	Seal	

SECTION 5 - CONTROLS

ITEM	PART NUMBER	QTY	DESCRIPTION	REV
50	1001169083	4	Bolt 3/8 x 2	
51	1001206801	4	Cable, Push-Pull	

SECTION 5 - CONTROLS

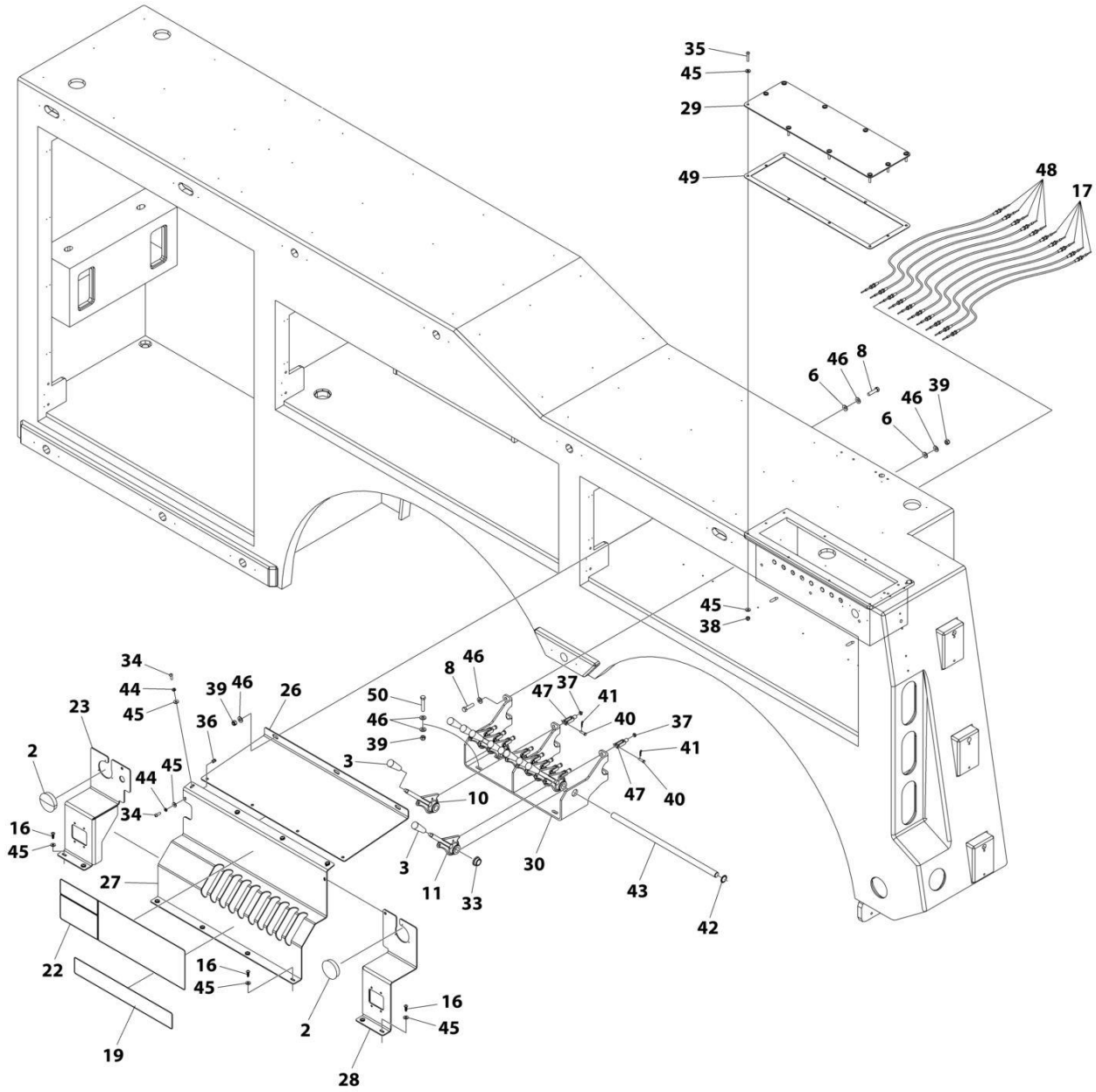
FIGURE 5-17. CONTROLS VALVE INSTALLATION 10 SECTION 8 SOLENOID



ART_1001235580_10F2

SECTION 5 - CONTROLS

FIGURE 5-18. CONTROLS VALVE INSTALLATION 10 SECTION 8 SOLENOID



ART_1001235580_20F2

SECTION 5 - CONTROLS

FIGURE 5-18. CONTROLS VALVE INSTALLATION 10 SECTION 8 SOLENOID

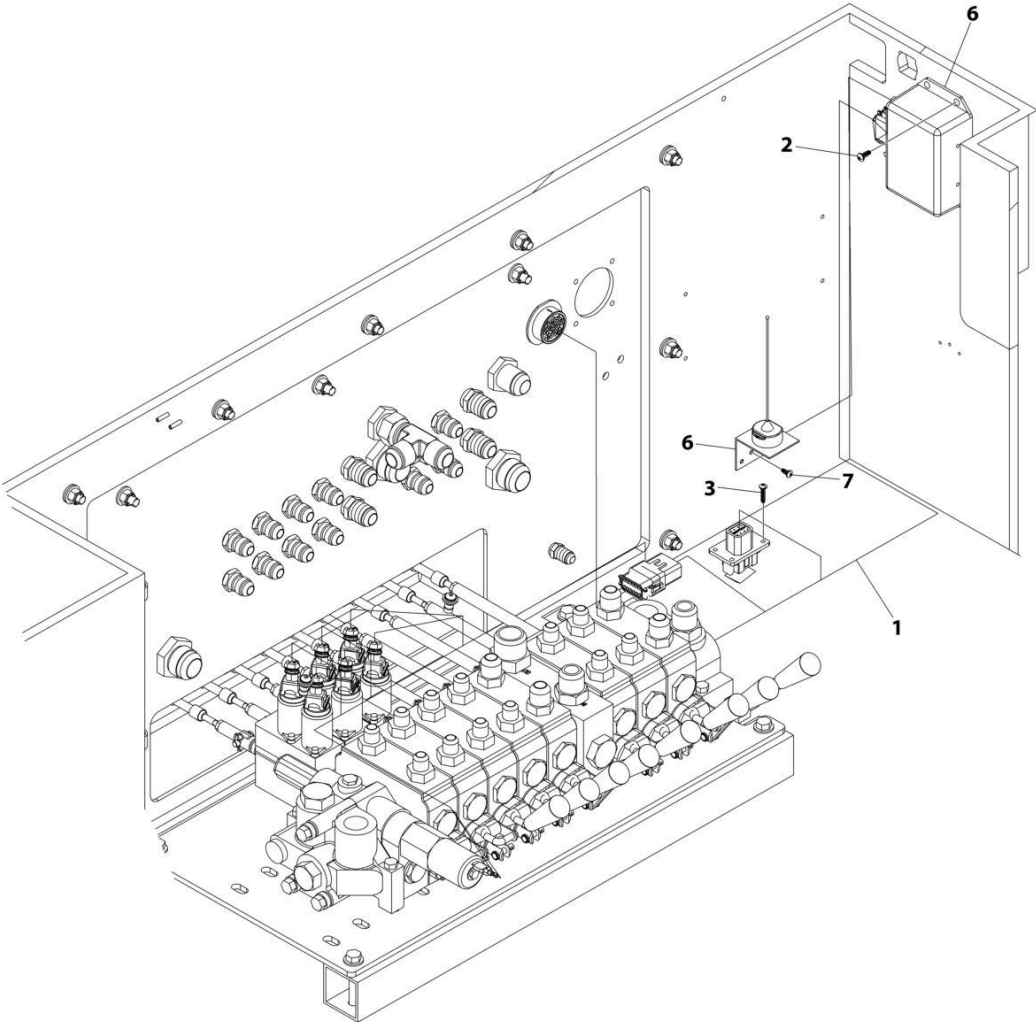
ITEM	PART NUMBER	QTY	DESCRIPTION	REV
	1001235580	Ref	CONTROLS INSTALLATION - 10 SECTION/8 SOLENOID	C
1	0641632	4	Bolt 3/8 x 4	
2	3520064	2	Plug	
3	1001130491	20	Knob, Control	
4	1001257300	1	Decal	
6	1001166974	21	Washer 3/8	
7	1001166978	3	Washer 1/4	
8	1001168993	18	Bolt 3/8 x 1-1/2	
9	1001169080	3	Bolt 3/8 x 1-1/4	
10	1001184827	3	Handle, Long	
11	1001184828	7	Handle, Short	
12	1001189784	1	Panel, Controls Top RH	
13	1001203229	1	Panel, Controls 10 Section RH	
14	1001189993	1	Panel, Cover	
15	1001202434	1	Valve Sub-Assembly (See Separate Breakdown in HYDRAULIC Section)	
16	1001194676	19	Screw 1/4 x 3/4	
17	1001206801	5	Cable, Push-Pull	
18	1001203235	1	Decal	
19	1001203236	1	Decal	
20	1001196909	1	Decal	
21	1001196910	1	Decal	
22	1001196911	2	Decal	
23	1001235583	1	Panel, Controls Front LH	
24	1001199322	1	Panel, Controls Rear RH	
25	1001235584	1	Panel, Controls Front RH	
26	1001214902	1	Panel, Controls Top LH	
27	1001219744	1	Panel, Controls 10 Section LH	
28	1001219691	1	Panel, Controls Rear LH	
29	1001219937	1	Plate, Cover	
30	1001220068	1	Bracket, Controls Handles LH	
31	4309000001	8	Coupling	
32	4309000007	2	Coupling	
33	7082000005	2	Bearing	
34	7114140618	22	Capscrew 1/4 x 3/4	
35	7114141018	10	Capscrew 1/4 x 1-1/4	
36	7413000002	22	Nutsert 1/4	
37	7660140230	20	Nut 1/4	
38	7660142601	10	Nut 1/4	
39	7660162601	29	Nut 3/8	
40	7690141200	20	Pin	
41	7691000075	20	Pin	
42	7754000009	2	Ring, Retaining	
43	7806000008	1	Shaft	
44	7950140003	22	Washer 1/4	
45	7950140143	61	Washer 1/4	
46	7950160143	58	Washer 3/8	
47	7990000003	10	Yoke	
48	1001202741	5	Cable, Push-Pull	
49	7796000012	9 ft	Seal	

SECTION 5 - CONTROLS

ITEM	PART NUMBER	QTY	DESCRIPTION	REV
50	1001169083	4	Bolt 3/8 x 2	

SECTION 5 - CONTROLS

FIGURE 5-19. REMOTE CONTROL INSTALLATION (6 FUNCTION NON-PROP 9 SECTION)



ART_1001212003

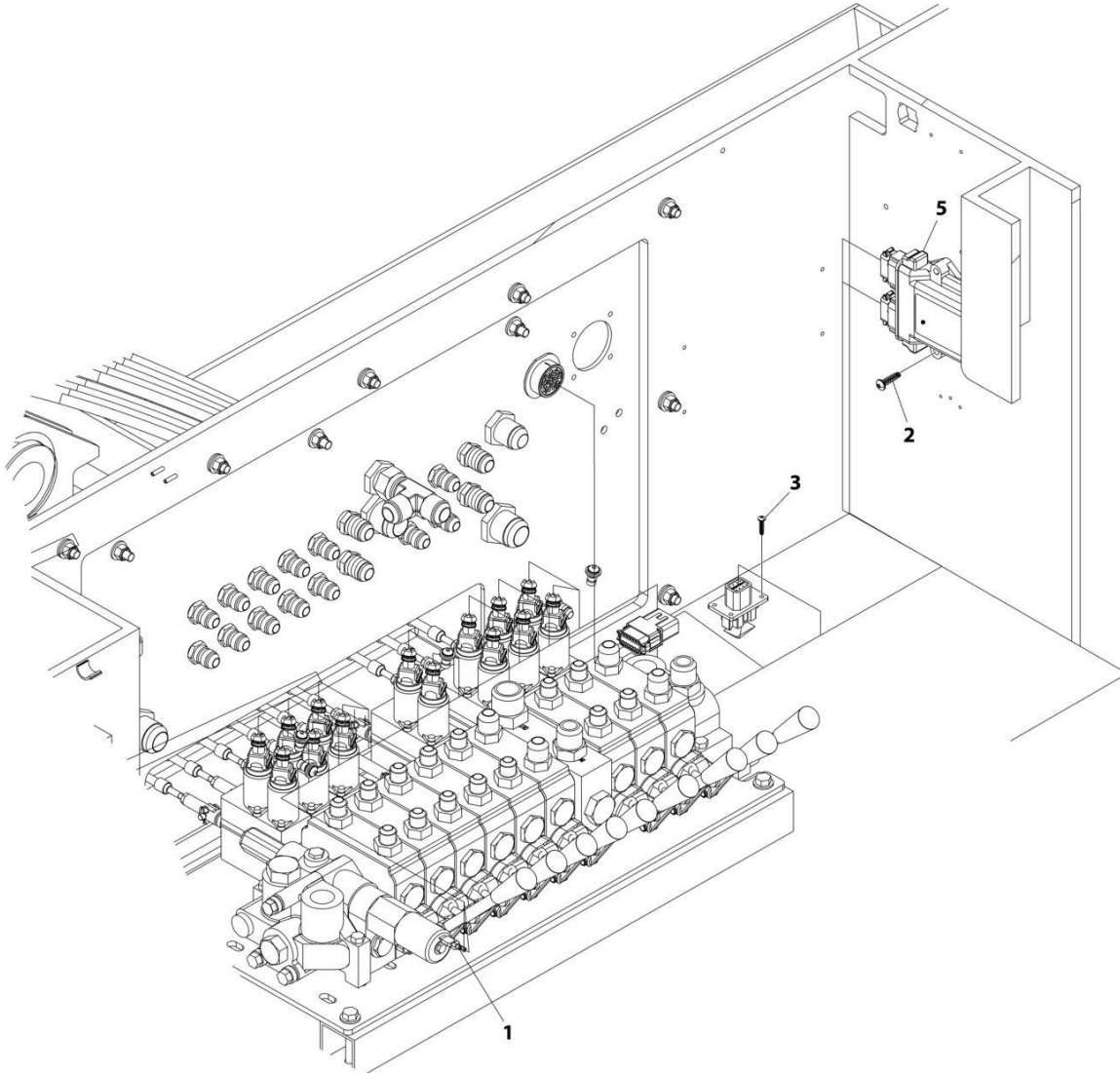
SECTION 5 - CONTROLS

FIGURE 5-19. REMOTE CONTROL INSTALLATION (6 FUNCTION NON-PROP 9 SECTION)

ITEM	PART NUMBER	QTY	DESCRIPTION	REV
	1001212003	Ref	REMOTE CONTROL INSTALLATION - WIRELESS	D
1	1001209022	1	Harness Assembly - Remote Control (See Separate Breakdown in ELECTRICAL Section) (Prior to SN 0230006575)	
1	1001246829	1	Harness Assembly - Remote Control (See Separate Breakdown in ELECTRICAL Section) (SN 0230006575 to Present)	
2	1001192958	4	Screw #10 x 1/2	
3	1001196552	4	Screw #8	
4	7075000003	1	Battery 9V (Not Shown)	
5	5526000553	AR	Tie Strap (Not Shown)	
6	7295000146	1	Remote Control Assembly (See Separate Breakdown in this Section)	
7	1001198602	3	Screw #8 x 3/8	

SECTION 5 - CONTROLS

FIGURE 5-20. REMOTE CONTROL INSTALLATION (14 FUNCTION NON-PROP 9 SECTION)



ART_1001212004

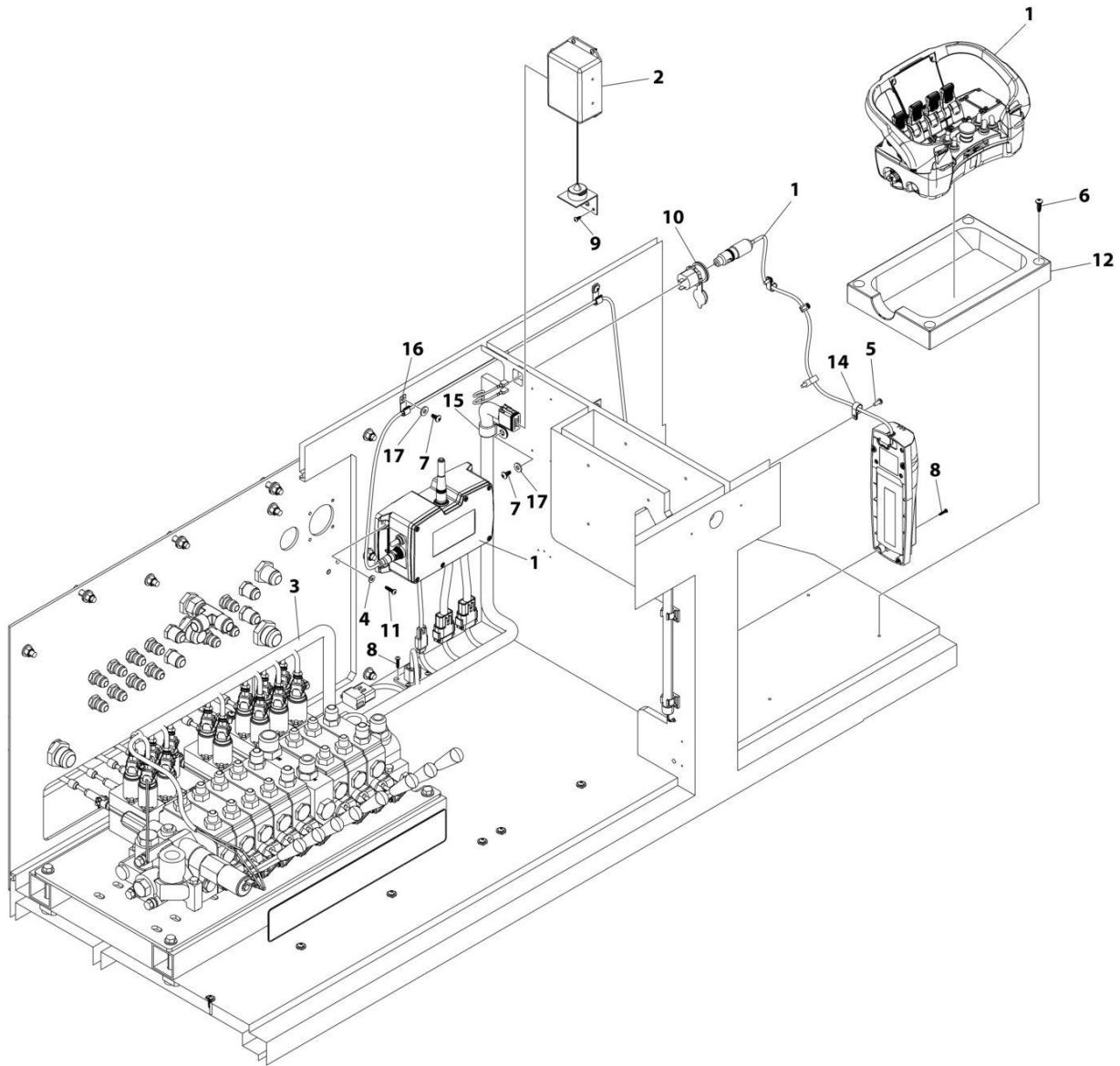
SECTION 5 - CONTROLS

FIGURE 5-20. REMOTE CONTROL INSTALLATION (14 FUNCTION NON-PROP 9 SECTION)

ITEM	PART NUMBER	QTY	DESCRIPTION	REV
	1001212004	Ref	REMOTE CONTROL INSTALLATION - WIRELESS	D
1	1001209020	1	Harness Assembly - Remote Control (See Separate Breakdown in ELECTRICAL Section) (Prior to SN 0230006575)	
1	1001246828	1	Harness Assembly - Remote Control (See Separate Breakdown in ELECTRICAL Section) (SN 0230006575 to Present)	
2	1001195523	2	Screw 1/4 x 1	
3	1001196552	4	Screw #8	
4	7075000003	1	Battery 9V (Not Shown)	
5	7295000124	1	Remote Control Assembly (See Separate Breakdown in this Section)	

SECTION 5 - CONTROLS

FIGURE 5-21. REMOTE CONTROL INSTALLATION (14 FUNCTION PROP 9 SECTION)



ART_1001235707

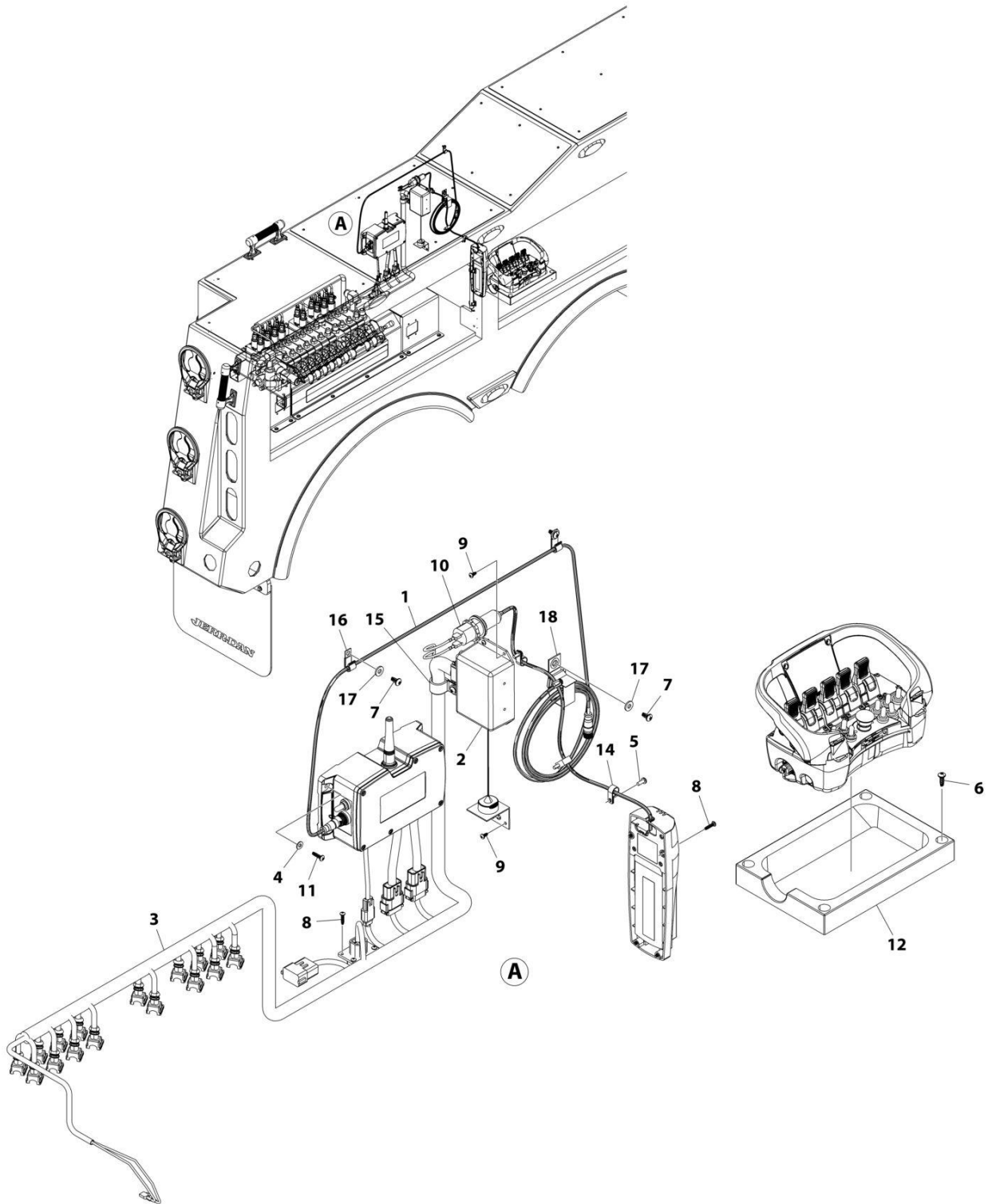
SECTION 5 - CONTROLS

FIGURE 5-21. REMOTE CONTROL INSTALLATION (14 FUNCTION PROP 9 SECTION)

ITEM	PART NUMBER	QTY	DESCRIPTION	REV
	1001235707	Ref	REMOTE CONTROL INSTALLATION - WIRELESS	B
1	1001234563	1	Remote Control Assembly (See Separate Breakdown in this Section)	
2	7295000146	1	Remote Control Assembly (See Separate Breakdown in this Section)	
3	1001236497	1	Harness Assembly - Remote Control (See Separate Breakdown in ELECTRICAL Section)	
4	4711000	4	Washer #10	
5	1001172004	4	Screw #10 x 1/2	
6	1001194676	4	Screw 1/4 x 3/4	
7	1001195257	4	Screw 1/4 x 1/2	
8	1001196552	8	Screw #8	
9	1001198602	7	Screw #8 x 3/8	
10	1001201384	1	Socket	
11	1001230068	4	Screw #10 x 3/4	
12	1001235386	1	Tray	
13	7075000003	1	Battery 9V (Not Shown)	
14	7274000036	4	Clamp	
15	7274000040	1	Clamp	
16	7280000018	2	Clip	
17	7950140143	4	Washer 1/4	
18	1001167286	AR	Tie Strap (Not Shown)	

SECTION 5 - CONTROLS

FIGURE 5-22. REMOTE CONTROL INSTALLATION (16 FUNCTION PROP 10 SECTION)



ART_1001235708

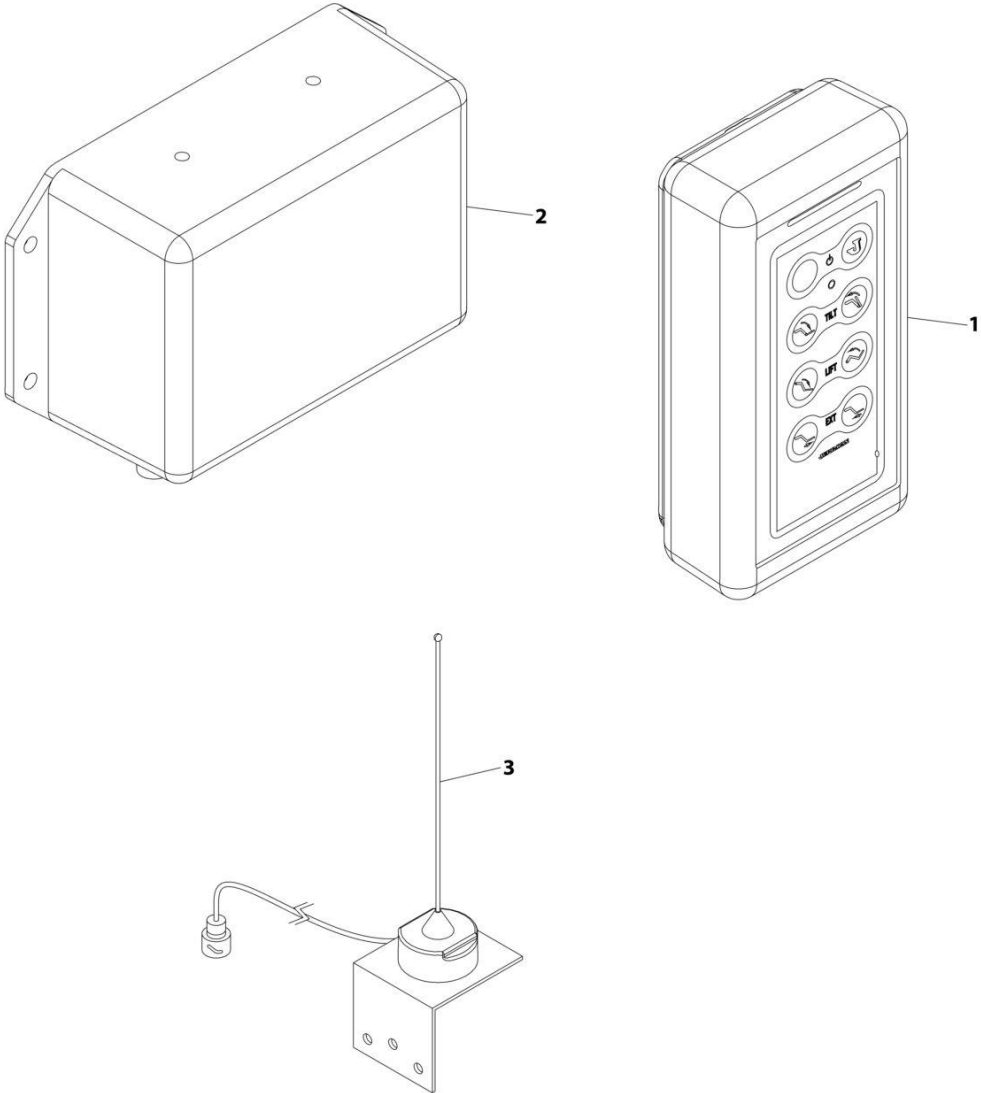
SECTION 5 - CONTROLS

FIGURE 5-22. REMOTE CONTROL INSTALLATION (16 FUNCTION PROP 10 SECTION)

ITEM	PART NUMBER	QTY	DESCRIPTION	REV
	1001235708	Ref	REMOTE CONTROL INSTALLATION - WIRELESS	B
1	1001234563	1	Remote Control Assembly - 5 Paddle (See Separate Breakdown in this Section)	
2	7295000146	1	Remote Control Assembly - 6 Function (See Separate Breakdown in this Section)	
3	1001236497	1	Harness Assembly - Remote Control (See Separate Breakdown in ELECTRICAL Section)	
4	4711000	4	Washer #10	
5	1001172004	4	Screw #10 x 1/2	
6	1001194676	4	Screw 1/4 x 3/4	
7	1001195257	4	Screw 1/4 x 1/2	
8	1001196552	8	Screw #8	
9	1001198602	7	Screw #8 x 3/8	
10	1001201384	1	Socket	
11	1001230068	4	Screw #10 x 3/4	
12	1001235386	1	Tray	
13	7075000003	1	Battery 9V (Not Shown)	
14	7274000036	4	Clamp	
15	7274000040	1	Clamp	
16	7280000018	2	Clip	
17	7950140143	4	Washer 1/4	
18	1001167286	1	Tie Strap	

SECTION 5 - CONTROLS

FIGURE 5-23. REMOTE CONTROL ASSEMBLY - WIRELESS (6 FUNCTION NON-PROP 9 SECTION)



ART_7295000146

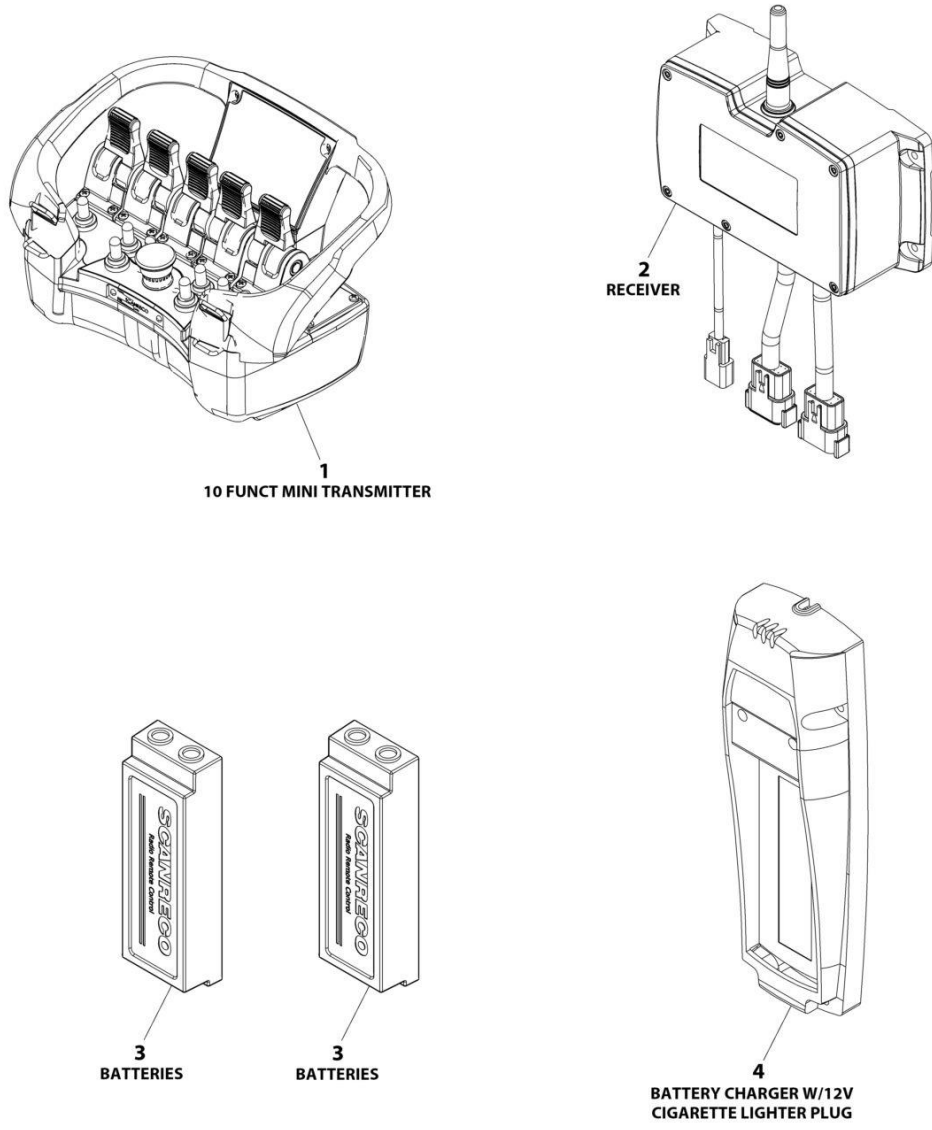
SECTION 5 - CONTROLS

FIGURE 5-23. REMOTE CONTROL ASSEMBLY - WIRELESS (6 FUNCTION NON-PROP 9 SECTION)

ITEM	PART NUMBER	QTY	DESCRIPTION	REV
	7295000146	Ref	REMOTE CONTROL ASSEMBLY (6 FUNCTION HANDHELD)	B
1	70051481	1	Transmitter, Handheld	
1	70051465	1	Clip, Belt	
1	70051466	1	Boot, Transmitter Rubber	
2	9295310068	1	Receiver	
3	9295310069	1	Antenna with Bracket & Cable	

SECTION 5 - CONTROLS

FIGURE 5-24. REMOTE CONTROL ASSEMBLY - WIRELESS (16 FUNCTION PROP 10 SECTION)



ART_1001234563

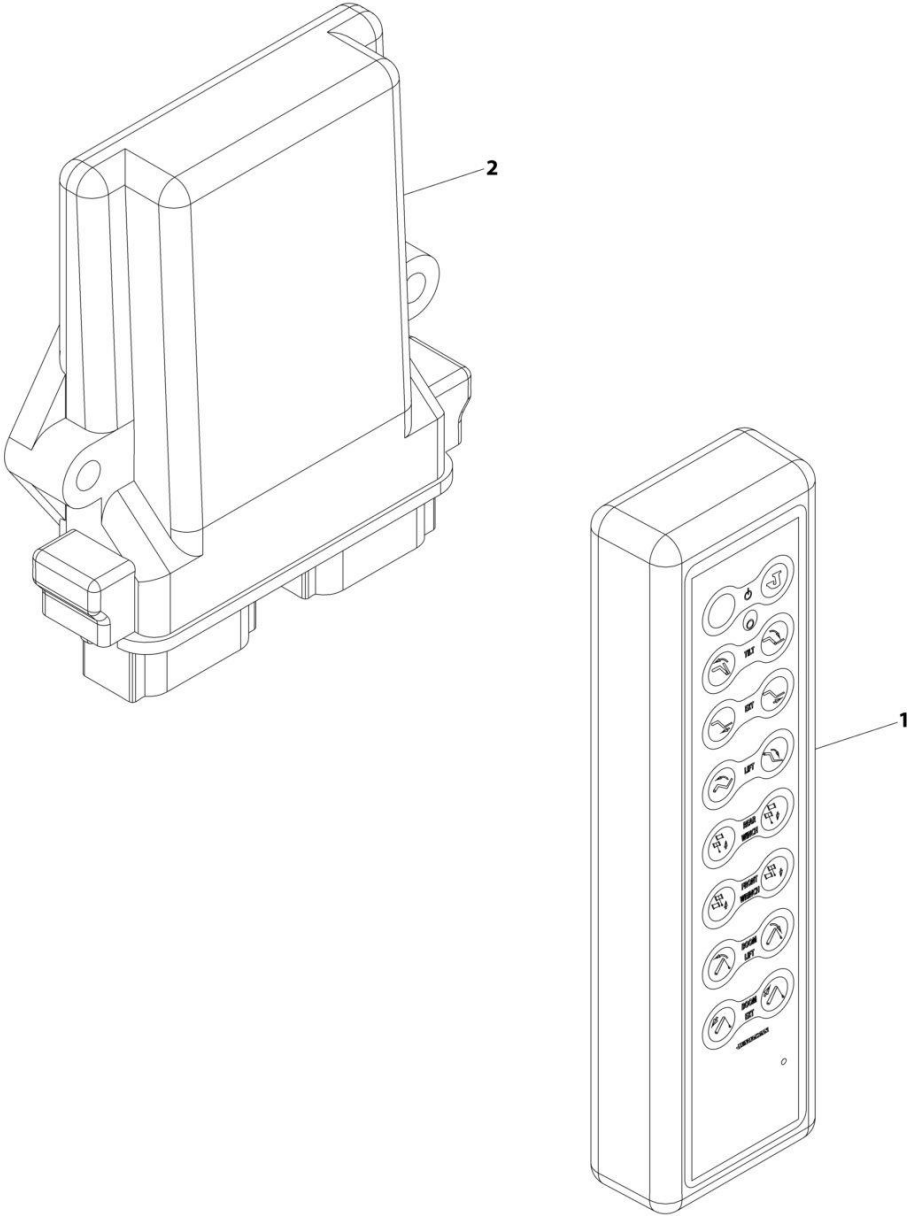
SECTION 5 - CONTROLS

FIGURE 5-24. REMOTE CONTROL ASSEMBLY - WIRELESS (16 FUNCTION PROP 10 SECTION)

ITEM	PART NUMBER	QTY	DESCRIPTION	REV
	1001234563	Ref	REMOTE CONTROL ASSEMBLY	C
1	1001234724	1	Transmitter Assembly	
2	1001226504	1	Receiver Assembly	
3	1001232868	2	Battery	
4	1001226798	1	Charger, Battery	
5	1001230715	1	Cable, Control (Not Shown)	
6	1001232869	1	Strap, Transmitter (Not Shown)	

SECTION 5 - CONTROLS

FIGURE 5-25. REMOTE CONTROL ASSEMBLY - WIRELESS (14 FUNCTION NON-PROP 9 SECTION)



ART_7295000124

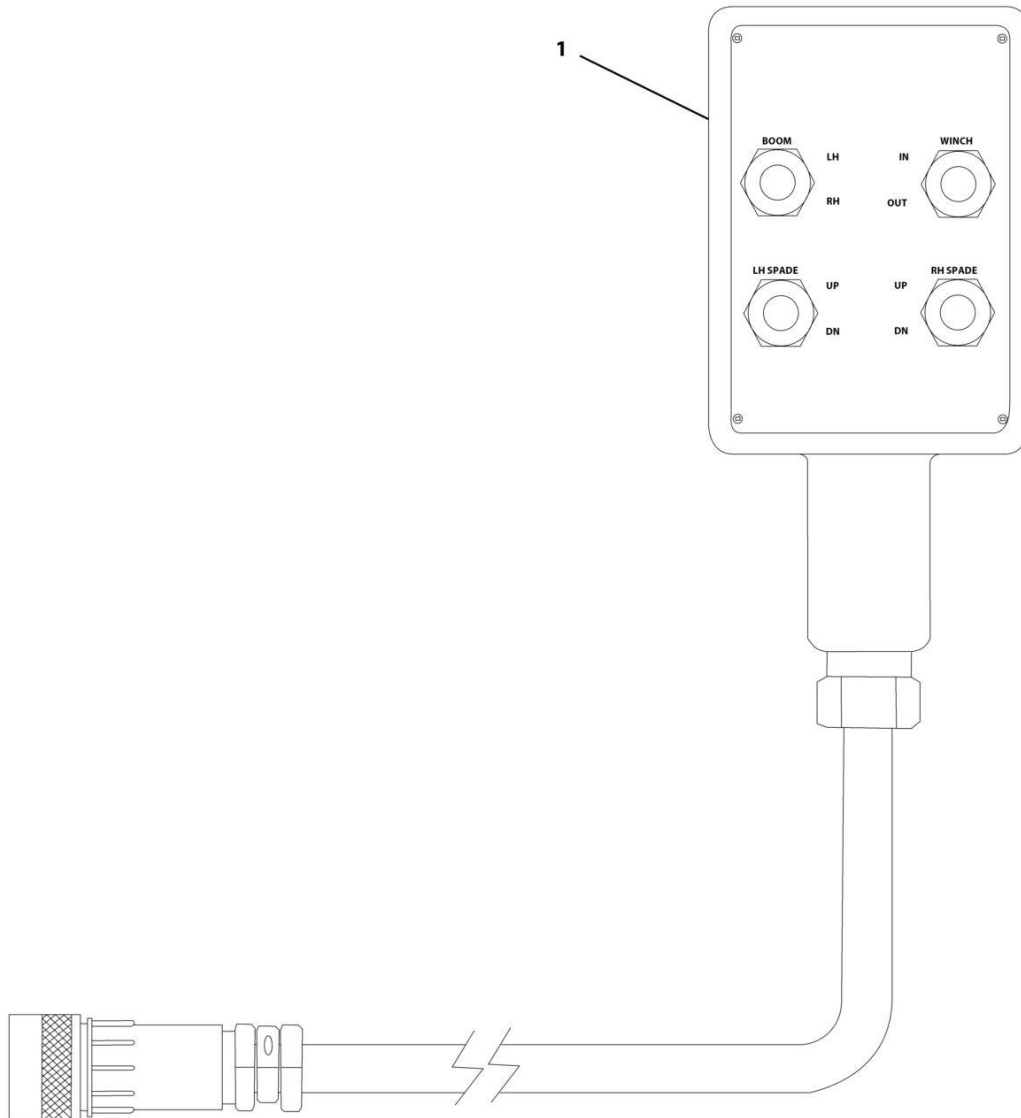
SECTION 5 - CONTROLS

FIGURE 5-25. REMOTE CONTROL ASSEMBLY - WIRELESS (14 FUNCTION NON-PROP 9 SECTION)

ITEM	PART NUMBER	QTY	DESCRIPTION	REV
	7295000124	Ref	REMOTE CONTROL ASSEMBLY (14 FUNCTION HANDHELD)	B
1	70051480	1	Transmitter, Handheld	
1	70051465	1	Clip, Belt	
2	1001139464	1	Receiver	

SECTION 5 - CONTROLS

FIGURE 5-26. REMOTE CONTROL ASSEMBLY - HAND HELD (SRS)



ART_7295000126

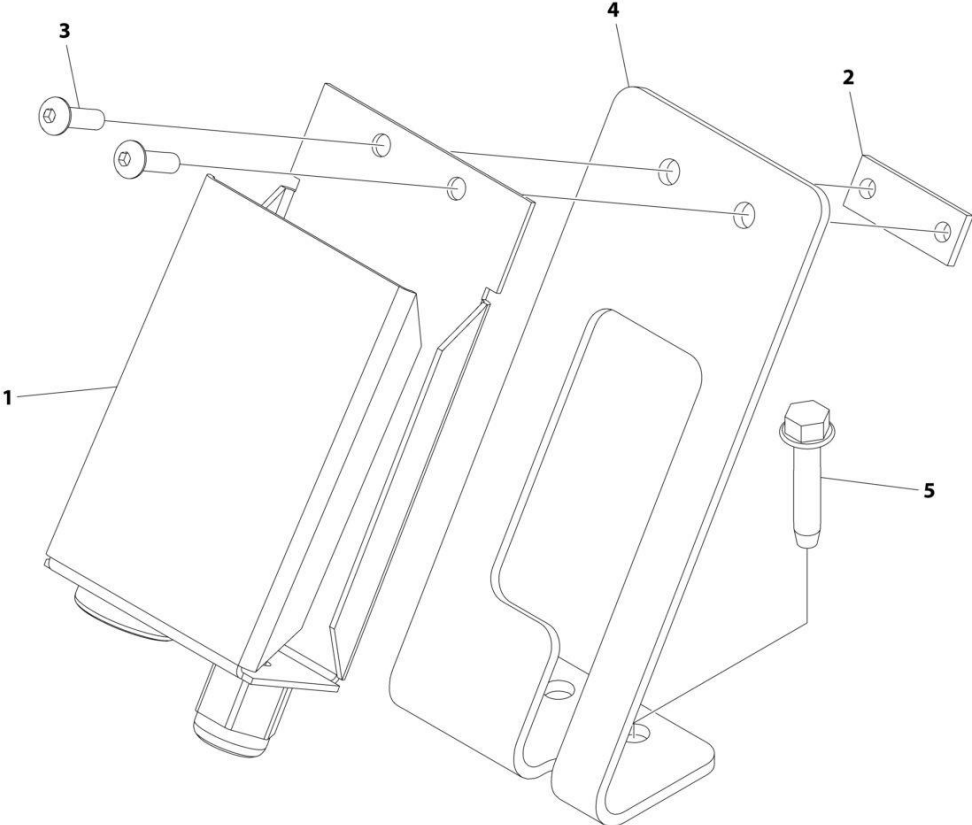
SECTION 5 - CONTROLS

FIGURE 5-26. REMOTE CONTROL ASSEMBLY - HAND HELD (SRS)

ITEM	PART NUMBER	QTY	DESCRIPTION	REV
1	7295000126 7295000126	Ref 1	REMOTE CONTROL ASSEMBLY - HAND HELD (SRS) Controller - 8 Function	A

SECTION 5 - CONTROLS

FIGURE 5-27. REMOTE CONTROL HOLDER INSTALLATION



ART_2002000031

SECTION 5 - CONTROLS

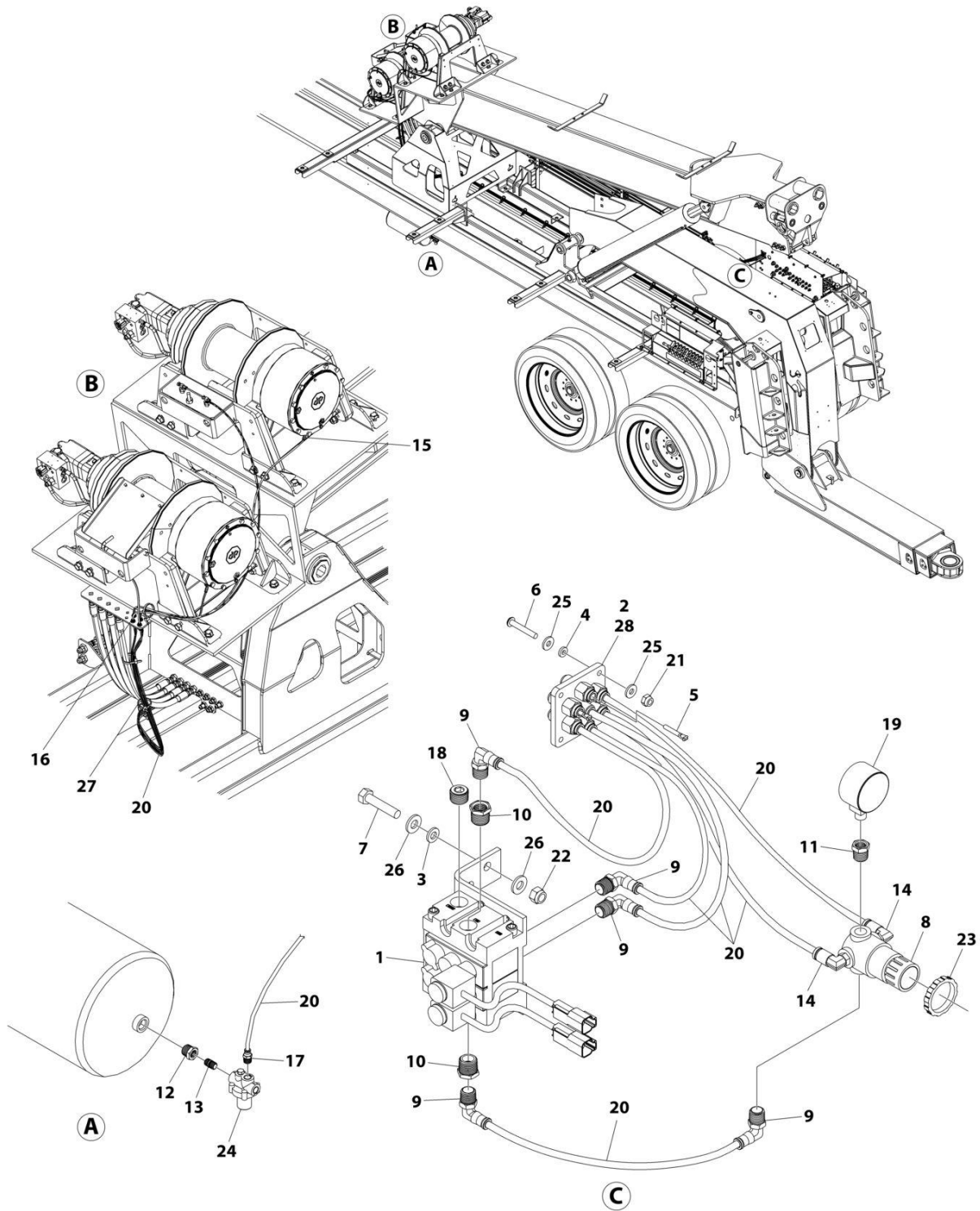
FIGURE 5-27. REMOTE CONTROL HOLDER INSTALLATION

ITEM	PART NUMBER	QTY	DESCRIPTION	REV
	2002000031	Ref	Remote Control Transmitter Holder	D
1	7002000521	1	Holder, Box	
2	7661000056	1	Nut #10	
3	7114100518	2	Screw #10 x 5/8	
4	1001230127	1	Mount	
5	7790142051	2	Screw 1/4 x 1-1/4	

SECTION 6 - HYDRAULIC

SECTION 6 - HYDRAULIC

FIGURE 6-1. AIR INSTALLATION - 2-SP MOTOR



ART_1001211861

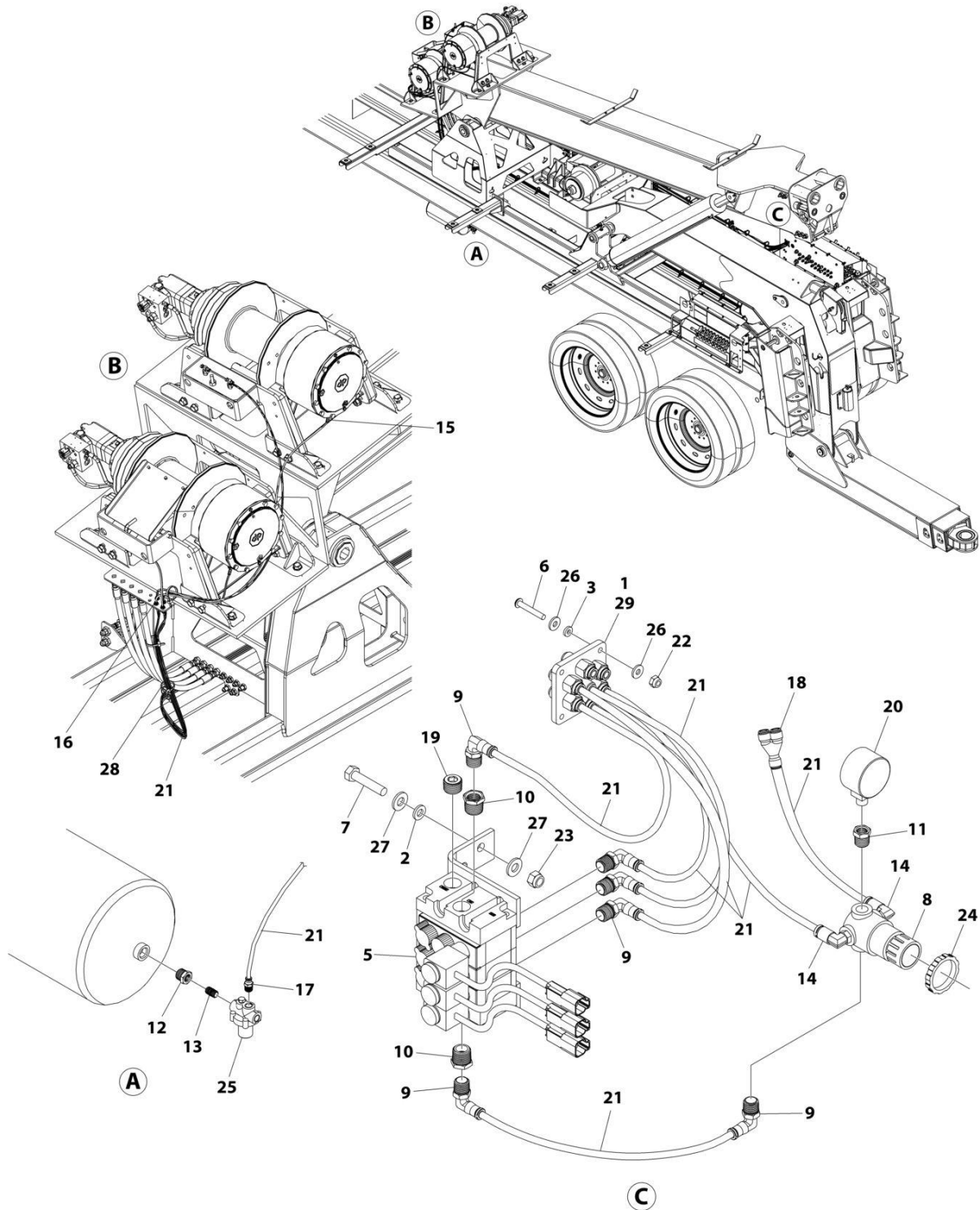
SECTION 6 - HYDRAULIC

FIGURE 6-1. AIR INSTALLATION - 2-SP MOTOR

ITEM	PART NUMBER	QTY	DESCRIPTION	REV
	1001211861	Ref	AIR INSTALLATION - 2-SP MOTOR	D
1	1001129800	1	Air Valve Assembly (See Separate Breakdown in this Section)	
2	1001297064	1	Bulkhead	
3	1001197482	4	Washer 5/16	
4	1001207736	4	Washer #10	
5	1001197506	2	Seal	
6	7114101018	4	Screw #10 x 1-1/4	
7	7115151250	4	Bolt 5/16 x 1-1/2	
8	7295000029	1	Regulator, Air	
9	7443000139	5	Fitting, 90	
10	7443000148	2	Fitting, Straight	
11	7443000149	1	Fitting, Straight	
12	7443000154	1	Fitting, Straight	
13	7443000156	1	Fitting, Straight	
14	7443000173	2	Fitting, 90	
15	7443000176	2	Fitting, 45	
16	7443000178	4	Fitting, Straight	
17	7443000329	1	Fitting, Straight	
18	7444030037	1	Plug	
19	7470000006	1	Gauge, Air Pressure	
20	7565000016	150 ft	Airline Tubing	
21	7660102601	4	Nut #10	
22	7660152601	4	Nut 5/16	
23	7661000041	1	Nut	
24	7935000120	1	Valve	
25	7950100143	8	Washer 3/16	
26	7950140143	8	Washer 1/4	
27	7894000004	28	Tie-Strap	
28	8798820001	AR	Sealant	

SECTION 6 - HYDRAULIC

FIGURE 6-2. AIR INSTALLATION - 2-SP MOTOR (WITH UL WINCH)



ART_1001211862

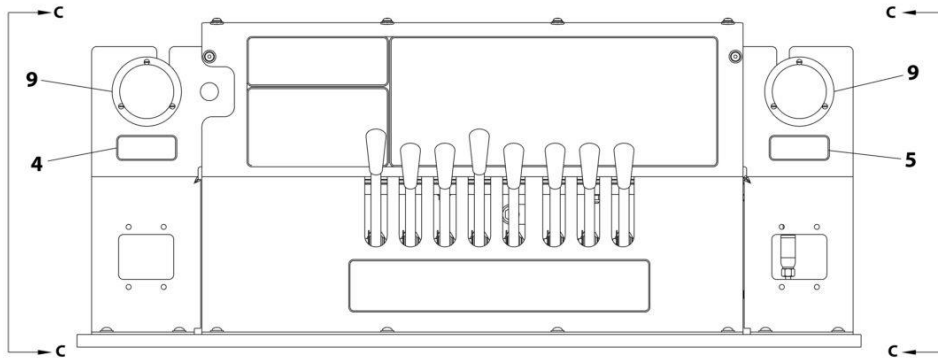
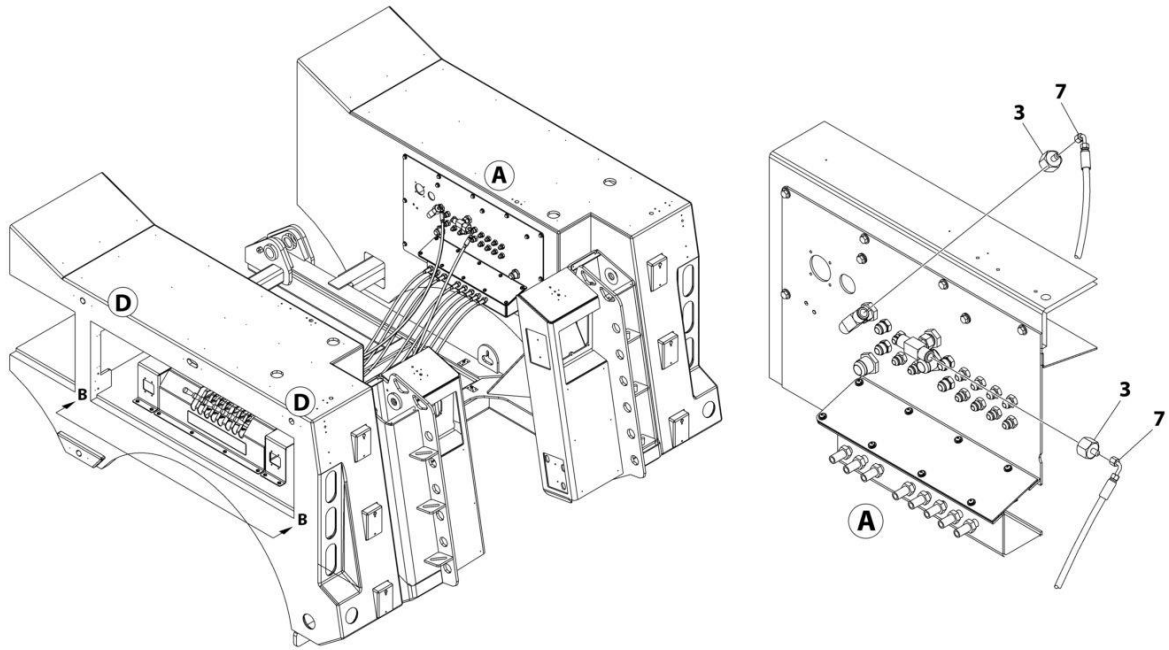
SECTION 6 - HYDRAULIC

FIGURE 6-2. AIR INSTALLATION - 2-SP MOTOR (WITH UL WINCH)

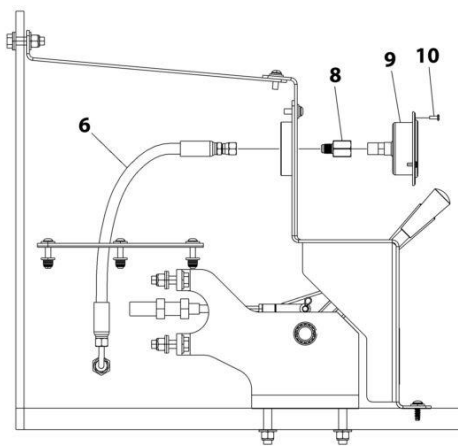
ITEM	PART NUMBER	QTY	DESCRIPTION	REV
	1001211862	Ref	AIR INSTALLATION - 2-SP MOTOR (WITH UL WINCH)	D
1	1001297064	1	Bulkhead	
2	1001197482	4	Washer 5/16	
3	1001207736	4	Washer #10	
5	1001202056	1	Air Valve Assembly (See Separate Breakdown in this Section)	
6	7114101018	4	Screw #10 x 1-1/4	
7	7115151250	4	Capscrew 5/16 x 1-1/2	
8	7295000029	1	Regulator, Air	
9	7443000139	7	Fitting, 90	
10	7443000148	2	Fitting, Straight	
11	7443000149	1	Fitting, Straight	
12	7443000154	1	Fitting, Straight	
13	7443000156	1	Fitting, Straight	
14	7443000173	2	Fitting, 90	
15	7443000176	2	Fitting, 45	
16	7443000178	4	Fitting, Straight	
17	7443000329	1	Fitting, Straight	
18	7443000448	1	Fitting, Y	
19	7444030037	1	Plug	
20	7470000006	1	Gauge, Air Pressure	
21	7565000016	175 ft	Airline Tubing	
22	7660102601	4	Nut #10	
23	7660152601	4	Nut 5/16	
24	7661000041	1	Nut	
25	7935000120	1	Valve	
26	7950100143	8	Washer 3/16	
27	7950140143	8	Washer 1/4	
28	7894000004	36	Tie-Strap	
29	8798820001	AR	Sealant	

SECTION 6 - HYDRAULIC

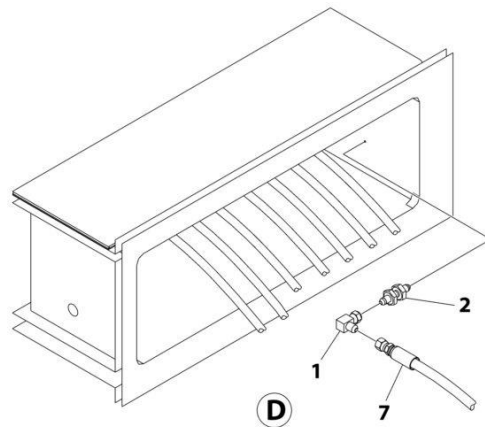
FIGURE 6-3. GAUGES INSTALLATION - HYDRAULIC (DRIVERS SIDE)



SECTION B-B



SECTION C-C
BOTH SIDE TYPICAL



FRONT AND REAR GAUGE BULKHEAD
(BOTH SIDE TYPICAL)

ART_1001220219

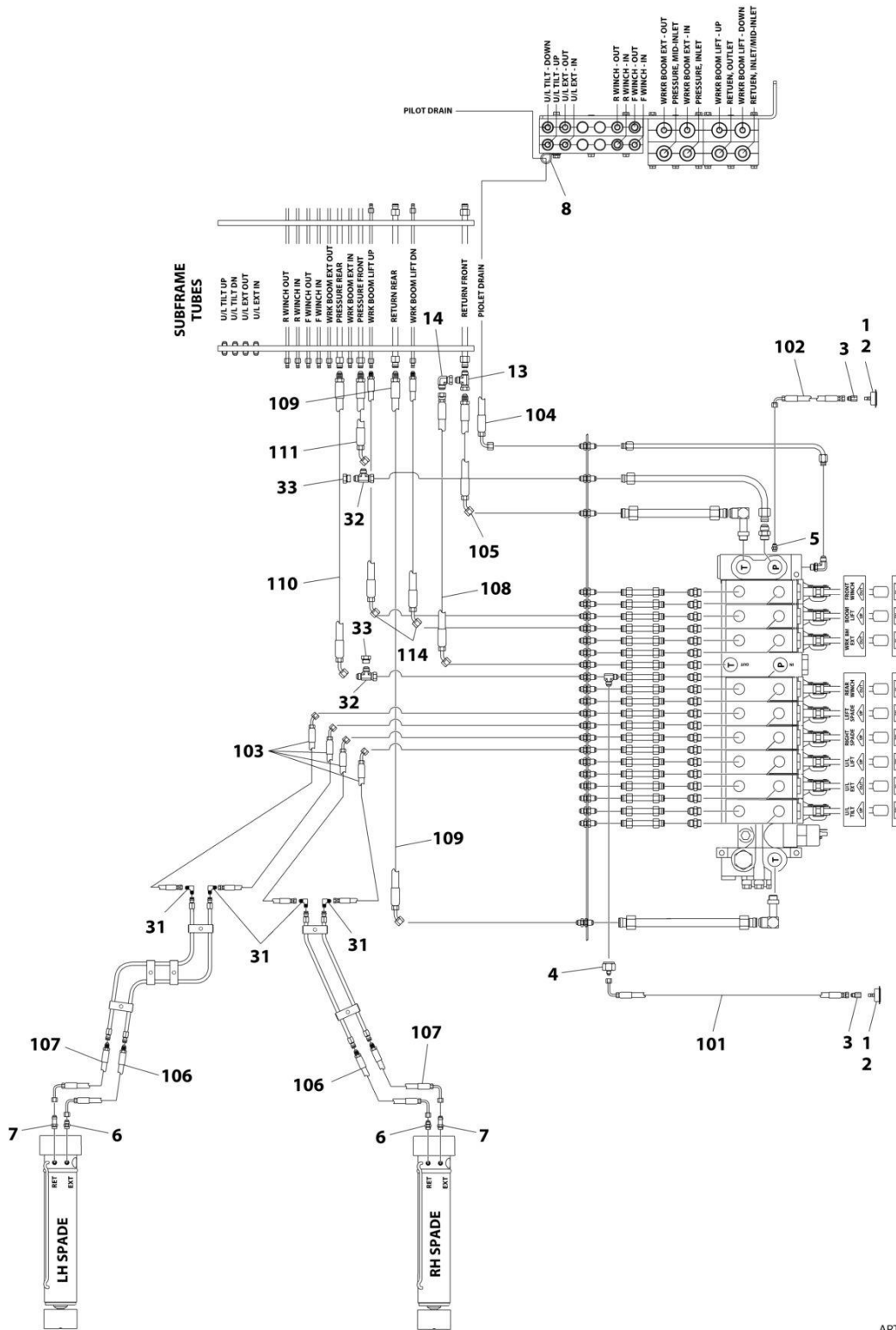
SECTION 6 - HYDRAULIC

FIGURE 6-3. GAUGES INSTALLATION - HYDRAULIC (DRIVERS SIDE)

ITEM	PART NUMBER	QTY	DESCRIPTION	REV
	1001220219	Ref	GAUGES INSTALLATION - HYDRAULIC (DRIVERS SIDE)	B
1	2220654	2	Fitting, 90 - JIC/FSJIC	
2	2230021	2	Fitting, Straight JIC/JIC	
3	1001094694	2	Fitting, Straight JIC/FSJIC	
4	1001196909	1	Decal - Pressure Front Valve	
5	1001196910	1	Decal - Pressure Rear Valve	
6	1001219790	2	Hose	
7	1001220268	2	Hose	
8	7445040421	2	Fitting, Straight - NPT/JIC	
9	7470000004	2	Gauge, Pressure	
10	7790060676	6	Screw #6 x 3/8	

SECTION 6 - HYDRAULIC

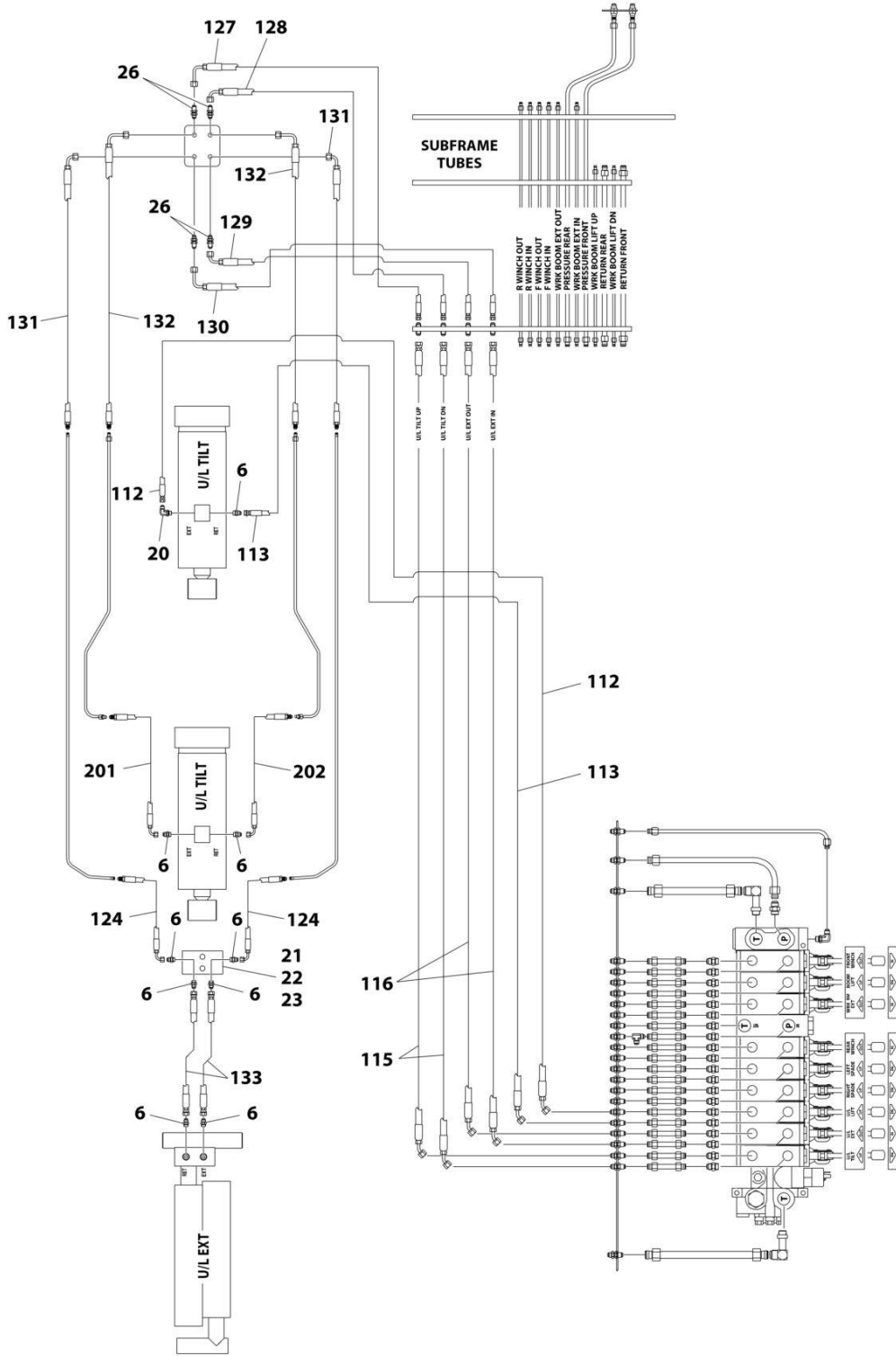
FIGURE 6-4. HYDRAULIC LINE AND FITTING INSTALLATION - NO UL WINCH



ART_1001207189_10F4

SECTION 6 - HYDRAULIC

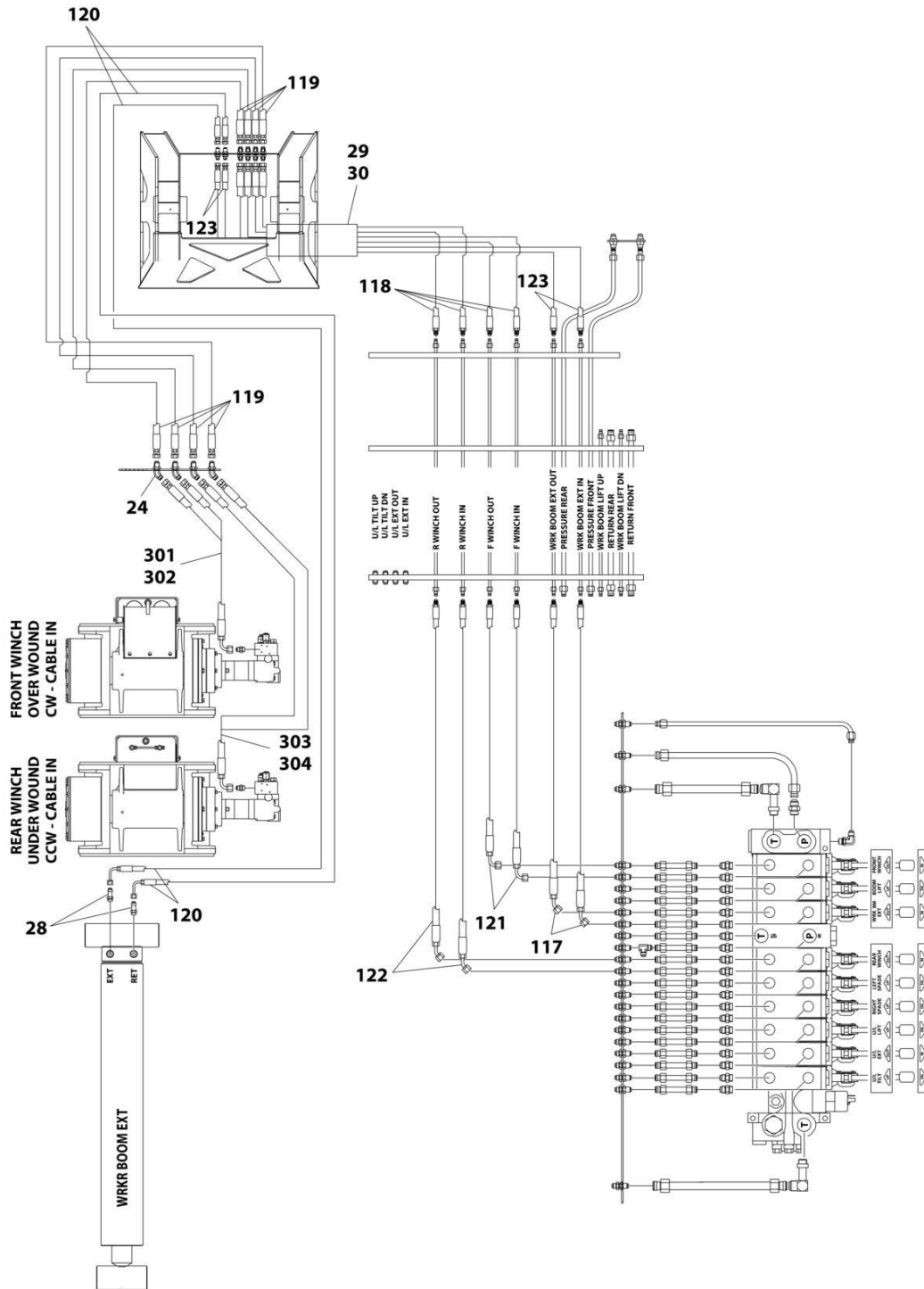
FIGURE 6-5. HYDRAULIC LINE AND FITTING INSTALLATION - NO UL WINCH



ART_1001207189_2OF4

SECTION 6 - HYDRAULIC

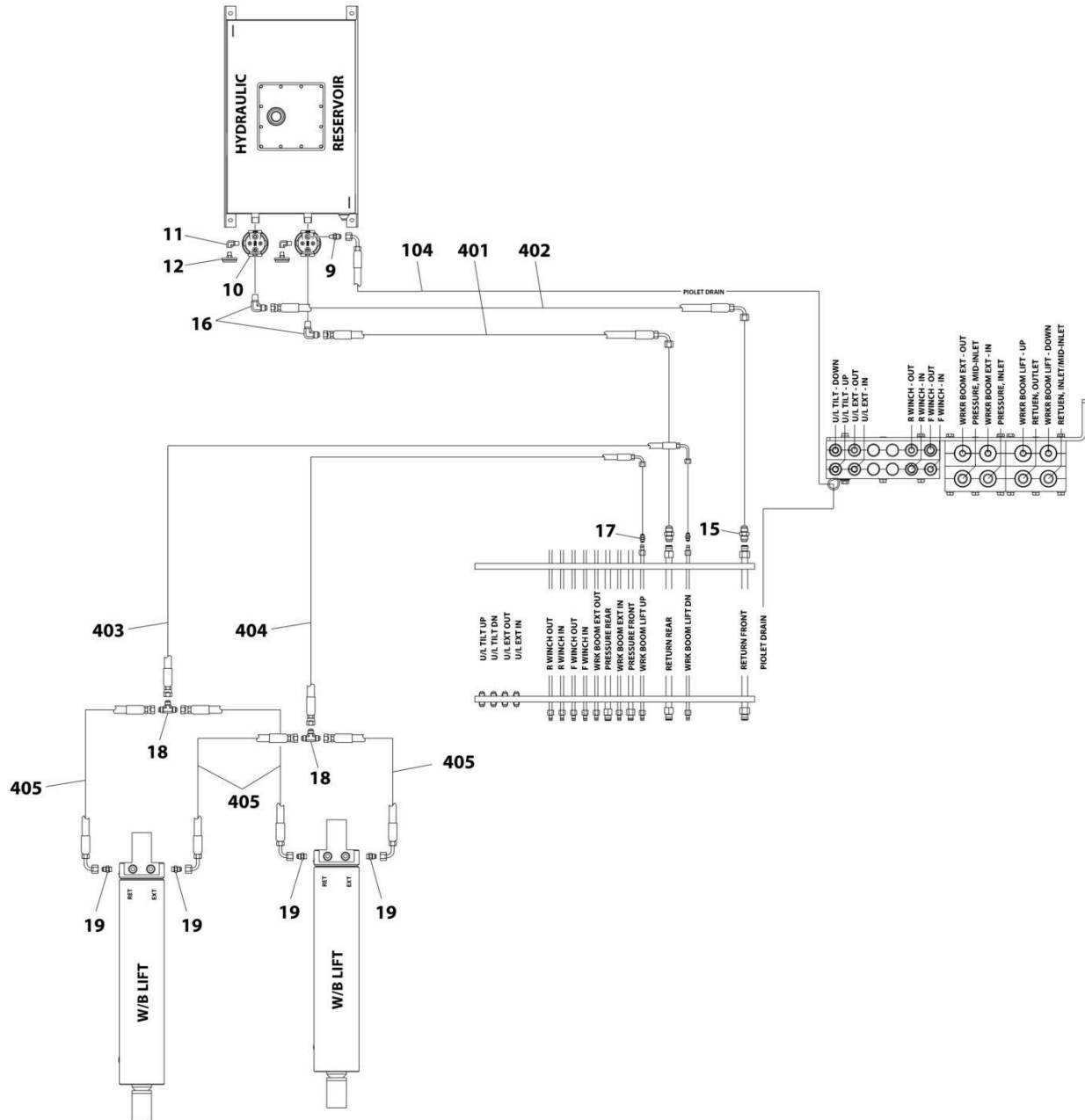
FIGURE 6-6. HYDRAULIC LINE AND FITTING INSTALLATION - NO UL WINCH



ART_1001207189_30F4

SECTION 6 - HYDRAULIC

FIGURE 6-7. HYDRAULIC LINE AND FITTING INSTALLATION - NO UL WINCH



ART_1001207189_40F4

SECTION 6 - HYDRAULIC

FIGURE 6-7. HYDRAULIC LINE AND FITTING INSTALLATION - NO UL WINCH

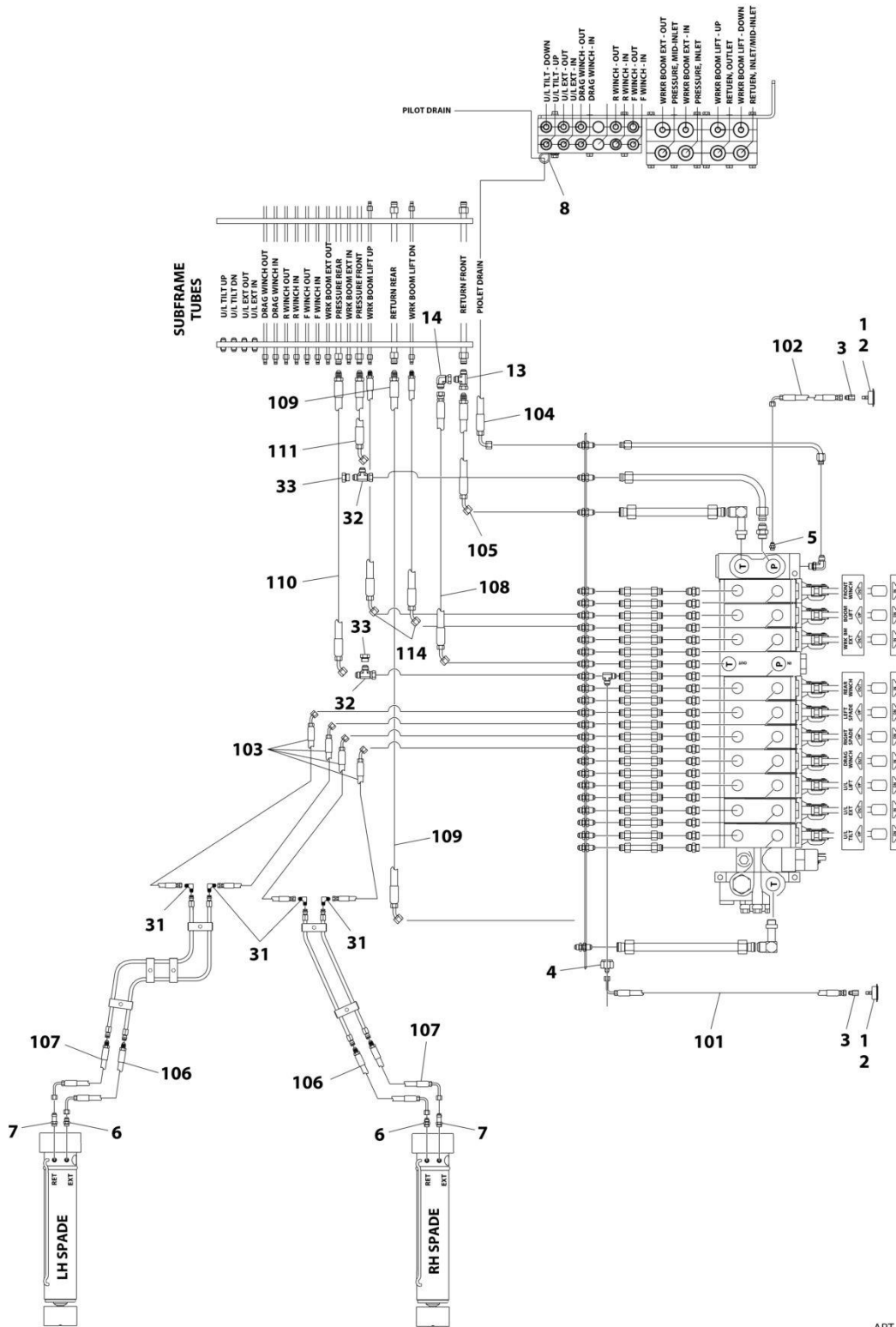
ITEM	PART NUMBER	QTY	DESCRIPTION	REV
	1001207189	Ref	HYDRAULIC LINE AND FITTING INSTALLATION - 60T IND (WITHOUT WINCH)	D
1	7470000004	2	Gauge, Pressure	
2	7790060676	6	Screw #6 x 3/8	
3	7445040421	2	Fitting, Straight - NPT/JIC	
4	1001094694	1	Fitting, Straight - JIC/JIC	
5	2220415	1	Fitting, Straight - JIC/ORB	
6	7445060643	11	Fitting, Straight	
7	7443000109	2	Fitting, Straight	
8	7274000063	2	Clamp	
9	7445060219	1	Fitting, Straight - JIC/NPT	
10	7430000004	2	Filter Assembly - Hydraulic Oil	
11	7443000158	2	Fitting, 90 - NPT/NPT	
12	7470000002	2	Gauge, Oil Filter	
13	2220642	1	Fitting, Tee	
14	2220878	1	Fitting, 90 - JIC/JIC	
15	7445161622	2	Union, Straight	
16	7445161620	2	Fitting, 90	
17	7445080822	2	Union, Straight	
18	7445080837	2	Union, Tee	
19	7445080843	4	Fitting, Straight	
20	7445060645	1	Fitting, 90	
21	4619000006	1	Manifold	
22	7115161650	2	Bolt 3/8 x 2	
23	7950160000	2	Washer 3/8	
24	7445101032	4	Fitting, 45	
26	7445080825	4	Fitting, Union Bulkhead	
27	1001207175	1	Hose Kit (Not Shown) (See Items 101-133)	
28	7443000479	2	Fitting, Straight	
29	4819000008	2	Sleeve	
30	7894000004	20	Tie-Strap	
31	7445080830	4	Fitting, 90 - JIC/JIC	
32	2220700	2	Fitting, Tee JIC/FSJIC/JIC	
33	2220518	2	Fitting, Cap - JIC	
	1001207175	Ref	HOSE KIT	C
101	4567113028	1	Hose	
102	4567112024	1	Hose	
103	1001192504	4	Hose	
104	1001206033	1	Hose	
105	1001206035	1	Hose	
106	4570000163	2	Hose	
107	4570000162	2	Hose	
108	1001206037	1	Hose	
109	1001205678	1	Hose	
110	1001206043	1	Hose	
111	1001206039	1	Hose	
112	1001204438	1	Hose	
113	1001207177	1	Hose	
114	1001206042	2	Hose	
115	1001207176	2	Hose	

SECTION 6 - HYDRAULIC

ITEM	PART NUMBER	QTY	DESCRIPTION	REV
116	1001213134	2	Hose	
117	1001206053	1	Hose	
118	4569160046	4	Hose	
119	4567150048	4	Hose	
120	4567132048	1	Hose	
121	1001206054	2	Hose	
122	1001213133	1	Hose	
123	4570000368	2	Hose	
124	4570000167	2	Hose	
125	4570000366	1	Hose (Not Shown)	
126	4570000367	1	Hose (Not Shown)	
127	4570000174	1	Hose	
128	4570000173	1	Hose	
129	4570000248	1	Hose	
130	4570000180	1	Hose	
131	4569132034	2	Hose	
132	4569133035	2	Hose	
133	4567120017	2	Hose	
	7577000640	Ref	HOSE KIT (UNDERLIFT - 530)	B
201	4570000336	1	Hose	
202	4570000335	1	Hose	
	7577000641	Ref	HOSE KIT (UNDERLIFT - 565)	B
201	4570000177	1	Hose	
202	4570000176	1	Hose	
	7577000573	Ref	WINCH HOSE KIT	B
301	1001267377	1	Hose	
302	4567152024	1	Hose	
303	4567152056	1	Hose	
304	4567152054	1	Hose	
	7577000639	Ref	HOSE KIT	0
401	4567182029	1	Hose	
402	4567182024	1	Hose	
403	4567133032	1	Hose	
404	4567132031	1	Hose	
405	4567132043	4	Hose	

SECTION 6 - HYDRAULIC

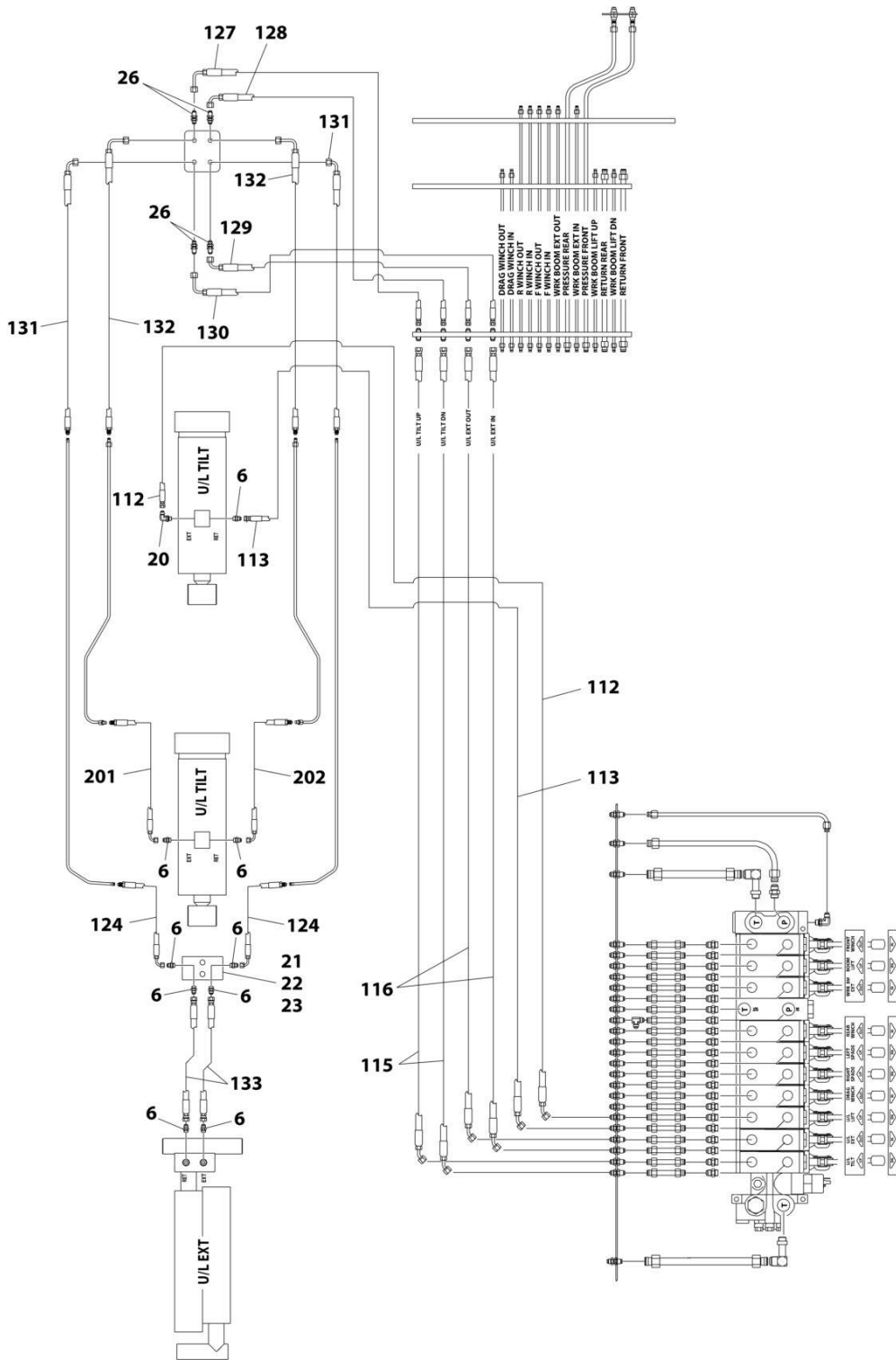
FIGURE 6-8. HYDRAULIC LINE AND FITTING INSTALLATION - WITH UL WINCH



ART_1001207191_10F4

SECTION 6 - HYDRAULIC

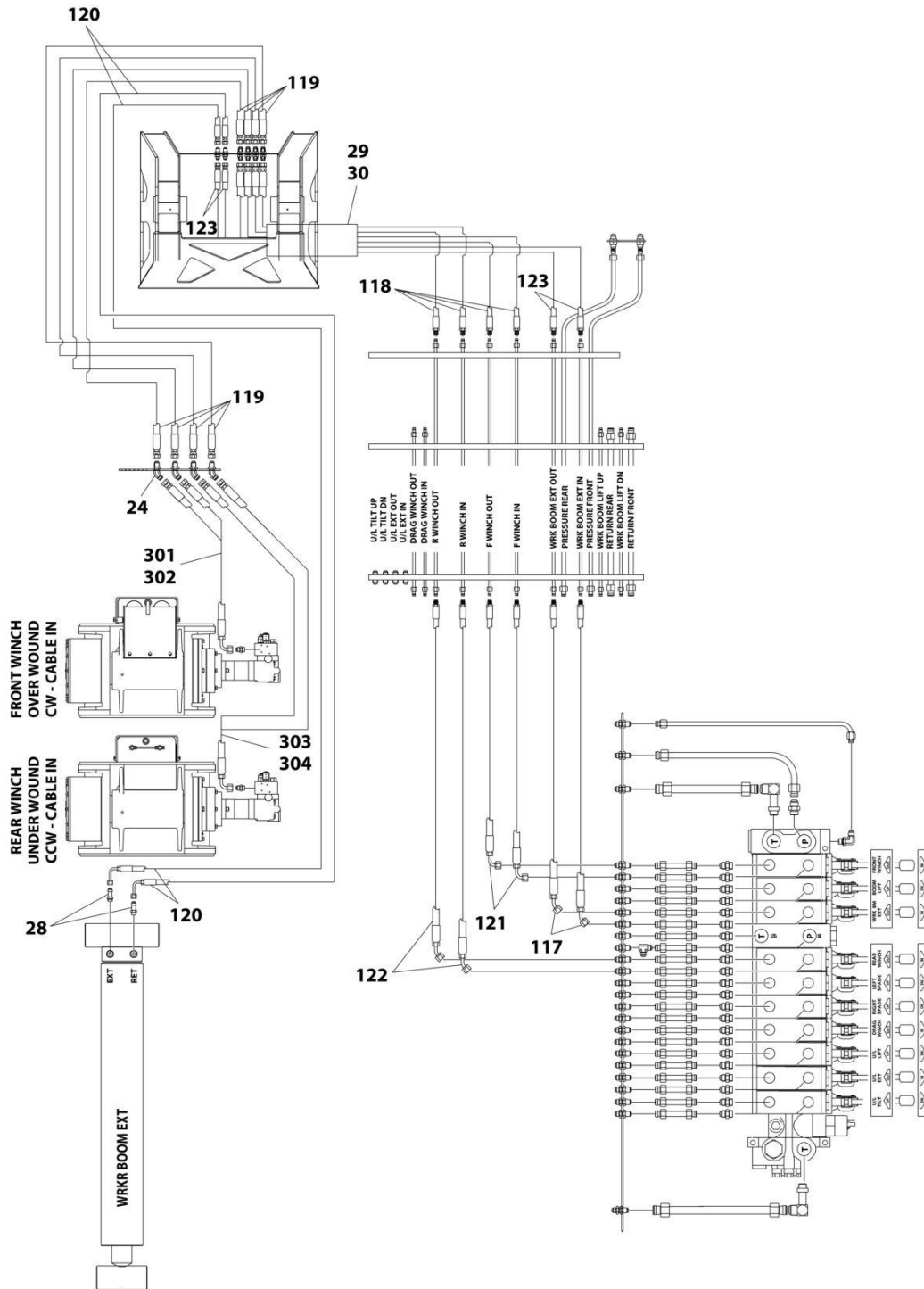
FIGURE 6-9. HYDRAULIC LINE AND FITTING INSTALLATION - WITH UL WINCH



ART_1001207191_2OF4

SECTION 6 - HYDRAULIC

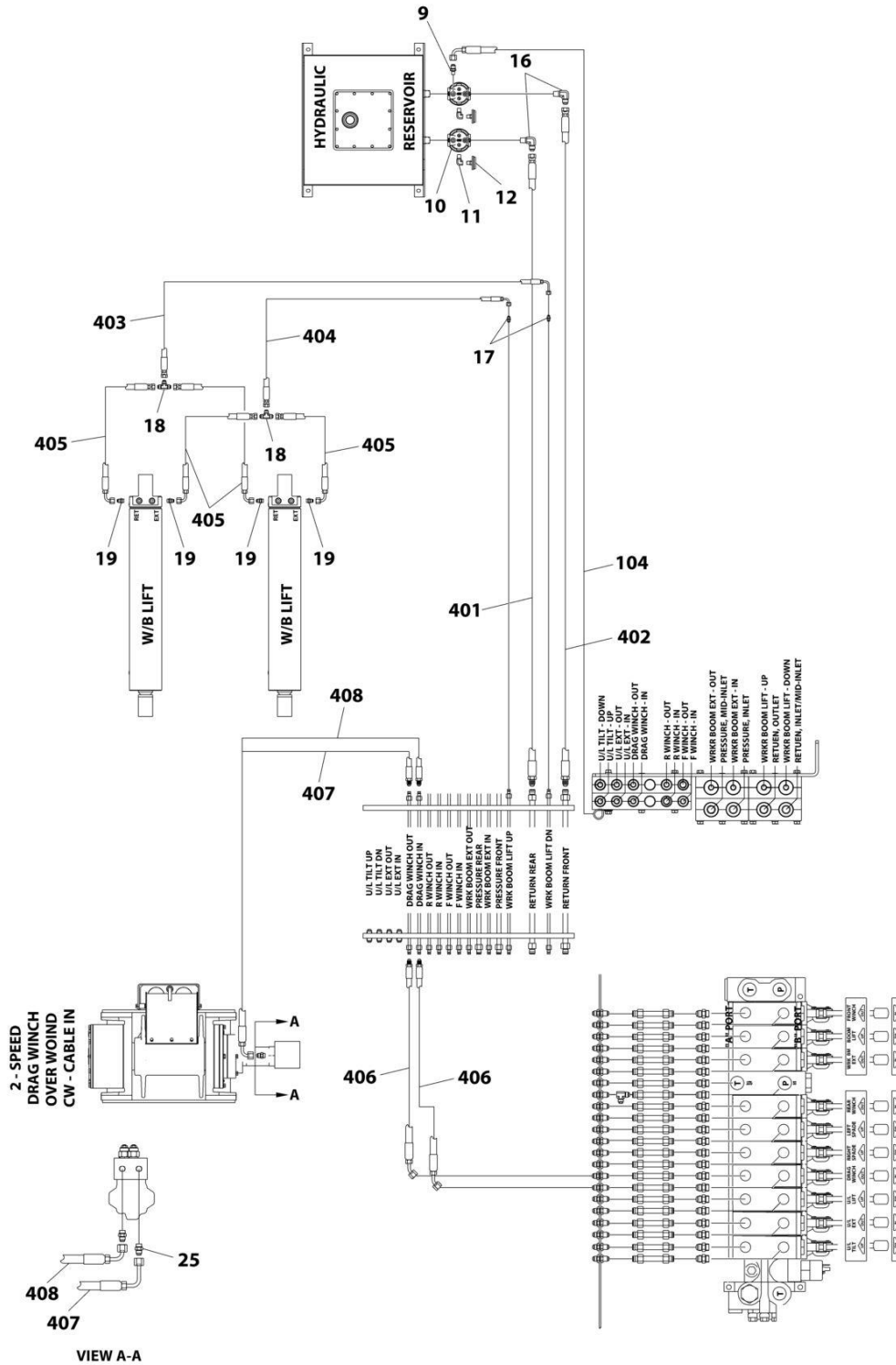
FIGURE 6-10. HYDRAULIC LINE AND FITTING INSTALLATION - WITH UL WINCH



ART_1001207191_30F4

SECTION 6 - HYDRAULIC

FIGURE 6-11. HYDRAULIC LINE AND FITTING INSTALLATION - WITH UL WINCH



ART_1001207191_40F4

SECTION 6 - HYDRAULIC

FIGURE 6-11. HYDRAULIC LINE AND FITTING INSTALLATION - WITH UL WINCH

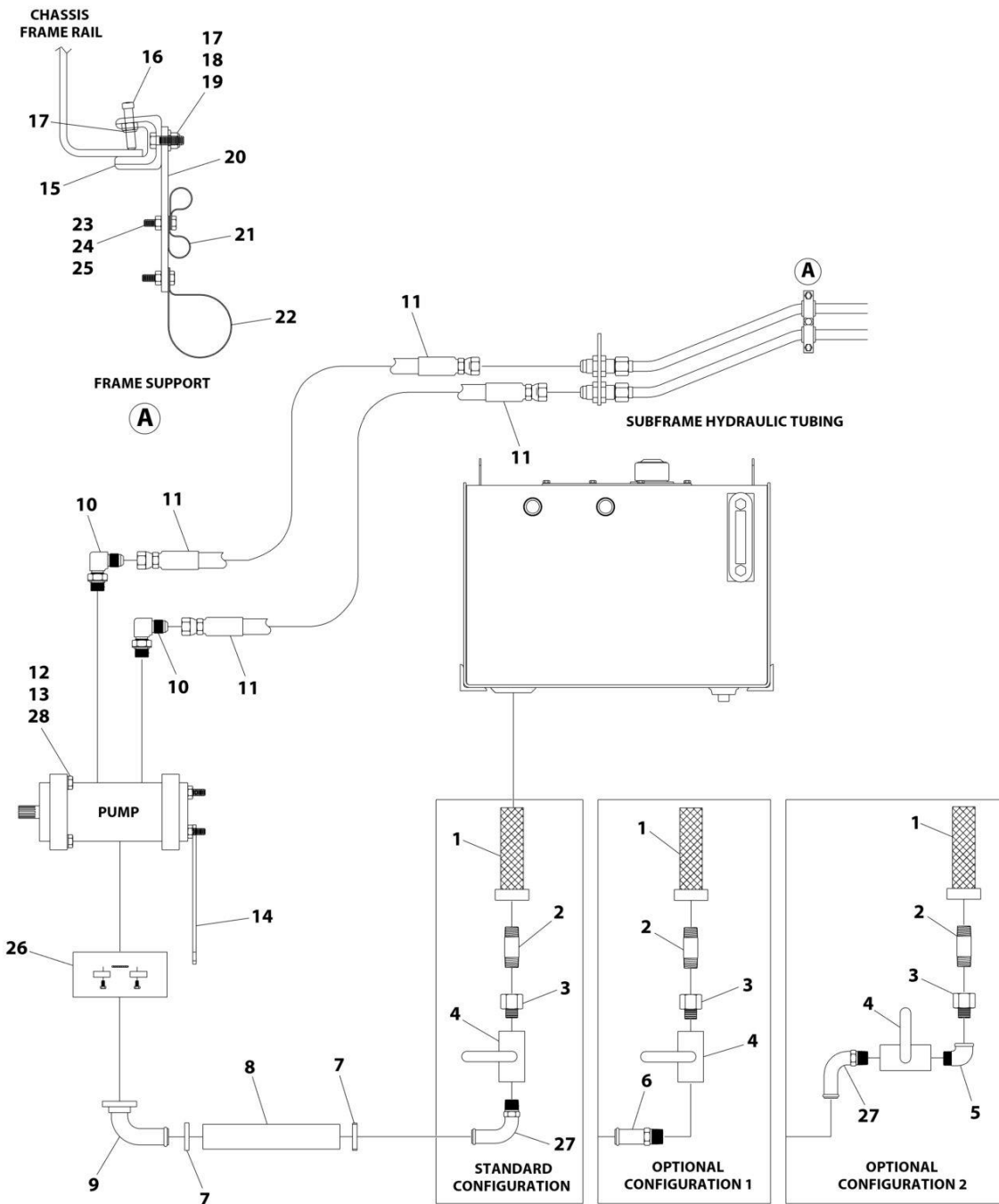
ITEM	PART NUMBER	QTY	DESCRIPTION	REV
	1001207191	Ref	HYDRAULIC LINE AND FITTING INSTALLATION - 60T IND (WITH WINCH)	D
1	7470000004	2	Gauge, Pressure	
2	7790060676	6	Screw #6 x 3/8	
3	7445040421	2	Fitting, Straight - NPT/JIC	
4	1001094694	1	Fitting, Straight - JIC/JIC	
5	2220415	1	Fitting, Straight - JIC/ORB	
6	7445060643	11	Fitting, Straight	
7	7443000109	2	Fitting, Straight	
8	7274000063	2	Clamp	
9	7445060219	1	Fitting, Straight - JIC/NPT	
10	7430000004	2	Filter Assembly - Hydraulic Oil	
11	7443000158	2	Fitting, 90 - NPT/NPT	
12	7470000002	2	Gauge, Oil Filter	
13	2220642	1	Fitting, Tee	
14	2220878	1	Fitting, 90 - JIC/JIC	
15	7445161622	2	Union, Straight (Not Shown)	
16	7445161620	2	Fitting, 90	
17	7445080822	2	Union, Straight	
18	7445080837	2	Union, Tee	
19	7445080843	4	Fitting, Straight	
20	7445060645	1	Fitting, 90	
21	4619000006	1	Manifold	
22	7115161650	2	Bolt 3/8 x 2	
23	7950160000	2	Washer 3/8	
24	7445101032	4	Fitting, 45	
25	7445100843	2	Fitting, Straight	
26	7445080825	4	Fitting, Union Bulkhead	
27	1001207175	1	Hose Kit (Not Shown) (See Items 101-133)	
28	7443000479	2	Fitting, Straight	
29	4819000008	2	Sleeve	
30	7894000004	20	Tie-Strap	
31	7445080830	4	Fitting, 90 - JIC/JIC	
32	2220700	2	Fitting, Tee JIC/FSJIC/JIC	
33	2220518	2	Fitting, Cap - JIC	
	1001207175	Ref	HOSE KIT	C
101	4567113028	1	Hose	
102	4567112024	1	Hose	
103	1001192504	4	Hose	
104	1001206033	1	Hose	
105	1001206035	1	Hose	
106	4570000163	2	Hose	
107	4570000162	2	Hose	
108	1001206037	1	Hose	
109	1001205678	1	Hose	
110	1001206043	1	Hose	
111	1001206039	1	Hose	
112	1001204438	1	Hose	
113	1001207177	1	Hose	
114	1001206042	2	Hose	

SECTION 6 - HYDRAULIC

ITEM	PART NUMBER	QTY	DESCRIPTION	REV
115	1001207176	2	Hose	
116	1001213134	2	Hose	
117	1001206053	1	Hose	
118	4569160046	4	Hose	
119	4567150048	4	Hose	
120	4567132048	1	Hose	
121	1001206054	2	Hose	
122	1001213133	1	Hose	
123	4570000368	2	Hose	
124	4570000167	2	Hose	
125	4570000366	1	Hose (Not Shown)	
126	4570000367	1	Hose (Not Shown)	
127	4570000174	1	Hose	
128	4570000173	1	Hose	
129	4570000248	1	Hose	
130	4570000180	1	Hose	
131	4569132034	2	Hose	
132	4569133035	2	Hose	
133	4567120017	2	Hose	
	7577000640	Ref	HOSE KIT (UNDERLIFT - 530)	B
201	4570000336	1	Hose	
202	4570000335	1	Hose	
	7577000641	Ref	HOSE KIT (UNDERLIFT - 565)	B
201	4570000177	1	Hose	
202	4570000176	1	Hose	
	7577000573	Ref	HOSE KIT (2SP MOTOR)	B
301	1001267377	1	Hose	
302	4567152024	1	Hose	
303	4567152056	1	Hose	
304	4567152054	1	Hose	
	1001212830	Ref	HOSE KIT (2SP DRAG WINCH)	B
401	4569180038	1	Hose	
402	4569180044	1	Hose	
403	4567133032	1	Hose	
404	4567132031	1	Hose	
405	4567132034	4	Hose	
406	1001213132	2	Hose	
407	4569163036	1	Hose	
408	4569162034	1	Hose	

SECTION 6 - HYDRAULIC

FIGURE 6-12. HYDRAULIC SUPPLY INSTALLATION - 245IN-285IN WB



ART_1001218660

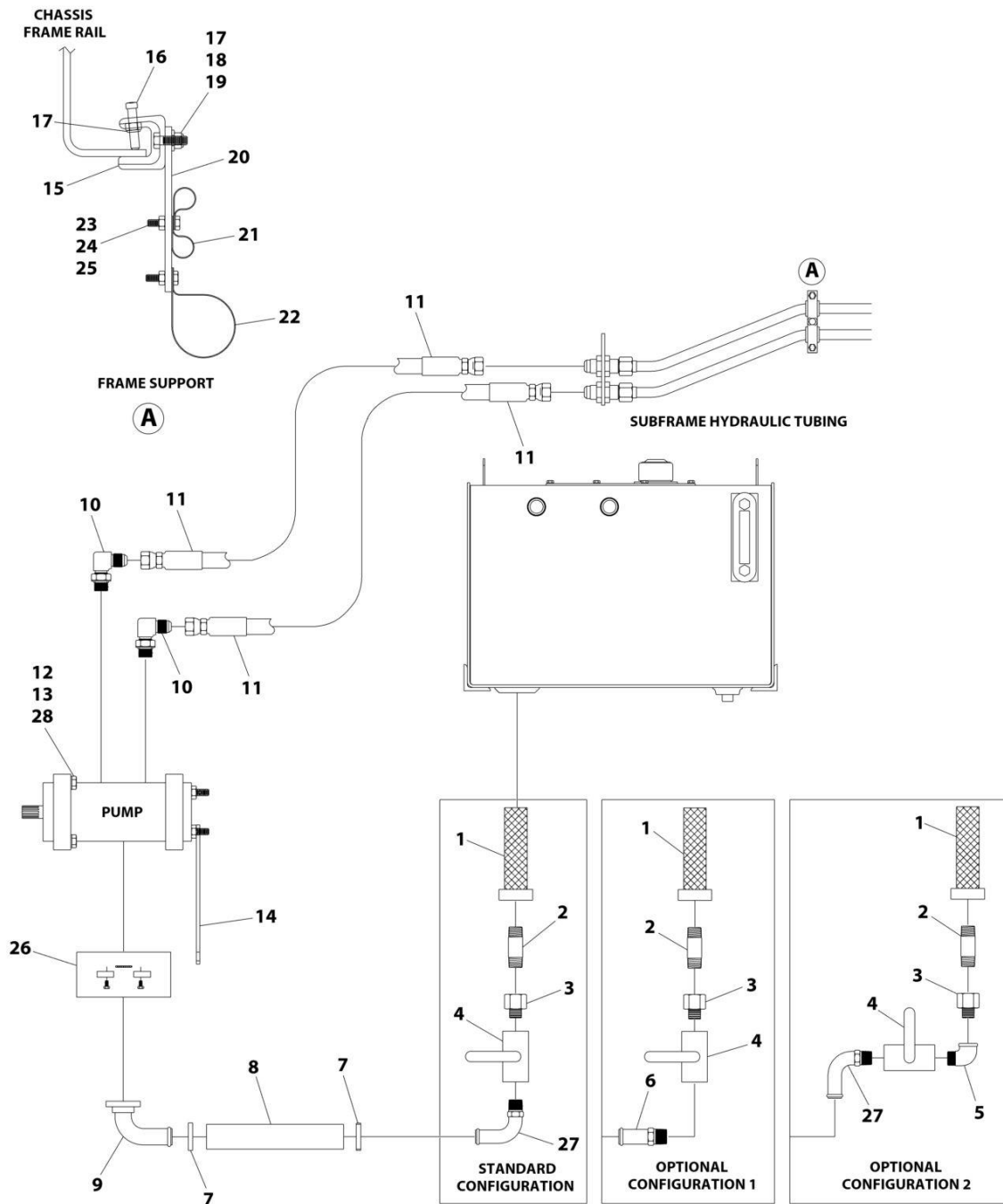
SECTION 6 - HYDRAULIC

FIGURE 6-12. HYDRAULIC SUPPLY INSTALLATION - 245IN-285IN WB

ITEM	PART NUMBER	QTY	DESCRIPTION	REV
	1001218660	Ref	HYDRAULIC SUPPLY INSTALLATION	D
1	7430000010	1	Filter, Tank	
2	7650100137	1	Fitting, Straight	
3	7444121050	1	Fitting, Straight NPTM/NPTF	
4	7935000116	1	Valve, Ball	
5	7444121271	AR	Fitting, 90	
6	7443000130	AR	Fitting, Straight NPT/TUBE	
7	7274000028	2	Clamp	
8	8565000026	11.5 ft	Hose	
9	1001145056	1	Fitting, 90	
10	7445121645	2	Fitting, 90 - JIC	
11	4567160111	2	Hose	
12	7865182065	4	Stud 1/2 x 2-1/2	
13	7950180000	4	Washer 1/2	
14	4178000349	1	Bracket	
15	7274000076	5	Clamp	
16	7785152420	5	Setscrew 5/16 x 1-1/2	
17	7660152601	10	Nut 5/16	
18	7115151050	5	Bolt 5/16 x 1-1/4	
19	7950150161	5	Washer 5/16	
20	4706003844	5	Plate	
21	7274000041	10	Clamp	
22	7274000071	5	Clamp	
23	7115140850	10	Bolt 1/4 x 1	
24	7950140152	10	Washer 1/4	
25	7660142601	10	Nut 1/4	
26	7577000213	1	Kit Split Flange	
27	7443000254	1	Fitting, 90 - NPT/BARBED	
28	7660180000	4	Nut 1/2	

SECTION 6 - HYDRAULIC

FIGURE 6-13. HYDRAULIC SUPPLY INSTALLATION - 275IN-325IN WB



ART_1001218590

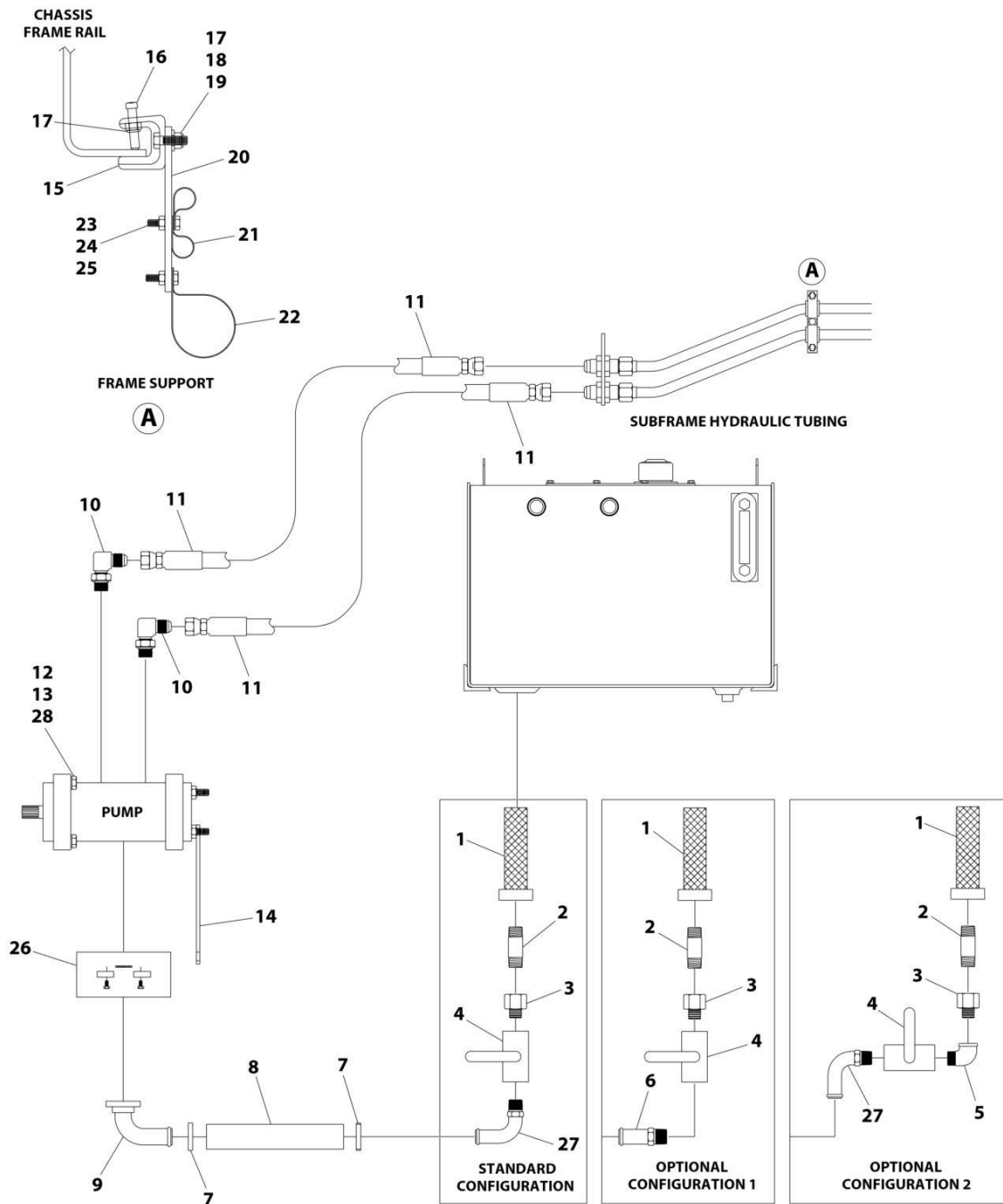
SECTION 6 - HYDRAULIC

FIGURE 6-13. HYDRAULIC SUPPLY INSTALLATION - 275IN-325IN WB

ITEM	PART NUMBER	QTY	DESCRIPTION	REV
	1001218590	Ref	HYDRAULIC SUPPLY INSTALLATION	D
1	7430000010	1	Filter, Tank	
2	7650100137	1	Fitting, Straight	
3	7444121050	1	Fitting, Straight NPTM/NPTF	
4	7935000116	1	Valve, Ball	
5	7444121271	AR	Fitting, 90	
6	7443000130	AR	Fitting, Straight NPT/TUBE	
7	7274000028	2	Clamp	
8	8565000026	12.5 ft	Hose	
9	1001145056	1	Fitting, 90	
10	7445121645	2	Fitting, 90 - JIC	
11	4567160146	2	Hose	
12	7865182065	4	Stud 1/2 x 2-1/2	
13	7950180000	4	Washer 1/2	
14	4178000349	1	Bracket	
15	7274000076	6	Clamp	
16	7785152420	6	Setscrew 5/16 x 1-1/2	
17	7660152601	12	Nut 5/16	
18	7115151050	6	Bolt 5/16 x 1-1/4	
19	7950150161	6	Washer 5/16	
20	4706003844	6	Plate	
21	7274000041	12	Clamp	
22	7274000071	6	Clamp	
23	7115140850	12	Bolt 1/4 x 1	
24	7950140152	12	Washer 1/4	
25	7660142601	12	Nut 1/4	
26	7577000213	1	Kit Split Flange	
27	7443000254	1	Fitting, 90 - NPT/BARBED	
28	7660180000	4	Nut 1/2	

SECTION 6 - HYDRAULIC

FIGURE 6-14. HYDRAULIC SUPPLY INSTALLATION - 326IN-365IN WB



ART_1001218591

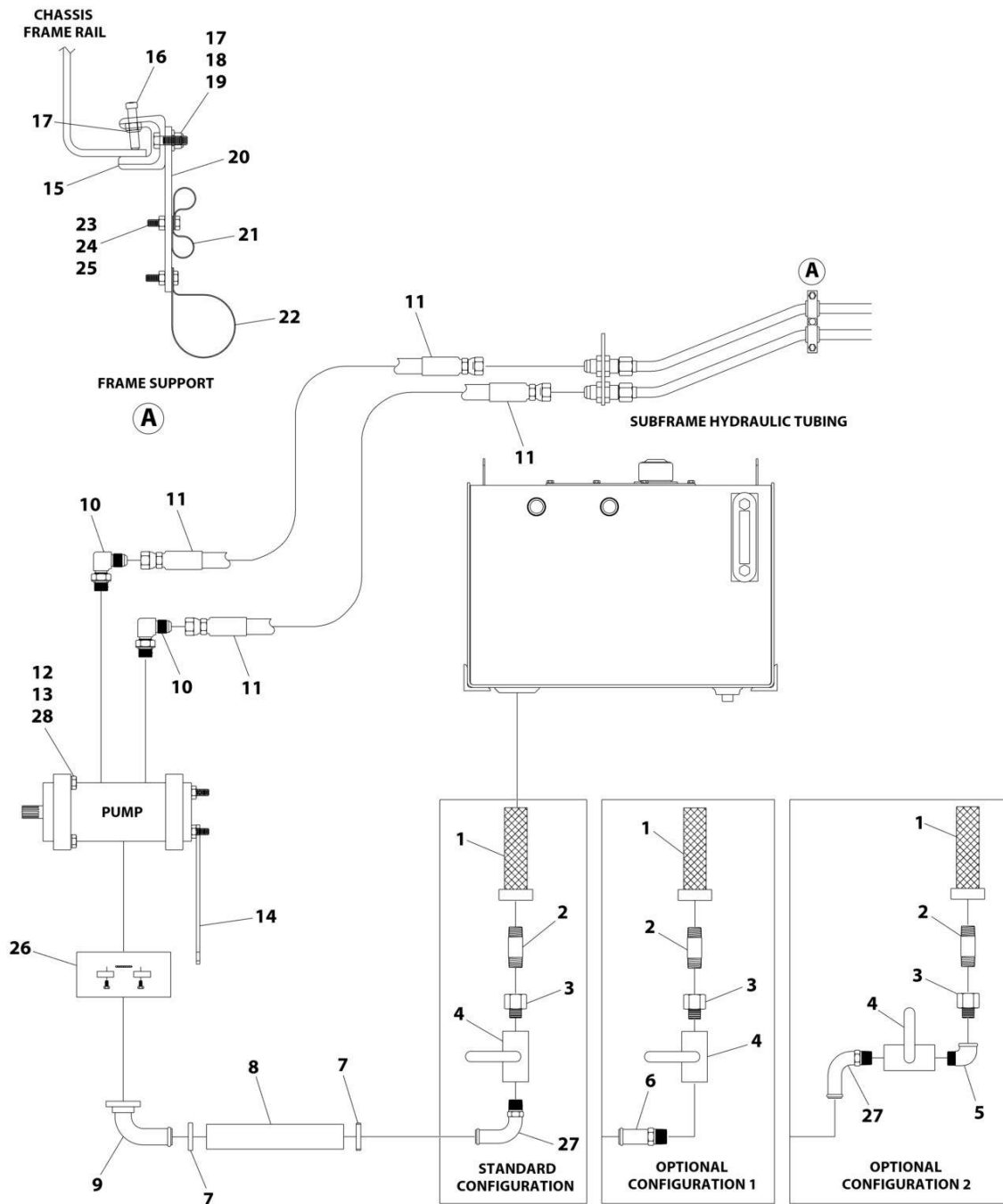
SECTION 6 - HYDRAULIC

FIGURE 6-14. HYDRAULIC SUPPLY INSTALLATION - 326IN-365IN WB

ITEM	PART NUMBER	QTY	DESCRIPTION	REV
	1001218591	Ref	HYDRAULIC SUPPLY INSTALLATION	E
1	7430000010	1	Filter, Tank	
2	7650100137	1	Fitting, Straight	
3	7444121050	1	Fitting, Straight NPTM/NPTF	
4	7935000116	1	Valve, Ball	
5	7444121271	AR	Fitting, 90	
6	7443000130	AR	Fitting, Straight NPT/TUBE	
7	7274000028	2	Clamp	
8	8565000026	18 ft	Hose	
9	1001145056	1	Fitting, 90	
10	7445121645	2	Fitting, 90 - JIC	
11	1001218610	2	Hose	
12	7865182065	4	Stud 1/2 x 2-1/2	
13	7950180000	4	Washer 1/2	
14	4178000349	1	Bracket	
15	7274000076	18	Clamp	
16	7785152420	18	Setscrew 5/16 x 1-1/2	
17	7660152601	36	Nut 5/16	
18	7115151050	18	Bolt 5/16 x 1-1/4	
19	7950150161	18	Washer 5/16	
20	4706003844	18	Plate	
21	7274000041	36	Clamp	
22	7274000071	18	Clamp	
23	7115140850	36	Bolt 1/4 x 1	
24	7950140152	36	Washer 1/4	
25	7660142601	36	Nut 1/4	
26	7577000213	1	Kit Split Flange	
27	7443000254	1	Fitting, 90 - NPT/BARBED	
28	7660180000	4	Nut 1/2	

SECTION 6 - HYDRAULIC

FIGURE 6-15. HYDRAULIC SUPPLY INSTALLATION - 366IN-405IN WB



ART_1001218592

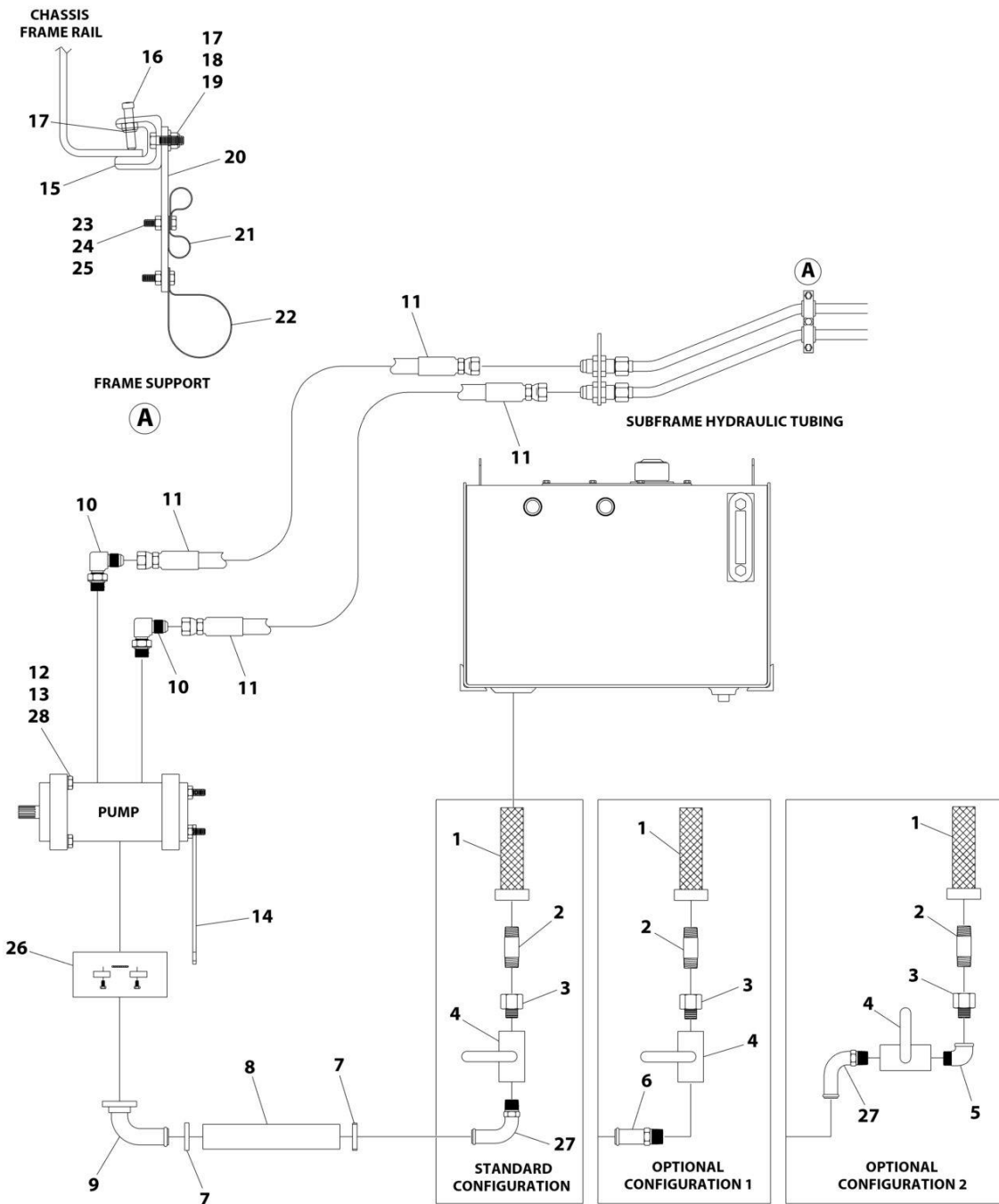
SECTION 6 - HYDRAULIC

FIGURE 6-15. HYDRAULIC SUPPLY INSTALLATION - 366IN-405IN WB

ITEM	PART NUMBER	QTY	DESCRIPTION	REV
	1001218592	Ref	HYDRAULIC SUPPLY INSTALLATION	D
1	743000010	1	Filter, Tank	
2	7650100137	1	Fitting, Straight	
3	7444121050	1	Fitting, Straight NPTM/NPTF	
4	7935000116	1	Valve, Ball	
5	7444121271	AR	Fitting, 90	
6	7443000130	AR	Fitting, Straight NPT/TUBE	
7	7274000028	2	Clamp	
8	8565000026	21.5 ft	Hose	
9	1001145056	1	Fitting, 90	
10	7445121645	2	Fitting, 90 - JIC	
11	1001204565	2	Hose	
12	7865182065	4	Stud 1/2 x 2-1/2	
13	7950180000	4	Washer 1/2	
14	4178000349	1	Bracket	
15	7274000076	22	Clamp	
16	7785152420	22	Setscrew 5/16 x 1-1/2	
17	7660152601	44	Nut 5/16	
18	7115151050	22	Bolt 5/16 x 1-1/4	
19	7950150161	22	Washer 5/16	
20	4706003844	22	Plate	
21	7274000041	44	Clamp	
22	7274000071	22	Clamp	
23	7115140850	44	Bolt 1/4 x 1	
24	7950140152	44	Washer 1/4	
25	7660142601	44	Nut 1/4	
26	7577000213	1	Kit Split Flange	
27	7443000254	1	Fitting, 90 - NPT/BARBED	
28	7660180000	4	Nut 1/2	

SECTION 6 - HYDRAULIC

FIGURE 6-16. HYDRAULIC SUPPLY INSTALLATION - 406IN-445IN WB



ART_1001218593

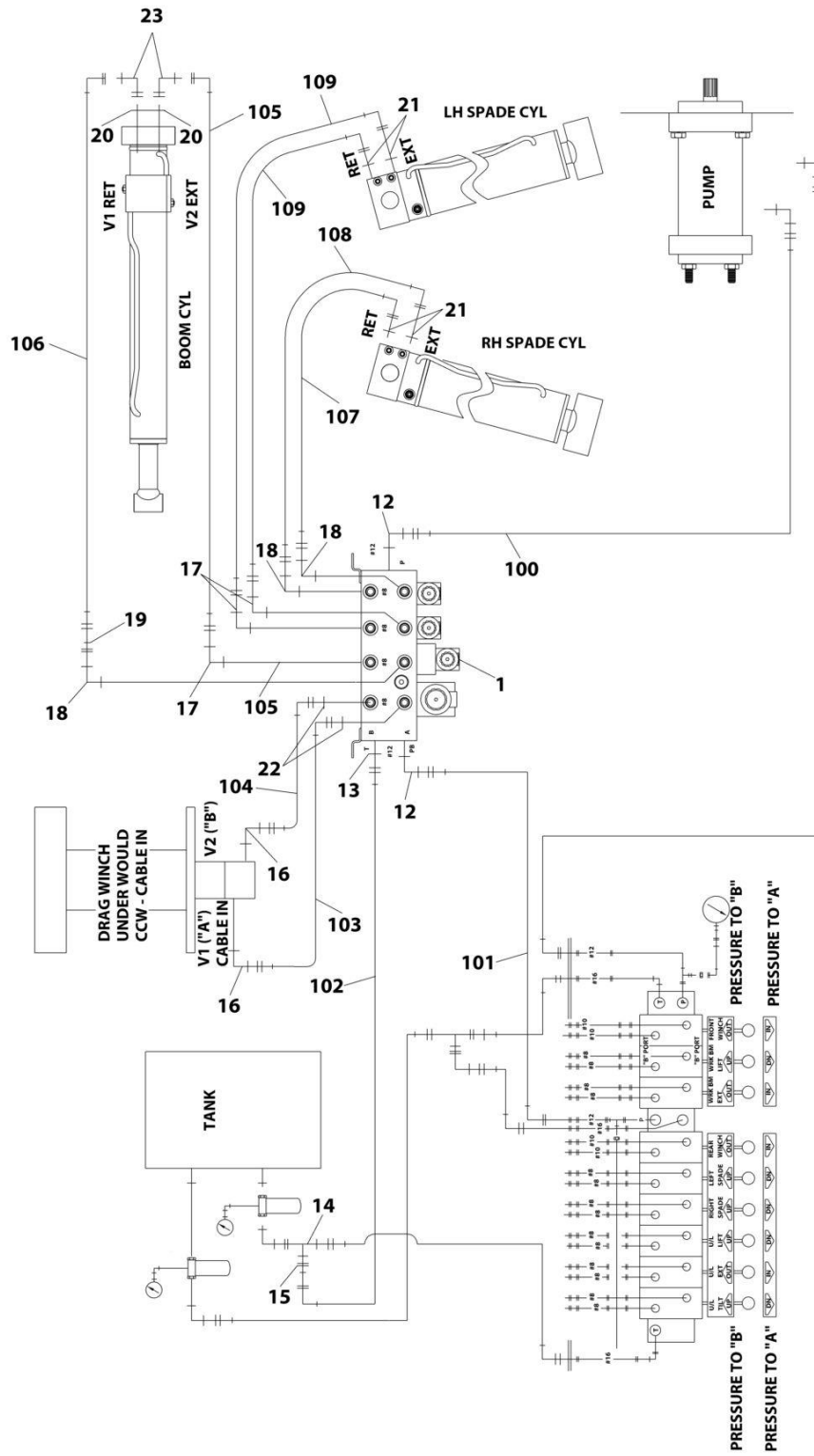
SECTION 6 - HYDRAULIC

FIGURE 6-16. HYDRAULIC SUPPLY INSTALLATION - 406IN-445IN WB

ITEM	PART NUMBER	QTY	DESCRIPTION	REV
	1001218593	Ref	HYDRAULIC SUPPLY INSTALLATION	D
1	743000010	1	Filter, Tank	
2	7650100137	1	Fitting, Straight	
3	7444121050	1	Fitting, Straight NPTM/NPTF	
4	7935000116	1	Valve, Ball	
5	7444121271	AR	Fitting, 90	
6	7443000130	AR	Fitting, Straight NPT/TUBE	
7	7274000028	2	Clamp	
8	8565000026	25 ft	Hose	
9	1001145056	1	Fitting, 90	
10	7445121645	2	Fitting, 90 - JIC	
11	1001218611	2	Hose	
12	7865182065	4	Stud 1/2 x 2-1/2	
13	7950180000	4	Washer 1/2	
14	4178000349	1	Bracket	
15	7274000076	24	Clamp	
16	7785152420	24	Setscrew 5/16 x 1-1/2	
17	7660152601	48	Nut 5/16	
18	7115151050	24	Bolt 5/16 x 1-1/4	
19	7950150161	24	Washer 5/16	
20	4706003844	24	Plate	
21	7274000041	48	Clamp	
22	7274000071	24	Clamp	
23	7115140850	48	Bolt 1/4 x 1	
24	7950140152	48	Washer 1/4	
25	7660142601	48	Nut 1/4	
26	7577000213	1	Kit Split Flange	
27	7443000254	1	Fitting, 90 - NPT/BARBED	
28	7660180000	4	Nut 1/2	

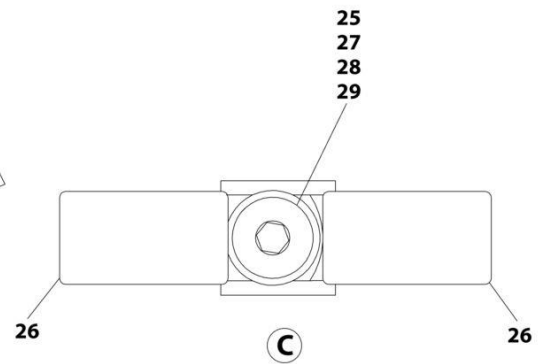
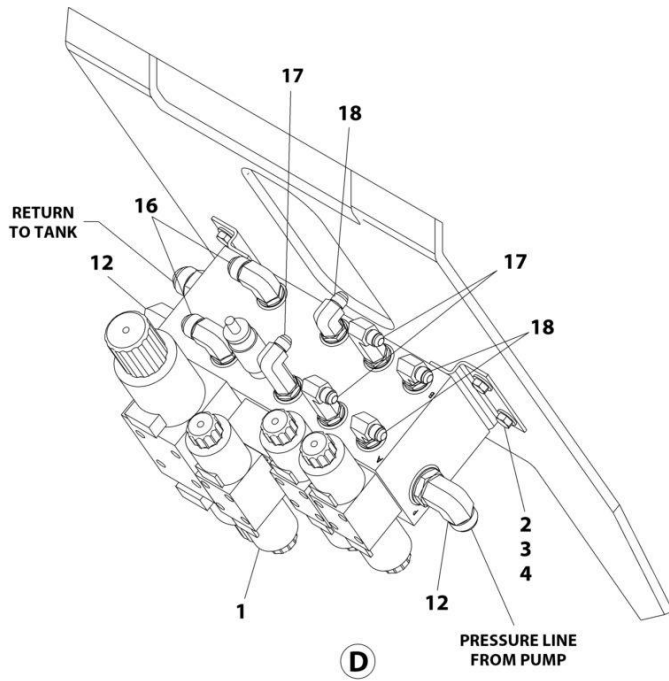
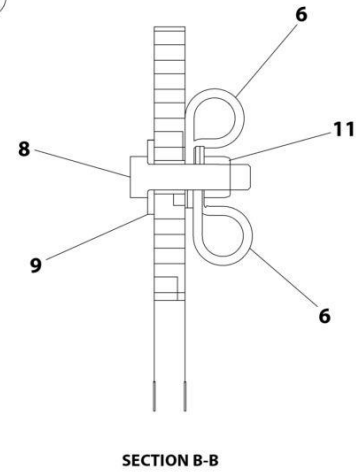
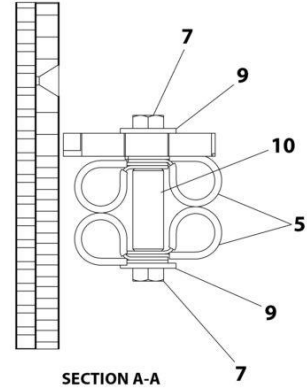
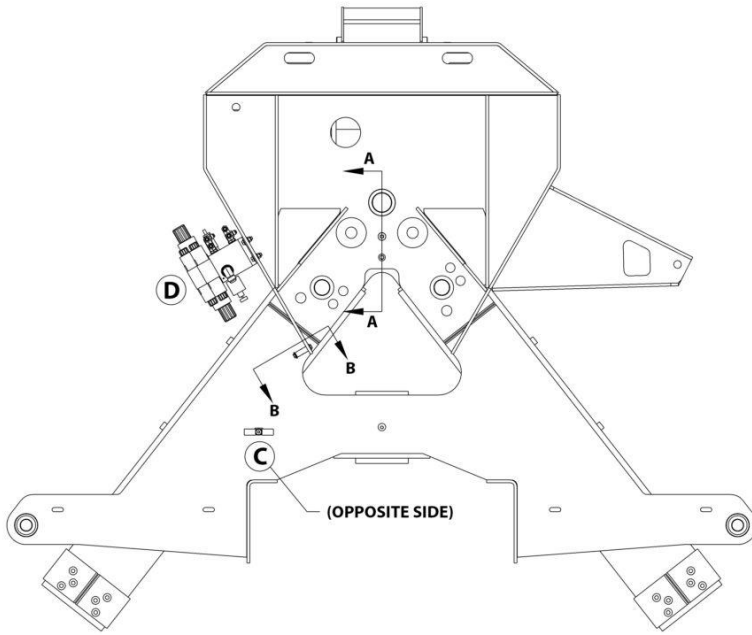
SECTION 6 - HYDRAULIC

FIGURE 6-17. HYDRAULIC INSTALLATION - SIDE RECOVERY SYSTEM (SRS)



ART_3548530005_1OF2

SECTION 6 - HYDRAULIC



ART_3548530005_20F2

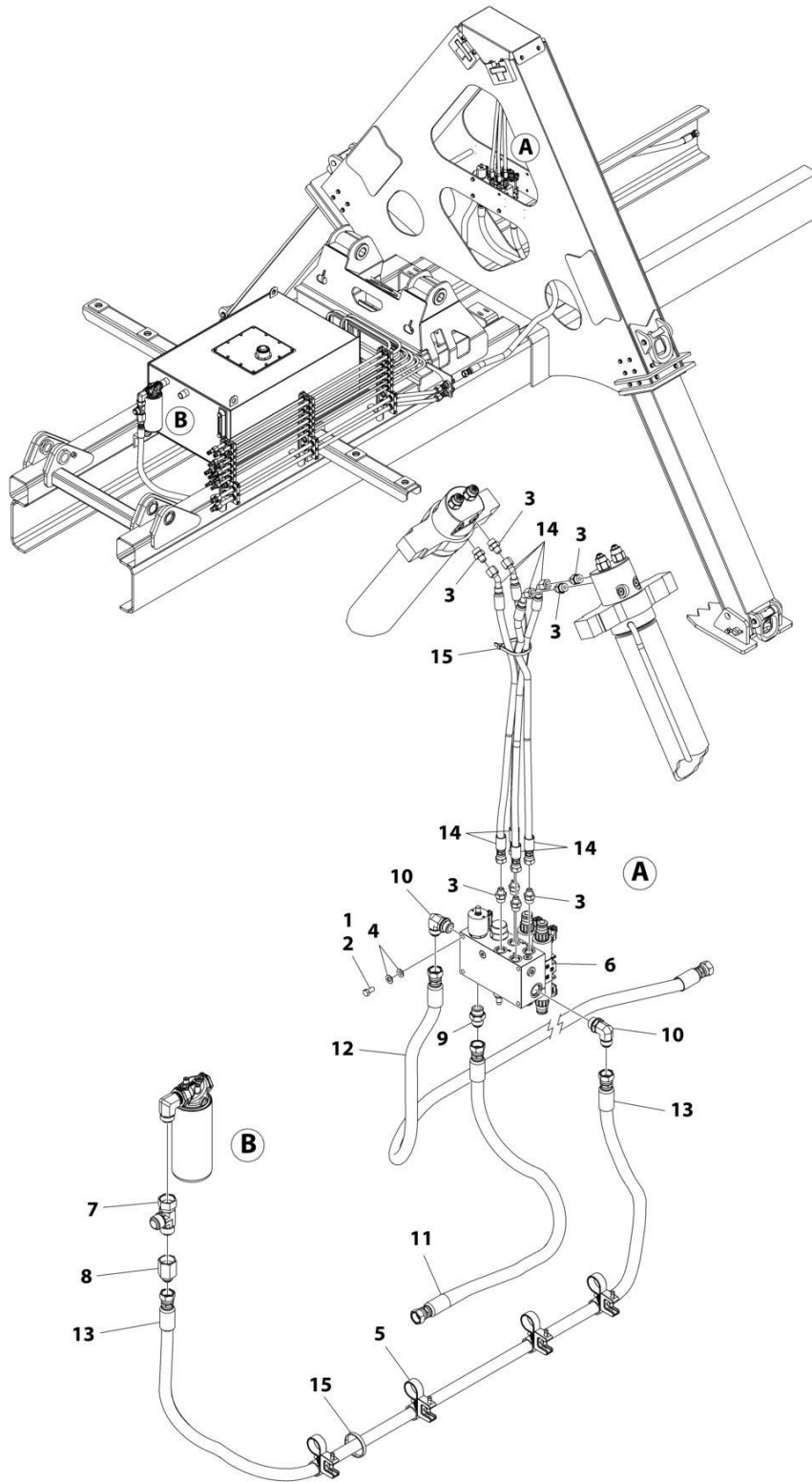
SECTION 6 - HYDRAULIC

FIGURE 6-17. HYDRAULIC INSTALLATION - SIDE RECOVERY SYSTEM (SRS)

ITEM	PART NUMBER	QTY	DESCRIPTION	REV
	3548530005	Ref	HYDRAULIC INSTALLATION (SRS)	C
1	3935000189	1	Valve Assembly (See Separate Breakdown in this Section)	
2	7115161050	4	Capscrew 3/8 x 1-1/4	
3	7950160141	8	Washer 3/8	
4	7660162601	4	Nut 3/8	
5	7274000063	4	Clamp	
6	7274000053	2	Clamp	
7	7115150850	2	Capscrew 5/16 x 1	
8	7115151050	1	Capscrew 5/16 x 1-1/4	
9	7950150161	3	Washer 5/16	
10	7661000022	1	Nut 5/16	
11	7660152601	1	Nut 5/16	
12	7445121245	2	Fitting, 90	
13	7445121243	1	Fitting, Straight	
14	7443000213	1	Fitting, Tee	
15	7443000214	1	Fitting, Reducer	
16	7445080845	2	Fitting, 90	
17	7443000458	3	Fitting	
18	7445060845	3	Fitting, 90	
19	7443000108	1	Restrictor	
20	7445040443	2	Fitting, Straight	
21	7445060644	4	Fitting	
22	7445080843	2	Fitting, Straight	
23	7445040472	2	Fitting, 90	
24	7819000005	1	Sleeve (Not Shown)	
25	7114160618	1	Capscrew 3/8 x 3/4	
26	7274000041	2	Clamp	
27	7894000004	5	Tie Strap (Not Shown)	
28	7950160000	1	Washer 3/8	
29	7950160143	1	Washer 3/8	
100	4567160129	1	Hose	
101	4567160156	1	Hose	
102	4567162180	1	Hose	
103	4567132028	1	Hose	
104	4567132033	1	Hose	
105	4570000337	1	Hose	
106	4570000338	1	Hose	
107	4567122038	1	Hose	
108	4567122036	1	Hose	
109	4567122056	2	Hose	

SECTION 6 - HYDRAULIC

FIGURE 6-18. HYDRAULIC INSTALLATION - SIDE STABILIZER (SS-70)



ART_1001243239

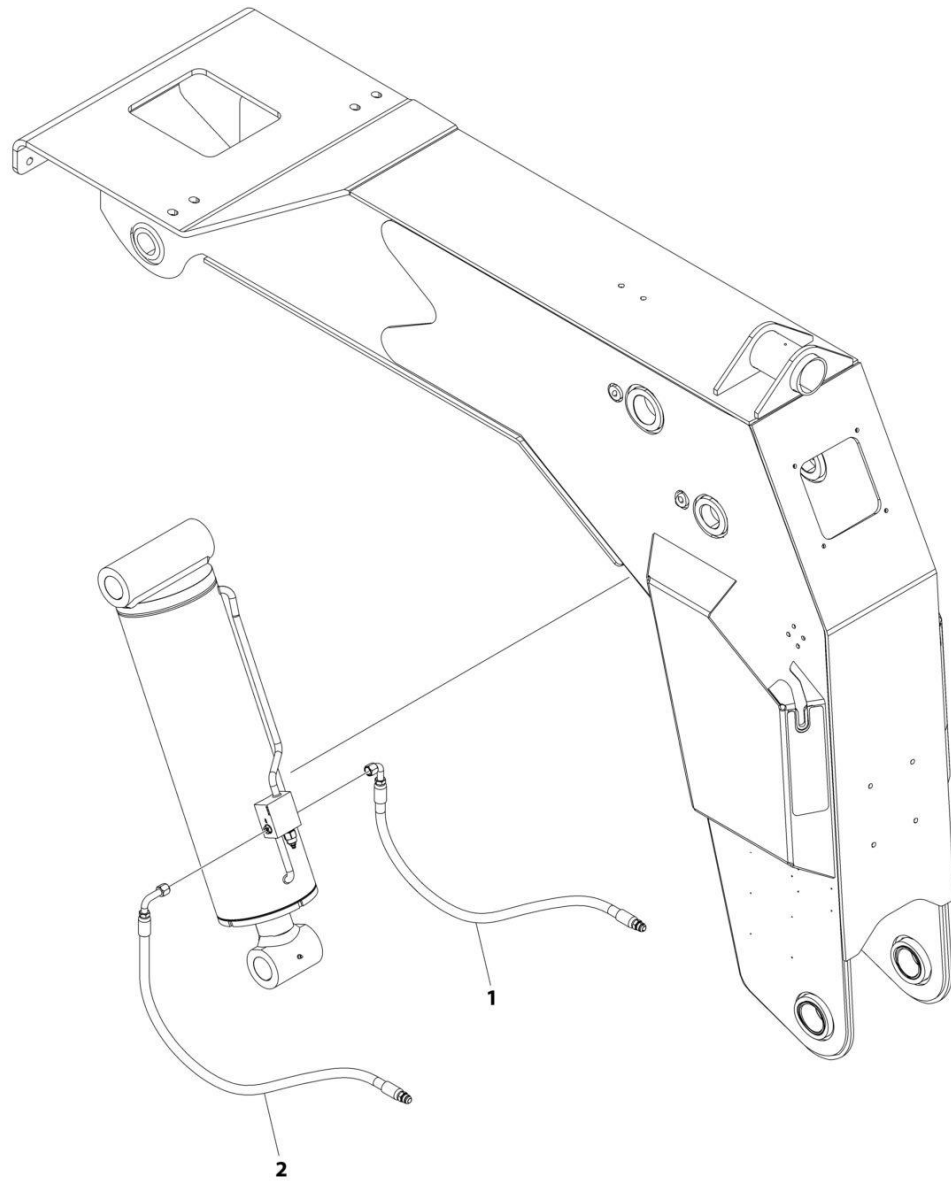
SECTION 6 - HYDRAULIC

FIGURE 6-18. HYDRAULIC INSTALLATION - SIDE STABILIZER (SS-70)

ITEM	PART NUMBER	QTY	DESCRIPTION	REV
	1001243239	Ref	HYDRAULIC SIDE STABILIZER INSTALLATION	A
1	0100011	AR	Compound, Locking	
2	0641606	3	Bolt 3/8 x 3/4	
3	2220372	8	Fitting, Straight JIC/ORB	
4	4711600	6	Washer 3/8	
5	1001132794	4	Clamp Kit	
6	1001243240	1	Valve Assembly (See Separate Breakdown in this Section)	
7	7443000213	1	Fitting, Tee	
8	7443000214	1	Fitting, Reducer	
9	7445121243	1	Fitting, Straight ORB/JIC	
10	7445121245	2	Fitting, 90 JIC/ORB	
11	1001244186	1	Hose	
12	1001244187	1	Hose	
13	1001244188	1	Hose	
14	1001244189	4	Hose	
15	7894000004	15	Tie-Strap	

SECTION 6 - HYDRAULIC

FIGURE 6-19. UNDERLIFT HYDRAULIC HOSE INSTALLATION (53K LBS)



ART_7577000640

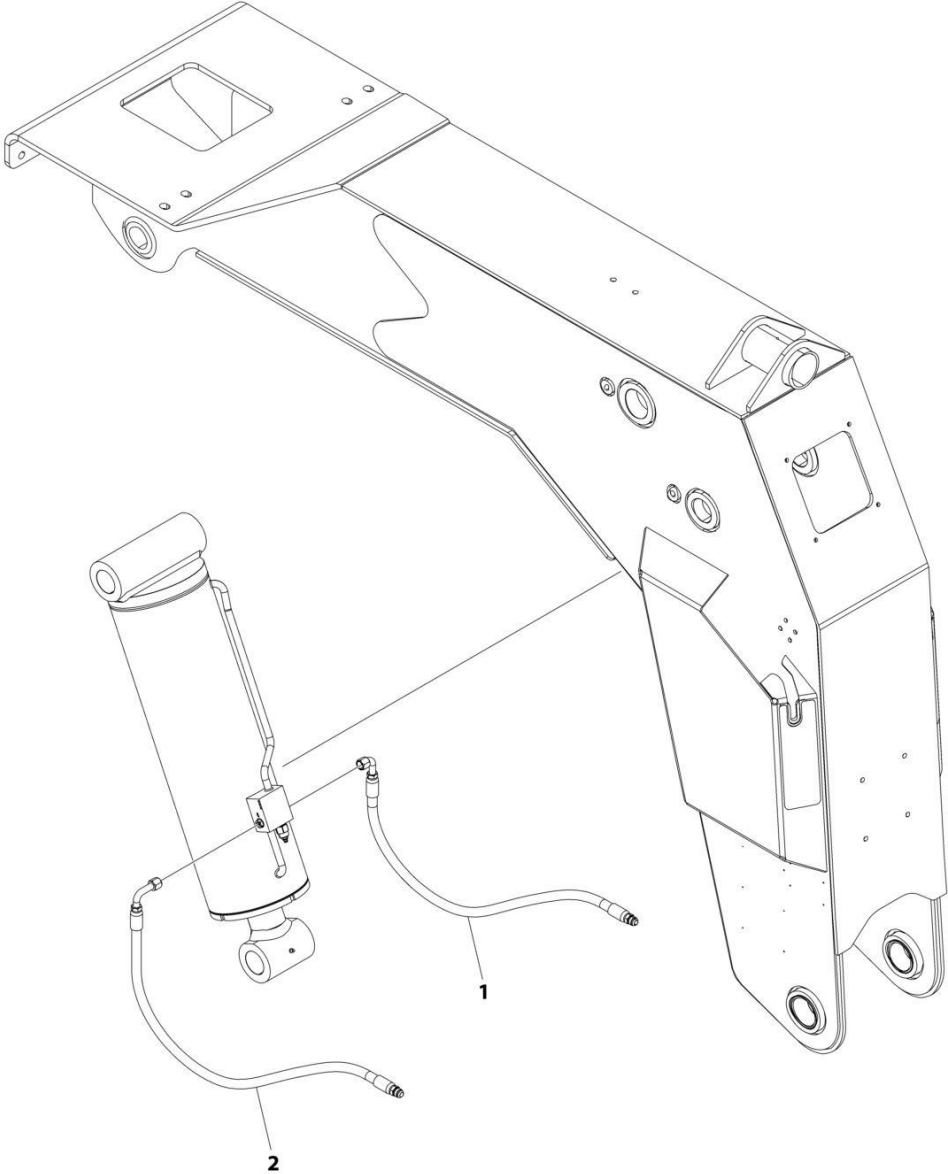
SECTION 6 - HYDRAULIC

FIGURE 6-19. UNDERLIFT HYDRAULIC HOSE INSTALLATION (53K LBS)

ITEM	PART NUMBER	QTY	DESCRIPTION	REV
	7577000640	Ref	UNDERLIFT HYDRAULIC HOSE INSTALLATION (53K LBS)	B
1	4570000336	1	Hose	
2	4570000335	1	Hose	

SECTION 6 - HYDRAULIC

FIGURE 6-20. UNDERLIFT HYDRAULIC HOSE INSTALLATION (48K LBS)



ART_7577000641

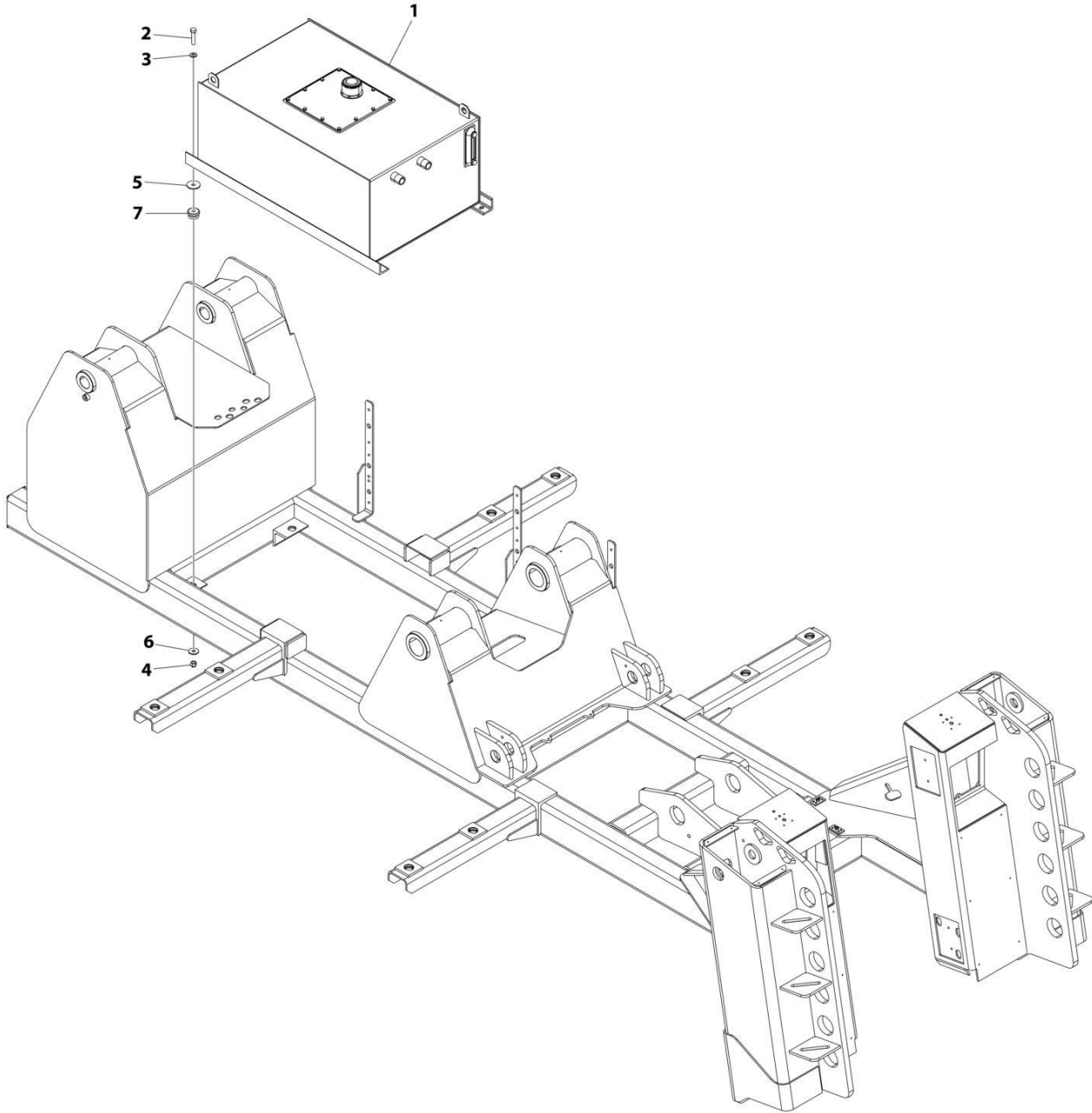
SECTION 6 - HYDRAULIC

FIGURE 6-20. UNDERLIFT HYDRAULIC HOSE INSTALLATION (48K LBS)

ITEM	PART NUMBER	QTY	DESCRIPTION	REV
	7577000641	Ref	UNDERLIFT HYDRAULIC HOSE INSTALLATION (48K LBS)	B
1	4570000177	1	Hose	
2	4570000176	1	Hose	

SECTION 6 - HYDRAULIC

FIGURE 6-21. TANK (HYDRAULIC) INSTALLATION - WITHOUT UL WINCH



ART_2507650009

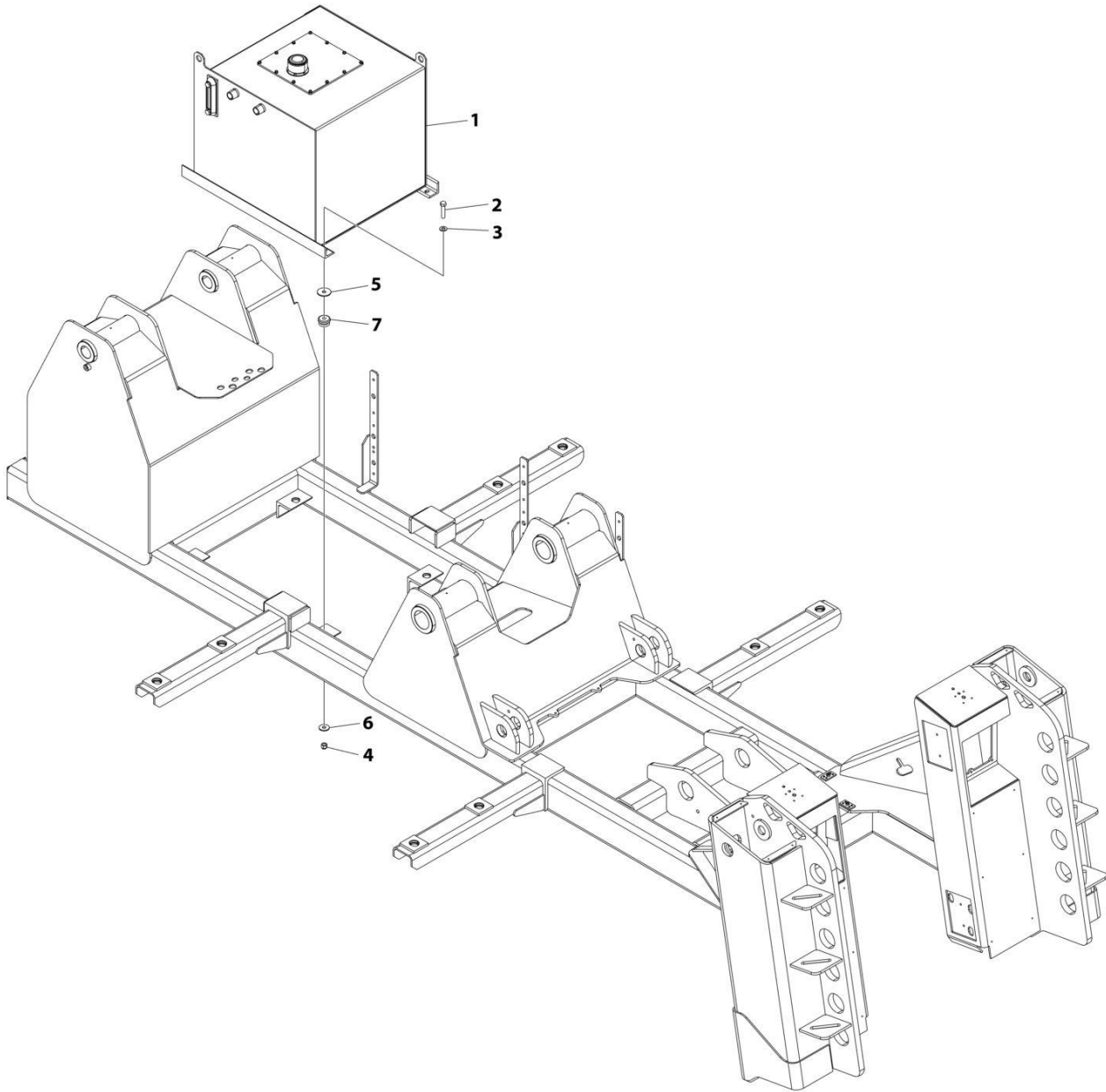
SECTION 6 - HYDRAULIC

FIGURE 6-21. TANK (HYDRAULIC) INSTALLATION - WITHOUT UL WINCH

ITEM	PART NUMBER	QTY	DESCRIPTION	REV
	2507650009	Ref	TANK (HYDRAULIC) INSTALLATION	B
1	3750000022	1	Tank Assembly (See Separate Breakdown in this Section)	
2	7115181850	4	Bolt 1/2 x 2-1/4	
3	7950180141	4	Washer 1/2	
4	7660182601	4	Nut 1/2	
5	7949000015	4	Washer	
6	7949000016	4	Washer	
7	7636000006	4	Mount, Center Bonded	

SECTION 6 - HYDRAULIC

FIGURE 6-22. TANK (HYDRAULIC) INSTALLATION - WITH UL WINCH



ART_2507650077

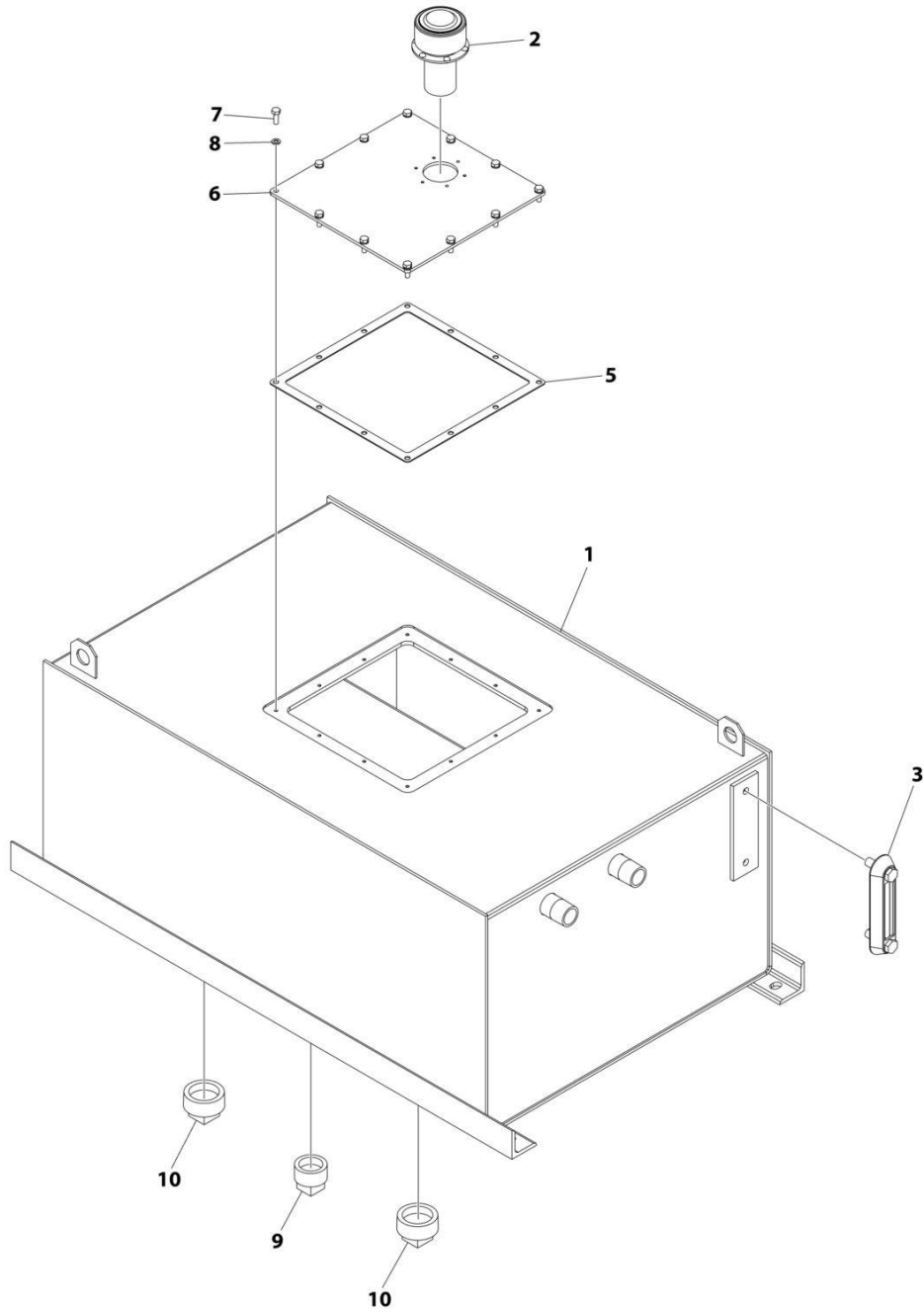
SECTION 6 - HYDRAULIC

FIGURE 6-22. TANK (HYDRAULIC) INSTALLATION - WITH UL WINCH

ITEM	PART NUMBER	QTY	DESCRIPTION	REV
	2507650077	Ref	TANK (HYDRAULIC) INSTALLATION	B
1	3750000055	1	Tank Assembly (See Separate Breakdown in this Section)	
2	7115181850	4	Capscrew 1/2 x 2-1/4	
3	7950180141	4	Washer 1/2	
4	7660182601	4	Nut 1/2	
5	7949000015	4	Washer	
6	7949000016	4	Washer	
7	7636000006	4	Mount, Center Bonded	

SECTION 6 - HYDRAULIC

FIGURE 6-23. TANK (HYDRAULIC) ASSEMBLY - WITHOUT UL WINCH



ART_375000022

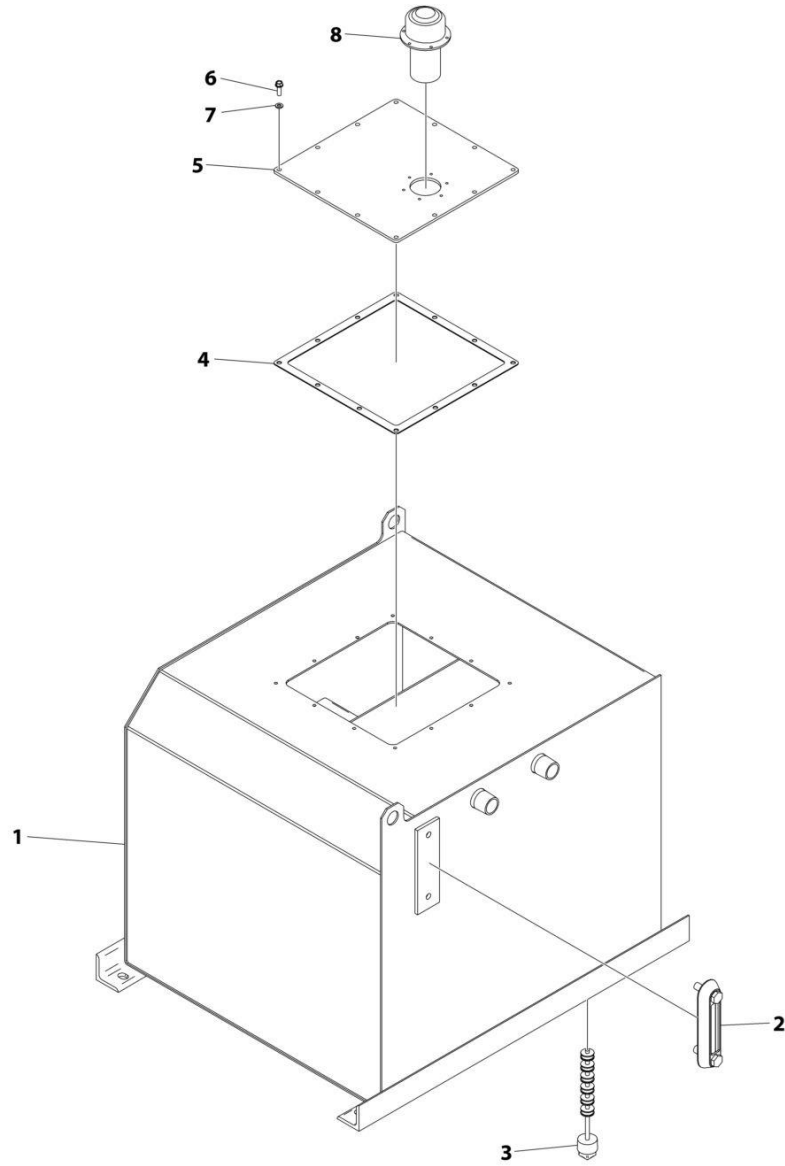
SECTION 6 - HYDRAULIC

FIGURE 6-23. TANK (HYDRAULIC) ASSEMBLY - WITHOUT UL WINCH

ITEM	PART NUMBER	QTY	DESCRIPTION	REV
	3750000022	Ref	TANK (HYDRAULIC) ASSEMBLY	C
1	See Note	NSS	Tank, Hydraulic (Note: Purchase PN 3750000022)	
2	7183000004	1	Breather Filter	
3	7470000003	1	Gauge	
5	7796000051	1	Gasket	
6	4706002235	1	Plate	
7	7115140650	12	Bolt 1/4 x 3/4	
8	7950140000	12	Washer 1/4	
9	7444120014	1	Plug	
10	7444160011	2	Plug	

SECTION 6 - HYDRAULIC

FIGURE 6-24. TANK (HYDRAULIC) ASSEMBLY - WITH UL WINCH



ART_375000055

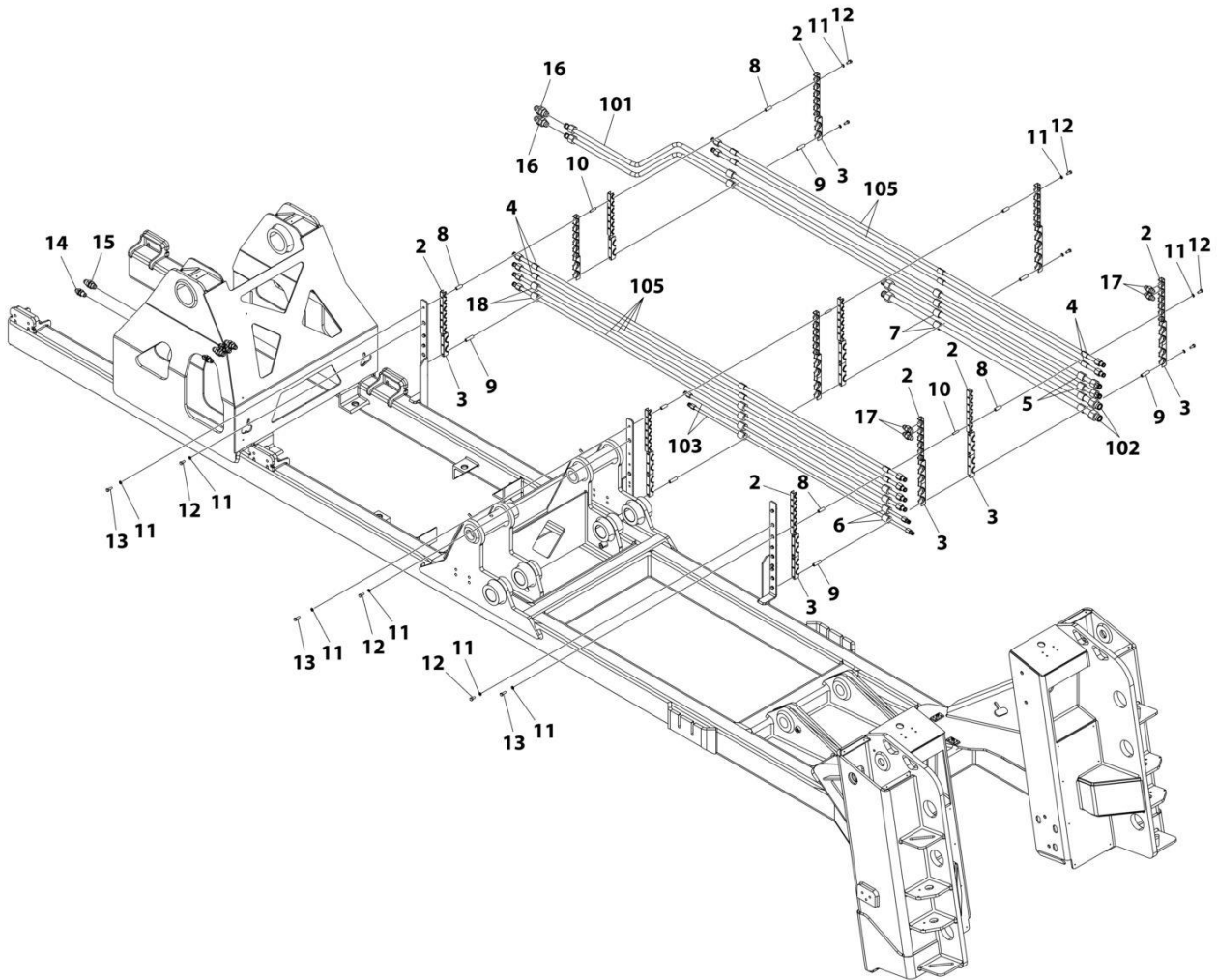
SECTION 6 - HYDRAULIC

FIGURE 6-24. TANK (HYDRAULIC) ASSEMBLY - WITH UL WINCH

ITEM	PART NUMBER	QTY	DESCRIPTION	REV
	3750000055	Ref	TANK (HYDRAULIC) ASSEMBLY	C
1	3750000056	1	Hydraulic Tank	
2	7470000003	1	Gauge	
3	7701000025	1	Plug	
4	7796000051	1	Gasket	
5	4706002235	1	Plate	
6	7790141253	12	Screw 1/4 x 3/4	
7	7950140000	12	Washer 1/4	
8	7183000004	1	Breather Filter	

SECTION 6 - HYDRAULIC

FIGURE 6-25. TUBE INSTALLATION - SUBFRAME (WITHOUT UL WINCH)



ART_3912000052

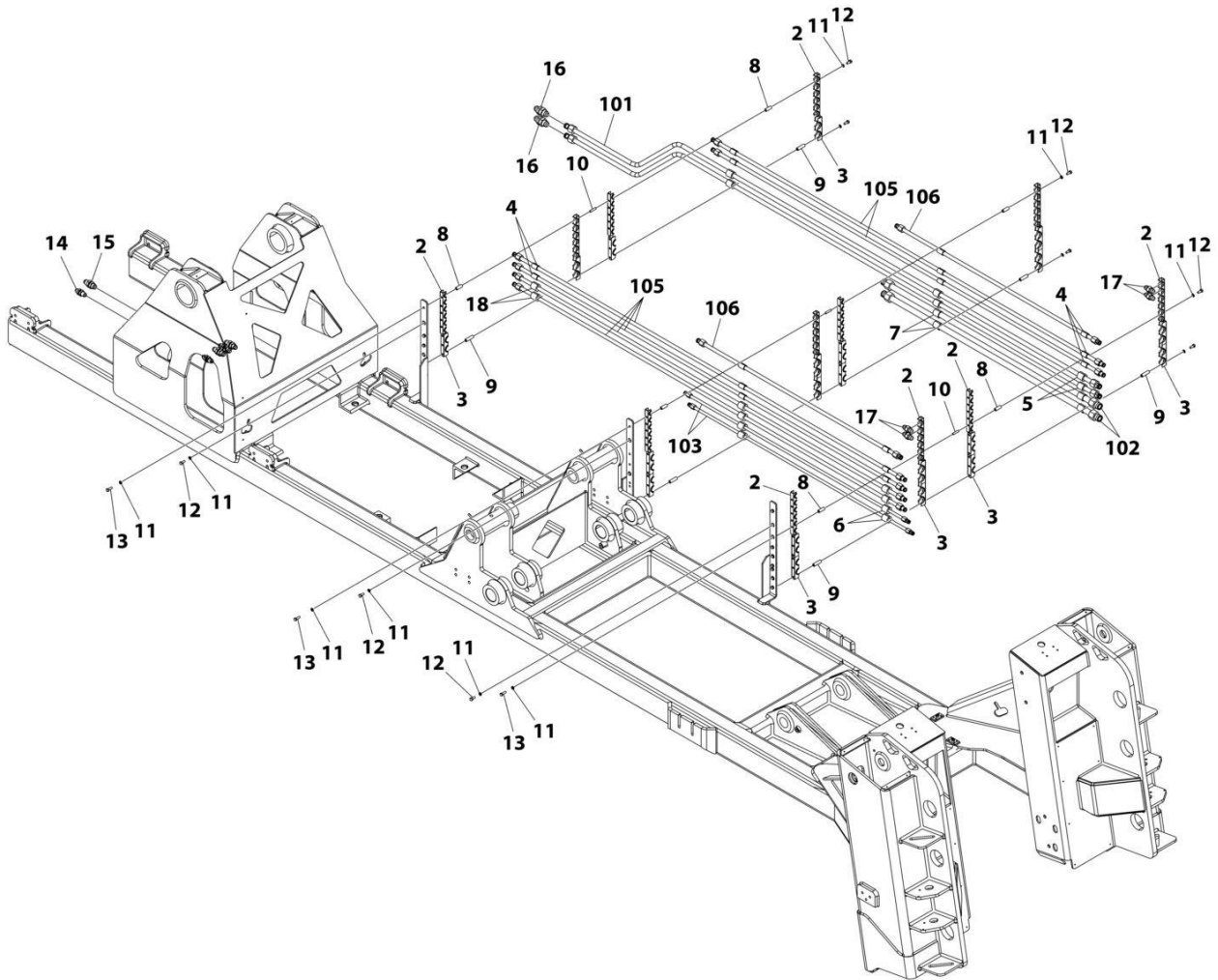
SECTION 6 - HYDRAULIC

FIGURE 6-25. TUBE INSTALLATION - SUBFRAME (WITHOUT UL WINCH)

ITEM	PART NUMBER	QTY	DESCRIPTION	REV
	3912000052	Ref	TUBE INSTALLATION - SUBFRAME W/O UL WINCH	B
1	7577000597	1	Tube, Kit (Not Shown) (Includes Items 101-105)	
2	7274000030	12	Clamp	
3	7274000049	20	Clamp	
4	7209000024	12	Bushing	
5	7209000032	6	Bushing	
6	7209000031	4	Bushing	
7	7209000033	4	Bushing	
8	7661000022	18	Nut 5/16	
9	7661000027	30	Stacking Nut	
10	7007000036	24	Adapter	
11	7950150000	48	Washer 5/16	
12	7115150650	32	Bolt 5/16 x 3/4	
13	7115150850	16	Bolt 5/16 x 1	
14	7445080825	2	Fitting, Union Bulkhead	
15	7445101025	4	Fitting, Union Bulkhead	
16	7445121225	2	Fitting, Union Bulkhead	
17	7443000209	4	Fitting, Tube Hydrocraft	
18	7209000066	6	Bushing	
101	7912000068	2	Tube	
102	7912000069	2	Tube	
103	7912000070	2	Tube	
105	7912000341	6	Tube	

SECTION 6 - HYDRAULIC

FIGURE 6-26. TUBE INSTALLATION - SUBFRAME (WITH UL WINCH)



ART_3912000051

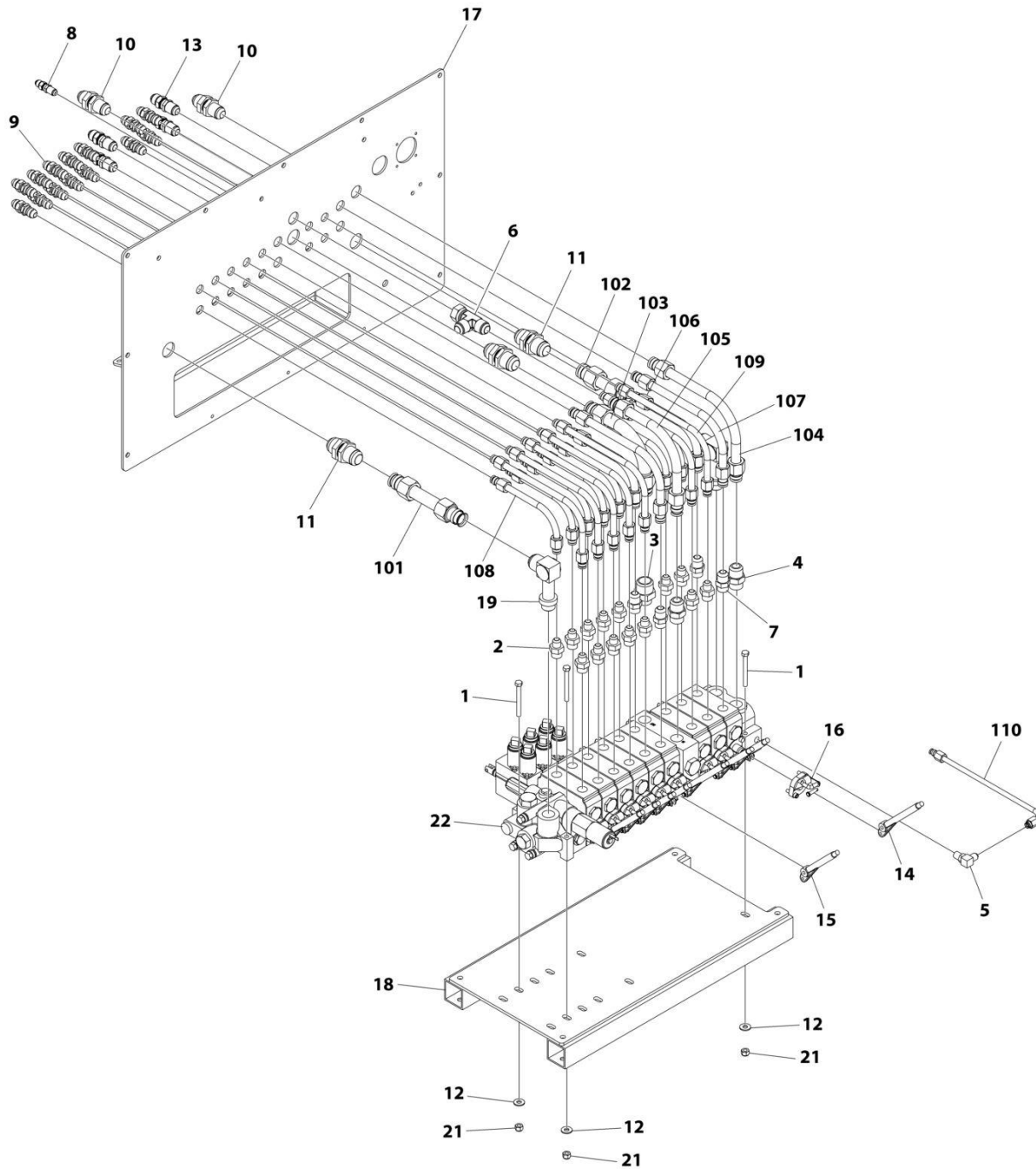
SECTION 6 - HYDRAULIC

FIGURE 6-26. TUBE INSTALLATION - SUBFRAME (WITH UL WINCH)

ITEM	PART NUMBER	QTY	DESCRIPTION	REV
	3912000051	Ref	TUBE INSTALLATION - SUBFRAME W/UL WINCH	B
1	7577000596	1	Tube, Kit (Not Shown) (Includes Items 101-105)	
2	7274000030	12	Clamp	
3	7274000049	20	Clamp	
4	7209000024	16	Bushing	
5	7209000032	6	Bushing	
6	7209000031	4	Bushing	
7	7209000033	4	Bushing	
8	7661000022	18	Nut 5/16	
9	7661000027	30	Stacking Nut	
10	7007000036	24	Adapter	
11	7950150000	48	Washer 5/16	
12	7115150650	32	Bolt 5/16 x 3/4	
13	7115150850	16	Bolt 5/16 x 1	
14	7445080825	2	Fitting, Union Bulkhead	
15	7445101025	4	Fitting, Union Bulkhead	
16	7445121225	2	Fitting, Union Bulkhead	
17	7443000209	4	Fitting, Tube Hydrocraft	
18	7209000066	6	Bushing	
101	7912000068	2	Tube	
102	7912000069	2	Tube	
103	7912000070	2	Tube	
105	7912000341	6	Tube	
106	7912000238	2	Tube	

SECTION 6 - HYDRAULIC

FIGURE 6-27. VALVE SUB-ASSEMBLY - 9 SECTION/3 SOLENOID



ART_1001202432

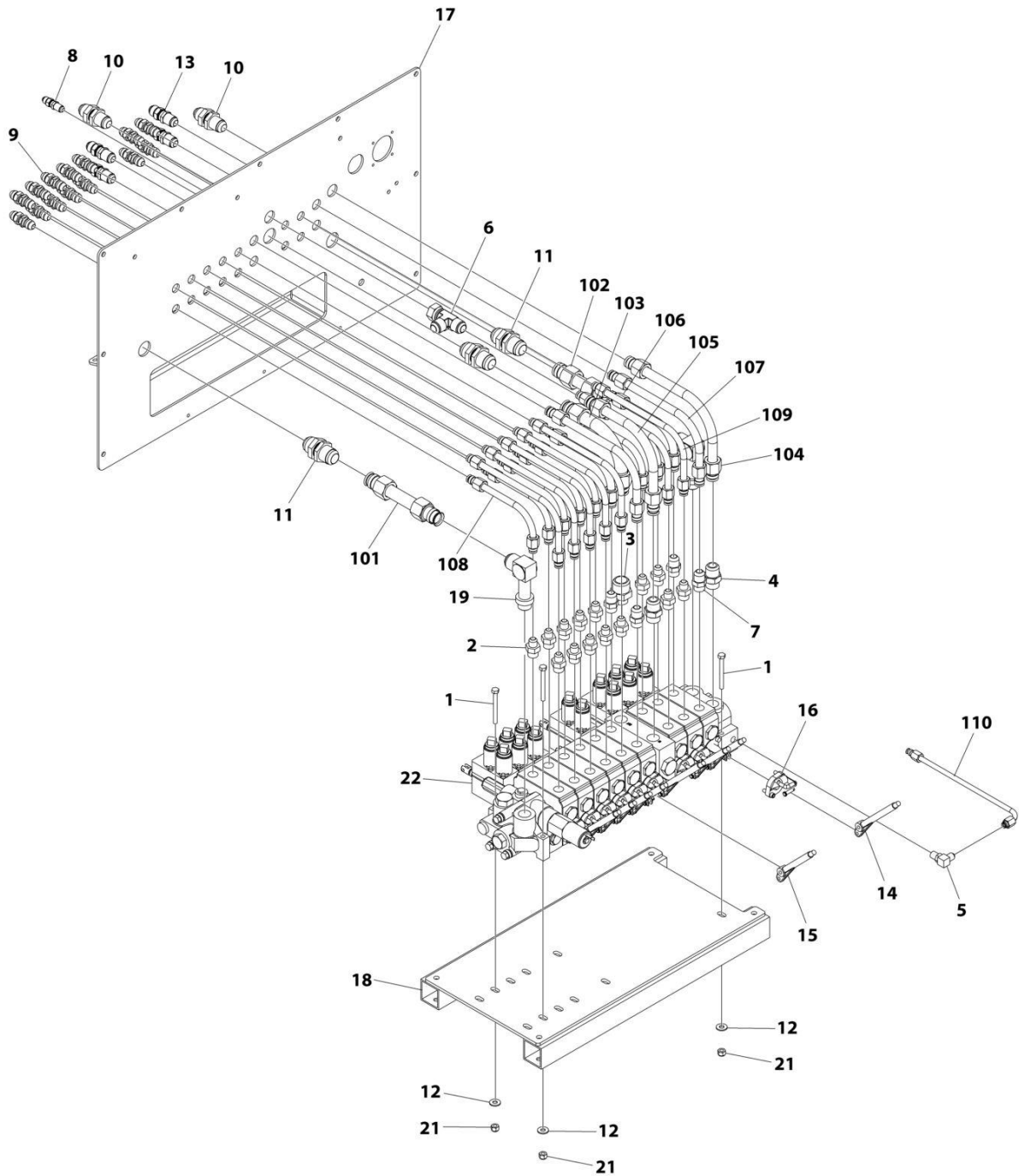
SECTION 6 - HYDRAULIC

FIGURE 6-27. VALVE SUB-ASSEMBLY - 9 SECTION/3 SOLENOID

ITEM	PART NUMBER	QTY	DESCRIPTION	REV
	1001202432	Ref	VALVE SUB-ASSEMBLY - 9 SECTION/3 SOLENOID	C
1	0641524	3	Bolt 5/16 x 3	
2	2220374	14	Fitting, Straight JIC/ORB	
3	2220376	1	Fitting, Straight JIC/ORB	
4	2220451	2	Fitting, Straight JIC/ORB	
5	2220473	1	Fitting, 90 JIC/ORB	
6	2220700	1	Fitting, Tee JIC/FSJIC/JIC	
7	2220947	4	Fitting, Straight	
8	2230024	1	Fitting, Straight JIC/JIC	
9	2230025	14	Fitting, Straight JIC/JIC	
10	2230027	2	Fitting, Straight	
11	2230089	3	Fitting, Straight	
12	4751500	3	Washer 5/16	
13	8760037	4	Union, Straight	
14	1001184772	2	Handle, Long	
15	1001184773	7	Handle, Short	
16	1001194069	9	Linkage, Handle	
17	1001200355	1	Panel	
18	3177000060	1	Mount, Valve	
19	7443000211	2	Fitting #16 JIC	
20	7577000669	1	Tube Kit (Includes Items 101-110)	
21	7660162601	3	Nut 3/8	
22	7935000313	1	Valve Assembly (See Separate Breakdown in this Section)	
	7577000669	Ref	TUBE KIT	C
101	7912000301	1	Tube, Outlet	
102	7912000302	1	Tube, Outlet	
103	7912000303	1	Tube, Mid Outlet	
104	7912000304	1	Tube, Inlet	
105	7912000305	1	Tube, Mid Inlet	
106	7912000306	2	Tube, Winch	
107	7912000307	2	Tube, Winch	
108	7912000308	7	Tube	
109	7912000309	7	Tube	
110	7912000310	1	Tube, Pilot	

SECTION 6 - HYDRAULIC

FIGURE 6-28. VALVE SUB-ASSEMBLY - 9 SECTION/7 SOLENOID



ART_1001202433

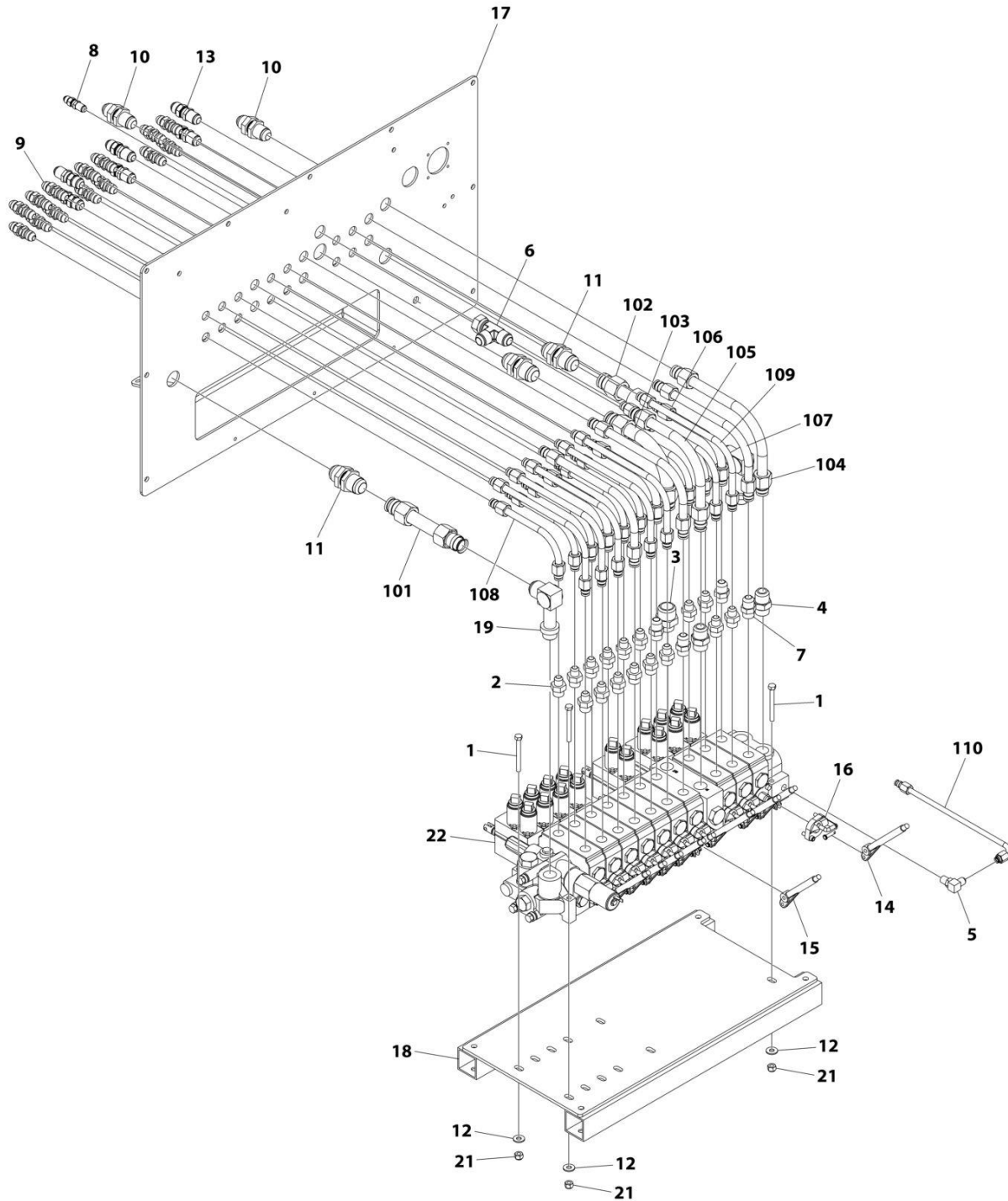
SECTION 6 - HYDRAULIC

FIGURE 6-28. VALVE SUB-ASSEMBLY - 9 SECTION/7 SOLENOID

ITEM	PART NUMBER	QTY	DESCRIPTION	REV
	1001202433	Ref	VALVE SUB-ASSEMBLY - 9 SECTION/7 SOLENOID	C
1	0641524	3	Bolt 5/16 x 3	
2	2220374	14	Fitting, Straight JIC/ORB	
3	2220376	1	Fitting, Straight JIC/ORB	
4	2220451	2	Fitting, Straight JIC/ORB	
5	2220473	1	Fitting, 90 JIC/ORB	
6	2220700	1	Fitting, Tee JIC/FSJIC/JIC	
7	2220947	4	Fitting, Straight	
8	2230024	1	Fitting, Straight JIC/JIC	
9	2230025	14	Fitting, Straight JIC/JIC	
10	2230027	2	Fitting, Straight	
11	2230089	3	Fitting, Straight	
12	4751500	3	Washer 5/16	
13	8760037	4	Union, Straight	
14	1001184772	2	Handle, Long	
15	1001184773	7	Handle, Short	
16	1001194069	9	Linkage, Handle	
17	1001200355	1	Panel	
18	3177000060	1	Mount, Valve	
19	7443000211	2	Fitting #16 JIC	
20	7577000669	1	Tube Kit (Includes Items 101-110)	
21	7660162601	3	Nut 3/8	
22	1001203506	1	Valve Assembly (See Separate Breakdown in this Section)	
	7577000669	Ref	TUBE KIT	C
101	7912000301	1	Tube, Outlet	
102	7912000302	1	Tube, Outlet	
103	7912000303	1	Tube, Mid Outlet	
104	7912000304	1	Tube, Inlet	
105	7912000305	1	Tube, Mid Inlet	
106	7912000306	2	Tube, Winch	
107	7912000307	2	Tube, Winch	
108	7912000308	7	Tube	
109	7912000309	7	Tube	
110	7912000310	1	Tube, Pilot	

SECTION 6 - HYDRAULIC

FIGURE 6-29. VALVE SUB-ASSEMBLY - 10 SECTION/8 SOLENOID



ART_1001202434

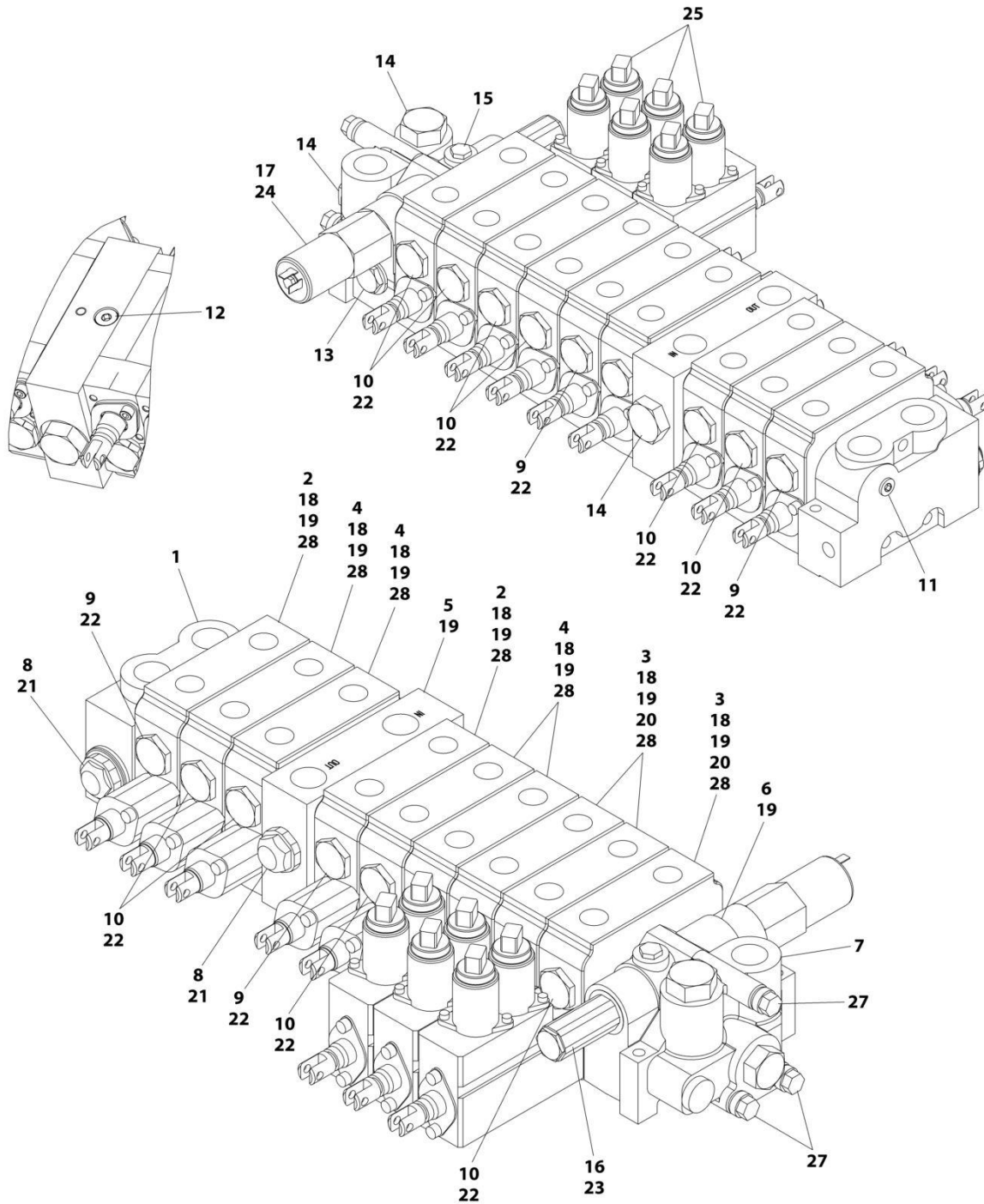
SECTION 6 - HYDRAULIC

FIGURE 6-29. VALVE SUB-ASSEMBLY - 10 SECTION/8 SOLENOID

ITEM	PART NUMBER	QTY	DESCRIPTION	REV
	1001202434	Ref	VALVE SUB-ASSEMBLY - 10 SECTION/8 SOLENOID	C
1	0641524	3	Bolt 5/16 x 3	
2	2220374	16	Fitting, Straight JIC/ORB	
3	2220376	1	Fitting, Straight JIC/ORB	
4	2220451	2	Fitting, Straight JIC/ORB	
5	2220473	1	Fitting, 90 JIC/ORB	
6	2220700	1	Fitting, Tee JIC/FSJIC/JIC	
7	2220947	4	Fitting, Straight	
8	2230024	1	Fitting, Straight JIC/JIC	
9	2230025	14	Fitting, Straight JIC/JIC	
10	2230027	2	Fitting, Straight	
11	2230089	3	Fitting, Straight	
12	4751500	3	Washer 5/16	
13	8760037	6	Union, Straight	
14	1001184772	3	Handle, Long	
15	1001184773	7	Handle, Short	
16	1001194069	10	Linkage, Handle	
17	1001200356	1	Panel	
18	3177000060	1	Mount, Valve	
19	7443000211	2	Fitting #16 JIC	
20	7577000670	1	Tube Kit (Includes Items 101-110)	
21	7660162601	3	Nut 3/8	
22	7935000374	1	Valve Assembly (See Separate Breakdown in this Section)	
	7577000670	Ref	TUBE KIT	C
101	7912000301	1	Tube, Outlet	
102	7912000302	1	Tube, Outlet	
103	7912000303	1	Tube, Mid Outlet	
104	7912000304	1	Tube, Inlet	
105	7912000305	1	Tube, Mid Inlet	
106	7912000306	3	Tube, Winch	
107	7912000307	3	Tube, Winch	
108	7912000308	7	Tube	
109	7912000309	7	Tube	
110	7912000310	1	Tube, Pilot	

SECTION 6 - HYDRAULIC

FIGURE 6-30. VALVE ASSEMBLY - 9 SECTION/3 SOLENOID



ART_7935000313

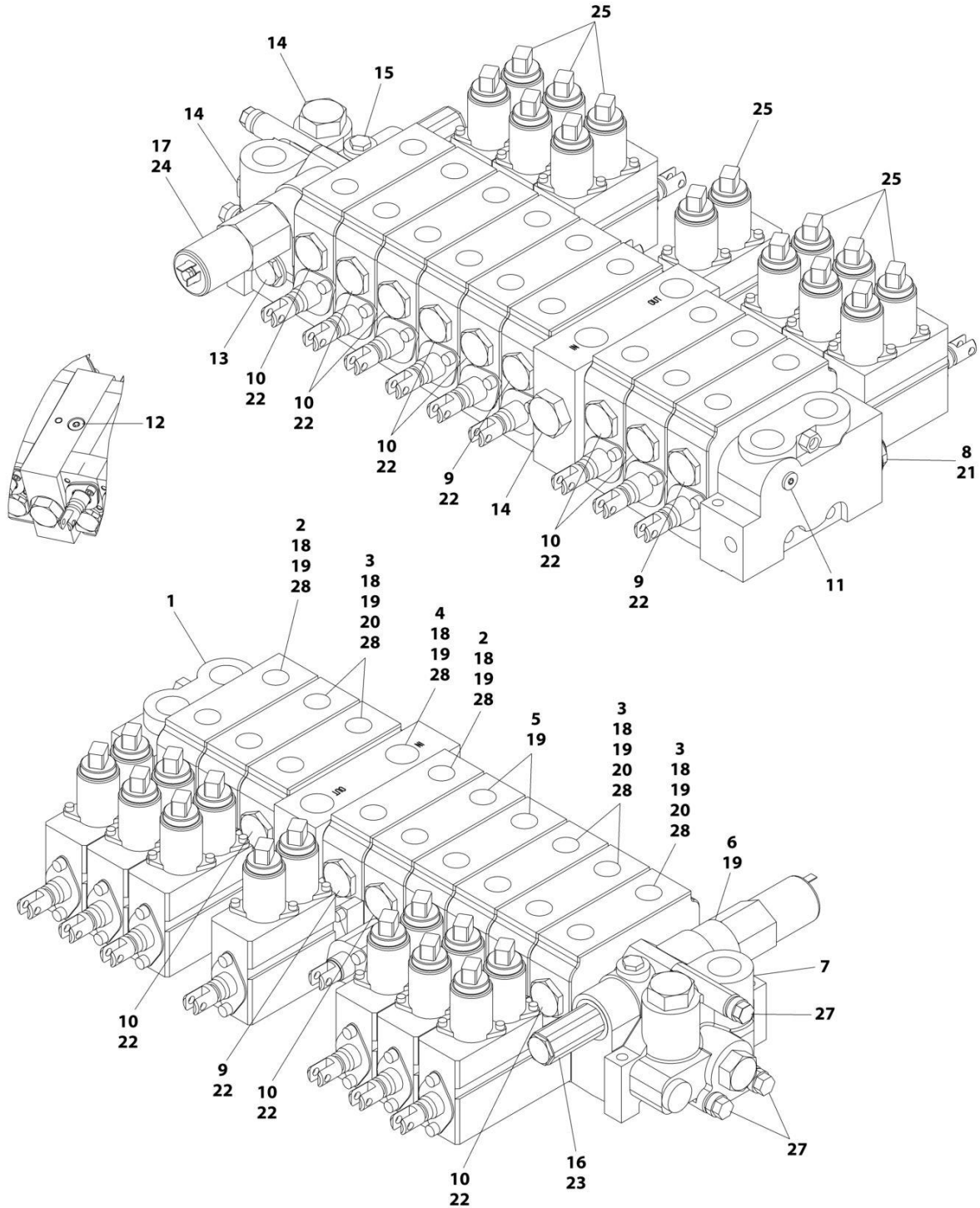
SECTION 6 - HYDRAULIC

FIGURE 6-30. VALVE ASSEMBLY - 9 SECTION/3 SOLENOID

ITEM	PART NUMBER	QTY	DESCRIPTION	REV
	7935000313	Ref	VALVE ASSEMBLY - 9 SECTION/3 SOLENOID	B
1	7935000315	1	Cover, Inlet	
2	9935930122	2	Valve Section	
3	9935930119	3	Valve Section	
4	7935000320	4	Valve Section	
5	7935000316	1	Inlet	
6	7935000323	1	Utility Section	
7	7935000317	1	Cover, Outlet	
8	91084009	2	Cartridge, Relief	
9	70050243	4	Plug	
10	7006847	14	Plug	
11	70050245	1	Plug	
12	70050246	2	Plug	
13	70050247	1	Plug	
14	91084017	3	Plug	
15	70050249	1	Plug	
16	70050241	1	Cartridge, Pressure	
17	70050242	1	Solenoid	
18	70050250	15	Seal	
19	70050251	44	O-Ring	
20	70050252	6	O-Ring	
21	70051081	2	Seal Kit	
22	7029865	18	Seal Kit	
23	70051080	1	Seal Kit	
24	70050256	1	Seal Kit	
25	9346930086	6	Solenoid	
26	70051079	1	Seal (Not Shown)	
27	70050239	1	Stud Assembly	
28	70050257	18	Wiper	

SECTION 6 - HYDRAULIC

FIGURE 6-31. VALVE ASSEMBLY - 9 SECTION/7 SOLENOID



ART_1001203506

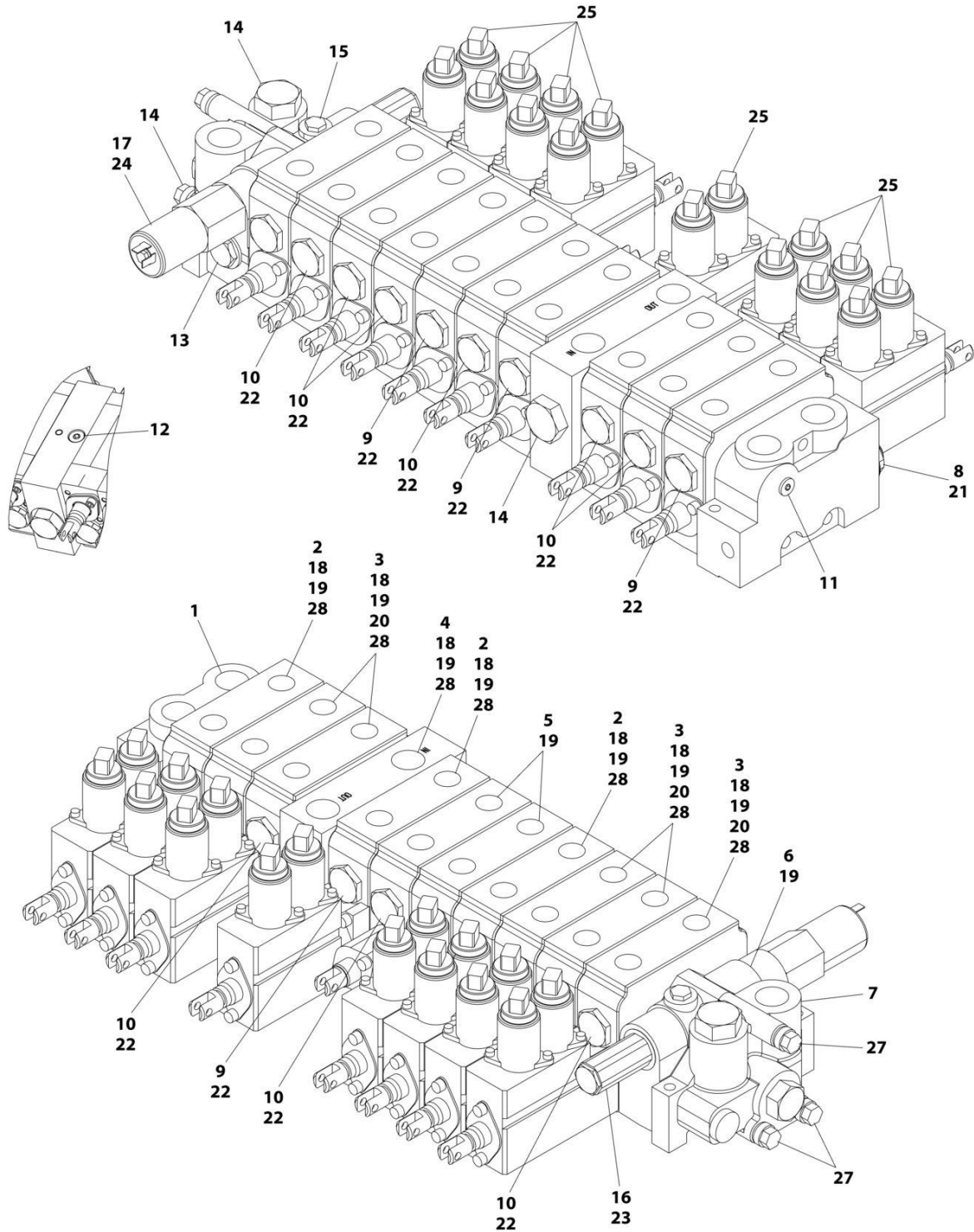
SECTION 6 - HYDRAULIC

FIGURE 6-31. VALVE ASSEMBLY - 9 SECTION/7 SOLENOID

ITEM	PART NUMBER	QTY	DESCRIPTION	REV
	1001203506	Ref	VALVE ASSEMBLY - 9 SECTION/7 SOLENOID	B
1	7935000315	1	Cover, Inlet	
2	9935930120	2	Valve Section	
3	9935930119	5	Valve Section	
4	7935000316	1	Inlet	
5	7935000320	2	Valve Section	
6	7935000323	1	Utility Section	
7	7935000317	1	Cover, Outlet	
8	91084009	2	Cartridge, Relief	
9	70050243	4	Plug	
10	7006847	14	Plug	
11	70050245	1	Plug	
12	70050246	2	Plug	
13	70050247	1	Plug	
14	91084017	3	Plug	
15	70050249	1	Plug	
16	70050241	1	Cartridge, Pressure	
17	70050242	1	Solenoid	
18	70050250	15	Seal	
19	70050251	44	O-Ring	
20	70050252	6	O-Ring	
21	70051081	2	Seal Kit	
22	7029865	18	Seal Kit	
23	70051080	1	Seal Kit	
24	70050256	1	Seal Kit	
25	9346930086	8	Solenoid	
26	70051079	1	Seal (Not Shown)	
27	70050239	1	Stud Assembly	
28	70050257	18	Wiper	

SECTION 6 - HYDRAULIC

FIGURE 6-32. VALVE ASSEMBLY - 10 SECTION/8 SOLENOID



ART_7935000374

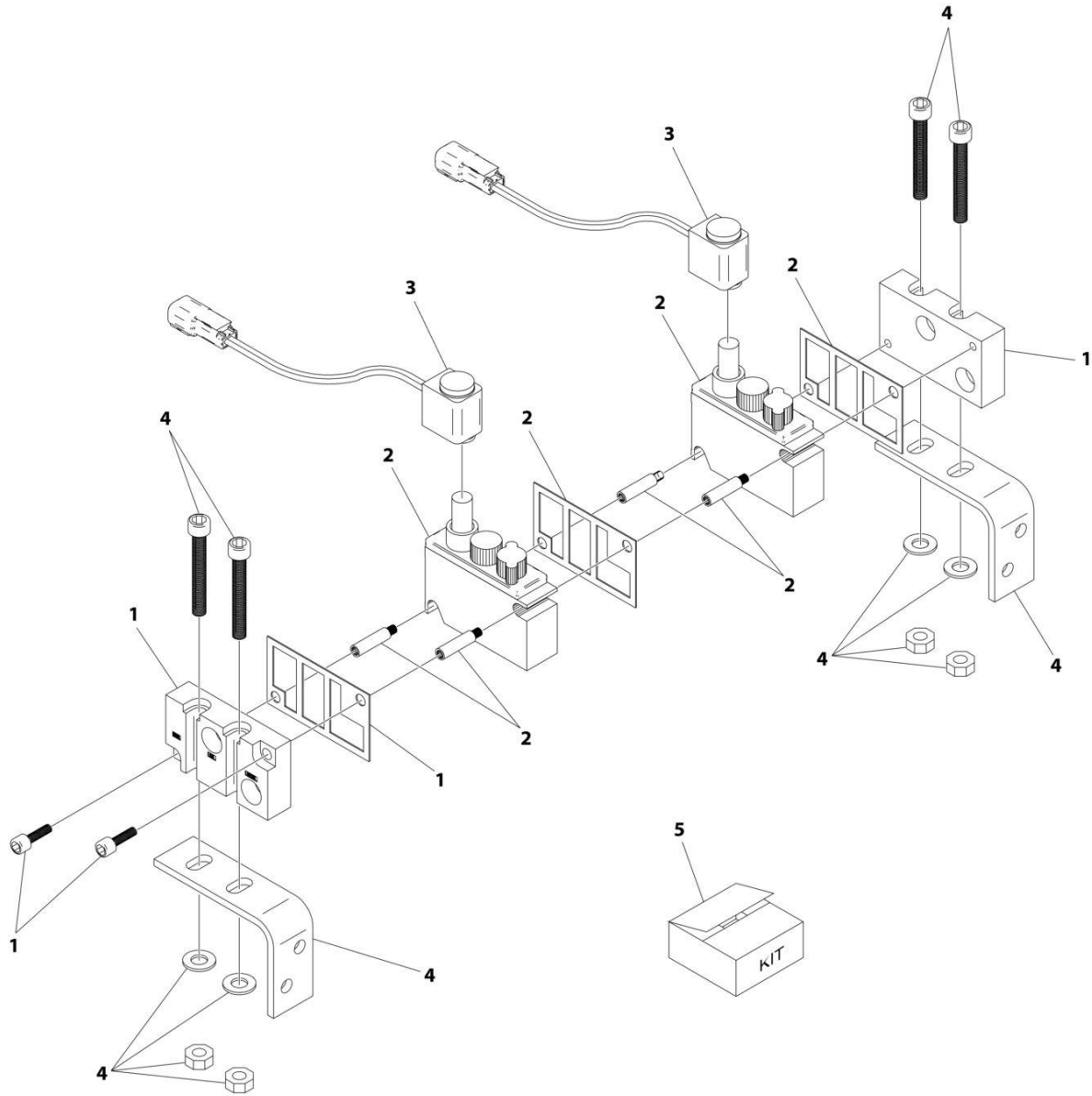
SECTION 6 - HYDRAULIC

FIGURE 6-32. VALVE ASSEMBLY - 10 SECTION/8 SOLENOID

ITEM	PART NUMBER	QTY	DESCRIPTION	REV
	7935000374	Ref	VALVE ASSEMBLY - 10 SECTION/8 SOLENOID	C
1	7935000315	1	Cover, Inlet	
2	9935930120	2	Valve Section	
3	9935930119	4	Valve Section	
4	7935000316	1	Inlet	
5	7935000320	2	Valve Section	
6	7935000323	1	Utility Section	
7	7935000317	1	Cover, Outlet	
8	91084009	2	Cartridge, Relief	
9	70050243	6	Plug	
10	7006847	12	Plug	
11	70050245	1	Plug	
12	70050246	2	Plug	
13	70050247	1	Plug	
14	91084017	3	Plug	
15	70050249	1	Plug	
16	70050241	1	Cartridge, Pressure	
17	70050242	1	Solenoid	
18	70050250	18	Seal	
19	70050251	40	O-Ring	
20	70050252	6	O-Ring	
21	70051081	2	Seal Kit	
22	7029865	20	Seal Kit	
23	70051080	1	Seal Kit	
24	70050256	1	Seal Kit	
25	9346930086	16	Solenoid	
26	70051079	1	Seal (Not Shown)	
27	70050239	1	Stud Assembly	
28	70050257	18	Wiper	

SECTION 6 - HYDRAULIC

FIGURE 6-33. VALVE ASSEMBLY - AIR 2 SPEED



ART_1001129800

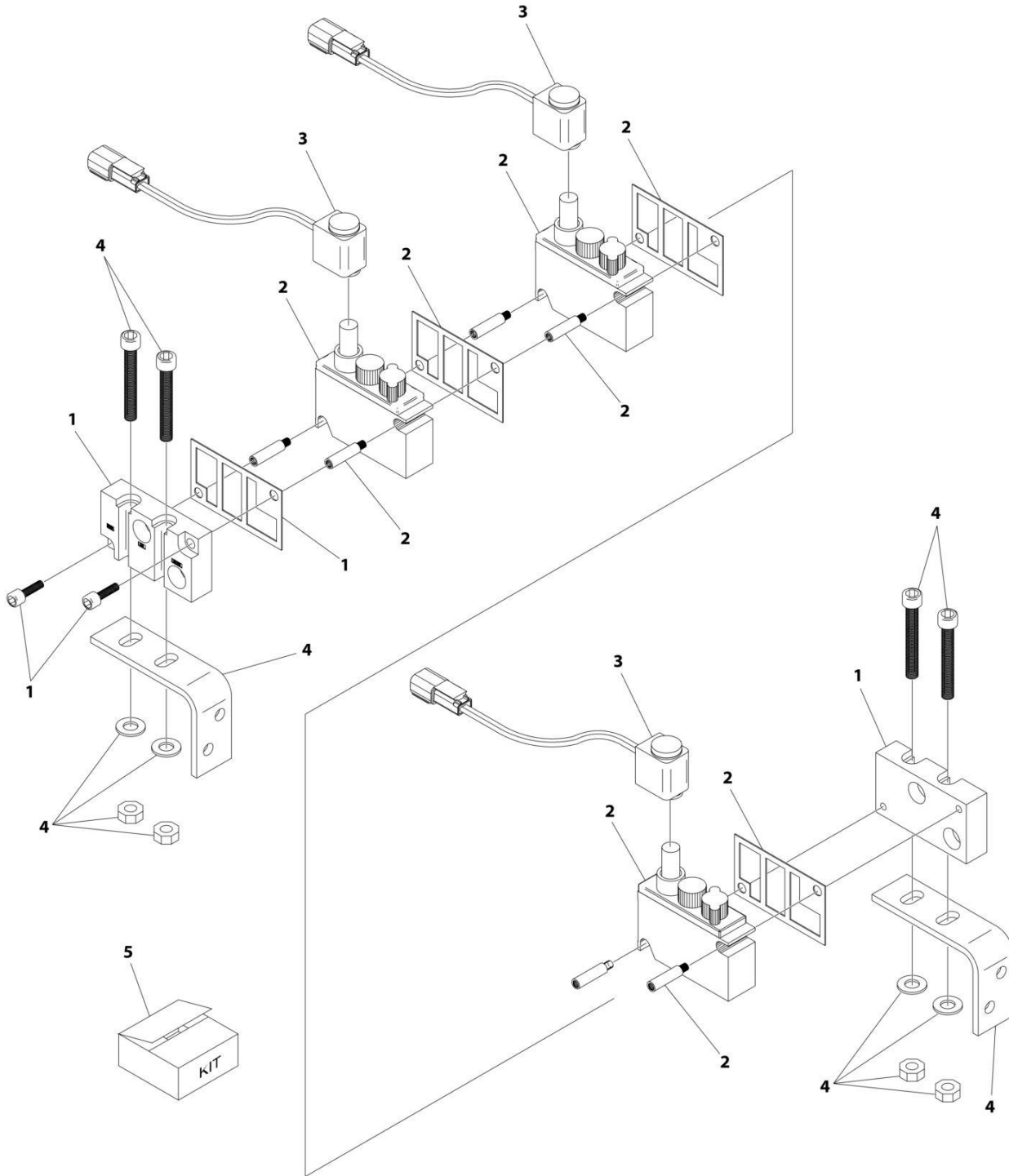
SECTION 6 - HYDRAULIC

FIGURE 6-33. VALVE ASSEMBLY - AIR 2 SPEED

ITEM	PART NUMBER	QTY	DESCRIPTION	REV
	1001129800	Ref	Air Valve 2 Section Assembly	B
1	70050526	1	Kit, Stacking (Includes Inlet, Outlet, Gaskets & Assembly Hardware)	
2	70050527	2	Valve Assembly	
3	70050528	2	Coil	
4	70050529	1	Kit, Mounting Bracket	
5	70050530	2	Kit, Spool Seal	

SECTION 6 - HYDRAULIC

FIGURE 6-34. VALVE ASSEMBLY - AIR 2 SPEED WITH UL WINCH



ART_1001202056

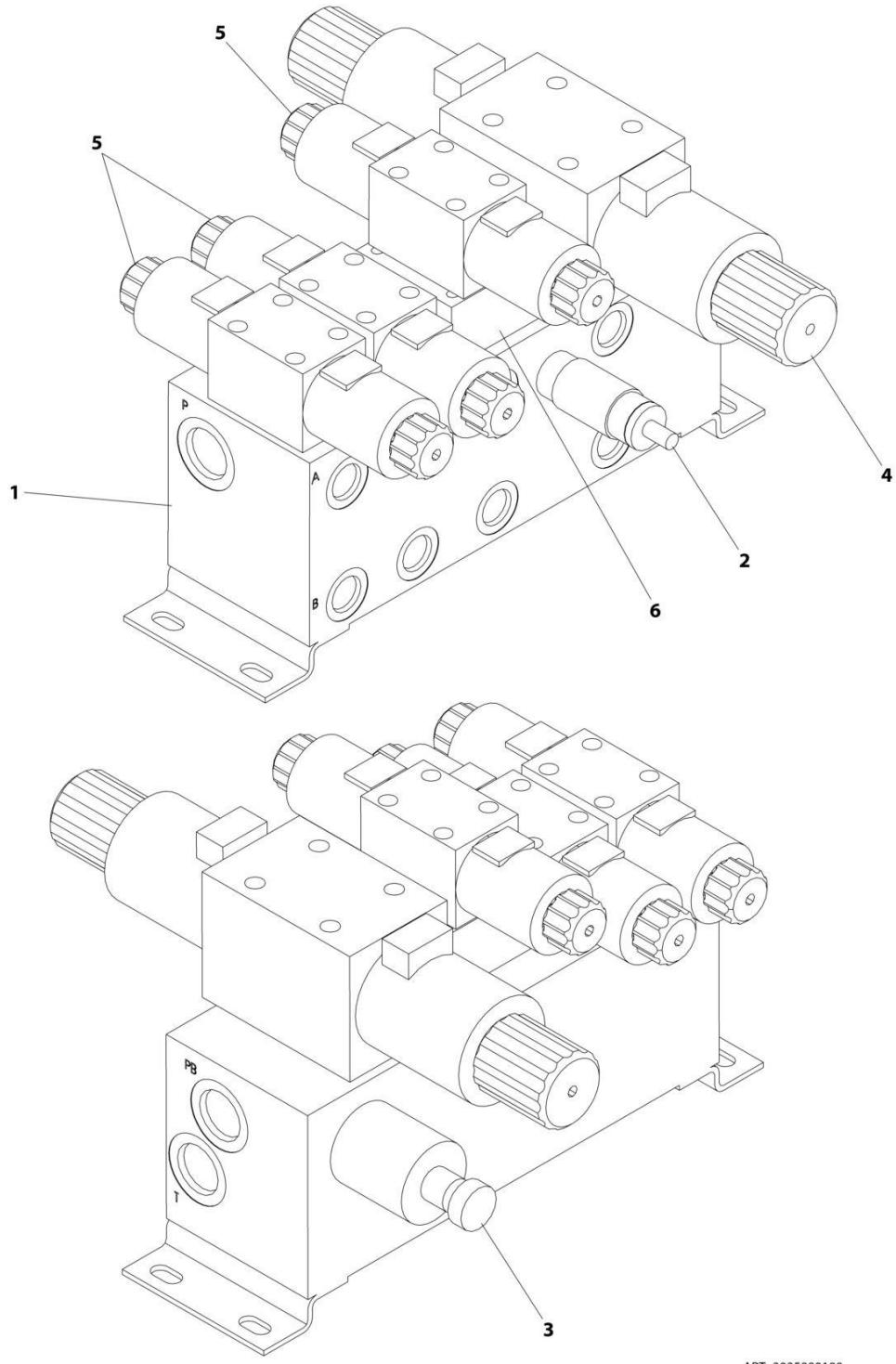
SECTION 6 - HYDRAULIC

FIGURE 6-34. VALVE ASSEMBLY - AIR 2 SPEED WITH UL WINCH

ITEM	PART NUMBER	QTY	DESCRIPTION	REV
	1001202056	Ref	VALVE ASSEMBLY - AIR 3 SECTION	A
1	70050526	1	Kit, Stacking	
2	70050527	3	Valve	
3	70050528	3	Coil	
4	70050529	1	Kit, Mounting Bracket	
5	70050530	3	Kit, Spool Seal	

SECTION 6 - HYDRAULIC

FIGURE 6-35. VALVE ASSEMBLY - SIDE RECOVERY SYSTEM (SRS)



ART_3935000189

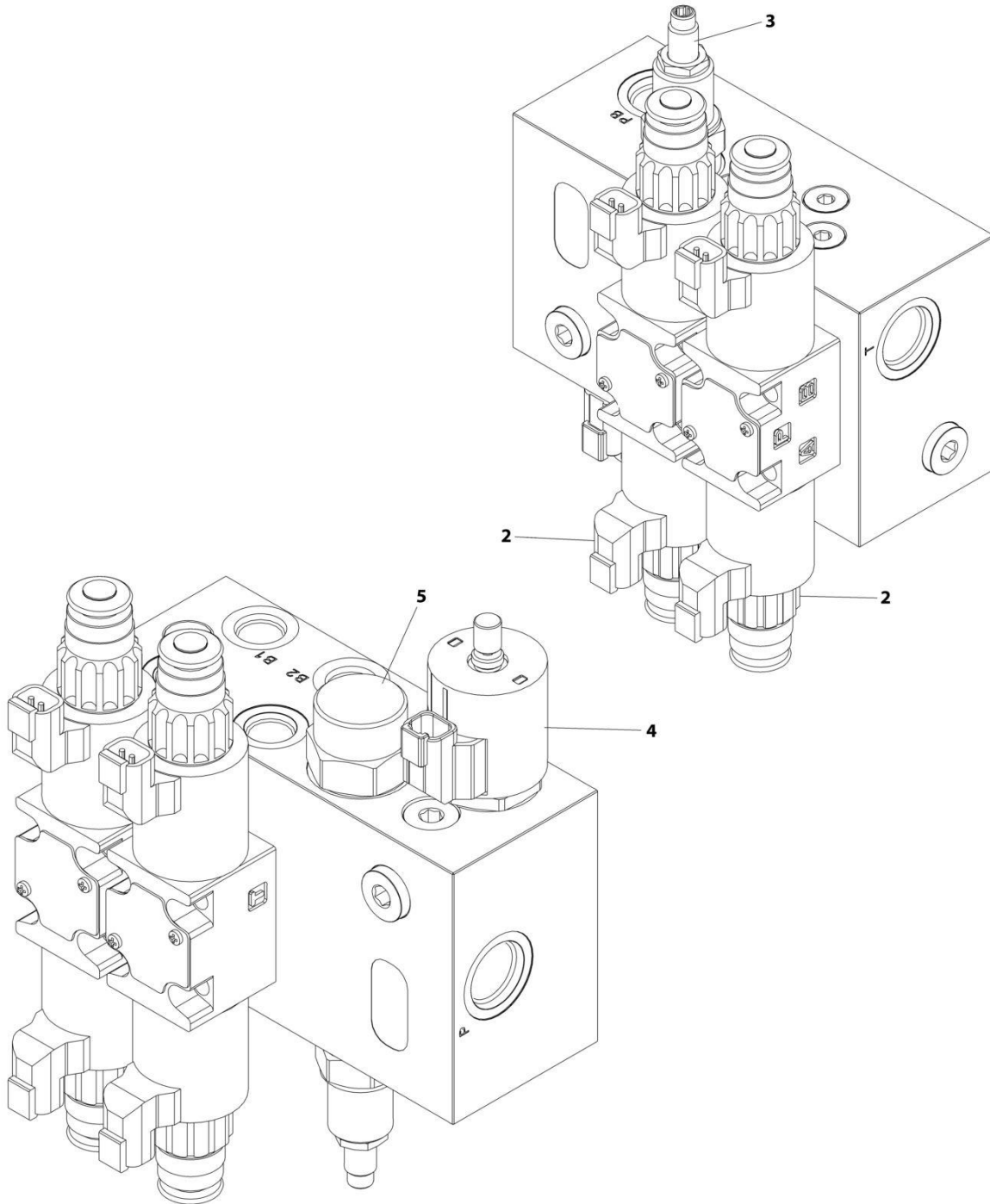
SECTION 6 - HYDRAULIC

FIGURE 6-35. VALVE ASSEMBLY - SIDE RECOVERY SYSTEM (SRS)

ITEM	PART NUMBER	QTY	DESCRIPTION	REV
	3935000189	Ref	VALVE ASSEMBLY	00
1	9619930002	1	Manifold	
2	9935930126	1	Main Relief Valve	
3	9935930127	1	Solenoid Selector Valve	
4	9935930129	1	DO5 Directional Valve	
5	7935000349	3	DO3 Directional Valve	
6	9935930130	1	Valve Adaptor Manifold	

SECTION 6 - HYDRAULIC

FIGURE 6-36. VALVE ASSEMBLY - SIDE STABILIZER (SS-70)



ART_1001243240

SECTION 6 - HYDRAULIC

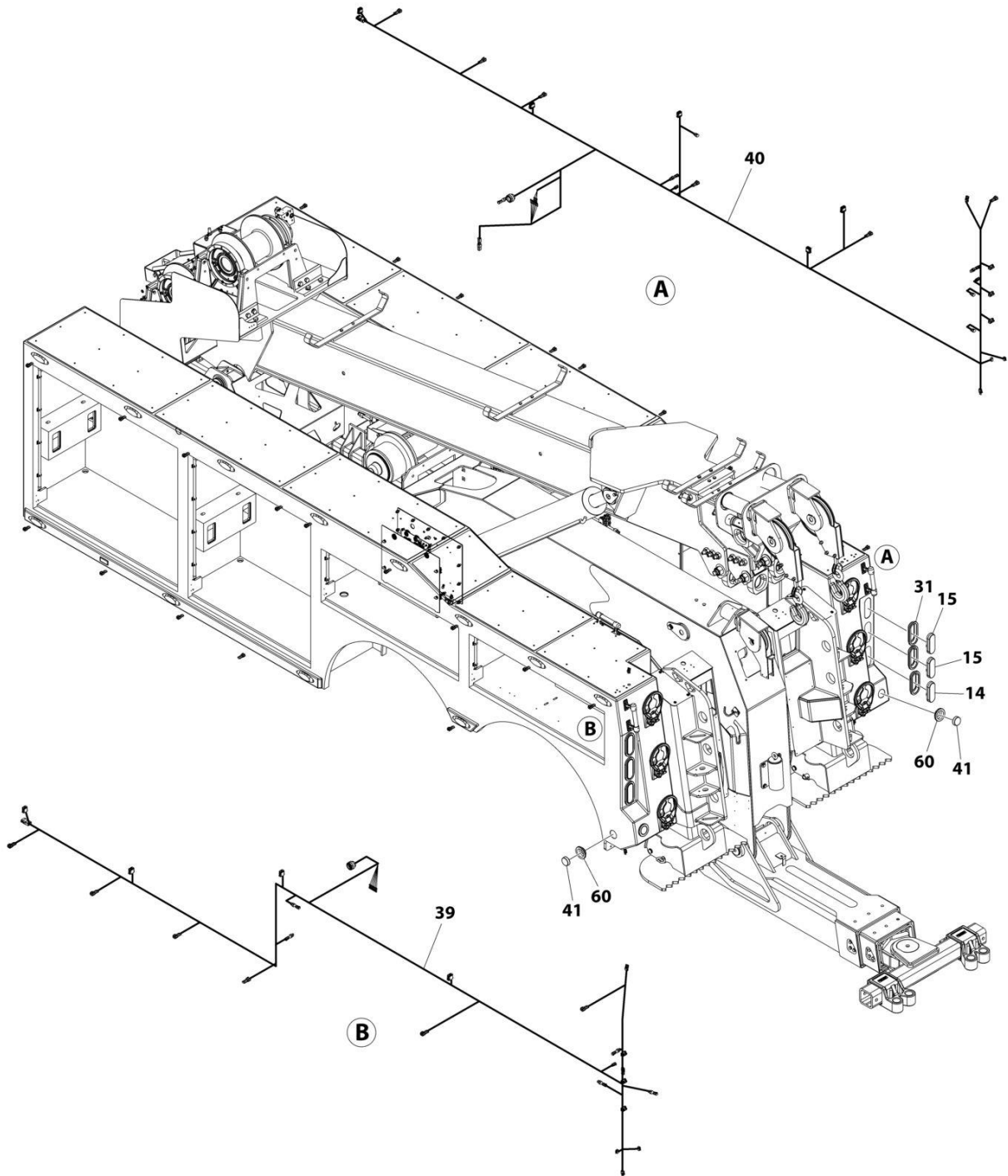
FIGURE 6-36. VALVE ASSEMBLY - SIDE STABILIZER (SS-70)

ITEM	PART NUMBER	QTY	DESCRIPTION	REV
	1001243240	Ref	VALVE ASSEMBLY	A
2	70051970	2	Valve Assembly - Directional	
2	70051973	2	Seal Kit - 70051970 Valve	
2	70051971	4	Coil	
2	70051972	4	Nut, Coil	
3	70051974	1	Cartridge, Relief Valve	
3	70051975	1	Seal Kit - 70051974 Valve	
4	70051976	1	Cartridge, Selector Solenoid	
4	7024896	1	Seal Kit - 70051976 Valve	
4	70003788	1	Coil	
4	70003977	1	Nut, Coil	
5	70051977	1	Cartridge, Flow Control	
5	70051978	1	Seal Kit - 70051977 Valve	

SECTION 7 - ELECTRICAL

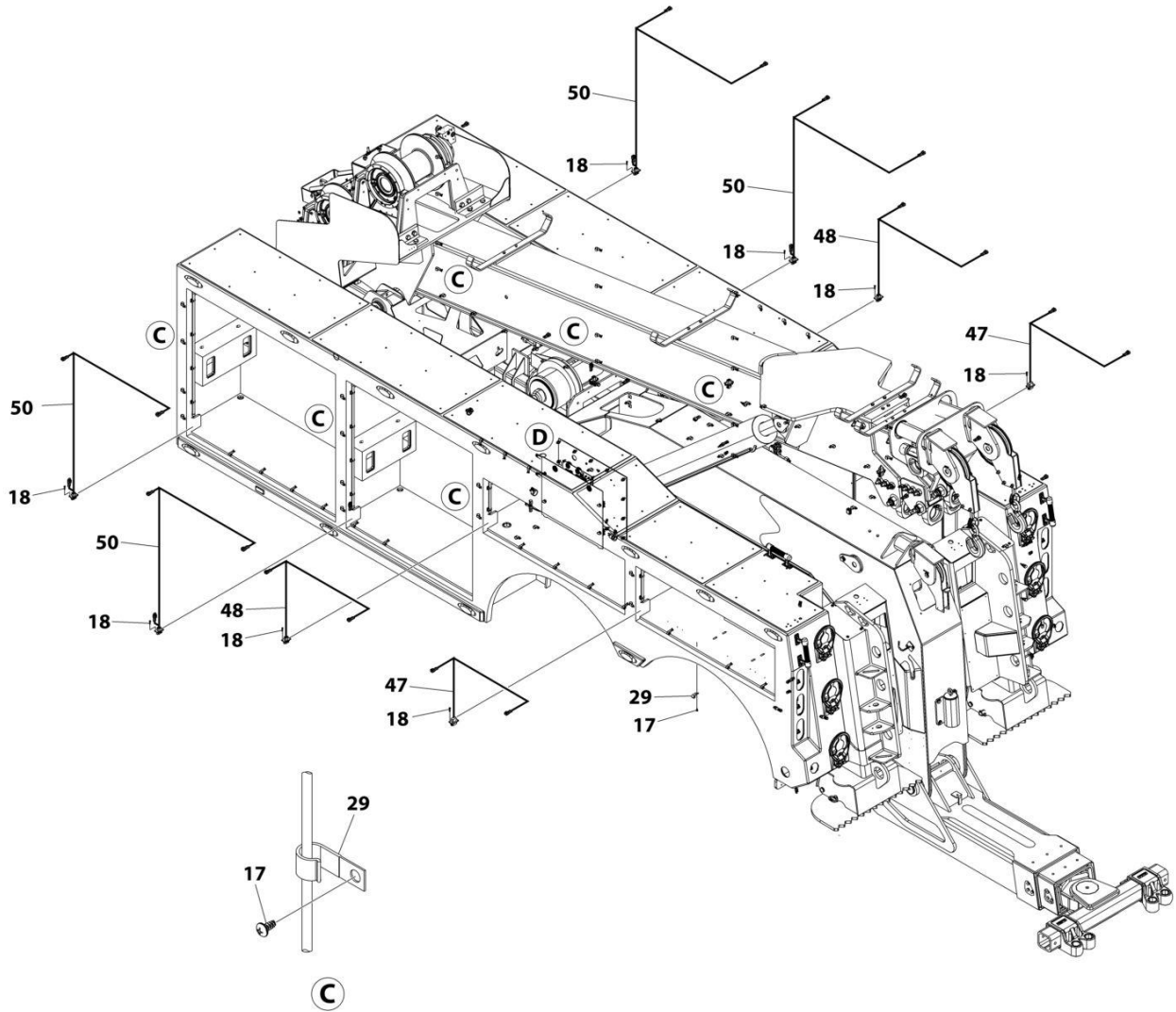
SECTION 7 - ELECTRICAL

FIGURE 7-1. ELECTRICAL INSTALLATION - TANDEM AXLE



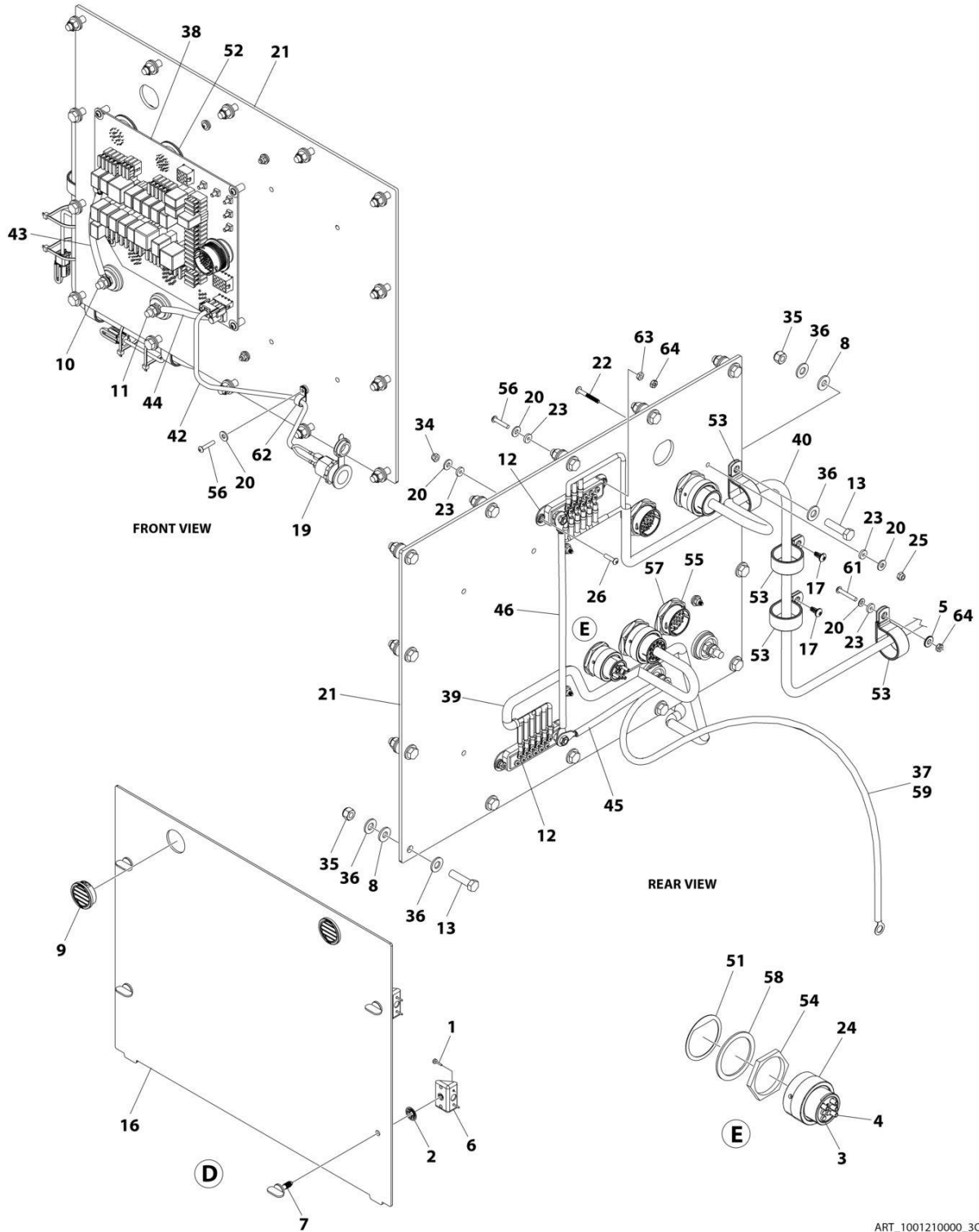
ART_1001210000_10F3

SECTION 7 - ELECTRICAL



ART_1001210000_20F3

SECTION 7 - ELECTRICAL



ART_1001210000_3OF3

SECTION 7 - ELECTRICAL

FIGURE 7-1. ELECTRICAL INSTALLATION - TANDEM AXLE

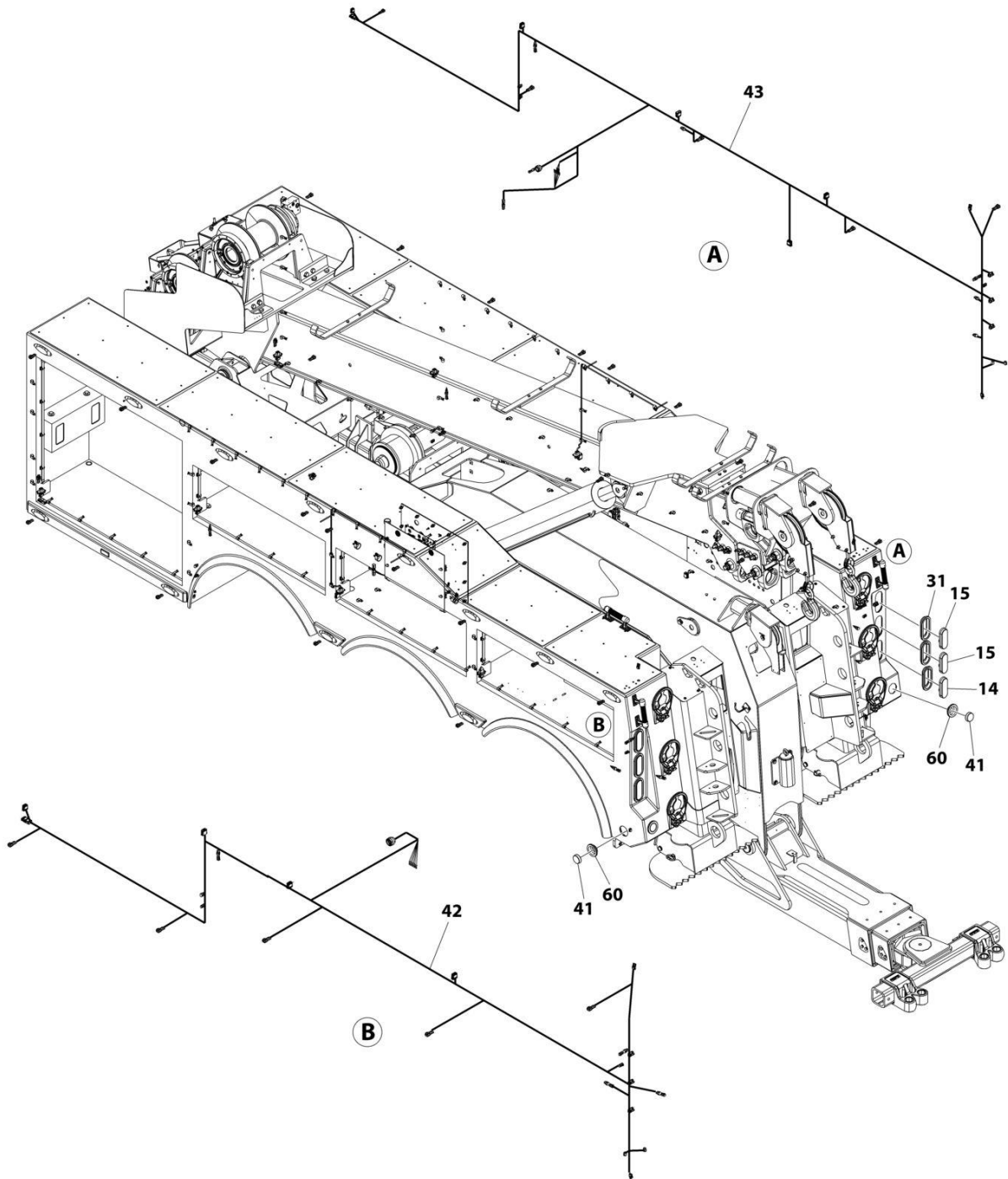
ITEM	PART NUMBER	QTY	DESCRIPTION	REV
	1001210000	Ref	ELECTRICAL INSTALLATION - TANDEM AXLE	G
1	0750604	8	Screw	
2	3760308	4	Ring, Retainer	
3	4460466	3	Terminal	
4	4460509	4	Terminal	
5	4740513	6	Washer 1/4	
6	1001122235	4	Bracket	
7	1001166930	4	Latch, Wing Screw	
8	1001166974	14	Washer 3/8	
9	1001167607	2	Plug	
10	1001168320	1	Terminal	
11	1001168321	1	Terminal	
12	1001168322	2	Terminal	
13	1001168993	14	Capscrew 3/8 x 1-1/2	
14	1001174680	2	Lamp, Backup LED	
15	7590000370	4	Light	
16	1001191602	1	Panel, Coverplate	
17	1001195257	84	Screw 1/4 x 1/2	
18	1001196552	32	Screw #8 x 3/4	
19	1001201384	1	Socket	
20	1001201926	10	Washer #10	
21	1001206505	1	Plate, Bulkhead Electrical	
22	1001207734	4	Screw	
23	1001207736	12	Washer #10	
24	1001208066	1	Connector, 8 Socket	
25	1001208303	4	Nut #10	
26	7114100618	2	Screw #10 x 3/4	
29	7280000006	82	Clip	
30	5526000553	30	Tie-Strap (Not Shown)	
31	7493000026	6	Grommet	
34	7660102601	2	Nut #10	
35	7660162601	14	Nut 3/8	
36	7950160143	28	Washer 3/8	
37	1001168328	1	Cable	
38	1001203234	1	Power PCB Assembly	
39	1001209000	1	Harness, Body (LH) (Tandem)	
40	1001215444	1	Harness, Body (RH) (Tandem)	
41	7590000343	4	Light	
42	1001209031	1	Harness, Tow light	
43	1001209040	1	Cable	
44	1001209041	1	Cable	
45	1001209042	1	Cable	
46	1001209044	1	Cable	
47	1001209051	2	Harness, Body Compartment 1 (Tandem)	
48	1001209052	2	Harness, Body Compartment 2 (Tandem)	
50	1001209054	4	Harness, Body Compartment 4 (Tandem)	
51	1001209365	1	Seal	
52	1001209366	4	Seal	
53	7274000042	5	Clamp	
54	1001204788	1	Nut, Terminal	

SECTION 7 - ELECTRICAL

ITEM	PART NUMBER	QTY	DESCRIPTION	REV
55	1001205043	4	Nut, Terminal	
56	7114100818	2	Screw #10 x 1	
57	1001205044	4	Washer, Terminal	
58	1001204789	1	Washer, Terminal	
59	1001130310	AR	Adhesive	
60	1001220431	4	Grommet	
61	7114101018	2	Screw #10 x 1-1/4	
62	7274000036	1	Clamp	
63	3311001	2	Nut #10	
64	7661000002	4	Nut #10	

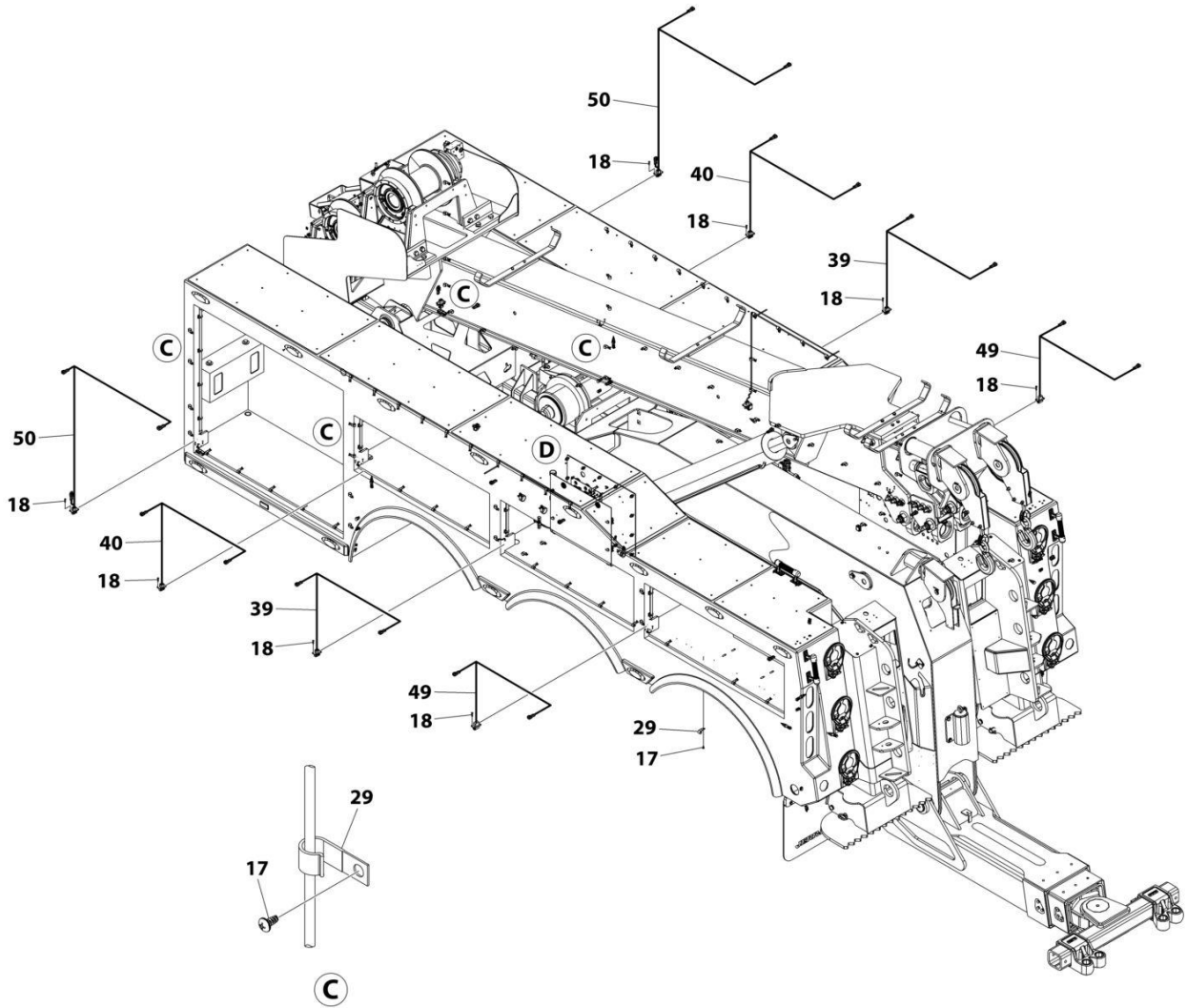
SECTION 7 - ELECTRICAL

FIGURE 7-2. ELECTRICAL INSTALLATION - TRI-AXLE



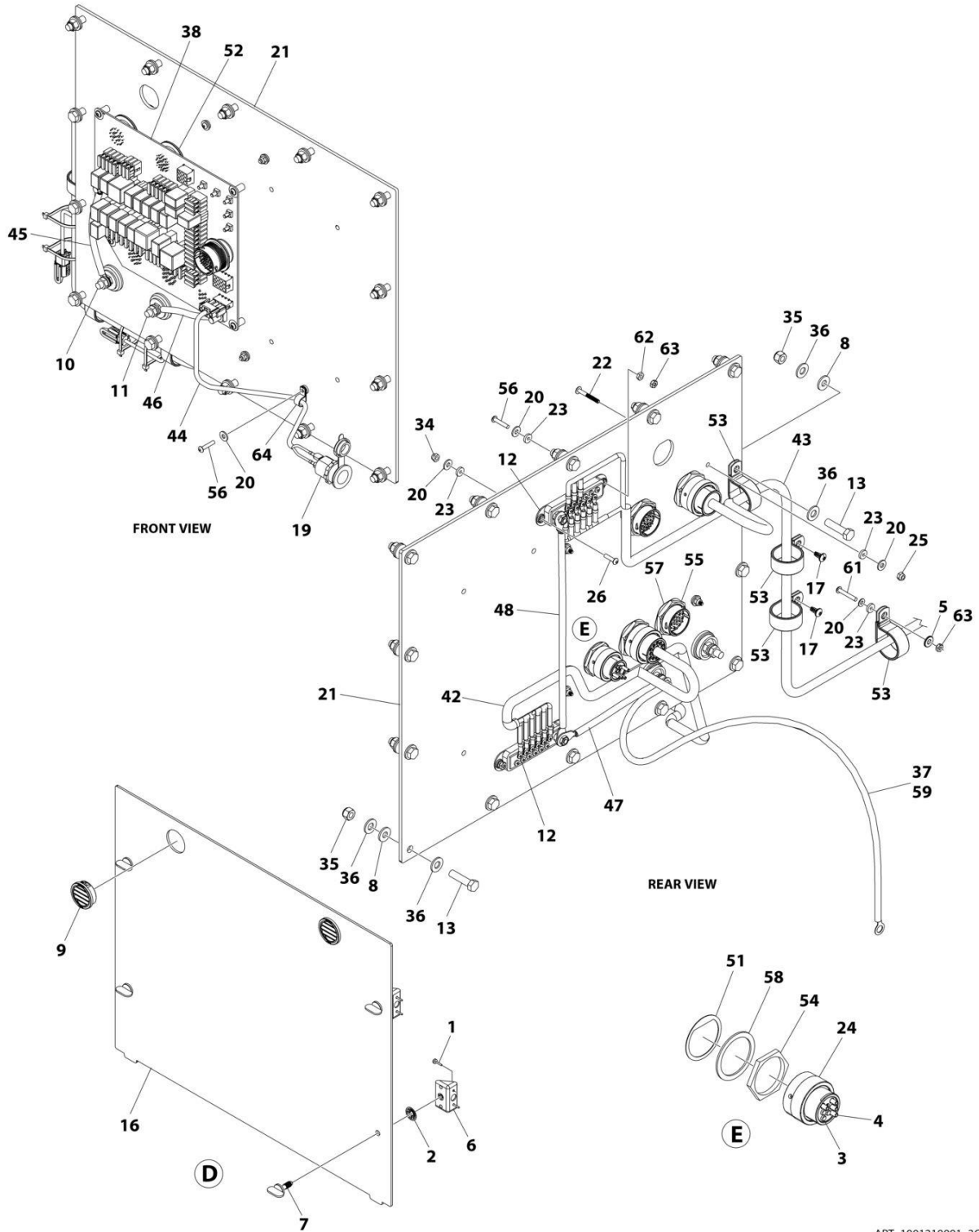
ART_1001210001_1OF3

SECTION 7 - ELECTRICAL



ART_1001210001_20F3

SECTION 7 - ELECTRICAL



ART_1001210001_30F3

SECTION 7 - ELECTRICAL

FIGURE 7-2. ELECTRICAL INSTALLATION - TRI-AXLE

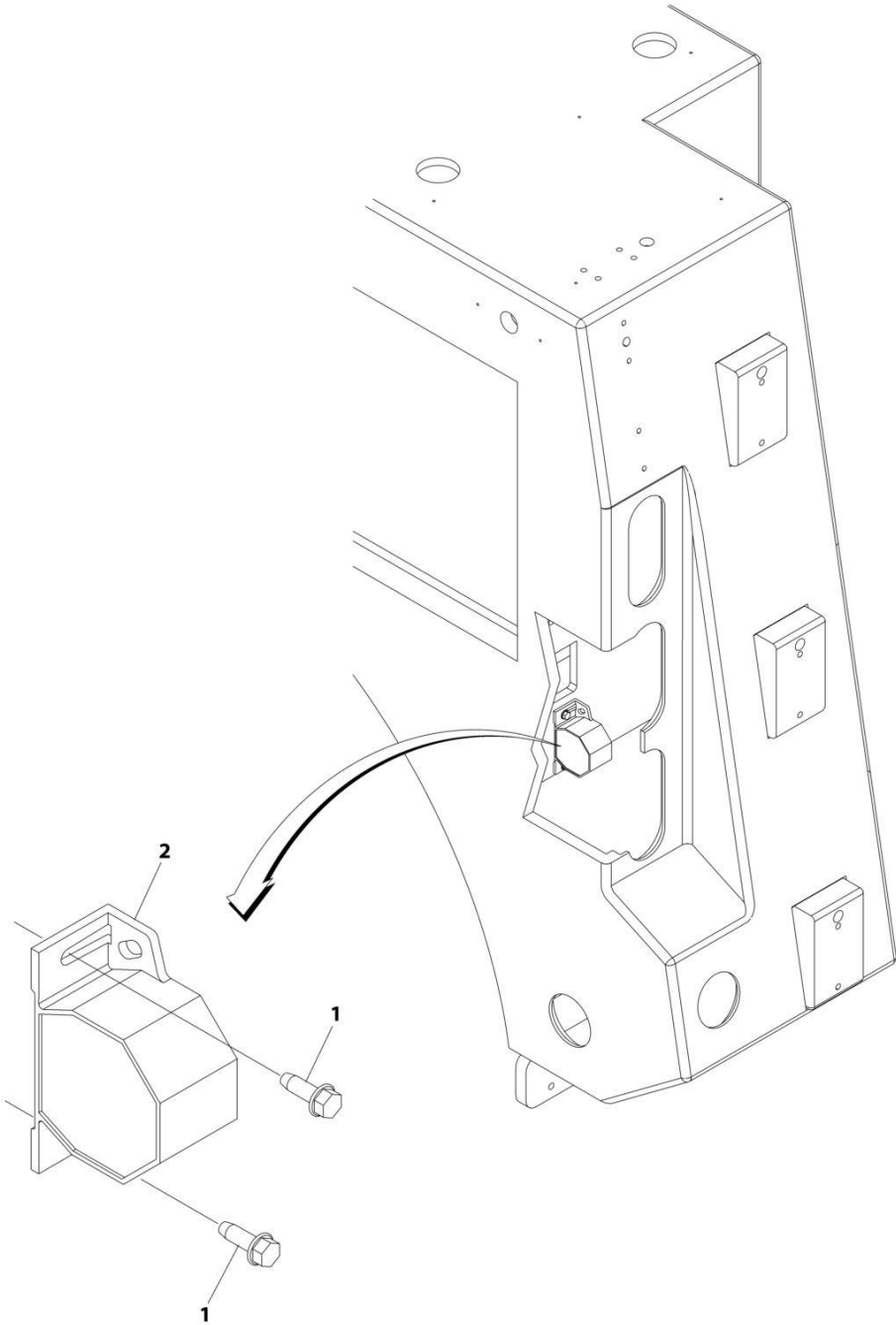
ITEM	PART NUMBER	QTY	DESCRIPTION	REV
	1001210001	Ref	ELECTRICAL INSTALLATION - TRI-AXLE	G
1	0750604	8	Screw	
2	3760308	4	Ring, Retainer	
3	4460466	3	Terminal	
4	4460509	4	Terminal	
5	4740513	6	Washer 1/4	
6	1001122235	4	Bracket	
7	1001166930	4	Latch, Wing Screw	
8	1001166974	14	Washer 3/8	
9	1001167607	2	Plug	
10	1001168320	1	Terminal	
11	1001168321	1	Terminal	
12	1001168322	2	Terminal	
13	1001168993	14	Capscrew 3/8 x 1-1/2	
14	1001174680	2	Lamp, Backup LED	
15	7590000370	4	Light	
16	1001191602	1	Panel, Coverplate	
17	1001195257	88	Screw 1/4 x 1/2	
18	1001196552	24	Screw #8 x 3/4	
19	1001201384	1	Socket	
20	1001201926	10	Washer #10	
21	1001206505	1	Plate, Bulkhead Electrical	
22	1001207734	4	Screw	
23	1001207736	10	Washer #10	
24	1001208066	1	Connector, 8 Socket	
25	1001208303	4	Nut #10	
26	7114100618	2	Screw #10 x 3/4	
29	7280000006	86	Clip	
30	5526000553	30	Tie-Strap (Not Shown)	
31	7493000026	6	Grommet	
34	7660102601	2	Nut #10	
35	7660162601	14	Nut 3/8	
36	7950160143	28	Washer 3/8	
37	1001168328	1	Cable	
38	1001203234	1	Power PCB Assembly	
39	1001216190	2	Harness, Marker Light 1 (Tri)	
40	1001207213	2	Harness, Body Compartment 3 (Tri)	
41	7590000343	4	Light	
42	1001209010	1	Harness, Body (LH) (Tri)	
43	1001215445	1	Harness, Body (RH) (Tri)	
44	1001209031	1	Harness, Tow light	
45	1001209040	1	Cable	
46	1001209041	1	Cable	
47	1001209042	1	Cable	
48	1001209044	1	Cable	
49	1001209051	2	Harness, Body Compartment 1 (Tri)	
50	1001209054	2	Harness, Body Compartment 4 (Tri)	
51	1001209365	1	Seal	
52	1001209366	4	Seal	
53	7274000042	5	Clamp	

SECTION 7 - ELECTRICAL

ITEM	PART NUMBER	QTY	DESCRIPTION	REV
54	1001204788	1	Nut, Terminal	
55	1001205043	4	Nut, Terminal	
56	7114100818	4	Screw #10 x 1	
57	1001205044	4	Washer, Terminal	
58	1001204789	1	Washer, Terminal	
59	1001130310	AR	Adhesive	
60	1001220431	4	Grommet	
61	7114101018	2	Screw #10 x 1-1/4	
62	3311001	2	Nut #10	
63	7661000002	4	Nut #10	
64	7274000036	1	Clamp	

SECTION 7 - ELECTRICAL

FIGURE 7-3. ALARM, BACKUP, FIXED



ART_1001213538

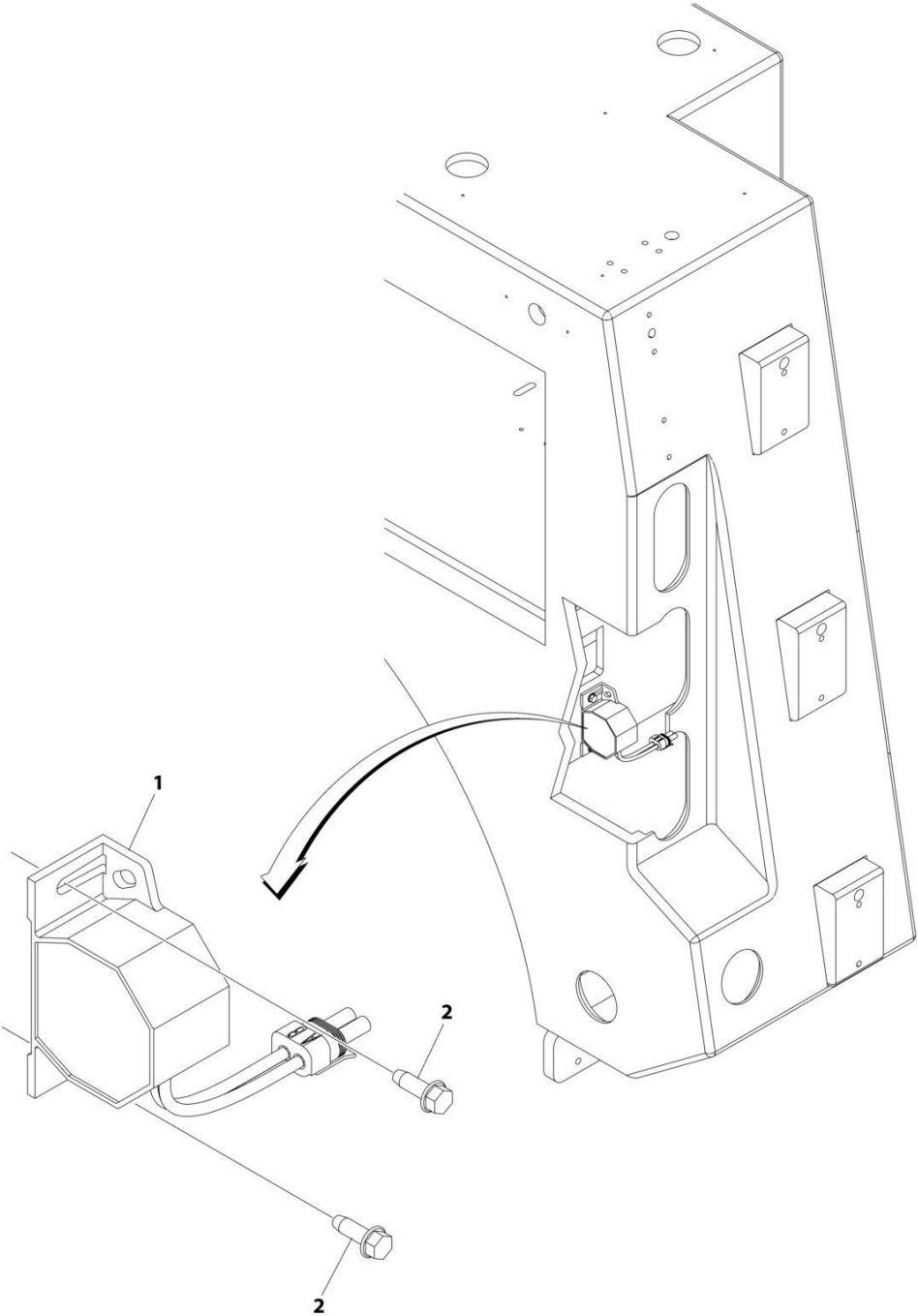
SECTION 7 - ELECTRICAL

FIGURE 7-3. ALARM, BACKUP, FIXED

ITEM	PART NUMBER	QTY	DESCRIPTION	REV
1	1001213538	Ref	Fixed Back-Up Alarm Installation	A
1	7790141251	2	Screw 1/4 x 3/4	
2	7011000006	1	Alarm	

SECTION 7 - ELECTRICAL

FIGURE 7-4. ALARM, BACKUP, VARIABLE



ART_1001198729

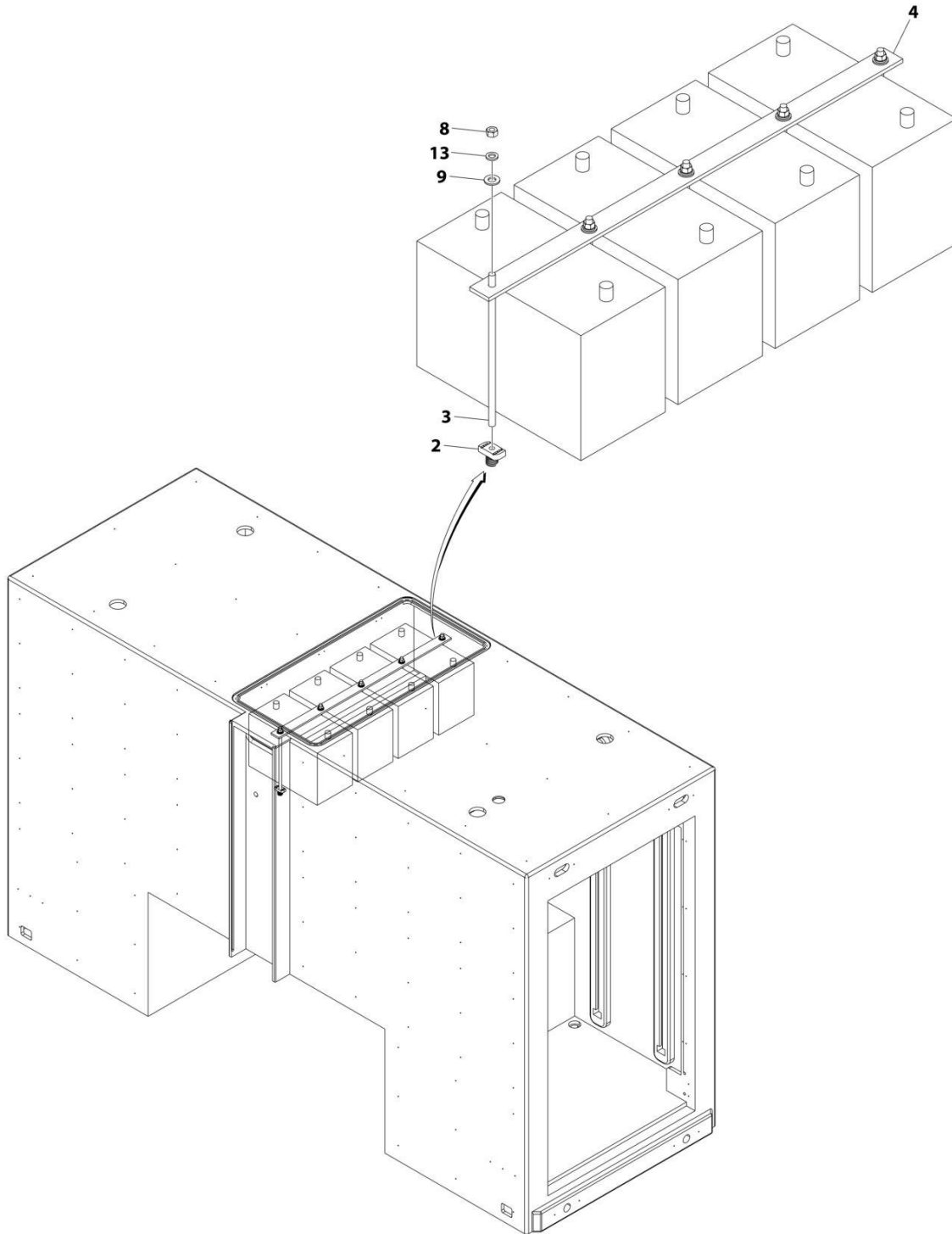
SECTION 7 - ELECTRICAL

FIGURE 7-4. ALARM, BACKUP, VARIABLE

ITEM	PART NUMBER	QTY	DESCRIPTION	REV
	1001198729	Ref	Variable Back-Up Alarm Installation	B
1	1001175061	1	Alarm	
2	7790141251	2	Screw 1/4 x 3/4	

SECTION 7 - ELECTRICAL

FIGURE 7-5. BATTERY RELOCATION HARDWARE AND WIRE INSTALLATION



ART_1001197419

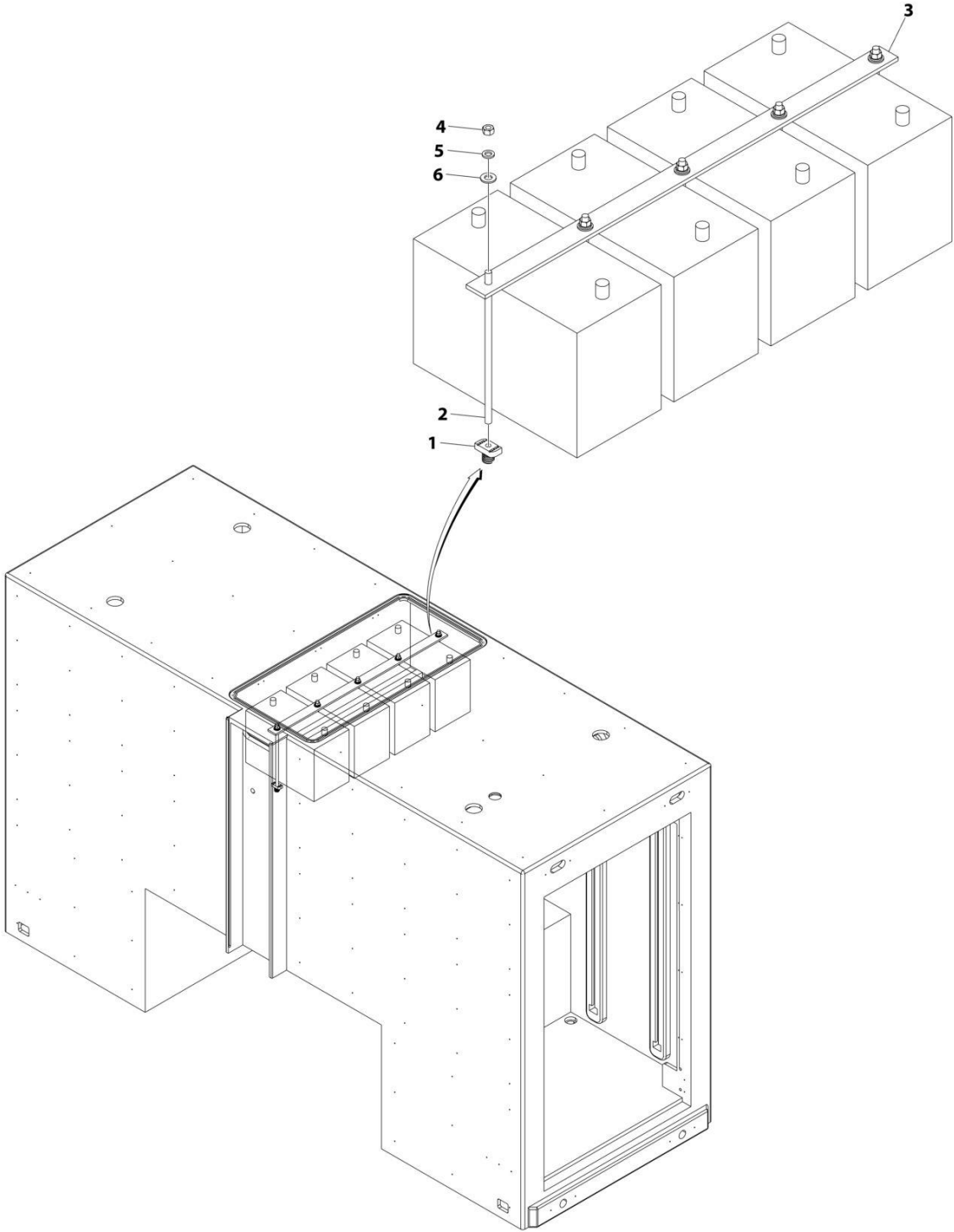
SECTION 7 - ELECTRICAL

FIGURE 7-5. BATTERY RELOCATION HARDWARE AND WIRE INSTALLATION

ITEM	PART NUMBER	QTY	DESCRIPTION	REV
	1001197419	Ref	Battery Relocation Hardware Installation	D
1	1060706	8 ft	Cable (Not Shown)	
2	1001166644	5	Nut 3/8	
3	1001166670	5	Rod	
4	1001183200	1	Bar	
6	1001188538	8 ft	Cable (Not Shown)	
8	7660160000	5	Nut 3/8	
9	7950160153	5	Washer 3/8	
11	7346000131	8	Connector (Not Shown)	
12	7346000040	1	Tube (Not Shown)	
13	7950160000	5	Lockwasher 3/8	
14	1001217996	2	Connector (Not Shown)	
15	1001210960	4 ft	Wire (Not Shown)	

SECTION 7 - ELECTRICAL

FIGURE 7-6. BATTERY RELOCATION HARDWARE INSTALLATION



ART_1001270484

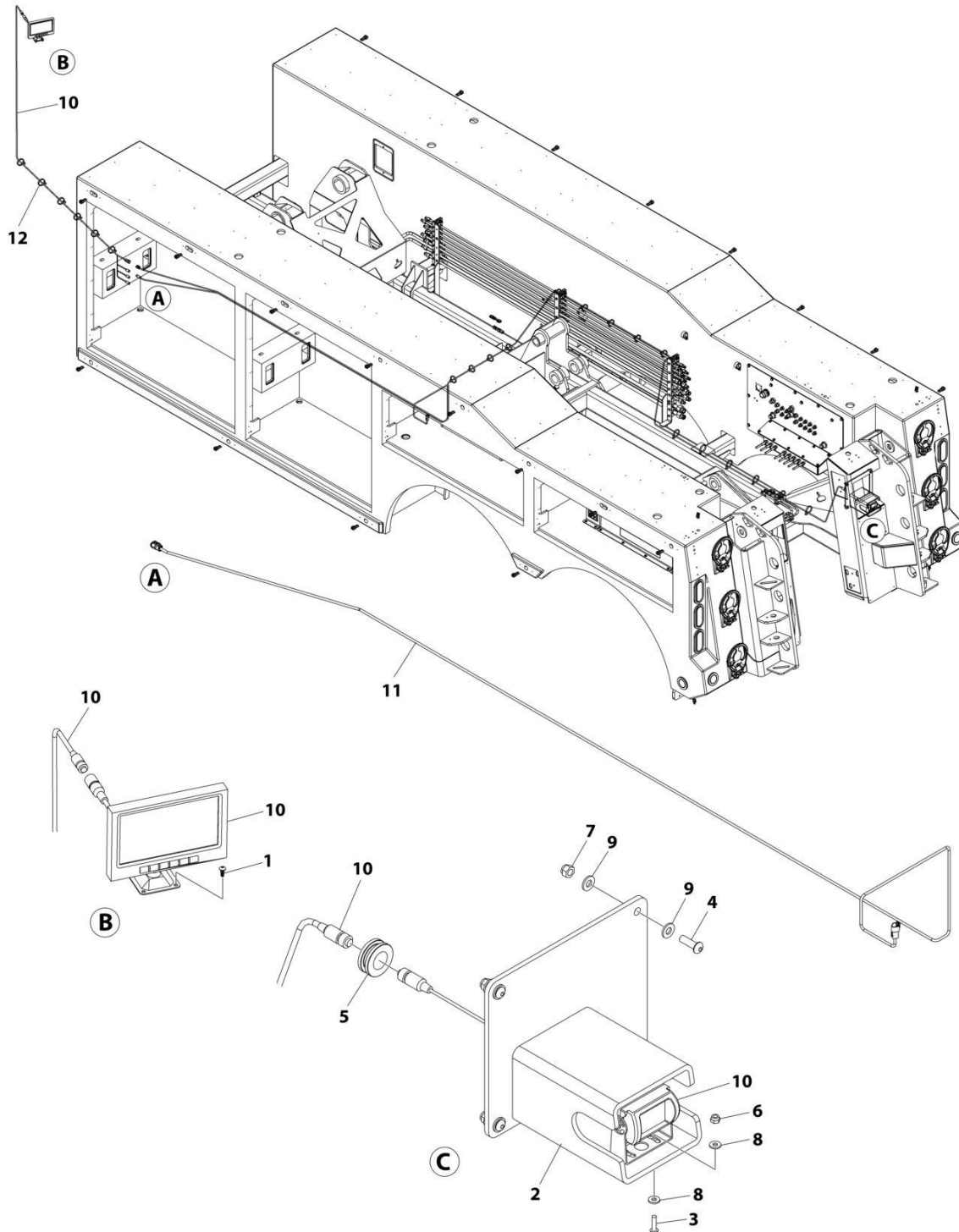
SECTION 7 - ELECTRICAL

FIGURE 7-6. BATTERY RELOCATION HARDWARE INSTALLATION

ITEM	PART NUMBER	QTY	DESCRIPTION	REV
	1001270484	Ref	BATTERY RELOCATION HARDWARE INSTALLATION	A
1	1001166644	5	Nut 3/8	
2	1001166670	5	Rod	
3	1001183200	1	Bar	
4	7660160000	5	Nut 3/8	
5	7950160000	5	Lockwasher 3/8	
6	7950160153	5	Washer 3/8	

SECTION 7 - ELECTRICAL

FIGURE 7-7. CAMERA INSTALLATION - CABINET MOUNTED BACK - UP



ART_1001212140

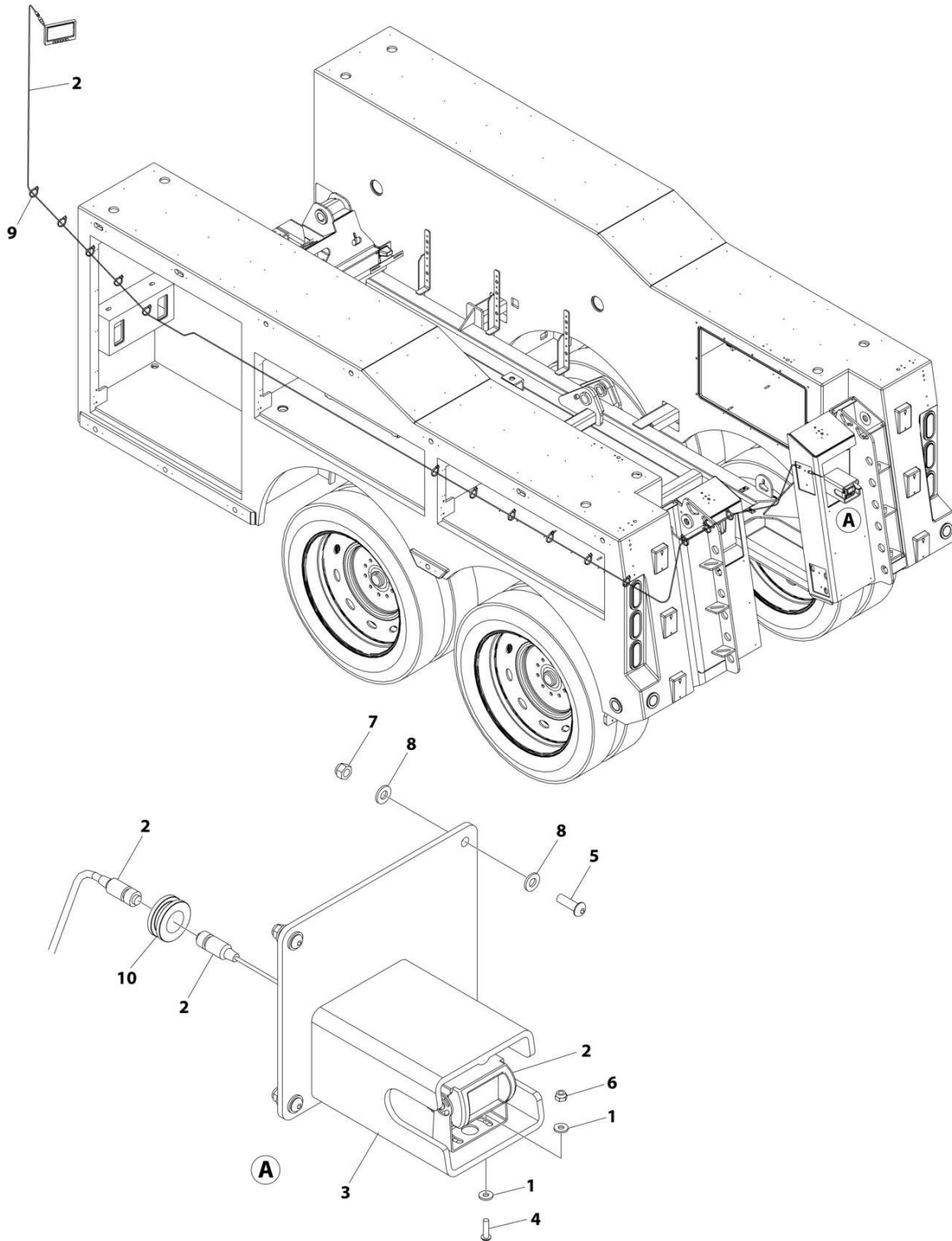
SECTION 7 - ELECTRICAL

FIGURE 7-7. CAMERA INSTALLATION - CABINET MOUNTED BACK - UP

ITEM	PART NUMBER	QTY	DESCRIPTION	REV
	1001212140	Ref	Back-Up Camera Spade Cab Mount Installation	B
1	1001192958	4	Screw, #10 x 1/2	
2	3178000547	1	Bracket	
3	7114100618	2	Capscrew #10 x 3/4	
4	7114150818	4	Capscrew 5/16 x 1	
5	7493000003	1	Grommet	
6	7660102601	2	Nut #10	
7	1660152601	4	Nut 5/16	
8	7950100143	4	Washer 3/16	
9	7950150143	8	Washer 5/16	
10	1001219309	1	Kit, Camera (Back-up)	
11	1001215151	1	Harness	D
11	4460539	1	Connector 3 Position	
11	4460465	3	Terminal	
12	5526000553	30	Tie Strap	

SECTION 7 - ELECTRICAL

FIGURE 7-8. CAMERA INSTALLATION - CABINET MOUNTED BACK - UP (PACCAR)



ART_1001203889

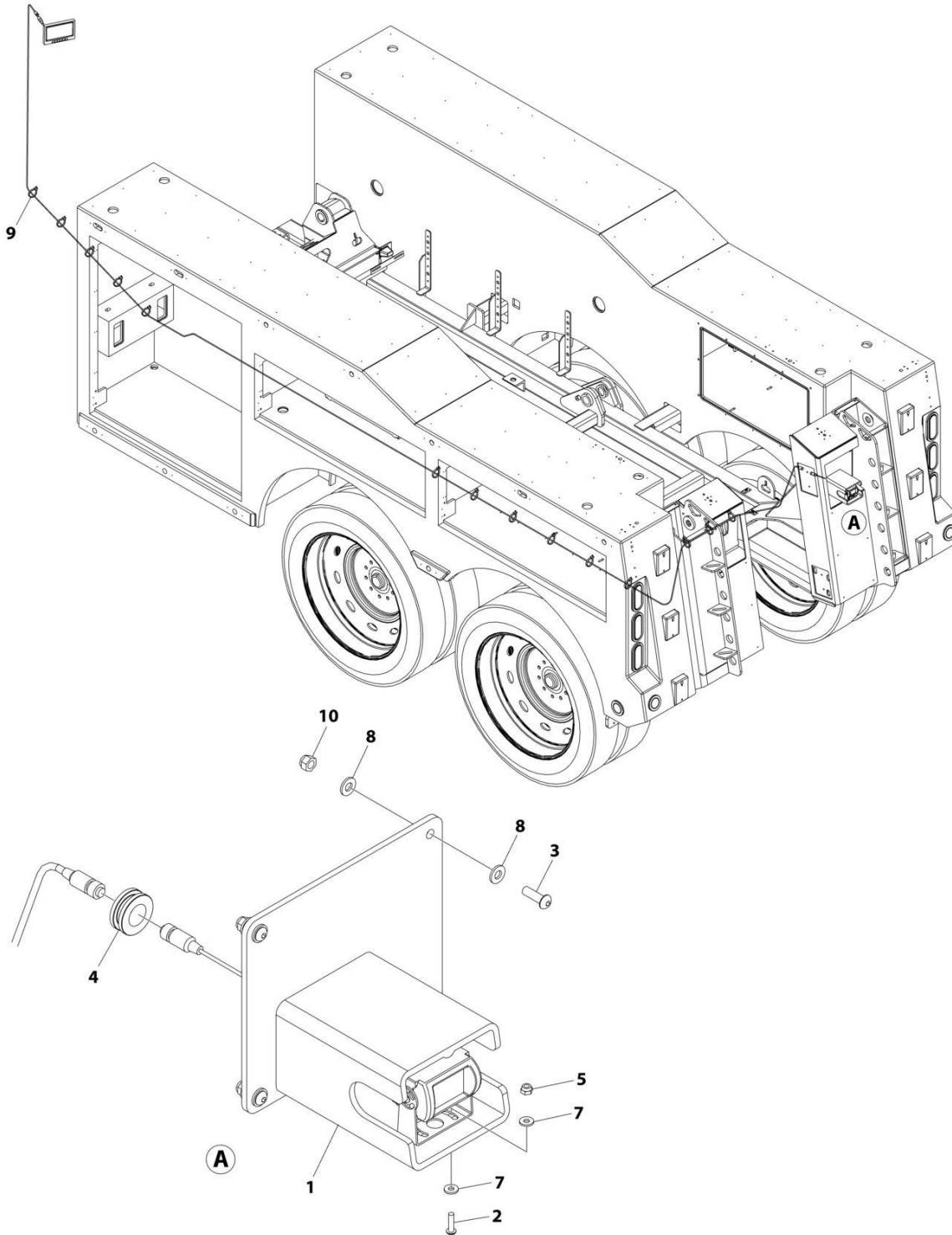
SECTION 7 - ELECTRICAL

FIGURE 7-8. CAMERA INSTALLATION - CABINET MOUNTED BACK - UP (PACCAR)

ITEM	PART NUMBER	QTY	DESCRIPTION	REV
	1001203889	Ref	Back-Up Camera Paccar Installation	C
1	7950100143	4	Washer 3/16	
2	1001204558	1	Kit, Camera (Back-up)	
3	3178000547	1	Bracket	
4	7114100618	2	Capscrew #10 x 3/4	
5	7114150818	4	Capscrew 5/16 x 1	
6	7660102601	2	Nut #10	
7	7660152601	4	Nut 5/16	
8	7950150143	8	Washer 5/16	
9	5526000553	30	Tie Strap	
10	7493000003	1	Grommet	

SECTION 7 - ELECTRICAL

FIGURE 7-9. CAMERA INSTALLATION - CABINET MOUNTED ONLY



ART_1001218723

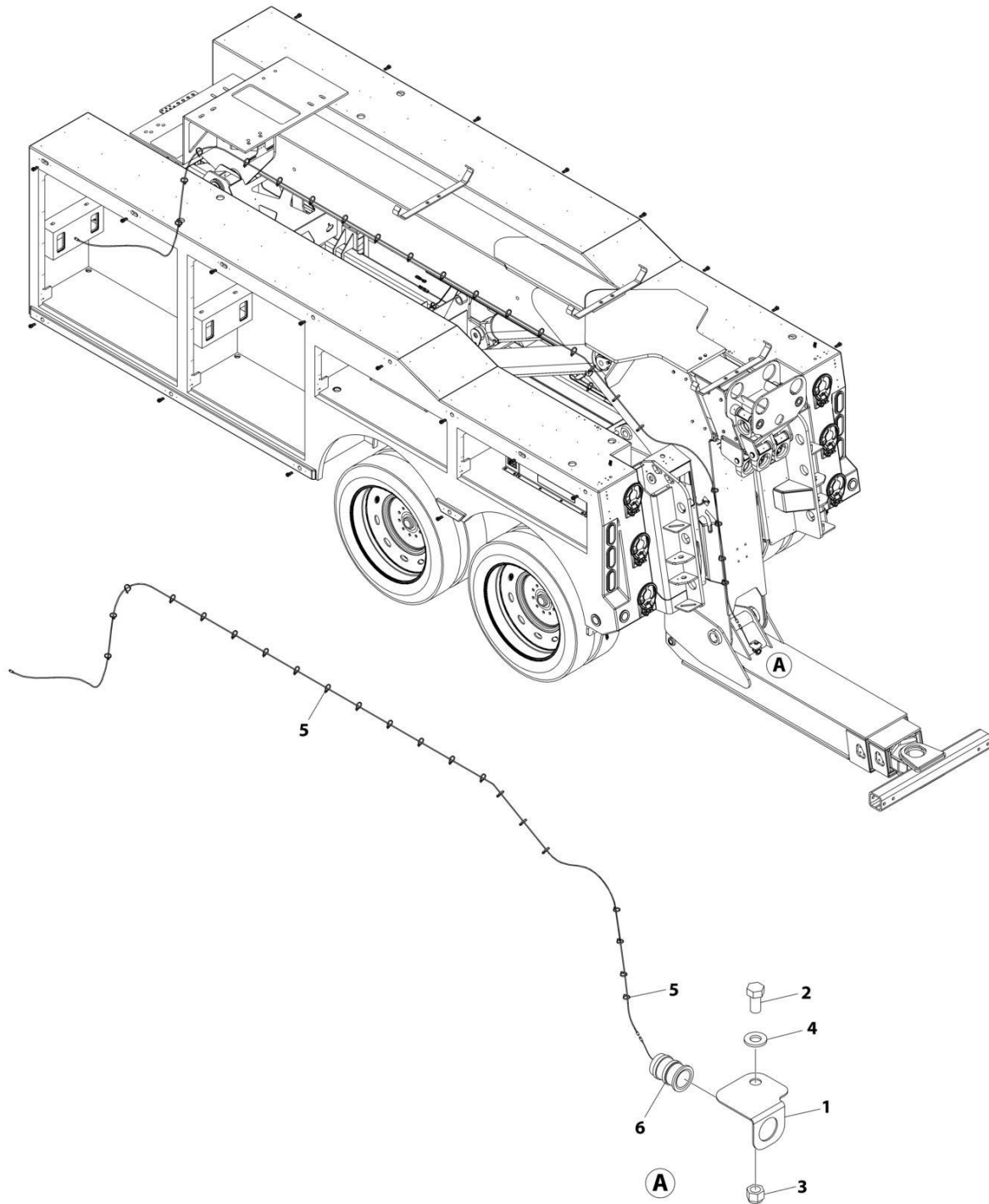
SECTION 7 - ELECTRICAL

FIGURE 7-9. CAMERA INSTALLATION - CABINET MOUNTED ONLY

ITEM	PART NUMBER	QTY	DESCRIPTION	REV
	1001218723	Ref	Back-Up Camera Installation	A
1	3178000547	1	Bracket	
2	7114100618	2	Capscrew #10 x 3/4	
3	7114150818	4	Capscrew 5/16 x 1	
4	7493000003	1	Grommet	
5	7660102601	2	Nut #10	
7	7950100143	4	Washer 3/16	
8	7950150143	8	Washer 5/16	
9	5526000553	30	Tie Strap	
10	7660152601	4	Nut 5/16	

SECTION 7 - ELECTRICAL

FIGURE 7-10. CAMERA INSTALLATION - UNDERLIFT MOUNTED



ART_1001212141

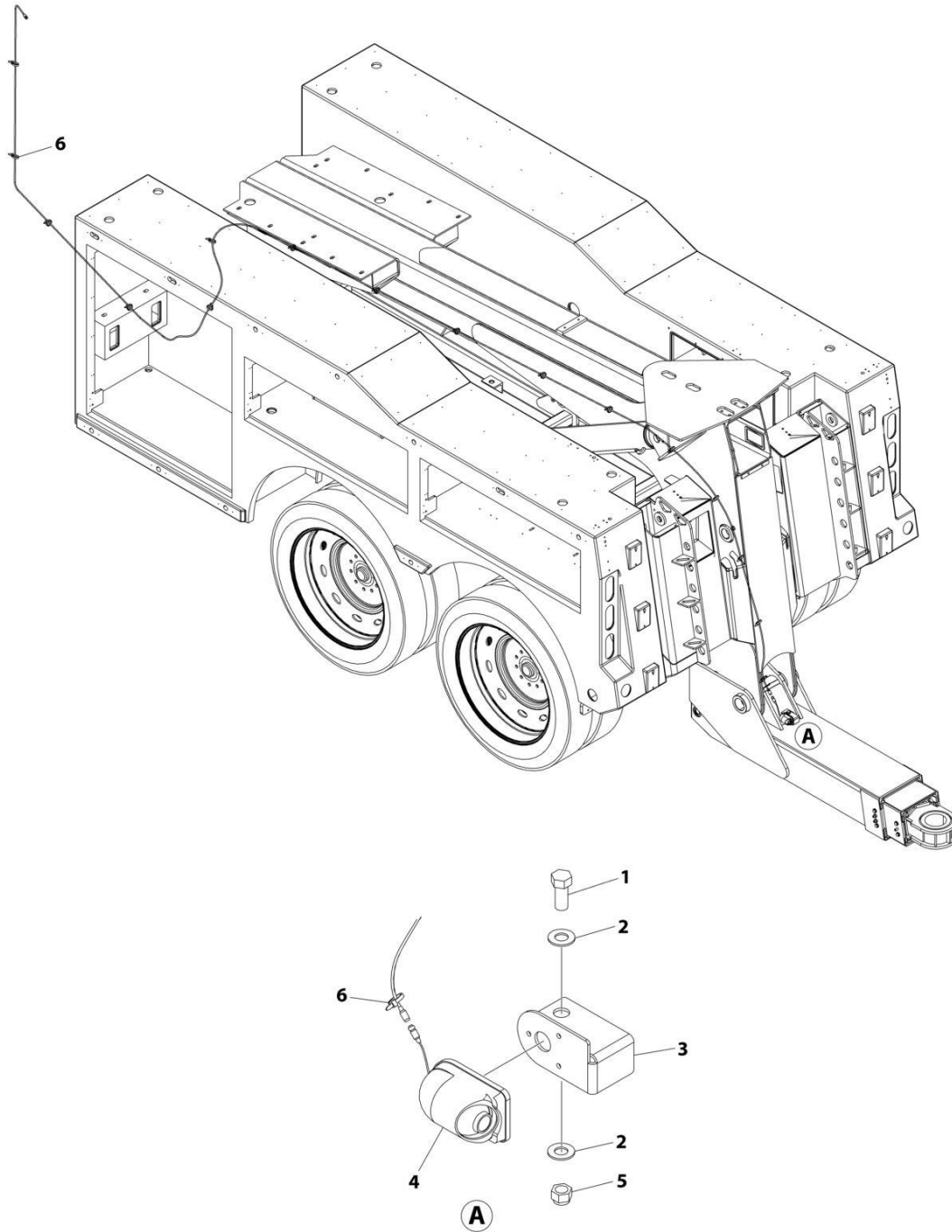
SECTION 7 - ELECTRICAL

FIGURE 7-10. CAMERA INSTALLATION - UNDERLIFT MOUNTED

ITEM	PART NUMBER	QTY	DESCRIPTION	REV
	1001212141	Ref	Underlift Camera Installation	B
1	4178000889	1	Bracket (SN 0230005220 through 0230009593)	
1	1001164102	1	Bracket (SN 0230009594 to Present)	
2	7115180850	1	Capscrew 1/2 x 1	
3	7660182601	1	Nut 1/2	
4	7950100143	1	Washer 3/16	
5	5526000553	21	Tie Strap	
6	7002000555	1	Kit, Camera (Back-up) (SN 0230005220 through 0230009593)	
6	1001273598	1	Kit, Camera (Back-up) (SN 0230009594 to Present)	

SECTION 7 - ELECTRICAL

FIGURE 7-11. CAMERA INSTALLATION - UNDERLIFT MOUNTED (PACCAR)



ART_1001203911

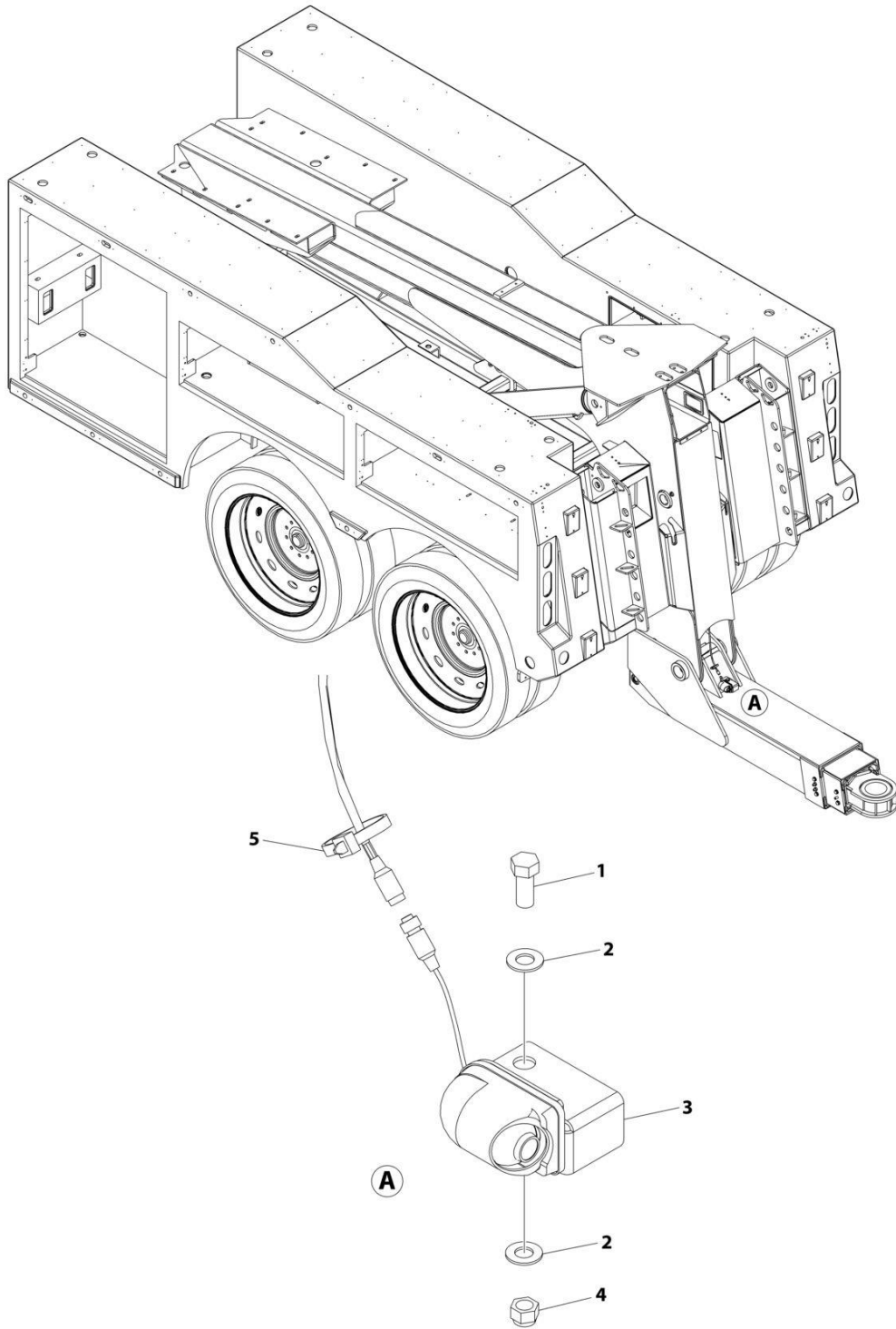
SECTION 7 - ELECTRICAL

FIGURE 7-11. CAMERA INSTALLATION - UNDERLIFT MOUNTED (PACCAR)

ITEM	PART NUMBER	QTY	DESCRIPTION	REV
	1001203911	Ref	Underlift Camera Paccar Installation	A
1	0641708	1	Capscrew 7/16 x 1	
2	4711700	2	Washer 7/16	
3	1001164102	1	Bracket	
4	1001204595	1	Kit, Camera (Underlift) (Paccar)	
5	7660172601	1	Nut 7/16	
6	7854000004	30	Tie Strap	

SECTION 7 - ELECTRICAL

FIGURE 7-12. CAMERA INSTALLATION - UNDERLIFT MOUNTED ONLY



ART_1001218724

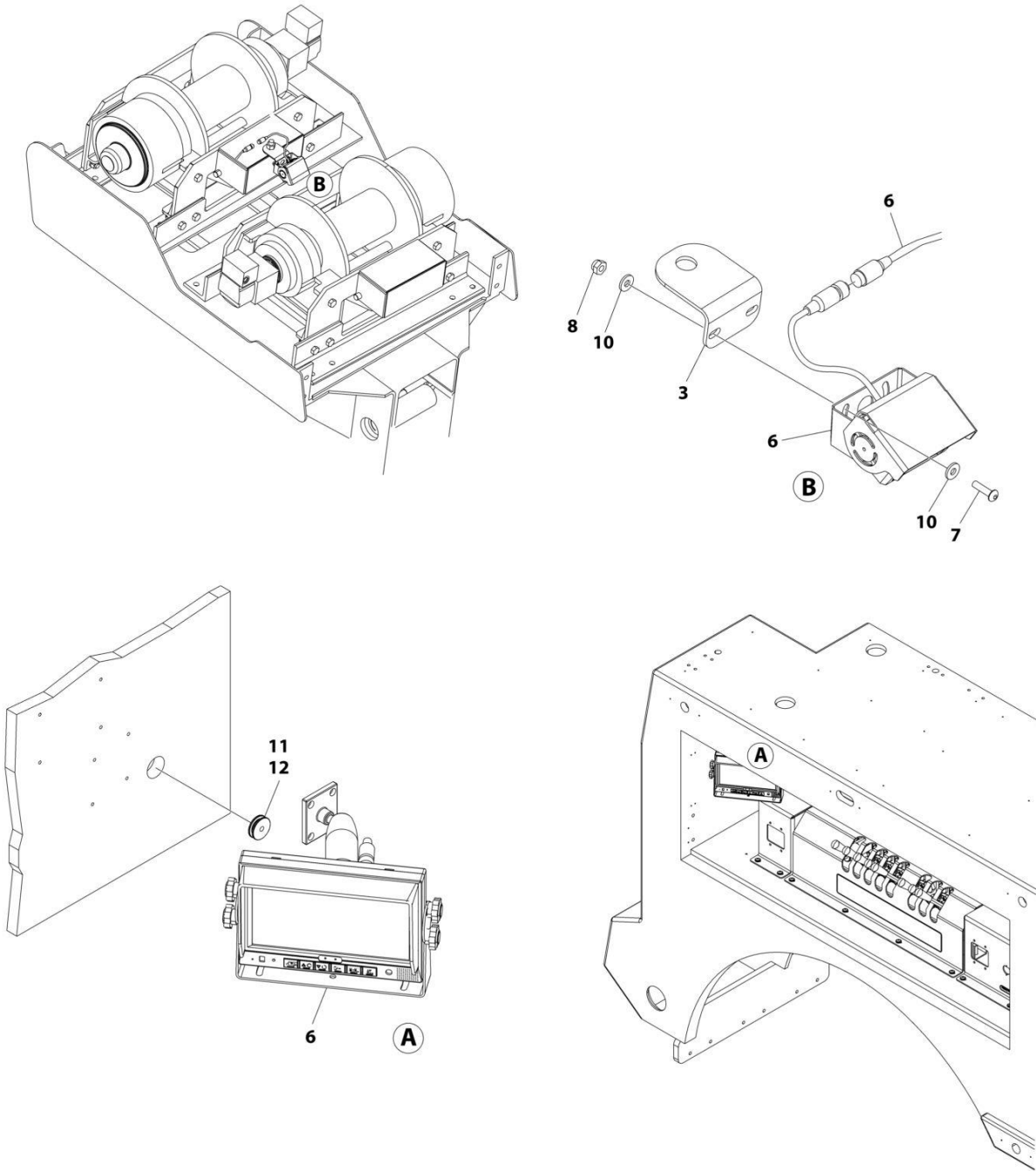
SECTION 7 - ELECTRICAL

FIGURE 7-12. CAMERA INSTALLATION - UNDERLIFT MOUNTED ONLY

ITEM	PART NUMBER	QTY	DESCRIPTION	REV
	1001218724	Ref	Underlift Camera Installation - Brackets	A
1	0641708	1	Capscrew 7/16 x 1	
2	4711700	2	Washer 7/16	
3	1001164102	1	Bracket, Underlift Camera Mount	
4	7660172601	1	Nut 7/16	
5	5526000553	40	Tie Strap	

SECTION 7 - ELECTRICAL

FIGURE 7-13. CAMERA INSTALLATION - WINCH MOUNTED (DP)



ART_1001212230

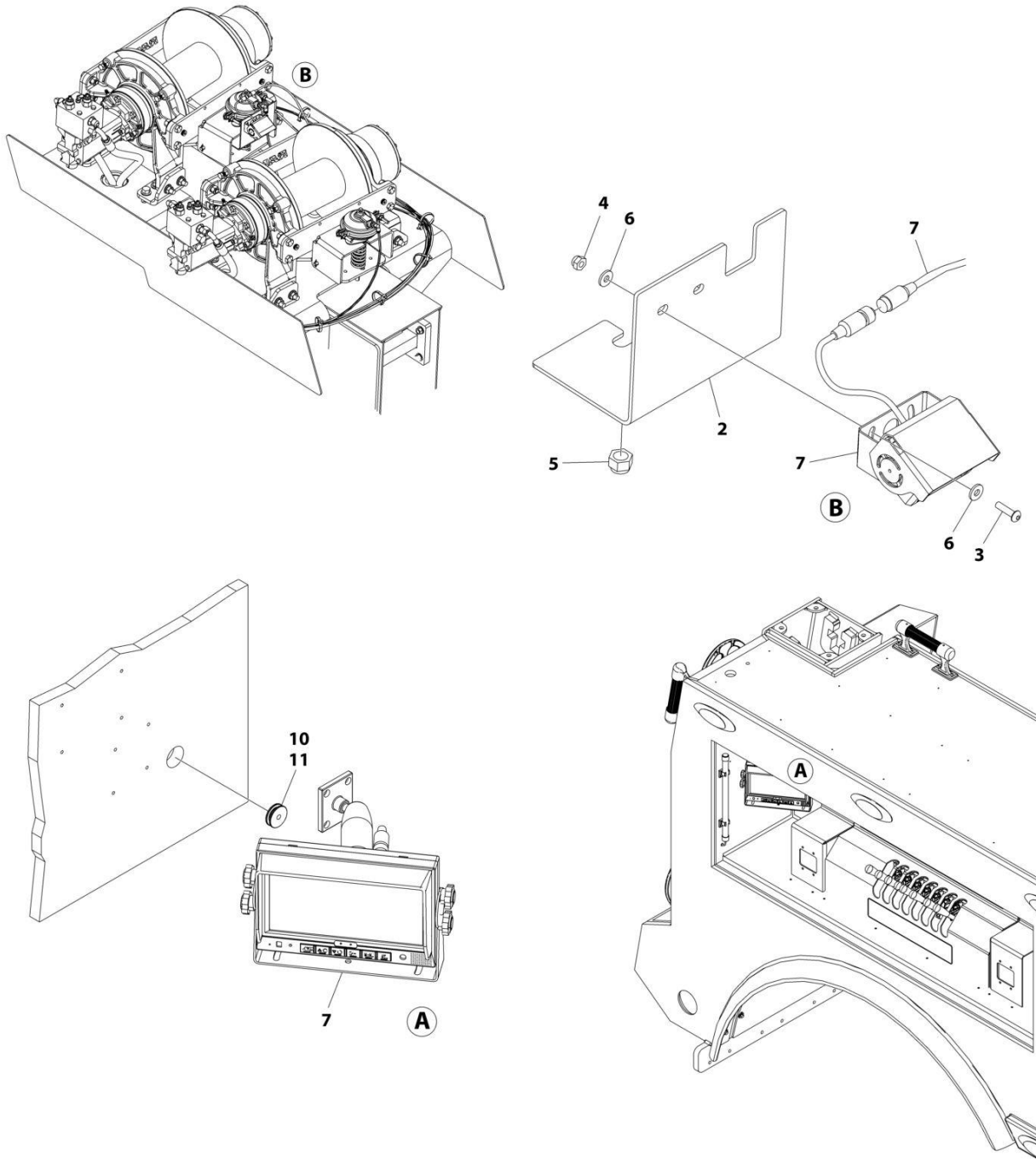
SECTION 7 - ELECTRICAL

FIGURE 7-13. CAMERA INSTALLATION - WINCH MOUNTED (DP)

ITEM	PART NUMBER	QTY	DESCRIPTION	REV
	1001212230	Ref	CAMERA REAR WINCH PS W/CTRL MON, DP INSTALLATION	C
1	1001126973	1	Plate (SN 0230005220 through 0230009593)	
2	1001126987	1	Plate (SN 0230005220 through 0230009593)	
3	1001126995	1	Plate (SN 0230005220 through 0230009593)	
3	1001273756	1	Bracket (SN 0230009594 to Present)	
4	1001192958	4	Screw #10 x 1/2 (SN 0230005220 through 0230009593)	
5	1001209036	1	Harness (Not shown)	
5	4460891	2	Plug, Male - 2 Position (at Winch Motor)	
5	4460465	4	Socket, Male (at Winch Motor)	
5	4460897	2	Receptacle, Female - 2 Position (at Winch Motor)	
5	4460464	4	Pin, Male (at Winch Motor)	
5	4460932	1	Receptacle, Female - 4 Position (to Power)	
5	4460464	4	Pin, Male (to Power)	
6	7002000554	1	Kit, Camera (Winch)	
6	1001219309	1	Kit, Camera (Winch) (SN 0230005220 through 0230009593)	
7	7114140618	6	Screw 1/4 x 3/4 (SN 0230009594 to Present)	
8	7660142600	6	Nut 1/4	
9	7894000004	30	Tie Strap (Not shown)	
10	7950140143	8	Washer 3/16	
11	7493000020	1	Grommet	
12	8798820001	AR	Sealant	

SECTION 7 - ELECTRICAL

FIGURE 7-14. CAMERA INSTALLATION - WINCH MOUNTED (RAMSEY)



ART_1001257916_D

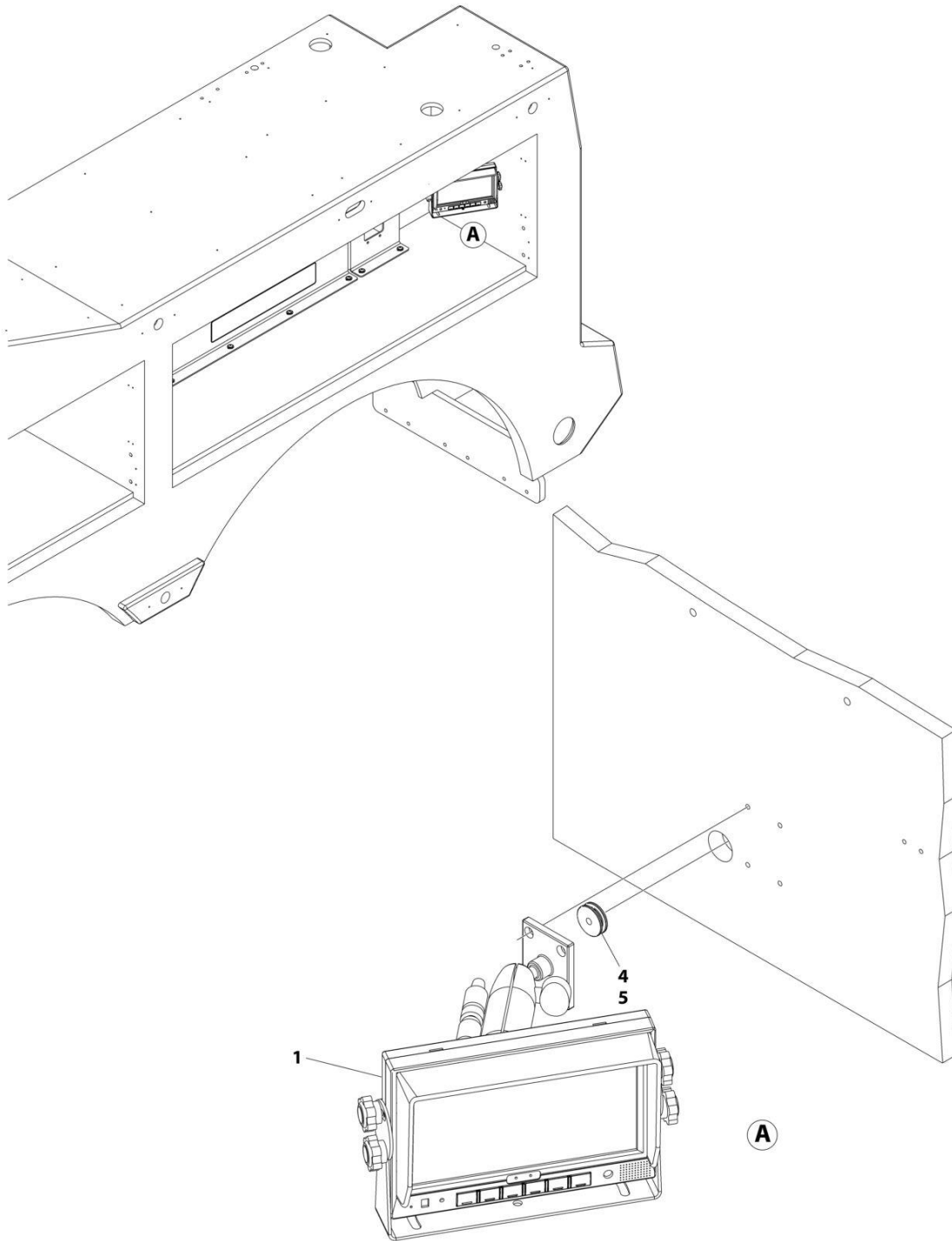
SECTION 7 - ELECTRICAL

FIGURE 7-14. CAMERA INSTALLATION - WINCH MOUNTED (RAMSEY)

ITEM	PART NUMBER	QTY	DESCRIPTION	REV
	1001257916	Ref	CAMERA REAR WINCH PS W/ CTRL RAMSEY	D
2	1001257872	1	Bracket	
3	7114100618	2	Screw #10 x 3/4	
4	7660102601	2	Nut #10	
5	7660172601	2	Nut 7/16	
6	7950100143	4	Washer 3/16	
7	1001219309	1	Accessory Back-Up Camera, Kit	
8	1001209036	1	Harness, Winch Monitor (Not Shown) (See Separate Breakdown in ELECTRICAL Section)	
9	7894000004	6	Tie-Strap (Not shown)	
10	7493000020	1	Grommet	
11	8798820001	AR	Sealant	

SECTION 7 - ELECTRICAL

FIGURE 7-15. CAMERA INSTALLATION - CONTROLS MOUNTED (DRIVERS SIDE)



ART_1001212231

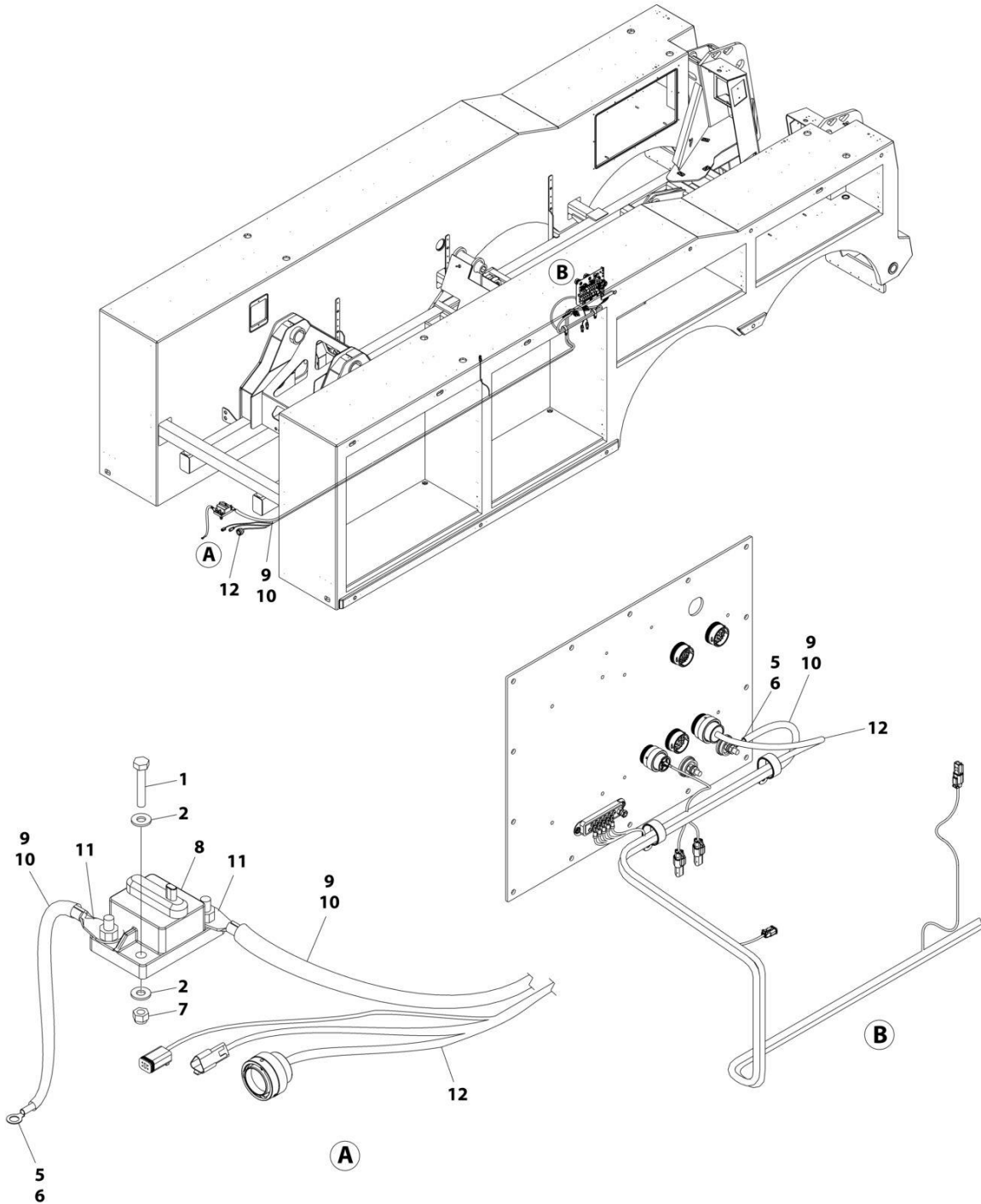
SECTION 7 - ELECTRICAL

FIGURE 7-15. CAMERA INSTALLATION - CONTROLS MOUNTED (DRIVERS SIDE)

ITEM	PART NUMBER	QTY	DESCRIPTION	REV
	1001212231	Ref	CAMERA REAR WINCH DS INSTALLATION	C
1	1001126658	1	Kit, Camera (Winch) (SN 0230005220 through 0230009593)	
1	1001273599	1	Kit, Camera (Winch) (SN 0230009594 to Present)	
2	1001192958	4	Screw #10 x 1/2 (SN 0230005220 through 0230009593)	
3	7894000004	15	Tie Strap (Not shown)	
4	7493000020	1	Grommet	
5	8798820001	AR	Sealant	

SECTION 7 - ELECTRICAL

FIGURE 7-16. CENTER HARNESS INSTALLATION - 174IN WB



ART_1001210003

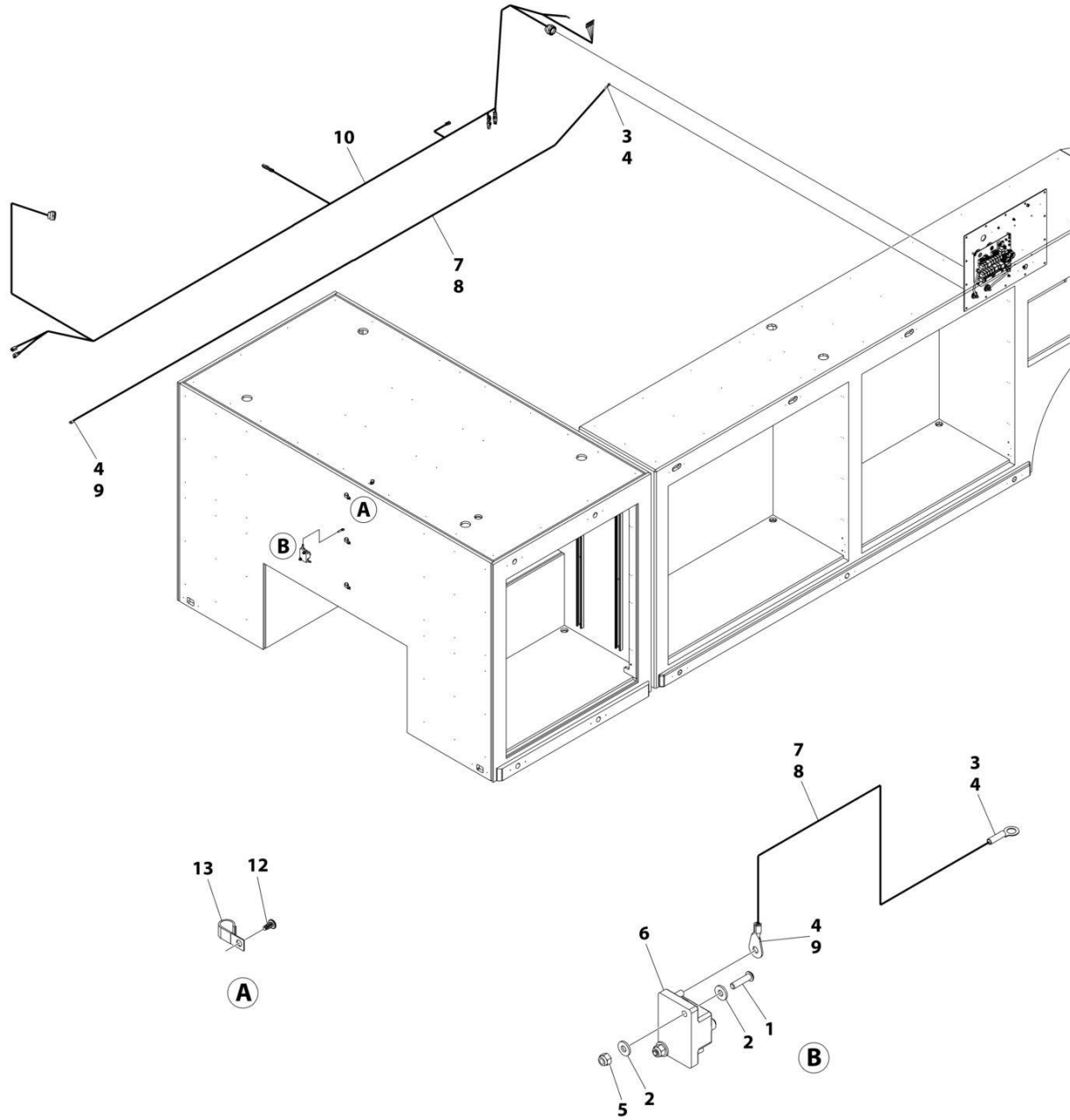
SECTION 7 - ELECTRICAL

FIGURE 7-16. CENTER HARNESS INSTALLATION - 174IN WB

ITEM	PART NUMBER	QTY	DESCRIPTION	REV
	1001210003	Ref	CENTER HARNESS INSTALLATION - 174IN CT	C
1	0641412	2	Bolt 1/4 x 1-1/2	
2	4711400	4	Washer 1/4	
5	7345242202	2	Terminal	
6	7346000045	0.25 ft	Tubing	
7	7660142600	2	Nut 1/4	
8	7870000043	1	Switch Breaker	
9	7978000011	30 ft	Cable	
10	8597650001	30 ft	Loom	
11	1001125479	2	Terminal, Ring	
12	1001215040	1	Harness, Center Main	
13	5526000553	25	Tie-Strap (Not Shown)	

SECTION 7 - ELECTRICAL

FIGURE 7-17. CENTER HARNESS INSTALLATION - 225IN WB



ART_1001210002

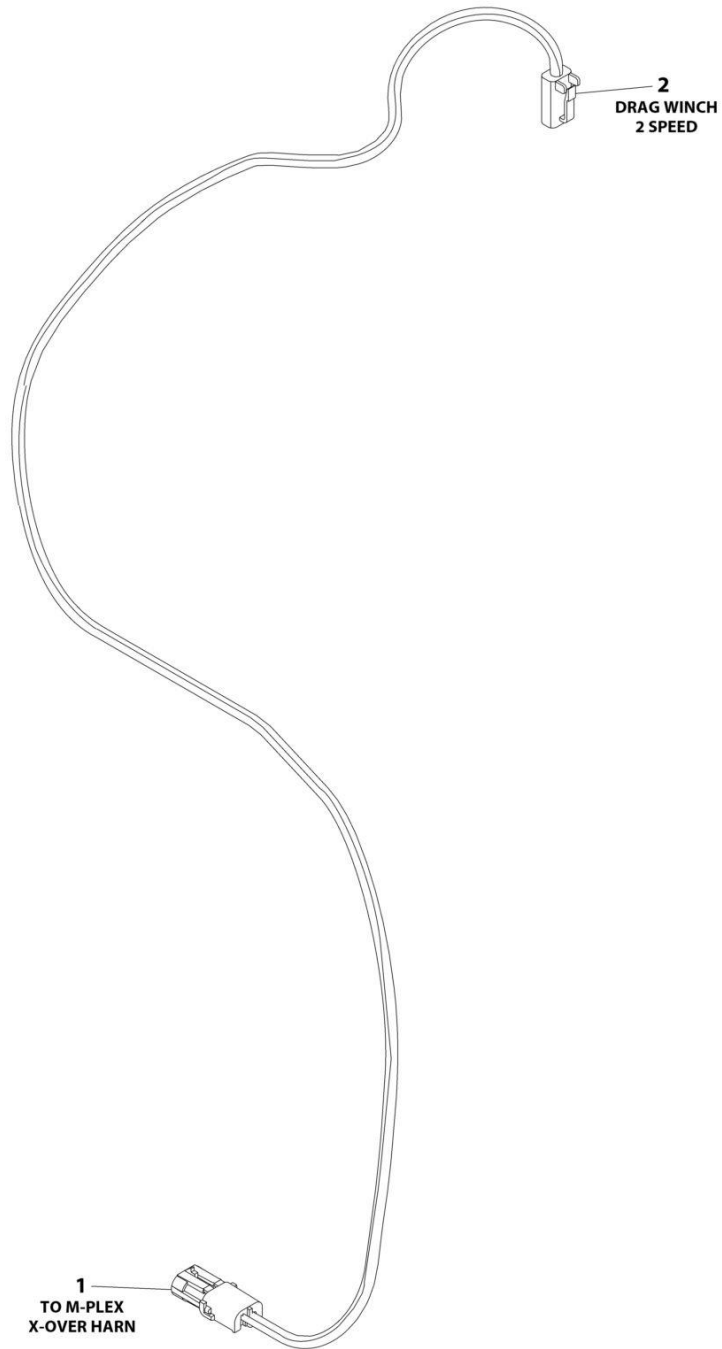
SECTION 7 - ELECTRICAL

FIGURE 7-17. CENTER HARNESS INSTALLATION - 225IN WB

ITEM	PART NUMBER	QTY	DESCRIPTION	REV
	1001210002	Ref	CENTER HARNESS INSTALLATION - 225IN CT	D
1	7114140818	2	Capscrew 1/4 x 1	
2	7950140143	2	Washer 1/4	
3	7345242202	2	Terminal	
4	7346000045	0.25 ft	Tubing	
5	7660142601	2	Nut 1/4	
6	7870000043	1	Switch Breaker	
7	7978000011	30 ft	Cable	
8	8597650001	30 ft	Loom	
9	1001125479	2	Terminal, Ring	
10	1001215041	1	Harness, Center Main	
11	5526000553	25	Tie-Strap (Not Shown)	
12	1001195257	4	Screw 1/4 x 1/2	
13	7280000006	4	Clip	

SECTION 7 - ELECTRICAL

FIGURE 7-18. DRAG WINCH HARNESS



ART_1001209035

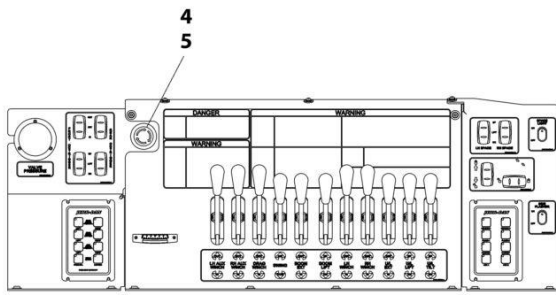
SECTION 7 - ELECTRICAL

FIGURE 7-18. DRAG WINCH HARNESS

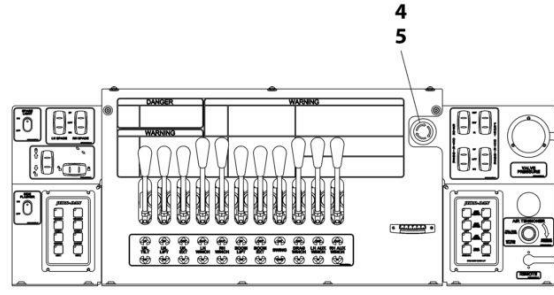
ITEM	PART NUMBER	QTY	DESCRIPTION	REV
	1001209035	Ref	DRAG WINCH ELECTRICAL 2 SPEED HARNESS	B
1	4461157	1	Connector	
1	4460475	2	Pin	
1	4460458	2	Seal	
2	4460891	1	Connector	
2	4460465	2	Socket	

SECTION 7 - ELECTRICAL

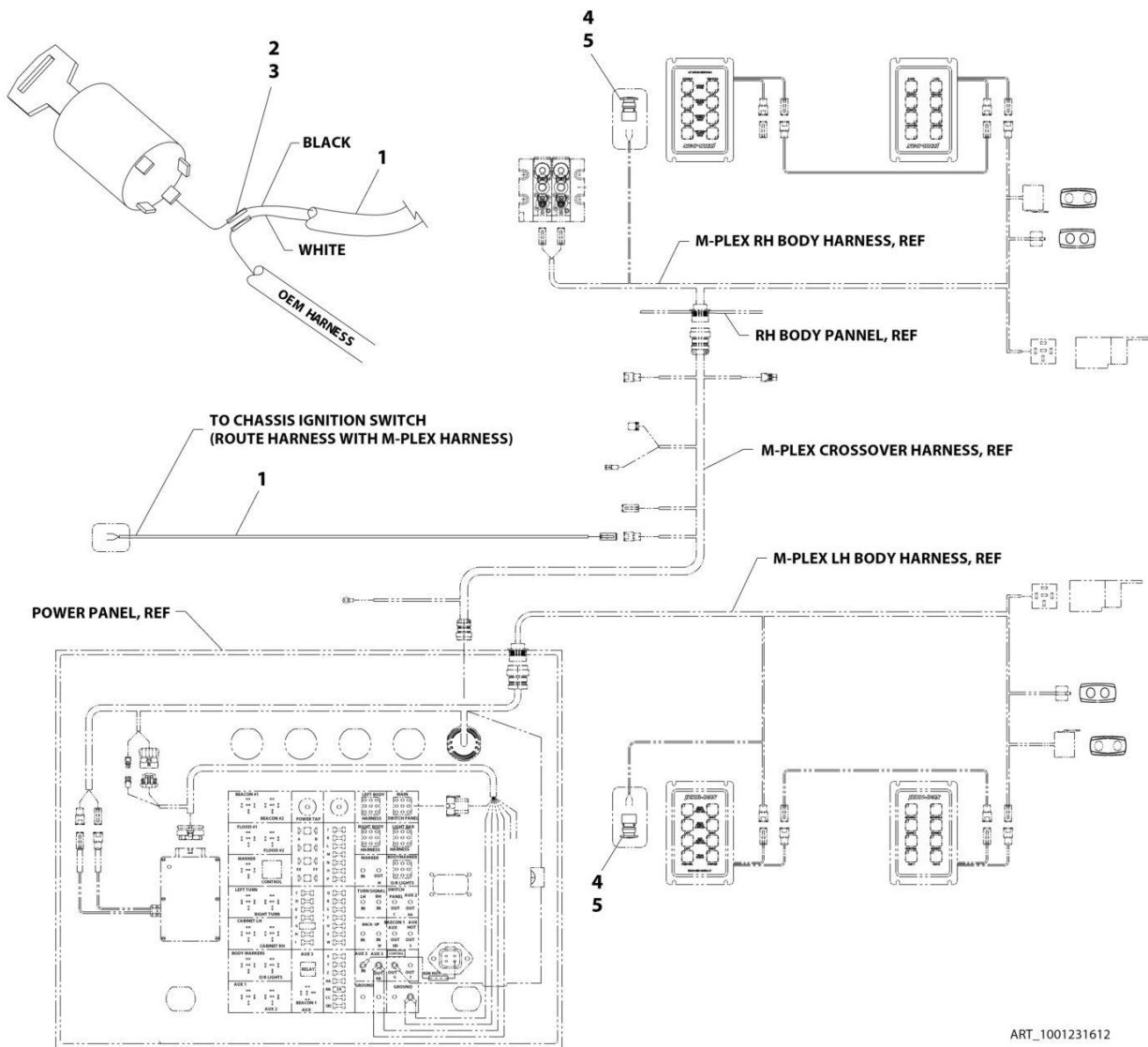
FIGURE 7-19. EMERGENCY STOP INSTALLATION



LH SIDE CONTROL STATION
11 SECTION CONTROLS SHOWN; 9 SECTION OPTIONAL



RH SIDE CONTROL STATION
11 SECTION CONTROLS SHOWN; 9 SECTION OPTIONAL



ART_1001231612

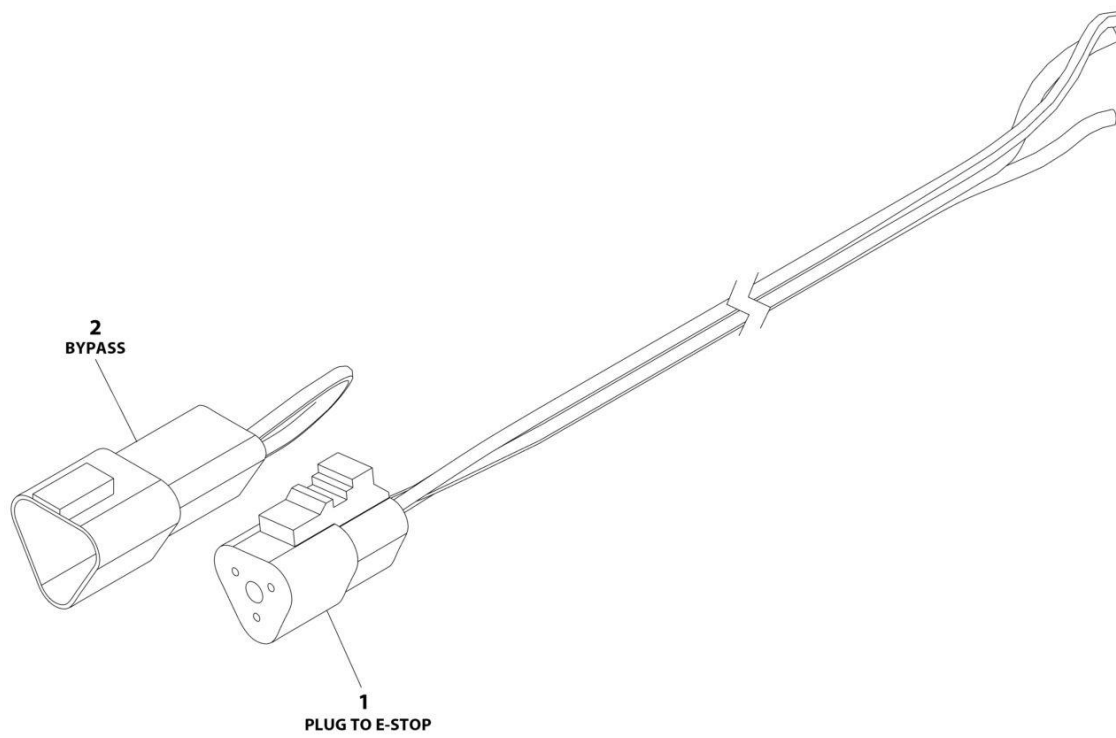
SECTION 7 - ELECTRICAL

FIGURE 7-19. EMERGENCY STOP INSTALLATION

ITEM	PART NUMBER	QTY	DESCRIPTION	REV
	1001231612	Ref	Emergency Stop Installation	A
1	1001215371	1	Harness (See Separate Breakdown in this Section)	
2	7345001714	2	Terminal	
3	7346000039	0.125 ft	Tubing	
4	1001233500	2	Switch, Push Button	
5	1704260	2	Decal	

SECTION 7 - ELECTRICAL

FIGURE 7-20. EMERGENCY STOP HARNESS



ART_1001215371

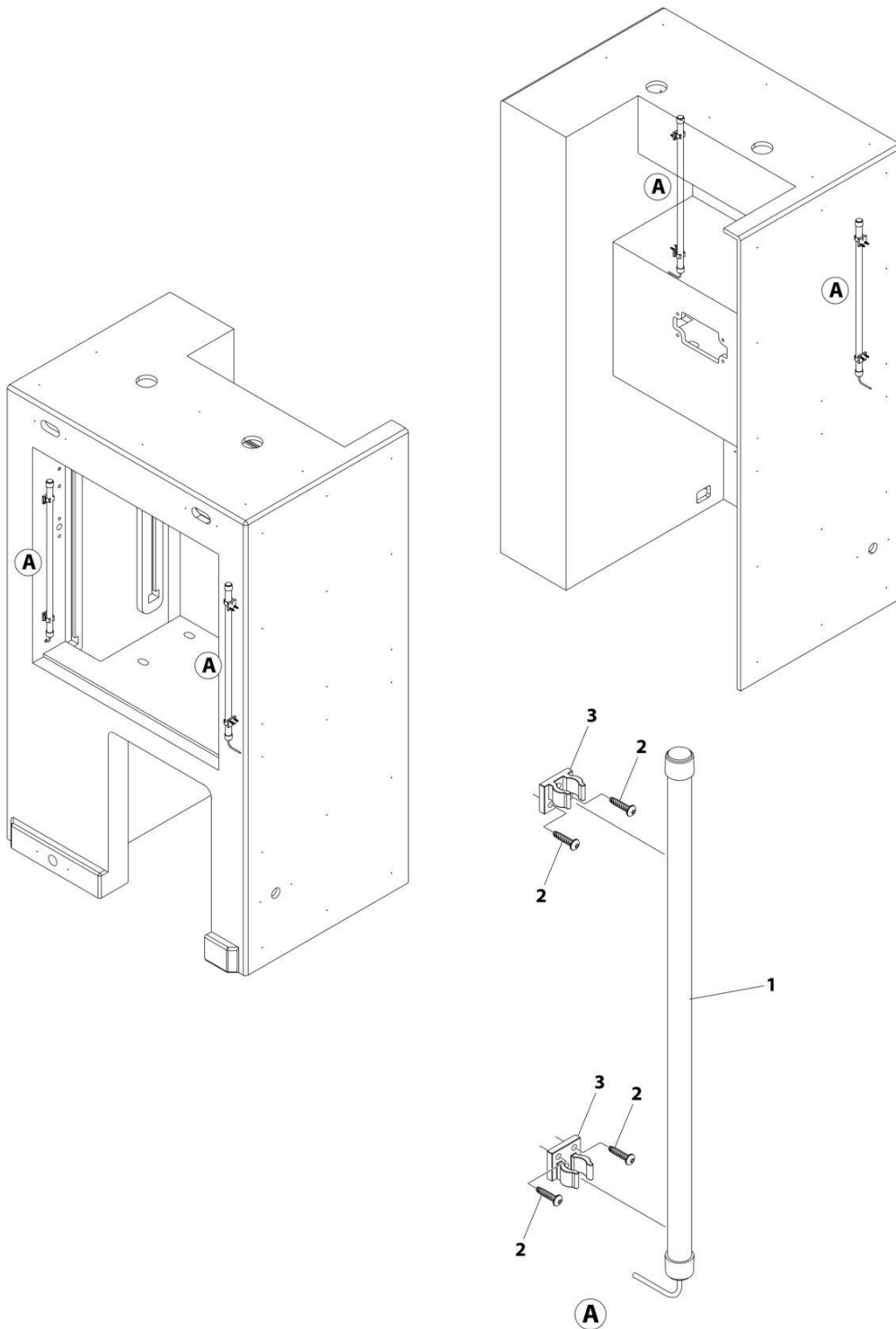
SECTION 7 - ELECTRICAL

FIGURE 7-20. EMERGENCY STOP HARNESS

ITEM	PART NUMBER	QTY	DESCRIPTION	REV
	1001215371	Ref	EMERGENCY STOP HARNESS	A
1	1001116812	1	Plug, Male - 3 Position	
1	4460465	2	Socket, Female	
1	4460942	1	Socket, Female	
2	4460536	1	Receptacle, Female - 3 Position	
2	4460464	2	Pin, Male	
2	4460466	1	Plug, Terminal	

SECTION 7 - ELECTRICAL

FIGURE 7-21. LIGHTS - COMPARTMENT LIGHTS INSTALLATION (SRS TOOLBOX)



ART_1001197895

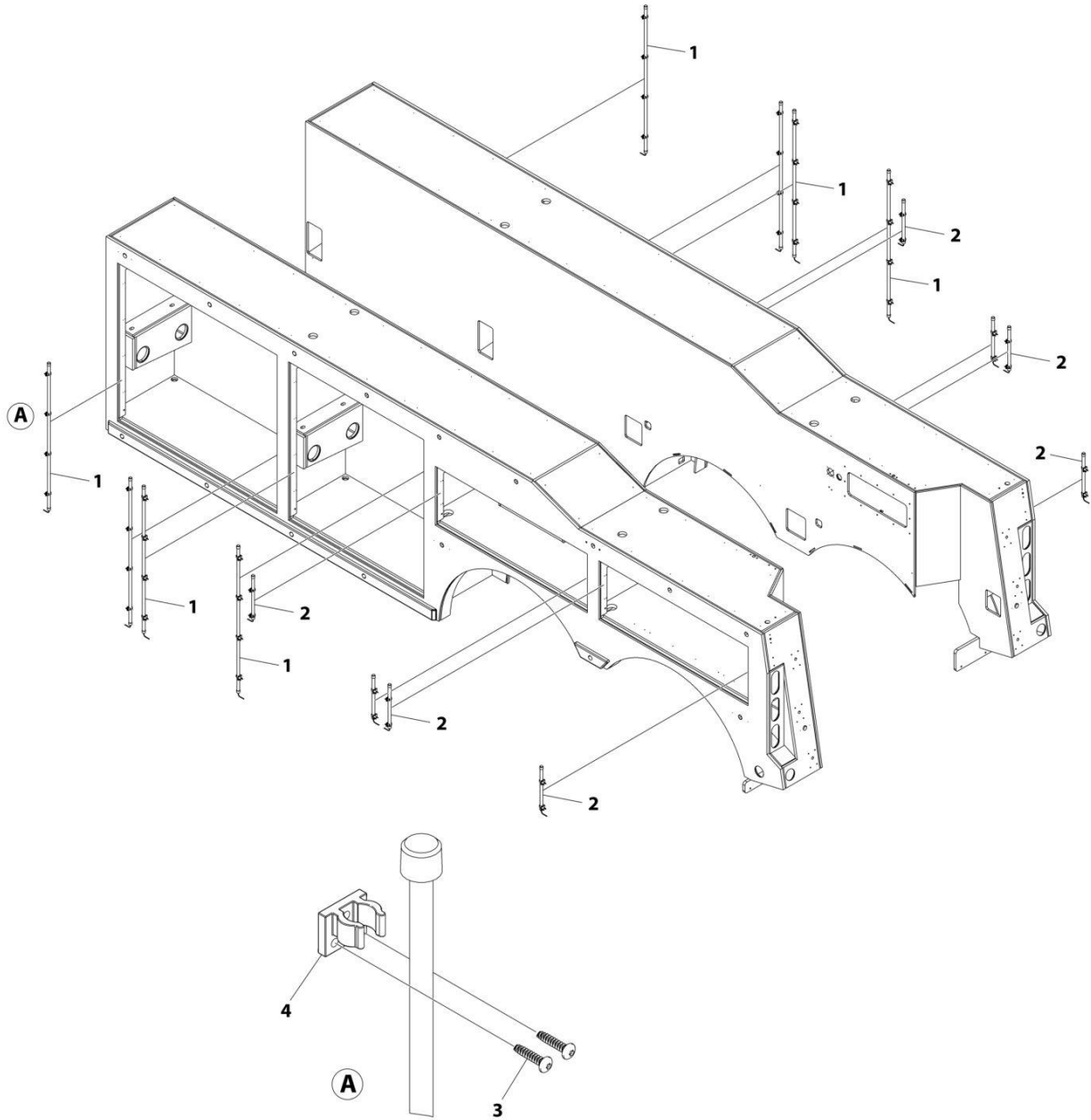
SECTION 7 - ELECTRICAL

FIGURE 7-21. LIGHTS - COMPARTMENT LIGHTS INSTALLATION (SRS TOOLBOX)

ITEM	PART NUMBER	QTY	DESCRIPTION	REV
	1001197895	Ref	COMPARTMENT LIGHTS INSTALLATION	B
1	1001189906	4	Lamp	
2	1001196552	16	Screw #8 x 3/4	
3	1001199081	8	Mount	

SECTION 7 - ELECTRICAL

FIGURE 7-22. LIGHTS - COMPARTMENT LIGHTS INSTALLATION (TANDEM)



ART_1001206680

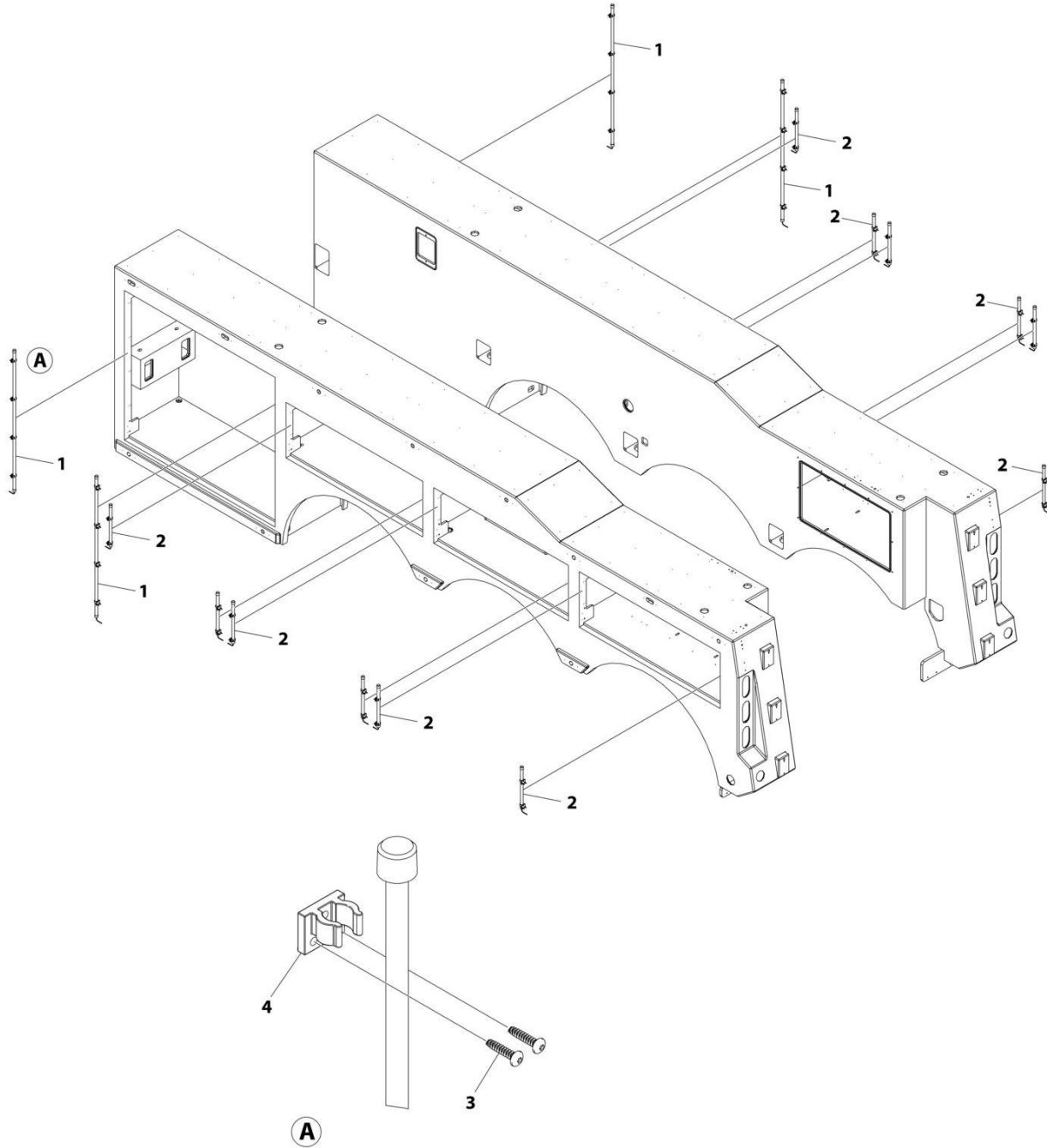
SECTION 7 - ELECTRICAL

FIGURE 7-22. LIGHTS - COMPARTMENT LIGHTS INSTALLATION (TANDEM)

ITEM	PART NUMBER	QTY	DESCRIPTION	REV
	1001206680	Ref	COMPARTMENT LIGHTS INSTALLATION - BODY (TANDEM)	B
1	1001154527	8	Lamp	
2	1001166549	8	Lamp	
3	1001196552	96	Screw #8 x 3/4	
4	1001199081	48	Mount	

SECTION 7 - ELECTRICAL

FIGURE 7-23. LIGHTS - COMPARTMENT LIGHTS INSTALLATION (TRI-AXLE)



ART_1001206681

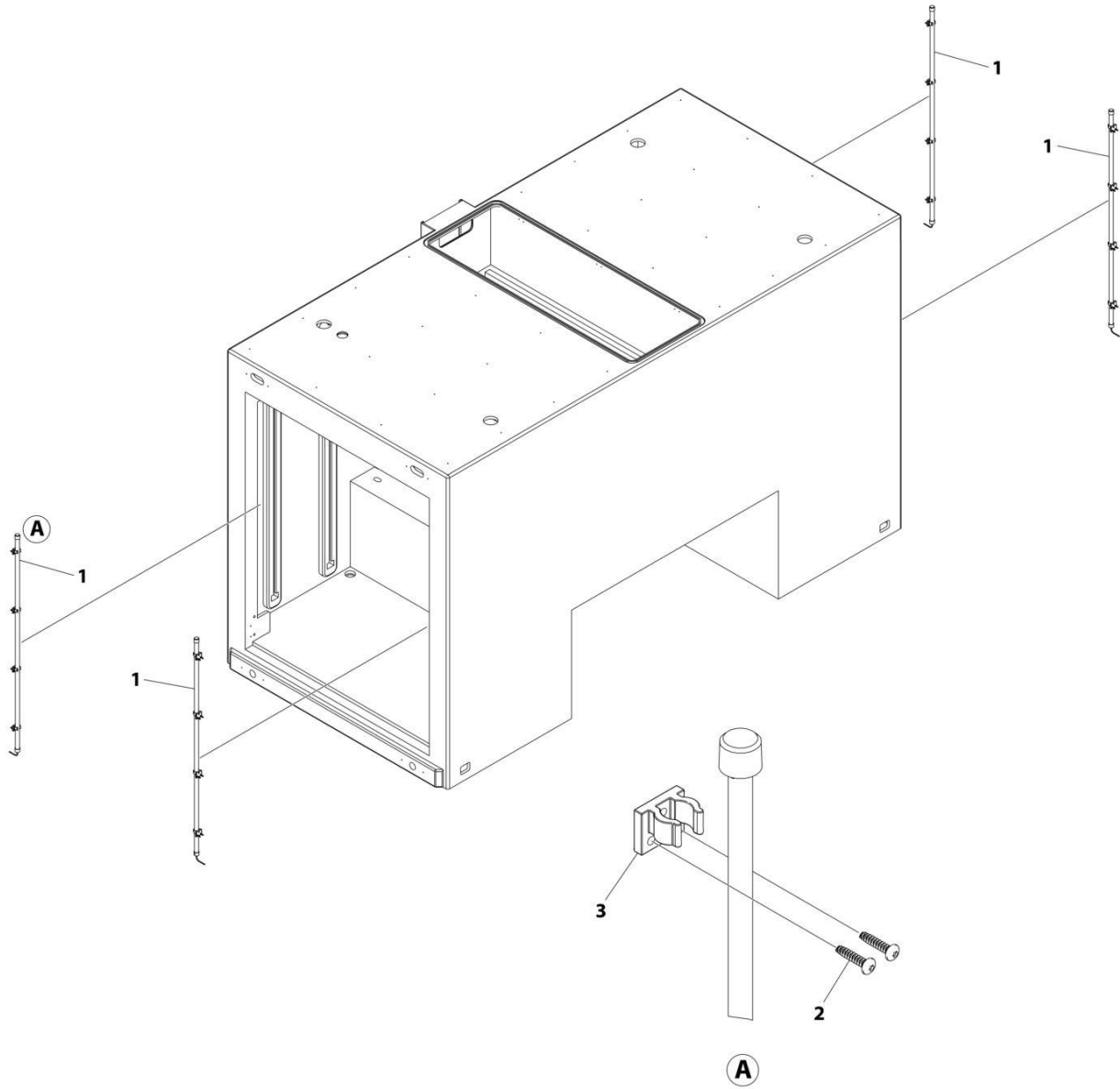
SECTION 7 - ELECTRICAL

FIGURE 7-23. LIGHTS - COMPARTMENT LIGHTS INSTALLATION (TRI-AXLE)

ITEM	PART NUMBER	QTY	DESCRIPTION	REV
	1001206681	Ref	COMPARTMENT LIGHTS INSTALLATION - BODY (TRI-AXLE)	B
1	1001154527	4	Lamp	
2	1001166549	12	Lamp	
3	1001196552	80	Screw #8 x 3/4	
4	1001199081	40	Mount	

SECTION 7 - ELECTRICAL

FIGURE 7-24. LIGHTS - COMPARTMENT LIGHTS INSTALLATION (TUNNEL)



ART_1001196583

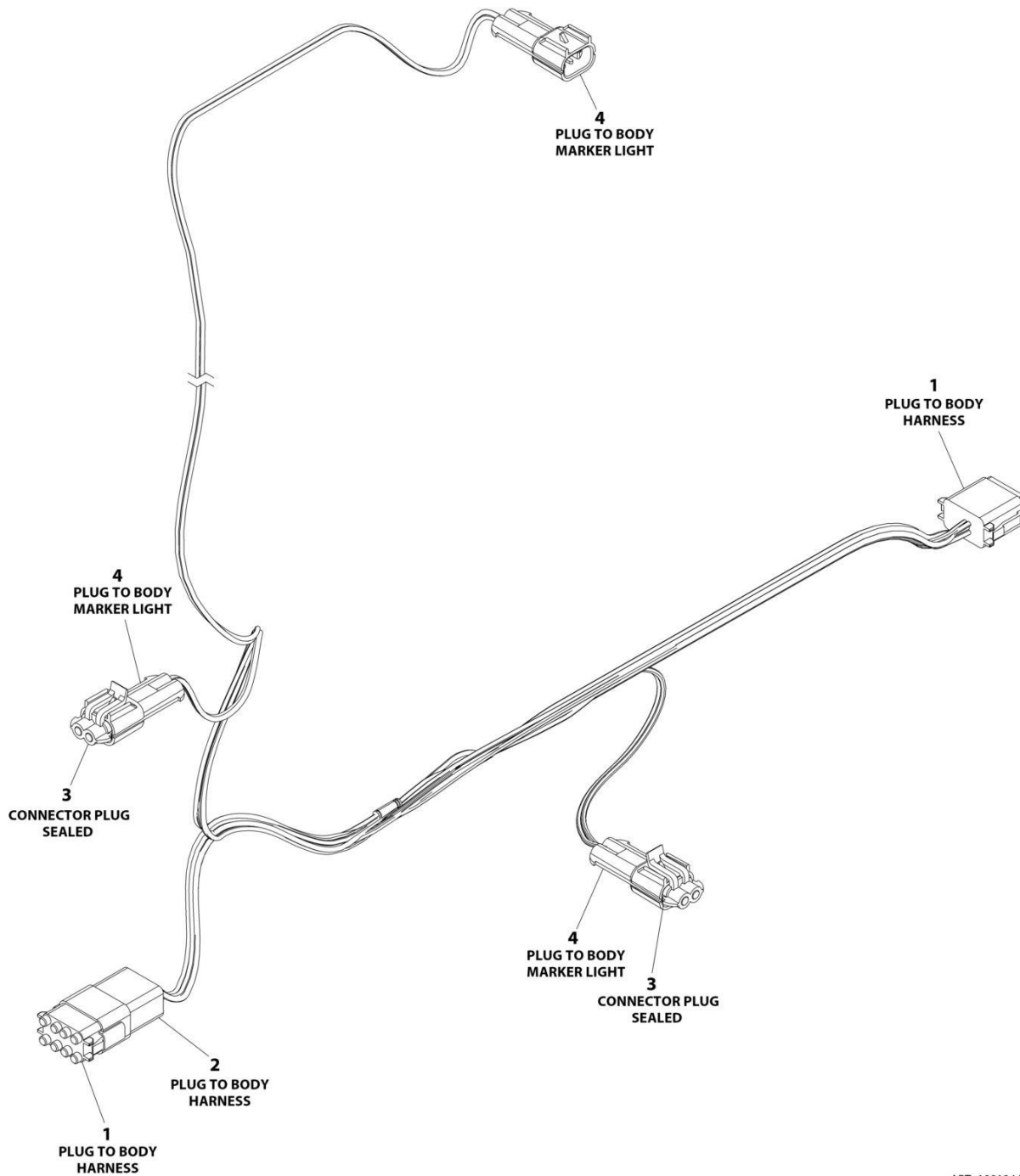
SECTION 7 - ELECTRICAL

FIGURE 7-24. LIGHTS - COMPARTMENT LIGHTS INSTALLATION (TUNNEL)

ITEM	PART NUMBER	QTY	DESCRIPTION	REV
	1001196583	Ref	LIGHTS - COMPARTMENT LIGHTS INSTALLATION, 48IN TUNNEL	C
1	1001154527	4	Lamp	
2	1001196552	32	Screw #8 x 3/4	
3	1001199081	16	Mount	

SECTION 7 - ELECTRICAL

FIGURE 7-25. LIGHTS HARNESS - FILLER PANEL



ART_1001244217

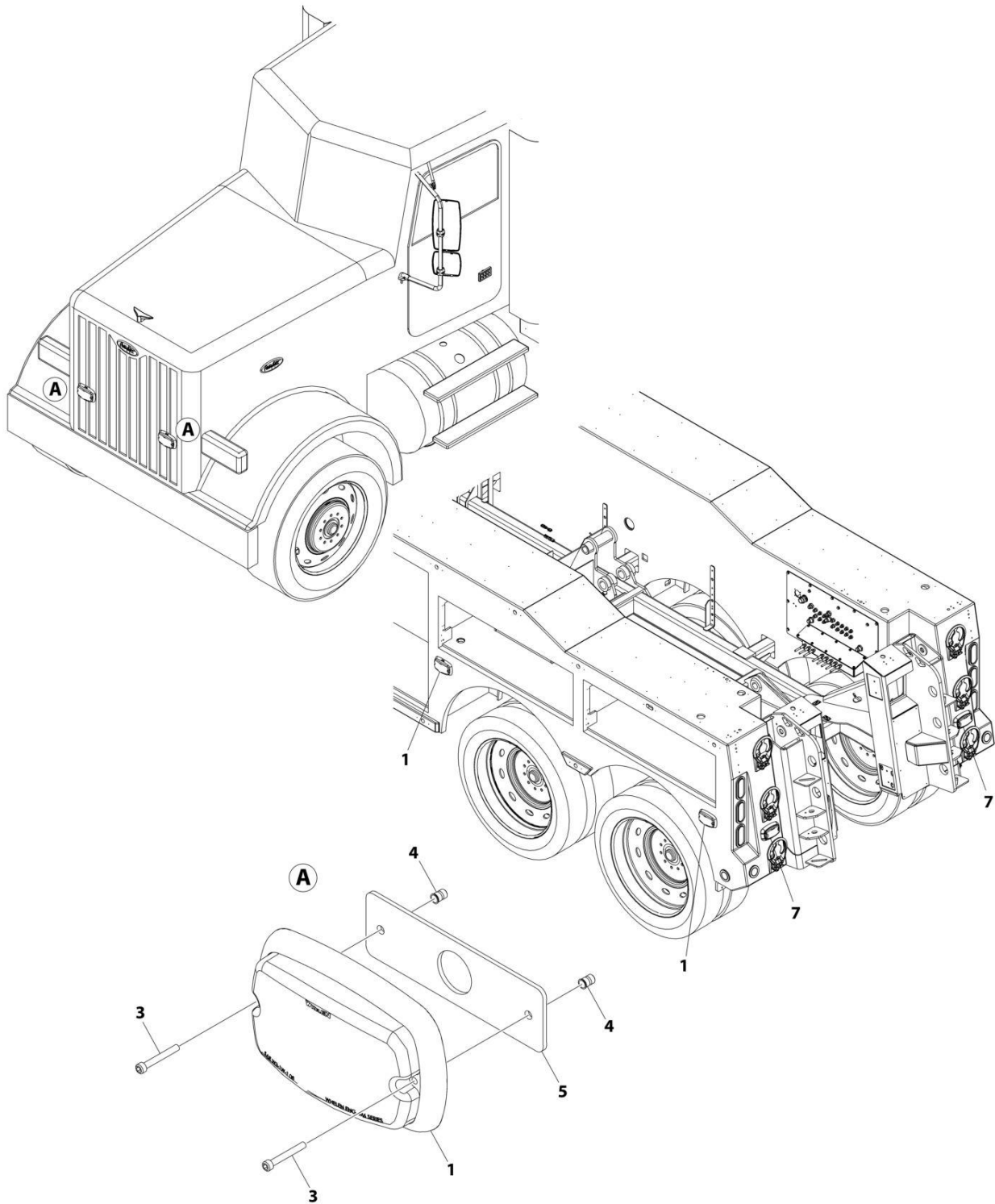
SECTION 7 - ELECTRICAL

FIGURE 7-25. LIGHTS HARNESS - FILLER PANEL

ITEM	PART NUMBER	QTY	DESCRIPTION	REV
	1001244217	Ref	LIGHTS HARNESS - FILLER PANEL	B
1	4460930	2	Plug, Male - 8 Position	
1	4460465	6	Socket, Female	
1	4460466	10	Plug, Terminal	
2	4460931	1	Receptacle, Female - 8 Position	
2	4460464	8	Pin, Male	
2	4460466	2	Plug, Terminal	
3	1001117021	2	Plug, Male - 2 Position	
3	4460748	4	Plug, Terminal	
4	1001117026	3	Receptacle, Female - 2 Position	
4	1001116745	6	Terminal	
4	4460458	6	Seal	

SECTION 7 - ELECTRICAL

FIGURE 7-26. LIGHTS - FLASHER LIGHTS INSTALLATION - TANDEM



ART_1001212220

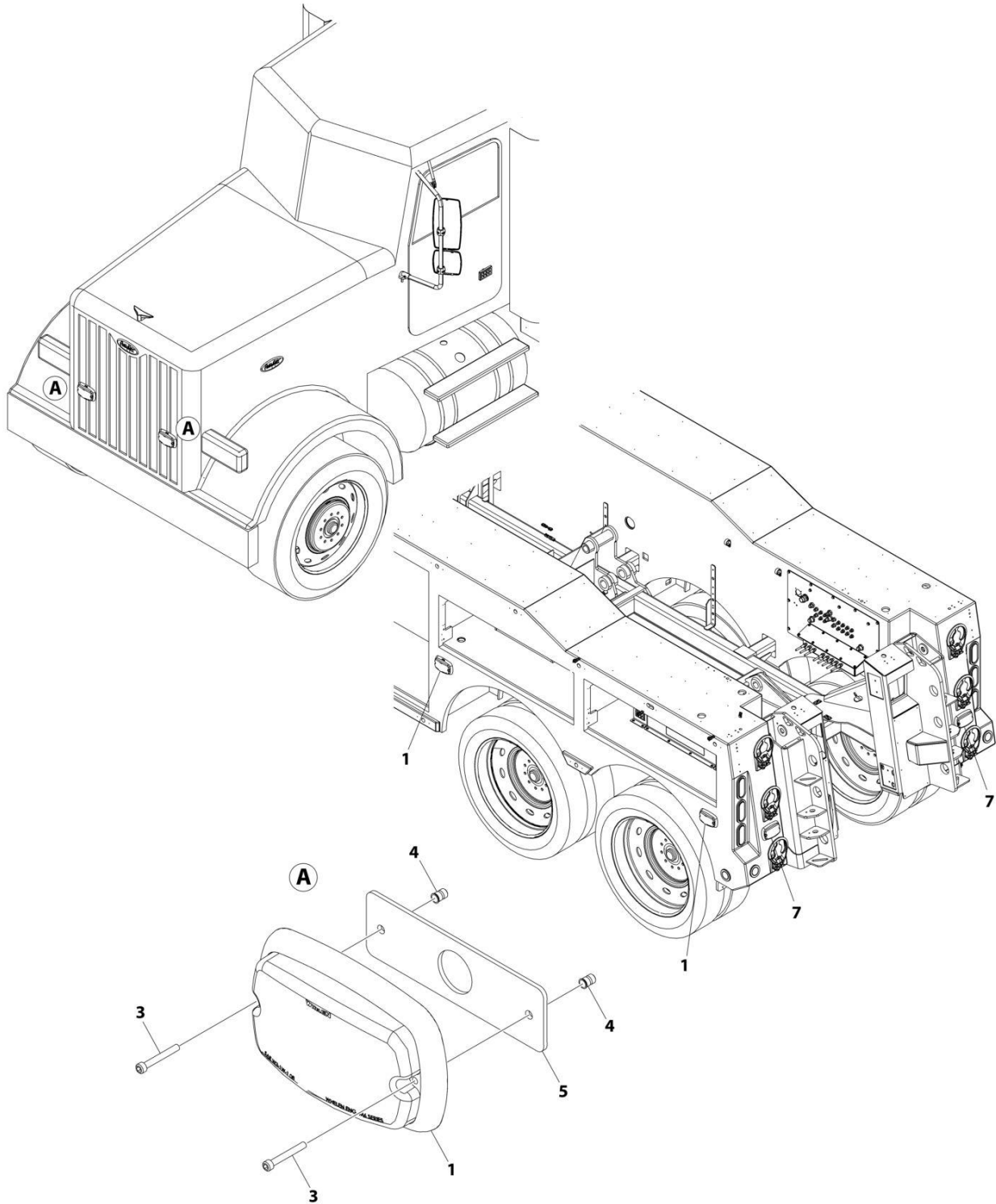
SECTION 7 - ELECTRICAL

FIGURE 7-26. LIGHTS - FLASHER LIGHTS INSTALLATION - TANDEM

ITEM	PART NUMBER	QTY	DESCRIPTION	REV
	1001212220	Ref	SIDE FLASHER LIGHTS INSTALLATION	E
1	1001143284	6	Lamp	
2	1001215157	1	Harness (Not Shown)	
2	4460897	2	Receptacle, Female - 2 Position	
2	4460464	4	Pin, Male	
3	3930820	4	Capscrew #8 x 1-1/4	
4	1001151546	4	Nut #8	
5	1001216586	2	Bar, Grill Mounted	
6	7894000004	20	Tie-Strap (Not Shown)	
7	1001307192	2	Lamp	

SECTION 7 - ELECTRICAL

FIGURE 7-27. LIGHTS - FLASHER LIGHTS INSTALLATION - TRI-AXLE



ART_1001212221

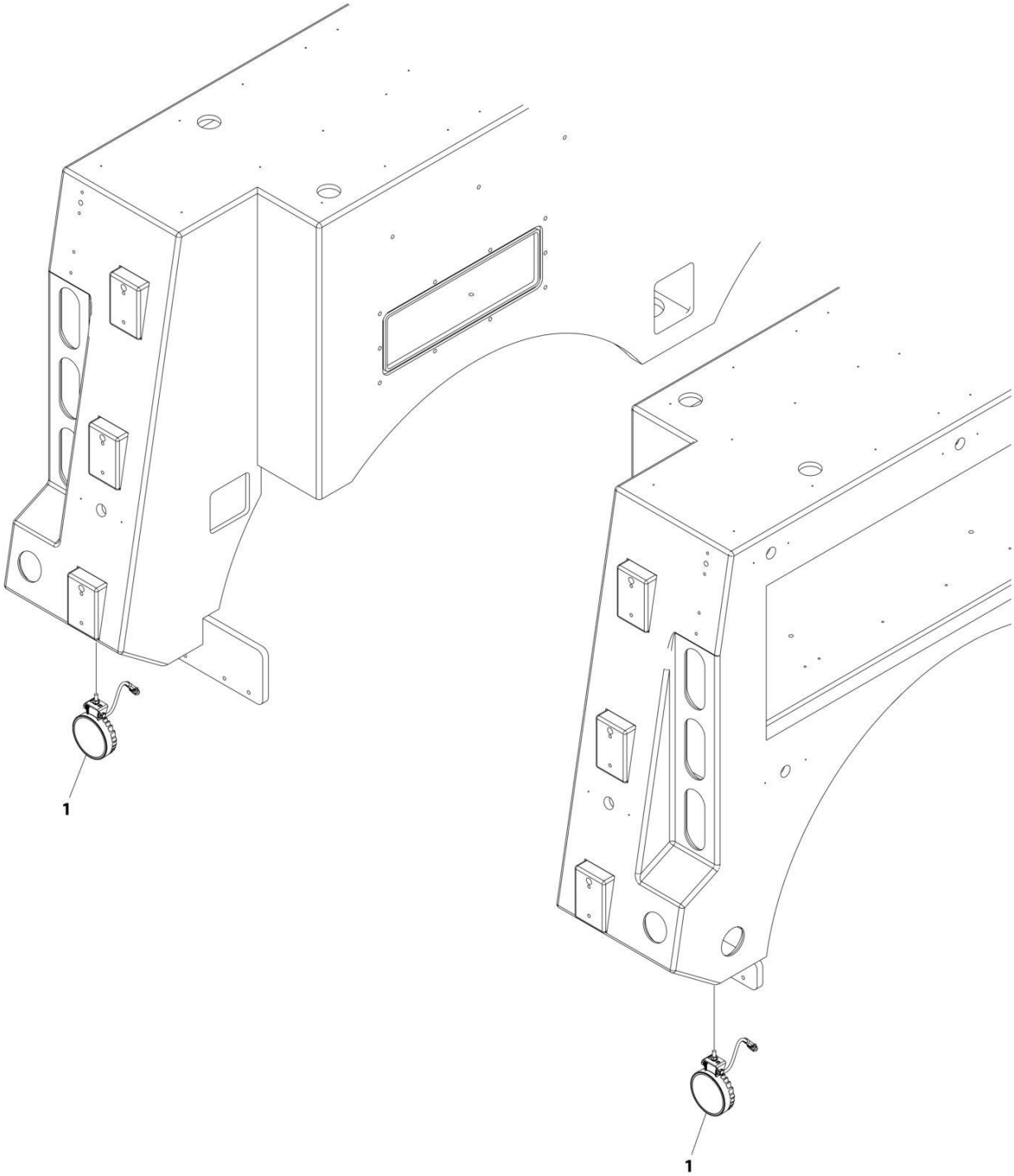
SECTION 7 - ELECTRICAL

FIGURE 7-27. LIGHTS - FLASHER LIGHTS INSTALLATION - TRI-AXLE

ITEM	PART NUMBER	QTY	DESCRIPTION	REV
	1001212221	Ref	LIGHTS - FLASHER LIGHTS INSTALLATION - TRI-AXLE	D
1	1001143284	6	Lamp	
2	1001215157	1	Harness (Not Shown)	
2	4460897	2	Receptacle, Female - 2 Position	
2	4460464	4	Pin, Male	
3	3930820	4	Capscrew #8 x 1-1/4	
4	1001151546	4	Nut #8	
5	1001216586	2	Bar, Grill Mounted	
6	7894000004	20	Tie Strap (Not Shown)	
7	1001307192	2	Lamp	

SECTION 7 - ELECTRICAL

FIGURE 7-28. LIGHTS - HOOK UP LIGHTS INSTALLATION (LOWER)



ART_1001199942

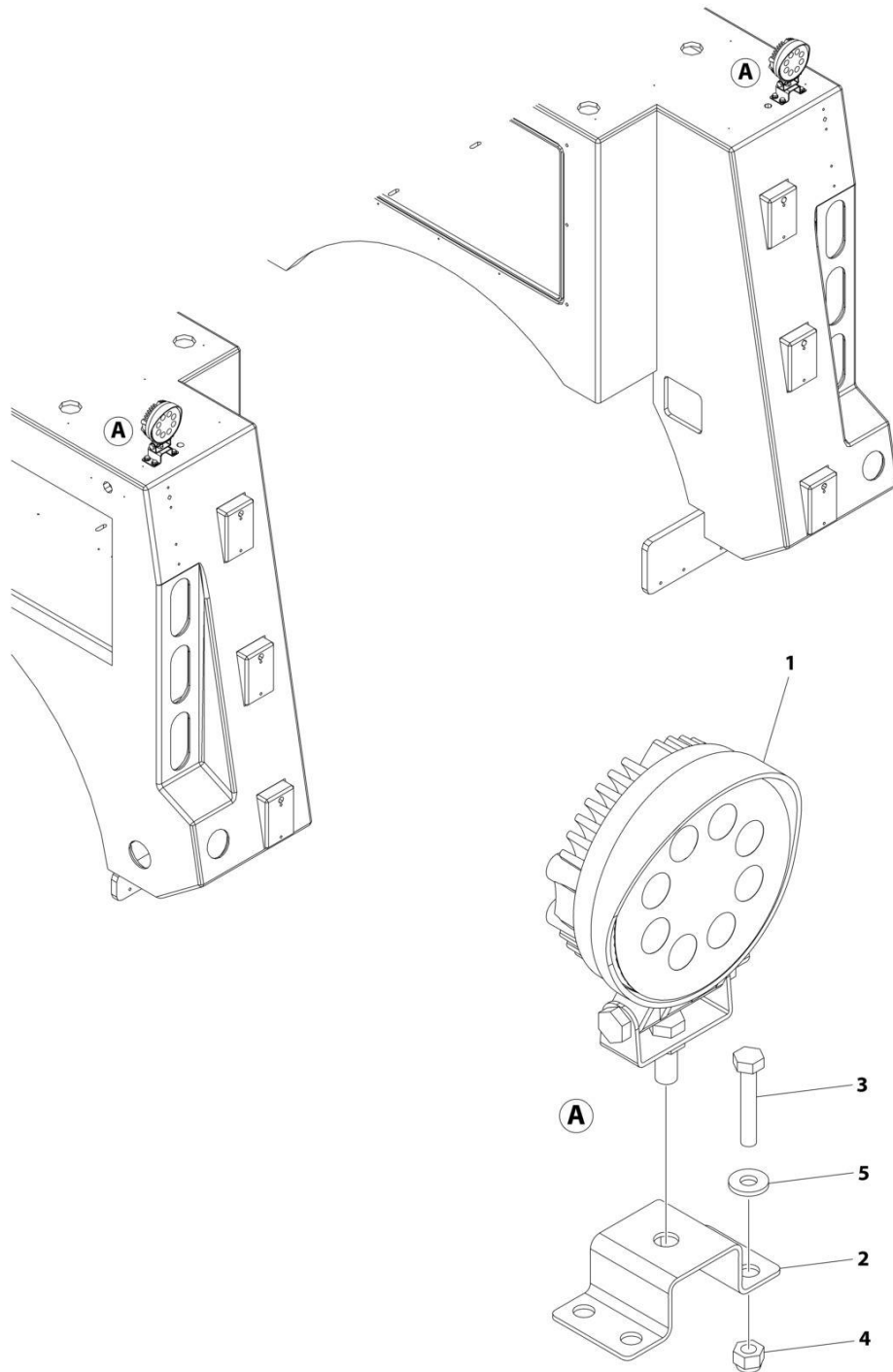
SECTION 7 - ELECTRICAL

FIGURE 7-28. LIGHTS - HOOK UP LIGHTS INSTALLATION (LOWER)

ITEM	PART NUMBER	QTY	DESCRIPTION	REV
1	1001199942	Ref	LOWER LIGHTS HOOK-UP INSTALLATION	C
	1001273634	2	Lamp	

SECTION 7 - ELECTRICAL

FIGURE 7-29. LIGHTS - HOOK UP LIGHTS INSTALLATION (UPPER)



ART_1001199946

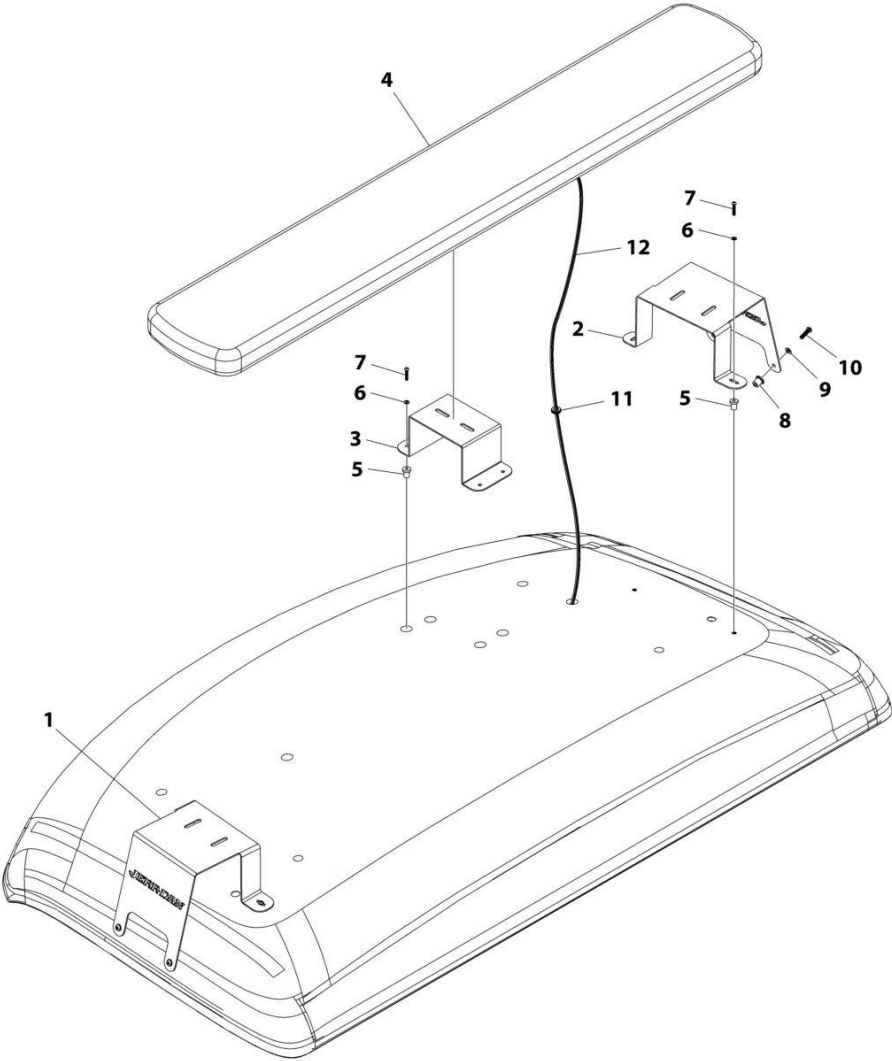
SECTION 7 - ELECTRICAL

FIGURE 7-29. LIGHTS - HOOK UP LIGHTS INSTALLATION (UPPER)

ITEM	PART NUMBER	QTY	DESCRIPTION	REV
	1001199946	Ref	Upper Hook-Up Lights Installation	C
1	1001176337	2	Lamp (SN 0230004275 through 0230009719)	
1	1001273634	2	Lamp (SN 0230009720 to Present)	
2	1001199950	2	Plate	
3	7115141250	8	Capscrew 1/4 x 1-1/2	
4	7660142604	8	Nut 1/4	
5	7950140143	8	Washer 1/4	

SECTION 7 - ELECTRICAL

FIGURE 7-30. LIGHTS - LIGHTBAR INSTALLATION (CAB MOUNTED)



ART_1001216570

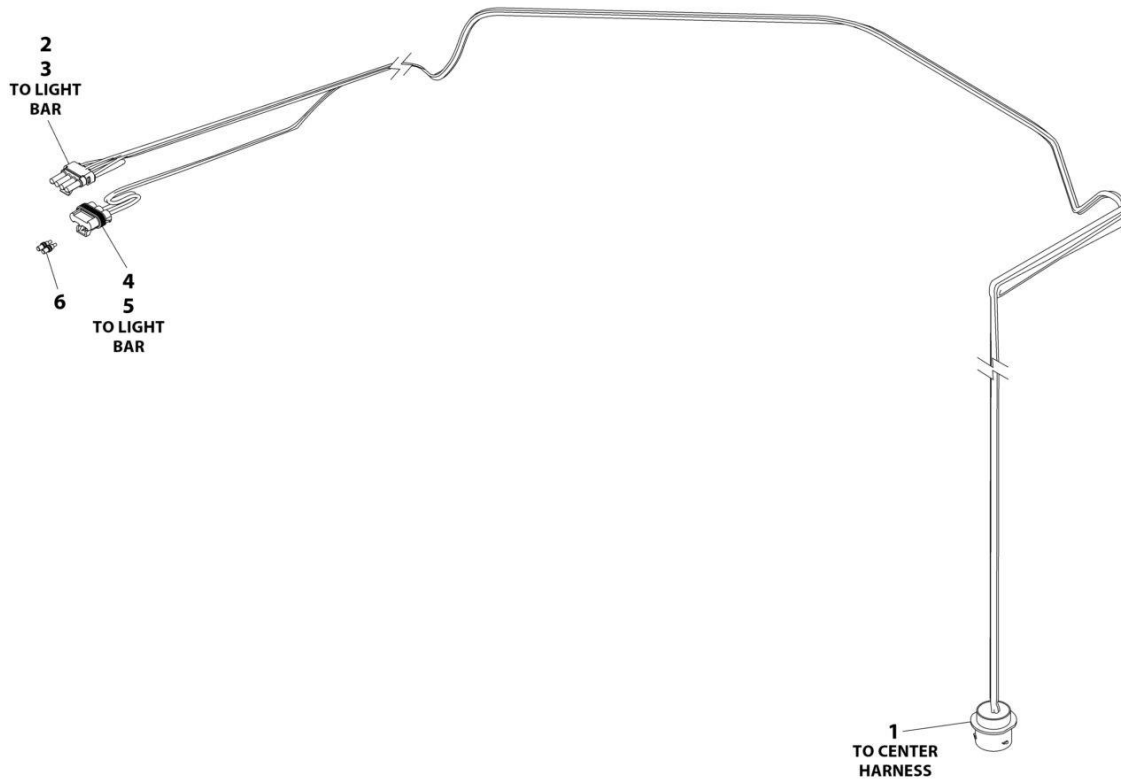
SECTION 7 - ELECTRICAL

FIGURE 7-30. LIGHTS - LIGHTBAR INSTALLATION (CAB MOUNTED)

ITEM	PART NUMBER	QTY	DESCRIPTION	REV
	1001216570	Ref	LIGHTBAR INSTALLATION (CAB MOUNTED)	A
1	1001215955	1	Bracket (LH)	
2	1001215956	1	Bracket (RH)	
3	1001215957	1	Bracket	
4	1001199477	1	Lightbar Assembly (See Separate Breakdown in this Section)	
5	1001213131	8	Nut	
6	1001170307	8	Washer	
7	1001216317	8	Screw	
8	1001216373	4	Nut	
9	1001170329	4	Washer	
10	1001216372	4	Screw	
11	1001101025	1	Grommet	
12	1001216571	1	Lightbar Harness (See Separate Breakdown in this Section)	
13	5526000553	4	Tie-Strap (Not Shown)	

SECTION 7 - ELECTRICAL

FIGURE 7-31. LIGHTS - LIGHTBAR HARNESS (CAB MOUNTED)



ART_1001216571

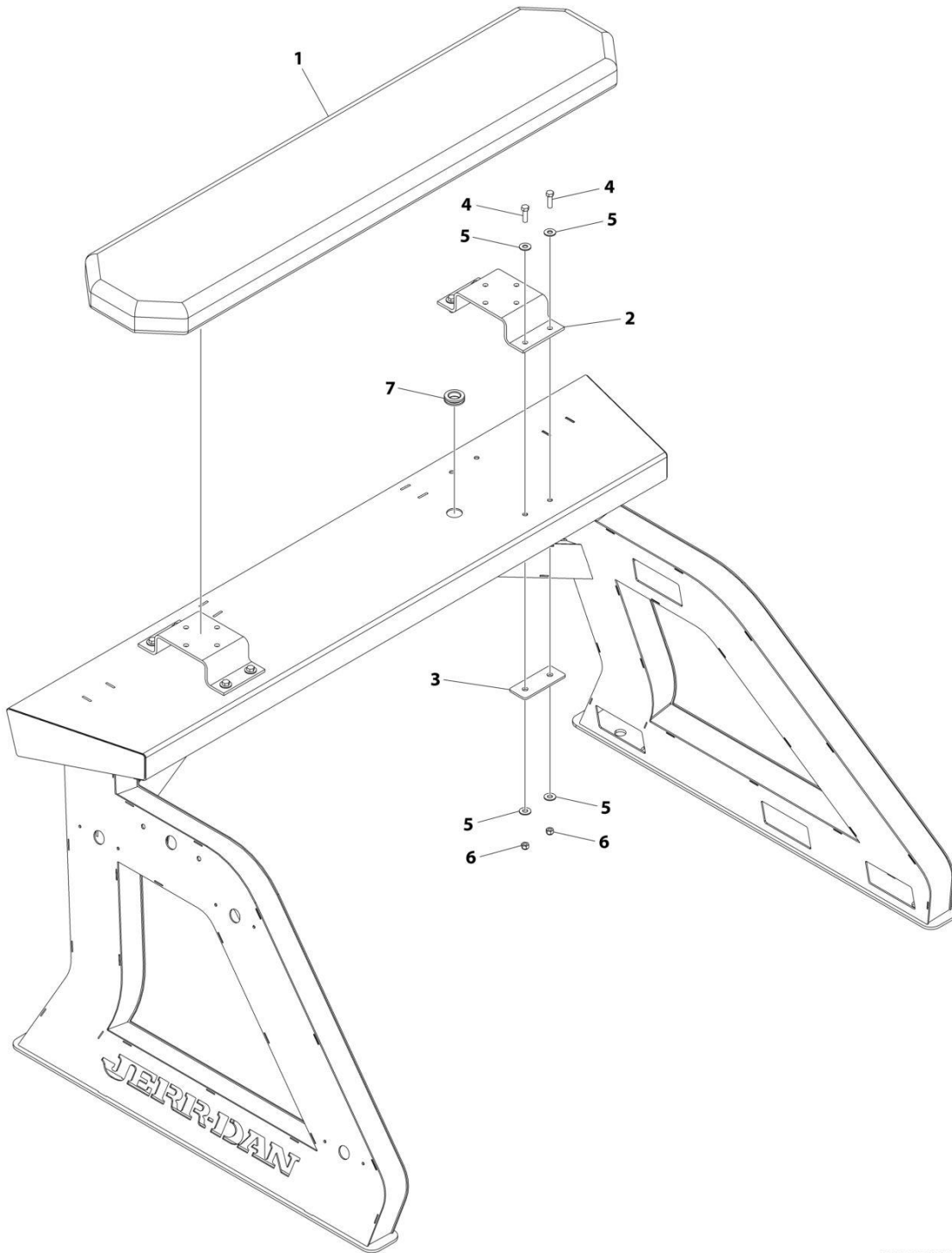
SECTION 7 - ELECTRICAL

FIGURE 7-31. LIGHTS - LIGHTBAR HARNESS (CAB MOUNTED)

ITEM	PART NUMBER	QTY	DESCRIPTION	REV
	1001216571	Ref	LIGHTBAR HARNESS (CAB MOUNTED)	A
1	NPN	1	Connector - 18 Position	
1	91143339	1	Pin, Male	
1	4460464	3	Pin, Male	
1	4460508	1	Pin, Male	
1	4460941	1	Plug, Terminal	
1	4460466	12	Plug, Terminal	
2	4460850	4	Terminal	
3	4460460	1	Connector - 4 Position	
3	4460457	4	Terminal	
3	NPN	4	Seal	
4	NPN	3	Terminal	
5	8220935	1	Connector - 3 Position	
5	8220099	3	Terminal	
5	7346000108	1	Lock	
5	NPN	AR	Seal	
5	NPN	AR	Seal	
6	4460867	1	Connector - 2 Position	
6	1001116727	2	Terminal	

SECTION 7 - ELECTRICAL

FIGURE 7-32. LIGHTS - LIGHTBAR INSTALLATION (PYLON MOUNTED) (CODE 3 & ECCO 60IN AMBER)



ART_1001214376

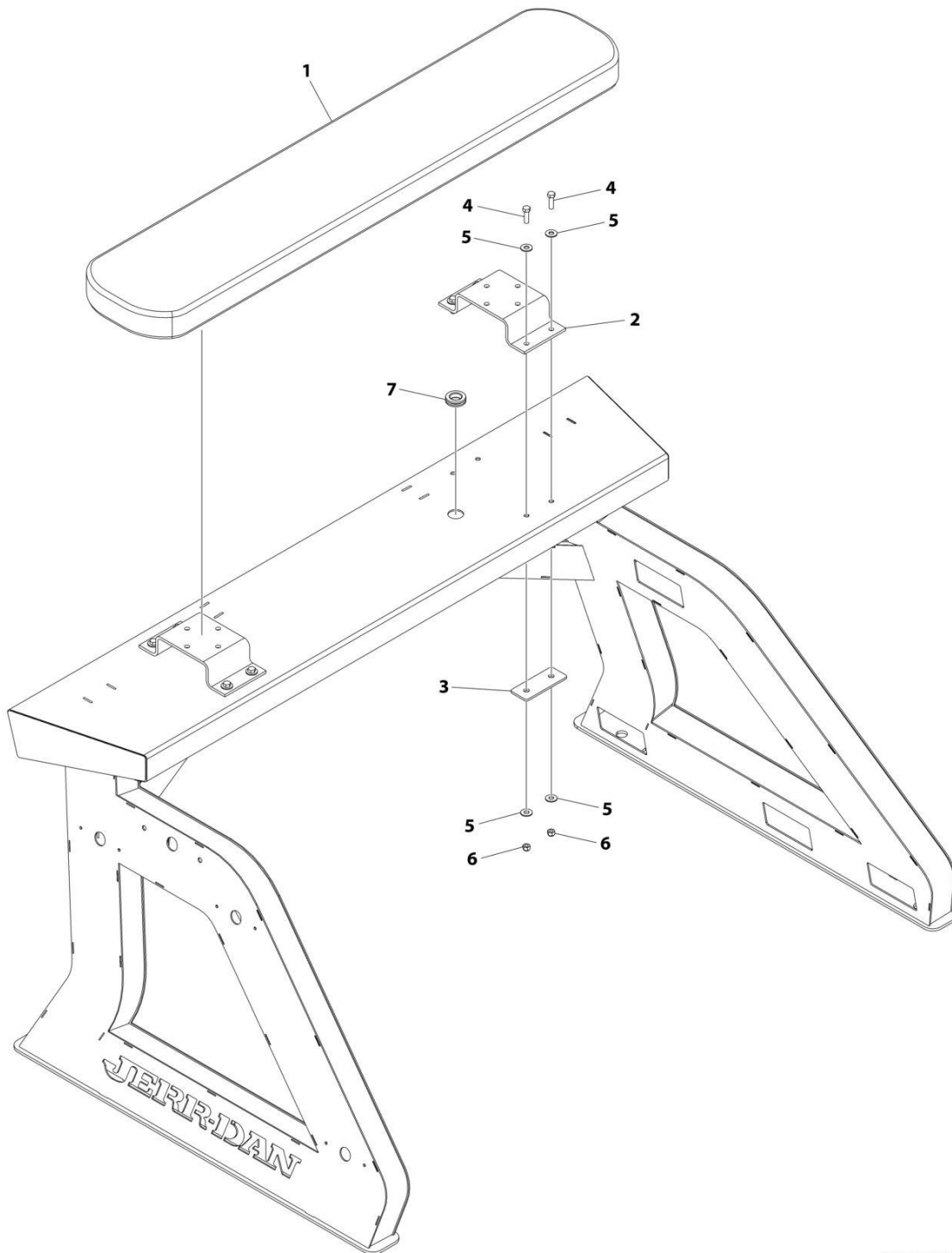
SECTION 7 - ELECTRICAL

FIGURE 7-32. LIGHTS - LIGHTBAR INSTALLATION (PYLON MOUNTED) (CODE 3 & ECCO 60IN AMBER)

ITEM	PART NUMBER	QTY	DESCRIPTION	REV
	1001214376	Ref	LIGHTS - LIGHTBAR INSTALLATION - 58IN AMBER CODE3	B
	1001136990	1	Lightbar Assembly (CODE 3) (See Separate Breakdown in this Section) (SN 0230004275 through 0230009234)	
1	1001247139	1	Lightbar Assembly (ECCO) (See Separate Breakdown in this Section) (SN 0230009235 to Present)	
	4178000234	1	Bracket (SN 0230004275 through 0230009234)	
2	1001267280	2	Bracket (SN 0230009235 to Present)	
3	1001214128	4	Plate	
4	0641610	8	Capscrew 3/8 x 1-1/4	
5	4751600	16	Washer 3/8	
6	7660162601	8	Nut 3/8	
7	7493000011	1	Grommet	

SECTION 7 - ELECTRICAL

FIGURE 7-33. LIGHTS - LIGHTBAR INSTALLATION (PYLON MOUNTED) (WHELEN 60IN)



ART_1001214377

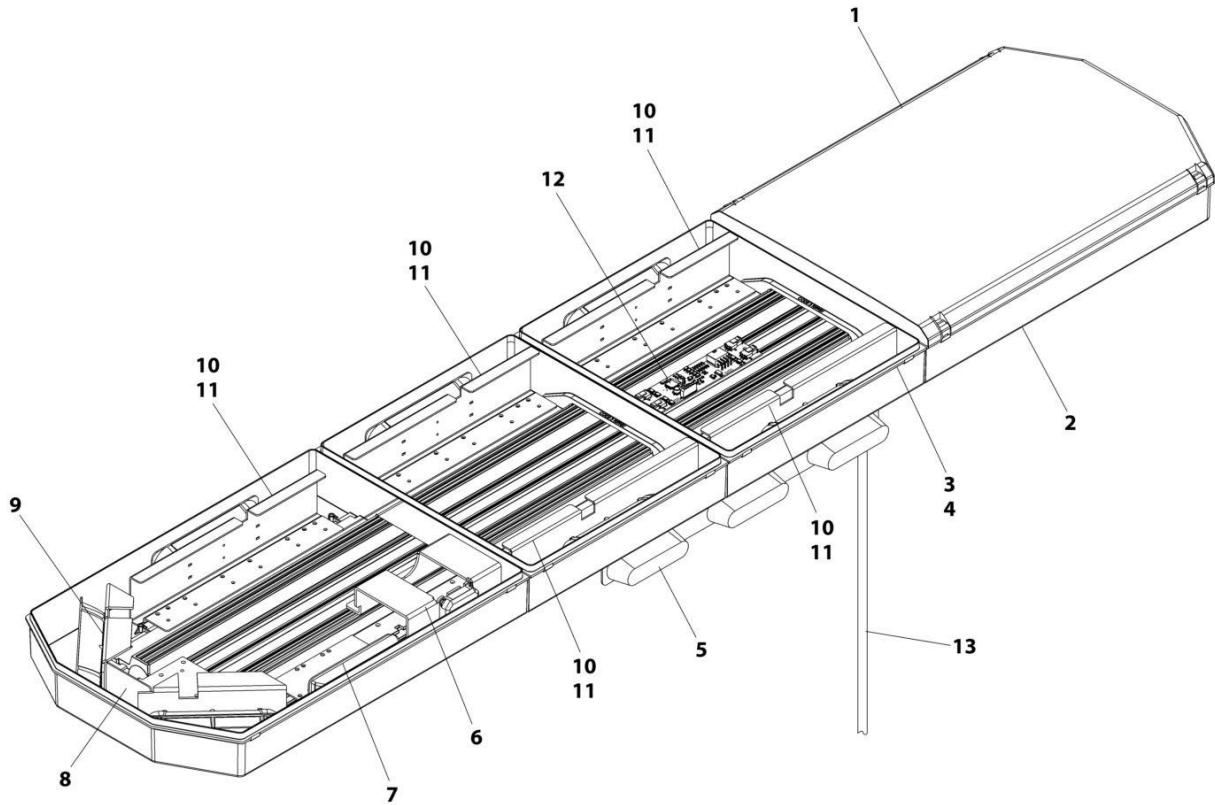
SECTION 7 - ELECTRICAL

FIGURE 7-33. LIGHTS - LIGHTBAR INSTALLATION (PYLON MOUNTED) (WHELEN 60IN)

ITEM	PART NUMBER	QTY	DESCRIPTION	REV
	1001214377	Ref	LIGHTS - LIGHTBAR INSTALLATION - 60IN AMBER WHELEN	B
1	1001199475	1	Lightbar Assembly (See Separate Breakdown in this Section)	
2	1001267280	2	Bracket (SN 0230004275 through 0230009234)	
2	4178000234	1	Bracket (SN 0230009235 to Present)	
3	1001214128	4	Plate	
4	0641610	8	Capscrew 3/8 x 1-1/4	
5	4751600	16	Washer 3/8	
6	7660162601	8	Nut 3/8	
7	7493000011	1	Grommet	

SECTION 7 - ELECTRICAL

FIGURE 7-34. LIGHTS - LIGHTBAR ASSEMBLY - CODE 3 60IN AMBER



ART_1001136990

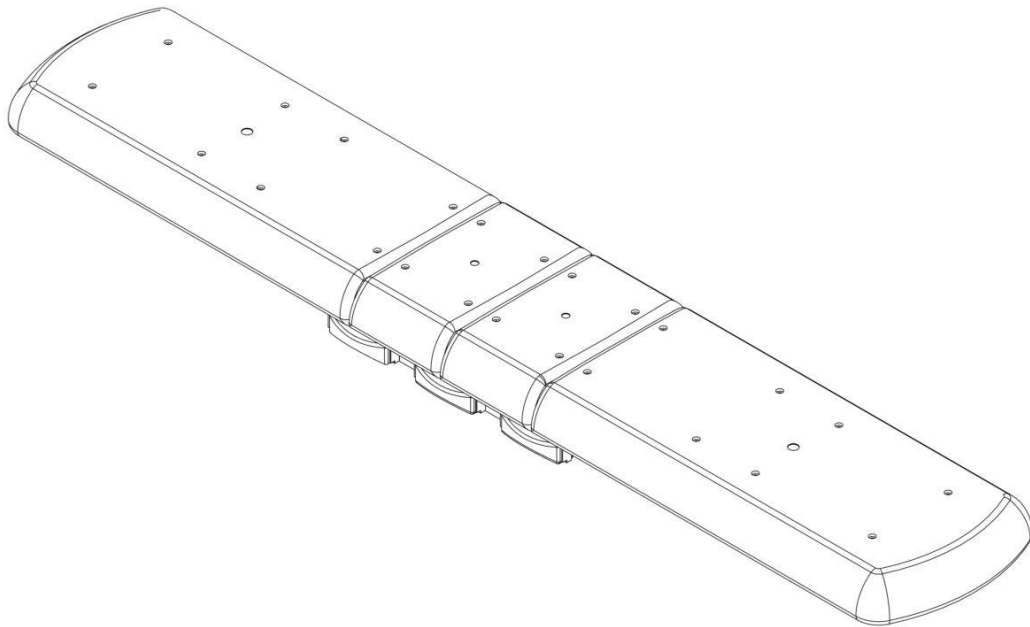
SECTION 7 - ELECTRICAL

FIGURE 7-34. LIGHTS - LIGHTBAR ASSEMBLY - CODE 3 60IN AMBER

ITEM	PART NUMBER	QTY	DESCRIPTION	REV
	1001136990	Ref	LIGHTS - LAMP ASSEMBLY - 58IN AMBER CODE3	D
1	9590310197	2	Lens, Clear Upper Outboard	
2	9590310200	2	Lens, Clear, Lower Outboard	
3	9590310203	2	Lens, Clear Lower Center	
4	9590310195	2	Lens, Clear Upper Center	
5	1001126269	1	3 Light D.O.T. Strip	
6	70050164	2	Worklight, LED	
7	1001130702	2	Module, LED Stop/Tail/Turn	
8	70050166	4	Bracket, Blank	
9	9590310206	4	Module, Bracket	
10	9590310205	6	Module, Led Amber	
11	9590310202	6	Bracket, Mounting	
12	70050167	1	Controller, General	
13	70050165	1	Cable, Jerr-Dan 9 Wire	
14	70050980	1	Harness, Internal Input (Not Shown)	
15	70050981	1	Harness, Internal Output (Not Shown)	

SECTION 7 - ELECTRICAL

FIGURE 7-35. LIGHTS - LIGHTBAR ASSEMBLY - ECCO AMBER



ART_1001247139

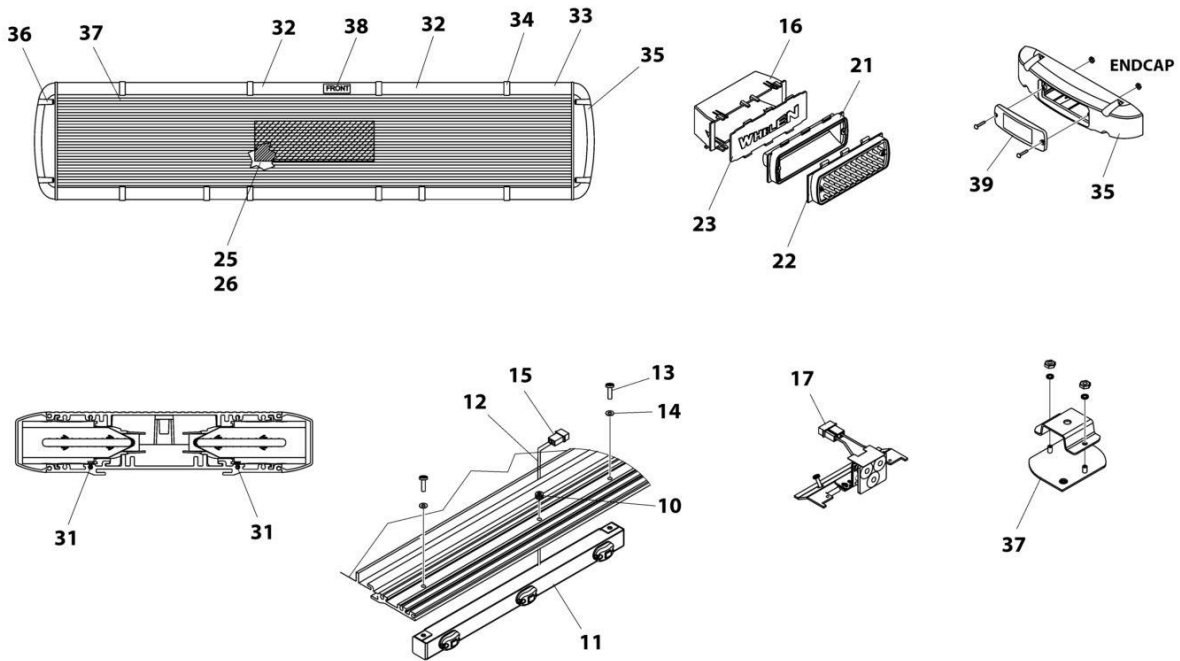
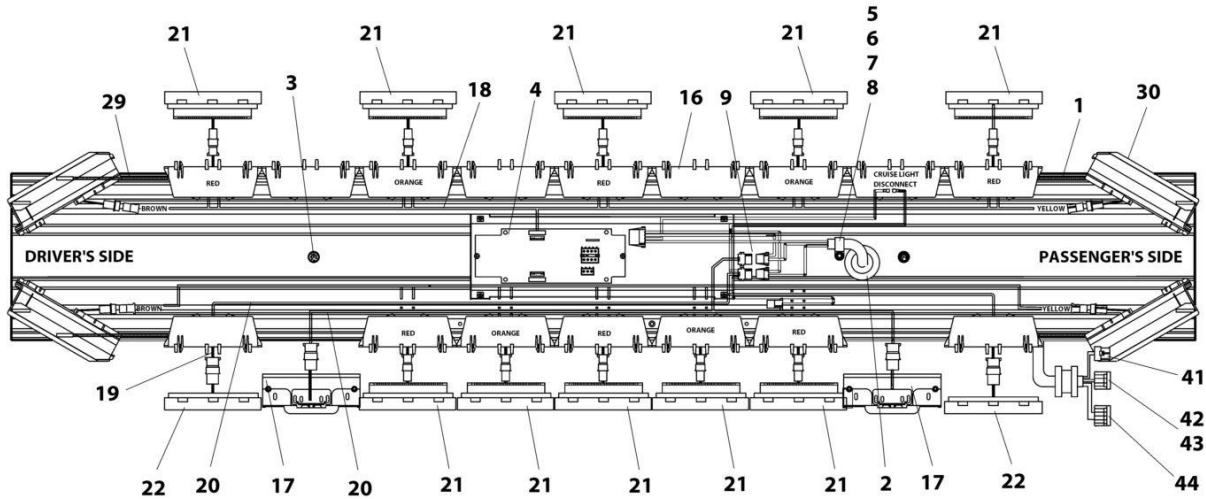
SECTION 7 - ELECTRICAL

FIGURE 7-35. LIGHTS - LIGHTBAR ASSEMBLY - ECCO AMBER

ITEM	PART NUMBER	QTY	DESCRIPTION	REV
	1001247139	Ref	LIGHTBAR ASSEMBLY - ECCO	A
	70070000	AR	Module, Amber	
	70070001	1 pr	Light, Work/Alley	
	70070002	1	Cable Kit (Includes 2 Modules, Harness & Stop/Turn/Taillight Cables)	
	70070003	1	PC Board, Driver	

SECTION 7 - ELECTRICAL

FIGURE 7-36. LIGHTS - LIGHTBAR ASSEMBLY - WHELEN (72IN)



ART_1001199477

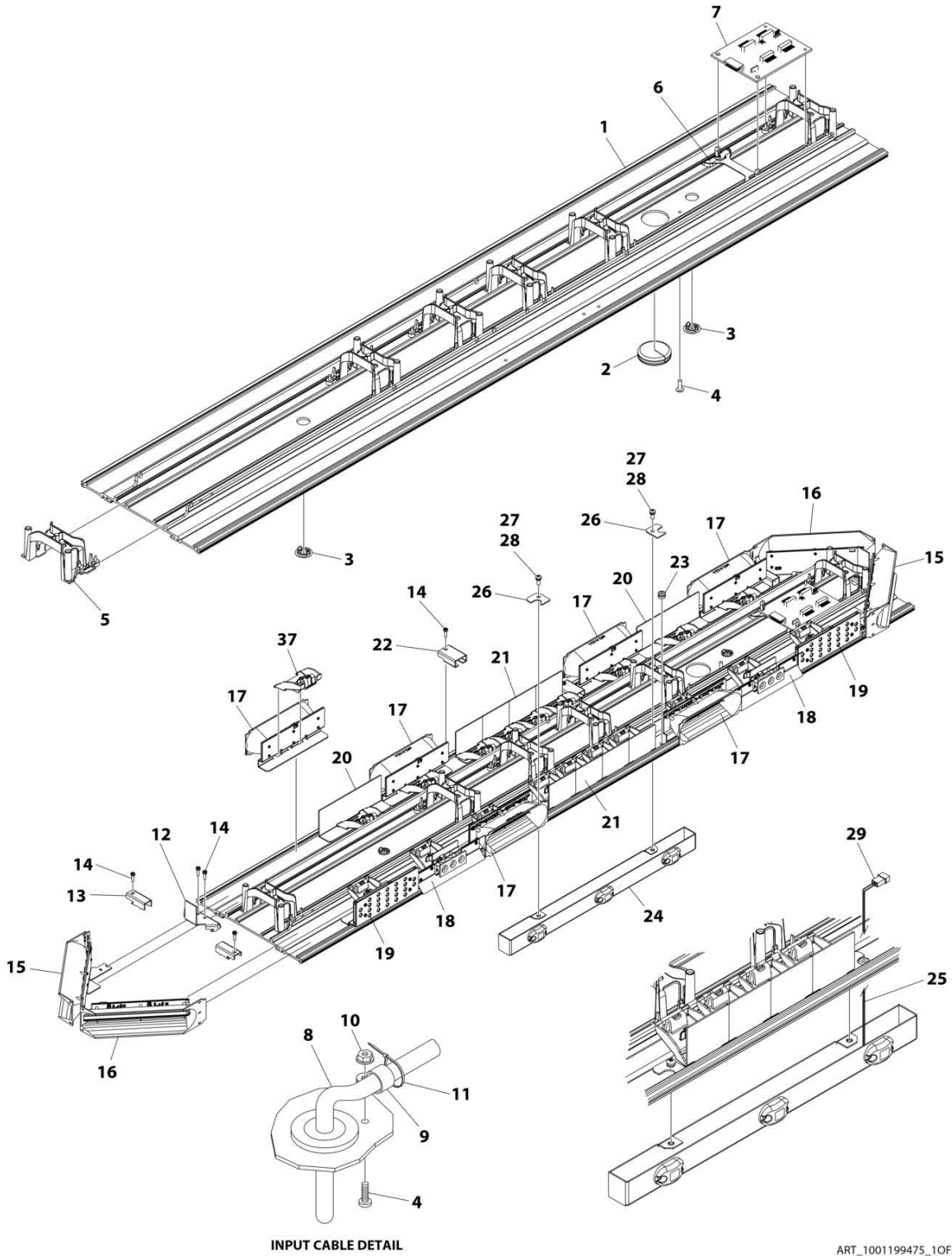
SECTION 7 - ELECTRICAL

FIGURE 7-36. LIGHTS - LIGHTBAR ASSEMBLY - WHELEN (72IN)

ITEM	PART NUMBER	QTY	DESCRIPTION	REV
	1001199477	Ref	Lightbar 72" LED - Whelen	B
1	70050392	1	Base	
2	70050169	1	Grommet	
3	70050170	2	Plug	
4	70050163	1	Assembly, HC I/O Liberty, Jerr-Dan	
5	70050171	1	Cable	
6	70050172	1	Screw #10 x 1	
7	70050393	1	Clamp	
8	70050174	1	Wiznut #10	
9	70050175	2	Housing	
10	70050176	1	Grommet	
11	70050177	1	Light Cluster	
12	70050178	1	Harness	
13	70050179	2	Screw #10 x 1/2	
14	70050180	2	Washer #10	
15	70050181	1	Housing	
16	70050182	16	Housing	
17	70050183	2	LR11 TD Single Full	
18	70050394	2	Harness	
19	70050185	1	Harness	
20	70050186	1	Harness	
21	70050187	10	Light Assembly, LED	
22	70050188	2	500 BTT Max	
23	70050189	4	Panel	
24	70050190	2	End Support Bracket (Not Shown)	
25	70050191	1	Insulator	
26	70050192	1	Decal	
27	70050395	1	Top Cover (Not Shown)	
28	70050194	4	Screw #10 x 3/8 (Not Shown)	
29	70050195	4	Spacer	
30	70050196	4	Corner LED Assembly	
31	70050197	4	Spacer	
32	70050199	6	Lens	
33	70050200	4	Lens	
34	70050201	8	Lens Divider	
35	70050202	2	End Cap	
36	70050203	8	Screw #10 x 1-1/4	
37	70050204	3	Rotational Mtg Adapter	
38	70050205	1	Label, "Front"	
39	70050206	1	Label, Jerr-Dan Logo	
40	70050207	1	Label, Model and Serial Number (Not Shown)	
41	70050208	1	Connector	
42	70050209	1	Connector	
43	70050210	1	Connector	
44	70050211	1	Connector	

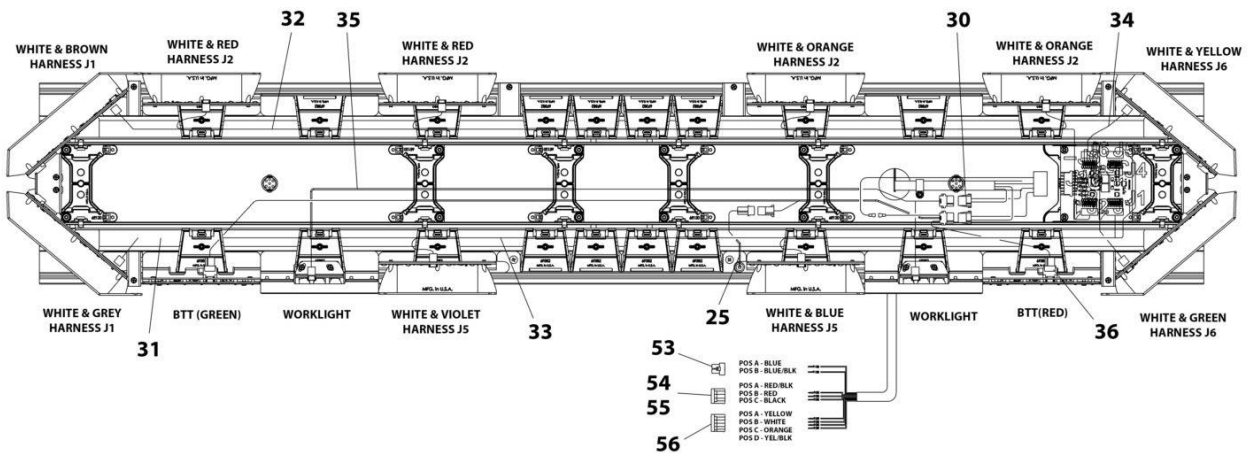
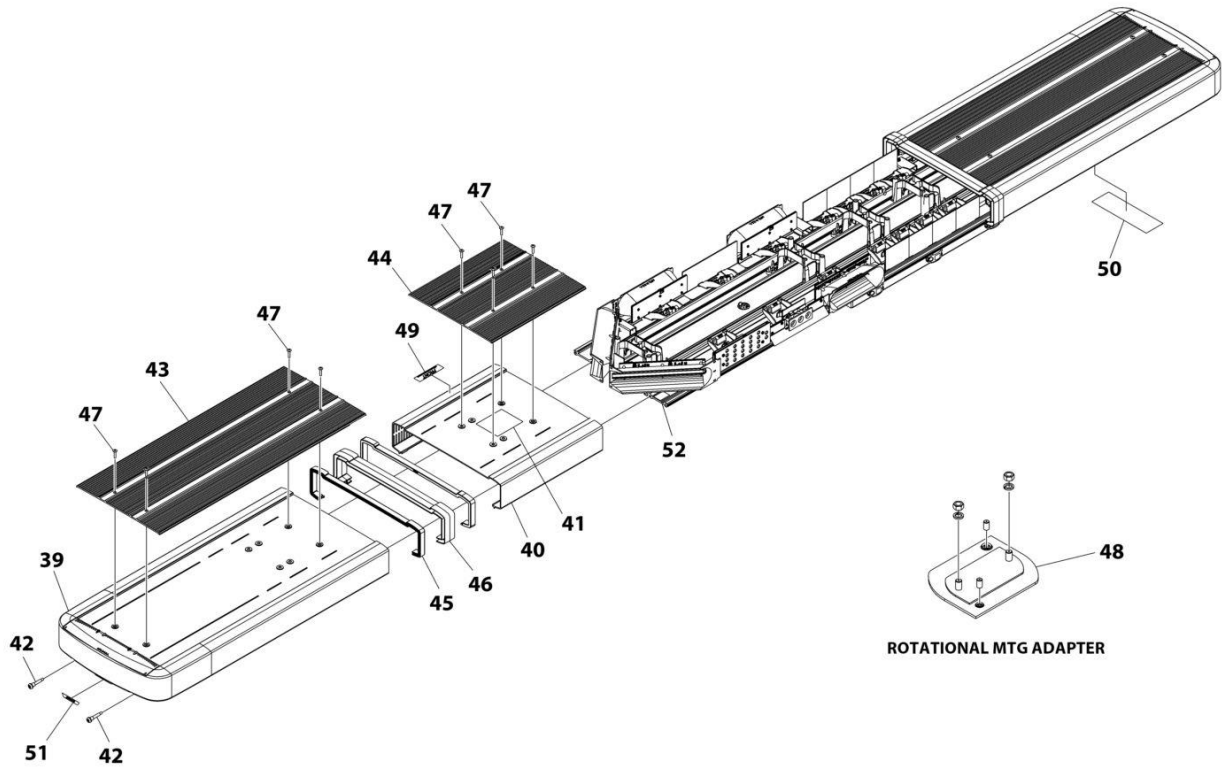
SECTION 7 - ELECTRICAL

FIGURE 7-37. LIGHTS - LIGHTBAR ASSEMBLY - WHELEN 60IN



ART_1001199475_10F2

SECTION 7 - ELECTRICAL



ART_1001199475_20F2

SECTION 7 - ELECTRICAL

FIGURE 7-37. LIGHTS - LIGHTBAR ASSEMBLY - WHELEN 60IN

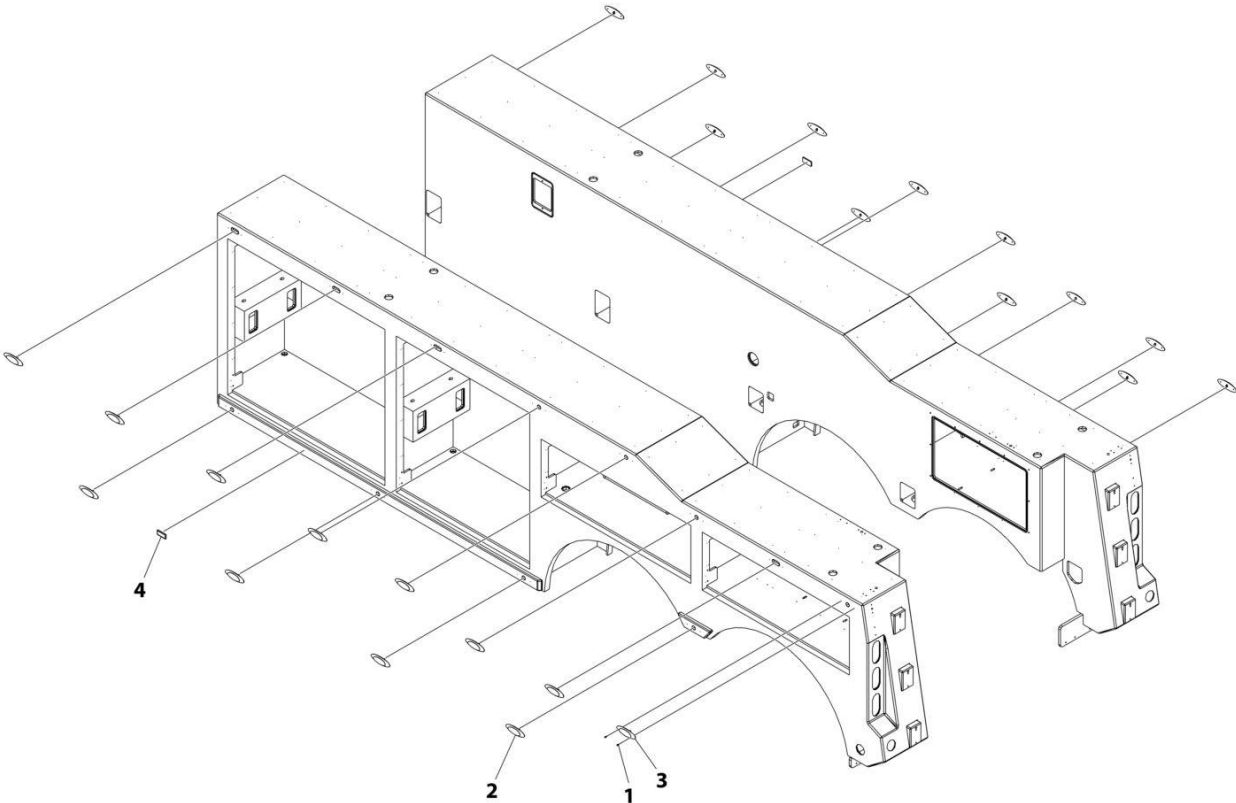
ITEM	PART NUMBER	QTY	DESCRIPTION	REV
	1001199475	Ref	LIGHTS - LAMP ASSEMBLY - 60IN AMBER WHELEN	B
1	70051058	1	Base	
2	70050169	1	Grommet	
3	70050170	2	Plug	
4	70051059	1	Screw #10 x 5/8	
5	70051021	6	Bracket	
6	70051022	1	Bracket	
7	70051023	1	Circuit Board	
8	70051060	1	Cable	
9	70050665	1	Clamp	
10	70050174	1	Nut #10	
11	70051026	AR	Tie Wrap	
12	70051027	2	Bracket	
13	70051035	4	Bracket	
14	70051028	10	Screw #6 x 1/2	
15	70051029	2	Lamp, Rear Amber	
16	70051030	2	Lamp, Front Amber	
17	70051063	6	Lamp, 6 LED	
18	70051064	2	Lamp, 3 LED	
19	70051065	2	Lamp	
20	70051066	2	Bracket	
21	70051036	8	Bracket	
22	70051039	2	Bracket	
23	70050176	1	Grommet	
24	70051068	1	Lamp	
25	70050178	1	Harness	
26	70051069	2	Bracket	
27	70050179	2	Screw #10 x 1/2	
28	70050180	2	Lockwasher #10	
29	70050181	1	Housing	
30	70050175	2	Housing	
31	70051070	1	Harness	
32	70051071	1	Harness	
33	70051072	1	Harness	
34	70051073	1	Harness	
35	70051074	1	Harness	
36	70051075	1	Harness	
37	70051044	20	Bracket	
38	70051045	AR	Tie Wrap (Not Shown)	
39	70051076	1	Lens	
40	70051077	1	Lens	
41	70051078	1	Label	
42	70050203	4	Screw #10 x 1-1/4	
43	70051062	2	Cover	
44	70051061	1	Cover	
45	70051048	4	Seal	
46	70051049	2	Lens	
47	70051053	12	Screw #10 x 7/8	
48	70050204	2	Adapter	
49	70051055	1	Label	

SECTION 7 - ELECTRICAL

ITEM	PART NUMBER	QTY	DESCRIPTION	REV
50	70050207	1	Label	
51	70051056	2	Label	
52	70051057	1	Label	
53	70050208	1	Housing	
54	70050209	1	Connector	
55	70050210	1	Housing	
56	70050211	1	Housing	

SECTION 7 - ELECTRICAL

FIGURE 7-38. LIGHTS - MARKER LIGHTS INSTALLATION (TANDEM)



ART_1001206683

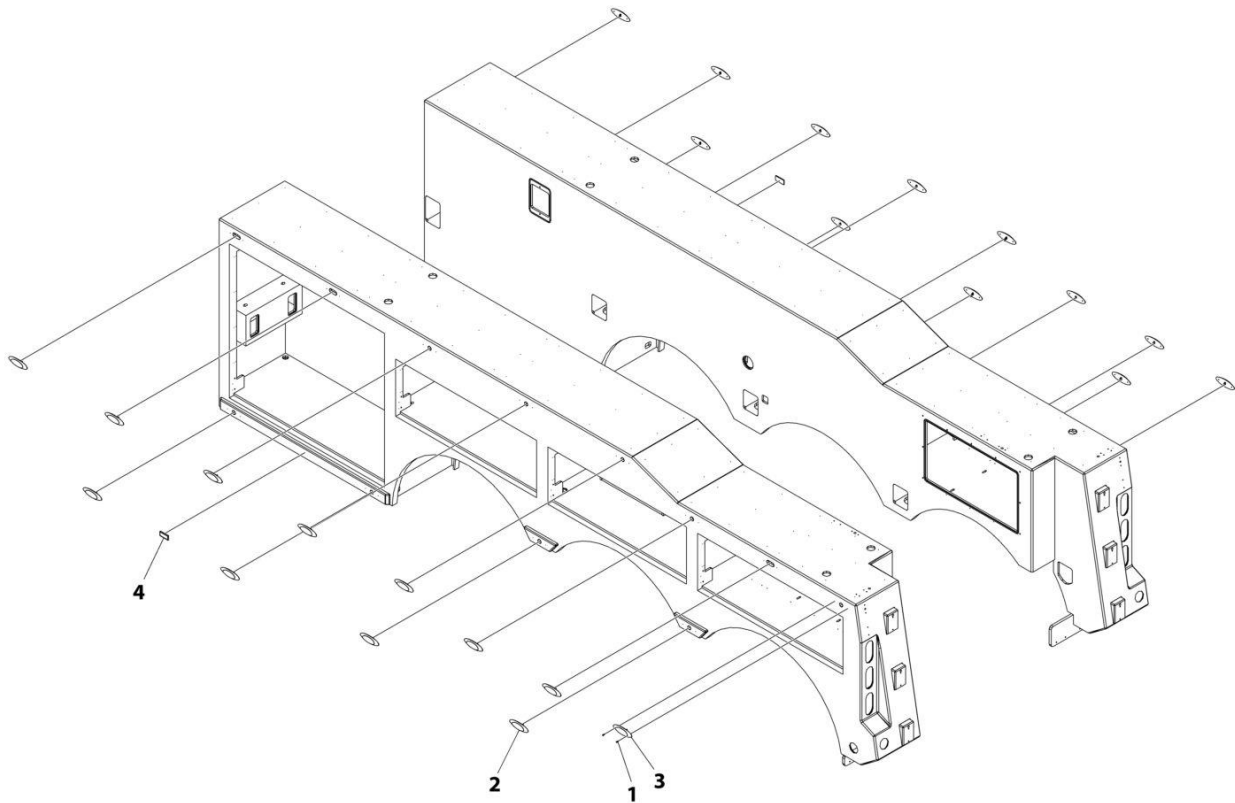
SECTION 7 - ELECTRICAL

FIGURE 7-38. LIGHTS - MARKER LIGHTS INSTALLATION (TANDEM)

ITEM	PART NUMBER	QTY	DESCRIPTION	REV
	1001206683	Ref	MARKER LIGHTS INSTALLATION - TANDEM AXLE	B
1	1001192958	48	Screw #10 x 1/2	
2	7590000358	22	Light	
3	7590000359	2	Light	
4	7736000001	2	Reflector	

SECTION 7 - ELECTRICAL

FIGURE 7-39. LIGHTS - MARKER LIGHTS INSTALLATION (TRI-AXLE)



ART_1001206684

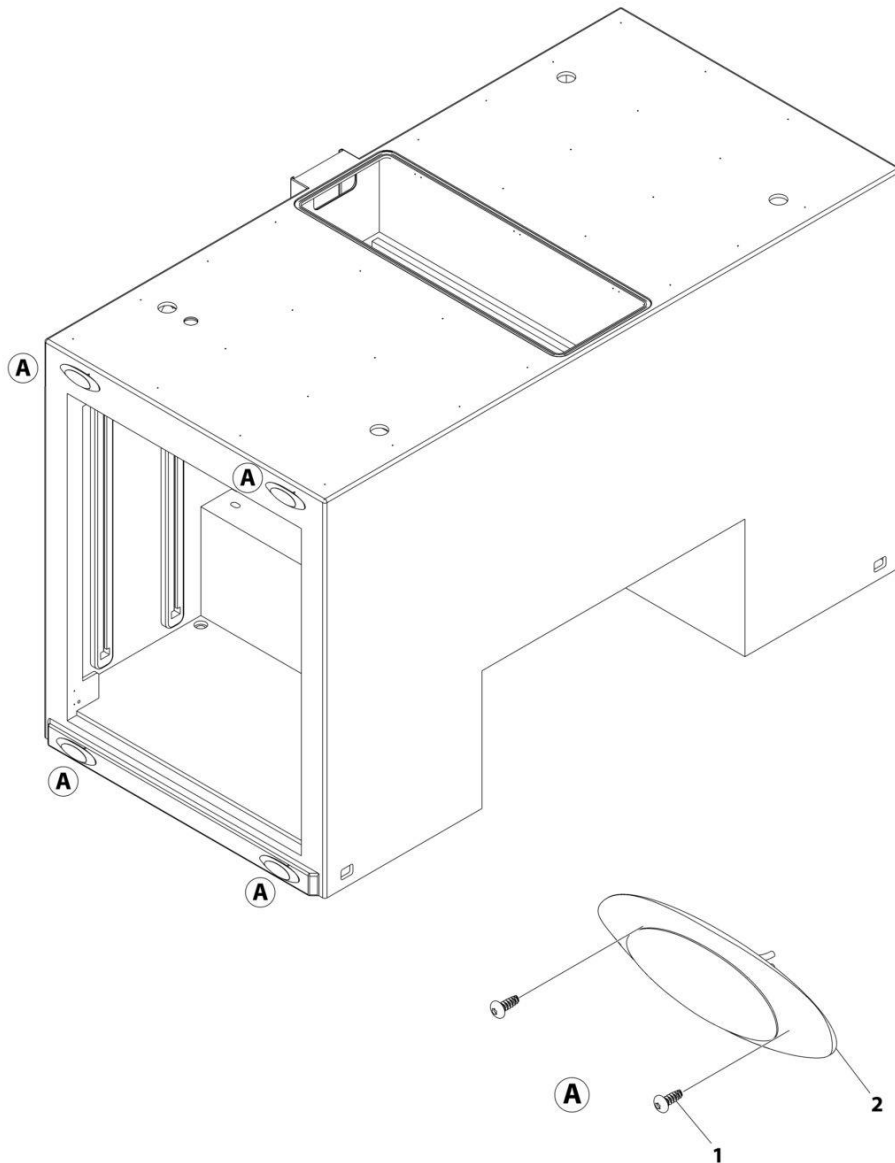
SECTION 7 - ELECTRICAL

FIGURE 7-39. LIGHTS - MARKER LIGHTS INSTALLATION (TRI-AXLE)

ITEM	PART NUMBER	QTY	DESCRIPTION	REV
	1001206684	Ref	MARKER LIGHTS INSTALLATION - TRI-AXLE	B
1	1001192958	48	Screw #10 x 1/2	
2	7590000358	22	Light	
3	7590000359	2	Light	
4	7736000001	2	Reflector	

SECTION 7 - ELECTRICAL

FIGURE 7-40. LIGHTS - MARKER LIGHTS INSTALLATION (TUNNEL)



ART_1001196625

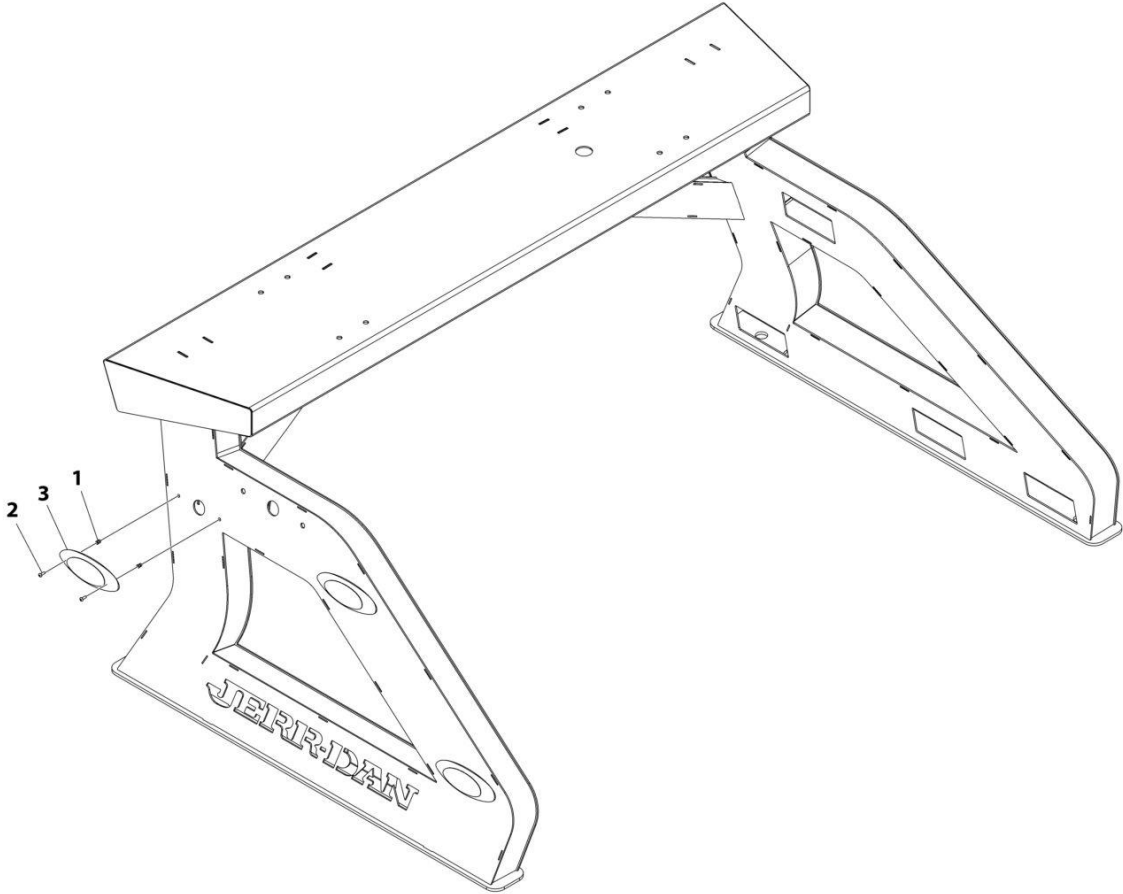
SECTION 7 - ELECTRICAL

FIGURE 7-40. LIGHTS - MARKER LIGHTS INSTALLATION (TUNNEL)

ITEM	PART NUMBER	QTY	DESCRIPTION	REV
	1001196625	Ref	LIGHTS - MARKER LIGHTS INSTALLATION, 48IN TUNNEL	D
1	1001192958	16	Screw #10 x 1/2	
2	7590000358	8	Light	

SECTION 7 - ELECTRICAL

FIGURE 7-41. LIGHTS - MARKER LIGHTS INSTALLATION - PYLON



ART_1001207488

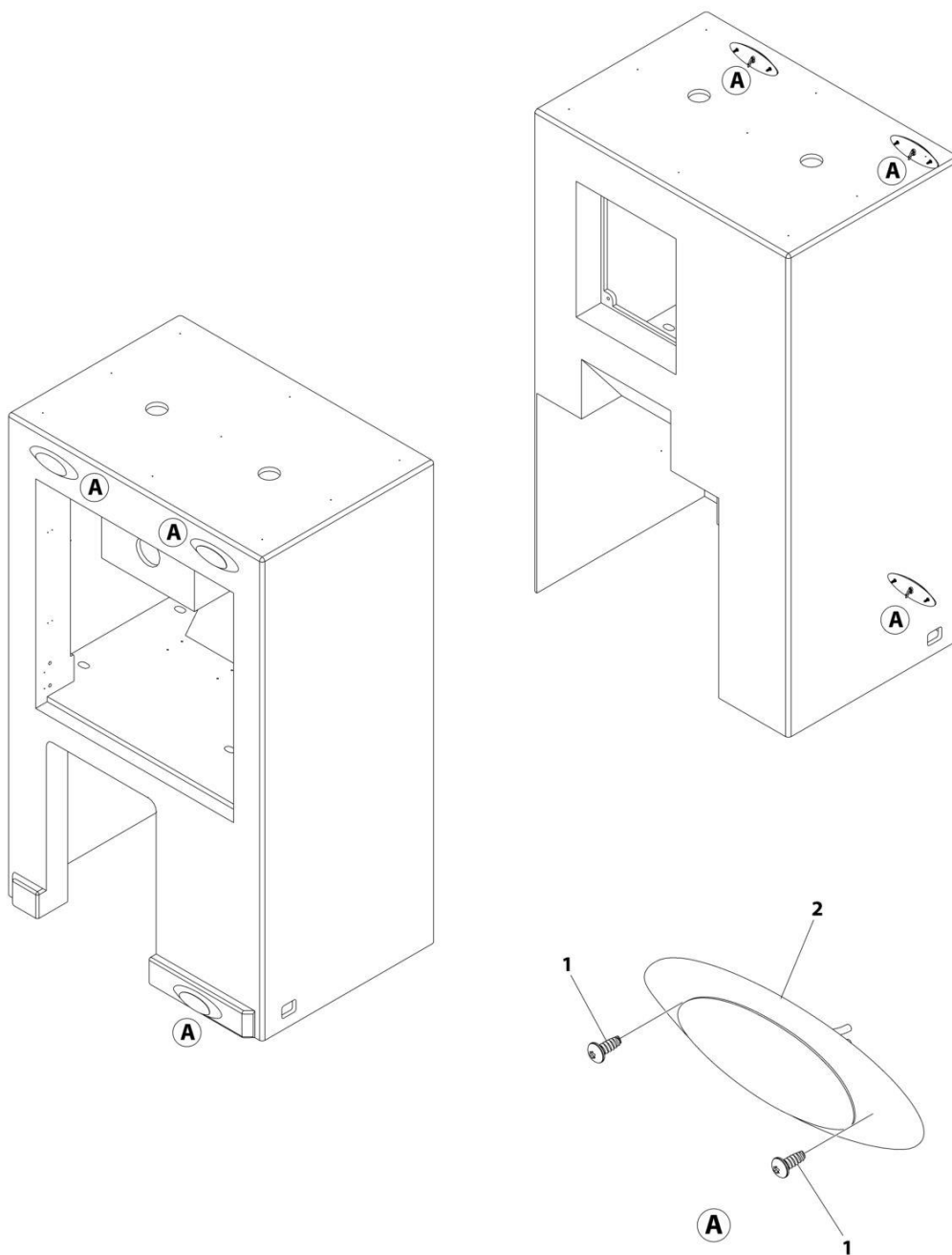
SECTION 7 - ELECTRICAL

FIGURE 7-41. LIGHTS - MARKER LIGHTS INSTALLATION - PYLON

ITEM	PART NUMBER	QTY	DESCRIPTION	REV
	1001207488	Ref	MARKER LIGHTS INSTALLATION - PYLON	B
1	1001151546	12	Nut #8	
2	7114080418	12	Screw #8 x 1/2	
3	7590000358	6	Light, Marker - Amber	

SECTION 7 - ELECTRICAL

FIGURE 7-42. LIGHTS - MARKER WITH SIDE STABILIZER



ART_1001197898

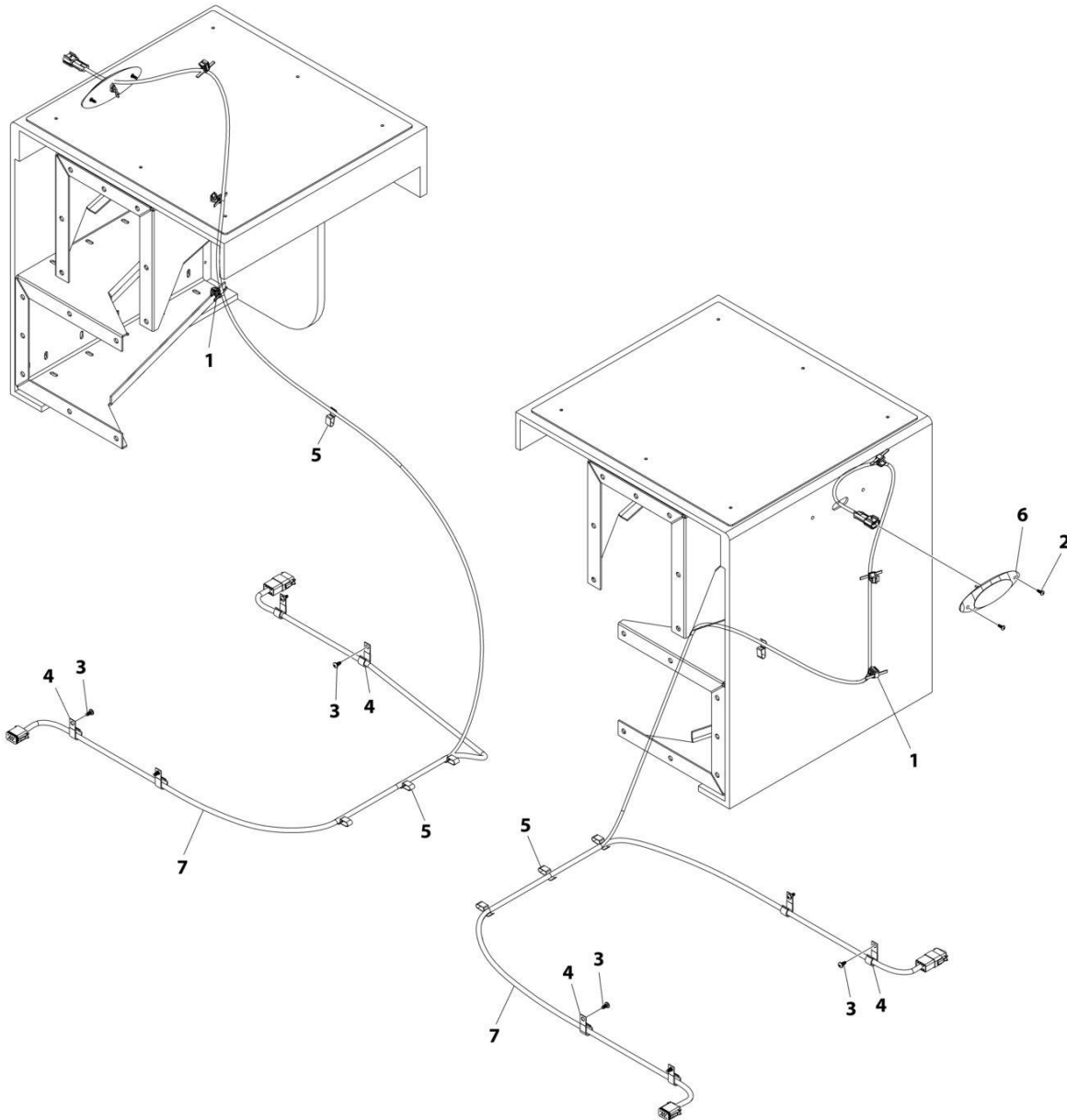
SECTION 7 - ELECTRICAL

FIGURE 7-42. LIGHTS - MARKER WITH SIDE STABILIZER

ITEM	PART NUMBER	QTY	DESCRIPTION	REV
	1001197898	Ref	MARKER LIGHTS INSTALLATION, SRS TOOLBOX	B
1	1001192958	12	Screw #10 x 1/2	
2	7590000262	6	Light	

SECTION 7 - ELECTRICAL

FIGURE 7-43. LIGHTS - MARKER WITH SIDE RECOVERY SYSTEM (SRS) TOOLBOX



ART_1001244297

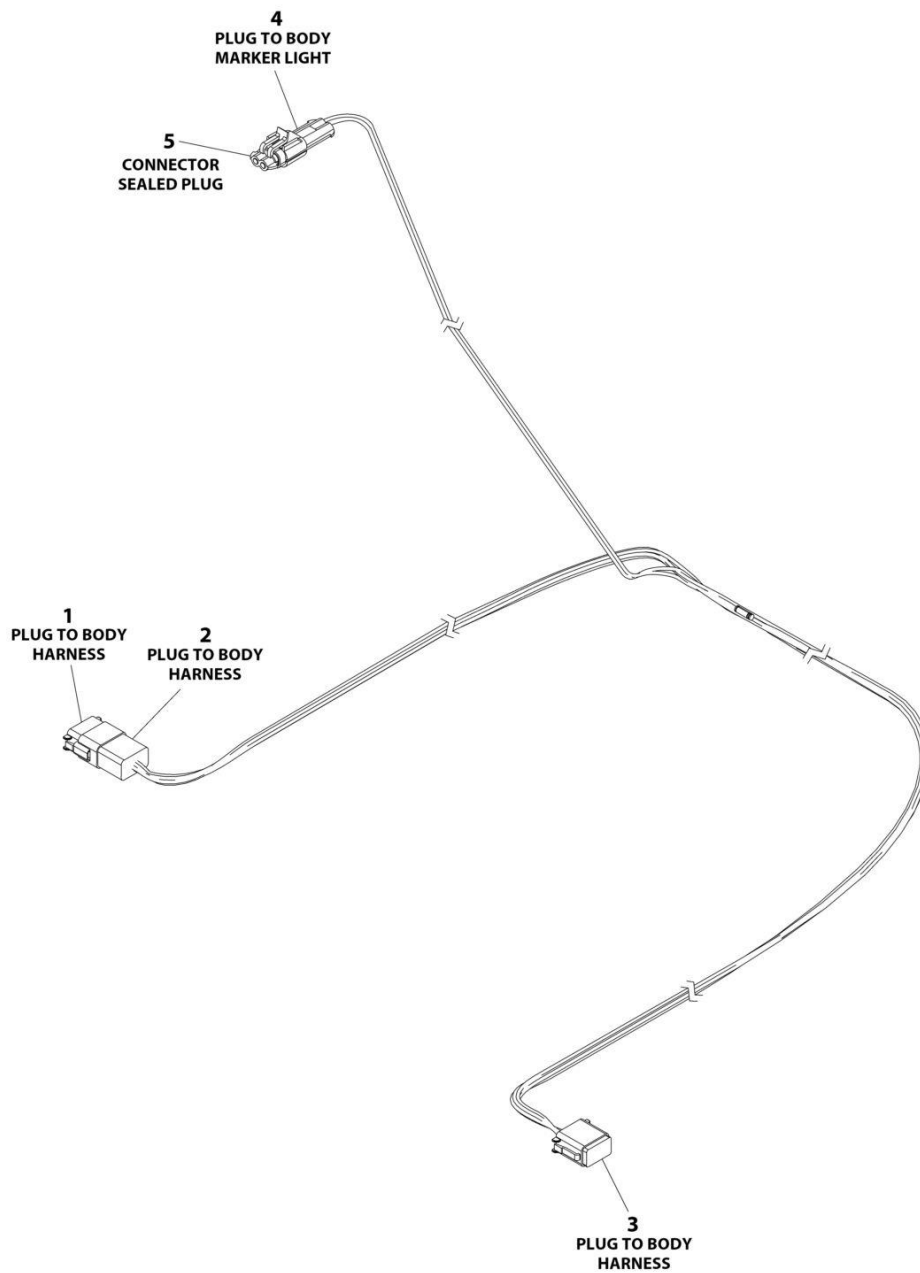
SECTION 7 - ELECTRICAL

FIGURE 7-43. LIGHTS - MARKER WITH SIDE RECOVERY SYSTEM (SRS) TOOLBOX

ITEM	PART NUMBER	QTY	DESCRIPTION	REV
	1001244297	Ref	MARKER LIGHT INSTALLATION	A
1	1001152419	6	Clip (Two Piece)	
2	1001192958	4	Screw #10 x 1/2	
3	1001195257	8	Screw 1/4 x 1/2	
4	7280000006	8	Clip	
5	7280000013	8	Clip	
6	7590000358	2	Light, Marker	
7	1001244216	2	Marker Light Harness - SS70 Filler Panel (See Separate Breakdown in this Section)	

SECTION 7 - ELECTRICAL

FIGURE 7-44. LIGHTS - MARKER LIGHT HARNESS WITH SIDE STABILOZER



ART_1001244216

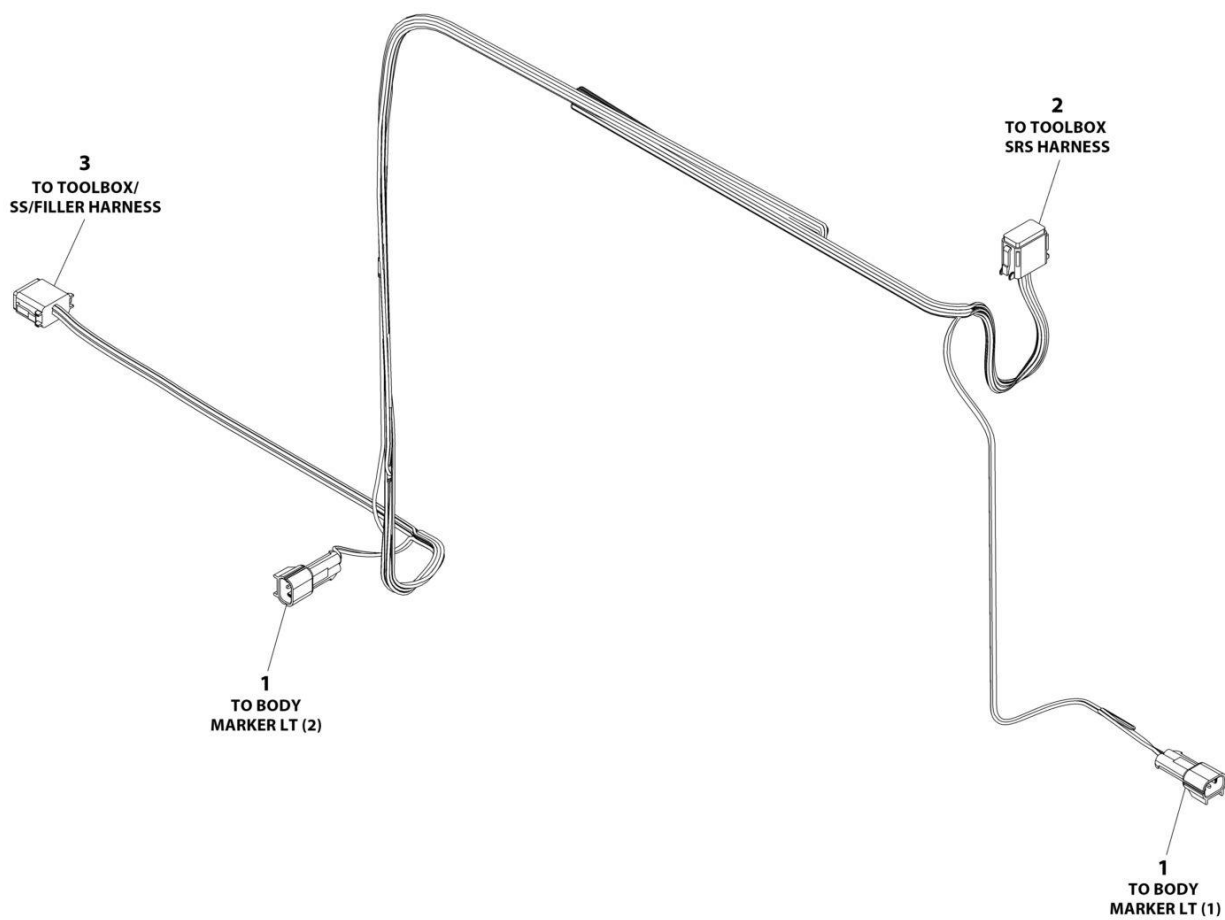
SECTION 7 - ELECTRICAL

FIGURE 7-44. LIGHTS - MARKER LIGHT HARNESS WITH SIDE STABILIZER

ITEM	PART NUMBER	QTY	DESCRIPTION	REV
	1001244216	Ref	LIGHTS - LIGHTING HARNESS (SS-70 NO PANEL)	B
1	4460930	1	Plug, Male - 8 Position	
1	4460466	8	Plug, Terminal	
2	4460931	1	Receptacle, Female - 8 Position	
2	4460464	4	Pin, Male	
2	4460941	2	Pin, Male	
2	4460466	2	Plug, Terminal	
3	4460930	1	Plug, Male - 8 Position	
3	4460465	4	Socket, Female	
3	4460942	2	Socket, Female	
3	4460466	2	Plug, Terminal	
4	NPN	1	Receptacle, Female - 2 Position	
4	NPN	2	Terminal	
5	1001117021	1	Plug, Male	
5	1001116727	2	Terminal	

SECTION 7 - ELECTRICAL

FIGURE 7-45. LIGHTS - SRS TOOLBOX HARNESS - MAIN



ART_1001207276

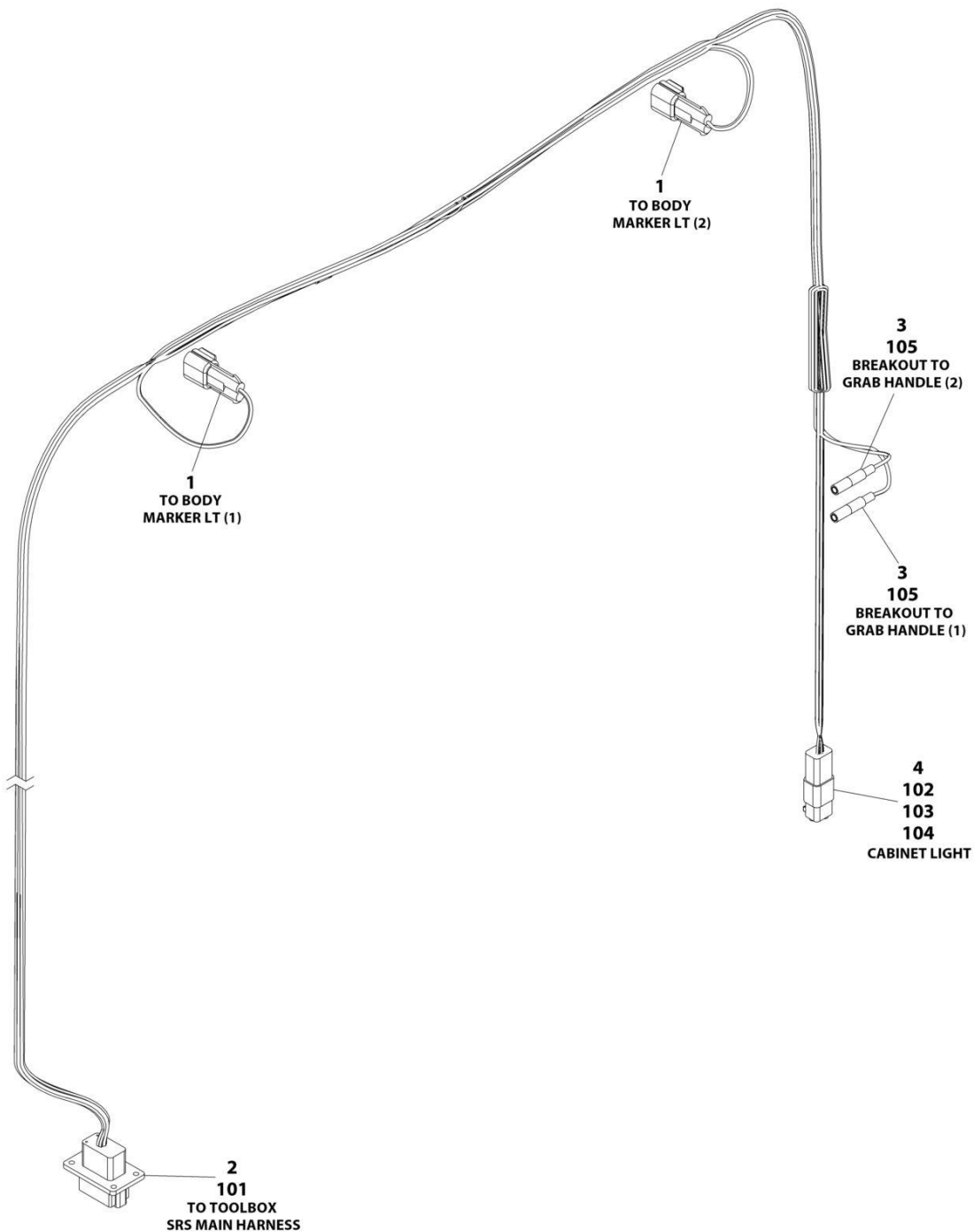
SECTION 7 - ELECTRICAL

FIGURE 7-45. LIGHTS - SRS TOOLBOX HARNESS - MAIN

ITEM	PART NUMBER	QTY	DESCRIPTION	REV
	1001207276	Ref	TOOLBOX HARNESS - MAIN (SRS)	C
1	1001117026	2	Connector 2 Position	
1	1001116745	4	Terminal	
2	4460933	1	Connector 12 Position	
2	4460465	10	Terminal	
2	4460466	2	Plug, Terminal	
3	4460930	1	Connector 8 Position	
3	4460465	4	Terminal	
3	4460942	2	Terminal	
3	4460466	2	Plug, Terminal	

SECTION 7 - ELECTRICAL

FIGURE 7-46. LIGHTS - SRS TOOLBOX HARNESS



ART_1001207277

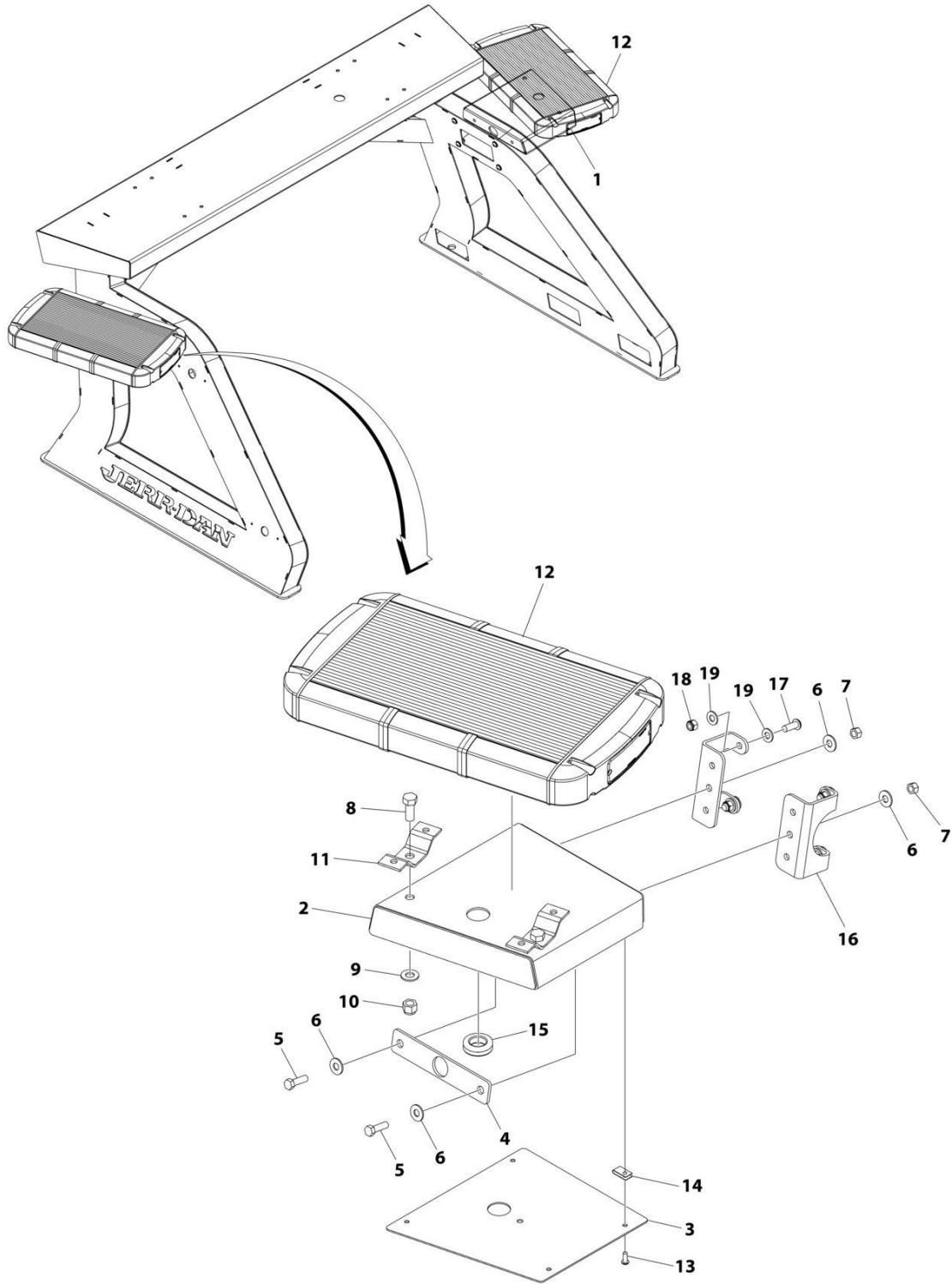
SECTION 7 - ELECTRICAL

FIGURE 7-46. LIGHTS - SRS TOOLBOX HARNESS

ITEM	PART NUMBER	QTY	DESCRIPTION	REV
	1001207277	Ref	TOOLBOX HARNESS (SRS)	C
1	1001117026	2	Connector 2 Position	
1	1001116745	4	Terminal	
2	4460939	1	Connector 12 Position	
2	4460464	6	Terminal	
2	4460466	4	Plug, Terminal	
3	8220068	2	Connector 1 Position	
4	4460932	1	Connector 4 Position	
4	4460464	4	Terminal	
101	4460464	2	Terminal	
102	4460465	4	Terminal	
103	4460466	2	Plug, Terminal	
104	4460884	1	Connector 4 Position	
105	8220080	2	Plug, Terminal	

SECTION 7 - ELECTRICAL

FIGURE 7-47. LIGHTS - WING LIGHTS MOUNT INSTALLATION (WHELEN)



ART_1001228843

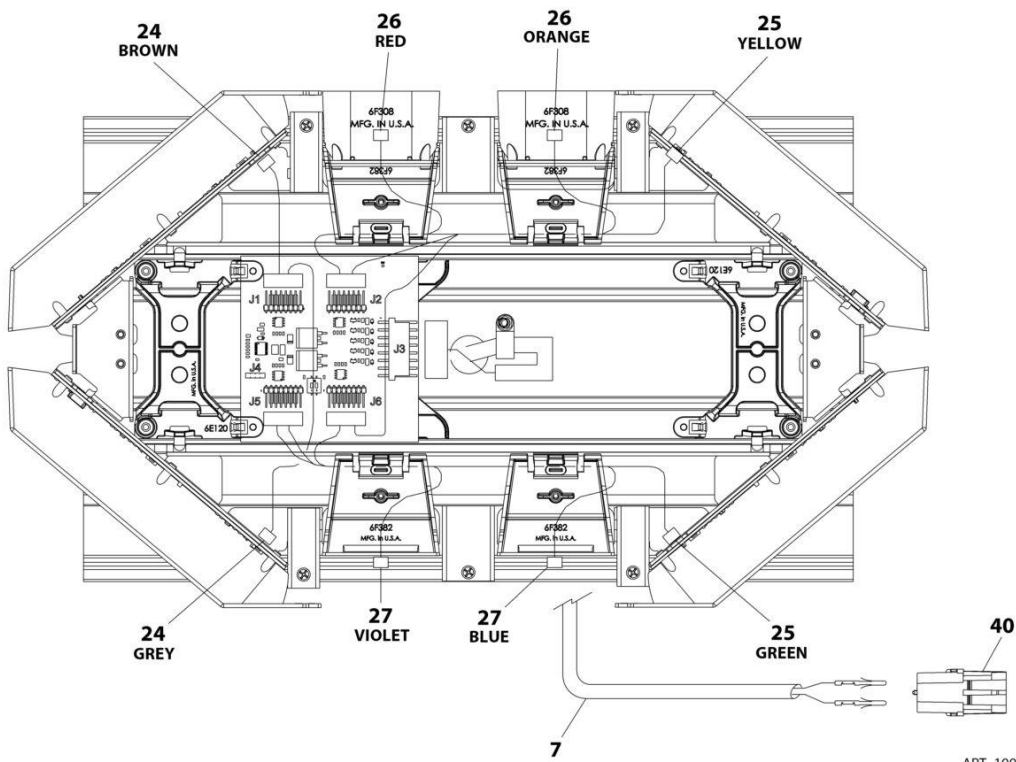
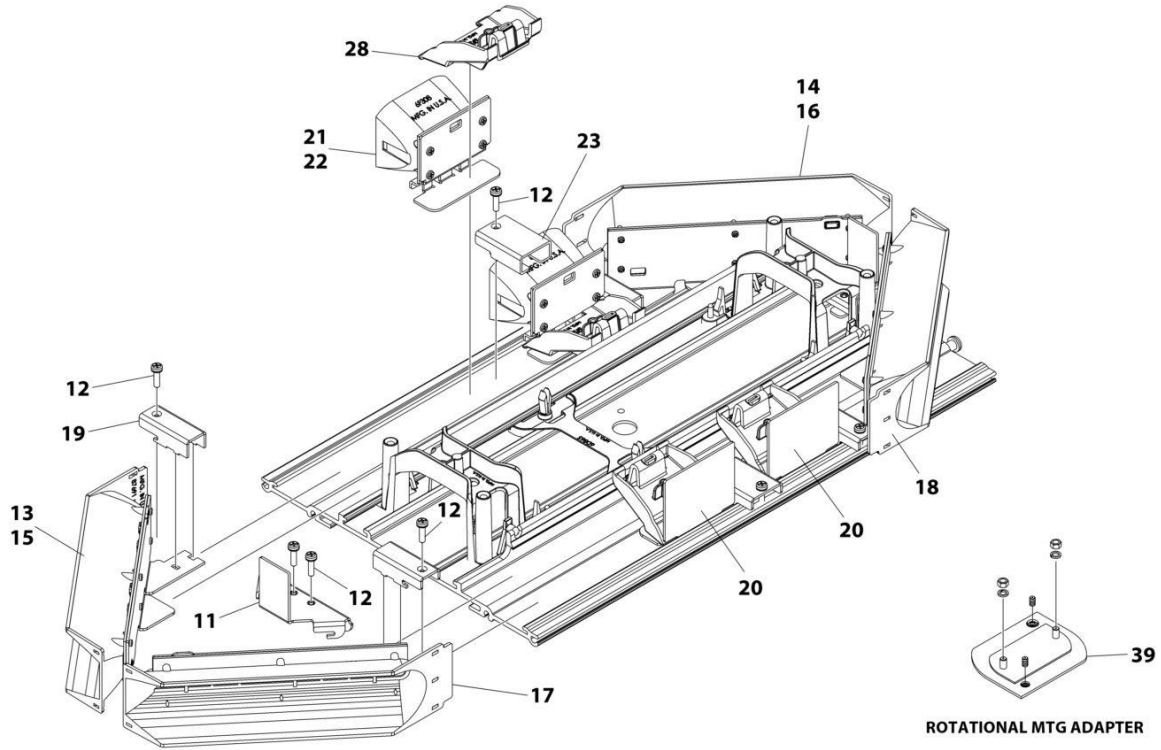
SECTION 7 - ELECTRICAL

FIGURE 7-47. LIGHTS - WING LIGHTS MOUNT INSTALLATION (WHELEN)

ITEM	PART NUMBER	QTY	DESCRIPTION	REV
	1001228843	Ref	LIGHTS - WING LIGHT AMBER WHELEN, 22IN	A
1	1001228844	1	Mount, RH	
2	1001228845	1	Mount, LH	
3	1001213110	2	Plate	
4	1001214129	2	Plate	
5	0641610	4	Capscrew 3/8 x 1-1/4	
6	4751600	8	Washer 3/8	
7	3271605	4	Nut 3/8	
8	0641810	4	Capscrew 1/2 x 1-1/4	
9	4711800	4	Washer 1/2	
10	7660182601	4	Nut 1/2	
11	4178000402	4	Bracket	
12	1001199478	2	Whelen Light Bar (See Separate Breakdown in this Section)	
13	7114140518	8	Screw 1/4 5/8	
14	7661000019	8	U-Nut 1/4	
15	7493000011	2	Grommet	
16	1001228828	4	Gusset, Support	
17	7114160818	4	Screw 3/8 x 1	
18	7660162601	8	Nut 3/8	
19	7950160143	16	Washer 3/8	

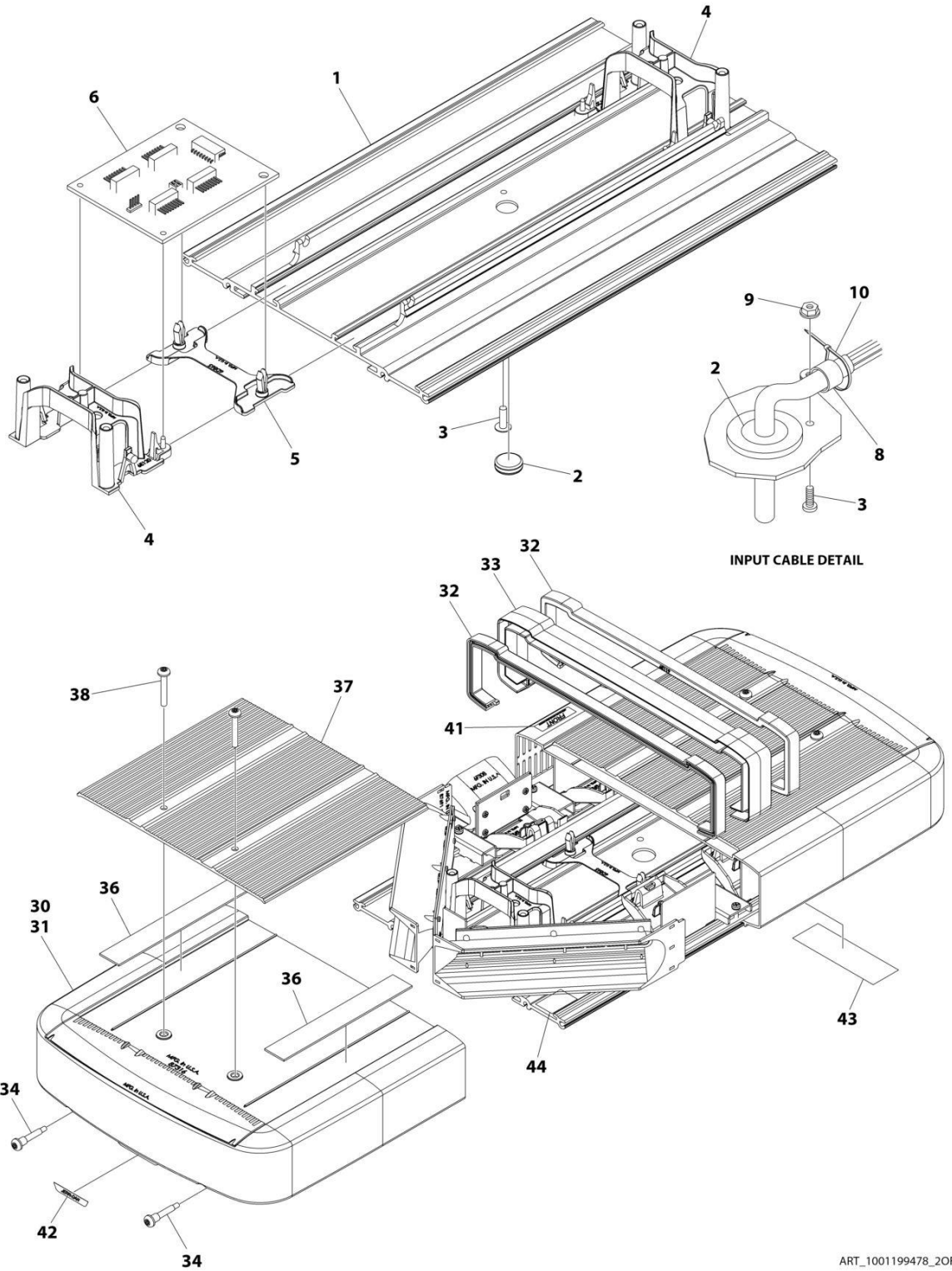
SECTION 7 - ELECTRICAL

FIGURE 7-48. LIGHTS - WING LIGHTS ASSEMBLY - 22IN AMBER (WHELEN)



ART_1001199478_1OF2

SECTION 7 - ELECTRICAL



ART_1001199478_20F2

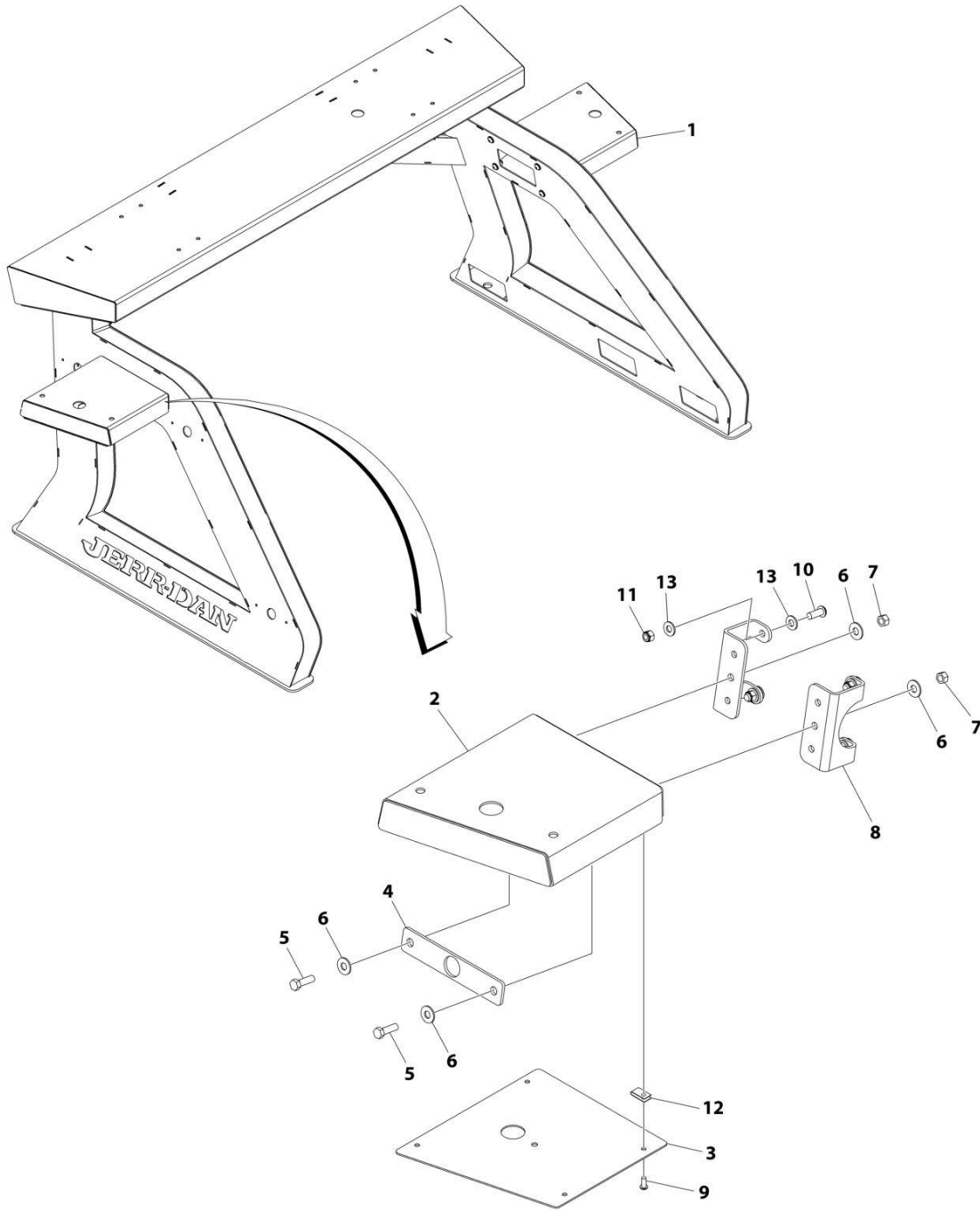
SECTION 7 - ELECTRICAL

FIGURE 7-48. LIGHTS - WING LIGHTS ASSEMBLY - 22IN AMBER (WHELEN)

ITEM	PART NUMBER	QTY	DESCRIPTION	REV
	1001199478	Ref	LIGHTS - LAMP ASSEMBLY - 22IN WHELEN WING LIGHT	B
1	70051019	1	Base	
2	70050169	1	Grommet	
3	70051020	1	Screw #10 x 7/8	
4	70051021	2	Bracket, Bulkhead Lens Mount	
5	70051022	1	Bracket, I/O Anchor	
6	70051023	1	Assembly, I/O BD Mini	
7	70051024	1	Assembly, Cable	
8	70051025	1	Clamp, Cable	
9	70050174	1	Nut #10	
10	70051026	AR	Tie Wrap	
11	70051027	2	Bracket, End Clamp	
12	70051028	10	Screw #6 x 1/2	
13	70051029	1	Assy, Corner L-Front/R-Rear Amber	
14	70051030	1	Assy, Corner L-Rear/R-Front Amber	
15	70051031	1	Assy, Corner L-Front/R-Rear Blue	
16	70051032	1	Assy, Corner L-Rear/R-Front Blue	
17	70051033	1	Assembly, Blank Rear Drvr Corner	
18	70051034	1	Assembly, Blank Rear Pass Corner	
19	70051035	4	Bracket, Corner Clamp	
20	70051036	2	Bracket, Half Filler	
21	70051037	2	Sub Assy, Short Directional Amber	
22	70051038	2	Sub Assy, Short Directional Blue	
23	70051039	2	Bracket, Filler	
24	70051040	1	Assembly, Harness	
25	70051041	1	Assembly, Harness	
26	70051042	1	Assembly, Harness	
27	70051043	1	Assembly, Harness	
28	70051044	4	Bracket, Snap-In	
29	70051045	AR	Tie Wrap (Not Shown)	
30	70051046	2	Sub Assy, Cut Dome Clear	
31	70051047	2	Sub Assy, Cut Dome Blue	
32	70051048	2	Seal, Lens Divider	
33	70051049	1	Divider, Lens	
34	70051050	4	Screw #10 x 1-1/4	
36	70051051	4	Tape, VHB Endcap Trim Mount	
37	70051052	2	Cover	
38	70051053	4	Screw #10 x 7/8	
39	70050204	2	Kit, Rotational MTG Adapter Jerr-Dan	
40	70051054	1	Housing, 2 POS Male Weather-Pack Sealed	
41	70051055	1	Label, "Front" Lightbar Assys	
42	70051056	2	Label, Jerr-Dan Liberty II	
43	70050207	1	Label, MN/SN Jerr-Dan Lightbar	
44	70051057	1	Label, Serial Number Liberty II Series	

SECTION 7 - ELECTRICAL

FIGURE 7-49. LIGHTS - WING LIGHTS MOUNT ONLY INSTALLATION



ART_1001228841

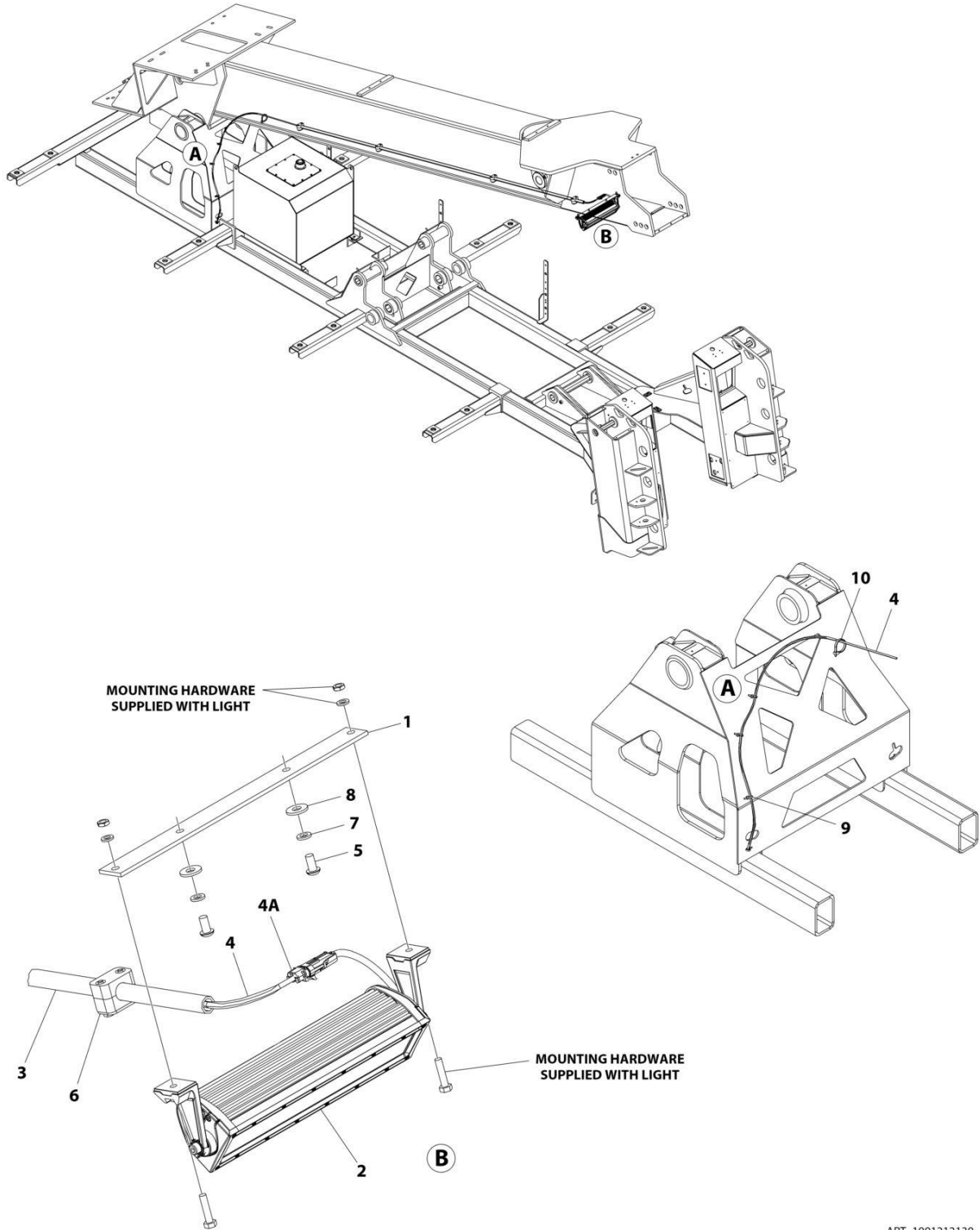
SECTION 7 - ELECTRICAL

FIGURE 7-49. LIGHTS - WING LIGHTS MOUNT ONLY INSTALLATION

ITEM	PART NUMBER	QTY	DESCRIPTION	REV
	1001228841	Ref	Wing Light Bracket Installation	A
1	1001228844	1	Mount, RH	
2	1001228845	1	Mount, LH	
3	1001213110	2	Plate	
4	1001214129	2	Plate	
5	0641610	4	Capscrew 3/8 x 1-1/4	
6	4751600	8	Washer 3/8	
7	3271605	4	Nut 3/8	
8	1001228828	4	Gusset, Support	
9	7114140518	8	Screw 1/4 5/8	
10	7114160818	8	Screw 3/8 x 1	
11	7660162601	8	Nut 3/8	
12	7661000019	8	U-Nut 1/4	
13	7950160143	16	Washer 3/8	

SECTION 7 - ELECTRICAL

FIGURE 7-50. LIGHTS - WORKLIGHT INSTALLATION - BOOM



ART_1001212130

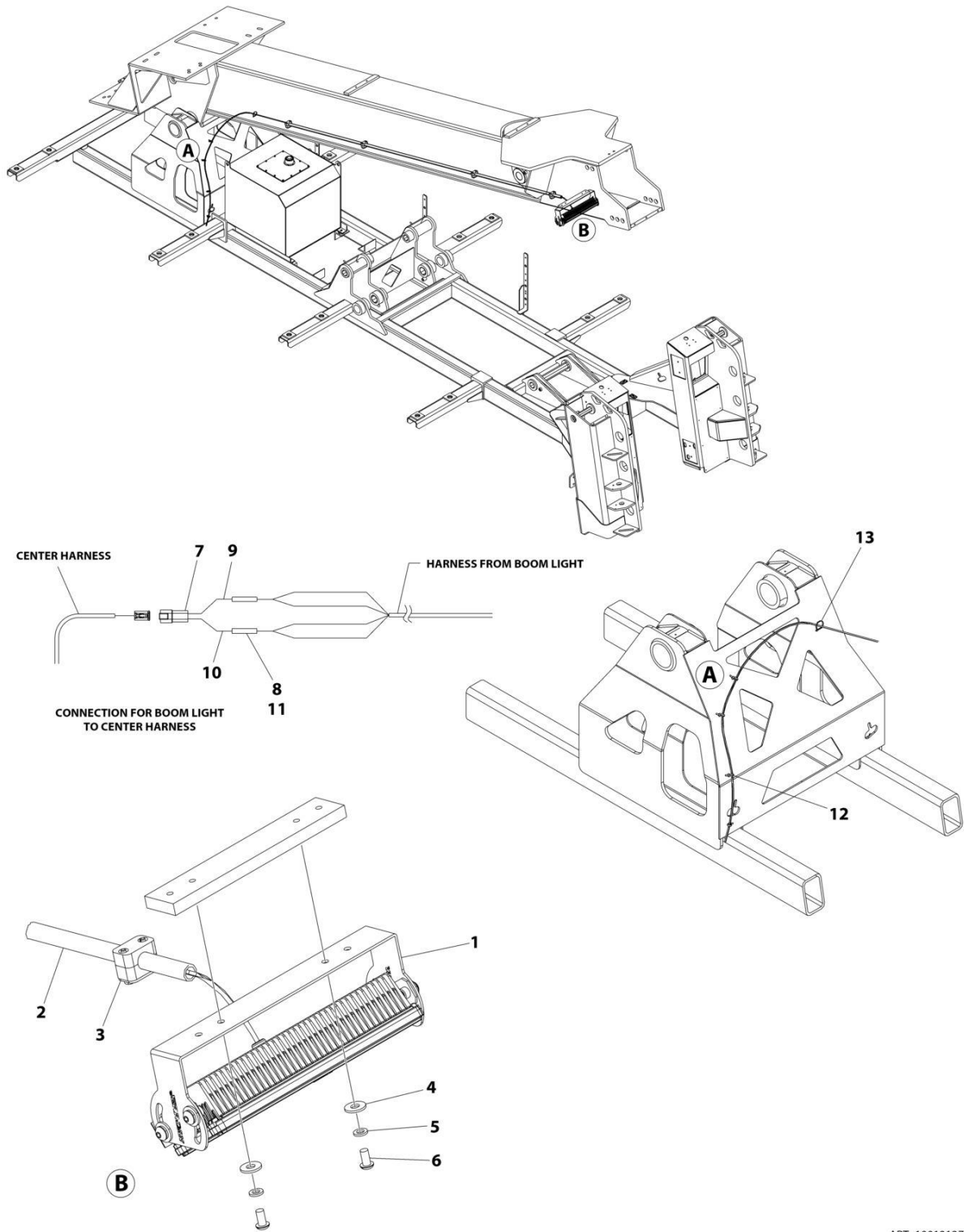
SECTION 7 - ELECTRICAL

FIGURE 7-50. LIGHTS - WORKLIGHT INSTALLATION - BOOM

ITEM	PART NUMBER	QTY	DESCRIPTION	REV
	1001212130	Ref	WORKLIGHT INSTALLATION - BOOM	C
1	1001270464	1	Mount, Work Light	
2	1001270479	1	Light	
3	1001206319	1	Tube	
4	1001212488	1	Harness, Boom Light	
4A	4460742	1	Plug, Male - 2 Position	
4A	4460457	2	Socket, Female	
4A	1001190037	2	Seal	
5	7114160618	2	Screw 3/8 x 3/4	
6	7274000095	4	Clamp	
7	7950160003	2	Washer 3/8	
8	7950160163	2	Washer 3/8	
9	7894000042	4	Tie-Strap	
10	5526000553	1	Tie-Strap	

SECTION 7 - ELECTRICAL

FIGURE 7-51. LIGHTS - WORKLIGHT INSTALLATION - BOOM (WHELEN)



ART_1001212729

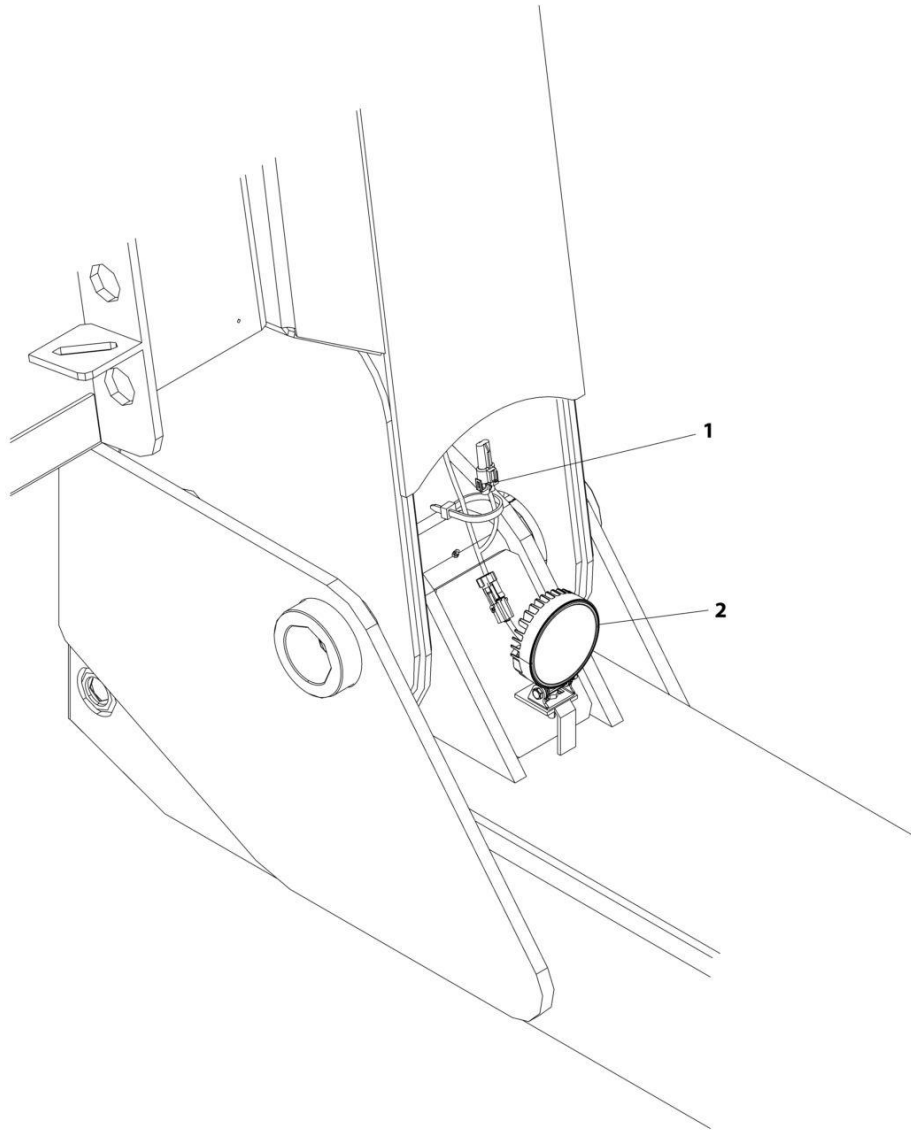
SECTION 7 - ELECTRICAL

FIGURE 7-51. LIGHTS - WORKLIGHT INSTALLATION - BOOM (WHELEN)

ITEM	PART NUMBER	QTY	DESCRIPTION	REV
	1001212729	Ref	WORKLIGHT INSTALLATION - BOOM	B
1	1001130429	1	Light	
2	1001206319	1	Tube	
3	7274000095	4	Clamp	
4	7950160163	2	Washer 3/8	
5	7950160003	2	Washer 3/8	
6	7114160618	2	Screw 3/8 x 3/4	
7	4460508	2	Pin	
8	7345001914	2	Terminal	
9	8977030200	1 ft	Wire, Red	
10	8977030300	1 ft	Wire, White	
11	7346000039	AR	Tubing	
12	7894000042	4	Tie-Strap	
13	7894000010	1	Tie-Strap	

SECTION 7 - ELECTRICAL

FIGURE 7-52. LIGHTS - WORKLIGHT LIGHTS INSTALLATION - UNDERLIFT



ART_1001212111

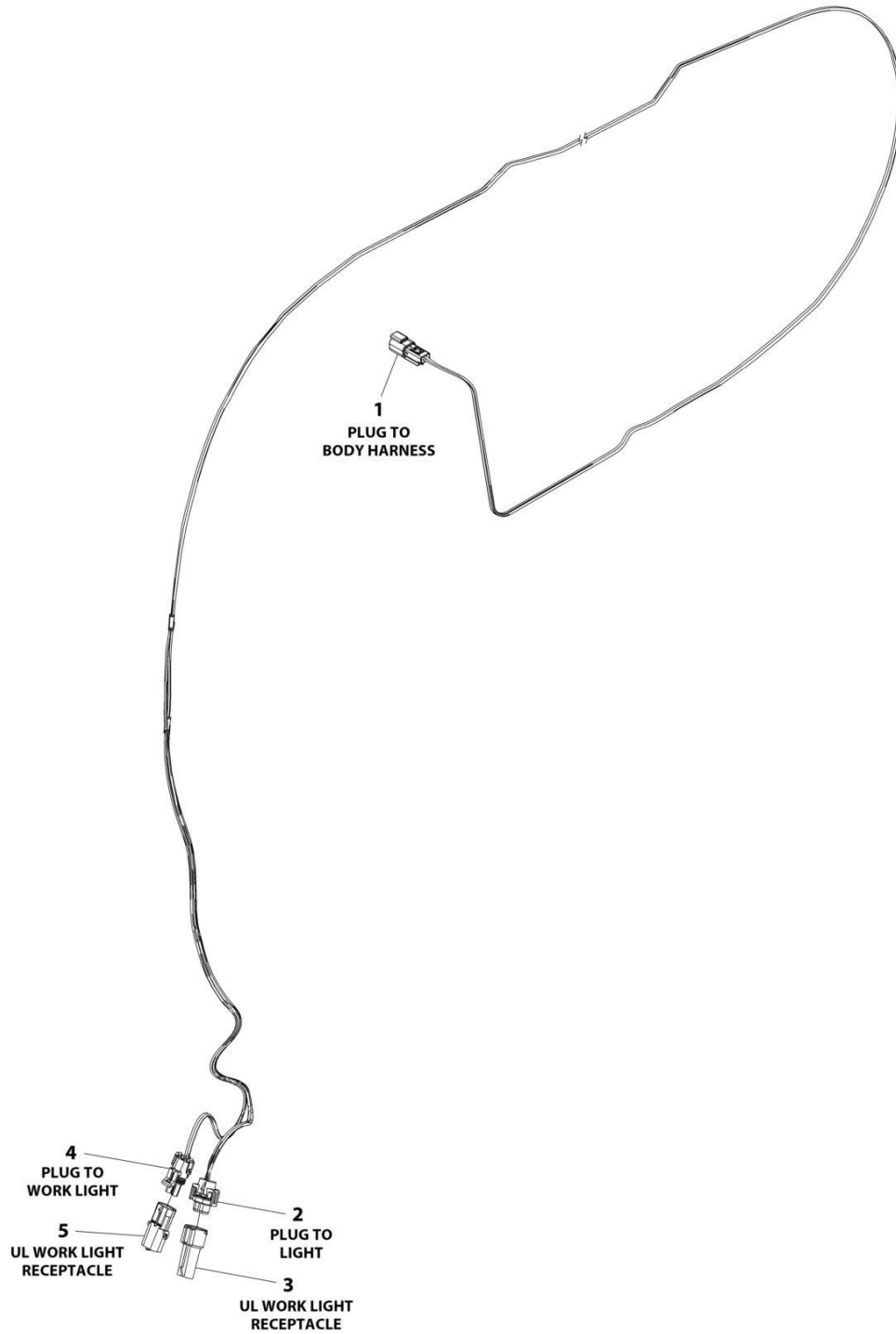
SECTION 7 - ELECTRICAL

FIGURE 7-52. LIGHTS - WORKLIGHT LIGHTS INSTALLATION - UNDERLIFT

ITEM	PART NUMBER	QTY	DESCRIPTION	REV
	1001212111	Ref	WORKLIGHT LIGHTS INSTALLATION - UNDERLIFT	C
1	1001209033	1	Underlift Worklight Harness (See Separate Breakdown in this Section)	
2	1001273634	1	Lamp	
3	7894000004	40	Tie-Strap (Not Shown)	

SECTION 7 - ELECTRICAL

FIGURE 7-53. LIGHTS - WORKLIGHT LIGHTS HARNESS - UNDERLIFT



ART_1001209033

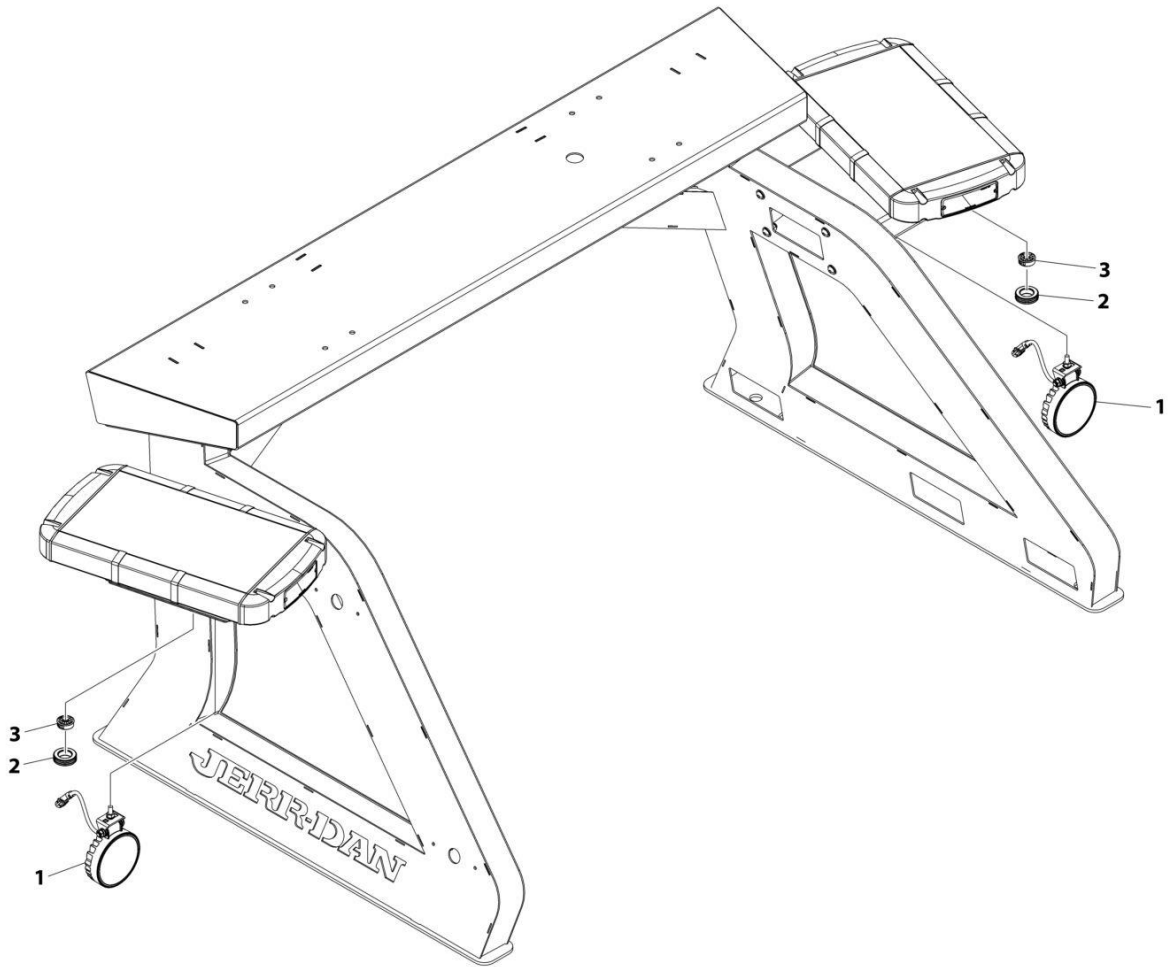
SECTION 7 - ELECTRICAL

FIGURE 7-53. LIGHTS - WORKLIGHT LIGHTS HARNESS - UNDERLIFT

ITEM	PART NUMBER	QTY	DESCRIPTION	REV
	1001209033	Ref	WORKLIGHT LIGHTS HARNESS - UNDERLIFT	C
1	4460897	1	Receptacle, Female - 2 Position	
1	4460464	2	Pin, Male	
2	NPN	1	Plug, Male 2 Position	
2	4460746	2	Terminal	
2	1001190037	2	Seal	
3	NPN	1	Receptacle, Female - 2 Position	
3	1001116727	2	Plug, Terminal	
4	4460742	1	Plug, Male 2 Position	
4	4460457	2	Socket, Female	
4	4460458	2	Seal	
5	4461157	2	Receptacle, Female - 2 Position	
5	1001116727	2	Plug, Terminal	

SECTION 7 - ELECTRICAL

FIGURE 7-54. LIGHTS - WORKLIGHT LIGHTS INSTALLATION (UPPER)



ART_1001207487

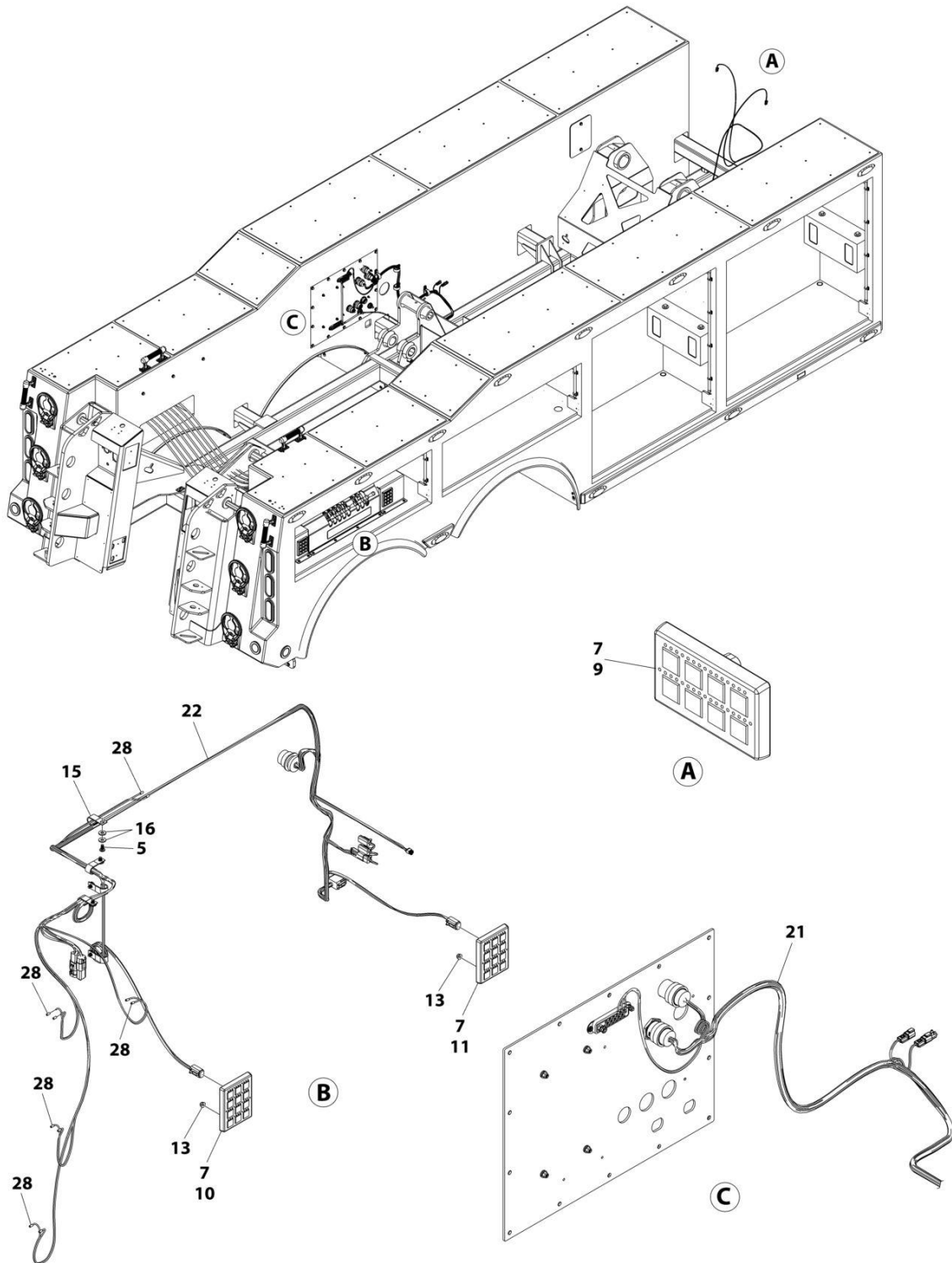
SECTION 7 - ELECTRICAL

FIGURE 7-54. LIGHTS - WORKLIGHT LIGHTS INSTALLATION (UPPER)

ITEM	PART NUMBER	QTY	DESCRIPTION	REV
	1001207487	Ref	UPPER WORK LIGHTS INSTALLATION	D
1	1001176337	2	Lamp (SN 0230004275 through 0230009719)	
1	1001273634	2	Lamp (SN 0230009720 to Present)	
2	7493000011	AR	Grommet	
3	1001169085	AR	Grommet	
4	5526000553	AR	Tie-Strap (Not Shown)	

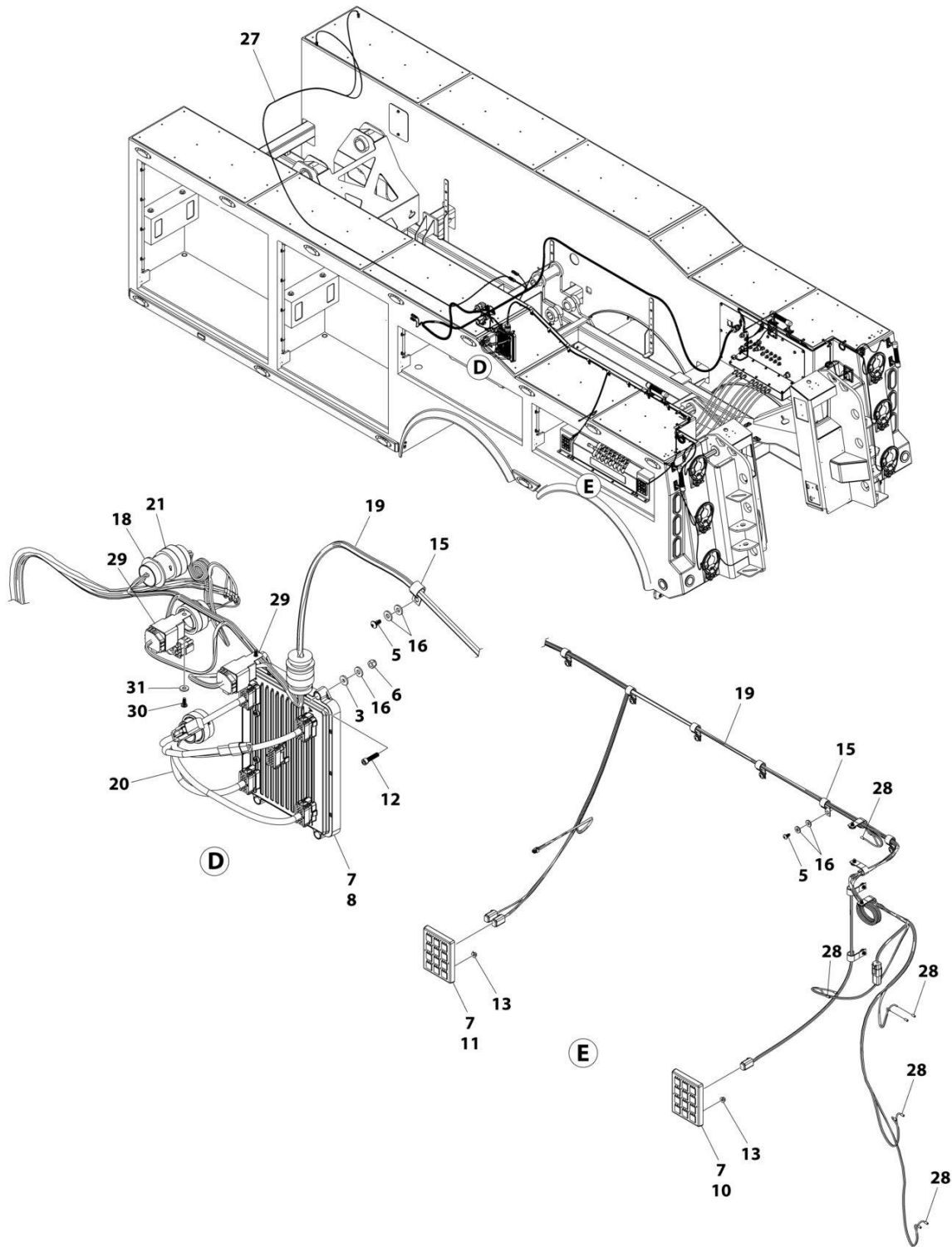
SECTION 7 - ELECTRICAL

FIGURE 7-55. MULTIPLEX INSTALLATION (WITHOUT UL WINCH)



ART_1001236616_10F2

SECTION 7 - ELECTRICAL



ART_1001236616_20F2

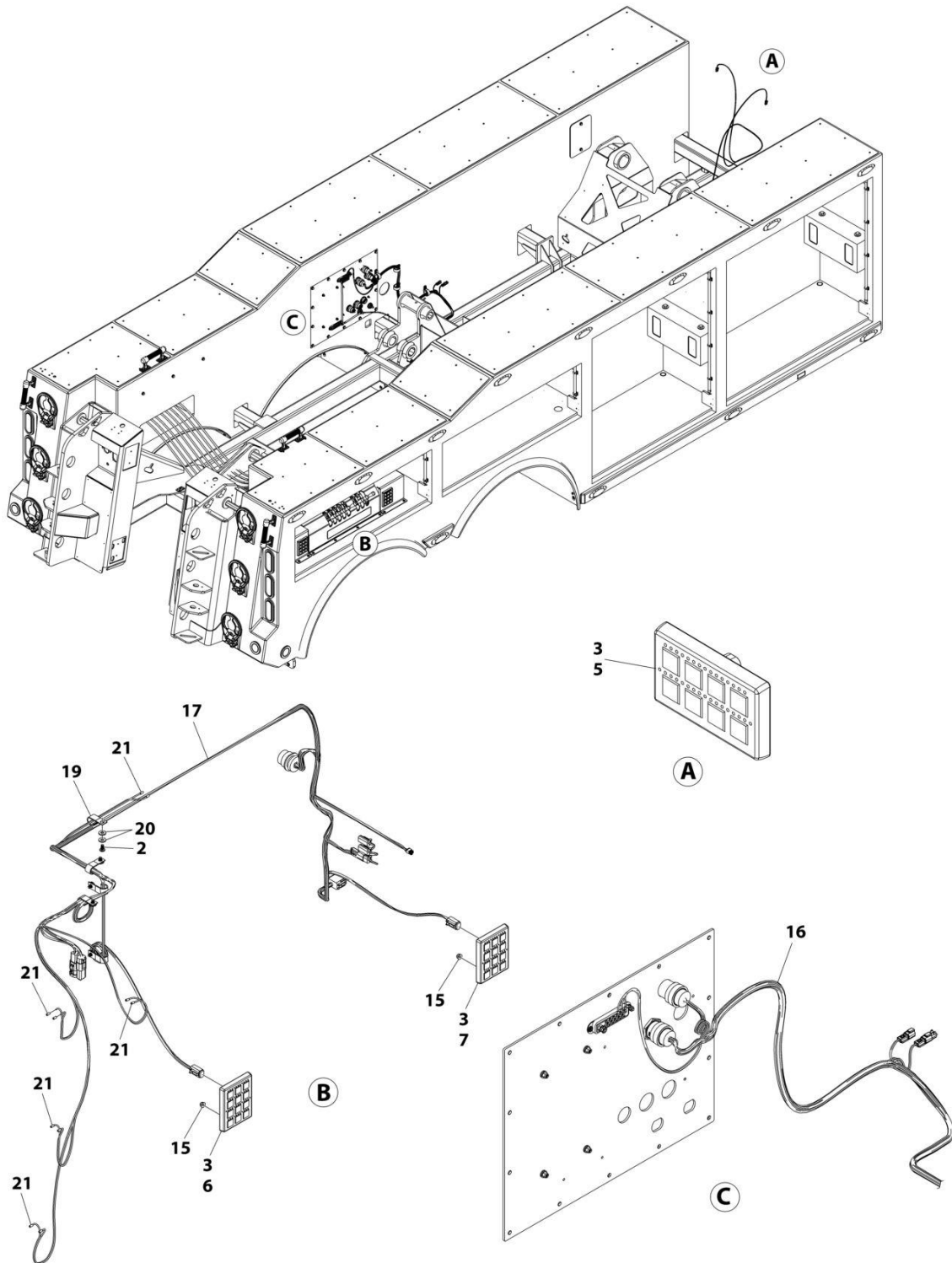
SECTION 7 - ELECTRICAL

FIGURE 7-55. MULTIPLEX INSTALLATION (WITHOUT UL WINCH)

ITEM	PART NUMBER	QTY	DESCRIPTION	REV
	1001236616	Ref	MULTIPLEX INSTALLATION (WITHOUT DRAG WINCH)	E
3	1001166978	4	Washer, Rubber	
5	1001195257	19	Screw 1/4 x 1/2	
6	7660142601	4	Nut 1/4	
7	1001258438	1	Wrecker Touchlink Electrical Assembly	
8	1001258439	1	Module, Touchlink	
9	1001211001	1	Keypad, Lighting (Cab)	
10	1001211002	2	Keypad, Lighting (Body)	
11	1001211003	2	Keypad, Winch (Body)	
12	1001209590	4	Screw 1/4 x 1	
13	1001209616	16	Nut #10	
15	7280000006	19	Clip	
16	7950140143	42	Washer 1/4	
18	1001236611	1	Harness, Multiplex Jumper (See Separate Breakdown in this Section)	
19	1001236610	1	Harness, Multiplex Body (LH) (See Separate Breakdown in this Section)	
20	1001260451	1	Harness, Multiplex To PDP (See Separate Breakdown in this Section)	
21	1001236613	1	Harness, Multiplex Crossover (See Separate Breakdown in this Section)	
22	1001236612	1	Harness, Multiplex Body (RH) (See Separate Breakdown in this Section)	
25	5526000553	25	Tie-Strap (Not Shown)	
27	1001209034	1	Harness, Winch (See Separate Breakdown in this Section)	
28	7346000039	AR	Tubing	
29	3740080	2	Relay	
30	1001192958	2	Screw #10 x 1/2	
31	7950100143	2	Washer	
32	7894000010	2	Tie-Strap (Not Shown)	

SECTION 7 - ELECTRICAL

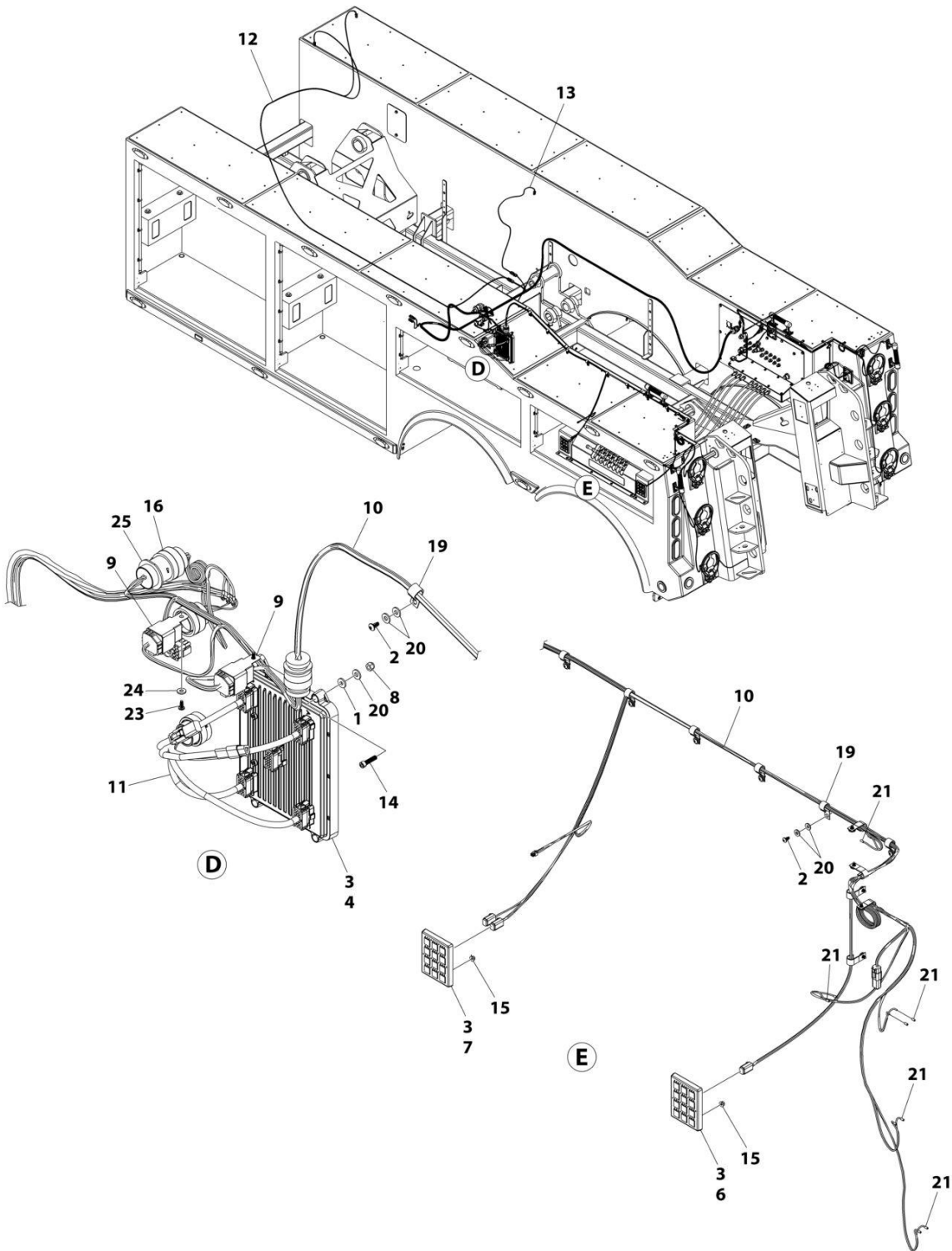
FIGURE 7-56. MULTIPLEX INSTALLATION (WITH DRAG WINCH)



ART_1001236615_10F2

SECTION 7 - ELECTRICAL

FIGURE 7-57. MULTIPLEX INSTALLATION (WITH DRAG WINCH)



ART_1001236615_2OF2

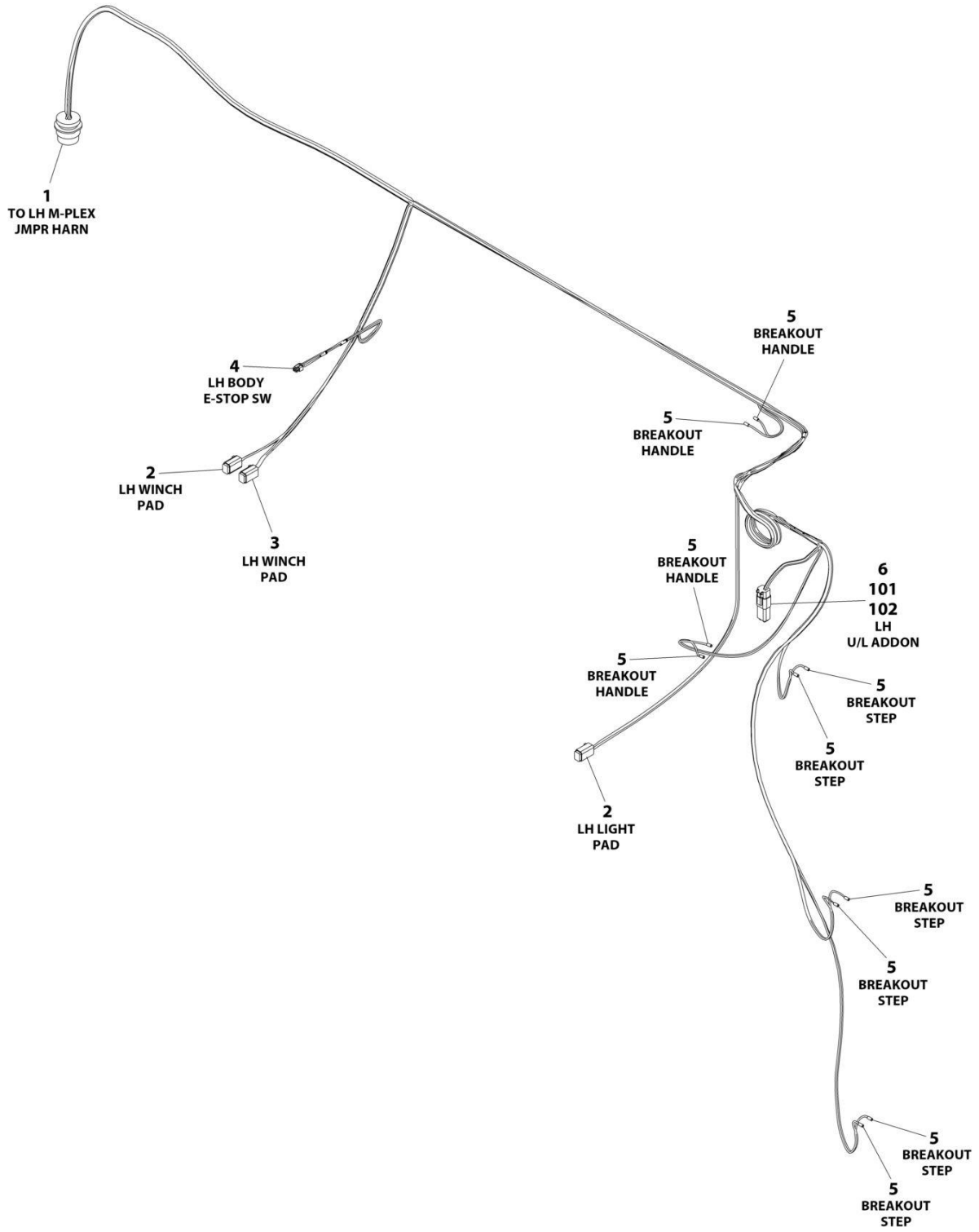
SECTION 7 - ELECTRICAL

FIGURE 7-57. MULTIPLEX INSTALLATION (WITH DRAG WINCH)

ITEM	PART NUMBER	QTY	DESCRIPTION	REV
	1001236615	Ref	MULTIPLEX INSTALLATION (WITH DRAG WINCH)	E
1	1001166978	4	Washer, Rubber	
2	1001195257	19	Screw 1/4 x 1/2	
3	1001258438	1	Wrecker Touchlink Electrical Assembly	
4	1001258439	1	Module, Touchlink	
5	1001211001	1	Keypad, Lighting (Cab)	
6	1001211002	2	Keypad, Lighting (Body)	
7	1001211003	2	Keypad, Winch (Body)	
8	7660142601	4	Nut 1/4	
9	3740080	2	Relay	
10	1001236610	1	Harness, Multiplex Body (LH) (See Separate Breakdown in this Section)	
11	1001260451	1	Harness, Multiplex To PDP (See Separate Breakdown in this Section)	
12	1001209034	1	Harness, Winch (See Separate Breakdown in this Section)	
13	1001209035	1	Drag Winch Electric 2 Speed Harness (See Separate Breakdown in Section)	
14	1001209590	4	Screw 1/4 x 1	
15	1001209616	16	Nut #10	
16	1001236613	1	Harness, Multiplex Crossover (See Separate Breakdown in this Section)	
17	1001236612	1	Harness, Multiplex Body (RH) (See Separate Breakdown in this Section)	
18	5526000553	25	Tie-Strap (Not Shown)	
19	7280000006	19	Clip	
20	7950140143	42	Washer 1/4	
21	7346000039	AR	Tubing	
23	1001192958	2	Screw #10 x 1/2	
24	7950100143	2	Washer	
25	1001236611	1	Harness, Multiplex Jumper (See Separate Breakdown in this Section)	
26	7894000010	2	Tie-Strap (Not Shown)	

SECTION 7 - ELECTRICAL

FIGURE 7-58. MULTIPLEX HARNESS - BODY (LH)



ART_1001236610

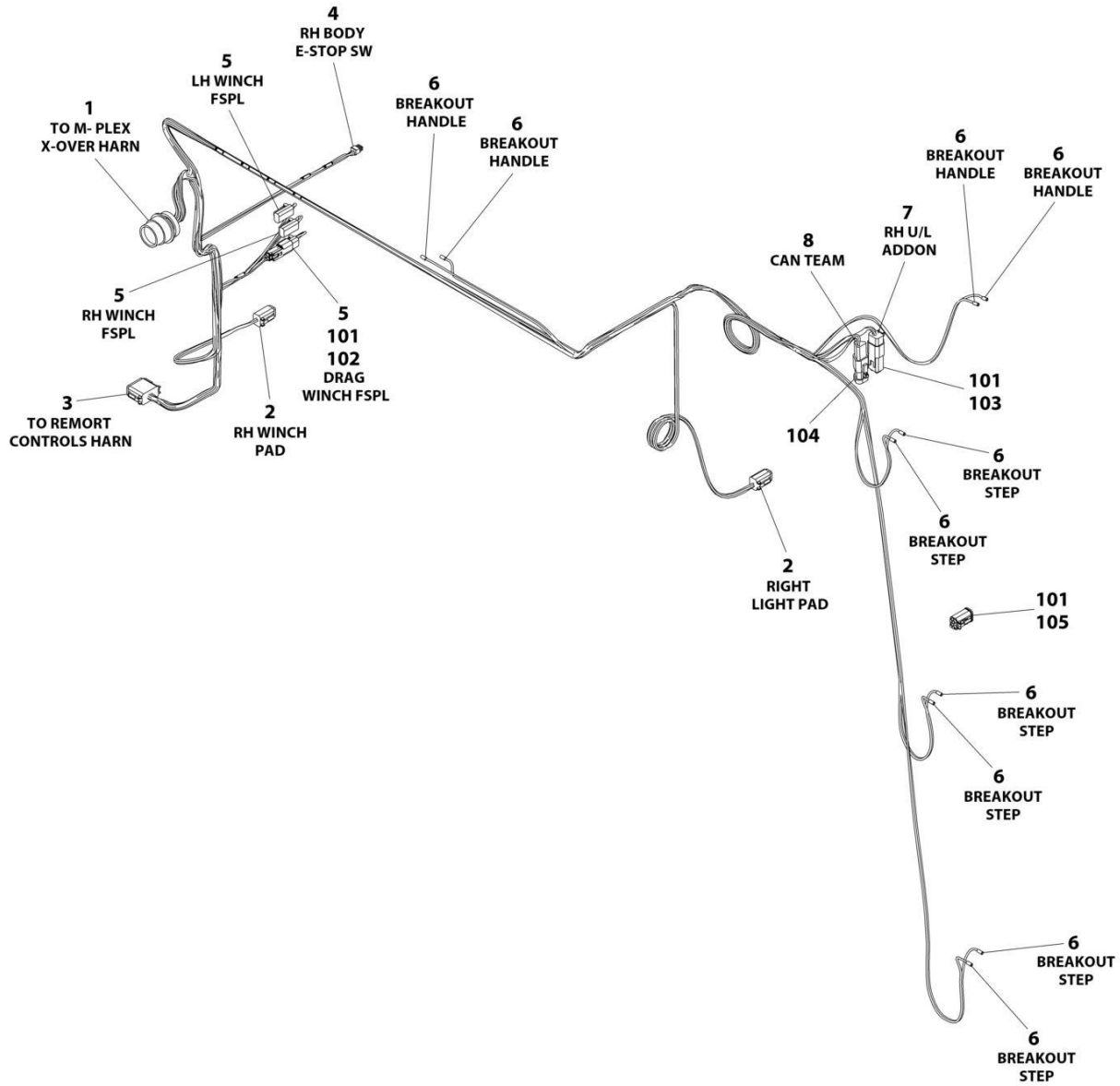
SECTION 7 - ELECTRICAL

FIGURE 7-58. MULTIPLEX HARNESS - BODY (LH)

ITEM	PART NUMBER	QTY	DESCRIPTION	REV
	1001236610	Ref	MULTIPLEX HARNESS - BODY (LH)	E
1	1001109484	1	Connector - 14 Position	
1	NPN	1	Gasket	
1	NPN	1	Washer	
1	NPN	1	Nut	
1	4460464	9	Pin, Male	
1	4460943	2	Pin, Male	
1	4460466	3	Plug, Terminal	
2	1001262482	2	Plug, Male - 4 Position	
2	4460465	4	Socket, Female	
2	4460944	4	Socket, Female	
3	1001262483	1	Plug, Male - 4 Position	
3	4460465	2	Socket, Female	
3	4460466	2	Plug, Terminal	
4	1001262746	1	Connector - 6 Position	
4	1001262747	6	Terminal	
5	1001201994	10	Terminal	
6	4460884	1	Plug, Male - 4 Position	
6	4460465	2	Socket, Female	
6	4460944	2	Socket, Female	
101	4460466	4	Plug, Terminal	
102	4460932	1	Receptacle, Female - 4 Position	

SECTION 7 - ELECTRICAL

FIGURE 7-59. MULTIPLEX HARNESS - BODY (RH)



ART_1001236612

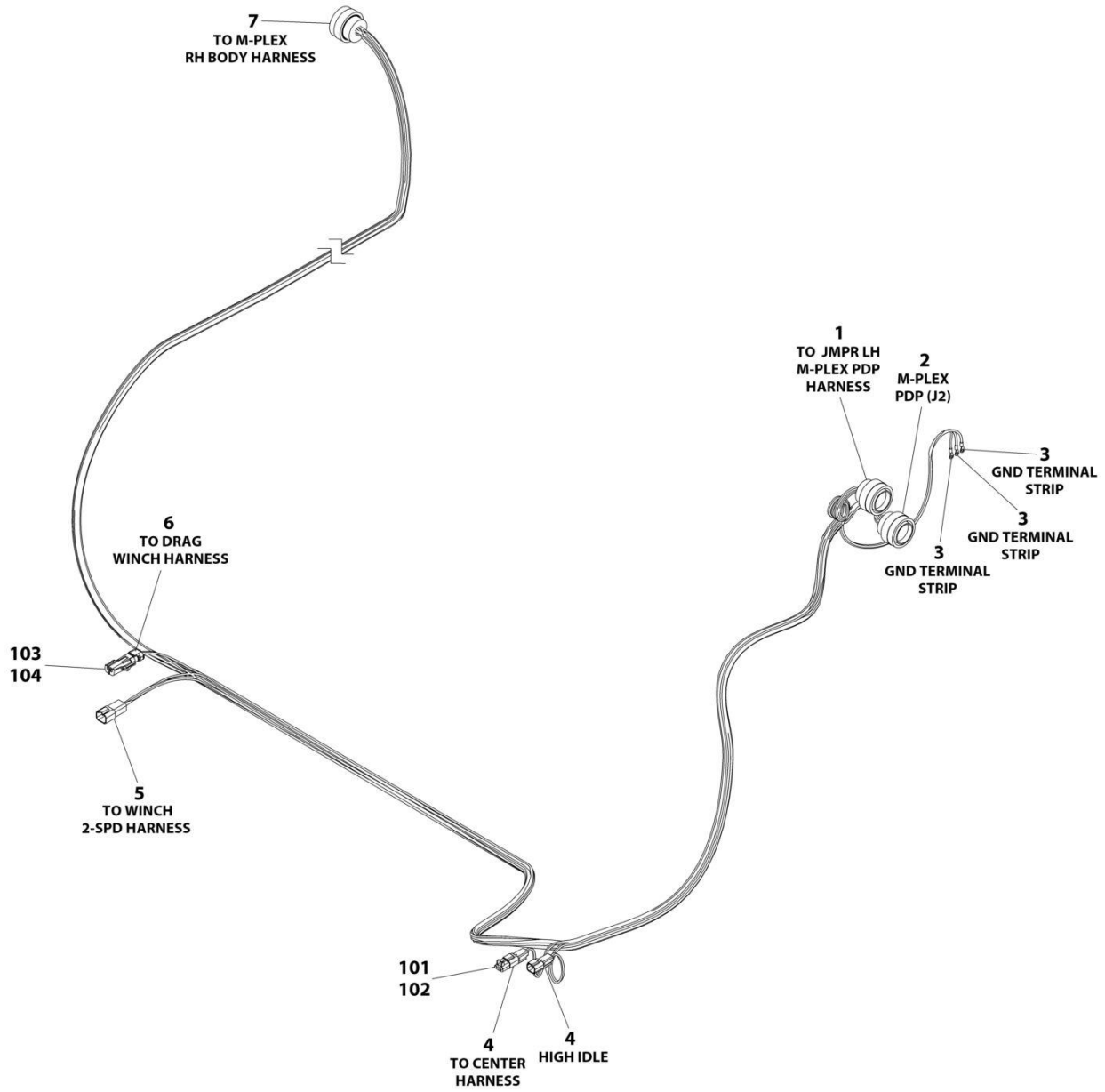
SECTION 7 - ELECTRICAL

FIGURE 7-59. MULTIPLEX HARNESS - BODY (RH)

ITEM	PART NUMBER	QTY	DESCRIPTION	REV
	1001236612	Ref	MULTIPLEX HARNESS - BODY (LH)	D
1	1001263566	1	Connector - 29 Position	
1	NPN	1	Gasket	
1	NPN	1	Washer	
1	NPN	1	Nut	
1	4460508	1	Pin, Male	
1	4460464	14	Pin, Male	
1	4460943	1	Pin, Male	
1	1001126010	1	Pin, Male	
1	1001126011	4	Pin, Male	
1	4460466	8	Plug, Terminal	
2	1001262482	2	Plug, Male - 4 Position	
2	4460465	4	Socket, Female	
2	4460944	4	Socket, Female	
3	4460836	1	Plug, Male - 12 Position	
3	4460465	11	Socket, Female	
3	4460466	1	Plug, Terminal	
4	1001262746	1	Connector - 6 Position	
4	1001262747	6	Terminal	
5	4460891	3	Plug, Male - 2 Position	
5	4460465	6	Socket, Female	
6	1001201994	10	Terminal	
7	4460884	1	Plug, Male - 4 Position	
7	4460465	2	Socket, Female	
7	4460944	2	Socket, Female	
8	1001144147	1	Receptacle, Female - 3 Position	
8	4460464	2	Pin, Male	
8	4460466	1	Plug, Terminal	
101	4460466	10	Plug, Terminal	
102	4460897	1	Receptacle, Female - 2 Position	
103	4460932	1	Receptacle, Female - 4 Position	
104	1001116815	1	Plug, Resistor - 2 Position	
105	1001262483	1	Plug, Male - 4 Position	

SECTION 7 - ELECTRICAL

FIGURE 7-60. MULTIPLEX HARNESS - CROSSOVER



ART_1001236613

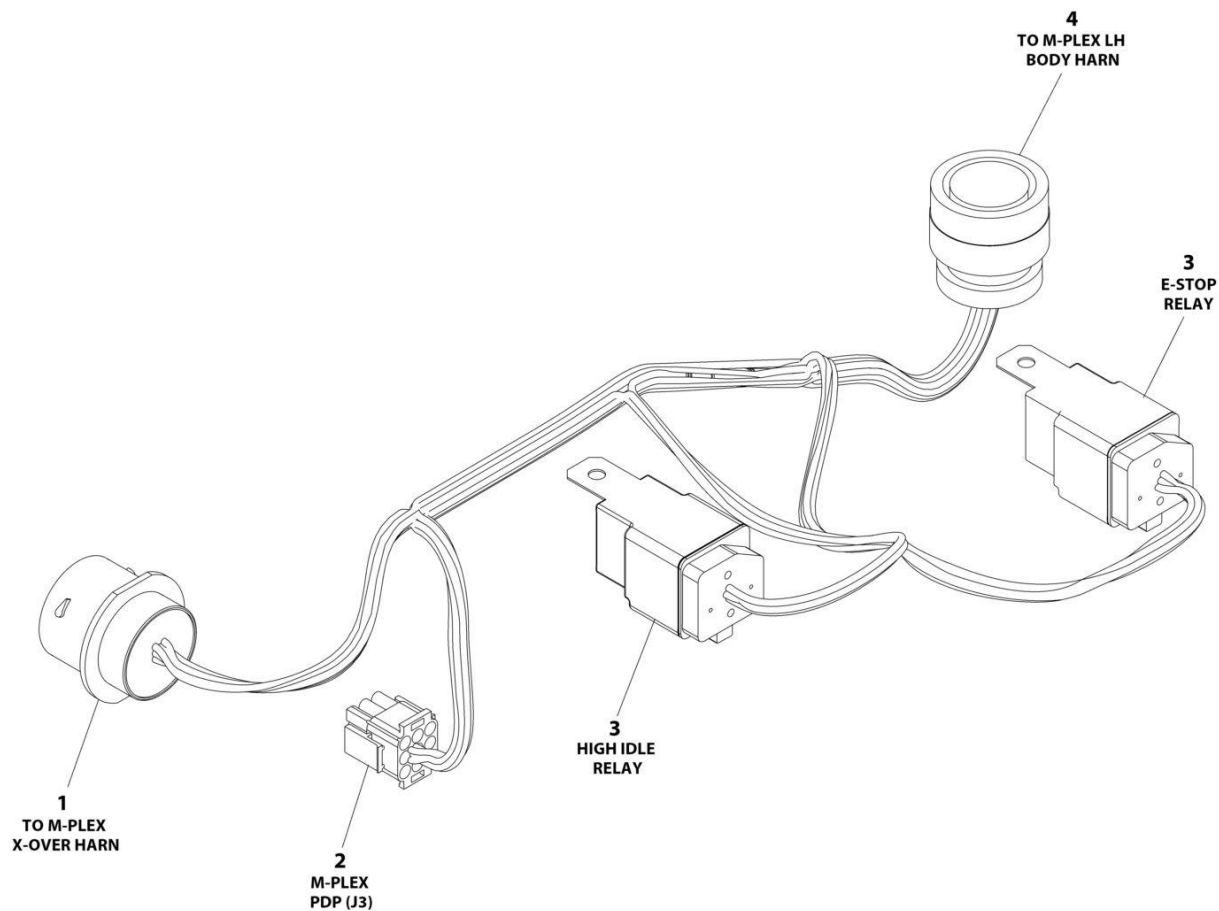
SECTION 7 - ELECTRICAL

FIGURE 7-60. MULTIPLEX HARNESS - CROSSOVER

ITEM	PART NUMBER	QTY	DESCRIPTION	REV
	1001236613	Ref	MULTIPLEX HARNESS - CROSSOVER	C
1	1001263765	1	Connector	
1	4460466	7	Plug	
1	4460464	7	Terminal	
2	1001263483	1	Connector	
2	4460466	6	Plug	
2	4460465	16	Socket	
2	1001126009	1	Terminal	
2	4460518	5	Plug	
2	4460944	1	Terminal	
3	1001263545	3	Terminal, Ring	
4	4460897	2	Connector, Plug	
4	4460464	4	Terminal	
5	4460932	1	Connector	
5	4460464	4	Terminal	
6	4460742	1	Connector	
6	4460457	2	Terminal	
7	1001263483	1	Connector - 35 Position	
7	4460518	1	Plug	
7	1001126008	4	Terminal	
7	4460509	1	Terminal	
7	4460466	7	Plug	
7	4460944	1	Terminal	
7	1001126009	1	Terminal	
7	4460465	14	Socket	
101	4460466	2	Plug	
102	4460891	1	Connector	
103	4461157	1	Connector	
104	1001116727	2	Plug	

SECTION 7 - ELECTRICAL

FIGURE 7-61. MULTIPLEX HARNESS - JUMPER



ART_1001236611

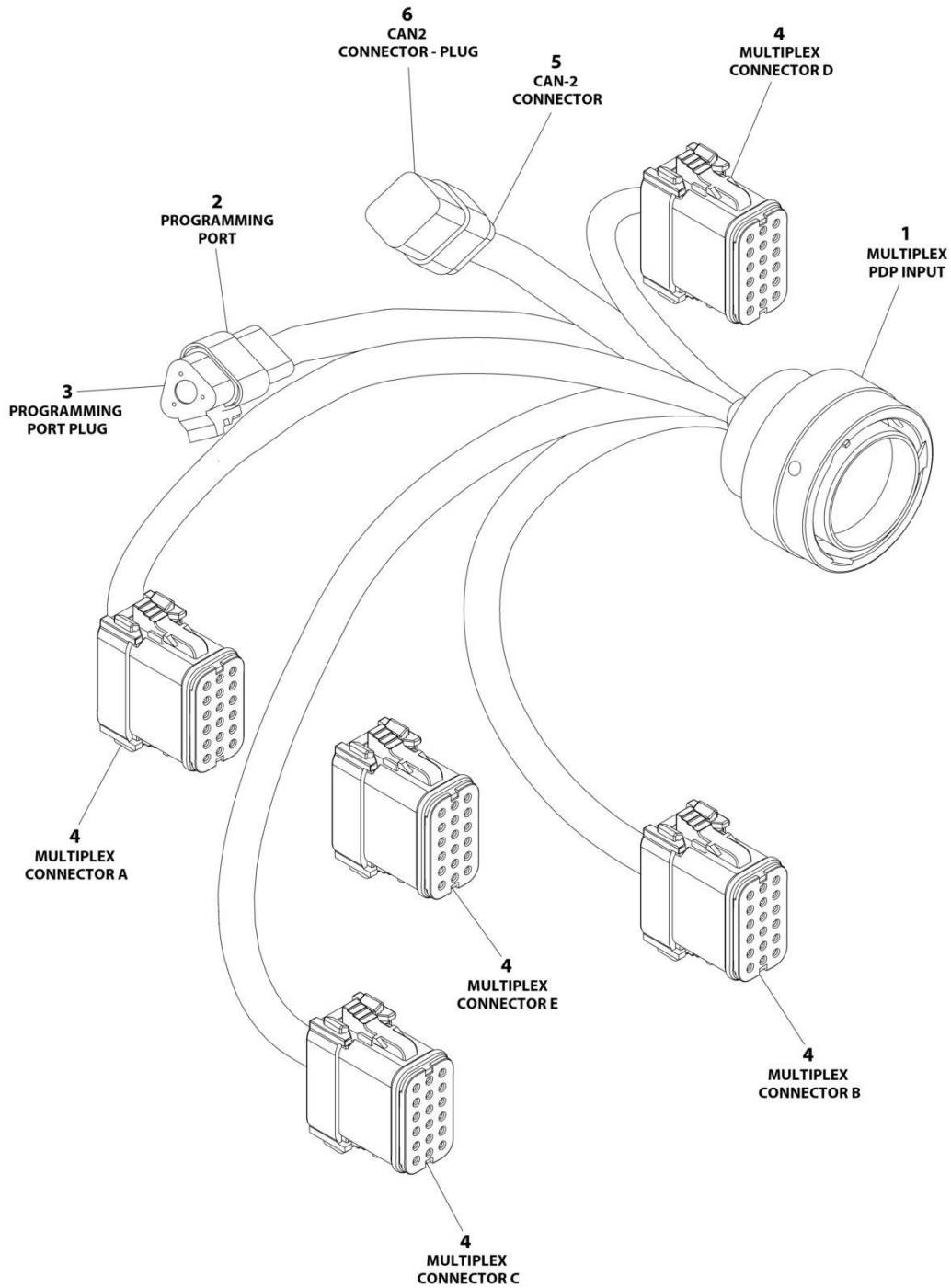
SECTION 7 - ELECTRICAL

FIGURE 7-61. MULTIPLEX HARNESS - JUMPER

ITEM	PART NUMBER	QTY	DESCRIPTION	REV
	1001236611	Ref	MULTIPLEX HARNESS - JUMPER	C
1	1001263763	1	Connector - 14 Position	
1	NPN	1	Gasket	
1	NPN	1	Washer	
1	NPN	1	Nut	
1	4460465	7	Socket, Female	
1	4460466	7	Plug, Terminal	
2	4460265	1	Plug, Male - 9 Position	
2	4460268	6	Socket, Female	
3	1001118282	2	Connector - 5 Position (Relay)	
3	1001116733	9	Terminal	
3	1001128128	1	Plug, Terminal	
4	1001109485	1	Connector - 14 Position	
4	4460465	11	Socket, Female	
4	4460466	3	Plug, Terminal	

SECTION 7 - ELECTRICAL

FIGURE 7-62. MULTIPLEX TO PDP HARNESS



ART_1001260451

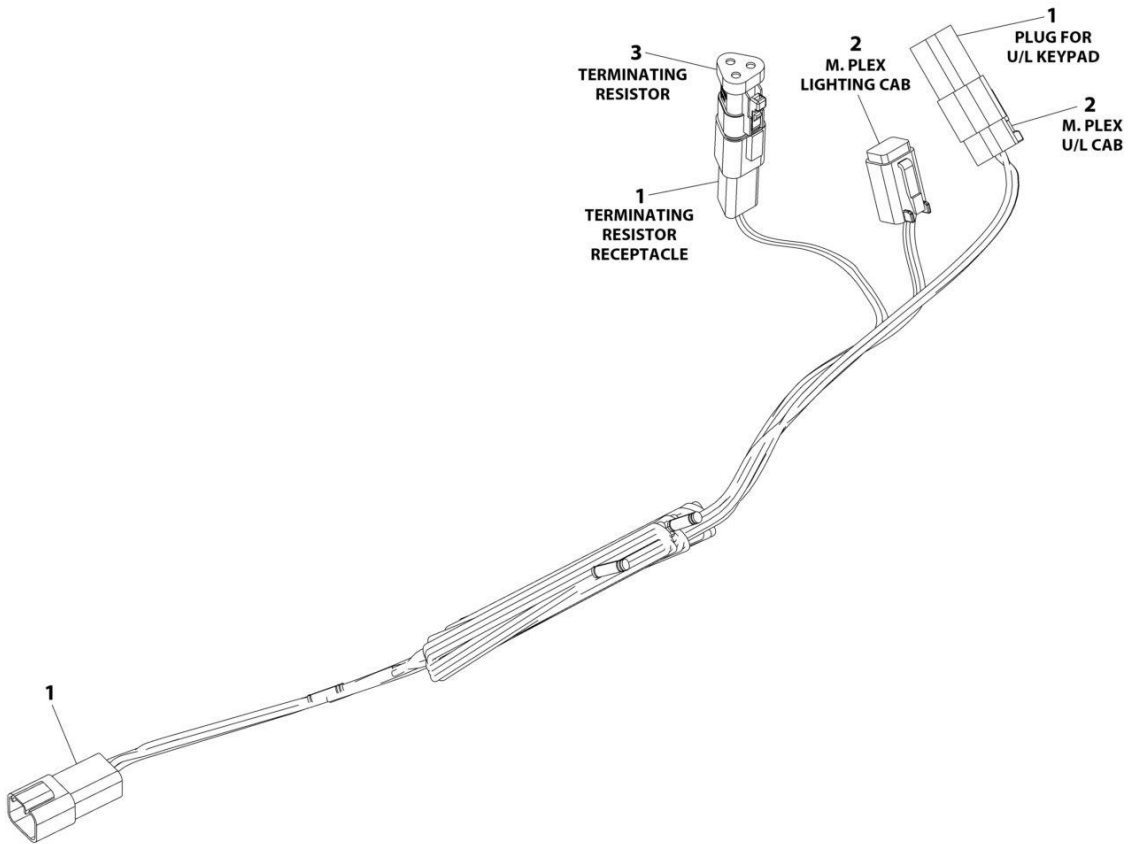
SECTION 7 - ELECTRICAL

FIGURE 7-62. MULTIPLEX TO PDP HARNESS

ITEM	PART NUMBER	QTY	DESCRIPTION	REV
	1001260451	Ref	MULTIPLEX HARNESS - MULTIPLEX TO PDP	A
1	1001262043	1	Connector - 47 Position	
1	4460465	29	Socket, Female	
1	NPN	15	Socket, Female	
1	4460466	3	Plug, Terminal	
2	4460536	1	Connector - 3 Position	
2	4460464	2	Pin, Male	
2	4460466	1	Plug, Terminal	
3	4460539	1	Plug, Male - 3 Position	
3	4460466	3	Plug, Terminal	
4	NPN	4	Connector - 18 Position	
4	4460465	30	Socket, Female	
4	NPN	17	Socket, Female	
4	4460466	43	Plug, Terminal	
5	4460894	1	Plug, Male - 6 Position	
5	4460465	3	Socket, Female	
5	NPN	2	Socket, Female	
5	4460466	1	Plug, Terminal	
6	4460899	1	Receptacle, Female - 6 Position	
6	4460466	6	Plug, Terminal	

SECTION 7 - ELECTRICAL

FIGURE 7-63. MULTIPLEX IN - CAB CONTROL HARNESS



ART_1001215421

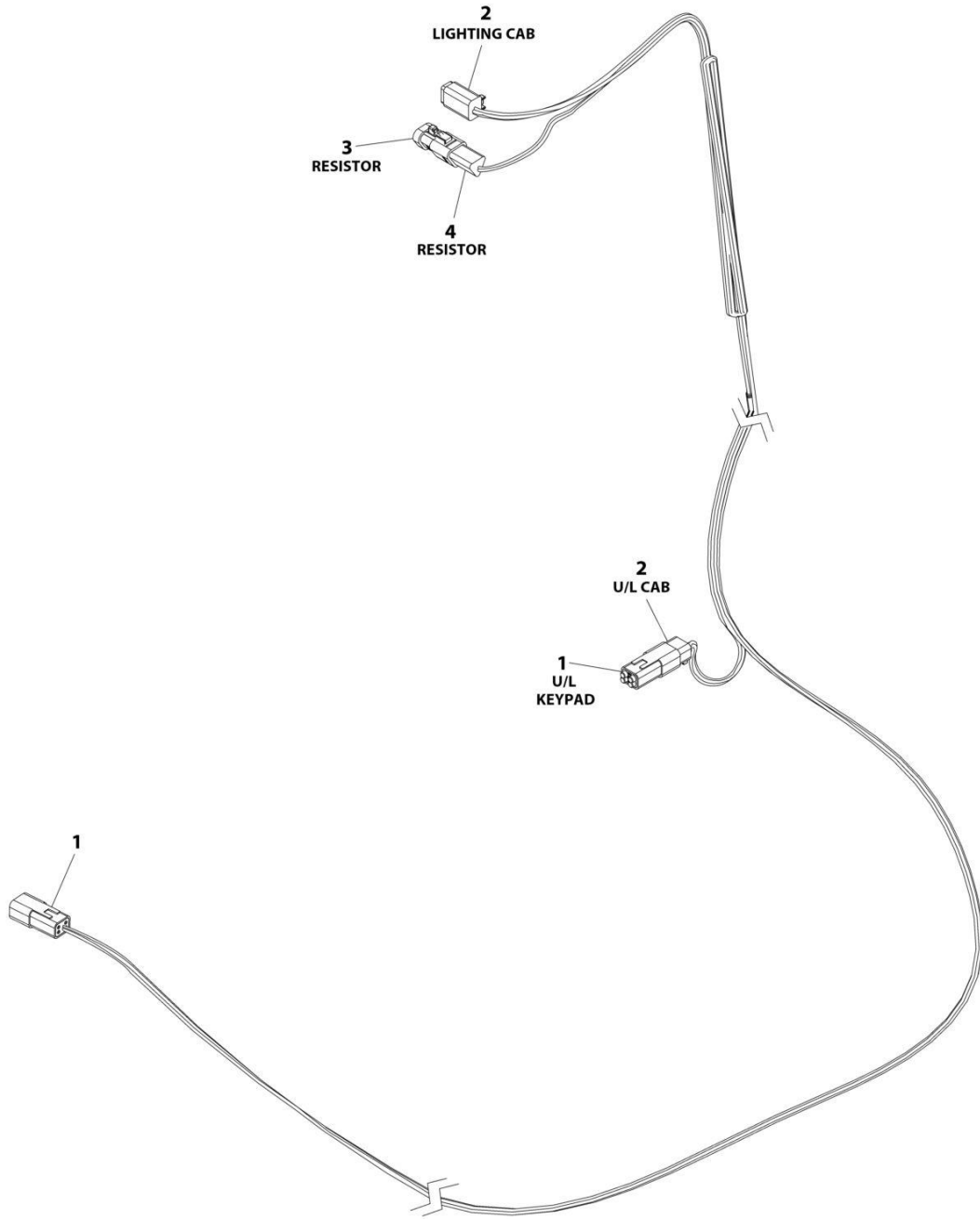
SECTION 7 - ELECTRICAL

FIGURE 7-63. MULTIPLEX IN - CAB CONTROL HARNESS

ITEM	PART NUMBER	QTY	DESCRIPTION	REV
	1001215421	Ref	MULTIPLEX IN - CAB CONTROL HARNESS	A
1	4460932	3	Receptacle, Female - 4 Position	
1	4460464	7	Pin, Male	
1	4460466	5	Plug, Terminal	
2	4460884	2	Plug, Male	
2	4460465	8	Socket, Female	
3	1001166815	1	Resistor	

SECTION 7 - ELECTRICAL

FIGURE 7-64. MULTIPLEX IN-CAB CONTROLS HARNESS (CONSOLE MOUNTED)



ART_1001208976

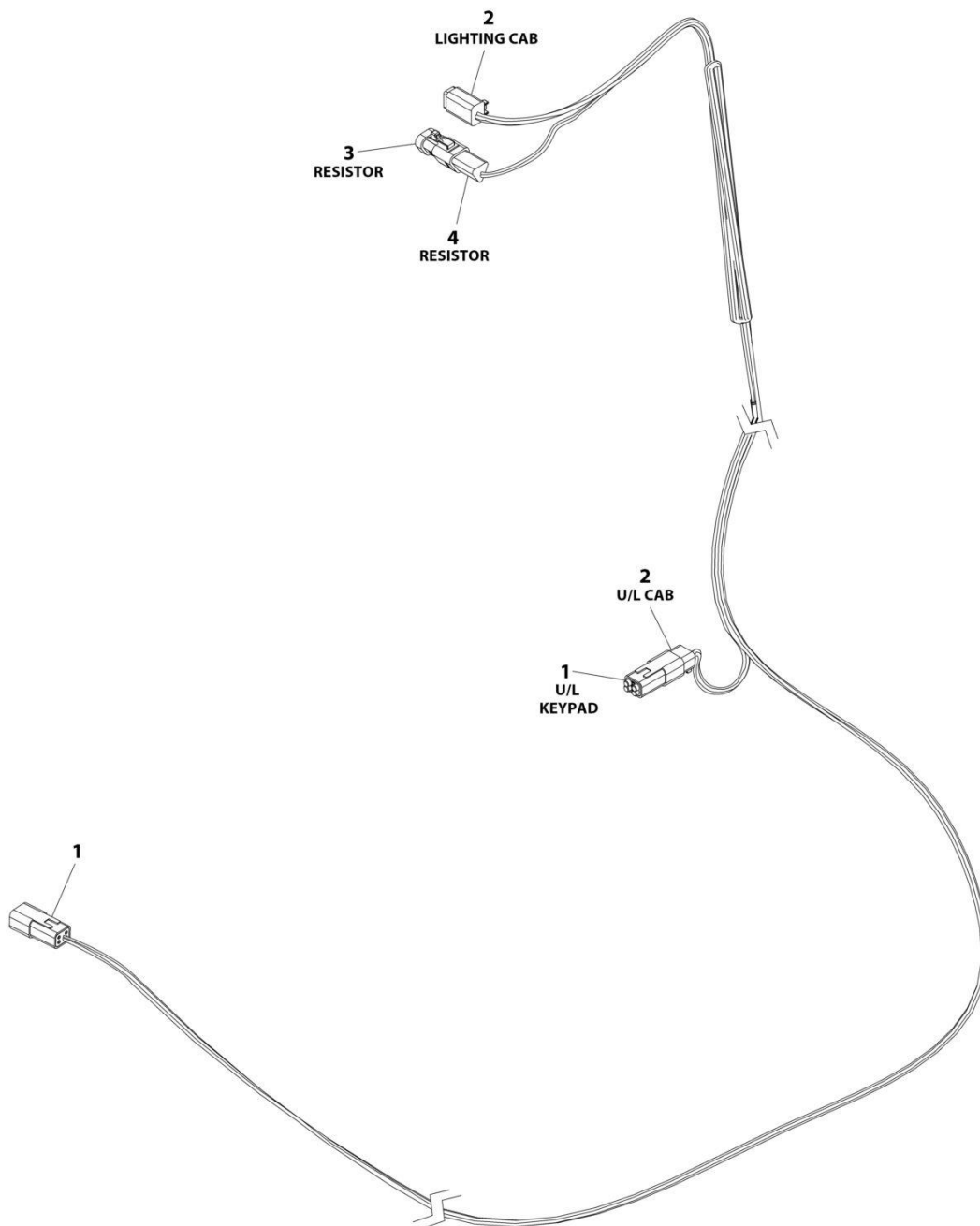
SECTION 7 - ELECTRICAL

FIGURE 7-64. MULTIPLEX IN-CAB CONTROLS HARNESS (CONSOLE MOUNTED)

ITEM	PART NUMBER	QTY	DESCRIPTION	REV
	1001208976	Ref	MULTIPLEX IN-CAB CONTROLS HARNESS (CONSOLE MOUNTED)	D
1	4460932	2	Receptacle, Female - 4 Position	
1	4460464	4	Pin, Male	
1	4460466	4	Plug, Terminal	
2	4460884	2	Plug, Male - 4 Position	
2	4460465	8	Socket, Female	
3	1001116815	1	Plug, Male - 3 Position with Resistor	
4	4460536	1	Receptacle, Female 3 Position	
4	4460464	2	Pin, Male	
4	4460466	1	Plug, Terminal	

SECTION 7 - ELECTRICAL

FIGURE 7-65. MULTIPLEX IN-CAB CONTROLS HARNESS (FLOOR MOUNTED)



ART_1001215436

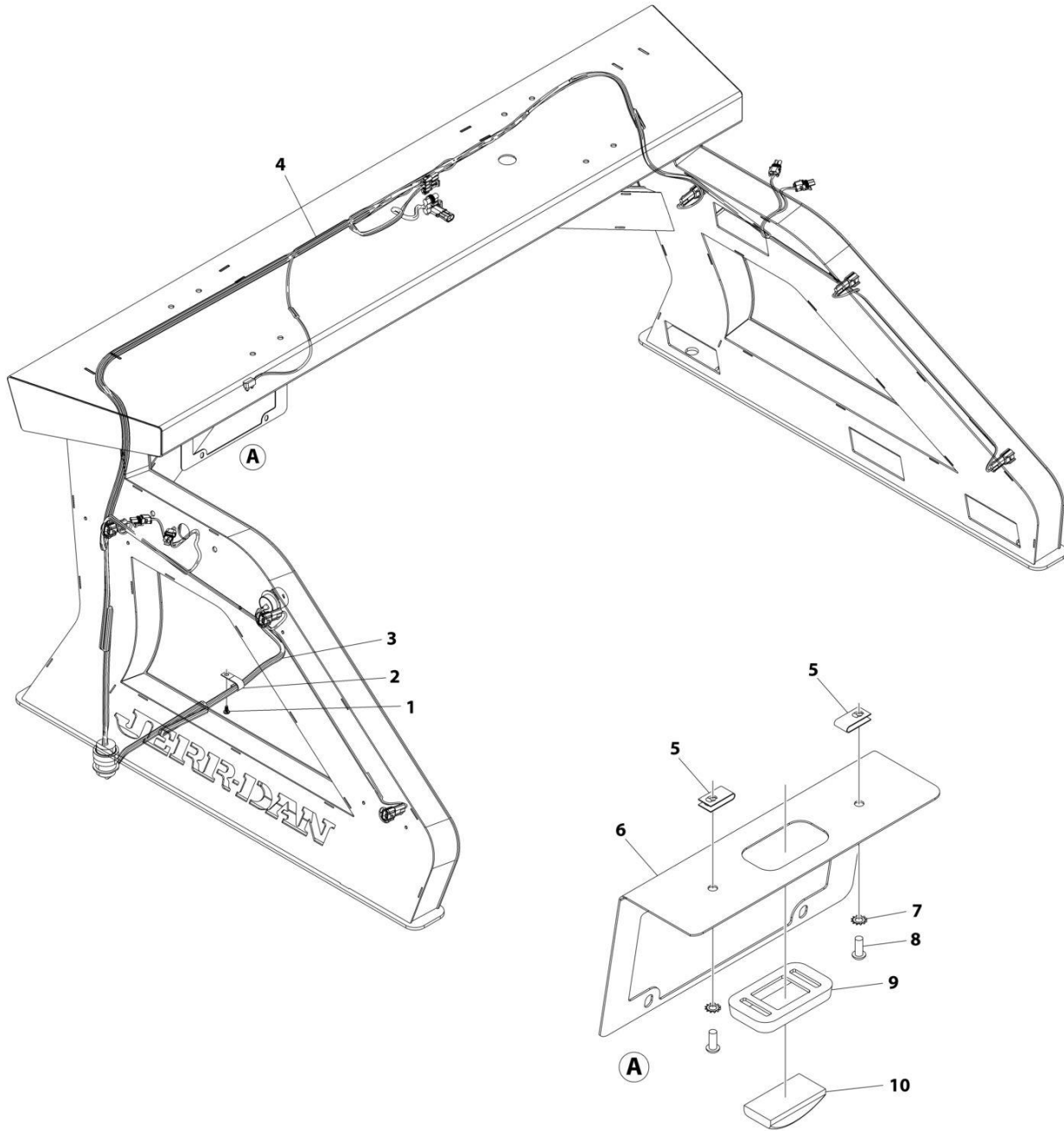
SECTION 7 - ELECTRICAL

FIGURE 7-65. MULTIPLEX IN-CAB CONTROLS HARNESS (FLOOR MOUNTED)

ITEM	PART NUMBER	QTY	DESCRIPTION	REV
	1001215436	Ref	MULTIPLEX IN-CAB CONTROLS HARNESS (FLOOR MOUNTED)	B
1	4460932	2	Receptacle, Female - 4 Position	
1	4460464	4	Pin, Male	
1	4460466	4	Plug, Terminal	
2	4460884	2	Plug, Male - 4 Position	
2	4460465	8	Socket, Female	
3	1001116815	1	Plug, Male - 3 Position with Resistor	
4	4460536	1	Receptacle, Female 3 Position	
4	4460464	2	Pin, Male	
4	4460466	1	Plug, Terminal	

SECTION 7 - ELECTRICAL

FIGURE 7-66. PYLON ELECTRICAL INSTALLATION (34IN & 39IN PYLON)



ART_1001215020

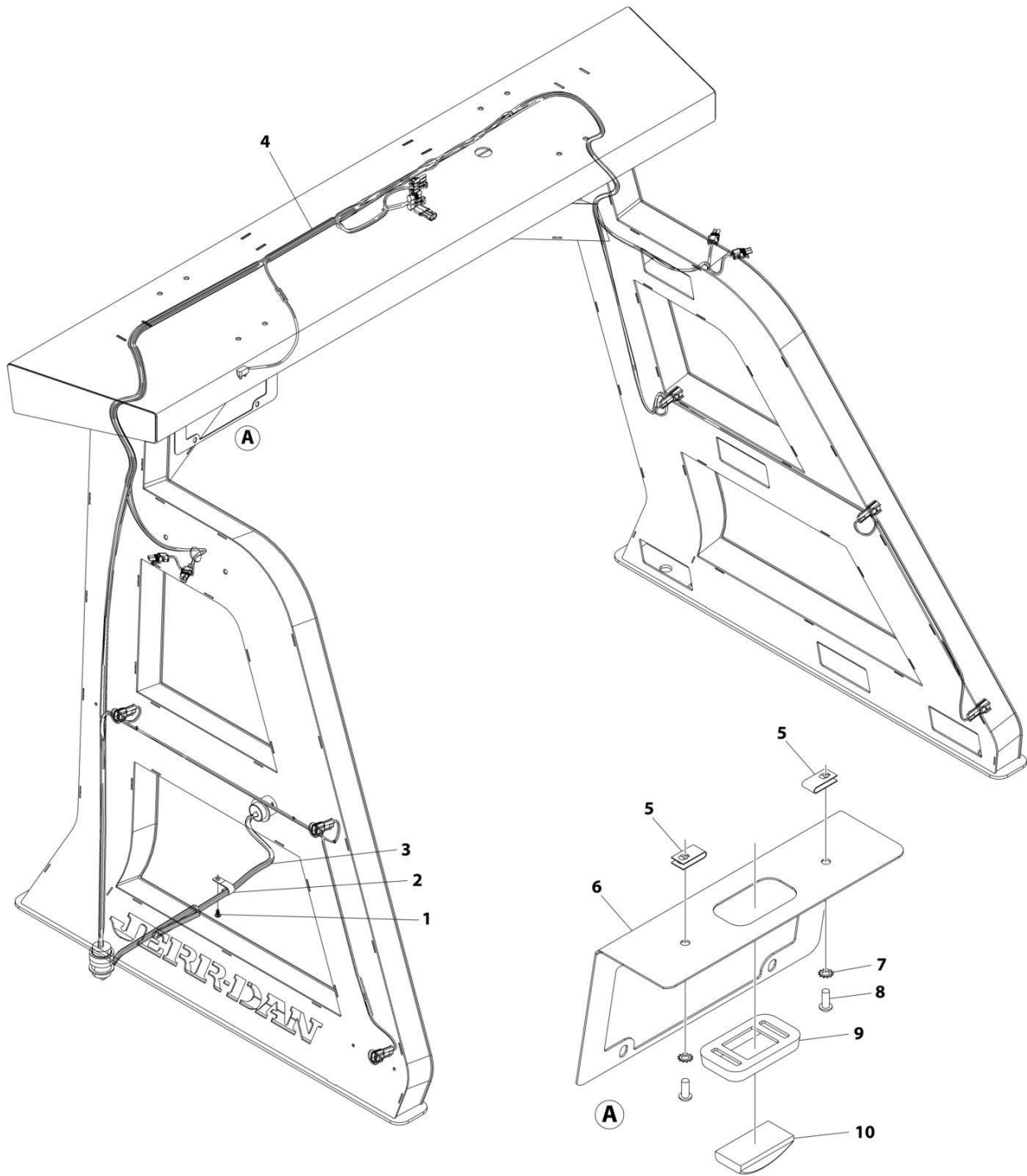
SECTION 7 - ELECTRICAL

FIGURE 7-66. PYLON ELECTRICAL INSTALLATION (34IN & 39IN PYLON)

ITEM	PART NUMBER	QTY	DESCRIPTION	REV
	1001215020	Ref	PYLON ELECTRICAL INSTALLATION (34IN & 39IN PYLON)	D
1	1001195257	3	Screw 1/4 x 1/2	
2	7280000006	3	Clip	
3	1001214605	1	Pylon Harness - Jumper (See Separate Breakdown in this Section)	
4	1001214606	1	Pylon Harness - Main (See Separate Breakdown in this Section)	
5	7661000019	2	U-Nut 1/4	
6	1001249938	1	Bracket, License Plate	
7	1001143686	2	Washer 1/4	
8	7114140518	2	Screw 1/4 x 5/8	
9	7493000010	1	Grommet	
10	1001142771	1	Light, Clear LED	
11	5526000553	1	Tie-Strap (Not Shown)	

SECTION 7 - ELECTRICAL

FIGURE 7-67. PYLON ELECTRICAL INSTALLATION (57IN PYLON)



ART_1001215034

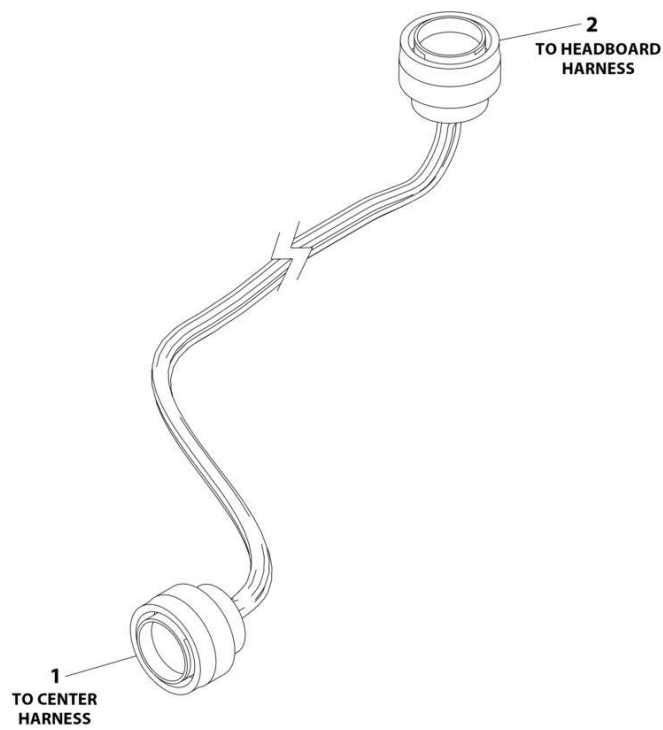
SECTION 7 - ELECTRICAL

FIGURE 7-67. PYLON ELECTRICAL INSTALLATION (57IN PYLON)

ITEM	PART NUMBER	QTY	DESCRIPTION	REV
	1001215034	Ref	PYLON ELECTRICAL INSTALLATION (57IN PYLON)	C
1	1001195257	3	Screw 1/4 x 1/2	
2	7280000006	3	Clip	
3	1001214605	1	Pylon Harness - Jumper (See Separate Breakdown in this Section)	
4	1001215110	1	Pylon Harness - Main (See Separate Breakdown in this Section)	
5	7661000019	2	U-Nut 1/4	
6	1001249938	1	Bracket, License Plate	
7	1001143686	2	Washer 1/4	
8	7114140518	2	Screw 1/4 x 5/8	
9	7493000010	1	Grommet	
10	1001142771	1	Light, Clear LED	
11	5526000553	1	Tie-Strap (Not Shown)	

SECTION 7 - ELECTRICAL

FIGURE 7-68. PYLON HARNESS - JUMPER



ART_1001214605

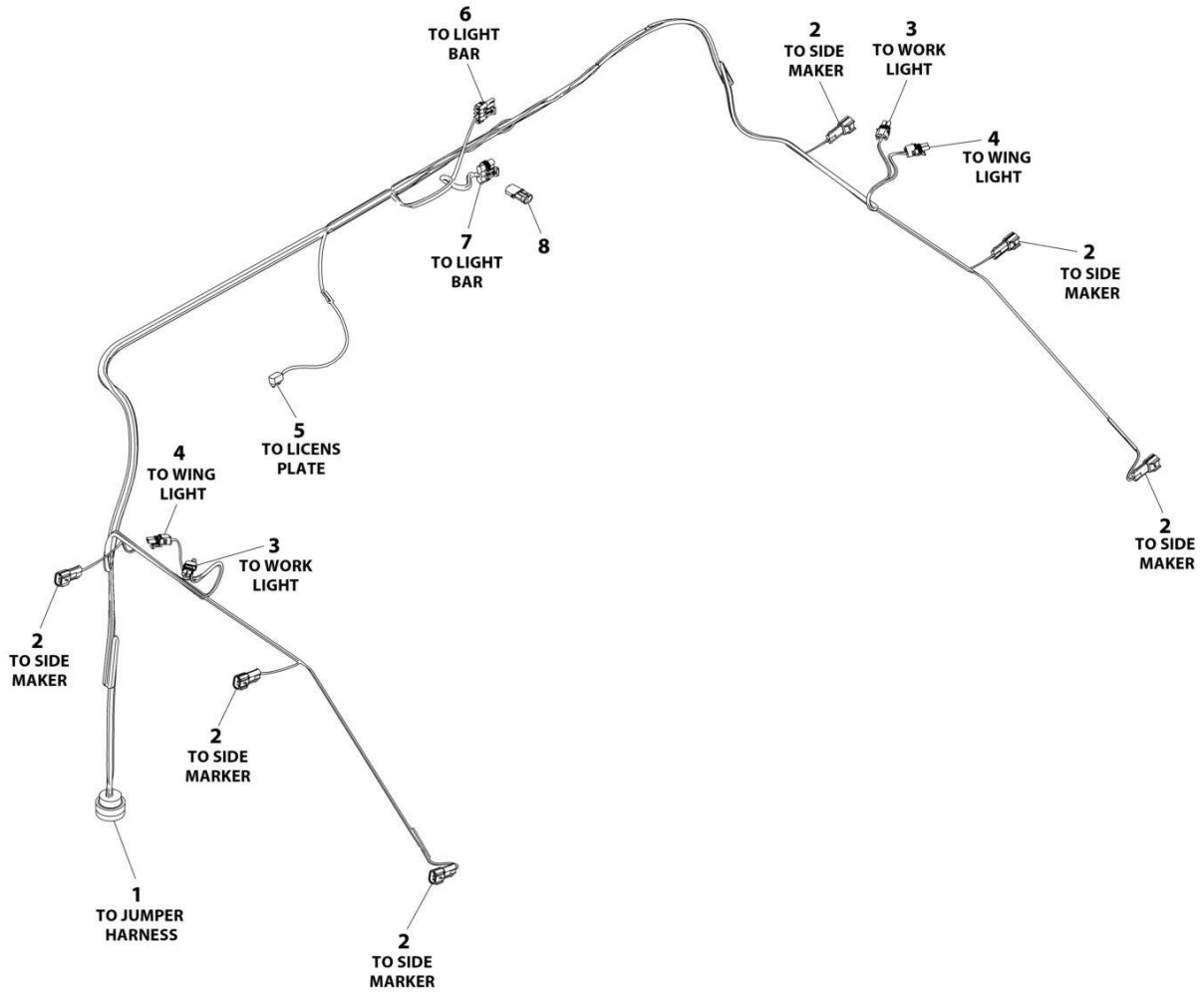
SECTION 7 - ELECTRICAL

FIGURE 7-68. PYLON HARNESS - JUMPER

ITEM	PART NUMBER	QTY	DESCRIPTION	REV
	1001214605	Ref	PYLON JUMPER HARNESS	A
1	NPN	1	Connector - 18 Position	
1	91143339	1	Pin, Male	
1	4460464	4	Pin, Male	
1	4460508	2	Pin, Male	
1	4460941	2	Plug, Terminal	
1	4460466	9	Plug, Terminal	
2	NPN	1	Connector - 18 Position	
2	91143340	1	Socket, Female	
2	4460465	4	Socket, Female	
2	4460509	2	Socket, Female	
2	4460942	2	Socket, Female	
2	4460466	9	Plug, Terminal	

SECTION 7 - ELECTRICAL

FIGURE 7-69. PYLON HARNESS - MAIN (34IN & 39IN PYLON)



ART_1001214606

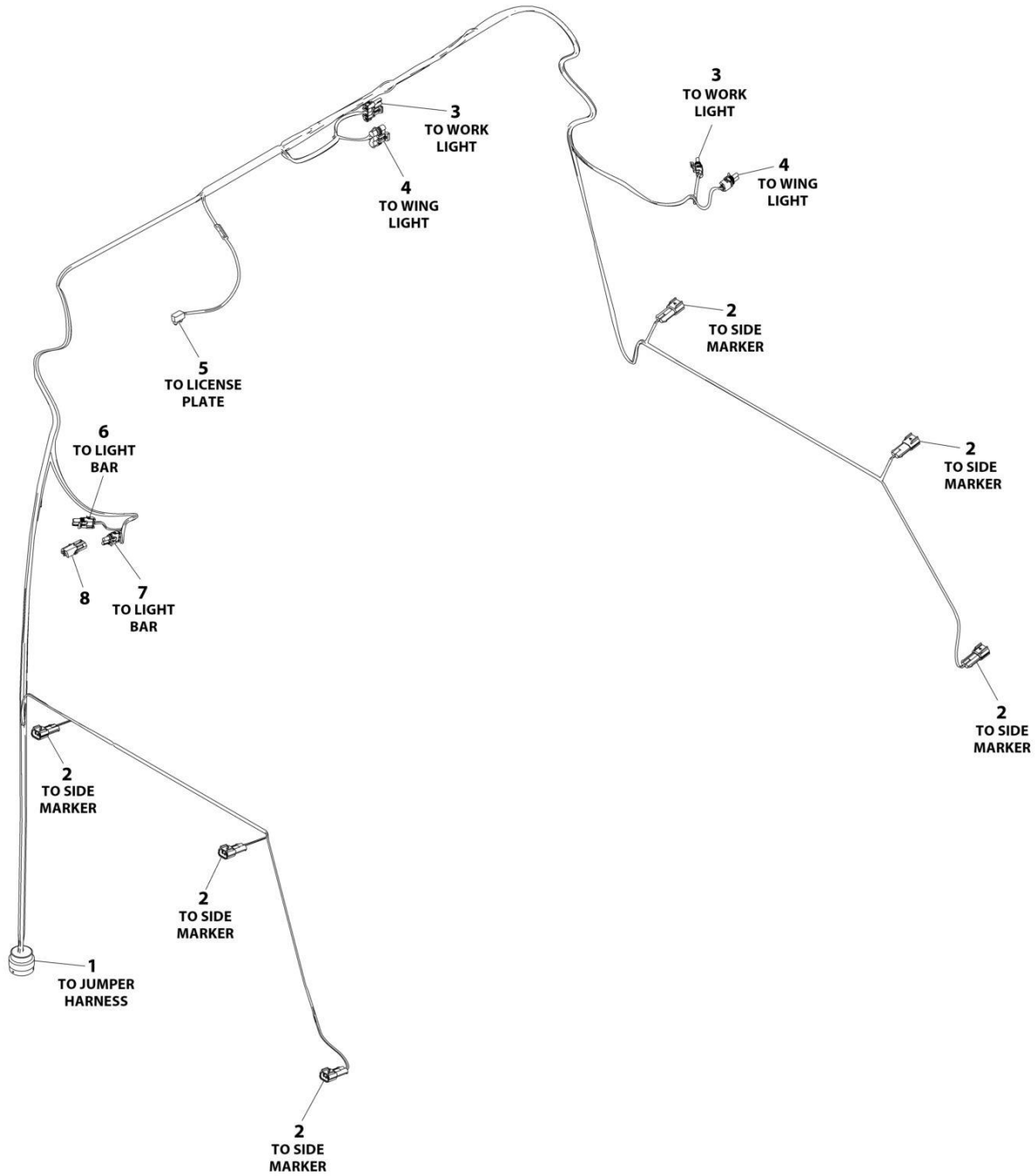
SECTION 7 - ELECTRICAL

FIGURE 7-69. PYLON HARNESS - MAIN (34IN & 39IN PYLON)

ITEM	PART NUMBER	QTY	DESCRIPTION	REV
	1001214606	Ref	PYLON HARNESS (34IN & 39IN PYLON)	B
1	NPN	1	Connector - 18 Position	
1	91143339	1	Pin, Male	
1	4460464	4	Pin, Male	
1	4460508	2	Pin, Male	
1	4460941	2	Plug, Terminal	
1	4460466	9	Plug, Terminal	
2	NPN	6	Connector - 2 Position	
2	NPN	12	Terminal	
2	4460458	12	Seal	
3	4460742	2	Connector - 2 Position	
3	4460457	4	Terminal	
3	4460458	4	Seal	
4	4460742	2	Connector - 2 Position	
4	4460457	4	Terminal	
4	1001190037	4	Seal	
5	NPN	1	Connector - 2 Position	
6	4460460	1	Connector - 4 Position	
6	4460457	4	Terminal	
6	NPN	4	Seal	
7	8220935	1	Connector - 3 Position	
7	8220099	3	Terminal	
7	7346000108	1	Lock	
7	NPN	AR	Seal	
7	NPN	AR	Seal	
8	4460867	1	Connector - 2 Position	
8	1001116727	2	Terminal	

SECTION 7 - ELECTRICAL

FIGURE 7-70. PYLON HARNESS - MAIN (57IN PYLON)



ART_1001215110

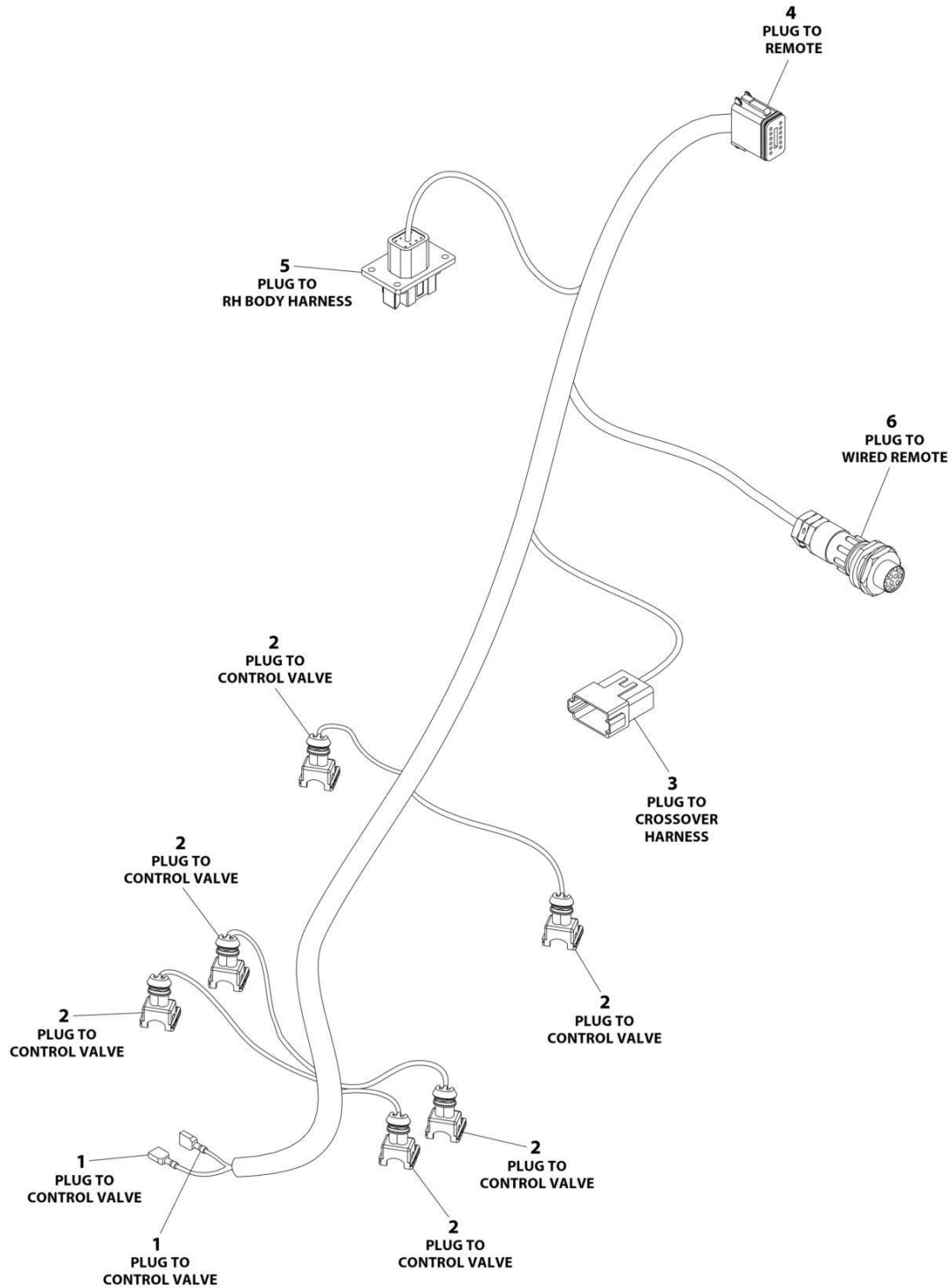
SECTION 7 - ELECTRICAL

FIGURE 7-70. PYLON HARNESS - MAIN (57IN PYLON)

ITEM	PART NUMBER	QTY	DESCRIPTION	REV
	1001215110	Ref	PYLON HARNESS (57IN PYLON)	B
1	NPN	1	Connector - 18 Position	
1	91143339	1	Pin, Male	
1	4460464	4	Pin, Male	
1	4460508	2	Pin, Male	
1	4460941	2	Plug, Terminal	
1	4460466	9	Plug, Terminal	
2	NPN	6	Connector - 2 Position	
2	NPN	12	Terminal	
2	4460458	12	Seal	
3	4460742	2	Connector - 2 Position	
3	4460457	4	Terminal	
3	4460458	4	Seal	
4	4460742	2	Connector - 2 Position	
4	4460457	4	Terminal	
4	1001190037	4	Seal	
5	NPN	1	Connector - 2 Position	
6	4460460	1	Connector - 4 Position	
6	4460457	4	Terminal	
6	NPN	4	Seal	
7	8220935	1	Connector - 3 Position	
7	8220099	3	Terminal	
7	7346000108	1	Lock	
7	NPN	AR	Seal	
7	NPN	AR	Seal	
8	4460867	1	Connector - 2 Position	
8	1001116727	2	Terminal	

SECTION 7 - ELECTRICAL

FIGURE 7-71. REMOTE 6 FUNCTION NON-PROP HARNESS



ART_1001209022

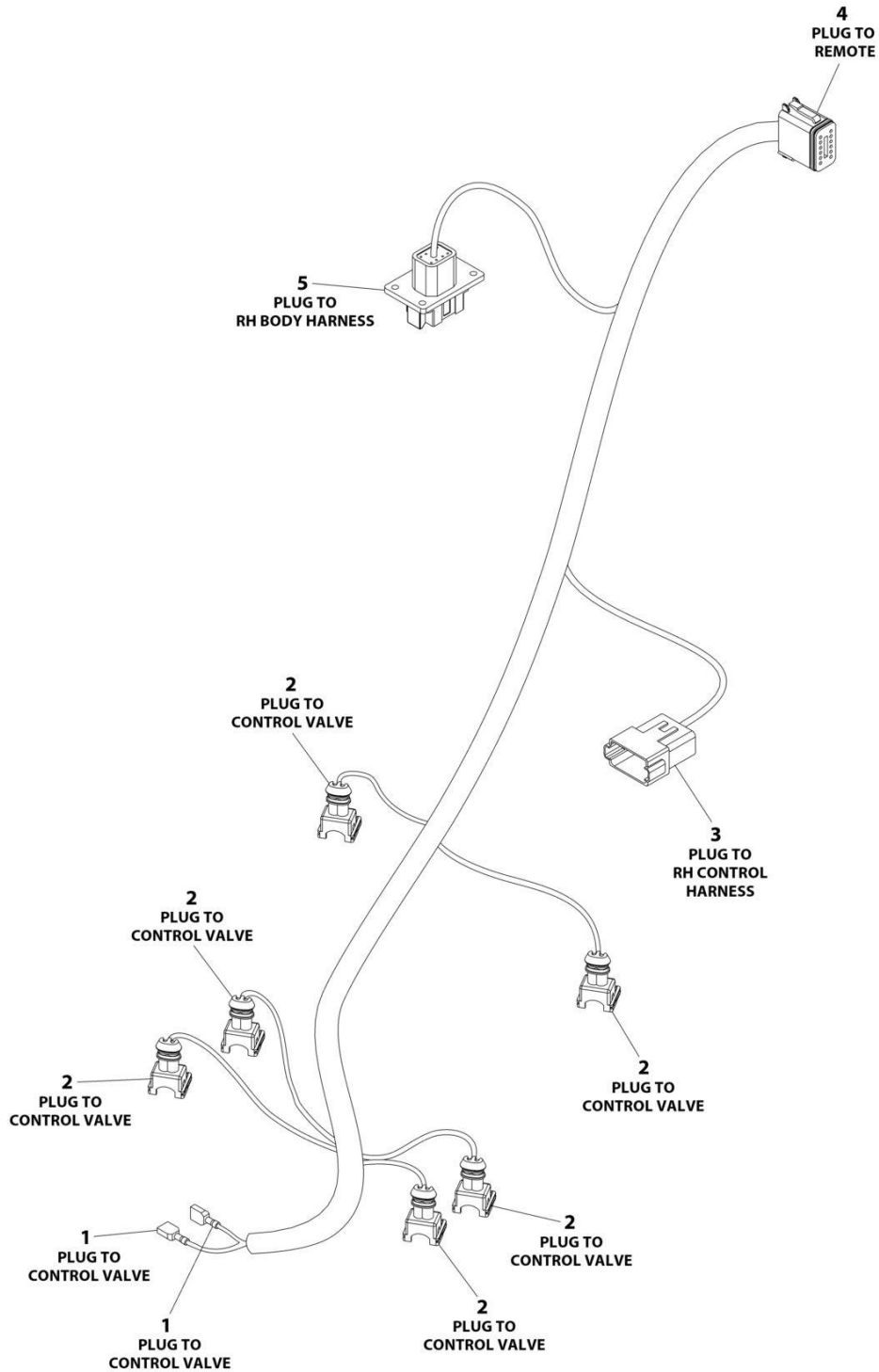
SECTION 7 - ELECTRICAL

FIGURE 7-71. REMOTE 6 FUNCTION NON-PROP HARNESS

ITEM	PART NUMBER	QTY	DESCRIPTION	REV
	1001209022	Ref	HARNESS ASSEMBLY - REMOTE CONTROL	C
1		Ref	Terminal	
2	1001116983	6	Receptacle, Female - 2 Position	
2	1001283166	12	Terminal	
2	4461054	12	Seal	
3	4460931	1	Receptacle, Female - 8 Position	
3	4640464	7	Pin, Male	
3	4460466	1	Plug, Terminal	
4	4460933	1	Plug, Male - 12 Position	
4	4460942	12	Socket, Female	
5	1001269275	1	Receptacle, Female - 8 Position	
5	4460941	4	Pin, Male	
5	4460466	4	Plug, Terminal	
5		Ref	Gasket	
6	1001271968	1	Connector - 12 Position	
6	1001271970	9	Terminal	
6		Ref	Connector, Strain Relief	

SECTION 7 - ELECTRICAL

FIGURE 7-72. REMOTE 6 FUNCTION NON-PROP HARNESS



ART_1001246829

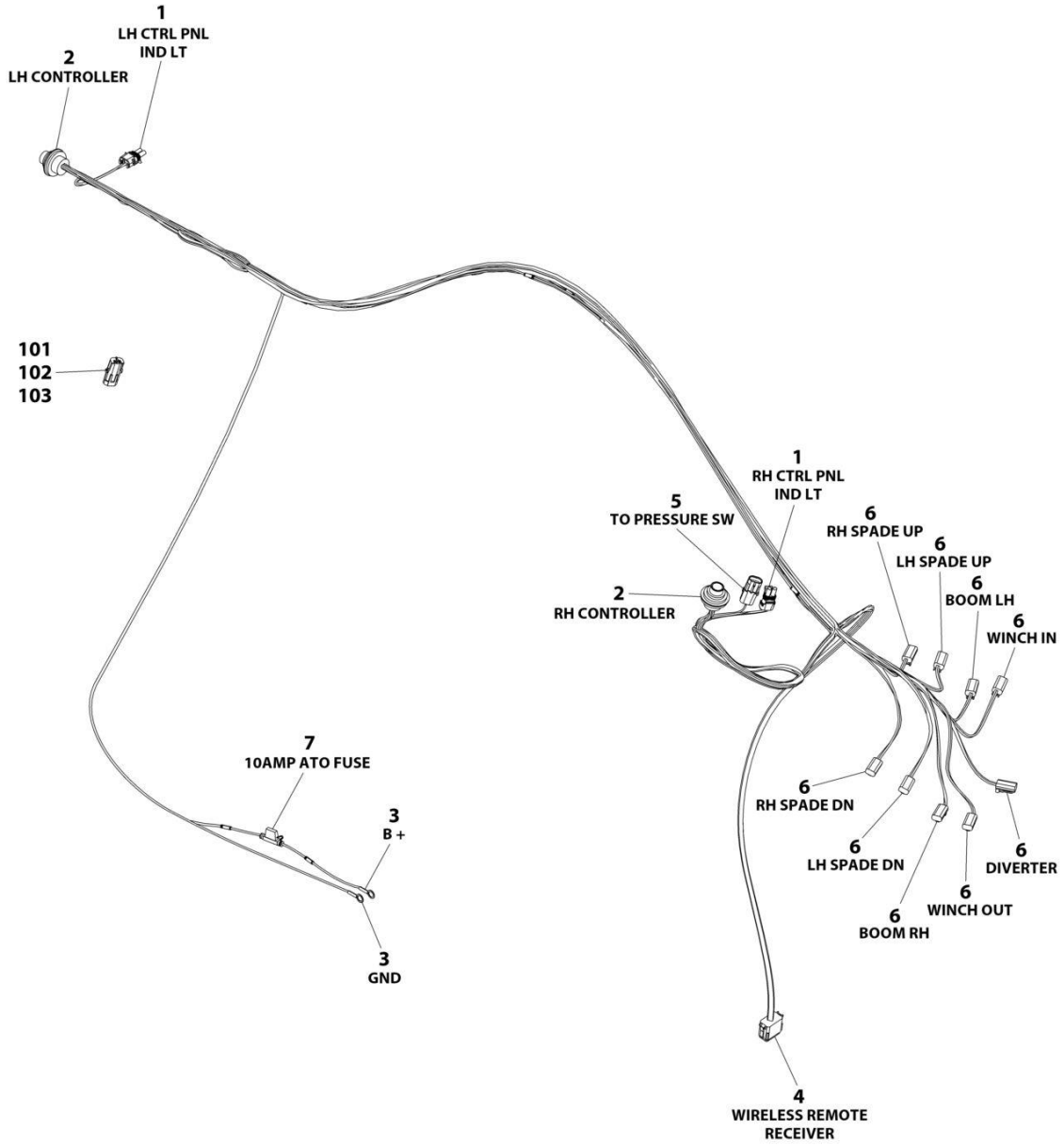
SECTION 7 - ELECTRICAL

FIGURE 7-72. REMOTE 6 FUNCTION NON-PROP HARNESS

ITEM	PART NUMBER	QTY	DESCRIPTION	REV
	1001246829	Ref	HARNESS ASSEMBLY - REMOTE CONTROL	B
1		Ref	Terminal	
2	1001116983	6	Receptacle, Female - 2 Position	
2	1001283166	12	Terminal	
2	4461054	12	Seal	
3	4460950	1	Receptacle, Female - 8 Position	
3	4640464	7	Pin, Male	
3	4460466	1	Plug, Terminal	
4	4460933	1	Plug, Male - 12 Position	
4	4460942	12	Socket, Female	
5	1001269275	1	Receptacle, Female - 8 Position	
5	4460941	4	Pin, Male	
5	4460466	4	Plug, Terminal	
5		Ref	Gasket	

SECTION 7 - ELECTRICAL

FIGURE 7-73. REMOTE CONTROL HARNESS ASSEMBLY (8 FUNCTION) (SRS WINCH)



ART_7552000407

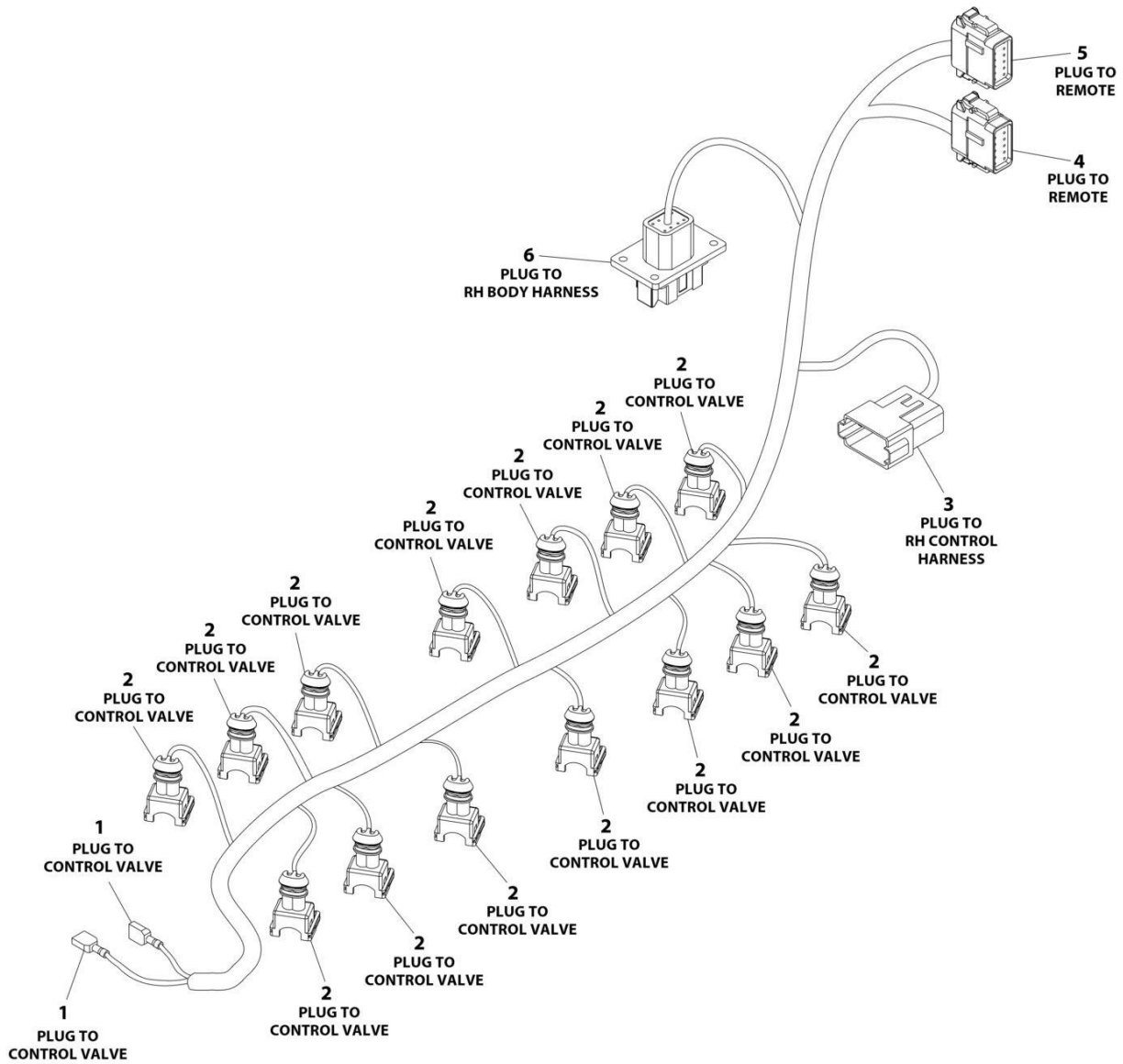
SECTION 7 - ELECTRICAL

FIGURE 7-73. REMOTE CONTROL HARNESS ASSEMBLY (8 FUNCTION) (SRS WINCH)

ITEM	PART NUMBER	QTY	DESCRIPTION	REV
	7552000407	Ref	REMOTE CONTROL 8 FUNCTION HARNESS	E
1	4460742	2	Connector	
1	4460457	4	Socket	
1	4460458	2	Seal	
2	1001271968	2	Connector	
2	1001271970	20	Socket	
2	NPN	2	Strain Relief	
3	4460256	2	Terminal, Ring	
4	4460933	1	Connector	
4	4460465	11	Socket	
4	4460466	1	Plug	
5	4461157	1	Connector	
5	4460475	2	Socket	
5	4460458	2	Seal	
6	4460891	9	Connector	
6	4460465	18	Socket	
7	1001288901	1	Fuseholder	
7	80983191	1	Fuse, 10 AMP	
101	4460458	4	Seal	
102	4460475	4	Pin	
103	4461157	2	Connector	

SECTION 7 - ELECTRICAL

FIGURE 7-74. REMOTE 14 FUNCTION NON-PROP HARNESS



ART_1001246828

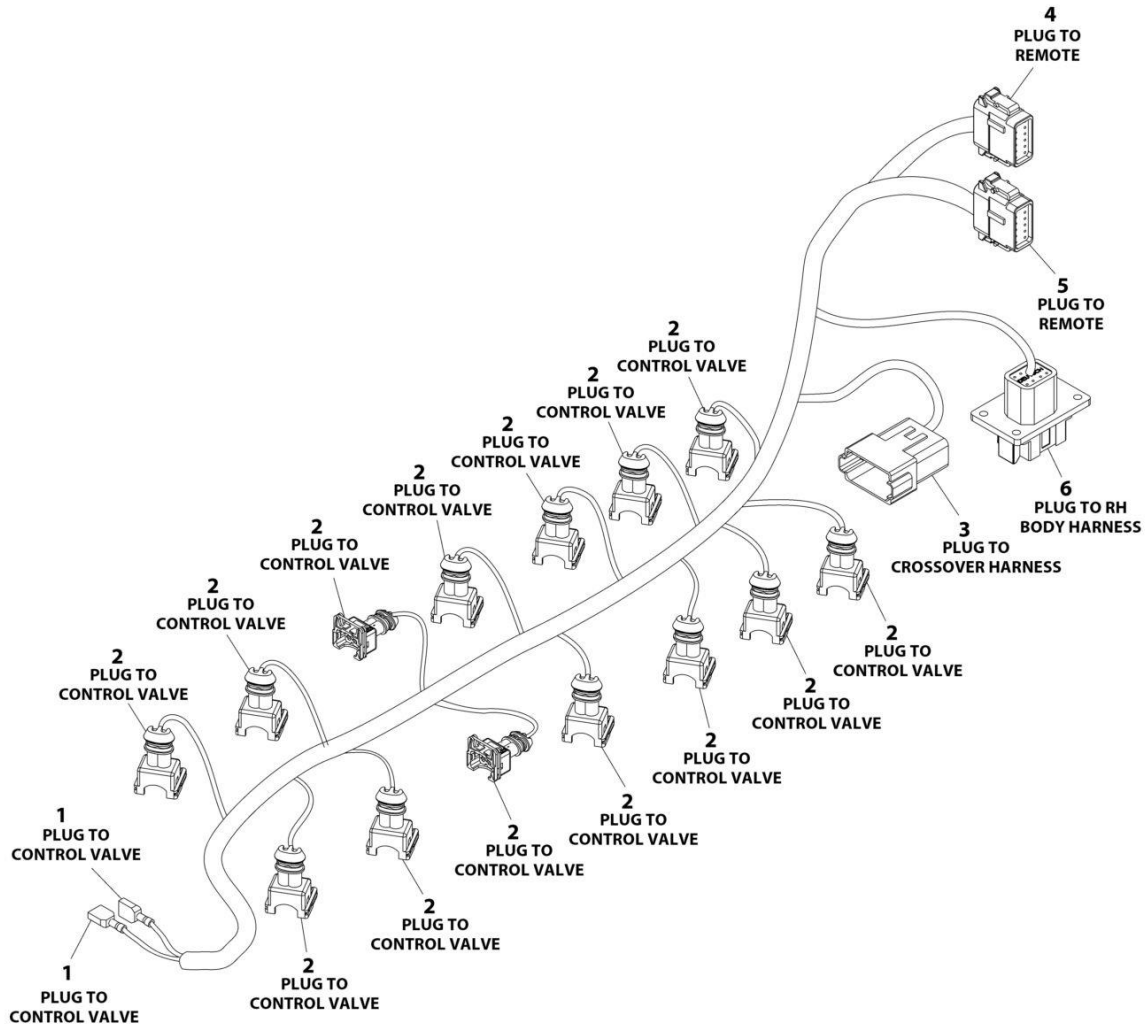
SECTION 7 - ELECTRICAL

FIGURE 7-74. REMOTE 14 FUNCTION NON-PROP HARNESS

ITEM	PART NUMBER	QTY	DESCRIPTION	REV
	1001246828	Ref	HARNESS ASSEMBLY - REMOTE CONTROL	B
1		Ref	Terminal	
2	1001116983	14	Receptacle, Female - 2 Position	
2	1001283166	28	Terminal	
2	4461054	28	Seal	
3	4460950	1	Receptacle, Female - 12 Position	
3	4460464	9	Pin, Male	
3	4460466	3	Plug, Terminal	
4	4460909	1	Plug, Male - 12 Position (Black)	
4	1001116994	6	Socket, Female	
4	4460916	6	Plug, Terminal	
5	4460908	1	Plug, Male - 12 Position (Gray)	
5	1001116994	12	Socket, Female	
6	1001269275	1	Receptacle, Female - 8 Position	
6	4460941	4	Pin, Male	
6	4460466	4	Plug, Terminal	
6		Ref	Gasket	

SECTION 7 - ELECTRICAL

FIGURE 7-75. REMOTE 14 FUNCTION PROP HARNESS



ART_1001189120

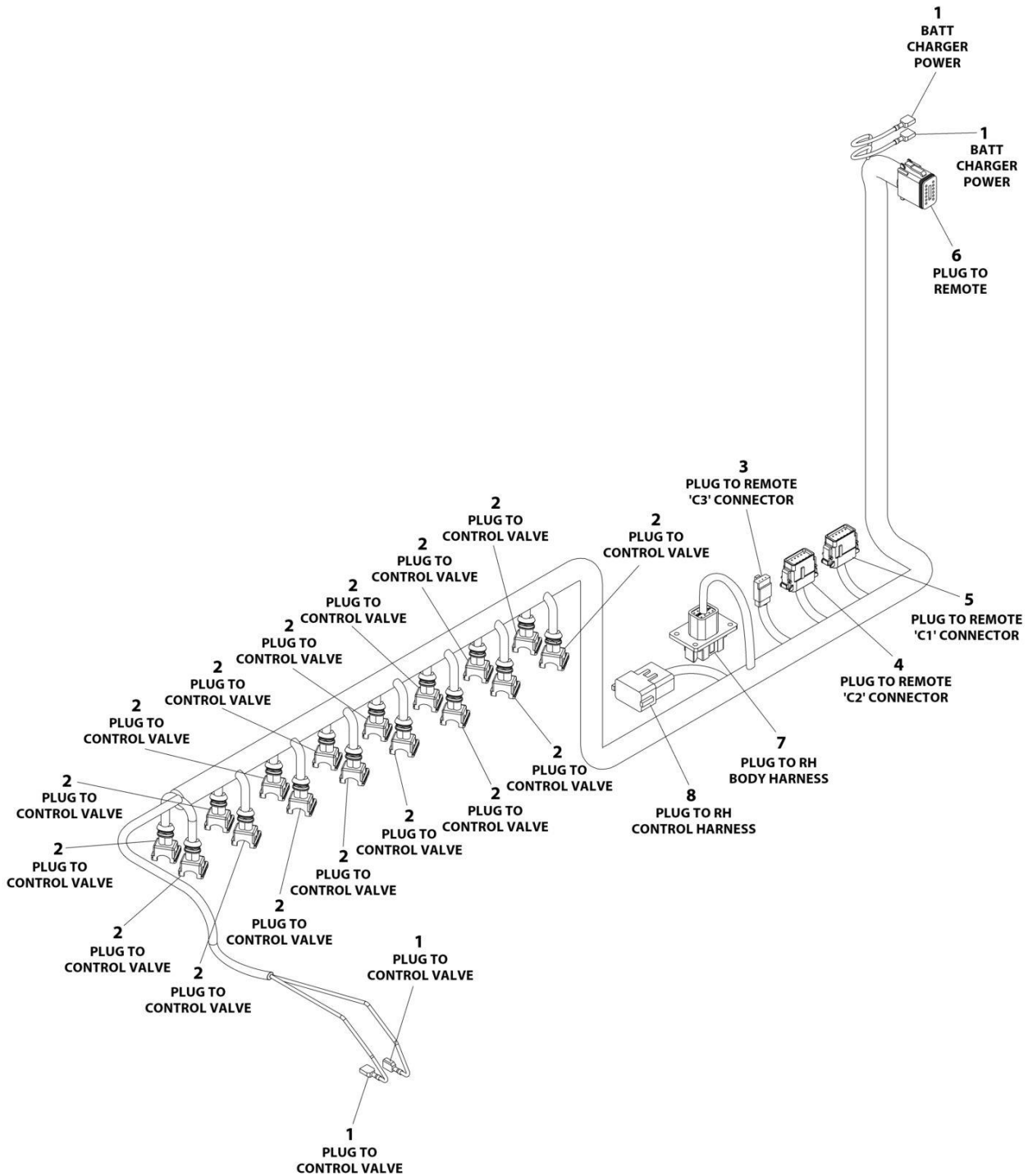
SECTION 7 - ELECTRICAL

FIGURE 7-75. REMOTE 14 FUNCTION PROP HARNESS

ITEM	PART NUMBER	QTY	DESCRIPTION	REV
	1001209020	Ref	HARNESS ASSEMBLY - REMOTE CONTROL	C
1		Ref	Terminal	
2	1001116983	14	Receptacle, Female - 2 Position	
2	1001283166	28	Terminal	
2	4461054	28	Seal	
3	4460931	1	Receptacle, Female - 8 Position	
3	4460464	7	Plug, Terminal	
3	4460466	1	Plug, Terminal	
4	4460909	1	Plug, Male - 12 Position (Black)	
4	1001116994	6	Socket, Female	
4	4460916	6	Plug, Terminal	
5	4460908	1	Plug, Male - 12 Position (Gray)	
5	1001116994	12	Socket, Female	
6	1001269275	1	Receptacle, Female - 8 Position	
6	4460941	4	Pin, Male	
6	4460466	4	Plug, Terminal	
6		Ref	Gasket	

SECTION 7 - ELECTRICAL

FIGURE 7-76. REMOTE 14 & 16 FUNCTION HARNESS



ART_1001236497

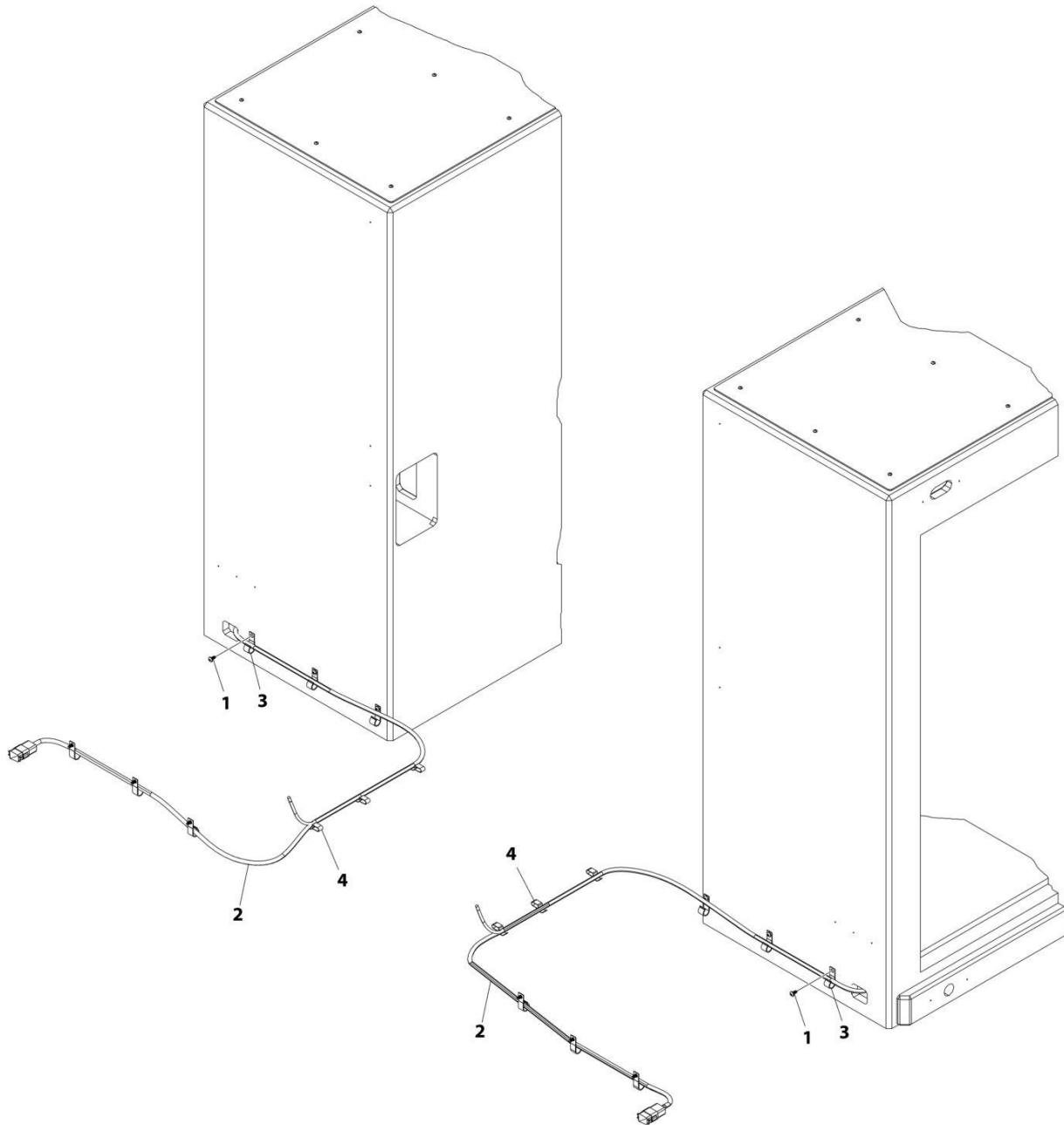
SECTION 7 - ELECTRICAL

FIGURE 7-76. REMOTE 14 & 16 FUNCTION HARNESS

ITEM	PART NUMBER	QTY	DESCRIPTION	REV
	1001236497	Ref	HARNESS ASSEMBLY - REMOTE CONTROL	C
1		Ref	Terminal	
2	1001116983	15	Receptacle, Female - 2 Position	
2	1001283166	32	Terminal	
2	4461054	32	Seal	
3	4460911	1	Plug, Male - 3 Position	
3	4460517	3	Socket, Female	
4	4460909	1	Plug, Male - 12 Position (Black)	
4	1001116994	8	Socket, Female	
4	4460916	4	Plug, Terminal	
5	4460908	1	Plug, Male - 12 Position (Gray)	
5	1001116994	6	Socket, Female	
5	4460916	6	Plug, Terminal	
6	4460933	1	Plug, Male - 12 Position (Gray)	
6	4460465	12	Socket, Female	
7	1001269275	1	Receptacle, Female - 8 Position	
7	4460941	4	Pin, Male	
7	4460466	4	Plug, Terminal	
7		Ref	Gasket	
8	4460950	1	Receptacle, Female - 12 Position	
8	4460464	7	Pin, Male	
8	4460466	1	Plug, Terminal	

SECTION 7 - ELECTRICAL

FIGURE 7-77. SIDE STABILIZER ELECTRICAL INSTALLATION (WITH NO PANEL)



ART_1001248346

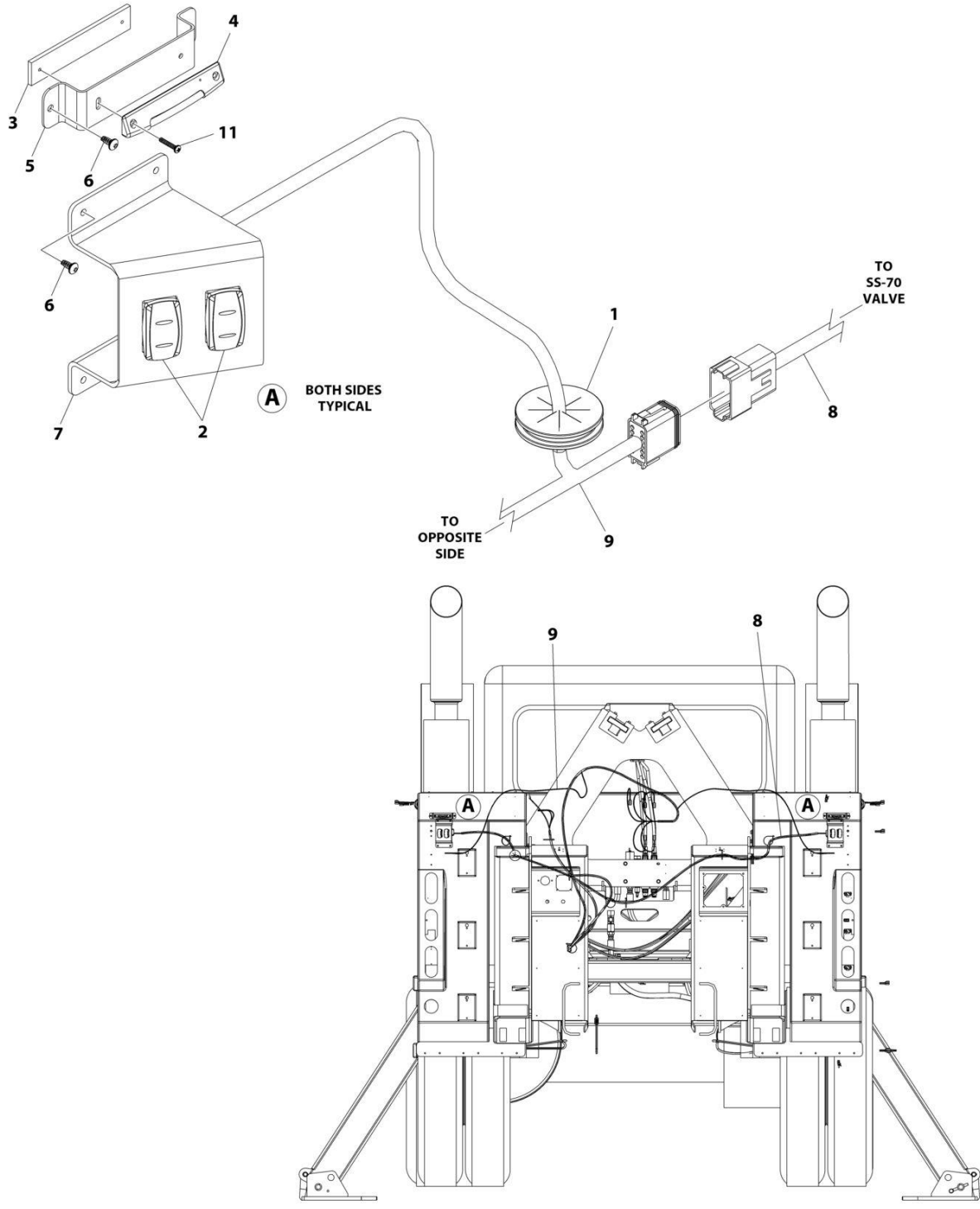
SECTION 7 - ELECTRICAL

FIGURE 7-77. SIDE STABILIZER ELECTRICAL INSTALLATION (WITH NO PANEL)

ITEM	PART NUMBER	QTY	DESCRIPTION	REV
	1001248346	Ref	ELECTRICAL INSTALLATION (SS-70 WITH NO PANEL)	C
1	1001195257	12	Screw 1/4 x 1/2	
2	1001244216	2	Marker Light Harness (SS-70) (See Separate Breakdown in this Section)	
3	7280000006	12	Clip	
4	7280000013	8	Clip	
5	7346000039	AR	Tubing (Not Shown)	

SECTION 7 - ELECTRICAL

FIGURE 7-78. SIDE STABILIZER ELECTRICAL INSTALLATION



ART_1001244142

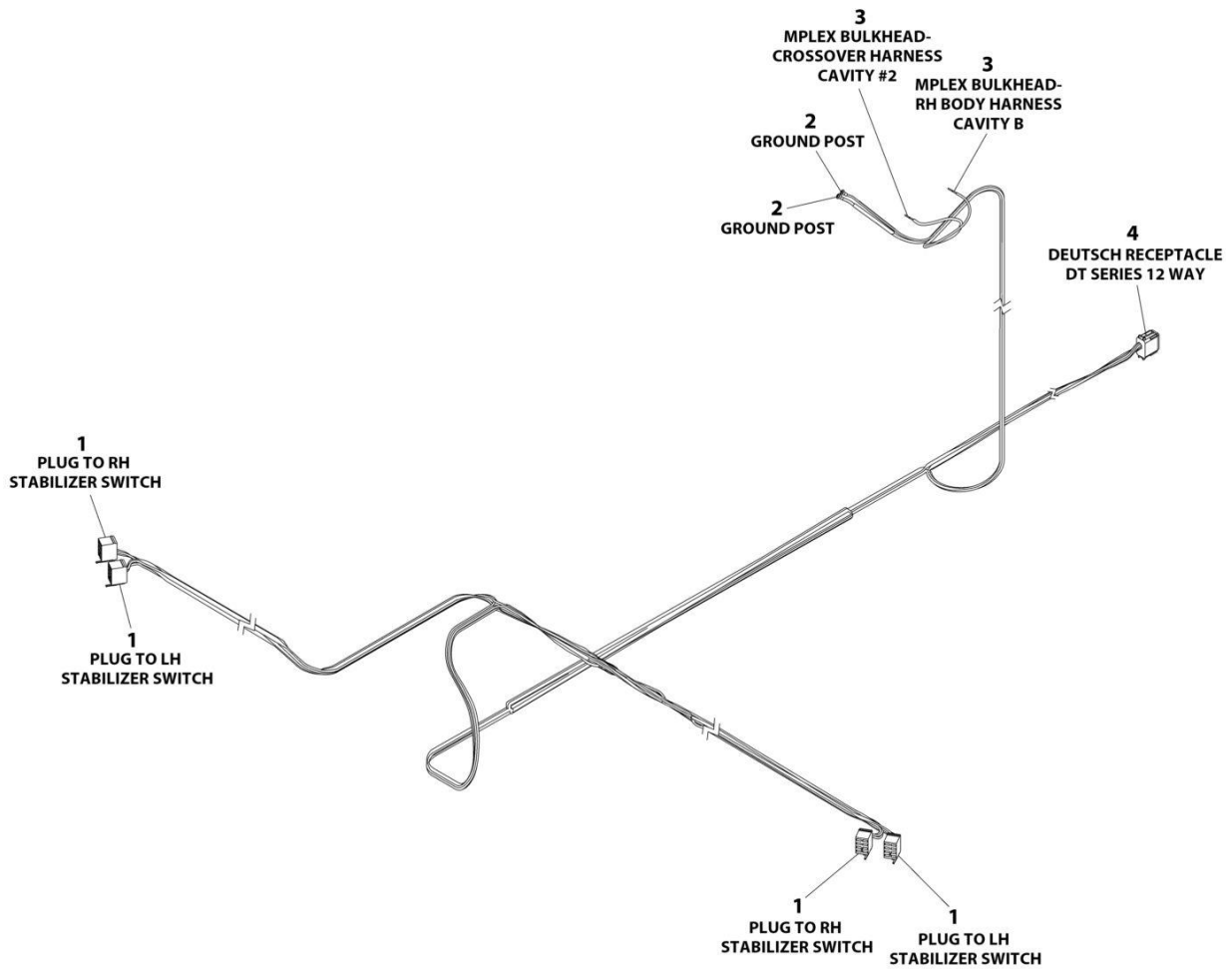
SECTION 7 - ELECTRICAL

FIGURE 7-78. SIDE STABILIZER ELECTRICAL INSTALLATION

ITEM	PART NUMBER	QTY	DESCRIPTION	REV
	1001244142	Ref	STABILIZER (SS-70) ELECTRICAL INSTALLATION	B
1	2540045	2	Grommet	
2	1001136270	4	Switch	
3	1001156079	2	Bar	
4	1001156279	2	Inclinometer	
5	1001167099	2	Level	
6	1001198602	12	Screw #8 x 3/8	
7	1001244185	2	Mount, Switch	
8	1001244279	1	Stabilizer (SS-70) Switch Harness (See Separate Breakdown in this Section) (Rear Harness)	
9	1001244281	1	Stabilizer (SS-70) Valve Harness (See Separate Breakdown in this Section) (Front Harness)	
10	5526000553	15	Tie-Strap (Not Shown)	
11	7120000047	4	Screw #4 x 5/8	
12	7894000004	20	Tie-Strap (Not Shown)	

SECTION 7 - ELECTRICAL

FIGURE 7-79. SIDE STABILIZER (SRS SS-70) SWITCH HARNESS (REAR HARNESS)



ART_1001244279

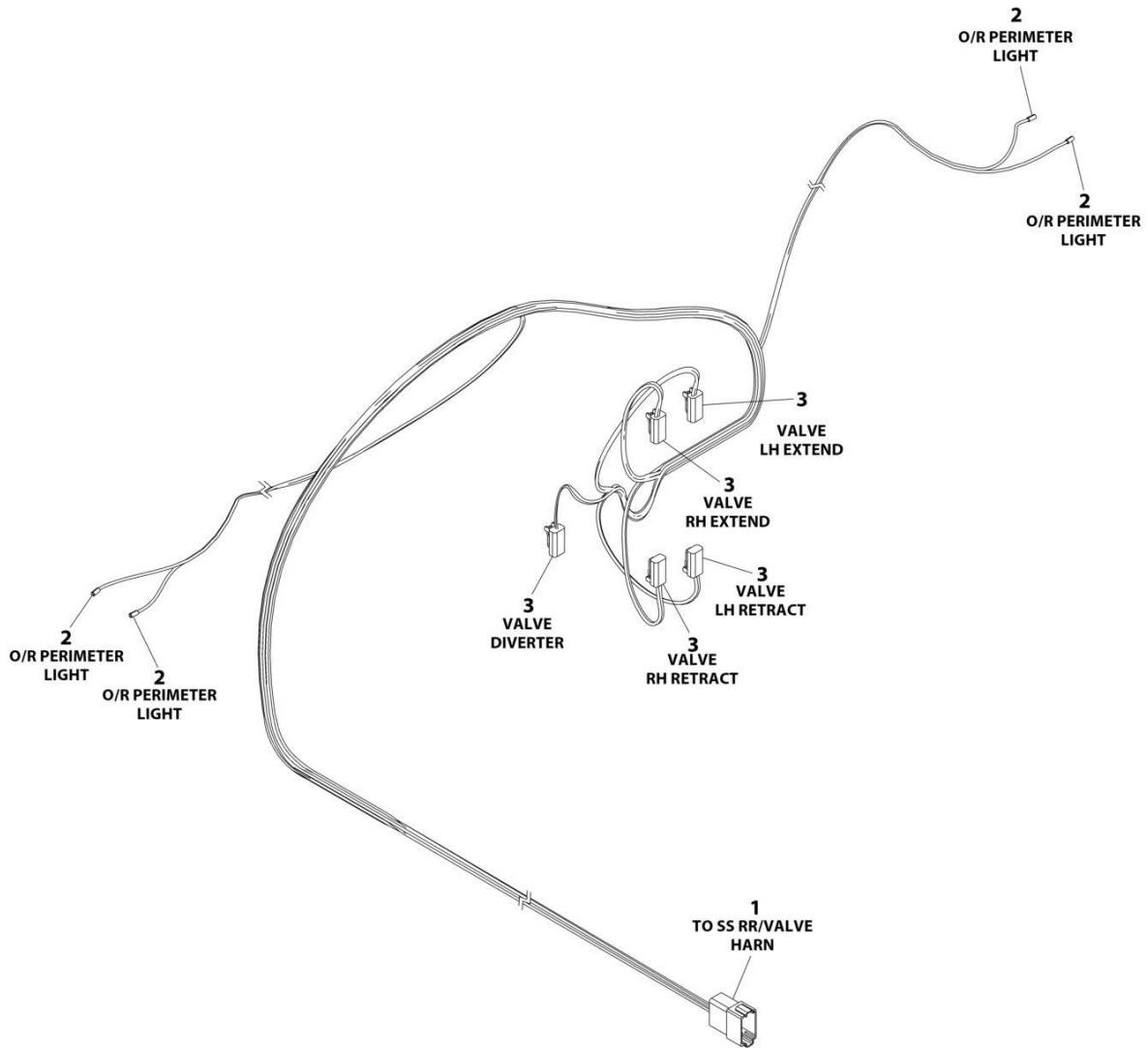
SECTION 7 - ELECTRICAL

FIGURE 7-79. SIDE STABILIZER (SRS SS-70) SWITCH HARNESS (REAR HARNESS)

ITEM	PART NUMBER	QTY	DESCRIPTION	REV
	1001244279	Ref	HYDRAULIC SWITCHING SIDE STABILIZER HARNESS	C
1	1001262745	4	Connector	
1	4460419	24	Socket	
2	NPN	2	Terminal, Ring	
3	4460509	2	Socket	
4	4460933	1	Connector	
4	8060416	1	Wedge, Locking	
4	NPN	2	Plug	
4	4460942	7	Socket (14-16AWG)	
4	4460465	3	Socket (16-20AWG)	

SECTION 7 - ELECTRICAL

FIGURE 7-80. SIDE STABILIZER (SRS SS-70) VALVE HARNESS (FRONT HARNESS)



ART_1001244281

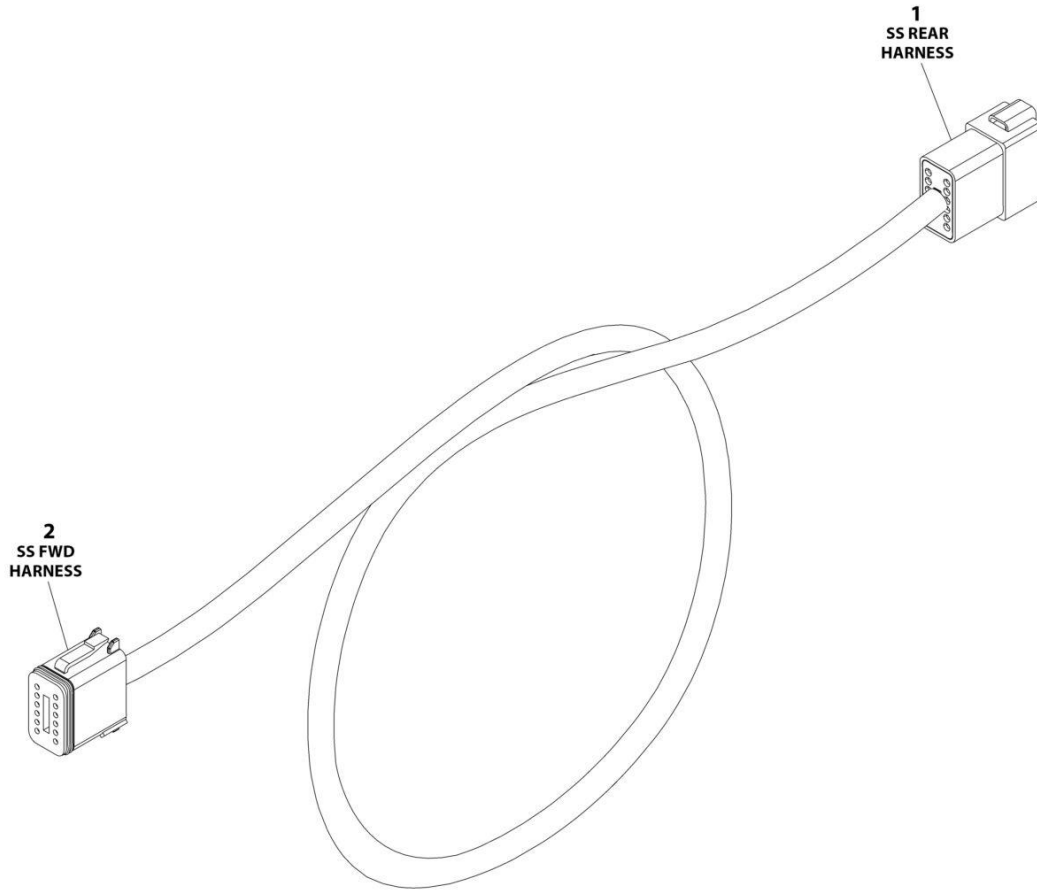
SECTION 7 - ELECTRICAL

FIGURE 7-80. SIDE STABILIZER (SRS SS-70) VALVE HARNESS (FRONT HARNESS)

ITEM	PART NUMBER	QTY	DESCRIPTION	REV
	1001244281	Ref	STABILIZER (SS-70) VALVE HARNESS	B
1	4460970	1	Receptacle, Female - 12 Position	
1	4460464	3	Pin, Male	
1	4460941	7	Pin, Male	
1	4460466	2	Plug, Terminal	
2	NPN	4	Connector, Butt	
3	4460891	5	Plug, Male - 2 Position	
3	4460942	10	Socket, Female	

SECTION 7 - ELECTRICAL

FIGURE 7-81. SIDE STABILIZER HARNESS EXTENTIONS (SS-70)



ART_1001248215

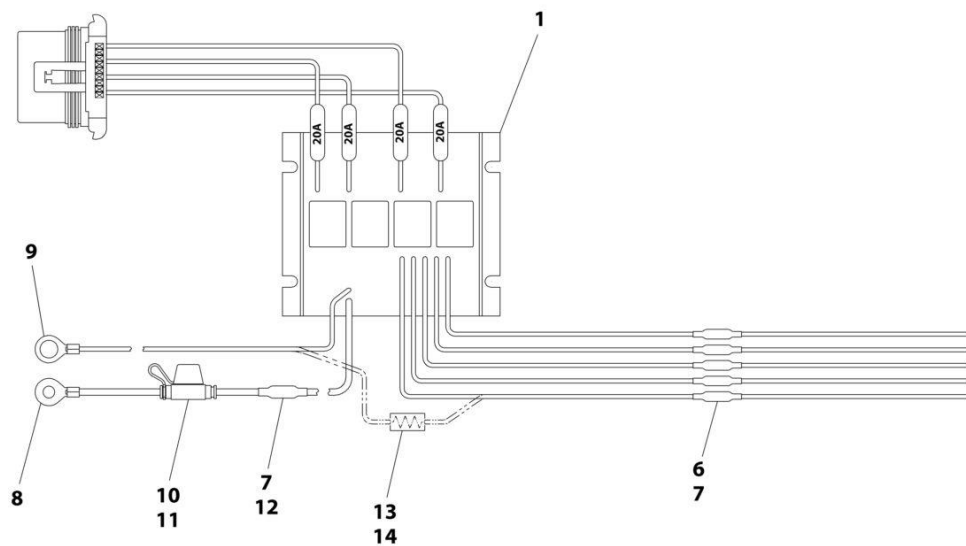
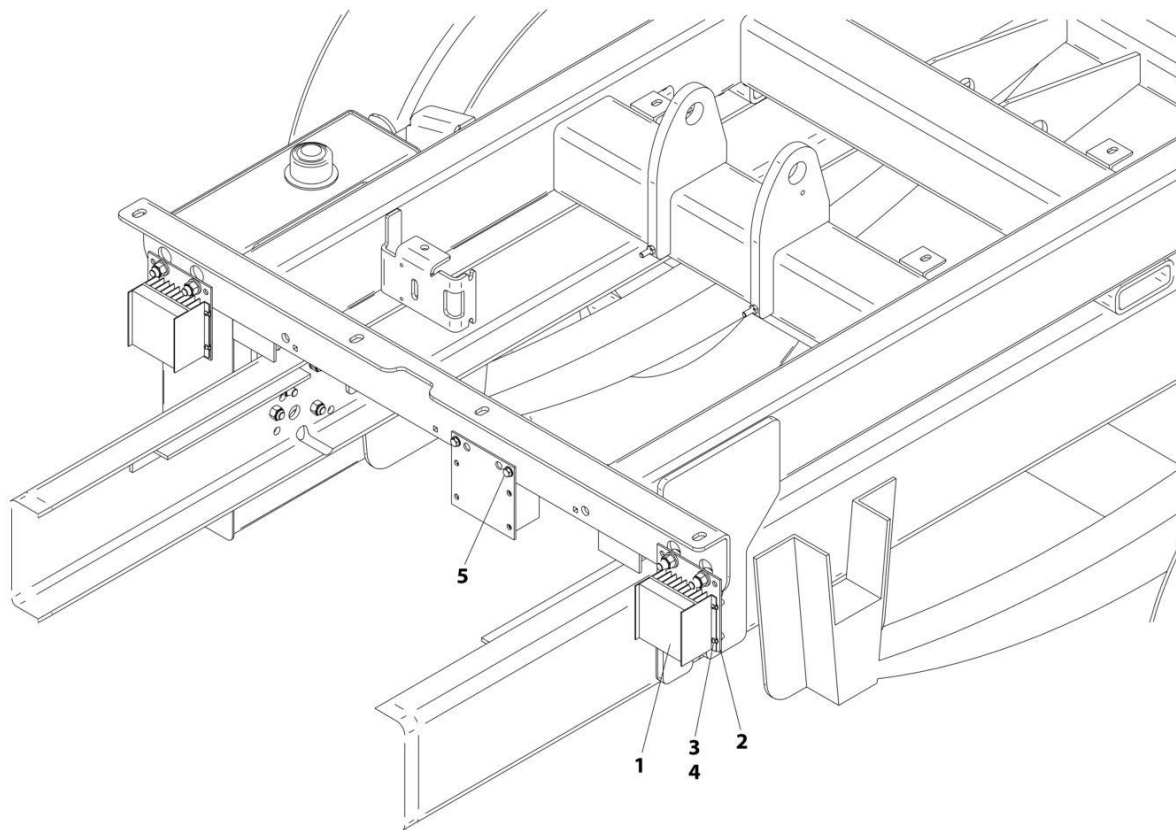
SECTION 7 - ELECTRICAL

FIGURE 7-81. SIDE STABILIZER HARNESS EXTENTIONS (SS-70)

ITEM	PART NUMBER	QTY	DESCRIPTION	REV
	1001248215	Ref	STABILIZER (SS-70) EXTENSION HARNESS INSTALLATION	A
	1001244280	Ref	STABILIZER (SS-70) EXTENSION HARNESS	A
1	4460970	1	Receptacle, Female - 12 Position	
1	4460464	3	Pin, Male	
1	4460941	7	Pin, Male	
1	4460466	2	Plug, Terminal	
2	4460933	1	Plug, Male - 12 Position	
2	4460465	3	Socket, Female	
2	4460942	7	Socket, Female	
2	4460466	2	Plug, Terminal	

SECTION 7 - ELECTRICAL

FIGURE 7-82. TAILLIGHT CONVERSION KIT



ART_234600003

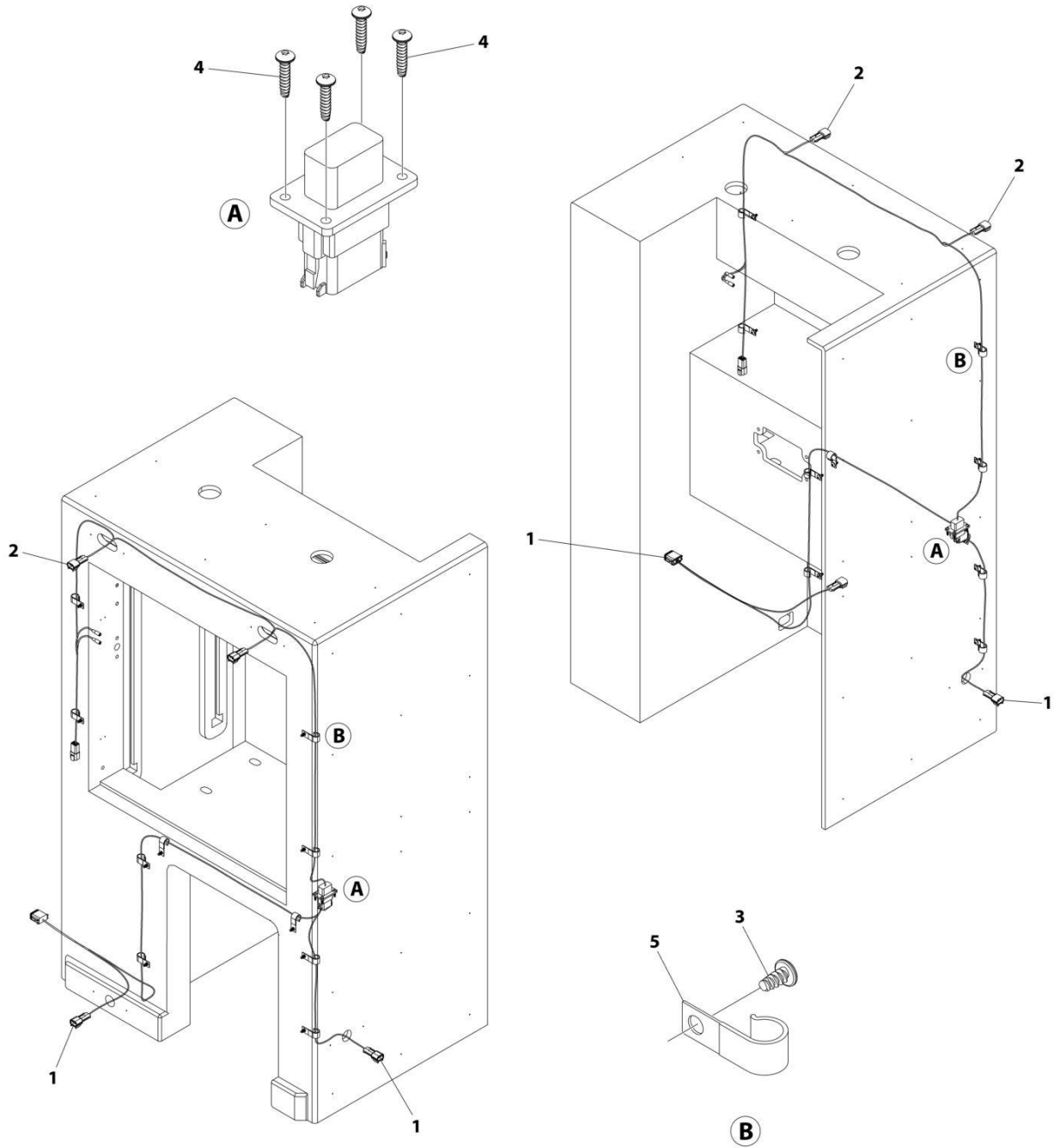
SECTION 7 - ELECTRICAL

FIGURE 7-82. TAILLIGHT CONVERSION KIT

ITEM	PART NUMBER	QTY	DESCRIPTION	REV
	2346000003	Ref	TAIL LIGHT CONVERTER	D
1	7297000008	1	Tail Light Converter	
2	4706002990	1	Plate	
3	7661000007	4	Nut #10	
4	7104100613	4	Capscrew #10 x 3/4	
5	7790151253	2	Bolt 5/16 x 3/4	
6	7345001714	5	Terminal	
7	7346000039	0.33 ft / 0.1m	Tube, 25in ID	
8	7345221902	1	Terminal	
9	7345241902	1	Terminal	
10	7346000126	1	Fuse Holder	
11	7457000017	1	Fuse - 30 amp	
12	7345001914	1	Terminal	
13	7346000209	1	Resistor (UD Chassis with Incandes't Lights)	
14	7346000220	1	Resistor (UD Chassis with Incandes't Lights)	

SECTION 7 - ELECTRICAL

FIGURE 7-83. TOOLBOX HARNESS INSTALLATION



ART_1001207275

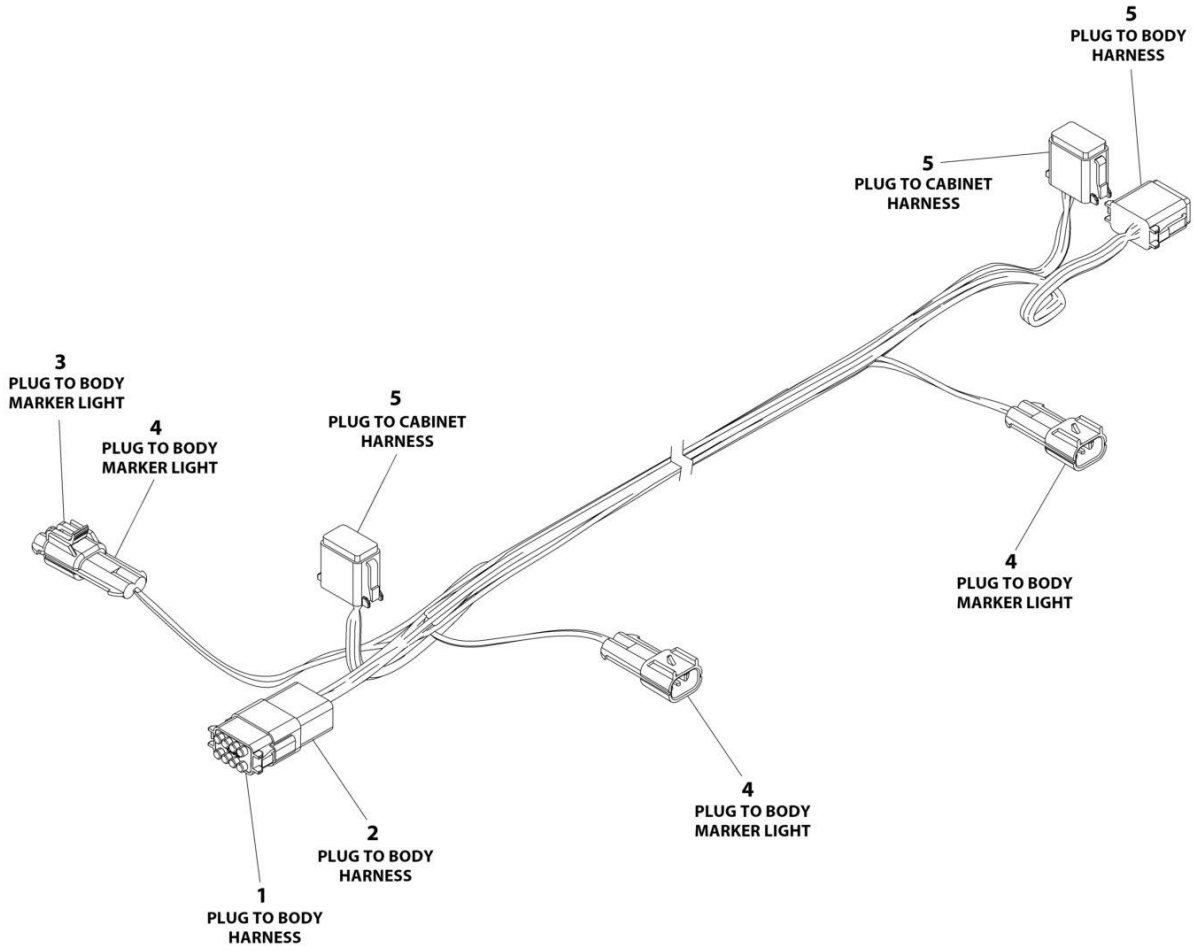
SECTION 7 - ELECTRICAL

FIGURE 7-83. TOOLBOX HARNESS INSTALLATION

ITEM	PART NUMBER	QTY	DESCRIPTION	REV
	1001207275	Ref	TOOLBOX HARNESS INSTALLATION	A
1	1001207276	2	Harness, ToolBox Main (See Separate Breakdown in this Section)	
2	1001207277	2	Harness, ToolBox (See Separate Breakdown in this Section)	
3	1001195257	20	Screw 1/4 x 1/2	
4	1001196552	8	Screw #8 x 3/4	
5	7280000006	20	Clip	

SECTION 7 - ELECTRICAL

FIGURE 7-84. TUNNEL HARNESS - MAIN



ART_1001209050

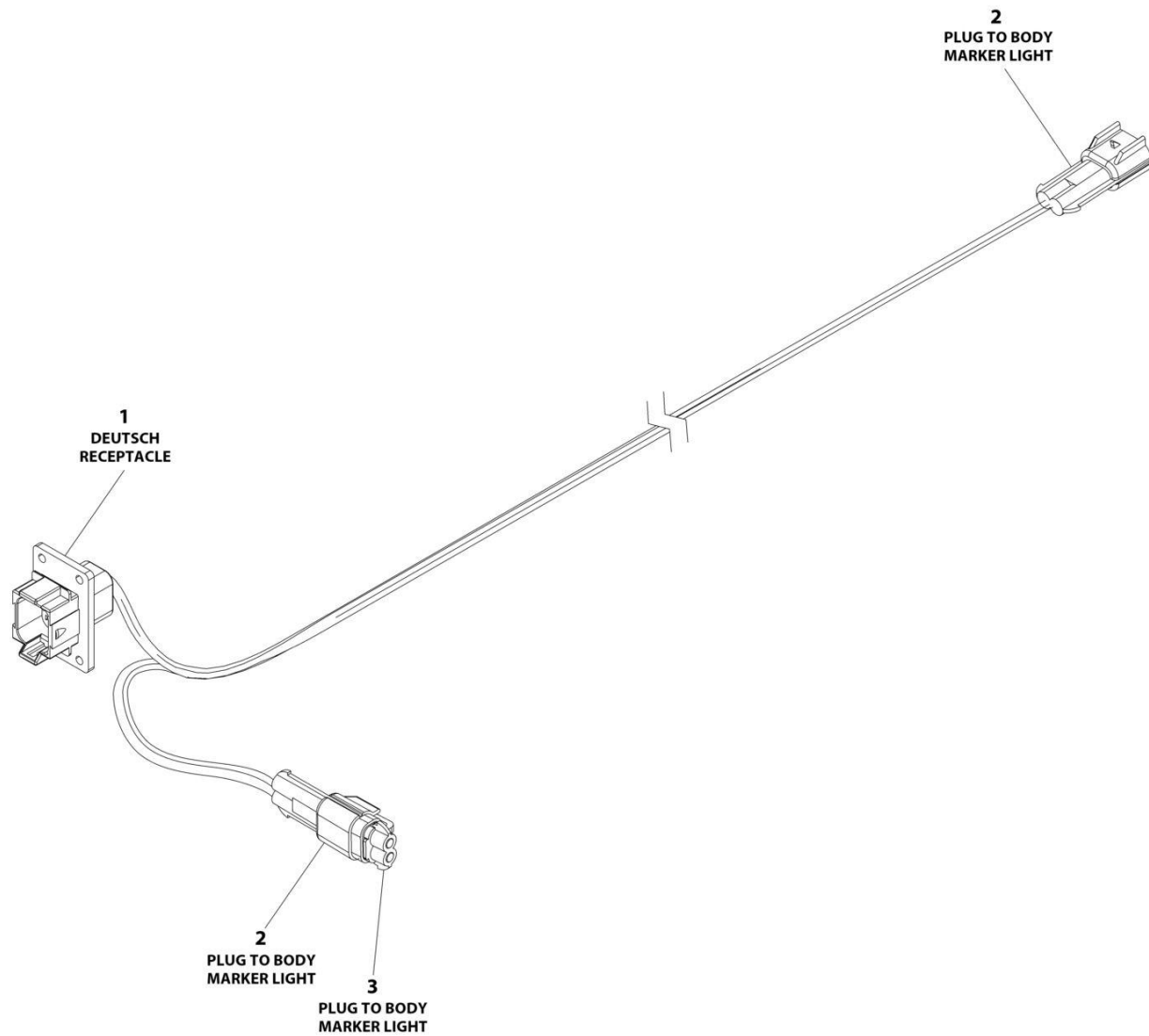
SECTION 7 - ELECTRICAL

FIGURE 7-84. TUNNEL HARNESS - MAIN

ITEM	PART NUMBER	QTY	DESCRIPTION	REV
	1001209050	Ref	TUNNEL HARNESS - MAIN	C
1	4460930	1	Connector - 8 Position	
1	4460466	8	Plug, Terminal	
2	4460931	1	Connector - 8 Position	
2	4460464	6	Socket, Female	
2	4460466	2	Plug, Terminal	
3	NPN	1	Plug, Male - 2 Position	
3	NPN	2	Terminal	
3	4460458	2	Seal	
4	NPN	3	Receptacle, Female - 2 Position	
4	NPN	6	Terminal	
4	1001116727	6	Seal	
5	4460930	3	Connector - 8 Position	
5	4460465	18	Pin, Male	
5	4460466	6	Plug, Terminal	

SECTION 7 - ELECTRICAL

FIGURE 7-85. TUNNEL HARNESS - FRONT



ART_1001209055

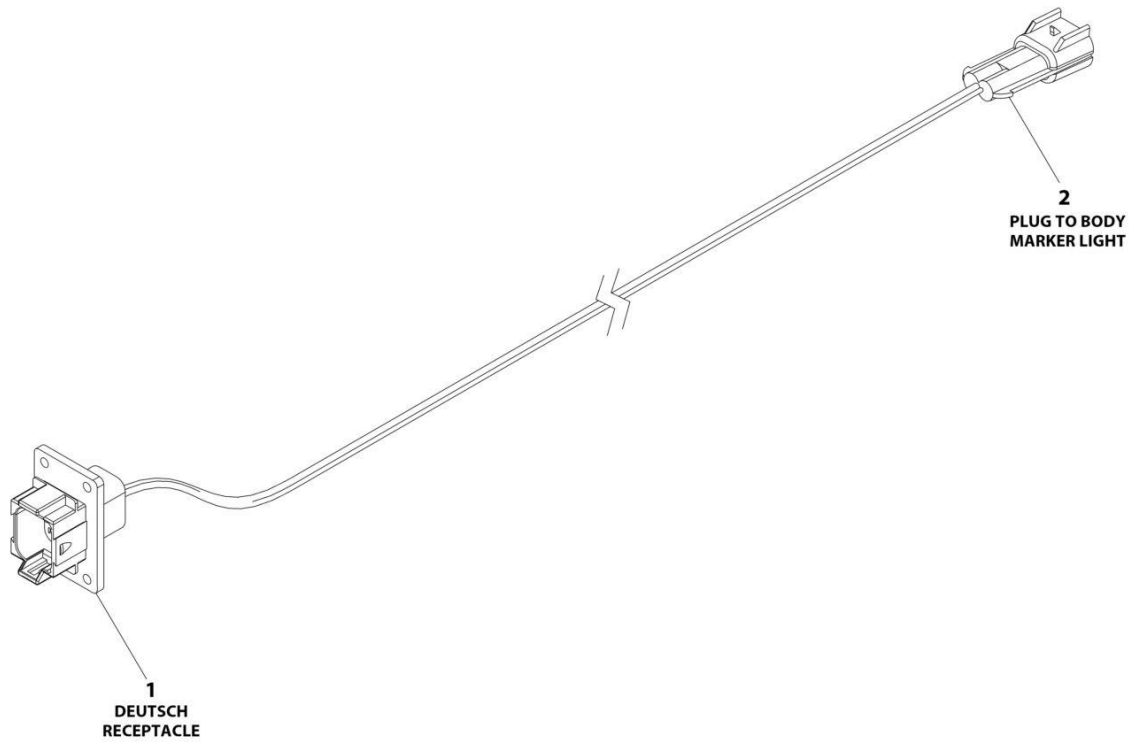
SECTION 7 - ELECTRICAL

FIGURE 7-85. TUNNEL HARNESS - FRONT

ITEM	PART NUMBER	QTY	DESCRIPTION	REV
	1001209055	Ref	TUNNEL HARNESS - FRONT	B
1	NPN	1	Connector - 8 Position	
1	4640464	2	Socket, Female	
1	4640466	4	Plug, Terminal	
1	NPN	1	Gasket	
2	NPN	2	Connector - 2 Position	
2	NPN	4	Terminal	
2	4640458	4	Seal	
3	NPN	1	Connector - 2 Position	
3	NPN	2	Terminal	
3	1001116727	2	Seal	

SECTION 7 - ELECTRICAL

FIGURE 7-86. TUNNEL HARNESS - REAR



ART_1001209056

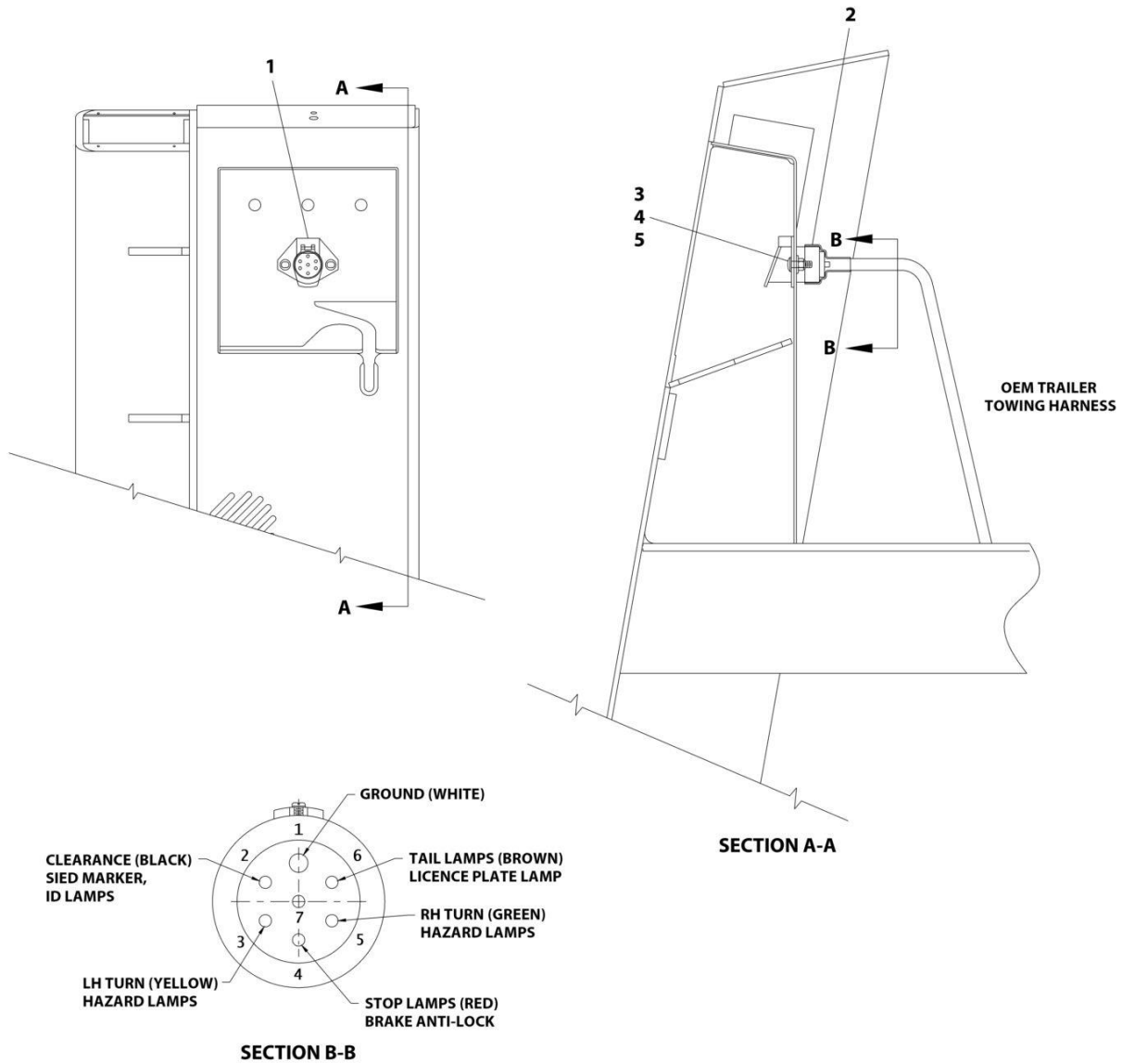
SECTION 7 - ELECTRICAL

FIGURE 7-86. TUNNEL HARNESS - REAR

ITEM	PART NUMBER	QTY	DESCRIPTION	REV
	1001209056	Ref	TUNNEL HARNESS - REAR	A
1	NPN	1	Connector - 8 Position	
1	4640464	2	Socket, Female	
1	4640466	4	Plug, Terminal	
1	NPN	1	Gasket	
2	NPN	1	Connector - 2 Position	
2	NPN	2	Terminal	
2	4640458	2	Seal	

SECTION 7 - ELECTRICAL

FIGURE 7-87. TRAILER PLUG INSTALLATION - 7WAY



ART_2502330145

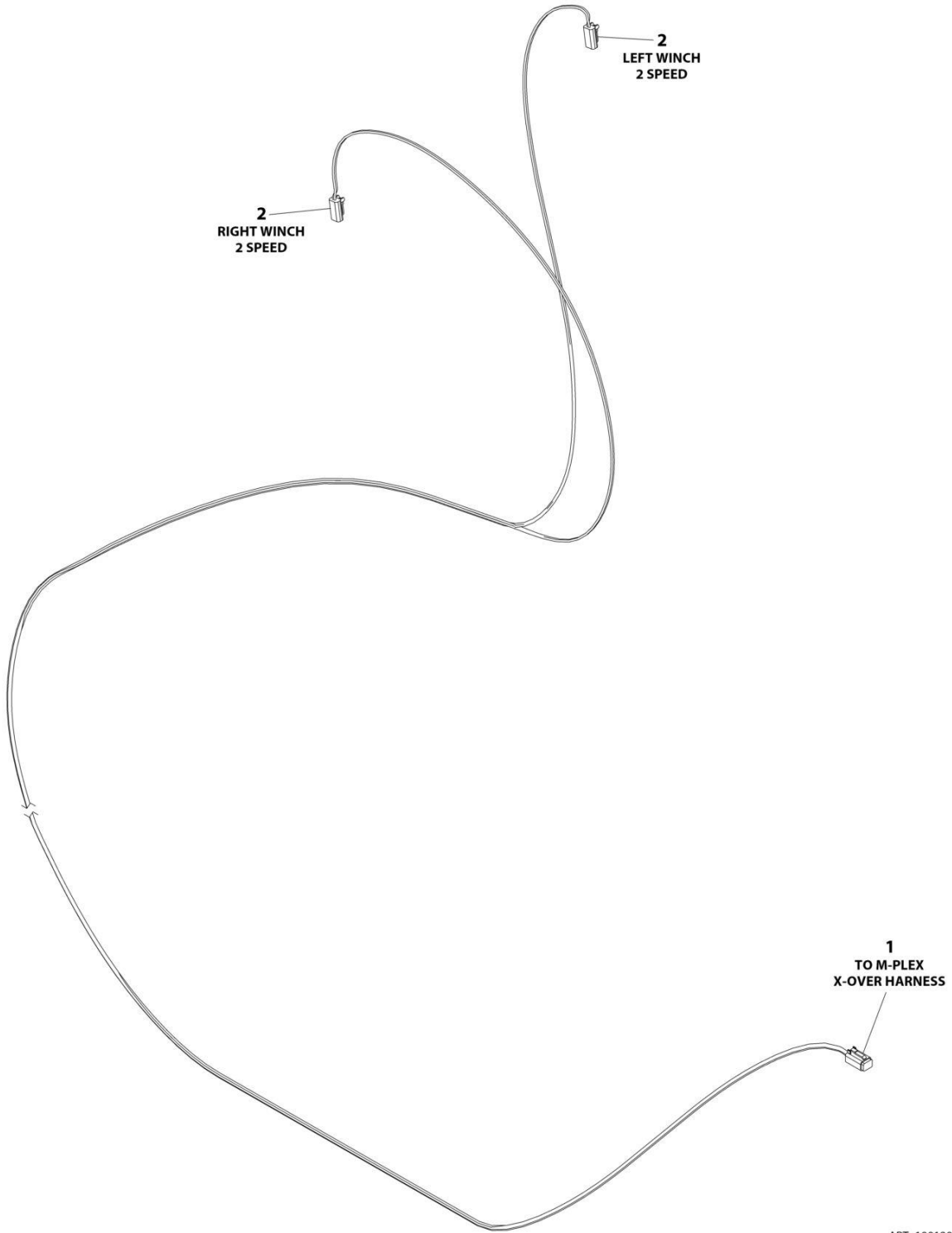
SECTION 7 - ELECTRICAL

FIGURE 7-87. TRAILER PLUG INSTALLATION - 7WAY

ITEM	PART NUMBER	QTY	DESCRIPTION	REV
	2502330145	Ref	7 - Way Trailer Plug Installation	C
1	7346000055	1	7-Way Plug	
2	7346000078	1	7-Way Plug Boot	
3	7115151050	2	Capscrew 5/16 x 1-1/4	
4	7950150161	4	Washer 5/16	
5	7660152601	2	Nut 5/16	

SECTION 7 - ELECTRICAL

FIGURE 7-88. WINCH MONITOR HARNESS



ART_1001209034

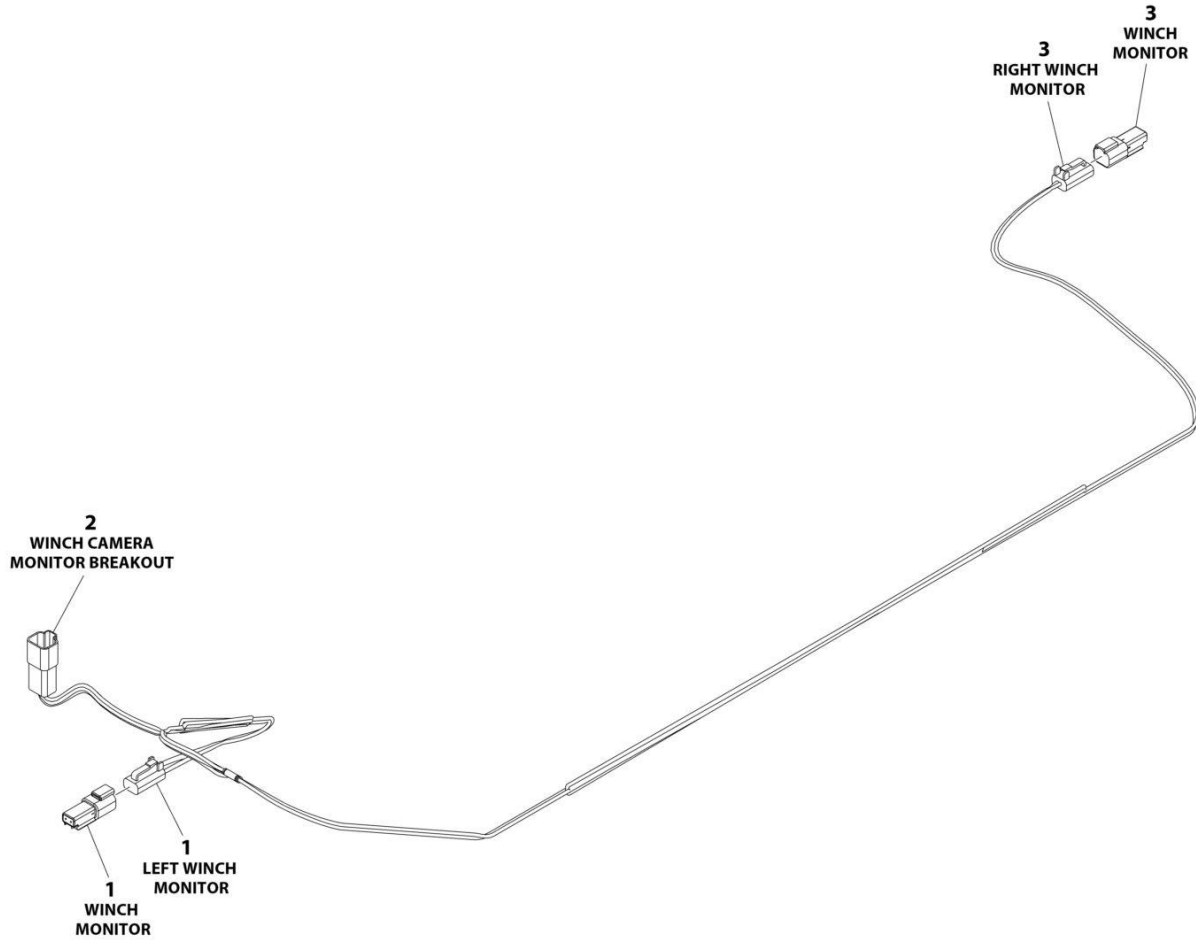
SECTION 7 - ELECTRICAL

FIGURE 7-88. WINCH MONITOR HARNESS

ITEM	PART NUMBER	QTY	DESCRIPTION	REV
	1001209034	Ref	WINCH HARNESS - 2 SPEED	C
1	4460884	1	Plug, Male - 4 Position	
1	4460465	4	Socket, Female	
2	4460891	2	Plug, Male - 2 Position	
2	4460465	4	Socket, Female	

SECTION 7 - ELECTRICAL

FIGURE 7-89. WINCH MONITOR HARNESS



ART_1001209036

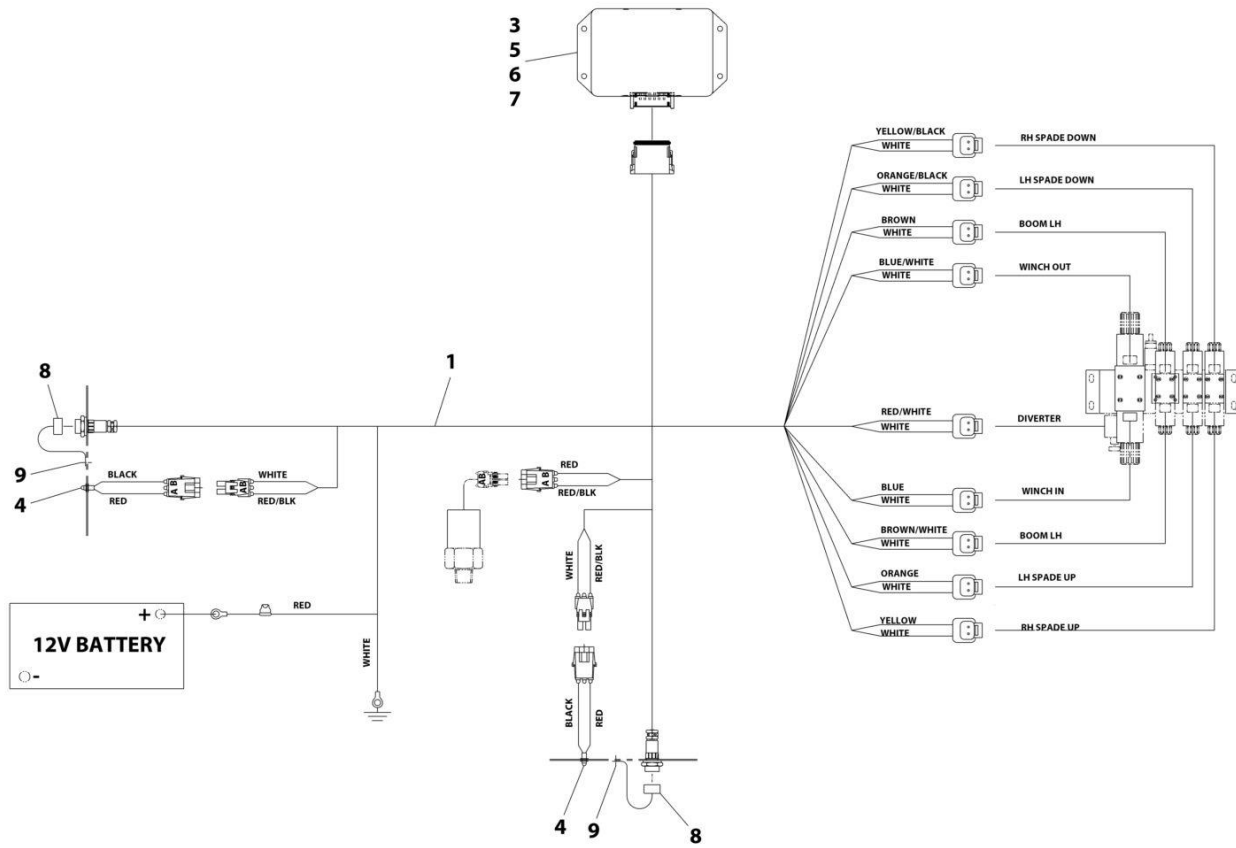
SECTION 7 - ELECTRICAL

FIGURE 7-89. WINCH MONITOR HARNESS

ITEM	PART NUMBER	QTY	DESCRIPTION	REV
	1001209036	Ref	WINCH MONITOR HARNESS	B
1	4460891	1	Connector	
1	80604018	1	Wedge, Locking	
1	4460465	2	Socket	
1	4460897	1	Connector, Plug	
1	80604017	1	Wedge, Locking	
1	4460466	2	Plug	
2	4460932	1	Connector	
2	80604020	1	Wedge, Locking	
2	4460464	4	Pin	
3	4460891	1	Connector	
3	80604018	1	Wedge, Locking	
3	4460465	2	Socket	
3	4460897	1	Connector, Plug	
3	8060417	1	Wedge, Locking	

SECTION 7 - ELECTRICAL

FIGURE 7-90. WINCH ELECTRICAL INSTALLATION (SRS TOOLBOX)



ART_3548330007

SECTION 7 - ELECTRICAL

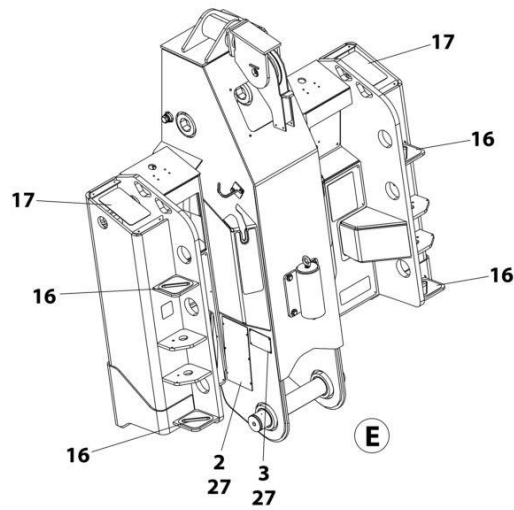
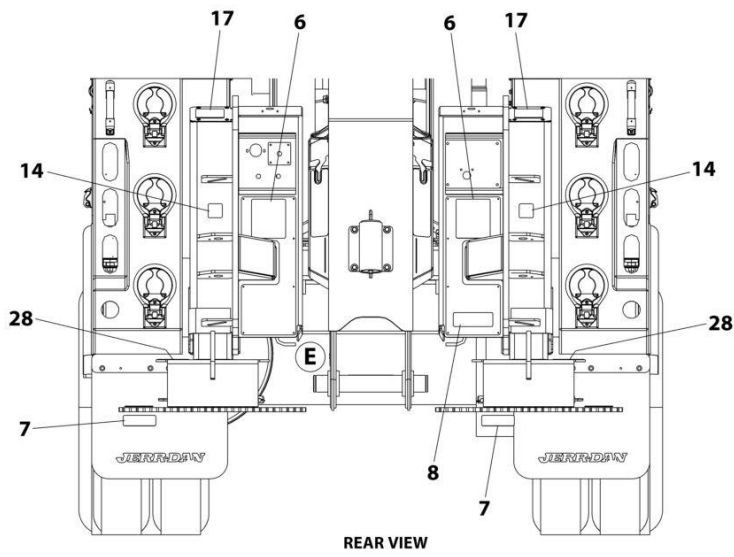
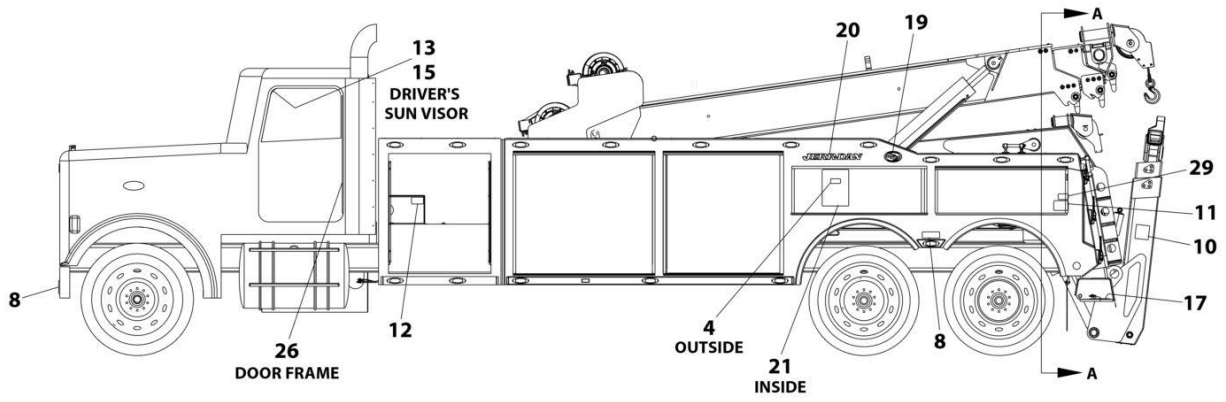
FIGURE 7-90. WINCH ELECTRICAL INSTALLATION (SRS TOOLBOX)

ITEM	PART NUMBER	QTY	DESCRIPTION	REV
	3548330007	Ref	SINGLE WINCH ELECTRICAL ASSEMBLY	B
1	7552000407	1	Harness Remote Control 8 Function (See Separate Breakdown in this Section)	
3	7295000121	1	Controller, Wireless	
4	7590000364	2	Indicator	
5	7114100518	4	Capscrew #10 x 5/8	
6	7660102604	4	Nut #10	
7	7950100103	4	Washer #10	
8	7346000068	2	Dust Cap	
9	7759000004	4	Rivet	

SECTION 8 - DECAL

SECTION 8 - DECAL

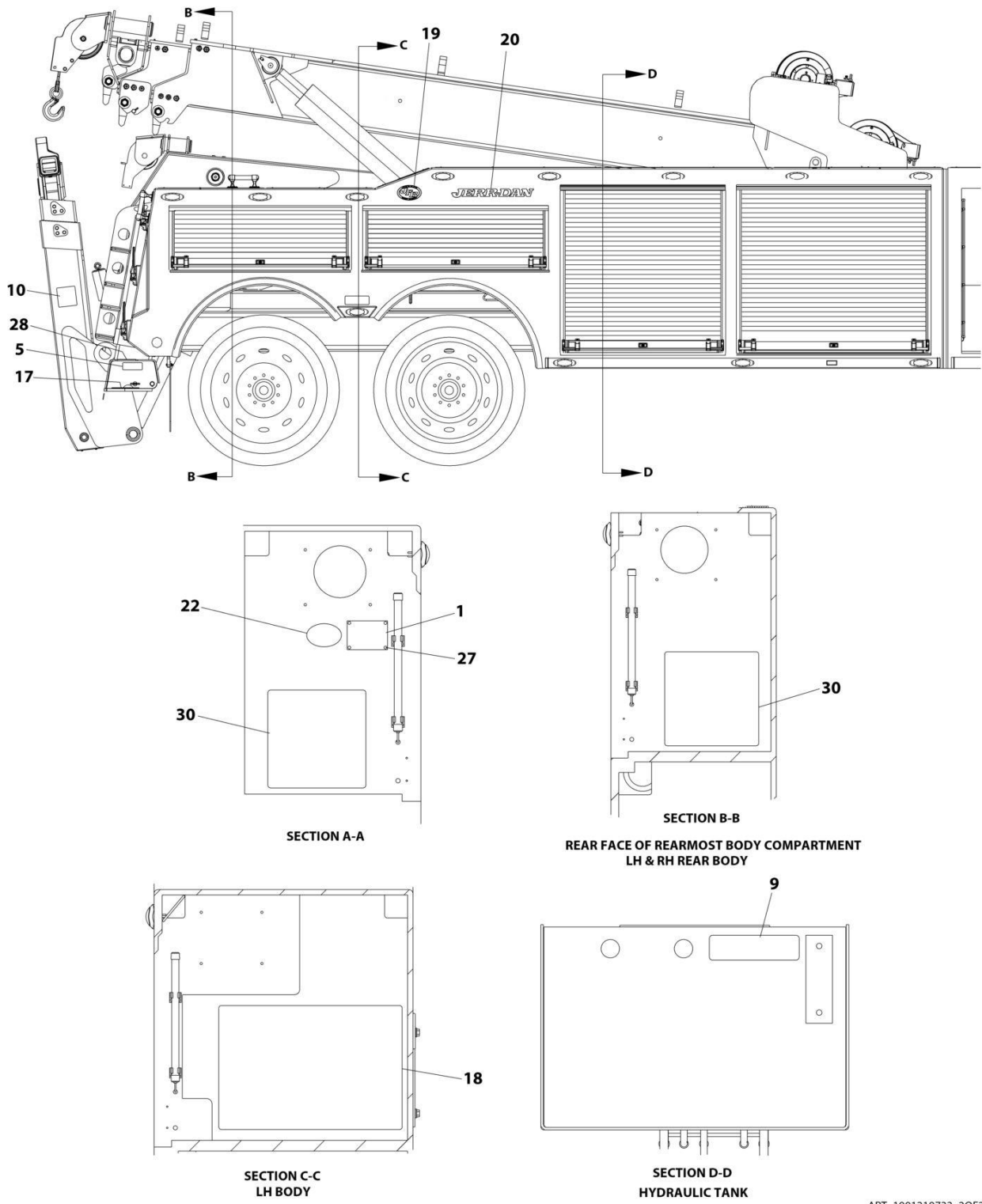
FIGURE 8-1. DECAL INSTALLATION - COMMON



ART_1001210733_10F2

SECTION 8 - DECAL

FIGURE 8-2. DECAL INSTALLATION - COMMON



ART_1001210733_2OF2

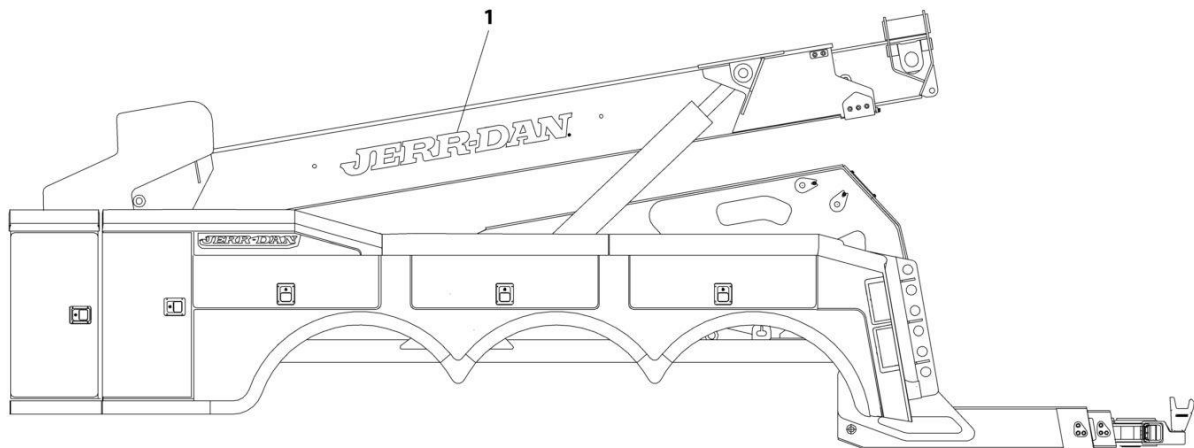
SECTION 8 - DECAL

FIGURE 8-2. DECAL INSTALLATION - COMMON

ITEM	PART NUMBER	QTY	DESCRIPTION	REV
	1001210733	Ref	DECAL INSTALLATION	G
1	1001127220	1	Decal - Indent Tag	
2	See Note	NSS	Decal - Serial Number/Ratng (Note: Not Available for Purchase)	
3	1001132346	1	Decal - Patent	
4	1001136075	1	Decal - Hazardous Voltage Inside	
5	1001136080	2	Decal - Recovery Stability	
6	1001136091	2	Decal - Towed Load Hazard	
7	1001136094	2	Decal - Crushing Hazard	
8	1001136103	4	Decal - Electrocutation Hazard	
9	1001136119	1	Decal - Hydraulic Fluid Level	
10	1001137169	2	Decal - Pinch/Crush Hazard	
11	1001138537	2	Decal - Hook Notice	
12	1001138612	2	Decal - Battery Warning	
13	1001141227	1	Decal - Backing Hazard	
14	1001142452	2	Decal - No Step	
15	1001142828	1	Decal - Fall Hazard	
16	1001174339	4	Decal - Spade Housing Step	
17	1001174346	4	Decal - Spade Step Rectangle	
18	1001205331	1	Decal - Lubrication Chart	
19	1001206364	2	Decal - JFB Badge	
20	1001206367	2	Decal - Jerr-Dan	
21	1001232870	1	Decal - Electrical Panel	
22	7330000143	1	Decal - Made In USA	
26	7330000689	1	Decal - Certification	
27	7759000004	14	Rivet	
28	1001174343	2	Decal - Spade Step Circle	
29	1001231801	2	Decal - Warning Prop 65	
30	1001282061	2	Decal - Load Chart	

SECTION 8 - DECAL

FIGURE 8-3. DECAL INSTALLATION - JERR-DAN LOGO (RED)



ART_1001143524

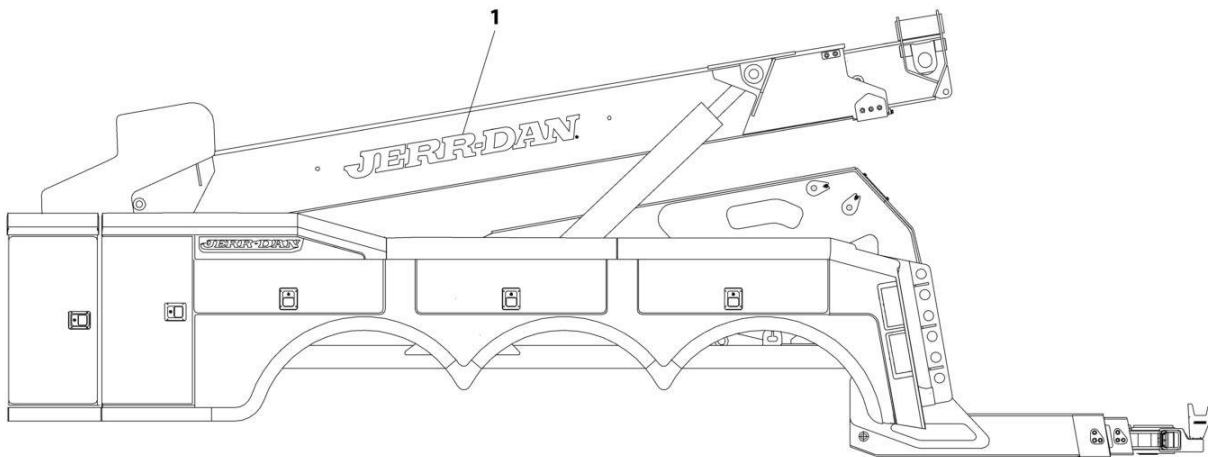
SECTION 8 - DECAL

FIGURE 8-3. DECAL INSTALLATION - JERR-DAN LOGO (RED)

ITEM	PART NUMBER	QTY	DESCRIPTION	REV
1	1001143524	Ref	DECAL INSTALLATION - JERR-DAN LOGO (RED)	C
	7330000197	2	Decal - JERR-DAN Logo (Red)	

SECTION 8 - DECAL

FIGURE 8-4. DECAL INSTALLATION - JERR-DAN LOGO (WHITE)



ART_1001143523

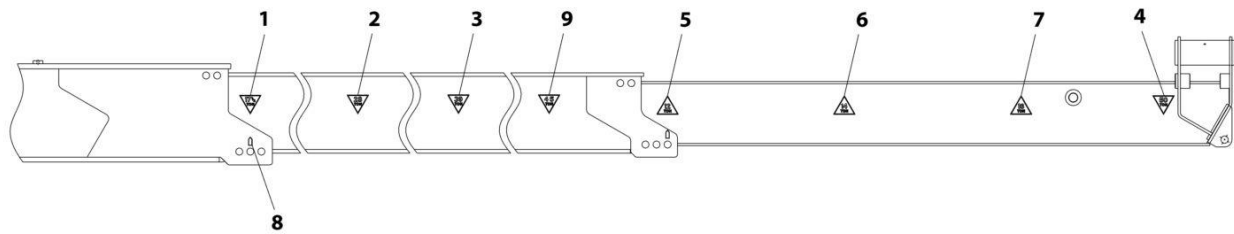
SECTION 8 - DECAL

FIGURE 8-4. DECAL INSTALLATION - JERR-DAN LOGO (WHITE)

ITEM	PART NUMBER	QTY	DESCRIPTION	REV
1	1001143523	1	DECAL INSTALLATION - JERR-DAN LOGO (WHITE)	
	7330000533	2	Decal - JERR-DAN Logo (WHITE)	

SECTION 8 - DECAL

FIGURE 8-5. DECAL INSTALLATION - BOOM



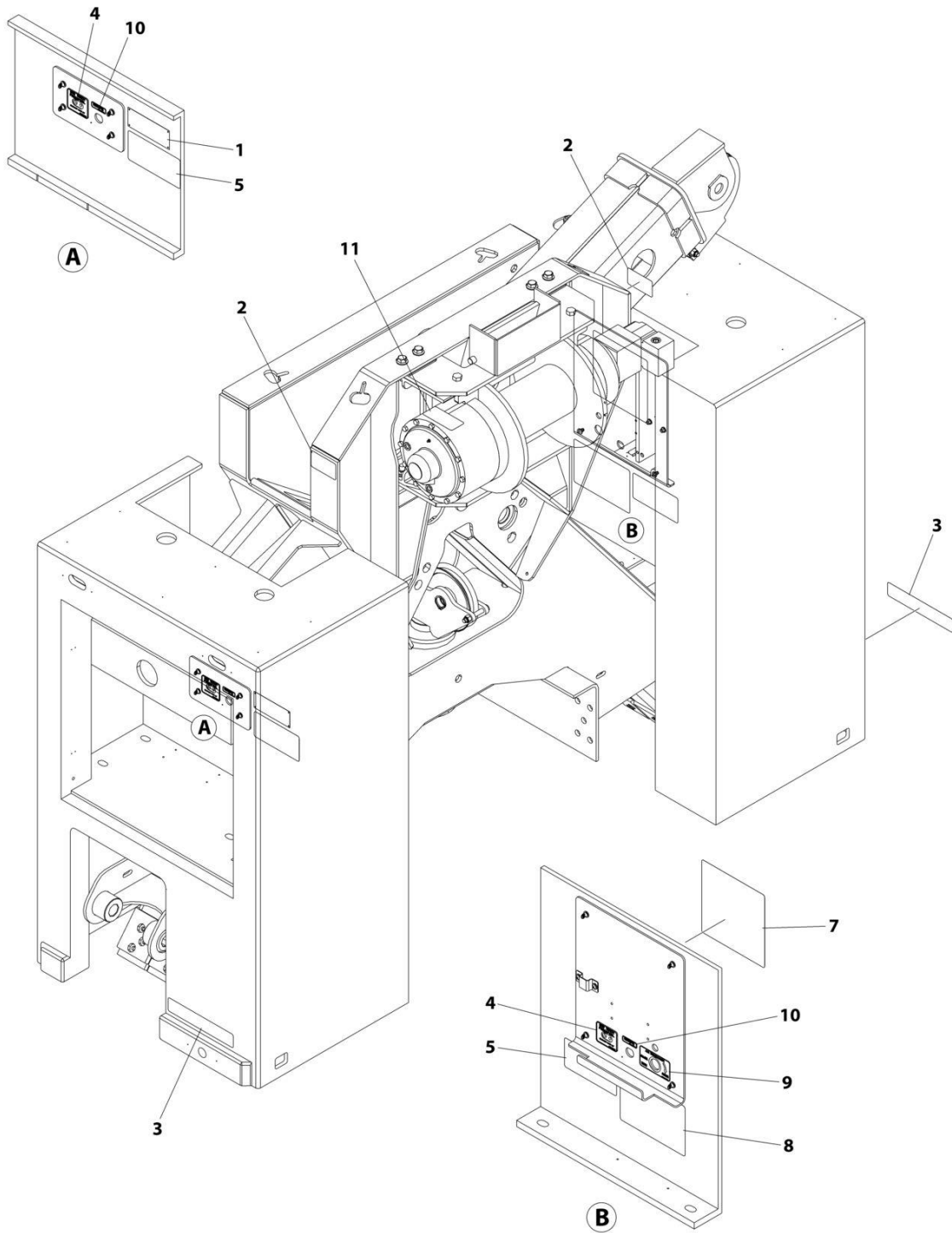
ART_3517290007

FIGURE 8-5. DECAL INSTALLATION - BOOM

ITEM	PART NUMBER	QTY	DESCRIPTION	REV
	3517290007	Ref	BOOM DECAL INSTALLATION - 50T IND (3 PIECE BOOM)	B
1	7330000446	2	Decal	
2	7330000447	2	Decal	
3	7330000448	2	Decal	
4	7330000449	2	Decal	
5	7330000450	2	Decal	
6	7330000451	2	Decal	
7	7330000452	2	Decal	
8	7330000453	4	Decal, Arrow	
9	7330000466	2	Decal	

SECTION 8 - DECAL

FIGURE 8-6. DECAL INSTALLATION - SIDE RECOVERY SYSTEM (SRS)



ART_1001199196

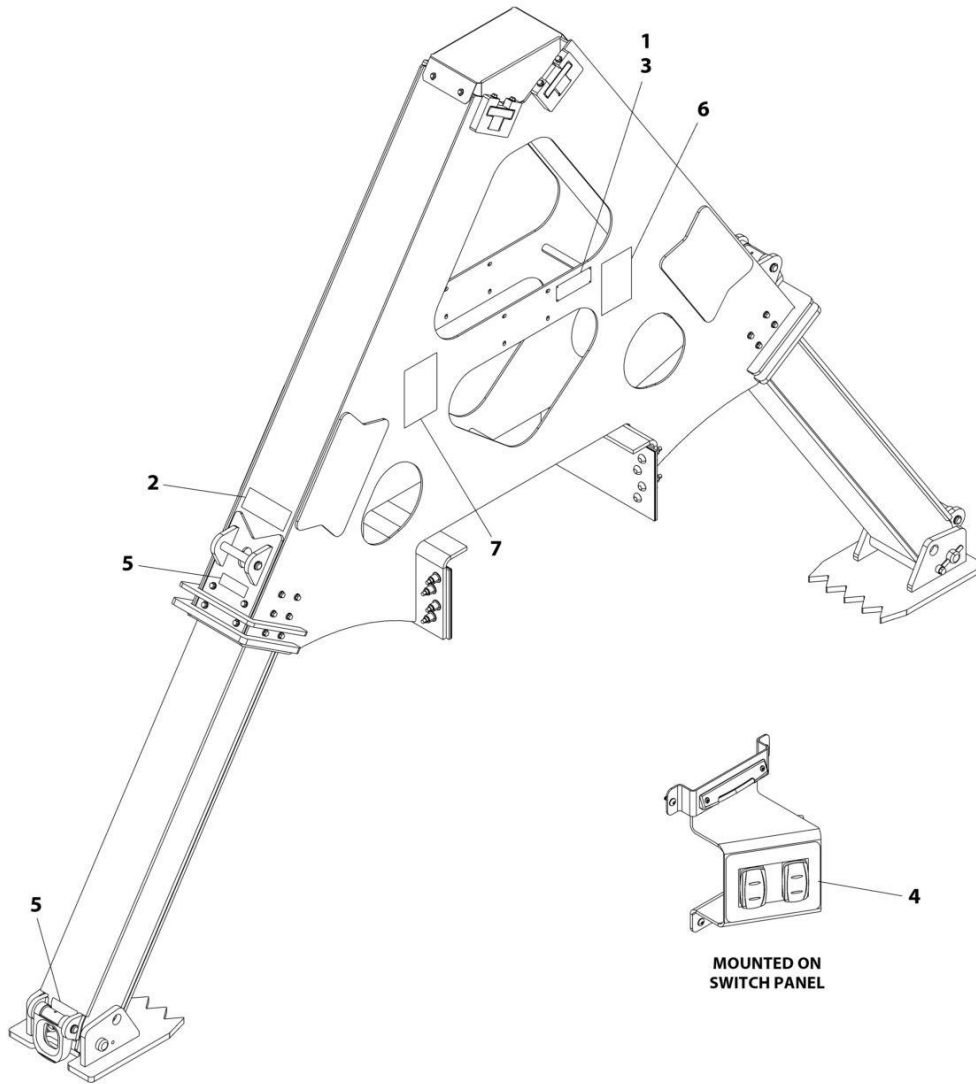
SECTION 8 - DECAL

FIGURE 8-6. DECAL INSTALLATION - SIDE RECOVERY SYSTEM (SRS)

ITEM	PART NUMBER	QTY	DESCRIPTION	REV
	1001199196	Ref	DECAL INSTALLATION, SRS	D
1	1001127222	1	Decal, Indent Tag	
2	1001199783	2	Decal, Warning Pinch Point	
3	1001199785	2	Decal, Outrigger/Stabilizer Warning	
4	1001199786	2	Decal, Winch Freespool	
5	1001199787	2	Decal, Winch Warning	
7	1001199789	1	Decal, Valve	
8	1001199790	1	Decal, Lubrication	
8	1001134433	1	Decal, Air Tensioner (SN 0230004275 through 0230009234)	
9	1001257300	1	Decal, Air Tensioner (SN 0230009235 to Present)	
10	1001154277	2	Decal, Remote	
11	1001142812	1	Decal, Pinch Hazard	

SECTION 8 - DECAL

FIGURE 8-7. DECAL INSTALLATION - SIDE STABILIZER (SS-70)



ART_1001246420

SECTION 8 - DECAL

FIGURE 8-7. DECAL INSTALLATION - SIDE STABILIZER (SS-70)

ITEM	PART NUMBER	QTY	DESCRIPTION	REV
	1001246420	Ref	INSTALL, DECALS SS	C
1	3820031	4	Rivet	
2	1001136094	2	Decal, Crushing Hazard	
3	1001246130	1	Decal, Ident Tag	
4	1001246956	2	Decal, Controls	
5	1001246957	4	Decal, D-Ring	
6	1001247794	1	Decal, Lubrication Chart	
7	1001247795	1	Decal, Override Controls	

SECTION 9 - ACCESSORIES

SECTION 9 - ACCESSORIES

FIGURE 9-1. KITS LIST HD WRECKERS

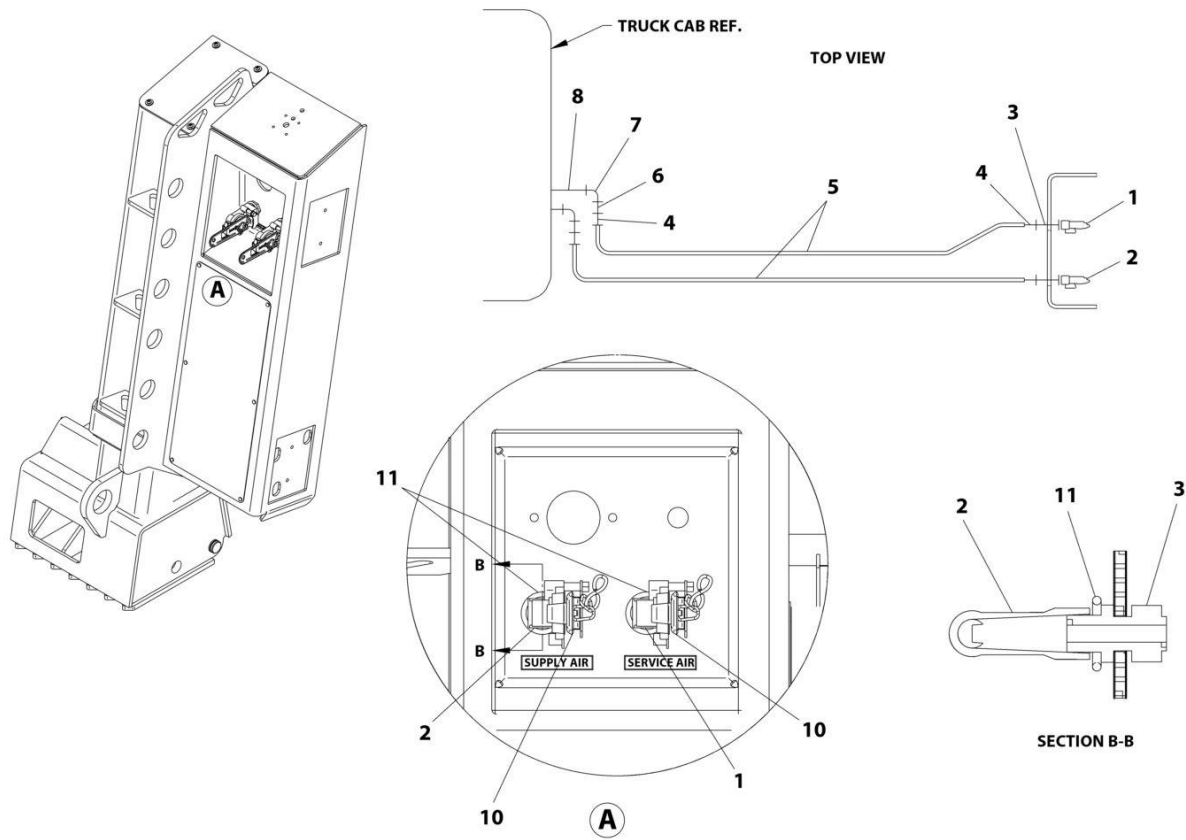
ITEM	PART NUMBER	QTY	DESCRIPTION	REV
	1001241869	Ref	SERVICE & AFTERMARKET KITS LIST	I
		Ref	Note: Contact JERR-DAN Parts Department for exact contents of kits.:	
	7002000505	Ref	Cord, Electrical Extension 25FT (GSA Specs)	
	1001264819	Ref	Kit, Body (Tandem)	
	1001207496	Ref	Kit, Broom Storage	
	1001262538	Ref	Kit, Camera (Back up)	
	1001279212	Ref	Kit, Camera (Rear Winch) (Drivers Side)	
	1001279211	Ref	Kit, Camera (Rear Winch) (Passengers Side)	
	1001279213	Ref	Kit, Camera (Underlift)	
	1001201341	Ref	Kit, Chain Binder Storage (Tandem)	
	1001201164	Ref	Kit, Chain Binder Storage (Tri-Axle)	
	1001207623	Ref	Kit, Chain Binder Storage	
	1001197183	Ref	Kit, Chian Storage (Rotary)	
	1001219776	Ref	Kit, Chian Storage (Rotary)	
	1001207510	Ref	Kit, Cribbing Storage Tandem)	
	1001201514	Ref	Kit, Cribbing Storage (Tri-Axle)	
	1001199998	Ref	Kit, Drawer Storage - Tilt Down (Tandem)	
	1001199999	Ref	Kit, Drawer Storage - Tilt Down (Tri-Axle)	
	1001208631	Ref	Kit, Drawer Storage - Tilt Down (48IN)	
	1001195256	Ref	Kit, Drawer Storage - Tool (Tandem)	
	1001195337	Ref	Kit, Drawer Storage - Tool (Tri-Axle Drivers Side)	
	1001208635	Ref	Kit, Drawer Storage - Tool (Tri-Axle Passengers Side)	
	1001220164	Ref	Kit, Drawer Storage - Tool (BB/Tri-Axle Drivers Side)	
	1001228254	Ref	Kit, Drawer Storage - Tool (BB/Tri-Axle Tunnel)	
	1001195942	Ref	Kit, Fifth Wheel & Pintle Storage (Tandem)	
	1001195943	Ref	Kit, Fifth Wheel & Pintle Storage (Tri-Axle Passengers Side)	
	1001208636	Ref	Kit, Fifth Wheel & Pintle Storage (37IN Tunnel)	
	1001195698	Ref	Kit, Fire & Emergency	
	FEX-GSARB	Ref	Kit, Fire & Emergency (GSA Specs)	
	1001201704	Ref	Kit, Flare Storage	
	1001197683	Ref	Kit, Flashlight Storage	
	1001263856	Ref	Kit, Fork Riser (Frame) Storage (Single Steer)	
	1001263857	Ref	Kit, Fork Riser (Frame) Storage (5 Axle)	
	1001263858	Ref	Kit, Fork Riser (Frame) Storage (Twin Axle)	
	1001195788	Ref	Kit, Fork Riser Storage (35Ton Tandem)	
	1001195825	Ref	Kit, Fork Riser Storage (35Ton Tri-Axle)	
	1001210749	Ref	Kit, Fork Riser Storage (50/60Ton)	
	1001269884	Ref	Kit, Fork Velocity	
	2512880041	Ref	Kit, Frame Forks	
	1001263854	Ref	Kit, Frame Forks Storage (35Ton Tandem)	
	1001263855	Ref	Kit, Frame Forks Storage (35Ton Tri-Axle)	
	1001214175	Ref	Kit, Grizzly Bar Storage	
	3577000156	Ref	Kit, GSA 972 Accessories	
	7262000048	Ref	Chain Assembly	
		Ref	Snatch Block	
	7894000055	1	Steering Wheel Lock Strap	
	1001196215	Ref	Kit, Jack Storage (Tandem)	
	1001196214	Ref	Kit, Jack Storage (Tri-Axle)	

SECTION 9 - ACCESSORIES

ITEM	PART NUMBER	QTY	DESCRIPTION	REV
	1001200001	Ref	Kit, Ladder Storage	
	1001195038	Ref	Kit, Shackle Storage (Tandem)	
	1001195083	Ref	Kit, Shackle Storage (Tri-Axle)	
	1001263822	Ref	Kit, Shelf	
	1001214300	Ref	Kit, Shelf Storage (36IN)	
	1001214299	Ref	Kit, Shelf Storage (48IN)	
	1001214298	Ref	Kit, Shelf Storage - Upper (36IN)	
	1001214264	Ref	Kit, Shelf Storage - Upper (48IN)	
	1001214303	Ref	Kit, Shelf Storage - Upper	
	1001210746	Ref	Kit, Shovel/Grizzly Bar Storage (Tandem)	
	1001210747	Ref	Kit, Shovel/Grizzly Bar Storage (Tri-Axle)	
	1001195088	Ref	Kit, Snatch Block Storage (Tandem 3/2015-11/2016)	
	1001217105	Ref	Kit, Snatch Block Storage (Tandem 11/2016-8/2023)	
	1001217106	Ref	Kit, Snatch Block Storage (Tri-Axle) (25Ton before 11/2018 & 35Ton 11/2016-8/2023)	
	1001195134	Ref	Kit, Snatch Block Storage (Rotary) (35Ton & 50/60Ton 10/2016-8/2023)	
	1001201371	Ref	Kit, Spill Storage (Tandem)	
	1001210748	Ref	Kit, Spill Storage (Tri-Axle)	
	1001207548	Ref	Kit, Spreader Bar Storage (Dual)	
	1001210750	Ref	Kit, Spreader Bar Storage (Single)	
	1001195421	Ref	Kit, Sta-Dry Silo Storage	
	1001207593	Ref	Kit, Strap Storage (Tandem)	
	1001208637	Ref	Kit, Strap Storage (Tri-Axle)	
	1001205796	Ref	Kit, Tire Lift/Arms Storage (36IN)	
	1001196249	Ref	Kit, Tire Lift/Arms Storage (48IN)	
	1001207556	Ref	Kit, Tire Lift/Bus Arms Storage	
	1001201234	Ref	Kit, Tool Storage	
	1001195592	Ref	Kit, Tow Light Storage	
	1001195764	Ref	Kit, Traffic Cone Storage (35Ton)	
	1001207508	Ref	Kit, Traffic Cone Storage (60Ton)	
	1001195520	Ref	Kit, Wheel Chocks Storage	
	1001238159	Ref	Kit, Winch Drag Brake (50K DP Brand Winches)	

SECTION 9 - ACCESSORIES

FIGURE 9-2. AIR, EMERGENCY AND SERVICE GLAD HANDS



ART_2503630028

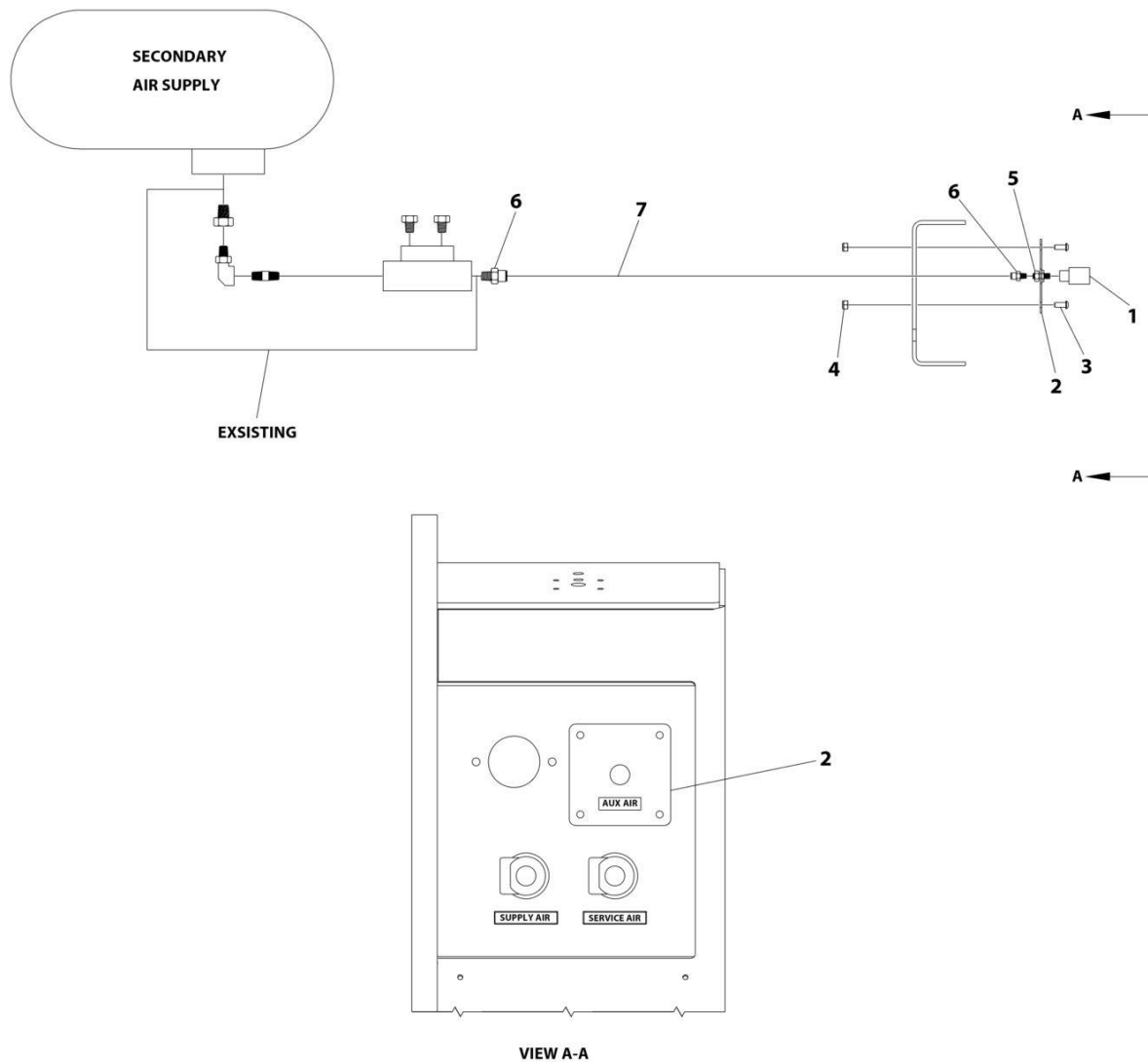
SECTION 9 - ACCESSORIES

FIGURE 9-2. AIR, EMERGENCY AND SERVICE GLAD HANDS

ITEM	PART NUMBER	QTY	DESCRIPTION	REV
	2503630028	Ref	Air, Emergency and Service Glad Hands	F
1	7312000015	1	Gladhand	
2	7312000016	1	Gladhand	
3	7446502518	2	Fitting	
4	7446060435	4	Fitting	
5	7565000014	50 ft	Airline Tubing	
6	7443000148	2	Bushing	
7	7443000146	2	Elbow	
8	7443000145	2	Bushing	
10	1001170036	2	Shield	
11	1001171933	2	Ring	
12	7445040449	1	Nipple (Not Shown)	

SECTION 9 - ACCESSORIES

FIGURE 9-3. AUXILIARY AIR INSTALLATION



ART_1001143867

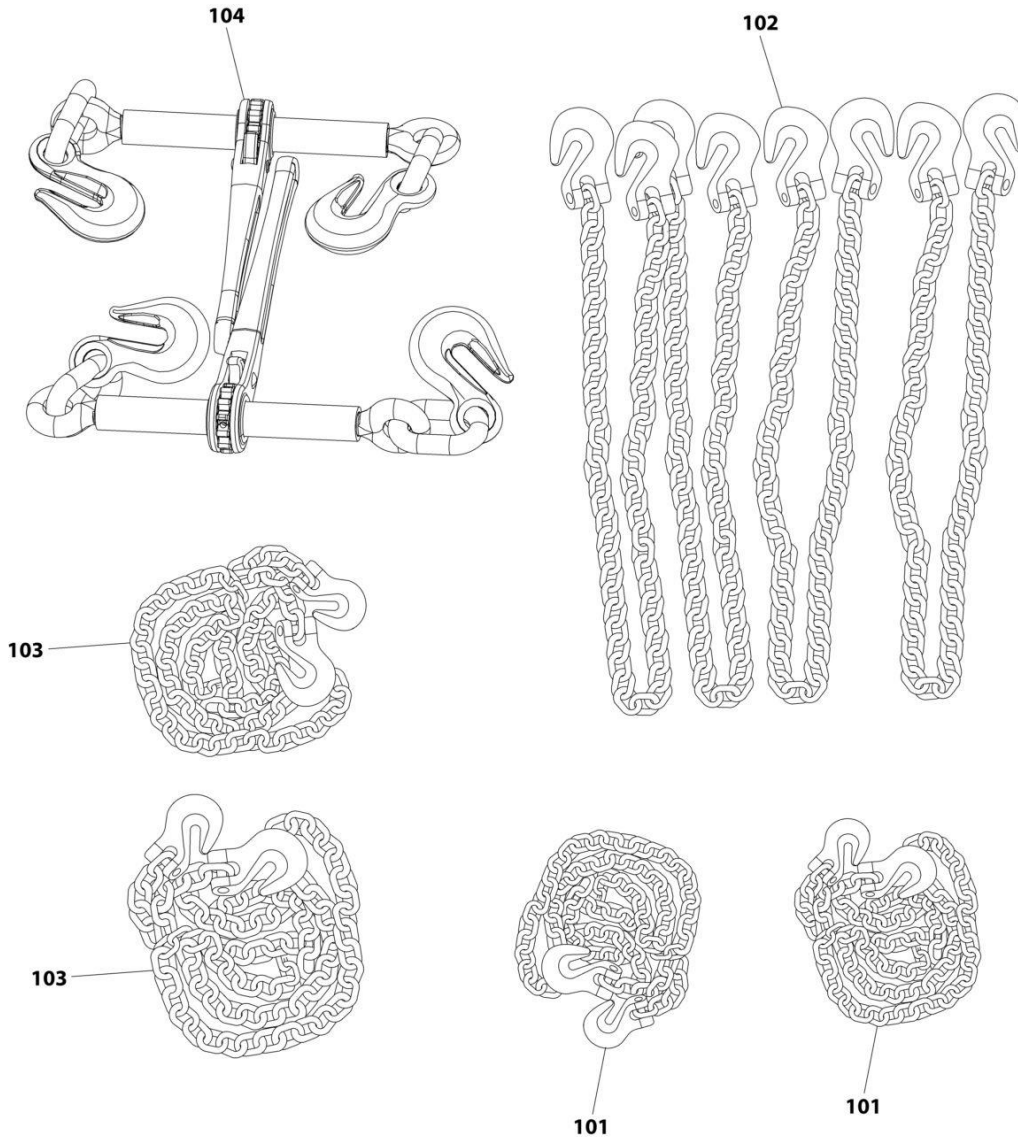
SECTION 9 - ACCESSORIES

FIGURE 9-3. AUXILIARY AIR INSTALLATION

ITEM	PART NUMBER	QTY	DESCRIPTION	REV
	1001143867	Ref	AUXILIARY AIR INSTALLATION	A
1	7312000017	1	Fitting, Disconnect	
2	4811001135	1	Panel	
3	7114140518	4	Bolt 1/4 x 5/8	
4	7660142604	4	Nut 1/4	
5	7446502518	1	Fitting, Bulkhead NPT(M)-NPT(F)	
6	7443000175	2	Fitting, Straight NPTM	
7	7565000014	25 ft	Tubing	

SECTION 9 - ACCESSORIES

FIGURE 9-4. CHAIN KIT - HEAVY DUTY LEVEL 1



ART_1001233644

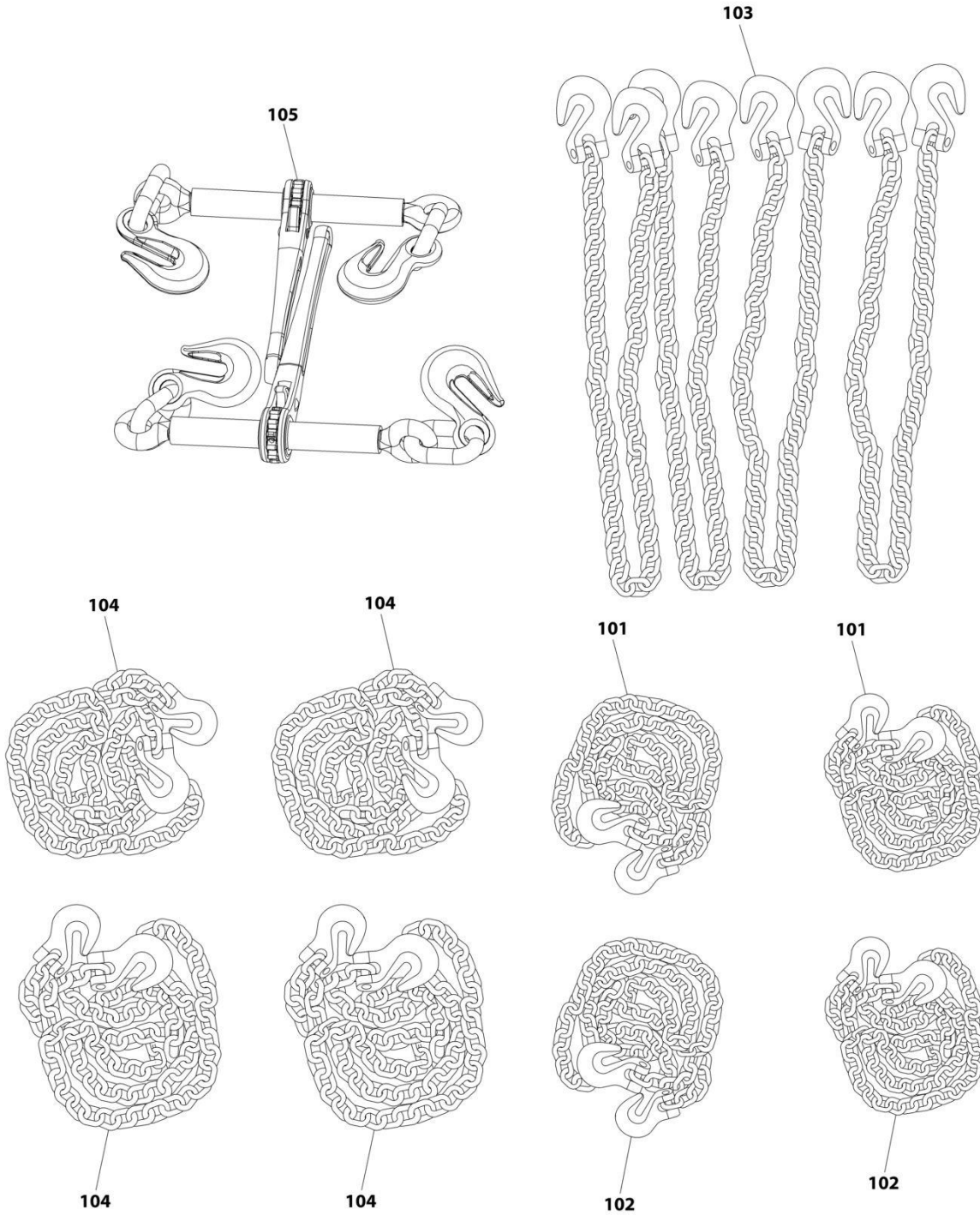
SECTION 9 - ACCESSORIES

FIGURE 9-4. CHAIN KIT - HEAVY DUTY LEVEL 1

ITEM	PART NUMBER	QTY	DESCRIPTION	REV
	1001233644	Ref	CHAIN KIT, LEVEL 1 (HEAVY DUTY)	A
1	1001233072	1	Chain Kit (Not Shown)	
101	Kit	2	3/8IN Chain, G70 x 10FT (clevis each end)	
102	Kit	4	3/8IN Chain, G100 x 10FT 8800#WLL (clevis each end)	
103	Kit	2	0.5IN Chain, G100 x 10FT 15000#WLL (clevis each end)	
104	Kit	2	3/8-0.5 Chain Binder 9200#WLL, 8IN	

SECTION 9 - ACCESSORIES

FIGURE 9-5. CHAIN KIT - HEAVY DUTY LEVEL 2



ART_1001233645

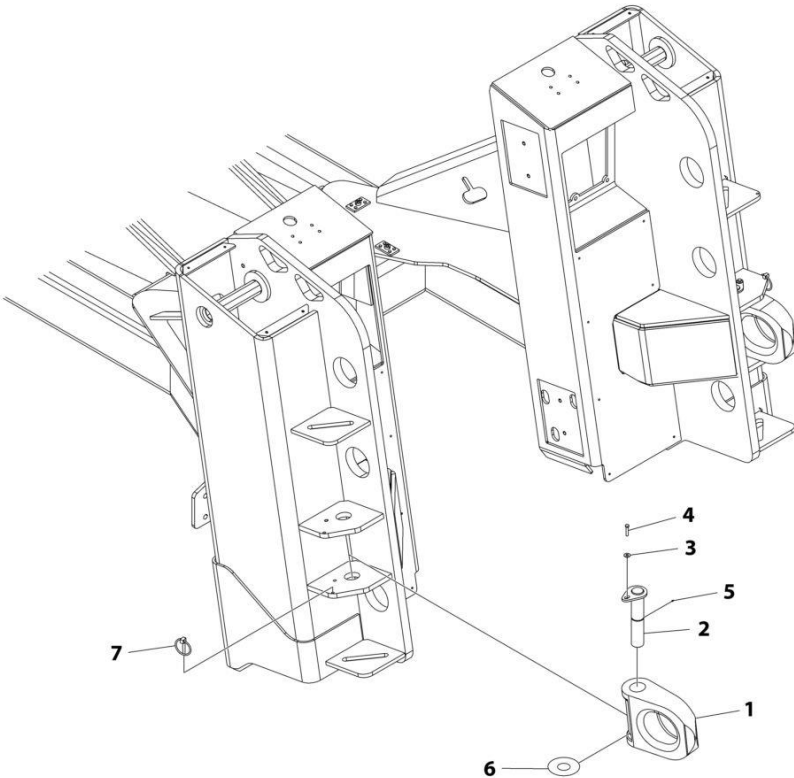
SECTION 9 - ACCESSORIES

FIGURE 9-5. CHAIN KIT - HEAVY DUTY LEVEL 2

ITEM	PART NUMBER	QTY	DESCRIPTION	REV
	1001233645	Ref	CHAIN KIT, LEVEL 2 (HEAVY DUTY)	A
1	1001208360	1	Chain Kit (Not Shown)	
101	Kit	2	3/8IN Chain, 10FT (non cradle grab), GR. 70	
102	Kit	2	3/8IN Chain, 20FT (non cradle grab), GR. 70	
103	Kit	4	3/8IN Chain, 10FT (non cradle grab), GR. 100	
104	Kit	4	1/2IN Chain, 10FT (non cradle grab), GR. 100	
105	Kit	2	Ratcheting Chain Binders	

SECTION 9 - ACCESSORIES

FIGURE 9-6. D-RINGS INSTALLATION - TAILBOARD



ART_2502610314

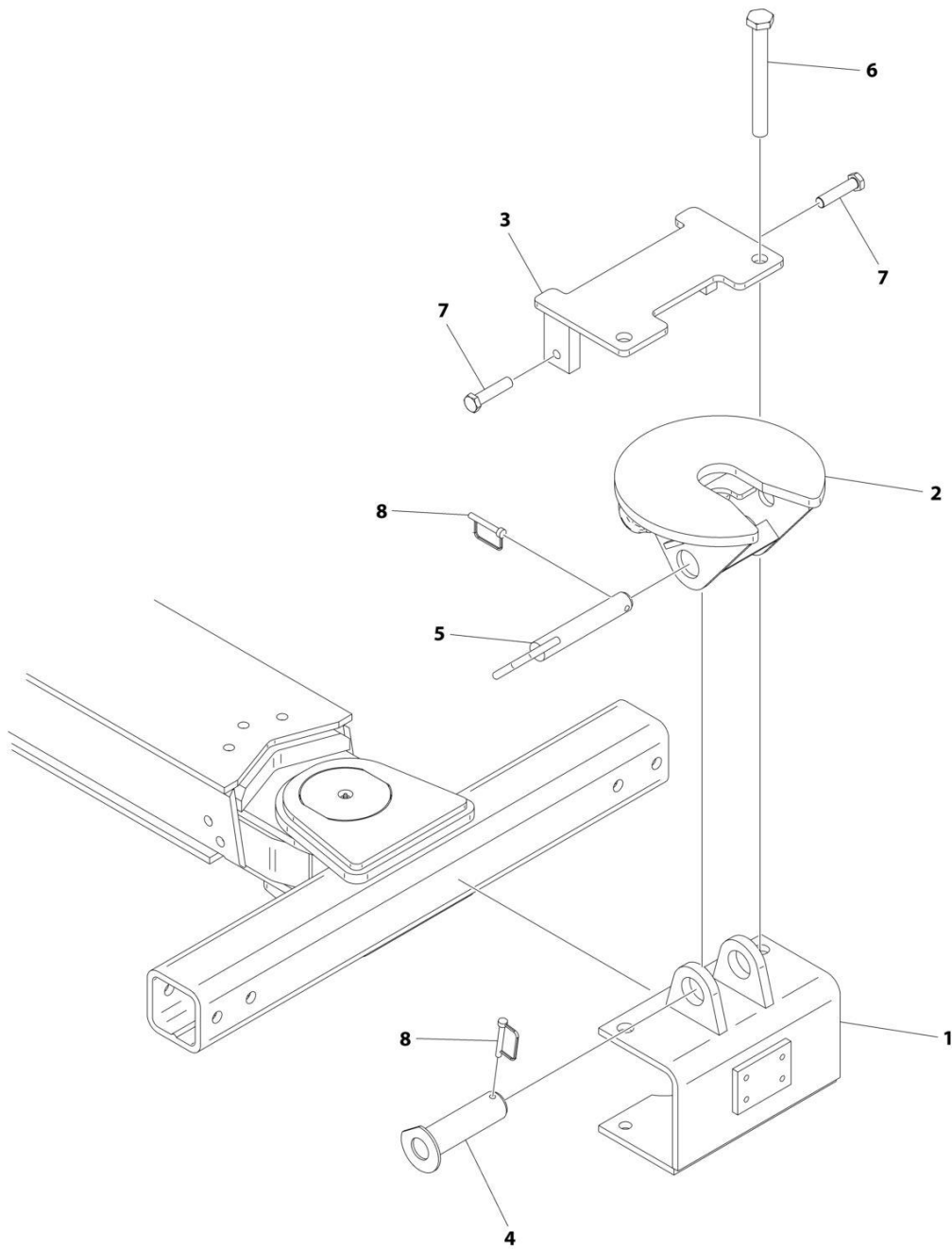
SECTION 9 - ACCESSORIES

FIGURE 9-6. D-RINGS INSTALLATION - TAILBOARD

ITEM	PART NUMBER	QTY	DESCRIPTION	REV
	2502610314	Ref	D-RINGS INSTALLATION - TAILBOARD	B
1	4754000004	2	D-Ring	
2	3691000174	2	Pin	
3	7950160000	2	Washer 3/8	
4	7115160650	2	Bolt 3/8 x 3/4	
5	7440030000	2	Fitting, Grease	
6	4949000055	2	Washer	
7	7691000047	2	Pin	

SECTION 9 - ACCESSORIES

FIGURE 9-7. FIFTH WHEEL TOW ATTACHMENT



ART_2503880033

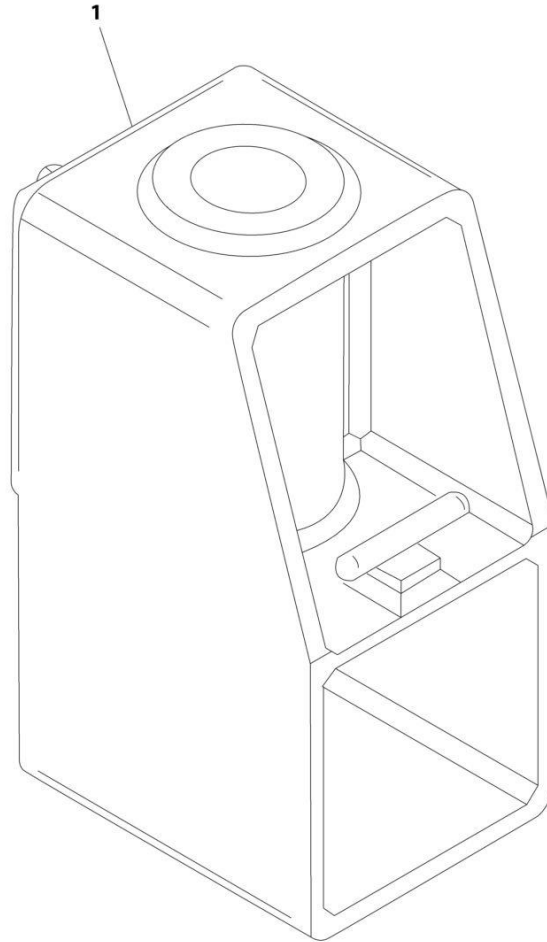
SECTION 9 - ACCESSORIES

FIGURE 9-7. FIFTH WHEEL TOW ATTACHMENT

ITEM	PART NUMBER	QTY	DESCRIPTION	REV
	2503880033	Ref	Underlift Tools - 5th Wheel Installation	C
1	3178000240	1	Bracket	
2	3178000499	1	Bracket	
3	3706000080	1	Plate	
4	3691000144	1	Pin	
5	3691000145	1	Pin	
6	7118267250	2	Capscrew 1 x 9	
7	7120000036	2	Capscrew 3/4 x 3-1/4	
8	7691000025	2	Pin	

SECTION 9 - ACCESSORIES

FIGURE 9-8. FORK RISER ADAPTERS



ART_1001231626

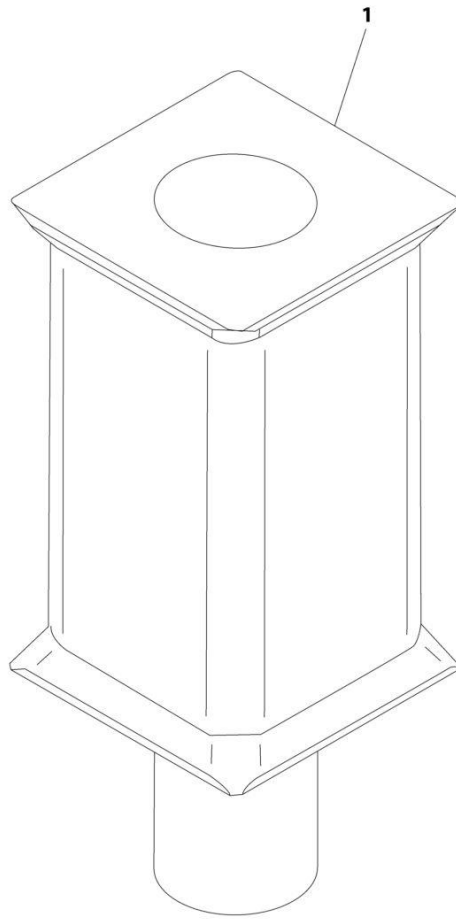
SECTION 9 - ACCESSORIES

FIGURE 9-8. FORK RISER ADAPTERS

ITEM	PART NUMBER	QTY	DESCRIPTION	REV
1	1001231626	Ref	FORK RISER ADAPTER - 7IN	A
	1001170172	2	Accessory Fork Riser	

SECTION 9 - ACCESSORIES

FIGURE 9-9. FORK RISERS - 7IN



ART_1001231627

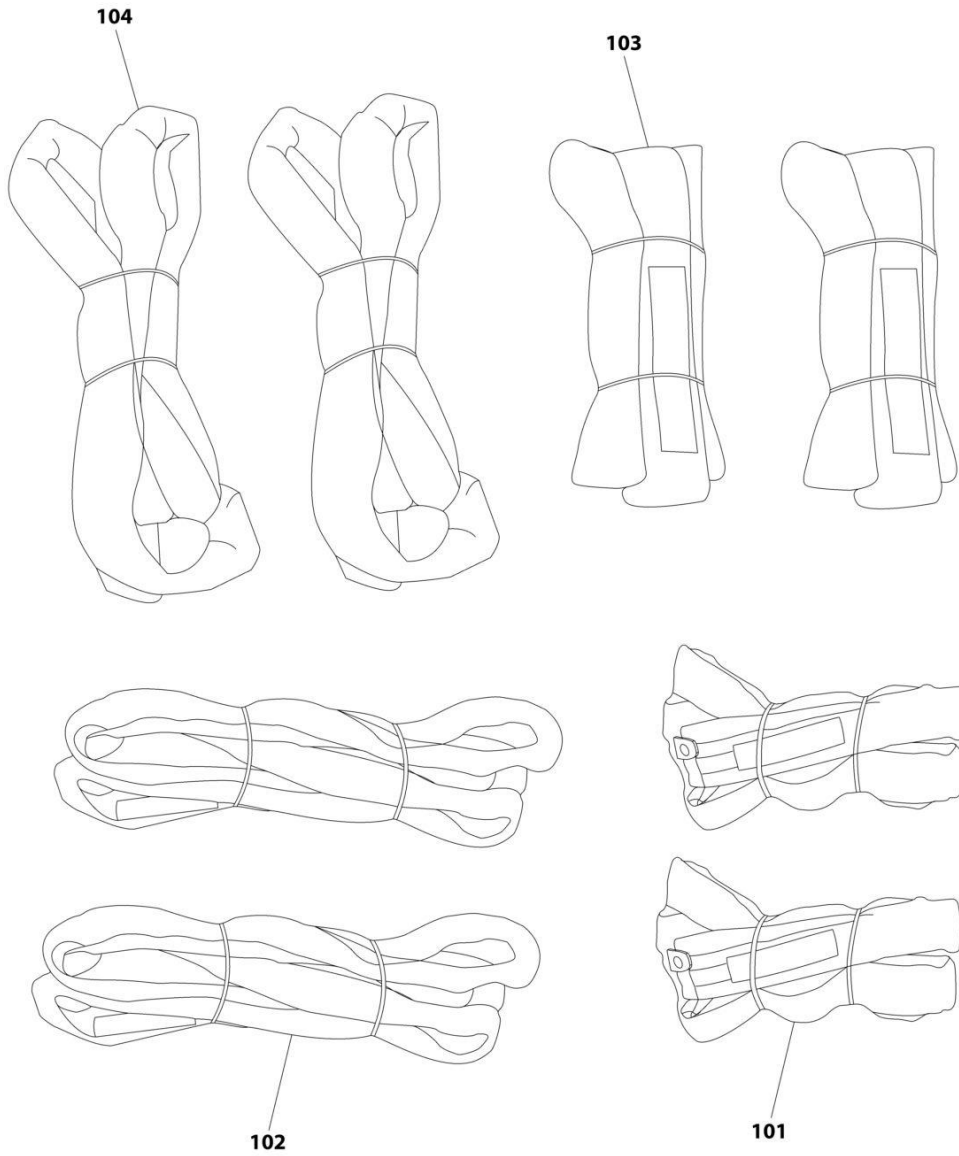
SECTION 9 - ACCESSORIES

FIGURE 9-9. FORK RISERS - 7IN

ITEM	PART NUMBER	QTY	DESCRIPTION	REV
1	1001231627 7002000502	Ref 2	FORK RISER - 7IN Fork Riser Attachment	A

SECTION 9 - ACCESSORIES

FIGURE 9-10. LOOP SLING KIT LEVEL 1



ART_1001233642

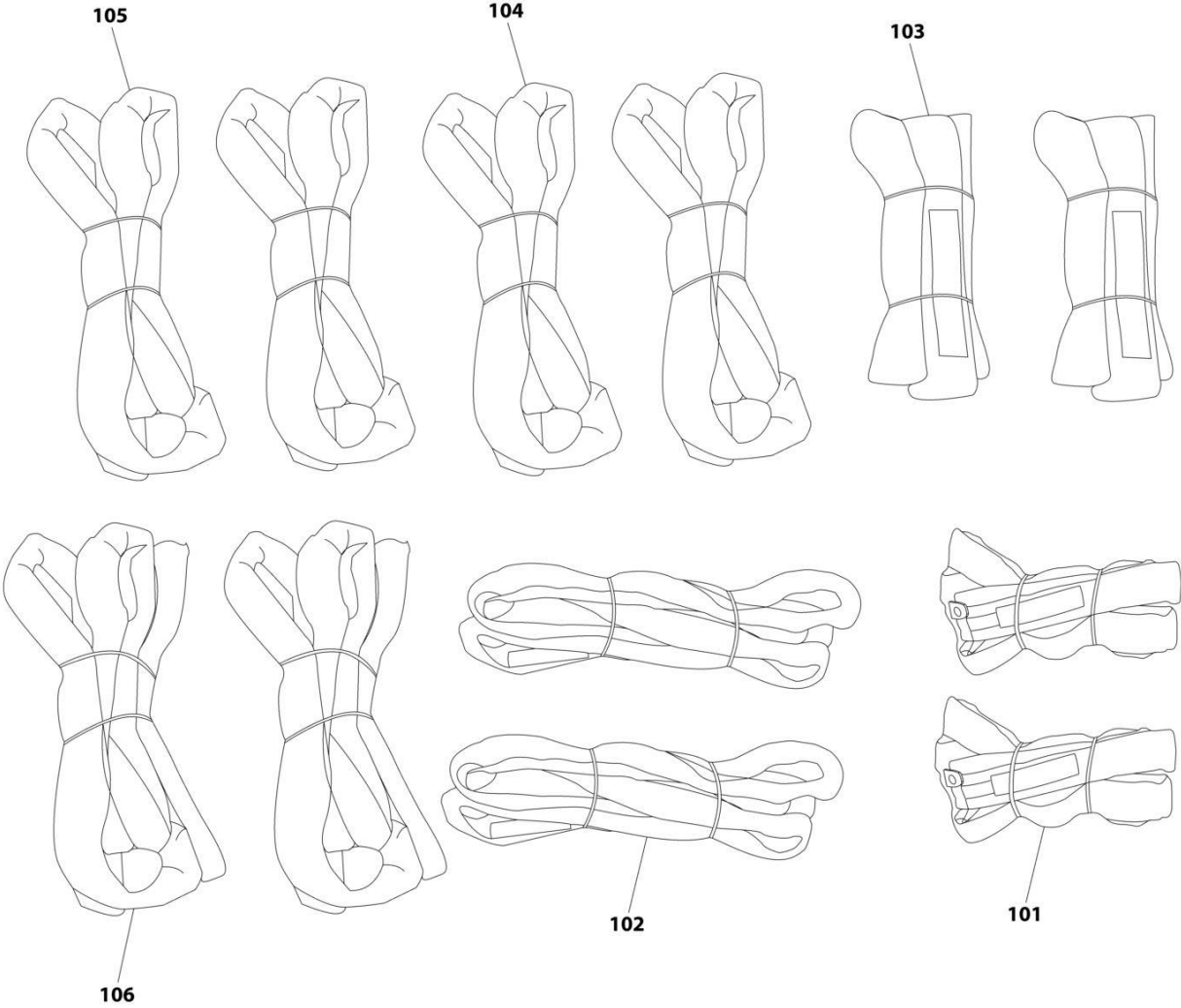
SECTION 9 - ACCESSORIES

FIGURE 9-10. LOOP SLING KIT LEVEL 1

ITEM	PART NUMBER	QTY	DESCRIPTION	REV
	1001233642	Ref	LOOP SLING KIT, LEVEL 1	A
1	1001233070	1	Loop Sling Kit (Not Shown)	
101	Kit	2	4FT Yellow Round Sling, V-8400#	
102	Kit	2	6FT Yellow Round Sling, V-8400#	
103	Kit	2	8FT Red Round Sling, V-13200#	
104	Kit	2	12FT Red Round Sling, V-13200#	

SECTION 9 - ACCESSORIES

FIGURE 9-11. LOOP SLING KIT LEVEL 2



ART_1001233643

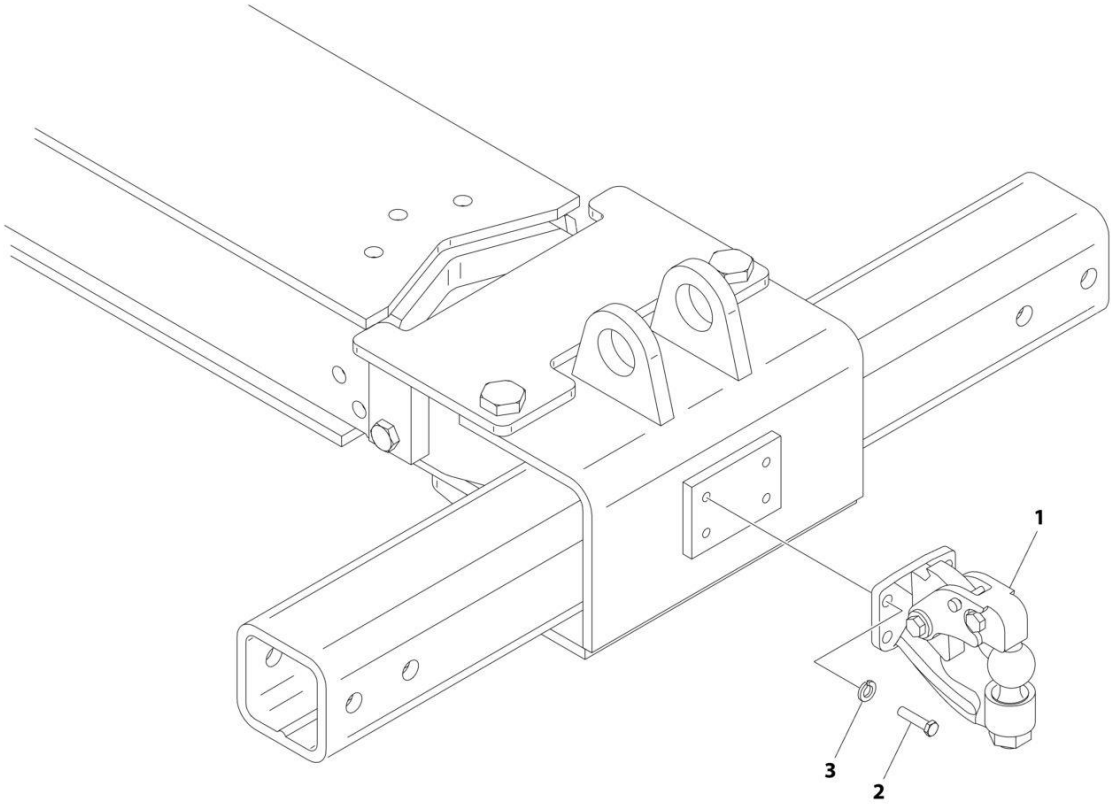
SECTION 9 - ACCESSORIES

FIGURE 9-11. LOOP SLING KIT LEVEL 2

ITEM	PART NUMBER	QTY	DESCRIPTION	REV
	1001233643	Ref	LOOP SLING KIT, LEVEL 2	A
1	1001208359	1	Loop Sling Kit (Not Shown)	
101	Kit	2	4FT Yellow Endless Loop	
102	Kit	2	6FT Yellow Endless Loop	
103	Kit	2	8FT Red Endless Loop	
104	Kit	2	12FT Red Endless Loop	
105	Kit	2	12FT Blue Endless Loop	
106	Kit	2	16FT Blue Endless Loop	

SECTION 9 - ACCESSORIES

FIGURE 9-12. PINTLE HOOK WITH 2IN BALL



ART_2503880043

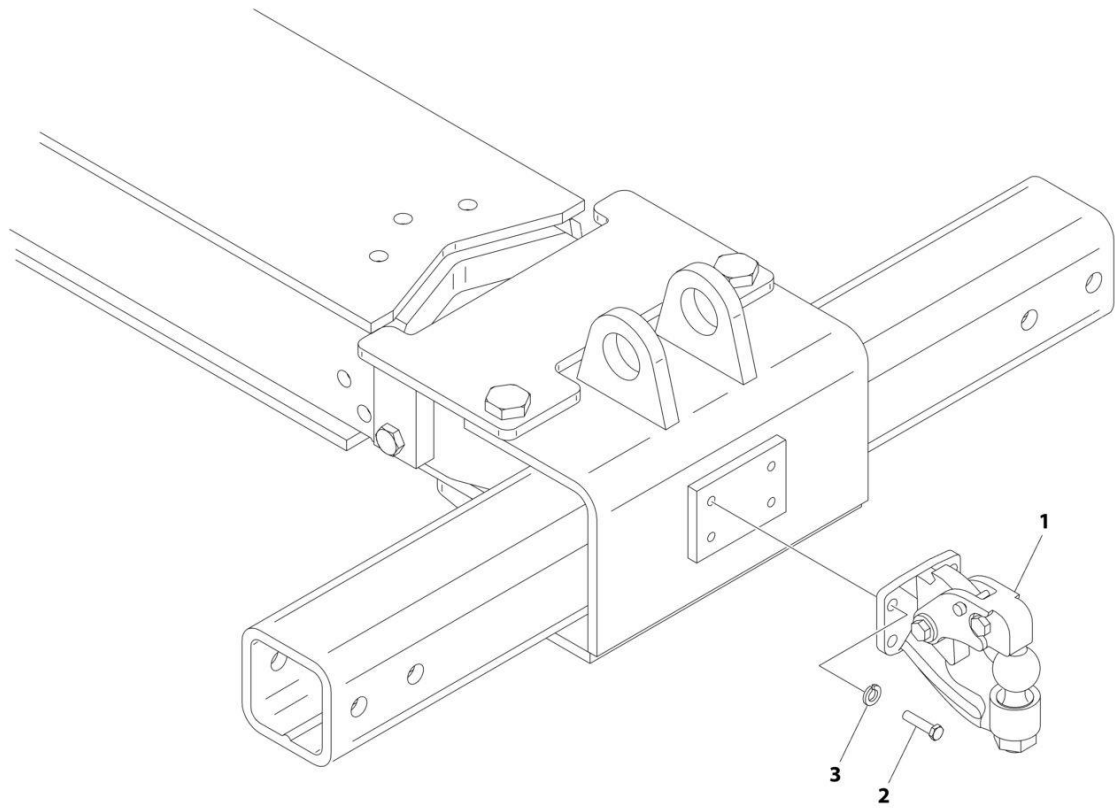
SECTION 9 - ACCESSORIES

FIGURE 9-12. PINTLE HOOK WITH 2IN BALL

ITEM	PART NUMBER	QTY	DESCRIPTION	REV
	2503880043	Ref	UNDERLIFT TOW PINTLE HOOK WITH 2IN DIA BALL	A
1	7561000020	1	Hitch, Pintle Hook with 2IN Dia. Ball	
2	7118181250	4	Capscrew 1/2 x 1-1/2	
3	7950180000	4	Lockwasher 1/2	

SECTION 9 - ACCESSORIES

FIGURE 9-13. PINTLE HOOK WITH 50MM BALL



ART_2503880044

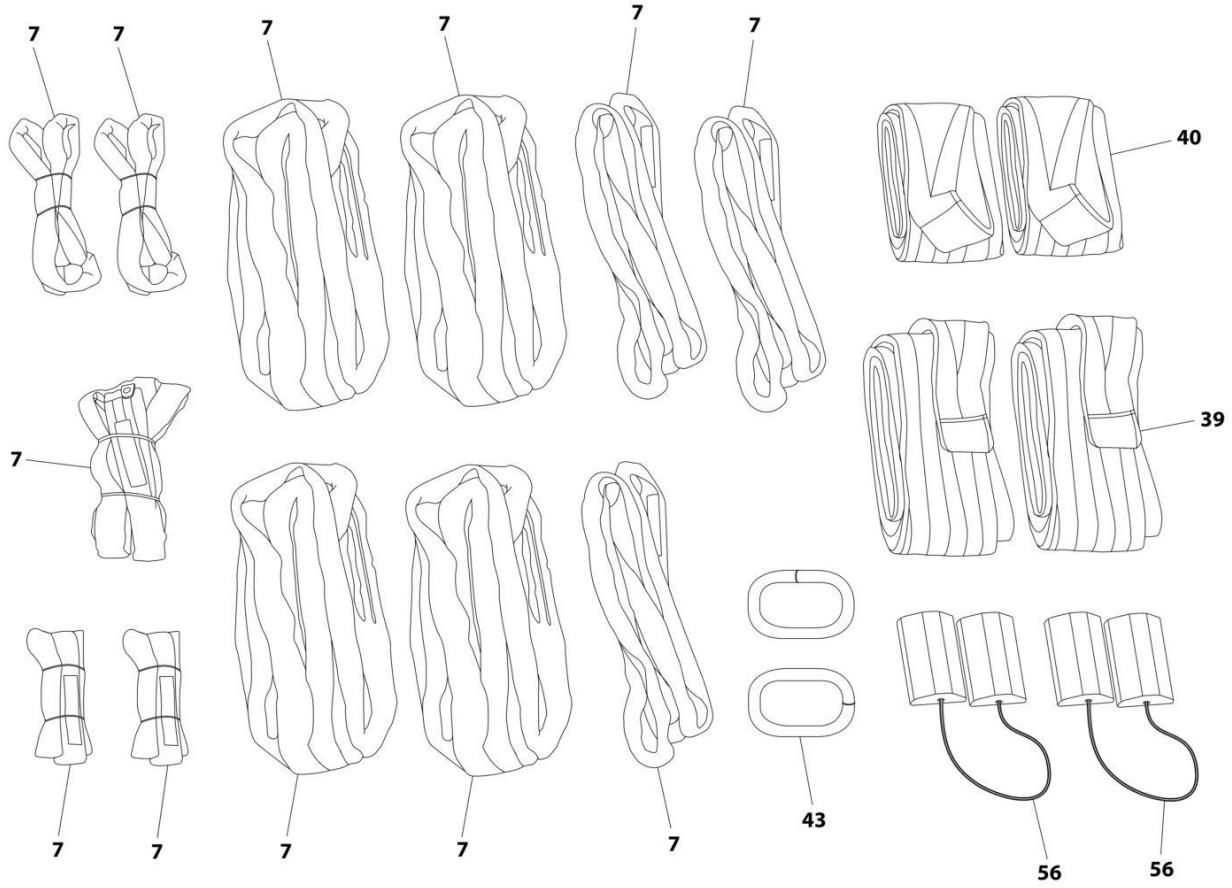
SECTION 9 - ACCESSORIES

FIGURE 9-13. PINTLE HOOK WITH 50MM BALL

ITEM	PART NUMBER	QTY	DESCRIPTION	REV
	2503880044	Ref	Underlift Tools - Pintle Hook With 50mm Dia Ball	A
1	7561000022	1	Hitch, Pintle Hook with 50mm Dia. Ball	
2	7118181250	4	Capscrew 1/2 x 1-1/2	
3	7950180000	4	Lockwasher 1/2	

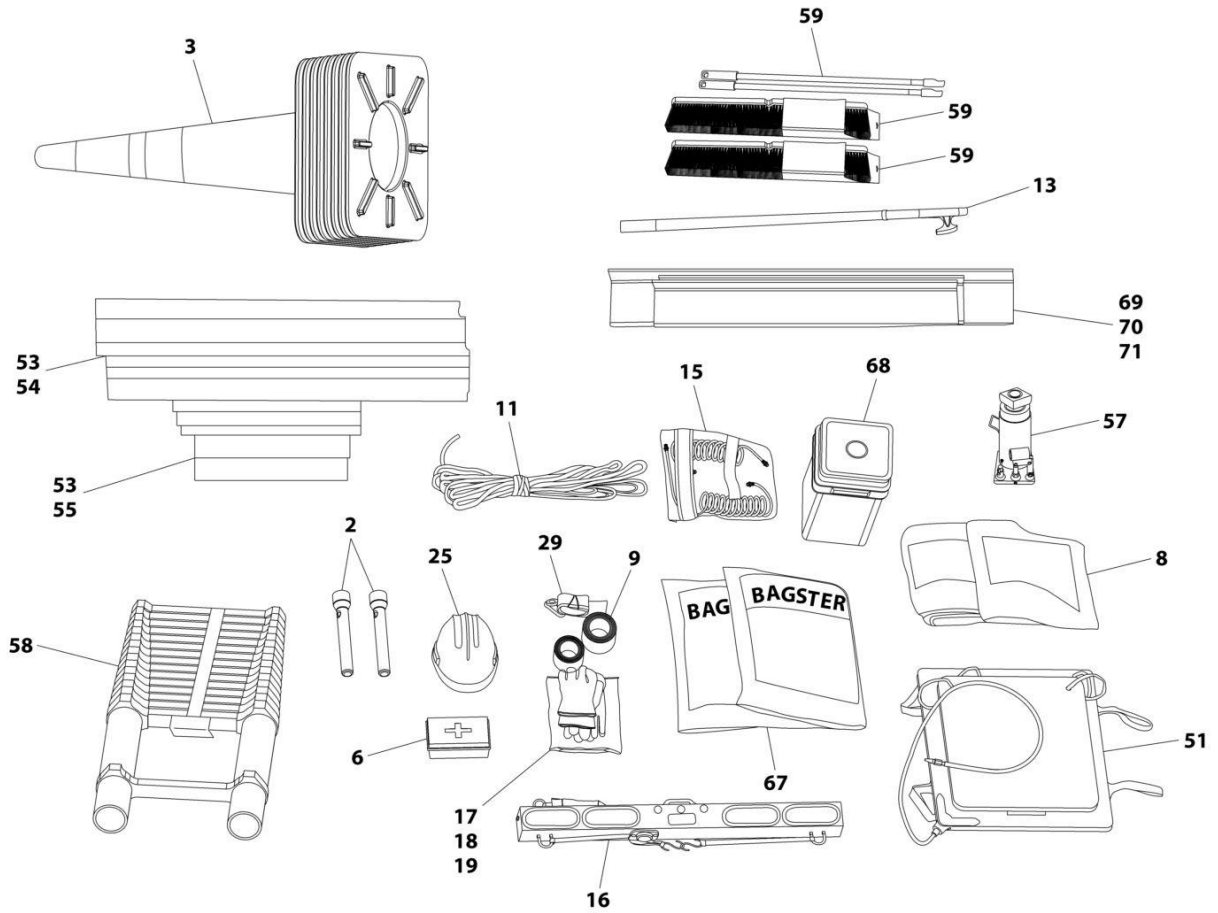
SECTION 9 - ACCESSORIES

FIGURE 9-14. RISC ACCESSORY PACKAGE (1OF5)



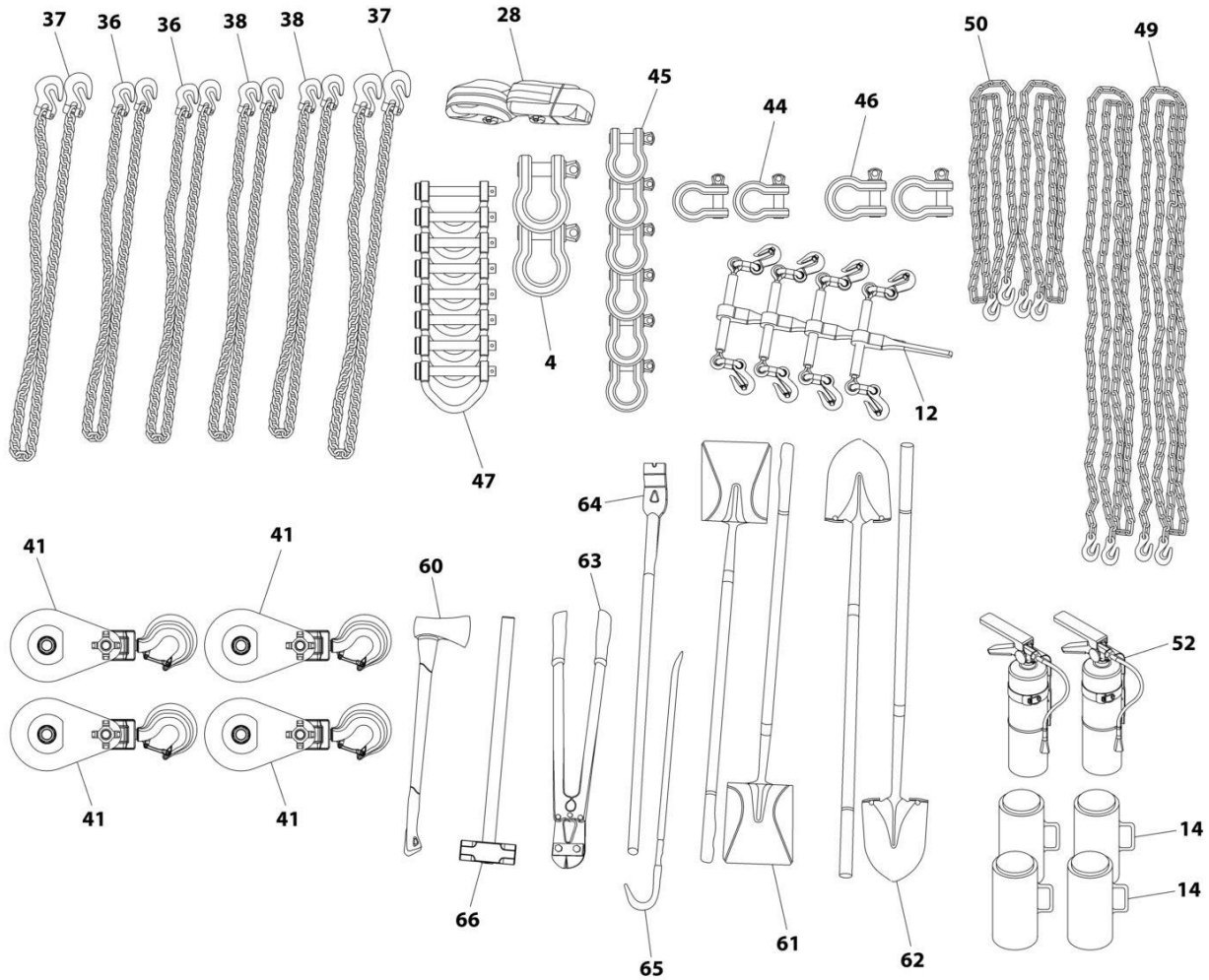
ART_1001174485_1OF5

SECTION 9 - ACCESSORIES



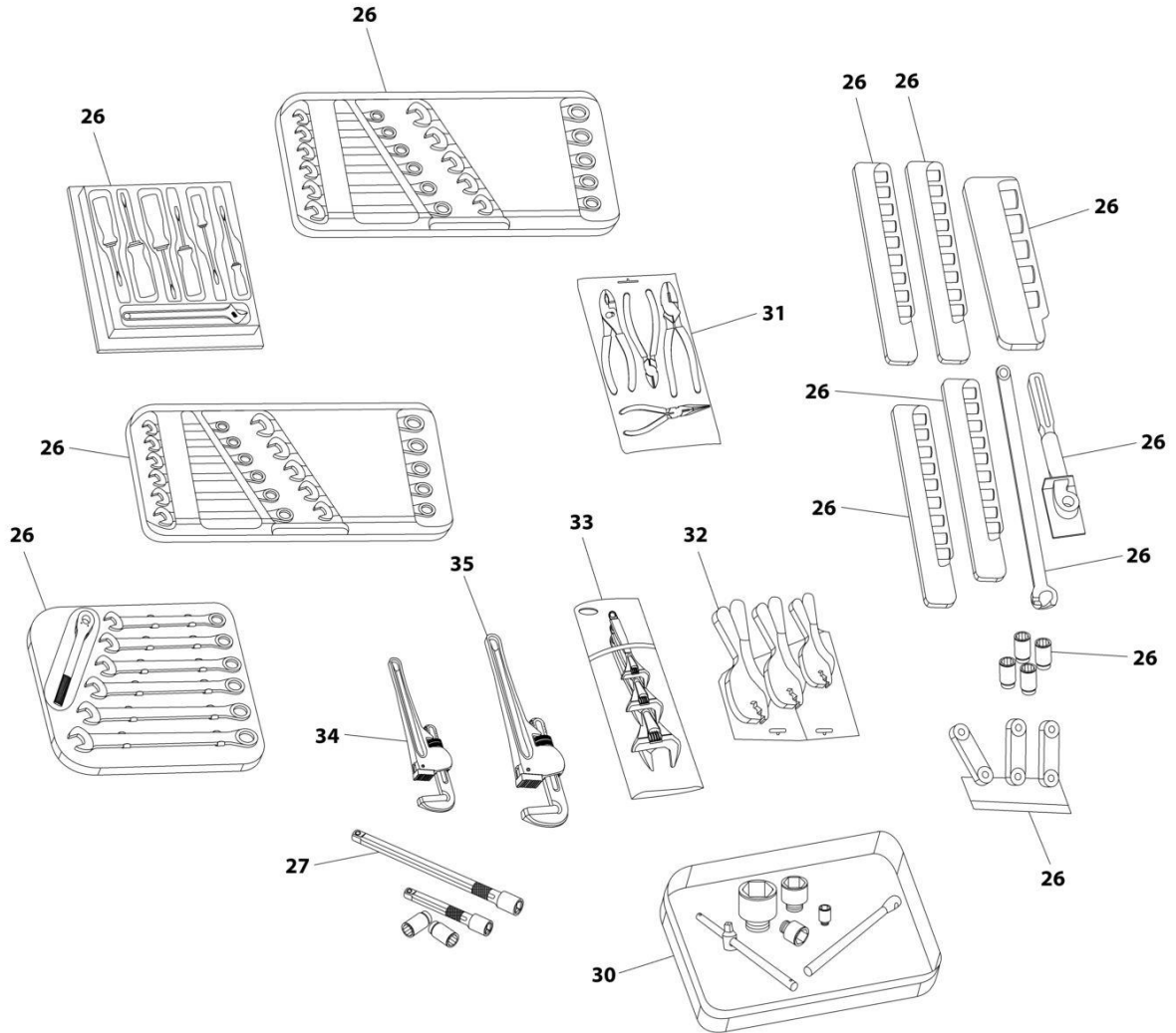
ART_1001174485_20F5

SECTION 9 - ACCESSORIES



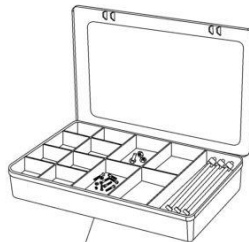
ART_1001174485_30F5

SECTION 9 - ACCESSORIES



ART_1001174485_4OF5

SECTION 9 - ACCESSORIES



ART_1001174485_50F5

SECTION 9 - ACCESSORIES

FIGURE 9-14. RISC ACCESSORY PACKAGE (50F5)

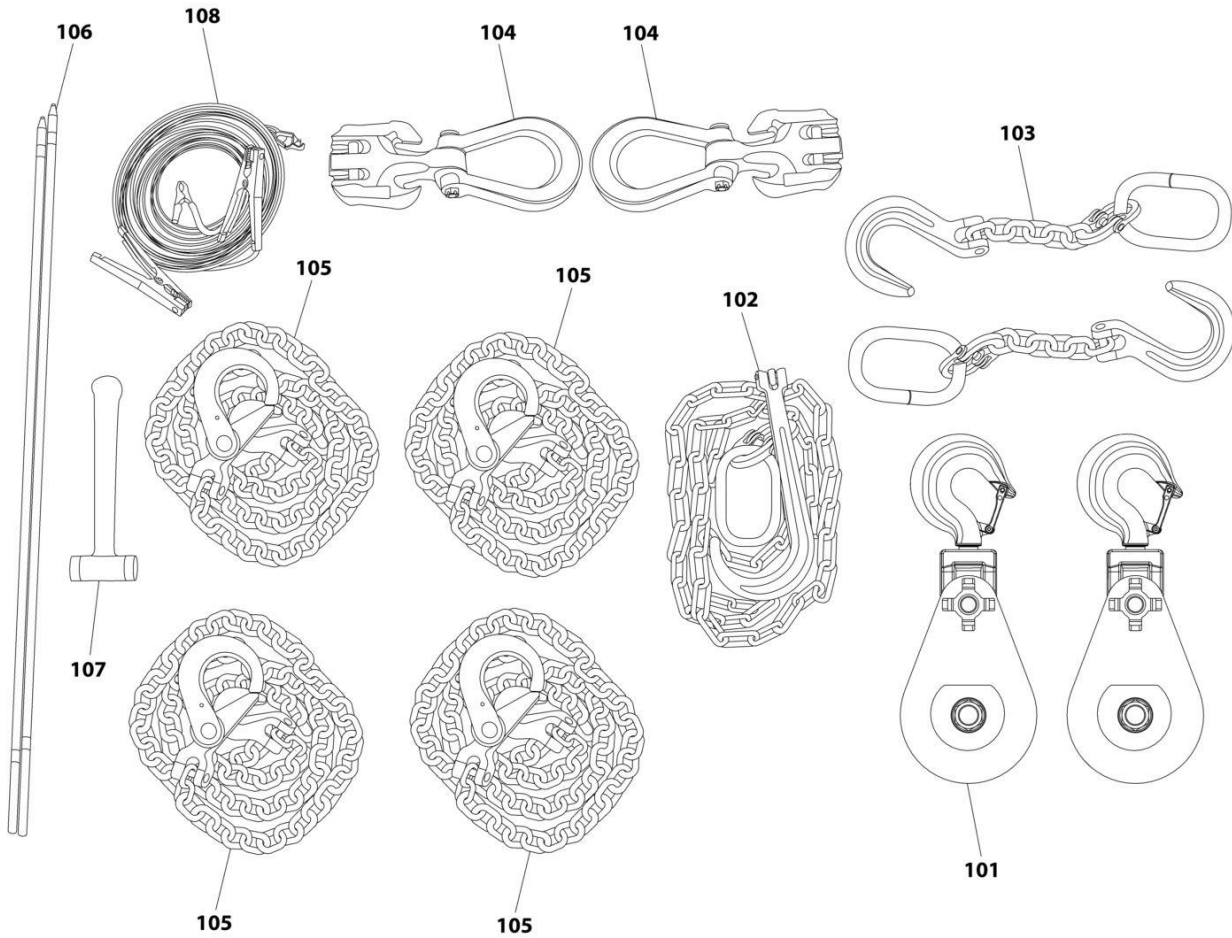
ITEM	PART NUMBER	QTY	DESCRIPTION	REV
	1001174485	Ref	Risc Accessory Package	D
1	70050850	1	Brake Release Kit	
2	70050851	2	Flashlight	
3	70050852	12	Traffic Cone	
4	70050853	2	Crosby Shackle	
5	70050854	2	Spill Absorbent Kit (Not Shown)	
6	70050855	1	First Aid Kit	
7	70050856	1	Endless Round Sling Kit	
8	70050857	2	Tarp	
9	70050858	2	Duct Tape	
10	70050859	2	Sewer Cover Mat (Not Shown)	
11	70050860	1	Rope	
12	70050861	4	Load Binder	
13	70050862	1	Retrieval Tool	
14	70050863	48	Flare	
15	70050864	1	Brake Air Hose Kit	
16	70050865	1	Wireless Tow Light	
17	70050866	2	Reflective Vest	
18	70050867	1	Chemical Gloves	
19	70050868	2	Safety Gloves	
20	70050869	1	Crosby Users Lifting Guide	
21	70050870	1	Log Book	
22	70050871	1	Inspection Book	
23	70050872	1	Emergency Response Book	
24	70050873	1	FMC Safety Regulation Book	
25	70050874	1	New Hire Kit	
26	70050875	1	Tool Set	
27	70050876	6	Drive Shaft Sockets	
28	70050877	2	Under Reach Strap	
29	70050878	1	Steering Wheel Lock	
30	70050879	1	Impact Socket	
31	70050880	1	Pliers Kit	
32	70050881	1	Vise Kit	
33	70050882	1	Adjustable Wrench Kit	
34	70050883	1	Pipe Wrench	
35	70050884	1	Pipe Wrench	
36	70050885	2	Chain	
37	70050886	2	Chain	
38	70050887	2	Chain	
39	70050888	2	Recovery Strap	
40	70050889	2	Recovery Strap	
41	70050890	4	Snatch Block	
42	70050891	1	Shackle Kit (Not Shown)	
43	70050892	2	Master Link	
44	70050893	2	Shackle, 17,000 LB	
45	70050894	6	Shackle, 24,000 LB	
46	70050895	2	Shackle, 34,000 LB	
47	70050896	8	Web Shackle	
48	70050897	1	Transport Chain	
49	70050898	2	Chain	

SECTION 9 - ACCESSORIES

ITEM	PART NUMBER	QTY	DESCRIPTION	REV
50	70050899	2	Chain	
51	70050900	1	Air Cushion	
52	70050901	2	Fire Extinguisher	
53	70050902	1	Cribbing Kit	
54	70050903	4	Cribbing	
55	70050904	8	Cribbing	
56	70050905	4	Wheel Chocks	
57	70050906	1	Hydraulic Jack	
58	70050907	1	Ladder	
59	70050908	2	Push Broom	
60	70050909	1	Axe	
61	70050910	2	Shovel, Flat Blade	
62	70050911	2	Shovel, Round Blade	
63	70050912	1	Bolt Cutter	
64	70050913	1	Grizzley Bar	
65	70050914	1	Crow Bar	
66	70050915	1	Sledge Hammer	
67	70050916	2	Trash Can	
68	70050917	1	Spill Kit	
69	70050918	1	Angle Kit	
70	70050919	2	Angle	
71	70050920	1	Angle	

SECTION 9 - ACCESSORIES

FIGURE 9-15. RUGGED KIT



ART_1001233649

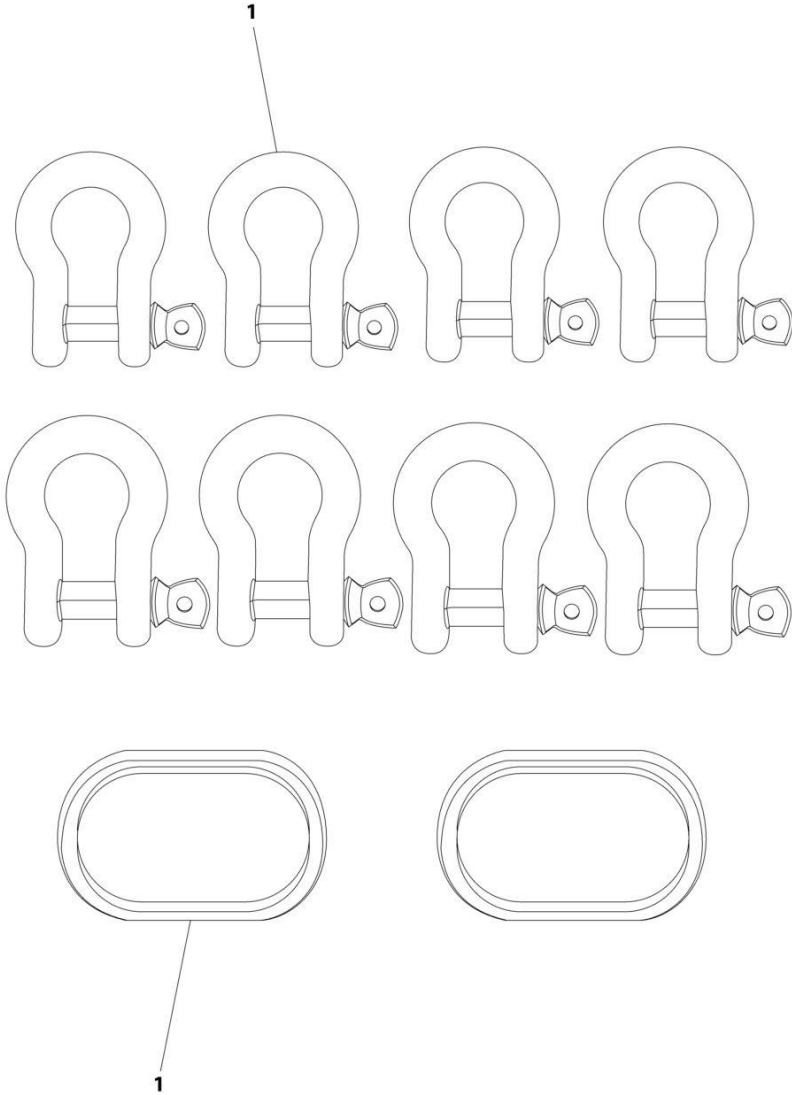
SECTION 9 - ACCESSORIES

FIGURE 9-15. RUGGED KIT

ITEM	PART NUMBER	QTY	DESCRIPTION	REV
	1001233649	Ref	RUGGED KIT, JFB	A
1	1001174490	1	Rugged Package (Not Shown)	
101	Kit	2	7/8 x 8IN Diameter Snatch Block, 30,000#	
102	Kit	1	3/8 x 10FT Recover Chain	
103	Kit	2	1/2IN x 2FT Recovery Chain, 15,000#	
104	Kit	2	1/2IN Double Leg Recovery Sling Eliminator, 30,000#	
105	Kit	4	1/2IN x 10FT Recovery Chain w/Self-Locking Clevis	
106	Kit	2	1/2IN x 48IN Copper Ground Stake	
107	Kit	1	Non-Sparking Brass Mallet	
108	Kit	3	30FT Ground Wire	

SECTION 9 - ACCESSORIES

FIGURE 9-16. SHACKLE KIT LEVEL 1



ART_1001233646

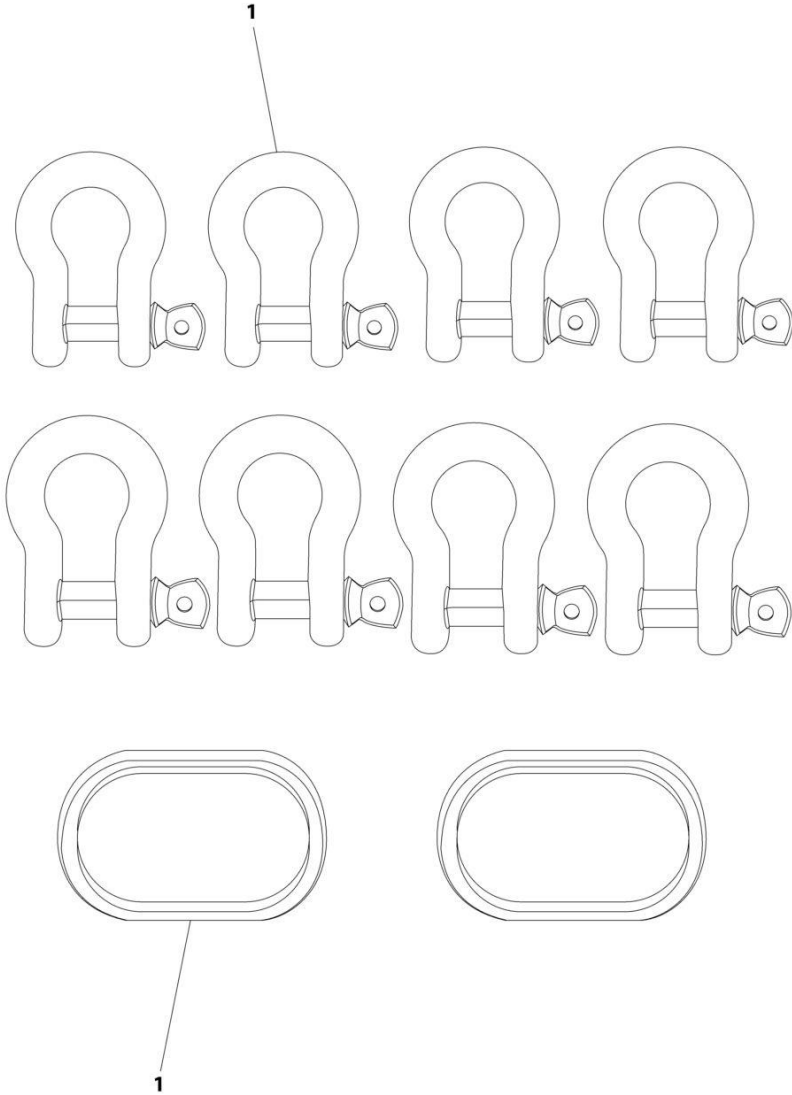
SECTION 9 - ACCESSORIES

FIGURE 9-16. SHACKLE KIT LEVEL 1

ITEM	PART NUMBER	QTY	DESCRIPTION	REV
	1001233646	Ref	SHACKLE KIT, LEVEL 1	A
1	1001233071	1	Shackle Kit	
1	Kit	4	Galvanized 8.5T Shackle, 1IN Pin	
1	Kit	2	Galvanized 12T Shackle, 1.25IN Pin	
1	Kit	2	Master Link Type M GRD 100 17200#WWL, 7/8IN	

SECTION 9 - ACCESSORIES

FIGURE 9-17. SHACKLE KIT LEVEL 2



ART_1001233647

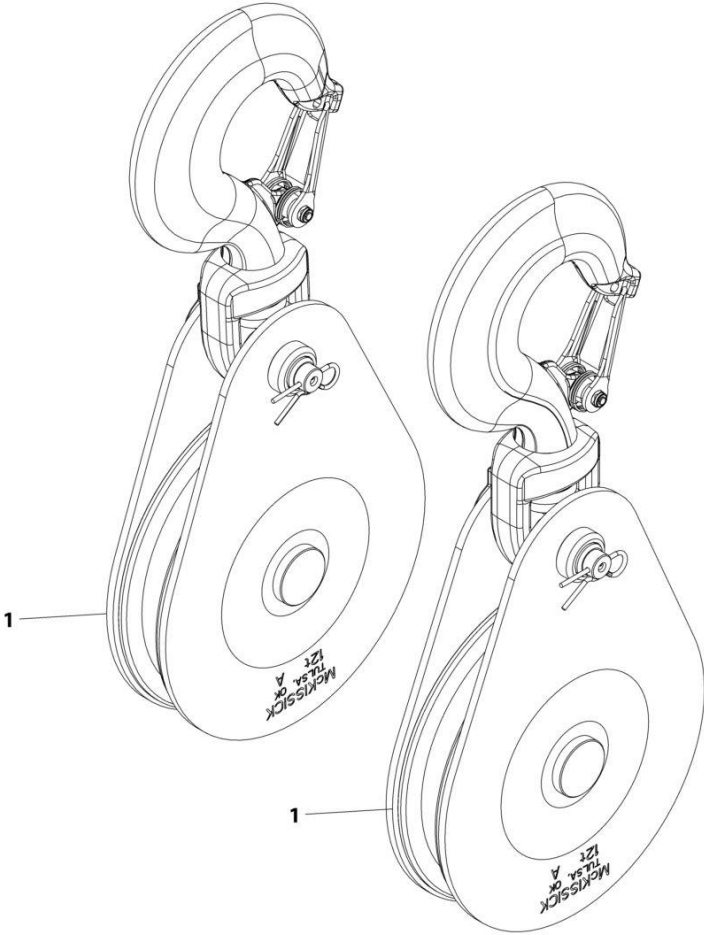
SECTION 9 - ACCESSORIES

FIGURE 9-17. SHACKLE KIT LEVEL 2

ITEM	PART NUMBER	QTY	DESCRIPTION	REV
	1001233647	Ref	SHACKLE KIT, LEVEL 2	A
1	1001208361	1	Shackle Kit	
1	Kit	2	Master Link, 1.25IN Pin	
1	Kit	2	Screw Pin Shackle, 1IN Pin	
1	Kit	6	Screw Pin Shackle, 1.25IN Pin	
1	Kit	2	Screw Pin Shackle, 1.5IN	

SECTION 9 - ACCESSORIES

FIGURE 9-18. SNATCH BLOCK KIT



ART_1001241606

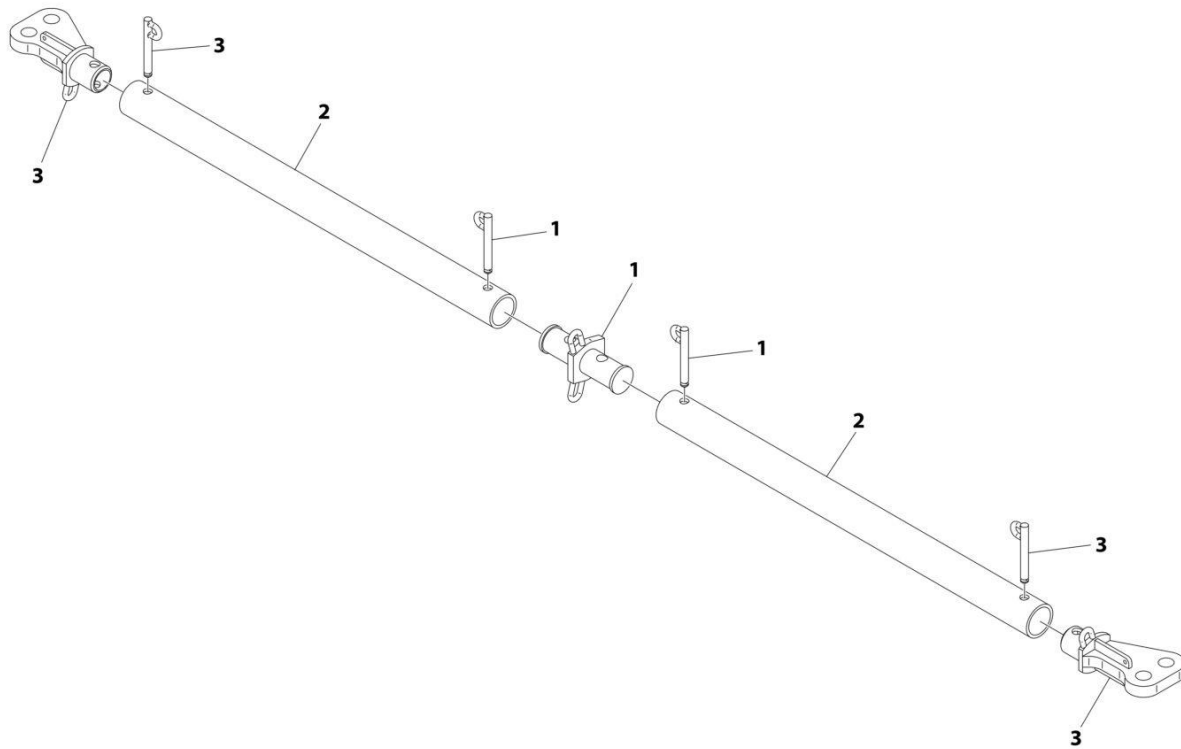
SECTION 9 - ACCESSORIES

FIGURE 9-18. SNATCH BLOCK KIT

ITEM	PART NUMBER	QTY	DESCRIPTION	REV
1	1001241606	Ref	SNATCH BLOCK KIT	B
	1001303104	2	Snatch Block	

SECTION 9 - ACCESSORIES

FIGURE 9-19. SPREADER BAR KIT



ART_1001175920

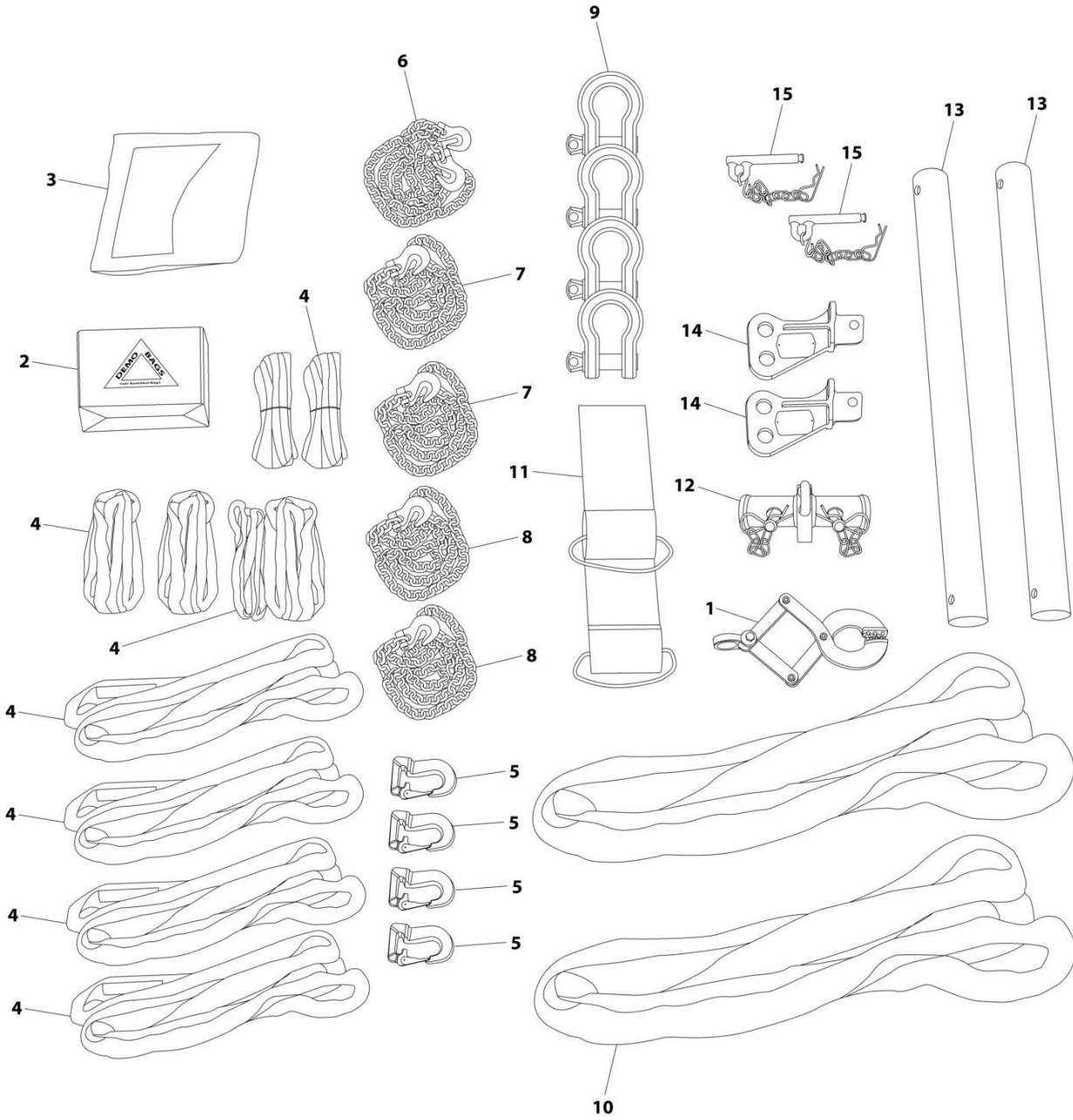
SECTION 9 - ACCESSORIES

FIGURE 9-19. SPREADER BAR KIT

ITEM	PART NUMBER	QTY	DESCRIPTION	REV
	1001175920	Ref	Spreader Bar Kit	C
1	70050922	1	Center Bar	
2	70050923	2	Spreader Bar Tube	
3	70050924	2	Spreader Bar Ends	

SECTION 9 - ACCESSORIES

FIGURE 9-20. SPREADER BAR ACCESSORY PACKAGE



ART_1001233650

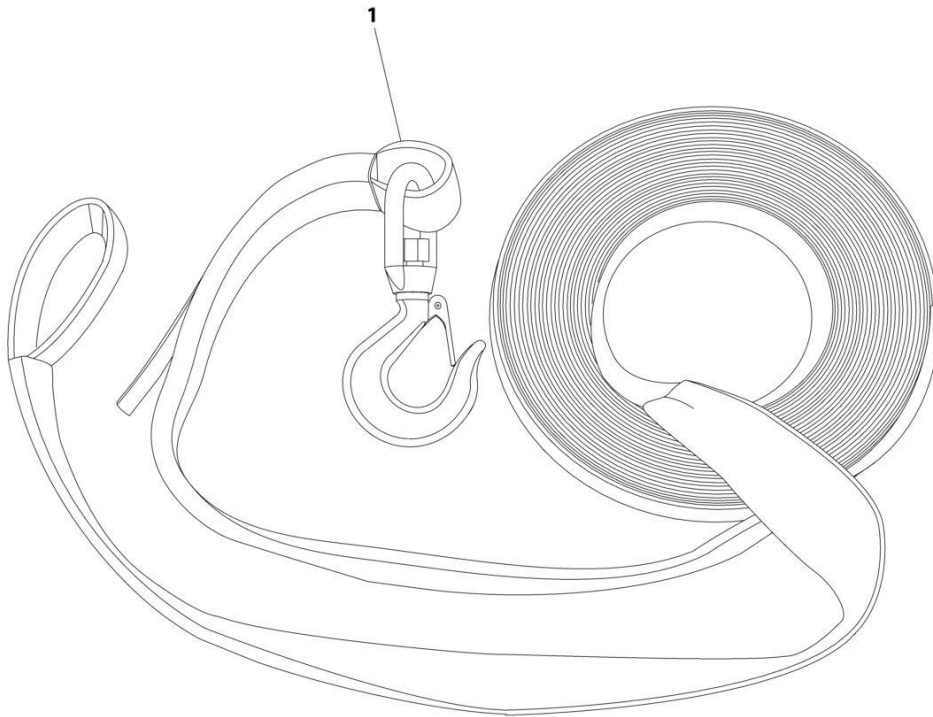
SECTION 9 - ACCESSORIES

FIGURE 9-20. SPREADER BAR ACCESSORY PACKAGE

ITEM	PART NUMBER	QTY	DESCRIPTION	REV
	1001233650	Ref	Spreader Bar Accessory Package	E
1	70050831	1	Pallet Lifting Jaw	
2	70050832	2	42 Gallon Demo Bag	
3	70050833	2	Poly Tarp	
4	70050834	4	Green Eye and Eye Round Sling	
5	70050835	4	Green Round Sling Hook	
6	70050836	1	Recovery Chain, 8,800 LB	
7	70050837	2	Recovery Chain Hook One End	
8	70050838	2	Recover Chain Hook	
9	70050839	4	Shackle	
10	70050840	2	Blue Round Sling	
11	70050841	2	Skate	
12	70050922	1	Center Bar	
13	70050923	2	Spreader Bar Tube	
14	70050924	2	Spreader Bar Ends	
15	70050925	4	Pin	

SECTION 9 - ACCESSORIES

FIGURE 9-21. STRAP EXTENSION ASSEMBLY



ART_7894000071

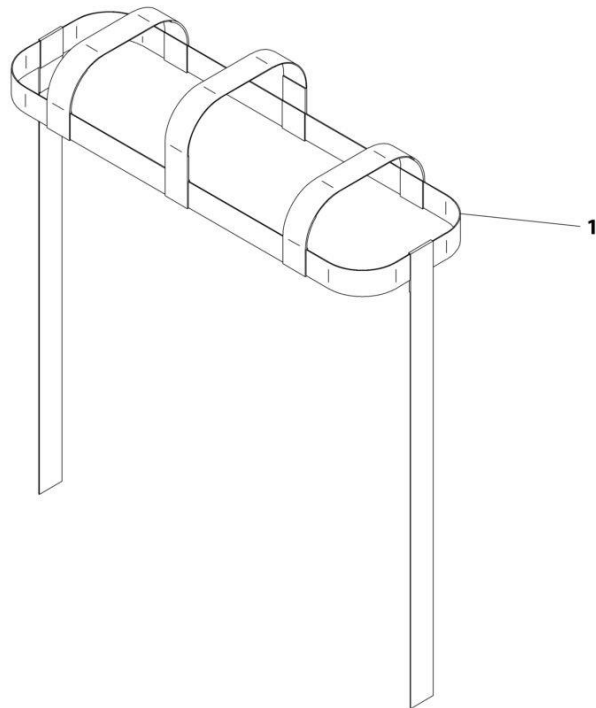
SECTION 9 - ACCESSORIES

FIGURE 9-21. STRAP EXTENSION ASSEMBLY

ITEM	PART NUMBER	QTY	DESCRIPTION	REV
1	7894000071	Ref	STRAP EXTENSION ASSEMBLY	0

SECTION 9 - ACCESSORIES

FIGURE 9-22. STRAP, TIE-DOWN - 7000LBS SMALL



ART_1001209071

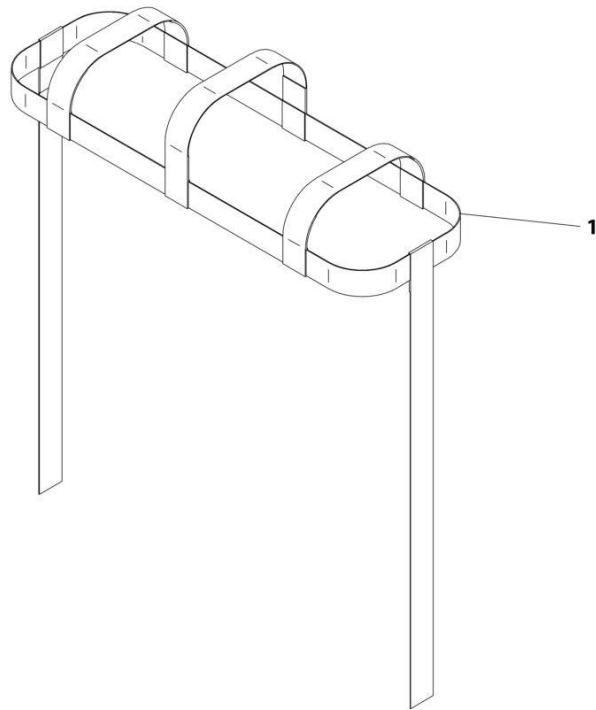
SECTION 9 - ACCESSORIES

FIGURE 9-22. STRAP, TIE-DOWN - 7000LBS SMALL

ITEM	PART NUMBER	QTY	DESCRIPTION	REV
1	1001209071 7894000041	Ref 2	STRAP, TIE-DOWN - 7000 LBS SMALL Tie Strap Assembly Med Duty	A

SECTION 9 - ACCESSORIES

FIGURE 9-23. STRAP, TIE-DOWN - 7000LBS LARGE



ART_1001236896

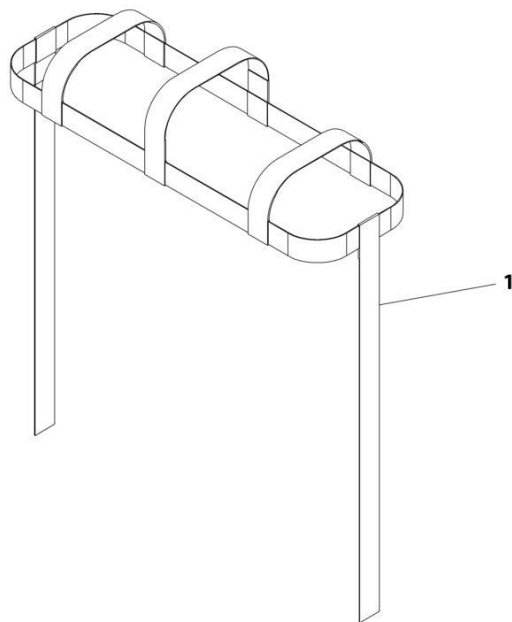
SECTION 9 - ACCESSORIES

FIGURE 9-23. STRAP, TIE-DOWN - 7000LBS LARGE

ITEM	PART NUMBER	QTY	DESCRIPTION	REV
1	1001236896 7894000037	Ref 2	STRAP, TIE-DOWN - 7000 LBS LARGE Strap Assembly Heavy Duty	A

SECTION 9 - ACCESSORIES

FIGURE 9-24. STRAP, TIE-DOWN - 9800LBS LARGE



ART_1001236897

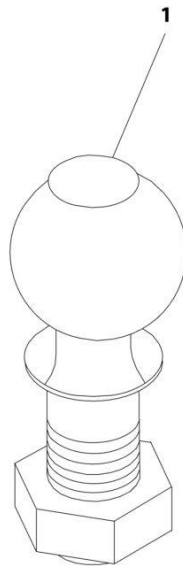
SECTION 9 - ACCESSORIES

FIGURE 9-24. STRAP, TIE-DOWN - 9800LBS LARGE

ITEM	PART NUMBER	QTY	DESCRIPTION	REV
1	1001236897 7894000057	Ref 2	TIE-STRAP KIT - TIRE BASKET Tie-Strap	A

SECTION 9 - ACCESSORIES

FIGURE 9-25. TOW BALL - 1,88IN DIA



ART_705600003

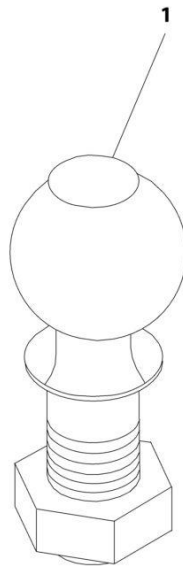
SECTION 9 - ACCESSORIES

FIGURE 9-25. TOW BALL - 1,88IN DIA

ITEM	PART NUMBER	QTY	DESCRIPTION	REV
1	7056000003	1	TOW BALL - 1.88IN DIA	0

SECTION 9 - ACCESSORIES

FIGURE 9-26. TOW BALL - 2IN DIA



ART_705600004

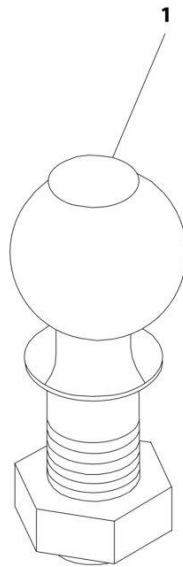
SECTION 9 - ACCESSORIES

FIGURE 9-26. TOW BALL - 2IN DIA

ITEM	PART NUMBER	QTY	DESCRIPTION	REV
1	7056000004	1	TOW BALL - 2IN DIA	0

SECTION 9 - ACCESSORIES

FIGURE 9-27. TOW BALL - 2IN DIA



ART_705600005

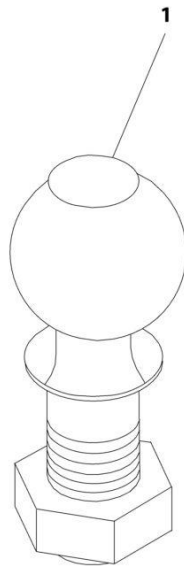
SECTION 9 - ACCESSORIES

FIGURE 9-27. TOW BALL - 2IN DIA

ITEM	PART NUMBER	QTY	DESCRIPTION	REV
1	7056000005	1	BALL - 2.31IN DIA	0

SECTION 9 - ACCESSORIES

FIGURE 9-28. TOW BALL - 50MM DIA



ART_705600006

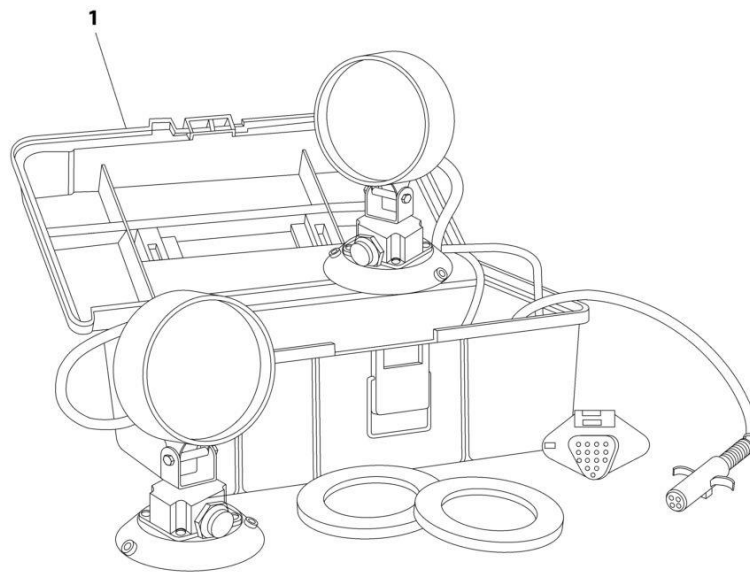
SECTION 9 - ACCESSORIES

FIGURE 9-28. TOW BALL - 50MM DIA

ITEM	PART NUMBER	QTY	DESCRIPTION	REV
1	7056000006	1	TOW BALL - 50MM DIA	0

SECTION 9 - ACCESSORIES

FIGURE 9-29. TOW LIGHTS - MAGNETIC



ART_5525000752

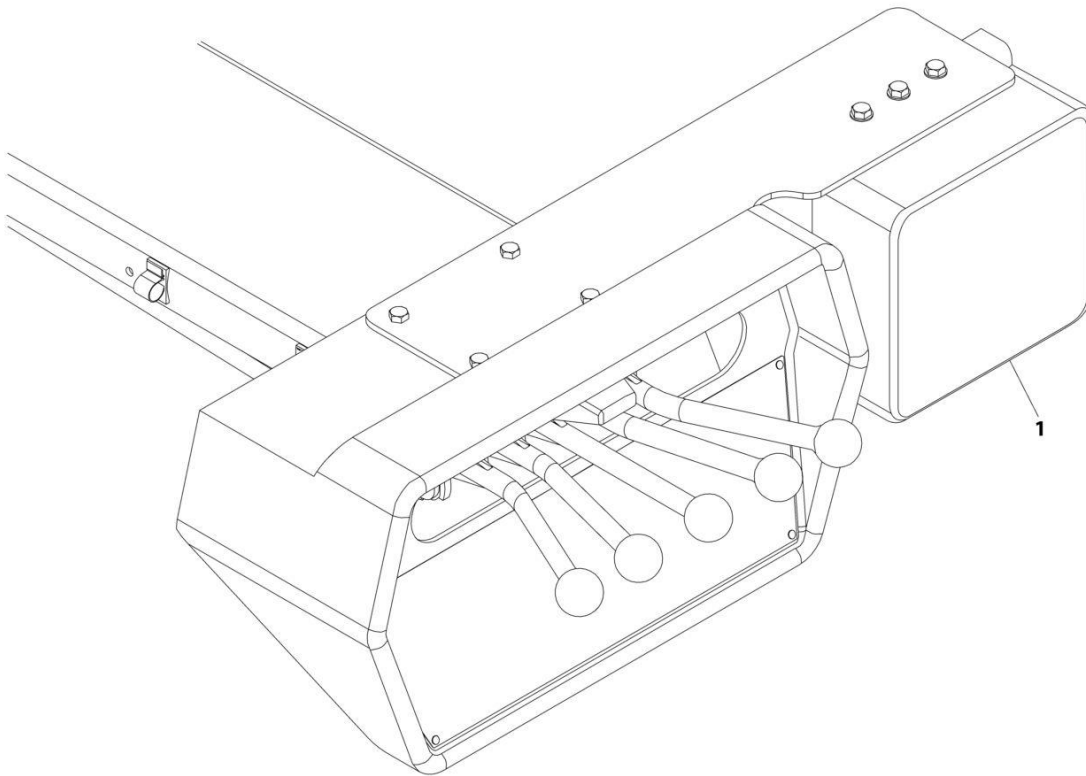
SECTION 9 - ACCESSORIES

FIGURE 9-29. TOW LIGHTS - MAGNETIC

ITEM	PART NUMBER	QTY	DESCRIPTION	REV
1	5525000752	1	TOW LIGHT - MAGNETIC MOUNTED	A

SECTION 9 - ACCESSORIES

FIGURE 9-30. TRUCK SCALES - ON-BOARD (AIR WEIGH)



ART_7577000211

SECTION 9 - ACCESSORIES

FIGURE 9-30. TRUCK SCALES - ON-BOARD (AIR WEIGH)

ITEM	PART NUMBER	QTY	DESCRIPTION	REV
1	7577000211	1	TRUCK SCALES - ON-BOARD (AIR WEIGH)	0

SECTION 10 - BUILD DOCUMENTS

SECTION 10 - BUILD DOCUMENTS

FIGURE 10-1. BUILD DOC_5376000330

ITEM	PART NUMBER	QTY	DESCRIPTION	REV
	Note	Ref	Note: This list is for build tracking purposes only. Parts in this list are not available at this inventory stocking level. Parts in this list may not be applicable to all models. For more specific parts information contact Jerr-Dan Parts Department	
	1001227092	Ref	Body Hole Fill Kit	
	1001199186	Ref	Counterweight Installation - Main (Front of Unit) (1700LBS)	
	1001226838	Ref	Counterweight Installation - Main with Blanking Plate (Front of Unit) (1700LBS)	
	1001209119	Ref	Counterweight Installation - Package 1 (Front of Unit) (2100LLBS)	
	1001209120	Ref	Counterweight Installation - Package 2 (Front of Unit) (2500LLBS)	
	1001209121	Ref	Counterweight Installation - Package 3 (Front of Unit) (3000LLBS)	
	1001209122	Ref	Counterweight Installation - Package 4 (Front of Unit) (3600LLBS)	
	1001210345	Ref	Counterweight Adapter Installation - Main (Front of Unit) (KW T880)	
	1001210346	Ref	Counterweight Adapter Installation - Main (Front of Unit) (Peterbilt 567)	
	1001225596	Ref	Counterweight Adapter Installation - Main (Front of Unit) (Peterbilt 389)	
	1001134106	Ref	FITTING (AIR TANK)	
	1001270118	Ref	Paint - Winch Cable Hooks and Control Cables	
	1001270119	Ref	Paint - Main Winch Hooks & Handles	
		Ref	PTO (Installation & replacement is based on individual characteristics of the unit - Contact Jerr-Dan Parts Dept.)	
	TP_REF	Ref	Pump (Installation & replacement is based on individual characteristics of the unit - Contact Jerr-Dan Parts Dept.)	
	1001233648	Ref	RISC PACKAGE	
	1001174485	Ref	RISC PACKAGE (See Separate Breakdown in ACCESSORY Section)	
	1001227630	Ref	Ship-Out Crate	
	2636000010	Ref	Ship-Out Stand for Kits Models	
	1001229102	Ref	Ship-Out Stand for Kits Models (Sea Crate)	
	1001227624	Ref	Ship-Out Stand for Tunnel ("A" Tunnel) or (qty1 Tunnel)	
	1001225110	Ref	Ship-Out Stand (Front CWT)	
	1001248211	Ref	Side Stabilizer - "A" Tunnel - No Panel 17IN	
	1001239622	Ref	Side Stabilizer (See Separate Breakdown in SUBFRAME Section)	
	1001248212	Ref	Side Stabilizer - "A" Tunnel - Body Panel 20IN	
	1001244581	Ref	Panel Installation (See Separate Breakdown in BODY Section)	
	1001239622	Ref	Side Stabilizer (See Separate Breakdown in SUBFRAME Section)	
	1001248213	Ref	Side Stabilizer - Front Main Body - No Panel 19IN	
	1001239622	Ref	Side Stabilizer (See Separate Breakdown in SUBFRAME Section)	
	1001248346	Ref	Electrical Installation (See Separate Breakdown in ELECTRICAL Section)	
	1001248214	Ref	Side Stabilizer - Front Main Body - Body Panel 24IN	
	1001239622	Ref	Side Stabilizer (See Separate Breakdown in SUBFRAME Section)	
	1001244581	Ref	Panel Installation (See Separate Breakdown in BODY Section)	
	1001210751	Ref	STORAGE OPTIONS PACKAGE - GOLD TANDEM	
	1001224440	Ref	STORAGE OPTIONS PACKAGE - GOLD TANDEM (TOW)	
	1001219772	Ref	STORAGE OPTIONS PACKAGE - SILVER TANDEM	

SECTION 10 - BUILD DOCUMENTS

ITEM	PART NUMBER	QTY	DESCRIPTION	REV
	1001219773	Ref	STORAGE OPTIONS PACKAGE - SILVER TRI-AXLE	
	1001224438	Ref	STORAGE OPTIONS PACKAGE - SILVER TANDEM (TOW)	
	1001224436	Ref	STORAGE OPTIONS PACKAGE - BRONZE TANDEM (TOW)	
	1001224437	Ref	STORAGE OPTIONS PACKAGE - BRONZE TRI-AXLE (TOW)	
	1001274481	Ref	SUBFRAME WELDMENT	

PART NUMBER INDEX

SECTION 10 - BUILD DOCUMENTS

0100011.....45, 47, 73, 75, 135, 155, 157, 481	1001126987 553	1001152511 19	1001168733.....329
0561482.....39	1001126995 553	1001152543 19	1001168993.....155, 157, 279, 315, 317, 319, 327, 333, 335, 341, 355, 405, 411, 417, 523, 529
0641412.....559	1001127220 719	1001152547 19	1001169063.....313, 315, 329
0641514.....229	1001127222 727	1001152548 19	1001169064.....313, 315, 329
0641524.....499, 501, 503	1001128128 655	1001152549 19	1001169076.....313, 315, 329
0641605.65, 99, 103, 107	1001129006 65	1001154277 727	1001169078.....155, 157, 313, 315, 329
0641606.....481	1001129393 65	1001154527 571, 573, 575	1001169080.....269, 283, 287, 293, 313, 325, 329, 405, 411, 417
0641610.....591, 593, 623, 629	1001129800 441, 511	1001156079 689	1001169083.....299, 301, 303, 305, 313, 315, 329, 357, 359, 406, 412, 418
0641632.....405, 411, 417	1001130310 524, 530	1001156279 689	1001169085.....639
0641708.....549, 551	1001130429 633	1001156424 243, 245, 247, 249, 251, 253	1001169560.....73, 75
0641712.....275	1001130491 405, 411, 417	1001157348 39	1001169617...45, 47, 135
0641810.....623	1001130702 595	1001159568 129	1001169893....45, 47, 73, 75, 135
0641814.....155, 157	1001132265 133	1001160799 299, 301, 333, 335	1001170036.....735
0641820.....363, 365	1001132268 131	1001163358 209, 211	1001170090.....283
0642032.....155, 157	1001132346 719	1001164102 547, 549, 551	1001170091.....283
0642034....269, 363, 365, 367, 369, 371	1001132794 481	1001164560 329	1001170172.....747
0642228.....255, 257	1001134106 800	1001164601 317, 319	1001170305.....283
0651606.....39	1001134265 159	1001164614 317, 319	1001170307.....283, 587
0681408.....39	1001134433 727	1001165564 313, 315, 329	1001170310.....283
0681606.....39, 41	1001136075 719	1001165570 329	1001170328.....283
0681608.....41	1001136080 719	1001165571 313, 315, 329	1001170329.....283, 587
0681609.....39	1001136091 719	1001165584 313, 315, 329	1001170330.....283
0681616.....39	1001136094 719, 729	1001165652 313, 315	1001170331.....283
0681808.....39	1001136103 719	1001165692 365, 367, 369, 371	1001170332.....283
0682428001 19	1001136119 719	1001165862 343	1001170428.....283
0750604.....523, 529	1001136270 689	1001165863 343	1001170618.....353
0750605.....149, 151, 153	1001136447 115	1001166549 571, 573	1001170707.....361
0751406.....323	1001136559 115	1001166644 269, 283, 287, 313, 325, 329, 357, 359, 537, 539	1001170725.....297
0751408.....323	1001136990 591, 595	1001166670 537, 539	1001170727.....297
0812222.....75	1001137169 719	1001166674 151, 153	1001170839.....307, 309
1001094694.....445, 453, 463	1001138537 719	1001166815 659	1001170849.....219, 221
1001095650.....39, 41, 65	1001138612 719	1001166930 149, 151, 153, 523, 529	1001170968.....343
1001097942.....379, 381	1001139137 105	1001166974 155, 157, 213, 215, 271, 279, 293, 299, 301, 303, 317, 319, 327, 333, 335, 341, 405, 411, 417, 523, 529	1001170970.....343
1001101025.....587	1001139138 107	1001167099 689	1001170971.....343
1001109484.....649	1001139464 433	1001167286 307, 309, 425, 427	1001171933.....735
1001109485.....655	1001141227 719	1001167358 209, 211	1001172004.....425, 427
1001116727589, 617, 637, 653, 671, 673, 701, 703	1001142074 115	1001167456 273	1001172491.....61, 63
1001116733.....655	1001142452 719	1001167607 523, 529	1001173847.....155, 157, 269, 363, 365, 367, 369, 371
1001116745.....577, 619, 621	1001142771 665, 667	1001168320 523, 529	1001174051.....229
1001116812.....567	1001142812 727	1001168321 523, 529	1001174138.....333, 335
1001116815.....651, 661, 663	1001142828 719	1001168322 523, 529	1001174140.....333, 335
1001116983.....675, 677, 681, 683, 685	1001143284 579, 581	1001168328 523, 529	1001174339.....719
1001116994.....681, 683, 685	1001143297 135, 139	1001168428 331	1001174343.....719
1001117021.....577, 617	1001143523 723	1001168544 299, 301, 313, 315, 333, 335	1001174485.....763, 800
1001117026.....577, 619, 621	1001143524 721	1001168545 285, 287, 289, 291, 327, 337, 339, 341, 343	1001174490.....767
1001118282.....655	1001143686 239, 241, 665, 667		1001174680.....523, 529
1001122235.....149, 151, 153, 523, 529	1001143867 737		1001174992.....323
1001125479.....559, 561	1001144147 651		1001175059.....321, 323
1001126008.....653	1001144730 19		1001175061.....535
1001126009.....653	1001145056 467, 469, 471, 473, 475		1001175920.....775
1001126010.....651	1001145079 135		
1001126011.....651	1001151050 135		
1001126269.....595	1001151184. 97, 99, 101, 103, 105, 107		
1001126658.....557	1001151185. 97, 99, 101, 103, 105, 107		
1001126973.....553	1001151546 379, 381, 579, 581, 611		
	1001151789 155, 157, 161		
	1001151805 65		
	1001152381 19		
	1001152419 217, 615		

SECTION 10 - BUILD DOCUMENTS

1001176337 585, 639	1001190342.....329	1001195943.....291, 732	1001199322 405, 411, 417
1001179349 283	1001190343.....275	1001196214.....309, 732	1001199405 173
1001182248 341	1001190359.....329	1001196215.....307, 732	1001199475 593, 602
1001182569 149	1001190361.....329	1001196249.....733	1001199477 587, 599
1001183001 287	1001190409.....341	1001196552.....223, 225, 227, 297, 347, 373, 385, 421, 423, 425, 427, 523, 529, 569, 571, 573, 575, 699	1001199478 623, 626
1001183037 321, 323, 351	1001190410.....349, 351	1001196583.....363, 365, 367, 369, 371, 575	1001199783 727
1001183038 321	1001190551.....355	1001196625.....363, 365, 367, 369, 371, 609	1001199785 727
1001183152 331	1001190568.....285, 289, 291	1001196639.....155, 157, 219	1001199786 727
1001183200 537, 539	1001190926.....299, 301, 303, 305	1001196666.....155, 157, 273	1001199787 727
1001183735 283	1001190988.....299, 301	1001196730 157, 211	1001199789 727
1001183736 283	1001191540.....275	1001196790.....155, 157, 229	1001199790 727
1001184772 499, 501, 503	1001191602.....523, 529	1001196808.....225, 363, 365, 367, 369, 371	1001199942 583
1001184773 499, 501, 503	1001191613.....333, 335	1001196909.....405, 411, 417, 445	1001199946 585
1001184827 405, 411, 417	1001191810.....285, 287, 289, 291	1001196910.....405, 411, 417, 445	1001199950 585
1001184828 405, 411, 417	1001192126.....329	1001196911.....405, 411, 417	1001199998 732
1001185654 149, 151	1001192287.....343	1001197133.....149, 363	1001199999 732
1001185657 365	1001192504.....453, 463	1001197134.....151, 365	1001200001 311, 733
1001186491 363	1001192958.....163, 165, 169, 171, 173, 175, 177, 179, 181, 183, 185, 187, 189, 191, 193, 195, 197, 199, 201, 203, 205, 207, 217, 271, 421, 541, 553, 557, 605, 607, 609, 613, 615, 642, 647	1001197158.....193	1001200002 27
1001186584 209, 211	1001194069.....499, 501, 503	1001197159.....197	1001200003 29
1001186585 211	100119467639, 281, 345, 349, 351, 379, 381, 405, 411, 417, 425, 427	1001197160.....197	1001200355 499, 501
1001186606 209, 211	1001194736.....405, 411	1001197161.....197, 201	1001200356 503
1001186607 211	1001195038.....317, 733	1001197162.....201	1001200997 283
1001186608 209, 211	1001195083.....319, 733	1001197163.....201	1001201164 732
1001186725 163	1001195088.....733	1001197164.....205	1001201215 347
1001186727 163	1001195134.....329, 733	1001197181.....189	1001201216 347
1001186728 163	1001195256.....349, 732	1001197183.....313, 732	1001201217 347
1001186835 163	1001195257.....189, 191, 193, 195, 197, 199, 201, 203, 205, 207, 213, 215, 217, 271, 277, 281, 299, 301, 307, 309, 333, 335, 345, 349, 351, 373, 425, 427, 523, 529, 561, 615, 642, 647, 665, 667, 687, 699	1001197338.....363	1001201218 347
1001186993 181	1001195279.....345, 349	1001197419.....537	1001201234 733
1001186994 181	1001195337.....732	1001197482.....441, 443	1001201341 732
1001187000 183	1001195341.....351	1001197506.....441	1001201367 347
1001187001 183	1001195421.....325, 733	1001197567.....189	1001201371 733
1001187063 363	1001195520.....361, 733	1001197683.....732	1001201384 425, 427, 523, 529
1001187182 155, 209	1001195523.....231, 295, 299, 301, 307, 309, 353, 361, 423	1001197687.....193	1001201514 732
1001188156 171	1001195592.....353, 733	1001197693.....283	1001201534 311
1001188157 171	1001195698.....293, 732	1001197791.....205	1001201695 295
1001188158 171	1001195764.....733	1001197895.....269, 569	1001201704 295, 732
1001188538 537	1001195788.....303, 732	1001197896.....227, 269	1001201926 523, 529
1001189455 269	1001195825.....732	1001197898.....269, 613	1001201994 649, 651
1001189457 269	1001195838.....299, 301	1001198602.....189, 191, 193, 195, 197, 199, 201, 203, 205, 207, 421, 425, 427, 689	1001202056 443, 513
1001189507 173	1001195839.....299	1001198729.....535	1001202432 405, 499
1001189508 173	1001195840.....301	1001198964.....221, 269	1001202433 411, 501
1001189510 173	1001195942.....285, 732	1001199081.....569, 571, 573, 575	1001202434 417, 503
1001189532 269		1001199082.....161	1001202508 405, 411
1001189750 161		1001199098.....161, 269	1001202517 405, 411
1001189751 161		1001199185.....269, 275	1001202518 405, 411
1001189776 269		1001199186.....800	1001202741 405, 411, 417
1001189784 405, 411, 417		1001199196.....269, 727	1001203229 417
1001189906 569		1001199291.....269, 375	1001203234 523, 529
1001189993 405, 411, 417			1001203235 417
1001190037 631, 637, 671, 673			1001203236 417
1001190050 325			1001203506 501, 507
1001190055 325			1001203889 543
1001190128 325			1001203911 549
1001190148 325			1001204438 453, 463
1001190176 275			1001204558 543
1001190218 313, 315			1001204565 473
1001190223 313, 315			1001204595 549
1001190228 313, 315			1001204788 523, 530
1001190265 313, 315			1001204789 524, 530
			1001205043 524, 530
			1001205044 524, 530
			1001205331 719
			1001205678 453, 463
			1001205796 343, 733

SECTION 10 - BUILD DOCUMENTS

1001205855.....197, 201	1001208205..... 347	1001211394..... 333	1001214807.....269
1001205877.....163	1001208303..... 523, 529	1001211486..... 367	1001214900.....161
1001205915.....169	1001208359..... 753	1001211487..... 369	1001214902.....405, 411, 417
1001205916.....169	1001208360..... 741	1001211490..... 367	1001214908.....161
1001205917.....169	1001208361..... 771	1001211491..... 369	1001214973.....237, 241
1001205921.....155, 157, 163	1001208631..... 283, 732	1001211861..... 441	1001215020.....233, 235, 665
1001205954.....169	1001208635..... 351, 732	1001211862..... 443	1001215034.....237, 667
1001206033.....453, 463	1001208636..... 287, 732	1001212003..... 421	1001215040.....559
1001206035.....453, 463	1001208637..... 339, 733	1001212004..... 423	1001215041.....561
1001206037.....453, 463	1001208650..... 339	1001212106..... 379	1001215110.....667, 673
1001206039.....453, 463	1001208651..... 337	1001212107..... 387	1001215151.....541
1001206042.....453, 463	1001208652..... 287	1001212111..... 635	1001215157.....579, 581
1001206043.....453, 463	1001208976..... 383, 385, 389, 391, 393, 395, 397, 399, 401, 661	1001212130..... 631	1001215371.....565, 567
1001206053.....454, 464	1001209000..... 523	1001212140..... 541	1001215421.....379, 381, 659
1001206054.....454, 464	1001209010..... 529	1001212141..... 547	1001215432.....381
1001206319.....631, 633	1001209015..... 143	1001212194..... 323	1001215436.....387, 663
1001206364.....719	1001209020..... 423, 683	1001212220..... 579	1001215444.....523
1001206367.....719	1001209022..... 421, 675	1001212221..... 581	1001215445.....529
1001206505.....523, 529	1001209025..... 145	1001212230..... 553	1001215455.....529
1001206679.....155, 157	1001209031..... 523, 529	1001212231..... 557	1001215955.....587
1001206680.....155, 571	1001209033..... 635, 637	1001212488..... 631	1001215956.....587
1001206681.....157, 573	1001209034..... 642, 647, 709	1001212729..... 633	1001215957.....587
1001206682.....155, 157, 223	1001209035..... 563, 647	1001212830 99, 103, 107, 464	1001216190.....529
1001206683.....155, 605	1001209036..... 553, 555, 711	1001213110..... 623, 629	1001216233.....379
1001206684.....157, 607	1001209040..... 523, 529	1001213111..... 257	1001216239.....379
1001206691.....197	1001209041..... 523, 529	1001213112..... 255	1001216315.....381
1001206695.....201	1001209042..... 523, 529	1001213131..... 587	1001216316.....381
1001206801.....406, 412, 417	1001209044..... 523, 529	1001213132..... 464	1001216317.....587
1001207175.....453, 463	1001209050..... 373, 701	1001213133..... 454, 464	1001216372.....587
1001207176.....453, 464	1001209051..... 523, 529	1001213134..... 454, 464	1001216373.....587
1001207177.....453, 463	1001209052..... 523	1001213522..... 239	1001216570.....587
1001207189.....453	1001209054..... 523, 529	1001213538..... 533	1001216571.....587, 589
1001207191.....463	1001209055..... 373, 703	1001213909..... 231, 269	1001216586.....579, 581
1001207193.....363	1001209056..... 373, 705	1001213912..... 231	1001217088.....209, 211
1001207195.....365	1001209071..... 781	1001213971..... 311	1001217101.....327
1001207199.....363, 365, 367, 369, 371, 373	1001209119..... 800	1001214128..... 591, 593	1001217102.....327
1001207213.....529	1001209120..... 800	1001214129..... 623, 629	1001217103.....327
1001207274.....269	1001209121..... 800	1001214130..... 257	1001217105.....327, 733
1001207275.....269, 699	1001209122..... 800	1001214175..... 732	1001217106.....733
1001207276.....619, 699	1001209365..... 523, 529	1001214252..... 233	1001217996.....537
1001207277.....621, 699	1001209366..... 523, 529	1001214262..... 235, 239	1001218590.....469
1001207300.....277	1001209590..... 642, 647	1001214264..... 733	1001218591.....471
1001207487.....639	1001209616..... 379, 381, 383, 385, 387, 389, 395, 397, 399, 642, 647	1001214265..... 357	1001218592.....473
1001207488.....233, 235, 237, 611	1001210000..... 523	1001214266..... 357, 359	1001218593.....475
1001207496.....277, 732	1001210001..... 529	1001214267..... 357, 359	1001218610.....471
1001207498.....55	1001210002..... 561	1001214298..... 359, 733	1001218611.....475
1001207499.....57	1001210003..... 559	1001214299..... 733	1001218660.....467
1001207508.....355, 733	1001210345..... 800	1001214300..... 733	1001218723.....545
1001207509.....281	1001210346..... 800	1001214301..... 359	1001218724.....551
1001207510.....281, 732	1001210733..... 719	1001214303..... 357, 733	1001219309.....541, 553, 555
1001207539.....281	1001210746..... 321, 733	1001214327..... 187	1001219691.....405, 411, 417
1001207543.....335	1001210747..... 323, 733	1001214328..... 185	1001219741.....153, 367, 369, 371
1001207548.....335, 733	1001210748..... 331, 733	1001214329..... 187	1001219742.....153
1001207556.....341, 733	1001210749..... 305, 732	1001214330..... 185	1001219743.....405, 411
1001207593.....337, 733	1001210750..... 333, 733	1001214335..... 257	1001219744.....417
1001207599.....279	1001210751..... 800	1001214336..... 255	1001219747.....177
1001207623.....279, 732	1001210868..... 347	1001214350..... 255	1001219748.....177
1001207624.....341	1001210960..... 537	1001214376..... 591	1001219749.....177
1001207734.....523, 529	1001211001..... 642, 647	1001214377..... 593	1001219750.....177
1001207736.....441, 443, 523, 529	1001211002..... 642, 647	1001214494..... 275	1001219772.....800
1001208066.....523, 529	1001211003..... 642, 647	1001214590..... 241	1001219773.....801
		1001214605..... 665, 667, 669	1001219776.....315, 732
		1001214606..... 665, 671	
		1001214802..... 269	
		1001214806..... 269	

SECTION 10 - BUILD DOCUMENTS

1001219785.....	175	1001228818.....	235	1001233650.....	777	1001244280.....	695
1001219790.....	445	1001228824.....	237	1001234484.....	259	1001244281.....	689, 693
1001219831.....	371	1001228828.....	623, 629	1001234486.....	259	1001244297.....	271, 615
1001219832.....	371	1001228841.....	629	1001234523.....	261	1001244556.....	213, 215
1001219833.....	367, 369, 371	1001228843.....	623	1001234524.....	261	1001244557.....	271
1001219916.....	367, 369, 371	1001228844.....	623, 629	1001234536.....	267	1001244564.....	213, 215, 271
1001219917.....	367, 369, 371	1001228845.....	623, 629	1001234537.....	401	1001244578.....	213, 215
1001219918.....	367, 369, 371	1001228888.....	233	1001234549.....	265	1001244579.....	271
1001219919.....	367, 369, 371	1001228889.....	235	1001234557.....	263	1001244580.....	213, 215
1001219921.....	367, 369, 371	1001228890.....	237	1001234558.....	263	1001244581.....	271, 800
1001219937.....	405, 411, 417	1001228895.....	245	1001234559.....	263	1001245044.....	39
1001220068.....	405, 411, 417	1001228897.....	243	1001234563.....	425, 427, 431	1001245230.....	39
1001220164.....	345, 732	1001228898.....	249	1001234724.....	431	1001245737.....	39
1001220169.....	245, 249, 253	1001228899.....	247	1001235386.....	425, 427	1001245740.....	165
1001220170.....	249	1001228901.....	245	1001235394.....	389	1001245742.....	165, 213, 215, 271
1001220171.....	249	1001228902.....	245	1001235395.....	389	1001246130.....	729
1001220186.....	253	1001228903.....	243	1001235578.....	405	1001246165.....	37
1001220219.....	445	1001228904.....	243	1001235579.....	411	1001246166.....	37
1001220234.....	245, 249, 253	1001228905.....	249	1001235580.....	417	1001246167.....	37
1001220268.....	445	1001228906.....	249	1001235583.....	405, 411, 417	1001246419.....	37
1001220272.....	155	1001228907.....	247	1001235584.....	405, 411, 417	1001246420.....	37, 729
1001220273.....	157	1001228908.....	247	1001235707.....	425	1001246622.....	213, 215, 217
1001220348.....	251	1001228909.....	247	1001235708.....	427	1001246753.....	39
1001220350.....	253	1001228910.....	245	1001235735.....	155	1001246828.....	423, 681
1001220351.....	253	1001228901.....	245	1001235741.....	157	1001246829.....	421, 677
1001220352.....	245	1001228902.....	245	1001235746.....	155	1001246956.....	729
1001220353.....	245	1001228903.....	243	1001235747.....	157	1001246957.....	729
1001220354.....	253	1001228904.....	243	1001236497.....	425, 427, 685	1001246980.....	37
1001220355.....	253	1001228905.....	249	1001236610.....	642, 647, 649	1001246981.....	37
1001220367.....	251	1001228906.....	249	1001236611.....	642, 647, 655	1001246982.....	37
1001220368.....	251	1001228907.....	247	1001236612.....	642, 647, 651	1001246983.....	37
1001220369.....	243, 247, 251	1001228908.....	247	1001236613.....	642, 647, 653	1001247139.....	591, 597
1001220370.....	243, 247, 251	1001228909.....	247	1001236615.....	647	1001247174.....	37
1001220371.....	243	1001228910.....	245	1001236616.....	642	1001247794.....	729
1001220372.....	243	1001230068.....	425, 427	1001236896.....	783	1001247795.....	729
1001220373.....	247	1001230127.....	437	1001236897.....	785	1001247902.....	213, 215, 271
1001220374.....	247	1001230715.....	431	1001238159.....	733	1001247903.....	213, 215
1001220375.....	251	1001230966.....	259, 261	1001239622.....	37, 800	1001248211.....	800
1001220376.....	251	1001230976.....	267	1001239624.....	37, 39	1001248212.....	800
1001220431.....	524, 530	1001230977.....	265	1001239626.....	39	1001248213.....	800
1001224436.....	801	1001230987.....	259, 261, 263, 265, 267	1001239628.....	39	1001248214.....	800
1001224437.....	801	1001231612.....	565	1001239645.....	39, 41	1001248215.....	695
1001224438.....	801	1001231626.....	747	1001239646.....	39, 43	1001248216.....	213
1001224440.....	800	1001231627.....	749	1001239647.....	39	1001248217.....	215
1001224451.....	289	1001231751.....	273	1001239648.....	41	1001248346.....	687, 800
1001225110.....	800	1001231801.....	719	1001239652.....	39	1001249938.....	665, 667
1001225596.....	800	1001231801.....	719	1001241606.....	773	1001250858.....	99, 103, 107
1001226504.....	431	1001231974.....	395	1001241869.....	732	1001251640.....	65
1001226798.....	431	1001231975.....	395	1001243239.....	37, 481	1001251652.....	65
1001226838.....	800	1001231976.....	397	1001243240.....	481, 517	1001253557.....	199
1001227092.....	800	1001231977.....	397	1001244142.....	37, 689	1001253558.....	199
1001227624.....	800	1001232209.....	383, 389, 395, 397	1001244185.....	689	1001253559.....	199, 203
1001227630.....	800	1001232211.....	389	1001244186.....	481	1001253560.....	195
1001228254.....	732	1001232868.....	431	1001244187.....	481	1001253561.....	191
1001228805.....	233	1001232869.....	431	1001244188.....	481	1001253562.....	191
		1001232870.....	719	1001244189.....	481	1001255740.....	271
		1001232956.....	401	1001244216.....	615, 617, 687	1001257300.....	405, 411, 417, 727
		1001232957.....	383	1001244217.....	217, 577	1001257872.....	555
		1001232958.....	385	1001244279.....	689, 691	1001257916.....	555
		1001232959.....	391			1001258415.....	207
		1001232965.....	391				
		1001232966.....	393				
		1001232967.....	399				
		1001232968.....	401				
		1001232969.....	383				
		1001232970.....	385				
		1001233070.....	751				
		1001233071.....	769				
		1001233072.....	739				
		1001233500.....	565				
		1001233642.....	751				
		1001233643.....	753				
		1001233644.....	739				
		1001233645.....	741				
		1001233646.....	769				
		1001233647.....	771				
		1001233648.....	800				
		1001233649.....	767				

SECTION 10 - BUILD DOCUMENTS

1001258416.....207	1001288016..... 381, 385, 389, 393, 397, 401	3020029 ... 283, 313, 315, 329	3561000017..97, 99, 101, 103, 105, 107
1001258438.....642, 647	1001288629..... 223, 225, 227	3020039 39	3577000018..... 127
1001258439.....642, 647	1001288901 679	3170000123 109	3577000037..97, 99, 101, 103, 105, 107
1001258511..... 179, 269	1001297064 441, 443	3170000124 109	3577000071.....61, 63
1001258518..... 179	1001303104 773	3170000125 109	3577000129.....27, 29
1001258816.....269	1001307192 579, 581	3170000178 113	3577000156.....732
1001258817.....269	1060706 537	3170000179 113	3691000126.....21
1001260451.....642, 647, 657	1380135 341, 343	3170000266 65	3691000144.....745
1001261522.....203	1660152601 541	3170000379 113	3691000145.....745
1001261523.....203	1704260 565	3170000380 113	3691000148..... 61, 63
1001261524..... 199, 203	2002000031 437	3170000381 105, 107, 113	3691000149..... 61, 63
1001262043.....657	2178000064 53	3170000383 65	3691000152..97, 99, 101, 103, 105, 107
1001262482.....649, 651	2200221 375	3170000384 ... 61, 63, 65	3691000174..... 743
1001262483.....649, 651	2220372 481	3170000400 111	3691000232..97, 99, 101, 103, 105, 107
1001262538.....732	2220374 ... 499, 501, 503	3170000401 111	3691000251..97, 99, 101, 103, 105, 107
1001262745.....691	2220376 ... 499, 501, 503	3170000406 111	3691000261.....45, 47
1001262746.....649, 651	2220415 453, 463	3170000407 101, 103, 111	3691000262.....25
1001262747.....649, 651	2220451 ... 499, 501, 503	3170000408 97, 101, 105	3691000263.....31
1001263262..... 155, 157	2220473 ... 499, 501, 503	3170000409 99, 103, 107	3691000267.....21
1001263483.....653	2220518 453, 463	3170000448 25	3691000274.....61, 63
1001263545.....653	2220642 453, 463	3177000060 499, 501, 503	3706000080.....745
1001263566.....651	2220654 445	3178000240 745	3706000241.....65
1001263763.....655	2220700 ... 453, 463, 499, 501, 503	3178000273 113	3706000261.....21
1001263765.....653	2220878 453, 463	3178000275 113	3706000366.....31
1001263822.....733	2220947 75, 499, 501, 503	3178000499 745	3740080.....642, 647
1001263854.....732	2230021 445	3178000547 541, 543, 545	3750000022.....487, 491
1001263855.....732	2230024 ... 499, 501, 503	3178000575 73, 75	3750000055.....489, 493
1001263856.....732	2230025 ... 499, 501, 503	3178000576 73, 75	3750000056.....493
1001263857.....732	2230027 ... 499, 501, 503	3248000001 55	3760115.....39
1001263858.....732	2230089 ... 499, 501, 503	3248000002 57	3760308.... 149, 151, 153, 523, 529
1001264819.....732	2249000020 45, 47	3249000009 73, 75	3790230..... 223, 225, 227
1001266362.....75	2346000003 697	3249000012 135	3820031.....729
1001266364.....75	2502330145 707	3249000035 73, 75	3841203....39, 45, 47, 73, 75, 135
1001266366.....75	2502610314 743	3249000038 135	3900339.....341, 343
1001266455.....75	2502880300 133	3249000043 45, 47	3911000068.....365
1001266495.....75, 77	2503630028 735	3263000118 21	3912000033..... 131, 133
1001266496.....75, 79	2503870011. 97, 99, 101, 103, 105, 107, 129	3263000133 31	3912000034.....135
1001266946.....345, 349, 351	2503880012. 97, 99, 101, 103, 105, 107, 127	3263000141 53	3912000036.....21
1001267280.....591, 593	2503880033 745	3271605 623, 629	3912000038..... 131, 133
1001267377.....454, 464	2503880043 755	3274000011 363, 365	3912000051.....497
1001269186.....65	2503880044 757	3311001 524, 530	3912000052.....495
1001269190.....93	2503880088 131	3320000232 25, 33	3913000094..... 127
1001269191.....199	2507100083 99	3320000233 31, 35	3930820.....579, 581
1001269192.....203	2507100084 97	3455000055 27, 29	3931424.....311
1001269275.....675, 677, 681, 683, 685	2507100085 103	3484000048 131	3935000189.....478, 515
1001269884.....732	2507100086 101	3484000049 131	4017001675.....53
1001270118.....800	2507650009 487	3484000072 133	4062000562.....65
1001270119.....800	2507650077 489	3484000073 133	4062000613.....65
1001270464.....631	2507690090 21	3507100001 .. 97, 99, 109	4064000033.....65
1001270479.....631	2507700108 167	3507530029 97, 99, 101, 103, 105, 107, 115	4064000076.....65
1001270484.....539	2507900105 73	3517290007 725	4071031.....39
1001271968.....675, 679	2512880041 732	3520064 ... 405, 411, 417	4178000234.....591, 593
1001271970.....675, 679	2517100029 63	3548100001 ... 25, 27, 29	4178000349.....467, 469, 471, 473, 475
1001273598.....547	2517100030 61	3548330007 269, 713	4178000402.....623
1001273599.....557	2540045 689	3548530005 .. 27, 29, 478	4178000763.....45, 47
1001273634.....583, 585, 635, 639	2636000010 800	3548690002 ... 27, 29, 31	4178000889.....547
1001273756.....553	2900770 33, 35	3548900003 29, 47	4249000001.....135
1001274481.....801	3007000004 129	3548900004 27, 45	4249000002.....135
1001279211.....732	3020000119 131, 133	3551000036 129	4263000884.....53
1001279212.....732	3020000120 131, 133	3561000008 131, 133	
1001279213.....732		3561000015 133	
1001282061.....719			
1001283166.....675, 677, 681, 683, 685			

SECTION 10 - BUILD DOCUMENTS

<p>4309000001 405, 411, 417</p> <p>4309000007 405, 411, 417</p> <p>4460256 679</p> <p>4460265 655</p> <p>4460268 655</p> <p>4460419 691</p> <p>4460457 ... 589, 631, 637, 653, 671, 673, 679</p> <p>4460458 ... 563, 577, 637, 671, 673, 679, 701</p> <p>4460460 589, 671, 673</p> <p>4460464 ... 553, 567, 577, 579, 581, 589, 617, 621, 637, 649, 651, 653, 657, 659, 661, 663, 669, 671, 673, 681, 683, 685, 693, 695, 701, 711</p> <p>4460465 ... 541, 553, 563, 567, 577, 617, 619, 621, 649, 651, 653, 655, 657, 659, 661, 663, 669, 679, 685, 691, 695, 701, 709, 711</p> <p>4460466 ... 523, 529, 567, 577, 589, 617, 619, 621, 649, 651, 653, 655, 657, 659, 661, 663, 669, 671, 673, 675, 677, 679, 681, 683, 685, 693, 695, 701, 711</p> <p>4460475 563, 679</p> <p>4460508 ... 589, 633, 651, 669, 671, 673</p> <p>4460509 ... 523, 529, 653, 669, 691</p> <p>4460517 685</p> <p>4460518 653</p> <p>4460536 ... 567, 657, 661, 663</p> <p>4460539 541, 657</p> <p>4460742 ... 631, 637, 653, 671, 673, 679</p> <p>4460746 637</p> <p>4460748 577</p> <p>4460836 651</p> <p>4460850 589</p> <p>4460867 ... 589, 671, 673</p> <p>4460884 ... 621, 649, 651, 659, 661, 663, 709</p> <p>4460891 ... 553, 563, 651, 653, 679, 693, 709, 711</p> <p>4460894 657</p> <p>4460897 ... 553, 579, 581, 637, 651, 653, 711</p> <p>4460899 657</p> <p>4460908 681, 683, 685</p> <p>4460909 681, 683, 685</p> <p>4460911 685</p> <p>4460916 681, 683, 685</p> <p>4460930 ... 577, 617, 619, 701</p> <p>4460931 ... 577, 617, 675, 683, 701</p>	<p>4460932 ... 553, 621, 649, 651, 653, 659, 661, 663, 711</p> <p>4460933 ... 619, 675, 677, 679, 685, 691, 695</p> <p>4460939 621</p> <p>4460941 ... 589, 617, 669, 671, 673, 675, 677, 681, 683, 685, 693, 695</p> <p>4460942 ... 567, 617, 619, 669, 675, 677, 691, 693, 695</p> <p>4460943 649, 651</p> <p>4460944 649, 651, 653</p> <p>4460950 677, 681, 685</p> <p>4460970 693, 695</p> <p>4461054 ... 675, 677, 681, 683, 685</p> <p>4461157 ... 563, 637, 653, 679</p> <p>4561000012..... 131, 133</p> <p>4567112024..... 453, 463</p> <p>4567113028..... 453, 463</p> <p>4567120017..... 454, 464</p> <p>4567122036..... 478</p> <p>4567122038..... 478</p> <p>4567122056..... 478</p> <p>4567132028..... 478</p> <p>4567132031..... 454, 464</p> <p>4567132033..... 478</p> <p>4567132034..... 464</p> <p>4567132043..... 454</p> <p>4567132048..... 454, 464</p> <p>4567133032..... 454, 464</p> <p>4567150048..... 454, 464</p> <p>4567152024..... 454, 464</p> <p>4567152054..... 454, 464</p> <p>4567160111..... 467</p> <p>4567160129..... 478</p> <p>4567160146..... 469</p> <p>4567160156..... 478</p> <p>4567162180..... 478</p> <p>4567182024..... 454</p> <p>4567182029..... 454</p> <p>4569132034..... 454, 464</p> <p>4569133035..... 454, 464</p> <p>4569160046..... 454, 464</p> <p>4569162034..... 464</p> <p>4569163036..... 464</p> <p>4569180038..... 464</p> <p>4569180044..... 464</p> <p>4570000162..... 453, 463</p> <p>4570000163..... 453, 463</p> <p>4570000167..... 454, 464</p> <p>4570000173..... 454, 464</p> <p>4570000174..... 454, 464</p> <p>4570000176..... 454, 464, 485</p> <p>4570000177..... 454, 464, 485</p> <p>4570000180..... 454, 464</p> <p>4570000248..... 454, 464</p> <p>4570000335..... 454, 464, 483</p> <p>4570000336..... 454, 464, 483</p>	<p>4570000337..... 478</p> <p>4570000338..... 478</p> <p>4570000366..... 454, 464</p> <p>4570000367..... 454, 464</p> <p>4570000368..... 454, 464</p> <p>4619000006..... 453, 463</p> <p>4640458..... 703, 705</p> <p>4640464.... 675, 677, 703, 705</p> <p>4640466..... 703, 705</p> <p>4679000127.97, 101, 105</p> <p>4679000140..... 65</p> <p>4679000146..... 109, 113</p> <p>4679000147..... 109</p> <p>4679000170..... 113</p> <p>4679000215..... 65</p> <p>4679000216..... 65</p> <p>4679000217..... 65</p> <p>4679000220..... 65</p> <p>4679000277..... 111</p> <p>4679000291..... 31</p> <p>4679000293..... 111</p> <p>4691000200..... 21</p> <p>4691000207..... 21</p> <p>4691000242..... 127</p> <p>4691000274..... 131, 133</p> <p>4691000284..97, 99, 101, 103, 105, 107</p> <p>4691000285..... 65</p> <p>4691000290..97, 99, 101, 103, 105, 107</p> <p>4691000291..97, 99, 101, 103, 105, 107</p> <p>4691000292..... 109</p> <p>4691000293..... 109, 111, 113</p> <p>4691000321..... 111, 113</p> <p>4691000416..... 65</p> <p>4691000417..... 65</p> <p>4691000574..... 25</p> <p>4691000576..... 31</p> <p>4691000577..... 31</p> <p>4691000578..... 25</p> <p>4691000581..... 31</p> <p>4691000582..... 31</p> <p>4701000004..... 65</p> <p>4701000005..... 65</p> <p>4705000705..... 363, 365</p> <p>4706001815..... 229</p> <p>4706002206..... 115</p> <p>4706002207..... 109</p> <p>4706002208..... 109</p> <p>4706002209..... 109</p> <p>4706002210..... 109</p> <p>4706002211..... 109</p> <p>4706002235..... 491, 493</p> <p>4706002428..... 113</p> <p>4706002555..... 19</p> <p>4706002990..... 697</p> <p>4706003708..... 109</p> <p>4706003709..... 109</p> <p>4706003710..... 109</p> <p>4706003716..... 21</p> <p>4706003717..... 109</p> <p>4706003718..... 109</p> <p>4706003844..... 467, 469, 471, 473, 475</p>	<p>4706005215 65</p> <p>4706005216 65</p> <p>4706005262 111</p> <p>4706005263 111</p> <p>4706005281 111</p> <p>4706006008 167</p> <p>4706006009 167</p> <p>4706006016 19</p> <p>4711000 425, 427</p> <p>4711400 559</p> <p>4711600 39, 481</p> <p>4711700 275, 549, 551</p> <p>4711800 ... 155, 157, 275, 363, 365, 623</p> <p>4740513 523, 529</p> <p>4751400 39</p> <p>4751500 499, 501, 503</p> <p>4751600 65, 591, 593, 623, 629</p> <p>4751800 269</p> <p>4752000 ... 155, 157, 269, 363, 365, 367, 369, 371</p> <p>4752200 255, 257</p> <p>4754000003 39</p> <p>4754000004 .. 31, 65, 743</p> <p>4811001135 737</p> <p>4812000057 109</p> <p>4812000103 45, 47</p> <p>4812000104 45, 47</p> <p>4819000008 453, 463</p> <p>4831000104 ... 45, 47, 73, 75</p> <p>4831000115 135</p> <p>4831000128 269</p> <p>4891600. 39, 41, 99, 103, 107</p> <p>4949000041 127</p> <p>4949000042 127</p> <p>4949000045 135</p> <p>4949000055 743</p> <p>4949000059 61, 63</p> <p>4949000060 61, 63</p> <p>5525000752 795</p> <p>5526000553 421, 523, 529, 541, 543, 545, 547, 551, 549, 561, 587, 631, 639, 642, 647, 665, 667, 689</p> <p>6906960019 139</p> <p>70003788 517</p> <p>70003977 517</p> <p>70006319 43</p> <p>70007179 43</p> <p>70007180 43</p> <p>70007181 43</p> <p>70007182 43</p> <p>70007183 43</p> <p>70007184 43</p> <p>70007185 43</p> <p>70007186 43</p> <p>7002000502 749</p> <p>7002000505 732</p> <p>7002000521 437</p> <p>7002000554 553</p> <p>7002000555 547</p> <p>70021648 23, 71, 117, 119, 121, 123, 125</p>
--	--	--	--

SECTION 10 - BUILD DOCUMENTS

70021757.....	123	70050256..	505, 507, 509	70050578	71	70050887.....	763
70021774.....	71	70050257..	505, 507, 509	70050579	71	70050888.....	763
70025619.....	43	70050367	82, 88	70050580	71	70050889.....	763
70027076.....	43	70050368.....	82, 88, 139	70050581	71	70050890.....	763
70027084.....	43	70050369.....	82, 88, 139	70050582	71	70050891.....	763
7003116.....	117, 119, 121	70050370.....	82, 88, 139	70050583	71	70050892.....	763
7003212.....	23	70050371.....	82, 88, 139	70050584	71	70050893.....	763
70040300.....	33, 35	70050372.....	82, 88, 139	70050585	71	70050894.....	763
70050075.....	121	70050373.....	82, 88	70050586	71	70050895.....	763
70050147.....	140	70050374.....	83, 89	70050587	71	70050896.....	763
70050163.....	599	70050375.....	83, 89	70050588	71	70050897.....	763
70050164.....	595	70050376.....	83, 89	70050589	71	70050898.....	763
70050165.....	595	70050377	83, 89	70050590	71	70050899.....	764
70050166.....	595	70050378	84, 90	70050591	71	70050900.....	764
70050167.....	595	70050379	84, 90	70050592	71	70050901.....	764
70050169...599, 602, 626		70050380	83, 89	70050594	123	70050902.....	764
70050170.....599, 602		70050381	83, 88	70050595	123	70050903.....	764
70050171.....599		70050382	83, 88	70050641	33, 35	70050904.....	764
70050172.....599		70050383.....	83, 89	70050665	602	70050905.....	764
70050174...599, 602, 626		70050384	140	70050831	777	70050906.....	764
70050175.....599, 602		70050392	599	70050832	777	70050907.....	764
70050176.....599, 602		70050393	599	70050833	777	70050908.....	764
70050177.....599		70050394	599	70050834	777	70050909.....	764
70050178.....599, 602		70050395	599	70050835	777	70050910.....	764
70050179.....599, 602		70050399	139	70050836	777	70050911.....	764
70050180.....599, 602		70050400	139	70050837	777	70050912.....	764
70050181.....599, 602		70050401	139	70050838	777	70050913.....	764
70050182.....599		70050402	139	70050839	777	70050914.....	764
70050183.....599		70050526	511, 513	70050840	777	70050915.....	764
70050185.....599		70050527	511, 513	70050841	777	70050916.....	764
70050186.....599		70050528	511, 513	70050850	763	70050917.....	764
70050187.....599		70050529	511, 513	70050851	763	70050918.....	764
70050188.....599		70050530	511, 513	70050852	763	70050919.....	764
70050189.....599		70050531	23	70050853	763	70050920.....	764
70050190.....599		70050534 .. 117, 119, 121		70050854	763	70050922.....	775, 777
70050191.....599		70050535 .. 117, 119, 121		70050855	763	70050923.....	775, 777
70050192.....599		70050536	117	70050856	763	70050924.....	775, 777
70050194.....599		70050537	117	70050857	763	70050925.....	777
70050195.....599		70050538	117	70050858	763	70050980.....	595
70050196.....599		70050540 .. 117, 119, 121		70050859	763	70050981.....	595
70050197.....599		70050541 .. 117, 119, 121		70050860	763	70051019.....	626
70050199.....599		70050544	123	70050861	763	70051020.....	626
70050200.....599		70050545	123	70050862	763	70051021.....	602, 626
70050201.....599		70050548	123	70050863	763	70051022.....	602, 626
70050202.....599		70050549	123	70050864	763	70051023.....	602, 626
70050203.....599, 602		70050550	119	70050865	763	70051024.....	626
70050204...599, 602, 626		70050551	119	70050866	763	70051025.....	626
70050205.....599		70050552	119	70050867	763	70051026.....	602, 626
70050206.....599		70050556	71	70050868	763	70051027.....	602, 626
70050207...599, 603, 626		70050557	71	70050869	763	70051028.....	602, 626
70050208.....599, 603		70050558	71	70050870	763	70051029.....	602, 626
70050209.....599, 603		70050559	71	70050871	763	70051030.....	602, 626
70050210.....599, 603		70050560	71	70050872	763	70051031.....	626
70050211.....599, 603		70050561	71	70050873	763	70051032.....	626
70050215.....23, 123		70050562	71	70050874	763	70051033.....	626
70050232.....125		70050563	71	70050875	763	70051034.....	626
70050239...505, 507, 509		70050564	71	70050876	763	70051035.....	602, 626
70050241...505, 507, 509		70050565	71	70050877	763	70051036.....	602, 626
70050242...505, 507, 509		70050566	71	70050878	763	70051037.....	626
70050243...505, 507, 509		70050568 71, 117, 121		70050879	763	70051038.....	626
70050245...505, 507, 509		70050569	71	70050880	763	70051039.....	602, 626
70050246...505, 507, 509		70050570	71	70050881	763	70051040.....	626
70050247...505, 507, 509		70050572	71	70050882	763	70051041.....	626
70050249...505, 507, 509		70050574	71	70050883	763	70051042.....	626
70050250...505, 507, 509		70050575	71	70050884	763	70051043.....	626
70050251...505, 507, 509		70050576	71	70050885	763	70051044.....	602, 626
70050252...505, 507, 509		70050577	71	70050886	763	70051045.....	602, 626

SECTION 10 - BUILD DOCUMENTS

70051046	626	70051977	517	7114160850	283	7120000047	689
70051047	626	70051978	517	7115140650.....	109, 111,	7120000053	135
70051048	602, 626	7005314	123	113, 491		7183000004	491, 493
70051049	602, 626	7005322	23	7115140850.....	467, 469,	7189000014	135
70051050	626	7005348 ...	117, 119, 121,	471, 473, 475		7189000017	97, 99, 101,
70051051	626	123		7115141250.....	585	103, 105, 107	
70051052	626	7005365 ...	23, 67, 69, 71,	7115142050.....	135	7209000024	495, 497
70051053	602, 626	117, 119, 121, 123, 125		7115150650..	83, 89, 495,	7209000031	495, 497
70051054	626	7006847 ...	505, 507, 509	497		7209000032	495, 497
70051055	602, 626	70070000	597	7115150850.....	478, 495,	7209000033	495, 497
70051056	603, 626	7007000036.....	495, 497	497		7209000066	495, 497
70051057	603, 626	7007000055.....	129	7115151050.....	467, 469,	7248000079	143
70051058	602	7007000056.....	129	471, 473, 475, 478, 707		7248000080	145
70051059	602	700700001	597	7115151250.....	441, 443	7248000085	93
70051060	602	700700002	597	7115160623..	97, 101, 105	7253000002 ...	21, 45, 47,
70051061	602	700700003	597	7115160650...45, 47, 743		61, 63, 65, 73, 75, 97,	
70051062	602	7007960040.....	82, 88	7115161050.....	478	99, 101, 103, 105, 107,	
70051063	602	7011000006.....	533	7115161250.....	115	109, 111, 135	
70051064	602	7011367	43	7115161450..	97, 99, 101,	7262000025	97, 99, 101,
70051065	602	7019828	23	103, 105, 107		103, 105, 107	
70051066	602	7019829 ...	117, 119, 121	711516165021, 343, 453,		7262000048	732
70051068	602	7023518 ...	117, 119, 121	463		7274000028	467, 469,
70051069	602	7023593	67, 69, 71	7115180850....	25, 45, 47,	471, 473, 475	
70051070	602	7024101 ...	117, 119, 121	65, 73, 75, 97, 99, 101,		7274000030	495, 497
70051071	602	7024896	517	103, 105, 107, 135, 547		7274000036	425, 427,
70051072	602	7029865 ...	505, 507, 509	7115181250.....	65, 135	524, 530	
70051073	602	7056000003.....	787	7115181450....	61, 63, 65,	7274000040	425, 427
70051074	602	7056000004.....	789	269		7274000041	467, 469,
70051075	602	7056000005.....	791	7115181650.....	140	471, 473, 475, 478	
70051076	602	7056000006.....	793	7115181850.....	487, 489	7274000042	523, 529
70051077	602	7075000003.....	421, 423,	7115182250.....	82, 88	7274000049	495, 497
70051078	602	425, 427		7115182650....	45, 47, 73,	7274000053	478
70051079 ..	505, 507, 509	7082000005.....	405, 411,	75		7274000063	453, 463,
70051080 ..	505, 507, 509	417		7115183250..	97, 99, 101,	478	
70051081 ..	505, 507, 509	7082311 ..	39, 41, 99, 103,	103, 105, 107		7274000071	467, 469,
70051130	35	107		7115201250..	97, 99, 101,	471, 473, 475	
70051131	35	7082342	39, 41	103, 105, 107		7274000076	467, 469,
70051133	35	7104100613.....	697	7115201850.....	140	471, 473, 475	
70051134	35	7108180850.....	109, 111,	7115202250.....	140	7274000095	631, 633
70051135	35	113		7115220850..	97, 99, 101,	7280000006	217, 373,
70051137	33, 35	7108181050.....	109	103, 105, 107		523, 529, 561, 615,	
70051138	33	7110201423.....	139	7115221250.....	31	642, 647, 665, 667,	
70051140	33	7110201823.....	83, 89	7115222450.....	83, 89	687, 699	
70051141	33	7111572	39, 41	7115222650.....	83	7280000013	615, 687
70051142	33	7114080418.....	379, 381,	7118140427.....	65	7280000018	425, 427
70051196	121	611		7118165250.....	141	7295000029	375, 441,
70051197	121	7114100518.....	437, 713	7118170650.....	31	443	
70051199	125	7114100618.....	523, 529,	7118172050...82, 88, 139		7295000121	713
70051303	88	541, 543, 545, 555		7118180820.....	65	7295000124	423, 433
70051304	88	7114100818.....	524, 530	7118181205...82, 88, 139		7295000126	435
70051305	88	7114101018.....	441, 443,	7118181216.....	53	7295000146	421, 425,
70051306	88	524, 530		7118181250.....	755, 757	427, 429	
70051307	88	711414051821, 109, 111,		7118201616.....	135	7297000008	697
70051310	89	113, 239, 241, 325,		7118202016...45, 47, 135		7312000015	735
70051311	89	623, 629, 665, 667, 737		7118221816.....	73, 75	7312000016	735
70051333	69	7114140618.....	161, 325,	7118222016..27, 29, 367,		7312000017	737
70051465	429, 433	329, 405, 411, 417, 553		369, 371		7320000006	21, 23
70051466	429	7114140818.....	325, 351,	7118222416..27, 29, 367,		7320000024	97, 99, 101,
70051480	433	561		369, 371		103, 105, 107	
70051481	429	7114141018.....	321, 323,	7118222816..27, 29, 367,		7320000026	109, 117
70051970	517	405, 411, 417		369, 371		7320000027	61, 67
70051971	517	7114141218.65, 219, 221		7118223216.....	73	7320000038	113, 121
70051972	517	7114150818.....	159, 541,	7118242050.....	19	7320000062	63, 69
70051973	517	543, 545		7118242450.....	19	7320000068	111, 119
70051974	517	7114160618.....	478, 631,	7118267250.....	745	7320000085	65, 71
70051975	517	633		7120000036.....	745	7320000096 ..	97, 99, 123
70051976	517	7114160818.....	623, 629	7120000040.....	65		

SECTION 10 - BUILD DOCUMENTS

7320000097.....101, 103, 105, 107, 125	7443000175.....737	7470000006.....441, 443	7660152601.....229, 273, 441, 443, 467, 469, 471, 473, 475, 478, 543, 545, 707
7330000143.....719	7443000176.....441, 443	7493000003.....541, 543, 545	7660152604.....159
7330000197.....721	7443000178.....441, 443	7493000010.....665, 667	7660160000.....537, 539
7330000278.....131, 133	7443000204.....140	7493000011.....591, 593, 623, 639	7660160001.....83, 89
7330000446.....725	7443000205.....140	7493000020.....553, 555, 557	7660162301.....213, 215, 271
7330000447.....725	7443000209.....495, 497	7493000026.....523, 529	766016260121, 155, 157, 279, 283, 293, 299, 301, 303, 305, 313, 315, 317, 319, 327, 329, 333, 335, 341, 343, 355, 405, 411, 417, 478, 499, 501, 503, 523, 529, 591, 593, 623, 629
7330000448.....725	7443000211.....499, 501, 503	7552000407.....679, 713	7660162604.....275
7330000449.....725	7443000213.....478, 481	7561000020.....755	7660172601.....549, 551, 555
7330000450.....725	7443000214.....478, 481	7561000022.....757	7660180000.....467, 469, 471, 473, 475
7330000451.....725	7443000254.....467, 469, 471, 473, 475	7565000014.....735, 737	7660182301.53, 363, 365
7330000452.....725	7443000287.....375	7565000016.....375, 441, 443	7660182601....45, 47, 73, 75, 97, 99, 101, 103, 105, 107, 135, 155, 157, 269, 487, 489, 547, 623
7330000453.....725	7443000329.....375, 441, 443	7577000063.....123	7660200001.....140, 155, 157, 269, 363, 365, 367, 369, 371
7330000466.....725	7443000448.....443	7577000167.....23	7660200200.....140
7330000533.....723	7443000456.....375	7577000211.....797	7660202601..97, 99, 101, 103, 105, 107
7330000535.....313, 315	7443000458.....478	7577000213.....467, 469, 471, 473, 475	7660220001.....83, 89
7330000689.....719	7443000479.....453, 463	7577000368.....133	7660220230.....65
7345001714.....565, 697	7444030037.....441, 443	7577000573 .73, 75, 454, 464	7660222308....27, 29, 73, 75, 367, 369, 371
7345001914.....633, 697	7444120014.....491	7577000596.....497	7660242308.....19
7345221902.....697	7444121050....467, 469, 471, 473, 475	7577000597.....495	7661000002.....524, 530
7345241902.....697	7444121271.....467, 469, 471, 473, 475	7577000638.....115	7661000006.....39
7345242202.....559, 561	7444160011.....491	757700063997, 101, 105, 454	7661000007.....697
7346000039.....565, 633, 642, 647, 687, 697	7445040421.....445, 453, 463	7577000640 .97, 99, 454, 464, 483	7661000018...45, 47, 135
7346000040.....537	7445040443.....478	7577000641.....101, 103, 105, 107, 454, 464, 485	7661000019.....111, 113, 239, 241, 623, 629, 665, 667
7346000045.....559, 561	7445040449.....735	7577000669.....499, 501	7661000022.....478, 495, 497
7346000055.....707	7445040472.....478	7577000670.....503	7661000023.....391, 393, 401
7346000068.....713	7445060219.....453, 463	7577250187 .97, 99, 101, 103, 105, 107	7661000027.....495, 497
7346000078.....707	7445060643.....453, 463	7577250188.....125	7661000041.....441, 443
7346000108.....589, 671, 673	7445060644.....478	757725019061, 67, 69	7661000056.....437
7346000126.....697	7445060645.....453, 463	7577250334.....117, 119, 121	7690141200.....405, 411, 417
7346000131.....537	7445060845.....478	7590000262.....613	7690142845.....313, 315, 329
7346000209.....697	7445080822.....453, 463	7590000343.....523, 529	7690144840.....65
7346000220.....697	7445080830.....453, 463	7590000358.....169, 171, 173, 175, 177, 217, 605, 607, 609, 611, 615	7690153245.....83, 89
7413000002.....405, 411, 417	7445080837.....453, 463	7590000364.....713	7691000019.....21
7430000004.....453, 463	7445080843.....453, 463, 478	7590000370.....523, 529	7691000020.....131, 133
7430000010.....467, 469, 471, 473, 475	7445080845.....478	7636000006.....487, 489	7691000021.....129
7440000000..97, 99, 101, 103, 105, 107	7445100843.....73, 463	7636000008.....155, 157, 269, 363, 365, 367, 369, 371	7691000025...31, 39, 745
7440030000....21, 25, 31, 45, 47, 61, 63, 65, 73, 75, 97, 99, 101, 103, 105, 107, 109, 111, 113, 127, 135, 743	7445101025.....495, 497	7650100137.....467, 469, 471, 473, 475	7691000026.....131, 133
7440030200.....67, 69	7445101032.....453, 463	7660102601.....441, 443, 523, 529, 541, 543, 545, 555	7691000047.....743
7443000108.....478	7445121225.....495, 497	7660102604.....713	
7443000109.....453, 463	7445121243.....478, 481	7660140230.....405, 411, 417	
7443000130.....467, 469, 471, 473, 475	7445121245.....478, 481	7660142600.....219, 221, 325, 553, 559	
7443000139.....375, 441, 443	7445121645.....467, 469, 471, 473, 475	7660142601.....405, 411, 417, 467, 469, 471, 473, 475, 561, 642, 647	
7443000145.....735	7445161620.....453, 463	766014260465, 135, 161, 585, 737	
7443000146.....735	7445161622.....453, 463		
7443000148.....441, 443, 735	7446060435.....735		
7443000149.....375, 441, 443	7446502518.....735, 737		
7443000150.....375	7454000003.....129		
7443000154.....441, 443	7454000004.....129		
7443000156.....441, 443	7454000005.....129		
7443000158.....453, 463	7454000006.....129		
7443000173.....375, 441, 443	7457000017.....697		
7443000174.....375	7470000002.....453, 463		
	7470000003.....491, 493		
	7470000004.....445, 453, 463		

SECTION 10 - BUILD DOCUMENTS

<p>7691000075 405, 411, 417</p> <p>7701000025 493</p> <p>7701000048 155, 157, 233, 235, 237</p> <p>7701000049 233, 235, 237</p> <p>7701000056 233, 235, 237</p> <p>7736000001 605, 607</p> <p>7754000008 21</p> <p>7754000009 405, 411, 417</p> <p>7754000018 . 97, 99, 101, 103, 105, 107</p> <p>7754000019 25</p> <p>7754000033 21, 65</p> <p>7754000042 127</p> <p>7754000043 109, 111, 113</p> <p>7754000048 31</p> <p>7754000049 .. 45, 47, 135</p> <p>7754000051 . 97, 99, 101, 103, 105, 107</p> <p>7754000055 65</p> <p>7754000056 25</p> <p>7754000058 45, 47</p> <p>7754000059 ... 61, 63, 73, 75</p> <p>7759000004 131, 133, 713, 719</p> <p>7759000018 167</p> <p>7785152420 467, 469, 471, 473, 475</p> <p>7786000005 65</p> <p>7790060676 445, 453, 463</p> <p>7790141251 209, 211, 333, 335, 533, 535</p> <p>7790141253 493</p> <p>7790141651 209, 211</p> <p>7790142051 437</p> <p>7790151253 697</p> <p>7796000012 259, 261, 263, 265, 267, 405, 411, 417</p> <p>7796000051 491, 493</p> <p>7806000008 405, 411, 417</p> <p>7809000004 73, 75</p> <p>7809000006 .. 45, 47, 135</p> <p>7819000005 478</p> <p>7854000004 549</p> <p>7865182065 467, 469, 471, 473, 475</p> <p>7870000043 559, 561</p> <p>7870000136 375</p> <p>7894000004 375, 379, 381, 383, 385, 387, 389, 391, 393, 395, 397, 399, 401, 441, 443, 453, 463, 478, 481, 553, 555, 557, 579, 581, 635, 689</p> <p>7894000010 633, 642, 647</p> <p>7894000028 131, 133</p>	<p>7894000037..... 131, 133, 783</p> <p>7894000041..... 133, 781</p> <p>7894000042..... 631, 633</p> <p>7894000055..... 732</p> <p>7894000057..... 133, 785</p> <p>7894000060..... 133</p> <p>7894000071..... 779</p> <p>7912000055..... 115</p> <p>7912000056..... 115</p> <p>7912000057..... 115</p> <p>7912000058..... 115</p> <p>7912000068..... 495, 497</p> <p>7912000069..... 495, 497</p> <p>7912000070..... 495, 497</p> <p>7912000238..... 497</p> <p>7912000301..... 499, 501, 503</p> <p>7912000302..... 499, 501, 503</p> <p>7912000303..... 499, 501, 503</p> <p>7912000304..... 499, 501, 503</p> <p>7912000305..... 499, 501, 503</p> <p>7912000306..... 499, 501, 503</p> <p>7912000307..... 499, 501, 503</p> <p>7912000308..... 499, 501, 503</p> <p>7912000309..... 499, 501, 503</p> <p>7912000310..... 499, 501, 503</p> <p>7912000341..... 495, 497</p> <p>7935000116..... 467, 469, 471, 473, 475</p> <p>7935000120..... 441, 443</p> <p>7935000313..... 499, 505</p> <p>7935000315..... 505, 507, 509</p> <p>7935000316..... 505, 507, 509</p> <p>7935000317..... 505, 507, 509</p> <p>7935000320..... 505, 507, 509</p> <p>7935000323..... 505, 507, 509</p> <p>7935000349..... 515</p> <p>7935000351..... 375</p> <p>7935000374..... 503, 509</p> <p>7949000015..... 487, 489</p> <p>7949000016..... 487, 489</p> <p>7949000018..... 31</p> <p>7949000019..... 155, 157, 269, 363, 365, 367, 369, 371</p> <p>7949000020..... 155, 157, 269, 363, 365, 367, 369, 371</p> <p>7949000025..... 21</p> <p>7949000056..... 325</p> <p>7949000061..... 19</p> <p>7950100103..... 713</p>	<p>7950100143..... 441, 443, 541, 543, 545, 547, 555, 642, 647</p> <p>7950140000..... 109, 111, 113, 491, 493</p> <p>7950140003..... 329, 405, 411, 417</p> <p>7950140141..... 65</p> <p>7950140143 39, 161, 213, 215, 219, 221, 231, 271, 277, 281, 307, 309, 321, 323, 329, 333, 335, 351, 379, 381, 405, 411, 417, 425, 427, 441, 443, 553, 561, 585, 642, 647</p> <p>7950140152..... 467, 469, 471, 473, 475</p> <p>7950140153..... 21</p> <p>7950140163..... 209, 211</p> <p>7950150000 .. 83, 89, 495, 497</p> <p>7950150143..... 159, 541, 543, 545</p> <p>7950150153..... 229, 273</p> <p>7950150161..... 467, 469, 471, 473, 475, 478, 707</p> <p>7950160000 .. 45, 47, 115, 141, 453, 463, 478, 537, 539, 743</p> <p>7950160003..... 631, 633</p> <p>7950160141 .. 97, 99, 101, 103, 105, 107, 283, 478</p> <p>7950160143..... 155, 157, 269, 279, 285, 287, 289, 291, 293, 299, 301, 303, 305, 313, 315, 317, 319, 325, 327, 329, 331, 333, 335, 337, 339, 341, 343, 355, 405, 411, 417, 478, 523, 529, 623, 629</p> <p>7950160151..... 83, 89</p> <p>7950160153..... 537, 539</p> <p>7950160161..... 21</p> <p>7950160163..... 631, 633</p> <p>7950170000 ... 82, 88, 139</p> <p>7950170142..... 31</p> <p>7950180000 ... 61, 63, 65, 82, 83, 88, 89, 111, 140, 467, 469, 471, 473, 475, 755, 757</p> <p>7950180141 45, 47, 73, 75, 487, 489</p> <p>7950180150..... 135</p> <p>7950180153. 25, 109, 113</p> <p>7950180161 .. 97, 99, 101, 103, 105, 107</p> <p>7950180800 ... 82, 88, 139</p> <p>7950200000..... 140</p> <p>7950200151..... 140</p> <p>7950220000..... 83, 89, 97, 99, 101, 103, 105, 107</p> <p>7950220141 .. 97, 99, 101, 103, 105, 107</p> <p>7950220151..... 83, 89</p>	<p>7950340161 65</p> <p>7970000162 47, 51</p> <p>7970000163 45, 49</p> <p>7970000168 73, 82</p> <p>7970000169 73, 88</p> <p>7978000011 559, 561</p> <p>7990000003 405, 411, 417</p> <p>80004049 123</p> <p>80004056 119</p> <p>80604017 711</p> <p>80604018 711</p> <p>80604020 711</p> <p>8060416 691</p> <p>8060417 711</p> <p>80983191 679</p> <p>8220068 621</p> <p>8220080 621</p> <p>8220099 589, 671, 673</p> <p>8220935 589, 671, 673</p> <p>83304140 71</p> <p>83304143 71</p> <p>83304181 71, 125</p> <p>8565000026 467, 469, 471, 473, 475</p> <p>8597650001 559, 561</p> <p>8632000011 269, 363, 365, 367, 369, 371</p> <p>8632000017 213, 215, 271</p> <p>8760037 499, 501, 503</p> <p>8798820001 181, 183, 189, 191, 193, 195, 197, 199, 201, 203, 205, 207, 213, 215, 219, 223, 225, 227, 271, 441, 443, 553, 555, 557</p> <p>8977030200 633</p> <p>8977030300 633</p> <p>9020960002 140</p> <p>9064960007 140</p> <p>9073960002 83</p> <p>9073960003 140</p> <p>9073960004 140</p> <p>9082960013 .. 82, 88, 139</p> <p>9082960014 ... 82, 83, 88, 89</p> <p>9082960015 83, 89</p> <p>9082960018 139, 140</p> <p>91031236 39</p> <p>91033189 39</p> <p>91084009 .. 505, 507, 509</p> <p>91084017 .. 505, 507, 509</p> <p>91143339. 589, 669, 671, 673</p> <p>91143340 669</p> <p>9120960019 140</p> <p>9120960020 83, 89</p> <p>9120960063 140</p> <p>9177960001 83, 89</p> <p>9177960002 82, 88</p> <p>9177960003 139</p> <p>9177960004 139</p> <p>9178960011 140</p> <p>9183960001 ... 82, 83, 88, 89, 141</p>
--	--	--	--

SECTION 10 - BUILD DOCUMENTS

9209960025.....	140	9590310205.....	595	9754960029 ...	82, 83, 88, 89	9796960120.....	140
9209960026.....	140	9590310206.....	595	9754960030.....	83, 89	9796960121.....	140
9254250007.....	123	9619930002.....	515	9754960046.....	140	9806960013.....	82, 88
9254250008.....	125	9661250018.....	67, 69	9754960047.....	140	9806960014.....	82, 88
9254250009.....	67, 69	9661250019.....	125	9759960001.....	83, 89	9806960015.....	83, 89
9280960002... ..	83, 89, 139	9690960039.....	140	9763250009.....	23	9806960020.....	140
9281960004.....	83, 89	9691960019.....	140	9763250012.....	67, 69	9806960021.....	140
9295310068.....	429	9691960021 ..	82, 88, 139	9763250013.....	125	9831960007.....	83, 89
9295310069.....	429	9698250002.....	67, 69	9786250004.....	125	9831960009.....	140
9309960011.....	140	9698250005.....	125	9786250005 ..	67, 69, 125	9831960018.....	139
9314960022.....	140	9698960008 ..	82, 88, 139	9796250057 23,	117, 119, 121	9843960023.....	140
9330960006.....	140	9698960009.....	83, 89	9796250058 71,	117, 119, 121	9843960024.....	88
9346930086.....	505, 507, 509	9698960010.....	83, 89	9796250058 71,	117, 119, 121	9843960025.....	83, 89
9443960006... ..	82, 88, 139	9698960015.....	140	9796250059.....	125	9843960032.....	141
9472960029.....	82, 88	9698960016.....	140	9796250061.....	23	9912250004.....	23
9472960030.....	83, 89	9701250006.....	125	9796250062.....	123	9912250007.....	67, 69
9472960032.....	82, 88	9701960010.....	82, 88	9796250065.....	125	9912250008.....	125
9472960033.....	82, 88	9701960011 ..	84, 89, 141	9796250066.....	23	9912960010.....	140
9472960036.....	83, 89	9701960012 ..	83, 89, 141	9796250068.....	123	9935250025.....	117, 119, 121
9472960052.....	140	9701960013.....	82, 88	9796250071.....	71	9935250032....	61, 67, 69, 97, 99, 101, 103, 105, 107, 125
9472960053.....	140	9701960018.....	141	9796250073 23,	117, 119, 121	9935930119.....	505, 507, 509
9472960054.....	141	9706960023.....	88	9796250077.....	125	9935930120.....	507, 509
9472960055.....	140	9706960025.....	88	9796250078.....	125	9935930122.....	505
9472960056.....	139	9706960026.....	83, 89	9796250080.....	23	9935930126.....	515
9553250004.....	67, 69	9706960027.....	82, 88	9796250081	117, 119, 121	9935930127.....	515
9553250009.....	23	9724250014.....	23	9796250083.....	123	9935930129.....	515
9553250010.....	117, 119, 121	9754250009 .	23, 71, 117, 119, 121	9796250084.....	71, 125	9935930130.....	515
9571960006... ..	82, 88, 139	9754250011.....	123	9796250149.....	71	9935960026... ..	82, 88, 139
9575960012.....	139	9754250012.....	125	9796960085 ...	82, 83, 88, 89	9949960012.....	140
9577200245.....	33	9754250014 71,	117, 119, 121	9796960087 ...	82, 83, 88, 89	9949960013.....	83, 89
9577200246.....	35	9754250015.....	23	9796960088 ..	82, 88, 139	9949960027.....	140
9577960113.....	89	9754250017.....	123	9796960089.....	139	9949960028.....	139, 141
9577960119.....	82	9754250022.....	125	9796960090.....	82, 88	9949960050.....	140
9577960120.....	82, 139	9754250023.....	125	9796960093.....	83, 89	9970960020.....	139
9577960139.....	139	9754250054.....	71	9796960118.....	141	FEX-GSARB.....	732
9590310195.....	595	9754250055.....	71	9796960119.....	141	TP_REF.....	800
9590310197.....	595	9754250056.....	69				
9590310200.....	595	9754960026.....	140				
9590310202.....	595	9754960027.....	83, 89				
9590310203.....	595						

JERR-DAN[®]

***Corporate Office
13224 Fountainhead Plaza
Hagerstown, MD 21742 USA***

***☎ (717) 597-7111 (Corporate)
☎ (800) 926-9666 (Customer Support)***

***Visit our website
www.jerrdan.com***



OSHKOSH™