

JERR-DAN[®]

Illustrated Parts Manual

Models
JD NG
JD NGS
STANDARD DUTY
WRECKER

SN 0230011755 to Present

**Including 0230009801,0230010717,0230011072-0230011326,
0230011488-0230011512,0230011597-0230011611**

P/N

5376000282

December 1, 2023 - Rev A

JERR-DAN[®]

An Oshkosh Corporation Company

REVISION LOG

December 1, 2023 - A - Original Issue of Manual (Edited to 1001137570 Rev S+)

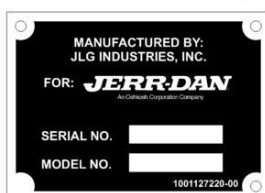
GENERAL INFORMATION

JerrDan, LLC (Jerr-Dan) strives to provide information that is accurate, complete and useful. Descriptions and illustrative material contained within this manual are as accurate as known at the time of publication and are subject to change, without notice, as a result of continuous product improvements. Jerr-Dan reserves the right to amend the information in this document at any time without prior notice.

Information contained in this manual reflects how this vehicle was built at the factory. Modifications or additions by the distributor or owner are not reflected in this manual.

This parts manual does not include service parts information for the commercial chassis (IHC, Ford, GM, etc.). That information is provided by the chassis manufacturer.

When ordering parts, please refer to your unit's Serial Number and Model Number. This information is be found on the aluminum tag riveted to the inside of the driver's side rear compartment of the main body.



Additional or replacement manuals can be ordered by calling Jerr-Dan Parts at 717-597-7111. Price and availability will be quoted at time of the request.

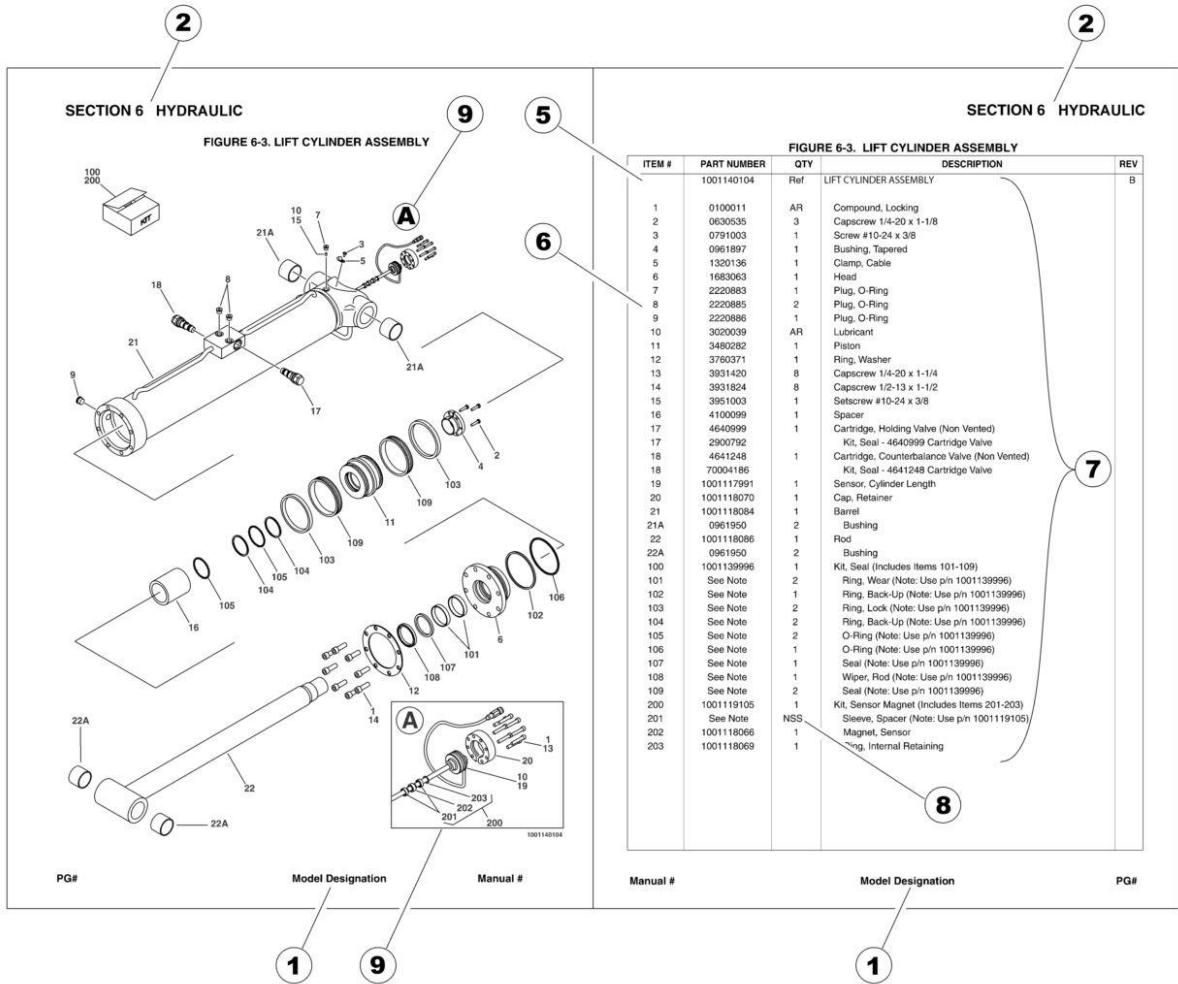
Please report comments and/or errors by contacting Jerr-Dan. Contact numbers are located on rear cover of Manual.

Manufactured under one or more of the following patents: 5,575,606; 5,672,042; 5,697,741; 5,713,714; 5,722,810; 5,782,596; 5,839,775 and 6,315,515 B1 with other Patents Pending.

Jerr-Dan and the Jerr-Dan logo are registered trademarks and Run Hard is a service mark of JerrDan, LLC, Hagerstown, MD USA.

The material in this document is confidential and the property of Jerr-Dan. No part of this document may be photocopied, reproduced or translated to another language without the express written consent of Jerr-Dan.

GENERAL INFORMATION



1) MACHINE IDENTIFICATION

Machines are identified by model and in some cases a combination of models, serial number (SN) or regional standard (i.e ANSI, CE, CSA). Components may also be identified by SN or manufacturer. Common components that may be identified by these characteristics are engines and hydraulic components.

2) PARTS MANUAL ORGANIZATION

Product information in this manual is organized under section titles. Subframe, Hydraulic and Electrical are a few examples. Each section is organized by figure and page number. The information within the Figure is then organized by item number, part number, description and corresponding illustration (s).

3) TABLE OF CONTENTS (NOT SHOWN)

A table of contents is found toward the beginning of the manual. Figure number, description and page number are provided for quick reference to the page containing the related information.

4) BUILD DOCUMENTS (NOT SHOWN)

The Build Documents, located near the end of the manual, reference components not available at the purchase level. These PN's list assembly instructions and assist in the maintenance of the parts manual.

GENERAL INFORMATION

5) NON-SERVICED PARTS

In some instances, it is necessary to display non-serviced parts, assemblies or installations. In the case of assemblies and installations there will be a Ref in the Qty. column. In case of parts that are not available for service within assemblies or components, there will be a NSS (Not Sold Separately) or NLA (No Longer Available) listed in the Qty. column of the manual.

6) PARTS LIST ITEM NUMBERS

Numbers shown in the item# column correspond to numbers used in the associated illustration (s). Item numbers which are missing from the sequence in the parts list are not used on that page.

7) INDENTED PARTS DESCRIPTION

An indented part description is included in the item under which it is indented.

8) ABBREVIATION AND SYMBOLS

AC.....	Alternating Current	L.....	Liter
ALUM.....	Aluminum	LD.....	Light Duty
AG.....	Agricultural	LB(LBS).....	Pounds
ANSI.....	American National Standards Institute	LCD.....	Liquid Crystal Display
AR.....	As Required	LED.....	Light Emitting Diodes
AUS.....	Australias	LH.....	Left Hand
ASSY.....	Assembly	M(m).....	Metric/Meter
AUX.....	Auxiliary	MD.....	Medium Duty
AWG.....	American Wire Gauge	MM (mm).....	Milimeter
CA.....	Cab To Axle	mA.....	Miliamps
CE.....	European Conformity	NLA.....	No Longer Available
CCW.....	Counter Clockwise	NPT.....	National Pipe Threads
CM.....	Centimeter	NSS.....	Not Sold Separately
CT.....	Cab To Tandem	OD.....	Outside Diameter
CW.....	Clockwise	ORB.....	O-Ring Boss
CSA.....	Canadian Standards Association	ORFS.....	O-Ring Face Seal
CYL.....	Cylinder	OZ (oz).....	Ounces
DIA.....	Diameter	PG.....	Page
DC.....	Direct Current	PN.....	Part Number
DOT.....	Department of Transportation	PTO.....	Power Take Off
EMS.....	Emergency Stop	QT(qt.).....	Quarts
ENG.....	Engine	QTY.....	Quantity
FT(ft).....	Feet	REF.....	Reference
GA(Ga).....	Gauge	REV.....	Revision Level
GAL.....	Gallons	RH.....	Right Hand
GVW.....	Gross Vehicle Weight	SAE.....	Society of Automotive Engineers
HD.....	Heavy Duty	SD.....	Standard Duty
HYD.....	Hydraulic	SN.....	Serial Number
Hz.....	Hertz	SPEC(S).....	Specifications
ID.....	Inside Diameter	SS.....	Stainless Steel
IN.....	inches	STD.....	Standards
IND.....	Independent	STL.....	Steel
IRL.....	Independent Reach/Lift	UGM.....	Universal Ground Module
INT.....	Integrated	V.....	Volts
ISO.....	International Organization for Standards	W.....	Watts
JIC.....	Joint Industry Council	WB.....	Wheel Base
KG.....	Kilogram	#.....	Number

9) ILLUSTRATION REFERENCE LETTERS

When necessary, illustrations may contain reference letters that are intended to track information (i. e. hoses, harnesses) from one point to another or to track visual enlargement of components to show details that may be located in another area on the illustration.

Note: Due to continuous product improvements, Jerr-Dan Corporation reserves the right to make specification changes without prior notification. Contact Jerr-Dan for updated information.

TABLE OF CONTENTS

SECTION 1 - SUBFRAME	11
FIGURE 1-1. CHASSIS MOUNTING KIT - GENERIC (NG)	12
FIGURE 1-2. CHASSIS MOUNTING KIT - CV515 2019+ WITH 141IN WB (NGS).....	14
FIGURE 1-3. CHASSIS MOUNTING KIT - CV515 2019+ WITH 165IN WB (NGS).....	16
FIGURE 1-4. CHASSIS MOUNTING KIT - CV515 2019+ WITH 141IN WB (NGS).....	18
FIGURE 1-5. CHASSIS MOUNTING KIT - CV515 2019+ WITH 141IN WB (NG)	20
FIGURE 1-6. CHASSIS MOUNTING KIT - CV515 2019+ WITH 165IN WB (NG)	22
FIGURE 1-7. CHASSIS MOUNTING KIT - CV515 2019+ WITH 141IN WB (NG)	24
FIGURE 1-8. CHASSIS MOUNTING KIT - CV515 2019+ WITH 165IN WB (NG)	26
FIGURE 1-9. CHASSIS MOUNTING KIT - CV515 2019+ WITH 165IN WB (NGS).....	28
FIGURE 1-10. CHASSIS MOUNTING KIT - DODGE 2013+ WITH 60IN CA (NGS)	30
FIGURE 1-11. CHASSIS MOUNTING KIT - DODGE 2013+ WITH 84IN CA (NGS)	32
FIGURE 1-12. CHASSIS MOUNTING KIT - DODGE 2013+ WITH 60IN CA (NG).....	34
FIGURE 1-13. CHASSIS MOUNTING KIT - DODGE 2013+ WITH 84IN CA (NG).....	36
FIGURE 1-14. CHASSIS MOUNTING KIT - FORD DIESEL 2017+ WITH 60IN CA (NGS).....	38
FIGURE 1-15. CHASSIS MOUNTING KIT - FORD DIESEL 2017+ WITH 60IN CA (NGS).....	40
FIGURE 1-16. CHASSIS MOUNTING KIT - FORD DIESEL 2017+ WITH 84IN CA (NGS).....	44
FIGURE 1-17. CHASSIS MOUNTING KIT - FORD DIESEL 2017+ WITH 84IN CA (NGS).....	46
FIGURE 1-18. CHASSIS MOUNTING KIT - FORD GAS 2017+ WITH 60IN CA (NGS).....	50
FIGURE 1-19. CHASSIS MOUNTING KIT - FORD GAS 2017+ WITH 84IN CA (NGS).....	54
FIGURE 1-20. CHASSIS MOUNTING KIT - FORD DIESEL 2017+ WITH 60IN CA (NG)	58
FIGURE 1-21. CHASSIS MOUNTING KIT - FORD DIESEL 2017+ WITH 60IN CA (NG)	60
FIGURE 1-22. CHASSIS MOUNTING KIT - FORD DIESEL 2017+ WITH 84IN CA (NG)	64
FIGURE 1-23. CHASSIS MOUNTING KIT - FORD GAS 2017+ WITH 60IN CA (NG)	68
FIGURE 1-24. CHASSIS MOUNTING KIT - FORD GAS 2017+ WITH 84IN CA (NG)	72
FIGURE 1-25. SUBFRAME INSTALLATION - NGS.....	76
FIGURE 1-26. SUBFRAME INSTALLATION - NG	78
SECTION 2 - BOOM	81
FIGURE 2-1. CYLINDER ASSEMBLY - BOOM LIFT	82
FIGURE 2-2. CABLE ASSEMBLY - 3/8X75FT	84
FIGURE 2-3. CABLE ASSEMBLY - 3/8X100FT	86
FIGURE 2-4. CABLE TENSIONER INSTALLATION	88
FIGURE 2-5. KNEE BOOM INSTALLATION	90
FIGURE 2-6. WINCH INSTALLATION - RAMSEY	92
FIGURE 2-7. WINCH ASSEMBLY	94
FIGURE 2-8. WINCH MOTOR ASSEMBLY	96
SECTION 3 - UNDERLIFT	99
FIGURE 3-1. CYLINDER ASSEMBLY - GRID EXTEND/RETRACT	100
FIGURE 3-2. CYLINDER ASSEMBLY - UNDERLIFT TILT	102
FIGURE 3-3. CYLINDER ASSEMBLY - UNDERLIFT EXTEND/RETRACT	104
FIGURE 3-4. GRID SYSTEM INSTALLATION - MANUAL FIXED (NGS)	106
FIGURE 3-5. GRID SYSTEM INSTALLATION - MANUAL FIXED (NG).....	108
FIGURE 3-6. GRID SYSTEM INSTALLATION - HYDRAULIC	110

TABLE OF CONTENTS

FIGURE 3-7. GRID SYSTEM INSTALLATION - HYDRAULIC.....	112
FIGURE 3-8. RECOVERY SHEAVE INSTALLATION (LOW ANGLE)	114
FIGURE 3-9. TOW BALL BRACKET INSTALLATION	116
FIGURE 3-10. UNDERLIFT INSTALLATION - HYDRAULIC GRIDS.....	118
FIGURE 3-11. UNDERLIFT INSTALLATION - MANUAL GRID	120
FIGURE 3-12. UNDERLIFT ASSEMBLY - HYDRAULIC GRIDS	122
FIGURE 3-13. UNDERLIFT ASSEMBLY - MANUAL GRID	124
FIGURE 3-14. UNDERLIFT TRACK ASSEMBLY (WITH HYDRAULIC GRID)	126
SECTION 4 - BODY.....	129
FIGURE 4-1. BODY INSTALLATION (STEEL) - NGS	130
FIGURE 4-2. BODY INSTALLATION (ALUMINUM) - NG.....	132
FIGURE 4-3. BODY COVERS RAIL INSTALLATION (BODY MOUNTED PYLON)	134
FIGURE 4-4. BODY COVERS RAILS INSTALLATION (TUNNEL MOUNTED PYLON).....	136
FIGURE 4-5. BODY COVERS NO RAIL INSTALLATION (BODY MOUNTED PYLON).....	138
FIGURE 4-6. BODY COVERS NO RAILS INSTALLATION (TUNNEL MOUNTED PYLON)	140
FIGURE 4-7. DECK SIDE PANEL ASSEMBLY - LH (NG).....	142
FIGURE 4-8. DECK SIDE PANEL ASSEMBLY - RH (NG)	144
FIGURE 4-9. DECK RAILS INSTALLATION - COVERS (NG).....	146
FIGURE 4-10. DECK RAILS INSTALLATION - NO COVERS (NG).....	148
FIGURE 4-11. FENDER FLARE INSTALLATION - FORD F450-550/DODGE (NG)	150
FIGURE 4-12. FENDER FLARE INSTALLATION - FORD 450-550/DODGE (NGS)	152
FIGURE 4-13. FENDER FLARE INSTALLATION - FORD 350.....	154
FIGURE 4-14. FENDER FLARE INSTALLATION - GMC	156
FIGURE 4-15. PYLON INSTALLATION - ADJUSTABLE (NG).....	158
FIGURE 4-16. PYLON INSTALLATION - LOW CAB (NG).....	160
FIGURE 4-17. PYLON INSTALLATION - 34IN TOOLBOX MOUNTED (NGS).....	162
FIGURE 4-18. PYLON INSTALLATION - 38IN TOOLBOX MOUNTED (NGS).....	164
FIGURE 4-19. PYLON INSTALLATION - 42IN TOOLBOX MOUNTED (NGS).....	166
FIGURE 4-20. STONE GUARD INSTALLATION (WITHOUT TUNNEL) (NGS)	168
FIGURE 4-21. TOOL BOX FLOOR MAT INSTALLATION (L-ARM SPACER) - NG	170
FIGURE 4-22. TOOL BOX FLOOR MAT INSTALLATION - NG	172
FIGURE 4-23. TUNNEL INSTALLATION - SINGLE.....	174
FIGURE 4-24. TUNNEL ASSEMBLY - 24IN	176
SECTION 5 - CONTROLS.....	179
FIGURE 5-1. MAIN CONTROL VALVE HARNESS INSTALLATION - REMOTE MEMBRANE (NG)	180
FIGURE 5-2. MAIN CONTROL VALVE HARNESS INSTALLATION - REMOTE MEMBRANE (NGS).....	182
FIGURE 5-3. UNDERLIFT LEVEL STOP CONTROLLER INSTALLATION.....	184
SECTION 6 - HYDRAULIC	187
FIGURE 6-1. HOSE INSTALLATION - LIFT AND TILT CYLINDER	188
FIGURE 6-2. HOSE INSTALLATION - HYDRAULIC CONTROLS	190
FIGURE 6-3. HOSE INSTALLATION - UNDERLIFT WITH HYDRAULIC GRIDS.....	192
FIGURE 6-4. HOSE INSTALLATION TILT CYLINDER WITHOUT BALL VALVE.....	194
FIGURE 6-5. HOSE INSTALLATION TILT CYLINDER WITH BALL VALVE	196

TABLE OF CONTENTS

FIGURE 6-6. HOSE INSTALLATION - WINCH	198
FIGURE 6-7. HOSE AND CLAMP INSTALLATION (2019 CV515 - 141IN WB).....	200
FIGURE 6-8. HOSE AND CLAMP INSTALLATION (2019 CV515 - 165IN WB).....	202
FIGURE 6-9. HOSE AND CLAMP INSTALLATION (2019 CV515 - 175IN WB).....	204
FIGURE 6-10. HOSE AND CLAMP INSTALLATION (2019 CV515 - 199IN WB).....	206
FIGURE 6-11. HOSE AND CLAMP INSTALLATION (DODGE - 144IN WB).....	208
FIGURE 6-12. HOSE AND CLAMP INSTALLATION (FORD 2017 - 145IN WB).....	210
FIGURE 6-13. HOSE AND CLAMP INSTALLATION (FORD 2017 - 167-169IN WB).....	212
FIGURE 6-14. HOSE AND CLAMP INSTALLATION (FORD 2017 - 179IN WB).....	214
FIGURE 6-15. HOSE AND CLAMP INSTALLATION (FORD 2017 - 203IN WB).....	216
FIGURE 6-16. TANK (HYDRAULIC) INSTALLATION	218
FIGURE 6-17. VALVE ASSEMBLY	220
SECTION 7 - ELECTRICAL	223
FIGURE 7-1. ALARM INSTALLATION - BACK-UP (FIXED)	224
FIGURE 7-2. BACKUP CAMERA, CHASSIS SUPPLIED.....	226
FIGURE 7-3. BACK UP CAMERA INSTALLATION - CHASSIS SUPPLIED (CV515 ONLY).....	228
FIGURE 7-4. BACKUP CAMERA, REAR VIEW MIRROR	230
FIGURE 7-5. BODY WIRING INSTALLATION - NG.....	232
FIGURE 7-6. BODY HARNESS - LH (NG)	234
FIGURE 7-7. BODY HARNESS - RH (NG)	236
FIGURE 7-8. CAB SUBFRAME HARNESS -NG	238
FIGURE 7-9. BODY WIRING INSTALLATION - NGS	240
FIGURE 7-10. BODY HARNESS - LH (NGS).....	242
FIGURE 7-11. BODY HARNESS - RH (NGS)	244
FIGURE 7-12. BREAKER INSTALLATION - 50A.....	246
FIGURE 7-13. CAB SUBFRAME HARNESS -NGS.....	248
FIGURE 7-14. LIGHTBAR INSTALLATION - ECCO 60IN (STANDARD MOUNT)	250
FIGURE 7-15. LIGHTBAR INSTALLATION - ECCO 60IN (HIGH MOUNT)	252
FIGURE 7-16. LIGHTBAR INSTALLATION - WHELEN 60IN (STANDARD MOUNT)	254
FIGURE 7-17. LIGHTBAR INSTALLATION - WHELEN 60IN (HIGH MOUNT).....	256
FIGURE 7-18. LIGHTBAR ASSEMBLY - ECCO	258
FIGURE 7-19. LIGHTBAR ASSEMBLY - WHELEN 60IN.....	260
FIGURE 7-20. LIGHTBAR ASSEMBLY - WHELEN 60IN.....	262
FIGURE 7-21. LIGHTBAR MARKER LIGHTS ONLY INSTALLATION (NGS).....	266
FIGURE 7-22. LIGHTBAR MARKER LIGHTS ONLY INSTALLATION (NG)	268
FIGURE 7-23. LIGHTBAR BRACKET INSTALLATION - FOLDING (NGS)	270
FIGURE 7-24. LIGHTBAR BRACKET INSTALLATION - FOLDING (NG).....	272
FIGURE 7-25. LIGHTS - 4 TAILLIGHTS (STOP/TURN/TAILLIGHT COMBINED) (ALL NGS EXCEPT 2013+ DODGE)	274
FIGURE 7-26. LIGHTS - 4 TAILLIGHTS (STOP/TURN/TAILLIGHT COMBINED) (NGS 2013+ DODGE).....	276
FIGURE 7-27. LIGHTS - 4 TAILLIGHTS (STOP/TURN/TAILLIGHT COMBINED) (NG)	278
FIGURE 7-28. LIGHT - WORKLIGHT INSTALLATION (PYLON MOUNTED) (NGS).....	280
FIGURE 7-29. LIGHT - WORKLIGHT INSTALLATION (PYLON MOUNTED) (NG)	282
FIGURE 7-30. LIGHT - WORKLIGHTS INSTALLATION (LOWER HOOK UP MOUNTED) (NGS).....	284
FIGURE 7-31. LIGHT - WORKLIGHTS INSTALLATION (LOWER HOOK UP MOUNTED) (NG)	286
FIGURE 7-32. PYLON ELECTRICAL INSTALLATION - BODY MOUNTED (1 MARKER LIGHT PER SIDE)	288

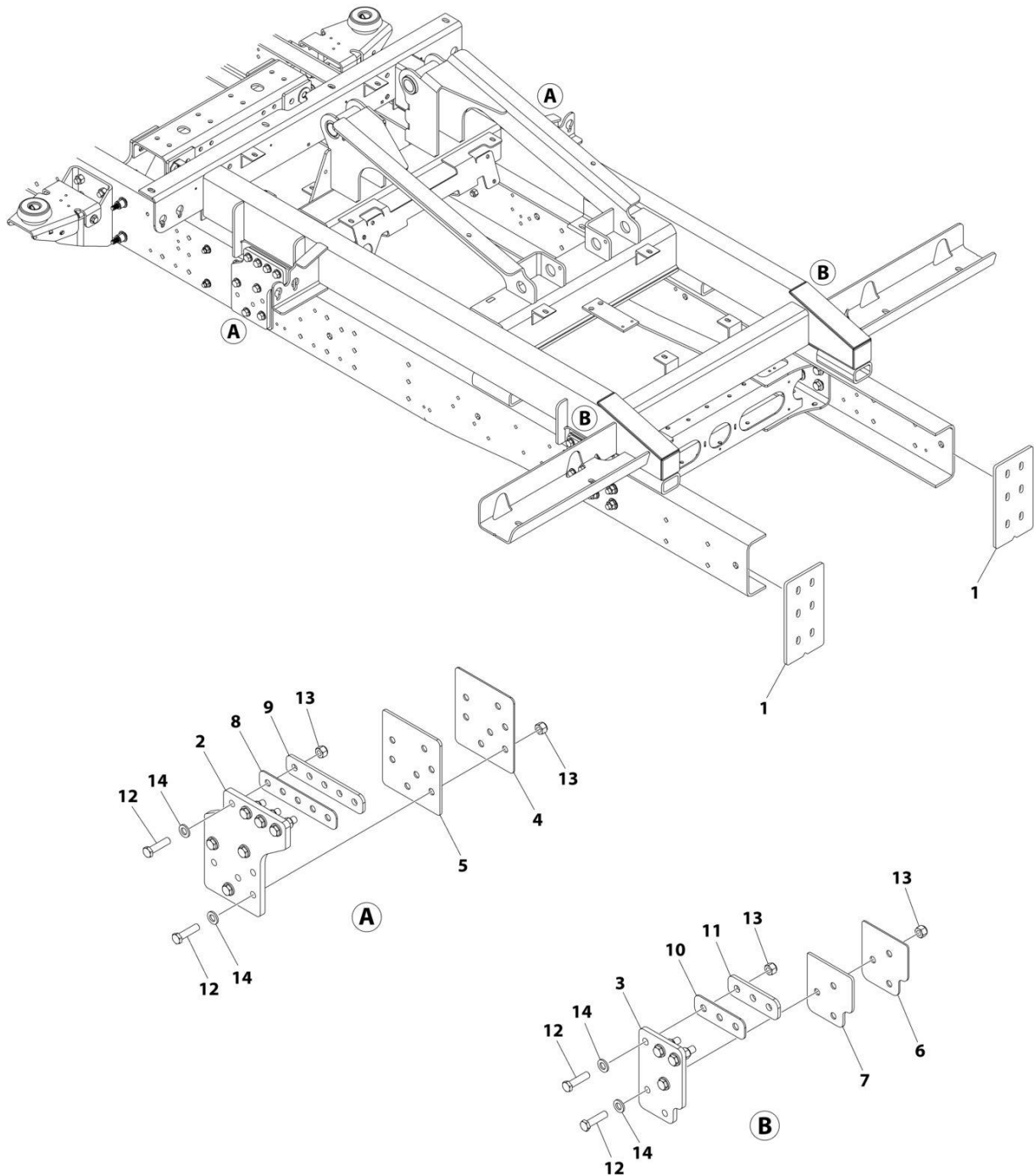
TABLE OF CONTENTS

FIGURE 7-33. PYLON HEADBOARD HARNESS (LOW CAB).....	290
FIGURE 7-34. PYLON HEADBOARD HARNESS - BODY MOUNT	292
FIGURE 7-35. PYLON HEADBOARD HARNESS - 1 MARKER SIDE.....	294
FIGURE 7-36. PYLON HOOPS & MOUNTS INSTALLATION	296
FIGURE 7-37. PTO ELECTRICAL ASSEMBLY - FORD PTO	298
FIGURE 7-38. REMOTE CONTROL INSTALLATION - 8 FUNCTION.....	300
FIGURE 7-39. REMOTE CONTROL HARNESS - 4 FUNCTION TOGGLE	302
FIGURE 7-40. SWITCH PANEL INSTALLATION - 2 FUNCTION.....	304
FIGURE 7-41. SWITCH PANEL INSTALLATION - 3 FUNCTION (IN DASH COMPACT)	306
FIGURE 7-42. SWITCH PANEL INSTALLATION - 3 FUNCTION (UNDER DASH COMPACT)	308
FIGURE 7-43. SWITCH PANEL INSTALLATION - 5 FUNCTION (IN DASH COMPACT)	310
FIGURE 7-44. SWITCH PANEL INSTALLATION - 5 FUNCTION (UNDER DASH COMPACT)	312
FIGURE 7-45. SWITCH PANEL INSTALLATION - 5 FUNCTION (DODGE 2013)	314
FIGURE 7-46. SWITCH PANEL INSTALLATION - 6 FUNCTION (FORD 2017)	316
FIGURE 7-47. SWITCH PANEL INSTALLATION - 3/4 FUNCTION (CHEVY 2019)	318
FIGURE 7-48. VALVE HARNESS - NG	320
FIGURE 7-49. VALVE HARNESS - NGS.....	322
FIGURE 7-50. TRAILER PLUG INSTALLATION	324
FIGURE 7-51. TUNNEL HARNESS.....	326
SECTION 8 - DECAL.....	329
FIGURE 8-1. DECAL INSTALLATION - NG.....	330
FIGURE 8-2. DECAL INSTALLATION - NGS	332
FIGURE 8-3. DECAL INSTALLATION - RED LOGO (NGS)	334
FIGURE 8-4. DECAL INSTALLATION - WHITE LOGO (NGS)	336
FIGURE 8-5. LUBRICATION DECALS AND CAPS INSTALLATION.....	338
SECTION 9 - ACCESSORIES.....	341
FIGURE 9-1. KITS LIST	342
FIGURE 9-2. MUDFLAPS INSTALLATION (CUSTOMER SUPPLIED) (NGS)	344
FIGURE 9-3. MUDFLAPS INSTALLATION (FACTORY SUPPLIED) (NGS)	346
FIGURE 9-4. MUDFLAPS INSTALLATION (CUSTOMER SUPPLIED) (NG)	348
FIGURE 9-5. MUDFLAPS INSTALLATION (FACTORY SUPPLIED) (NG)	350
FIGURE 9-6. SAFETY TRIANGLE KIT	352
FIGURE 9-7. WHEEL CHOCKS - RUBBER	354
SECTION 10 - BUILD DOCUMENTS	357
FIGURE 10-1. BUILD DOC_5376000282	358
PART NUMBER INDEX.....	361

SECTION 1 - SUBFRAME

SECTION 1 - SUBFRAME

FIGURE 1-1. CHASSIS MOUNTING KIT - GENERIC (NG)



ART_1001298068

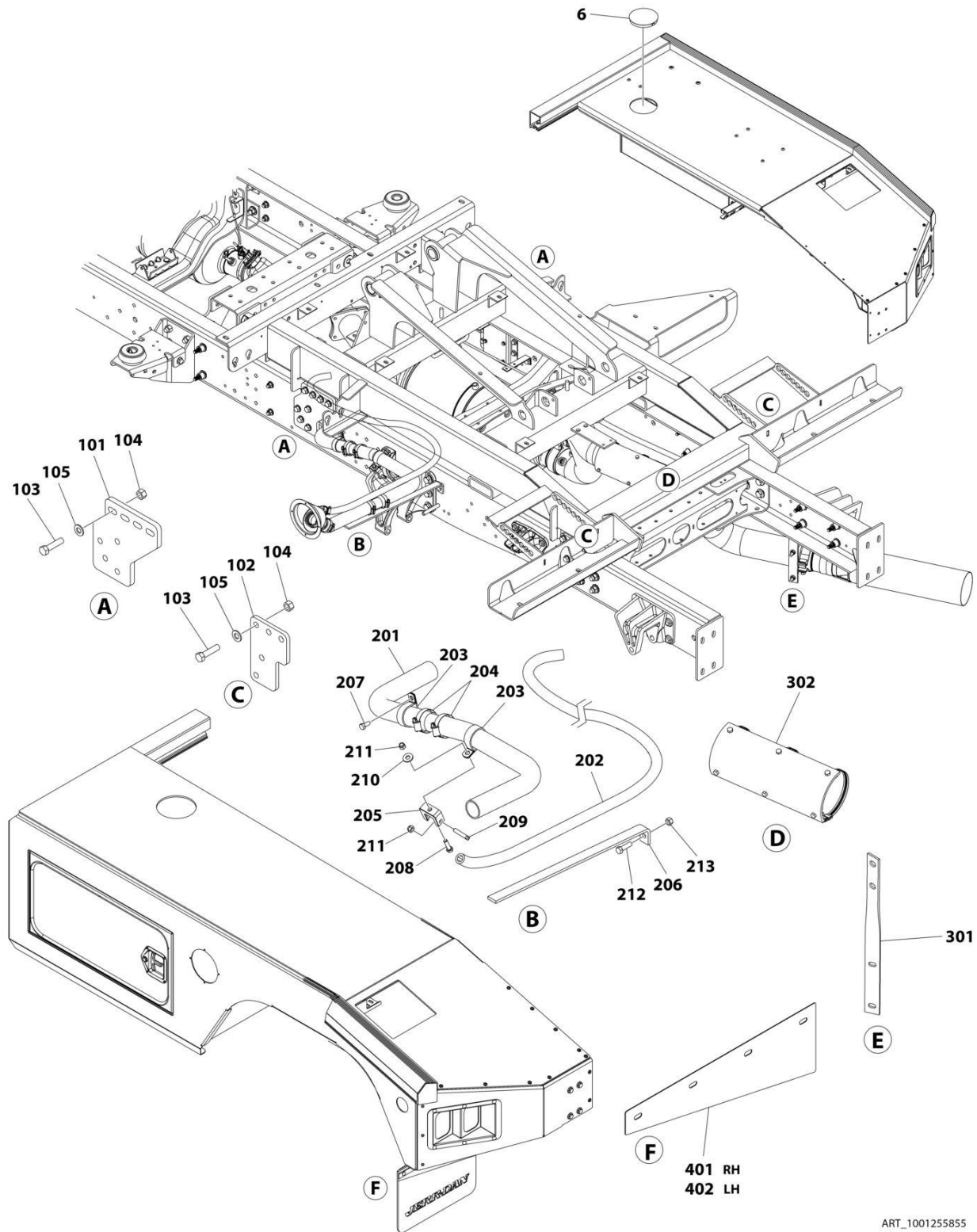
SECTION 1 - SUBFRAME

FIGURE 1-1. CHASSIS MOUNTING KIT - GENERIC (NG)

ITEM	PART NUMBER	QTY	DESCRIPTION	REV
	1001298068	Ref	CHASSIS MOUNTING KIT - GENERIC	B
1	1001296069	2	Plate	
2	4706005904	2	Plate	
3	4706006442	2	Plate (Rear)	
4	1001127340	2	Shim	
5	1001127341	2	Shim	
6	4812000142	2	Shim	
7	1001127342	2	Shim	
8	4811001194	2	Plate	
9	4706005906	2	Plate	
10	1001127387	2	Shim	
11	1001127388	2	Shim	
12	0681816	26	Bolt 1/2 x 2	
13	3271805	26	Nut 1/2	
14	4711800	26	Washer 1/2	

SECTION 1 - SUBFRAME

FIGURE 1-2. CHASSIS MOUNTING KIT - CV515 2019+ WITH 141IN WB (NGS)



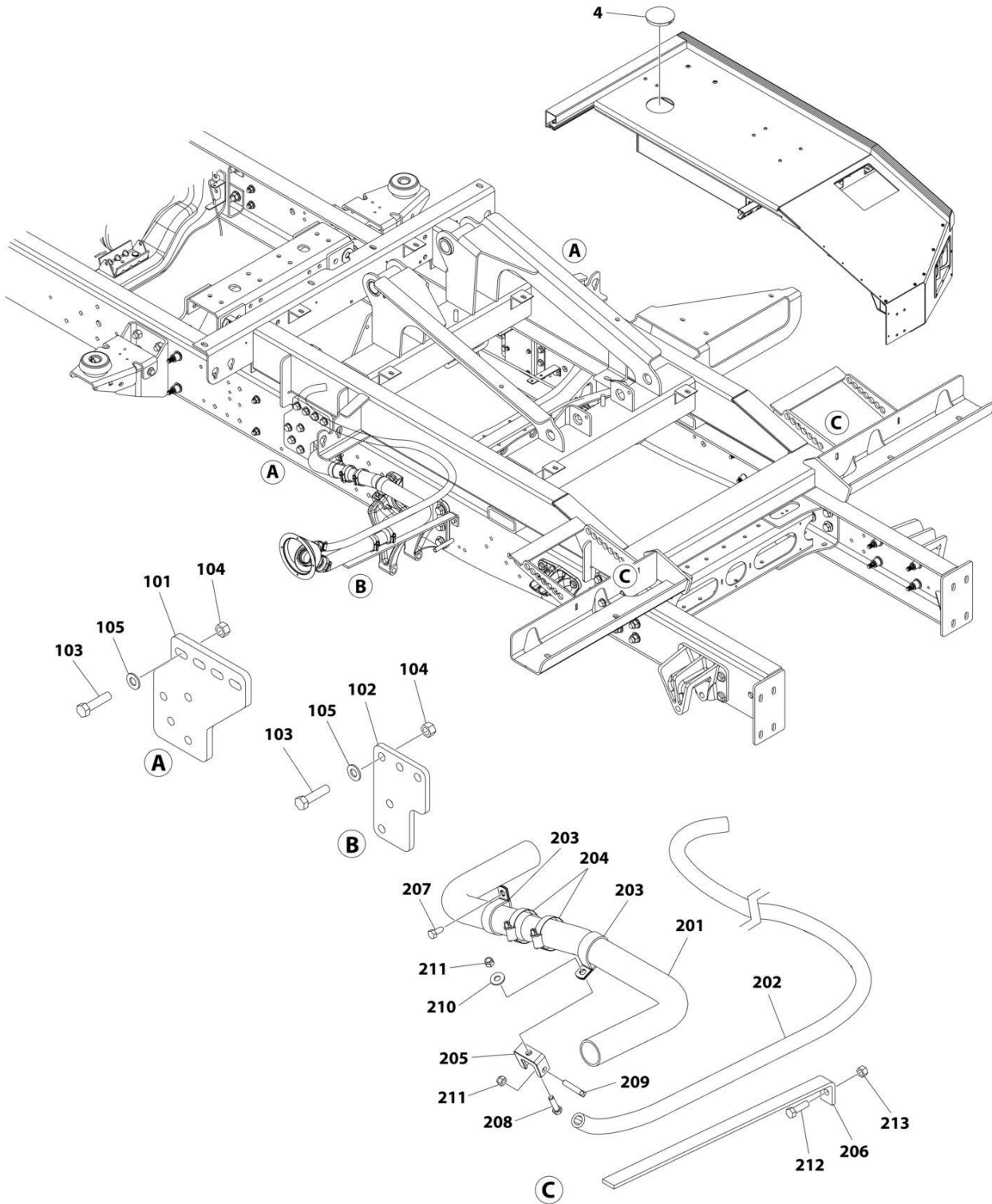
SECTION 1 - SUBFRAME

FIGURE 1-2. CHASSIS MOUNTING KIT - CV515 2019+ WITH 141IN WB (NGS)

ITEM	PART NUMBER	QTY	DESCRIPTION	REV
1	1001255855	Ref	CHASSIS MOUNTING KIT - CV515 2019+ WITH 141IN WB	A
	1001255858	Ref	Subframe Installation (Not Shown) (See Items 101-106 for Breakdown)	
2	1001256226	Ref	Fuel Filler Installation (Not Shown) (See Items 201-214 for Breakdown)	
3	1001255482	1	Kit, Electrical Connection (Not Shown)	
4	1001255854	Ref	Exhaust Modification Installation (Not Shown) (See Items 301-302 for Breakdown)	
5	1001221651	Ref	Anti-Sail Brackets Installation (Not Shown) (Not Shown) (See Items 401-402 for Breakdown)	
6	7701000075	1	Plug	A
	1001255858	Ref	SUBFRAME INSTALLATION	
101	1001255942	2	Gusset (Not Shown)	
102	1001255943	2	Plate	
103	1001255944	2	Plate	
104	0681816	26	Bolt 1/2 x 2	
105	3271805	26	Nut 1/2	
106	4711800	26	Washer 1/2	
	1001256226	Ref	FUEL FILLER INSTALLATION	A
201	7570000037	1	Hose	
202	1001256269	1	Hose	
203	7274000042	2	Clamp	
204	7274000005	2	Clamp	
205	7274000076	1	Clamp	
206	4533000415	1	Bracket	
207	3941506	1	Tap-Screw	
208	7115151050	1	Bolt 5/16 x 1-1/4	
209	7785152420	1	Screw 5/16 x 1-1/2	
210	7950150161	1	Washer 5/16	
211	7660152601	2	Nut 5/16	
212	0641610	1	Bolt 3/8 x 1-1/4	
213	3271605	1	Nut 3/8	
214	7894000004	6	Tie-Strap (Not Shown)	
	1001255854	Ref	EXHAUST INSTALLATION	A
301	1001255844	1	Bracket	
302	1001256168	1	Exhaust Shield	
	1001221651	Ref	ANTI-SAIL BRACKETS INSTALLATION	A
401	1001221652	1	Bracket, RH	
402	1001221653	1	Bracket, LH	

SECTION 1 - SUBFRAME

FIGURE 1-3. CHASSIS MOUNTING KIT - CV515 2019+ WITH 165IN WB (NGS)



ART_1001255856

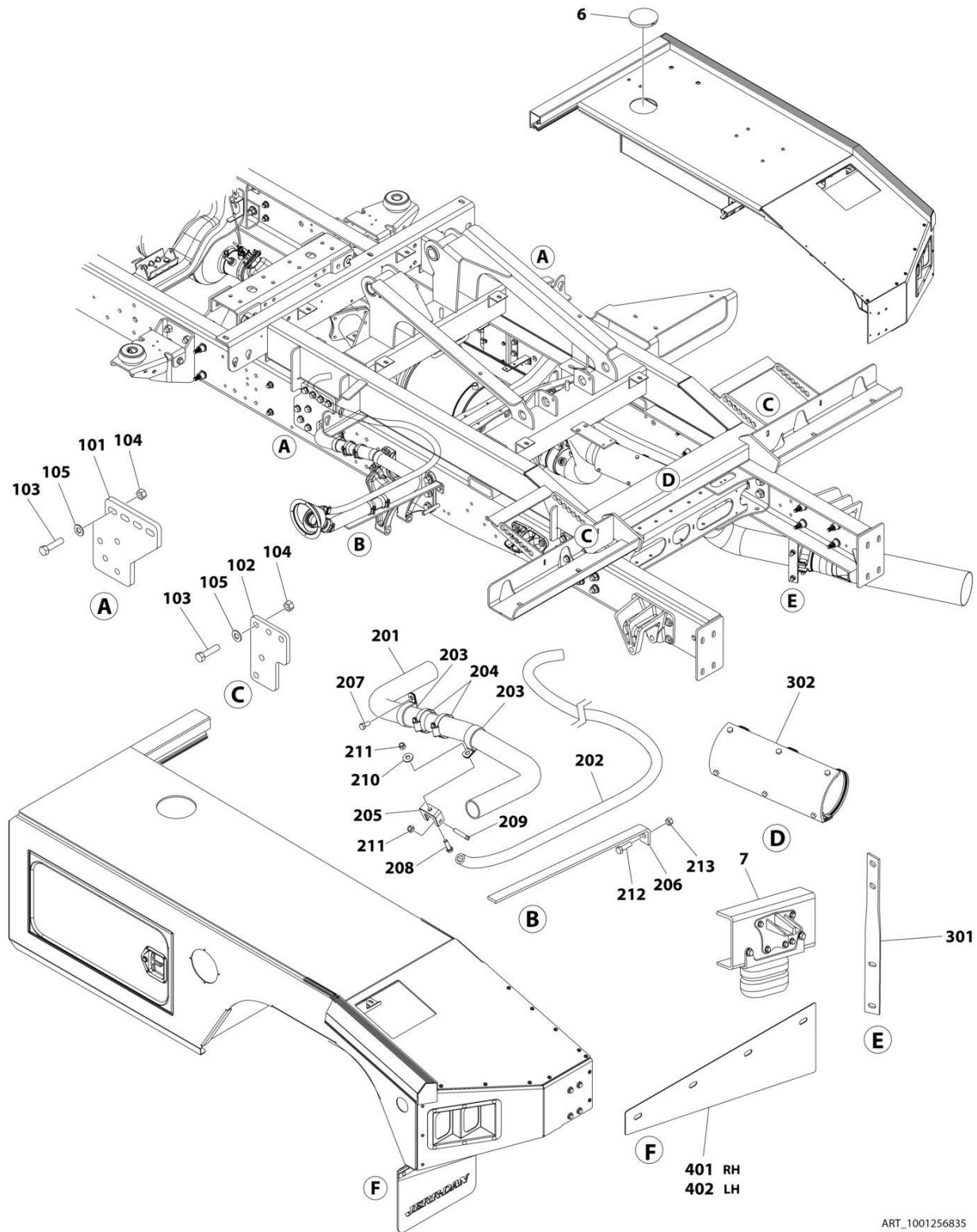
SECTION 1 - SUBFRAME

FIGURE 1-3. CHASSIS MOUNTING KIT - CV515 2019+ WITH 165IN WB (NGS)

ITEM	PART NUMBER	QTY	DESCRIPTION	REV
1	1001255856	Ref	CHASSIS MOUNTING KIT - CV515 2019+ WITH 165IN WB	A
	1001255858	Ref	Subframe Installation (Not Shown) (See Items 101-106 for Breakdown)	
2	1001256226	Ref	Fuel Filler Installation (Not Shown) (See Items 201-214 for Breakdown)	
3	1001255482	1	Kit, Electrical Connection (Not Shown)	
6	7701000075	1	Plug	
	1001255858	Ref	SUBFRAME INSTALLATION	A
101	1001255942	2	Gusset (Not Shown)	
102	1001255943	2	Plate	
103	1001255944	2	Plate	
104	0681816	26	Bolt 1/2 x 2	
105	3271805	26	Nut 1/2	
106	4711800	26	Washer 1/2	
	1001256226	Ref	FUEL FILLER INSTALLATION	A
201	7570000037	1	Hose	
202	1001256269	1	Hose	
203	7274000042	2	Clamp	
204	7274000005	2	Clamp	
205	7274000076	1	Clamp	
206	4533000415	1	Bracket	
207	3941506	1	Tap-Screw	
208	7115151050	1	Bolt 5/16 x 1-1/4	
209	7785152420	1	Screw 5/16 x 1-1/2	
210	7950150161	1	Washer 5/16	
211	7660152601	2	Nut 5/16	
212	0641610	1	Bolt 3/8 x 1-1/4	
213	3271605	1	Nut 3/8	
214	7894000004	6	Tie-Strap (Not Shown)	

SECTION 1 - SUBFRAME

FIGURE 1-4. CHASSIS MOUNTING KIT - CV515 2019+ WITH 141IN WB (NGS)



ART_1001256835

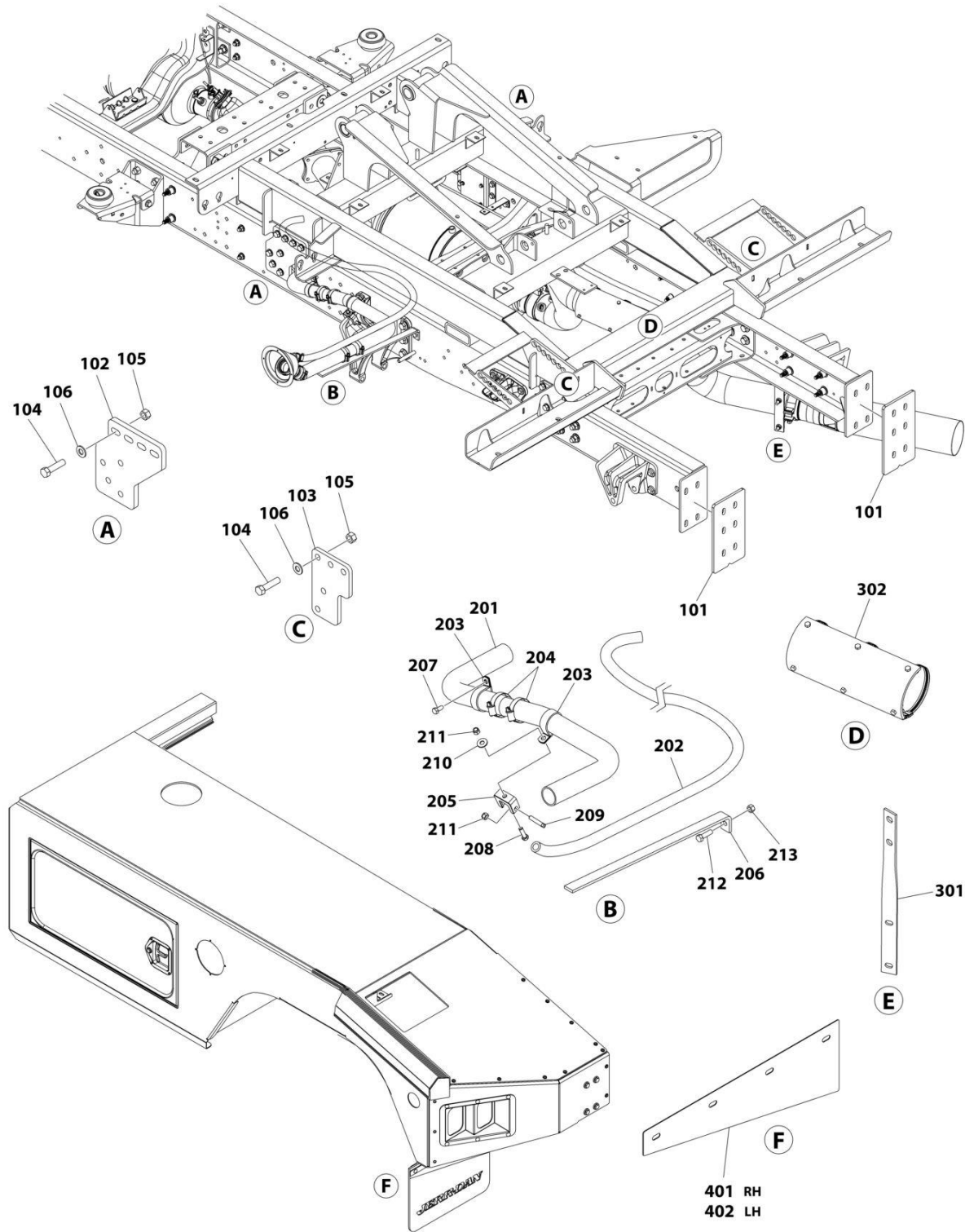
SECTION 1 - SUBFRAME

FIGURE 1-4. CHASSIS MOUNTING KIT - CV515 2019+ WITH 141IN WB (NGS)

ITEM	PART NUMBER	QTY	DESCRIPTION	REV
	1001256835	Ref	CHASSIS MOUNTING KIT - CV515 2019+ WITH 141IN WB WITH TIMBRENS	A
1	1001255858	Ref	Subframe Installation (Not Shown) (See Items 101-106 for Breakdown)	
2	1001256226	Ref	Fuel Filler Installation (Not Shown) (See Items 201-214 for Breakdown)	
3	1001255482	1	Kit, Electrical Connection (Not Shown)	
4	1001255854	Ref	Exhaust Modification Installation (Not Shown) (See Items 301-302 for Breakdown)	
5	1001221651	Ref	Anti-Sail Brackets Installation (Not Shown) (Not Shown) (See Items 401-402 for Breakdown)	
6	7701000075	1	Plug	
7	1001256789	1	Rear Suspension	
	1001255858	Ref	SUBFRAME INSTALLATION	A
101	1001255942	2	Gusset (Not Shown)	
102	1001255943	2	Plate	
103	1001255944	2	Plate	
104	0681816	26	Bolt 1/2 x 2	
105	3271805	26	Nut 1/2	
106	4711800	26	Washer 1/2	
	1001256226	Ref	FUEL FILLER INSTALLATION	A
201	7570000037	1	Hose	
202	1001256269	1	Hose	
203	7274000042	2	Clamp	
204	7274000005	2	Clamp	
205	7274000076	1	Clamp	
206	4533000415	1	Bracket	
207	3941506	1	Tap-Screw	
208	7115151050	1	Bolt 5/16 x 1-1/4	
209	7785152420	1	Screw 5/16 x 1-1/2	
210	7950150161	1	Washer 5/16	
211	7660152601	2	Nut 5/16	
212	0641610	1	Bolt 3/8 x 1-1/4	
213	3271605	1	Nut 3/8	
214	7894000004	6	Tie-Strap (Not Shown)	
	1001255854	Ref	EXHAUST INSTALLATION	A
301	1001255844	1	Bracket	
302	1001256168	1	Exhaust Shield	
	1001221651	Ref	ANTI-SAIL BRACKETS INSTALLATION	A
401	1001221652	1	Bracket, RH	
402	1001221653	1	Bracket, LH	

SECTION 1 - SUBFRAME

FIGURE 1-5. CHASSIS MOUNTING KIT - CV515 2019+ WITH 141IN WB (NG)



ART_1001297540

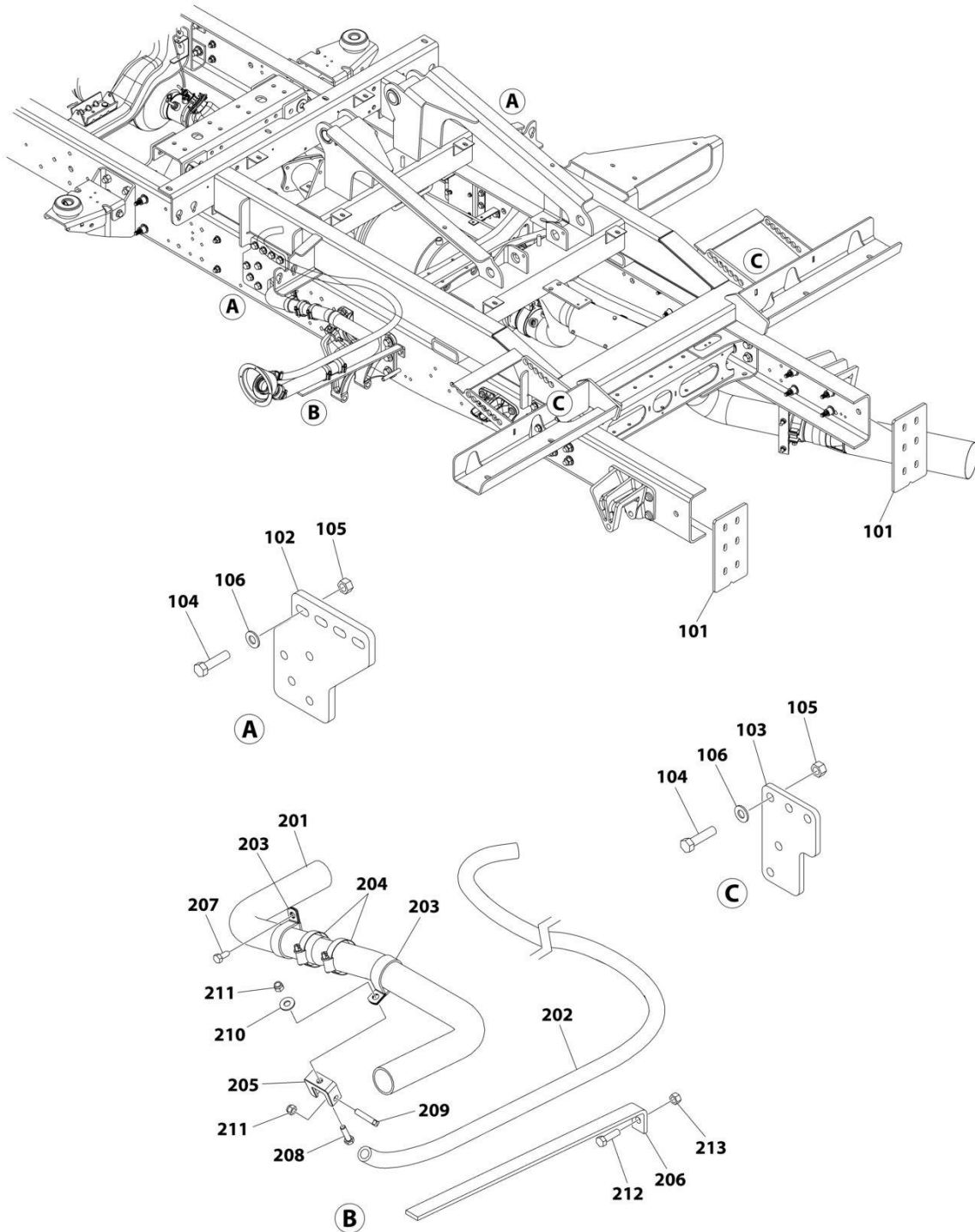
SECTION 1 - SUBFRAME

FIGURE 1-5. CHASSIS MOUNTING KIT - CV515 2019+ WITH 141IN WB (NG)

ITEM	PART NUMBER	QTY	DESCRIPTION	REV		
1	1001297540	Ref	CHASSIS MOUNTING KIT - CV515 2019+ WITH 141IN WB	A		
	1001297529	Ref	Subframe Installation (Not Shown) (See Items 101-106 for Breakdown)			
2	1001256226	Ref	Fuel Filler Installation (Not Shown) (See Items 201-214 for Breakdown)			
3	1001255482	1	Kit, Electrical Connection (Not Shown)			
4	1001255854	Ref	Exhaust Modification Installation (Not Shown) (See Items 301-302 for Breakdown)			
5	1001221651	Ref	Anti-Sail Brackets Installation (Not Shown) (See Items 401-402 for Breakdown)	B		
	1001297529	Ref	SUBFRAME INSTALLATION			
101	1001296069	2	Plate			
102	1001255943	2	Plate			
103	1001255944	2	Plate			
104	0681816	26	Bolt 1/2 x 2			
105	3271805	26	Nut 1/2			
106	4711800	26	Washer 1/2			
201-214	1001256226	Ref	FUEL FILLER INSTALLATION	A		
	7570000037	1	Hose			
	1001256269	1	Hose			
	7274000042	2	Clamp			
	7274000005	2	Clamp			
	7274000076	1	Clamp			
	4533000415	1	Bracket			
	3941506	1	Tap-Screw			
	7115151050	1	Bolt 5/16 x 1-1/4			
	7785152420	1	Screw 5/16 x 1-1/2			
	7950150161	1	Washer 5/16			
	7660152601	2	Nut 5/16			
	0641610	1	Bolt 3/8 x 1-1/4			
	3271605	1	Nut 3/8			
	7894000004	6	Tie-Strap (Not Shown)			
	1001255854	Ref	EXHAUST INSTALLATION			
	301	1001255844	1		Bracket	
	302	1001256168	1		Exhaust Shield	
	401-402	1001221651	Ref		ANTI-SAIL BRACKETS INSTALLATION	A
		1001221652	1		Bracket, RH	
		1001221653	1		Bracket, LH	

SECTION 1 - SUBFRAME

FIGURE 1-6. CHASSIS MOUNTING KIT - CV515 2019+ WITH 165IN WB (NG)



ART_1001297541

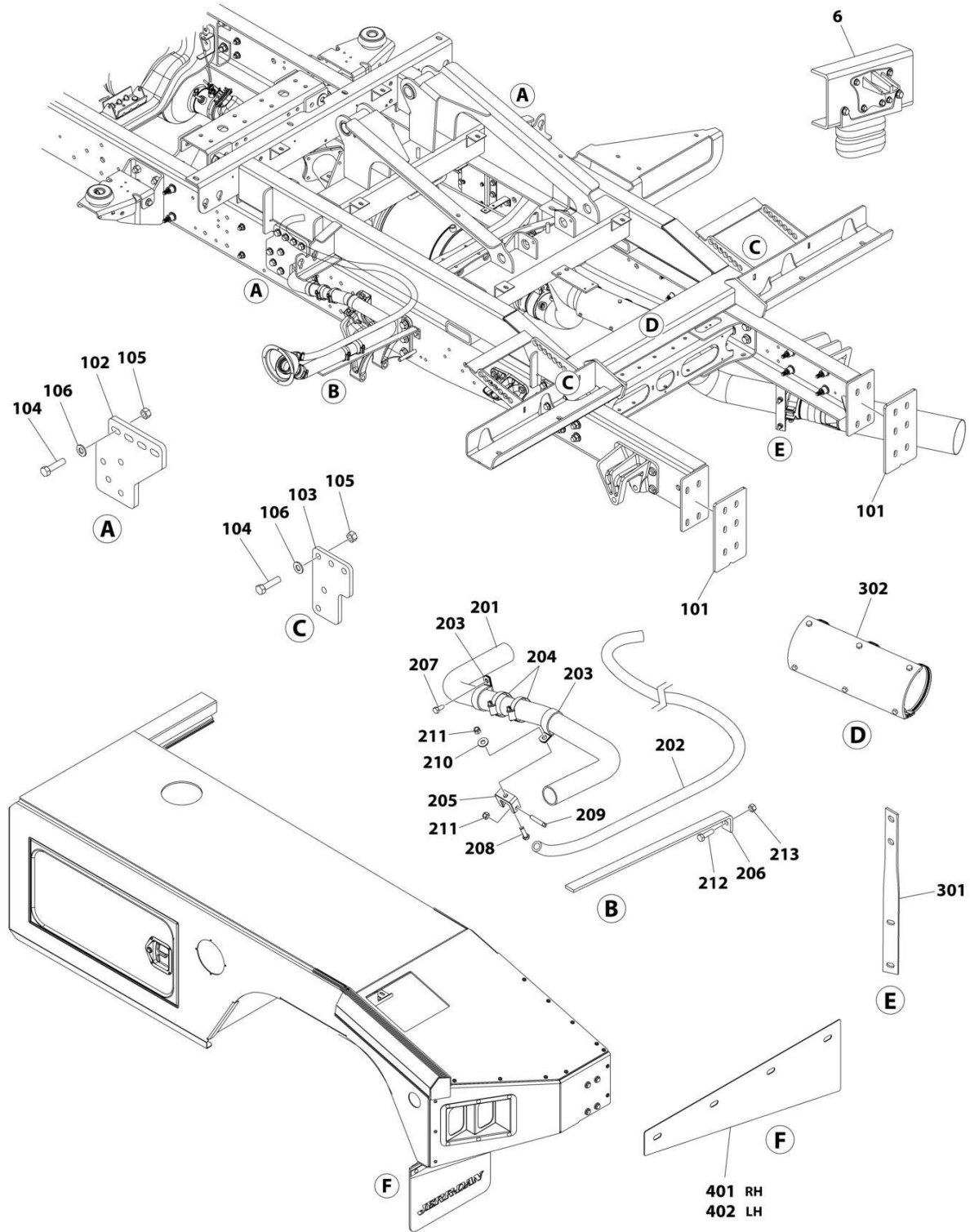
SECTION 1 - SUBFRAME

FIGURE 1-6. CHASSIS MOUNTING KIT - CV515 2019+ WITH 165IN WB (NG)

ITEM	PART NUMBER	QTY	DESCRIPTION	REV
1	1001297541	Ref	CHASSIS MOUNTING KIT - CV515 2019+ WITH 165IN WB	A
	1001297529	Ref	Subframe Installation (Not Shown) (See Items 101-106 for Breakdown)	
2	1001256226	Ref	Fuel Filler Installation (Not Shown) (See Items 201-214 for Breakdown)	
3	1001255482	1	Kit, Electrical Connection (Not Shown)	B
	1001297529	Ref	SUBFRAME INSTALLATION	
101	1001296069	2	Plate	
102	1001255943	2	Plate	
103	1001255944	2	Plate	
104	0681816	26	Bolt 1/2 x 2	
105	3271805	26	Nut 1/2	
106	4711800	26	Washer 1/2	
	1001256226	Ref	FUEL FILLER INSTALLATION	A
201	7570000037	1	Hose	
202	1001256269	1	Hose	
203	7274000042	2	Clamp	
204	7274000005	2	Clamp	
205	7274000076	1	Clamp	
206	4533000415	1	Bracket	
207	3941506	1	Tap-Screw	
208	7115151050	1	Bolt 5/16 x 1-1/4	
209	7785152420	1	Screw 5/16 x 1-1/2	
210	7950150161	1	Washer 5/16	
211	7660152601	2	Nut 5/16	
212	0641610	1	Bolt 3/8 x 1-1/4	
213	3271605	1	Nut 3/8	
214	7894000004	6	Tie-Strap (Not Shown)	

SECTION 1 - SUBFRAME

FIGURE 1-7. CHASSIS MOUNTING KIT - CV515 2019+ WITH 141IN WB (NG)



ART_1001297542

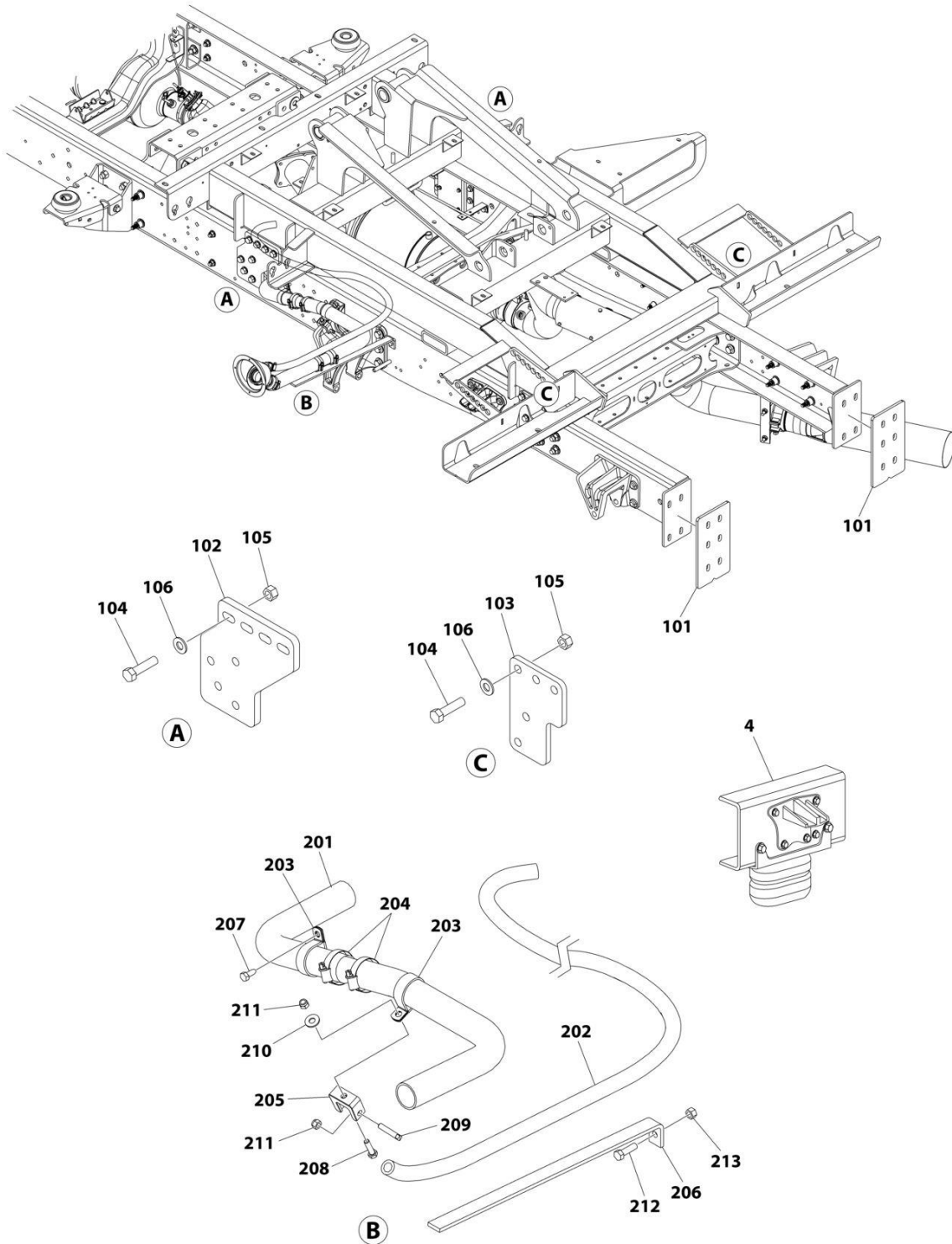
SECTION 1 - SUBFRAME

FIGURE 1-7. CHASSIS MOUNTING KIT - CV515 2019+ WITH 141IN WB (NG)

ITEM	PART NUMBER	QTY	DESCRIPTION	REV
	1001297542	Ref	CHASSIS MOUNTING KIT - CV515 2019+ WITH 141IN WB WITH TIMBRENS	A
1	1001297529	Ref	Subframe Installation (Not Shown) (See Items 101-106 for Breakdown)	
2	1001256226	Ref	Fuel Filler Installation (Not Shown) (See Items 201-214 for Breakdown)	
3	1001255482	1	Kit, Electrical Connection (Not Shown)	
4	1001255854	Ref	Exhaust Modification Installation (Not Shown) (See Items 301-302 for Breakdown)	
5	1001221651	Ref	Anti-Sail Brackets Installation (Not Shown) (See Items 401-402 for Breakdown)	
6	1001256789	1	Rear Suspension	
	1001297529	Ref	SUBFRAME INSTALLATION	B
101	1001296069	2	Plate	
102	1001255943	2	Plate	
103	1001255944	2	Plate	
104	0681816	26	Bolt 1/2 x 2	
105	3271805	26	Nut 1/2	
106	4711800	26	Washer 1/2	
	1001256226	Ref	FUEL FILLER INSTALLATION	A
201	7570000037	1	Hose	
202	1001256269	1	Hose	
203	7274000042	2	Clamp	
204	7274000005	2	Clamp	
205	7274000076	1	Clamp	
206	4533000415	1	Bracket	
207	3941506	1	Tap-Screw	
208	7115151050	1	Bolt 5/16 x 1-1/4	
209	7785152420	1	Screw 5/16 x 1-1/2	
210	7950150161	1	Washer 5/16	
211	7660152601	2	Nut 5/16	
212	0641610	1	Bolt 3/8 x 1-1/4	
213	3271605	1	Nut 3/8	
214	7894000004	6	Tie-Strap (Not Shown)	
	1001255854	Ref	EXHAUST INSTALLATION	A
301	1001255844	1	Bracket	
302	1001256168	1	Exhaust Shield	
	1001221651	Ref	ANTI-SAIL BRACKETS INSTALLATION	A
401	1001221652	1	Bracket, RH	
402	1001221653	1	Bracket, LH	

SECTION 1 - SUBFRAME

FIGURE 1-8. CHASSIS MOUNTING KIT - CV515 2019+ WITH 165IN WB (NG)



ART_1001297543

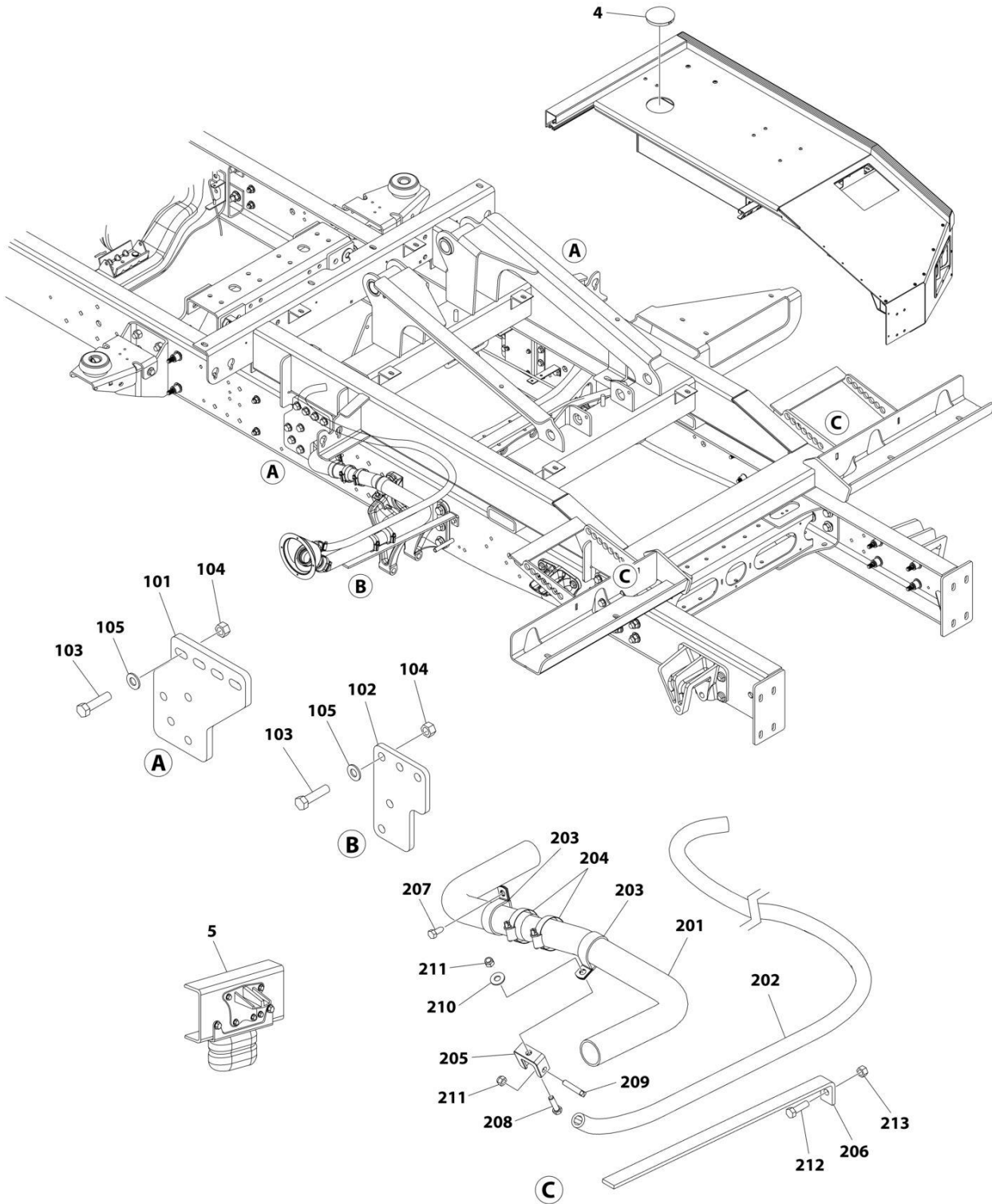
SECTION 1 - SUBFRAME

FIGURE 1-8. CHASSIS MOUNTING KIT - CV515 2019+ WITH 165IN WB (NG)

ITEM	PART NUMBER	QTY	DESCRIPTION	REV
	1001297543	Ref	CHASSIS MOUNTING KIT - CV515 2019+ WITH 165IN WB WITH TIMBRENS	A
1	1001297529	Ref	Subframe Installation (Not Shown) (See Items 101-106 for Breakdown)	
2	1001256226	Ref	Fuel Filler Installation (Not Shown) (See Items 201-214 for Breakdown)	
3	1001255482	1	Kit, Electrical Connection (Not Shown)	
4	1001256789	1	Rear Suspension Installation	
	1001297529	Ref	SUBFRAME INSTALLATION	B
101	1001296069	2	Plate	
102	1001255943	2	Plate	
103	1001255944	2	Plate	
104	0681816	26	Bolt 1/2 x 2	
105	3271805	26	Nut 1/2	
106	4711800	26	Washer 1/2	
	1001256226	Ref	FUEL FILLER INSTALLATION	A
201	7570000037	1	Hose	
202	1001256269	1	Hose	
203	7274000042	2	Clamp	
204	7274000005	2	Clamp	
205	7274000076	1	Clamp	
206	4533000415	1	Bracket	
207	3941506	1	Tap-Screw	
208	7115151050	1	Bolt 5/16 x 1-1/4	
209	7785152420	1	Screw 5/16 x 1-1/2	
210	7950150161	1	Washer 5/16	
211	7660152601	2	Nut 5/16	
212	0641610	1	Bolt 3/8 x 1-1/4	
213	3271605	1	Nut 3/8	
214	7894000004	6	Tie-Strap (Not Shown)	

SECTION 1 - SUBFRAME

FIGURE 1-9. CHASSIS MOUNTING KIT - CV515 2019+ WITH 165IN WB (NGS)



ART_1001256836

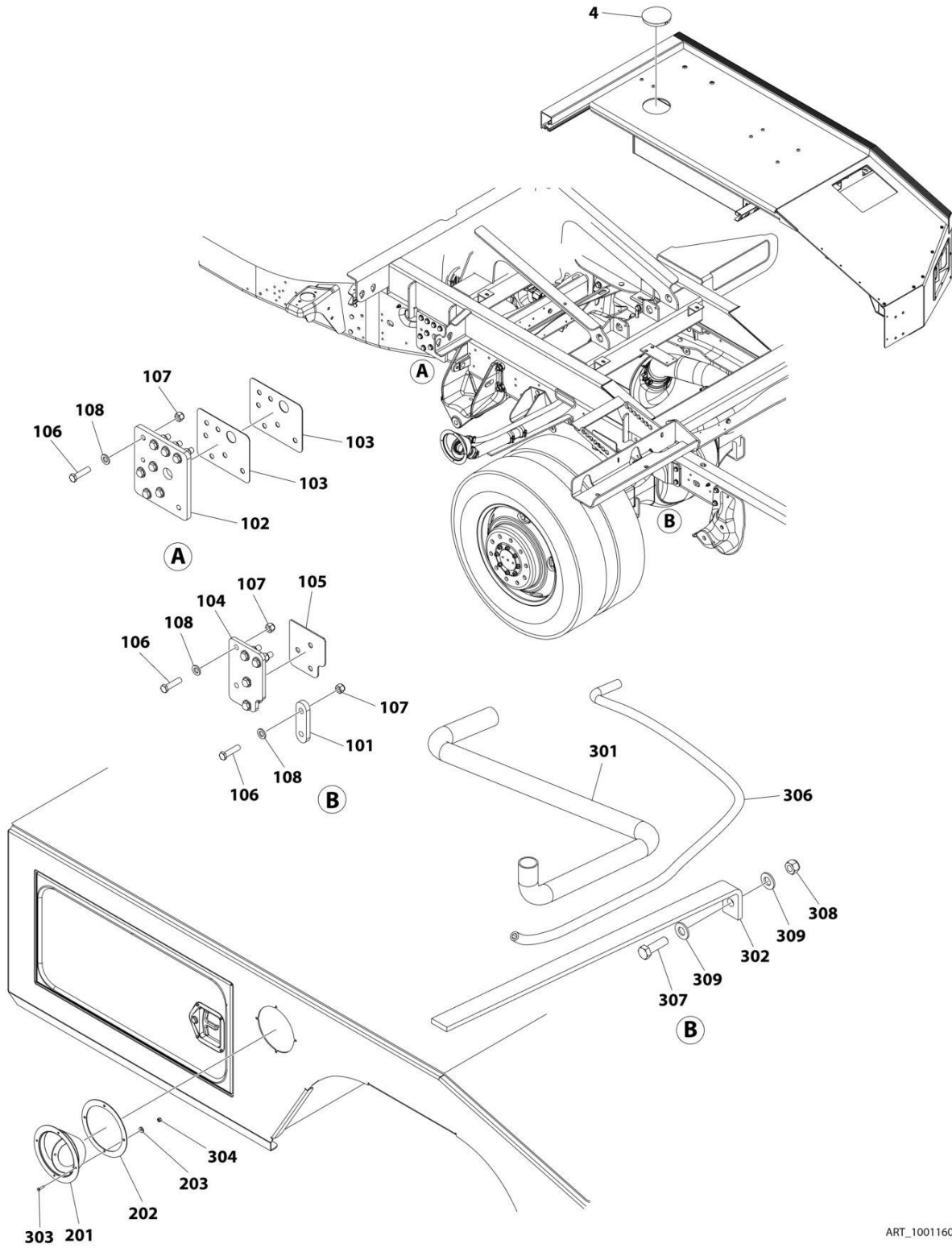
SECTION 1 - SUBFRAME

FIGURE 1-9. CHASSIS MOUNTING KIT - CV515 2019+ WITH 165IN WB (NGS)

ITEM	PART NUMBER	QTY	DESCRIPTION	REV
	1001256836	Ref	CHASSIS MOUNTING KIT - CV515 2019 + WITH 165IN WB WITH TIMBRENS	A
1	1001255858	Ref	Subframe Installation (Not Shown) (See Items 101-106 for Breakdown)	
2	1001256226	Ref	Fuel Filler Installation (Not Shown) (See Items 201-214 for Breakdown)	
3	1001255482	1	Kit, Electrical Connection (Not Shown)	
6	7701000075	1	Plug	
7	1001256789	1	Rear Suspension Installation (Not Shown)	
7	1001256801	1	Spring, Timbren	
	1001255858	Ref	SUBFRAME INSTALLATION	A
101	1001255942	2	Gusset (Not Shown)	
102	1001255943	2	Plate	
103	1001255944	2	Plate	
104	0681816	26	Bolt 1/2 x 2	
105	3271805	26	Nut 1/2	
106	4711800	26	Washer 1/2	
	1001256226	Ref	FUEL FILLER INSTALLATION	A
201	7570000037	1	Hose	
202	1001256269	1	Hose	
203	7274000042	2	Clamp	
204	7274000005	2	Clamp	
205	7274000076	1	Clamp	
206	4533000415	1	Bracket	
207	3941506	1	Tap-Screw	
208	7115151050	1	Bolt 5/16 x 1-1/4	
209	7785152420	1	Screw 5/16 x 1-1/2	
210	7950150161	1	Washer 5/16	
211	7660152601	2	Nut 5/16	
212	0641610	1	Bolt 3/8 x 1-1/4	
213	3271605	1	Nut 3/8	
214	7894000004	6	Tie-Strap (Not Shown)	

SECTION 1 - SUBFRAME

FIGURE 1-10. CHASSIS MOUNTING KIT - DODGE 2013+ WITH 60IN CA (NGS)



ART_1001160904

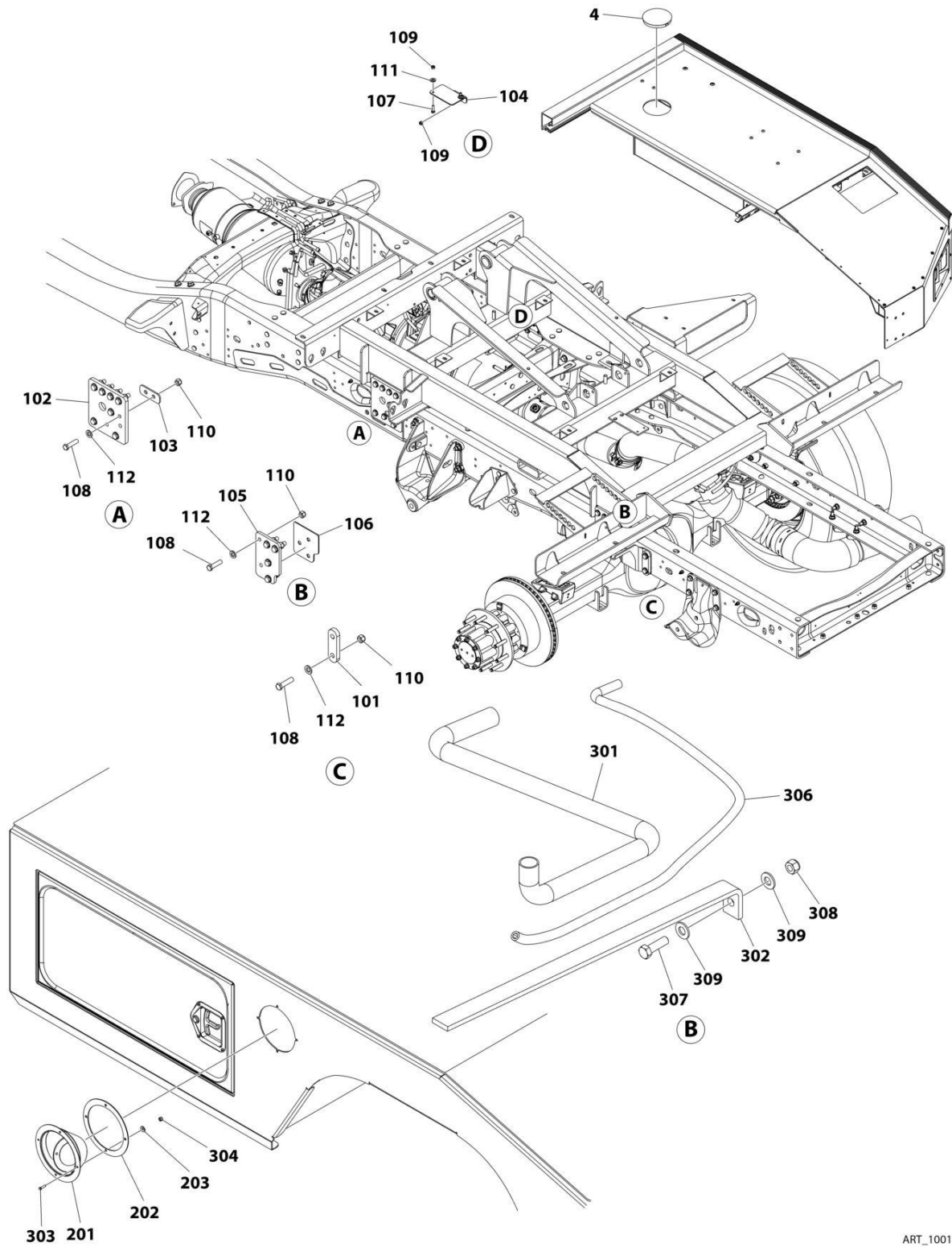
SECTION 1 - SUBFRAME

FIGURE 1-10. CHASSIS MOUNTING KIT - DODGE 2013+ WITH 60IN CA (NGS)

ITEM	PART NUMBER	QTY	DESCRIPTION	REV
	1001160904	Ref	CHASSIS MOUNTING KIT - DODGE 2013+ WITH 60IN CA	A
1	1001160833	Ref	Dodge Subframe Installation (Not Shown) (See Items 101-108 for Breakdown)	
2	2178000062	Ref	Bracket Installation (Not Shown) (See Items 201-203 for Breakdown)	
3	2570000157	Ref	Hose Installation (Not Shown) (See Items 301-308 for Breakdown)	
4	7701000075	1	Plug	
	1001160833	Ref	DODGE SUBFRAME INSTALLATION	B
101	1001160779	2	Shim	
102	1001160831	2	Plate	
103	1001160988	4	Shim	
104	4706006442	2	Plate	
105	4812000142	2	Shim	
106	7115181650	30	Bolt 1/2 x 2	
107	7660182601	30	Nut 1/2	
108	7950180153	30	Washer 1/2	
	2178000062	Ref	BRACKET INSTALLATION	0
201	7449000019	1	Flange	
202	7796000100	1	Gasket	
203	7950100151	4	Washer 3/16	
	2570000157	Ref	HOSE INSTALLATION	A
301	7570000037	1	Hose	
302	4533000415	1	Gas Filler Bracket	
303	7114100610	4	Screw #10 x 1	
304	7660102604	4	Nut #10	
305	5526000553	8	Tie-Strap (Not Shown)	
306	7570000036	AR	Hose Fuel Vent	
307	7115161050	1	Bolt 3/8 x 1-1/4	
308	7660162601	1	Nut 3/8	
309	7950160141	2	Washer 3/8	

SECTION 1 - SUBFRAME

FIGURE 1-11. CHASSIS MOUNTING KIT - DODGE 2013+ WITH 84IN CA (NGS)



ART_1001160905

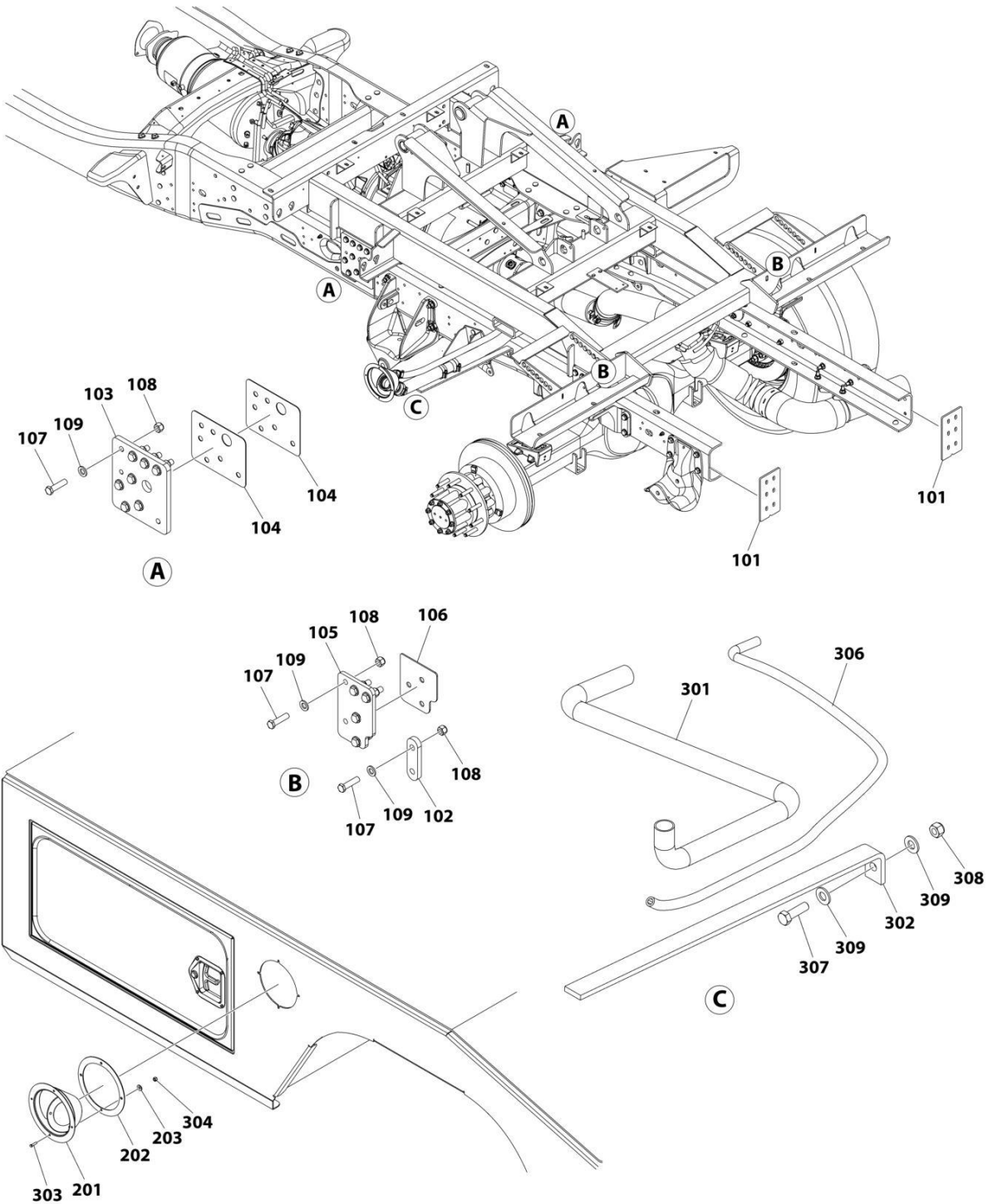
SECTION 1 - SUBFRAME

FIGURE 1-11. CHASSIS MOUNTING KIT - DODGE 2013+ WITH 84IN CA (NGS)

ITEM	PART NUMBER	QTY	DESCRIPTION	REV
	1001160905	Ref	CHASSIS MOUNTING KIT - DODGE 2013+ WITH 84IN CA	A
1	1001160834	Ref	Dodge Subframe Installation (Not Shown) (See Items 101-112 for Breakdown)	
2	2178000062	Ref	Bracket Installation (Not Shown) (See Items 201-203 for Breakdown)	
3	2570000157	Ref	Hose Installation (Not Shown) (See Items 301-309 for Breakdown)	
4	7701000075	1	Plug	
	1001160834	Ref	DODGE SUBFRAME INSTALLATION	B
101	1001160779	2	Shim	
102	1001160831	2	Plate	
103	1001160835	2	Shim	
104	1001160919	1	Bracket	
105	4706006442	2	Plate	
106	4812000142	2	Shim	
107	7115140850	2	Bolt 1/4 x 1	
108	7115181650	30	Bolt 1/2 x 2	
109	7660142601	3	Nut 1/4	
110	7660182601	30	Nut 1/2	
111	7950140153	2	Washer 1/4	
112	7950180153	30	Washer 1/2	
	2178000062	Ref	BRACKET INSTALLATION	0
201	7449000019	1	Flange	
202	7796000100	1	Gasket	
203	7950100151	4	Washer 3/16	
	2570000157	Ref	HOSE INSTALLATION	A
301	7570000037	1	Hose	
302	4533000415	1	Gas Filler Bracket	
303	7114100610	4	Screw #10 x 1	
304	7660102604	4	Nut #10	
305	5526000553	8	Tie-Strap (Not Shown)	
306	7570000036	AR	Hose Fuel Vent	
307	7115161050	1	Bolt 3/8 x 1-1/4	
308	7660162601	1	Nut 3/8	
309	7950160141	2	Washer 3/8	

SECTION 1 - SUBFRAME

FIGURE 1-12. CHASSIS MOUNTING KIT - DODGE 2013+ WITH 60IN CA (NG)



ART_1001297530

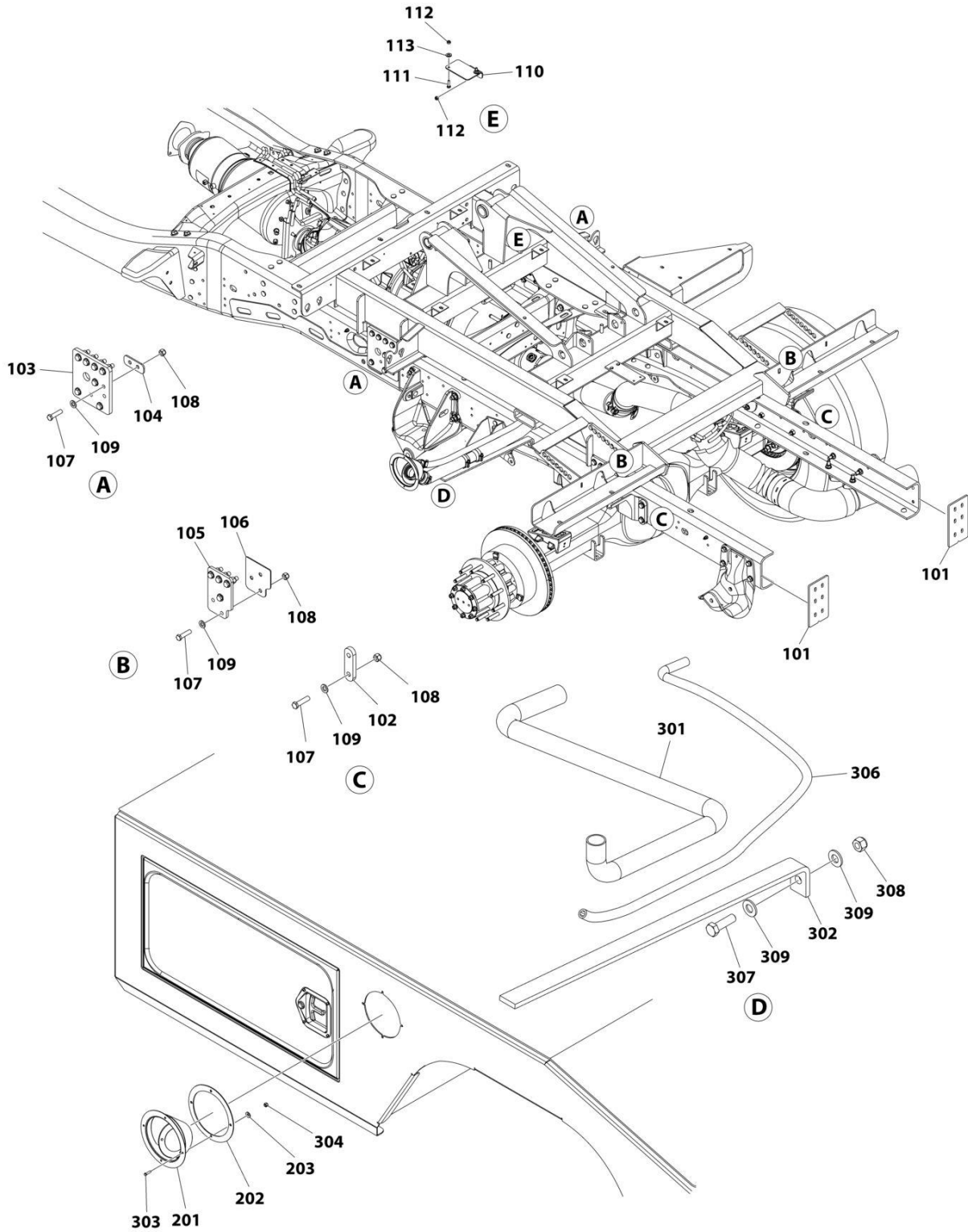
SECTION 1 - SUBFRAME

FIGURE 1-12. CHASSIS MOUNTING KIT - DODGE 2013+ WITH 60IN CA (NG)

ITEM	PART NUMBER	QTY	DESCRIPTION	REV
1	1001297530	Ref	CHASSIS MOUNTING KIT - DODGE 2013+ WITH 60IN CA	A
	1001297527	Ref	Dodge Subframe Installation (Not Shown) (See Items 101-109 for Breakdown)	
2	2178000062	Ref	Bracket Installation (Not Shown) (See Items 201-203 for Breakdown)	
3	2570000157	Ref	Hose Installation (Not Shown) (See Items 301-309 for Breakdown)	B
	1001297527	Ref	DODGE SUBFRAME INSTALLATION	
101	1001296069	2	Plate	
102	1001160779	2	Shim	
103	1001160831	2	Plate	
104	1001160988	4	Shim	
105	4706006442	2	Plate	
106	4812000142	2	Shim	
107	0681816	30	Bolt 1/2 x 2	
108	3271805	30	Nut 1/2	
109	4711800	30	Washer 1/2	0
	2178000062	Ref	BRACKET INSTALLATION	
201	7449000019	1	Flange	
202	7796000100	1	Gasket	
203	7950100151	4	Washer 3/16	A
	2570000157	Ref	HOSE INSTALLATION	
301	7570000037	1	Hose	
302	4533000415	1	Gas Filler Bracket	
303	7114100810	4	Screw #10 x 1	
304	7660102604	4	Nut #10	
305	5526000553	8	Tie-Strap (Not Shown)	
306	7570000036	AR	Hose Fuel Vent	
307	7115161050	1	Bolt 3/8 x 1-1/4	
308	7660162601	1	Nut 3/8	
309	7950160141	2	Washer 3/8	

SECTION 1 - SUBFRAME

FIGURE 1-13. CHASSIS MOUNTING KIT - DODGE 2013+ WITH 84IN CA (NG)



ART_1001297531

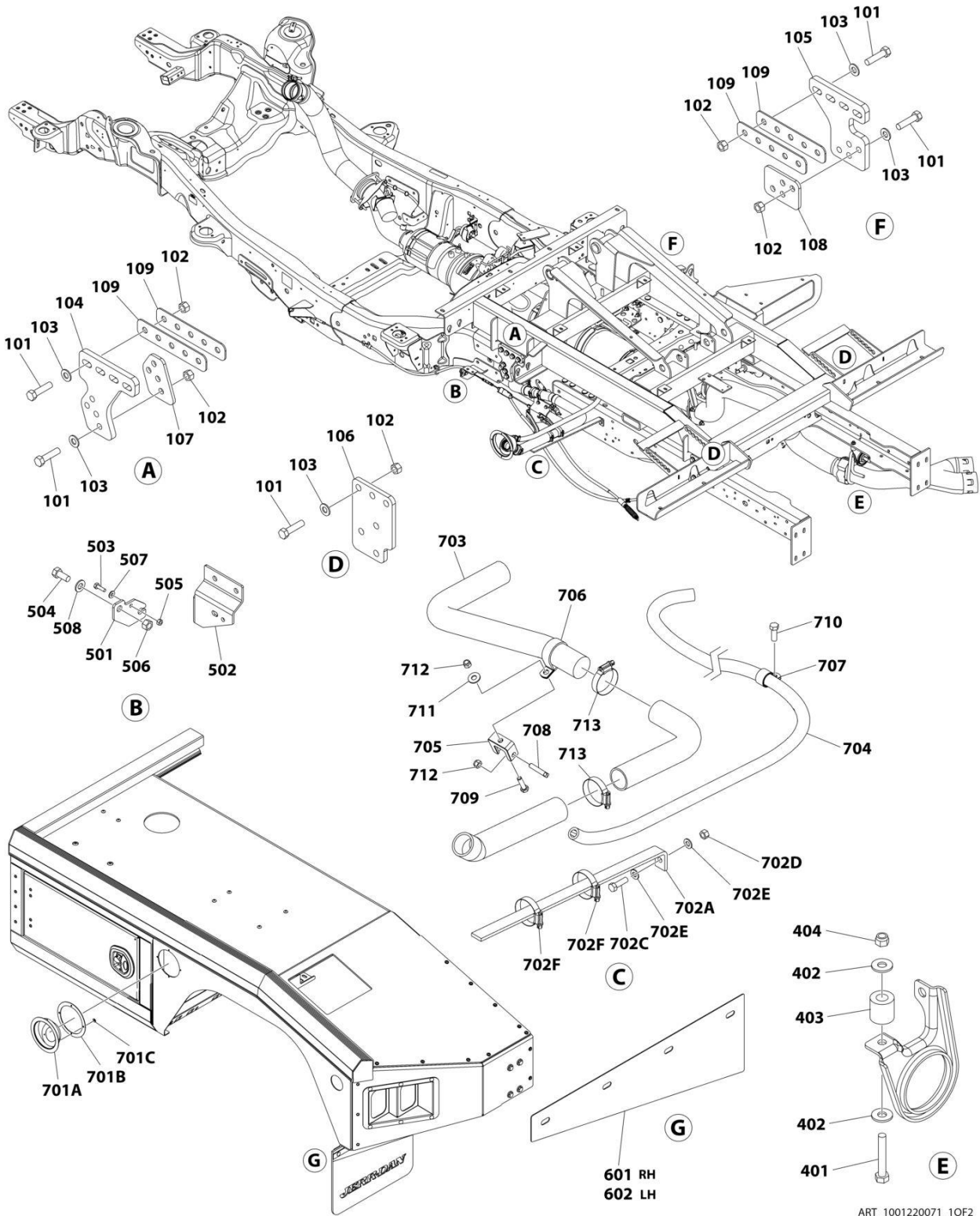
SECTION 1 - SUBFRAME

FIGURE 1-13. CHASSIS MOUNTING KIT - DODGE 2013+ WITH 84IN CA (NG)

ITEM	PART NUMBER	QTY	DESCRIPTION	REV
	1001297531	Ref	CHASSIS MOUNTING KIT - DODGE 2013+ WITH 84IN CA	A
1	1001297528	Ref	Dodge Subframe Installation (Not Shown) (See Items 101-113 for Breakdown)	
2	2178000062	Ref	Bracket Installation (Not Shown) (See Items 201-203 for Breakdown)	
3	2570000157	Ref	Hose Installation (Not Shown) (See Items 301-309 for Breakdown)	
	1001297528	Ref	DODGE SUBFRAME INSTALLATION	B
101	1001296069	2	Plate	
102	1001160779	2	Shim	
103	1001160831	2	Plate	
104	1001160835	2	Shim	
105	4706006442	2	Plate	
106	4812000142	2	Shim	
107	0681816	30	Bolt 1/2 x 2	
108	3271805	30	Nut 1/2	
109	4711800	30	Washer 1/2	
110	1001160919	1	Bracket	
111	0641408	2	Bolt 1/4 x 1	
112	3271405	3	Nut 1/4	
113	4711400	2	Washer 1/4	
	2178000062	Ref	BRACKET INSTALLATION	0
201	7449000019	1	Flange	
202	7796000100	1	Gasket	
203	7950100151	4	Washer 3/16	
	2570000157	Ref	HOSE INSTALLATION	A
301	7570000037	1	Hose	
302	4533000415	1	Gas Filler Bracket	
303	7114100810	4	Screw #10 x 1	
304	7660102604	4	Nut #10	
305	5526000553	8	Tie-Strap (Not Shown)	
306	7570000036	AR	Hose Fuel Vent	
307	7115161050	1	Bolt 3/8 x 1-1/4	
308	7660162601	1	Nut 3/8	
309	7950160141	2	Washer 3/8	

SECTION 1 - SUBFRAME

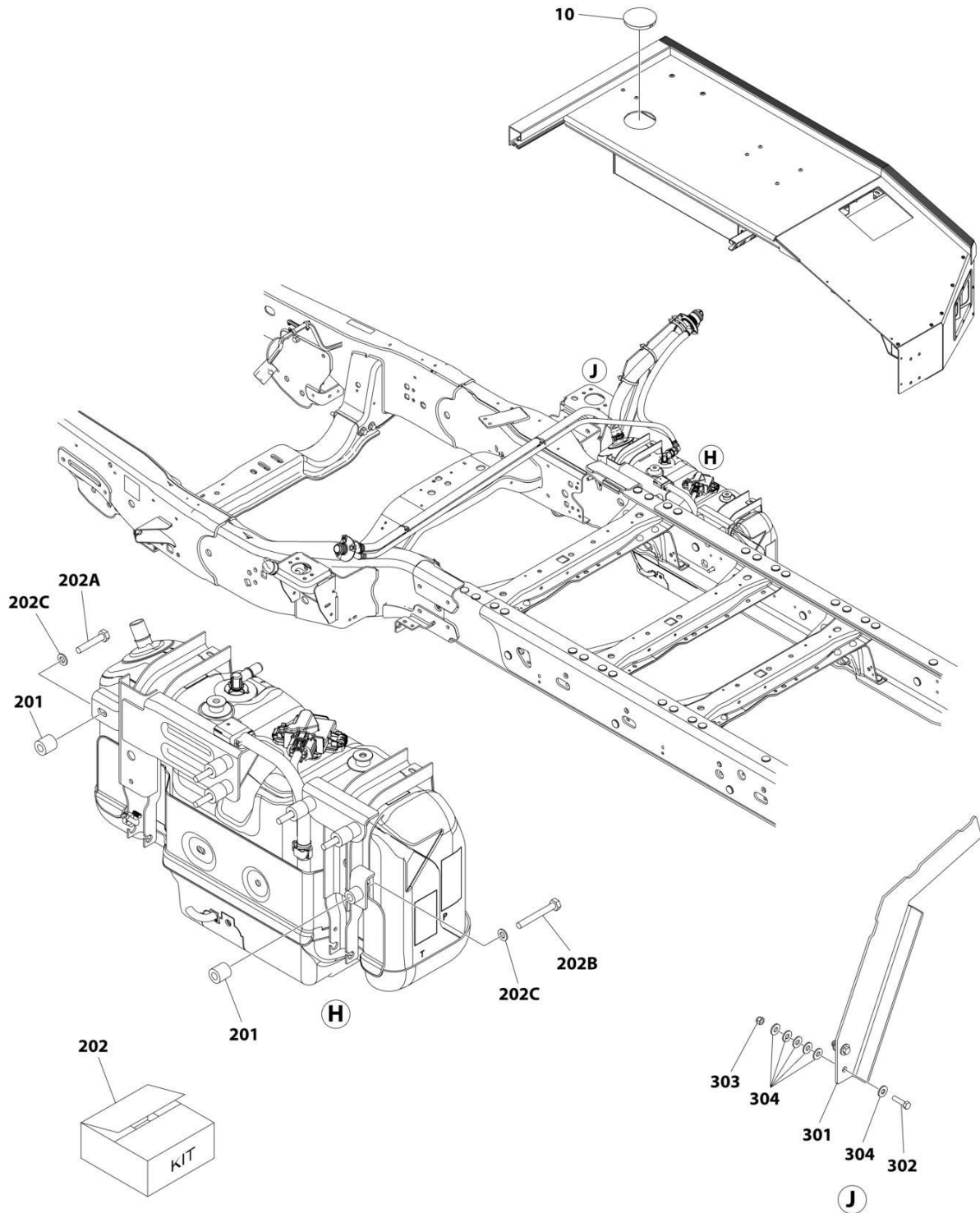
FIGURE 1-14. CHASSIS MOUNTING KIT - FORD DIESEL 2017+ WITH 60IN CA (NGS)



ART_1001220071_10F2

SECTION 1 - SUBFRAME

FIGURE 1-15. CHASSIS MOUNTING KIT - FORD DIESEL 2017+ WITH 60IN CA (NGS)



ART_1001220071_2OF2

SECTION 1 - SUBFRAME

FIGURE 1-15. CHASSIS MOUNTING KIT - FORD DIESEL 2017+ WITH 60IN CA (NGS)

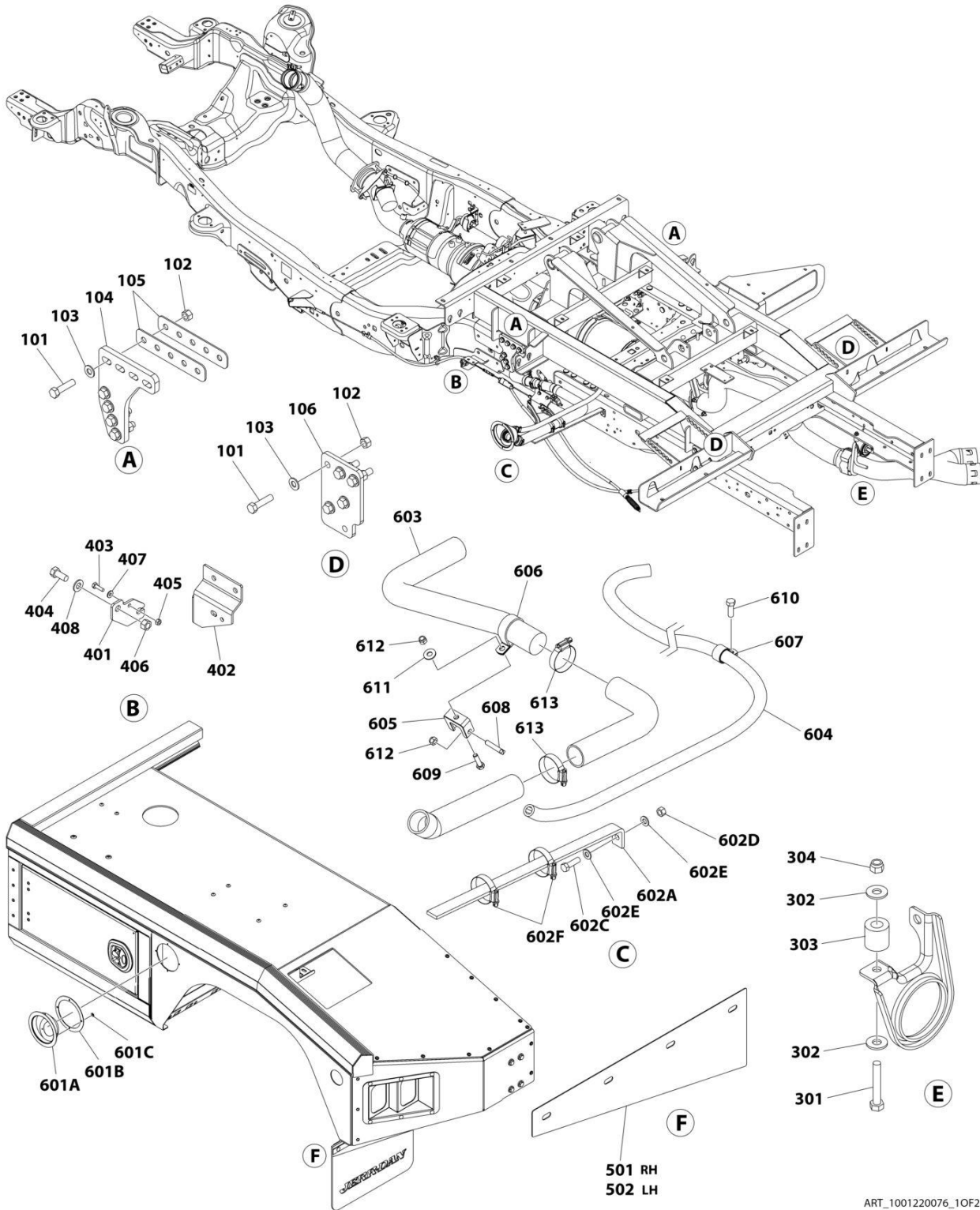
ITEM	PART NUMBER	QTY	DESCRIPTION	REV
	1001220071	Ref	CHASSIS MOUNTING KIT - FORD DIESEL 2017+ WITH 60IN CA	B
1	1001220072	Ref	Subframe Installation (Not Shown) (See Items 101-109 for Breakdown)	
2	1001220832	Ref	Rework DEF Tank Installation (Not Shown) (See Items 201-202 for Breakdown)	
3	1001220909	Ref	Tank Filler Installation (Not Shown) (See Items 301-305 for Breakdown)	
4	1001221001	Ref	Exhaust Rework Installation (Not Shown) (See Items 401-404 for Breakdown)	
5	1001221345	Ref	Brake Cable Installation (Not Shown) (See Items 501-508 for Breakdown)	
6	1001221651	Ref	Anti-Sail Brackets Installation (Not Shown) (See Items 601-602 for Breakdown)	
7	1001224068	Ref	Fuel Filler Installation (Not Shown) (See Items 701-714 for Breakdown)	
10	7701000075	1	Plug	
	1001220072	Ref	SUBFRAME INSTALLATION	B
101	0681816	26	Bolt 1/2 x 2	
102	3271805	26	Nut 1/2	
103	4711800	26	Washer 1/2	
104	1001220073	1	Plate, Saddle	
105	1001220074	1	Plate, Saddle	
106	4706006442	2	Plate, Rear Saddle	
107	1001282025	1	Plate, Saddle (LH)	
108	1001282026	1	Plate, Saddle (RH)	
109	4811001194	4	Plate	
	1001220832	Ref	REWORK DEF TANK INSTALLATION	A
201	1001220833	6	Shim	
202	1001221065	1	Tank Hardware Kit (Not Shown)	
202A	0701019	1	Bolt M10 x 55	
202B	0701024	5	Bolt M10 x 80	
202C	4812000	6	Washer M10	
	1001220909	Ref	TANK FILLER INSTALLATION	B
301	1001221232	1	Bracket	
302	0641510	2	Bolt 5/16 x 1-1/4	
303	7660152601	2	Nut 5/16	
304	4751500	12	Washer 5/16	
305	5526000553	4	Tie-Strap (Not Shown)	
	1001221001	Ref	EXHAUST REWORK INSTALLATION	C
401	0641516	1	Bolt 5/16 x 2	
402	4751500	1	Washer 5/16	
403	1001220833	1	Shim	
404	7660152601	1	Nut 5/16	
	1001221345	Ref	BRAKE CABLE INSTALLTION	A
501	1001221075	1	Plate	
502	1001221138	1	Bracket	
503	0641407	1	Bolt 1/4 x 7/8	
504	0641809	1	Bolt 1/2 x 1-1/8	
505	3311401	1	Nut 1/4	
506	3311801	1	Nut 1/2	
507	4711400	1	Washer 1/4	

SECTION 1 - SUBFRAME

ITEM	PART NUMBER	QTY	DESCRIPTION	REV
508	4711800	1	Washer 1/2	
	1001221651	Ref	ANTI-SAIL BRACKETS INSTALLATION	A
601	1001221652	1	Bracket, Anti-Sail RH	
602	1001221653	1	Bracket, Anti-Sail LH	
	1001224068	Ref	FUEL FILLER INSTALLATION	B
701	2178000062	1	Bracket Installation (Not Shown)	
701A	7449000019	1	Flange	
701B	7796000100	1	Gasket	
701C	7950100151	4	Washer 3/16	
702	2570000171	1	Fuel Filler Support (Not Shown)	
702A	4533000415	1	Gas Filler Bracket	
702B	5526000553	8	Tie-Strap (Not Shown)	
702C	7115161050	1	Bolt 3/8 x 1-1/4	
702D	7660162601	1	Nut 3/8	
702E	7950160141	2	Washer 3/8	
702F	7274000005	2	Clamp	
703	7570000037	1	Hose	
704	7570000017	1	Hose	
705	7274000076	1	Clamp	
706	7274000071	1	Clamp	
707	7274000105	1	Clamp	
708	7785152420	1	Screw 5/16 x 1-1/2	
709	7115151050	1	Bolt 5/16 x 1-1/4	
710	3941506	1	Tap Screw	
711	7950150161	1	Washer 5/16	
712	7660152601	2	Nut 5/16	
713	7274000005	2	Clamp	
714	7443000483	1	Fitting (Not Shown)	

SECTION 1 - SUBFRAME

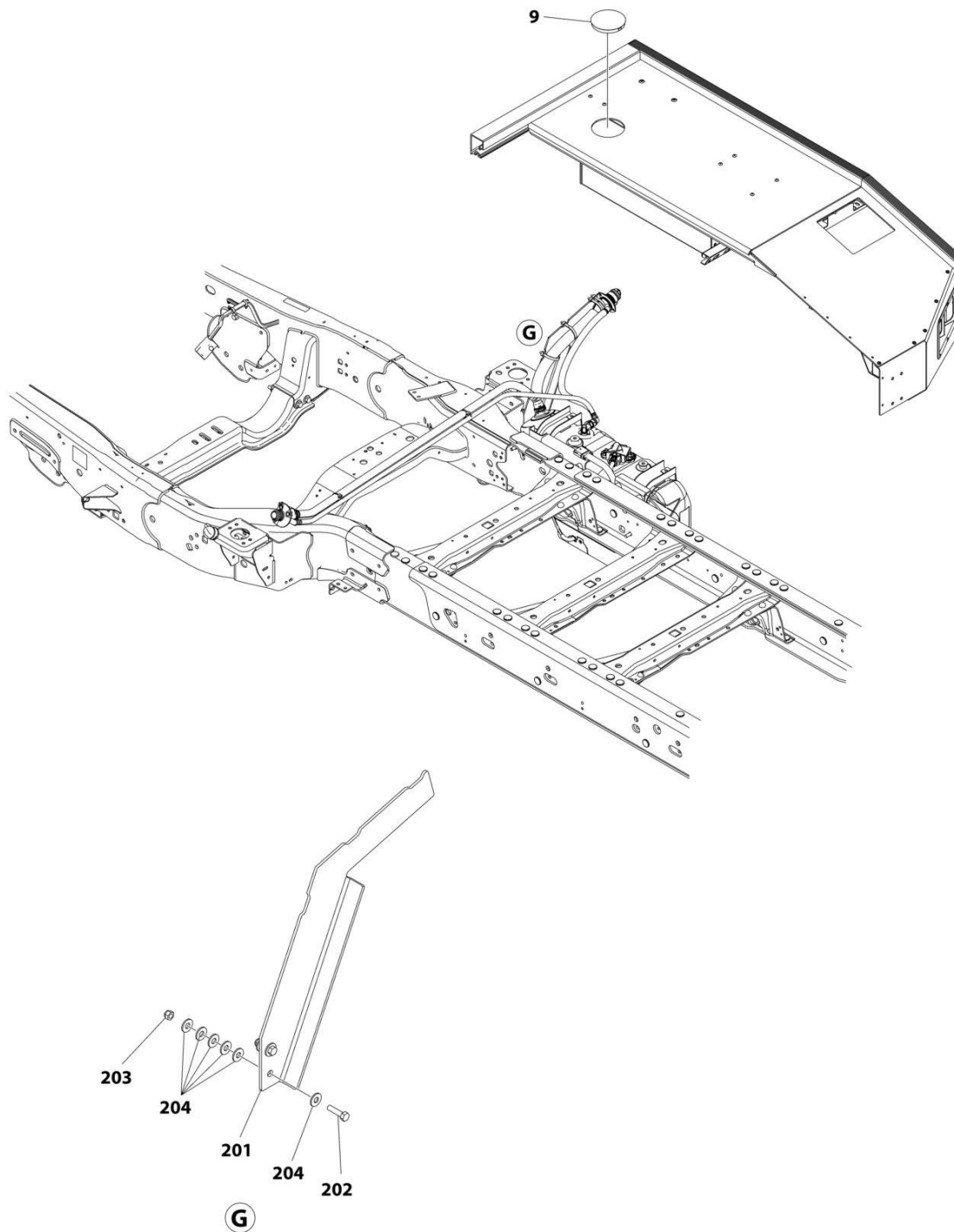
FIGURE 1-16. CHASSIS MOUNTING KIT - FORD DIESEL 2017+ WITH 84IN CA (NGS)



ART_1001220076_10F2

SECTION 1 - SUBFRAME

FIGURE 1-17. CHASSIS MOUNTING KIT - FORD DIESEL 2017+ WITH 84IN CA (NGS)



ART_1001220076_20F2

SECTION 1 - SUBFRAME

FIGURE 1-17. CHASSIS MOUNTING KIT - FORD DIESEL 2017+ WITH 84IN CA (NGS)

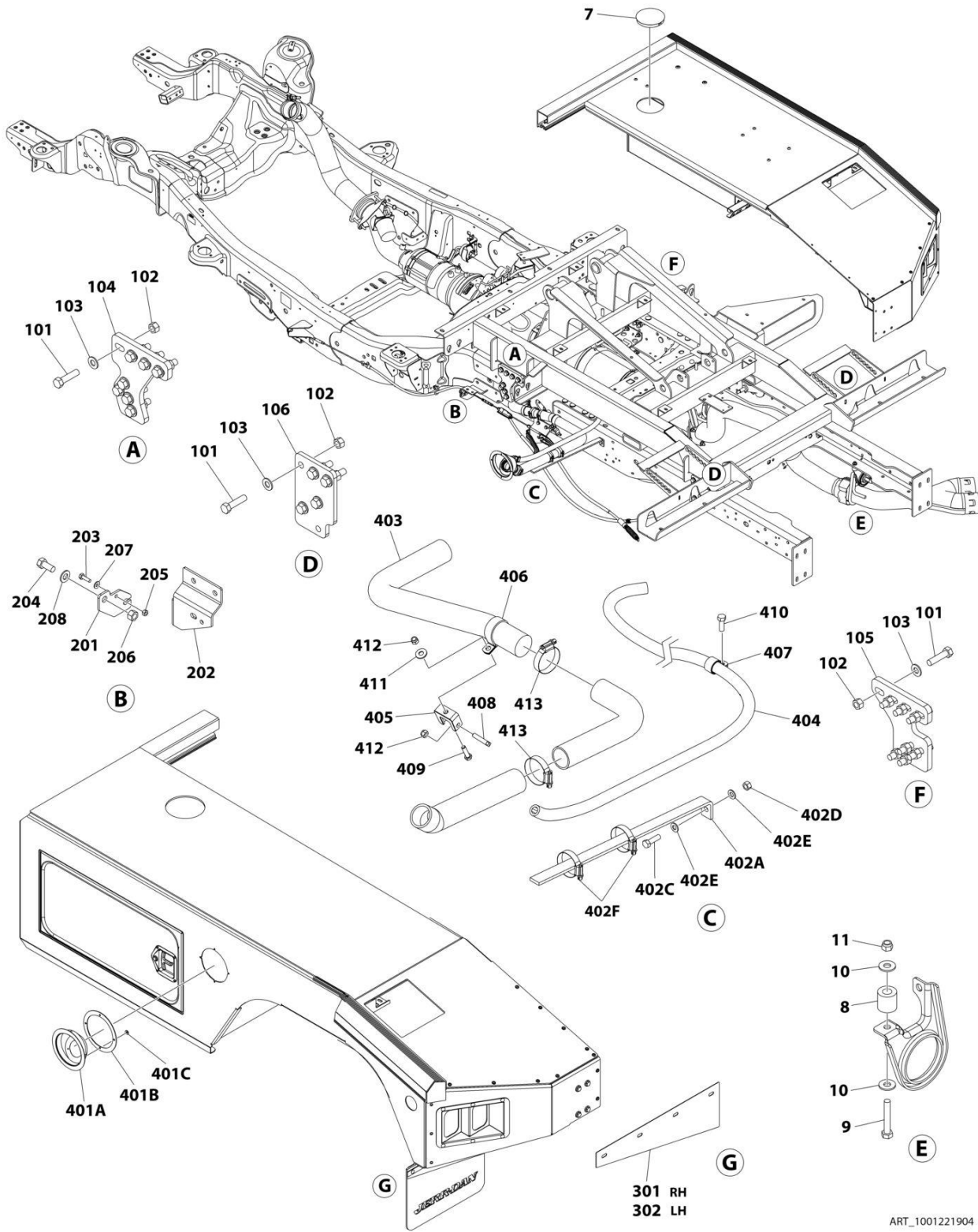
ITEM	PART NUMBER	QTY	DESCRIPTION	REV
	1001220076	Ref	CHASSIS MOUNTING KIT - FORD DIESEL 2017+ WITH 84IN CA	B
1	1001220077	Ref	Subframe Installation (Not Shown) (See Items 101-106 for Breakdown)	
2	1001220909	Ref	Tank Filler Installation (Not Shown) (See Items 201-205 for Breakdown)	
3	1001221001	Ref	Exhaust Rework Installation (Not Shown) (See Items 301-304 for Breakdown)	
4	1001221348	Ref	Brake Cable Installation (Not Shown) (See Items 401-409 for Breakdown)	
5	1001221651	Ref	Anti-Sail Brackets Installation (Not Shown) (See Items 501-502 for Breakdown)	
6	1001224068	Ref	Fuel Filler Installation (Not Shown) (See Items 601-614 for Breakdown)	
9	7701000075	1	Plug	
	1001220077	Ref	SUBFRAME INSTALLATION	A
101	0681816	26	Bolt 1/2 x 2	
102	3271805	26	Nut 1/2	
103	4711800	26	Washer 1/2	
104	1001220078	2	Plate, Saddle	
105	4811001194	4	Plate	
106	4706006442	2	Plate, Rear Saddle	
	1001220909	Ref	TANK FILLER INSTALLATION	B
201	1001221232	1	Bracket	
202	0641510	2	Bolt 5/16 x 1-1/4	
203	7660152601	2	Nut 5/16	
204	4751500	12	Washer 5/16	
205	5526000553	4	Tie-Strap (Not Shown)	
	1001221001	Ref	EXHAUST REWORK INSTALLATION	C
301	0641516	1	Bolt 5/16 x 2	
302	4751500	1	Washer 5/16	
303	1001220833	1	Shim	
304	7660152601	1	Nut 1/3	
	1001221348	Ref	BRAKE CABLE INSTALLATION	A
401	1001221075	1	Plate	
402	1001221138	1	Bracket	
403	0641407	1	Bolt 1/4 x 7/8	
404	0641809	1	Bolt 1/2 x 1-1/8	
405	3311401	1	Nut 1/4	
406	3311801	1	Nut 1/2	
407	4711400	1	Washer 1/4	
408	4711800	1	Washer 1/2	
409	5526000553	1	Tie-Strap (Not Shown)	
	1001221651	Ref	ANTI-SAIL BRACKETS INSTALLATION	A
501	1001221652	1	Bracket, Anti-Sail RH	
502	1001221653	1	Bracket, Anti-Sail LH	
	1001224068	Ref	FUEL FILLER INSTALLATION	B
601	2178000062	1	Bracket Installation (Not Shown)	
601A	7449000019	1	Flange	
601B	7796000100	1	Gasket	
601C	7950100151	4	Washer 3/16	
602	2570000171	1	Fuel Filler Support (Not Shown)	

SECTION 1 - SUBFRAME

ITEM	PART NUMBER	QTY	DESCRIPTION	REV
602A	4533000415	1	Gas Filler Bracket	
602B	5526000553	8	Tie-Strap (Not Shown)	
602C	7115161050	1	Bolt 3/8 x 1-1/4	
602D	7660162601	1	Nut 3/8	
602E	7950160141	2	Washer 3/8	
602F	7274000005	2	Clamp	
603	7570000037	1	Hose	
604	7570000017	1	Hose	
605	7274000076	1	Clamp	
606	7274000071	1	Clamp	
607	7274000105	1	Clamp	
608	7785152420	1	Screw 5/16 x 1-1/2	
609	7115151050	1	Bolt 5/16 x 1-1/4	
610	3941506	1	Tap Screw	
611	7950150161	1	Washer 5/16	
612	7660152601	2	Nut 5/16	
613	7274000005	2	Clamp	
614	7443000483	1	Fitting (Not Shown)	

SECTION 1 - SUBFRAME

FIGURE 1-18. CHASSIS MOUNTING KIT - FORD GAS 2017+ WITH 60IN CA (NGS)



ART_1001221904

SECTION 1 - SUBFRAME

FIGURE 1-18. CHASSIS MOUNTING KIT - FORD GAS 2017+ WITH 60IN CA (NGS)

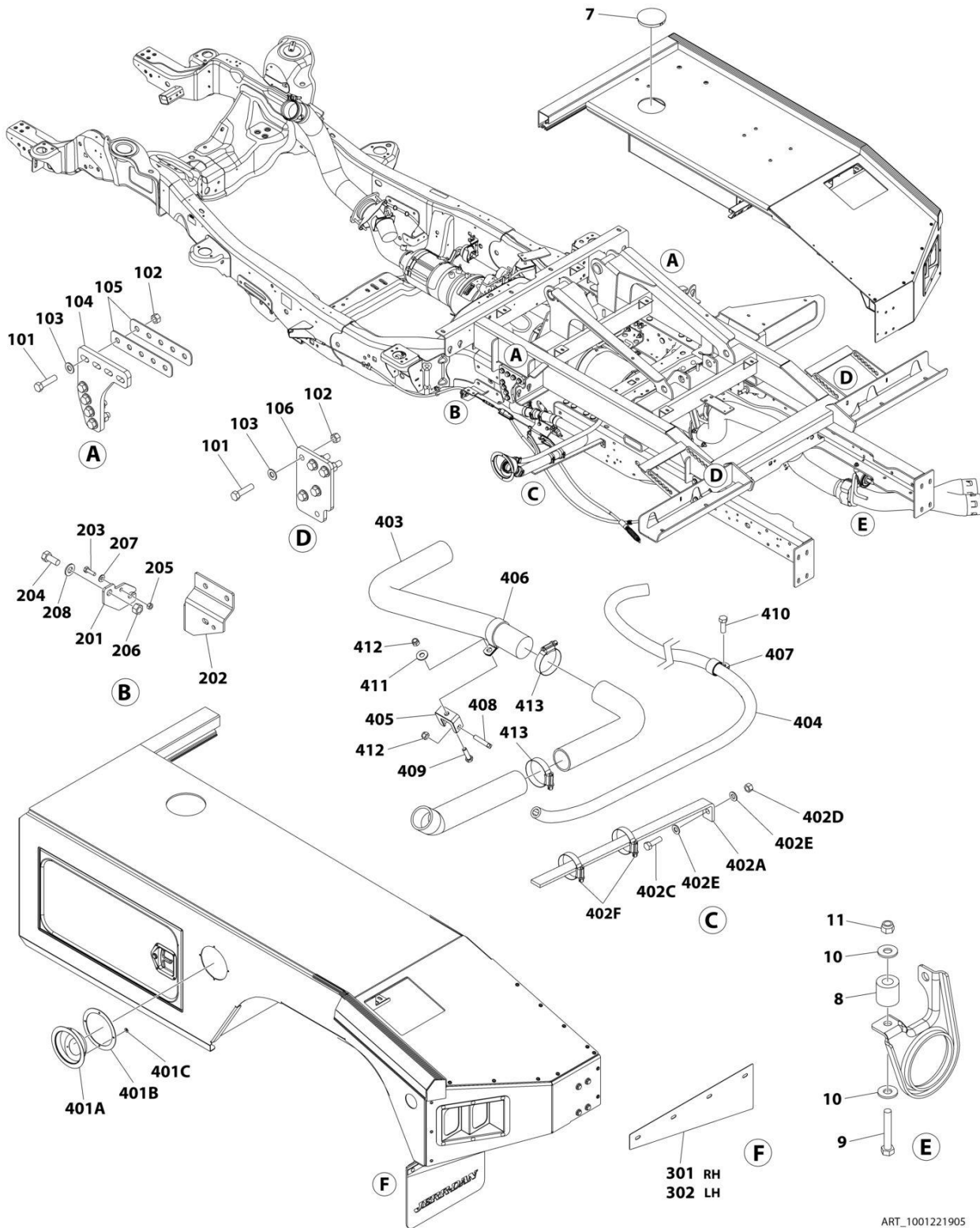
ITEM	PART NUMBER	QTY	DESCRIPTION	REV
	1001221904	Ref	CHASSIS MOUNTING KIT - FORD GAS 2017+ WITH 60IN CA	B
1	1001220072	Ref	Subframe Installation (Not Shown) (See Items 101-106 for Breakdown)	
2	1001221345	Ref	Brake Cable Installation (Not Shown) (See Items 201-208 for Breakdown)	
3	1001221651	Ref	Anti-Sail Brackets Installation (Not Shown) (See Items 301-302 for Breakdown)	
4	1001224068	Ref	Fuel Filler Installation (Not Shown) (See Items 401-414 for Breakdown)	
7	7701000075	1	Plug	
8	1001220833	1	Shim	
9	0641516	1	Bolt 5/16 x 2	
10	4751500	2	Washer 5/16	
11	7660152601	1	Nut 5/16	
	1001220072	Ref	SUBFRAME INSTALLATION	A
101	0681816	26	Bolt 1/2 x 2	
102	3271805	26	Nut 1/2	
103	4711800	26	Washer 1/2	
104	1001220073	1	Plate	
105	1001220074	1	Plate	
106	4706006442	2	Plate	
	1001221345	Ref	BRAKE CABLE INSTALLTION	A
201	1001221075	1	Plate	
202	1001221138	1	Bracket	
203	0641407	1	Bolt 1/4 x 7/8	
204	0641809	1	Bolt 1/2 x 1-1/8	
205	3311401	1	Nut 1/4	
206	3311801	1	Nut 1/2	
207	4711400	1	Washer 1/4	
208	4711800	1	Washer 1/2	
	1001221651	Ref	ANTI-SAIL BRACKETS INSTALLATION	A
301	1001221652	1	Bracket, RH	
302	1001221653	1	Bracket, LH	
	1001224068	Ref	FUEL FILLER INSTALLATION	B
401	2178000062	1	Bracket Installation (Not Shown)	
401A	7449000019	1	Flange	
401B	7796000100	1	Gasket	
401C	7950100151	4	Washer 3/16	
402	2570000171	1	Fuel Filler Support (Not Shown)	
402A	4533000415	1	Gas Filler Bracket	
402B	5526000553	8	Tie-Strap (Not Shown)	
402C	7115161050	1	Bolt 3/8 x 1-1/4	
402D	7660162601	1	Nut 3/8	
402E	7950160141	2	Washer 3/8	
402F	7274000005	2	Clamp	
403	7570000037	1	Hose	
404	7570000017	1	Hose	
405	7274000076	1	Clamp	
406	7274000071	1	Clamp	
407	7274000105	1	Clamp	

SECTION 1 - SUBFRAME

ITEM	PART NUMBER	QTY	DESCRIPTION	REV
408	7785152420	1	Screw 5/16 x 1-1/2	
409	7115151050	1	Bolt 5/16 x 1-1/4	
410	3941506	1	Tap Screw	
411	7950150161	1	Washer 5/16	
412	7660152601	2	Nut 5/16	
413	7274000005	2	Clamp	
414	7443000483	1	Fitting (Not Shown)	

SECTION 1 - SUBFRAME

FIGURE 1-19. CHASSIS MOUNTING KIT - FORD GAS 2017+ WITH 84IN CA (NGS)



ART_1001221905

SECTION 1 - SUBFRAME

FIGURE 1-19. CHASSIS MOUNTING KIT - FORD GAS 2017+ WITH 84IN CA (NGS)

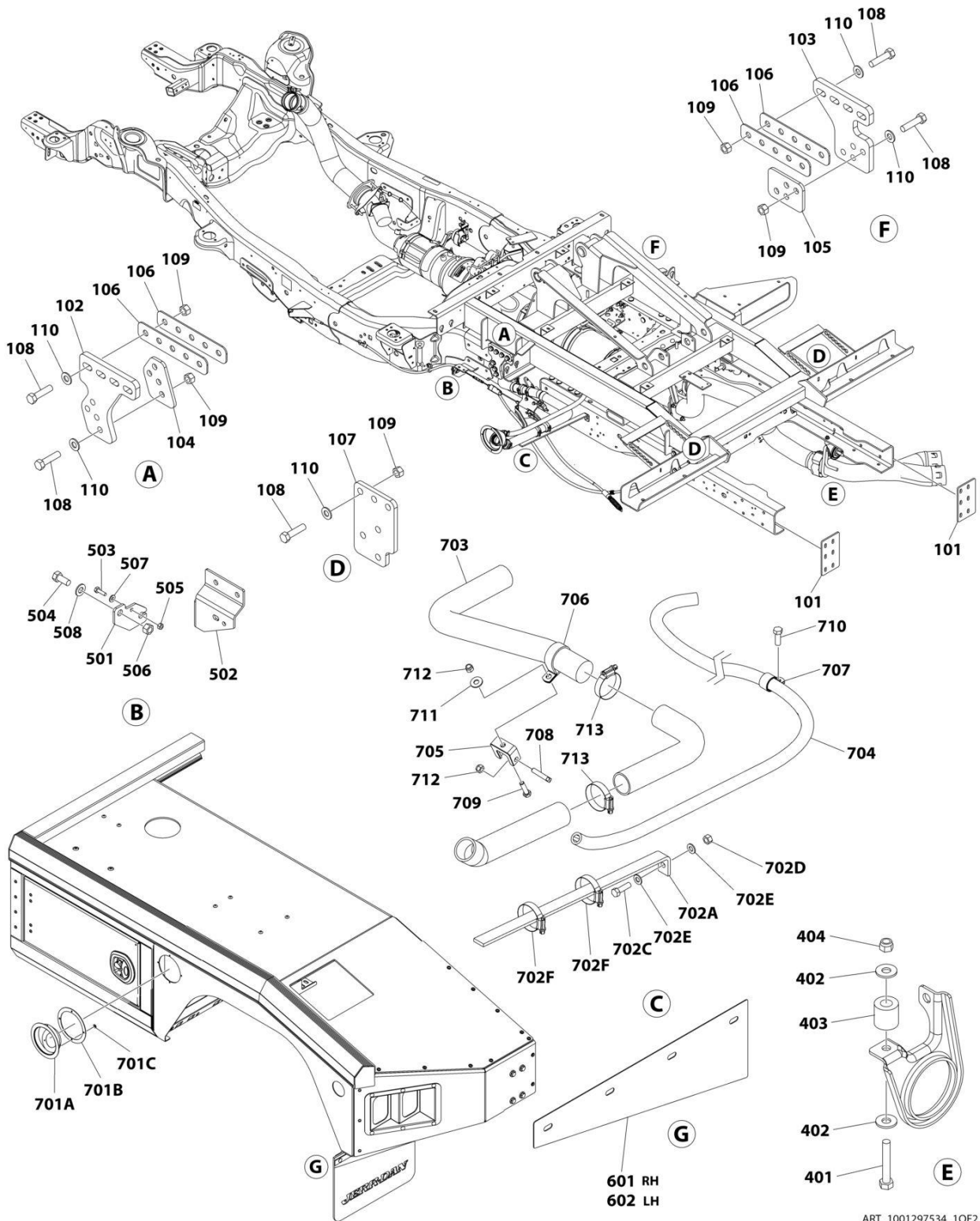
ITEM	PART NUMBER	QTY	DESCRIPTION	REV
	1001221905	Ref	CHASSIS MOUNTING KIT - FORD GAS 2017+ WITH 84IN CA	B
1	1001220077	Ref	Subframe Installation (Not Shown) (See Items 101-106 for Breakdown)	
2	1001221348	Ref	Brake Cable Installation (Not Shown) (See Items 201-209 for Breakdown)	
3	1001221651	Ref	Anti-Sail Brackets Installation (Not Shown) (See Items 301-302 for Breakdown)	
4	1001224068	Ref	Fuel Filler Installation (Not Shown) (See Items 401-414 for Breakdown)	
7	7701000075	1	Plug	
8	1001220833	1	Shim	
9	0641516	1	Bolt 5/16 x 2	
10	4751500	2	Washer 5/16	
11	7660152601	1	Nut 5/16	
	1001220077	Ref	SUBFRAME INSTALLATION	A
101	0681816	26	Bolt 1/2 x 2	
102	3271805	26	Nut 1/2	
103	4711800	26	Washer 1/2	
104	1001220078	2	Plate, Saddle	
105	4811001194	4	Plate	
106	4706006442	2	Plate, Rear Saddle	
	1001221348	Ref	BRAKE CABLE INSTALLATION	A
201	1001221075	1	Plate	
202	1001221138	1	Bracket	
203	0641407	1	Bolt 1/4 x 7/8	
204	0641809	1	Bolt 1/2 x 1-1/8	
205	3311401	1	Nut 1/4	
206	3311801	1	Nut 1/2	
207	4711400	1	Washer 1/4	
208	4711800	1	Washer 1/2	
209	5526000553	1	Tie-Strap (Not Shown)	
	1001221651	Ref	ANTI-SAIL BRACKETS INSTALLATION	A
301	1001221652	1	Bracket, RH	
302	1001221653	1	Bracket, LH	
	1001224068	Ref	FUEL FILLER INSTALLATION	B
401	2178000062	1	Bracket Installation (Not Shown)	
401A	7449000019	1	Flange	
401B	7796000100	1	Gasket	
401C	7950100151	4	Washer 3/16	
402	2570000171	1	Fuel Filler Support (Not Shown)	
402A	4533000415	1	Gas Filler Bracket	
402B	5526000553	8	Tie-Strap (Not Shown)	
402C	7115161050	1	Bolt 3/8 x 1-1/4	
402D	7660162601	1	Nut 3/8	
402E	7950160141	2	Washer 3/8	
402F	7274000005	2	Clamp	
403	7570000037	1	Hose	
404	7570000017	1	Hose	
405	7274000076	1	Clamp	
406	7274000071	1	Clamp	

SECTION 1 - SUBFRAME

ITEM	PART NUMBER	QTY	DESCRIPTION	REV
407	7274000105	1	Clamp	
408	7785152420	1	Screw 5/16 x 1-1/2	
409	7115151050	1	Bolt 5/16 x 1-1/4	
410	3941506	1	Tap Screw	
411	7950150161	1	Washer 5/16	
412	7660152601	2	Nut 5/16	
413	7274000005	2	Clamp	
414	7443000483	1	Fitting	

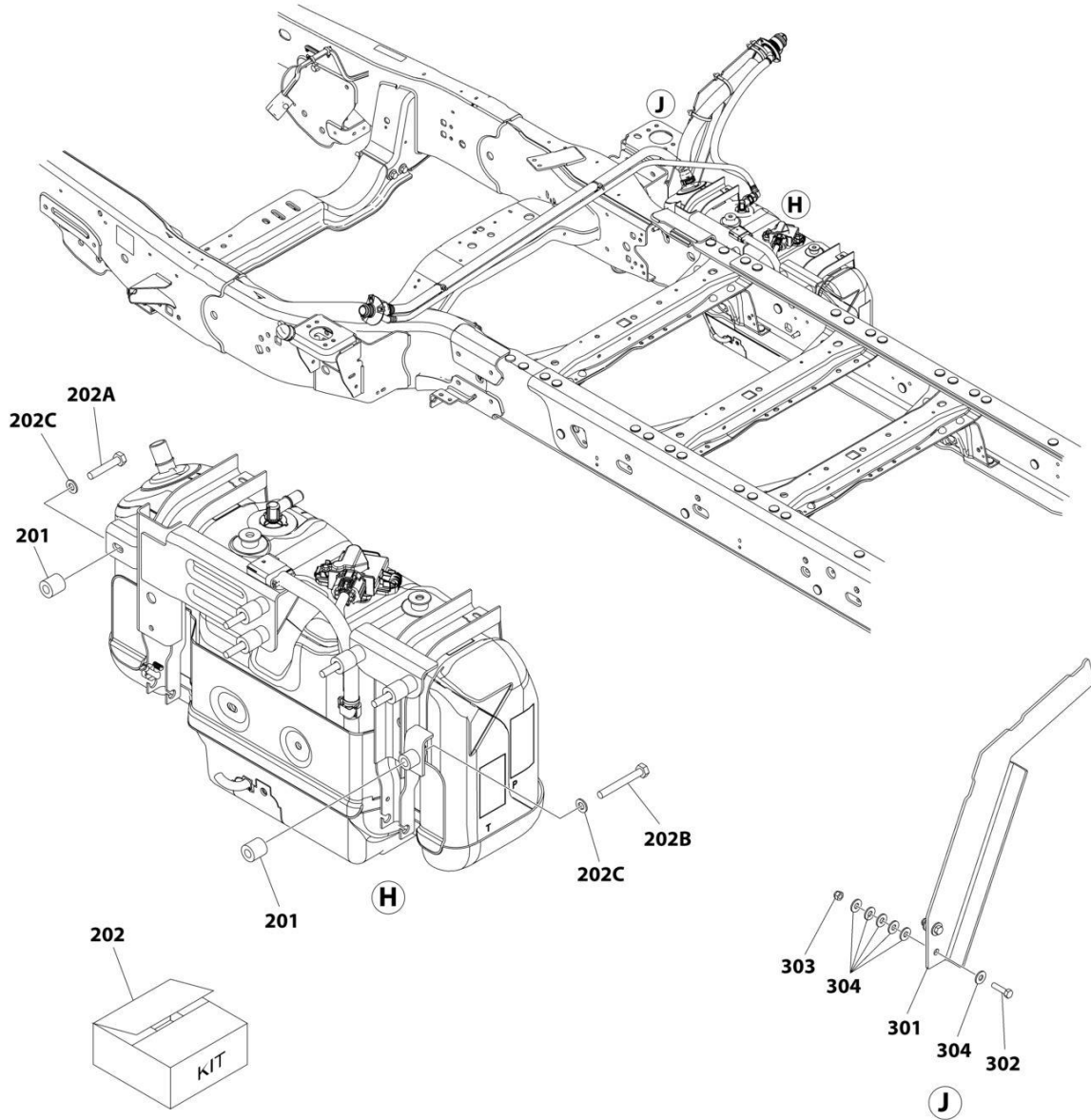
SECTION 1 - SUBFRAME

FIGURE 1-20. CHASSIS MOUNTING KIT - FORD DIESEL 2017+ WITH 60IN CA (NG)



SECTION 1 - SUBFRAME

FIGURE 1-21. CHASSIS MOUNTING KIT - FORD DIESEL 2017+ WITH 60IN CA (NG)



ART_1001297534_2OF2

SECTION 1 - SUBFRAME

FIGURE 1-21. CHASSIS MOUNTING KIT - FORD DIESEL 2017+ WITH 60IN CA (NG)

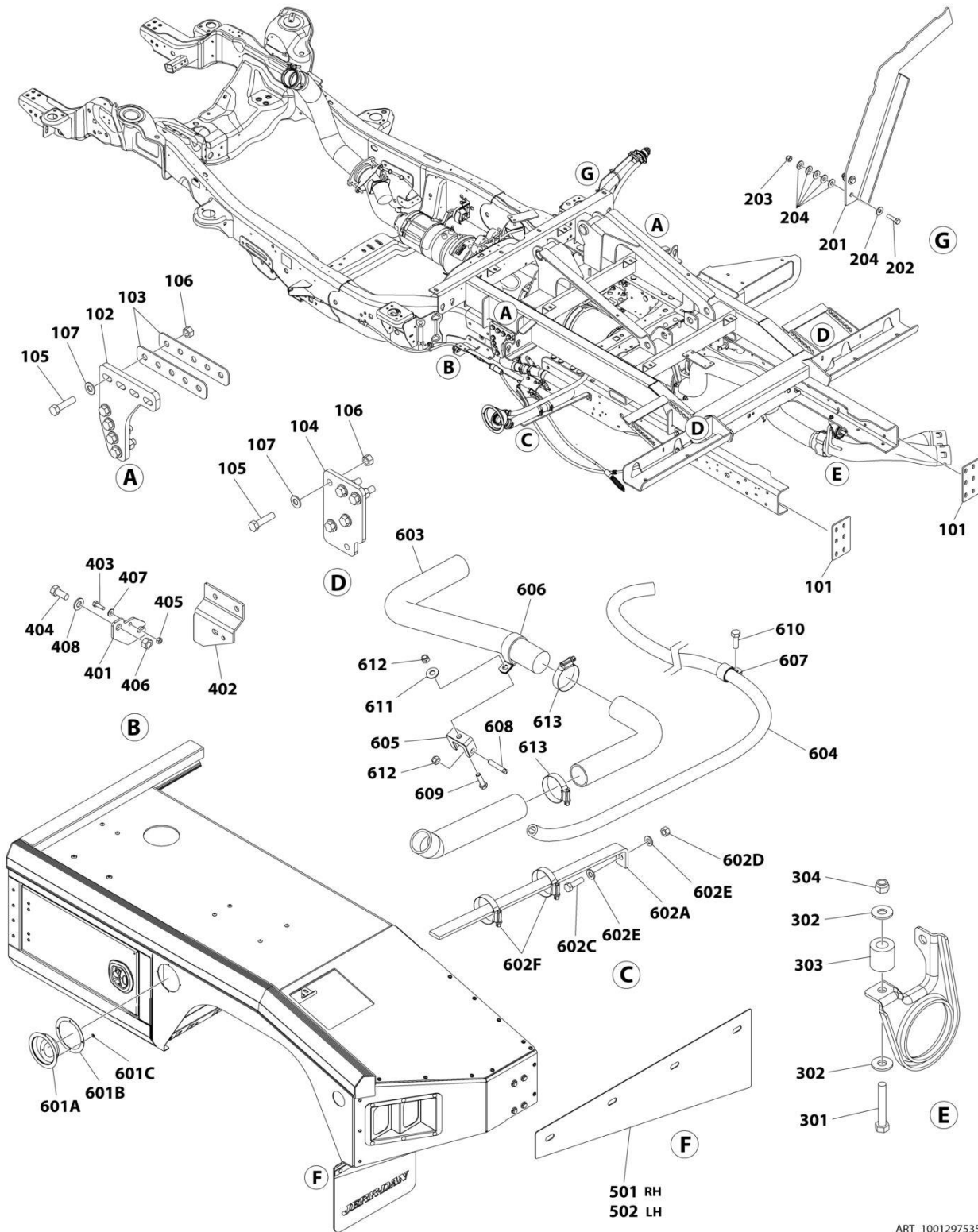
ITEM	PART NUMBER	QTY	DESCRIPTION	REV
	1001297534	Ref	CHASSIS MOUNTING KIT - FORD DIESEL 2017+ WITH 60IN CA	A
1	1001297465	Ref	Subframe Installation (Not Shown) (See Items 101-110 for Breakdown)	
2	1001220832	Ref	Rework DEF Tank Installation (Not Shown) (See Items 201-202 for Breakdown)	
3	1001220909	Ref	Tank Filler Installation (Not Shown) (See Items 301-305 for Breakdown)	
4	1001221001	Ref	Exhaust Rework Installation (Not Shown) (See Items 401-404 for Breakdown)	
5	1001221345	Ref	Brake Cable Installation (Not Shown) (See Items 501-508 for Breakdown)	
6	1001221651	Ref	Anti-Sail Brackets Installation (Not Shown) (See Items 601-602 for Breakdown)	
7	1001224068	Ref	Fuel Filler Installation (Not Shown) (See Items 701-714 for Breakdown)	
	1001297465	Ref	SUBFRAME INSTALLATION	B
101	1001296069	2	Plate	
102	1001220073	1	Plate, Saddle	
103	1001220074	1	Plate, Saddle	
104	1001282025	1	Plate, Saddle (LH)	
105	1001282026	1	Plate, Saddle (RH)	
106	4811001194	4	Plate	
107	4706006442	2	Plate, Rear Saddle	
108	0681816	26	Bolt 1/2 x 2	
109	3271805	26	Nut 1/2	
110	4711800	26	Washer 1/2	
	1001220832	Ref	REWORK DEF TANK INSTALLATION	A
201	1001220833	6	Shim	
202	1001221065	1	Tank Hardware Kit	
202A	0701019	1	Bolt M10 x 55	
202B	0701024	5	Bolt M10 x 80	
202C	4812000	6	Washer M10	
	1001220909	Ref	TANK FILLER INSTALLATION	B
301	1001221232	1	Bracket	
302	0641510	2	Bolt 5/16 x 1-1/4	
303	7660152601	2	Nut 5/16	
304	4751500	12	Washer 5/16	
305	5526000553	4	Tie-Strap (Not Shown)	
	1001221001	Ref	EXHAUST REWORK INSTALLATION	C
401	0641516	1	Bolt 5/16 x 2	
402	4751500	2	Washer 5/16	
403	1001220833	1	Shim	
404	7660152601	1	Nut 5/16	
	1001221345	Ref	BRAKE CABLE INSTALLTION	A
501	1001221075	1	Plate	
502	1001221138	1	Bracket	
503	0641407	1	Bolt 1/4 x 7/8	
504	0641809	1	Bolt 1/2 x 1-1/8	
505	3311401	1	Nut 1/4	
506	3311801	1	Nut 1/2	
507	4711400	1	Washer 1/4	

SECTION 1 - SUBFRAME

ITEM	PART NUMBER	QTY	DESCRIPTION	REV
508	4711800	1	Washer 1/2	
	1001221651	Ref	ANTI-SAIL BRACKETS INSTALLATION	A
601	1001221652	1	Bracket, Anti-Sail RH	
602	1001221653	1	Bracket, Anti-Sail LH	
	1001224068	Ref	FUEL FILLER INSTALLATION	B
701	2178000062	1	Bracket Installation (Not Shown)	
701A	7449000019	1	Flange	
701B	7796000100	1	Gasket	
701C	7950100151	4	Washer 3/16	
702	2570000171	1	Fuel Filler Support (Not Shown)	
702A	4533000415	1	Gas Filler Bracket	
702B	5526000553	8	Tie-Strap (Not Shown)	
702C	7115161050	1	Bolt 3/8 x 1-1/4	
702D	7660162601	1	Nut 3/8	
702E	7950160141	2	Washer 3/8	
702F	7274000005	2	Clamp	
703	7570000037	1	Hose	
704	7570000017	1	Hose	
705	7274000076	1	Clamp	
706	7274000071	1	Clamp	
707	7274000105	1	Clamp	
708	7785152420	1	Screw 5/16 x 1-1/2	
709	7115151050	1	Bolt 5/16 x 1-1/4	
710	3941506	1	Tap Screw	
711	7950150161	1	Washer 5/16	
712	7660152601	2	Nut 5/16	
713	7274000005	2	Clamp	
714	7443000483	1	Fitting (Not Shown)	

SECTION 1 - SUBFRAME

FIGURE 1-22. CHASSIS MOUNTING KIT - FORD DIESEL 2017+ WITH 84IN CA (NG)



ART_1001297535

SECTION 1 - SUBFRAME

FIGURE 1-22. CHASSIS MOUNTING KIT - FORD DIESEL 2017+ WITH 84IN CA (NG)

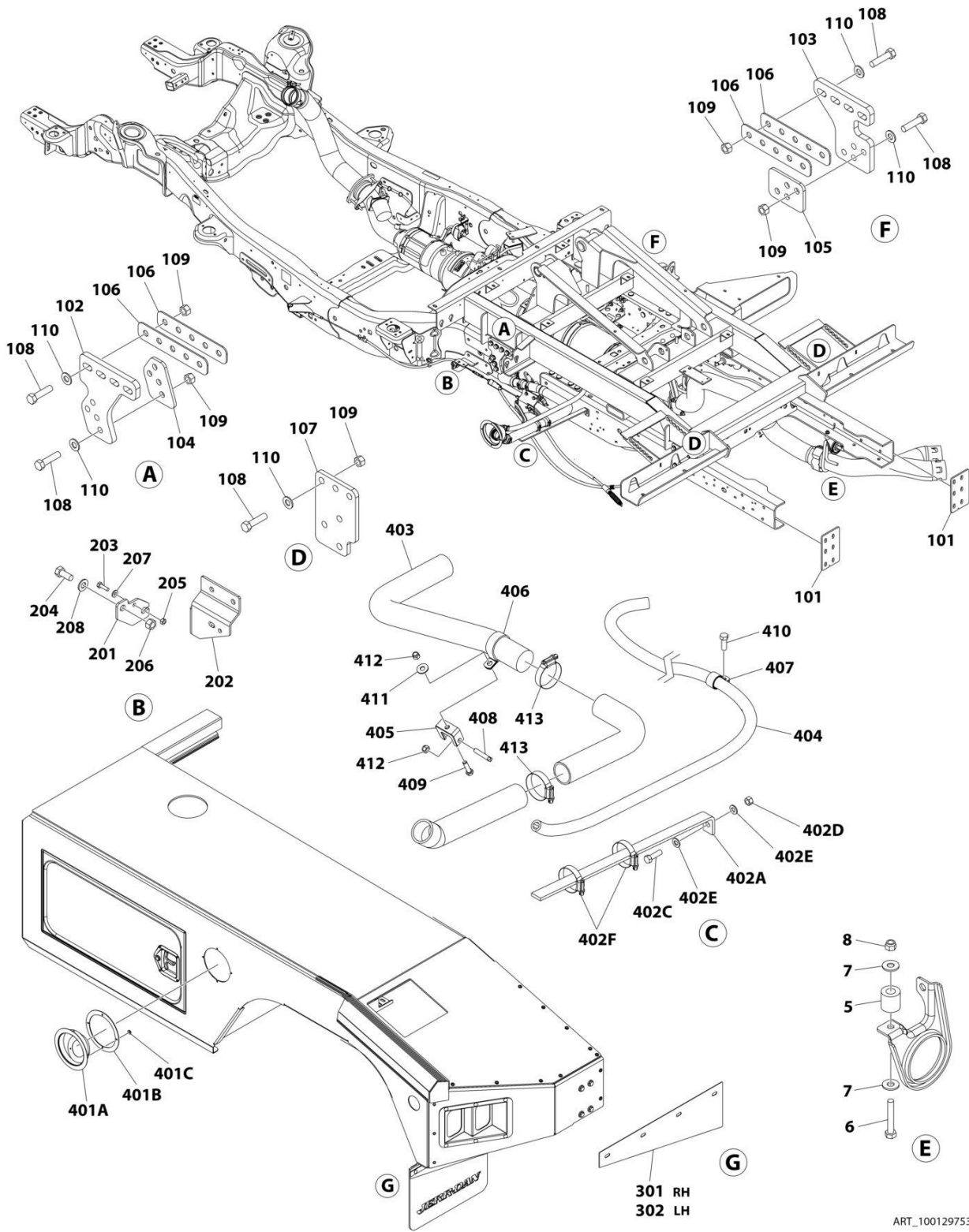
ITEM	PART NUMBER	QTY	DESCRIPTION	REV
	1001297535	Ref	CHASSIS MOUNTING KIT - FORD DIESEL 2017+ WITH 84IN CA	A
1	1001297526	Ref	Subframe Installation (Not Shown) (See Items 101-107 for Breakdown)	
2	1001220909	Ref	Tank Filler Installation (Not Shown) (See Items 201-205 for Breakdown)	
3	1001221001	Ref	Exhaust Rework Installation (Not Shown) (See Items 301-304 for Breakdown)	
4	1001221348	Ref	Brake Cable Installation (Not Shown) (See Items 401-409 for Breakdown)	
5	1001221651	Ref	Anti-Sail Brackets Installation (Not Shown) (See Items 501-502 for Breakdown)	
6	1001224068	Ref	Fuel Filler Installation (Not Shown) (See Items 601-614 for Breakdown)	
	1001297526	Ref	SUBFRAME INSTALLATION	B
101	1001296069	2	Plate	
102	1001220078	2	Plate, Saddle	
103	4811001194	4	Plate	
104	4706006442	2	Plate, Rear Saddle	
105	0681816	26	Bolt 1/2 x 2	
106	3271805	26	Nut 1/2	
107	4711800	26	Washer 1/2	
	1001220909	Ref	TANK FILLER INSTALLATION	B
201	1001221232	1	Bracket	
202	0641510	2	Bolt 5/16 x 1-1/4	
203	7660152601	2	Nut 5/16	
204	4751500	12	Washer 5/16	
205	5526000553	4	Tie-Strap (Not Shown)	
	1001221001	Ref	EXHAUST REWORK INSTALLATION	C
301	0641516	1	Bolt 5/16 x 2	
302	4751500	2	Washer 5/16	
303	1001220833	1	Shim	
304	7660152601	1	Nut 1/3	
	1001221348	Ref	BRAKE CABLE INSTALLATION	A
401	1001221075	1	Plate	
402	1001221138	1	Bracket	
403	0641407	1	Bolt 1/4 x 7/8	
404	0641809	1	Bolt 1/2 x 1-1/8	
405	3311401	1	Nut 1/4	
406	3311801	1	Nut 1/2	
407	4711400	1	Washer 1/4	
408	4711800	1	Washer 1/2	
409	5526000553	1	Tie-Strap (Not Shown)	
	1001221651	Ref	ANTI-SAIL BRACKETS INSTALLATION	A
501	1001221652	1	Bracket, Anti-Sail RH	
502	1001221653	1	Bracket, Anti-Sail LH	
	1001224068	Ref	FUEL FILLER INSTALLATION	B
601	2178000062	1	Bracket Installation (Not Shown)	
601A	7449000019	1	Flange	
601B	7796000100	1	Gasket	
601C	7950100151	4	Washer 3/16	
602	2570000171	1	Fuel Filler Support (Not Shown)	

SECTION 1 - SUBFRAME

ITEM	PART NUMBER	QTY	DESCRIPTION	REV
602A	4533000415	1	Gas Filler Bracket	
602B	5526000553	8	Tie-Strap (Not Shown)	
602C	7115161050	1	Bolt 3/8 x 1-1/4	
602D	7660162601	1	Nut 3/8	
602E	7950160141	2	Washer 3/8	
602F	7274000005	2	Clamp	
603	7570000037	1	Hose	
604	7570000017	1	Hose	
605	7274000076	1	Clamp	
606	7274000071	1	Clamp	
607	7274000105	1	Clamp	
608	7785152420	1	Screw 5/16 x 1-1/2	
609	7115151050	1	Bolt 5/16 x 1-1/4	
610	3941506	1	Tap Screw	
611	7950150161	1	Washer 5/16	
612	7660152601	2	Nut 5/16	
613	7274000005	2	Clamp	
614	7443000483	1	Fitting (Not Shown)	

SECTION 1 - SUBFRAME

FIGURE 1-23. CHASSIS MOUNTING KIT - FORD GAS 2017+ WITH 60IN CA (NG)



ART_1001297536

SECTION 1 - SUBFRAME

FIGURE 1-23. CHASSIS MOUNTING KIT - FORD GAS 2017+ WITH 60IN CA (NG)

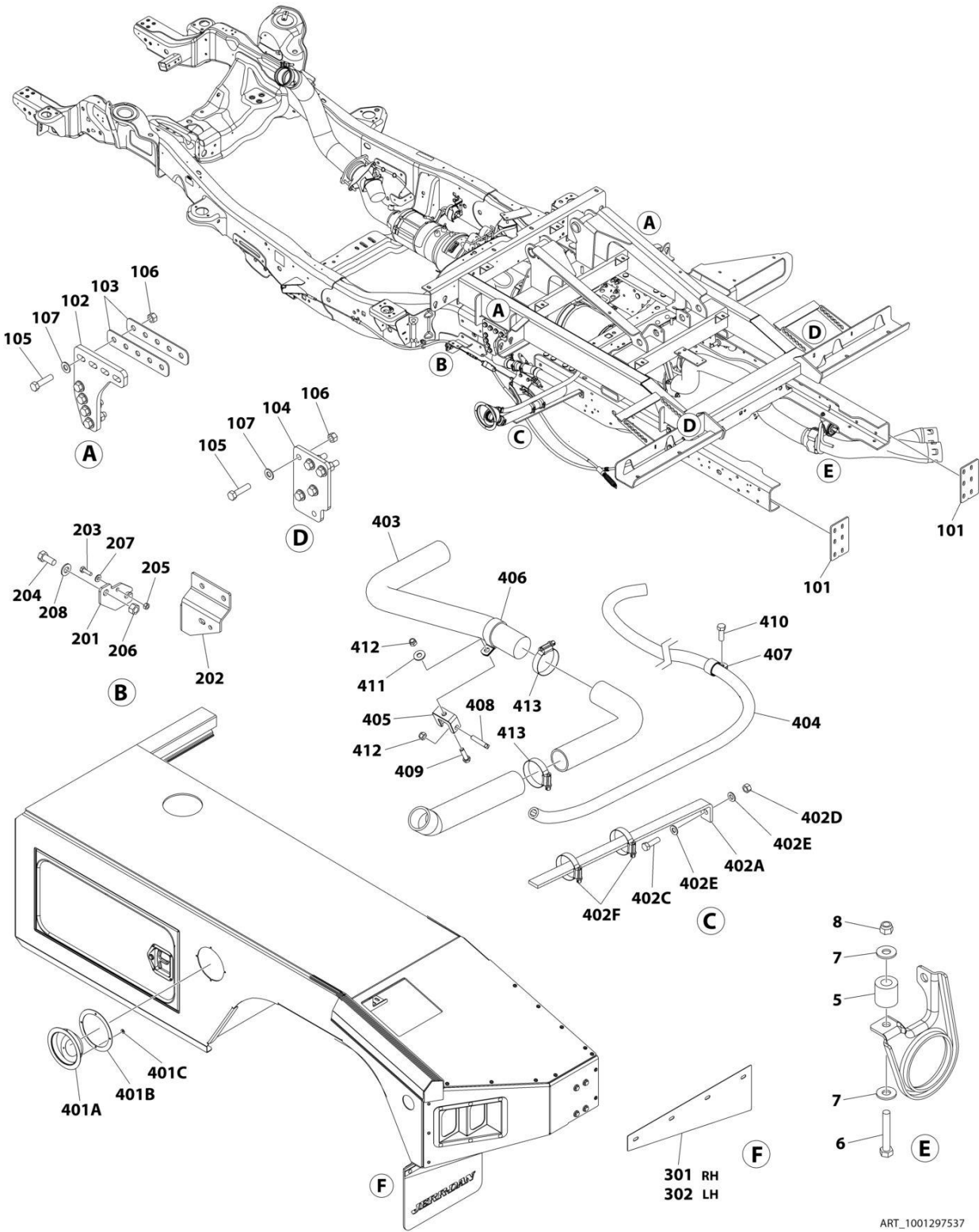
ITEM	PART NUMBER	QTY	DESCRIPTION	REV
	1001297536	Ref	CHASSIS MOUNTING KIT - FORD GAS 2017+ WITH 60IN CA	A
1	1001297465	Ref	Subframe Installation (Not Shown) (See Items 101-110 for Breakdown)	
2	1001221345	Ref	Brake Cable Installation (Not Shown) (See Items 201-208 for Breakdown)	
3	1001221651	Ref	Anti-Sail Brackets Installation (Not Shown) (See Items 301-302 for Breakdown)	
4	1001224068	Ref	Fuel Filler Installation (Not Shown) (See Items 401-414 for Breakdown)	
5	1001220833	1	Shim	
6	0641516	1	Bolt 5/16 x 2	
7	4751500	2	Washer 5/16	
8	7660152601	1	Nut 5/16	
	1001297465	Ref	SUBFRAME INSTALLATION	B
101	1001296069	2	Plate	
102	1001220073	1	Plate	
103	1001220074	1	Plate	
104	1001282025	1	Plate, Spacer (LH)	
105	1001282026	1	Plate, Spacer (RH)	
106	4811001194	4	Plate	
107	4706006442	2	Plate	
108	0681816	26	Bolt 1/2 x 2	
109	3271805	26	Nut 1/2	
110	4711800	26	Washer 1/2	
	1001221345	Ref	BRAKE CABLE INSTALLTION	A
201	1001221075	1	Plate	
202	1001221138	1	Bracket	
203	0641407	1	Bolt 1/4 x 7/8	
204	0641809	1	Bolt 1/2 x 1-1/8	
205	3311401	1	Nut 1/4	
206	3311801	1	Nut 1/2	
207	4711400	1	Washer 1/4	
208	4711800	1	Washer 1/2	
	1001221651	Ref	ANTI-SAIL BRACKETS INSTALLATION	A
301	1001221652	1	Bracket, RH	
302	1001221653	1	Bracket, LH	
	1001224068	Ref	FUEL FILLER INSTALLATION	B
401	2178000062	1	Bracket Installation (Not Shown)	
401A	7449000019	1	Flange	
401B	7796000100	1	Gasket	
401C	7950100151	4	Washer 3/16	
402	2570000171	1	Fuel Filler Support (Not Shown)	
402A	4533000415	1	Gas Filler Bracket	
402B	5526000553	8	Tie-Strap (Not Shown)	
402C	7115161050	1	Bolt 3/8 x 1-1/4	
402D	7660162601	1	Nut 3/8	
402E	7950160141	2	Washer 3/8	
402F	7274000005	2	Clamp	
403	7570000037	1	Hose	
404	7570000017	1	Hose	

SECTION 1 - SUBFRAME

ITEM	PART NUMBER	QTY	DESCRIPTION	REV
405	7274000076	1	Clamp	
406	7274000071	1	Clamp	
407	7274000105	1	Clamp	
408	7785152420	1	Screw 5/16 x 1-1/2	
409	7115151050	1	Bolt 5/16 x 1-1/4	
410	3941506	1	Tap Screw	
411	7950150161	1	Washer 5/16	
412	7660152601	2	Nut 5/16	
413	7274000005	2	Clamp	
414	7443000483	1	Fitting (Not Shown)	

SECTION 1 - SUBFRAME

FIGURE 1-24. CHASSIS MOUNTING KIT - FORD GAS 2017+ WITH 84IN CA (NG)



ART_1001297537

SECTION 1 - SUBFRAME

FIGURE 1-24. CHASSIS MOUNTING KIT - FORD GAS 2017+ WITH 84IN CA (NG)

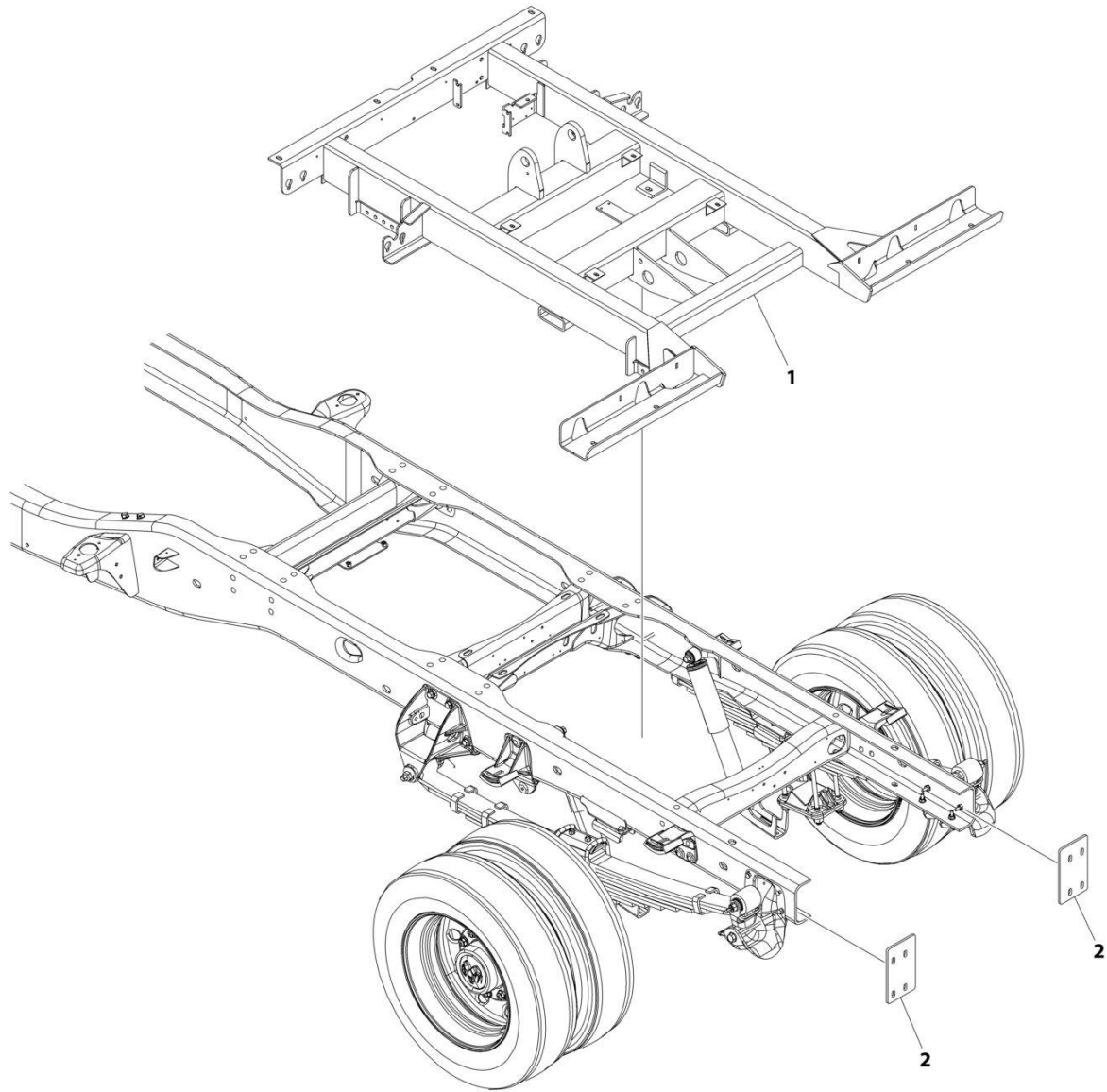
ITEM	PART NUMBER	QTY	DESCRIPTION	REV
1	1001297537	Ref	CHASSIS MOUNTING KIT - FORD GAS 2017+ WITH 84IN CA	A
	1001297526	Ref	Subframe Installation (Not Shown) (See Items 101-107 for Breakdown)	
	1001221348	Ref	Brake Cable Installation (Not Shown) (See Items 201-209 for Breakdown)	
	1001221651	Ref	Anti-Sail Brackets Installation (Not Shown) (See Items 301-302 for Breakdown)	
	1001224068	Ref	Fuel Filler Installation (Not Shown) (See Items 401-414 for Breakdown)	
	1001220833	1	Shim	
	0641516	1	Bolt 5/16 x 2	
	4751500	2	Washer 5/16	
101	7660152601	1	Nut 5/16	B
	1001297526	Ref	SUBFRAME INSTALLATION	
	1001296069	2	Plate	
	1001220078	2	Plate, Saddle	
	4811001194	4	Plate	
	4706006442	2	Plate, Rear Saddle	
	0681816	26	Bolt 1/2 x 2	
	3271805	26	Nut 1/2	
	4711800	26	Washer 1/2	
	1001221348	Ref	BRAKE CABLE INSTALLATION	
	1001221075	1	Plate	
	1001221138	1	Bracket	
	0641407	1	Bolt 1/4 x 7/8	
	0641809	1	Bolt 1/2 x 1-1/8	
	3311401	1	Nut 1/4	
	3311801	1	Nut 1/2	
	4711400	1	Washer 1/4	
4711800	1	Washer 1/2		
201	5526000553	1	Tie-Strap (Not Shown)	A
	1001221651	Ref	ANTI-SAIL BRACKETS INSTALLATION	
	1001221652	1	Bracket, RH	
	1001221653	1	Bracket, LH	
	1001224068	Ref	FUEL FILLER INSTALLATION	
	2178000062	1	Bracket Installation (Not Shown)	
	7449000019	1	Flange	
	7796000100	1	Gasket	
	7950100151	4	Washer 3/16	
	2570000171	1	Fuel Filler Support (Not Shown)	
401	4533000415	1	Gas Filler Bracket	B
	5526000553	8	Tie-Strap (Not Shown)	
	7115161050	1	Bolt 3/8 x 1-1/4	
	7660162601	1	Nut 3/8	
	7950160141	2	Washer 3/8	
	7274000005	2	Clamp	
	7570000037	1	Hose	
	7570000017	1	Hose	
	7274000076	1	Clamp	
	7274000071	1	Clamp	

SECTION 1 - SUBFRAME

ITEM	PART NUMBER	QTY	DESCRIPTION	REV
407	7274000105	1	Clamp	
408	7785152420	1	Screw 5/16 x 1-1/2	
409	7115151050	1	Bolt 5/16 x 1-1/4	
410	3941506	1	Tap Screw	
411	7950150161	1	Washer 5/16	
412	7660152601	2	Nut 5/16	
413	7274000005	2	Clamp	
414	7443000483	1	Fitting	

SECTION 1 - SUBFRAME

FIGURE 1-25. SUBFRAME INSTALLATION - NGS



ART_1001196791

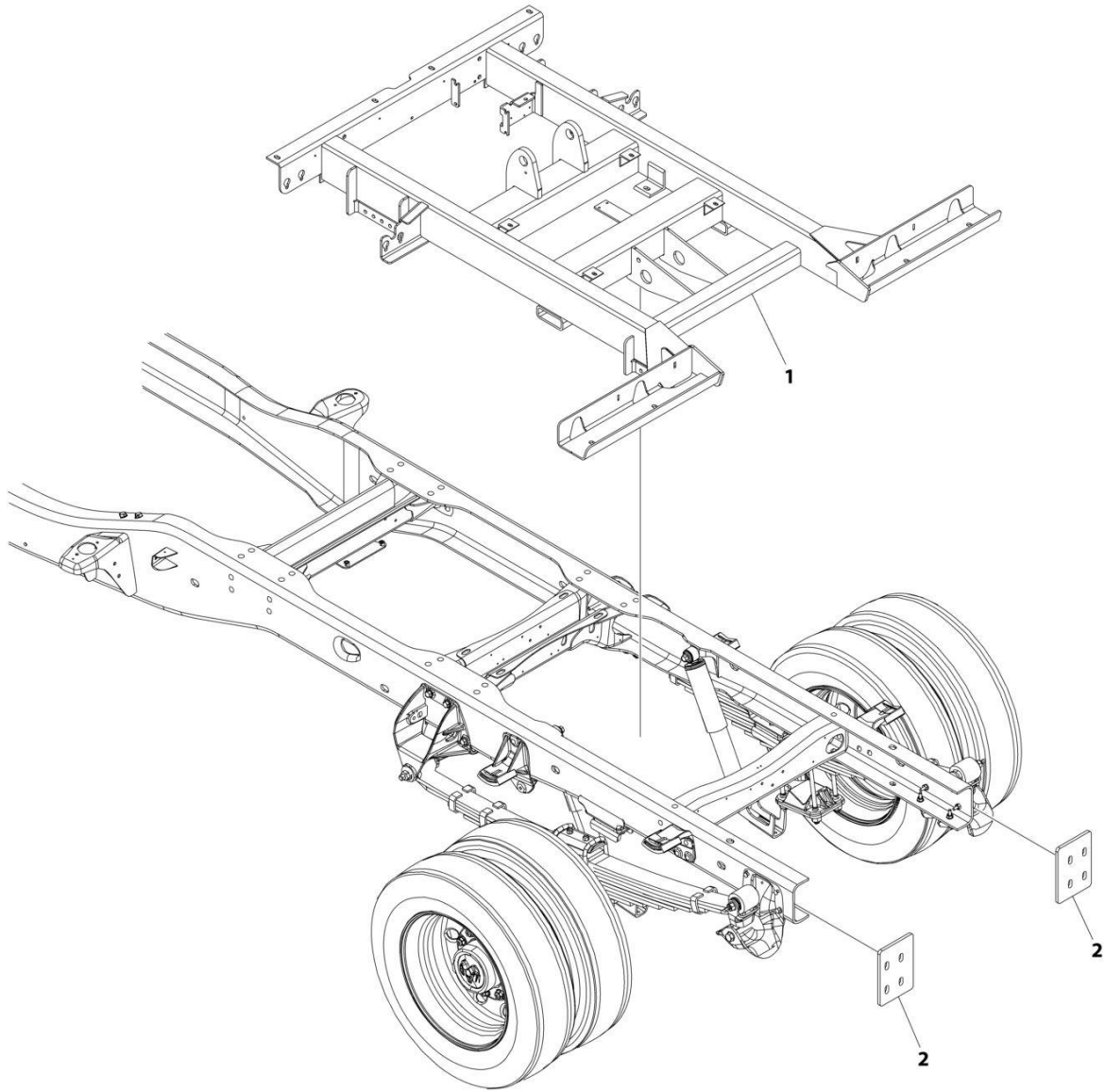
SECTION 1 - SUBFRAME

FIGURE 1-25. SUBFRAME INSTALLATION - NGS

ITEM	PART NUMBER	QTY	DESCRIPTION	REV
	1001196791	Ref	SUBFRAME INSTALLATION	B
1	1001196792	1	Subframe	
2	4706004919	2	Plate	

SECTION 1 - SUBFRAME

FIGURE 1-26. SUBFRAME INSTALLATION - NG



ART_1001295782

SECTION 1 - SUBFRAME

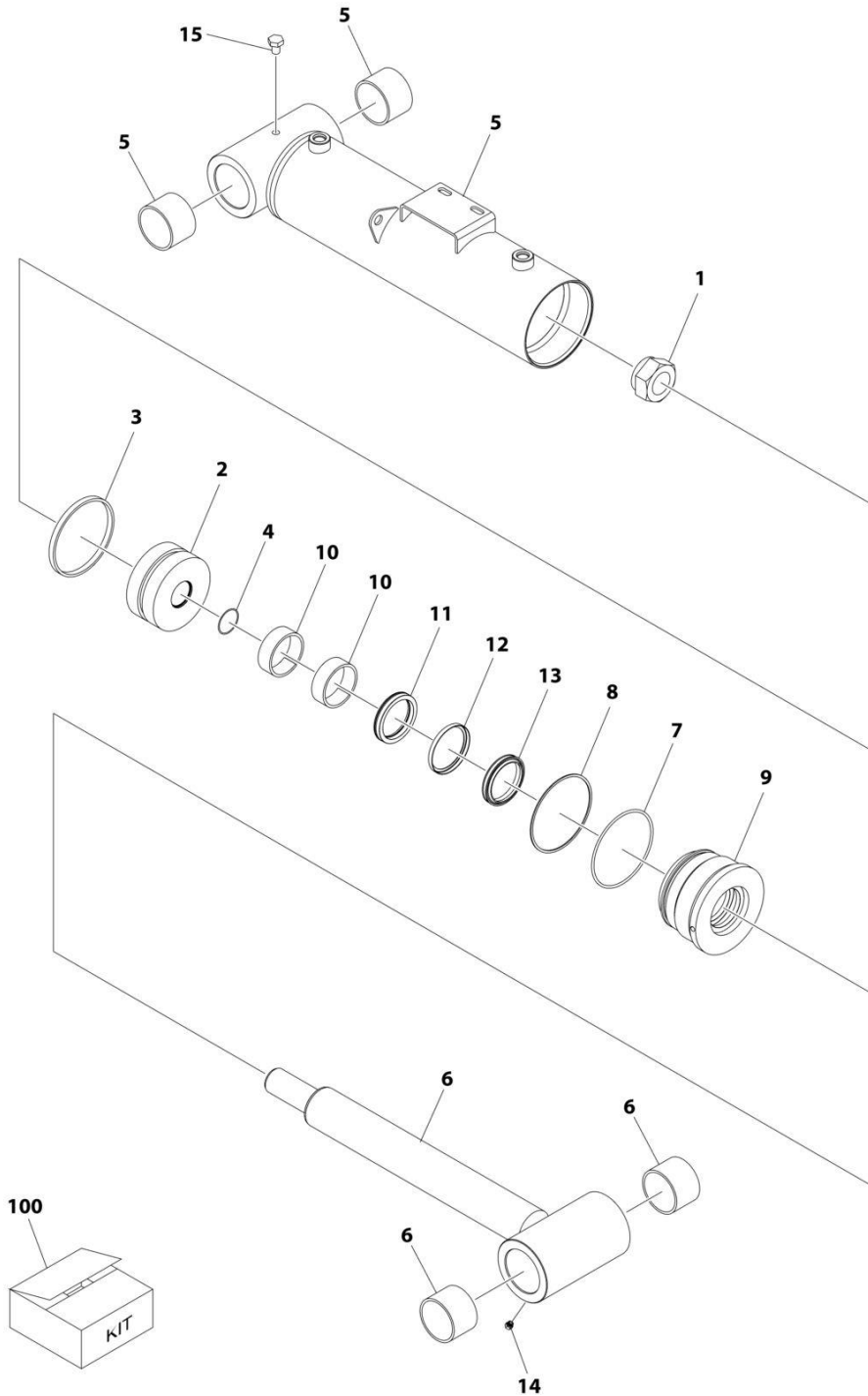
FIGURE 1-26. SUBFRAME INSTALLATION - NG

ITEM	PART NUMBER	QTY	DESCRIPTION	REV
	1001295782	Ref	SUBFRAME INSTALLATION	A
1	1001196792	1	Subframe	
2	1001290224	2	Plate	

SECTION 2 - BOOM

SECTION 2 - BOOM

FIGURE 2-1. CYLINDER ASSEMBLY - BOOM LIFT



ART_1001194371

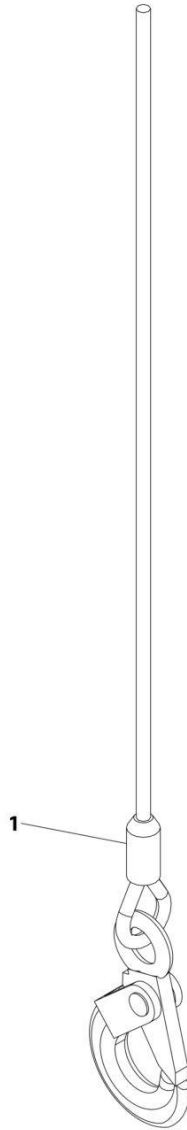
SECTION 2 - BOOM

FIGURE 2-1. CYLINDER ASSEMBLY - BOOM LIFT

ITEM	PART NUMBER	QTY	DESCRIPTION	REV
	1001194371	Ref	BOOM LIFT CYLINDER ASSEMBLY	B
		Ref	Note: Original Cylinder May Have Been Replaced with Service Replacement. Identify PN Stamped on Cylinder Before Ordering Parts.	
1	7029140	1	Nut	
2	70051629	1	Piston	
3	See Note	NSS	Piston Seal (Note: Use Item 100)	
4	See Note	NSS	O-Ring (Note: Use Item 100)	
5	See Note	NSS	Barrel (Note: Use PN 1001194371)	
5	0962224	2	Bearing	
6	70052121	1	Rod	
6	0962224	2	Bearing	
7	See Note	NSS	O-Ring (Note: Use Item 100)	
8	See Note	NSS	Ring, Back-up (Note: Use Item 100)	
9	70051628	1	Head	
10	See Note	NSS	Ring, Wear (Note: Use Item 100)	
11	See Note	NSS	Seal (Note: Use Item 100)	
12	See Note	NSS	Wiper (Note: Use Item 100)	
13		Ref	O-Ring	
14	1001204776	1	Plug	
15	1001204780	1	Plug	
100	70051326	1	Seal Kit (Includes Items 3, 4, 7, 8, 10, 11 & 12)	

SECTION 2 - BOOM

FIGURE 2-2. CABLE ASSEMBLY - 3/8X75FT



ART_C38D75

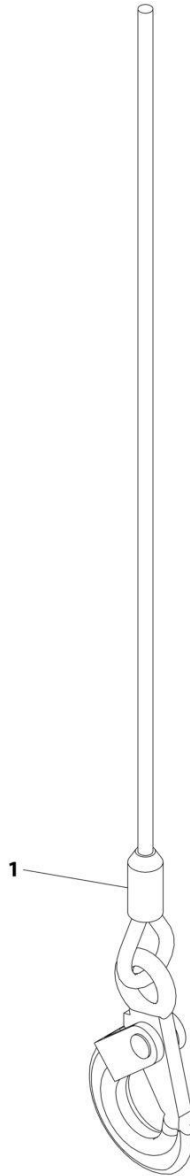
SECTION 2 - BOOM

FIGURE 2-2. CABLE ASSEMBLY - 3/8X75FT

ITEM	PART NUMBER	QTY	DESCRIPTION	REV
1	C38D75 7248000092	Ref 1	CABLE ASSEMBLY - NON-SWIVEL HOOK (SINGLE) Cable Assembly	A

SECTION 2 - BOOM

FIGURE 2-3. CABLE ASSEMBLY - 3/8X100FT



ART_C38D100

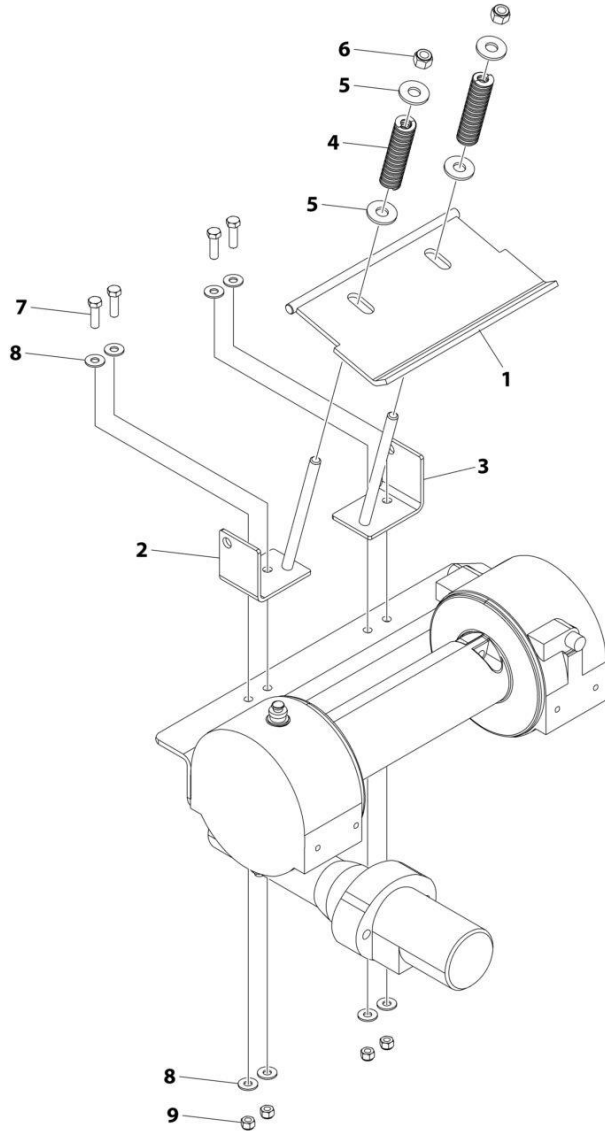
SECTION 2 - BOOM

FIGURE 2-3. CABLE ASSEMBLY - 3/8X100FT

ITEM	PART NUMBER	QTY	DESCRIPTION	REV
1	C38D100 7248000111	Ref 1	CABLE ASSEMBLY - NON-SWIVEL HOOK (SINGLE) Cable Assembly	A

SECTION 2 - BOOM

FIGURE 2-4. CABLE TENSIONER INSTALLATION



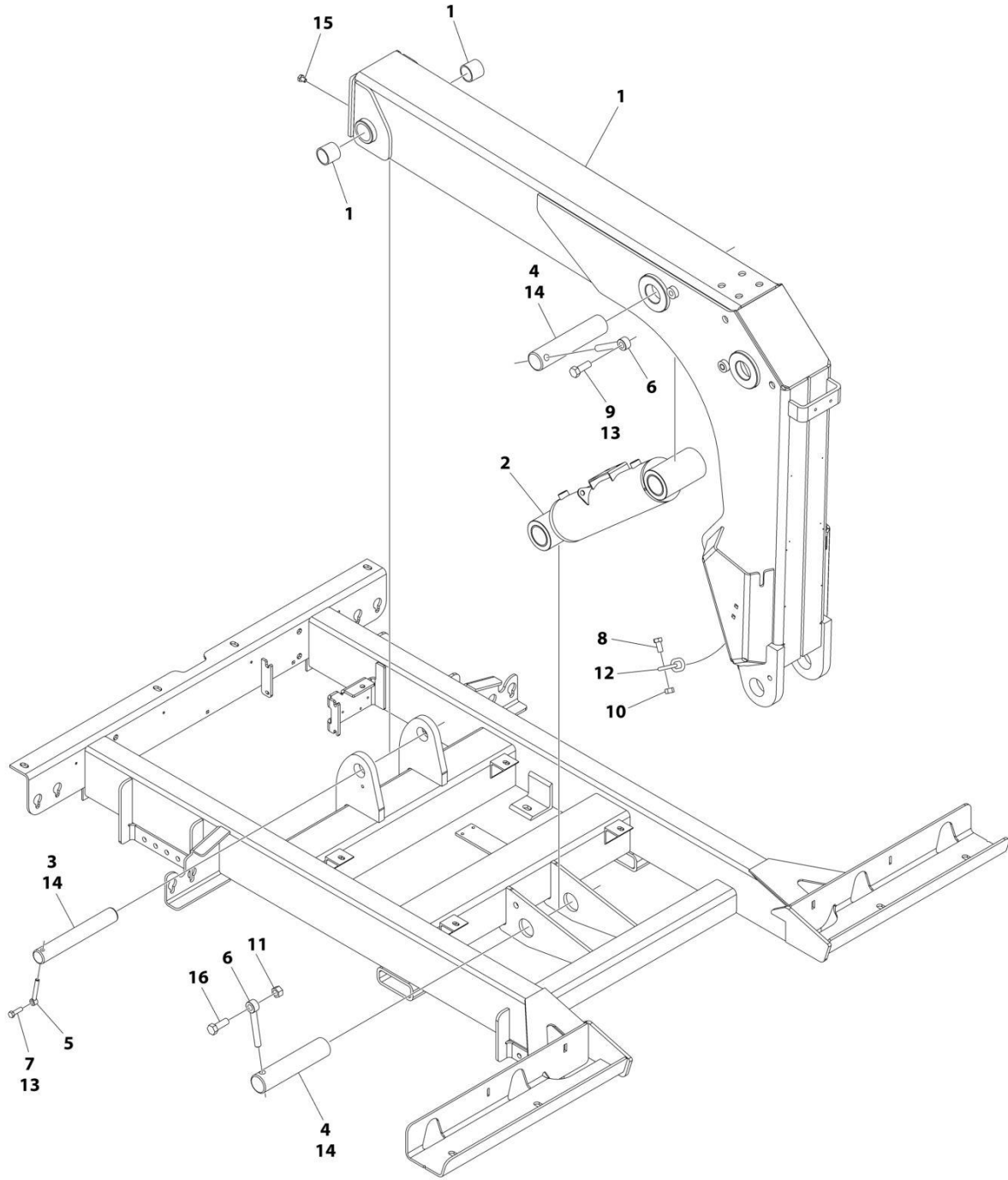
ART_2500900643

FIGURE 2-4. CABLE TENSIONER INSTALLATION

ITEM	PART NUMBER	QTY	DESCRIPTION	REV
	2500900643	Ref	CABLE TENSIONER INSTALLATION - WINCH	A
1	3706000099	1	Plate	
2	3017000003	1	Angle (LH)	
3	3017000002	1	Angle (RH)	
4	7843000004	2	Spring	
5	7950180161	4	Washer 1/2	
6	7660182601	2	Nut 1/2	
7	7115161050	4	Bolt 3/8 x 1-1/4	
8	7950150161	8	Washer 5/16	
9	7660162601	4	Nut 3/8	

SECTION 2 - BOOM

FIGURE 2-5. KNEE BOOM INSTALLATION



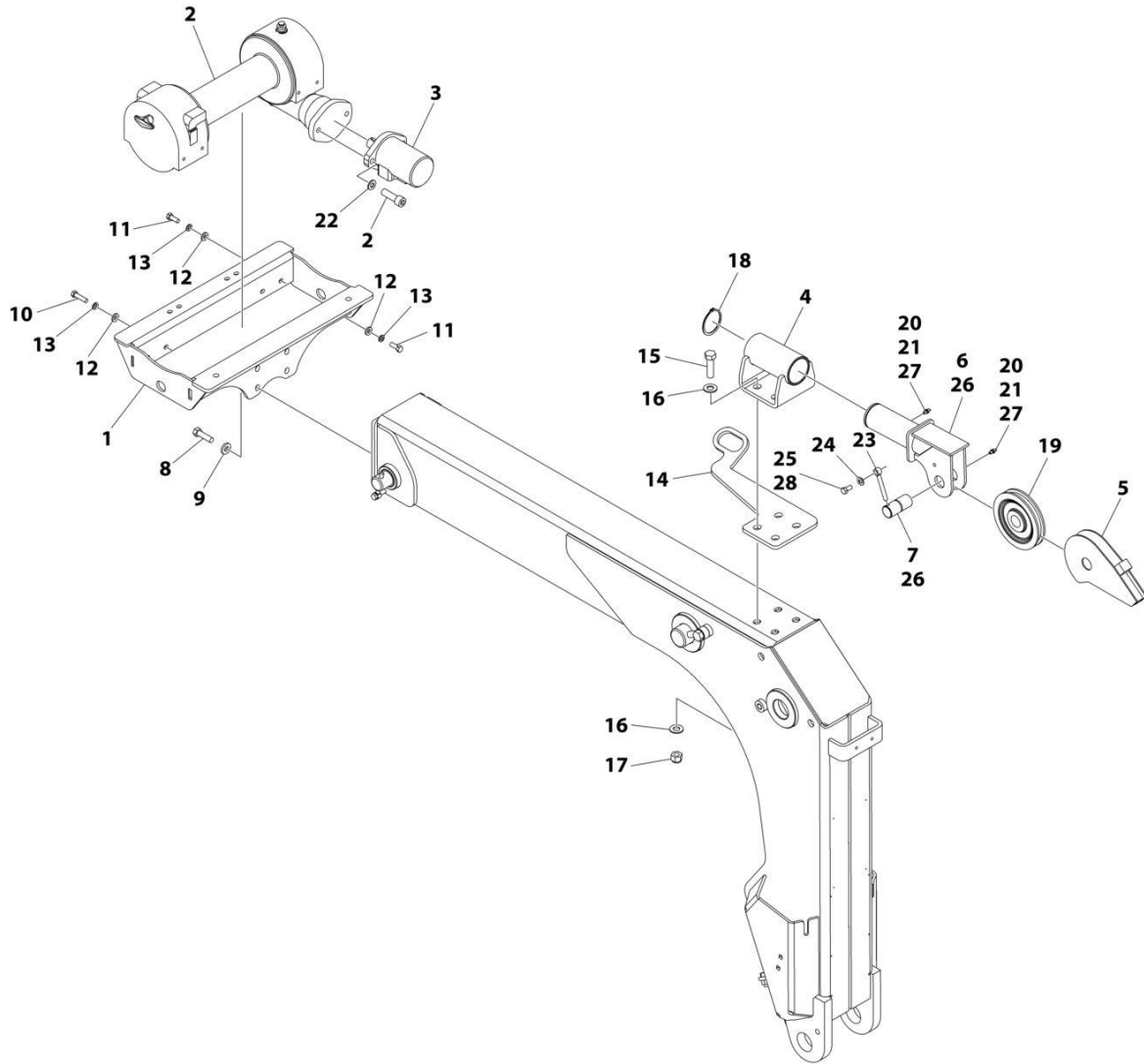
ART_1001196813

FIGURE 2-5. KNEE BOOM INSTALLATION

ITEM	PART NUMBER	QTY	DESCRIPTION	REV
	1001196813	Ref	KNEE BOOM INSTALLATION	B
1	1001196814	1	Boom, Knee	
1	0962272	2	Bearing	
2	1001194371	1	Cylinder Assembly - Lift (See Separate Breakdown in this Section)	
3	1001191715	1	Pin	
4	1001191717	2	Pin	
5	3841143	1	Keeper	
6	3841258	2	Rod	
7	0681612	1	Bolt 3/8 x 1-1/2 Grade 8	
8	0641808	2	Bolt 1/2 x 1	
9	0682014	1	Bolt 5/8 x 1-3/4 Grade 8	
10	3271805	2	Nut 1/2	
11	3300240	1	Nut 5/8	
12	7262000040	2	Chain	
13	1001095650	AR	Adhesive	
14	3020039	AR	Lubricant	
15	1001204780	1	Plug	
16	0682016	1	Bolt 5/8 x 2 Grade 8	

SECTION 2 - BOOM

FIGURE 2-6. WINCH INSTALLATION - RAMSEY



ART_1001208910

SECTION 2 - BOOM

FIGURE 2-6. WINCH INSTALLATION - RAMSEY

ITEM	PART NUMBER	QTY	DESCRIPTION	REV
	1001208910	Ref	WINCH INSTALLATION	A
1	3178000508	1	Bracket	
2	7970000150	1	Winch Assembly, 8000 lbs (See Separate Breakdown in this Section)	
3	7626000014	1	Winch Motor Assembly (See Separate Breakdown in this Section)	
4	1001206157	1	Support, Boom Nose MPL Single	
5	1001206167	1	Support, SD Wrecker Cable Guide	
6	1001206161	1	Support, SD Wrecker Sheave	
7	1001206171	1	Pin	
8	0641814	4	Bolt 1/2 x 1-3/4	
9	4891800	4	Washer 1/2	
10	0641612	6	Bolt 3/8 x 1-1/2	
11	0641608	2	Bolt 3/8 x 1	
12	4891600	8	Washer 3/8	
13	4711600	8	Washer 3/8	
14	1001206185	1	Plate	
15	0642018	4	Bolt 5/8 x 2-1/4	
16	4712000	8	Washer 5/8	
17	7660152601	4	Nut 5/16	
18	7754000005	1	Ring External Retaining	
19	7809000001	1	Wire Rope	
20	88671008	2	Fitting, Grease	
21	7253000002	2	Cap, Grease	
22	7950180400	2	Washer 1/2	
23	3841143	1	Keeper, Shaft	
24	4761600	1	Washer 3/8	
25	0651606	1	Bolt 3/8 x 3/4	
26	3020039	AR	Lubricant	
27	3020029	AR	Lubricant	
28	1001095650	AR	Adhesive	

SECTION 2 - BOOM

FIGURE 2-7. WINCH ASSEMBLY

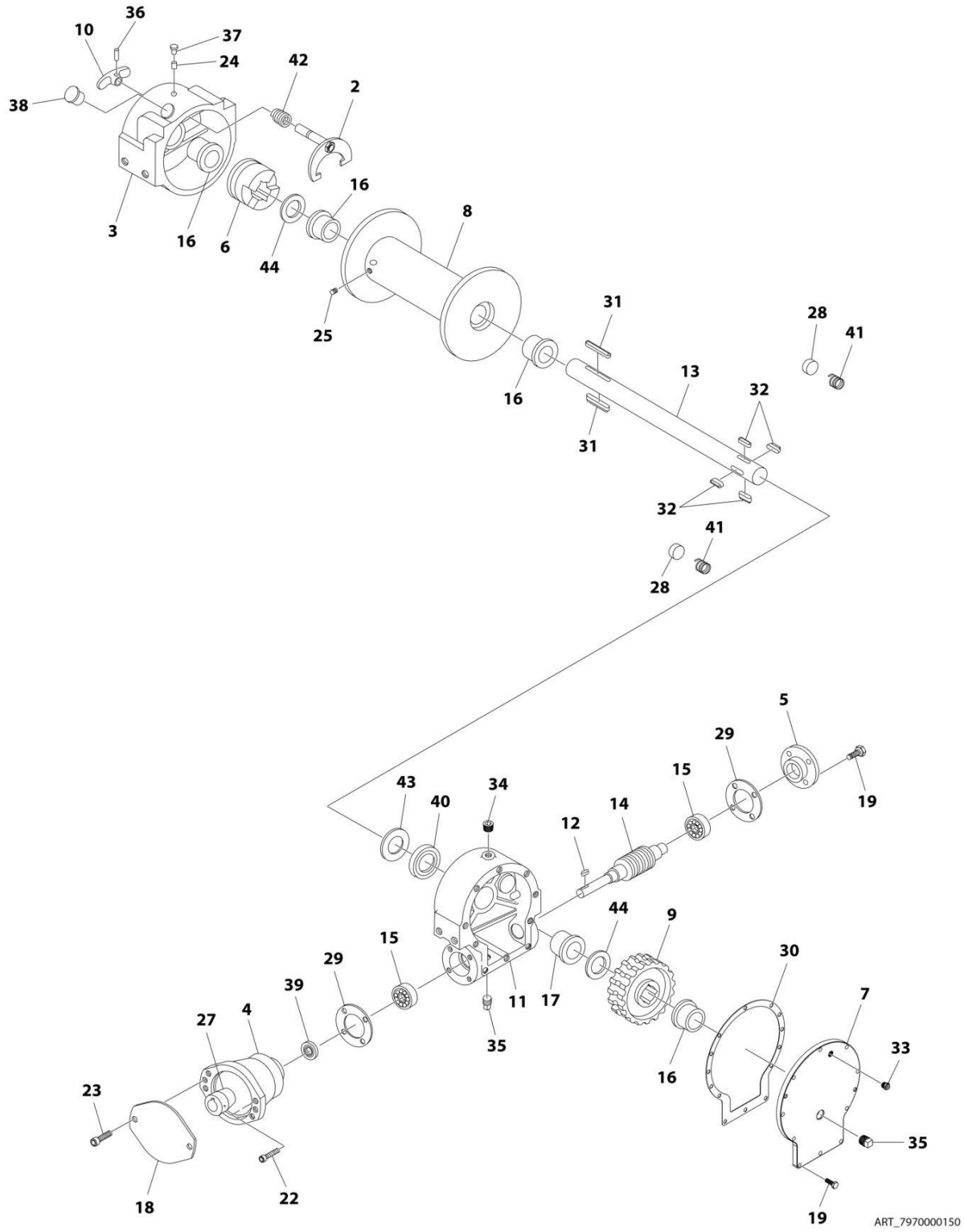
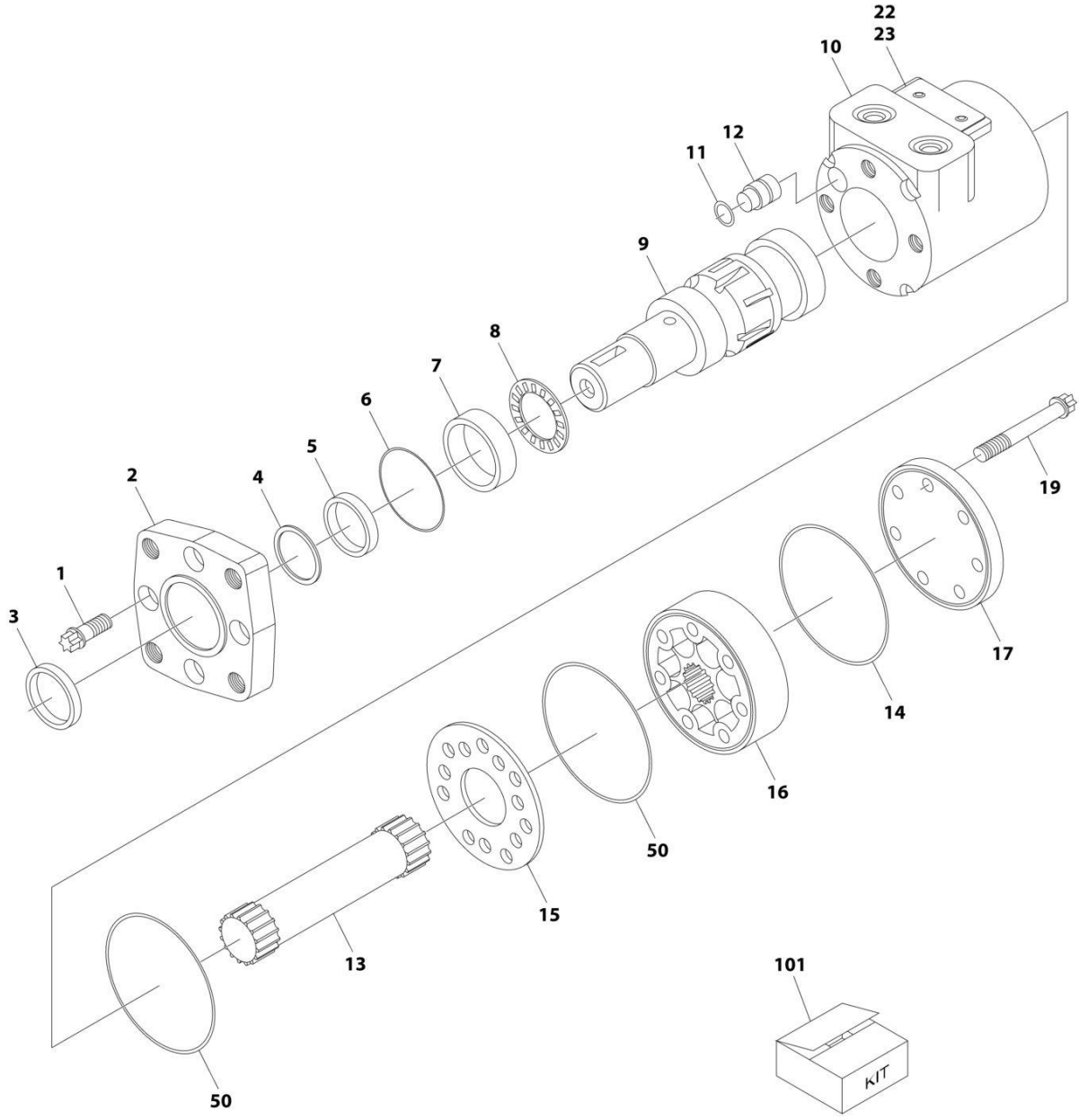


FIGURE 2-7. WINCH ASSEMBLY

ITEM	PART NUMBER	QTY	DESCRIPTION	REV
	7970000150	Ref	WINCH ASSEMBLY	0
2	70051554	1	Shifter Assembly	
3	9560960022	1	Housing - Clutch	
4	9970300057	1	Adapter	
5	9970316083	1	Bearing Cap	
6	9970960060	1	Jaw Clutch	
7	9314960024	1	Cover	
8	9970960068	1	Drum - "Std"	
9	9472960072	1	Gear RH	
10	9970336010	1	Handle	
11	9560990011	1	Housing - Gear	
12	9970342027	1	Key	
13	9806960009	1	Shaft - Drum "Std"	
14	9970960062	1	Worm RH	
15	9970402002	2	Bearing - Ball	
16	9970412003	4	Bushing	
17	9970412045	4	Bushing	
18	70050679	1	Adapter Cover	
19	9970414045	14	Bolt 1/4 x 7/8	
20	9120960034	2	Bolt 3/8 x 1 (Not Shown)	
22	70050682	4	Bolt 1/4 x 1-3/4	
23	9120960061	2	Bolt 1/2 x 1-1/2	
24	70051555	1	Setscrew 1/4 x 3/8	
25	9786960015	1	Setscrew 3/8 x 1/2	
27	9970431008	1	Coupling	
28	9970438014	2	Disc Brake	
29	9970442184	2	Gasket	
30	9970442205	1	Gasket	
31	9970450006	2	Key Barth	
32	9575960014	4	Key Barth	
33	9970456008	1	Fitting - Relief	
34	9701960015	1	Pipe Plug	
35	9970468011	2	Pipe Plug	
36	9691960001	1	Spirol Pin	
37	9970472012	1	Rubber Plug	
38	9970472013	1	Plastic Plug	
39	9970486009	1	Oil Seal	
40	9970483017	1	Oil Seal	
41	9970494002	2	Spring	
42	9970494053	1	Spring	
43	9970518014	1	Washer	
44	9970518015	1	Washer	

SECTION 2 - BOOM

FIGURE 2-8. WINCH MOTOR ASSEMBLY



ART_7626000014

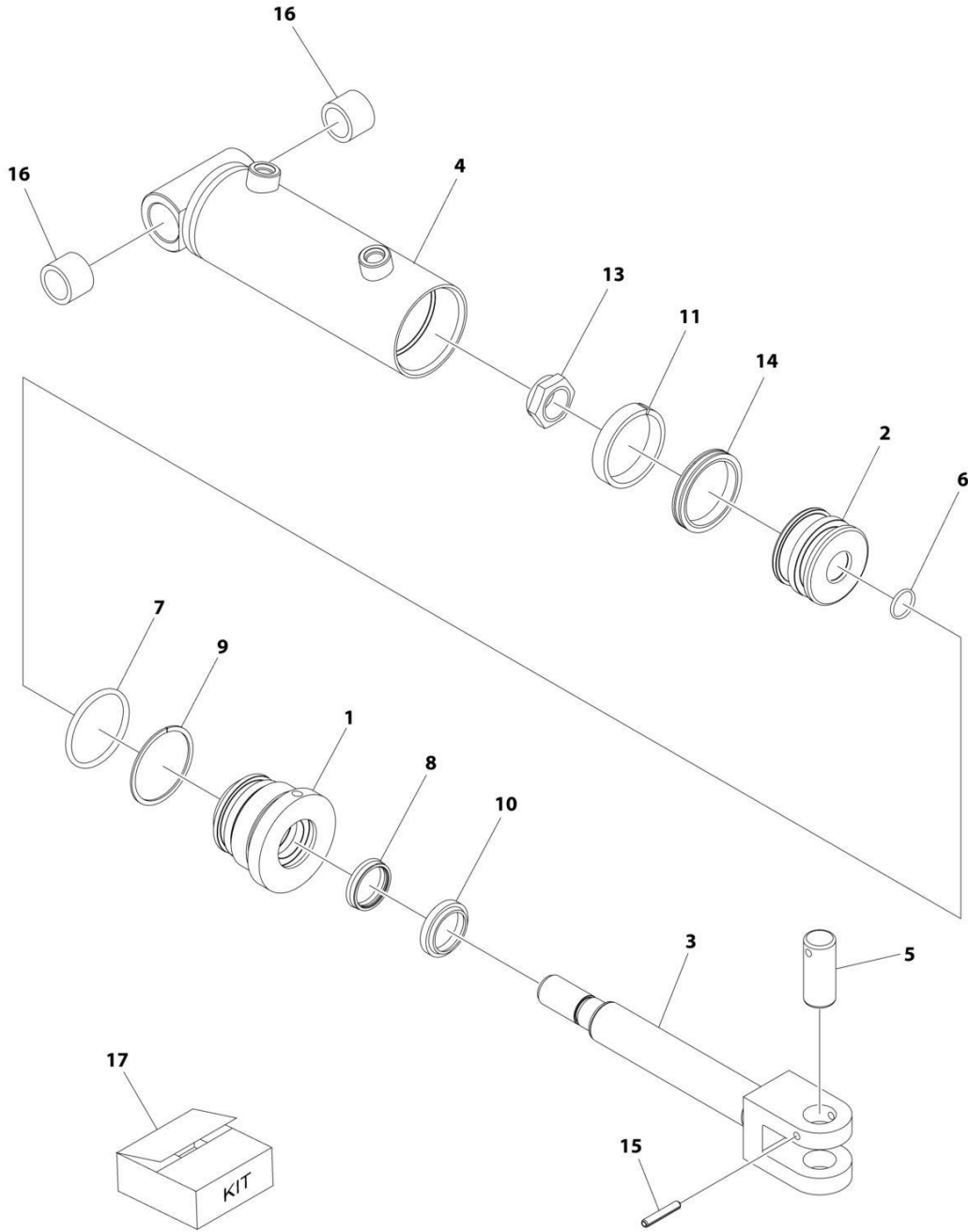
FIGURE 2-8. WINCH MOTOR ASSEMBLY

ITEM	PART NUMBER	QTY	DESCRIPTION	REV
	7626000014	Ref	ORBIT MOTOR	1
1	7002123	4	Capscrew	
2	7009974	1	Flange, Mounting	
3	See Note	NSS	Seal, Exclusion (Note: Use Item 101)	
4	7009975	1	Washer, Backup	
5	7009997	1	Pressure Seal	
6	See Note	NSS	Seal (Note: Use Item 101)	
7	7002117	1	Race, Bearing	
8	7002111	1	Bearing, Thrust Needle	
9	70070028	1	Output Shaft (STD)	
10	See Note	NSS	(Note: Not Available for Purchase)	
11	See Note	NSS	O-Ring (Note: Use Item 101)	
12	7009992	1	Plug, Housing	
13	80234009	1	Drive	
14	See Note	NSS	Seal (Note: Use Item 101)	
15	7002110	1	Plate, Spacer	
16	70070029	1	Gerotor Sub-Assembly	
17	7002107	1	Cap, End	
19	70070030	7	Capscrew	
22	See Note	NSS	(Note: Not Available for Purchase)	
23	See Note	NSS	(Note: Not Available for Purchase)	
50	See Note	NSS	Seal (Note: Use Item 101)	
100		Ref	Key (Not Shown)	
101	2900733	1	Seal Kit (Includes Items 3, 6, 11, 14 & 50)	

SECTION 3 - UNDERLIFT

SECTION 3 - UNDERLIFT

FIGURE 3-1. CYLINDER ASSEMBLY - GRID EXTEND/RETRACT



ART_732000064

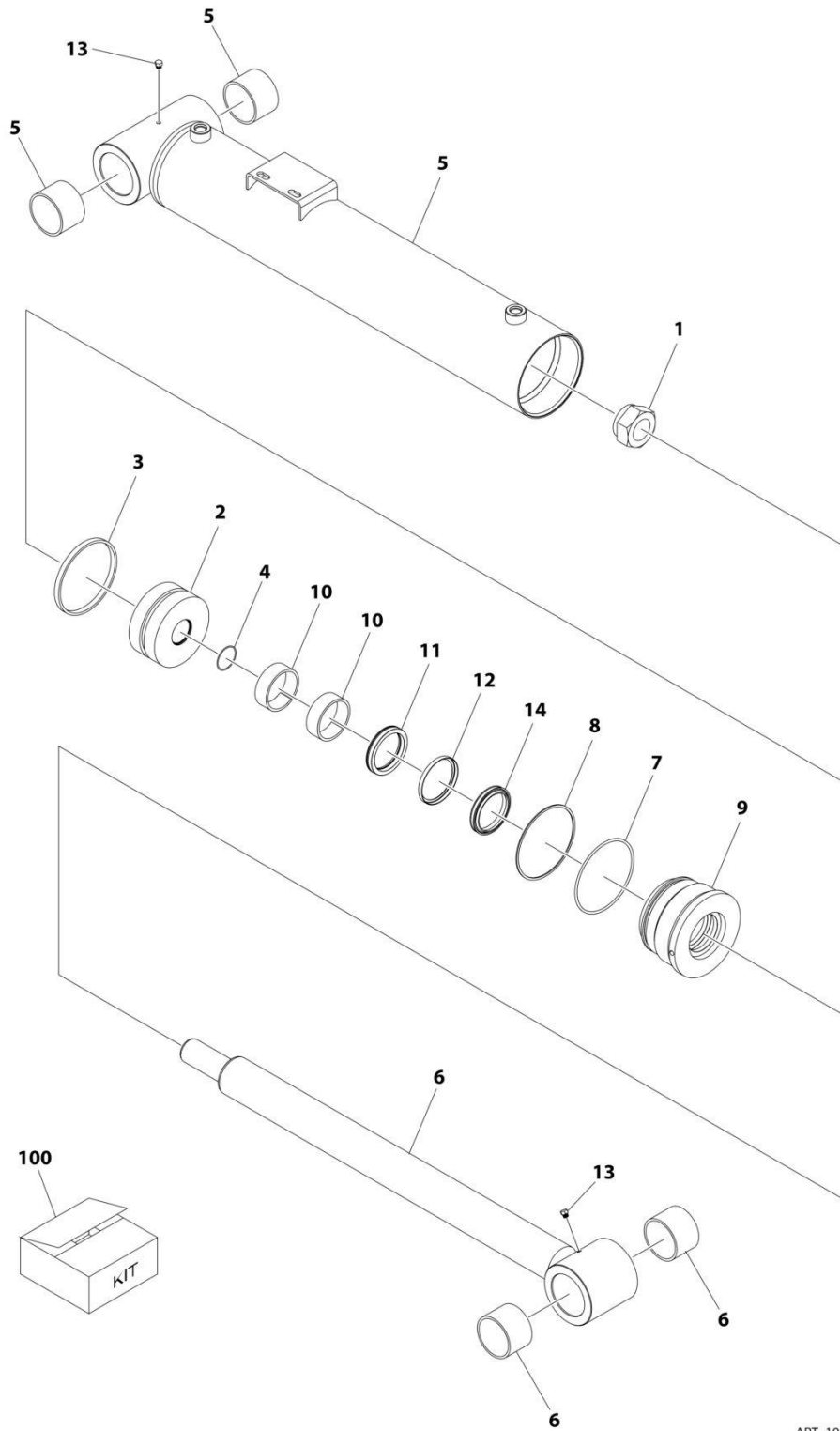
SECTION 3 - UNDERLIFT

FIGURE 3-1. CYLINDER ASSEMBLY - GRID EXTEND/RETRACT

ITEM	PART NUMBER	QTY	DESCRIPTION	REV
	732000064	Ref	CYLINDER ASSEMBLY	B
1	7027336	1	Gland	
2	7027338	1	Piston	
3	70050632	1	Rod Assembly	
4	70050633	1	Barrel Assembly	
5	70050634	1	Retention Pin	
6	70050635	1	O-Ring	
7	70050636	1	O-Ring	
8	70050637	1	Rod Seal	
9	70050638	1	Backup Ring	
10	70050639	1	Rod Wiper	
11	70050640	1	Wear Ring	
12	70050641	2	Plug	
13	70050642	1	Nut 3/4	
14	70050643	1	Piston Seal	
15	70050644	1	Roll Pin	
16	7082000026	2	Bearing	
17	7027341	1	Seal Kit (includes items 6-11)	

SECTION 3 - UNDERLIFT

FIGURE 3-2. CYLINDER ASSEMBLY - UNDERLIFT TILT



ART_1001194372

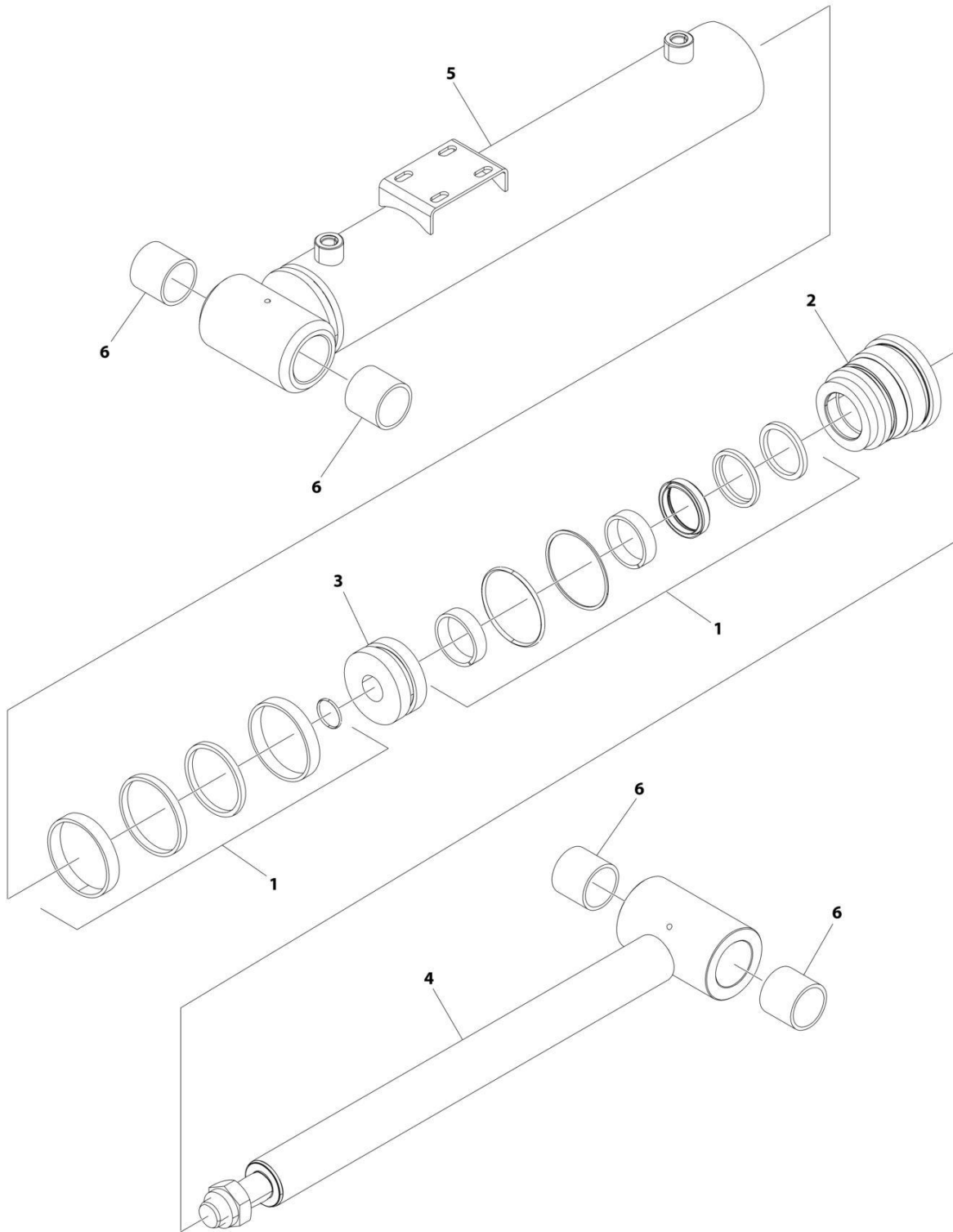
SECTION 3 - UNDERLIFT

FIGURE 3-2. CYLINDER ASSEMBLY - UNDERLIFT TILT

ITEM	PART NUMBER	QTY	DESCRIPTION	REV
	1001194372	Ref	UNDERLIFT TILT CYLINDER ASSEMBLY	B
		Ref	Note: Original Cylinder May Have Been Replaced with Service Replacement. Identify PN Stamped on Cylinder Before Ordering Parts.	
1	7029140	1	Nut	
2	70051629	1	Piston	
3	See Note	NSS	Piston Seal (Note: Use Item 100)	
4	See Note	NSS	O-Ring (Note: Use Item 100)	
5	See Note	NSS	Barrel (Note: Use PN 1001194372)	
5	0962224	2	Bearing	
6	70052122	1	Rod	
6	0962224	2	Bearing	
7	See Note	NSS	O-Ring (Note: Use Item 100)	
8	See Note	NSS	Ring, Back-up (Note: Use Item 100)	
9	70051628	1	Head	
10	See Note	NSS	Ring, Wear (Note: Use Item 100)	
11	See Note	NSS	Seal (Note: Use Item 100)	
12	See Note	NSS	Wiper (Note: Use Item 100)	
13	1001204776	2	Plug	
14		Ref	O-Ring	
100	70051326	1	Seal Kit (Includes Items 3, 4, 7, 8, 10, 11 & 12)	

SECTION 3 - UNDERLIFT

FIGURE 3-3. CYLINDER ASSEMBLY - UNDERLIFT EXTEND/RETRACT



ART_732000077

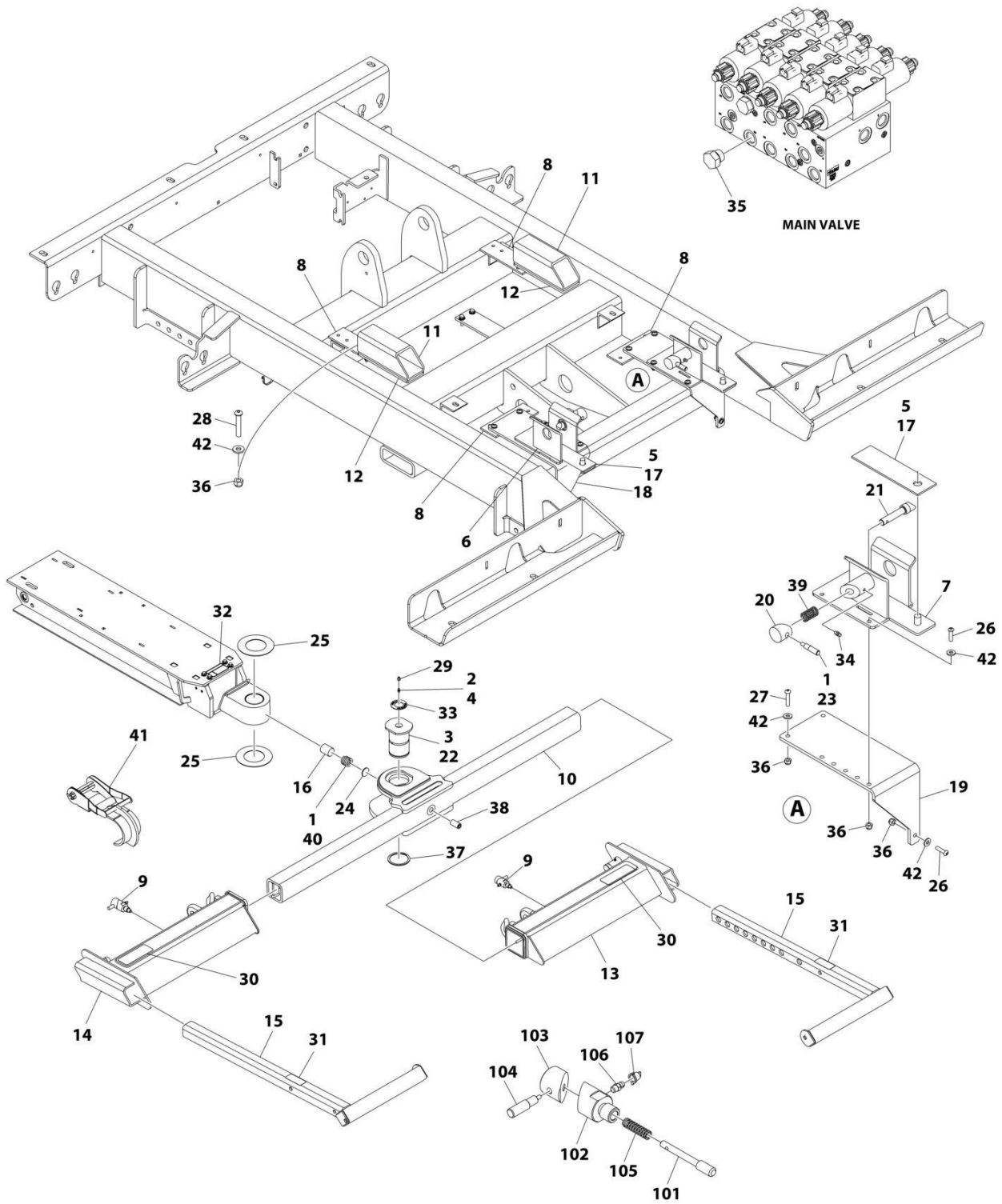
SECTION 3 - UNDERLIFT

FIGURE 3-3. CYLINDER ASSEMBLY - UNDERLIFT EXTEND/RETRACT

ITEM	PART NUMBER	QTY	DESCRIPTION	REV
	7320000077	Ref	CYLINDER ASSEMBLY	01
1	70051664	1	Seal Kit - Cylinder	
2	70051660	1	Head	
3	70051661	1	Piston	
4	70051662	1	Rod	
5	70051663	1	Barrel	

SECTION 3 - UNDERLIFT

FIGURE 3-4. GRID SYSTEM INSTALLATION - MANUAL FIXED (NGS)



ART_1001265477

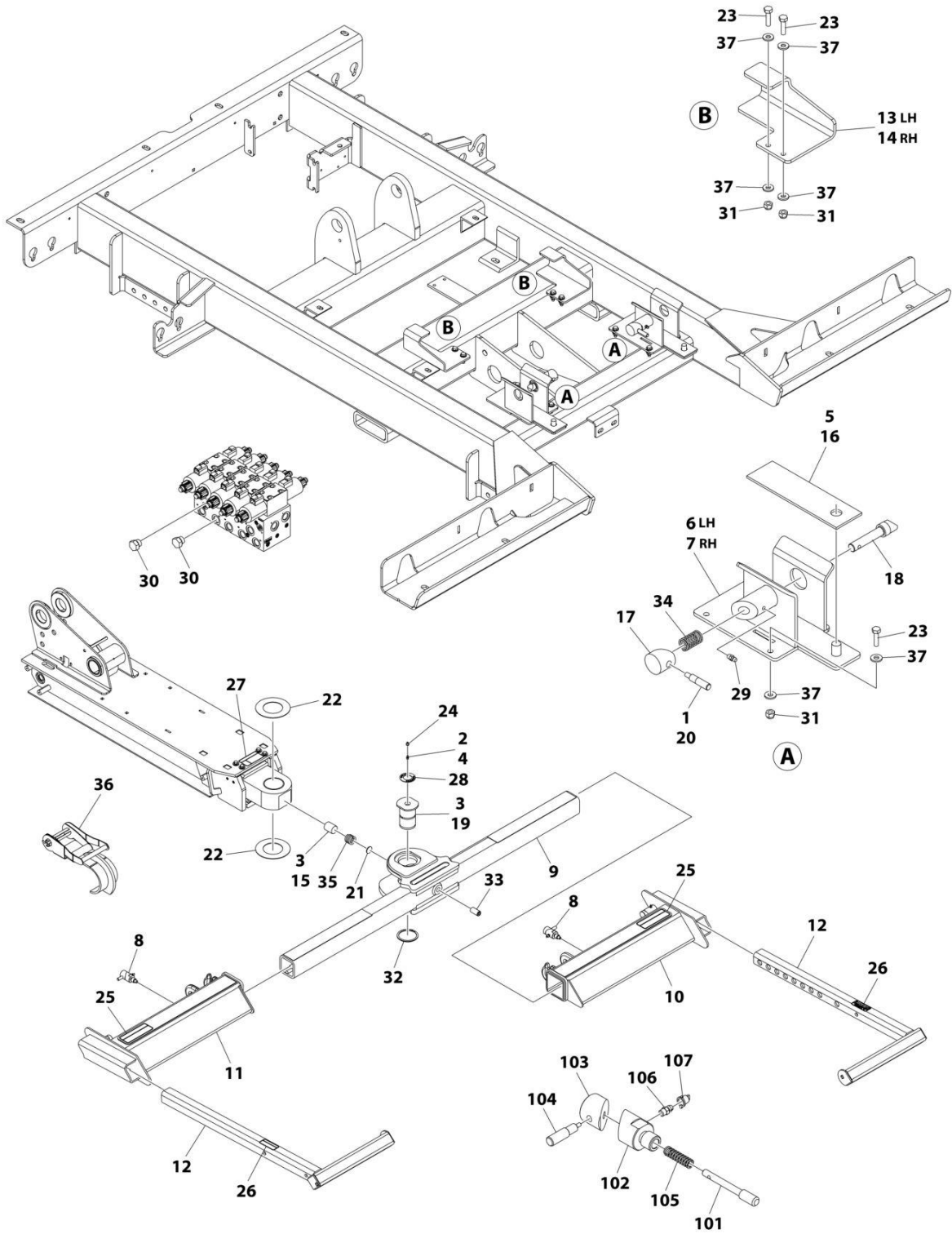
SECTION 3 - UNDERLIFT

FIGURE 3-4. GRID SYSTEM INSTALLATION - MANUAL FIXED (NGS)

ITEM	PART NUMBER	QTY	DESCRIPTION	REV
	1001265477	Ref	GRID SYSTEM INSTALLATION - MANUAL FIXED	A
1	0100011	AR	Compound Locking	
2	3020029	AR	Lubricant	
3	3020039	AR	Lubricant	
4	88671008	1	Fitting, Grease	
5	1001112058	AR	Adhesive Strip	
6	1001129412	1	Bracket, Storage (LH)	
7	1001129413	1	Bracket, Storage (RH)	
8	1001129414	4	Plate, Backing	
9	1001153950	2	Cam Lock (Includes Items 101-107)	
10	1001265479	1	Crosstube	
11	1001267714	2	Tube	
12	1001268759	2	Plate	
13	1001270927	1	Grid (RH)	
14	1001270928	1	Grid (LH)	
15	1001271130	2	L-Arm	
16	4064000052	1	Bar	
17	4090000013	2	Pad	
18	4178000826	1	Bracket	
19	4178000827	1	Bracket	
20	4254000005	2	Cap	
21	4691000186	2	Pin	
22	4691000198	1	Pin	
23	4763000184	2	Rod	
24	4831000095	1	Spacer	
25	4949000047	2	Thrust Washer	
26	7114140818	6	Capscrew 1/4 x 1	
27	7114141018	4	Bolt 1/4 x 1-1/4	
28	7114141218	4	Capscrew 1/4 x 1-1/2	
29	7253000002	1	Cap, Grease	
30	7330000036	2	Decal - Warning Secure Vehicle	
31	7330000553	2	Decal - L-Arm Storage	
32	7330000599	1	Decal - Warning Pinch Point	
33	7330000609	1	Decal - Grease Required	
34	7440030000	2	Fitting, Grease	
35	7443000048	2	Plug	
36	7660142601	14	Nut 1/4	
37	7754000024	1	Ring, Retaining	
38	7786000009	1	Setscrew 3/4 x 1-1/2	
39	7843000006	2	Spring	
40	7843000037	1	Spring	
41	7894000034	2	Strap and Ratchet Assembly	
42	7950140143	14	Washer 1/4	
101	1001153944	2	Pin	
102	1001153945	2	Cam-Lock Tube	
103	1001153946	2	Cam-Lock Cap	
104	1001153947	2	Handle	
105	1001153971	1	Spring	
106	7440030000	2	Fitting, Grease	
107	7253000002	2	Cap, Grease	

SECTION 3 - UNDERLIFT

FIGURE 3-5. GRID SYSTEM INSTALLATION - MANUAL FIXED (NG)



ART_1001302727

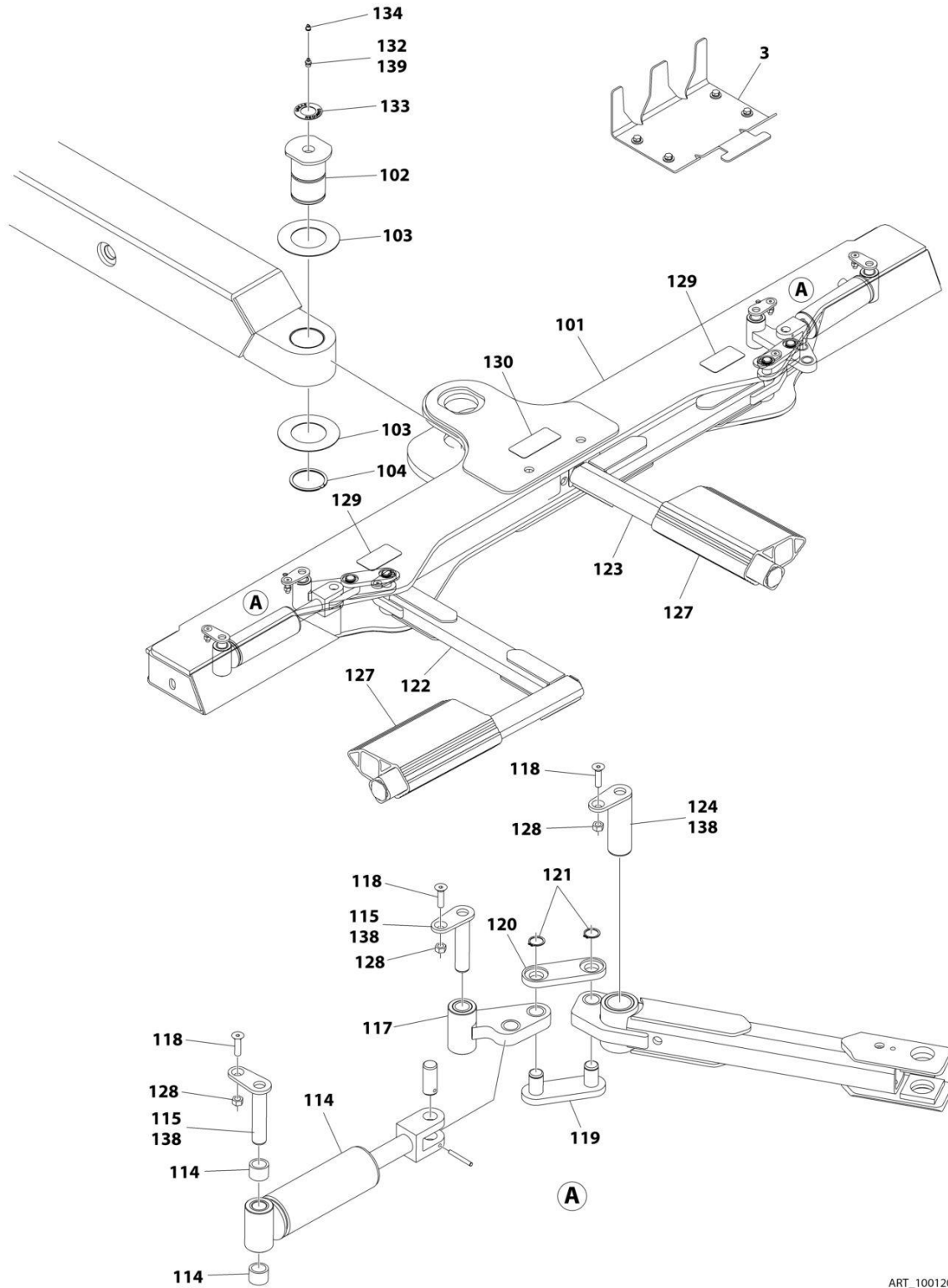
SECTION 3 - UNDERLIFT

FIGURE 3-5. GRID SYSTEM INSTALLATION - MANUAL FIXED (NG)

ITEM	PART NUMBER	QTY	DESCRIPTION	REV
	1001302727	Ref	GRID SYSTEM INSTALLATION - MANUAL	A
1	0100011	AR	Compound Locking	
2	3020029	AR	Lubricant	
3	3020039	AR	Lubricant	
4	88671008	1	Fitting, Grease	
5	1001112058	AR	Adhesive Strip	
6	1001129412	1	Bracket, Storage (LH)	
7	1001129413	1	Bracket, Storage (RH)	
8	1001153950	2	Cam Lock (Includes Items 101-107)	
9	1001265479	1	Crosstube	
10	1001270927	1	Grid - RH	
11	1001270928	1	Grid - LH	
12	1001271130	2	L-Arm	
13	1001302047	1	Bracket, Storage (LH)	
14	1001302048	1	Bracket, Storage (RH)	
15	4064000052	1	Bar	
16	4090000013	2	Pad	
17	4254000005	2	Cap	
18	4691000186	2	Pin	
19	4691000198	1	Pin	
20	4763000184	2	Rod	
21	4831000095	1	Spacer	
22	4949000047	2	Washer, 5 OD	
23	7114140850	8	Capscrew 1/4 x 1	
24	7253000002	1	Cap, Grease Fitting	
25	7330000036	2	Decal - Warning Secure Vehicle	
26	7330000553	2	Decal - L-Arm Storage	
27	7330000599	1	Decal - Warning Pinch Point	
28	7330000609	1	Decal - Grease Required	
29	7440030000	2	Fitting, Grease	
30	7443000048	2	Plug	
31	7660142601	8	Nut 1/4	
32	7754000024	1	Ring, Retaining	
33	7786000009	1	Setscrew 3/4 x 1-1/2	
34	7843000006	2	Spring	
35	7843000037	1	Spring	
36	7894000034	2	Strap and Ratchet Assembly	
37	7950140143	16	Washer 1/4	
101	1001153944	2	Pin	
102	1001153945	2	Cam-Lock Tube	
103	1001153946	2	Cam-Lock Cap	
104	1001153947	2	Handle	
105	1001153971	2	Spring	
106	7440030000	2	Fitting, Grease	
107	7253000002	2	Cap, Grease Fitting	

SECTION 3 - UNDERLIFT

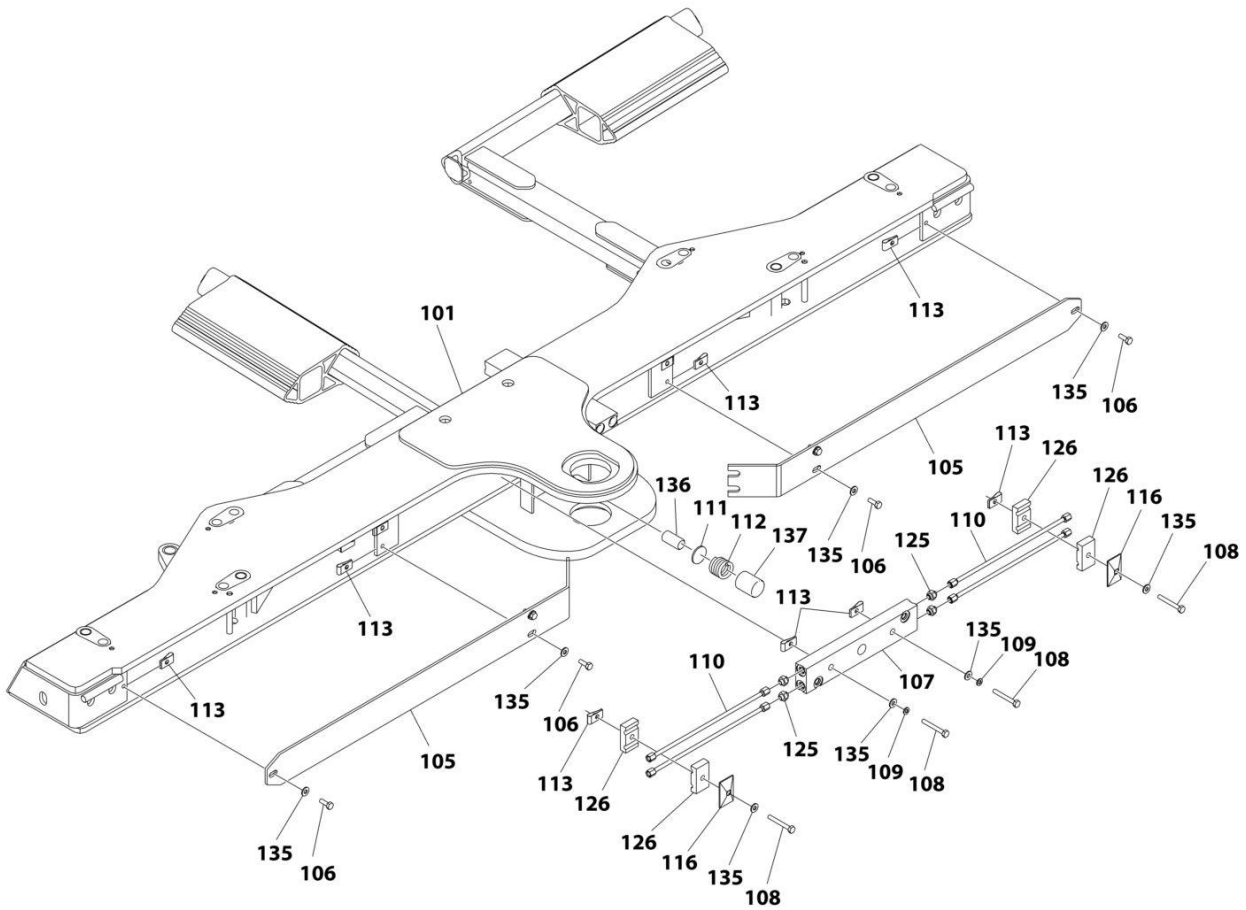
FIGURE 3-6. GRID SYSTEM INSTALLATION - HYDRAULIC



ART_1001206326_10F2

SECTION 3 - UNDERLIFT

FIGURE 3-7. GRID SYSTEM INSTALLATION - HYDRAULIC



ART_1001206326_20F2

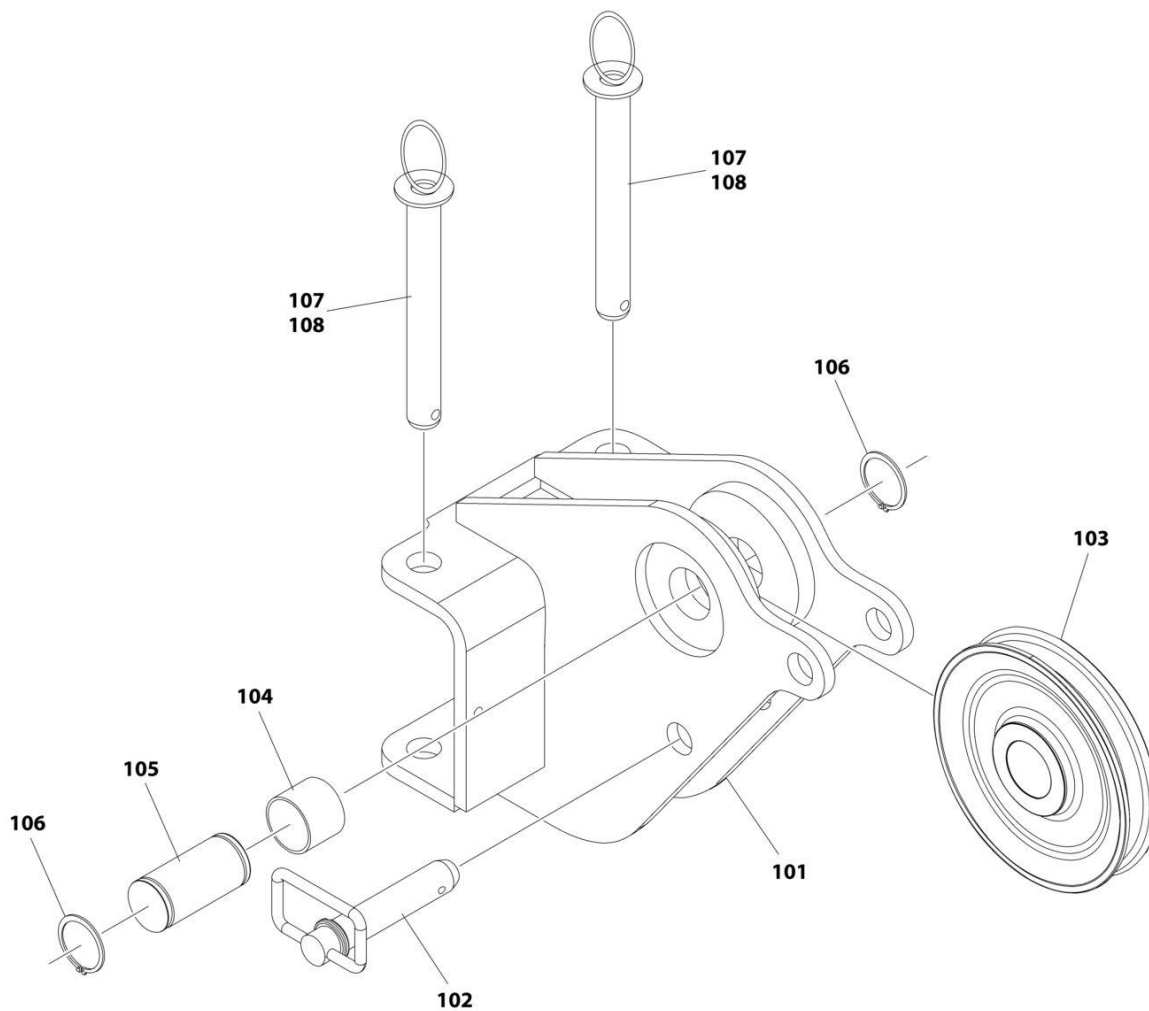
SECTION 3 - UNDERLIFT

FIGURE 3-7. GRID SYSTEM INSTALLATION - HYDRAULIC

ITEM	PART NUMBER	QTY	DESCRIPTION	REV
	1001206326	Ref	GRID SYSTEM INSTALLATION - HYDRAULIC	B
1	1001205604	Ref	Grid Assembly - Hydraulic (Not Shown - See Items 101-139 for Breakdown)	
2	1001137494	Ref	Hose Installation - Hydraulic Grid (Not Shown - See Separate Breakdown in HYDRAULIC Section)	
3	2178000053	1	Bracket, Storage	
	1001205604	Ref	GRID ASSEMBLY - HYDRAULIC	C
101	1001185808	1	Crosstube	
102	4691000198	1	Pin	
103	4949000047	2	Thrust Washer	
104	7754000024	1	Ring, Retaining	
105	1001220280	2	Plate, Cover	
106	0641406	6	Bolt 1/4 x 3/4	
107	4619000013	1	Manifold, Hydraulic	
108	0641416	4	Bolt 1/4 x 2	
109	4761400	2	Washer 1/4	
110	7912000184	4	Tube	
111	4831000095	1	Spacer	
112	7843000037	1	Spring	
113	7661000064	10	U-Nut	
114	7320000064	2	Cylinder Assembly - Hydraulic Grid (See Separate Breakdown in this Section)	
114	7082000026	2	Bearing	
115	3691000229	4	Pin	
116	7274000039	2	Cover, Clamp	
117	3592000052	2	Link	
118	1001137904	6	Bolt 5/16 x 1-1/4	
119	3592000051	2	Link	
120	4706003497	2	Plate	
121	3760351	4	Ring Retaining	
122	3020000124	1	Arm (LH)	
123	3020000125	1	Arm (RH)	
124	3691000230	2	Pin	
125	2220415	4	Fitting, Straight JIC/ORB	
126	7274000086	4	Clamp	
127	8411080091	2	Extrusion, L-Arm	
128	3271505	6	Nut 5/16 Grade 8	
129	7330000599	4	Decal - Warning Pinch Point	
130	7330000036	1	Decal - Warning Secure Vehicle	
131	7577000367	1	Kit, Strap (Not Shown)	
132	7253000002	1	Cap, Grease Fitting	
133	7330000609	1	Decal - Grease Required	
134	88671008	1	Fitting, Grease	
135	4711400	10	Washer 1/4	
136	7786000009	1	Setscrew 3/4 x 1-1/2	
137	4064000052	1	Bar	
138	3020039	AR	Lubricant	
139	3020029	AR	Lubricant	

SECTION 3 - UNDERLIFT

FIGURE 3-8. RECOVERY SHEAVE INSTALLATION (LOW ANGLE)



ART_2509610148

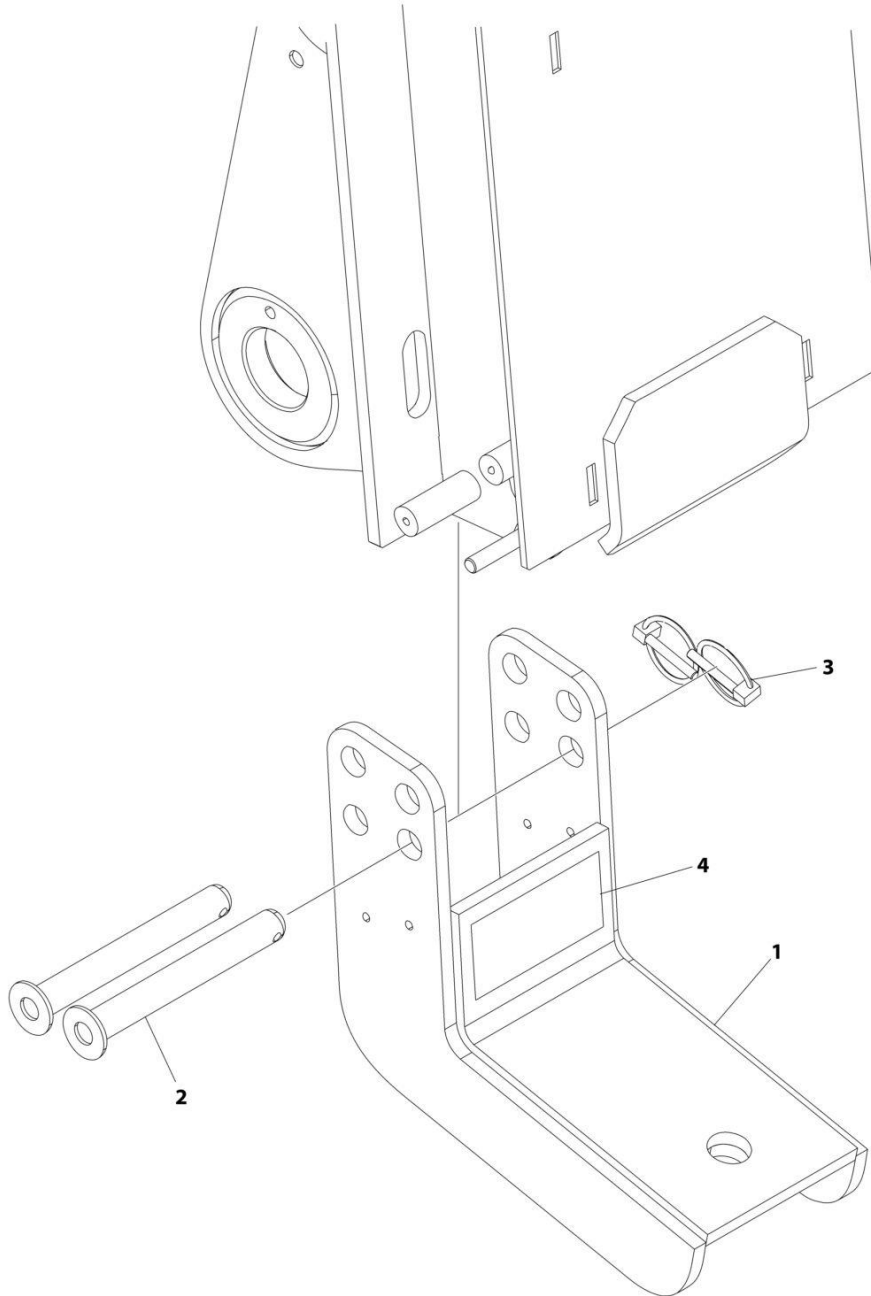
SECTION 3 - UNDERLIFT

FIGURE 3-8. RECOVERY SHEAVE INSTALLATION (LOW ANGLE)

ITEM	PART NUMBER	QTY	DESCRIPTION	REV
	2509610148	Ref	RECOVERY SHEAVE INSTALLATION (LOW ANGLE)	0
1	3249000041	Ref	Sheave Assembly (Not Shown) (Includes Items 101-108)	
2	7330000716	1	Decal - Caution Lock-Out Valve (Not Shown)	
	3249000041	Ref	SHEAVE ASSEMBLY	B
101	3249000040	1	Sheave Weldment	
102	7691000053	1	Pin	
103	7809000013	1	Sheave	
104	7082000032	1	Bearing	
105	4691000572	1	Pin	
106	7754000006	2	Retaining Ring	
107	3691000195	2	Pin	
108	7691000027	2	Pin	

SECTION 3 - UNDERLIFT

FIGURE 3-9. TOW BALL BRACKET INSTALLATION



ART_2178000048

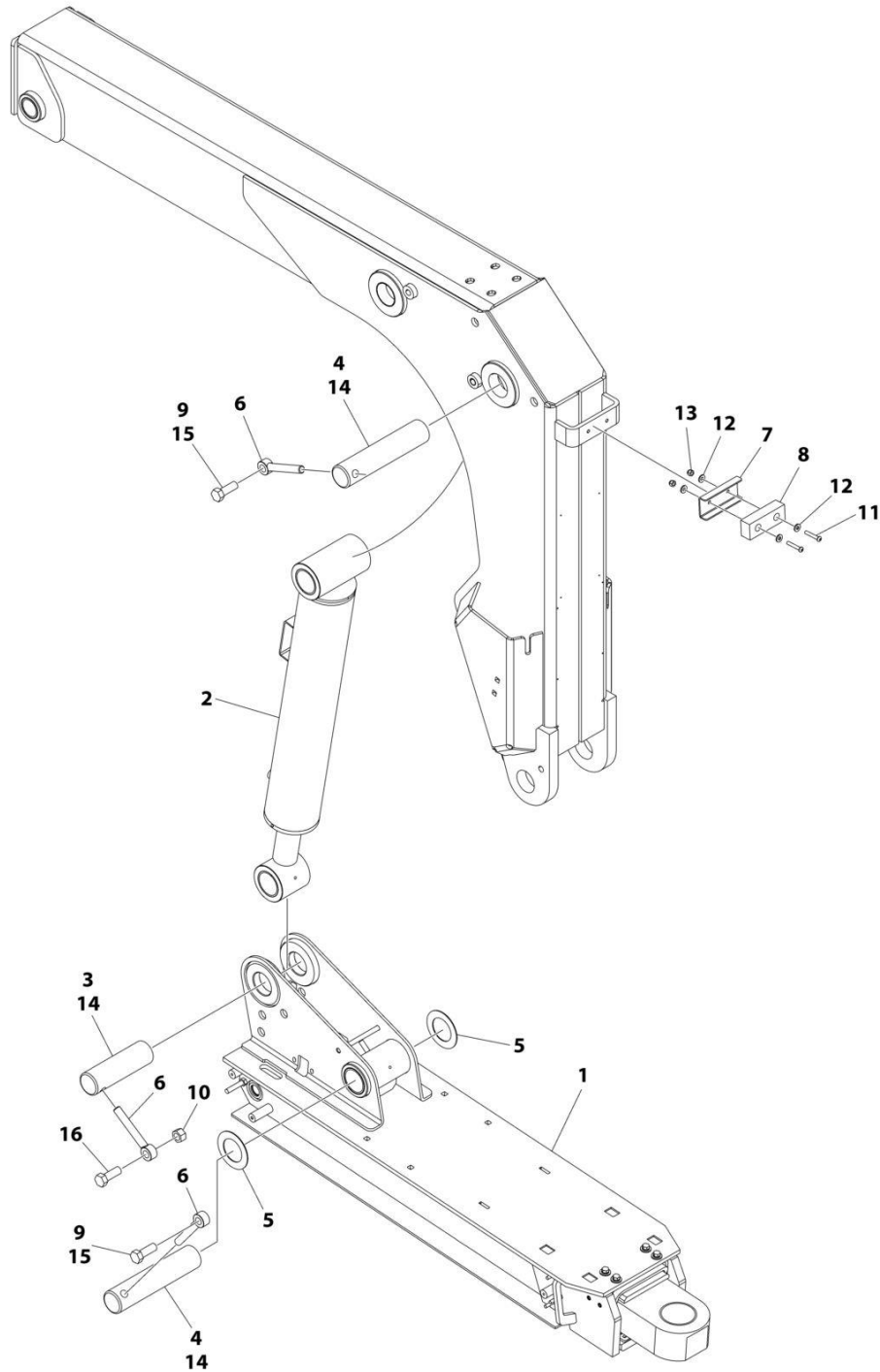
SECTION 3 - UNDERLIFT

FIGURE 3-9. TOW BALL BRACKET INSTALLATION

ITEM	PART NUMBER	QTY	DESCRIPTION	REV
	2178000048	Ref	TOW BALL BRACKET INSTALLATION	0
1	3178000507	1	Bracket, Tow Ball	
2	3691000195	2	Pin	
3	7691000027	2	Clip-Pin	
4	7330000424	1	Decal - Tow Bracket	

SECTION 3 - UNDERLIFT

FIGURE 3-10. UNDERLIFT INSTALLATION - HYDRAULIC GRIDS



ART_1001196913

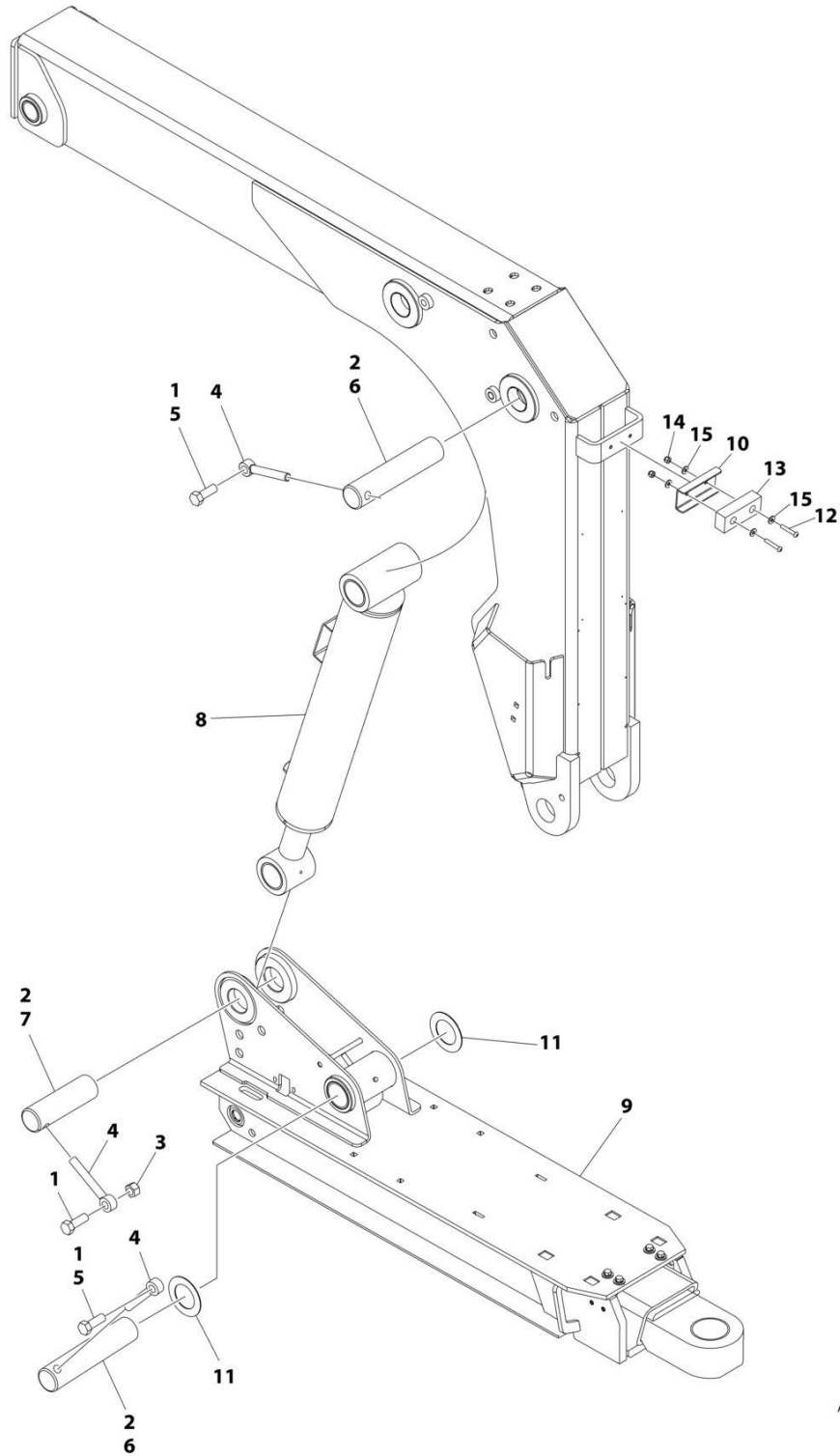
SECTION 3 - UNDERLIFT

FIGURE 3-10. UNDERLIFT INSTALLATION - HYDRAULIC GRIDS

ITEM	PART NUMBER	QTY	DESCRIPTION	REV
	1001196913	Ref	UNDERLIFT BOOM INSTALLATION HYDRAULIC FIXED GRID	B
1	1001196509	1	Underlift Boom Assembly Hydraulic Grid (See Separate Breakdown in this Section)	
2	1001194372	1	Underlift Tilt Cylinder (See Separate Breakdown in this Section)	
3	1001191718	1	Pin	
4	1001191717	2	Pin	
5	4949000050	2	Washer	
6	3841258	3	Rod	
7	4263000814	1	Channel	
8	7189000023	1	Bumper	
9	0682014	2	Bolt 5/8 x 1-3/4 Grade 8	
10	3300240	1	Nut 5/8	
11	7114141218	2	Capscrew 1/4 x 1-1/2	
12	7950140143	4	Washer 1/4	
13	7660142604	2	Nut 1/4	
14	3020039	AR	Lubricant	
15	1001095650	AR	Adhesive	
16	0682015	1	Bolt 5/8 x 1-7/8 Grade 8	

SECTION 3 - UNDERLIFT

FIGURE 3-11. UNDERLIFT INSTALLATION - MANUAL GRID



ART_1001265469

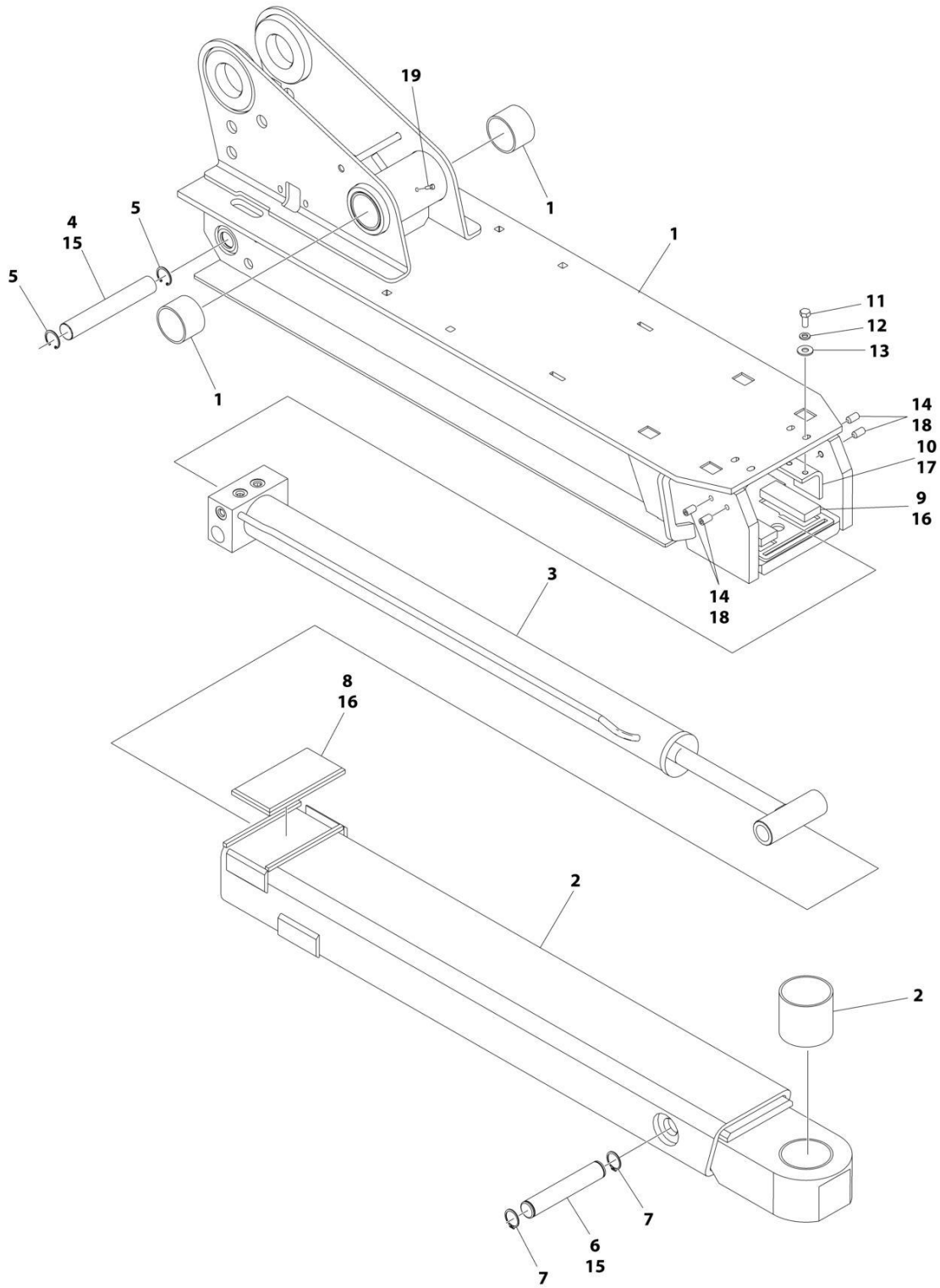
SECTION 3 - UNDERLIFT

FIGURE 3-11. UNDERLIFT INSTALLATION - MANUAL GRID

ITEM	PART NUMBER	QTY	DESCRIPTION	REV
	1001265469	Ref	UNDERLIFT BOOM INSTALLATION MANUAL GRID	A
1	0682014	3	Bolt 5/8 x 1-3/4 Grade 8	
2	3020039	AR	Lubricant	
3	3272005	1	Nut 5/8	
4	3841258	3	Rod	
5	1001095650	AR	Adhesive	
6	1001191717	2	Pin	
7	1001191718	1	Pin	
8	1001194372	1	Underlift Tilt Cylinder (See Separate Breakdown in this Section)	
9	1001265470	1	Underlift Boom Assembly Main Grid (See Separate Breakdown in this Section)	
10	4263000814	1	Channel	
11	4949000050	2	Washer	
12	7114141218	2	Capscrew 1/4 x 1-1/2	
13	7189000023	1	Bumper	
14	7660142604	2	Nut 1/4	
15	7950140143	4	Washer 1/4	

SECTION 3 - UNDERLIFT

FIGURE 3-12. UNDERLIFT ASSEMBLY - HYDRAULIC GRIDS



ART_1001196509

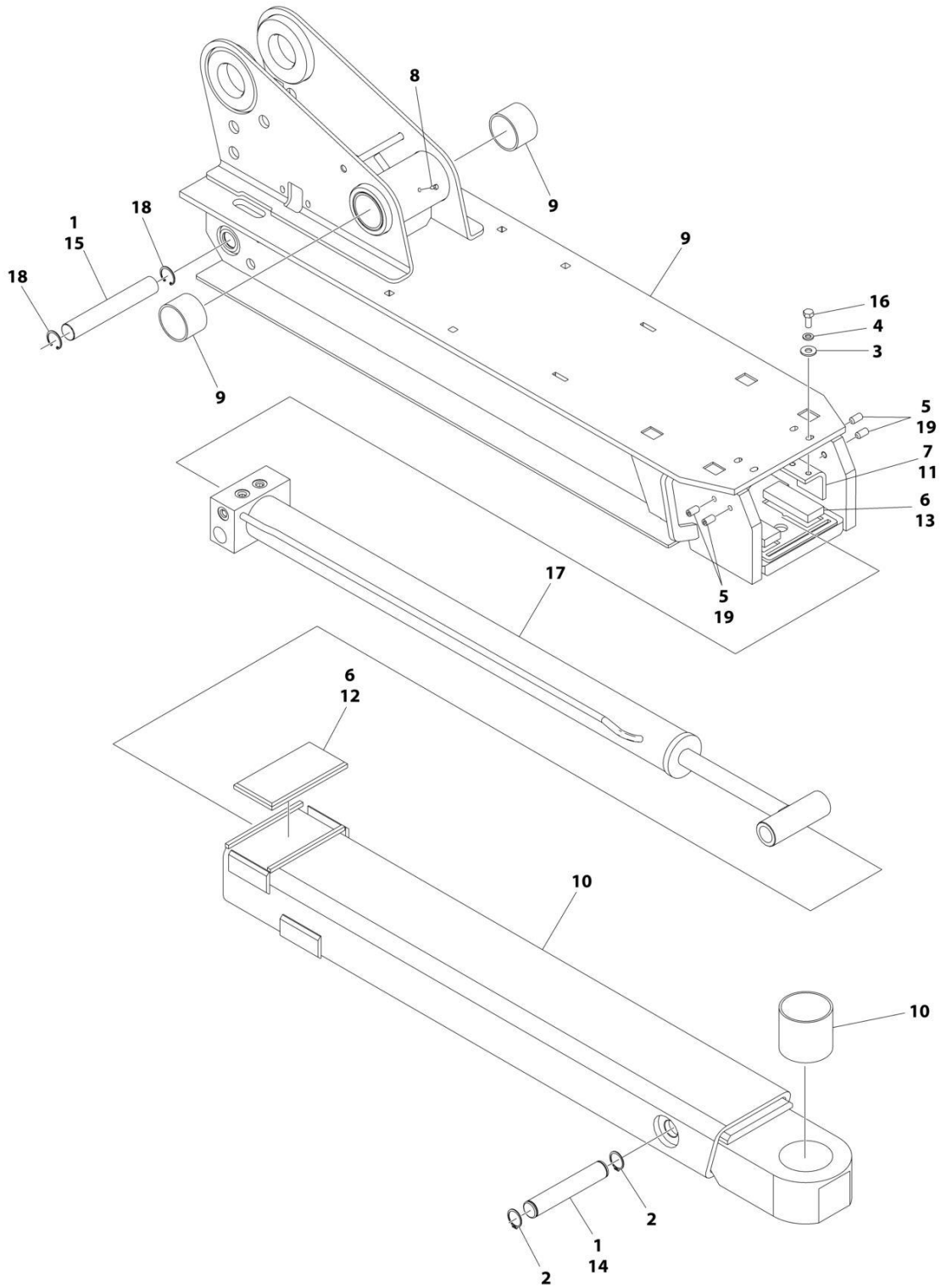
SECTION 3 - UNDERLIFT

FIGURE 3-12. UNDERLIFT ASSEMBLY - HYDRAULIC GRIDS

ITEM	PART NUMBER	QTY	DESCRIPTION	REV
	1001196509	Ref	BOOM, UNDERLIFT - HYDRAULIC GRIDS	A
1	1001196510	1	Boom, Base	
1	7082000043	2	Bearing	
2	3170000346	1	Boom, Inner	
2	7209000030	1	Bearing	
3	7320000077	1	Cylinder Assembly (See Separate Breakdown in this Section)	
4	4691000308	1	Pin	
5	7754000056	2	Snap Ring	
6	4691000307	1	Pin	
7	3760115	2	Retaining Ring	
8	4679000046	1	Pad	
9	4679000213	2	Pad	
10	4017001502	2	Angle	
11	7104150624	4	Capscrew 5/16 x 3/4	
12	4761500	4	Washer 5/16	
13	4751500	4	Washer 5/16	
14	7785161274	4	Setscrew 3/8 x 3/4	
15	3020039	AR	Lubricant	
16	1001152707	AR	Lubricant	
17	1001155141	AR	Lubricant	
18	1001095650	AR	Adhesive	
19	1001204776	1	Plug	

SECTION 3 - UNDERLIFT

FIGURE 3-13. UNDERLIFT ASSEMBLY - MANUAL GRID



ART_1001265470

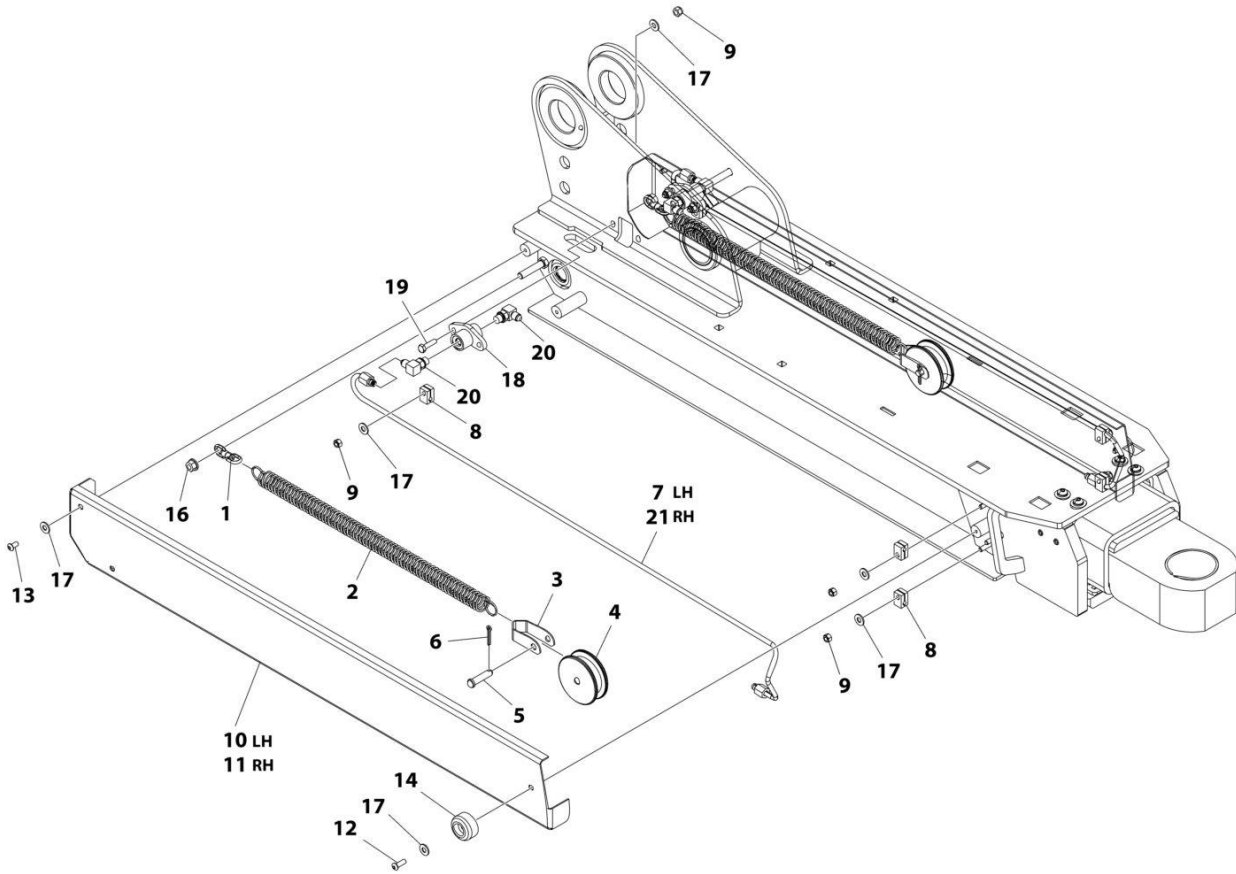
SECTION 3 - UNDERLIFT

FIGURE 3-13. UNDERLIFT ASSEMBLY - MANUAL GRID

ITEM	PART NUMBER	QTY	DESCRIPTION	REV
	1001265470	Ref	UNDERLIFT BOOM ASSEMBLY - MANUAL GRID	A
1	3020039	AR	Lubricant	
2	3760115	2	Ring, Retaining	
3	4751500	4	Washer 5/16	
4	4761500	4	Washer 5/16	
5	1001095650	AR	Adhesive	
6	1001152707	AR	Lubricant	
7	1001155141	AR	Lubricant	
8	1001204776	1	Plug	
9	1001207976	1	Boom, Main	
9	7082000043	2	Bearing	
10	3170000346	1	Boom, Inner	
10	7209000030	2	Bearing	
11	4017001502	2	Angle	
12	4679000046	1	Pad	
13	4679000213	2	Pad	
14	4691000307	1	Pin	
15	4691000308	1	Pin	
16	7104150624	4	Bolt 5/16 x 3/4	
17	7320000077	1	Cylinder Assembly - Extrend/Retract (See Separate Breakdown in this Section)	
18	7754000056	2	Ring, Retaining	
19	7785161274	4	Setscrew 3/8 x 3/4	

SECTION 3 - UNDERLIFT

FIGURE 3-14. UNDERLIFT TRACK ASSEMBLY (WITH HYDRAULIC GRID)



ART_3509870046

SECTION 3 - UNDERLIFT

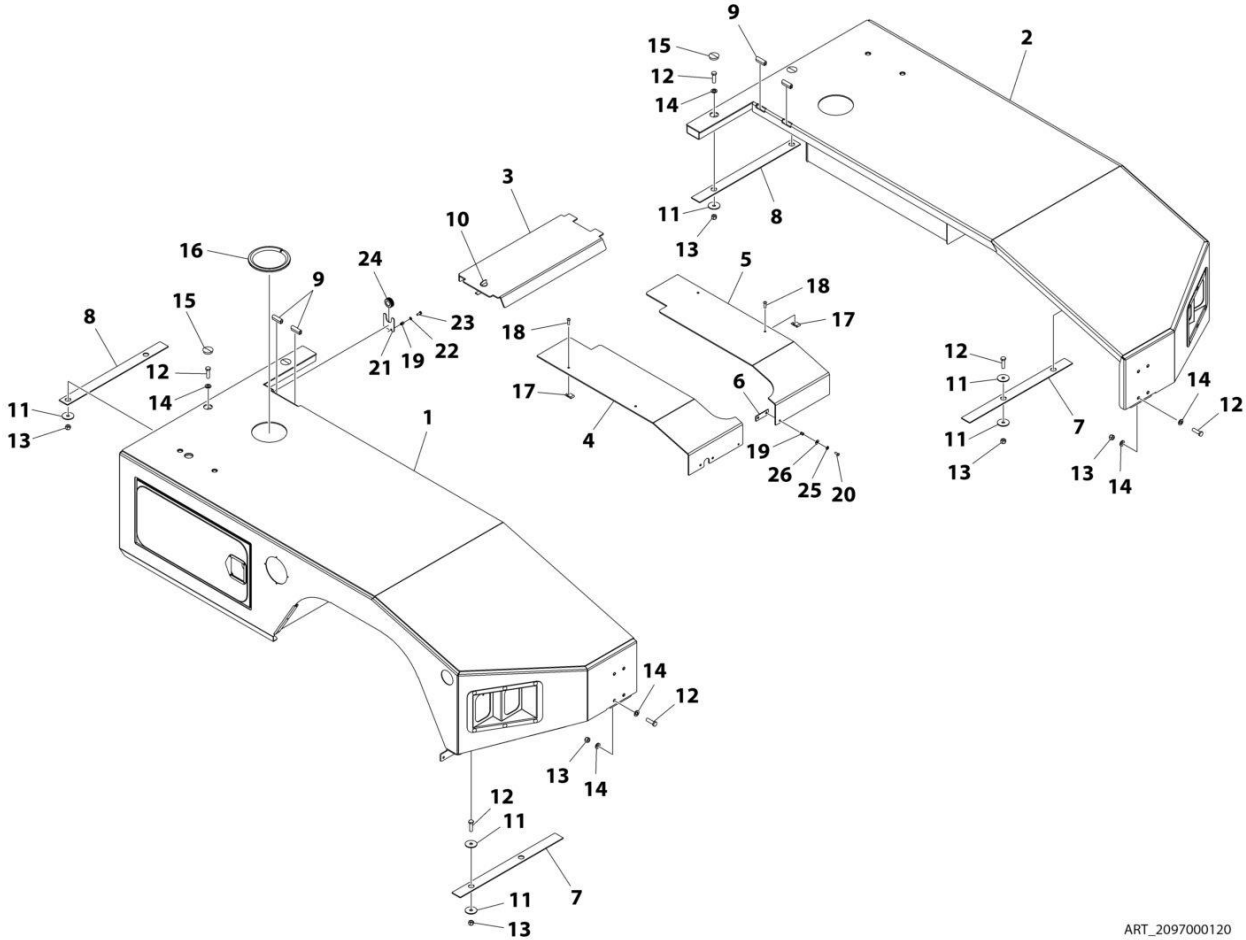
FIGURE 3-14. UNDERLIFT TRACK ASSEMBLY (WITH HYDRAULIC GRID)

ITEM	PART NUMBER	QTY	DESCRIPTION	REV
	3509870046	Ref	UNDERLIFT TRACK ASSEMBLY	B
1	7592000004	2	Swivel	
2	7843000031	2	Spring	
3	4706003501	2	Plate	
4	7719000004	2	Roller	
5	7691000040	2	Clevis	
6	7691000042	2	Cotter Pin	
7	7912000346	1	Tube	
8	7274000073	6	Hose Clamp	
9	7660142604	10	Nut 1/4	
10	4706004066	1	Plate, LH	
11	4706004067	1	Plate, RH	
12	7114140618	2	Capscrew 1/4 x 3/4	
13	7114140427	4	Capscrew 1/4 x 1/2	
14	7189000019	2	Rubber Bumper	
16	7660162301	2	Nut 3/8	
17	7950140143	16	Washer 1/4	
18	3619000001	2	Manifold	
19	7115140850	4	Bolt 1/4 x 1	
20	7445040445	4	Fitting, 90	
21	7912000347	1	Tube	

SECTION 4 - BODY

SECTION 4 - BODY

FIGURE 4-1. BODY INSTALLATION (STEEL) - NGS



ART_2097000120

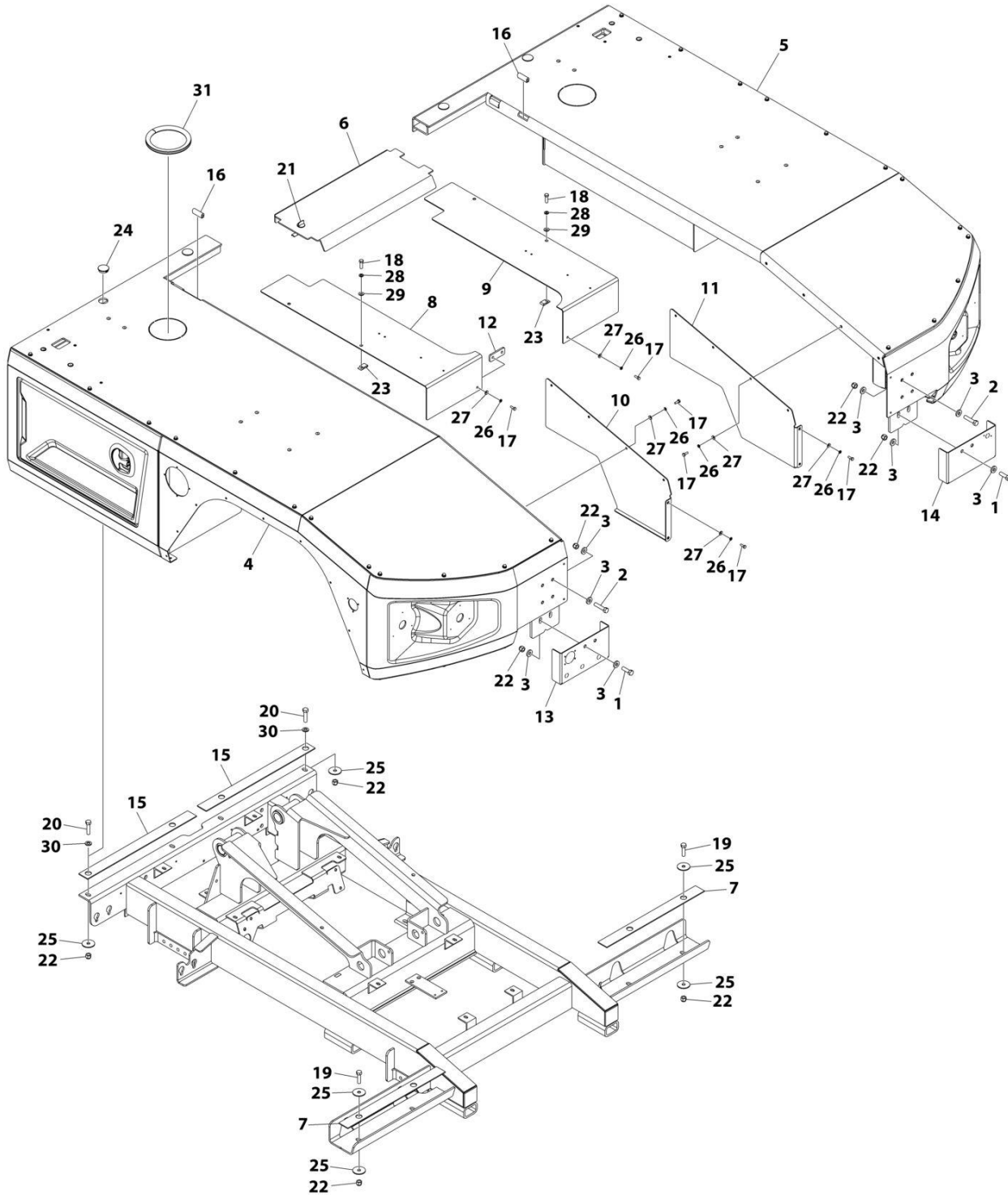
SECTION 4 - BODY

FIGURE 4-1. BODY INSTALLATION (STEEL) - NGS

ITEM	PART NUMBER	QTY	DESCRIPTION	REV
	2097000120	Ref	BODY INSTALLATION MPL-NGS BS OIL RESERVOIR	D
1	3097000767	1	Body Assembly (LH)	
2	3097000769	1	Body Assembly (RH)	
3	4707000343	1	Plate	
4	4707000344	1	Plate	
5	4707000345	1	Plate	
6	4062000695	1	Bar	
7	4090000010	2	Belt	
8	4090000011	2	Belt	
9	4632000058	4	Moulding Grip	
10	7585000023	1	Latch	
11	7949000015	12	Washer	
12	7115181450	16	Bolt 1/2 x 1-3/4	
13	7660182601	16	Nut 1/2	
14	7950180153	20	Washer 1/2	
15	7701000063	4	Plug	
16	8632760025	AR	Trim Lock	
17	7661000029	4	Nut	
18	7114150818	4	Screw 5/16 x 1	
19	7413000002	4	Nut 1/4	
20	7114140618	2	Screw 1/4 x 3/4	
21	4811001177	1	Coverplate	
22	7950140000	2	Washer 1/4	
23	7115140650	2	Screw 1/4 x 3/4	
24	7493000003	1	Grommet	
25	7950140003	2	Washer 1/4	
26	7950140143	2	Washer 1/4	

SECTION 4 - BODY

FIGURE 4-2. BODY INSTALLATION (ALUMINUM) - NG



ART_1001291502

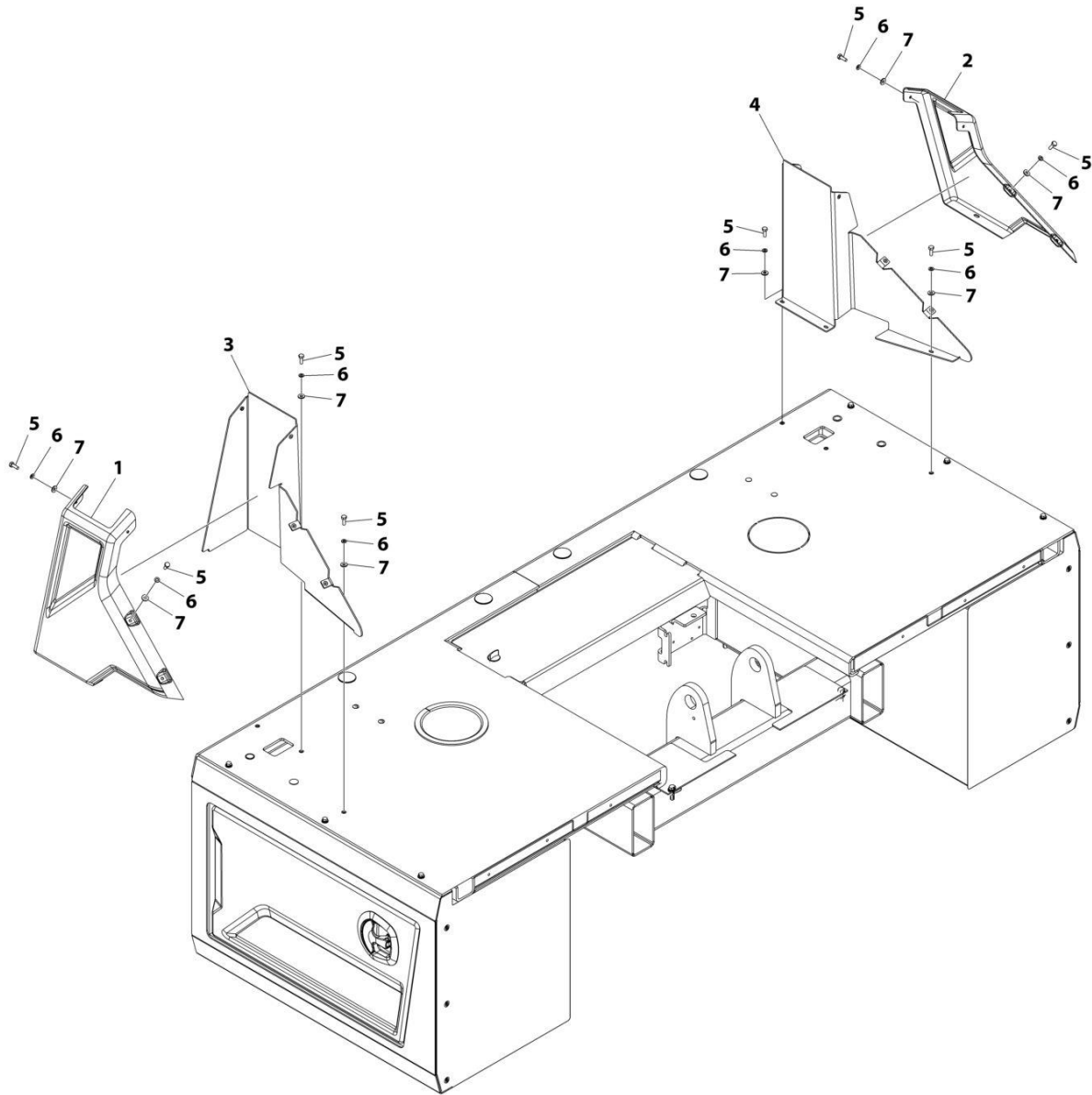
SECTION 4 - BODY

FIGURE 4-2. BODY INSTALLATION (ALUMINUM) - NG

ITEM	PART NUMBER	QTY	DESCRIPTION	REV
	1001291502	Ref	BODY INSTALLATION	A
1	0641813	4	Bolt 1/2 x 1-5/8	
2	0641818	8	Bolt 1/2 x 2-1/4	
3	4891800	24	Washer 1/2	
4	1001291503	1	Deck Side Panel Assembly - LH (See Separate Breakdown in this Section)	
5	1001291511	1	Deck Side Panel Assembly - RH (See Separate Breakdown in this Section)	
6	1001294465	1	Plate	
7	1001299045	2	Pad	
8	1001300749	1	Plate	
9	1001300750	1	Plate	
10	1001300876	1	Coverplate	
11	1001300877	1	Coverplate	
12	1001300878	1	Bar	
13	1001300989	1	Panel, LH	
14	1001300990	1	Panel, RH	
15	4090000011	2	Belt	
16	4632000058	4	Moulding Grip	
17	7114140650	14	Bolt 1/4 x 3/4	
18	7115161050	4	Bolt 3/8 x 1-1/4	
19	7115181450	4	Bolt 1/2 x 1-3/4	
20	7115181650	4	Bolt 1/2 x 2	
21	7585000023	1	Latch	
22	7660182601	20	Nut 1/2	
23	7661000029	4	Nut	
24	7701000063	4	Plug	
25	7949000015	12	Washer	
26	7950140003	14	Washer 1/4	
27	7950140143	14	Washer 1/4	
28	7950160000	4	Washer 3/8	
29	7950160143	4	Washer 3/8	
30	7950180153	4	Washer 1/2	
31	8632000002	AR	Trim	

SECTION 4 - BODY

FIGURE 4-3. BODY COVERS RAIL INSTALLATION (BODY MOUNTED PYLON)



ART_1001301573

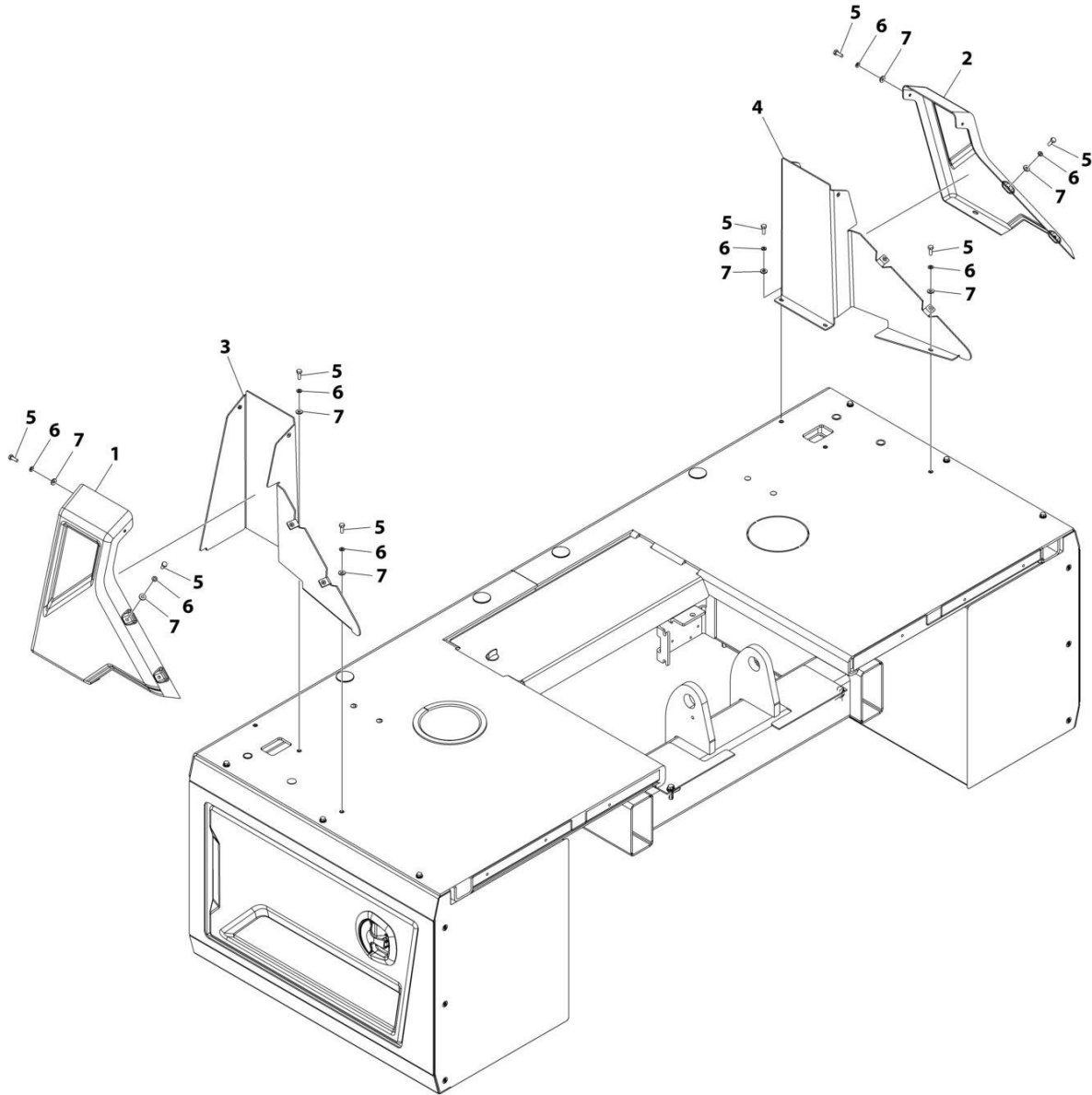
SECTION 4 - BODY

FIGURE 4-3. BODY COVERS RAIL INSTALLATION (BODY MOUNTED PYLON)

ITEM	PART NUMBER	QTY	DESCRIPTION	REV
	1001301573	Ref	BODY COVERS RAIL INSTALLATION	A
1	1001294154	1	Cover, LH	
2	1001294155	1	Cover, RH	
3	1001295697	1	Panel, LH	
4	1001295699	1	Panel, RH	
5	7114140650	14	Bolt 1/4 x 3/4	
6	7950140003	14	Washer 1/4	
7	7950140143	14	Washer 1/4	

SECTION 4 - BODY

FIGURE 4-4. BODY COVERS RAILS INSTALLATION (TUNNEL MOUNTED PYLON)



ART_1001301574

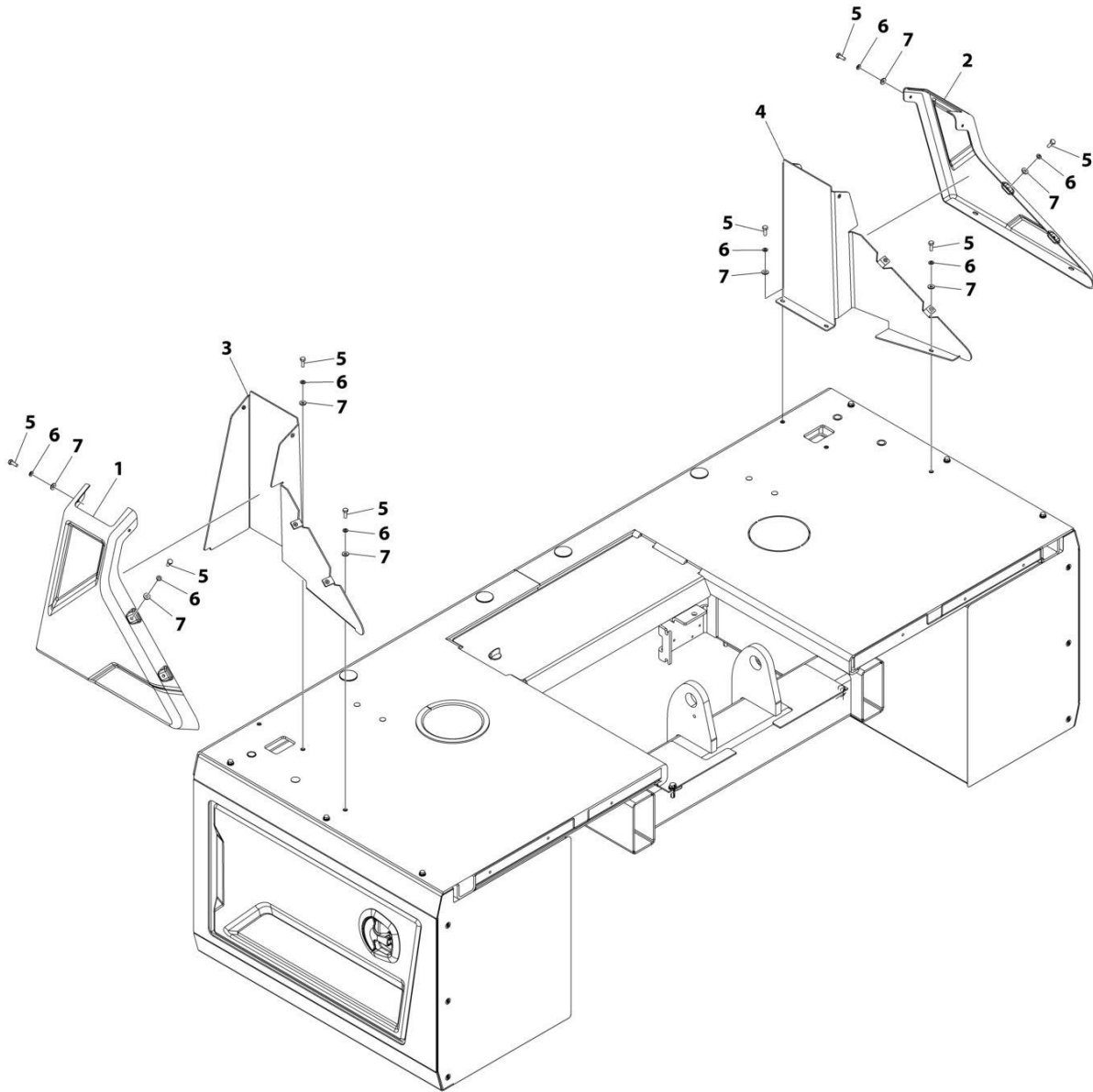
SECTION 4 - BODY

FIGURE 4-4. BODY COVERS RAILS INSTALLATION (TUNNEL MOUNTED PYLON)

ITEM	PART NUMBER	QTY	DESCRIPTION	REV
	1001301574	Ref	BODY COVERS RAILS INSTALLATION	A
1	1001294150	1	Cover, LH	
2	1001294151	1	Cover, RH	
3	1001295697	1	Panel, LH	
4	1001295699	1	Panel, RH	
5	7114140650	14	Bolt 1/4 x 3/4	
6	7950140003	14	Washer 1/4	
7	7950140143	14	Washer 1/4	

SECTION 4 - BODY

FIGURE 4-5. BODY COVERS NO RAIL INSTALLATION (BODY MOUNTED PYLON)



ART_1001301575

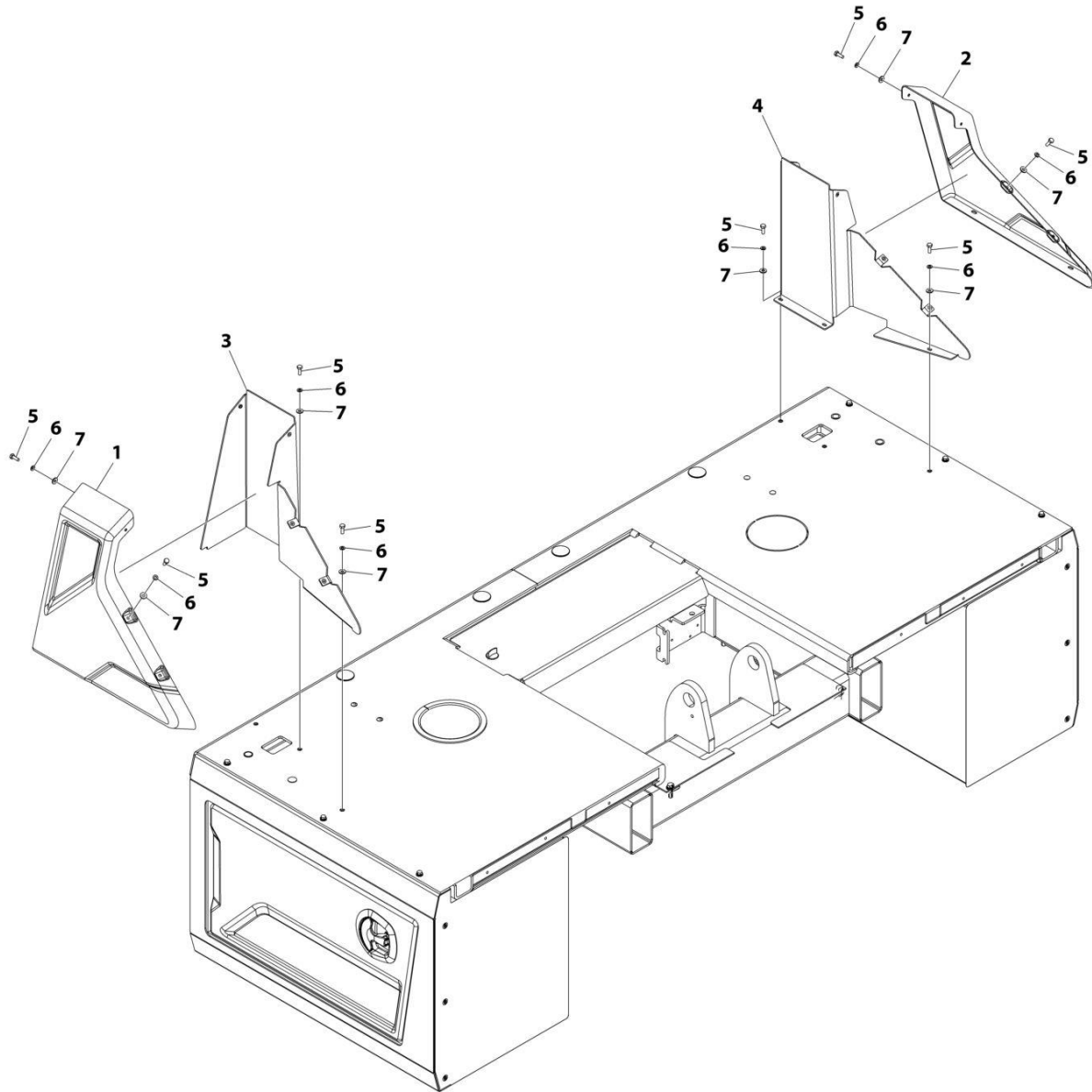
SECTION 4 - BODY

FIGURE 4-5. BODY COVERS NO RAIL INSTALLATION (BODY MOUNTED PYLON)

ITEM	PART NUMBER	QTY	DESCRIPTION	REV
	1001301575	Ref	BODY COVERS NO RAIL INSTALLATION	A
1	1001294152	1	Cover, LH	
2	1001294153	1	Cover, RH	
3	1001295697	1	Panel, LH	
4	1001295699	1	Panel, RH	
5	7114140650	14	Bolt 1/4 x 3/4	
6	7950140003	14	Washer 1/4	
7	7950140143	14	Washer 1/4	

SECTION 4 - BODY

FIGURE 4-6. BODY COVERS NO RAILS INSTALLATION (TUNNEL MOUNTED PYLON)



ART_1001301576

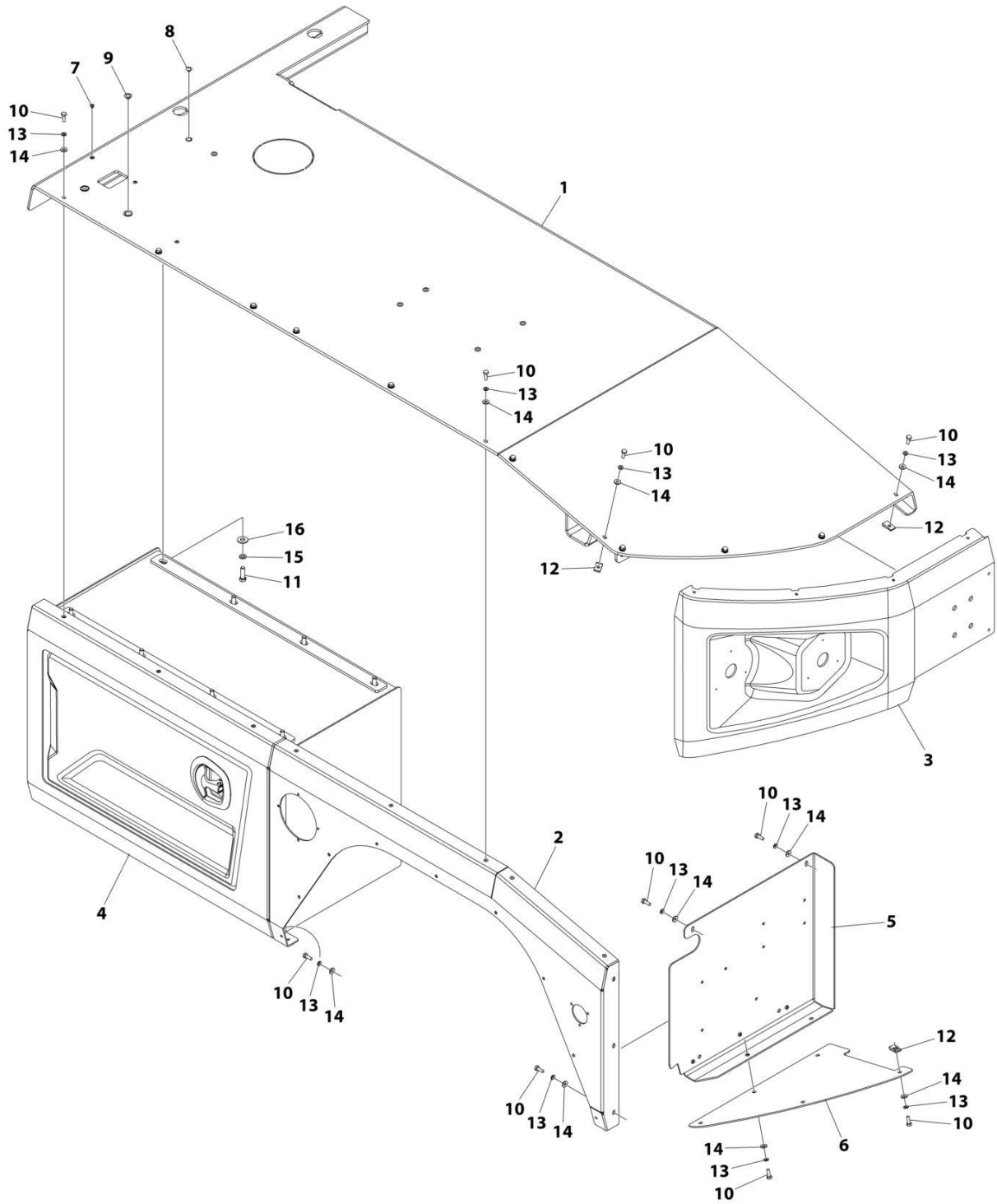
SECTION 4 - BODY

FIGURE 4-6. BODY COVERS NO RAILS INSTALLATION (TUNNEL MOUNTED PYLON)

ITEM	PART NUMBER	QTY	DESCRIPTION	REV
	1001301576	Ref	BODY COVERS NO RAILS INSTALLATION	A
1	1001294148	1	Cover, LH	
2	1001294149	1	Cover, RH	
3	1001295697	1	Panel, LH	
4	1001295699	1	Panel, RH	
5	7114140650	14	Bolt 1/4 x 3/4	
6	7950140003	14	Washer 1/4	
7	7950140143	14	Washer 1/4	

SECTION 4 - BODY

FIGURE 4-7. DECK SIDE PANEL ASSEMBLY - LH (NG)



ART_1001291503

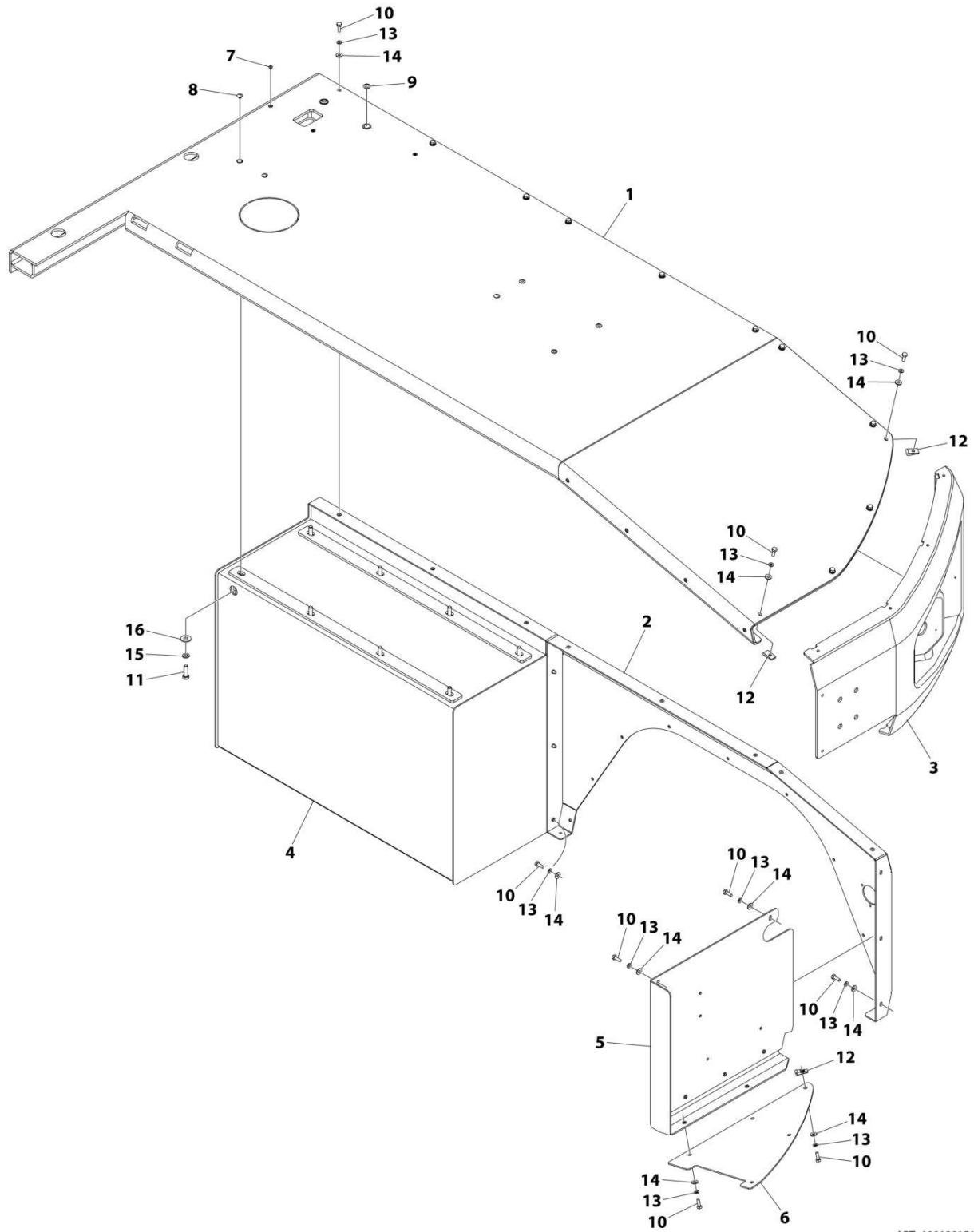
SECTION 4 - BODY

FIGURE 4-7. DECK SIDE PANEL ASSEMBLY - LH (NG)

ITEM	PART NUMBER	QTY	DESCRIPTION	REV
	1001291503	Ref	DECK SIDE PANEL ASSEMBLY - LH	A
1	1001291504	1	Deck, LH	
2	1001291505	1	Panel, LH	
3	1001291506	1	Panel, LH	
4	1001291507	1	Box, LH	
5	1001298346	1	Mount, LH	
6	1001298350	1	Plate	
7	1001301604	3	Plug 1/4	
8	1001301605	6	Plug 3/8	
9	1001301606	2	Plug 1/2	
10	7114140650	25	Bolt 1/4 x 3/4	
11	7115161050	8	Bolt 3/8 x 1-1/4	
12	7661000064	7	U-Nut 1/4	
13	7950140003	25	Washer 1/4	
14	7950140143	25	Washer 1/4	
15	7950160000	8	Washer 3/8	
16	7950160161	8	Washer 3/8	

SECTION 4 - BODY

FIGURE 4-8. DECK SIDE PANEL ASSEMBLY - RH (NG)



ART_1001291511

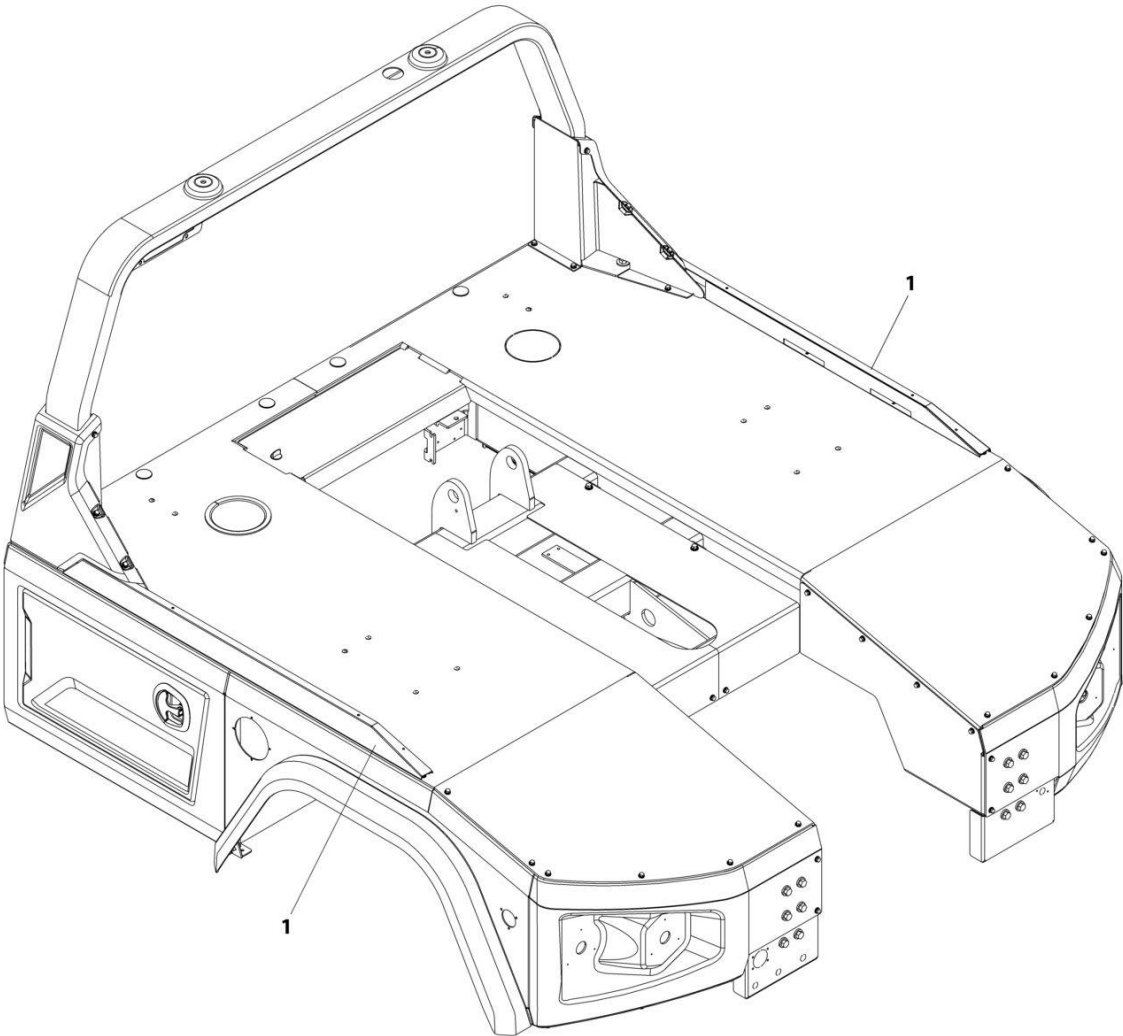
SECTION 4 - BODY

FIGURE 4-8. DECK SIDE PANEL ASSEMBLY - RH (NG)

ITEM	PART NUMBER	QTY	DESCRIPTION	REV
	1001291511	Ref	DECK SIDE PANEL ASSEMBLY - RH	A
1	1001291512	1	Deck, RH	
2	1001291513	1	Panel, RH	
3	1001291514	1	Panel, RH	
4	1001291515	1	Box, RH	
5	1001298348	1	Mount, RH	
6	1001298350	1	Plate	
7	1001301604	3	Plug 1/4	
8	1001301605	6	Plug 3/8	
9	1001301606	2	Plug 1/2	
10	7114140650	25	Bolt 1/4 x 3/4	
11	7115161050	8	Bolt 3/8 x 1-1/4	
12	7661000064	7	U-Nut 1/4	
13	7950140003	25	Washer 1/4	
14	7950140143	25	Washer 1/4	
15	7950160000	8	Washer 3/8	
16	7950160161	8	Washer 3/8	

SECTION 4 - BODY

FIGURE 4-9. DECK RAILS INSTALLATION - COVERS (NG)



ART_1001301578

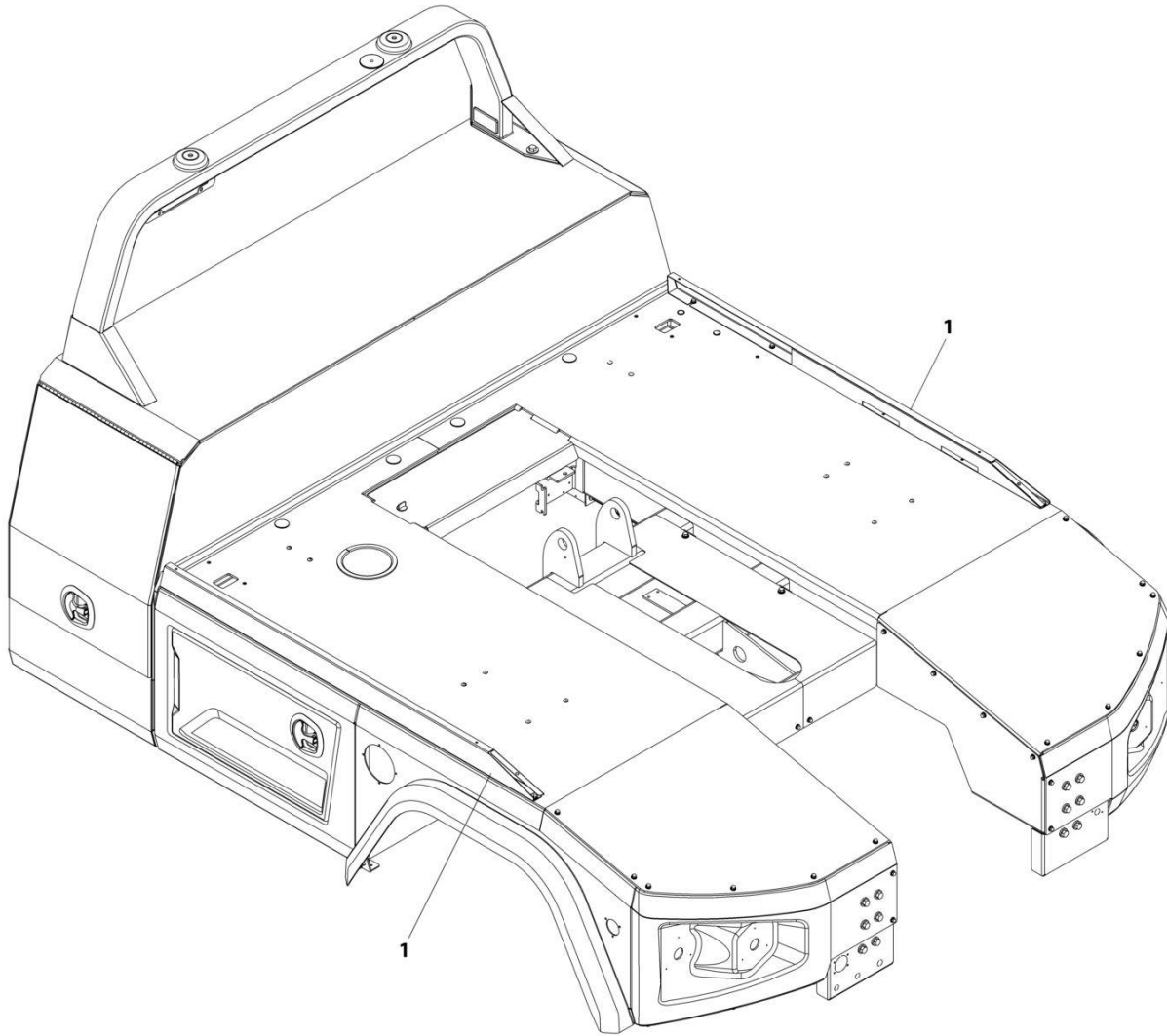
SECTION 4 - BODY

FIGURE 4-9. DECK RAILS INSTALLATION - COVERS (NG)

ITEM	PART NUMBER	QTY	DESCRIPTION	REV
1	1001301578 1001302054	Ref 1	DECK RAILS INSTALLATION Rail, Deck	A

SECTION 4 - BODY

FIGURE 4-10. DECK RAILS INSTALLATION - NO COVERS (NG)



ART_1001301579

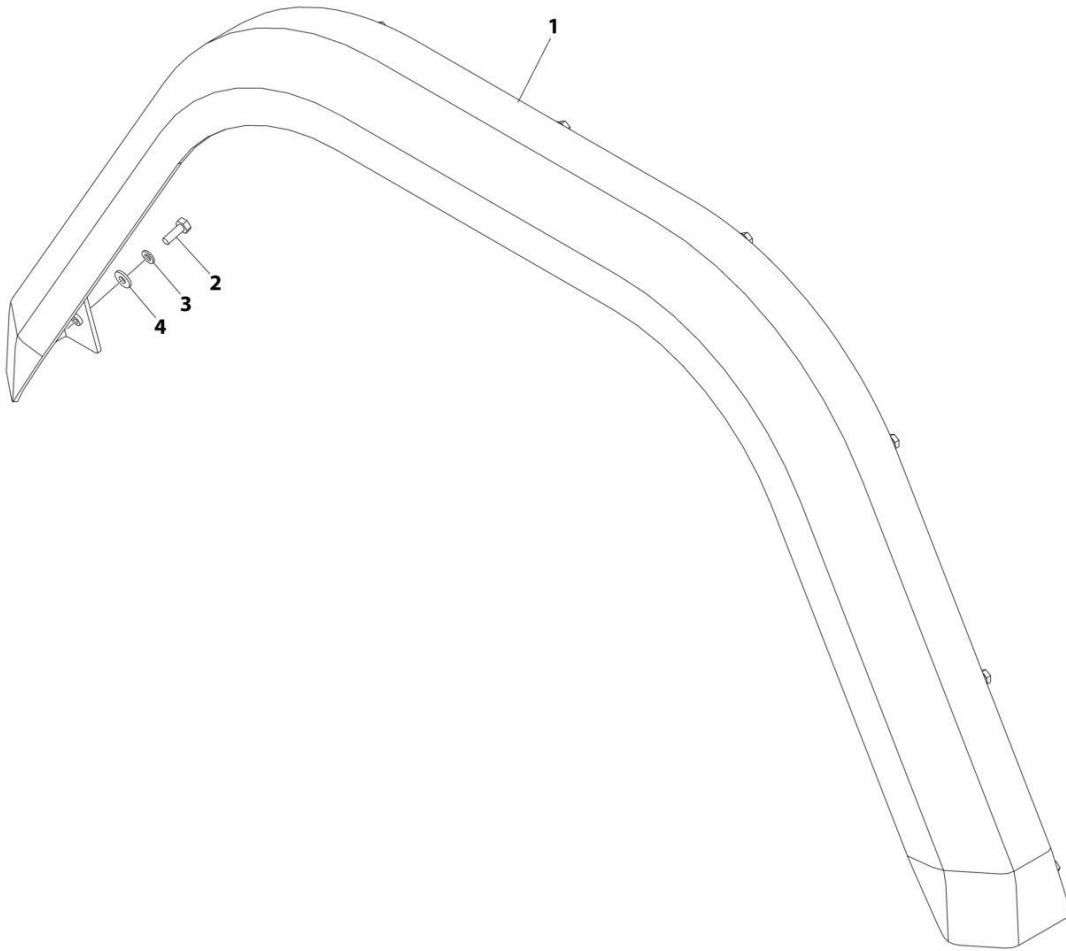
SECTION 4 - BODY

FIGURE 4-10. DECK RAILS INSTALLATION - NO COVERS (NG)

ITEM	PART NUMBER	QTY	DESCRIPTION	REV
1	1001301579 1001302055	Ref 1	DECK RAILS INSTALLATION Rail, Deck	A

SECTION 4 - BODY

FIGURE 4-11. FENDER FLARE INSTALLATION - FORD F450-550/DODGE (NG)



ART_1001291641

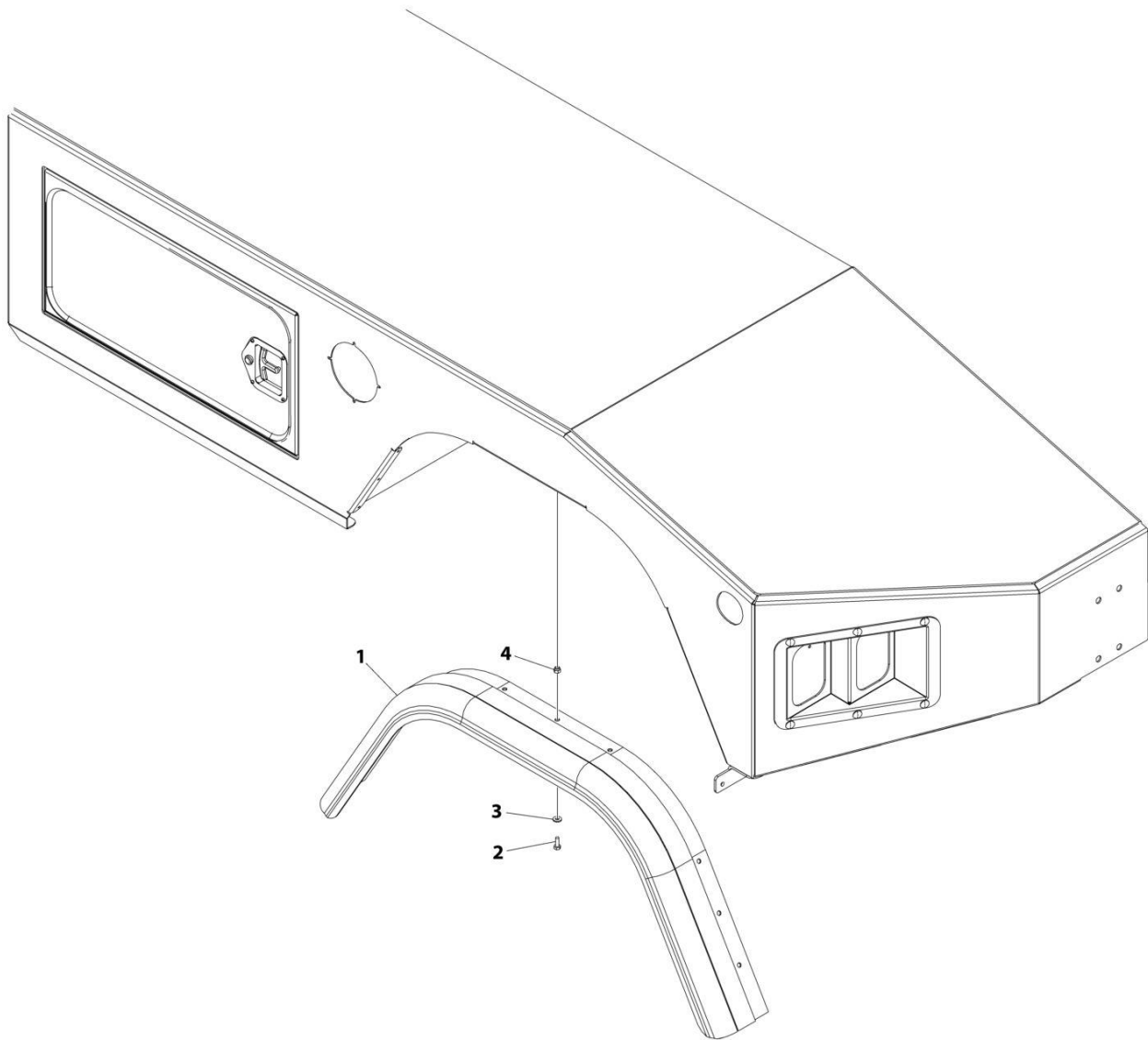
SECTION 4 - BODY

FIGURE 4-11. FENDER FLARE INSTALLATION - FORD F450-550/DODGE (NG)

ITEM	PART NUMBER	QTY	DESCRIPTION	REV
	1001291641	Ref	FENDER FLARE INSTALLATION	A
1	1001291680	2	Fender	
2	7115140650	18	Bolt 1/4 x 3/4	
3	7950140003	18	Washer 1/4	
4	7950140143	18	Washer 1/4	

SECTION 4 - BODY

FIGURE 4-12. FENDER FLARE INSTALLATION - FORD 450-550/DODGE (NGS)



ART_2415000031

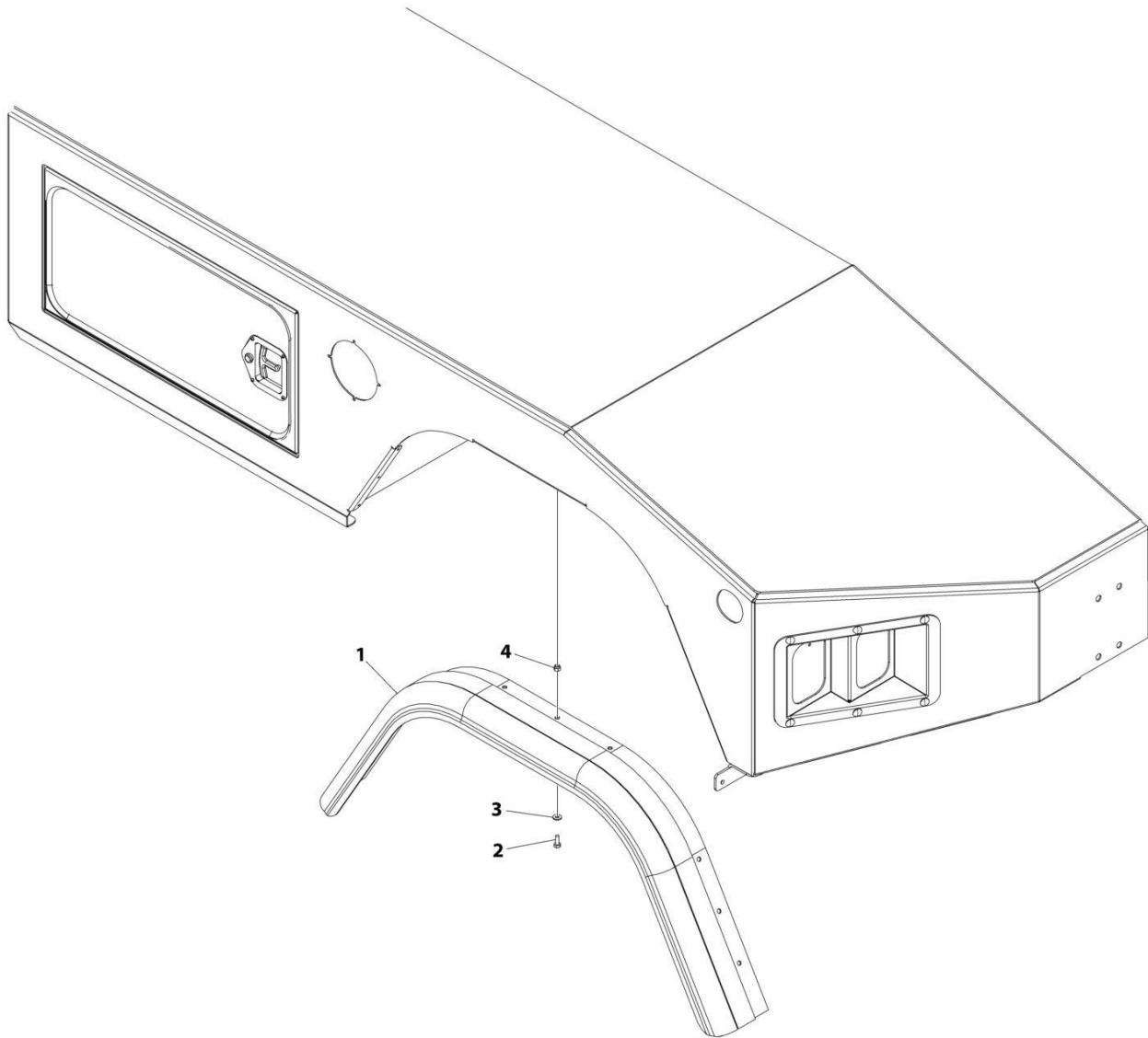
SECTION 4 - BODY

FIGURE 4-12. FENDER FLARE INSTALLATION - FORD 450-550/DODGE (NGS)

ITEM	PART NUMBER	QTY	DESCRIPTION	REV
	2415000031	Ref	FENDER FLARE INSTALLATION (FORD 450-550/DODGE)	0
1	7415000036	2	Fender	
2	7115140650	18	Bolt 1/4 x 3/4	
3	7950140143	18	Washer 1/4	
4	7660142601	18	Nut 1/4	

SECTION 4 - BODY

FIGURE 4-13. FENDER FLARE INSTALLATION - FORD 350



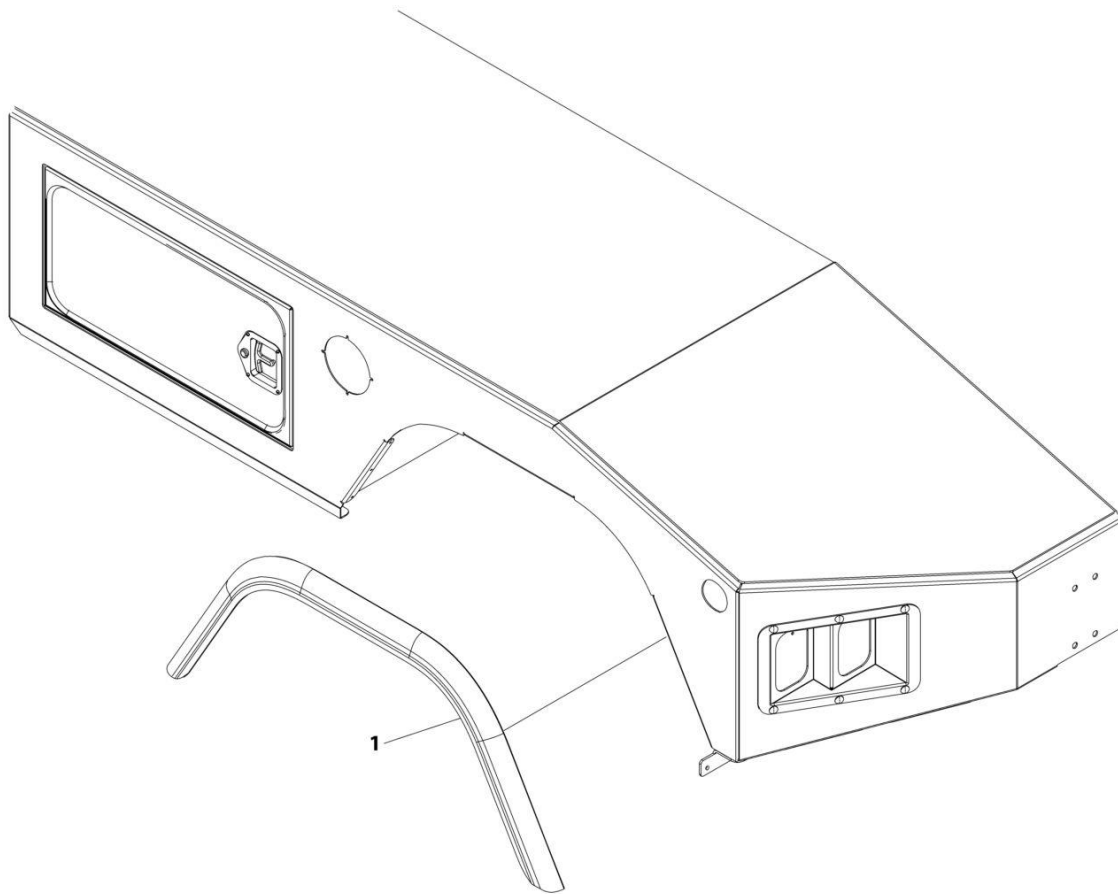
ART_241500030

FIGURE 4-13. FENDER FLARE INSTALLATION - FORD 350

ITEM	PART NUMBER	QTY	DESCRIPTION	REV
	2415000030	Ref	FENDER FLARE INSTALLATION (FORD 350)	0
1	7415000035	2	Fender	
2	7115140650	18	Bolt 1/4 x 3/4	
3	7950140143	18	Washer 1/4	
4	7660142601	18	Nut 1/4	

SECTION 4 - BODY

FIGURE 4-14. FENDER FLARE INSTALLATION - GMC



ART_241500032

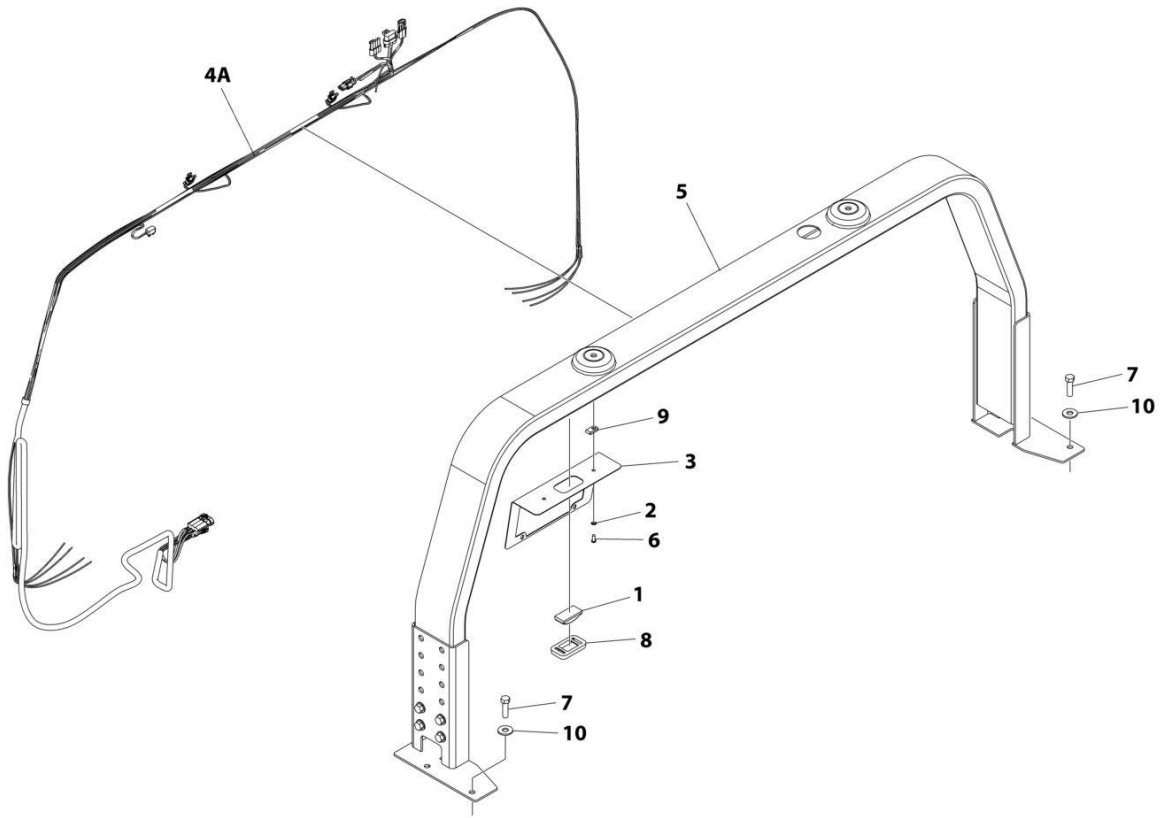
SECTION 4 - BODY

FIGURE 4-14. FENDER FLARE INSTALLATION - GMC

ITEM	PART NUMBER	QTY	DESCRIPTION	REV
	2415000032	Ref	FENDER FLARE INSTALLATION	0
1	8495000001	10 ft	Guard, Lip	
5	8830600004	2	Alcohol Wipes (Not Shown)	

SECTION 4 - BODY

FIGURE 4-15. PYLON INSTALLATION - ADJUSTABLE (NG)



ART_1001291650

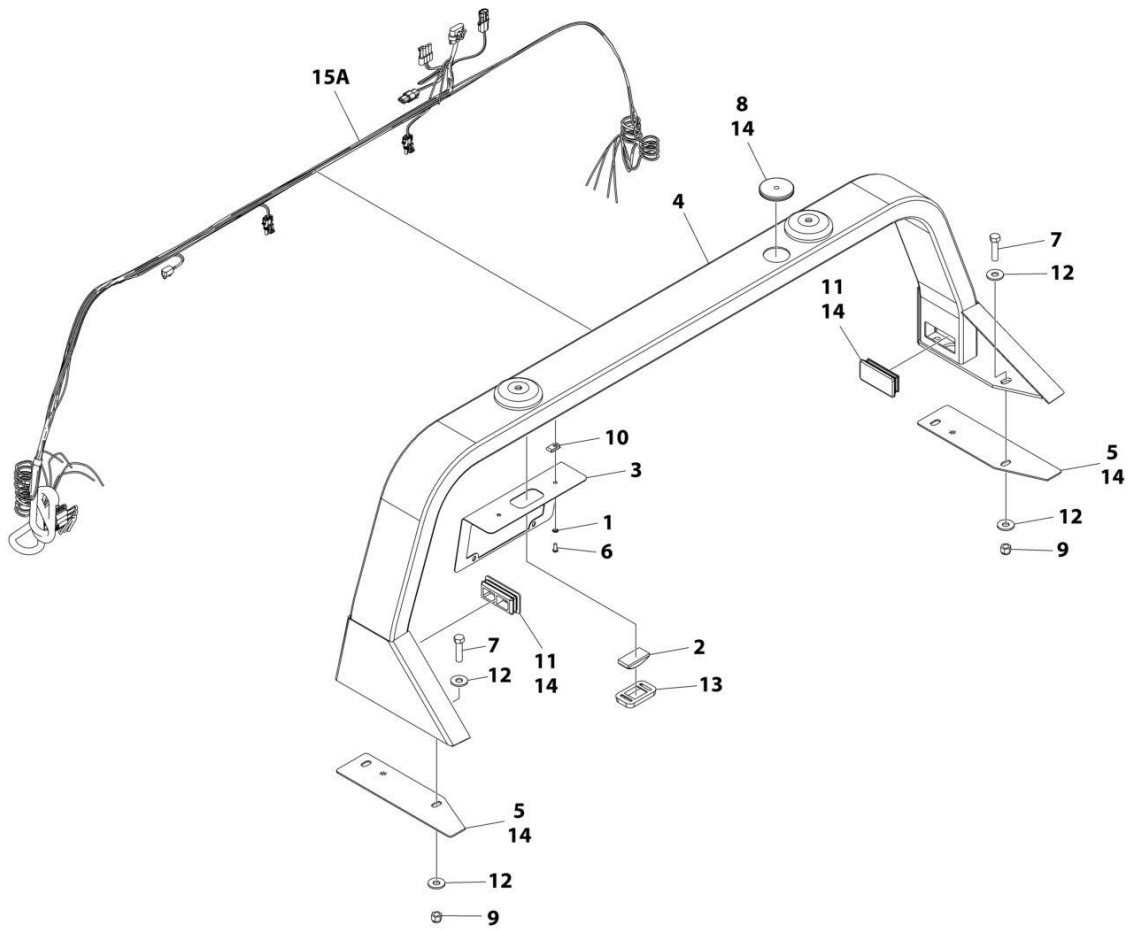
SECTION 4 - BODY

FIGURE 4-15. PYLON INSTALLATION - ADJUSTABLE (NG)

ITEM	PART NUMBER	QTY	DESCRIPTION	REV
	1001291650	Ref	PYLON INSTALLATION - ADJUSTABLE	A
1	1001142771	1	Light, Clear LED	
2	1001143686	2	Washer 1/4	
3	1001249938	1	Bracket, License Plate	
4	1001291368	1	Pylon Electrical Installation (Not Shown)	
4A	1001291067	1	Headboard Harness (See Separate Breakdown in ELECTRICAL Section)	
4B	7894000004	3	Tie-Strap (Not Shown)	
4C	0100048	AR	Compound, Locking (Not Shown)	
5	1001297109	1	Pylon Hoops & Mounts Installation (See Separate Breakdown in this Section)	
6	7114140518	2	Capscrew 1/4 x 5/8	
7	7115181450	4	Bolt 1/2 x 1-3/4	
8	7493000010	1	Grommet	
9	7661000019	2	U-Nut 1/4	
10	7950180161	4	Washer 1/2	

SECTION 4 - BODY

FIGURE 4-16. PYLON INSTALLATION - LOW CAB (NG)



ART_1001294077

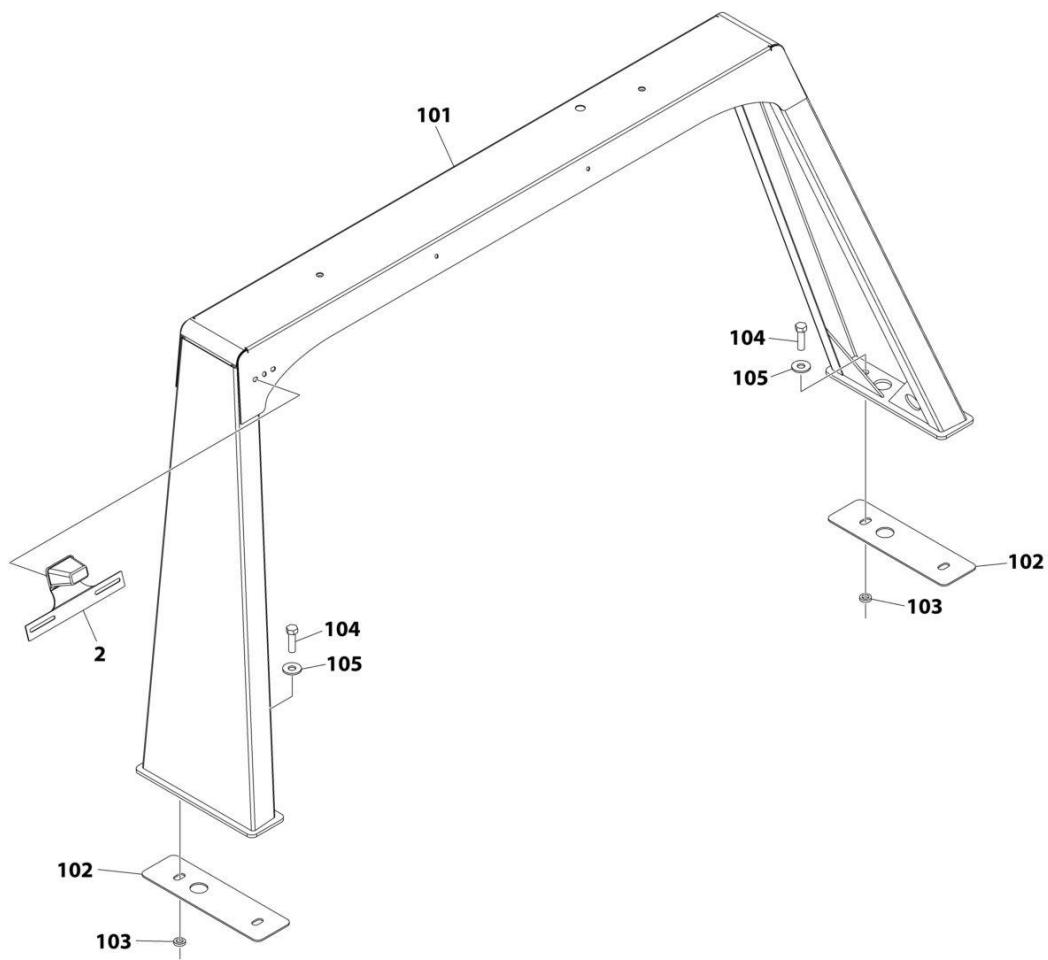
SECTION 4 - BODY

FIGURE 4-16. PYLON INSTALLATION - LOW CAB (NG)

ITEM	PART NUMBER	QTY	DESCRIPTION	REV
	1001294077	Ref	PYLON INSTALLATION - LOW CAB	B
1	1001143686	2	Washer 1/4	
2	1001142771	1	Light, Clear LED	
3	1001249938	1	Bracket, License Plate	
4	1001294075	1	Support	
5	1001294282	1	Seal	
6	7114140518	2	Capscrew 1/4 x 5/8	
7	7115181650	4	Bolt 1/2 x 2	
8	7493000016	1	Grommet	
9	7660182601	4	Nut 1/2	
10	7661000019	2	U-Nut 1/4	
11	7701000051	2	Plug	
12	7950180161	8	Washer 1/2	
13	7493000010	1	Grommet	
14	8798820001	AR	Sealant	
15	1001299584	1	Pylon Electrical Installation (Not Shown)	
15A	1001299519	1	Pylon Harness (See Separate Breakdown in ELECTRICAL Section)	
15B	7894000004	4	Tie-Strap (Not Shown)	

SECTION 4 - BODY

FIGURE 4-17. PYLON INSTALLATION - 34IN TOOLBOX MOUNTED (NGS)



ART_1001211205

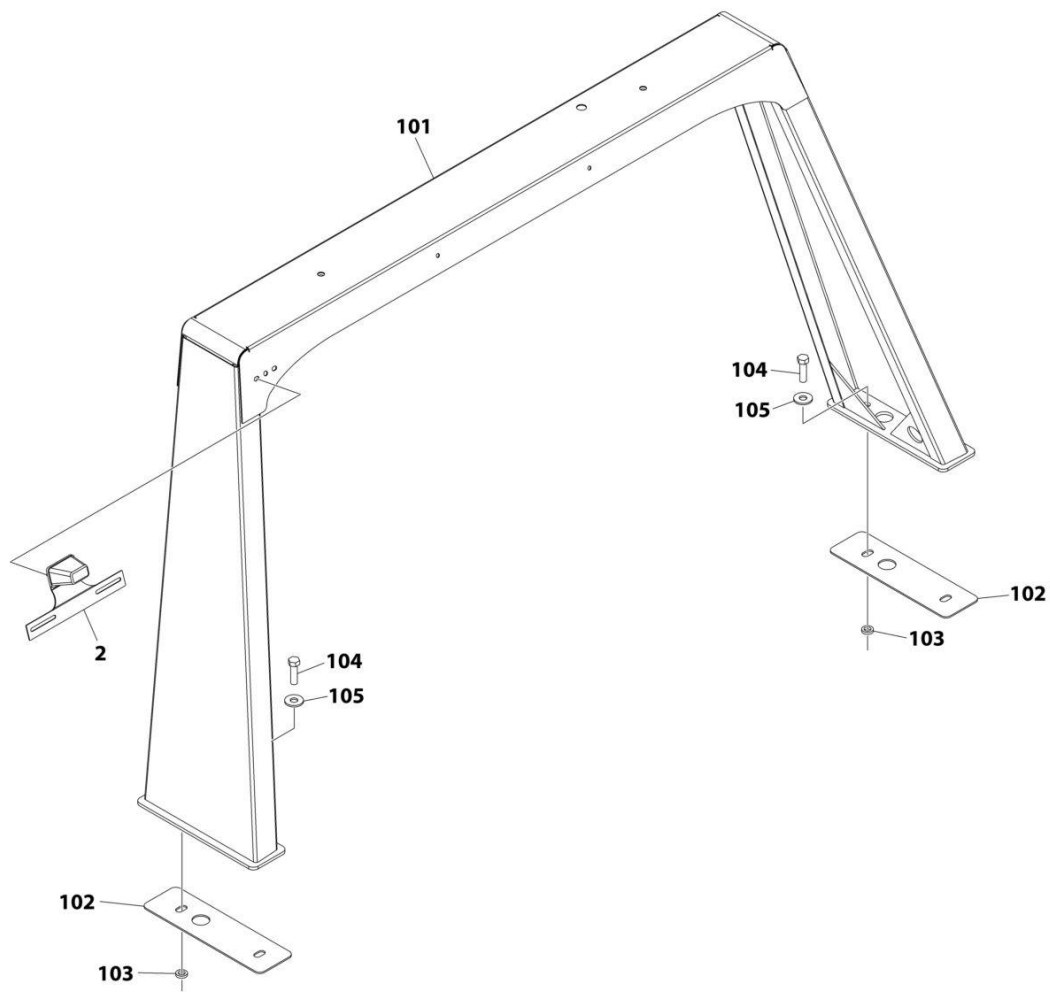
SECTION 4 - BODY

FIGURE 4-17. PYLON INSTALLATION - 34IN TOOLBOX MOUNTED (NGS)

ITEM	PART NUMBER	QTY	DESCRIPTION	REV
	1001211205	Ref	PYLON INSTALLATION - 34IN TOOLBOX MOUNTED (1 MARKER LIGHT PER SIDE)	A
1	2509570126	Ref	Light Pylon Installation (Not Shown) (See Item 101-105 for Breakdown)	
2	3509330108	1	Pylon Electrical Installation (See Separate Breakdown in ELECTRICAL Section)	
	2509570126	Ref	LIGHT PYLON INSTALLATION	A
101	3509570127	1	Light Pylon	
102	7796000101	2	Gasket	
103	7949000058	4	Washer	
104	7115181450	4	Bolt 1/2 x 1-3/4	
105	7950170161	4	Washer 7/16	

SECTION 4 - BODY

FIGURE 4-18. PYLON INSTALLATION - 38IN TOOLBOX MOUNTED (NGS)



ART_1001211206

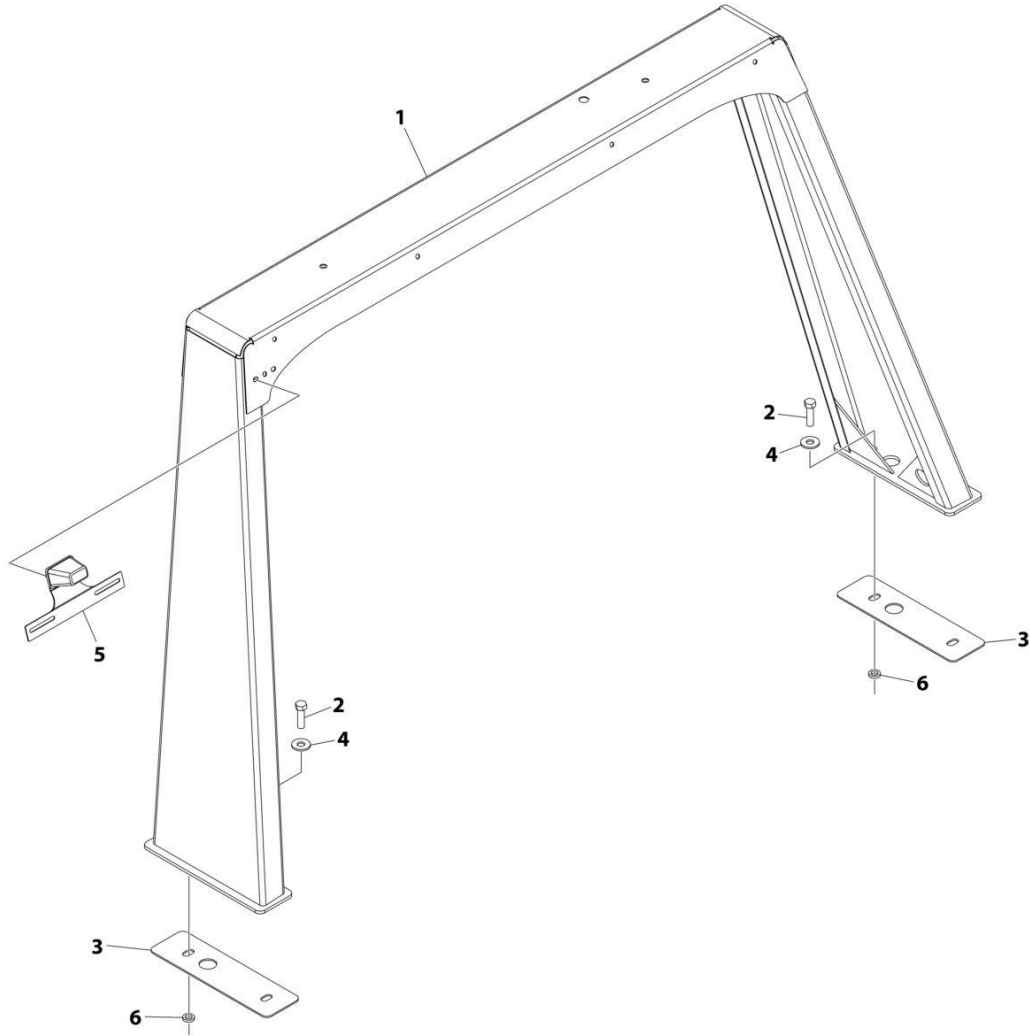
SECTION 4 - BODY

FIGURE 4-18. PYLON INSTALLATION - 38IN TOOLBOX MOUNTED (NGS)

ITEM	PART NUMBER	QTY	DESCRIPTION	REV
	1001211206	Ref	PYLON INSTALLATION - 38IN TOOLBOX MOUNTED (1 MARKER LIGHT PER SIDE)	A
1	2509570121	Ref	Light Pylon Installation (Not Shown) (See Item 101-105 for Breakdown)	
2	3509330108	1	Pylon Electrical Installation (See Separate Breakdown in ELECTRICAL Section)	
	2509570121	Ref	LIGHT PYLON INSTALLATION	A
101	3509570121	1	Light Pylon	
102	7796000101	2	Gasket	
103	7949000058	4	Washer	
104	7115181450	4	Bolt 1/2 x 1-3/4	
105	7950170161	4	Washer 7/16	

SECTION 4 - BODY

FIGURE 4-19. PYLON INSTALLATION - 42IN TOOLBOX MOUNTED (NGS)



ART_1001256399

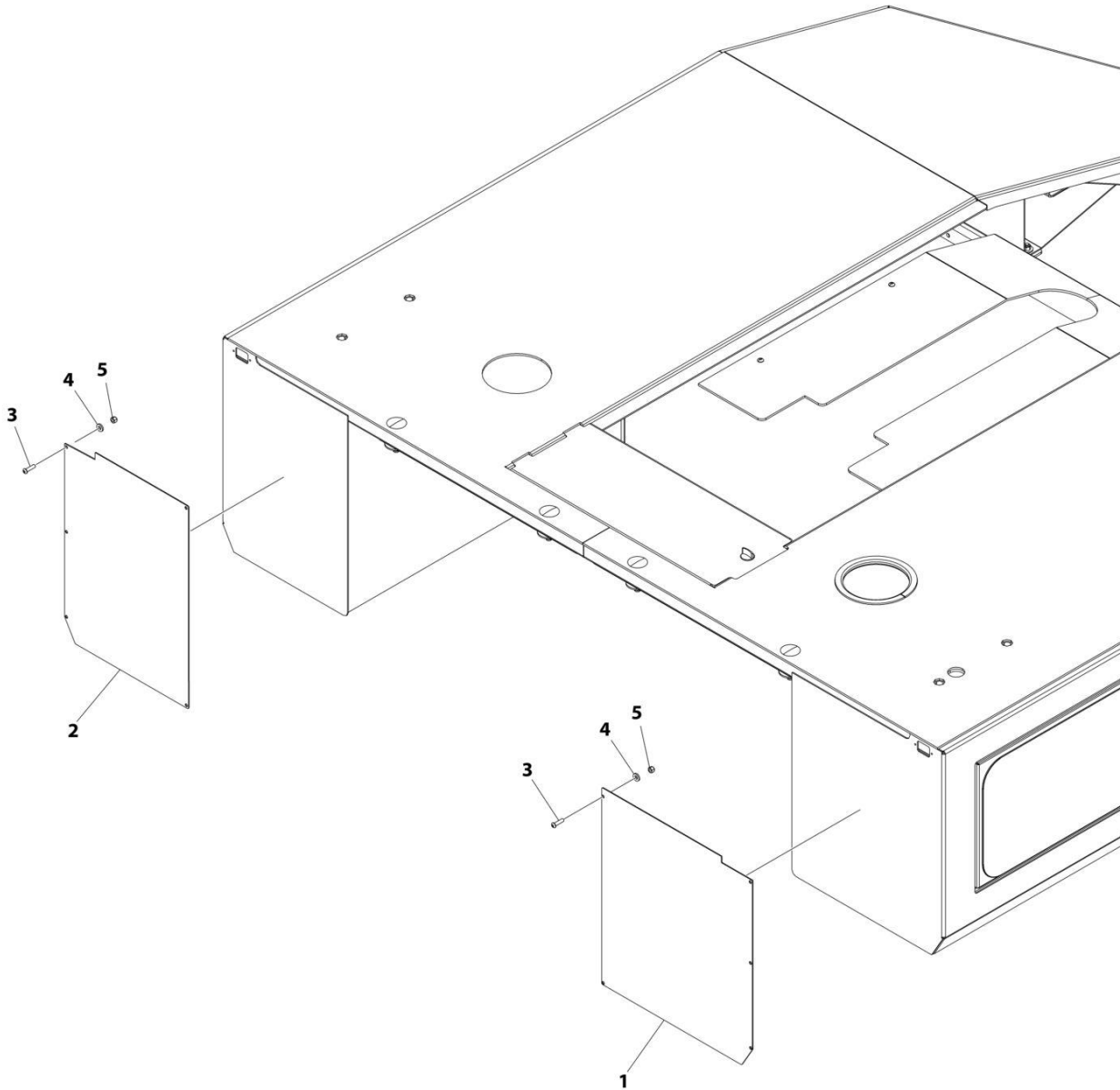
SECTION 4 - BODY

FIGURE 4-19. PYLON INSTALLATION - 42IN TOOLBOX MOUNTED (NGS)

ITEM	PART NUMBER	QTY	DESCRIPTION	REV
	1001256399	Ref	PYLON INSTALLATION - 42IN TOOLBOX MOUNTED (1 MARKER LIGHT PER SIDE)	A
1	1001256400	1	Support	
2	7115181450	4	Bolt 1/2 x 1-3/4	
3	7796000101	2	Gasket	
4	7950180161	4	Washer 9/16	
5	3509330108	1	Pylon Electrical Installation (See Separate Breakdown in ELECTRICAL Section)	
6	7949000058	4	Washer	

SECTION 4 - BODY

FIGURE 4-20. STONE GUARD INSTALLATION (WITHOUT TUNNEL) (NGS)



ART_1001127828

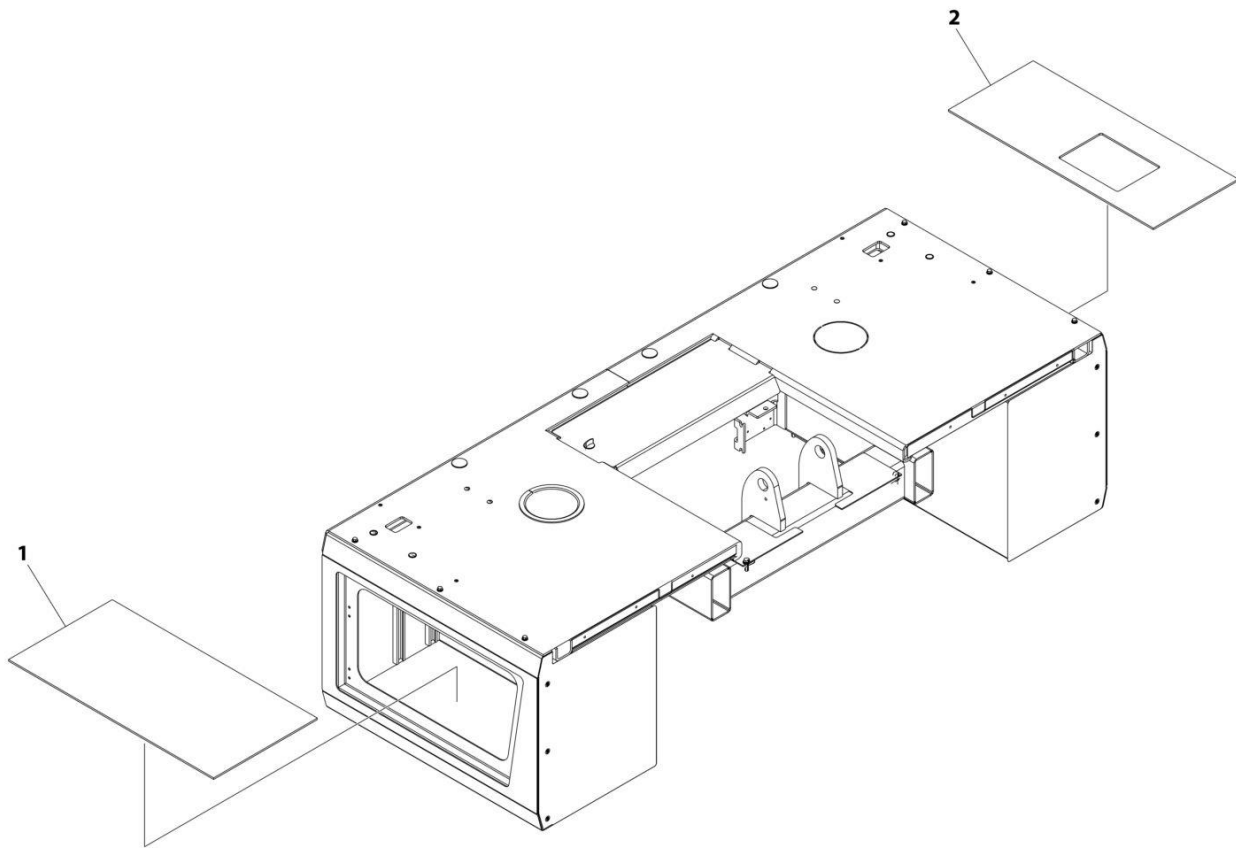
SECTION 4 - BODY

FIGURE 4-20. STONE GUARD INSTALLATION (WITHOUT TUNNEL) (NGS)

ITEM	PART NUMBER	QTY	DESCRIPTION	REV
	1001127828	Ref	STONE GUARD INSTALLATION (WITHOUT TUNNEL)	0
1	4707000367	1	Plate, LH	
2	1001127820	1	Plate, RH	
3	7114140818	10	Bolt 1/4 x 1	
4	7950140143	20	Washer 1/4	
5	7660142600	10	Nut 1/4	

SECTION 4 - BODY

FIGURE 4-21. TOOL BOX FLOOR MAT INSTALLATION (L-ARM SPACER) - NG



ART_1001303183

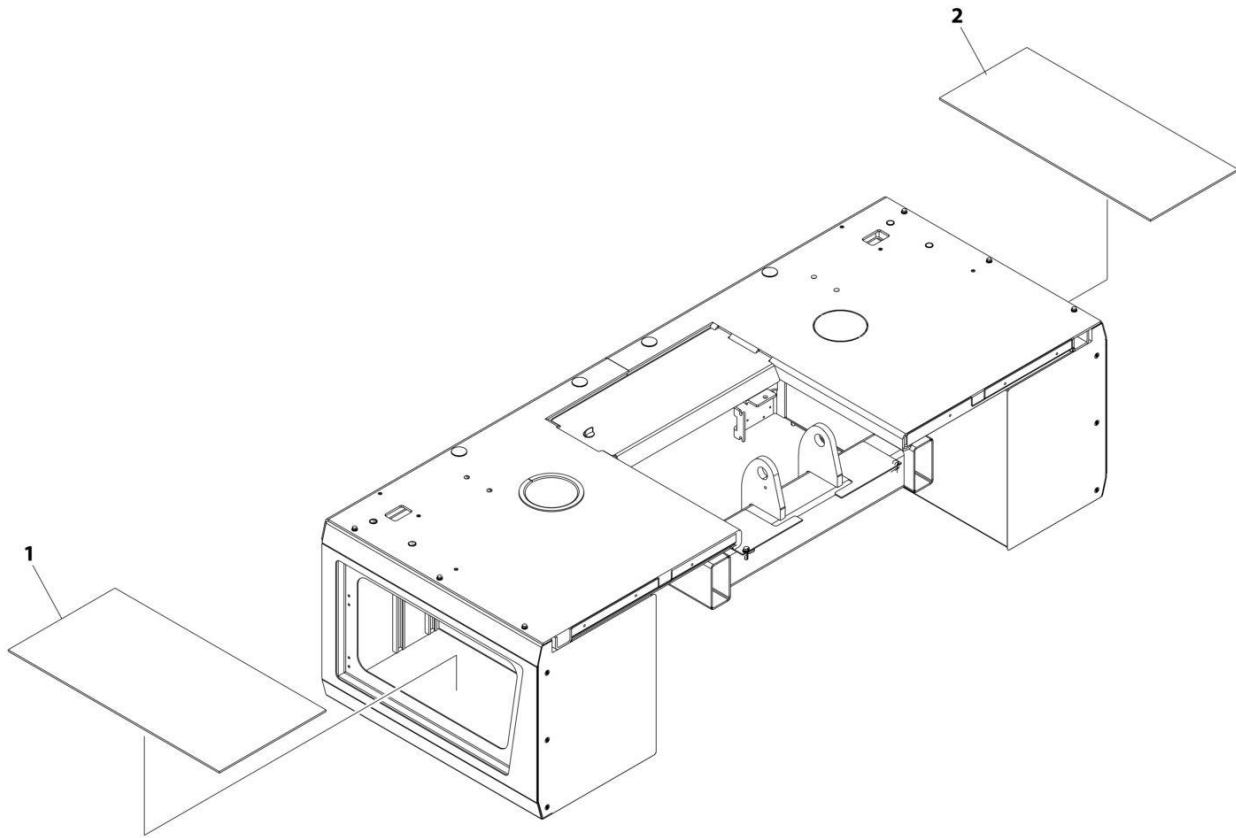
SECTION 4 - BODY

FIGURE 4-21. TOOL BOX FLOOR MAT INSTALLATION (L-ARM SPACER) - NG

ITEM	PART NUMBER	QTY	DESCRIPTION	REV
	1001303183	Ref	TOOL BOX FLOOR MAT INSTALLATION	A
1	1001296519	1	Pad, LH	
2	1001296521	1	Pad, RH	

SECTION 4 - BODY

FIGURE 4-22. TOOL BOX FLOOR MAT INSTALLATION - NG



ART_1001297237

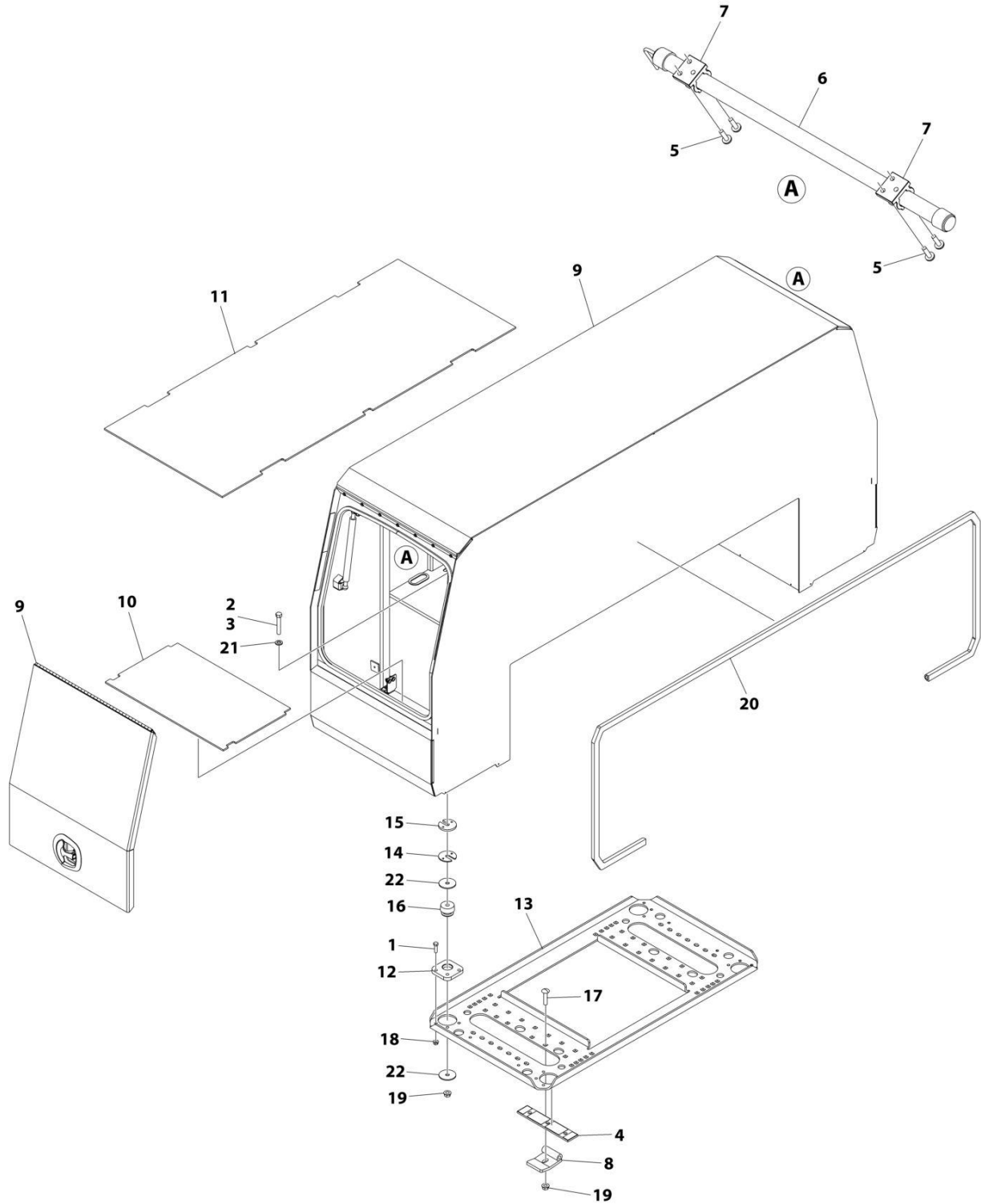
SECTION 4 - BODY

FIGURE 4-22. TOOL BOX FLOOR MAT INSTALLATION - NG

ITEM	PART NUMBER	QTY	DESCRIPTION	REV
	1001297237	Ref	TOOL BOX - FLOOR MATS INSTALLATION	A
1	1001296519	1	Pad, LH	
2	1001296520	1	Pad, RH	

SECTION 4 - BODY

FIGURE 4-23. TUNNEL INSTALLATION - SINGLE



ART_1001293172

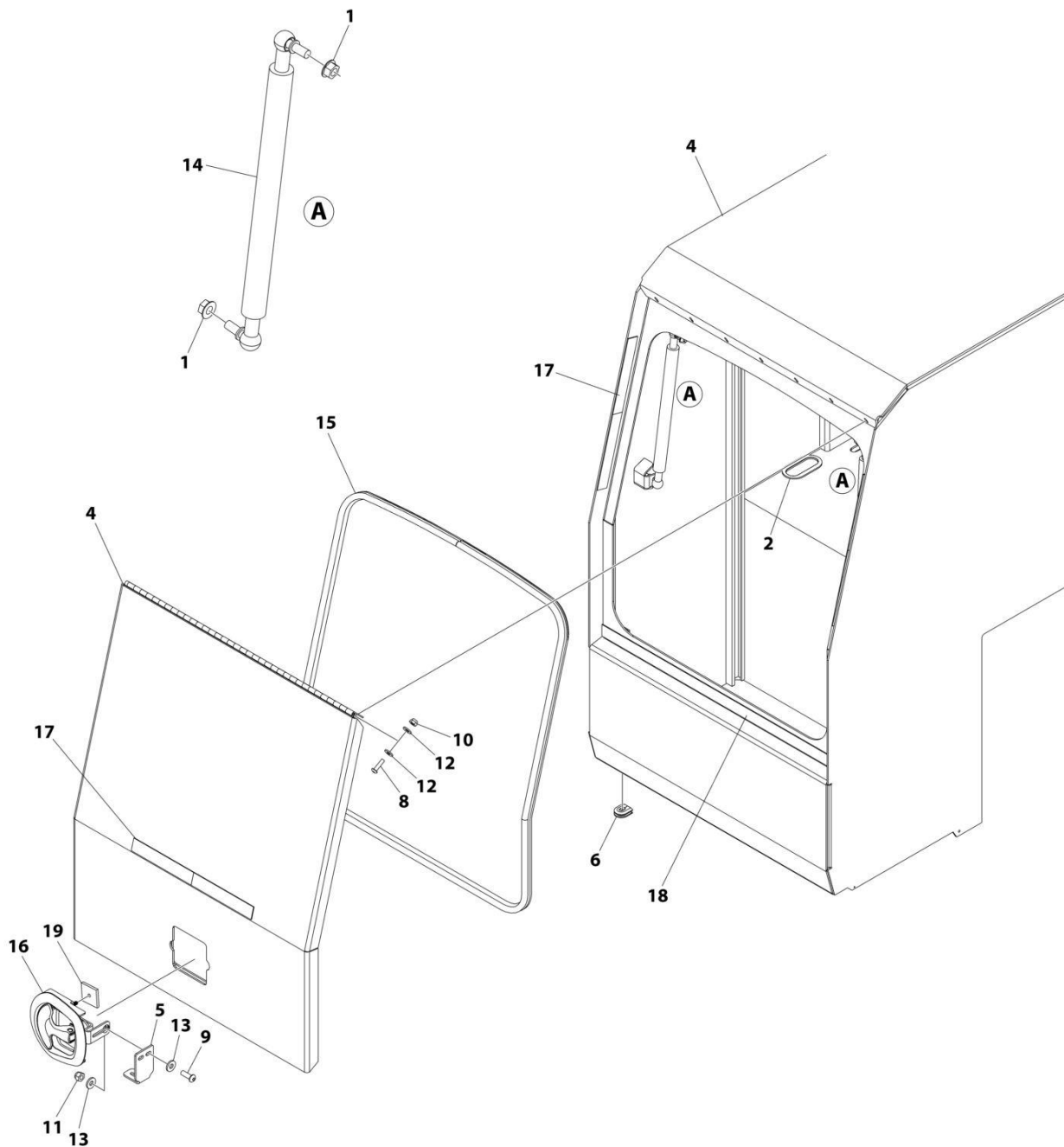
SECTION 4 - BODY

FIGURE 4-23. TUNNEL INSTALLATION - SINGLE

ITEM	PART NUMBER	QTY	DESCRIPTION	REV
	1001293172	Ref	TUNNEL INSTALLATION - SINGLE	B
1	0641610	12	Bolt 3/8 x 1-1/4	
2	0641824	4	Bolt 1/2 x 3	
3	0641826	4	Bolt 1/2 x 3-1/4	
4	3340898	1	Pad	
5	1001154530	8	Screw #8 x 5/8	
6	1001189906	2	Lamp	
7	1001199081	4	Mount	
8	1001220359	4	Clamp	
9	1001293173	1	Tunnel Assembly (See Separate Breakdown in this Section)	
10	1001300166	2	Pad	
11	1001300167	1	Pad	
12	4706005869	4	Plate	
13	4636000041	1	Mount	
14	4812000107	4	Shim	
15	4812000108	4	Shim	
16	7636000005	4	Mount, Rubber	
17	7115181864	4	Bolt 1/2 x 2-14	
18	7660162301	12	Nut 3/8	
19	7660182301	8	Nut 1/2	
20	7796000078	12 ft/4 m	Gasket	
21	7950180153	4	Washer 1/2	
22	7949000013	8	Washer 2-3/8	

SECTION 4 - BODY

FIGURE 4-24. TUNNEL ASSEMBLY - 24IN



ART_1001293173

SECTION 4 - BODY

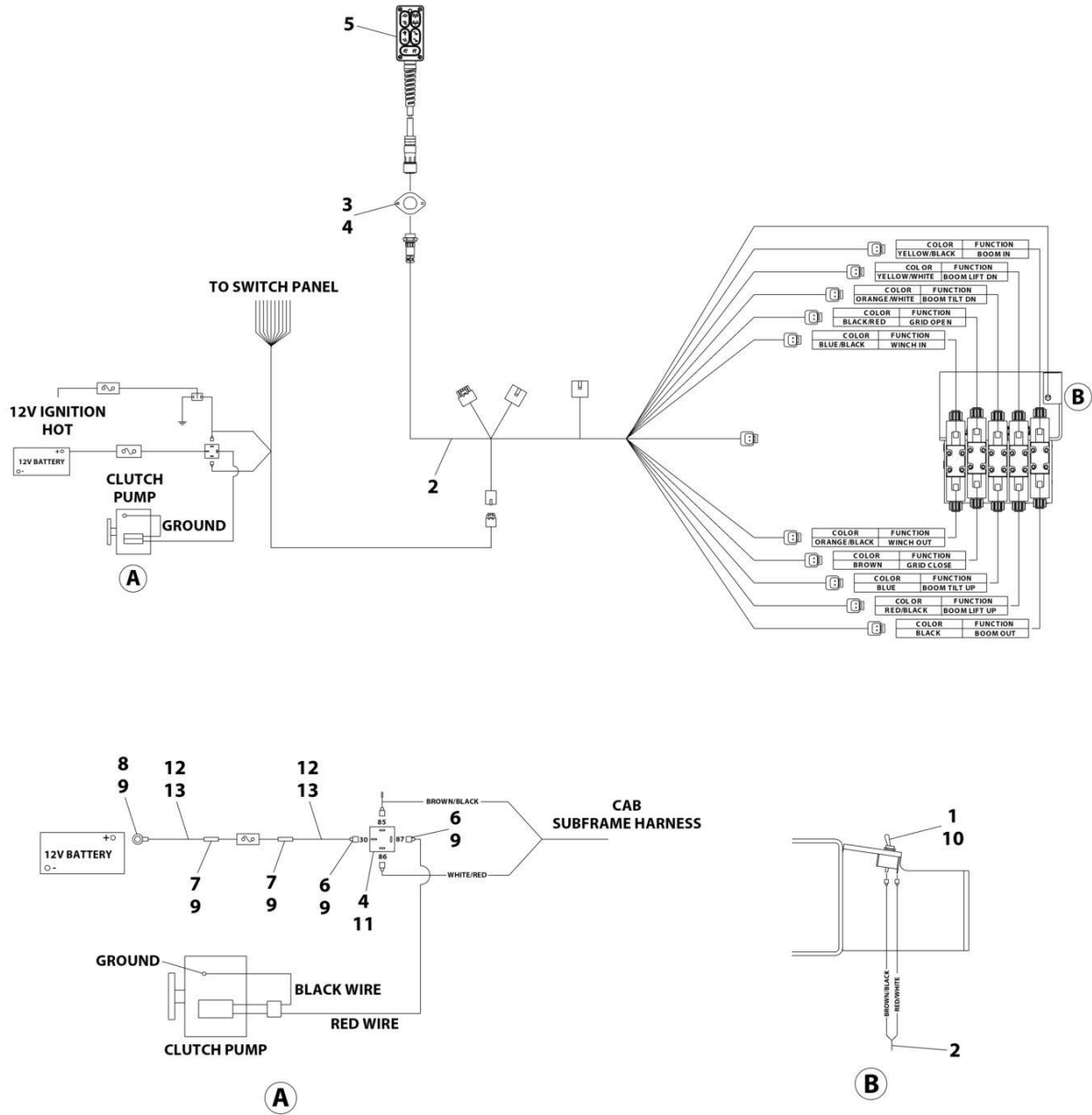
FIGURE 4-24. TUNNEL ASSEMBLY - 24IN

ITEM	PART NUMBER	QTY	DESCRIPTION	REV
	1001293173	Ref	TUNNEL ASSEMBLY - 24IN	B
1	3311508	8	Nut 5/16	
2	1001298632	1	Grommet	
4	1001293174	1	Box, Tunnel	
4	1001293214	1	Door	
5	1001293707	2	Support	
6	1001188590	2	Grommet	
8	7114100618	14	Capscrew #10 x 3/4	
9	7114140618	4	Capscrew 1/4 x 3/4	
10	7660102604	14	Nut #10	
11	7660142604	4	Nut 1/4	
12	7950100103	28	Washer #10	
13	7950140143	8	Washer 1/4	
14	1001297994	4	Spring, Gas	
15	1001293218	2	Seal	
16	1001294381	2	Latch, T-Handle	
17	4330000001	6	Decal - Red/White Reflective	
18	7330000428	2	Decal - Red/White Reflective	
19	4706005792	2	Bar	

SECTION 5 - CONTROLS

SECTION 5 - CONTROLS

FIGURE 5-1. MAIN CONTROL VALVE HARNESS INSTALLATION - REMOTE MEMBRANE (NG)



ART_1001297538

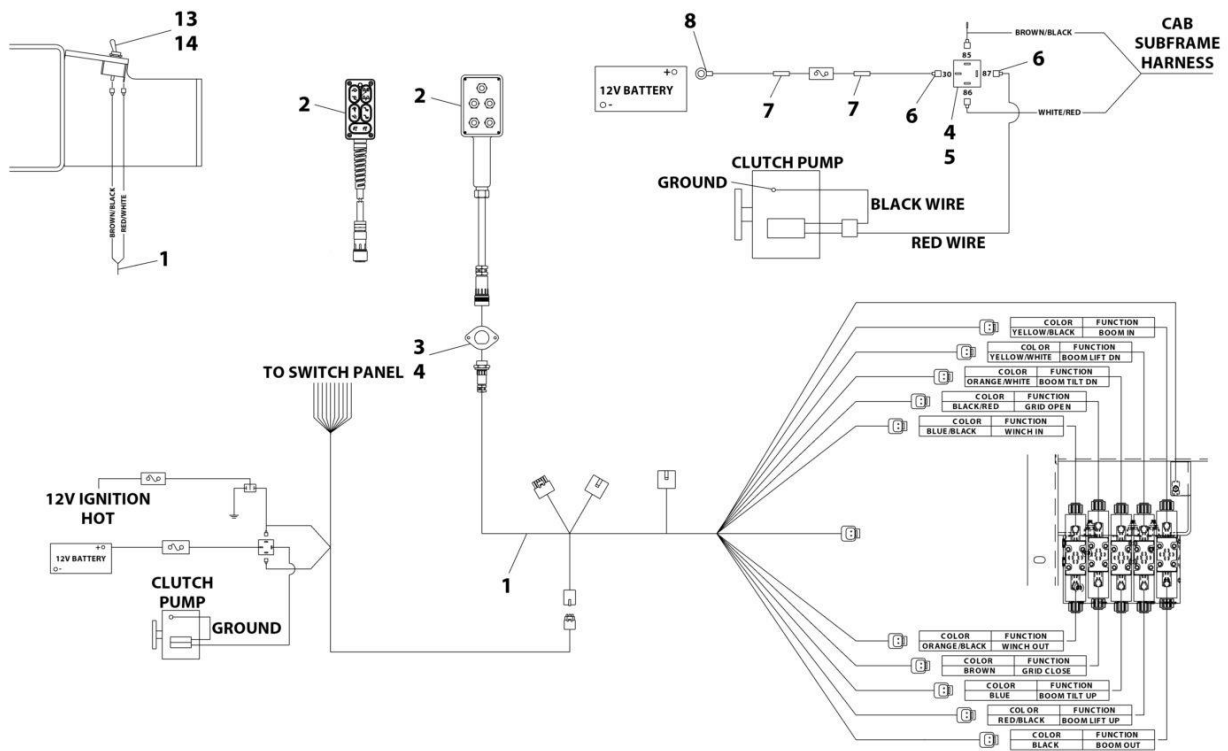
SECTION 5 - CONTROLS

FIGURE 5-1. MAIN CONTROL VALVE HARNESS INSTALLATION - REMOTE MEMBRANE (NG)

ITEM	PART NUMBER	QTY	DESCRIPTION	REV
	1001297538	Ref	MAIN CONTROL VALVE HARNESS INSTALLATION	A
1	1001174496	1	Switch, Toggle	
2	1001291598	1	Harness, Valve (See Separate Breakdown in ELECTRICAL Section)	
3	4706003402	1	Plate	
4	7120000034	3	Screw #10 x 3/4	
5	7295000131	1	Controller	
6	7345001710	2	Tab	
7	7345001714	2	Terminal	
8	7345221702	1	Terminal	
9	7346000039	AR	Tubing	
10	7560000004	1	Boot, Toggle Switch	
11	7740000003	1	Relay	
12	8597650002	3	Wire	
13	8977500100	3	Wire	

SECTION 5 - CONTROLS

FIGURE 5-2. MAIN CONTROL VALVE HARNESS INSTALLATION - REMOTE MEMBRANE (NGS)



ART_1001127427

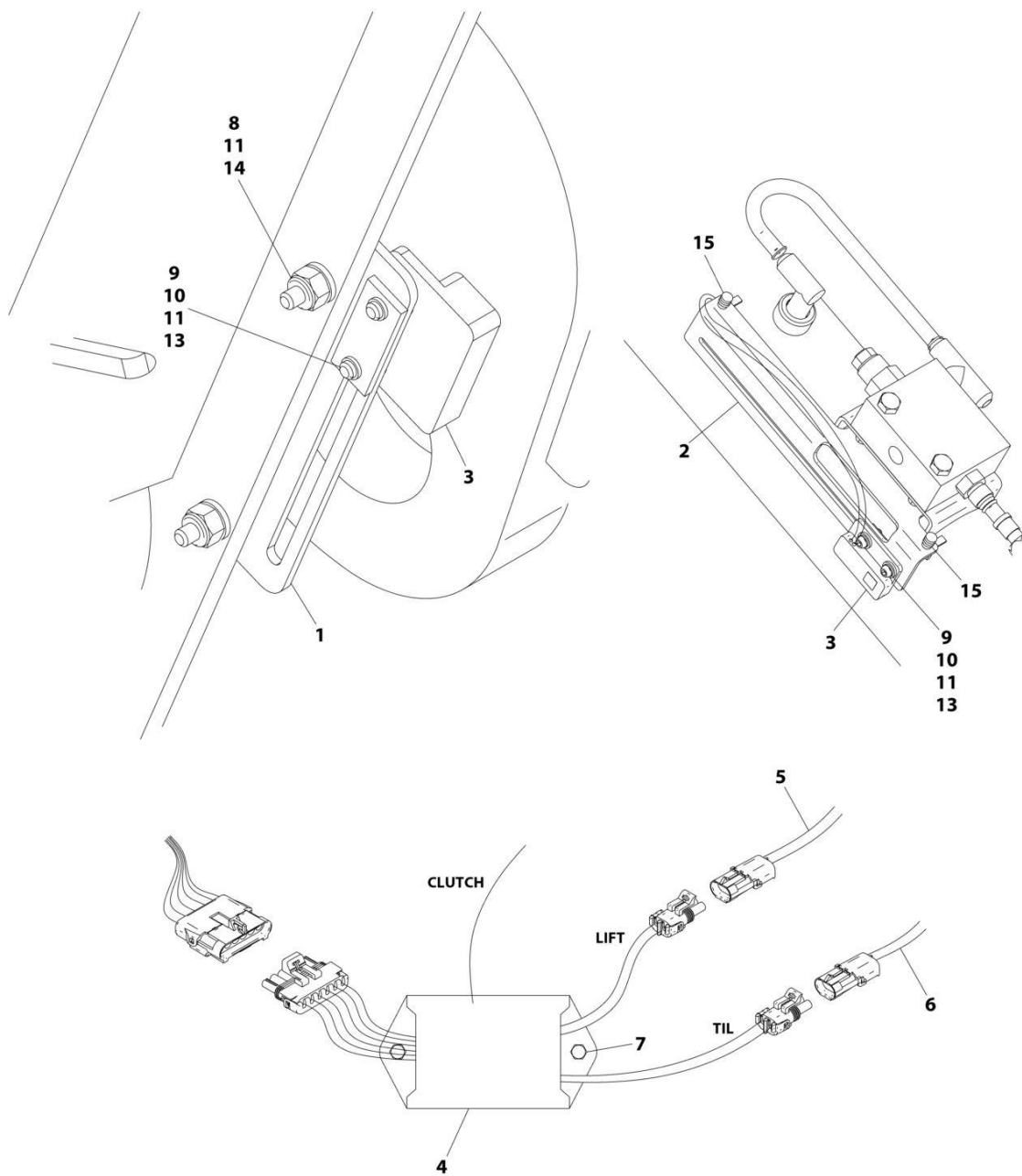
SECTION 5 - CONTROLS

FIGURE 5-2. MAIN CONTROL VALVE HARNESS INSTALLATION - REMOTE MEMBRANE (NGS)

ITEM	PART NUMBER	QTY	DESCRIPTION	REV
	1001127427	Ref	CONTRLLER INSTALLATION (MEMBRANE CONTROLS)	C
1	7552000365	1	Harness, Valve (See Separate Breakdown in ELECTRICAL Section)	
2	7295000131	1	Controller	
3	4706003402	1	Plate	
4	7120000034	3	Screw #10 x 3/4	
5	7740000003	1	Relay	
6	7345001710	2	Tab	
7	7345001714	2	Terminal	
8	7345221702	1	Terminal	
13	1001174496	1	Switch, Toggle	
14	7560000004	1	Boot, Toggle Switch	

SECTION 5 - CONTROLS

FIGURE 5-3. UNDERLIFT LEVEL STOP CONTROLLER INSTALLATION



ART_2509170077

SECTION 5 - CONTROLS

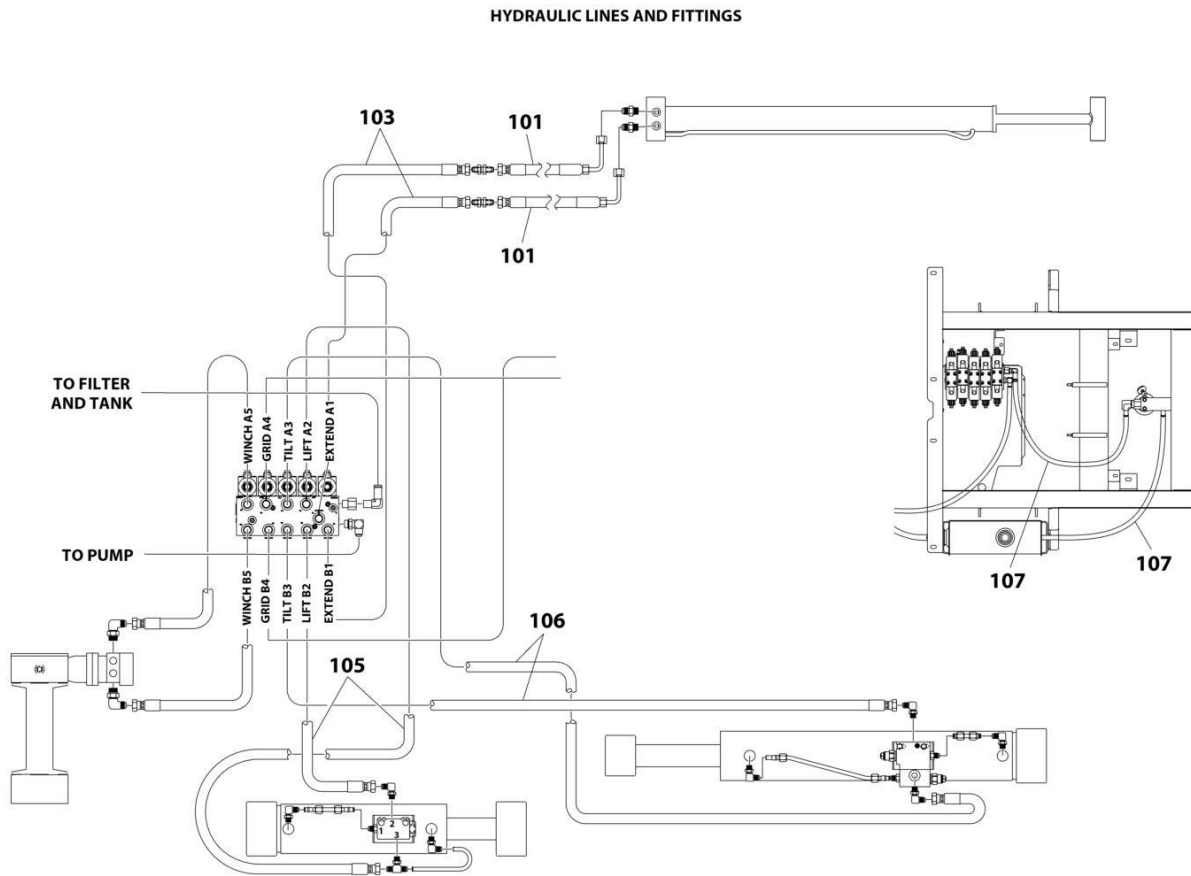
FIGURE 5-3. UNDERLIFT LEVEL STOP CONTROLLER INSTALLATION

ITEM	PART NUMBER	QTY	DESCRIPTION	REV
	2509170077	Ref	UNDERLIFT LEVEL STOP CONTROLLER INSTALLATION	C
1	4178000709	1	Bracket	
2	4178000705	1	Bracket	
3	7870000126	2	Switch	
4	7346000261	1	Relay	
4	4460742	2	Connector, Male - 2 Postion	
4		Ref	Connector, Male - 6 Postion	
4	4460743	10	Socket	
4	4460458	10	Seal	
5	7552000367	1	Harness, Level Switch	
5	4461157	2	Connector - 2 Postion	
5	7346000035	4	Terminal	
6	7552000368	1	Harness, Level Switch	
6	4461157	2	Connector - 2 Postion	
6	7346000035	4	Terminal	
7	7114100618	2	Bolt #10 x 3/4	
8	7114100818	2	Bolt #10 x 1	
9	7114100518	4	Bolt #10 x 5/8	
10	7950100003	4	Washer 3/16	
11	7950100103	8	Washer #10	
12	7950100163	8	Washer #10 (Not Shown)	
13	7661000056	2	Nut	
14	7660102604	4	Nut #10	
15	7894000042	4	Tie-Strap	
16	5526000553	10	Tie-Strap (Not Shown)	
17	7894000004	3	Tie-Strap (Not Shown)	

SECTION 6 - HYDRAULIC

SECTION 6 - HYDRAULIC

FIGURE 6-1. HOSE INSTALLATION - LIFT AND TILT CYLINDER



ART_1001137496

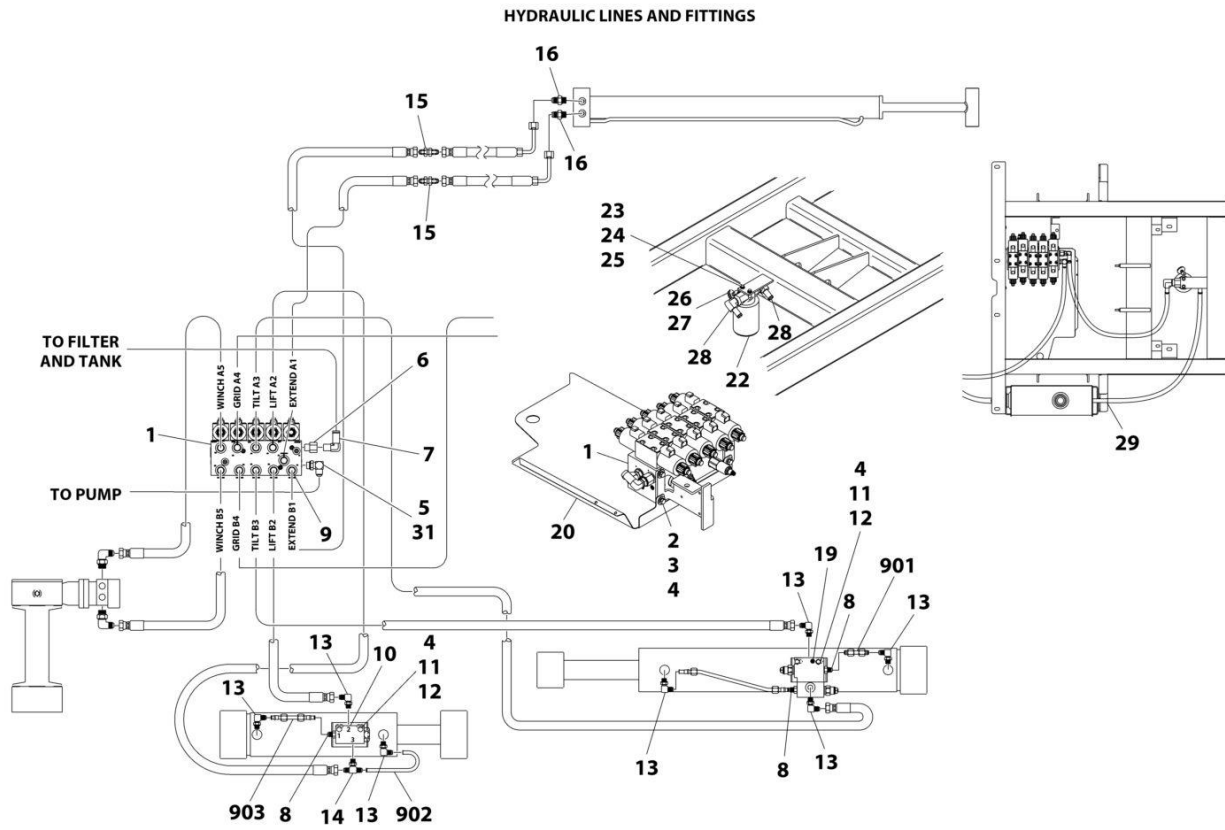
SECTION 6 - HYDRAULIC

FIGURE 6-1. HOSE INSTALLATION - LIFT AND TILT CYLINDER

ITEM	PART NUMBER	QTY	DESCRIPTION	REV
	1001137496	Ref	HOSE, KIT HLF AND RETURN	A
101	4570000304	2	Hose	
103	4567120112	2	Hose	
105	4567120056	2	Hose	
106	4567120087	2	Hose	
107	4570000370	2	Hose	

SECTION 6 - HYDRAULIC

FIGURE 6-2. HOSE INSTALLATION - HYDRAULIC CONTROLS



ART_3509530154

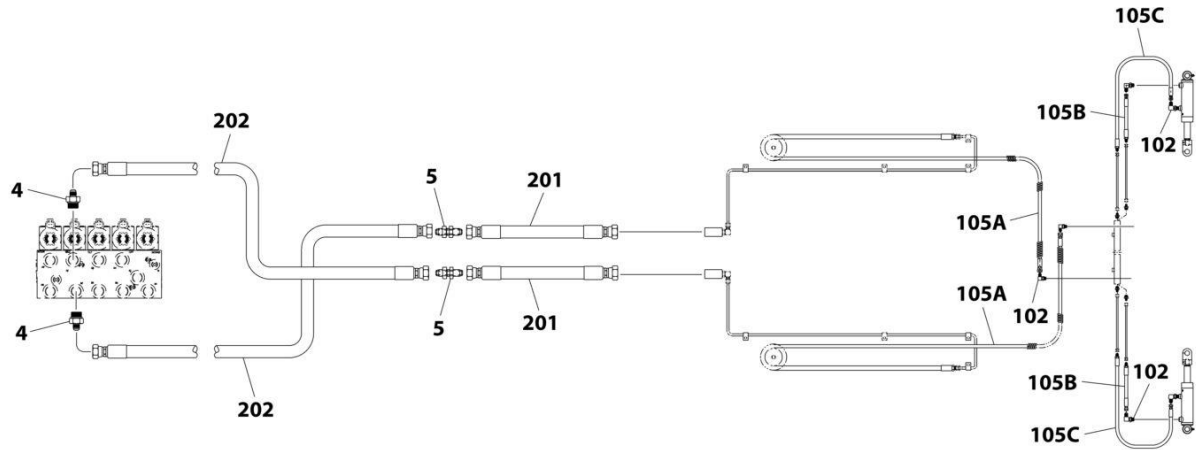
SECTION 6 - HYDRAULIC

FIGURE 6-2. HOSE INSTALLATION - HYDRAULIC CONTROLS

ITEM	PART NUMBER	QTY	DESCRIPTION	REV
	3509530154	Ref	HOSE INSTALLATION, HLF WITHOUT ANTI-STALL	E
1	7935000311	1	Solenoid Valve Assembly (See Separate Breakdown in this Section)	
2	7115150850	4	Bolt 5/16 x 1	
3	7950150000	4	Washer 5/16	
4	7950150161	8	Washer 5/16	
5	7445080845	1	Fitting, 90	
6	7443000435	1	Fitting	
7	7443000436	1	Fitting	
8	7445060643	2	Fitting, Straight	
9	7445060843	6	Fitting, Straight	
10	7935000308	1	Valve Assembly	
10		Ref	Cartridge	
10	9935930102	1	Seal Kit - Cartridge	
11	7114151650	4	Bolt 5/16 x 2	
12	7660152601	4	Nut 5/16	
13	7445060645	6	Fitting, 90	
14	7445060647	2	Fitting, Tee	
15	7445060625	2	Fitting, Union Bulkhead	
16	7445040443	2	Fitting	
17	4819000008	1	Sleeve (Not Shown)	
18	7819000005	0.5 in	Sleeve (Not Shown)	
19	1001173683	NLA	Counterbalance Valve Assembly (Use PN 1001274434) (Prior to SN 0230008937)	
19	1001274434	1	Counterbalance Valve Assembly (SN 0230008937 to Present)	
20	4495000011	1	Guard	
21	5526000553	3	Tie-Strap (Not Shown)	
22	7430000003	1	Filter, Oil	
23	7114140650	2	Bolt 1/4 x 3/4	
24	7950140003	2	Washer 1/4	
25	7950140143	2	Washer 1/4	
26	7443000066	1	Fitting, 45	
27	7470000002	1	Gauge, Oil Filter Head	
28	7443000319	2	Fitting, 90	
29	7274000080	4	Clamp	
30	7577000623	1	Steel Tube Kit (Not Shown) (Includes Items 901-903)	
31	7445080818	1	Nut #8	
901	7912000078	1	Tube	
902	7912000348	1	Tube	
903	7912000291	1	Tube	

SECTION 6 - HYDRAULIC

FIGURE 6-3. HOSE INSTALLATION - UNDERLIFT WITH HYDRAULIC GRIDS



ART_1001137494

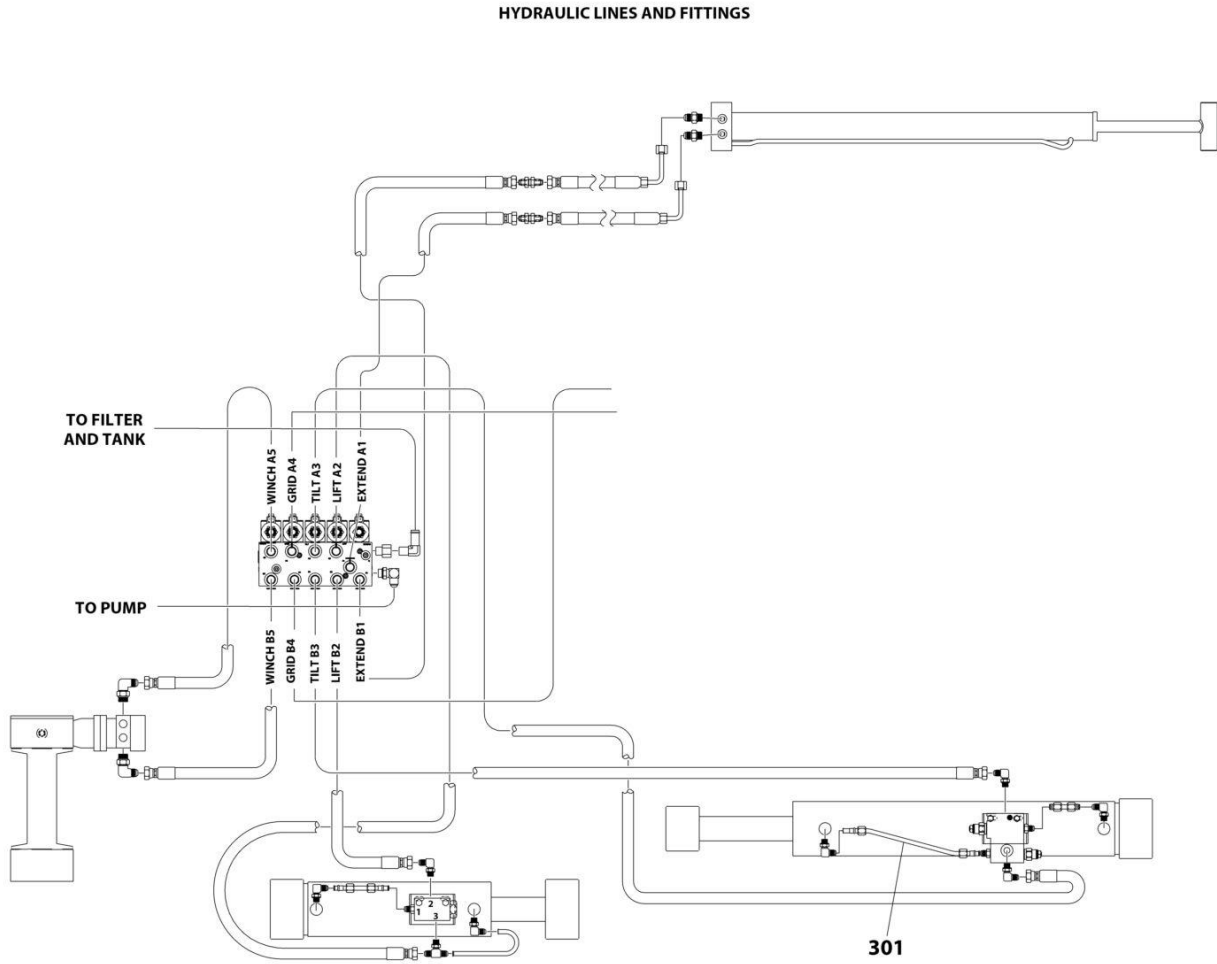
SECTION 6 - HYDRAULIC

FIGURE 6-3. HOSE INSTALLATION - UNDERLIFT WITH HYDRAULIC GRIDS

ITEM	PART NUMBER	QTY	DESCRIPTION	REV
1	1001137494	Ref	HOSE INSTALLATION - HYDRAULIC GRIDS	B
	3509530061	Ref	Hydraulic Componets - Grid (Not Shown) (Includes Items 102-105C)	
2	3509870046	Ref	Hose Track Assembly (Not Shown) (See Separate Breakdown in UNDERLIFT Section)	
3	1001137495	Ref	Hydraulic Hose, Kit (Not Shown) (Includes Items 201-202)	
4	7445060843	2	Fitting, Straight	
5	7445060625	2	Fitting Union Bulkhead	
	3509530061	Ref	HYDRAULIC COMPONENTS - GRID	B
102	7445040445	6	Fitting, 90	
105	7577000629	1	Hose, Kit	
105A	4570000210	2	Hose	
105B	4570000211	2	Hose	
105C	4570000212	2	Hose	
	1001137495	Ref	HYDRAULIC HOSE, KIT	A
201	4570000305	2	Hose	
202	4567820118	2	Hose	

SECTION 6 - HYDRAULIC

FIGURE 6-4. HOSE INSTALLATION TILT CYLINDER WITHOUT BALL VALVE



ART_3509530150

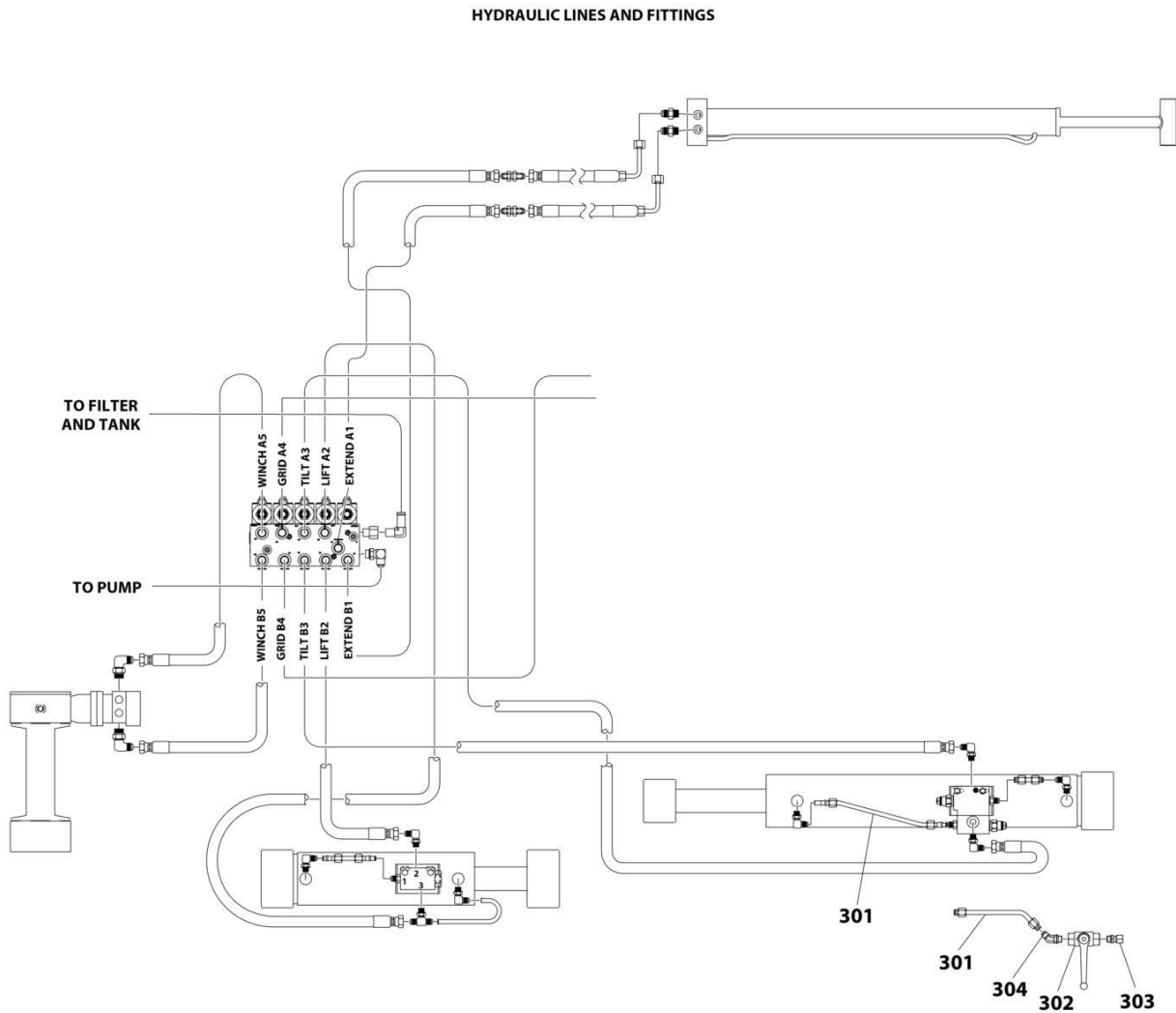
SECTION 6 - HYDRAULIC

FIGURE 6-4. HOSE INSTALLATION TILT CYLINDER WITHOUT BALL VALVE

ITEM	PART NUMBER	QTY	DESCRIPTION	REV
301	3509530150 7912000292	Ref 1	HOSE INSTALLATION TILT CYLINDER WITHOUT BALL VALVE Tube	0

SECTION 6 - HYDRAULIC

FIGURE 6-5. HOSE INSTALLATION TILT CYLINDER WITH BALL VALVE



ART_3509530151

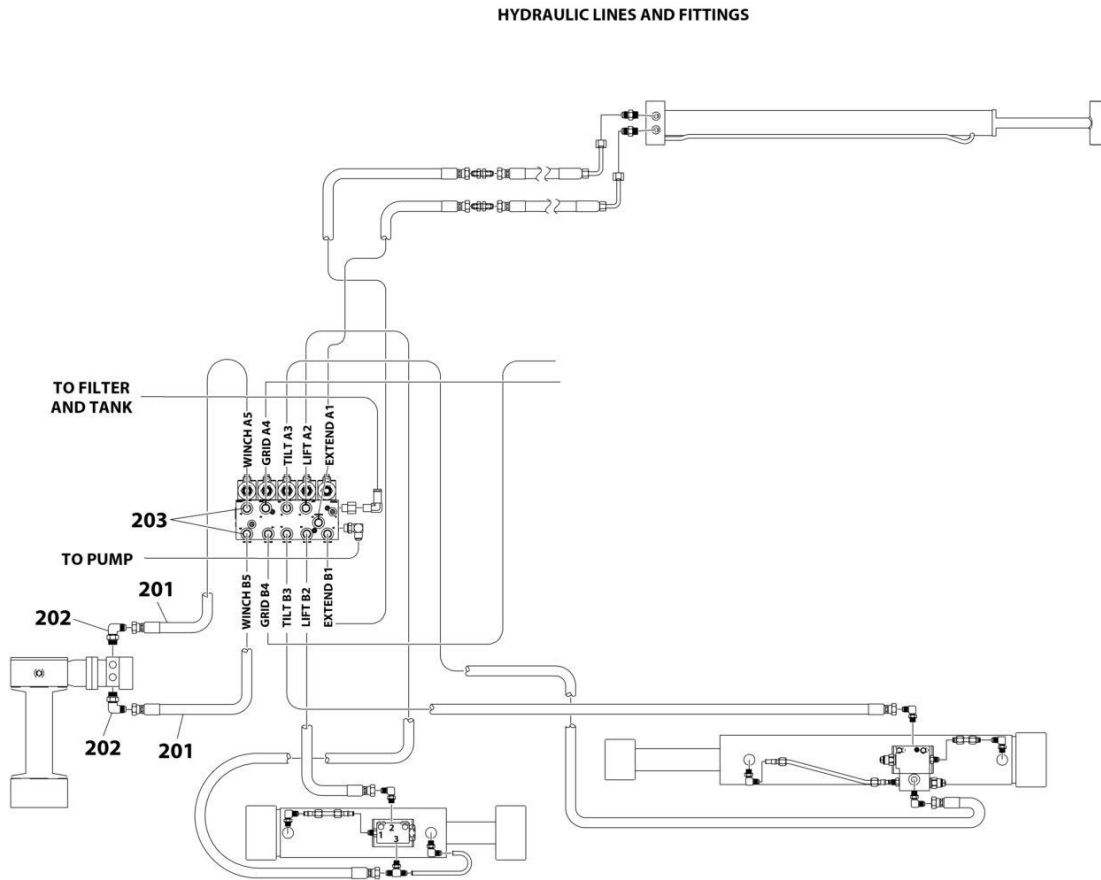
SECTION 6 - HYDRAULIC

FIGURE 6-5. HOSE INSTALLATION TILT CYLINDER WITH BALL VALVE

ITEM	PART NUMBER	QTY	DESCRIPTION	REV
	3509530151	Ref	HOSE INSTALLATION TILT CYLINDER WITH BALL VALVE	0
301	7912000315	1	Tube	
302	7935000345	1	Valve, High Pressure Ball	
303	7445060698	1	Fitting, Straight	
304	7445060646	1	Fitting, 45	

SECTION 6 - HYDRAULIC

FIGURE 6-6. HOSE INSTALLATION - WINCH



ART_3509530147

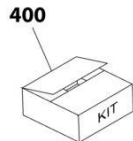
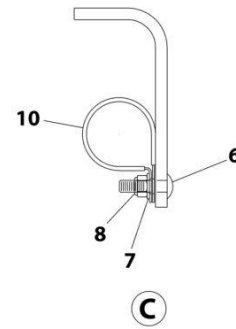
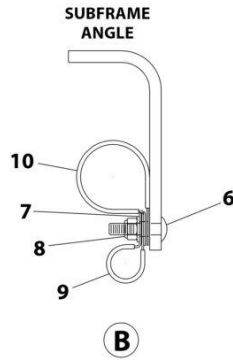
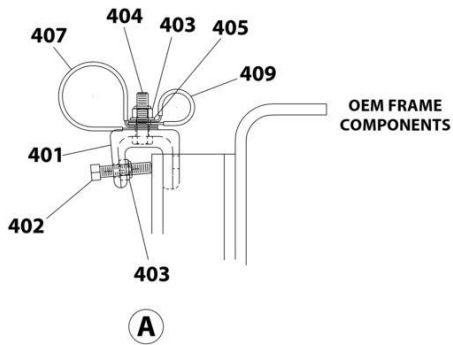
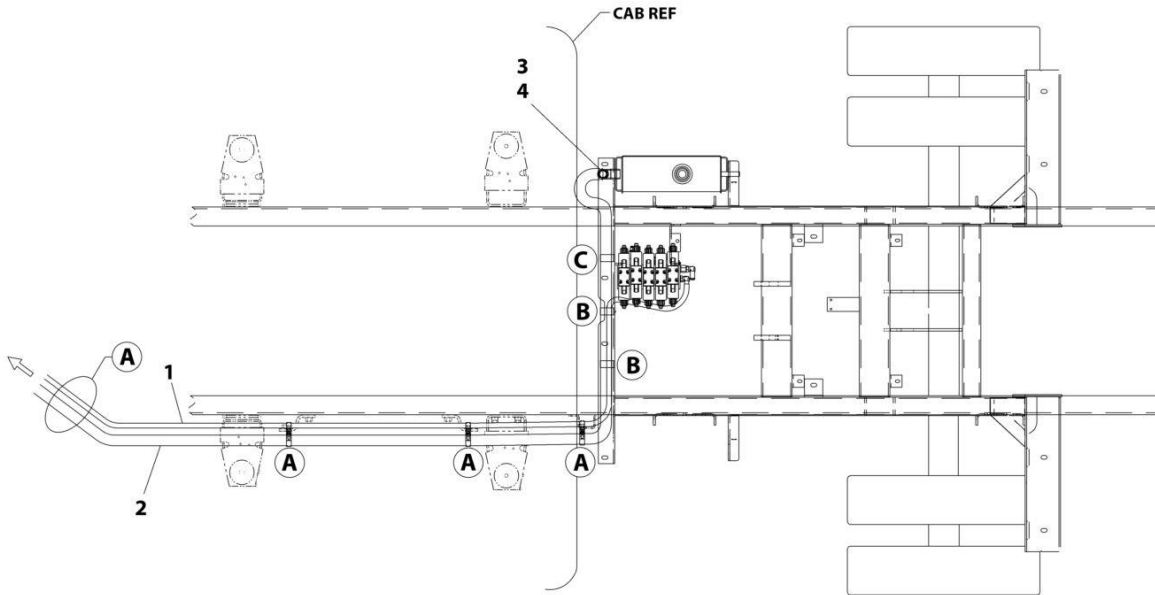
SECTION 6 - HYDRAULIC

FIGURE 6-6. HOSE INSTALLATION - WINCH

ITEM	PART NUMBER	QTY	DESCRIPTION	REV
	3509530147	Ref	HOSE INSTALLATION - WINCH	0
201	4570000303	2	Hose	
202	7445081045	2	Fitting, 90	
203	7445060843	2	Fitting, Straight	

SECTION 6 - HYDRAULIC

FIGURE 6-7. HOSE AND CLAMP INSTALLATION (2019 CV515 - 141IN WB)



ART_1001256466

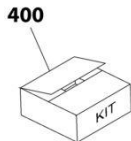
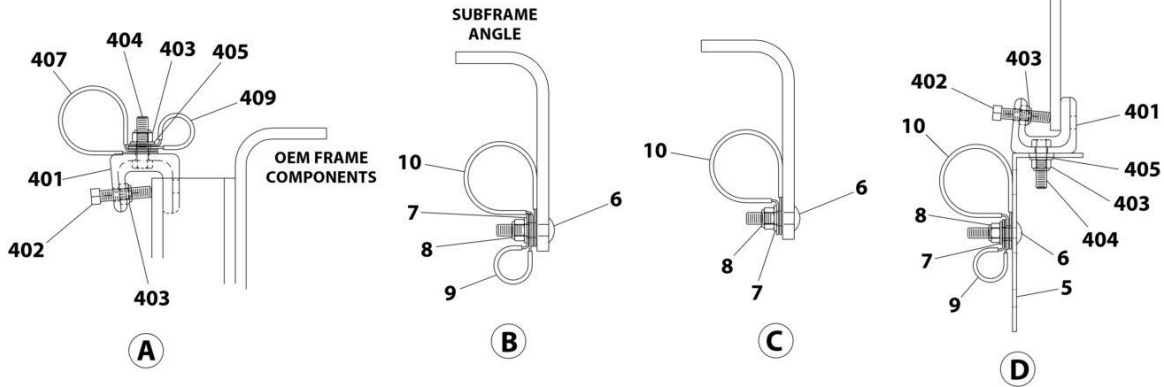
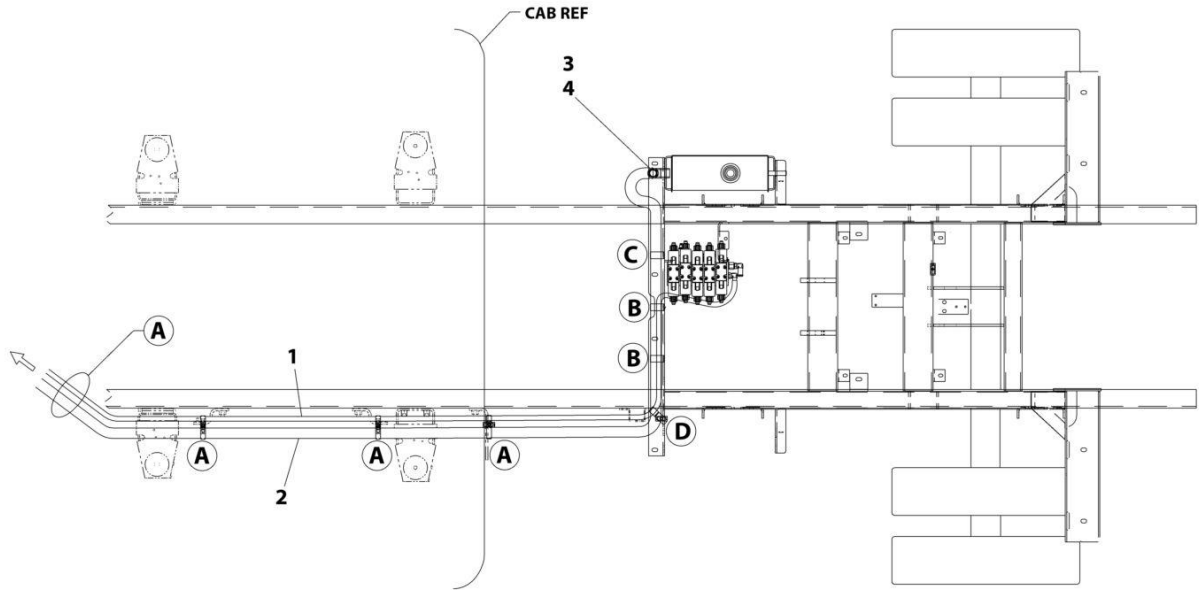
SECTION 6 - HYDRAULIC

FIGURE 6-7. HOSE AND CLAMP INSTALLATION (2019 CV515 - 141IN WB)

ITEM	PART NUMBER	QTY	DESCRIPTION	REV
	1001256466	Ref	HOSE AND CLAMP INSTALLATION (2019 CV515 D-CP - 141IN WB)	A
1	4567132152	1	Hose	
2	1001132634	1	Hose	
3	7443000013	1	Fitting	
4	7274000002	2	Clamp	
6	7115151064	3	Bolt 5/16 x 1-1/4	
7	7950150161	3	Washer 5/16	
8	7660152601	3	Nut 5/16	
9	7274000040	4	Clamp	
10	7274000042	3	Clamp	
11	7819000013	1	Sleeve (Not Shown)	
400	1001132794	5	Clamp, Hose Kit	
401	7274000076	1	Clamp	
402	7785152420	1	Screw 5/16 x 1-1/2	
403	7660152601	2	Nut 5/16	
404	7115151050	1	Bolt 5/16 x 1-1/4	
405	7950150161	1	Washer 5/16	
406	7274000040	1	Clamp (Not Shown)	
407	7274000041	1	Clamp	
408	7274000042	1	Clamp (Not Shown)	
409	7274000105	1	Clamp	

SECTION 6 - HYDRAULIC

FIGURE 6-8. HOSE AND CLAMP INSTALLATION (2019 CV515 - 165IN WB)



ART_1001256467

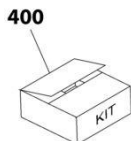
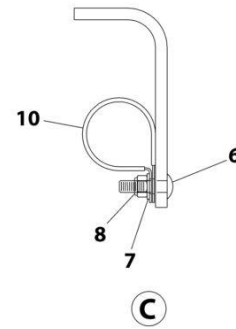
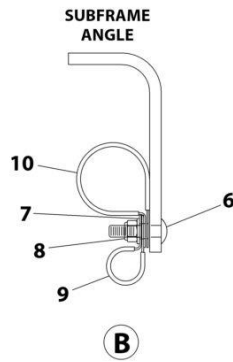
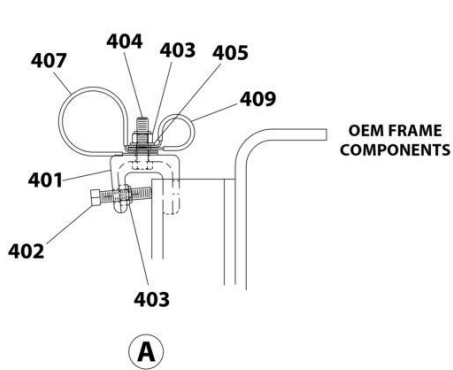
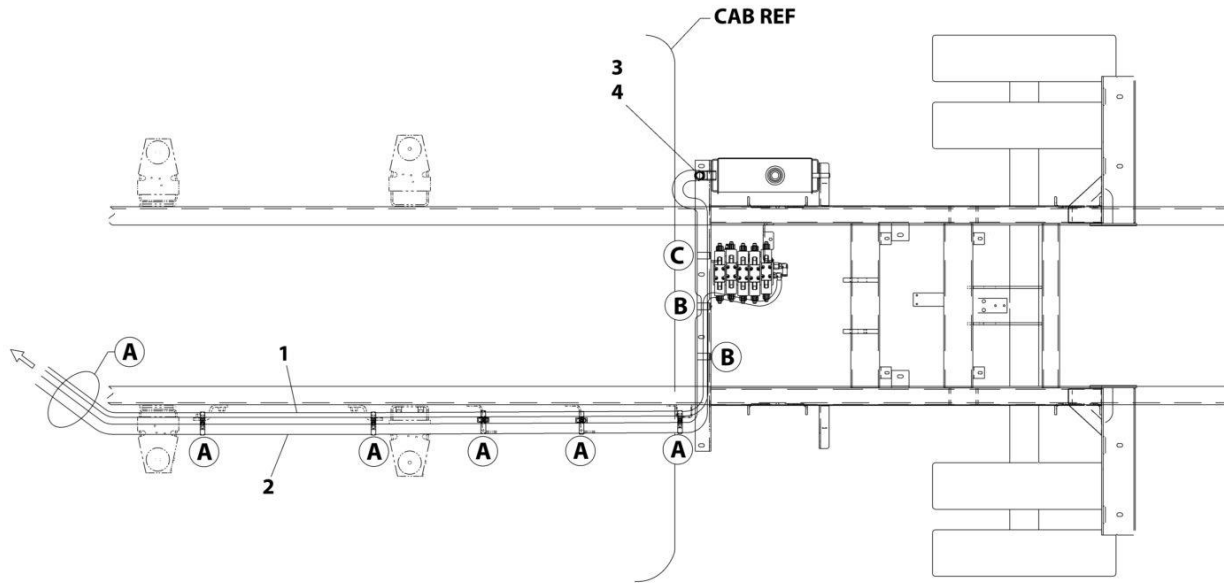
SECTION 6 - HYDRAULIC

FIGURE 6-8. HOSE AND CLAMP INSTALLATION (2019 CV515 - 165IN WB)

ITEM	PART NUMBER	QTY	DESCRIPTION	REV
	1001256467	Ref	HOSE AND CLAMP INSTALLATION (2019 CV515 D-CP - 165IN WB)	A
1	4567132178	1	Hose	
2	1001132643	1	Hose	
3	7443000013	1	Fitting	
4	7274000002	2	Clamp	
5	4706003844	1	Plate	
6	7115151064	4	Bolt 5/16 x 1-1/4	
7	7950150161	4	Washer 5/16	
8	7660152601	4	Nut 5/16	
9	7274000040	4	Clamp	
10	7274000042	3	Clamp	
11	7819000013	1	Sleeve (Not Shown)	
400	1001132794	6	Clamp, Hose Kit	
401	7274000076	1	Clamp	
402	7785152420	1	Screw 5/16 x 1-1/2	
403	7660152601	2	Nut 5/16	
404	7115151050	1	Bolt 5/16 x 1-1/4	
405	7950150161	1	Washer 5/16	
406	7274000040	1	Clamp (Not Shown)	
407	7274000041	1	Clamp	
408	7274000042	1	Clamp (Not Shown)	
409	7274000105	1	Clamp	

SECTION 6 - HYDRAULIC

FIGURE 6-9. HOSE AND CLAMP INSTALLATION (2019 CV515 - 175IN WB)



ART_1001256468

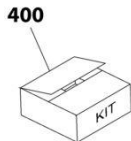
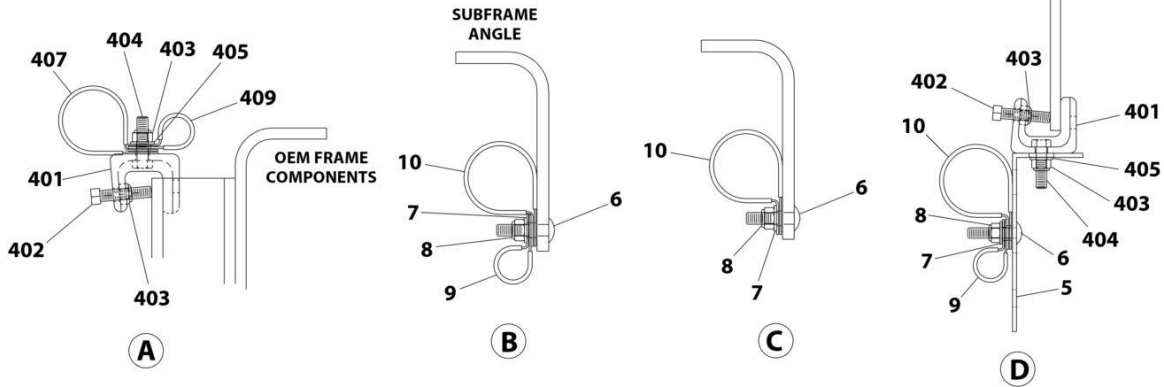
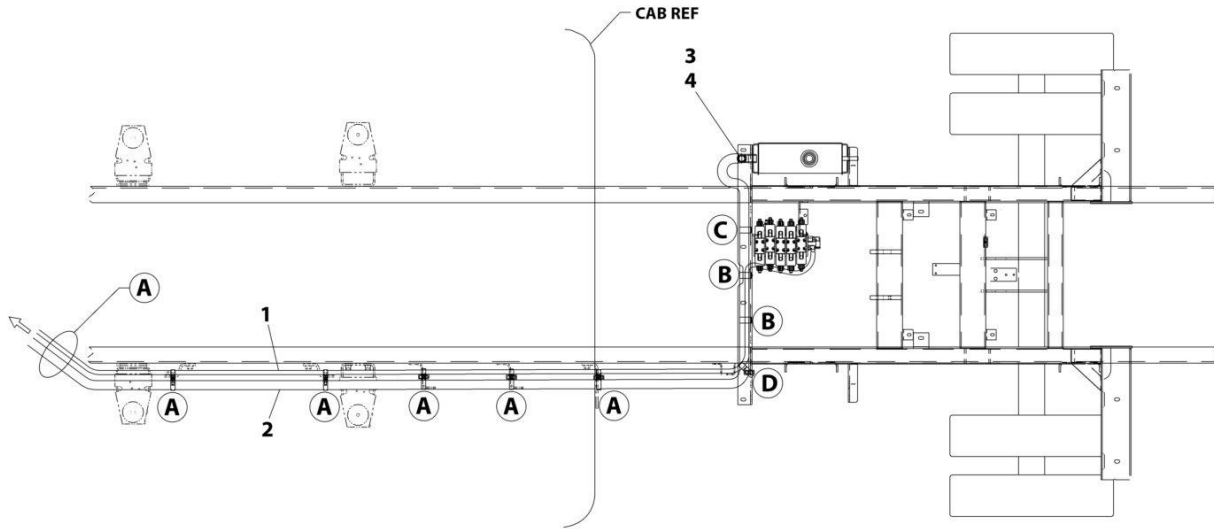
SECTION 6 - HYDRAULIC

FIGURE 6-9. HOSE AND CLAMP INSTALLATION (2019 CV515 - 175IN WB)

ITEM	PART NUMBER	QTY	DESCRIPTION	REV
	1001256468	Ref	HOSE AND CLAMP INSTALLATION (2019 CV515 D-CP - 175IN WB)	A
1	4567132188	1	Hose	
2	1001132647	1	Hose	
3	7443000013	1	Fitting	
4	7274000002	2	Clamp	
6	7115151064	3	Bolt 5/16 x 1-1/4	
7	7950150161	3	Washer 5/16	
8	7660152601	3	Nut 5/16	
9	7274000040	2	Clamp	
10	7274000042	3	Clamp	
11	7819000013	1	Sleeve (Not Shown)	
400	1001132794	7	Clamp, Hose Kit	
401	7274000076	1	Clamp	
402	7785152420	1	Screw 5/16 x 1-1/2	
403	7660152601	2	Nut 5/16	
404	7115151050	1	Bolt 5/16 x 1-1/4	
405	7950150161	1	Washer 5/16	
406	7274000040	1	Clamp (Not Shown)	
407	7274000041	1	Clamp	
408	7274000042	1	Clamp (Not Shown)	
409	7274000105	1	Clamp	

SECTION 6 - HYDRAULIC

FIGURE 6-10. HOSE AND CLAMP INSTALLATION (2019 CV515 - 199IN WB)



ART_1001256469

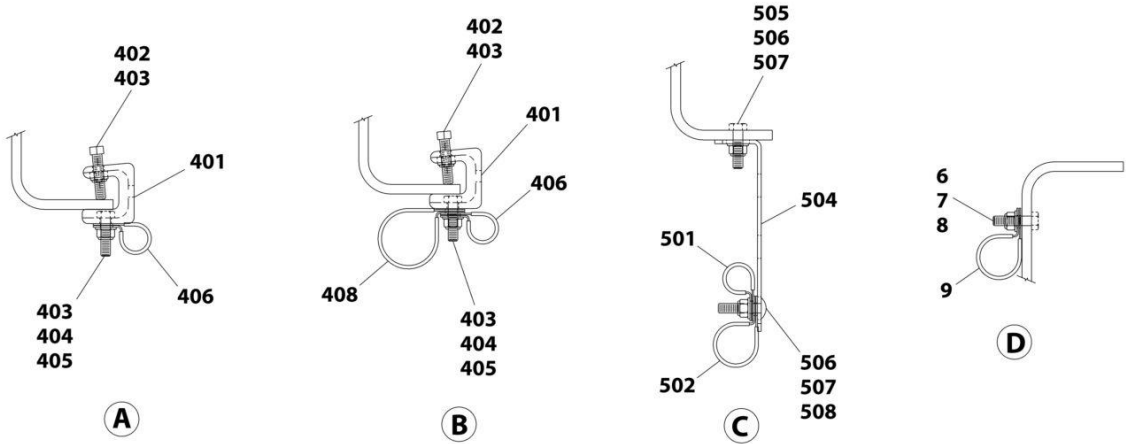
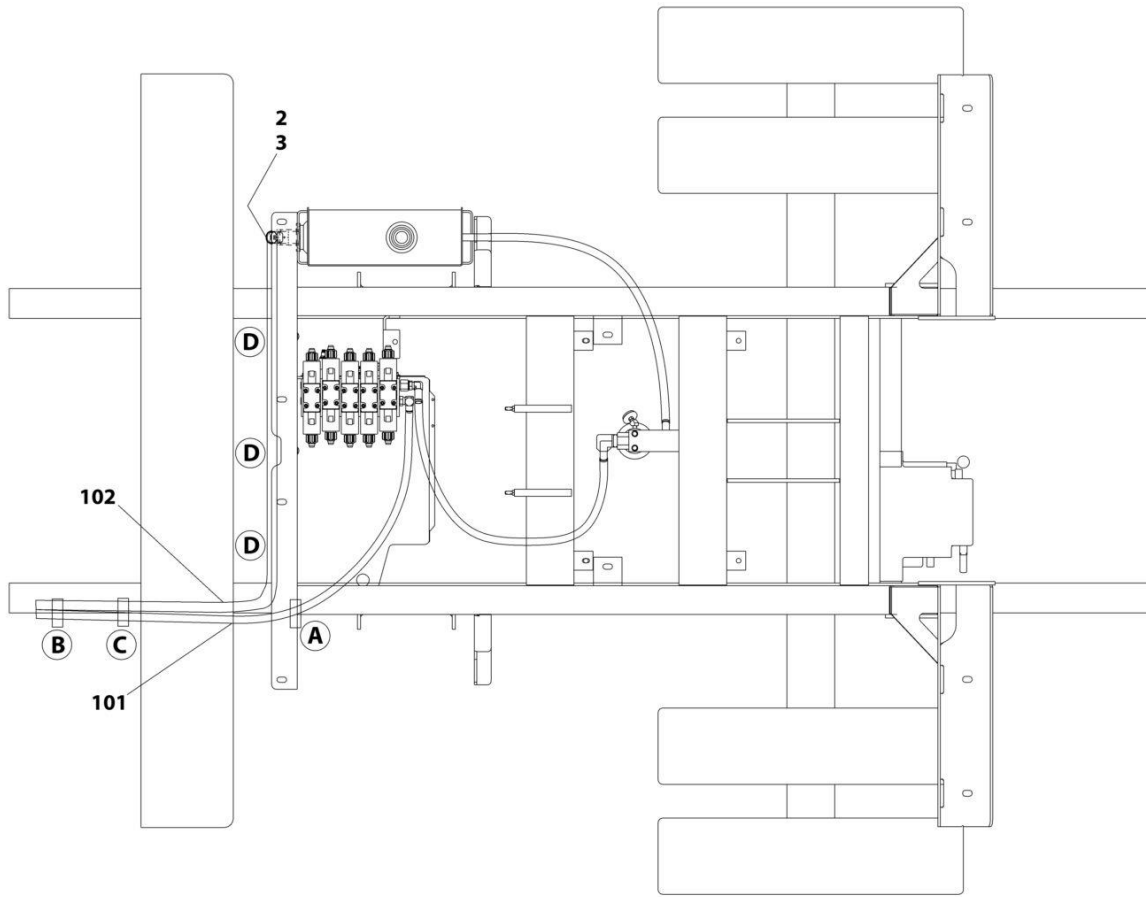
SECTION 6 - HYDRAULIC

FIGURE 6-10. HOSE AND CLAMP INSTALLATION (2019 CV515 - 199IN WB)

ITEM	PART NUMBER	QTY	DESCRIPTION	REV
	1001256469	Ref	HOSE AND CLAMP INSTALLATION (2019 CV515 D-CP - 199IN WB)	A
1	1001257070	1	Hose	
2	1001256825	1	Hose	
3	7443000013	1	Fitting	
4	7274000002	2	Clamp	
5	4706003844	1	Plate	
6	7115151064	4	Bolt 5/16 x 1-1/4	
7	7950150161	4	Washer 5/16	
8	7660152601	4	Nut 5/16	
9	7274000040	4	Clamp	
10	7274000042	3	Clamp	
11	7819000013	1	Sleeve (Not Shown)	
400	1001132794	8	Clamp, Hose Kit	
401	7274000076	1	Clamp	
402	7785152420	1	Screw 5/16 x 1-1/2	
403	7660152601	2	Nut 5/16	
404	7115151050	1	Bolt 5/16 x 1-1/4	
405	7950150161	1	Washer 5/16	
406	7274000040	1	Clamp (Not Shown)	
407	7274000041	1	Clamp	
408	7274000042	1	Clamp (Not Shown)	
409	7274000105	1	Clamp	

SECTION 6 - HYDRAULIC

FIGURE 6-11. HOSE AND CLAMP INSTALLATION (DODGE - 144IN WB)



ART_1001132809

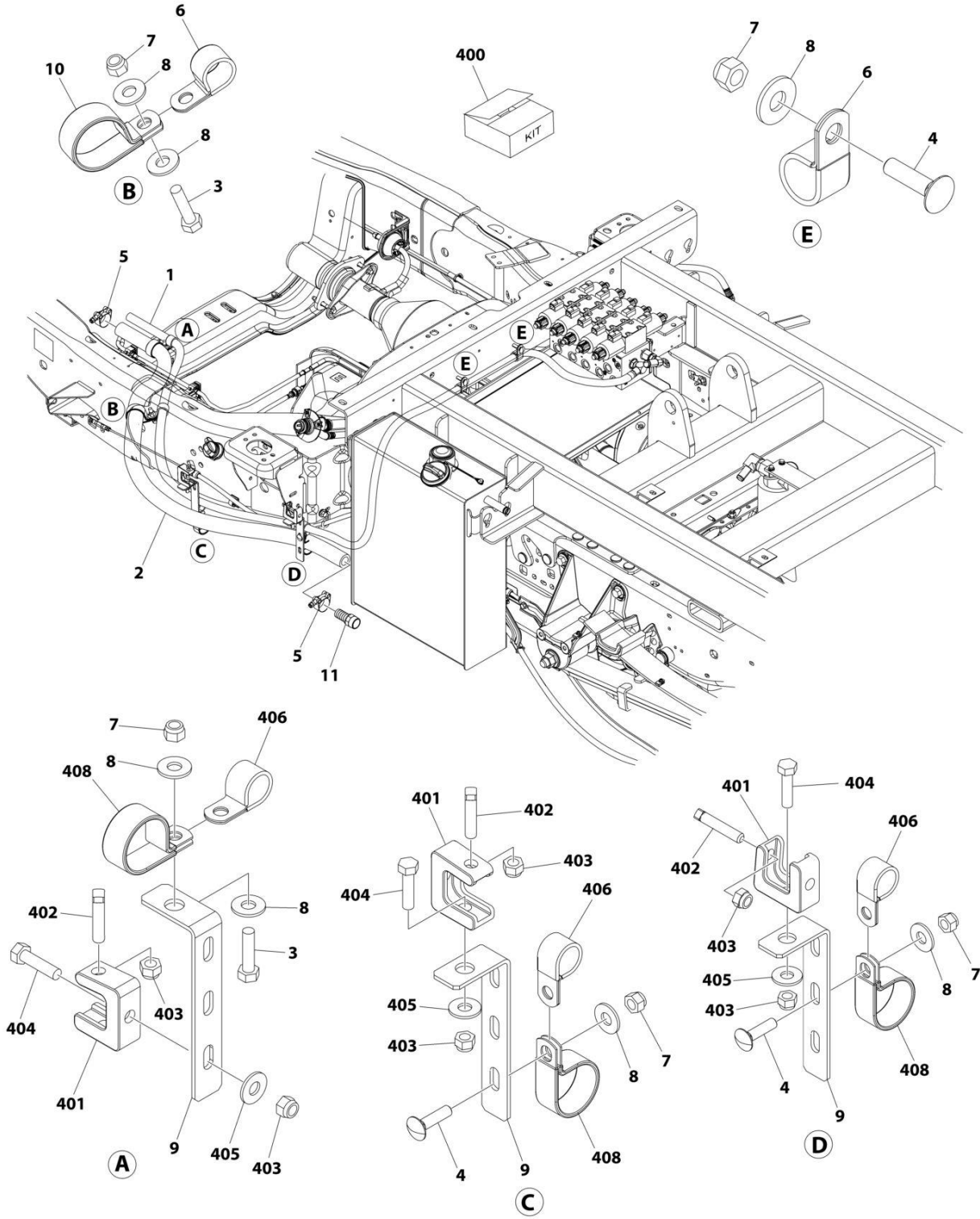
SECTION 6 - HYDRAULIC

FIGURE 6-11. HOSE AND CLAMP INSTALLATION (DODGE - 144IN WB)

ITEM	PART NUMBER	QTY	DESCRIPTION	REV
	1001132809	Ref	HOSE AND CLAMP INSTALLATION (DODGE 2011, D-CPB - 144IN WB)	B
1	1001132834	Ref	Hose, Kit (Not Shown) (Includes Items 101-102)	
2	7443000412	1	Fitting, 90	
3	7274000002	2	Clamp	
4	1001132794	Ref	Clamp, Hose Kit (Not Shown) (Includes Items 401-408)	
5	1001132800	Ref	Clamp, Hose Kit (Not Shown) (Includes Items 501-508)	
6	7115150864	3	Bolt 5/16 x 1	
7	7274000040	3	Clamp	
8	7950150161	3	Washer 5/16	
9	7660162601	3	Nut 3/8	
10	7819000013	4	Sleeve (Not Shown)	
	1001132834	Ref	HOSE, KIT	0
101	4567630182	1	Hose	
102	1001132846	1	Hose	
	1001132794	Ref	CLAMP, HOSE KIT	B
401	7274000076	1	Clamp	
402	7785152420	1	Screw 5/16 x 1-1/2	
403	7660152601	2	Nut 5/16	
404	7115151050	1	Bolt 5/16 x 1-1/4	
405	7950150161	1	Washer 5/16	
406	7274000040	1	Clamp	
407	7274000041	1	Clamp (Not Shown)	
408	7274000042	1	Clamp	
	1001132800	Ref	CLAMP, HOSE KIT	B
501	7274000040	1	Clamp	
502	7274000041	1	Clamp	
503	7274000042	1	Clamp (Not Shown)	
504	4706003844	1	Plate	
505	7115151050	1	Bolt 5/16 x 1-1/4	
506	7950150161	3	Washer 5/16	
507	7660152601	2	Nut 5/16	
508	7115151064	1	Bolt 5/16 x 1-1/4	

SECTION 6 - HYDRAULIC

FIGURE 6-12. HOSE AND CLAMP INSTALLATION (FORD 2017 - 145IN WB)



ART_1001223730

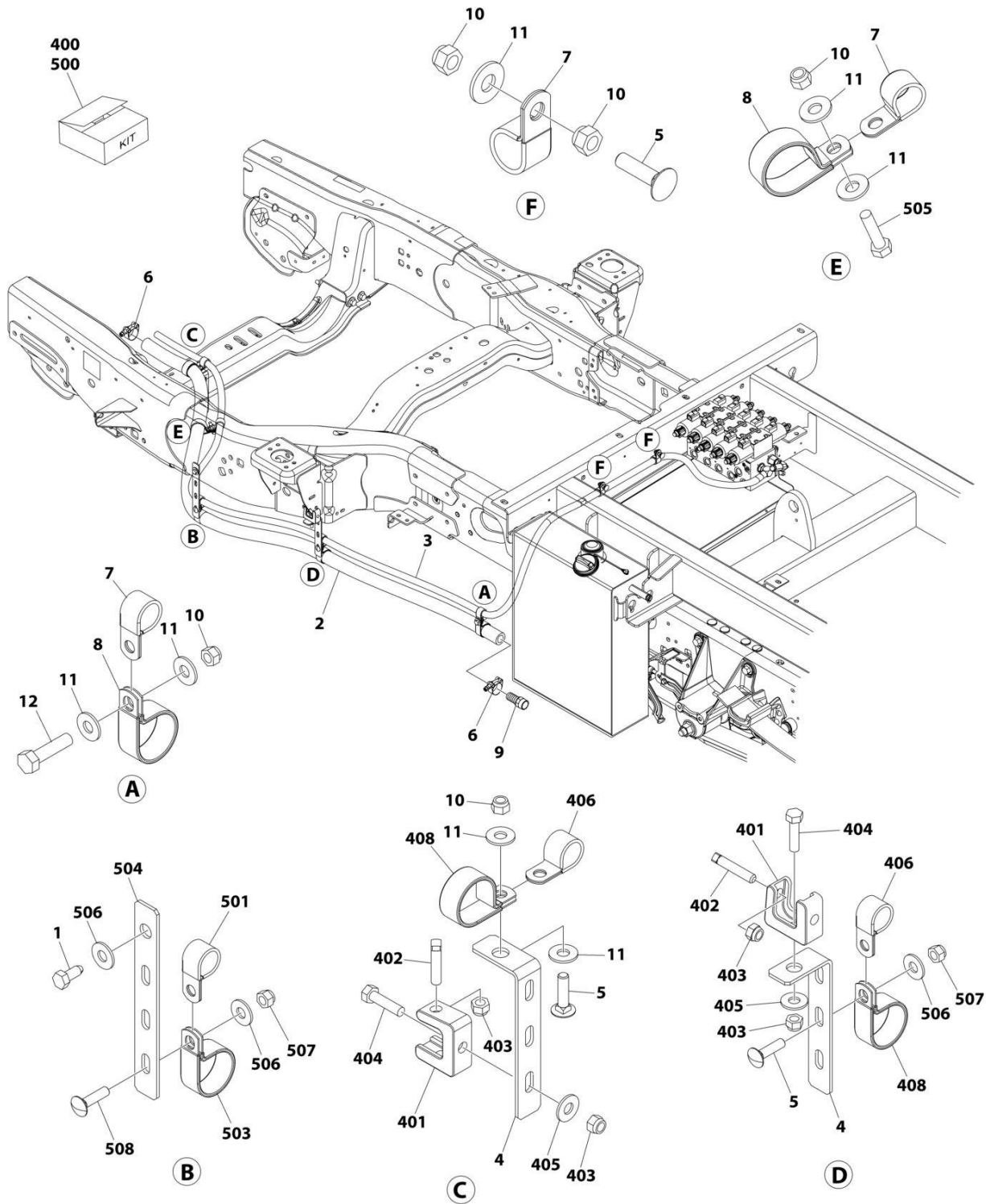
SECTION 6 - HYDRAULIC

FIGURE 6-12. HOSE AND CLAMP INSTALLATION (FORD 2017 - 145IN WB)

ITEM	PART NUMBER	QTY	DESCRIPTION	REV
	1001223730	Ref	HOSE AND CLAMP INSTALLATION (FORD 2017+ PTO - 145IN WB)	A
1	1001136821	1	Hose	
2	4570000373	1	Hose	
3	7115151050	2	Bolt 5/16 x 1-1/4	
4	7115151064	4	Bolt 5/16 x 1-1/4	
5	7274000002	2	Clamp	
6	7274000040	3	Clamp	
7	7660152601	6	Nut 5/16	
8	7950150161	8	Washer 5/16	
9	4706003844	3	Plate	
10	7274000042	1	Clamp	
11	7443000013	1	Fitting	
400	1001132794	3	Clamp, Hose Kit	
401	7274000076	1	Clamp	
402	7785152420	1	Screw 5/16 x 1-1/2	
403	7660152601	2	Nut 5/16	
404	7115151050	1	Bolt 5/16 x 1-1/4	
405	7950150161	1	Washer 5/16	
406	7274000040	1	Clamp	
408	7274000042	1	Clamp	

SECTION 6 - HYDRAULIC

FIGURE 6-13. HOSE AND CLAMP INSTALLATION (FORD 2017 - 167-169IN WB)



ART_1001223731

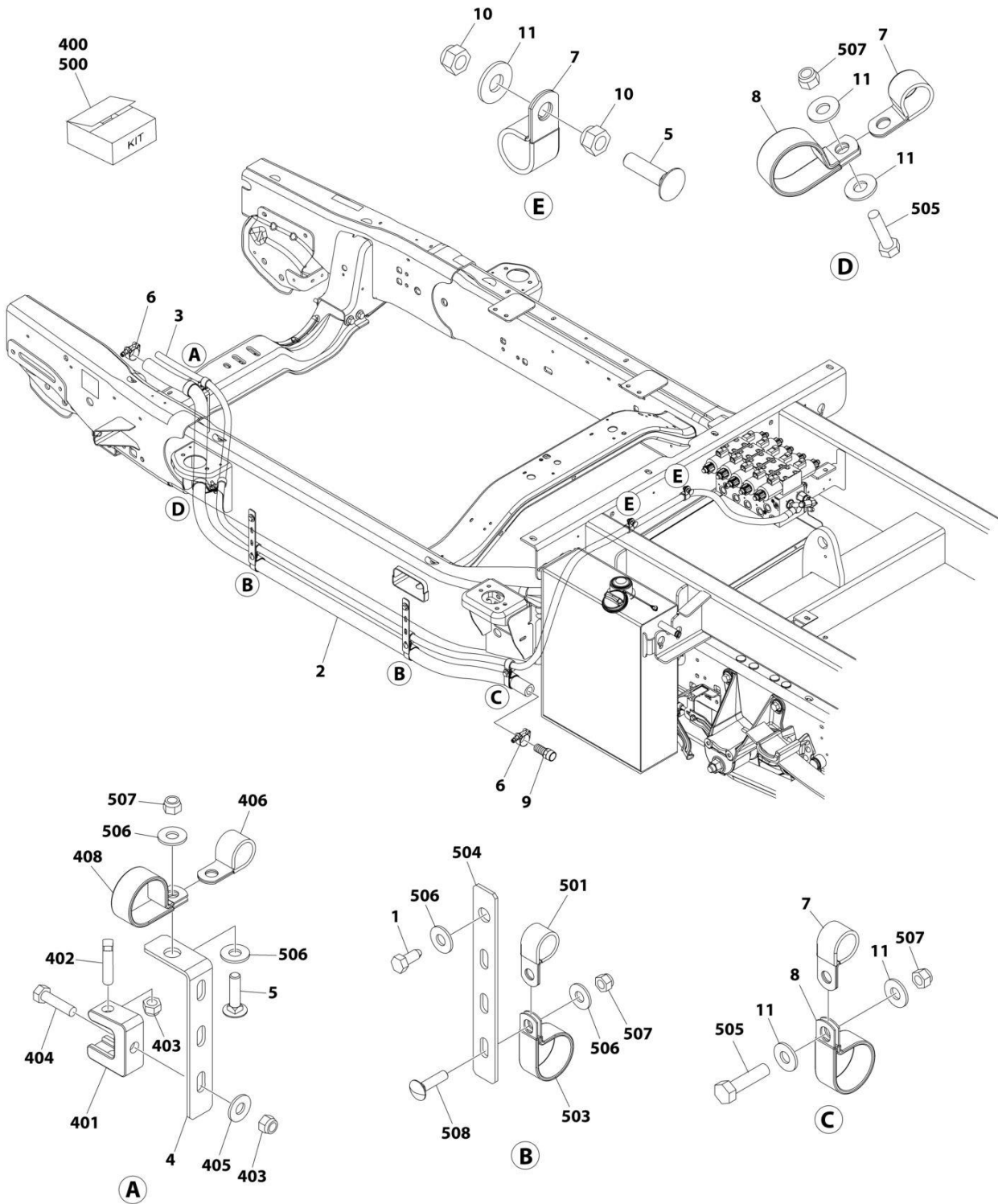
SECTION 6 - HYDRAULIC

FIGURE 6-13. HOSE AND CLAMP INSTALLATION (FORD 2017 - 167-169IN WB)

ITEM	PART NUMBER	QTY	DESCRIPTION	REV
	1001223731	Ref	HOSE AND CLAMP INSTALLATION (FORD 2017+ PTO - 167-169IN WB)	A
1	3941506	1	Tap Screw	
2	1001132605	1	Hose	
3	4567130135	1	Hose	
4	4706003844	2	Plate	
5	7115151064	4	Bolt 5/16 x 1-1/4	
6	7274000002	2	Clamp	
7	7274000040	4	Clamp	
8	7274000042	2	Clamp	
9	7443000013	1	Fitting	
10	7660152601	7	Nut 5/16	
11	7950150161	7	Washer 5/16	
12	7115151050	1	Bolt 5/16 x 1-1/4	
400	1001132794	2	Clamp, Hose Kit	
401	7274000076	1	Clamp	
402	7785152420	1	Screw 5/16 x 1-1/2	
403	7660152601	2	Nut 5/16	
404	7115151050	1	Bolt 5/16 x 1-1/4	
405	7950150161	1	Washer 5/16	
406	7274000040	1	Clamp	
408	7274000042	1	Clamp	
500	1001132800	1	Clamp, Hose Kit	
501	7274000040	1	Clamp	
503	7274000042	1	Clamp	
504	4706003844	1	Plate	
505	7115151050	1	Bolt 5/16 x 1-1/4	
506	7950150161	3	Washer 5/16	
507	7660152601	2	Nut 5/16	
508	7115151064	1	Bolt 5/16 x 1-1/4	

SECTION 6 - HYDRAULIC

FIGURE 6-14. HOSE AND CLAMP INSTALLATION (FORD 2017 - 179IN WB)



ART_1001223732

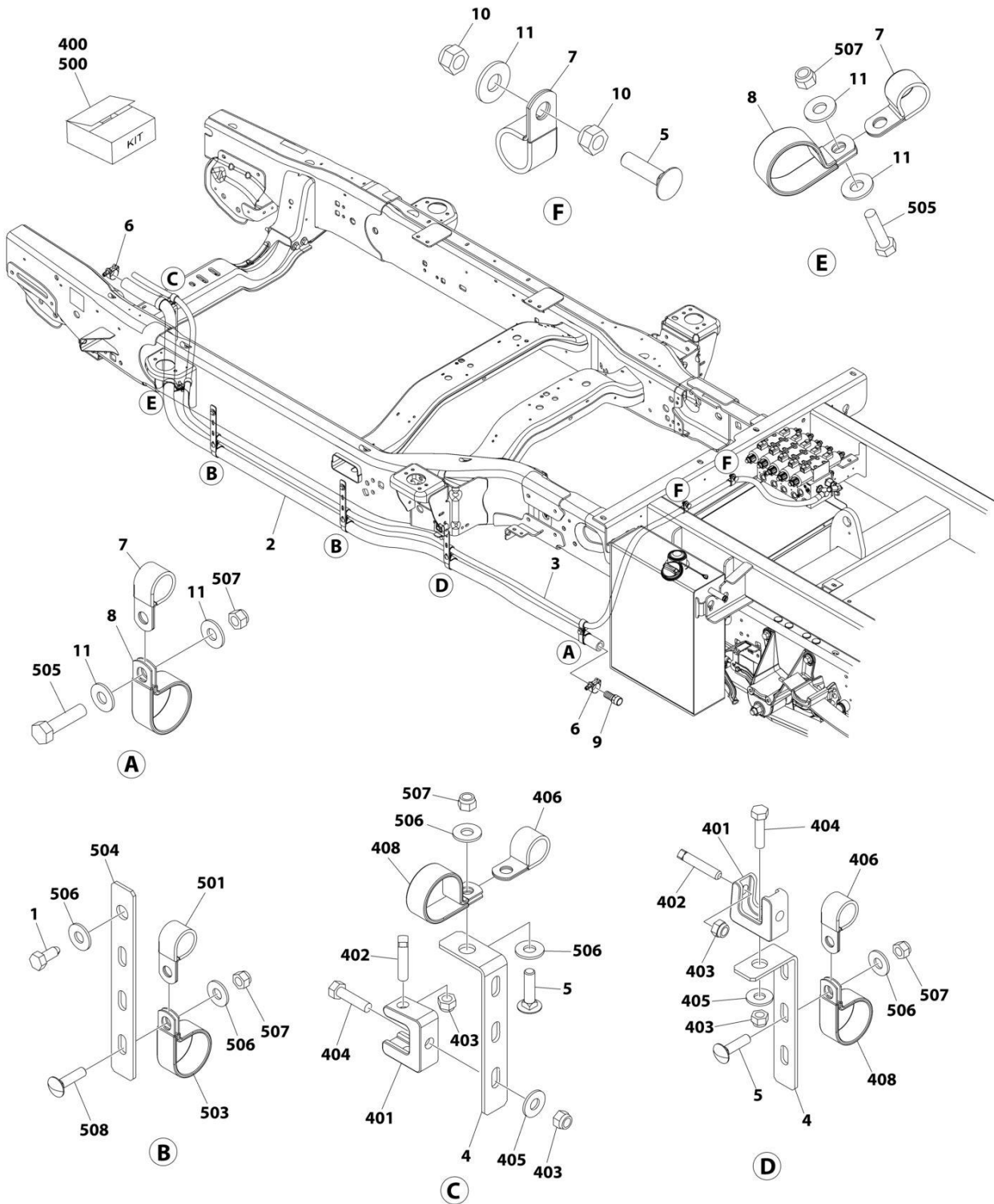
SECTION 6 - HYDRAULIC

FIGURE 6-14. HOSE AND CLAMP INSTALLATION (FORD 2017 - 179IN WB)

ITEM	PART NUMBER	QTY	DESCRIPTION	REV
	1001223732	Ref	HOSE AND CLAMP INSTALLATION (FORD 2017+ PTO - 179IN WB)	A
1	3941506	2	Tap Screw	
2	1001132610	1	Hose	
3	4567130140	1	Hose	
4	4706003844	1	Plate	
5	7115151064	3	Bolt 5/16 x 1-1/4	
6	7274000002	2	Clamp	
7	7274000040	4	Clamp	
8	7274000042	2	Clamp	
9	7443000013	1	Fitting	
10	7660152601	4	Nut 5/16	
11	7950150161	6	Washer 5/16	
400	1001132794	1	Clamp, Hose Kit	
401	7274000076	1	Clamp	
402	7785152420	1	Screw 5/16 x 1-1/2	
403	7660152601	2	Nut 5/16	
404	7115151050	1	Bolt 5/16 x 1-1/4	
405	7950150161	1	Washer 5/16	
406	7274000040	1	Clamp	
408	7274000042	1	Clamp	
500	1001132800	2	Clamp, Hose Kit	
501	7274000040	1	Clamp	
503	7274000042	1	Clamp	
504	4706003844	1	Plate	
505	7115151050	1	Bolt 5/16 x 1-1/4	
506	7950150161	3	Washer 5/16	
507	7660152601	2	Nut 5/16	
508	7115151064	1	Bolt 5/16 x 1-1/4	

SECTION 6 - HYDRAULIC

FIGURE 6-15. HOSE AND CLAMP INSTALLATION (FORD 2017 - 203IN WB)



ART_1001223734

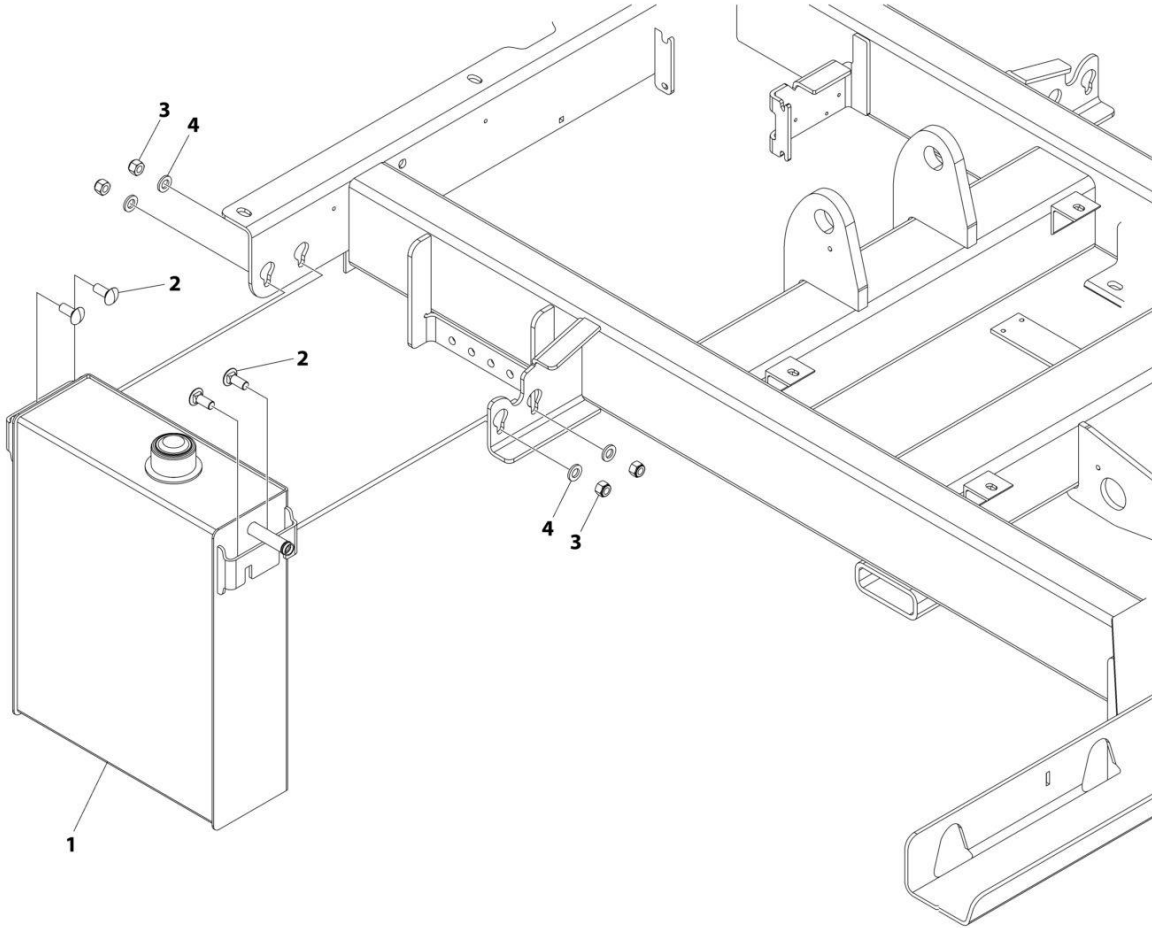
SECTION 6 - HYDRAULIC

FIGURE 6-15. HOSE AND CLAMP INSTALLATION (FORD 2017 - 203IN WB)

ITEM	PART NUMBER	QTY	DESCRIPTION	REV
	1001223734	Ref	HOSE AND CLAMP INSTALLATION (FORD 2017+ PTO - 203IN WB)	A
1	3941506	2	Tap Screw	
2	1001132618	1	Hose	
3	4567130165	1	Hose	
4	4706003844	2	Plate	
5	7115151064	4	Bolt 5/16 x 1-1/4	
6	7274000002	2	Clamp	
7	7274000040	4	Clamp	
8	7274000042	2	Clamp	
9	7443000013	1	Fitting	
10	7660152601	4	Nut 5/16	
11	7950150161	6	Washer 5/16	
400	1001132794	2	Clamp, Hose Kit	
401	7274000076	1	Clamp	
402	7785152420	1	Screw 5/16 x 1-1/2	
403	7660152601	2	Nut 5/16	
404	7115151050	1	Bolt 5/16 x 1-1/4	
405	7950150161	1	Washer 5/16	
406	7274000040	1	Clamp	
408	7274000042	1	Clamp	
500	1001132800	2	Clamp, Hose Kit	
501	7274000040	1	Clamp	
503	7274000042	1	Clamp	
504	4706003844	1	Plate	
505	7115151050	1	Bolt 5/16 x 1-1/4	
506	7950150161	3	Washer 5/16	
507	7660152601	2	Nut 5/16	
508	7115151064	1	Bolt 5/16 x 1-1/4	

SECTION 6 - HYDRAULIC

FIGURE 6-16. TANK (HYDRAULIC) INSTALLATION



ART_2509650093

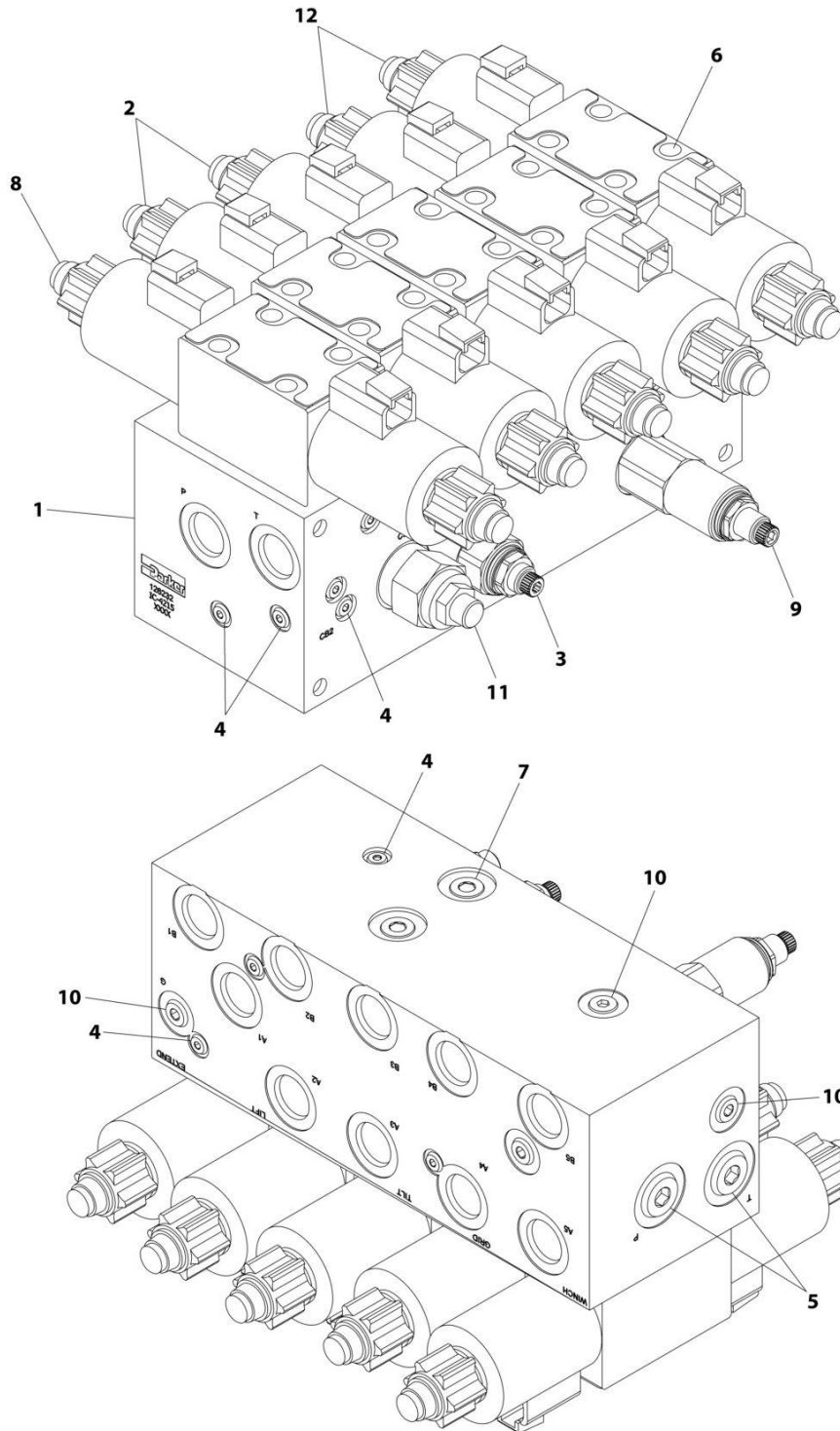
SECTION 6 - HYDRAULIC

FIGURE 6-16. TANK (HYDRAULIC) INSTALLATION

ITEM	PART NUMBER	QTY	DESCRIPTION	REV
	2509650093	Ref	TANK (HYDRAULIC) INSTALLATION	0
1	3750000061	1	Tank, Hydraulic	
2	7115181064	4	Bolt 1/2 x 1-1/4	
3	7660182601	4	Nut 1/2	
4	7950180153	4	Washer 1/2	

SECTION 6 - HYDRAULIC

FIGURE 6-17. VALVE ASSEMBLY



ART_7935000311

SECTION 6 - HYDRAULIC

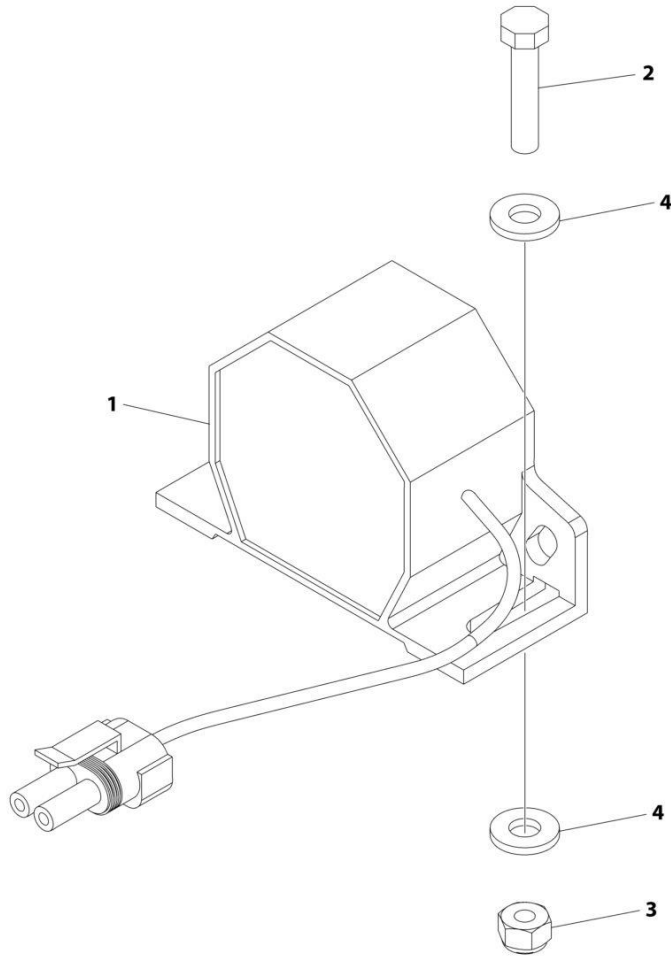
FIGURE 6-17. VALVE ASSEMBLY

ITEM	PART NUMBER	QTY	DESCRIPTION	REV
	7935000311	Ref	VALVE ASSEMBLY	C
		Ref	Note: No Information Available at Time of Printing.	
1		Ref	Valve Body	
2		Ref	Directional Valve	
3		Ref	Relief Valve	
4		Ref	Plug	
5		Ref	Plug	
6		Ref	Bolt 5/16	
7		Ref	Plug	
8		Ref	Directional Valve	
9		Ref	Relief Valve	
10		Ref	Plug	
11		Ref	Counterbalance Valve	
12		Ref	Directional Valve	

SECTION 7 - ELECTRICAL

SECTION 7 - ELECTRICAL

FIGURE 7-1. ALARM INSTALLATION - BACK-UP (FIXED)



ART_2011000002

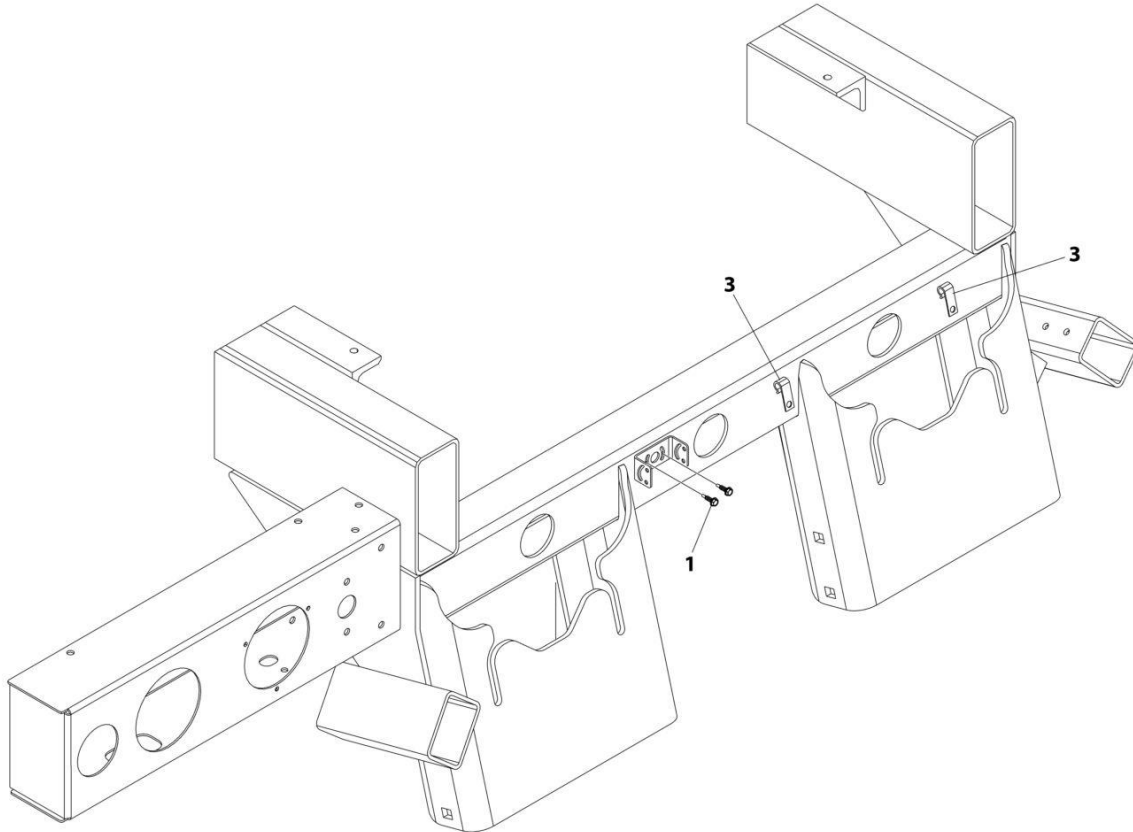
SECTION 7 - ELECTRICAL

FIGURE 7-1. ALARM INSTALLATION - BACK-UP (FIXED)

ITEM	PART NUMBER	QTY	DESCRIPTION	REV
	2011000002	Ref	ALARM INSTALLATION - BACK-UP (FIXED)	B
1	7011000006	1	Alarm	
2	7111141050	2	Bolt 1/4 x 1-1/4	
3	7660142600	2	Nut 1/4	
4	7950140141	4	Washer 1/4	

SECTION 7 - ELECTRICAL

FIGURE 7-2. BACKUP CAMERA, CHASSIS SUPPLIED



ART_1001220181

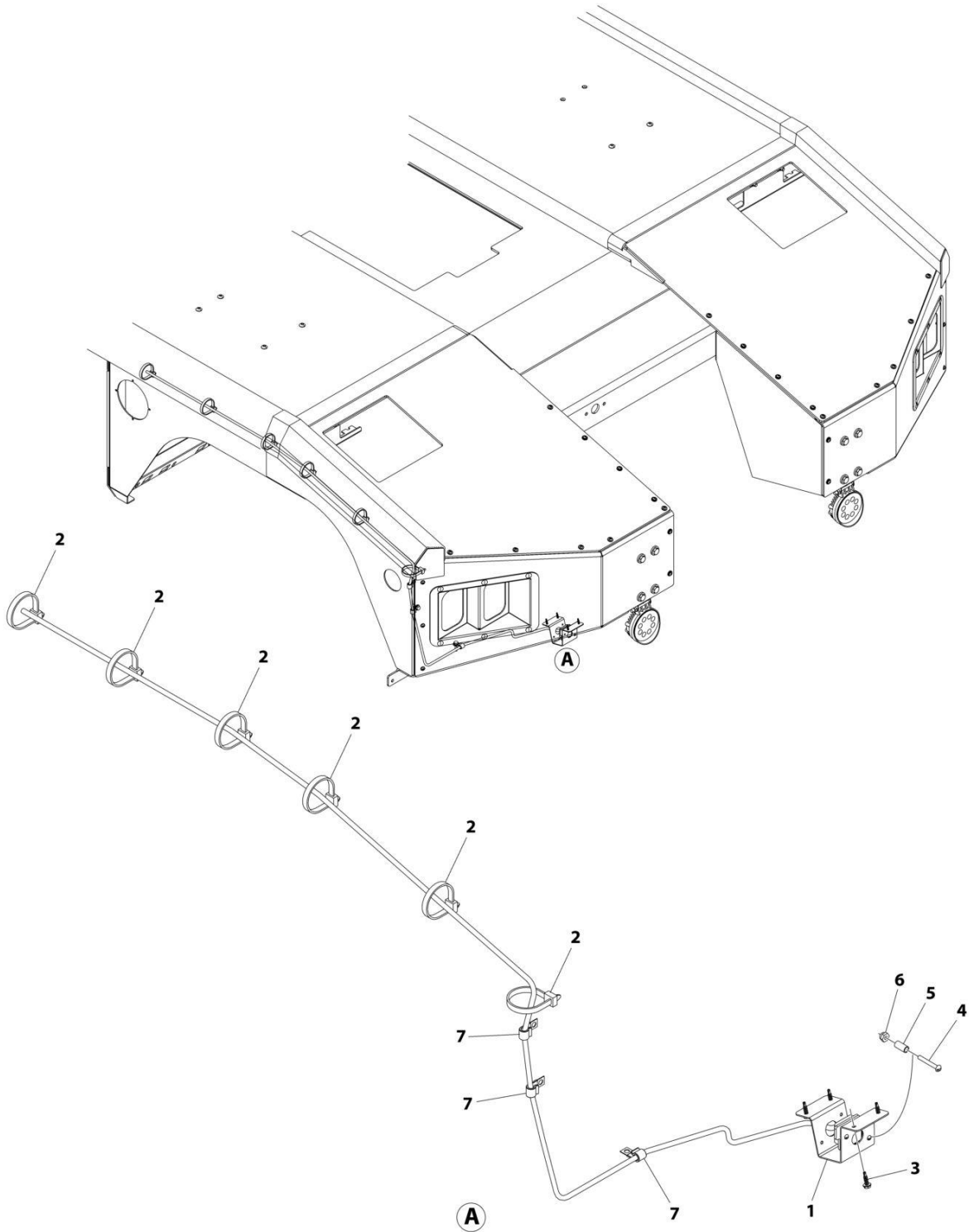
SECTION 7 - ELECTRICAL

FIGURE 7-2. BACKUP CAMERA, CHASSIS SUPPLIED

ITEM	PART NUMBER	QTY	DESCRIPTION	REV
	1001220181	Ref	Backup Camera Installation - Chassis (OEM Supplied)	C
1	7120000034	2	Screw #10 x 3/4	
2	5526000553	40	Tie Strap	
3	7280000018	2	Clip	

SECTION 7 - ELECTRICAL

FIGURE 7-3. BACK UP CAMERA INSTALLATION - CHASSIS SUPPLIED (CV515 ONLY)



ART_1001255485

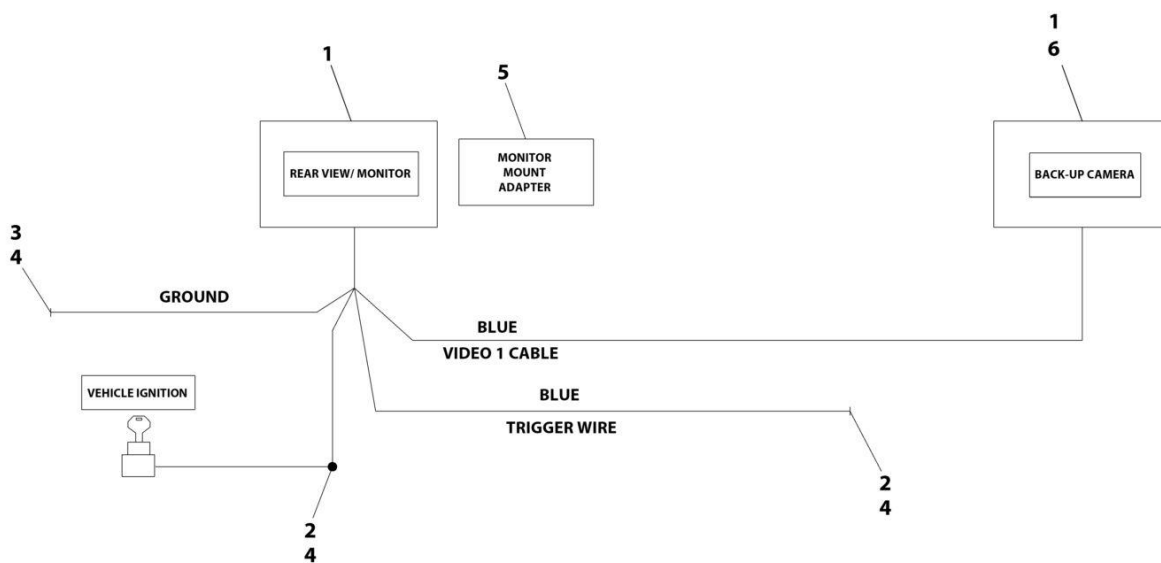
SECTION 7 - ELECTRICAL

FIGURE 7-3. BACK UP CAMERA INSTALLATION - CHASSIS SUPPLIED (CV515 ONLY)

ITEM	PART NUMBER	QTY	DESCRIPTION	REV
	1001255485	Ref	BACK UP CAMERA INSTALLATION - CHASSIS SUPPLIED (CV515 ONLY)	B
1	1001255484	1	Bracket	
2	5526000553	15	Tie Strap	
3	7120000034	4	Screw #10 x 3/4	
4	7114060810	2	Capscrew #6 x 1	
5	4564088	2	Spacer	
6	7660062604	2	Nut #6	
7	7280000018	5	Clip	

SECTION 7 - ELECTRICAL

FIGURE 7-4. BACKUP CAMERA, REAR VIEW MIRROR



ART_1001142974_D

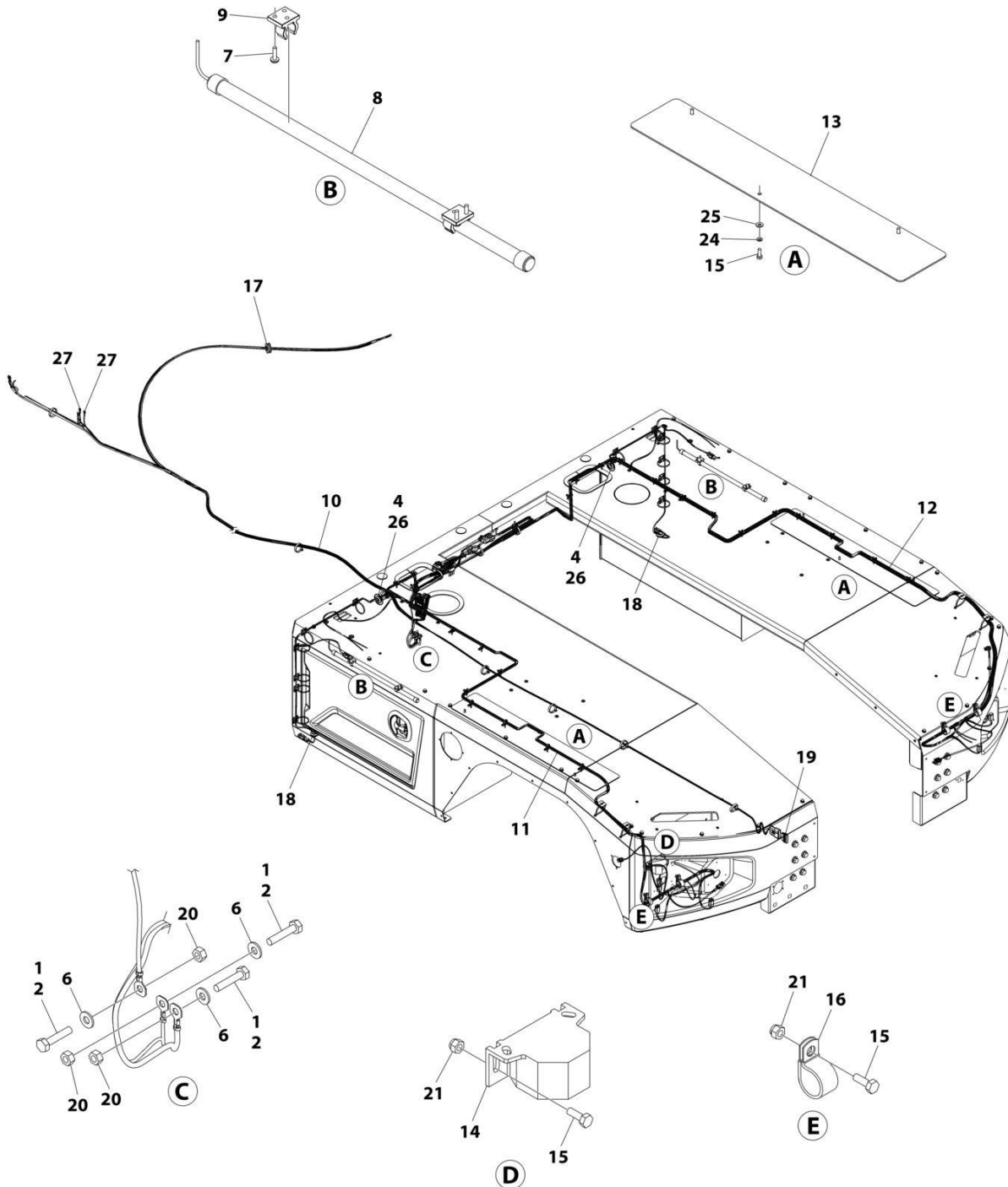
SECTION 7 - ELECTRICAL

FIGURE 7-4. BACKUP CAMERA, REAR VIEW MIRROR

ITEM	PART NUMBER	QTY	DESCRIPTION	REV
	1001142974	Ref	BACKUP CAMERA IN REAR VIEW MIRROR INSTALLATION	D
1	1001273600	1	Camera System	
2	7345001914	2	Terminal	
3	7345221902	1	Terminal	
4	7346000039	AR	Tubing	
6	7120000034	1	SCREW #10 X .75" SELF DRILLING	
7	7280000018	AR	Clip (Not Shown)	
8	5525000537	AR	Wire (Not Shown)	
9	7894000010	AR	Strap, Tie (Not Shown)	

SECTION 7 - ELECTRICAL

FIGURE 7-5. BODY WIRING INSTALLATION - NG



ART_1001291366

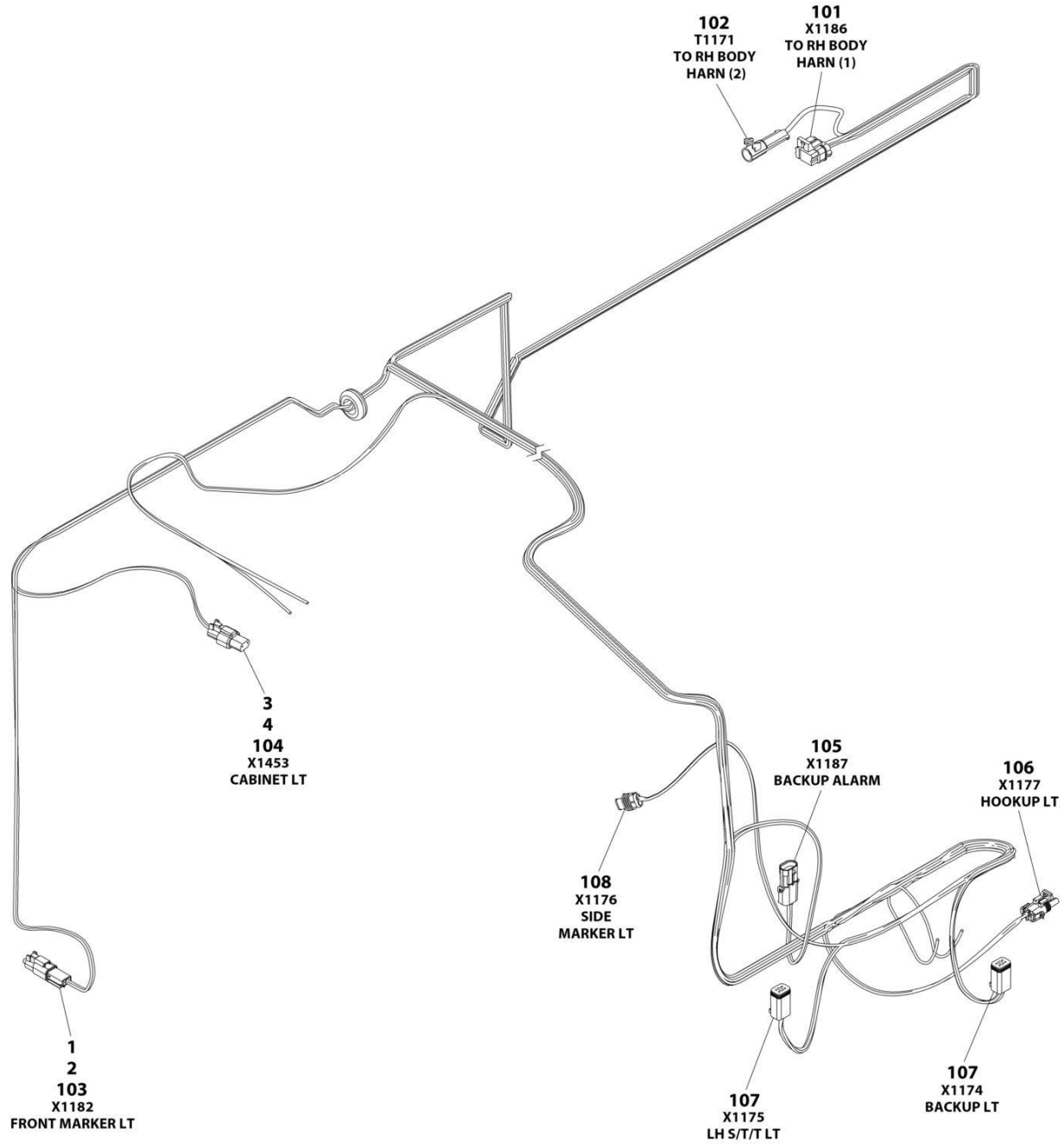
SECTION 7 - ELECTRICAL

FIGURE 7-5. BODY WIRING INSTALLATION - NG

ITEM	PART NUMBER	QTY	DESCRIPTION	REV
	1001291366	Ref	BODY WIRING INSTALLATION - NO FUEL FILLER	A
1	0100011	AR	Compound Locking	
2	0641410	3	Bolt 1/4 x 1-1/4	
3	4240033	16	Tie-Strap (Not Shown)	
4	4420002	AR	Tape	
5	4460234	16	Mount, Cable-Tie (Not Shown)	
6	4711400	3	Washer 1/4	
7	1001154530	8	Screw #8 x 5/8	
8	1001189906	2	Lamp	
9	1001199081	4	Mount	
10	1001291050	1	Harness, Cab Subframe (See Separate Breakdown in this Section)	
11	1001291064	1	Harness, Body LH (See Separate Breakdown in this Section)	
12	1001291065	1	Harness, Body RH (See Separate Breakdown in this Section)	
13	1001298621	2	Plate	
14	7011000006	1	Alarm	
15	7114140650	12	Bolt 1/4 x 3/4	
16	7274000105	4	Clamp	
17	7493000003	1	Grommet	
18	7493000030	2	Grommet	
19	7577000194	1	Connector Kit	
20	7660140001	3	Nut 1/4	
21	7660142604	6	Nut 1/4	
22	7894000004	16	Tie-Strap (Not Shown)	
23	7894000042	28	Tie-Strap (Not Shown)	
24	7950140003	6	Washer 1/4	
25	7950140143	6	Washer 1/4	
26	8798820001	AR	Sealant	
27	0100048	AR	Grease, Dielectric	

SECTION 7 - ELECTRICAL

FIGURE 7-6. BODY HARNESS - LH (NG)



ART_1001291064

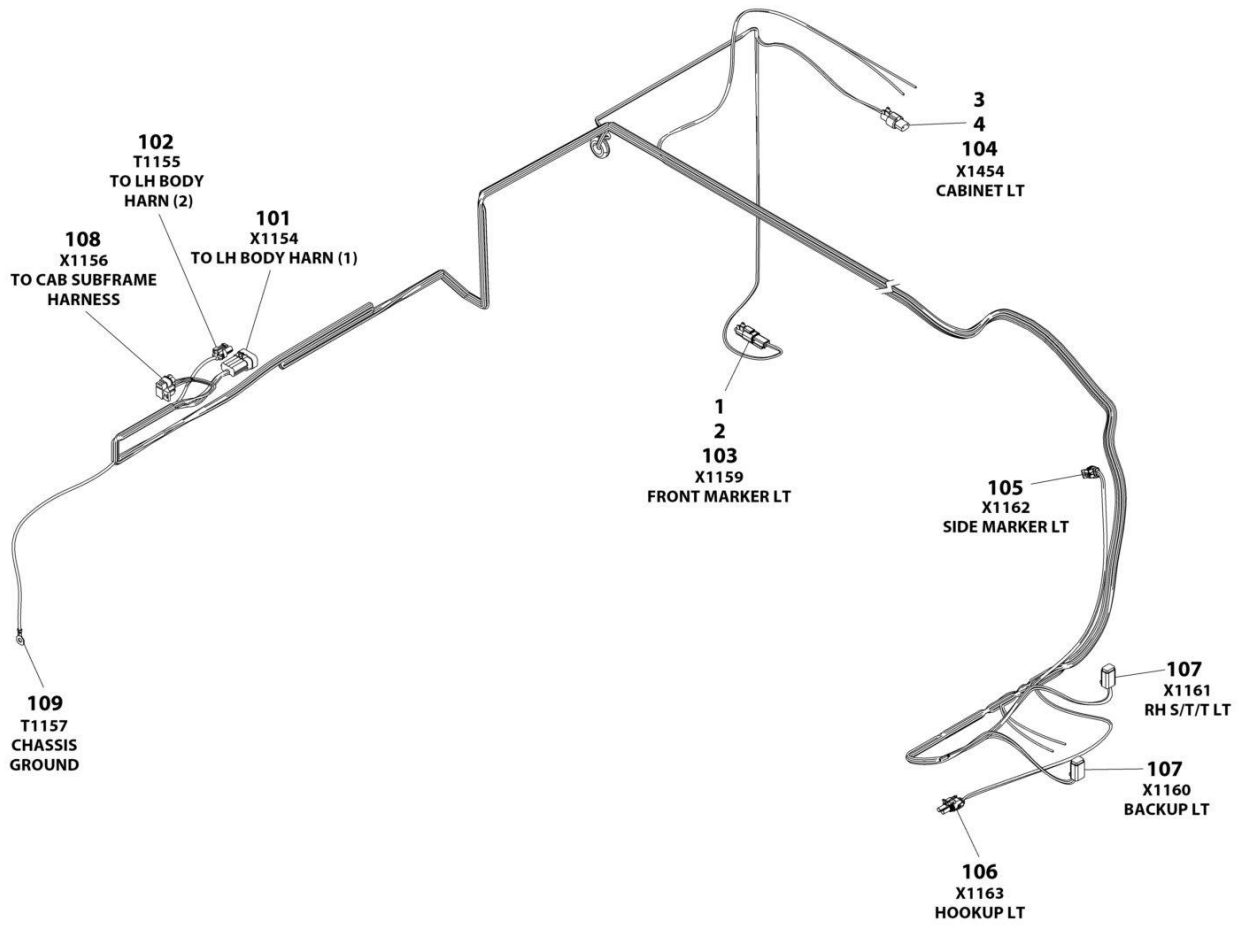
SECTION 7 - ELECTRICAL

FIGURE 7-6. BODY HARNESS - LH (NG)

ITEM	PART NUMBER	QTY	DESCRIPTION	REV
	1001291064	Ref	BODY HARNESS - LH	C
1	4460891	1	Connector	
2	4460466	2	Plug	
3	4460897	1	Connector	
4	4460464	2	Pin	
101	1001288566	1	Connector	
101	8220124	6	Socket	
101	1001116751	2	Plug	
101	4460458	6	Seal	
102	1001119106	1	Connector	
102	1001119755	1	Socket	
102	80963067	1	Seal	
103	4460897	1	Connector	
103	4460464	2	Pin	
104	4460891	4	Connector	
104	4460465	2	Socket	
105	4461157	1	Connector	
105	4460475	2	Pin	
105	4460789	2	Seal	
106	4460742	1	Connector	
106	4460457	2	Pin	
106	4460789	2	Seal	
107	4460884	2	Connector	
107	4460465	8	Socket	
108	4461118	1	Connector	
108	1001107854	2	Socket	
108	1001104498	2	Seal	

SECTION 7 - ELECTRICAL

FIGURE 7-7. BODY HARNESS - RH (NG)



ART_1001291065

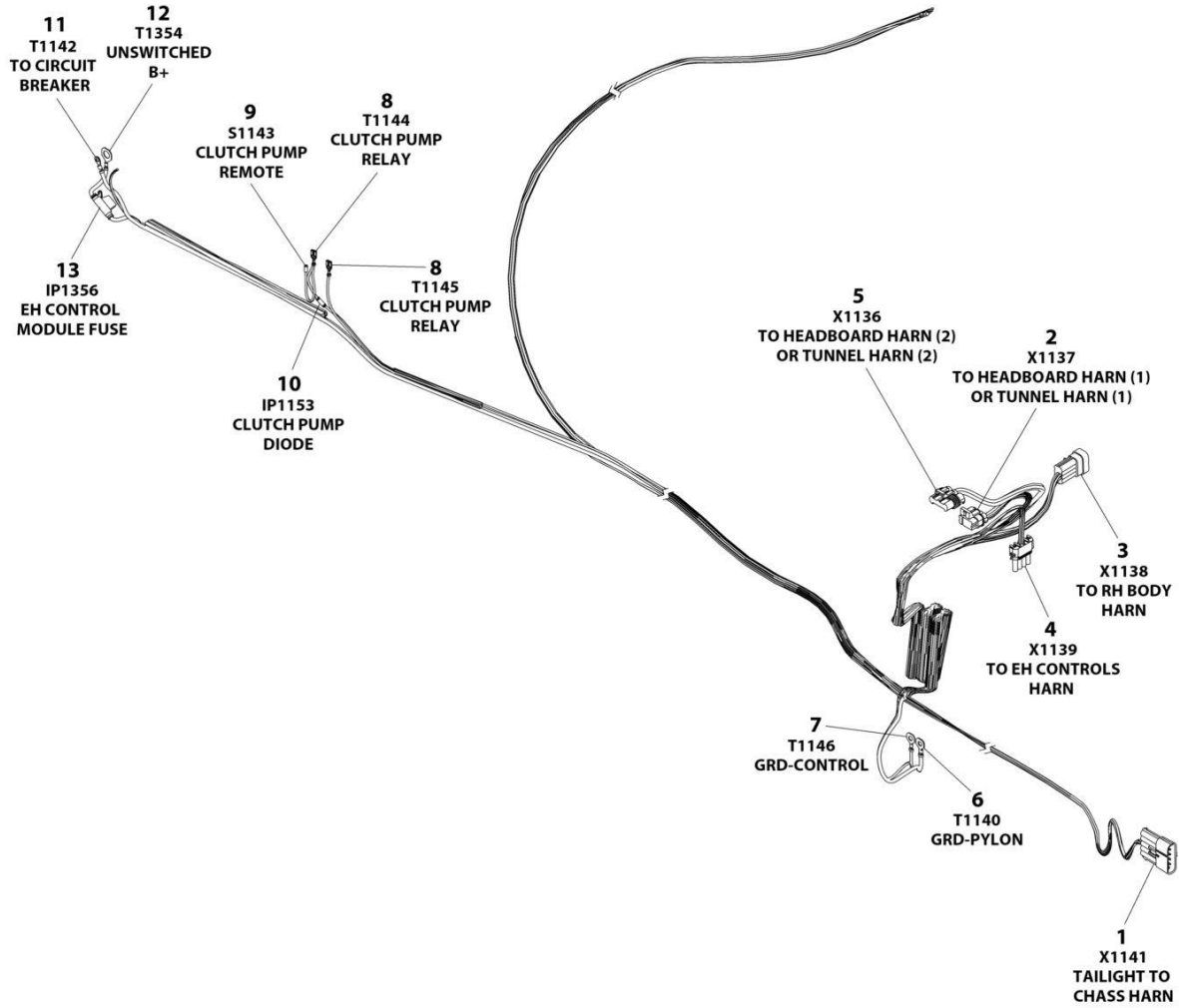
SECTION 7 - ELECTRICAL

FIGURE 7-7. BODY HARNESS - RH (NG)

ITEM	PART NUMBER	QTY	DESCRIPTION	REV
	1001291065	Ref	BODY HARNESS - RH	C
1	4460891	1	Connector	
2	4460466	2	Plug	
3	4460897	1	Connector	
4	4460464	2	Pin	
101	1001288454	1	Connector	
101	1001116749	6	Socket	
101	1001116751	2	Plug	
101	4460458	6	Seal	
102	1001119004	1	Connector	
102	1001119754	1	Socket	
102	80963067	1	Seal	
103	4460897	1	Connector	
103	4460464	2	Pin	
104	4460891	1	Connector	
104	4460465	2	Socket	
105	4461118	1	Connector	
105	1001255628	2	Socket	
105	1001116763	2	Seal	
106	4460742	1	Connector	
106	4460457	2	Pin	
106	4460789	2	Seal	
107	4460884	2	Connector	
107	4460465	8	Socket	
108	1001288566	1	Connector	
108	8220124	7	Socket	
108	1001116751	1	Plug	
108	4460608	7	Seal	
109	1001189077	1	Terminal, Ring	

SECTION 7 - ELECTRICAL

FIGURE 7-8. CAB SUBFRAME HARNESS -NG



ART_1001291050

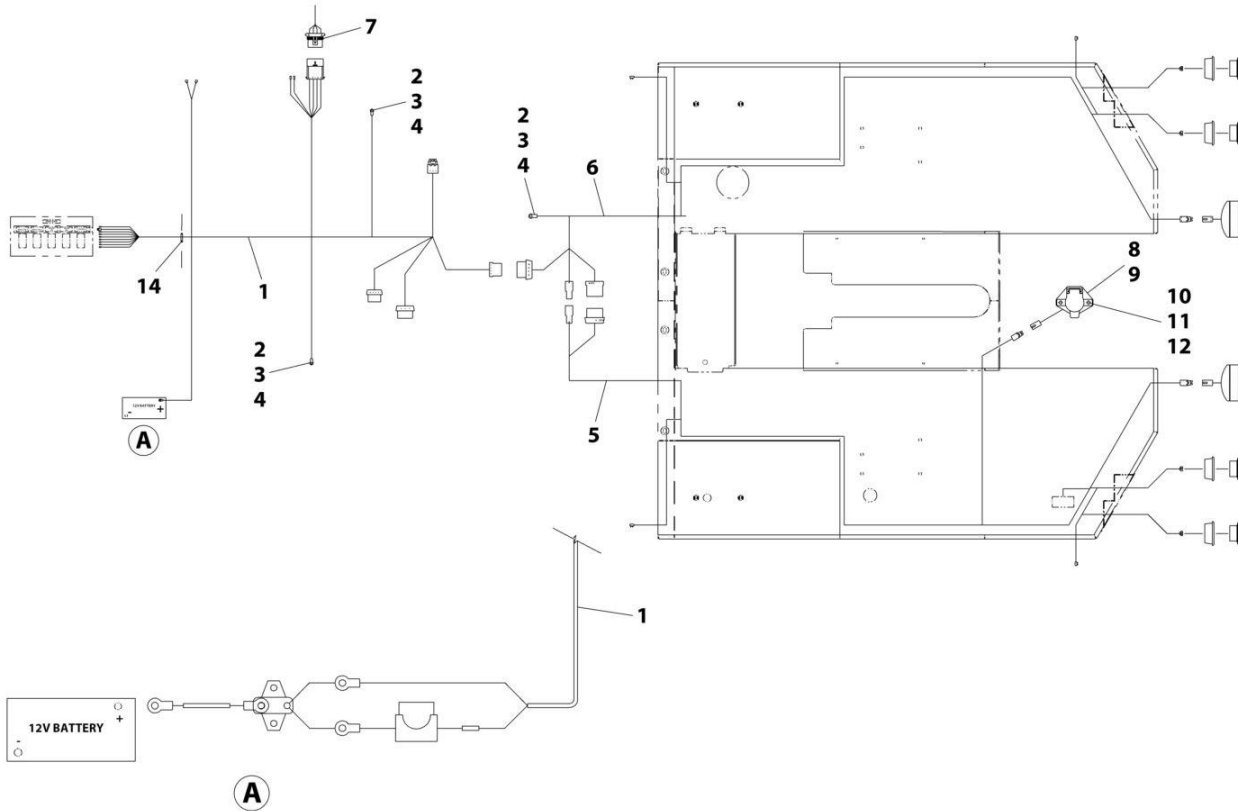
SECTION 7 - ELECTRICAL

FIGURE 7-8. CAB SUBFRAME HARNESS -NG

ITEM	PART NUMBER	QTY	DESCRIPTION	REV
	1001291050	Ref	CAB SUBFRAME HARNESS	C
1	1001121727	1	Connector	
1	1001116729	4	Socket	
1	1001116727	1	Plug	
1	4460789	4	Seal	
2	1001288566	1	Connector	
2	8220124	8	Socket	
2	4460608	8	Seal	
3	1001288454	1	Connector	
3	1001116749	8	Socket	
3	1001116751	1	Plug	
3	4460608	8	Seal	
4	4460460	1	Connector	
4	4460457	4	Socket	
4	4460789	4	Seal	
5	8220935	1	Connector	
5	8220099	3	Socket	
5	8220159	3	Seal	
6	1001189077	1	Terminal, Ring	
7	1001207171	1	Terminal, Ring	
8	1001116723	2	Terminal	
9	1001201994	1	Connector	
10	1001100949	1	Diode, 3Amp	
11	1001197407	1	Terminal, Ring	
12	1001187078	1	Terminal, Ring	
13	1001255901	1	Fuse Holder	
13	80983191	1	Fuse, 10Amp	

SECTION 7 - ELECTRICAL

FIGURE 7-9. BODY WIRING INSTALLATION - NGS



ART_1001267676

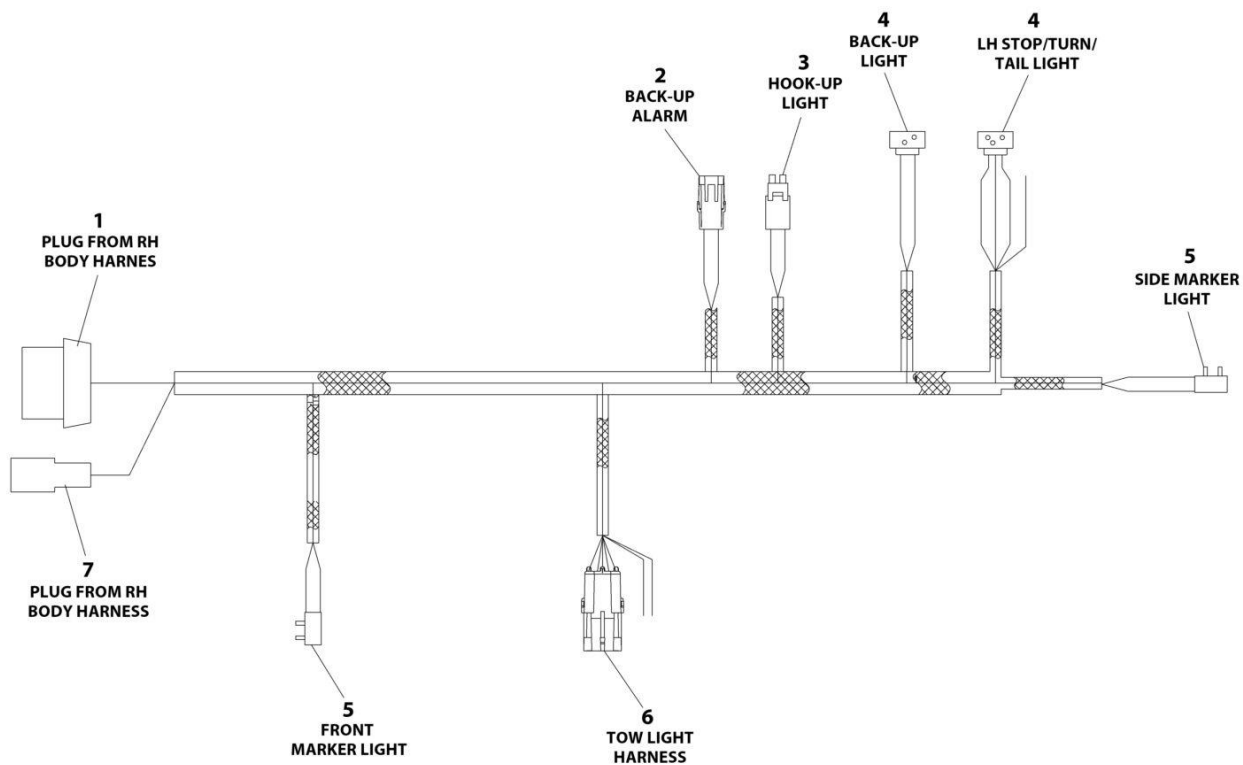
SECTION 7 - ELECTRICAL

FIGURE 7-9. BODY WIRING INSTALLATION - NGS

ITEM	PART NUMBER	QTY	DESCRIPTION	REV
	1001267676	Ref	BODY ELECTRICAL INSTALLATION	A
1	1001263429	1	Harness, Cab-subframe (See Separate Breakdown in this Section)	
2	0641410	3	Bolt 1/4 x 1-1/4	
3	7660142600	3	Nut 1/4	
4	4711400	3	Washer 1/4	
5	1001267672	1	Harness, Body (LH) (See Separate Breakdown in this Section)	
6	1001267673	1	Harness, Body (RH) (See Separate Breakdown in this Section)	
7	7577000194	1	Connector - Kit	
8	7291000010	1	Connector	
9	7796000048	1	Gasket	
10	7111140613	2	Screw 1/4 x 3/4	
11	4761400	2	Washer 1/4	
12	7413000002	2	Nut 1/4	
13	7894000042	29	Tie Strap (Not Shown)	
14	7493000003	1	Grommet	

SECTION 7 - ELECTRICAL

FIGURE 7-10. BODY HARNESS - LH (NGS)



ART_1001267672

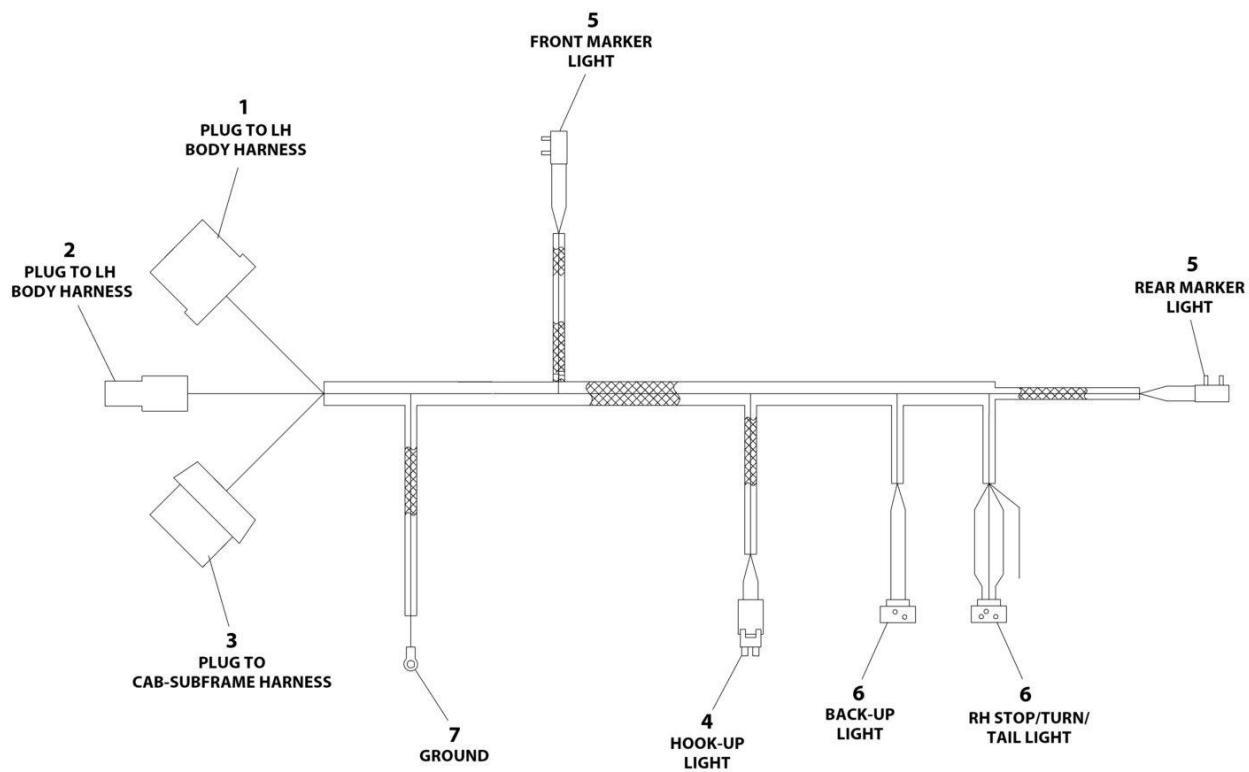
SECTION 7 - ELECTRICAL

FIGURE 7-10. BODY HARNESS - LH (NGS)

ITEM	PART NUMBER	QTY	DESCRIPTION	REV
	1001267672	Ref	BODY HARNESS (LH)	A
1	7346000144	1	Connector - 8 Position	
1	7346000147	7	Socket	
1	7346000146	8	Seal	
1	7346000153	1	Plug, Terminal	
1	7346000145	1	Lock, Terminal	
2	4460867	1	Receptacle, Female - 2 Position	
2	7346000035	2	Pin, Male	
2	7346000140	2	Seal	
3	4460742	1	Plug, Male - 2 Position	
3	7346000099	2	Socket, Female	
3		Ref	Seal	
4		Ref	Connector - 2 Position	
5		Ref	Connector- 2 Position	
6		Ref	Connector - 4 Position	
6	7346000035	4	Pin, Male	
6		Ref	Seal	
7	1001119004	1	Connector	
7	1001116729	1	Terminal	
7	8220089	1	Seal	

SECTION 7 - ELECTRICAL

FIGURE 7-11. BODY HARNESS - RH (NGS)



ART_1001267673

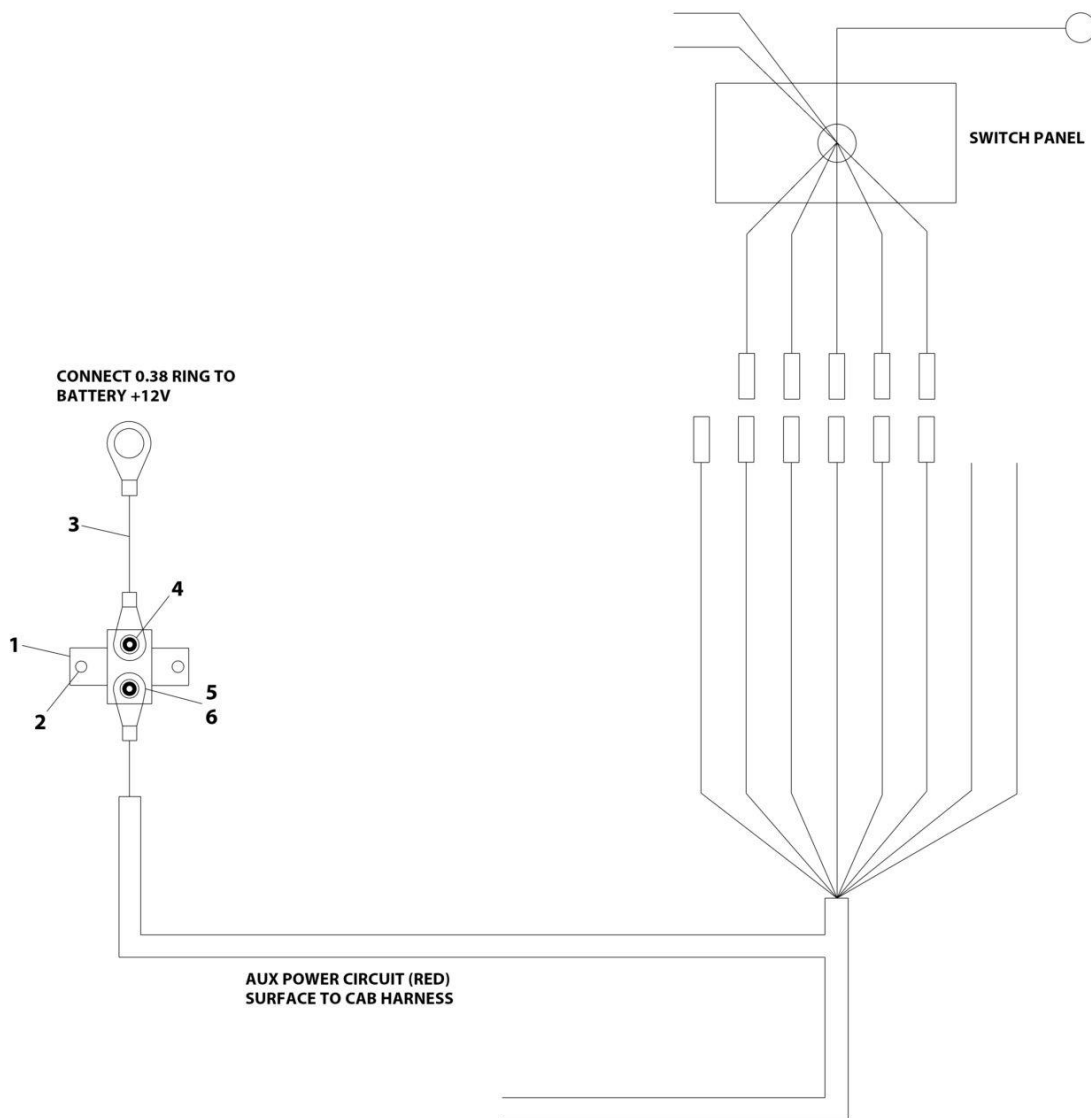
SECTION 7 - ELECTRICAL

FIGURE 7-11. BODY HARNESS - RH (NGS)

ITEM	PART NUMBER	QTY	DESCRIPTION	REV
	1001267673	Ref	BODY HARNESS (RH)	B
1	4460692	1	Receptacle, Female - 8 Position	
1	4460693	7	Pin, Male	
1	7346000146	8	Seal	
1	4460695	1	Lock, Terminal	
2	1001119004	1	Connector	
2	1001116747	2	Terminal	
2	8220089	2	Seal	
3	7346000144	1	Connector - 8 Position	
3	7346000147	7	Socket	
3	7346000146	8	Seal	
3	7346000145	1	Lock, Terminal	
4	4460742	1	Plug, Male - 2 Position	
4	7346000099	2	Socket, Female	
4	7346000140	2	Seal	
5		Ref	Connector- 2 Position	
6		Ref	Connector - 2 Position	
7		Ref	Terminal, Ring	

SECTION 7 - ELECTRICAL

FIGURE 7-12. BREAKER INSTALLATION - 50A



ART_1001129883

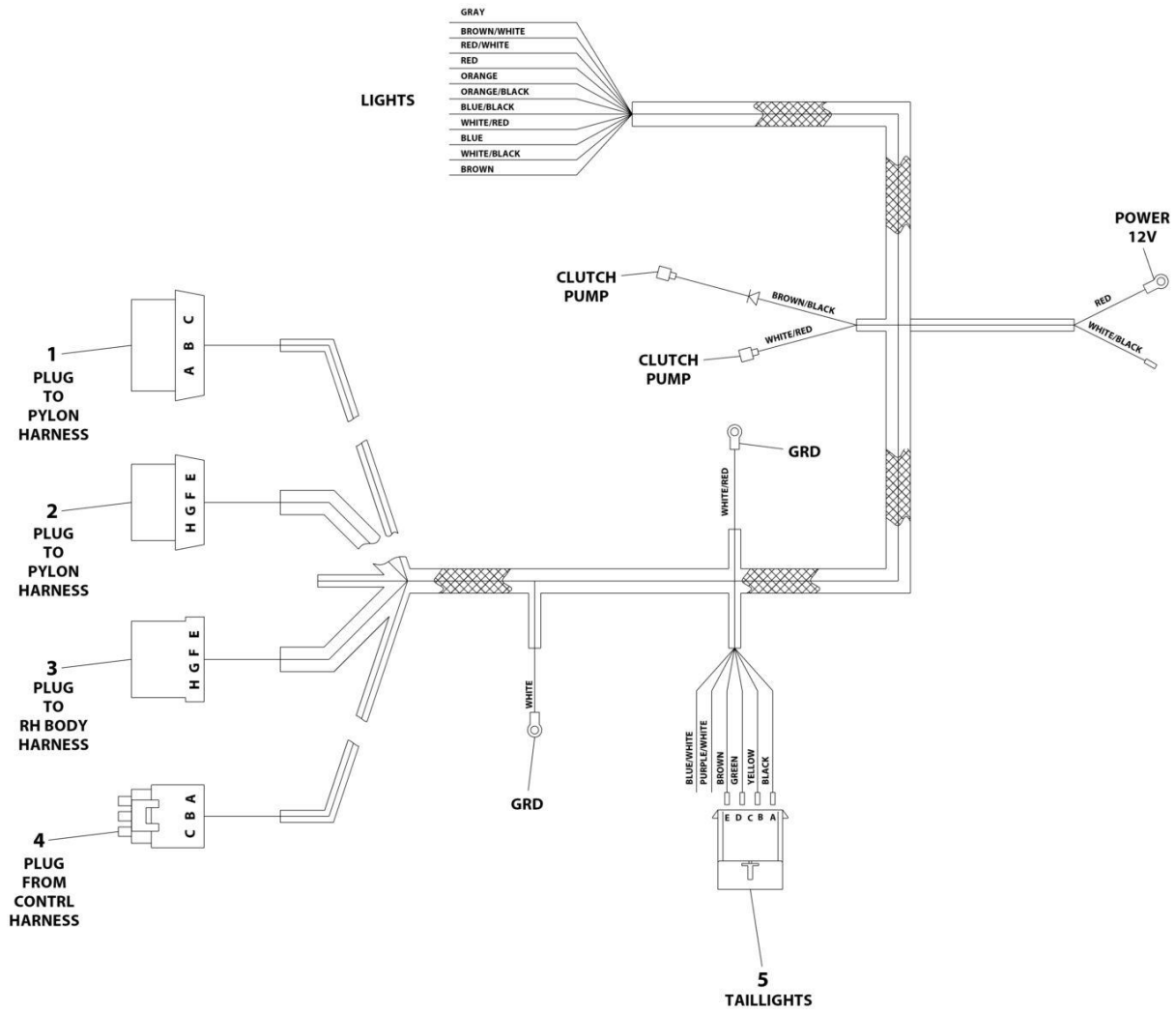
SECTION 7 - ELECTRICAL

FIGURE 7-12. BREAKER INSTALLATION - 50A

ITEM	PART NUMBER	QTY	DESCRIPTION	REV
	1001129883	Ref	50A BREAKER INSTALLATION	C
1	7457000004	1	Breaker, 50A	
2	7120000034	2	Screw #10 x 3/4	
3	1001129882	1	Harness	
4	7950100151	2	Washer 3/16	
5	7345221902	1	Terminal	
6	4346000005	1	Heat Shrink	

SECTION 7 - ELECTRICAL

FIGURE 7-13. CAB SUBFRAME HARNESS -NGS



ART_1001263429

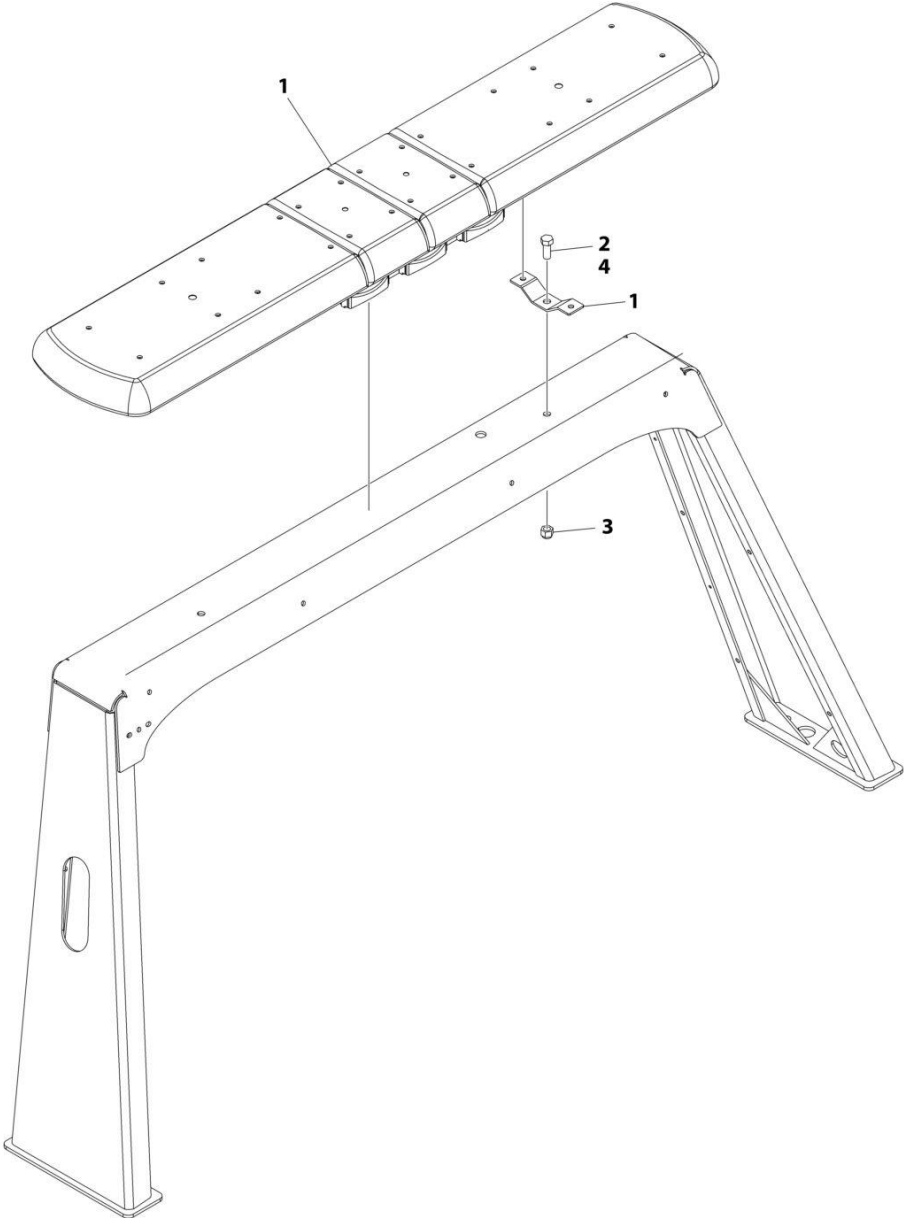
SECTION 7 - ELECTRICAL

FIGURE 7-13. CAB SUBFRAME HARNESS -NGS

ITEM	PART NUMBER	QTY	DESCRIPTION	REV
	1001263429	Ref	CAB AND SUBFRAME HARNESS	A
1	8220935	1	Connector	
1		Ref	Lock	
1		Ref	Seal	
1	8220099	1	Terminal	
2	4460587	1	Connector	
2	4460588	1	Lock	
2	4460608	1	Seal	
2	4460589	1	Terminal	
3	4460692	1	Connector	
3	4460588	1	Lock	
3	4460608	1	Seal	
3	4460693	1	Terminal	
4		Ref	Connector	
4	4460457	1	Terminal	
4	8220081	1	Seal	
5	1001121727	1	Connector	
5		Ref	Lock	
5	1001116729	1	Terminal	
5		Ref	Seal	
5	1001116727	1	Plug	

SECTION 7 - ELECTRICAL

FIGURE 7-14. LIGHTBAR INSTALLATION - ECCO 60IN (STANDARD MOUNT)



ART_1001259576

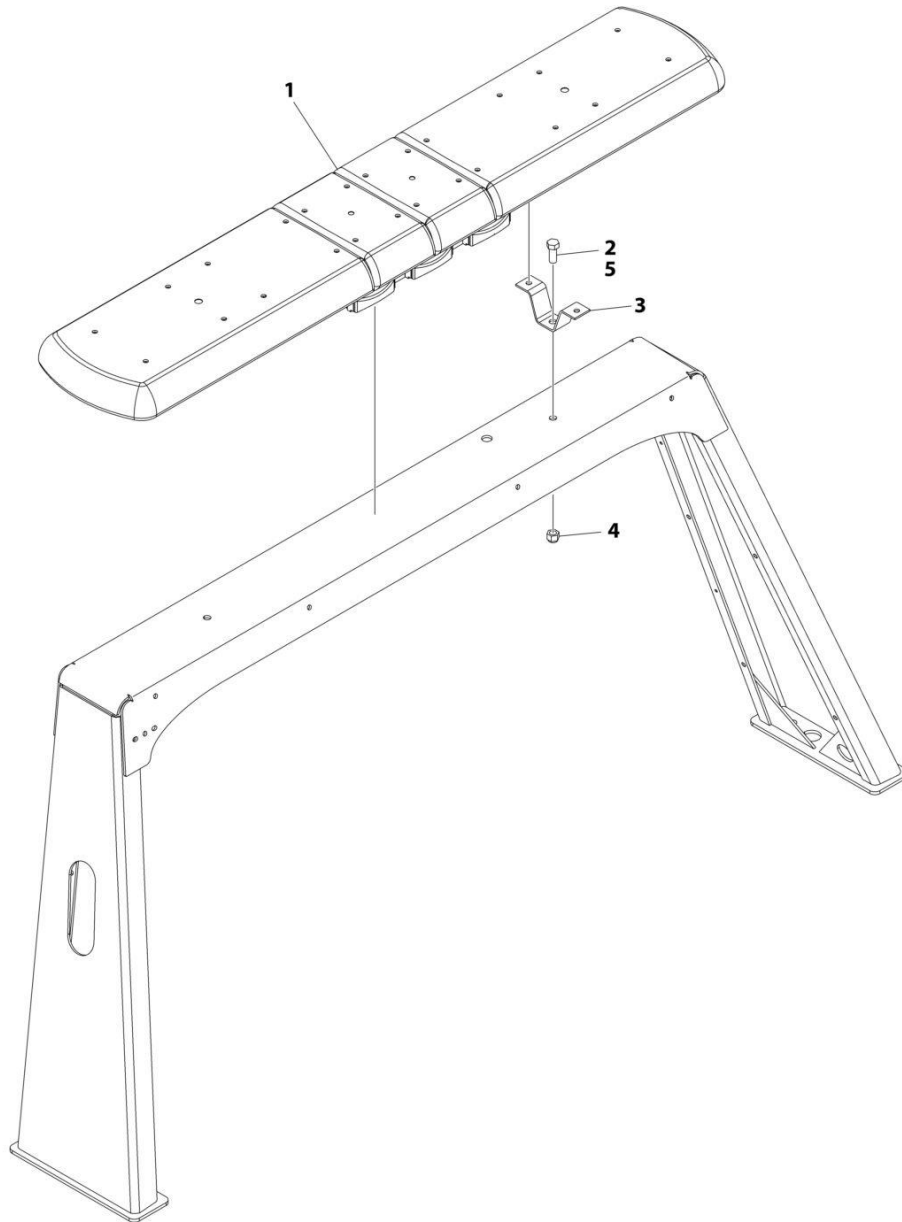
SECTION 7 - ELECTRICAL

FIGURE 7-14. LIGHTBAR INSTALLATION - ECCO 60IN (STANDARD MOUNT)

ITEM	PART NUMBER	QTY	DESCRIPTION	REV
	1001259576	Ref	LIGHTBAR INSTALLATION - ECCO 60IN (STANDARD MOUNT)	B
1	1001247139	1	Lightbar Assembly (See Separate Breakdown in this Section)	
2	0641810	2	Bolt 1/2 x 1-1/4	
3	7660182601	2	Nut 1/2	
4	0100011	AR	Compound, Locking	

SECTION 7 - ELECTRICAL

FIGURE 7-15. LIGHTBAR INSTALLATION - ECCO 60IN (HIGH MOUNT)



ART_1001265004

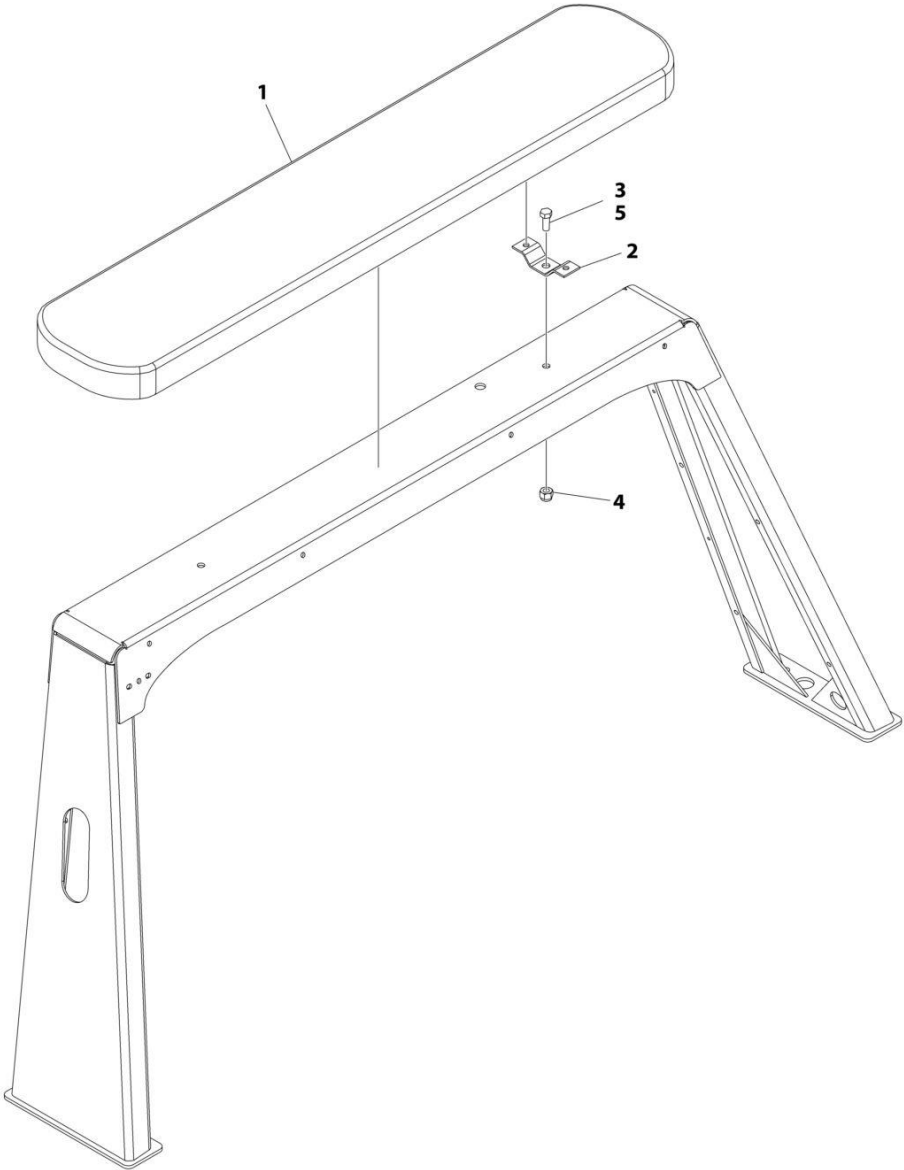
SECTION 7 - ELECTRICAL

FIGURE 7-15. LIGHTBAR INSTALLATION - ECCO 60IN (HIGH MOUNT)

ITEM	PART NUMBER	QTY	DESCRIPTION	REV
	1001265004	Ref	LIGHTBAR INSTALLATION - ECCO 60IN (HIGH MOUNT)	B
1	1001247139	1	Lightbar Assembly (See Separate Breakdown in this Section)	
2	0641810	2	Bolt 1/2 x 1-1/4	
3	1001262106	2	Bracket	
4	7660182601	2	Nut 1/2	
5	0100011	AR	Compound, Locking	

SECTION 7 - ELECTRICAL

FIGURE 7-16. LIGHTBAR INSTALLATION - WHEELEN 60IN (STANDARD MOUNT)



ART_1001137519

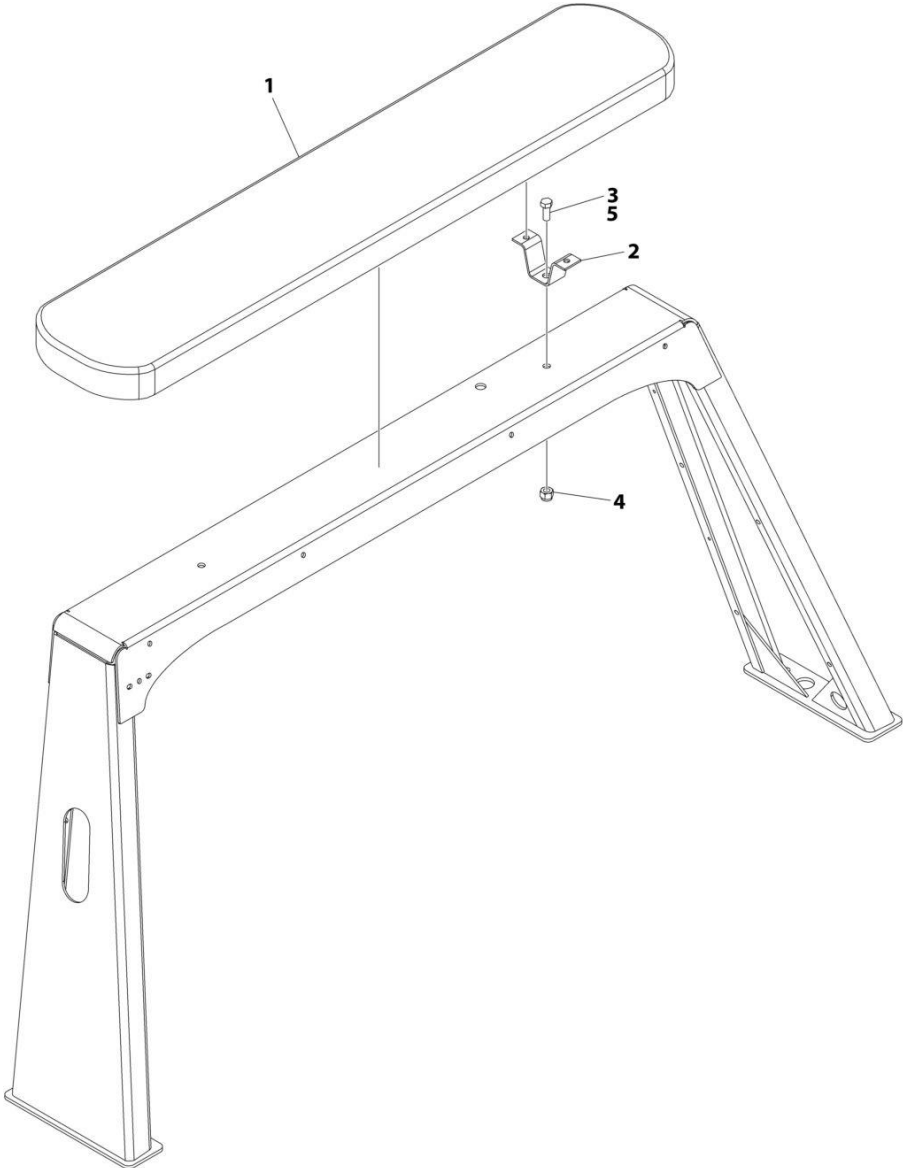
SECTION 7 - ELECTRICAL

FIGURE 7-16. LIGHTBAR INSTALLATION - WHELEN 60IN (STANDARD MOUNT)

ITEM	PART NUMBER	QTY	DESCRIPTION	REV
	1001137519	Ref	LIGHT - LIGHTBAR INSTALLATION - 60IN AMBER 8 LED WHELEN (STANDARD MOUNT)	C
1	1001199475	1	Lamp (See Separate Breakdown in this Section)	
2	4178000402	2	Bracket	
3	7115181050	2	Bolt 1/2 x 1-1/4	
4	7660182601	2	Nut 1/2	
5	0100011	AR	Compound, Locking	

SECTION 7 - ELECTRICAL

FIGURE 7-17. LIGHTBAR INSTALLATION - WHEELEN 60IN (HIGH MOUNT)



ART_1001256172

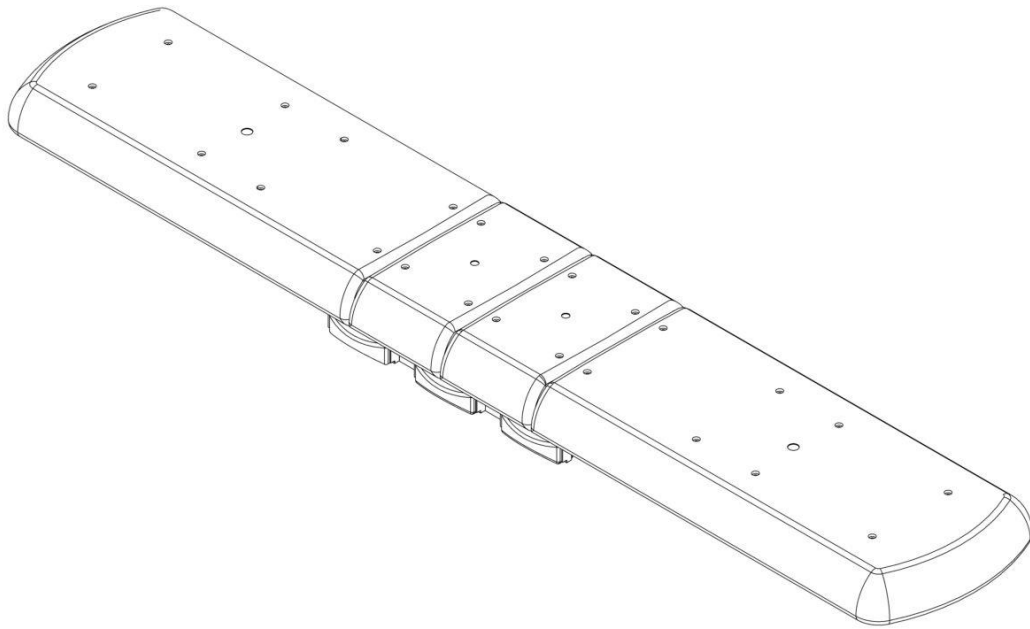
SECTION 7 - ELECTRICAL

FIGURE 7-17. LIGHTBAR INSTALLATION - WHELEN 60IN (HIGH MOUNT)

ITEM	PART NUMBER	QTY	DESCRIPTION	REV
	1001256172	Ref	LIGHT - LIGHTBAR INSTALLATION - 60IN AMBER 8 LED WHELEN (HIGH MOUNT)	B
1	1001199475	1	Lamp (See Separate Breakdown in this Section)	
2	4178000437	1	Bracket	
3	7115181050	2	Bolt 1/2 x 1-1/4	
4	7660182601	2	Nut 1/2	
5	0100011	AR	Compound, Locking	

SECTION 7 - ELECTRICAL

FIGURE 7-18. LIGHTBAR ASSEMBLY - ECCO



ART_1001247139

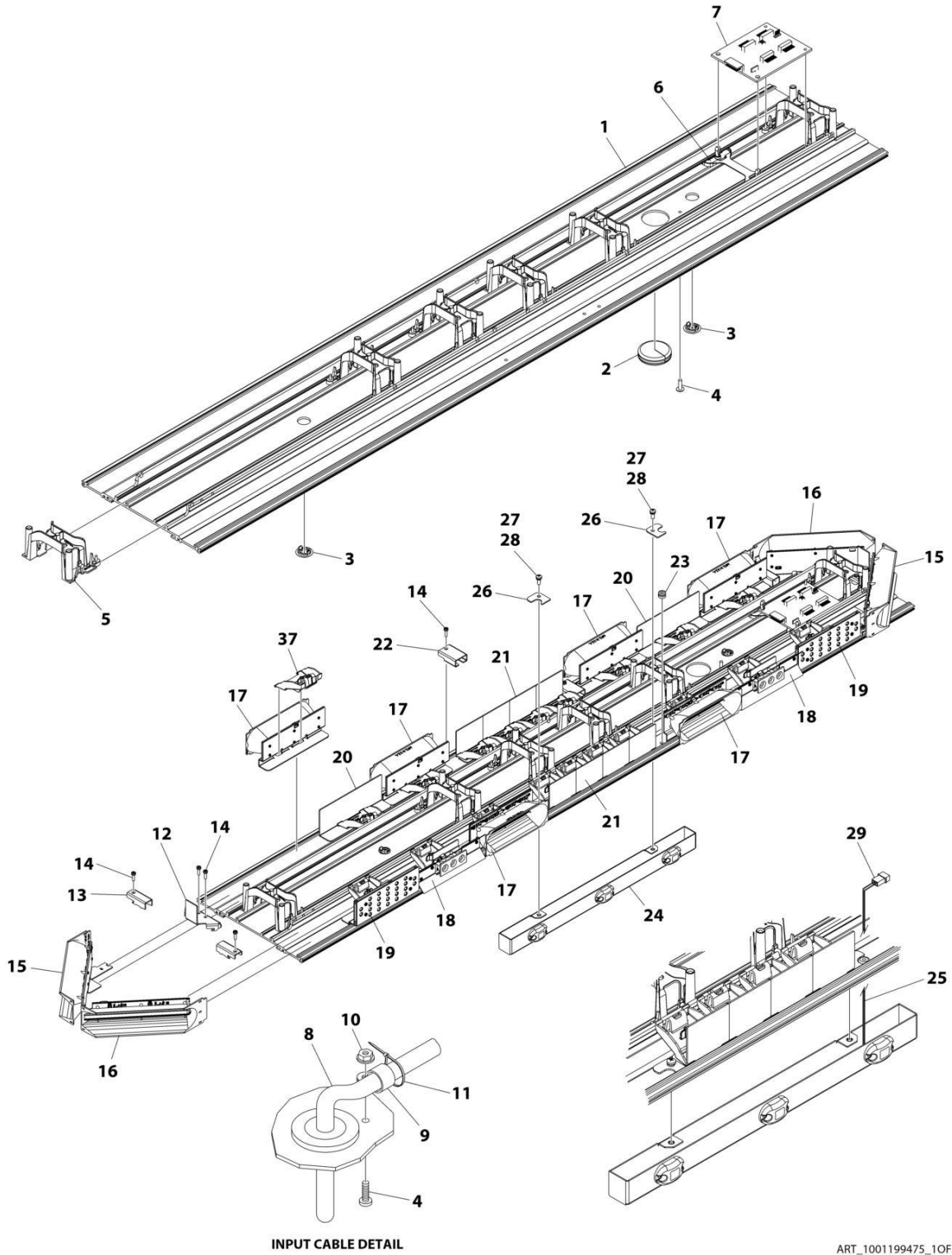
SECTION 7 - ELECTRICAL

FIGURE 7-18. LIGHTBAR ASSEMBLY - ECCO

ITEM	PART NUMBER	QTY	DESCRIPTION	REV
	1001247139	Ref	LIGHTBAR ASSEMBLY - ECCO	A
	70070000	AR	Module, Amber	
	70070001	1 pr	Light, Work/Alley	
	70070002	1	Cable Kit (Includes 2 Modules, Harness & Stop/Turn/Taillight Cables)	
	70070003	1	PC Board, Driver	

SECTION 7 - ELECTRICAL

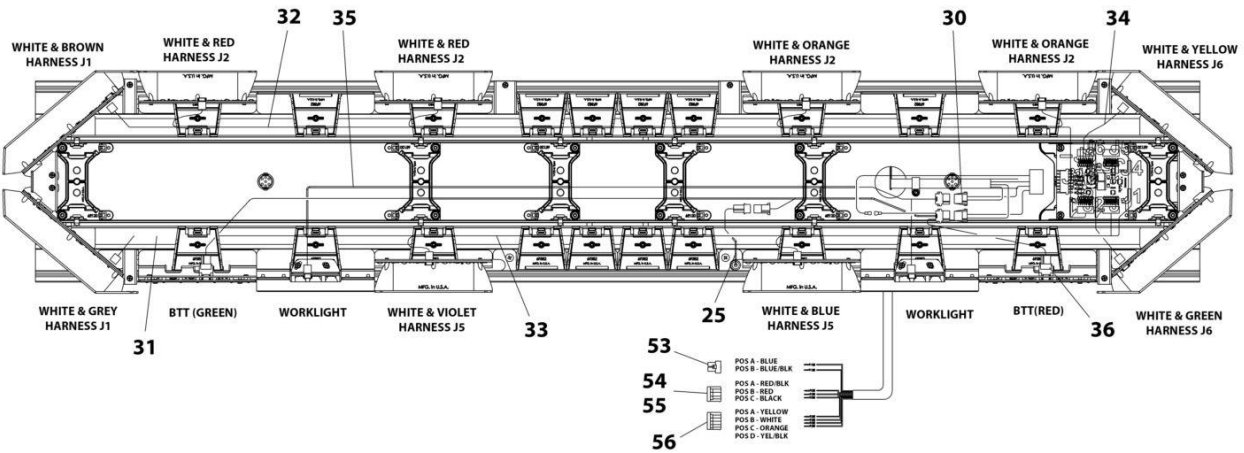
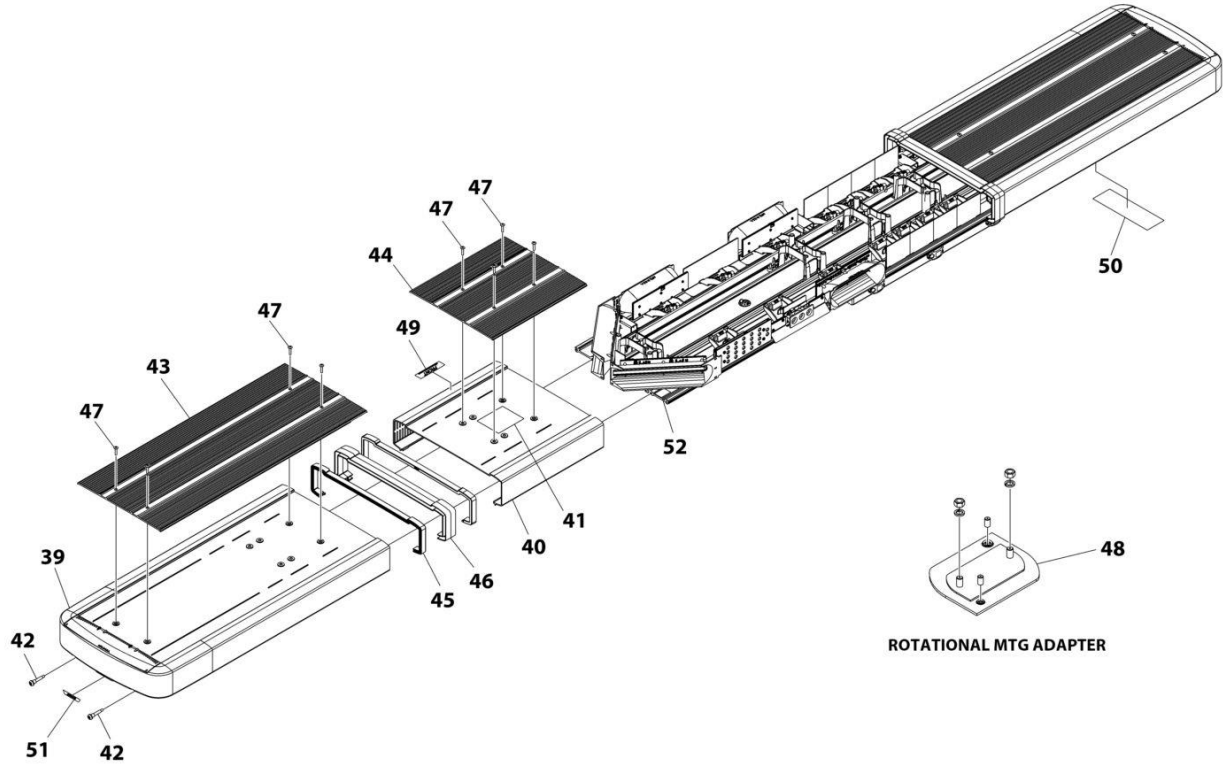
FIGURE 7-19. LIGHTBAR ASSEMBLY - WHELEN 60IN



ART_1001199475_10F2

SECTION 7 - ELECTRICAL

FIGURE 7-20. LIGHTBAR ASSEMBLY - WHELEN 60IN



ART_1001199475_20F2

SECTION 7 - ELECTRICAL

FIGURE 7-20. LIGHTBAR ASSEMBLY - WHELEN 60IN

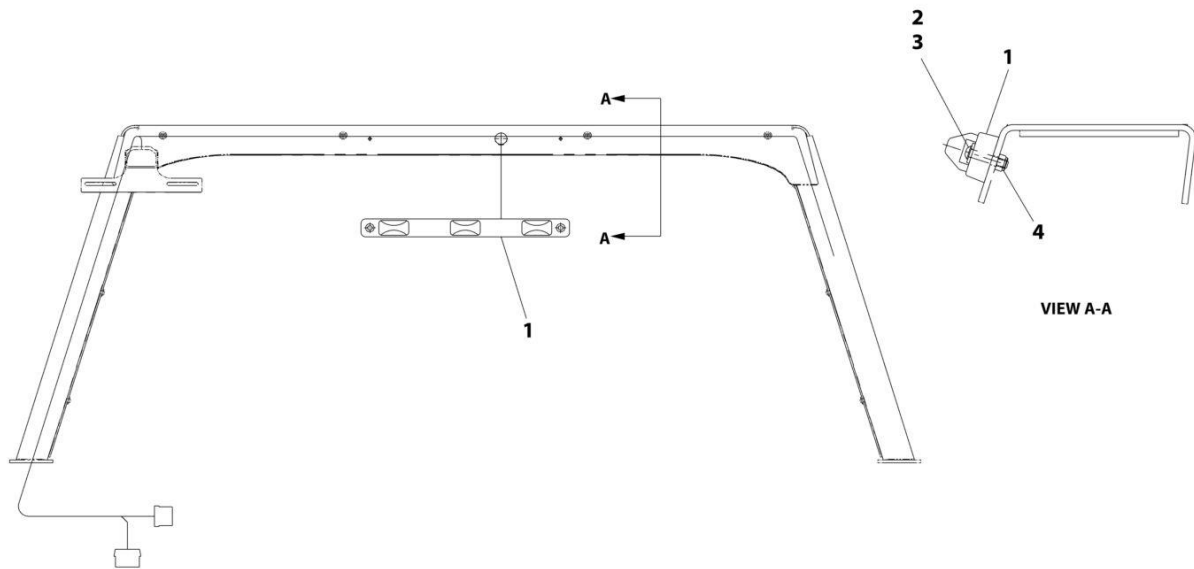
ITEM	PART NUMBER	QTY	DESCRIPTION	REV
	1001199475	Ref	LIGHTS - LAMP ASSEMBLY - 60IN AMBER WHELEN	B
1	70051058	1	Base	
2	70050169	1	Grommet	
3	70050170	2	Plug	
4	70051059	1	Screw #10 x 5/8	
5	70051021	6	Bracket	
6	70051022	1	Bracket	
7	70051023	1	Circuit Board	
8	70051060	1	Cable	
9	70050665	1	Clamp	
10	70050174	1	Nut #10	
11	70051026	AR	Tie Wrap	
12	70051027	2	Bracket	
13	70051035	4	Bracket	
14	70051028	10	Screw #6 x 1/2	
15	70051029	2	Lamp, Rear Amber	
16	70051030	2	Lamp, Front Amber	
17	70051063	6	Lamp, 6 LED	
18	70051064	2	Lamp, 3 LED	
19	70051065	2	Lamp	
20	70051066	2	Bracket	
21	70051036	8	Bracket	
22	70051039	2	Bracket	
23	70050176	1	Grommet	
24	70051068	1	Lamp	
25	70050178	1	Harness	
26	70051069	2	Bracket	
27	70050179	2	Screw #10 x 1/2	
28	70050180	2	Lockwasher #10	
29	70050181	1	Housing	
30	70050175	2	Housing	
31	70051070	1	Harness	
32	70051071	1	Harness	
33	70051072	1	Harness	
34	70051073	1	Harness	
35	70051074	1	Harness	
36	70051075	1	Harness	
37	70051044	20	Bracket	
38	70051045	AR	Tie Wrap (Not Shown)	
39	70051076	1	Lens	
40	70051077	1	Lens	
41	70051078	1	Label	
42	70050203	4	Screw #10 x 1-1/4	
43	70051062	2	Cover	
44	70051061	1	Cover	
45	70051048	4	Seal	
46	70051049	2	Lens	
47	70051053	12	Screw #10 x 7/8	
48	70050204	2	Adapter	
49	70051055	1	Label	

SECTION 7 - ELECTRICAL

ITEM	PART NUMBER	QTY	DESCRIPTION	REV
50	70050207	1	Label	
51	70051056	2	Label	
52	70051057	1	Label	
53	70050208	1	Housing	
54	70050209	1	Connector	
55	70050210	1	Housing	
56	70050211	1	Housing	

SECTION 7 - ELECTRICAL

FIGURE 7-21. LIGHTBAR MARKER LIGHTS ONLY INSTALLATION (NGS)



ART_2590000177

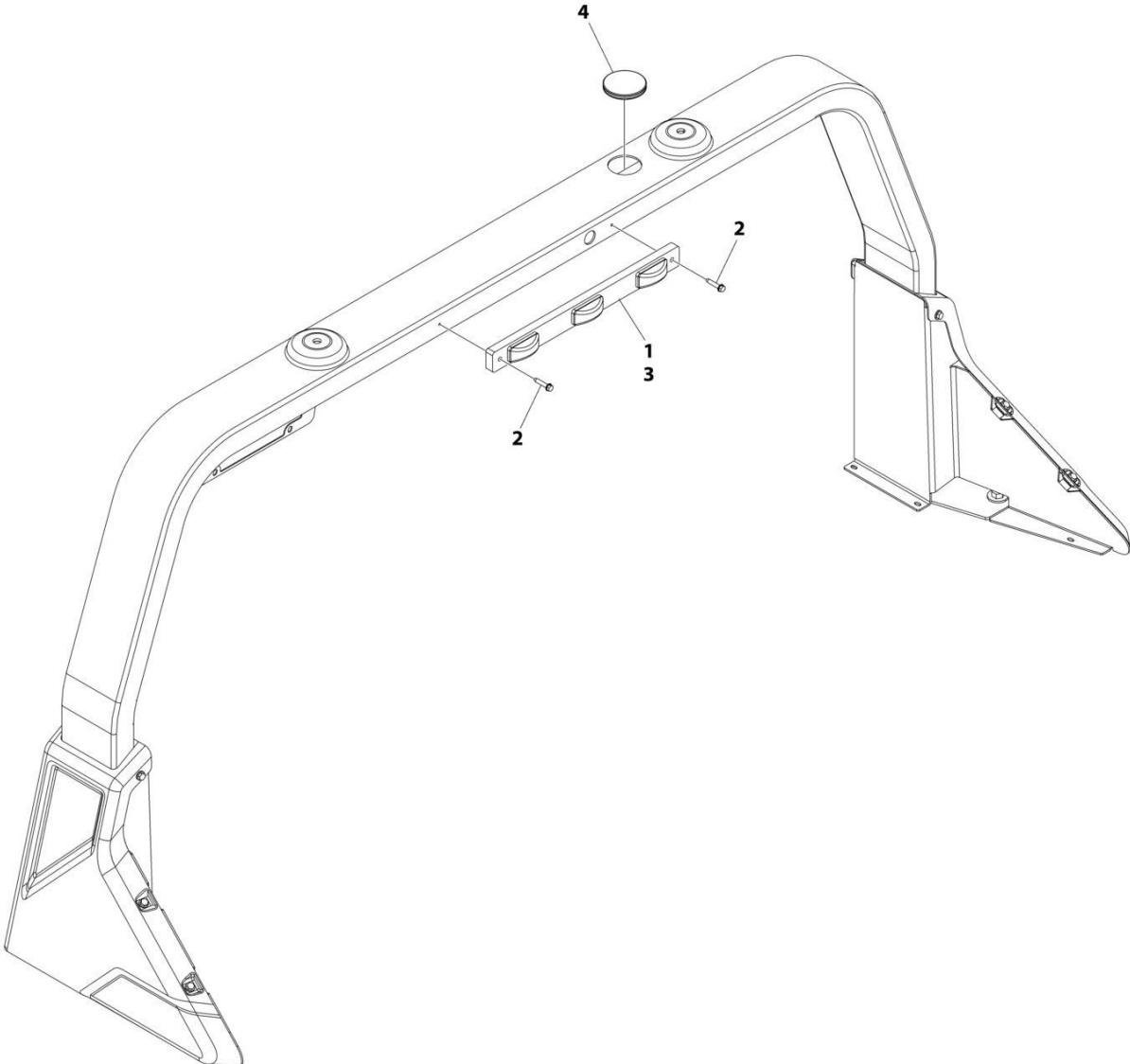
SECTION 7 - ELECTRICAL

FIGURE 7-21. LIGHTBAR MARKER LIGHTS ONLY INSTALLATION (NGS)

ITEM	PART NUMBER	QTY	DESCRIPTION	REV
	2590000177	Ref	LIGHT - PYLON 3-LIGHT MARKER INSTALLATION	0
1	7590000316	1	Light	
2	7114141018	2	Screw 1/4 x 1-1/4	
3	7950140143	2	Washer 1/4	
4	7660142601	2	Nut 1/4	

SECTION 7 - ELECTRICAL

FIGURE 7-22. LIGHTBAR MARKER LIGHTS ONLY INSTALLATION (NG)



ART_1001301812

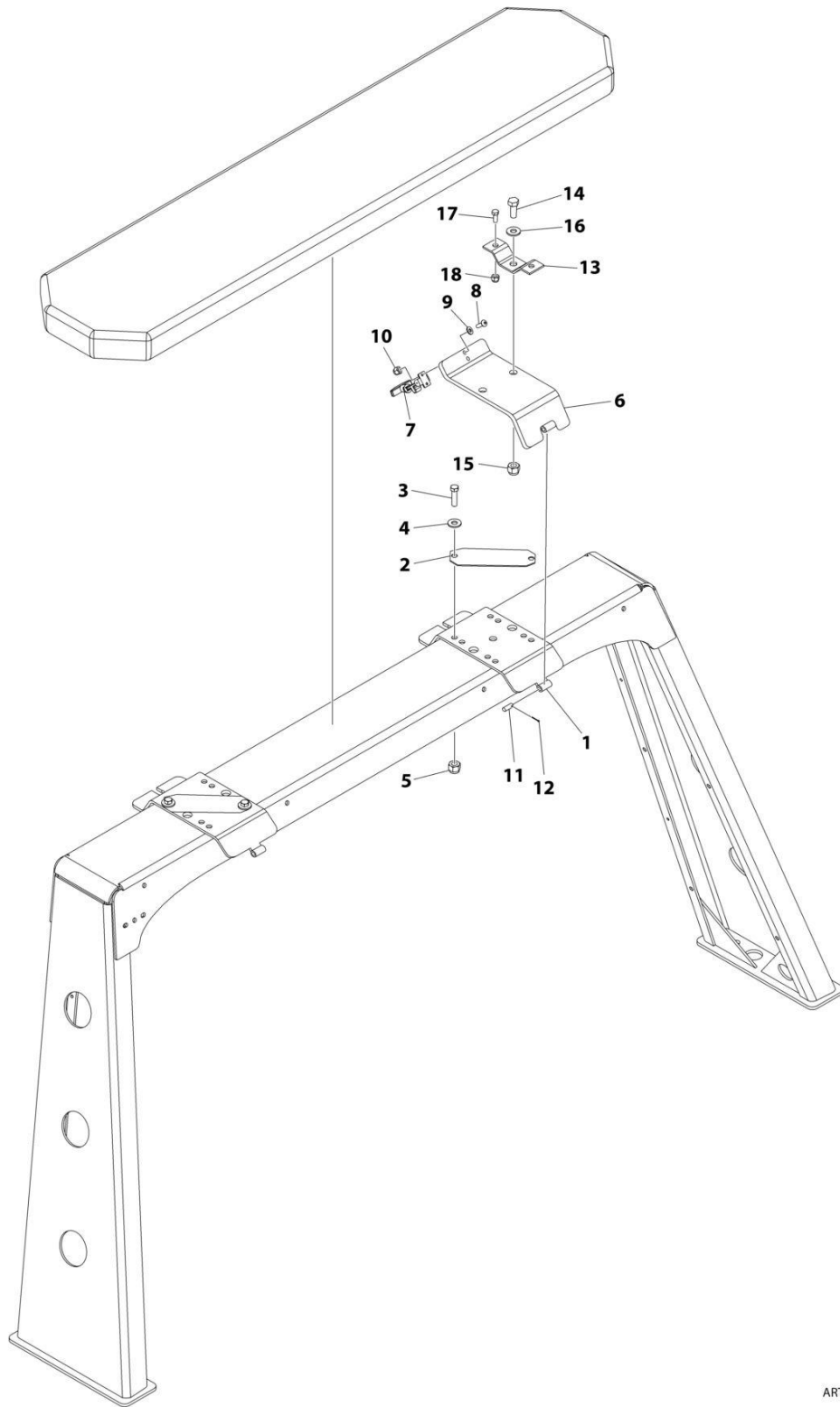
SECTION 7 - ELECTRICAL

FIGURE 7-22. LIGHTBAR MARKER LIGHTS ONLY INSTALLATION (NG)

ITEM	PART NUMBER	QTY	DESCRIPTION	REV
	1001301812	Ref	PYLON 3-LIGHT MARKER INSTALLATION	A
1	7590000316	1	Light	
2	7790142051	2	Screw 1/4 x 1-1/4	
3	4460464	2	Terminal	
4	7493000015	1	Grommet	

SECTION 7 - ELECTRICAL

FIGURE 7-23. LIGHTBAR BRACKET INSTALLATION - FOLDING (NGS)



ART_2509570071

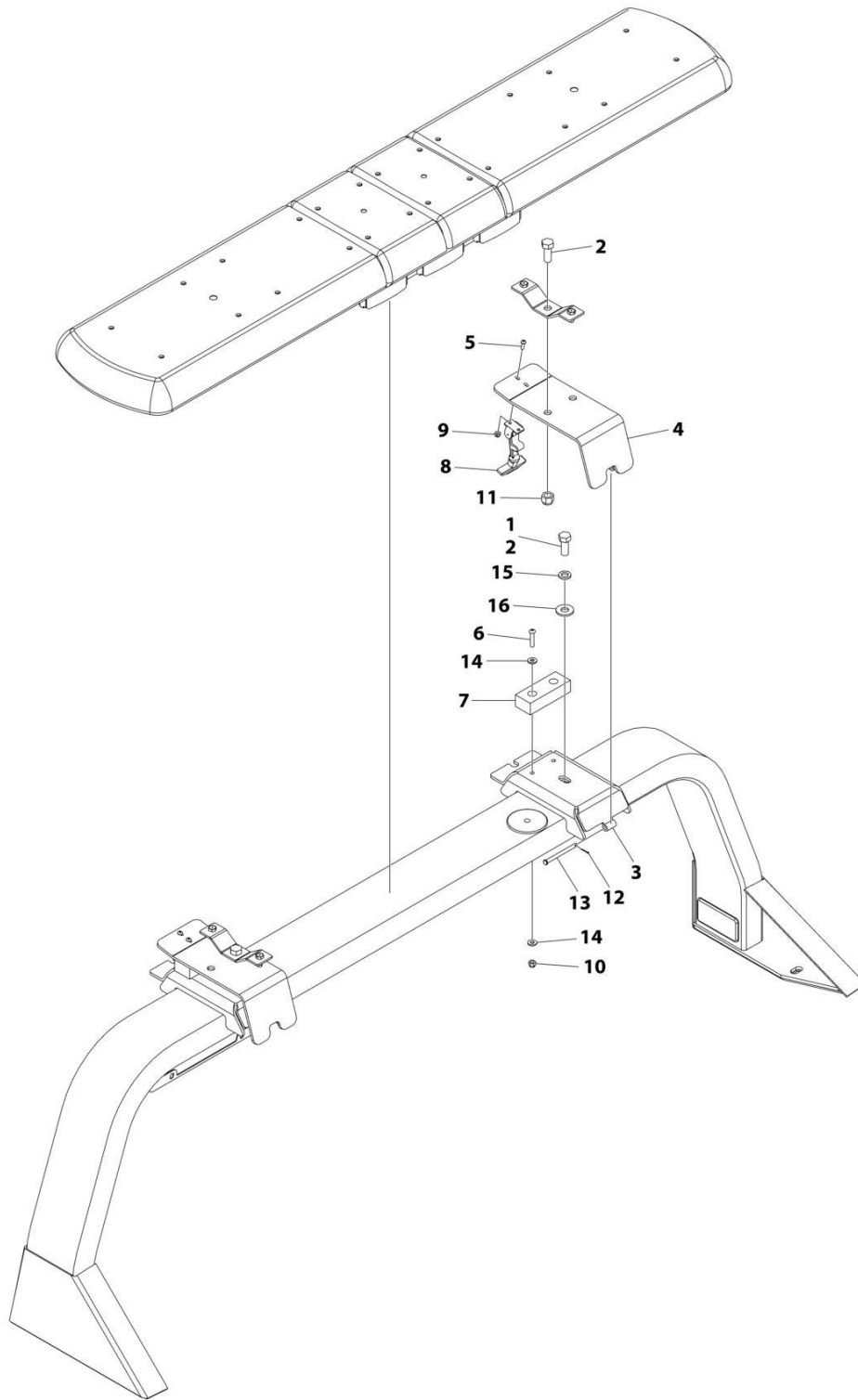
SECTION 7 - ELECTRICAL

FIGURE 7-23. LIGHTBAR BRACKET INSTALLATION - FOLDING (NGS)

ITEM	PART NUMBER	QTY	DESCRIPTION	REV
	2509570071	Ref	LIGHT - LIGHTBAR BRACKET INSTALLATION(FOLDING)	0
1	3178000443	2	Bracket	
2	4090000012	2	Belt	
3	7115161250	8	Bolt 3/8 x 1-1/2	
4	7950160161	8	Washer 3/8	
5	7660162601	8	Nut 3/8	
6	3178000444	2	Bracket	
7	7585000001	2	Latch	
8	7114100518	4	Bolt #10 x 5/8	
9	7950100103	4	Washer #10	
10	7660102604	4	Nut #10	
11	7690144800	2	Pin	
12	7690000810	2	Pin, Cotter	
13	4178000402	4	Bracket	
14	7115190950	4	Bolt 1/2 x 1-1/8	
15	7660182601	4	Nut 1/2	
16	7950180150	4	Washer 1/2	
17	7115150664	4	Bolt 5/16 x 3/4	
18	7660152601	4	Nut 5/16	

SECTION 7 - ELECTRICAL

FIGURE 7-24. LIGHTBAR BRACKET INSTALLATION - FOLDING (NG)



ART_1001301353

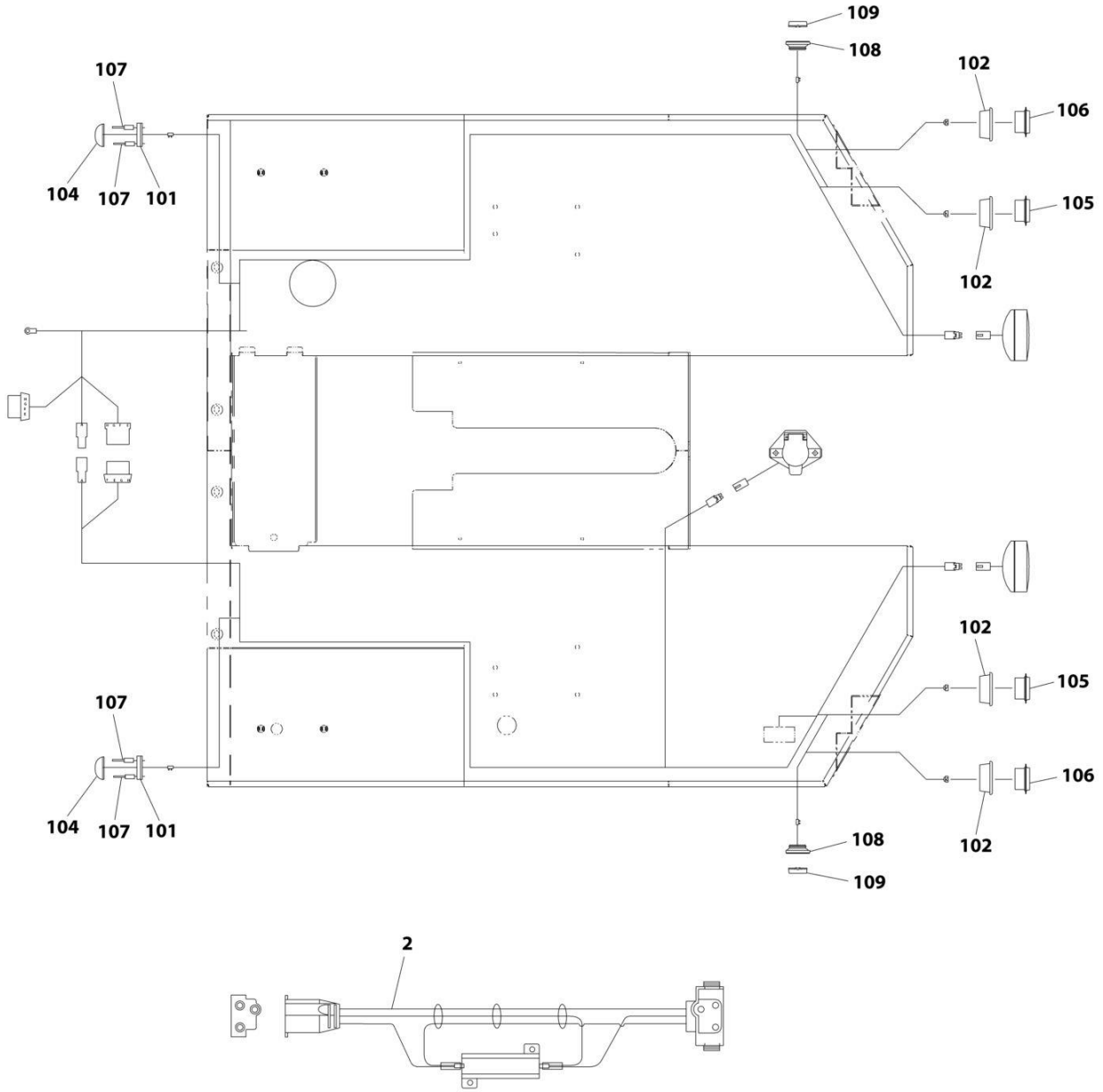
SECTION 7 - ELECTRICAL

FIGURE 7-24. LIGHTBAR BRACKET INSTALLATION - FOLDING (NG)

ITEM	PART NUMBER	QTY	DESCRIPTION	REV
	1001301353	Ref	LIGHTBAR BRACKET INSTALLATION (FOLDING)	A
1	0100011	AR	Compound Locking	
2	0641810	4	Bolt 1/2 x 1-1/4	
3	1001301354	2	Bracket	
4	1001301355	2	Bracket	
5	7114100518	4	Screw #10 x 5/8	
6	7114141018	4	Screw 1/4 x 1-1/4	
7	7189000023	2	Bumper	
8	7585000001	2	Latch	
9	7660102604	4	Nut #10	
10	7660142604	4	Nut 1/4	
11	7660182601	2	Nut 1/2	
12	7690000810	2	Pin, Cotter	
13	7690144800	2	Pin	
14	7950140143	8	Washer 1/4	
15	7950180000	2	Washer 19/32	
16	7950180150	2	Washer 1/2	

SECTION 7 - ELECTRICAL

FIGURE 7-25. LIGHTS - 4 TAILLIGHTS (STOP/TURN/TAILLIGHT COMBINED) (ALL NGS EXCEPT 2013+ DODGE)



ART_LED-MPL-NGS

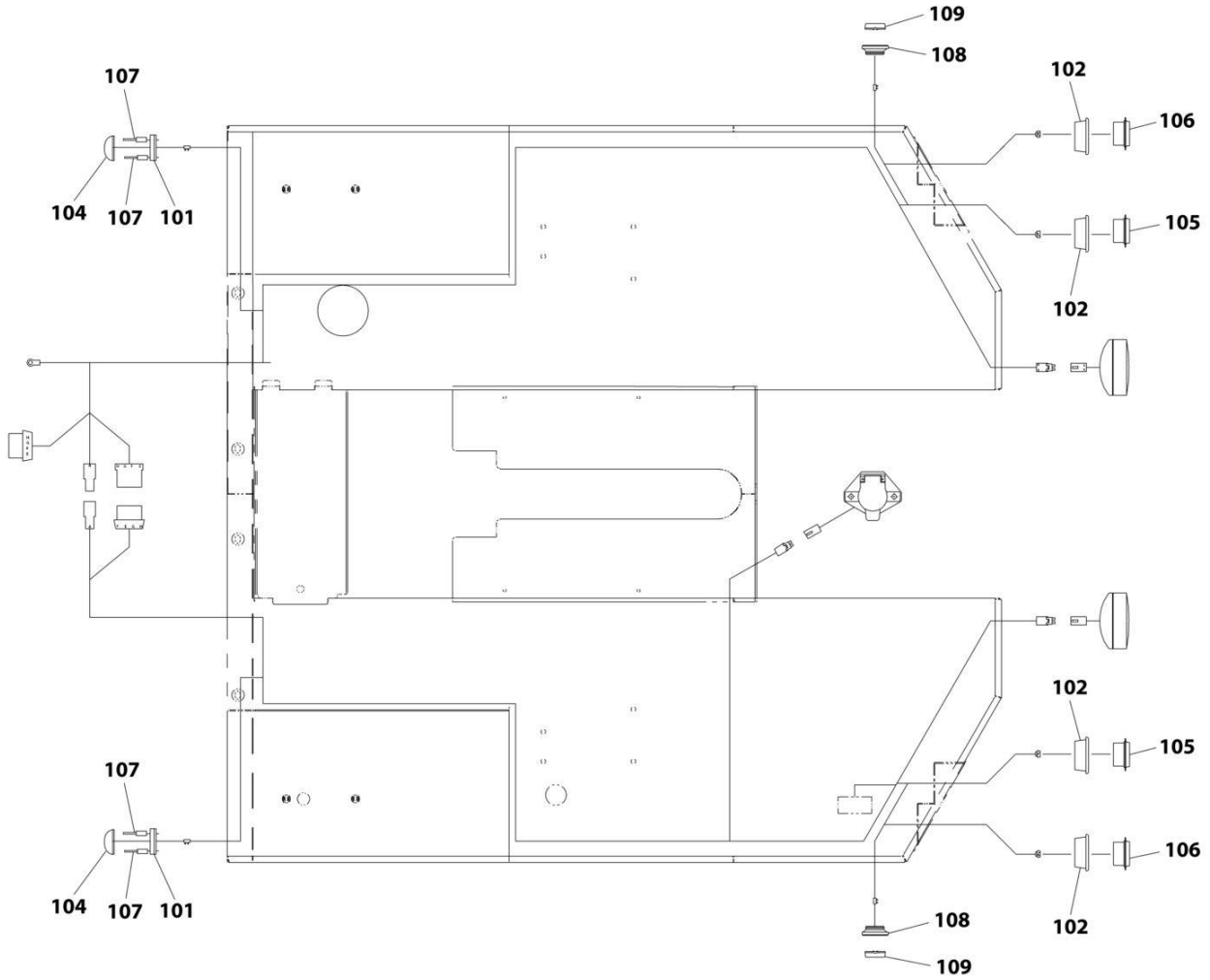
SECTION 7 - ELECTRICAL

FIGURE 7-25. LIGHTS - 4 TAILLIGHTS (STOP/TURN/TAILLIGHT COMBINED) (ALL NGS EXCEPT 2013+ DODGE)

ITEM	PART NUMBER	QTY	DESCRIPTION	REV
1	LED-MPL-NGS	Ref	LIGHTS - 4 TAILLIGHTS (STOP/TURN/TAILLIGHT COMBINED)	0
	2590000236	Ref	Light Installation Marker and Tail LED (Not Shown) (See Items 101-109 for Breakdown)	
2	2577000033	1	Kit, Resistor (Sold as Assembly Only)	
	2590000236	Ref	LIGHT INSTALLATION MARKER AND TAIL LED	B
101	7590000207	2	Light Adapter Mount	
102	7493000029	4	Grommet	
104	7590000339	2	Marker Light - Amber (LED)	
105	7590000379	2	Light	
106	7590000381	2	Light	
107	7759000018	4	Pop Rivet	
108	7493000009	2	Grommet	
109	7590000343	2	Light, Marker (Red)	

SECTION 7 - ELECTRICAL

FIGURE 7-26. LIGHTS - 4 TAILLIGHTS (STOP/TURN/TAILLIGHT COMBINED) (NGS 2013+ DODGE)



ART_1001161504

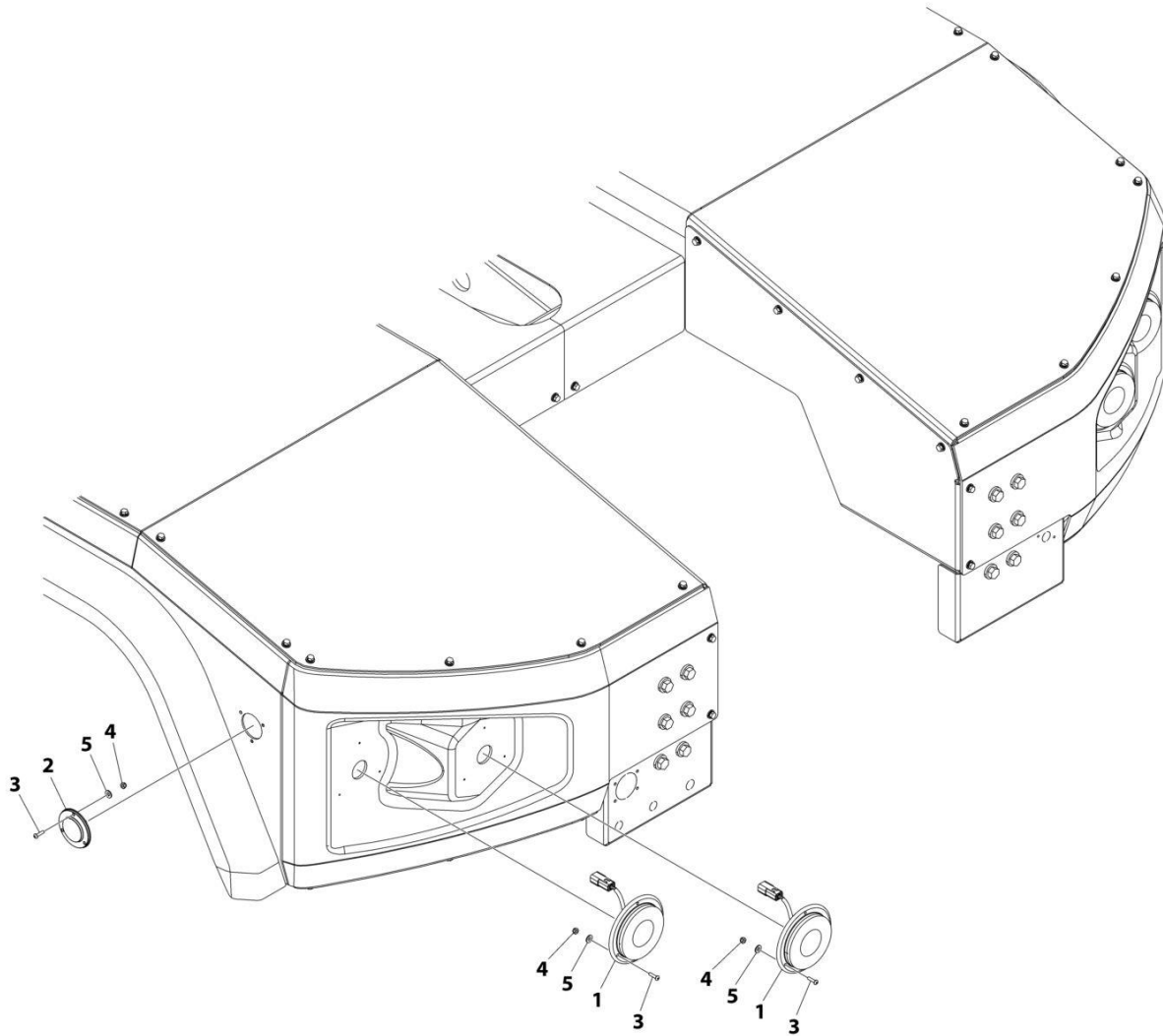
SECTION 7 - ELECTRICAL

FIGURE 7-26. LIGHTS - 4 TAILLIGHTS (STOP/TURN/TAILLIGHT COMBINED) (NGS 2013+ DODGE)

ITEM	PART NUMBER	QTY	DESCRIPTION	REV
	1001161504	Ref	LIGHTS - 4 TAILLIGHTS (STOP/TURN/TAILLIGHT COMBINED) (2013+ DODGE)	A
1	2590000236	Ref	Light Installation Marker and Tail LED (Not Shown) (See Items 101-109 for Breakdown)	
2	1001161328	1	LED Wiring Installation, 2013 Dodge (Not Shown)	
	2590000236	Ref	LIGHT INSTALLATION MARKER AND TAIL LED	B
101	7590000207	2	Light Adapter Mount	
102	7493000029	4	Grommet	
104	7590000339	2	Marker Light - Amber (LED)	
105	7590000379	2	Light	
106	7590000381	2	Light	
107	7759000018	4	Pop Rivet	
108	7493000009	2	Grommet	
109	7590000343	2	Light, Marker (Red)	

SECTION 7 - ELECTRICAL

FIGURE 7-27. LIGHTS - 4 TAILLIGHTS (STOP/TURN/TAILLIGHT COMBINED) (NG)



ART_1001295047

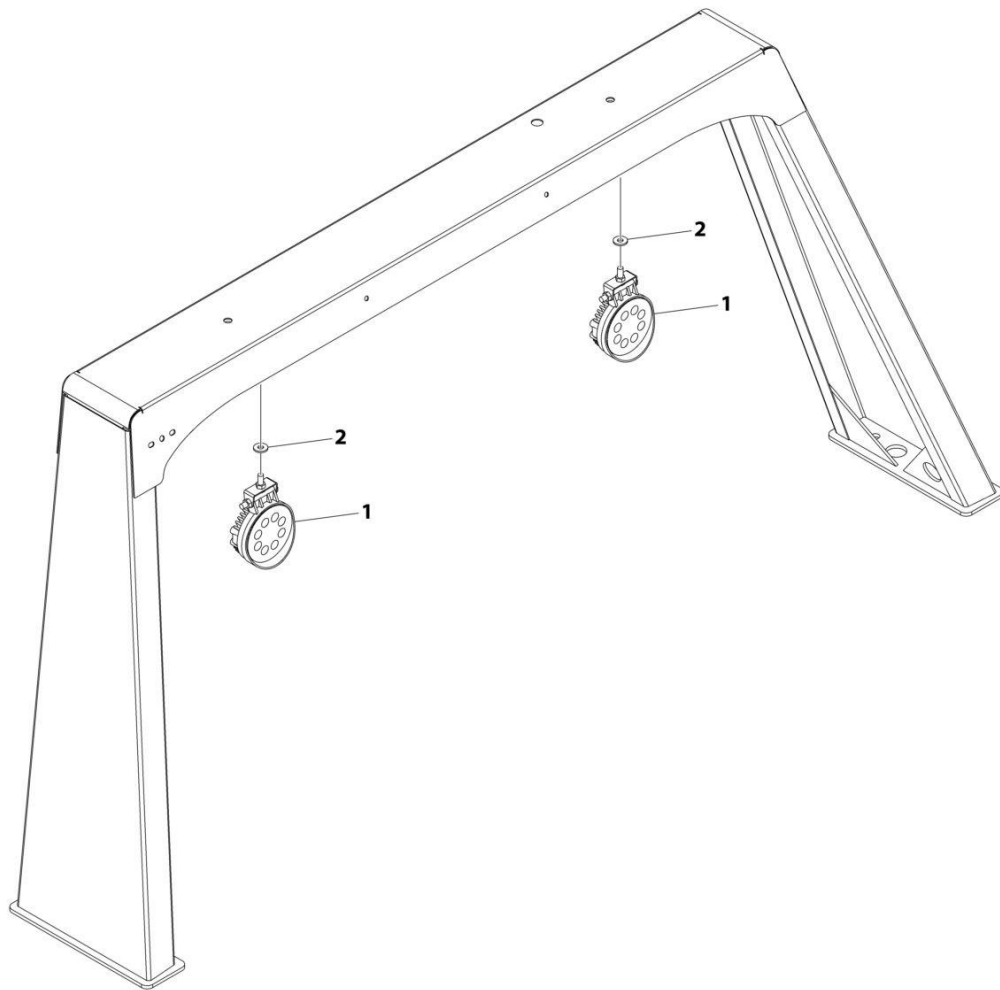
SECTION 7 - ELECTRICAL

FIGURE 7-27. LIGHTS - 4 TAILLIGHTS (STOP/TURN/TAILLIGHT COMBINED) (NG)

ITEM	PART NUMBER	QTY	DESCRIPTION	REV
	1001295047	Ref	LIGHTS INSTALLATION - 4 TAILLIGHTS (STOP/TURN/TAILLIGHT COMBINED)	A
1	1001295009	4	Lamp (Stop/Turn/Taillight)	
2	1001295294	2	Lamp (Marker)	
3	7114100618	18	Capscrew #10 x 3/4	
4	7660102604	18	Nut #10	
5	7950100151	18	Washer 3/16	

SECTION 7 - ELECTRICAL

FIGURE 7-28. LIGHT - WORKLIGHT INSTALLATION (PYLON MOUNTED) (NGS)



ART_2590000238

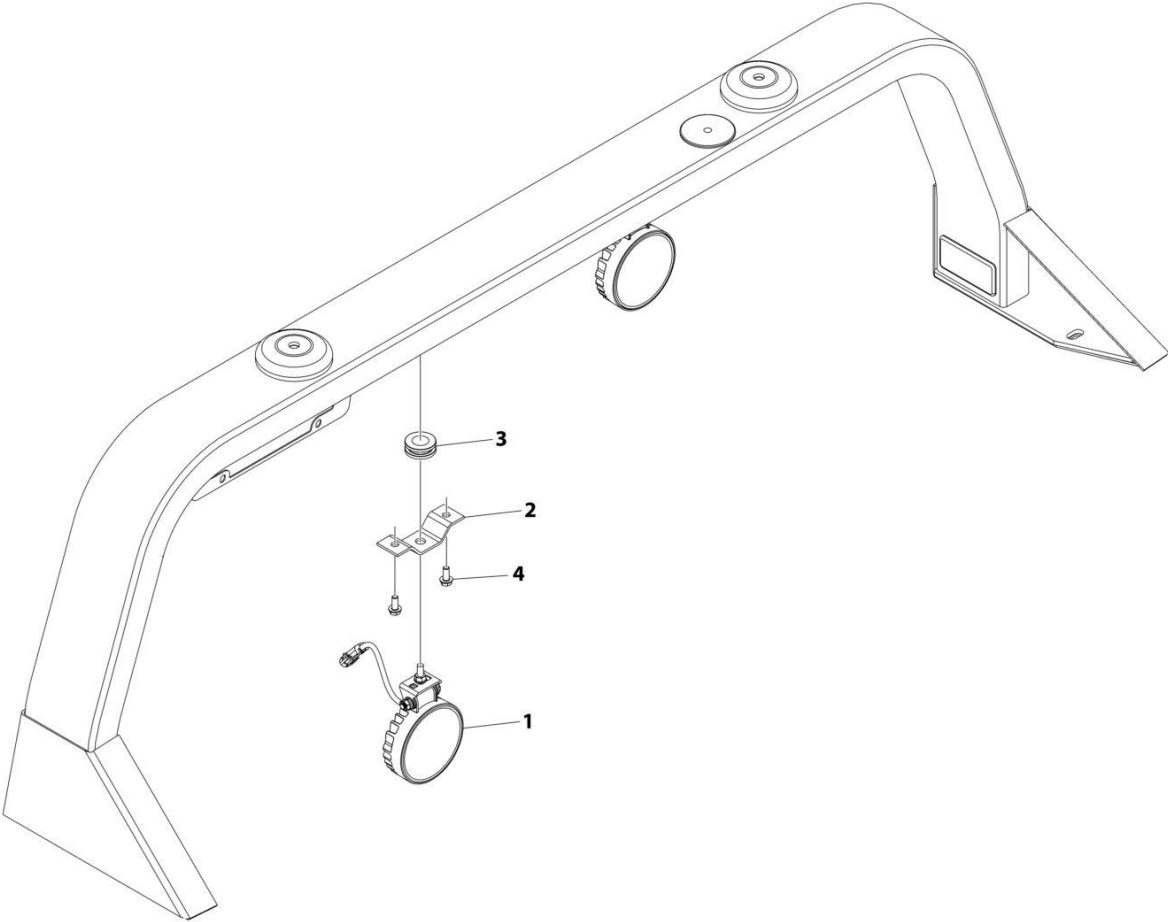
SECTION 7 - ELECTRICAL

FIGURE 7-28. LIGHT - WORKLIGHT INSTALLATION (PYLON MOUNTED) (NGS)

ITEM	PART NUMBER	QTY	DESCRIPTION	REV
	2590000238	Ref	LIGHT INSTALLATION PYLON WORK	C
1	1001176337	2	Lamp (Prior to SN 0230009717)	
1	1001273634	2	Lamp (SN 0230009717 to Present)	
2	7950150153	2	Washer 5/16	

SECTION 7 - ELECTRICAL

FIGURE 7-29. LIGHT - WORKLIGHT INSTALLATION (PYLON MOUNTED) (NG)



ART_1001294914

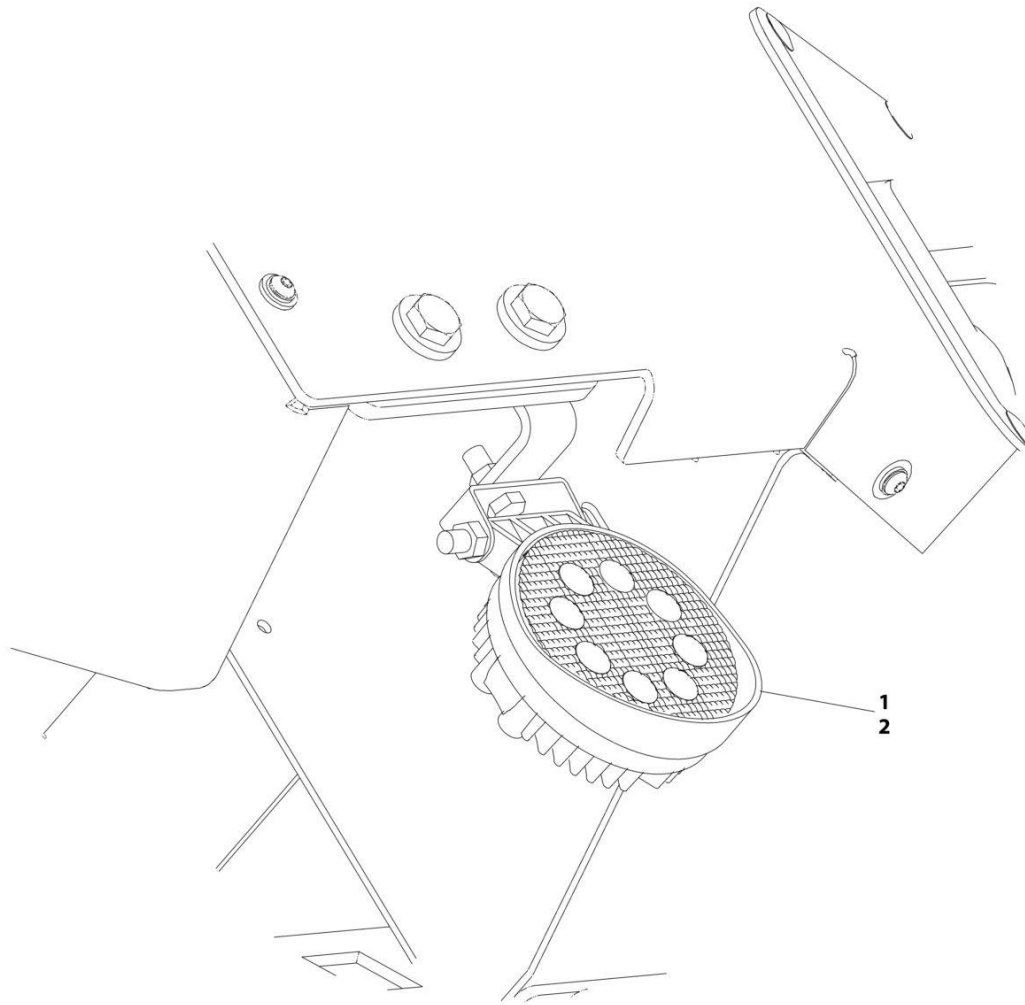
SECTION 7 - ELECTRICAL

FIGURE 7-29. LIGHT - WORKLIGHT INSTALLATION (PYLON MOUNTED) (NG)

ITEM	PART NUMBER	QTY	DESCRIPTION	REV
	1001294914	Ref	LIGHT - WORKLIGHT INSTALLATION	B
1	1001273634	2	Lamp	
2	4178000402	2	Bracket	
3	7493000003	2	Grommet	
4	7790151253	4	Bolt 5/16 x 3/4	

SECTION 7 - ELECTRICAL

FIGURE 7-30. LIGHT - WORKLIGHTS INSTALLATION (LOWER HOOK UP MOUNTED) (NGS)



ART_1001208300

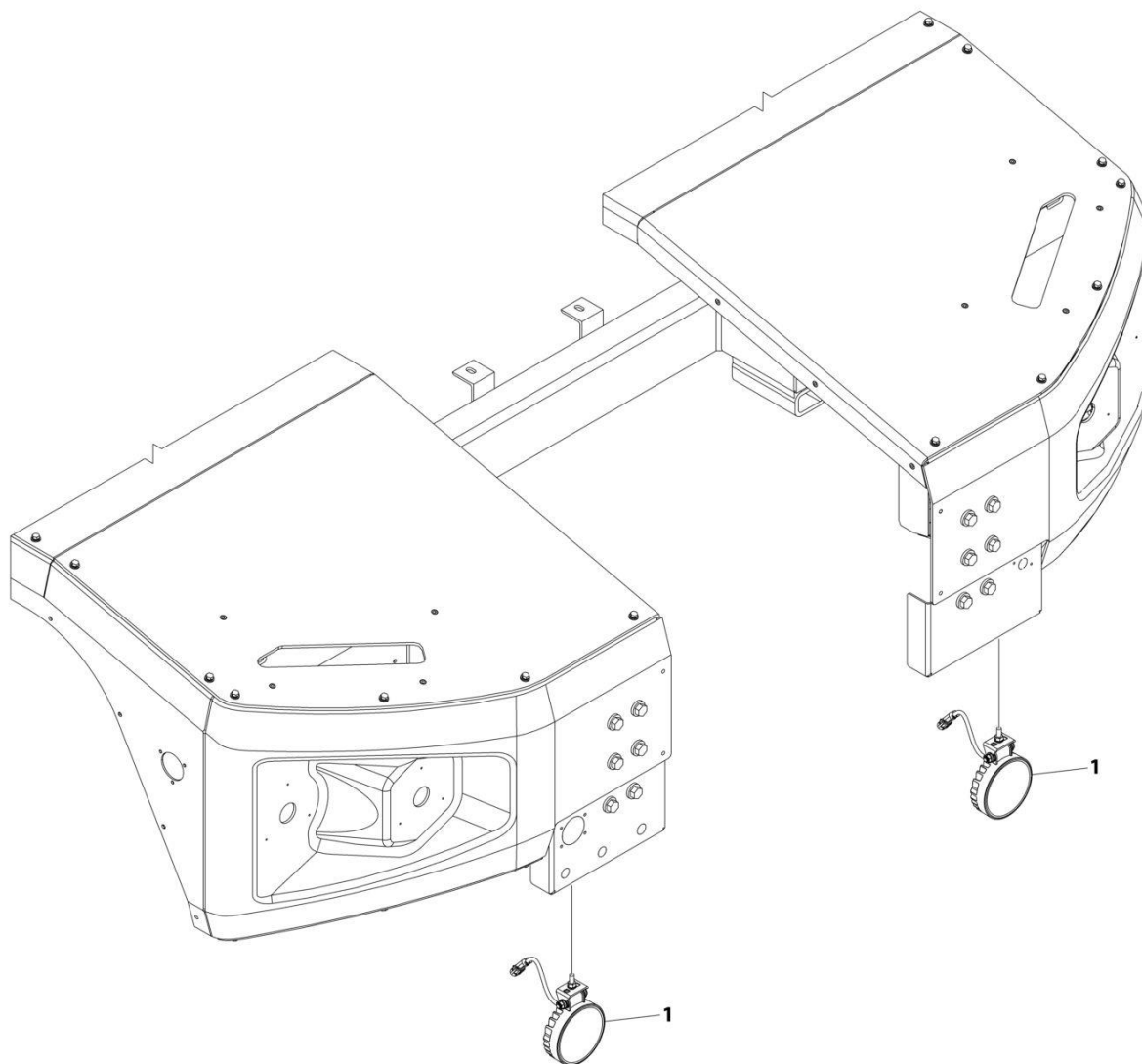
SECTION 7 - ELECTRICAL

FIGURE 7-30. LIGHT - WORKLIGHTS INSTALLATION (LOWER HOOK UP MOUNTED) (NGS)

ITEM	PART NUMBER	QTY	DESCRIPTION	REV
	1001208300	Ref	LIGHT - WORKLIGHTS INSTALLATION (LOWER HOOK UP MOUNTED)	B
1	1001176337	2	Lamp (Prior to SN 0230009717)	
1	1001273634	2	Lamp (SN 0230009717 to Present)	
2	4178000784	2	Bracket	

SECTION 7 - ELECTRICAL

FIGURE 7-31. LIGHT - WORKLIGHTS INSTALLATION (LOWER HOOK UP MOUNTED) (NG)



ART_1001296066

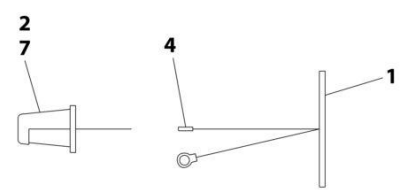
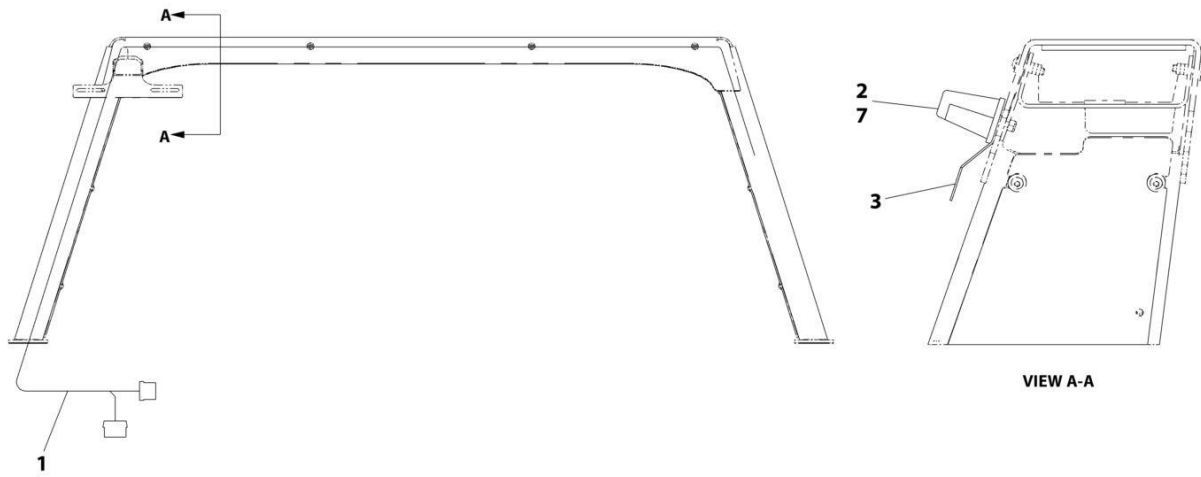
SECTION 7 - ELECTRICAL

FIGURE 7-31. LIGHT - WORKLIGHTS INSTALLATION (LOWER HOOK UP MOUNTED) (NG)

ITEM	PART NUMBER	QTY	DESCRIPTION	REV
1	1001296066 1001273634	Ref 2	LIGHT - WORKLIGHTS INSTALLATION Lamp	B

SECTION 7 - ELECTRICAL

FIGURE 7-32. PYLON ELECTRICAL INSTALLATION - BODY MOUNTED (1 MARKER LIGHT PER SIDE)



ART_3509330108

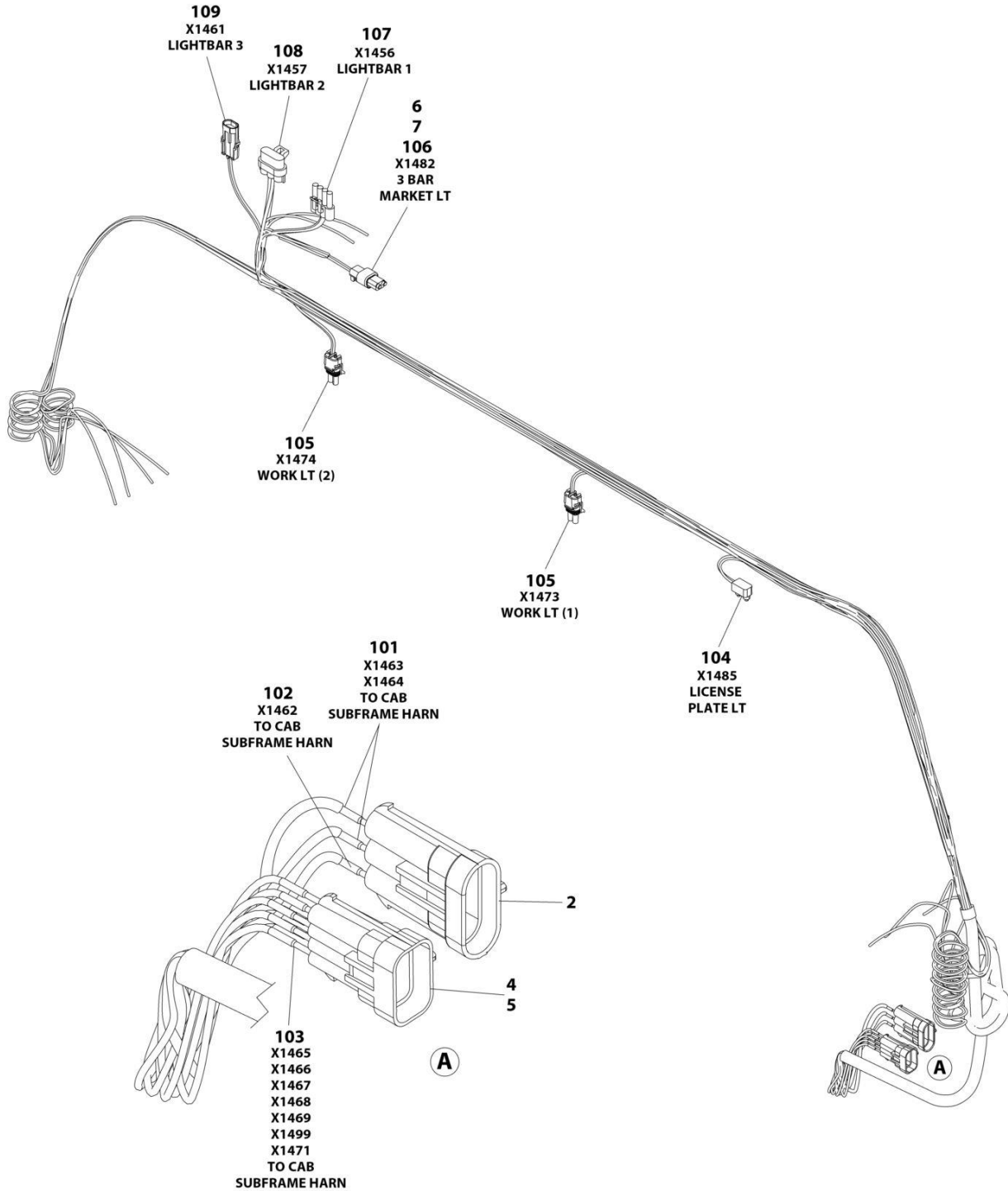
SECTION 7 - ELECTRICAL

FIGURE 7-32. PYLON ELECTRICAL INSTALLATION - BODY MOUNTED (1 MARKER LIGHT PER SIDE)

ITEM	PART NUMBER	QTY	DESCRIPTION	REV
	3509330108	Ref	PYLON ELECTRICAL INSTALLATION - BODY MOUNTED PYLON WITH 1 MARKER LIGHT PER SIDE	B
1	7552000293	1	Pylon Headboard Harness (See Separate Breakdown in ELECTRICAL Section)	
2	7590000105	1	Light	
3	7178000025	1	License Plate Bracket	
4	7346000039	AR	Tube	
5	7894000042	1	Tie-Strap (Not Shown)	
6	5526000553	1	Tie-Strap (Not Shown)	
7	7950100163	2	Washer #10	

SECTION 7 - ELECTRICAL

FIGURE 7-33. PYLON HEADBOARD HARNESS (LOW CAB)



ART_1001299519

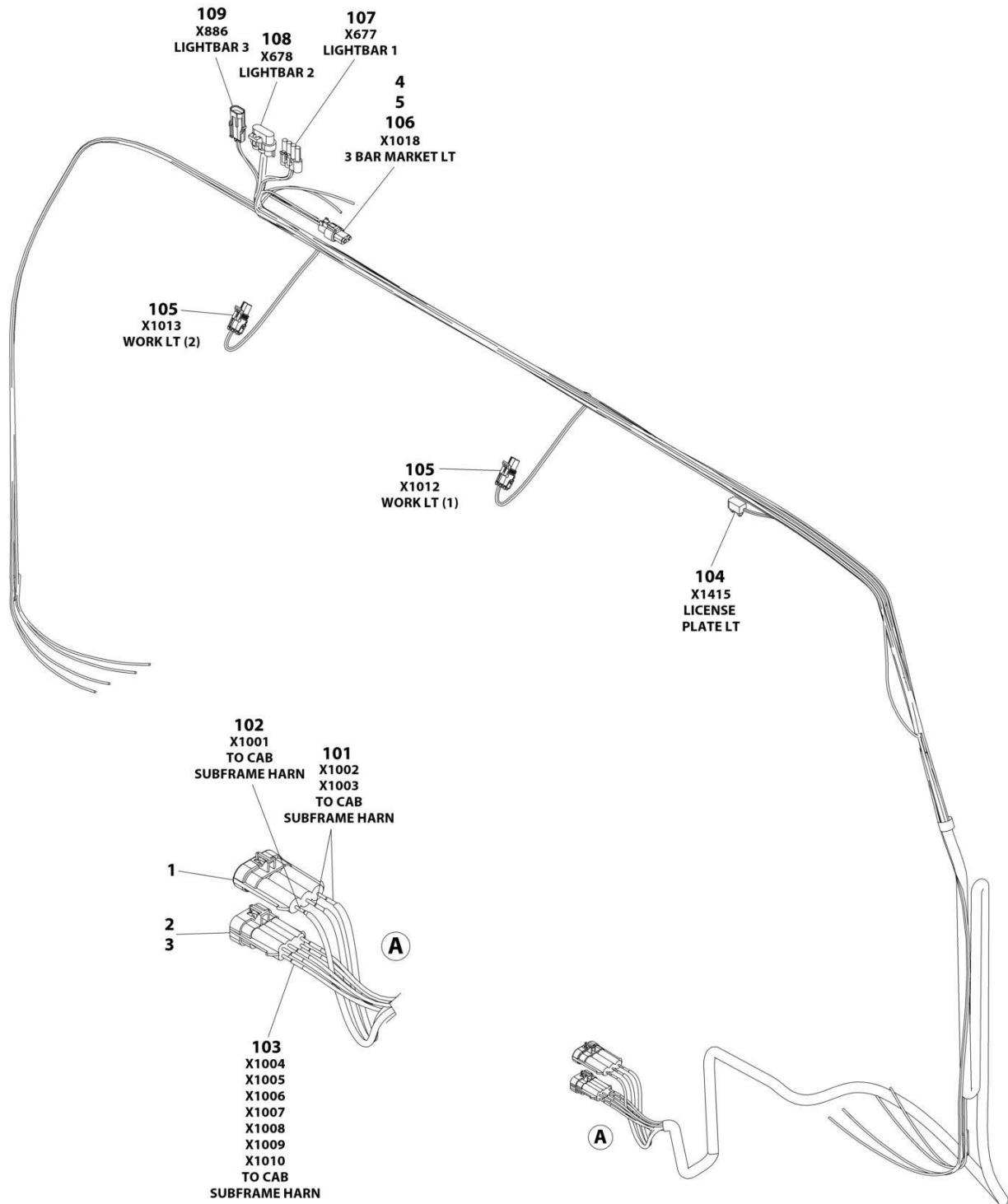
SECTION 7 - ELECTRICAL

FIGURE 7-33. PYLON HEADBOARD HARNESS (LOW CAB)

ITEM	PART NUMBER	QTY	DESCRIPTION	REV
	1001299519	Ref	PYLON HEADBOARD HARNESS	B
2	8220934	1	Connector	
4	1001116751	1	Plug	
5	1001288454	1	Connector	
6	4460466	2	Terminal	
7	4460897	1	Terminal	
101	1001277282	2	Terminal	
101	1001288450	2	Seal	
102	8220100	1	Terminal	
102	1001288449	1	Seal	
103	1001288456	7	Terminal	
103	1001288455	7	Seal	
104	1001275791	1	Connector	
105	4460742	2	Connector	
105	4460457	2	Terminal	
105	4460458	2	Seal	
106	4460891	1	Connector	
106	4460465	2	Socket	
107	1001288453	1	Connector	
107	4460457	4	Terminal	
107	4460458	4	Seal	
108	1001288457	1	Connector	
108	8220099	3	Terminal	
108	1001288450	2	Seal	
108	1001288449	1	Seal	
109	4461157	1	Connector	
109	4460475	2	Terminal	
109	4460458	2	Seal	

SECTION 7 - ELECTRICAL

FIGURE 7-34. PYLON HEADBOARD HARNESS - BODY MOUNT



ART_1001291067

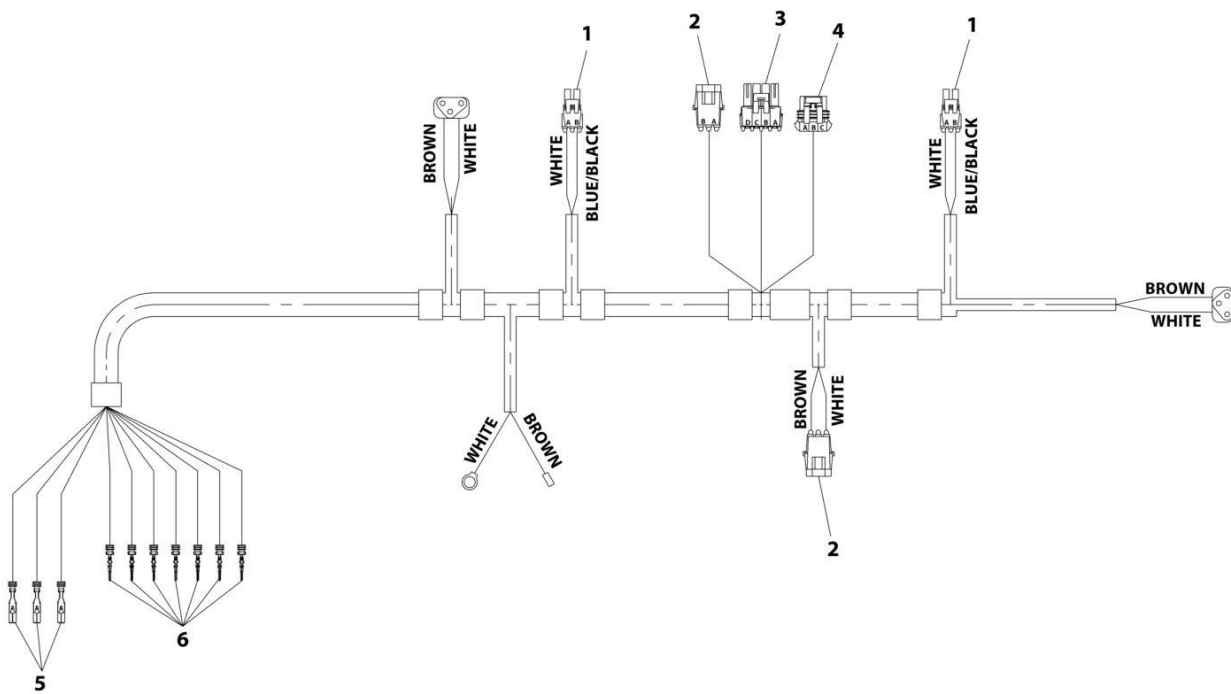
SECTION 7 - ELECTRICAL

FIGURE 7-34. PYLON HEADBOARD HARNESS - BODY MOUNT

ITEM	PART NUMBER	QTY	DESCRIPTION	REV
	1001291067	Ref	HEADBOARD HARNESS	C
1	8220934	1	Connector	
2	1001288454	1	Connector	
3	1001116751	1	Plug	
4	4460897	1	Terminal	
5	4460466	2	Terminal	
101	1001277282	2	Terminal	
101	1001288450	2	Seal	
102	8220100	1	Terminal	
102	1001288449	1	Seal	
103	1001288456	7	Terminal	
103	1001288455	7	Seal	
104	1001275791	1	Connector	
105	4460742	2	Connector	
105	4460457	2	Terminal	
105	4460458	2	Seal	
106	4460891	1	Connector	
106	4460465	2	Socket	
107	1001288453	1	Connector	
107	4460457	4	Terminal	
107	4460458	4	Seal	
108	1001288457	1	Connector	
108	8220099	3	Terminal	
108	1001288450	2	Seal	
108	1001288449	1	Seal	
109	4461157	1	Connector	
109	4460475	2	Terminal	
109	4460458	2	Seal	

SECTION 7 - ELECTRICAL

FIGURE 7-35. PYLON HEADBOARD HARNESS - 1 MARKER SIDE



ART_7552000293

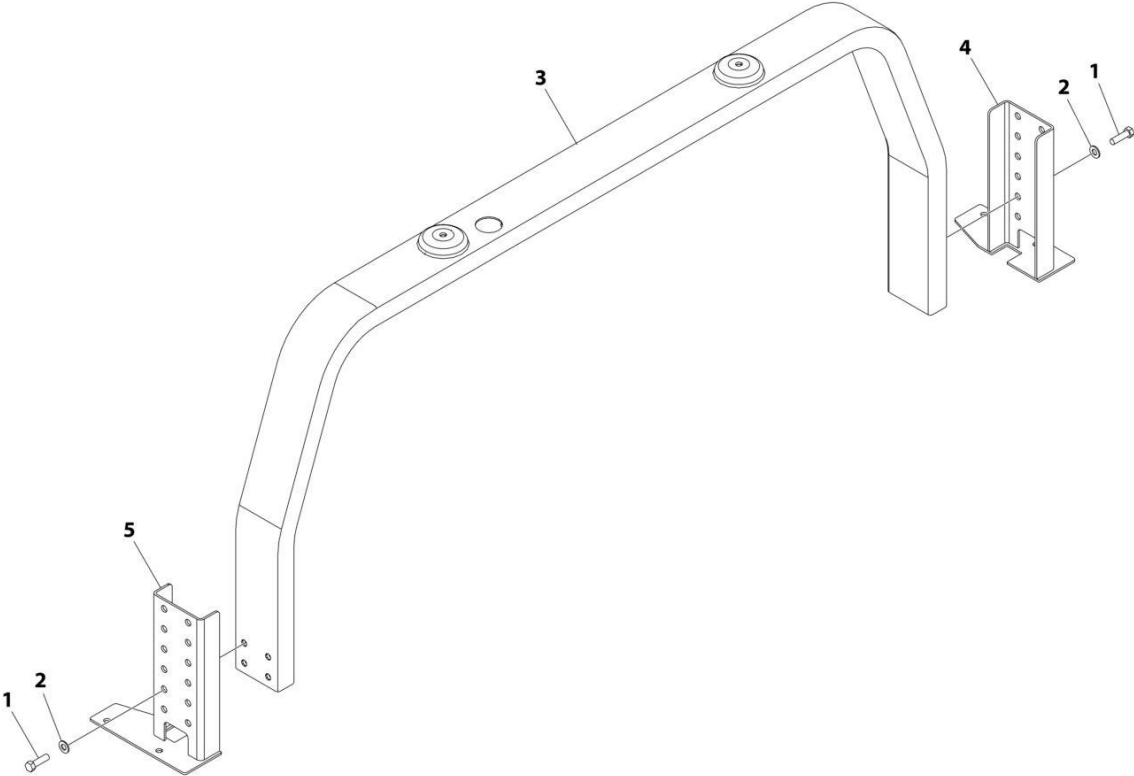
SECTION 7 - ELECTRICAL

FIGURE 7-35. PYLON HEADBOARD HARNESS - 1 MARKER SIDE

ITEM	PART NUMBER	QTY	DESCRIPTION	REV
	7552000293	Ref	PYLON HEADBOARD HARNESS - 1 MARKER LIGHT PER SIDE	E
1	4460742	2	Connector	
1	4460457	2	Terminal	
1	4460458	2	Seal	
2	4460867	2	Connector	
2	4460475	2	Terminal	
2	4460458	2	Seal	
3		Ref	Connector	
3	4460457	1	Terminal	
3	4460458	1	Seal	
4		Ref	Connector	
4		Ref	Lock	
4	8220099	1	Terminal	
4		Ref	Seal	
4		Ref	Seal	
5	8220934	1	Connector	
5		Ref	Lock	
5	8220100	1	Terminal	
5		Ref	Terminal	
5		Ref	Seal	
5		Ref	Seal	
6	4460692	1	Connector	
6	8220400	1	Lock	
6		Ref	Terminal	
6	4460608	7	Seal	
6	4461215	1	Plug	

SECTION 7 - ELECTRICAL

FIGURE 7-36. PYLON HOOPS & MOUNTS INSTALLATION



ART_1001297109

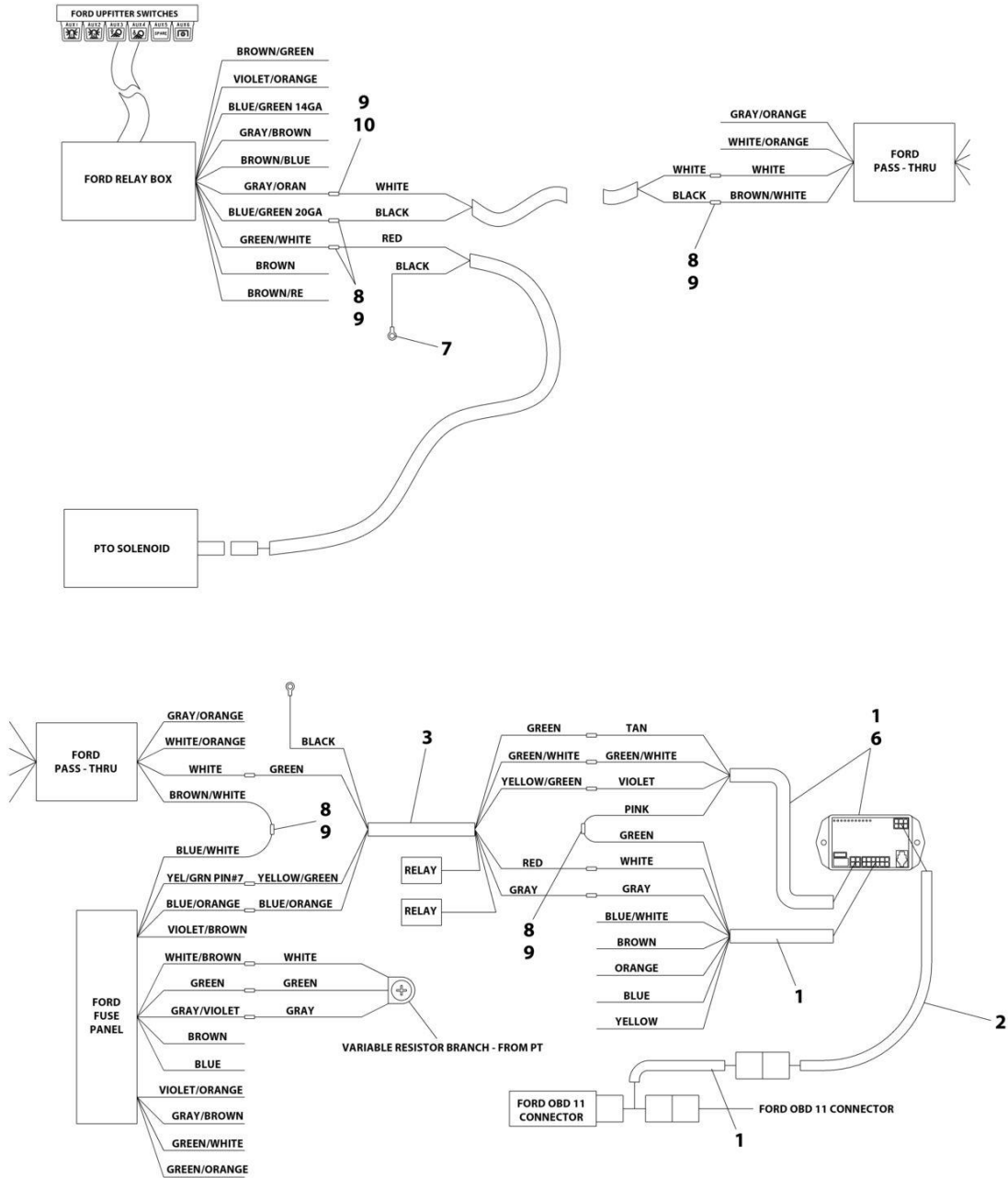
SECTION 7 - ELECTRICAL

FIGURE 7-36. PYLON HOOPS & MOUNTS INSTALLATION

ITEM	PART NUMBER	QTY	DESCRIPTION	REV
	1001297109	Ref	PYLON HOOPS & MOUNTS INSTALLATION	A
1	0641814	8	Bolt 1/2 x 1-3/4	
2	4711800	8	Washer 1/2	
3	1001293466	1	Tube, Pylon	
4	1001295120	1	Mount, LH	
5	1001295121	1	Mount, RH	

SECTION 7 - ELECTRICAL

FIGURE 7-37. PTO ELECTRICAL ASSEMBLY - FORD PTO



ART_1001225217

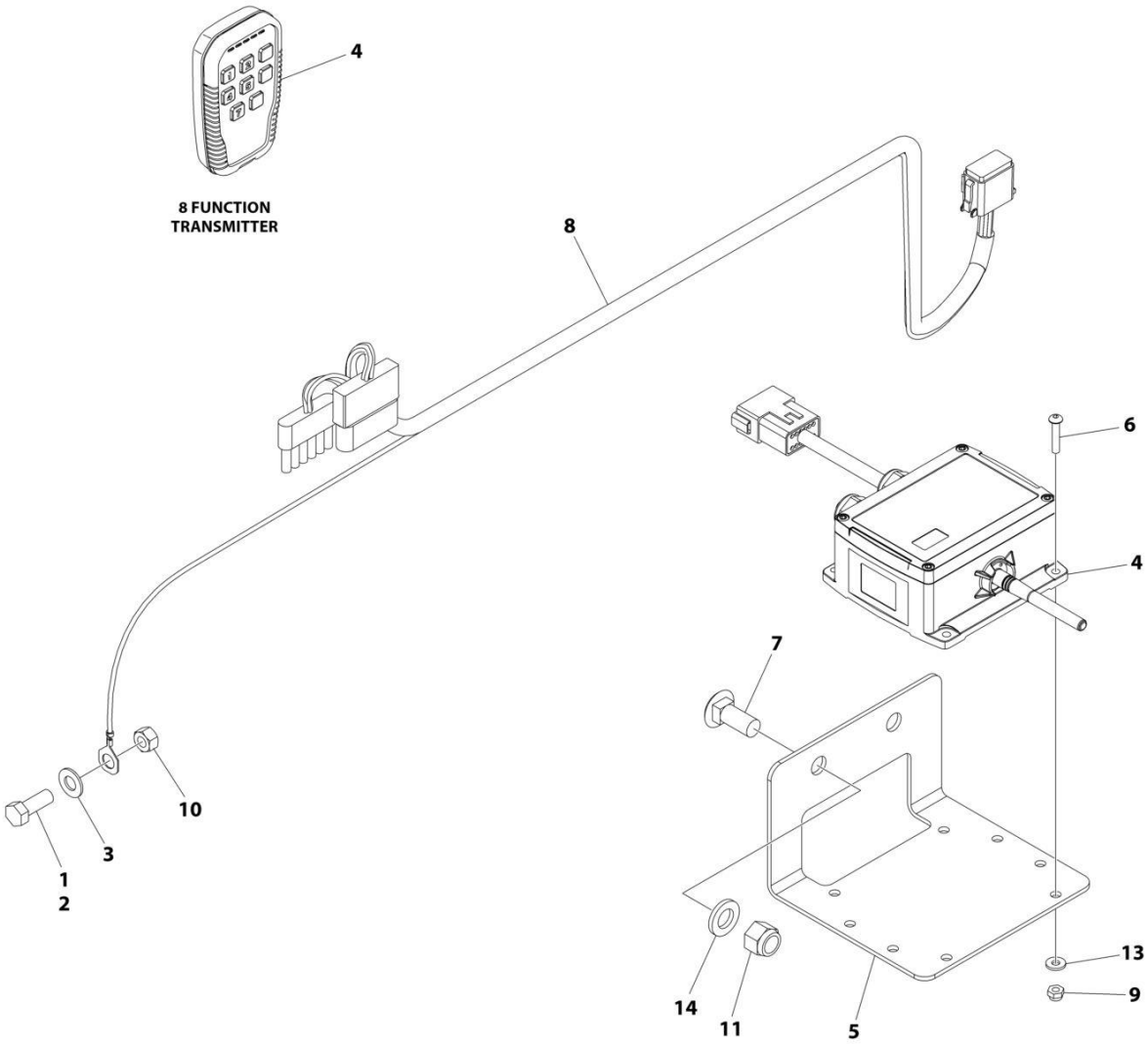
SECTION 7 - ELECTRICAL

FIGURE 7-37. PTO ELECTRICAL ASSEMBLY - FORD PTO

ITEM	PART NUMBER	QTY	DESCRIPTION	REV
	1001225217	Ref	ELECTRICAL ASSEMBLY - FORD PTO	D
1	1001225063	1	Control PTO	
2	1001226317	1	Harness, Data Link Extension	
3	1001225068	1	Harness, PTO Ford	
6	8892040001	0.5 ft	Tape	
7	7345221702	1	Terminal	
8	7345001714	6	Terminal	
9	7346000039	AR	Tubing	
10	7345001914	1	Terminal	
11	5376000192	1	Manual (Not Shown)	

SECTION 7 - ELECTRICAL

FIGURE 7-38. REMOTE CONTROL INSTALLATION - 8 FUNCTION



ART_1001297225

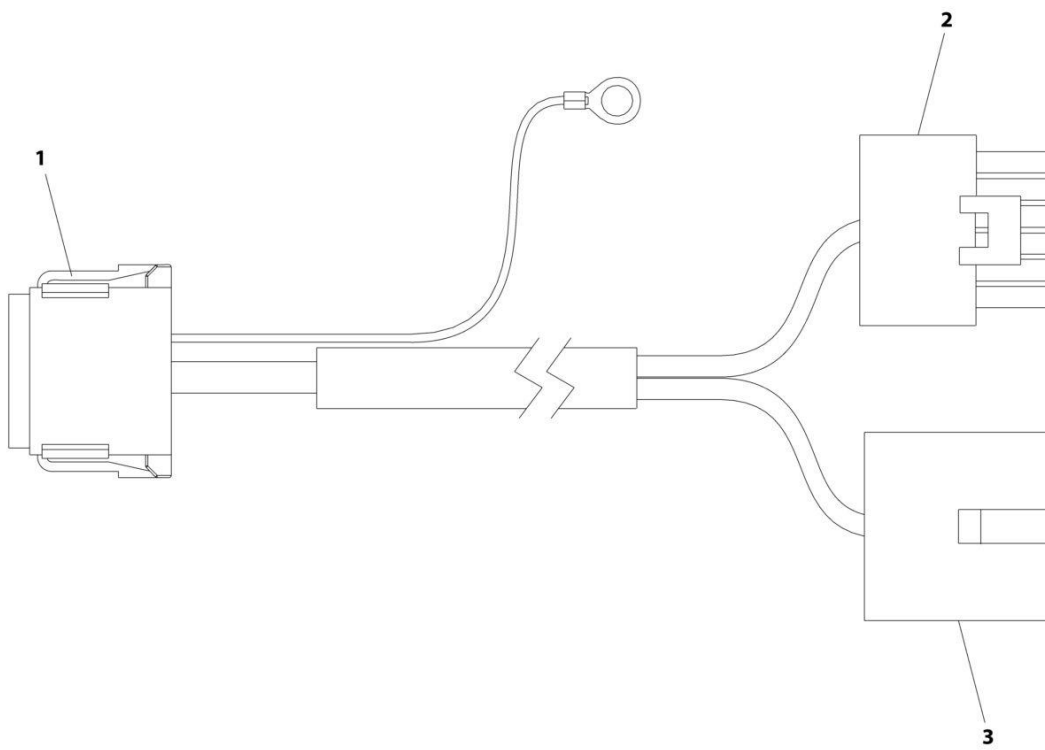
SECTION 7 - ELECTRICAL

FIGURE 7-38. REMOTE CONTROL INSTALLATION - 8 FUNCTION

ITEM	PART NUMBER	QTY	DESCRIPTION	REV
	1001297225	Ref	REMOTE CONTROL INSTALLATION	A
1	0100011	AR	Compound Locking	
2	0681608	1	Bolt 3/8 x 1	
3	4711600	1	Washer 3/8	
4	1001297178	1	Controller	
5	1001300459	1	Bracket	
6	7114100818	4	Capscrew #10 x 1	
7	7115181064	2	Bolt 1/2 x 1-1/4	
8	7552000384	1	Remote Control Harness (See Separate Breakdown in this Section)	
9	7660102604	4	Nut #10	
10	7660160001	1	Nut 3/8	
11	7660182601	2	Nut 1/2	
12	7894000004	3	Tie-Strap (Not Shown)	
13	7950100143	4	Washer 3/16	
14	7950180153	2	Washer 1/2	

SECTION 7 - ELECTRICAL

FIGURE 7-39. REMOTE CONTROL HARNESS - 4 FUNCTION TOGGLE



ART_7552000384

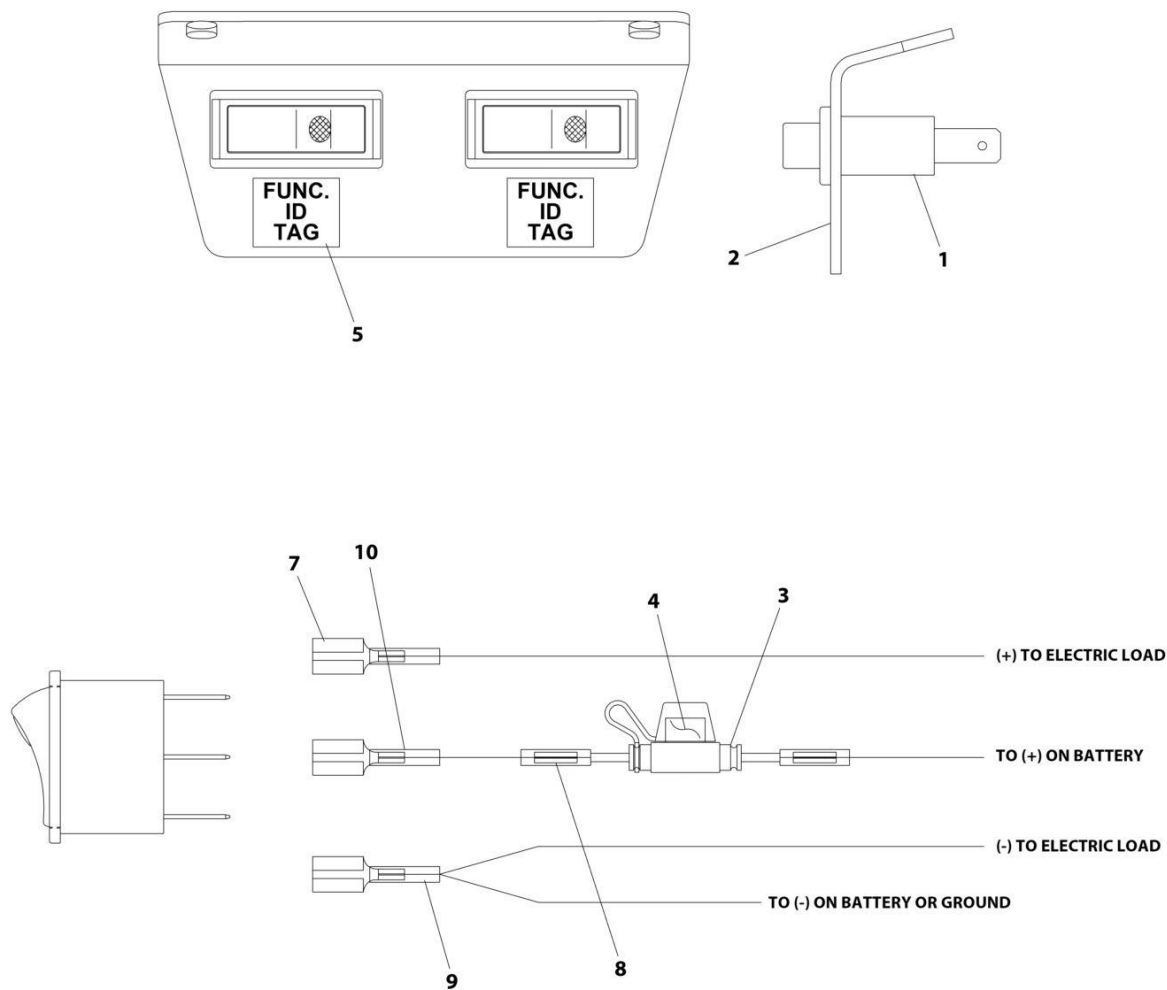
SECTION 7 - ELECTRICAL

FIGURE 7-39. REMOTE CONTROL HARNESS - 4 FUNCTION TOGGLE

ITEM	PART NUMBER	QTY	DESCRIPTION	REV
	7552000384	Ref	REMOTE CONTROL HARNESS - 4 FUNCTION TOGGLE	0
1	4460933	1	Plug Male - 12 Position	
1	4460465	11	Socket, Female	
1	4460466	1	Plug, Terminal	
2		Ref	Plug, Male - 6 Position	
2	4460457	4	Pin, Male	
2	4460458	6	Seal	
2	1001116727	2	Plug	
3		Ref	Receptacle, Female - 6 Position	
3	4460475	6	Pin, Male	
3	4460458	6	Seal	

SECTION 7 - ELECTRICAL

FIGURE 7-40. SWITCH PANEL INSTALLATION - 2 FUNCTION



ART_2870000012

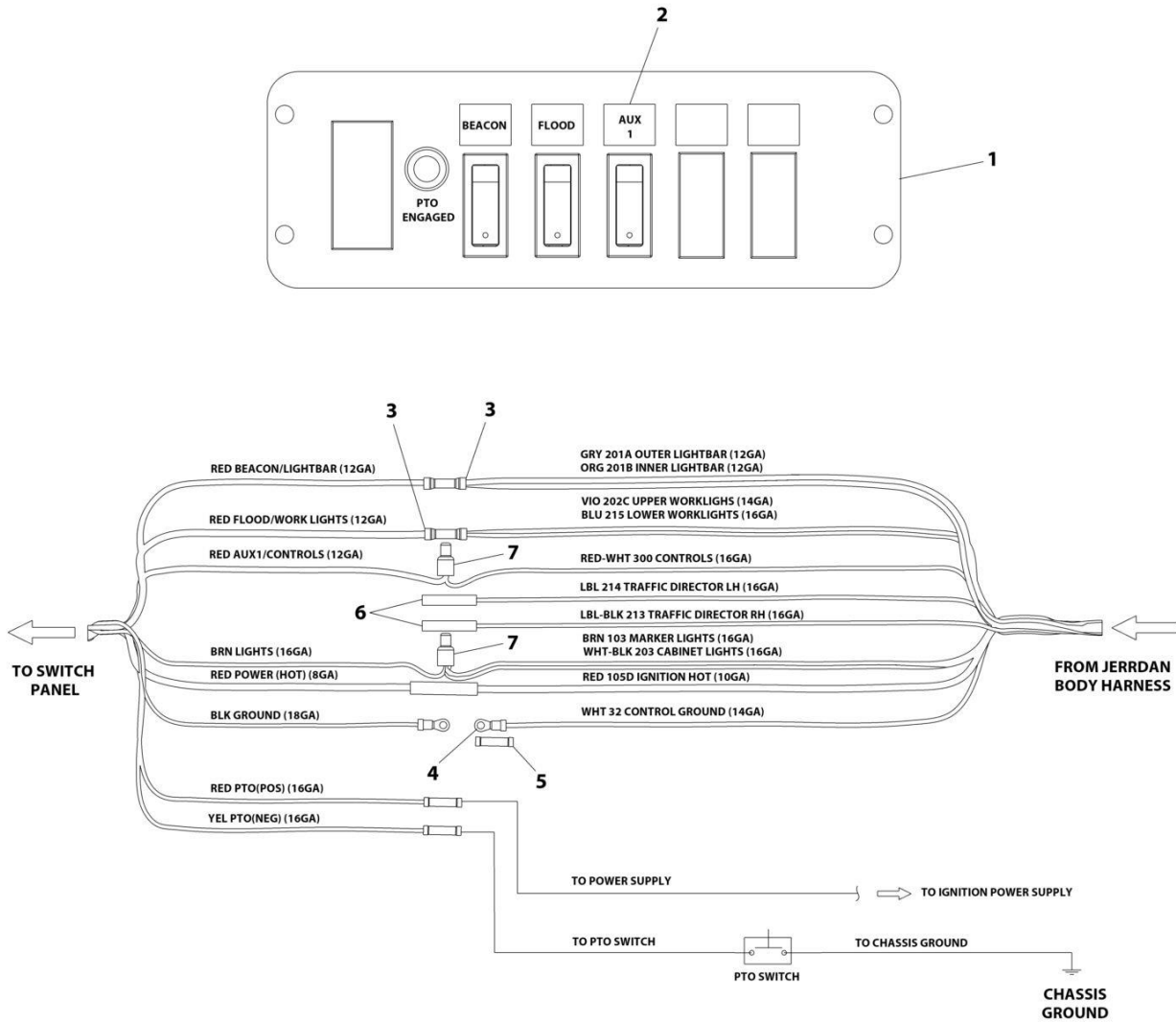
SECTION 7 - ELECTRICAL

FIGURE 7-40. SWITCH PANEL INSTALLATION - 2 FUNCTION

ITEM	PART NUMBER	QTY	DESCRIPTION	REV
	2870000012	Ref	SWITCH PANEL INSTALLATION - 2 FUNCTION	B
1	7870000083	2	Switch	
2	4178000427	1	Bracket	
3	7346000126	2	Fuse Holder	
4	7457000015	2	Fuse	
5	7330000288	1	Decal	
6	7120000034	2	Screw #10 x 3/4 (Not Shown)	
7	7345001710	4	Tab	
8	7345001914	4	Terminal	
9	4346000005	10	Heat Shrink Tubing	
10	7345001910	2	Tab	

SECTION 7 - ELECTRICAL

FIGURE 7-41. SWITCH PANEL INSTALLATION - 3 FUNCTION (IN DASH COMPACT)



ART_1001266075

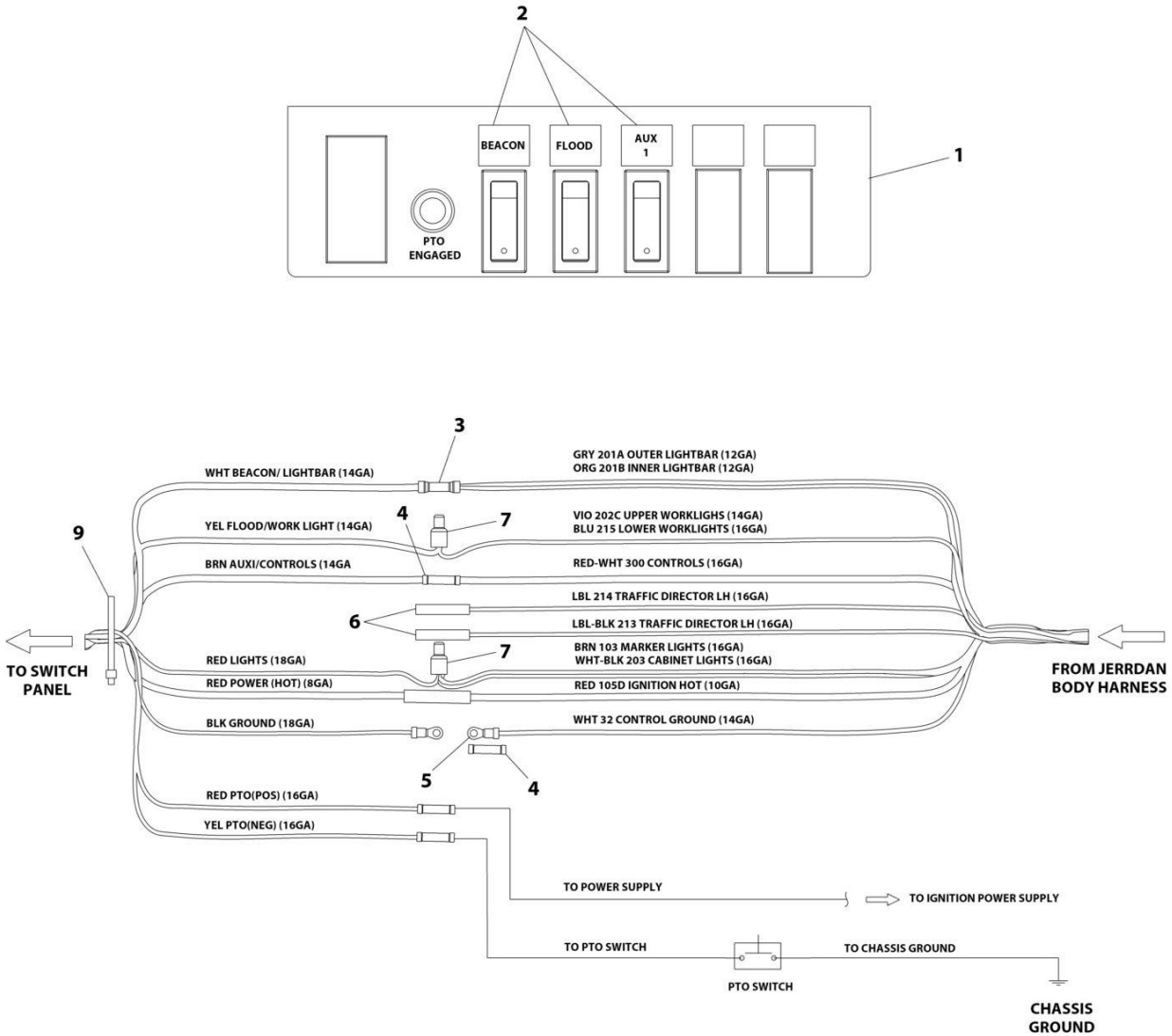
SECTION 7 - ELECTRICAL

FIGURE 7-41. SWITCH PANEL INSTALLATION - 3 FUNCTION (IN DASH COMPACT)

ITEM	PART NUMBER	QTY	DESCRIPTION	REV
	1001266075	Ref	3 FUNCTION IN-DASH COMPACT INSTALLATION	A
1	7870000100	1	Switch Panel	
2	7330000288	1	Decal	
3	4460018	2	Terminal	
4	4460042	1	Terminal	
5	4460035	1	Terminal	
6	4346000005	2	Heat Shrink	
7	7346000242	2	Connector	

SECTION 7 - ELECTRICAL

FIGURE 7-42. SWITCH PANEL INSTALLATION - 3 FUNCTION (UNDER DASH COMPACT)



ART_1001266355

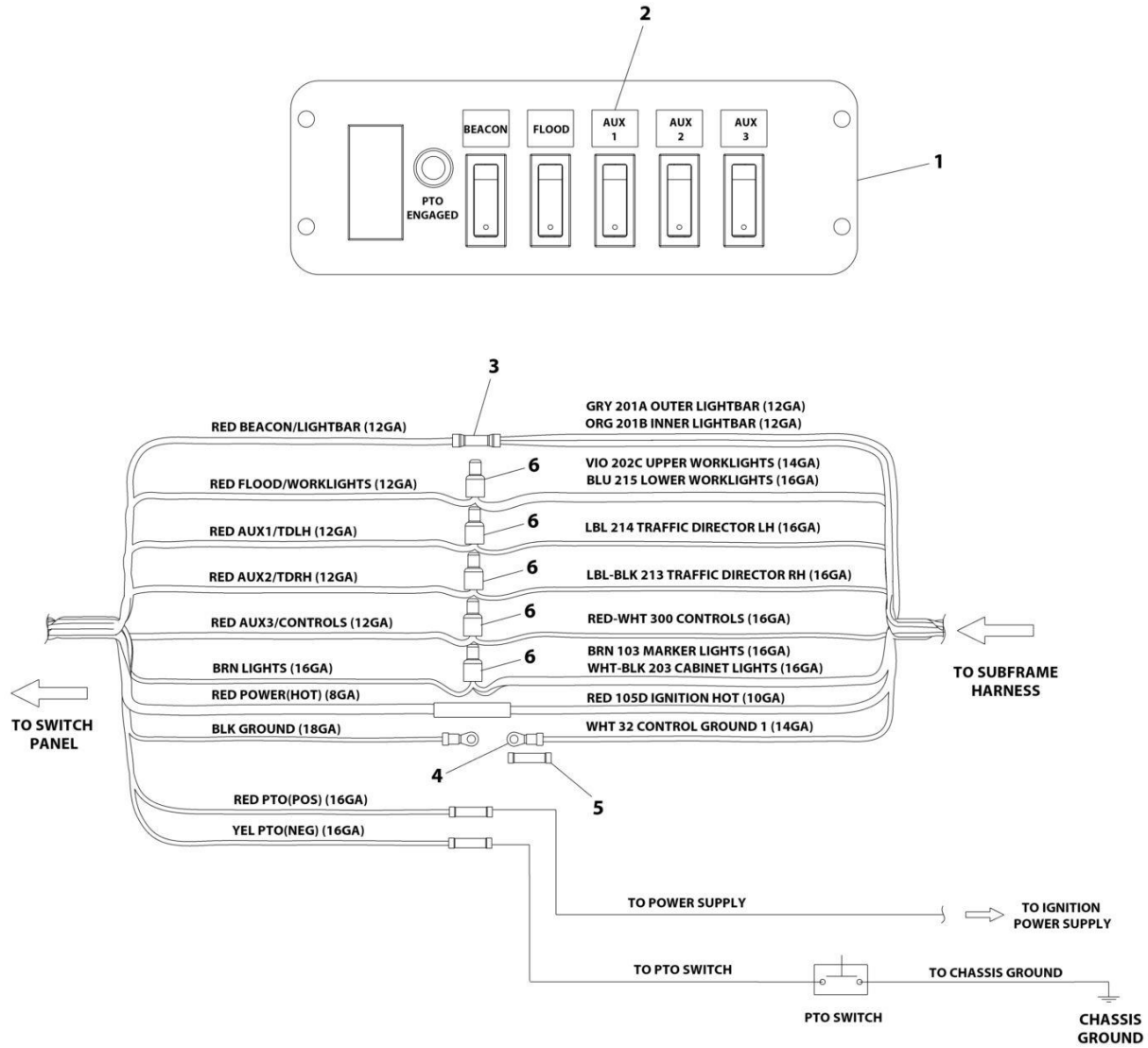
SECTION 7 - ELECTRICAL

FIGURE 7-42. SWITCH PANEL INSTALLATION - 3 FUNCTION (UNDER DASH COMPACT)

ITEM	PART NUMBER	QTY	DESCRIPTION	REV
	1001266355	Ref	3 FUNCTION UNDER-DASH COMPACT INSTALLATION	A
1	7870000134	1	Switch Panel	
2	7330000288	1	Decal	
3	4460018	1	Terminal	
4	4460035	2	Terminal	
5	4460042	1	Terminal	
6	4346000005	2	Heat Shrink	
7	7346000242	2	Connector	
8	8597650003	2 ft	Wire (Not Shown)	
9	5526000553	6	Tie Strap	

SECTION 7 - ELECTRICAL

FIGURE 7-43. SWITCH PANEL INSTALLATION - 5 FUNCTION (IN DASH COMPACT)



ART_1001266357

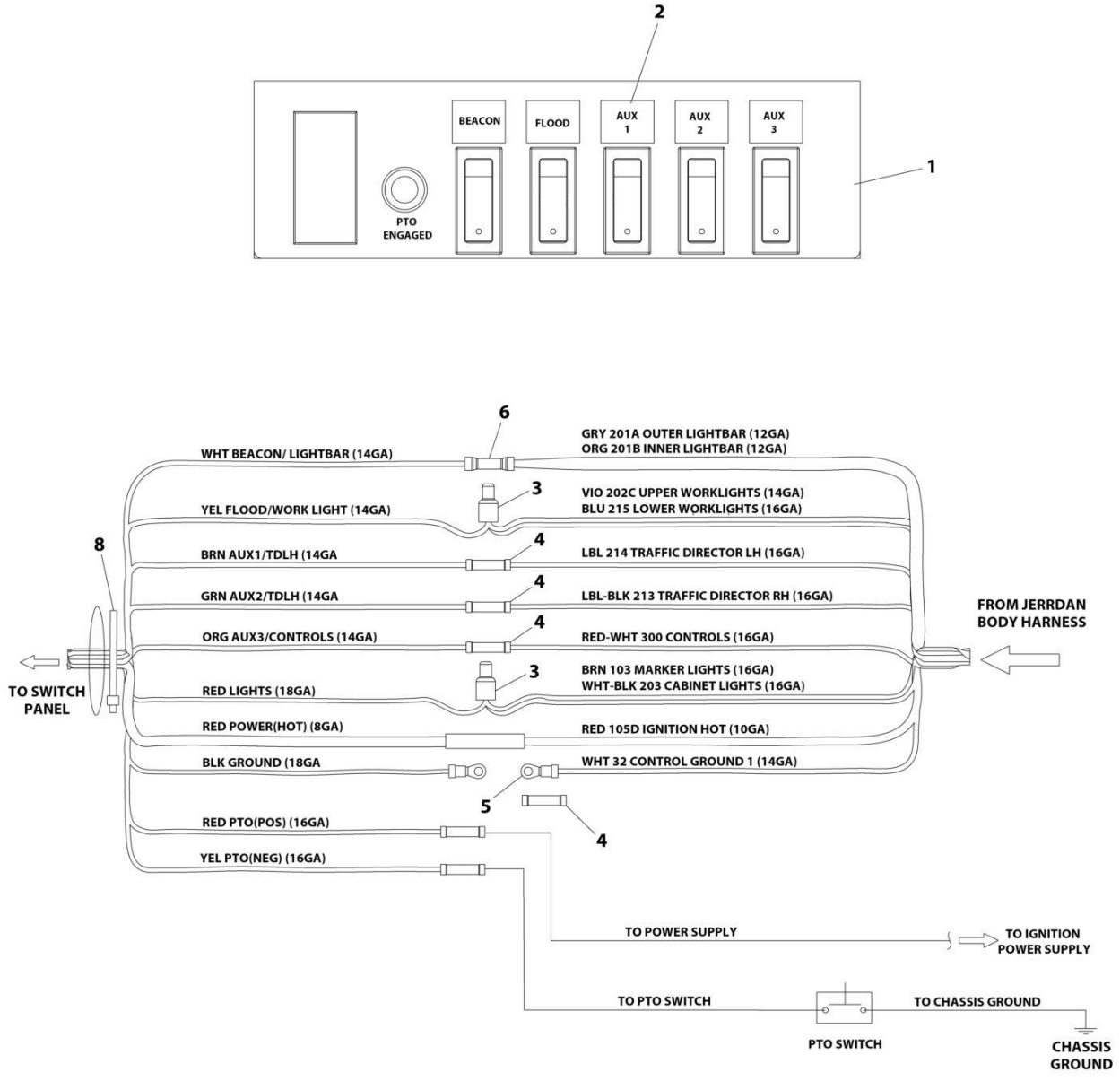
SECTION 7 - ELECTRICAL

FIGURE 7-43. SWITCH PANEL INSTALLATION - 5 FUNCTION (IN DASH COMPACT)

ITEM	PART NUMBER	QTY	DESCRIPTION	REV
	1001266357	Ref	5 FUNCTION IN-DASH COMPACT SWITCH PANEL ASSEMBLY	A
1	7870000106	1	Switch Panel	
2	7330000288	1	Decal	
3	4460018	1	Terminal	
4	4460042	1	Terminal	
5	4460035	1	Terminal	
6	7346000242	5	Connector	

SECTION 7 - ELECTRICAL

FIGURE 7-44. SWITCH PANEL INSTALLATION - 5 FUNCTION (UNDER DASH COMPACT)



ART_1001266359

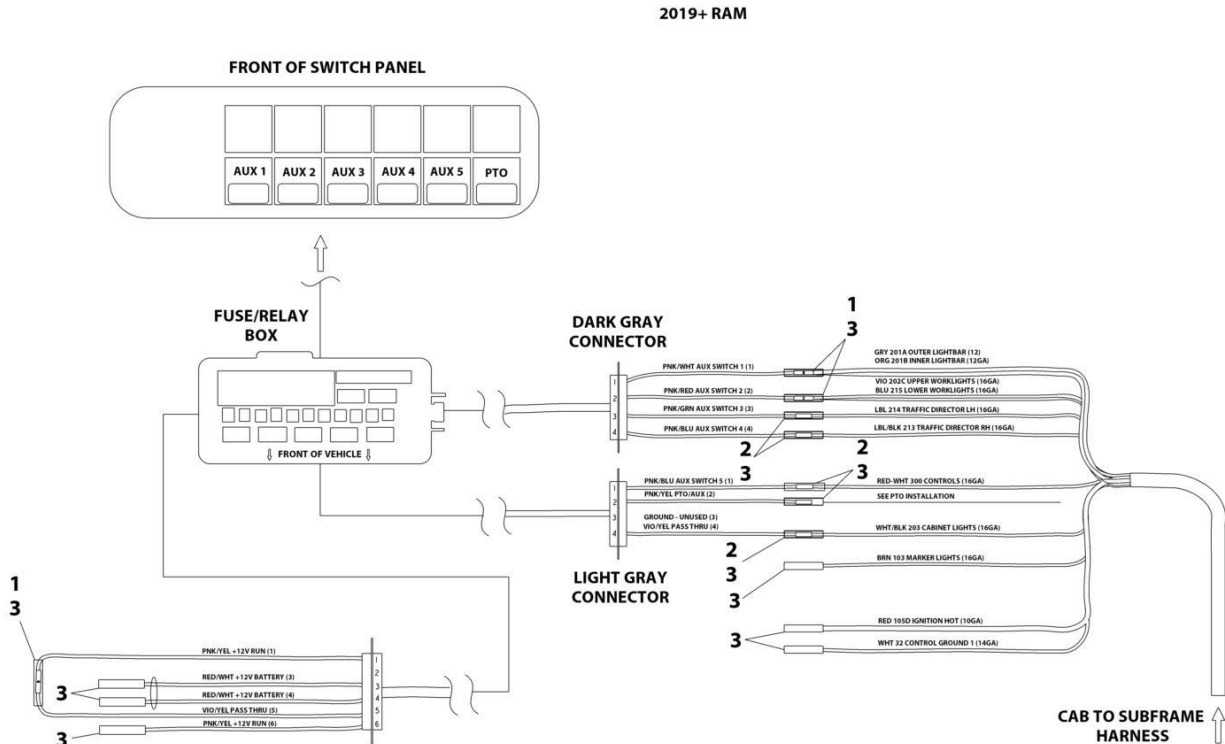
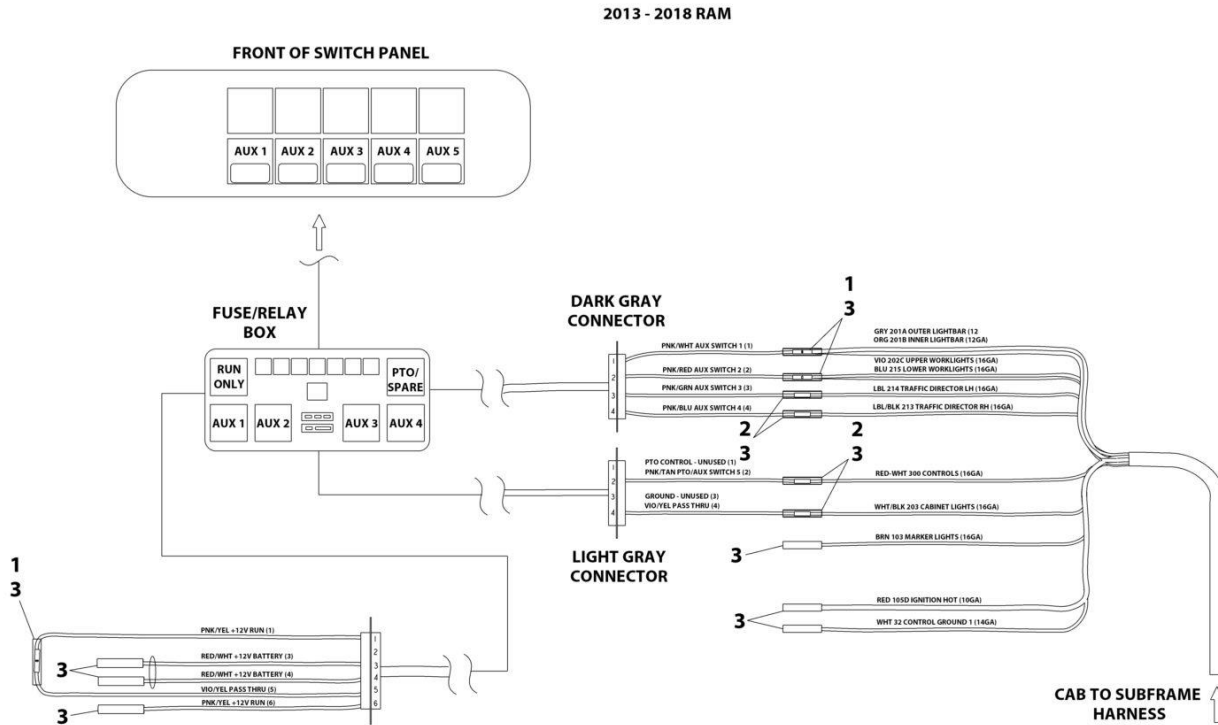
SECTION 7 - ELECTRICAL

FIGURE 7-44. SWITCH PANEL INSTALLATION - 5 FUNCTION (UNDER DASH COMPACT)

ITEM	PART NUMBER	QTY	DESCRIPTION	REV
	1001266359	Ref	5 FUNCTION UNDER-DASH SWITCH PANEL ASSEMBLY	A
1	7870000137	1	Switch Panel	
2	7330000288	1	Decal	
3	7346000242	2	Connector	
4	4460035	1	Terminal	
5	4460042	1	Terminal	
6	4460018	1	Terminal	
7	8597650003	2 ft	Wire (Not Shown)	
8	5526000553	6	Tie Strap	

SECTION 7 - ELECTRICAL

FIGURE 7-45. SWITCH PANEL INSTALLATION - 5 FUNCTION (DODGE 2013)



ART_1001267711

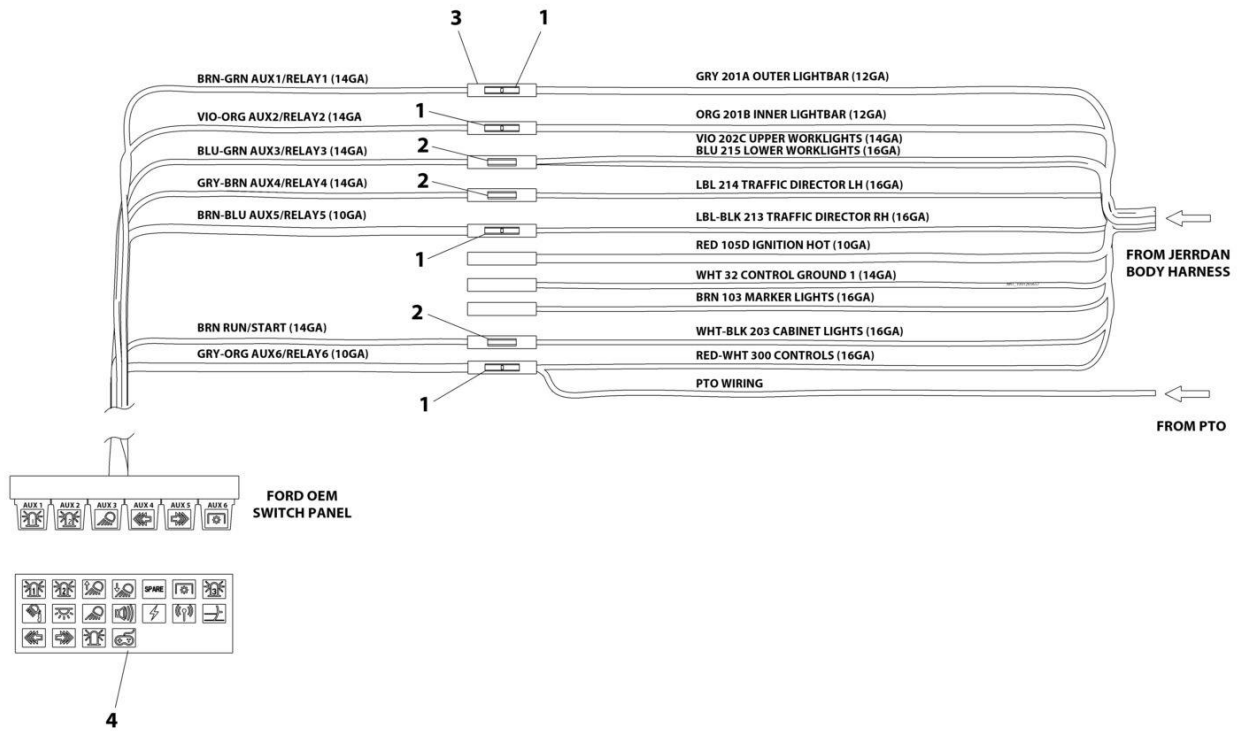
SECTION 7 - ELECTRICAL

FIGURE 7-45. SWITCH PANEL INSTALLATION - 5 FUNCTION (DODGE 2013)

ITEM	PART NUMBER	QTY	DESCRIPTION	REV
	1001267711	Ref	SWITCH PANEL INSTALLATION - 5 FUNCTION (DODGE 2013)	A
1	7345001914	3	Terminal	
2	7345001714	5	Terminal	
3	4346000005	14	Tubing	

SECTION 7 - ELECTRICAL

FIGURE 7-46. SWITCH PANEL INSTALLATION - 6 FUNCTION (FORD 2017)



ART_1001266884

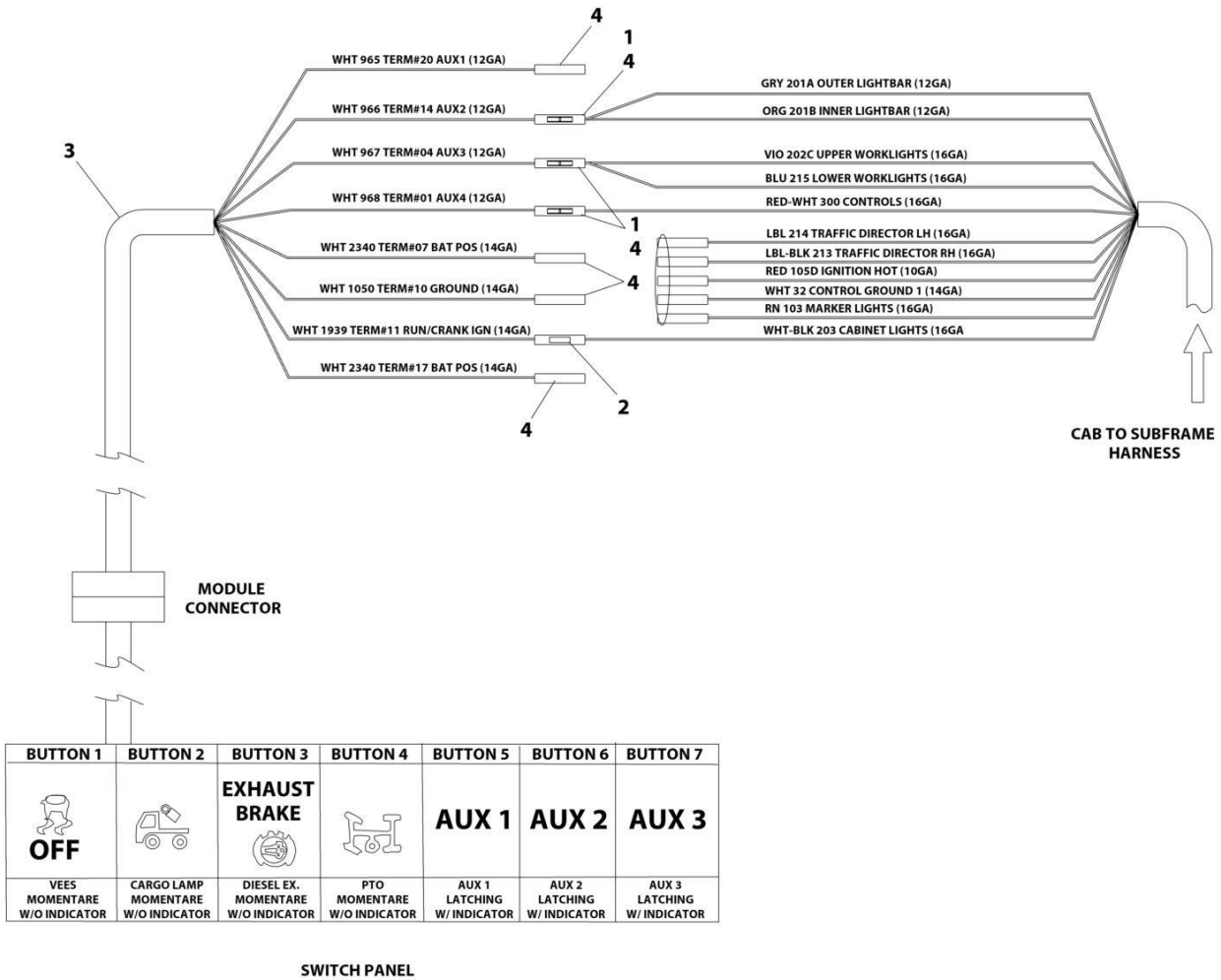
SECTION 7 - ELECTRICAL

FIGURE 7-46. SWITCH PANEL INSTALLATION - 6 FUNCTION (FORD 2017)

ITEM	PART NUMBER	QTY	DESCRIPTION	REV
	1001266884	Ref	SWITCH PANEL INSTALLATION - 6 FUNCTION (FORD 2017)	A
1	7345001914	4	Terminal	
2	7345001714	3	Terminal	
3	4346000005	10	Tubing	
4	1001221375	1	Decal	
5	1001225217	1	Electrical Assembly - Ford PTO (Not Shown) (See Separate Breakdown in this Section)	

SECTION 7 - ELECTRICAL

FIGURE 7-47. SWITCH PANEL INSTALLATION - 3/4 FUNCTION (CHEVY 2019)



ART_1001267982

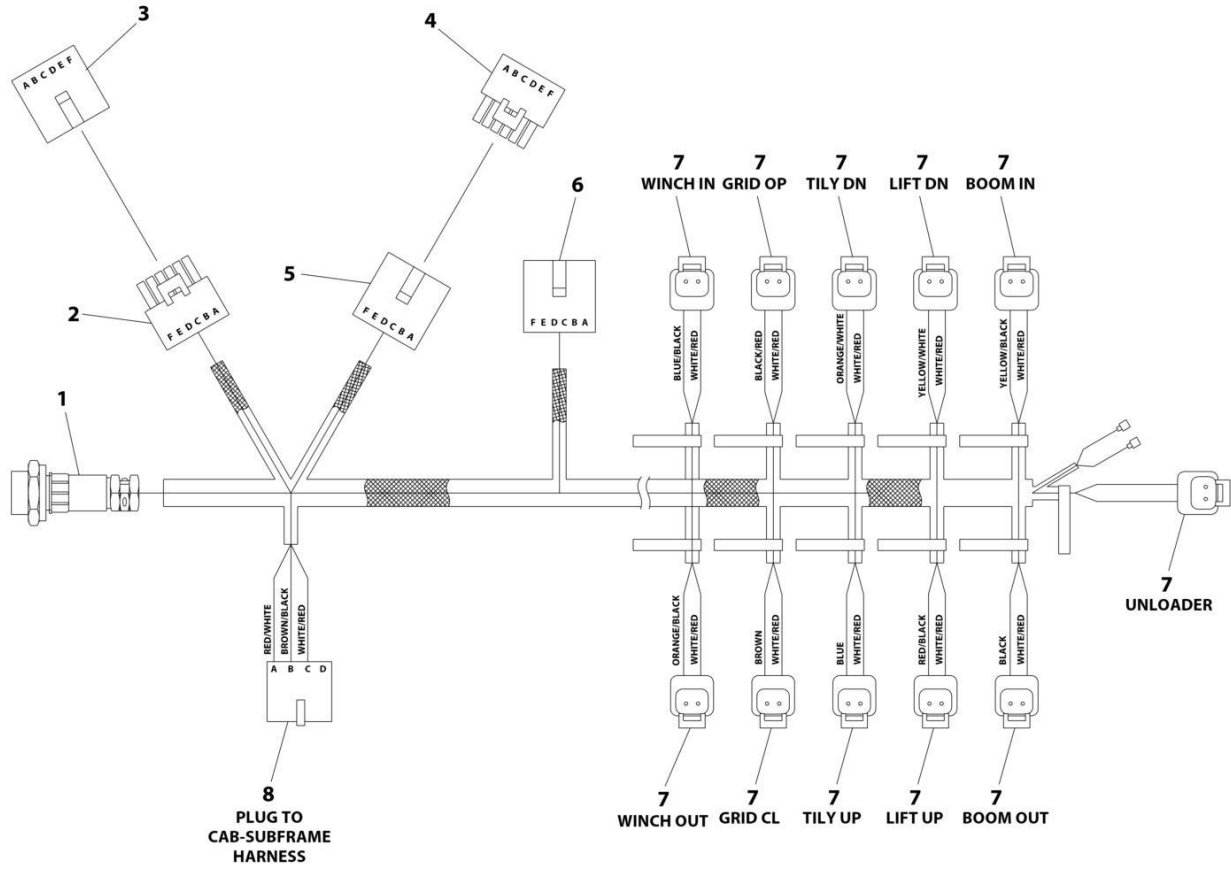
SECTION 7 - ELECTRICAL

FIGURE 7-47. SWITCH PANEL INSTALLATION - 3/4 FUNCTION (CHEVY 2019)

ITEM	PART NUMBER	QTY	DESCRIPTION	REV
	1001267982	Ref	SWITCH PANEL INSTALLATION - 3/4 FUNCTION, 2019 CV C-PUMP	A
1	7345001914	4	Terminal	
2	7345001714	1	Terminal	
3	1001254044	1	Harness	
4	4346000005	10	Heat Shrink, Tubing	

SECTION 7 - ELECTRICAL

FIGURE 7-48. VALVE HARNESS - NG



ART_1001291598

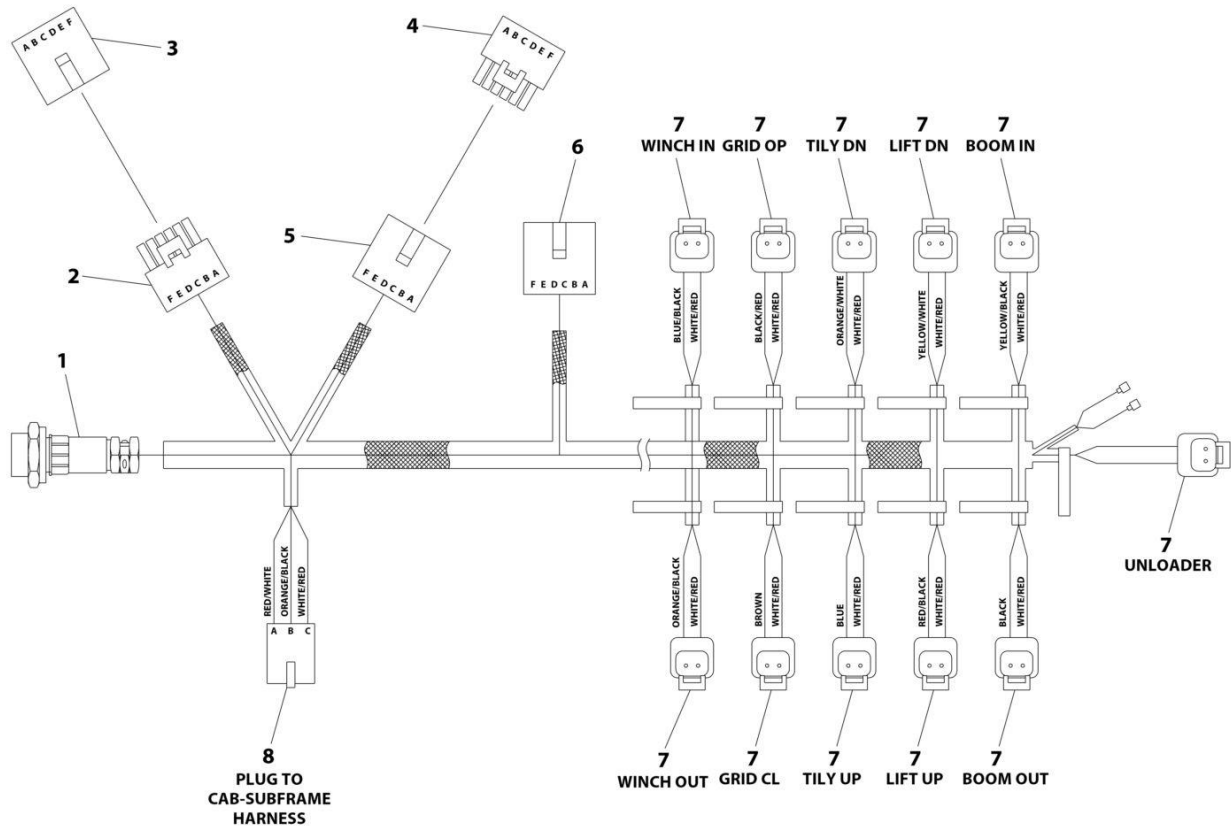
SECTION 7 - ELECTRICAL

FIGURE 7-48. VALVE HARNESS - NG

ITEM	PART NUMBER	QTY	DESCRIPTION	REV
	1001291598	Ref	VALVE HARNESS	A
1	1001271968	1	Connector	
1	1001271970	1	Terminal	
1		Ref	Strain Relief	
2		Ref	Connector	
2	4460743	6	Terminal	
2	4460458	6	Seal	
3		Ref	Connector	
3	1001116727	6	Plug	
4		Ref	Connector	
4	1001116727	6	Plug	
5		Ref	Connector	
5	4460979	4	Terminal	
5	4460475	2	Terminal	
5	4460458	6	Seal	
6		Ref	Connector	
6	4460979	4	Terminal	
6	4460475	2	Terminal	
6	4460458	6	Seal	
7	4460891	11	Connector	
7	4460465	22	Terminal	
8	4460844	1	Connector	
8	4460475	3	Terminal	
8	4460458	6	Seal	
8	1001116727	1	Plug	

SECTION 7 - ELECTRICAL

FIGURE 7-49. VALVE HARNESS - NGS



ART_7552000365

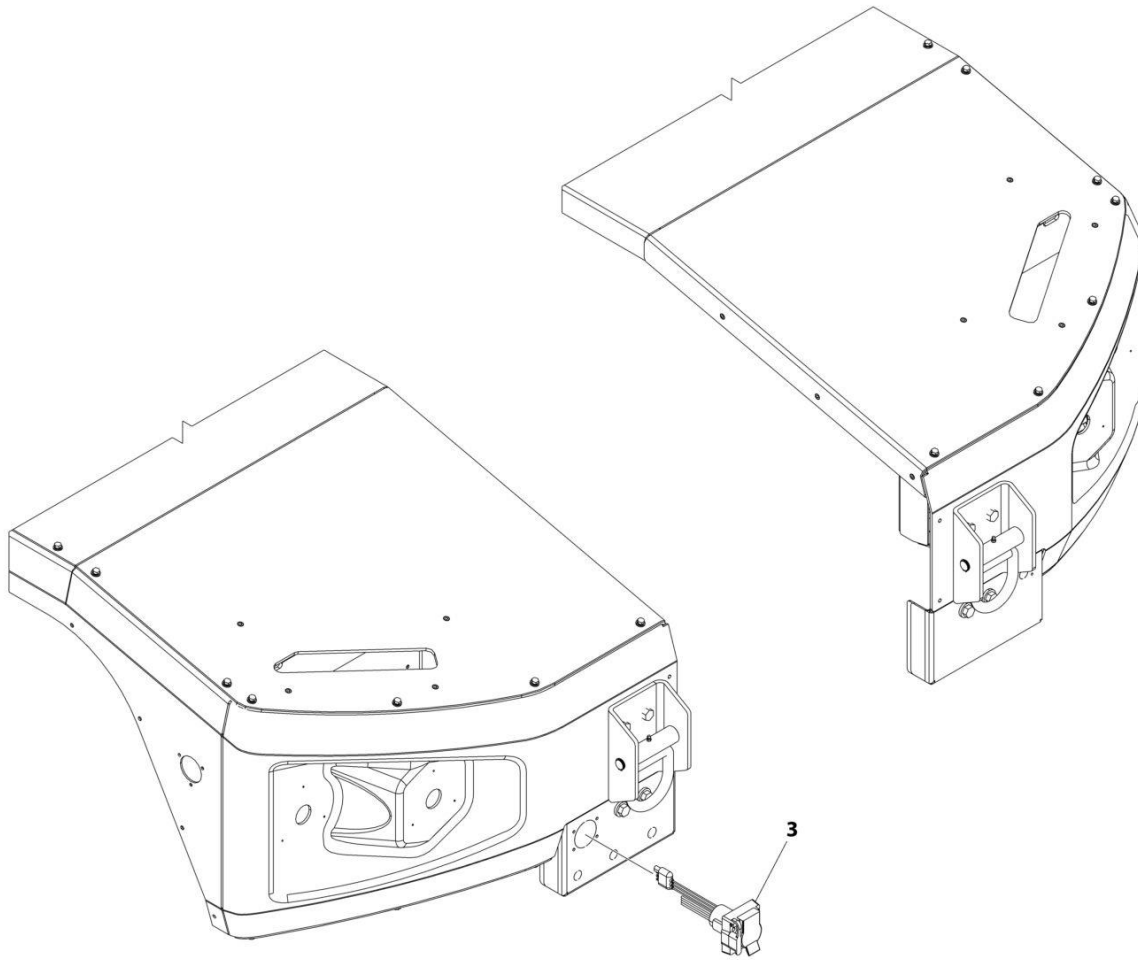
SECTION 7 - ELECTRICAL

FIGURE 7-49. VALVE HARNESS - NGS

ITEM	PART NUMBER	QTY	DESCRIPTION	REV
	7552000365	Ref	VALVE HARNESS	3
1		Ref	Connector - 12 Position	
1		Ref	Terminal	
1		Ref	Connector, Strain Relief	
2		Ref	Connector, Plug - 6 Position	
2	4460743	6	Terminal	
2	4460458	6	Seal	
3		Ref	Connector, Female - 6 Position	
3		Ref	Terminal	
4		Ref	Connector, Plug - 6 Position	
4		Ref	Terminal	
5		Ref	Connector, Female - 6 Position	
5	4460979	4	Terminal (18 Ga)	
5	4460457	2	Terminal (16 Ga)	
5	4460458	6	Seal	
6		Ref	Connector, Female - 6 Position	
6	4460979	4	Terminal (18 Ga)	
6	4460475	2	Terminal (16 Ga)	
6	4460458	6	Seal	
7	4460891	11	Plug, Male - 2 Position	
7	4460465	22	Socket, Female	
8		Ref	Connector, Female - 3 Position	
8	4460475	3	Terminal (16 Ga)	
8	4460458	6	Seal	

SECTION 7 - ELECTRICAL

FIGURE 7-50. TRAILER PLUG INSTALLATION



ART_1001301373

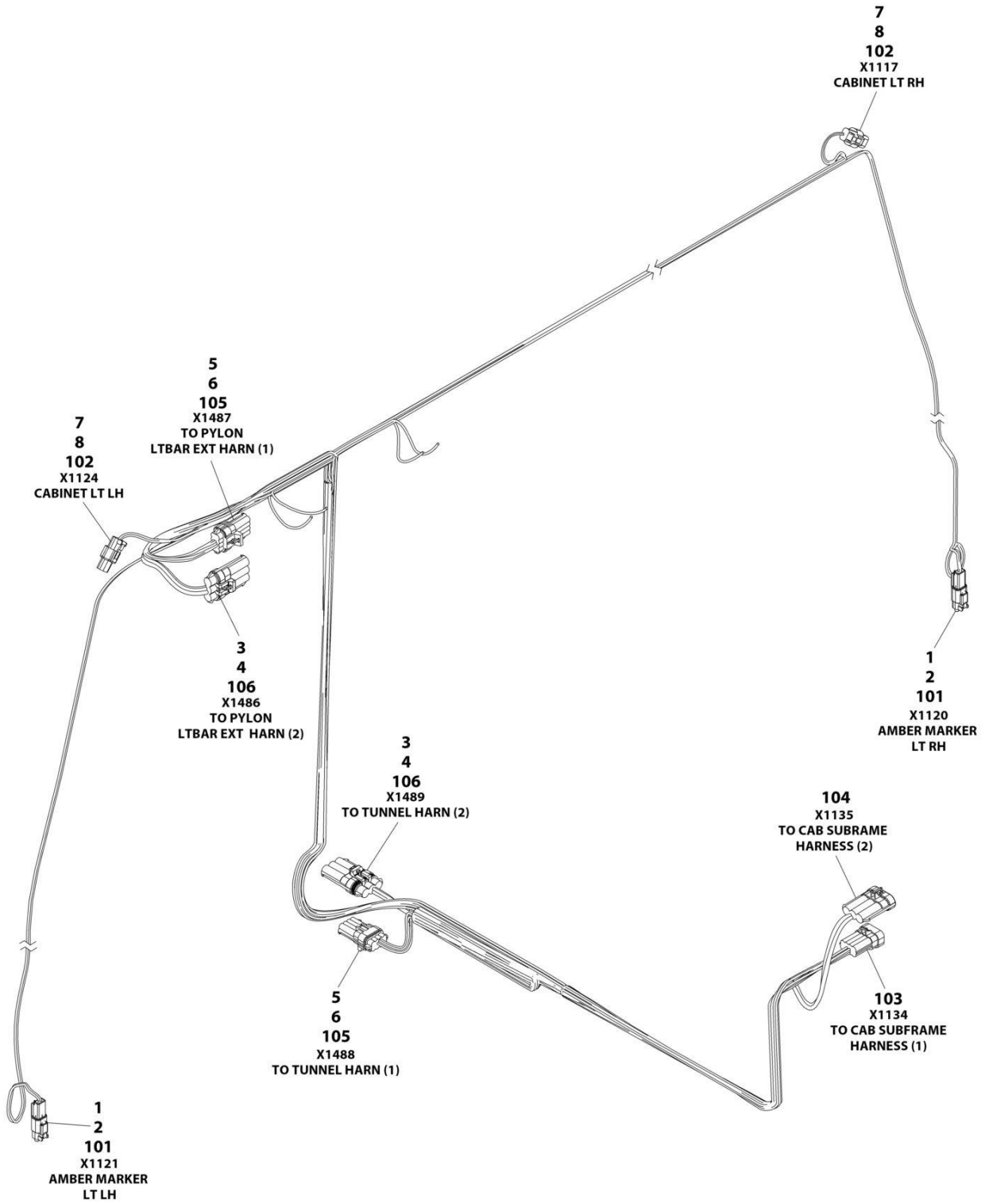
SECTION 7 - ELECTRICAL

FIGURE 7-50. TRAILER PLUG INSTALLATION

ITEM	PART NUMBER	QTY	DESCRIPTION	REV
	1001301373	Ref	TRAILER PLUG INSTALLATION	A
1	1001201994	3	Connector (Not Shown)	
2	1001274244	4	Connector (Not Shown)	
3	1001301375	1	Plug	
4	4346000005	7	Heat Shrink Tubing (Not Shown)	

SECTION 7 - ELECTRICAL

FIGURE 7-51. TUNNEL HARNESS



ART_1001291066

SECTION 7 - ELECTRICAL

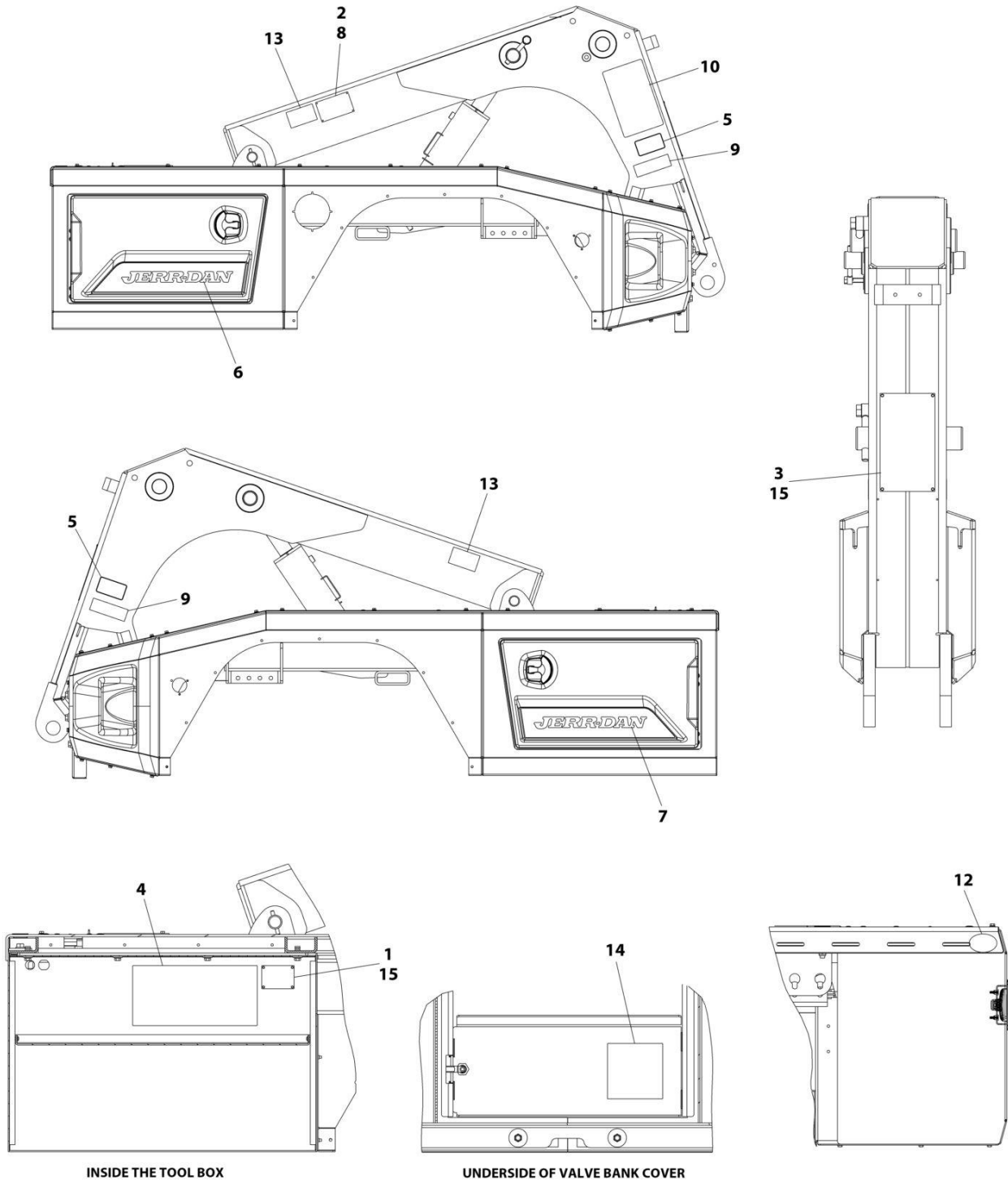
FIGURE 7-51. TUNNEL HARNESS

ITEM	PART NUMBER	QTY	DESCRIPTION	REV
	1001291066	Ref	TUNNEL HARNESS	C
1	4460466	4	Plug	
2	4460891	2	Connector	
3	8220101	6	Plug	
4	8220934	2	Connector	
5	1001116751	16	Plug	
6	1001288454	2	Connector	
7	4460897	2	Connector	
8	4460464	4	Pin	
101	4460897	2	Connector	
101	4460464	4	Pin	
102	4460891	2	Connector	
102	4460465	4	Socket	
103	1001288454	1	Connector	
103	1001288456	8	Socket	
104	8220934	1	Connector	
104	8220100	1	Socket	
104	1001277282	4	Socket	
105	1001288566	2	Connector	
105	8220124	15	Socket	
105	4460608	15	Seal	
106	8220935	1	Connector	
106	8220099	1	Socket	
106	1001288450	1	Seal	
106	1001288449	2	Seal	

SECTION 8 - DECAL

SECTION 8 - DECAL

FIGURE 8-1. DECAL INSTALLATION - NG



INSIDE THE TOOL BOX

UNDERSIDE OF VALVE BANK COVER

ART_1001300633

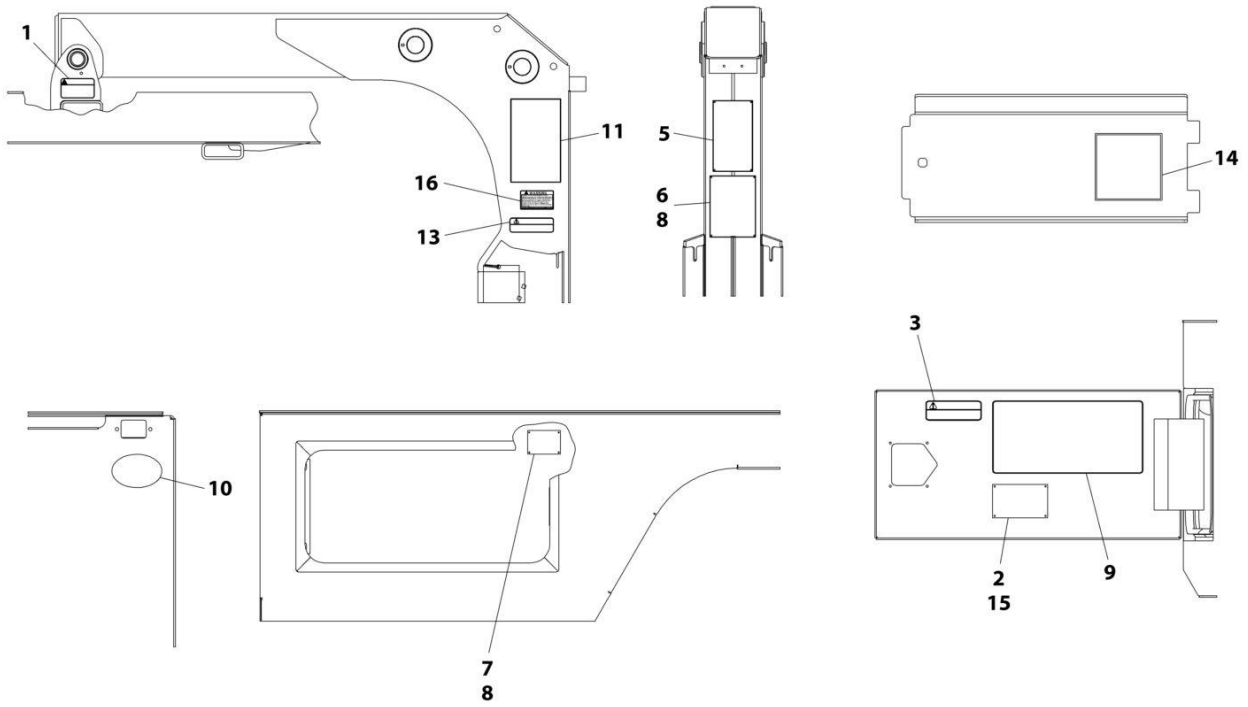
SECTION 8 - DECAL

FIGURE 8-1. DECAL INSTALLATION - NG

ITEM	PART NUMBER	QTY	DESCRIPTION	REV
	1001300633	Ref	DECAL INSTALLATION - NG	A
1	1001127220	1	Decal - Indent Tag	
2	1001132346	1	Decal - Patent Placard	
3	1001132509	1	Decal - Serial Number	
4	1001207920	1	Decal - Lubrication	
5	1001231801	2	Decal - Warning	
6	1001299532	1	Decal - Jerrdan DS	
7	1001299533	1	Decal - Jerrdan PS	
8	4892000007	2	Tape	
9	7330000122	2	Decal - Warning	
10	7330000138	1	Decal - Checklist	
11	7330000139	1	Decal - Checklist (Not Shown)	
12	7330000143	1	Decal - Made in the USA	
13	7330000546	2	Decal - Winch Cable Warning	
14	7330000699	1	Decal - Manual Valve	
15	7759000004	8	Pop Rivet	

SECTION 8 - DECAL

FIGURE 8-2. DECAL INSTALLATION - NGS



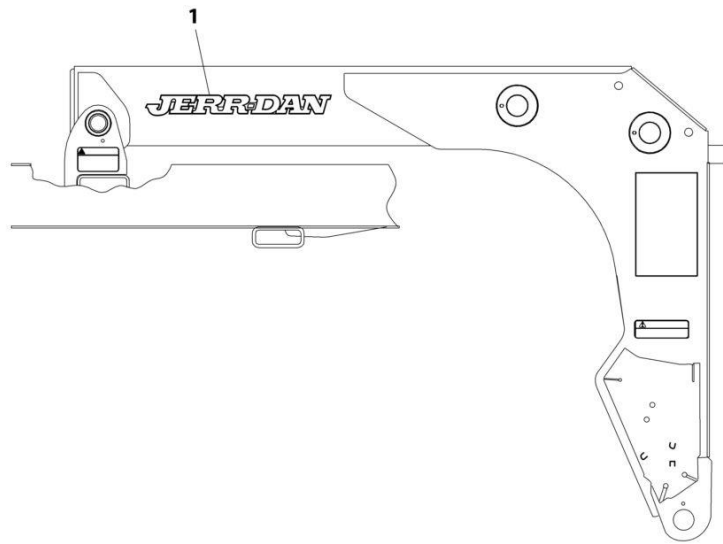
ART_2509290124

FIGURE 8-2. DECAL INSTALLATION - NGS

ITEM	PART NUMBER	QTY	DESCRIPTION	REV
	2509290124	Ref	DECAL INSTALLATION - NGS	D
1	7330000546	1	Decal, Winch Cable Warning	
2	1001132346	1	Decal, Patent Placard	
3	7330000034	1	Decal, Caution	
5	SEE NOTE	NSS	Nameplate - Manufacturers SN (Note: Not Available for Purchase)	
6	7330000307	1	Decal, STAR Placard	
7	See Note	NSS	Nameplate - Manufacturers SN (Note: Not Available for Purchase)	
8	7759000004	12	Pop Rivet	
9	1001207920	1	Decal, Lubrication	
10	7330000143	1	Decal, Made in the USA	
11	7330000138	1	Decal, Checklist	
12	7330000139	1	Decal, Checklist (Not Shown)	
13	7330000122	2	Decal, Warning	
14	7330000699	1	Decal, Manual Valve	
15	4892000007	2	Tape	
16	1001231801	2	Decal, Warning	

SECTION 8 - DECAL

FIGURE 8-3. DECAL INSTALLATION - RED LOGO (NGS)



ART_1001132559

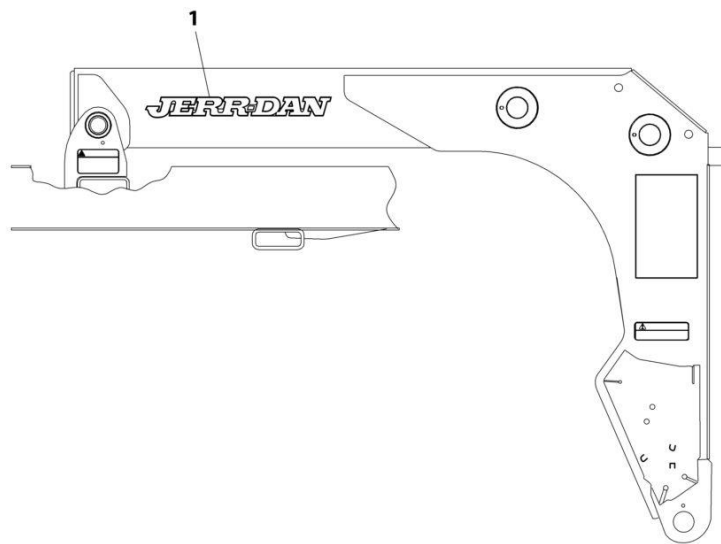
SECTION 8 - DECAL

FIGURE 8-3. DECAL INSTALLATION - RED LOGO (NGS)

ITEM	PART NUMBER	QTY	DESCRIPTION	REV
1	1001132559 7330000286	Ref 2	DECAL INSTALLATION - RED LOGO Decal - Logo	A

SECTION 8 - DECAL

FIGURE 8-4. DECAL INSTALLATION - WHITE LOGO (NGS)



ART_1001132560

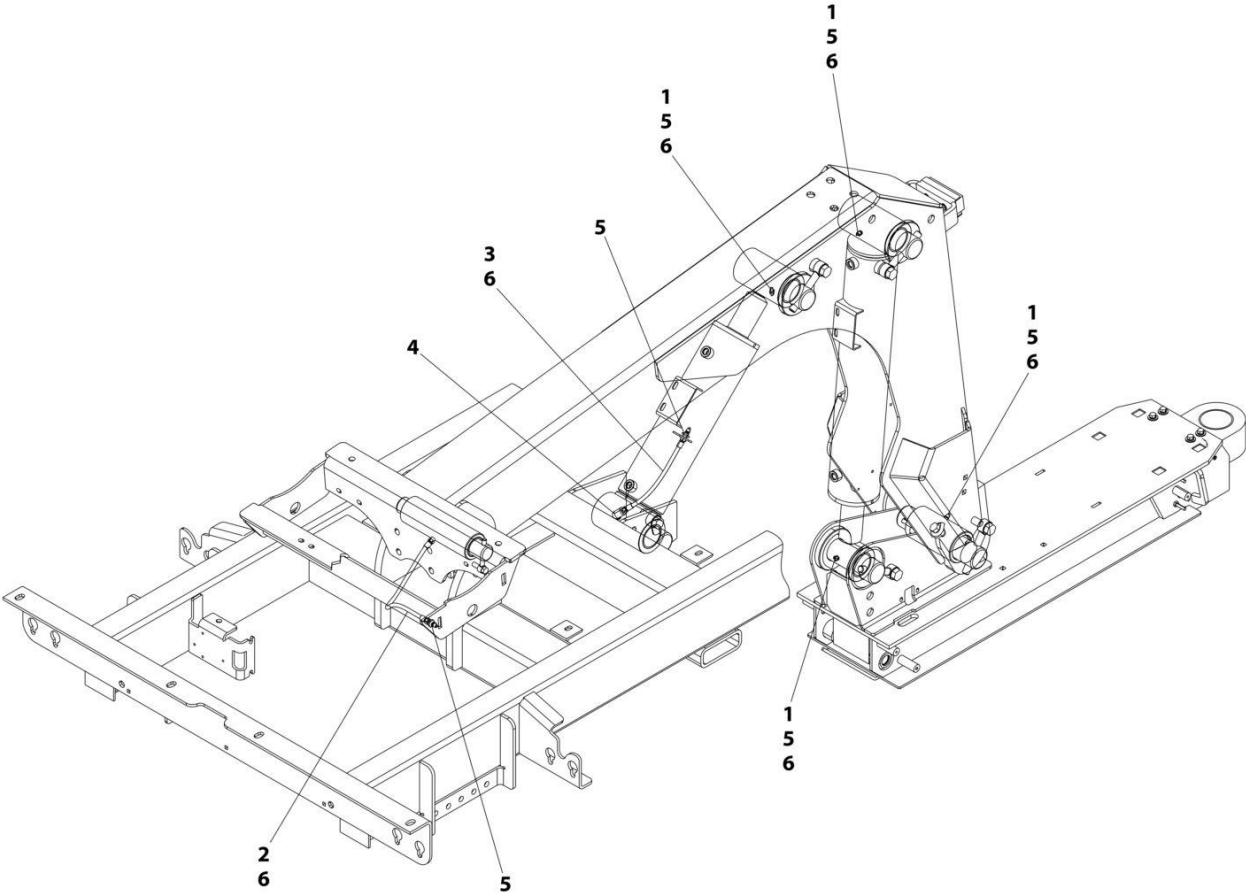
SECTION 8 - DECAL

FIGURE 8-4. DECAL INSTALLATION - WHITE LOGO (NGS)

ITEM	PART NUMBER	QTY	DESCRIPTION	REV
1	1001132560 7330000534	Ref 2	DECAL INSTALLATION - WHITE LOGO Decal - Logo	A

SECTION 8 - DECAL

FIGURE 8-5. LUBRICATION DECALS AND CAPS INSTALLATION



ART_1001209027

SECTION 8 - DECAL

FIGURE 8-5. LUBRICATION DECALS AND CAPS INSTALLATION

ITEM	PART NUMBER	QTY	DESCRIPTION	REV
	1001209027	Ref	LUBRICATION DECALS AND CAPS INSTALLATION	A
1	88671008	4	Grease Fitting	
2	1001205239	1	Hose Assembly	
3	1001205256	1	Hose Assembly	
4	8540246	1	Fitting	
5	7253000002	6	Fitting - Cap	
6	3020029	AR	Lube Grease	
7	1001209219	1	Decal (Not Shown)	

SECTION 9 - ACCESSORIES

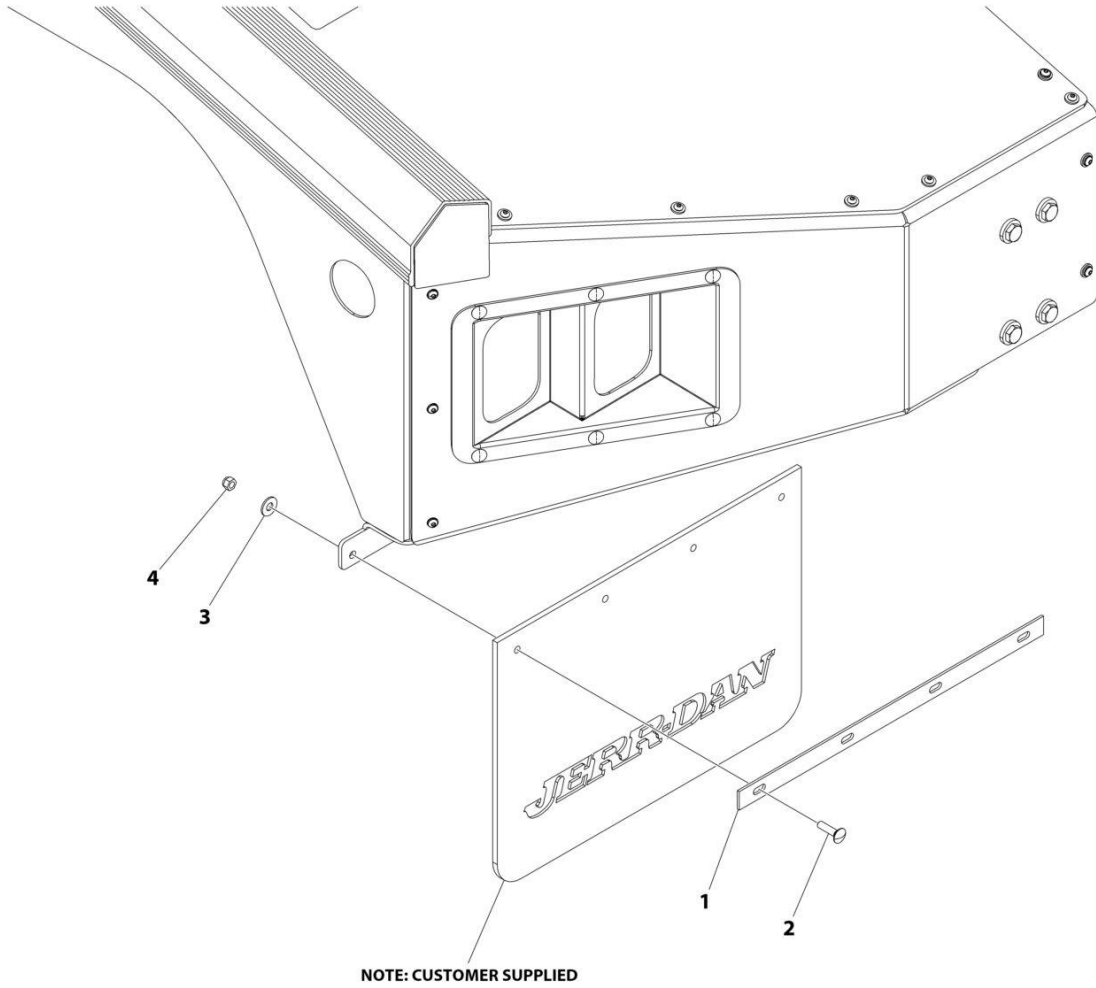
SECTION 9 - ACCESSORIES

FIGURE 9-1. KITS LIST

ITEM	PART NUMBER	QTY	DESCRIPTION	REV
	1001241869	Ref	KITS LIST	H
		Ref	Note: Contact JERR-DAN Parts Department for exact contents of kit:	
	1001290326	Ref	Cylinder Boot Kit (for Underlift Tilt Cylinder)	

SECTION 9 - ACCESSORIES

FIGURE 9-2. MUDFLAPS INSTALLATION (CUSTOMER SUPPLIED) (NGS)



ART_1001139332

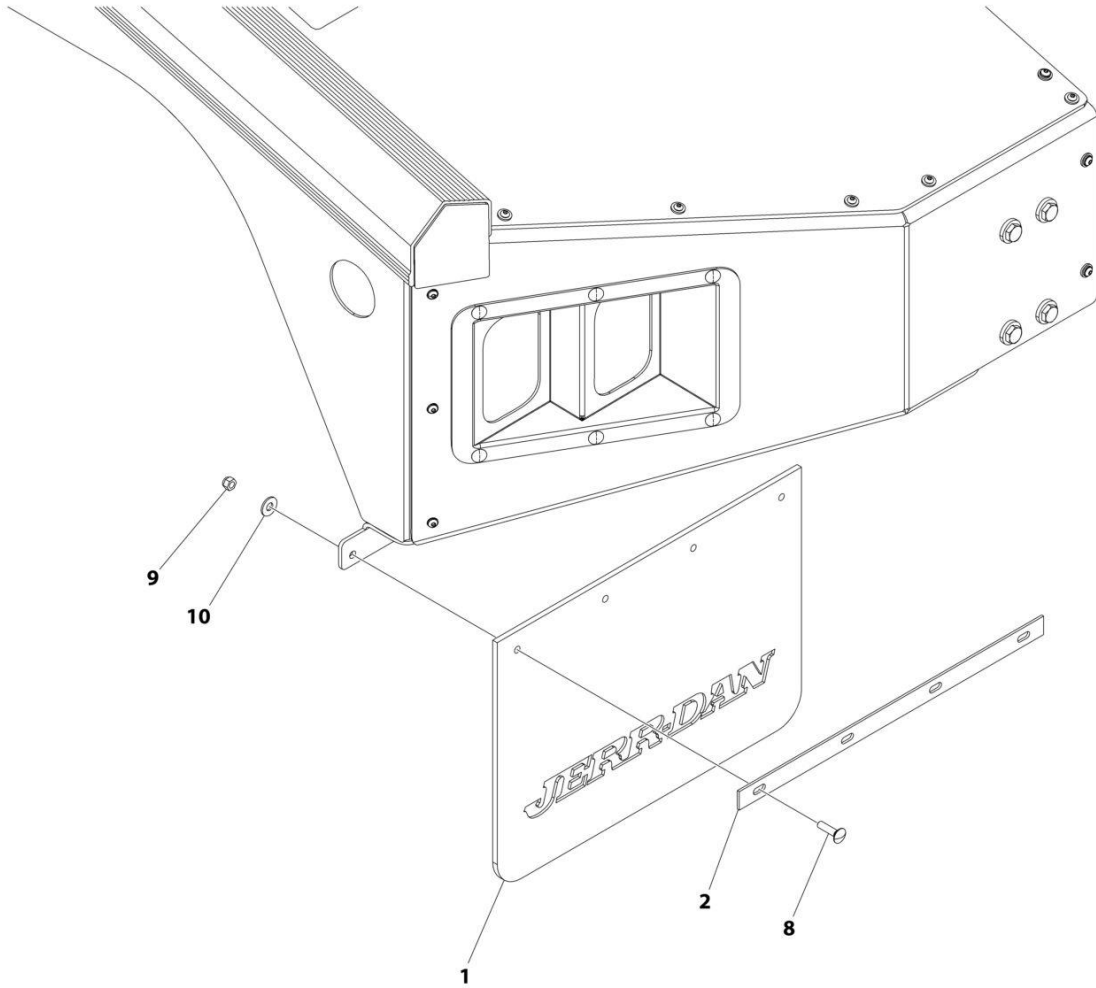
SECTION 9 - ACCESSORIES

FIGURE 9-2. MUDFLAPS INSTALLATION (CUSTOMER SUPPLIED) (NGS)

ITEM	PART NUMBER	QTY	DESCRIPTION	REV
	1001139332	Ref	MUDFLAPS INSTALLATION (CUSTOMER SUPPLIED)	A
1	4706001123	2	Plate	
2	7111150864	8	Bolt 5/16 x 1	
3	7950150161	8	Washer 5/16	
4	7660152601	8	Nut 5/16	

SECTION 9 - ACCESSORIES

FIGURE 9-3. MUDFLAPS INSTALLATION (FACTORY SUPPLIED) (NGS)



ART_263800006

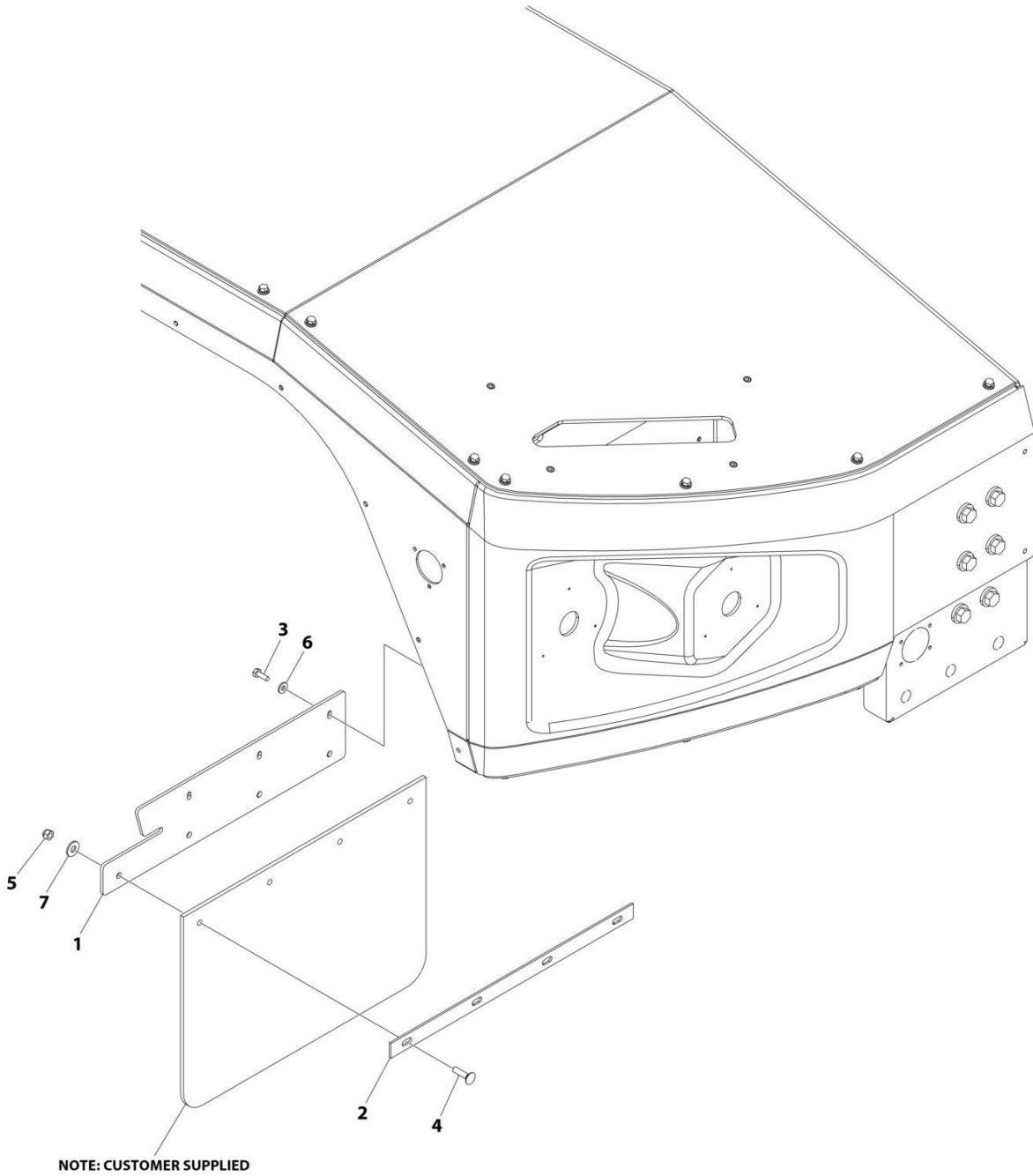
SECTION 9 - ACCESSORIES

FIGURE 9-3. MUDFLAPS INSTALLATION (FACTORY SUPPLIED) (NGS)

ITEM	PART NUMBER	QTY	DESCRIPTION	REV
	2638000006	Ref	MUDFLAPS INSTALLATION (FACTORY SUPPLIED)	C
1	7638000003	2	Mud Flap	
2	4706001123	2	Plate	
8	7115151064	8	Bolt 5/16 x 1-1/4	
9	7660152601	8	Nut 5/16	
10	7950150161	8	Washer 5/16	

SECTION 9 - ACCESSORIES

FIGURE 9-4. MUDFLAPS INSTALLATION (CUSTOMER SUPPLIED) (NG)



ART_1001296064

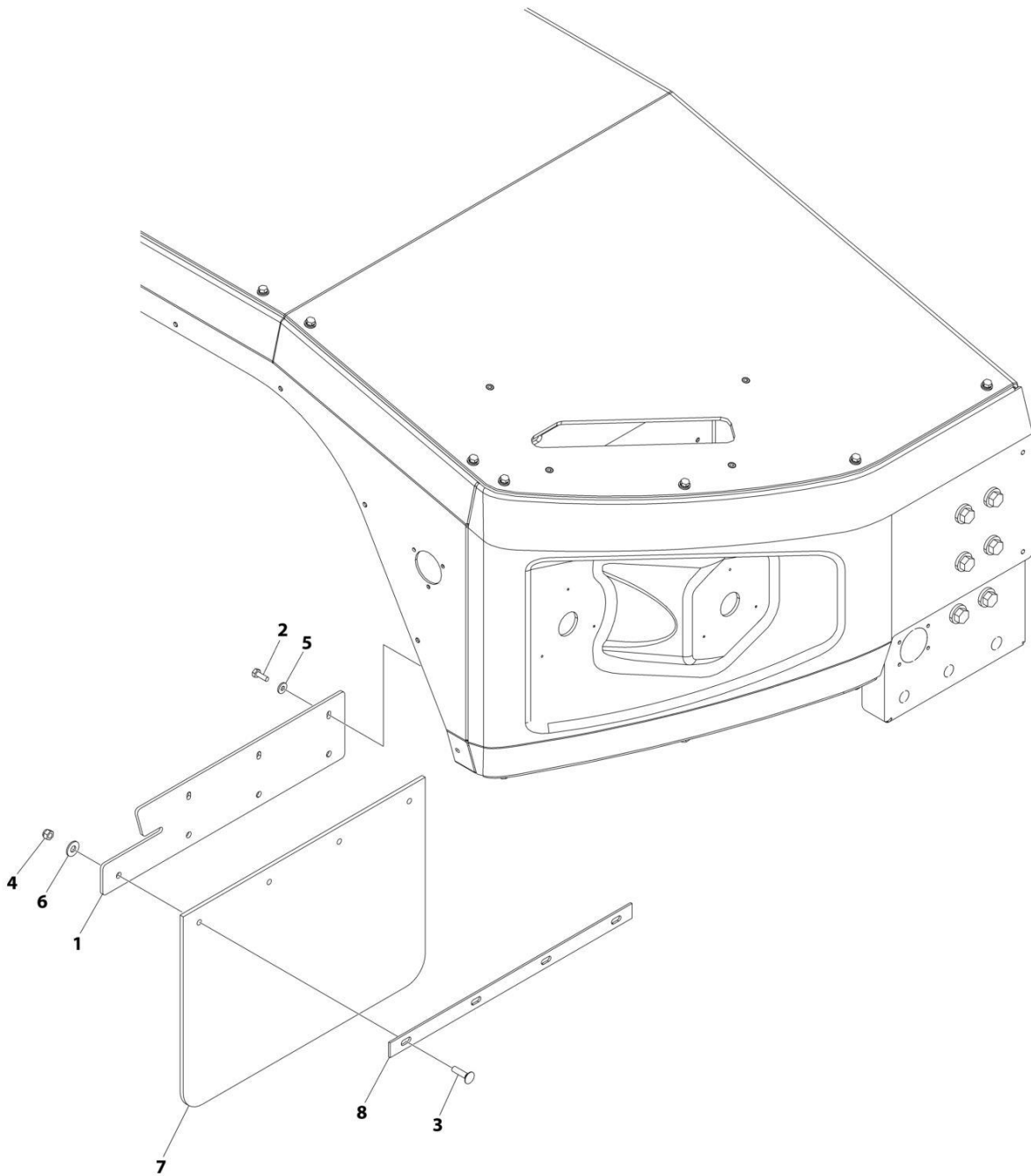
SECTION 9 - ACCESSORIES

FIGURE 9-4. MUDFLAPS INSTALLATION (CUSTOMER SUPPLIED) (NG)

ITEM	PART NUMBER	QTY	DESCRIPTION	REV
	1001296064	Ref	MUDFLAPS INSTALLATION	A
1	1001294772	2	Bracket	
2	4706001123	2	Plate	
3	7115140650	6	Bolt 1/4 x 3/4	
4	7115151064	8	Bolt 5/16 x 1-1/4	
5	7660152601	8	Nut 5/16	
6	7950140143	6	Washer 1/4	
7	7950150161	8	Washer 5/16	

SECTION 9 - ACCESSORIES

FIGURE 9-5. MUDFLAPS INSTALLATION (FACTORY SUPPLIED) (NG)



ART_1001294771

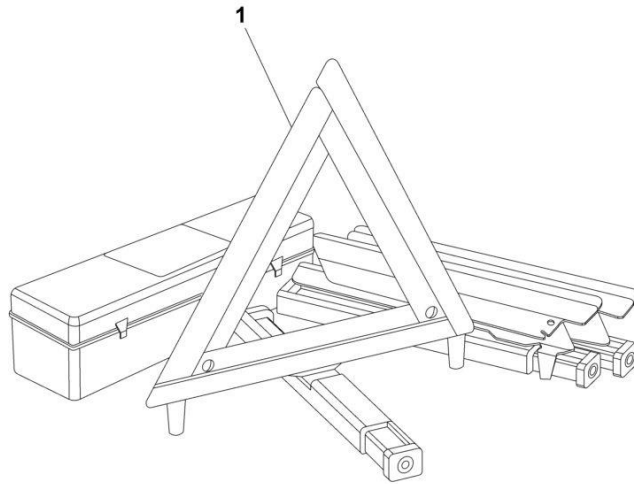
SECTION 9 - ACCESSORIES

FIGURE 9-5. MUDFLAPS INSTALLATION (FACTORY SUPPLIED) (NG)

ITEM	PART NUMBER	QTY	DESCRIPTION	REV
	1001294771	Ref	MUDFLAPS INSTALLATION	B
1	1001294772	2	Bracket	
2	7115140650	6	Bolt 1/4 x 3/4	
3	7115151064	8	Bolt 5/16 x 1-1/4	
4	7660152601	8	Nut 5/16	
5	7950140143	6	Washer 1/4	
6	7950150161	8	Washer 5/16	
7	7638000003	2	Mud Flap	
8	4706001123	2	Plate	

SECTION 9 - ACCESSORIES

FIGURE 9-6. SAFETY TRIANGLE KIT



ART_STK

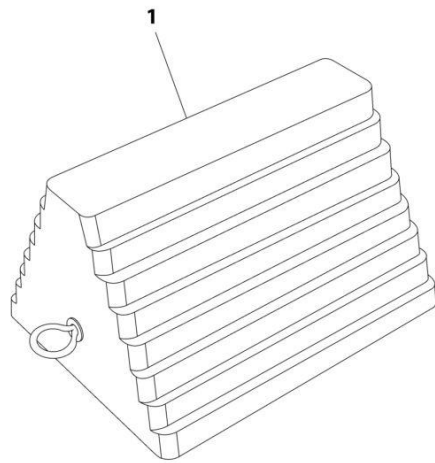
SECTION 9 - ACCESSORIES

FIGURE 9-6. SAFETY TRIANGLE KIT

ITEM	PART NUMBER	QTY	DESCRIPTION	REV
1	STK 7002000285	Ref 1	Safety Triangle Kit Reflective Triangles	0

SECTION 9 - ACCESSORIES

FIGURE 9-7. WHEEL CHOCKS - RUBBER



ART_RWC

SECTION 9 - ACCESSORIES

FIGURE 9-7. WHEEL CHOCKS - RUBBER

ITEM	PART NUMBER	QTY	DESCRIPTION	REV
1	RWC 7002000448	Ref 2	WHEEL CHOCKS Wheel Chock - Rubber	0

SECTION 10 - BUILD DOCUMENTS

SECTION 10 - BUILD DOCUMENTS

FIGURE 10-1. BUILD DOC_5376000282

ITEM	PART NUMBER	QTY	DESCRIPTION	REV
	Note	Ref	Note: This list is for build tracking purposes only. Parts in this list are not available at this inventory stocking level. Parts in this list may not be applicable to all models. For more specific parts information contact Jerr-Dan Parts Department	
	1001291500	Ref	Body & Wiring Installation - Aluminum (NG)	
	1001291502	Ref	Body Installation - Aluminum (NG) (See Separate Breakdown in BODY Section)	
	1001291366	Ref	Body Wiring Installation - Aluminum (NG) (See Separate Breakdown in ELECTRICAL Section)	
	1001268368	Ref	Body & Wiring Installation - Steel (NGS)	
	2097000120	Ref	Body Installation - Steel (NG) (See Separate Breakdown in BODY Section)	
	1001267676	Ref	Body Wiring Installation - Steel (NG) (See Separate Breakdown in ELECTRICAL Section)	
		Ref	PTO (Installation & replacement is based on individual characteristics of the unit - Contact Jerr-Dan Parts Dept.)	
	TP_REF	Ref	Pump (Installation & replacement is based on individual characteristics of the unit - Contact Jerr-Dan Parts Dept.)	
	1001127569	Ref	Controls Installation	
	3509530154	Ref	Controls Hose Installation (See Separate Breakdown in HYDRAULIC Section)	
	2509170077	Ref	Underlift Level Stop Installation (See Separate Breakdown in CONTROLS Section)	
	1001299370	Ref	Ship-Out Stand for Kits Models	
	1001268204	Ref	SWITCH PANEL - 3 FUNCTION PANEL (IN DASH COMPACT)	
	1001266075	Ref	SWITCH PANEL ASSEMBLY - 3 FUNCTION (IN DASH COMPACT) (See Separate Breakdown in ELECTRICAL Section)	
	1001129883	Ref	Breaker Installation - 50 Amp (See Separate Breakdown in ELECTRICAL Section)	
	1001268202	Ref	SWITCH PANEL - 3 FUNCTION PANEL (UNDER DASH COMPACT)	
	1001266355	Ref	SWITCH PANEL ASSEMBLY - 3 FUNCTION (UNDER DASH COMPACT) (See Separate Breakdown in ELECTRICAL Section)	
	1001129883	Ref	Breaker Installation - 50 Amp (See Separate Breakdown in ELECTRICAL Section)	
	1001268208	Ref	SWITCH PANEL - 5 FUNCTION PANEL (IN DASH COMPACT)	
	1001266357	Ref	SWITCH PANEL ASSEMBLY - 5 FUNCTION (IN DASH COMPACT) (See Separate Breakdown in ELECTRICAL Section)	
	1001129883	Ref	Breaker Installation - 50 Amp (See Separate Breakdown in ELECTRICAL Section)	
	1001268206	Ref	SWITCH PANEL - 5 FUNCTION PANEL (UNDER DASH COMPACT)	
	1001266359	Ref	SWITCH PANEL ASSEMBLY - 5 FUNCTION (UNDER DASH COMPACT) (See Separate Breakdown in ELECTRICAL Section)	
	1001129883	Ref	Breaker Installation - 50 Amp (See Separate Breakdown in ELECTRICAL Section)	
	1001299582	Ref	TUNNEL & ELECTRICAL INSTALLATION - Single	
	1001291367	Ref	TUNNEL ELECTRICAL INSTALLATION - SINGLE	
	1001291066	Ref	TUNNEL HARNESS (See Separate Breakdown in ELECTRICAL Section)	
	1001293172	Ref	TUNNEL INSTALLATION (See Separate Breakdown in BODY Section)	
	3509530149	Ref	Winch Installation - Units with Winch not Supplied by JERR-DAN	

SECTION 10 - BUILD DOCUMENTS

ITEM	PART NUMBER	QTY	DESCRIPTION	REV
	1001208911	Ref	Winch Installation - 8K LBS	
	1001208910	Ref	Winch Installation (See Separate Breakdown in BOOM Section)	
	2500900643	Ref	Cable Tensioner Installation (See Separate Breakdown in BOOM Section)	
	3509530147	Ref	Hose Installation - Winch (See Separate Breakdown in HYDRAULIC Section)	

PART NUMBER INDEX

SECTION 10 - BUILD DOCUMENTS

0100011.....107, 109, 233, 251, 253, 255, 257, 273, 301	1001127387 13	1001189077 237, 239	1001221232.... 41, 47, 61, 65
0100048.....159, 233	1001127388 13	1001189906 175, 233	1001221345.... 41, 51, 61, 69
0641406.....113	1001127427 183	1001191715 91	1001221348.... 47, 55, 65, 73
0641407....41, 47, 51, 55, 61, 65, 69, 73	1001127569 358	1001191717 91, 119, 121	1001221375.....317
0641408.....37	1001127820 169	1001191718 119, 121	1001221651.... 15, 19, 21, 25, 41, 42, 47, 51, 55, 61, 62, 65, 69, 73
0641410.....233, 241	1001127828 169	1001194371 83, 91	1001221652.... 15, 19, 21, 25, 42, 47, 51, 55, 62, 65, 69, 73
0641416.....113	1001129412 107, 109	1001194372 103, 119, 121	1001221653.... 15, 19, 21, 25, 42, 47, 51, 55, 62, 65, 69, 73
0641510....41, 47, 61, 65	1001129413 107, 109	1001196509 119, 123	1001221904.....51
0641516....41, 47, 51, 55, 61, 65, 69, 73	1001129414 107	1001196510 123	1001221905.....55
0641608.....93	1001129882 247	1001196791 77	1001223730.....211
0641610.... 15, 17, 19, 21, 23, 25, 27, 29, 175	1001129883 247, 358	1001196792 77, 79	1001223731.....213
0641612.....93	1001132346 331, 333	1001196813 91	1001223732.....215
0641808.....91	1001132509 331	1001196814 91	1001223734.....217
0641809....41, 47, 51, 55, 61, 65, 69, 73	1001132559 335	1001196913 119	1001224068.... 41, 42, 47, 51, 55, 61, 62, 65, 69, 73
0641810.... 251, 253, 273	1001132560 337	1001197407 239	1001225063.....299
0641813.....133	1001132605 213	1001199081 175, 233	1001225068.....299
0641814.....93, 297	1001132610 215	1001199475 255, 257, 263	1001225217.....299, 317
0641818.....133	1001132618 217	1001201994 239, 325	1001226317.....299
0641824.....175	1001132634 201	1001204776 83, 103, 123, 125	1001231801.....331, 333
0641826.....175	1001132643 203	1001204780 83, 91	1001241869.....342
0642018.....93	1001132647 205	1001205239 339	1001247139.....251, 253, 259
0651606.....93	1001132794 201, 203, 205, 207, 209, 211, 213, 215, 217	1001205256 339	1001249938..... 159, 161
0681608.....301	1001132800 209, 213, 215, 217	1001205604 113	1001254044..... 319
0681612.....91	1001132809 209	1001206157 93	1001255482.... 15, 17, 19, 21, 23, 25, 27, 29
0681816....13, 15, 17, 19, 21, 23, 25, 27, 29, 35, 37, 41, 47, 51, 55, 61, 65, 69, 73	1001132834 209	1001206161 93	1001255484.....229
0682014.....91, 119, 121	1001132846 209	1001206167 93	1001255485.....229
0682015.....119	1001136821 211	1001206171 93	1001255628.....237
0682016.....91	1001137494 113, 193	1001206185 93	1001255844.... 15, 19, 21, 25
0701019.....41, 61	1001137495 193	1001206326 113	1001255854.... 15, 19, 21, 25
0701024.....41, 61	1001137496 189	1001207171 239	1001255855..... 15
0962224.....83, 103	1001137519 255	1001207920 331, 333	1001255856..... 17
0962272.....91	1001137904 113	1001207976 125	1001255858.... 15, 17, 19, 29
1001095650..91, 93, 119, 121, 123, 125	1001139332 345	1001208300 285	1001255901.....239
1001100949.....239	1001142771 159, 161	1001208910 93, 359	1001255942.... 15, 17, 19, 29
1001104498.....235	1001142974 231	1001208911 359	1001255943.... 15, 17, 19, 21, 23, 25, 27, 29
1001107854.....235	1001143686 159, 161	1001209027 339	1001255944.... 15, 17, 19, 21, 23, 25, 27, 29
1001112058..... 107, 109	1001152707 123, 125	1001209219 339	1001256168.... 15, 19, 21, 25
1001116723239	1001153944 107, 109	1001211205 163	1001256172.....257
1001116727239, 249, 303, 321	1001153945 107, 109	1001211206 165	1001256226.... 15, 17, 19, 21, 23, 25, 27, 29
1001116729.....239, 243, 249	1001153946 107, 109	1001220071 41	1001256269.... 15, 17, 19, 21, 23, 25, 27, 29
1001116747245	1001153947 107, 109	1001220072 41, 51	1001256399.....167
1001116749237, 239	1001153950 107, 109	1001220073 ... 41, 51, 61, 69	1001256400.....167
1001116751235, 237, 239, 291, 293, 327	1001153971 107, 109	1001220074 ... 41, 51, 61, 69	1001256466.....201
1001116763.....237	1001154530 175, 233	1001220076 47	1001256467.....203
1001119004.....237, 243, 245	1001155141 123, 125	1001220077 47, 55	1001256468.....205
1001119106.....235	1001160779 ... 31, 33, 35, 37	1001220078 ... 47, 55, 65, 73	
1001119754.....237	1001160831 ... 31, 33, 35, 37	1001220181 227	
1001119755.....235	1001160833 31	1001220280 113	
1001121727239, 249	1001160834 33	1001220359 175	
1001127220.....331	1001160835 33, 37	1001220832 41, 61	
1001127340.....13	1001160904 31	1001220833 ... 41, 47, 51, 55, 61, 65, 69, 73	
100112734113	1001160905 33	1001220909 ... 41, 47, 61, 65	
100112734213	1001160919 33, 37	1001221001 ... 41, 47, 61, 65	
	1001160988 31, 35	1001221065 41, 61	
	1001161328 277	1001221075 ... 41, 47, 51, 55, 61, 65, 69, 73	
	1001161504 277	1001221138 ... 41, 47, 51, 55, 61, 65, 69, 73	
	1001173683 191		
	1001174496 181, 183		
	1001176337 281, 285		
	1001185808 113		
	1001187078 239		
	1001188590 177		

SECTION 10 - BUILD DOCUMENTS

<p>1001256469 207 1001256789 ... 19, 25, 27, 29 1001256801 29 1001256825 207 1001256835 19 1001256836 29 1001257070 207 1001259576 251 1001262106 253 1001263429 241, 249 1001265004 253 1001265469 121 1001265470 121, 125 1001265477 107 1001265479 107, 109 1001266075 307, 358 1001266355 309, 358 1001266357 311, 358 1001266359 313, 358 1001266884 317 1001267672 241, 243 1001267673 241, 245 1001267676 241, 358 1001267711 315 1001267714 107 1001267982 319 1001268202 358 1001268204 358 1001268206 358 1001268208 358 1001268368 358 1001268759 107 1001270927 107, 109 1001270928 107, 109 1001271130 107, 109 1001271968 321 1001271970 321 1001273600 231 1001273634 281, 283, 285, 287 1001274244 325 1001274434 191 1001275791 291, 293 1001277282 291, 293, 327 1001282025 41, 61, 69 1001282026 41, 61, 69 1001288449 291, 293, 327 1001288450 291, 293, 327 1001288453 291, 293 1001288454 237, 239, 291, 293, 327 1001288455 291, 293 1001288456 291, 293, 327 1001288457 291, 293 1001288566 235, 237, 239, 327 1001290224 79 1001290326 342 1001291050 233, 239 1001291064 233, 235 1001291065 233, 237 1001291066 327, 358</p>	<p>1001291067 159, 293 1001291366 233, 358 1001291367 358 1001291368 159 1001291500 358 1001291502 133, 358 1001291503 133, 143 1001291504 143 1001291505 143 1001291506 143 1001291507 143 1001291511 133, 145 1001291512 145 1001291513 145 1001291514 145 1001291515 145 1001291598 181, 321 1001291641 151 1001291650 159 1001291680 151 1001293172 175, 358 1001293173 175, 177 1001293174 177 1001293214 177 1001293218 177 1001293466 297 1001293707 177 1001294075 161 1001294077 161 1001294148 141 1001294149 141 1001294150 137 1001294151 137 1001294152 139 1001294153 139 1001294154 135 1001294155 135 1001294282 161 1001294381 177 1001294465 133 1001294771 351 1001294772 349, 351 1001294914 283 1001295009 279 1001295047 279 1001295120 297 1001295121 297 1001295294 279 1001295697 135, 137, 139, 141 1001295699 135, 137, 139, 141 1001295782 79 1001296064 349 1001296066 287 1001296069 13, 21, 23, 25, 27, 35, 37, 61, 65, 69, 73 1001296519 171, 173 1001296520 173 1001296521 171 1001297109 159, 297 1001297178 301 1001297225 301 1001297237 173 1001297465 61, 69 1001297526 65, 73</p>	<p>1001297527 35 1001297528 37 1001297529 21, 23, 25, 27 1001297530 35 1001297531 37 1001297534 61 1001297535 65 1001297536 69 1001297537 73 1001297538 181 1001297540 21 1001297541 23 1001297542 25 1001297543 27 1001297994 177 1001298068 13 1001298346 143 1001298348 145 1001298350 143, 145 1001298621 233 1001298632 177 1001299045 133 1001299370 358 1001299519 161, 291 1001299532 331 1001299533 331 1001299582 358 1001299584 161 1001300166 175 1001300167 175 1001300459 301 1001300633 331 1001300749 133 1001300750 133 1001300876 133 1001300877 133 1001300878 133 1001300989 133 1001300990 133 1001301353 273 1001301354 273 1001301355 273 1001301373 325 1001301375 325 1001301573 135 1001301574 137 1001301575 139 1001301576 141 1001301578 147 1001301579 149 1001301604 143, 145 1001301605 143, 145 1001301606 143, 145 1001301812 269 1001302047 109 1001302048 109 1001302054 147 1001302055 149 1001302727 109 1001303183 171 2011000002 225 2097000120 131, 358 2178000048 117 2178000053 113</p>	<p>2178000062 ... 31, 33, 35, 37, 42, 47, 51, 55, 62, 65, 69, 73 2220415 113 2415000030 155 2415000031 153 2415000032 157 2500900643 89, 359 2509170077 185, 358 2509290124 333 2509570071 271 2509570121 165 2509570126 163 2509610148 115 2509650093 219 2570000157 ... 31, 33, 35, 37 2570000171 ... 42, 47, 51, 55, 62, 65, 69, 73 2577000033 275 2590000177 267 2590000236 275, 277 2590000238 281 2638000006 347 2870000012 305 2900733 97 3017000002 89 3017000003 89 3020000124 113 3020000125 113 3020029 93, 107, 109, 113, 339 302003991, 93, 107, 109, 113, 119, 121, 123, 125 3097000767 131 3097000769 131 3170000346 123, 125 3178000443 271 3178000444 271 3178000507 117 3178000508 93 3249000040 115 3249000041 115 3271405 37 3271505 113 3271605 ... 15, 17, 19, 21, 23, 25, 27, 29 3271805 ... 13, 15, 17, 19, 21, 23, 25, 27, 29, 35, 37, 41, 47, 51, 55, 61, 65, 69, 73, 91 3272005 121 3300240 91, 119 3311401 ... 41, 47, 51, 55, 61, 65, 69, 73 3311508 177 3311801 ... 41, 47, 51, 55, 61, 65, 69, 73 3340898 175 3509330108 163, 165, 167, 289 3509530061 193 3509530147 199, 359 3509530149 358 3509530150 195 3509530151 197 3509530154 191, 358</p>
---	--	--	--

SECTION 10 - BUILD DOCUMENTS

3509570121.....	165	4460588.....	249	4706004066.....	127	70050180.....	263
3509570127.....	163	4460589.....	249	4706004067.....	127	70050181.....	263
3509870046.....	127, 193	4460608... 237, 239, 249,		4706004919.....	77	70050203.....	263
3592000051.....	113	295, 327		4706005792.....	177	70050204.....	263
3592000052.....	113	4460692... 245, 249, 295		4706005869.....	175	70050207.....	264
3619000001.....	127	4460693..... 245, 249		4706005904.....	13	70050208.....	264
3691000195.....	115, 117	4460695..... 245		4706005906.....	13	70050209.....	264
3691000229.....	113	4460742... 185, 235, 237,		4706006442... 13, 31, 33,		70050210.....	264
3691000230.....	113	243, 245, 291, 293, 295		35, 37, 41, 47, 51, 55,		70050211.....	264
3706000099.....	89	4460743... 185, 321, 323		61, 65, 69, 73		70050632.....	101
3750000061.....	219	4460789... 235, 237, 239		4707000343.....	131	70050633.....	101
3760115.....	123, 125	4460844..... 321		4707000344.....	131	70050634.....	101
3760351.....	113	4460867..... 243, 295		4707000345.....	131	70050635.....	101
3841143.....	91, 93	4460884..... 235, 237		4707000367.....	169	70050636.....	101
3841258.....	91, 119, 121	4460891... 235, 237, 291,		47111400... 37, 41, 47, 51,		70050637.....	101
3941506.....	15, 17, 19, 21,	293, 321, 323, 327		55, 61, 65, 69, 73, 113,		70050638.....	101
23, 25, 27, 29, 42, 48,		4460897... 235, 237, 291,		233, 241		70050639.....	101
52, 56, 62, 66, 70, 74,		293, 327		4711600.....	93, 301	70050640.....	101
213, 215, 217		4460933..... 303		4711800... 13, 15, 17, 19,		70050641.....	101
4017001502.....	123, 125	4460979..... 321, 323		21, 23, 25, 27, 29, 35,		70050642.....	101
4062000695.....	131	4461118..... 235, 237		37, 41, 42, 47, 51, 55,		70050643.....	101
4064000052.....	107, 109,	4461157... 185, 235, 291,		61, 62, 65, 69, 73, 297		70050644.....	101
113		293		4712000.....	93	70050665.....	263
4090000010.....	131	4461215..... 295		4751500... 41, 47, 51, 55,		70050679.....	95
4090000011.....	131, 133	4495000011..... 191		61, 65, 69, 73, 123, 125		70050682.....	95
4090000012.....	271	4533000415... 15, 17, 19,		4761400.....	113, 241	70051021.....	263
4090000013.....	107, 109	21, 23, 25, 27, 29, 31,		4761500.....	123, 125	70051022.....	263
4178000402.....	255, 271,	33, 35, 37, 42, 48, 51,		4761600.....	93	70051023.....	263
283		55, 62, 66, 69, 73		4763000184.....	107, 109	70051026.....	263
4178000427.....	305	4564088..... 229		4811001177.....	131	70051027.....	263
4178000437.....	257	4567120056..... 189		4811001194... 13, 41, 47,		70051028.....	263
4178000705.....	185	4567120087..... 189		55, 61, 65, 69, 73		70051029.....	263
4178000709.....	185	4567120112..... 189		4812000.....	41, 61	70051030.....	263
4178000784.....	285	4567130135..... 213		4812000107.....	175	70051035.....	263
4178000826.....	107	4567130140..... 215		4812000108.....	175	70051036.....	263
4178000827.....	107	4567130165..... 217		4812000142... 13, 31, 33,		70051039.....	263
4240033.....	233	4567132152..... 201		35, 37		70051044.....	263
4254000005.....	107, 109	4567132178..... 203		4819000008.....	191	70051045.....	263
4263000814.....	119, 121	4567132188..... 205		4831000095..... 107, 109,		70051048.....	263
4330000001.....	177	4567630182..... 209		113		70051049.....	263
4346000005.....	247, 305,	4567820118..... 193		4891600.....	93	70051053.....	263
307, 309, 315, 317,		4570000210..... 193		4891800.....	93, 133	70051055.....	263
319, 325		4570000211..... 193		4892000007..... 331, 333		70051056.....	264
4420002.....	233	4570000212..... 193		4949000047..... 107, 109,		70051057.....	264
4460018....	307, 309, 311,	4570000303..... 199		113		70051058.....	263
313		4570000304..... 189		4949000050..... 119, 121		70051059.....	263
4460035....	307, 309, 311,	4570000305..... 193		5376000192.....	299	70051060.....	263
313		4570000370..... 189		5525000537.....	231	70051061.....	263
4460042....	307, 309, 311,	4570000373..... 211		5526000553... 31, 33, 35,		70051062.....	263
313		4619000013..... 113		37, 41, 42, 47, 48, 51,		70051063.....	263
4460234.....	233	4632000058..... 131, 133		55, 61, 62, 65, 66, 69,		70051064.....	263
4460457... 235, 237, 239,		4636000041..... 175		73, 185, 191, 227, 229,		70051065.....	263
249, 291, 293, 295,		4679000046..... 123, 125		289, 309, 313		70051066.....	263
303, 323		4679000213..... 123, 125		7002000285.....	353	70051068.....	263
4460458... 185, 235, 237,		4691000186..... 107, 109		7002000448.....	355	70051069.....	263
291, 293, 295, 303,		4691000198..... 107, 109,		7002107.....	97	70051070.....	263
321, 323		113		7002110.....	97	70051071.....	263
4460460.....	239	4691000307..... 123, 125		7002111.....	97	70051072.....	263
4460464....	235, 237, 269,	4691000308..... 123, 125		7002117.....	97	70051073.....	263
327		4691000572..... 115		7002123.....	97	70051074.....	263
4460465....	235, 237, 291,	4706001123..... 345, 347,		70050169.....	263	70051075.....	263
293, 303, 321, 323, 327		349, 351		70050170.....	263	70051076.....	263
4460466....	235, 237, 291,	4706003402..... 181, 183		70050174.....	263	70051077.....	263
293, 303, 327		4706003497..... 113		70050175.....	263	70051078.....	263
4460475....	235, 291, 293,	4706003501..... 127		70050176.....	263	70051326.....	83, 103
295, 303, 321, 323		4706003844..... 203, 207,		70050178.....	263	70051554.....	95
4460587.....	249	209, 211, 213, 215, 217		70050179.....	263	70051555.....	95

SECTION 10 - BUILD DOCUMENTS

70051628 83, 103	7115151064.....201, 203,	7330000036.....107, 109,	7445060647 191
70051629 83, 103	205, 207, 209, 211,	113	7445060698 197
70051660 105	213, 215, 217, 347,	7330000122.....331, 333	7445060843 191, 193,
70051661 105	349, 351	7330000138.....331, 333	199
70051662 105	7115161050.... 31, 33, 35,	7330000139.....331, 333	7445080818 191
70051663 105	37, 42, 48, 51, 55, 62,	7330000143.....331, 333	7445080845 191
70051664 105	66, 69, 73, 89, 133,	7330000286.....335	7445081045 199
70052121 83	143, 145	7330000288.....305, 307,	7449000019 ... 31, 33, 35,
70052122 103	7115161250.....271	309, 311, 313	37, 42, 47, 51, 55, 62,
70070000 259	7115181050.....255, 257	7330000307.....333	65, 69, 73
70070001 259	7115181064.....219, 301	7330000424.....117	7457000004 247
70070002 259	7115181450.....131, 133,	7330000428.....177	7457000015 305
70070003 259	159, 163, 165, 167	7330000534.....337	7470000002 191
70070028 97	7115181650.. 31, 33, 133,	7330000546.....331, 333	7493000003 131, 233,
70070029 97	161	7330000553.....107, 109	241, 283
70070030 97	7115181864.....175	7330000599.....107, 109,	7493000009 275, 277
7009974 97	7115190950.....271	113	7493000010 159, 161
7009975 97	7120000034.....181, 183,	7330000609.....107, 109,	7493000015 269
7009992 97	227, 229, 231, 247, 305	113	7493000016 161
7009997 97	7178000025.....289	7330000699.....331, 333	7493000029 275, 277
7011000006 225, 233	7189000019.....127	7330000716.....115	7493000030 233
7027336 101	7189000023.....119, 121,	7345001710.....181, 183,	7552000293 289, 295
7027338 101	273	305	7552000365 183, 323
7027341 101	7209000030.....123, 125	7345001714.....181, 183,	7552000367 185
7029140 83, 103	7248000092.....85	299, 315, 317, 319	7552000368 185
7082000026 101, 113	7248000111.....87	7345001910.....305	7552000384 301, 303
7082000032 115	7253000002 93, 107, 109,	7345001914.....231, 299,	7560000004 181, 183
7082000043 123, 125	113, 339	305, 315, 317, 319	7570000017 ... 42, 48, 51,
7104150624 123, 125	7262000040.....91	7345221702.....181, 183,	55, 62, 66, 69, 73
7111140613 241	7274000002.....201, 203,	299	7570000036 ... 31, 33, 35,
7111141050 225	205, 207, 209, 211,	7345221902.....231, 247	37
7111150864 345	213, 215, 217	7346000035.....185, 243	7570000037 ... 15, 17, 19,
7114060810 229	7274000005... 15, 17, 19,	7346000039.....181, 231,	21, 23, 25, 27, 29, 31,
7114100518 185, 271,	21, 23, 25, 27, 29, 42,	289, 299	33, 35, 37, 42, 48, 51,
273	48, 51, 52, 55, 56, 62,	7346000099.....243, 245	55, 62, 66, 69, 73
7114100610 31, 33	66, 69, 70, 73, 74	7346000126.....305	7577000194 233, 241
7114100618 177, 185,	7274000039.....113	7346000140.....243, 245	7577000367 113
279	7274000040.....201, 203,	7346000144.....243, 245	7577000623 191
7114100810 35, 37	205, 207, 209, 211,	7346000145.....243, 245	7577000629 193
7114100818 185, 301	213, 215, 217	7346000146.....243, 245	7585000001 271, 273
7114140427 127	7274000041.....201, 203,	7346000147.....243, 245	7585000023 131, 133
7114140518 159, 161	205, 207, 209	7346000153.....243	7590000105 289
7114140618 127, 131,	7274000042... 15, 17, 19,	7346000242.....307, 309,	7590000207 275, 277
177	21, 23, 25, 27, 29, 201,	311, 313	7590000316 267, 269
7114140650 133, 135,	203, 205, 207, 209,	7346000261.....185	7590000339 275, 277
137, 139, 141, 143,	211, 213, 215, 217	7413000002.....131, 241	7590000343 275, 277
145, 191, 233	7274000071.... 42, 48, 51,	7415000035.....155	7590000379 275, 277
7114140818 107, 169	55, 62, 66, 70, 73	7415000036.....153	7590000381 275, 277
7114140850 109	7274000073.....127	7430000003.....191	7592000004 127
7114141018 107, 267,	7274000076... 15, 17, 19,	7440030000.....107, 109	7626000014 93, 97
273	21, 23, 25, 27, 29, 42,	7443000013.....201, 203,	7636000005 175
7114141218 107, 119,	48, 51, 55, 62, 66, 70,	205, 207, 211, 213,	7638000003 347, 351
121	73, 201, 203, 205, 207,	215, 217	7660062604 229
7114150818 131	209, 211, 213, 215, 217	7443000048.....107, 109	7660102604 ... 31, 33, 35,
7114151650 191	7274000080.....191	7443000066.....191	37, 177, 185, 271, 273,
7115140650 131, 151,	7274000086.....113	7443000319.....191	279, 301
153, 155, 349, 351	7274000105.... 42, 48, 51,	7443000412.....209	7660140001 233
7115140850 33, 127	56, 62, 66, 70, 74, 201,	7443000435.....191	7660142600 169, 225,
7115150664 271	203, 205, 207, 233	7443000436.....191	241
7115150850 191	7280000018.....227, 229,	7443000483....42, 48, 52,	7660142601 33, 107, 109,
7115150864 209	231	56, 62, 66, 70, 74	153, 155, 267
7115151050 ... 15, 17, 19,	7291000010.....241	7445040443.....191	7660142604 119, 121,
21, 23, 25, 27, 29, 42,	7295000131.....181, 183	7445040445.....127, 193	127, 177, 233, 273
48, 52, 56, 62, 66, 70,	7320000064.....101, 113	7445060625.....191, 193	7660152601 ... 15, 17, 19,
74, 201, 203, 205, 207,	7320000077.....105, 123,	7445060643.....191	21, 23, 25, 27, 29, 41,
209, 211, 213, 215, 217	125	7445060645.....191	42, 47, 48, 51, 52, 55,
	7330000034.....333	7445060646.....197	56, 61, 62, 65, 66, 69,

SECTION 10 - BUILD DOCUMENTS

70, 73, 74, 93, 191, 201, 203, 205, 207, 209, 211, 213, 215, 217, 271, 345, 347, 349, 351	7796000101 163, 165, 167	133, 135, 137, 139, 141, 143, 145, 151, 153, 155, 169, 177, 191, 233, 267, 273, 349, 351	8632760025..... 131
7660160001 301	7809000001 93	7950140153 33	8798820001..... 161, 233
7660162301 127, 175	7809000013 115	7950150000 191	8830600004..... 157
7660162601 31, 33, 35, 37, 42, 48, 51, 55, 62, 66, 69, 73, 89, 209, 271	7819000005 191	7950150153 281	88671008..... 93, 107, 109, 113, 339
7660182301 175	7819000013 201, 203, 205, 207, 209	7950150161 ... 15, 17, 19, 21, 23, 25, 27, 29, 42, 48, 52, 56, 62, 66, 70, 74, 89, 191, 201, 203, 205, 207, 209, 211, 213, 215, 217, 345, 347, 349, 351	8892040001..... 299
7660182601 31, 33, 89, 131, 133, 161, 219, 251, 253, 255, 257, 271, 273, 301	7843000004 89	7950160141 ... 31, 33, 35, 37, 42, 48, 51, 55, 62, 66, 69, 73	8977500100..... 181
7661000019 159, 161	7843000006 107, 109	7950160143 133	9120960034..... 95
7661000029 131, 133	7843000031 127	7950160161 143, 145, 271	9120960061..... 95
7661000056 185	7843000037 107, 109, 113	7950170161 163, 165	9314960024..... 95
7661000064 113, 143, 145	7870000083 305	7950180000 273	9472960072..... 95
7690000810 271, 273	7870000100 307	7950180150 271, 273	9560960022..... 95
7690144800 271, 273	7870000106 311	7950180153 31, 33, 131, 133, 175, 219, 301	9560990011..... 95
7691000027 115, 117	7870000126 185	7950180161 89, 159, 161, 167	9575960014..... 95
7691000040 127	7870000134 309	7950180400 93	9691960001..... 95
7691000042 127	7870000137 313	7970000150 93, 95	9701960015..... 95
7691000053 115	7894000004 ... 15, 17, 19, 21, 23, 25, 27, 29, 159, 161, 185, 233, 301	80234009 97	9786960015..... 95
7701000051 161	7894000010 231	80963067 235, 237	9806960009..... 95
7701000063 131, 133	7894000034 107, 109	80983191 239	9935930102..... 191
7701000075 15, 17, 19, 29, 31, 33, 41, 47, 51, 55	7894000042 185, 233, 241, 289	8220081 249	9970300057..... 95
7719000004 127	7912000078 191	8220089 243, 245	9970316083..... 95
7740000003 181, 183	7912000184 113	8220099 ... 239, 249, 291, 293, 295, 327	9970336010..... 95
7754000005 93	7912000291 191	8220100 ... 291, 293, 295, 327	9970342027..... 95
7754000006 115	7912000292 195	8220101 327	9970402002..... 95
7754000024 107, 109, 113	7912000315 197	8220124 ... 235, 237, 239, 327	9970412003..... 95
7754000056 123, 125	7912000346 127	8220159 239	9970412045..... 95
7759000004 331, 333	7912000347 127	8220400 295	9970414045..... 95
7759000018 275, 277	7912000348 191	8220934 ... 291, 293, 295, 327	9970431008..... 95
7785152420 15, 17, 19, 21, 23, 25, 27, 29, 42, 48, 52, 56, 62, 66, 70, 74, 201, 203, 205, 207, 209, 211, 213, 215, 217	7935000308 191	8411080091 113	9970438014..... 95
7785161274 123, 125	7935000311 191, 221	8495000001 157	9970442184..... 95
7786000009 107, 109, 113	7935000345 197	8540246 339	9970442205..... 95
7790142051 269	7949000013 175	8597650002 181	9970450006..... 95
7790151253 283	7949000015 131, 133	8597650003 309, 313	9970456008..... 95
7796000048 241	7949000058 163, 165, 167	8632000002 133	9970468011..... 95
7796000078 175	7950100003 185		9970472012..... 95
7796000100 31, 33, 35, 37, 42, 47, 51, 55, 62, 65, 69, 73	7950100103 177, 185, 271		9970472013..... 95
	7950100143 301		9970483017..... 95
	7950100151 ... 31, 33, 35, 37, 42, 47, 51, 55, 62, 65, 69, 73, 247, 279		9970486009..... 95
	7950100163 185, 289		9970494002..... 95
	7950140000 131		9970494053..... 95
	7950140003 131, 133, 135, 137, 139, 141, 143, 145, 151, 191, 233		9970518014..... 95
	7950140141 225		9970518015..... 95
	7950140143 107, 109, 119, 121, 127, 131,		9970960060..... 95
			9970960062..... 95
			9970960068..... 95
			C38D100 87
			C38D75 85
			LED-MPL-NGS 275
			RWC 355
			SEE NOTE 333
			STK..... 353
			TP_REF 358

JERR-DAN[®]

***Corporate Office
13224 Fountainhead Plaza
Hagerstown, MD 21742 USA***

***☎ (717) 597-7111 (Corporate)
☎ (800) 926-9666 (Customer Support)***

***Visit our website
www.jerrdan.com***



OSHKOSH™