

SIDE RECOVERY SYSTEM (CARRIER) PARTS MANUAL

JERR-DAN[®]

An Oshkosh Corporation Company

13224 Fountainhead Plaza
Hagerstown, MD 21742
Phone (717) 597-7111
www.jerr-dan.com

5376000105
January 1, 2018

© 2018 Jerr-Dan Corporation. All Rights Reserved

This manual covers the following Jerr-Dan Models:

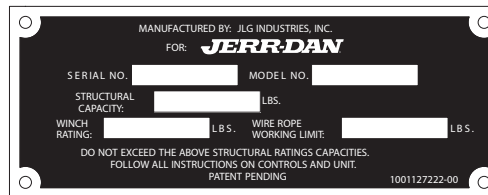
SRS-10, AIR F/S, 3+1	Side Recovery System (10,000 lb)
SRS-10, 3+1	Side Recovery System (10,000 lb)
SRS-10, AIR F/S	Side Recovery System (10,000 lb)
SRS-10	Side Recovery System (10,000 lb)
SRS-8, 3+1	Side Recovery System (8,000 lb)
SRS-8	Side Recovery System (8,000 lb)

Jerr-Dan Corporation strives to provide information that is accurate, complete and useful. Descriptions and illustrative material contained within this manual are as accurate as known at the time of publication and are subject to change, without notice, as a result of continuous product improvements. Jerr-Dan reserves the right to amend the information in this document at any time without prior notice.

Information contained in this manual reflects how this vehicle was built at the factory. Modifications or additions by the distributor or owner are not reflected in this manual.

This parts manual does not include service parts information for the commercial chassis (IHC, Ford, GM, etc.). That information is provided by the chassis manufacturer.

When ordering parts, please refer to your unit's Serial Number and Model Number. This information is be found on the aluminum tag riveted to the frame crossmember of the Side Recovery System as shown below:



Additional or replacement manuals can be ordered by calling Jerr-Dan Parts at 717-597-7111.

Price and availability will be quoted at time of the request.

Please report comments and/or errors by contacting Jerr-Dan Corporation's Technical Publications Department by e-mail at technicalpublications@jerr-dan.com or by FAX on 717-485-7162.

Manufactured under one or more of the following patents: 5,575,606; 5,672,042; 5,697,741; 5,713,714; 5,722,810; 5,782,596; 5,839,775 and 6,315,515 B1 with other Patents Pending.

Jerr-Dan and the Jerr-Dan logo are registered trademarks and Run Hard is a service mark of Jerr-Dan Corporation, Greencastle, PA USA.

The material in this document is confidential and the property of Jerr-Dan Corporation. No part of this document may be photocopied, Reproduced or translated to another language without the express written consent of Jerr-Dan Corporation.

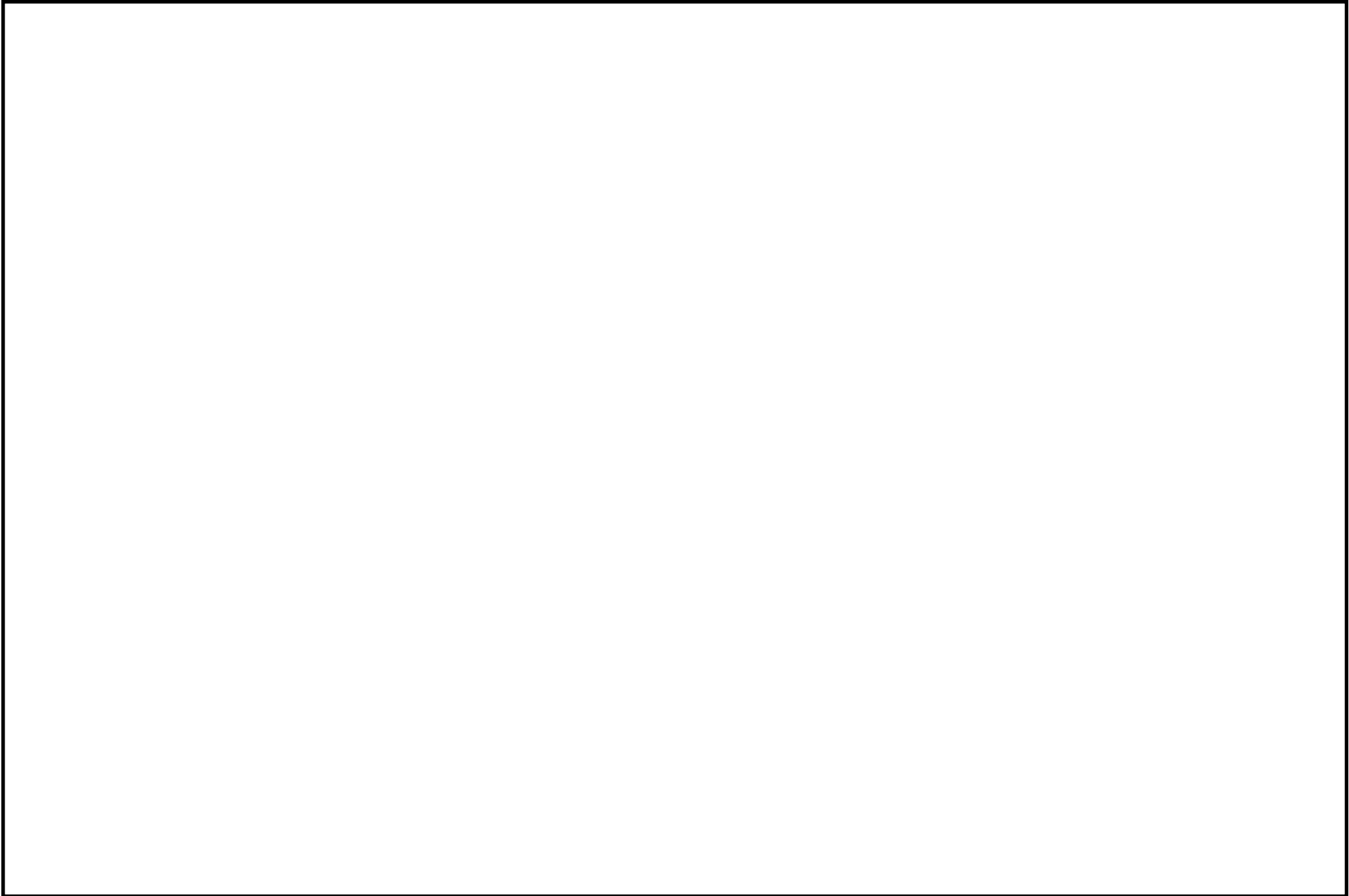


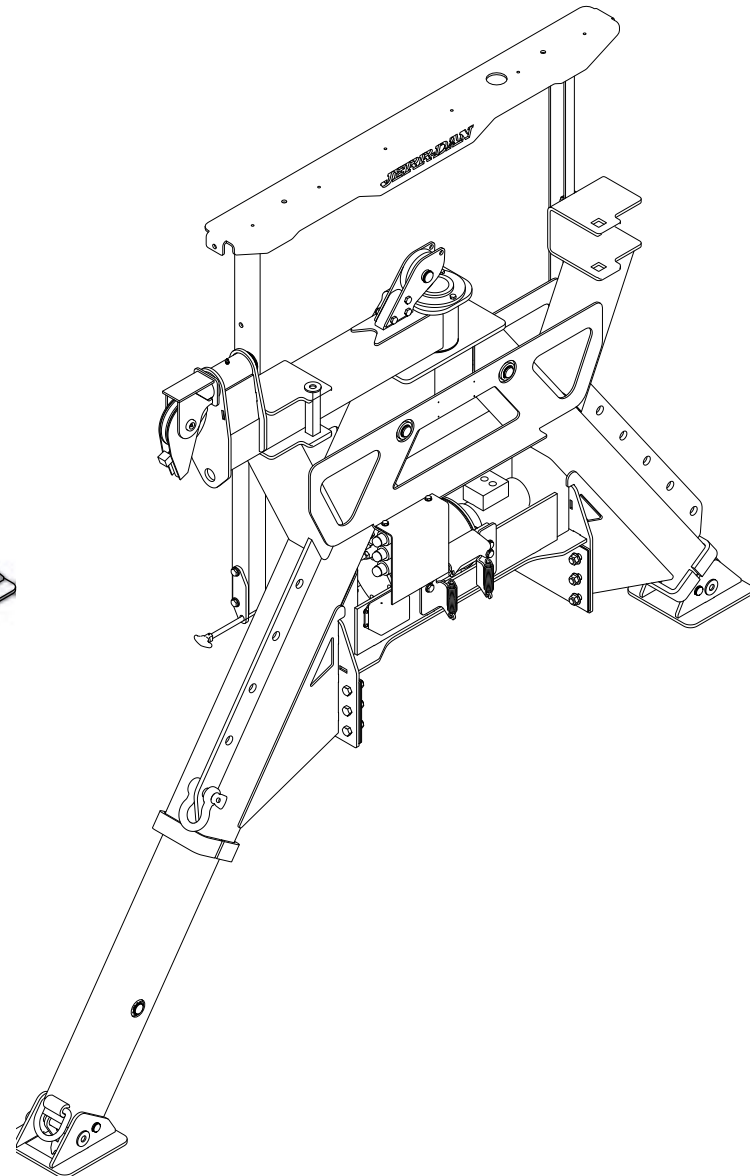
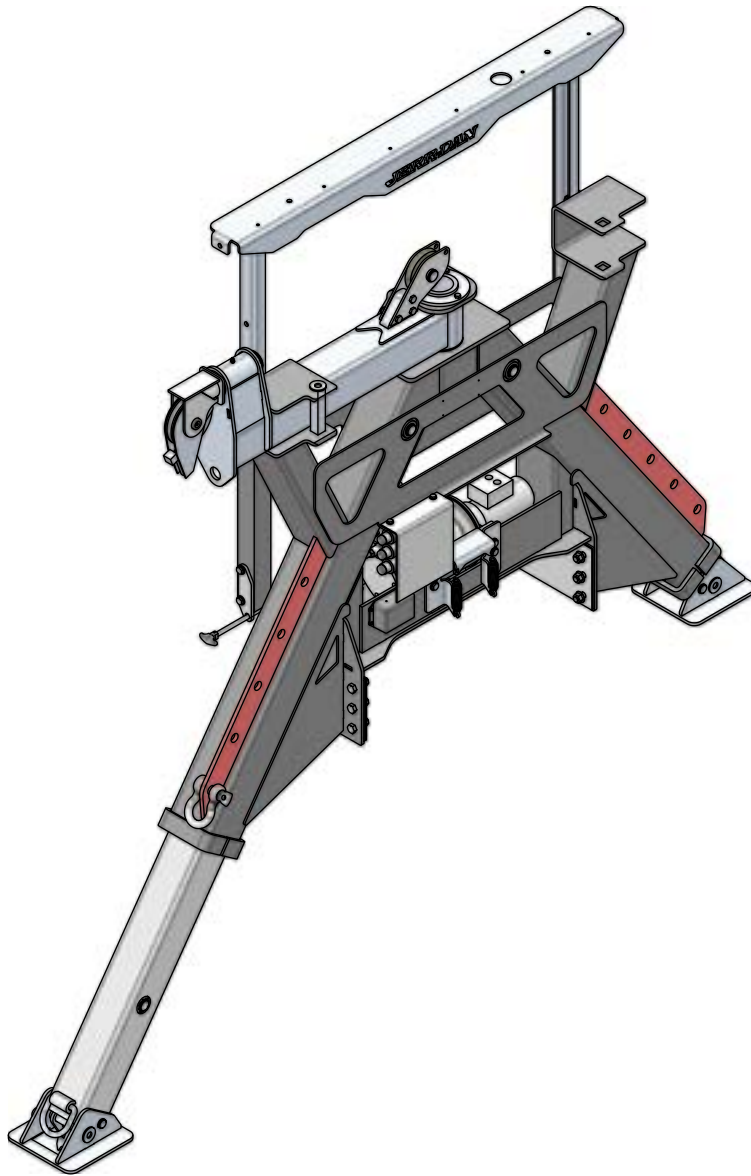
TABLE OF CONTENTS

Side Recovery System Assembly.....	6
Cylinder Assembly - 3320000229.....	14
Hydraulic Lines and Fittings Installation.....	16
Valve Assembly - 3619000010.....	20
Air Freespool Installation.....	22
Linear Actuator Installation.....	24
SRS Decal Installation.....	26
Winch - 8K Planetary Gear w/ Manual Freespool - 7970000157.....	28
Winch -10K Planetary Gear w/ Manual Freespool - 7970000158.....	30
Winch -10K Planetary Gear w/ Air Freespool - 7970000166.....	32
Part Number Index.....	34

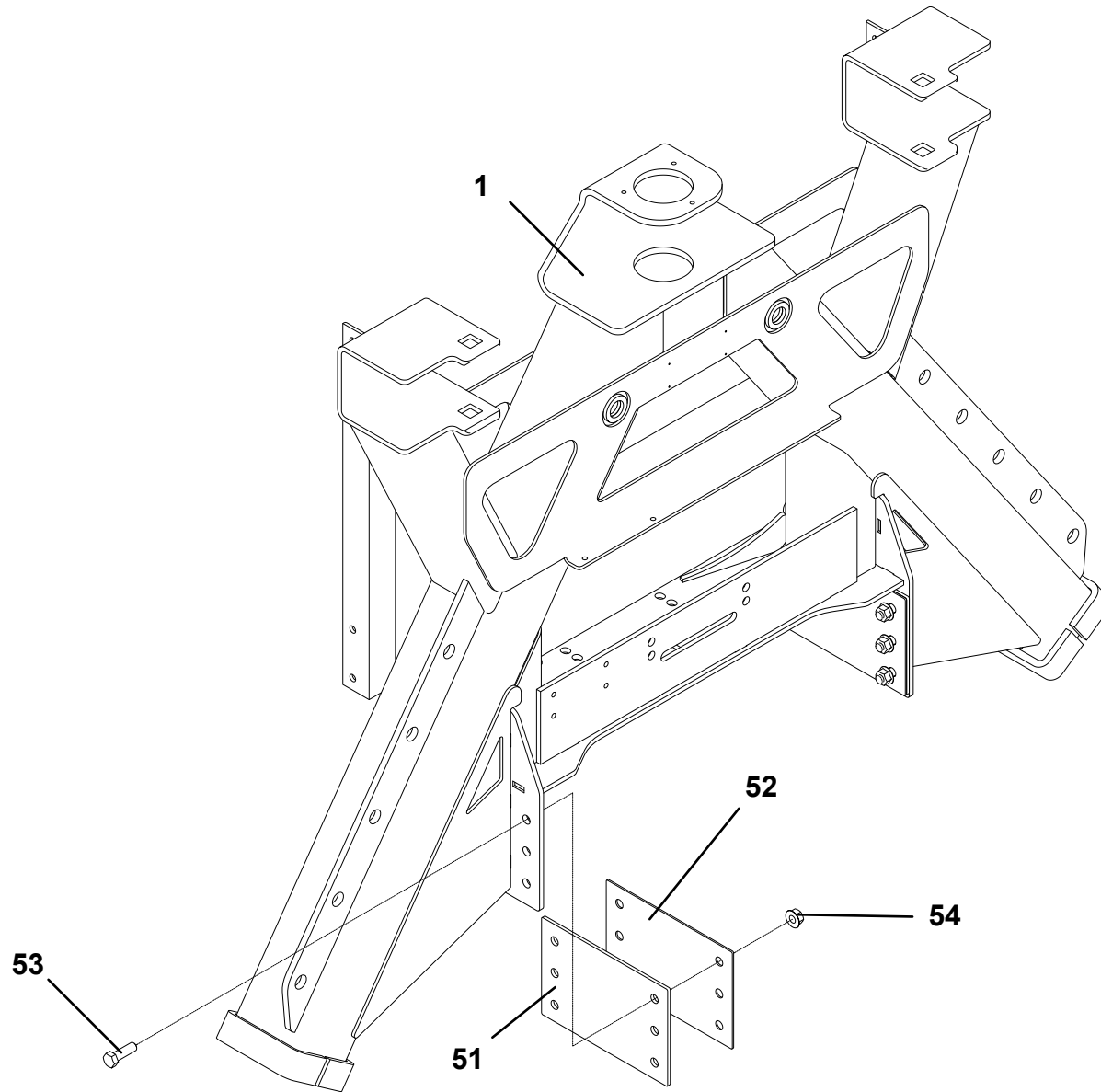
SIDE RECOVERY SYSTEM ASSEMBLY

ITEM	PART NO.	DESCRIPTION	QTY	ITEM	PART NO.	DESCRIPTION	QTY
1	3455000058	SRS Frame	1	37	4691000513	Pin	1
2	3170000473	Spade Boom	2	38	7809000021	Sheave	1
3	3320000229	Cylinder	2	39	4706005651	Plate	1
4	4691000296	Pin	2	40	4209000336	Bushing	1
5	4691000429	Pin	2	41	641820	Capscrew, 0.50" -13 x 2.50"	4
6	3760133	Retaining Ring	9	42	7660182601	Locknut, 0.50" - 13NC	14
7	3706000363	Plate	2	44	3241000208	Headboard	1
8	4691000495	Pin	2	45	7552000385	Harness, 3-Section	1
9	7754000019	Retaining Ring	6		7552000413	Harness, 3+1 Section	1
10	3691000064	Pin	2	46	4706005650	Plate	1
11	7691000001	Pin	2	47	3763000188	Rod	1
12	3619000010	Valve Bank	1	48	4706005672	Plate	1
13	7970000157	Winch 8K	1		4706006211	Plate	1
	7970000158	Winch 10K	1		4314000167	Plate	
	7970000166	Winch 10K	1	50	7790161253	Screw, 0.38" - 16NC x 0.75"	2
14	7950160000	Lockwasher, 0.38" ID	3	51	4831000126	Spacer	2
15	641606	Capscrew, 0.38" - 16NC x 0.75"	6	52	4831000127	Spacer	2
16	4891800	Washer, 0.50" ID	20	53	652016	Capscrew, 0.63"-18 x 2.00"	12
17	1001139343	Bolt, 0.50" - 13NC x 1.25"	8	54	7660202347	Locknut, 0.63" - 18NF	12
18	7295000118	Controller, Wireless 6 Function	1	55	7804000007	Shackle	1
	7295000130	Controller, Wireless 6+2 Function	1	56	7248000077	Wire Rope	1
19	7661000007	Nut, #10	4		7248000070	Wire Rope	1
20	7104100613	Screw, #10 - 32 x 0.75"	4	57	7274000053	Clamp	4
21	3178000517	Bracket, LH	1	58	641508	Capscrew, 0.31" - 18 x 1.00"	4
22	3178000518	Bracket, RH	1	59	4751500	Washer	4
23	641812	Capscrew, 0.50" - 13 x 1.50"	10	60	7660152601	Locknut, 0.31" - 18NC	4
24	3706000364	Plate	1	61	7002000519	Snatchblock	1
25	7843000035	Spring	2	62	7690051641	Pin	1
26	3691000259	Pin	1	63	4706005752	Plate	2
27	4949000059	Washer	2	66	3841143	Keeper Rod	1
28	3691000260	Pin	1	67	4711600	Washer	1
29	1001206388	Swing Boom	1	68	651606	Capscrew, 0.38" - 24 x 0.75"	1
30	1001206161	Sheave Head	1	69	7950180153	Flatwasher, 0.50" ID	1
31	1001206167	Cable Guide	1				
32	7809000001	Sheave. 0.38" Wire Rope	1				
33	1001206171	Pin	1				
34	88671008	Grease Fitting	1				
35	7754000005	Retaining Ring	1				
36	7253000002	Grease Cap	1				

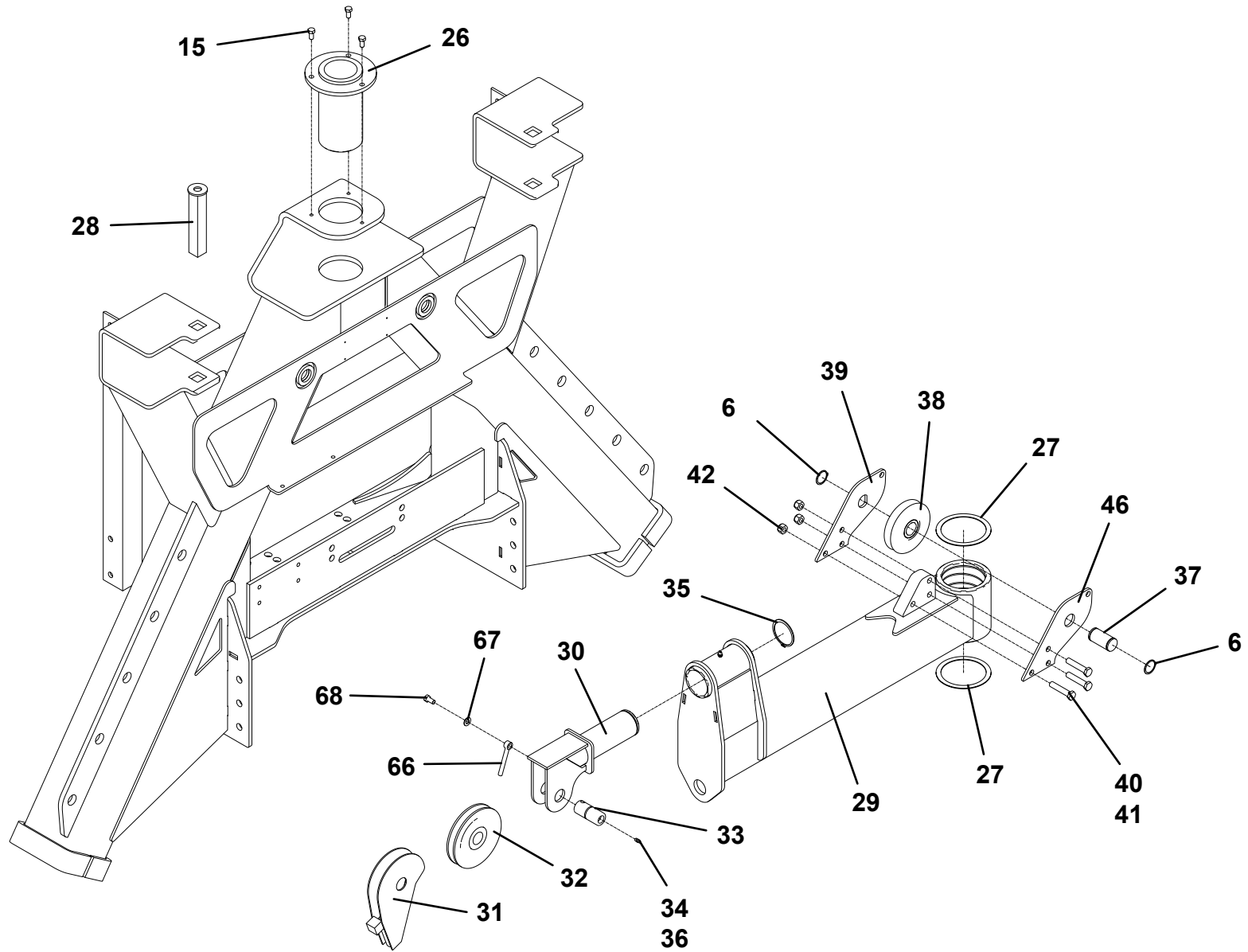
SIDE RECOVERY SYSTEM ASSEMBLY

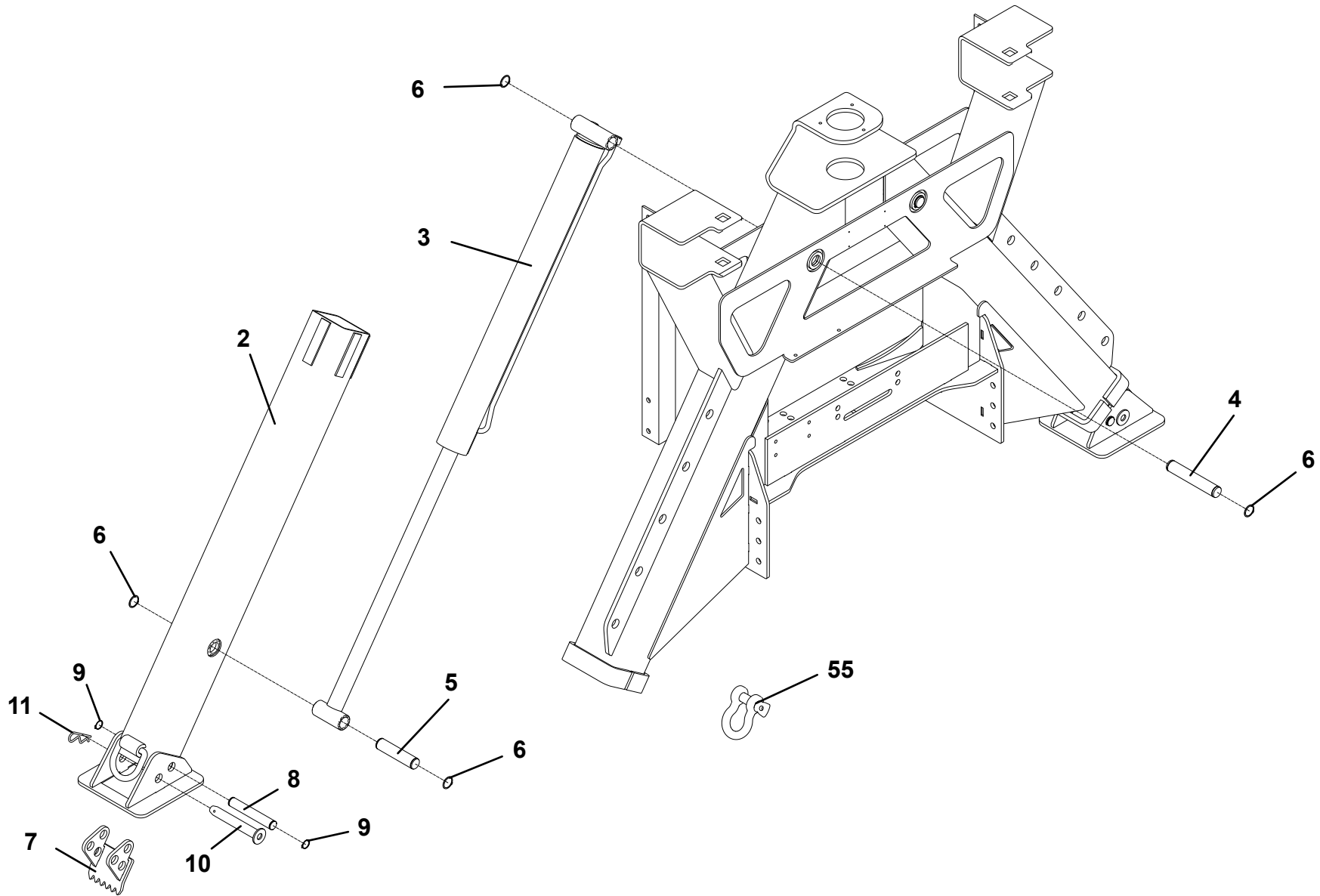


SIDE RECOVERY SYSTEM ASSEMBLY

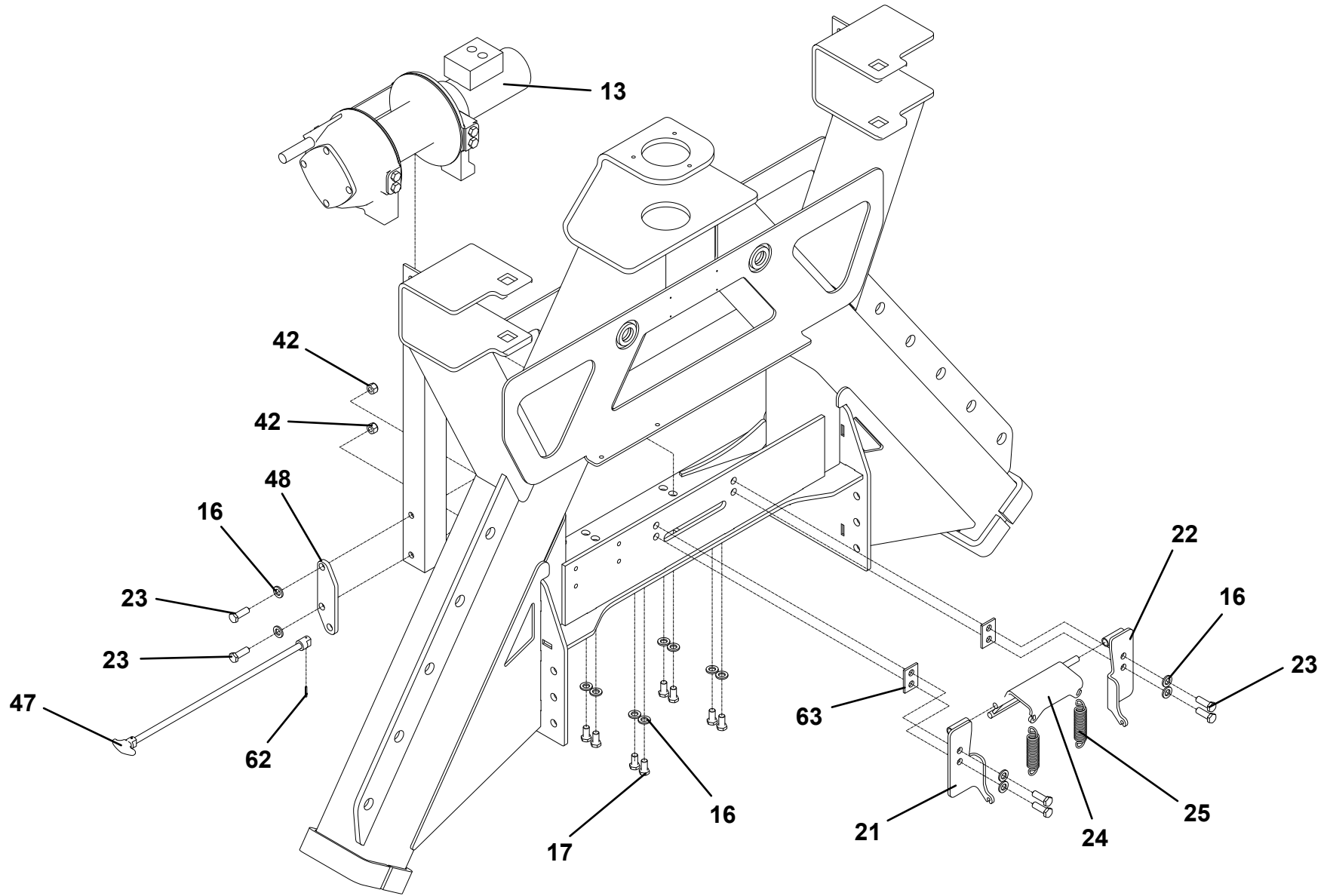


SIDE RECOVERY SYSTEM ASSEMBLY

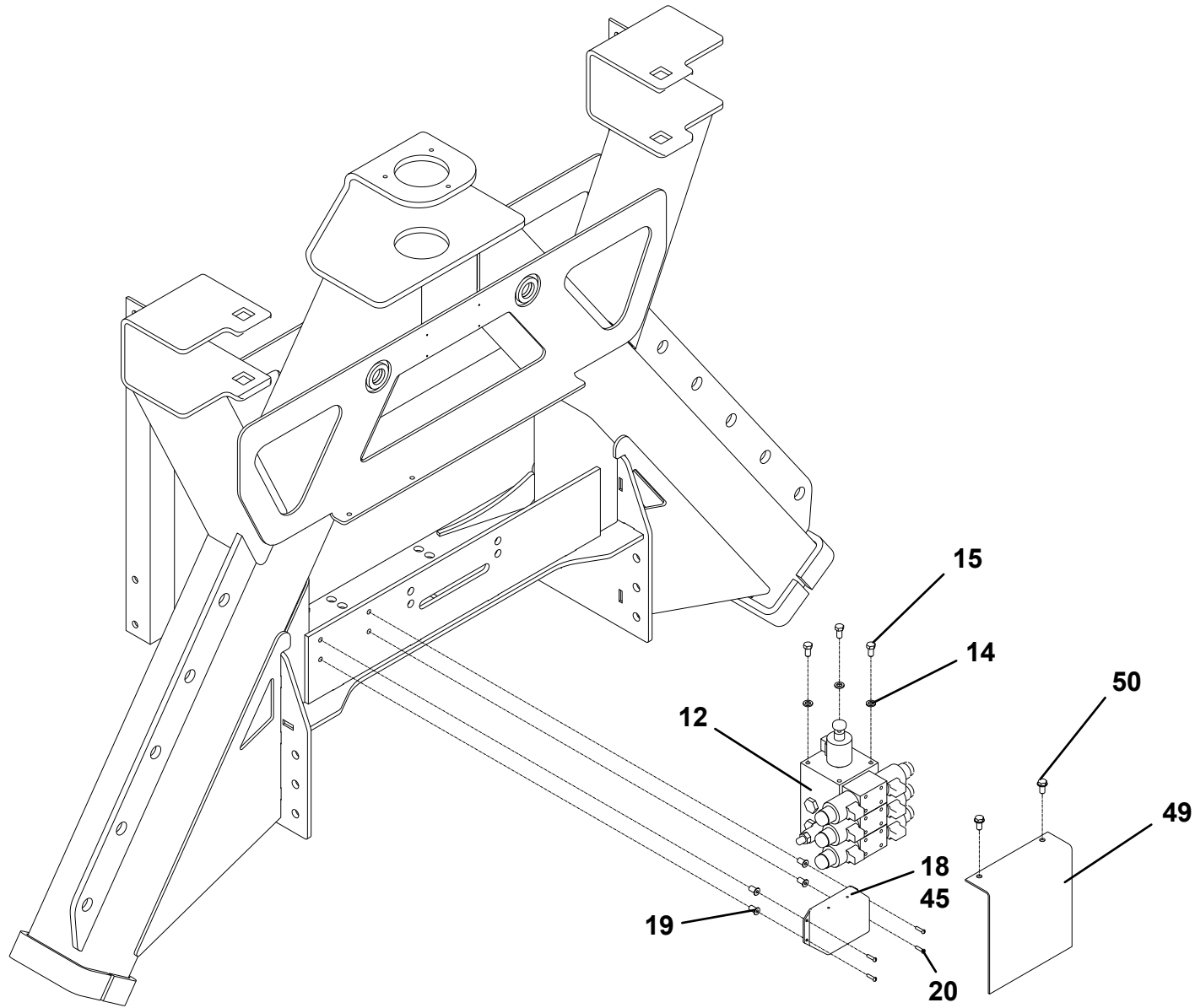


SIDE RECOVERY SYSTEM ASSEMBLY

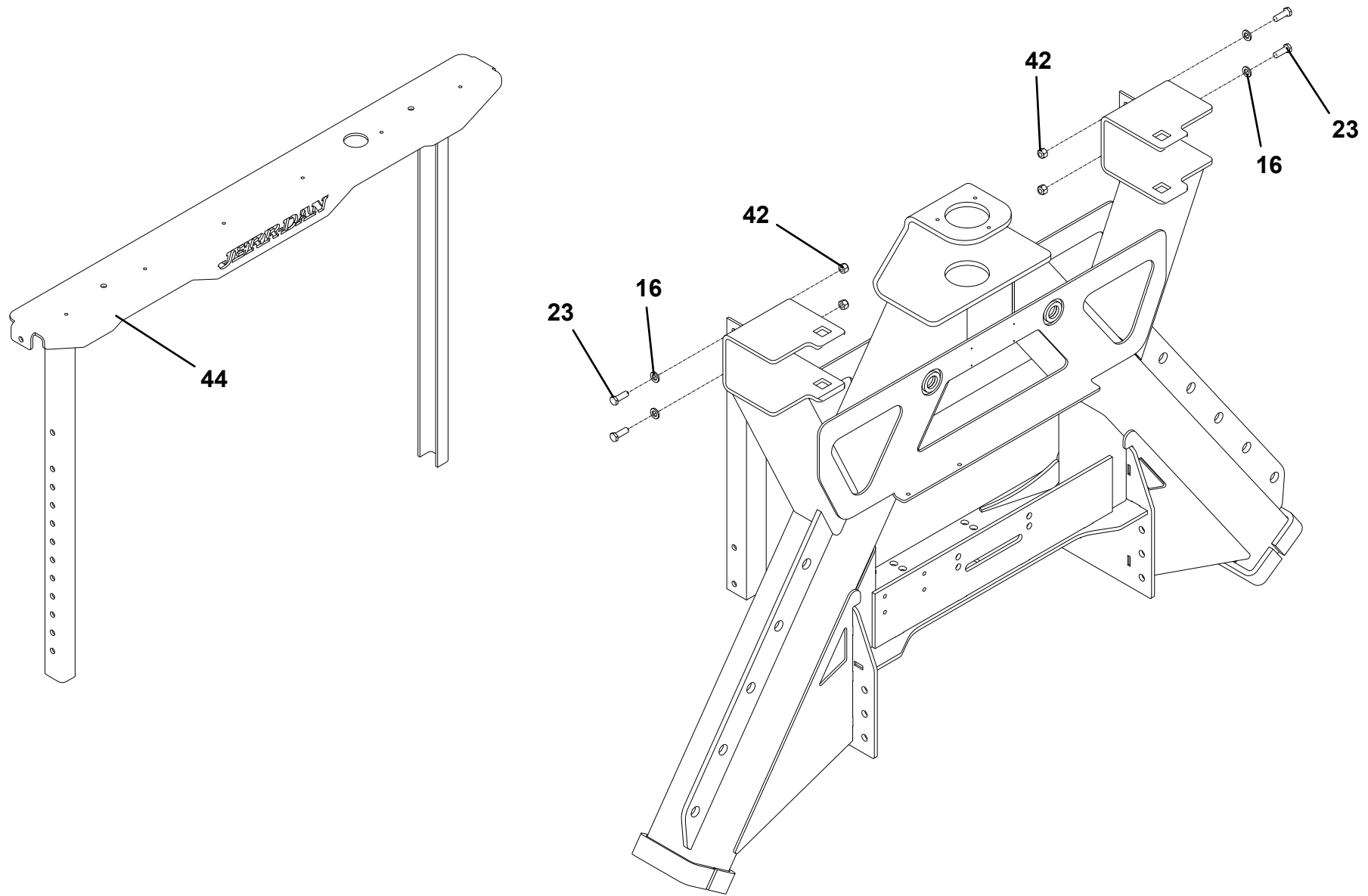
SIDE RECOVERY SYSTEM ASSEMBLY



SIDE RECOVERY SYSTEM ASSEMBLY



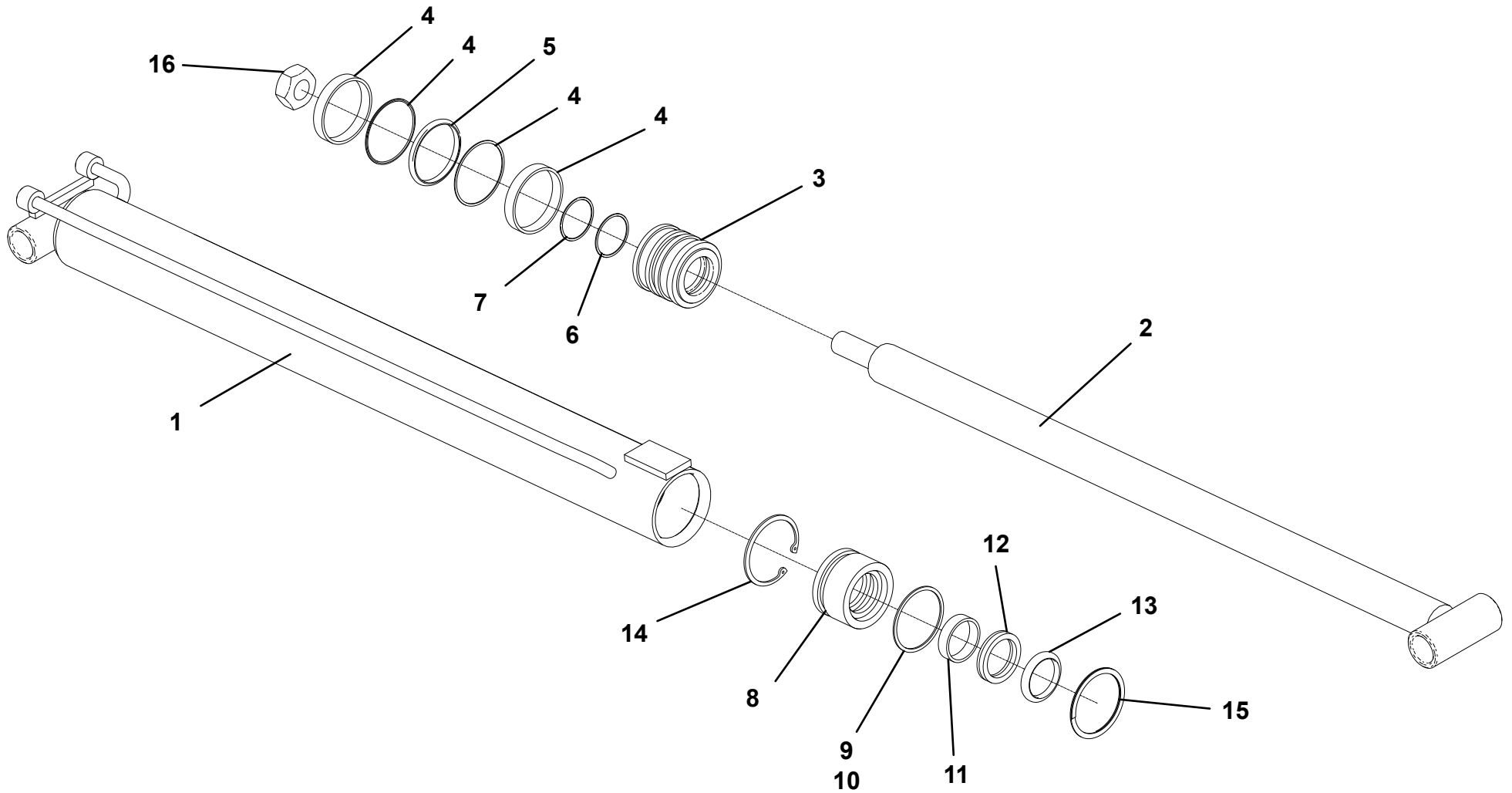
SIDE RECOVERY SYSTEM ASSEMBLY



CYLINDER ASSEMBLY - 3320000229

ITEM	PART NO.	DESCRIPTION	QTY
1	3071000213	Barrel	1
2	3763000187	Rod	1
3	4698000007	Piston	1
4	7754000003	Wear Ring	2
5	7796000063	Piston	1
6	7755224609	Back-Up Ring	2
7	7755224000	O-Ring	1
8	4553000008	Head	1
9	7755334000	O-Ring	1
10	7755334609	Back-Up Ring	1
11	7754000004	Wear Ring	1
12	7796000024	Rod Seal	1
13	7796000008	Rod Wiper	1
14	7754000002	Retaining Ring	1
15	7754000026	Retaining Ring	1
16	7661000034	Locknut	2

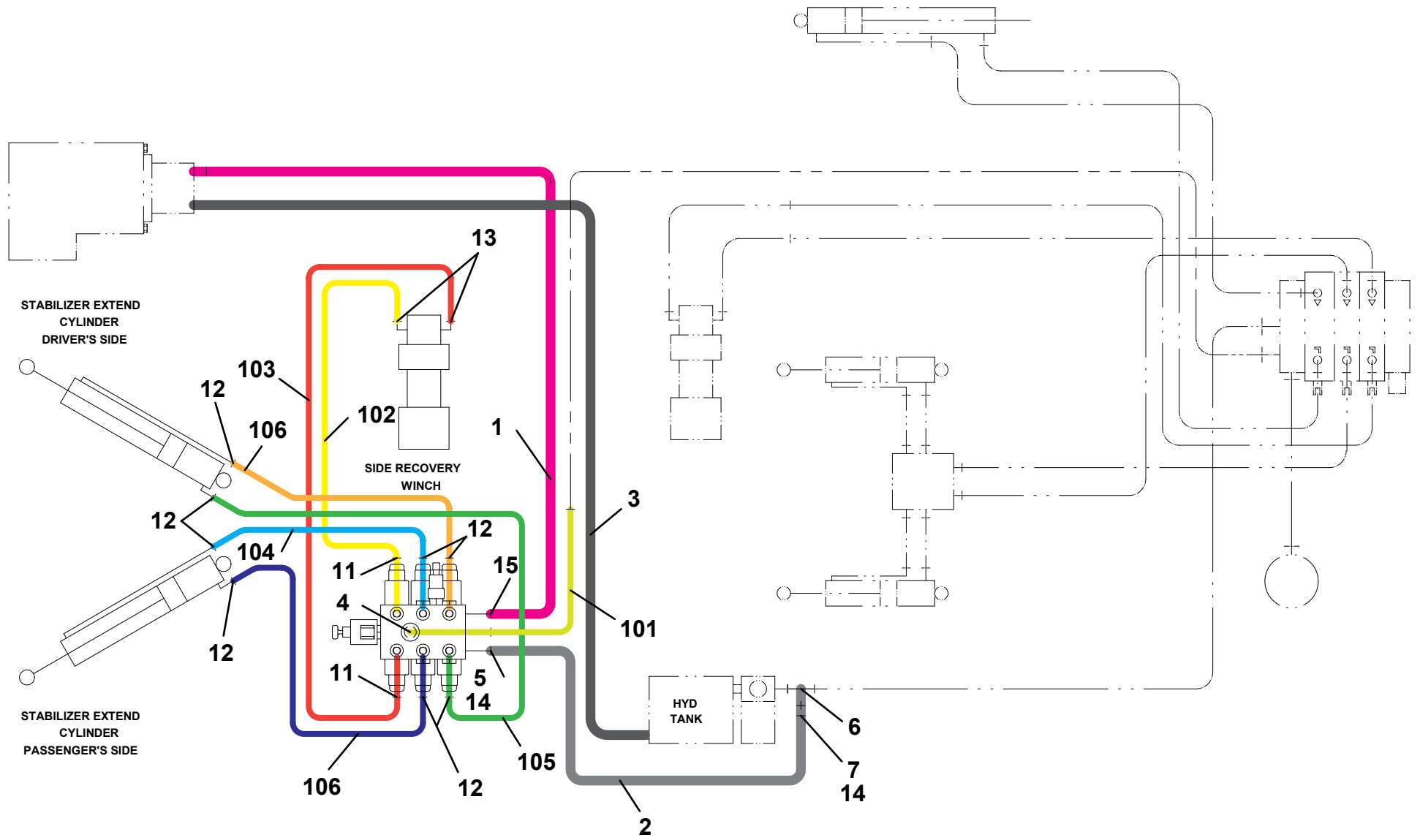
CYLINDER ASSEMBLY - 3320000229

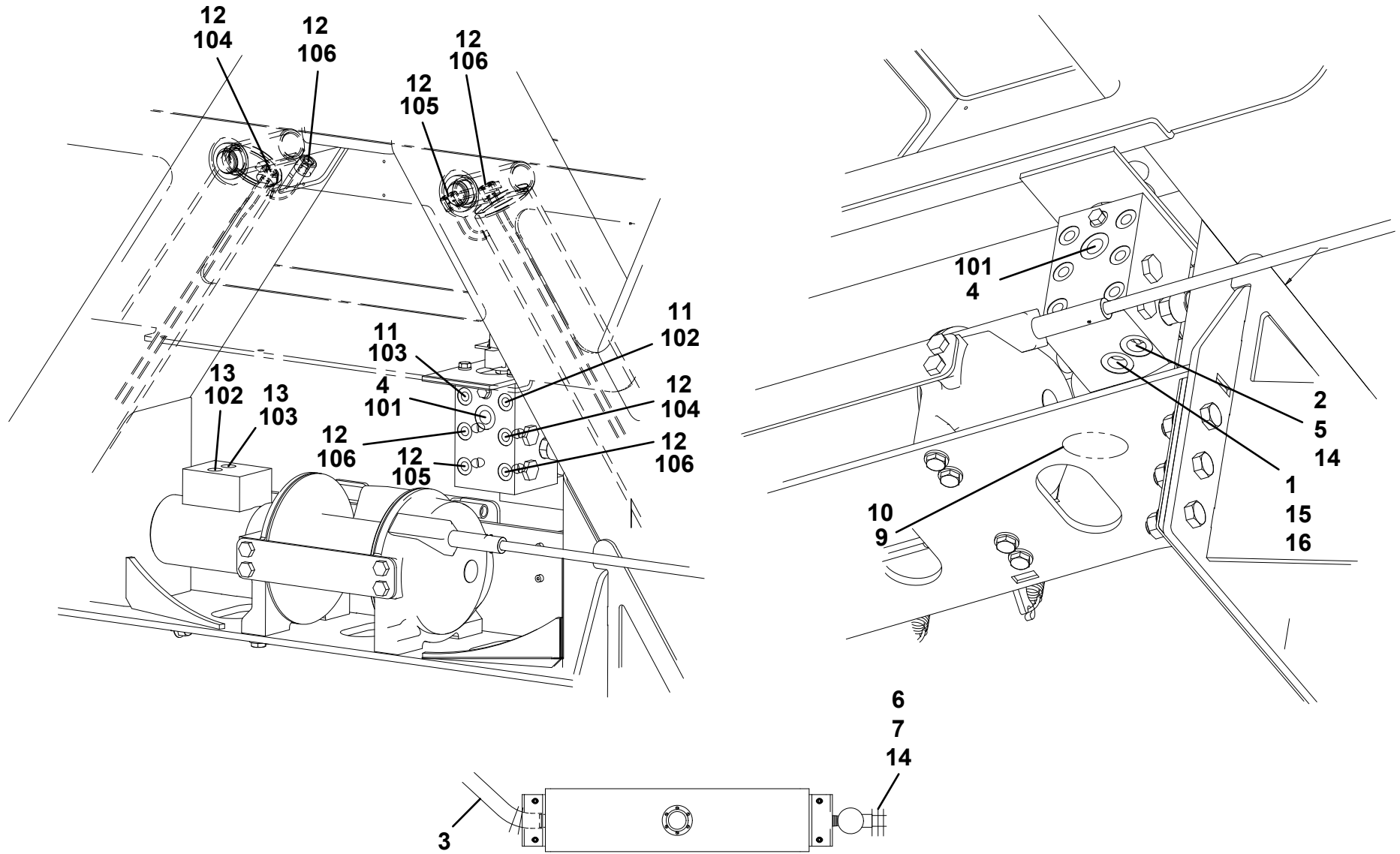


HYDRAULIC LINES AND FITTINGS INSTALLATION

ITEM	PART NO.	DESCRIPTION	QTY
1	4567133058	Hose Assembly	1
2	4570000104	Hose	1
3	4570000099	Hose Supply	1
4	7445081043	Adapter	1
5	7443000446	Fitting	1
6	7443000445	Fitting	1
7	7443000374	Fitting	1
8	4577000006	Hose Kit	1
9	7819000005	Sleeve	1
10	7894000004	TieStrap	8
11	7445060643	Adapter	2
12	7445060645	Elbow	8
13	7445061043	Adapter	2
14	7274000080	Clamp	2
15	7445081045	Elbow	1
16	7445080818	Nut	1
		Hose Kit - 4577000006	
101	4569142018	Hose Assembly	1
102	4567123023	Hose Assembly	1
103	4567122022	Hose Assembly	1
104	4567122034	Hose Assembly	1
105	4567122032	Hose Assembly	1
106	4567122030	Hose Assembly	2

HYDRAULIC LINES AND FITTINGS INSTALLATION



HYDRAULIC LINES AND FITTINGS INSTALLATION

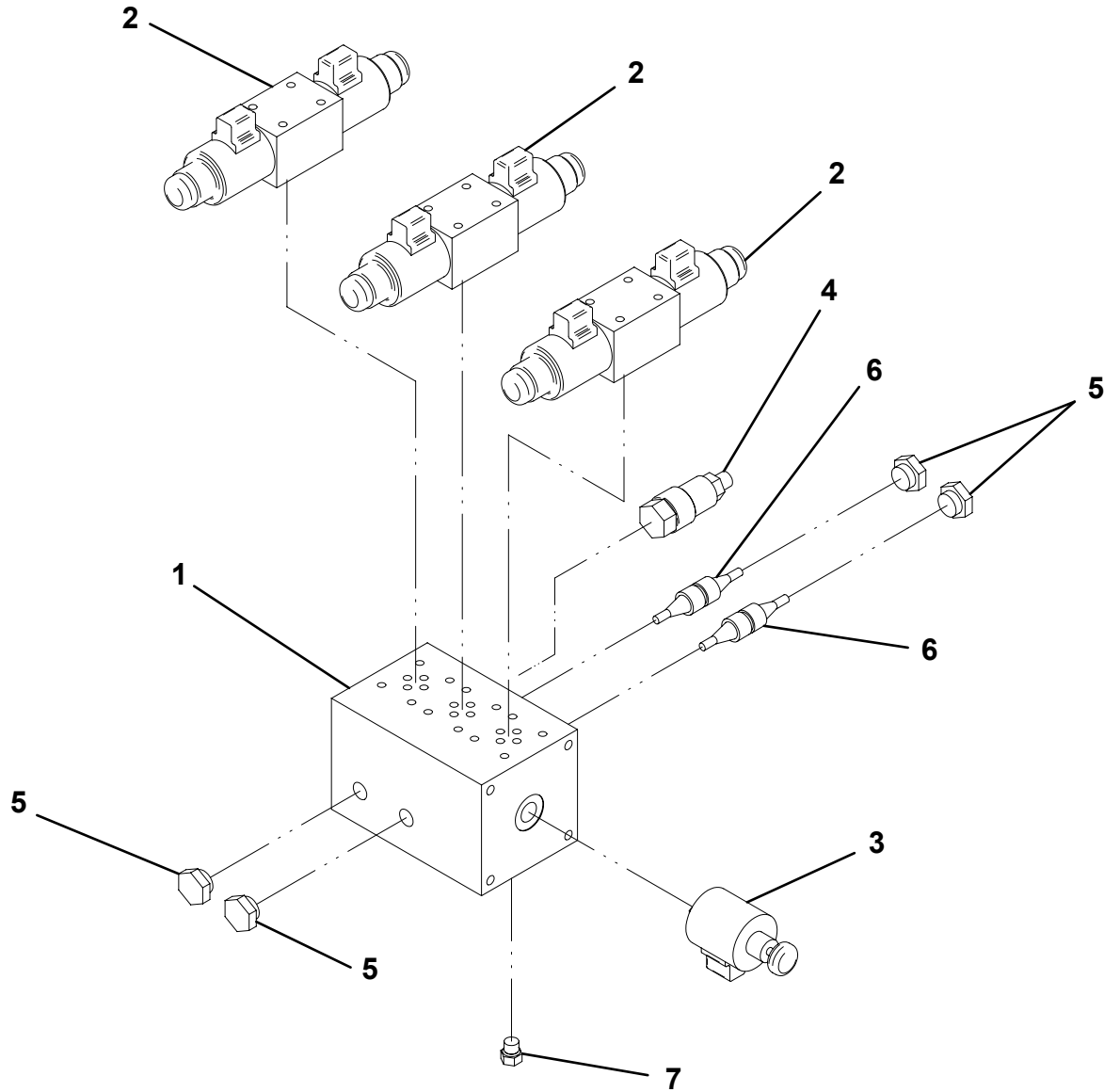
HYDRAULIC LINES AND FITTINGS INSTALLATION

PAGE INTENTIONALLY LEFT BLANK

VALVE ASSEMBLY - 3619000010

ITEM	PART NO.	DESCRIPTION	QTY
1	7619000008	Manifold	1
2	7935000349	Valve - S/D	3
3	7935000350	Valve - PB	1
4	7935000280	Valve - Rlf	1
5	7935000327	Valve - Chk	4
6	7935000328	Valve - Pilot	2
7	7443000114	Plug	1

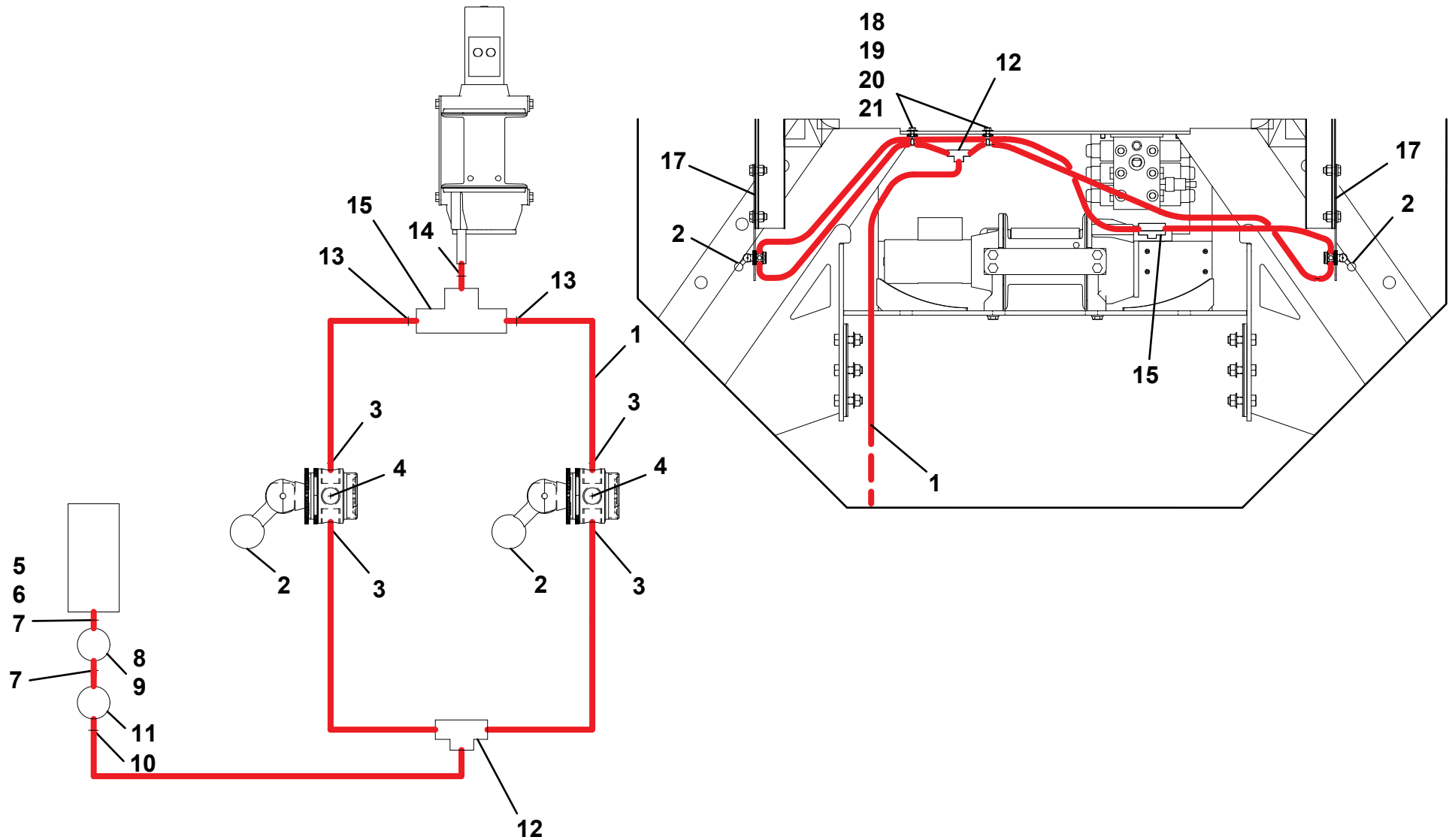
VALVE ASSEMBLY - 3619000010



AIR FREESPOOL INSTALLATION

ITEM	PART NO.	DESCRIPTION	QTY
1	7565000014	Tubing	20
2	7935000182	Valve	2
3	7443000364	Fitting	4
4	7640000002	Muffler	2
5	7443000154	Bushing	1
6	7443000155	Elbow	1
7	7443000156	Fitting	2
8	7935000120	Pressure Valve	1
9	7443000152	Plug	1
10	7443000366	Fitting	1
11	7935000248	Valve	1
12	7443000371	Tee	1
13	7443000365	Fitting	2
14	7443000151	Nipple	1
15	7935000229	Valve	1
16	7894000004	Tie Strap	10
17	7330000839	Decal	2
18	7274000040	Clamp	2
19	7115151050	Capscrew, 0.31" - 18NC x 1.25"	2
20	7950150161	Flatwasher, 0.31" ID	4
21	7660152601	Locknut, 0.31" - 18NC	2

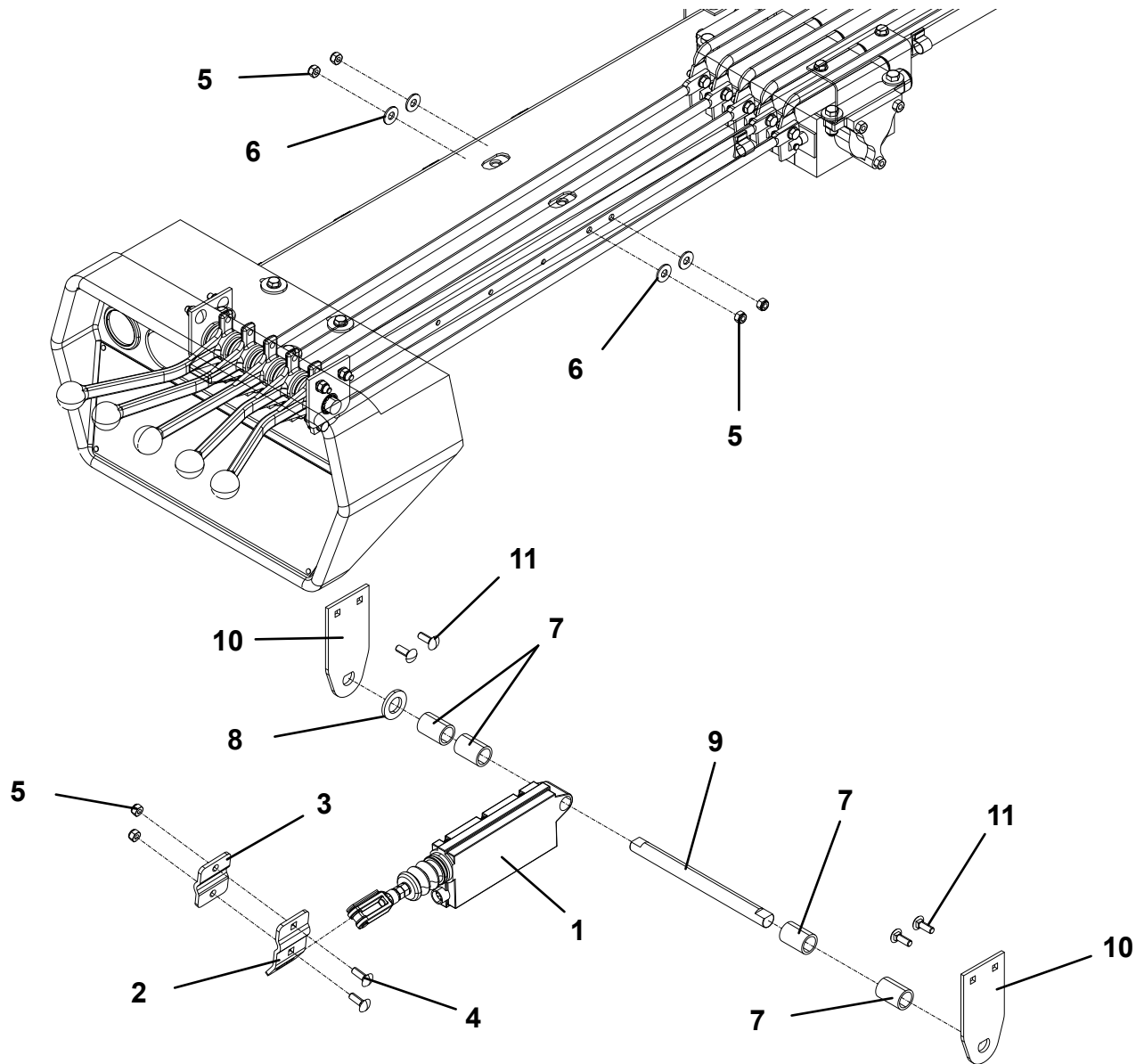
AIR FREESPOOL INSTALLATION



LINEAR ACTUATOR INSTALLATION

ITEM	PART NO.	DESCRIPTION	QTY
1	7005000003	Linear Actuator	1
2	4178000664	Bracket	1
3	4178000665	Bracket	1
4	7115150864	Bolt, 0.31" - 18NC x 1.00"	2
5	7660152601	Locknut, 0.31" - 18NC	6
6	7950150161	Flatwasher, 0.31" ID	4
7	4211000001	Bushing	4
8	7950220141	Flatwasher, 0.75" ID	2
9	7691000064	Rod	1
10	1001198871	Plate	2
11	7115150664	Bolt, 0.31" - 18NC x 0.75"	4

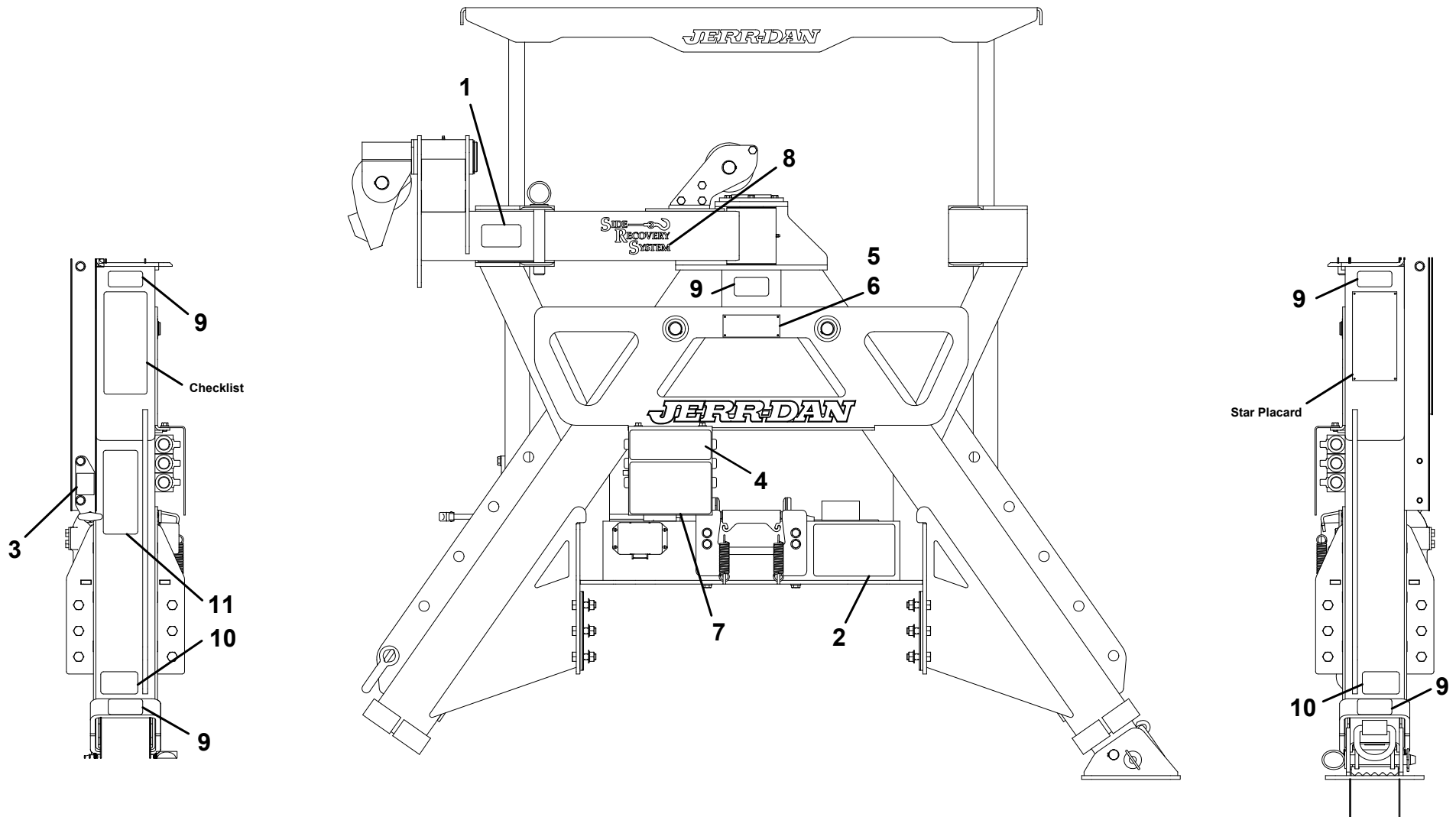
LINEAR ACTUATOR INSTALLATION



SRS DECAL INSTALLATION

ITEM	PART NO.	DESCRIPTION	QTY
1	7330000708	Decal, Warning	2
2	7330000709	Decal, Lubrication	1
3	7330000707	Decal, Winch Free Spool	1
4	7330000711	Decal, Valve Manual Override	1
5	1001127222	Decal, ID Tag	1
6	7759000004	Pop Rivet	4
7	7330000713	Decal, Winch Warning	1
8	7330000714	Decal, SRS Logo	2
9	7330000599	Decal, Warning Pinch Point	5
10	7330000580	Decal, Outriggers/Stabilizers	2
11	7330000723	Decal, SRS Operations	1

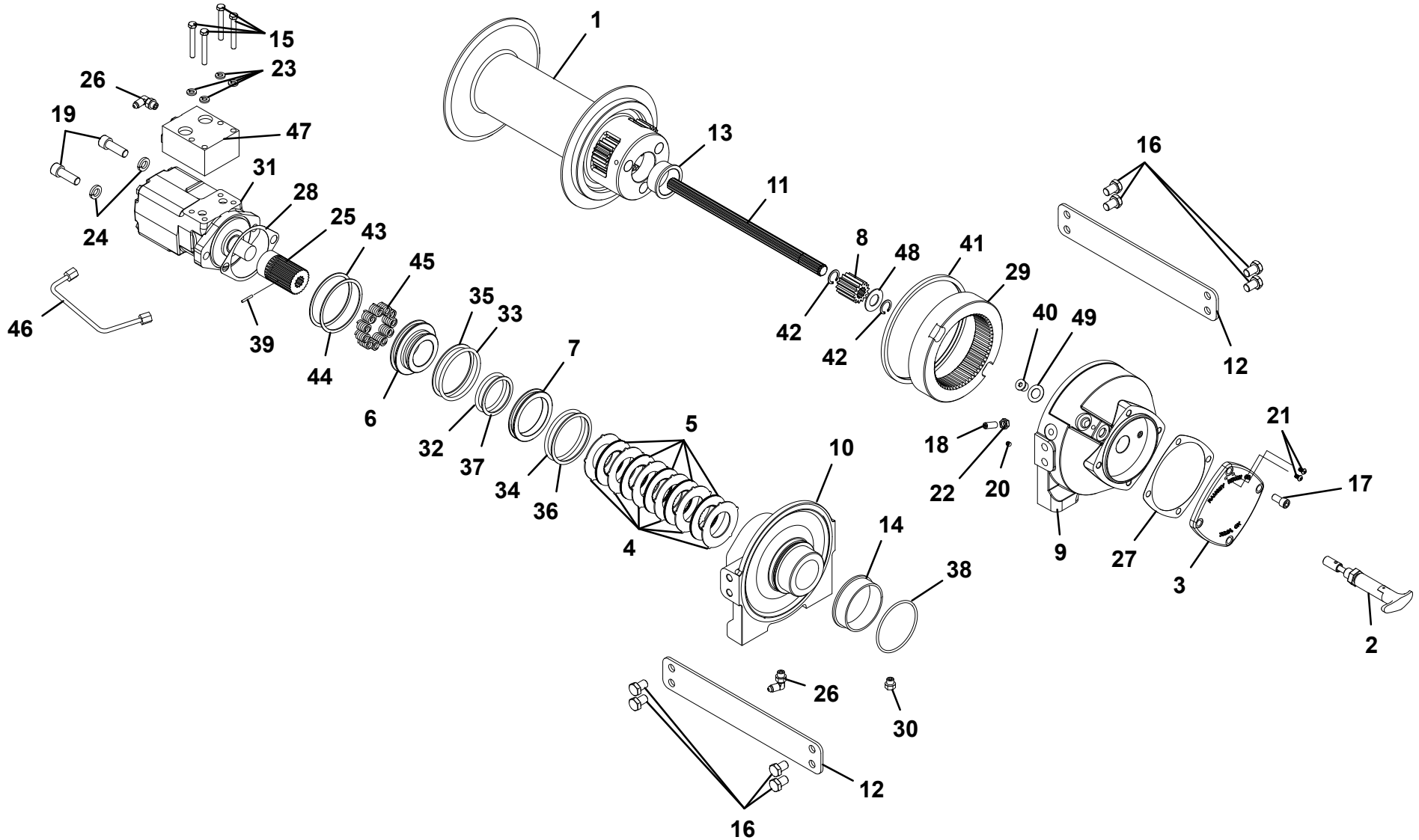
SRS DECAL INSTALLATION



WINCH - 8K PLANETARY GEAR W/ MANUAL FREESPOOL - 7970000157

ITEM	PART NO.	DESCRIPTION	QTY	ITEM	PART NO.	DESCRIPTION	QTY
1	9970960027	Drum	1	40	70050622	Spring	9
2	9551960018	Shifter Assembly	1	41	9912960035	Tube	1
3	70050612	Stator	6	42	9935960142	Valve	1
4	70050613	Disc	5	43	9812960005	Shim	1
5	70050614	Piston	1	44	9949960017	Thrust Washer	1
6	70050615	Piston	1	45	9183960002	Vent	1
7	9472960042	Gear	1	46	70050626	Retaining Ring	1
8	70050456	End Bearing - Motor	1				
9	70050456	End Bearing - Gear Housing	1				
10	70050617	Input Shaft	1				
11	70050618	Plate	2				
12	9209960023	Bushing	1				
13	70050457	Bushing	1				
14	70050619	Capscrew, 0.31" - 18NC x 2.50"	4				
15	9120960025	Capscrew, 0.50" - 13NC x 0.75"	8				
16	70050682	Screw, 0.25" - 20NC x 0.50"	2				
17	9786960006	Setscrew, 0.38" - 16NC x 1.00"	1				
18	70050627	Capscrew, 0.50" - 13NC x 1.75"	2				
19	7785140404	Setscrew, 0.25" - 20NC x 0.25"	1				
20	70050628	Nut, 0.38" - 16NC	1				
21	9970418163	Lockwasher, 0.31" ID	4				
22	9949960016	Lockwasher, 0.50" ID	2				
23	9309960009	Coupling	1				
24	9443960010	Fitting	2				
25	70050458	Gasket	1				
26	9472960043	Ring Gear	1				
27	9626960012	Motor	1				
28	70050459	O-Ring	1				
29	70050460	O-Ring	1				
30	70050461	O-Ring	1				
31	70050462	O-Ring	1				
32	70050463	Backup Ring	1				
33	70050464	Backup Ring	1				
34	70050465	O-Ring	1				
35	9691960001	Pin	1				
36	9701960016	Plug	1				
37	9796960049	Seal	1				
38	9754960039	Snap Ring	2				
39	70050466	Retaining Ring	1				

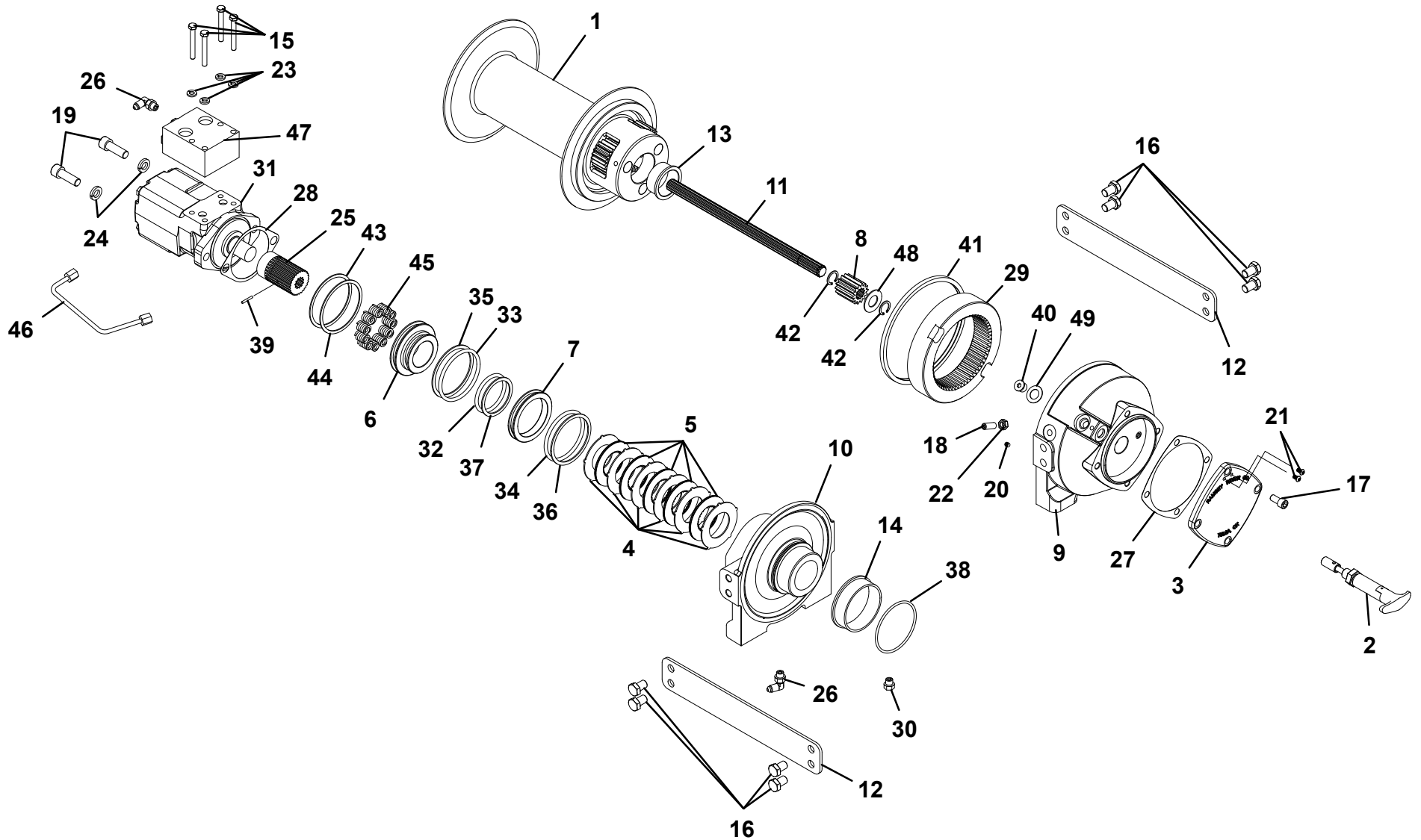
WINCH - 8K PLANETARY GEAR W/ MANUAL FREESPOOL - 7970000157



WINCH -10K PLANETARY GEAR W/ MANUAL FREESPOOL - 7970000158

ITEM	PART NO.	DESCRIPTION	QTY	ITEM	PART NO.	DESCRIPTION	QTY
1	70050525	Drum Assembly "Y"	1	40	9701960016	Plug	1
2	9551960018	Shifter Assembly	1	41	9796960049	Seal	1
3	70050625	Cover - Gear Housing	1	42	9754960039	Snap Ring	2
4	70050612	Stator - Brake	6	43	70050466	Ring - Internal Retaining	2
5	70050613	Disc Brake	5	44	70050626	Ring - Internal Retaining	1
6	70050614	Piston Brake	1	45	70050622	Spring - Brake	11
7	70050615	Piston Brake Backup	1	46	9912960035	Tube - Brake Release (Ports Up)	1
8	9472960042	Gear - Output, Sun	1	47	9935960142	Valve - Motor Control "B" Rotation	1
9	70050616	End Bearing - Gear housing	1	48	9812960005	Washer - Thrust	1
10	70050456	End Bearing - Motor	1	49	9949960017	Washer - Thrust	1
11	70050617	Shaft - Input "Y" Drum	1				
12	70050618	Plate - Tie "Y" Drum	2				
13	9209960023	Bushing - Drum	1				
14	70050457	Bushing - Drum, Motor End	1				
15	70050619	Capscrew, 0.31"-18NC x 2.50"	4				
16	9120960025	Capscrew, 0.50"-13NC x 0.75"	8				
17	9120960081	Capscrew, 0.38"-16NC x 0.75"	4				
18	9786960006	Setscrew, 0.38"-16NC x 1.00"	1				
19	70050627	Capscrew, 0.50"-13NC x 1.75"	2				
20	7785140404	Setscrew, 0.25"-20NC x 0.25"	1				
21	70050620	Screw, #10-24NC x 0.38"	2				
22	70050628	Jamnut, 0.38"-16NC	1				
23	9970418163	Lockwasher, 0.31" ID	4				
24	9949960031	Lockwasher, 0.50" ID	2				
25	70050621	Coupling - Motor	1				
26	9443960010	Fitting	2				
27	9796960047	Gasket	1				
28	70050458	Gasket	1				
29	9472960043	Gear - Ring	1				
30	9183960002	Fitting, Vent	1				
31	9626960027	Motor - Hydraulic	1				
32	70050459	O-Ring	1				
33	70050460	O-Ring	1				
34	70050461	O-Ring	1				
35	70050462	Ring - Backup	1				
36	70050463	Ring - Backup	1				
37	70050464	Ring - Backup	1				
38	70050465	O-Ring	1				
39	9691960001	Pin, Spiral	1				

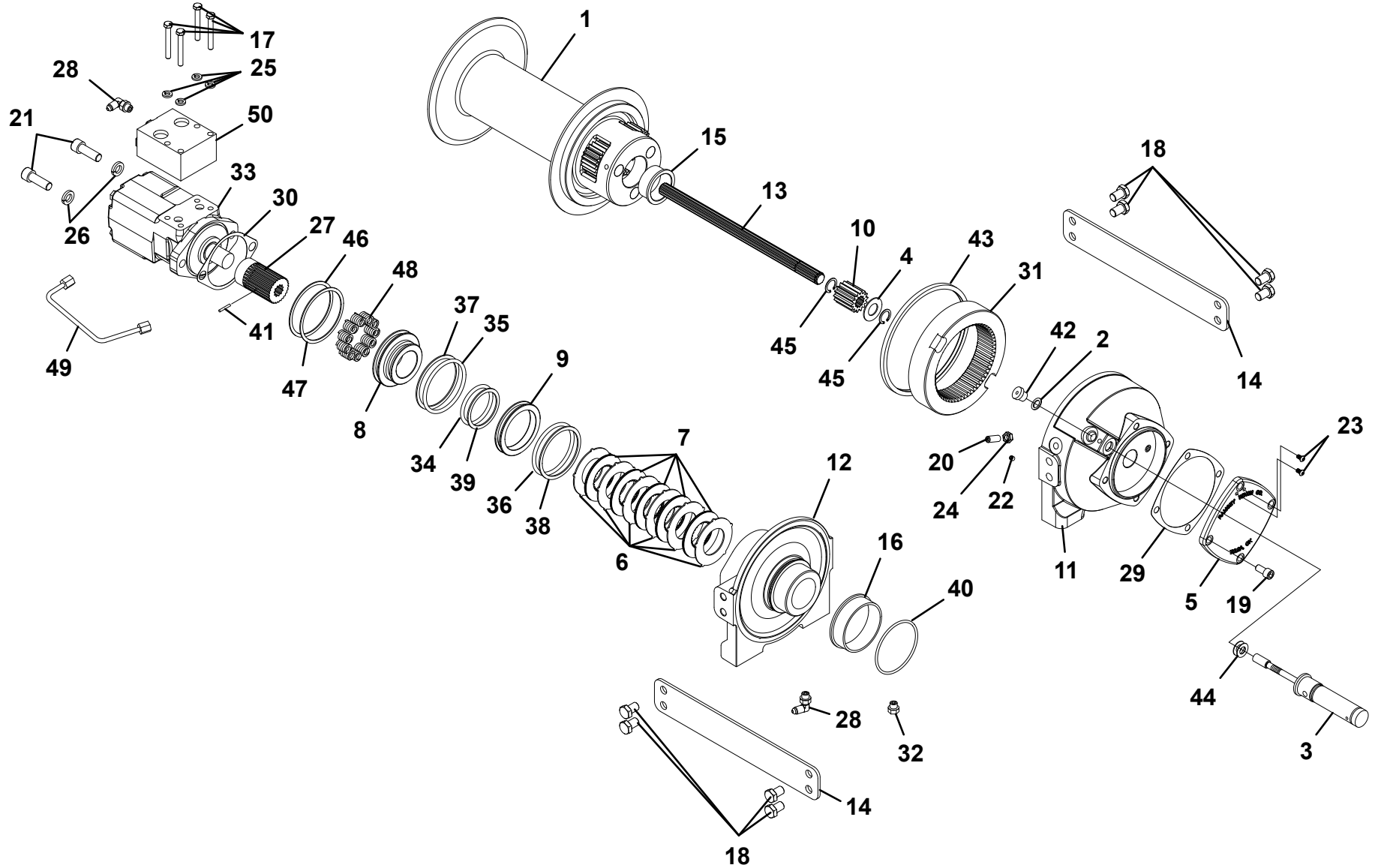
WINCH -10K PLANETARY GEAR W/ MANUAL FREESPOOL - 7970000158



WINCH -10K PLANETARY GEAR W/ AIR FREESPOOL - 7970000166

ITEM	PART NO.	DESCRIPTION	QTY	ITEM	PART NO.	DESCRIPTION	QTY
1	70050525	Drum Assembly "Y"	1	40	70050465	O-Ring	1
2	9812960005	Shifter Assembly	1	41	9691960001	Pin, Spiral	1
3	70050662	Decal - Slide Pad / Pivot Joint	1	42	9701960016	Plug	1
4	9949960017	Washer - Thrust	1	43	9796960049	Seal	1
5	70050625	Cover - Gear Housing	1	44	70050100	Shim	2
6	70050612	Stator - Brake	6	45	9754960039	Snap Ring	2
7	70050613	Disc Brake	5	46	70050466	Ring - Internal Retaining	1
8	70050614	Piston Brake	1	47	70050626	Ring - Internal Retaining	1
9	70050615	Piston Brake Backup	1	48	70050622	Spring - Brake	11
10	9742960064	Gear - Output, Sun	1	49	9912960035	Tube - Brake Release (Ports Up)	1
11	70050616	End Bearing - Gear housing	1	50	70050701	Valve - Motor Control "A" Rotation	1
12	70050456	End Bearing - Motor	1				
13	70050617	Shaft - Input "Y" Drum	1				
14	70050618	Plate - Tie "Y" Drum	2				
15	9209960023	Bushing - Drum	1				
16	70050457	Bushing - Drum, Motor End	1				
17	70050619	Capscrew, 0.31"-18NC x 2.50"	4				
18	9120960025	Capscrew, 0.50"-13NC x 0.75"	8				
19	9120960081	Capscrew, 0.38"-16NC x 0.75"	4				
20	9786960006	Setscrew, 0.38"-16NC x 1.00"	1				
21	70050627	Capscrew, 0.50"-13NC x 1.75"	2				
22	7785140404	Setscrew, 0.25"-20NC x 0.25"	1				
23	70050620	Screw, #10-24NC x 0.38"	2				
24	70050628	Jamnut, 0.38"-16NC	1				
25	9970418163	Lockwasher, 0.31" ID	4				
26	9949960031	Lockwasher, 0.50" ID	2				
27	70050621	Coupling - Motor	1				
28	9443960010	Fitting	2				
29	9796960047	Gasket	1				
30	70050458	Gasket	1				
31	9472960043	Gear - Ring	1				
32	9183960002	Fitting, Vent	1				
33	9626960027	Motor - Hydraulic	1				
34	70050459	O-Ring	1				
35	70050460	O-Ring	1				
36	70050461	O-Ring	1				
37	70050462	Ring - Backup	1				
38	70050463	Ring - Backup	1				
39	70050464	Ring - Backup	1				

WINCH -10K PLANETARY GEAR W/ AIR FREESPOOL - 7970000166



PART NUMBER INDEX

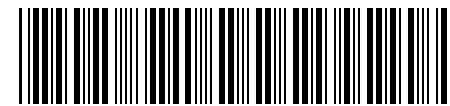
Part Number	Page	Part Number	Page	Part Number	Page	Part Number	Page
641508.....	6	70050627	28, 30, 32	4567122034.....	16	7330000708	26
641606.....	6	70050628	28, 30, 32	4567123023.....	16	7330000709	26
641812.....	6	70050662	32	4567133058.....	16	7330000711.....	26
641820.....	6	70050682	28	4569142018.....	16	7330000713.....	26
651606.....	6	70050701.....	32	4570000099.....	16	7330000714.....	26
652016.....	6	88671008.....	6	4570000104.....	16	7330000723.....	26
3760133.....	6	1001127222.....	26	4577000006.....	16	7330000839.....	22
3841143.....	6	1001139343.....	6	4691000296.....	6	7443000114.....	20
4711600.....	6	1001198871.....	24	4691000429.....	6	7443000151.....	22
4751500.....	6	1001206161.....	6	4691000495.....	6	7443000152.....	22
4891800.....	6	1001206167.....	6	4691000513.....	6	7443000154.....	22
70050100.....	32	1001206171.....	6	4698000007.....	14	7443000155.....	22
70050456.....	28, 30, 32	1001206388.....	6	4706005650.....	6	7443000156.....	22
70050457.....	28, 30, 32	3071000213.....	14	4706005651.....	6	7443000364.....	22
70050458.....	28, 30, 32	3170000473.....	6	4706005672.....	6	7443000365.....	22
70050459.....	28, 30, 32	3178000517.....	6	4706005752.....	6	7443000366.....	22
70050460.....	28, 30, 32	3178000518.....	6	4706006211.....	6	7443000371.....	22
70050461.....	28, 30, 32	3241000208.....	6	4831000126.....	6	7443000374.....	16
70050462.....	28, 30, 32	3320000229.....	6	4831000127.....	6	7443000445.....	16
70050463.....	28, 30, 32	3455000058.....	6	4949000059.....	6	7443000446.....	16
70050464.....	28, 30, 32	3619000010.....	6	7002000519.....	6	7445060643.....	16
70050465.....	28, 30, 32	3691000064.....	6	7005000003.....	24	7445060645.....	16
70050466.....	28, 30, 32	3691000259.....	6	7104100613.....	6	7445061043.....	16
70050525.....	30, 32	3691000260.....	6	7115150664.....	24	7445080818.....	16
70050612.....	28, 30, 32	3706000363.....	6	7115150864.....	24	7445081043.....	16
70050613.....	28, 30, 32	3706000364.....	6	7115151050.....	22	7445081045.....	16
70050614.....	28, 30, 32	3763000187.....	14	7248000070.....	6	7552000385.....	6
70050615.....	28, 30, 32	3763000188.....	6	7248000077.....	6	7552000413.....	6
70050616.....	30, 32	4178000664.....	24	7253000002.....	6	7565000014.....	22
70050617.....	28, 30, 32	4178000665.....	24	7274000040.....	22	7619000008.....	20
70050618.....	28, 30, 32	4209000336.....	6	7274000053.....	6	7640000002.....	22
70050619.....	28, 30, 32	4211000001.....	24	7274000080.....	16	7660152601.....	6, 22, 24
70050620.....	30, 32	4314000167.....	6	7295000118.....	6	7660182601.....	6
70050621.....	30, 32	4553000008.....	14	7295000130.....	6	7660202347.....	6
70050622.....	28, 30, 32	4567122022.....	16	7330000580.....	26	7661000007.....	6
70050625.....	30, 32	4567122030.....	16	7330000599.....	26	7661000034.....	14
70050626.....	28, 30, 32	4567122032.....	16	7330000707.....	26	7690051641.....	6

PART NUMBER INDEX

Part Number	Page	Part Number	Page	Part Number	Page	Part Number	Page
7691000001	6	7970000157	6				
7691000064	24	7970000158	6, 28, 30				
7754000002	14	7970000166	6, 32				
7754000003	14	9120960025	28, 30, 32				
7754000004	14	9120960081	30, 32				
7754000005	6	9183960002	28, 30, 32				
7754000019	6	9209960023	28, 30, 32				
7754000026	14	9309960009	28				
7755224000	14	9443960010	28, 30, 32				
7755224609	14	9472960042	28, 30				
7755334000	14	9472960043	28, 30, 32				
7755334609	14	9551960018	28, 30				
7759000004	26	9626960012	28				
7785140404	28, 30, 32	9626960027	30, 32				
7790161253	6	9691960001	28, 30, 32				
7796000008	14	9701960016	28, 30, 32				
7796000024	14	9742960064	32				
7796000063	14	9754960039	28, 30, 32				
7804000007	6	9786960006	28, 30, 32				
7809000001	6	9796960047	30, 32				
7809000021	6	9796960049	28, 30, 32				
7819000005	16	9812960005	28, 30, 32				
7843000035	6	9912960035	28, 30, 32				
7894000004	16, 22	9935960142	28, 30				
7935000120	22	9949960016	28				
7935000182	22	9949960017	28, 30, 32				
7935000229	22	9949960031	30, 32				
7935000248	22	9970418163	28, 30, 32				
7935000280	20	9970960027	28				
7935000327	20						
7935000328	20						
7935000349	20						
7935000350	20						
7950150161	22, 24						
7950160000	6						
7950180153	6						
7950220141	24						



Phone (800) 926-9666



5376000105