

# JD50 TON INT JFB BODY HEAVY DUTY WRECKER PARTS MANUAL

# ***JERR-DAN***<sup>®</sup>

An Oshkosh Corporation Company

13224 Fountainhead Plaza  
Hagerstown, MD 21742  
Phone (717) 597-7111  
[www.jerr-dan.com](http://www.jerr-dan.com)

5-376-000185  
Rev A - November 1, 2016



© 2016 Jerr-Dan Corporation. All Rights Reserved





This manual covers the following Jerr-Dan Models:

JD50INT - 50 Ton Integrated With JFB Body

Jerr-Dan Corporation strives to provide information that is accurate, complete and useful. Descriptions and illustrative material contained within this manual are as accurate as known at the time of publication and are subject to change, without notice, as a result of continuous product improvements. Jerr-Dan reserves the right to amend the information in this document at any time without prior notice.

Information contained in this manual reflects how this vehicle was built at the factory. Modifications or additions by the distributor or owner are not reflected in this manual.

This parts manual does not include service parts information for the commercial chassis (IHC, Ford, GM, etc.). That information is provided by the chassis manufacturer.

When ordering parts, please refer to your unit's Serial Number and Model Number. This information is be found on the aluminum tag riveted to the inside of the driver's side rear compartment of the main body.



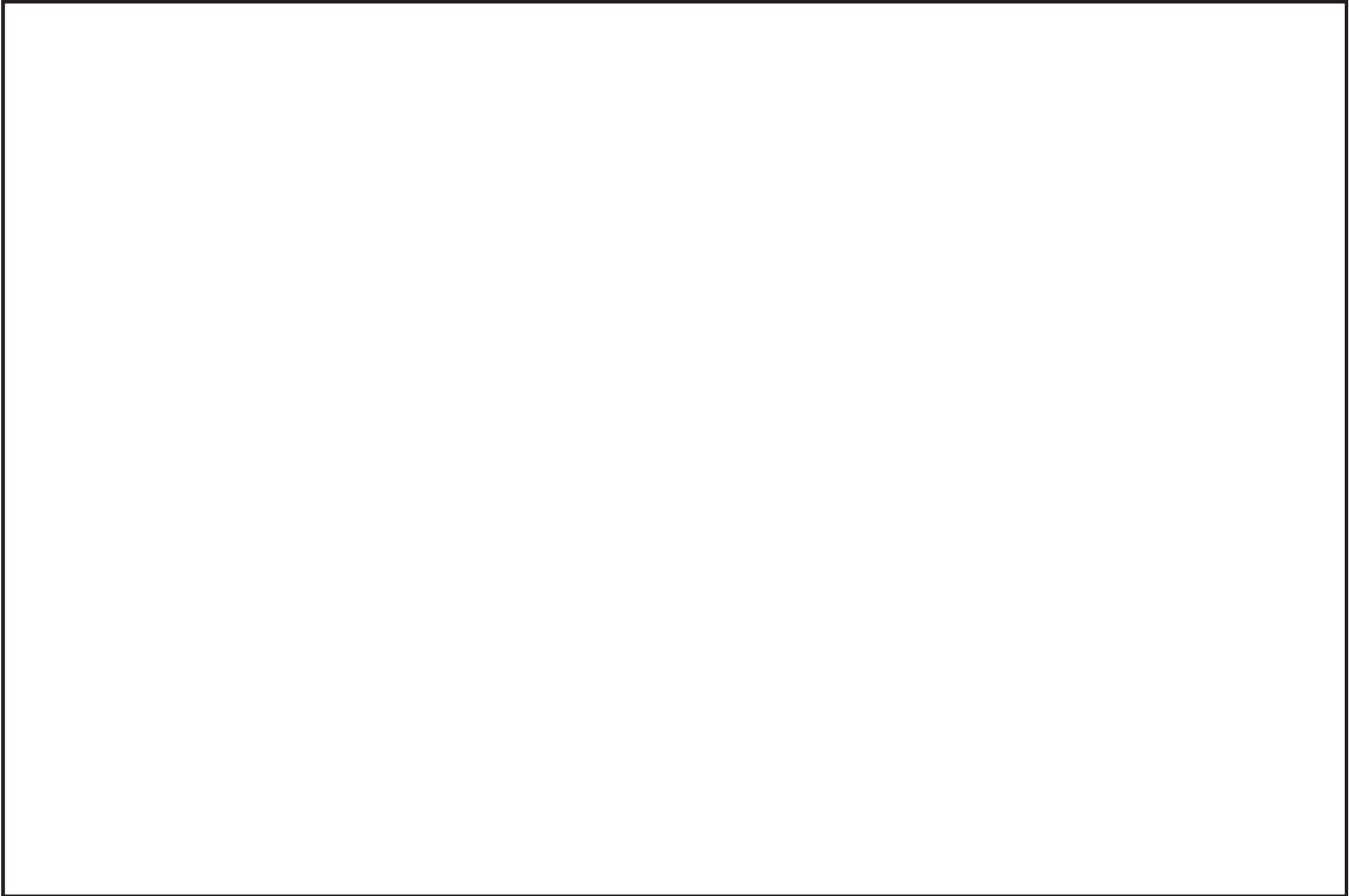
Additional or replacement manuals can be ordered by calling Jerr-Dan Parts at 717-597-7111. Price and availability will be quoted at time of the request.

Please report comments and/or errors by contacting Jerr-Dan Corporation's Technical Publications Department by e-mail at [technicalpublications@jerr-dan.com](mailto:technicalpublications@jerr-dan.com) or by FAX on 717-485-7162.

Manufactured under one or more of the following patents: 5,575,606; 5,672,042; 5,697,741; 5,713,714; 5,722,810; 5,782,596; 5,839,775 and 6,315,515 B1 with other Patents Pending.

Jerr-Dan and the Jerr-Dan logo are registered trademarks and Run Hard is a service mark of Jerr-Dan Corporation, Hagerstown, MD USA.

The material in this document is confidential and the property of Jerr-Dan Corporation. No part of this document may be photocopied, Reproduced or translated to another language without the express written consent of Jerr-Dan Corporation.



# TABLE OF CONTENTS

SECTION 1 - SUBFRAME.....	11
SUBFRAME INSTALLATION.....	12
REAR TAIL PLATE INSTALLATION .....	14
REAR SPADE INSTALLATION .....	16
SECTION 2 - BOOM.....	19
BOOM INSTALLATION - 2 PIECE BOOM.....	20
BOOM INSTALLATION - 3 PIECE BOOM.....	22
WRECKER BOOM ASSEMBLY.....	24
WRECKER BOOM ASSEMBLY - 3 PIECE BOOM.....	26
UNDERLIFT INSTALLATION.....	28
UNDERLIFT ASSEMBLY - STANDARD - 530 3 PIECE UNDERLIFT.....	30
UNDERLIFT ASSEMBLY - OPTIONAL - 565 3 PIECE UNDERLIFT.....	32
UNDERLIFT ASSEMBLY - OPTIONAL - 565 4 PIECE UNDERLIFT.....	34
CROSSTUBE INSTALLATION.....	36
WINCH INSTALLATION DP PLANETARY WINCHES.....	38
WINCH AIR INSTALLATION.....	40
DP WINCH 50K - 7970000168.....	42
DP WINCH 50K - 7970000169.....	54
SECTION 3 - BODY.....	67
BODY INSTALLATION - TANDEM.....	68
MUDFLAP INSTALLATION - TANDEM.....	70
FENDER INSTALLATION - TANDEM.....	72
DIAMOND PLATE INSTALLATION - TANDEM.....	74
BODY INSTALLATION - TRI-AXLE.....	76
FENDER INSTALLATION - TRI-AXLE.....	78
DIAMOND PLATE INSTALLATION - TRI-AXLE.....	80
FRONT DIAMOND PLATE INSTALLATION.....	82
STEP INSTALLATION.....	84
GRAB HANDLE INSTALLATION.....	86
TOOLBOX INSTALLATION - 51" W/ BATTERIES.....	88
TOOLBOX INSTALLATION - 51" W/ BATTERIES AND COUNTER WEIGHT.....	90
TOOLBOX ASSEMBLY - 51" W/ BATTERIES.....	92
TOOLBOX ASSEMBLY - 39" W/ BATTERIES.....	94
TOOLBOX INSTALLATION - 49" W/O BATTERIES.....	98
TOOLBOX INSTALLATION - 37" W/O BATTERIES.....	102
DOOR INSTALLATION - TANDEM BODY PAINTED.....	106

**TABLE OF CONTENTS**

DOOR INSTALLATION - TANDEM BODY BRUSHED.....	108
DOOR INSTALLATION - TRI-AXLE PAINTED.....	110
DOOR INSTALLATION - TRI-AXLE BRUSHED.....	112
DOOR INSTALLATION - 51" TUNNEL TOOLBOX PAINTED.....	114
DOOR INSTALLATION - 49" TUNNEL TOOLBOX BRUSHED.....	116
DOOR INSTALLATION - 39" TUNNEL TOOLBOX PAINED.....	118
DOOR INSTALLATION - 37" TUNNEL TOOLBOX BRUSHED.....	120
SHACKLE RACK INSTALLATION - TANDEM.....	122
SHACKLE RACK INSTALLATION - TRI-AXLE.....	124
STAY DRY SILO INSTALLATION.....	126
ROTARY CHAIN RACK.....	128
CHAIN BINDER INSTALLATION.....	130
PYLON INSTALLATION - 34" PYLON.....	132
PYLON INSTALLATION - 39" PYLON.....	134
PYLON INSTALLATION - 57" PYLON.....	136
PYLON LIGHT INSTALLATION - ALL.....	138
PYLON HARNESS INSTALLATION - 34" AND 39" PYLON.....	140
PYLON HARNESS INSTALLATION - 57" PYLON.....	142
PYLON COVER INSTALLATION - 34" PYLON.....	144
PYLON COVER INSTALLATION - 39" PYLON.....	146
PYLON COVER INSTALLATION - 57" PYLON.....	148
PYLON ADAPTER INSTALLATION - 39" TUNNEL (34" AND 39" PYLON).....	150
PYLON ADAPTER INSTALLATION - 51" TUNNEL (57" PYLON).....	152
PYLON DRESS-UP KIT - 34" PYLON.....	154
PYLON DRESS-UP KIT - 39" PYLON.....	156
PYLON DRESS-UP KIT - 57" PYLON.....	158
PYLON DRESS-UP KIT - 34" PYLON - POLISHED.....	160
PYLON DRESS-UP KIT - 39" PYLON - POLISHED.....	162
PYLON DRESS-UP KIT - 57" PYLON - POLISHED.....	164
SECTION 4 - CONTROL.....	167
CONTROL INSTALLATION - 8 SECTION - 6 SOLENOID.....	168
CONTROL VALVE ASSEMBLY - 1001194284.....	172
VALVE ASSEMBLY - 7935000330.....	174
CONTROL INSTALLATION - 8 SECTION - 3 SOLENOID.....	176
CONTROL VALVE ASSEMBLY - 1001193527.....	180
VALVE ASSEMBLY - 7935000293.....	182
SECTION 5 - CYLINDER.....	185

## TABLE OF CONTENTS

SPADE CYLINDER ASSEMBLY - 7320000006.....	186
WRECKER BOOM CYLINDER - 7320000085.....	188
UNDERLIFT TILT CYLINDER - 7320000096.....	190
UNDERLIFT TILT CYLINDER - 7320000097.....	192
UNDERLIFT EXTENSION CYLINDER ASSEMBLY - 7320000026.....	194
UNDERLIFT EXTENSION CYLINDER ASSEMBLY - 7320000068.....	196
UNDERLIFT EXTENSION CYLINDER ASSEMBLY - 7320000038.....	198
 SECTION 6 - HYDRAULIC.....	 201
SUBFRAME HYDRAULIC TUBING.....	202
HYDRAULIC TANK INSTALLATION.....	204
HYDRAULIC TANK ASSEMBLY.....	206
REAR SPADE TUBING.....	208
BOOM TUBE ASSEMBLY.....	210
POWER TAKE OFF - CS SERIES.....	212
POWER TAKE OFF - SH SERIES.....	214
HYDRAULIC SUPPLY PRESSURE INSTALLATION.....	216
HYDRAULIC LINES AND FITTINGS - 2PCS BOOM.....	218
HYDRAULIC LINES AND FITTINGS - 3PCS BOOM.....	222
DRIVER SIDE GAUGE INSTALLATION.....	226
 SECTION 7 - ELECTRICAL.....	 229
LIGHT BAR INSTALLATION.....	230
58" AMBER LIGHTBAR - CODE 3 - 1001136990.....	232
58" RED LIGHTBAR - CODE 3 - 1001152815.....	234
60" LIGHTBAR - WHELEN - 1001199475.....	236
CAB MOUNTED LIGHT BAR.....	240
72" WHELEN LIGHT BAR.....	242
ELECTRICAL INSTALLATION - TANDEM AXLE.....	244
ELECTRICAL INSTALLATION - TRI-AXLE.....	248
CENTER HARNESS INSTALLATION - 174" CT.....	252
CENTER HARNESS INSTALLATION - 225" CT.....	254
CENTER HARNESS INSTALLATION - 265" CT.....	256
BACKUP ALARM INSTALLATION.....	258
E-STOP INSTALLATION.....	260
MARKER LIGHT INSTALLATION - TANDEM.....	262
MARKER LIGHT INSTALLATION - TRI-AXLE.....	264
COMPARTMENT LIGHT INSTALLATION.....	266

**TABLE OF CONTENTS**

COMPARTMENT LIGHT INSTALLATION - TRI-AXLE.....	268
WING LIGHT BRACKET INSTALLATION.....	270
WING LIGHT INSTALLATION.....	272
22" PUBLIC SAFETY LIGHT BAR - 1001133591.....	274
22" WHELEN LIGHT BAR - 1001129861.....	276
SWITCH PANEL INSTALLATION.....	278
SECTION 8 - DECAL.....	281
DECAL INSTALLATION.....	282
SECTION 9 - ACCESSORIES.....	285
TOOL DRAWER INSTALLATION - TANDEM.....	286
TOOL DRAWER INSTALLATION - TRI-AXLE.....	288
UNDERLIFT TOOLS - 5TH WHEEL INSTALLATION.....	290
UNDERLIFT TOOLS - FRAME FORKS.....	292
UNDERLIFT TOOLS - 14,000 LB TIRE LIFT.....	294
UNDERLIFT TOOLS - 25,000 LB TIRE LIFT.....	296
UNDERLIFT TOOLS - PINTLE HOOK.....	298
TRAILER AIR INSTALLATION.....	300
TRAILER PLUG INSTALLATION.....	302
TOOL STORAGE.....	304
TILT DOWN STORAGE TRAY.....	306
SNATCH BLOCK STORAGE INSTALLATION - TANDEM.....	308
SNATCH BLOCK STORAGE INSTALLATION - TRI-AXLE.....	310
TIRE LIFT STORAGE - TANDEM BODY.....	312
TIRE LIFT STORAGE - 39" AND 37" TOOLBOX.....	314
TRAFFIC CONE STORAGE.....	316
LADDER STORAGE.....	318
TOW LIGHT STORAGE.....	320
WHEEL CHOCK STORAGE.....	322
FLARE STORAGE.....	324
BOTTLE JACK STORAGE.....	326
FIFTH WHEEL STORAGE INSTALLATION.....	328
FRAME FORK STORAGE INSTALLATION.....	330
FORK RISER STORAGE INSTALLATION.....	332
GRIZZLY BAR STORAGE - TANDEM.....	334
GRIZZLY BAR STORAGE - TRI-AXLE.....	336
BROOM STORAGE.....	338

## TABLE OF CONTENTS

STRAP STORAGE - TANDEM.....	340
STRAP STORAGE - TRI-AXLE.....	342
CRIBBING STORAGE.....	344
SPILL KIT.....	346
STORAGE SHELF INSTALLATION.....	348
SINGLE SPREADER BAR STORAGE.....	350
DOUBLE SPREADER BAR STORAGE.....	352
SPREADER BAR KIT - 1001175920.....	354
SPREADER BAR ACCESSORIES - 1001174493.....	356
RUGGED ACCESSORY PACKAGE - 1001174490.....	358

**THIS PAGE INTENTIONALLY LEFT BLANK**



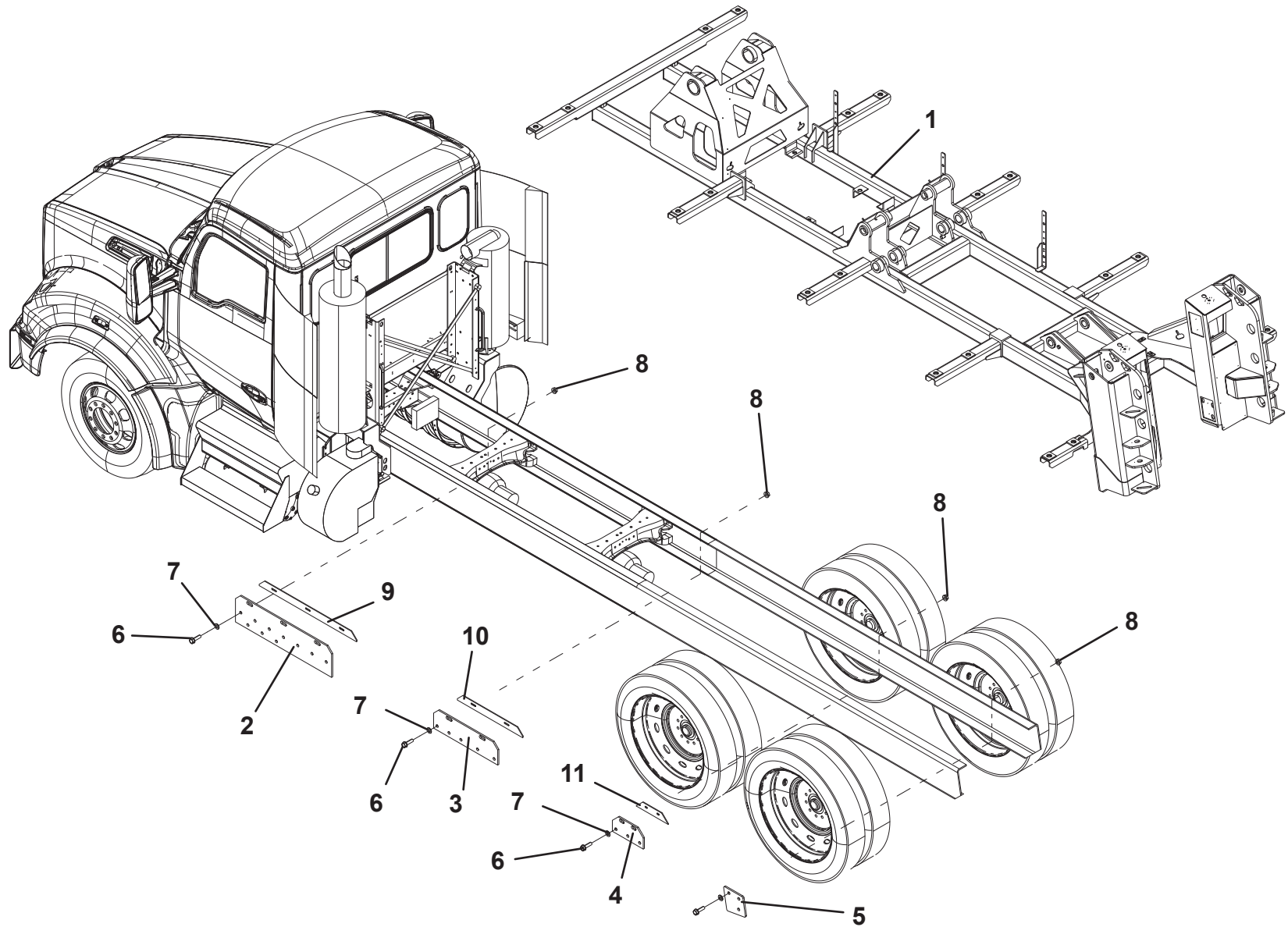
**SECTION 1 - SUBFRAME**

**SUBFRAME INSTALLATION**

ITEM	PART NO.	DESCRIPTION	QTY	REV
	1001152543	Subframe Installation	Ref	C
1	1001204816	Subframe	1	
2	1001152381	Plate, Front	2	
3	1001152511	Plate, Middle	2	
4	1001144730	Plate, HDL	2	
5	4706006016	Plate	2	
6	7118242450	Capscrew, 0.88" - 9NC x 3.00"	42	
7	7949000061	Washer, 0.88" ID	42	
8	7660242308	Locknut, 0.88" - 9NC	42	
9	1001152548*	Plate, Front	2	
10	1001152549*	Plate, Middle	2	
11	4706002555*	Plate	2	

\* Also Available In Shim Kit - 3577000036

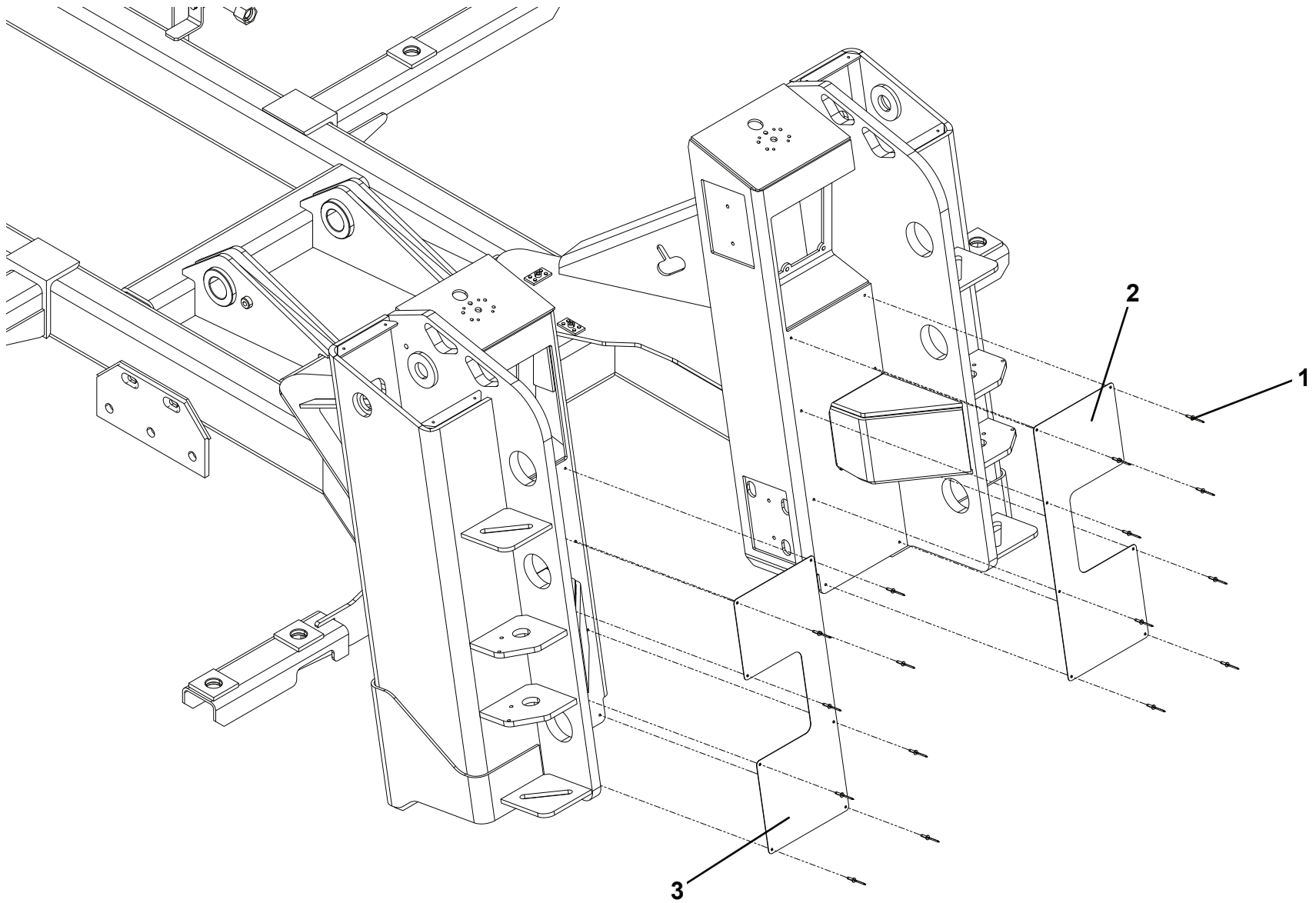
# SUBFRAME INSTALLATION



**REAR TAIL PLATE INSTALLATION**

ITEM	PART NO.	DESCRIPTION	QTY	REV
	2507700108	Rear Tail Plate Installation	Ref	B
1	4706006008	Plate, LH	1	
2	4706006009	Plate, RH	1	
3	7759000018	Rivet	16	

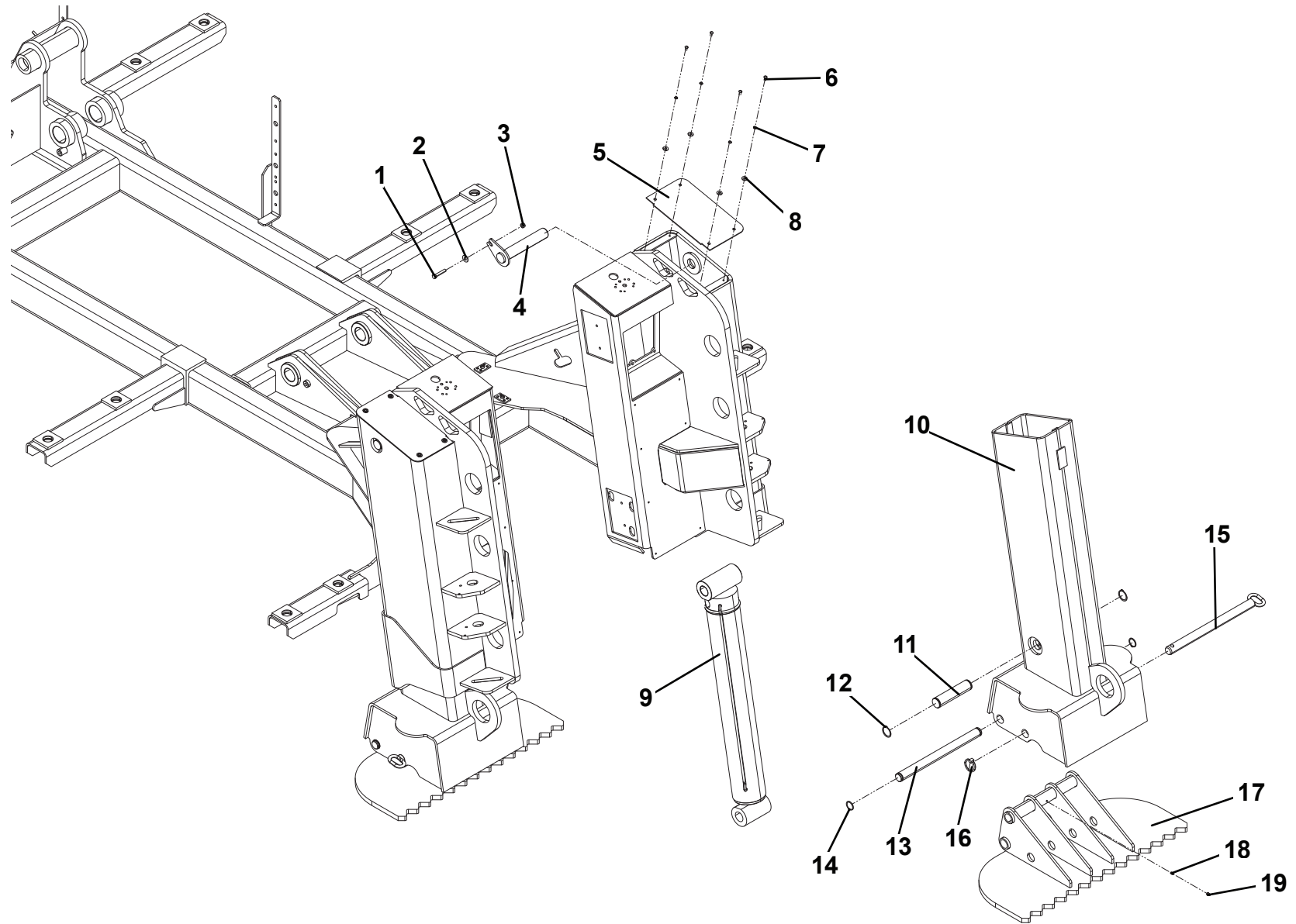
# REAR TAIL PLATE INSTALLATION



**REAR SPADE INSTALLATION**

ITEM	PART NO.	DESCRIPTION	QTY	REV
	2507690090	Rear Spade Installation	Ref	C
1	7115161650	Bolt, 0.38"-16NC X 2.00"	2	
2	7950160161	Flatwasher, 0.38"	2	
3	7660162601	Locknut, 0.38"-16UNC	2	
4	3691000267	Pin	2	
5	4706003716	Plate	2	
6	7114140518	Capscrew, 0.25"-20NC X 0.62"	8	
7	7949000025	Lockwasher, 11MM x 6.4MM	8	
8	7950140153	Flatwasher, 0.25" ID	8	
9	7320000006	Cylinder (See Separate Breakdown in CYLINDER Section)	2	
10	3263000118	Spade Weldment	2	
11	4691000207	Pin	2	
12	7754000033	Retaining Ring	4	
13	4691000200	Pin	2	
14	7754000008	Retaining Ring	4	
15	3691000126	Pin	2	
16	7691000019	Lynch Pin	2	
17	3706000261	Plate	2	
18	7440030000	Grease Fitting	4	
19	7253000002	Grease Fitting Cap	4	

# REAR SPADE INSTALLATION



**THIS PAGE INTENTIONALLY LEFT BLANK**



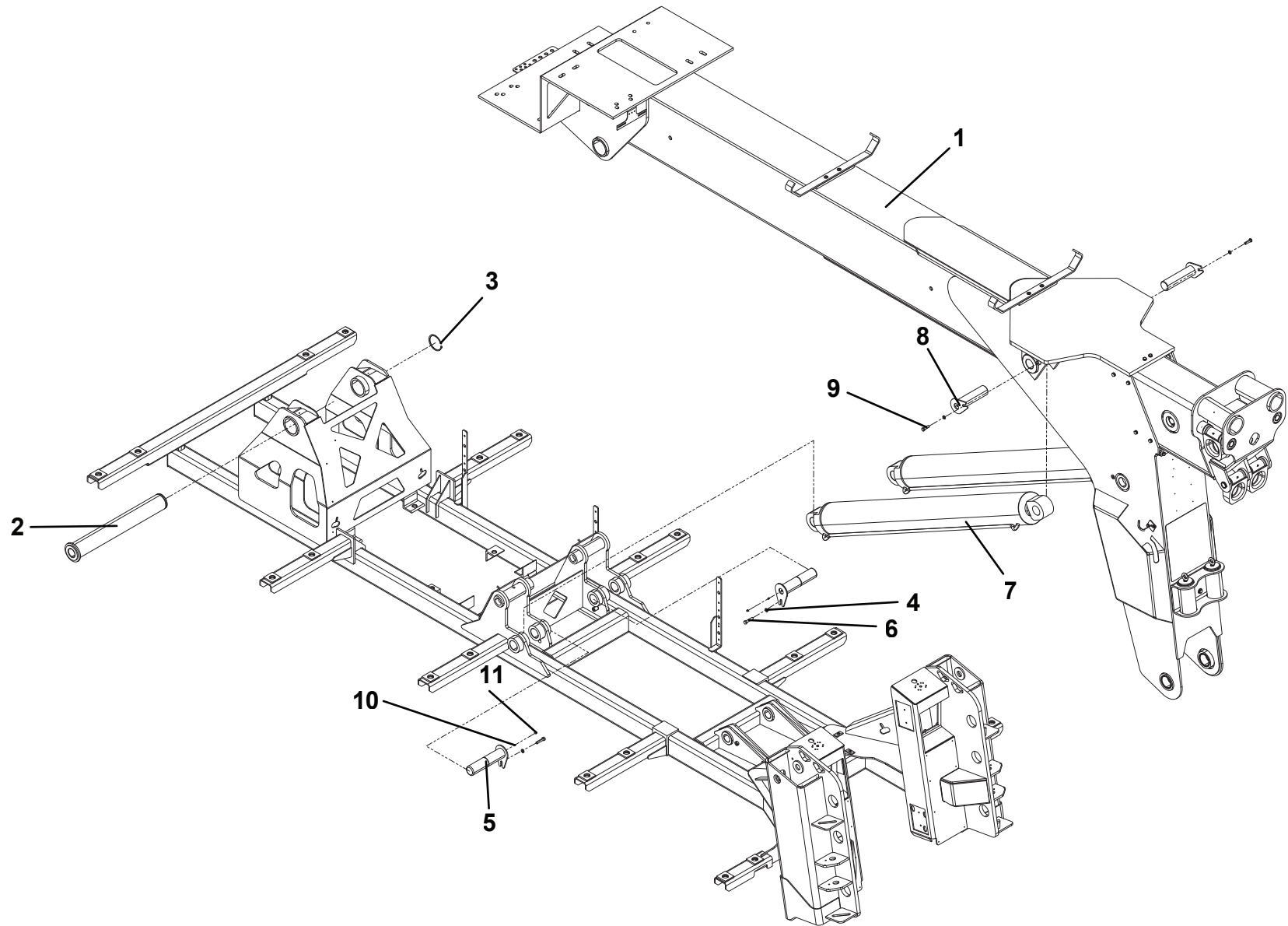
**SECTION 2 - BOOM**

**BOOM INSTALLATION - 2 PIECE BOOM**

ITEM	PART NO.	DESCRIPTION	QTY	REV
	2507100102	Boom Installation - 2 Piece Boom	Ref	A
1	3170000471	Boom Assembly (See Separate Breakdown in this Section)	1	
2	3691000274	Pin	1	
3	7754000059	Retaining Ring	1	
4	7950180000	Lockwasher, 0.59" ID	4	
5	3691000149	Pin	2	
6	7115181850	Capscrew, 0.50" - 13NC x 2.25"	2	
7	7320000084	Cylinder	2	
8	3691000148	Pin	2	
9	7115181450	Capscrew, 0.50" - 13NC x 1.75"	2	
10	7440030000	Grease Fitting	5	
11	7253000002	Grease Fitting Cap	5	
12	4949000059*	Shim	2	
13	4949000060*	Shim	2	

\* Also Available In Shim Kit - 3577000071

# BOOM INSTALLATION - 2 PIECE BOOM

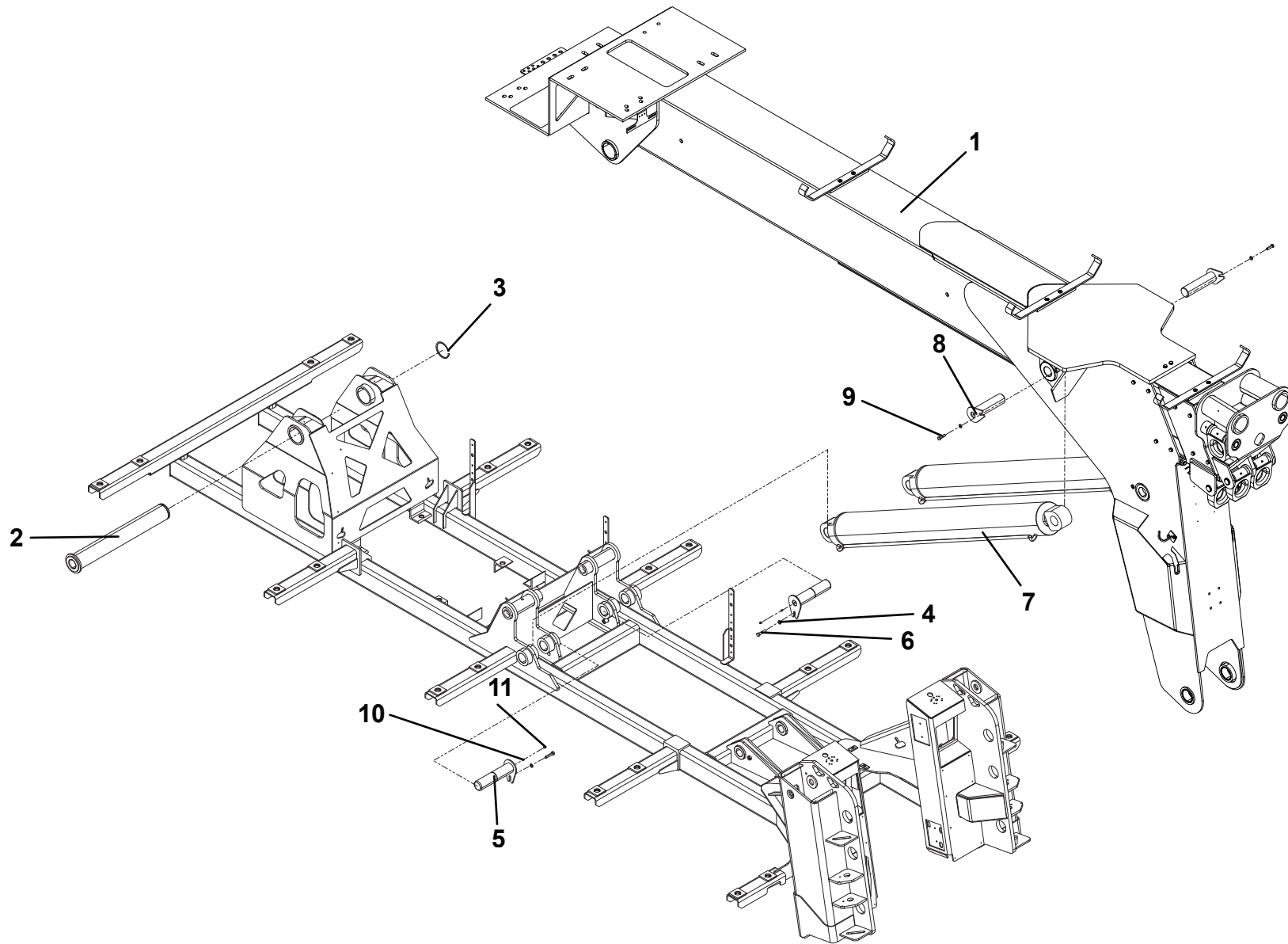


**BOOM INSTALLATION - 3 PIECE BOOM**

ITEM	PART NO.	DESCRIPTION	QTY	REV
	2507100121	Boom Installation - 3 Piece Boom	Ref	1
1	3170000486	Boom Assembly (See Separate Breakdown in this Section)	1	
2	3691000274	Pin	1	
3	7754000059	Retaining Ring	1	
4	7950180000	Lockwasher, 0.59" ID	4	
5	3691000149	Pin	2	
6	7115181850	Capscrew, 0.50" - 13NC x 2.25"	2	
7	7320000084	Cylinder	2	
8	3691000148	Pin	2	
9	7115181450	Capscrew, 0.50" - 13NC x 1.75"	2	
10	7440030000	Grease Fitting	5	
11	7253000002	Grease Fitting Cap	5	
12	4949000059*	Shim	2	
13	4949000060*	Shim	2	

\* Also Available In Shim Kit - 3577000071

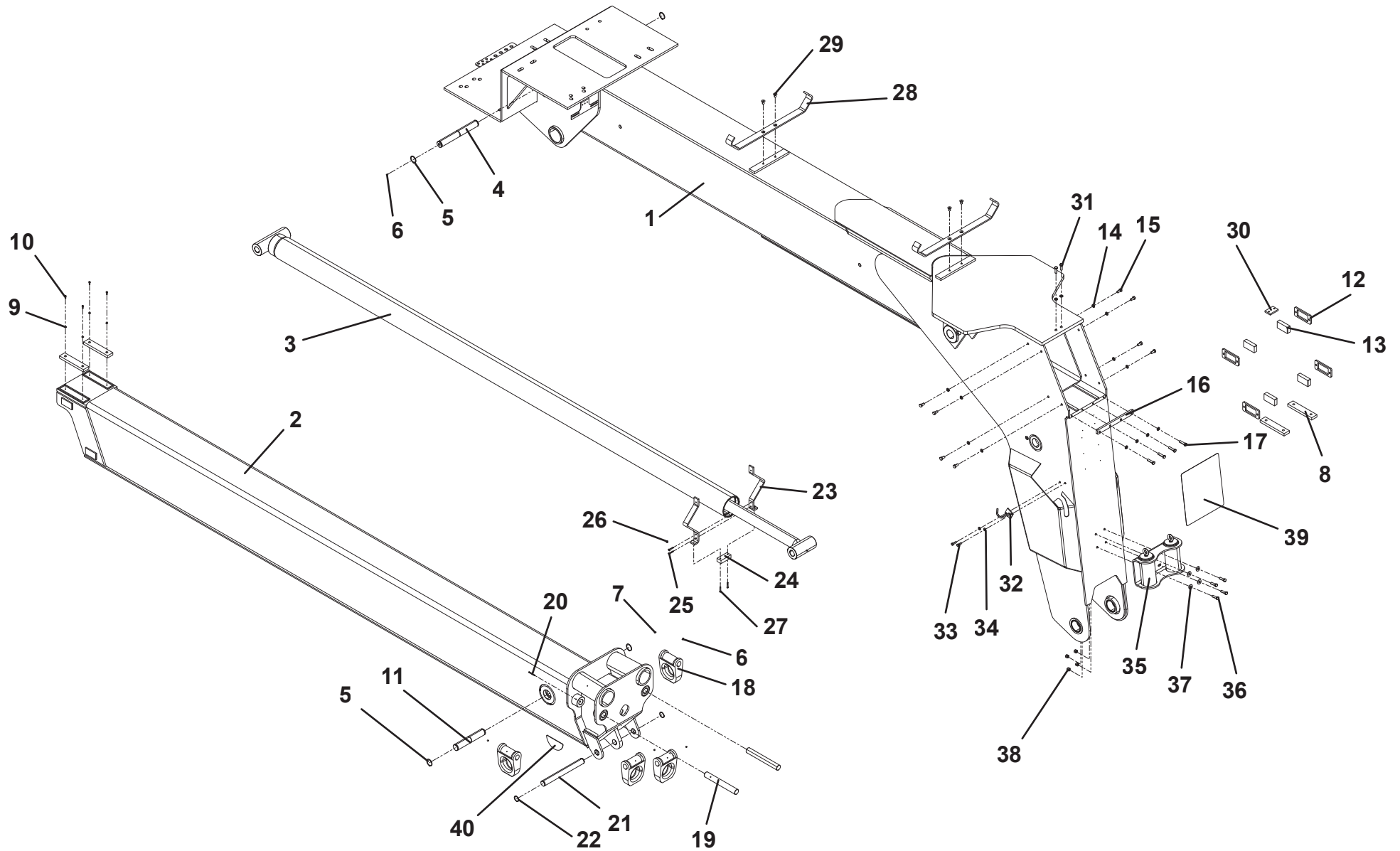
# BOOM INSTALLATION - 3 PIECE BOOM



**WRECKER BOOM ASSEMBLY**

ITEM	PART NO.	DESCRIPTION	QTY	REV	ITEM	PART NO.	DESCRIPTION	QTY	REV
	3170000471	Wrecker Boom Assembly	Ref	G	39	1001151050	Decal, Knee Boom	1	
1	3170000494	Boom Weld Base	1		40	1001151805	Decal, D-Ring	2	
2	3170000468	Boom Weld Fly	1						
3	7320000028	Cylinder	1						
4	4691000417	Pin	1						
5	7754000055	Retaining Ring	4						
6	7440030000	Grease Fitting	6						
7	7253000002	Grease Fitting Cap	6						
8	4679000140	Pad	4						
9	7950140000	Lockwasher, 0.25" ID	4						
10	7114140618	Capscrew, 0.25" - 20NC x 0.75"	4						
11	4691000280	Pin	1						
12	4178000811	Bracket	4						
13	4679000314	Pad	4						
14	7950180000	Lockwasher 0.59" ID	14						
15	7108180850	Capscrew, 0.50"-20NF X 1.00"	8						
16	4706006132	Plate	1						
17	7115181650	Capscrew, 0.50"-13NC X 2.00"	4						
18	4754000004	D-Ring	4						
19	4691000285	Pin	2						
20	7690144840	Pin	2						
21	4691000510	Pin	1						
22	7754000033	Retaining Ring	2						
23	4062000714	Bar	2						
24	4679000315	Pad	1						
25	7115141250	Capscrew, 0.25"-20NC X 1.50"	3						
26	7660142600	Locknut, 0.25"-20NC	5						
27	7114141218	Capscrew, 0.25"-20NC X 1.50"	2						
28	4062000746	Bar	2						
29	7115180723	Capscrew, 0.50"-13NC X 0.88"	4						
30	4062000715	Bar	1						
31	7115181250	Capscrew, 0.50"-13NC X 1.50"	2						
32	3561000017	Hook Weldment	2						
33	7115161050	Capscrew, 0.38"-16NC X 1.25"	4						
34	7950160141	Flatwasher, 0.38" ID	4						
35	3249000047	Cable Tieback	1						
36	7115181450	Capscrew, 0.50"-13NC X 1.75"	4						
37	7950180150	Flatwasher, 0.50" ID	4						
38	7660182601	Locknut, 0.50"-13NC	4						

# WRECKER BOOM ASSEMBLY

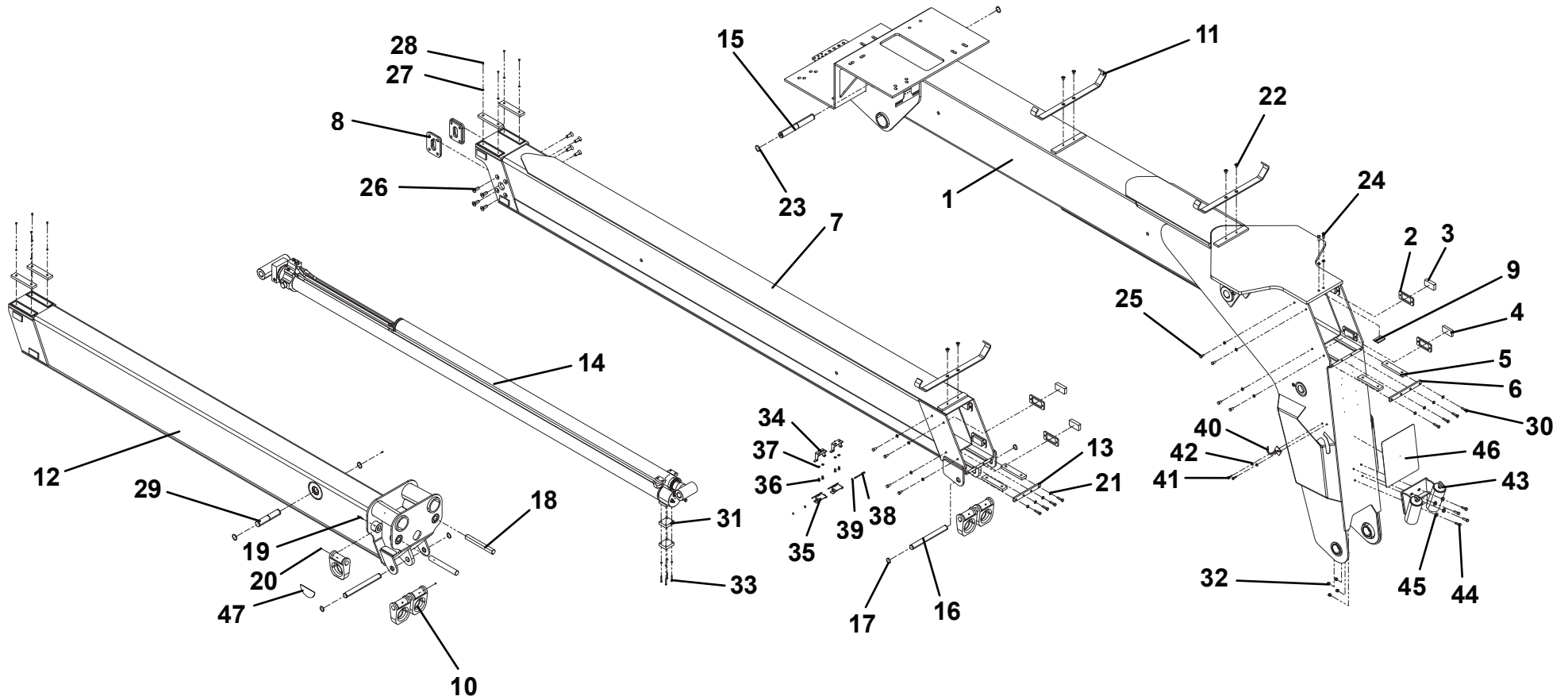


**WRECKER BOOM ASSEMBLY - 3 PIECE BOOM**

ITEM	PART NO.	DESCRIPTION	QTY	REV	ITEM	PART NO.	DESCRIPTION	QTY	REV
	3170000486	Wrecker Boom Assembly - 3 Piece Boom	Ref	G	37	7950160000	Lockwasher, 0.38" ID	4	
1	3170000494	Boom Weld Wrkr Base	1		38	7115143250	Capscrew, 0.25"-20NC x 4.00"	2	
2	4178000811	Bracket	8		39	7950140141	Flatwasher, 0.25" ID	4	
3	4679000314	Pad	6		40	3561000017	Hook Weldment	2	
4	4679000313	Pad	2		41	7115161050	Capscrew, 0.38"-16NC x 1.25"	4	
5	4679000140	Pad	8		42	7950160141	Flatwasher, 0.38" ID	4	
6	4706006132	Plate	1		43	1001145640	Bracket	1	
7	3170000484	Boom Weld Mid	1		44	7115181450	Capscrew, 0.50"-13NC x 1.75"	4	
8	3706000241	Plate	2		45	7950180150	Flatwasher, 0.50" ID	4	
9	4062000715	Bar	1		46	1001151050	Decal	1	
10	4754000004	D-Ring	6		47	1001151805	Decal	2	
11	4062000746	Bar	3						
12	3170000483	Boom Weld Fly	1						
13	4706006182	Plate	1						
14	7320000085	Cylinder (See Separate Breakdown in CYLINDER Section)	1						
15	4691000417	Pin	1						
16	4691000510	Pin	2						
17	7754000033	Retaining Ring	4						
18	4691000285	Pin	2						
19	7690144840	Pin	2						
20	7440030000	Grease Fitting	8						
21	7950180000	Lockwasher, 0.59" ID	32						
22	7115180723	Capscrew, 0.50"-13 NC x 0.88"	6						
23	7754000055	Retaining Ring	4						
24	7115181250	Capscrew, 0.50"-13 NC x 1.50"	2						
25	7108180850	Capscrew, 0.50"-20 NC x 1.00"	16						
26	7120000040	Bolt, 0.75"-10 x 2.00"	8						
27	7950140000	Lockwasher, 0.25" ID	16						
28	7118140427	Capscrew, 0.25"-20 NC x 0.50"	8						
29	4691000416	Pin	1						
30	7115181650	Capscrew, 0.50"-13 NC x 2.00"	8						
31	4679000326	Pad	2						
32	7660142601	Locknut, 0.25" -20NC	6						
33	7114141618	Capscrew, 0.25"-20NC x 2.00"	4						
34	4178000857	Bracket	2						
35	4178000872	Bracket	2						
36	7115160650	Capscrew, 0.38"-16NC x 0.75"	4						



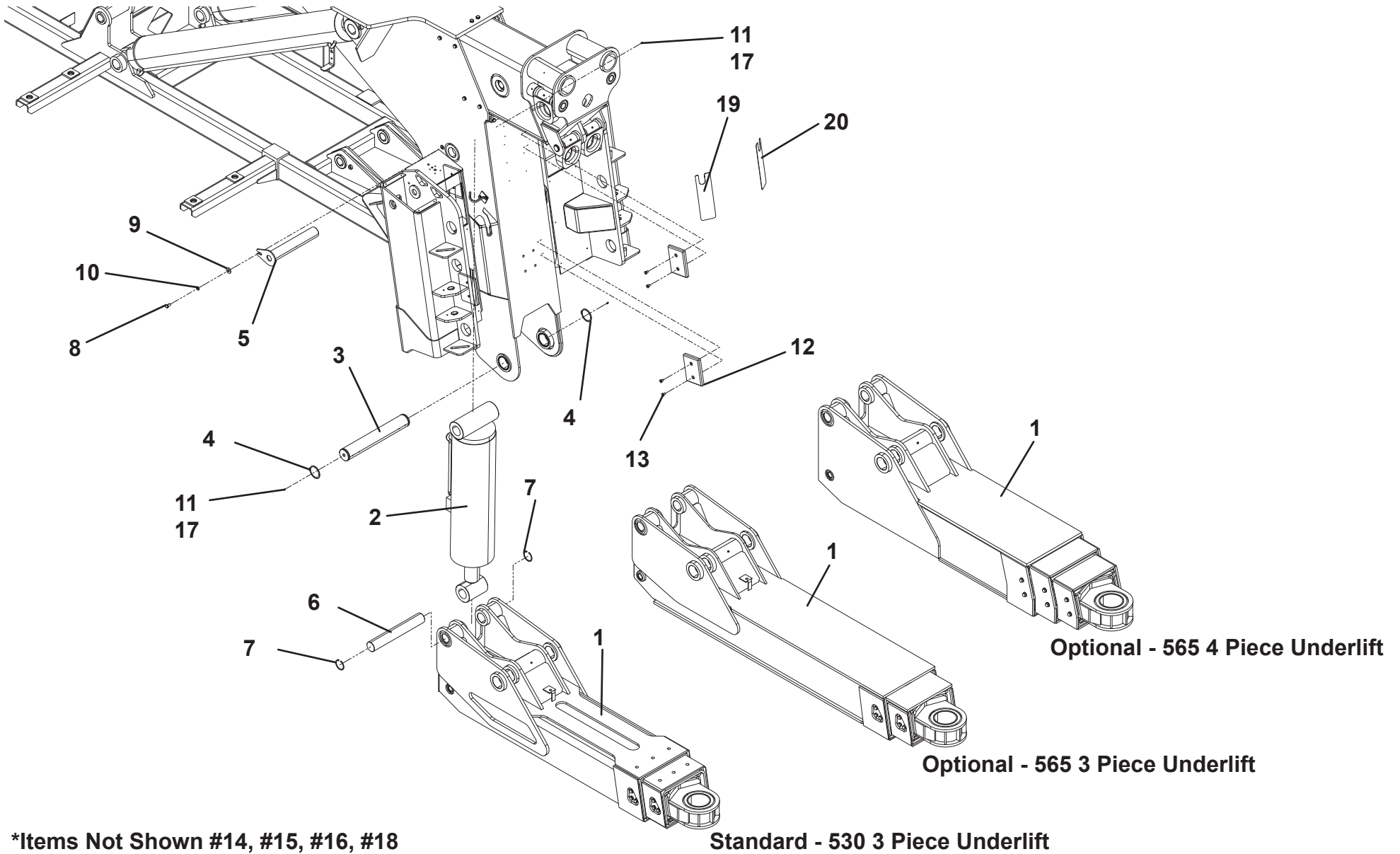
# WRECKER BOOM ASSEMBLY - 3 PIECE BOOM



**UNDERLIFT INSTALLATION**

ITEM	PART NO.	DESCRIPTION	QTY	REV
	2507100103	Underlift Installation	Ref	C
1	3507100001	Underlift - Standard - 530 3 Piece Underlift (See Separate Breakdown in this Section)	1	
	3170000407	Underlift - Optional - 565 3 Piece Underlift (See Separate Breakdown in this Section)	1	
	3170000381	Underlift - Optional - 565 4 Piece Underlift (See Separate Breakdown in this Section)	1	
2	7320000096	Cylinder - UL530 (See Separate Breakdown in CYLINDER Section)	1	
	7320000097	Cylinder - UL565 (See Separate Breakdown in CYLINDER Section)	1	
3	4691000291	Pin	1	
4	7754000018	Retaining Ring	2	
5	3691000154	Pin	1	
6	4691000290	Pin	1	
7	7754000051	Retaining Ring	2	
8	7115180750	Capscrew, 0.50"-13NC x 0.88"	1	
9	7950180161	Flatwasher, 0.50" ID	1	
10	7950180000	Lockwasher, 0.59" ID	1	
11	7440030000	Grease Fitting	3	
12	4679000127	Pad	4	
13	7115160623	Capscrew, 0.38"-16 x 0.70"	8	
14	7262000025	Chain (Not Shown)	2	
15	7118201250	Capscrew, 0.63"-11NC x 1.50" (Not Shown)	2	
16	7660202601	Locknut, 0.63"-11NC (Not Shown)	2	
17	7253000002	Grease Cap	3	
18	7330000863	Decal, Caution (Not Shown)	2	
19	1001151184	Decal, LH	1	
20	1001151185	Decal, RH	1	

# UNDERLIFT INSTALLATION

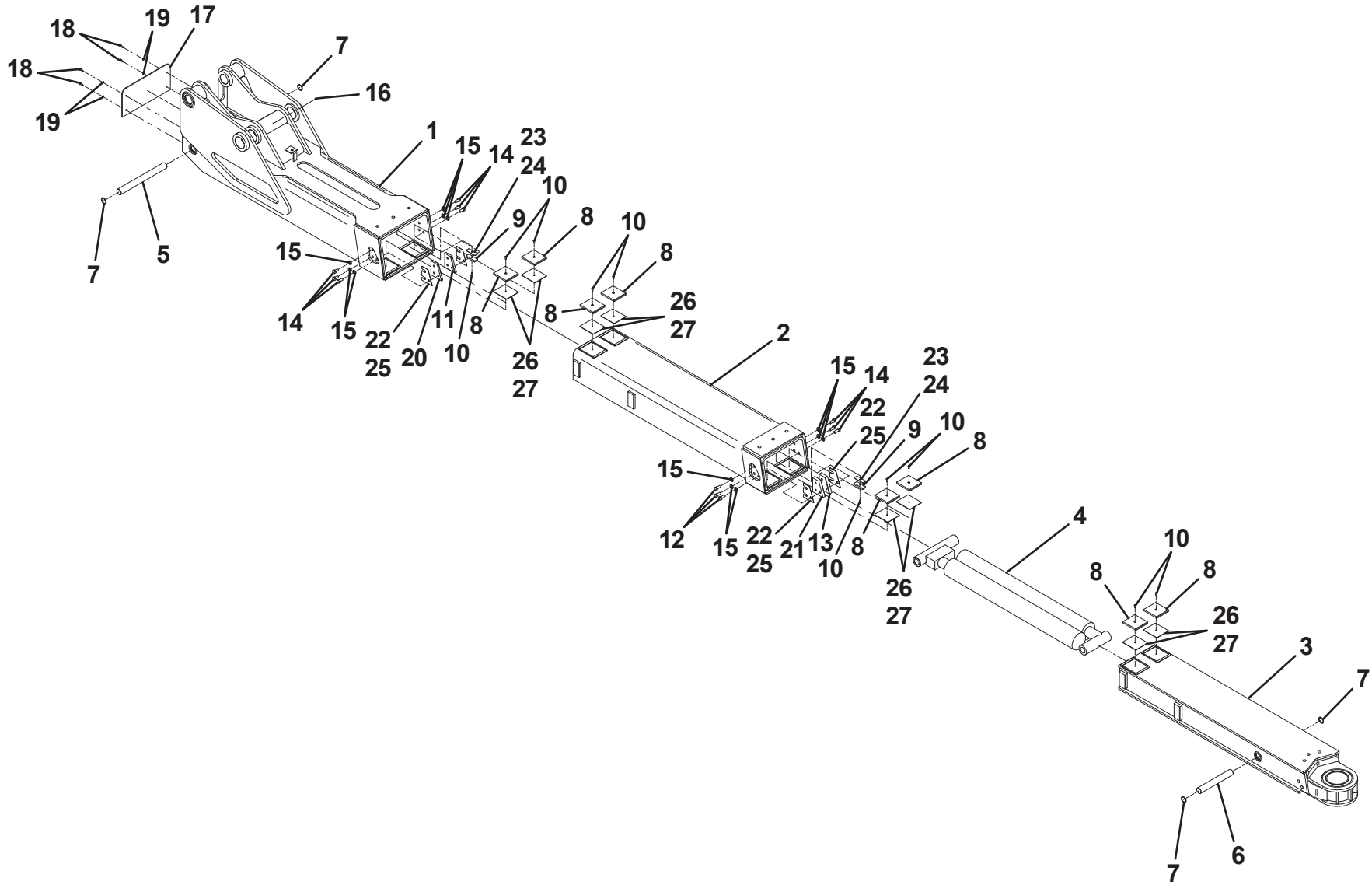


\*Items Not Shown #14, #15, #16, #18

**UNDERLIFT ASSEMBLY - STANDARD - 530 3 PIECE UNDERLIFT**

ITEM	PART NO.	DESCRIPTION	QTY	REV
	3507100001	Underlift Assembly - Standard - 530 3 Piece Underlift	Ref	B
1	3170000125	Base Section Boom Weldment	1	
2	3170000124	Mid Section Boom Weldment	1	
3	3170000123	Fly Section Boom Weldment	1	
4	7320000026	Underlift Extension Cylinder Assembly (See Separate Breakdown in CYLINDER Section)	1	
5	4691000292	Pin	1	
6	4691000293	Pin	1	
7	7754000043	Retaining Ring	4	
8	4679000146	Pad	8	
9	4679000147	Pad	2	
10	7114140518	Capscrew, 0.25"-20NC x 0.63"	10	
11	4706002209	Plate	1	
12	7108181050	Capscrew, 0.50"-20NF x 1.25"	6	
13	4706002208	Plate	1	
14	7108180850	Capscrew, 0.50"-20NF x 1.00"	6	
15	7950180153	Flatwasher, 0.50" ID	12	
16	7440030000	Grease Fitting	1	
17	4706002207	Plate	1	
18	7115140650	Plate	4	
19	7950140000	Lockwasher, 0.25" ID	4	
20	4706002211	Plate	1	
21	4706002210	Plate	1	
22	4812000057	Shim, 14GA	2	
23	4706003708	Plate	2	
24	4706003709	Plate	2	
25	4706003710	Plate	4	
26	4706003717	Plate	8	
27	4706003718	Plate	8	

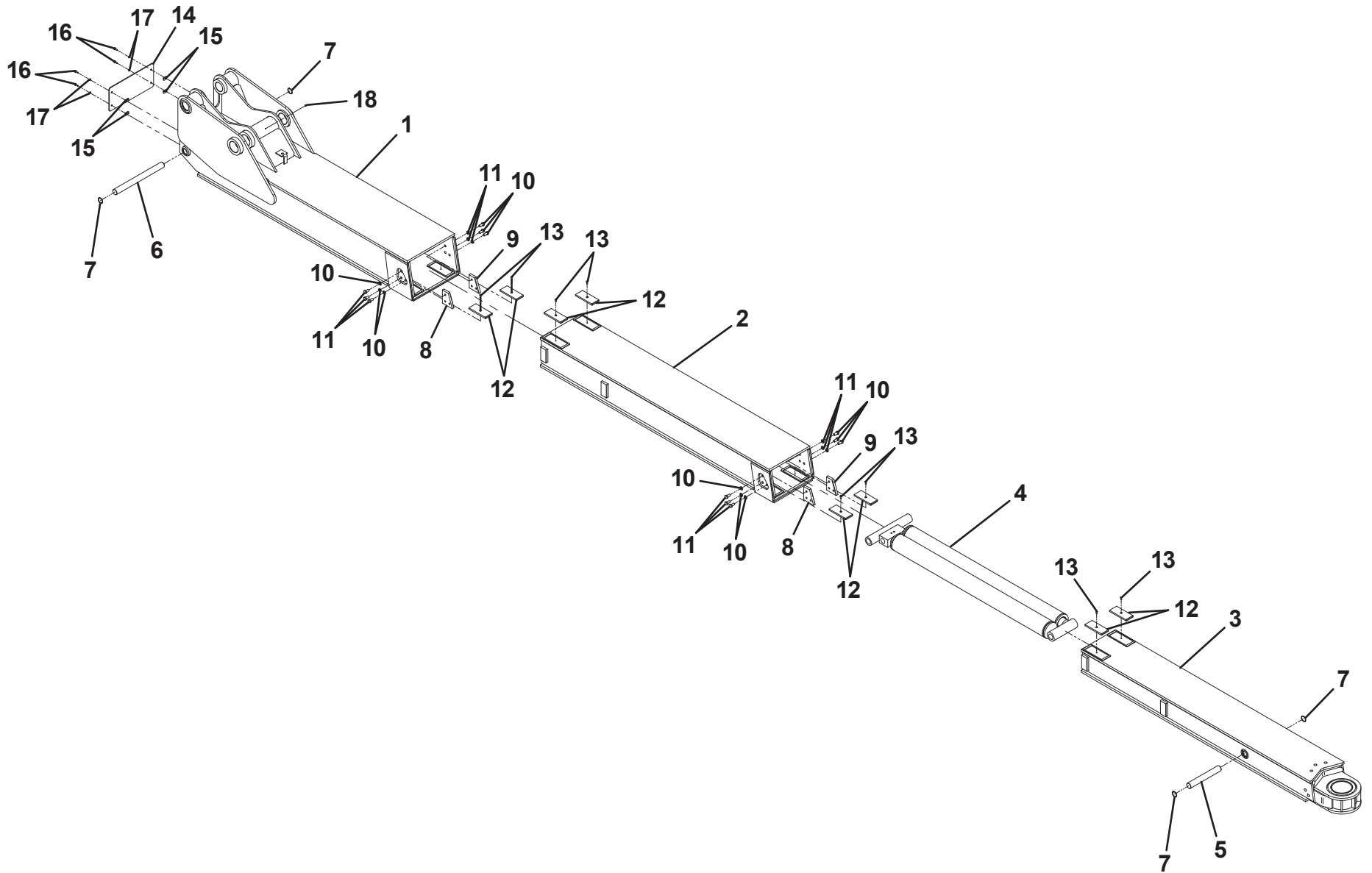
# UNDERLIFT ASSEMBLY - STANDARD - 530 3 PIECE UNDERLIFT



**UNDERLIFT ASSEMBLY - OPTIONAL - 565 3 PIECE UNDERLIFT**

ITEM	PART NO.	DESCRIPTION	QTY	REV
	3170000407	Underlift Assembly - Optional - 565 3 Piece Underlift	Ref	B
1	3170000400	Base Section Boom Weldment	1	
2	3170000401	Mid Section Boom Weldment	1	
3	3170000406	Fly Section Boom Weldment	1	
4	7320000068	Underlift Extension Cylinder Assembly (See Separate Breakdown in CYLINDER Section)	1	
5	4691000293	Pin	1	
6	4691000321	Pin	1	
7	7754000043	Retaining Ring	4	
8	4706005262	Plate	2	
9	4706005263	Plate	2	
10	7108180850	Capscrew, 0.50"-20NF x 1.00"	12	
11	7950180000	Lockwasher, 0.50" ID	12	
12	4679000277	Pad, 0.38" Thk	8	
	4679000293	Pad, 0.25" Thk		
13	7114140518	Capscrew, 0.25"-20NC x 0.63"	8	
14	4706005281	Plate	1	
15	7661000019	U-Nut, 0.25"-20NC	4	
16	7115140650	Capscrew, 0.25"-20NC x 0.75"	4	
17	7950140000	Lockwasher, 0.25" ID	4	
18	7440030000	Grease Fitting	1	

# UNDERLIFT ASSEMBLY - OPTIONAL - 565 3 PIECE UNDERLIFT

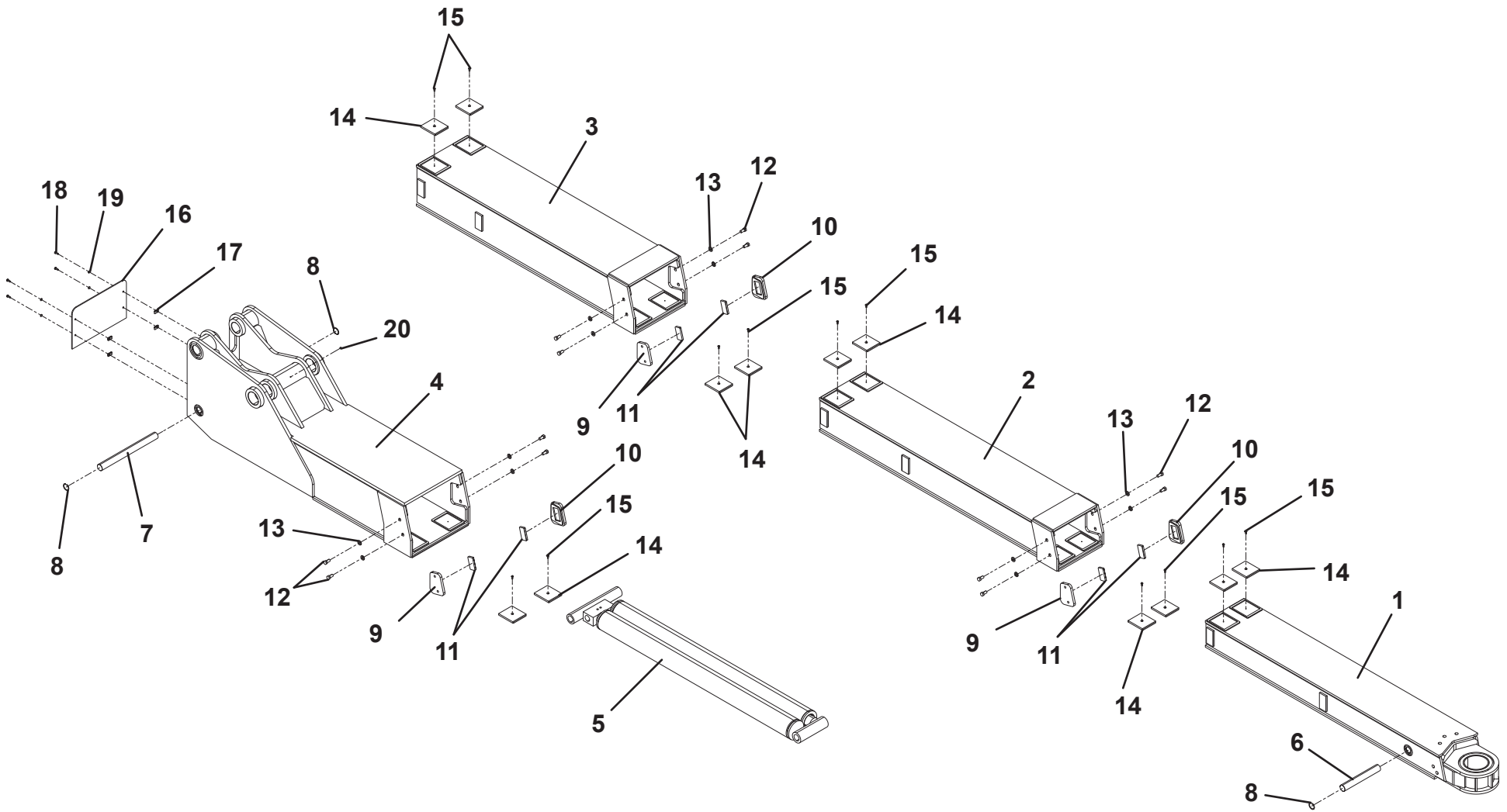


**UNDERLIFT ASSEMBLY - OPTIONAL - 565 4 PIECE UNDERLIFT**

ITEM	PART NO.	DESCRIPTION	QTY	REV
	3170000381	Underlift Assembly - Optional - 565 4 Piece Underlift	Ref	C
1	3170000379	Boom Weldment Fly Section	1	
2	3170000380	Boom Weldment 2nd Stage Section	1	
3	3170000178	Boom Weldment 3rd Stage Section	1	
4	3170000179	Boom Weldment Outer Section	1	
5	7320000038	Cylinder (See Separate Breakdown in CYLINDER Section)	1	
6	4691000293	Pin	1	
7	4691000321	Pin	1	
8	7754000043	Snap-Ring	4	
9	3178000273	Bracket LH	3	
10	3178000275	Bracket RH	3	
11	4679000170	Pad	6	
12	7108180850	Capscrew, 0.50"-20NF X 1.00"	12	
13	7950180153	Flatwasher, 0.50" ID	12	
14	4679000146	Pad	12	
15	7114140518	Capscrew, 0.25"-20NC X 0.62"	12	
16	4706002428	Plate	1	
17	7661000019	U-Nut, 0.25"-20NC	4	
18	7115140650	Capscrew, 0.25"-20NC X 0.75"	4	
19	7950140000	Lockwasher, 0.25" ID	4	
20	7440030000	Grease Fitting	1	



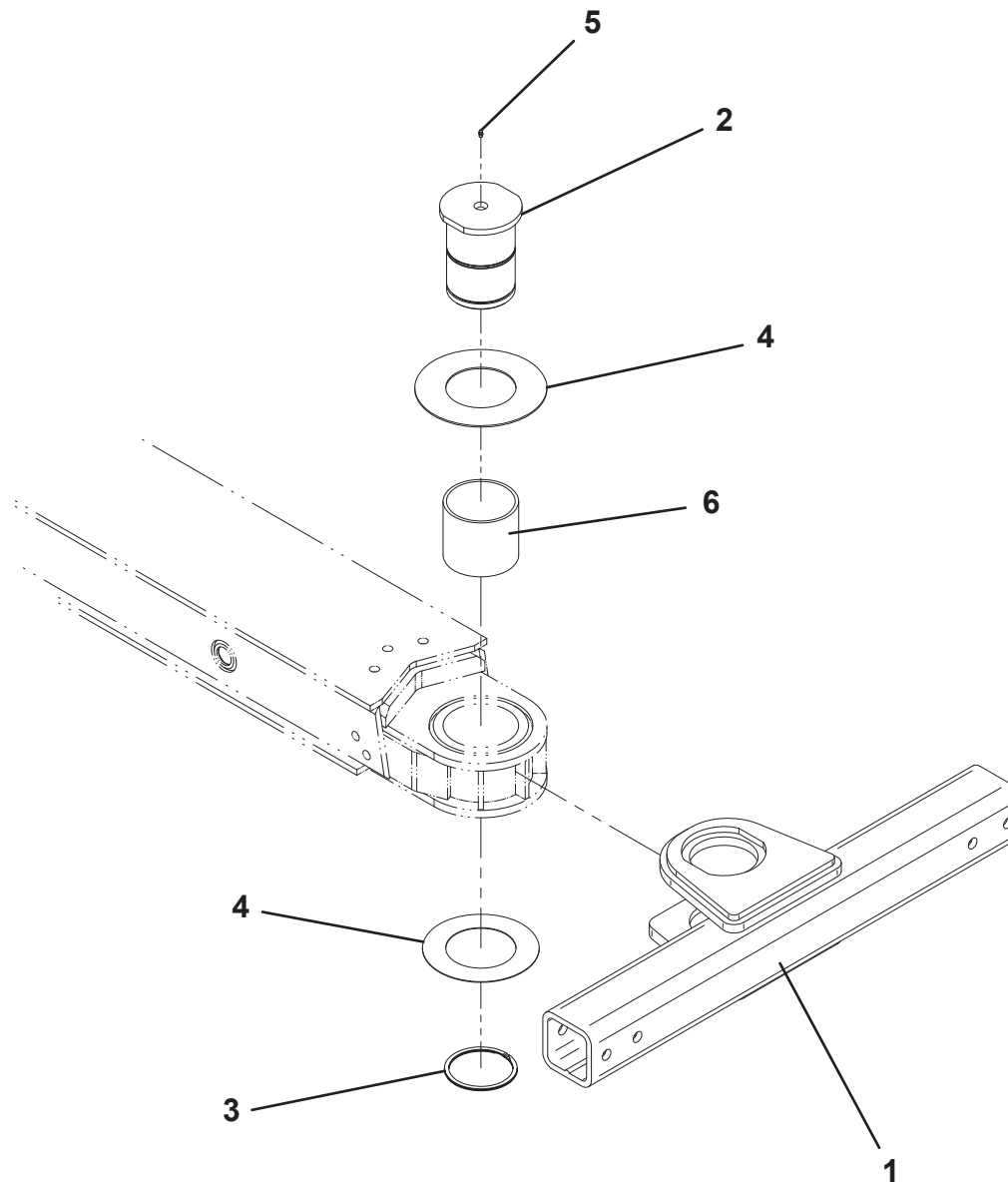
# UNDERLIFT ASSEMBLY - OPTIONAL - 565 4 PIECE UNDERLIFT



**CROSSTUBE INSTALLATION**

ITEM	PART NO.	DESCRIPTION	QTY	REV
	2503880012	Crosstube Installation	Ref	A
1	3913000094	Crosstube	1	
2	4691000242	Pin	1	
3	7754000042	Retaining Ring	1	
4	3577000018	Shim	1	
5	7440030000	Grease Fitting	1	
6	7209000022	Bushing	1	

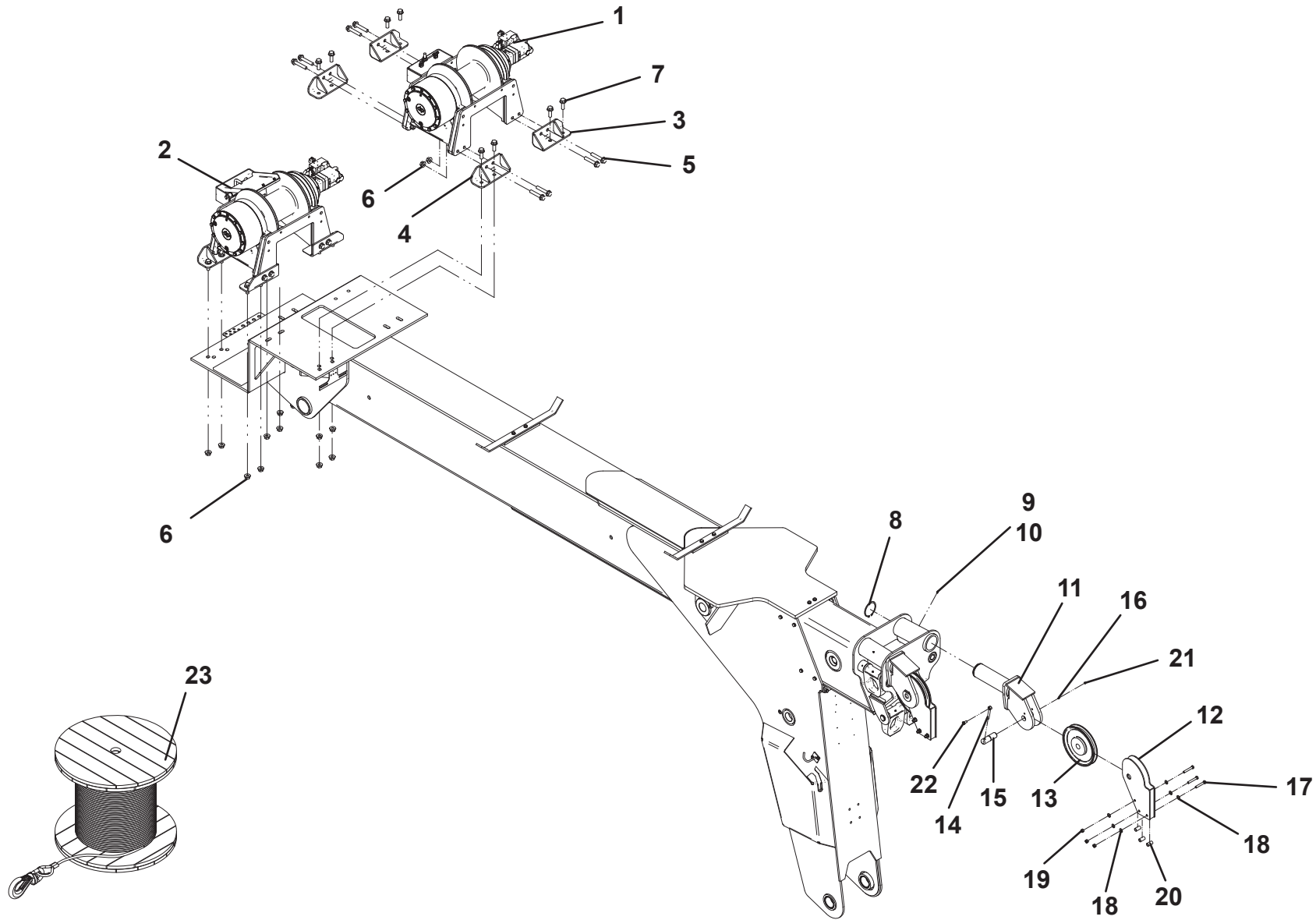
# CROSTUBE INSTALLATION



**WINCH INSTALLATION DP PLANETARY WINCHES**

ITEM	PART NO.	DESCRIPTION	QTY	REV
	2507900105	Winch Installation DP Planetary Winches	Ref	D
1	7970000168	DP50 Winch (See Separate Breakdown in this Section)	1	
2	7970000169	DP50 Winch (See Separate Breakdown in this Section)	1	
3	3178000575	Bracket RH	4	
4	3178000576	Bracket LH	4	
5	7118223216	Capscrew, 0.75" - 10NC x 4.00"	16	
6	7660222308	Locknut, 0.75" - 10NC	32	
7	7118221816	Capscrew, 0.75" - 10NC x 2.25"	16	
8	7754000059	Retaining Ring	2	
9	7440030000	Grease Fitting	2	
10	7253000002	Grease Fitting Cap	2	
11	1001169560	Sheave Weldment	2	
12	3249000035	Cable Guide Weldment	2	
13	7809000004	Sheave	2	
14	3841203	Rod	2	
15	1001169893	Pin	2	
16	7440030000	Grease Fitting	2	
17	7115182650	Capscrew, 0.50" - 13NC x 3.25"	6	
18	7950180141	Flatwasher, 0.50" ID	12	
19	7660182601	Locknut, 0.50" - 13NC	6	
20	4831000104	Spacer	6	
21	7253000002	Grease Fitting	2	
22	7115180850	Capscrew, 0.50" - 13NC x 1.00"	2	
23	1001207367	Wire Rope, 0.75" x 250'	1	
	1001207368	Wire Rope, 0.75" x 250' SWVL Hook	1	

# WINCH INSTALLATION DP PLANETARY WINCHES

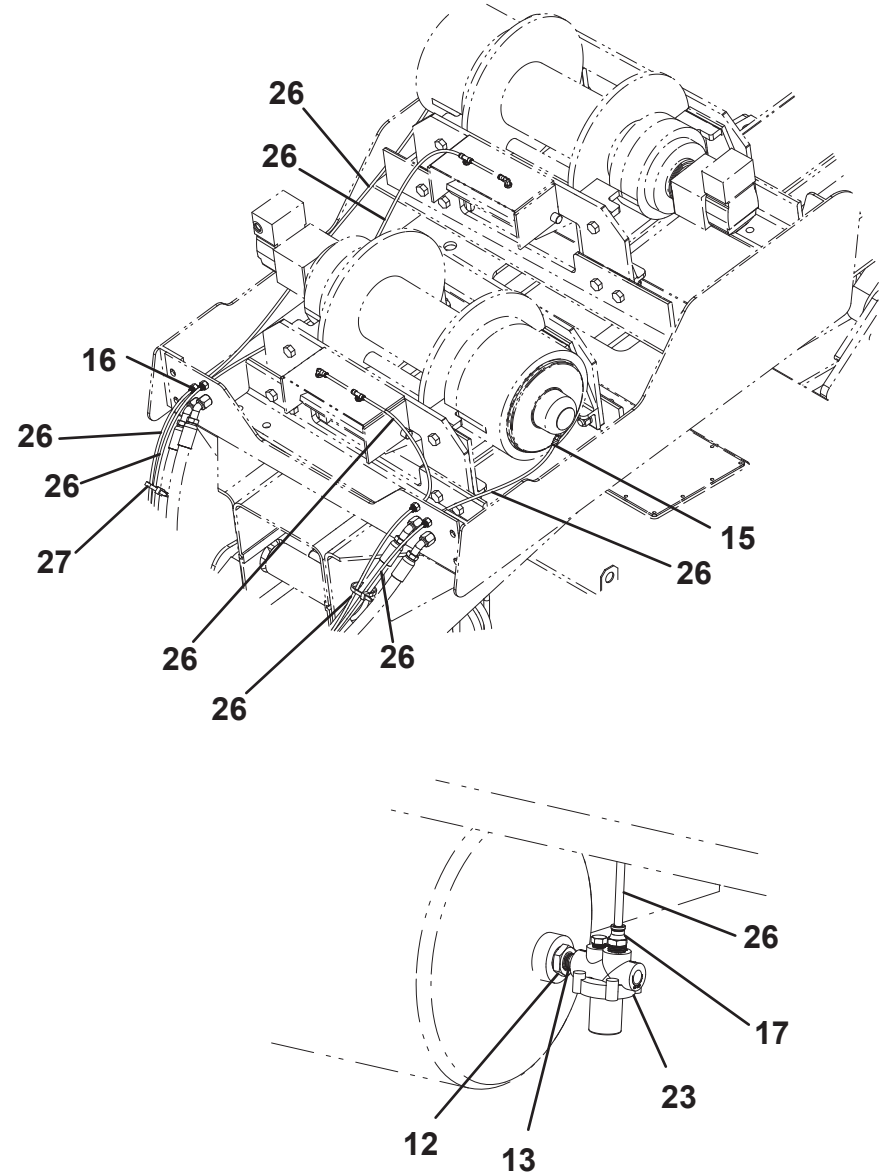
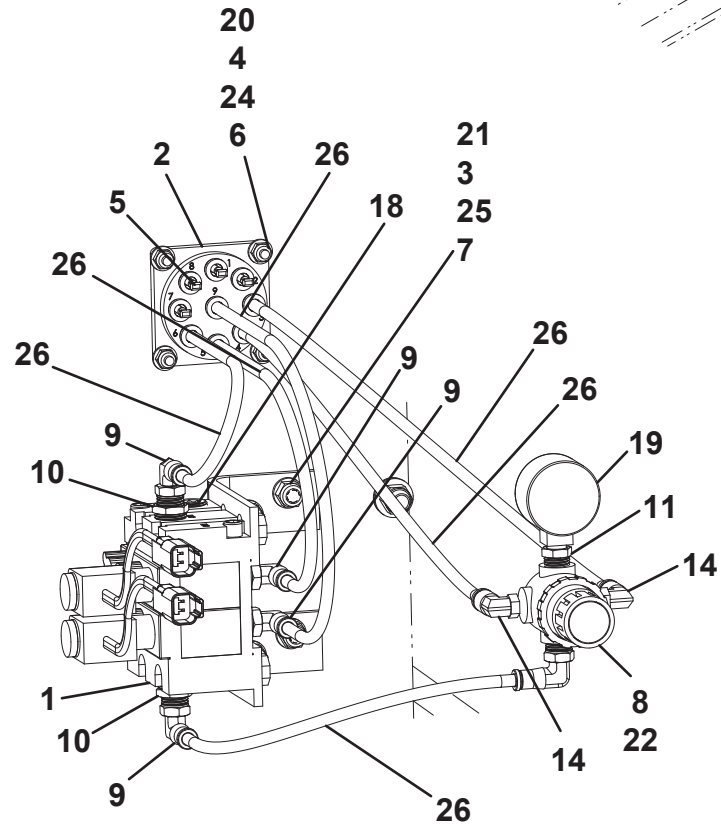
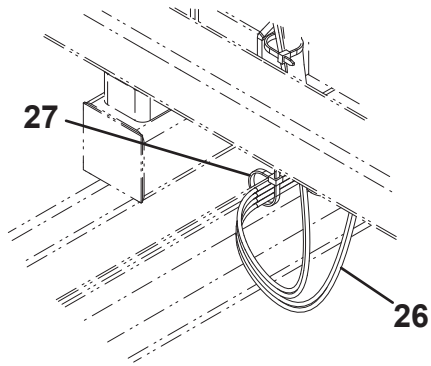


**WINCH AIR INSTALLATION**

ITEM	PART NO.	DESCRIPTION	QTY	REV
	1001211861	Winch Air Installation	Ref	A
1	1001129800	Valve, Air Section	1	
2	1001184765	Terminal	1	
3	1001197482	Washer, 0.31" ID	4	
4	1001197483	Washer, #10	4	
5	1001197506	Seal	4	
6	7114100818	Screw, #10-24 x 1.00"	4	
7	7114150850	Capscrew, 0.31"-18NC x 1.00"	4	
8	7295000029	Air Regulator	1	
9	7443000139	Fitting	5	
10	7443000148	Bushing	2	
11	7443000149	Bushing	1	
12	7443000154	Bushing	1	
13	7443000156	Fitting	1	
14	7443000173	Fitting	2	
15	7443000176	Elbow	2	
16	7443000178	Union	4	
17	7443000329	Fitting	1	
18	7444030037	Plug	1	
19	7470000006	Air Pressure Gauge	1	
20	7660102601	Nut, #10-24NC	4	
21	7660152601	Locknut, 0.31"-18NC	4	
22	7661000041	Nut	1	
23	7935000120	Valve	1	
24	7950100143	Flatwasher, 0.19" ID	8	
25	7950140143	Flatwasher, 0.25" ID	8	
26	7565000016	Air Tubing	125FT	
27	7894000004	Tie Strap	35	

# WINCH AIR INSTALLATION

AIR BULKHEAD PORTS	
PORT 1	FRONT WINCH 2-SPD
PORT 2	DRAG WINCH TENSIONER
PORT 3	FRONT WINCH TENSIONER
PORT 4	REAR WINCH TENSIONER
PORT 5	FRONT WINCH FREESPOOL
PORT 6	SUPPLY
PORT 7	REAR WINCH 2-SPD
PORT 8	DRAG WINCH FREESPOOL
PORT 9	REAR WINCH FREESPOOL



**DP WINCH 50K - 7970000168**

ITEM	PART NO.	DESCRIPTION	QTY	REV
		Motor End Assembly	Ref	
1	70050367	Motor, Hydraulic	1	
2	7118181205	Capscrew, Socket 0.50"-13NC x 1.50"	2	
3	7950180800	Washer, Lock 0.50" Hi Collar	2	
4	70050368	Valve, Counterbalance	1	
5	70050369	O-Ring, 1.125"ID x 0.125" Section	2	
6	9796960088	O-Ring, 0.812"ID x 0.0937" Section	2	
7	70050370	Capscrew, Socket 0.38"-24NF x 2.50"	4	
8	9571960006	Housing, Brake Outer	1	
9	7118172050	Capscrew, Hex 0.437"-UNC x 2.50" Grade 8	6	
10	7950170000	Washer, Lock 0.437"	6	
11	9698960008	Piston, Brake	1	
12	9806960013	Shaft, Brake	1	
13		Plate, Disc Friction	10	
14		Plate, Drive Brake	9	
15	9691960021	Pin, Dowel 0.312" x 3.50"	2	
16		O-Ring, 5.375"ID x 0.187" Section	2	
17		O-Ring, 6.50"ID x 0.187" Section	1	
18		Ring, Backup 5.278"ID x 0.076"	1	
19		Ring, Backup 6.25"ID x 0.183	1	
20	70050371	Cartridge, Valve	1	
21	9082960013	Bearing, Ball 1.75"ID	2	
22		O-Ring, 6.75"ID x 7.00"OD x 0.125" Section	1	
23	9796960090	O-Ring, 3.00"ID x 0.125" Section	1	
24		Spring, Compression 0.75"	12	
25	7007960040	Adapter, Brake	1	
26	9472960032	Gear, Ring 92 Teeth	1	
27	9472960029	Carrier Assembly Planetary	1	
28	9472960033	Gear, Sun	1	
29	9806960014	Shaft, Extension	1	
30	9796960085	O-Ring, 10.50"ID x 0.125" Section	2	
31	9706960027	Plate, Thrust 45	1	
32	9082960014	Bearing, Roller	1	
33	9796960087	Seal, 3.25"ID x 4.00"OD x 0.468"	1	
34	9754960029	Ring, Retainer 4.25" x 0.109" Thick	1	
35	7445040445	Adapter 90 degree	3	
36	70050372	Hose, 0.25"-R1 x 16.00"	1	

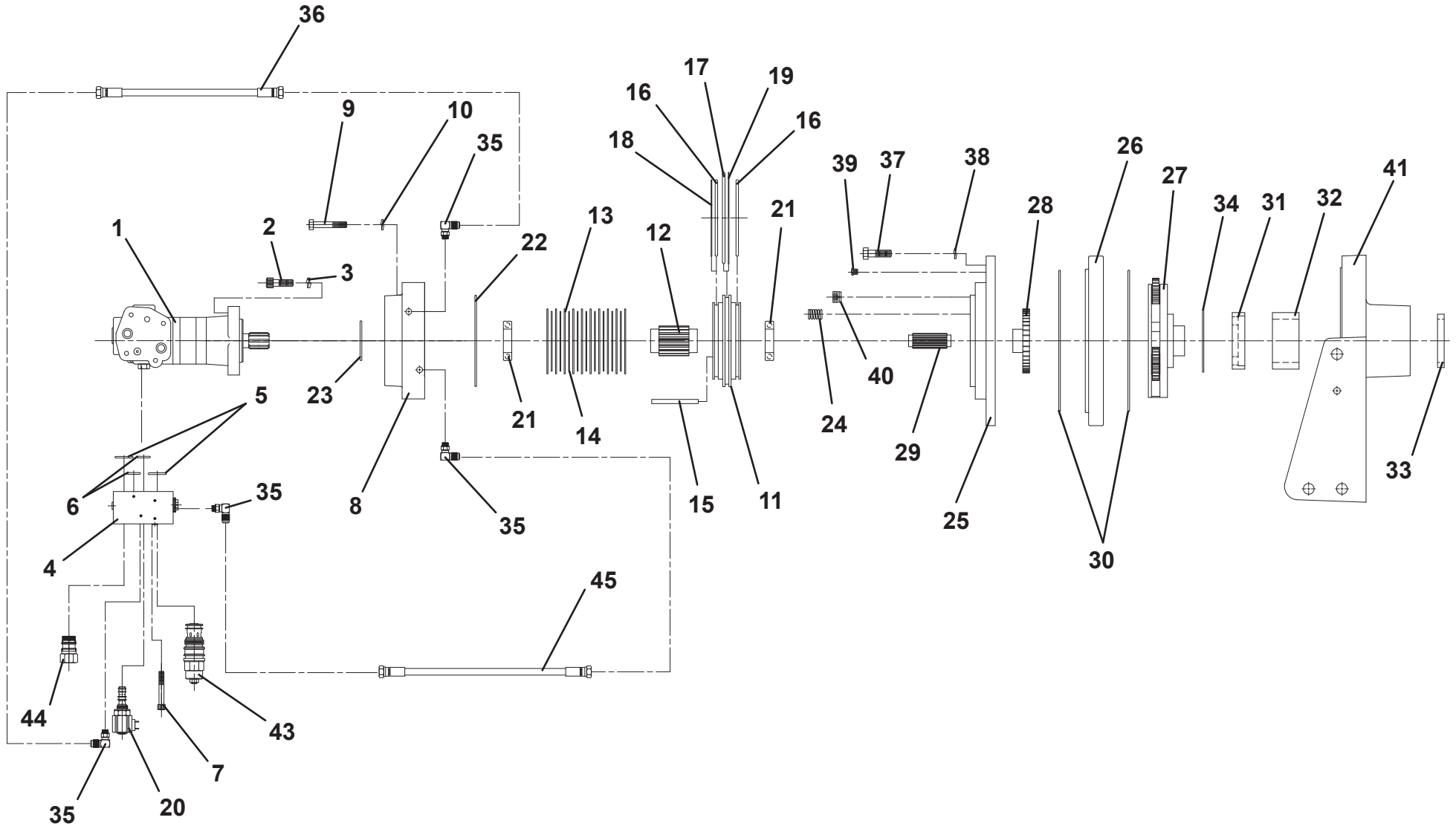
ITEM	PART NO.	DESCRIPTION	QTY	REV
37	7115182250	Capscrew, Hex 0.50"-13NC x 2.75" Grade 5	4	
38	7950180000	Washer, Lock 0.50"	4	
39	9183960001	Vent, Relief	1	
40	9701960010	Plug, O-Ring SAE #8 Socket 0.75"-16	2	
41	9177960002	Support, End Motor	1	
42	9443960006	Adapter, Straight #4 O-Ring #4 MJIC	1	
43	9935960026	Cartridge, Counterbalance	1	
44	9701960013	Plug, Assembly Valve Counterbalance	1	
45	70050373	Hose, 0.25"-R1 x 14.00"		

\*\* Items sold only as part of 9401 kit 9577960119

> Items sold only as part of 9406 kit only 9577960120



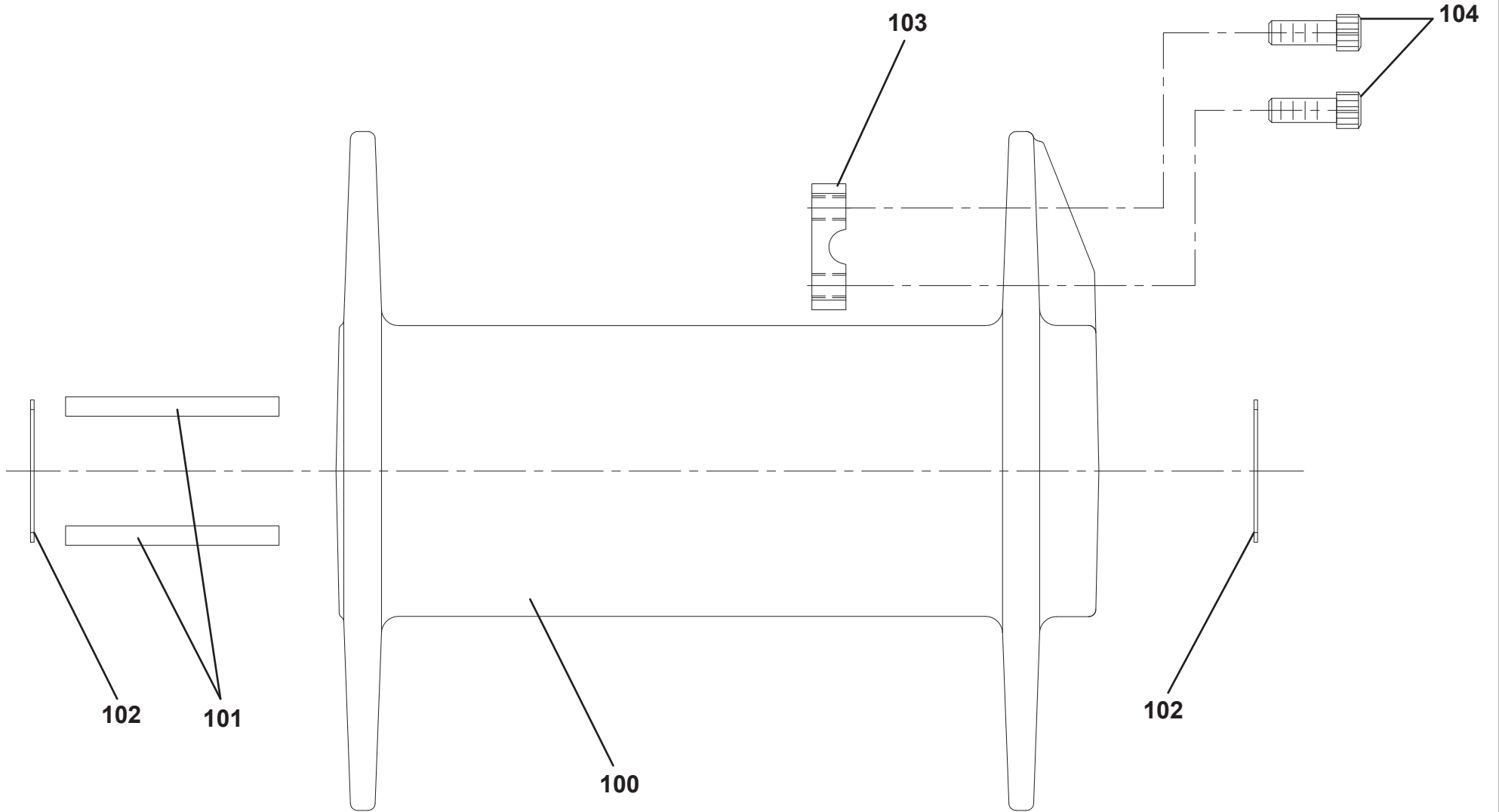
DP WINCH 50K - 7970000168



**DP WINCH 50K - 7970000168**

ITEM	PART NO.	DESCRIPTION	QTY	REV
		Drum Assembly	Ref	
100	70050381	Drum, Winch	1	
101	70050382	Key, Shaft Output	2	
102	70050383	Ring, Retainer External 3.35"OD x 0.93"	2	
103	9280960002	Clip, Cable Threaded	1	
104	7110201823	Capscrew, Flat Socket 0.625"-11NC x 2.25"	2	

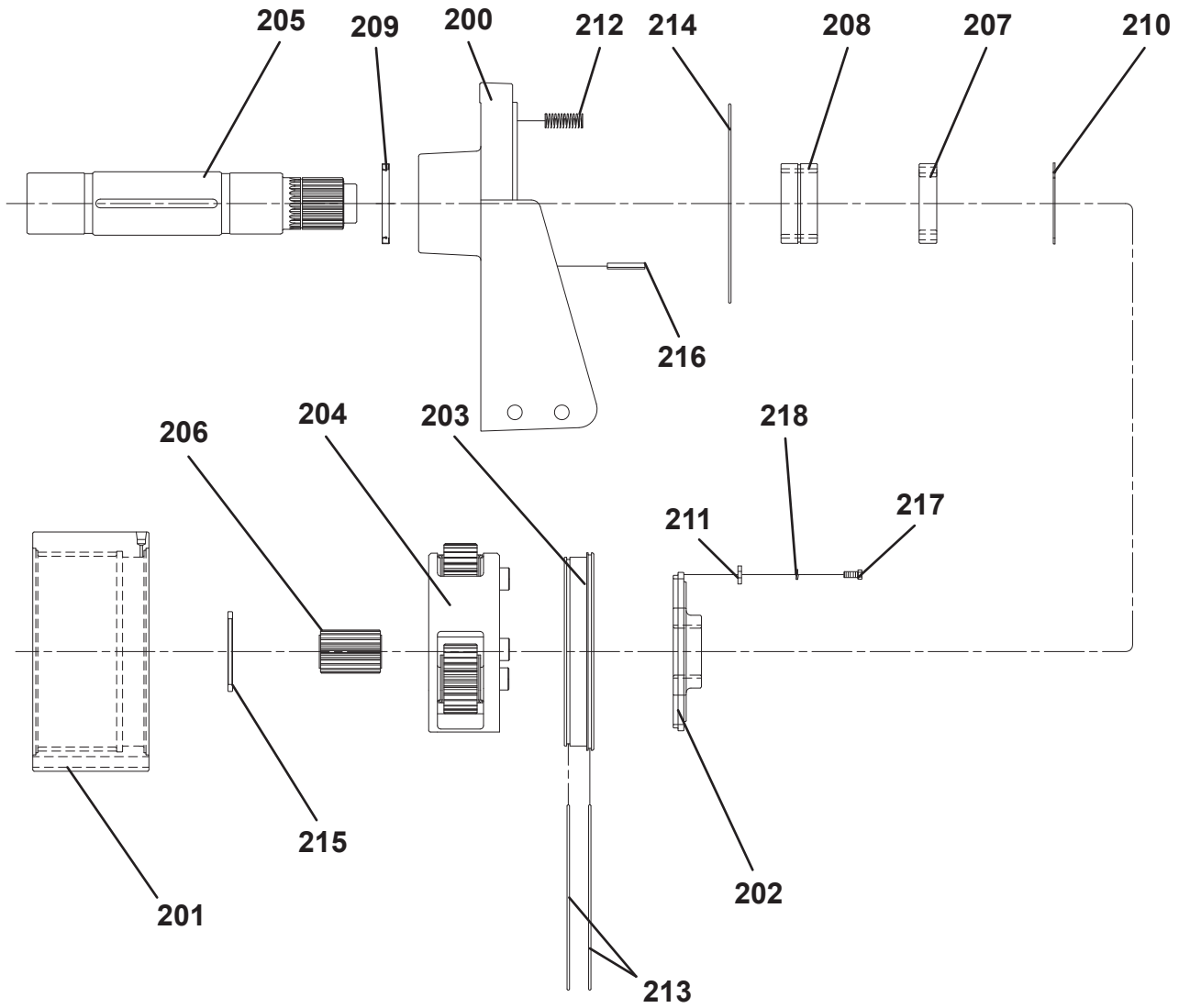
DP WINCH 50K - 7970000168



**DP WINCH 50K - 7970000168**

ITEM	PART NO.	DESCRIPTION	QTY	REV
		Gear End Assembly	Ref	
200	9177960001	Support, Gear End	1	
201	9472960036	Gear Ring 103 Teeth	1	
202	9281960004	Clutch	1	
203	9698960009	Piston	1	
204	9472960030	Carrier Assembly Secondary	1	
205	9806960015	Shaft, Output	1	
206	70050380	Gear Sun Sec 20T/10P Mod 50	1	
207	9754960027	Ring, Thrust	1	
208	9082960014	Bearing, Roller	1	
209	9796960087	Seal 3.25"ID x 4.00"OD x 0.468"	1	
210	9754960029	Ring, Retainer 4.25" x 0.109" Thk	1	
211	9698960010	Retainer, Piston	3	
212	9843960025	Spring Compression 0.75"OD x 2.00"	3	
213	9796960093	O-Ring 9.75"ID x 0.125" Section	2	
214	9796960085	O-Ring 10.50"ID x 0.125" Section	1	
215	9949960013	Washer, Thrust Nylon 4.25"OD x 0.25"	1	
216	7690153245	Pin, Spiral 0.31" x 2.00"	2	
217	7115150650	Capscrew, Hex Head 0.31"-18NC x 0.75"	6	
218	7950150000	Washer, Lock 0.31"	6	

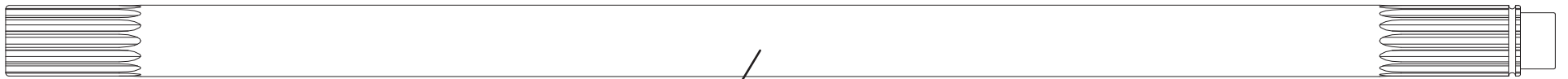
# DP WINCH 50K - 7970000168



**DP WINCH 50K - 7970000168**

ITEM	PART NO.	DESCRIPTION	QTY	REV
300	70050374	Input Shaft Assembly Input Shaft Installation	Ref 1	

**DP WINCH 50K - 7970000168**



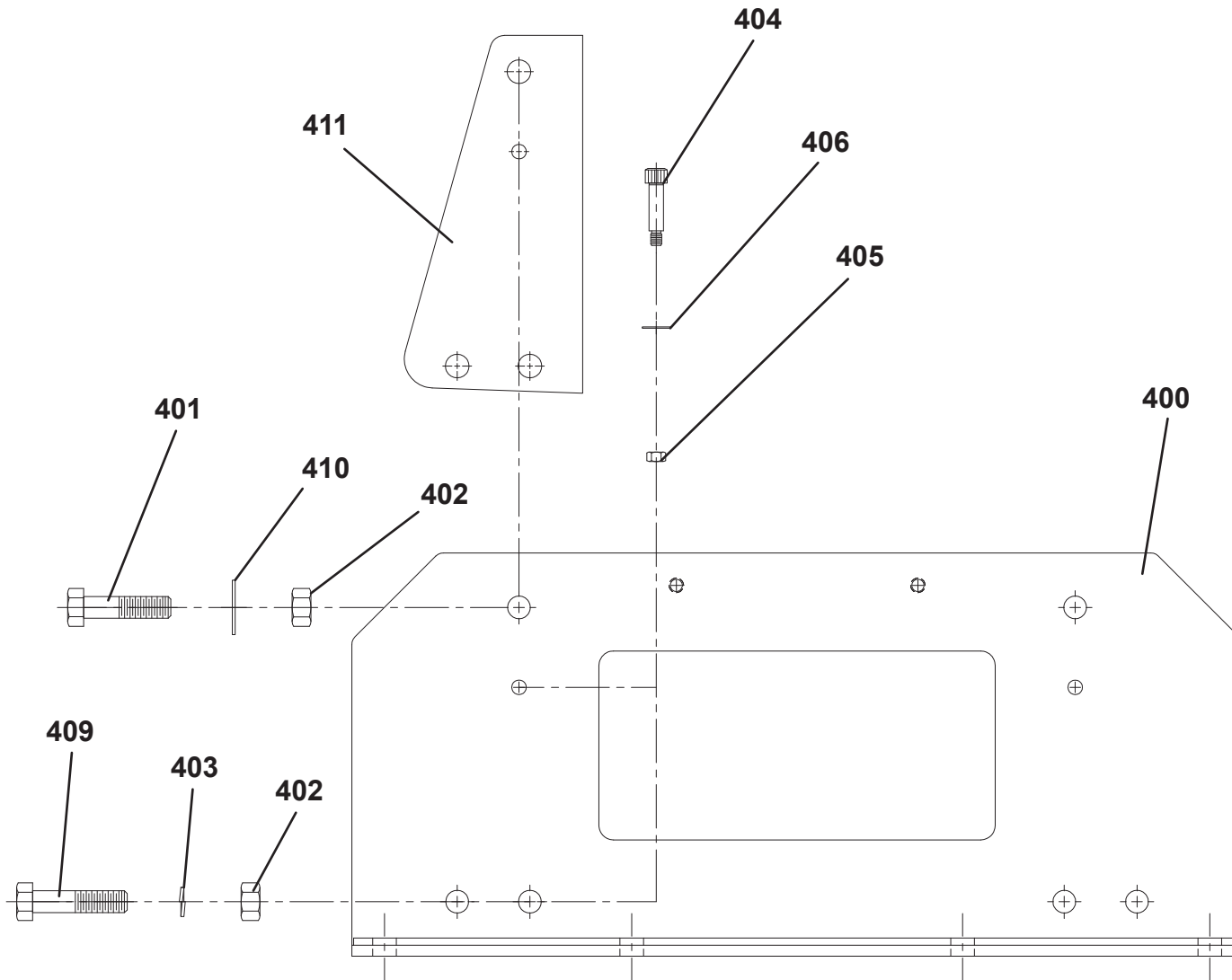
**300**

**DP WINCH 50K - 7970000168**

ITEM	PART NO.	DESCRIPTION	QTY	REV
		Base Mount Assembly	Ref	
400	9073960002	Base Mount	2	
401	7115222450	Capscrew Hex 0.75"-10NC x 3.00" Grade 5	4	
402	7660220001	Nut, Hex 0.75"-10NC	12	
403	7950220000	Lock, Washer 0.75"	8	
404	9120960020	Shoulder Bolt Socket Head 0.50" x 2.00"	4	
405	7660160001	Nut, Hex 0.38"-16NC Grade 2	4	
406	7950160151	Washer Flat 0.38"	4	
407	9706960026	Plate, Information Winch (Not Shown)	1	
408	9759960001	Rivet, Type U (Not Shown)	4	
409	7115222650	Capscrew, Hex 0.75"-10NC x 3.25" Grade 5	8	
410	7950220151	Washer, Flat 0.75"	4	
411	9831960007	Spacer, Base Angle 1.00" Thick	4	



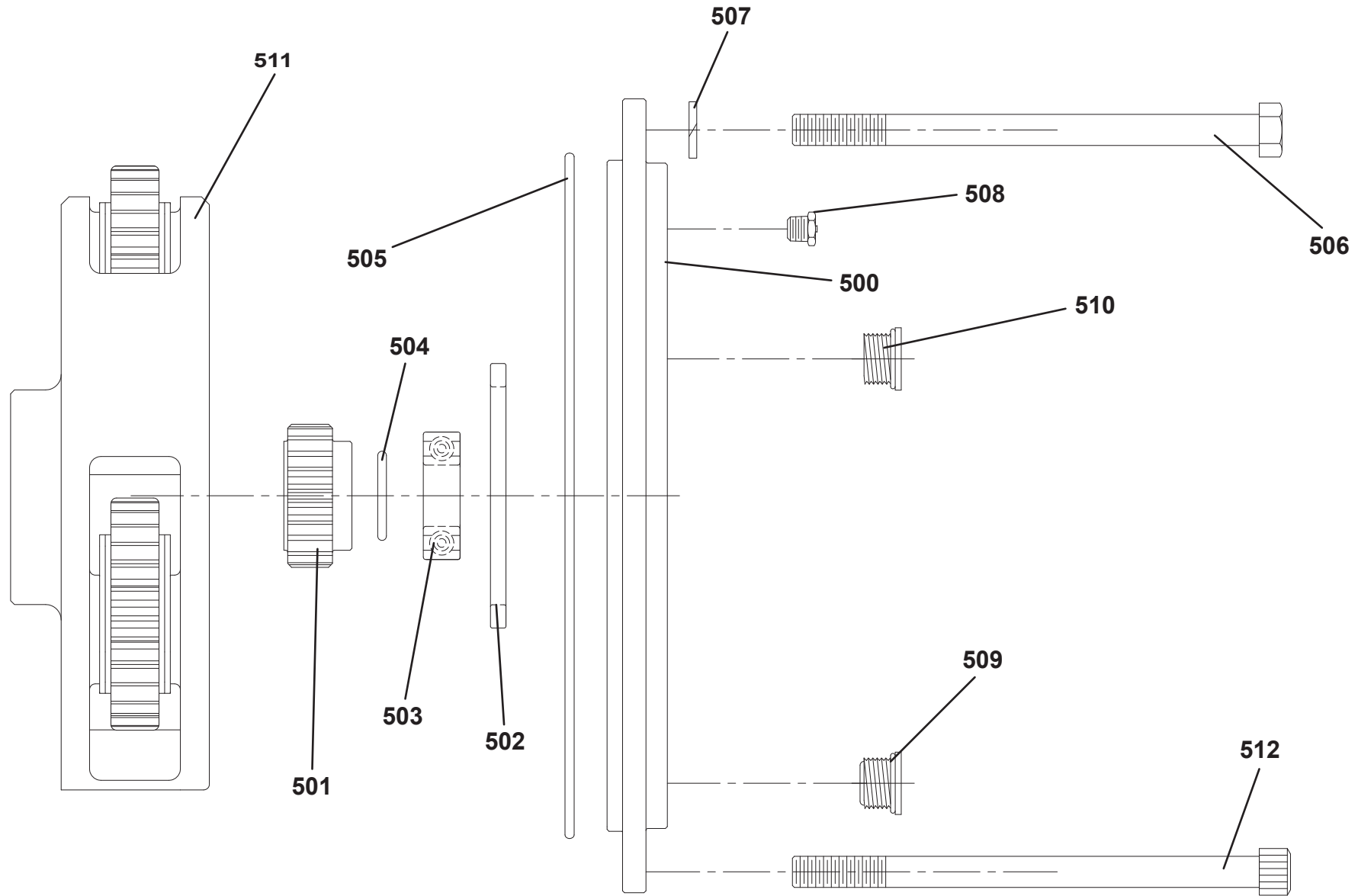
DP WINCH 50K - 7970000168



**DP WINCH 50K - 7970000168**

ITEM	PART NO.	DESCRIPTION	QTY	REV
		Gear End Cover Assembly	Ref	
500	70050375	Cover, End	1	
501	70050376	Gear, Sun Primary 29 Teeth	1	
502	9949960013	Washer, Thrust Nylon 4.25"OD x 0.25" Thk	1	
503	9082960015	Bearing, Ball	1	
504	9754960030	Ring, Retainer 1.15"ID x 0.14" Round	1	
505	9796960085	O-Ring, 10.50"ID x 0.125"	1	
506	70050377	Capscrew, Hex 0.50"-13NC x 7.50" Grade 5	10	
507	7950180000	Washer, Lock 0.50"	10	
508	9183960001	Vent, Relief	1	
509	9701960012	Plug, Socket O-Ring Boss Magnetic #10	1	
510	9701960011	Plug, O-Ring Boss #10 Socket 0.875"- 14	1	
511	70050378	Carrier, Assembly Primary	1	
512	70050379	Capscrew, Socket 0.50"-13NC x 7.00"	2	

# DP WINCH 50K - 7970000168

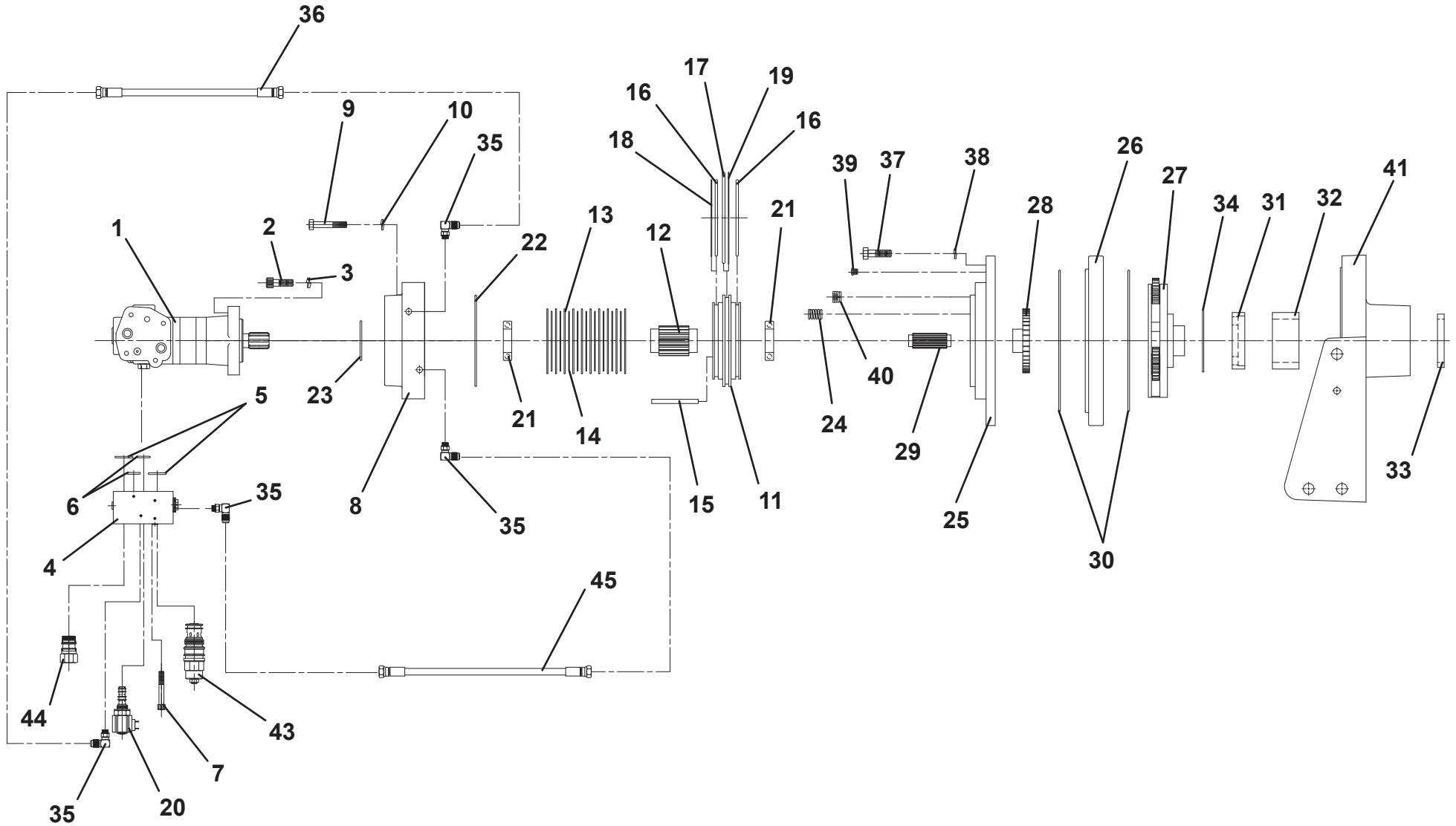


**DP WINCH 50K - 7970000169**

ITEM	PART NO.	DESCRIPTION	QTY	REV
		Motor End Assembly	Ref	
1	70050367	Motor, Hydraulic	1	
2	7118181205	Capscrew, Socket 0.50"-13NC x 1.50"	2	
3	7950180800	Washer, Lock 0.50" Hi Collar	2	
4	70050368	Valve, Counterbalance	1	
5	70050369	O-Ring, 1.125"ID x 0.125" Section	2	
6	979696088	O-Ring, 0.8125"ID x 0.0937 Section	2	
7	70050370	Capscrew, Socket 0.375"-24NF x 2.50"	4	
8	9571960006	Housing, Brake Outer	1	
9	7118172050	Capscrew, Hex 0.437"-UNC x 2.50" Grade 8	6	
10	7950170000	Washer, Lock 0.437"	6	
11	9698960008	Piston, Brake	1	
12	9806960013	Shaft, Brake	1	
13	9706960023	Plate, Disc Friction	10	
14	9706960025	Plate, Drive Brake	9	
15	9691960021	Pin, Dowel 0.312" x 3.50"	2	
16	70051303	O-Ring, 5.375"ID x 0.187" Section	2	
17	70051304	O-Ring, 6.50"ID x 0.187" Section	1	
18	70051305	Ring, Backup 5.278"ID x 0.76"	1	
19	70051306	Ring, Backup 6.25"ID x 0.183	1	
20	70050371	Cartridge	1	
21	9082960013	Bearing, Ball 1.75"ID	2	
22	70051307	O-Ring, 6.75"ID x 7.00"OD x 0.125" Section	1	
23	9796960090	O-Ring, 3.00"ID x 0.125" Section	1	
24	9843960024	Spring, Compression 0.75"	12	
25	7007960040	Adapter, Brake Support	1	
26	9472960032	Gear, Ring 92 Teeth	1	
27	9472960029	Carrier Assembly	1	
28	9472960033	Gear, Sun	1	
29	9806960014	Shaft Extension	1	
30	9796960085	O-Ring, 10.50"ID x 0.125" Section	2	
31	9706960027	Plate, Thrust	1	
32	9082960014	Bearing, Roller Torrington	1	
33	9796960087	Seal, 3.25"ID x 4.00"OD x 0.468"	1	
34	9754960029	Ring, Retainer 4.25" x 0.109" Thick	1	
35	7445040445	Adapter 90 Degree	3	

ITEM	PART NO.	DESCRIPTION	QTY	REV
36	70050372	Hose, 0.25"-R1 x 16.00"	1	
37	7115182250	Capscrew, Hex 0.50"-13NC x 2.75 Grade 5	4	
38	7950180000	Washer, Lock 0.50"	4	
39	9183960001	Vent, Relief	1	
40	9701960010	Plug, O-Ring Socket 0.75"-16	2	
41	9177960002	Support, End Motor	1	
42	9443960006	Adapter, Straight	1	
43	9935960026	Cartridge, Counterbalance	2	
44	70051309	Hose, 0.25-R1 x 14.00"	1	

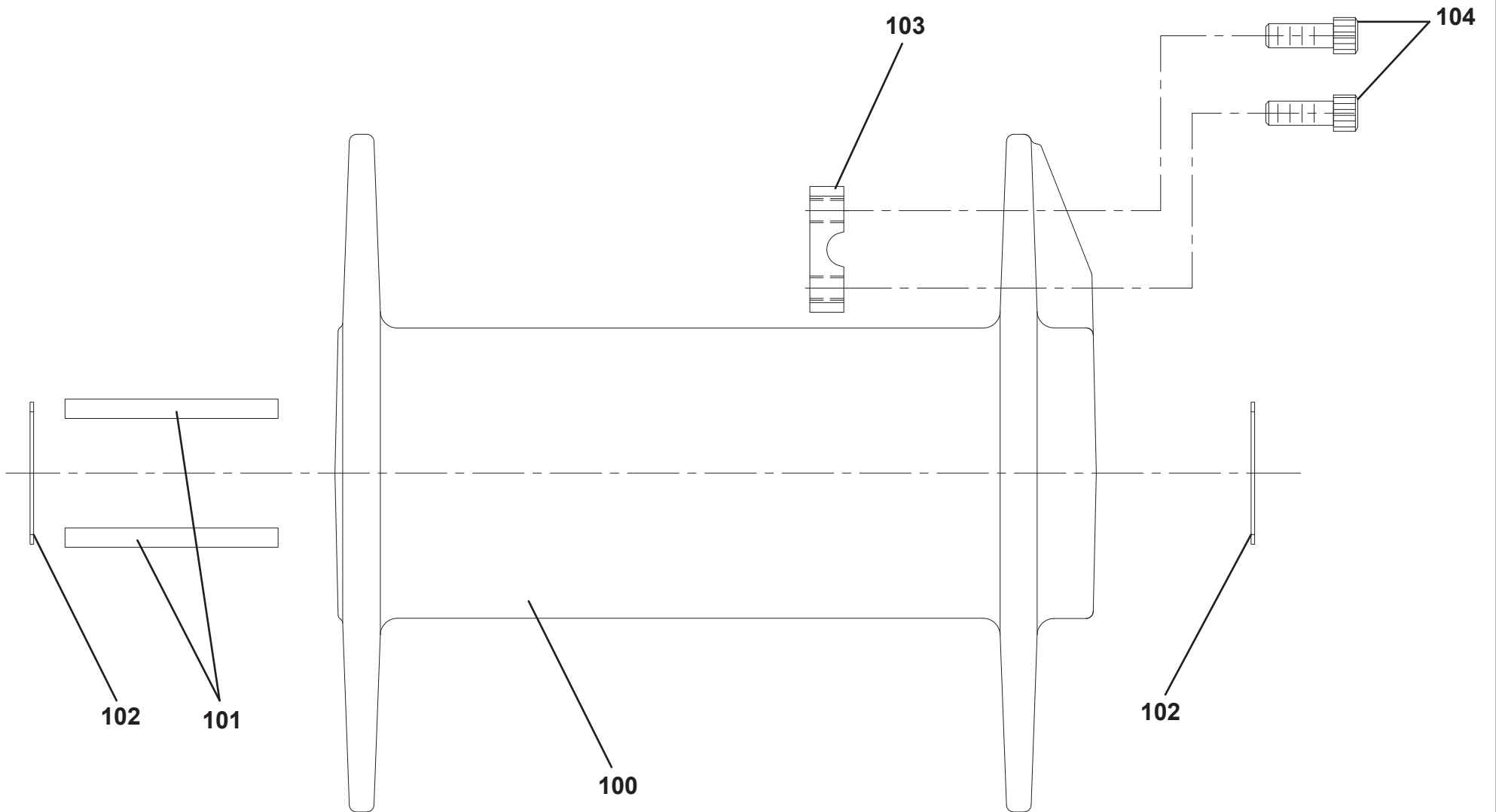
# DP WINCH 50K - 7970000169



**DP WINCH 50K - 7970000169**

ITEM	PART NO.	DESCRIPTION	QTY	REV
		Drum Assembly	Ref	
100	70050381	Drum, Winch	1	
101	70050382	Key, Shaft Output	2	
102	70050383	Ring, Retainer External 3.35"OD x 0.093"	2	
103	9280960002	Clip, Cable Threaded	1	
104	7110201823	Capscrew, Flat Socket 0.625"-11NC x 2.25" Grade 8	2	

DP WINCH 50K - 7970000169

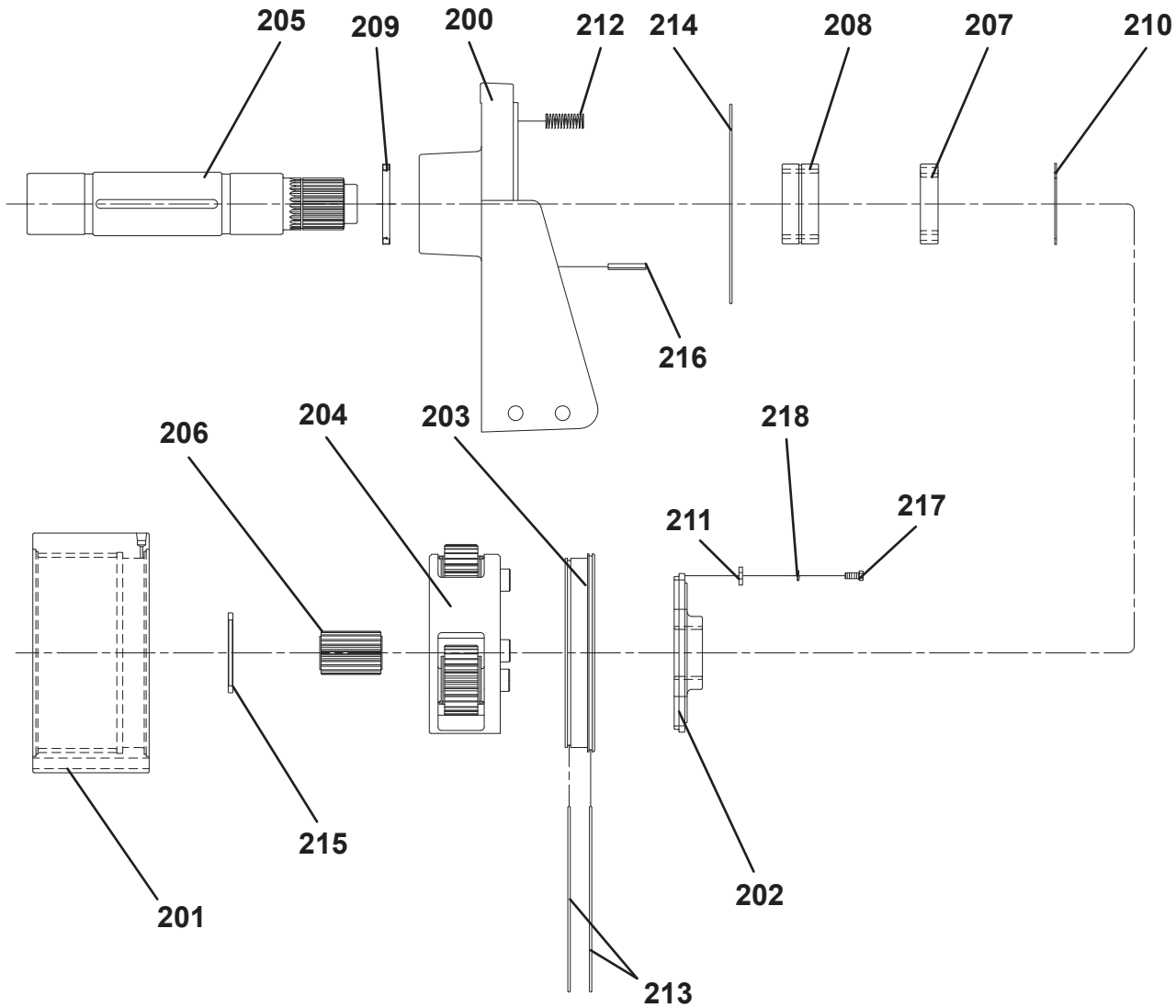


**DP WINCH 50K - 7970000169**

ITEM	PART NO.	DESCRIPTION	QTY	REV
		Gear End Assembly	Ref	
200	9177960001	Support, Gear End	1	
201	9472960036	Gear Ring 103 Teeth	1	
202	9281960004	Clutch	1	
203	9698960009	Piston	1	
204	9472960030	Carrier Assembly Secondary	1	
205	9806960015	Shaft, Output	1	
206	70050380	Gear, Sun Sec 20T-/10P Mod 50	1	
207	975496027	Ring, Thrust	1	
208	9082960014	Bearing, Roller	1	
209	9796960087	Seal, 3.25"ID x 4.00"OD x 0.468"	1	
210	9754960029	Ring, Retainer 4.25" x 0.109" Thick	1	
211	9698960010	Retainer, Piston	3	
212	9843960025	Spring, Compression 0.75"OD x 2.00"	3	
213	9796960093	O-Ring, 9.75"ID x 0.125" Section	2	
214	9796960085	O-Ring, 10.50"ID x 0.125" Section	1	
215	9949960013	Washer, Thrust Nylon 4.25"OD x 0.25"	1	
216	7690153245	Pin, Spiral 0.312" x 2.00"	2	
217	7115150650	Capscrew, Hex 0.312"-18NC x 0.75"	6	
218	7950150000	Washer, Lock 0.312"	6	



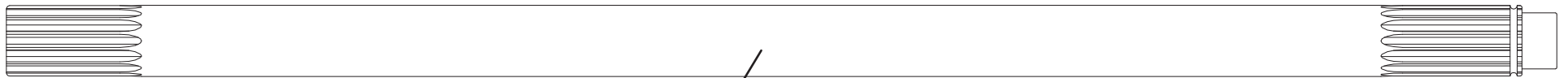
# DP WINCH 50K - 7970000169



**DP WINCH 50K - 7970000169**

ITEM	PART NO.	DESCRIPTION	QTY	REV
300	70050374	Input Shaft Assembly Input Shaft	Ref 1	

**DP WINCH 50K - 7970000169**

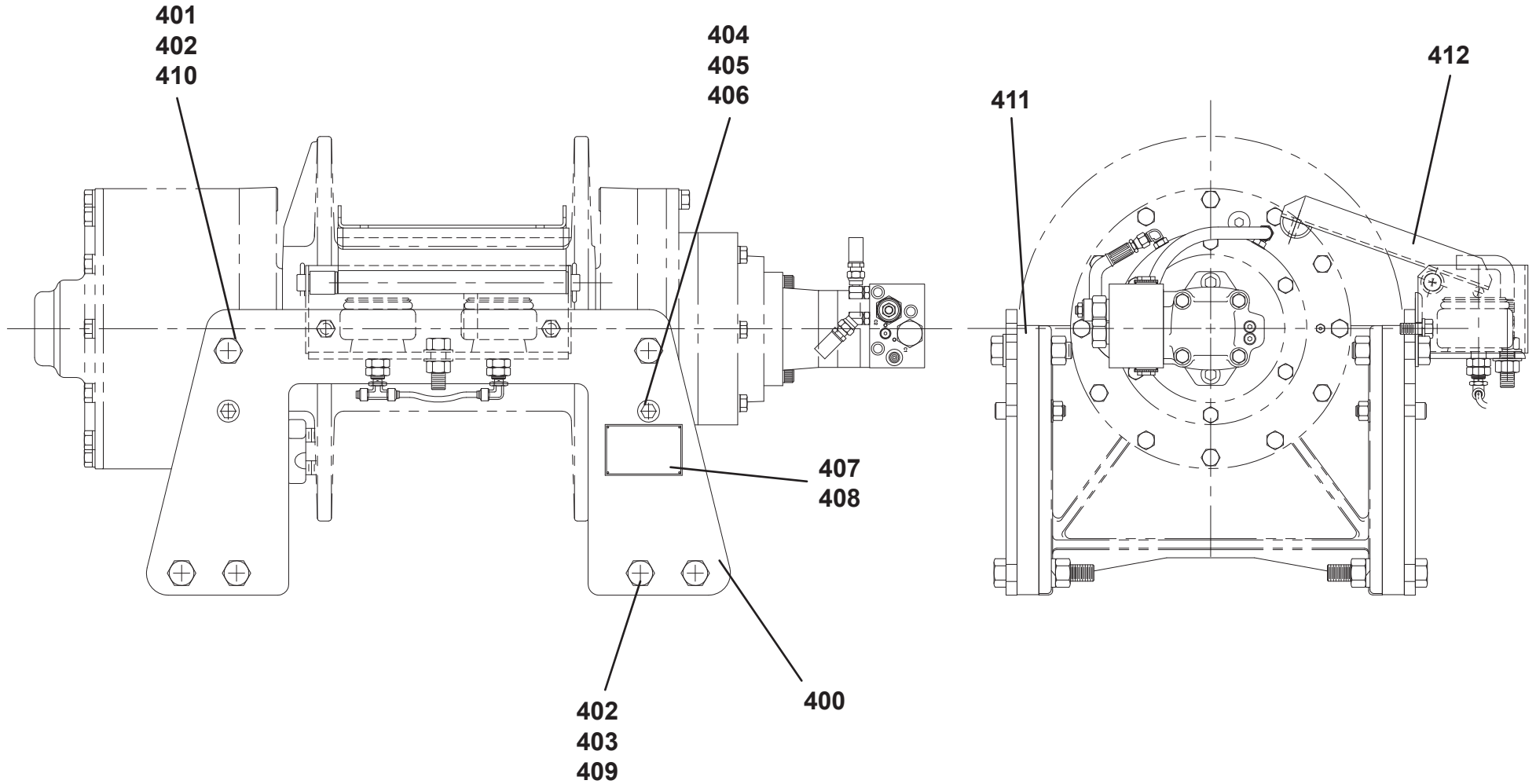


**300**

**DP WINCH 50K - 7970000169**

ITEM	PART NO.	DESCRIPTION	QTY	REV
		Base Mount Assembly	Ref	
400	70051310	Base Mount	2	
401	7115222450	Capscrew, Hex 0.75"-10NC x 3.00" Grade 5	4	
402	7660220001	Nut, Hex 0.75"-10NC	12	
403	7950220000	Washer, Lock 0.75"	8	
404	9120960020	Shoulder Bolt Socket Head 0.50" x 2.00"	4	
405	7660160001	Nut, Hex 0.375"-16NC Grade 2	4	
406	7950160151	Washer, Flat 0.375"	4	
407	9759960001	Rivet Drive U Type	4	
408	9706960026	Plate, ID Winch	1	
409	70051311	Capscrew, Hex 0.375"-10NC x 4.00"	8	
410	7950220151	Washer, Flat 0.375" SAE	4	
411	9831960007	Spacer, Base Angle 1.00" Thick	4	
412	9577960113	Kit, Cable Hold Down	1	

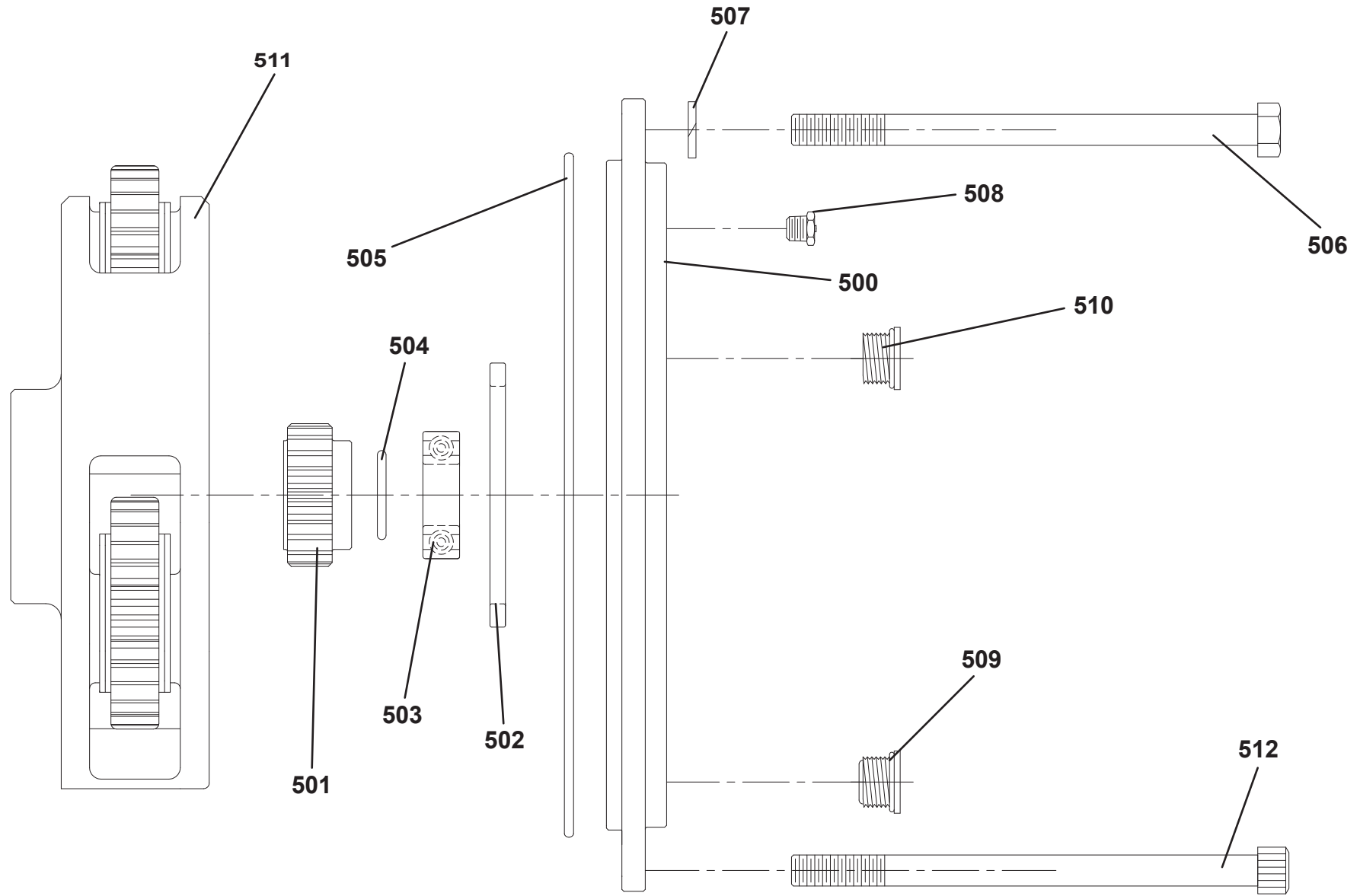
**DP WINCH 50K - 7970000169**



**DP WINCH 50K - 7970000169**

ITEM	PART NO.	DESCRIPTION	QTY	REV
		Gear End Cover Assembly	Ref	
500	70050375	Cover, End	1	
501	70050376	Gear, Sun Primary 29 Teeth	1	
502	9949960013	Washer, Thrust Nylon 4.25"OD x 0.25" Thk	1	
503	9082960015	Bearing, Ball	1	
504	9754960030	Ring, Retainer 1.15"ID x 0.14" Round	1	
505	9796960085	O-Ring, 10.50"ID x 0.125"	1	
506	70050377	Capscrew, Hex 0.50"-13NC x 7.50" Grade 5	10	
507	7950180000	Washer, Lock 0.50"	10	
508	9183960001	Vent, Relief	1	
509	9701960012	Plug, Socket O-Ring Boss Magnetic #10	1	
510	9701960011	Plug, O-Ring Boss #10 Socket 0.875"- 14	1	
511	70050378	Carrier, Assembly Primary	1	
512	70050379	Capscrew, Socket 0.50"-13NC x 7.00"	2	

**DP WINCH 50K - 7970000169**



**THIS PAGE INTENTIONALLY LEFT BLANK**

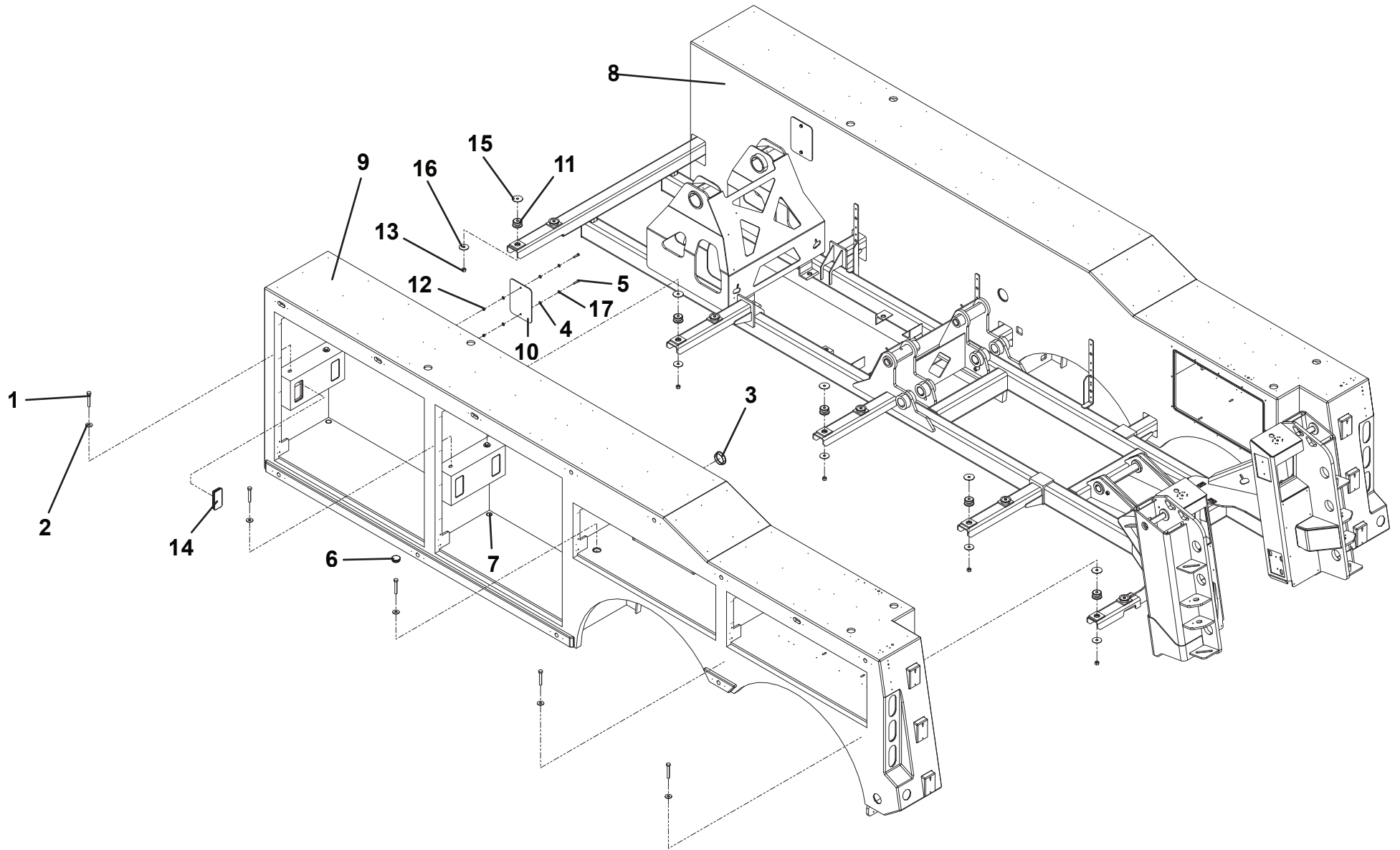


**SECTION 3 - BODY**

**BODY INSTALLATION - TANDEM**

ITEM	PART NO.	DESCRIPTION	QTY	REV
	1001235746	Body Installation - Tandem	Ref	A
1	0642032	Capscrew, 0.63" - 11NC x 4.00"	20	
2	4752000	Washer, 0.63" ID	20	
3	1001151789	Plug	2	
4	1001166974	Washer, 0.38" ID	4	
5	1001168993	Capscrew, 0.38" - 16NC x 1.50"	4	
6	1001169078	Plug	6	
7	1001173847	Plug	8	
8	1001202051	Body, Tandem RH	1	
9	1001202052	Body, Tandem LH	1	
10	1001206679	Panel	2	
11	7636000008	Mount	20	
12	7660162601	Locknut, 0.38" - 16NC	4	
13	7660200001	Nut, 0.63" - 11NC	20	
14	7701000048	Plug	8	
15	7949000019	Washer, Head	20	
16	7949000020	Washer, Tail	20	
17	7950160143	Flatwasher, 0.38" ID	8	

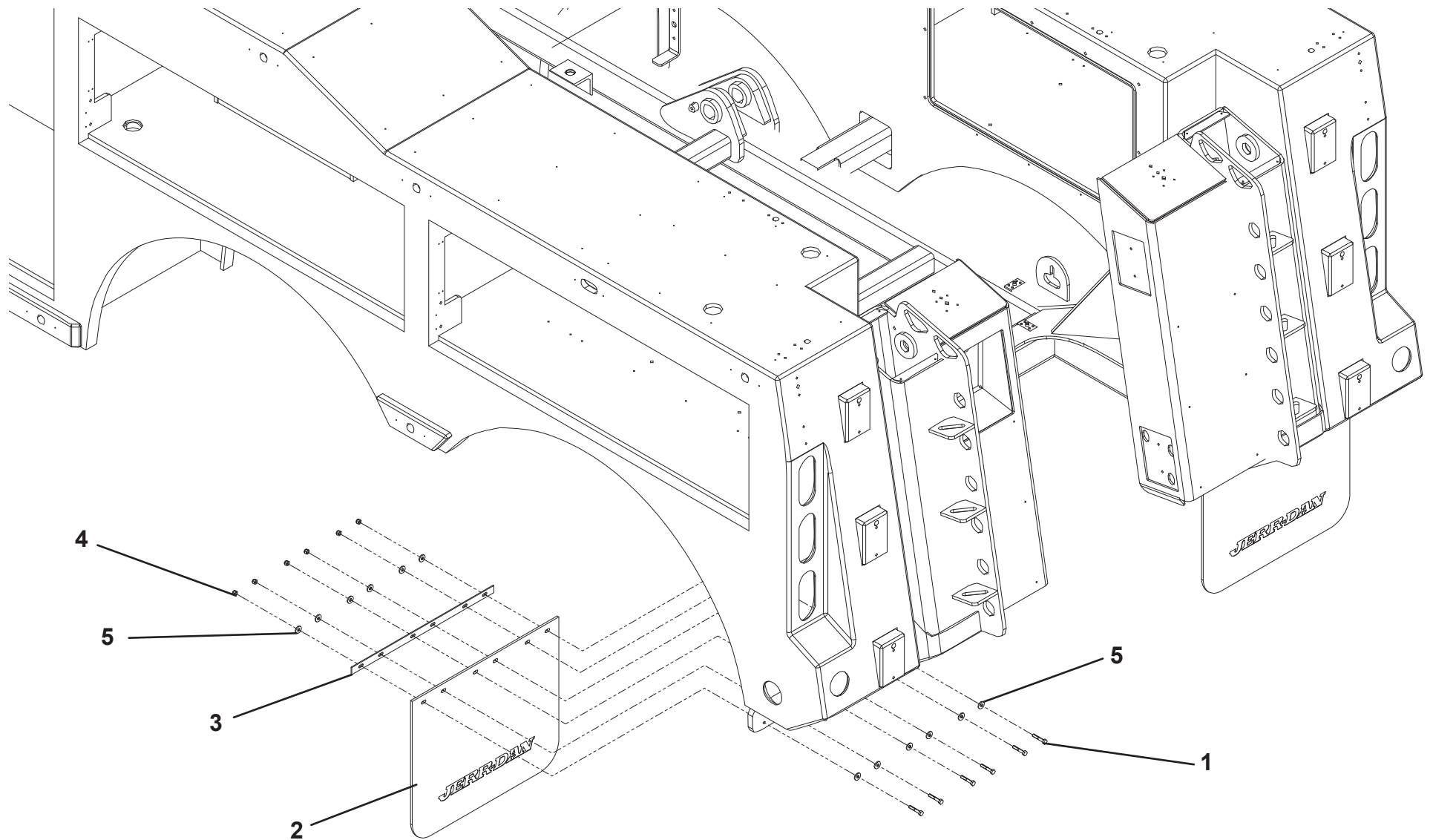
# BODY INSTALLATION - TANDEM



**MUDFLAP INSTALLATION - TANDEM**

ITEM	PART NO.	DESCRIPTION	QTY	REV
	1001196790	Mudflap Installation - Tandem	Ref	A
1	0641514	Screw, 0.31"-18NC x 1.75"	12	
2	1001174051	Mud Flap	2	
3	4706001815	Plate	2	
4	7660152601	Locknut, 0.31"-18NC	12	
5	7950150153	Flatwasher, 0.31"	24	

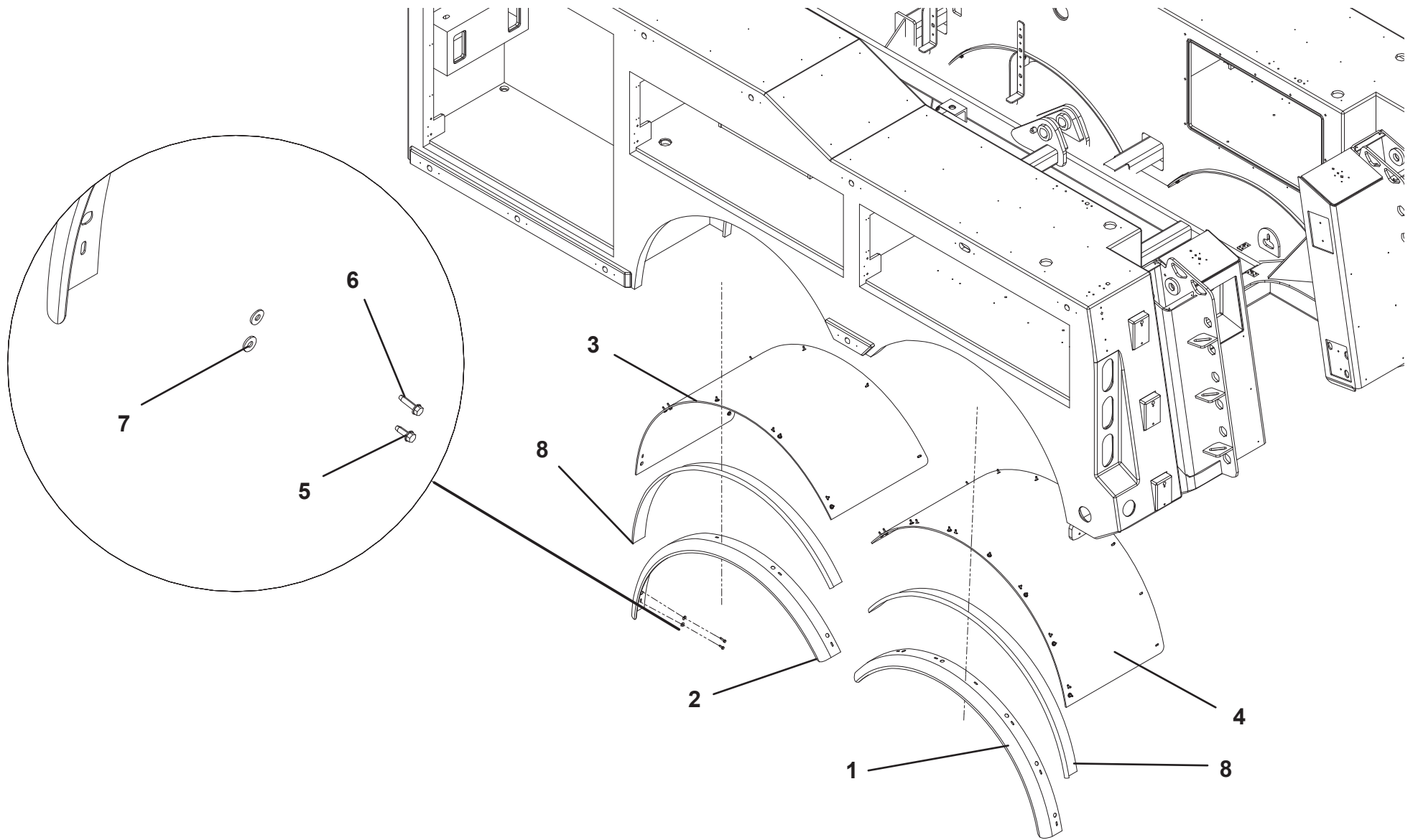
# MUDFLAP INSTALLATION - TANDEM



**FENDER INSTALLATION - TANDEM**

ITEM	PART NO.	DESCRIPTION	QTY	REV
	1001187182	Fender Installation - Tandem	Ref	B
1	1001163358	Fender, Rear	2	
2	1001186584	Fender, Front	2	
3	1001186606	Liner, Front	2	
4	1001186608	Liner, Rear	2	
5	7790141251	Screw, 0.25" x 0.75"	24	
6	7790141651	Screw, 0.25" x 1.00"	42	
7	7950140163	Flatwasher, 0.25" ID	66	
8	1001167358	Mould	1	

# FENDER INSTALLATION - TANDEM

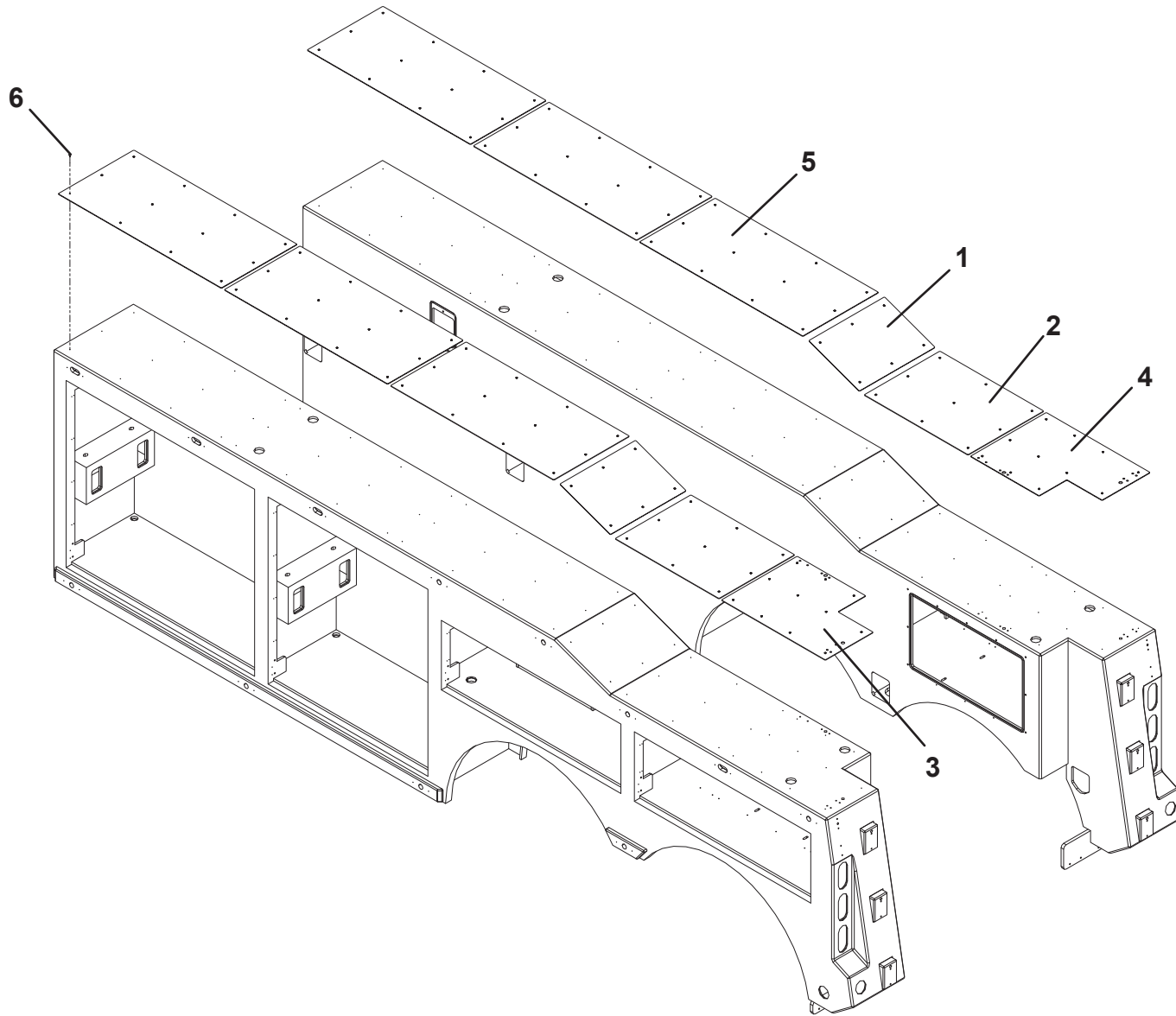


**DIAMOND PLATE INSTALLATION - TANDEM**

ITEM	PART NO.	DESCRIPTION	QTY	REV
	1001205921	Diamond Plate Installation - Tandem	Ref	A
1	1001186725	Plate	2	
2	1001186726	Plate	4	
3	1001186727	Plate	2	
4	1001186728	Plate	1	
5	1001186835	Plate	1	
6	1001192958	Screw. #10 x 0.50"	124	



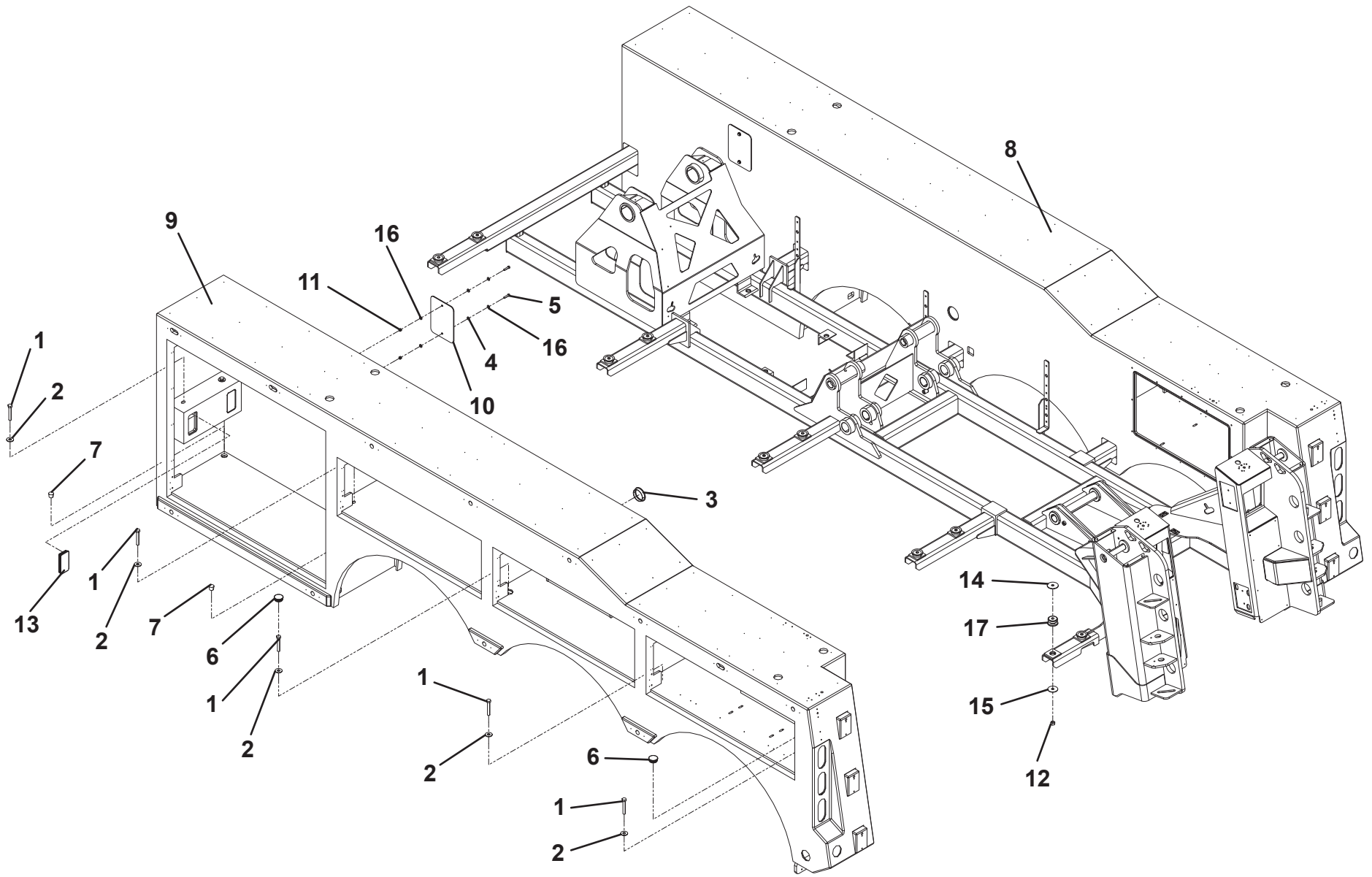
# DIAMOND PLATE INSTALLATION - TANDEM



**BODY INSTALLATION - TRI-AXLE**

ITEM	PART NO.	DESCRIPTION	QTY	REV
	1001235747	Body Installation - Tri-Axle	Ref	A
1	0642032	Capscrew, 0.63" - 11NC x 4.00"	20	
2	4752000	Washer, 0.63" ID	20	
3	1001151789	Plug	2	
4	1001166974	Washer, 0.38" ID	4	
5	1001168993	Capscrew, 0.38" - 16NC x 1.50"	4	
6	1001169078	Plug	6	
7	1001173847	Plug	8	
8	1001202524	Body, Tandem RH	1	
9	1001220273	Body, Tandem LH	1	
10	1001206679	Panel	2	
11	7660162601	Locknut, 0.38" - 16NC	4	
12	7660200001	Nut, 0.63" - 11NC	20	
13	7701000048	Plug	8	
14	7949000019	Washer, Head	20	
15	7949000020	Washer, Tail	20	
16	7950160143	Flatwasher, 0.38" ID	8	
17	7636000008	Mount	20	

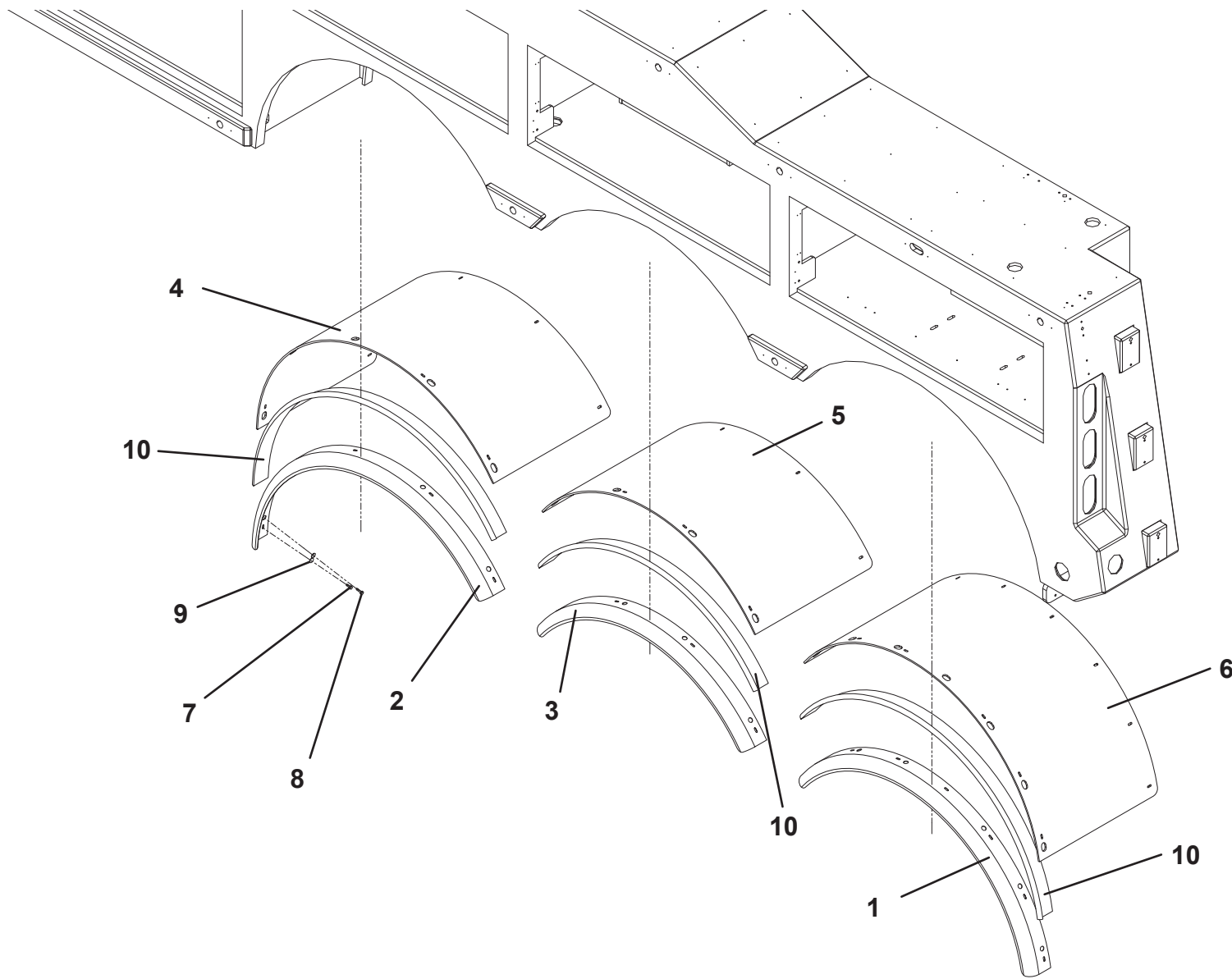
# BODY INSTALLATION - TRI-AXLE



**FENDER INSTALLATION - TRI-AXLE**

ITEM	PART NO.	DESCRIPTION	QTY	REV
	1001196730	Fender Installation - Tri-Axle	Ref	B
1	1001163358	Fender, Rear Body	2	
2	1001186584	Fender, Front	2	
3	1001186585	Fender, Middle	2	
4	1001186606	Fender Liner, Front	2	
5	1001186607	Fender Liner, Middle	2	
6	1001186608	Fender Liner, Rear	2	
7	7790141251	Screw, 0.25" x 0.75"	32	
8	7790141651	Screw, 0.25" x 1.00"	56	
9	7950140163	Flatwasher, 0.25" ID	88	
10	1001167358	Moulding	0.32FT	
11	1001217088	Tape	0.32FT	

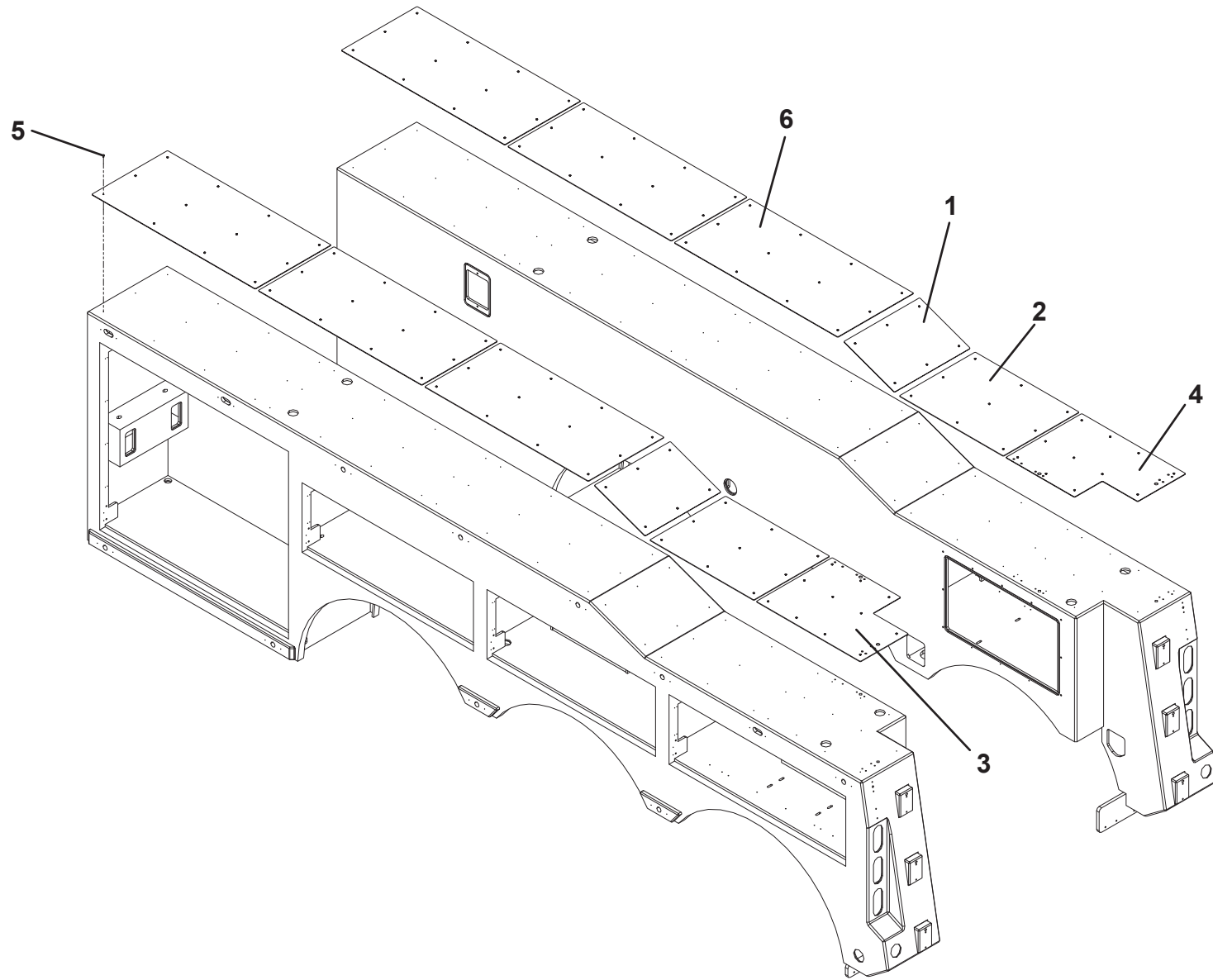
# FENDER INSTALLATION - TRI-AXLE



**DIAMOND PLATE INSTALLATION - TRI-AXLE**

ITEM	PART NO.	DESCRIPTION	QTY	REV
	1001205921	Diamond Plate Installation - Tri-Axle	Ref	A
1	1001186725	Plate	2	
2	1001186727	Plate	2	
3	1001186728	Plate	1	
4	1001188635	Plate	1	
5	1001192958	Screw, #10 x 0.50"	124	
6	1001205877	Plate	6	

# DIAMOND PLATE INSTALLATION - TRI-AXLE

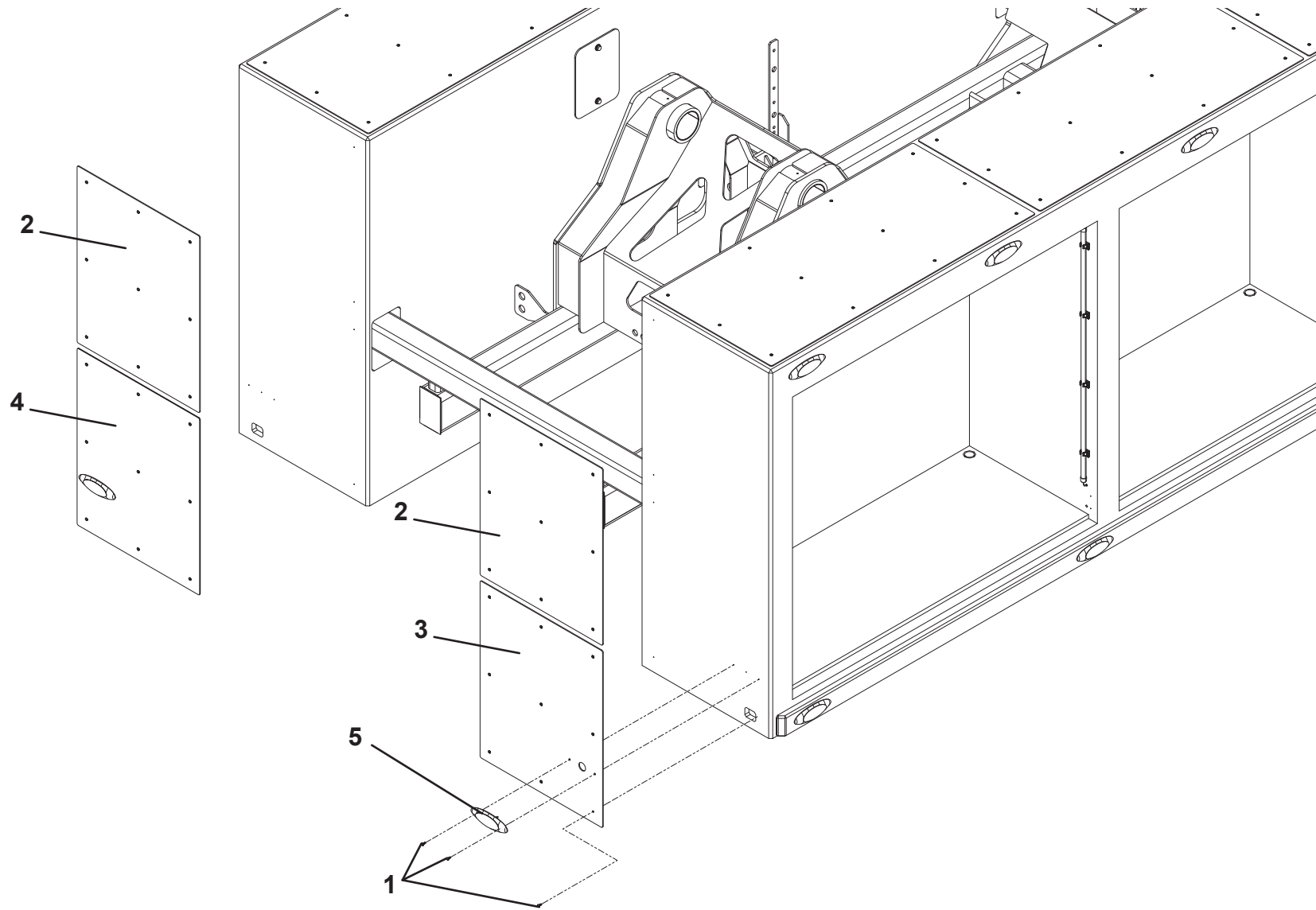


**FRONT DIAMOND PLATE INSTALLATION**

ITEM	PART NO.	DESCRIPTION	QTY	REV
	1001205954	Front Diamond Plate Installation	Ref	B
1	1001192958	Screw, #10 X 0.50"	40	
2	1001205915	Plate, Top	2	
3	1001205916	Plate, LH	1	
4	1001205917	Plate, RH	1	
5	7590000262	Light, Amber	2	



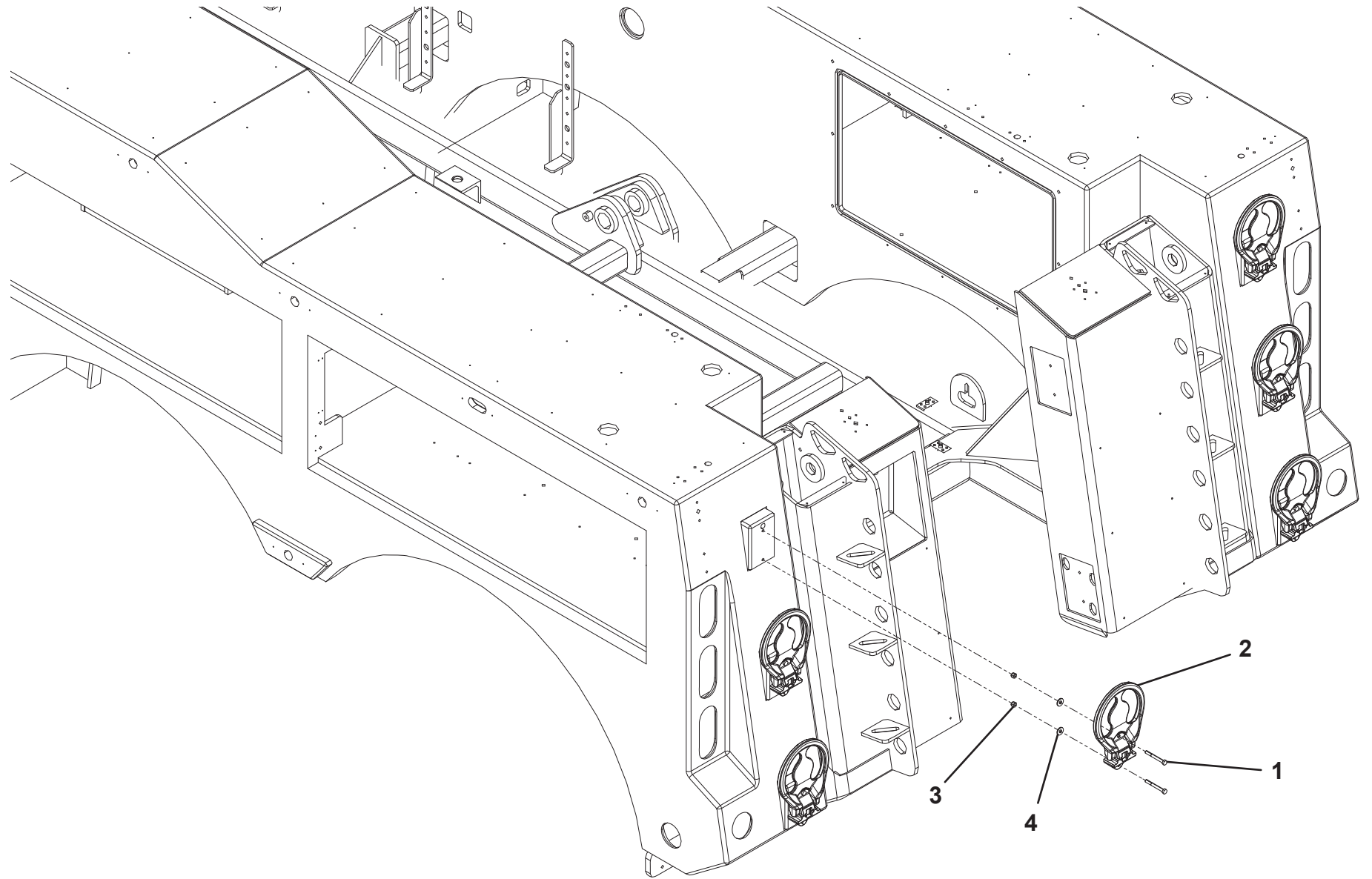
# FRONT DIAMOND PLATE INSTALLATION



**STEP INSTALLATION**

ITEM	PART NO.	DESCRIPTION	QTY	REV
	1001196666	Step Installation	Ref	B
1	1001167455	Scew, 0.31"-18NC x 2.75"	12	
2	1001167456	Step	6	
3	7660152601	Locknut, 0.31" - 18NC	12	
4	7950150153	Flatwasher, 0.31" ID	12	

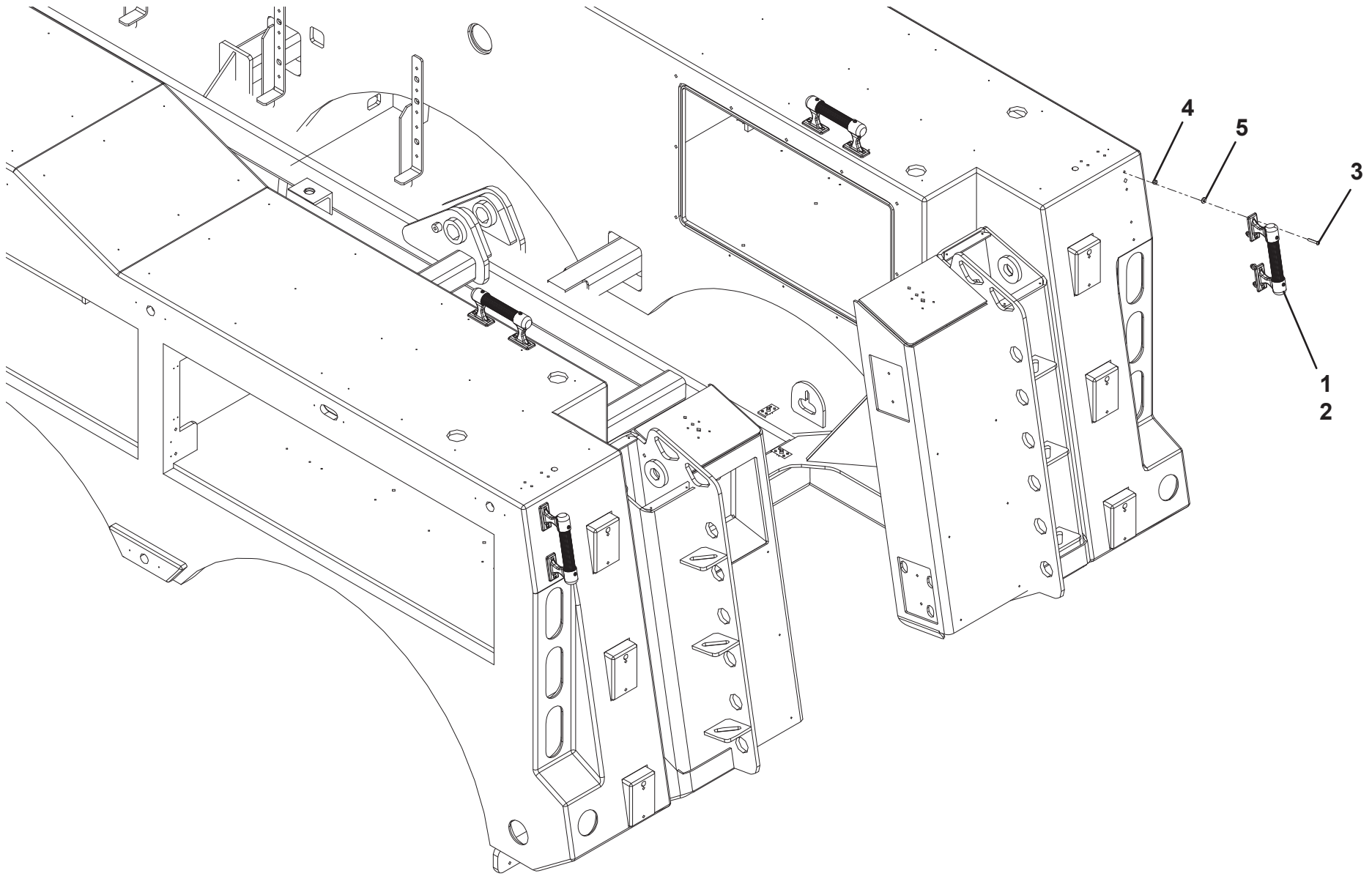
# STEP INSTALLATION



**GRAB HANDLE INSTALLATION**

ITEM	PART NO.	DESCRIPTION	QTY	REV
	1001196639	Grab Handle Installation	Ref	B
1	1001170849	Handle	4	
2	1001170937	Screw	8	
3	7114141218	Screw, 0.25" - 20NC x 1.50"	16	
4	7660142600	Locknut, 0.25" - 20NC	16	
5	7950140143	Flatwasher, 0.25" ID	16	

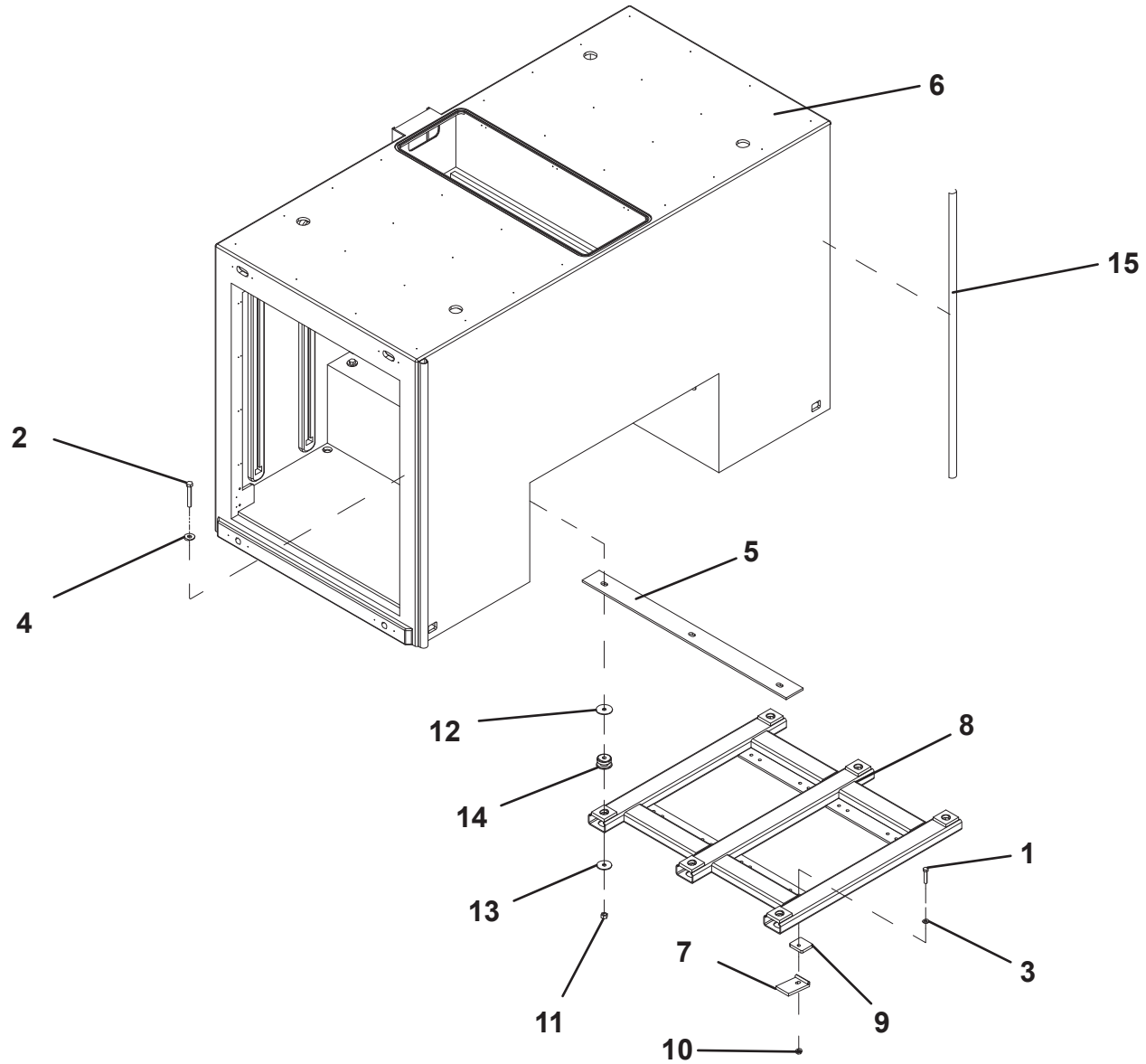
# GRAB HANDLE INSTALLATION



**TOOLBOX INSTALLATION - 51" W/ BATTERIES**

ITEM	PART NO.	DESCRIPTION	QTY	REV
	1001211490	Toolbox Installation - 51" W/ Batteries	Ref	A
1	641820	Capscrew, 0.50"-13 X 2.50"	8	
2	642034	Capscrew, 0.63"-11 X 4.25"	6	
3	4711800	Washer, 0.50" ID	8	
4	4752000	Washer, 0.63" ID	6	
5	1001165692	Support Tunnel Plate	2	
6	1001185657	Tunnel Tool Box W/Batteries	1	
7	3274000011	Clamp Weldment	8	
8	3911000068	Toolbox Mount	1	
9	4705000705	Plate	8	
10	7660182301	Locknut, 0.50"-13NC	8	
11	7660200001	Nut, 0.63"-11NC	6	
12	7949000019	Washer	6	
13	7949000020	Washer	6	
14	7636000008	Mount	6	
15	8632000011	Seal	10FT	

# TOOLBOX INSTALLATION - 51" W/ BATTERIES

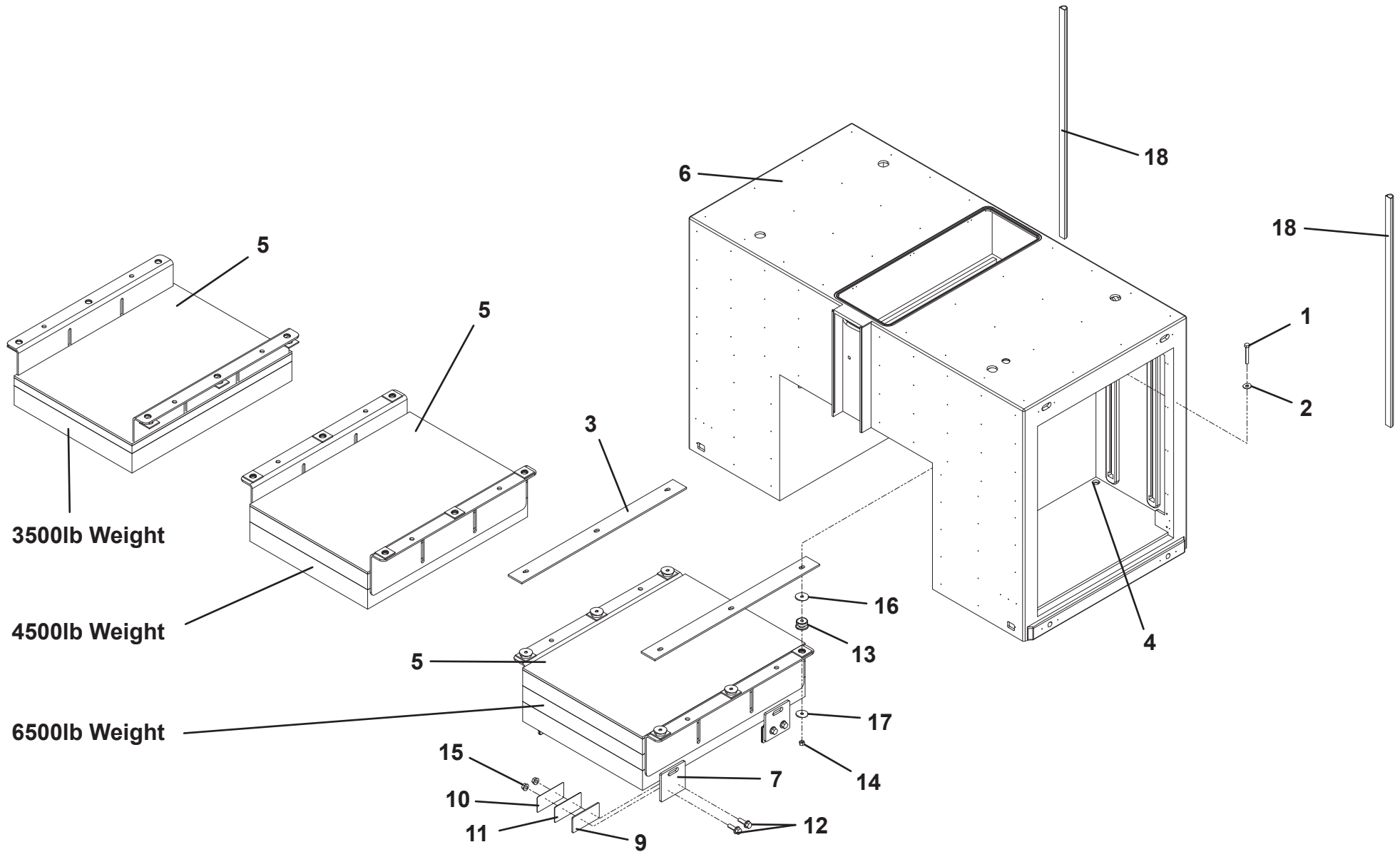


**TOOLBOX INSTALLATION - 51" W/ BATTERIES AND COUNTER WEIGHT**

ITEM	PART NO.	DESCRIPTION	QTY	REV
	1001211491	Toolbox Installation - 51" W/ Batteries and Counter Weight	Ref	B
1	642034	Screw, 0.625"-11NC x 4.25"	6	
2	4752000	Washer, 0.625"	6	
3	1001165692	Support	2	
4	1001173847	Plug	4	
5	1001219831	Weight, 6500lb	1	
	1001211487	Weight, 4500lb		
	1001211486	Weight, 3500lb		
6	1001219833	Tunnel Toolbox 51"	1	
7	1001219916	Plate	4	
8	1001219921	Shim Kit	1	
9	1001219917	Shim, 0.25"	4	
10	1001219918	Shim, 11 ga	4	
11	1001219919	Shim, 16 ga	4	
12	7118221816	Capscrew, 0.75"-10NC X 2.25"	8	
13	7636000008	Rubber Mount	6	
14	7660200001	Nut, 0.63"-11NC	6	
15	7660222308	Locknut, 0.75"-10NC	8	
16	7949000019	Washer, Head	6	
17	7949000020	Washer, Tail	6	
18	8632000011	Seal	10FT	



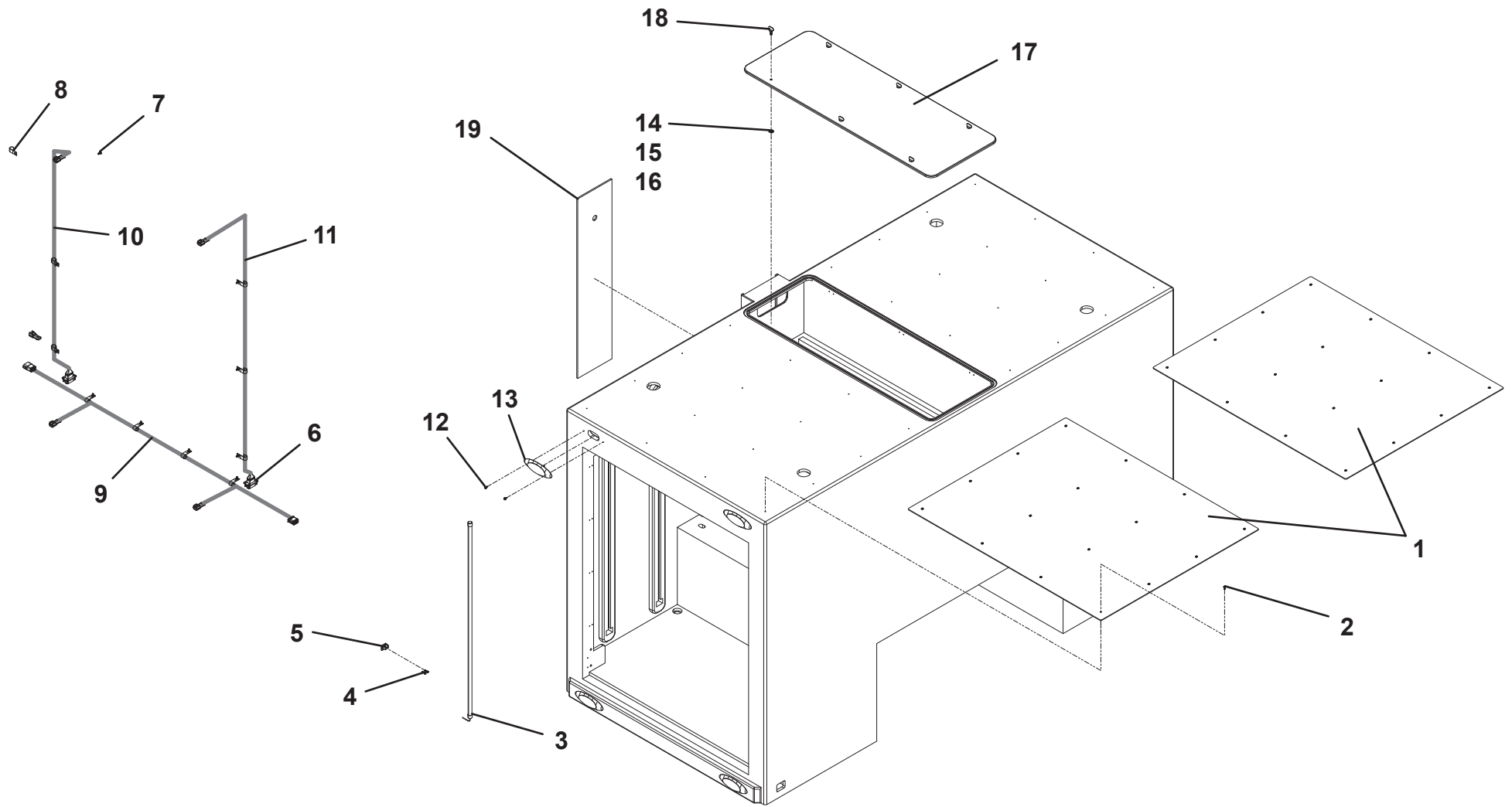
# TOOLBOX INSTALLATION - 51" W/ BATTERIES AND COUNTER WEIGHT



**TOOLBOX ASSEMBLY - 51" W/ BATTERIES**

ITEM	PART NO.	DESCRIPTION	QTY	REV
	1001219832	Toolbox Assembly - 51" W/ Batteries	Ref	A
1	1001187000	Plate	2	
2	1001192958	Screw, #10 x 0.50"	32	
3	1001154527	Light	4	
4	1001196552	Screw #8 x 0.75"	32	
5	1001199081	Mount	16	
6	1001195257	Screw 0.25" x 0.50"	20	
7	1001196552	Screw, #8 x 0.75"	16	
8	7280000006	Clip	20	
9	1001188904	Harness	2	
10	1001188920	Harness	2	
11	1001188921	Harness	2	
12	1001154101	Screw	16	
13	7590000262	Light	8	
14	750605	Screw	12	
15	3760308	Retainer	6	
16	1001122235	Bracket	6	
17	1001166674	Cover	1	
18	1001166930	Latch	6	
19	1001185654	Cover	1	

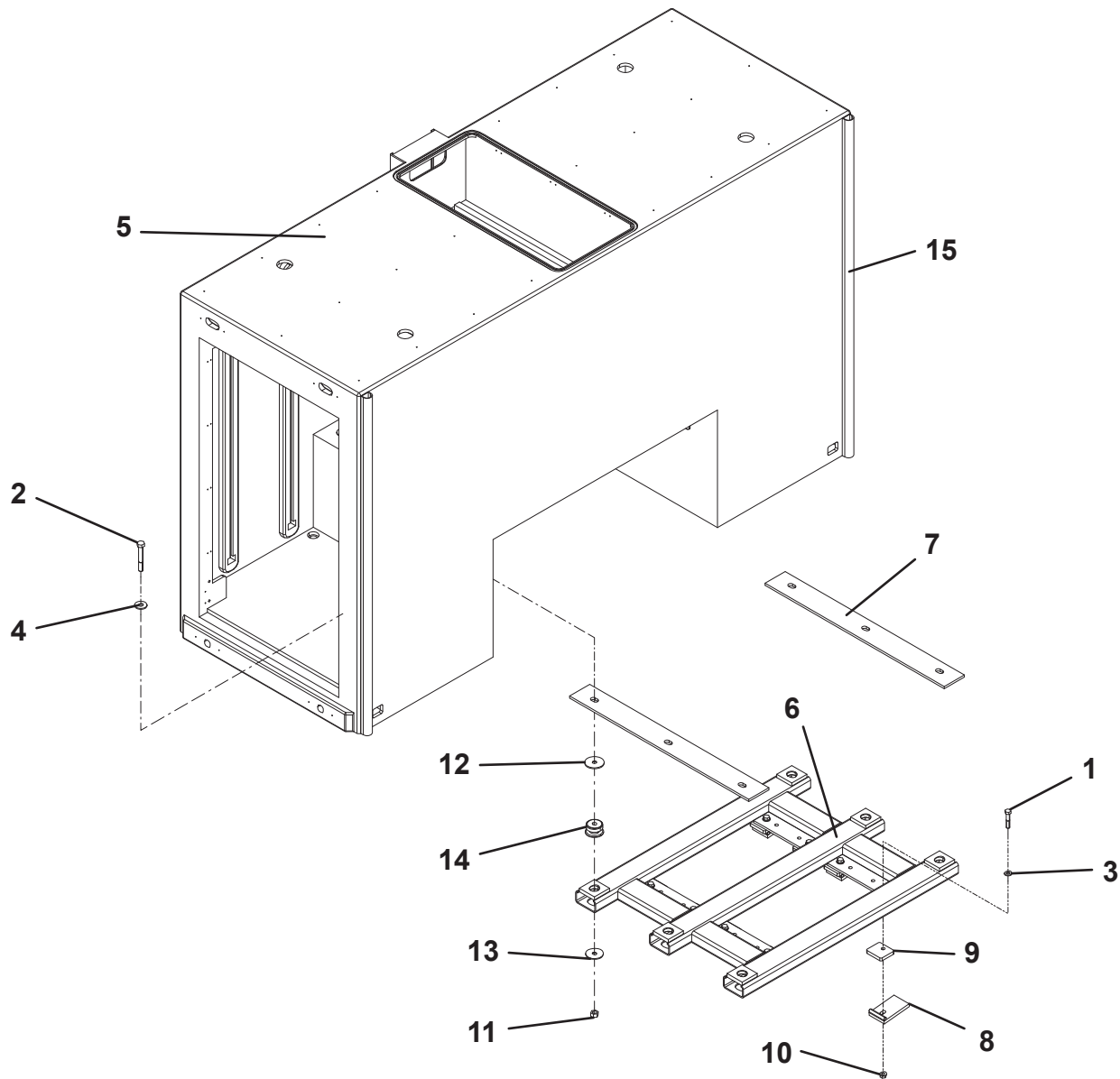
# TOOLBOX ASSEMBLY - 51" W/ BATTERIES

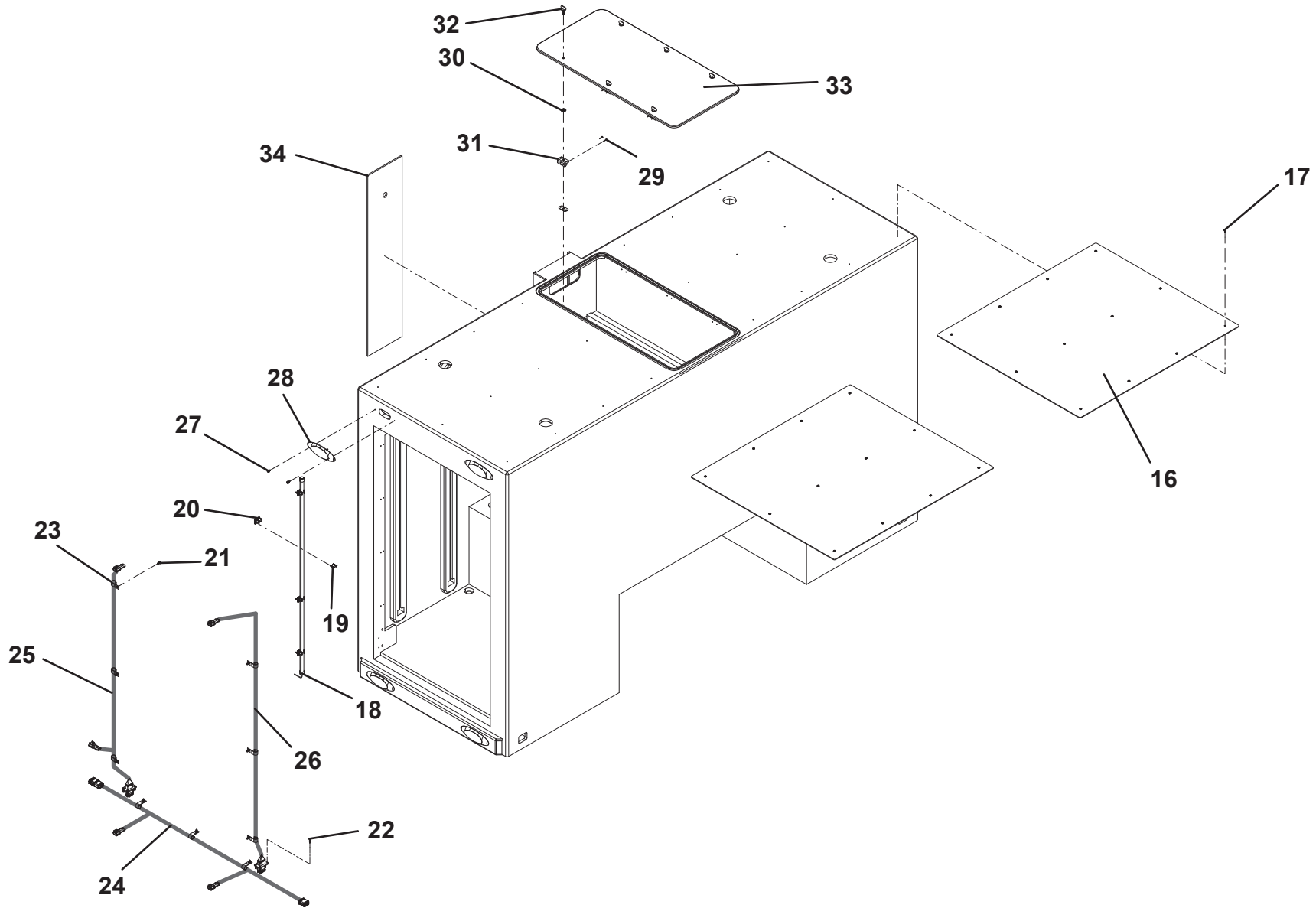


**TOOLBOX ASSEMBLY - 39" W/ BATTERIES**

ITEM	PART NO.	DESCRIPTION	QTY	REV
	1001207193	Toolbox Assembly - 39" W/ Batteries	Ref	C
1	641820	Screw, 0.50"-13 X 2.50"	8	
2	642034	Screw, 0.625"-11 X 4.25"	6	
3	4711800	Washer, 0.50" ID	8	
4	4752000	Washer, 0.625" ID	6	
5	1001186491	Tunnel Toolbox	1	
6	1001187063	Mount	1	
7	1001197338	Plate	2	
8	3274000011	Clamp	8	
9	4705000705	Plate	8	
10	7660182301	Locknut, 0.50"-13NC	8	
11	7660200001	Nut, 0.63"-11NC	6	
12	7949000019	Washer, Head	6	
13	7949000020	Washer, Tail	6	
14	7636000008	Mount	6	
15	8632000011	Seal	10FT	
16	1001186993	Plate	2	
17	1001192958	Screw, #10 x 0.05"	24	
18	1001154527	Lamp	4	
19	1001196552	Screw, #8 x 0.75"	32	
20	1001199081	Mount	16	
21	1001195257	Screw, 0.25" x 0.50"	18	
22	1001196552	Screw, #8 x 0.75"	16	
23	7280000006	Clip	18	
24	1001188919	Harness	2	
25	1001188920	Harness	2	
26	1001188921	Harness	2	
27	1001154101	Screw	16	
28	7590000262	Light	8	
29	750605	Screw	12	
30	3760308	Retainer	6	
31	1001122235	Bracket	6	
32	1001166930	Latch	6	
33	1001182569	Cover	1	
34	1001185654	Cover	1	

# TOOLBOX ASSEMBLY - 39" W/ BATTERIES



**TOOLBOX ASSEMBLY - 39" W/ BATTERIES**

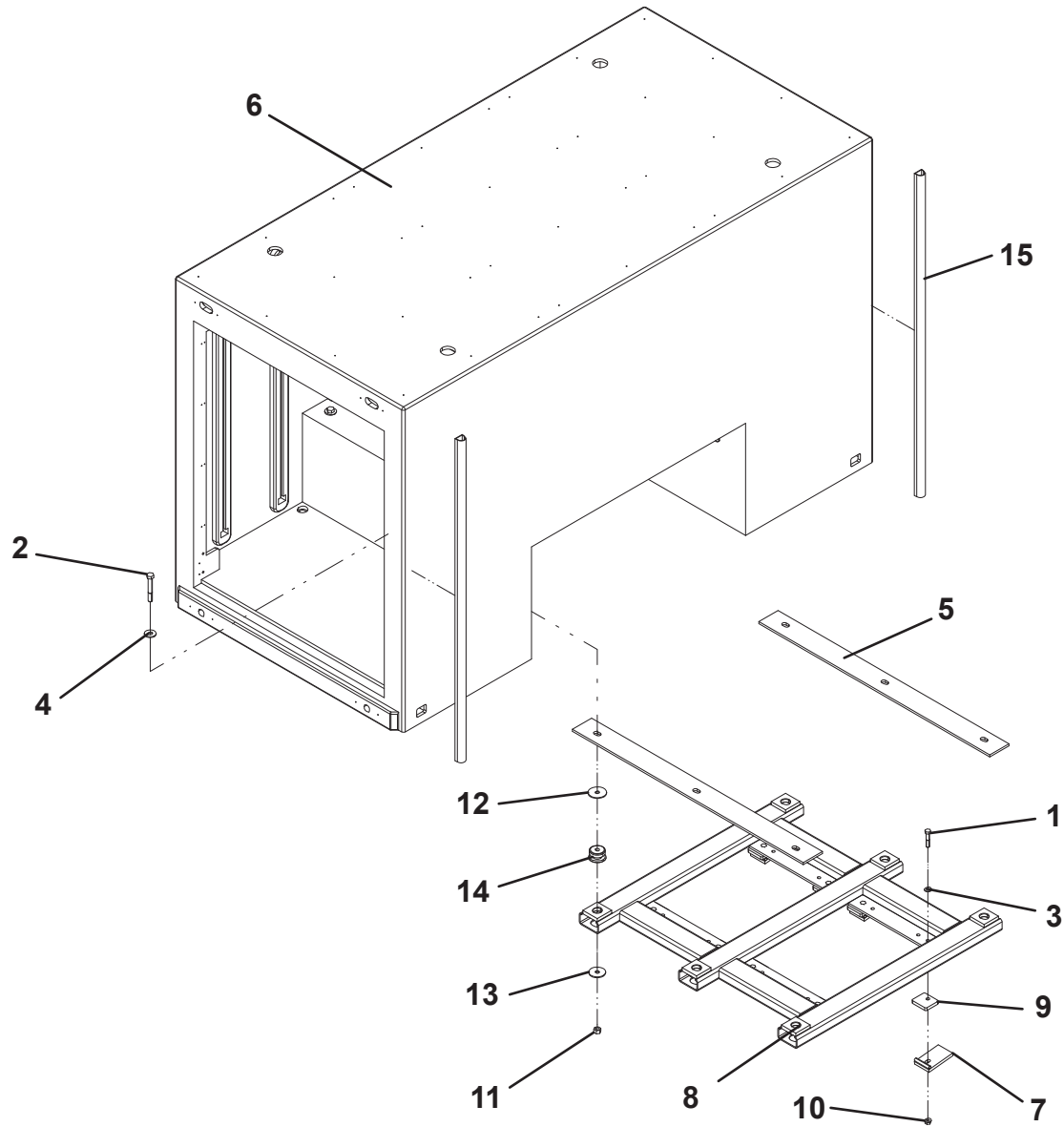
**THIS PAGE INTENTIONALLY LEFT BLANK**

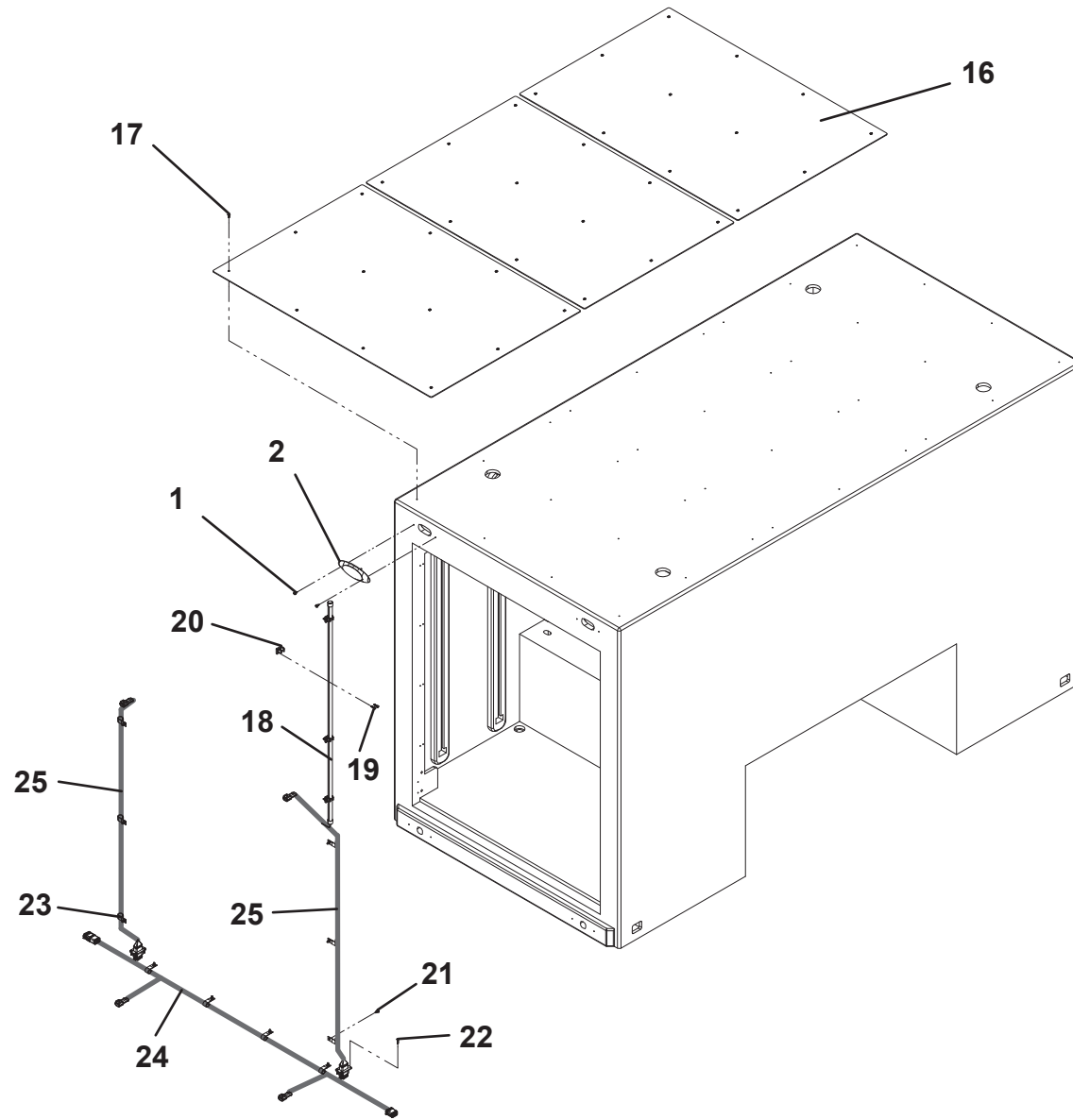
**TOOLBOX INSTALLATION - 49" W/O BATTERIES**

ITEM	PART NO.	DESCRIPTION	QTY	REV
	1001207196	Toolbox Installation - 49" W/O Batteries	Ref	B
1	641820	Screw, 0.50"-13 X 2.50"	8	
2	642034	Screw, 0.625"-11 X 4.25"	6	
3	4711800	Washer, 0.50" ID	8	
4	4752000	Washer, 0.625" ID	6	
5	1001165692	Plate	2	
6	1001186416	Tunnel Toolbox 48"	1	
7	3274000011	Clamp	8	
8	3911000068	Mount	1	
9	4705000705	Plate	8	
10	7660182301	Locknut, 0.50"-13NC	8	
11	7660200001	Nut, 0.63"-11NC	6	
12	7949000019	Washer, Head	6	
13	7949000020	Washer, Tail	6	
14	7636000008	Mount	6	
15	8632000011	Seal	10FT	
16	1001187009	Plate	3	
17	1001192958	Screw, #10 x 0.50"	36	
18	1001154527	Lamp	4	
19	1001196552	Screw, #8 x 0.75"	32	
20	1001199081	Mount	16	
21	1001195257	Screw, 0.25" x 0.50"	20	
22	1001196552	Screw, #8 x 0.75"	16	
23	7280000006	Clip	20	
24	1001188904	Harness	2	
25	1001188921	Harness	4	
26	1001192958	Screw, #10 x 0.50"	16	
27	7590000262	Light	8	



# TOOLBOX INSTALLATION - 49" W/O BATTERIES



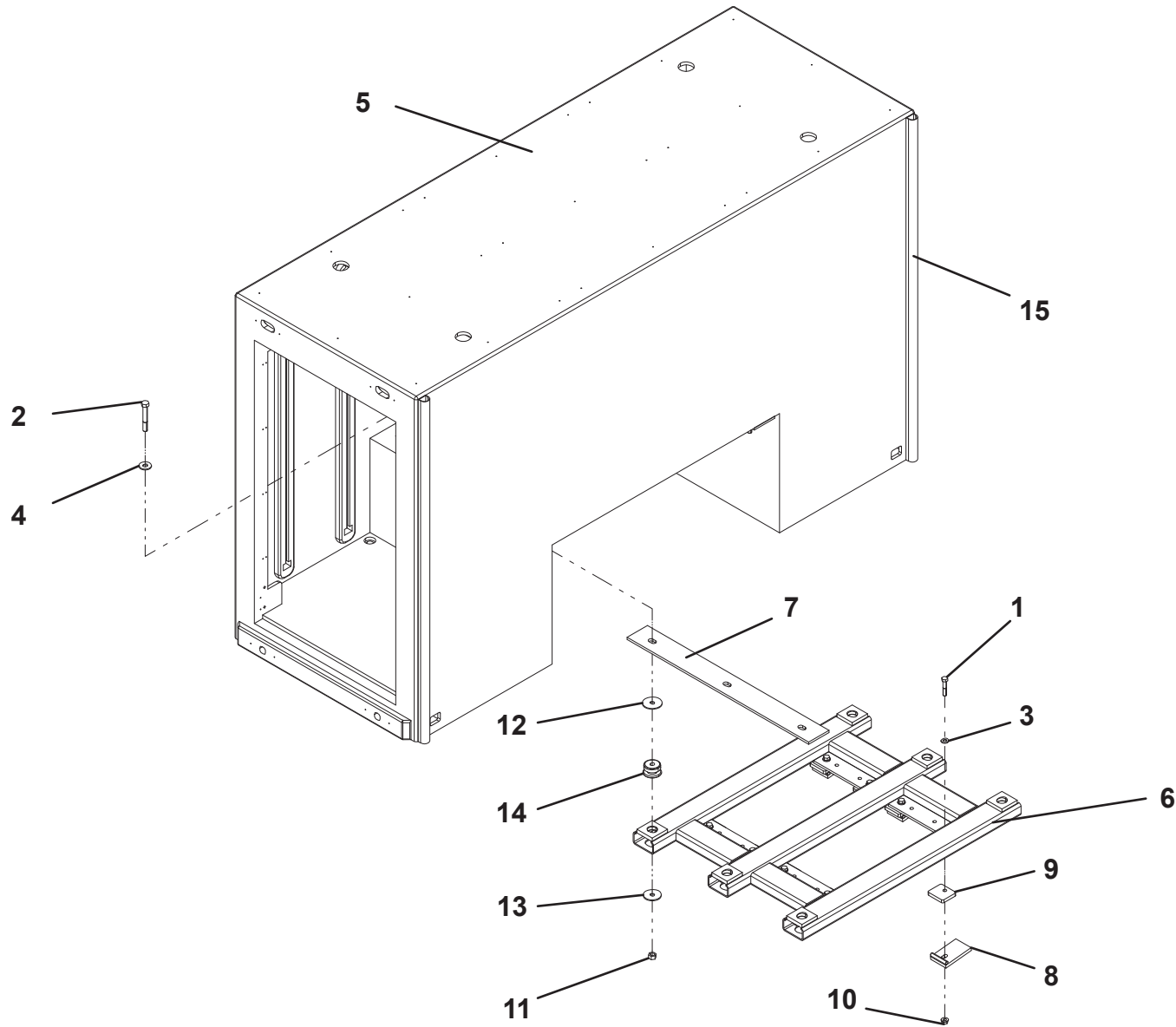
**TOOLBOX INSTALLATION - 49" W/O BATTERIES**

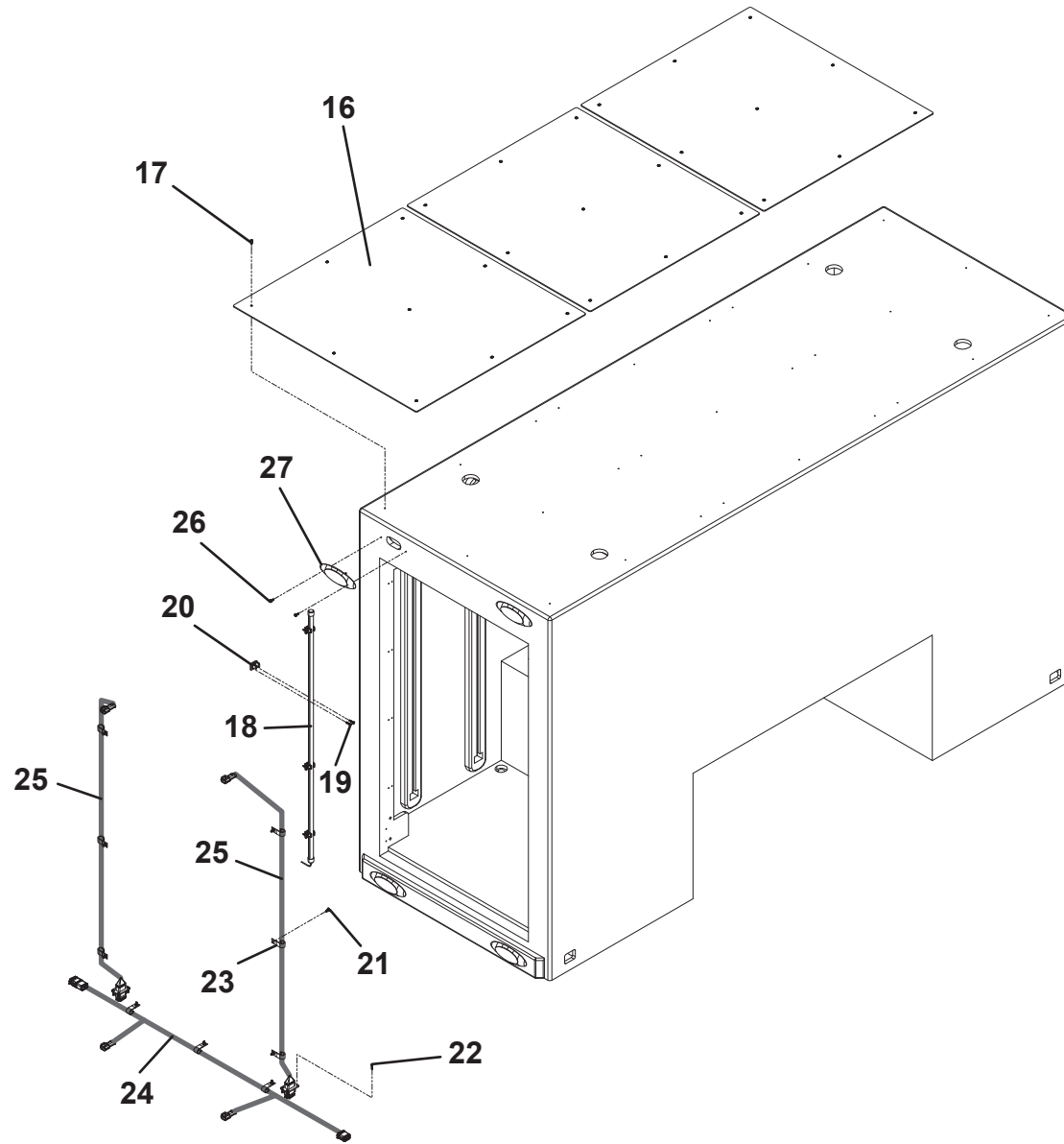
**THIS PAGE INTENTIONALLY LEFT BLANK**

**TOOLBOX INSTALLATION - 37" W/O BATTERIES**

ITEM	PART NO.	DESCRIPTION	QTY	REV
	1001207194	Toolbox Installation - 37" W/O Batteries	Ref	B
1	641820	Screw, 0.50-13 X 2.50"	8	
2	642034	Screw, 0.625"-11 X 4.25	6	
3	4711800	Washer, 0.50" ID	8	
4	4752000	Washer, 0.625" ID	6	
5	1001185600	Tunnel Toolbox	1	
6	1001187063	Mount	1	
7	1001197338	Plate	2	
8	3274000011	Clamp	8	
9	4705000705	Plate	8	
10	7660182301	Locknut, 0.50"-13NC	8	
11	7660200001	Nut, 0.63"-11NC	6	
12	7949000019	Washer, Head	6	
13	7949000020	Washer, Tail	6	
14	7636000008	Mount	6	
15	8632000011	seal	10FT	
16	1001186997	Plate	3	
17	1001192958	Screw, #10 x 0.50"	27	
18	1001154527	Lamp	4	
19	1001196552	Screw, #8 x 0.75"	32	
20	1001199081	Mount	16	
21	1001195257	Screw, 0.25" x 0.50"	18	
22	1001196552	Screw, #8 x 0.75"	16	
23	7280000006	Clip	18	
24	1001188919	Harness	2	
25	1001188921	Harness	4	
26	1001192958	Screw, #10 x 0.50"	16	
27	7590000262	Light	8	

# TOOLBOX INSTALLATION - 37" W/O BATTERIES



**TOOLBOX INSTALLATION - 37" W/O BATTERIES**

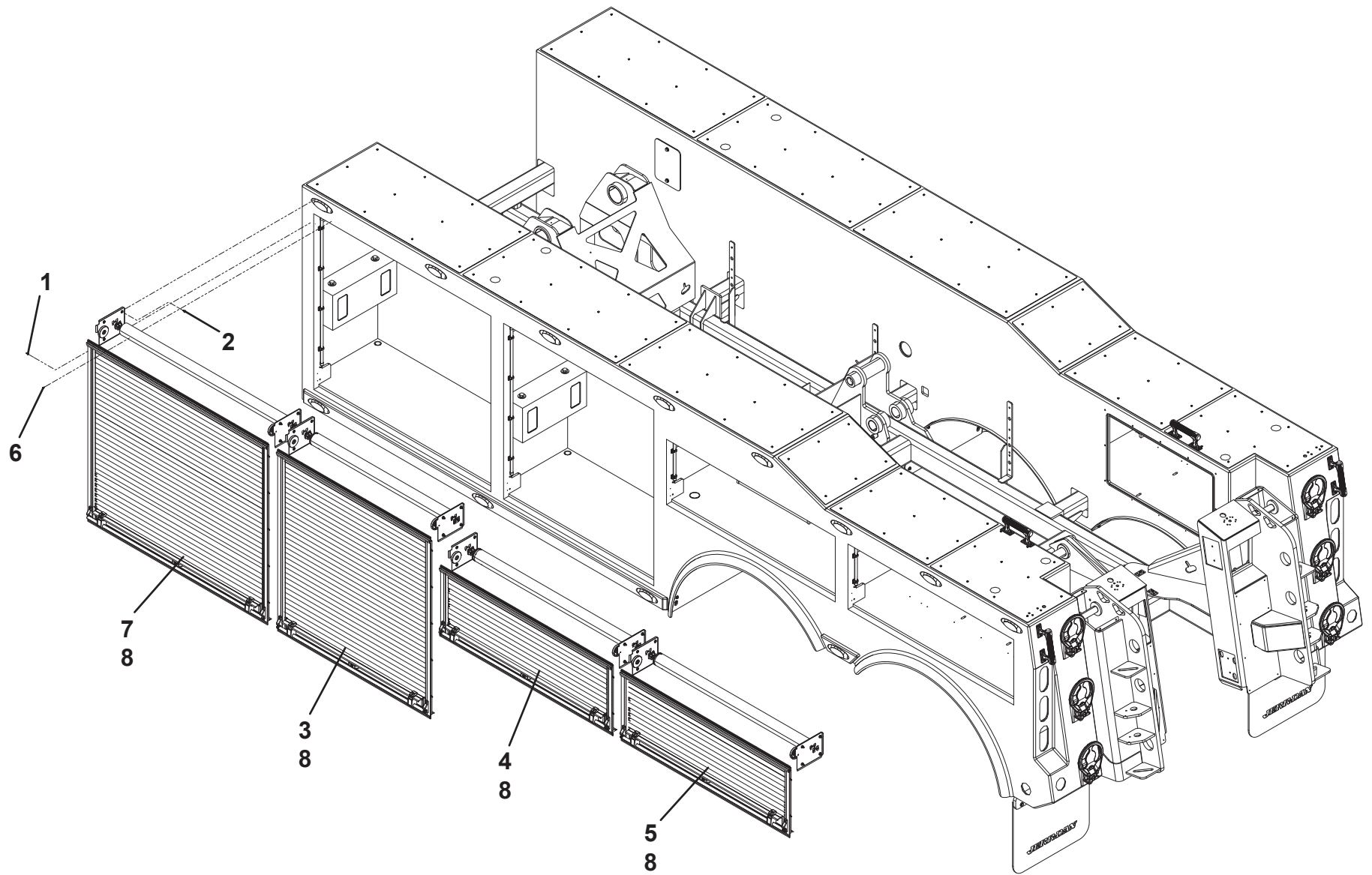
**THIS PAGE INTENTIONALLY LEFT BLANK**

**DOOR INSTALLATION - TANDEM BODY PAINTED**

ITEM	PART NO.	DESCRIPTION	QTY	REV
	1001206691	Door Installation - Tandem Body Painted	Ref	A
1	1001192958	Screw, #10 X 0.50"	56	
2	1001195257	Screw, 0.25" X 0.50"	64	
3	1001197159	Door, 48.10" X 47.50"	2	
4	1001197160	Door, 17.90" X 53.30"	2	
5	1001197161	Door, 17.90" X 52.40"	2	
6	1001198602	Screw, #8 X 0.38"	46	
7	1001205855	Door, 48.10" X 56.00"	2	
8	8798820001	Sealant	A/R	



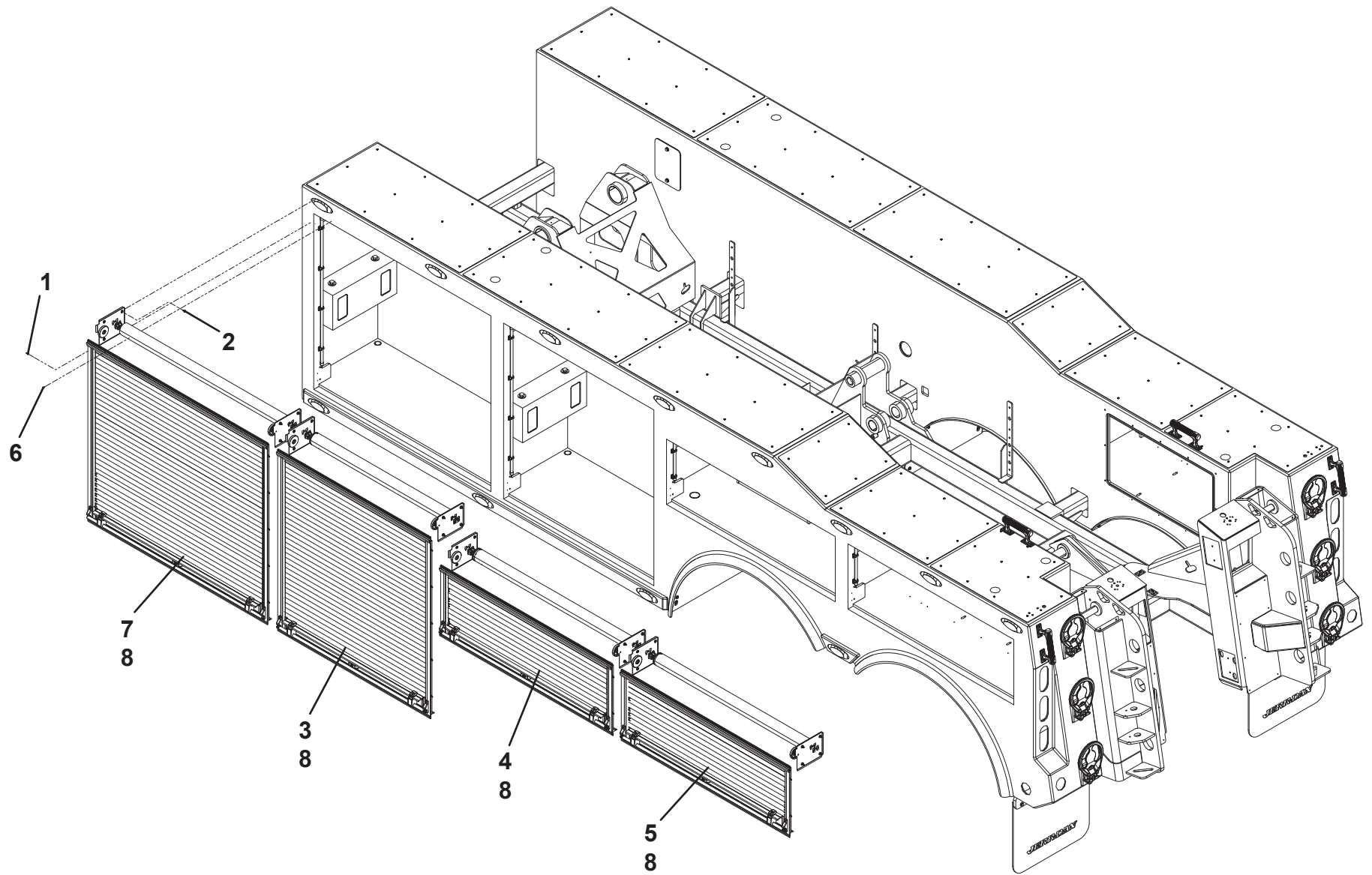
# DOOR INSTALLATION - TANDEM BODY PAINTED



**DOOR INSTALLATION - TANDEM BODY BRUSHED**

ITEM	PART NO.	DESCRIPTION	QTY	REV
	1001206692	Door Installation - Tandem Body Brushed	Ref	A
1	1001192958	Screw, #10 X 0.50"	56	
2	1001195257	Screw, 0.25" X 0.50"	64	
3	1001186988	Door, 48.10" X 47.50"	2	
4	1001186989	Door, 17.90" X 53.30"	2	
5	1001186990	Door, 17.90" X 52.40"	2	
6	1001198602	Screw, #8 X 0.38"	46	
7	1001205854	Door, 48.10" X 56.00"	2	
8	8798820001	Sealant	A/R	

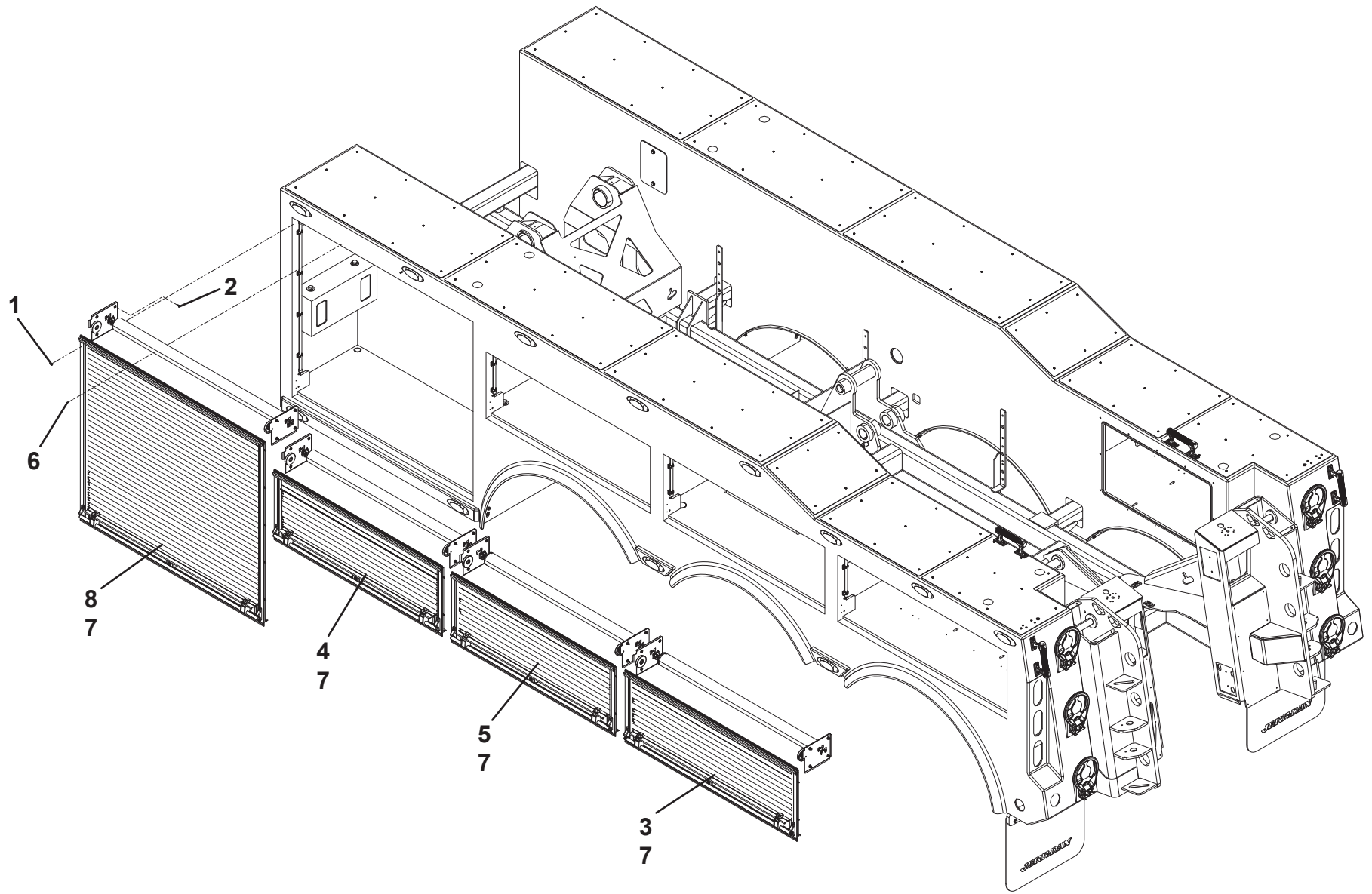
# DOOR INSTALLATION - TANDEM BODY BRUSHED



**DOOR INSTALLATION - TRI-AXLE PAINTED**

ITEM	PART NO.	DESCRIPTION	QTY	REV
	1001206695	Door Installation - Tri-Axle Painted	Ref	A
1	1001192958	Screw, #10 X 0.50"	44	
2	1001195257	Screw, 0.25" X 0.50"	64	
3	1001197161	Door, 17.90" X 52.40"	2	
4	1001197162	Door, 17.90" X 50.80"	2	
5	1001197163	Door, 17.90" X 50.00"	2	
6	1001198602	Screw, #8 X 0.38"	48	
7	8798820001	Sealant	A/R	
8	1001205855	Door, 48.00" X 56.00"	2	

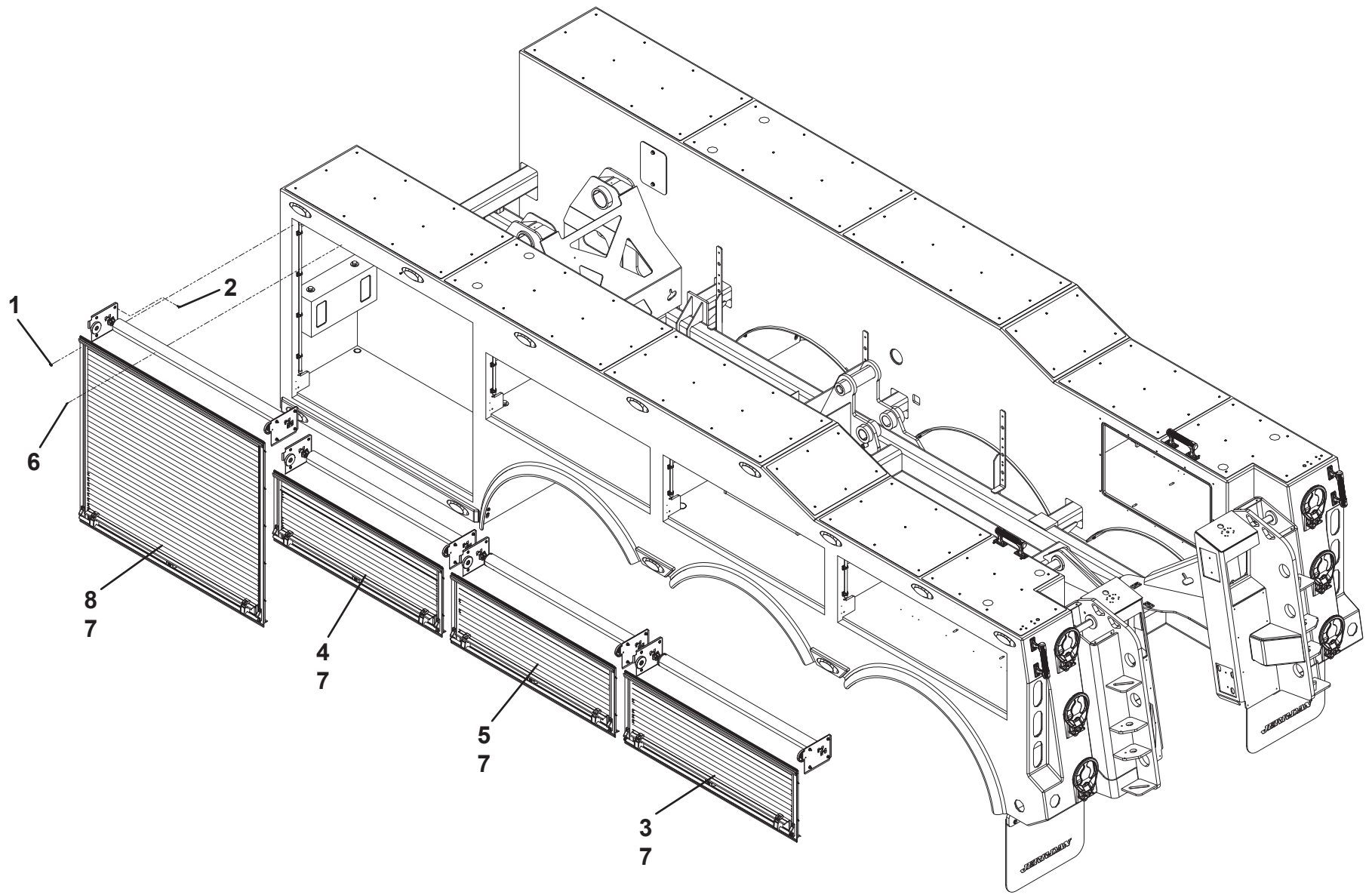
# DOOR INSTALLATION - TRI-AXLE PAINTED



**DOOR INSTALLATION - TRI-AXLE BRUSHED**

ITEM	PART NO.	DESCRIPTION	QTY	REV
	1001206696	Door Installation - Tri-Axle Brushed	Ref	A
1	1001192958	Screw, #10 X 0.50"	44	
2	1001195257	Screw, 0.25" X 0.50"	64	
3	1001186990	Door, 17.90" X 52.40"	2	
4	1001186991	Door, 17.90" X 50.80"	2	
5	1001186992	Door, 17.90" X 50.00"	2	
6	1001198602	Screw, #8 X 0.38"	48	
7	8798820001	Sealant	A/R	
8	1001205854	Door, 48.10" X 56.00"	2	

# DOOR INSTALLATION - TRI-AXLE BRUSHED

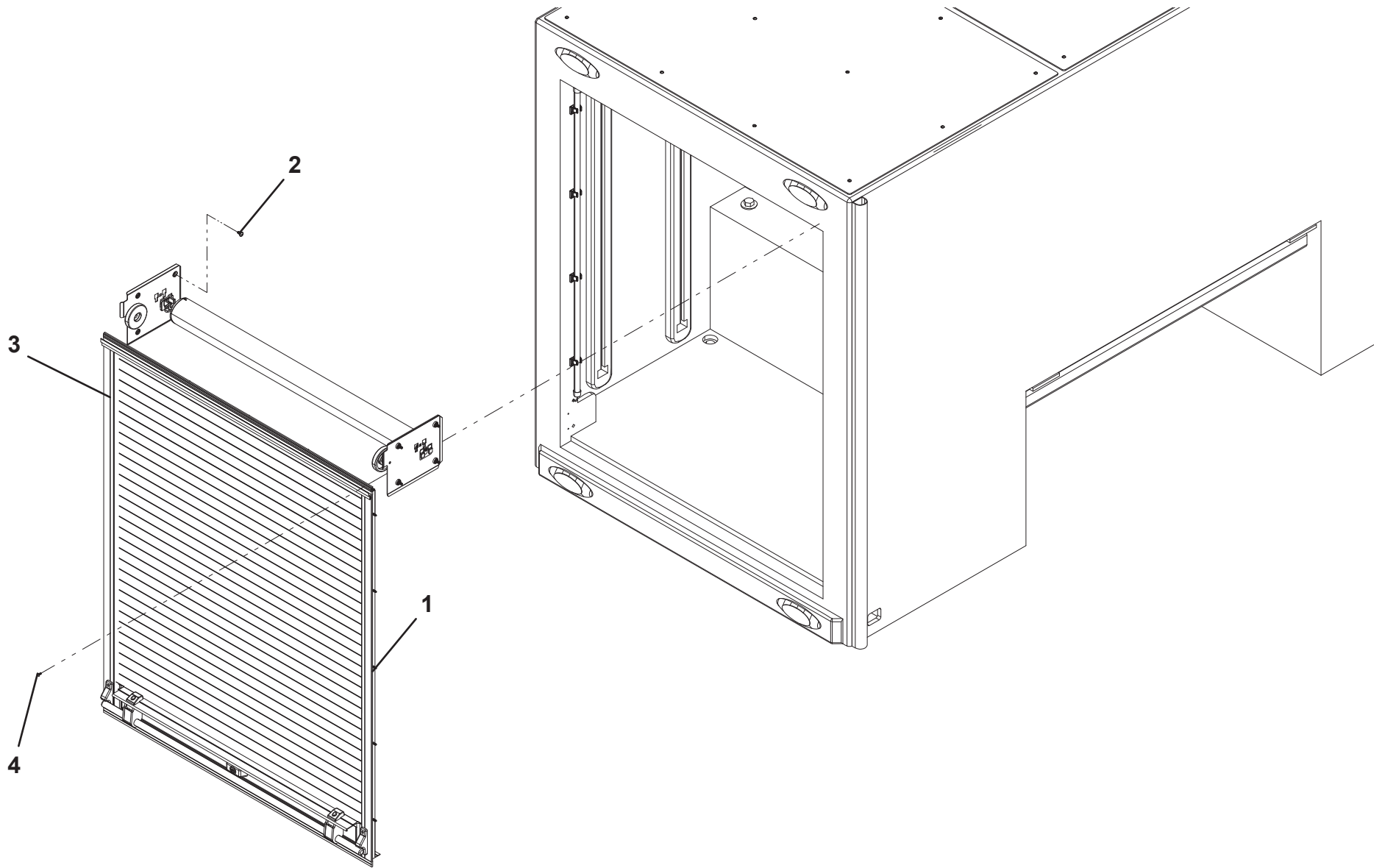


**DOOR INSTALLATION - 51" TUNNEL TOOLBOX PAINTED**

ITEM	PART NO.	DESCRIPTION	QTY	REV
	1001197687	Door Installation - 51" Tunnel Toolbox Painted	Ref	A
1	1001192958	Screw, #10 X 0.50"	28	
2	1001195257	Screw, 0.25" X 0.50"	16	
3	1001197158	Door, 48.10" X 39.80"	2	
4	1001198602	Screw, #8 X 0.38"	8	



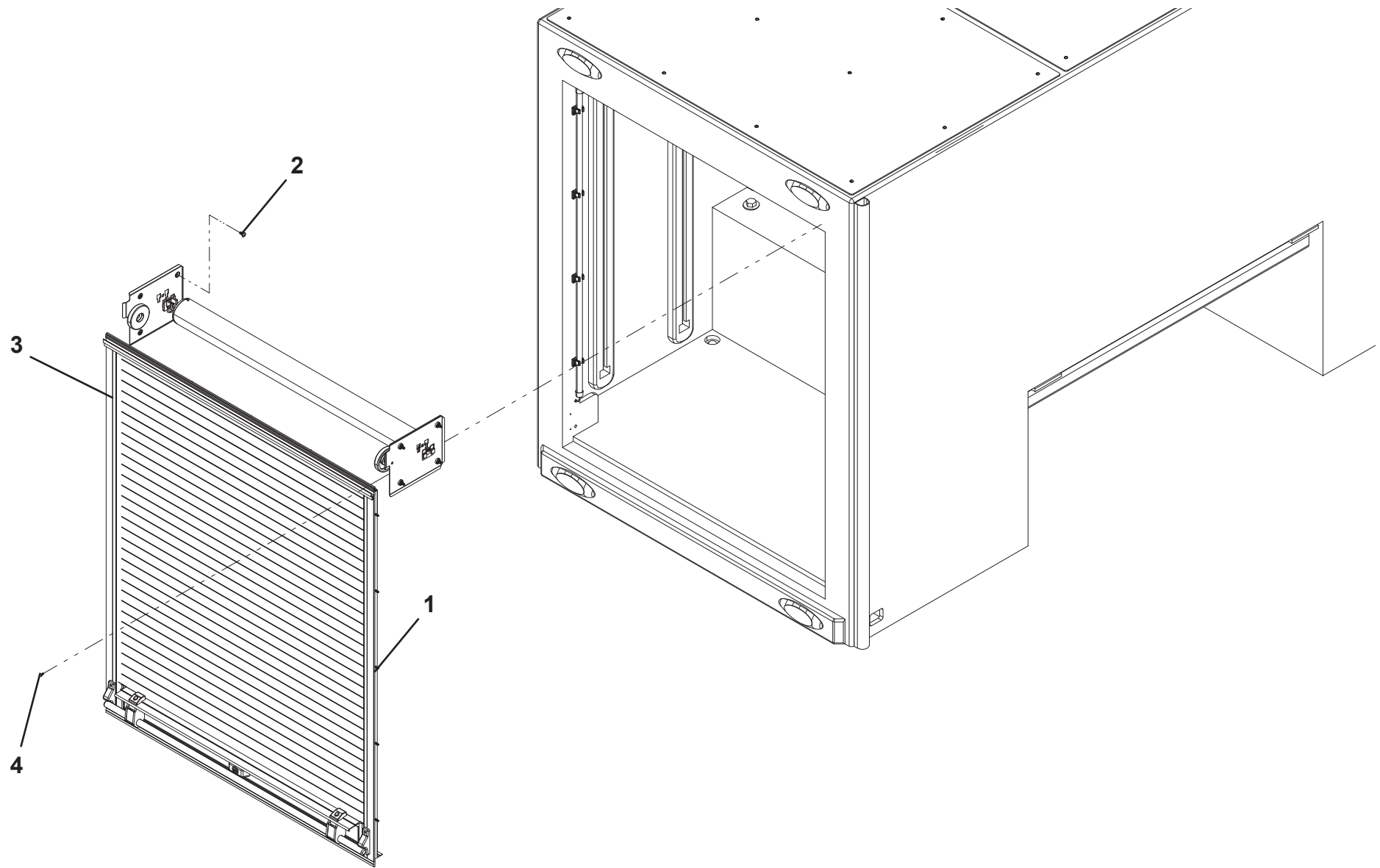
# DOOR INSTALLATION - 51" TUNNEL TOOLBOX PAINTED



**DOOR INSTALLATION - 49" TUNNEL TOOLBOX BRUSHED**

ITEM	PART NO.	DESCRIPTION	QTY	REV
	1001197688	Door Installation - 49" Tunnel Toolbox Brushed	Ref	A
1	1001192958	Screw, #10 X 0.50"	28	
2	1001195257	Screw, 0.25" X 0.50"	16	
3	1001186987	Door, 48.10" X 39.80"	2	
4	1001198602	Screw, #8 X 0.38"	8	

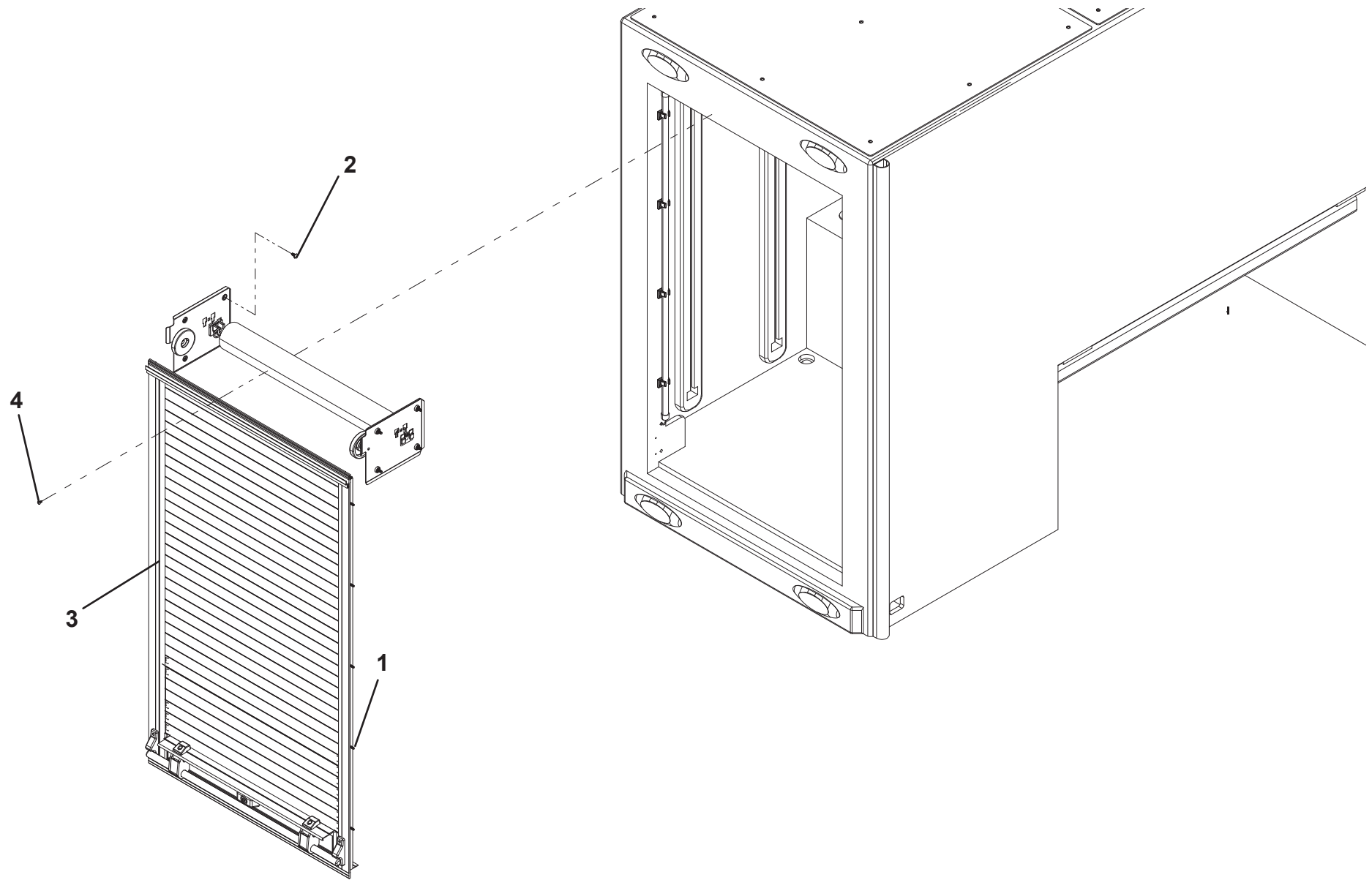
# DOOR INSTALLATION - 49" TUNNEL TOOLBOX BRUSHED



**DOOR INSTALLATION - 39" TUNNEL TOOLBOX PAINED**

ITEM	PART NO.	DESCRIPTION	QTY	REV
	1001197567	Door Installation - 39" Tunnel Toolbox Painted	Ref	A
1	1001192958	Screw, #10 X 0.50"	28	
2	1001195257	Screw, 0.25" X 0.50"	16	
3	1001197181	Door, 48.10" X 27.80"	2	
4	1001198602	Screw, #8 X 0.38"	8	

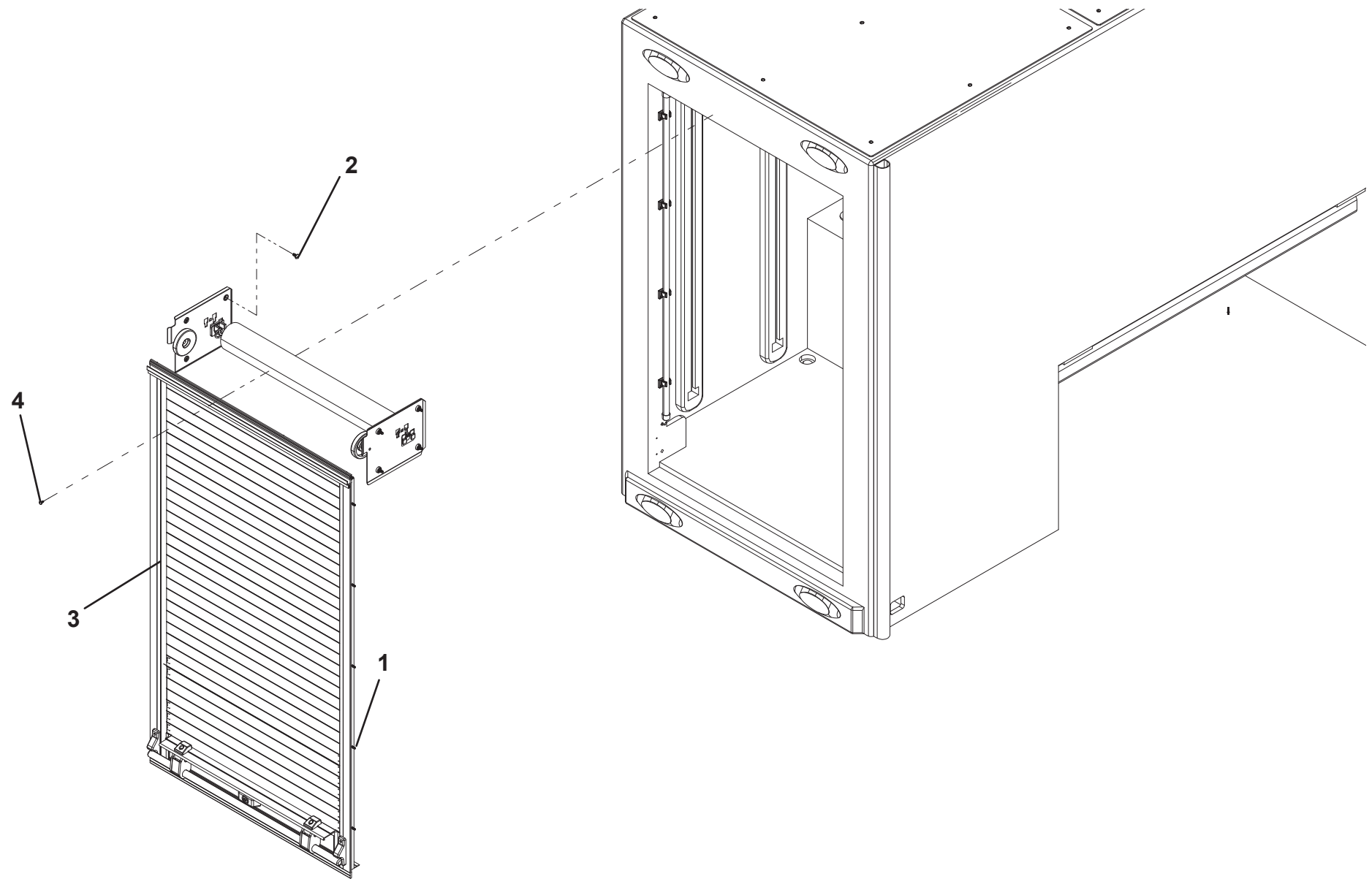
# DOOR INSTALLATION - 39" TUNNEL TOOLBOX PAINED



**DOOR INSTALLATION - 37" TUNNEL TOOLBOX BRUSHED**

ITEM	PART NO.	DESCRIPTION	QTY	REV
	1001197568	Door Installation - 37" Tunnel Toolbox Brushed	Ref	A
1	1001192958	Screw, #10 X 0.50"	28	
2	1001195257	Screw, 0.25" X 0.50"	16	
3	1001186986	Door, 48.10" X 27.80"	2	
4	1001198602	Screw, #8 X 0.38"	8	

# DOOR INSTALLATION - 37" TUNNEL TOOLBOX BRUSHED

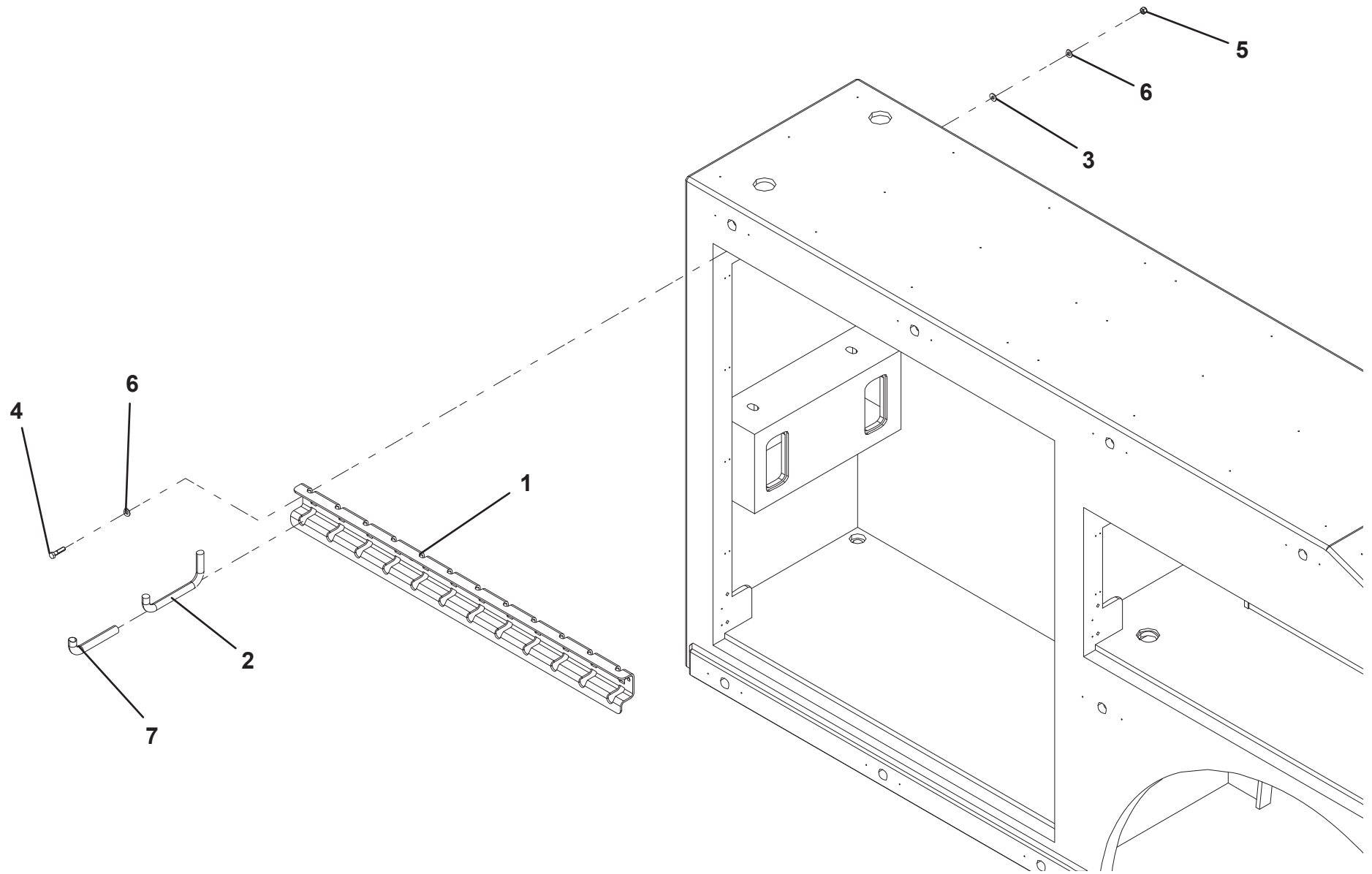


**SHACKLE RACK INSTALLATION - TANDEM**

ITEM	PART NO.	DESCRIPTION	QTY	REV
	1001195038	Shackle Rack Installation - Tandem	Ref	C
1	1001164601	Bracket	2	
2	1001164614	Shackle Hook	24	
3	1001166974	Washer, 0.38" ID	10	
4	1001168993	Screw, 0.38"-16 X 1.50"	10	
5	7660162601	Locknut, 0.38"-16NC	10	
6	7950160143	Flatwasher, 0.38" ID	20	
7	7346000040	Tubing	3.7	



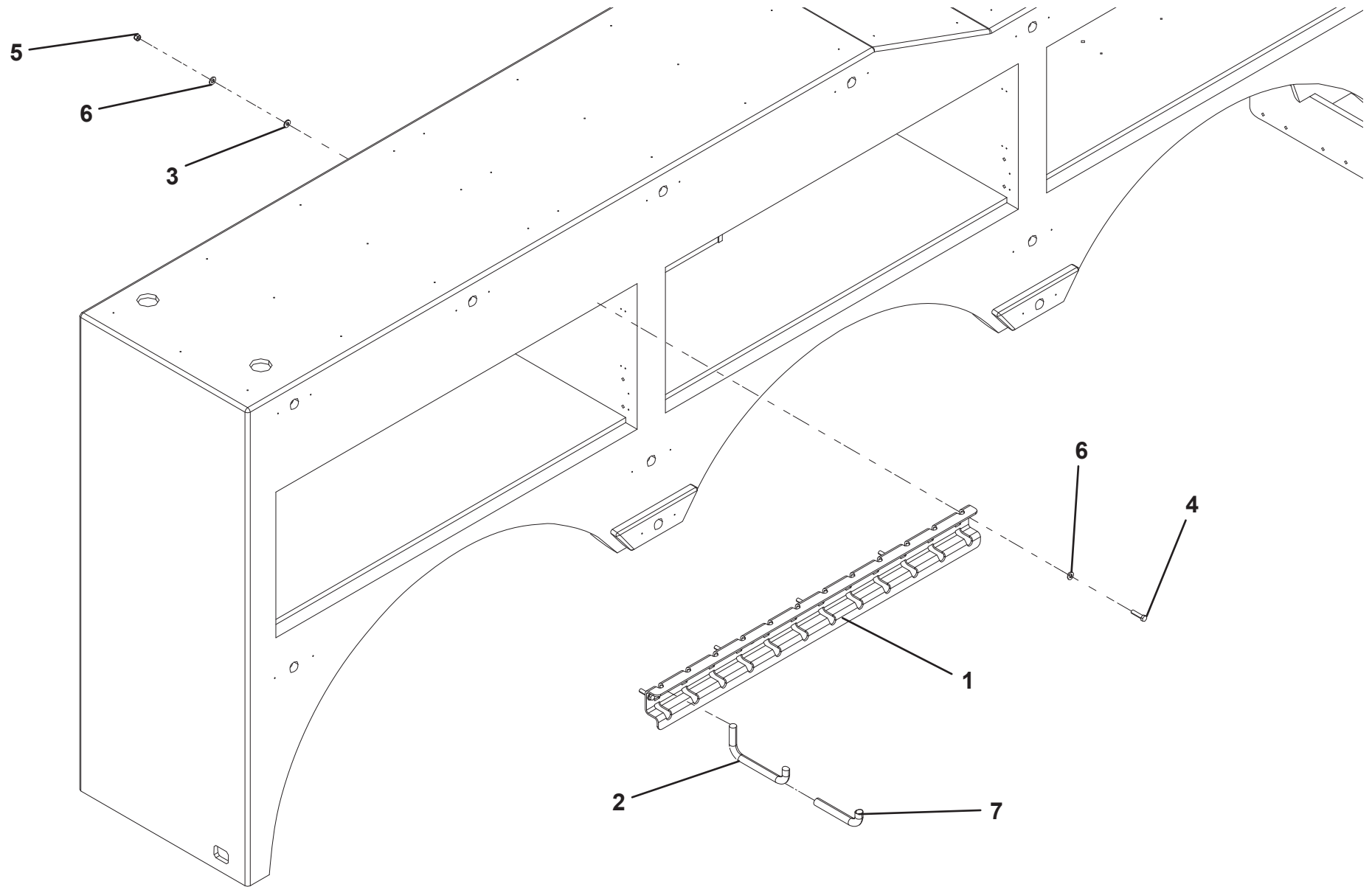
# SHACKLE RACK INSTALLATION - TANDEM



**SHACKLE RACK INSTALLATION - TRI-AXLE**

ITEM	PART NO.	DESCRIPTION	QTY	REV
	1001195083	Shackle Rack Installation - Tri-Axle	Ref	C
1	1001164601	Bracket	2	
2	1001164614	Shackle Hook	24	
3	1001166974	Washer, 0.38" ID	10	
4	1001168993	Screw, 0.38"-16 X 1.50"	10	
5	7660162601	Locknut, 0.38"-16NC	10	
6	7950160143	Flatwasher, 0.38" ID	20	
7	7346000040	Tubing	3.7	

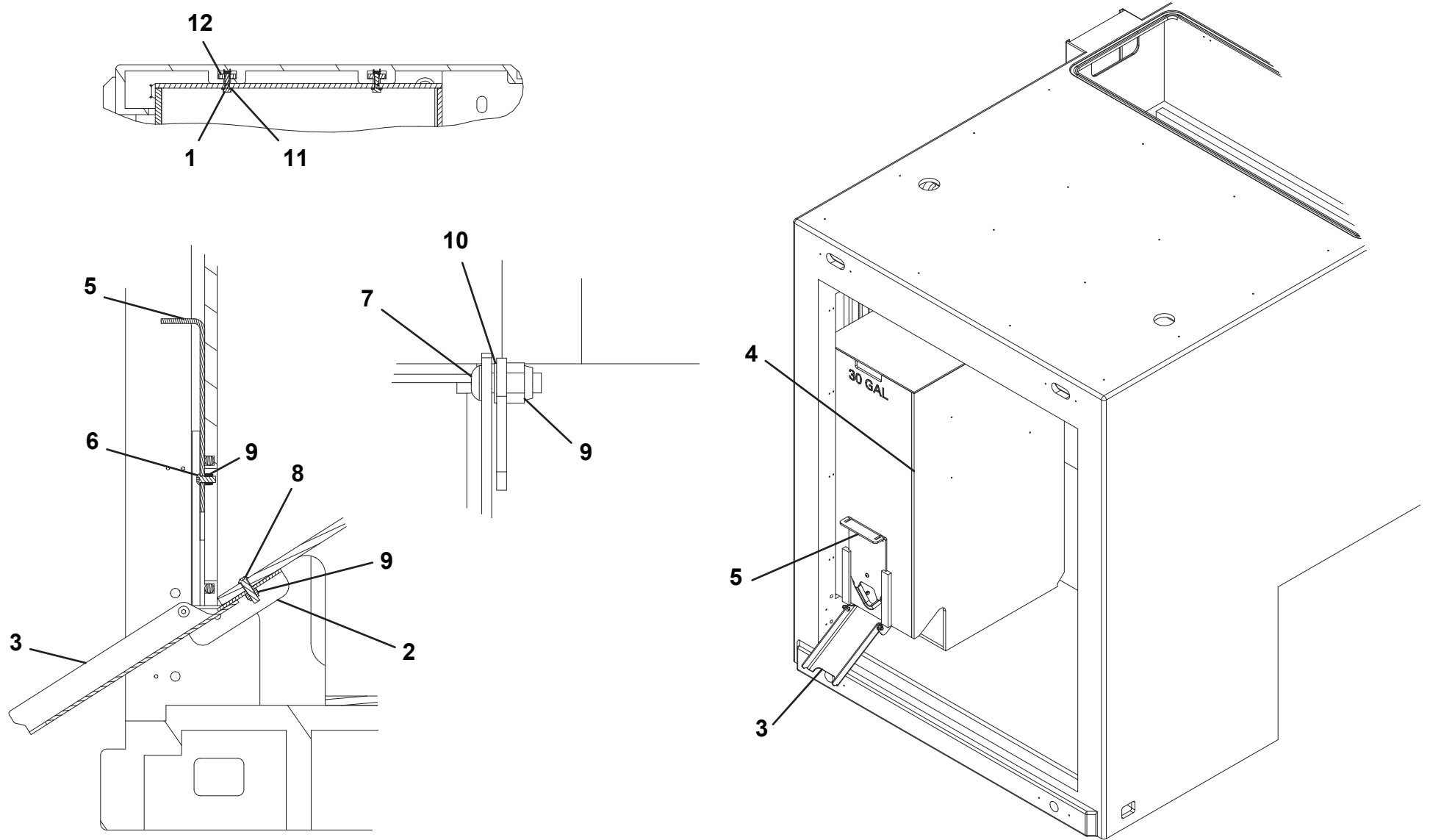
# SHACKLE RACK INSTALLATION - TRI-AXLE



**STAY DRY SILO INSTALLATION**

ITEM	PART NO.	DESCRIPTION	QTY	REV
	1001195421	Stay Dry Silo Installation	Ref	B
1	1001169080	Screw, 0.38"-16 X 1.25"	4	
2	1001190050	Bracket	1	
3	1001190055	Bracket	1	
4	1001190128	Container	1	
5	1001190148	Cover	1	
6	7114140518	Screw, 0.25"-20 X 0.625"	1	
7	7114140618	Screw, 0.25"-20 X 0.75"	2	
8	7114140818	Capscrew, 0.25"-20 X 1.00"	3	
9	7660142600	Locknut, 0.25"-20NC	6	
10	7949000056	Washer, 0.27" ID	2	
11	7950160143	Flatwasher, 0.38" ID	4	
12	1001166644	Nut, 0.38"-16 UNC	4	

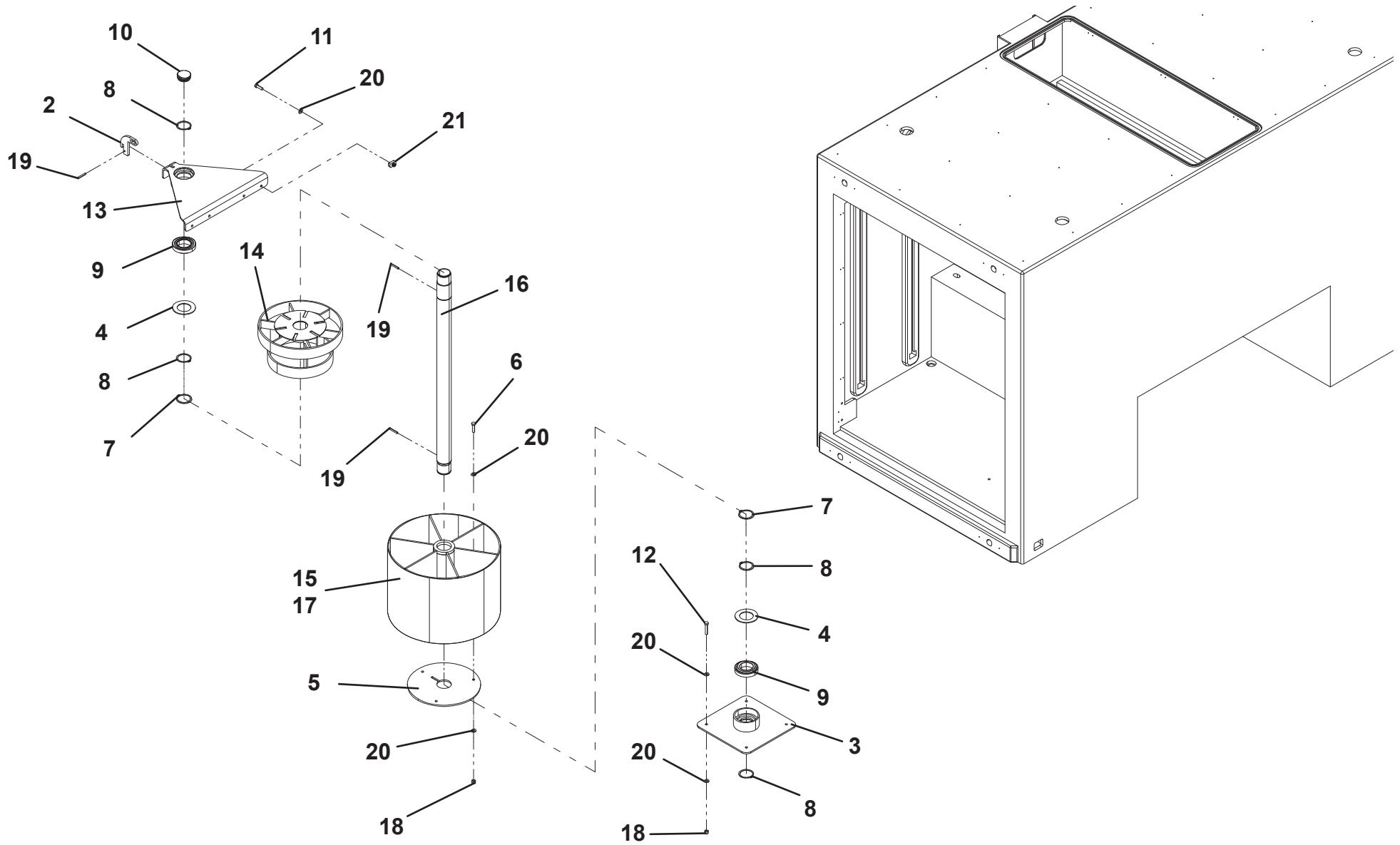
# STAY DRY SILO INSTALLATION



**ROTARY CHAIN RACK**

ITEM	PART NO.	DESCRIPTION	QTY	REV
	1001197183	Rotary Chain Rack	Ref	D
1	3020029	Bearing Grease	1	
2	1001165564	Plate	1	
3	1001165571	Bracket	1	
4	1001165584	Plate	2	
5	1001165652	Support	1	
6	1001168993	Screw, 0.38"-16 X 1.50"	3	
7	1001169063	Retaining Ring	2	
8	1001169064	Retaining Ring	4	
9	1001169076	Bearing	2	
10	1001169078	Plug	1	
11	1001169080	Screw, 0.38"-16 X 1.25"	2	
12	1001169083	Screw, 0.38"-16 X 2.00"	4	
13	1001190218	Bracket	1	
14	1001190223	Bracket	1	
15	1001190228	Tray	1	
16	1001190265	Tube	1	
17	7330000535	Decal	1	
18	7660162604	Locknut, 0.38"-16 NC	7	
19	7690142845	Pin	3	
20	7950160143	Flatwasher, 0.38" ID	16	
21	1001166644	Nut, 0.38"-16	2	

# ROTARY CHAIN RACK

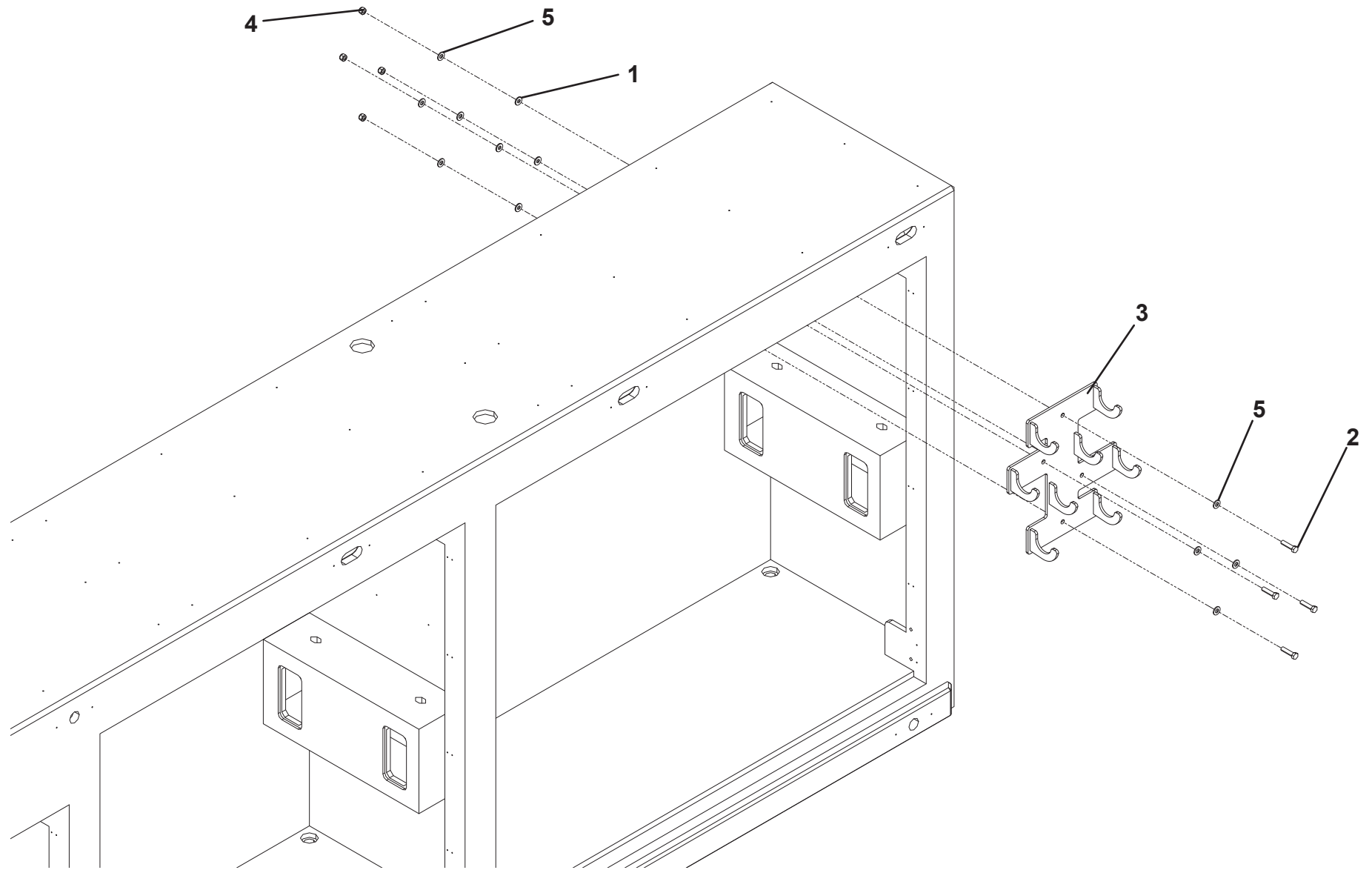


**CHAIN BINDER INSTALLATION**

ITEM	PART NO.	DESCRIPTION	QTY	REV
	1001207623	Chain Binder Installation	Ref	A
1	1001166974	Washer, 0.38" ID	4	
2	1001168993	Screw, 0.38"-16 x 1.50"	4	
3	1001207599	Plate	1	
4	7660162601	Locknut, 0.38" - 16NC	4	
5	7950160143	Flatwasher, 0.38"ID	8	



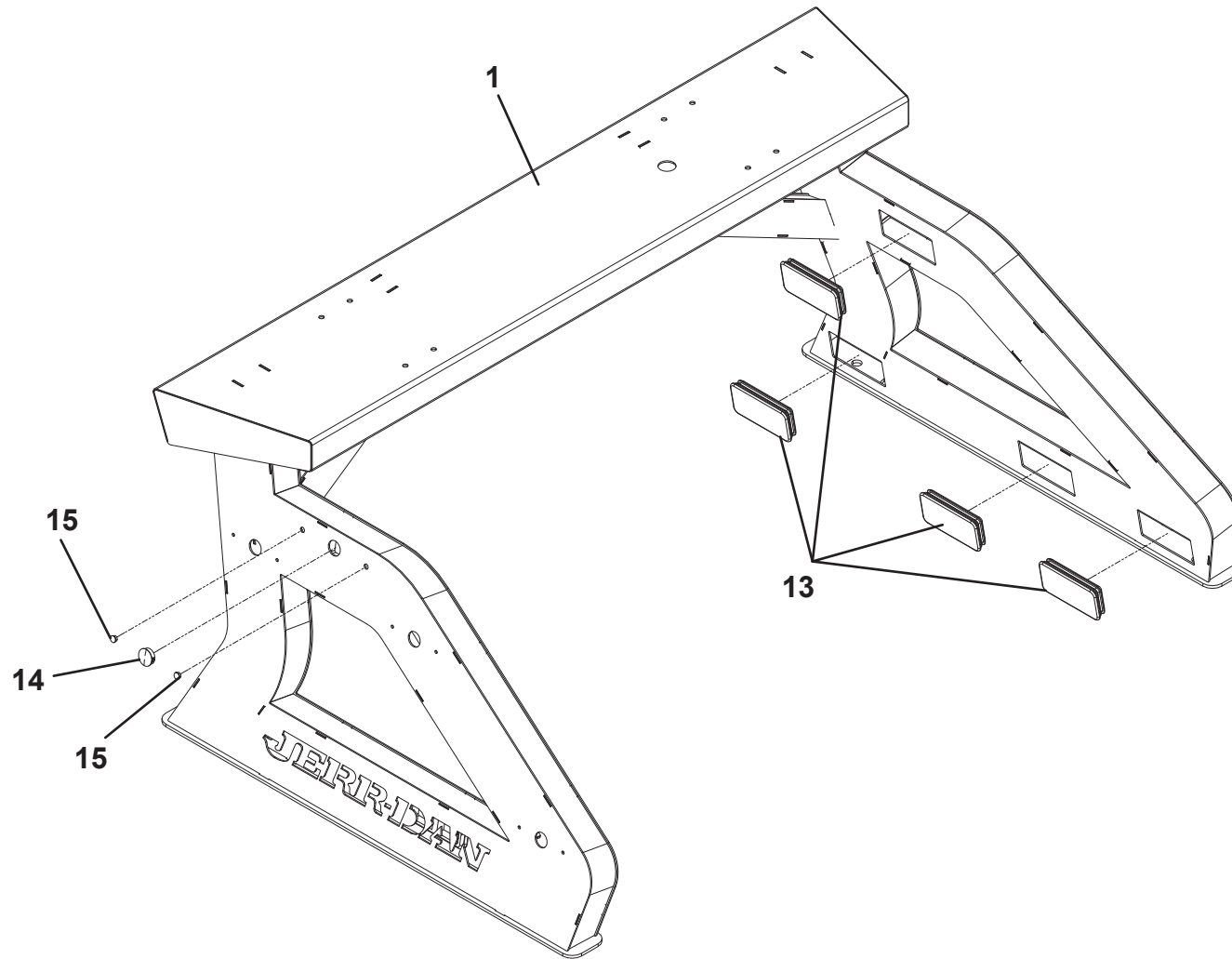
# CHAIN BINDER INSTALLATION



**PYLON INSTALLATION - 34" PYLON**

ITEM	PART NO.	DESCRIPTION	QTY	REV
	1001209068	Pylon Installation - 34" Pylon	Ref	B
1	1001213102	34" Pylon	1	
13	7701000048	Plug	8	
14	7701000049	Plug	2	
15	7701000056	Plug	4	

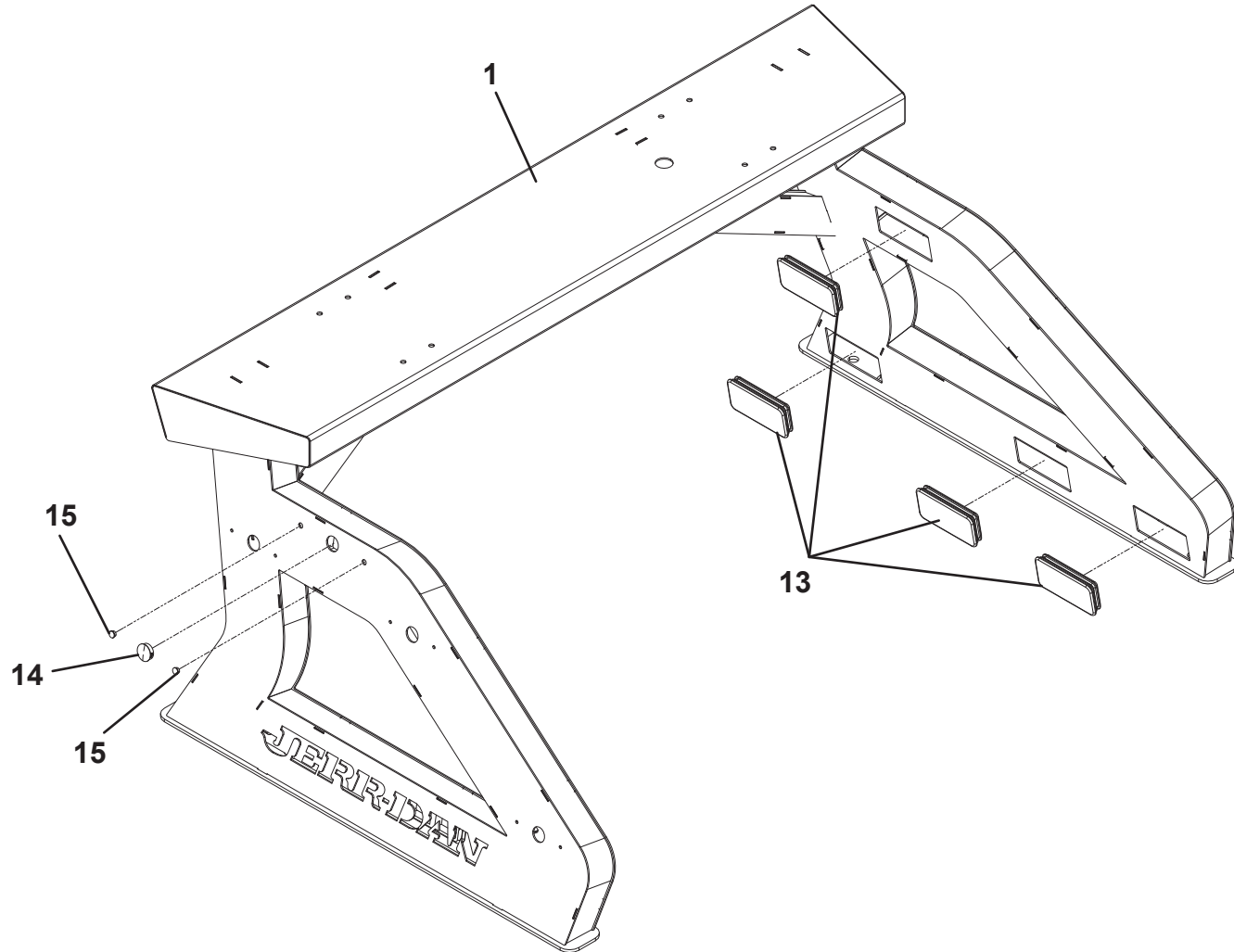
# PYLON INSTALLATION - 34" PYLON



**PYLON INSTALLATION - 39" PYLON**

ITEM	PART NO.	DESCRIPTION	QTY	REV
	1001209069	Pylon Installation - 39" Pylon	Ref	B
1	1001213509	39" Pylon	1	
13	7701000048	Plug	8	
14	7701000049	Plug	2	
15	7701000056	Plug	4	

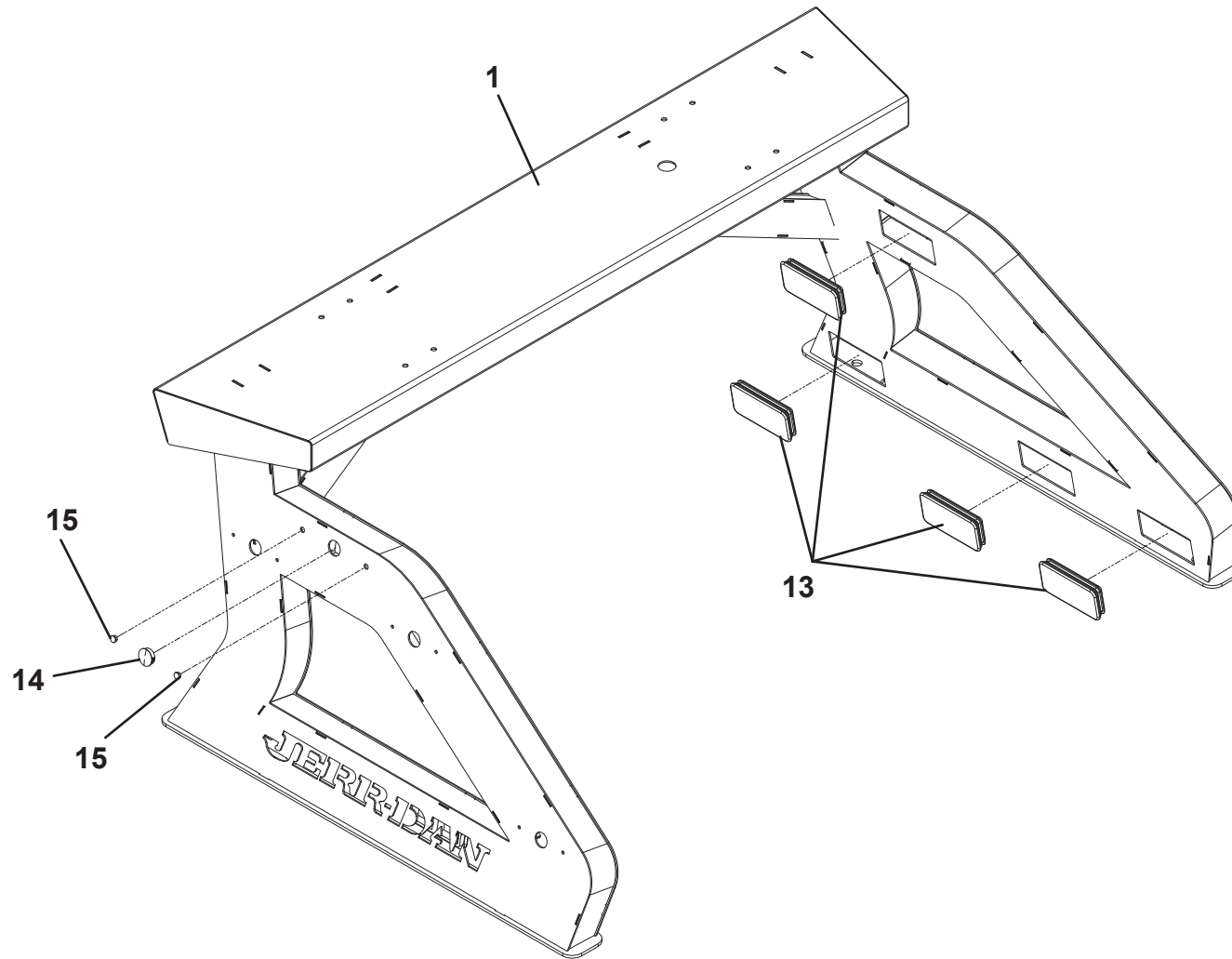
# PYLON INSTALLATION - 39" PYLON



**PYLON INSTALLATION - 57" PYLON**

ITEM	PART NO.	DESCRIPTION	QTY	REV
	1001209070	Pylon Installation - 57" Pylon	Ref	B
1	1001214577	57" Pylon	1	
13	7701000048	Plug	8	
14	7701000049	Plug	2	
15	7701000056	Plug	4	

# PYLON INSTALLATION - 57" PYLON

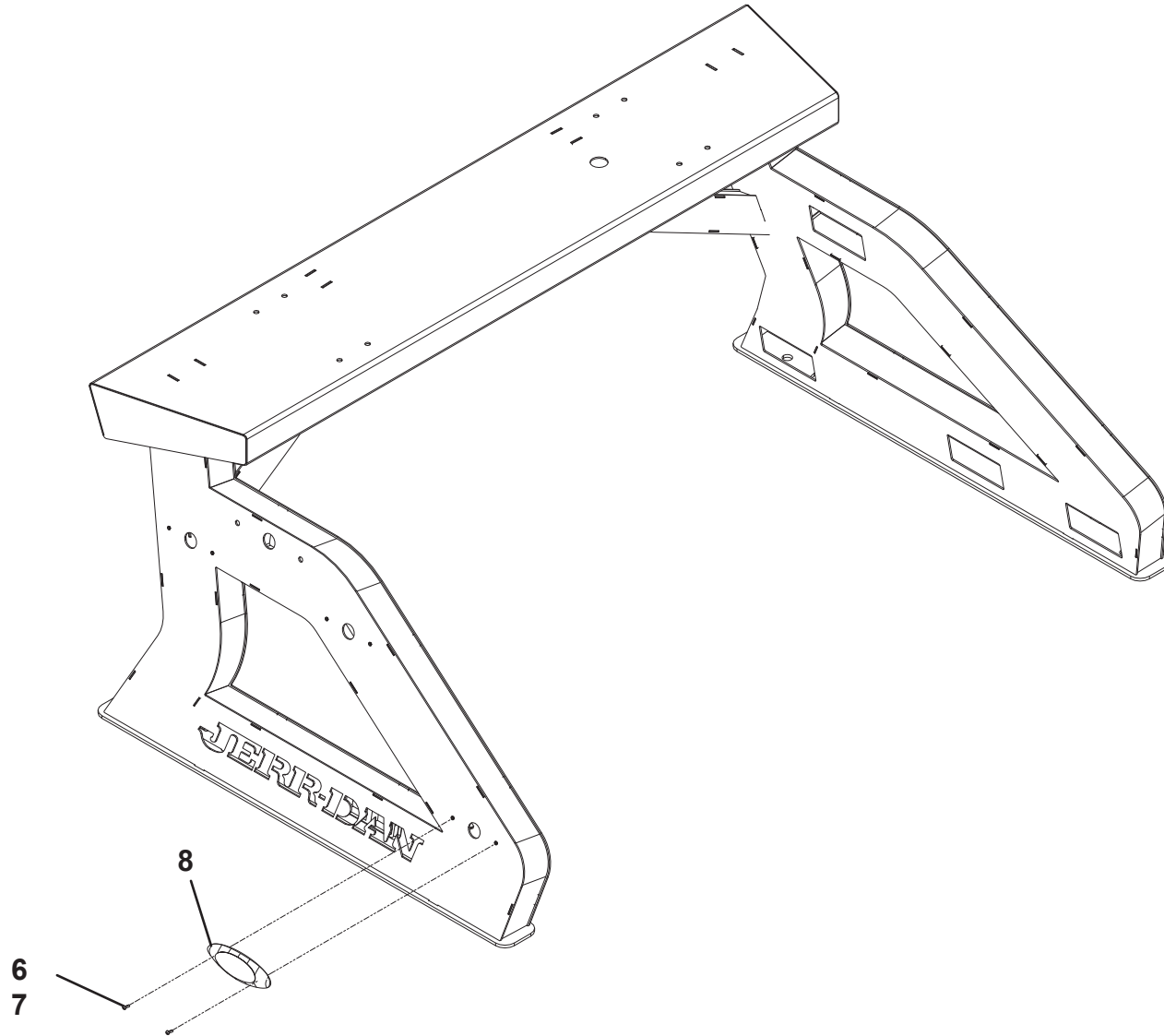


**PYLON LIGHT INSTALLATION - ALL**

ITEM	PART NO.	DESCRIPTION	QTY	REV
	1001207488	Pylon Light Installation - ALL	Ref	B
6	1001151546	Nut, #8 - 32NC	12	
7	7114080418	Screw, #8 - 32NC x 0.50"	12	
8	7590000262	Light, Amber	6	



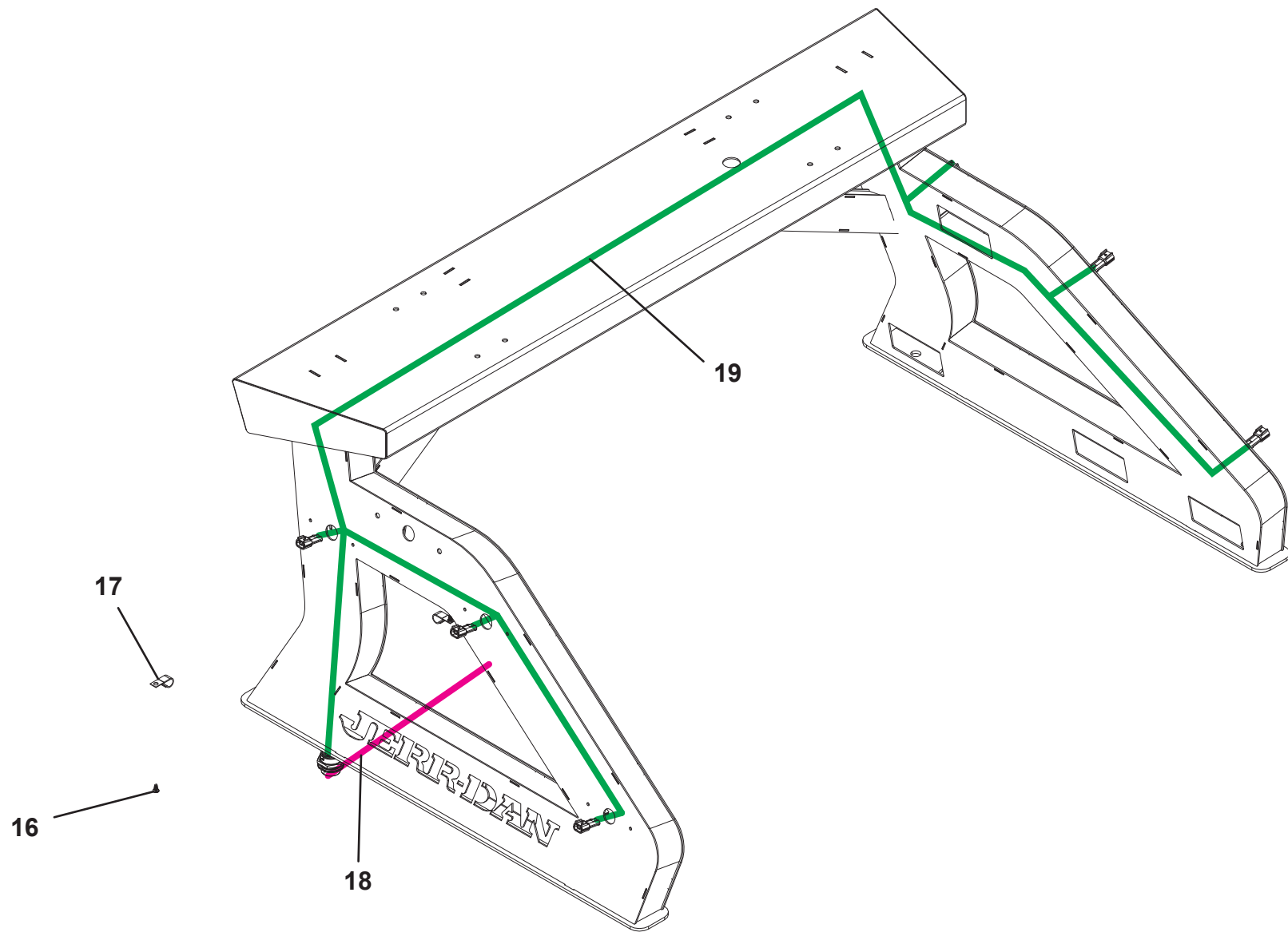
# PYLON LIGHT INSTALLATION - ALL



**PYLON HARNESS INSTALLATION - 34" AND 39" PYLON**

ITEM	PART NO.	DESCRIPTION	QTY	REV
	1001215020	Pylon Harness Installation - 34" & 39" Pylon	Ref	B
16	1001195257	Screw, 0.25" x 0.50"	3	
17	7280000006	Clip	3	
18	1001189656	Headboard Harness, 34" & 39"	1	
19	1001189657	Headboard Harness, Main 34" & 39"	1	

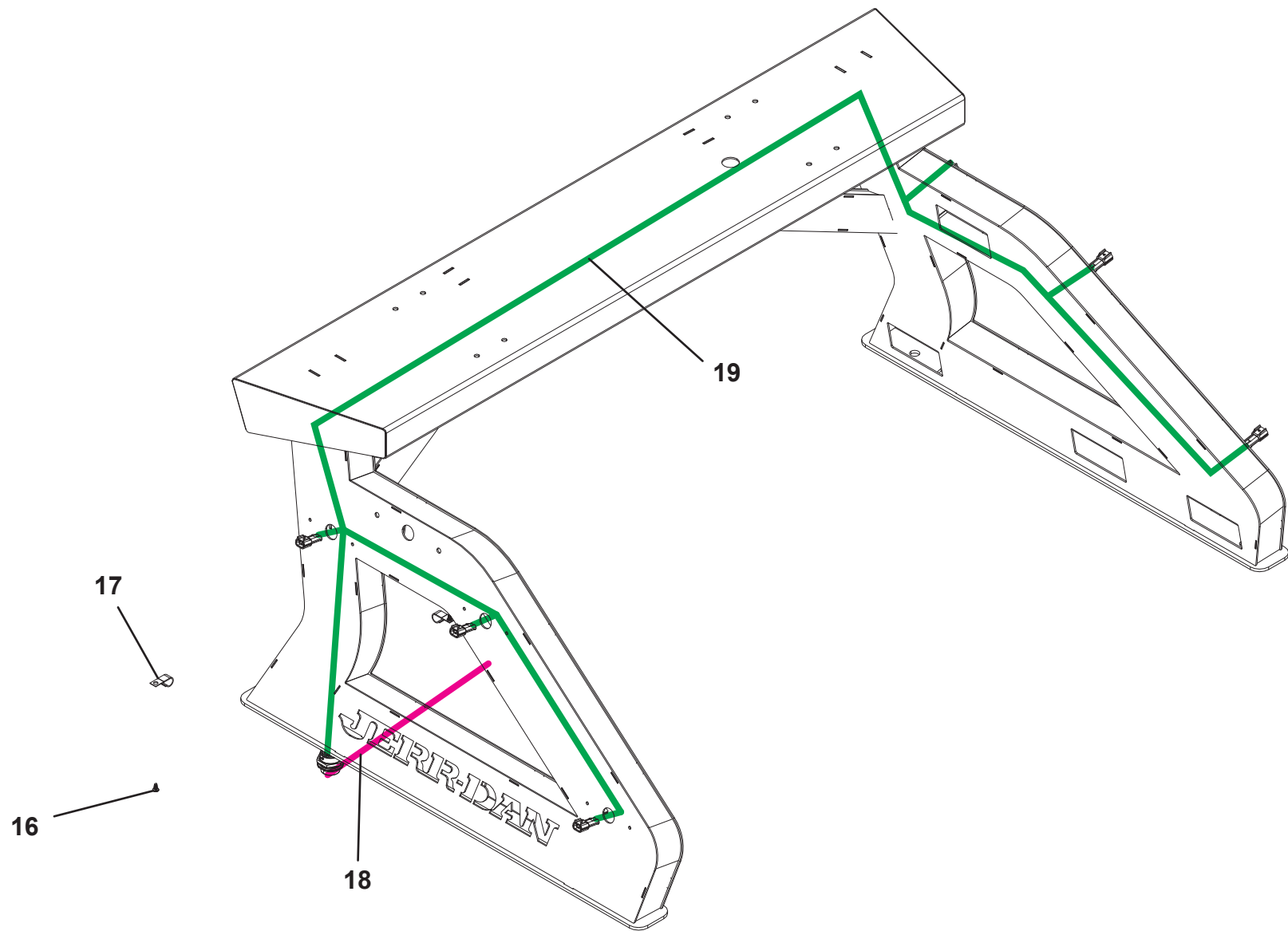
# PYLON HARNESS INSTALLATION - 34" AND 39" PYLON



**PYLON HARNESS INSTALLATION - 57" PYLON**

ITEM	PART NO.	DESCRIPTION	QTY	REV
	1001215034	Pylon Harness Installation - 57" Pylon	Ref	B
16	1001195257	Screw, 0.25" x 0.50"	3	
17	7280000006	Clip	3	
18	1001214605	Headboard Harness, 57"	1	
19	1001215110	Headboard Harness, Main 57"	1	

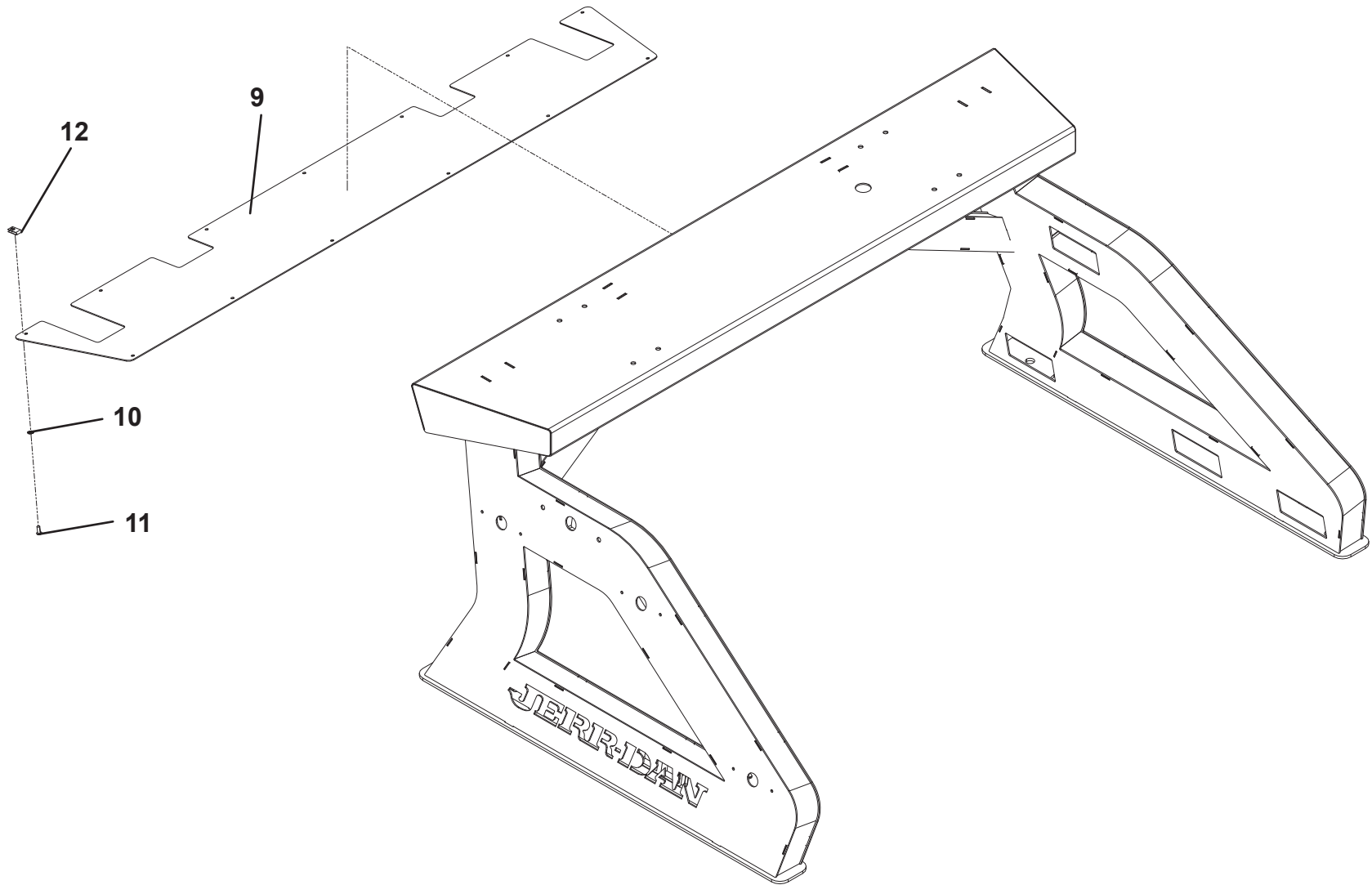
# PYLON HARNESS INSTALLATION - 57" PYLON



**PYLON COVER INSTALLATION - 34" PYLON**

ITEM	PART NO.	DESCRIPTION	QTY	REV
	1001214252	Pylon Cover Installation - 34" Pylon	Ref	B
9	1001213093	Plate, 34"	1	
10	1001143686	Washer, 0.25" ID	12	
11	7114140518	Screw, 0.25" - 20NC x 0.625"	12	
12	7661000019	U-Nut, 0.25" - 20NC	12	

## PYLON COVER INSTALLATION - 34" PYLON

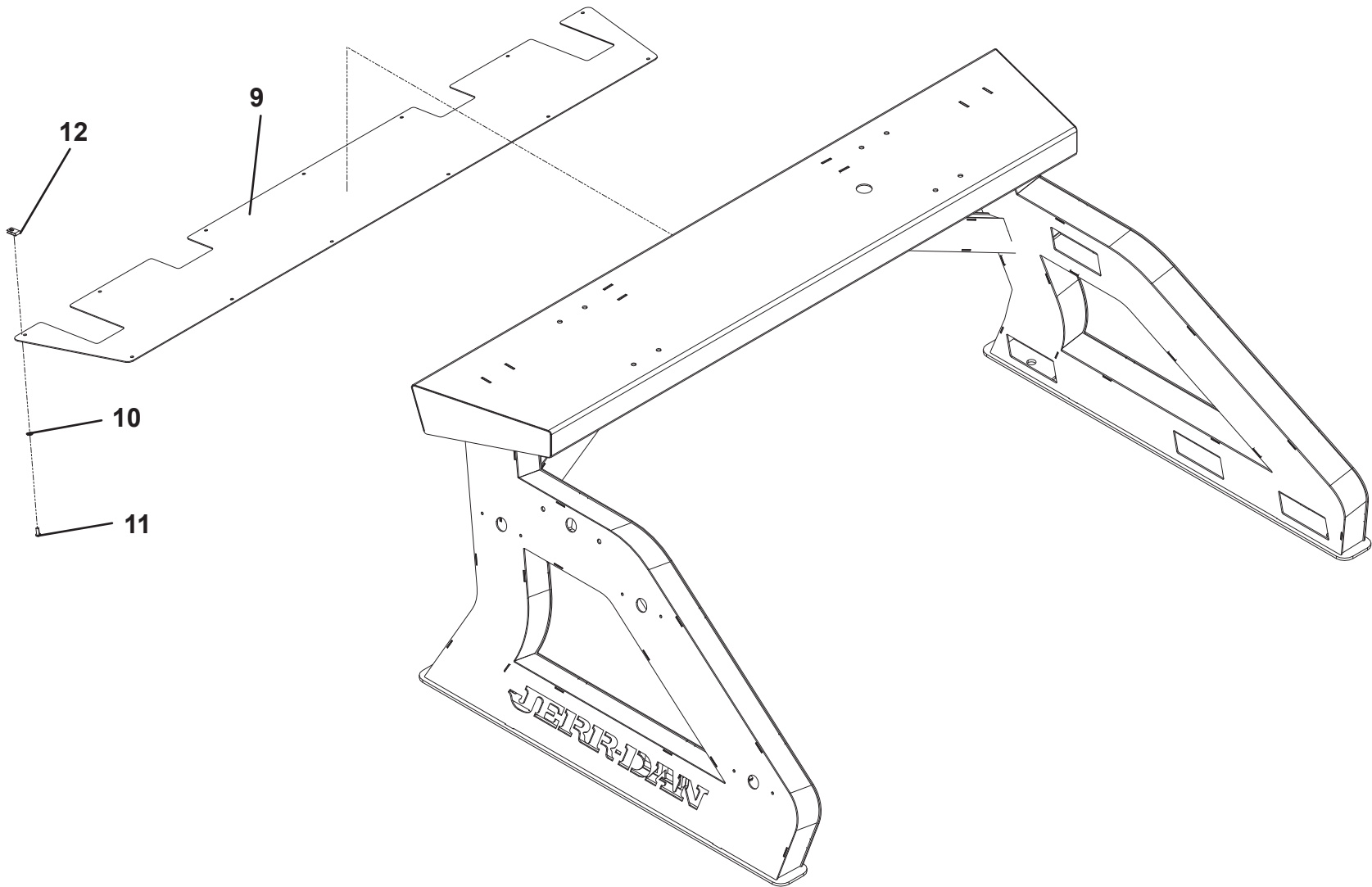


**PYLON COVER INSTALLATION - 39" PYLON**

ITEM	PART NO.	DESCRIPTION	QTY	REV
	1001214262	Pylon Cover Installation - 39" Pylon	Ref	B
9	1001213522	Plate, 39"	1	
10	1001143686	Washer, 0.25" ID	12	
11	7114140518	Screw, 0.25" - 20NC x 0.625"	12	
12	7661000019	U-Nut, 0.25" - 20NC	12	



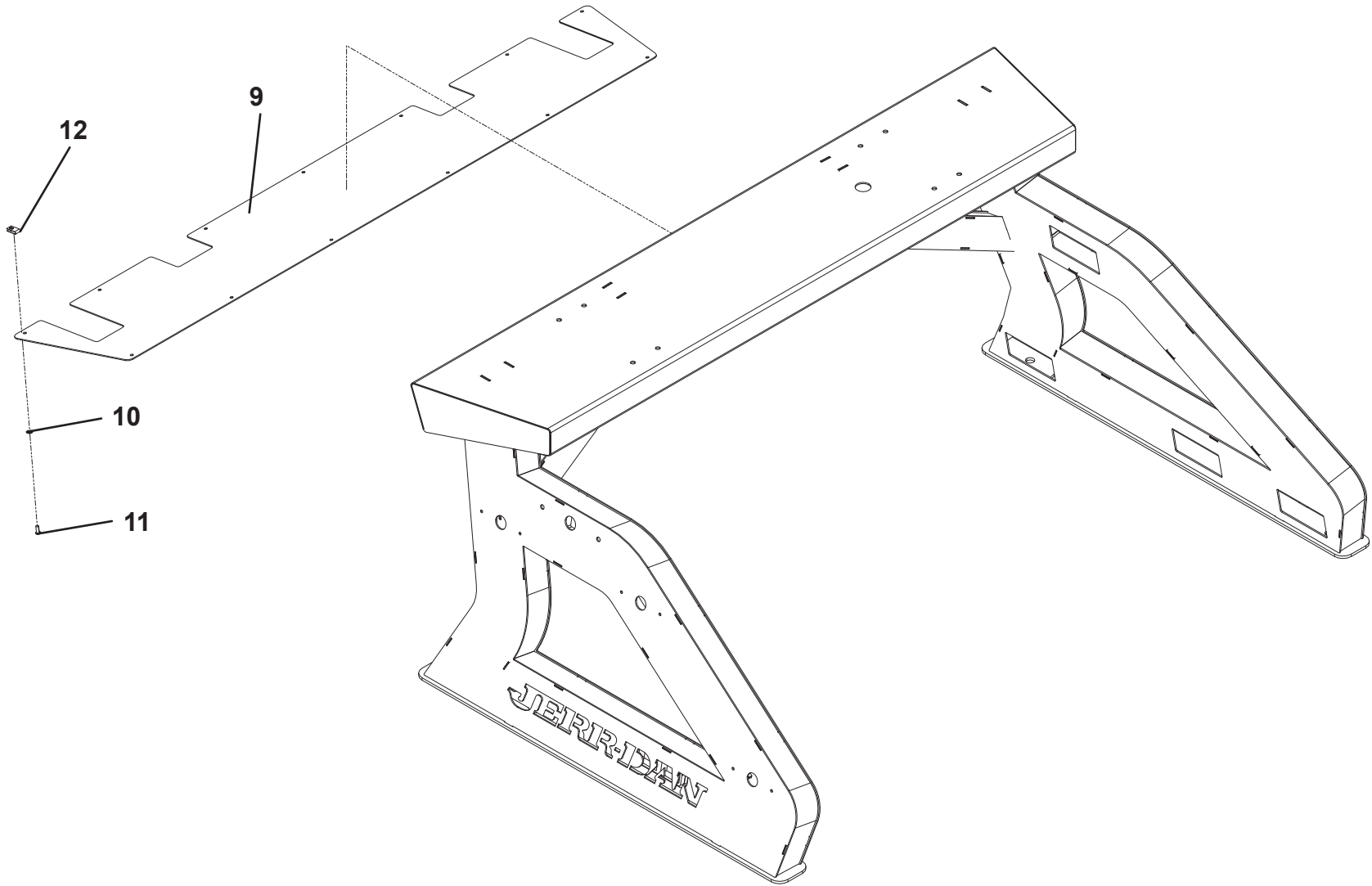
## PYLON COVER INSTALLATION - 39" PYLON



**PYLON COVER INSTALLATION - 57" PYLON**

ITEM	PART NO.	DESCRIPTION	QTY	REV
	1001214973	Pylon Cover Installation - 57" Pylon	Ref	B
9	1001214590	Plate, 57"	1	
10	1001143686	Washer, 0.25" ID	12	
11	7114140518	Screw, 0.25" - 20NC x 0.625"	12	
12	7661000019	U-Nut, 0.25" - 20NC	12	

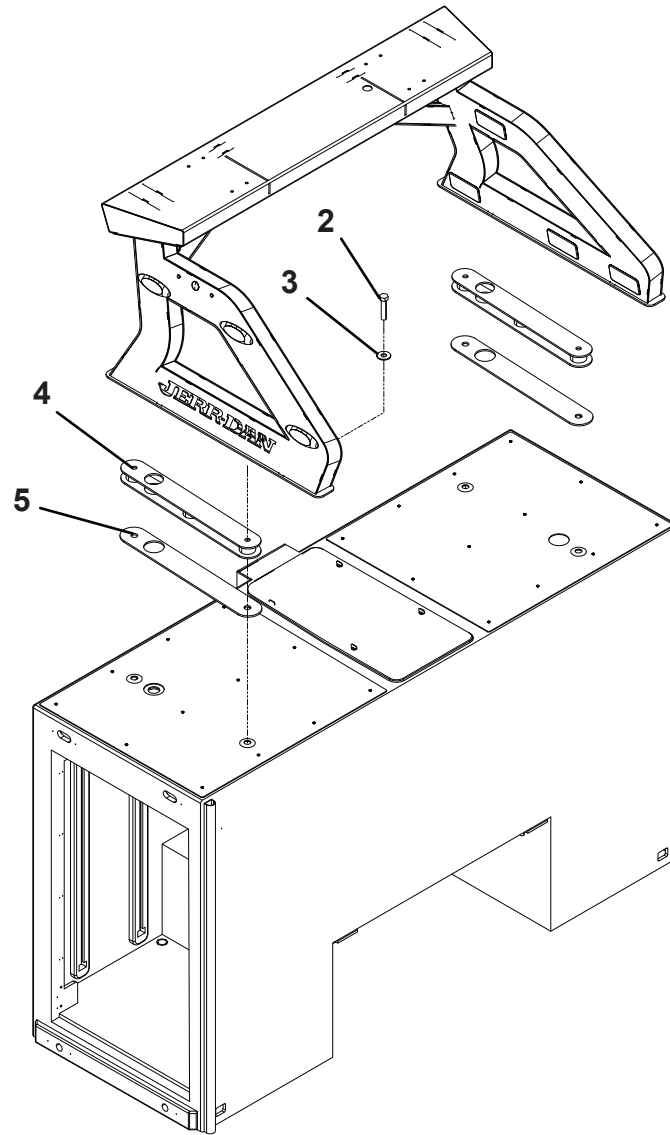
# PYLON COVER INSTALLATION - 57" PYLON



**PYLON ADAPTER INSTALLATION - 39" TUNNEL (34" AND 39" PYLON)**

ITEM	PART NO.	DESCRIPTION	QTY	REV
	1001214336	Pylon Adapter Installation - 39" Tunnel (34" & 39" Pylon)	Ref	A
2	0642228	Capscrew, 0.75" - 10NC x 3.50"	4	
3	4752200	Washer, 0.75" ID	4	
4	1001213112	Mount, 24"	2	
5	1001214350	Seal, 24"	2	

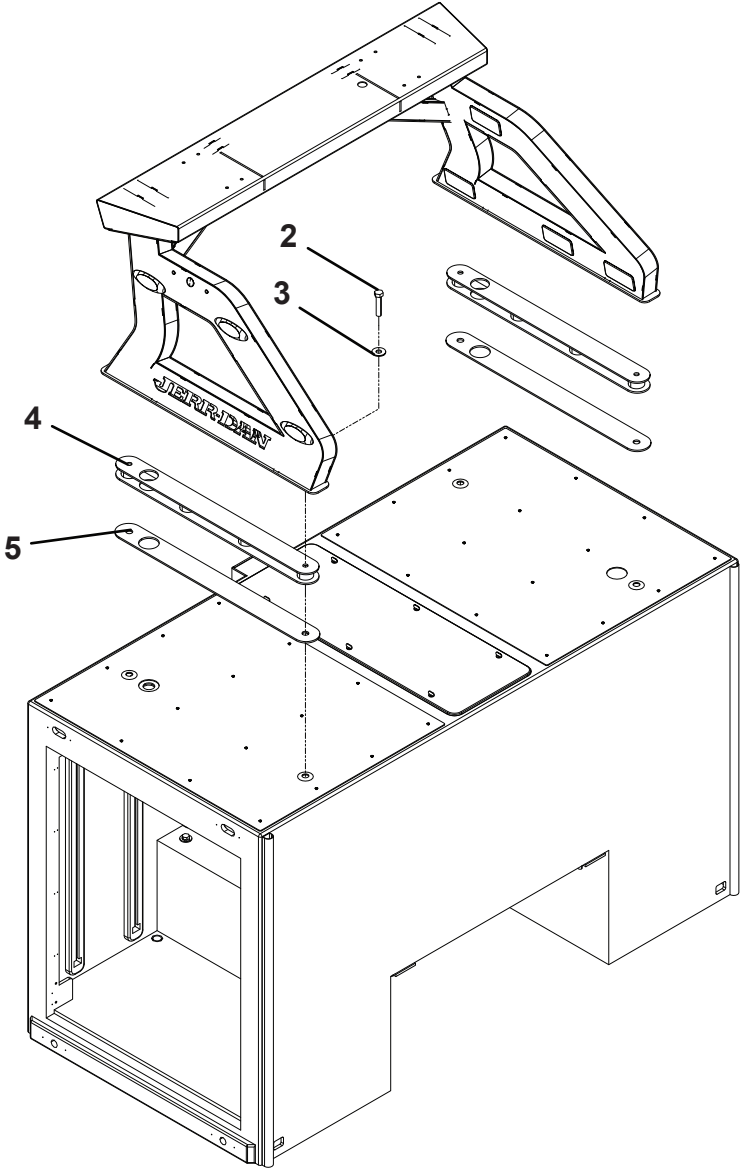
# PYLON ADAPTER INSTALLATION - 39" TUNNEL (34" AND 39" PYLON)



**PYLON ADAPTER INSTALLATION - 51" TUNNEL (57" PYLON)**

ITEM	PART NO.	DESCRIPTION	QTY	REV
	1001214335	Pylon Adapter Installation - 51" Tunnel (57" Pylon)	Ref	A
2	0642228	Capscrew, 0.75" - 10NC x 3.50"	4	
3	4752200	Washer, 0.75" ID	4	
4	1001213111	Mount, 36"	2	
5	1001214130	Seal, 36"	2	

# PYLON ADAPTER INSTALLATION - 51" TUNNEL (57" PYLON)

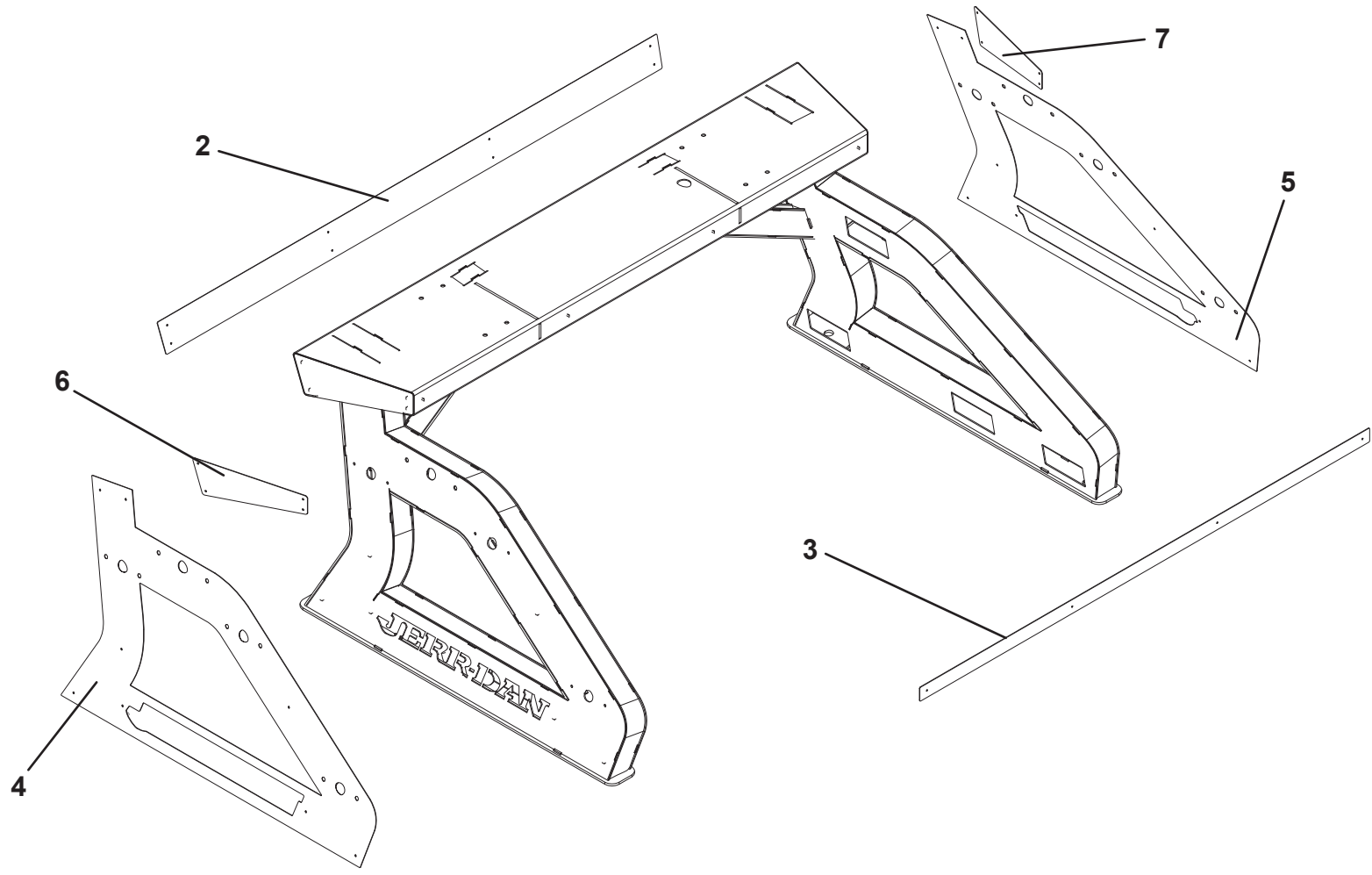


**PYLON DRESS-UP KIT - 34" PYLON**

ITEM	PART NO.	DESCRIPTION	QTY	REV
	1001228895	Pylon Dress-Up Kit - 34" Pylon	Ref	A
1	1001156424	Pop Rivet (Not Shown)	42	
2	1001220169	Plate, Front	1	
3	1001220234	Plate, Back	1	
4	1001220345	Plate, Side LH	1	
5	1001220349	Plate, Side RH	1	
6	1001220352	Plate, Top Side LH	1	
7	1001220353	Plate, Top Side RH	1	



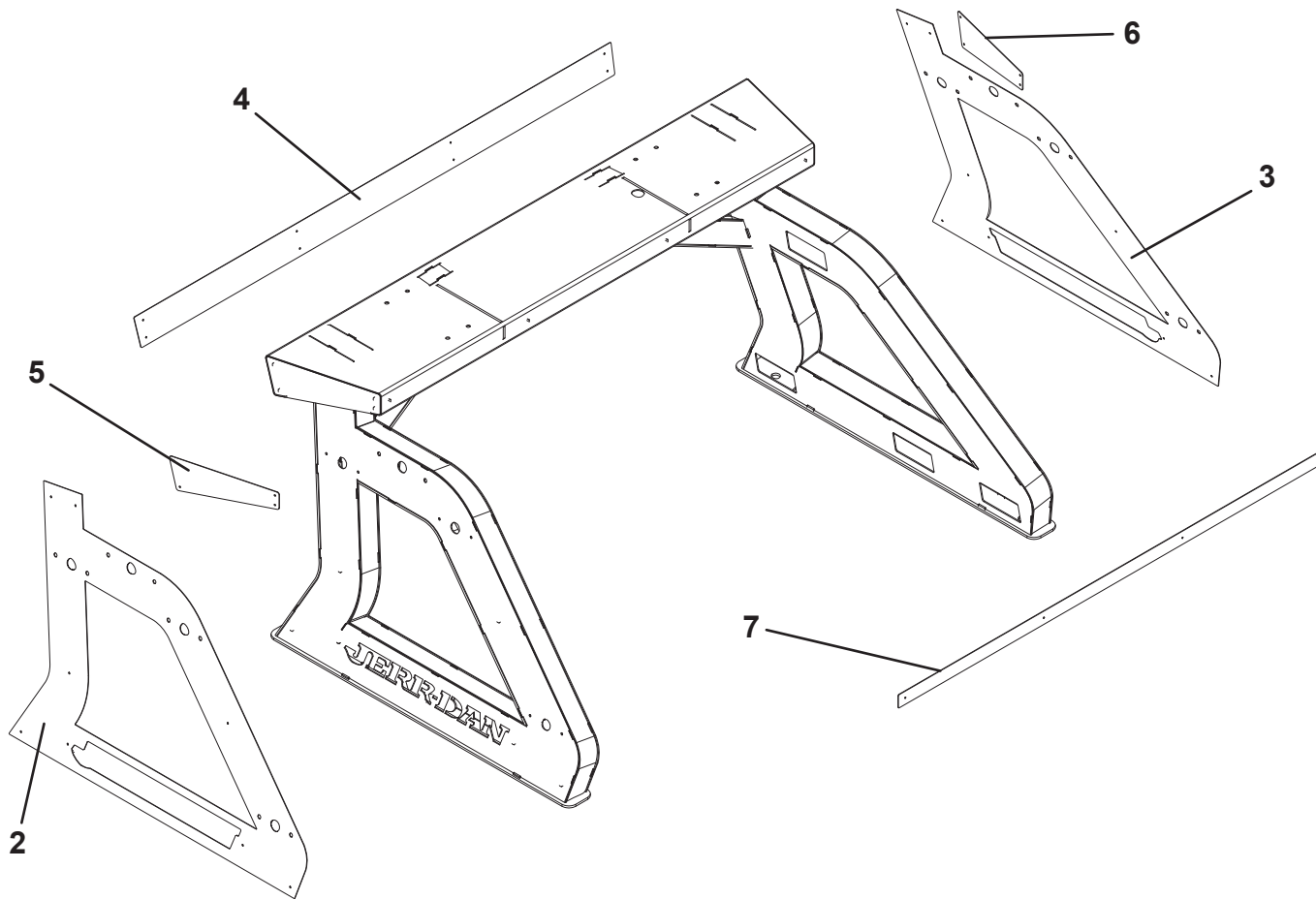
# PYLON DRESS-UP KIT - 34" PYLON



**PYLON DRESS-UP KIT - 39" PYLON**

ITEM	PART NO.	DESCRIPTION	QTY	REV
	1001228898	Pylon Dress-Up Kit - 39" Pylon	Ref	A
1	1001156424	Pop Rivet (Not Shown)	44	
2	1001220167	Plate, Side LH	1	
3	1001220168	Plate, Side RH	1	
4	1001220169	Plate, Front	1	
5	1001220170	Plate, Top Side LH	1	
6	1001220171	Plate, Top Side RH	1	
7	1001220234	Plate, Back	1	

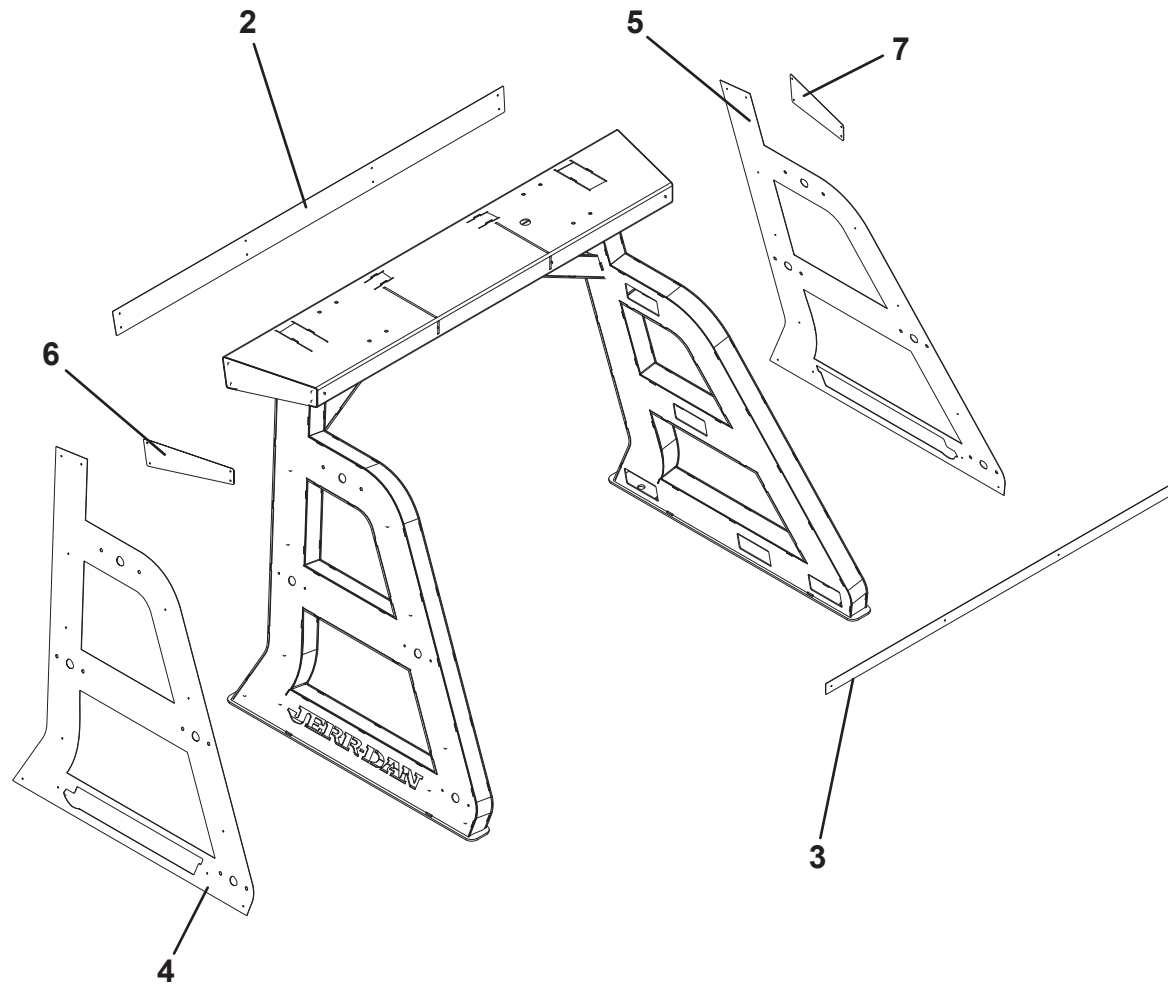
# PYLON DRESS-UP KIT - 39" PYLON



**PYLON DRESS-UP KIT - 57" PYLON**

ITEM	PART NO.	DESCRIPTION	QTY	REV
	1001220186	Pylon Dress-Up Kit - 57" Pylon	Ref	B
1	1001156424	Pop Rivet (Not Shown)	52	
2	1001220169	Plate, Front	1	
3	1001220234	Plate, Back	1	
4	1001220350	Plate, Side LH	1	
5	1001220351	Plate, Side RH	1	
6	1001220354	Plate, Top Side LH	1	
7	1001220355	Plate, Top Side RH	1	

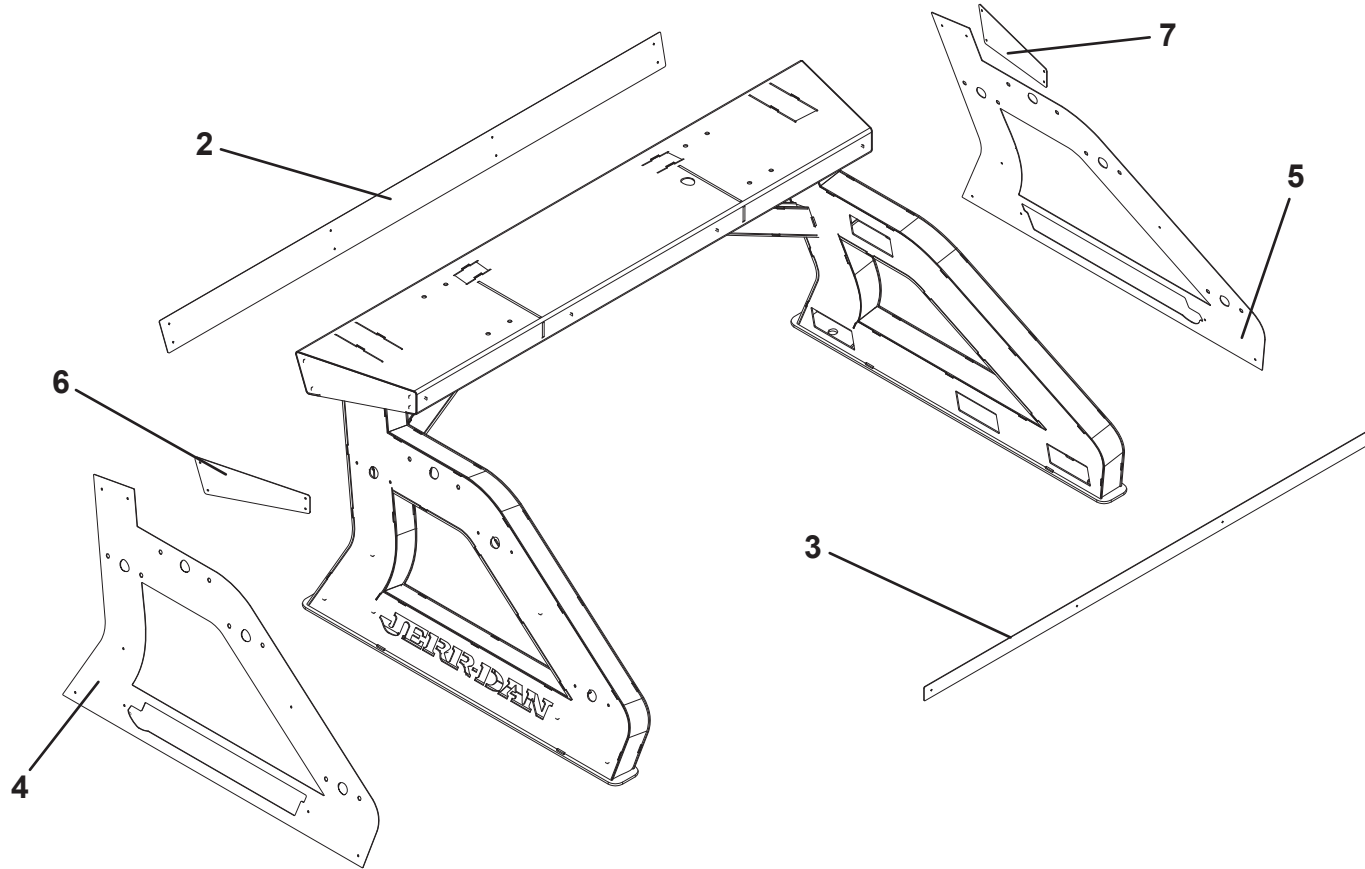
# PYLON DRESS-UP KIT - 57" PYLON



**PYLON DRESS-UP KIT - 34" PYLON - POLISHED**

ITEM	PART NO.	DESCRIPTION	QTY	REV
	1001228897	Pylon Dress-Up Kit - 34" Pylon - Polished	Ref	A
1	1001156424	Pop Rivet (Not Shown)	42	
2	1001220363	Plate, Front	1	
3	1001220364	Plate, Back	1	
4	1001220369	Plate, Side LH	1	
5	1001220370	Plate, Side RH	1	
6	1001220371	Plate, Top Side LH	1	
7	1001220372	Plate, Top Side RH	1	

# PYLON DRESS-UP KIT - 34" PYLON - POLISHED

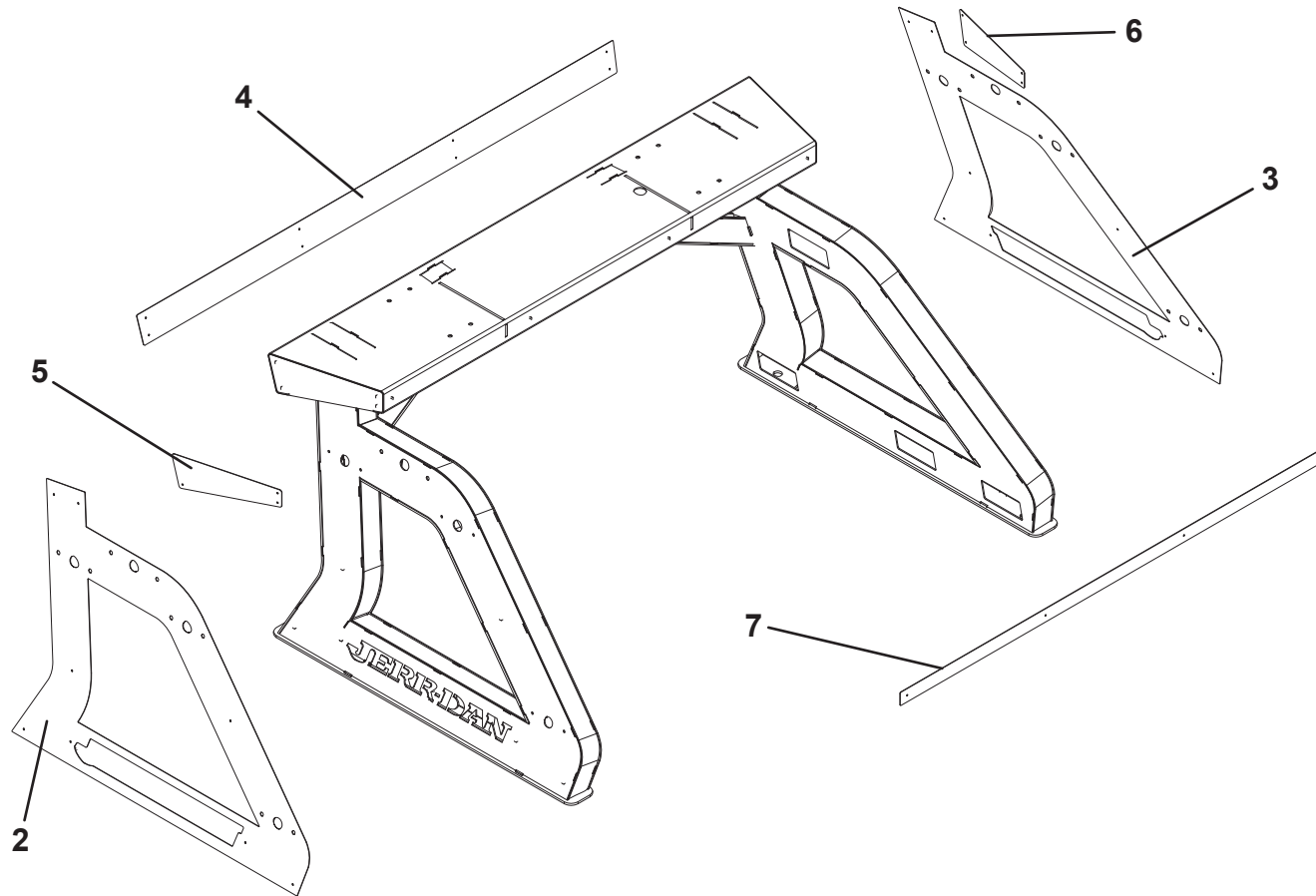


**PYLON DRESS-UP KIT - 39" PYLON - POLISHED**

ITEM	PART NO.	DESCRIPTION	QTY	REV
	1001228899	Pylon Dress-Up Kit - 39" Pylon - Polished	Ref	A
1	1001156424	Pop Rivet (Not Shown)	44	
2	1001220365	Plate, Side LH	1	
3	1001220366	Plate, Side RH	1	
4	1001220369	Plate, Front	1	
5	1001220370	Plate, Top Side LH	1	
6	1001220373	Plate, Top Side RH	1	
7	1001220374	Plate, Back	1	



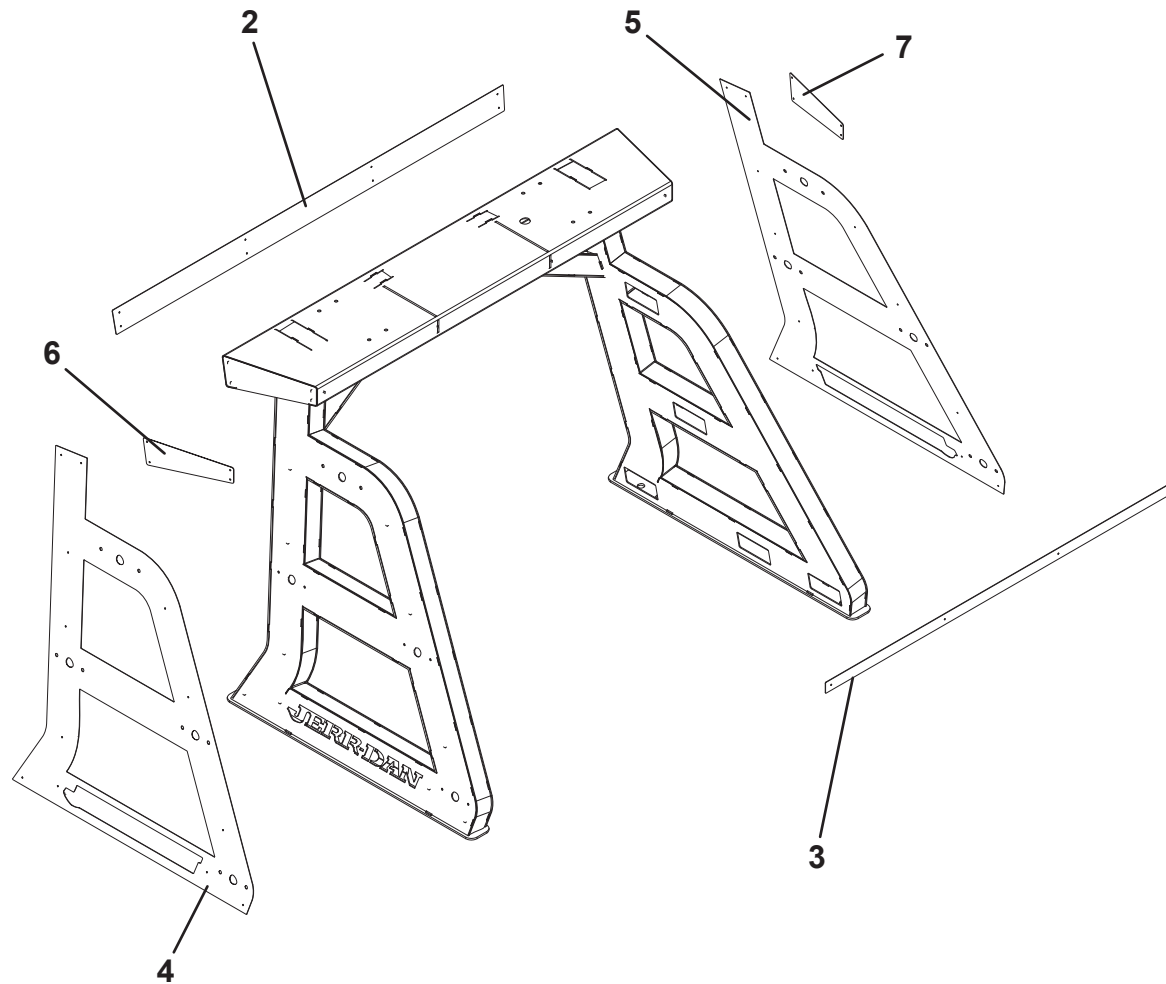
# PYLON DRESS-UP KIT - 39" PYLON - POLISHED



**PYLON DRESS-UP KIT - 57" PYLON - POLISHED**

ITEM	PART NO.	DESCRIPTION	QTY	REV
	1001220348	Pylon Dress-Up Kit - 57" Pylon - Polished	Ref	B
1	1001156424	Pop Rivet (Not Shown)	52	
2	1001220367	Plate, Front	1	
3	1001220368	Plate, Back	1	
4	1001220369	Plate, Side LH	1	
5	1001220370	Plate, Side RH	1	
6	1001220375	Plate, Top Side LH	1	
7	1001220376	Plate, Top Side RH	1	

# PYLON DRESS-UP KIT - 57" PYLON - POLISHED



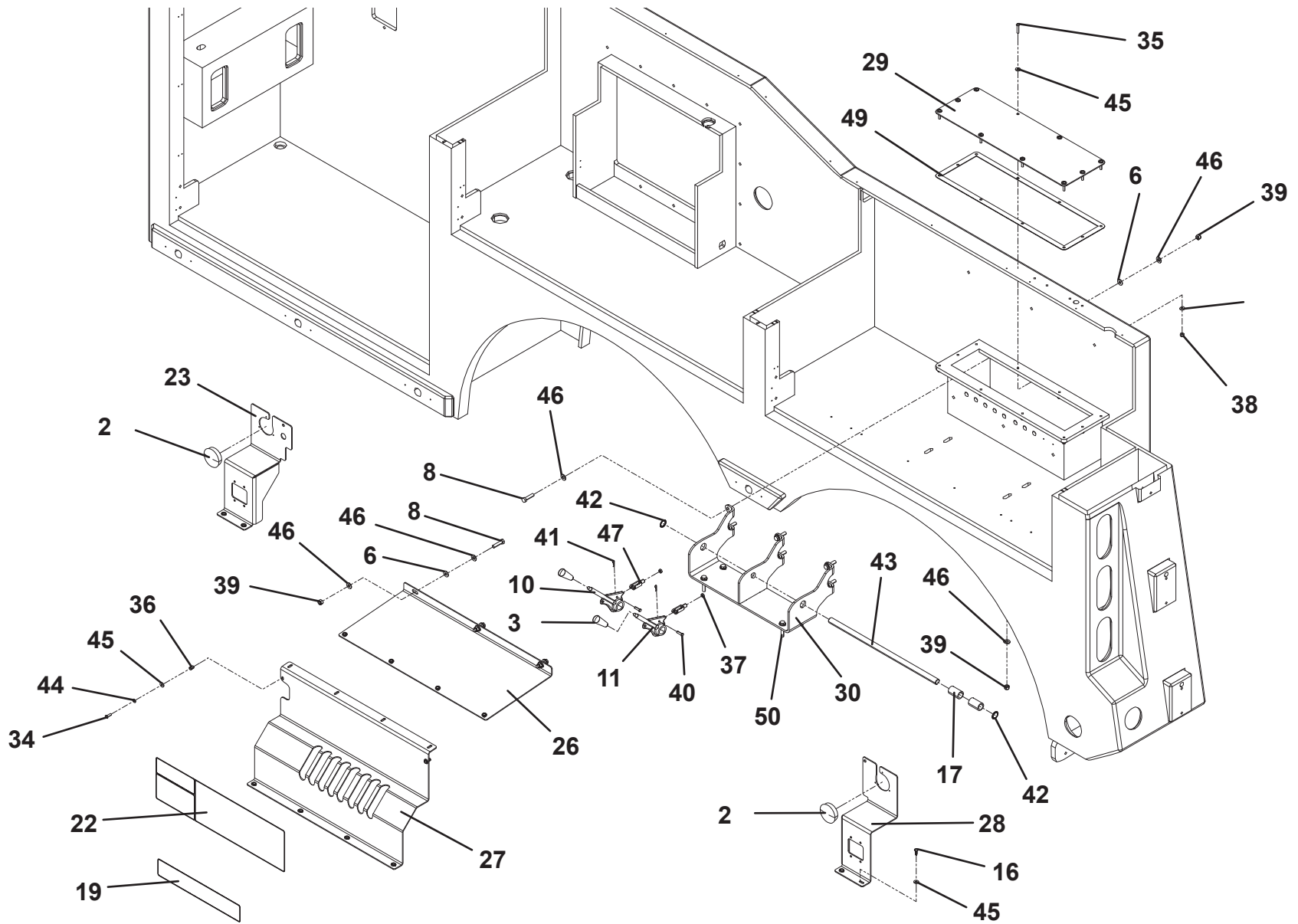
**THIS PAGE INTENTIONALLY LEFT BLANK**

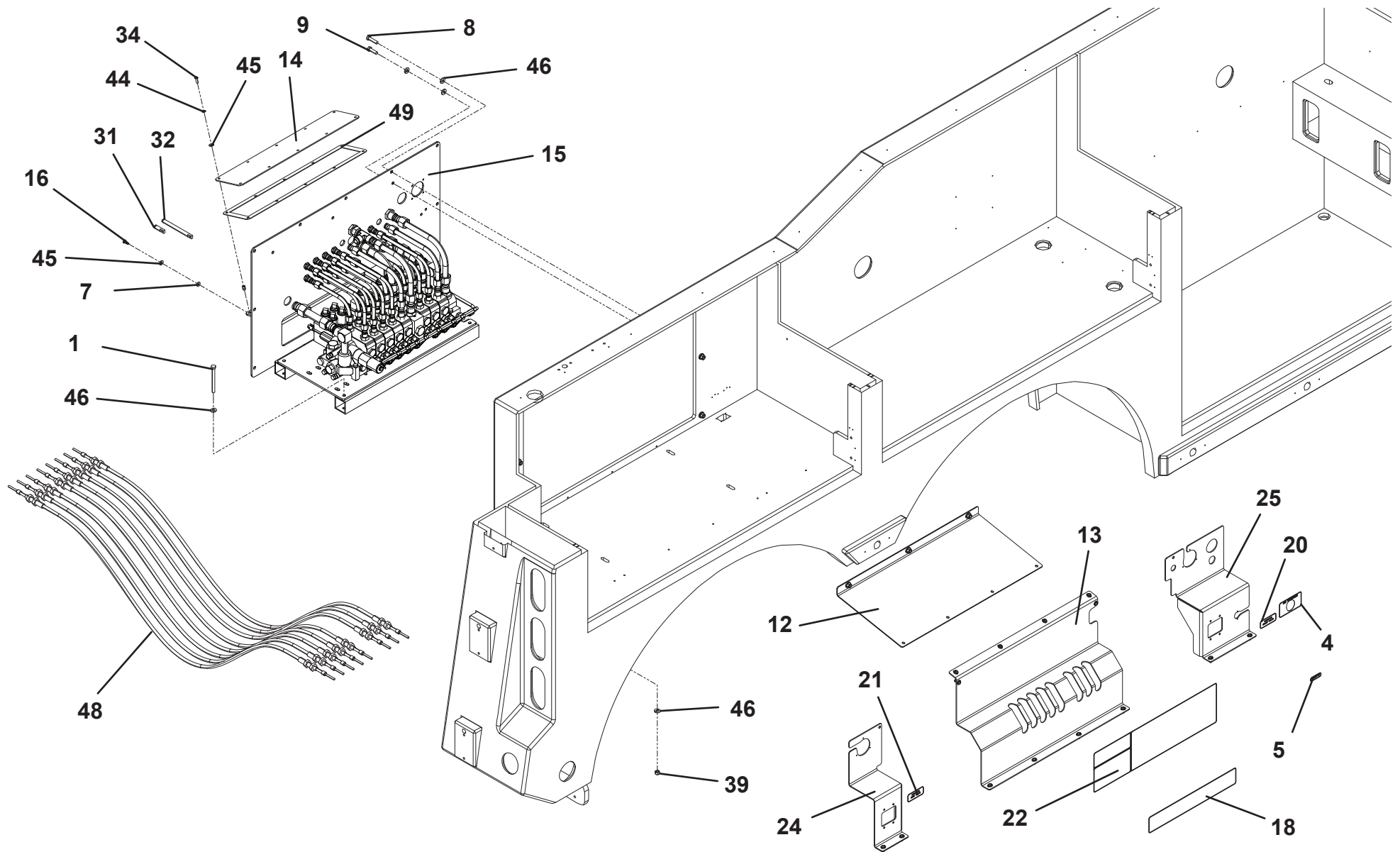
## SECTION 4 - CONTROL

**CONTROL INSTALLATION - 8 SECTION - 6 SOLENOID**

ITEM	PART NO.	DESCRIPTION	QTY	REV	ITEM	PART NO.	DESCRIPTION	QTY	REV
	1001235577	Control Installation - 8 Section - 6 Solenoid	Ref	A	37	7660140230	Nut, 0.25"-28	16	
1	641632	Capscrew, 0.38"-16 X 4.00"	4		38	7660142601	Nut, 0.25"	10	
2	3520064	Plug	2		39	7660162601	Locknut, 0.38"-16NC	29	
3	1001130491	Control Knob	16		40	7690141200	Pin	16	
4	1001134433	Decal	1		41	7691000075	Pin	16	
5	1001154277	Decal	1		42	7754000009	Retaining Ring	2	
6	1001166974	Washer, 0.38" ID	21		43	7806000008	Shaft	1	
7	1001166978	Washer, 0.25" ID	3		44	7950140003	Lockwasher, 0.25" ID	22	
8	1001168993	Capscrew, 0.38"-16 X 1.50"	18		45	7950140143	Flatwasher, 0.25" ID	61	
9	1001169080	Capscrew, 0.38"-16 X 1.25"	3		46	7950160143	Flatwasher, 0.38" ID	58	
10	1001184827	Handle, Long	2		47	7990000003	Yoke	8	
11	1001184828	Handle, Short	6		48	7248000053	Cable Push Pull	8	
12	1001189784	Panel, Controls Top RH	1		49	7796000012	Seal	8.7 FT	
13	1001189786	Panel, Controls 8 Sect RH	1		50	1001169083	Capscrew, 0.38"-16 X 2.00"	4	
14	1001189993	Panel, Cable Bracket Cover	1						
15	1001194284	Valve Sub Assembly (See Separate Breakdown in this Section)	1						
16	1001194676	Screw, 0.25" X 0.75"	19						
17	1001194736	Spacer	2						
18	1001196907	Decal	1						
19	1001196908	Decal	1						
20	1001196909	Decal	1						
21	1001196910	Decal	1						
22	1001196911	Decal	2						
23	1001199311	Panel, Controls Front LH	1						
24	1001199322	Panel, Controls Rear RH	1						
25	1001199324	Panel, Controls Front RH	1						
26	1001214902	Panel, Controls Top LH	1						
27	1001214961	Panel, Controls 8 Sect LH	1						
28	1001219691	Panel, Controls Rear LH	1						
29	1001219937	Plate	1						
30	1001220068	Bracket	1						
31	4309000001	Coupling	6						
32	4309000007	Coupling	2						
33	7082000005	Bearing	2						
34	7114140618	Screw, 0.25"-20 X 0.75"	22						
35	7114141018	Screw, 0.25"-20NC x 1.25"	10						
36	7413000002	Nutsert, 0.25"-20	22						

# CONTROL INSTALLATION - 8 SECTION - 6 SOLENOID



**CONTROL INSTALLATION - 8 SECTION - 6 SOLENOID**



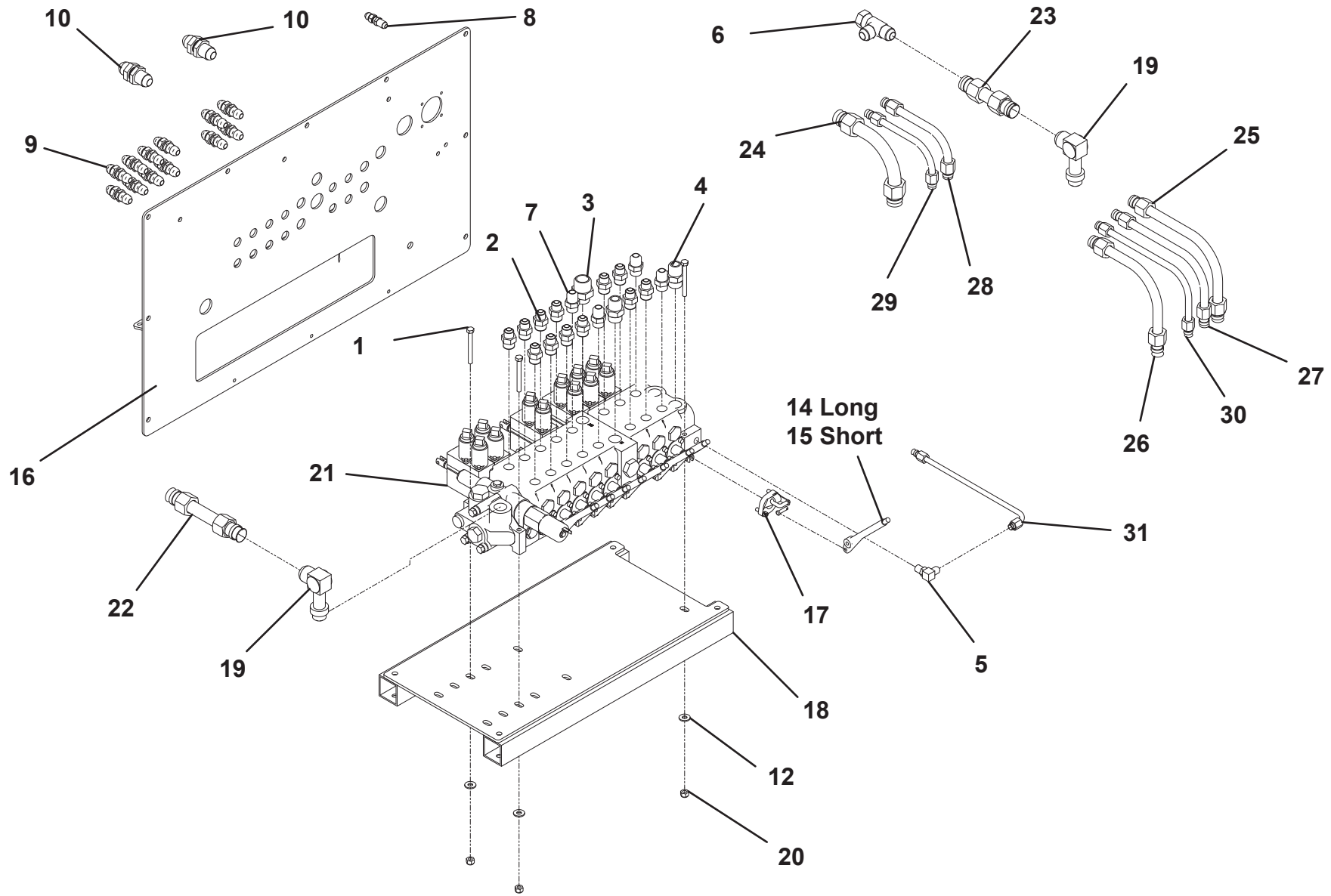
**THIS PAGE INTENTIONALLY LEFT BLANK**

**CONTROL VALVE ASSEMBLY - 1001194284**

ITEM	PART NO.	DESCRIPTION	QTY	REV
	1001194284	Control Valve Assembly	Ref	B
1	0641524	Capscrew, 5/16" - 18 x 3"	3	
2	2220374	Adapter	12	
3	2220376	Adapter	1	
4	2220451	Adapter	2	
5	2220473	Adapter	1	
6	2220700	Adapter	1	
7	2220947	Adapter	4	
8	2230024	Adapter	1	
9	2230025	Adapter	12	
10	2230027	Fitting	2	
11	2230089	Fitting	3	
12	4751500	Washer, 5/16" ID	3	
13	8760037	Union	4	
14	1001184772	Handle, Long	2	
15	1001184773	Handle, Short	6	
16	1001189989	Panel	1	
17	1001194069	Linkage	8	
18	3177000060	Mount	1	
19	7443000211	Fitting	2	
20	7660162601	Locknut, 0.38" - 16NC	3	
21	7935000330	Valve, 8 Sec. 6 Sol (See Separate Breakdown in this Section)	1	
22	7912000301*	Tube Assembly	1	
23	7912000302*	Tube Assembly	1	
24	7912000303*	Tube Assembly	1	
25	7912000304*	Tube Assembly	1	
26	7912000305*	Tube Assembly	1	
27	7912000306*	Tube Assembly	2	
28	7912000307*	Tube Assembly	2	
29	7912000308*	Tube Assembly	6	
30	7912000309*	Tube Assembly	6	
31	7912000310*	Tube Assembly	1	

\* Also Available In Tube Kit - 7577000668

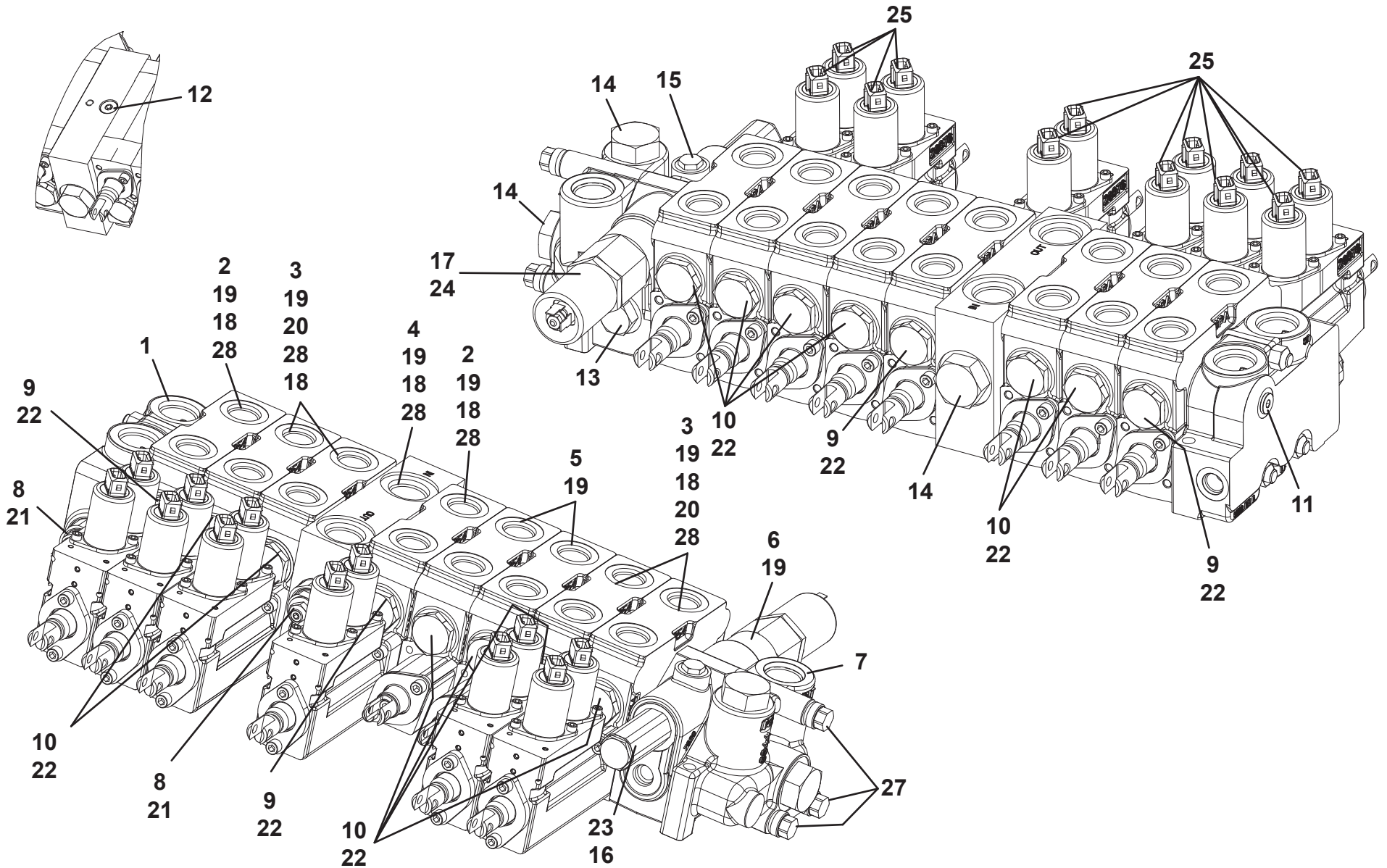
# CONTROL VALVE ASSEMBLY - 1001194284



**VALVE ASSEMBLY - 7935000330**

ITEM	PART NO.	DESCRIPTION	QTY	REV
	7935000330	Valve Assembly	Ref	1
1	7935000315	Inlet Cover	1	
2	9935930120	Valve Section	2	
3	9935930119	Valve Section	4	
4	7935000316	Inlet	1	
5	7935000320	Valve Section	2	
6	7935000323	Utility Section	1	
7	7935000317	Outlet Cover	1	
8	91084009	Relief	2	
9	70050243	Plug	4	
10	7006847	Plug	12	
11	70050245	Plug	1	
12	70050246	Plug	2	
13	70050247	Plug	1	
14	91084017	Plug	3	
15	70050249	Plug	1	
16	70050241	Pressure Cartridge	1	
17	70050242	Solenoid	1	
18	70050250	Seal	13	
19	70050251	O-Ring	40	
20	70050252	O-Ring	6	
21	70051081	Seal Kit	2	
22	7029865	Seal Kit	16	
23	70051080	Seal Kit	1	
24	70050256	Seal Kit	1	
25	9346930086	Solenoid	6	
26	70051079	Seal	1	
27	70050239	Stud Assembly	1	
28	70050257	Wiper	16	

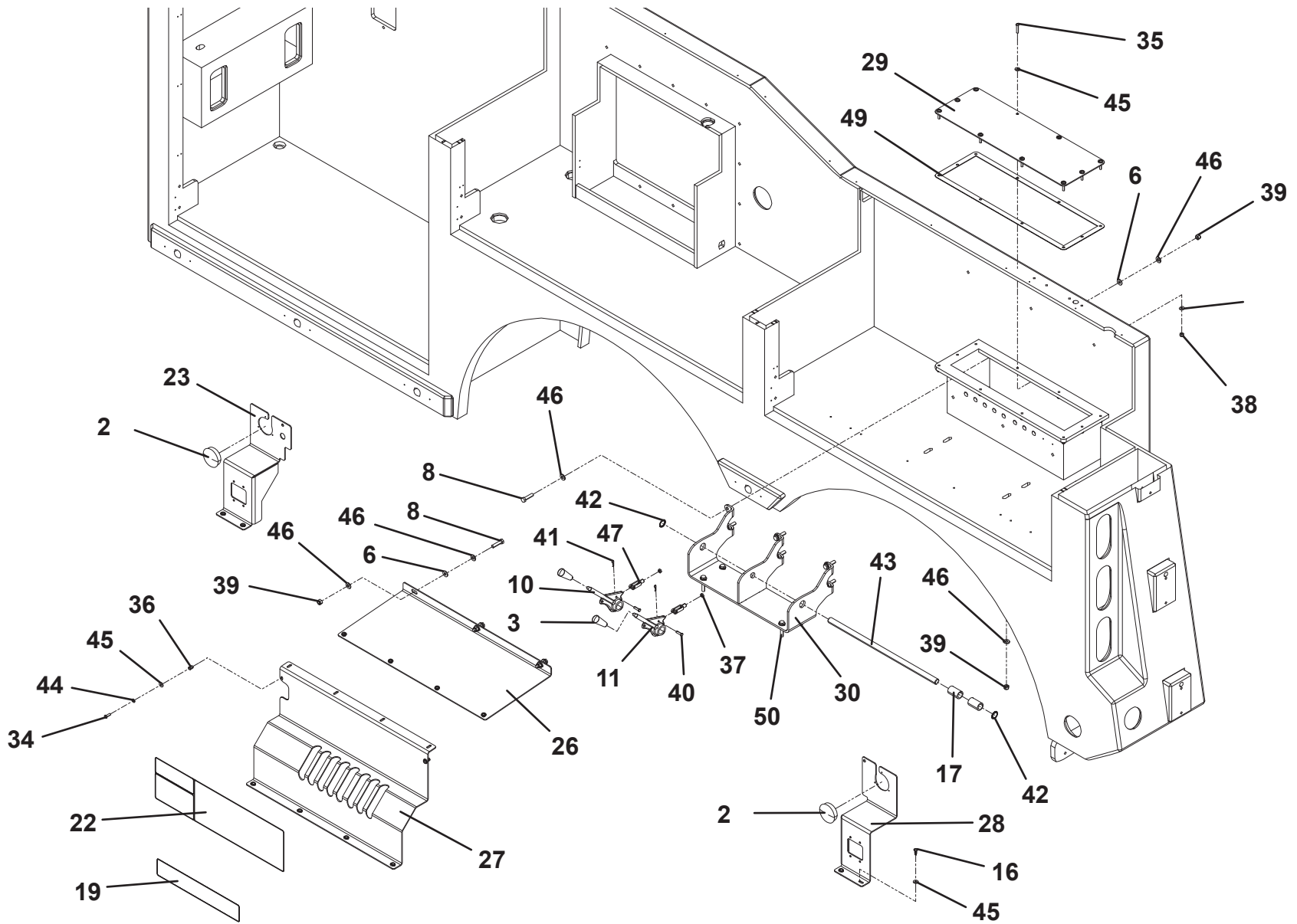
# VALVE ASSEMBLY - 7935000330

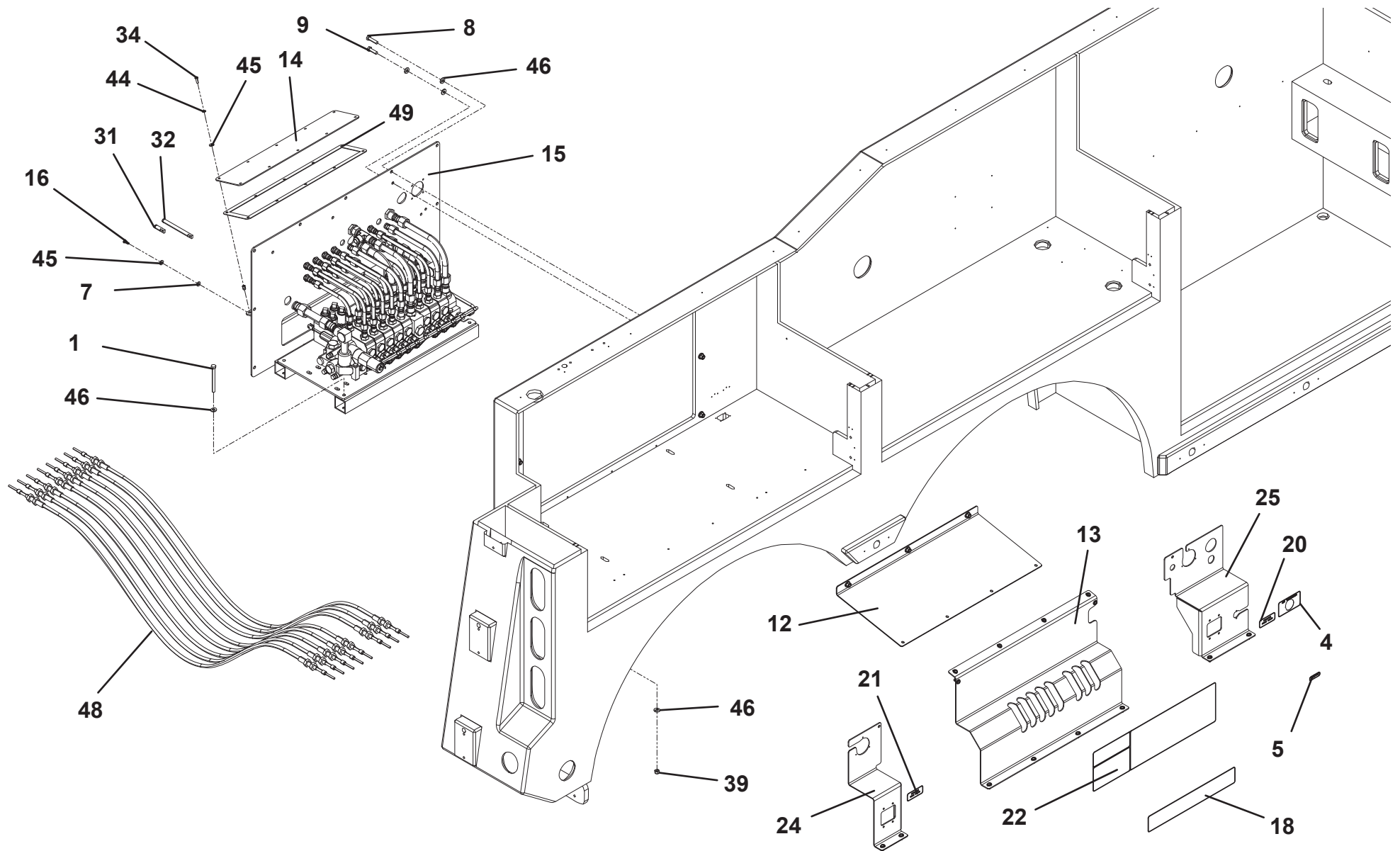


**CONTROL INSTALLATION - 8 SECTION - 3 SOLENOID**

ITEM	PART NO.	DESCRIPTION	QTY	REV	ITEM	PART NO.	DESCRIPTION	QTY	REV
	1001235576	Control Installation - 8 Section - 3 Solenoid	Ref	A	37	7660140230	Nut, 0.25"-28	16	
1	641632	Capscrew, 0.38"-16 X 4.00"	4		38	7660142601	Locknut, 0.25" -20NC	10	
2	3520064	Plug	2		39	7660162601	Locknut, 0.38"-16NC	29	
3	1001130491	Control Knob Ball	16		40	7690141200	Pin	16	
4	1001134433	Decal	1		41	7691000075	Pin	16	
5	1001154277	Decal	1		42	7754000009	Retaining Ring	2	
6	1001166974	Washer	21		43	7806000008	Shaft	1	
7	1001166978	Washer	3		44	7950140003	Lockwasher, 0.25" ID	22	
8	1001168993	Capscrew, 0.38"-16 X 1.50"	18		45	7950140143	Flatwasher, 0.25" ID	61	
9	1001169080	Capscrew, 0.38"-16 X 1.25"	3		46	7950160143	Flatwasher, 0.38" ID	58	
10	1001184827	Handle - Long	2		47	7990000003	Yoke	8	
11	1001184828	Handle - Short	6		48	7248000053	Cable, Push-Pull	8	
12	1001189784	Panel, Controls Top - RH	1		49	7796000012	Seal	8.7 FT	
13	1001189786	Panel, Controls 8 Sect - RH	1		50	1001169083	Capscrew, 0.38"-16 X 2.00"	4	
14	1001189993	Panel, Cover	1						
15	1001193527	Valve Sub Assembly (See Separate Breakdown in this Section)	1						
16	1001194676	Screw, 0.25" X 0.75"	19						
17	1001194736	Tube	2						
18	1001196907	Decal	1						
19	1001196908	Decal	1						
20	1001196909	Decal	1						
21	1001196910	Decal	1						
22	1001196911	Decal	2						
23	1001199311	Panel, Controls Front - LH	1						
24	1001199322	Panel, Controls Rear - RH	1						
25	1001199324	Panel, Controls Front	1						
26	1001214902	PANEL, CONTROLS TOP LH	1						
27	1001214961	Panel, Controls 8 Sect - LH	1						
28	1001219691	Panel, Controls Rear - LH	1						
29	1001219937	Panel, Cover	1						
30	1001220068	Bracket	1						
31	4309000001	Coupling	3						
32	4309000007	Coupling	5						
33	7082000005	Bearing	2						
34	7114140618	Screw, 0.25"-20 X 0.75"	22						
35	7114141018	Screw, 0.25"-20NC x 1.25"	10						
36	7413000002	Nutsert, 0.25"-20	22						

# CONTROL INSTALLATION - 8 SECTION - 3 SOLENOID



**CONTROL INSTALLATION - 8 SECTION - 3 SOLENOID**



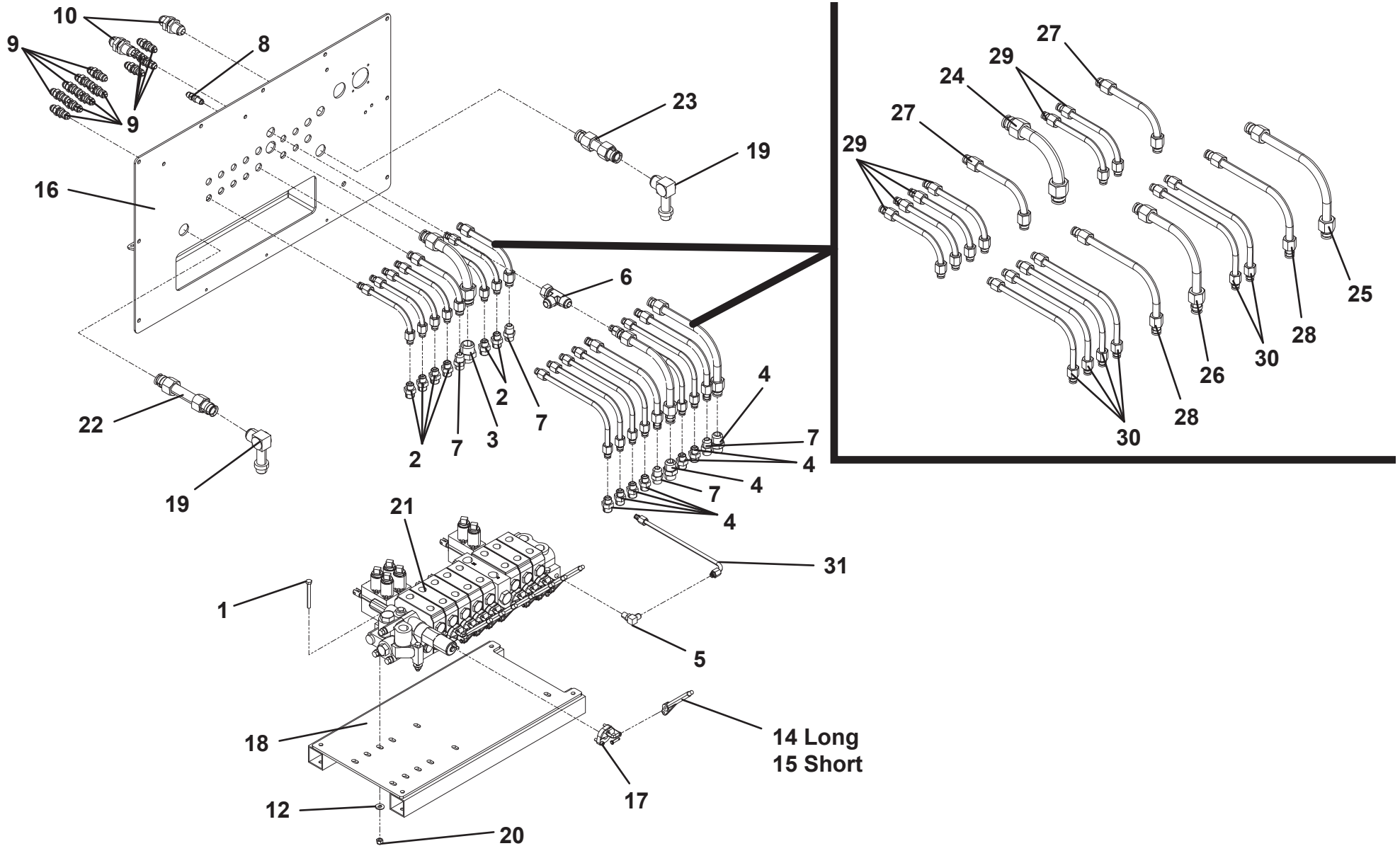
**THIS PAGE INTENTIONALLY LEFT BLANK**

**CONTROL VALVE ASSEMBLY - 1001193527**

ITEM	PART NO.	DESCRIPTION	QTY	REV
	1001193527	Control Valve Assembly	Ref	B
1	0641524	Capscrew, 5/16" - 18 x 3"	3	
2	2220374	Adapter	12	
3	2220376	Adapter	1	
4	2220451	Adapter	2	
5	2220473	Adapter	1	
6	2220700	Adapter	1	
7	2220947	Adapter	4	
8	2230024	Adapter	1	
9	2230025	Adapter	12	
10	2230027	Fitting	2	
11	2230089	Fitting	3	
12	4751500	Washer, 5/16" ID	3	
13	8760037	Union	4	
14	1001184772	Handle, Long	2	
15	1001184773	Handle, Short	6	
16	1001189989	Panel	1	
17	1001194069	Linkage	8	
18	3177000060	Mount	1	
19	7443000211	Fitting	2	
20	7660162601	Locknut, 0.38" - 16NC	3	
21	7935000293	Valve, 8 Sec. 3 Sol (See Separate Breakdown in this Section)	1	
22	7912000301*	Tube Assembly	1	
23	7912000302*	Tube Assembly	1	
24	7912000303*	Tube Assembly	1	
25	7912000304*	Tube Assembly	1	
26	7912000305*	Tube Assembly	1	
27	7912000306*	Tube Assembly	2	
28	7912000307*	Tube Assembly	2	
29	7912000308*	Tube Assembly	6	
30	7912000309*	Tube Assembly	6	
31	7912000310*	Tube Assembly	1	

\* Also Available In Tube Kit - 7577000668

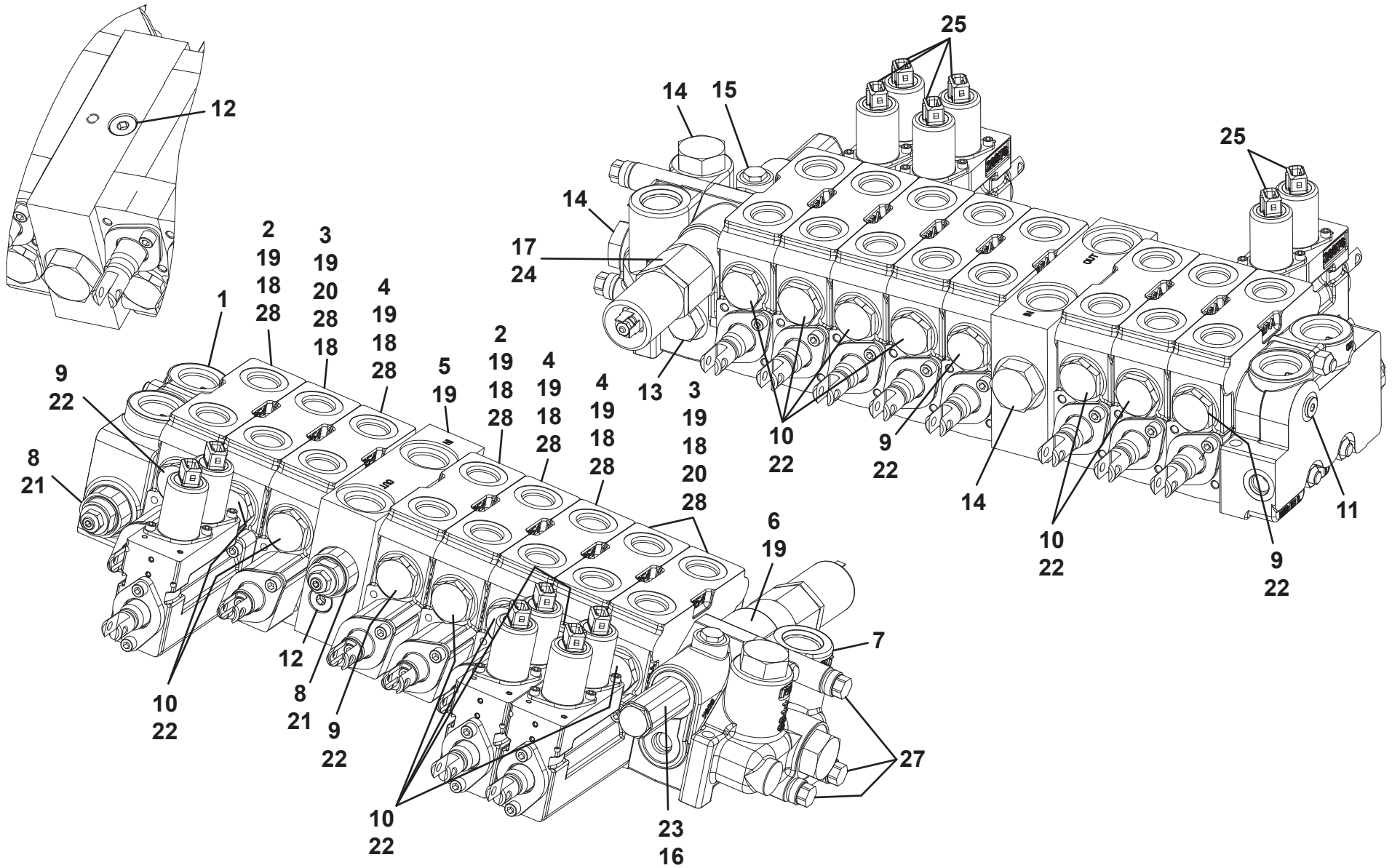
# CONTROL VALVE ASSEMBLY - 1001193527



**VALVE ASSEMBLY - 7935000293**

ITEM	PART NO.	DESCRIPTION	QTY	REV
	7935000293	Valve Assembly	Ref	1
1	7935000315	Inlet Cover	1	
2	9935930122	Valve Section	2	
3	9935930119	Valve Section	3	
4	7935000320	Valve Section	3	
5	7935000316	Inlet	1	
6	7935000323	Utility Section	1	
7	7935000317	Outlet Cover	1	
8	91084009	Relief	2	
9	70050243	Plug	4	
10	7006847	Plug	12	
11	70050245	Plug	1	
12	70050246	Plug	2	
13	70050247	Plug	1	
14	91084017	Plug	3	
15	70050249	Plug	1	
16	70050241	Pressure Cartridge	1	
17	70050242	Solenoid	1	
18	70050250	Seal	13	
19	70050251	O-Ring	40	
20	70050252	O-Ring	6	
21	70051081	Seal Kit	2	
22	7029865	Seal Kit	16	
23	70051080	Seal Kit	1	
24	70050256	Seal Kit	1	
25	9346930086	Solenoid	6	
26	70051079	Seal	1	
27	70050239	Stud Assembly	1	
28	70050257	Wiper	16	

# VALVE ASSEMBLY - 7935000293



**THIS PAGE INTENTIONALLY LEFT BLANK**

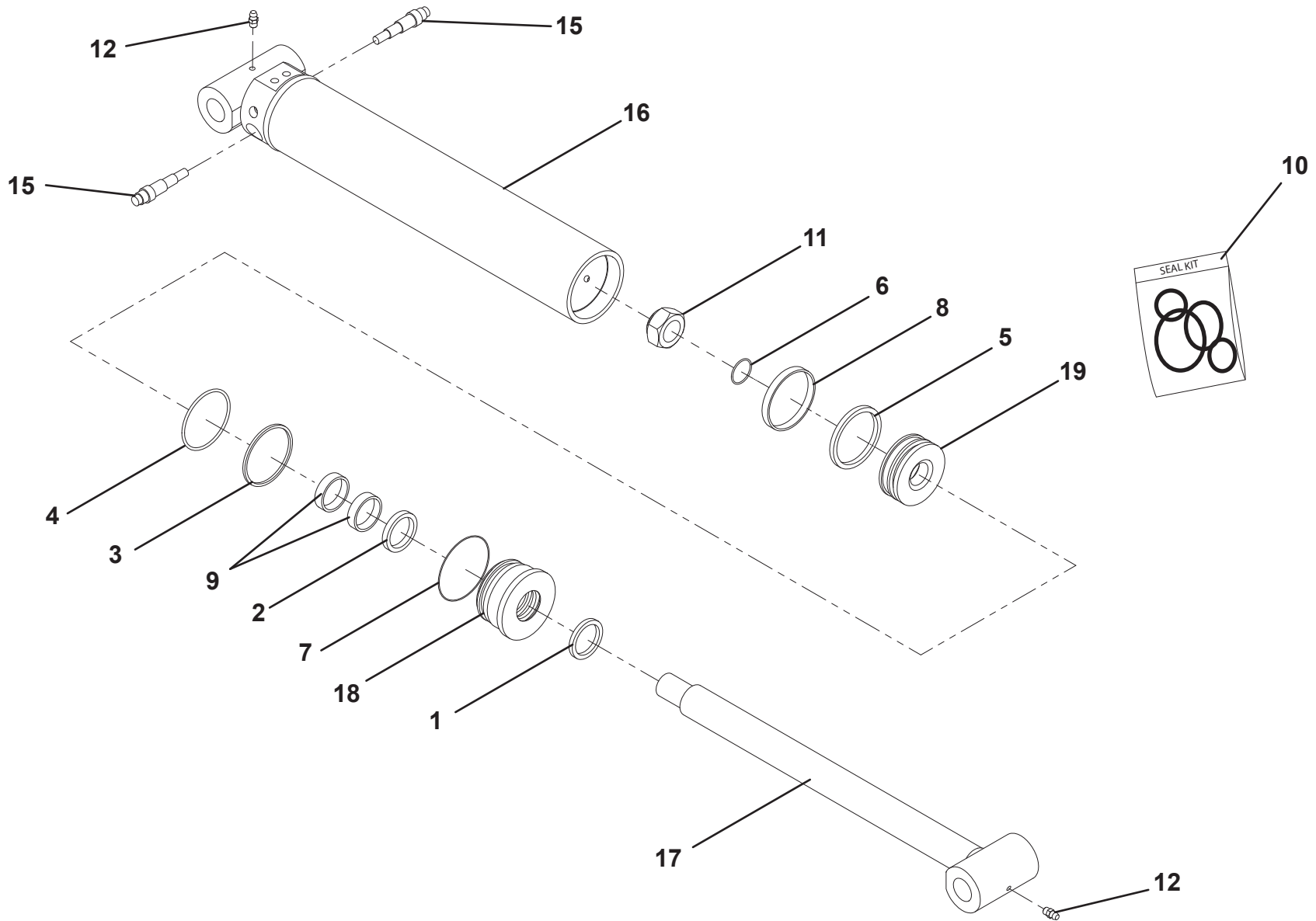
**SECTION 5 - CYLINDER**

**SPADE CYLINDER ASSEMBLY - 7320000006**

ITEM	PART NO.	DESCRIPTION	QTY	REV
	7320000006	Spade Cylinder Assembly	Ref	B
1	9796250080	Seal, Wiper	1	
2	7019828	Seal	1	
3	9754250009	Ring, Back-up	1	
4	9796250057	Seal, "O" Ring	1	
5	9796250073	Seal	1	
6	9796250061	Seal, "O" Ring	1	
7	9796250066	Seal, "O" Ring	1	
8	9724250014	Ring, Wear	1	
9	9754250015	Ring, Wear	2	
10	7577000167	Kit, Seal	1	
11	7003212	Locknut	1	
12	7005322	Grease Fitting	2	
13	7005365	Plug, Port (Not Shown)	2	
14	70021648	Plug, Port (Not Shown)	2	
15	70050215	Valve, Counterbalance	2	
16	9912250004	Assembly, Tube	1	
17	9763250009	Assembly, Rod	1	
18	9553250009	Head	1	
19	70050531	Piston	1	



# SPADE CYLINDER ASSEMBLY - 7320000006



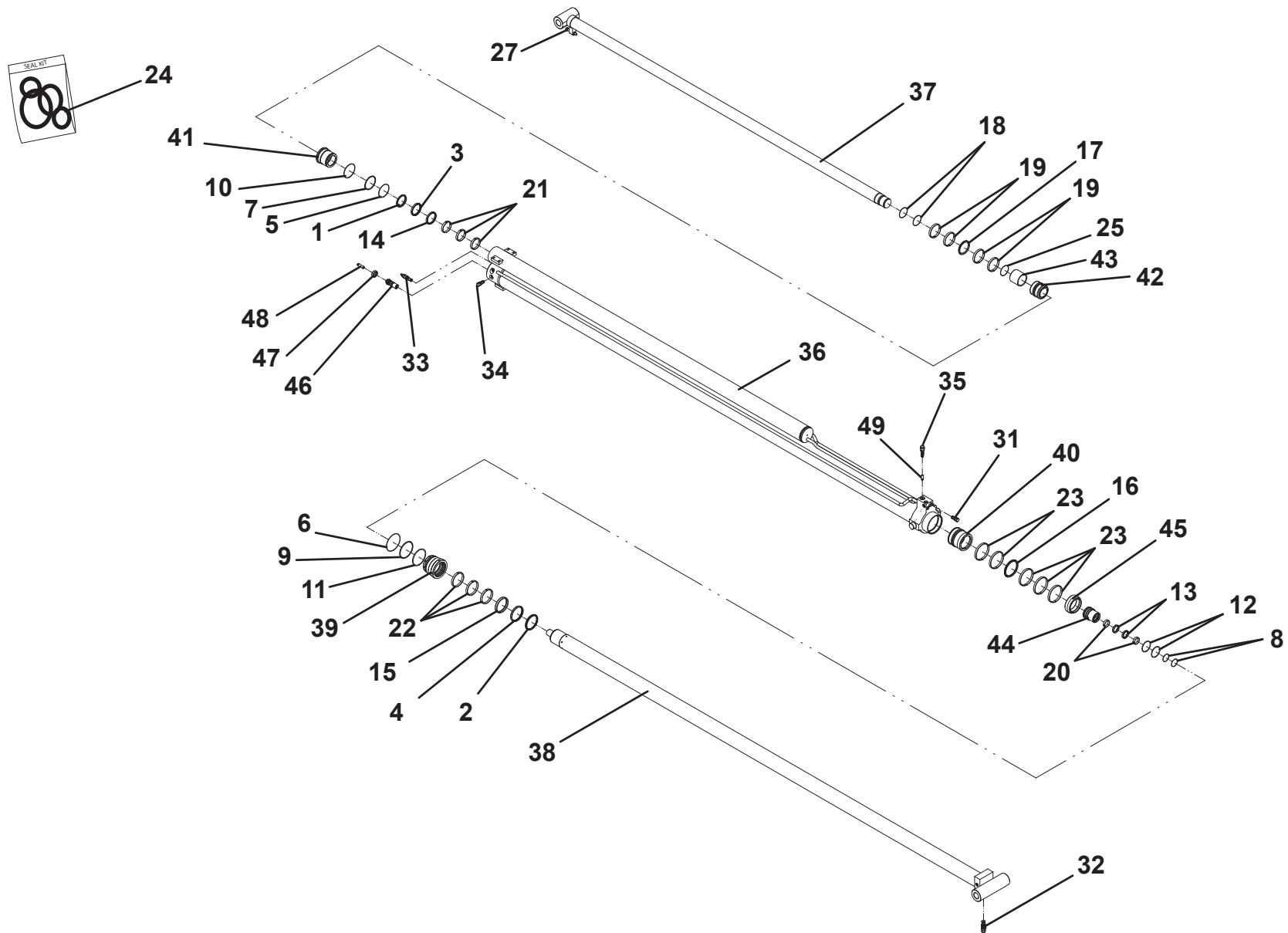
**WRECKER BOOM CYLINDER - 7320000085**

ITEM	PART NO.	DESCRIPTION	QTY	REV
	7320000085	Wrecker Boom Cylinder	Ref	C
1	83304143	Seal, Wiper	1	
2	9796250084	Seal, Wiper	1	
3	9796250071	Seal	1	
4	70050556	Seal	1	
5	70050557	Seal, "O"Ring	1	
6	70050558	Seal, "O"Ring	1	
7	9754250009	Ring, Back-up	1	
8	70050559	Seal, "O"Ring	2	
9	9754250054	Ring, Back-up	1	
10	9796250058	Seal, "O"Ring	1	
11	9796250149	Seal, "O"Ring	1	
12	70050560	Seal, "O"Ring	2	
13	70050561	Seal	2	
14	70050562	Seal	1	
15	70050563	Seal	1	
16	70050564	Seal	1	
17	70050565	Seal	1	
18	70050566	Seal, "O"Ring	2	
19	9754250014	Ring, Wear	4	
20	83304181	Ring, Wear	2	
21	83304140	Ring, Wear	3	
22	70050568	Ring, Wear	3	
23	9754250055	Ring, Wear	5	
24	70050569	Kit, Seal	1	
25	70050570*	Seal, "O"Ring	1	
26	70021774	Setscrew (Not Shown)	4	
27	70050572	Locknut	2	
28	7005365	Plug, Port (Not Shown)	2	
29	70021648	Plug, Port (Not Shown)	4	
30	7023593	Plug, Port (Not Shown)	5	
31	70050574	Valve, Check	1	
32	70050575	Valve, Counterbalance	1	
33	70050576	Valve, Relief	1	
34	70050577	Valve, Check	1	
35	70050578	Valve, Directional	1	
36	70050579	Assembly, Tube	1	
37	70050580	Assembly, Rod-Tube	1	
38	70050581	Assembly, Rod-Tube	1	

ITEM	PART NO.	DESCRIPTION	QTY	REV
39	70050582	Head	1	
40	70050583	Piston	1	
41	70050584	Head	1	
42	70050585	Piston	1	
43	70050586	Spacer	1	
44	70050587	Adapter, RT	1	
45	70050588	Spacer	1	
46	70050589	Assembly, Valve	1	
47	70050590	Valve Retainer	1	
48	70050591	Assembly, Pad Plunger	1	
49	70050592	Plunger	1	

\* Not Part of Seal Kit

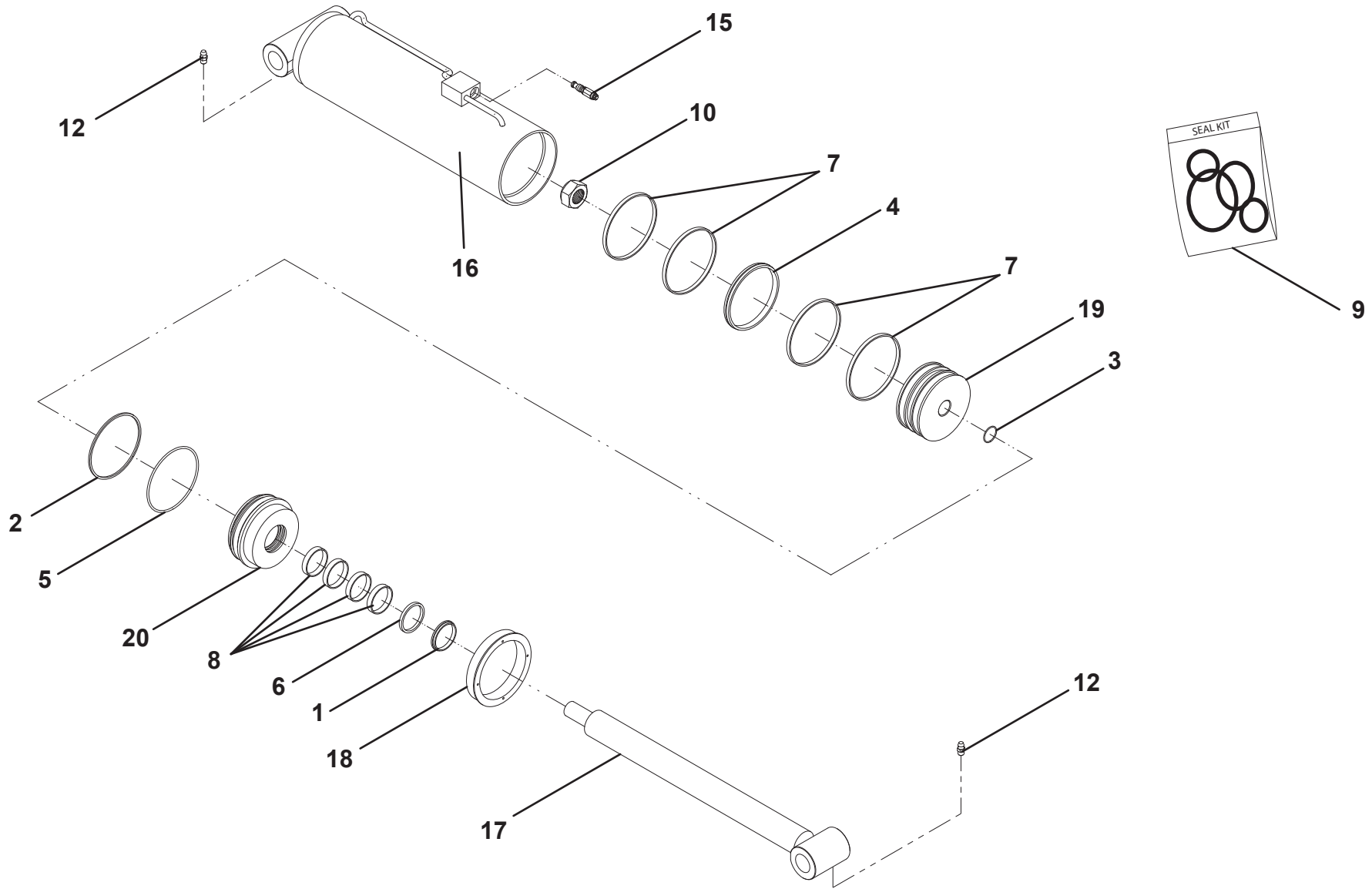
# WRECKER BOOM CYLINDER - 732000085



**UNDERLIFT TILT CYLINDER - 7320000096**

ITEM	PART NO.	DESCRIPTION	QTY	REV
	7320000096	Underlift Tilt Cylinder	Ref	B
1	9796250083	Seal, Wiper	1	
2	9754250011	Ring, Back-up	1	
3	9796250062	Seal, "O" Ring	1	
4	70050544	Seal	1	
5	9796250068	Seal, "O" Ring	1	
6	70050545	Seal	1	
7	9754250017	Ring, Wear	4	
8	80004049	Ring, Wear	4	
9	7577000063	Kit, Seal	1	
10	7005314	Locknut	1	
11	70021757	Setscrew (Not Shown)	1	
12	7005348	Grease Fitting	2	
13	70021648	Plug, Port (Not Shown)	2	
14	7005365	Plug, Port (Not Shown)	1	
15	70050215	Valve, Counterbalance	1	
16	70050594	Assembly, Tube	1	
17	70050595	Assembly, Rod	1	
18	9254250007	Headcap	1	
19	70050548	Piston	1	
20	70050549	Head	1	

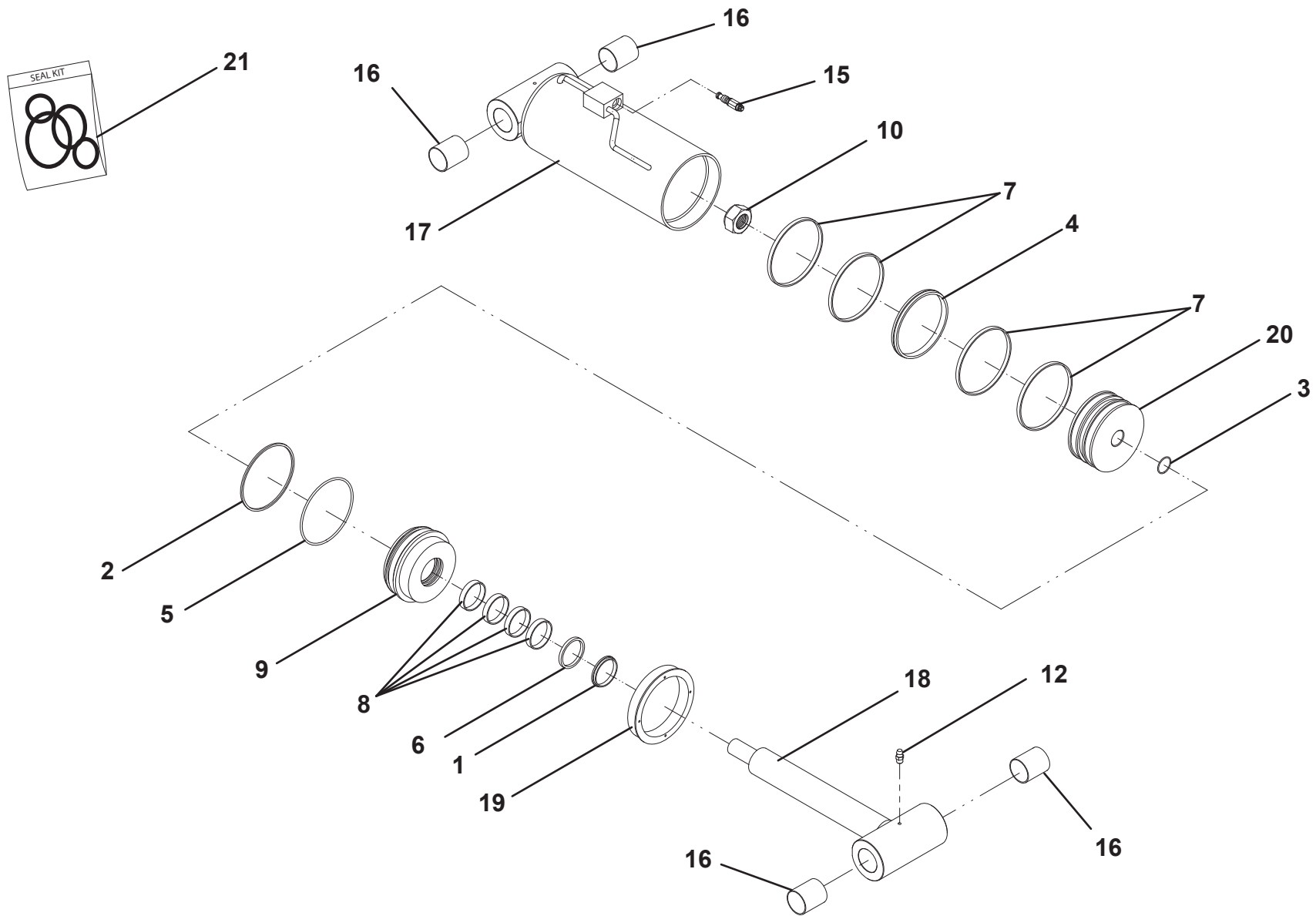
# UNDERLIFT TILT CYLINDER - 7320000096



**UNDERLIFT TILT CYLINDER - 7320000097**

ITEM	PART NO.	DESCRIPTION	QTY	REV
	7320000097	Underlift Tilt Cylinder	Ref	B
1	9796250084	Wiper	1	
2	9796250059	O-Ring	1	
3	9796250065	O-Ring	1	
4	9796250077	Seal	1	
5	9754250012	Back-Up Ring	1	
6	9796250078	Seal	1	
7	9754250022	Wear Ring	2	
8	9754250023	Wear Ring	2	
9	70051199	Piston Head	1	
10	9661250019	Nut	1	
11	9701250006	Nylon Plug (Not Shown)	2	
12	83304181	Grease Fitting	2	
13	9786250005	Setscrew (Not Shown)	1	
14	9786250004	Setscrew (Not Shown)	4	
15	9935250032	Counterbalance	1	
16	70050232	Bushing	4	
17	9912250008	Tube Assembly	1	
18	9763250013	Rod Assembly	1	
19	9254250008	Headcap	1	
20	9698250005	Piston	1	
21	7577250188	Head	1	
22	70021648	Port Plug	2	
23	7005365	Port Plug	1	

# UNDERLIFT TILT CYLINDER - 7320000097

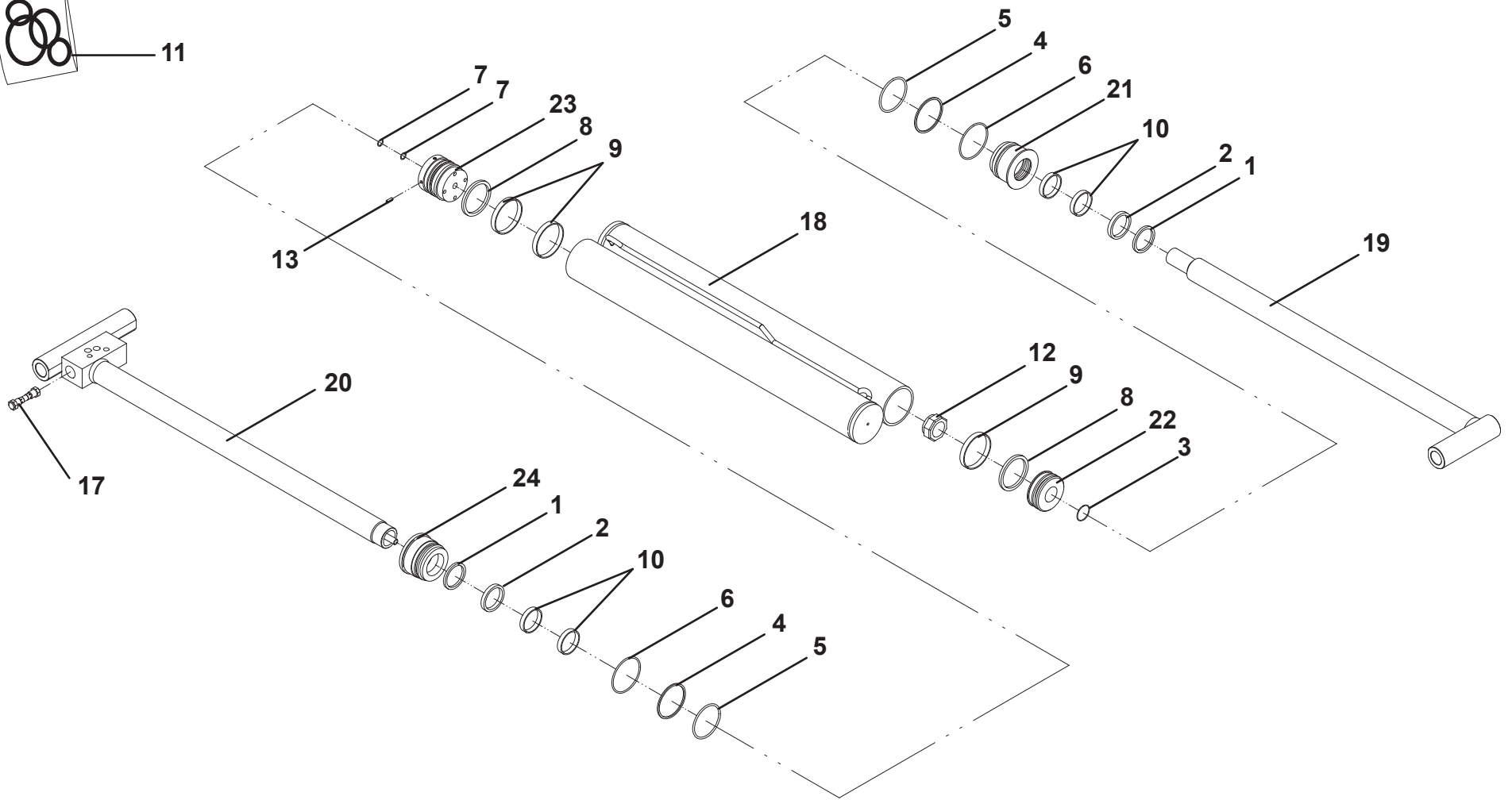


**UNDERLIFT EXTENSION CYLINDER ASSEMBLY - 7320000026**

ITEM	PART NO.	DESCRIPTION	QTY	REV
	7320000026	Underlift Extension Cylinder Assembly	Ref	B
1	9796250081	Seal, Wiper	2	
2	7019829	Seal	2	
3	7023518	Seal, "O" Ring	1	
4	9754250009	Ring, Back-up	2	
5	9796250057	Seal, "O" Ring	2	
6	9796250058	Seal, "O" Ring	2	
7	70050534	Seal, "O" Ring	2	
8	9796250073	Seal	2	
9	9754250014	Ring, Wear	3	
10	70050568	Ring, Wear	4	
11	7577250334	Kit, Seal	1	
12	7003116	Locknut	1	
13	70050535	Setscrew	4	
14	7005348	Grease Fitting (Not Shown)	2	
15	7005365	Plug, Port (Not Shown)	2	
16	70021648	Plug, Port (Not Shown)	2	
17	9935250025	Kit, Check Cartridge	1	
18	70050536	Assembly, Tube	1	
19	70050537	Assembly, Rod	1	
20	70050538	Assembly, Rod-Tube	1	
21	9553250010	Head	1	
22	7024101	Piston	1	
23	70050540	Piston	1	
24	70050541	Head	1	



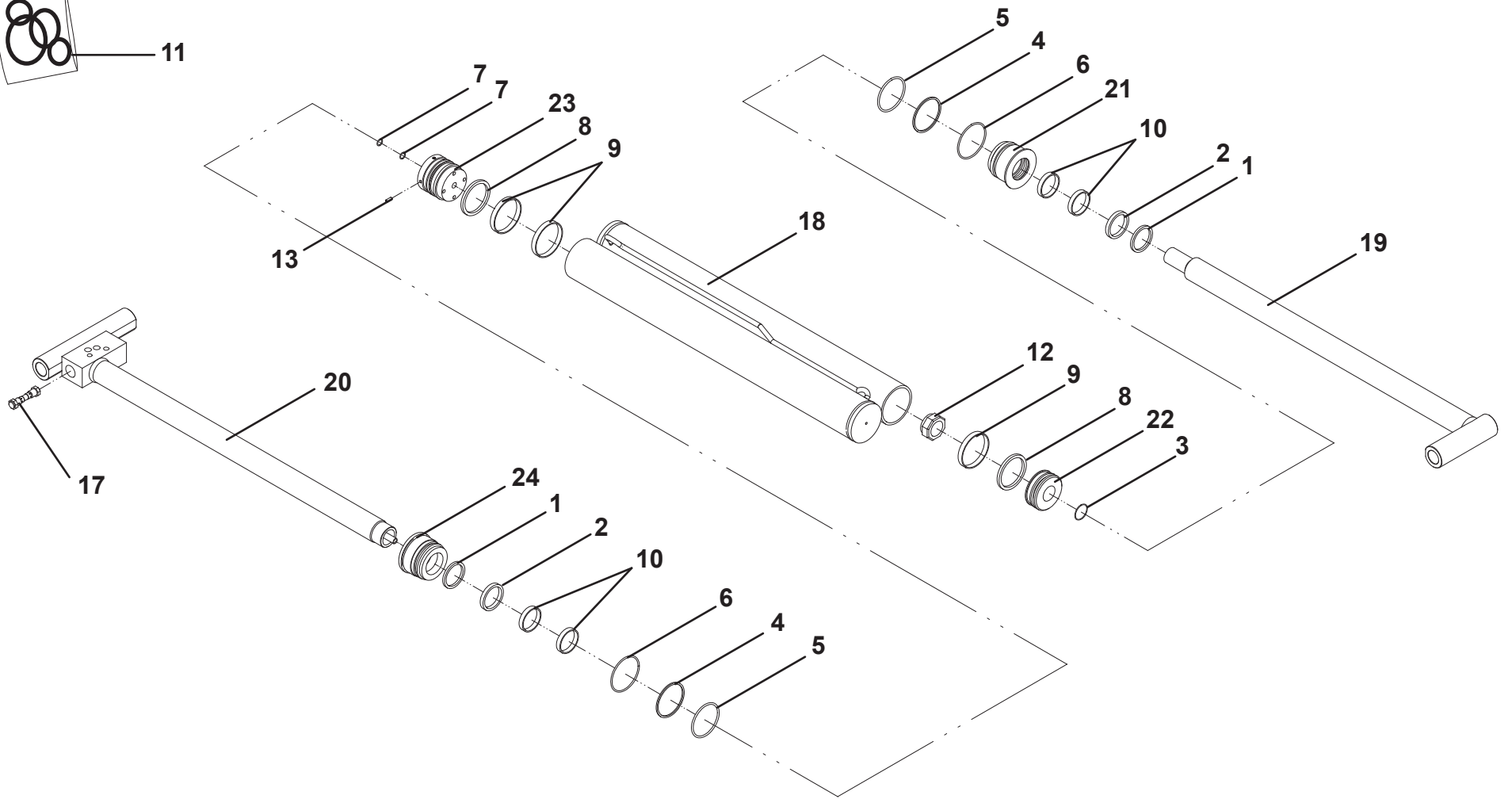
# UNDERLIFT EXTENSION CYLINDER ASSEMBLY - 7320000026



**UNDERLIFT EXTENSION CYLINDER ASSEMBLY - 7320000068**

ITEM	PART NO.	DESCRIPTION	QTY	REV
	7320000068	Underlift Extension Cylinder Assembly	Ref	B
1	9796250081	Seal, Wiper	2	
2	7019829	Seal	2	
3	7023518	Seal, "O" Ring	1	
4	9754250009	Ring, Back-up	2	
5	9796250057	Seal, "O" Ring	2	
6	9796250058	Seal, "O" Ring	2	
7	70050534	Seal, "O" Ring	2	
8	9796250073	Seal	2	
9	9754250014	Ring, Wear	3	
10	80004056	Ring, Wear	4	
11	7577250334	Kit, Seal	1	
12	7003116	Locknut	1	
13	70050535	Setscrew	4	
14	7005348	Grease Fitting (Not Shown)	2	
15	7005365	Plug, Port (Not Shown)	2	
16	70021648	Plug, Port (Not Shown)	2	
17	9935250025	Kit, Check Cartridge	1	
18	70050550	Assembly, Tube	1	
19	70050551	Assembly, Rod	1	
20	70050552	Assembly, Rod-Tube	1	
21	9553250010	Head	1	
22	7024101	Piston	1	
23	70050540	Piston	1	
24	70050541	Head	1	

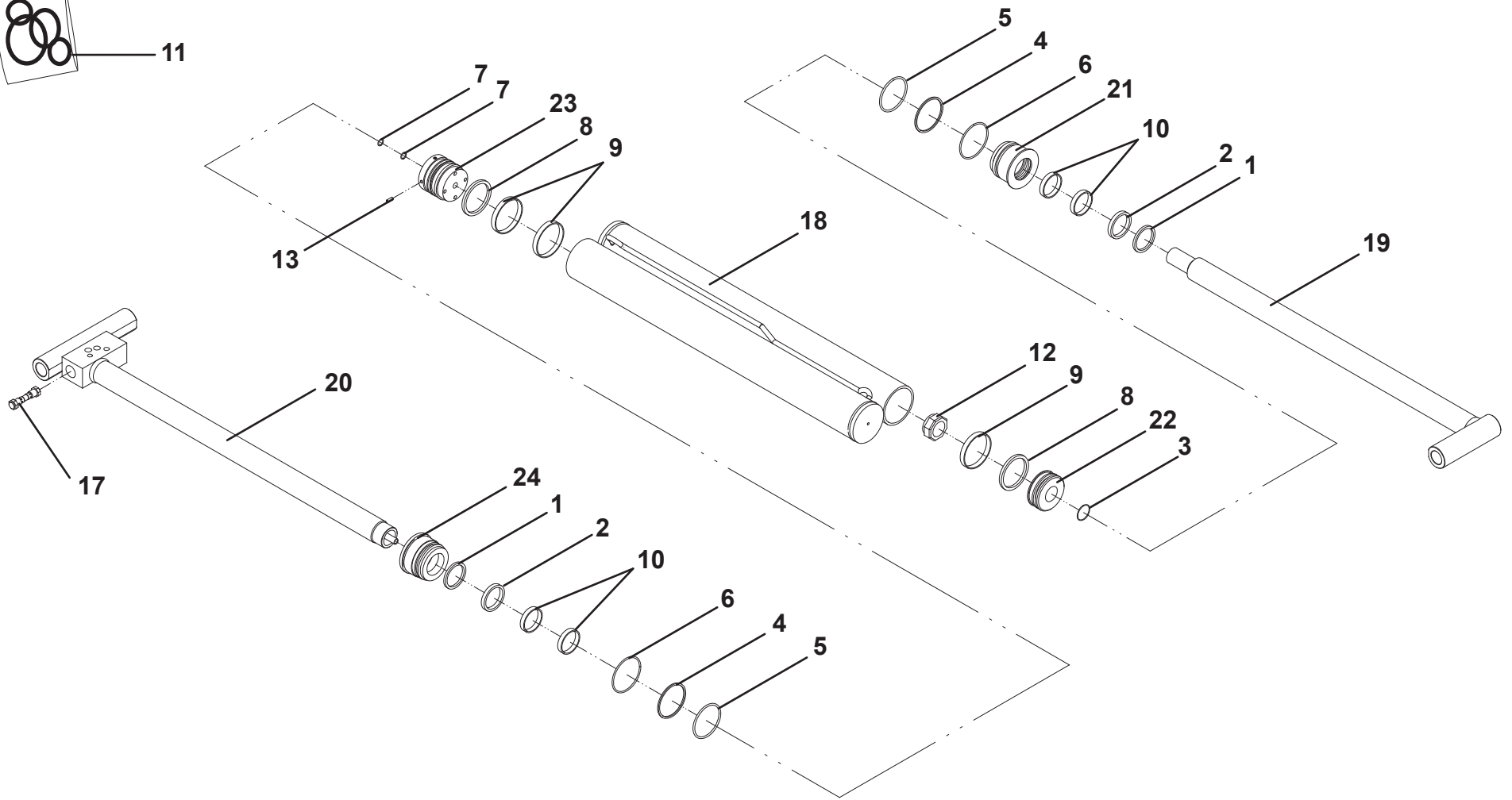
# UNDERLIFT EXTENSION CYLINDER ASSEMBLY - 7320000068



**UNDERLIFT EXTENSION CYLINDER ASSEMBLY - 7320000038**

ITEM	PART NO.	DESCRIPTION	QTY	REV
	7320000038	Underlift Extension Cylinder Assembly	Ref	C
1	9796250081	Seal, Wiper	2	
2	7019829	Seal	2	
3	7023518	Seal, "O" Ring	1	
4	9754250009	Ring, Back-up	2	
5	9796250057	Seal, "O" Ring	2	
6	9796250058	Seal, "O" Ring	2	
7	70050534	Seal, "O" Ring	2	
8	9796250073	Seal	2	
9	9754250014	Ring, Wear	3	
10	70050568	Ring, Wear	4	
11	7577250334	Kit, Seal	1	
12	7003116	Locknut	1	
13	70050535	Setscrew	4	
14	7005348	Grease Fitting (Not Shown)	2	
15	7005365	Plug, Port (Not Shown)	2	
16	70021648	Plug, Port (Not Shown)	2	
17	9935250025	Kit, Check Cartridge	1	
18	70051197	Assembly, Tube	1	
19	70051196	Assembly, Rod	1	
20	70050075	Assembly, Rod-Tube	1	
21	9553250010	Head	1	
22	7024101	Piston	1	
23	70050540	Piston	1	
24	70050541	Head	1	

# UNDERLIFT EXTENSION CYLINDER ASSEMBLY - 7320000038



**THIS PAGE INTENTIONALLY LEFT BLANK**

## SECTION 6 - HYDRAULIC

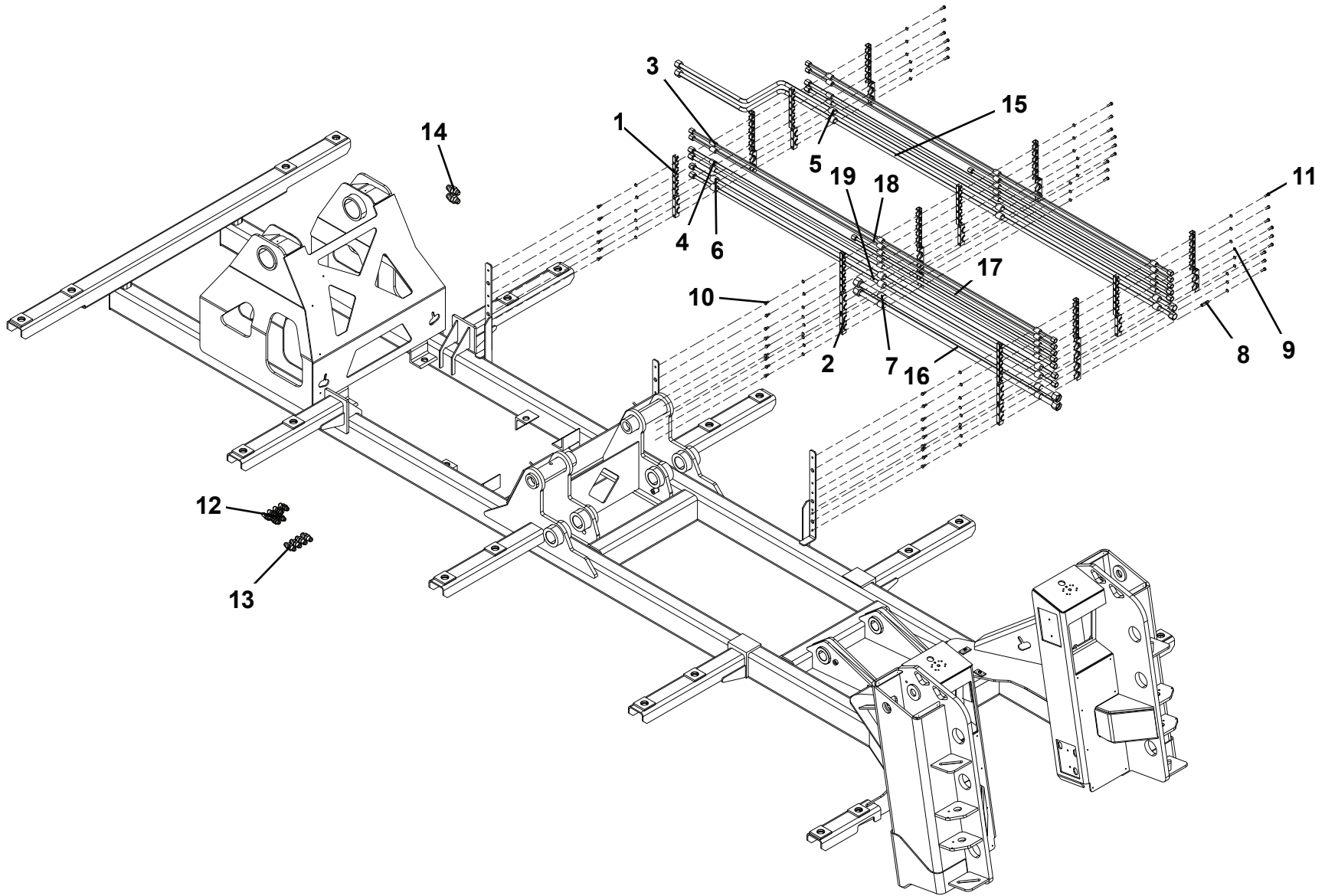
**SUBFRAME HYDRAULIC TUBING**

ITEM	PART NO.	DESCRIPTION	QTY	REV
	3912000049	Subframe Hydraulic Tubing	Ref	A
1	7274000030	Clamp	12	
2	7274000049	Clamp	16	
3	7209000023	Bushing	16	
4	7209000024	Bushing	12	
5	7209000032	Bushing	6	
6	7209000066	Bushing	6	
7	7209000033	Bushing	4	
8	7661000027	Extension	24	
9	7950150000	Washer, 0.31" ID	18	
10	7115150650	Capscrew, 0.31" - 18NC x 0.75"	32	
11	7115150850	Capscrew, 0.31" - 18NC x 1.00"	16	
12	7445080825	Union Bulkhead	6	
13	7445101025	Union Bulkhead	4	
14	7445121225	Union Bulkhead	2	
15	7912000068*	Tube Assembly	2	
16	7912000069*	Tube Assembly	2	
17	7912000070*	Tube Assembly	2	
18	7912000340*	Tube Assembly	4	
19	7912000341*	Tube Assembly	6	

\* Also Available In Tubing Kit - 7577000565



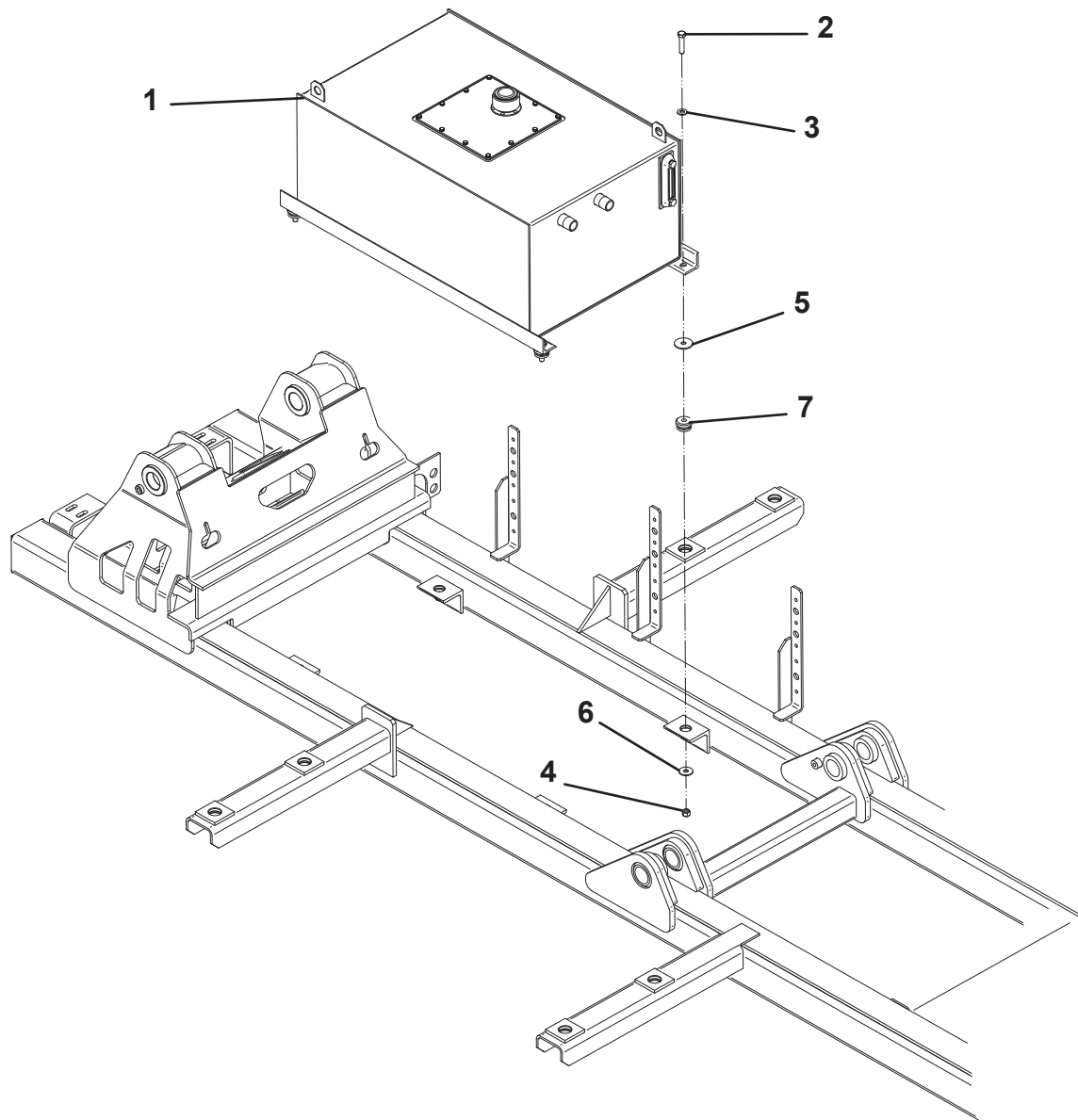
# SUBFRAME HYDRAULIC TUBING



**HYDRAULIC TANK INSTALLATION**

ITEM	PART NO.	DESCRIPTION	QTY	REV
	2507650009	Hydraulic Tank Installation	Ref	B
1	3750000022	Hydraulic Tank Assembly (See Separate Breakdown in this Section)	1	
2	7115181850	Capscrew, 0.50" - 13NC x 2.25"	4	
3	7950180141	Flatwasher, 0.50" ID	4	
4	7660182601	Locknut, 0.50" - 13NC	4	
5	7949000015	Washer, Head	4	
6	7949000016	Washer, Tail	4	
7	7636000006	Rubber Mount	4	

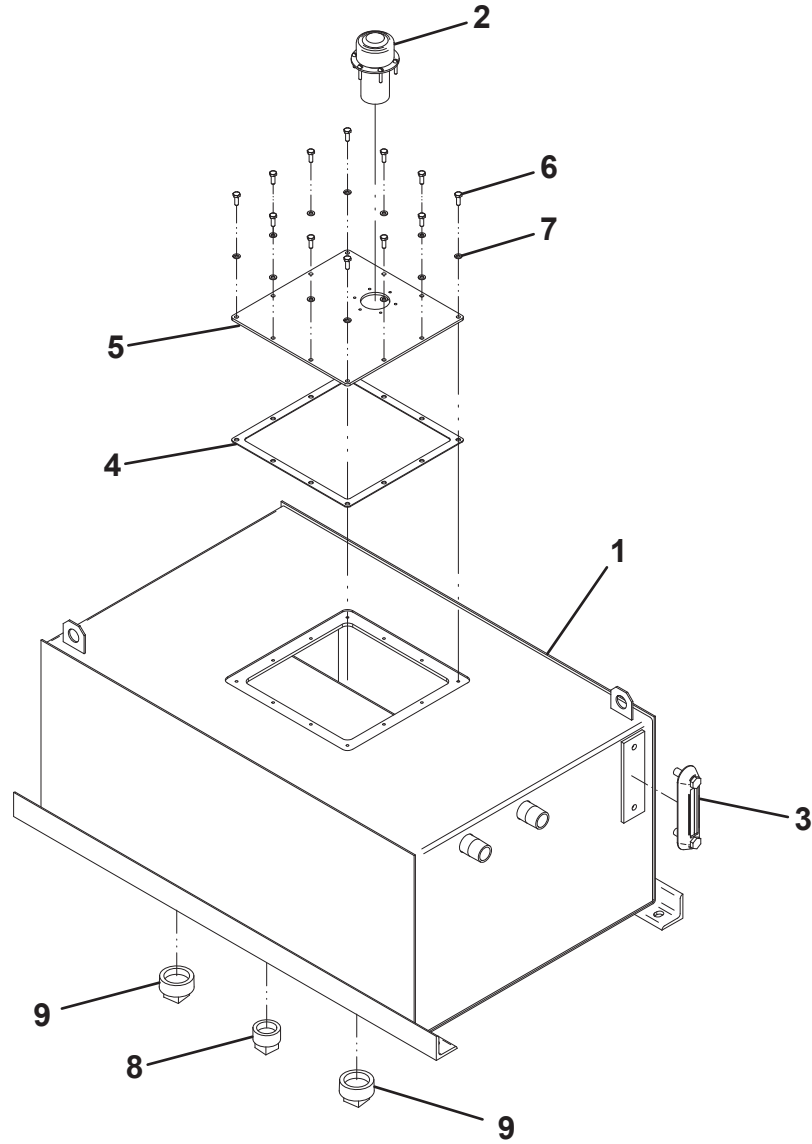
# HYDRAULIC TANK INSTALLATION



**HYDRAULIC TANK ASSEMBLY**

ITEM	PART NO.	DESCRIPTION	QTY	REV
	3750000022	Hydraulic Tank Assembly	Ref	B
1	3750000021	Hydraulic Tank	1	
2	7183000004	Breather, Filler Cap	1	
3	7470000003	Gauge	1	
4	7796000051	Gasket, Oil Tank Cover	1	
5	4706002235	Plate	1	
6	7115140650	Capscrew, 0.25" - 20NC x 0.75"	12	
7	7950140000	Lockwasher, 0.25" ID	12	
8	7444120014	Plug	1	
9	7444160011	Plug	2	

# HYDRAULIC TANK ASSEMBLY

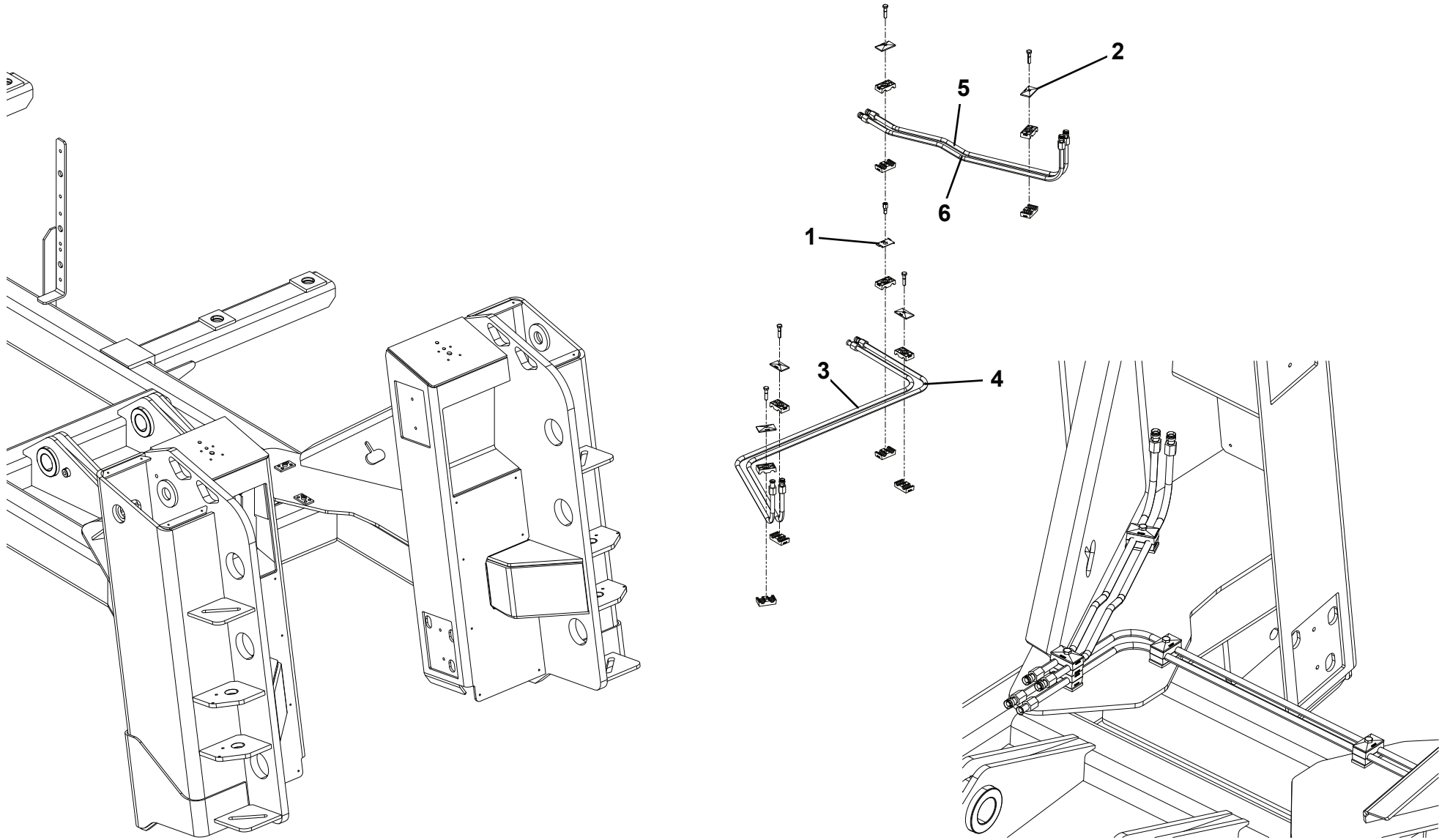


**REAR SPADE TUBING**

ITEM	PART NO.	DESCRIPTION	QTY	REV
	3912000010	Rear Spade Tubing	Ref	D
1	1001137487	Clamp	1	
2	1001136447	Clamp	5	
3	7912000245*	Tube Assembly	1	
4	7912000246*	Tube Assembly	1	
5	7912000247*	Tube Assembly	1	
6	7912000248*	Tube Assembly	1	

\* Also Available In Tubing Kit - 7577000637

# REAR SPADE TUBING



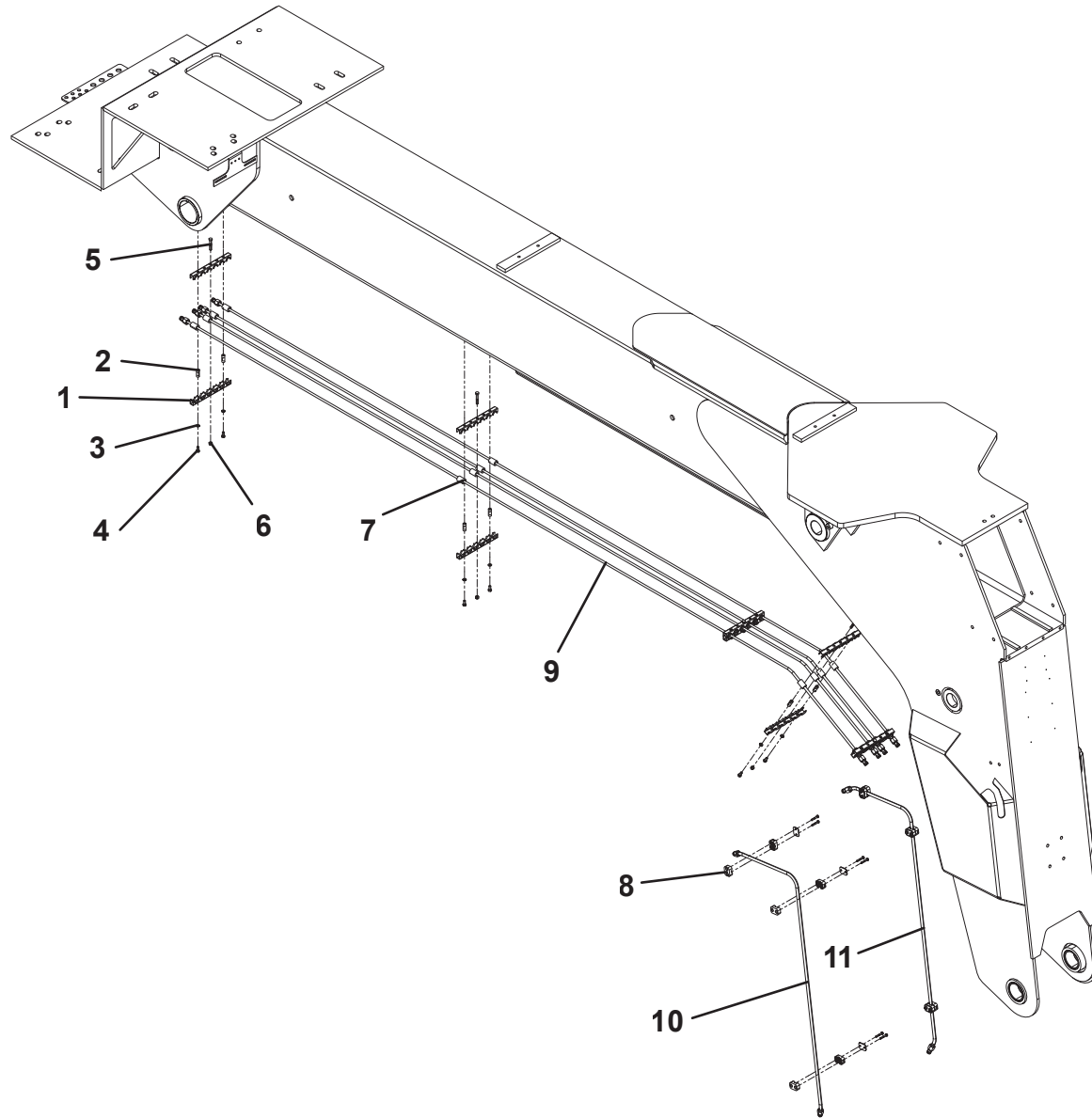
**BOOM TUBE ASSEMBLY**

ITEM	PART NO.	DESCRIPTION	QTY	REV
	3912000050	Boom Tube Assembly	Ref	B
1	7274000030	Clamp	10	
2	7661000022	Nut, 0.31"-18 NC	10	
3	7950150000	Washer, 0.31" ID	10	
4	7115150650	Capscrew, 0.31"-18 NC x 0.75"	10	
5	7115151650	Capscrew, 0.31"-18 NC x 2.00"	5	
6	7660152601	Locknut, 0.31"-18 NC	5	
7	7209000023	Bushing	8	
8	1001136559	Clamp	6	
9	7912000345*	Tube Assembly	4	
10	7912000344*	Tube Assembly	1	
11	7912000343*	Tube Assembly	1	

\* Also Available In Tubing Kit - 7577000564



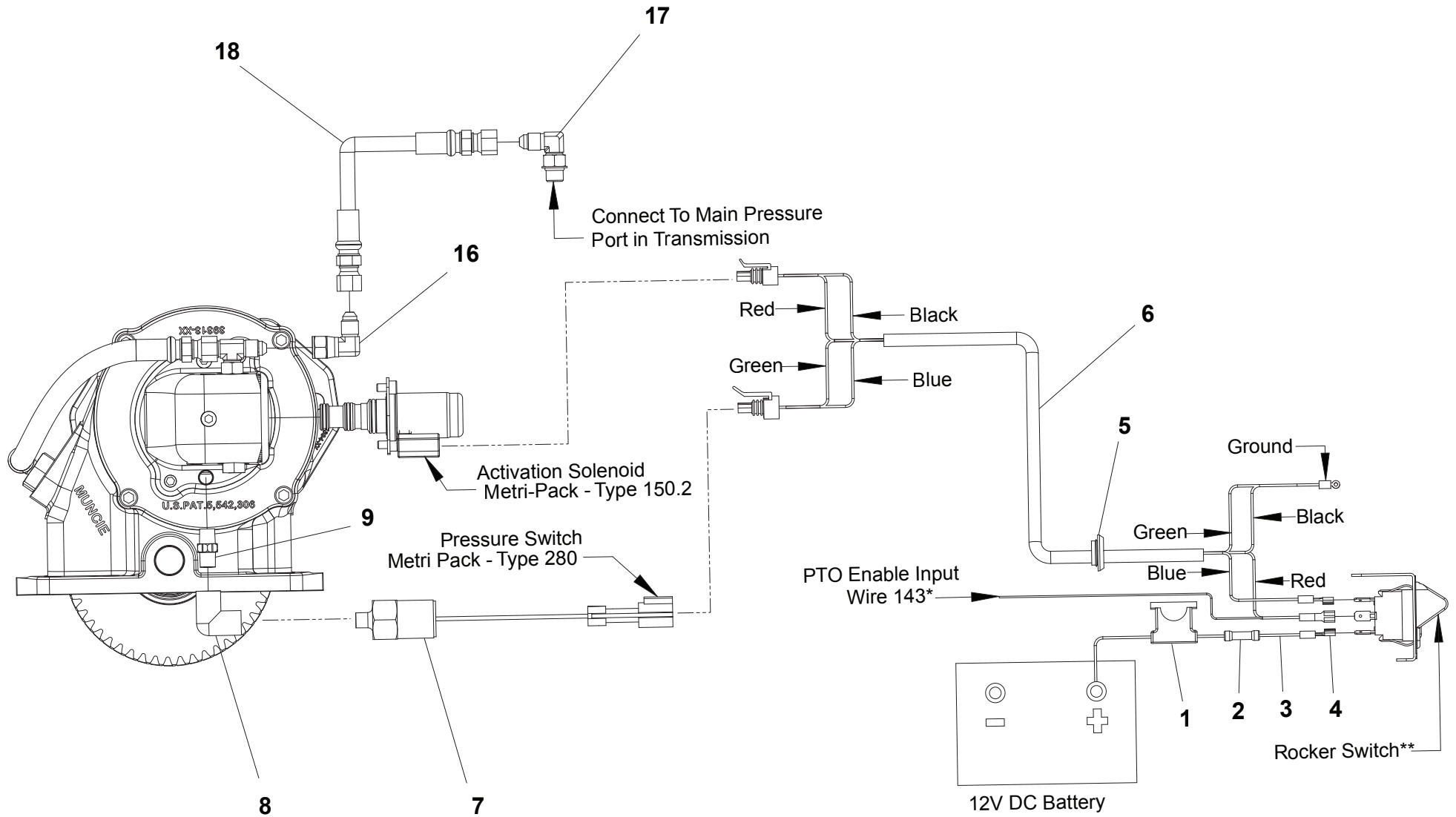
# BOOM TUBE ASSEMBLY



**POWER TAKE OFF - CS SERIES**

ITEM	PART NO.	DESCRIPTION	QTY	REV
	NPN	Power Take Off - CS Series	Ref	
1	70050316	Fuse	1	
2	70050315	Splice	1	
3	70050312	Wire	6 ft	
4	70050314	Connector	1	
5	70050325	Grommet	1	
6	70050328	Harness, Wire	1	
7	7870000062	Switch, Pressure	1	
8	70050329	Fitting, Elbow	1	
9	70050330	Nipple	1	
10	70050313	Terminal	2	
11	70050331	Connector	3	
12	7706000005	Bracket, Switch	1	
13	7706000001	Plate	1	
14	7870000045	Switch	1	
15	70050319	Kit, Bolt	1	
16	7443000431	Fitting (Also available in kit #70050467)	1	
17	7443000244	Fitting (Also available in kit #70050467)	1	
18	70050468	Hose (Also available in kit #70050467)	1	

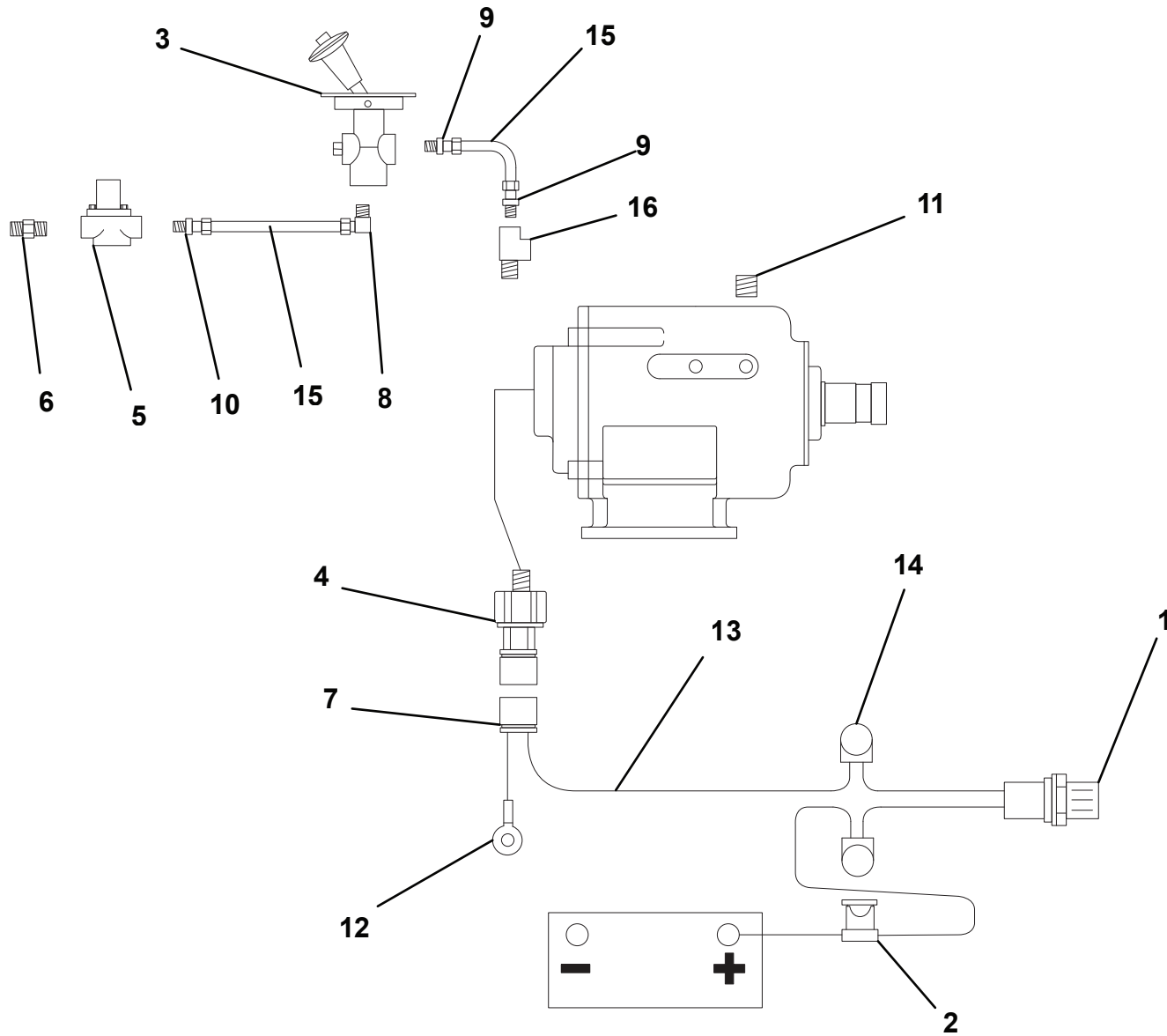
# POWER TAKE OFF - CS SERIES



**POWER TAKE OFF - SH SERIES**

ITEM	PART NO.	DESCRIPTION	QTY	REV
	NPN	Power Take Off - SH Series	Ref	
1	7590000049	Assembly. - Light 12V	1	
2	70050316	Assembly, Fuse	1	
3	7935000104	Valve, Air	1	
4	7870000062	Switch, Pressure	1	
5	9935740034	Valve, Pressure Protection	1	
6	70050308	Nipple, Pipe	1	
7	70050668	Wiring Pigtail	1	
8	70050310	Fitting	1	
9	70050320	Connector	2	
10	70050309	Connector	1	
11	70050669	Plug	1	
12	70050313	Terminal	2	
13	70050312	Wire	12 ft	
14	70050977	Terminal, Closed End Crimp	3	
15	7565000019	Tubing, Air	1	
16	9443760018	Fitting	1	
17	70050322	Bracket, Dash (Not Shown)	1	
18	7706000004	Plate, Face (Not Shown)	1	
19	70050319	Kit, Bolt (Not Shown)	1	

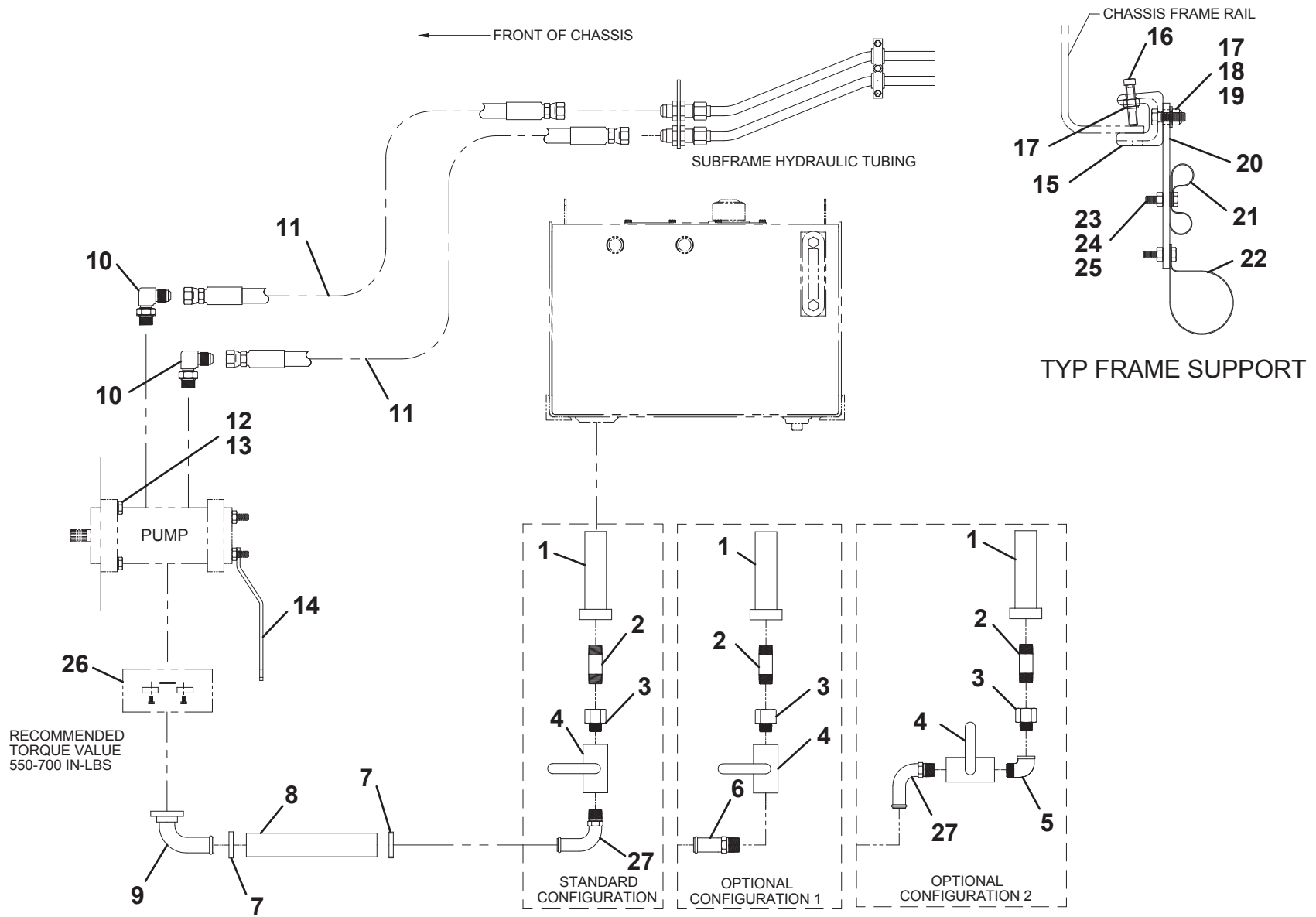
# POWER TAKE OFF - SH SERIES



**HYDRAULIC SUPPLY PRESSURE INSTALLATION**

ITEM	PART NO.	DESCRIPTION	QTY	REV
	1001218660	Hydraulic Supply Pressure Installation	Ref	A
1	7430000010	Filter	1	
2	7650100137	Nipple	1	
3	7444121050	Reducer	1	
4	7935000116	Ball Valve	1	
5	7444121271	Elbow	A/R	
6	7443000130	Fitting	A/R	
7	7274000028	Clamp	2	
8	8565000026	Hose	19FT	
9	1001145056	Elbow	1	
10	7445121645	Elbow	2	
11	4567160111	Hose - 245"-285" Wheel Base	2	
	4567160146	Hose - 275"-325" Wheel Base	2	
	1001218610	Hose - 326"-365" Wheel Base	2	
	1001204565	Hose - 366"-405" Wheel Base	2	
	1001218611	Hose - 406"-445" Wheel Base	2	
12	7115181050	Capscrew, 0.50"-13NC x 1.25"	2	
13	7950180000	Lockwasher, 0.59" ID	2	
14	4178000248	Bracket	1	
15	7274000076	Clamp	10	
16	7785152420	Screw, 0.31" - 18 x 1.50"	10	
17	7660152601	Locknut 0.31"-18NC	20	
18	7115151050	Capscrew, 0.31"-18NC x 1.25"	10	
19	7950150161	Flatwasher, 0.31" ID	10	
20	4706003844	Plate	10	
21	7274000041	Clamp	20	
22	7274000071	Clamp	10	
23	7115140850	Capscrew, 0.25"-20NC x 1.00"	20	
24	7950140152	Washer, 0.25" ID	20	
25	7660142601	Locknut, 0.25" -20NC	20	
26	7577000213	Flange	1	
27	7443000254	Fitting	1	

# HYDRAULIC SUPPLY PRESSURE INSTALLATION

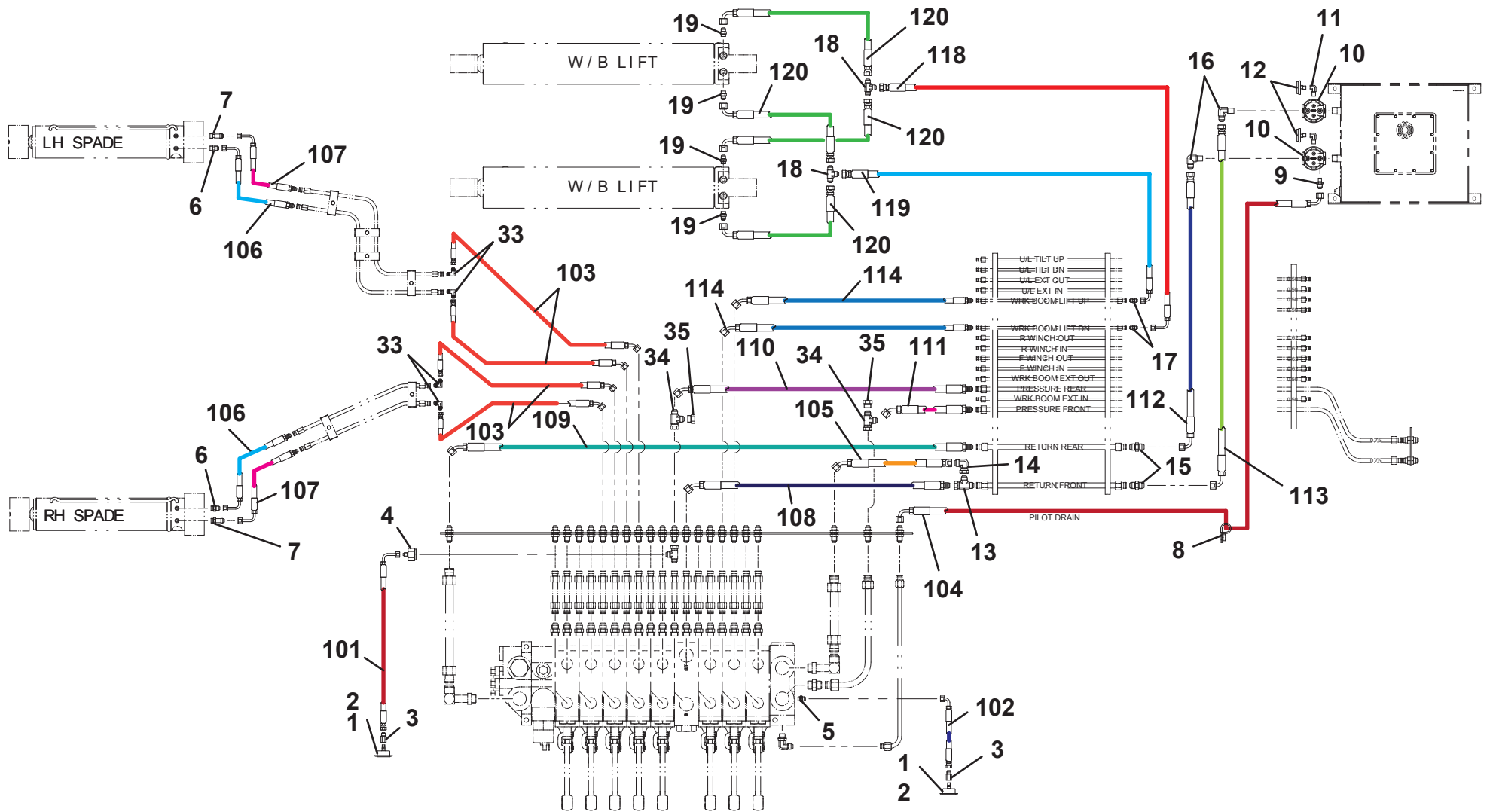


**HYDRAULIC LINES AND FITTINGS - 2PCS BOOM**

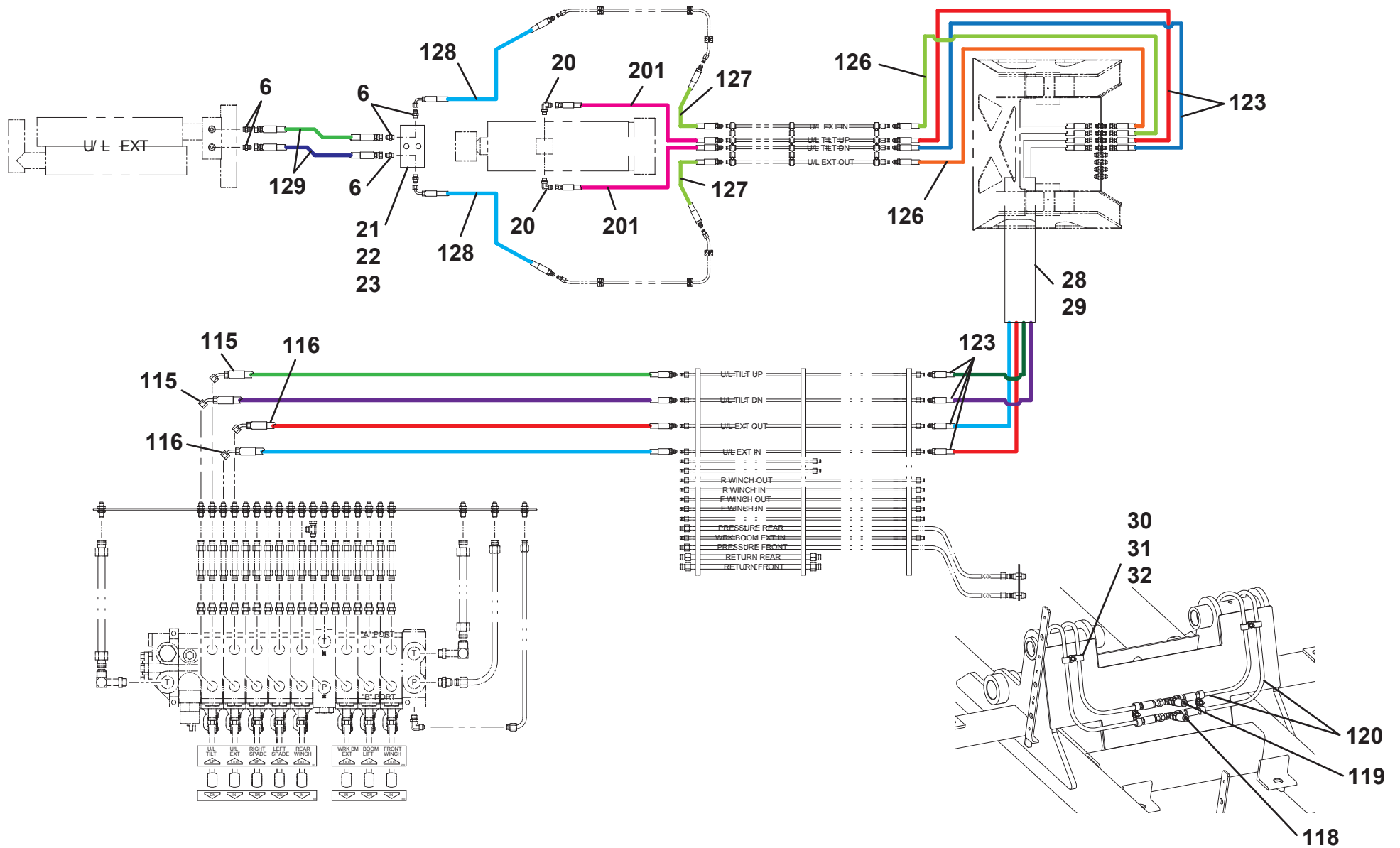
ITEM	PART NO.	DESCRIPTION	QTY	REV	ITEM	PART NO.	DESCRIPTION	QTY	REV
	1001207091	Hydraulic Lines and Fittings - 2Pcs Boom	Ref	B	103	1001192504	Hose Assembly	4	
1	7470000004	Gauge	2		104	1001206033	Hose Assembly	1	
2	7790060676	Screw, #6 X 0.38"	6		105	1001214087	Hose Assembly	1	
3	7445040421	Fitting	2		106	4570000163	Hose Assembly	2	
4	1001094694	Reducer	1		107	4570000162	Hose Assembly	2	
5	2220415	Adapter	1		108	1001214089	Hose Assembly	1	
6	7445060643	Adapter	8		109	1001214090	Hose Assembly	1	
7	7443000109	Adapter	2		110	1001206043	Hose Assembly	1	
8	7274000063	Clamp	2		111	1001206039	Hose Assembly	1	
9	7445060219	Adapter	1		112	4567182029	Hose Assembly	1	
10	7430000004	Filter Assembly	2		113	4567182024	Hose Assembly	1	
11	7443000158	Elbow	2		114	1001206042	Hose Assembly	2	
12	7470000002	Gauge	2		115	1001214086	Hose Assembly	2	
13	2220642	Fitting	1		116	1001206052	Hose Assembly	2	
14	2220878	Fitting	1		117	1001206053	Hose Assembly	2	
15	7445161622	Fitting	2		118	4567133032	Hose Assembly	1	
16	7445161620	Fitting	2		119	4567132031	Hose Assembly	1	
17	7445080822	Fitting	2		120	4567132043	Hose Assembly	4	
18	7445080837	Fitting	2		121	1001206054	Hose Assembly	2	
19	7445080843	Fitting	4		122	1001213133	Hose Assembly	2	
20	7445060645	Fitting	2		123	4569130046	Hose Assembly	6	
21	4619000006	Manifold	1		124	4569160046	Hose Assembly	4	
22	7115161650	Capscrew, 0.38"-16NC X 2.00"	2		125	4567150048	Hose Assembly	4	
23	7950160000	Lockwasher, 0.38" ID	2		126	4569130044	Hose Assembly	2	
24	7445101032	Fitting	4		127	4570000362	Hose Assembly	2	
25	7445100843	Fitting	4		128	4570000167	Hose Assembly	2	
26	1001206909	Hose Kit	1		129	4567120017	Hose Assembly	2	
27	7445080644	Fitting	2		130	4570000368	Hose Assembly	2	
28	4819000008	Sleeve	2		131	4567132048	Hose Assembly	2	
29	7894000004	Tie Strap	20		201	4570000360	Hose Assembly	2	
30	7950150161	Washer, 0.31" ID	8		201	4570000252	Hose Assembly	2	
31	7660152601	Locknut, 0.31"-18NC	4		301	4567152025	Hose Assembly	1	
32	7274000040	Clamp	8		302	4567152024	Hose Assembly	1	
33	7445080830	Fitting	4		303	4567152056	Hose Assembly	1	
34	2220700	Fitting	2		304	4567152054	Hose Assembly	1	
35	2220518	Fitting	2						
101	4567113028	Hose Assembly	1						
102	4567112024	Hose Assembly	1						



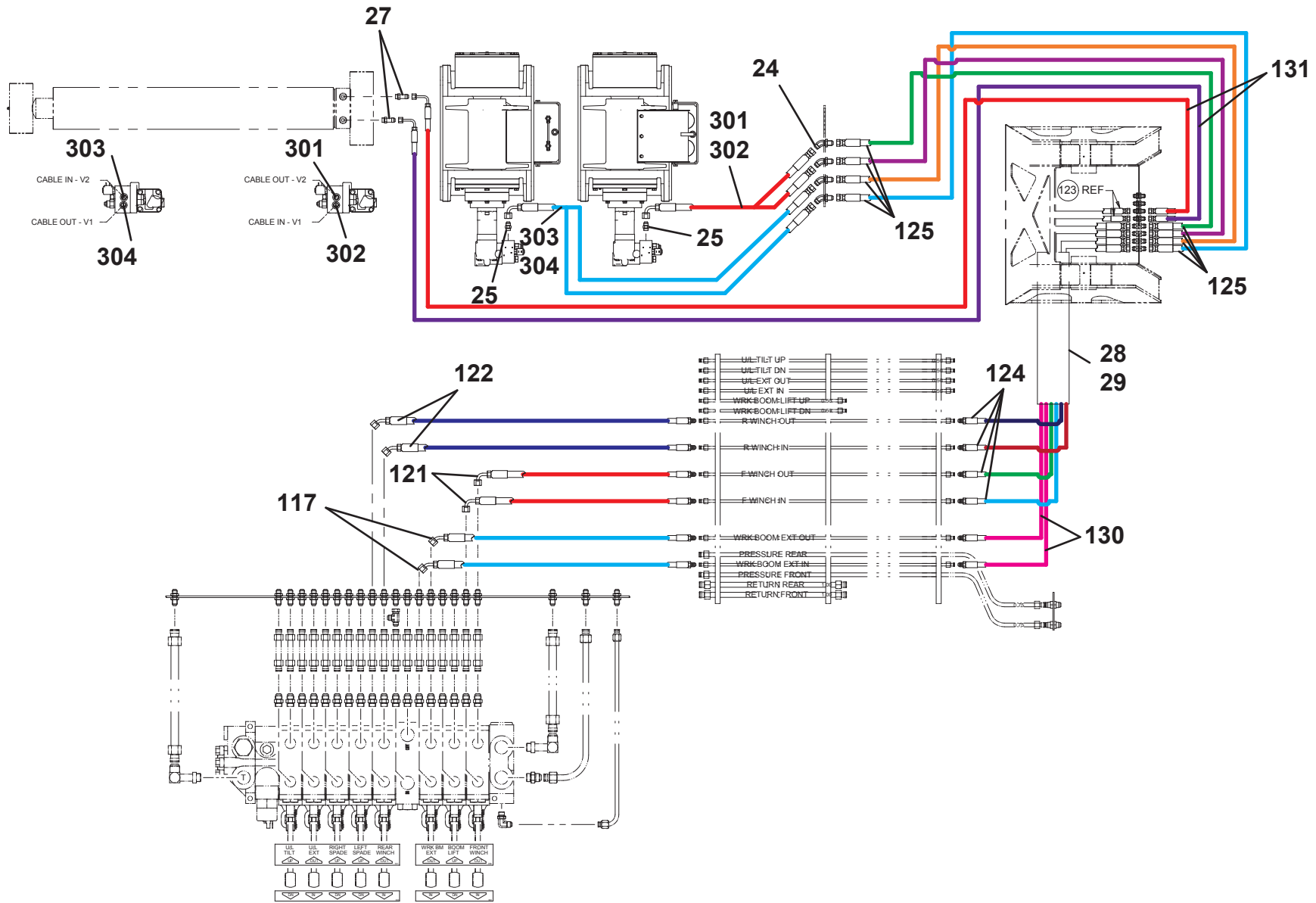
# HYDRAULIC LINES AND FITTINGS - 2PCS BOOM



**HDRAULIC LINES AND FITTINGS - 2PCS BOOM**



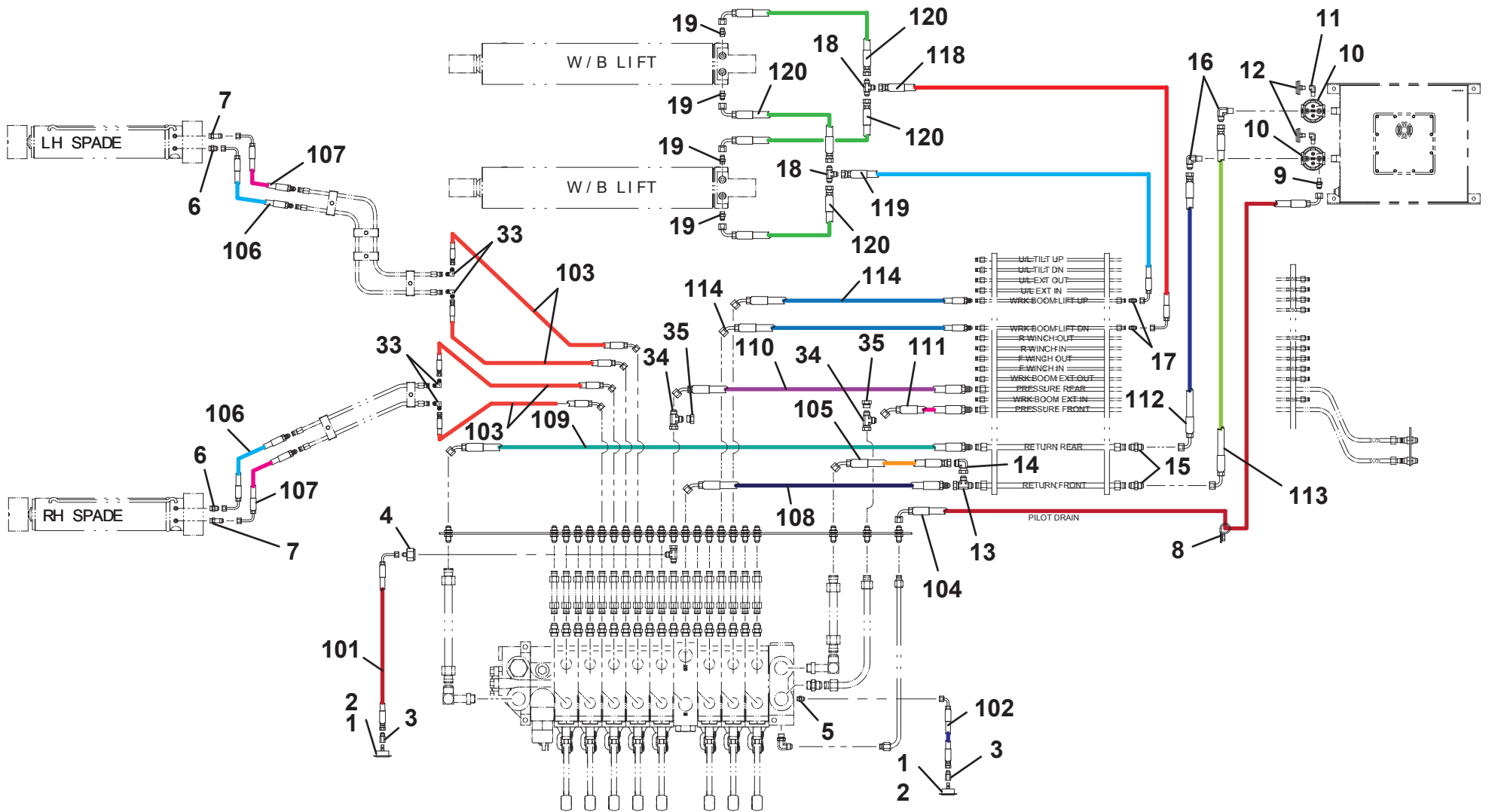
# HDRAULIC LINES AND FITTINGS - 2PCS BOOM



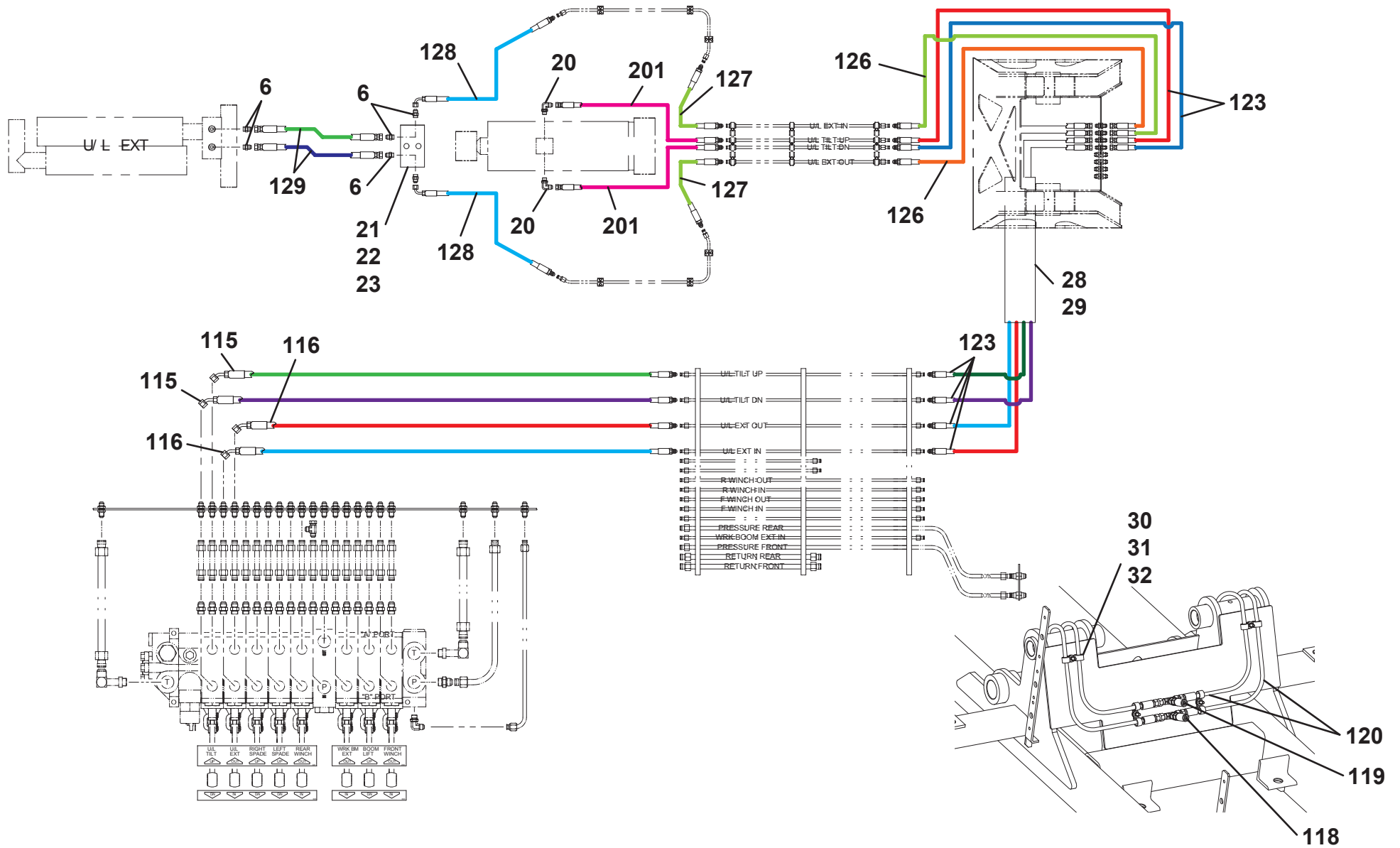
**HYDRAULIC LINES AND FITTINGS - 3PCS BOOM**

ITEM	PART NO.	DESCRIPTION	QTY	REV	ITEM	PART NO.	DESCRIPTION	QTY	REV
	1001207093	Hydraulic Lines and Fittings - 3Pcs Boom	Ref	B	103	1001192504	Hose Assembly	4	
1	7470000004	Gauge	2		104	1001206033	Hose Assembly	1	
2	7790060676	Screw, #6 X 0.38"	6		105	1001214087	Hose Assembly	1	
3	7445040421	Fitting	2		106	4570000163	Hose Assembly	2	
4	1001094694	Reducer	1		107	4570000162	Hose Assembly	2	
5	2220415	Adapter	1		108	1001214089	Hose Assembly	1	
6	7445060643	Adapter	8		109	1001214090	Hose Assembly	1	
7	7443000109	Adapter	2		110	1001206043	Hose Assembly	1	
8	7274000063	Clamp	2		111	1001206039	Hose Assembly	1	
9	7445060219	Adapter	1		112	4567182029	Hose Assembly	1	
10	7430000004	Filter Assembly	2		113	4567182024	Hose Assembly	1	
11	7443000158	Elbow	2		114	1001206042	Hose Assembly	2	
12	7470000002	Gauge	2		115	1001214086	Hose Assembly	2	
13	2220642	Fitting	1		116	1001206052	Hose Assembly	2	
14	2220878	Fitting	1		117	1001206053	Hose Assembly	2	
15	7445161622	Fitting	2		118	4567133032	Hose Assembly	1	
16	7445161620	Fitting	2		119	4567132031	Hose Assembly	1	
17	7445080822	Fitting	2		120	4567132043	Hose Assembly	4	
18	7445080837	Fitting	2		121	1001206054	Hose Assembly	2	
19	7445080843	Fitting	4		122	1001213133	Hose Assembly	2	
20	7445060645	Fitting	2		123	4569130046	Hose Assembly	6	
21	4619000006	Manifold	1		124	4569160046	Hose Assembly	4	
22	7115161650	Capscrew, 0.38"-16NC X 2.00"	2		125	4567150048	Hose Assembly	4	
23	7950160000	Lockwasher, 0.38" ID	2		126	4569130044	Hose Assembly	2	
24	7445101032	Fitting	4		127	4570000362	Hose Assembly	2	
25	7445100843	Fitting	4		128	4570000167	Hose Assembly	2	
26	1001206909	Hose Kit	1		129	4567120017	Hose Assembly	2	
27	7445080644	Fitting	2		130	4570000368	Hose Assembly	2	
28	4819000008	Sleeve	2		131	4567132048	Hose Assembly	2	
29	7894000004	Tie Strap	20		201	4570000360	Hose Assembly	2	
30	7950150161	Washer, 0.31" ID	8		201	4570000252	Hose Assembly	2	
31	7660152601	Locknut, 0.31"-18NC	4		301	4567152025	Hose Assembly	1	
32	7274000040	Clamp	8		302	4567152024	Hose Assembly	1	
33	7445080830	Fitting	4		303	4567152056	Hose Assembly	1	
34	2220700	Fitting	2		304	4567152054	Hose Assembly	1	
35	2220518	Fitting	2						
101	4567113028	Hose Assembly	1						
102	4567112024	Hose Assembly	1						

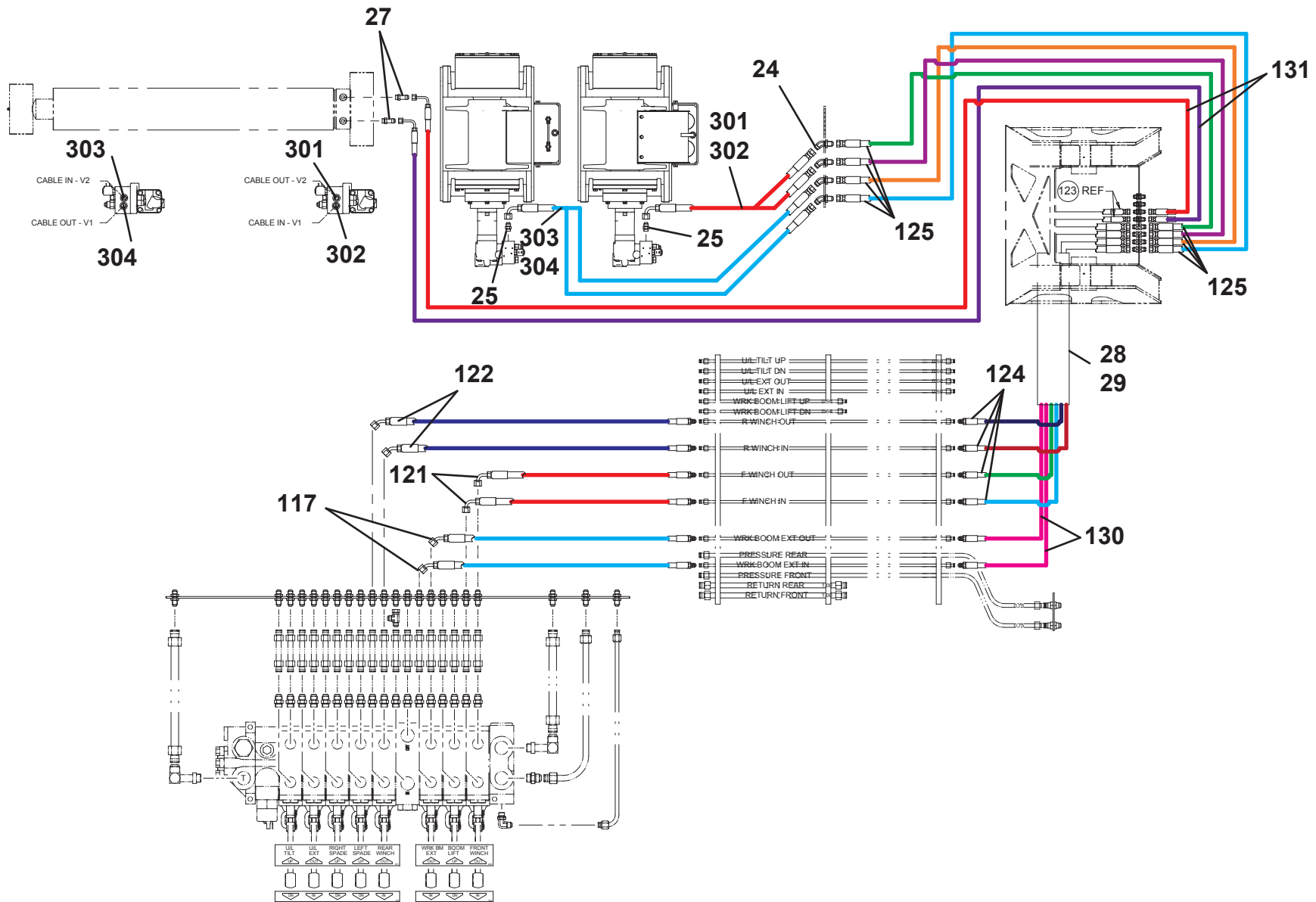
# HYDRAULIC LINES AND FITTINGS - 3PCS BOOM



### HDRAULIC LINES AND FITTINGS - 3PCS BOOM



# HDRAULIC LINES AND FITTINGS - 3PCS BOOM

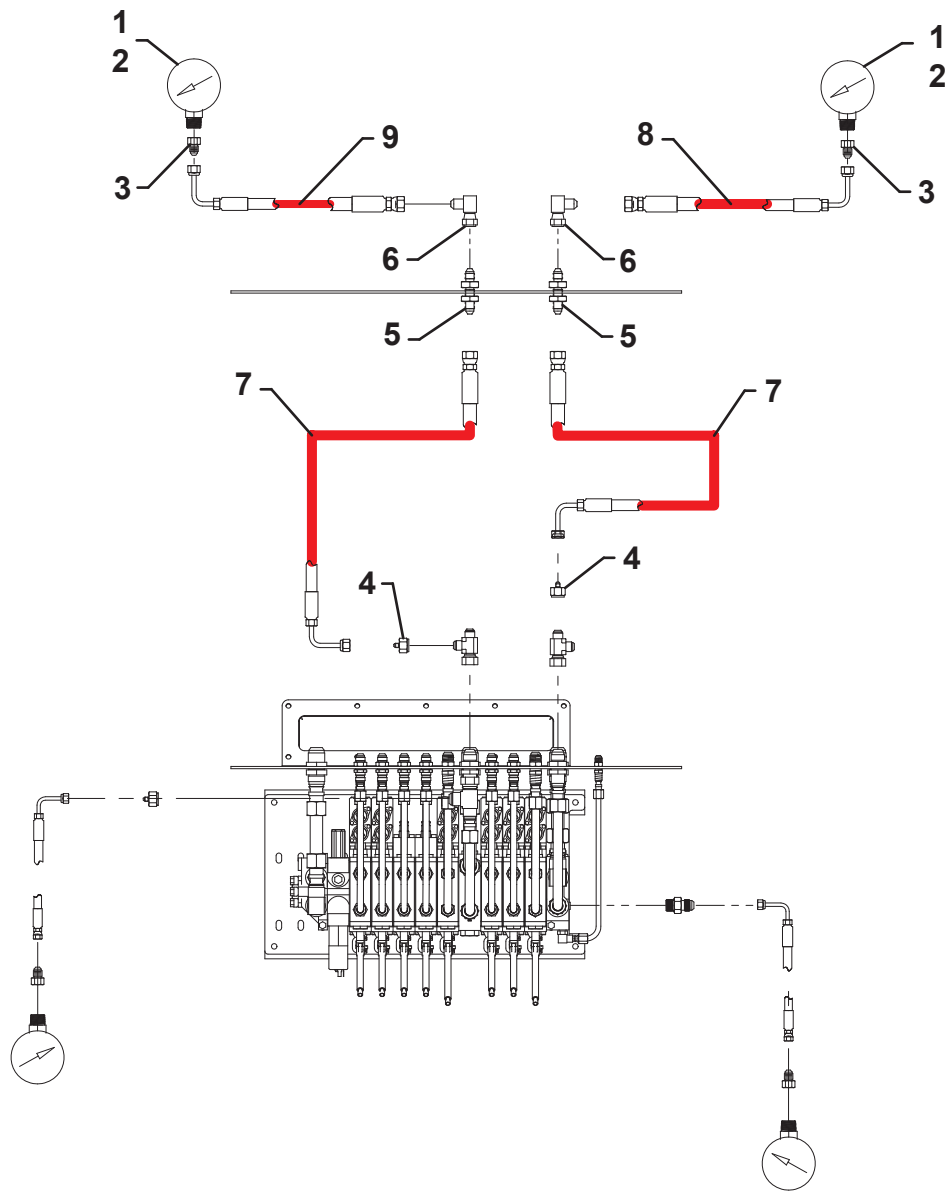


**DRIVER SIDE GAUGE INSTALLATION**

ITEM	PART NO.	DESCRIPTION	QTY	REV
	1001220218	Driver Side Gauge Installation	Ref	A
1	7470000004	Gauge Mount	2	
2	7790060676	Screw, #6 x 0.38"	6	
3	7445040421	Fitting	2	
4	1001094694	Reducer	2	
5	2230021	Adapter	2	
6	2220654	Adapter	2	
7	1001193233	Hose Assembly	2	
8	1001193241	Hose Assembly	1	
9	1001193242	Hose Assembly	1	



# DRIVER SIDE GAUGE INSTALLATION



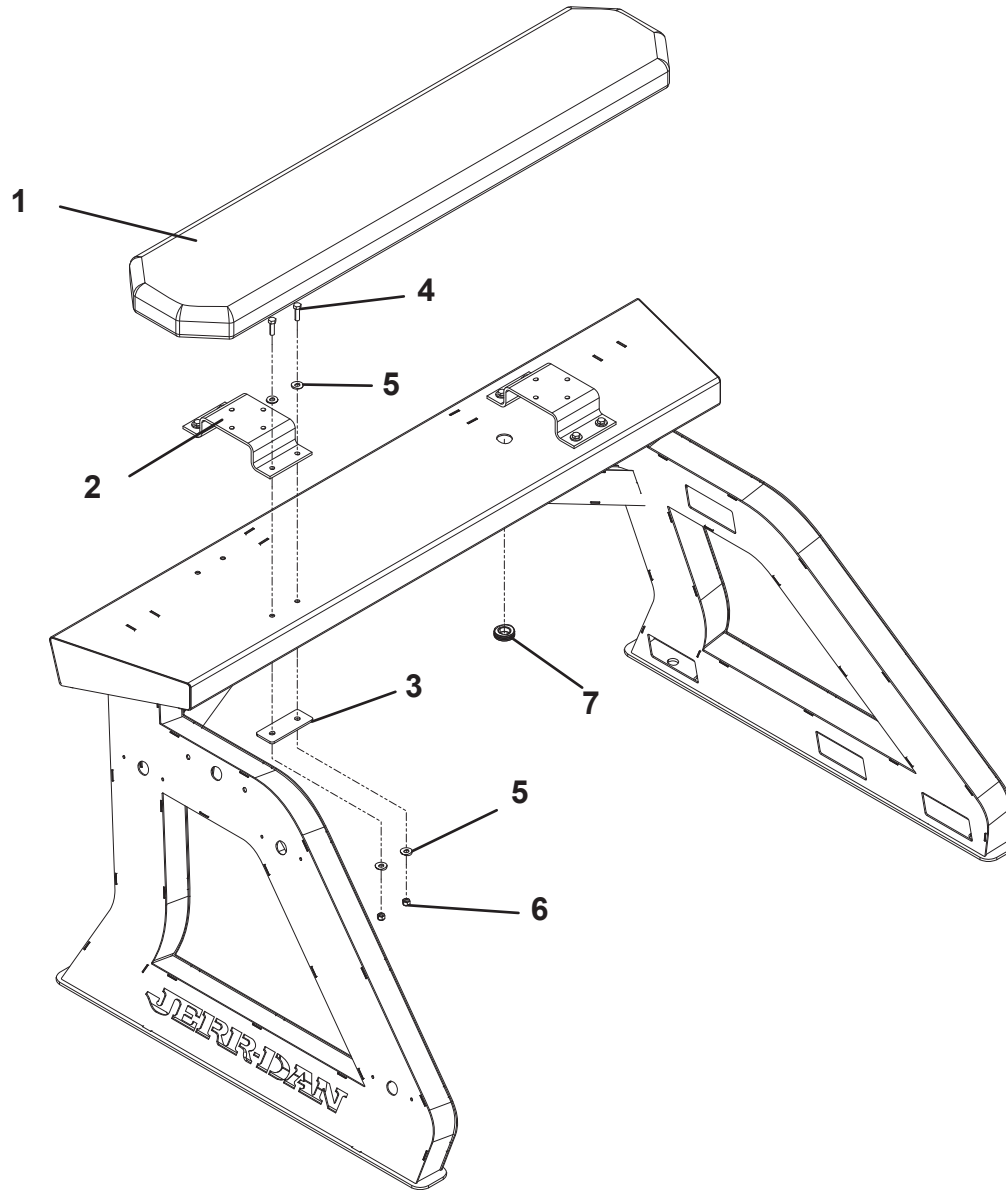
**THIS PAGE INTENTIONALLY LEFT BLANK**

## SECTION 7 - ELECTRICAL

**LIGHT BAR INSTALLATION**

ITEM	PART NO.	DESCRIPTION	QTY	REV
	1001214376	Light Bar Installation	Ref	A
1	1001136990	Light Bar, 58" Amber CD3 (See Separate Breakdown in this Section)	1	
	1001199475	Light Bar, 60" Whelen (See Separate Breakdown in this Section)	1	
	1001152815	Light Bar, 58" Red CD3 (See Separate Breakdown in this Section)	1	
2	4178000234	Bracket	2	
3	1001214128	Plate	4	
4	0641610	Capscrew, 0.38" - 16NC x 1.25"	8	
5	4751600	Washer, 0.38" ID	16	
6	7660162601	Locknut, 0.38" - 16NC	8	
7	7493000011	Grommet	1	

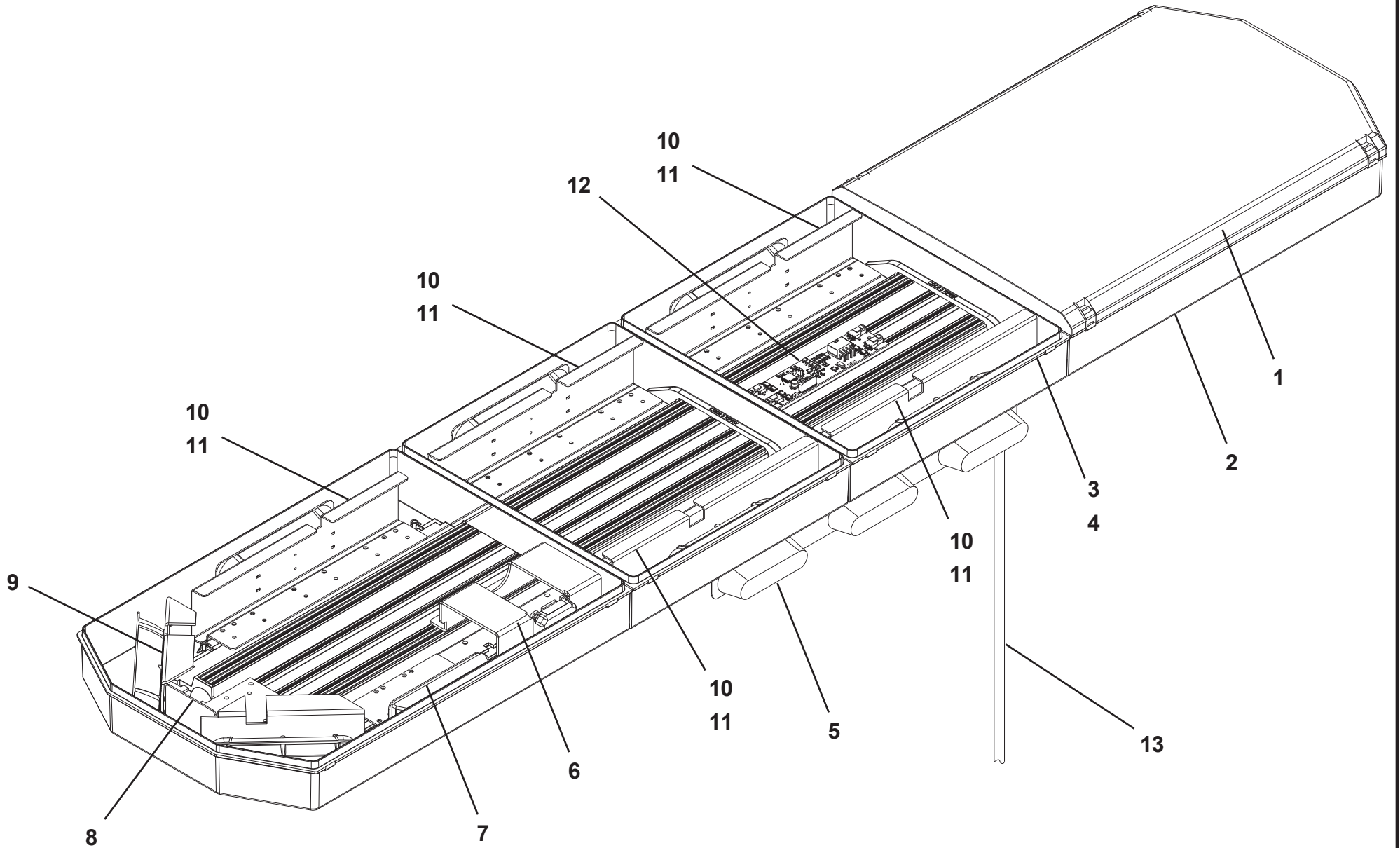
# LIGHT BAR INSTALLATION



**58" AMBER LIGHTBAR - CODE 3 - 1001136990**

ITEM	PART NO.	DESCRIPTION	QTY	REV
	1001136990	58" Amber Lightbar - Code 3	Ref	B
1	9590310197	Lens, Clear Upper Outboard	2	
2	9590310200	Lens, Clear, Lower Outboard	2	
3	9590310203	Lens, Clear Lower Center	2	
4	9590310195	Lens, Clear Upper Center	2	
5	1001126269	3 Light D.O.T. Strip	1	
6	70050164	Worklight, LED	2	
7	1001130702	Module, LED Stop/Tail/Turn	2	
8	70050166	Bracket, Blank	4	
9	9590310206	Module, Bracket	4	
10	9590310205	Module, Led Amber	6	
11	9590310202	Bracket, Mounting	6	
12	70050167	Controller, General	1	
13	70050165	Cable, Jerr-Dan 9 Wire	1	
14	70050980	Harness, Internal Input	1	
15	70050981	Harness, Internal Output	1	

58" AMBER LIGHTBAR - CODE 3 - 1001136990

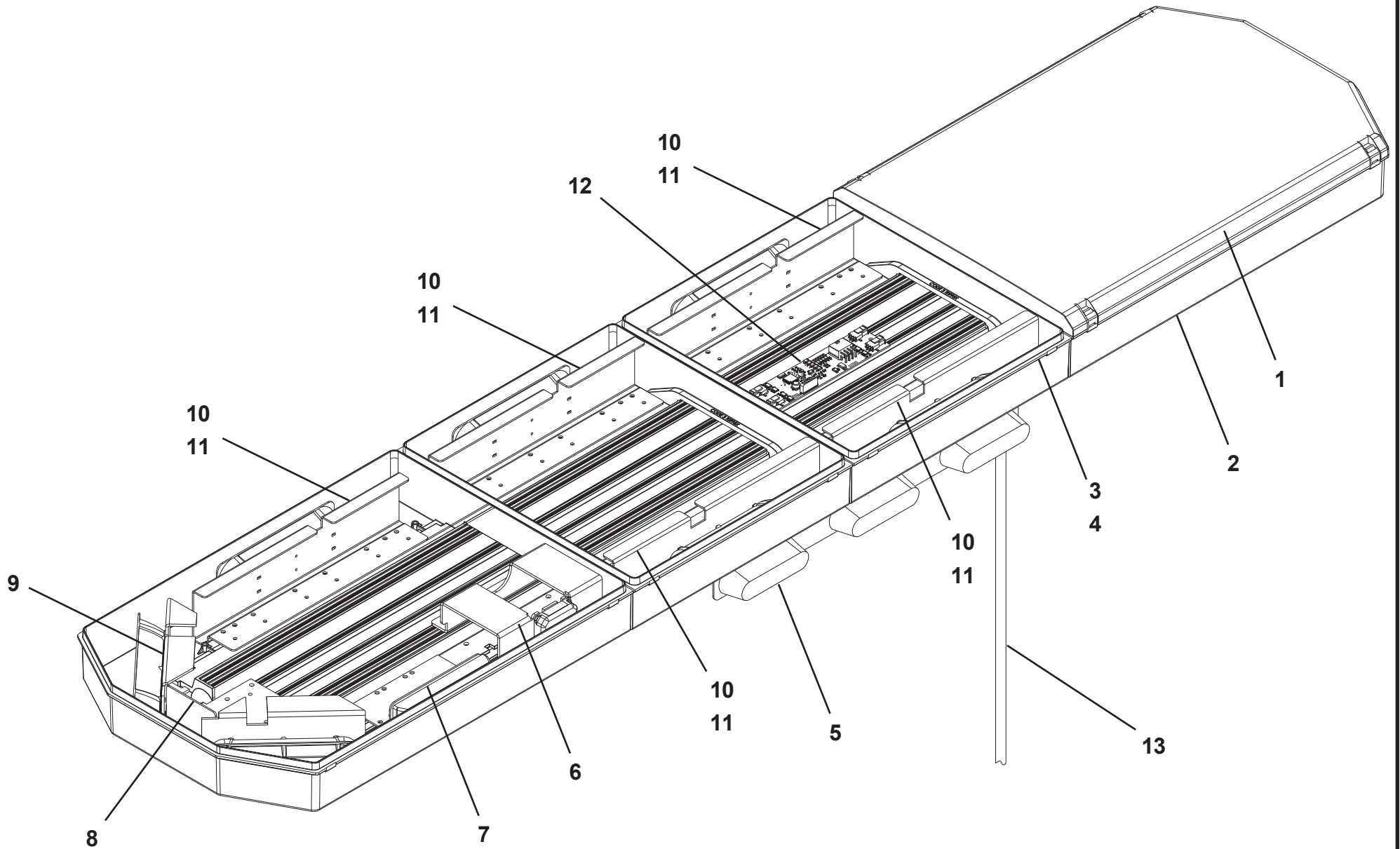


**58" RED LIGHTBAR - CODE 3 - 1001152815**

ITEM	PART NO.	DESCRIPTION	QTY	REV
	1001152815	58" RED Lightbar - Code 3	Ref	A
1	9590310197	Lens, Clear Upper Outboard	2	
2	9590310200	Lens, Clear, Lower Outboard	2	
3	9590310203	Lens, Clear Lower Center	2	
4	9590310195	Lens, Clear Upper Center	2	
5	1001126269	3 Light Strip	1	
6	70050164	Worklight	2	
7	1001130702	Module	2	
8	70050166	Bracket	4	
9	70050979	Bracket	6	
10	70050722	Module	6	
11	9590310202	Bracket	6	
12	70050167	Controller	1	
13	70050165	Cable	1	
14	70050980	Harness	1	
15	70050981	Harness	1	



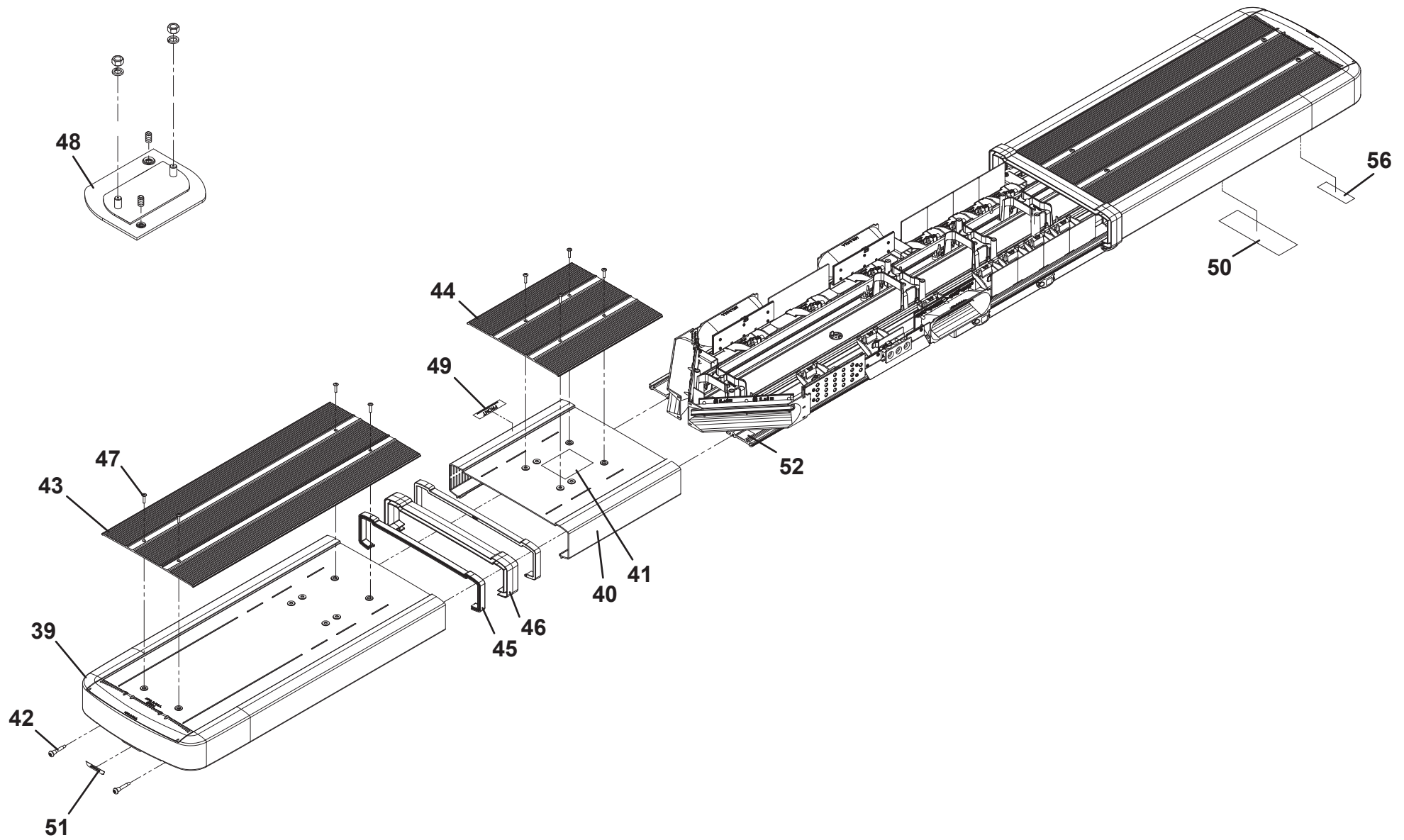
58" RED LIGHTBAR - CODE 3 - 1001152815

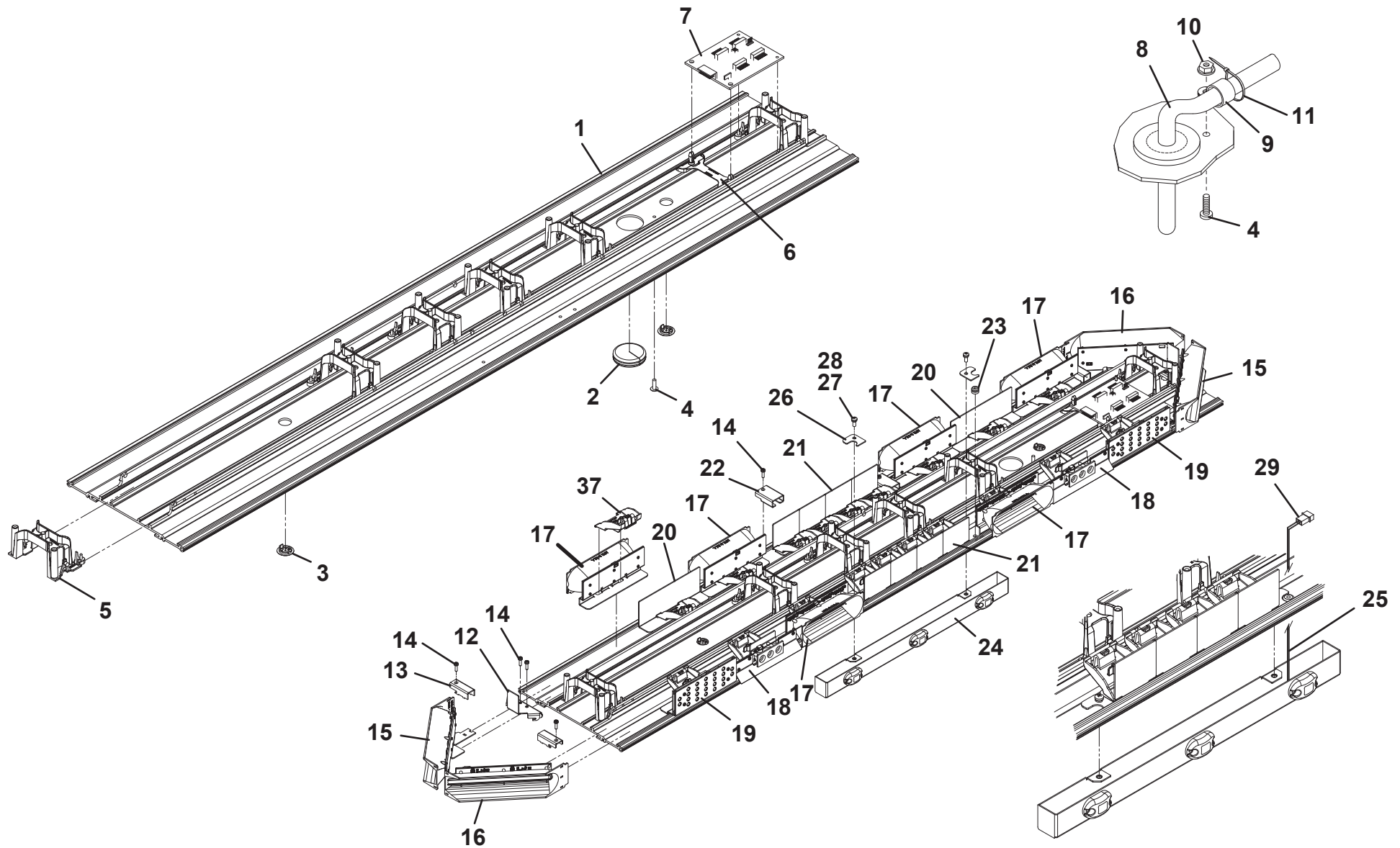


**60" LIGHTBAR - WHELEN - 1001199475**

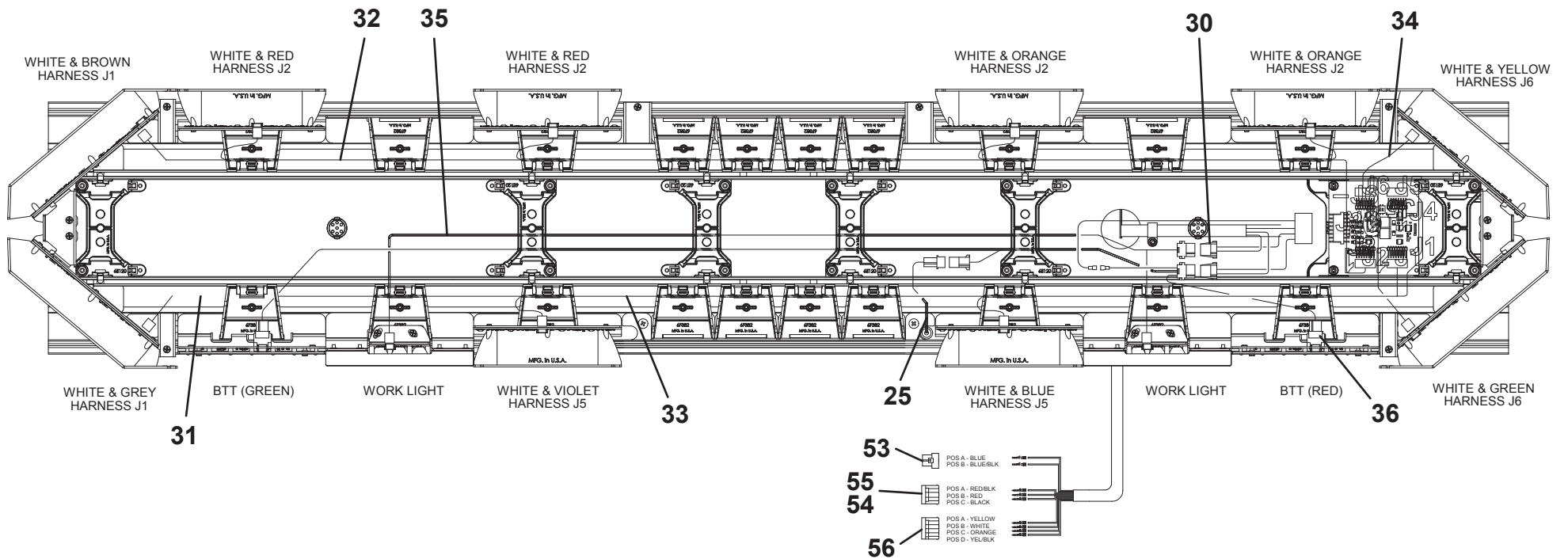
ITEM	PART NO.	DESCRIPTION	QTY	REV	ITEM	PART NO.	DESCRIPTION	QTY	REV
	1001199475	60" Lightbar - Whelen	Ref	B	39	70051076	Lens	1	
1	70051058	Base	1		40	70051077	Lens	1	
2	70050169	Grommet	1		41	70051078	Label	1	
3	70050170	Plug	2		42	70050203	Screw, #10-24NC X 1.25"	4	
4	70051059	Screw, #10-24NC x 0.88"	1		43	70051062	Cover	2	
5	70051021	Bracket	6		44	70051061	Cover	1	
6	70051022	Bracket	1		45	70051048	Seal	4	
7	70051023	Circuit Board	1		46	70051049	Lens	2	
8	70051060	Cable	1		47	70051053	Screw, #10 X 0.88"	12	
9	70050665	Clamp	1		48	70050204	Adapter	2	
10	70050174	Nut, #10-24NC	1		49	70051055	Label	1	
11	70051026	Tiewrap	AR		50	70050207	Label	1	
12	70051027	Bracket	2		51	70051056	Label	2	
13	70051035	Bracket	4		52	70051057	Label	1	
14	70051028	Screw, #6-32NC X 0.50"	10		53	70050208	Housing	1	
15	70051029	Lamp, Rear Amber	2		54	70050209	Connector	1	
16	70051030	Lamp, Front Amber	2		55	70050210	Housing	1	
17	70051063	Lamp, 6 LED	6		56	70050211	Housing	1	
18	70051064	Lamp, 3 LED	2						
19	70051065	Lamp	2						
20	70051066	Bracket	2						
21	70051036	Bracket	8						
22	70051039	Bracket	2						
23	70050176	Grommet	1						
24	70051068	Lamp	1						
25	70050178	Harness	1						
26	70051069	Bracket	2						
27	70050179	Screw, #10-32NF X 0.50"	2						
28	70050180	Lockwasher, #10 ID	2						
29	70050181	Housing	1						
30	70050175	Housing	2						
31	70051070	Harness	1						
32	70051071	Harness	1						
33	70051072	Harness	1						
34	70051073	Harness	1						
35	70051074	Harness	1						
36	70051075	Harness	1						
37	70051044	Bracket	20						
38	70051045	Tiewrap	AR						

# 60" LIGHTBAR - WHELEN - 1001199475



**60" LIGHTBAR - WHELEN - 1001199475**

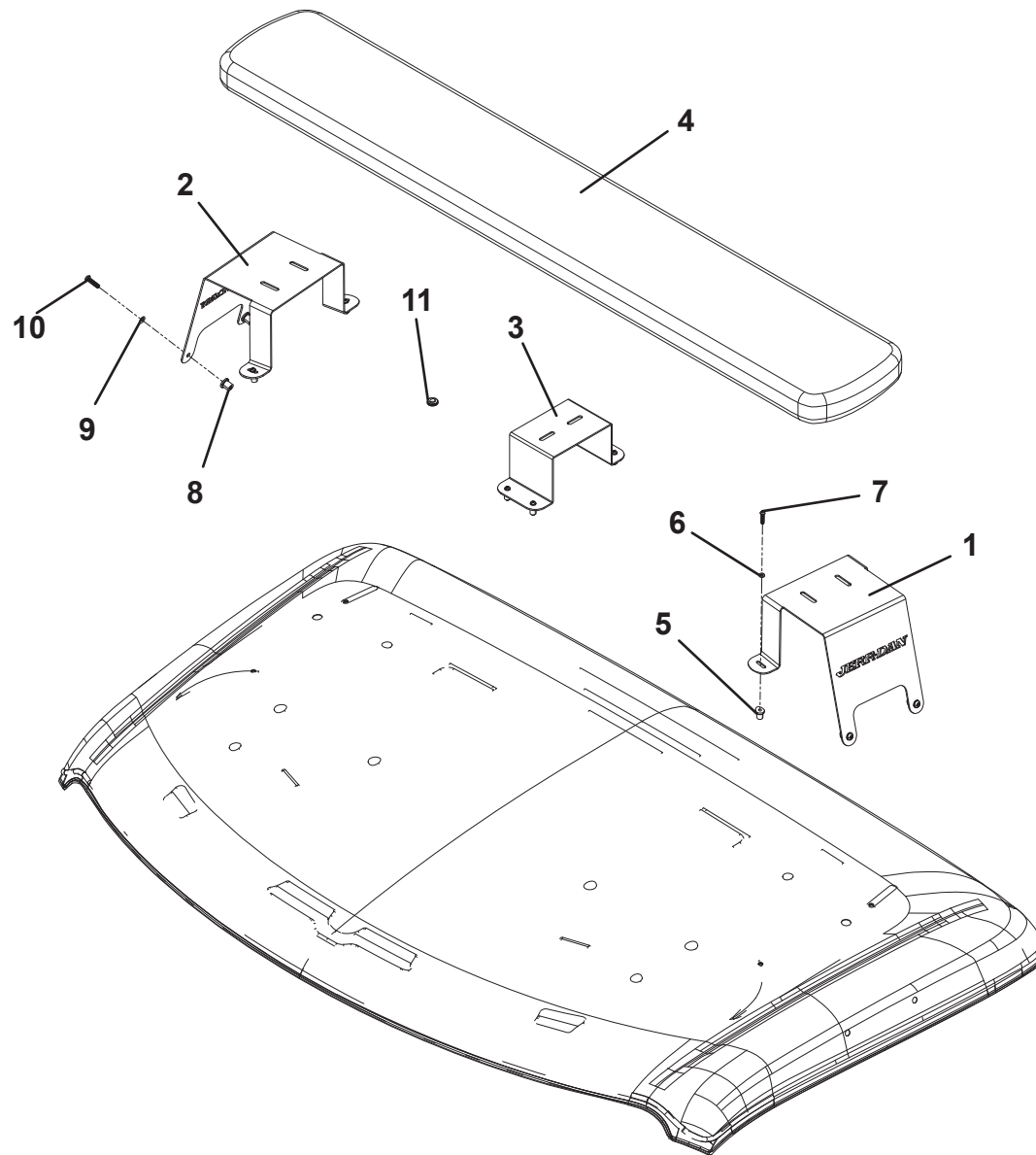
# 60" LIGHTBAR - WHELEN - 1001199475



**CAB MOUNTED LIGHT BAR**

ITEM	PART NO.	DESCRIPTION	QTY	REV
	1001216570	Cab Mounted Light Bar	Ref	A
1	1001215955	Bracket, LH	1	
2	1001215956	Bracket, RH	1	
3	1001215957	Bracket, Center	1	
4	1001199477	Whelen Lightbar (See Separate Breakdown in this Section)	1	
5	1001213131	Nut, M6	8	
6	1001170307	Washer, M6 ID	8	
7	1001216317	Screw, M6	8	
8	1001216373	Nut, M8	4	
9	1001170329	Washer, M8	4	
10	1001216372	Screw, M8	4	
11	1001101025	Grommet	1	
12	1001216571	Harness	1	
13	5526000553	Tie Strap	4	

# CAB MOUNTED LIGHT BAR



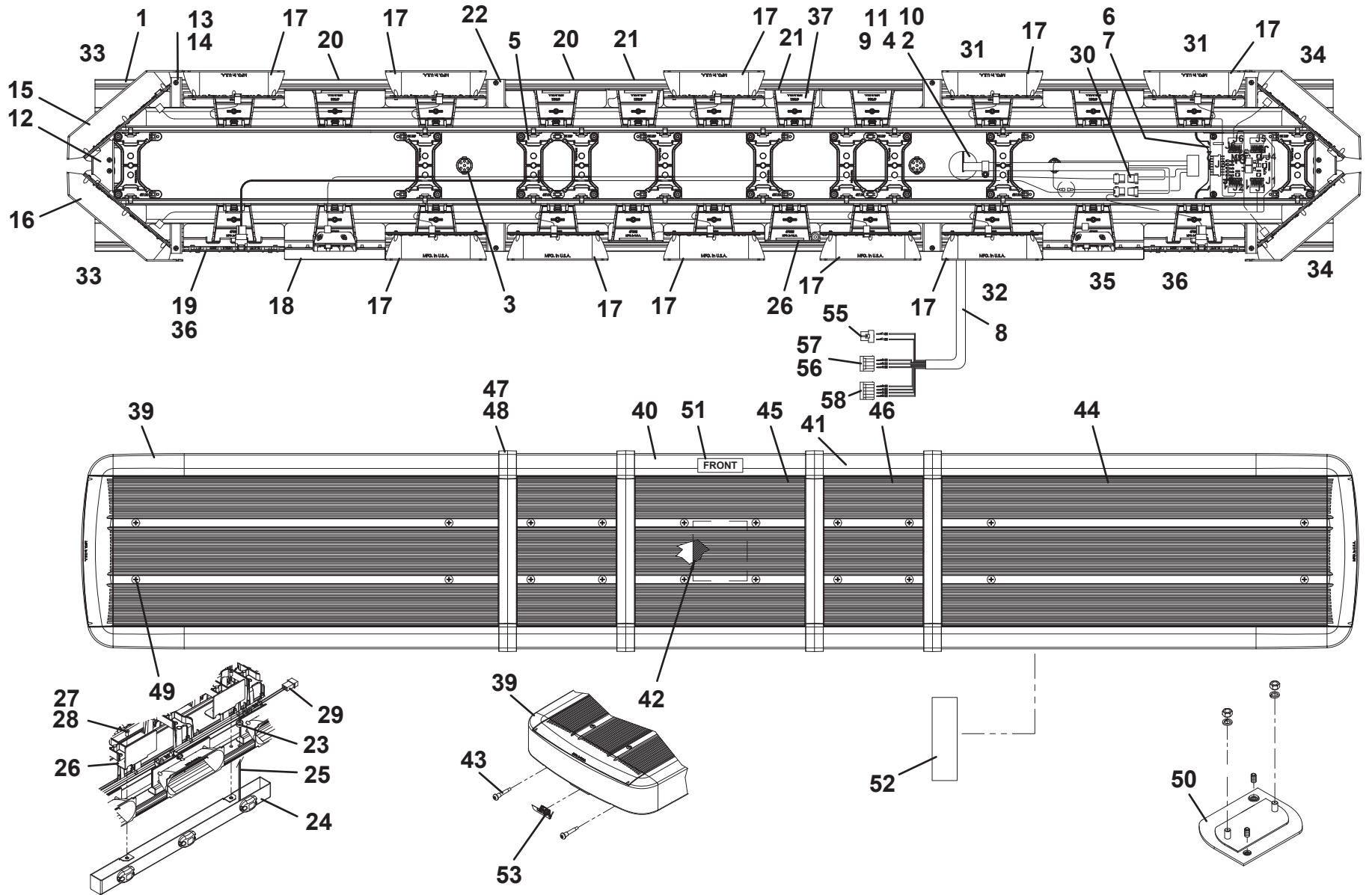


**72" WHELEN LIGHT BAR**

ITEM	PART NO.	DESCRIPTION	QTY	REV	ITEM	PART NO.	DESCRIPTION	QTY	REV
	1001199477	72" Whelen Light Bar	Ref	B	39	70051076	Lens Assembly	2	
1	70051341	Base	1		40	70051077	Lens	1	
2	70050169	Grommet	1		41	70051349	Lens	2	
3	70050170	Plug	2		42	70051078	Label	1	
4	70051059	Screw, #10 - 24 x 0.625"	1		43	70050203	Screw, #10-24 x 1.25"	4	
5	70051021	Bracket	10		44	70051062	Cover	2	
6	70051022	Bracket	1		45	70051061	Cover	1	
7	70051023	Circuit Board	1		46	70051350	Cover	2	
8	70051060	Cable	1		47	70051048	Seal	8	
9	70050665	Cable Clamp	1		48	70051049	Divider	4	
10	70050174	Nut, #10 - 24	1		49	70051053	Screw, #10 x 0.875"	20	
11	70051026	Tie-Wrap	1		50	70050204	Adapter	2	
12	70051027	Bracket	2		51	70051055	Decal, Front	1	
13	70051035	Bracket	4		52	70050207	Decal, Serial Number	1	
14	70051028	Screw, #6 - 32 x 0.50"	12		53	70051056	Decal	2	
15	70051029	Corner Assembly, Front	A/R		54	70051056	Decal	1	
16	70051030	Corner Assembly, Rear	A/R		55	70050208	Housing	1	
17	70051063	LED Assembly, 6 light	A/R		56	70050209	Connector	1	
18	70051064	LED Assembly, 3 light	2		57	70050210	Housing	1	
19	70051065	Turn Signal Assembly	2		58	70050211	Housing	1	
20	70051066	Bracket	4						
21	70051036	Bracket	2						
22	70051039	Bracket	4						
23	70050176	Grommet	1						
24	70051068	ICC Cluster	1						
25	70050178	Harness	1						
26	70051069	Bracket	2						
27	70050179	Screw, #10 - 32 x 0.50"	2						
28	70050180	Washer, #10 ID	2						
29	70050181	Housing	1						
30	70050175	Housing	2						
31	70051343	Harness	1						
32	70051344	Harness	1						
33	70051345	Harness	1						
34	70051346	Harness	1						
35	70051347	Harness	1						
36	70051348	Harness	1						
37	70051044	Bracket	22						
38	70051045	Tie Wrap	A/R						



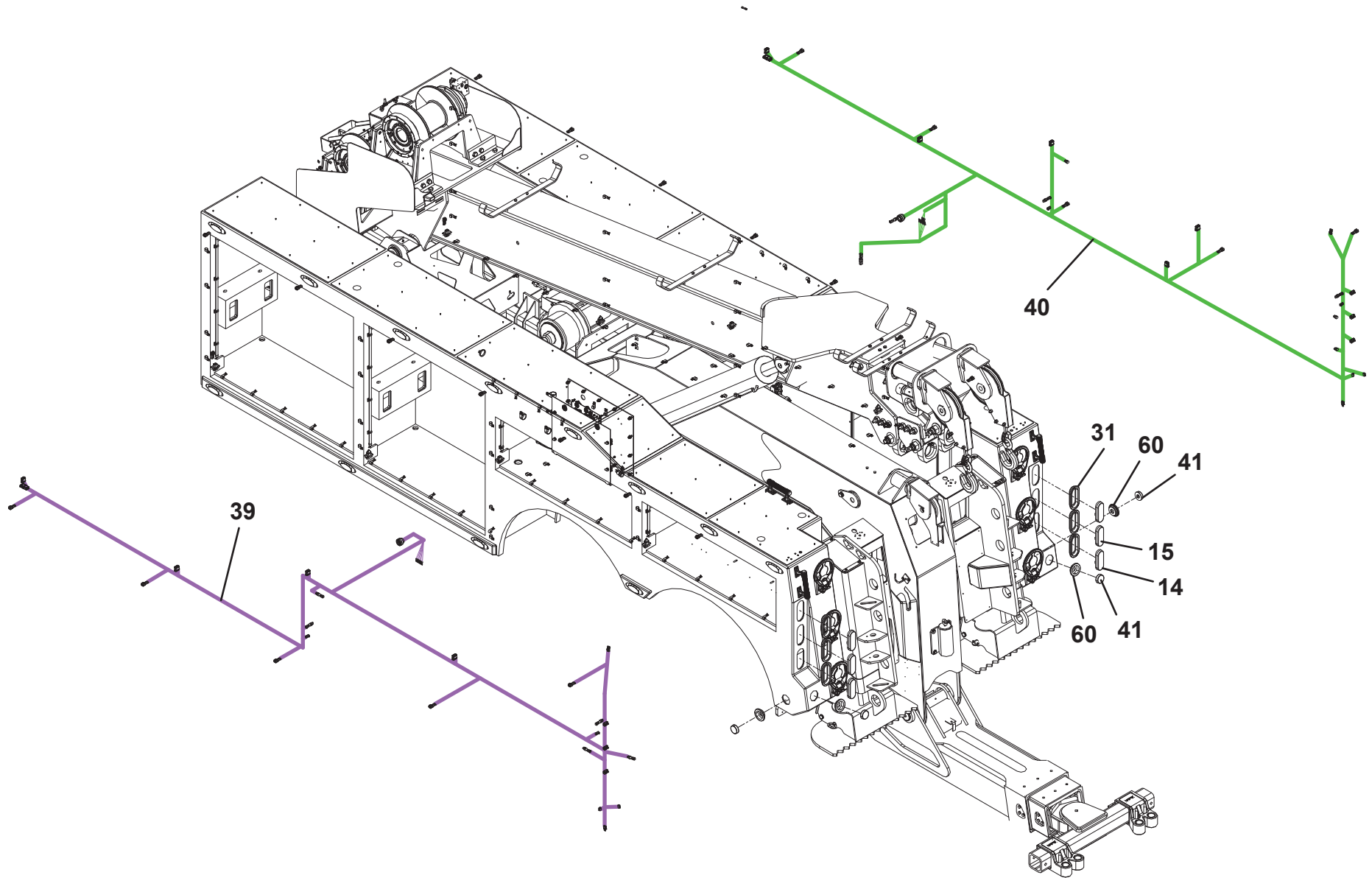
# 72" WHELEN LIGHT BAR



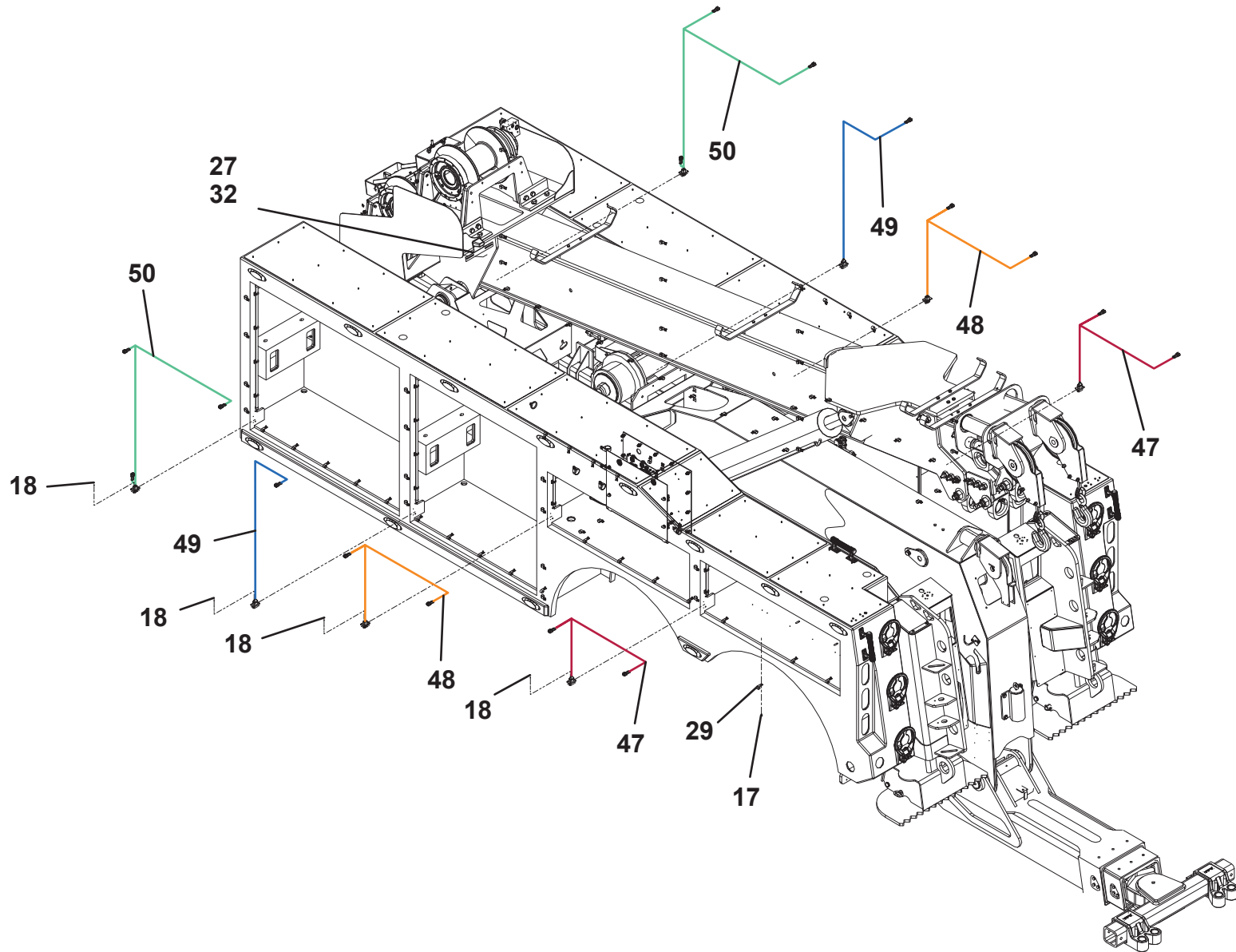
**ELECTRICAL INSTALLATION - TANDEM AXLE**

ITEM	PART NO.	DESCRIPTION	QTY	REV	ITEM	PART NO.	DESCRIPTION	QTY	REV
	1001210000	Electrical Installation - Tandem Axle	Ref	E	40	1001215445	Harness, RH	1	
1	0750604	Screw	8		41	7590000343	Light	4	
2	3760308	Retainer	4		42	1001209031	Harness, Tow light	1	
3	4460466	Terminal	1		43	1001209040	Cable	1	
4	4460509	Terminal	6		44	1001209041	Cable	1	
5	4740513	Washer, 0.25" ID	8		45	1001209042	Cable	1	
6	1001122235	Bracket	4		46	1001209044	Cable	1	
7	1001166930	Latch	4		47	1001209051	Harness	2	
8	1001166974	Washer, 0.38" ID	14		48	1001207212	Harness	2	
9	1001167607	Plug	2		49	1001207213	Harness	2	
10	1001168320	Terminal	1		50	1001209054	Harness	2	
11	1001168321	Terminal	1		51	1001209365	Seal	1	
12	1001168322	Terminal	2		52	1001209366	Seal	4	
13	1001168993	Capscrew, 0.38"-16NC x 1.50"	14		53	7274000042	Clamp	5	
14	1001174680	Lamp, Backup	2		54	1001204788	Terminal Nut	1	
15	1001174681	Lamp, Tail light	4		55	1001205043	Terminal Nut	4	
16	1001191602	Panel	1		56	7114100818	Screw, #10 - 24NC x 1.00"	2	
17	1001195257	Screw, 0.25" x 0.50"	85		57	1001205044	Terminal Washer	4	
18	1001196552	Screw, #8 x 0.75"	32		58	1001204789	Terminal Washer	1	
19	1001201384	Socket	1		60	1001220431	Grommet	4	
20	1001201926	Washer, #10 ID	4						
21	1001206505	Plate	1						
22	1001207734	Screw	4						
23	1001207736	Washer, #10 ID	8						
24	1001208066	Connector	1						
25	1001208303	Nut, #10-24	4						
26	7114100618	Screw, #10 - 24 x 0.75"	2						
27	7178000025	License Plate Bracket	1						
28	7274000040	Clamp	2						
29	7280000006	Clip	83						
30	5526000553	Tie Strap	30						
31	7493000026	Grommet	6						
32	7590000105	Light	1						
34	7660102601	Nut, #10-24NC	4						
35	7660162601	Locknut, 0.38" - 16NC	14						
36	7950160143	Flatwasher, 0.38" ID	28						
37	1001168328	Cable	1						
38	1001203234	Electrical Assembly	1						
39	1001209010	Harness, LH	1						

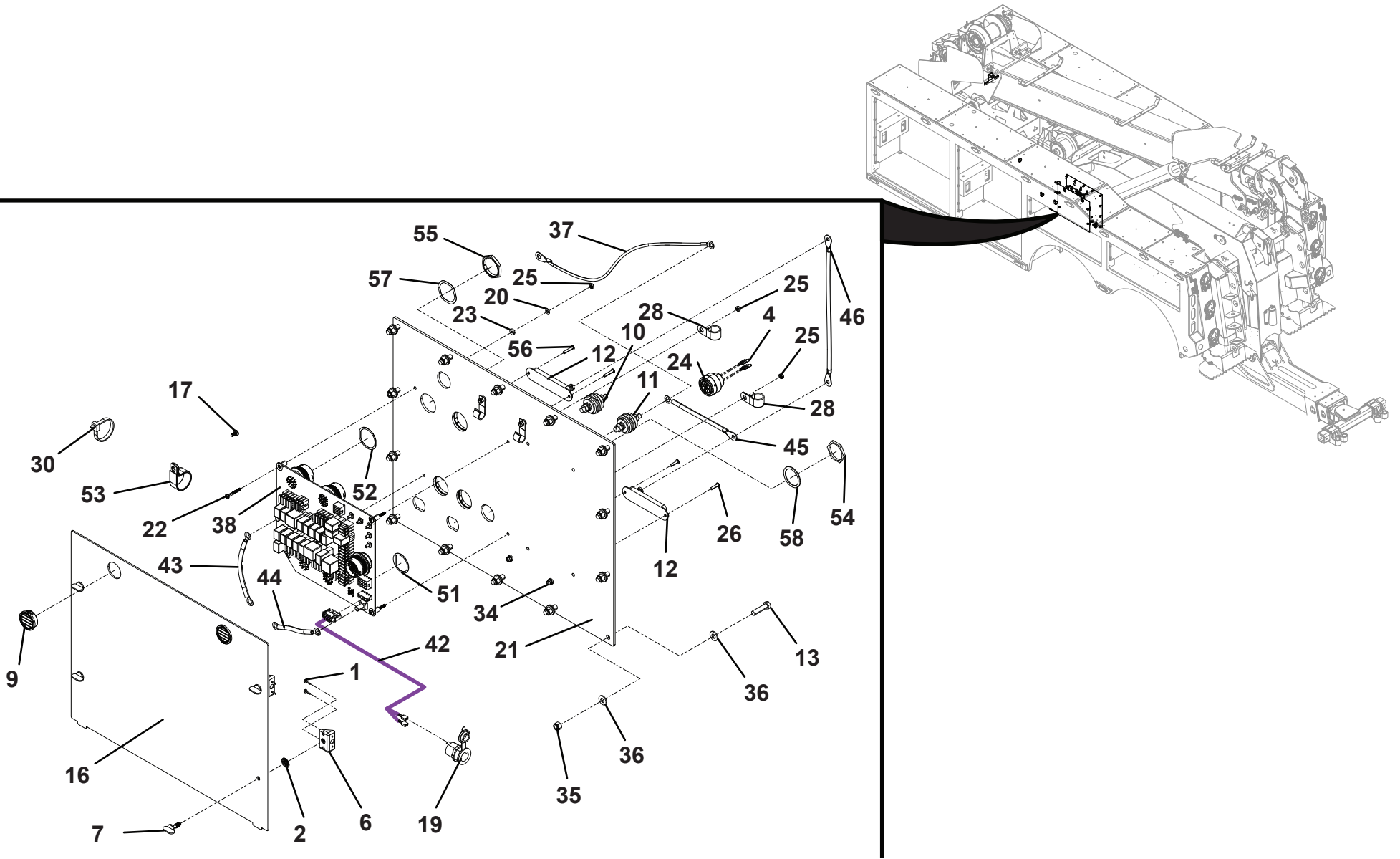
# ELECTRICAL INSTALLATION - TANDEM AXLE



**ELECTRICAL INSTALLATION - TANDEM AXLE**



# ELECTRICAL INSTALLATION - TANDEM AXLE

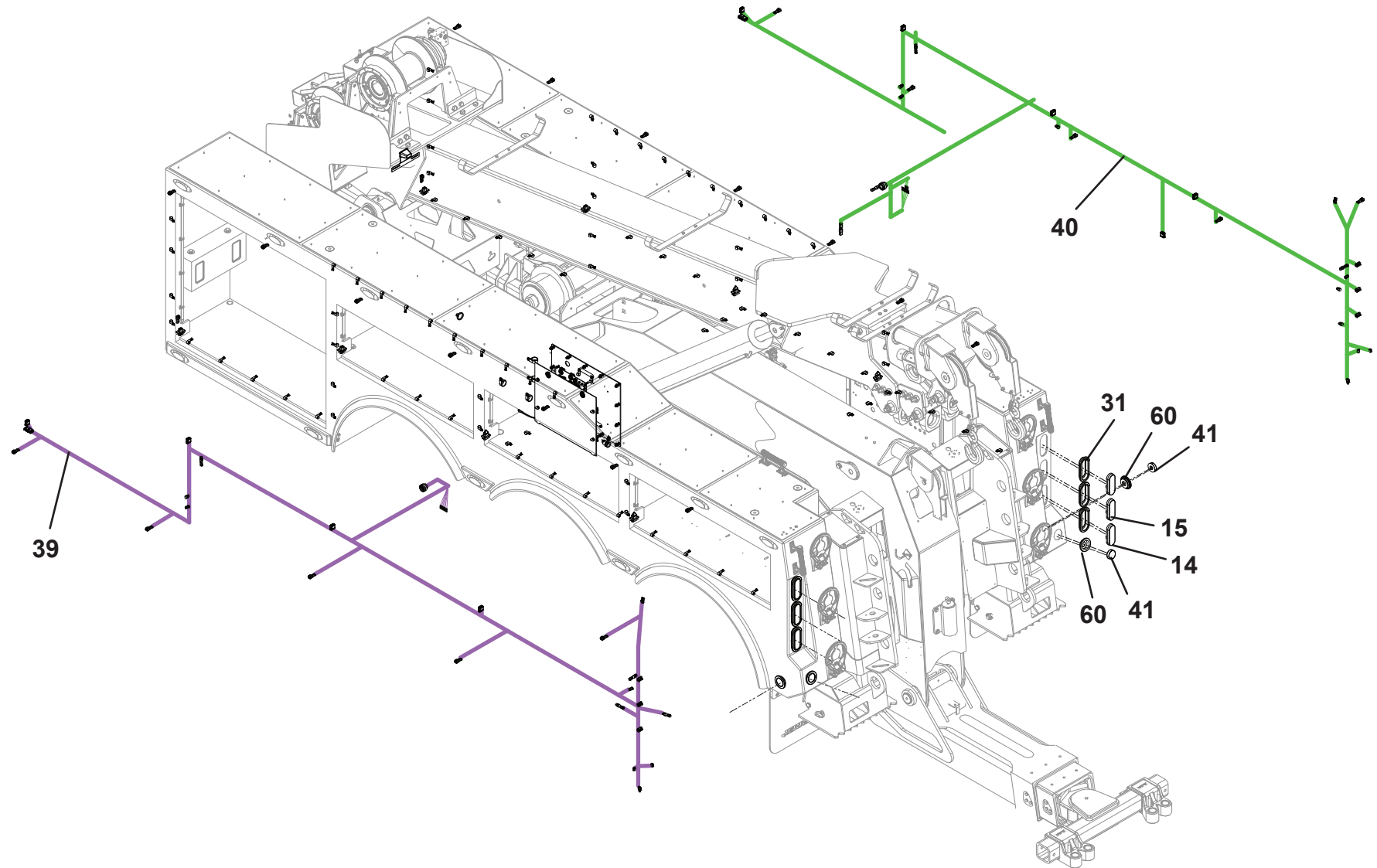


**ELECTRICAL INSTALLATION - TRI-AXLE**

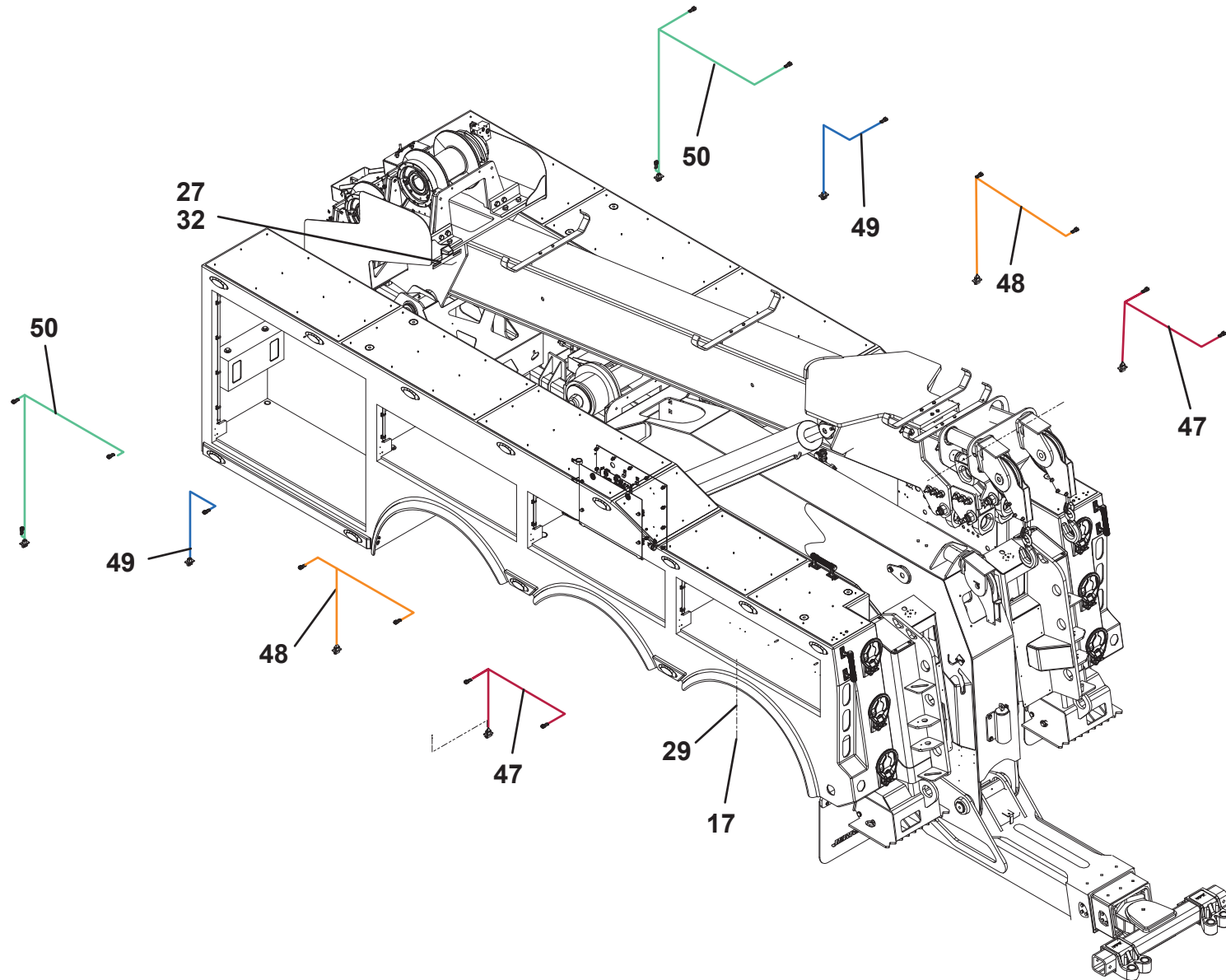
ITEM	PART NO.	DESCRIPTION	QTY	REV	ITEM	PART NO.	DESCRIPTION	QTY	REV
	1001210001	Electrical Installation - Tri-Axle	Ref	E	40	1001215445	Harness, RH	1	
1	0750604	Screw	8		41	7590000343	Light	4	
2	3760308	Retainer	4		42	1001209031	Harness, Tow light	1	
3	4460466	Terminal	1		43	1001209040	Cable	1	
4	4460509	Terminal	6		44	1001209041	Cable	1	
5	4740513	Washer, 0.25" ID	8		45	1001209042	Cable	1	
6	1001122235	Bracket	4		46	1001209044	Cable	1	
7	1001166930	Latch	4		47	1001209051	Harness	2	
8	1001166974	Washer, 0.38" ID	14		48	1001207212	Harness	2	
9	1001167607	Plug	2		49	1001207213	Harness	2	
10	1001168320	Terminal	1		50	1001209054	Harness	2	
11	1001168321	Terminal	1		51	1001209365	Seal	1	
12	1001168322	Terminal	2		52	1001209366	Seal	4	
13	1001168993	Capscrew, 0.38"-16NC x 1.50"	14		53	7274000042	Clamp	5	
14	1001174680	Lamp, Backup	2		54	1001204788	Terminal Nut	1	
15	1001174681	Lamp, Tail light	4		55	1001205043	Terminal Nut	4	
16	1001191602	Panel	1		56	7114100818	Screw, #10 - 24NC x 1.00"	2	
17	1001195257	Screw, 0.25" x 0.50"	85		57	1001205044	Terminal Washer	4	
18	1001196552	Screw, #8 x 0.75"	32		58	1001204789	Terminal Washer	1	
19	1001201384	Socket	1		60	1001220431	Grommet	4	
20	1001201926	Washer, #10 ID	4						
21	1001206505	Plate	1						
22	1001207734	Screw	4						
23	1001207736	Washer, #10 ID	8						
24	1001208066	Connector	1						
25	1001208303	Nut, #10-24	4						
26	7114100618	Screw, #10 - 24 x 0.75"	2						
27	7178000025	License Plate Bracket	1						
28	7274000040	Clamp	2						
29	7280000006	Clip	83						
30	5526000553	Tie Strap	30						
31	7493000026	Grommet	6						
32	7590000105	Light	1						
34	7660102601	Nut, #10-24NC	4						
35	7660162601	Locknut, 0.38" - 16NC	14						
36	7950160143	Flatwasher, 0.38" ID	28						
37	1001168328	Cable	1						
38	1001203234	Electrical Assembly	1						
39	1001209010	Harness, LH	1						



# ELECTRICAL INSTALLATION - TRI-AXLE

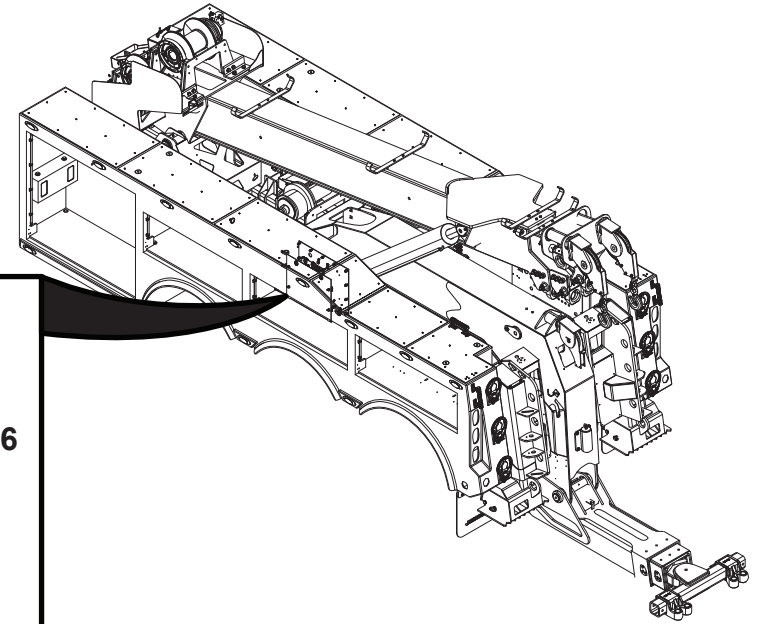
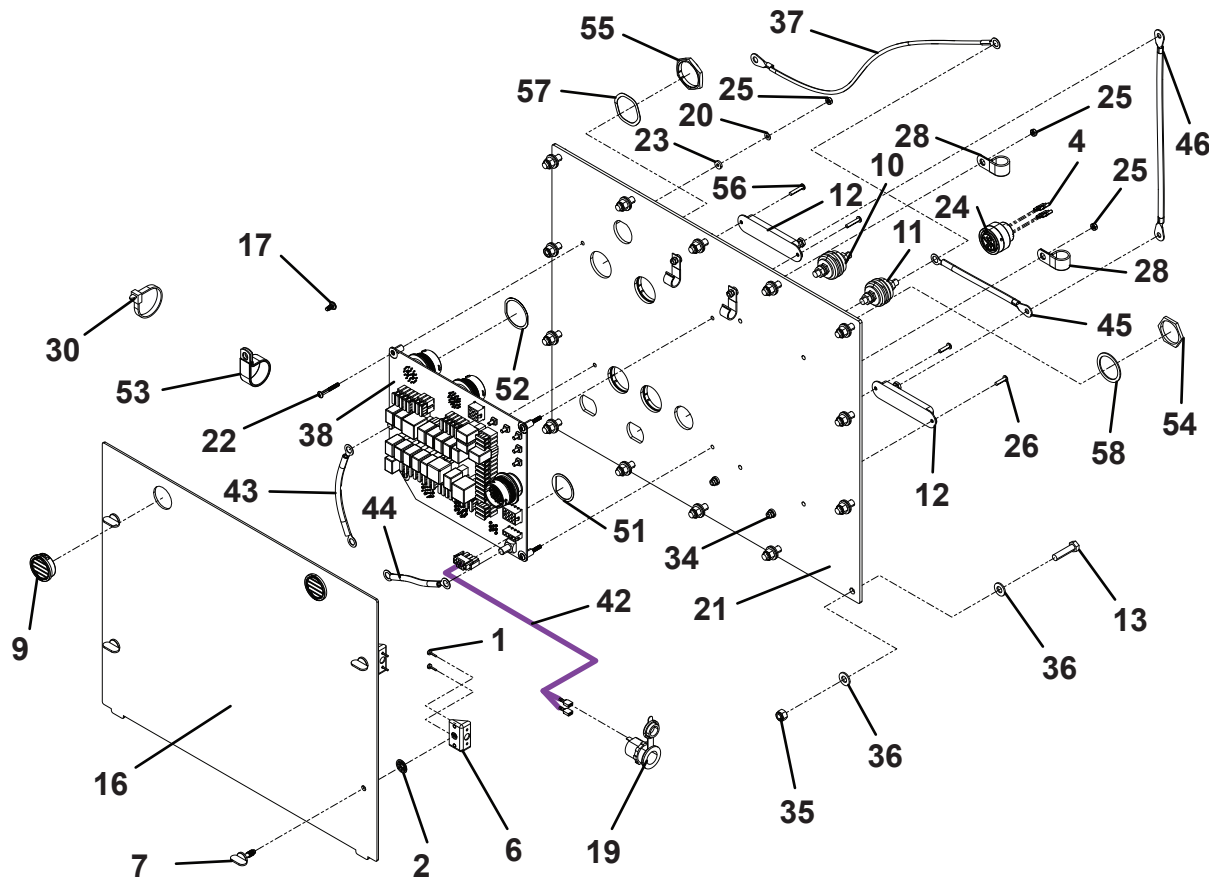


**ELECTRICAL INSTALLATION - TRI-AXLE**





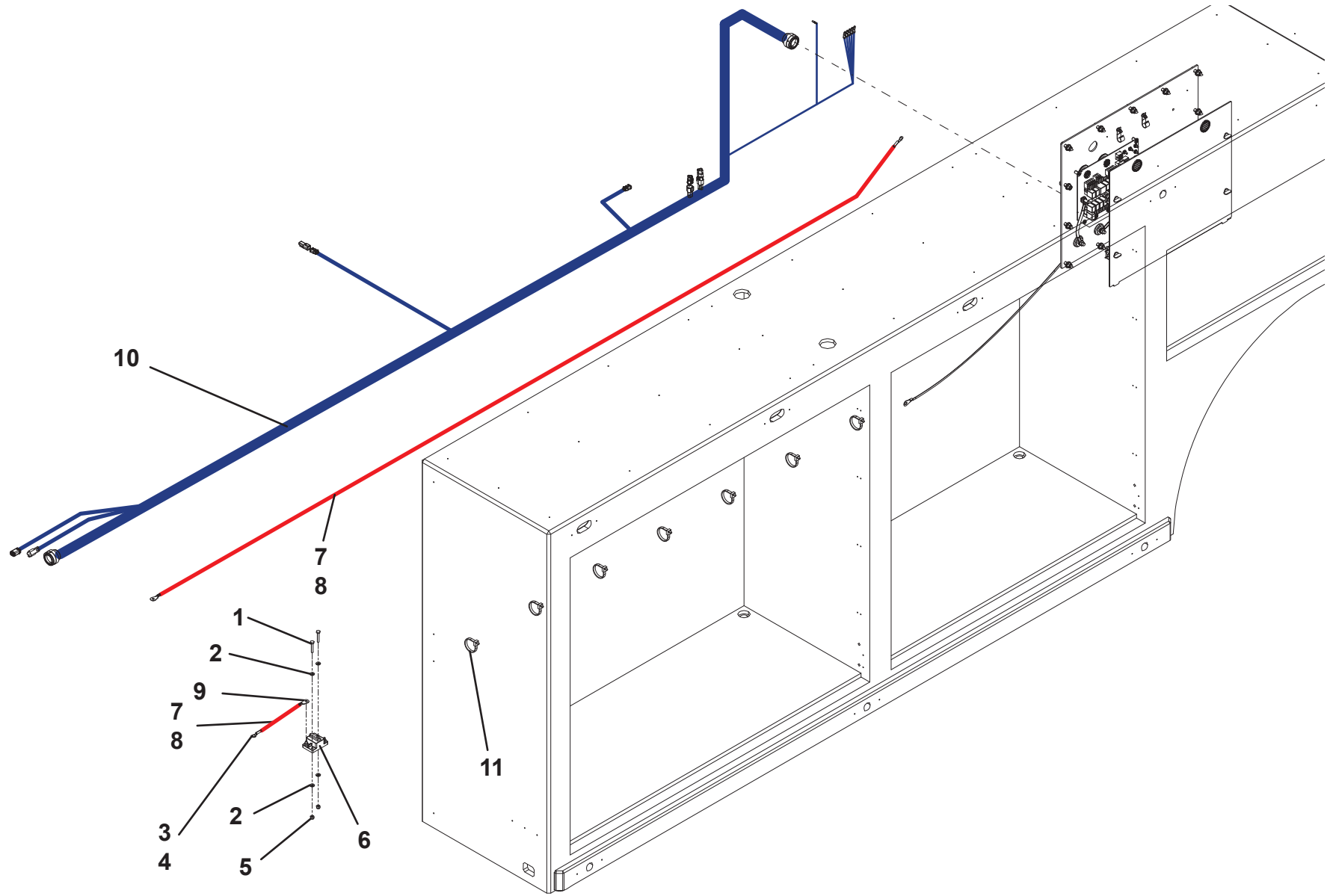
# ELECTRICAL INSTALLATION - TRI-AXLE



**CENTER HARNESS INSTALLATION - 174" CT**

ITEM	PART NO.	DESCRIPTION	QTY	REV
	1001210003	Center Harness Installation - 174" CT	Ref	C
1	0641412	Capscrew, 0.25" - 20NC x 1.50"	2	
2	4711400	Washer, 0.25" ID	4	
3	7345242202	Terminal	2	
4	7346000045	Tubing	0.25in	
5	7660142600	Locknut, 0.25" - 20NC	2	
6	7870000043	Switch Breaker	1	
7	7978000011	Cable	30FT	
8	8597650001	Loom	30FT	
9	1001125479	Terminal	2	
10	1001215040	Harness	1	
11	5526000553	Tie Strap	25	

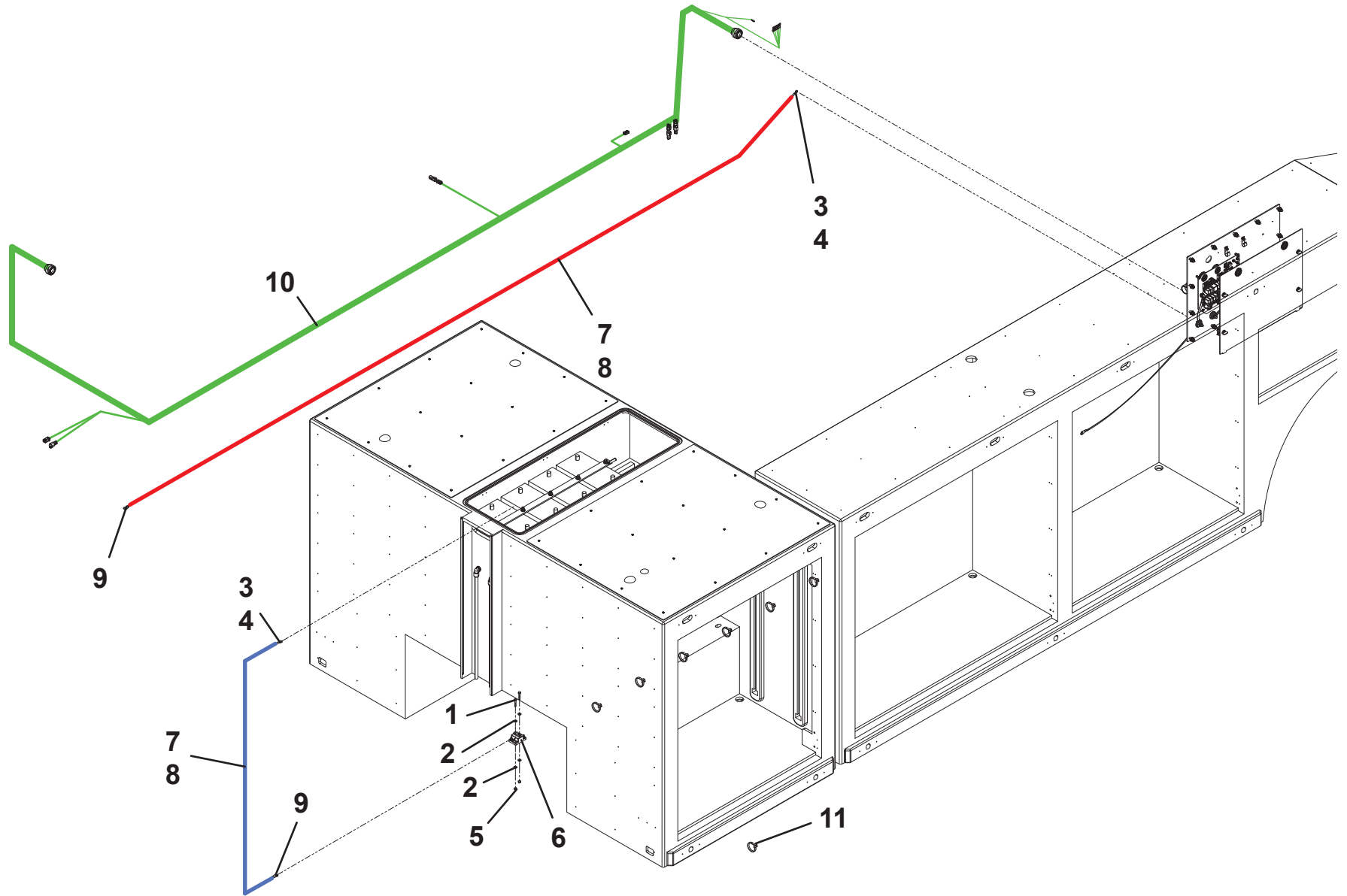
# CENTER HARNESS INSTALLATION - 174" CT



**CENTER HARNESS INSTALLATION - 225" CT**

ITEM	PART NO.	DESCRIPTION	QTY	REV
	1001210002	Center Harness Installation - 225" CT	Ref	C
1	0641412	Capscrew, 0.25" - 20NC x 1.50"	2	
2	4711400	Washer, 0.25" ID	4	
3	7345242202	Terminal	2	
4	7346000045	Tubing	0.25in	
5	7660142600	Locknut, 0.25" - 20NC	2	
6	7870000043	Switch Breaker	1	
7	7978000011	Cable	30FT	
8	8597650001	Loom	30FT	
9	1001125479	Terminal	2	
10	1001215041	Harness	1	
11	5526000553	Tie Strap	25	

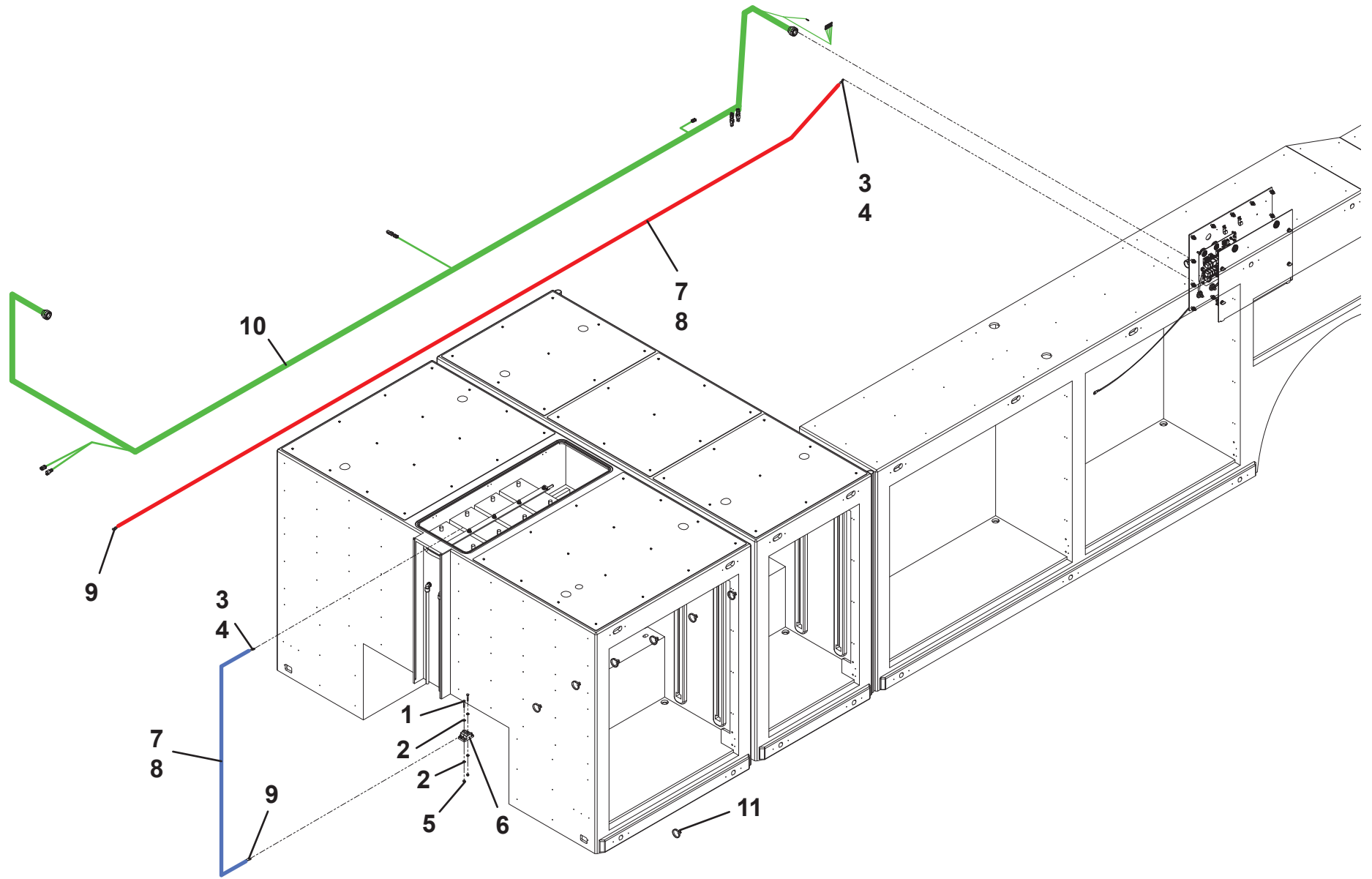
# CENTER HARNESS INSTALLATION - 225" CT



**CENTER HARNESS INSTALLATION - 265" CT**

ITEM	PART NO.	DESCRIPTION	QTY	REV
	1001215038	Center Harness Installation - 265" CT	Ref	B
1	0641412	Capscrew, 0.25" - 20NC x 1.50"	2	
2	4711400	Washer, 0.25" ID	4	
3	7345242202	Terminal	2	
4	7346000045	Tubing	0.25in	
5	7660142600	Locknut, 0.25" - 20NC	2	
6	7870000043	Switch Breaker	1	
7	7978000011	Cable	30FT	
8	8597650001	Loom	30FT	
9	1001125479	Terminal	2	
10	1001215048	Harness	1	
11	5526000553	Tie Strap	25	

# CENTER HARNESS INSTALLATION - 265" CT

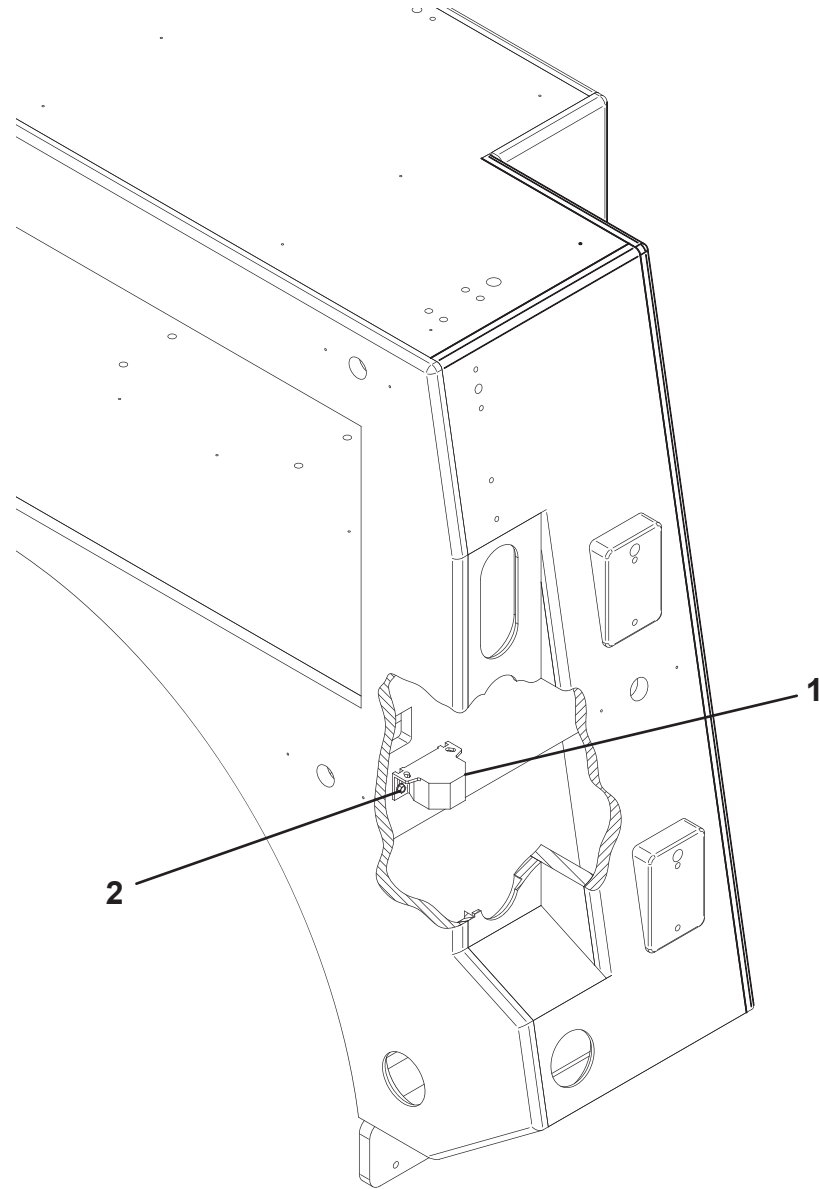


**BACKUP ALARM INSTALLATION**

ITEM	PART NO.	DESCRIPTION	QTY	REV
	1001213538	Backup Alarm Installation	Ref	A
1	7011000006	Alarm, Backup	1	
	1001175061	Alarm, Backup Variable	1	
2	7790141251	Screw, 0.25" x 0.75"	2	



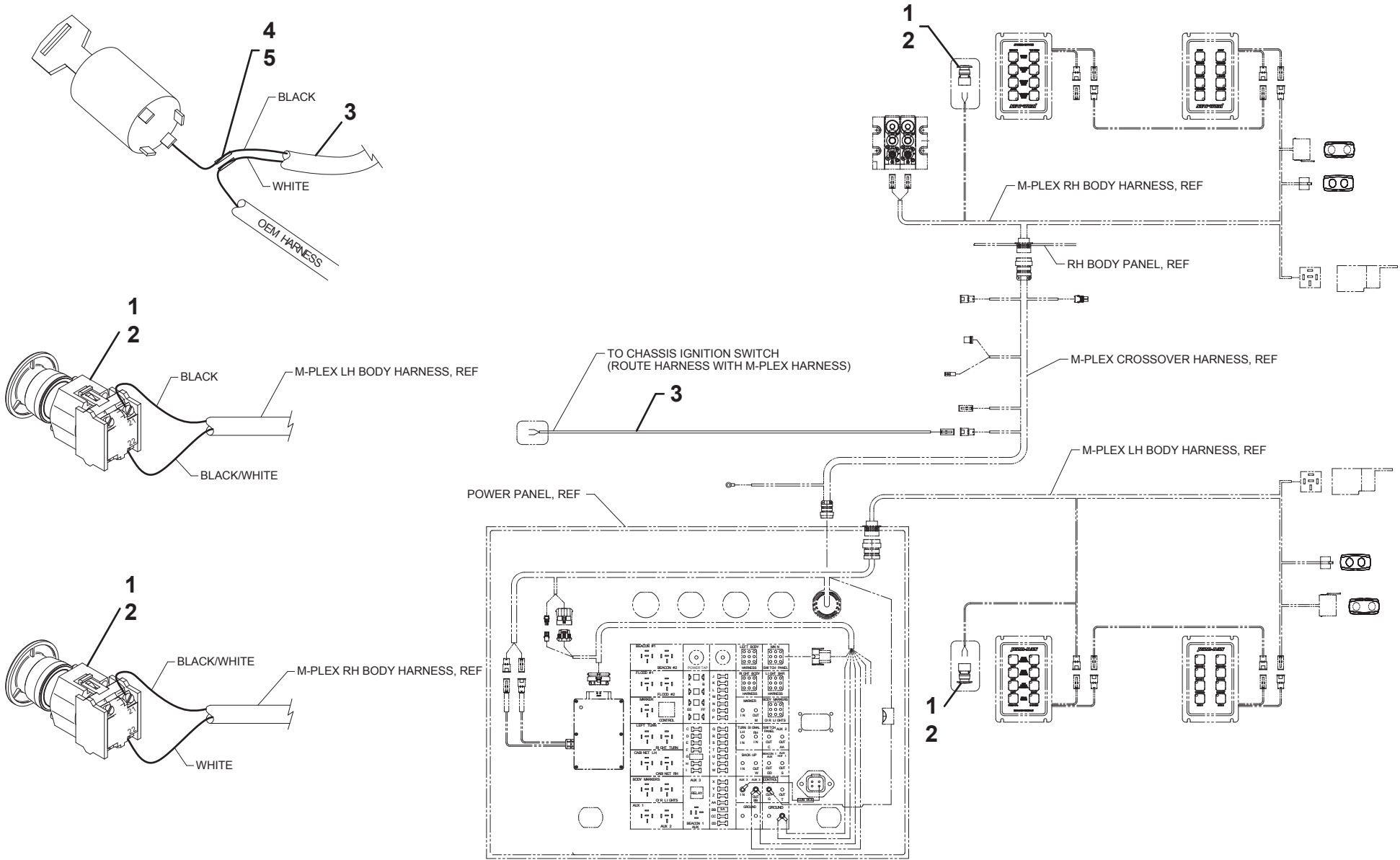
# BACKUP ALARM INSTALLATION



**E-STOP INSTALLATION**

ITEM	PART NO.	DESCRIPTION	QTY	REV
	1001231612	E-Stop Installation	Ref	A
1	7870000128	Switch	2	
2	7870000129	Switch	2	
3	1001171394	Harness	1	
4	7345001714	Terminal	2	
5	7346000039	Tubing	1	

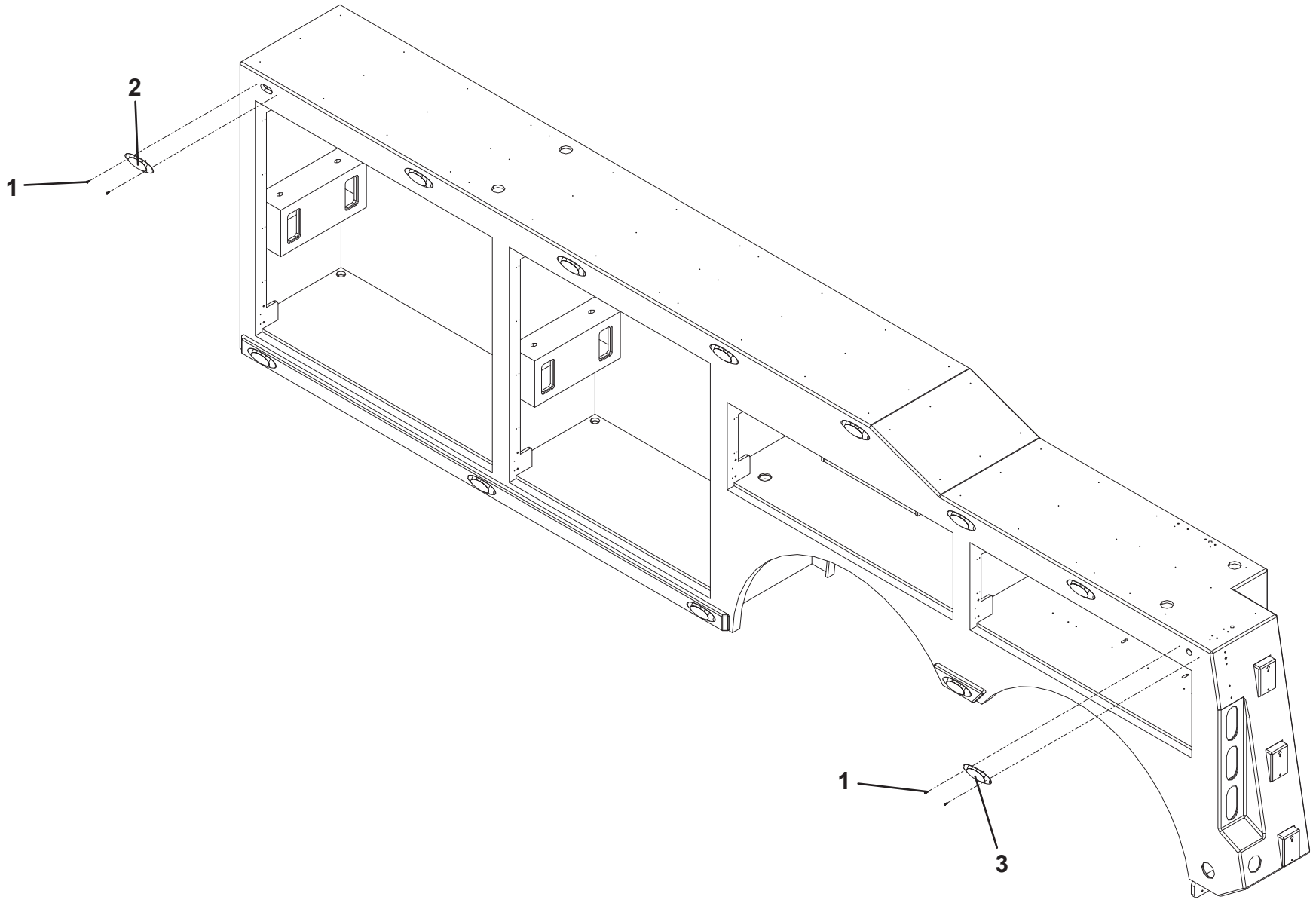
# E-STOP INSTALLATION



**MARKER LIGHT INSTALLATION - TANDEM**

ITEM	PART NO.	DESCRIPTION	QTY	REV
	1001206683	Marker Light Installation - Tandem	Ref	B
1	1001192958	Screw, #10 x 0.50"	48	
2	7590000262	Light, Amber	22	
3	7590000282	Light, Red	2	

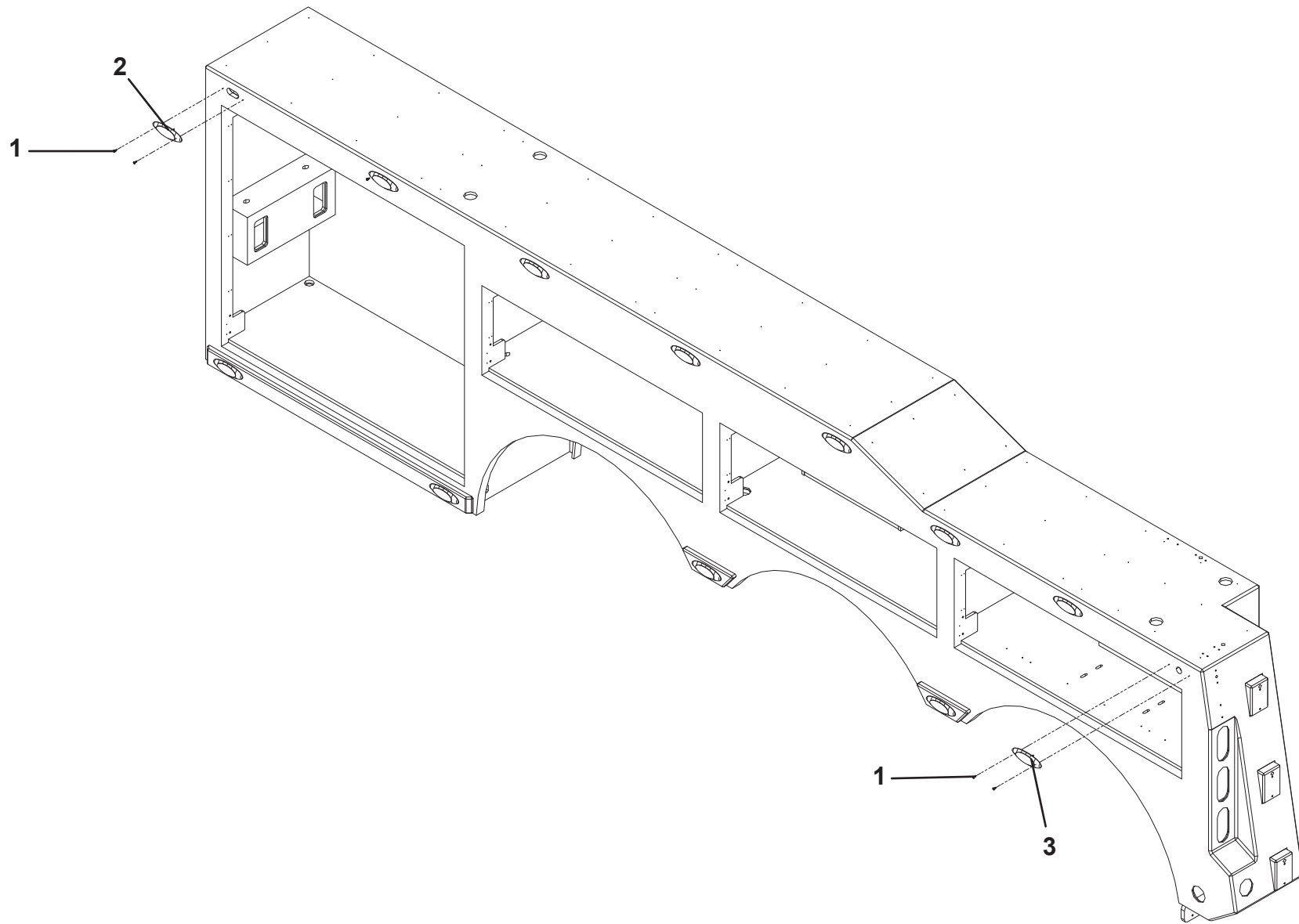
# MARKER LIGHT INSTALLATION - TANDEM



**MARKER LIGHT INSTALLATION - TRI-AXLE**

ITEM	PART NO.	DESCRIPTION	QTY	REV
	1001206684	Marker Light Installation - Tri-Axle	Ref	B
1	1001154101	Screw, #10 x 0.38"	48	
2	7590000262	Light, Amber	22	
3	7590000282	Light, Red	2	

# MARKER LIGHT INSTALLATION - TRI-AXLE

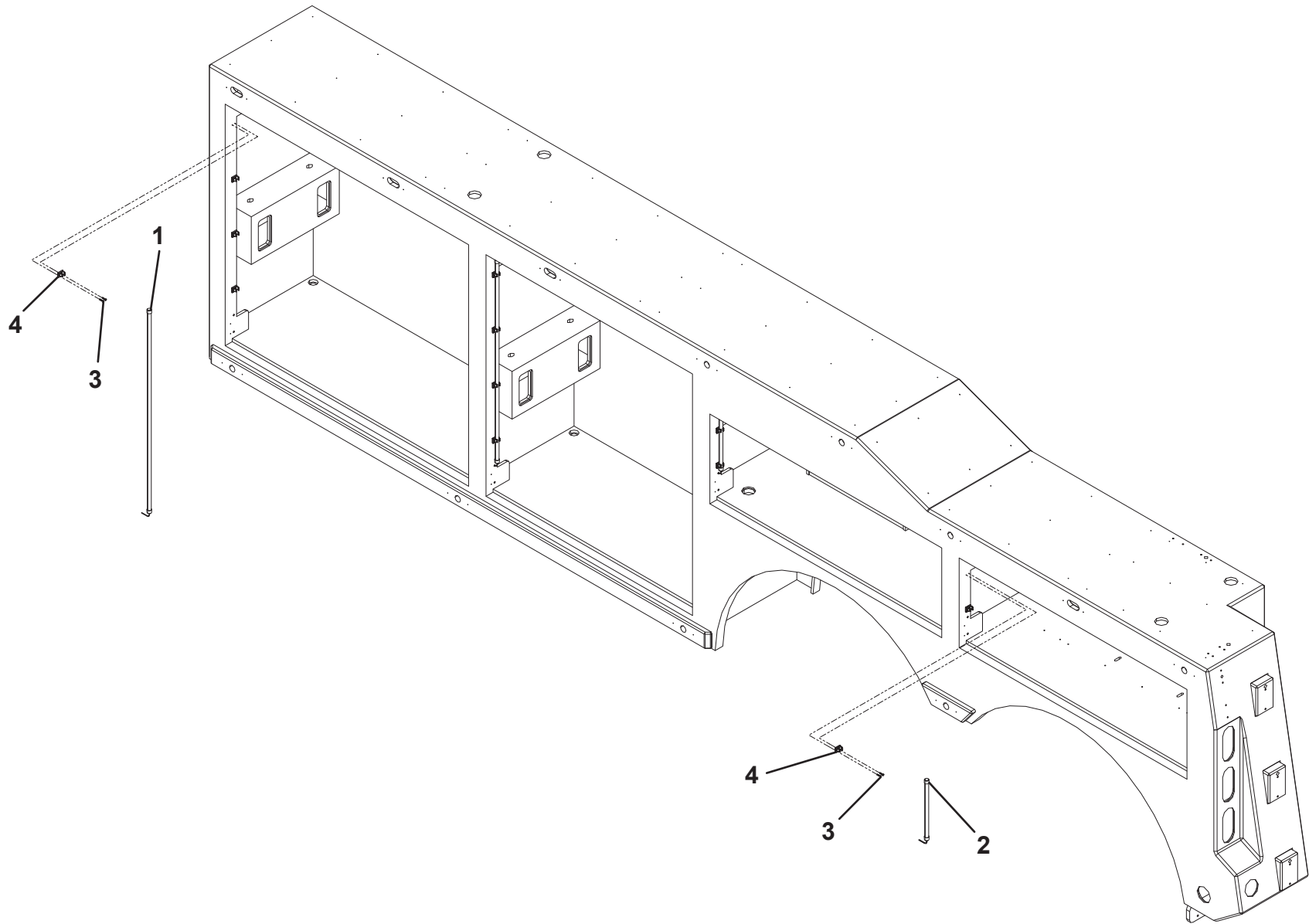


**COMPARTMENT LIGHT INSTALLATION**

ITEM	PART NO.	DESCRIPTION	QTY	REV
	1001206680	Compartment Light Installation	Ref	A
1	1001154527	Lamp, 40"	8	
2	1001166549	Lamp, 12"	8	
3	1001196552	Screw, #8 x 0.75"	96	
4	1001199081	Mount	48	



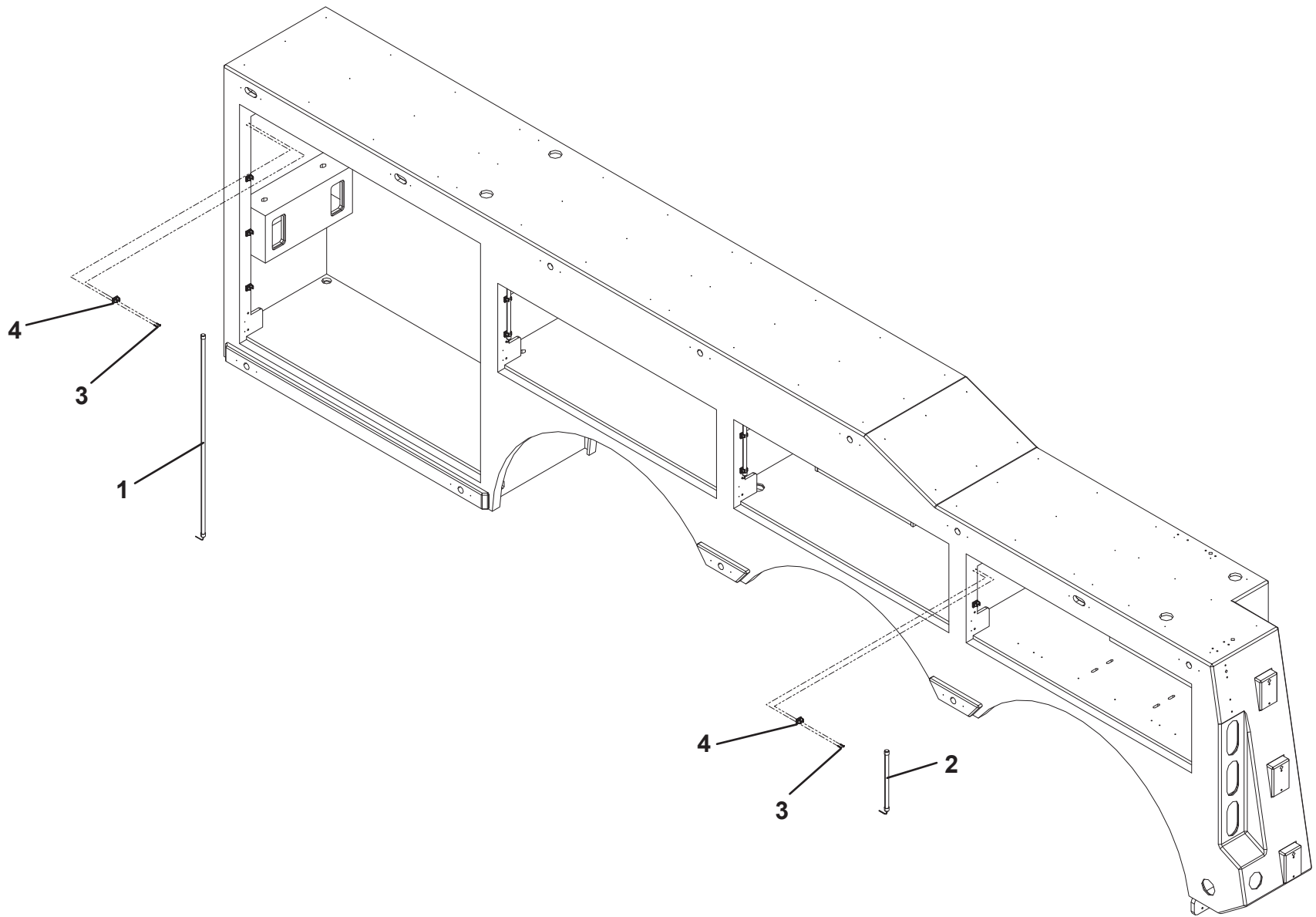
# COMPARTMENT LIGHT INSTALLATION



**COMPARTMENT LIGHT INSTALLATION - TRI-AXLE**

ITEM	PART NO.	DESCRIPTION	QTY	REV
	1001206681	Compartment Light Installation - Tri-Axle	Ref	A
1	1001154527	Lamp, 40"	4	
2	1001166549	Lamp, 12"	12	
3	1001196552	Screw, #8 x 0.75"	80	
4	1001199081	Mount	40	

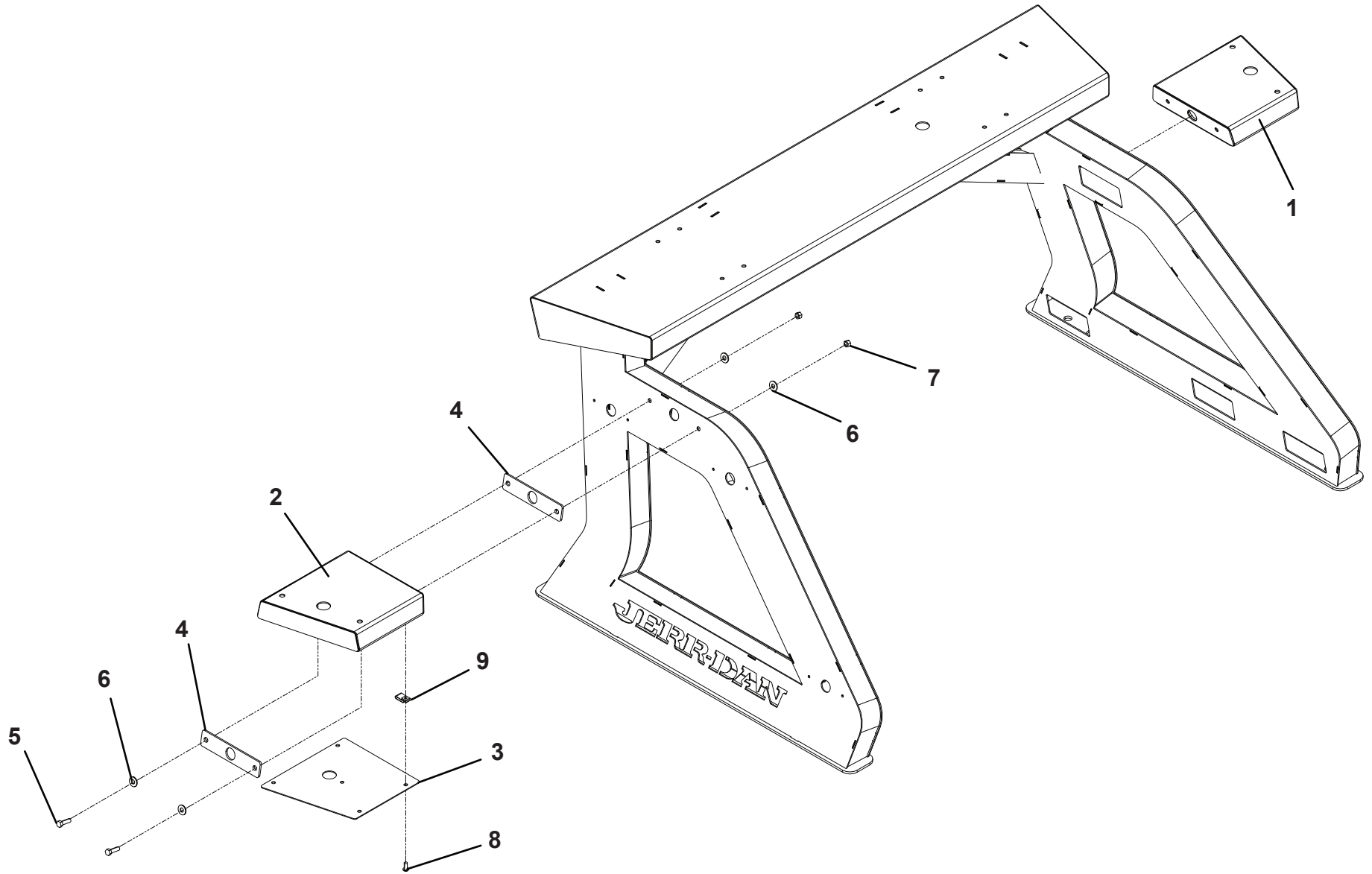
# COMPARTMENT LIGHT INSTALLATION - TRI-AXLE



**WING LIGHT BRACKET INSTALLATION**

ITEM	PART NO.	DESCRIPTION	QTY	REV
	1001228841	Wing Light Bracket Installation	Ref	A
1	1001213104	Mount, RH	1	
2	1001213105	Mount, LH	1	
3	1001213110	Plate	2	
4	1001214129	Plate	4	
5	0641610	Capscrew, 0.38" - 16NC x 1.25"	4	
6	4751600	Washer, 0.38" ID	8	
7	3271605	Nut, 0.38" - 16NC	4	
8	7114150618	Screw, 0.31" - 18NC x 0.75"	8	
9	7661000029	Nut, 0.31" - 18NC	8	

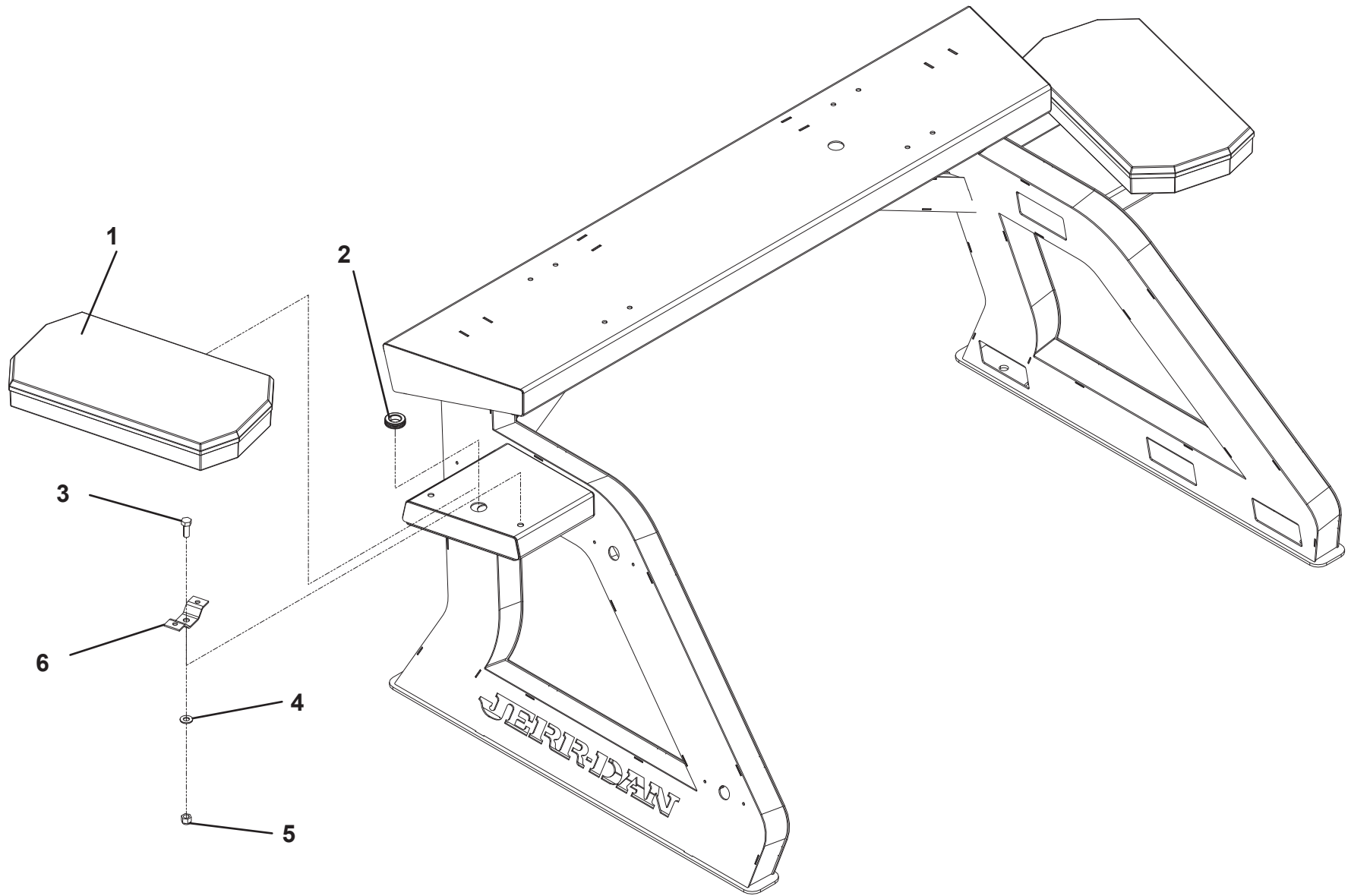
# WING LIGHT BRACKET INSTALLATION



**WING LIGHT INSTALLATION**

ITEM	PART NO.	DESCRIPTION	QTY	REV
	1001228842	Wing Light Installation	Ref	A
1	1001133591	Light, Amber CD3 (See Separate Breakdown in this Section)	2	
	1001129861	Light, Amber Whelen (See Separate Breakdown in this Section)	2	
2	7493000011	Grommet	2	
3	0641810	Capscrew, 0.50" - 13NC x 1.25"	4	
4	4711800	Washer, 0.50" ID	4	
5	7660182601	Locknut, 0.50" - 13NC	4	
6	4178000402	Bracket	4	

# WING LIGHT INSTALLATION

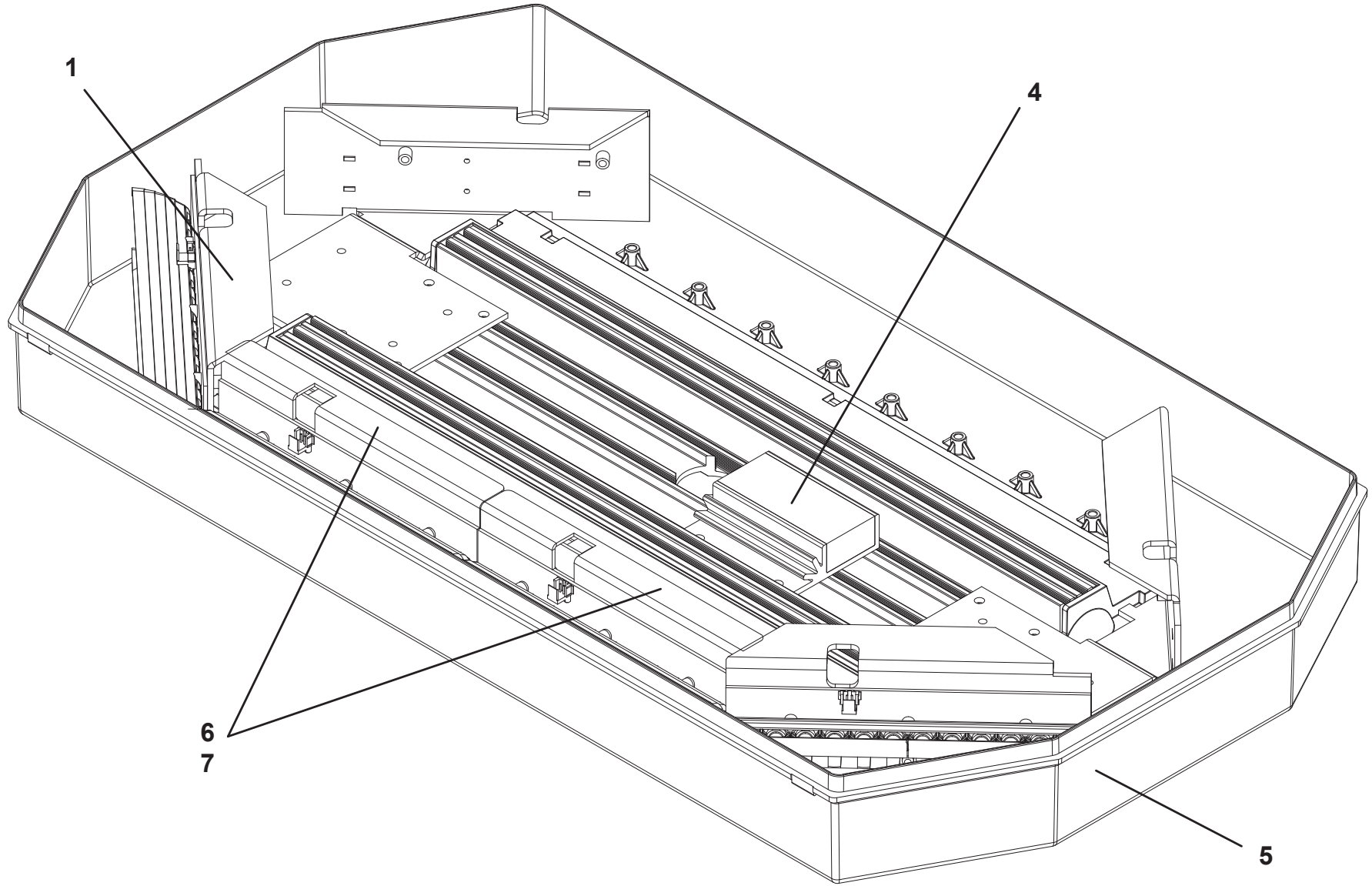


**22" PUBLIC SAFETY LIGHT BAR - 1001133591**

ITEM	PART NO.	DESCRIPTION	QTY	REV
	1001133591	22" Public Safety Light Bar	Ref	B
1	70051014	LED Corner Module & Bracket	2	
2	70051015	Lens, Clear Upper (Not Shown)	1	
3	70051016	Cable, Jerr-Dan 2 Wire (Not Shown)	1	
4	9346310098	Flasher	1	
5	70051017	Lens, Clear Lower	1	
6	9590310201	LED Center Modulew	2	
7	70051018	Bracket, Mounting	1	



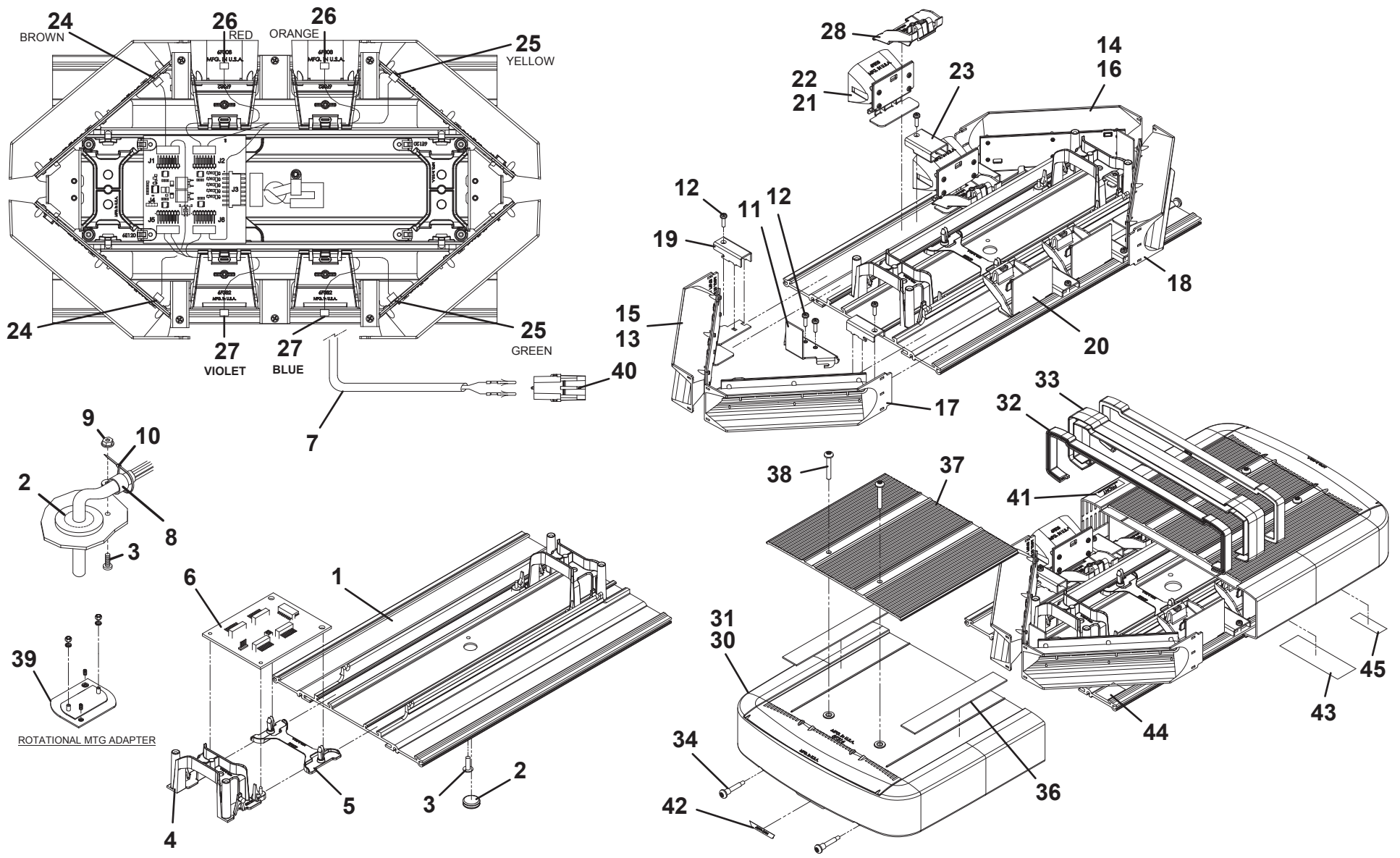
# 22" PUBLIC SAFETY LIGHT BAR - 1001133591



**22" WHELEN LIGHT BAR - 1001129861**

ITEM	PART NO.	DESCRIPTION	QTY	REV
	1001129861	22" Whelen Light Bar	Ref	C
1	70051019	Base	1	
2	70050169	Grommet	1	
3	70051020	Screw, #10-24NC X 0.88"	1	
4	70051021	Bracket, Bulkhead Lens Mount	2	
5	70051022	Bracket, I/O Anchor	1	
6	70051023	Assembly, I/O BD Mini	1	
7	70051024	Assembly, Cable	1	
8	70051025	Clamp, Cable	1	
9	70050174	Nut, Wiz #10-24NC	1	
10	70051026	Ty Wrap, 6" Black	AR	
11	70051027	Bracket, End Clamp	2	
12	70051028	Screw, #6-32NC X 0.50"	10	
13	70051029	Assy, Corner L-Front/R-Rear Amber	1	
14	70051030	Assy, Corner L-Rear/R-Front Amber	1	
15	70051031	Assy, Corner L-Front/R-Rear Blue	1	
16	70051032	Assy, Corner L-Rear/R-Front Blue	1	
17	70051033	Assembly, Blank Rear Drvr Corner	1	
18	70051034	Assembly, Blank Rear Pass Corner	1	
19	70051035	Bracket, Corner Clamp	4	
20	70051036	Bracket, Half Filler	2	
21	70051037	Sub Assy, Short Directional Amber	2	
22	70051038	Sub Assy, Short Directional Blue	2	
23	70051039	Bracket, Filler	2	
24	70051040	Assembly, Harness	1	
25	70051041	Assembly, Harness	1	
26	70051042	Assembly, Harness	1	
27	70051043	Assembly, Harness	1	
28	70051044	Bracket, Snap-In	4	
29	70051045	Ty Wrap, 3" Black	AR	
30	70051046	Sub Assy, Cut Dome Clear	2	
31	70051047	Sub Assy, Cut Dome Blue	2	
32	70051048	Seal, Lens Divider	2	
33	70051049	Divider, Lens	1	
34	70051050	Screw, 10-24NC X 1.25"	4	
36	70051051	Tape, VHB Endcap Trim Mount	4	
37	70051052	Cover, Top Extruded 7.325"	2	

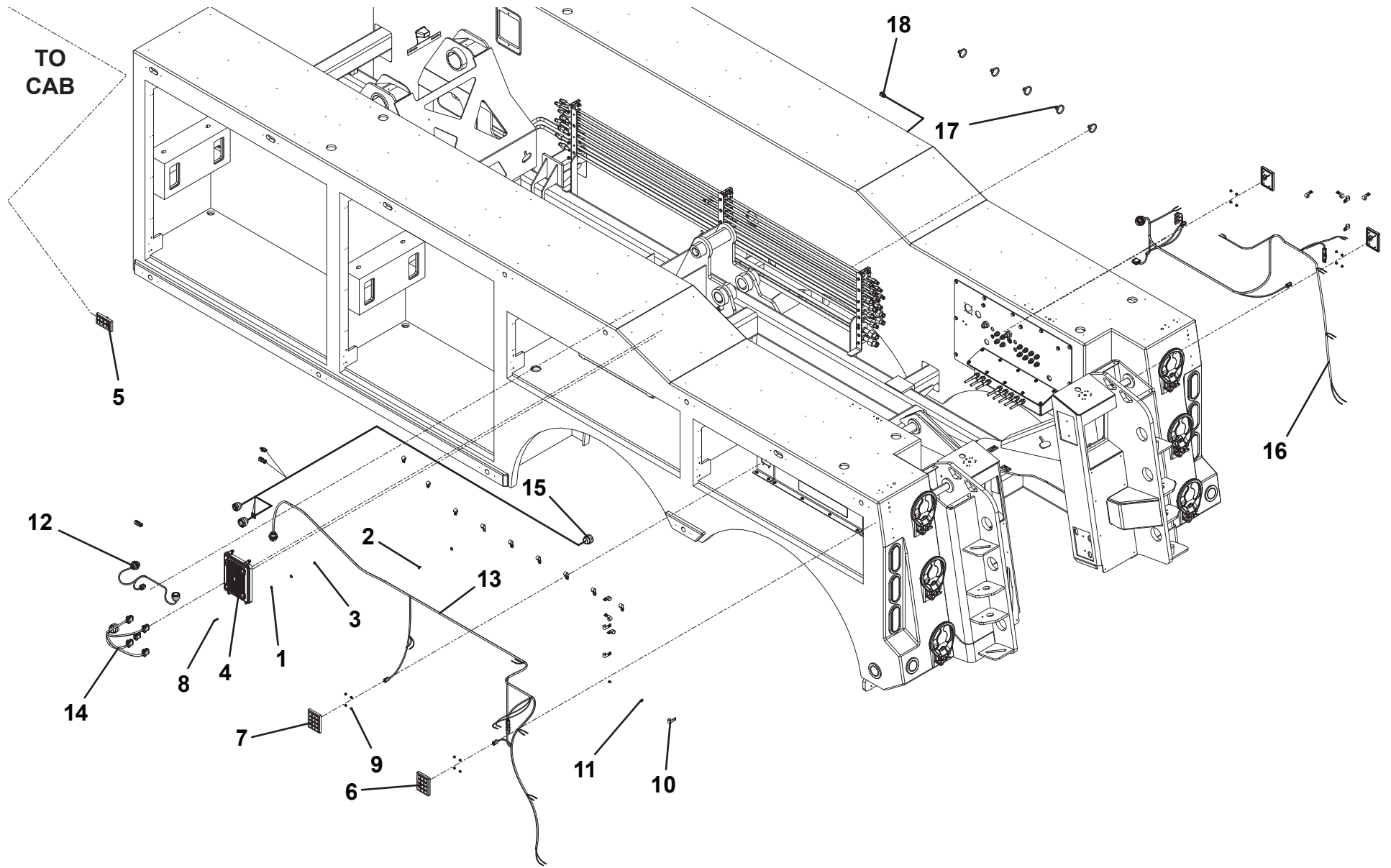
# 22" WHELEN LIGHT BAR - 1001129861



**SWITCH PANEL INSTALLATION**

ITEM	PART NO.	DESCRIPTION	QTY	REV
	1001236616	Switch Panel Installation	Ref	A
1	1001166978	Washer, 0.25" ID	4	
2	1001195257	Screw, 0.25" x 0.50"	20	
3	7660142601	Locknut, 0.25" - 20NC	4	
4	1001211000	Multiplex	1	
5	1001211001	Key Pad in Cab	1	
6	1001211002	Key Pad in Body	2	
7	1001211003	Key Pad, Winch	2	
8	1001209590	Screw, 0.25" X 1.00"	4	
9	1001209616	Nut,	16	
10	7280000006	Clip	20	
11	7950140143	Flatwasher, 0.25" ID	24	
12	1001208950	Harness, Left Multiplex Jumper	1	
13	1001208951	Harness, Left Multiplex Body	1	
14	1001208952	Harness, Multiplex to PDP	1	
15	1001215098	Harness, Multiplex Crossover	1	
16	1001215100	Harness, Right Multiplex Body	1	
17	5526000553	Tie Strap	25	
18	1001209034	Harness, Winch	1	

# SWITCH PANEL INSTALLATION



**THIS PAGE INTENTIONALLY LEFT BLANK**

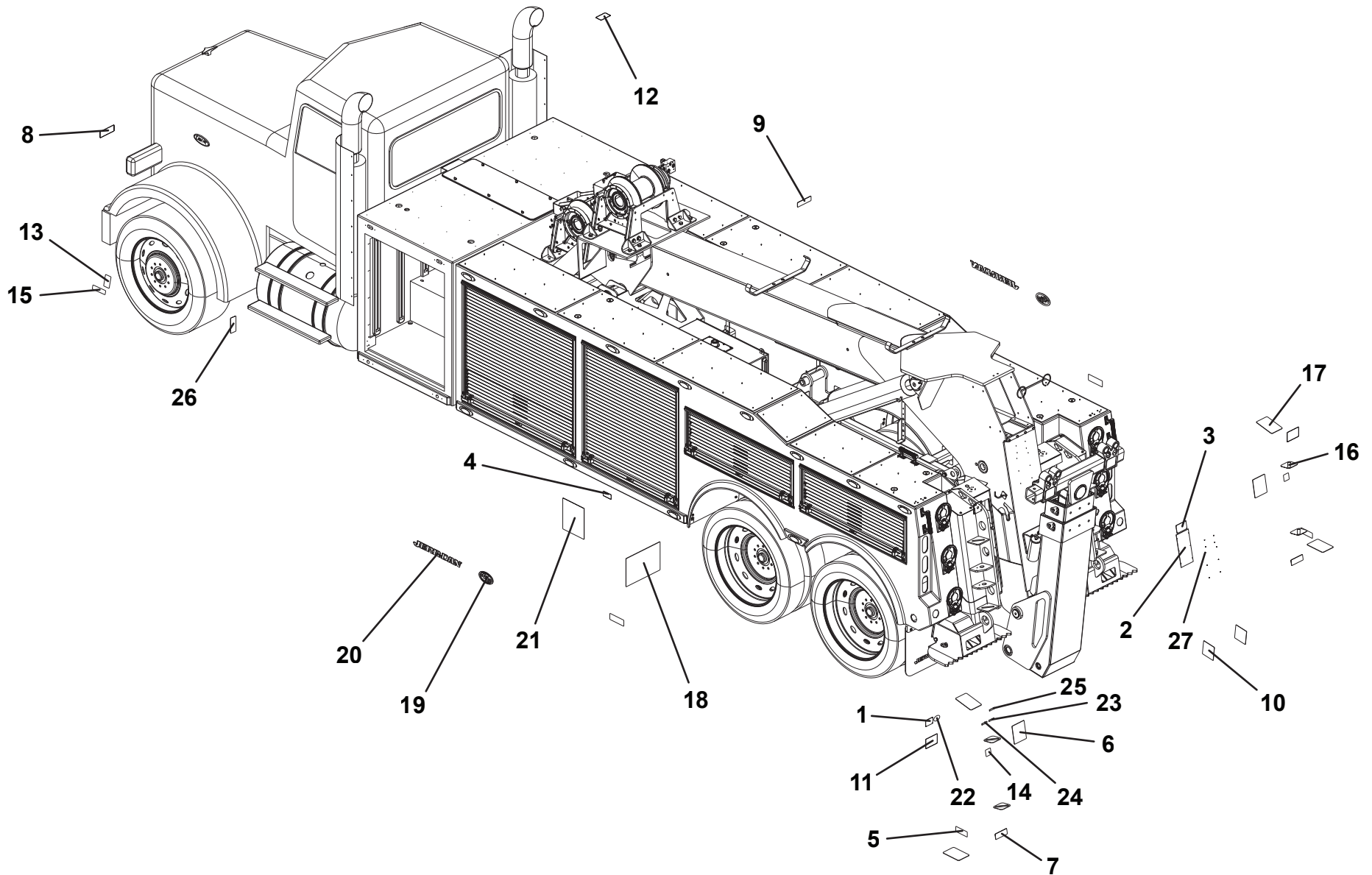
**SECTION 8 - DECAL**

**DECAL INSTALLATION**

ITEM	PART NO.	DESCRIPTION	QTY	REV
	1001210732	Decal Installation	Ref	C
1	1001127220	Decal, Tag	1	
2	1001132328	Decal, Placard	1	
3	1001132346	Patent	1	
4	1001136075	Decal, Hazardous Voltage	1	
5	1001136080	Decal, Recover Stability	2	
6	1001136091	Decal, Towed Load	2	
7	1001136094	Decal, Crushing Hazard	2	
8	1001136103	Decal, Electrocutation	4	
9	1001136119	Decal, Hydraulic Hazard	1	
10	1001137169	Decal, Pinch	2	
11	1001138537	Decal, Hook	2	
12	1001138612	Decal, Battery	1	
13	1001141227	Decal, Backing	1	
14	1001142452	Decal, No Step	2	
15	1001142828	Decal, Fall Hazard	1	
16	1001174339	Decal, Spade Housing Step	4	
17	1001174346	Decal, Spade Step	4	
18	1001205331	Decal, Lube Chart	1	
19	1001206364	Decal, JFB Badge	2	
20	1001206367	Decal, Jerr-Dan Name Plate	2	
21	1001212286	Decal, Power Distribution	1	
22	7330000143	Decal, Made in USA	1	
23	7330000208	Decal, Service Air	1	
24	7330000209	Decal, Supply Air	1	
25	7330000210	Decal, Aux Air	1	
26	7330000689	Decal, NTEA	1	
27	7759000004	Pop Rivet	14	



# DECAL INSTALLATION



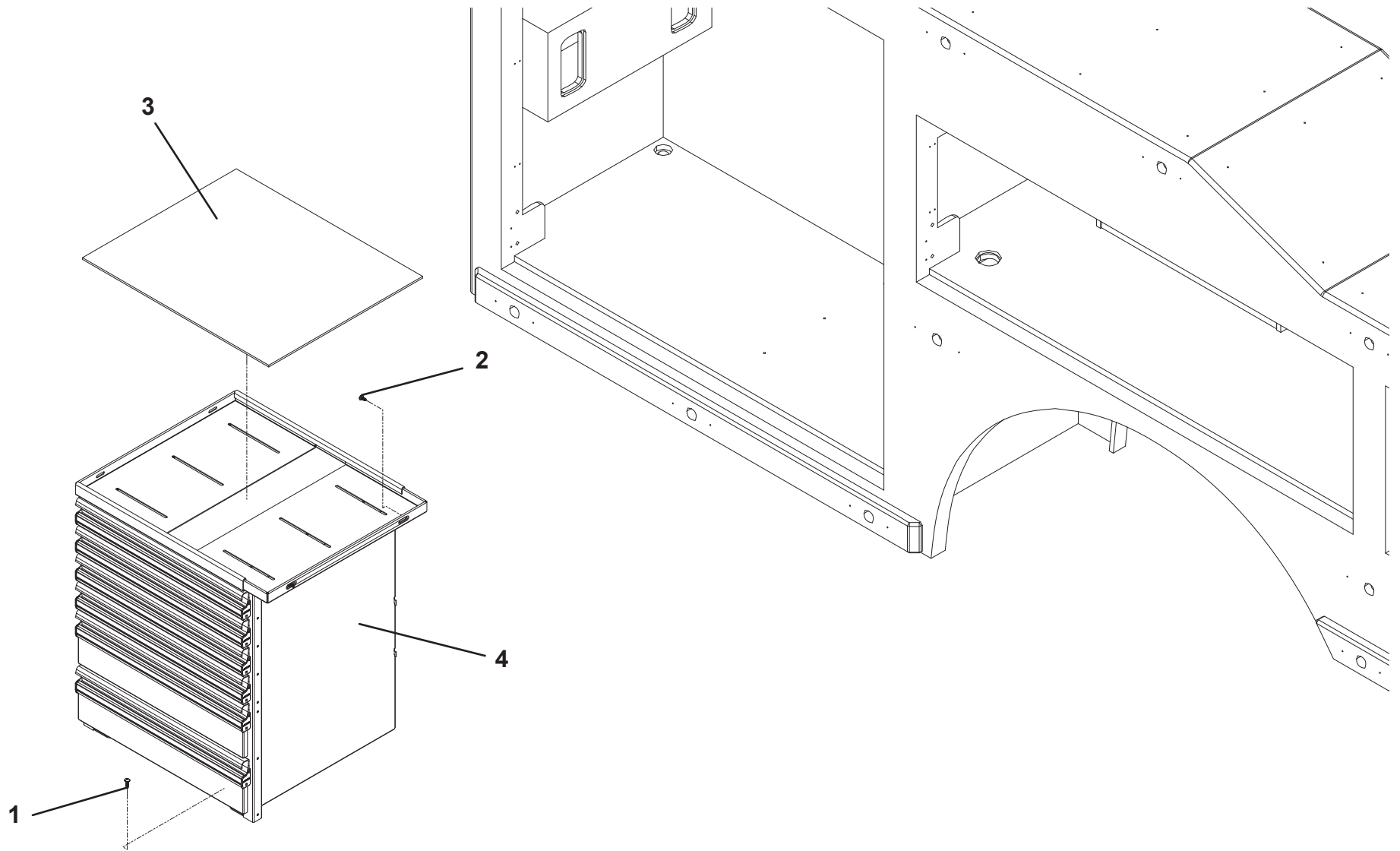
**THIS PAGE INTENTIONALLY LEFT BLANK**

## SECTION 9 - ACCESSORIES

**TOOL DRAWER INSTALLATION - TANDEM**

ITEM	PART NO.	DESCRIPTION	QTY	REV
	1001195256	Tool Drawer Installation - Tandem	Ref	A
1	1001194676	Screw, 0.25" x 0.75"	6	
2	1001195257	Screw, 0.25" x 0.50"	8	
3	1001195279	Pad	1	
4	1001190410	ToolBox	1	

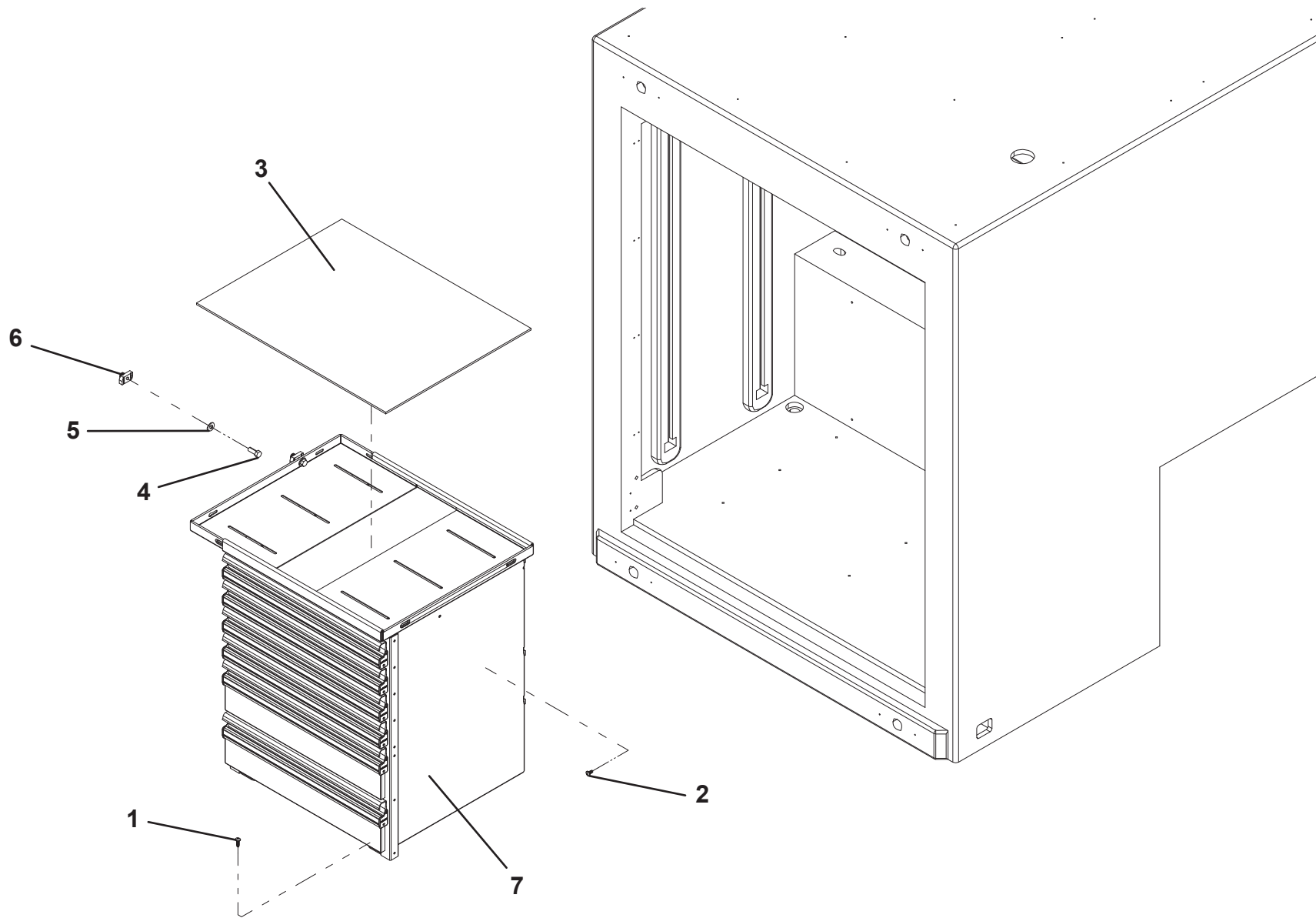
# TOOL DRAWER INSTALLATION - TANDEM



**TOOL DRAWER INSTALLATION - TRI-AXLE**

ITEM	PART NO.	DESCRIPTION	QTY	REV
	1001208635	Tool Drawer Installation - Tri-Axle	Ref	B
1	1001194676	Screw, 0.25" x 0.75"	6	
2	1001195257	Screw, 0.25" x 0.50"	4	
3	1001195341	Pad	1	
4	7114140818	Capscrew, 0.25" - 20NC x 1.00"	2	
5	7950160143	Flatwasher, 0.38" ID	2	
6	1001183037	Nut, 0.25" - 20NC	2	
7	1001190410	ToolBox	1	

# TOOL DRAWER INSTALLATION - TRI-AXLE

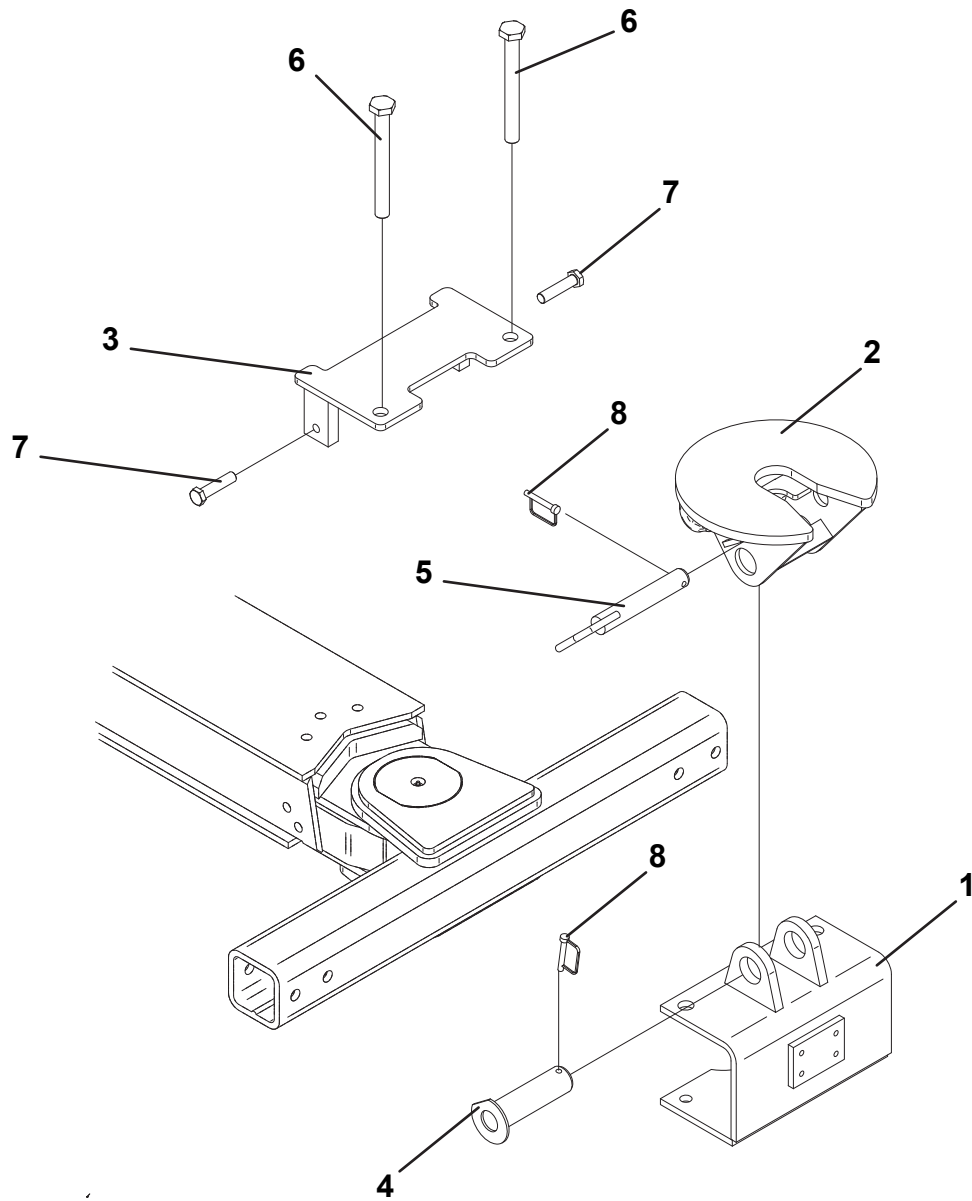


**UNDERLIFT TOOLS - 5TH WHEEL INSTALLATION**

ITEM	PART NO.	DESCRIPTION	QTY	REV
	2503880033	Underlift Tools - 5th Wheel Installation	Ref	C
1	3178000240	Bracket	1	
2	3178000499	Bracket	1	
3	3706000080	Plate	1	
4	3691000144	Pin	1	
5	3691000144	Pin	1	
6	7118267250	Capscrew, 1.00" - 8UNC x 9.00"	2	
7	7120000036	Capscrew, 0.75" - 10UNC x 3.25"	2	
8	7691000025	Pin	2	



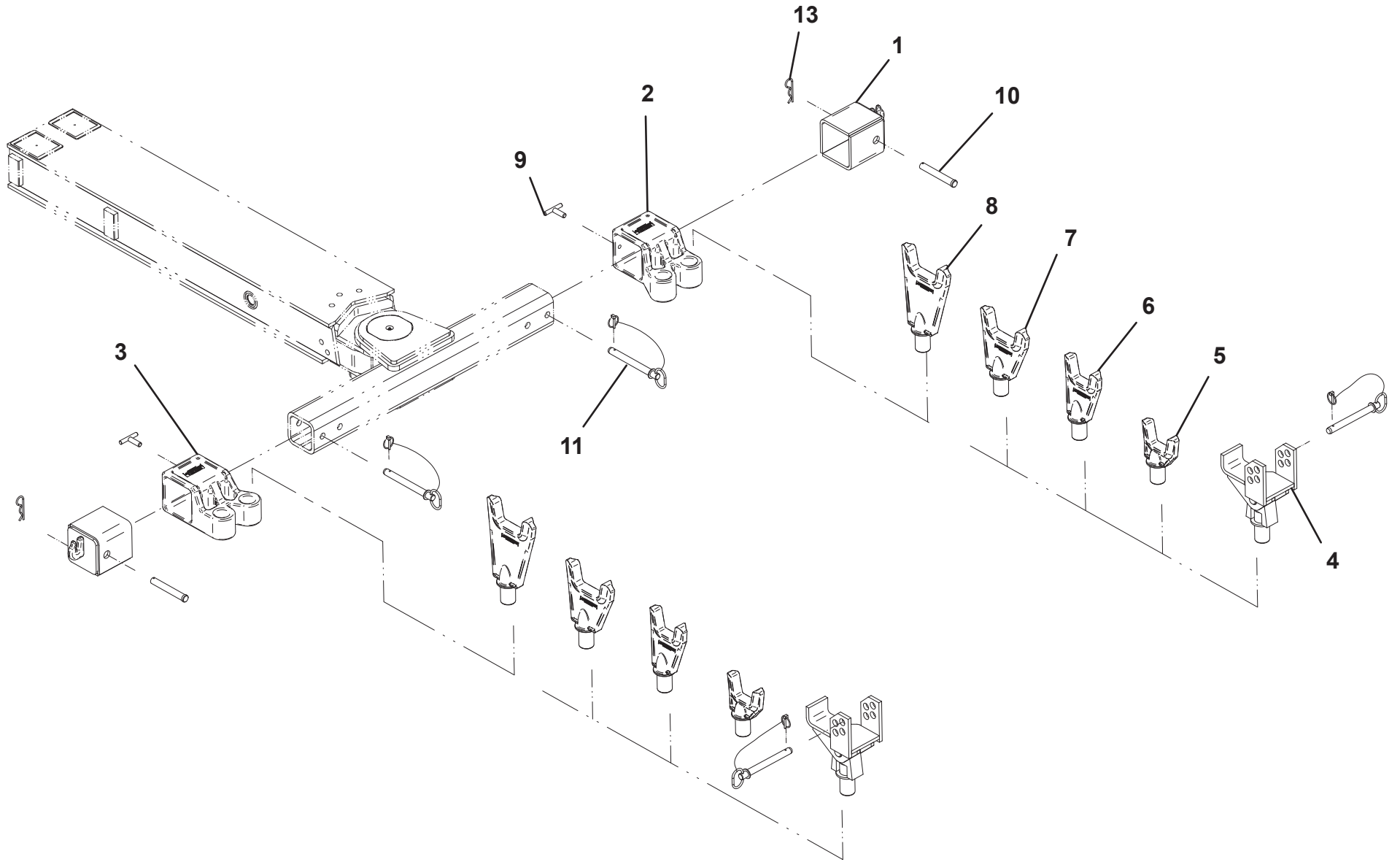
# UNDERLIFT TOOLS - 5TH WHEEL INSTALLATION



**UNDERLIFT TOOLS - FRAME FORKS**

ITEM	PART NO.	DESCRIPTION	QTY	REV
	2503870011	Underlift Tools - Frame Forks	Ref	G
1	3007000004	Chain Hook Adapter	2	
2	7007000056	Frame Fork Adapter, RH	1	
3	7007000055	Frame Fork Adapter, LH	1	
4	3178000226	Spring Lift Bracket	2	
5	7454000006	Fork, 3.00" Short	2	
6	7454000005	Fork, 3.00" Medium	2	
7	7454000003	Fork, 4.50" Medium	2	
8	7454000004	Fork, 4.50" Long	2	
9	3551000036	T-Handle	2	
10	7691000022	Pin	2	
11	7691000021	Pin	2	
12	1001159568	Strap (Not Shown)	1	
13	1001198300	Pin	2	

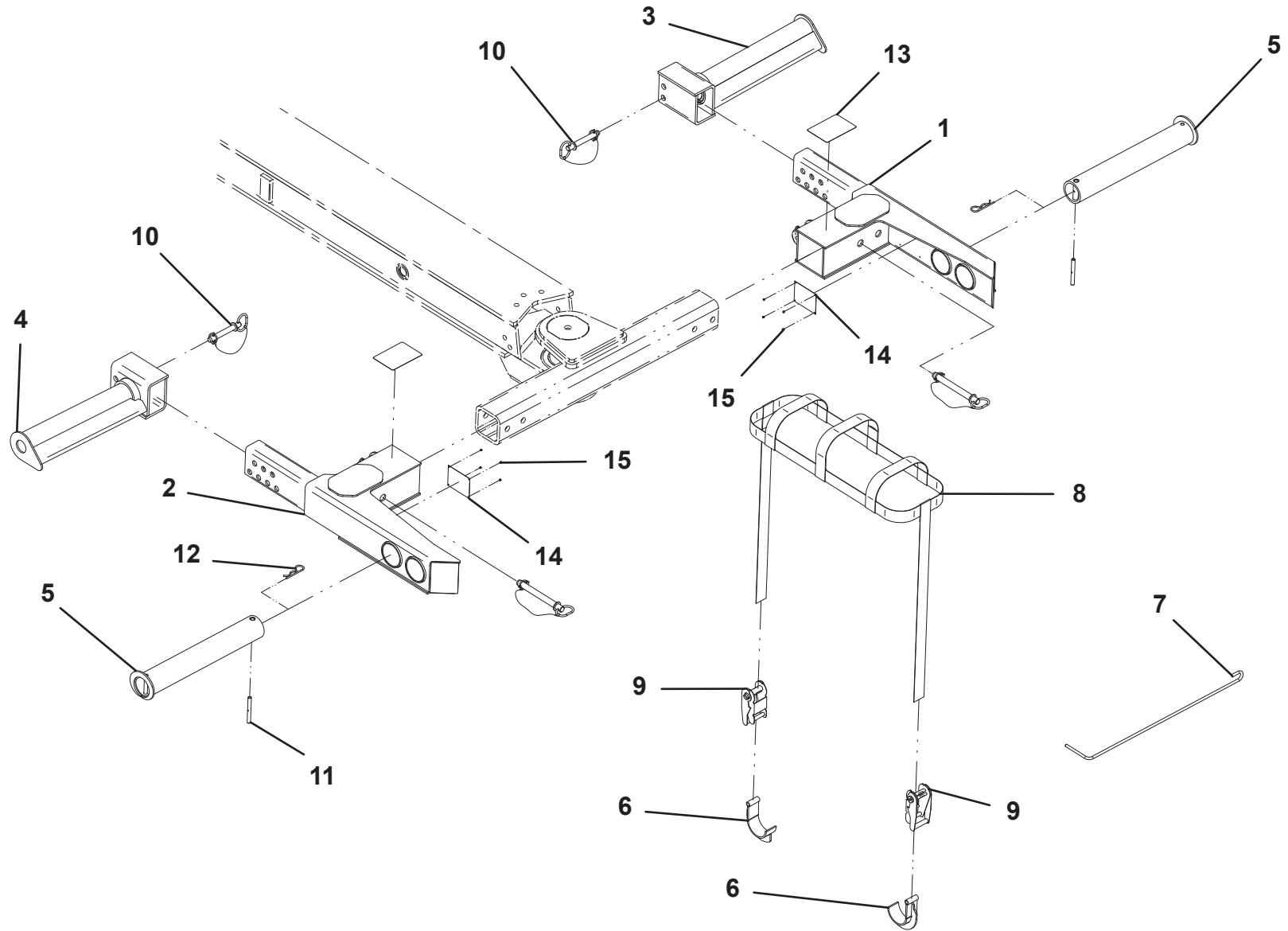
# UNDERLIFT TOOLS - FRAME FORKS



**UNDERLIFT TOOLS - 14,000 LB TIRE LIFT**

ITEM	PART NO.	DESCRIPTION	QTY	REV
	2503880088	Underlift Tools - 14,000 Lb Tire Lift	Ref	C
1	3484000048	Tire Lift Grid - RH	1	
2	3484000049	Tire Lift Grid - LH	1	
3	3020000120	Tire Lift Arm Weldment - RH	1	
4	3020000119	Tire Lift Arm Weldment - LH	1	
5	3912000038	Tire Lift Tube Weldment	2	
6	3561000008	Hook	4	
7	4561000012	Pull Hook	1	
8	7894000037	Strap	2	
9	7894000028	Ratchet Strap	4	
10	7691000026	Hitch Pin	2	
11	4691000274	Pin	4	
12	7691000020	Hairpin	4	
13	7330000278	Decal, Caution	2	
14	1001132268	Decal, Rating	2	
15	7759000004	Pop Rivet	8	

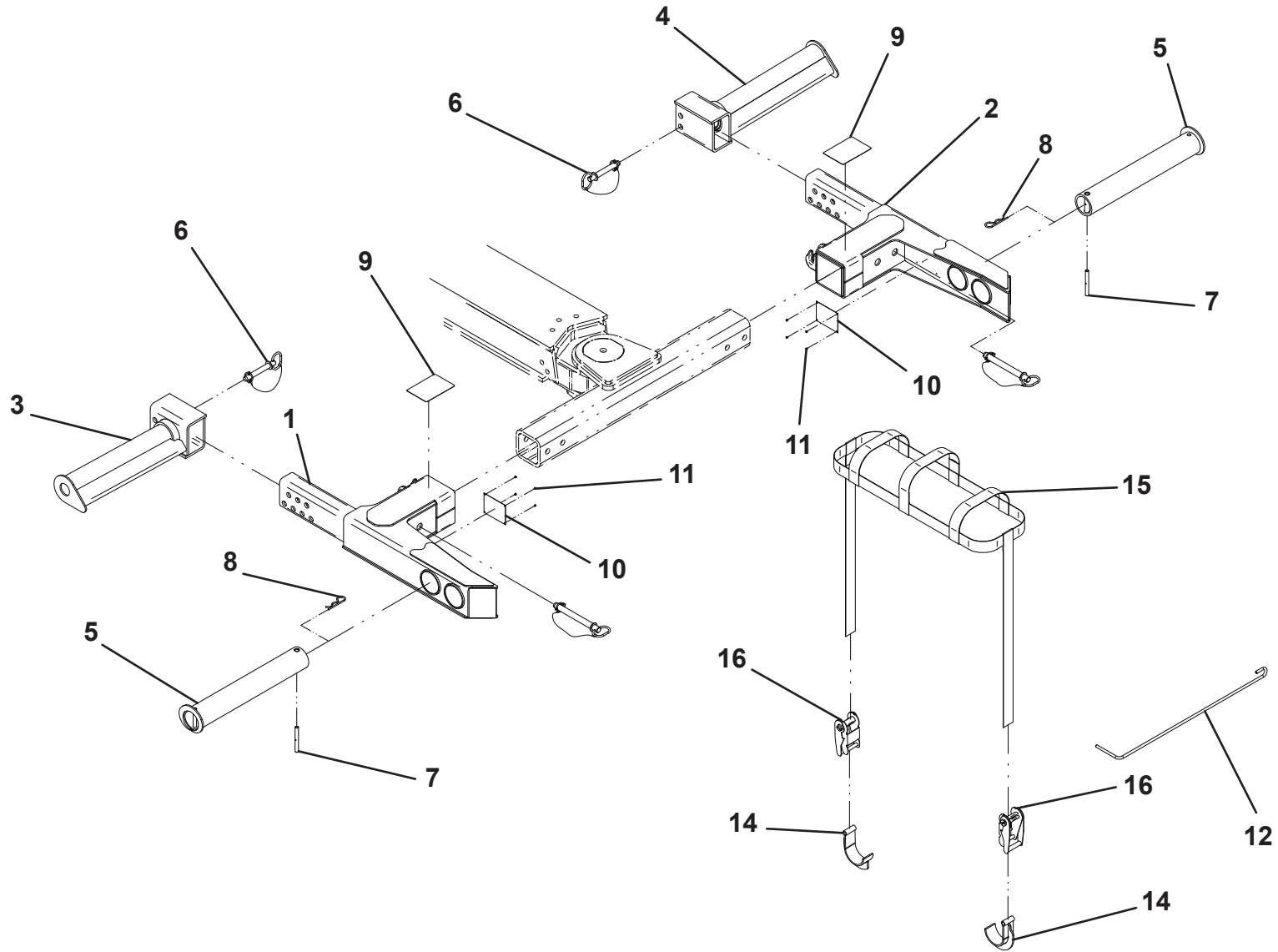
# UNDERLIFT TOOLS - 14,000 LB TIRE LIFT



**UNDERLIFT TOOLS - 25,000 LB TIRE LIFT**

ITEM	PART NO.	DESCRIPTION	QTY	REV
	2502880300	Underlift Tools - 25,000 Lb Tire Lift	Ref	C
1	3484000072	Tire Lift Grid - LH	1	
2	3484000073	Tire Lift Grid - RH	1	
3	3020000119	Tire Lift Arm Weldment - LH	1	
4	3020000120	Tire Lift Arm Weldment - RH	1	
5	3912000033	Tire Lift Tube Weldment	2	
6	7691000026	Hitch Pin	2	
7	4691000274	Pin	4	
8	7691000020	Hairpin	4	
9	7330000278	Decal, Caution	2	
10	1001132265	Decal, Rating	2	
11	7759000004	Pop Rivet	8	
12	4561000012	Pull Hook	1	
13	7577000368	Strap	1	
14	3912000038	Tube Weldment	2	
15	3561000008	Hook	4	
16	7894000037	Strap	2	
17	7894000028	Ratchet Strap	4	

# UNDERLIFT TOOLS - 25,000 LB TIRE LIFT

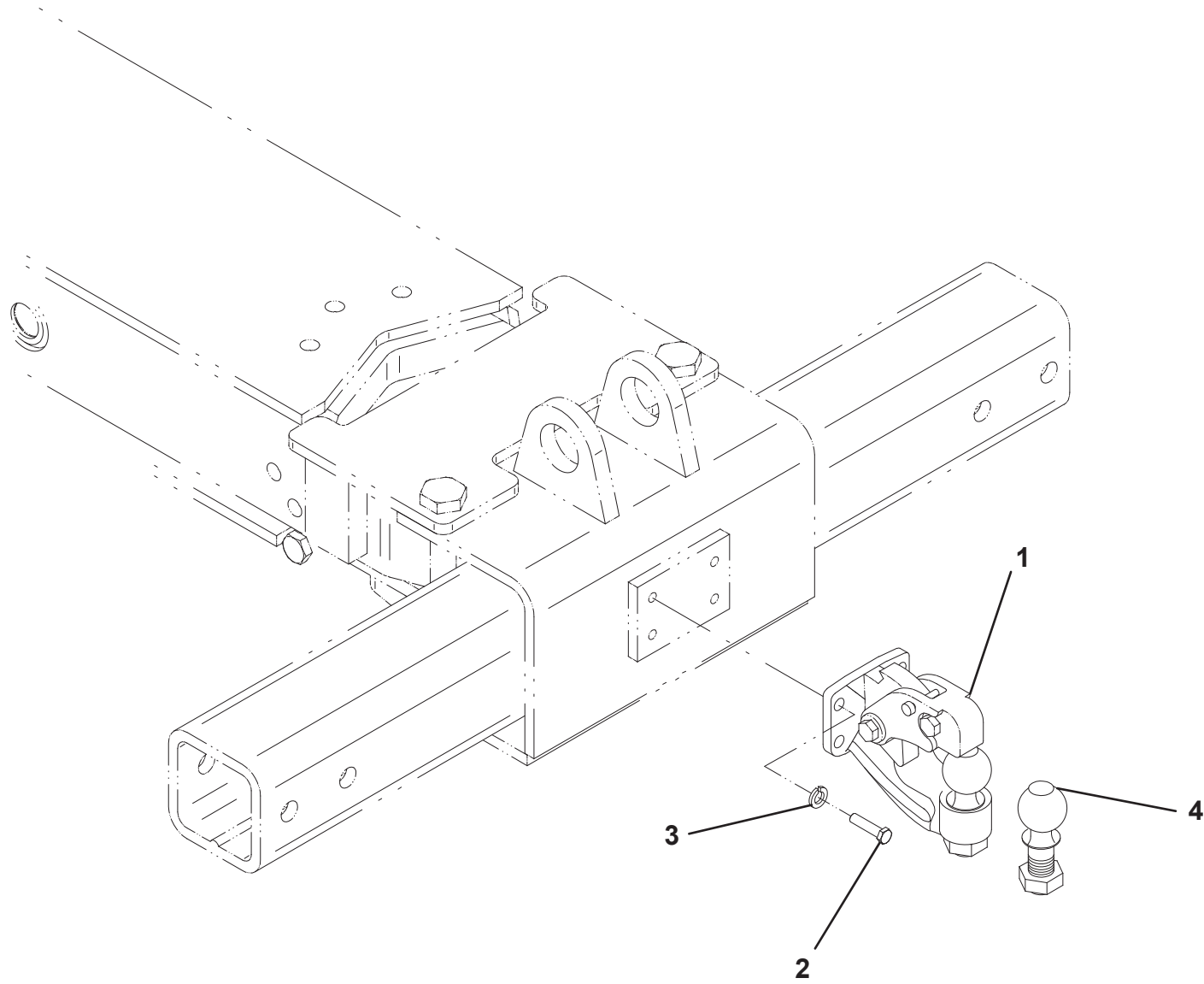


**UNDERLIFT TOOLS - PINTLE HOOK**

ITEM	PART NO.	DESCRIPTION	QTY	REV
	2503880043	Underlift Tools - Pintle Hook	Ref	A
1	7561000020	Hitch, Pintle Hook with 2" Dia. Ball	1	
2	7118181250	Capscrew, 0.50"-13NC x 1.50"	4	
3	7950180000	Lockwasher, 0.50" ID	4	
4	7056000003	Ball, 1.88" Dia	1	
	7056000004	Ball, 2.00" Dia		
	7056000005	Ball, 2.31" Dia		
	7056000006	Ball, 50mm Dia		



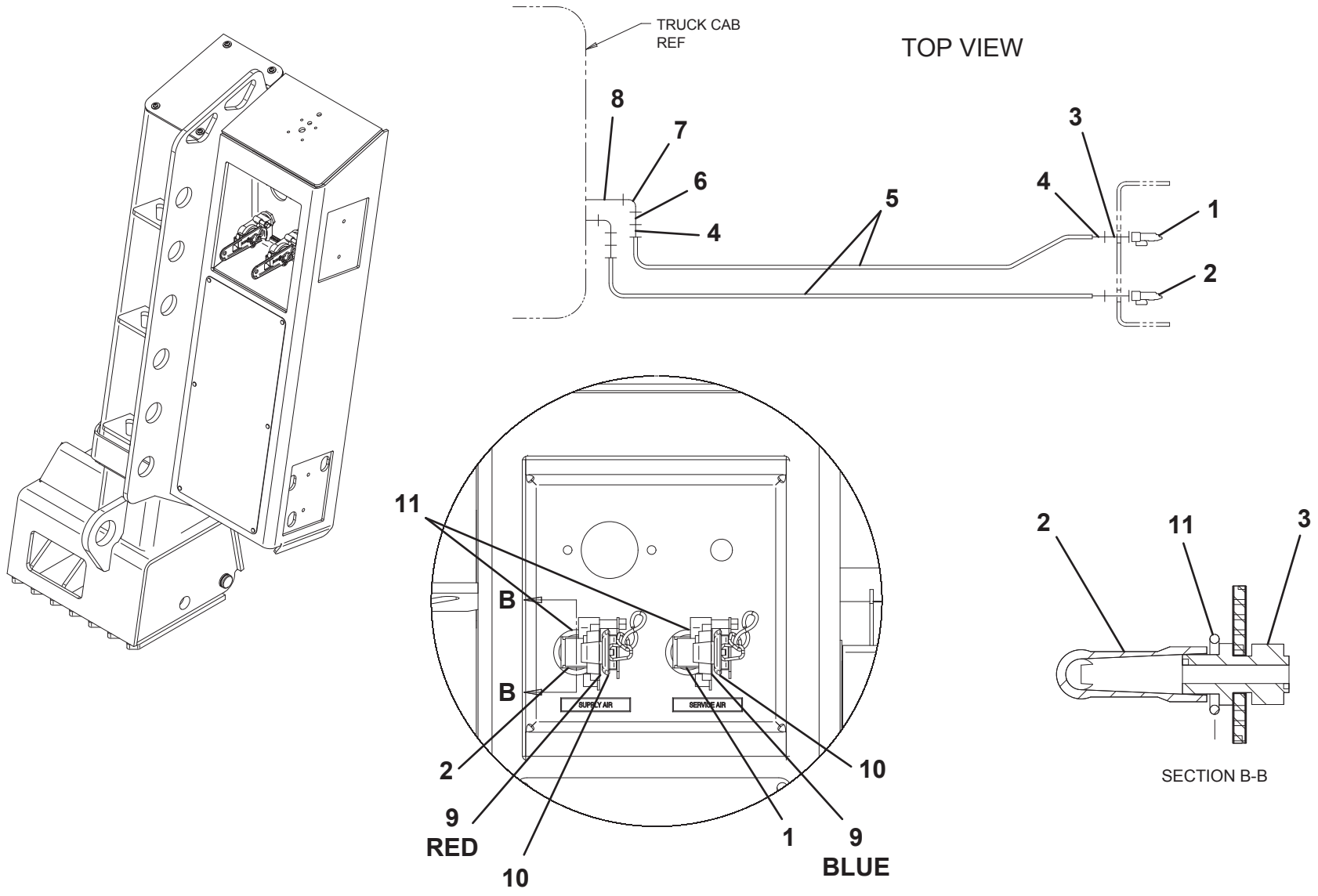
# UNDERLIFT TOOLS - PINTLE HOOK



**TRAILER AIR INSTALLATION**

ITEM	PART NO.	DESCRIPTION	QTY	REV
	2503630028	Trailer Air Installation	Ref	F
1	7312000015	Gladhand	1	
2	7312000016	Gladhand	1	
3	7446502518	Fitting	2	
4	7445060435	Fitting	4	
5	7565000014	Airline	50 FT	
6	7443000148	Bushing	2	
7	7443000146	Elbow	2	
8	7443000145	Bushing	2	
9	7577000145	Seal Kit	1	
10	1001170036	Shield	2	
11	1001171933	Ring	2	

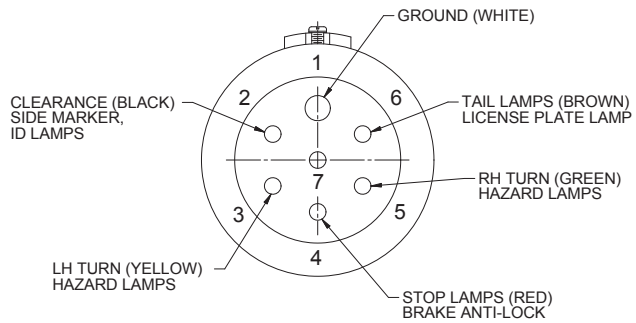
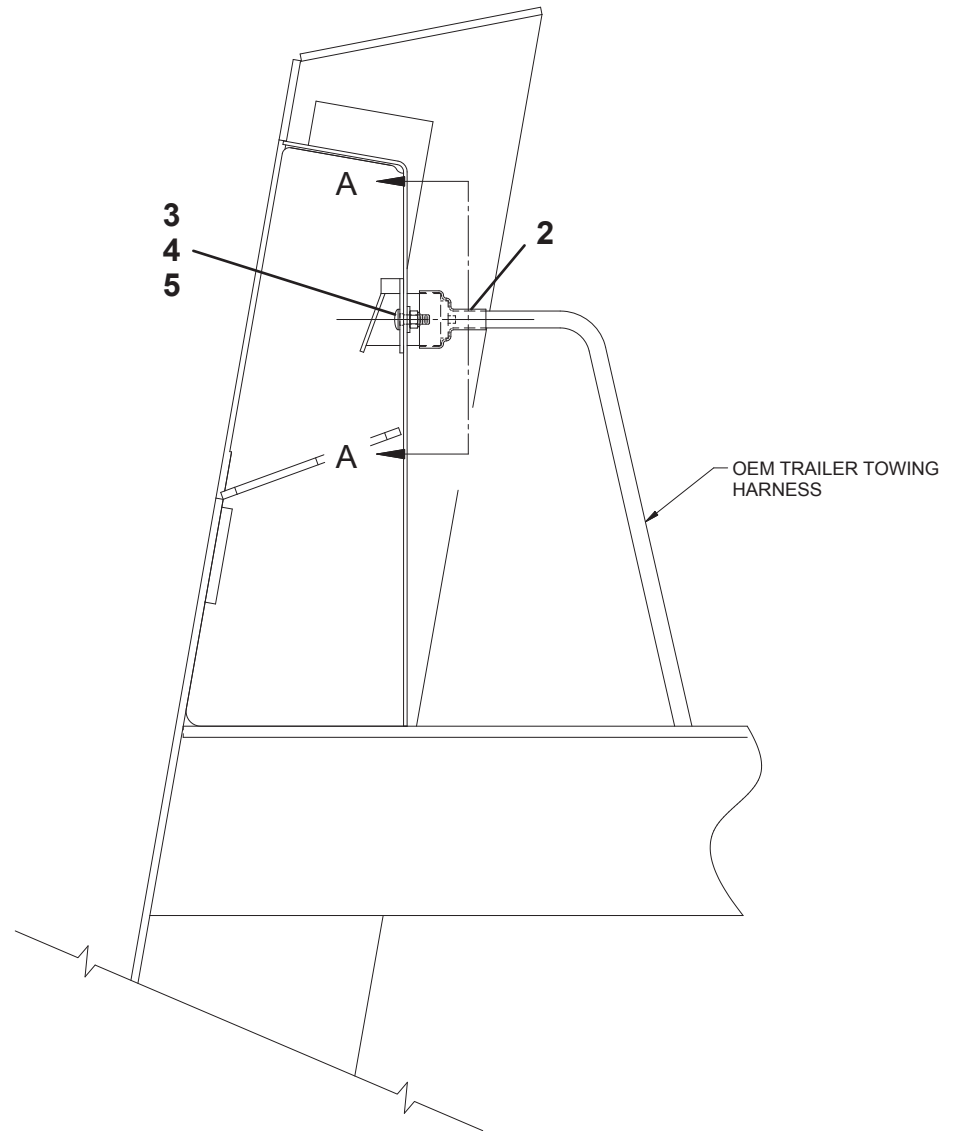
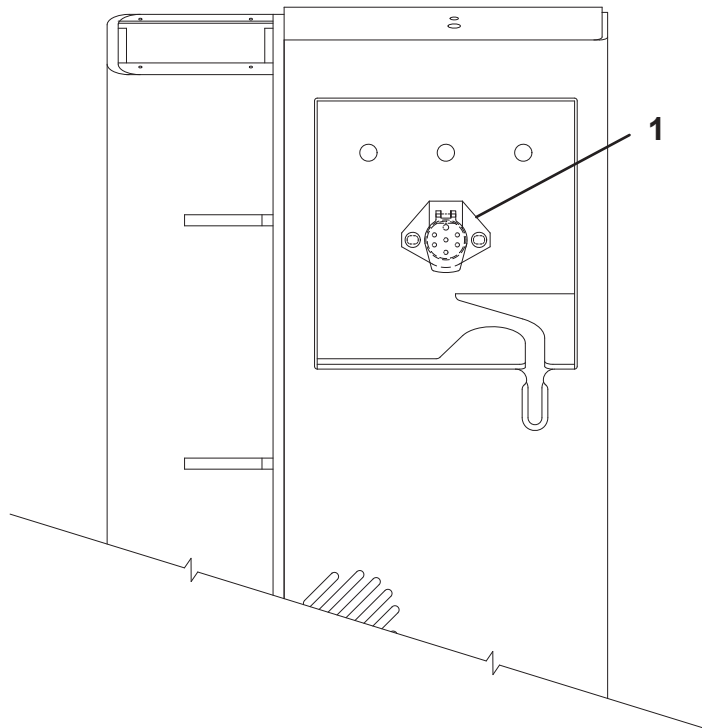
# TRAILER AIR INSTALLATION



**TRAILER PLUG INSTALLATION**

ITEM	PART NO.	DESCRIPTION	QTY	REV
	2502330145	Trailer Plug Installation	Ref	C
1	7346000055	7-Way Plug	1	
2	7346000078	7-Way Plug Boot	1	
3	7115150864	Bolt, 0.31"-18NC x 1.00"	2	
4	7950150161	Flatwasher, 0.31" ID	2	
5	7660152601	Locknut, 0.31"-18NC	2	

# TRAILER PLUG INSTALLATION



**TOOL STORAGE**

ITEM	PART NO.	DESCRIPTION	QTY	REV
	1001208205	Tool Storage	Ref	B
1	1001201215	Bracket	1	
2	1001201216	Bracket	1	
3	1001201217	Bracket	2	
4	1001201218	Bracket	2	
5	1001196552	Screw, #8 x 0.75"	4	
6	1001210868	Screw, #10 x 0.75"	10	
7	1001201367	Screw, 0.25" x 1.00"	6	

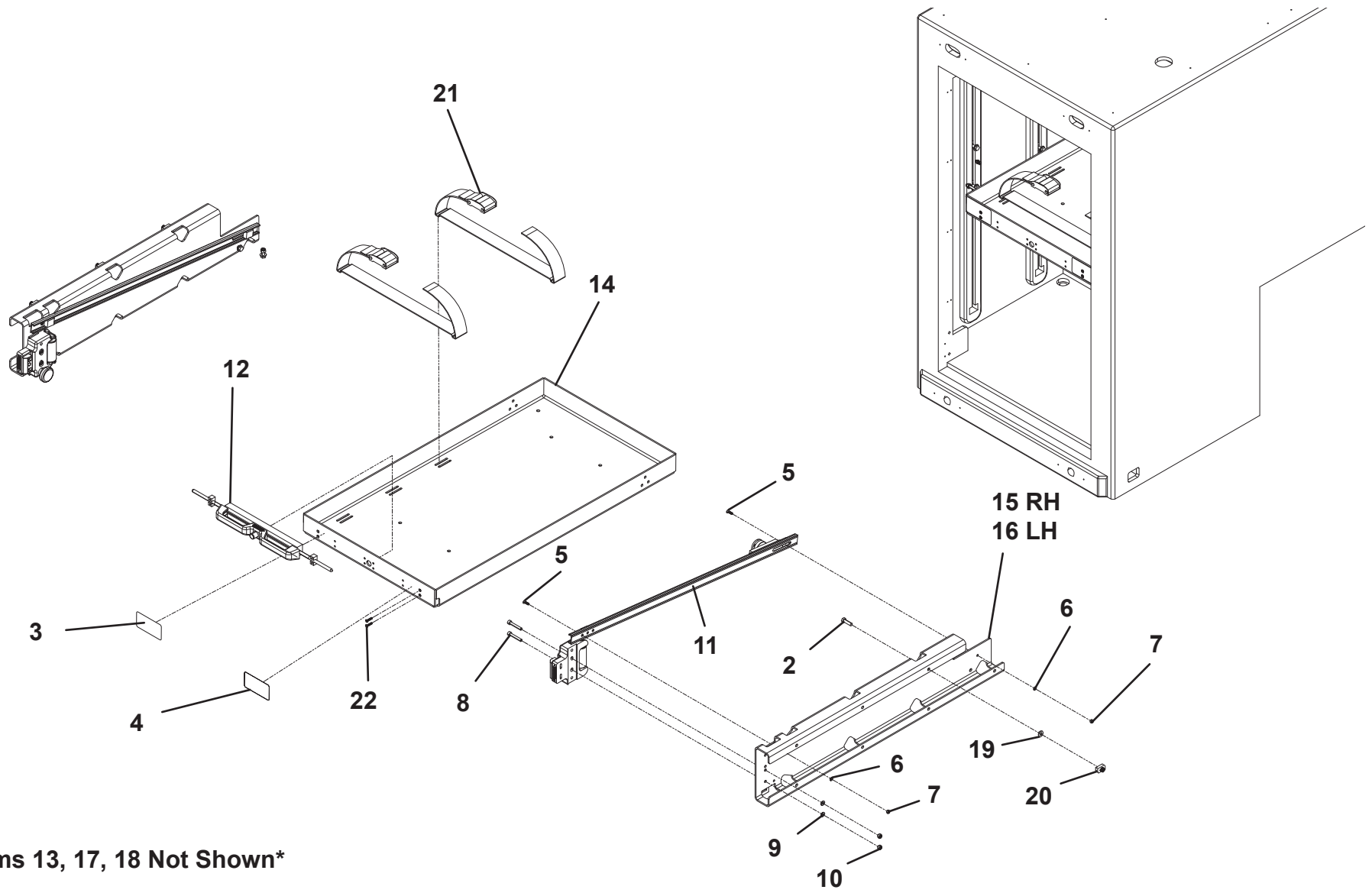


**TILT DOWN STORAGE TRAY**

ITEM	PART NO.	DESCRIPTION	QTY	REV
	1001208631	Tilt Down Storage Tray - Tandem	Ref	A
1	3020029	Bearing Grease	A/R	
2	1001169080	Screw, 0.38"-16 X 1.25"	12	
3	1001170090	Decal	1	
4	1001170091	Decal	1	
5	1001170305	Bolt, #6-20	4	
6	1001170307	Washer, M6 ID	4	
7	1001170310	Nut, M6	4	
8	1001170328	Screw, M8-50	4	
9	1001170329	Washer, M8 ID	4	
10	1001170330	Nut, M8	4	
11	1001170331	Roller Assembly	1	
12	1001170332	Latch	1	
13	1001179349	Strap	2	
14	1001197693	Tilt-Down Drawer	1	
15	1001183735	Bracket, RH	1	
16	1001183736	Bracket, LH	1	
17	7114160850	Screw, 0.38"-16 X 1.00"	4	
18	7660162601	Locknut, 0.38"-16NC	4	
19	7950160141	Flatwasher, 0.38" ID	16	
20	1001166644	Nut, 0.38"-16	12	
21	1001170428	Strap	2	
22	1001200997	Screw, M5X25	4	



# TILT DOWN STORAGE TRAY

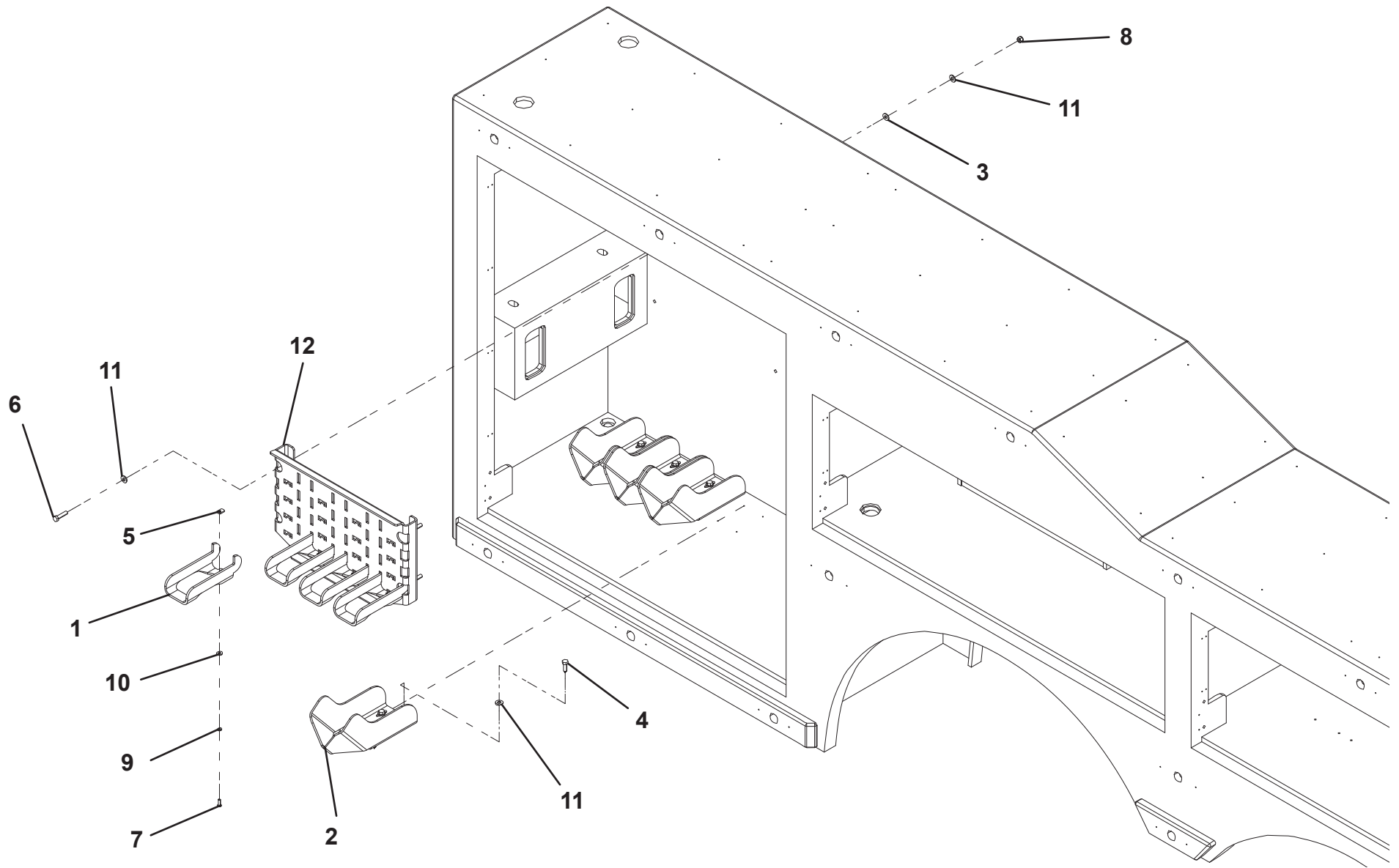


\*Items 13, 17, 18 Not Shown\*

**SNATCH BLOCK STORAGE INSTALLATION - TANDEM**

ITEM	PART NO.	DESCRIPTION	QTY	REV
	1001217105	Snatch Block Storage Installation - Tandem	Ref	A
1	1001164560	Bracket, Top	4	
2	1001164562	Bracket, Bottom	4	
3	1001166974	Washer, 0.38"	4	
4	1001168545	Screw, 0.38" X 1.25"	16	
5	1001168733	Nut, 0.25"-20	4	
6	1001168993	Screw, 0.38"-16 X 1.50"	4	
7	7114140618	Nut, 0.25"-20 X 0.75"	4	
8	7660162601	Locknut, 0.38"-16NC	4	
9	7950140003	Lockwasher, 0.25" ID	4	
10	7950140143	Flatwasher, 0.25" ID	4	
11	7950160143	Flatwasher, 0.38" ID	24	
12	1001201112	Bracket	1	

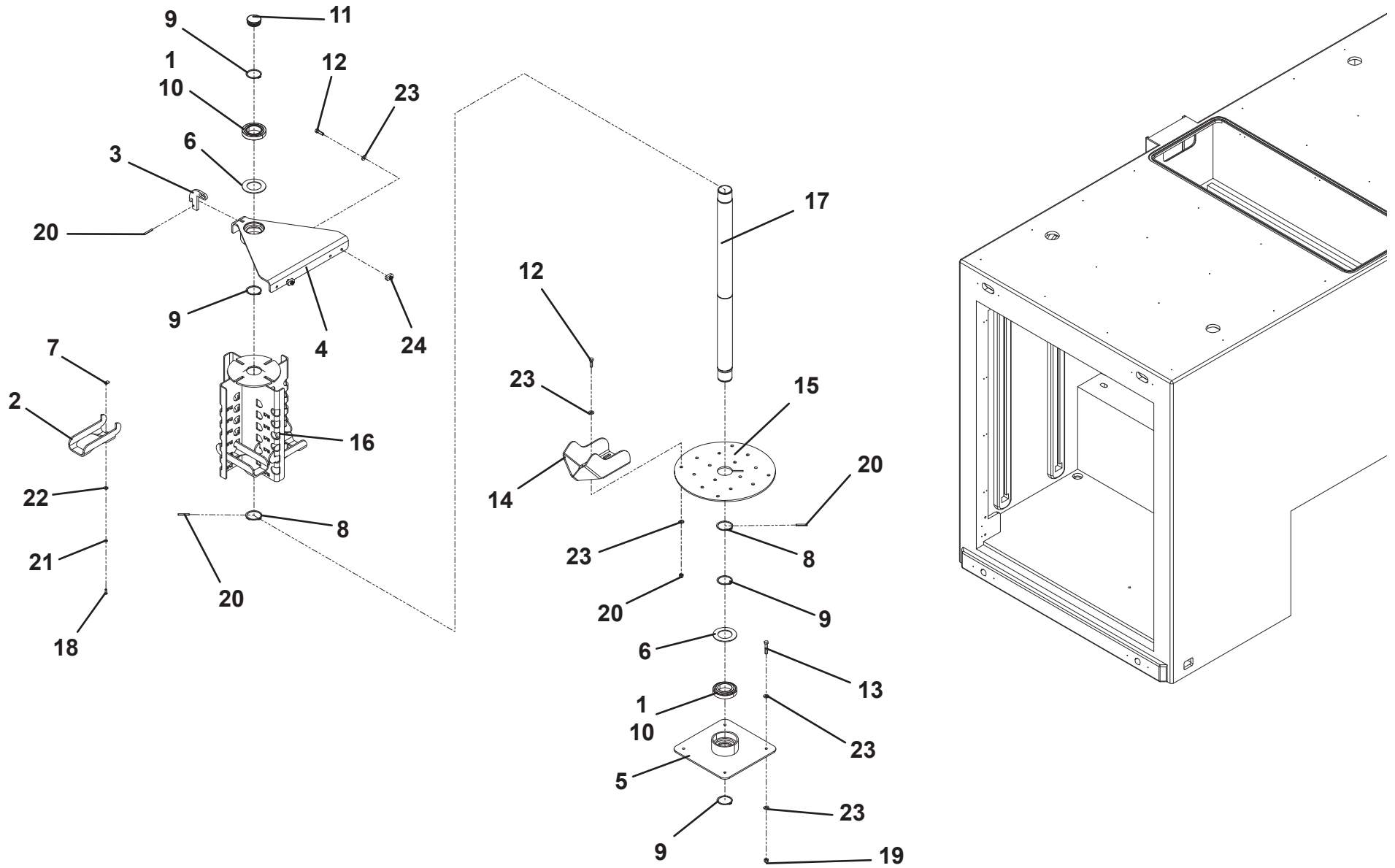
# SNATCH BLOCK STORAGE INSTALLATION - TANDEM



**SNATCH BLOCK STORAGE INSTALLATION - TRI-AXLE**

ITEM	PART NO.	DESCRIPTION	QTY	REV
	1001195134	Snatch Block Storage Installation - Tri-Axle	Ref	A
1	3020029	Lube, Bearing Grease	A/R	
2	1001164560	Bracket, Top	4	
3	1001165564	Plate	1	
4	1001165570	Bracket	1	
5	1001165571	Bracket	1	
6	1001165584	Plate	2	
7	1001168733	Nut, 0.25"-20	4	
8	1001169063	Retaining Ring	2	
9	1001169064	Retaining Ring	4	
10	1001169076	Bearing	2	
11	1001169078	Plug	1	
12	1001169080	Screw, 0.38"-16 X 1.25"	18	
13	1001169083	Screw, 0.38"-16 X 2.00"	4	
14	1001190342	Bracket	4	
15	1001190359	Support	1	
16	1001190361	Bracket	1	
17	1001192126	Tube	1	
18	7114140618	Bolt, 0.25"-20 X 0.75"	4	
19	7660162601	Locknut, 0.38"-16NC	20	
20	7690142845	Pin	3	
21	7950140003	Lockwasher, 0.25" ID	4	
22	7950140143	Flatwasher, 0.25" ID	4	
23	7950160143	Flatwasher, 0.38" ID	42	
24	1001166644	Nut, 0.38"-16	2	

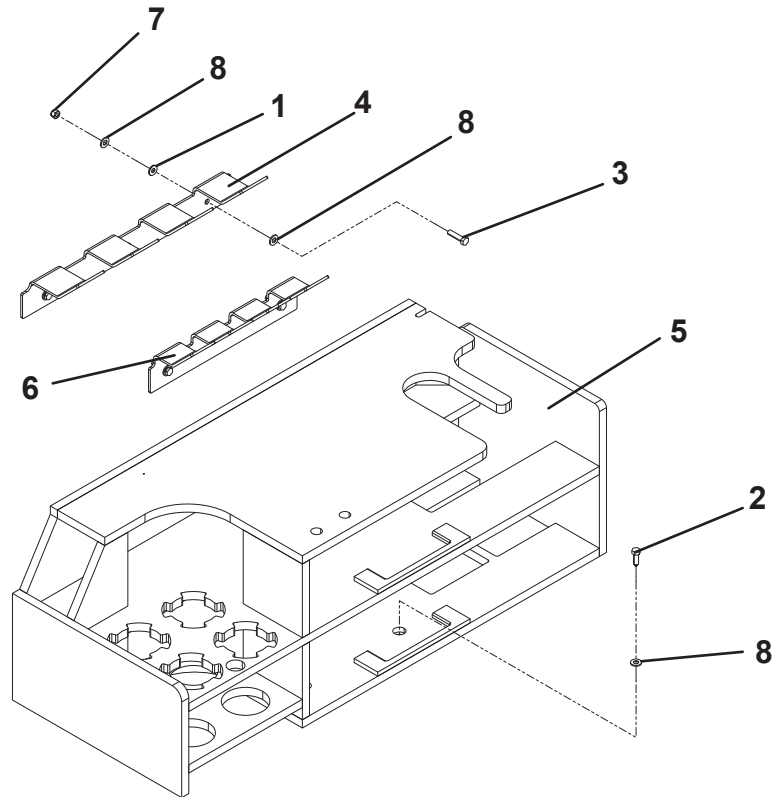
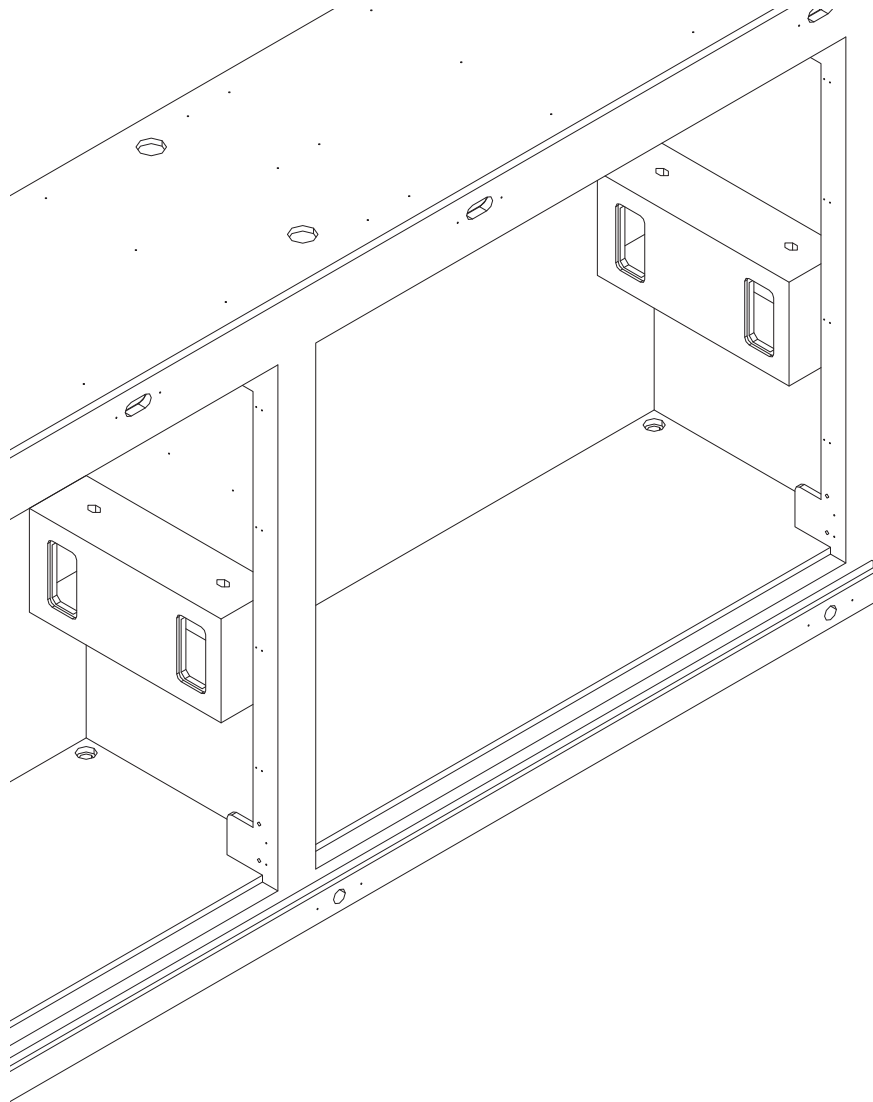
# SNATCH BLOCK STORAGE INSTALLATION - TRI-AXLE



**TIRE LIFT STORAGE - TANDEM BODY**

ITEM	PART NO.	DESCRIPTION	QTY	REV
	1001207556	Tire Lift Storage - Tandem Body	Ref	A
1	1001166974	Washer, 0.38" ID	5	
2	1001168545	Capscrew, 0.38" - 16NC x 1.25"	4	
3	1001168993	Capscrew, 0.38" - 16NC x 1.50"	5	
4	1001182248	Bracket	1	
5	1001190409	Bus Arm Storage	1	
6	1001207624	Bracket	1	
7	7660162601	Locknut, 0.38" - 16NC	5	
8	7950160143	Flatwasher, 0.38" ID	14	

# TIRE LIFT STORAGE - TANDEM BODY

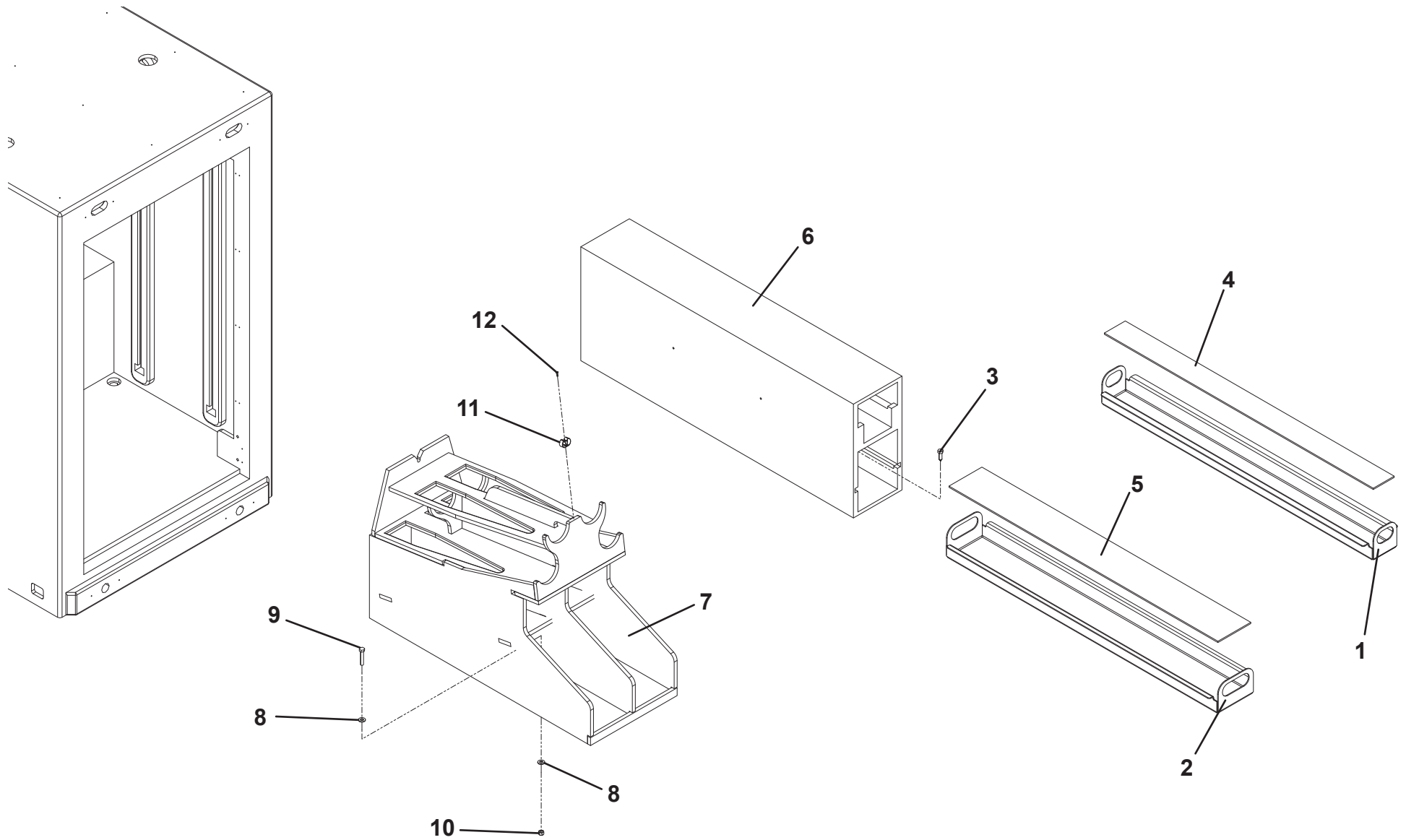


**TIRE LIFT STORAGE - 39" AND 37" TOOLBOX**

ITEM	PART NO.	DESCRIPTION	QTY	REV
	1001205796	Tire Lift Storage - 39" & 37" Toolbox	Ref	B
1	1001165862	Tray, Small	1	
2	1001165863	Tray, Large	1	
3	1001168545	Screw, 0.38" X 1.25"	4	
4	1001170968	Pad, Small	1	
5	1001170970	Pad, Large	1	
6	1001170971	Bracket	1	
7	1001192287	Storage	1	
8	7950160143	Flatwasher, 0.38" ID	8	
9	7115161650	Capscrew, 0.38" - 16NC x 2.00"	4	
10	7660162601	Locknut, 0.38" - 16NC	4	
11	1380135	Clip	1	
12	3900339	Screw, #6 - 19NC x 0.50"	1	



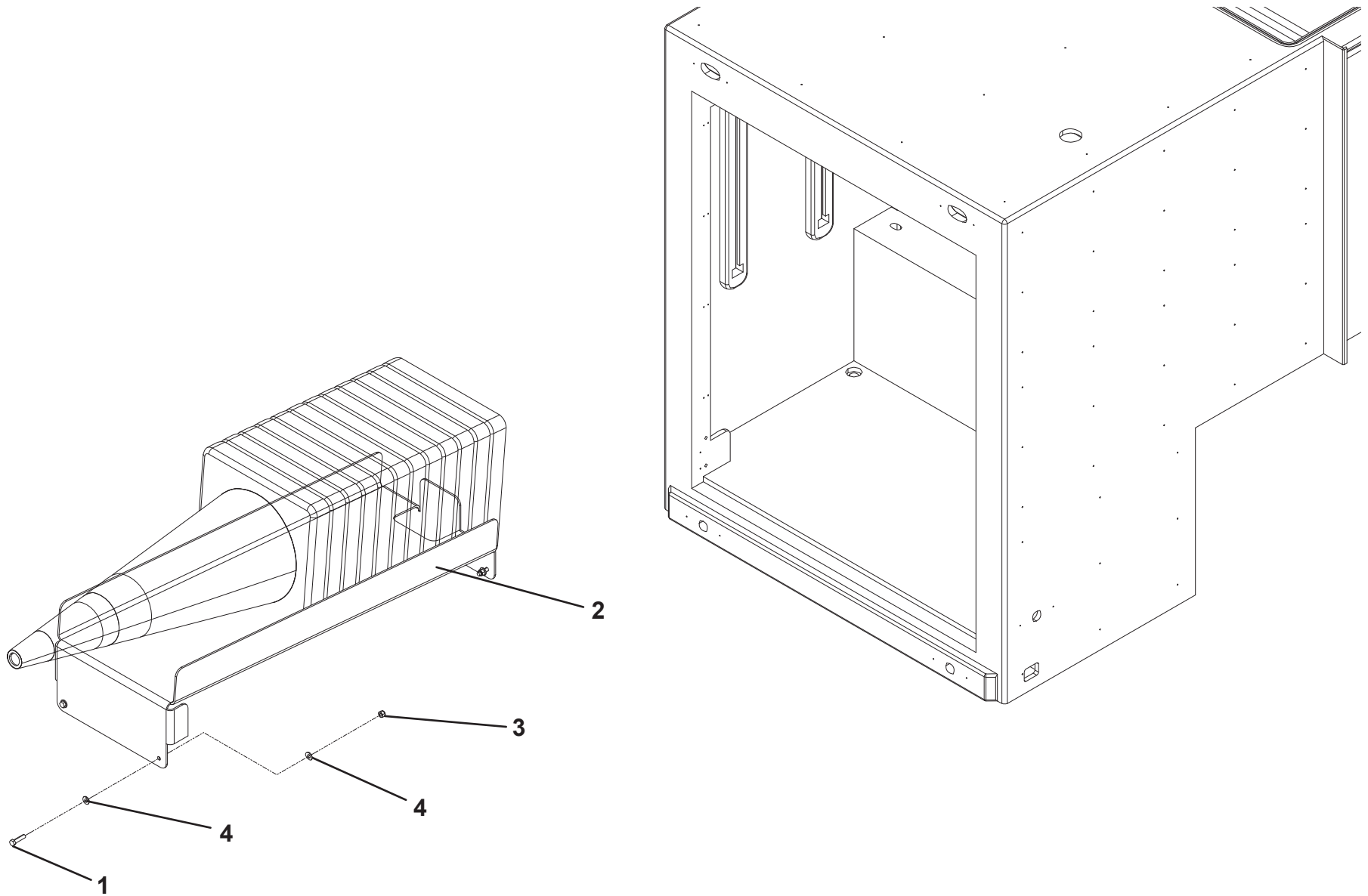
# TIRE LIFT STORAGE - 39" AND 37" TOOLBOX



**TRAFFIC CONE STORAGE**

ITEM	PART NO.	DESCRIPTION	QTY	REV
	1001207508	Traffic Cone Storage	Ref	A
1	1001168993	Screw, 0.38"-16 x 1.50"	4	
2	1001190551	Bracket	1	
3	7660162601	Locknut, 0.25"-20	4	
4	7950160143	Flatwasher, 0.38" ID	8	

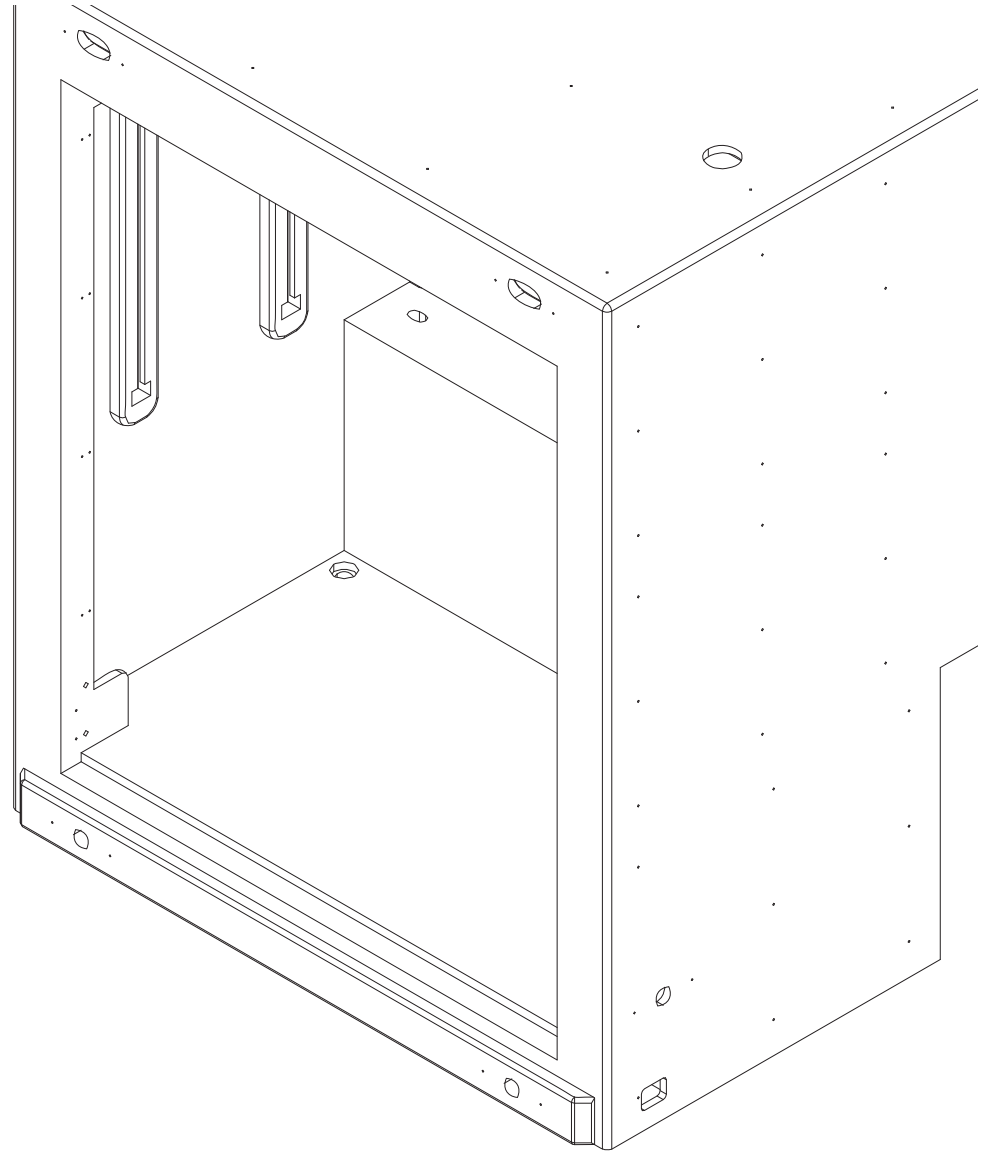
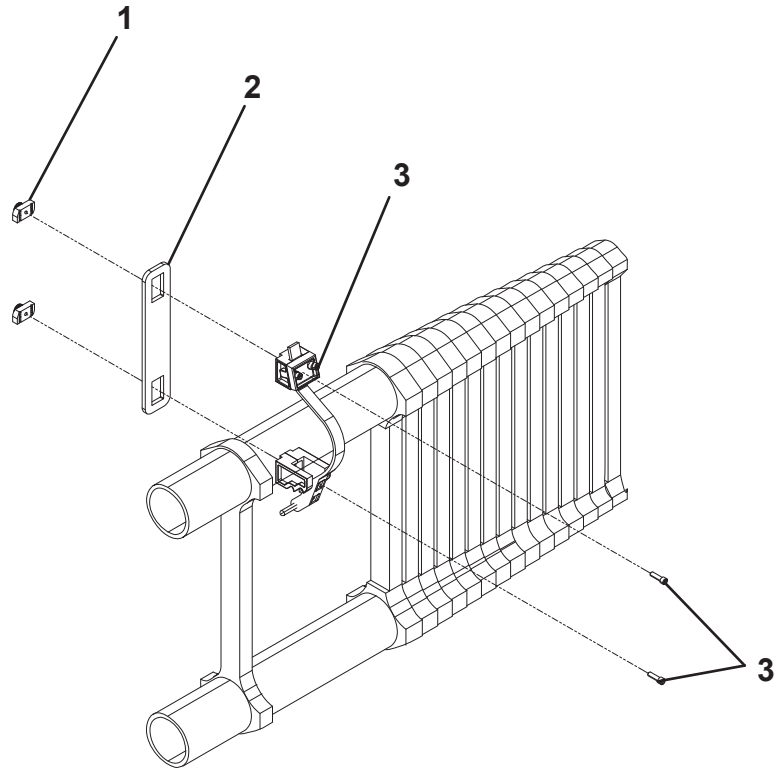
# TRAFFIC CONE STORAGE



**LADDER STORAGE**

ITEM	PART NO.	DESCRIPTION	QTY	REV
	1001200001	Ladder Storage	Ref	B
1	1001183037	Nut, 0.25"-20	2	
2	1001201523	Plate	1	
3	1001201534	Bracket	1	

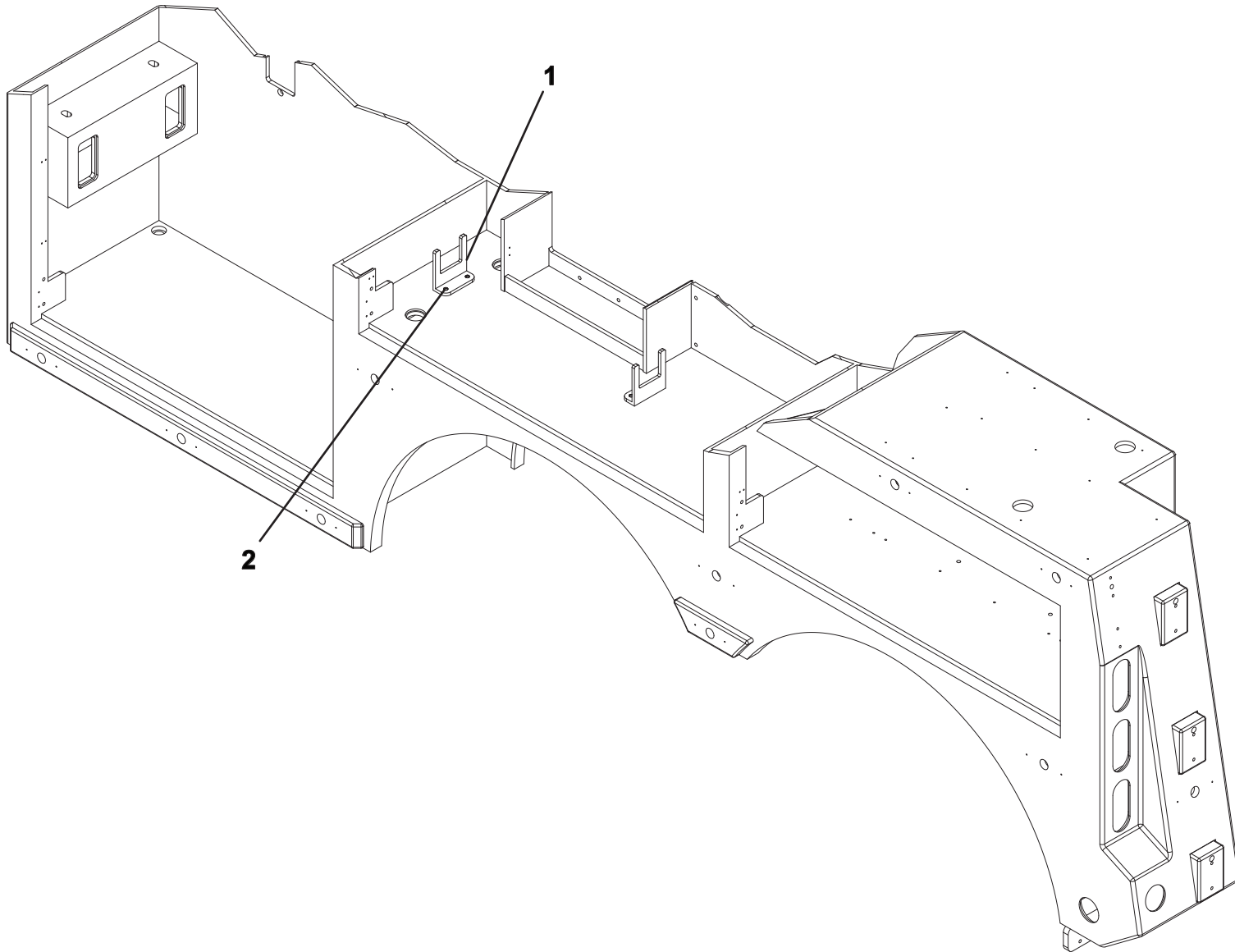
# LADDER STORAGE



**TOW LIGHT STORAGE**

ITEM	PART NO.	DESCRIPTION	QTY	REV
	1001195592	Tow Light Storage	Ref	A
1	1001170618	Bracket	2	
2	1001195523	Screw, 0.25" x 1.00"	4	

## TOW LIGHT STORAGE

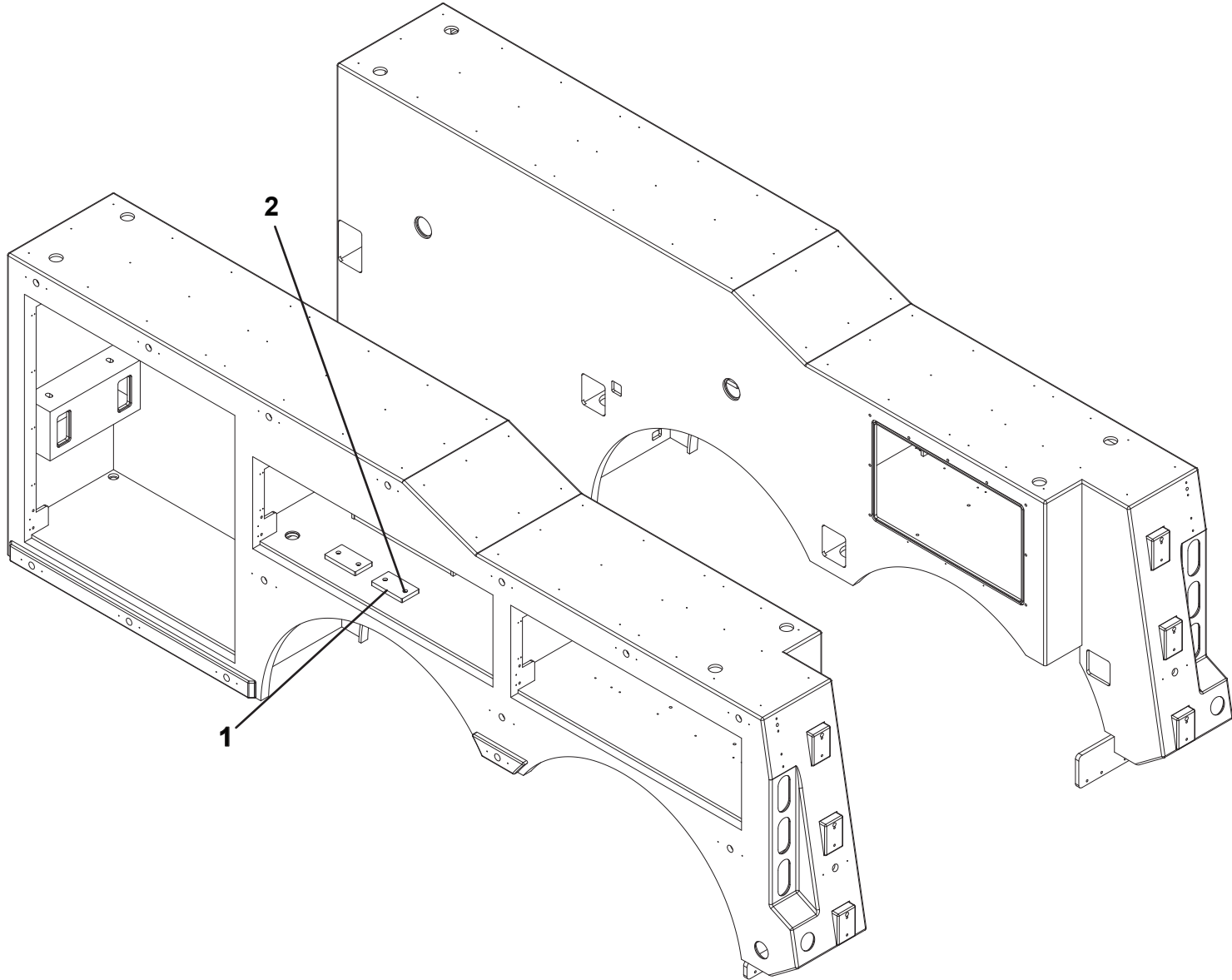


**WHEEL CHOCK STORAGE**

ITEM	PART NO.	DESCRIPTION	QTY	REV
	1001195520	Wheel Chock Storage	Ref	B
1	1001170707	Wheel Chock Stop	4	
2	1001195523	Screw, 0.25" x 1.00"	8	



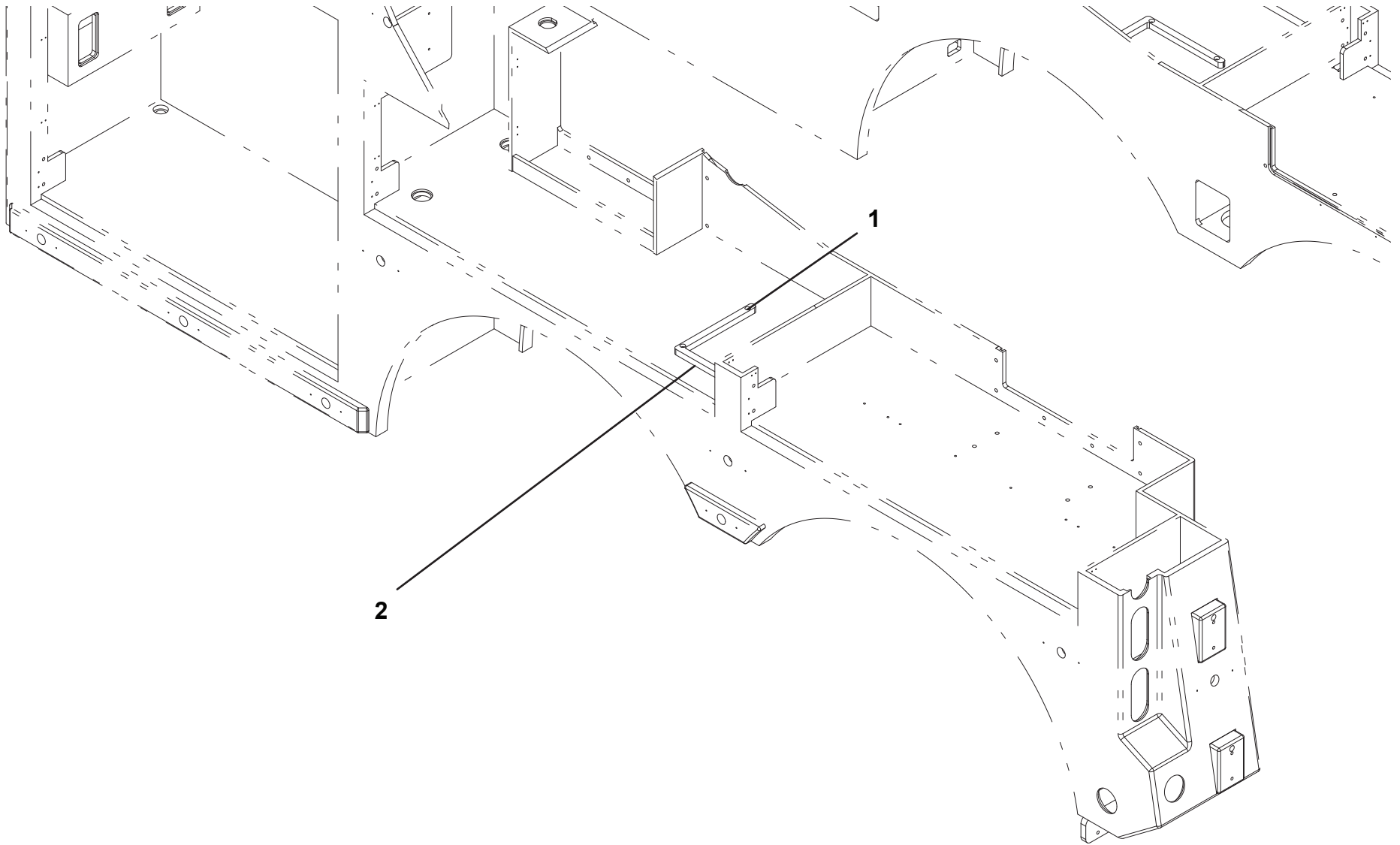
# WHEEL CHOCK STORAGE



**FLARE STORAGE**

ITEM	PART NO.	DESCRIPTION	QTY	REV
	1001201704	Flare Storage	Ref	A
1	1001195523	Screw, 0.25" x 1.00"	8	
2	1001201695	Bracket	2	

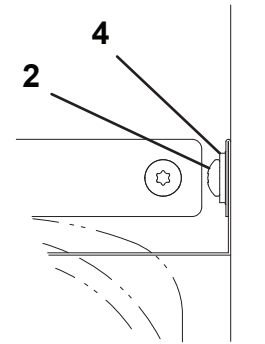
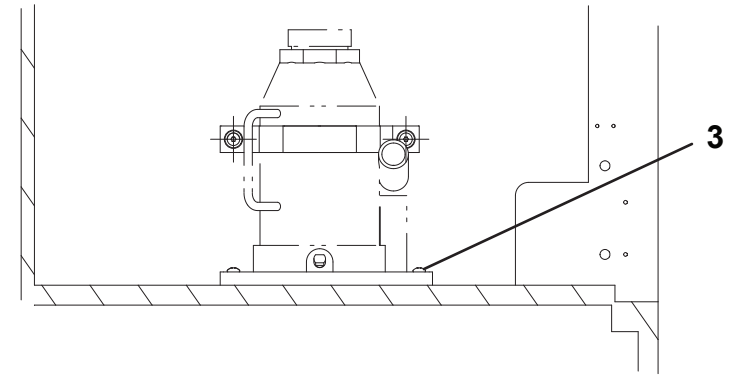
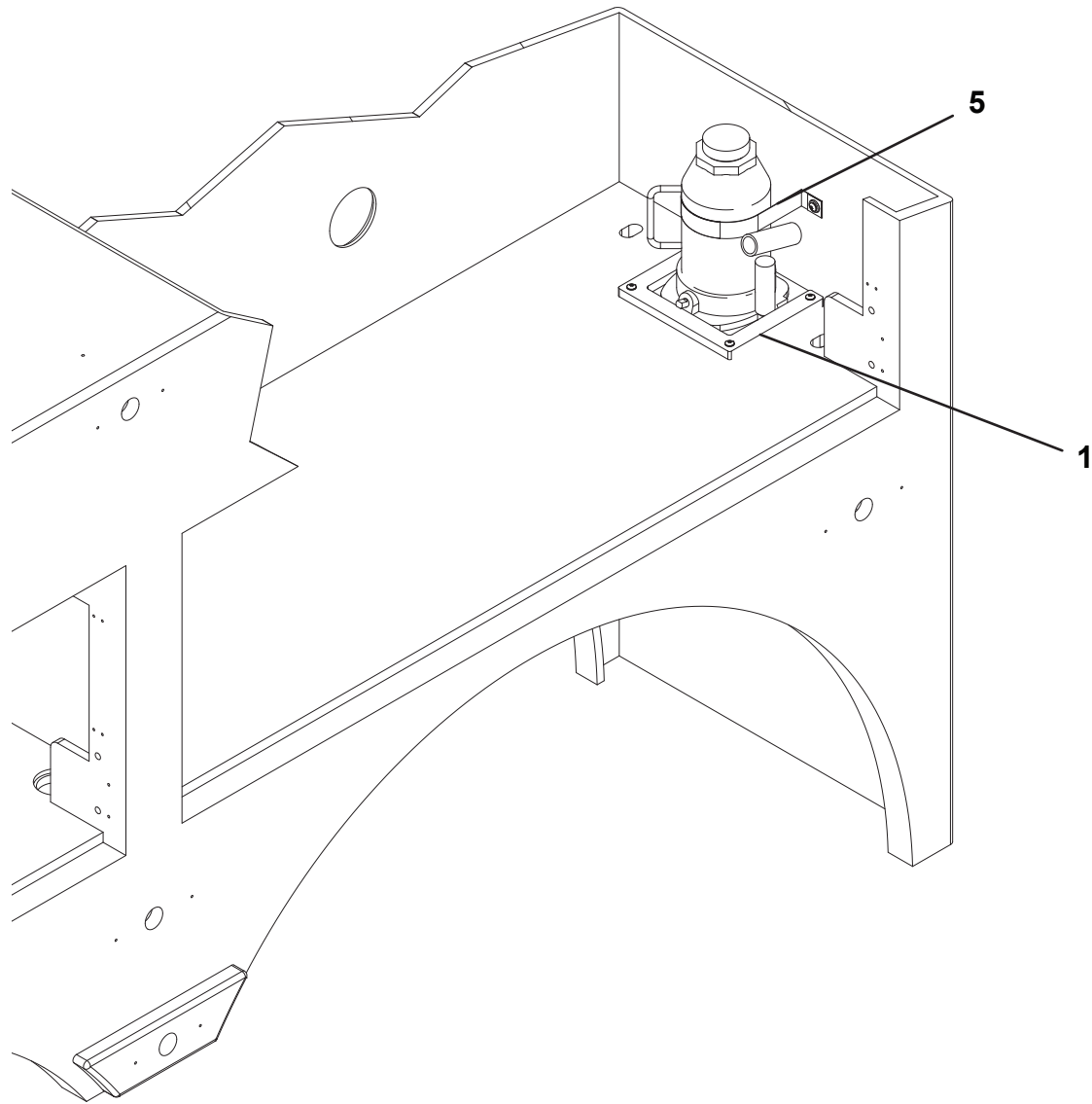
# FLARE STORAGE



**BOTTLE JACK STORAGE**

ITEM	PART NO.	DESCRIPTION	QTY	REV
	1001196214	Bottle Jack Storage	Ref	B
1	1001170839	Bracket	1	
2	1001195257	Screw, 0.25" x 0.50"	2	
3	1001195523	Screw, 0.25" x 1.00"	4	
4	7950140143	Flatwasher, 0.25" ID	2	
5	1001167268	Strap	2	

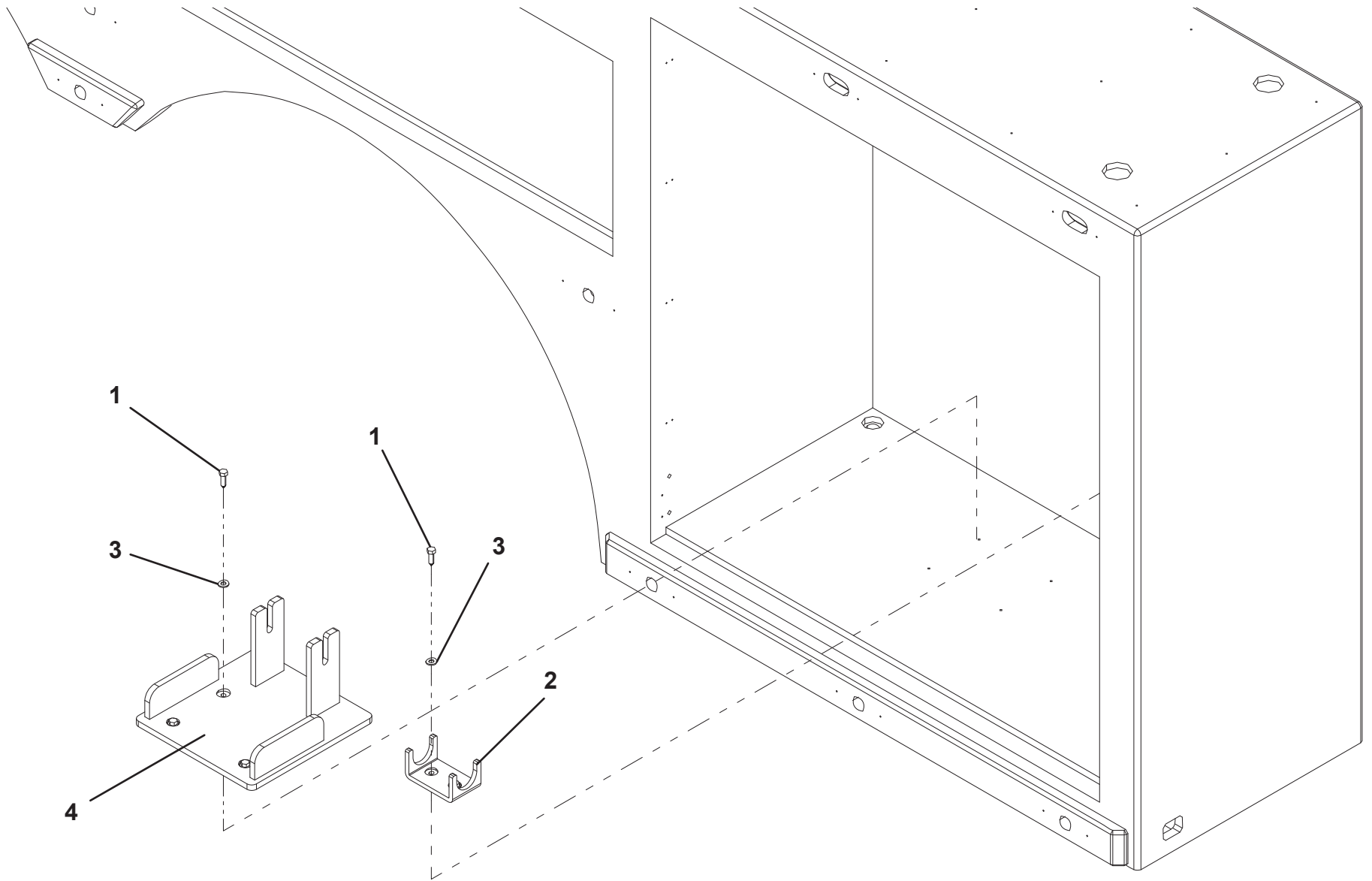
# BOTTLE JACK STORAGE



**FIFTH WHEEL STORAGE INSTALLATION**

ITEM	PART NO.	DESCRIPTION	QTY	REV
	1001195942	Fifth Wheel Storage Installation	Ref	C
1	1001168545	Screw, 0.38" x 1.25"	6	
2	1001190568	Bracket	1	
3	7950160143	Flatwasher, 0.38" ID	6	
4	1001191810	Bracket	1	

# FIFTH WHEEL STORAGE INSTALLATION

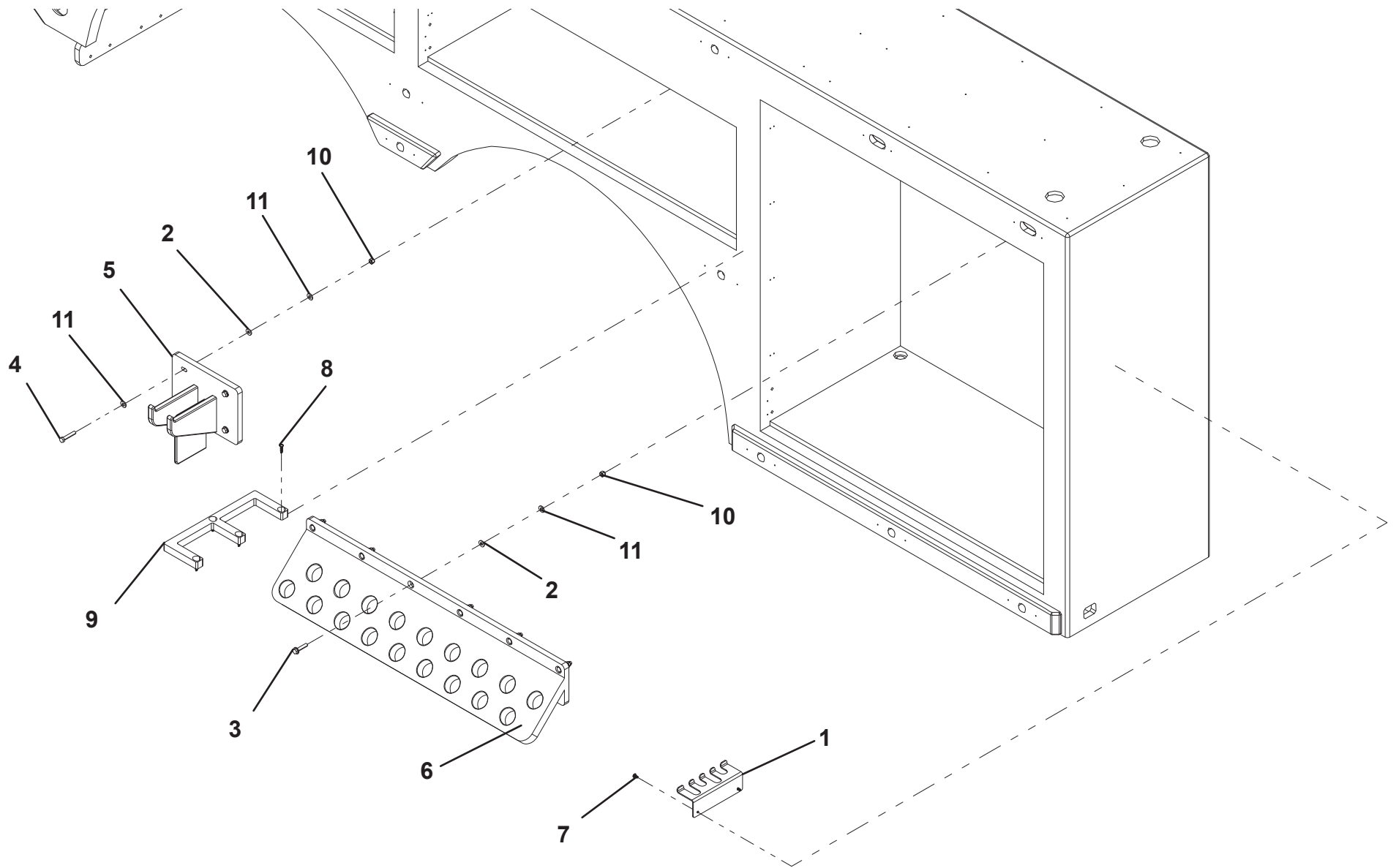


**FRAME FORK STORAGE INSTALLATION**

ITEM	PART NO.	DESCRIPTION	QTY	REV
	1001195839	Frame Fork Storage Installation	Ref	C
1	1001160799	Bracket	1	
2	1001166974	Washer, 0.38" ID Rubber	10	
3	1001168544	Screw, 0.38"-16 X 1.75"	6	
4	1001169083	Screw, 0.38"-16 X 2.00"	4	
5	1001190926	Bracket	1	
6	1001190988	Bracket	1	
7	1001195257	Screw, 0.25" X 0.50"	2	
8	1001195523	Screw, 0.25" X 1.00"	4	
9	1001195838	Bracket	1	
10	7660162601	Locknut, 0.38"-16NC	10	
11	7950160143	Flatwasher, 0.38" ID	20	



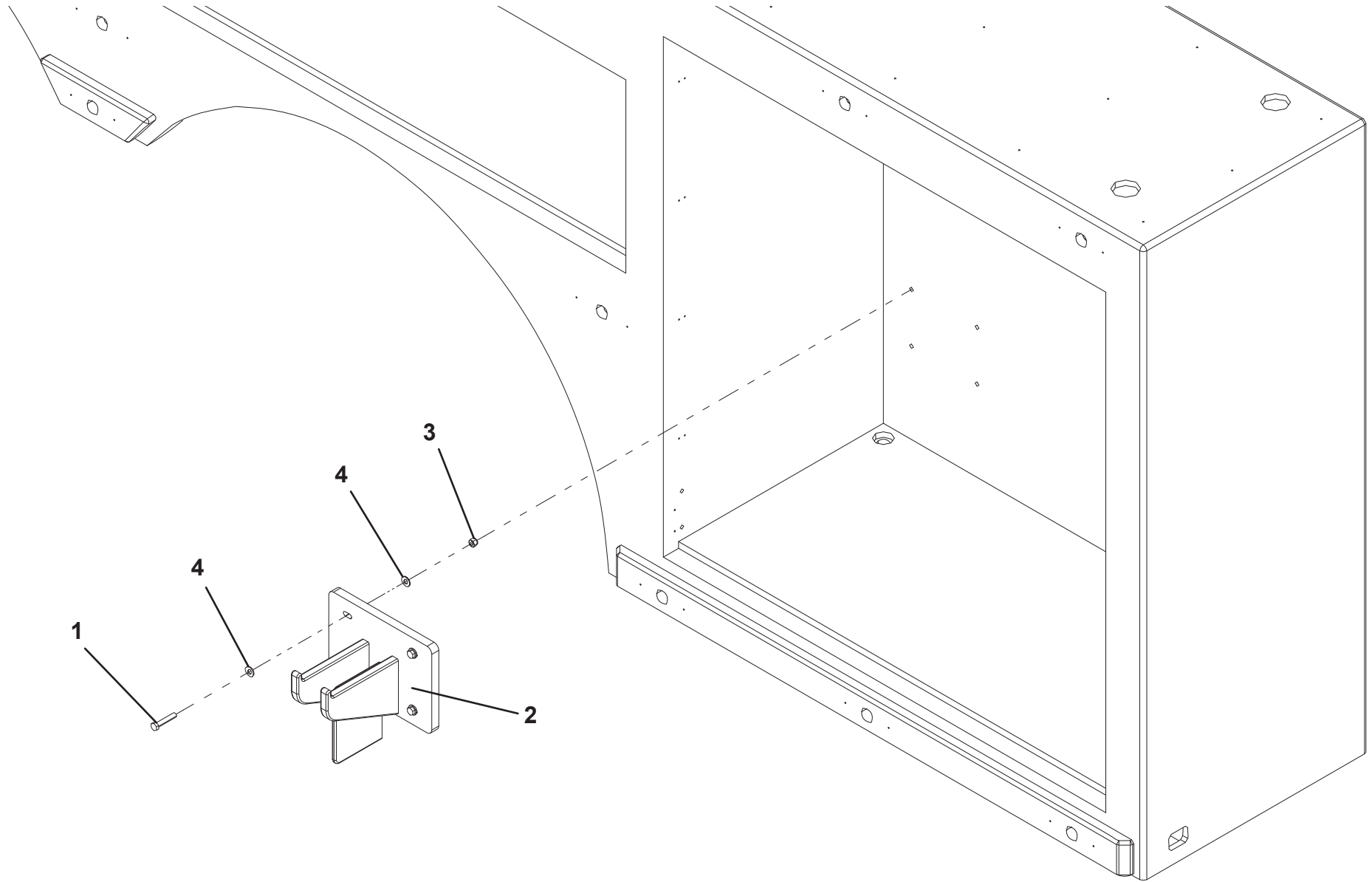
# FRAME FORK STORAGE INSTALLATION



**FORK RISER STORAGE INSTALLATION**

ITEM	PART NO.	DESCRIPTION	QTY	REV
	1001195788	Fork Riser Storage Installation	Ref	B
1	1001169083	Screw, 0.38"-16 x 2.00"	4	
2	1001190926	Bracket	1	
3	7660162601	Locknut, 0.25"-20	4	
4	7950160143	Flatwasher, 0.38" ID	8	

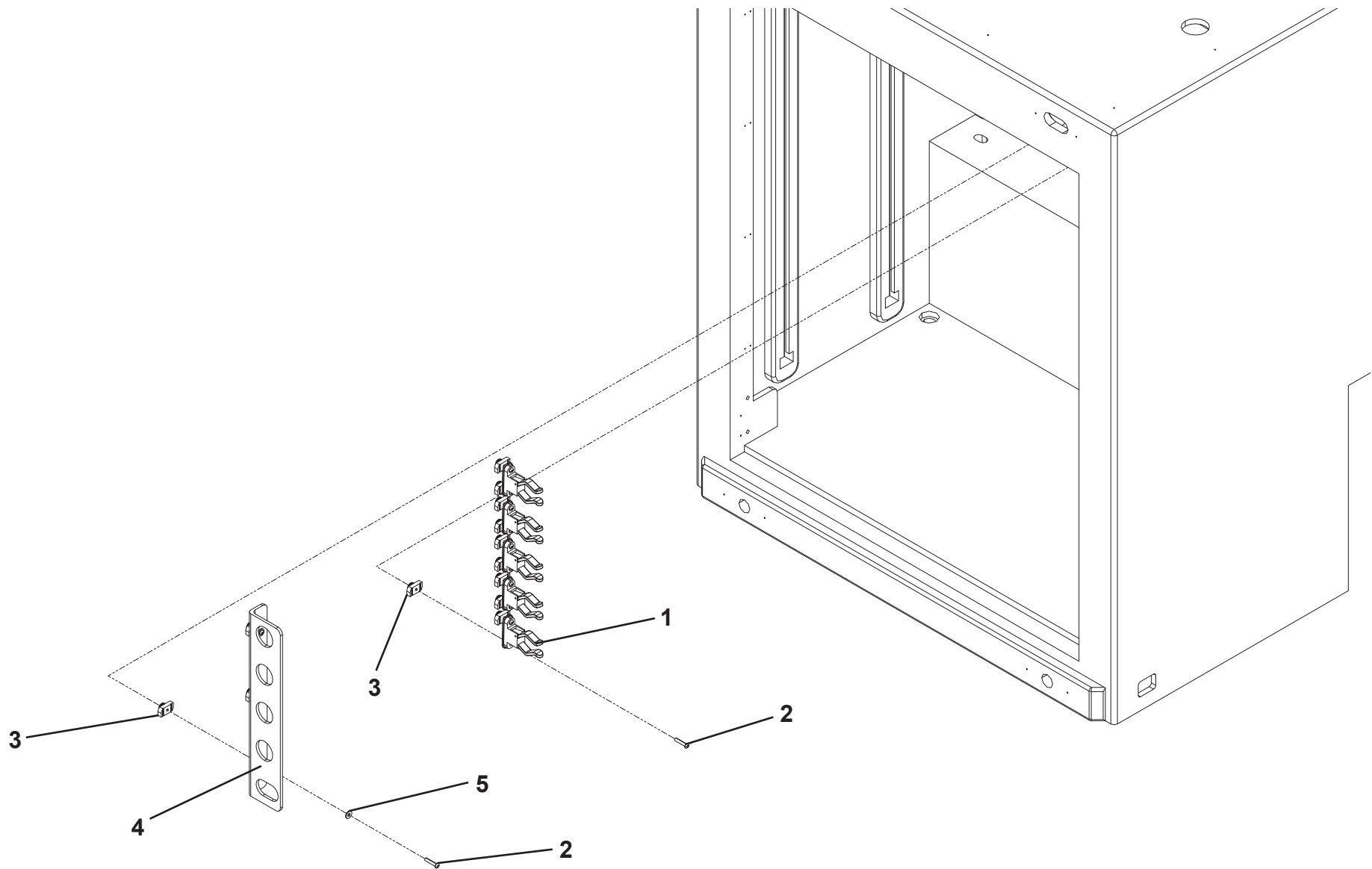
# FORK RISER STORAGE INSTALLATION



**GRIZZLY BAR STORAGE - TANDEM**

ITEM	PART NO.	DESCRIPTION	QTY	REV
	1001210746	Grizzly Bar Storage - Tandem	Ref	A
1	1001175059	Clamp	5	
2	7114141018	Screw, 0.25" - 20NC x 1.25"	13	
3	1001183037	Nut, 0.25" - 20NC	13	
4	1001183038	Bracket	1	
5	7950140143	Flatwasher, 0.25" ID	3	

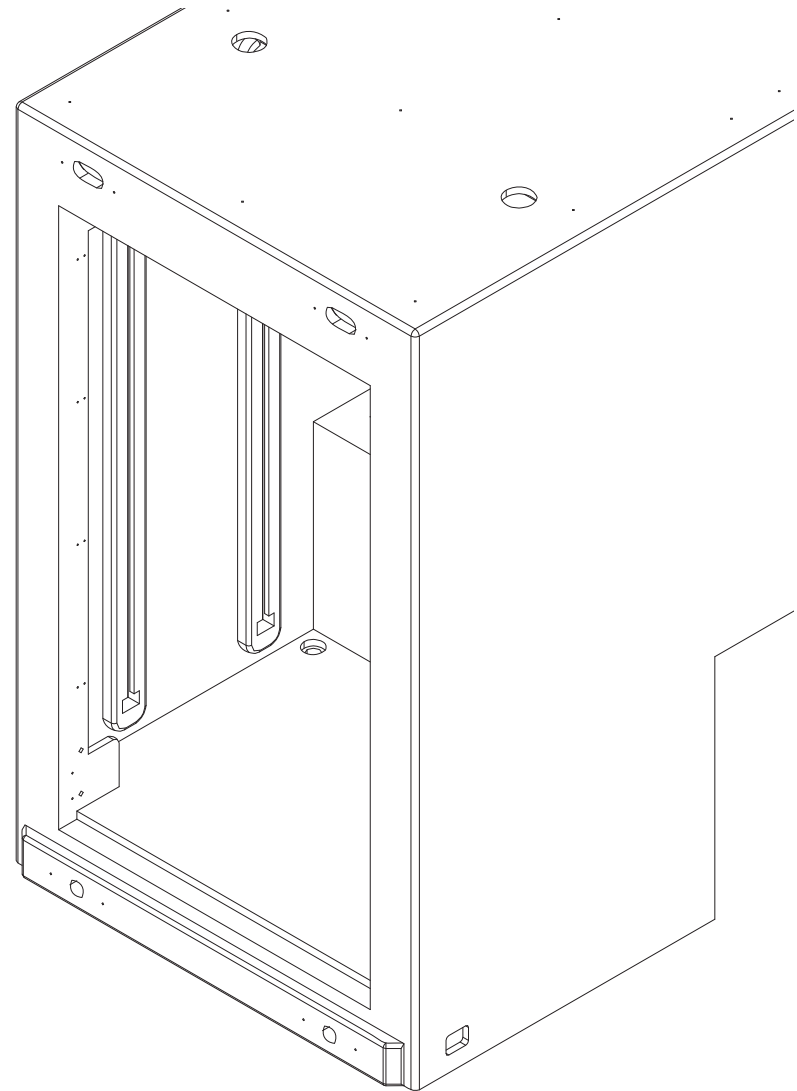
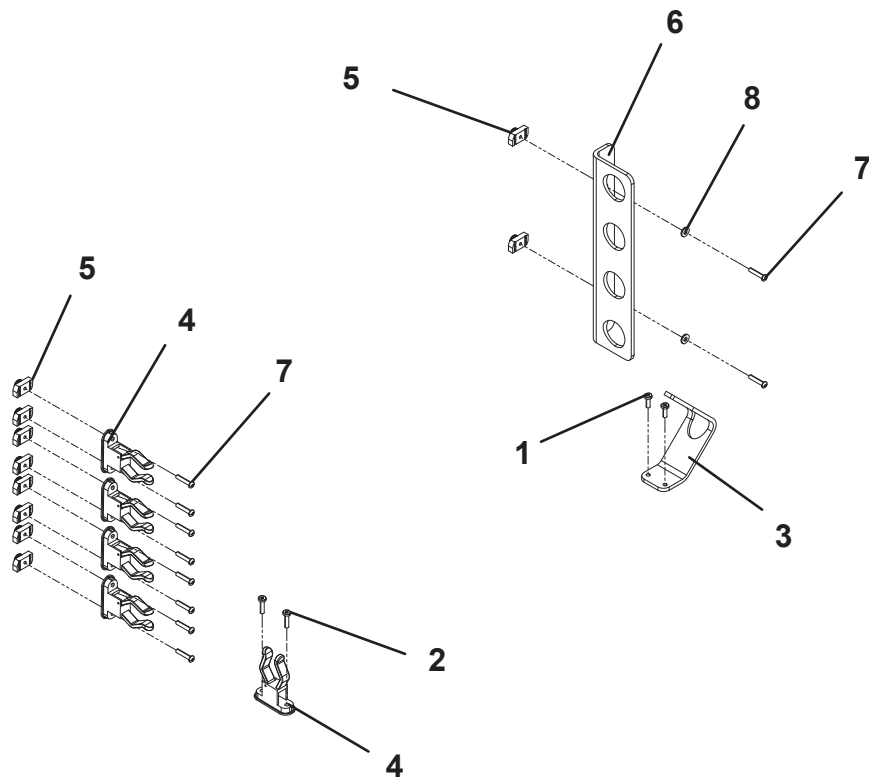
# GRIZZLY BAR STORAGE - TANDEM



**GRIZZLY BAR STORAGE - TRI-AXLE**

ITEM	PART NO.	DESCRIPTION	QTY	REV
	1001210747	Grizzly Bar Storage - Tri-Axle	Ref	A
1	0751406	Screw	2	
2	0751408	Screw	2	
3	1001174992	Bracket	1	
4	1001175059	Clamp	5	
5	1001183037	Spring Nut, 0.25" - 20NC	10	
6	1001212194	Angle Bracket	1	
7	7114141018	Screw, 0.25" - 20NC x 1.25"	10	
8	7950140143	Flatwasher, 0.25" ID	2	

# GRIZZLY BAR STORAGE - TRI-AXLE

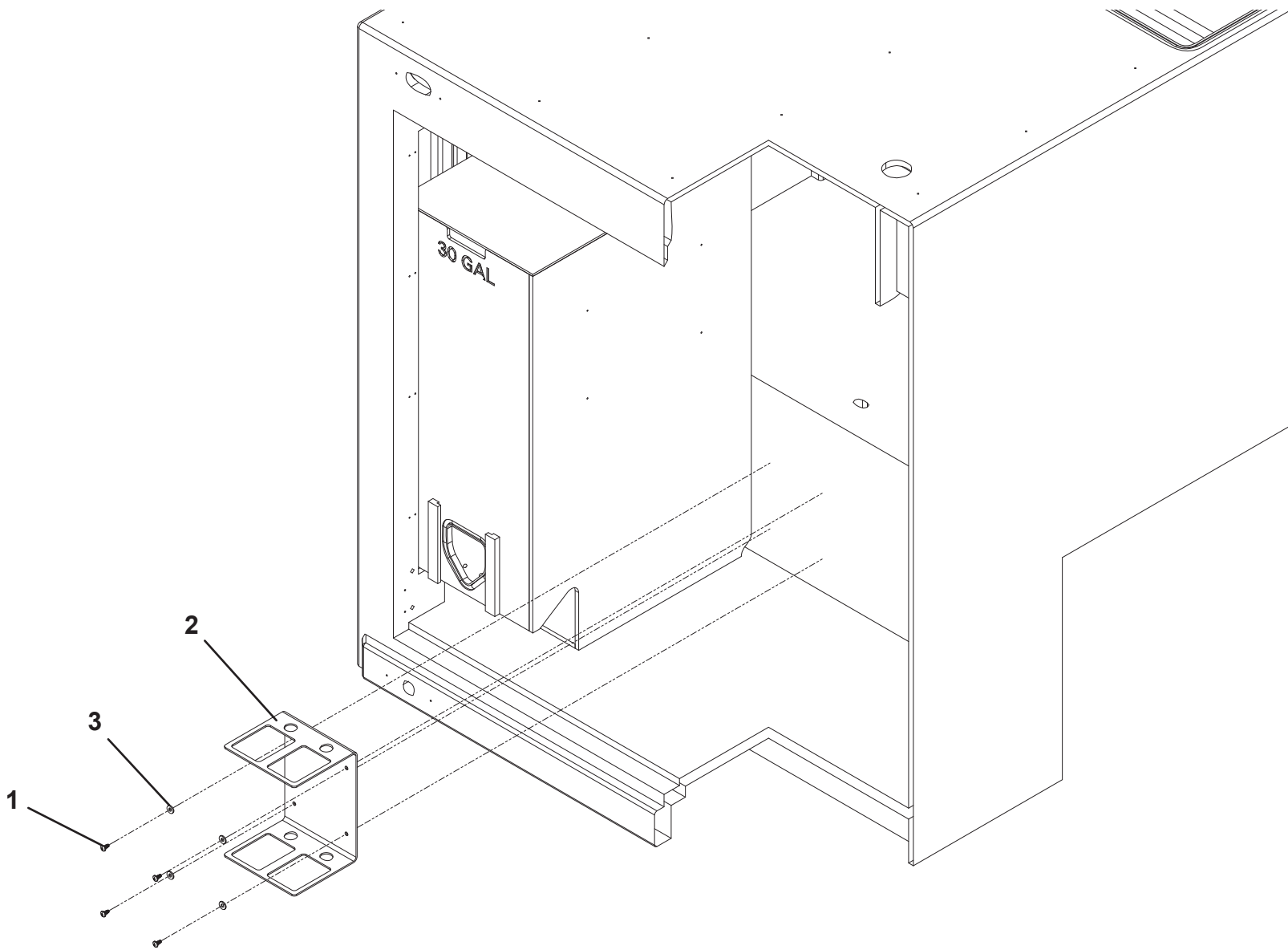


**BROOM STORAGE**

ITEM	PART NO.	DESCRIPTION	QTY	REV
	1001207496	Broom Storage	Ref	A
1	1001195257	Screw, 0.25" x 0.50"	4	
2	1001207300	Bracket	1	
3	7950140143	Flatwasher, 0.25" ID	4	



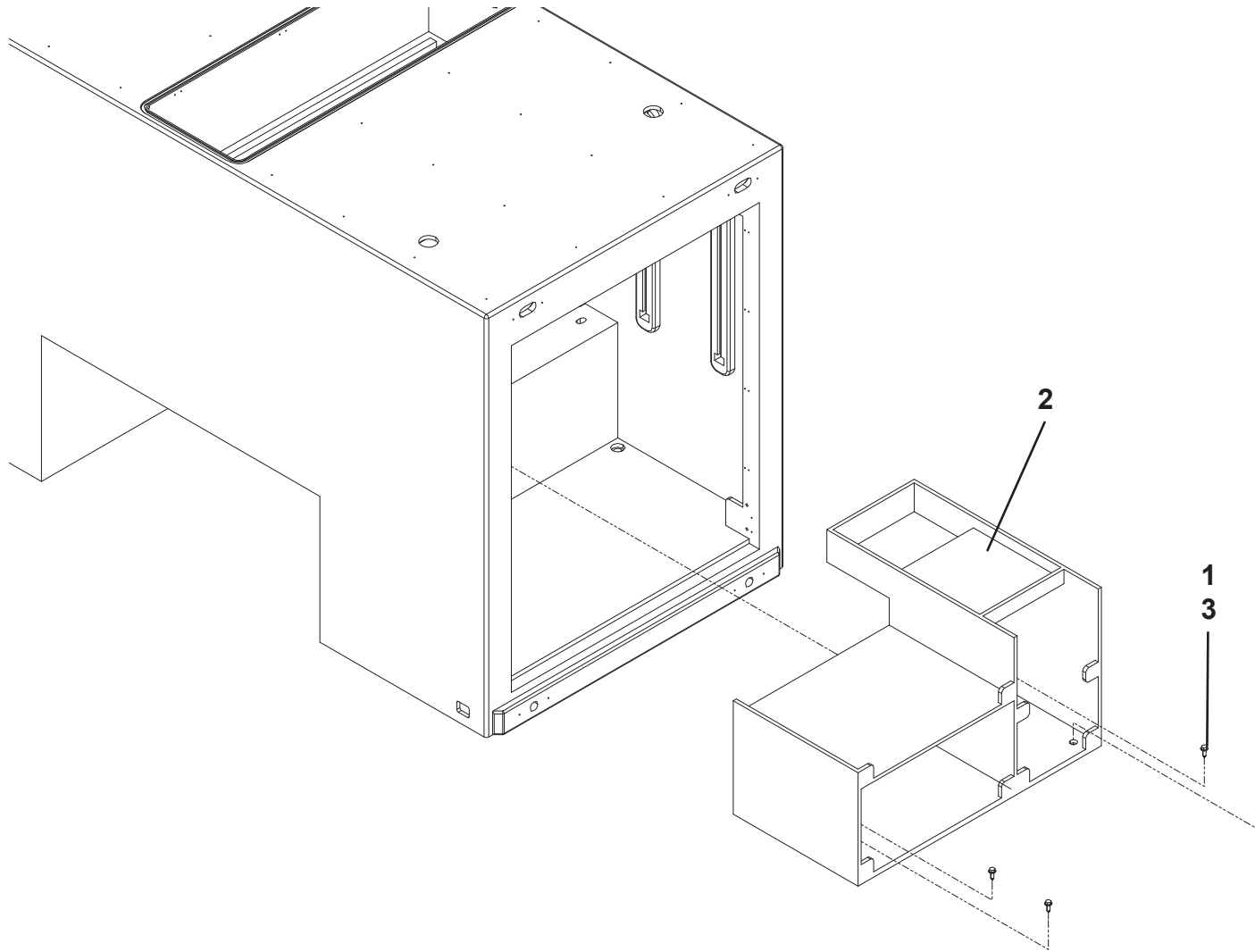
# BROOM STORAGE



**STRAP STORAGE - TANDEM**

ITEM	PART NO.	DESCRIPTION	QTY	REV
	1001207593	Strap Storage - Tandem	Ref	A
1	1001168545	Screw, 0.38" x 1.25"	4	
2	1001208651	Organizer - Tandem	1	
3	7950160143	Flatwasher, 0.38" ID	4	

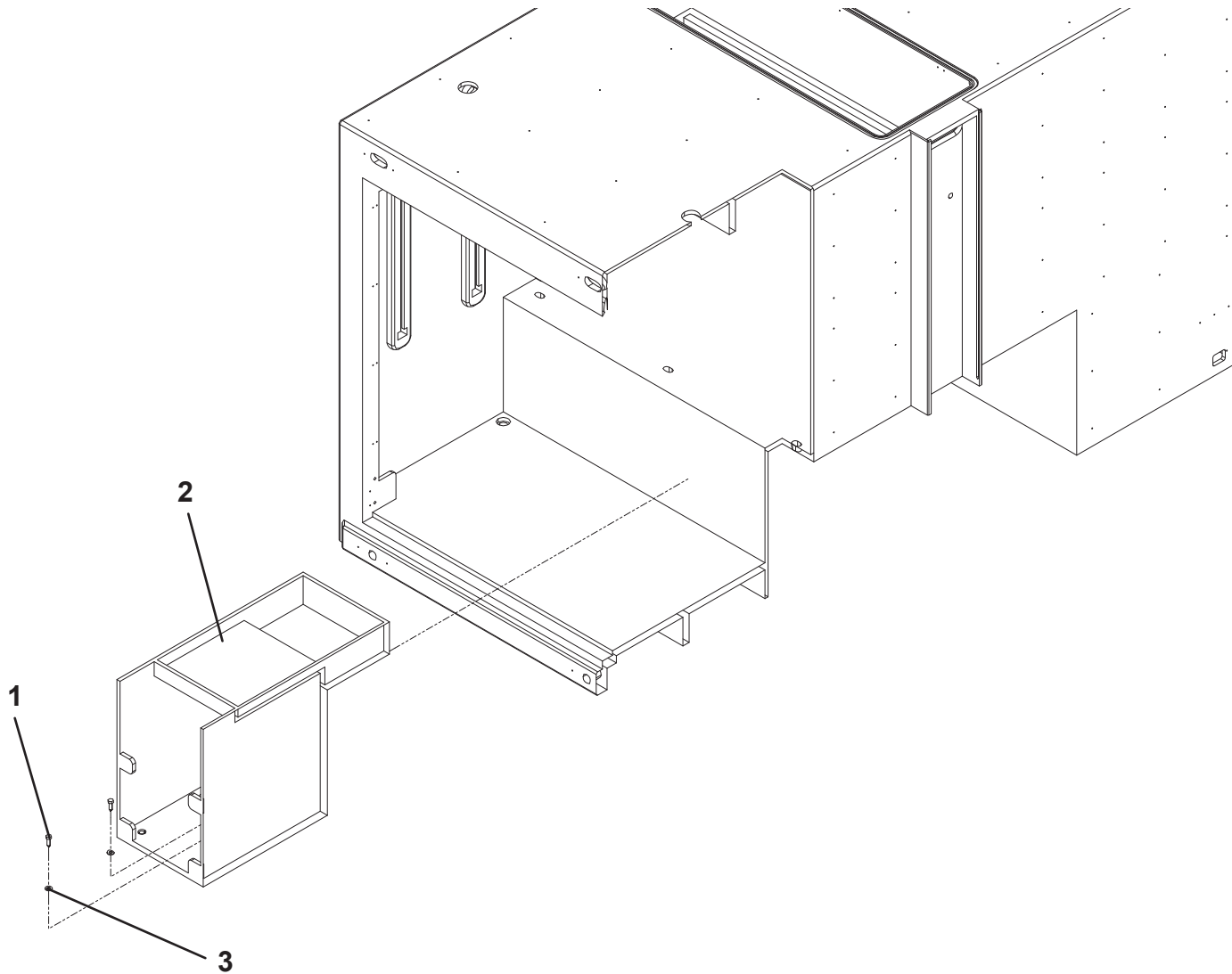
# STRAP STORAGE - TANDEM



**STRAP STORAGE - TRI-AXLE**

ITEM	PART NO.	DESCRIPTION	QTY	REV
	1001208637	Strap Storage - Tri-Axle	Ref	A
1	1001168545	Screw, 0.38" x 1.25"	4	
2	1001208650	Organizer - Tri-Axle	1	
3	7950160143	Flatwasher, 0.38" ID	4	

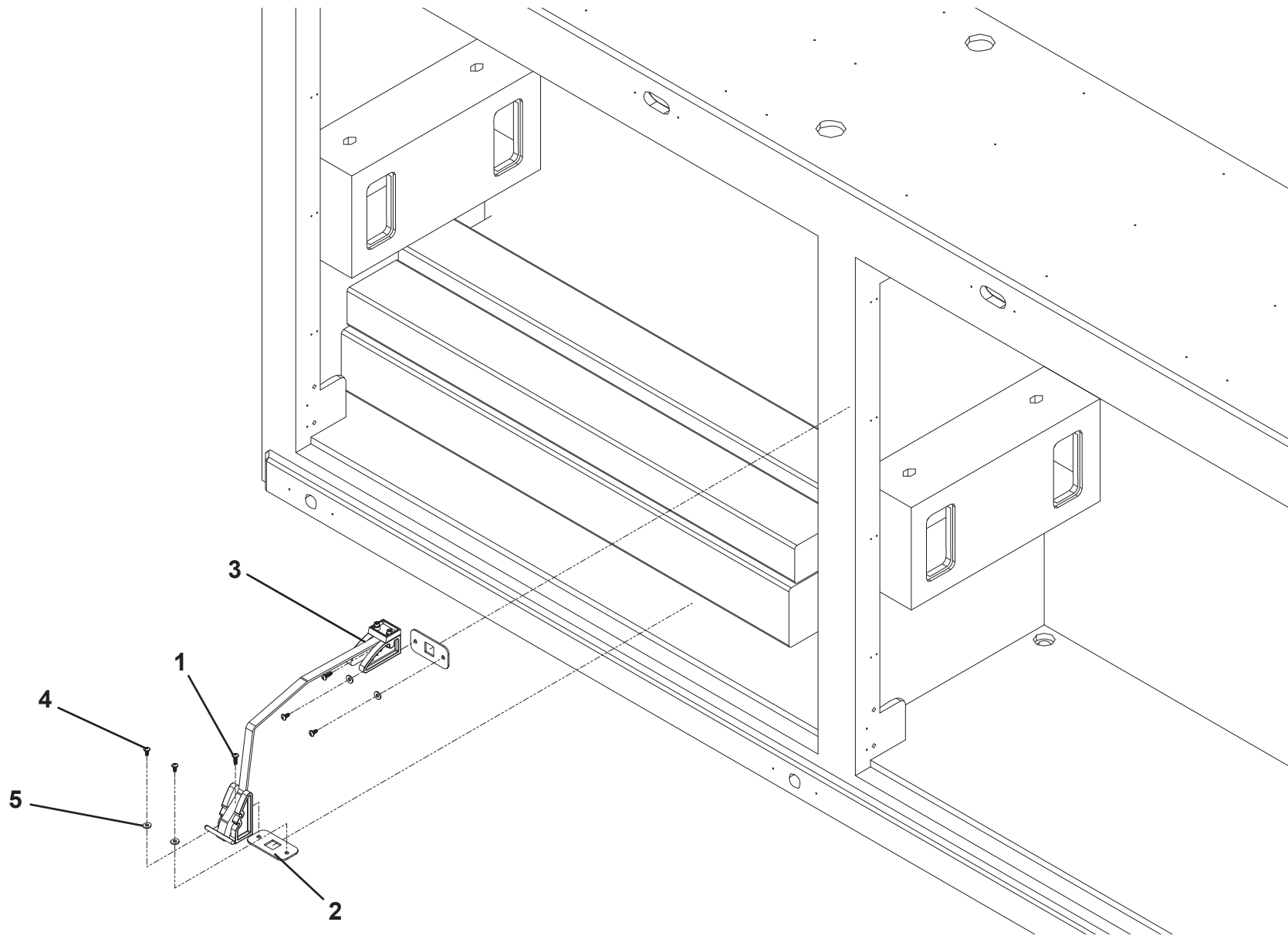
# STRAP STORAGE - TRI-AXLE



**CRIBBING STORAGE**

ITEM	PART NO.	DESCRIPTION	QTY	REV
	1001207510	Cribbing Storage	Ref	B
1	1001194676	Screw, 0.25" x 0.75"	2	
2	1001207509	Plate	2	
3	1001207539	Adjustment Mount	1	
4	1001195257	Screw, 0.25" x 0.50"	4	
5	7950140143	Flatwasher, 0.25" ID	4	

# CRIBBING STORAGE

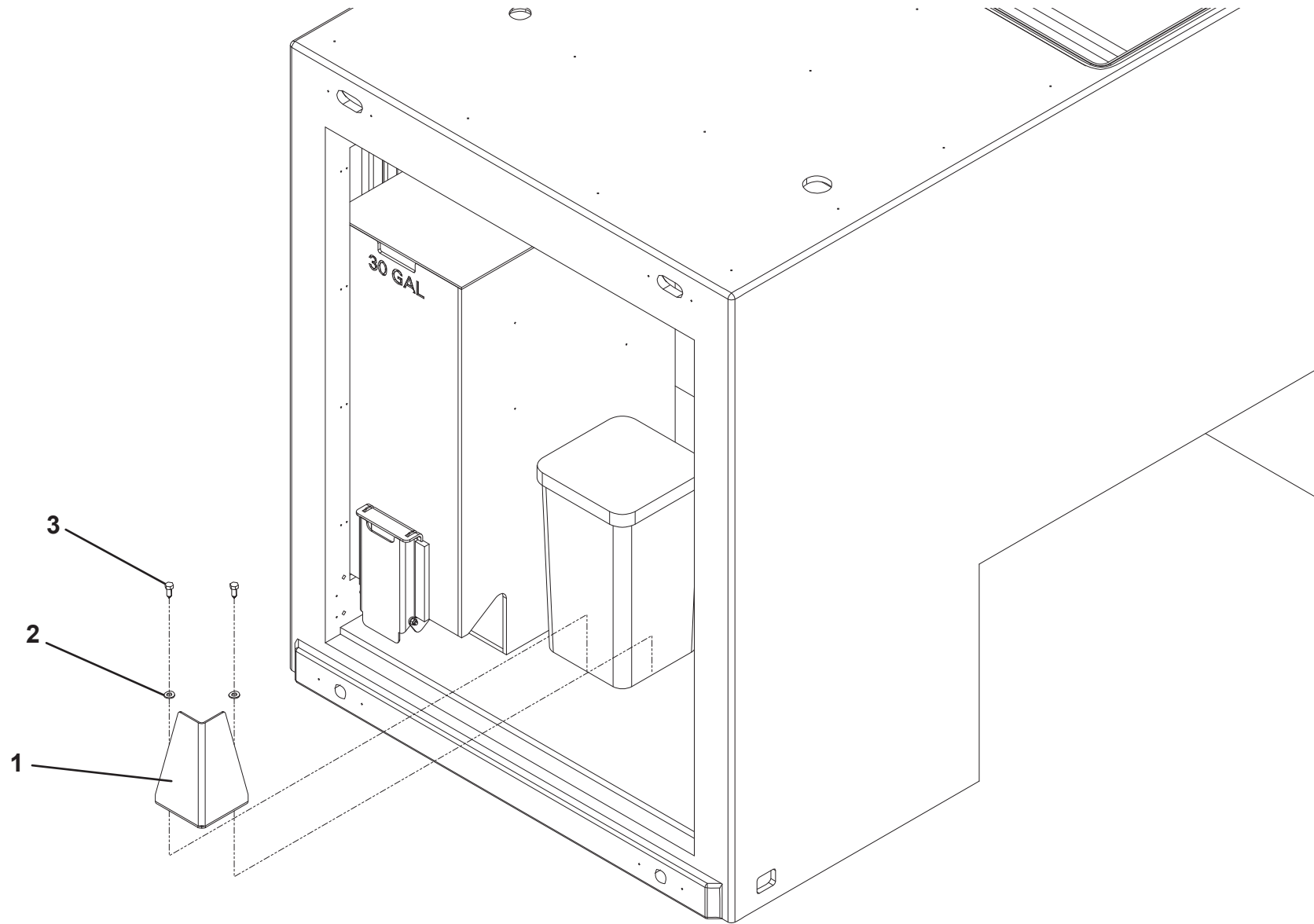


**SPILL KIT**

ITEM	PART NO.	DESCRIPTION	QTY	REV
	1001210748	Spill Kit	Ref	A
1	1001183152	Bracket	1	
2	7950160143	Flatwasher, 0.38" ID	2	
3	1001168428	Screw, 0.38" x 1.00"	2	



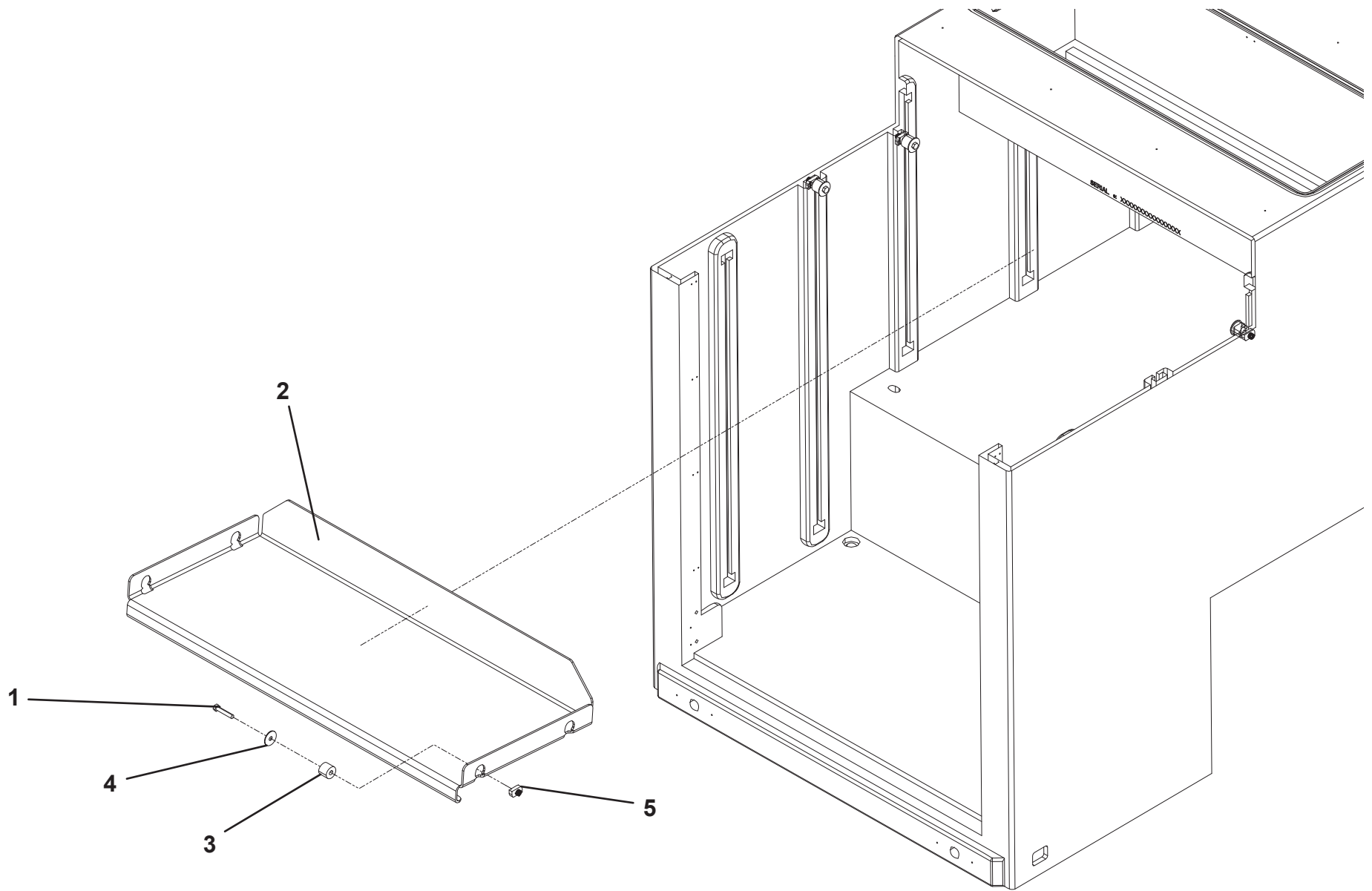
# SPILL KIT



**STORAGE SHELF INSTALLATION**

ITEM	PART NO.	DESCRIPTION	QTY	REV
	1001214303	Storage Shelf Installation	Ref	A
1	1001169083	Screw, 0.38" - 16NC x 2.00"	4	
2	1001214265	Shelf 48"	1	
	1001214301	Shelf 36"	2	
3	1001214266	Mount	4	
4	1001214267	Washer, 0.38" ID	4	
5	1001166644	Nut, 0.38" - 16NC	4	

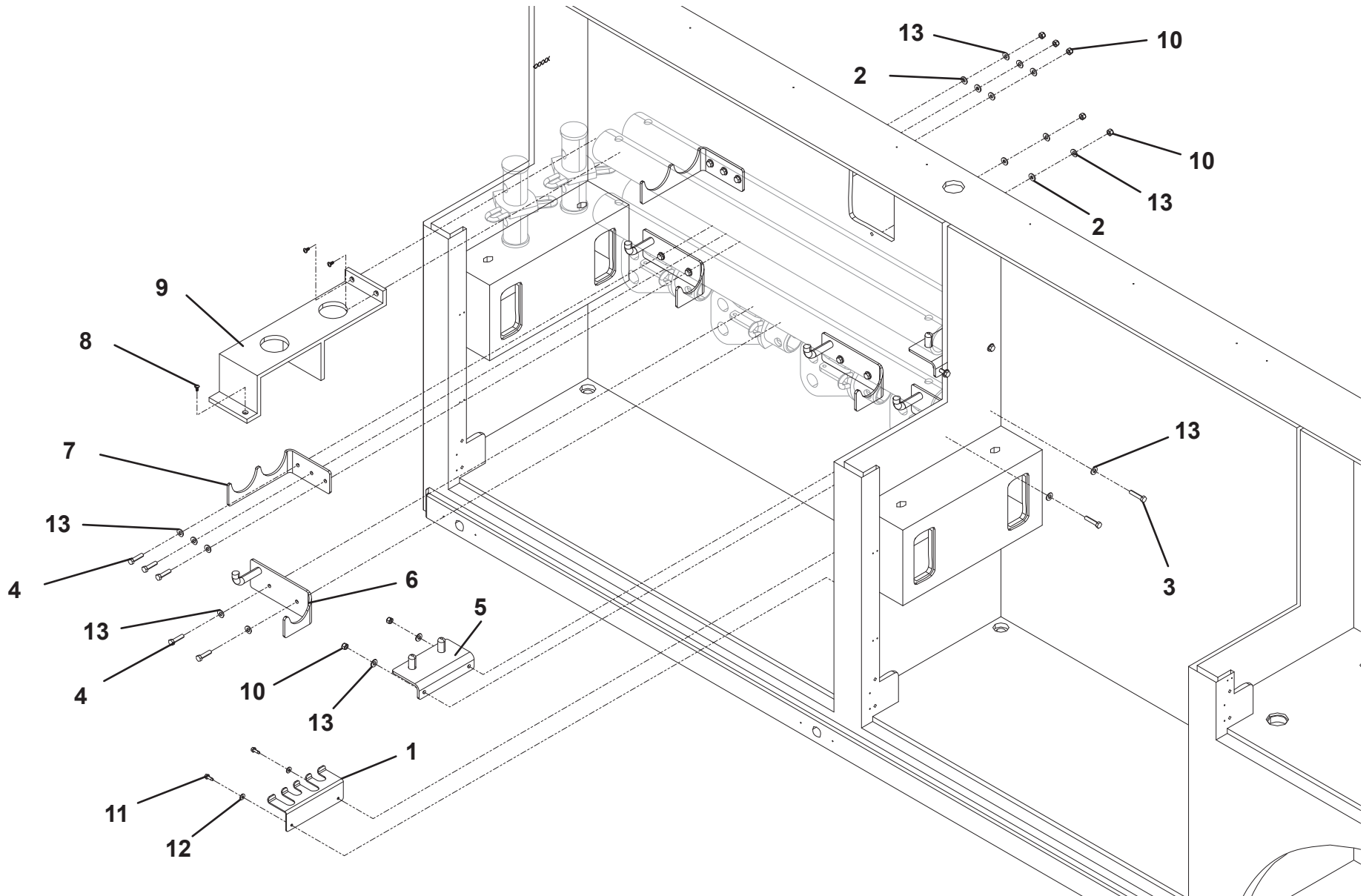
# STORAGE SHELF INSTALLATION



**SINGLE SPREADER BAR STORAGE**

ITEM	PART NO.	DESCRIPTION	QTY	REV
	1001210750	Single Spreader Bar Storage	Ref	B
1	1001160799	Bracket	1	
2	1001166974	Washer, 0.38" ID	7	
3	1001168544	Capscrew, 0.38" - 16NC x 1.75"	2	
4	1001168993	Capscrew, 0.38" - 16NC x 1.50"	7	
5	1001174138	Support	1	
6	1001174140	Support	2	
7	1001191613	Bracket	1	
8	1001195257	Screw, 0.25" x 0.50"	4	
9	1001211394	Support	1	
10	7660162601	Locknut, 0.38" - 16NC	9	
11	7790141251	Screw, 0.25" x 0.75"	2	
12	7950140143	Flatwasher, 0.25" ID	2	
13	7950160143	Flatwasher, 0.38" ID	18	

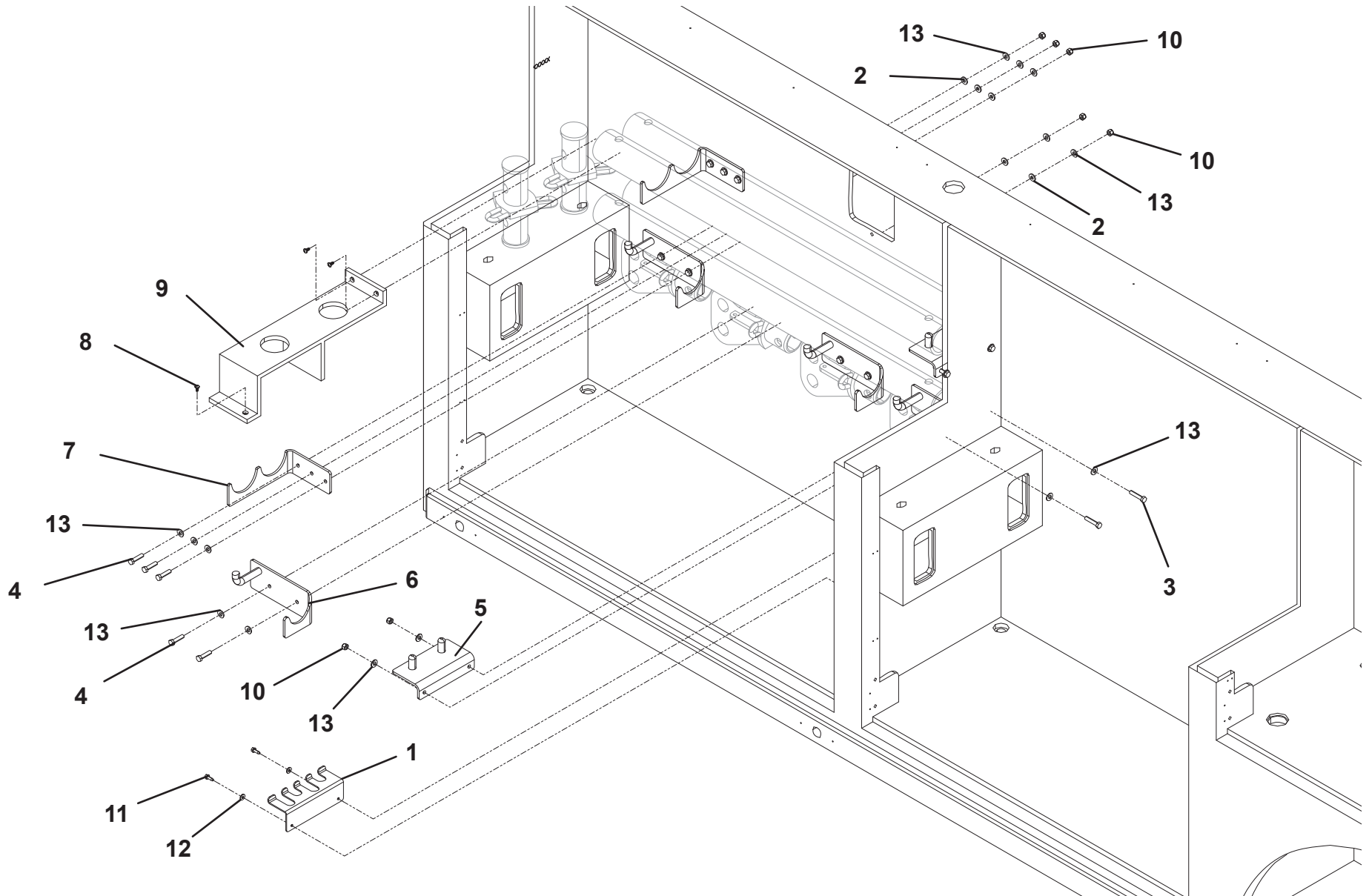
# SINGLE SPREADER BAR STORAGE



**DOUBLE SPREADER BAR STORAGE**

ITEM	PART NO.	DESCRIPTION	QTY	REV
	1001207548	Double Spreader Bar Storage	Ref	B
1	1001160799	Bracket	2	
2	1001166974	Washer, 0.38" ID	14	
3	1001168544	Capscrew, 0.38" - 16NC x 1.75"	4	
4	1001168993	Capscrew, 0.38" - 16NC x 1.50"	14	
5	1001174138	Support	2	
6	1001174140	Support	4	
7	1001191613	Bracket	2	
8	1001195257	Screw, 0.25" x 0.50"	3	
9	1001211394	Support	1	
10	7660162601	Locknut, 0.38" - 16NC	18	
11	7790141251	Screw, 0.25" x 0.75"	4	
12	7950140143	Flatwasher, 0.25" ID	4	
13	7950160143	Flatwasher, 0.38" ID	36	

# DOUBLE SPREADER BAR STORAGE

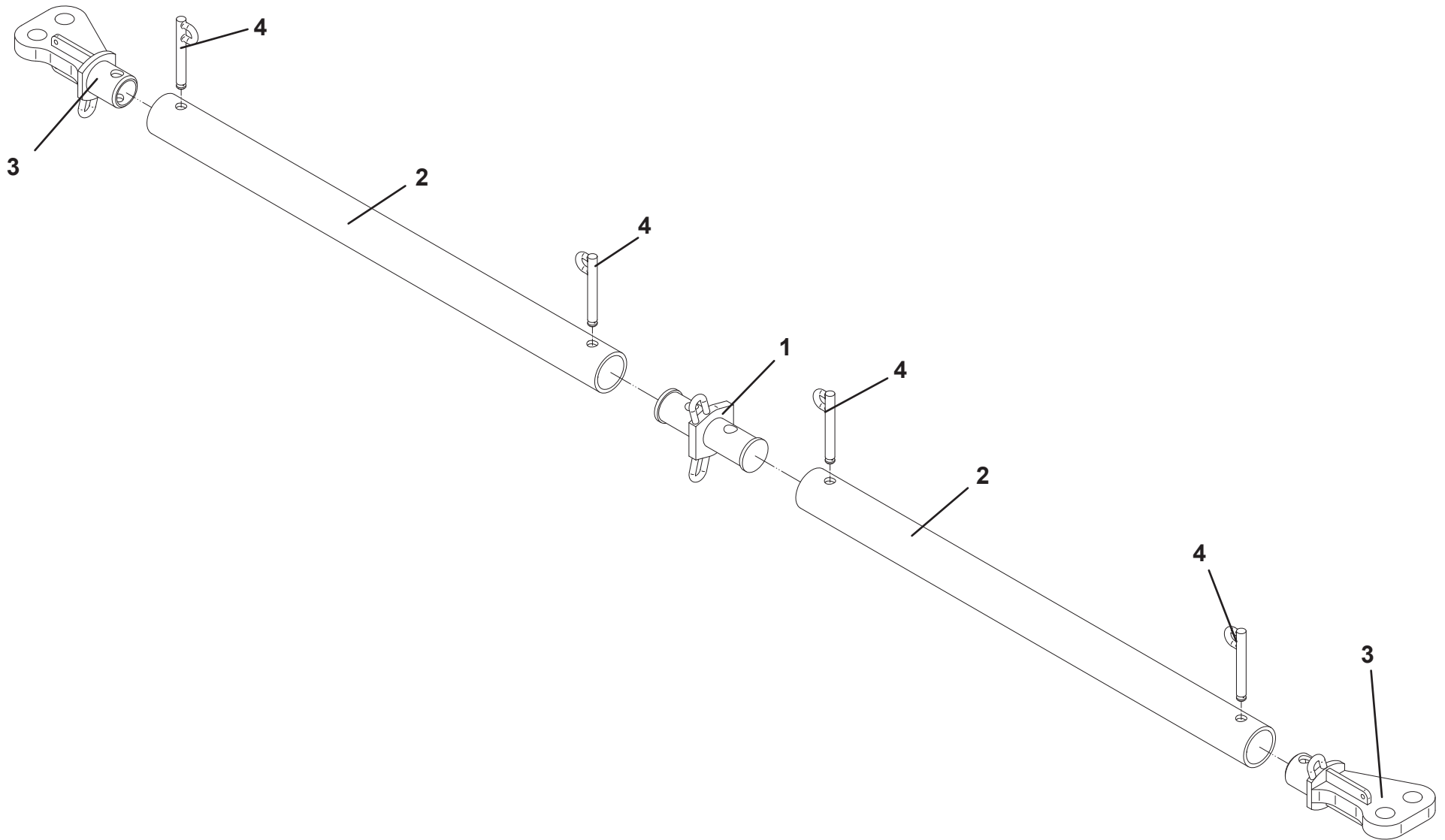


**SPREADER BAR KIT - 1001175920**

ITEM	PART NO.	DESCRIPTION	QTY	REV
	1001175920	Spreader Bar Kit	Ref	C
1	70050922	Center Bar	1	
2	70050923	Spreader Bar Tube	2	
3	70050924	Spreader Bar Ends	2	
4	70050925	Pin	4	



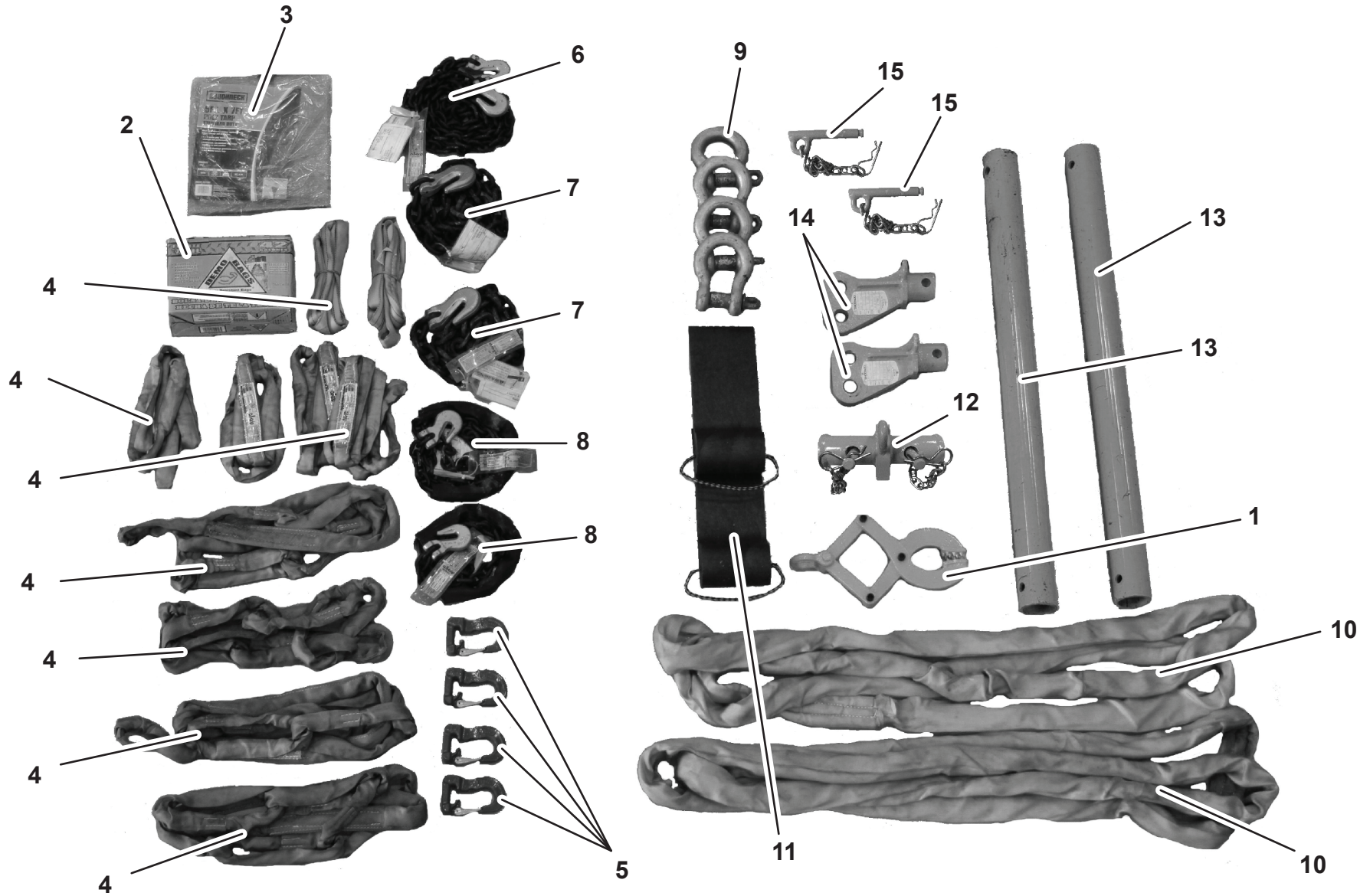
# SPREADER BAR KIT - 1001175920



**SPREADER BAR ACCESSORIES - 1001174493**

ITEM	PART NO.	DESCRIPTION	QTY	REV
	1001174493	Spreader Bar Accessories	Ref	E
1	70050831	Pallet Lifting Jaw	1	
2	70050832	42 Gallon Demo Bag	2	
3	70050833	Poly Tarp	2	
4	70050834	Green Eye and Eye Round Sling, 96"	4	
5	70050835	Green Round Sling Hook	4	
6	70050836	Recovery Chain, 0.38" x 10' - 8,800 LB	1	
7	70050837	Recovery Chain Hook One End 0.5" x 6'	2	
8	70050838	Recover Chain Hook	2	
9	70050839	Shackle	4	
10	70050840	Blue Round Sling 10'	2	
11	70050841	Skate	2	
12	70050922	Center Bar	1	
13	70050923	Spreader Bar Tube	2	
14	70050924	Spreader Bar Ends	2	
15	70050925	Pin	4	

# SPREADER BAR ACCESSORIES - 1001174493



**RUGGED ACCESSORY PACKAGE - 1001174490**

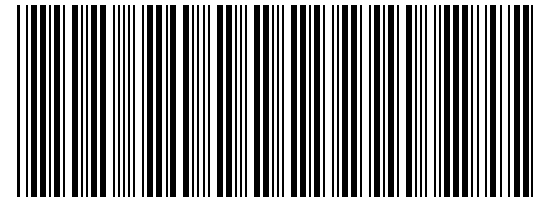
ITEM	PART NO.	DESCRIPTION	QTY	REV
	1001174490	Rugged Accessory Package	Ref	C
1	70050842	Snatch Block, 0.875" x 8.00"	2	
2	70050843	Recovery Chain, 0.38" x 10'	1	
3	70050844	Recovery Chain, 0.50" x 2'	2	
4	70050845	Recovery Sling, 0.50"	2	
5	70050846	Recover Chain Locking Clevis, 0.50" x 10'	4	
6	70050847	Copper Ground Stake	2	
7	70050848	Brass Mallet	1	
8	70050849	Ground Wire	3	

# RUGGED ACCESSORY PACKAGE - 1001174490





*Phone (800) 926-9666*



5376000185- A