

# ***JERR-DAN***

---

## **Illustrated Parts Manual**

### ***Model 8.5 TON MULTI-CAR CARRIER***

P/N  
5376000232  
January 31, 2021 - Rev B

---

***JERR-DAN***

An Oshkosh Corporation Company



## **REVISION LOG**

March 13, 2020 - A - Original Release (Edited to 1001136306 Revision U)

January 31, 2021 - B - Revised Manual (Edited to B/M 1001136306 Revision U)

## GENERAL INFORMATION

This manual covers the following Jerr-Dan Models:

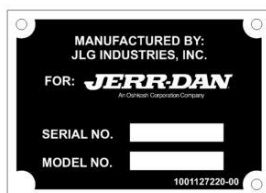
### 8.5 TON - Multi-Car Carrier

Jerr-Dan Corporation strives to provide information that is accurate, complete and useful. Descriptions and illustrative material contained within this manual are as accurate as known at the time of publication and are subject to change, without notice, as a result of continuous product improvements. Jerr-Dan reserves the right to amend the information in this document at any time without prior notice.

Information contained in this manual reflects how this vehicle was built at the factory. Modifications or additions by the distributor or owner are not reflected in this manual.

This parts manual does not include service parts information for the commercial chassis (IHC, Ford, GM, etc.). That information is provided by the chassis manufacturer.

When ordering parts, please refer to your unit's Serial Number and Model Number. This information is be found on the aluminum tag riveted to the inside of the driver's side rear compartment of the main body.



Additional or replacement manuals can be ordered by calling Jerr-Dan Parts at 717-597-7111. Price and availability will be quoted at time of the request.

Please report comments and/or errors by contacting Jerr-Dan Corporation's Technical Publications Department by e-mail at [technicalpublications@jerr-dan.com](mailto:technicalpublications@jerr-dan.com) or by FAX on 717-485-7162.

Manufactured under one or more of the following patents: 5,575,606; 5,672,042; 5,697,741; 5,713,714; 5,722,810; 5,782,596; 5,839,775 and 6,315,515 B1 with other Patents Pending.

Jerr-Dan and the Jerr-Dan logo are registered trademarks and Run Hard is a service mark of Jerr-Dan Corporation, Hagerstown, MD USA.

The material in this document is confidential and the property of Jerr-Dan Corporation. No part of this document may be photocopied, Reproduced or translated to another language without the express written consent of Jerr-Dan Corporation.

# TABLE OF CONTENTS

SECTION 1 - SUBFRAME .....	11
FIGURE 1-1. UPPER DECK SUBFRAME INSTALLATION, FORD .....	12
FIGURE 1-2. UPPER DECK SUBFRAME INSTALLATION, F750 .....	14
FIGURE 1-3. UPPER DECK SUBFRAME INSTALLATION, FREIGHTLINER - 62IN.....	16
FIGURE 1-4. UPPER DECK SUBFRAME INSTALLATION, FREIGHTLINER - 65.75IN.....	18
FIGURE 1-5. UPPER DECK SUBFRAME INSTALLATION, IHC 63IN.....	20
FIGURE 1-6. UPPER DECK SUBFRAME INSTALLATION, IHC 67IN.....	22
FIGURE 1-7. UPPER DECK SUBFRAME INSTALLATION, KENWORTH.....	24
FIGURE 1-8. UPPER DECK SUBFRAME INSTALLATION, PETERBILT .....	26
FIGURE 1-9. UPPER DECK SUBFRAME INSTALLATION, HINO.....	28
FIGURE 1-10. MAIN DECK SUBFRAME INSTALLATION.....	30
FIGURE 1-11. MAIN DECK SUBFRAME INSTALLATION (GALVANIZED).....	34
FIGURE 1-12. MAIN SUBFRAME PAD INSTALLATION .....	38
FIGURE 1-13. HOLD DOWN WELD INSTALLATION, 28FT DECK.....	40
FIGURE 1-14. HOLD DOWN WELD INSTALLATION, 30FT DECK.....	42
FIGURE 1-15. REAR BUMPER, SHORT GALVANIZED.....	44
FIGURE 1-16. REAR BUMPER, LONG GALVANIZED .....	46
FIGURE 1-17. REAR STABILIZER.....	48
FIGURE 1-18. REAR STABILIZER INSTALLATION .....	50
FIGURE 1-19. REAR STABILIZER - COMPLETE (2 IN TOW HITCH).....	52
FIGURE 1-20. REAR STABILIZER INSTALLATION (2 IN TOW HITCH).....	54
FIGURE 1-21. REAR STABILIZER - COMPLETE (2.5 IN TOW HITCH).....	56
FIGURE 1-22. REAR STABILIZER INSTALLATION (2.5 IN TOW HITCH).....	58
FIGURE 1-23. REAR STABILIZER WITH HYDRAULIC EXTEND - COMPLETE .....	60
FIGURE 1-24. REAR STABILIZER INSTALLATION WITH HYDRAULIC EXTEND.....	62
FIGURE 1-25. REAR STABILIZER WITH MANUAL EXTEND PINTLE MOUNTING - COMPLETE .....	64
FIGURE 1-26. REAR STABILIZER INSTALLATION WITH MANUAL EXTEND PINTLE MOUNTING.....	66
FIGURE 1-27. CHAIN BOX INSTALLATION.....	68
FIGURE 1-28. TOOLBOX, 36IN .....	70
FIGURE 1-29. TOOLBOX, 36IN NARROW.....	72
FIGURE 1-30. TOOLBOX, 36IN UNDERBOX MOUNT.....	74
FIGURE 1-31. TOOLBOX, 36IN UNDERBOX MOUNT NARROW.....	76
FIGURE 1-32. TOOLBOX, 48IN .....	78
FIGURE 1-33. TOOLBOX, 48IN UNDERBOX MOUNT.....	80
FIGURE 1-34. TOOLBOX, 60IN .....	82
FIGURE 1-35. TOOLBOX, 60IN UNDERBOX MOUNT.....	84
FIGURE 1-36. TOOLBOX, 78IN .....	86
FIGURE 1-37. TOOL BOX SHELF, 36IN.....	88
FIGURE 1-38. TOOL BOX SHELF, 48IN.....	90
FIGURE 1-39. TOOL BOX SHELF, 60IN.....	92
FIGURE 1-40. TOOL BOX TOP STORAGE TRAY, 36IN.....	94
FIGURE 1-41. TOOL BOX TOP STORAGE TRAY, 48IN.....	96
FIGURE 1-42. TOOL BOX TOP STORAGE TRAY, 60IN.....	98
FIGURE 1-43. TOOL BOX TOP STORAGE TRAY, 78IN.....	100
FIGURE 1-44. STORAGE BASKET .....	102
FIGURE 1-45. STORAGE BASKET, DEEP.....	104
FIGURE 1-46. MUD FLAPS, STANDARD .....	106
FIGURE 1-47. MUD FLAPS - HIGH .....	108
FIGURE 1-48. MUD FLAPS, CUSTOMER INSTALLATION.....	110
FIGURE 1-49. LIGHT BOX AND COVER INSTALLATION .....	112
FIGURE 1-50. CHASSIS MOUNTING KIT, 2011-2015 FORD F750.....	114
FIGURE 1-51. CHASSIS MOUNTING KIT, 2016 + FORD F750.....	116
FIGURE 1-52. CHASSIS MOUNTING KIT - 2011 + FREIGHTLINER.....	118
FIGURE 1-53. CHASSIS MOUNTING KIT - HINO 338 .....	120
FIGURE 1-54. CHASSIS MOUNTING KIT - 2011-2017 IHC.....	122
FIGURE 1-55. CHASSIS MOUNTING KIT - 2018 + IHC.....	124
FIGURE 1-56. CHASSIS MOUNTING KIT - 2011 + KENWORTH .....	126
FIGURE 1-57. CHASSIS MOUNTING KIT - PETERBUILT 330 .....	128
FIGURE 1-58. CHASSIS MOUNTING KIT - PETERBUILT 335.....	130
FIGURE 1-59. CHASSIS MOUNTING KIT - PETERBUILT 337 (2011+).....	132
SECTION 2 - WHEEL LIFT .....	135
FIGURE 2-1. WHEEL LIFT - COMPLETE (3500 LBS - FIXED ARMS).....	136
FIGURE 2-2. WHEEL LIFT - COMPLETE (3500 LBS - T37 PIVOTING ARMS) .....	138

# TABLE OF CONTENTS

FIGURE 2-3. WHEEL LIFT - COMPLETE (3500 LBS - FIXED ARMS) (GALVANIZED).....	140
FIGURE 2-4. WHEEL LIFT - COMPLETE (3500 LBS - T37 PIVOTING ARMS) (GALVANIZED).....	142
FIGURE 2-5. WHEEL LIFT - COMPLETE (4000 LBS - FIXED ARMS).....	144
FIGURE 2-6. WHEEL LIFT - COMPLETE (4000 LBS - T37 PIVOTING ARMS).....	146
FIGURE 2-7. WHEEL LIFT - COMPLETE (4000 LBS WITH FIXED ARMS) (GALVANIZED).....	148
FIGURE 2-8. WHEEL LIFT - COMPLETE (4000 LBS - T37 PIVOTING ARMS) (GALVANIZED).....	150
FIGURE 2-9. WHEEL LIFT BOOM INSTALLATION (3500 LBS).....	152
FIGURE 2-10. WHEEL LIFT BOOM INSTALLATION (3500 LBS GALVANIZED).....	154
FIGURE 2-11. WHEEL LIFT BOOM INSTALLATION (4000 LBS).....	156
FIGURE 2-12. WHEEL LIFT BOOM INSTALLATION (GALVANIZED).....	158
FIGURE 2-13. WHEEL LIFT BOOM ASSEMBLY (3500 LBS).....	160
FIGURE 2-14. WHEEL LIFT BOOM ASSEMBLY (3500 LBS GALVANIZED).....	162
FIGURE 2-15. WHEEL LIFT BOOM ASSEMBLY (4000 LBS).....	164
FIGURE 2-16. WHEEL LIFT BOOM ASSEMBLY (4000 LBS GALVANIZED).....	166
FIGURE 2-17. LINK ASSEMBLY.....	168
FIGURE 2-18. LINK ASSEMBLY (GALVANIZED).....	170
FIGURE 2-19. WHEEL LIFT GRID INSTALLATION (3500 LBS - FIXED ARMS) (NO TOW HITCH).....	172
FIGURE 2-20. WHEEL LIFT GRID INSTALLATION (3500 LBS - FIXED ARMS) (2IN TOW HITCH).....	174
FIGURE 2-21. WHEEL LIFT GRID INSTALLATION (3500 LBS - FIXED ARMS) (2.5IN TOW HITCH).....	176
FIGURE 2-22. WHEEL LIFT GRID INSTALLATION (4000 LBS - FIXED ARMS) (NO TOW HITCH).....	178
FIGURE 2-23. WHEEL LIFT GRID INSTALLATION (4000 LBS - FIXED ARMS) (2IN TOW HITCH).....	180
FIGURE 2-24. WHEEL LIFT GRID INSTALLATION (4000 LBS - FIXED ARMS) (2.5IN TOW HITCH).....	182
FIGURE 2-25. WHEEL LIFT GRID INSTALLATION (4000 LBS - T37 PIVOTING ARMS) (NO TOW HITCH).....	184
FIGURE 2-26. WHEEL LIFT GRID INSTALLATION (4000 LBS - T37 PIVOTING ARMS) (2IN TOW HITCH).....	186
FIGURE 2-27. WHEEL LIFT GRID INSTALLATION (4000 LBS - T37 PIVOTING ARMS) (2.5IN TOW HITCH).....	188
FIGURE 2-28. PIVOT TUBE INSTALLATION (NO TOW HITCH).....	190
FIGURE 2-29. PIVOT TUBE INSTALLATION (2IN TOW HITCH).....	192
FIGURE 2-30. PIVOT TUBE INSTALLATION (2.5IN TOW HITCH).....	194
FIGURE 2-31. L-ARM GRID INSTALLATION (3500 LBS FIXED ARMS).....	196
FIGURE 2-32. L-ARM GRID INSTALLATION (4000 LBS FIXED ARMS).....	198
FIGURE 2-33. L-ARMS GRID INSTALLATION (4000 LBS - T37 PIVOTING ARMS).....	200
FIGURE 2-34. L-ARM GRID ASSEMBLY (LH).....	202
FIGURE 2-35. L-ARM GRID ASSEMBLY (RH).....	204
FIGURE 2-36. WHEEL LIFT CROSSBAR CAM-LOCK.....	206
SECTION 3 - DECK.....	209
FIGURE 3-1. DECK INSTALLATION - MAIN (ALUMINUM 28FT X 96IN).....	210
FIGURE 3-2. DECK INSTALLATION - MAIN (ALUMINUM 28FT X 102IN).....	212
FIGURE 3-3. DECK INSTALLATION - MAIN (ALUMINUM 30FT X 96IN).....	214
FIGURE 3-4. DECK INSTALLATION - MAIN (ALUMINUM 30FT X 102IN).....	216
FIGURE 3-5. DECK INSTALLATION - MAIN (STEEL 28FT X 96IN).....	218
FIGURE 3-6. DECK INSTALLATION - MAIN (STEEL 28FT X 102IN).....	220
FIGURE 3-7. DECK INSTALLATION - MAIN (STEEL 30FT X 96IN).....	222
FIGURE 3-8. DECK INSTALLATION - MAIN (STEEL 30FT X 102IN).....	224
FIGURE 3-9. DECK INSTALLATION - UPPER (ALUMINUM 28FT - 2011-2015 FORD F750).....	226
FIGURE 3-10. DECK INSTALLATION - UPPER (ALUMINUM 28FT - 2016+ FORD F750).....	228
FIGURE 3-11. DECK INSTALLATION - UPPER (ALUMINUM 28FT - 2011 FREIGHTLINER M2, 63IN).....	230
FIGURE 3-12. DECK INSTALLATION - UPPER (ALUMINUM 28FT - 2015 FREIGHTLINER M2, 67IN).....	232
FIGURE 3-13. DECK INSTALLATION - UPPER (ALUMINUM 28FT - HINO 338).....	234
FIGURE 3-14. DECK INSTALLATION - UPPER (ALUMINUM 28FT - 2011+ IHC, 63IN).....	236
FIGURE 3-15. DECK INSTALLATION - UPPER (ALUMINUM 28FT - 2011+ IHC, 67IN).....	238
FIGURE 3-16. DECK INSTALLATION - UPPER (ALUMINUM 28FT - 2011+ KENWORTH).....	240
FIGURE 3-17. DECK INSTALLATION - UPPER (ALUMINUM 28FT - PETERBILT).....	242
FIGURE 3-18. DECK INSTALLATION - UPPER (ALUMINUM 30FT - 2011-2015 FORD F750).....	244
FIGURE 3-19. DECK INSTALLATION - UPPER (ALUMINUM 30FT - 2016+ FORD F750).....	246
FIGURE 3-20. DECK INSTALLATION - UPPER (ALUMINUM 30FT - 2011 FREIGHTLINER M2, 63IN).....	248
FIGURE 3-21. DECK INSTALLATION - UPPER (ALUMINUM 30FT - 2015 FREIGHTLINER M2, 67IN).....	250
FIGURE 3-22. DECK INSTALLATION - UPPER (ALUMINUM 30FT - HINO 338).....	252
FIGURE 3-23. DECK INSTALLATION - UPPER (ALUMINUM 30FT - 2011+ KENWORTH).....	254
FIGURE 3-24. DECK INSTALLATION - UPPER (ALUMINUM 30FT - PETERBILT).....	256
FIGURE 3-25. UPPER DECK INSTALLATION (ALUMINUM).....	258
FIGURE 3-26. WINCH INSTALLATION - UPPER DECK, 8000 LBS.....	260
FIGURE 3-27. WINCH ASSEMBLY - UPPER DECK.....	262
FIGURE 3-28. WINCHES & COVERS INSTALLATION - MAIN DECK DUAL 8000 LBS (ALUMINIUM DECK).....	264
FIGURE 3-29. WINCHES & COVERS INSTALLATION - MAIN DECK DUAL 8000 LBS (STEEL DECK).....	266
FIGURE 3-30. WINCH INSTALLATION - DUAL WINCH (ALUMINIUM DECK).....	268

# TABLE OF CONTENTS

FIGURE 3-31. WINCH INSTALLATION - DUAL WINCH (STEEL DECK) .....	270
FIGURE 3-32. WINCH ASSEMBLY, 8000 LBS .....	272
FIGURE 3-33. COVER PLATE INSTALLATION.....	274
FIGURE 3-34. CABLE TENSIONER INSTALLATION .....	276
FIGURE 3-35. WINCH RELEASE INSTALLATION (ALUMINIUM DECK).....	278
FIGURE 3-36. WINCH RELEASE INSTALLATION (STEEL DECK) .....	280
FIGURE 3-37. UPPER DECK WINCH AIR FREE SPOOL WITH PPV .....	282
FIGURE 3-38. UPPER DECK WINCH AIR FREE SPOOL WITHOUT PPV .....	284
FIGURE 3-39. RAISED RAILS, MAIN, 5IN HIGH REM BLADE ALUMINIUM, 28FT .....	286
FIGURE 3-40. ANGLE ASSEMBLY, FRONT LH.....	288
FIGURE 3-41. ANGLE ASSEMBLY, FRONT RH .....	290
FIGURE 3-42. ANGLE ASSEMBLY, REAR LH .....	292
FIGURE 3-43. ANGLE ASSEMBLY, REAR RH.....	294
FIGURE 3-44. RAISED RAILS, MAIN, 5IN HIGH REM BLADE ALUMINIUM, 30FT .....	296
FIGURE 3-45. ANGLE ASSEMBLY, FRONT LH.....	298
FIGURE 3-46. ANGLE ASSEMBLY, FRONT RH .....	300
FIGURE 3-47. ANGLE ASSEMBLY, REAR LH .....	302
FIGURE 3-48. ANGLE ASSEMBLY, REAR RH.....	304
FIGURE 3-49. RAISED RAILS, MAIN, 6IN HIGH PERM TUBULAR STEEL, 28FT .....	306
FIGURE 3-50. D-RINGS INSTALLATION - BOLT-ON 3 PAIRS EQUALLY SPACED (ALUMINIUM DECK) .....	308
FIGURE 3-51. D-RINGS INSTALLATION - BOLT-ON 4 PAIRS EQUALLY SPACED (ALUMINIUM DECK) .....	310
FIGURE 3-52. D-RINGS INSTALLATION - BOLT-ON 3 PAIRS EQUALLY SPACED (STEEL DECK) .....	312
FIGURE 3-53. D-RINGS INSTALLATION - BOLT-ON 4 PAIRS EQUALLY SPACED (STEEL DECK) .....	314
FIGURE 3-54. DECK ROLLERS AT APPROACH TIP .....	316
FIGURE 3-55. ROLLER BRACKET ASSEMBLY.....	318
SECTION 4 - CONTROLS .....	321
loFIGURE 4-1. CONTROLS INSTALLATION - NO/MAN TOW, RADIO REMOTE.....	322
FIGURE 4-2. CONTROLS INSTALLATION - NO/MAN TOW, STAB, RADIO REMOTE .....	324
FIGURE 4-3. CONTROLS INSTALLATION - NO/MAN TOW, STAB, RADIO REMOTE .....	326
FIGURE 4-4. CONTROLS ASSEMBLY - NO/MAN TOW, RADIO REMOTE .....	328
FIGURE 4-5. CONTROLS ASSEMBLY - NO/MAN TOW, STAB, RADIO REMOTE .....	330
FIGURE 4-6. CONTROLS ASSEMBLY - HYD TOW, IRL, RADIO REMOTE.....	332
FIGURE 4-7. VALVE ASSEMBLY .....	334
FIGURE 4-8. LINEAR ACTUATOR MOUNT KIT.....	336
FIGURE 4-9. LINEAR ACTUATOR INSTALLATION KIT .....	338
FIGURE 4-10. REMOTE CONTROL, THREE FUNCTION, WINCHES PLUS .....	340
FIGURE 4-11. REMOTE CONTROL, FOUR FUNCTION, WINCHES PLUS .....	342
FIGURE 4-12. REMOTE CONTROL, FIVE FUNCTION, WINCHES PLUS.....	344
FIGURE 4-13. MIRATRON WIRELESS INSTALLATION, THREE FUNCTION .....	346
FIGURE 4-14. MIRATRON WIRELESS INSTALLATION, FOUR FUNCTION .....	348
FIGURE 4-15. MIRATRON WIRELESS INSTALLATION, FIVE FUNCTION.....	350
FIGURE 4-16. REMOTE CONTROL 6 FUNCTION U/L TRANSMITTER HOLDER .....	352
SECTION 5 - CYLINDERS.....	355
FIGURE 5-1. CYLINDER ASSEMBLY - BOOM EXTEND 4000 LBS .....	356
FIGURE 5-2. CYLINDER ASSEMBLY- EXTEND/RETRACT .....	358
FIGURE 5-3. CYLINDER ASSEMBLY - IRL.....	360
FIGURE 5-4. CYLINDER ASSEMBLY - PINTLE EXTEND .....	362
FIGURE 5-5. CYLINDER ASSEMBLY - ROLL .....	364
FIGURE 5-6. CYLINDER ASSEMBLY - STABILIZER.....	366
FIGURE 5-7. CYLINDER ASSEMBLY -TILT .....	368
FIGURE 5-8. CYLINDER ASSEMBLY - UPPER DECK .....	370
SECTION 6 - HYDRAULIC .....	373
FIGURE 6-1. FILTER (HYDRAULIC) COVER PLATE INSTALLATION .....	374
FIGURE 6-2. HITCH HYDRAULIC INSTALLATION.....	376
FIGURE 6-3. HOSE & CLAMP INSTALLATION - 150IN CA CREW CAB (FORD - CREW CAB).....	378
FIGURE 6-4. HOSE & CLAMP INSTALLATION - 150IN CA STD CAB (FORD - STD CAB) .....	380
FIGURE 6-5. HOSE & CLAMP INSTALLATION - 150IN CA STD CAB (PETERBILT).....	382
FIGURE 6-6. HOSE & CLAMP INSTALLATION - 196IN CT STD CAB (FREIGHLINER) .....	384
FIGURE 6-7. HOSE & CLAMP INSTALLATION - 196IN CT STD CAB (INTERNATIONAL).....	386
FIGURE 6-8. HOSE & CLAMP INSTALLATION - 242IN CA - GENERIC.....	388
FIGURE 6-9. PUMP INSTALLATION (STANDARD) .....	390

# TABLE OF CONTENTS

FIGURE 6-10. PUMP INSTALLATION (FORD DIESEL).....	392
FIGURE 6-11. PUMP INSTALLATION (FORD GAS).....	394
FIGURE 6-12. PUMP INSTALLATION - PTO DIRECT MOUNTED.....	396
FIGURE 6-13. PUMP FITTINGS HYDRAULIC INSTALLATION.....	398
FIGURE 6-14. STABILIZER HYDRAULIC INSTALLATION.....	400
FIGURE 6-15. STABILIZER WITH HYDRAULIC EXTEND HYDRAULIC INSTALLATION.....	402
FIGURE 6-16. TANK INSTALLATION - HYDRAULIC.....	404
FIGURE 6-17. TANK ASSEMBLY - HYDRAULIC.....	406
FIGURE 6-18. BRACKET INSTALLATION HYDRAULIC TANK (STANDARD).....	408
FIGURE 6-19. BRACKET INSTALLATION HYDRAULIC TANK (SHORT).....	410
FIGURE 6-20. BRACKET INSTALLATION HYDRAULIC TANK (LONG).....	412
FIGURE 6-21. BRACKET INSTALLATION HYDRAULIC TANK (HIGH).....	414
FIGURE 6-22. UPPER DECK HYDRAULIC INSTALLATION (STANDARD).....	416
FIGURE 6-23. UPPER DECK HYDRAULIC INSTALLATION (2016+ FORD F750).....	418
FIGURE 6-24. UPPER DECK HYDRAULIC INSTALLATION (2011-2015 FORD F750).....	420
FIGURE 6-25. UPPER DECK HYDRAULIC INSTALLATION (2011 PETERBUILT 337).....	422
FIGURE 6-26. WHEEL LIFT HYDRAULIC INSTALLATION (IRL 3500LBS).....	424
FIGURE 6-27. WHEEL LIFT HYDRAULIC INSTALLATION (IRL 4000LBS).....	426
FIGURE 6-28. WINCH HYDRAULIC INSTALLATION (28FT DECK).....	428
FIGURE 6-29. WINCH HYDRAULIC INSTALLATION (30FT DECK).....	430
FIGURE 6-30. WINCH HOSE KIT.....	432
SECTION 7 - ELECTRICAL.....	435
FIGURE 7-1. 3 FUNCTION IN-DASH MINI SWITCH PANEL INSTALLATION.....	436
FIGURE 7-2. 3 FUNCTION IN-DASH COMPACT SWITCH PANEL INSTALLATION.....	438
FIGURE 7-3. 3 FUNCTION IN-DASH COMPACT ASSEMBLY.....	440
FIGURE 7-4. 3 FUNCTION UNDER-DASH COMPACT SWITCH PANEL INSTALLATION.....	442
FIGURE 7-5. 3 FUNCTION UNDER-DASH COMPACT ASSEMBLY.....	444
FIGURE 7-6. 4 FUNCTION IN-DASH SWITCH PANEL INSTALLATION - FORD OEM.....	446
FIGURE 7-7. 5 FUNCTION IN-DASH COMPACT SWITCH PANEL INSTALLATION.....	448
FIGURE 7-8. 5 FUNCTION IN-DASH SWITCH PANEL INSTALLATION - FORD.....	450
FIGURE 7-9. 5 FUNCTION IN-DASH SWITCH PANEL INSTALLATION - IHC WITHOUT OEM.....	452
FIGURE 7-10. 5 FUNCTION IN-DASH SWITCH PANEL INSTALLATION - PETERBILT.....	454
FIGURE 7-11. 5 FUNCTION IN-DASH COMPACT SWITCH PANEL ASSEMBLY.....	456
FIGURE 7-12. 5 FUNCTION IN-DASH SWITCH PANEL ASSEMBLY - FORD.....	458
FIGURE 7-13. 5 FUNCTION UNDER-DASH COMPACT SWITCH PANEL INSTALLATION.....	460
FIGURE 7-14. 5 FUNCTION UNDER-DASH SWITCH PANEL ASSEMBLY.....	462
FIGURE 7-15. BACKUP CAMERA CARRIER INSTALLATION - JD SUPPLIED.....	464
FIGURE 7-16. BACKUP CAMERA CARRIER INSTALLATION - CHASSIS SUPPLIED.....	466
FIGURE 7-17. BACKUP CAMERA IN REAR VIEW MIRROR INSTALLATION.....	468
FIGURE 7-18. BREAKER INSTALLATION, 50AMP.....	470
FIGURE 7-19. CARRIER/HOSE/HARNESS KIT (28FT SUBFRAME WITH EMERGENCY LIGHT).....	472
FIGURE 7-20. DECK FLASHER REAR ILLUMINATION.....	474
FIGURE 7-21. LIGHTS AND WIRING, REAR.....	476
FIGURE 7-22. MARKER LIGHTS INSTALLATION, CARRIER DECK WITH ALUMINUM UPPER.....	478
FIGURE 7-23. MARKER LIGHT, TOOL BOX TOP STORAGE TRAY.....	480
FIGURE 7-24. TOOLBOX LIGHT INSTALLATION.....	482
FIGURE 7-25. TOOLBOX LIGHT BRACKET ASSEMBLY.....	484
FIGURE 7-26. WORK LIGHTS INSTALLATION - HEADBOARD.....	486
FIGURE 7-27. WORK LIGHTS INSTALLATION - REAR.....	488
SECTION 8 - DECALS.....	491
FIGURE 8-1. 3-CAR CARRIER DECAL INSTALLATION.....	492
FIGURE 8-2. HIGH VISIBILITY REFLECTIVE TAPE.....	496
SECTION 9 - ACCESSORIES.....	499
FIGURE 9-1. 7-WAY ELECTRICAL CONNECTOR INSTALLATION.....	500
FIGURE 9-2. 7-WAY ELECTRICAL CONNECTOR.....	502
FIGURE 9-3. AIR COMPRESSOR/HOSE REEL IN TOOLBOX.....	504
FIGURE 9-4. AIR SUPPLY DISCONNECT.....	506
FIGURE 9-5. CHAIN BINDER, 3/8IN CHAIN.....	508
FIGURE 9-6. CHAIN BINDER, 1/2IN CHAIN.....	510
FIGURE 9-7. EXTRUSION KEYSLOT INSTALLATION.....	512
FIGURE 9-8. FIRE EXTINGUISHER ACCESSORY.....	514



# TABLE OF CONTENTS

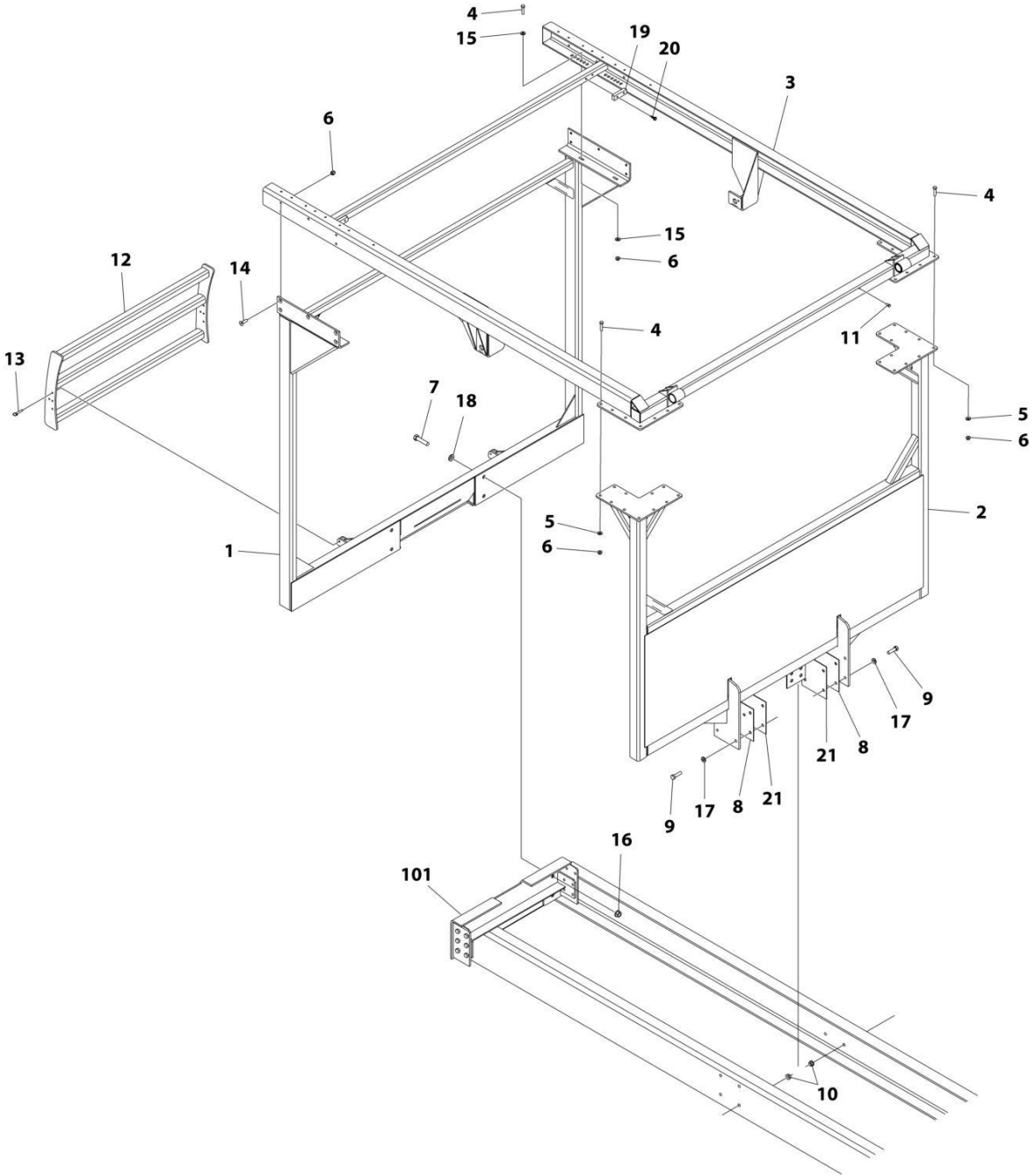
FIGURE 9-9. GLAD HAND INSTALLATION.....	516
FIGURE 9-10. GLAD HAND BRACKET INSTALLMENT.....	518
FIGURE 9-11. REMOTE THROTTLE CONTROL .....	520
FIGURE 9-12. SADDLE SPACERS INSTALLATION .....	522
FIGURE 9-13. SAFETY TRIANGLE KIT.....	524
FIGURE 9-14. SCALES (ON-BOARD TRUCK) KIT (VENDOR INSTALLED) .....	526
FIGURE 9-15. STRAP TIE DOWN KIT - 8-POINT TIRE STRAP .....	528
FIGURE 9-16. TOW STRAPS ACCESSORY KIT .....	530
FIGURE 9-17. STRAP TIE DOWN KIT UPPER DECK .....	532
FIGURE 9-18. TAILLIGHT CONVERSION KIT, SPLIT STOP/TURN.....	534
FIGURE 9-19. TOW HITCH INSTALLATION - STATIONARY 2 IN TOW HITCH RECEIVER .....	536
FIGURE 9-20. TOW HITCH - STATIONARY.....	538
FIGURE 9-21. TOW HITCH INSTALLATION - STATIONARY PINTLE HITCH PLATE.....	540
FIGURE 9-22. TOW HITCH - STATIONARY PINTLE .....	542
FIGURE 9-23. TOW HITCH INSTALLATION - STATIONARY 2.5 IN TOW HITCH RECEIVER .....	544
FIGURE 9-24. TOW HITCH INSTALLATION, 2.5 IN.....	546
FIGURE 9-25. TOW HITCH INSTALLATION - MANUAL/HYDRAULIC BALL HITCH PLATE.....	548
FIGURE 9-26. TOW HITCH BOOM INSTALLATION - BALL HITCH (HYDRAULIC).....	550
FIGURE 9-27. TOW HITCH INSTALLATION - MANUAL BALL HITCH PLATE .....	552
FIGURE 9-28. TOW HITCH BOOM INSTALLATION - BALL HITCH (MANUAL) .....	554
FIGURE 9-29. TOW HITCH INSTALLATION - MANUAL /HYDRAULIC PINTLE HITCH PLATE.....	556
FIGURE 9-30. TOW HITCH BOOM INSTALLATION - PINTLE HITCH (HYDRAULIC).....	558
FIGURE 9-31. TOW HITCH INSTALLATION - MANUAL PINTLE HITCH PLATE .....	560
FIGURE 9-32. TOW HITCH BOOM INSTALLATION - PINTLE HITCH (MANUAL).....	562
FIGURE 9-33. TOW LIGHT KIT - MAGNETIC MOUNTED .....	564
FIGURE 9-34. TOW LIGHT KIT - SUCTION MOUNTED .....	566
FIGURE 9-35. TRAILER BALL - 1.88IN DIA BALL.....	568
FIGURE 9-36. TRAILER BALL - 2IN DIA BALL.....	570
FIGURE 9-37. TRAILER BALL - 2-5/16IN DIA BALL.....	572
FIGURE 9-38. TRAILER PINTLE WITH BALL .....	574
FIGURE 9-39. TRAILER BALL - SS CONVERT-A-BALL KIT.....	576
FIGURE 9-40. TRUCK SCALES - ONBOARD (RIGHT WEIGHT) ( DEALER INSTALLED) .....	578
FIGURE 9-41. VALVE STEM EXTENSION KIT .....	580
FIGURE 9-42. WHEEL CHOCKS.....	582
SECTION 10 - BUILD DOCUMENTS.....	585
FIGURE 10-1. BUILD DOC_5376000232.....	586
PART NUMBER INDEX .....	589



**SECTION 1 - SUBFRAME**

# SECTION 1 - SUBFRAME

FIGURE 1-1. UPPER DECK SUBFRAME INSTALLATION, FORD



ART\_1001131072

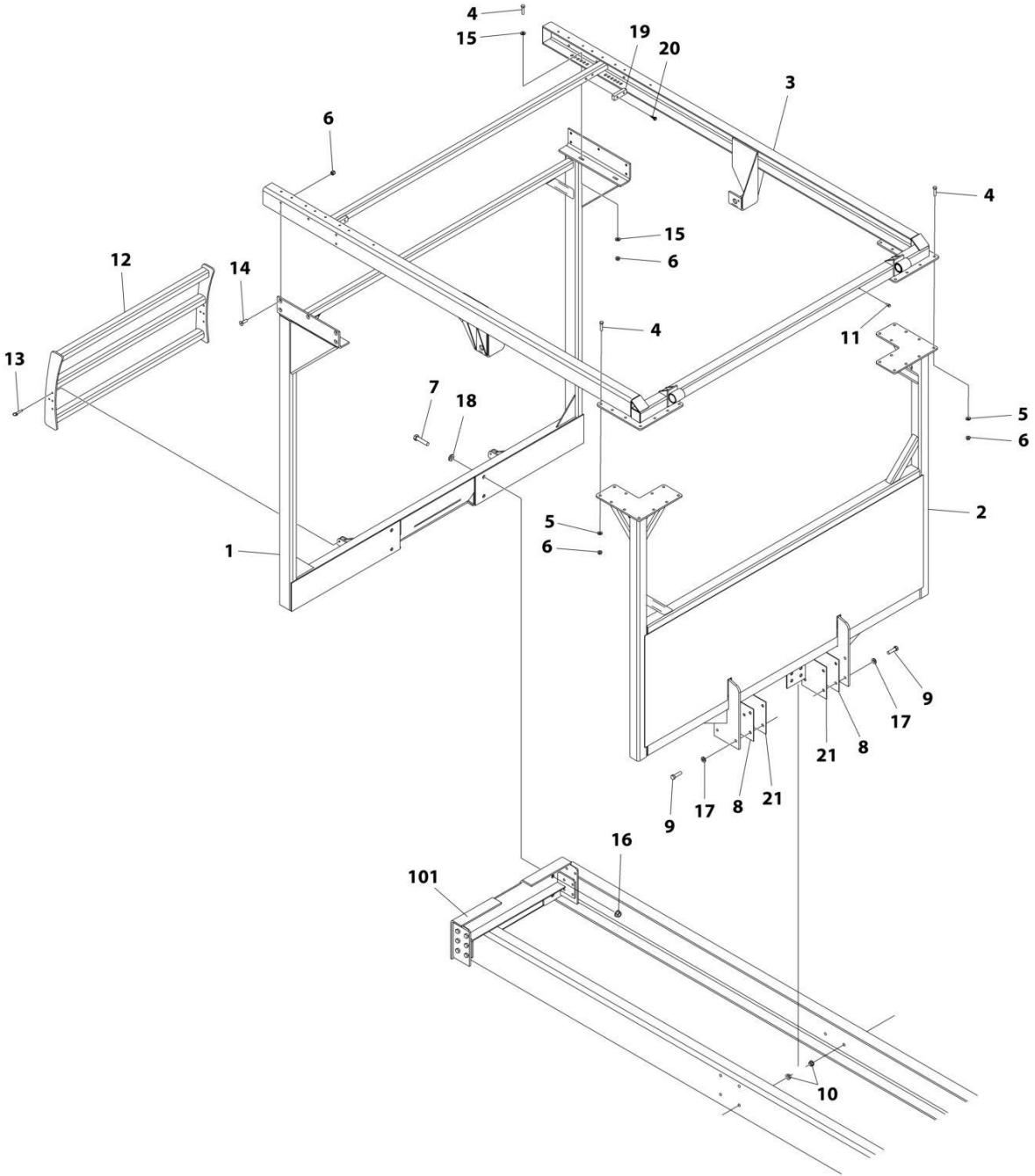
## SECTION 1 - SUBFRAME

**FIGURE 1-1. UPPER DECK SUBFRAME INSTALLATION, FORD**

ITEM	PART NUMBER	QTY	DESCRIPTION	REV
	1001131072	Ref	Subframe Installation (Ford)	C
1	1001131067	1	Support, Front	
2	1001131068	1	Support, Rear	
3	3868000292	1	Subframe Weldment	
4	0641814	26	Bolt 1/2 x 1	
5	7950180143	22	Washer 1/2	
6	7660182304	36	Nut 1/2	
7	7105223250	4	Capscrew 3/4 x 4	
8	4706003222	2	Plate	
9	0652016	8	Capscrew 5/8 x 2	
10	7660202347	8	Nut 5/8	
11	7790141056	2	Screw 1/4 x 5/8	
12	3002000013	1	Accessory, Access Ladder	
13	7691000045	4	Pin	
14	7115181223	10	Screw 1/2 x 3/2	
15	4891800	8	Washer 1/2	
16	7660222333	4	Nut 3/4	
17	4892000	8	Washer 5/8	
18	4712200	4	Washer 3/4	
19	7679000010	4	Pad	
20	7120000034	8	Screw #10 x 3/4	
21	1001174433	2	Shim	
101	N.S.S.	Ref	Bumper Bracket Weldment (Parts vary depending on chassis. Consult factory for part numbers)	

# SECTION 1 - SUBFRAME

FIGURE 1-2. UPPER DECK SUBFRAME INSTALLATION, F750



ART\_1001211207

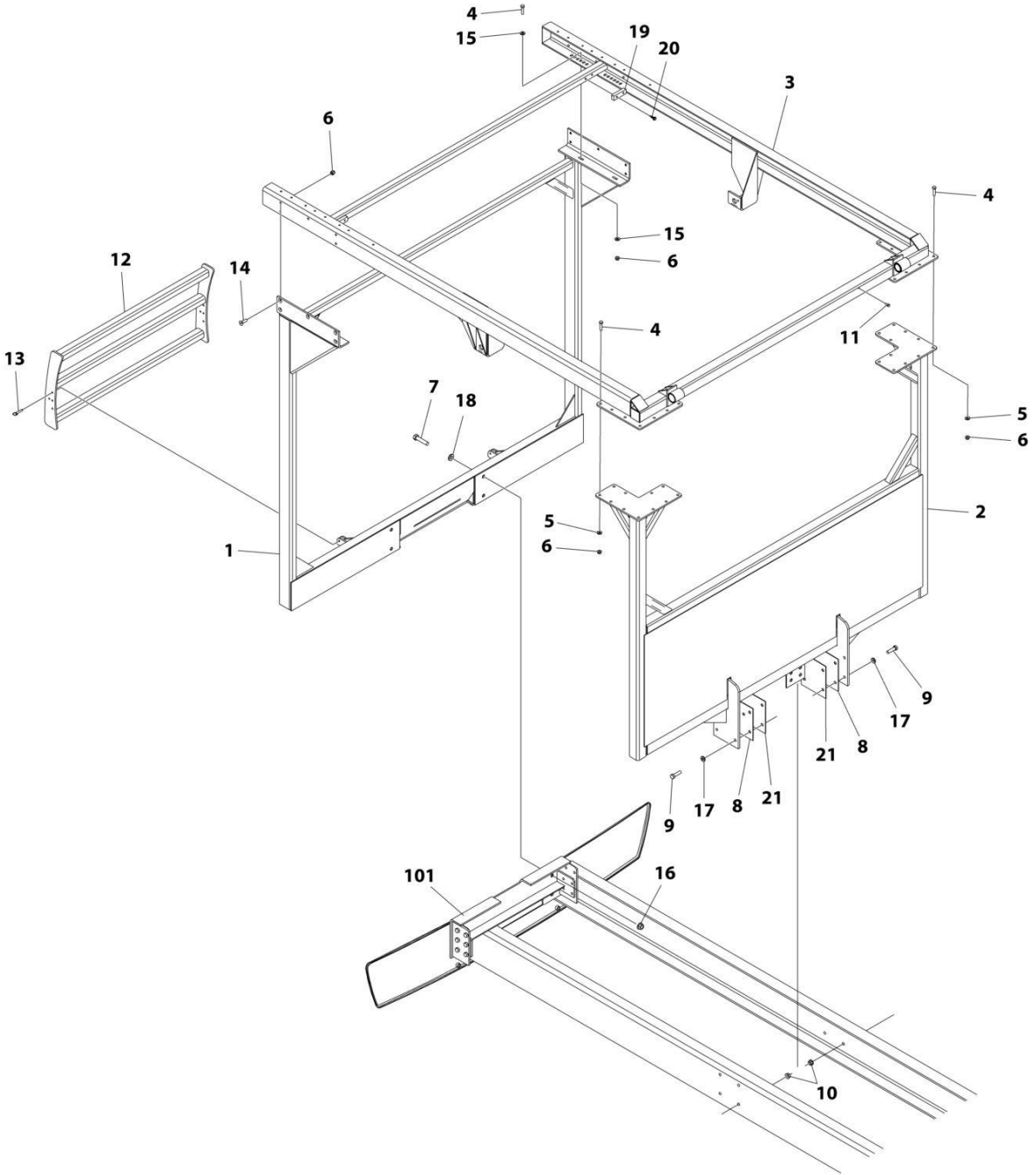
## SECTION 1 - SUBFRAME

**FIGURE 1-2. UPPER DECK SUBFRAME INSTALLATION, F750**

ITEM	PART NUMBER	QTY	DESCRIPTION	REV
	1001211207	Ref	Subframe Installation, F750	B
1	1001131067	1	Support, Front	
2	1001211204	1	Support, Rear	
3	3868000280	1	Subframe Weldment	
4	0641814	26	Bolt 1/2 x 1	
5	7950180143	22	Washer 1/2	
6	7660182304	36	Nut 1/2	
7	7105223250	4	Capscrew 3/4 x 4	
8	4706003222	2	Plate	
9	0652016	8	Capscrew 5/8 x 2	
10	7660202347	8	Nut 5/8	
11	7790141056	2	Screw 1/4 x 5/8	
12	3002000013	1	Accessory, Access Ladder	
13	7691000045	4	Pin	
14	7115181223	10	Screw 1/2 x 1-1/2	
15	4891800	8	Washer 1/2	
16	7660222333	4	Nut 3/4	
17	4892000	8	Washer 5/8	
18	4712200	4	Washer 3/4	
19	7679000010	4	Pad	
20	7120000034	8	Screw #10 x 3/4	
21	1001174433	2	Shim	
22	0641514	1	Capscrew 5/16 x 1-3/4 (Not Shown)	
23	4711500	1	Washer 5/16 (Not Shown)	
24	7660152601	1	Nut 5/16 (Not Shown)	
25	7565000014	1	Tubing 3/8 (Not Shown)	
26	4017001585	1	Angle (Not Shown)	
101	NSS	Ref	Bumper Bracket Weldment (Parts vary depending on chassis. Consult factory for part numbers)	

# SECTION 1 - SUBFRAME

FIGURE 1-3. UPPER DECK SUBFRAME INSTALLATION, FREIGHTLINER - 62IN



ART\_1001128583



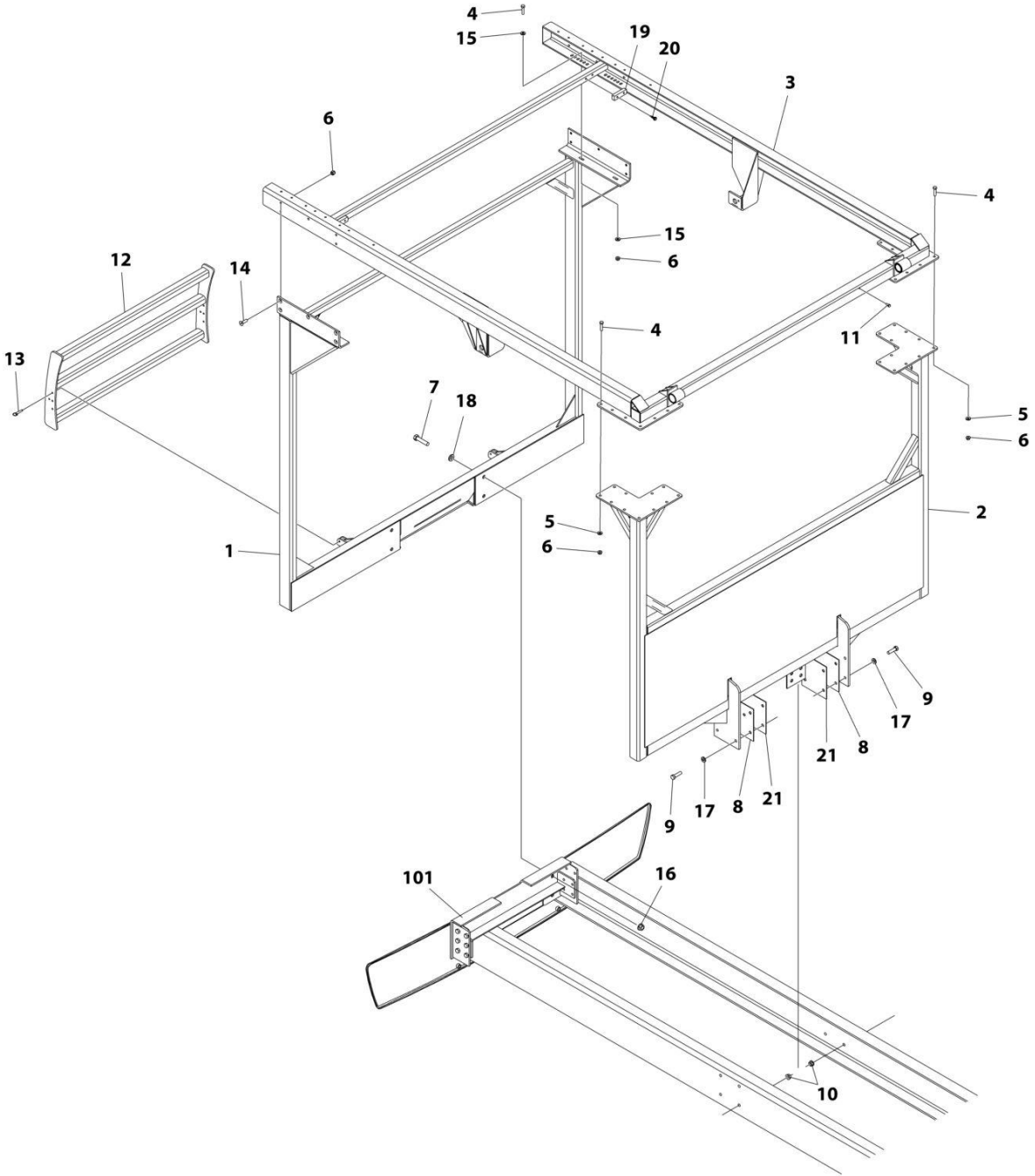
## SECTION 1 - SUBFRAME

**FIGURE 1-3. UPPER DECK SUBFRAME INSTALLATION, FREIGHTLINER - 62IN**

ITEM	PART NUMBER	QTY	DESCRIPTION	REV
	1001128583	Ref	UPPER DECK SUBFRAME INSTALLATION, FREIGHTLINER - 62IN	D
1	1001128563	1	Support, Front	
2	1001128551	1	Support, Rear	
3	3868000280	1	Subframe Weldment	
4	0641814	26	Bolt 1/2 x 1	
5	7950180143	22	Washer 1/2	
6	7660182304	36	Nut 1/2	
7	7105223250	4	Capscrew 3/4 x 4	
8	4706003222	2	Plate	
9	0652016	8	Capscrew 5/8 x 2	
10	7660202347	8	Nut 5/8	
11	7790141056	2	Screw 1/4 x 5/8	
12	3002000013	1	Accessory, Access Ladder	
13	7691000045	4	Pin	
14	7115181223	10	Screw 1/2 x 1-1/2	
15	4891800	8	Washer 1/2	
16	7660222333	4	Nut 3/4	
17	4892000	8	Washer 5/8	
18	4712200	4	Washer 3/4	
19	7679000010	4	Pad	
20	7120000034	8	Screw #10 x 3/4	
21	1001174433	2	Shim	
101	NSS	Ref	Bumper Bracket Weldment (Parts vary depending on chassis. Consult factory for part numbers)	

# SECTION 1 - SUBFRAME

FIGURE 1-4. UPPER DECK SUBFRAME INSTALLATION, FREIGHTLINER - 65.75IN



ART\_1001193518

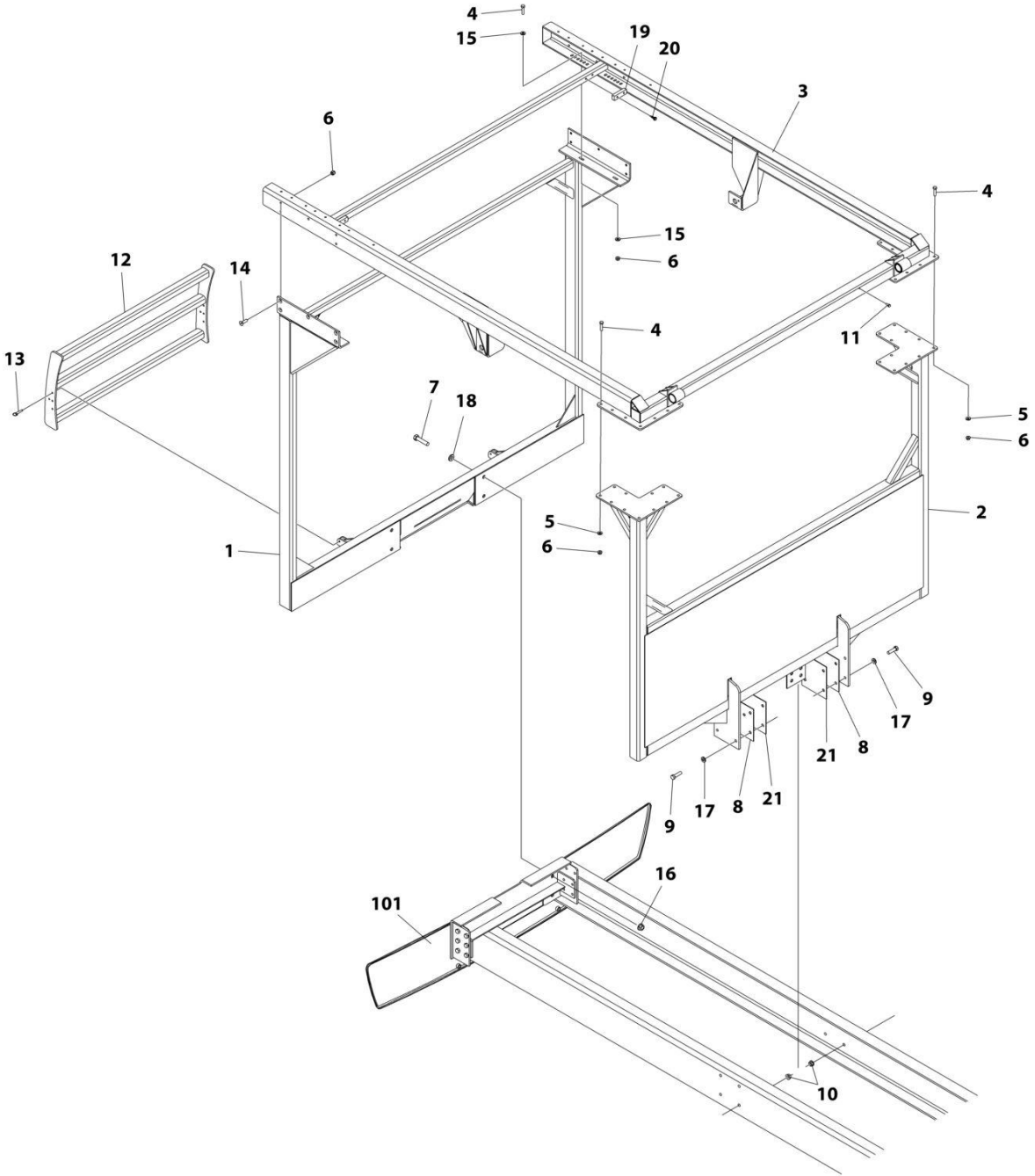
## SECTION 1 - SUBFRAME

**FIGURE 1-4. UPPER DECK SUBFRAME INSTALLATION, FREIGHTLINER - 65.75IN**

ITEM	PART NUMBER	QTY	DESCRIPTION	REV
	1001193518	Ref	UPPER DECK SUBFRAME INSTALLATION, FREIGHTLINER - 65.75IN	B
1	1001193511	1	Support, Front	
2	1001130886	1	Headboard Weldment	
3	3868000280	1	Subframe Weldment	
4	0641814	26	Bolt 1/2 x 1	
5	7950180143	22	Washer 1/2	
6	7660182304	36	Nut 1/2	
7	7105223250	4	Capscrew 3/4 x 4	
8	4706003222	2	Plate	
9	0652016	8	Capscrew 5/8 x 2	
10	7660202347	8	Nut 5/8	
11	7790141056	2	Screw 1/4 x 5/8	
12	3002000013	1	Accessory, Access Ladder	
13	7691000045	4	Pin	
14	7115181223	10	Screw 1/2	
15	4891800	8	Washer 1/2	
16	7660222333	4	Nut 3/4	
17	4892000	8	Washer 5/8	
18	4712200	4	Washer 3/4	
19	7679000010	4	Pad	
20	7120000034	8	Screw #10 x 3/4	
21	1001174433	2	Shim	
101	NSS	Ref	Bumper Bracket Weldment (Parts vary depending on chassis. Consult factory for part numbers)	

# SECTION 1 - SUBFRAME

FIGURE 1-5. UPPER DECK SUBFRAME INSTALLATION, IHC 63IN



ART\_1001130934

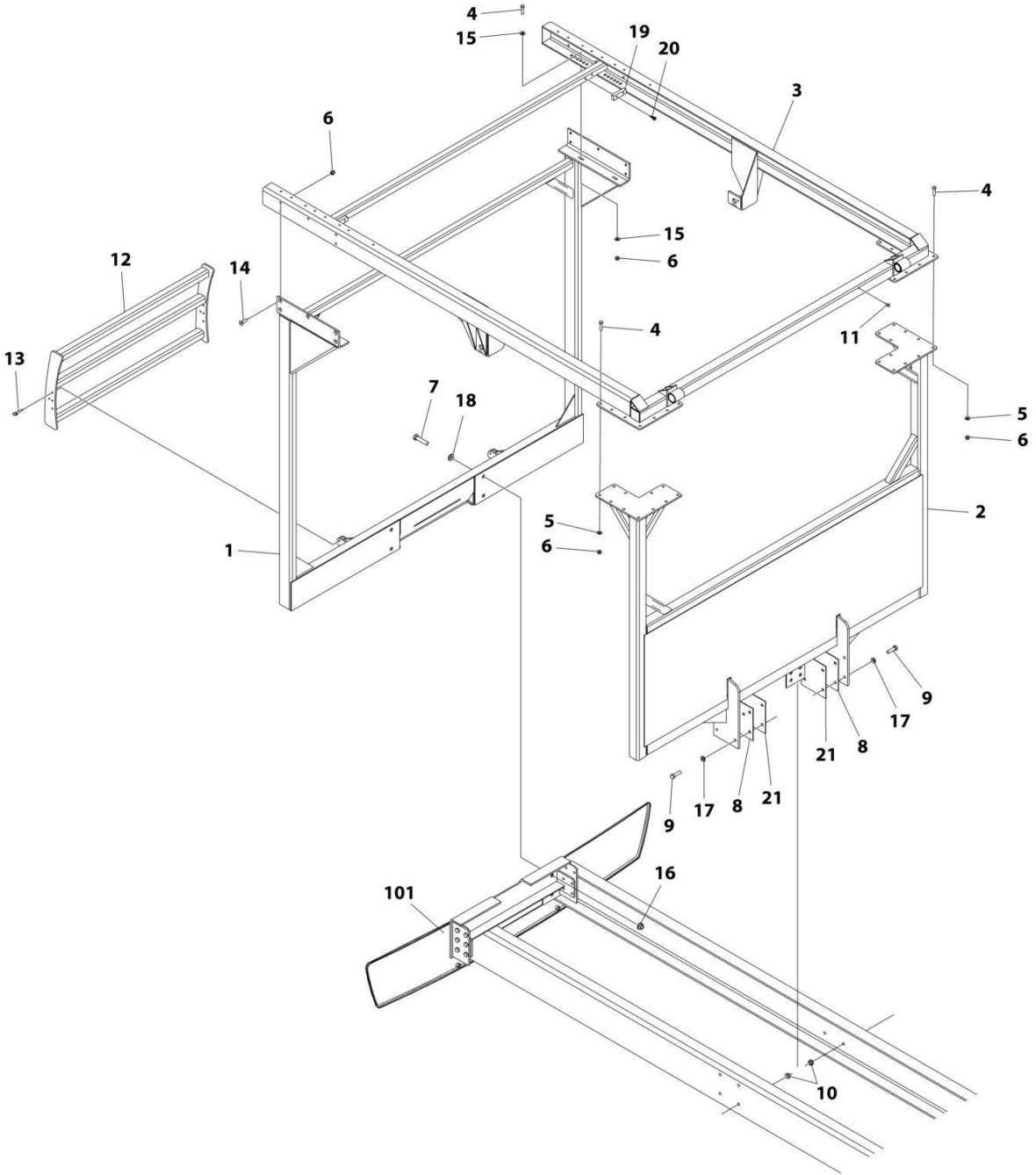
## SECTION 1 - SUBFRAME

**FIGURE 1-5. UPPER DECK SUBFRAME INSTALLATION, IHC 63IN**

ITEM	PART NUMBER	QTY	DESCRIPTION	REV
	1001130934	Ref	UPPER DECK SUBFRAME INSTALLATION, IHC 63IN	C
1	1001130922	1	Support, Front	
2	1001130923	1	Support, Rear	
3	3868000280	1	Subframe Weldment	
4	0641814	26	Bolt 1/2 X 1	
5	7950180143	22	Washer 1/2	
6	7660182304	36	Nut 1/2	
7	7105223250	4	Capscrew 3/4 x 4	
8	4706003222	2	Plate	
9	0652016	8	Capscrew 5/8 x 2	
10	7660202347	8	Nut 5/8	
11	7790141056	2	Screw 1/4 x 5/8	
12	3002000013	1	Accessory, Access Ladder	
13	7691000045	4	Pin	
14	7115181223	10	Screw 1/2 x 1-1/2	
15	4891800	8	Washer 1/2	
16	7660222333	4	Nut 3/4	
17	4892000	8	Washer 5/8	
18	4712200	4	Washer 3/4	
19	7679000010	4	Pad	
20	7120000034	8	Screw #10 x 3/4	
21	1001174433	4	Shim	
101	NSS	Ref	Bumper Bracket Weldment (Parts vary depending on chassis. Consult factory for part numbers)	

# SECTION 1 - SUBFRAME

FIGURE 1-6. UPPER DECK SUBFRAME INSTALLATION, IHC 67IN



ART\_1001131812

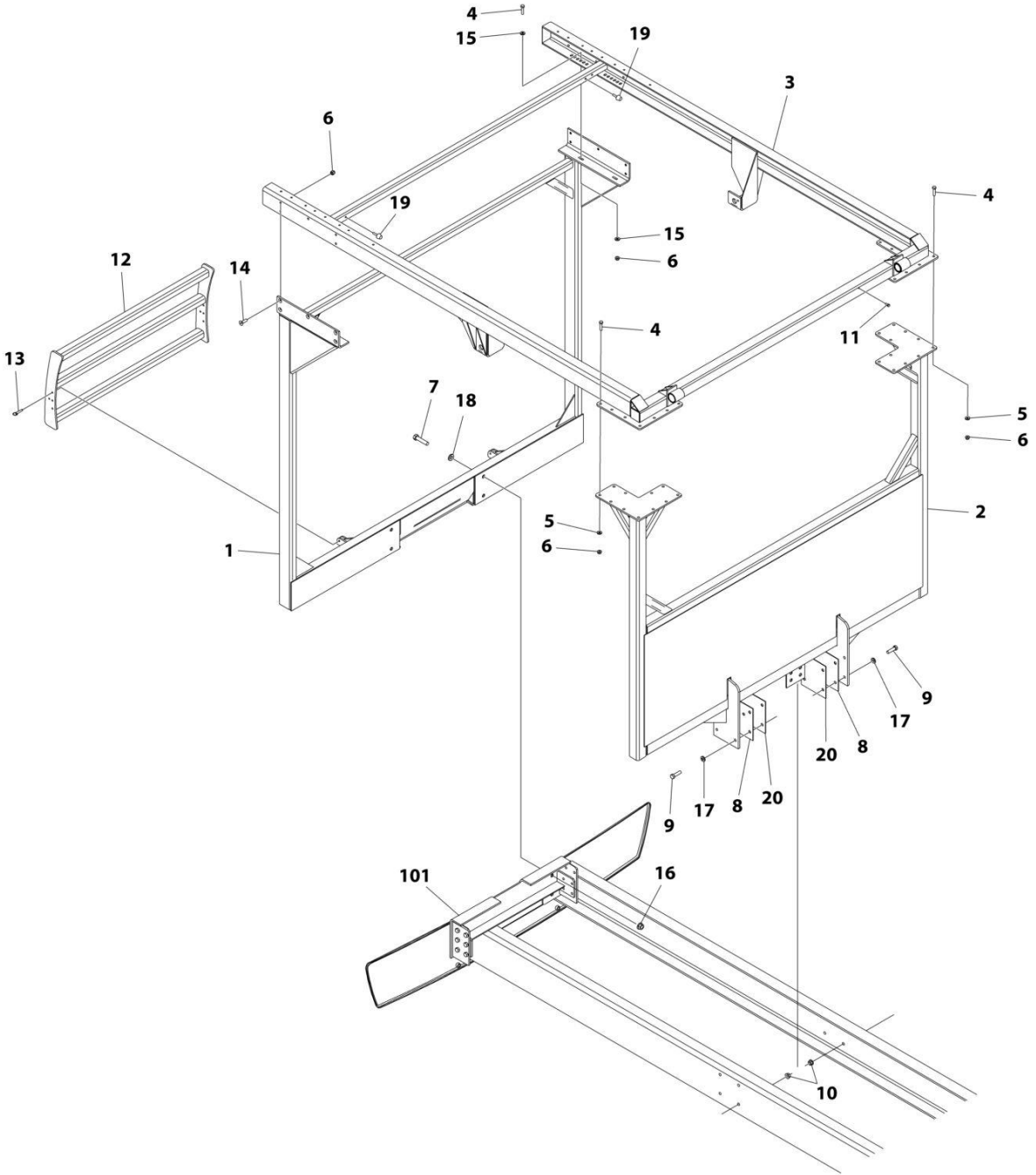
## SECTION 1 - SUBFRAME

**FIGURE 1-6. UPPER DECK SUBFRAME INSTALLATION, IHC 67IN**

ITEM	PART NUMBER	QTY	DESCRIPTION	REV
	1001131812	Ref	UPPER DECK SUBFRAME INSTALLATION, IHC 67IN	C
1	1001131813	1	Support, Front	
2	1001131814	1	Support, Rear	
3	3868000280	1	Subframe Weldment	
4	0641814	26	Bolt 1/2 x 1	
5	7950180143	22	Washer 1/2	
6	7660182304	36	Nut 1/2	
7	7105223250	4	Capscrew 3/4 x 4	
8	4706003222	2	Plate	
9	0652016	8	Capscrew 5/8 x 2	
10	7660202347	8	Nut 5/8	
11	7790141056	2	Screw 1/4 x 5/8	
12	3002000013	1	Accessory, Access Ladder	
13	7691000045	4	Pin	
14	7115181223	10	Screw 1/2 x 3/2	
15	4891800	8	Washer 1/2	
16	7660222333	4	Nut 3/4	
17	4892000	8	Washer 5/8	
18	4712200	4	Washer 3/4	
19	7679000010	4	Pad	
20	7120000034	8	Screw #10 x 3/4	
21	1001174433	2	Shim	
101	NSS	Ref	Bumper Bracket Weldment (Parts vary depending on chassis. Consult factory for part numbers)	

# SECTION 1 - SUBFRAME

## FIGURE 1-7. UPPER DECK SUBFRAME INSTALLATION, KENWORTH



ART\_1001132290



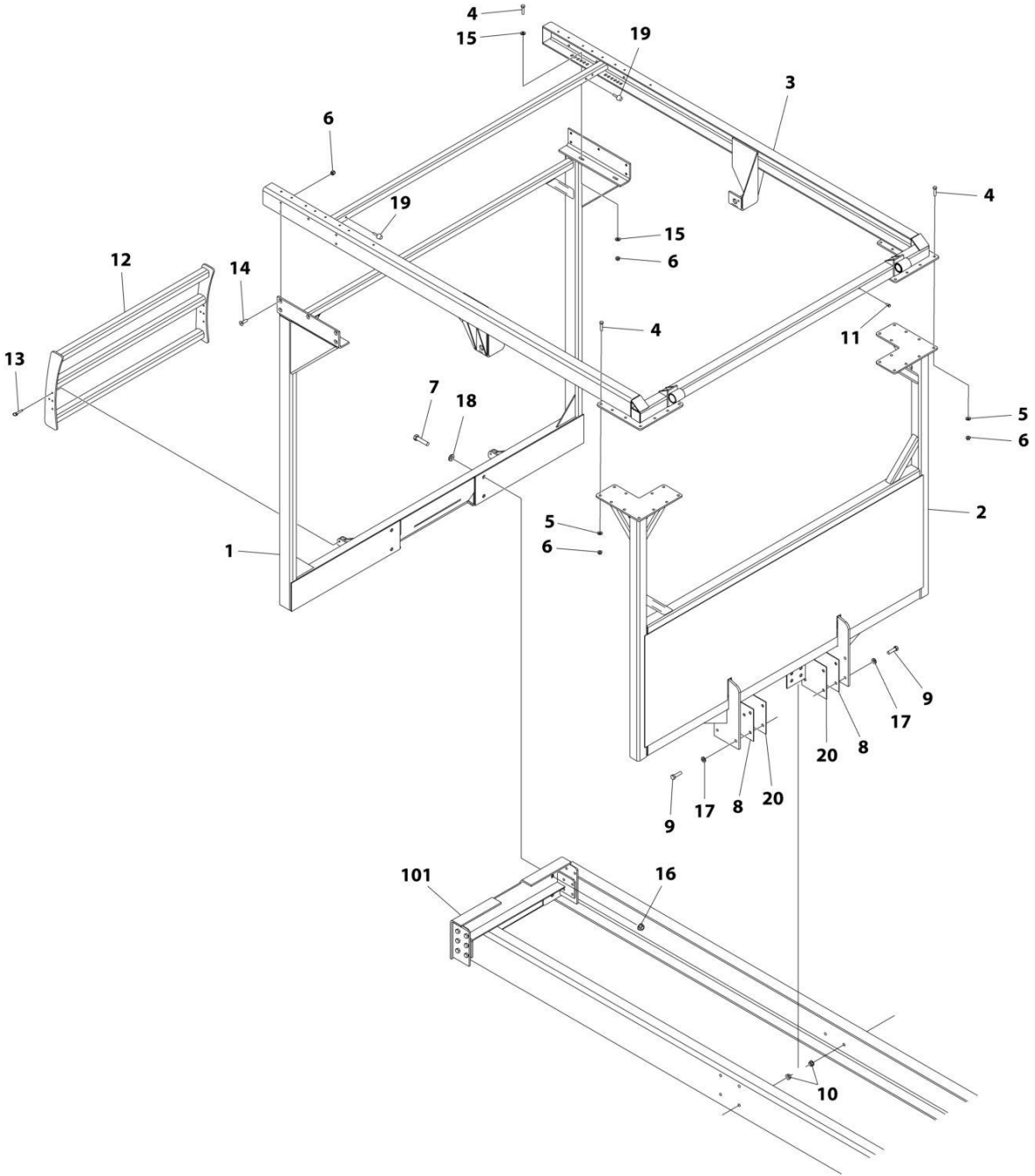
## SECTION 1 - SUBFRAME

**FIGURE 1-7. UPPER DECK SUBFRAME INSTALLATION, KENWORTH**

ITEM	PART NUMBER	QTY	DESCRIPTION	REV
	1001132290	Ref	Subframe Installation, Kenworth	C
1	1001132286	1	Support, Front	
2	1001132287	1	Head Board Weldment	
3	3868000280	1	Subframe Weldment	
4	0641814	26	Bolt 1/2 x 1	
5	7950180143	22	Washer 1/2	
6	7660182304	36	Nut 1/2	
7	7105223250	4	Capscrew 3/4 x 4	
8	4706003222	2	Plate	
9	0652016	8	Capscrew 5/8 x 2	
10	7660202347	8	Nut 5/8	
11	7790141056	2	Screw 1/4 x 5/8	
12	3002000013	1	Accessory, Access Ladder	
13	7691000045	4	Pin	
14	7115181223	10	Screw 1/2 x 1-1/2	
15	4891800	8	Washer 1/2	
16	7660222333	4	Nut 3/4	
17	4892000	8	Washer 5/8	
18	4712200	4	Washer 3/4	
19	7189000005	2	Bumper	
20	1001174433	2	Shim	
101	NSS	Ref	Bumper Bracket Weldment (Parts vary depending on chassis. Consult factory for part numbers)	

# SECTION 1 - SUBFRAME

FIGURE 1-8. UPPER DECK SUBFRAME INSTALLATION, PETERBILT



ART\_1001130832

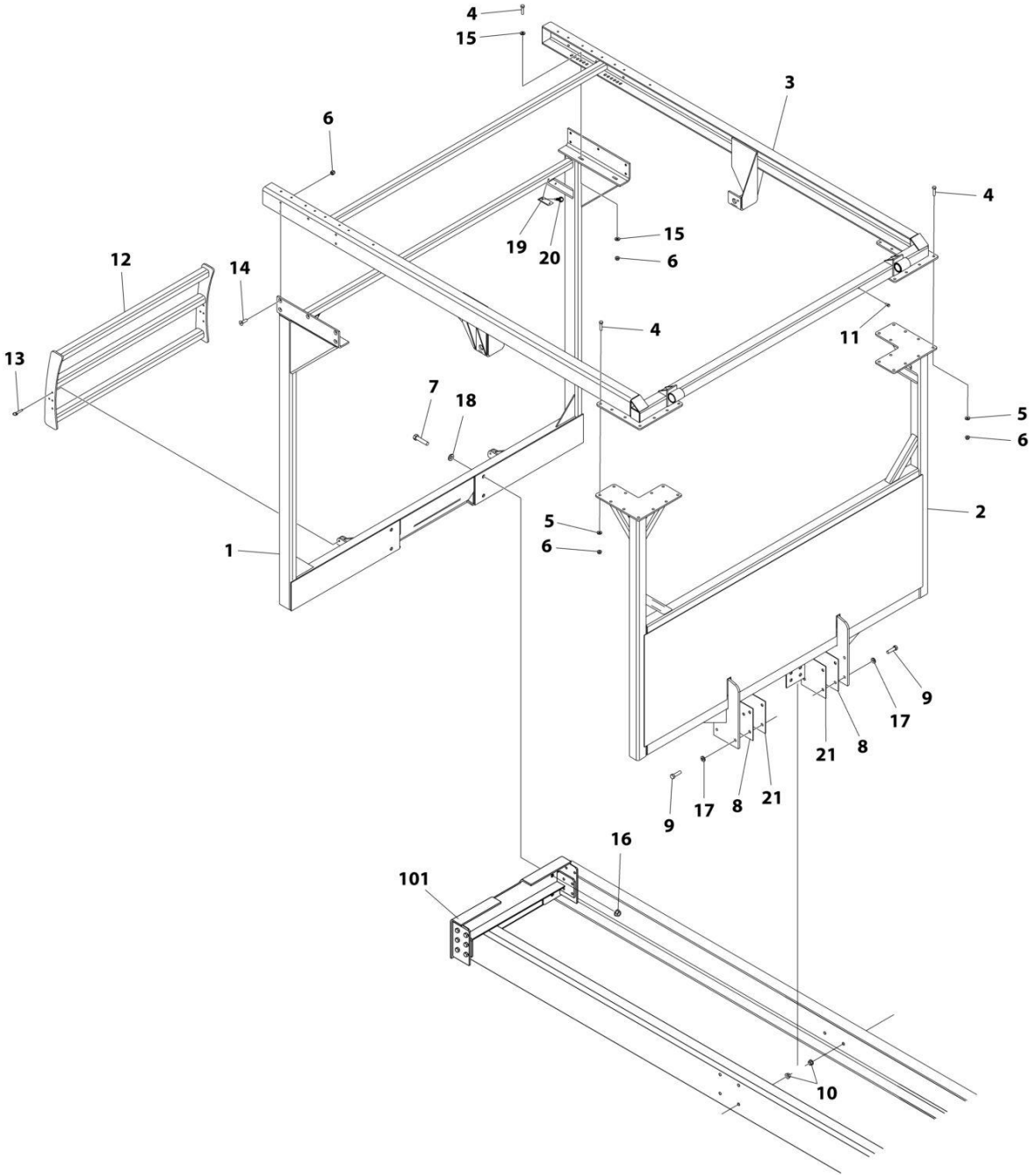
**SECTION 1 - SUBFRAME**

**FIGURE 1-8. UPPER DECK SUBFRAME INSTALLATION, PETERBILT**

ITEM	PART NUMBER	QTY	DESCRIPTION	REV
	1001130832	Ref	Subframe Installation, Peterbilt	C
1	1001130885	1	Support, Front	
2	1001130886	1	Head Board Weldment	
3	3868000280	1	Subframe Weldment	
4	0641814	26	Bolt 1/2 x 1	
5	7950180143	22	Washer 1/2	
6	7660182304	36	Nut 1/2	
7	7105223250	4	Capscrew 3/4 x 4	
8	4706003222	2	Plate	
9	0652016	8	Capscrew 5/8 x 2	
10	7660202347	8	Nut 5/8	
11	7790141056	2	Screw 1/4 x 5/8	
12	3002000013	1	Accessory, Access Ladder	
13	7691000045	4	Pin	
14	7115181223	10	Screw 1/2 x 1-1/2	
15	4891800	8	Washer 1/2	
16	7660222333	4	Nut 3/4	
17	4892000	8	Washer 5/8	
18	4712200	4	Washer 3/4	
19	7189000005	2	Bumper	
20	1001174433	2	Shim	
101	NSS	Ref	Bumper Bracket Weldment (Parts vary depending on chassis. Consult factory for part numbers)	

# SECTION 1 - SUBFRAME

## FIGURE 1-9. UPPER DECK SUBFRAME INSTALLATION, HINO



ART\_1001173270

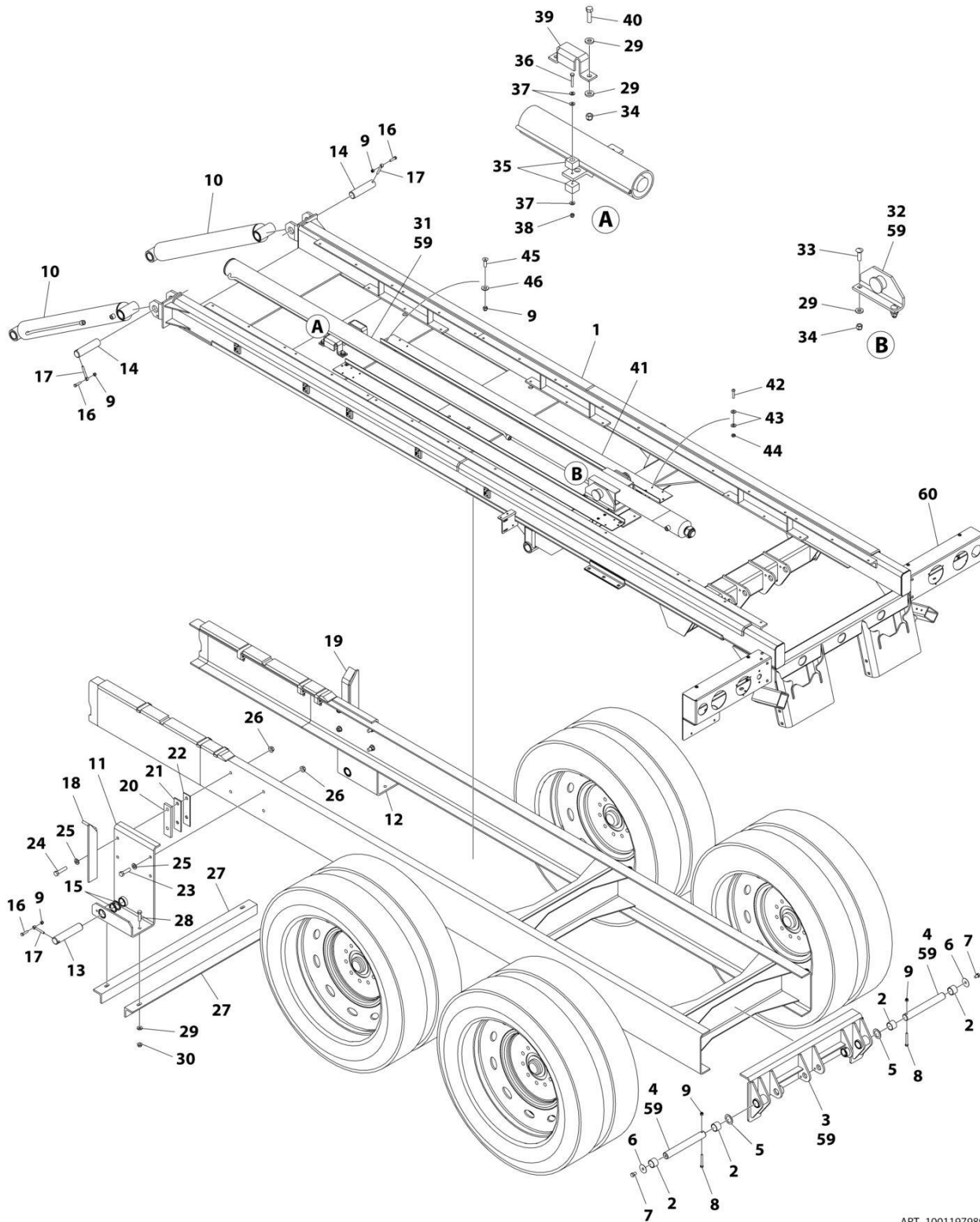
## SECTION 1 - SUBFRAME

**FIGURE 1-9. UPPER DECK SUBFRAME INSTALLATION, HINO**

ITEM	PART NUMBER	QTY	DESCRIPTION	REV
	1001173270	Ref	Subframe Installation, Hino	C
1	1001173269	1	Support, Front	
2	1001173268	1	Support, Rear	
3	3868000280	1	Subframe Weldment	
4	0641814	26	Bolt 1/2 x 1	
5	7950180143	22	Washer 1/2	
6	7660182304	36	Nut 1/2	
7	7105223250	4	Capscrew 3/4 x 4	
8	4706003222	2	Plate	
9	0652016	8	Capscrew 5/8 x 2	
10	7660202347	8	Nut 5/8	
11	7790141056	2	Screw 1/4 x 5/8	
12	3002000013	1	Accessory, Access Ladder	
13	7691000045	4	Pin	
14	7115181223	10	Screw 1/2 x 1-1/2	
15	4891800	8	Washer 1/2	
16	7660222333	2	Nut 3/4	
17	4892000	8	Washer 5/8	
18	4712200	4	Washer 3/4	
19	7679000010	4	Pad	
20	7120000034	8	Screw #10 x 3/4	
21	1001174433	2	Shim	
101	NSS	Ref	Bumper Bracket Weldment (Parts vary depending on chassis. Consult factory for part numbers)	

# SECTION 1 - SUBFRAME

## FIGURE 1-10. MAIN DECK SUBFRAME INSTALLATION



ART\_1001197989

# SECTION 1 - SUBFRAME

## FIGURE 1-10. MAIN DECK SUBFRAME INSTALLATION

ITEM	PART NUMBER	QTY	DESCRIPTION	REV
	1001197989	Ref	MAIN DECK SUBFRAME INSTALLATION	D
1	1001197990	1	Sub-Frame	
2	7082000017	4	Bearing	
3	1001162403	1	Mount, Trunnion Service/Aftermarket Kits List	
4	4691000573	2	Pin	
5	7949000008	2	Washer 2-1/4	
6	7949000072	2	Washer 2	
7	0641806	2	Capscrew 1/2 x 3/4	
8	0641624	2	Capscrew 3/8 x 3	
9	3300492	8	Nut 3/8	
10	1001167764	2	Tilt Cylinder Assembly (See Separate Breakdown in CYLINDER Section)	
11	3178000288	1	Bracket (LH)	
12	3178000289	1	Bracket (RH)	
13	1001188206	2	Pin	
14	1001188141	2	Pin	
15	4209000204	4	Bushing	
16	0641612	4	Capscrew 3/8 x 1-1/2	
17	3841143	4	Keeper, Shaft	
18	3062000015	1	Bar, Body Guide (LH)	
19	3062000014	1	Bar, Body Guide (RH)	
20	4831000079	AR	Spacer	
21	4831000083	AR	Spacer	
22	4831000084	AR	Spacer	
23	7105201850	4	Capscrew 5/8 x 2-1/4	
24	7105202250	4	Capscrew 5/8 x 2-3/4	
25	4892000	8	Washer 5/8	
26	7660202347	8	Nut 5/8	
27	4017001093	2	Angle	
28	0651816	4	Capscrew 1/2 x 2	
29	4891800	16	Washer 1/2	
30	7660182333	4	Nut 1/2	
31	1001166855	1	Roll Cylinder Assembly (See Separate Breakdown in CYLINDER Section)	
32	3636000144	2	Mount, Trunnion	
33	7115181464	4	Bolt 1/2 x 1-3/4	
34	7660182601	8	Nut 1/2	
35	7189000026	4	Bumper	
36	7114141450	2	Capscrew 1/4 x 1-3/4	
37	7950140143	6	Washer 1/4	
38	7660142604	2	Nut 1/4	
39	4178000912	2	Bracket	
40	0641814	4	Bolt 1/2 x 1-3/4	
41	1001162798	2	Plate, Hose	
42	7114100818	4	Capscrew #10 x 1	
43	4751300	8	Washer 3/16	
44	3300455	4	Nut #10	
45	0741610	2	Screw 3/8 x 1-1/4	
46	4751600	2	Washer 3/8	
59	3020039	AR	Lubricant	

## SECTION 1 - SUBFRAME

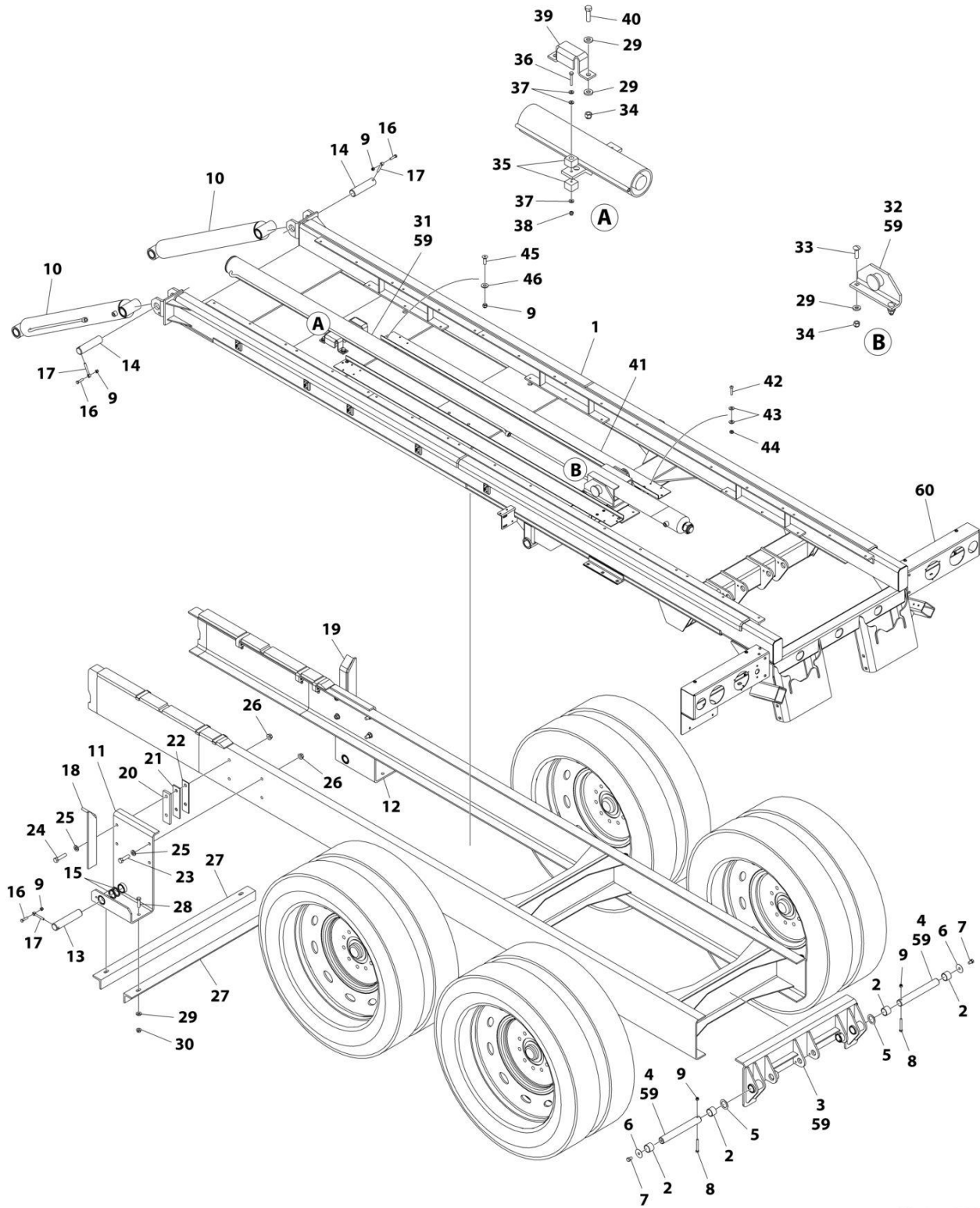
ITEM	PART NUMBER	QTY	DESCRIPTION	REV
60	1001173948	1	Lightbox and Cover Installation (See Separate Breakdown in this Section)	





# SECTION 1 - SUBFRAME

## FIGURE 1-11. MAIN DECK SUBFRAME INSTALLATION (GALVANIZED)



ART\_1001197785

## SECTION 1 - SUBFRAME

**FIGURE 1-11. MAIN DECK SUBFRAME INSTALLATION (GALVANIZED)**

ITEM	PART NUMBER	QTY	DESCRIPTION	REV
	1001197785	Ref	MAIN DECK SUBFRAME INSTALLATION (GALVANIZED)	D
1	1001197270	1	Sub-Frame	
2	7082000017	4	Bearing	
3	1001162403	1	Mount, Trunnion	
4	4691000573	2	Pin	
5	7949000008	2	Washer 2-1/4	
6	7949000072	2	Washer 2	
7	0641806	2	Capscrew 1/2 x 3/4	
8	0641624	2	Capscrew 3/8 x 3	
9	3300492	8	Nut 3/8	
10	1001167764	2	Tilt Cylinder Assembly (See Separate Breakdown in CYLINDER Section)	
11	3178000288	1	Bracket (LH)	
12	3178000289	1	Bracket (RH)	
13	1001188206	2	Pin	
14	1001188141	2	Pin	
15	4209000204	4	Bushing	
16	0641612	4	Capscrew 3/8 x 1-1/2	
17	3841143	4	Keeper, Shaft	
18	3062000015	1	Bar, Body Guide (LH)	
19	3062000014	1	Bar, Body Guide (RH)	
20	4831000079	AR	Spacer	
21	4831000083	AR	Spacer	
22	4831000084	AR	Spacer	
23	7105201850	4	Capscrew 5/8 x 2-1/4	
24	7105202250	4	Capscrew 5/8 x 2-3/4	
25	4892000	8	Washer 5/8	
26	7660202347	8	Nut 5/8	
27	4017001093	2	Angle	
28	0651816	4	Capscrew 1/2 x 2	
29	4891800	16	Washer 1/2	
30	7660182333	4	Nut 1/2	
31	1001166855	1	Roll Cylinder Assembly (See Separate Breakdown in CYLINDER Section)	
32	3636000144	2	Mount Weldment, Trunnion	
33	7115181464	4	Bolt 1/2 x 1-3/4	
34	7660182601	8	Nut 1/2	
35	7189000026	4	Bumper	
36	7114141450	2	Capscrew 1/4 x 1-3/4	
37	7950140143	6	Washer 1/4	
38	7660142604	2	Nut 1/4	
39	4178000912	2	Bracket	
40	0641814	4	Bolt 1/2 x 1-3/4	
41	1001162798	2	Plate, Hose	
42	7114100818	4	Capscrew #10 x 1	
43	4751300	8	Washer 3/16	
44	3300455	4	Nut #10	
45	0741610	2	Screw 3/8 x 1-1/4	
46	4751600	2	Washer 3/8	
59	3020039	AR	Lubricant	

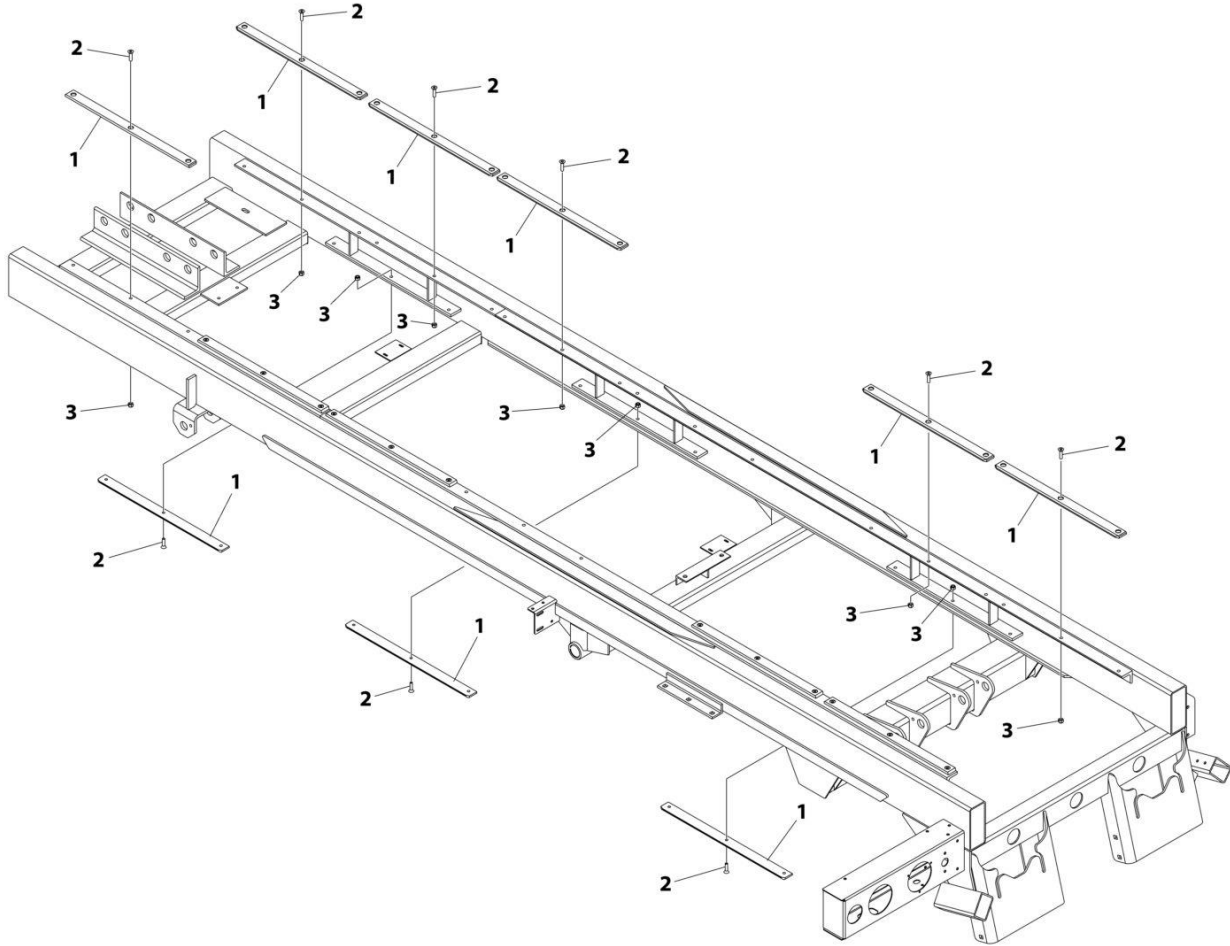
## SECTION 1 - SUBFRAME

ITEM	PART NUMBER	QTY	DESCRIPTION	REV
60	1001173949	1	Lightbox and Cover Installation (See Separate Breakdown in this Section)	



# SECTION 1 - SUBFRAME

## FIGURE 1-12. MAIN SUBFRAME PAD INSTALLATION



ART\_267900005

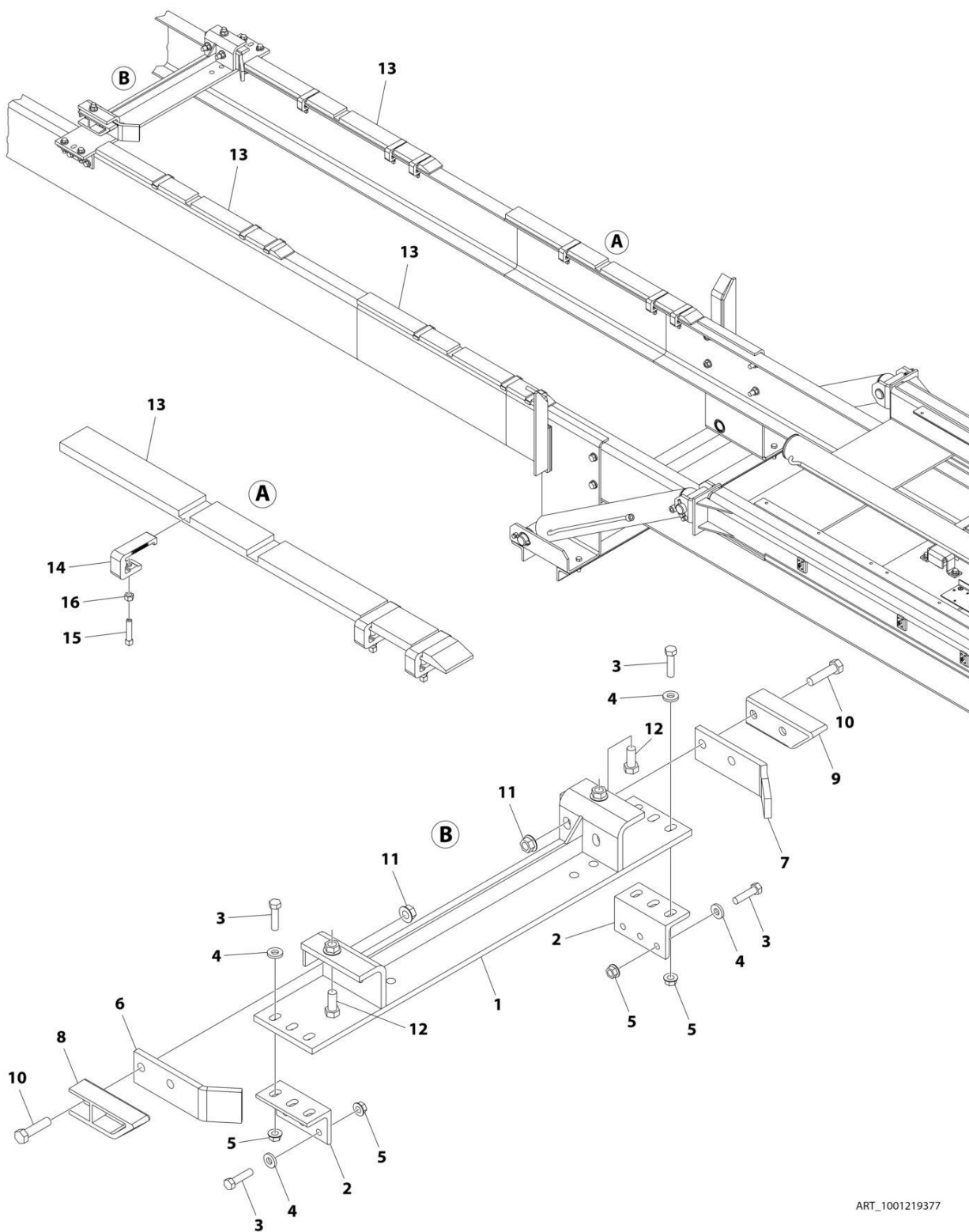
**SECTION 1 - SUBFRAME**

**FIGURE 1-12. MAIN SUBFRAME PAD INSTALLATION**

<b>ITEM</b>	<b>PART NUMBER</b>	<b>QTY</b>	<b>DESCRIPTION</b>	<b>REV</b>
	2679000005	Ref	MAIN SUBFRAME PAD INSTALLATION	B
1	4679000145	16	Pad	
2	7118161026	48	Capscrew 3/8 x 1-1/4	
3	7660162601	48	Nut 3/8	

# SECTION 1 - SUBFRAME

## FIGURE 1-13. HOLD DOWN WELD INSTALLATION, 28FT DECK



ART\_1001219377



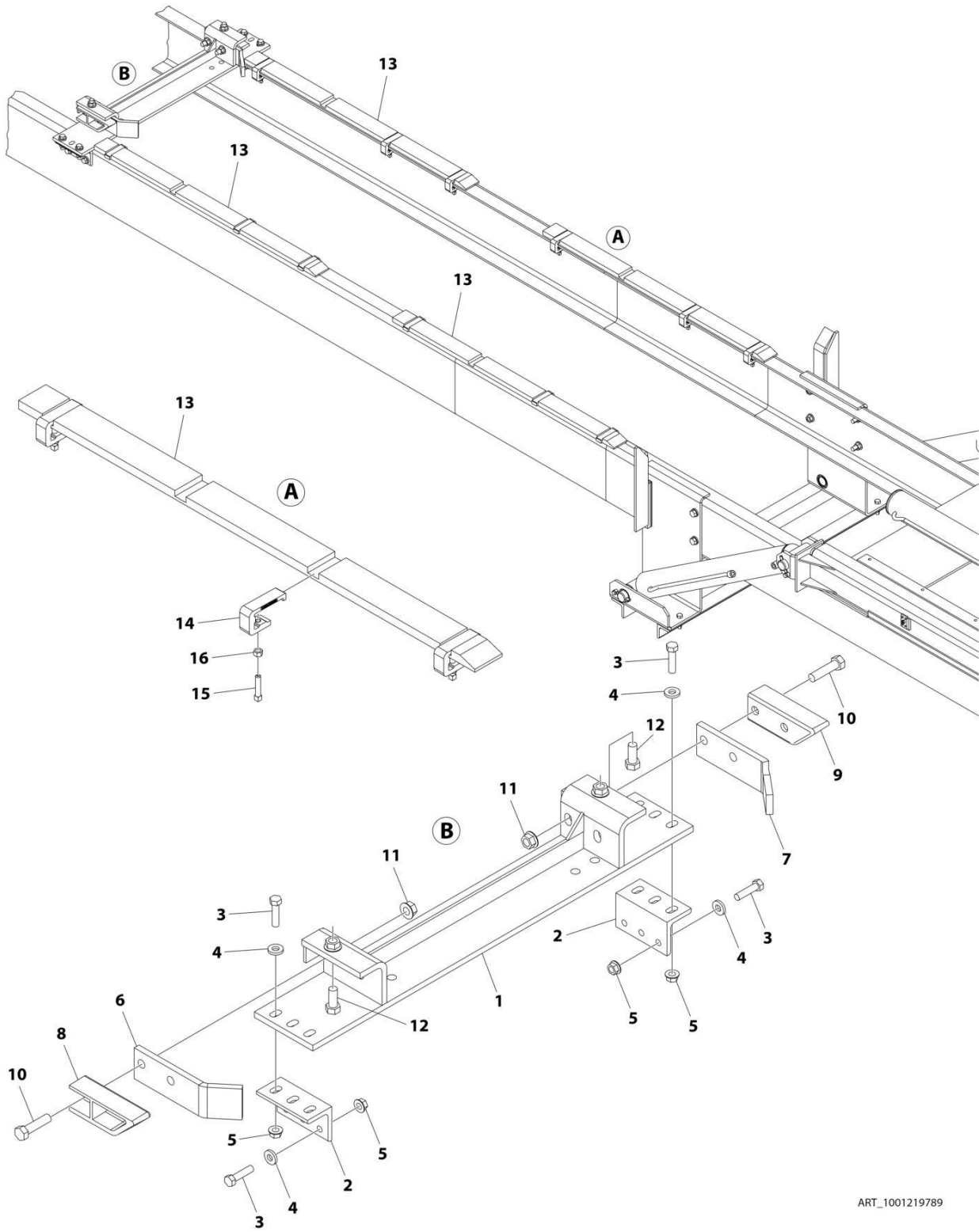
## SECTION 1 - SUBFRAME

**FIGURE 1-13. HOLD DOWN WELD INSTALLATION, 28FT DECK**

ITEM	PART NUMBER	QTY	DESCRIPTION	REV
	1001219377	Ref	HOLD DOWN WELD INSTALLATION - 28FT DECK	D
1	3558000021	1	Hold Down Weldment	
2	4017001271	2	Angle	
3	0651816	8	Capscrew 1/2 x 2	
4	4891800	8	Washer 1/2	
5	7660182333	8	Nut 1/2	
6	4706003025	1	Plate, LH	
7	4706003026	1	Plate, RH	
8	7259000015	1	Hold Down, LH	
9	7259000016	1	Hold Down, RH	
10	7105202050	4	Capscrew 5/8 x 2-1/2	
11	7660202347	4	Nut 5/8	
12	7105201250	2	Capscrew 5/8 x 1-1/2	
13	1001151248	4	Pad	
14	7274000125	12	Clamp	
15	7120000032	12	Screw 3/8 x 1-3/4	
16	3271601	12	Nut 3/8	

# SECTION 1 - SUBFRAME

## FIGURE 1-14. HOLD DOWN WELD INSTALLATION, 30FT DECK



ART\_1001219789

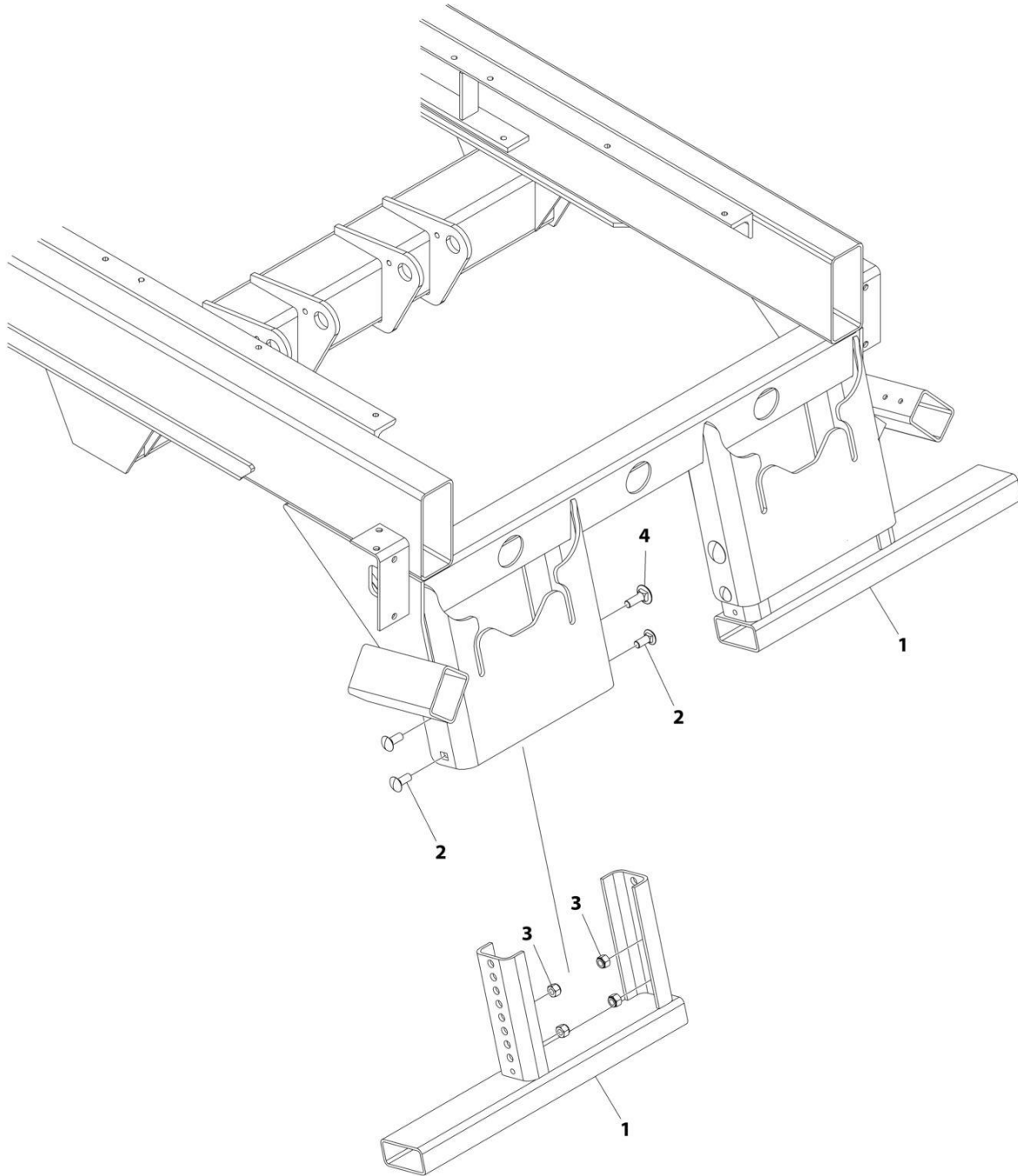
## SECTION 1 - SUBFRAME

**FIGURE 1-14. HOLD DOWN WELD INSTALLATION, 30FT DECK**

ITEM	PART NUMBER	QTY	DESCRIPTION	REV
	1001219789	Ref	HOLD DOWN WELDMENT INSTALLATION - 30FT DECK	D
1	3558000021	1	Hold Down Weldment	
2	4017001271	2	Angle	
3	0651816	8	Capscrew 1/2 x 2	
4	4891800	8	Washer 1/2	
5	7660182333	8	Nut 1/2	
6	4706003025	1	Plate, LH	
7	4706003026	1	Plate, RH	
8	7259000015	1	Hold Down Shoe, LH	
9	7259000016	1	Hold Down Shoe, RH	
10	7105202050	4	Capscrew 5/8 x 2-1/2	
11	7660202347	4	Nut 5/8	
12	7105201250	2	Capscrew 5/8 x 1-1/2	
13	4679000332	4	Pad	
14	7274000125	12	Clamp	
15	7120000032	12	Screw 3/8 x 1-3/4	
16	3271601	12	Nut 3/8	

# SECTION 1 - SUBFRAME

## FIGURE 1-15. REAR BUMPER, SHORT GALVANIZED



ART\_1001177633

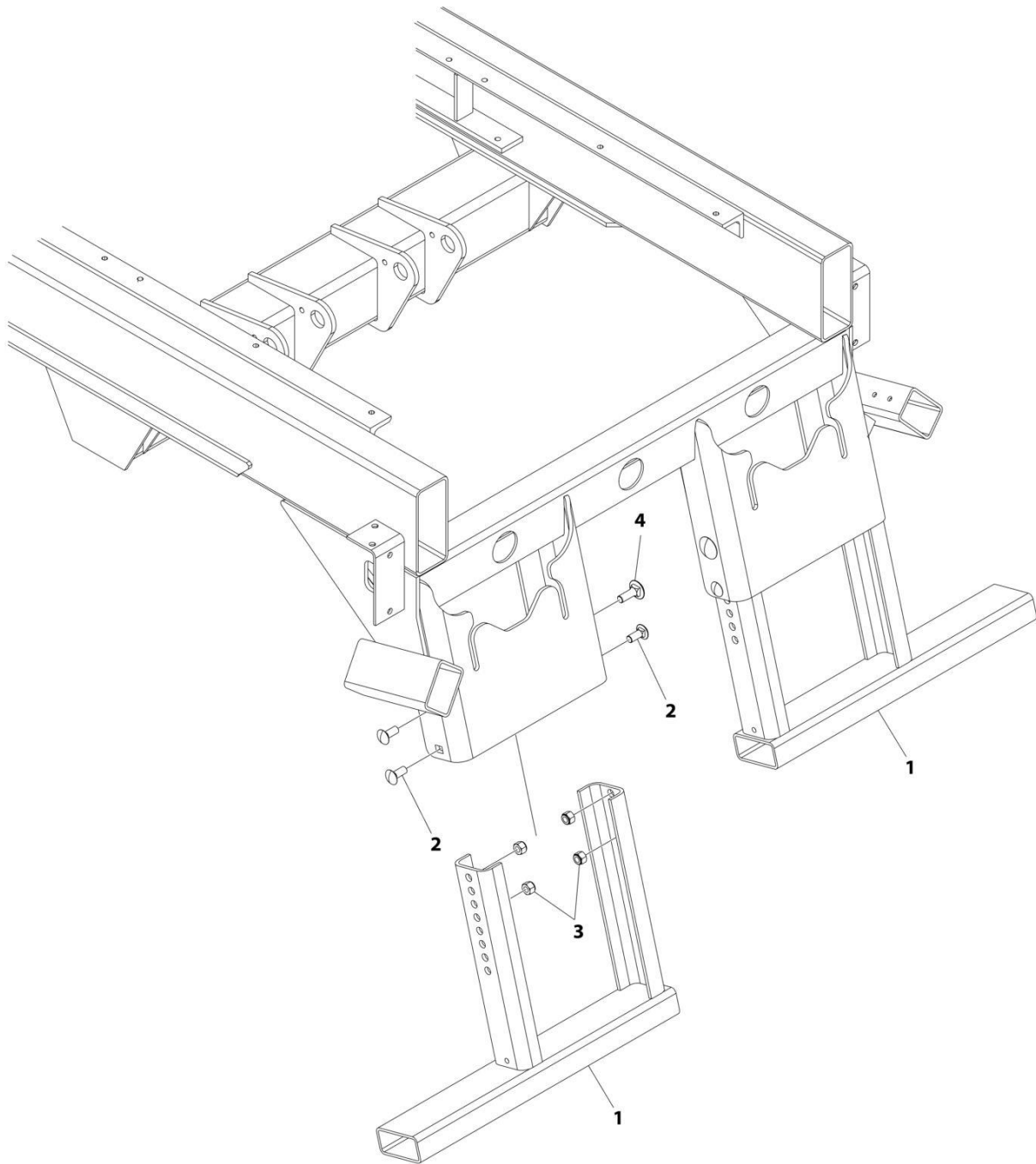
**SECTION 1 - SUBFRAME**

**FIGURE 1-15. REAR BUMPER, SHORT GALVANIZED**

<b>ITEM</b>	<b>PART NUMBER</b>	<b>QTY</b>	<b>DESCRIPTION</b>	<b>REV</b>
	1001177633	Ref	Rear Bumper - Short Galvanized	B
1	1001177603	2	Bumper	
2	7115181064	6	Bolt 1/2 x 1-1/4	
3	7660182601	8	Nut 1/2	
4	7115181664	2	Bolt 1/2 x 2	

# SECTION 1 - SUBFRAME

## FIGURE 1-16. REAR BUMPER, LONG GALVANIZED



ART\_1001177634

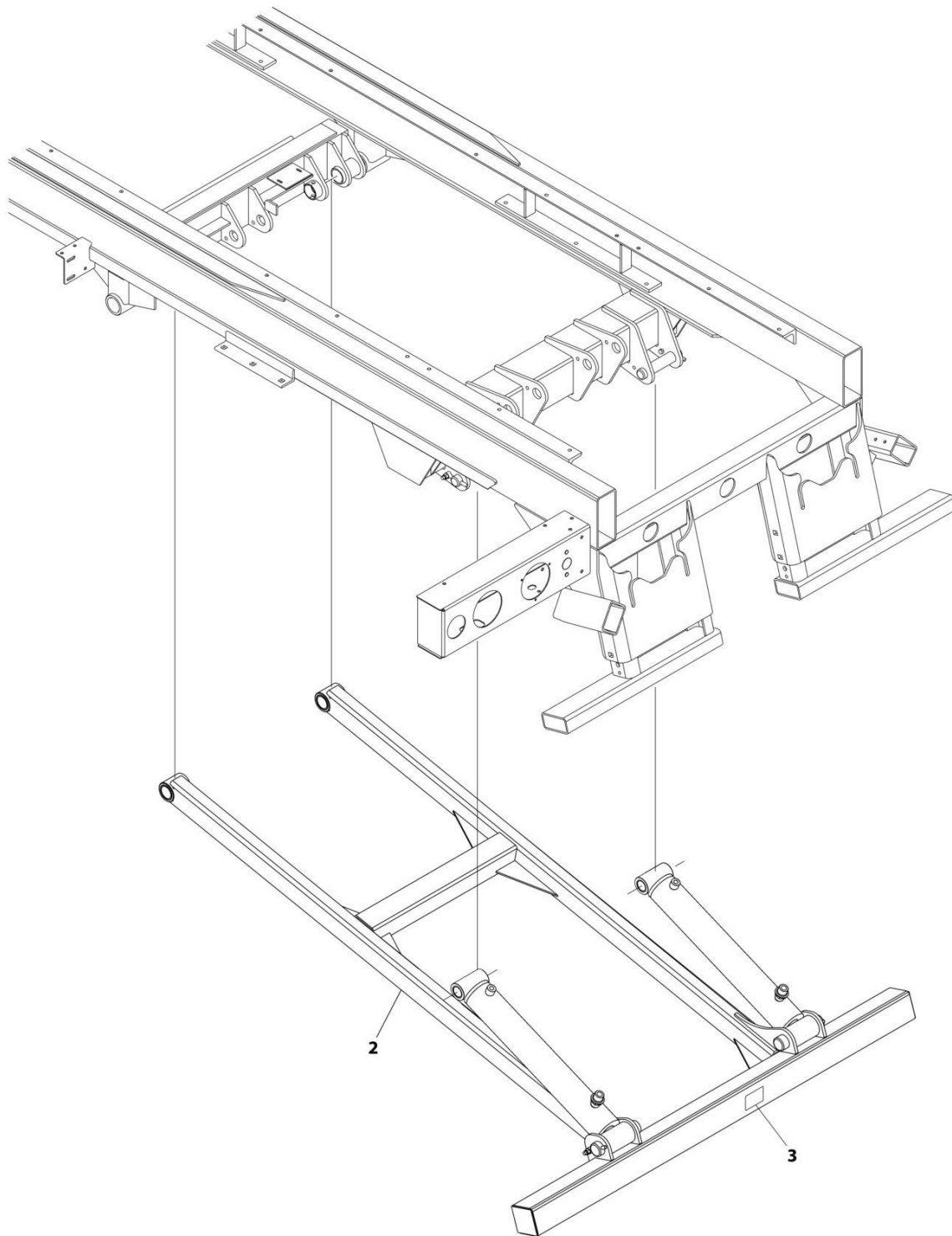
**SECTION 1 - SUBFRAME**

**FIGURE 1-16. REAR BUMPER, LONG GALVANIZED**

<b>ITEM</b>	<b>PART NUMBER</b>	<b>QTY</b>	<b>DESCRIPTION</b>	<b>REV</b>
	1001177634	Ref	Rear Bumper - Long Galvanized	B
1	1001177605	2	Bumper	
2	7115181064	6	Bolt 1/2 x 1-1/4	
3	7660182601	8	Nut 1/2	
4	7115181664	2	Bolt 1/2 x 2	

# SECTION 1 - SUBFRAME

## FIGURE 1-17. REAR STABILIZER



ART\_STAB-MD



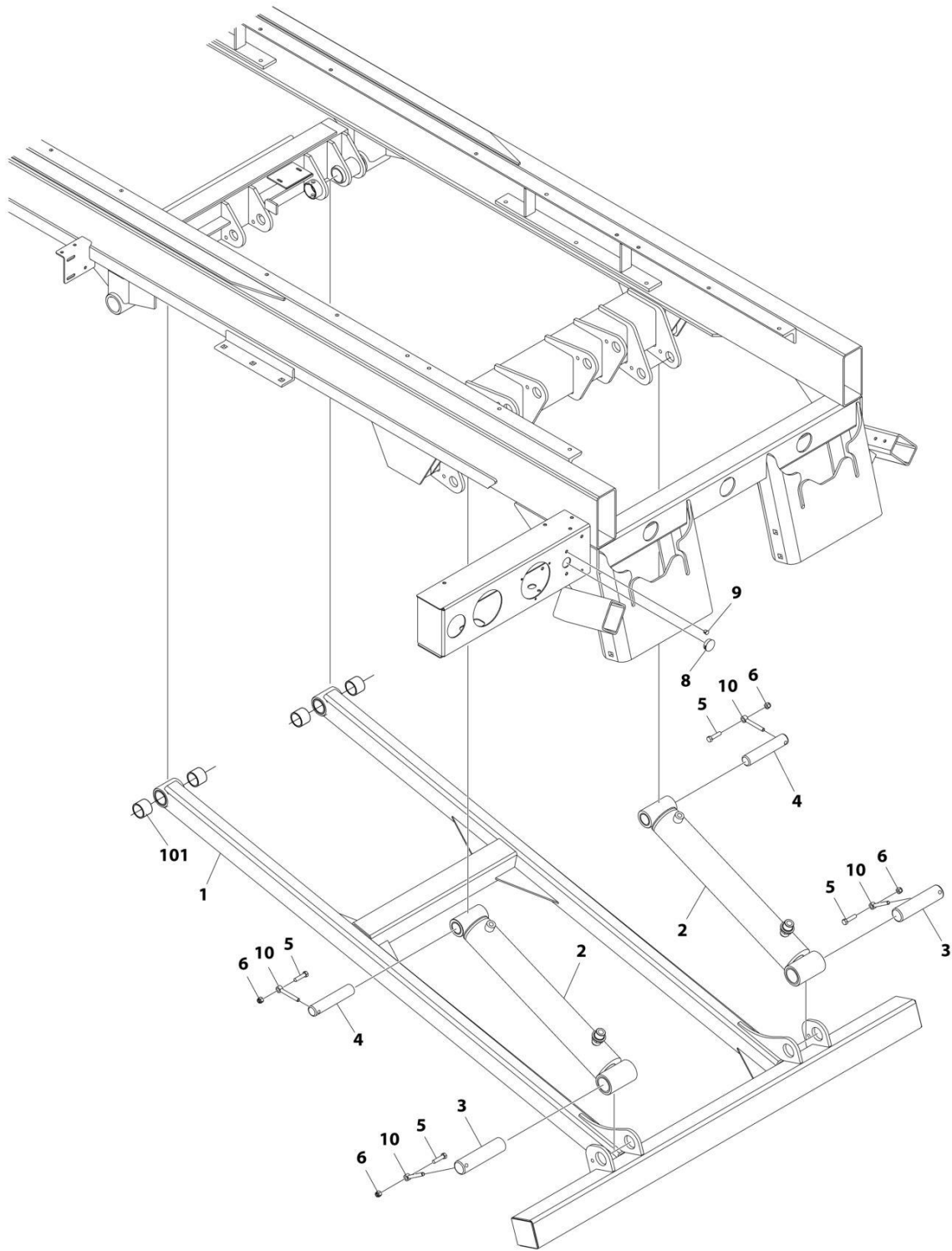
**SECTION 1 - SUBFRAME**

**FIGURE 1-17. REAR STABILIZER**

<b>ITEM</b>	<b>PART NUMBER</b>	<b>QTY</b>	<b>DESCRIPTION</b>	<b>REV</b>
	STAB-MD	Ref	Rear Stabilizer	B
1	2570000049	1	Stabilizer Hydraulics (Not Shown - See Separate Breakdown in HYDRAULIC Section)	
2	2849000038	1	Rear Stabilizer Installation (See Separate Breakdown in this Section)	
3	2330000064	Ref	Decal Installation	
3	7330000599	1	Decal - Warning Pinch Point	

# SECTION 1 - SUBFRAME

## FIGURE 1-18. REAR STABILIZER INSTALLATION



ART\_2849000038

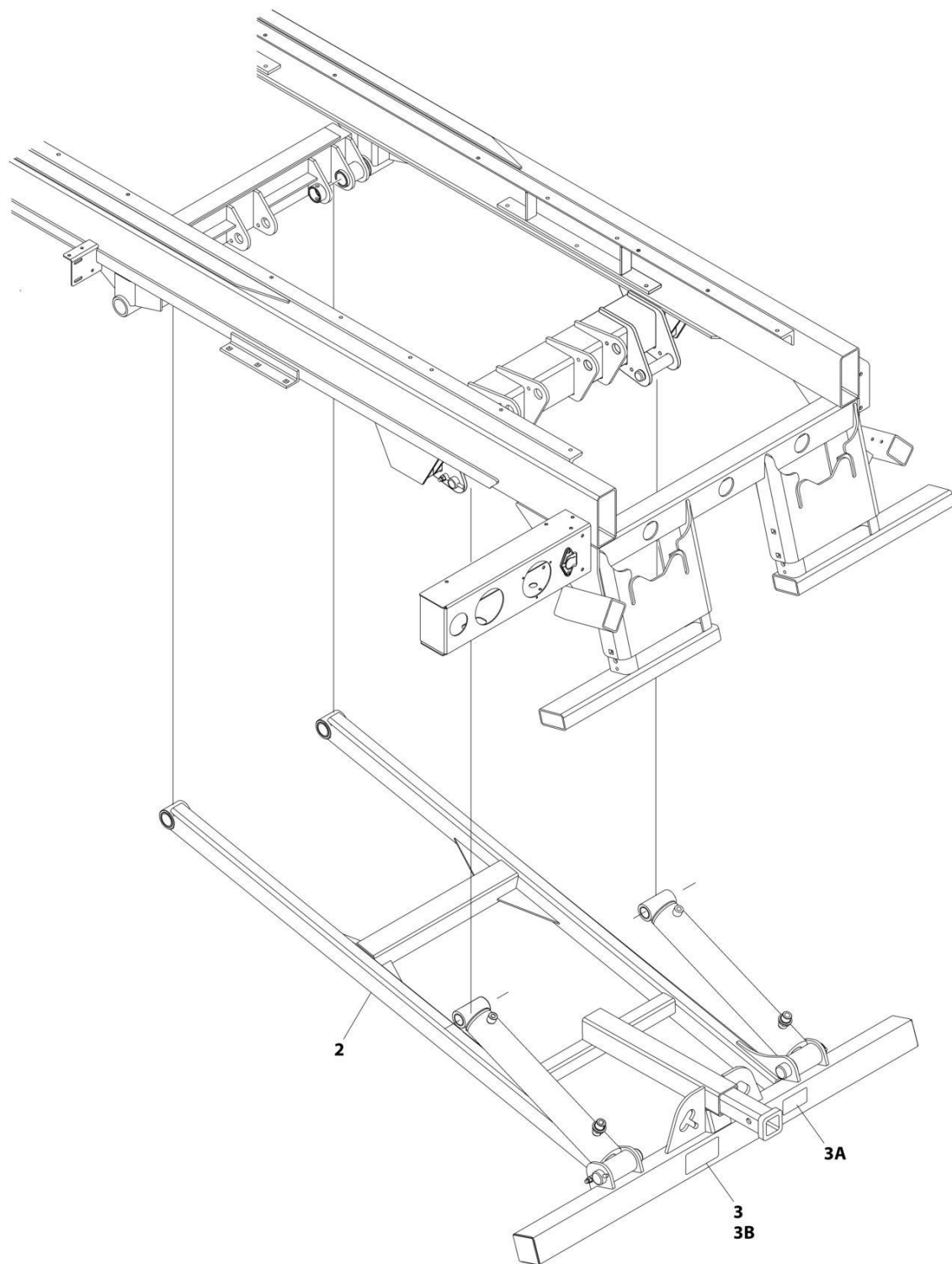
## SECTION 1 - SUBFRAME

**FIGURE 1-18. REAR STABILIZER INSTALLATION**

ITEM	PART NUMBER	QTY	DESCRIPTION	REV
	2849000038	Ref	Rear Stabilizer Installation	E
1	3849000027	1	Rear Stabilizer Dock Weldment	
2	1001167767	2	Stabilizer Cylinder Assembly (See Separate Breakdown in CYLINDER Section)	
3	1001188141	2	Pin	
4	1001188129	2	Pin	
5	0641612	4	Capscrew 3/8 x 1-1/2	
6	3300492	4	Nut 3/8	
8	7701000049	1	Plug	
9	7701000055	2	Plug	
10	3841143	4	Keeper, Shaft	
101	7082000017	4	Bearing	

# SECTION 1 - SUBFRAME

FIGURE 1-19. REAR STABILIZER - COMPLETE (2 IN TOW HITCH)



ART\_SRHS-MD

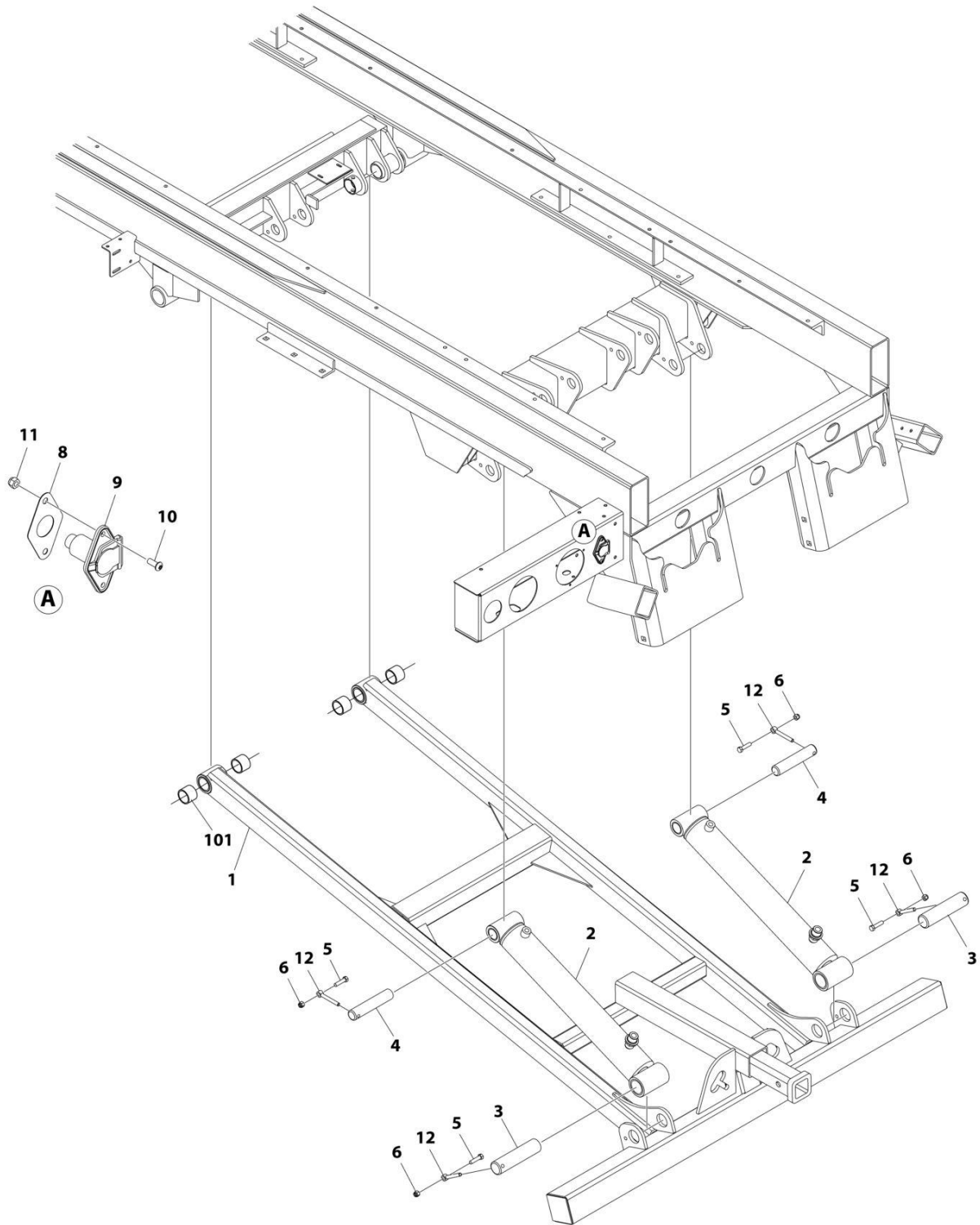
**SECTION 1 - SUBFRAME**

**FIGURE 1-19. REAR STABILIZER - COMPLETE (2 IN TOW HITCH)**

ITEM	PART NUMBER	QTY	DESCRIPTION	REV
1	SRHS-MD 2570000049	Ref 1	Rear Stabilizer - Complete (2 in Tow Hitch) Stabilizer Hydraulics (Not Shown - See Separate Breakdown in HYDRAULICS Section)	0
2	2849000041	1	Rear Stabilizer Installation (See Separate Breakdown in this Section)	
3	2330000063	Ref	Decal Installation	
3A	7330000599	1	Decal - Warning Pinch Point	
3B	7330000274	1	Decal - Warning Overload	

# SECTION 1 - SUBFRAME

## FIGURE 1-20. REAR STABILIZER INSTALLATION (2 IN TOW HITCH)



ART\_2849000041

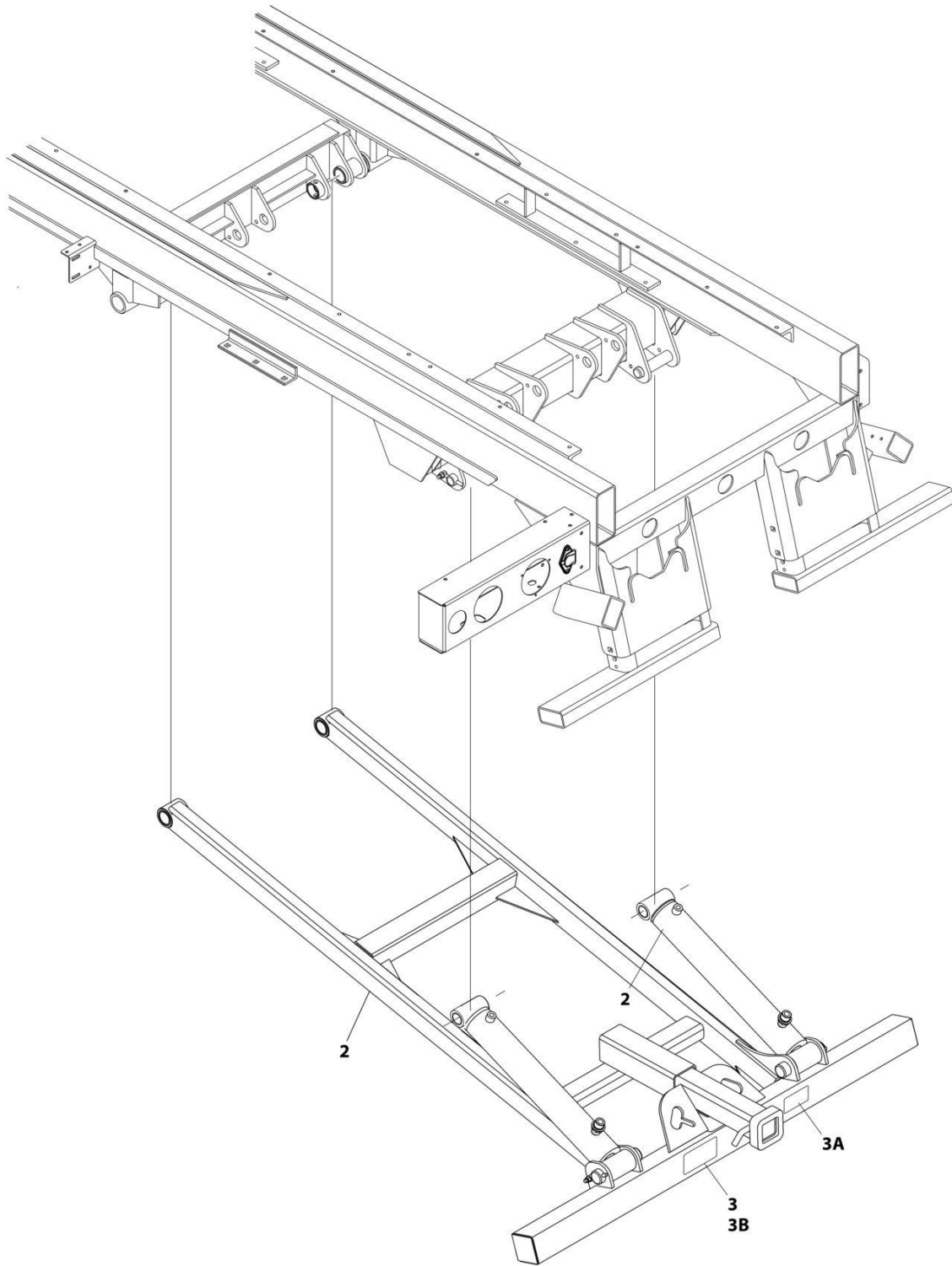
## SECTION 1 - SUBFRAME

**FIGURE 1-20. REAR STABILIZER INSTALLATION (2 IN TOW HITCH)**

ITEM	PART NUMBER	QTY	DESCRIPTION	REV
	2849000041	Ref	Rear Stabilizer Installation (2 in Tow Hitch)	D
1	3849000029	1	Stabilizer Weldment	
2	1001167767	2	Stabilizer Cylinder Assembly (See Separate Breakdown in CYLINDER Section)	
3	1001188141	2	Pin	
4	1001188129	2	Pin	
5	0641612	4	Capscrew 3/8 x 1-1/2	
6	3300492	4	Nut 3/8	
8	7796000048	1	Gasket	
9	7291000010	1	Receptacle, Female Connector	
10	7114140528	2	Screw 1/4 x 5/8	
11	7660142601	2	Nut 1/4	
12	3841143	4	Keeper, Shaft	
101	7082000017	4	Bearing	

# SECTION 1 - SUBFRAME

FIGURE 1-21. REAR STABILIZER - COMPLETE (2.5 IN TOW HITCH)



ART\_SRHSH-MD



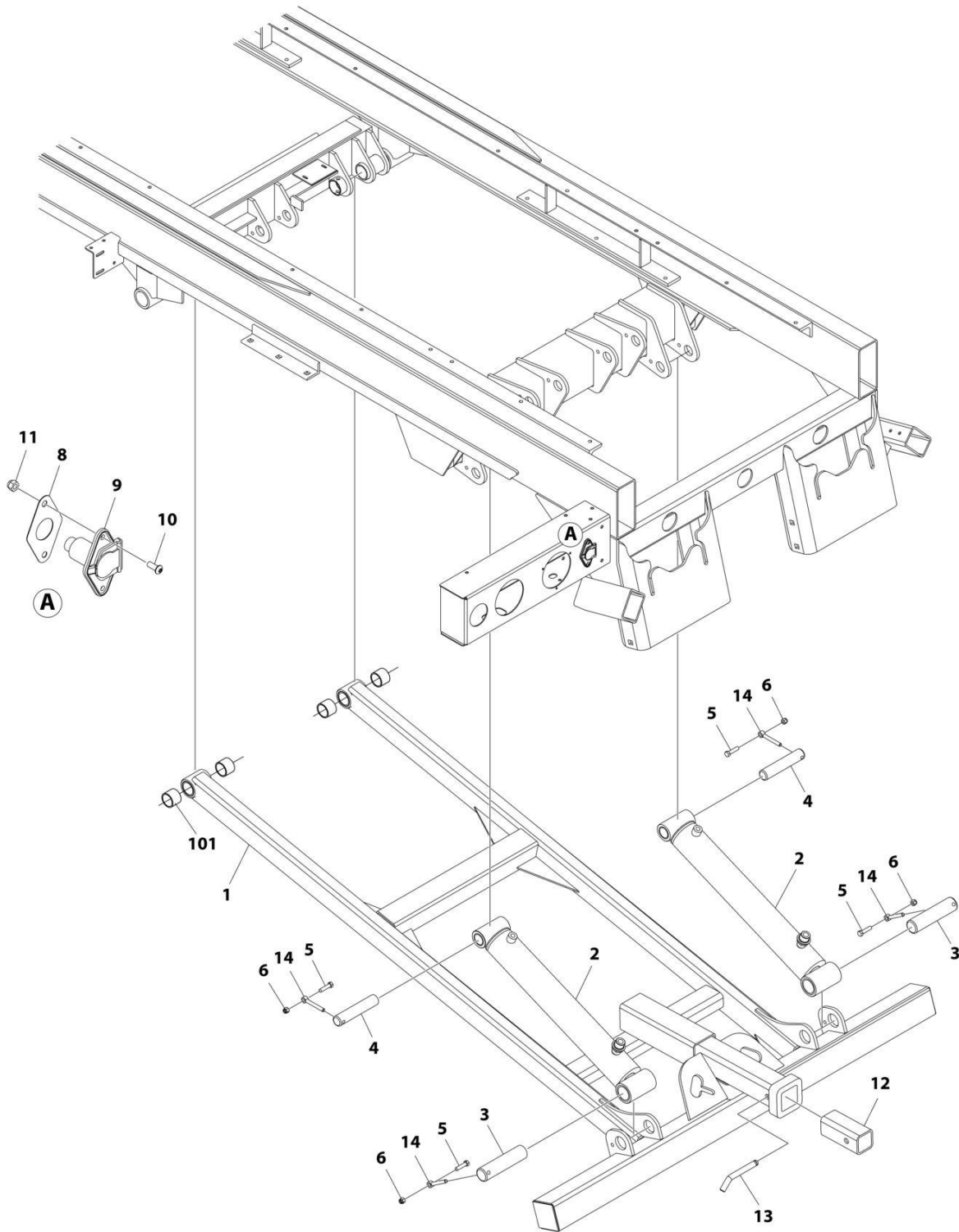
**SECTION 1 - SUBFRAME**

**FIGURE 1-21. REAR STABILIZER - COMPLETE (2.5 IN TOW HITCH)**

<b>ITEM</b>	<b>PART NUMBER</b>	<b>QTY</b>	<b>DESCRIPTION</b>	<b>REV</b>
1	SRHSH-MD 2570000049	Ref 1	Rear Stabilizer - Complete (2.5 in Tow Hitch) Stabilizer Hydraulics (Not Shown - See Separate Breakdown in HYDRAULICS Section)	0
2	2849000049	1	Rear Stabilizer Installation (See Separate Breakdown in this Section)	
3	2330000063	Ref	Decal Installation	
3A	7330000599	1	Decal - Warning Pinch Point	
3B	7330000274	1	Decal - Warning Overloading	

# SECTION 1 - SUBFRAME

FIGURE 1-22. REAR STABILIZER INSTALLATION (2.5 IN TOW HITCH)



ART\_2849000049

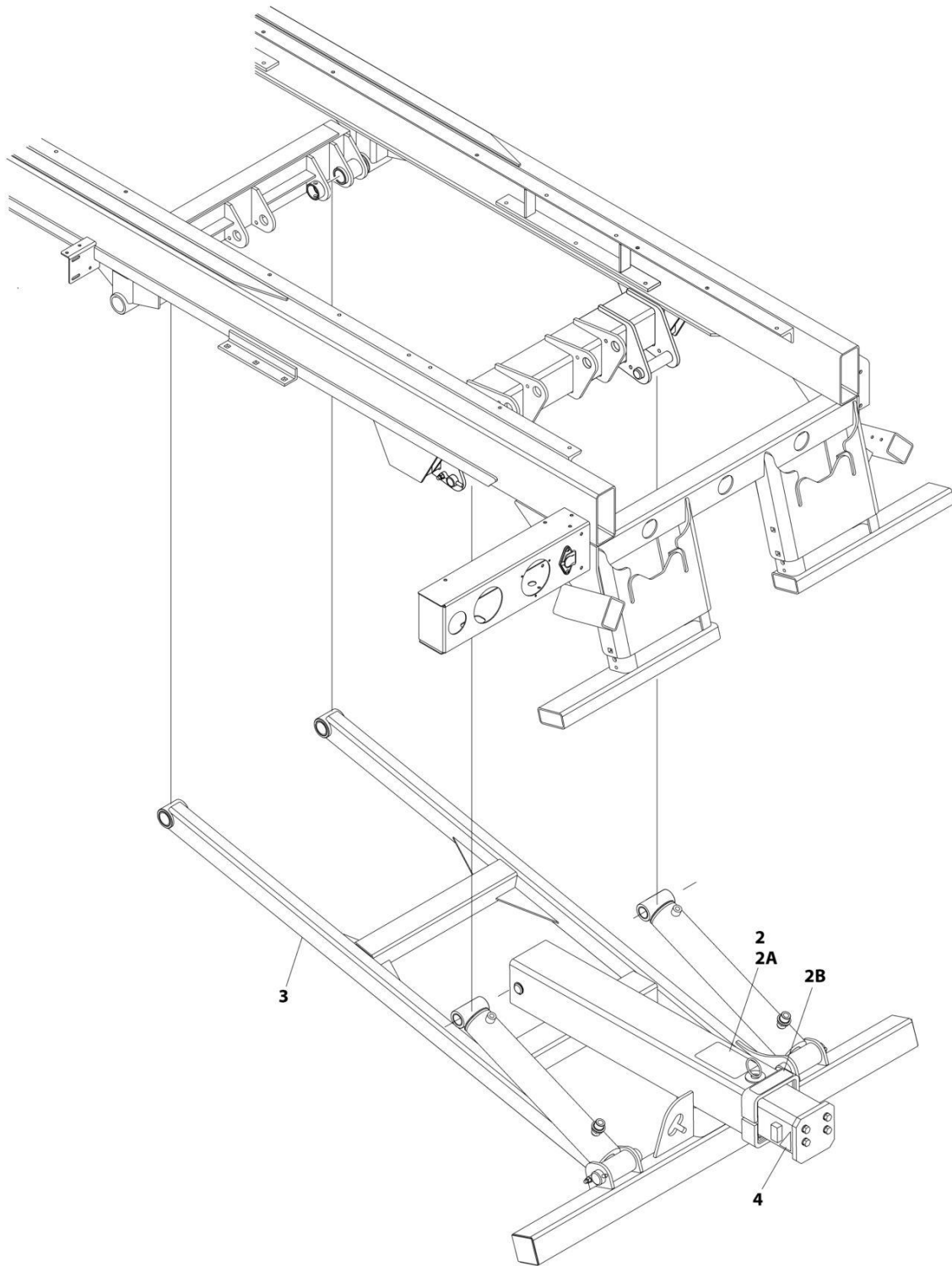
## SECTION 1 - SUBFRAME

**FIGURE 1-22. REAR STABILIZER INSTALLATION (2.5 IN TOW HITCH)**

ITEM	PART NUMBER	QTY	DESCRIPTION	REV
	2849000049	Ref	Rear Stabilizer Installation (2.5 in Tow Hitch)	D
1	3849000042	1	Stabilizer Weldment with HD Reese Tube	
2	1001167767	2	Stabilizer Cylinder Assembly (See Separate Breakdown in CYLINDER Section)	
3	1001188141	2	Pin	
4	1001188129	2	Pin	
5	0641612	4	Capscrew 3/8 x 1-1/2	
6	3300492	4	Nut 3/8	
8	7796000048	1	Gasket	
9	7291000010	1	Receptacle, Female Connector	
10	7114140528	2	Screw 1/4 x 5/8	
11	7660142601	2	Nut 1/4	
12	7913000006	1	Tube	
13	7691000033	1	Pin	
14	3841143	4	Keeper, Shaft	
101	7082000017	4	Bearing	

# SECTION 1 - SUBFRAME

FIGURE 1-23. REAR STABILIZER WITH HYDRAULIC EXTEND - COMPLETE



ART\_SPHH-MD

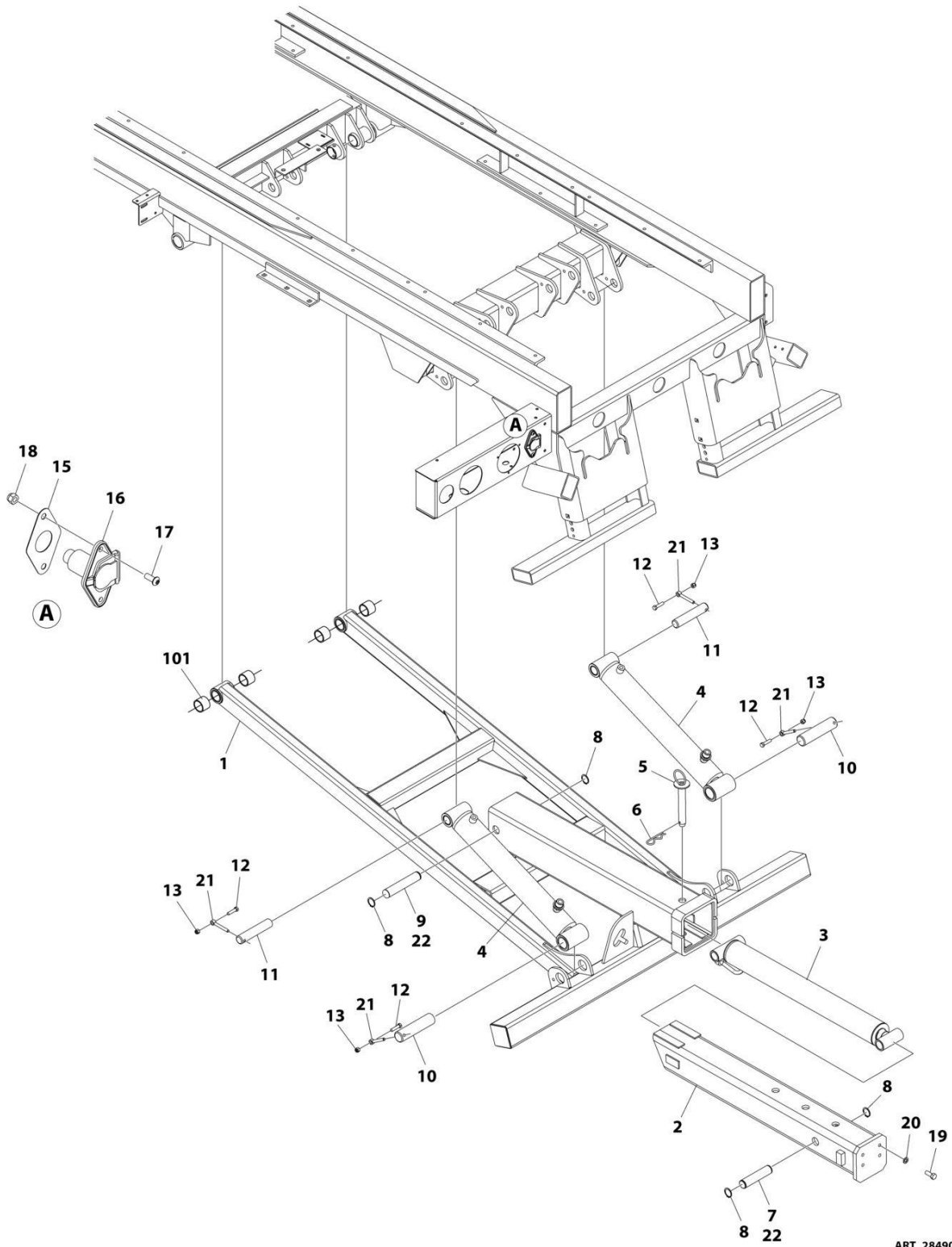
**SECTION 1 - SUBFRAME**

**FIGURE 1-23. REAR STABILIZER WITH HYDRAULIC EXTEND - COMPLETE**

ITEM	PART NUMBER	QTY	DESCRIPTION	REV
	SPHH-MD	Ref	Rear Stabilizer With Hydraulic Extend - Complete	0
1	2570000032	1	Stabilizer Hydraulics (Not Shown - See Separate Breakdown in HYDRAULIC Section)	
2	2330000061	Ref	Decal Installation	
2A	7330000684	1	Decal - Safety	
2B	7330000391	1	Decal - Warning, Tow Boom Configuration	
3	2849000039	1	Rear Stabilizer Installation (See Separate Breakdown in this Section)	
4	2330000041	Ref	Reflective Tape Installation	
4	7330000645	1	Decal - Red, Retro-reflective LH	
4	7330000646	1	Decal - Red, Retro-reflective RH	

# SECTION 1 - SUBFRAME

## FIGURE 1-24. REAR STABILIZER INSTALLATION WITH HYDRAULIC EXTEND



ART\_2849000039

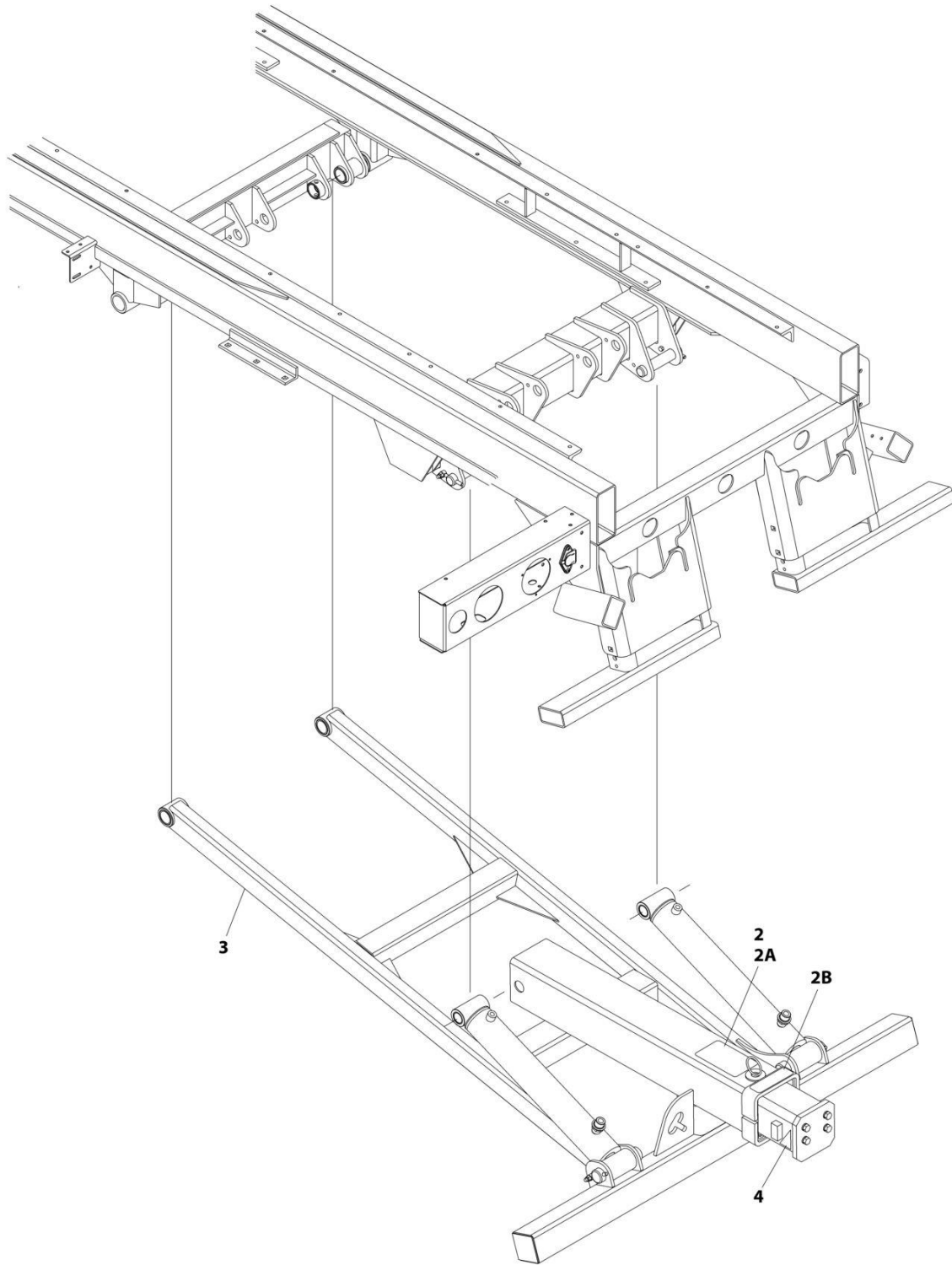
## SECTION 1 - SUBFRAME

**FIGURE 1-24. REAR STABILIZER INSTALLATION WITH HYDRAULIC EXTEND**

ITEM	PART NUMBER	QTY	DESCRIPTION	REV
	2849000039	Ref	Rear Stabilizer Installation With Hydraulic Extend	F
1	3849000028	1	Stabilizer Weldment	
2	1001127297	1	Boom Weldment	
3	1001183326	1	Pintle Extend Cylinder Assembly (See Separate Breakdown in CYLINDER Section)	
4	1001167767	2	Stabilizer Cylinder Assembly (See Separate Breakdown in CYLINDER Section)	
5	3691000064	1	Pin, Weldment	
6	7691000001	1	Hair Pin	
7	4691000429	1	Pin	
8	3760133	4	Ring, Retaining	
9	4691000430	1	Pin	
10	1001188141	2	Pin	
11	1001188129	2	Pin	
12	0641612	4	Capscrew 3/8 x 1-1/2	
13	3300492	4	Nut 3/8	
15	7796000048	1	Gasket	
16	7291000010	1	Receptacle, Female	
17	7114140528	2	Screw 1/4 x 5/8	
18	7660142601	2	Nut 1/4	
19	0691810	4	Capscrew 1/2 x 1-1/4	
20	4761800	4	Washer 1/2	
21	3841143	4	Keeper, Shaft	
22	3020039	AR	Lubricant	
101	7082000017	4	Bearing	

# SECTION 1 - SUBFRAME

FIGURE 1-25. REAR STABILIZER WITH MANUAL EXTEND PINTLE MOUNTING - COMPLETE



ART\_SPHM-MD



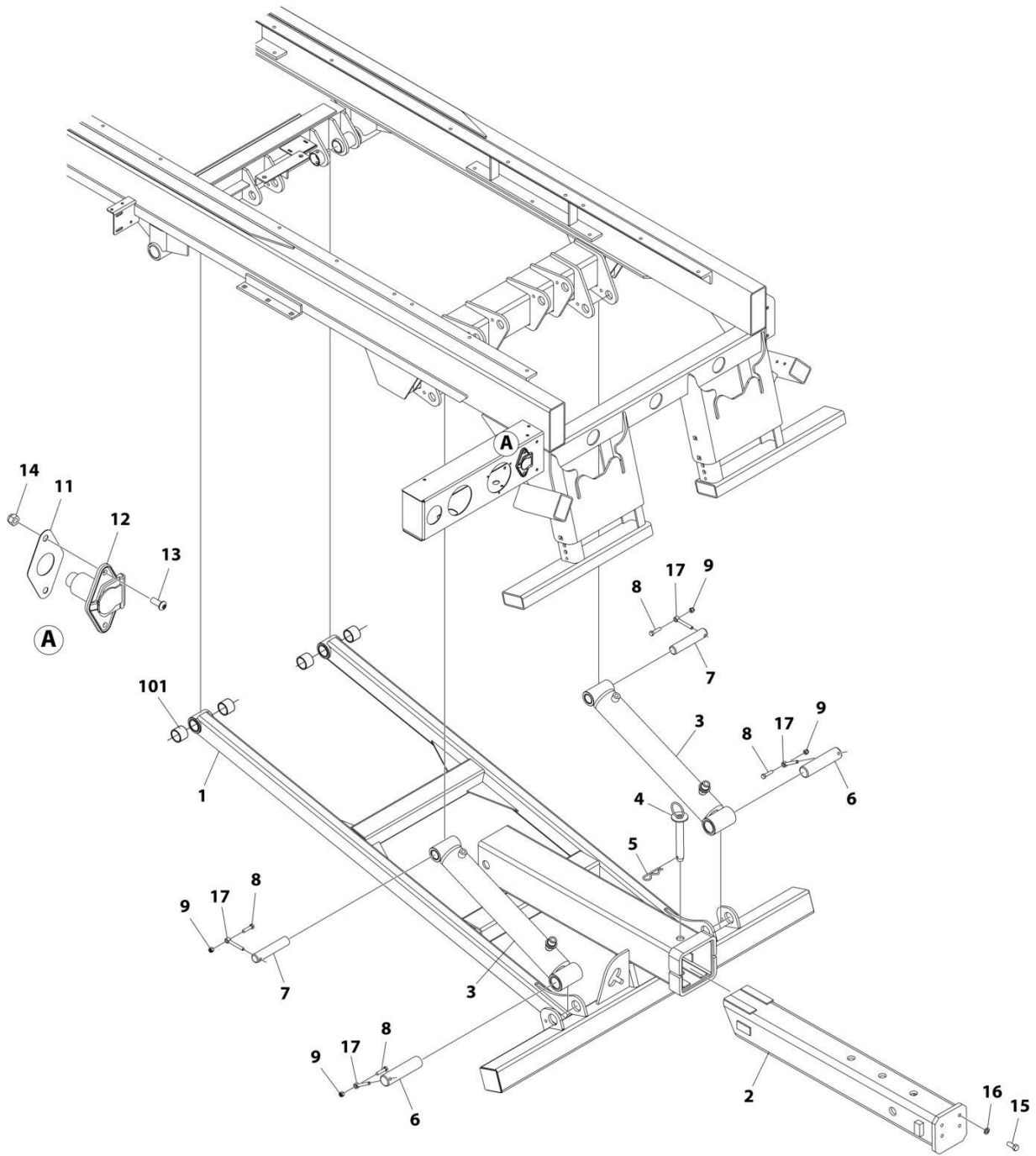
## SECTION 1 - SUBFRAME

**FIGURE 1-25. REAR STABILIZER WITH MANUAL EXTEND PINTLE MOUNTING - COMPLETE**

ITEM	PART NUMBER	QTY	DESCRIPTION	REV
1	SPHM-MD 2570000049	Ref 1	Rear Stabilizer With Manual Extend Pintle Mounting - Complete Stabilizer Hydraulics (Not Shown - See Separate Breakdown in HYDRAULICS Section)	0
2	2330000061	Ref	Decal Installation	
2A	7330000684	1	Decal - Safety	
2B	7330000391	1	Decal - Warning, Tow Boom Configuration	
3	2849000040	1	Rear Stabilizer Installation (See Separate Breakdown in this Section)	
4	2330000041	Ref	Decal Installation, Pintle Hitch	
4	7330000645	1	Decal - Red, Retro-reflective LH	
4	7330000646	1	Decal - Red, Retro-reflective RH	

# SECTION 1 - SUBFRAME

FIGURE 1-26. REAR STABILIZER INSTALLATION WITH MANUAL EXTEND PINTLE MOUNTING



ART\_284900040

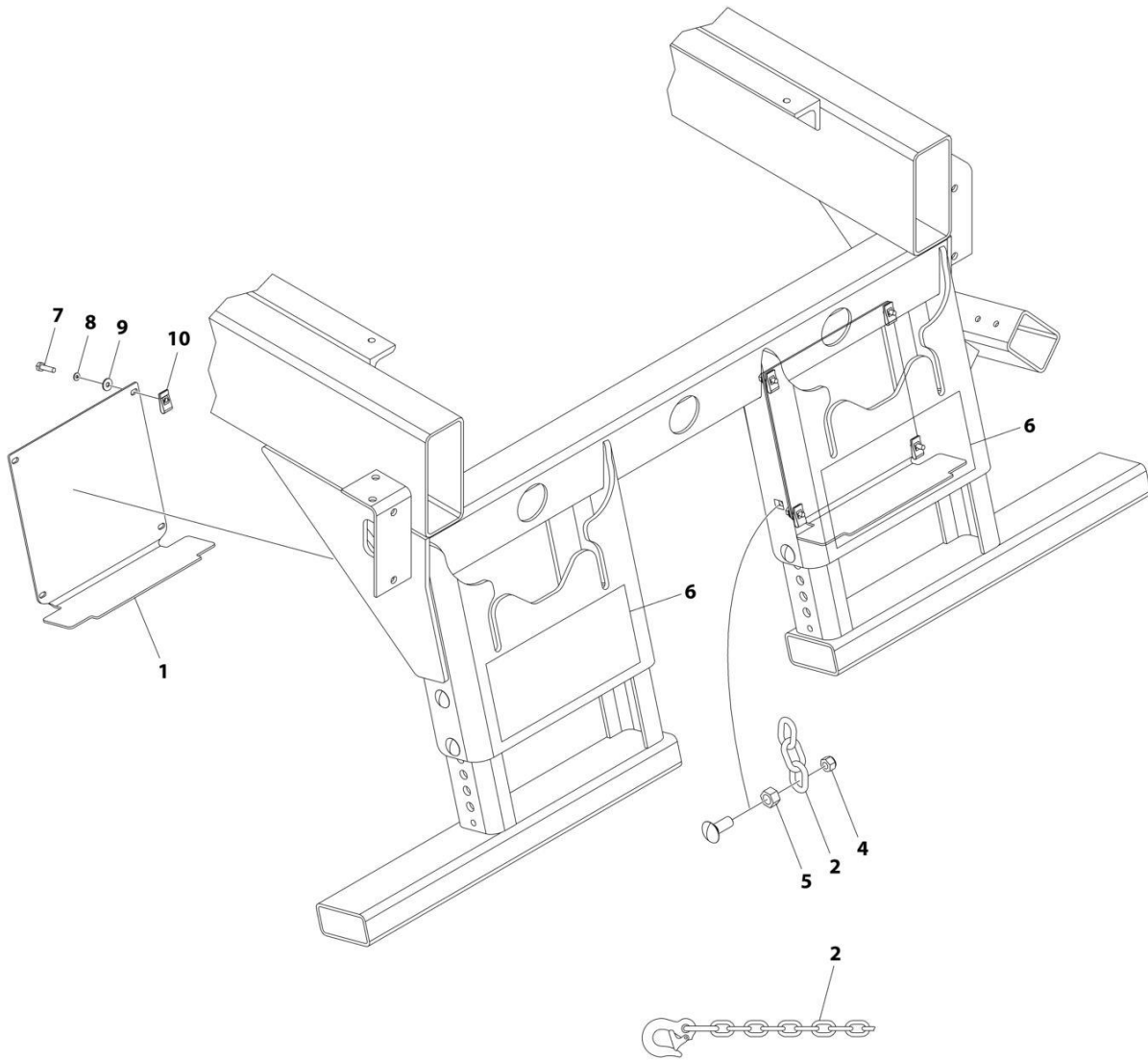
## SECTION 1 - SUBFRAME

**FIGURE 1-26. REAR STABILIZER INSTALLATION WITH MANUAL EXTEND PINTLE MOUNTING**

ITEM	PART NUMBER	QTY	DESCRIPTION	REV
	2849000040	Ref	Rear Stabilizer Installation With Manual Extend Pintle Mounting	E
1	3849000028	1	Stabilizer Weldment	
2	1001127297	1	Boom Weldment	
3	1001167767	2	Stabilizer Cylinder Assembly (See Separate Breakdown in CYLINDER Section)	
4	3691000064	1	Pin	
5	7691000001	1	Hair Pin	
6	1001188140	2	Pin	
7	1001188129	2	Pin	
8	0641612	4	Capscrew 3/8 x 1-1/2	
9	3300492	4	Nut 3/8	
11	7796000048	1	Gasket	
12	7291000010	1	Connector, Receptacle Female	
13	7114140528	2	Screw 1/4 x 5/8	
14	7660142601	2	Nut 1/4	
15	0691810	4	Capscrew 1/2 x 1-1/4	
16	4761800	4	Washer 1/2	
17	3841143	4	Keeper, Shaft	
101	7082000017	4	Bearing	

# SECTION 1 - SUBFRAME

## FIGURE 1-27. CHAIN BOX INSTALLATION



ART\_2262000011

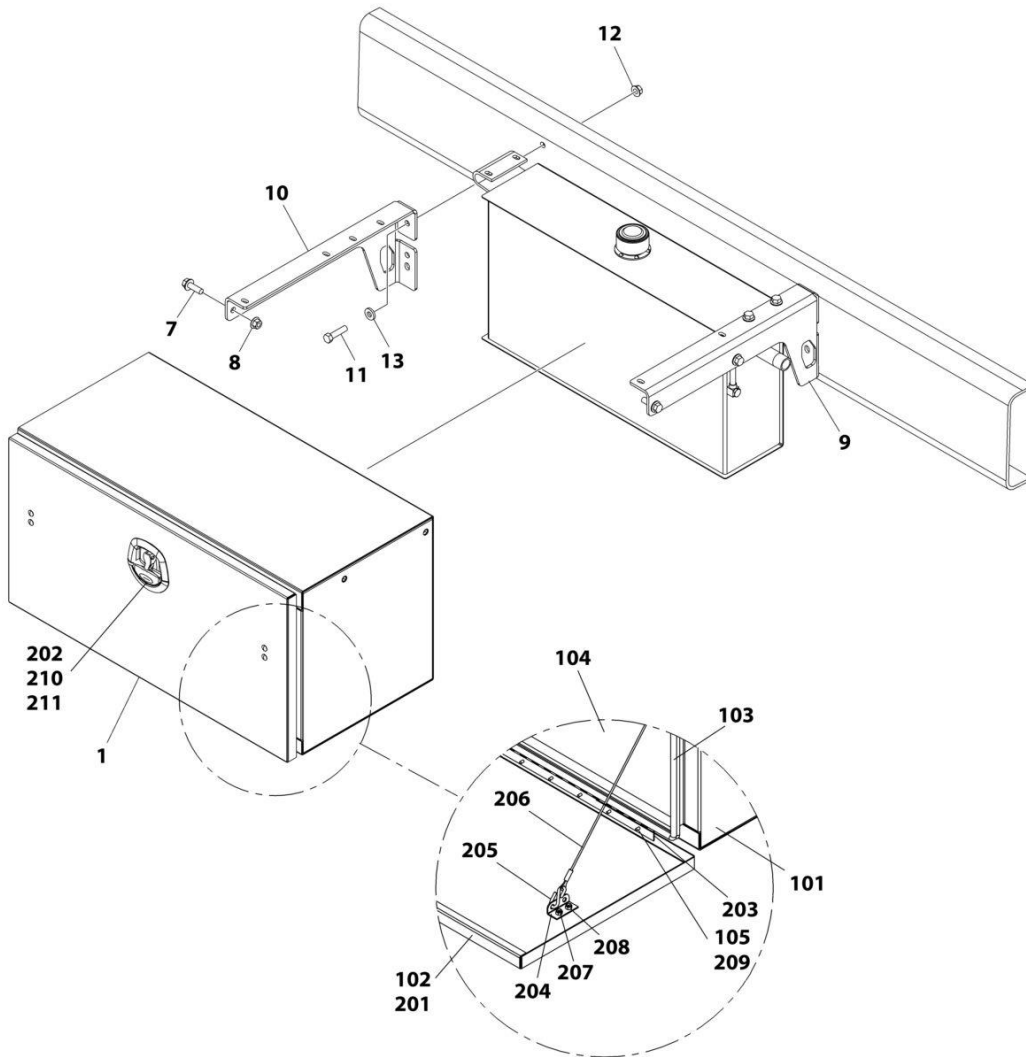
**SECTION 1 - SUBFRAME**

**FIGURE 1-27. CHAIN BOX INSTALLATION**

<b>ITEM</b>	<b>PART NUMBER</b>	<b>QTY</b>	<b>DESCRIPTION</b>	<b>REV</b>
	2262000011	Ref	CHAIN BOX INSTALLATION	C
1	1001177601	2	Panel	
2	7262000040	2	Chain	
4	7660182601	2	Nut 1/2	
5	7660180001	2	Nut 1/2	
6	7679000020	2	Pad	
7	7115140850	8	Capscrew 1/4 x 1	
8	7950140000	8	Washer 1/4	
9	7949000023	8	Washer	
10	7661000064	8	Clip, U-Nut 1/4	

# SECTION 1 - SUBFRAME

FIGURE 1-28. TOOLBOX, 36IN



ART\_2899000055

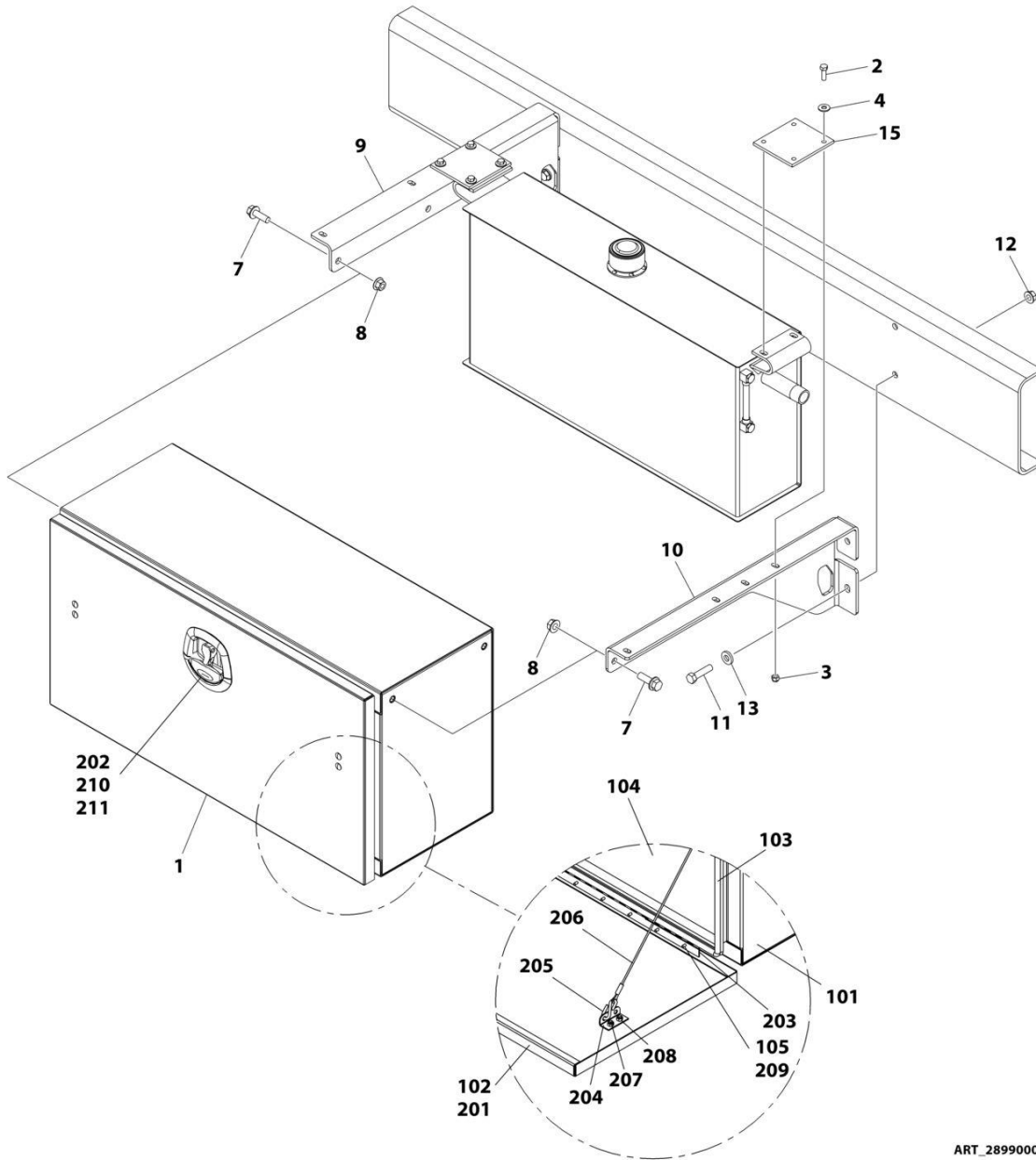
## SECTION 1 - SUBFRAME

**FIGURE 1-28. TOOLBOX, 36IN**

ITEM	PART NUMBER	QTY	DESCRIPTION	REV
	2899000055	Ref	TOOLBOX, 36IN	F
1	1001208769	1	Toolbox Assembly (includes items 101 through 105)	A
7	7118181216	4	Capscrew 1/2 x 1-1/2	
8	7660182301	4	Nut 1/2	
9	4178000290	1	Bracket	
10	4178000291	1	Bracket	
11	0651816	4	Capscrew 1/2 x 2	
12	7660182333	4	Nut 1/2	
13	4891800	4	Washer 1/2	
101	3899000125	1	Toolbox Weldment	
102	1001223819	1	Toolbox Door Assembly (includes items 201 through 211)	A
103	4796000009	1	Gasket	
104	4679000256	1	Pad	
105	7759000020	9	Rivet	
201	1001223815	1	Door Weldment	
202	1001223814	1	Latch	
203	7555000016	1	Hinge	
204	4178000599	2	Bracket	
205	7592000005	4	S-Link	
206	7248000114	2	Cable	
207	7114140465	4	Bolt 0.25-20X0.50	
208	7660142604	4	Locknut 0.25-20	
209	7759000020	9	Rivet	
210	7950100143	4	Washer 0.19	
211	7660102604	4	Locknut #10-24	

# SECTION 1 - SUBFRAME

## FIGURE 1-29. TOOLBOX, 36IN NARROW



ART\_289900065



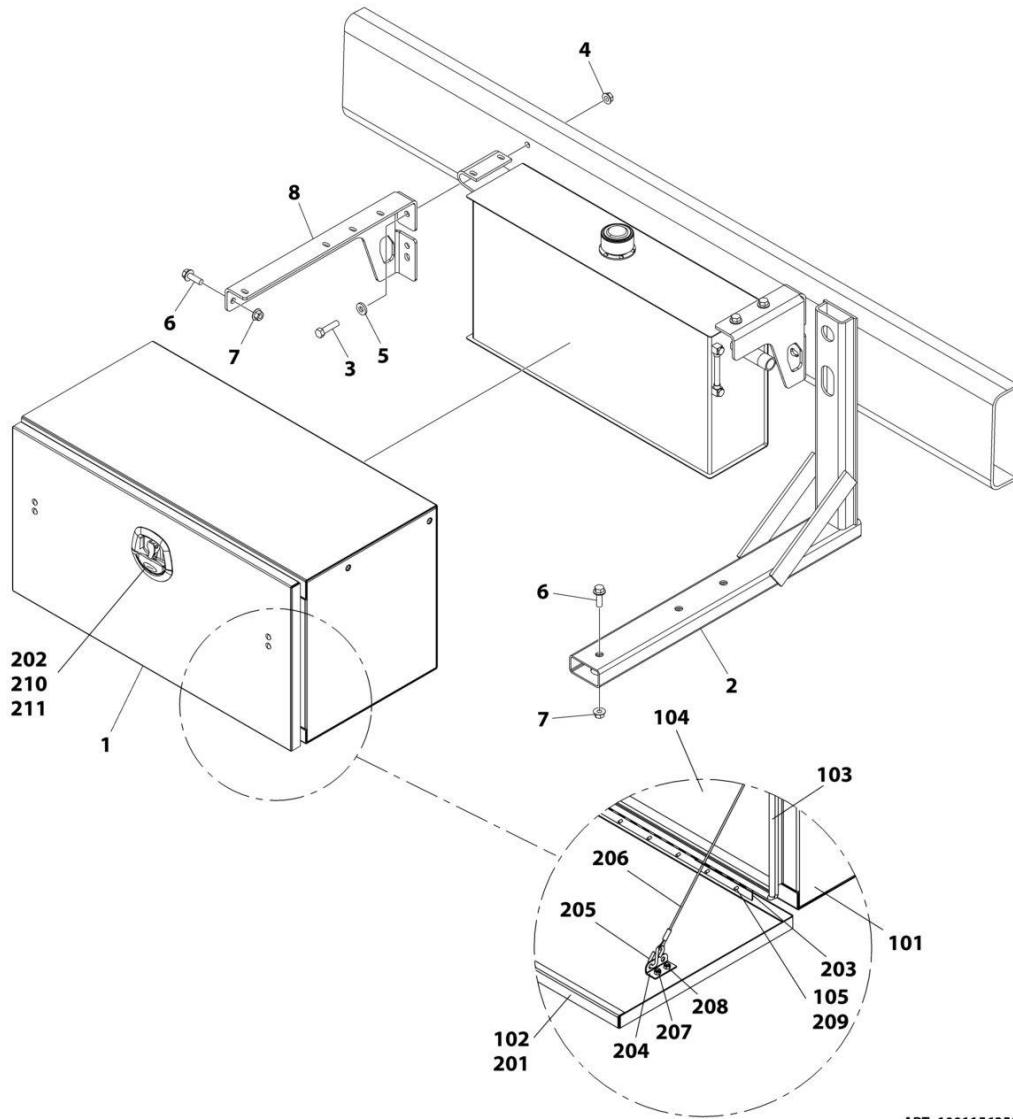
## SECTION 1 - SUBFRAME

**FIGURE 1-29. TOOLBOX, 36IN NARROW**

ITEM	PART NUMBER	QTY	DESCRIPTION	REV
	2899000065	Ref	TOOLBOX, 36IN NARROW	F
1	1001208772	1	Toolbox Assembly (includes items 101 through 105)	A
2	0641508	4	Capscrew 5/16 x 1	
3	7660152601	4	Nut 5/16	
4	4751500	8	Washer 5/16	
7	7118181216	4	Capscrew 1/2 x 1-1/2	
8	7660182301	4	Nut 1/2	
9	4178000338	1	Bracket	
10	4178000339	1	Bracket	
11	0651816	4	Capscrew 1/2 x 2	
12	7660182333	4	Nut 1/2	
13	4891800	4	Washer 1/2	
15	4706002361	2	Plate	
101	3899000126	1	Toolbox Weldment	
102	1001223819	1	Toolbox Door Assembly (includes items 201 through 211)	A
103	4796000009	1	Gasket	
104	4679000257	1	Pad	
105	7759000020	9	Rivet	
201	1001223815	1	Toolbox Door	
202	1001223814	1	Latch	
203	7555000016	1	Hinge	
204	4178000599	2	Bracket	
205	7592000005	4	S-Link	
206	7248000114	2	Cable	
207	7114140465	4	Bolt 0.25-20X.050	
208	7660142604	4	Locknut 0.25-20	
209	7759000020	9	Rivet	
210	7950100143	4	Washer 0.19	
211	7660102604	4	Locknut #10-24	

# SECTION 1 - SUBFRAME

## FIGURE 1-30. TOOLBOX, 36IN UNDERBOX MOUNT



ART\_1001156358

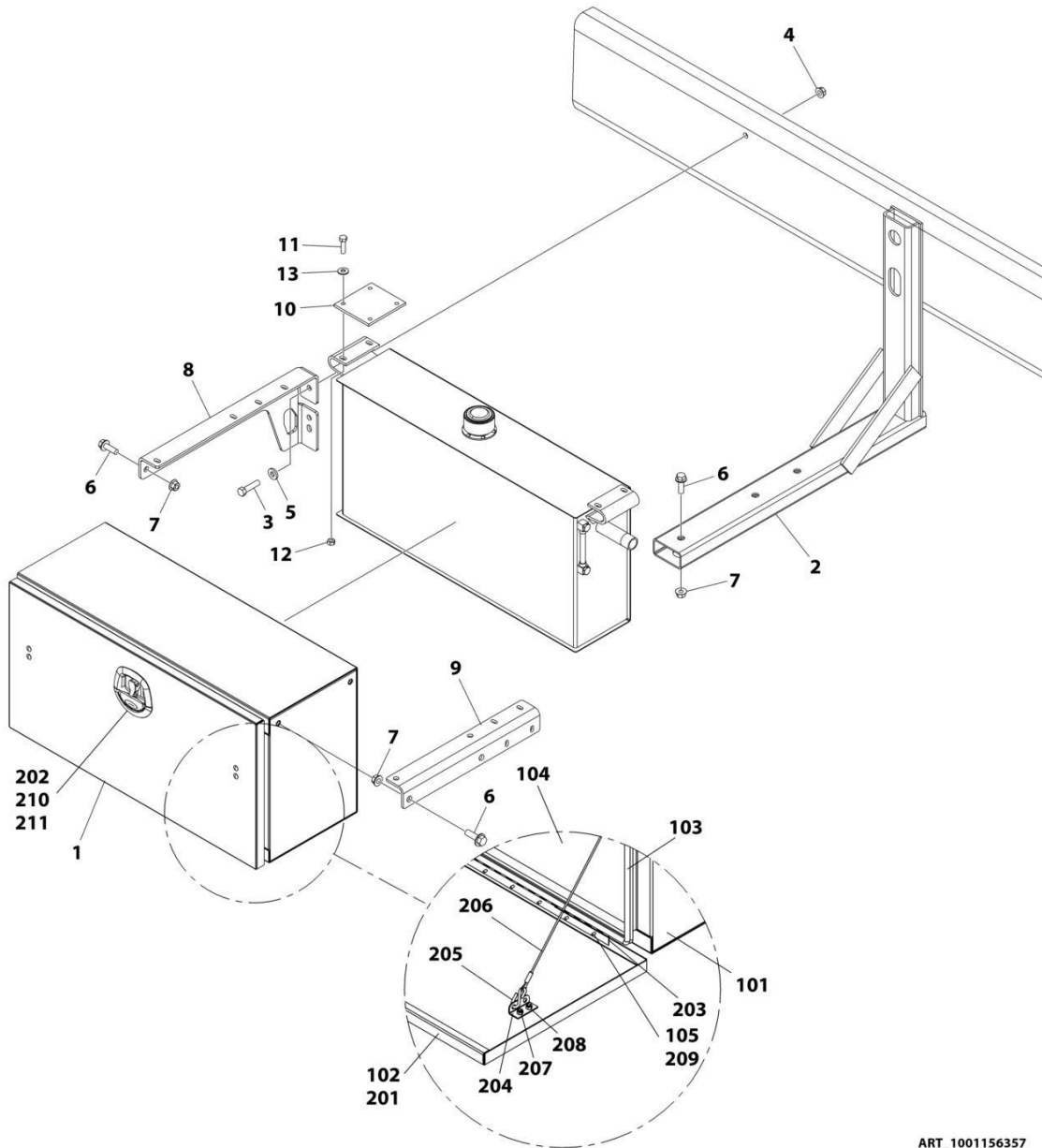
## SECTION 1 - SUBFRAME

**FIGURE 1-30. TOOLBOX, 36IN UNDERBOX MOUNT**

ITEM	PART NUMBER	QTY	DESCRIPTION	REV
	1001156358	Ref	TOOLBOX, 36IN UNDERBOX MOUNT	B
1	1001208769	1	Toolbox Assembly (includes items 101 through 105)	A
2	1001156006	1	Frame Weldment	
3	0651816	4	Capscrew 1/2 x 2	
4	7660182333	4	Nut 1/2	
5	4891800	4	Washer 1/2	
6	7118181216	4	Capscrew 1/2 x 1-1/2	
7	7660182301	4	Nut 1/2	
8	4178000291	1	Bracket	
101	3899000125	1	Toolbox Weldment	
102	1001223819	1	Toolbox Door Assembly (includes items 201 through 211)	A
103	4796000009	1	Gasket	
104	4679000256	1	Pad	
105	7759000020	1	Rivet	
201	1001223815	1	Toolbox Door	
202	1001223814	1	Latch	
203	7555000016	1	Hinge	
204	4178000599	2	Bracket	
205	7592000005	4	S-Link	
206	7248000114	2	Cable	
207	7114140465	4	Bolt 0.25-20X0.50	
208	7660142604	4	Locknut 0.25-20	
209	7759000020	9	Rivet	
210	7950100143	4	Washer 0.19	
211	7660102604	4	Locknut #10-24	

# SECTION 1 - SUBFRAME

FIGURE 1-31. TOOLBOX, 36IN UNDERBOX MOUNT NARROW



ART\_1001156357

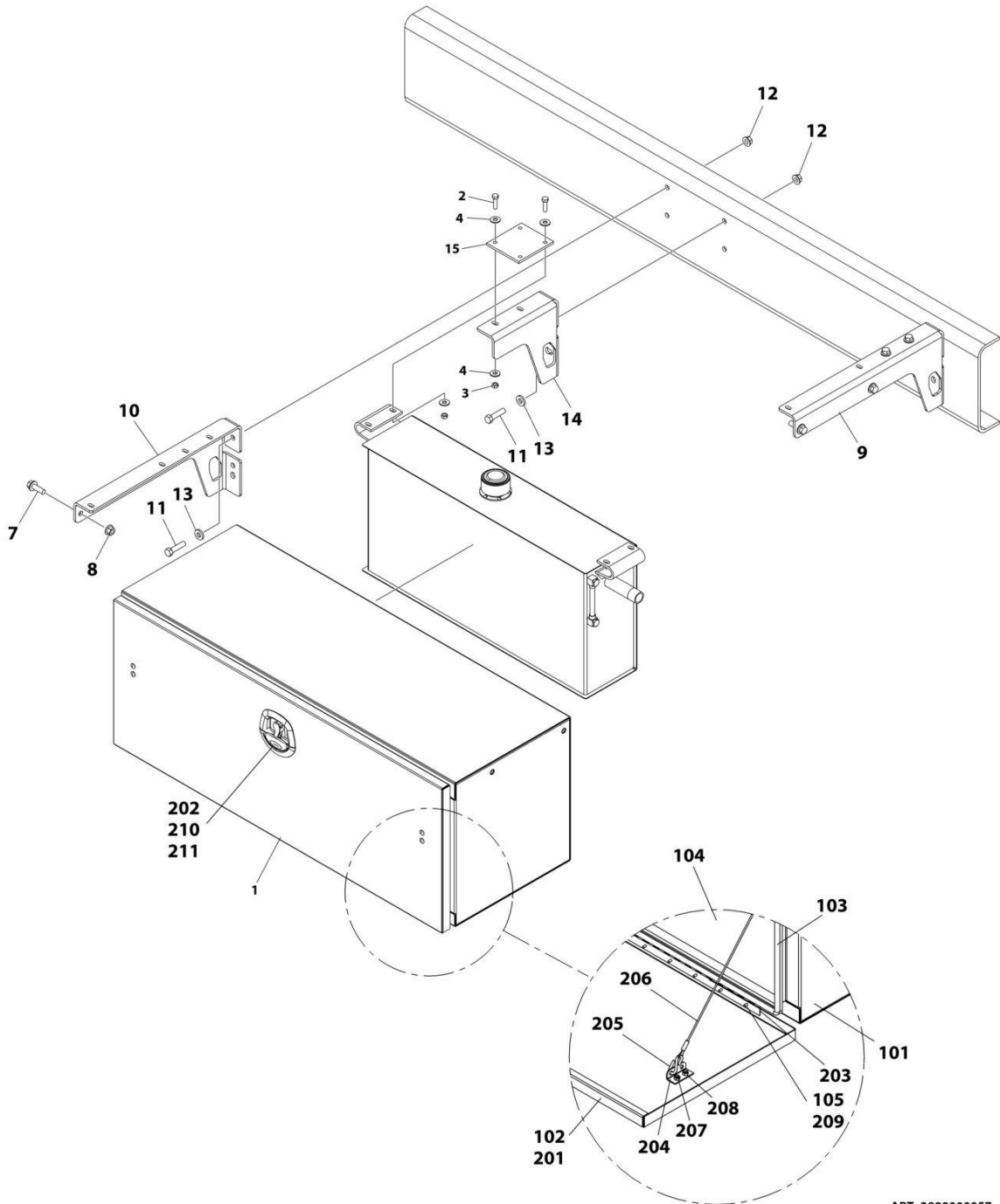
## SECTION 1 - SUBFRAME

**FIGURE 1-31. TOOLBOX, 36IN UNDERBOX MOUNT NARROW**

ITEM	PART NUMBER	QTY	DESCRIPTION	REV
	1001156357	Ref	TOOLBOX, 36IN UNDERBOX MOUNT NARROW	B
1	1001208772	1	Toolbox Assembly (includes items 101 through 105)	A
2	1001156006	1	Frame Weldment	
3	0651816	4	Capscrew 1/2 x 2	
4	7660182333	4	Nut 1/2	
5	4891800	4	Washer 1/2	
6	7118181216	6	Capscrew 1/2 x 1-1/2	
7	7660182301	6	Nut 1/2	
8	4178000339	1	Bracket	
9	1001155975	1	Bracket	
10	4706002361	1	Plate	
11	0641508	2	Capscrew 5/16 x 1	
12	7660152601	2	Nut 5/16	
13	4751500	4	Washer 5/16	
101	3899000126	1	Toolbox Weldment	
102	1001223819	1	Toolbox Door Assembly (includes items 201 through 211)	A
103	4796000009	1	Gasket	
104	4679000257	1	Pad	
105	7759000020	9	Rivet	
201	1001223815	1	Toolbox Door	
202	1001223814	1	Latch	
203	7555000016	1	Hinge	
204	4178000599	2	Bracket	
205	7592000005	4	S-Link	
206	7248000114	2	Cable	
207	7114140465	4	Bolt 0.25-20X0.50	
208	7660142604	4	Locknut 0.25-20	
209	7759000020	9	Rivet	
210	7950100143	4	Washer 0.19	
211	7660102604	4	Locknut #10-24	

# SECTION 1 - SUBFRAME

## FIGURE 1-32. TOOLBOX, 48IN



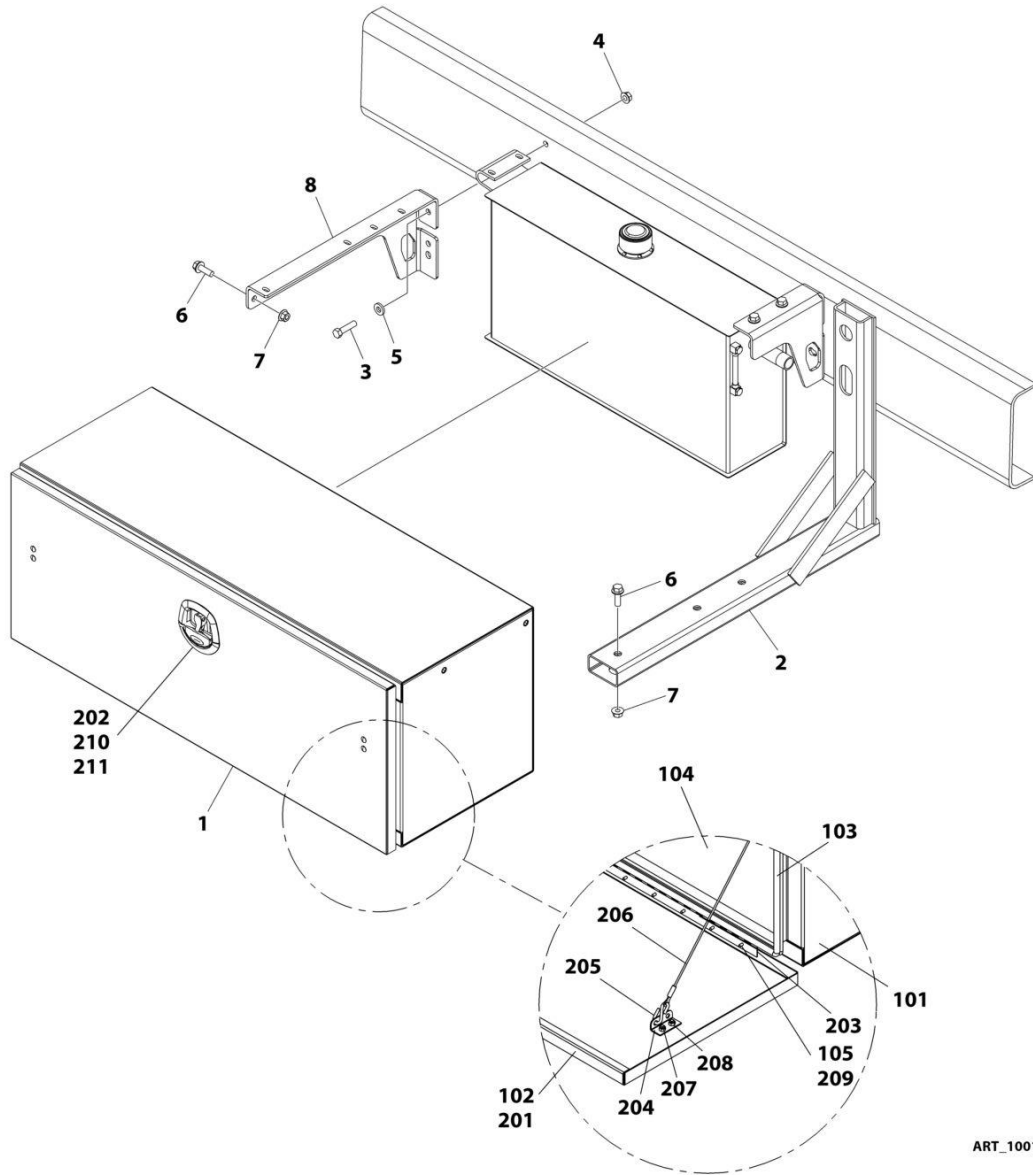
## SECTION 1 - SUBFRAME

### FIGURE 1-32. TOOLBOX, 48IN

ITEM	PART NUMBER	QTY	DESCRIPTION	REV
	2899000057	Ref	TOOLBOX, 48IN	E
1	1001208776	1	Toolbox Assembly (includes iotemss 101 through 105)	A
2	0641508	4	Capscrew 5/16 x 1	
3	7660152601	4	Nut 5/16	
4	4751500	8	Washer 5/16	
7	7118181216	4	Capscrew 1/2 x 1-1/2	
8	7660182301	4	Nut 1/2	
9	4178000290	1	Bracket	
10	4178000291	1	Bracket	
11	0651816	6	Capscrew 1/2 x 2	
12	7660182333	6	Nut 1/2	
13	4891800	6	Washer 1/2	
14	4178000330	1	Bracket	
15	4706002361	1	Plate	
101	3899000127	1	Toolbox Weldment	
102	1001223820	1	Toolbox Door Assembly (includes items 201 through 211)	A
103	4796000010	1	Gasket	
104	4679000258	1	Pad	
105	7759000020	14	Rivet	
201	1001223816	1	Toolbox Door	
202	1001223814	1	Latch	
203	7555000015	2	Hinge	
204	4178000599	2	Braclet	
205	7592000005	4	S-Link	
206	7248000114	2	Cable	
207	7114140465	4	Bolt 0.25-20X0.50	
208	7660142604	4	Locknut 0.25-20	
209	7759000020	14	Rivet	
210	7950100143	4	Washer 0.19	
211	7660102604	4	Locknut #10-24	

# SECTION 1 - SUBFRAME

## FIGURE 1-33. TOOLBOX, 48IN UNDERBOX MOUNT



ART\_1001137931



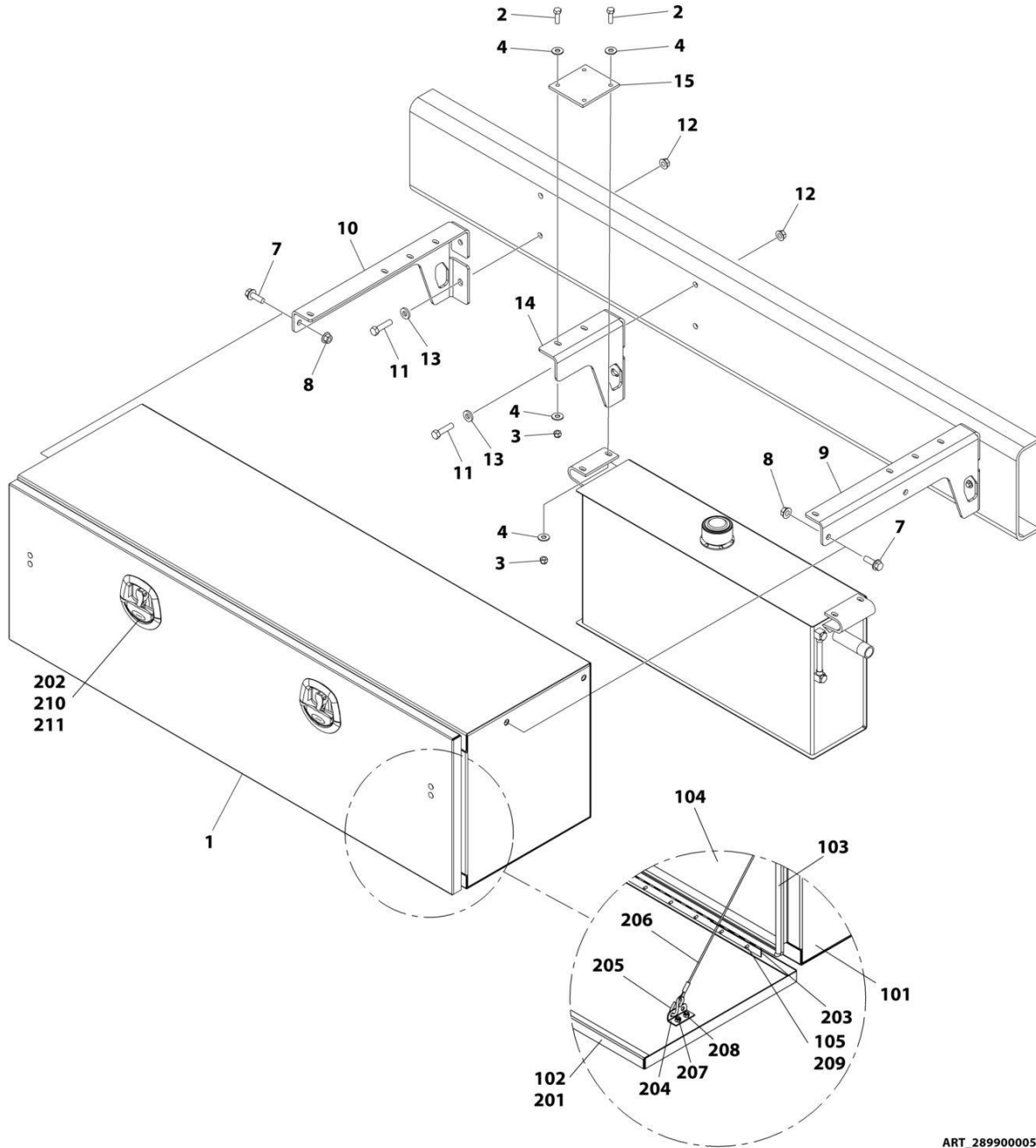
## SECTION 1 - SUBFRAME

**FIGURE 1-33. TOOLBOX, 48IN UNDERBOX MOUNT**

ITEM	PART NUMBER	QTY	DESCRIPTION	REV
	1001137931	Ref	TOOLBOX, 48IN UNDERBOX MOUNT	D
1	1001208776	1	Toolbox Assembly (includes items 101 through 105)	A
2	1001156006	1	Frame Weldment	
3	0651816	4	Capscrew 1/2 x 2	
4	7660182333	4	Nut 1/2	
5	4891800	4	Washer 1/2	
6	7118181216	6	Capscrew 1/2 x 1-1/2	
7	7660182301	6	Nut 1/2	
8	4178000291	1	Bracket	
101	3899000127	1	Toolbox Weldment	
102	1001223820	1	Toolbox Door Assembly (includes items 201 through 211)	
103	4796000010	1	Gasket	
104	4679000258	1	Pad	
105	7759000020	14	Rivet	
201	1001223816	1	Toolbox Door	
202	1001223814	1	Latch	
203	7555000015	2	Hinge	
204	4178000599	2	Bracket	
205	7592000005	4	S-Link	
206	7248000114	2	Cable	
207	7114140465	4	Bolt 0.25-20X0.50	
208	7660142604	4	Locknut 0.25-20	
209	7759000020	14	Rivet	
210	7950100143	4	Washer 0.19	
211	7660102604	4	Locknut #10-24	

# SECTION 1 - SUBFRAME

## FIGURE 1-34. TOOLBOX, 60IN



ART\_2899000058

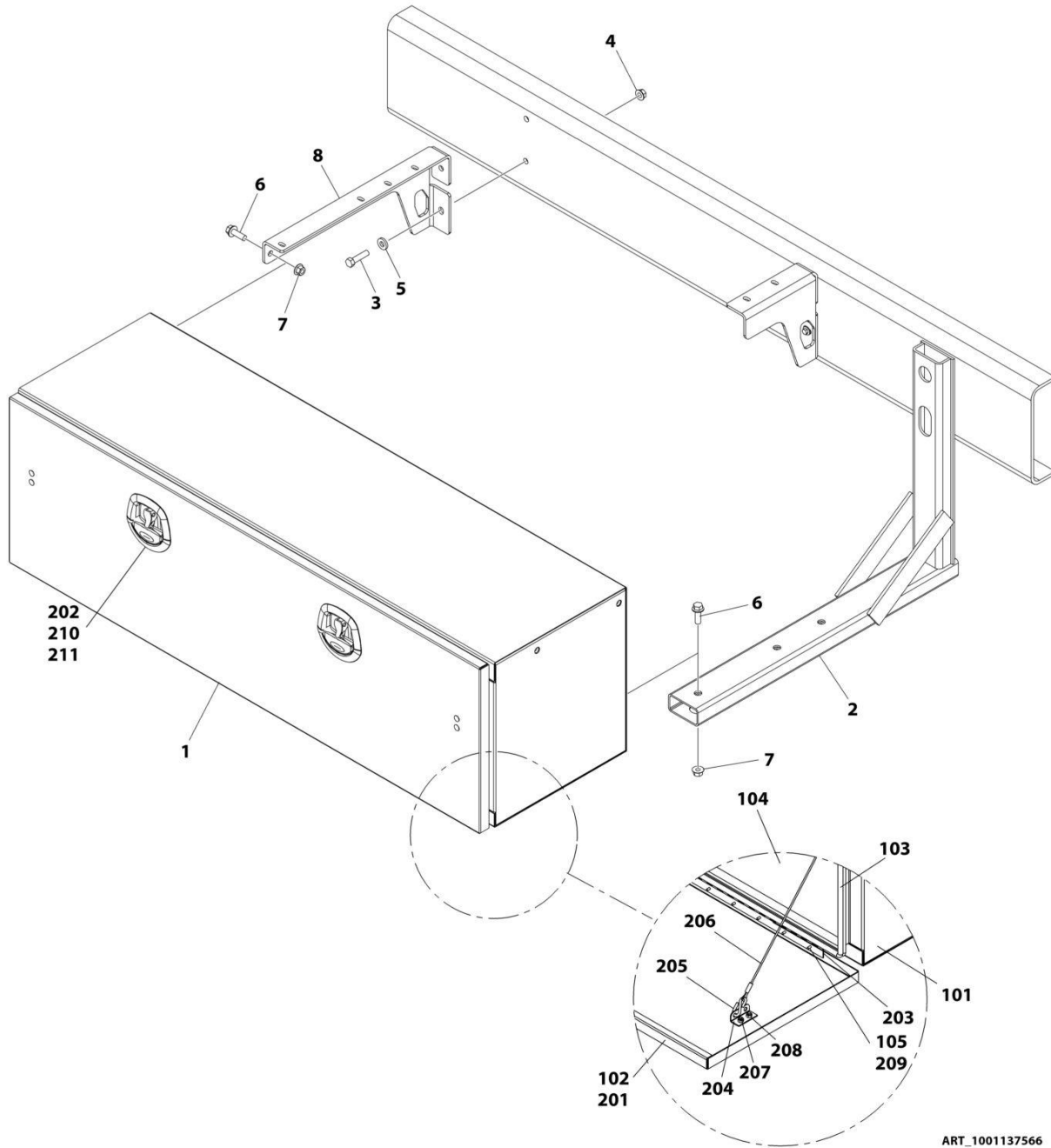
## SECTION 1 - SUBFRAME

**FIGURE 1-34. TOOLBOX, 60IN**

ITEM	PART NUMBER	QTY	DESCRIPTION	REV
	2899000058	Ref	TOOLBOX, 60IN	E
1	1001208780	1	Toolbox Assembly (includes items 101 through 105)	A
2	0641508	4	Capscrew 5/16 x 1	
3	7660152601	4	Nut 5/16	
4	4751500	8	Washer 5/16	
7	7118181216	4	Capscrew 1/2 x 1-1/2	
8	7660182301	4	Nut 1/2	
9	4178000290	1	Bracket	
10	4178000291	1	Bracket	
11	0651816	6	Capscrew 1/2 x 2	
12	7660182333	6	Nut 1/2	
13	4891800	6	Washer 1/2	
14	4178000330	1	Bracket	
15	4706002361	1	Plate	
101	3899000128	1	Toolbox Weldment	
102	1001223821	1	Toolbox Door Assembly (includes items 201 through 211)	A
103	4796000011	1	Gasket	
104	4679000259	1	Pad	
105	7759000020	18	Rivet	
201	1001223817	1	Toolbox Door	
202	1001223814	2	Latch	
203	7555000016	2	Hinge	
204	4178000599	2	Bracket	
205	7592000005	4	S-Link	
206	7248000114	2	Cable	
207	7114140465	4	Bolt 0.25-20X.050	
208	7660142604	4	Locknut 0.25-20	
209	7759000020	18	Rivet	
210	7950100143	8	Washer 0.191	
211	7660102604	8	Locknut #10-24	

# SECTION 1 - SUBFRAME

## FIGURE 1-35. TOOLBOX, 60IN UNDERBOX MOUNT



ART\_1001137566

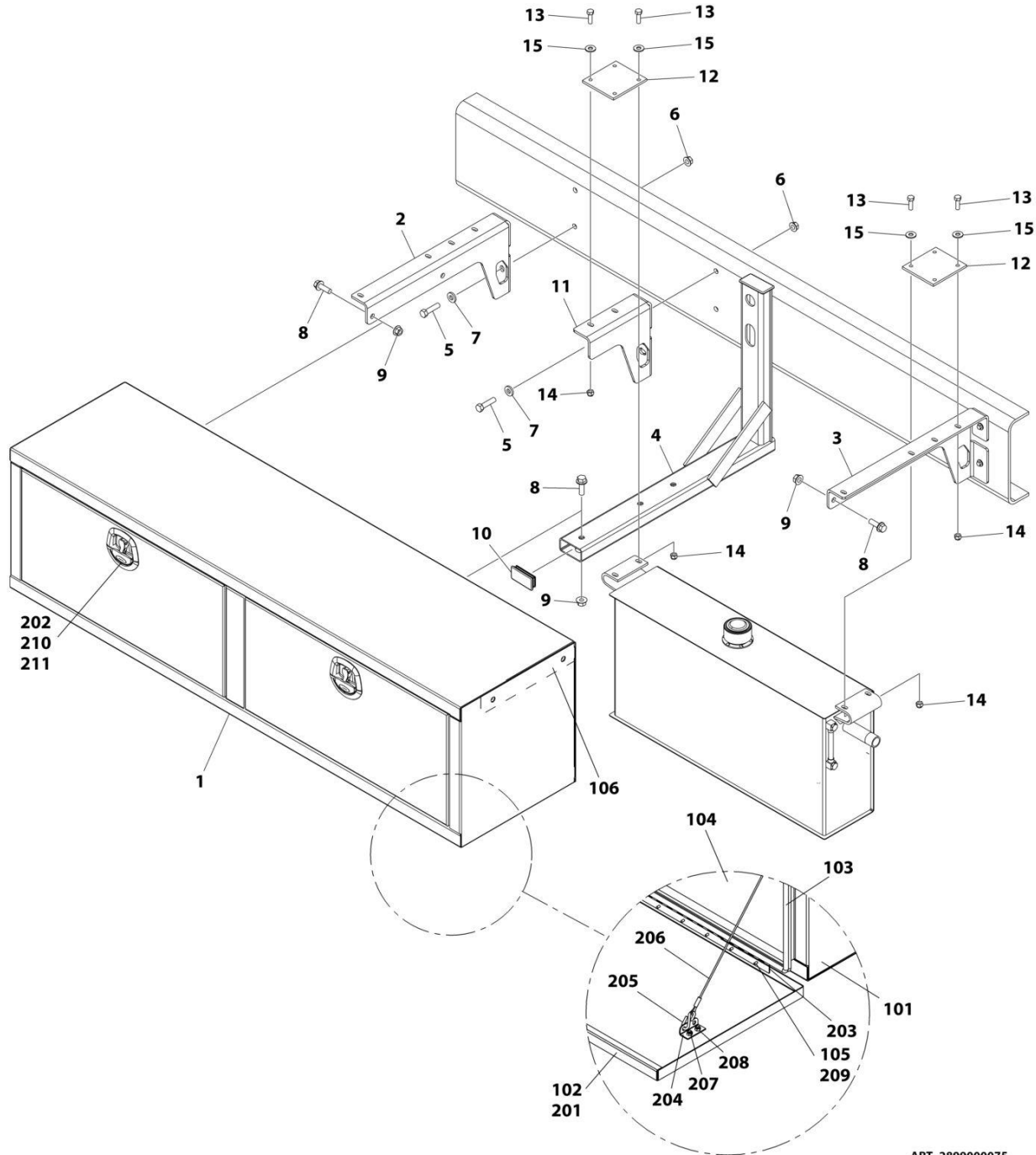
## SECTION 1 - SUBFRAME

**FIGURE 1-35. TOOLBOX, 60IN UNDERBOX MOUNT**

ITEM	PART NUMBER	QTY	DESCRIPTION	REV
	1001137566	Ref	TOOLBOX, 60IN UNDERBOX MOUNT	D
1	1001208780	1	Toolbox Assembly (includes items 101 through 105)	A
2	1001156006	1	Frame Weldment	
3	0651816	4	Capscrew 1/2 x 2	
4	7660182333	4	Nut 1/2	
5	4891800	4	Washer 1/2	
6	7118181216	6	Capscrew 1/2 x 1-1/2	
7	7660182301	6	Nut 1/2	
8	4178000291	1	Bracket	
101	3899000128	1	Toolbox Weldment	
102	1001223821	1	Toolbox Door Assembly (includes items 201 through 211)	A
103	4796000011	1	Gasket	
104	4679000259	1	Pad	
105	7759000020	18	Rivet	
201	1001223817	1	Toolbox Door	
202	1001223814	2	Latch	
203	7555000016	2	Hinge	
204	4178000599	2	Bracket	
205	7592000005	4	S-Link	
206	7248000114	2	Cable	
207	7114140465	4	Bolt 0.25-20X0.50	
208	7660142604	4	Locknut 0.25-20	
209	7759000020	18	Rivet	
210	7950100143	8	Washer 0.19	
211	7660102604	8	Locknut #10-24	

# SECTION 1 - SUBFRAME

## FIGURE 1-36. TOOLBOX, 78IN



ART\_2899000075

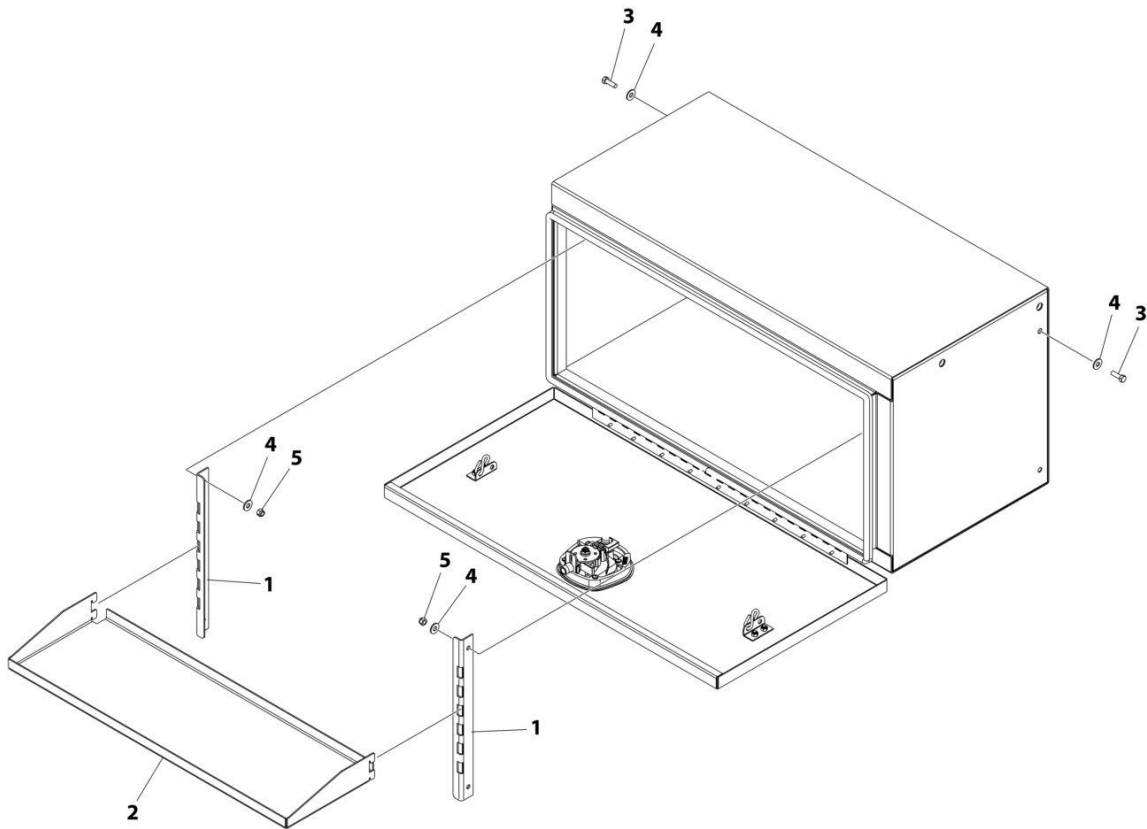
# SECTION 1 - SUBFRAME

## FIGURE 1-36. TOOLBOX, 78IN

ITEM	PART NUMBER	QTY	DESCRIPTION	REV
	2899000075	Ref	TOOLBOX, 78IN	C
1	1001208785	1	Toolbox Assembly (includes items 101 through 106)	A
2	4178000291	1	Bracket	
3	4178000290	1	Bracket	
4	3178000566	1	Bracket	
5	0651816	8	Capscrew 1/2 x 2	
6	7660182333	8	Nut 1/2	
7	4891800	8	Washer 1/2	
8	7118181216	6	Capscrew 1/2 x 1-1/2	
9	7660182301	6	Nut 1/2	
10	7701000051	2	Plug	
11	4178000330	1	Bracket	
12	4706002361	2	Plate	
13	0641508	4	Capscrew 5/16 x 1	
14	7660152601	4	Nut 5/16	
15	4751500	8	Washer 5/16	
101	3899000173	1	Toolbox Weldment	
102	1001223822	2	Toolbox Door Assembly (includes items 201 through 211)	A
103	4796000012	2	Gasket	
104	4679000322	1	Pad	
105	7759000020	18	Rivet	
106	7701000074	2	Plug	
201	1001223818	1	Toolbox Door	
202	1001223814	1	Latch	
203	7555000016	1	Hinge	
204	4178000599	2	Bracket	
205	7592000005	4	S-Link	
206	7248000155	2	Cable	
207	7114140465	4	Bolt 0.25-20X0.50	
208	7660142604	4	Locknut 0.25-20	
209	7759000020	9	Rivet	
210	7950100143	4	Washer 0.19	
211	7660102604	4	Locknut #10-24	

# SECTION 1 - SUBFRAME

## FIGURE 1-37. TOOL BOX SHELF, 36IN



ART\_2899000059



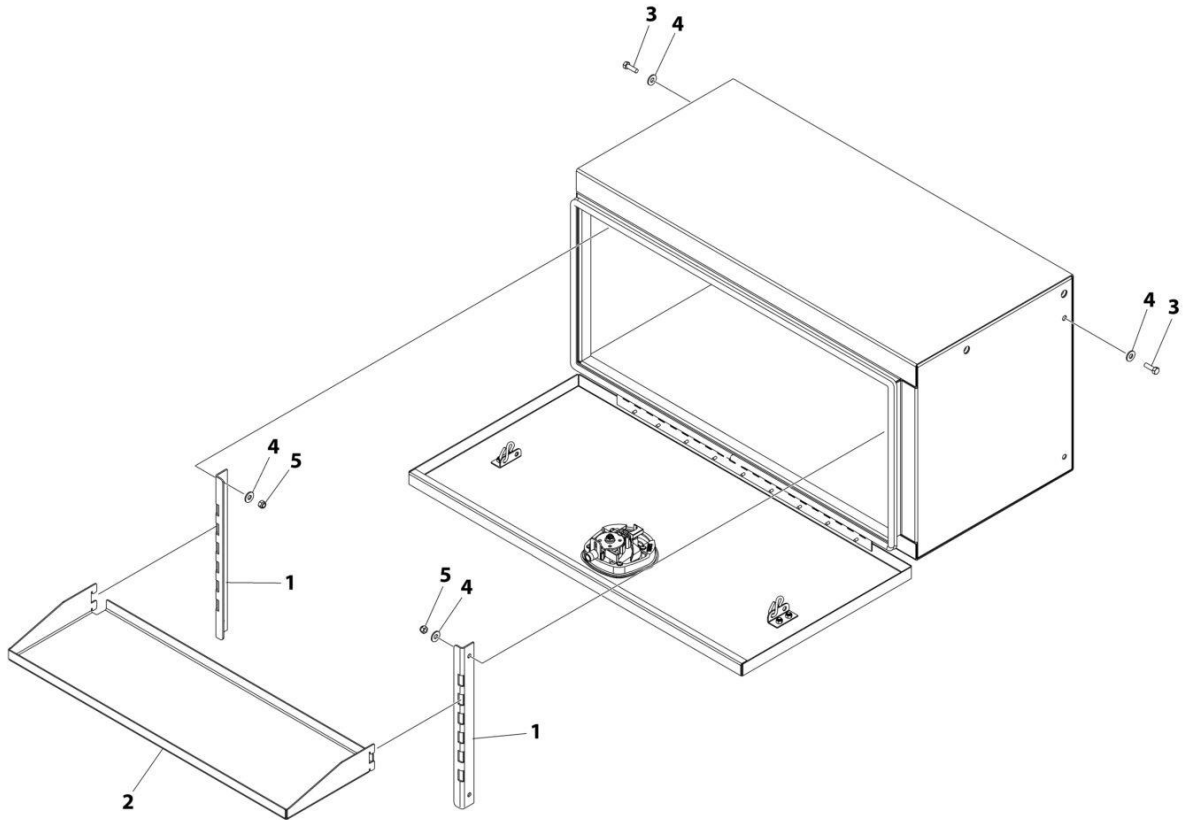
**SECTION 1 - SUBFRAME**

**FIGURE 1-37. TOOL BOX SHELF, 36IN**

<b>ITEM</b>	<b>PART NUMBER</b>	<b>QTY</b>	<b>DESCRIPTION</b>	<b>REV</b>
	2899000059	Ref	TOOL BOX SHELF, 36IN	B
1	4017001403	2	Angle	
2	4811000841	1	Sheet	
3	7115150850	4	Capscrew 5/16 x 1	
4	7950150161	8	Washer 5/16	
5	7660152601	4	Nut 5/16	

# SECTION 1 - SUBFRAME

## FIGURE 1-38. TOOL BOX SHELF, 48IN



ART\_2899000060

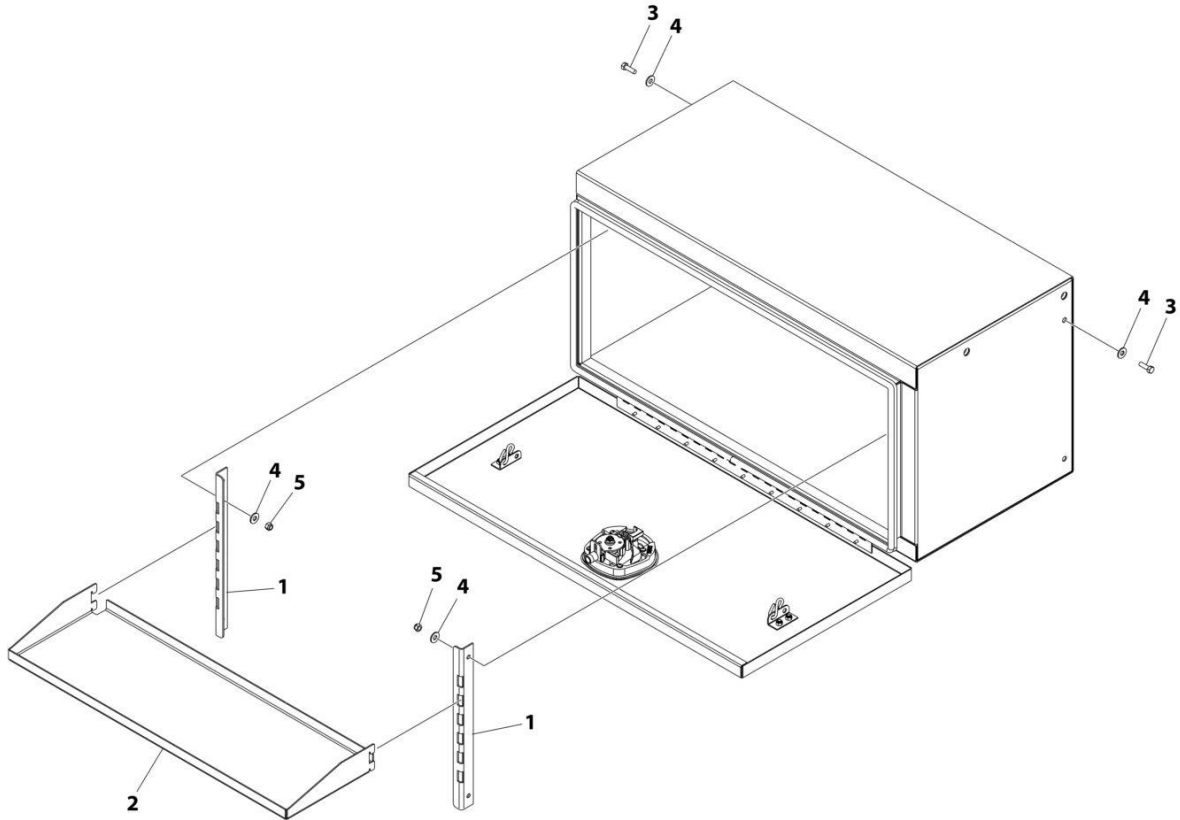
**SECTION 1 - SUBFRAME**

**FIGURE 1-38. TOOL BOX SHELF, 48IN**

<b>ITEM</b>	<b>PART NUMBER</b>	<b>QTY</b>	<b>DESCRIPTION</b>	<b>REV</b>
	2899000060	Ref	TOOL BOX SHELF, 48IN	B
1	4017001403	2	Angle	
2	4811000868	1	Sheet	
3	7115150850	4	Capscrew 5/16 x 1	
4	7950150161	8	Washer 5/16	
5	7660152601	4	Nut 5/16	

# SECTION 1 - SUBFRAME

## FIGURE 1-39. TOOL BOX SHELF, 60IN



ART\_289900061

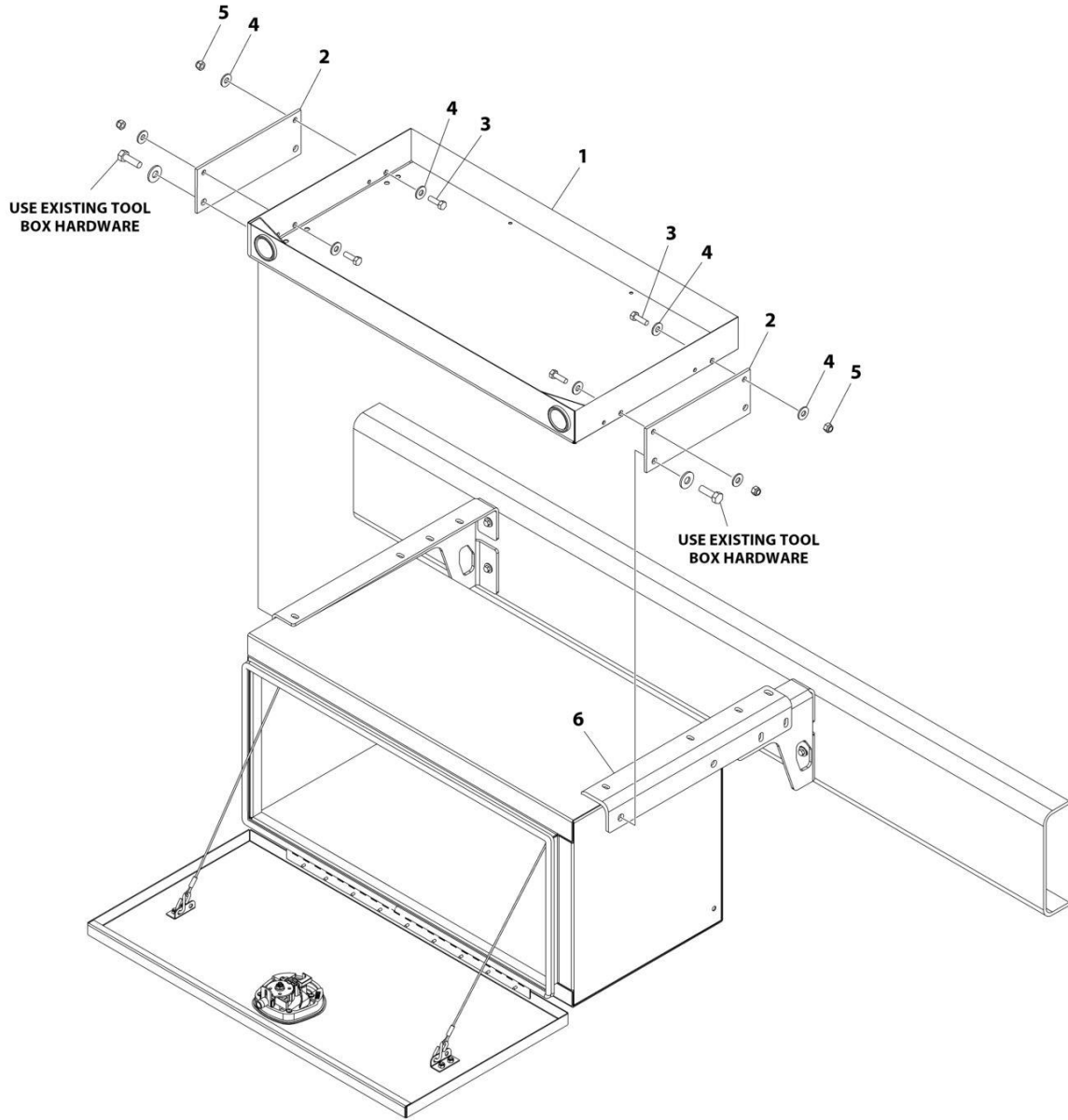
**SECTION 1 - SUBFRAME**

**FIGURE 1-39. TOOL BOX SHELF, 60IN**

<b>ITEM</b>	<b>PART NUMBER</b>	<b>QTY</b>	<b>DESCRIPTION</b>	<b>REV</b>
	2899000061	Ref	TOOL BOX SHELF, 60IN	B
1	4017001403	2	Angle	
2	4811000868	1	Sheet	
3	7115150850	4	Capscrew 5/16 x 1	
4	7950150161	8	Washer 5/16	
5	7660152601	4	Nut 5/16	

# SECTION 1 - SUBFRAME

FIGURE 1-40. TOOL BOX TOP STORAGE TRAY, 36IN



ART\_2002000048

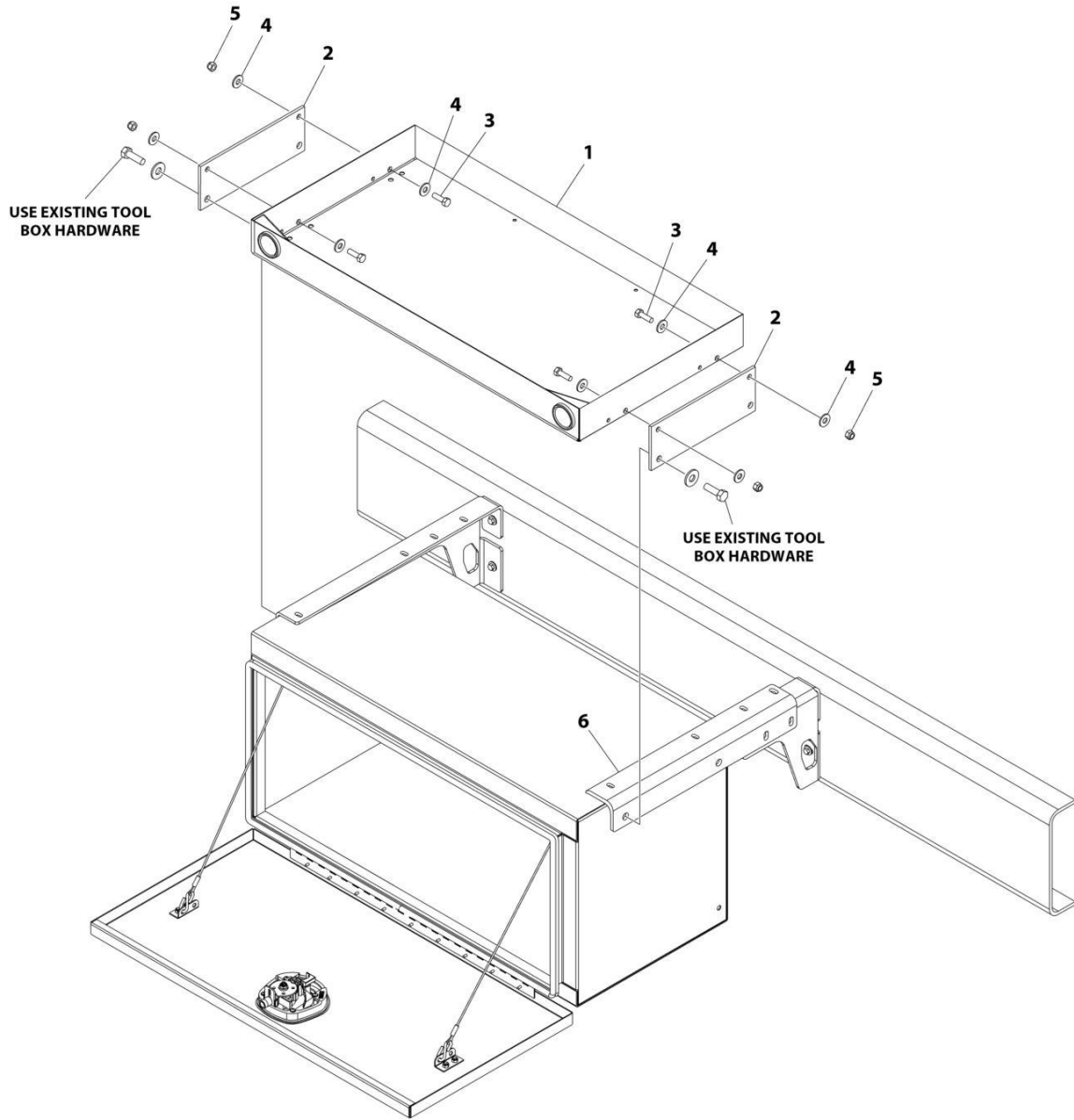
**SECTION 1 - SUBFRAME**

**FIGURE 1-40. TOOL BOX TOP STORAGE TRAY, 36IN**

<b>ITEM</b>	<b>PART NUMBER</b>	<b>QTY</b>	<b>DESCRIPTION</b>	<b>REV</b>
	2002000048	Ref	TOOL BOX TOP STORAGE TRAY, 36IN	B
1	3811000053	1	Sheet Weldment	
2	4706006216	1	Plate	
3	7115160950	4	Bolt 3/8 x 1-1/8	
4	7950150161	8	Washer 5/16	
5	7660162601	4	Nut 3/8	
6	1001155975	1	Bracket	

# SECTION 1 - SUBFRAME

FIGURE 1-41. TOOL BOX TOP STORAGE TRAY, 48IN



ART\_200200049



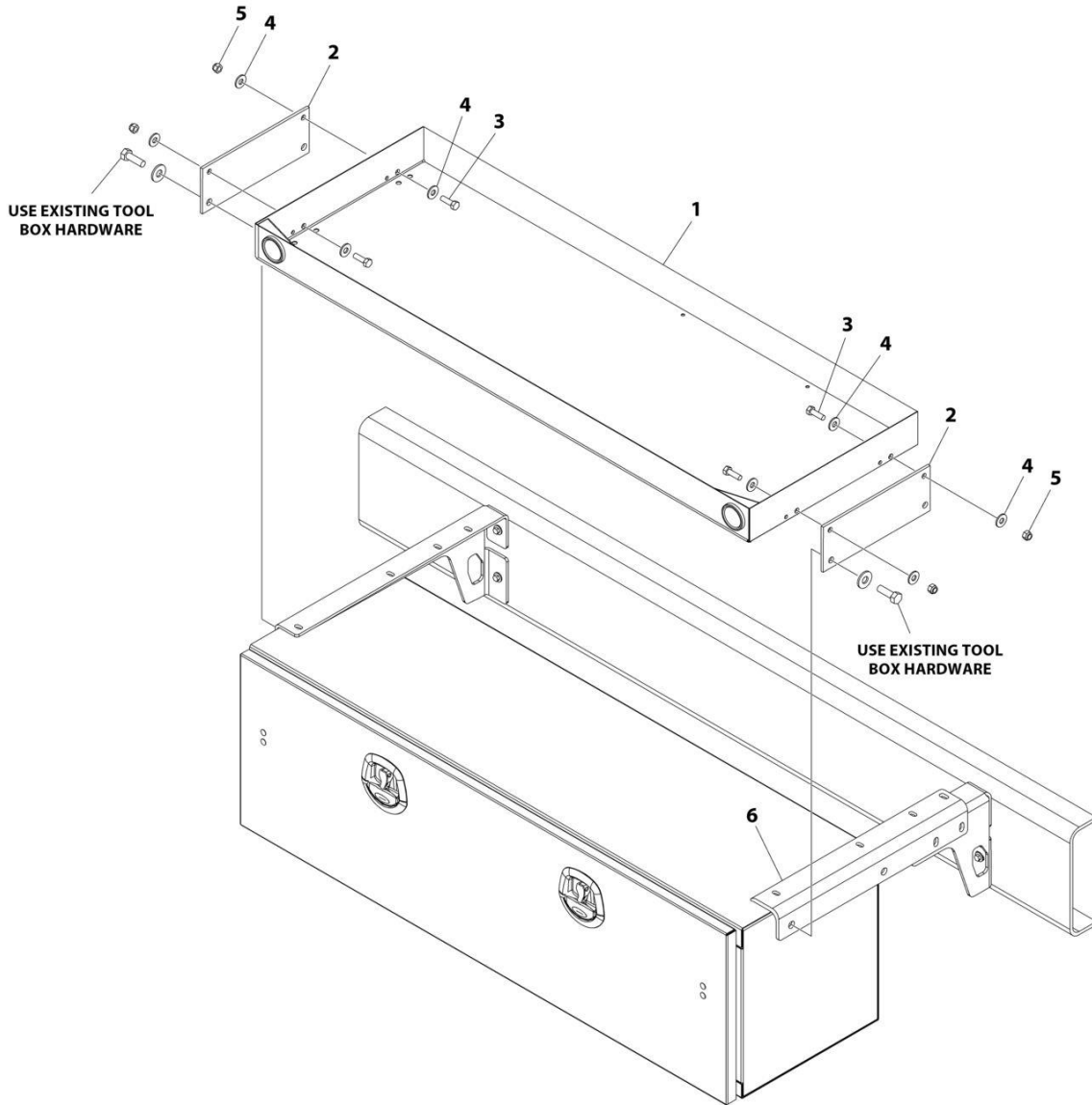
**SECTION 1 - SUBFRAME**

**FIGURE 1-41. TOOL BOX TOP STORAGE TRAY, 48IN**

<b>ITEM</b>	<b>PART NUMBER</b>	<b>QTY</b>	<b>DESCRIPTION</b>	<b>REV</b>
	2002000049	Ref	TOOL BOX TOP STORAGE TRAY, 48IN	B
1	3811000054	1	Sheet Weldment	
2	4706006216	2	Plate	
3	7115160950	1	Bolt 3/8 x 1-1/8	
4	7950150161	8	Washer 5/16	
5	7660162601	4	Nut 3/8	
6	1001155975	1	Bracket	

# SECTION 1 - SUBFRAME

FIGURE 1-42. TOOL BOX TOP STORAGE TRAY, 60IN



ART\_2002000050

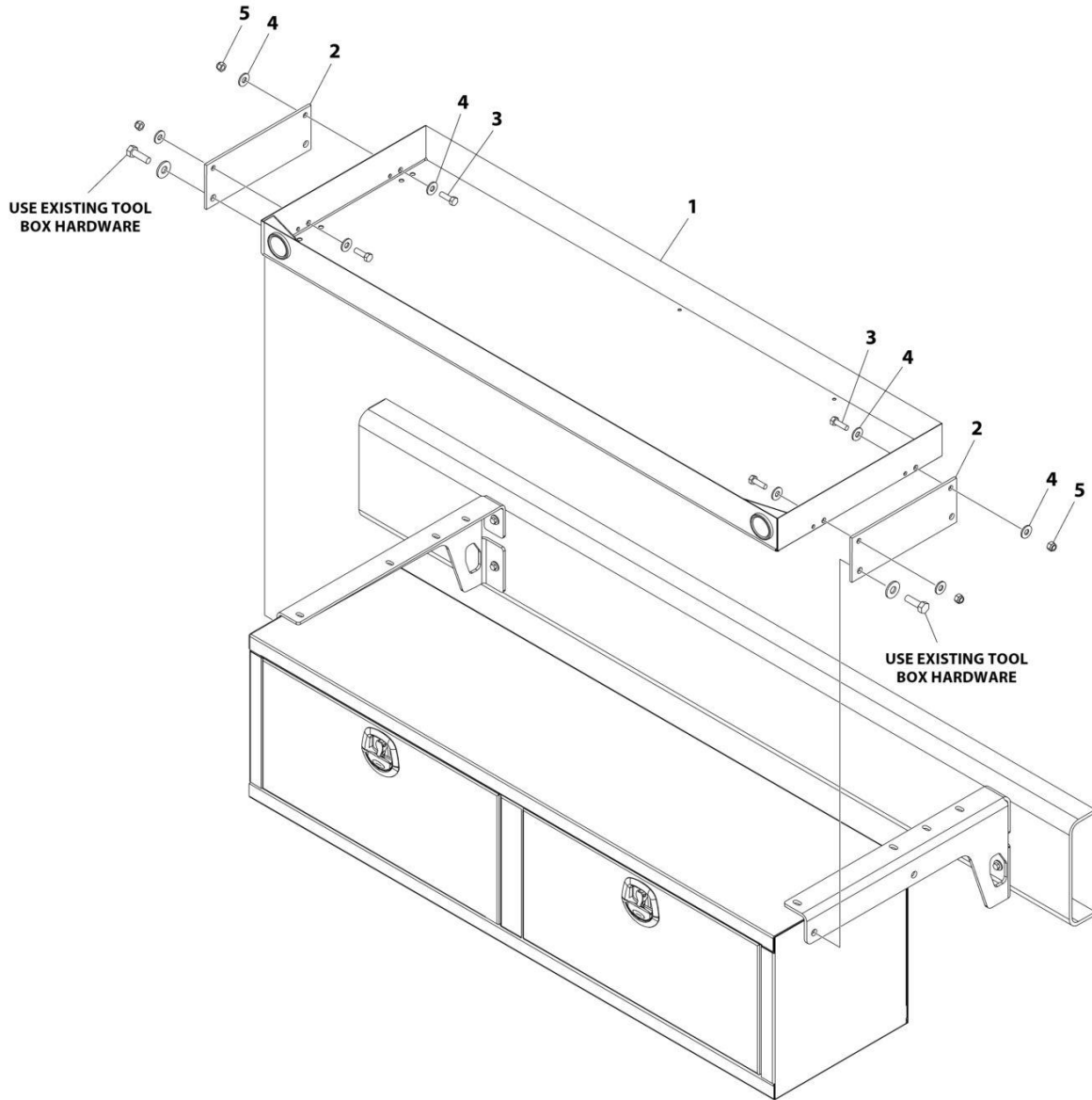
**SECTION 1 - SUBFRAME**

**FIGURE 1-42. TOOL BOX TOP STORAGE TRAY, 60IN**

<b>ITEM</b>	<b>PART NUMBER</b>	<b>QTY</b>	<b>DESCRIPTION</b>	<b>REV</b>
	2002000050	Ref	TOOL BOX TOP STORAGE TRAY, 60IN	B
1	3811000055	1	Sheet	
2	4706006216	2	Plate	
3	7115160950	4	Bolt 3/8 x 1-1/8	
4	7950150161	8	Washer 5/16	
5	7660162601	4	Nut 3/8	
6	1001155975	1	Bracket	

# SECTION 1 - SUBFRAME

FIGURE 1-43. TOOL BOX TOP STORAGE TRAY, 78IN



ART\_2002000051

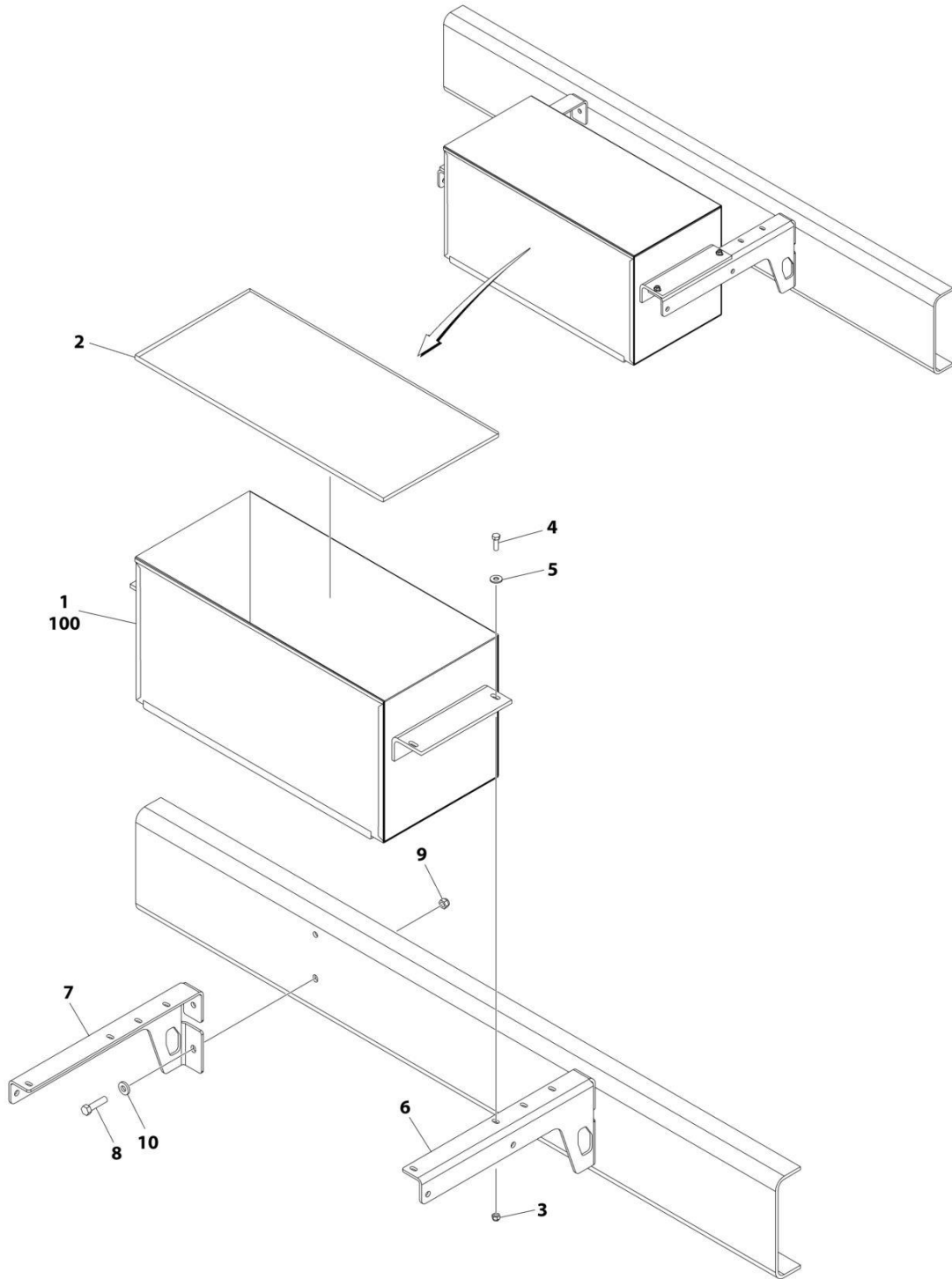
**SECTION 1 - SUBFRAME**

**FIGURE 1-43. TOOL BOX TOP STORAGE TRAY, 78IN**

<b>ITEM</b>	<b>PART NUMBER</b>	<b>QTY</b>	<b>DESCRIPTION</b>	<b>REV</b>
	2002000051	Ref	TOOL BOX TOP STORAGE TRAY, 78IN	B
1	3811000057	1	Sheet	
2	4706006216	2	Plate	
3	7115160950	4	Bolt 3/8 x 1-1/8	
4	7950150161	8	Washer 5/16	
5	7660162601	1	Nut 3/8	

# SECTION 1 - SUBFRAME

## FIGURE 1-44. STORAGE BASKET



ART\_2899000030

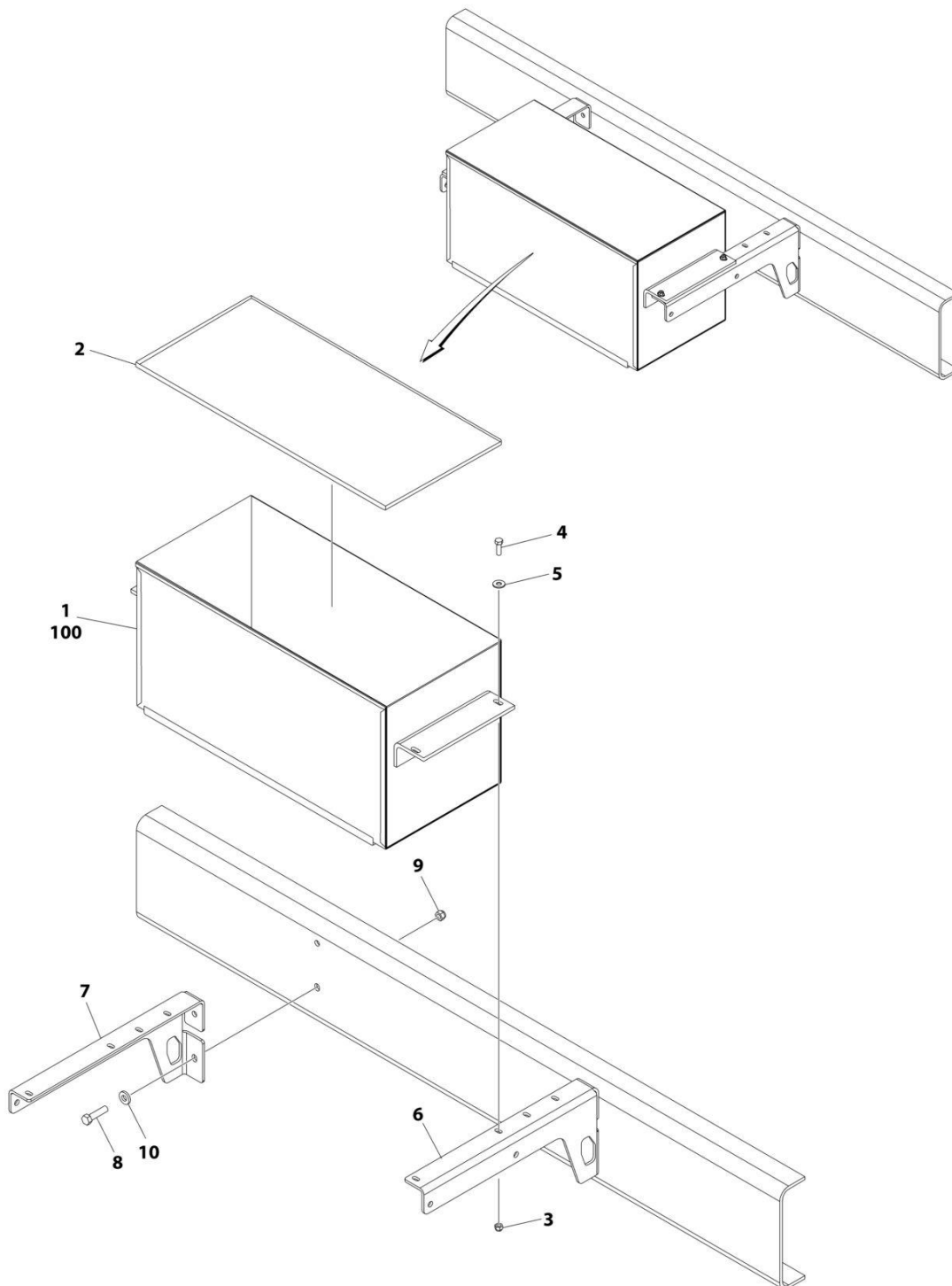
**SECTION 1 - SUBFRAME**

**FIGURE 1-44. STORAGE BASKET**

ITEM	PART NUMBER	QTY	DESCRIPTION	REV
	2899000030	Ref	STORAGE BASKET	C
1	3899000053	1	Basket Weldment	
2	4632000015	1	Moulding	
3	7660152601	4	Nut 5/16	
4	7115150850	4	Capscrew 5/16 x 1	
5	7950150161	4	Washer 5/16	
6	4178000290	1	Bracket	
7	4178000291	1	Bracket	
8	7105181650	4	Capscrew 1/2 x 2	
9	7660182333	4	Nut 1/2	
10	7950180153	4	Washer 1/2	
100	2002000008	1	Cover Kit – Storage Basket (SS) (Includes SS Cover Face Plate and Rivets)	

# SECTION 1 - SUBFRAME

## FIGURE 1-45. STORAGE BASKET, DEEP



ART\_289900041



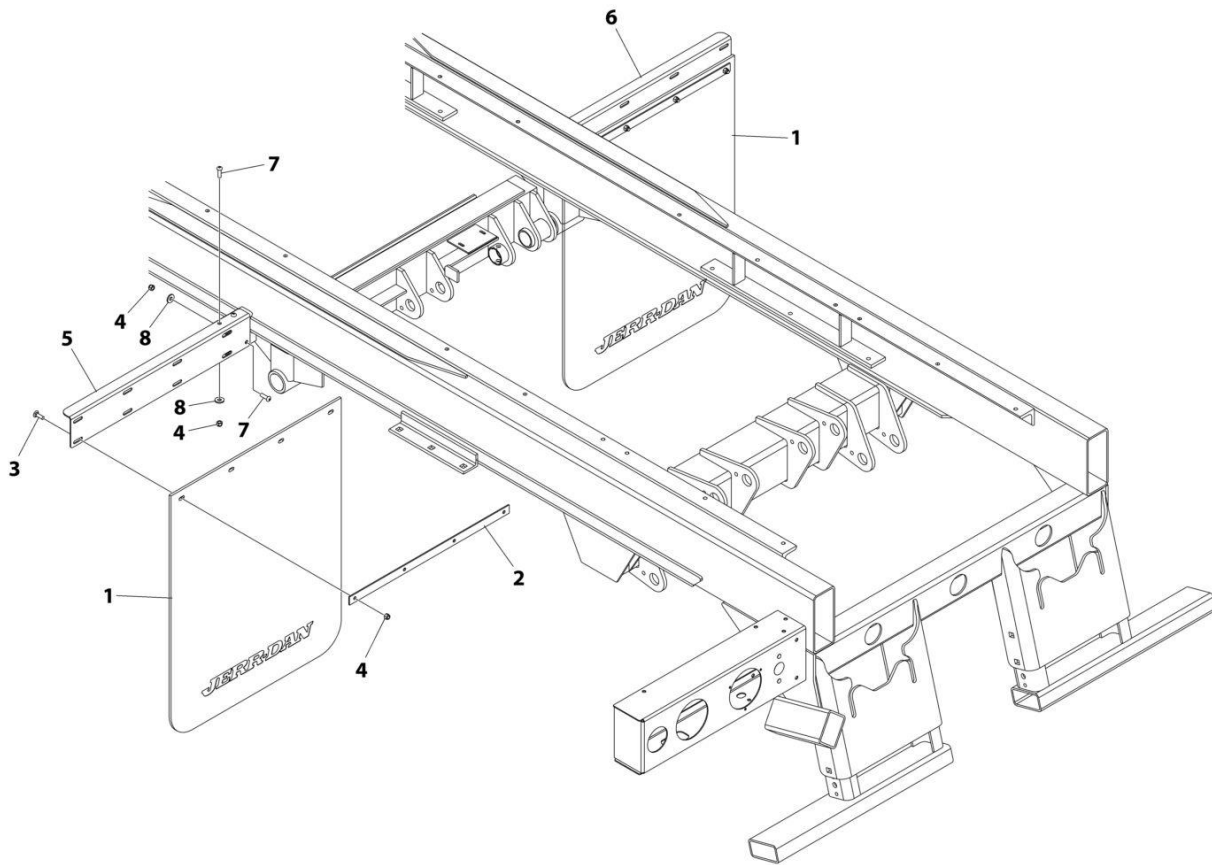
**SECTION 1 - SUBFRAME**

**FIGURE 1-45. STORAGE BASKET, DEEP**

ITEM	PART NUMBER	QTY	DESCRIPTION	REV
	2899000041	Ref	STORAGE BASKET, DEEP	B
1	3899000075	1	Basket Weldment	
2	4632000048	1	Moulding	
3	7660152601	4	Nut 5/16	
4	7115150850	4	Capscrew 5/16 x 1	
5	7950150161	4	Washer 5/16	
6	4178000290	1	Bracket	
7	4178000291	1	Bracket	
8	7105181650	4	Capscrew 1/2 x 2	
9	7660182333	4	Nut 1/2	
10	7950180153	4	Washer 1/2	
100	2002000008	1	Cover Kit – Storage Basket (SS) (Includes SS Cover Face Plate and Rivets)	

# SECTION 1 - SUBFRAME

## FIGURE 1-46. MUD FLAPS, STANDARD



ART\_2638000017

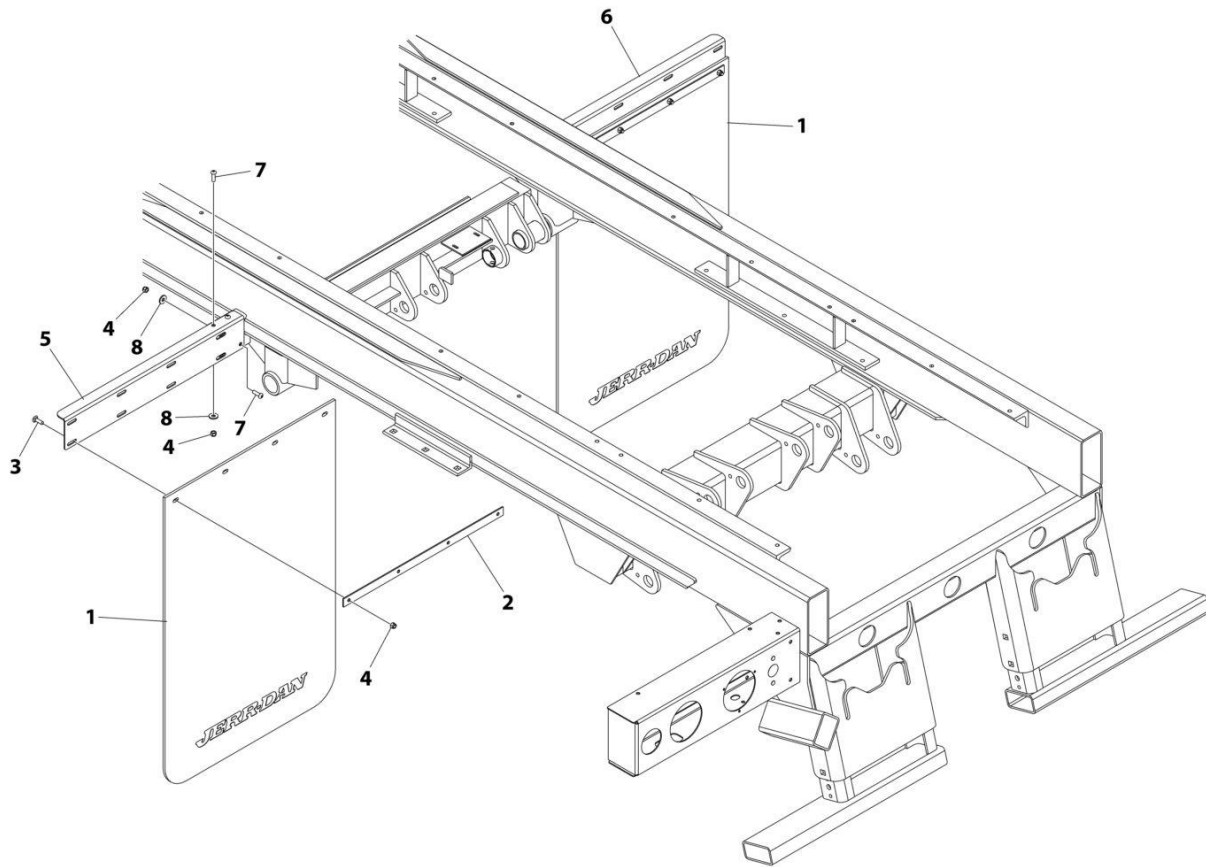
**SECTION 1 - SUBFRAME**

**FIGURE 1-46. MUD FLAPS, STANDARD**

<b>ITEM</b>	<b>PART NUMBER</b>	<b>QTY</b>	<b>DESCRIPTION</b>	<b>REV</b>
	2638000017	Ref	Mud Flaps, Standard	B
1	7638000004	2	Mud Flaps with Jerr-Dan Logo	
2	4706006427	2	Plate, Galvanneal	
3	7111150864	8	Bolt 5/16 x 1	
4	7660152601	14	Nut 5/16	
5	4017001742	1	Angle LH, Galvanneal	
6	4017001743	1	Angle RH, Galvanneal	
7	7114150818	6	Capscrew 5/16 x 1	
8	7950150153	6	Washer 5/16	

# SECTION 1 - SUBFRAME

## FIGURE 1-47. MUD FLAPS - HIGH



ART\_2638000019

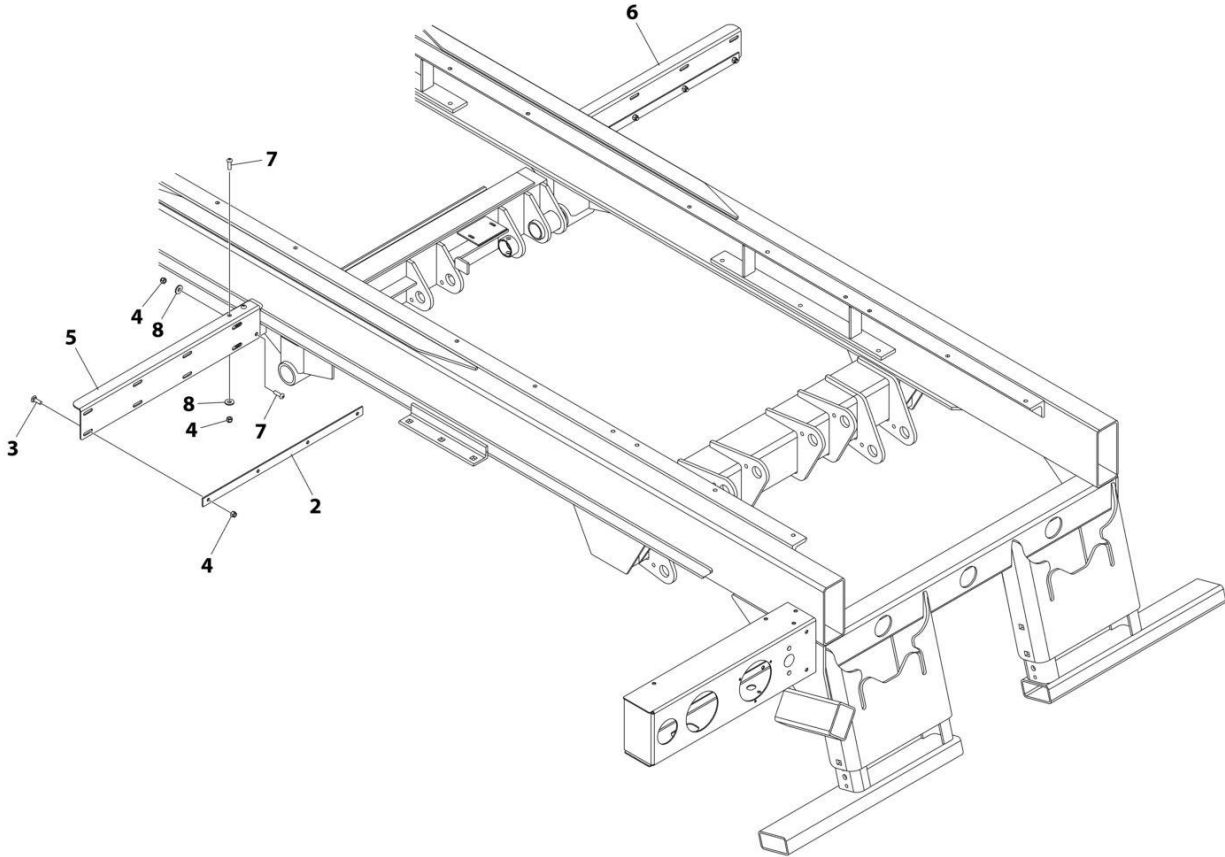
**SECTION 1 - SUBFRAME**

**FIGURE 1-47. MUD FLAPS - HIGH**

<b>ITEM</b>	<b>PART NUMBER</b>	<b>QTY</b>	<b>DESCRIPTION</b>	<b>REV</b>
	2638000019	Ref	Mud Flap - High	D
1	7638000013	2	Mud Flap with Jerr-Dan Logo	
2	4706006427	2	Plate Galvanneal	
3	7111150864	8	Bolt 5/16 x 1	
4	7660152601	14	Nut 5/16	
5	4017001742	1	Angle LH Galvanneal	
6	4017001743	1	Angle RH Galvanneal	
7	7114150818	6	Capscrew 5/16 x 1	
8	7950150153	6	Washer 5/16	

**SECTION 1 - SUBFRAME**

**FIGURE 1-48. MUD FLAPS, CUSTOMER INSTALLATION**



ART\_1001131724

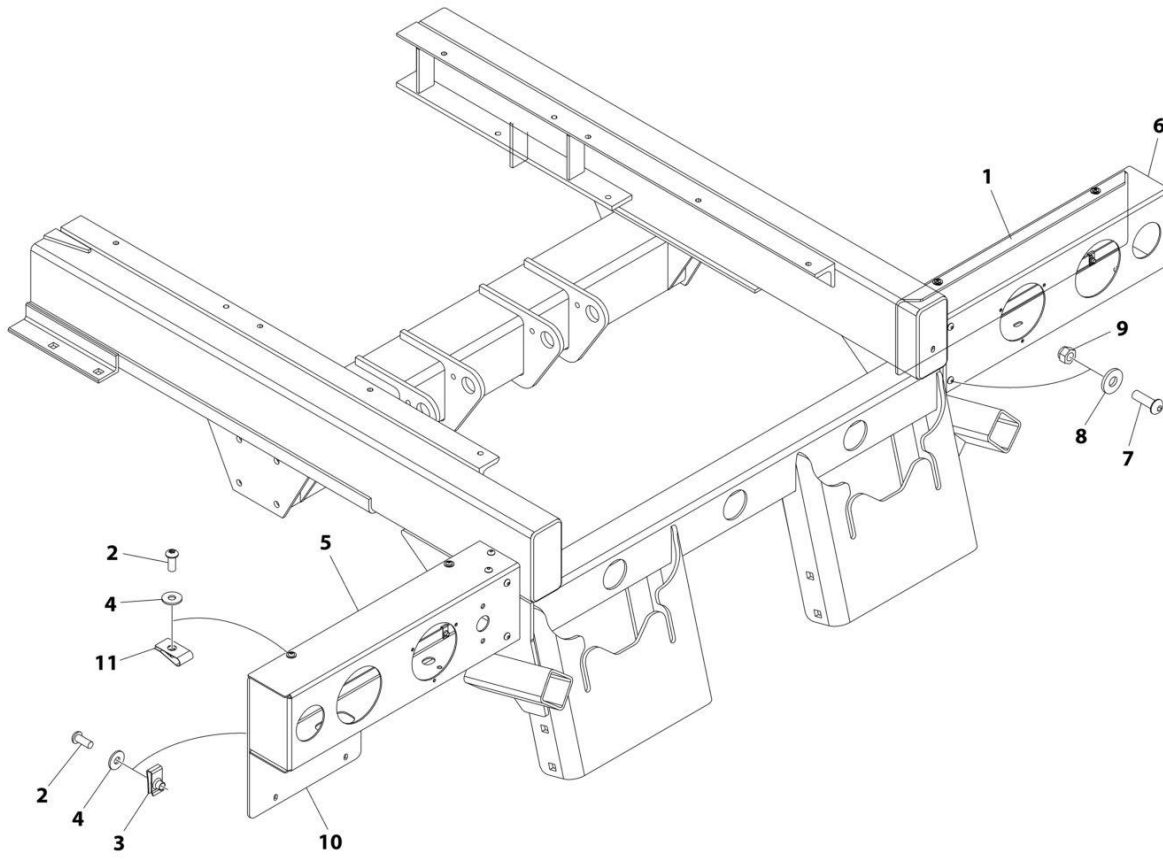
**SECTION 1 - SUBFRAME**

**FIGURE 1-48. MUD FLAPS, CUSTOMER INSTALLATION**

<b>ITEM</b>	<b>PART NUMBER</b>	<b>QTY</b>	<b>DESCRIPTION</b>	<b>REV</b>
	1001131724	Ref	Mud Flaps, Customer Installation	0
2	4706006427	2	Plate Galvanneal	
3	7111150864	8	Bolt 5/16 x 1	
4	7660152601	14	Nut 5/16	
5	4017001742	1	Angle LH Galvanneal	
6	4017001743	1	Angle RH Galvanneal	
7	7114150818	6	Capscrew 5/16 x 1	
8	7950150153	6	Washer 5/16	

# SECTION 1 - SUBFRAME

## FIGURE 1-49. LIGHT BOX AND COVER INSTALLATION



ART\_1001173949



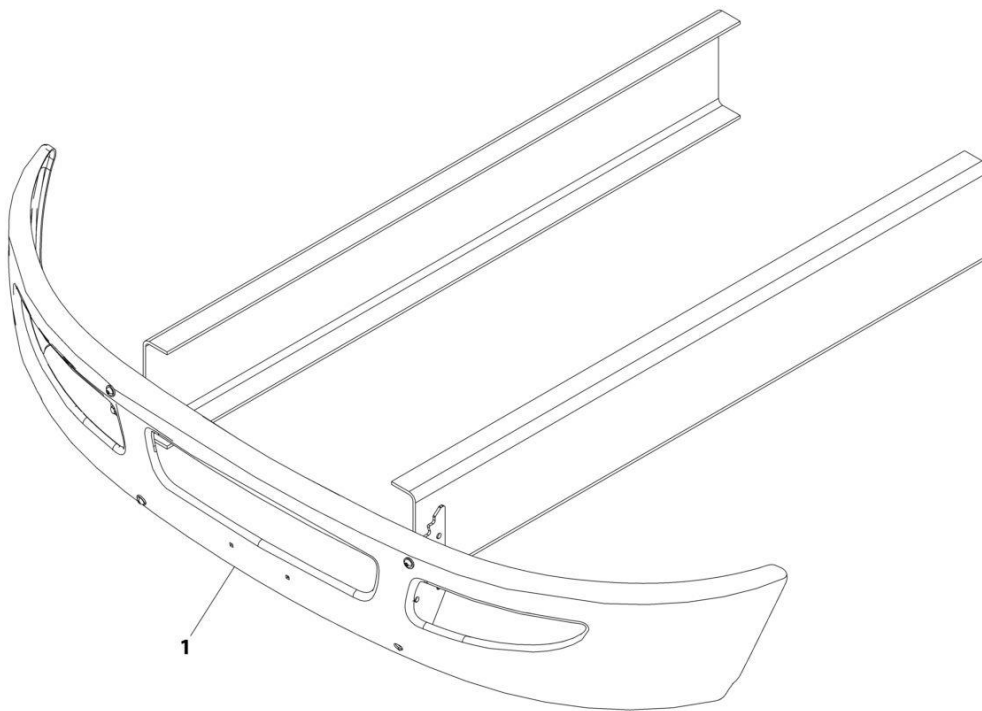
## SECTION 1 - SUBFRAME

**FIGURE 1-49. LIGHT BOX AND COVER INSTALLATION**

ITEM	PART NUMBER	QTY	DESCRIPTION	REV
	1001173949	Ref	LIGHT BOX AND COVER INSTALLATION	B
1	1001188615	1	Cover, Light Box (RH)	
2	7114140529	8	Screw 1/4 x 5/8	
3	7661000042	4	U-Nut 1/4	
4	7949000023	8	Washer	
5	1001173947	1	Bracket, Light Box (LH)	
6	1001173946	1	Bracket, Light Box (RH)	
7	7114150818	8	Screw 3/8 x 1	
8	7950150153	8	Washer 3/8	
9	7660152601	8	Nut 3/8	
10	1001188616	1	Cover, Light Box (LH)	
11	7661000064	4	U-Nut 1/4	

# SECTION 1 - SUBFRAME

FIGURE 1-50. CHASSIS MOUNTING KIT, 2011-2015 FORD F750



ART\_1001134110

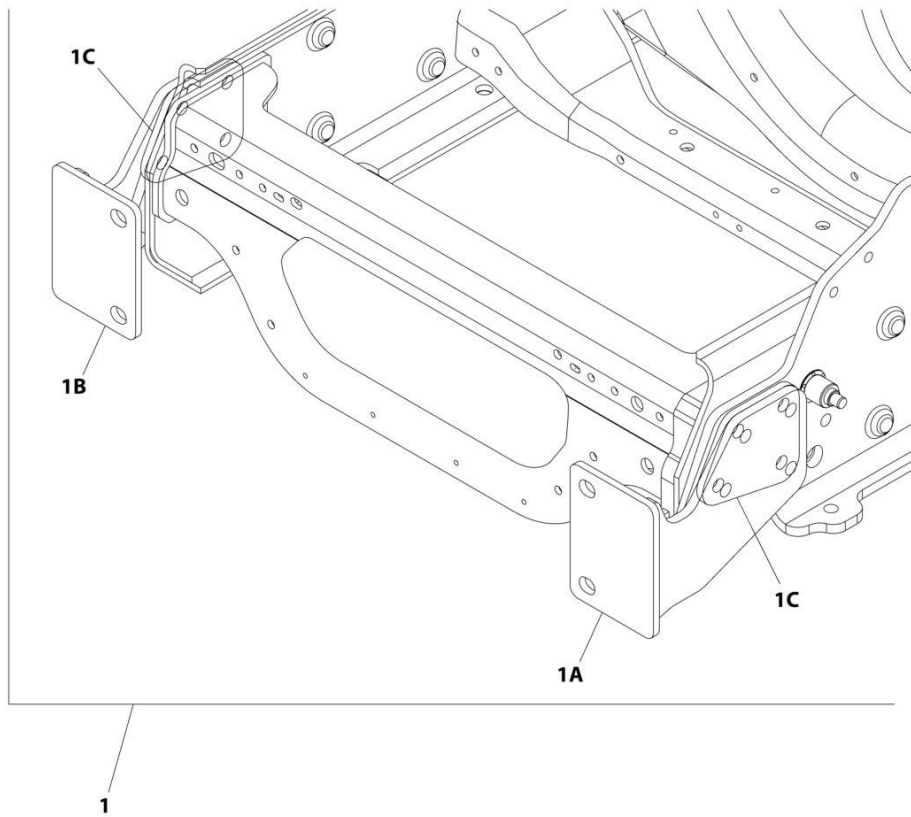
## SECTION 1 - SUBFRAME

**FIGURE 1-50. CHASSIS MOUNTING KIT, 2011-2015 FORD F750**

ITEM	PART NUMBER	QTY	DESCRIPTION	REV
	1001134110	Ref	CHASSIS MOUNTING KIT, 2011-2015 FORD F750	C
1	2190000022	1	Bumper Installation	
1	3190000052	1	Bumper	
1	4706006019	1	Plate (LH)	
1	4706006020	1	Plate (RH)	
1	4812000121	1	Shim (LH)	
1	4812000122	1	Shim (LH)	
1	4812000123	1	Shim (RH)	
1	4812000124	1	Shim (RH)	
2	7577000194	1	Chassis Wiring Connector (Not Shown)	
3	7346000210	1	Flasher F55 #10 (Not Shown)	
5	1001131625	1	Adapter (Not Shown)	

# SECTION 1 - SUBFRAME

FIGURE 1-51. CHASSIS MOUNTING KIT, 2016 + FORD F750



ART\_1001211211

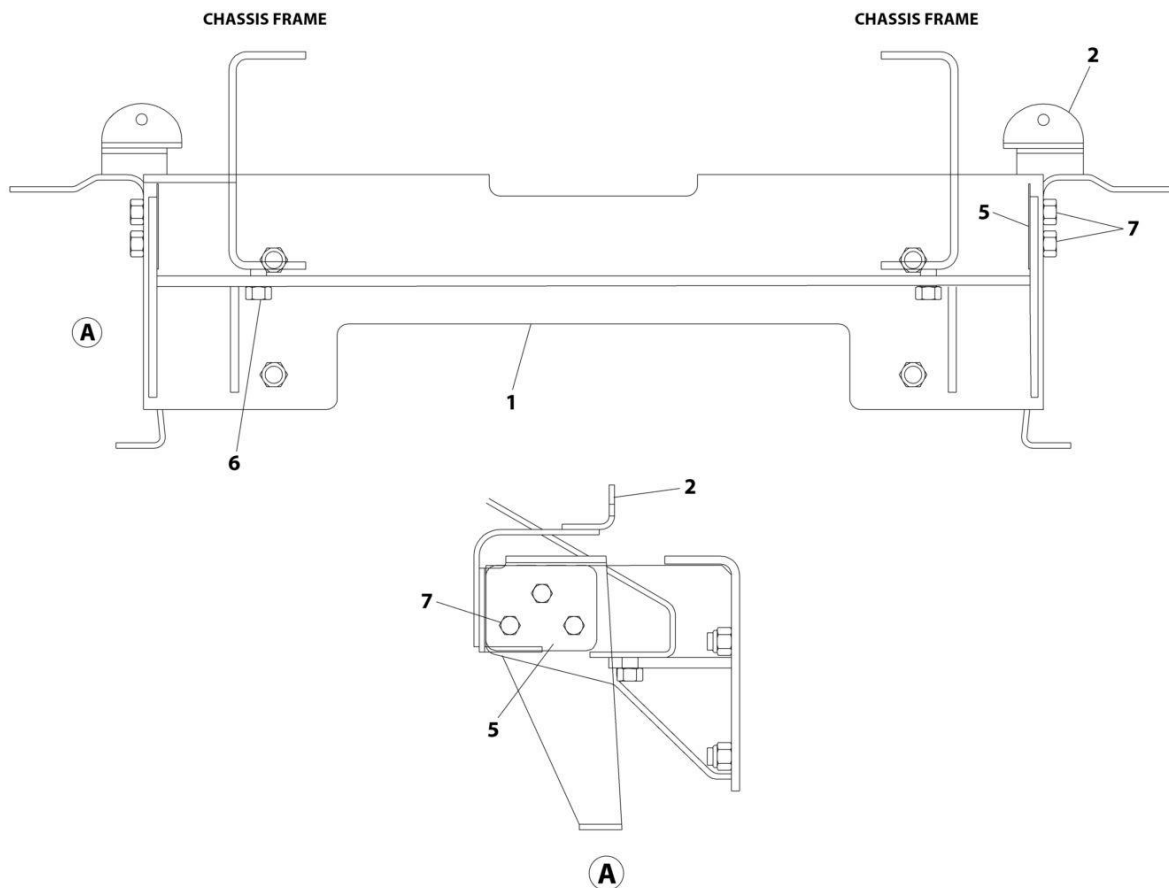
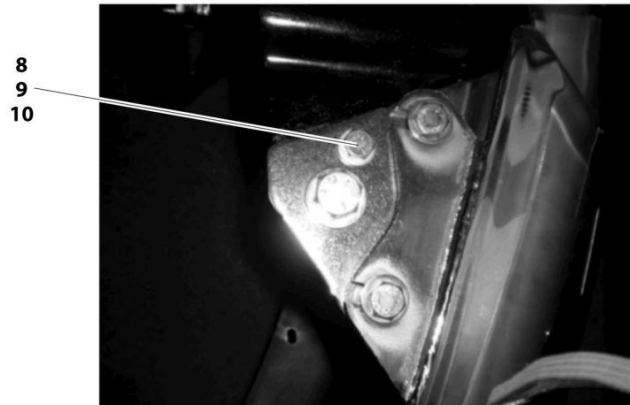
## SECTION 1 - SUBFRAME

**FIGURE 1-51. CHASSIS MOUNTING KIT, 2016 + FORD F750**

ITEM	PART NUMBER	QTY	DESCRIPTION	REV
	1001211211	Ref	CHASSIS MOUNTING KIT, 2016 + FORD F750	A
1	1001211210	1	Front Support Mount Installation	
1A	1001211057	1	Mount, Front Support (LH)	
1B	1001211058	1	Mount, Front Support (RH)	
1C	1001211056	2	Shim	
2	7577000194	1	Connector Chassis Wiring (Not Shown)	
3	1001212287	1	Fitting, Tee (Not Shown)	

# SECTION 1 - SUBFRAME

FIGURE 1-52. CHASSIS MOUNTING KIT - 2011 + FREIGHTLINER



ART\_1001127880

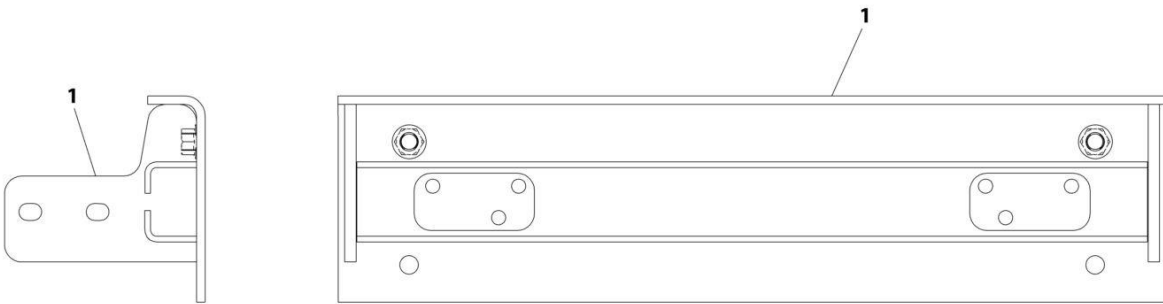
## SECTION 1 - SUBFRAME

**FIGURE 1-52. CHASSIS MOUNTING KIT - 2011 + FREIGHTLINER**

ITEM	PART NUMBER	QTY	DESCRIPTION	REV
	1001127880	Ref	CHASSIS MOUNTING KIT - 2011 + FREIGHTLINER	C
1	1001128625	1	Bumper	
2	1001131093	2	Support	
4	1001131107	1	Bumper (Not Shown)	
5	1001131041	2	Plate	
6	0642016	2	Bolt 5/8 x 2	
7	0641816	6	Bolt 9/16 x 2	
8	0641510	2	Bolt 5/16 x 1-1/4	
9	3271501	2	Nut 5/16 Grade8	
10	4711500	4	Washer 5/16	

# SECTION 1 - SUBFRAME

FIGURE 1-53. CHASSIS MOUNTING KIT - HINO 338



ART\_1001173277



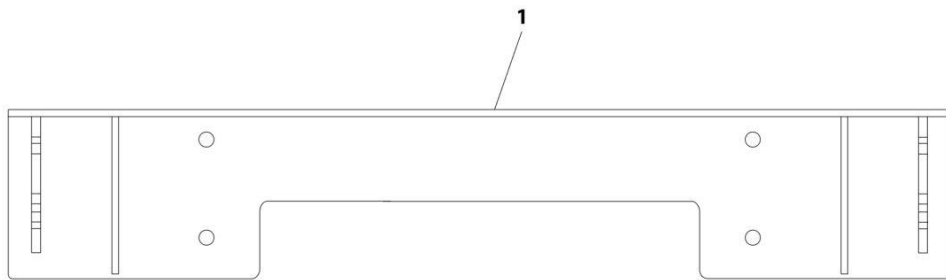
**SECTION 1 - SUBFRAME**

**FIGURE 1-53. CHASSIS MOUNTING KIT - HINO 338**

<b>ITEM</b>	<b>PART NUMBER</b>	<b>QTY</b>	<b>DESCRIPTION</b>	<b>REV</b>
	1001173277	Ref	CHASSIS MOUNTING KIT - HINO 338	B
1	1001173276	1	Bumper	
2	7577000194	1	Connector, Chassis Wiring (Not Shown)	

# SECTION 1 - SUBFRAME

FIGURE 1-54. CHASSIS MOUNTING KIT - 2011-2017 IHC



ART\_1001134109

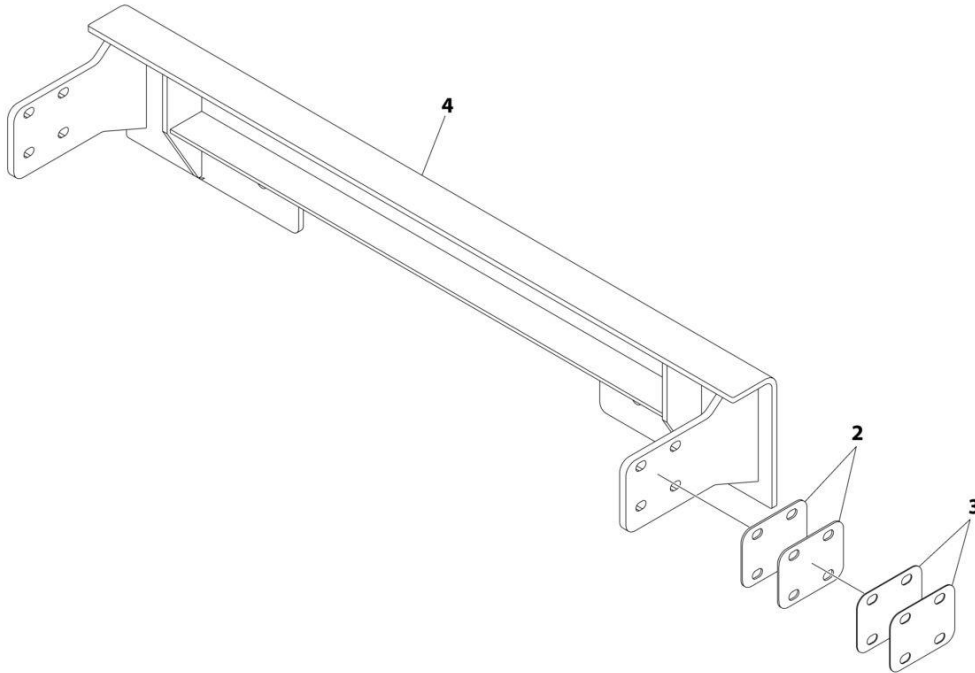
**SECTION 1 - SUBFRAME**

**FIGURE 1-54. CHASSIS MOUNTING KIT - 2011-2017 IHC**

<b>ITEM</b>	<b>PART NUMBER</b>	<b>QTY</b>	<b>DESCRIPTION</b>	<b>REV</b>
	1001134109	Ref	CHASSIS MOUNTING KIT - 2011-2017 IHC	C
1	1001130890	1	Bumper	
3	1001131625	1	Fitting, Straight (Not Shown)	

# SECTION 1 - SUBFRAME

FIGURE 1-55. CHASSIS MOUNTING KIT - 2018 + IHC



ART\_1001270546

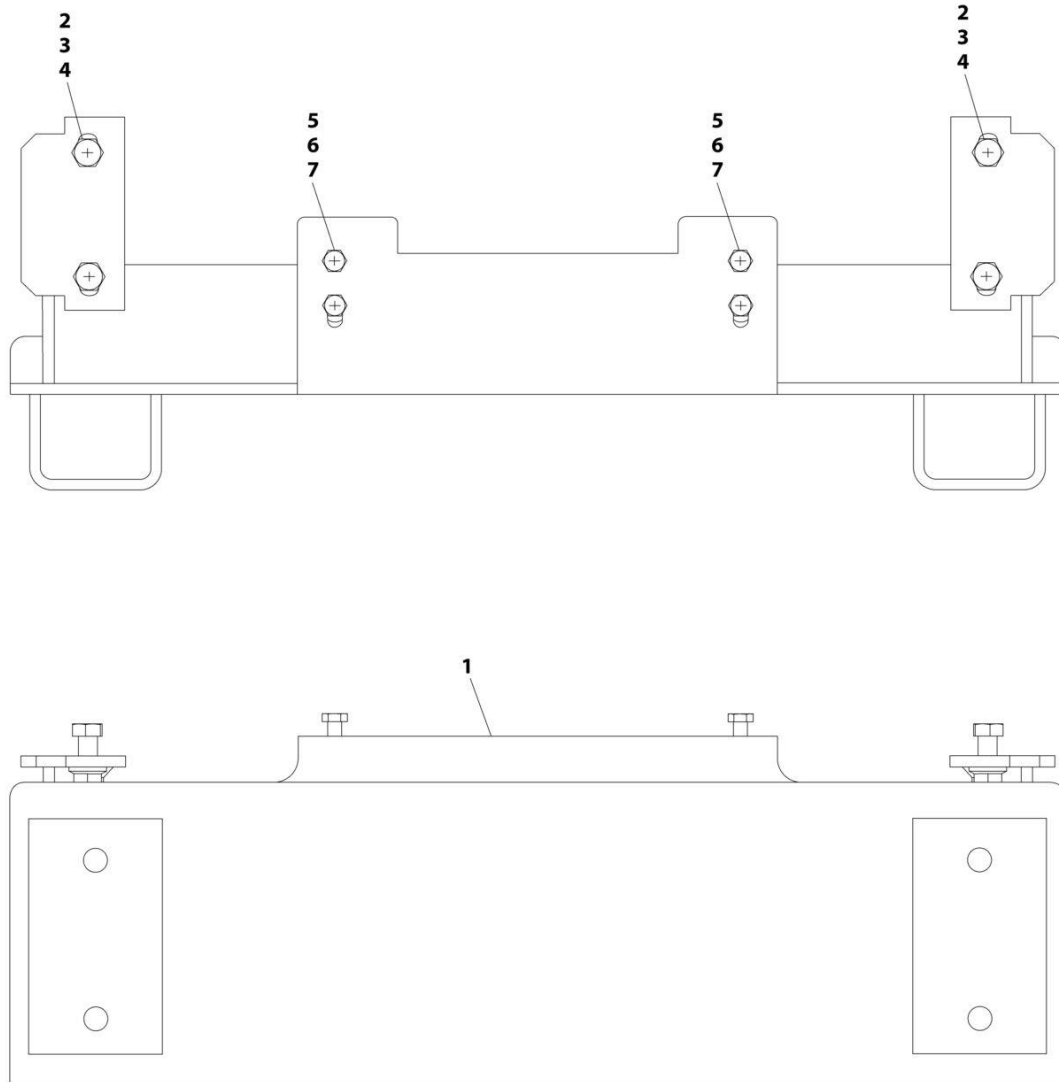
**SECTION 1 - SUBFRAME**

**FIGURE 1-55. CHASSIS MOUNTING KIT - 2018 + IHC**

<b>ITEM</b>	<b>PART NUMBER</b>	<b>QTY</b>	<b>DESCRIPTION</b>	<b>REV</b>
	1001270546	Ref	CHASSIS MOUNTING KIT - 2018 + IHC	A
1	1001131625	1	Fitting, Straight (Not Shown)	
2	1001270542	2	Shim 11GA	
3	1001270543	2	Shim 16GA	
4	1001270545	1	Bumper	

# SECTION 1 - SUBFRAME

FIGURE 1-56. CHASSIS MOUNTING KIT - 2011 + KENWORTH



ART\_1001132256

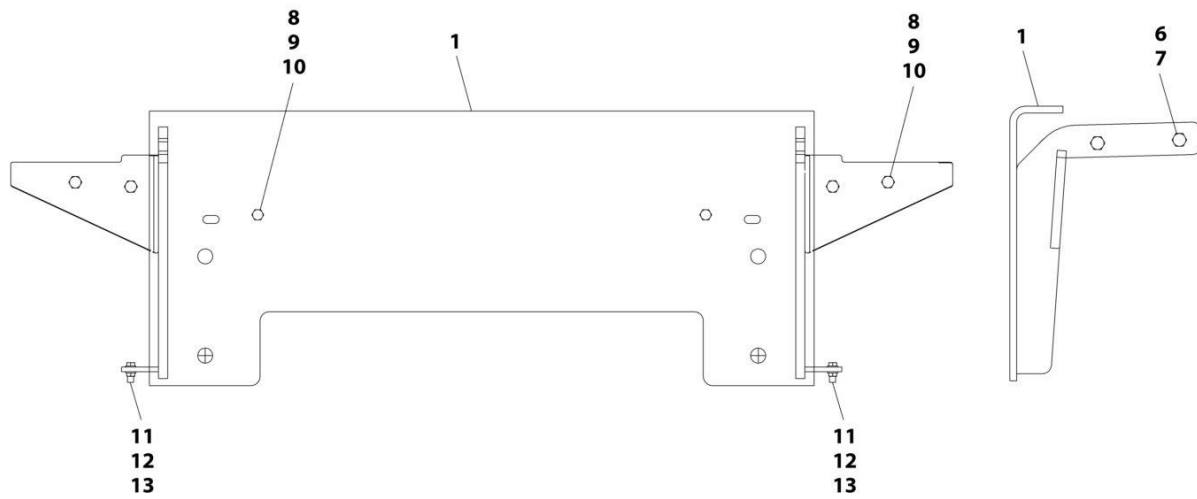
## SECTION 1 - SUBFRAME

**FIGURE 1-56. CHASSIS MOUNTING KIT - 2011 + KENWORTH**

ITEM	PART NUMBER	QTY	DESCRIPTION	REV
	1001132256	Ref	CHASSIS MOUNTING KIT - 2011 + KENWORTH	B
1	1001132279	1	Bumper	
2	0682028	4	Bolt 5/8 x 3-1/2 Grade 8	
3	3272001	4	Nut 5/8 Grade 8	
4	4712000	4	Washer 5/8	
5	0681714	4	Bolt 7/16 x 1-3/4 Grade 8	
6	3271705	4	Nut 7/16 Grade 8	
7	4711700	4	Washer 7/16	
8	3290801	4	Nut M8 (Not Shown)	
9	7577000194	1	Connector, Chassis Wiring (Not Shown)	

# SECTION 1 - SUBFRAME

FIGURE 1-57. CHASSIS MOUNTING KIT - PETERBUILT 330



ART\_219000010



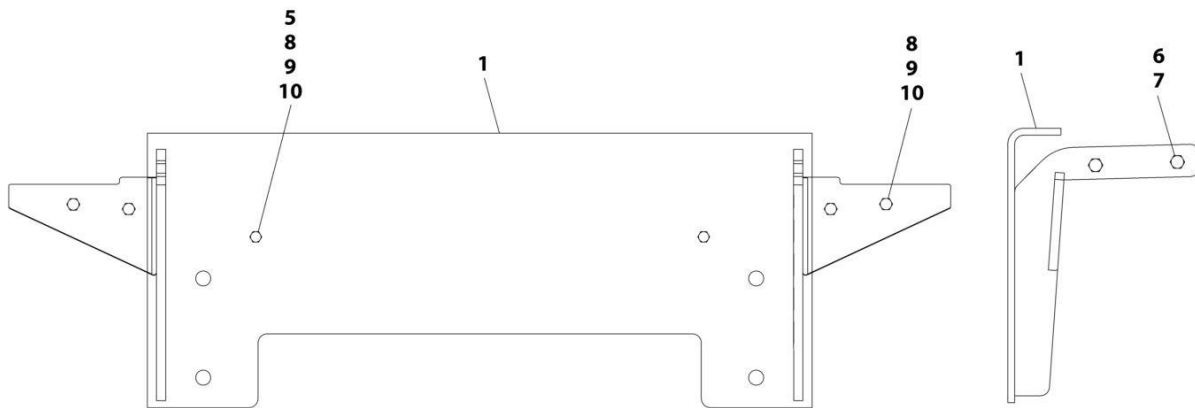
## SECTION 1 - SUBFRAME

### FIGURE 1-57. CHASSIS MOUNTING KIT - PETERBUILT 330

ITEM	PART NUMBER	QTY	DESCRIPTION	REV
	2190000010	Ref	CHASSIS MOUNTING KIT - PETERBUILT 330	A
1	See Note	1	Bumper (Note: Contact Jerr-Dan Parts Dept)	
6	7105201850	4	Bolt 5/8 x 2-1/4	
7	7660202347	4	Nut 5/8	
8	7115181450	6	Bolt 1/2 x 1-3/4	
9	7660182601	6	Nut 1/2	
10	7950180143	10	Washer 1/2	
11	7115161250	2	Bolt 3/8 x 1-1/2	
12	7660162601	2	Nut 3/8	
13	7950160161	4	Washer 3/8	

# SECTION 1 - SUBFRAME

FIGURE 1-58. CHASSIS MOUNTING KIT - PETERBUILT 335



ART\_219000014

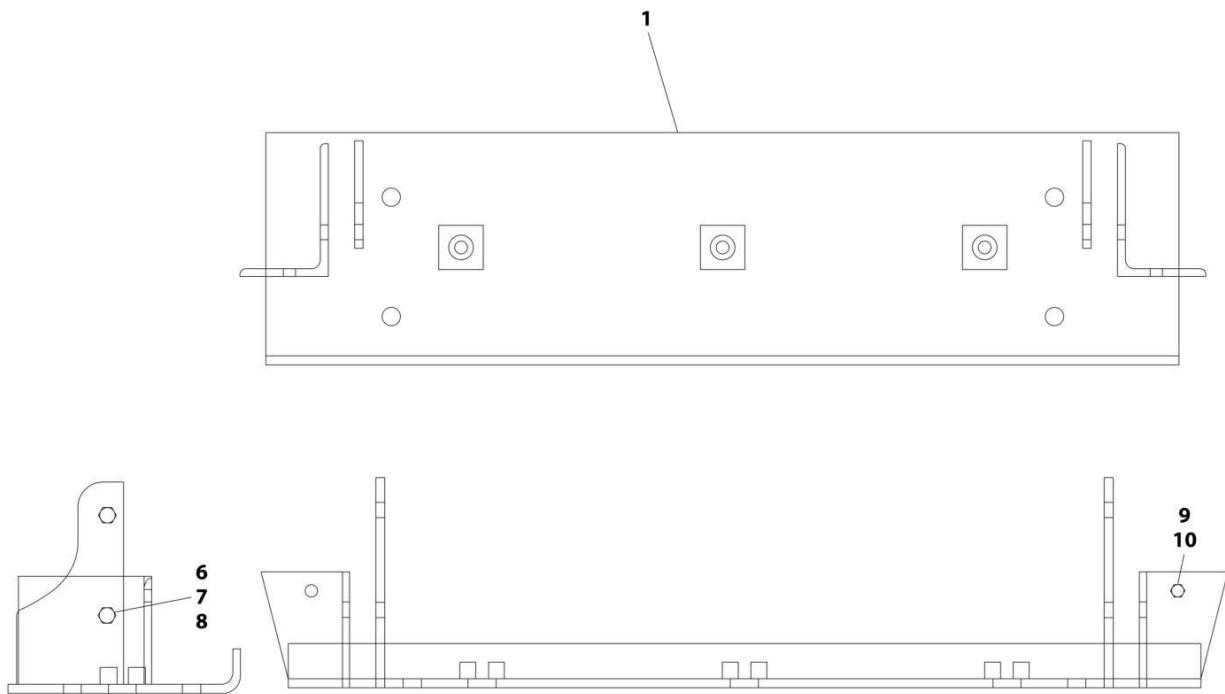
**SECTION 1 - SUBFRAME**

**FIGURE 1-58. CHASSIS MOUNTING KIT - PETERBUILT 335**

<b>ITEM</b>	<b>PART NUMBER</b>	<b>QTY</b>	<b>DESCRIPTION</b>	<b>REV</b>
	2190000014	Ref	CHASSIS MOUNTING KIT - PETERBUILT 335	0
1	See Note	1	Bumper (Note: Contact Jerr-Dan Parts Dept)	
5	4912000399	2	Tube	
6	7105201850	4	Bolt 5/8 x 2-1/4	
7	7660202347	4	Nut 5/8	
8	7115182650	6	Bolt 1/2 x 3-1/4	
9	7660182601	6	Nut 1/2	
10	7950180143	10	Washer 1/2	

# SECTION 1 - SUBFRAME

FIGURE 1-59. CHASSIS MOUNTING KIT - PETERBUILT 337 (2011+)



ART\_1001130833

## SECTION 1 - SUBFRAME

**FIGURE 1-59. CHASSIS MOUNTING KIT - PETERBUILT 337 (2011+)**

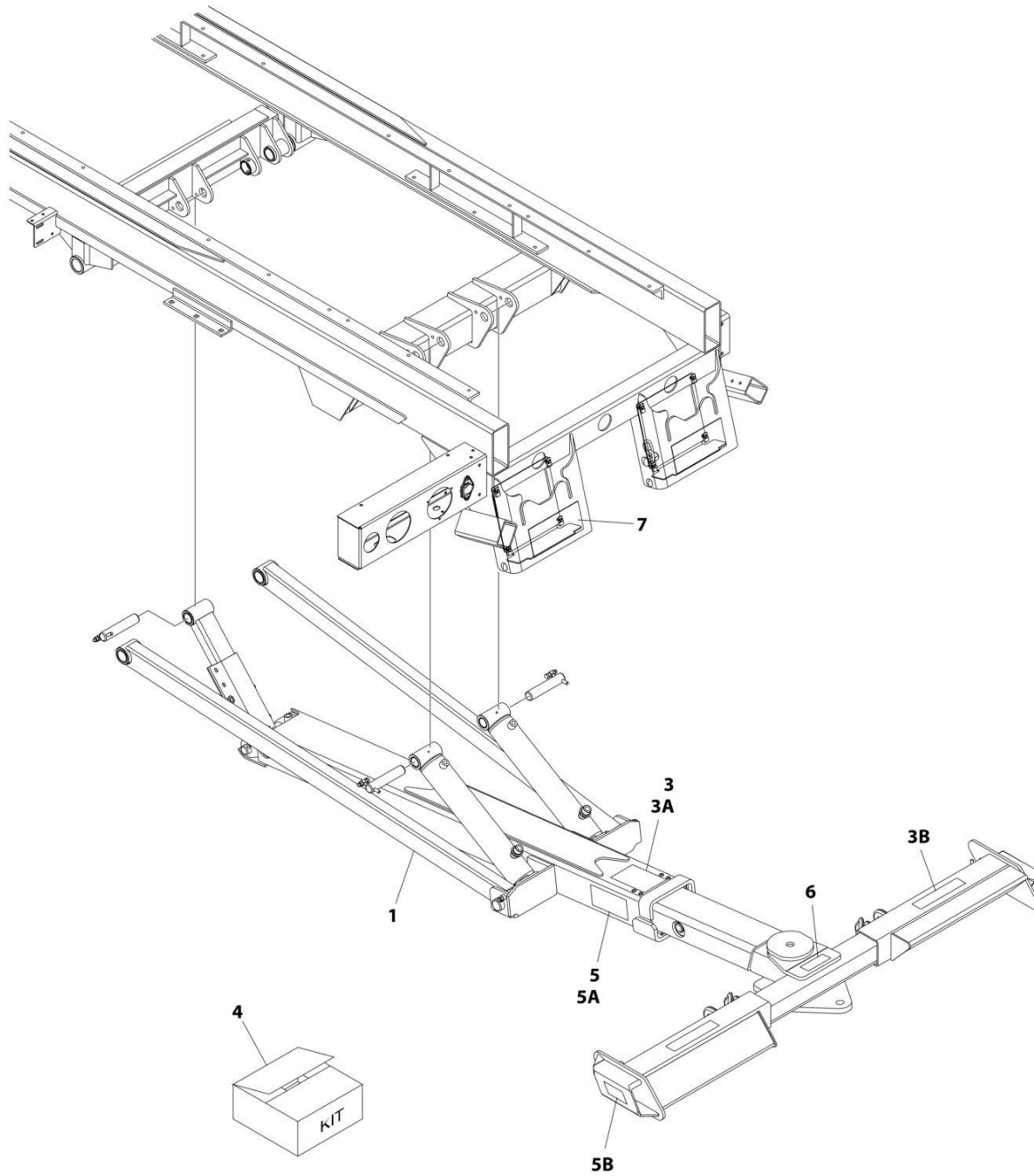
ITEM	PART NUMBER	QTY	DESCRIPTION	REV
	1001130833	Ref	CHASSIS MOUNTING KIT - PETERBUILT 337 (2011+)	D
1	See Note	1	Bumper (Note: Contact Jerr-Dan Parts Dept)	
6	0682022	4	Bolt 5/8 x 2-3/4 Grade 8	
7	3272005	4	Nut 5/8 Grade 8	
8	4712000	4	Washer 5/8	
9	0681816	5	Bolt 9/16 x 2 Grade 8	
10	3271805	5	Nut 9/16 Grade 8	
11	7577000194	1	Connector Chassis Wiring (Not Shown)	



**SECTION 2 - WHEEL LIFT**

# SECTION 2 - WHEEL LIFT

FIGURE 2-1. WHEEL LIFT - COMPLETE (3500 LBS - FIXED ARMS)



ART\_1001158665



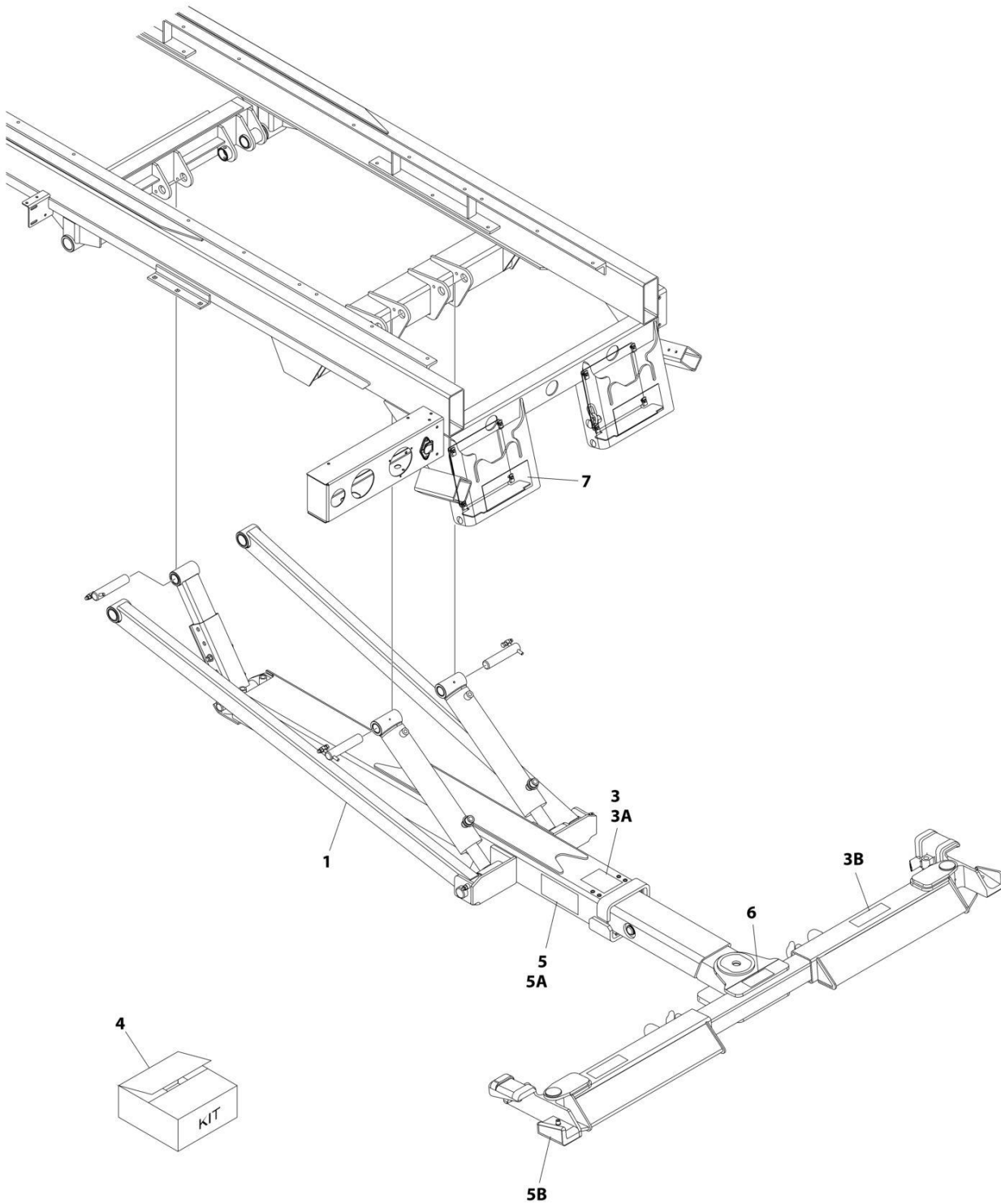
## SECTION 2 - WHEEL LIFT

**FIGURE 2-1. WHEEL LIFT - COMPLETE (3500 LBS - FIXED ARMS)**

ITEM	PART NUMBER	QTY	DESCRIPTION	REV
	1001158665	Ref	Wheel Lift Installation (3500 lbs - Fixed) - Complete	B
1	1001158648	1	Wheel Lift Boom Installation, 3500 lbs (See Separate Breakdown in this Section)	
2	1001136657	1	Hydraulic Installation (Not Shown - See Separate Breakdown in HYDRAULIC Section)	
3	2330000057	Ref	Decal Installation	
3A	7330000684	1	Decal - Safety	
3B	7330000683	2	Decal - Safety	
4	7577000242	1	Tie-Strap and Ratchet Kit (See Separate Breakdown in ACCESSORIES Section)	
5	2330000035	Ref	Wheel Lift Decal Installation	
5A	7330000419	2	Decal - Red Reflective (Boom)	
5B	7330000417	1	Decal - LH Red Reflective (Grid)	
5B	7330000418	1	Decal - RH Red Reflective (Grid)	
6	2330000065	Ref	Tow Hitch Decal Installation	
6	7330000060	1	Decal - Warning, Hitch on Wheel lift	
7	2262000011	1	Chain Box Installation (See Separate Breakdown in SUBFRAME Section)	

# SECTION 2 - WHEEL LIFT

FIGURE 2-2. WHEEL LIFT - COMPLETE (3500 LBS - T37 PIVOTING ARMS)



ART\_1001158667

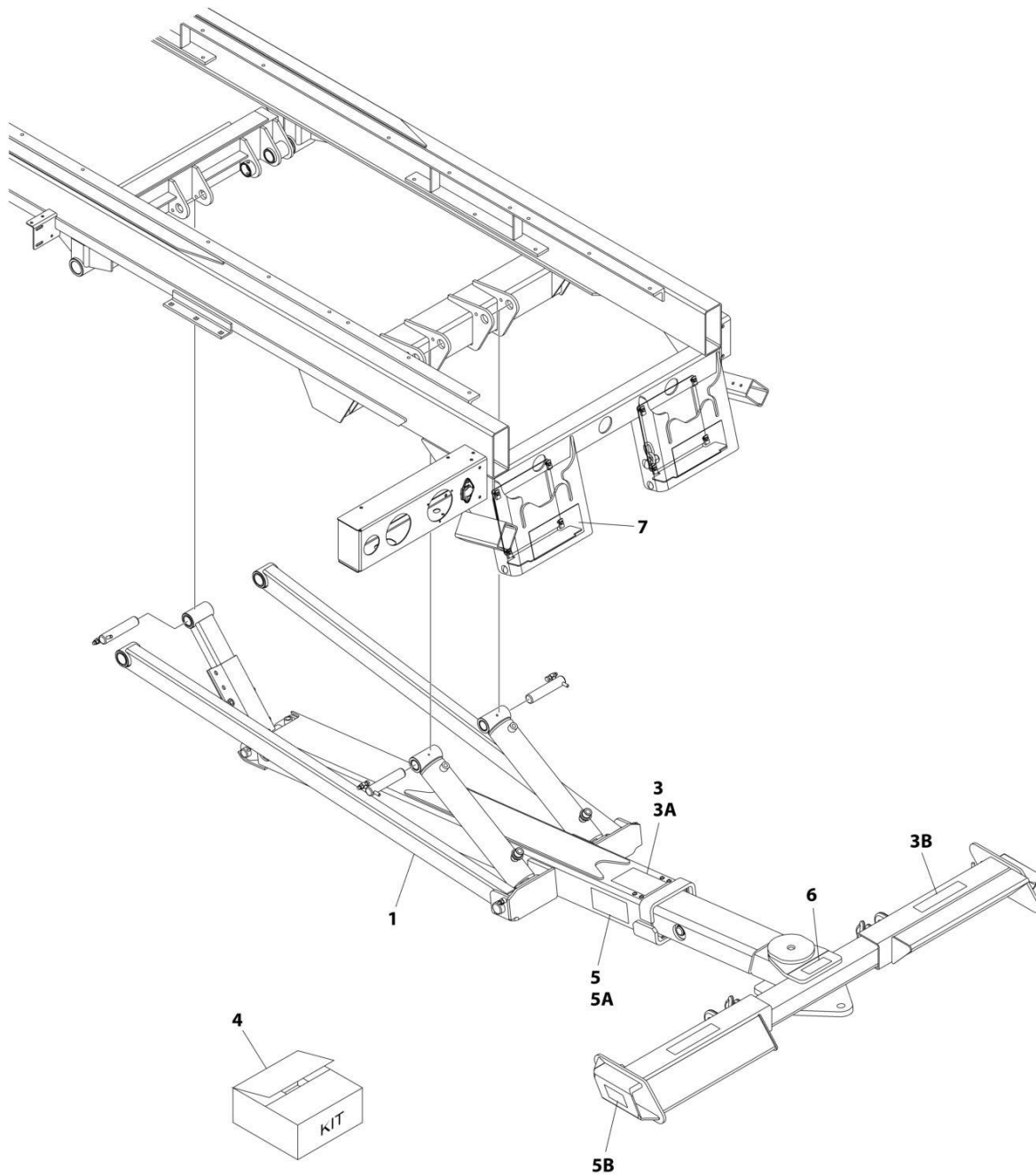
## SECTION 2 - WHEEL LIFT

**FIGURE 2-2. WHEEL LIFT - COMPLETE (3500 LBS - T37 PIVOTING ARMS)**

ITEM	PART NUMBER	QTY	DESCRIPTION	REV
	1001158667	Ref	Wheel Lift Installation (3500 lbs - T37) - Complete	A
1	1001158648	1	Wheel Lift Boom Installation (See Separate Breakdown in this Section)	
2	1001136657	1	Hydraulic Installation (Not Shown - See Separate Breakdown in HYDRAULIC Section)	
3	2330000057	Ref	Decal Installation	
3A	7330000684	1	Decal - Safety	
3B	7330000683	2	Decal - Safety	
4	7577000242	1	Tie-Strap and Ratchet Kit (See Separate Breakdown in ACCESSORIES Section)	
5	2330000036	Ref	Wheel Lift Decal Installation, T37	
5A	7330000419	2	Decal - Red Reflective (Boom)	
5B	7330000420	1	Decal - LH Red Reflective (T37 Grid)	
5B	7330000432	1	Decal - RH Red Reflective (T37 Grid)	
6	2330000065	Ref	Tow Hitch Decal Installation	
6	7330000060	1	Decal - Warning, Hitch on Wheel lift	
7	2262000011	1	Chain Box Installation (See Separate Breakdown in SUBFRAME Section)	

## SECTION 2 - WHEEL LIFT

FIGURE 2-3. WHEEL LIFT - COMPLETE (3500 LBS - FIXED ARMS) (GALVANIZED)



ART\_1001158666

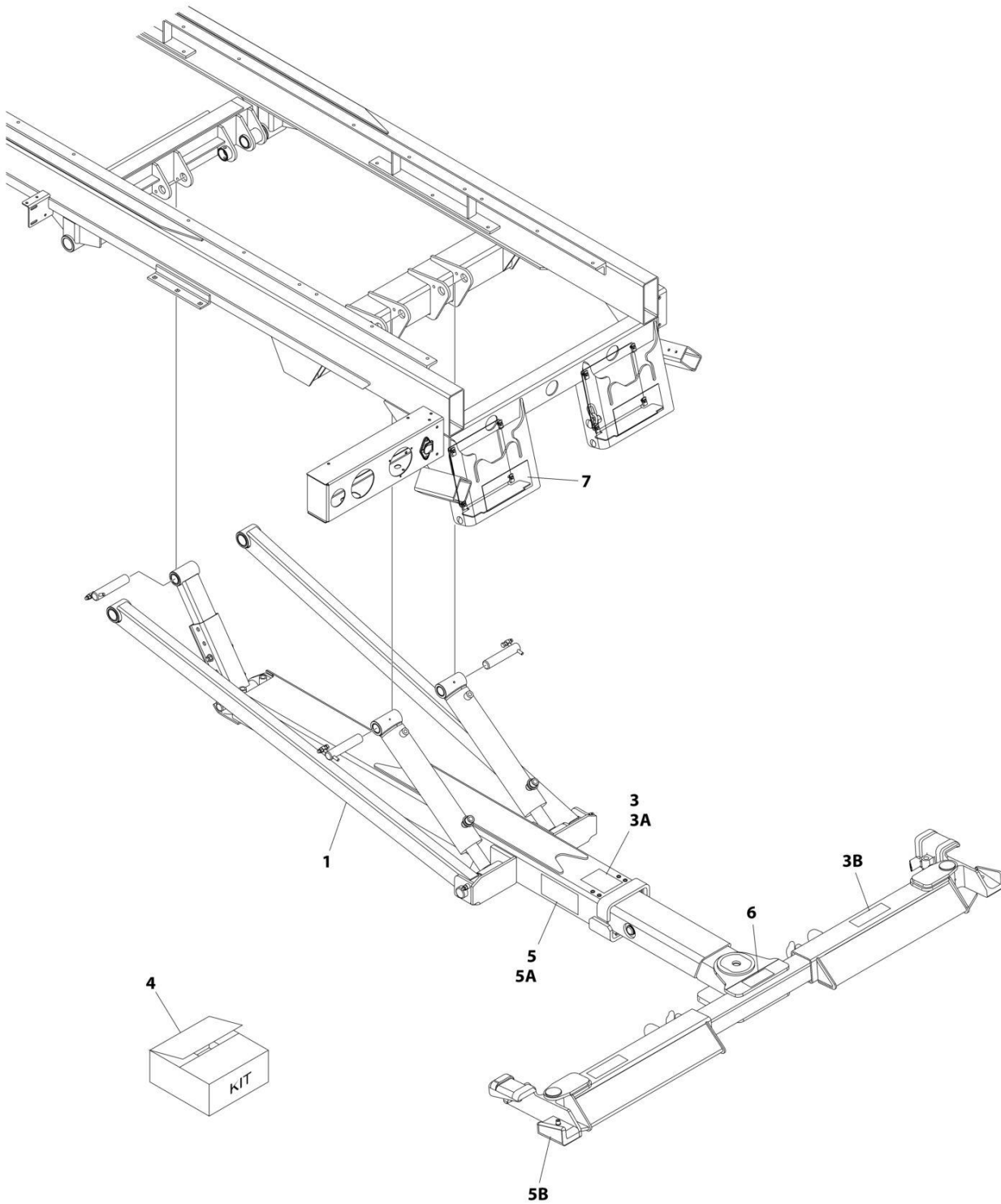
## SECTION 2 - WHEEL LIFT

**FIGURE 2-3. WHEEL LIFT - COMPLETE (3500 LBS - FIXED ARMS) (GALVANIZED)**

ITEM	PART NUMBER	QTY	DESCRIPTION	REV
	1001158666	Ref	Wheel Lift Installation - 3500 lbs Galvanized	B
1	1001158649	1	Wheel Lift Boom Installation - 3500 lbs Galvanized (See Separate Breakdown in this Section)	
2	1001136657	1	Hydraulic Installation (Not Shown - See Separate Breakdown in HYDRAULIC Section)	
3	2330000057	Ref	Decal Installation	
3A	7330000684	1	Decal - Safety	
3B	7330000683	2	Decal - Safety	
4	7577000242	1	Tie-Strap and Ratchet Kit (See Separate Breakdown in ACCESSORIES Section)	
5	2330000035	Ref	Wheel Lift Decal Installation	
5A	7330000419	2	Decal - Red Reflective (Boom)	
5B	7330000417	1	Decal - LH Red Reflective (Grid)	
5B	7330000418	1	Decal - RH Red Reflective (Grid)	
6	2330000065	Ref	Tow Hitch Decal Installation	
6	7330000060	1	Decal - Warning, Hitch on Wheel lift	
7	2262000011	1	Chain Box Installation (See Separate Breakdown in SUBFRAME Section)	

## SECTION 2 - WHEEL LIFT

FIGURE 2-4. WHEEL LIFT - COMPLETE (3500 LBS - T37 PIVOTING ARMS) (GALVANIZED)



ART\_1001158668

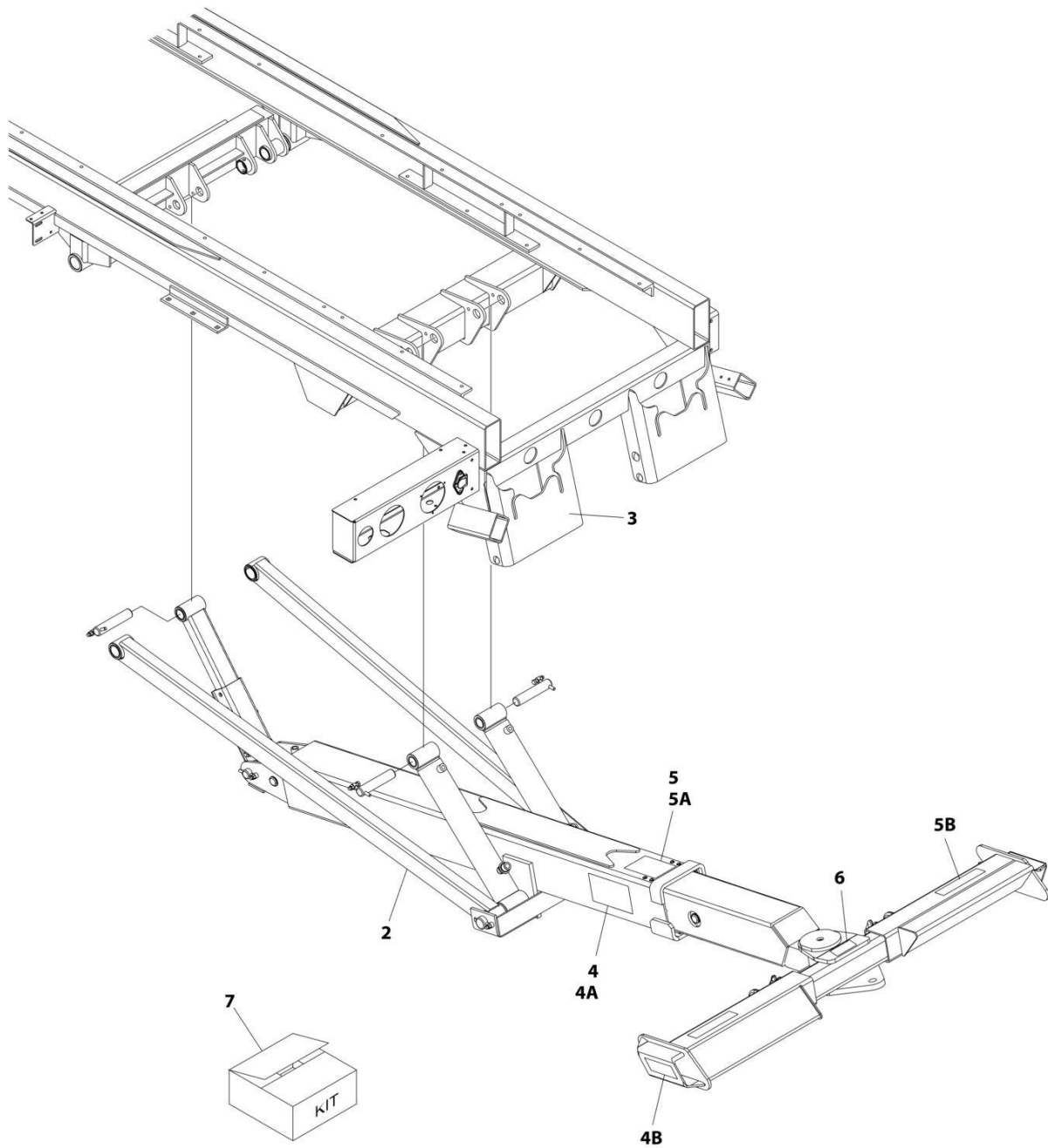
## SECTION 2 - WHEEL LIFT

**FIGURE 2-4. WHEEL LIFT - COMPLETE (3500 LBS - T37 PIVOTING ARMS) (GALVANIZED)**

ITEM	PART NUMBER	QTY	DESCRIPTION	REV
	1001158668	Ref	Wheel Lift Installation (3500 lbs - T37) Galvanized - Complete	B
1	1001158649	1	Wheel Lift Boom Installation - 3500 lbs Galvanized (See Separate Breakdown in this Section)	
2	1001136657	1	Hydraulic Installation (Not Shown - See Separate Breakdown in HYDRAULIC Section)	
3	2330000057	Ref	Decal Installation	
3A	7330000684	1	Decal - Safety	
3B	7330000683	2	Decal - Safety	
4	7577000242	1	Tie-Strap and Ratchet Kit (See Separate Breakdown in ACCESSORIES Section)	
5	2330000036	Ref	Wheel Lift Decal Installation, T37	
5A	7330000419	2	Decal - Red Reflective (Boom)	
5B	7330000420	1	Decal - LH Red Reflective (T37 Grid)	
5B	7330000432	1	Decal - RH Red Reflective (T37 Grid)	
6	2330000065	Ref	Tow Hitch Decal Installation	
6	7330000060	1	Decal - Warning, Hitch on Wheel lift	
7	2262000011	1	Chain Box Installation (See Separate Breakdown in SUBFRAME Section)	

## SECTION 2 - WHEEL LIFT

FIGURE 2-5. WHEEL LIFT - COMPLETE (4000 LBS - FIXED ARMS)



ART\_1001158861



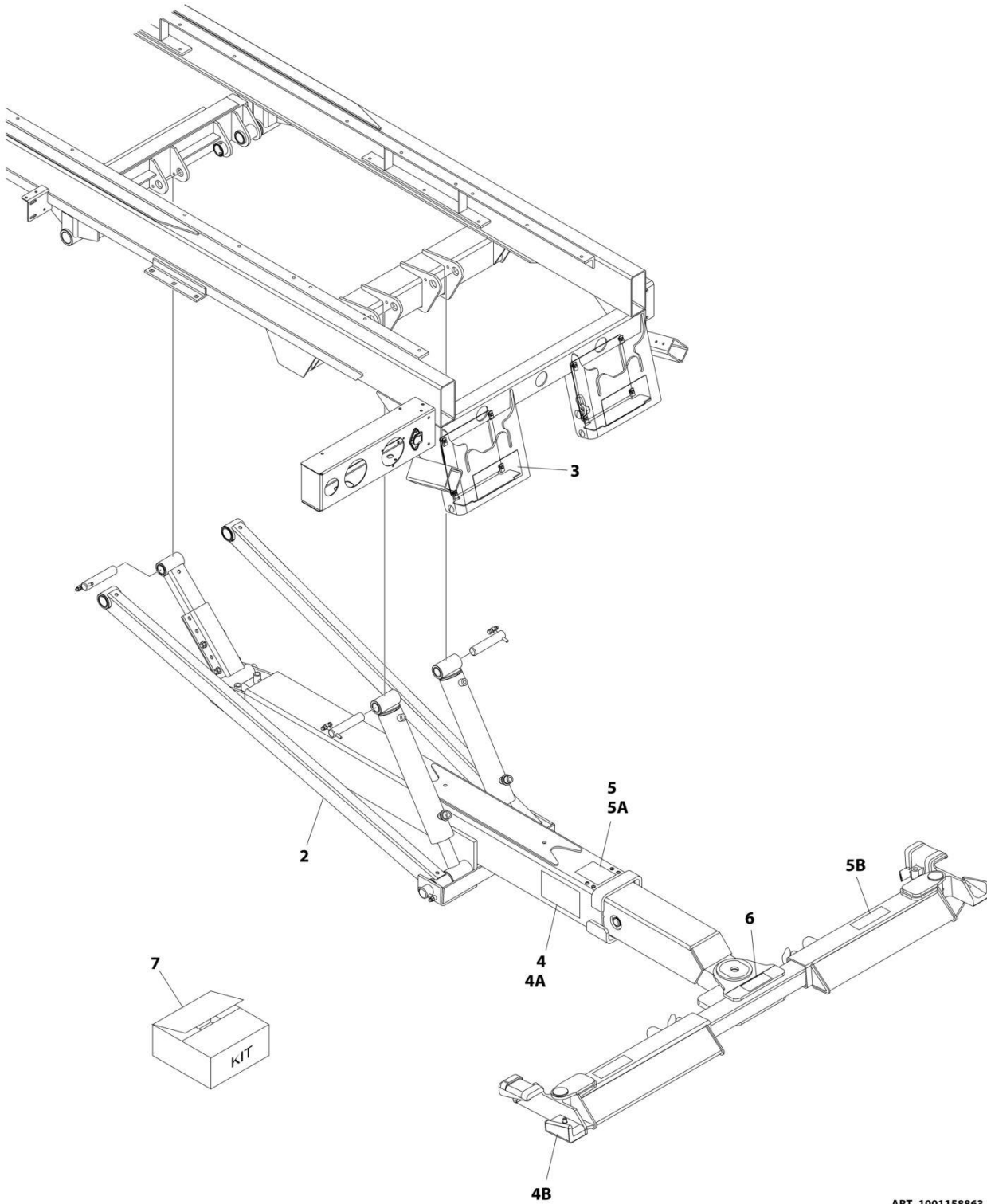
## SECTION 2 - WHEEL LIFT

**FIGURE 2-5. WHEEL LIFT - COMPLETE (4000 LBS - FIXED ARMS)**

ITEM	PART NUMBER	QTY	DESCRIPTION	REV
	1001158861	Ref	Wheel Lift Installation (4000 lbs - Fixed) - Complete	A
1	1001130062	1	Hydraulic Installation (Not Shown - See Separate Breakdown in HYDRAULIC Section)	
2	1001158873	1	Wheel Lift Boom Installation, 4000 lbs (See Separate Breakdown in this Section)	
3	2262000011	1	Chain Box Installation (See Separate Breakdown in SUBFRAME Section)	
4	2330000035	Ref	Wheel Lift Decal Installation	
4A	7330000419	2	Decal - Red Reflective (Boom)	
4B	7330000417	1	Decal - LH Red Reflective (Grid)	
4B	7330000418	1	Decal - RH Red Reflective (Grid)	
5	2330000057	Ref	Decal Installation	
5A	7330000684	1	Decal - Safety	
5B	7330000683	2	Decal - Safety	
6	2330000065	Ref	Tow Hitch Decal Installation	
6	7330000060	1	Decal - Warning, Hitch on Wheel lift	
7	7577000242	1	Tie-Strap and Ratchet Kit (See Separate Breakdown in ACCESSORIES Section)	

## SECTION 2 - WHEEL LIFT

FIGURE 2-6. WHEEL LIFT - COMPLETE (4000 LBS - T37 PIVOTING ARMS)



ART\_1001158863

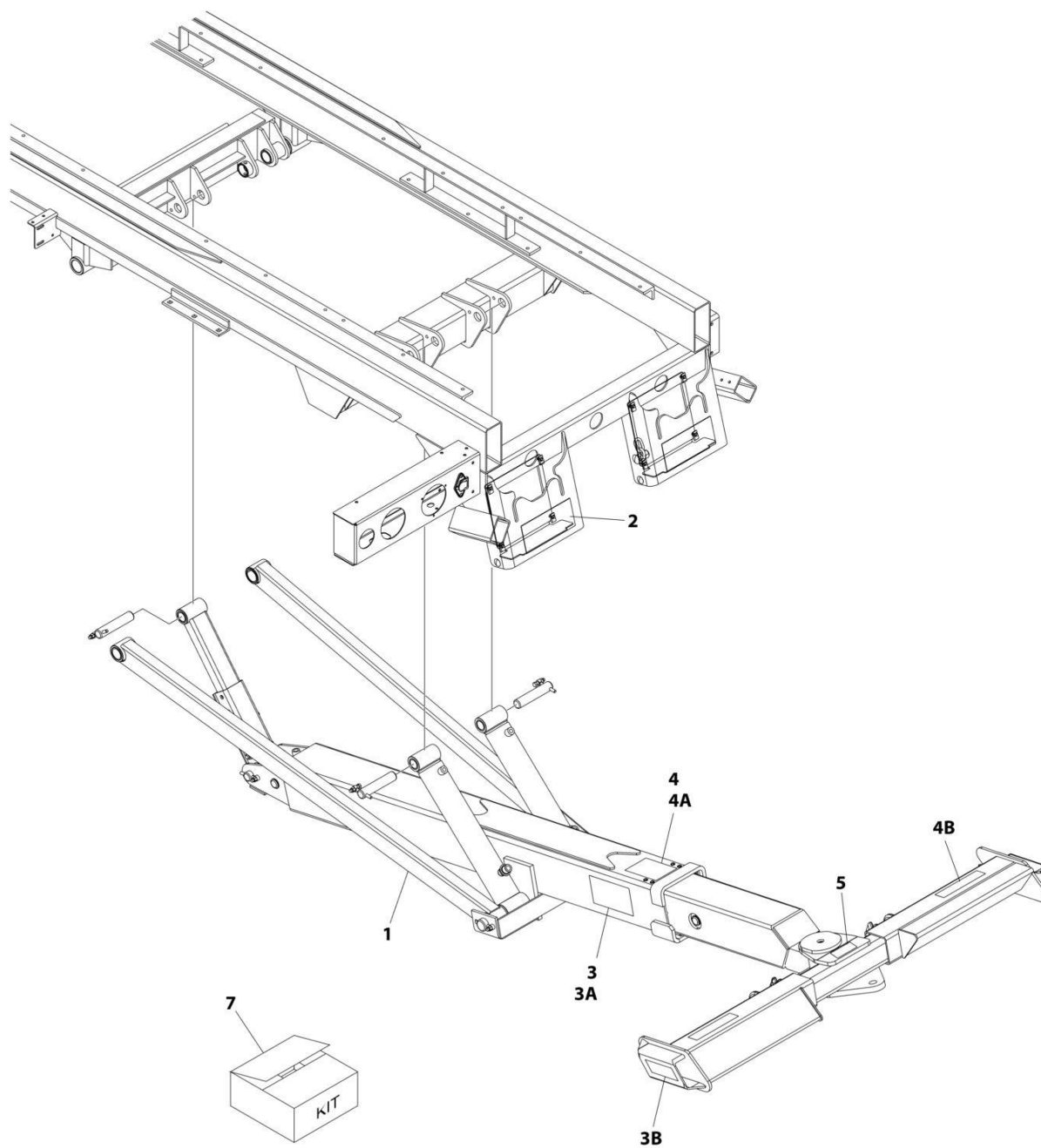
## SECTION 2 - WHEEL LIFT

**FIGURE 2-6. WHEEL LIFT - COMPLETE (4000 LBS - T37 PIVOTING ARMS)**

ITEM	PART NUMBER	QTY	DESCRIPTION	REV
	1001158863	Ref	Wheel Lift Installation (4000 lbs - T37) - Complete	A
1	1001130062	1	Hydraulic Installation (Not Shown - See Separate Breakdown in HYDRAULIC Section)	
2	1001158873	1	Wheel Lift Boom Installation, 4000 lbs (See Separate Breakdown in this Section)	
3	2262000011	1	Chain Box Installation (See Separate Breakdown in SUBFRAME Section)	
4	2330000036	Ref	Wheel Lift Decal Installation, T37	
4A	7330000419	2	Decal - Red Reflective (Boom)	
4B	7330000420	1	Decal - LH Red Reflective (T37 Grid)	
4B	7330000432	1	Decal - RH Red Reflective (T37 Grid)	
5	2330000057	Ref	Decal Installation	
5A	7330000684	1	Decal - Safety	
5B	7330000683	2	Decal - Safety	
6	2330000065	Ref	Tow Hitch Decal Installation	
6	7330000060	1	Decal - Warning, Hitch on Wheel lift	
7	7577000242	1	Tie-Strap and Ratchet Kit (See Separate Breakdown in ACCESSORIES Section)	

## SECTION 2 - WHEEL LIFT

FIGURE 2-7. WHEEL LIFT - COMPLETE (4000 LBS WITH FIXED ARMS) (GALVANIZED)



ART\_1001158862

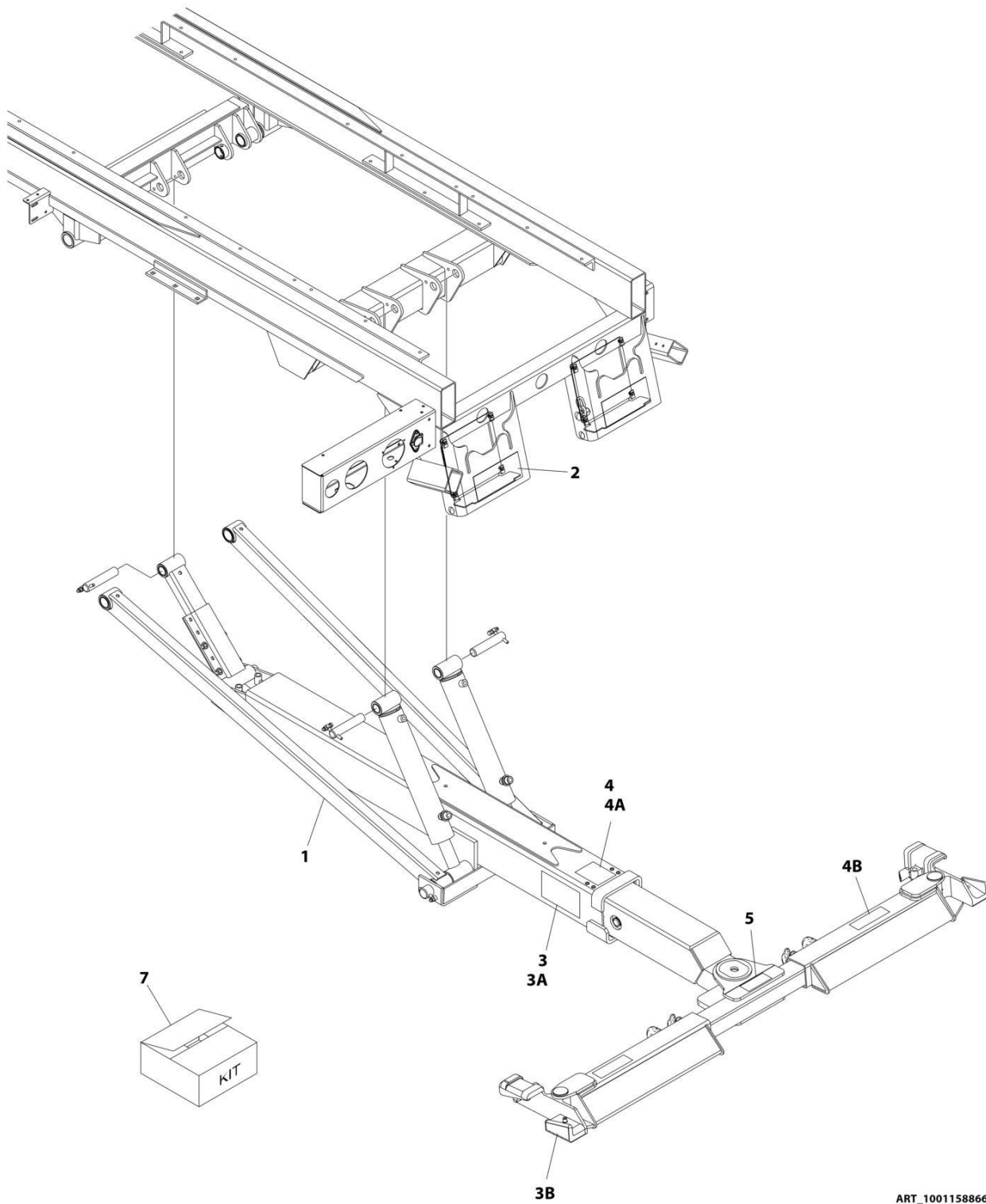
## SECTION 2 - WHEEL LIFT

**FIGURE 2-7. WHEEL LIFT - COMPLETE (4000 LBS WITH FIXED ARMS) (GALVANIZED)**

ITEM	PART NUMBER	QTY	DESCRIPTION	REV
	1001158862	Ref	Wheel Lift Installation (4000 lbs - Fixed) Galvanized - Complete	B
1	1001158874	1	Wheel Lift Boom Installation, Galvanized, 4000 lbs (See Separate Breakdown in this Section)	
2	2262000011	1	Chain Box Installation (See Separate Breakdown in SUBFRAME Section)	
3	2330000035	Ref	Wheel Lift Decal Installation	
3A	7330000419	2	Decal - Red Reflective (Boom)	
3B	7330000417	1	Decal - LH Red Reflective (Grid)	
3B	7330000418	1	Decal - RH Red Reflective (Grid)	
4	2330000057	Ref	Decal Installation	
4A	7330000684	1	Decal - Safety	
4B	7330000683	2	Decal - Safety	
5	2330000065	Ref	Tow Hitch Decal Installation	
5	7330000060	1	Decal - Warning, Hitch on Wheel lift	
6	1001130062	1	Hydraulic Installation (Not Shown - See Separate Breakdown in HYDRAULIC Section)	
7	7577000242	1	Tie-Strap and Ratchet Kit (See Separate Breakdown in ACCESSORIES Section)	

## SECTION 2 - WHEEL LIFT

FIGURE 2-8. WHEEL LIFT - COMPLETE (4000 LBS - T37 PIVOTING ARMS) (GALVANIZED)



ART\_1001158866

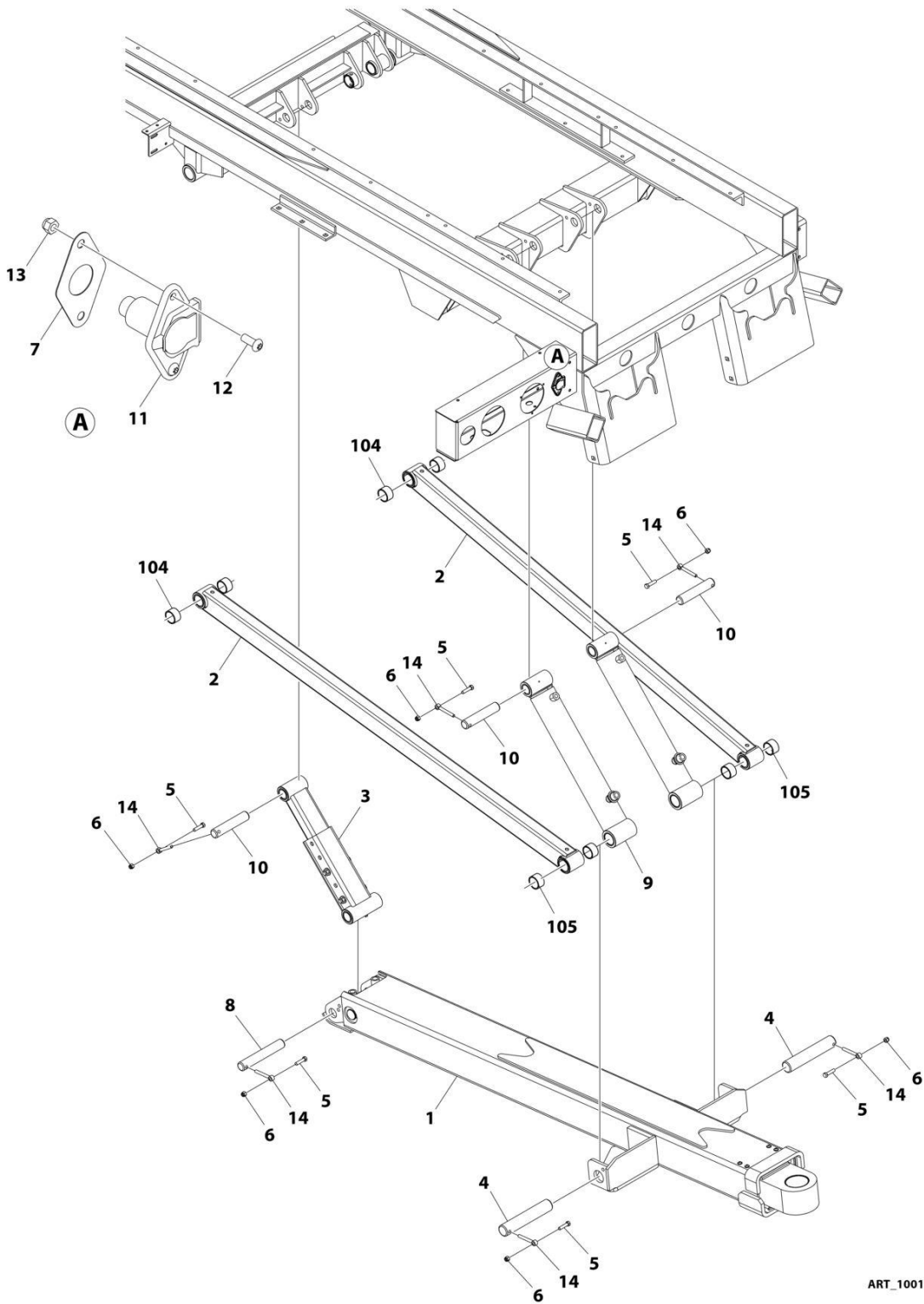
## SECTION 2 - WHEEL LIFT

**FIGURE 2-8. WHEEL LIFT - COMPLETE (4000 LBS - T37 PIVOTING ARMS) (GALVANIZED)**

ITEM	PART NUMBER	QTY	DESCRIPTION	REV
1	1001158866	Ref	Wheel Lift Installation (4000 lbs - T37) Galvanized - Complete	B
	1001158874	1	Wheel Lift Boom Installation, Galvanized (See Separate Breakdown in this Section)	
2	2262000011	1	Chain Box Installation (See Separate Breakdown in SUBFRAME Section)	
3	2330000036	Ref	Wheel Lift Decal Installation, T37	
3A	7330000419	2	Decal - Red Reflective (Boom)	
3B	7330000420	1	Decal - LH Red Reflective (T37 Grid)	
3B	7330000432	1	Decal - RH Red Reflective (T37 Grid)	
4	2330000057	Ref	Decal Installation	
4A	7330000684	1	Decal - Safety	
4B	7330000683	2	Decal - Safety	
5	2330000065	Ref	Tow Hitch Decal Installation	
5	7330000060	1	Decal - Warning, Hitch on Wheel lift	
6	1001130062	1	Hydraulic Installation (Not Shown - See Separate Breakdown in HYDRAULIC Section)	
7	7577000242	1	Tie-Strap and Ratchet Kit (See Separate Breakdown in ACCESSORIES Section)	

# SECTION 2 - WHEEL LIFT

## FIGURE 2-9. WHEEL LIFT BOOM INSTALLATION (3500 LBS)



ART\_1001158648



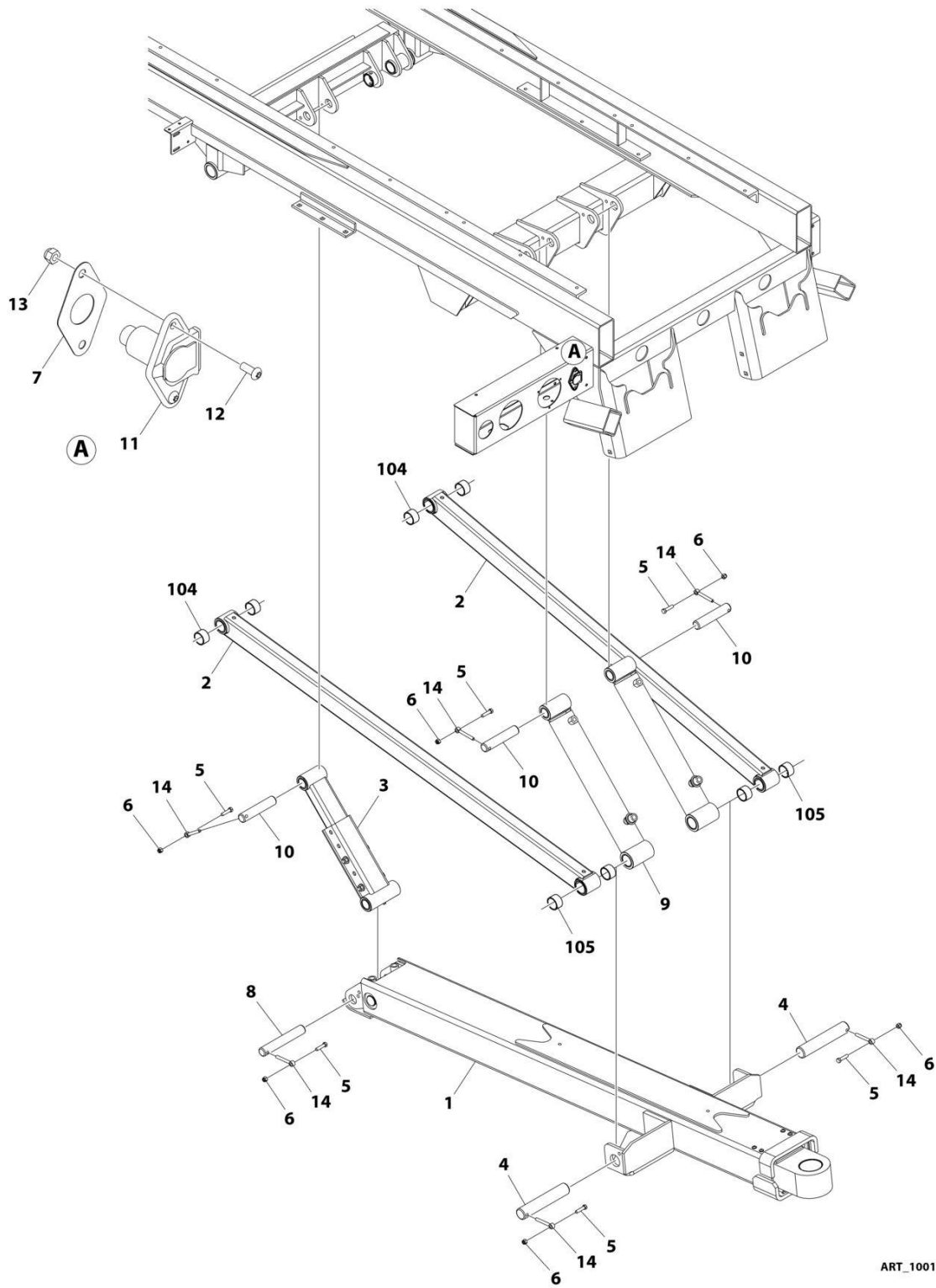
## SECTION 2 - WHEEL LIFT

**FIGURE 2-9. WHEEL LIFT BOOM INSTALLATION (3500 LBS)**

ITEM	PART NUMBER	QTY	DESCRIPTION	REV
	1001158648	Ref	Wheel Lift Boom Installation, 3500 lbs	B
1	1001158635	1	Boom Assembly (See Separate Breakdown in this Section)	
2	3020000102	2	Arm Weldment	
3	3592000040	1	Link Assembly (See Separate Breakdown in this Section)	
4	1001188132	2	Pin	
5	0641612	6	Capscrew 3/8 x 1-1/2	
6	3300492	6	Nut 3/8	
7	7796000048	1	Gasket	
8	1001188133	1	Pin	
9	1001166857	2	Wheel Lift Cylinder Assembly (See Separate Breakdown in CYLINDER Section)	
10	1001188129	3	Pin	
11	7291000010	1	Female Receptacle with Connector	
12	7114140528	2	Screw 1/4 x 5/8	
13	7660142601	2	Nut 1/4	
14	3841143	6	Keeper, Shaft	
104	7082000017	4	Bearing	
105	7082000018	4	Bearing	

# SECTION 2 - WHEEL LIFT

## FIGURE 2-10. WHEEL LIFT BOOM INSTALLATION (3500 LBS GALVANIZED)



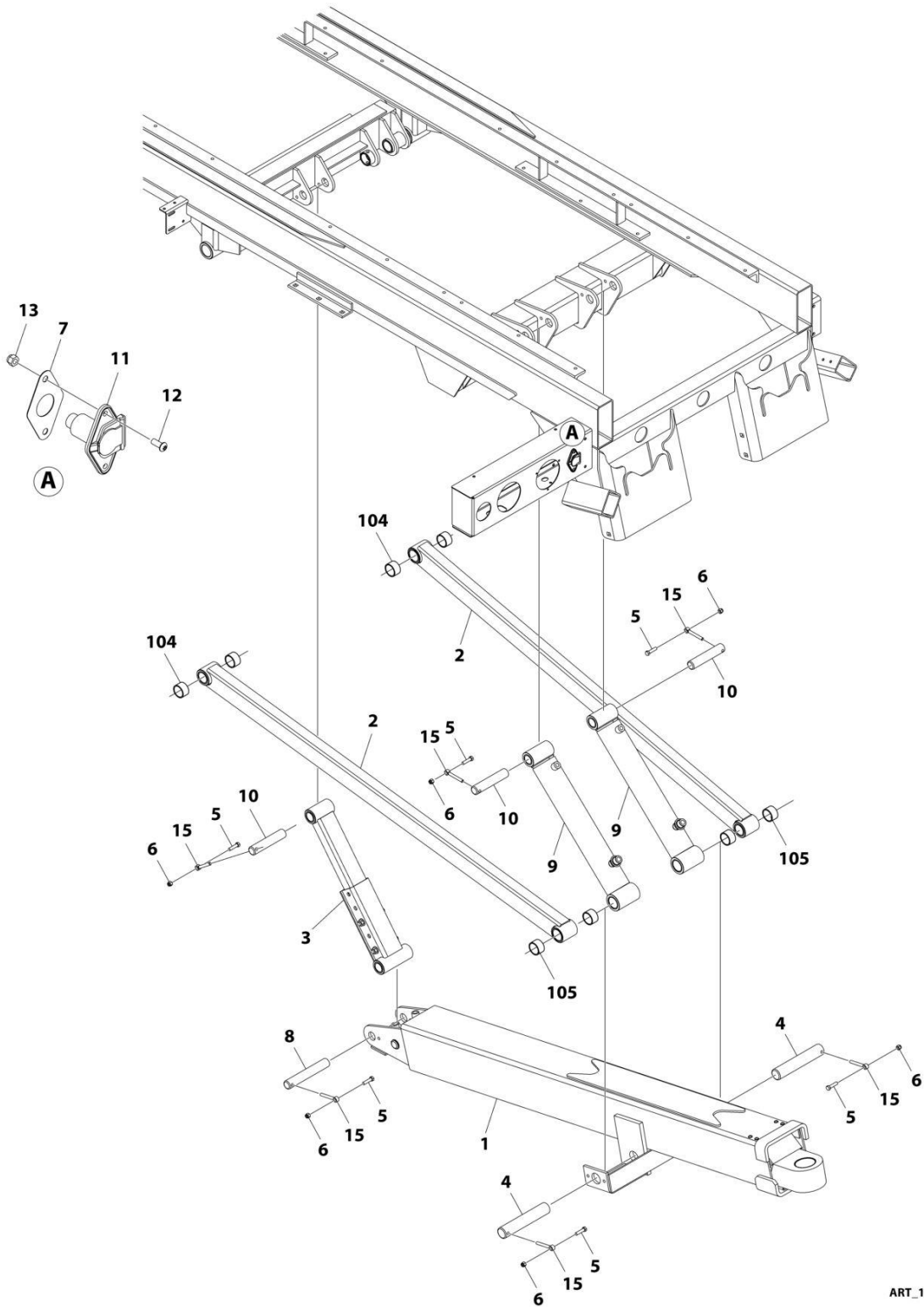
## SECTION 2 - WHEEL LIFT

**FIGURE 2-10. WHEEL LIFT BOOM INSTALLATION (3500 LBS GALVANIZED)**

ITEM	PART NUMBER	QTY	DESCRIPTION	REV
	1001158649	Ref	Wheel Lift Boom Installation, 3500 lbs Galvanized	B
1	1001158637	1	Boom Assembly (See Separate Breakdown in this Section)	
2	3020000131	2	Arm Weldment	
3	3592000066	1	Link Assembly (See Separate Breakdown in this Section)	
4	1001188132	2	Pin	
5	0641612	6	Capscrew 3/8 x 1-1/2	
6	3300492	6	Nut 3/8	
7	7796000048	1	Gasket	
8	1001188133	1	Pin	
9	1001166857	2	Wheel Lift Cylinder Assembly (See Separate Breakdown in CYLINDER Section)	
10	1001188129	3	Pin	
11	7291000010	1	Female Receptacle with Connector	
12	7114140528	2	Screw 1/4 x 5/8	
13	7660142601	2	Nut 1/4	
14	3841143	6	Keeper, Shaft	
104	7082000017	4	Bearing	
105	7082000018	4	Bearing	

# SECTION 2 - WHEEL LIFT

## FIGURE 2-11. WHEEL LIFT BOOM INSTALLATION (4000 LBS)



ART\_1001158873

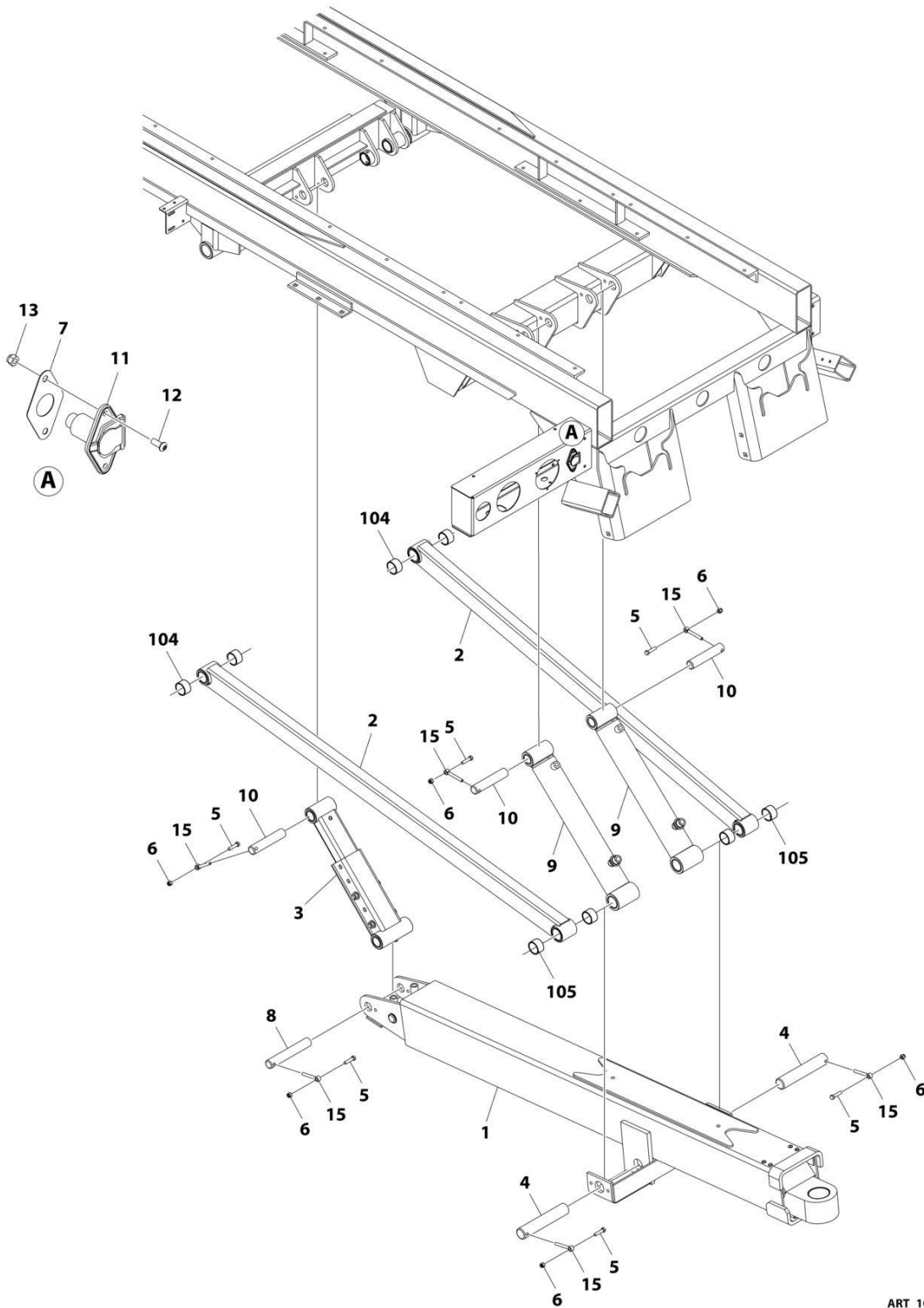
## SECTION 2 - WHEEL LIFT

**FIGURE 2-11. WHEEL LIFT BOOM INSTALLATION (4000 LBS)**

ITEM	PART NUMBER	QTY	DESCRIPTION	REV
	1001158873	Ref	Wheel Lift Boom Installation, 4000 lbs	D
1	1001158870	1	Boom Assembly, 4000 lbs (See Separate Breakdown in this Section)	
2	3020000102	2	Arm Weldment	
3	3592000040	1	Link Assembly, 4000 lbs (See Separate Breakdown in this Section)	
4	1001188132	2	Pin	
5	0641612	6	Capscrew 38 x 1-1/2	
6	3300492	6	Nut 3/8	
7	7796000048	1	Gasket	
8	1001188133	1	Pin	
9	1001167766	2	Wheel Lift Cylinder Assembly (See Separate Breakdown in CYLINDER Section)	
10	1001188129	3	Pin	
11	7291000010	1	Female Receptacle with Connector	
12	7114140528	2	Screw 1/4 x 5/8	
13	7660142601	2	Nut 1/4	
15	3841143	6	Keeper, Shaft	
104	7082000017	4	Bearing	
105	7082000018	4	Bearing	

# SECTION 2 - WHEEL LIFT

## FIGURE 2-12. WHEEL LIFT BOOM INSTALLATION (GALVANIZED)



ART\_1001158874

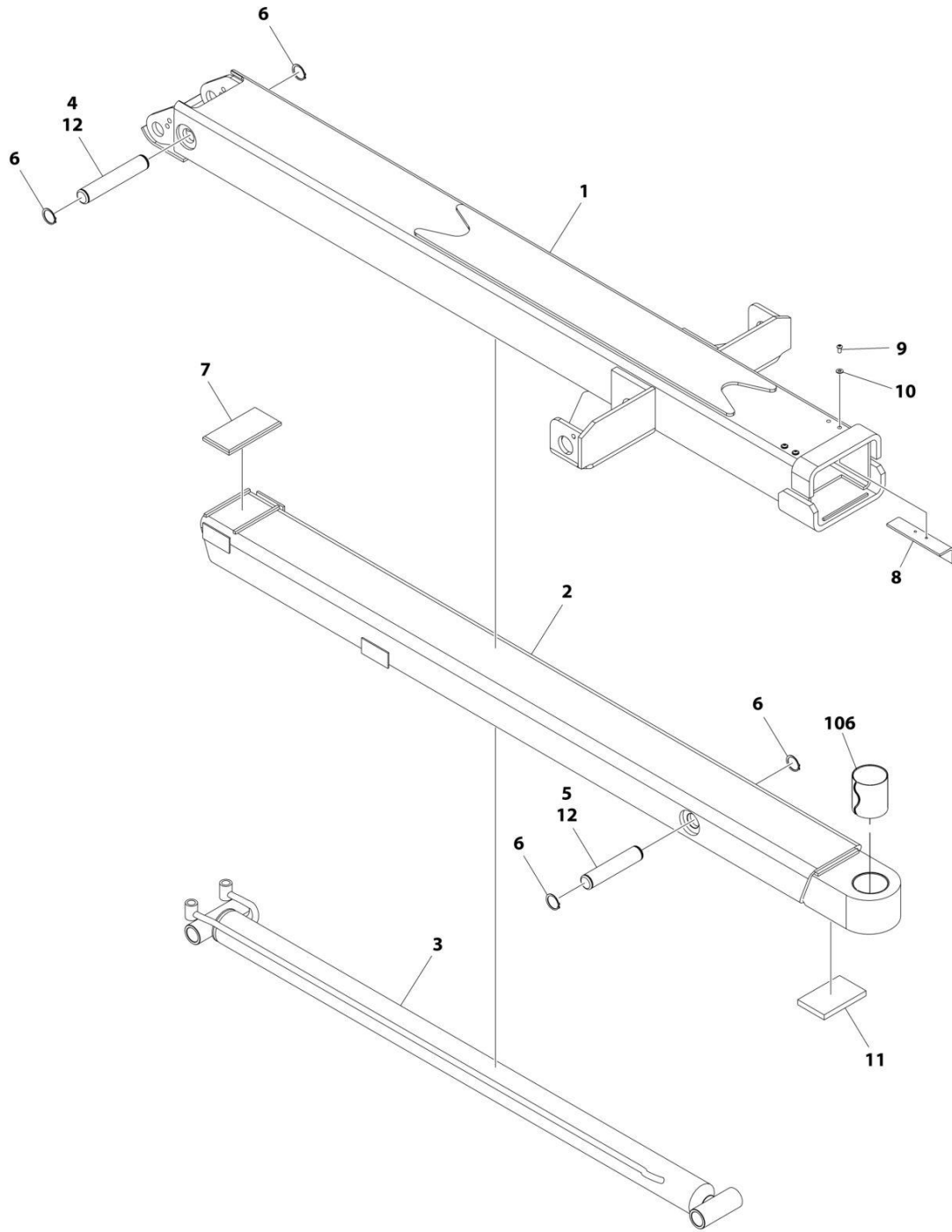
## SECTION 2 - WHEEL LIFT

**FIGURE 2-12. WHEEL LIFT BOOM INSTALLATION (GALVANIZED)**

ITEM	PART NUMBER	QTY	DESCRIPTION	REV
	1001158874	Ref	Wheel Lift Boom Installation, 4000LBS Galvanized	E
1	1001158869	1	Boom Assembly, 4000 lbs Galvanized (See Separate Breakdown in this Section)	
2	3020000131	2	Arm Weldment	
3	3592000066	1	Link Assembly, 4000 lbs Galvanized (See Separate Breakdown in this Section)	
4	1001188132	2	Pin	
5	0641612	6	Cap Screw 3/8 x 1-1/2	
6	3300492	6	Nut 3/8	
7	7796000048	1	Gasket	
8	1001188133	1	Pin	
9	1001167766	2	Wheel Lift Cylinder Assembly (See Separate Breakdown in CYLINDER Section)	
10	1001188129	3	Pin	
11	7291000010	1	Female Receptacle with Connector	
12	7114140528	2	Screw 1/4 x 5/8	
13	7660142601	2	Nut 1/4	
15	3841143	6	Keeper, Shaft	
104	7082000017	4	Bearing	
105	7082000018	4	Bearing	

# SECTION 2 - WHEEL LIFT

## FIGURE 2-13. WHEEL LIFT BOOM ASSEMBLY (3500 LBS)



ART\_1001158635



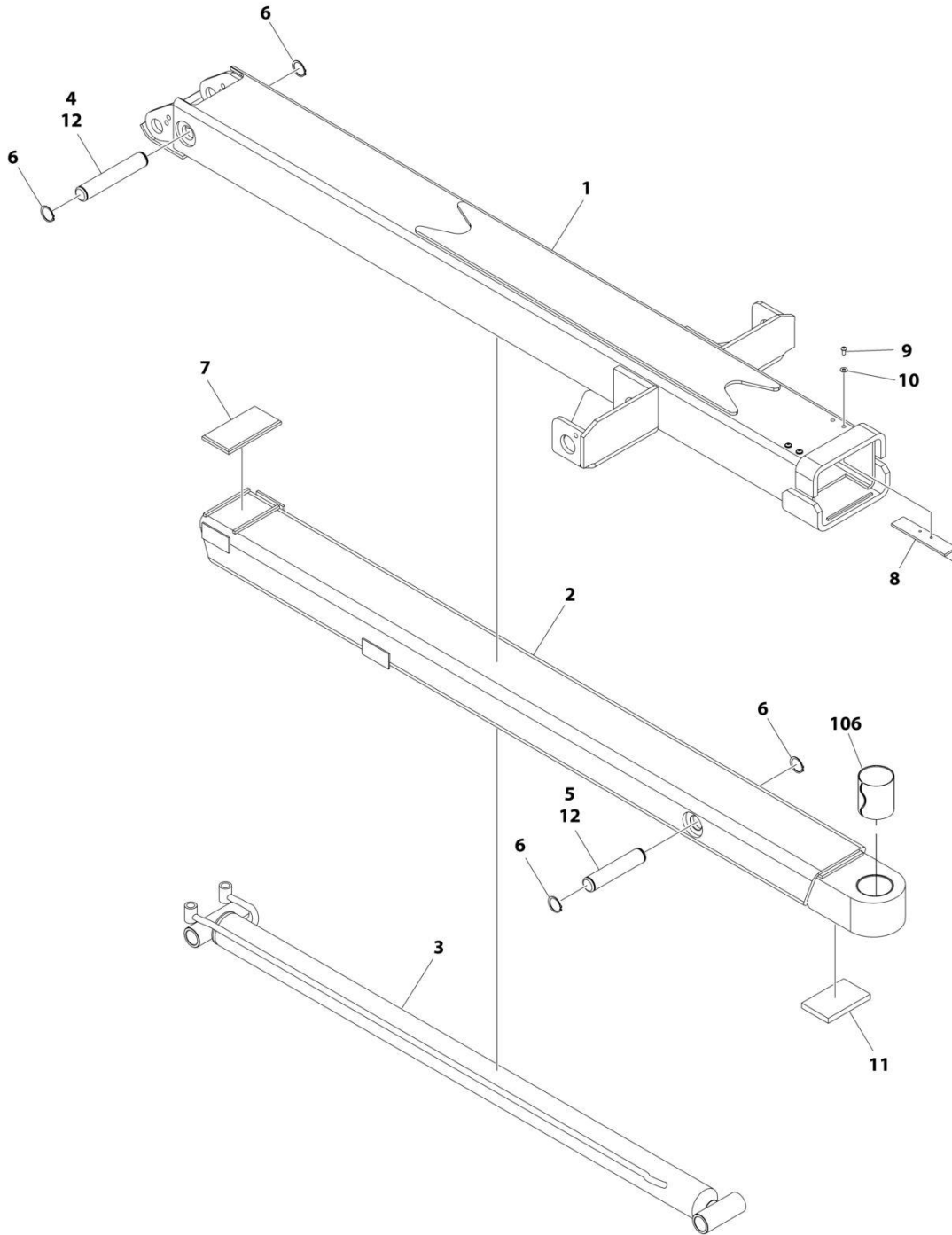
## SECTION 2 - WHEEL LIFT

**FIGURE 2-13. WHEEL LIFT BOOM ASSEMBLY (3500 LBS)**

ITEM	PART NUMBER	QTY	DESCRIPTION	REV
	1001158635	Ref	Boom Assembly, 3500 lbs	C
1	3170000162	1	Boom, Outer	
2	1001158627	1	Boom, Inner	
3	1001166858	1	Extend/Retract Cylinder Assembly (See Separate Breakdown in CYLINDER Section)	
4	4691000296	1	Pin	
5	4691000268	1	Pin	
6	3760133	4	Ring	
7	4679000046	1	Pad	
8	4017000739	2	Angle	
9	7118140418	4	Capscrew 1/4 x 1/2	
10	4751300	4	Washer 3/16	
11	4679000211	1	Pad	
12	3020039	AR	Lubricant	
106	7209000028	1	Bushing	

# SECTION 2 - WHEEL LIFT

FIGURE 2-14. WHEEL LIFT BOOM ASSEMBLY (3500 LBS GALVANIZED)



ART\_1001158637

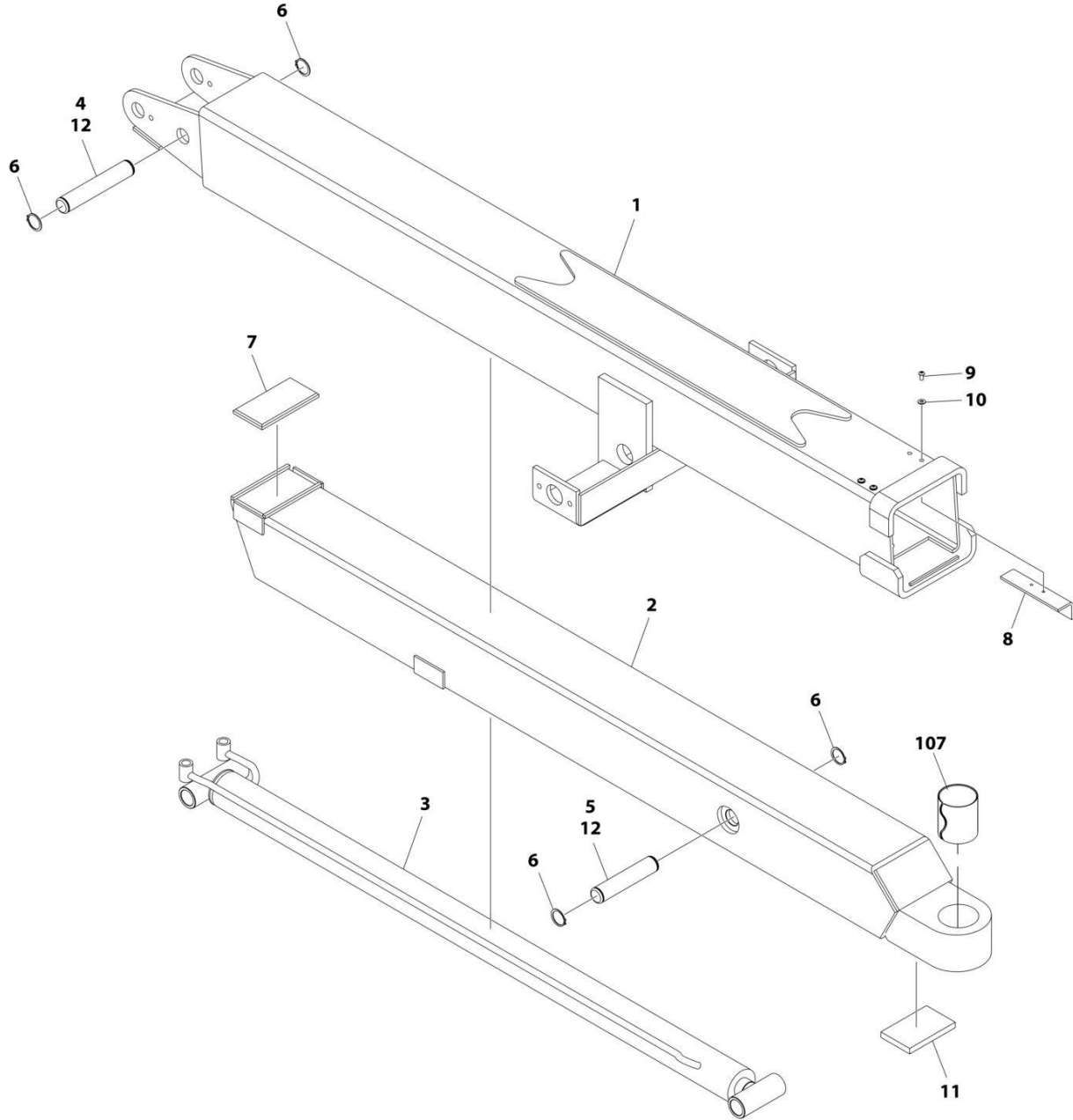
## SECTION 2 - WHEEL LIFT

**FIGURE 2-14. WHEEL LIFT BOOM ASSEMBLY (3500 LBS GALVANIZED)**

ITEM	PART NUMBER	QTY	DESCRIPTION	REV
	1001158637	Ref	Boom Assembly - 3500 lbs	C
1	3170000504	1	Boom, Outer	
2	1001158627	1	Boom, Inner	
3	1001166858	1	Extend/Retract Cylinder Assembly (See Separate Breakdown in CYLINDER Section)	
4	4691000296	1	Pin	
5	4691000268	1	Pin	
6	3760133	4	Ring	
7	4679000046	1	Pad	
8	4017000739	2	Angle	
9	7118140418	4	Capscrew 1/4 x 1/2	
10	4751300	4	Washer 3/16	
11	4679000211	1	Pad	
12	3020039	AR	Lubricant	
106	7209000028	1	Bushing	

# SECTION 2 - WHEEL LIFT

## FIGURE 2-15. WHEEL LIFT BOOM ASSEMBLY (4000 LBS)



ART\_1001158870

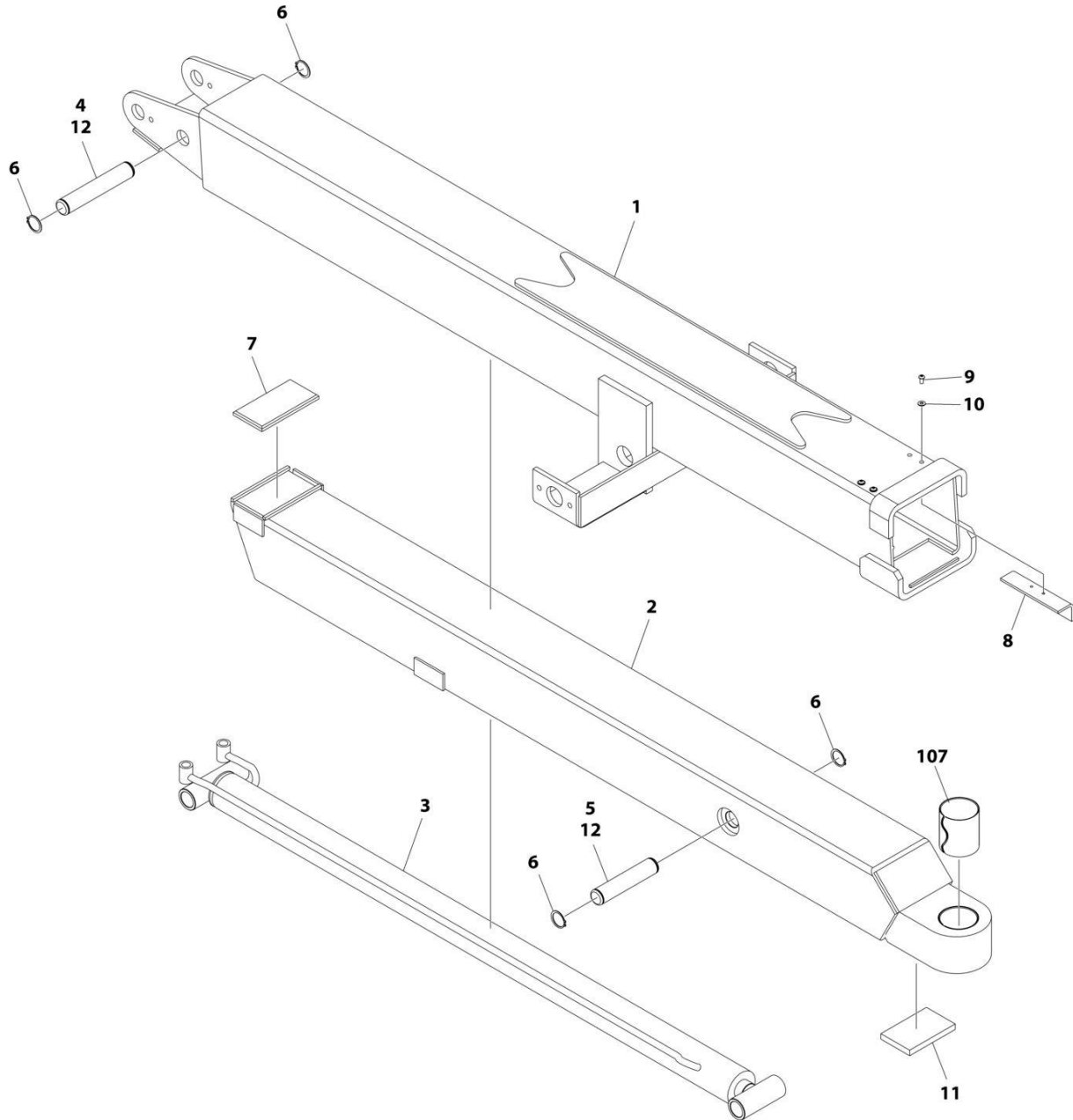
## SECTION 2 - WHEEL LIFT

**FIGURE 2-15. WHEEL LIFT BOOM ASSEMBLY (4000 LBS)**

ITEM	PART NUMBER	QTY	DESCRIPTION	REV
	1001158870	Ref	Boom Assembly, 4000 lbs	B
1	3170000163	1	Boom, Outer	
2	1001158876	1	Boom, Inner	
3	1001166858	1	Wheel Lift Boom Extend/Retract Cylinder Assembly (See Separate Breakdown in CYLINDER Section)	
4	4691000296	1	Pin	
5	4691000268	1	Pin	
6	3760133	4	Ring	
7	4679000046	1	Pad	
8	4017000739	2	Angle	
9	7118140418	4	Capscrew 1/4 x 1/2	
10	4751300	4	Washer 3/16	
11	4679000211	1	Pad	
12	3020039	AR	Lubricant	
107	7209000028	1	Bushing	

# SECTION 2 - WHEEL LIFT

FIGURE 2-16. WHEEL LIFT BOOM ASSEMBLY (4000 LBS GALVANIZED)



ART\_1001158869

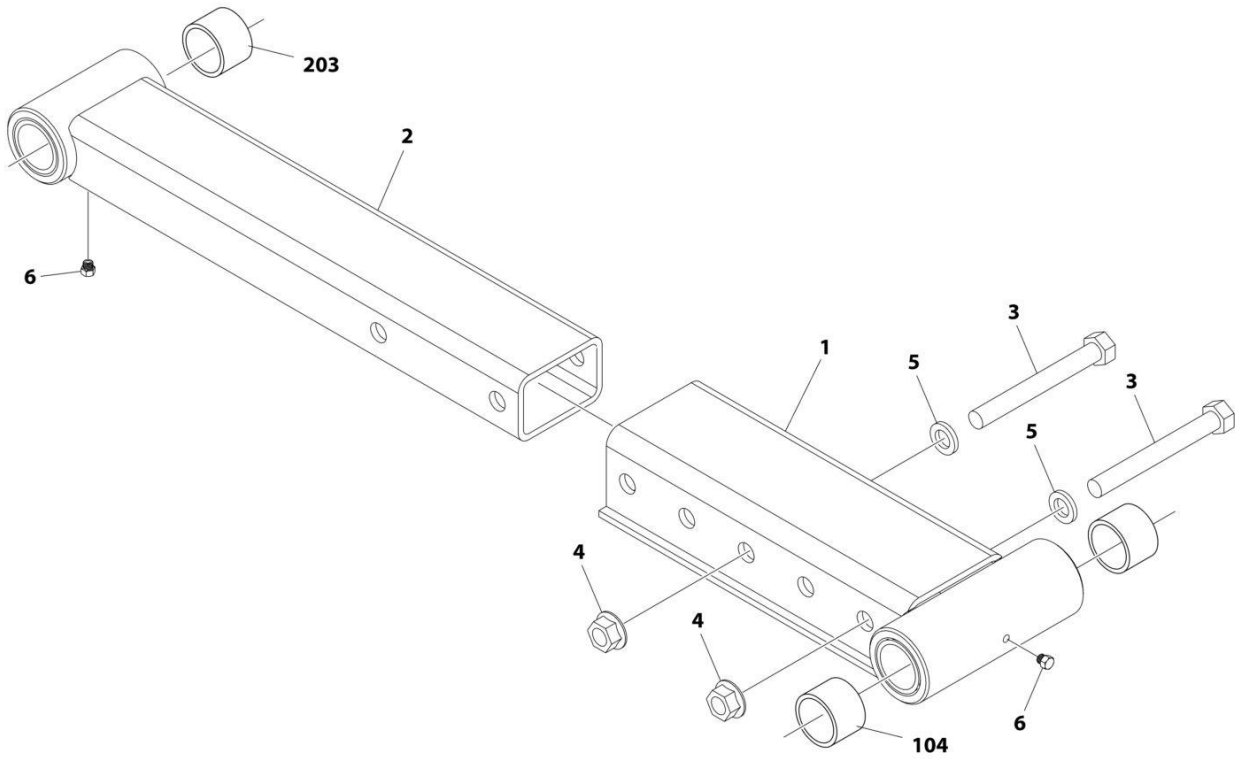
## SECTION 2 - WHEEL LIFT

**FIGURE 2-16. WHEEL LIFT BOOM ASSEMBLY (4000 LBS GALVANIZED)**

ITEM	PART NUMBER	QTY	DESCRIPTION	REV
	1001158869	Ref	Boom Assembly, 4000 lbs Galvanized	B
1	3170000492	1	Boom, Outer	
2	1001158876	1	Boom, Inner	
3	1001166858	1	Wheel Lift Boom Extend/Retract Cylinder Assembly (See Separate Breakdown in CYLINDER Section)	
4	4691000296	1	Pin	
5	4691000268	1	Pin	
6	3760133	4	Ring	
7	4679000046	1	Pad	
8	4017000739	2	Angle	
9	7118140418	4	Capscrew 1/4 x 1/2	
10	4751300	4	Washer 3/16	
11	4679000211	1	Pad	
12	3020039	AR	Lubricant	
107	7209000028	1	Bushing	

# SECTION 2 - WHEEL LIFT

## FIGURE 2-17. LINK ASSEMBLY



ART\_3592000040



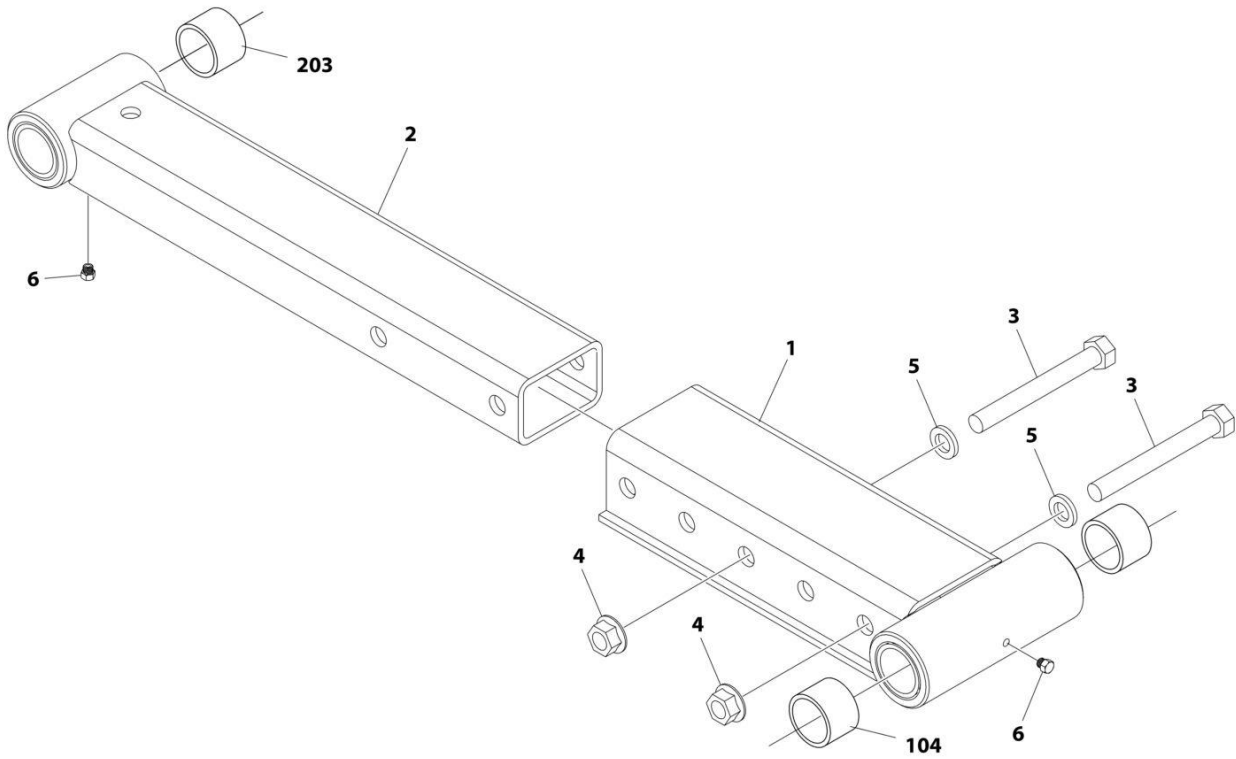
## SECTION 2 - WHEEL LIFT

### FIGURE 2-17. LINK ASSEMBLY

ITEM	PART NUMBER	QTY	DESCRIPTION	REV
	3592000040	Ref	Link Assembly, 4000 lbs	B
1	3592000058	1	Link, Outer	
2	3592000042	1	Link, Inner	
3	0641834	2	Capscrew 1/2 x 4-1/4	
4	7660182301	2	Nut 1/2	
5	4761800	2	Washer 1/2	
6	1001204776	2	Fitting, Pipe	
104	7082000016	2	Bearing	
203	7082000016	2	Bearing	

# SECTION 2 - WHEEL LIFT

## FIGURE 2-18. LINK ASSEMBLY (GALVANIZED)



ART\_3592000066

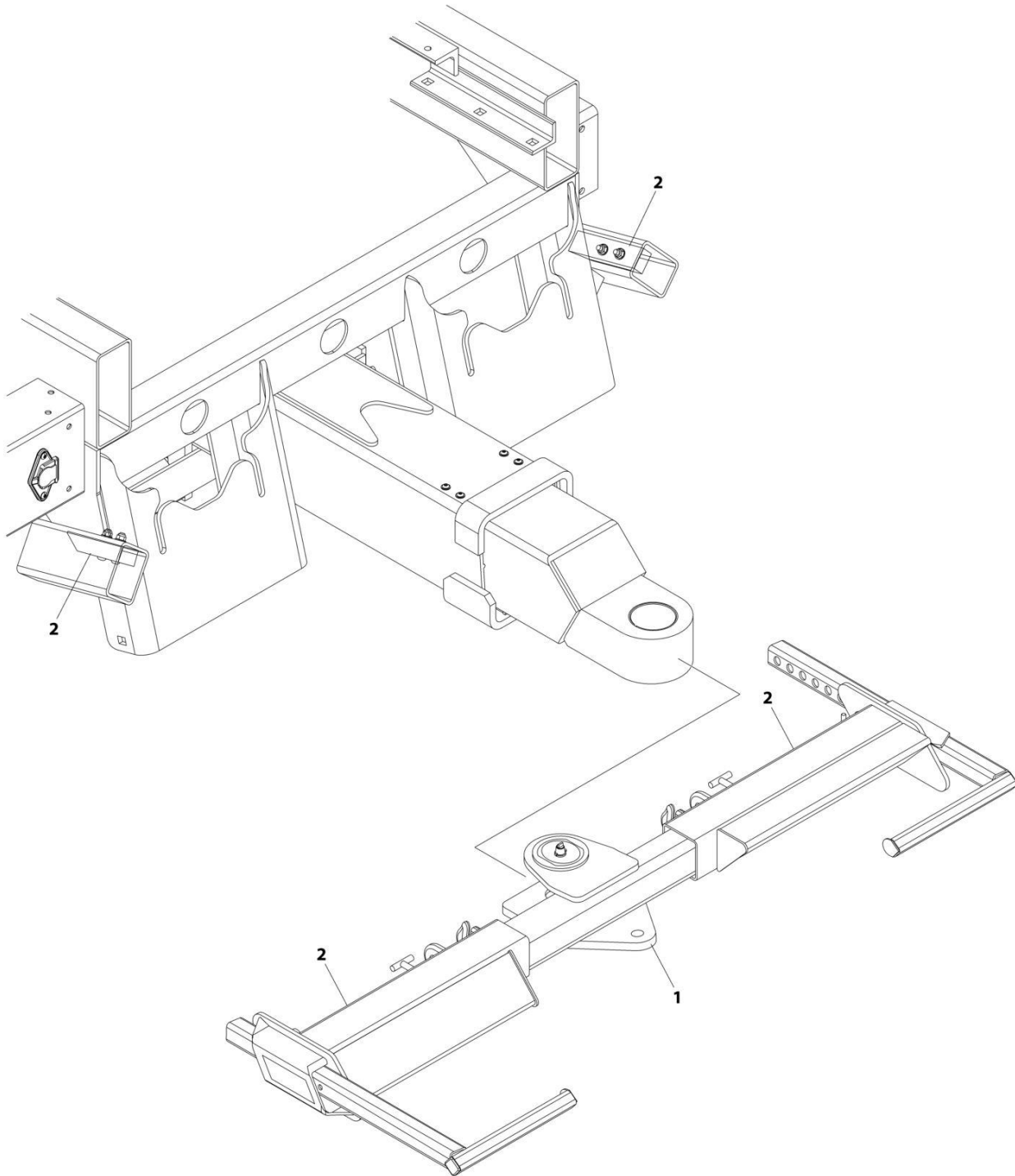
## SECTION 2 - WHEEL LIFT

**FIGURE 2-18. LINK ASSEMBLY (GALVANIZED)**

ITEM	PART NUMBER	QTY	DESCRIPTION	REV
	3592000066	Ref	Link Assembly, 4000 lbs Galvanized	B
1	3592000060	1	Link, Outer	
2	3592000065	1	Link, Inner	
3	0641834	2	Capscrew 1/2 x 4-1/4	
4	7660182301	2	Nut 1/2	
5	4761800	2	Washer 1/2	
6	1001204776	2	Fitting, Pipe	
104	7082000016	2	Bearing	
203	7082000016	2	Bearing	

## SECTION 2 - WHEEL LIFT

FIGURE 2-19. WHEEL LIFT GRID INSTALLATION (3500 LBS - FIXED ARMS) (NO TOW HITCH)



ART\_1001170182

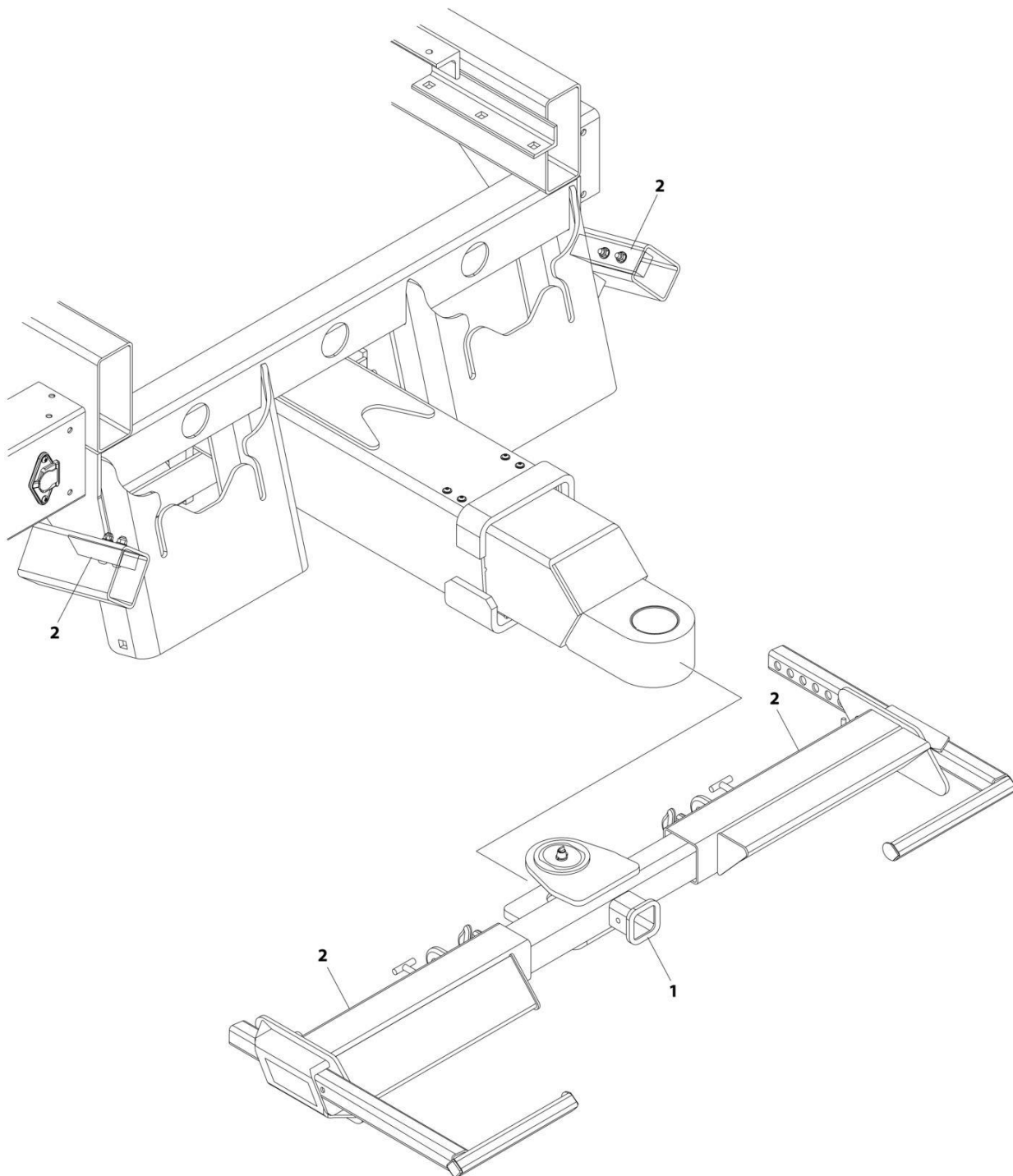
## SECTION 2 - WHEEL LIFT

**FIGURE 2-19. WHEEL LIFT GRID INSTALLATION (3500 LBS - FIXED ARMS) (NO TOW HITCH)**

ITEM	PART NUMBER	QTY	DESCRIPTION	REV
	1001170182	Ref	WHEEL LIFT GRID INSTALLATION (3500 LBS - FIXED ARMS) (NO TOW HITCH)	A
1	1001158674	1	Pivot Tube Installation (See Separate Breakdown in this Section)	
2	1001170175	1	L-Arms Grid Installation (See Separate Breakdown in this Section)	

## SECTION 2 - WHEEL LIFT

FIGURE 2-20. WHEEL LIFT GRID INSTALLATION (3500 LBS - FIXED ARMS) (2IN TOW HITCH)



ART\_1001170183

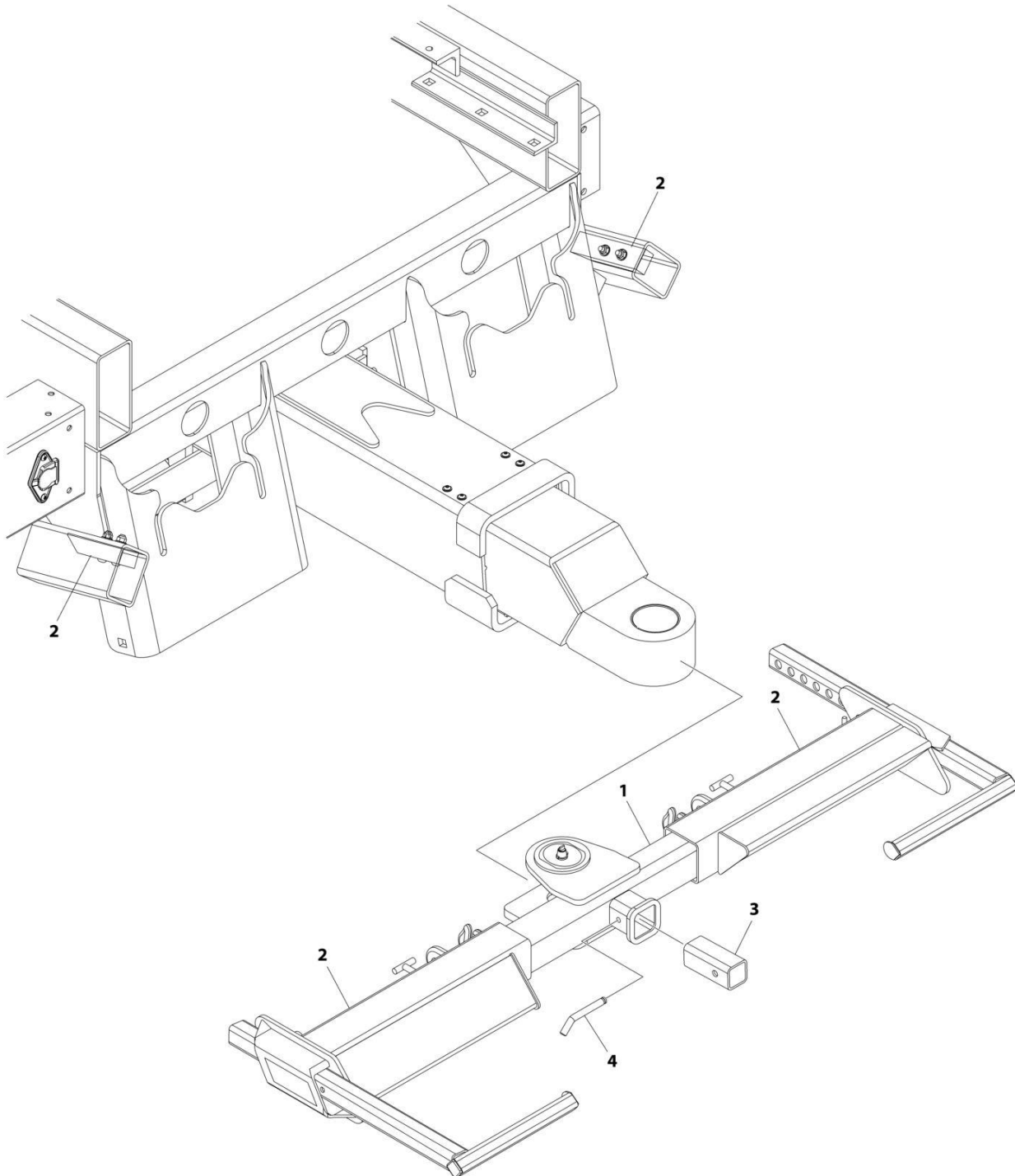
## SECTION 2 - WHEEL LIFT

**FIGURE 2-20. WHEEL LIFT GRID INSTALLATION (3500 LBS - FIXED ARMS) (2IN TOW HITCH)**

ITEM	PART NUMBER	QTY	DESCRIPTION	REV
	1001170183	Ref	WHEEL LIFT GRID INSTALLATION (3500 LBS - FIXED ARMS) (2IN TOW HITCH)	A
1	1001158677	1	Pivot Tube Installation (2in Tow Hitch) (See Separate Breakdown in this Section)	
2	1001170175	1	Manual L-Arm Wheel Lift Grid Installation (See Separate Breakdown in this Section)	

## SECTION 2 - WHEEL LIFT

FIGURE 2-21. WHEEL LIFT GRID INSTALLATION (3500 LBS - FIXED ARMS) (2.5IN TOW HITCH)



ART\_1001170184



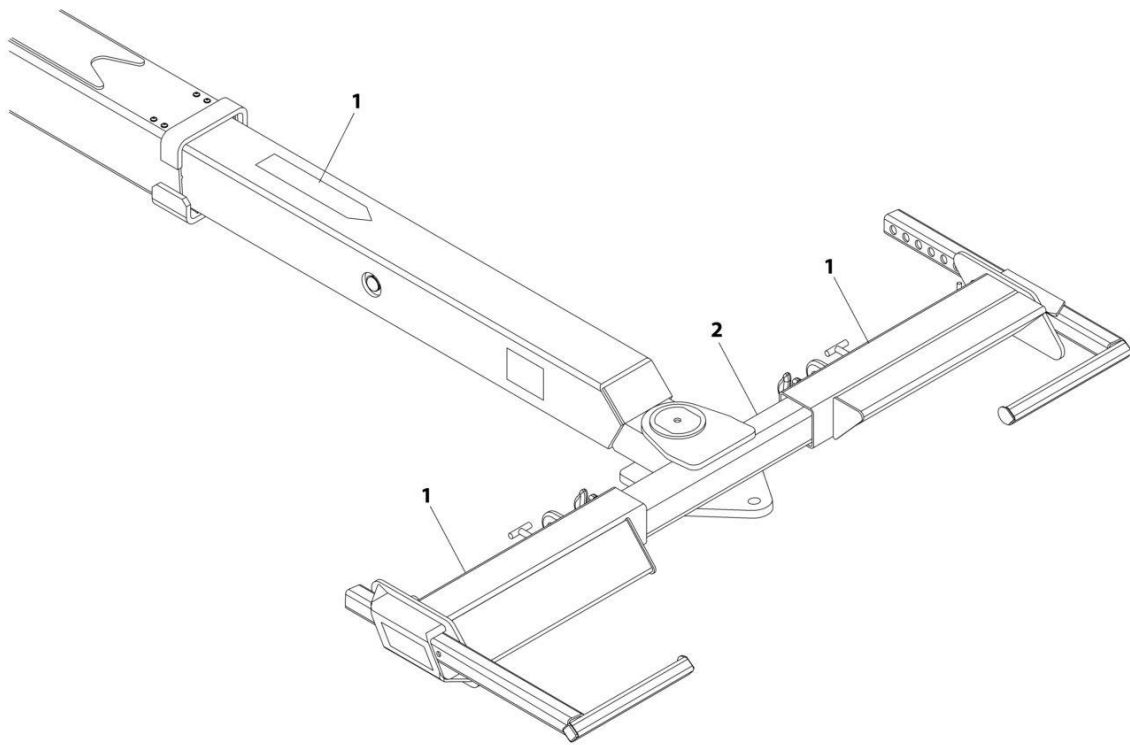
## SECTION 2 - WHEEL LIFT

**FIGURE 2-21. WHEEL LIFT GRID INSTALLATION (3500 LBS - FIXED ARMS) (2.5IN TOW HITCH)**

ITEM	PART NUMBER	QTY	DESCRIPTION	REV
	1001170184	Ref	WHEEL LIFT GRID INSTALLATION (3500 LBS - FIXED ARMS) (2.5IN TOW HITCH)	A
1	1001158678	1	Pivot Tube Installation (2.5in Tow Hitch) (See Separate Breakdown in this Section)	
2	1001170175	1	L-Arm Grid Installation (See Separate Breakdown in this Section)	
3	7913000006	1	Tube Reese Reducer	
4	7691000033	1	Cotter Pin	

## SECTION 2 - WHEEL LIFT

FIGURE 2-22. WHEEL LIFT GRID INSTALLATION (4000 LBS - FIXED ARMS) (NO TOW HITCH)



ART\_100115885

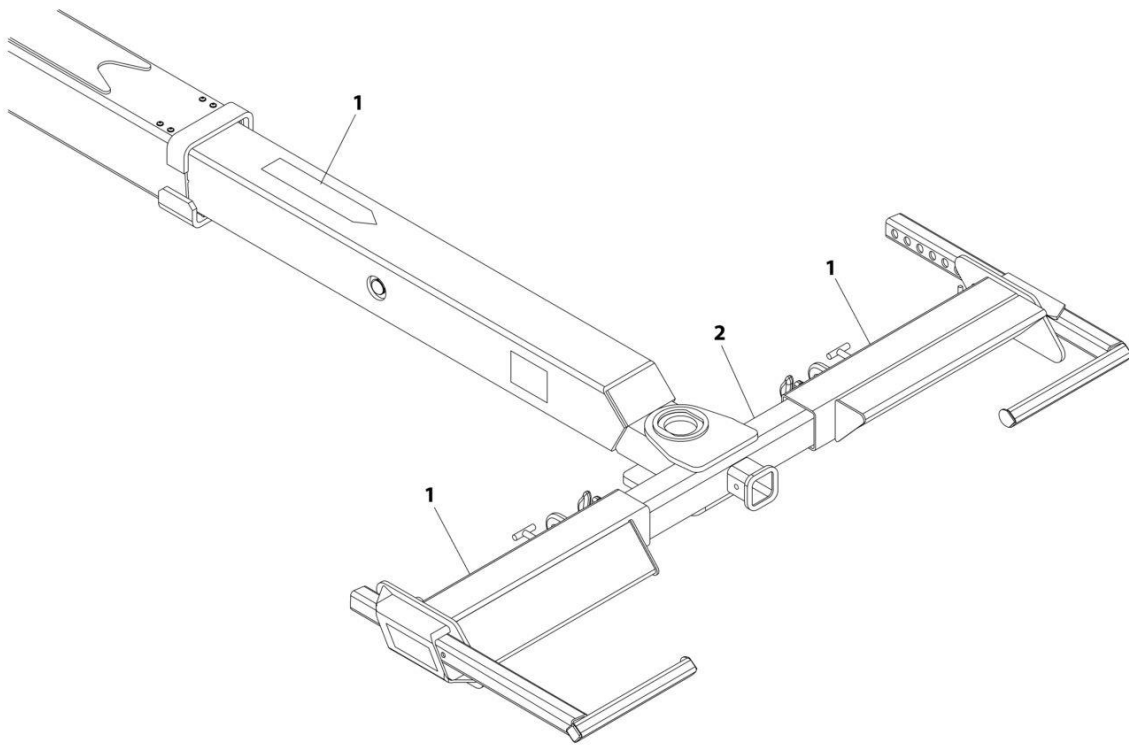
## SECTION 2 - WHEEL LIFT

**FIGURE 2-22. WHEEL LIFT GRID INSTALLATION (4000 LBS - FIXED ARMS) (NO TOW HITCH)**

ITEM	PART NUMBER	QTY	DESCRIPTION	REV
	1001158885	Ref	WHEEL LIFT GRID INSTALLATION (4000 LBS - FIXED ARMS) (NO TOW HITCH)	A
1	2484000004	1	L-Arm Grid Installation (See Separate Breakdown in this Section)	
2	1001158674	1	Pivot Tube Installation (See Separate Breakdown in this Section)	

## SECTION 2 - WHEEL LIFT

FIGURE 2-23. WHEEL LIFT GRID INSTALLATION (4000 LBS - FIXED ARMS) (2IN TOW HITCH)



ART\_100115886

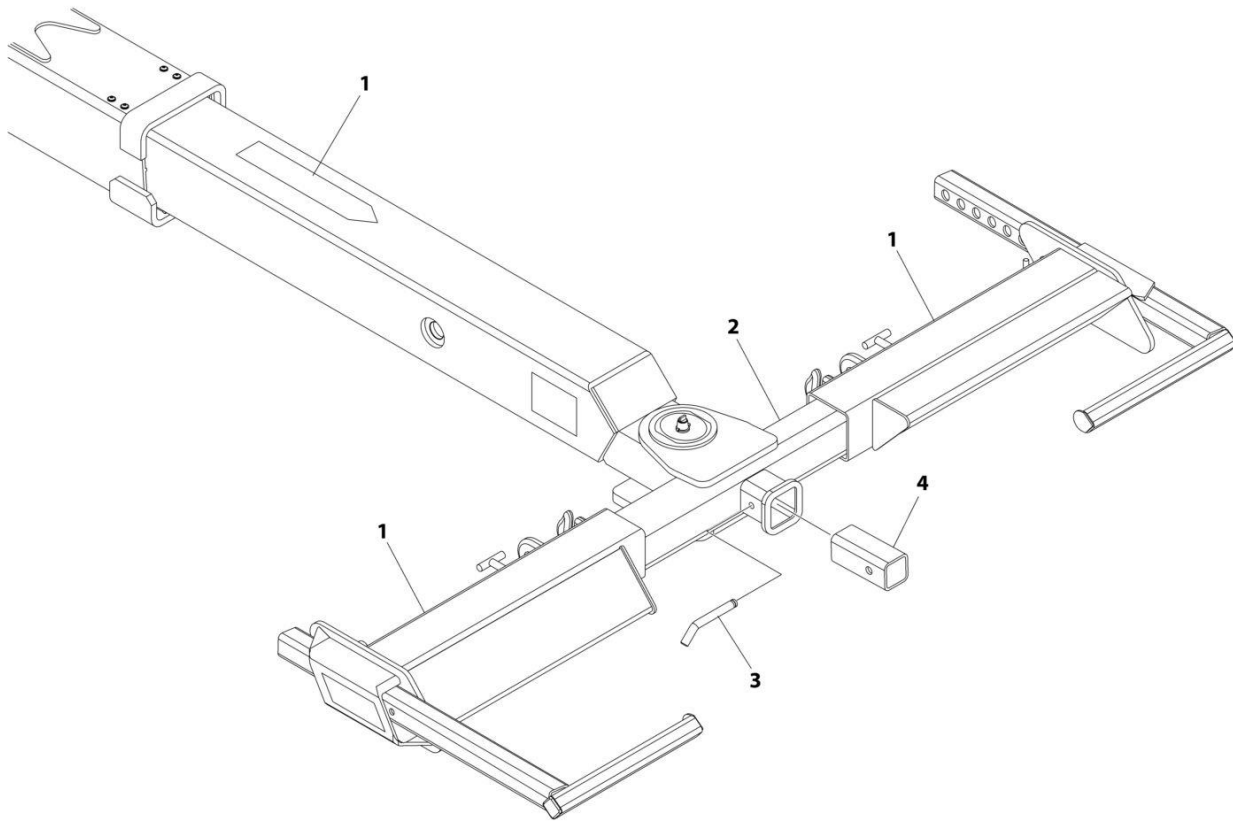
## SECTION 2 - WHEEL LIFT

**FIGURE 2-23. WHEEL LIFT GRID INSTALLATION (4000 LBS - FIXED ARMS) (2IN TOW HITCH)**

ITEM	PART NUMBER	QTY	DESCRIPTION	REV
	1001158886	Ref	WHEEL LIFT GRID INSTALLATION (4000 LBS - FIXED ARMS) (2IN TOW HITCH)	A
1	2484000004	1	L-Arm Grid Installation (See Separate Breakdown in this Section)	
2	1001158677	1	Pivot Tube Installation (2in Tow Hitch) (See Separate Breakdown in this Section)	

## SECTION 2 - WHEEL LIFT

FIGURE 2-24. WHEEL LIFT GRID INSTALLATION (4000 LBS - FIXED ARMS) (2.5IN TOW HITCH)



ART\_100115887

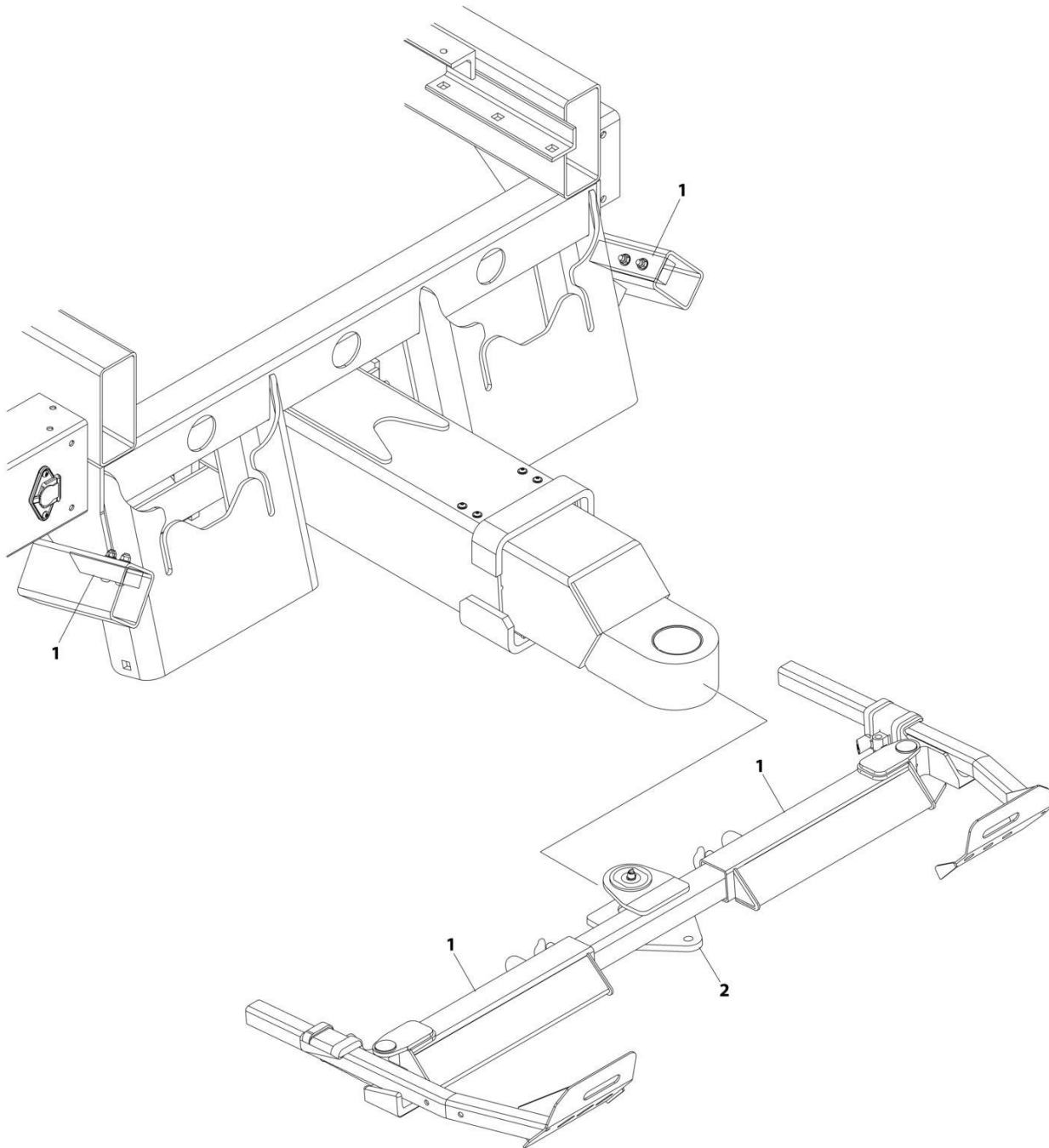
## SECTION 2 - WHEEL LIFT

**FIGURE 2-24. WHEEL LIFT GRID INSTALLATION (4000 LBS - FIXED ARMS) (2.5IN TOW HITCH)**

ITEM	PART NUMBER	QTY	DESCRIPTION	REV
	1001158887	Ref	WHEEL LIFT GRID INSTALLATION (4000 LBS - FIXED ARMS) (2.5IN TOW HITCH)	A
1	2484000004	1	L-Arm Grid Installation (See Separate Breakdown in this Section)	
2	1001158678	1	Pivot Tube Installation (2.5 in Tow Hitch) (See Separate Breakdown in this Section)	
3	7691000033	1	Pin	
4	7913000006	1	Tube Reese Reducer	

## SECTION 2 - WHEEL LIFT

FIGURE 2-25. WHEEL LIFT GRID INSTALLATION (4000 LBS - T37 PIVOTING ARMS) (NO TOW HITCH)



ART\_1001158888



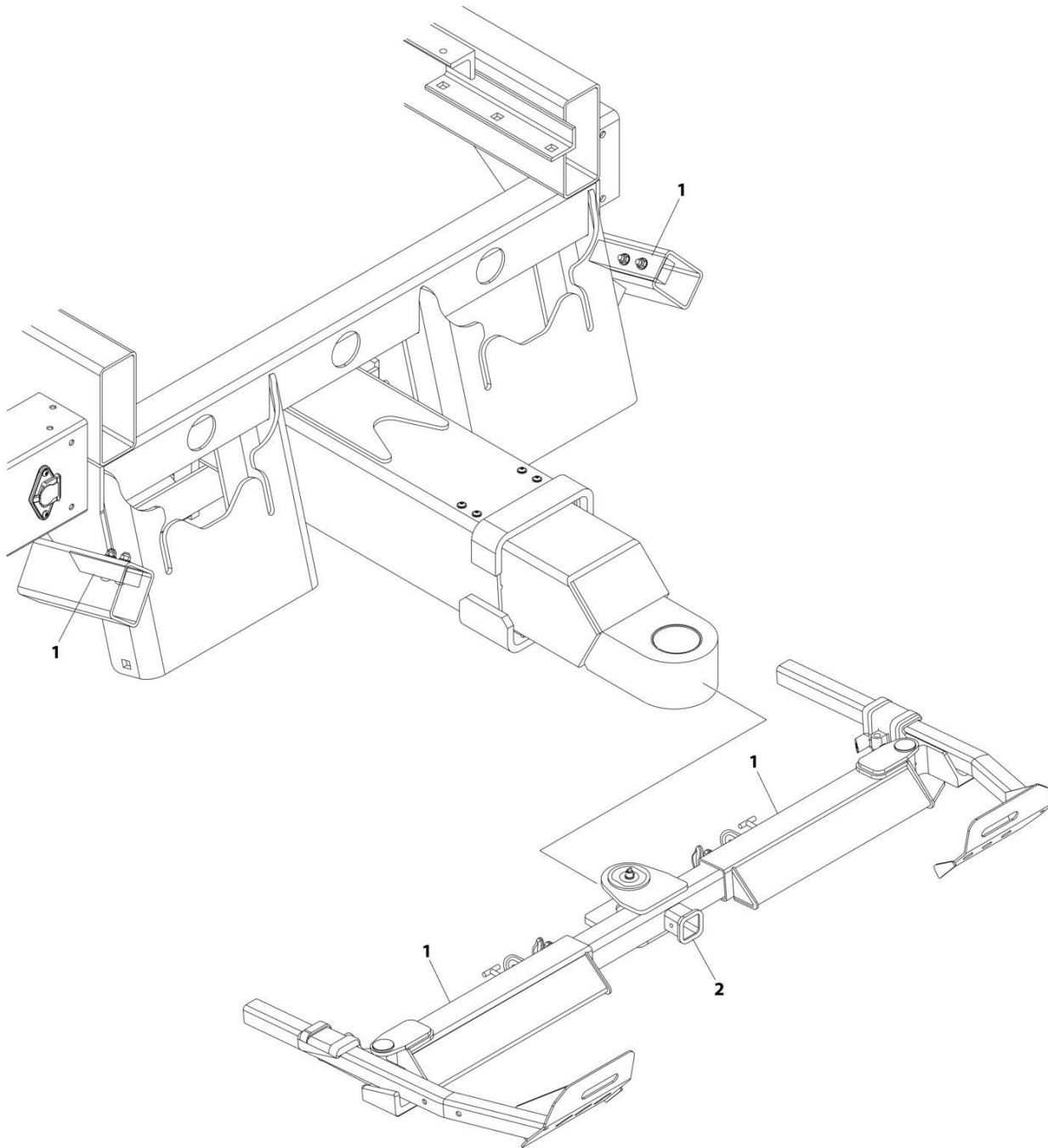
## SECTION 2 - WHEEL LIFT

**FIGURE 2-25. WHEEL LIFT GRID INSTALLATION (4000 LBS - T37 PIVOTING ARMS) (NO TOW HITCH)**

ITEM	PART NUMBER	QTY	DESCRIPTION	REV
	1001158888	Ref	WHEEL LIFT GRID INSTALLATION (4000 LBS - T37 PIVOTING ARMS) (NO TOW HITCH)	A
1	2484000006	1	L-Arms Grid Installation (T37 Pivoting Arms) (See Separate Breakdown in this Section)	
2	1001158674	1	Pivot Tube Installation (See Separate Breakdown in this Section)	

## SECTION 2 - WHEEL LIFT

FIGURE 2-26. WHEEL LIFT GRID INSTALLATION (4000 LBS - T37 PIVOTING ARMS) (2IN TOW HITCH)



ART\_100115889

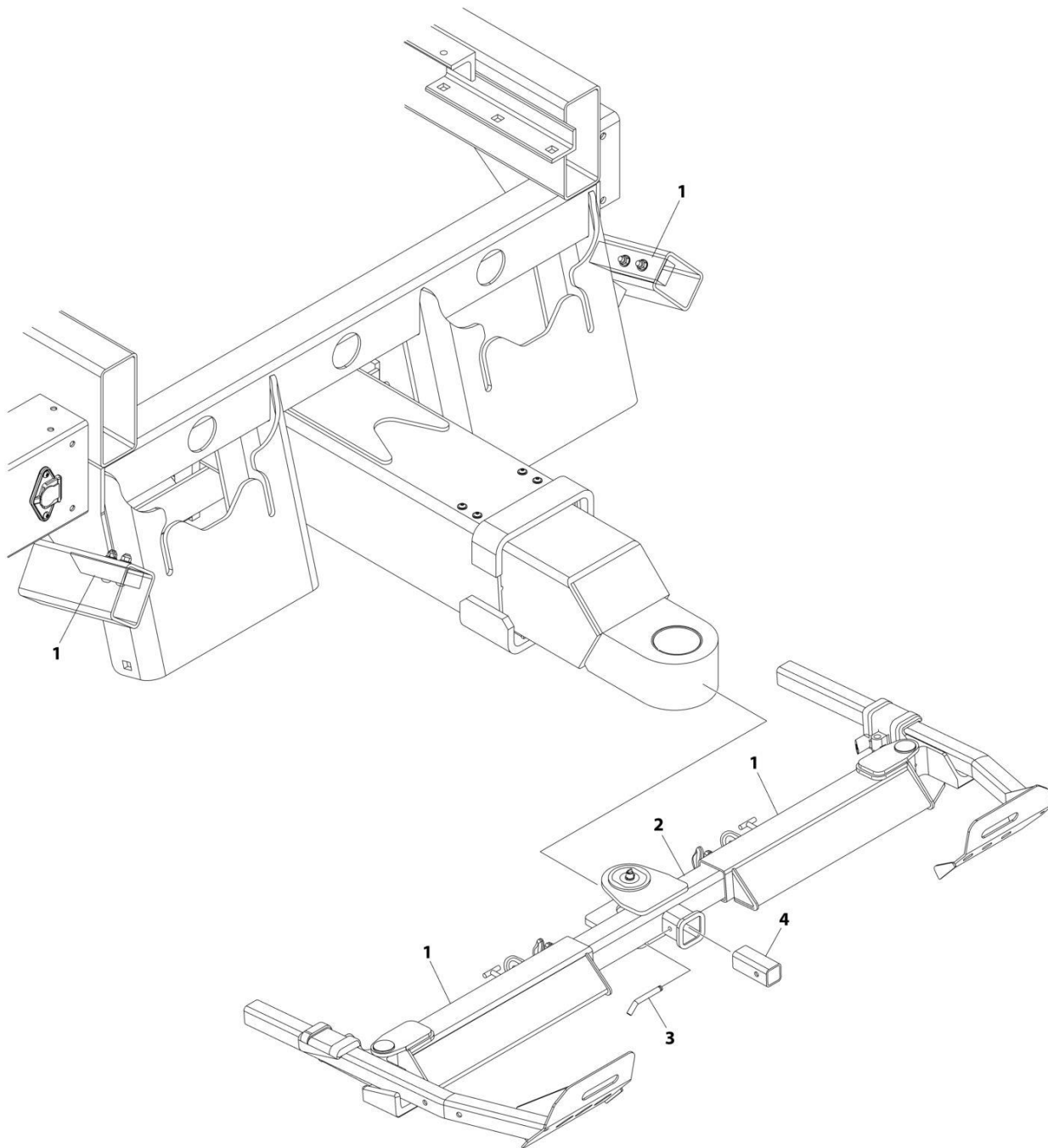
## SECTION 2 - WHEEL LIFT

**FIGURE 2-26. WHEEL LIFT GRID INSTALLATION (4000 LBS - T37 PIVOTING ARMS) (2IN TOW HITCH)**

ITEM	PART NUMBER	QTY	DESCRIPTION	REV
	1001158889	Ref	WHEEL LIFT GRID INSTALLATION (4000 LBS - T37 PIVOTING ARMS) (2IN TOW HITCH)	A
1	2484000006	1	L-Arms Grid Installation, (T37 Pivoting Arms) (See Separate Breakdown in this Section)	
2	1001158677	1	Pivot Tube Installation (2in Tow Hitch) (See Separate Breakdown in this Section)	

## SECTION 2 - WHEEL LIFT

FIGURE 2-27. WHEEL LIFT GRID INSTALLATION (4000 LBS - T37 PIVOTING ARMS) (2.5IN TOW HITCH)



ART\_1001158890

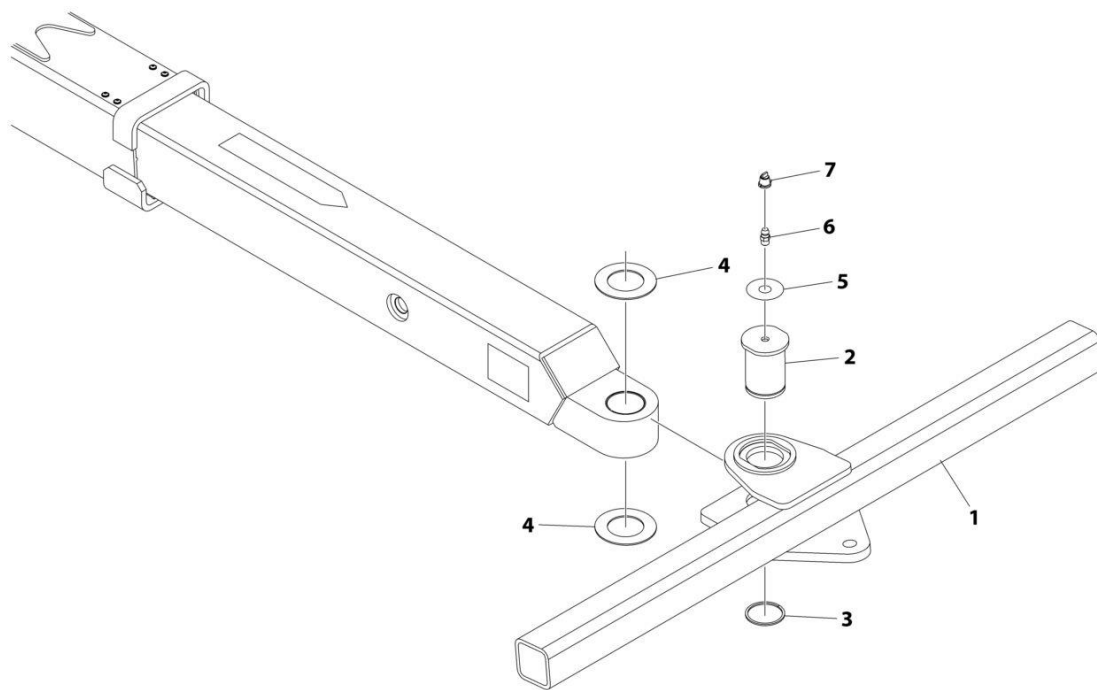
## SECTION 2 - WHEEL LIFT

**FIGURE 2-27. WHEEL LIFT GRID INSTALLATION (4000 LBS - T37 PIVOTING ARMS) (2.5IN TOW HITCH)**

ITEM	PART NUMBER	QTY	DESCRIPTION	REV
	1001158890	Ref	WHEEL LIFT GRID INSTALLATION (4000 LBS - T37 PIVOTING ARMS) (2.5IN TOW HITCH)	A
1	2484000006	1	L-Arms Grid Installation (T-37 Pivoting Arm) (See Separate Breakdown in this Section)	
2	1001158678	1	Pivot Tube Installation (2.5in Tow Hitch) (See Separate Breakdown in this Section)	
3	7691000033	1	Pin	
4	7913000006	1	Tube, Reducer	

## SECTION 2 - WHEEL LIFT

FIGURE 2-28. PIVOT TUBE INSTALLATION (NO TOW HITCH)



ART\_1001158674

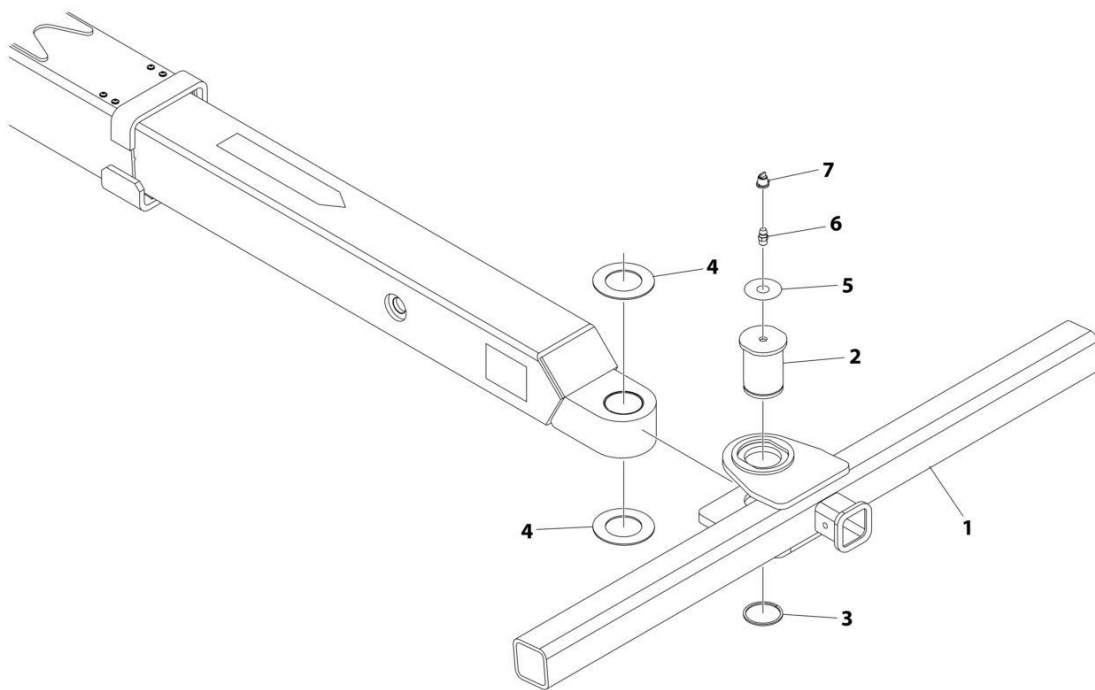
## SECTION 2 - WHEEL LIFT

**FIGURE 2-28. PIVOT TUBE INSTALLATION (NO TOW HITCH)**

ITEM	PART NUMBER	QTY	DESCRIPTION	REV
	1001158674	Ref	PIVOT TUBE INSTALLATION 4000 LBS	A
1	3913000097	1	Tube	
2	4691000103	1	Pin	
3	7754000024	1	Ring	
4	4949000047	2	Washer	
5	7330000609	1	Decal - Grease Required	
6	7440030000	1	Fitting	
7	7253000002	1	Fitting, Cap	
8	3020039	AR	Lubricant (Not Shown)	
9	3020029	AR	Lube Bearing Grease (Not Shown)	

## SECTION 2 - WHEEL LIFT

FIGURE 2-29. PIVOT TUBE INSTALLATION (2IN TOW HITCH)



ART\_1001158677



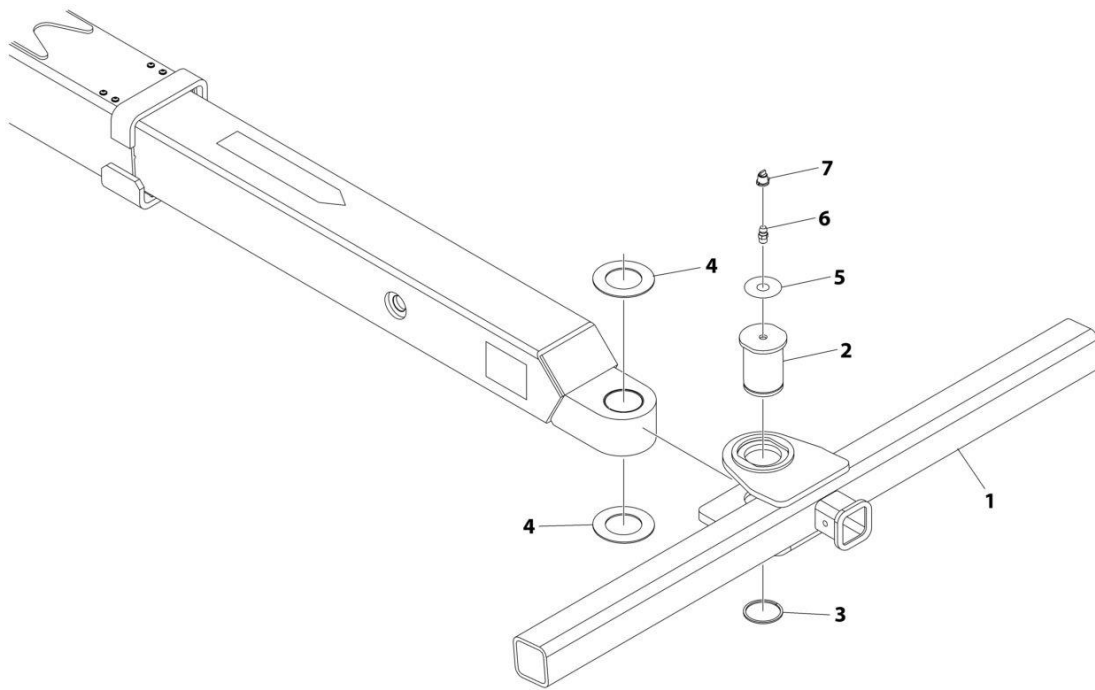
## SECTION 2 - WHEEL LIFT

**FIGURE 2-29. PIVOT TUBE INSTALLATION (2IN TOW HITCH)**

ITEM	PART NUMBER	QTY	DESCRIPTION	REV
	1001158677	Ref	PIVOT TUBE INSTALLATION (4000 LBS) (2 IN TOW HITCH)	B
1	3913000100	1	Tube	
2	4691000103	1	Pin	
3	7754000024	1	Ring	
4	4949000047	2	Washer	
5	7330000609	1	Decal - Grease Required	
6	7440030000	1	Fitting	
7	7253000002	1	Fitting, Cap	
8	3020039	AR	Lubricant (Not Shown)	
9	3020029	AR	Lube Bearing Grease (Not Shown)	

## SECTION 2 - WHEEL LIFT

FIGURE 2-30. PIVOT TUBE INSTALLATION (2.5IN TOW HITCH)



ART\_1001158678

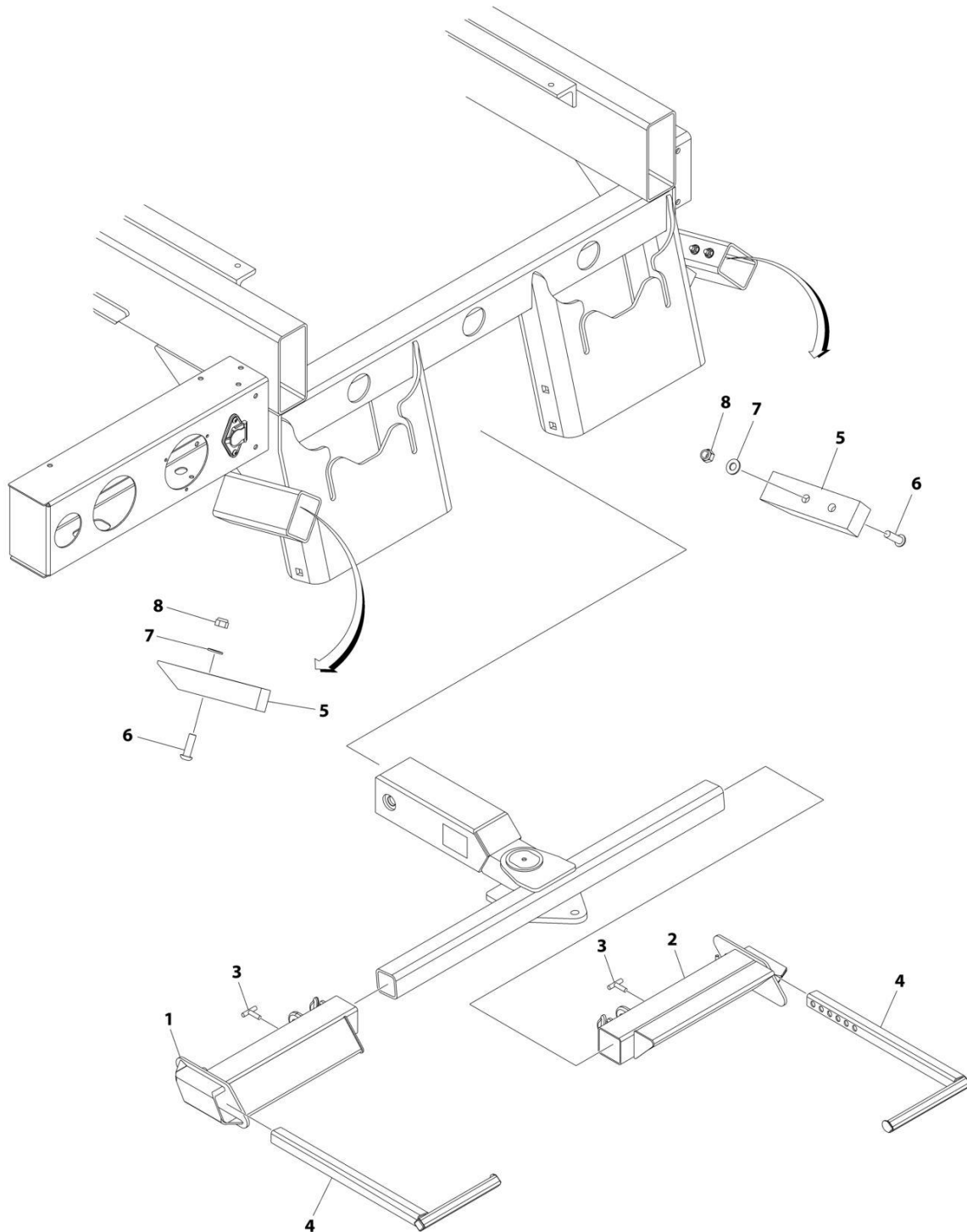
## SECTION 2 - WHEEL LIFT

**FIGURE 2-30. PIVOT TUBE INSTALLATION (2.5IN TOW HITCH)**

ITEM	PART NUMBER	QTY	DESCRIPTION	REV
	1001158678	Ref	PIVOT TUBE INSTALLATION (2.5 IN TOW HITCH)	A
1	3913000101	1	Tube	
2	4691000103	1	Pin	
3	7754000024	1	Ring	
4	4949000047	2	Washer	
5	7330000609	1	Decal - Grease Required	
6	7440030000	1	Fitting	
7	7253000002	1	Fitting, cap	
8	3020039	AR	Lubricant (Not Shown)	
9	3020029	AR	Lube Bearing Grease (Not Shown)	

## SECTION 2 - WHEEL LIFT

FIGURE 2-31. L-ARM GRID INSTALLATION (3500 LBS FIXED ARMS)



ART\_1001170175

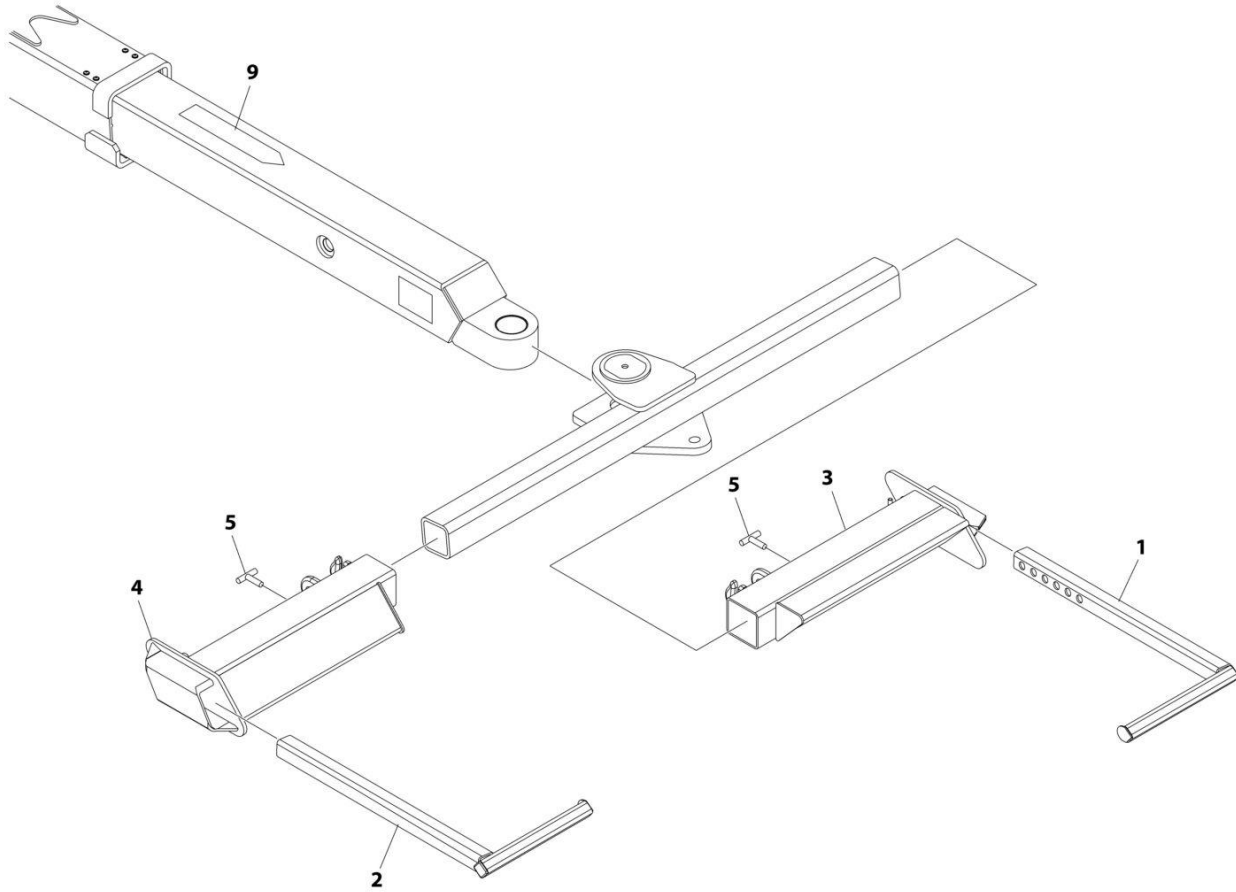
## SECTION 2 - WHEEL LIFT

**FIGURE 2-31. L-ARM GRID INSTALLATION (3500 LBS FIXED ARMS)**

ITEM	PART NUMBER	QTY	DESCRIPTION	REV
	1001170175	Ref	L-ARM GRID INSTALLATION (3500 LBS FIXED ARMS)	A
1	3484000091	1	Grid (LH)	
2	3484000090	1	Grid (RH)	
3	3551000036	2	T-Handle	
4	3020000132	2	Arm	
5	4679000221	2	Pad	
6	7114150818	4	Capscrew 5/16 x1	
7	7950150141	4	Washer 5/16	
8	7660152601	4	Nut 5/16	

## SECTION 2 - WHEEL LIFT

FIGURE 2-32. L-ARM GRID INSTALLATION (4000 LBS FIXED ARMS)



ART\_248400004

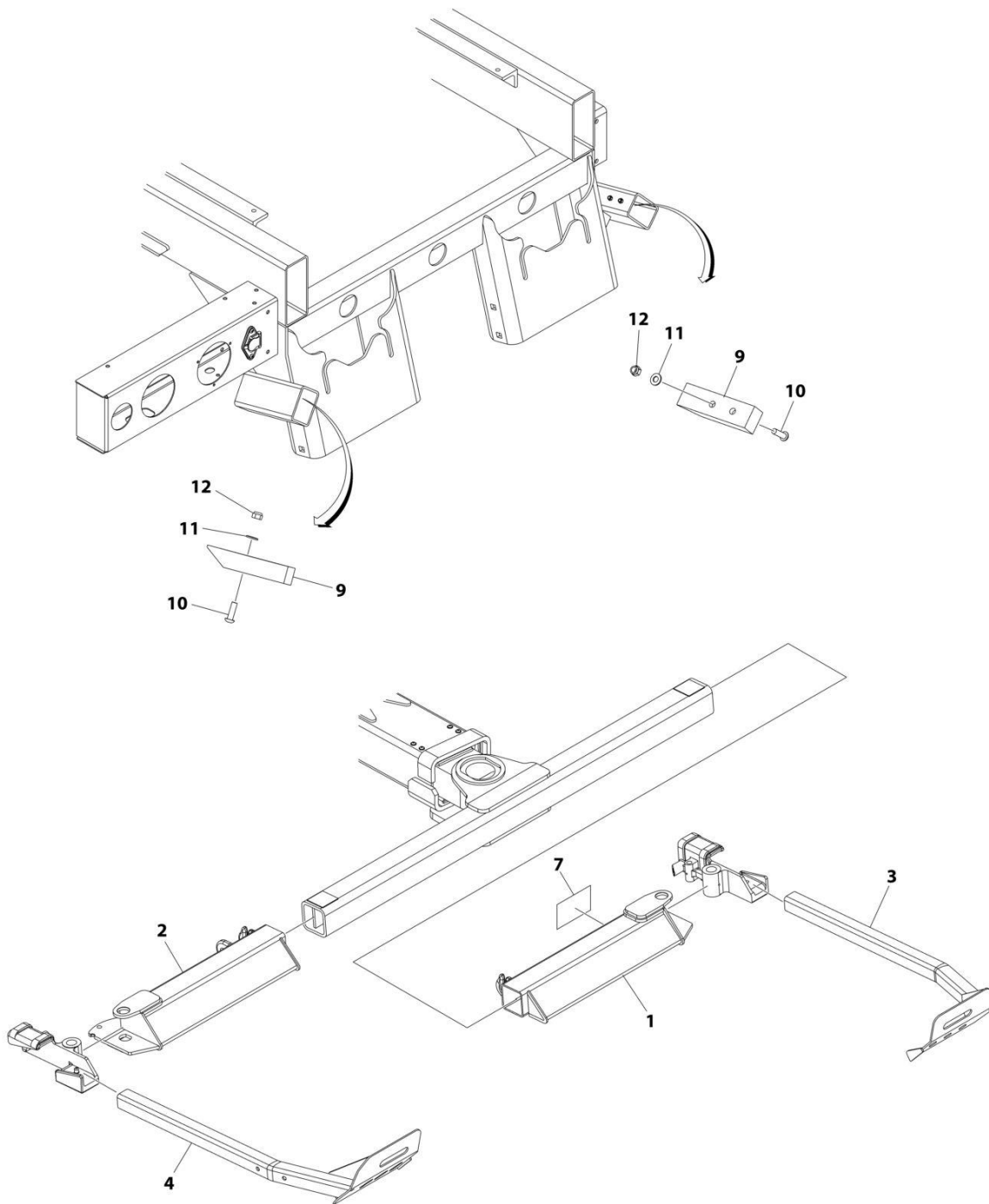
## SECTION 2 - WHEEL LIFT

**FIGURE 2-32. L-ARM GRID INSTALLATION (4000 LBS FIXED ARMS)**

ITEM	PART NUMBER	QTY	DESCRIPTION	REV
	2484000004	Ref	L-ARM GRID INSTALLATION (4000 LBS FIXED ARMS)	E
1	3020000038	1	Arm (RH)	
2	3020000037	1	Arm (LH)	
3	3484000030	1	Grid (RH)	
4	3484000031	1	Grid (LH)	
5	3551000036	2	T-Handle	
9	1001166071	1	Decal - Wheel Lift Rating	

## SECTION 2 - WHEEL LIFT

FIGURE 2-33. L-ARMS GRID INSTALLATION (4000 LBS - T37 PIVOTING ARMS)



ART\_2484000006



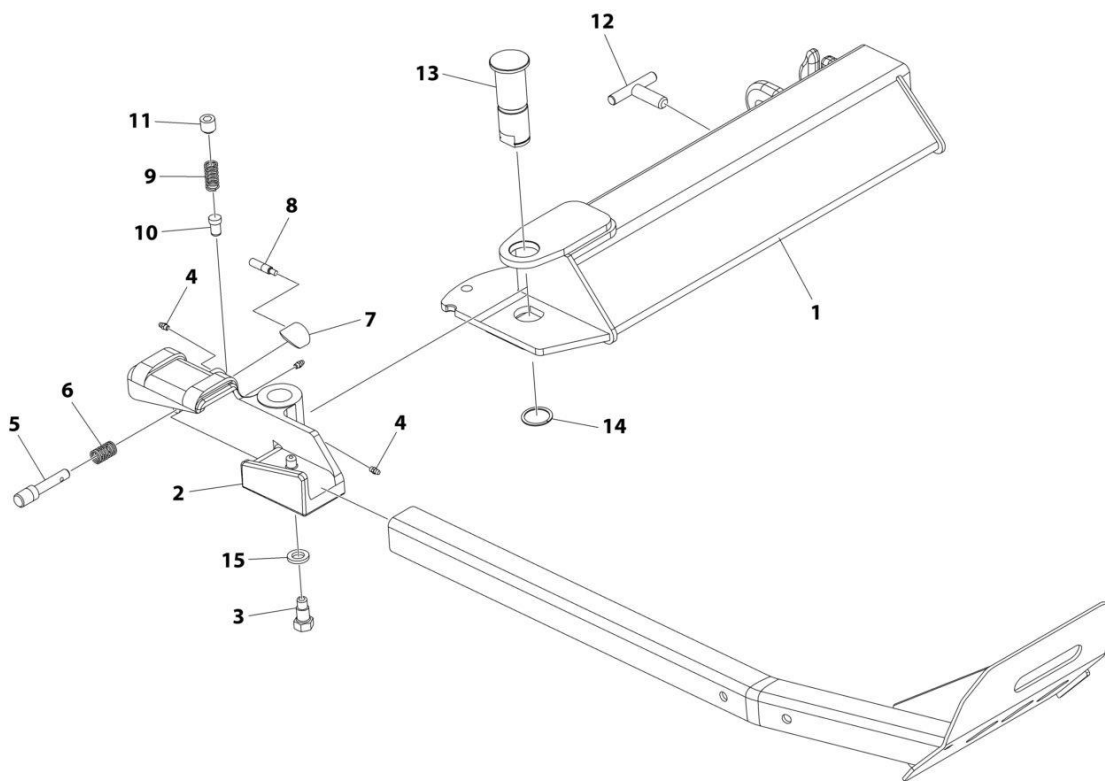
## SECTION 2 - WHEEL LIFT

**FIGURE 2-33. L-ARMS GRID INSTALLATION (4000 LBS - T37 PIVOTING ARMS)**

ITEM	PART NUMBER	QTY	DESCRIPTION	REV
	2484000006	Ref	L-ARMS GRID INSTALLATION (4000 LBS - T37 PIVOTING ARMS)	E
1	3484000046	1	Pivot Assembly (RH) (See Separate Breakdown in this Section)	
2	3484000047	1	Pivot Assembly (LH) (See Separate Breakdown in this Section)	
3	3020000030	1	L-Arm (RH)	
4	3020000029	1	L-Arm (LH)	
7	7330000384	2	Decal - T37 Patent	
9	4679000221	2	Pad	
10	7114150818	4	Capscrew 5/16	
11	7950150141	4	Washer 5/16	
12	7660152601	4	Nut 5/16	

## SECTION 2 - WHEEL LIFT

FIGURE 2-34. L-ARM GRID ASSEMBLY (LH)



ART\_3484000047

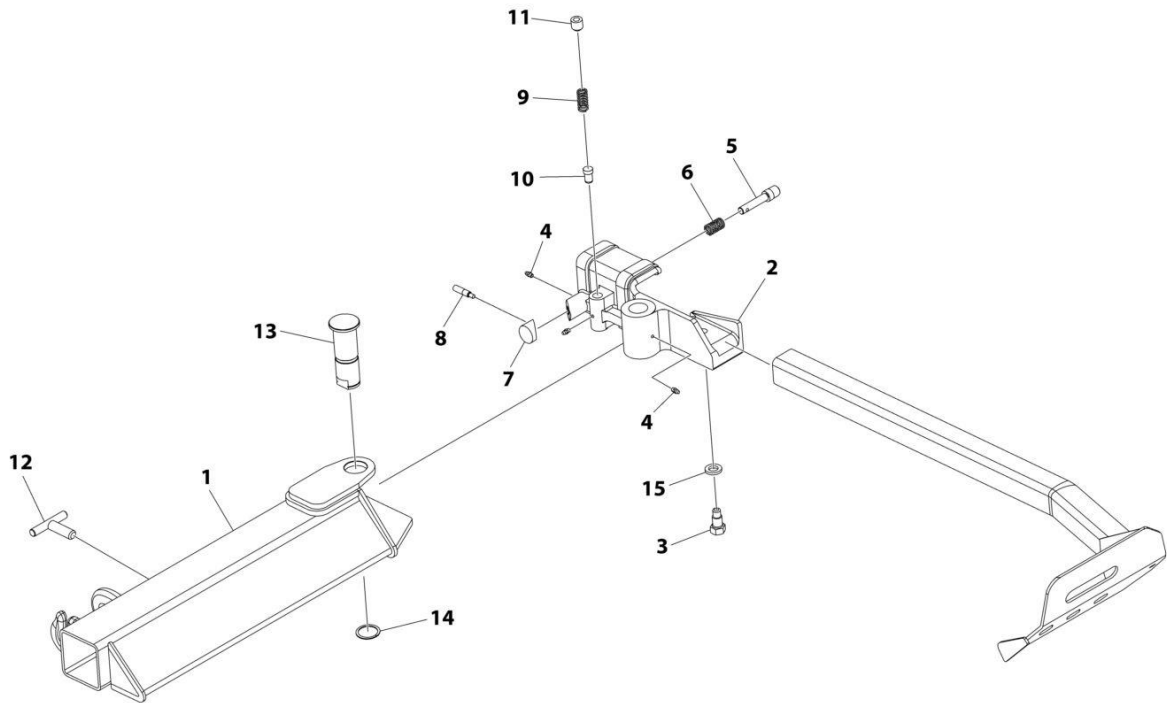
## SECTION 2 - WHEEL LIFT

**FIGURE 2-34. L-ARM GRID ASSEMBLY (LH)**

ITEM	PART NUMBER	QTY	DESCRIPTION	REV
	3484000047	Ref	WHEEL LIFT ASSEMBLY (GRID), LH	C
1	3484000017	1	Grid Weldment, LH	
2	4259000002	1	Pivot Weldment, LH	
3	4691000354	1	Pin	
4	7440030000	3	Fitting	
5	4691000186	1	Pin	
6	7843000006	1	Spring	
7	4254000005	1	Cap	
8	4763000184	1	Rod	
9	7843000016	1	Spring	
10	4691000183	1	Pin	
11	7786000006	1	Screw 3/4 x 5/8	
12	3551000036	1	T-Handle	
13	4691000357	1	Pin	
14	7754000037	1	Ring Retaining	
15	7950200000	1	Washer 5/8	

# SECTION 2 - WHEEL LIFT

## FIGURE 2-35. L-ARM GRID ASSEMBLY (RH)



ART\_3484000046

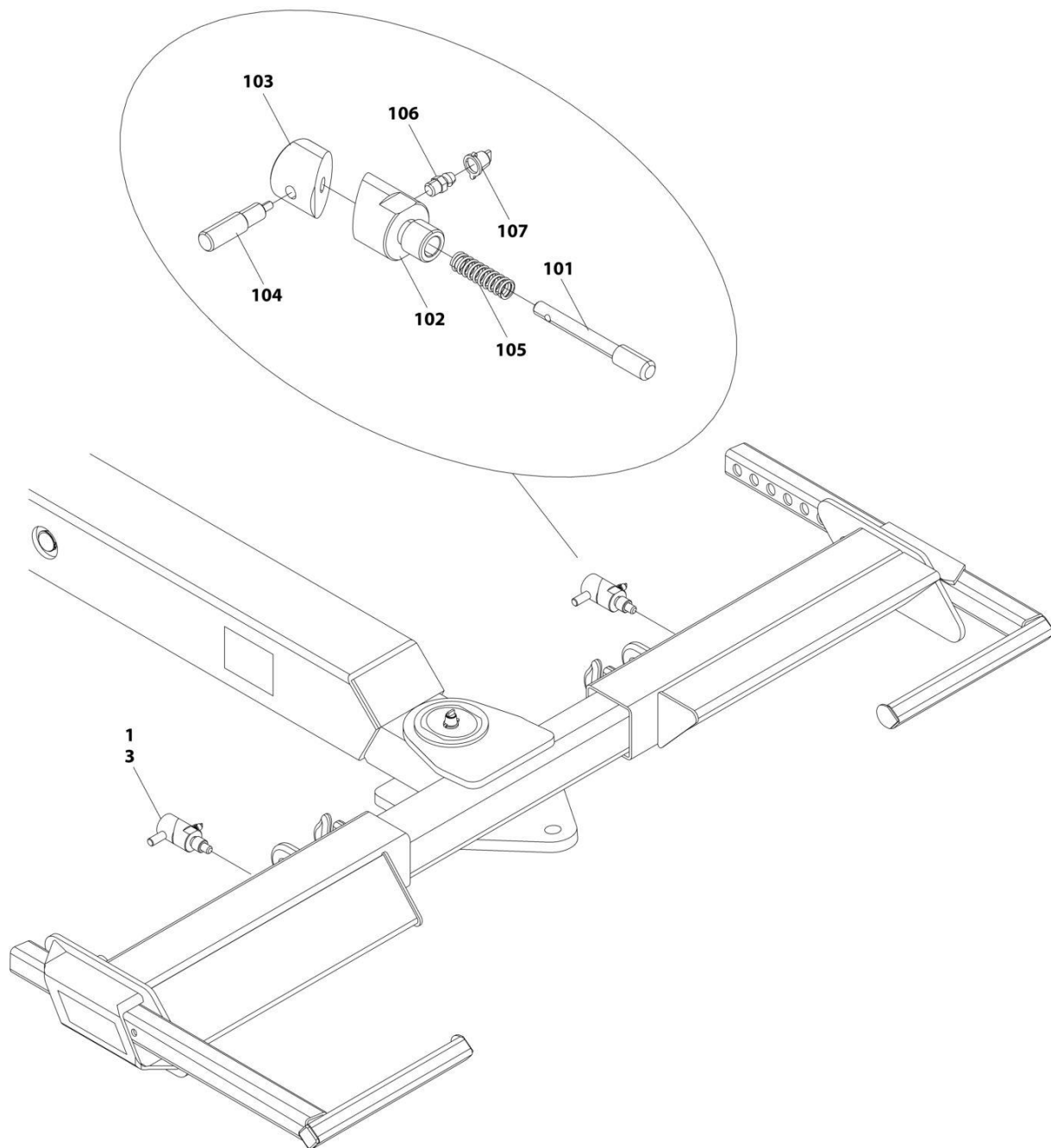
## SECTION 2 - WHEEL LIFT

**FIGURE 2-35. L-ARM GRID ASSEMBLY (RH)**

ITEM	PART NUMBER	QTY	DESCRIPTION	REV
	3484000046	Ref	WHEEL LIFT ASSEMBLY (GRID), RH	C
1	3484000016	1	Grid Weldment, RH	
2	4259000001	1	Pivot Weldment, RH	
3	4691000354	1	Pin	
4	7440030000	3	Fitting	
5	4691000186	1	Pin	
6	7843000006	1	Spring	
7	4254000005	1	Cap	
8	4763000184	1	Rod	
9	7843000016	1	Spring	
10	4691000183	1	Pin	
11	7786000006	1	Screw 3/4 x 5/8	
12	3551000036	1	T-Handle	
13	4691000357	1	Pin	
14	7754000037	1	Ring Retaining	
15	7950200000	1	Washer 5/8	

## SECTION 2 - WHEEL LIFT

FIGURE 2-36. WHEEL LIFT CROSSBAR CAM-LOCK



ART\_1001160195

## SECTION 2 - WHEEL LIFT

### FIGURE 2-36. WHEEL LIFT CROSSBAR CAM-LOCK

ITEM	PART NUMBER	QTY	DESCRIPTION	REV
	1001160195	Ref	Wheel Lift Crossbar Cam-Lock	A
1	1001153950	2	Cam Lock (includes items 101 through 107)	
3	0100011	AR	Compound Locking	
101	1001153944	2	Pin	
102	1001153945	2	Cam-Lock Tube	
103	1001153946	2	Cam-Lock Cap	
104	1001153947	2	Handle	
105	1001153971	1	Spring	
106	7440030000	2	Fitting, Grease	
107	7253000002	2	Cap, Grease	

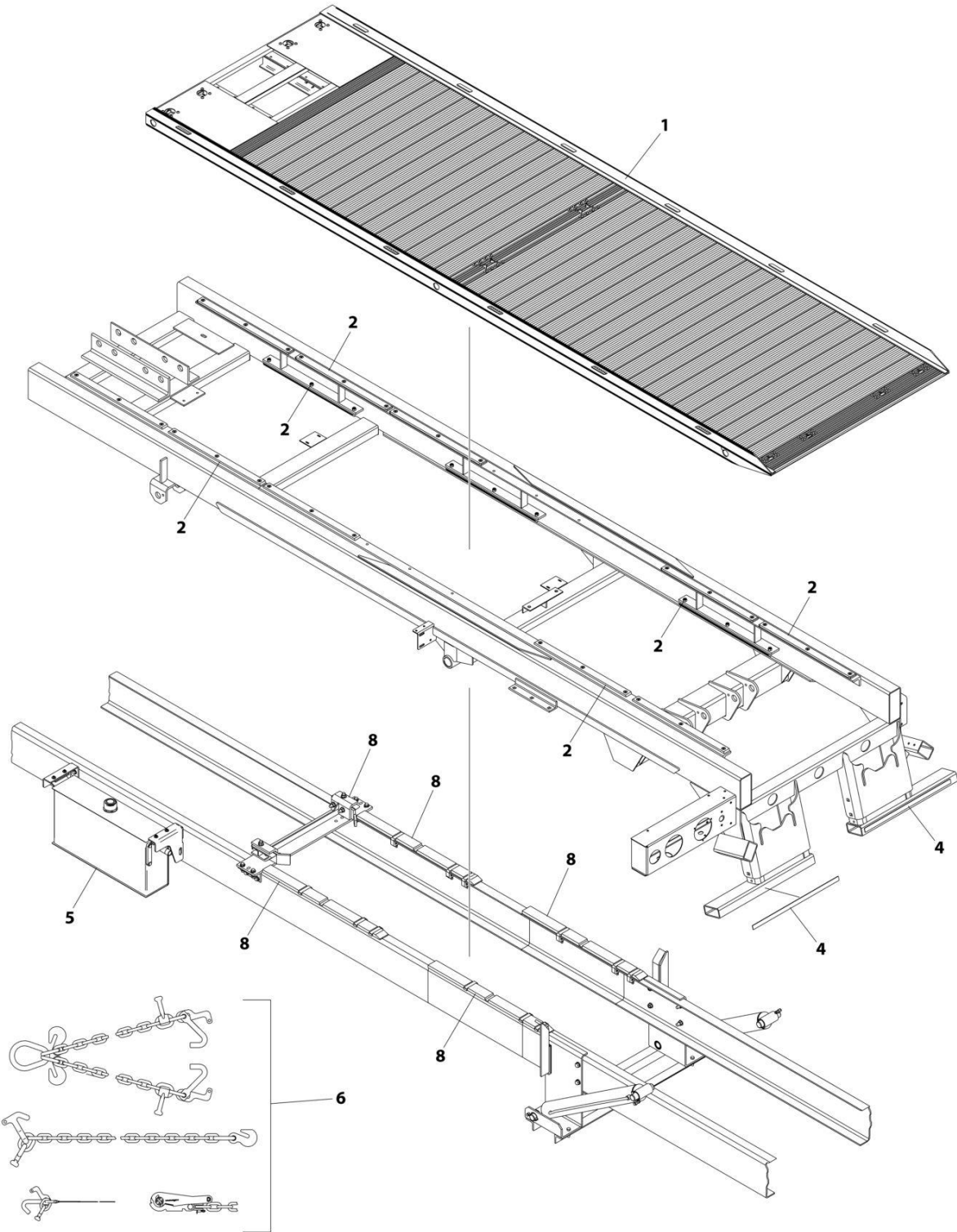




**SECTION 3 - DECK**

# SECTION 3 - DECK

## FIGURE 3-1. DECK INSTALLATION - MAIN (ALUMINUM 28FT X 96IN)



ART\_1001258235

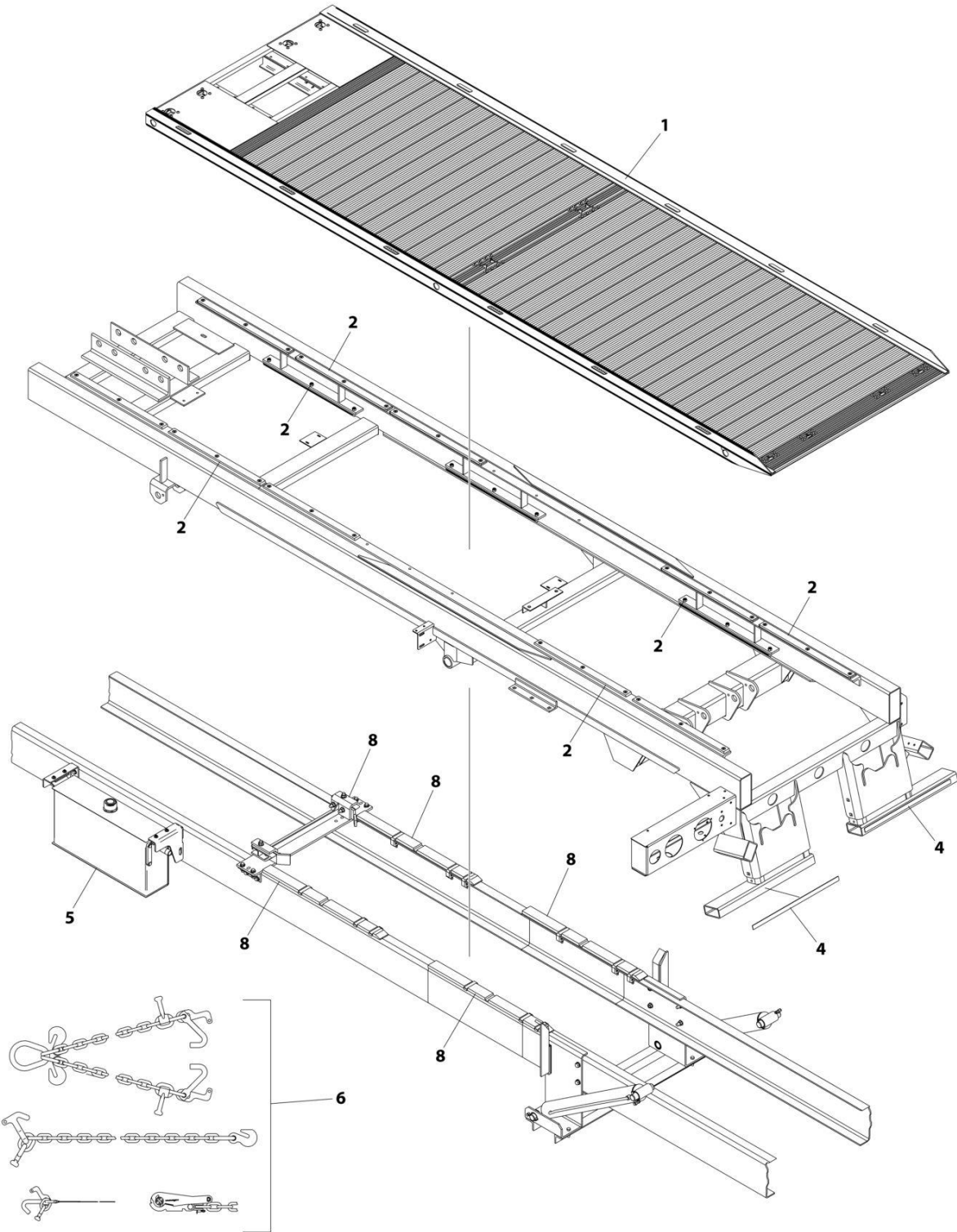
## SECTION 3 - DECK

**FIGURE 3-1. DECK INSTALLATION - MAIN (ALUMINUM 28FT X 96IN)**

ITEM	PART NUMBER	QTY	DESCRIPTION	REV
	1001258235	Ref	DECK INSTALLATION - MAIN (ALUMINUM 28FT x 96IN)	A
1	3097000629	1	Deck 28FT (Aluminium)	
1	1001141749	1	Deck 28FT (Aluminum) Service Replacement (Includes Deck with Decals & Lights Installed)	
2	2679000005	1	Main Subframe Pad Installation (See Separate Breakdown in SUBFRAME Section)	
3	2330000043	1	3-Car Carrier Decal Installation (Not Shown - See Separate Breakdown in DECAL Section)	
4	2330000055	Ref	Conspicuity Decal Installation	
4	7330000428	2	Decal - Red/White Reflective	
5	2750000008	1	Hydraulic Reservoir and Bracket Mount (See Separate Breakdown in HYDRALICS Section)	
6	7577000208	2	Chain/ Tie-Down Kit	
7	1001197779	1	Dual Winch Hydraulic Installation, 28FT Deck (Not Shown - See Separate Breakdown in this Section)	
8	1001219377	1	Hold Down Weld Installation, 28FT Deck (See Separate Breakdown in SUBFRAME Section)	

# SECTION 3 - DECK

## FIGURE 3-2. DECK INSTALLATION - MAIN (ALUMINUM 28FT X 102IN)



ART\_1001258239

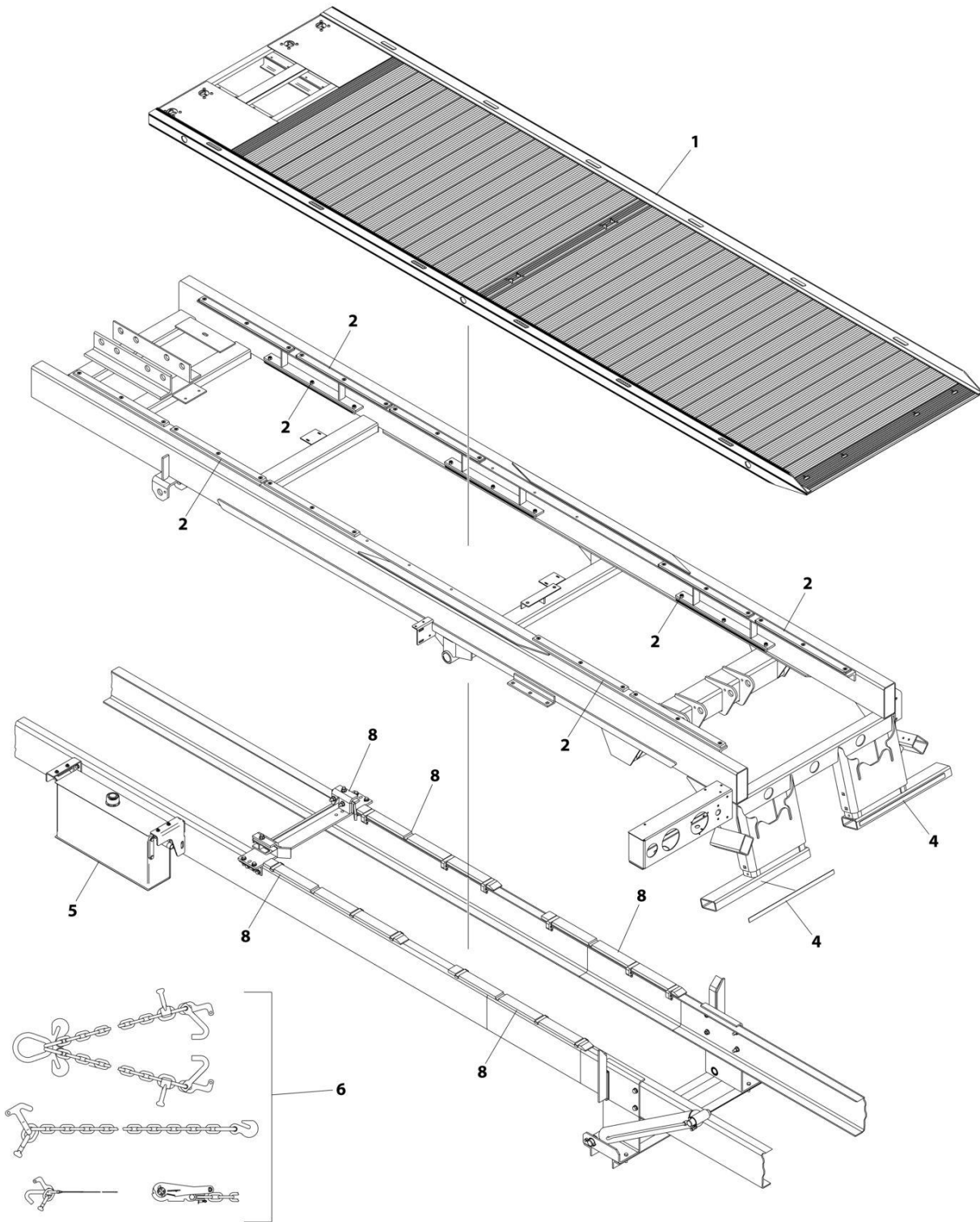
## SECTION 3 - DECK

**FIGURE 3-2. DECK INSTALLATION - MAIN (ALUMINUM 28FT X 102IN)**

ITEM	PART NUMBER	QTY	DESCRIPTION	REV
	1001258239	Ref	DECK INSTALLATION - MAIN (ALUMINUM 28FT X 102IN)	A
1	1001195792	1	Deck 28FT (Wide) (Aluminium)	
1	1001249466	1	Deck 28FT (Wide) (Aluminium) Service Replacement (Includes Deck with Decals & Lights Installed)	
2	2679000005	1	Main Subframe Pad Installation (See Separate Breakdown in SUBFRAME Section)	
3	2330000043	1	3-Car Carrier Decal Installation (Not Shown - See Separate Breakdown in DECAL Section)	
4	2330000055	Ref	Conspicuity Decal Installation	
4	7330000428	2	Decal - Red/White Reflective	
5	2750000008	1	Hydraulic Reservoir and Bracket Mount (See Separate Breakdown in HYDRAULICS Section)	
6	7577000208	2	Chain/ Tie-Down Kit	
7	1001197779	1	Dual Winch Hydraulic Installation, 28FT Deck (Not Shown - See Separate Breakdown in HYDRAULIC Section)	
8	1001219377	1	Hold Down Weld Installation, 28FT Deck (See Separate Breakdown in SUBFRAME Section)	

# SECTION 3 - DECK

## FIGURE 3-3. DECK INSTALLATION - MAIN (ALUMINUM 30FT X 96IN)



ART\_1001258236

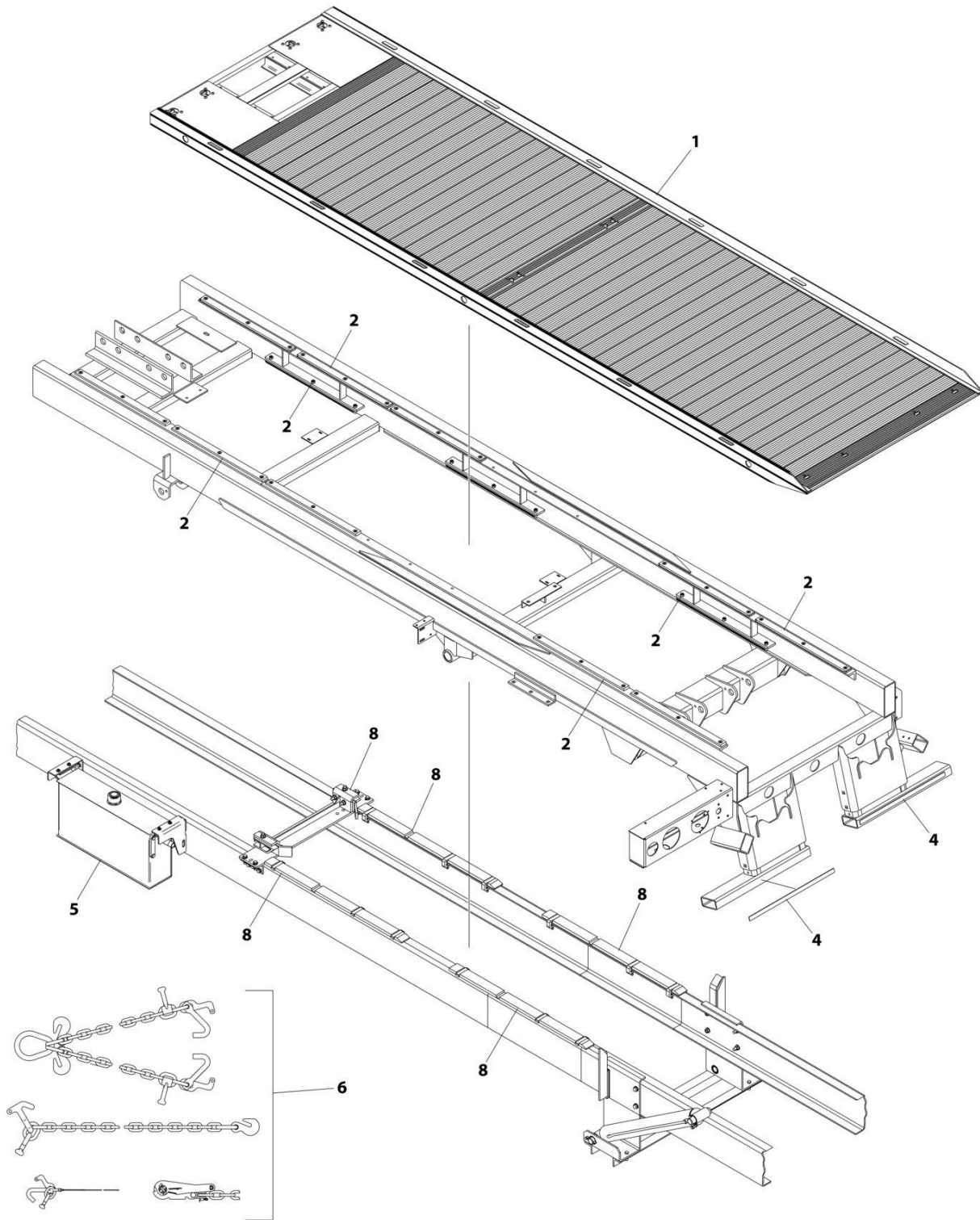
## SECTION 3 - DECK

**FIGURE 3-3. DECK INSTALLATION - MAIN (ALUMINUM 30FT X 96IN)**

ITEM	PART NUMBER	QTY	DESCRIPTION	REV
	1001258236	Ref	DECK INSTALLATION - MAIN (ALUMINUM 30FT X 96IN)	A
1	3097000646	1	Deck 30FT (Aluminium)	
	1001221995	1	Deck 30FT (Aluminum) Service Replacement (Includes Deck with Decals & Lights Installed)	
2	2679000005	1	Main Subframe Pad Installation (See Separate Breakdown in SUBFRAME Section)	
3	2330000043	1	3-Car Carrier Decal Installation (Not Shown - See Separate Breakdown in DECAL Section)	
4	2330000055	Ref	Conspicuity Decal Installation	
4	7330000428	2	Decal - Red/White Reflective	
5	2750000008	1	Hydraulic Reservoir and Bracket Mount (See Separate Breakdown in HYDRAULICS Section)	
6	7577000208	2	Deck Chain / Tie-Down Kit	
7	1001197780	1	Dual Winch Hydraulic Installation, 30FT Deck (Not Shown - See Separate Breakdown in this Section)	
8	1001219789	1	Hold Down Weld Installation, 30FT Deck (See Separate Breakdown in SUBFRAME Section)	

# SECTION 3 - DECK

## FIGURE 3-4. DECK INSTALLATION - MAIN (ALUMINUM 30FT X 102IN)



ART\_1001258240



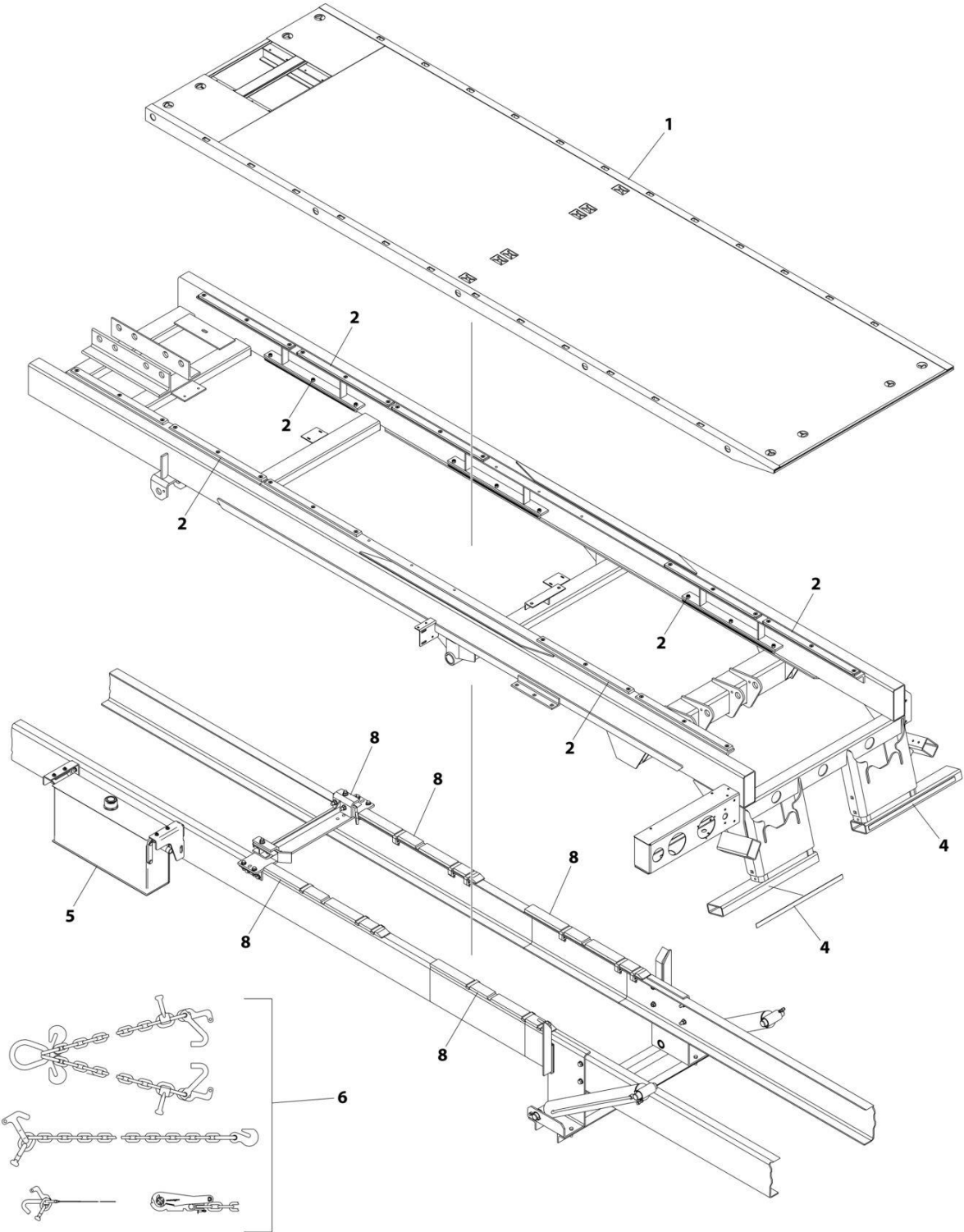
## SECTION 3 - DECK

**FIGURE 3-4. DECK INSTALLATION - MAIN (ALUMINUM 30FT X 102IN)**

ITEM	PART NUMBER	QTY	DESCRIPTION	REV
	1001258240	Ref	DECK INSTALLATION - MAIN (ALUMINUM 30FT X 102IN)	A
1	1001152463	1	Deck 30FT (Wide) (Aluminium)	
1	1001268672	1	Deck 30FT (Wide) (Aluminium) Service Replacement (Includes Deck with Decals & Lights Installed)	
2	2679000005	1	Main Subframe Pad Installation (See Separate Breakdown in SUBFRAME Section)	
3	2330000043	1	3-Car Carrier Decal Installation (Not Shown - See Separate Breakdown in DECAL Section)	
4	2330000055	Ref	Conspicuity Decal Installation	
4	7330000428	2	Decal - Red/White Reflective	
5	2750000008	1	Hydraulic Reservoir and Bracket Mount (See Separate Breakdown in HYDRAULICS Section)	
6	7577000208	2	Chain/ Tie-Down Kit	
7	1001197780	1	Dual Winch Hydraulic Installation, 30FT Deck (Not Shown - See Separate Breakdown in HYDRAULIC Section)	
8	1001219789	1	Hold Down Weld Installation, 30FT Deck (See Separate Breakdown in SUBFRAME Section)	

# SECTION 3 - DECK

## FIGURE 3-5. DECK INSTALLATION - MAIN (STEEL 28FT X 96IN)



ART\_1001258237

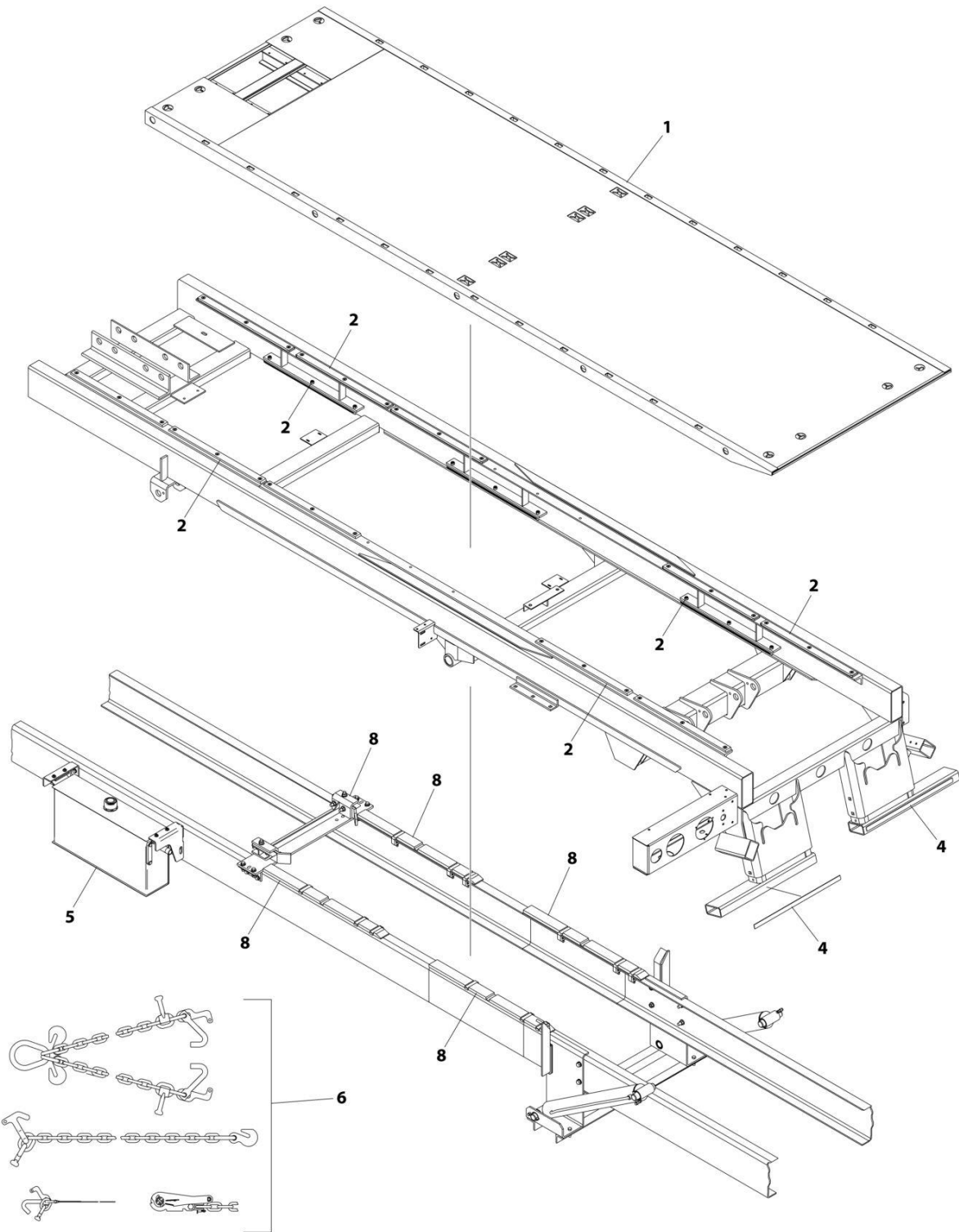
## SECTION 3 - DECK

**FIGURE 3-5. DECK INSTALLATION - MAIN (STEEL 28FT X 96IN)**

ITEM	PART NUMBER	QTY	DESCRIPTION	REV
	1001258237	Ref	DECK INSTALLATION - MAIN (STEEL 28FT X 96IN)	A
1	3097000841	1	Deck 28FT (Steel)	
1	1001131804	1	Deck 28FT (Steel) Service Replacement (Includes Deck with Decals, Lights & Rails Installed)	
2	2679000005	1	Main Subframe Pad Installation (See Separate Breakdown in SUBFRAME Section)	
3	2330000043	1	3-Car Carrier Decal Installation (Not Shown - See Separate Breakdown in DECAL Section)	
4	2330000055	Ref	Conspicuity Decal Installation	
4	7330000428	2	Decal - Red/White Reflective	
5	2750000008	1	Hydraulic Reservoir and Bracket Mount (See Separate Breakdown in HYDRAULICS Section)	
6	7577000208	2	Chain/ Tie-Down Kit	
7	1001197779	1	Dual Winch Hydraulic Installation, 28FT Deck (Not Shown - See Separate Breakdown in HYDRAULIC Section)	
8	1001219377	1	Hold Down Weld Installation, 28FT Deck (See Separate Breakdown in SUBFRAME Section)	

# SECTION 3 - DECK

## FIGURE 3-6. DECK INSTALLATION - MAIN (STEEL 28FT X 102IN)



ART\_1001258241

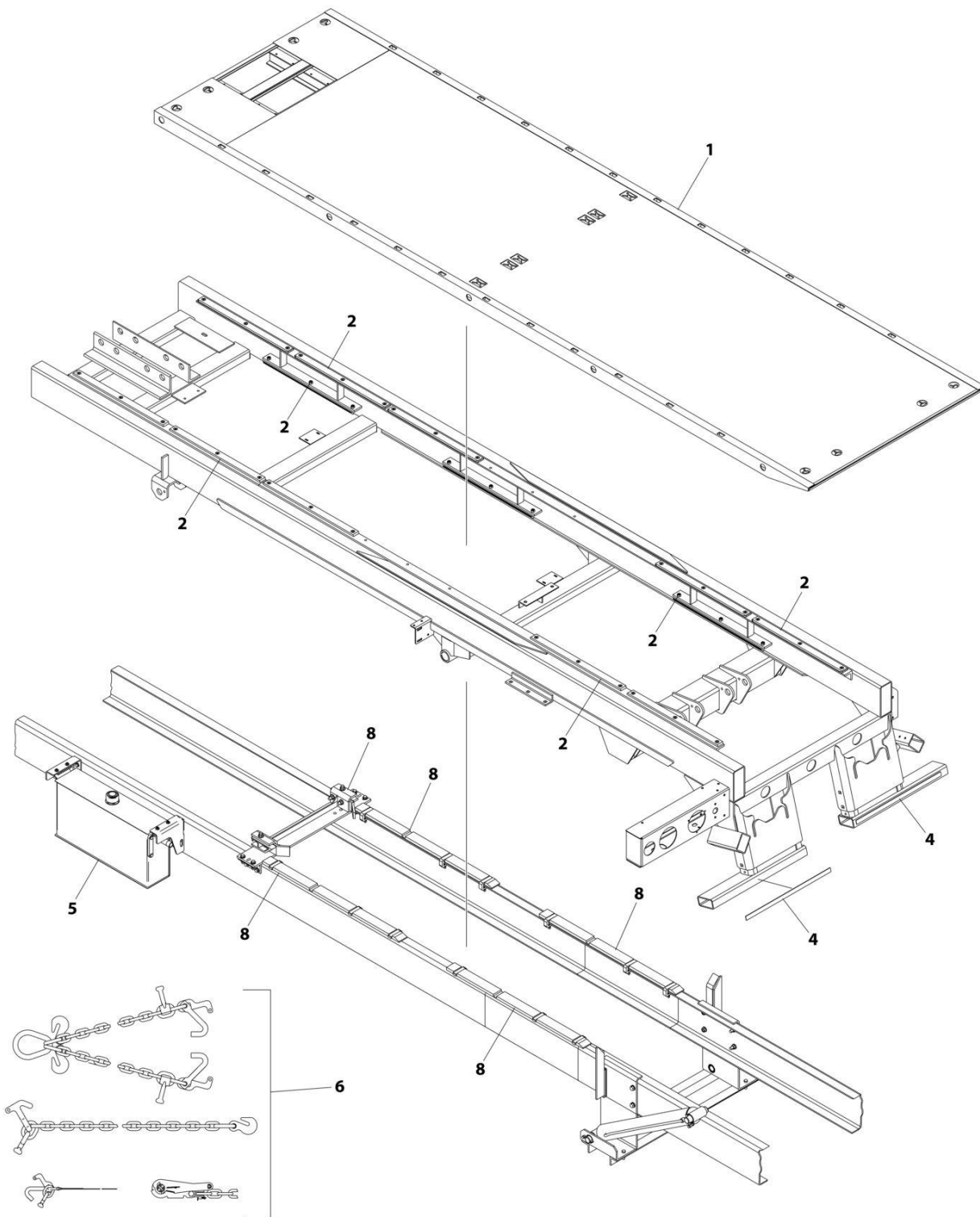
## SECTION 3 - DECK

**FIGURE 3-6. DECK INSTALLATION - MAIN (STEEL 28FT X 102IN)**

ITEM	PART NUMBER	QTY	DESCRIPTION	REV
	1001258241	Ref	DECK INSTALLATION - MAIN (STEEL 28FT X 102IN)	A
1	1001195914	1	Deck Installation, 28FT (Wide) (Steel)	
2	2679000005	1	Main Subframe Pad Installation (See Separate Breakdown in SUBFRAME Section)	
3	2330000043	1	3-Car Carrier Decal Installation (Not Shown - See Separate Breakdown in DECAL Section)	
4	2330000055	Ref	Conspicuity Decal Installation	
4	7330000428	2	Decal - Red/White Reflective	
5	2750000008	1	Hydraulic Reservoir and Bracket Mount (See Separate Breakdown in HYDRAULICS Section)	
6	7577000208	2	Chain/ Tie-Down Kit	
7	1001197779	1	Dual Winch Hydraulic Installation, 28FT Deck (Not Shown - See Separate Breakdown in HYDRAULIC Section)	
8	1001219377	1	Hold Down Weld Installation, 28FT Deck (See Separate Breakdown in SUBFRAME Section)	

# SECTION 3 - DECK

## FIGURE 3-7. DECK INSTALLATION - MAIN (STEEL 30FT X 96IN)



ART\_1001258238

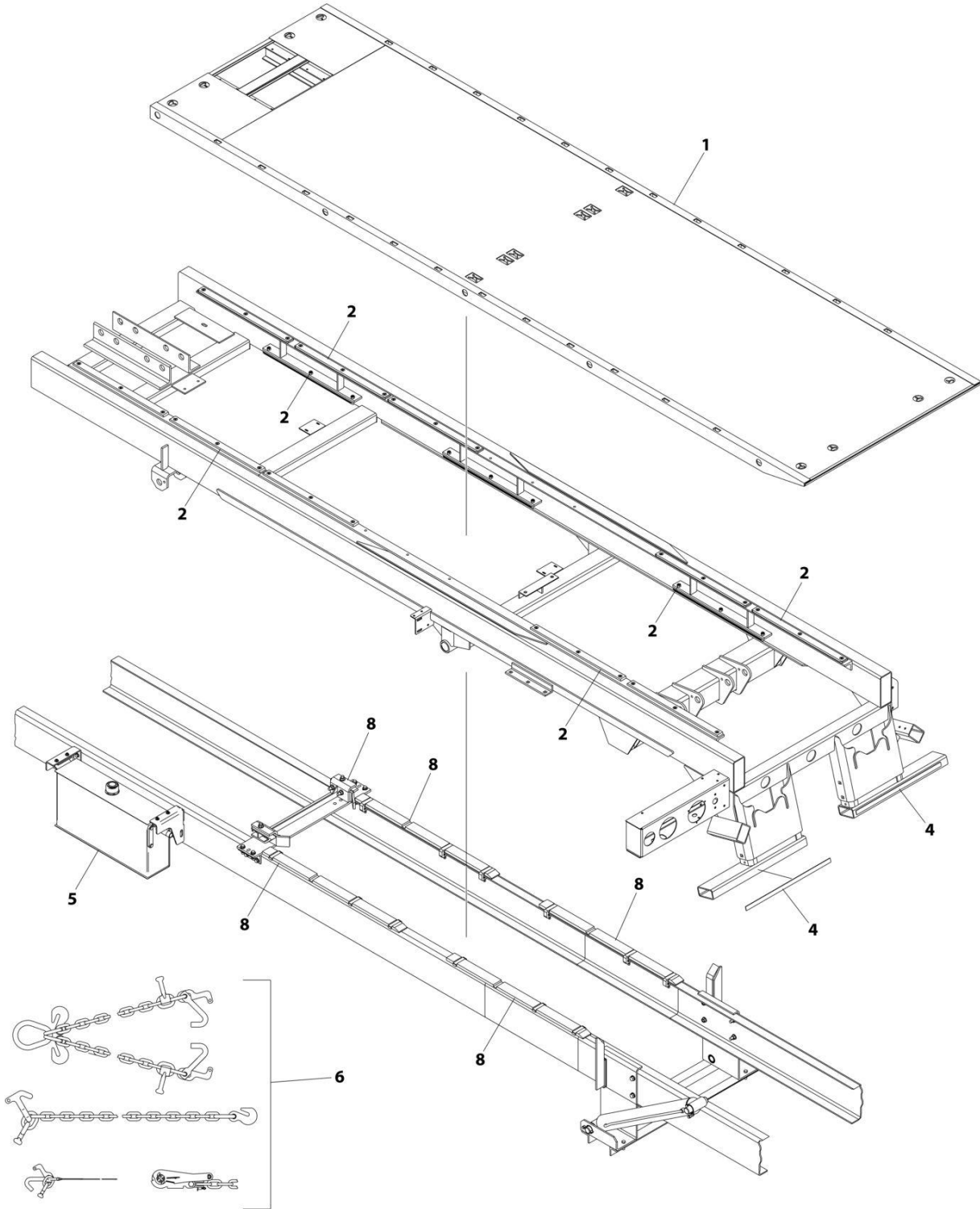
## SECTION 3 - DECK

**FIGURE 3-7. DECK INSTALLATION - MAIN (STEEL 30FT X 96IN)**

ITEM	PART NUMBER	QTY	DESCRIPTION	REV
	1001258238	Ref	DECK INSTALLATION - MAIN (STEEL 30FT X 96IN)	A
1	3097000843	1	Deck Installation, 30FT (Steel)	
2	2679000005	1	Main Subframe Pad Installation (See Separate Breakdown in SUBFRAME Section)	
3	2330000043	1	3-Car Carrier Decal Installation (Not Shown - See Separate Breakdown in DECAL Section)	
4	2330000055	Ref	Conspicuity Decal Installation	
4	7330000428	2	Decal - Red/White Reflective	
5	2750000008	1	Hydraulic Reservoir and Bracket Mount (See Separate Breakdown in HYDRAULICS Section)	
6	7577000208	2	Chain/ Tie-Down Kit	
7	1001197780	1	Dual Winch Hydraulic Installation, 30FT Deck (Not Shown - See Separate Breakdown in HYDRAULIC Section)	
8	1001219789	1	Hold Down Weld Installation, 30FT Deck (See Separate Breakdown in SUBFRAME Section)	

# SECTION 3 - DECK

## FIGURE 3-8. DECK INSTALLATION - MAIN (STEEL 30FT X 102IN)



ART\_1001258242



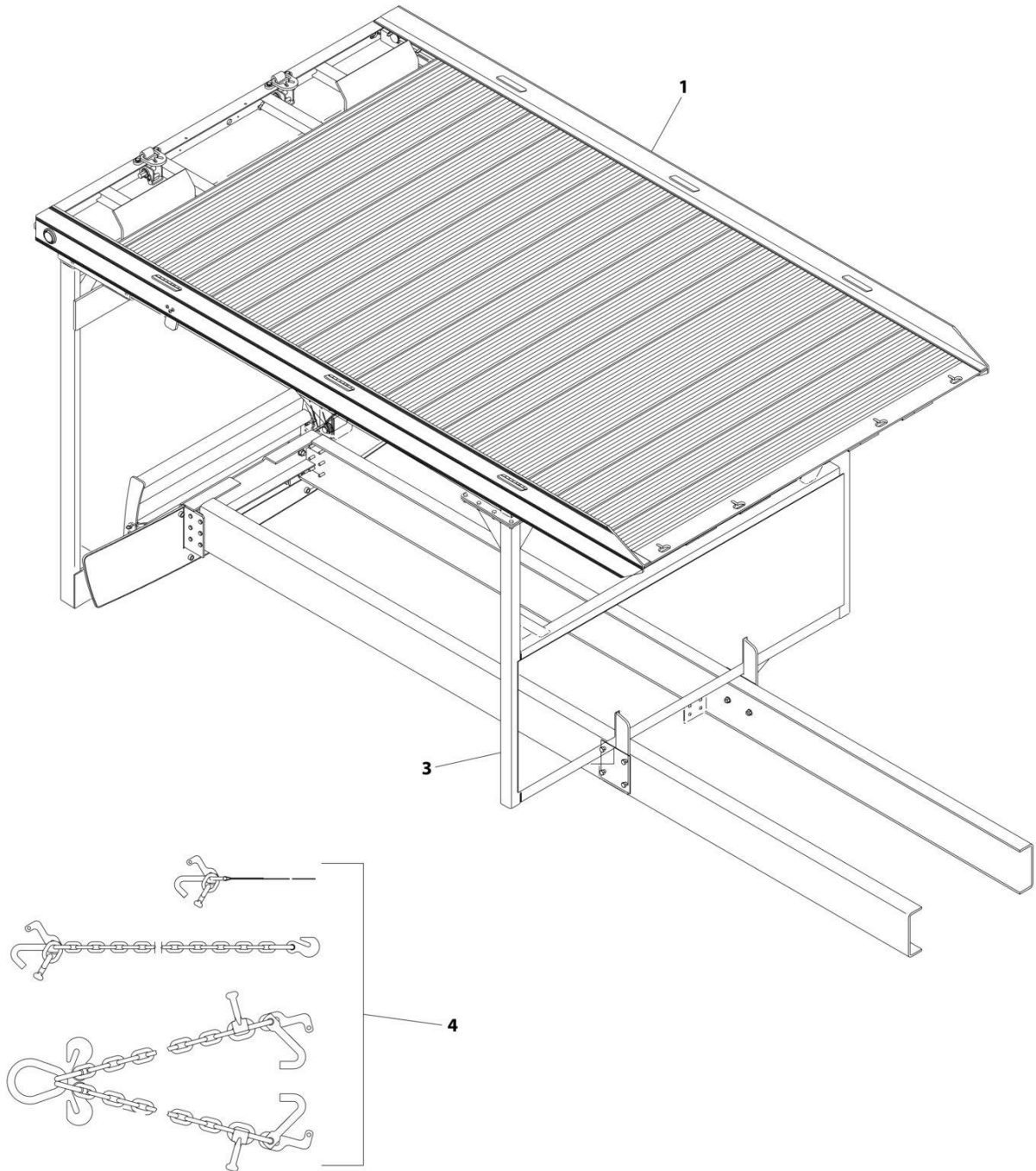
## SECTION 3 - DECK

**FIGURE 3-8. DECK INSTALLATION - MAIN (STEEL 30FT X 102IN)**

ITEM	PART NUMBER	QTY	DESCRIPTION	REV
	1001258242	Ref	DECK INSTALLATION - MAIN (STEEL 30FT X 102IN)	A
1	1001195915	1	Deck Installation, 30FT (Wide) (Steel)	
2	2679000005	1	Main Subframe Pad Installation (See Separate Breakdown in SUBFRAME Section)	
3	2330000043	1	3-Car Carrier Decal Installation (Not Shown - See Separate Breakdown in DECAL Section)	
4	2330000055	Ref	Conspicuity Decal Installation	
4	7330000428	2	Decal - Red/White Reflective	
5	2750000008	1	Hydraulic Reservoir and Bracket Mount (See Separate Breakdown in HYDRAULICS Section)	
6	7577000208	2	Chain/ Tie-Down Kit	
7	1001197780	1	Dual Winch Hydraulic Installation, 30FT Deck (Not Shown - See Separate Breakdown in HYDRAULIC Section)	
8	1001219789	1	Hold Down Weld Installation, 30FT Deck (See Separate Breakdown in SUBFRAME Section)	

# SECTION 3 - DECK

FIGURE 3-9. DECK INSTALLATION - UPPER (ALUMINUM 28FT - 2011-2015 FORD F750)



ART\_1001131092

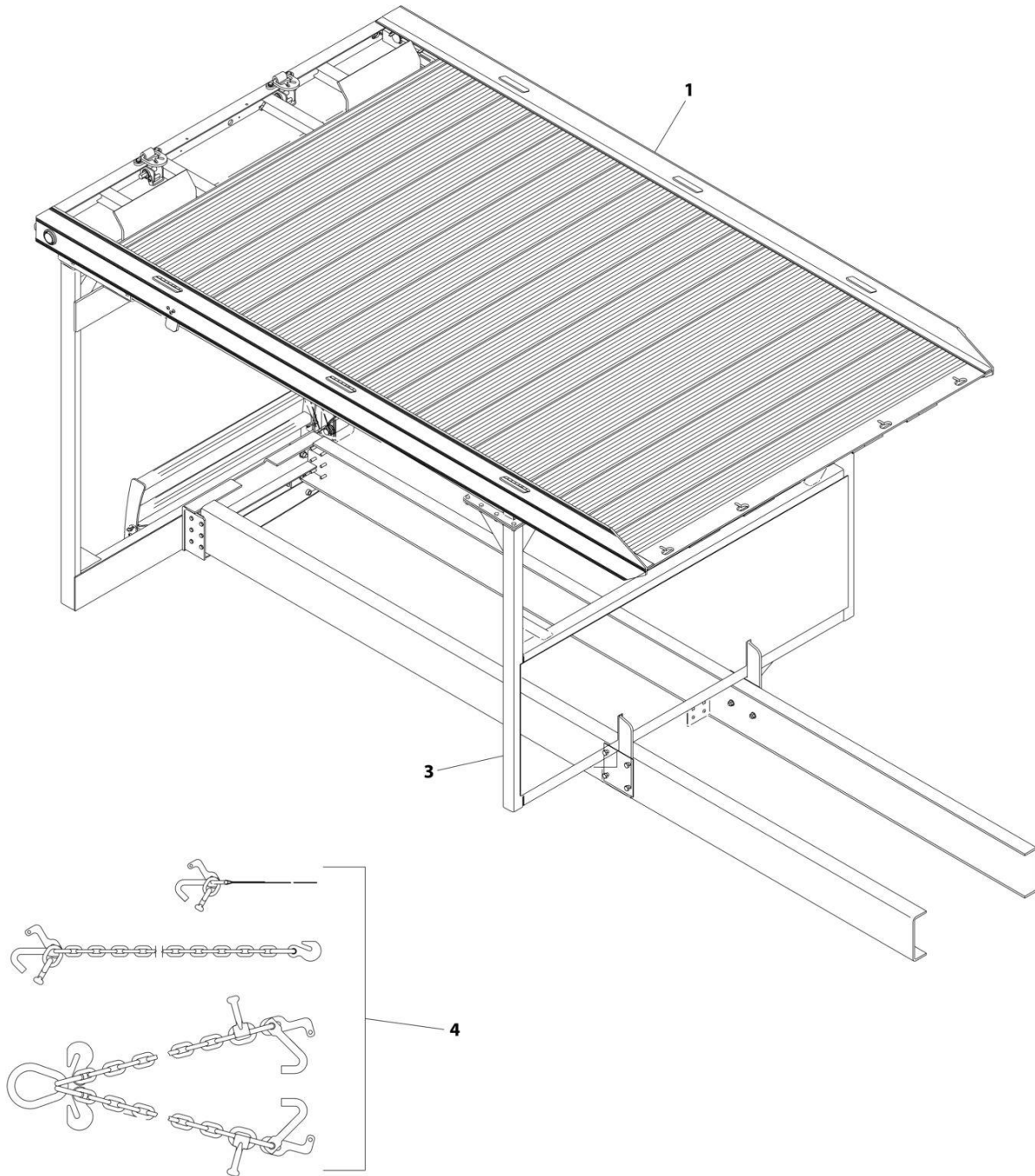
## SECTION 3 - DECK

**FIGURE 3-9. DECK INSTALLATION - UPPER (ALUMINUM 28FT - 2011-2015 FORD F750)**

ITEM	PART NUMBER	QTY	DESCRIPTION	REV
	1001131092	Ref	DECK INSTALLATION - UPPER (ALUMINUM 28FT - 2011-2015 FORD F750)	B
1	1001155491	1	Upper Deck Installation, (Aluminium) (See Separate Breakdown in this Section)	
2	2570000104	1	Hose Installation (Not Shown - See Separate Breakdown in HYDRAULIC Section)	
3	1001131072	1	Subframe Installation, (Ford) (See Separate Breakdown in SUBFRAME Section)	
4	7577000301	1	Upper Deck Tie Down Kit (See Separate Breakdown in ACCESSORIES Section)	

# SECTION 3 - DECK

FIGURE 3-10. DECK INSTALLATION - UPPER (ALUMINUM 28FT - 2016+ FORD F750)



ART\_1001211276

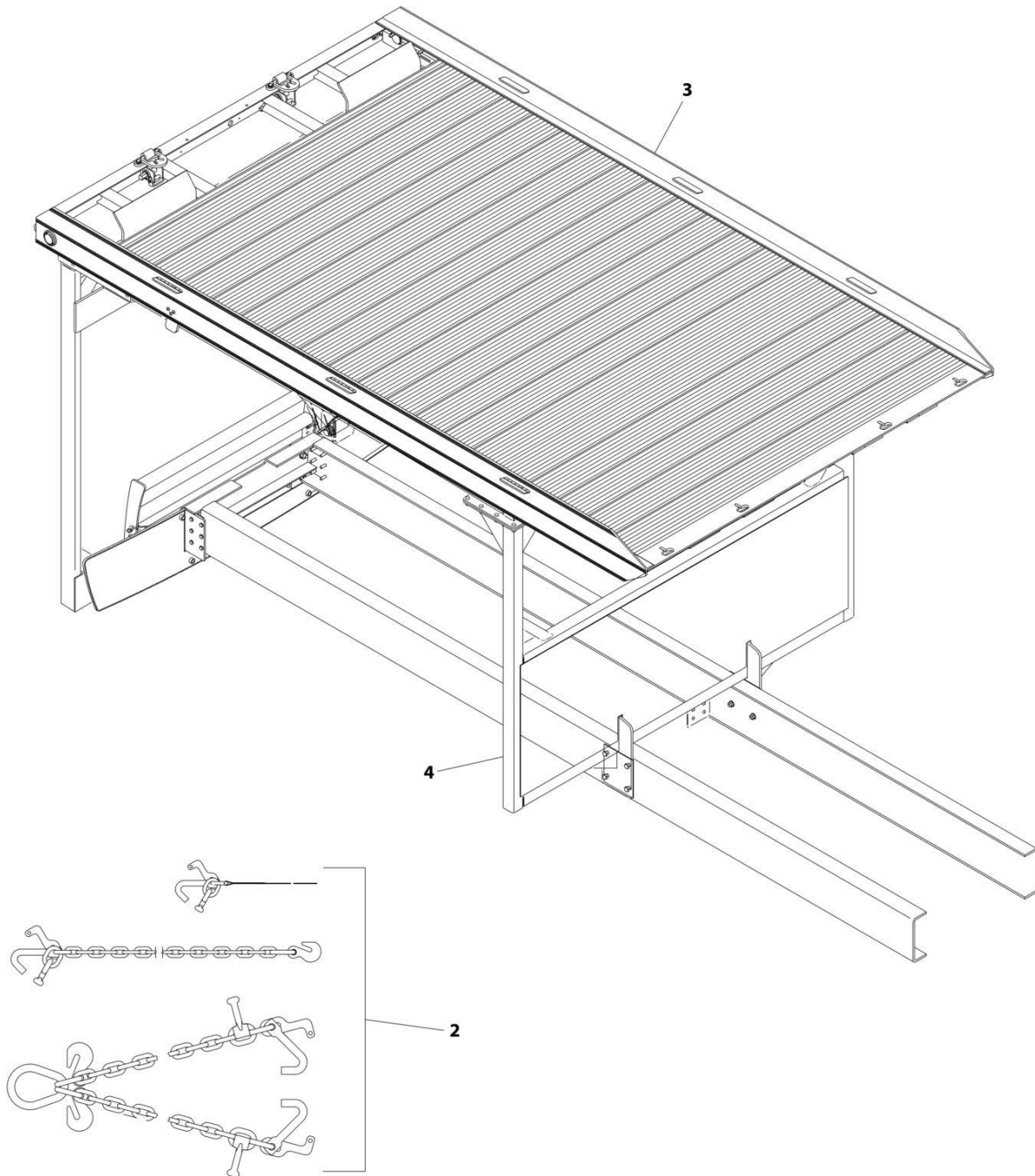
## SECTION 3 - DECK

**FIGURE 3-10. DECK INSTALLATION - UPPER (ALUMINUM 28FT - 2016+ FORD F750)**

ITEM	PART NUMBER	QTY	DESCRIPTION	REV
	1001211276	Ref	DECK INSTALLATION - UPPER (ALUMINUM 28FT - 2016+ FORD F750)	A
1	1001155491	1	Upper Deck Installation (Aluminium) (See Separate Breakdown in HYDRAULIC Section)	
2	1001136809	1	Hose Installation (Not Shown - See Separate Breakdown in this Section)	
3	1001211207	1	Subframe Installation, F750 (See Separate Breakdown in SUBFRAME Section)	
4	7577000301	1	Upper Deck Tie-Down Kit (See Separate Breakdown in ACCESSORY Section)	

# SECTION 3 - DECK

FIGURE 3-11. DECK INSTALLATION - UPPER (ALUMINUM 28FT - 2011 FREIGHTLINER M2, 63IN)



ART\_1001128589

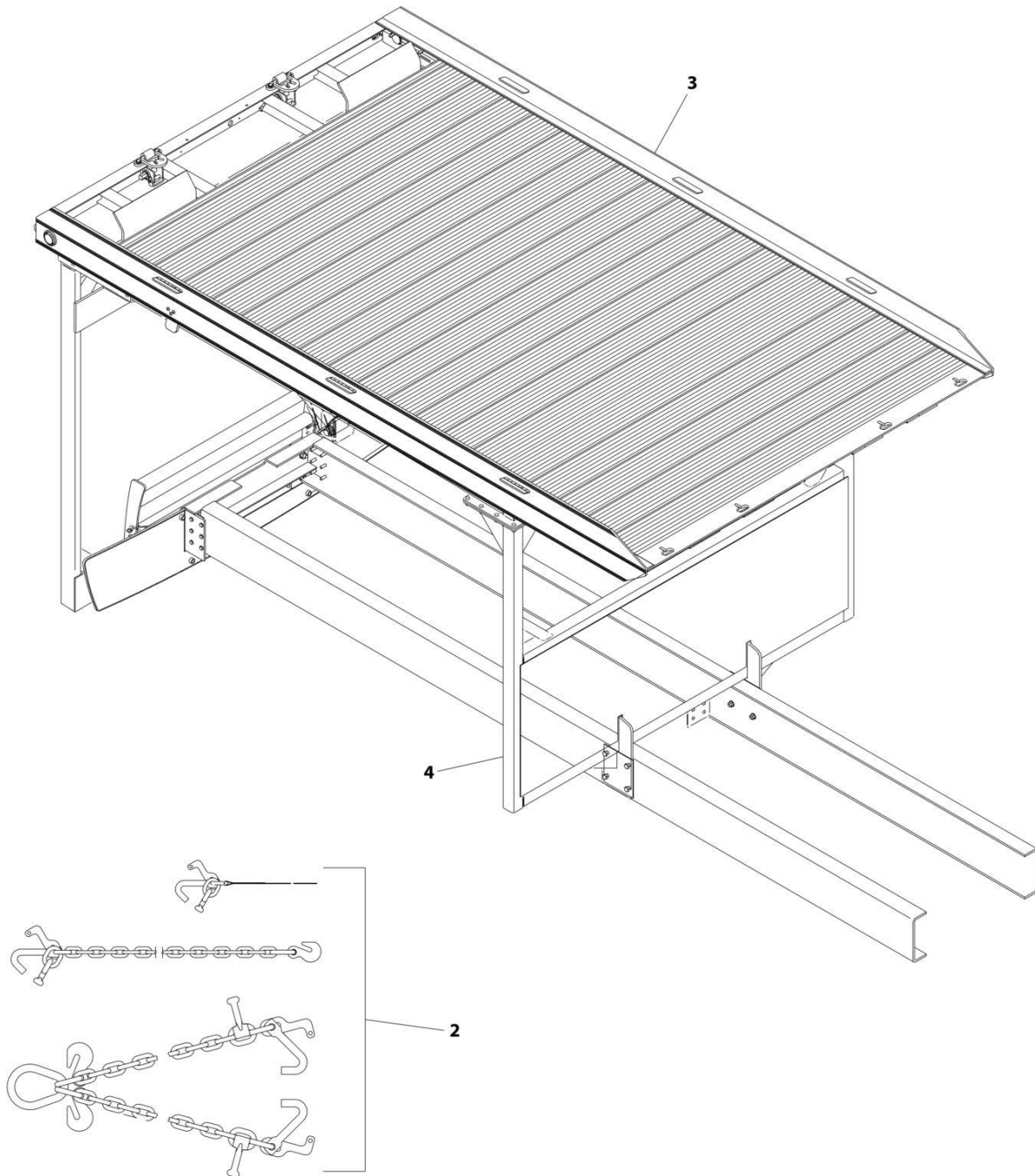
## SECTION 3 - DECK

**FIGURE 3-11. DECK INSTALLATION - UPPER (ALUMINUM 28FT - 2011 FREIGHTLINER M2, 63IN)**

ITEM	PART NUMBER	QTY	DESCRIPTION	REV
	1001128589	Ref	DECK INSTALLATION - UPPER (ALUMINUM 28FT - 2011 FREIGHTLINER M2, 63IN)	C
1	1001136809	1	Hose Installation (Not Shown - See Separate Breakdown in HYDRAULIC Section)	
2	7577000301	1	Upper Deck Tie-Down Kit (See Separate Breakdown in ACCESSORY Section)	
3	1001155491	1	Upper Deck Installation (Aluminium) (See Separate Breakdown in this Section)	
4	1001128583	1	Subframe Installation, 62FT (See Separate Breakdown in SUBFRAME Section)	

# SECTION 3 - DECK

FIGURE 3-12. DECK INSTALLATION - UPPER (ALUMINUM 28FT - 2015 FREIGHTLINER M2, 67IN)



ART\_1001193519



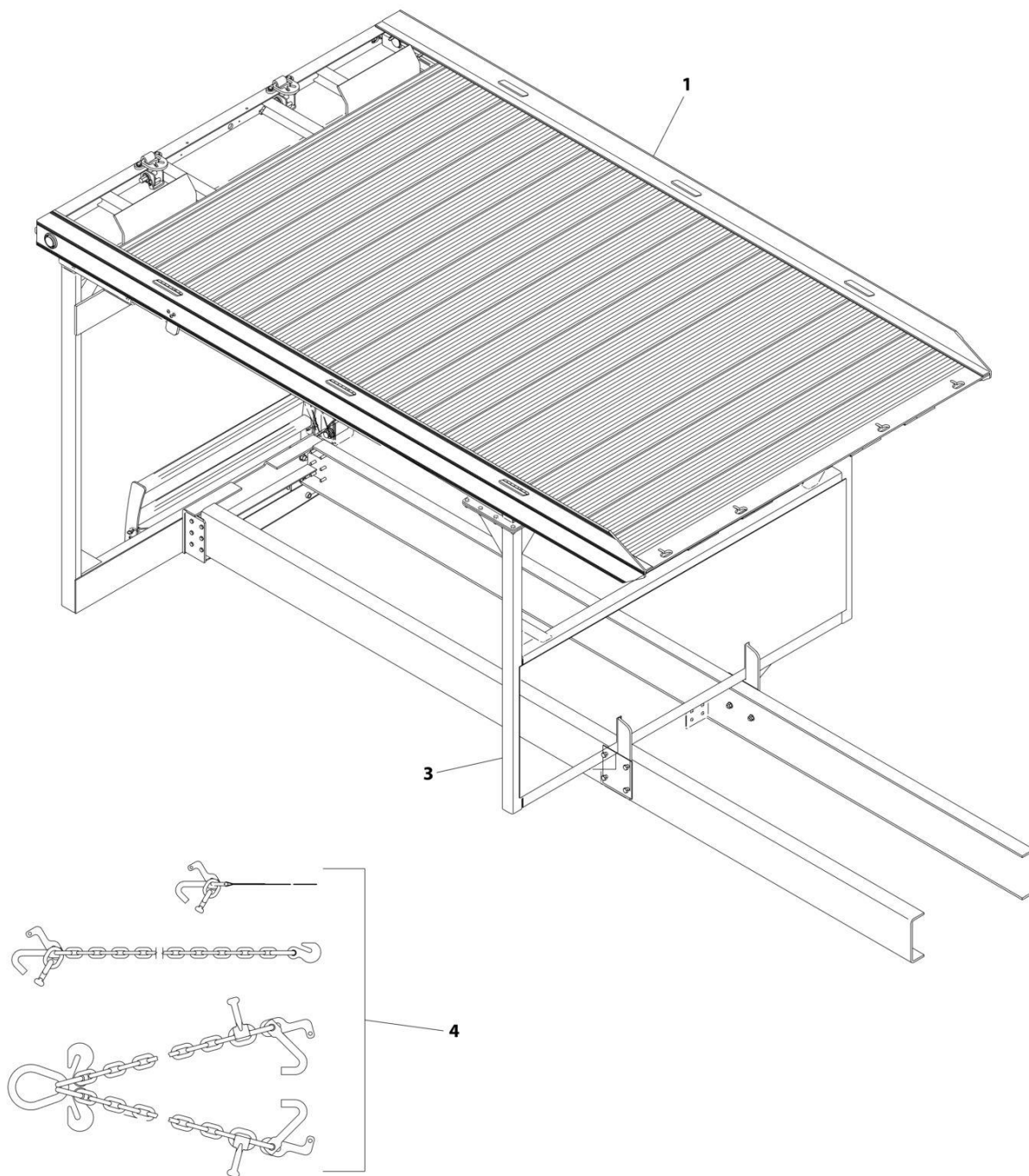
## SECTION 3 - DECK

**FIGURE 3-12. DECK INSTALLATION - UPPER (ALUMINUM 28FT - 2015 FREIGHTLINER M2, 67IN)**

ITEM	PART NUMBER	QTY	DESCRIPTION	REV
	1001193519	Ref	DECK INSTALLATION - UPPER (ALUMINUM 28FT - 2015 FREIGHTLINER M2, 67IN)	B
1	1001136809	1	Hose Installation (Not Shown - See Separate Breakdown in HYDRAULIC Section)	
2	7577000301	1	Upper Deck Tie-Down Kit (See Separate Breakdown in ACCESSORY Section)	
3	1001155491	1	Upper Deck Installation (Aluminium) (See Separate Breakdown in this Section)	
4	1001193518	1	Subframe Installation (See Separate Breakdown in SUBFRAME Section)	

# SECTION 3 - DECK

FIGURE 3-13. DECK INSTALLATION - UPPER (ALUMINUM 28FT - HINO 338)



ART\_1001173271

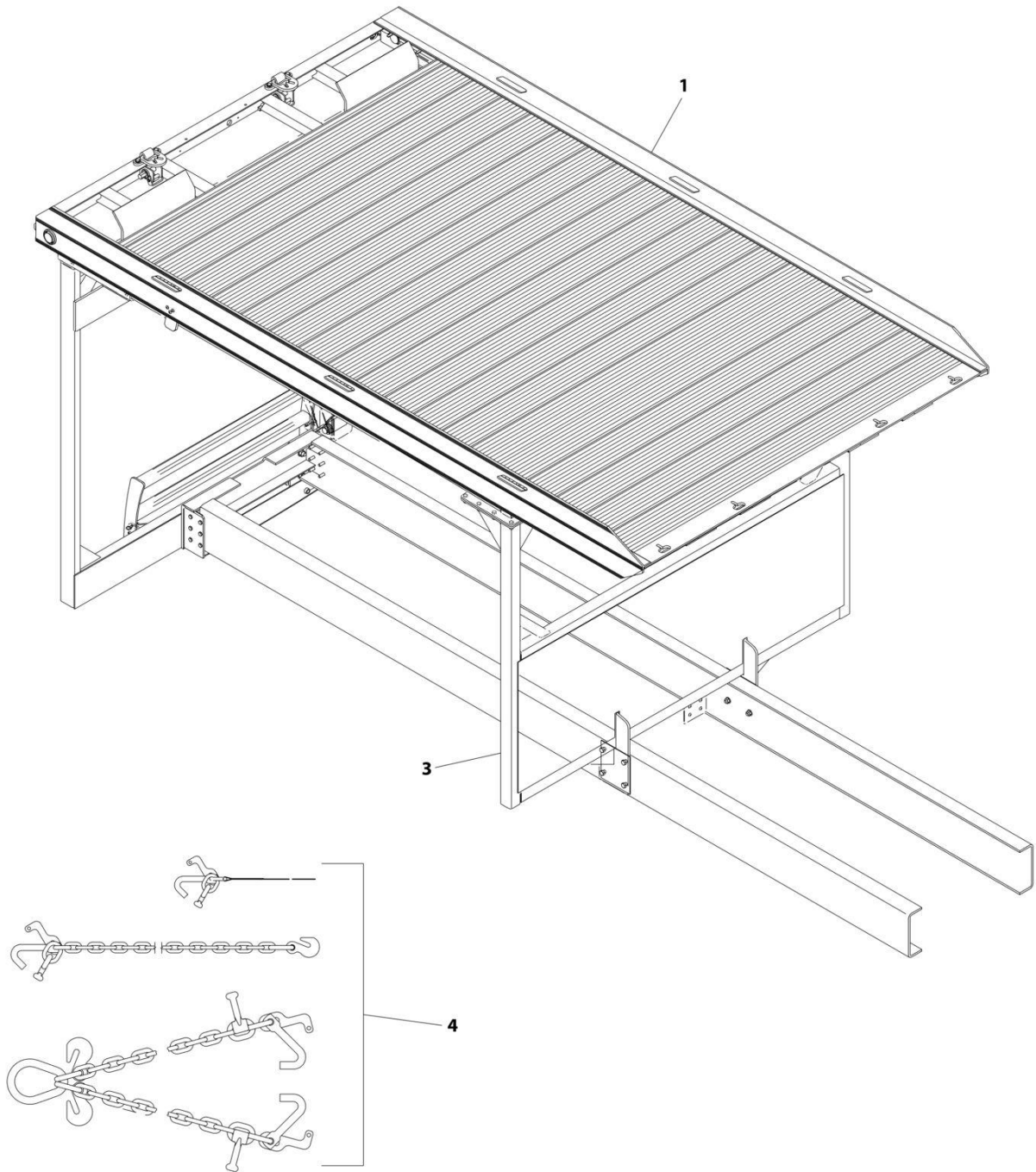
## SECTION 3 - DECK

**FIGURE 3-13. DECK INSTALLATION - UPPER (ALUMINUM 28FT - HINO 338)**

ITEM	PART NUMBER	QTY	DESCRIPTION	REV
	1001173271	Ref	DECK INSTALLATION - UPPER (ALUMINUM 28FT - HINO 338)	B
1	1001155491	1	Upper Deck Installation (Aluminium) (See Separate Breakdown in this Section)	
2	1001136809	1	Hose Installation (Not Shown - See Separate Breakdown in HYDRAULIC Section)	
3	1001173270	1	Subframe Installation, Hino (See Separate Breakdown in SUBFRAME Section)	
4	7577000301	1	Upper Deck Tie-Down Kit (See Separate Breakdown in ACCESSORY Section)	

# SECTION 3 - DECK

FIGURE 3-14. DECK INSTALLATION - UPPER (ALUMINUM 28FT - 2011+ IHC, 63IN)



ART\_1001131078

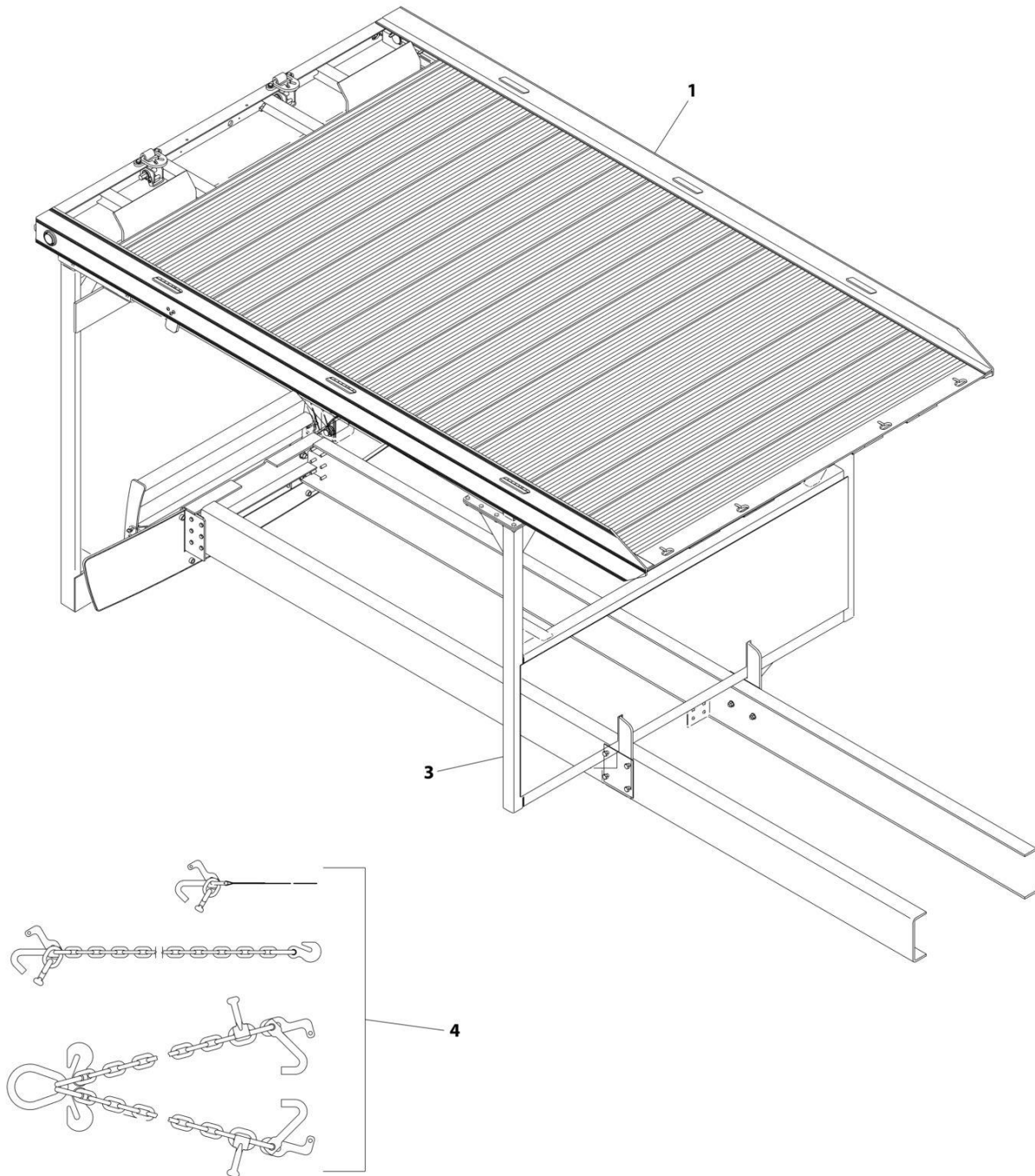
## SECTION 3 - DECK

**FIGURE 3-14. DECK INSTALLATION - UPPER (ALUMINUM 28FT - 2011+ IHC, 63IN)**

ITEM	PART NUMBER	QTY	DESCRIPTION	REV
	1001131078	Ref	DECK INSTALLATION - UPPER (ALUMINUM 28FT - 2011+ IHC, 63IN)	C
1	1001155491	1	Upper Deck Installation, (Aluminium) (See Separate Breakdown in this Section)	
2	1001136809	1	Hose Installation (Not Shown - See Separate Breakdown in HYDRAULIC Section)	
3	1001130934	1	Subframe Installation, IHC (Aluminium) 63IN (See Separate Breakdown in SUBFRAME Section)	
4	7577000301	1	Upper Deck Tie-Down Kit (See Separate Breakdown in ACCESSORY Section)	

# SECTION 3 - DECK

FIGURE 3-15. DECK INSTALLATION - UPPER (ALUMINUM 28FT - 2011+ IHC, 67IN)



ART\_1001131811

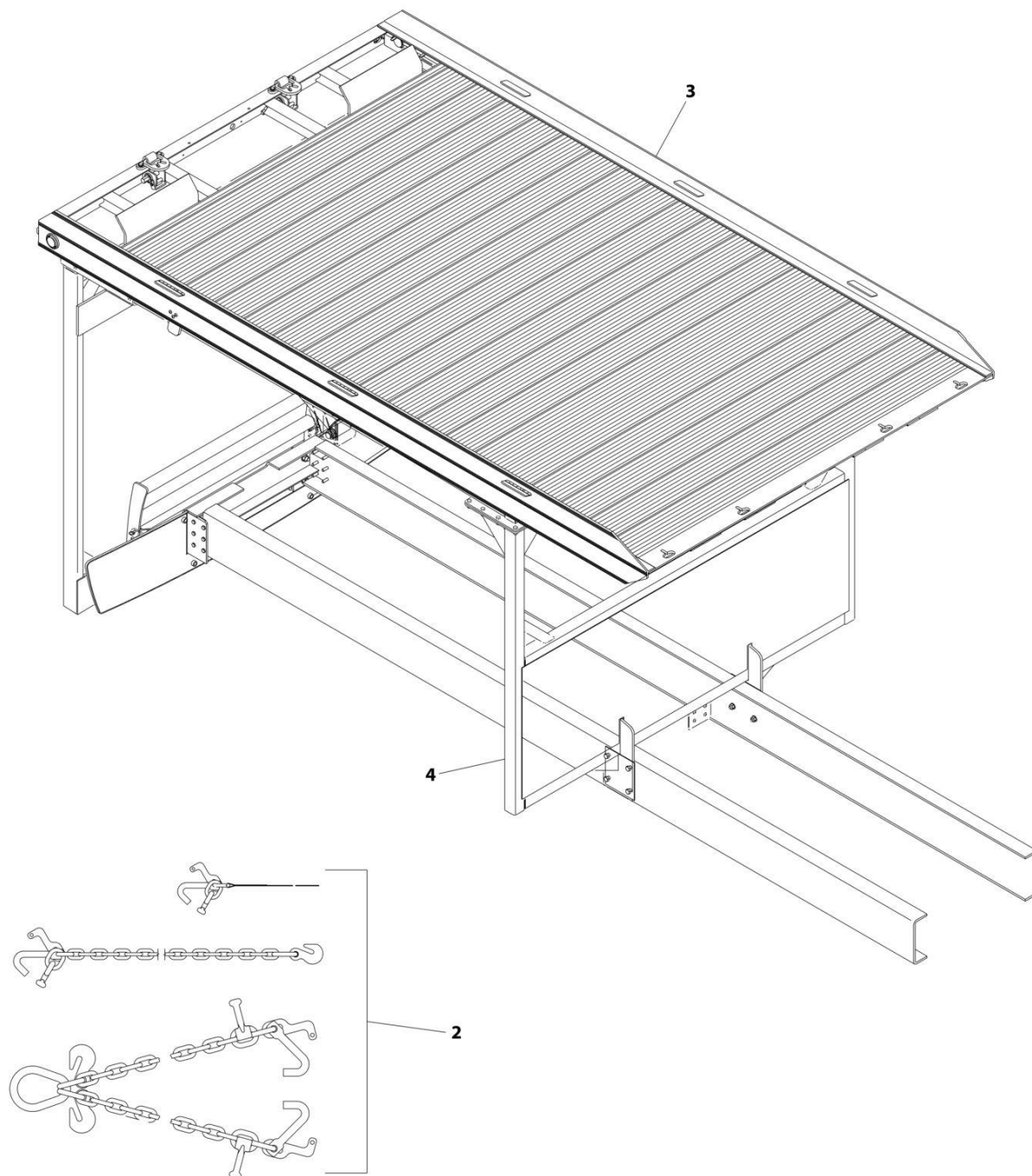
## SECTION 3 - DECK

**FIGURE 3-15. DECK INSTALLATION - UPPER (ALUMINUM 28FT - 2011+ IHC, 67IN)**

ITEM	PART NUMBER	QTY	DESCRIPTION	REV
	1001131811	Ref	DECK INSTALLATION - UPPER (ALUMINUM 28FT - 2011+ IHC, 67IN)	C
1	1001155491	1	Upper Deck Installation, (Aluminium) (See Separate Breakdown in this Section)	
2	1001136809	1	Hose Installation (Not Shown - See Separate Breakdown in HYDRAULIC Section)	
3	1001131812	1	Subframe Installation, IHC (Aluminium) 67IN (See Separate Breakdown in SUBFRAME Section)	
4	7577000301	1	Upper Deck Tie-Down Kit (See Separate Breakdown in ACCESSORY Section)	

# SECTION 3 - DECK

FIGURE 3-16. DECK INSTALLATION - UPPER (ALUMINUM 28FT - 2011+ KENWORTH)



ART\_1001132300



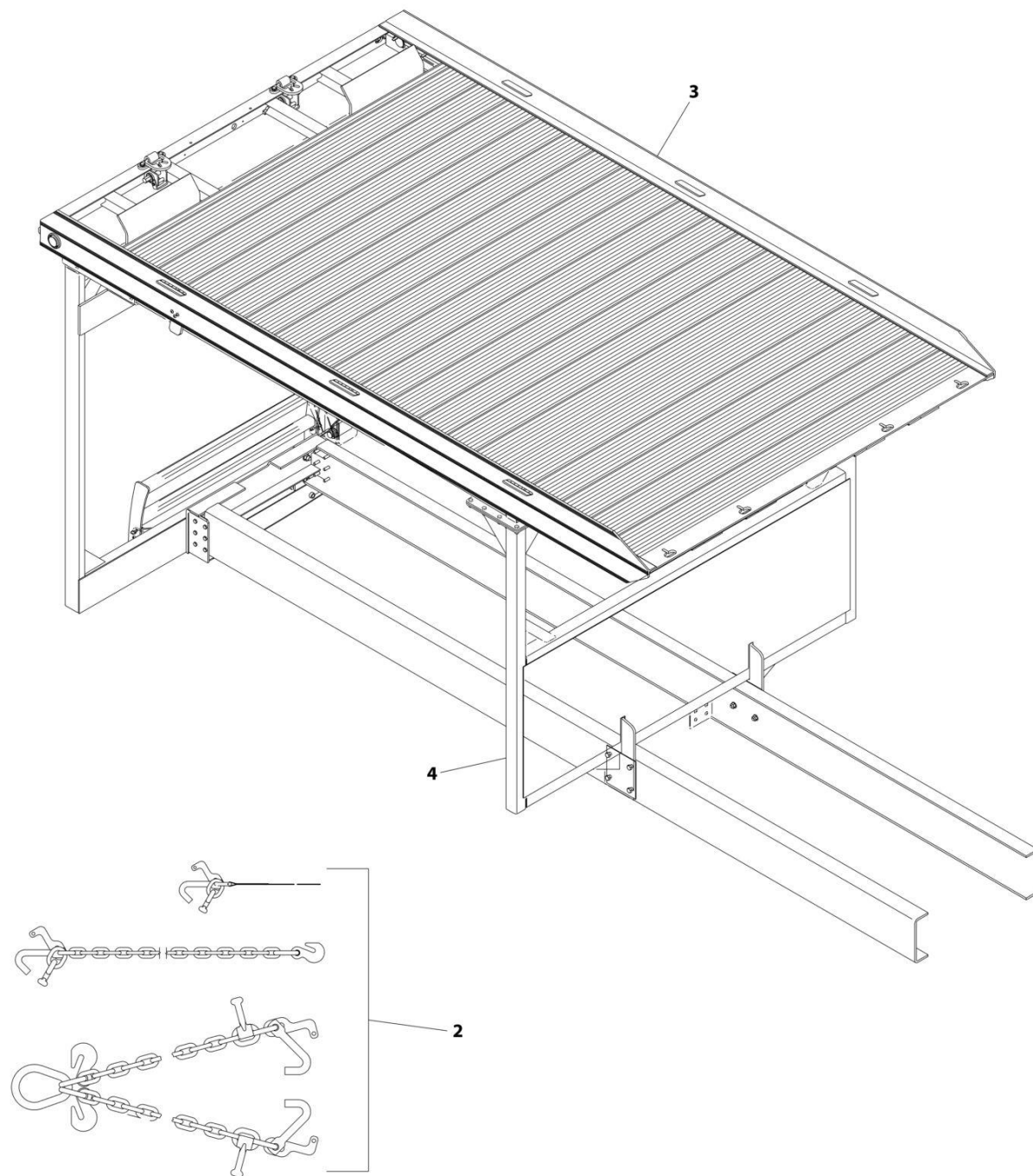
## SECTION 3 - DECK

**FIGURE 3-16. DECK INSTALLATION - UPPER (ALUMINUM 28FT - 2011+ KENWORTH)**

ITEM	PART NUMBER	QTY	DESCRIPTION	REV
	1001132300	Ref	DECK INSTALLATION - UPPER (ALUMINUM 28FT - 2011+ KENWORTH)	C
1	1001136809	1	Hose Installation (Not Shown - See Separate Breakdown in HYDRAULIC Section)	
2	7577000301	1	Upper Deck Tie-Down Kit (See Separate Breakdown in ACCESSORY Section)	
3	1001155491	1	Upper Deck Installation (Aluminium) (See Separate Breakdown in this Section)	
4	1001132290	1	Subframe Installation, Bolt On (See Separate Breakdown in SUBFRAME Section)	

# SECTION 3 - DECK

## FIGURE 3-17. DECK INSTALLATION - UPPER (ALUMINUM 28FT - PETERBILT)



ART\_1001130917

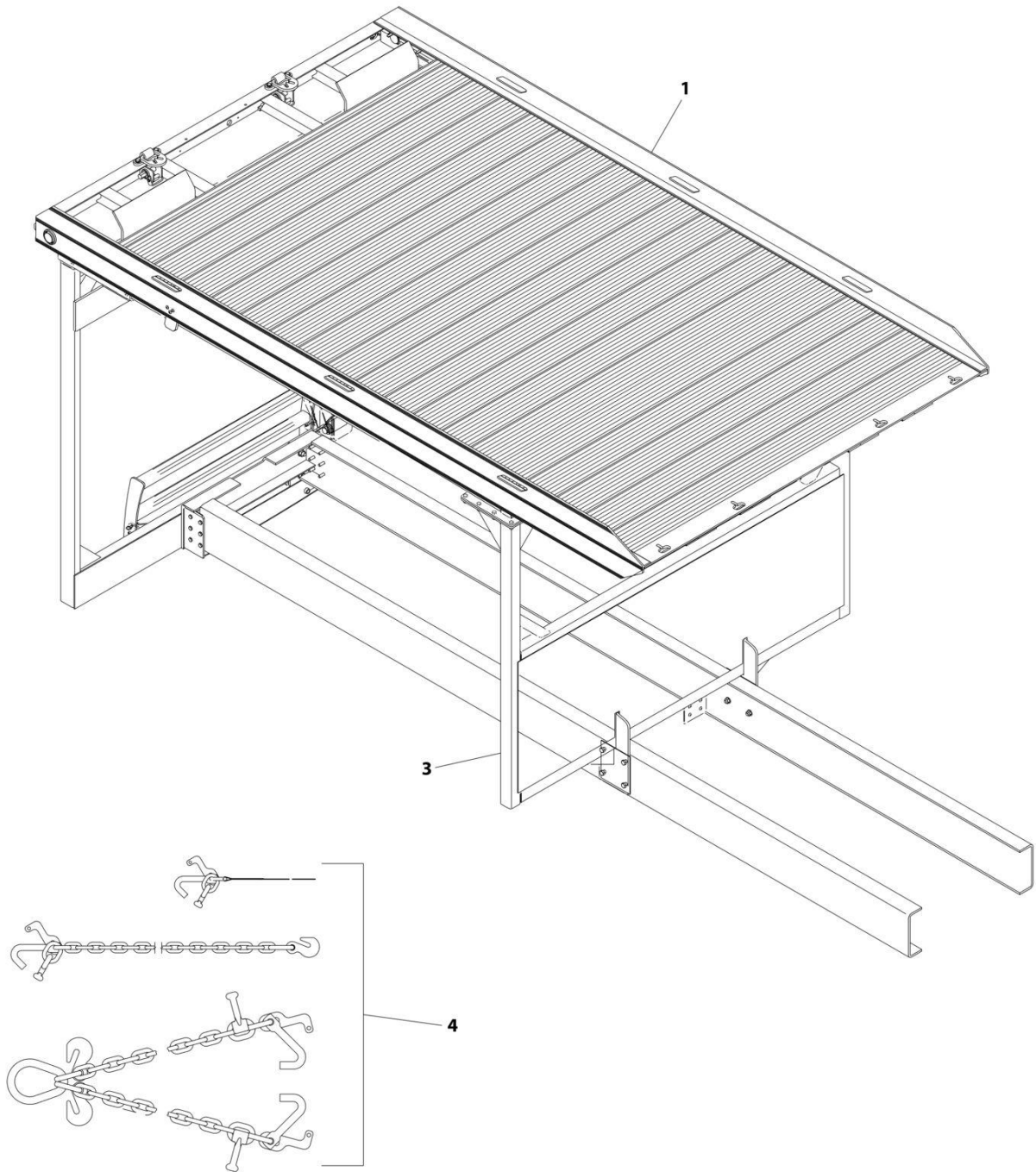
## SECTION 3 - DECK

**FIGURE 3-17. DECK INSTALLATION - UPPER (ALUMINUM 28FT - PETERBILT)**

ITEM	PART NUMBER	QTY	DESCRIPTION	REV
	1001130917	Ref	DECK INSTALLATION - UPPER (ALUMINUM 28FT - PETERBILT)	C
1	1001136809	1	Hose Installation (Not Shown - See Separate Breakdown in HYDRAULIC Section)	
2	7577000301	1	Upper Deck Tie-Down Kit (See Separate Breakdown in ACCESSORY Section)	
3	1001155491	1	Upper Deck Installation (Aluminium) (See Separate Breakdown in this Section)	
4	1001130832	1	Subframe Installation, Bolt On (See Separate Breakdown in SUBFRAME Section)	

# SECTION 3 - DECK

FIGURE 3-18. DECK INSTALLATION - UPPER (ALUMINUM 30FT - 2011-2015 FORD F750)



ART\_1001131170

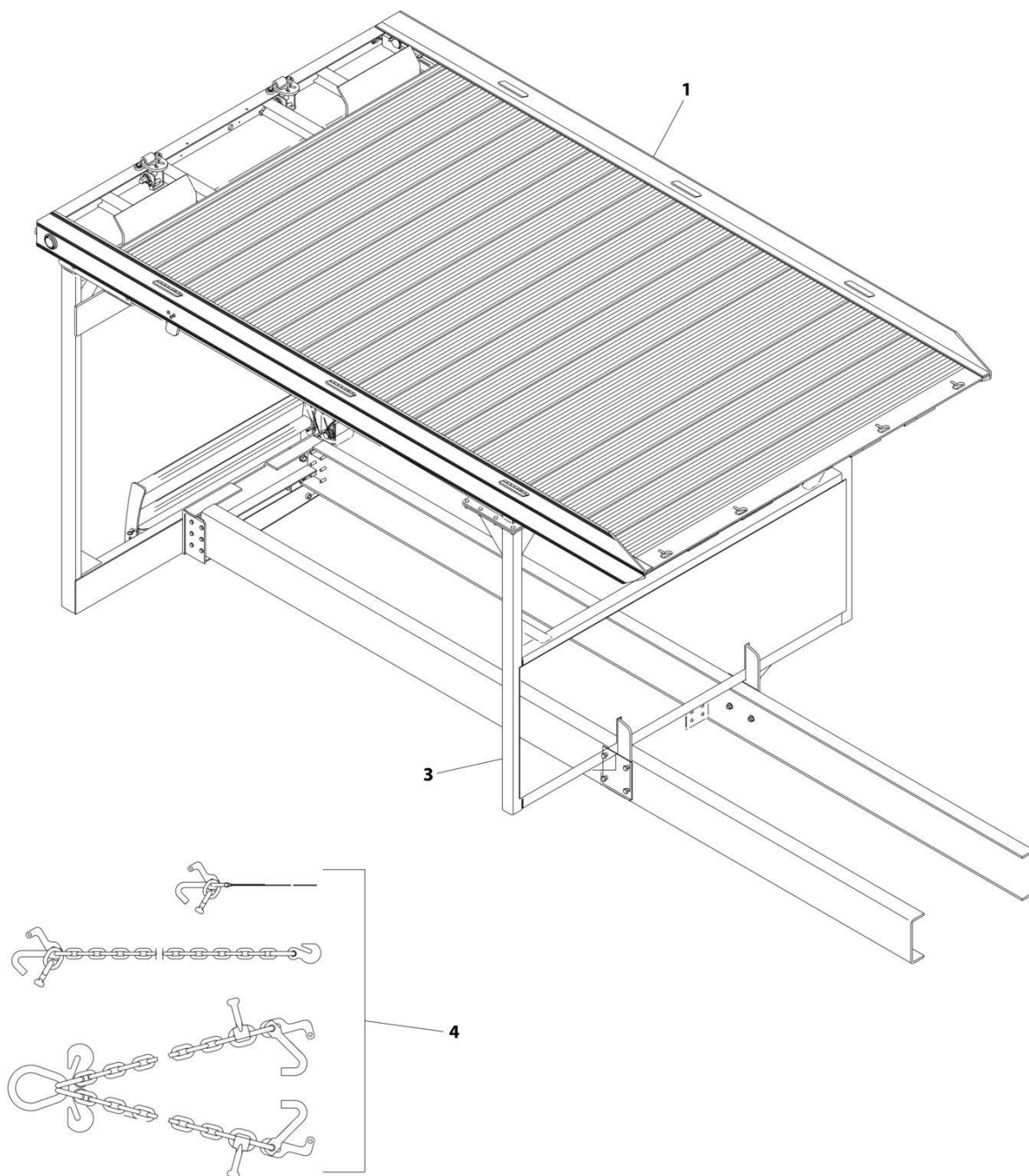
## SECTION 3 - DECK

**FIGURE 3-18. DECK INSTALLATION - UPPER (ALUMINUM 30FT - 2011-2015 FORD F750)**

ITEM	PART NUMBER	QTY	DESCRIPTION	REV
	1001131170	Ref	DECK INSTALLATION - UPPER (ALUMINUM 30FT - 2011-2015 FORD F750)	B
1	1001155491	1	Upper Deck Installation (Aluminium) (See Separate Breakdown in this Section)	
2	2570000105	1	Hose Installation (Not Shown - See Separate Breakdown in HYDRAULIC Section)	
3	1001131072	1	Subframe Installation (Ford) (See Separate Breakdown in SUBFRAME Section)	
4	7577000301	1	Upper Deck Tie-Down Kit (See Separate Breakdown in ACCESSORY Section)	

# SECTION 3 - DECK

FIGURE 3-19. DECK INSTALLATION - UPPER (ALUMINUM 30FT - 2016+ FORD F750)



ART\_1001211208

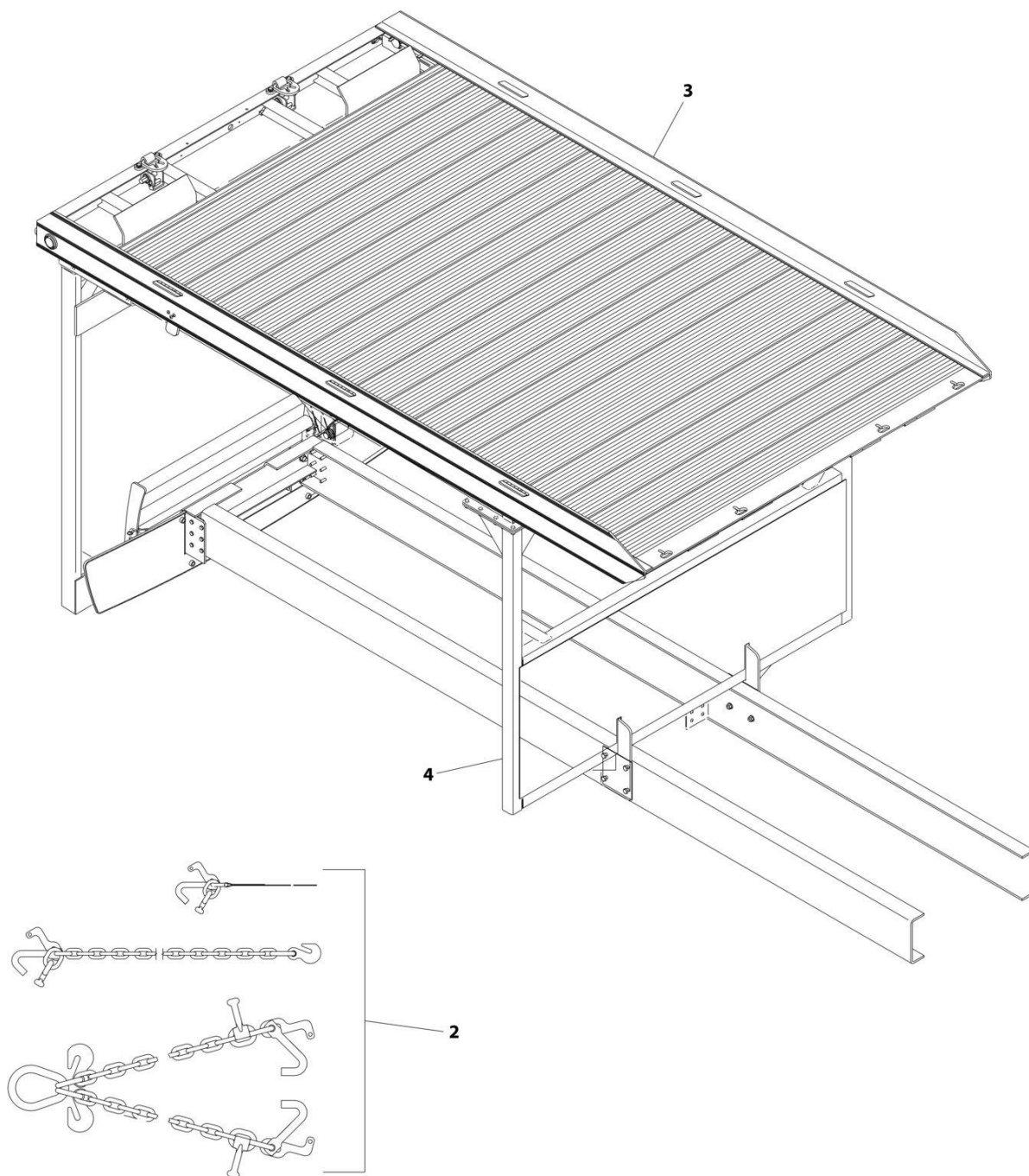
## SECTION 3 - DECK

**FIGURE 3-19. DECK INSTALLATION - UPPER (ALUMINUM 30FT - 2016+ FORD F750)**

ITEM	PART NUMBER	QTY	DESCRIPTION	REV
	1001211208	Ref	DECK INSTALLATION - UPPER (ALUMINUM 30FT - 2016+ FORD F750)	A
1	1001155491	1	Upper Deck Installation (Aluminium) (See Separate Breakdown in this Section)	
2	1001136802	1	Hose Installation (Not Shown - See Separate Breakdown in HYDRAULIC Section)	
3	1001211207	1	Subframe Installation, F750 (See Separate Breakdown in SUBFRAME Section)	
4	7577000301	1	Upper Deck Tie Down-Kit (See Separate Breakdown in ACCESSORY Section)	

# SECTION 3 - DECK

FIGURE 3-20. DECK INSTALLATION - UPPER (ALUMINUM 30FT - 2011 FREIGHTLINER M2, 63IN)



ART\_1001131184



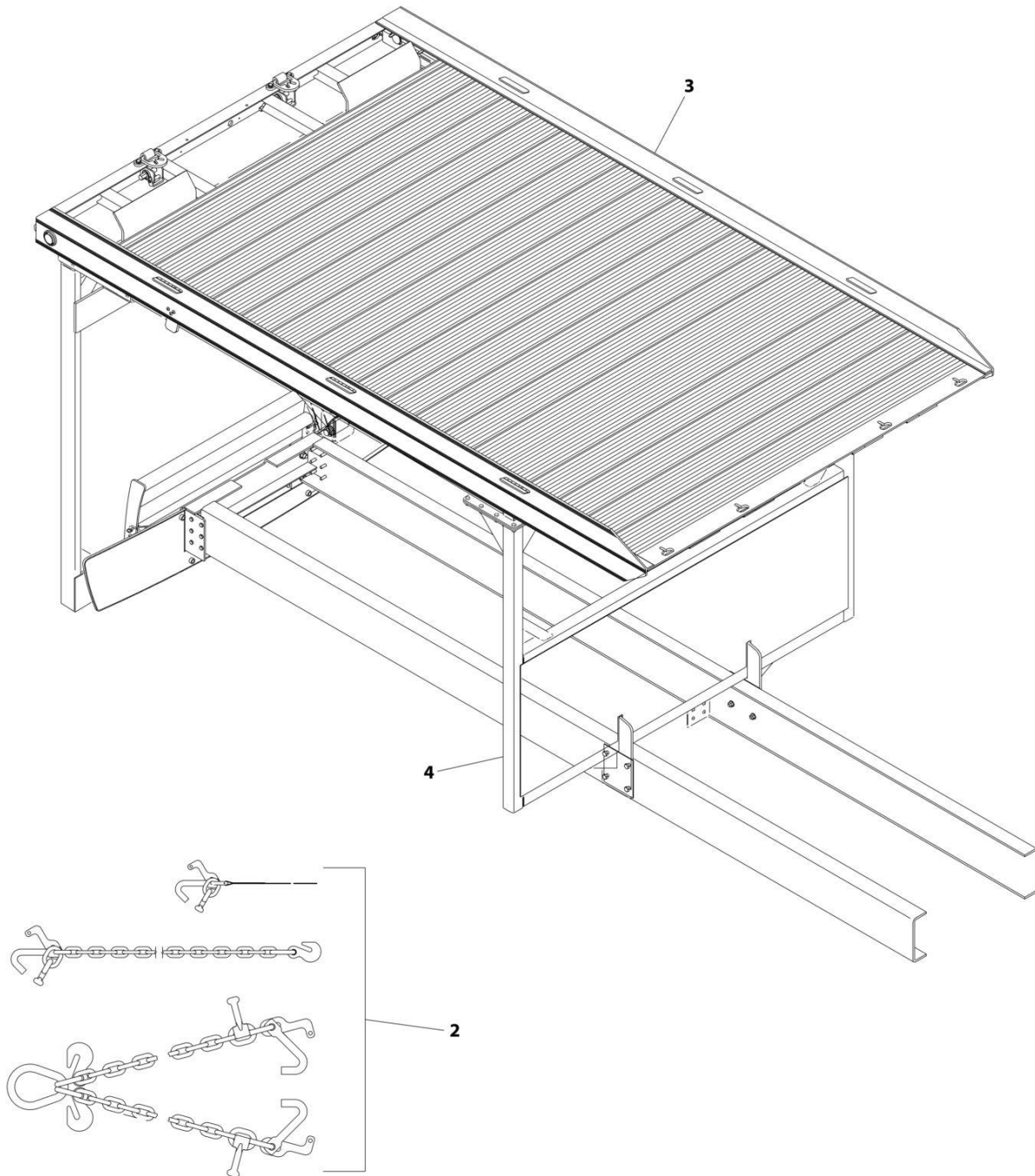
## SECTION 3 - DECK

**FIGURE 3-20. DECK INSTALLATION - UPPER (ALUMINUM 30FT - 2011 FREIGHTLINER M2, 63IN)**

ITEM	PART NUMBER	QTY	DESCRIPTION	REV
	1001131184	Ref	DECK INSTALLATION - UPPER (ALUMINUM 30FT - 2011 FREIGHTLINER M2, 63IN)	C
1	1001136802	1	Hose Installation (Not Shown - See Separate Breakdown in HYDRAULIC Section)	
2	7577000301	1	Upper Deck Tie-Down Kit (See Separate Breakdown in ACCESSORY Section)	
3	1001155491	1	Upper Deck Installation (Aluminium) (See Separate Breakdown in this Section)	
4	1001128583	1	Subframe Installation, 62FT (See Separate Breakdown in SUBFRAME Section)	

# SECTION 3 - DECK

FIGURE 3-21. DECK INSTALLATION - UPPER (ALUMINUM 30FT - 2015 FREIGHTLINER M2, 67IN)



ART\_1001193520

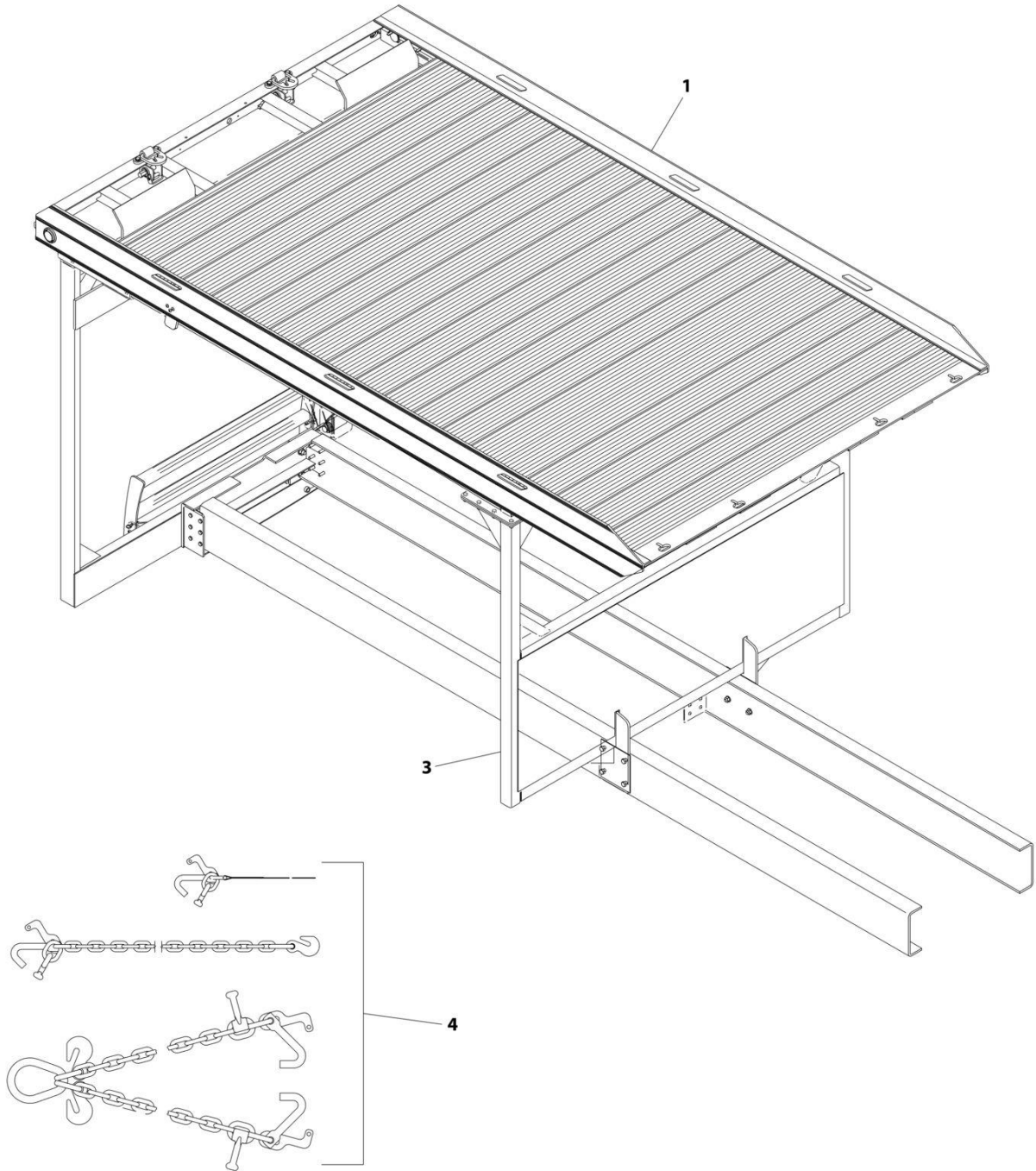
## SECTION 3 - DECK

**FIGURE 3-21. DECK INSTALLATION - UPPER (ALUMINUM 30FT - 2015 FREIGHTLINER M2, 67IN)**

ITEM	PART NUMBER	QTY	DESCRIPTION	REV
	1001193520	Ref	DECK INSTALLATION - UPPER (ALUMINUM 30FT - 2015 FREIGHTLINER M2, 67IN)	B
1	1001136802	1	Hose Installation (Not Shown - See Separate Breakdown in HYDRAULIC Section)	
2	7577000301	1	Upper Deck Tie-Down Kit (See Separate Breakdown in ACCESSORY Section)	
3	1001155491	1	Upper Deck Installation (Aluminium) (See Separate Breakdown in this Section)	
4	1001193518	1	Subframe Installation (See Separate Breakdown in SUBFRAME Section)	

# SECTION 3 - DECK

FIGURE 3-22. DECK INSTALLATION - UPPER (ALUMINUM 30FT - HINO 338)



ART\_1001178523

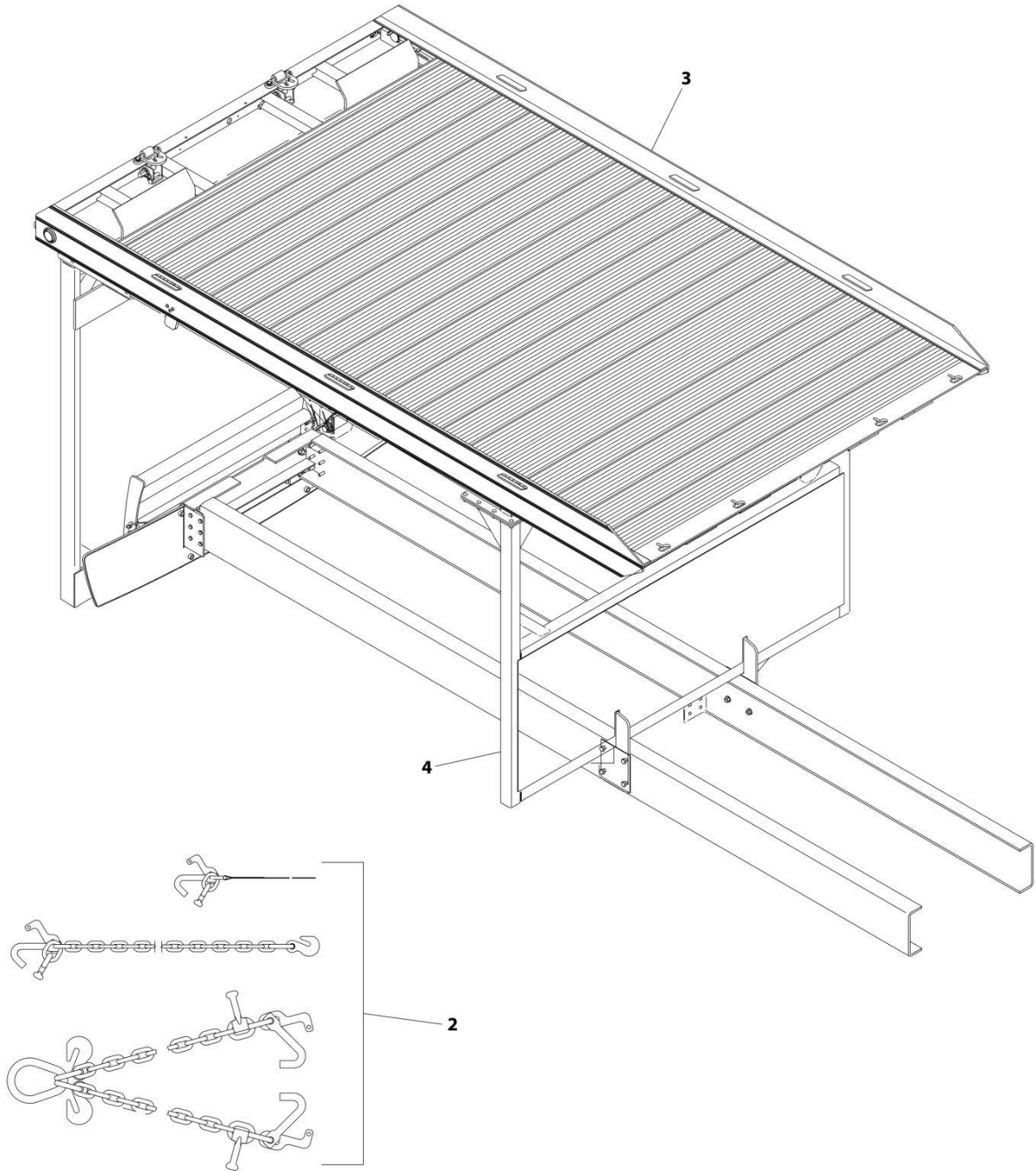
## SECTION 3 - DECK

**FIGURE 3-22. DECK INSTALLATION - UPPER (ALUMINUM 30FT - HINO 338)**

ITEM	PART NUMBER	QTY	DESCRIPTION	REV
	1001178523	Ref	DECK INSTALLATION - UPPER (ALUMINUM 30FT - HINO 338)	A
1	1001155491	1	Upper Deck Installation (Aluminium) (See Separate Breakdown in this Section)	
2	1001136802	1	Hose Installation (Not Shown - See Separate Breakdown in HYDRAULIC Section)	
3	1001173270	1	Subframe Installation, Hino (See Separate Breakdown in SUBFRAME Section)	
4	7577000301	1	Upper Deck Tie-Down Kit (See Separate Breakdown in ACCESSORY Section)	

# SECTION 3 - DECK

FIGURE 3-23. DECK INSTALLATION - UPPER (ALUMINUM 30FT - 2011+ KENWORTH)



ART\_1001162040

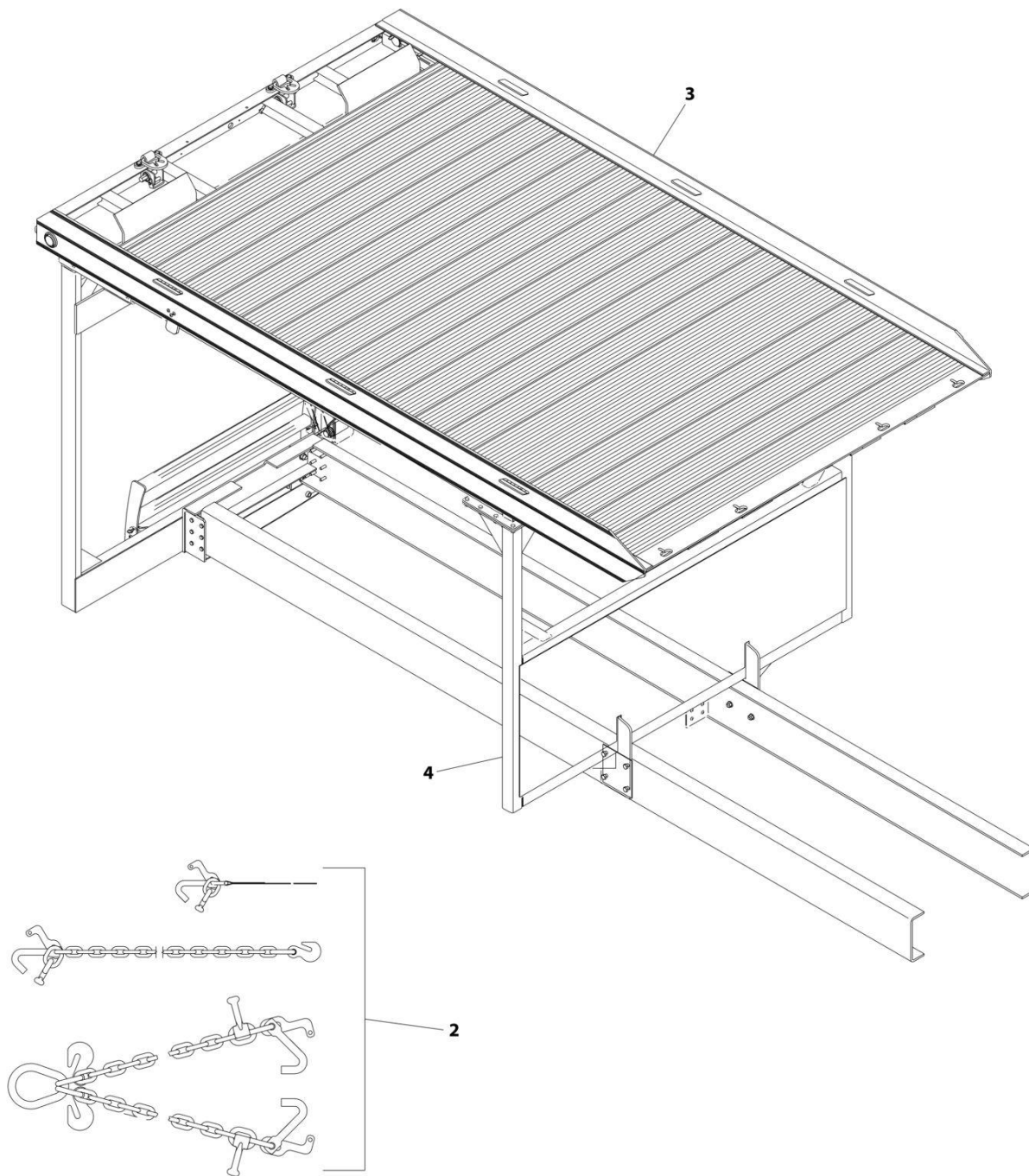
## SECTION 3 - DECK

**FIGURE 3-23. DECK INSTALLATION - UPPER (ALUMINUM 30FT - 2011+ KENWORTH)**

ITEM	PART NUMBER	QTY	DESCRIPTION	REV
	1001162040	Ref	DECK INSTALLATION - UPPER (ALUMINUM 30FT - 2011+ KENWORTH)	A
1	1001136802	1	Hose Installation (Not Shown - See Separate Breakdown in HYDRAULIC Section)	
2	7577000301	1	Upper Deck Tie-Down Kit (See Separate Breakdown in ACCESSORY Section)	
3	1001155491	1	Upper Deck Installation (Aluminium) (See Separate Breakdown in this Section)	
4	1001132290	1	Subframe Installation, Bolt On (See Separate Breakdown in SUBFRAME Section)	

# SECTION 3 - DECK

FIGURE 3-24. DECK INSTALLATION - UPPER (ALUMINUM 30FT - PETERBILT)



ART\_1001130919



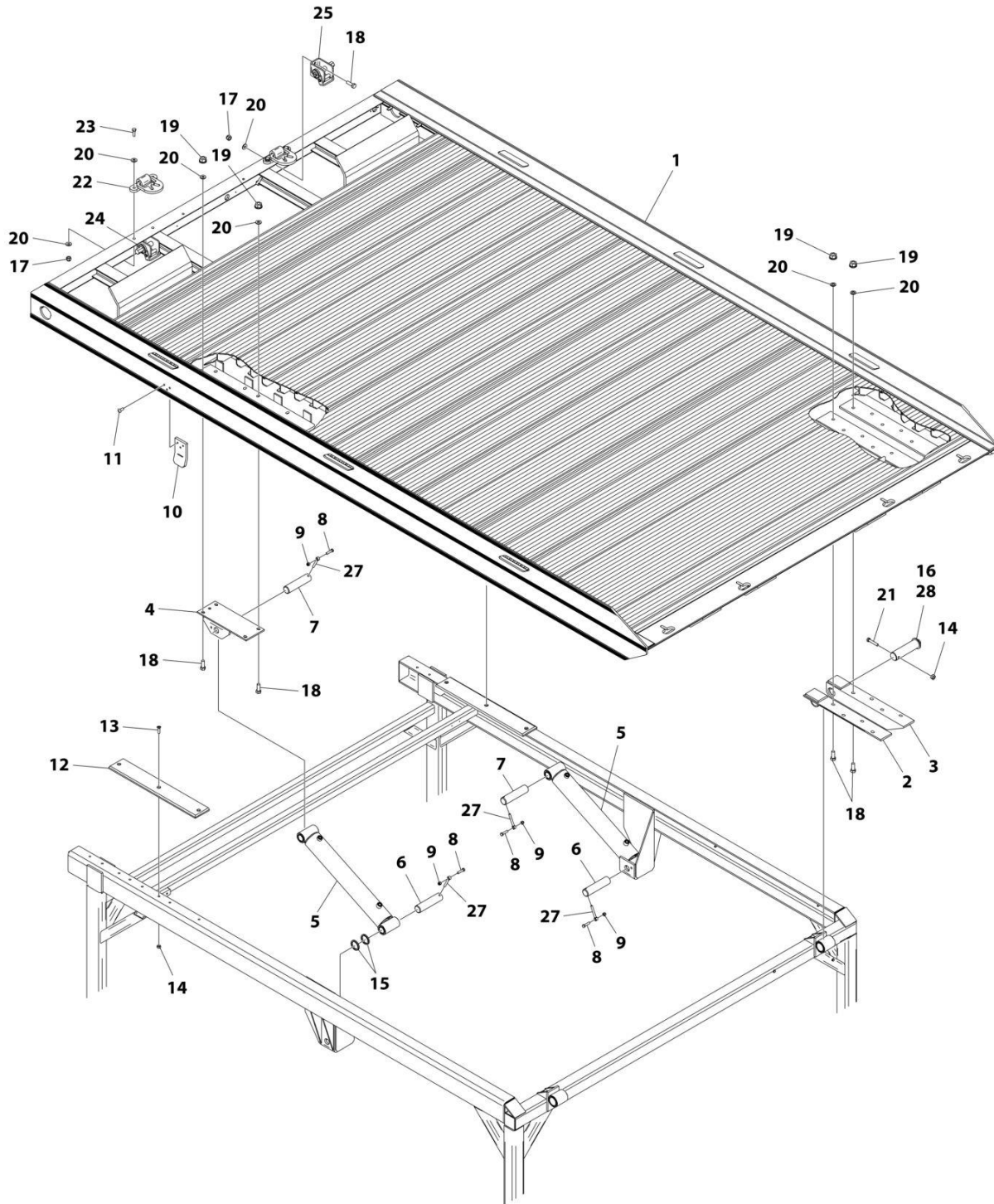
## SECTION 3 - DECK

**FIGURE 3-24. DECK INSTALLATION - UPPER (ALUMINUM 30FT - PETERBILT)**

ITEM	PART NUMBER	QTY	DESCRIPTION	REV
	1001130919	Ref	DECK INSTALLATION - UPPER (ALUMINUM 30FT - PETERBILT)	C
1	1001136802	1	Hose Installation (Not Shown - See Separate Breakdown in HYDRAULIC Section)	
2	7577000301	1	Upper Deck Tie-Down Kit (See Separate Breakdown in ACCESSORY Section)	
3	1001155491	1	Upper Deck Installation (Aluminium) (See Separate Breakdown in this Section)	
4	1001130832	1	Subframe Installation, Bolt On (See Separate Breakdown in SUBFRAME Section)	

# SECTION 3 - DECK

## FIGURE 3-25. UPPER DECK INSTALLATION (ALUMINUM)



ART\_1001155491

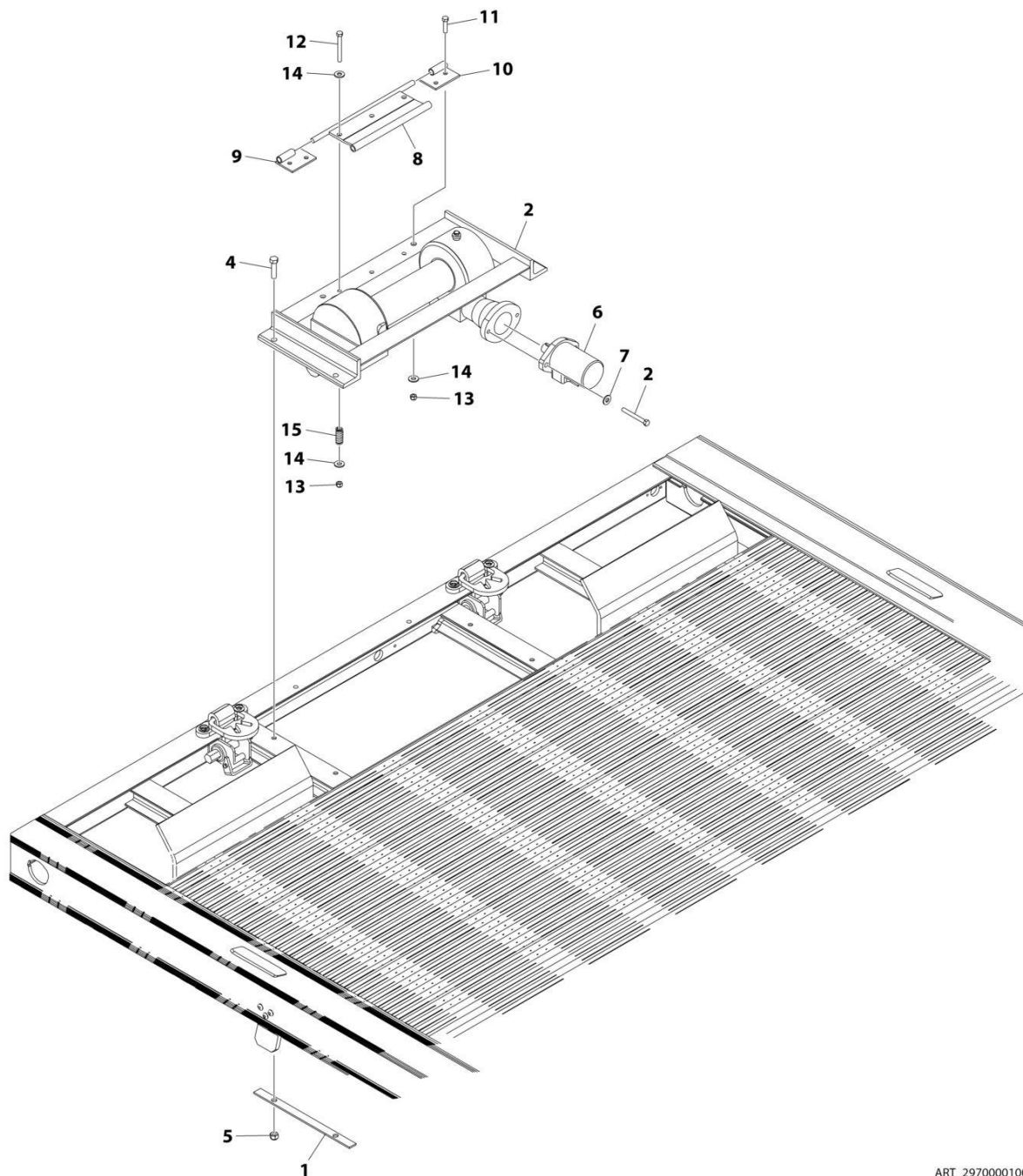
## SECTION 3 - DECK

**FIGURE 3-25. UPPER DECK INSTALLATION (ALUMINIUM)**

ITEM	PART NUMBER	QTY	DESCRIPTION	REV
	1001155491	Ref	Upper Deck Installation (Aluminium)	B
1	1001155489	1	Deck Weldment	
2	3017000100	2	Angle	
3	3017000101	2	Angle	
4	3178000503	2	Bracket	
5	1001167769	2	Upper Deck Cylinder Assembly (See Separate Breakdown in CYLINDER Section)	
6	1001188134	2 in	Pin	
7	1001189286	2	Pin	
8	0641612	4	Capscrew 3/8 x 1-1/2	
9	7660162301	4	Nut 3/8	
10	4706003218	2	Plate	
11	7114160618	6	Capscrew 3/8 x 3/4	
12	4679000193	2	Pad	
13	0741610	6	Screw 3/8 x 1-1/4	
14	3300492	8	Nut 3/8	
15	4209000337	4	Bushing	
16	3691000188	2	Pin Weldment	
17	7660182601	8	Nut 1/2	
18	0641812	30	Capscrew 1/2 x 1-1/2	
19	7660182304	26	Nut 1/2	
20	7950180143	38	Washer 1/2	
21	7118162250	2	Bolt 3/8 x 2-3/4	
22	3754000002	2	Ring	
23	0641814	4	Bolt 1/2 x 1	
24	7894000047	1	Tie-Down, Winch LH	
25	7894000048	1	Tie-Down, Winch RH	
27	3841143	4	Keeper, Shaft	
28	3020039	AR	Lubricant	

# SECTION 3 - DECK

## FIGURE 3-26. WINCH INSTALLATION - UPPER DECK, 8000 LBS



ART\_2970000100

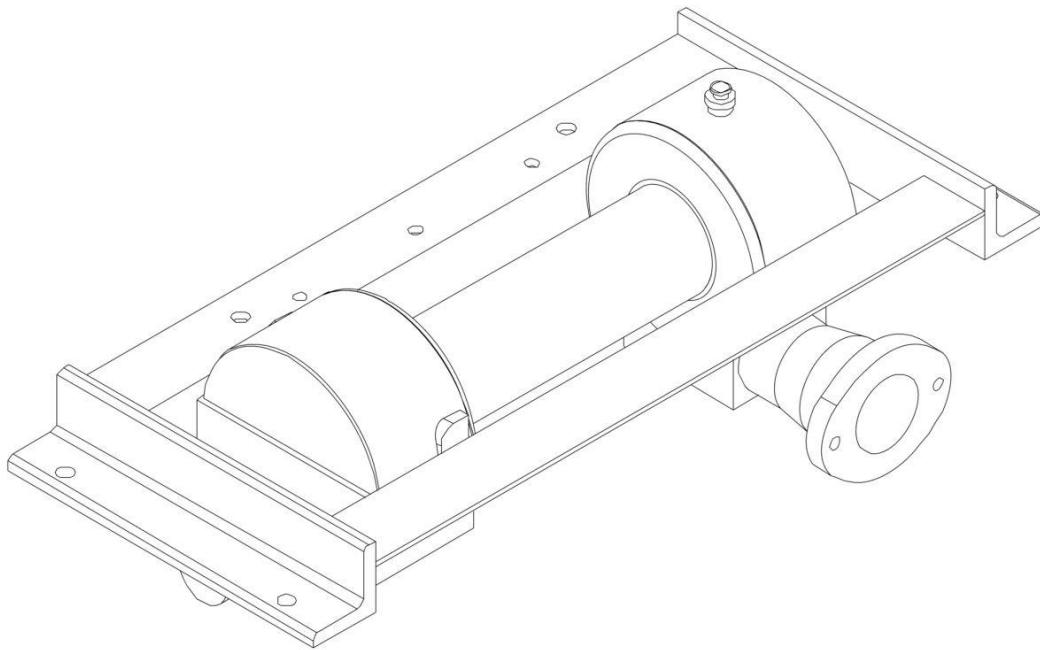
## SECTION 3 - DECK

**FIGURE 3-26. WINCH INSTALLATION - UPPER DECK, 8000 LBS**

ITEM	PART NUMBER	QTY	DESCRIPTION	REV
	2970000100	Ref	WINCH INSTALLATION - UPPER DECK, 8000 LBS	C
1	4706003219	2	Plate	
2	7970000122	1	Winch Assembly, Upper Deck (See Separate Breakdown in this Section)	
3	7248000069	1	Wire Rope (Not Shown)	
4	7115181450	4	Capscrew 1/2 x 1-3/4	
5	7660182601	4	Nut 1/2	
6	7626000014	1	Motor	
7	7950180400	2	Washer 1/2	
8	3706000279	1	Plate Weldment	
9	3706000214	1	Plate Weldment	
10	3706000215	1	Plate Weldment	
11	7115161250	2	Capscrew 3/8 x 1-1/2	
12	7115162650	3	Capscrew 3/8 x 3-1/4	
13	7660162601	5	Nut 3/8	
14	7950160161	8	Washer 3/8	
15	7843000034	3	Spring	

# SECTION 3 - DECK

## FIGURE 3-27. WINCH ASSEMBLY - UPPER DECK



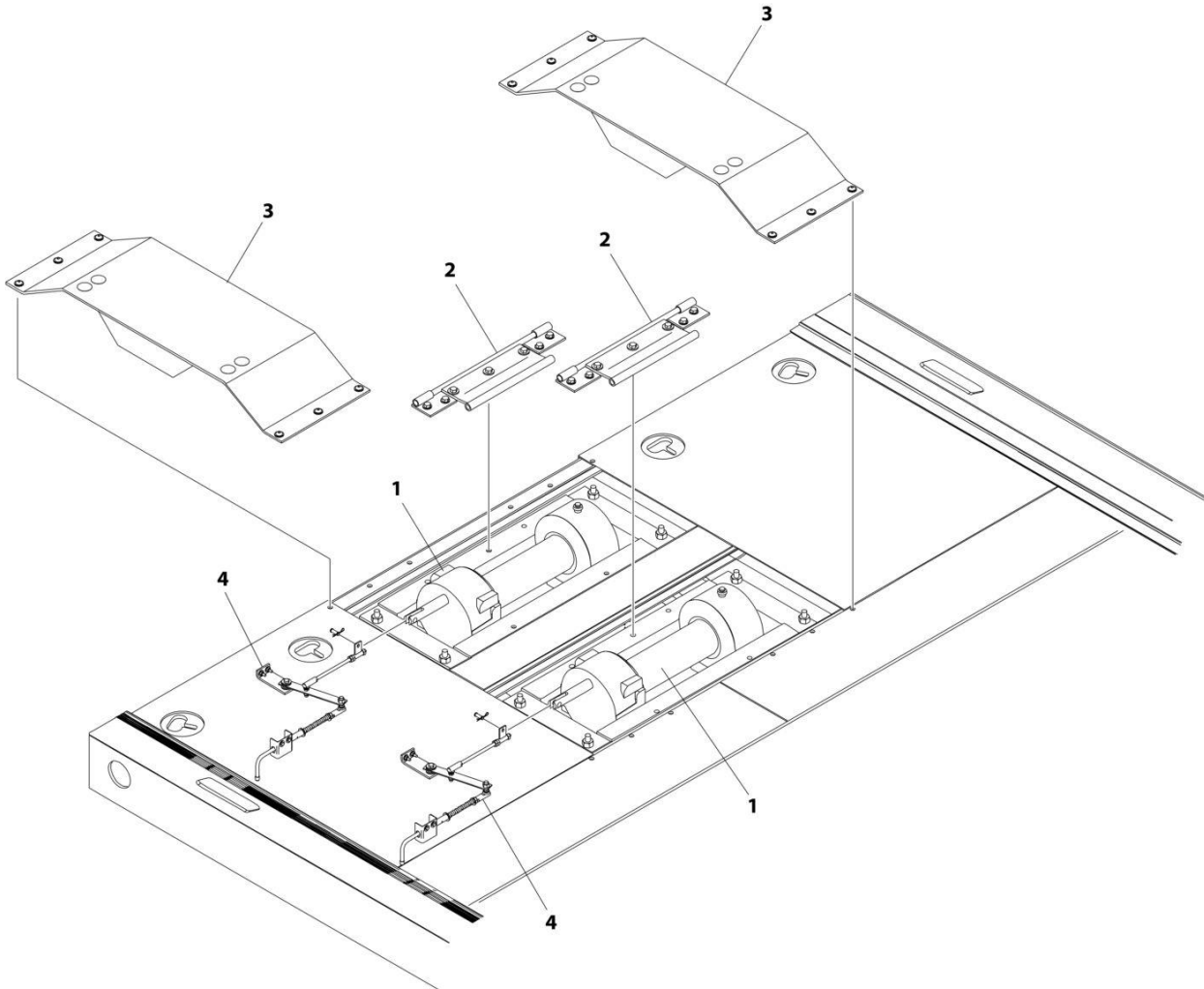
ART\_7970000122

**FIGURE 3-27. WINCH ASSEMBLY - UPPER DECK**

<b>ITEM</b>	<b>PART NUMBER</b>	<b>QTY</b>	<b>DESCRIPTION</b>	<b>REV</b>
	7970000122	Ref Ref	WINCH ASSEMBLY - UPPER DECK No Service Part Available at the Time of Printing	B

# SECTION 3 - DECK

FIGURE 3-28. WINCHES & COVERS INSTALLATION - MAIN DECK DUAL 8000 LBS (ALUMINIUM DECK)



ART\_W08WMAL-3C



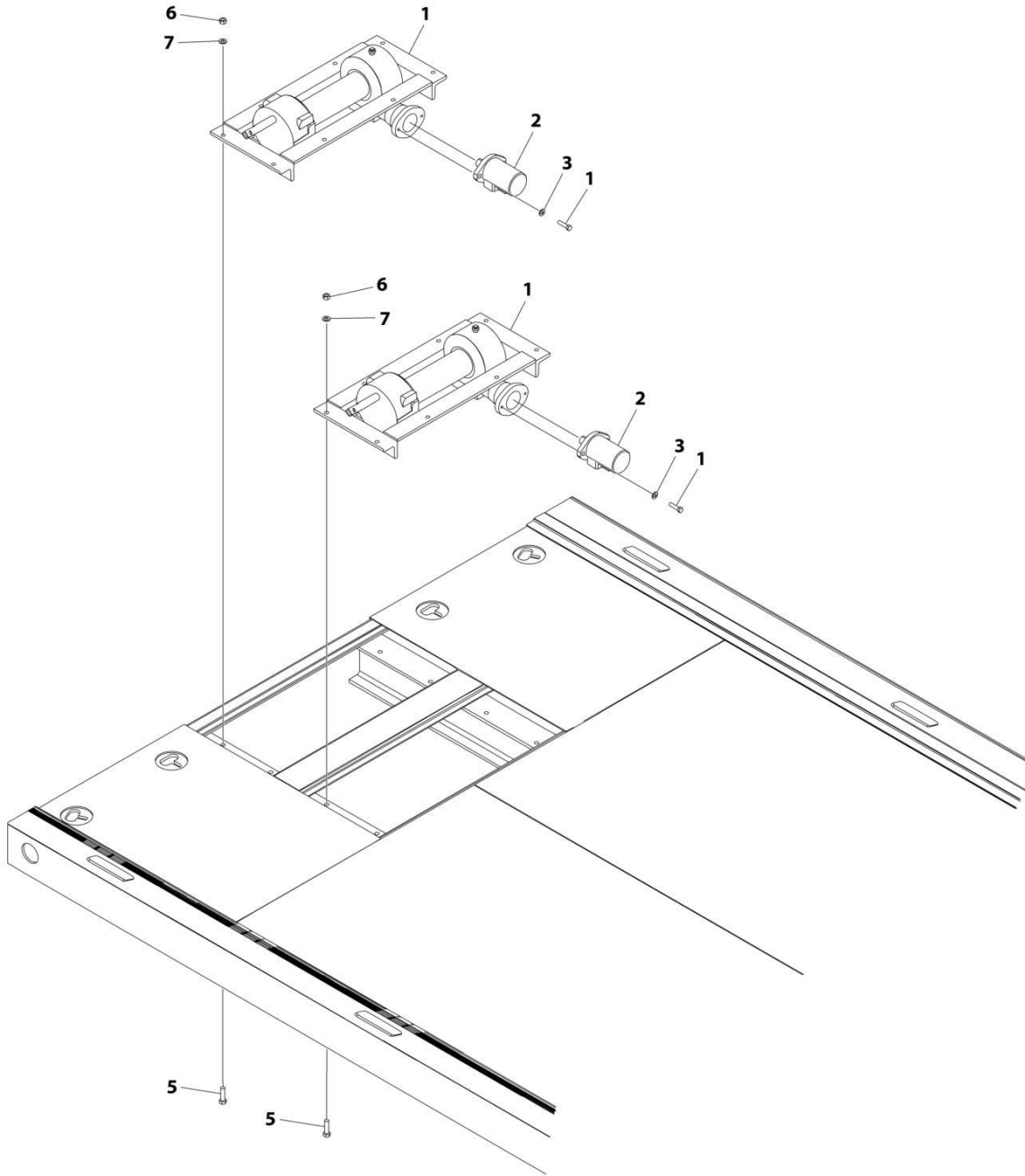
## SECTION 3 - DECK

**FIGURE 3-28. WINCHES & COVERS INSTALLATION - MAIN DECK DUAL 8000 LBS (ALUMINIUM DECK)**

ITEM	PART NUMBER	QTY	DESCRIPTION	REV
	W08WMAL-3C	Ref	WINCHES & COVERS INSTALLATION - MAIN DECK DUAL 8000 LBS (ALUMINIUM DECK)	0
1	2970000099	1	Winch Installation, Dual Winch (Aluminium) (See Separate Breakdown in this Section)	
2	2249000009	2	Cable Tensioner (See Separate Breakdown in this Section)	
3	2314000007	1	Cover Plate Installation, Dual Winch (See Separate Breakdown in this Section)	
4	2970000116	1	Winch Release Installation (Aluminium) (See Separate Breakdown in this Section)	

# SECTION 3 - DECK

FIGURE 3-29. WINCHES & COVERS INSTALLATION - MAIN DECK DUAL 8000 LBS (STEEL DECK)



ART\_2970000098

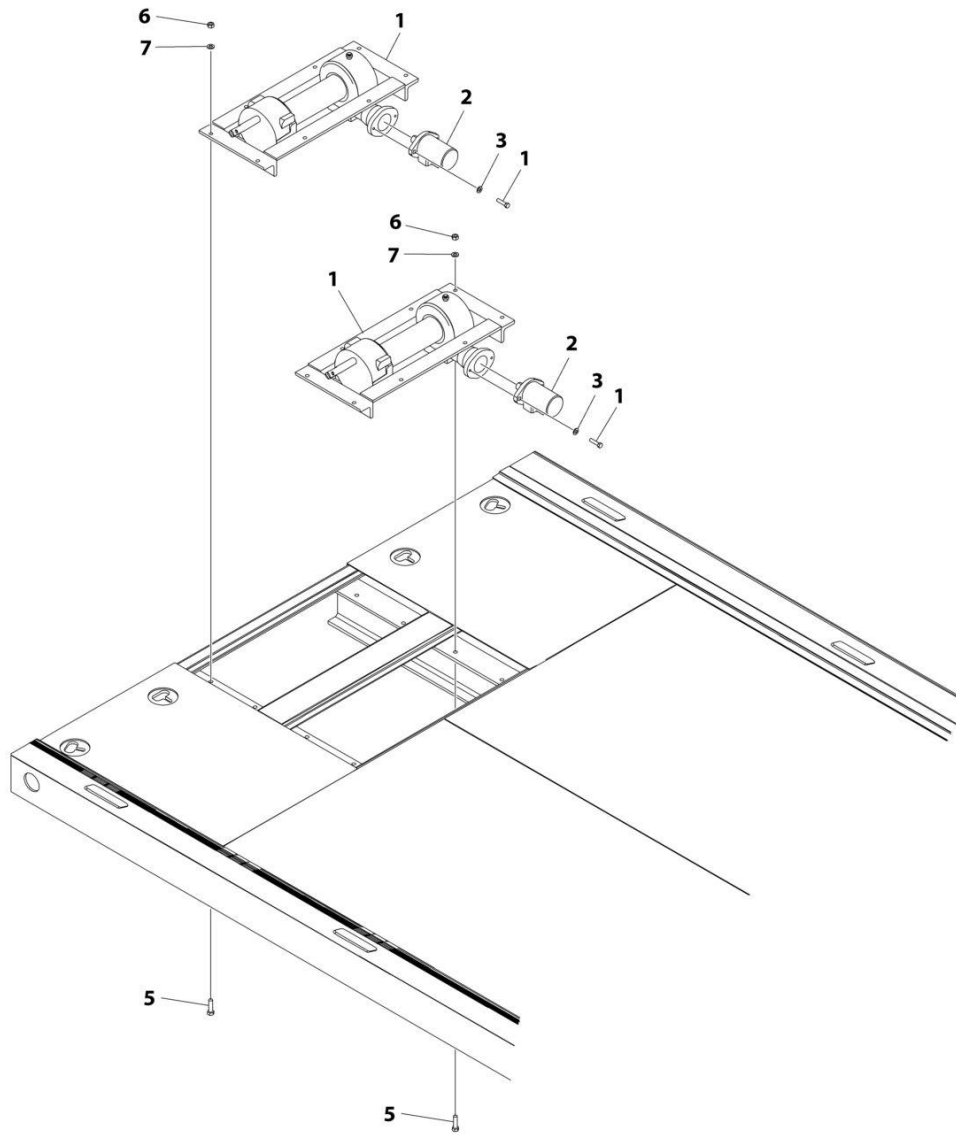
## SECTION 3 - DECK

**FIGURE 3-29. WINCHES & COVERS INSTALLATION - MAIN DECK DUAL 8000 LBS (STEEL DECK)**

ITEM	PART NUMBER	QTY	DESCRIPTION	REV
	2970000098	Ref	WINCHES & COVERS INSTALLATION - MAIN DECK DUAL 8000 LBS (STEEL DECK)	F
1	7970000121	2	Winch Assembly, 8000 lbs (See Separate Breakdown in this Section)	
2	7626000014	2	Orbit Motor	
3	7950180400	4	Washer 1/2	
5	7115181864	8	Bolt 1/2 x 2-1/4	
6	7660182601	8	Nut 1/2	
7	7950180153	8	Washer 1/2	
8	7248000063	2	Wire Rope (Not Shown)	

# SECTION 3 - DECK

## FIGURE 3-30. WINCH INSTALLATION - DUAL WINCH (ALUMINIUM DECK)



ART\_2970000099

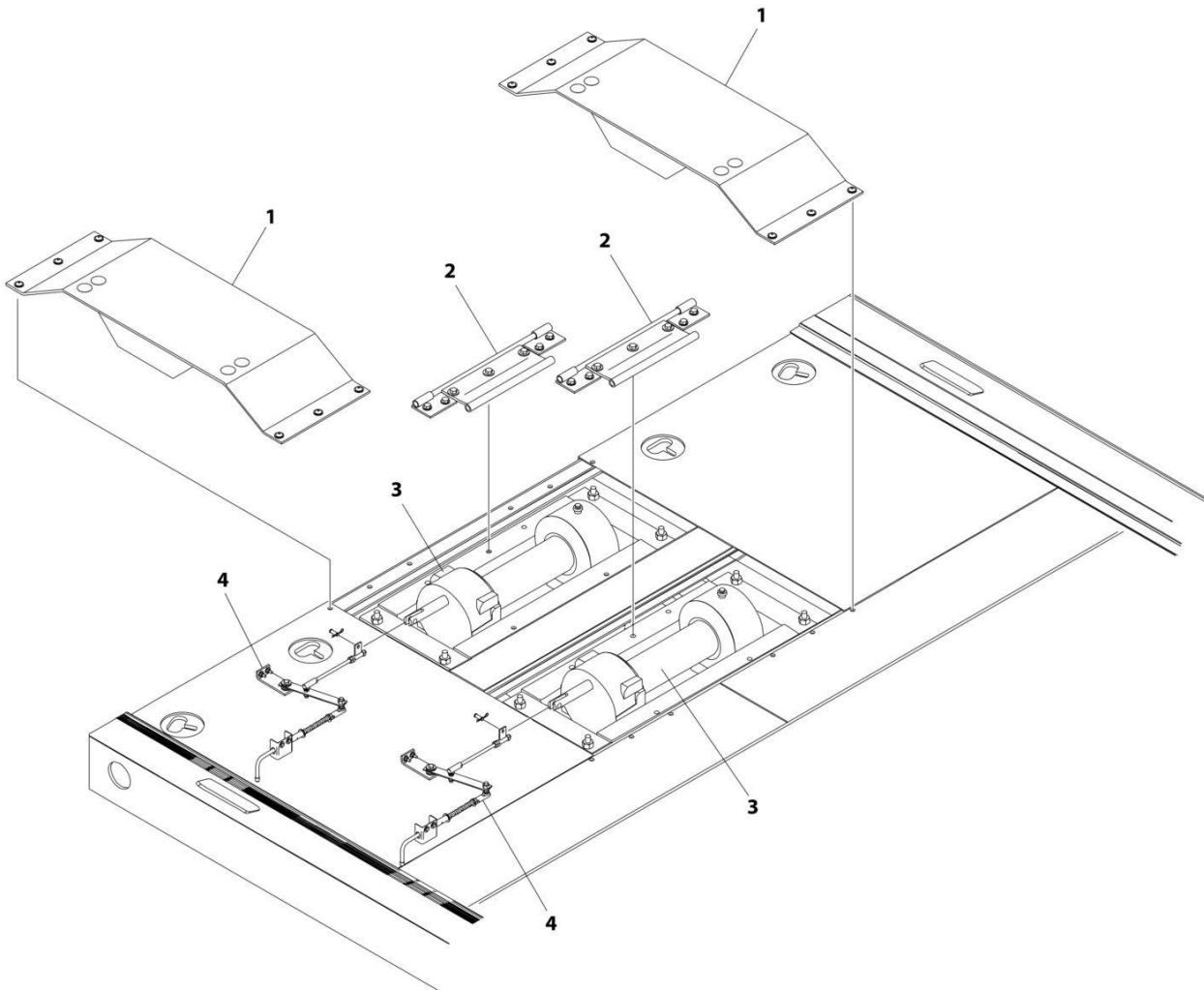
## SECTION 3 - DECK

**FIGURE 3-30. WINCH INSTALLATION - DUAL WINCH (ALUMINIUM DECK)**

ITEM	PART NUMBER	QTY	DESCRIPTION	REV
	2970000099	Ref	WINCH INSTALLATION - DUAL WINCH (ALUMINIUM DECK)	E
1	7970000121	2	Winch Assembly, 8000 lbs (See Separate Breakdown in this Section)	
2	7626000014	2	Orbit Motor	
3	7950180400	4	Washer 1/2	
4	7248000063	2	Wire Rope (Not Shown)	
5	1001138522	8	Bolt 1/2 x 2-1/4	
6	7660182601	8	Nut 1/2	
7	7950180153	8	Washer 1/2	

# SECTION 3 - DECK

## FIGURE 3-31. WINCH INSTALLATION - DUAL WINCH (STEEL DECK)



ART\_W08WM-3C

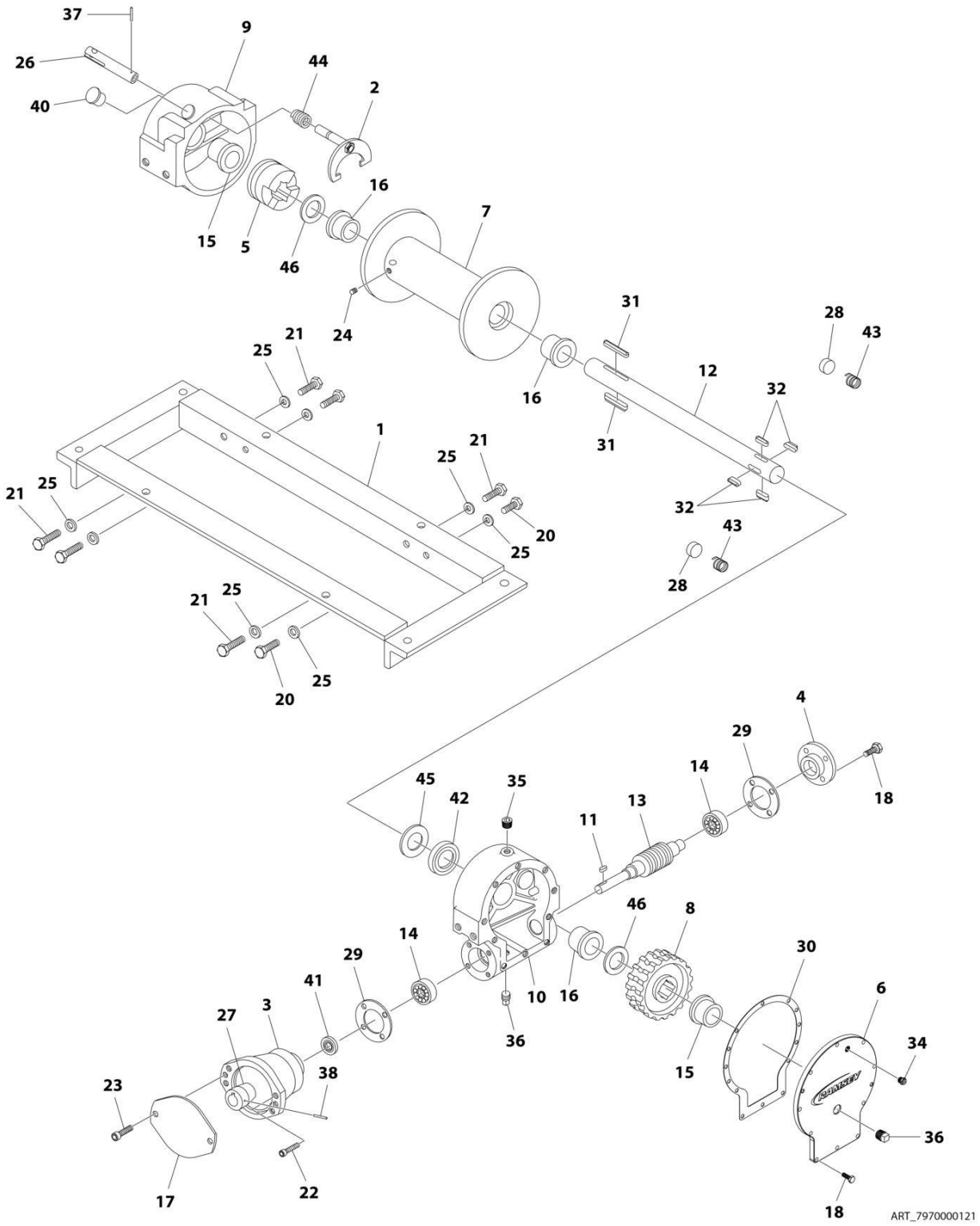
## SECTION 3 - DECK

### FIGURE 3-31. WINCH INSTALLATION - DUAL WINCH (STEEL DECK)

ITEM	PART NUMBER	QTY	DESCRIPTION	REV
	W08WM-3C	Ref	WINCH INSTALLATION - DUAL WINCH (STEEL DECK)	B
1	2314000007	1	Cover Plate Installation, Dual Winch (See Separate Breakdown in this Section)	
2	2249000009	2	Cable Tensioner (See Separate Breakdown in this Section)	
3	2970000098	1	Winch Installation, Dual Winch (Steel) (See Separate Breakdown in this Section)	
4	2970000115	1	Winch Release Installation (Steel) (See Separate Breakdown in this Section)	
5	1001147846	1	Winch Hole Specification (Not Shown)	

# SECTION 3 - DECK

## FIGURE 3-32. WINCH ASSEMBLY, 8000 LBS





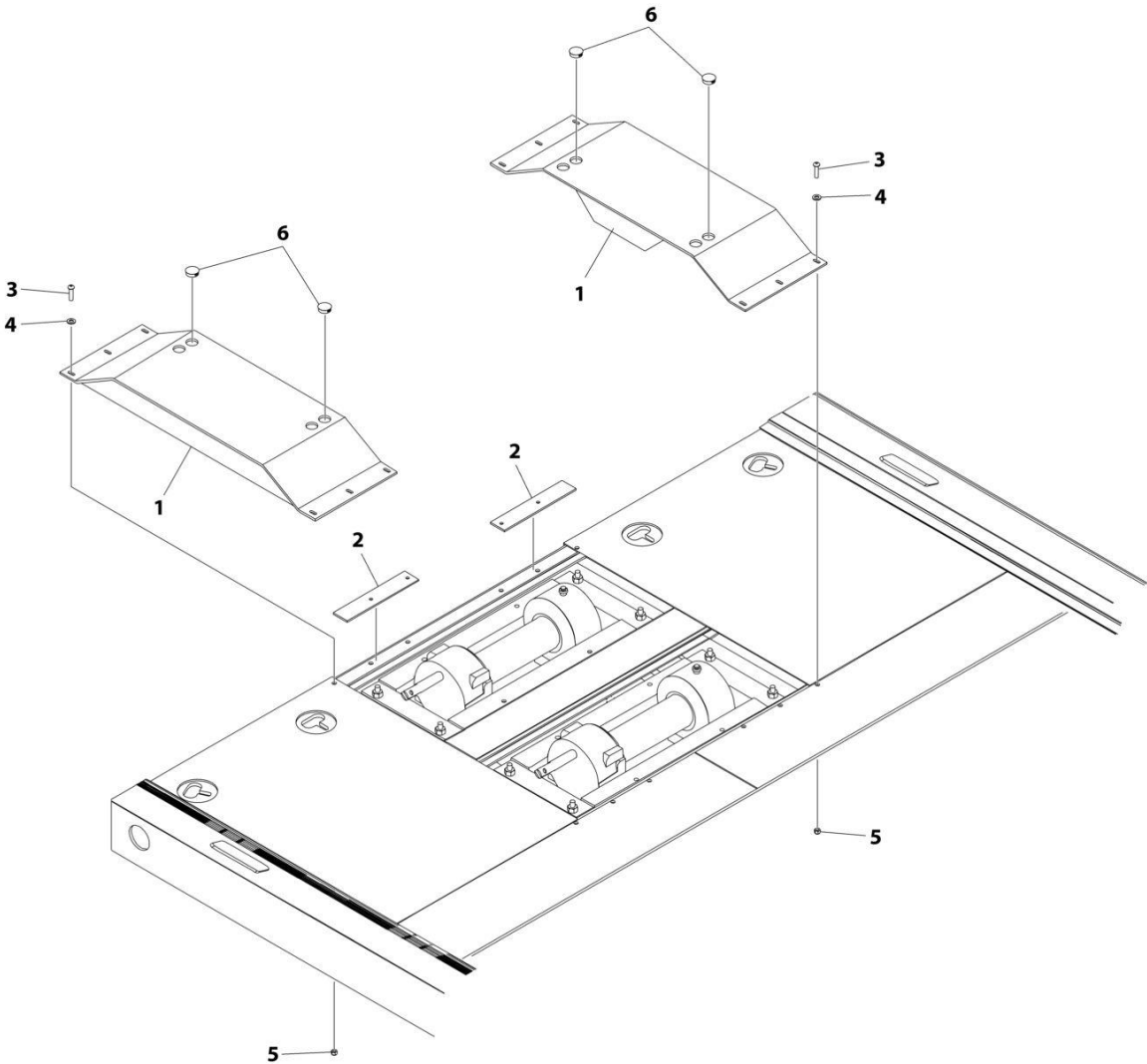
## SECTION 3 - DECK

### FIGURE 3-32. WINCH ASSEMBLY, 8000 LBS

ITEM	PART NUMBER	QTY	DESCRIPTION	REV
	7970000121	Ref	WINCH ASSEMBLY - 8000 LBS	D
1	70050694	1	Frame Assembly	
2	70050678	1	Shifter Assembly	
3	9970300057	1	Adapter	
4	9970316083	1	Bearing Cap	
5	9970960060	1	Jaw Clutch	
6	9314960024	1	Cover	
7	9970960068	1	Drum "Std"	
8	9472960072	1	Gear RH	
9	9560960021	1	Housing-Clutch	
10	9560960011	1	Housing-Gear	
11	9970342027	1	Key	
12	9806960009	1	Shaft-Drum "Std"	
13	9970960062	1	Worm RH	
14	9970402002	2	Bearing-Ball	
15	9970412003	4	Bushing	
16	9970412045	4	Bushing	
17	70050679	1	Adapter Cover	
18	9970414045	14	Capscrew 1/4 x 7/8	
20	9120960034	2	Bolt 3/8 x 1	
21	9120960059	6	Capscrew 3/8 x 1-1/4	
22	70050682	4	Capscrew 1/4 x 1-3/4	
23	9120960061	2	Capscrew 1/2 x 1-1/2	
24	9786960015	1	Setscrew 3/8 x 1/2	
25	9970418177	8	Washer 3/8	
26	9007960003	1	Adapter-Rod	
27	9970431008	1	Coupling	
28	9970330010	2	Disc Brake	
29	9970442184	2	Gasket	
30	9970442205	1	Gasket	
31	9970450006	2	Barth Key	
32	9575960014	4	Barth Key	
34	9970456008	1	Fitting-Relief	
35	9701960015	1	Pipe Plug	
36	9970468011	2	Pipe Plug	
37	9691960035	1	Spirol Pin	
38	9691960001	1	Spirol Pin	
40	9970472013	1	Plastic Plug	
41	9970486009	1	Oil Seal	
42	9970486017	1	Oil Seal	
43	9970494002	2	Spring	
44	9970494053	1	Spring	
45	9970518014	1	Thrust Washer	
46	9970518015	2	Thrust Washer	

**SECTION 3 - DECK**

**FIGURE 3-33. COVER PLATE INSTALLATION**



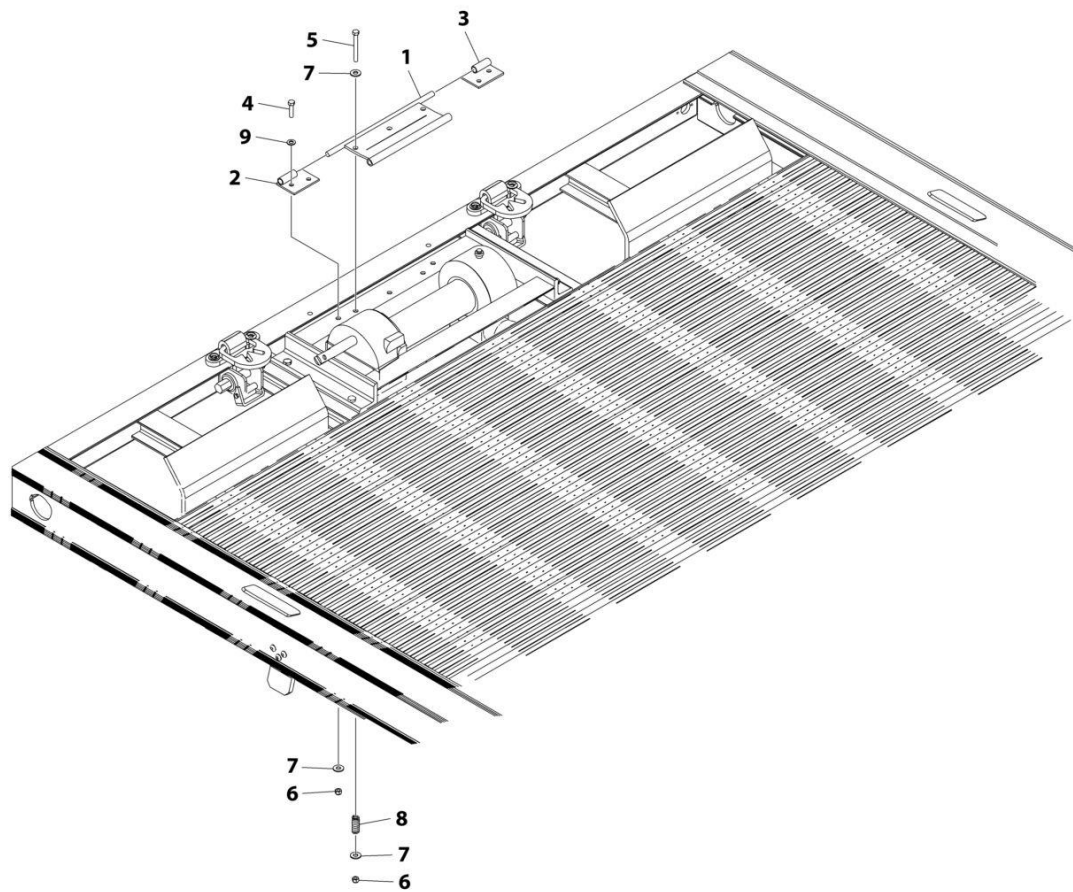
ART\_231400007

FIGURE 3-33. COVER PLATE INSTALLATION

ITEM	PART NUMBER	QTY	DESCRIPTION	REV
	2314000007	Ref	Cover Plate Installation	B
1	3314000029	2	Cover Plate Weldment	
2	4812000061	4	Shim	
3	7114161218	12	Capscrew 3/8 x 1-1/2	
4	7950150153	12	Washer 5/16	
5	7660162601	12	Nut 3/8	
6	7701000049	8	Plug	

# SECTION 3 - DECK

## FIGURE 3-34. CABLE TENSIONER INSTALLATION



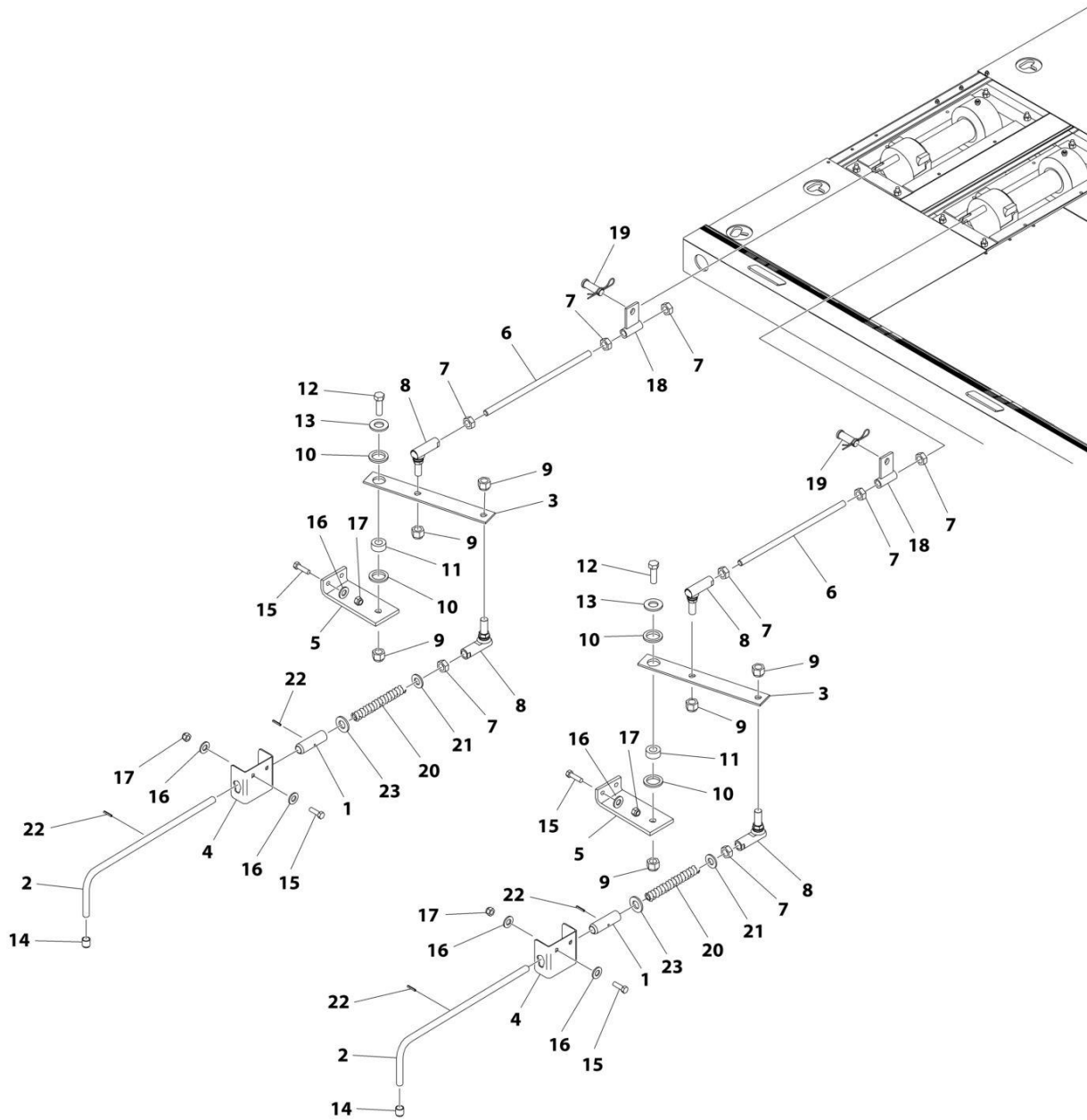
ART\_224900009

FIGURE 3-34. CABLE TENSIONER INSTALLATION

ITEM	PART NUMBER	QTY	DESCRIPTION	REV
	2249000009	Ref	CABLE TENSIONER INSTALLATION	A
1	3706000213	1	Plate	
2	3706000214	1	Plate	
3	3706000215	1	Plate	
4	7115161250	2	Capscrew 3/8 x 1-1/2	
5	7115162650	3	Capscrew 3/8 x 3-1/4	
6	7660162601	5	Nut 3/8	
7	7950160161	8	Washer 3/8	
8	7843000034	3	Spring	
9	7950160141	2	Washer 3/8	

# SECTION 3 - DECK

## FIGURE 3-35. WINCH RELEASE INSTALLATION (ALUMINIUM DECK)



ART\_2970000116

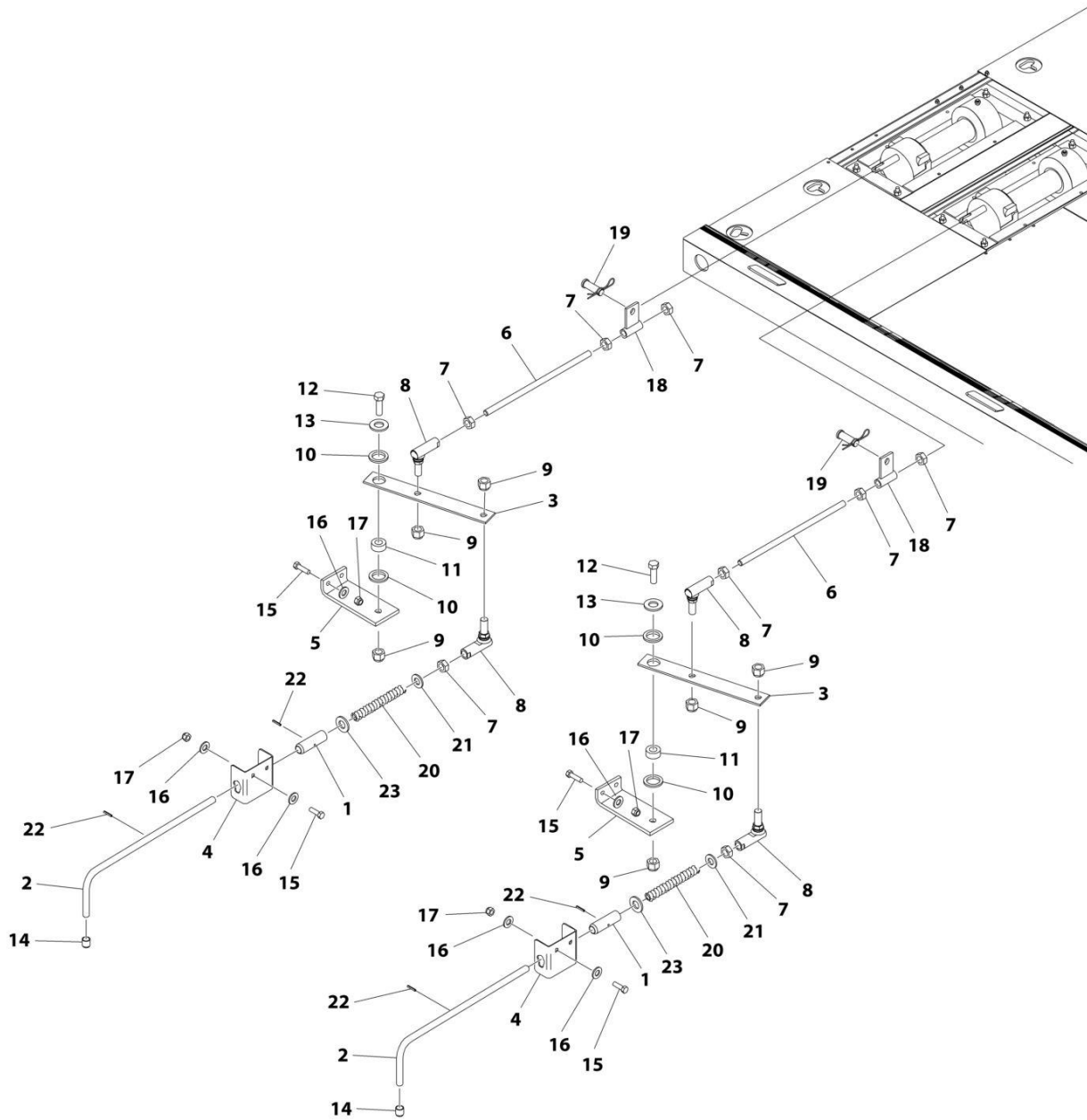
## SECTION 3 - DECK

**FIGURE 3-35. WINCH RELEASE INSTALLATION (ALUMINIUM DECK)**

ITEM	PART NUMBER	QTY	DESCRIPTION	REV
	2970000116	Ref	WINCH RELEASE INSTALLATION (ALUMINIUM DECK)	H
1	1001191516	2	Sleeve	
2	4763000414	2	Rod	
3	4587000003	2	Lever	
4	4178000673	2	Bracket	
5	4178000757	2	Bracket	
6	4763000413	2	Rod	
7	7660180234	8	Nut 1/2	
8	7309000002	4	Coupling	
9	7660182631	6	Nut 1/2	
10	7082000010	6	Washer 1-1/2 x 1	
11	4209000146	2	Bushing	
12	7105181250	2	Capscrew 1/2 x 1-1/2	
13	7950180161	2	Washer 1/2	
14	7254000016	2	Cap	
15	7115151050	8	Cap Screw 5/16 x 1-1/4	
16	7950150161	16	Washer 5/16	
17	7660152601	8	Nut 5/16	
18	3606000028	2	Lug	
19	1001179025	2	Pin	
20	7843000027	2	Spring	
21	7950180143	2	Washer 1/2	
22	7690051274	4	Pin	
23	7949000030	2	Washer	

# SECTION 3 - DECK

## FIGURE 3-36. WINCH RELEASE INSTALLATION (STEEL DECK)



ART\_2970000115



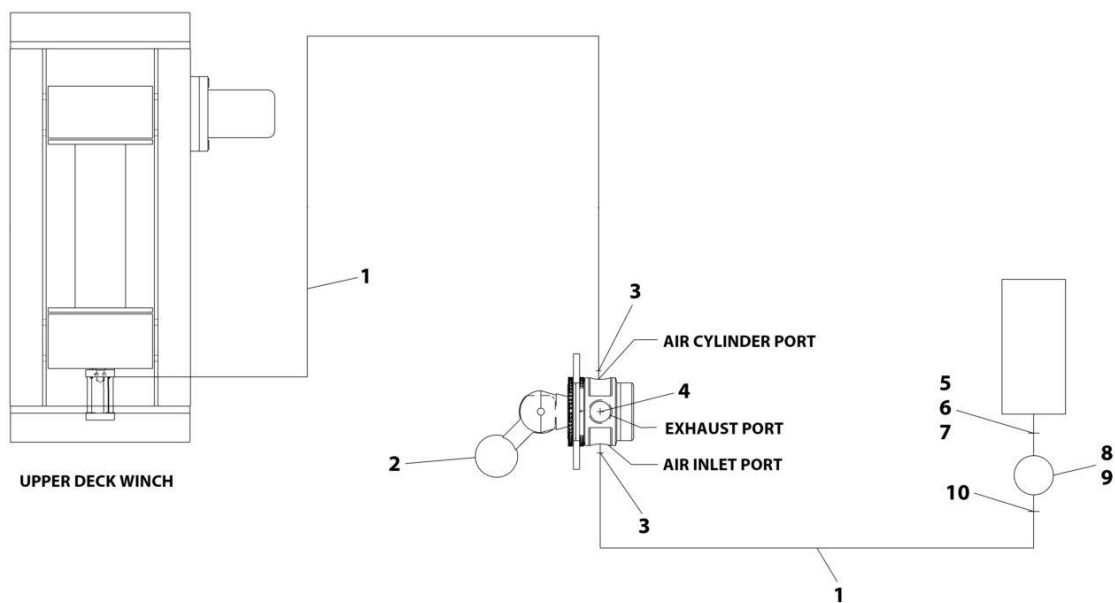
## SECTION 3 - DECK

**FIGURE 3-36. WINCH RELEASE INSTALLATION (STEEL DECK)**

ITEM	PART NUMBER	QTY	DESCRIPTION	REV
	2970000115	Ref	WINCH RELEASE INSTALLATION (STEEL DECK)	G
1	1001191516	2	Sleeve	
2	4763000414	2	Rod	
3	4587000003	2	Lever	
4	4178000673	2	Bracket	
5	4178000752	2	Bracket	
6	4763000413	2	Rod	
7	7660180234	8	Nut 1/2	
8	7309000002	4	Coupling	
9	7660182631	6	Nut 1/2	
10	7082000010	6	Washer 1-1/2 x 1	
11	4209000146	2	Bushing	
12	7105181250	2	Capscrew 1/2 x 1-1/2	
13	7950180161	2	Washer 1/2	
14	7254000016	2	Cap	
15	7115151050	8	Capscrew 5/16 x 1-1/4	
16	7950150161	16	Washer 5/16	
17	7660152601	8	Nut 5/16	
18	3606000028	2	Lug	
19	1001179025	2	Pin	
20	7843000027	2	Sping	
21	7950180143	2	Washer 1/2	
22	7690051274	4	Pin	
23	7949000030	2	Washer 1-3/8	

# SECTION 3 - DECK

## FIGURE 3-37. UPPER DECK WINCH AIR FREE SPOOL WITH PPV



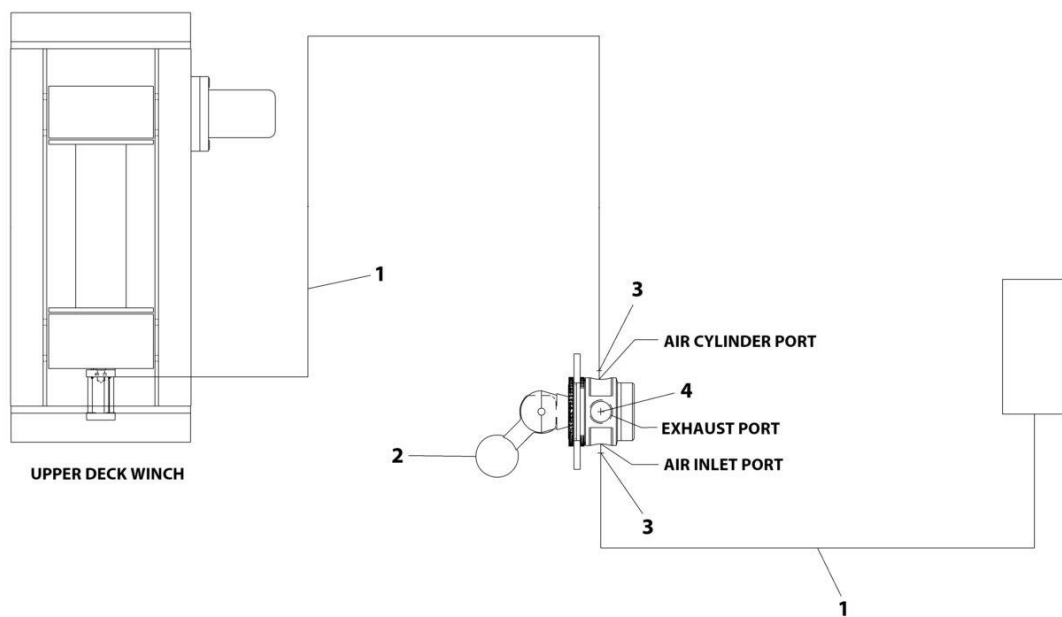
ART\_2870000016

**SECTION 3 - DECK****FIGURE 3-37. UPPER DECK WINCH AIR FREE SPOOL WITH PPV**

<b>ITEM</b>	<b>PART NUMBER</b>	<b>QTY</b>	<b>DESCRIPTION</b>	<b>REV</b>
	2870000016	Ref	Upper Deck Winch Air Free Spool with PPV	0
1	7565000016	30	Tubing, Nylon	
2	7935000182	1	Valve, Air	
3	7443000177	2	Fitting	
4	7640000002	1	Muffler, Exhaust	
5	7443000154	1	Bushing	
6	7443000155	1	Fitting	
7	7443000156	1	Nipple	
8	7935000120	1	Valve, Pressure	
9	7443000152	1	Plug	
10	7443000139	1	Fitting	
11	7443000270	1	Fitting (Not Shown)	
12	7894000004	5	Tie-Strap (Not Shown)	

# SECTION 3 - DECK

## FIGURE 3-38. UPPER DECK WINCH AIR FREE SPOOL WITHOUT PPV



ART\_1001212193

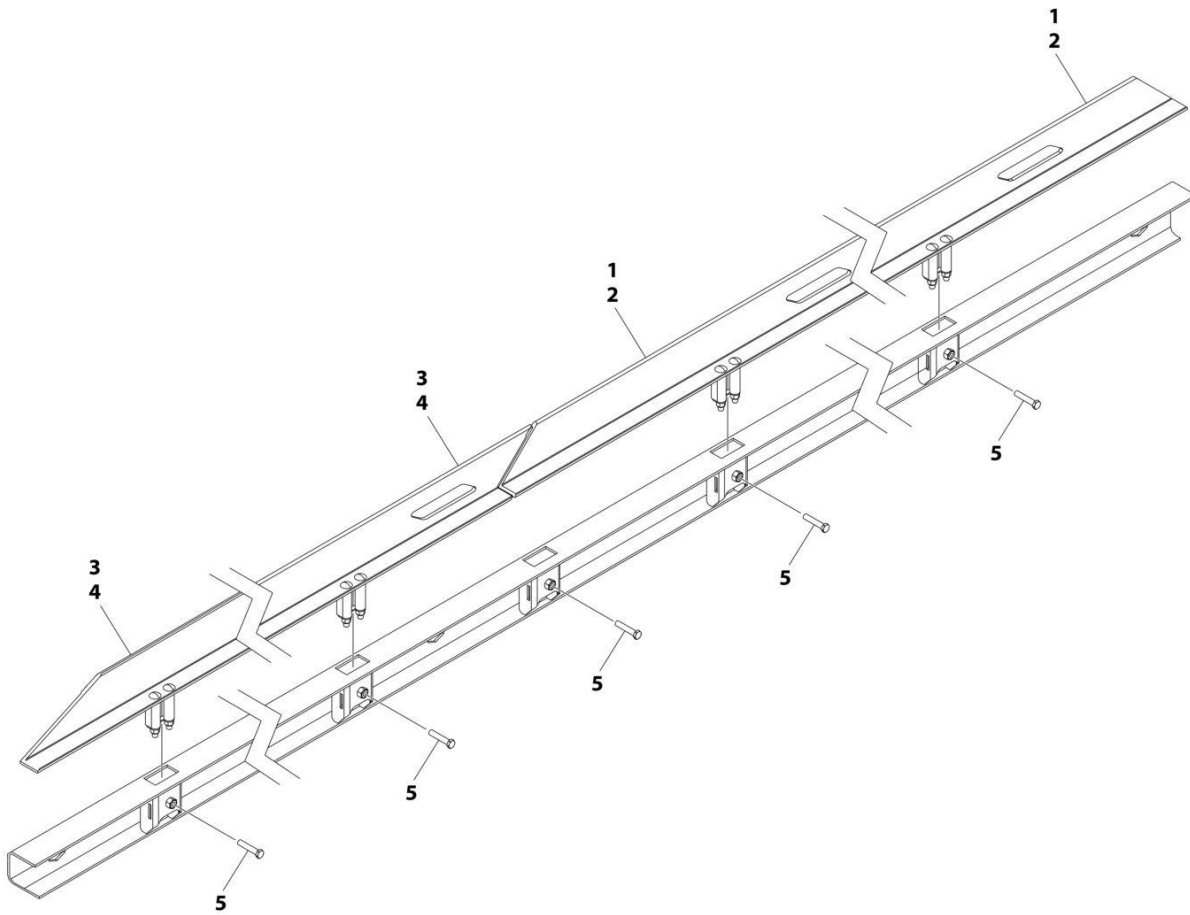
## SECTION 3 - DECK

**FIGURE 3-38. UPPER DECK WINCH AIR FREE SPOOL WITHOUT PPV**

ITEM	PART NUMBER	QTY	DESCRIPTION	REV
	1001212193	Ref	Upper Deck Winch Air Free Spool without PPV	A
1	7565000016	30	Tubing, Nylon	
2	7935000182	1	Valve, Air	
3	7443000177	2	Fitting	
4	7640000002	1	Muffler, Exhaust	
5	7894000004	5	Tie-Strap (Not Shown)	

# SECTION 3 - DECK

FIGURE 3-39. RAISED RAILS, MAIN, 5IN HIGH REM BLADE ALUMINIUM, 28FT



ART\_2729000078

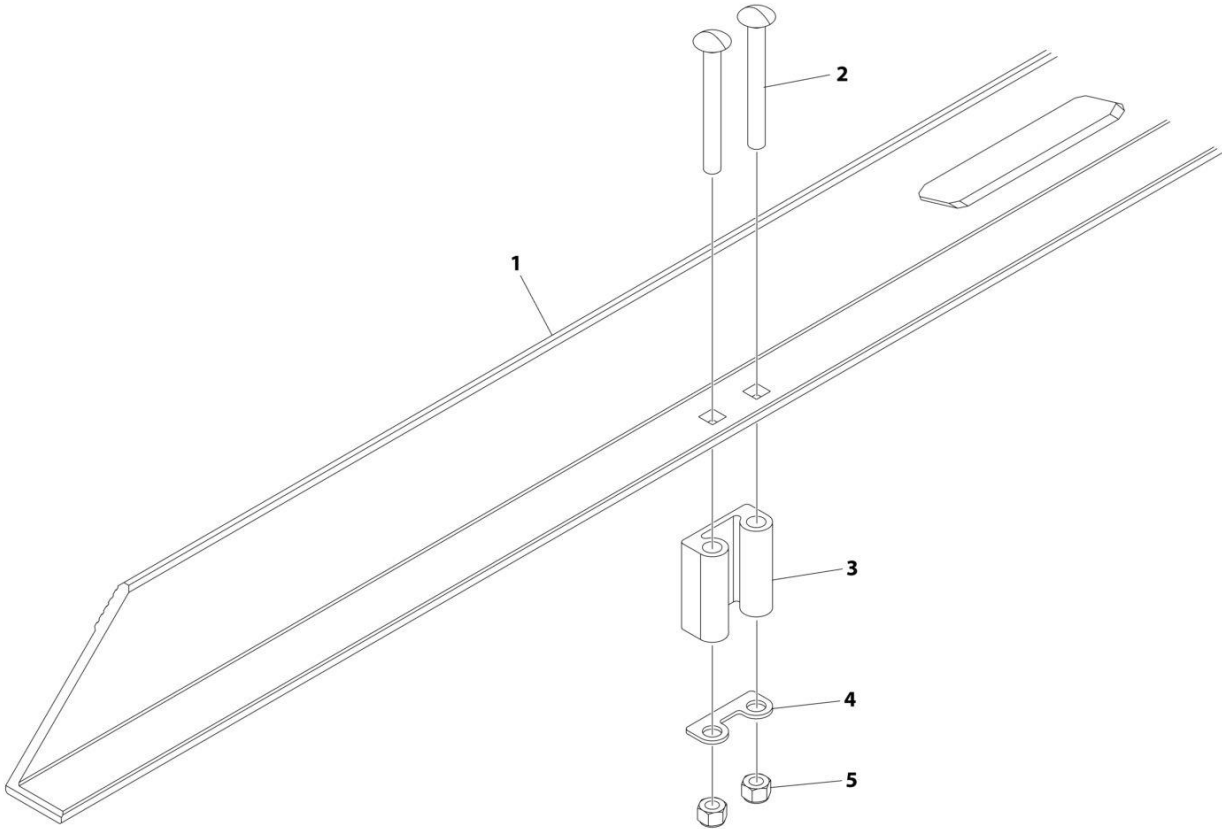
## SECTION 3 - DECK

**FIGURE 3-39. RAISED RAILS, MAIN, 5IN HIGH REM BLADE ALUMINIUM, 28FT**

ITEM	PART NUMBER	QTY	DESCRIPTION	REV
	2729000078	Ref	RAISED RAILS, MAIN, 5IN HIGH REM BLADE ALUMINIUM, 28FT	B
1	3017000123	1	Angle Assembly, Front RH (See Separate Breakdown in this Section)	
2	3017000124	1	Angle Assembly, Front LH (See Separate Breakdown in this Section)	
3	3017000133	1	Angle Assembly, Rear RH (See Separate Breakdown in this Section)	
4	3017000134	14	Angle Assembly, Rear LH (See Separate Breakdown in this Section)	
5	7120000005	1	Capscrew 1/2 x 2-1/2	

**SECTION 3 - DECK**

**FIGURE 3-40. ANGLE ASSEMBLY, FRONT LH**



ART\_3017000123

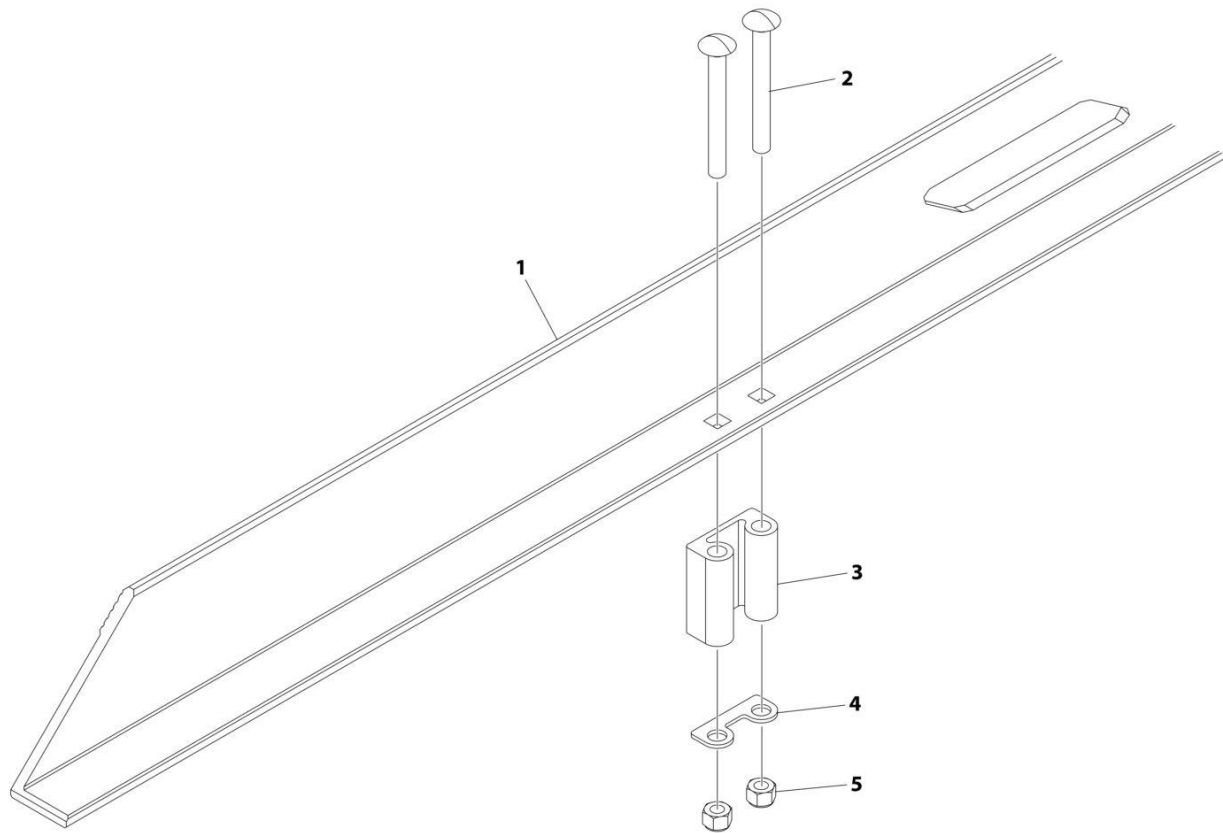


FIGURE 3-40. ANGLE ASSEMBLY, FRONT LH

ITEM	PART NUMBER	QTY	DESCRIPTION	REV
	3017000123	Ref	Angle Assembly, Front LH	B
1	4017001701	1	Angle	
2	1001137970	6	Bolt 1/2 x 4-1/2	
3	8411080102	3	Extrusion	
4	4706006228	3	Plate	
5	7660182601	6	Nut 1/2	

# SECTION 3 - DECK

## FIGURE 3-41. ANGLE ASSEMBLY, FRONT RH



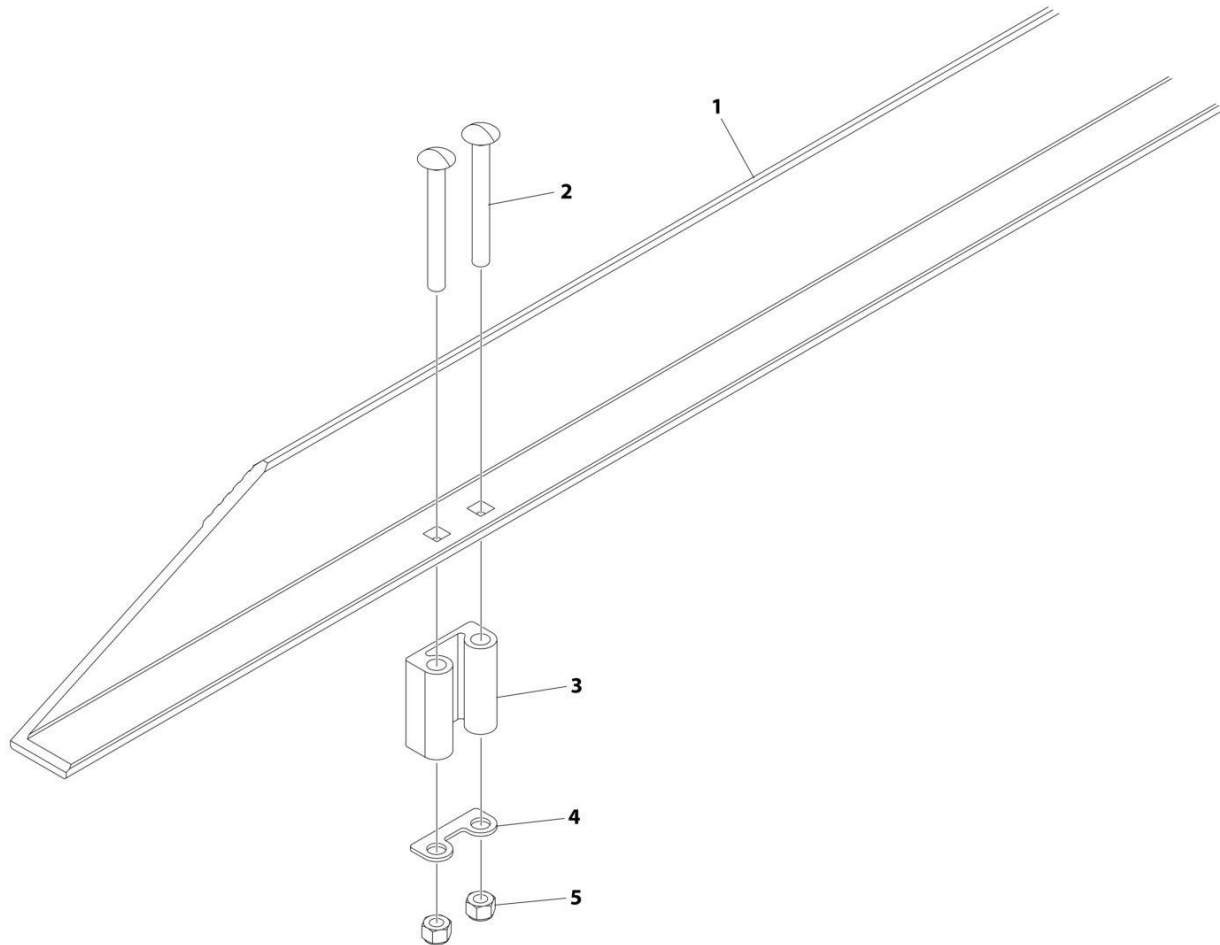
ART\_3017000124

FIGURE 3-41. ANGLE ASSEMBLY, FRONT RH

ITEM	PART NUMBER	QTY	DESCRIPTION	REV
	3017000124	Ref	Angle Assembly, Front LH	B
1	4017001702	1	Angle	
2	1001137970	6	Bolt 1/2 x 4-1/2	
3	8411080102	3	Extrusion	
4	4706006228	3	Plate	
5	7660182601	6	Nut 1/2	

# SECTION 3 - DECK

## FIGURE 3-42. ANGLE ASSEMBLY, REAR LH



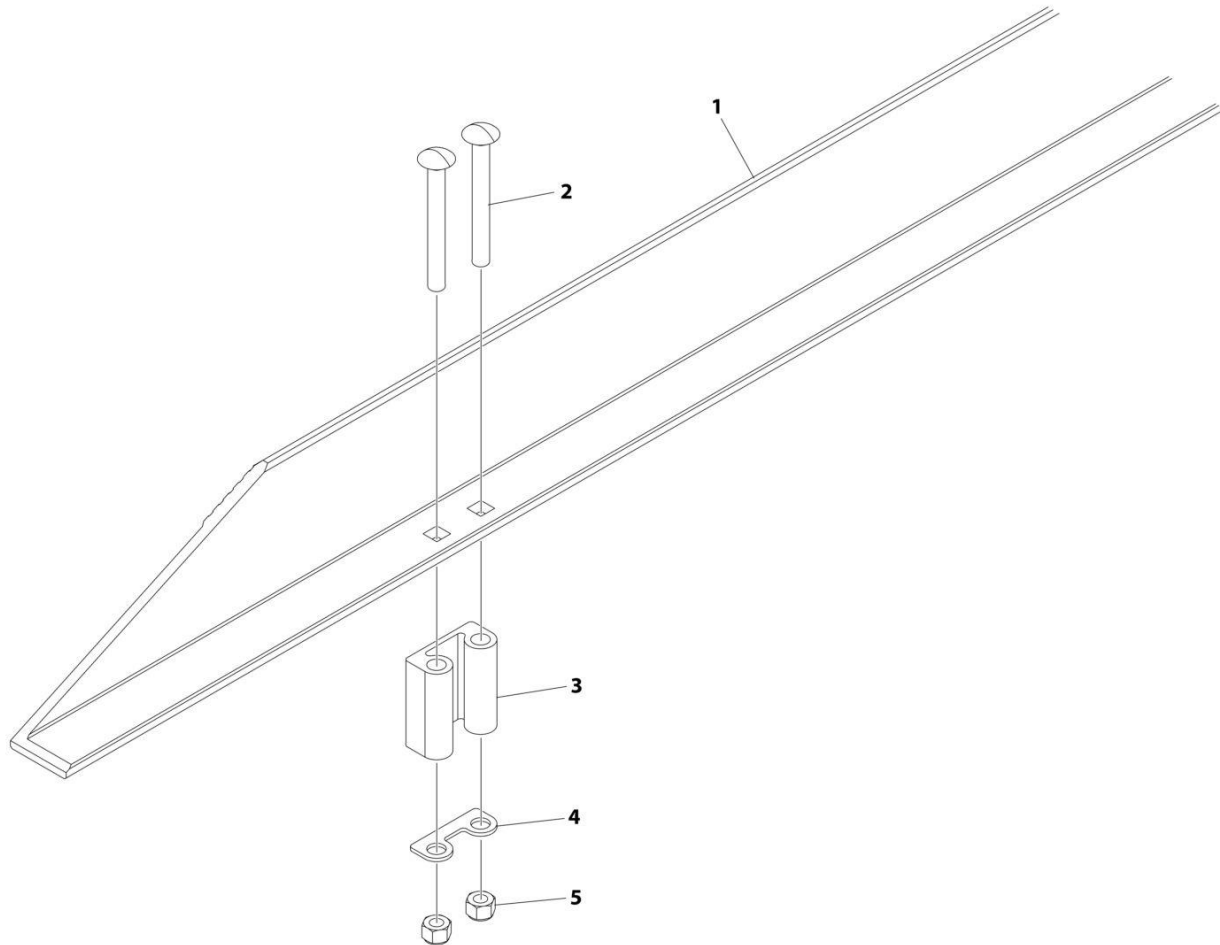
ART\_3017000133

FIGURE 3-42. ANGLE ASSEMBLY, REAR LH

ITEM	PART NUMBER	QTY	DESCRIPTION	REV
	3017000133	Ref	Angle Assembly, Rear LH	B
1	4017001711	1	Angle	
2	1001137970	8	Bolt 1/2 x 4-1/2	
3	8411080102	4	Extrusion	
4	4706006228	4	Plate	
5	7660182601	8	Nut 1/2	

# SECTION 3 - DECK

## FIGURE 3-43. ANGLE ASSEMBLY, REAR RH



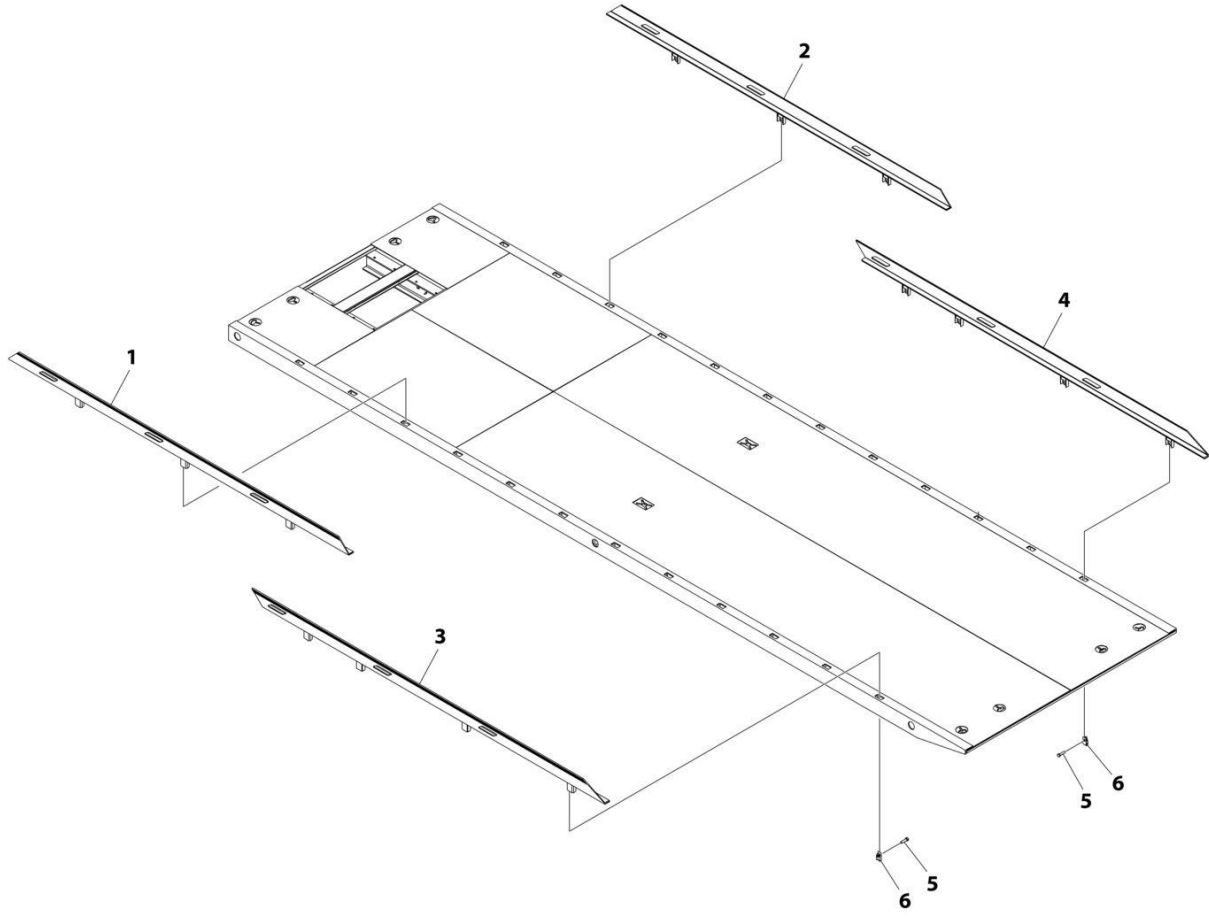
ART\_3017000134

FIGURE 3-43. ANGLE ASSEMBLY, REAR RH

ITEM	PART NUMBER	QTY	DESCRIPTION	REV
	3017000134	Ref	Angle Assembly, Rear RH	B
1	4017001712	1	Angle	
2	1001137970	8	Bolt 1/2 x 4-1/2	
3	8411080102	4	Extrusion	
4	4706006228	4	Plate	
5	7660182601	8	Nut 1/2	

# SECTION 3 - DECK

FIGURE 3-44. RAISED RAILS, MAIN, 5IN HIGH REM BLADE ALUMINIUM, 30FT



ART\_2729000079



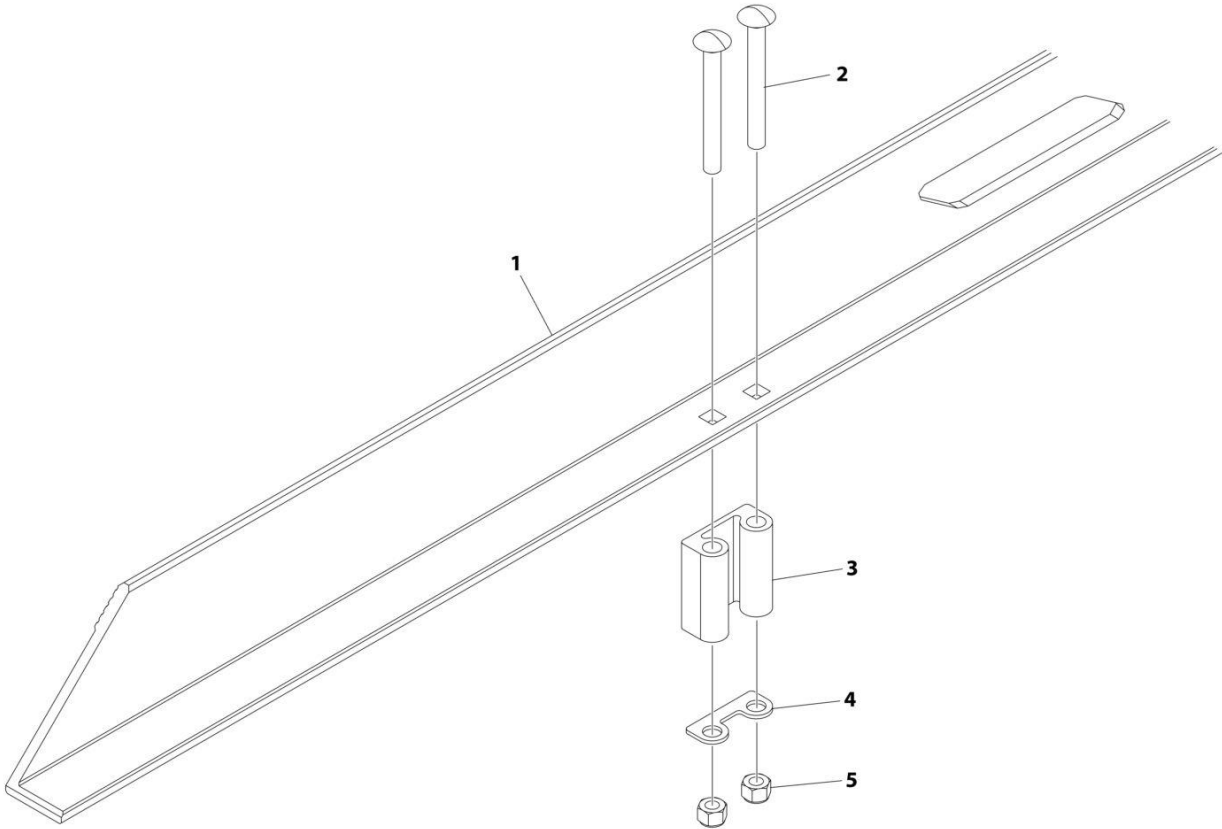
## SECTION 3 - DECK

**FIGURE 3-44. RAISED RAILS, MAIN, 5IN HIGH REM BLADE ALUMINIUM, 30FT**

ITEM	PART NUMBER	QTY	DESCRIPTION	REV
	2729000079	Ref	RAISED RAILS, MAIN, 5IN HIGH REM BLADE ALUMINIUM, 30FT	B
1	3017000125	1	Angle Assembly, Front LH (See Separate Breakdown in this Section)	
2	3017000126	1	Angle Assembly, Front RH (See Separate Breakdown in this Section)	
3	3017000131	1	Angle Assembly, Rear LH (See Separate Breakdown in this Section)	
4	3017000132	1	Angle Assembly Rear RH (See Separate Breakdown in this Section)	
5	7120000005	14	Capscrew 1/2 x 2-1/2	
6	7661000055	14	U-Nut 1/2	

**SECTION 3 - DECK**

**FIGURE 3-45. ANGLE ASSEMBLY, FRONT LH**



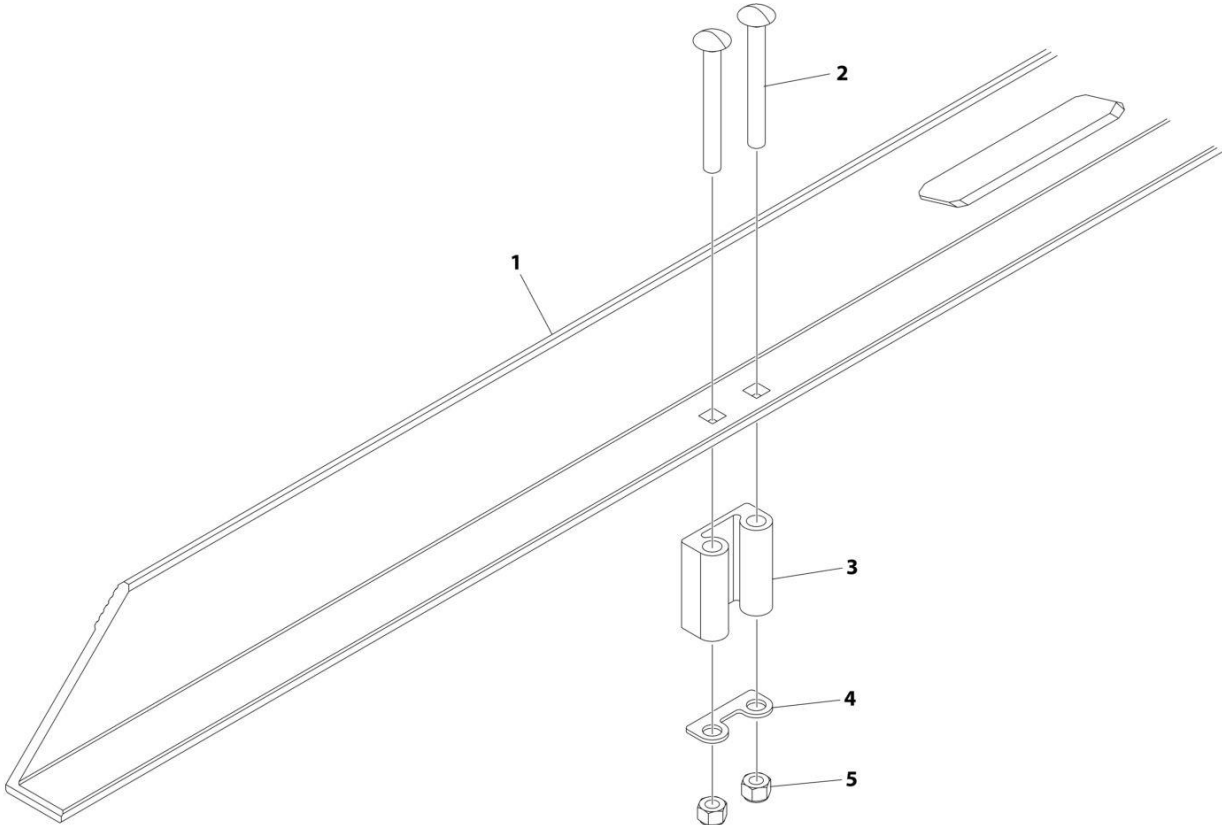
ART\_3017000125

FIGURE 3-45. ANGLE ASSEMBLY, FRONT LH

ITEM	PART NUMBER	QTY	DESCRIPTION	REV
	3017000125	Ref	Angle Assembly, Front LH	B
1	4017001703	1	Angle Extrusion	
2	1001137970	8	Bolt 1/2 x 4-1/2	
3	8411080102	4	Extrusion	
4	4706006228	4	Plate	
5	7660182601	8	Nut 1/2	

**SECTION 3 - DECK**

**FIGURE 3-46. ANGLE ASSEMBLY, FRONT RH**



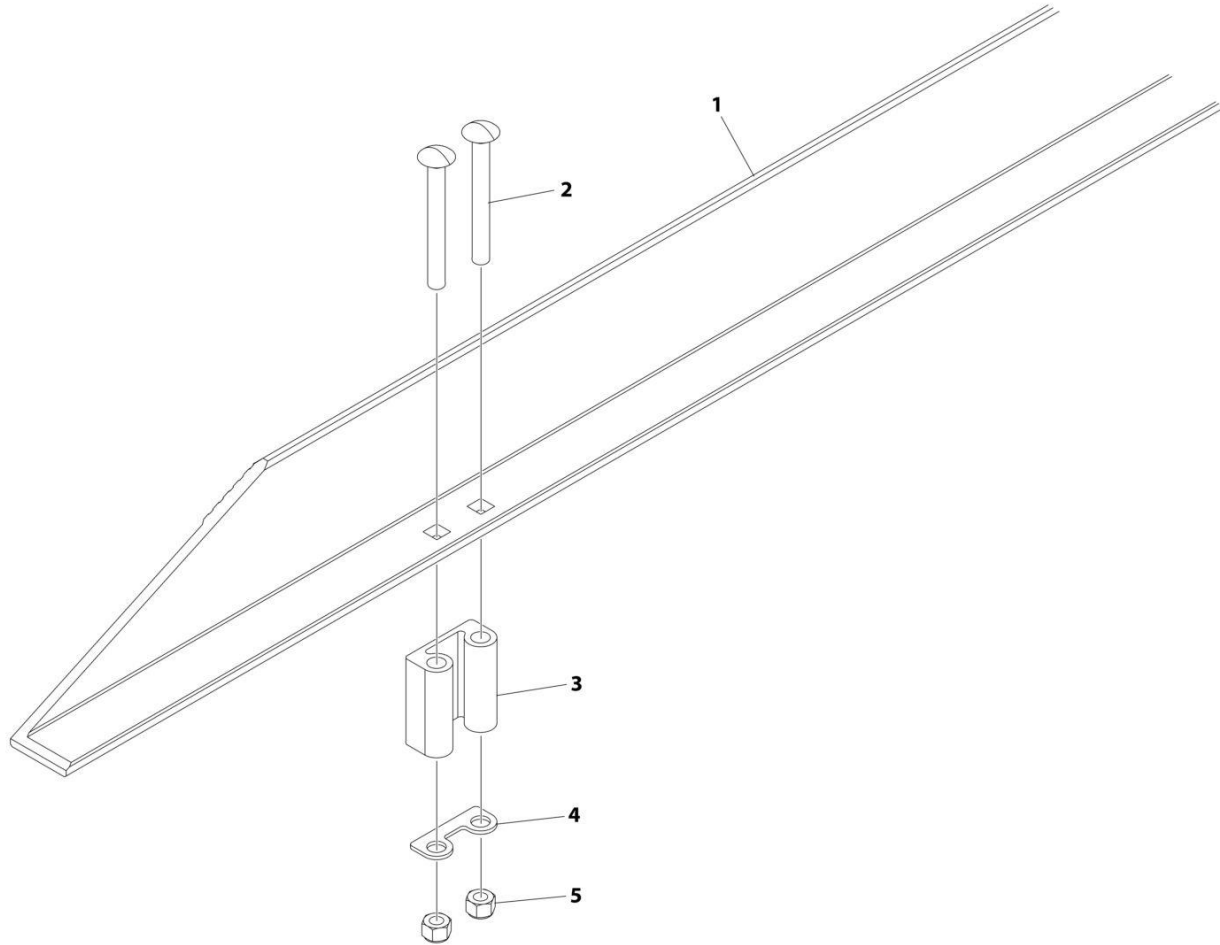
ART\_3017000126

FIGURE 3-46. ANGLE ASSEMBLY, FRONT RH

ITEM	PART NUMBER	QTY	DESCRIPTION	REV
	3017000126	Ref	Angle Assembly, Front RH	B
1	4017001704	1	Angle Extrusion	
2	1001137970	8	Bolt 1/2 x 4-1/2	
3	8411080102	4	Extrusion	
4	4706006228	4	Plate	
5	7660182601	8	Nut 1/2	

# SECTION 3 - DECK

## FIGURE 3-47. ANGLE ASSEMBLY, REAR LH



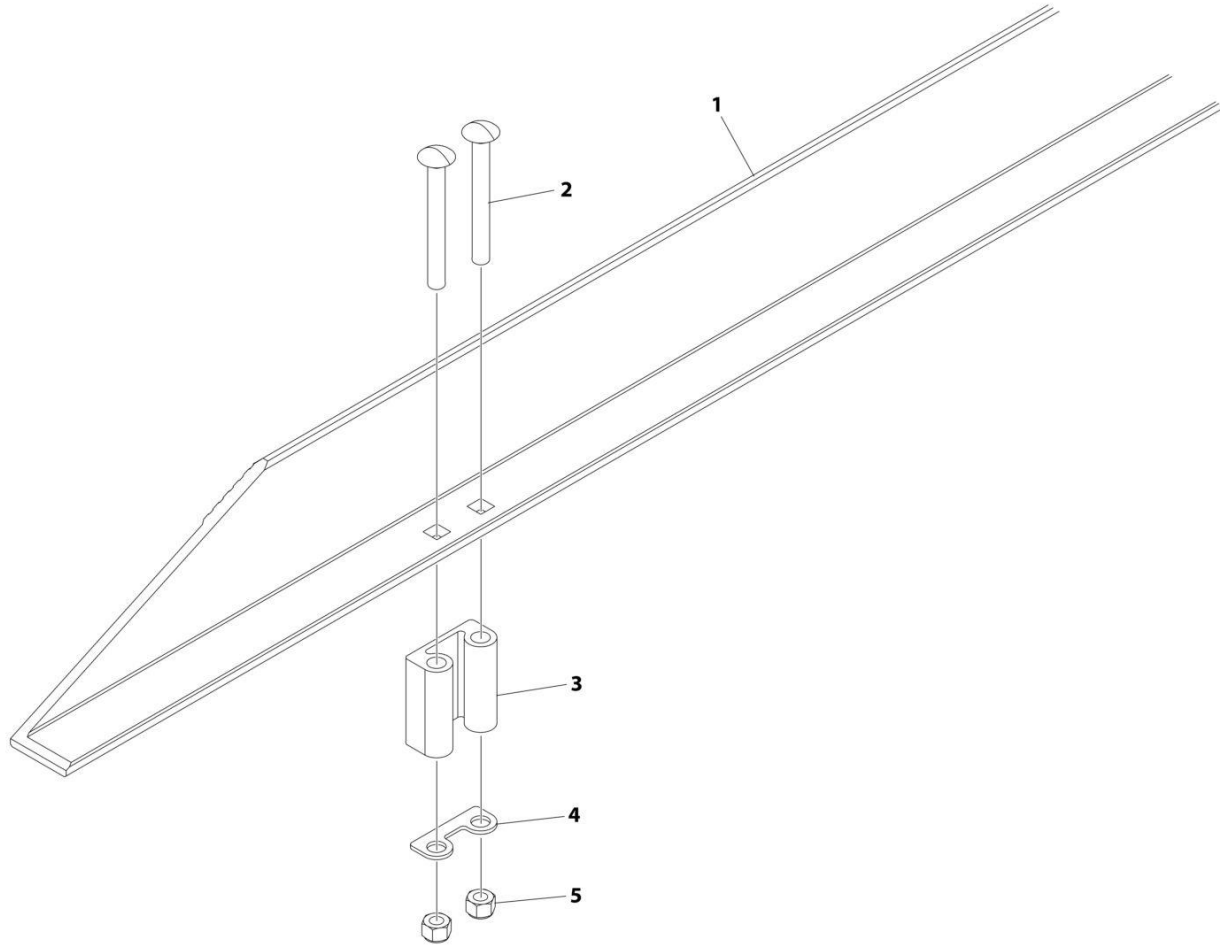
ART\_3017000131

FIGURE 3-47. ANGLE ASSEMBLY, REAR LH

ITEM	PART NUMBER	QTY	DESCRIPTION	REV
	3017000131	Ref	Angle Assembly, Rear LH	B
1	4017001709	1	Angle Extrusion	
2	1001137970	3	Bolt 1/2 x 4-1/2	
3	8411080102	6	Extrusion	
4	4706006228	6	Plate	
5	7660182601	3	Nut 1/2	

# SECTION 3 - DECK

## FIGURE 3-48. ANGLE ASSEMBLY, REAR RH



ART\_3017000132

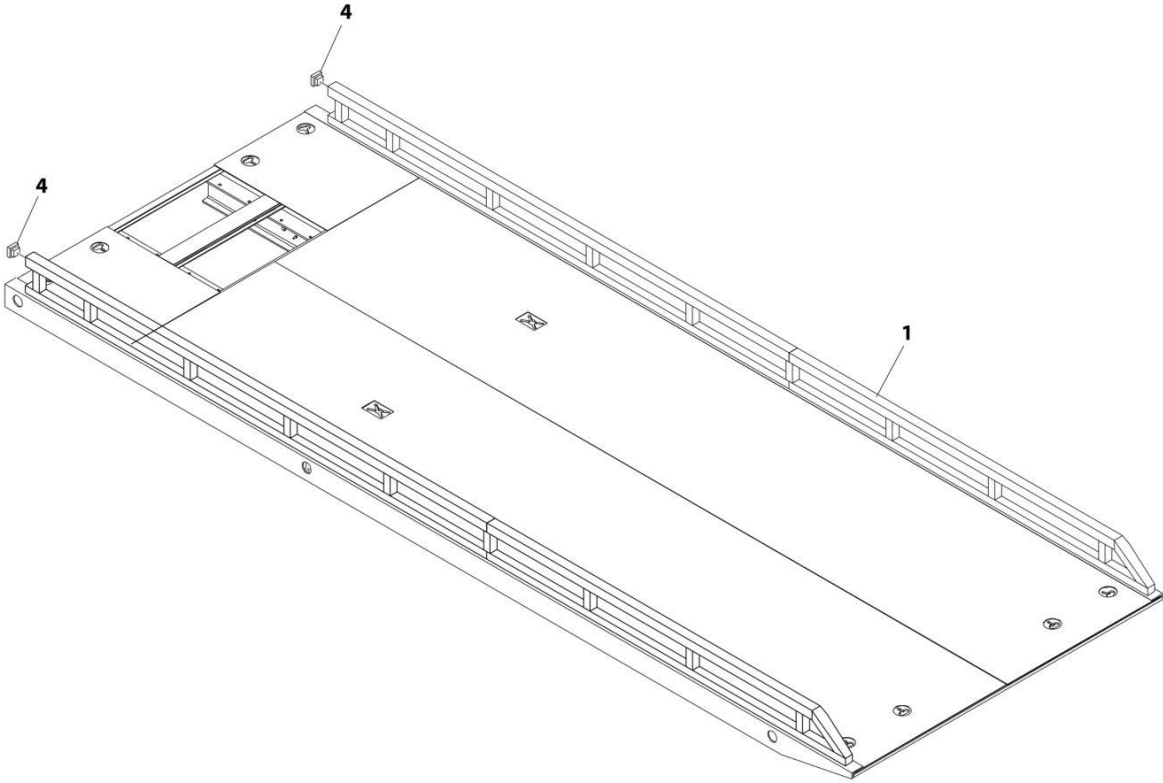


FIGURE 3-48. ANGLE ASSEMBLY, REAR RH

ITEM	PART NUMBER	QTY	DESCRIPTION	REV
	3017000132	Ref	Angle Assembly, Rear RH	B
1	4017001710	1	Angle Extrusion	
2	1001137970	8	Bolt 1/2 x 4-1/2	
3	8411080102	4	Extrusion	
4	4706006228	4	Plate	
5	7660182601	8	Nut 1/2	

**SECTION 3 - DECK**

**FIGURE 3-49. RAISED RAILS, MAIN, 6IN HIGH PERM TUBULAR STEEL, 28FT**



ART\_2550000275

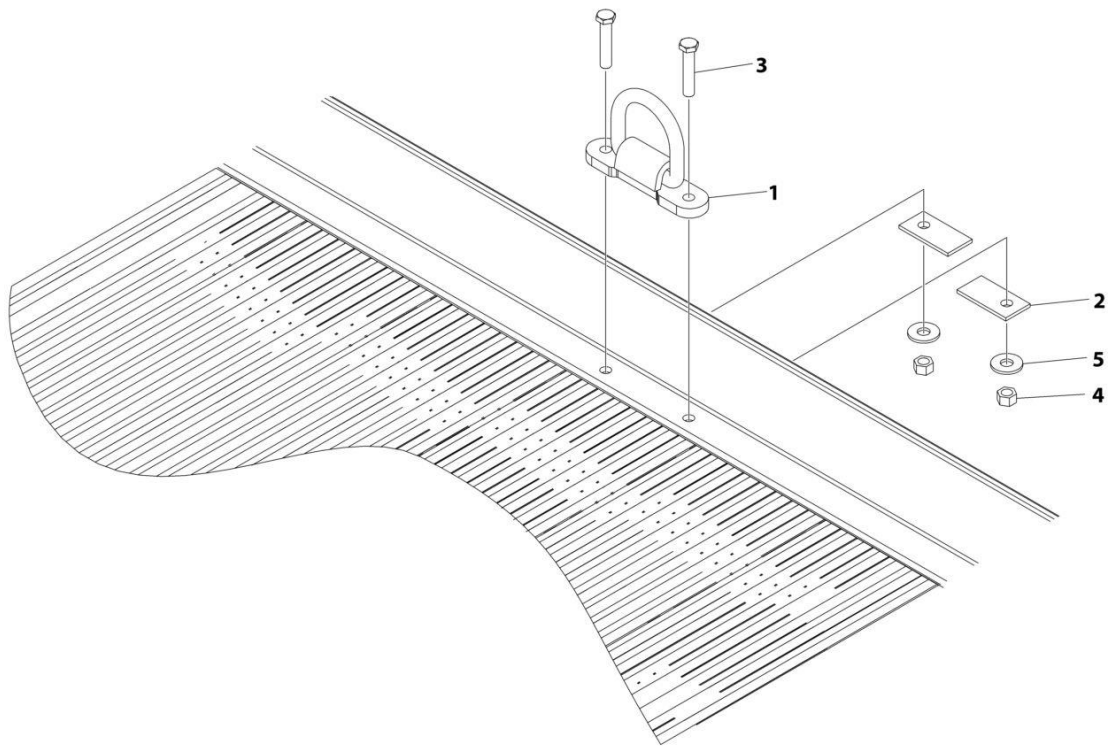
## SECTION 3 - DECK

**FIGURE 3-49. RAISED RAILS, MAIN, 6IN HIGH PERM TUBULAR STEEL, 28FT**

ITEM	PART NUMBER	QTY	DESCRIPTION	REV
1	2550000275	1	RAISED RAILS, MAIN, 6IN HIGH PERM TUBULAR STEEL, 28FT	0
4	7701000033	2	Plug	

## SECTION 3 - DECK

FIGURE 3-50. D-RINGS INSTALLATION - BOLT-ON 3 PAIRS EQUALLY SPACED (ALUMINIUM DECK)



ART\_1001171657

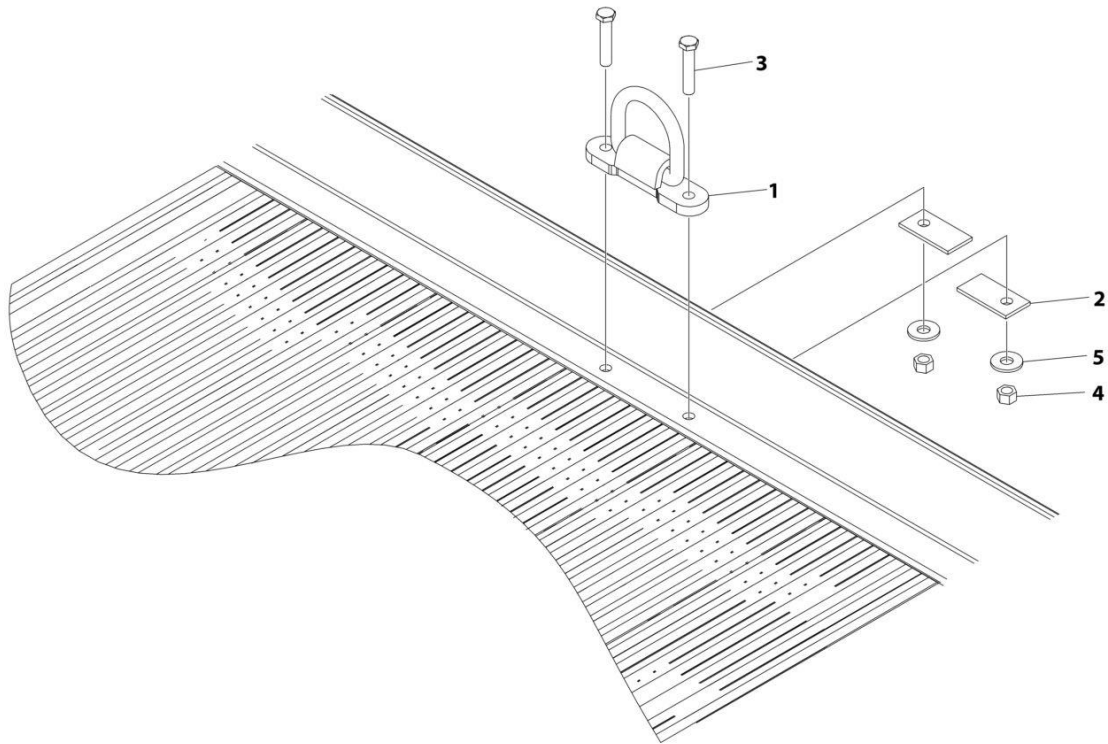
## SECTION 3 - DECK

**FIGURE 3-50. D-RINGS INSTALLATION - BOLT-ON 3 PAIRS EQUALLY SPACED (ALUMINIUM DECK)**

ITEM	PART NUMBER	QTY	DESCRIPTION	REV
	1001171657	Ref	D-RINGS INSTALLATION - BOLT-ON 3 PAIRS EQUALLY SPACED (ALUMINIUM DECK)	B
1	1001171652	6	D-Ring	
2	4706003374	12	Plate	
3	1001248245	12	Bolt 1/2 x 2-1/8	
4	3271805	12	Nut 1/2	
5	4711800	12	Washer 1/2	

## SECTION 3 - DECK

FIGURE 3-51. D-RINGS INSTALLATION - BOLT-ON 4 PAIRS EQUALLY SPACED (ALUMINIUM DECK)



ART\_1001171658

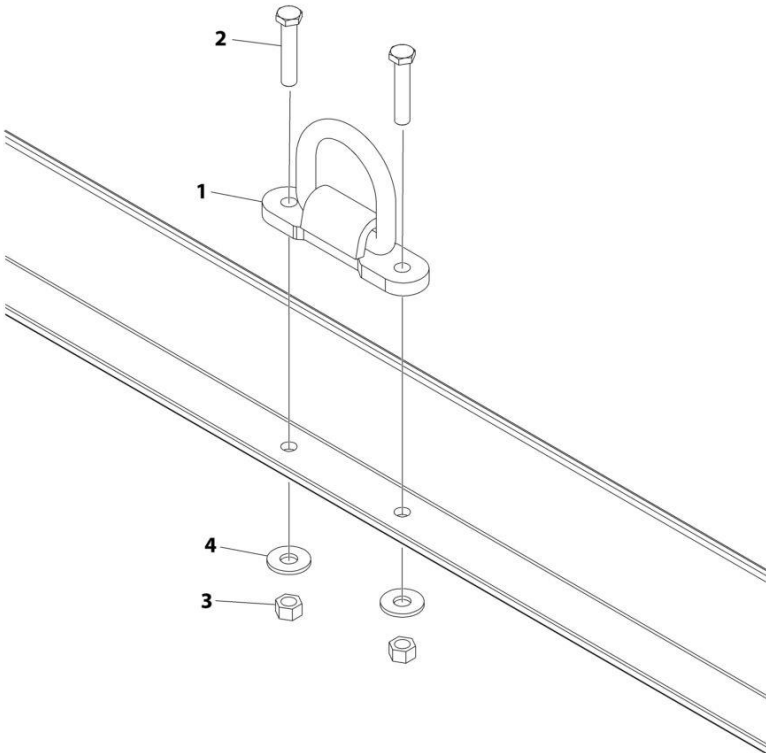
## SECTION 3 - DECK

**FIGURE 3-51. D-RINGS INSTALLATION - BOLT-ON 4 PAIRS EQUALLY SPACED (ALUMINIUM DECK)**

ITEM	PART NUMBER	QTY	DESCRIPTION	REV
	1001171658	Ref	D-RINGS INSTALLATION - BOLT-ON 4 PAIRS EQUALLY SPACED (ALUMINIUM DECK)	B
1	1001171652	8	D-Ring	
2	4706003374	16	Plate	
3	1001248245	16	Bolt 1/2 x 2-1/8	
4	3271805	16	Nut 1/2	
5	4711800	16	Washer 1/2	

# SECTION 3 - DECK

FIGURE 3-52. D-RINGS INSTALLATION - BOLT-ON 3 PAIRS EQUALLY SPACED (STEEL DECK)



ART\_1001171661



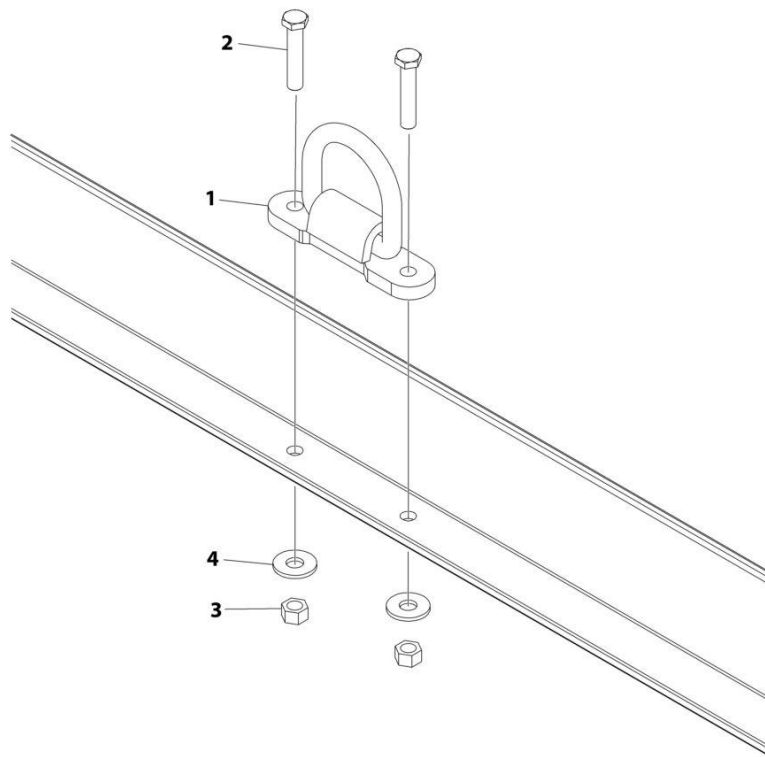
## SECTION 3 - DECK

**FIGURE 3-52. D-RINGS INSTALLATION - BOLT-ON 3 PAIRS EQUALLY SPACED (STEEL DECK)**

ITEM	PART NUMBER	QTY	DESCRIPTION	REV
	1001171661	Ref	D-RINGS INSTALLATION - BOLT-ON 3 PAIRS EQUALLY SPACED (STEEL DECK)	B
1	1001171652	6	D-Ring	
2	1001248245	12	Bolt 1/2 x 2-1/8	
3	3271805	12	Nut 1/2	
4	4711800	12	Washer 1/2	

## SECTION 3 - DECK

FIGURE 3-53. D-RINGS INSTALLATION - BOLT-ON 4 PAIRS EQUALLY SPACED (STEEL DECK)



ART\_1001171662

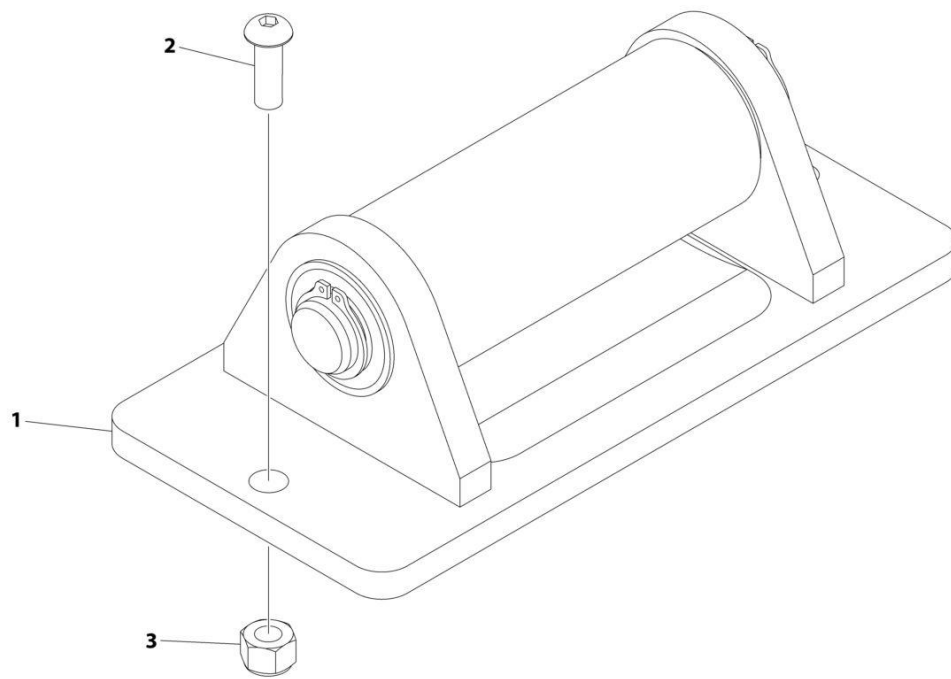
## SECTION 3 - DECK

**FIGURE 3-53. D-RINGS INSTALLATION - BOLT-ON 4 PAIRS EQUALLY SPACED (STEEL DECK)**

ITEM	PART NUMBER	QTY	DESCRIPTION	REV
	1001171662	Ref	D-RINGS INSTALLATION - BOLT-ON 4 PAIRS EQUALLY SPACED (STEEL DECK)	B
1	1001171652	8	D-Ring	
2	1001248245	16	Bolt 1/2 x 2-1/8	
3	3271805	16	Nut 1/2	
4	4711800	16	Washer 1/2	

# SECTION 3 - DECK

## FIGURE 3-54. DECK ROLLERS AT APPROACH TIP



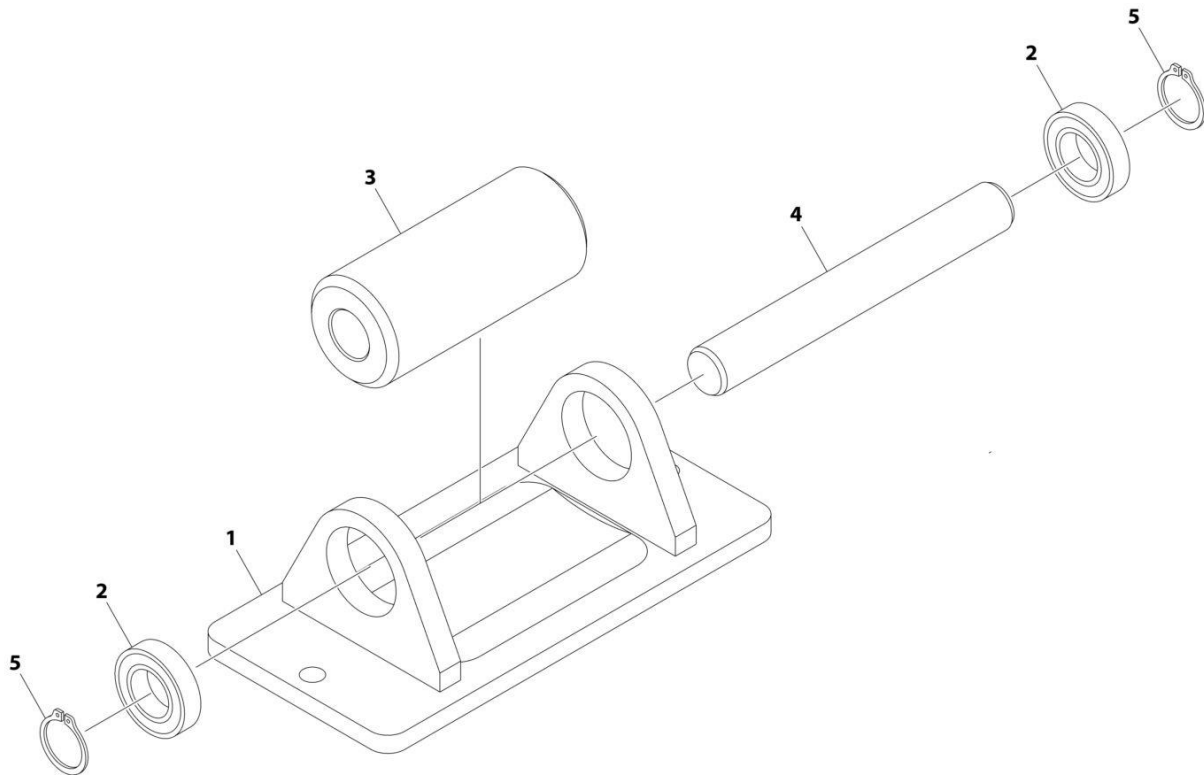
ART\_1001148999

FIGURE 3-54. DECK ROLLERS AT APPROACH TIP

ITEM	PART NUMBER	QTY	DESCRIPTION	REV
	1001148999	Ref	Deck Rollers at Approach Tip	A
1	3550001913	2	Bracket	
2	7114181218	4	Capscrew 1/2 x 1-1/2	
3	7660182601	4	Nut 1/2	

# SECTION 3 - DECK

## FIGURE 3-55. ROLLER BRACKET ASSEMBLY



ART\_3550001913

FIGURE 3-55. ROLLER BRACKET ASSEMBLY

ITEM	PART NUMBER	QTY	DESCRIPTION	REV
	3550001913	Ref	Roller Bracket Assembly	B
1	3550001912	1	Bracket Weldment	
2	7550000074	2	Bearing	
3	7550000073	1	Roller	
4	4691000568	1	Pin	
5	7754000022	2	Retaining Ring	

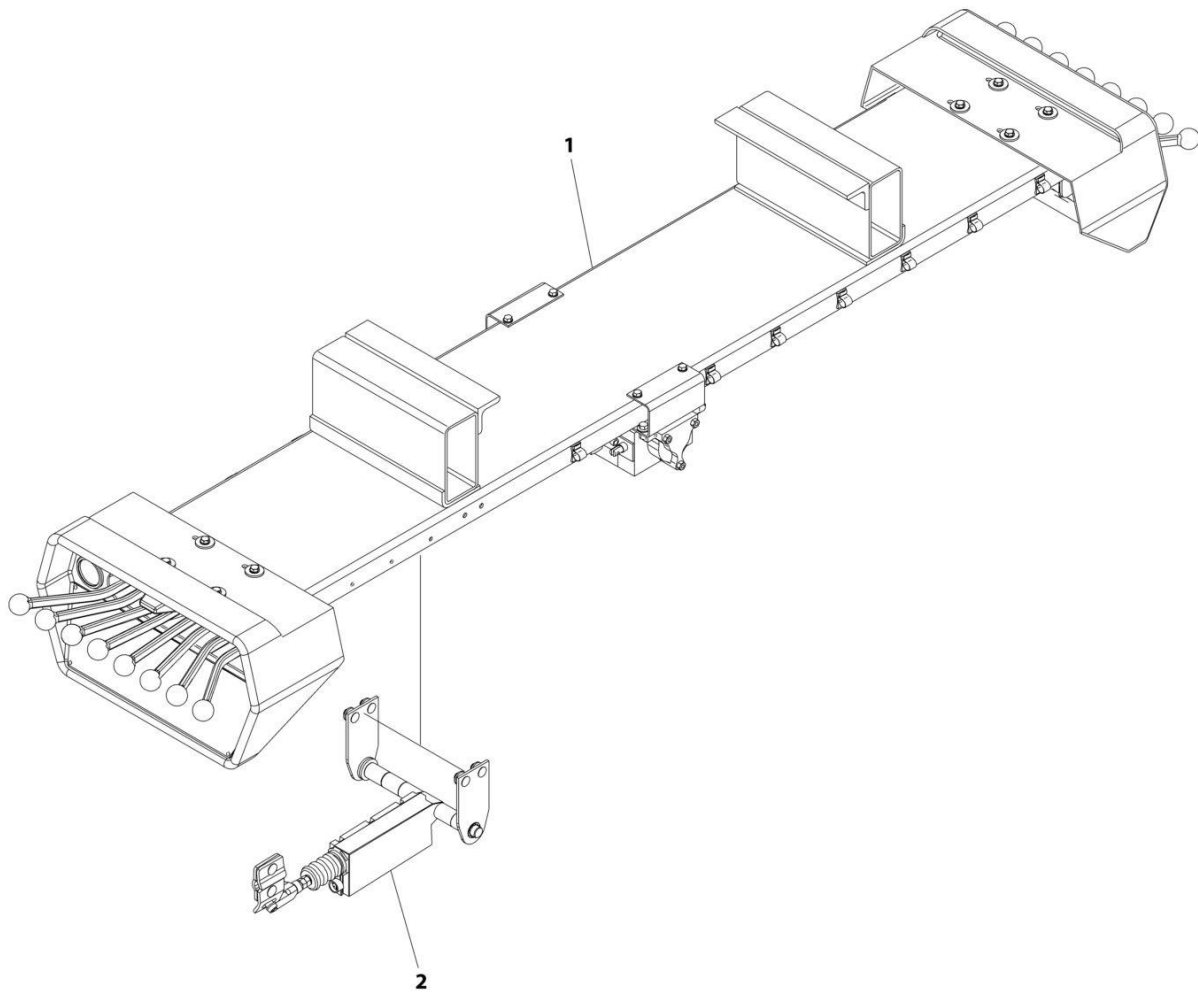




**SECTION 4 - CONTROLS**

# SECTION 4 - CONTROLS

FIGURE 4-1. CONTROLS INSTALLATION - NO/MAN TOW, RADIO REMOTE



ART\_1001170403

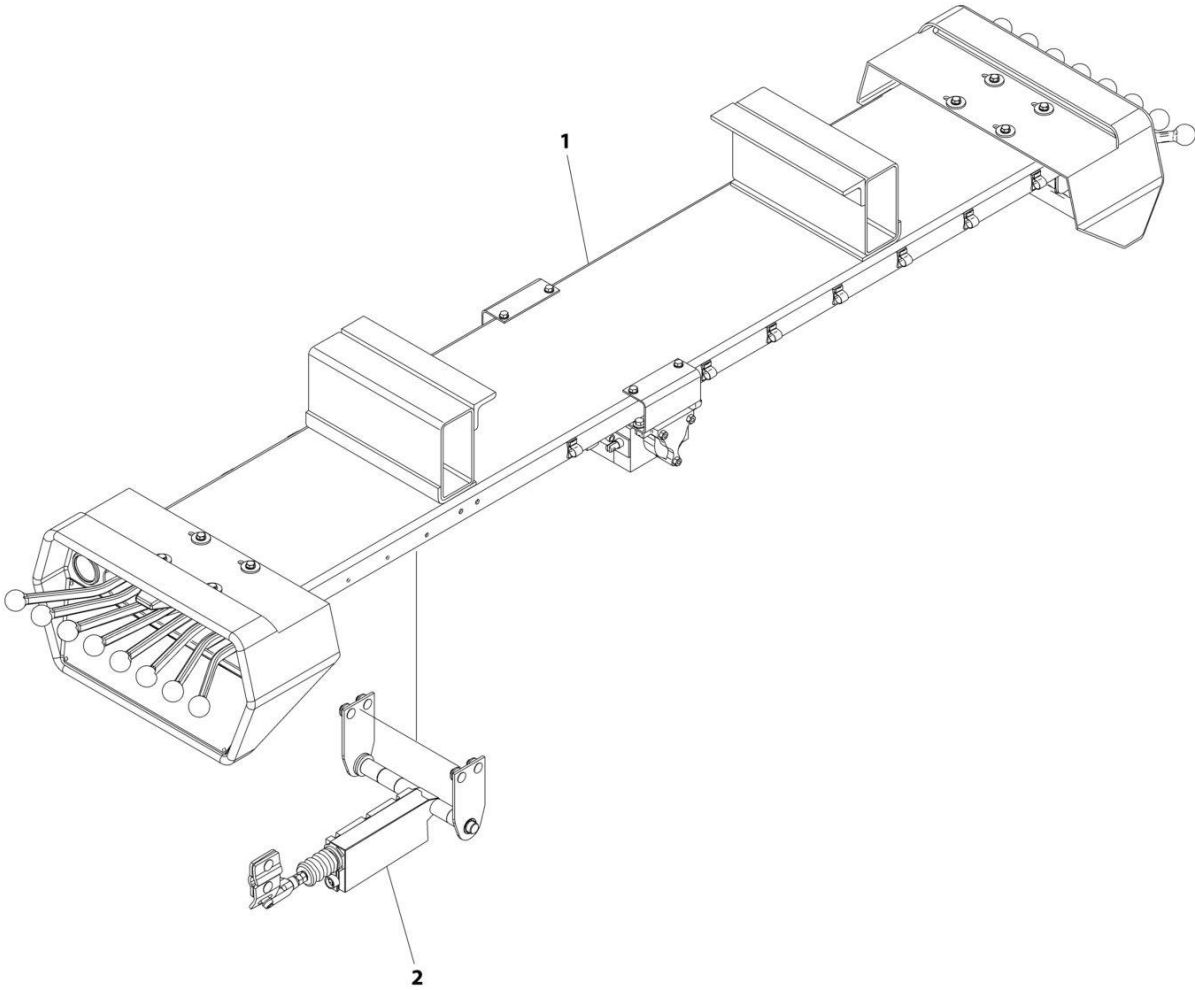
## SECTION 4 - CONTROLS

**FIGURE 4-1. CONTROLS INSTALLATION - NO/MAN TOW, RADIO REMOTE**

ITEM	PART NUMBER	QTY	DESCRIPTION	REV
1	1001170403	Ref	CONTROLS INSTALLATION - NO/MAN TOW, RADIO REMOTE 6 Bank Control Installation (See Separate Breakdown in this Section)	A
	1001170405	1		
2	2577000019	1	Linear Actuator Mount Kit (See Separate Breakdown in this Section)	

# SECTION 4 - CONTROLS

FIGURE 4-2. CONTROLS INSTALLATION - NO/MAN TOW, STAB, RADIO REMOTE



ART\_1001170416

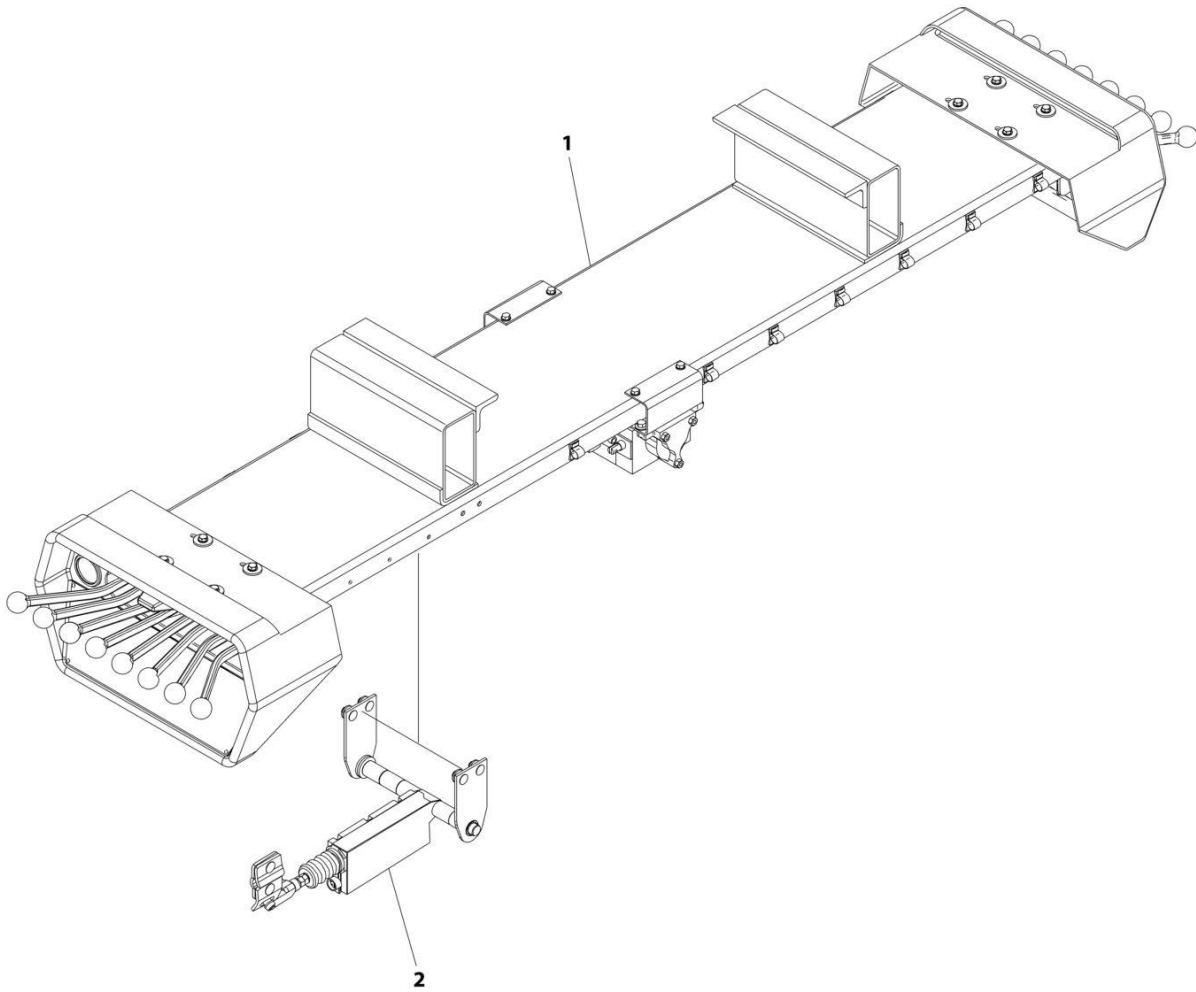
## SECTION 4 - CONTROLS

**FIGURE 4-2. CONTROLS INSTALLATION - NO/MAN TOW, STAB, RADIO REMOTE**

ITEM	PART NUMBER	QTY	DESCRIPTION	REV
	1001170416	Ref	CONTROLS INSTALLATION - NO/MAN TOW, STAB, RADIO REMOTE	A
1	1001170418	1	7 Bank Control Installation (See Separate Breakdown in this Section)	
2	2577000019	1	Linear Actuator Mount Kit (See Separate Breakdown in this Section)	

# SECTION 4 - CONTROLS

FIGURE 4-3. CONTROLS INSTALLATION - NO/MAN TOW, STAB, RADIO REMOTE



ART\_1001170421

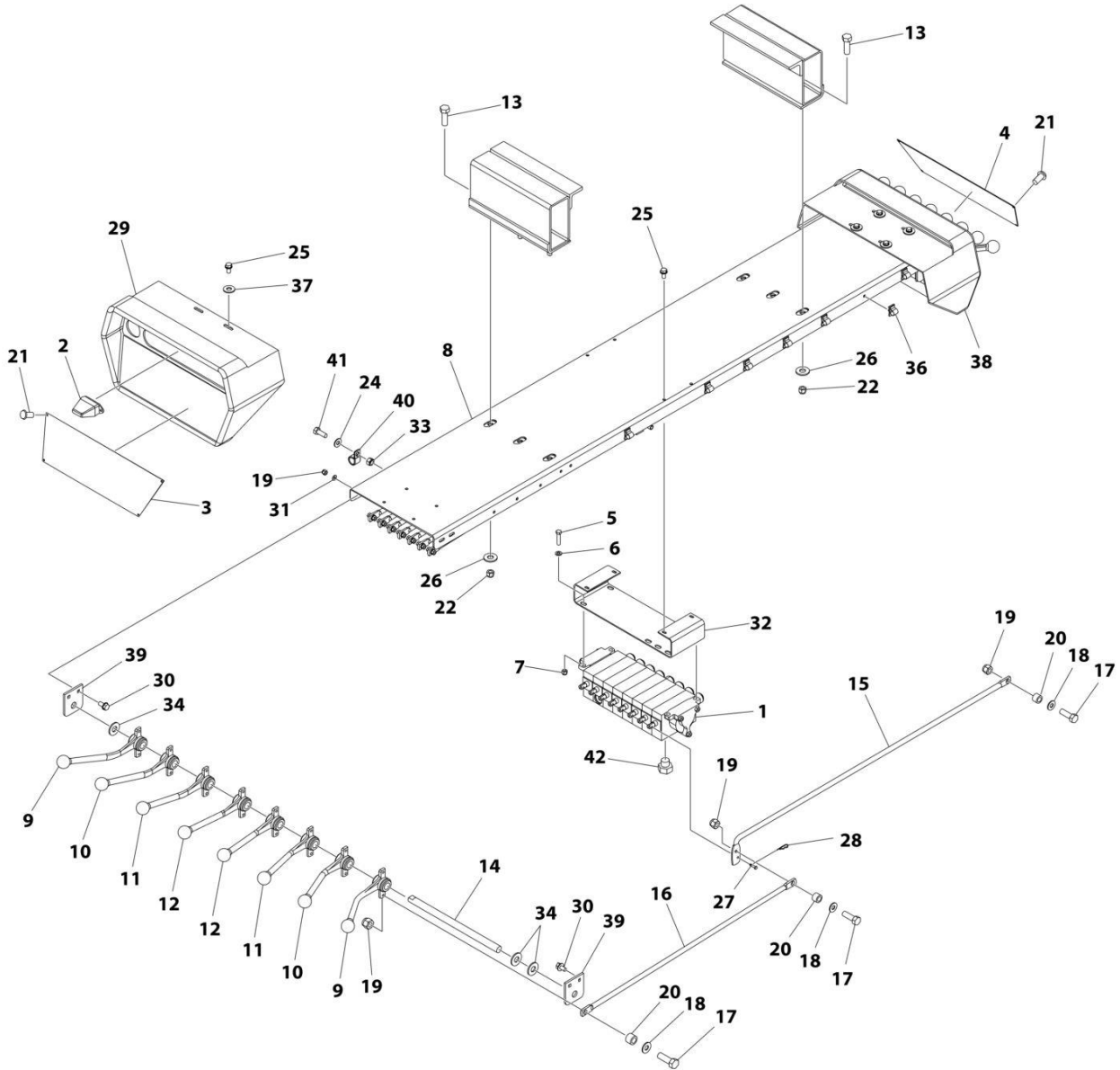
## SECTION 4 - CONTROLS

**FIGURE 4-3. CONTROLS INSTALLATION - NO/MAN TOW, STAB, RADIO REMOTE**

ITEM	PART NUMBER	QTY	DESCRIPTION	REV
	1001170421	Ref	CONTROLS INSTALLATION - NO/MAN TOW, STAB, RADIO REMOTE	A
1	1001170420	1	8 Bank Control Installation (See Separate Breakdown in this Section)	
2	2577000019	1	Linear Actuator Mount Kit (See Separate Breakdown in this Section)	

# SECTION 4 - CONTROLS

FIGURE 4-4. CONTROLS ASSEMBLY - NO/MAN TOW, RADIO REMOTE



ART\_1001170405



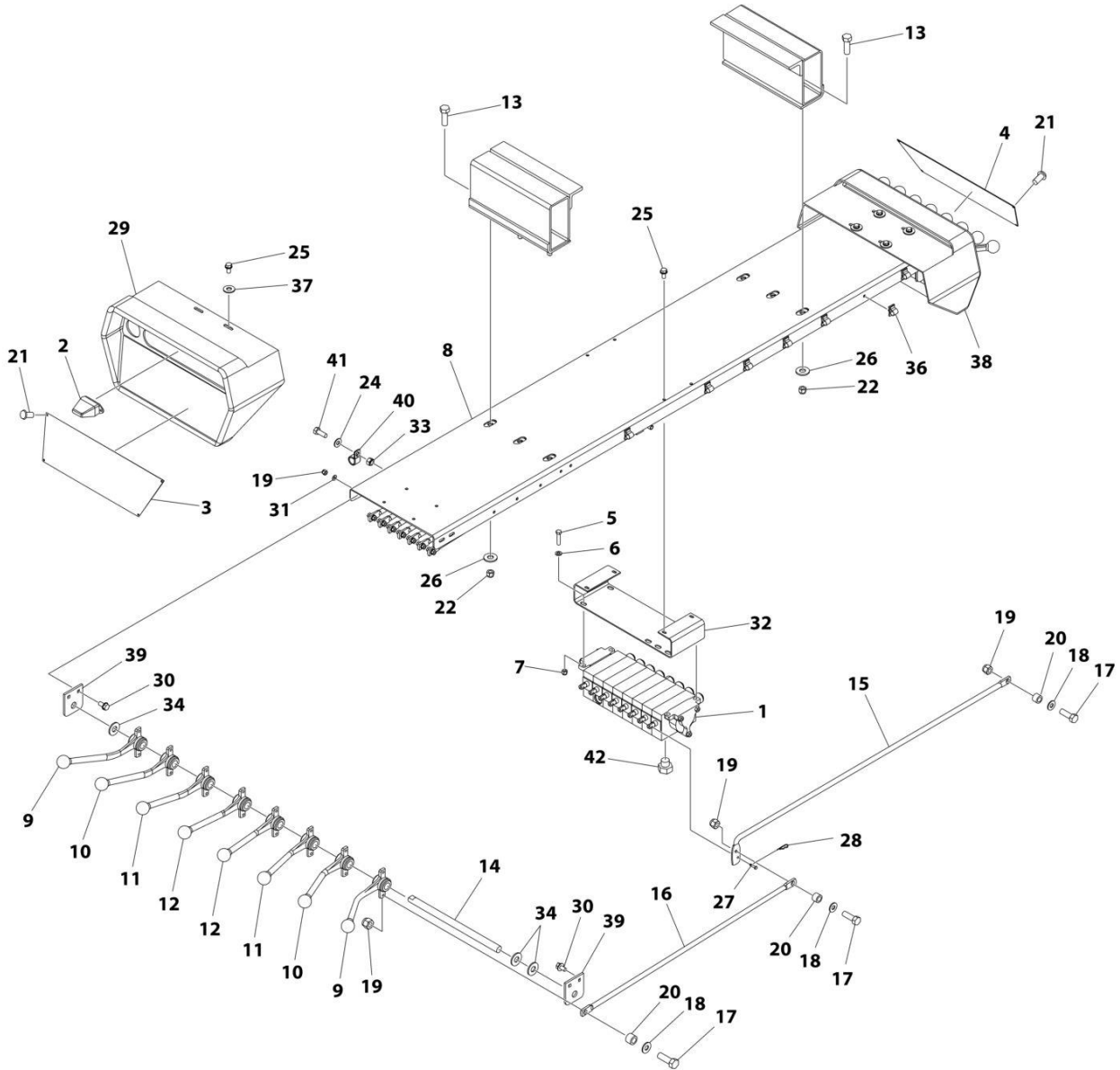
## SECTION 4 - CONTROLS

**FIGURE 4-4. CONTROLS ASSEMBLY - NO/MAN TOW, RADIO REMOTE**

ITEM	PART NUMBER	QTY	DESCRIPTION	REV
	1001170405	Ref	CONTROLS ASSEMBLY - NO/MAN TOW, RADIO REMOTE	C
1	3935000124	1	Valve Assembly (See Separate Breakdown in this Section)	
2	1001143764	2	Lamp	
3	7330000464	1	Decal Control Panel, LH	
4	7330000465	1	Decal Control Panel, RH	
5	7111161050	4	Capscrew 3/8 x 1-1/4	
6	7950160161	4	Washer 3/8	
7	7660162601	1	Nut 3/8	
8	1001170190	1	Channel	
9	7551000022	2	Control Handle	
10	7551000021	2	Control Handle	
11	7551000020	4	Control Handle	
12	7551000019	4	Control Handle	
13	7115181064	6	Bolt 1/2 x 1-1/4	
14	7691000066	2	Pin	
15	1001170187	6	Control Rod	
16	1001170188	6	Control Rod	
17	7115150850	18	Capscrew 5/16 x 1	
18	7949000011	18	Washer	
19	7660152601	26	Nut 5/16	
20	4831000069	18	Sapcer	
21	7759000006	8	Rivet	
22	7660182601	6	Nut 1/2	
23	8632000012	AR	Trim Lock (Not Shown)	
24	7950140141	1	Washer 1/4	
25	7790151253	12	Screw 5/16 x 3/4	
26	7950180161	6	Washer 1/2	
27	7690101200	6	Clevis Pin	
28	7691000056	6	Clevis Pin	
29	3560000010	1	Control Hood Assembly	
30	7115150664	8	Bolt 5/16 x 3/4	
31	7950150161	8	Washer 5/16	
32	4263000464	1	Channel	
33	7660142601	1	Nut 1/4	
34	7950220141	4	Washer 3/4	
35	4211000001	4	Bushing (Not Shown)	
36	7280000007	11	Wire Clip	
37	7949000054	8	Washer	
38	7560000007	1	Control Hood, RH	
39	4606000217	4	Lug	
40	7274000063	1	Clamp	
41	7115140650	1	Capscrew 1/4 x 3/4	
42	7443000048	4	Fitting	

# SECTION 4 - CONTROLS

## FIGURE 4-5. CONTROLS ASSEMBLY - NO/MAN TOW, STAB, RADIO REMOTE



ART\_1001170418

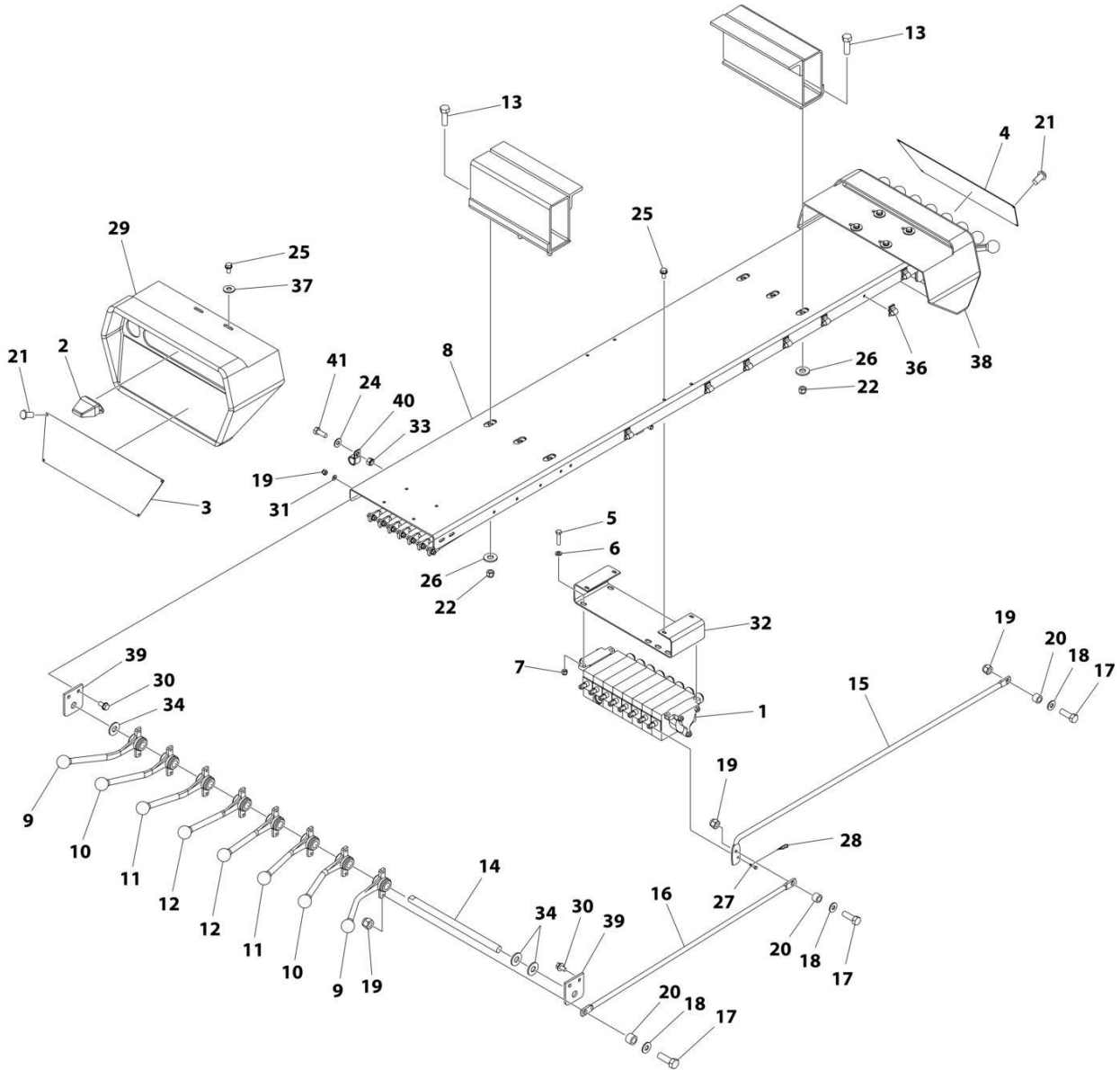
## SECTION 4 - CONTROLS

**FIGURE 4-5. CONTROLS ASSEMBLY - NO/MAN TOW, STAB, RADIO REMOTE**

ITEM	PART NUMBER	QTY	DESCRIPTION	REV
	1001170418	Ref	CONTROLS ASSEMBLY - NO/MAN TOW, STAB, RADIO REMOTE	C
1	3935000124	1	Valve Assembly (See Separate Breakdown in this Section)	
2	1001143764	2	Lamp	
3	7330000464	1	Decal Control Panel, LH	
4	7330000465	1	Decal Control Panel, RH	
5	7111161050	4	Capscrew 3/8 x 1-1/4	
6	7950160161	4	Washer 3/8	
7	7660162601	4	Nut 3/8	
8	1001170190	1	Channel	
9	7551000022	2	Control Handle	
10	7551000021	4	Control Handle	
11	7551000020	4	Control Handle	
12	7551000019	4	Control Handle	
13	7115181064	6	Bolt 1/2 x 1-1/4	
14	7691000066	2	Pin	
15	1001170187	7	Control Rod	
16	1001170188	7	Control Rod	
17	7115150850	21	Capscrew 5/16 x 1	
18	7949000011	21	Washer	
19	7660152601	29	Nut 5/16	
20	4831000069	21	Spacer	
21	7759000006	8	Rivet	
22	7660182601	6	Nut 1/2	
23	8632000012	AR	Trim Lock	
24	7950140141	1	Washer 1/4	
25	7790151253	12	Screw 5/16 x 3/4	
26	7950180161	6	Washer 1/2	
27	7690101200	7	Clevis Pin	
28	7691000056	7	Clevis Pin	
29	3560000010	1	Control Hood Assembly	
30	7115150664	8	Bolt 5/16 x 3/4	
31	7950150161	8	Washer 5/16	
32	4263000464	1	Channel	
33	7660142601	1	Nut 1/4	
34	7950220141	4	Washer 3/4	
35	4211000001	2	Bushing (Not Shown)	
36	7280000007	11	Wire Clip	
37	7949000054	8	Washer	
38	7560000007	1	Control Hood, RH	
39	4606000217	4	Lug	
40	7274000063	1	Clamp	
41	7115140650	1	Capscrew 1/4 x 3/4	
42	7443000048	2	Fitting	

# SECTION 4 - CONTROLS

## FIGURE 4-6. CONTROLS ASSEMBLY - HYD TOW, IRL, RADIO REMOTE



ART\_1001170420

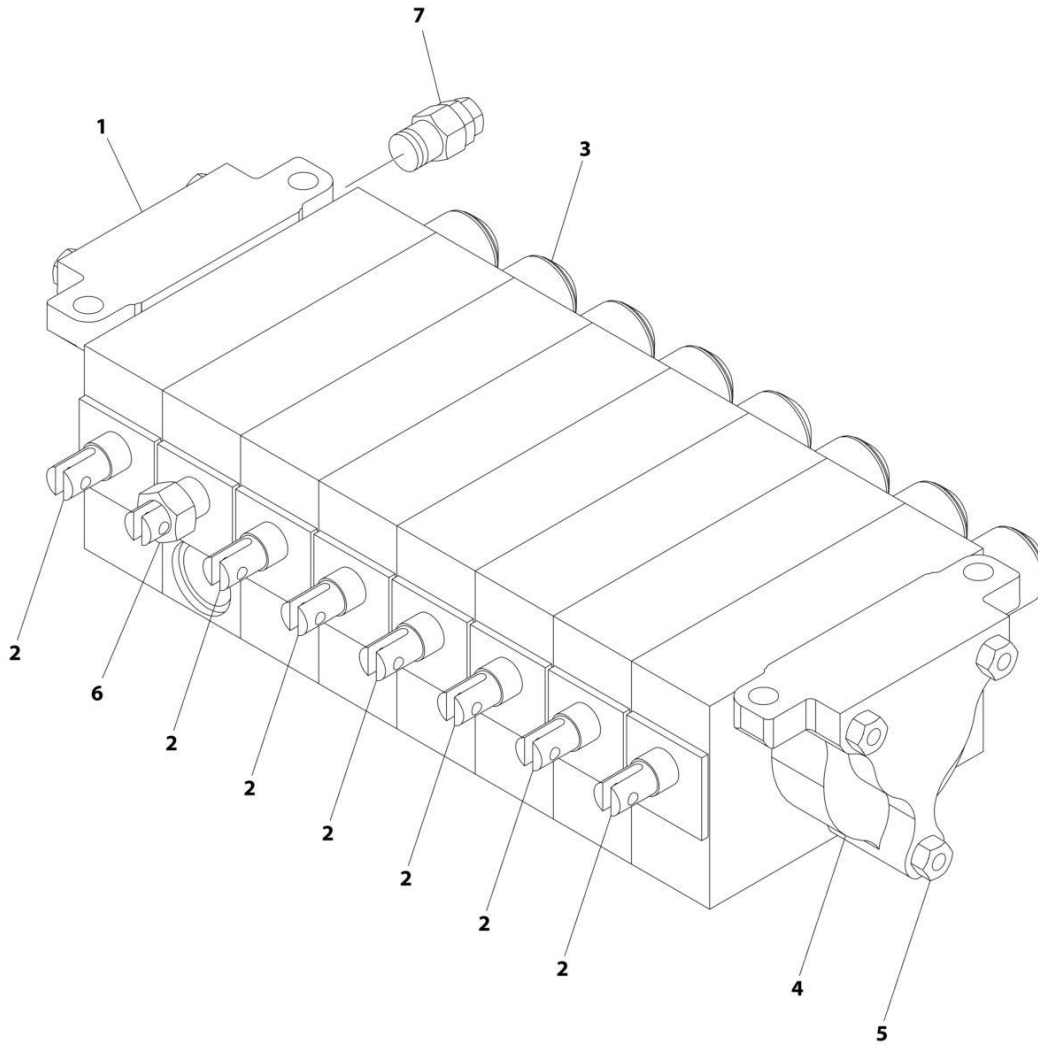
## SECTION 4 - CONTROLS

**FIGURE 4-6. CONTROLS ASSEMBLY - HYD TOW, IRL, RADIO REMOTE**

ITEM	PART NUMBER	QTY	DESCRIPTION	REV
	1001170420	Ref	CONTROLS ASSEMBLY - HYD TOW, IRL, RADIO REMOTE	B
1	3935000124	1	Valve Assembly (See Separate Breakdown in this Section)	
2	1001143764	2	Lamp	
3	7330000464	1	Decal Control Panel, LH	
4	7330000465	1	Decal Control Panel, RH	
5	7111161050	4	Capscrew 3/8 x 1-1/4	
6	7950160161	4	Washer 3/8	
7	7660162601	4	Nut 3/8	
8	1001170190	1	Channel	
9	7551000022	4	Control Handle	
10	7551000021	4	Control Handle	
11	7551000020	4	Control Handle	
12	7551000019	4	Control Handle	
13	7115181064	6	Bolt 1/2 x 1-1/4	
14	7691000066	2	Pin	
15	1001170187	8	Control Rod	
16	1001170188	8	Control Rod	
17	7115150850	24	Capscrew 5/16 x 1	
18	7949000011	24	Washer	
19	7660152601	32	Nut 5/16	
20	4831000069	24	Spacer	
21	7759000006	8	Rivet	
22	7660182601	6	Nut 1/2	
23	8632000012	AR	Trim Lock	
24	7950140141	1	Washer 1/4	
25	7790151253	12	Screw 5/16 x 3/4	
26	7950180161	6	Washer 1/2	
27	7690101200	8	Clevis Pin	
28	7691000056	8	Clevis Pin	
29	3560000010	1	Control Hood Assembly	
30	7115150664	8	Bolt 5/16 x 3/4	
31	7950150161	8	Washer 5/16	
32	4263000464	1	Channel	
33	7660142601	1	Nut 1/4	
34	7950220141	4	Washer 3/4	
36	7280000007	11	Wire Clip	
37	7949000054	8	Washer	
38	7560000007	1	Control Hood, RH	
39	4606000217	4	Lug	
40	7274000063	1	Clamp	
41	7115140650	1	Capscrew 1/4 x 3/4	

# SECTION 4 - CONTROLS

## FIGURE 4-7. VALVE ASSEMBLY



ART\_3935000124

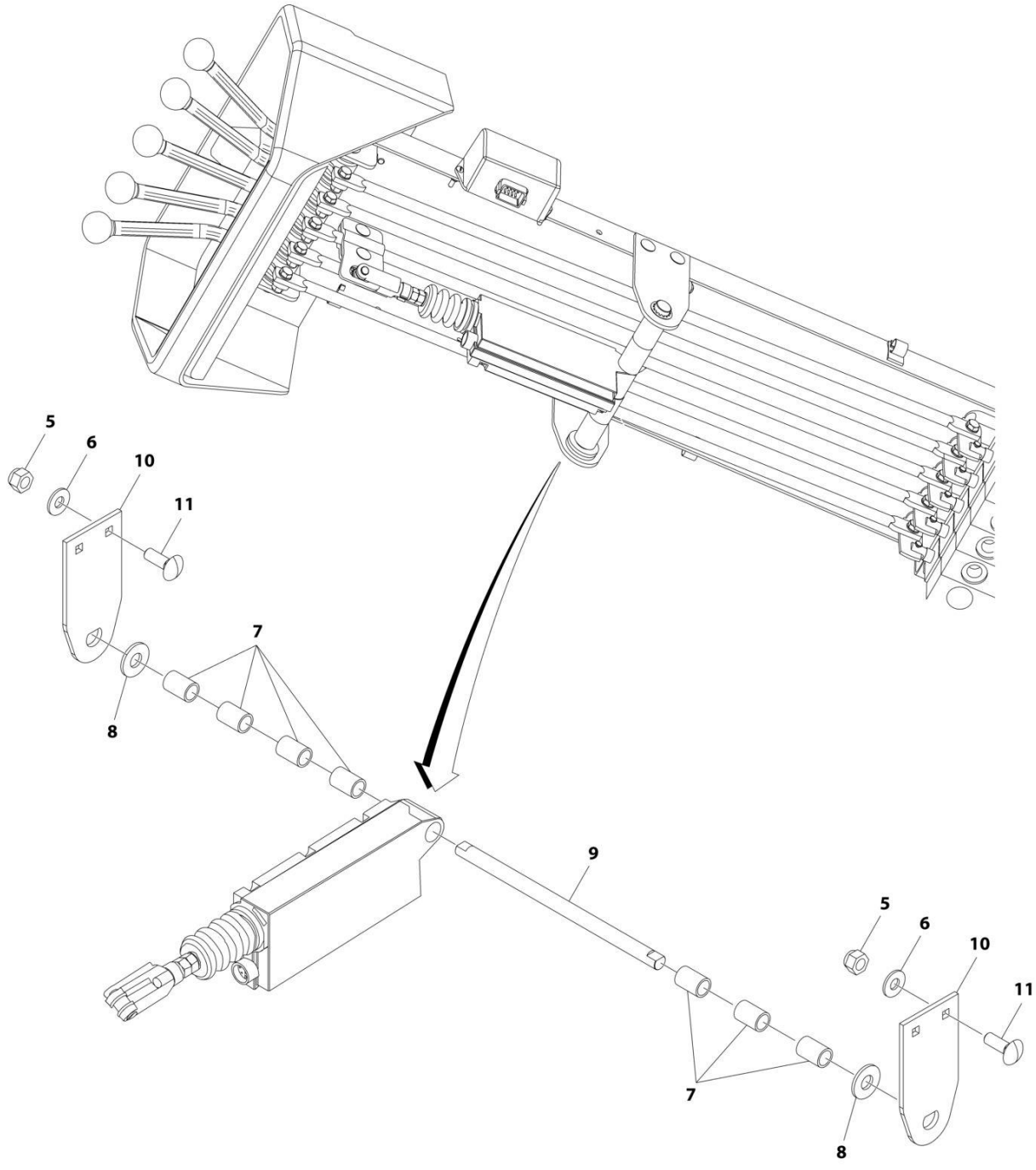
## SECTION 4 - CONTROLS

### FIGURE 4-7. VALVE ASSEMBLY

ITEM	PART NUMBER	QTY	DESCRIPTION	REV
	3935000124	Ref	Valve Assembly	B
1	7935000369	1	Inlet/Outlet Valve	
2	7935000170	7	Single Clevis Valve	
3	7935000227	1	Relief Valve	
4	7935000173	1	End Valve	
5	7577000239	1	Bolt Kit	
6	7935000388	1	Relief Valve	
7	7935000174	1	Relief Valve	

# SECTION 4 - CONTROLS

## FIGURE 4-8. LINEAR ACTUATOR MOUNT KIT



ART\_2577000019



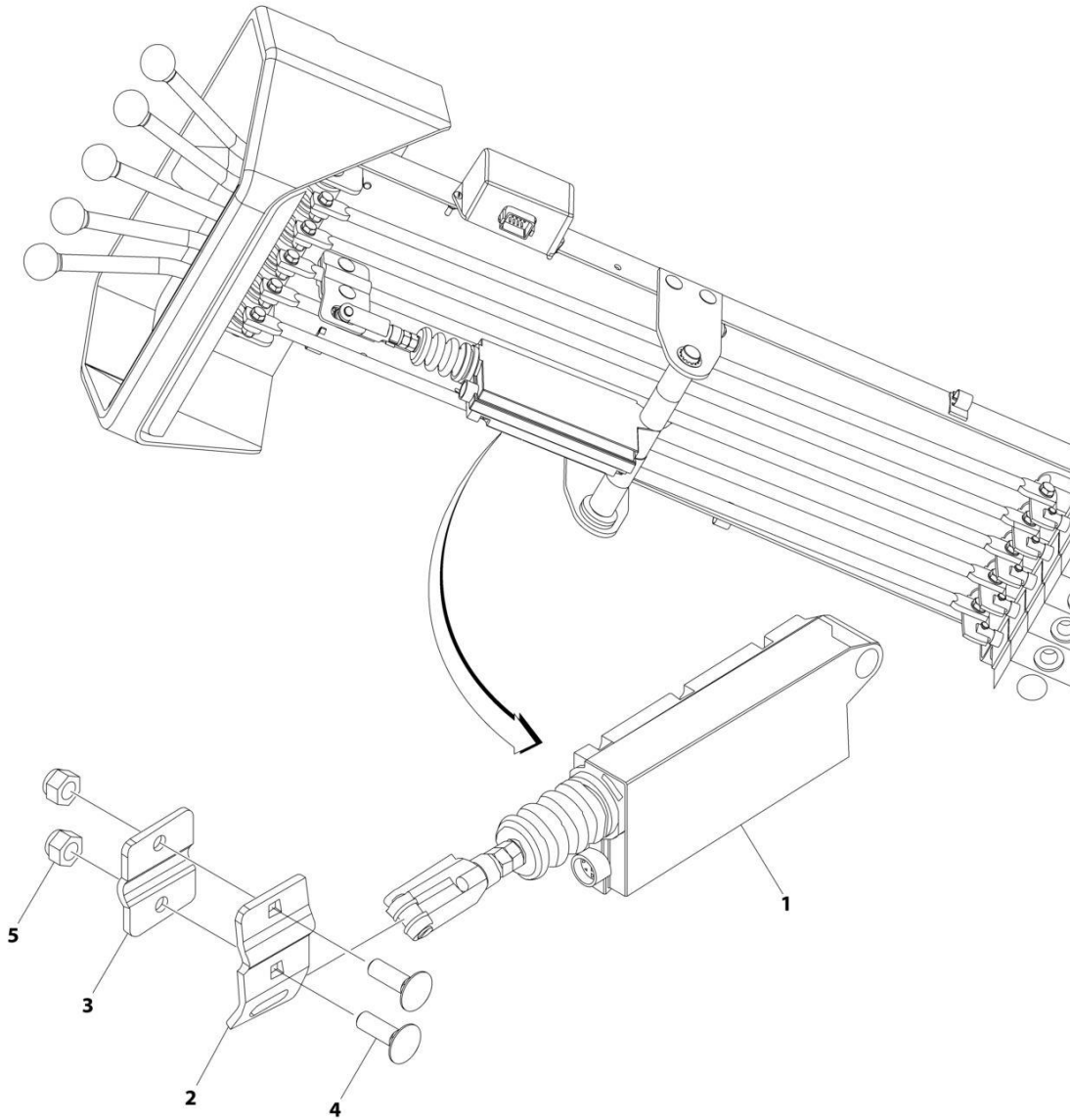
## SECTION 4 - CONTROLS

### FIGURE 4-8. LINEAR ACTUATOR MOUNT KIT

ITEM	PART NUMBER	QTY	DESCRIPTION	REV
	2577000019	Ref	Linear Actuator Mount Kit	B
5	7660152601	4	Nut 5/16	
6	7950150161	4	Washer 5/16	
7	4211000001	7	Bushing	
8	7950220141	2	Washer 3/4	
9	7691000066	1	Pin	
10	1001198871	2 in	Plate	
11	7115150664	4	Bolt 5/16 x 3/4	

# SECTION 4 - CONTROLS

## FIGURE 4-9. LINEAR ACTUATOR INSTALLATION KIT



ART\_2577000016

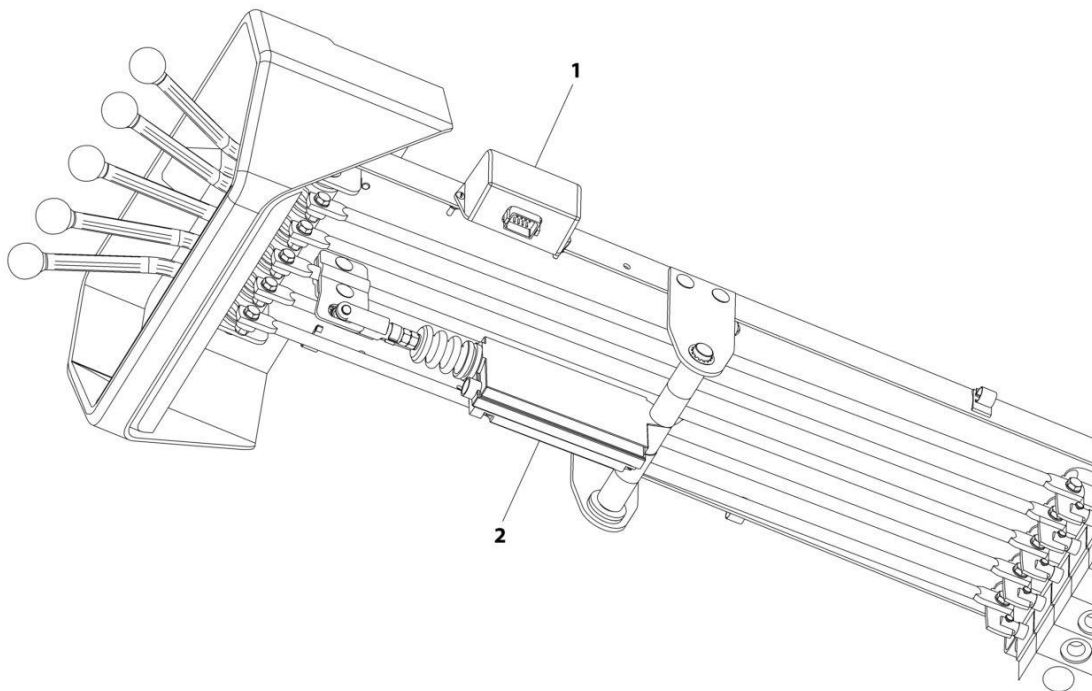
## SECTION 4 - CONTROLS

**FIGURE 4-9. LINEAR ACTUATOR INSTALLATION KIT**

ITEM	PART NUMBER	QTY	DESCRIPTION	REV
	2577000016	Ref	LINEAR ACTUATOR INSTALLATION KIT	A
1	7005000003	1	Linear Actuator 12V	
2	4178000664	1	Bracket	
3	4178000665	1	Bracket	
4	7115150864	2	Bolt 5/16 x 1	
5	7660152601	2	Nut 5/16	

## SECTION 4 - CONTROLS

FIGURE 4-10. REMOTE CONTROL, THREE FUNCTION, WINCHES PLUS



ART\_RC-3

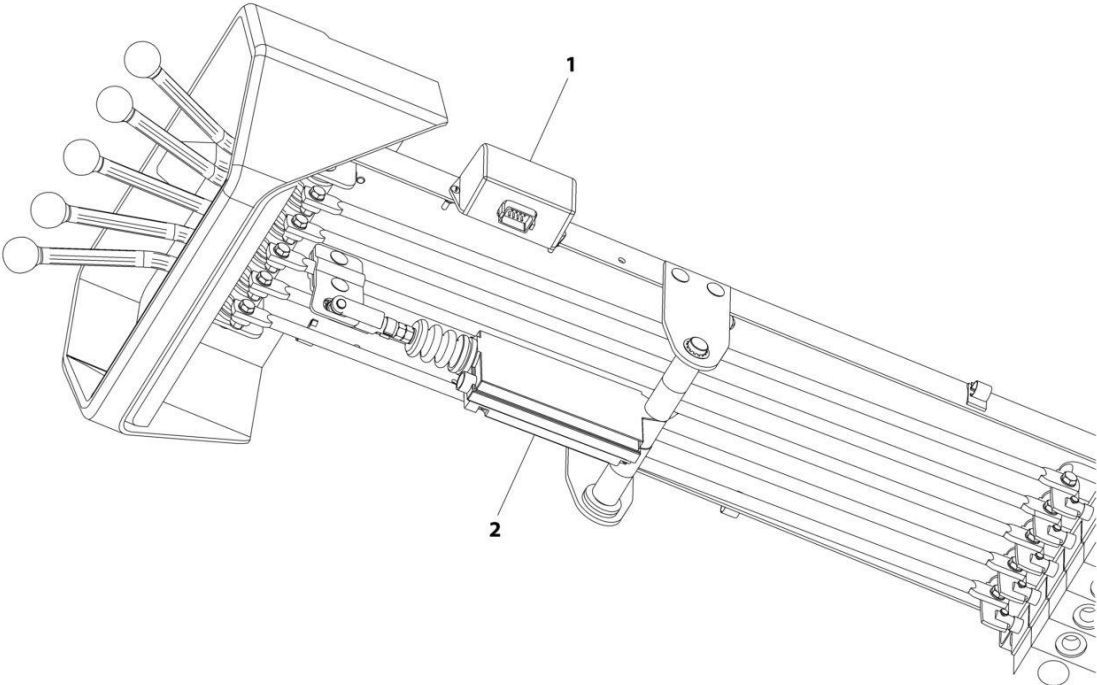
## SECTION 4 - CONTROLS

**FIGURE 4-10. REMOTE CONTROL, THREE FUNCTION, WINCHES PLUS**

ITEM	PART NUMBER	QTY	DESCRIPTION	REV
1	RC-3 2577000016	Ref 3	Remote Control, Three Function, Winches Plus Linear Actuator Installation Kit (See Separate Breakdown in this Section)	0
2	2577000031	1	Miratron Wireless Installation (See Separate Breakdown in this Section)	

**SECTION 4 - CONTROLS**

**FIGURE 4-11. REMOTE CONTROL, FOUR FUNCTION, WINCHES PLUS**



ART\_RC-4

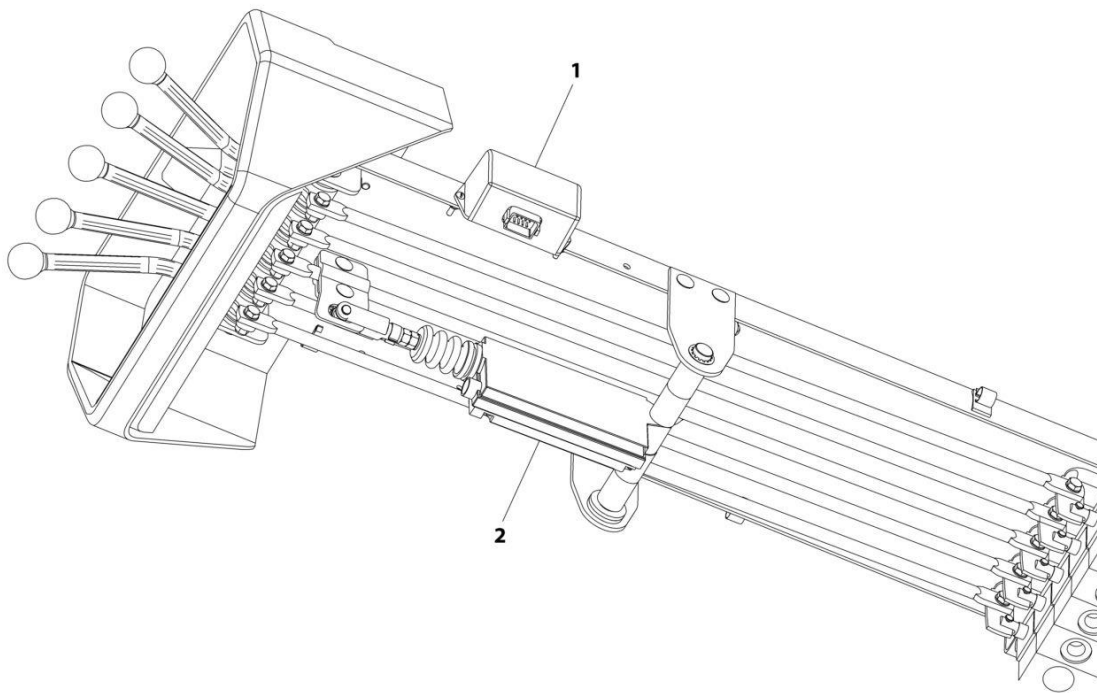
## SECTION 4 - CONTROLS

**FIGURE 4-11. REMOTE CONTROL, FOUR FUNCTION, WINCHES PLUS**

ITEM	PART NUMBER	QTY	DESCRIPTION	REV
1	RC-4 2577000016	Ref 4	Remote Control, Four Function, Winches Plus Linear Actuator Installation Kit (See Separate Breakdown in this Section)	0
2	2577000034	1	Miratron Wireless Installation (See Separate Breakdown in this Section)	

## SECTION 4 - CONTROLS

FIGURE 4-12. REMOTE CONTROL, FIVE FUNCTION, WINCHES PLUS



ART\_RC-5



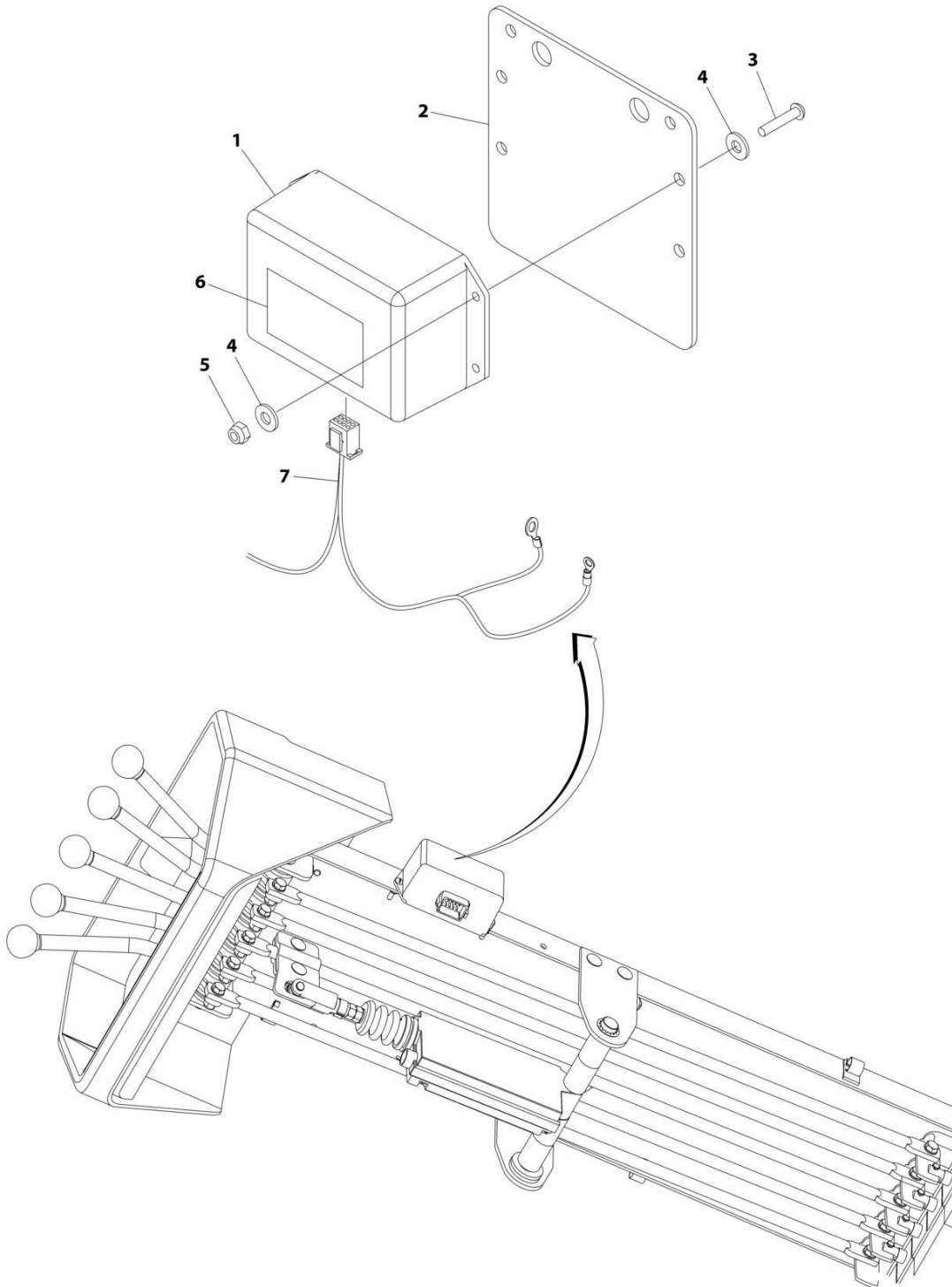
## SECTION 4 - CONTROLS

**FIGURE 4-12. REMOTE CONTROL, FIVE FUNCTION, WINCHES PLUS**

ITEM	PART NUMBER	QTY	DESCRIPTION	REV
1	RC-5 2577000016	Ref 5	Remote Control, Five Function, Winches Plus Linear Actuator Installation Kit (See Separate Breakdown in this Section)	0
2	2577000035	1	Miratron Wireless Installation (See Separate Breakdown in this Section)	

# SECTION 4 - CONTROLS

## FIGURE 4-13. MIRATRON WIRELESS INSTALLATION, THREE FUNCTION



ART\_2577000031

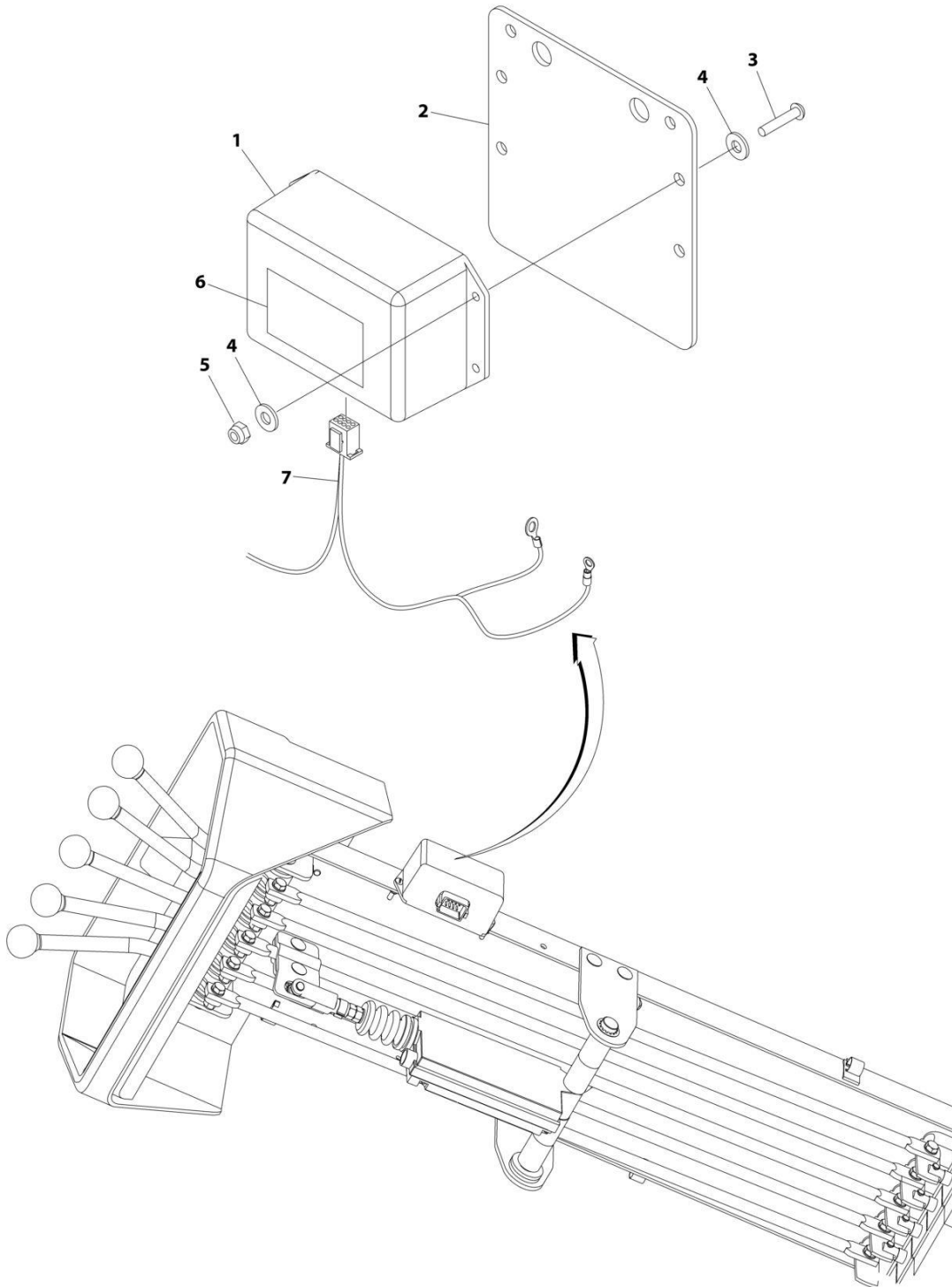
## SECTION 4 - CONTROLS

**FIGURE 4-13. MIRATRON WIRELESS INSTALLATION, THREE FUNCTION**

ITEM	PART NUMBER	QTY	DESCRIPTION	REV
	2577000031	Ref	Miratron Wireless Installation, Three Function	A
1	7295000109	1	Controller (3 remote operations)	
2	4706005595	1	Plate	
3	7114100810	6	Screw #10	
4	7950100151	8	Washer 3/16	
5	7660102604	6	Nut #10	
6	7330000696	1	Decal - Controller Functions	
7	7552000393	1	Harness	

# SECTION 4 - CONTROLS

FIGURE 4-14. MIRATRON WIRELESS INSTALLATION, FOUR FUNCTION



ART\_2577000034

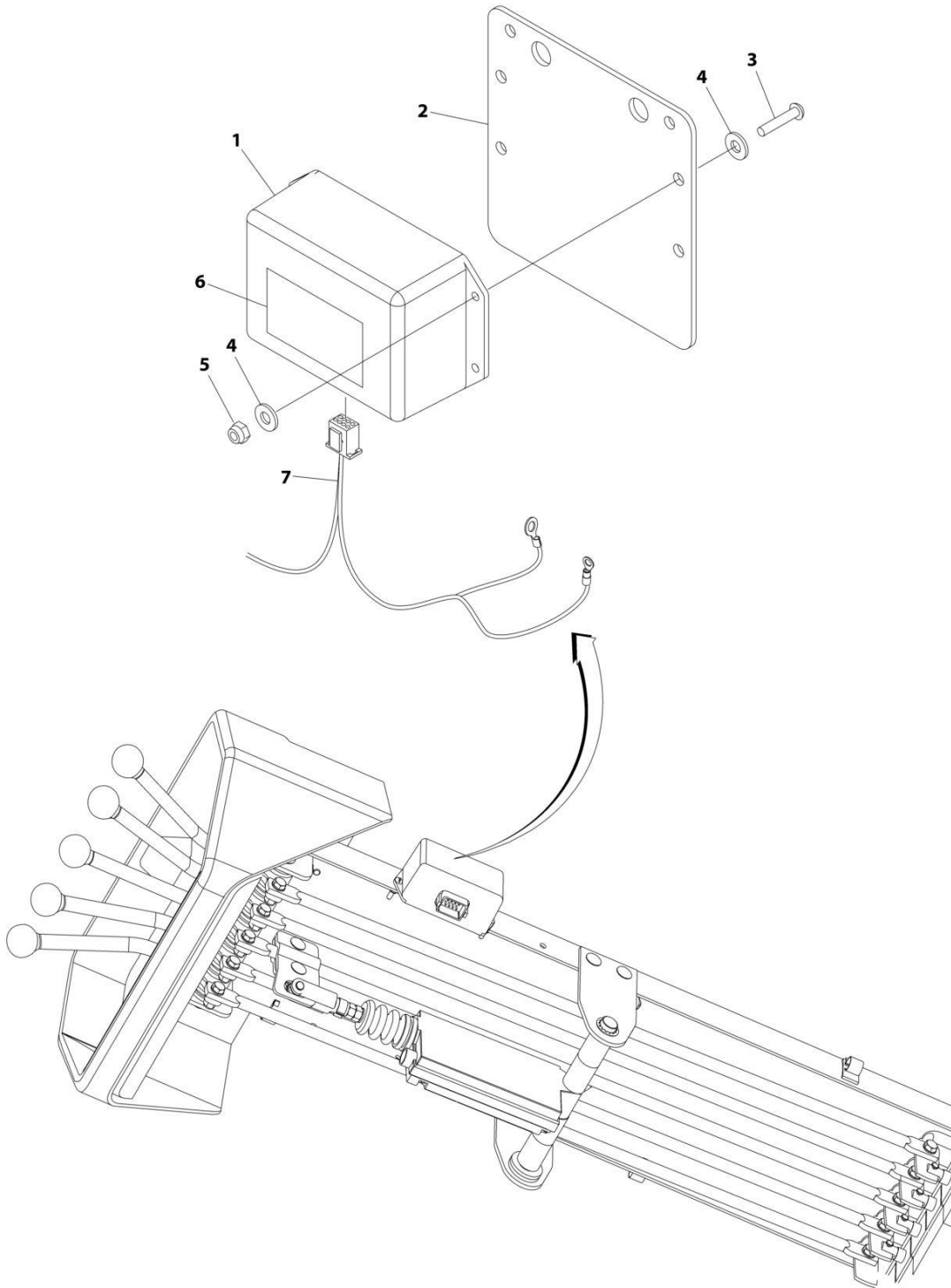
## SECTION 4 - CONTROLS

**FIGURE 4-14. MIRATRON WIRELESS INSTALLATION, FOUR FUNCTION**

ITEM	PART NUMBER	QTY	DESCRIPTION	REV
	2577000034	Ref	Miratron Wireless Installation, Four Function	0
1	7295000111	1	Controller (4 remote operations)	
2	4706005595	1	Plate	
3	7114100810	6	Screw #10	
4	7950100151	8	Washer 3/16	
5	7660102604	6	Nut #10	
6	7330000696	1	Decal - Controller Functions	
7	7552000426	1	Harness	

# SECTION 4 - CONTROLS

FIGURE 4-15. MIRATRON WIRELESS INSTALLATION, FIVE FUNCTION



ART\_2577000035

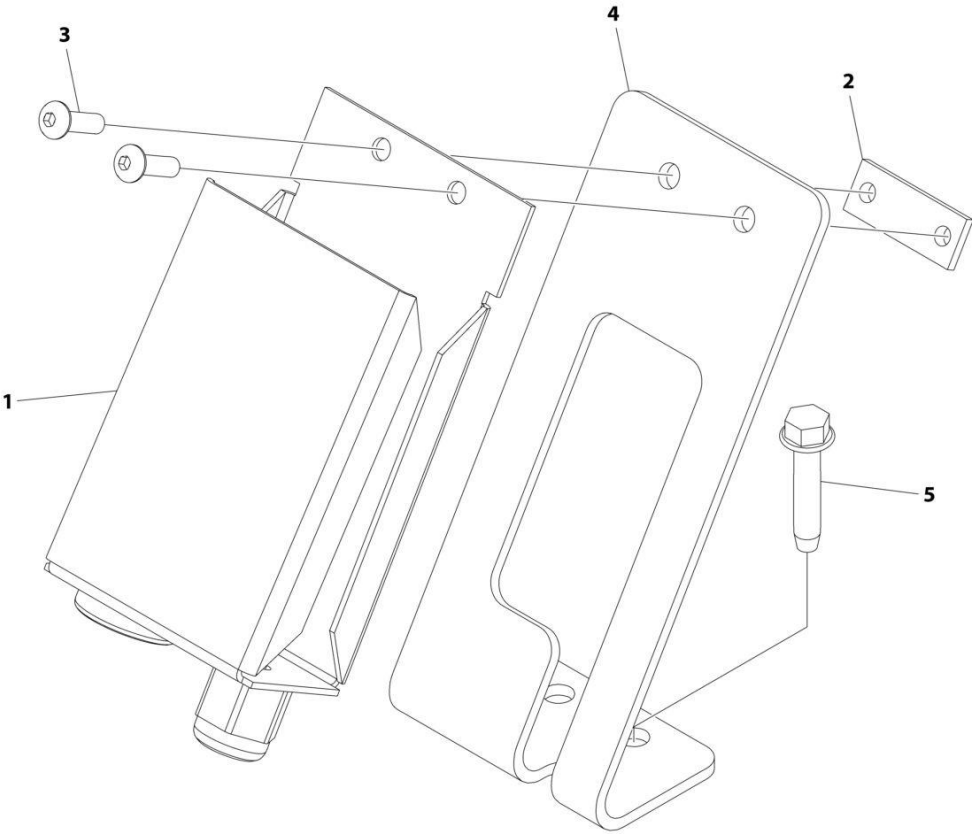
## SECTION 4 - CONTROLS

**FIGURE 4-15. MIRATRON WIRELESS INSTALLATION, FIVE FUNCTION**

ITEM	PART NUMBER	QTY	DESCRIPTION	REV
	2577000035	Ref	Miratron Wireless Installation, Five Function	0
1	7295000111	1	Controller (5 remote operations)	
2	4706005595	1	Plate	
3	7114100810	6	Screw #10	
4	7950100151	8	Washer 3/16	
5	7660102604	6	Nut #10	
6	7330000696	1	Decal - Controller Functions	
7	7552000426	1	Harness	

**SECTION 4 - CONTROLS**

**FIGURE 4-16. REMOTE CONTROL 6 FUNCTION U/L TRANSMITTER HOLDER**



ART\_2002000031



## SECTION 4 - CONTROLS

**FIGURE 4-16. REMOTE CONTROL 6 FUNCTION U/L TRANSMITTER HOLDER**

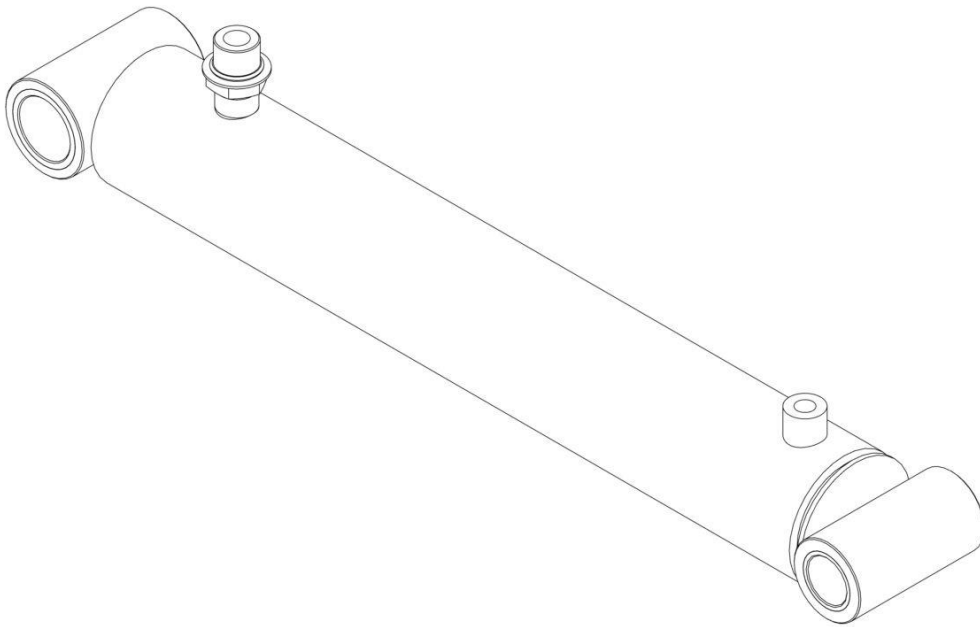
ITEM	PART NUMBER	QTY	DESCRIPTION	REV
	2002000031	Ref	Remote Control 6 Function U/L Transmitter Holder	D
1	7002000521	1	Accessory, Box	
2	7661000056	1	Nut #10	
3	7114100518	2	Screw #10 x 5/8	
4	1001230127	1	Mount	
5	7790142051	2	Screw 1/4 x 1-1/4	



**SECTION 5 - CYLINDERS**

## SECTION 5 - CYLINDERS

FIGURE 5-1. CYLINDER ASSEMBLY - BOOM EXTEND 4000 LBS



ART\_1001167766

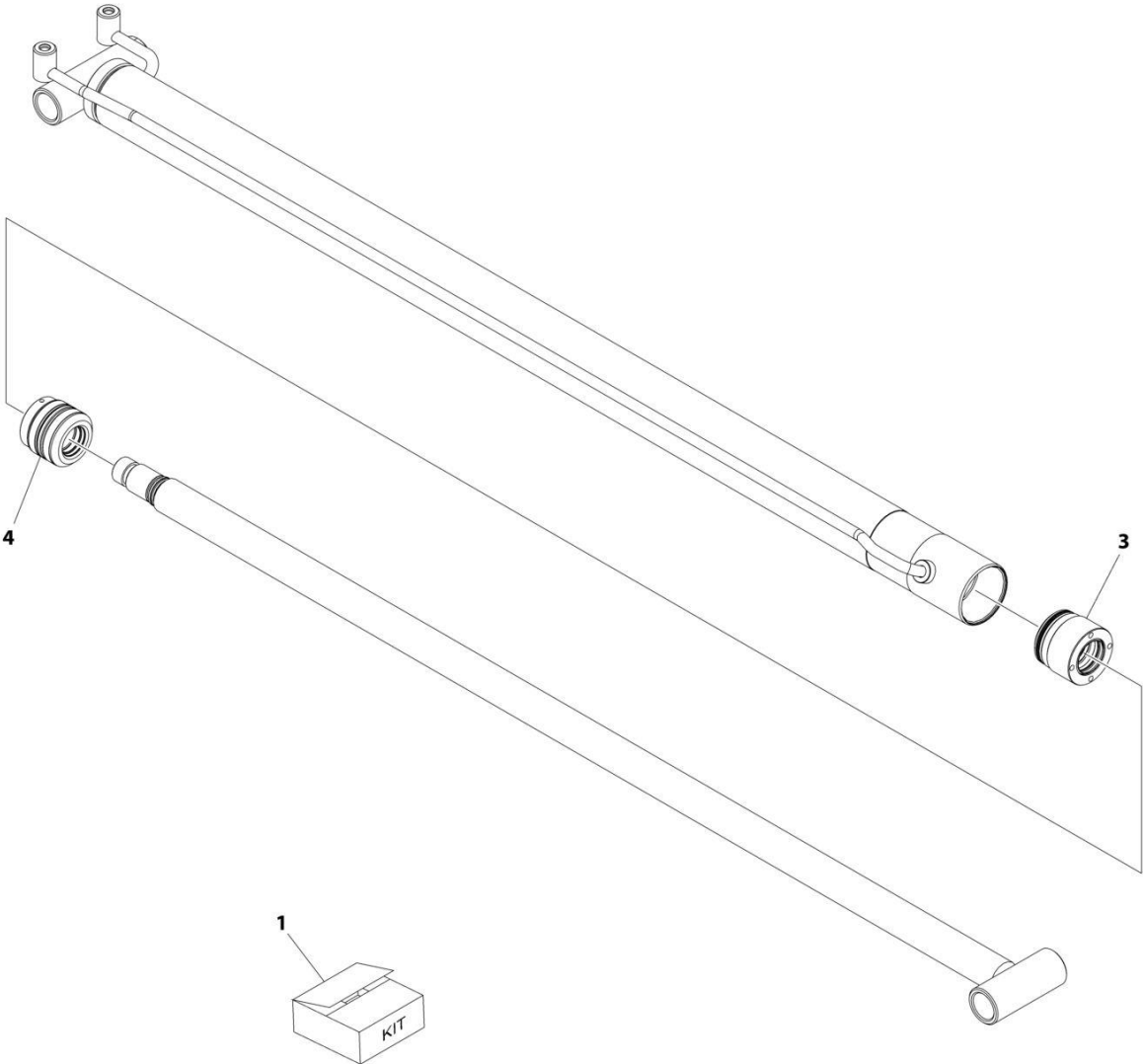
## SECTION 5 - CYLINDERS

**FIGURE 5-1. CYLINDER ASSEMBLY - BOOM EXTEND 4000 LBS**

ITEM	PART NUMBER	QTY	DESCRIPTION	REV
	1001167766	Ref Ref	Boom Extend Cylinder Assembly, 4000 lbs Note: No Service Parts Available at Time of Printing.	C

# SECTION 5 - CYLINDERS

## FIGURE 5-2. CYLINDER ASSEMBLY- EXTEND/RETRACT



ART\_1001166858

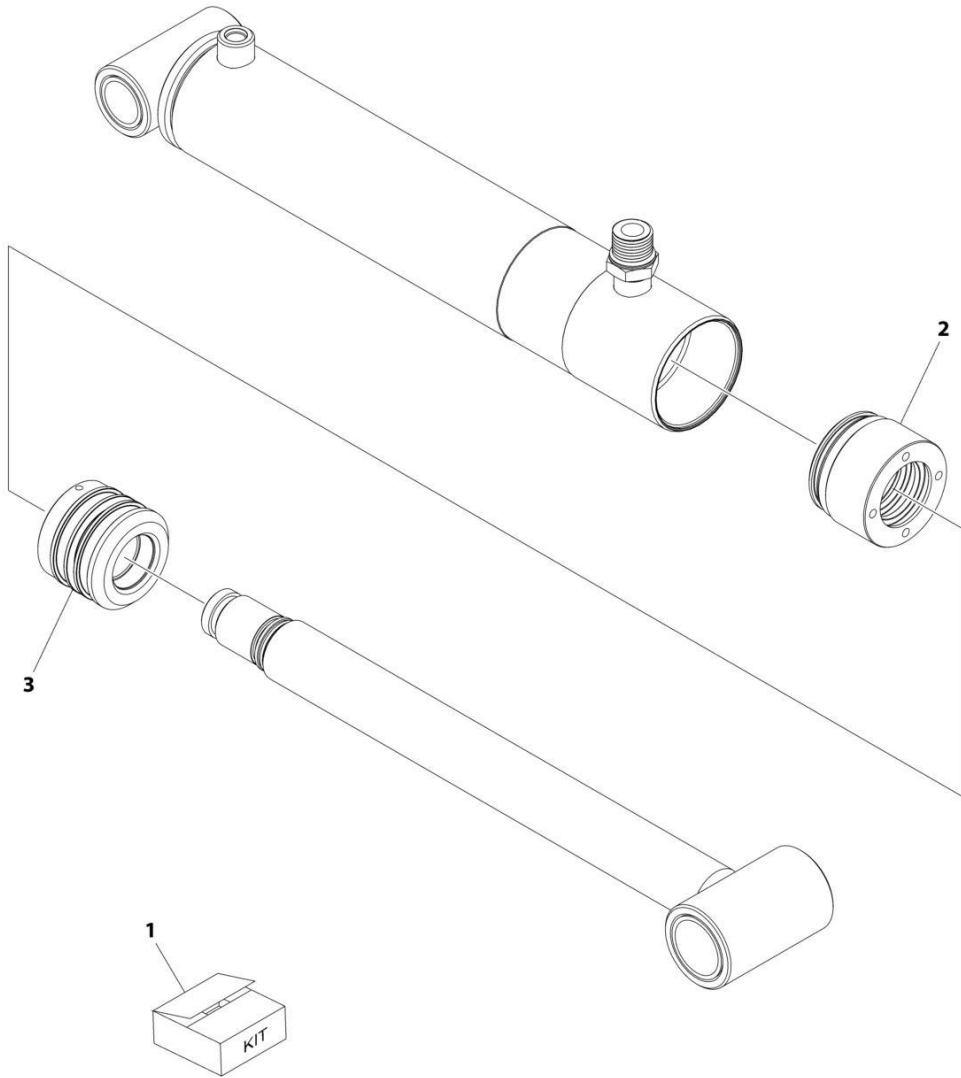
## SECTION 5 - CYLINDERS

**FIGURE 5-2. CYLINDER ASSEMBLY- EXTEND/RETRACT**

ITEM	PART NUMBER	QTY	DESCRIPTION	REV
	1001166858	Ref	EXTEND/RETRACT CYLINDER ASSEMBLY	D
1	70051169	1	Kit, Seal	
2	70051174	1	Instruction Assembly/Disassembly (not shown)	
3	70051175	1	Kit, Head	
4	70051176	1	Kit, Piston	

# SECTION 5 - CYLINDERS

## FIGURE 5-3. CYLINDER ASSEMBLY - IRL



ART\_1001166857



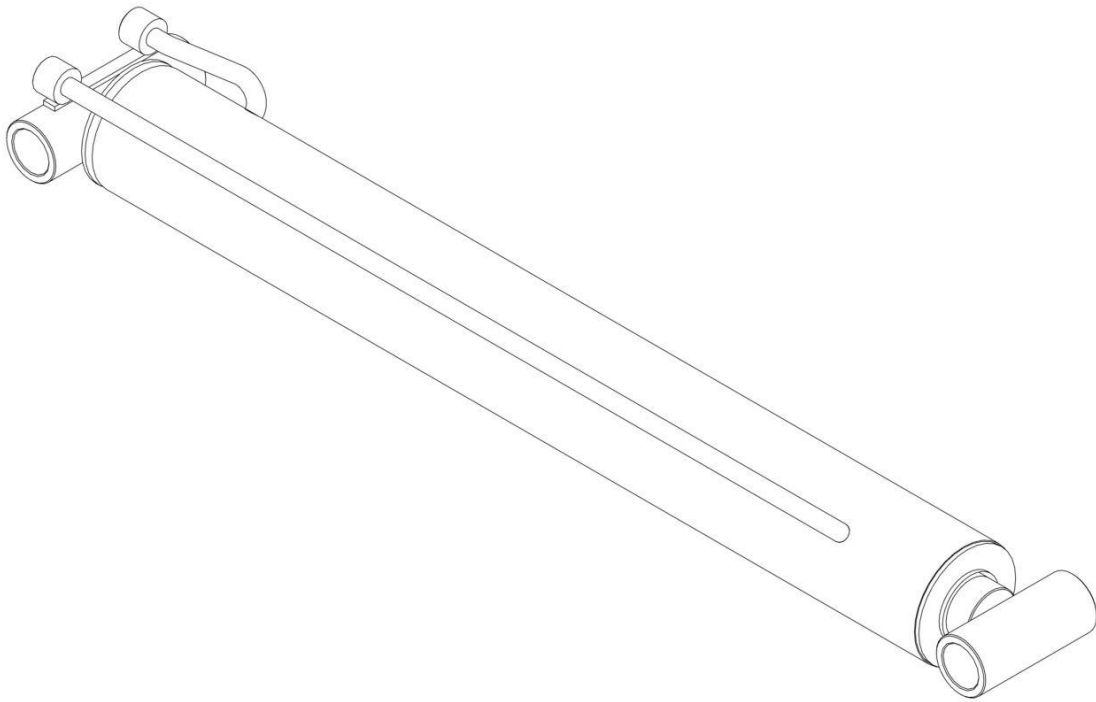
## SECTION 5 - CYLINDERS

FIGURE 5-3. CYLINDER ASSEMBLY - IRL

ITEM	PART NUMBER	QTY	DESCRIPTION	REV
	1001166857	Ref	IRL CYLINDER ASSEMBLY	E
1	70051168	1	Kit, Seal	
2	70051172	1	Kit, Head	
3	70051173	1	Kit, Piston	
4	70051174	1	Instruction Assembly/Disassembly (not shown)	

## SECTION 5 - CYLINDERS

FIGURE 5-4. CYLINDER ASSEMBLY - PINTLE EXTEND



ART\_1001183326

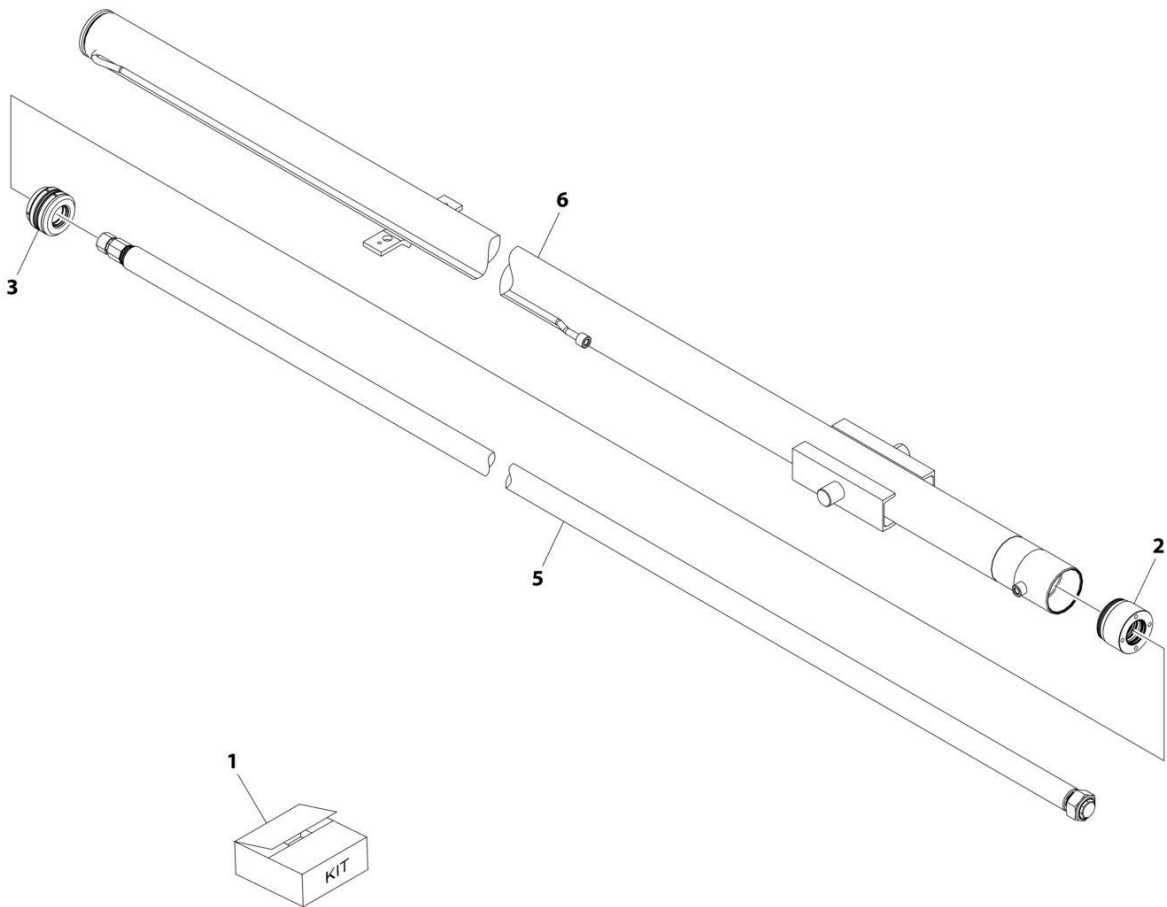
## SECTION 5 - CYLINDERS

**FIGURE 5-4. CYLINDER ASSEMBLY - PINTLE EXTEND**

ITEM	PART NUMBER	QTY	DESCRIPTION	REV
	1001183326	Ref Ref	Pintle Extend Cylinder Assembly Note: No Service Parts Available at Time of Printing.	D

# SECTION 5 - CYLINDERS

## FIGURE 5-5. CYLINDER ASSEMBLY - ROLL



ART\_1001166855

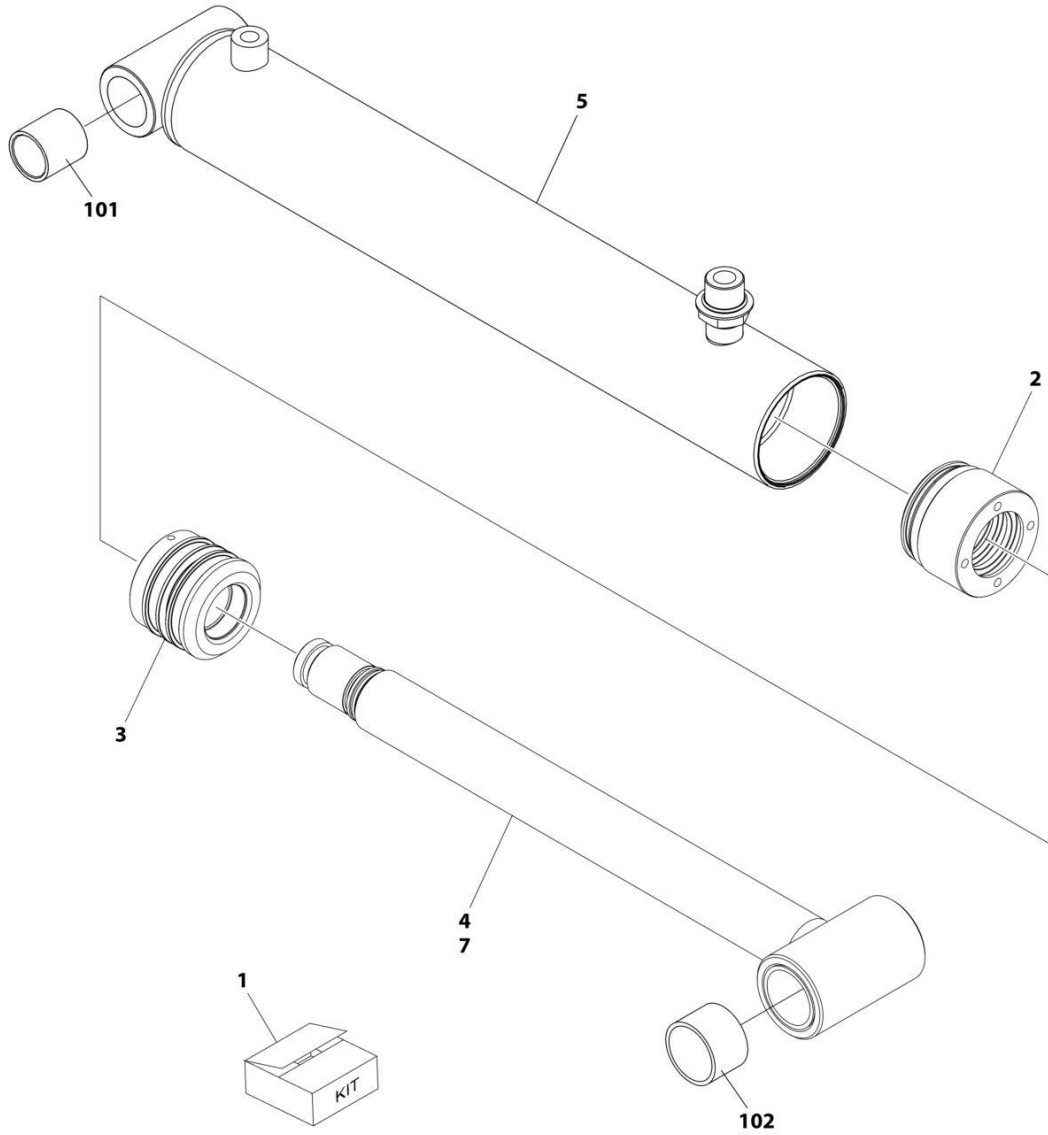
## SECTION 5 - CYLINDERS

### FIGURE 5-5. CYLINDER ASSEMBLY - ROLL

ITEM	PART NUMBER	QTY	DESCRIPTION	REV
	1001166855	Ref	Roll Cylinder Assembly	C
1	70051167	1	Kit, Seal	
2	70051170	1	Kit, Head	
3	70051171	1	Kit, Piston	
4	70051174	1	Instruction Assembly/Disassembly (not shown)	
5	70051394	1	Rod	
6	70051395	1	Shell Assembly	

# SECTION 5 - CYLINDERS

## FIGURE 5-6. CYLINDER ASSEMBLY - STABILIZER



ART\_1001167767

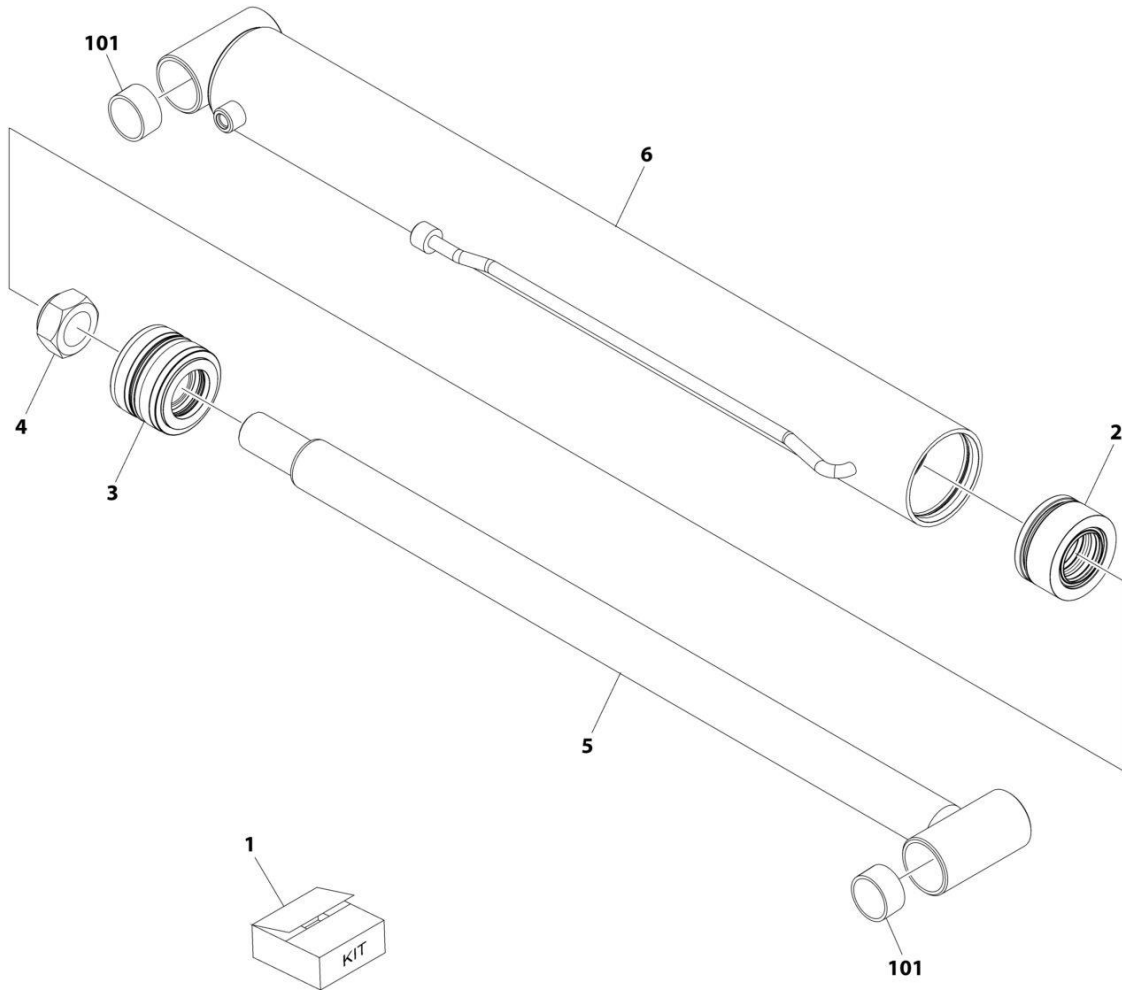
## SECTION 5 - CYLINDERS

### FIGURE 5-6. CYLINDER ASSEMBLY - STABILIZER

ITEM	PART NUMBER	QTY	DESCRIPTION	REV
	1001167767	Ref	Stabilizer Cylinder Assembly	C
1	70051168	1	Kit, Seal	
2	70051172	1	Kit, Head	
3	70051173	1	Kit, Piston	
4	70051388	1	Rod	
5	70051389	1	Shell Assembly	
6	70051390	1	Head Bushing (not shown)	
7	70051391	1	Rod End	
101	7082000016	2	Bearing	
102	7082000018	2	Bearing	

# SECTION 5 - CYLINDERS

## FIGURE 5-7. CYLINDER ASSEMBLY -TILT



ART\_1001167764



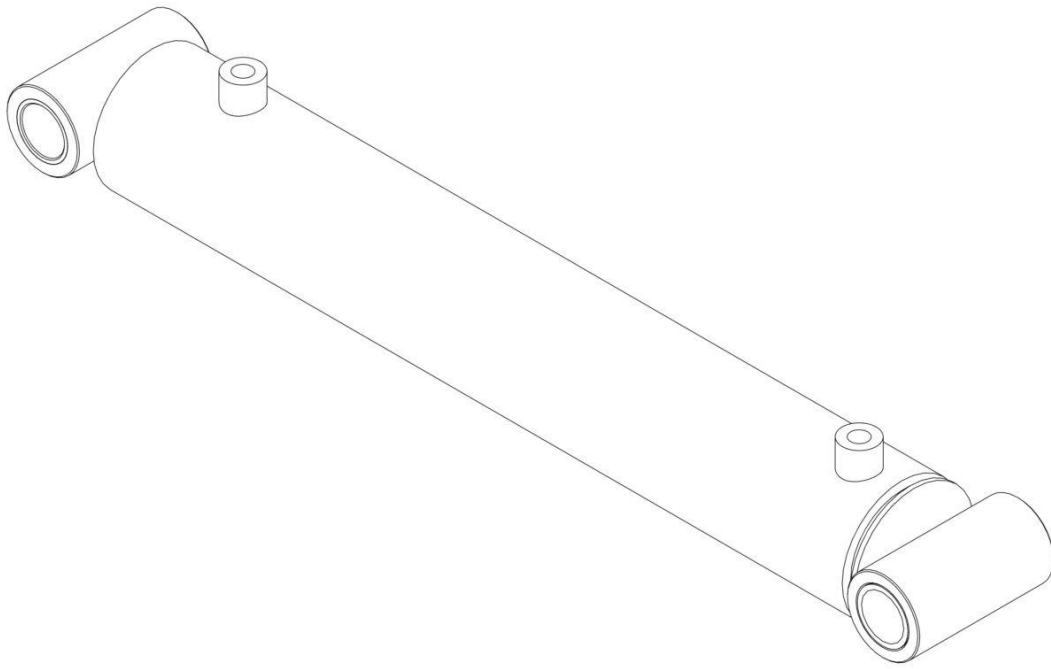
## SECTION 5 - CYLINDERS

### FIGURE 5-7. CYLINDER ASSEMBLY -TILT

ITEM	PART NUMBER	QTY	DESCRIPTION	REV
	1001167764	Ref	Tilt Cylinder Assembly	C
1	70051167	1	Kit, Seal	
2	70051170	1	Kit, Head	
3	70051171	1	Kit, Piston	
4	70051391	1	Rod End	
5	70051392	1	Rod	
6	70051393	1	Shell Assembly	
101	7082000018	4	Bushing	

## SECTION 5 - CYLINDERS

FIGURE 5-8. CYLINDER ASSEMBLY - UPPER DECK



ART\_1001167769

## SECTION 5 - CYLINDERS

**FIGURE 5-8. CYLINDER ASSEMBLY - UPPER DECK**

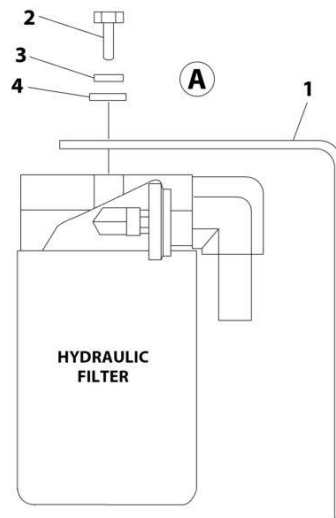
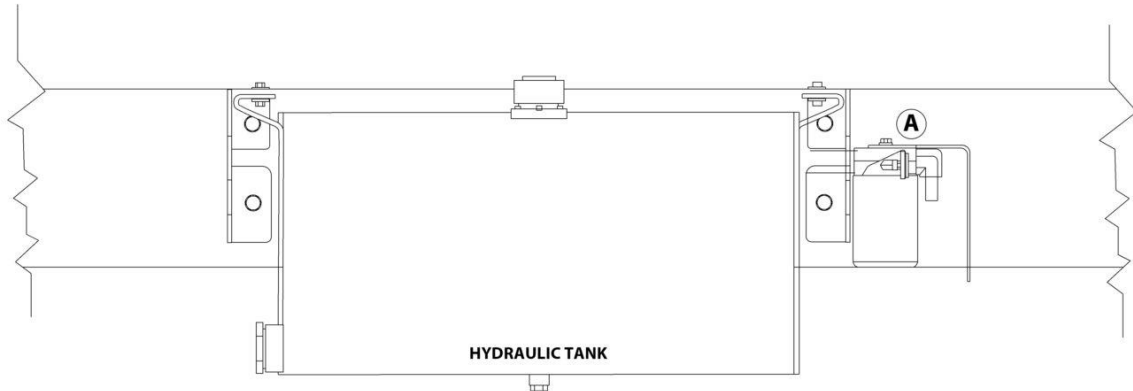
ITEM	PART NUMBER	QTY	DESCRIPTION	REV
	1001167769	Ref Ref	Upper Deck Cylinder Assembly Note: No Service Parts Available at Time of Printing.	B



**SECTION 6 - HYDRAULIC**

# SECTION 6 - HYDRAULIC

## FIGURE 6-1. FILTER (HYDRAULIC) COVER PLATE INSTALLATION



ART\_1001168319

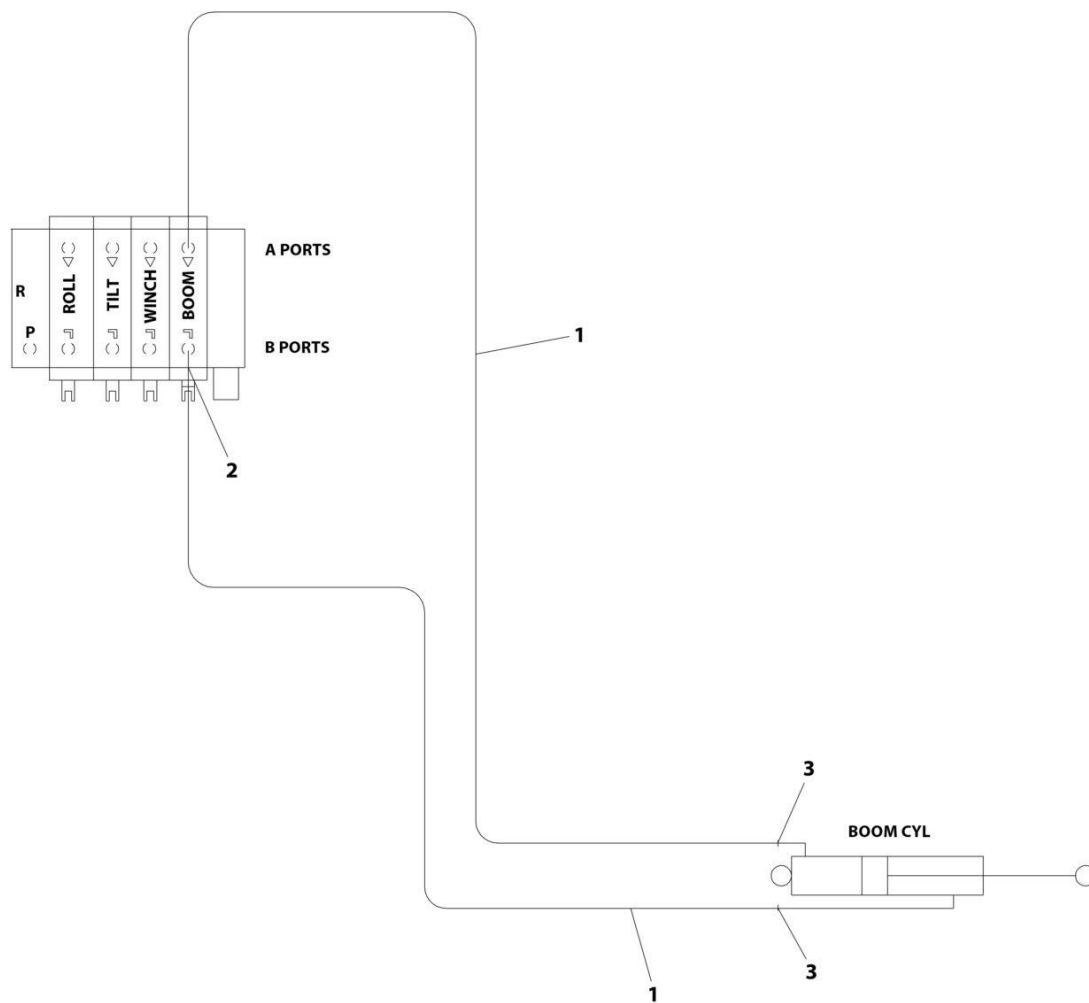
## SECTION 6 - HYDRAULIC

### FIGURE 6-1. FILTER (HYDRAULIC) COVER PLATE INSTALLATION

ITEM	PART NUMBER	QTY	DESCRIPTION	REV
	1001168319	Ref	Filter (Hydraulic) Cover Plate Installation	B
1	1001181417	1	Cover	
2	7115140450	2	Capscrew 1/4 x 1/2	
3	7950140000	2	Washer 1/4	
4	7950140141	2	Washer 1/4	

# SECTION 6 - HYDRAULIC

## FIGURE 6-2. HITCH HYDRAULIC INSTALLATION



ART\_2570000055



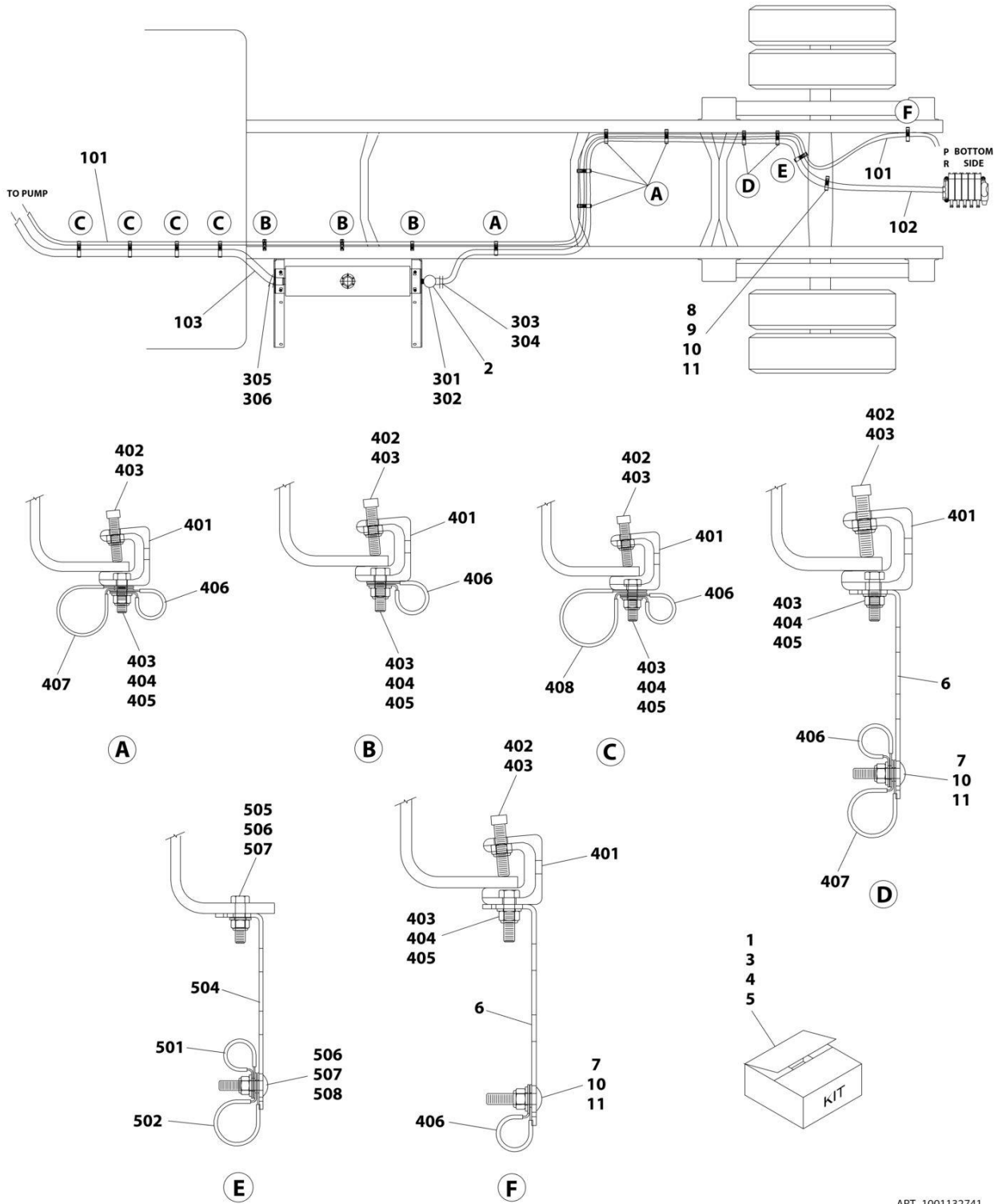
## SECTION 6 - HYDRAULIC

### FIGURE 6-2. HITCH HYDRAULIC INSTALLATION

ITEM	PART NUMBER	QTY	DESCRIPTION	REV
	2570000055	Ref	Hitch Hydraulic Installation	0
1	4567122042	2	Hose	
2	7445060843	2	Adapter	
3	7445060643	2	Adapter	

# SECTION 6 - HYDRAULIC

FIGURE 6-3. HOSE & CLAMP INSTALLATION - 150IN CA CREW CAB (FORD - CREW CAB)



ART\_1001132741

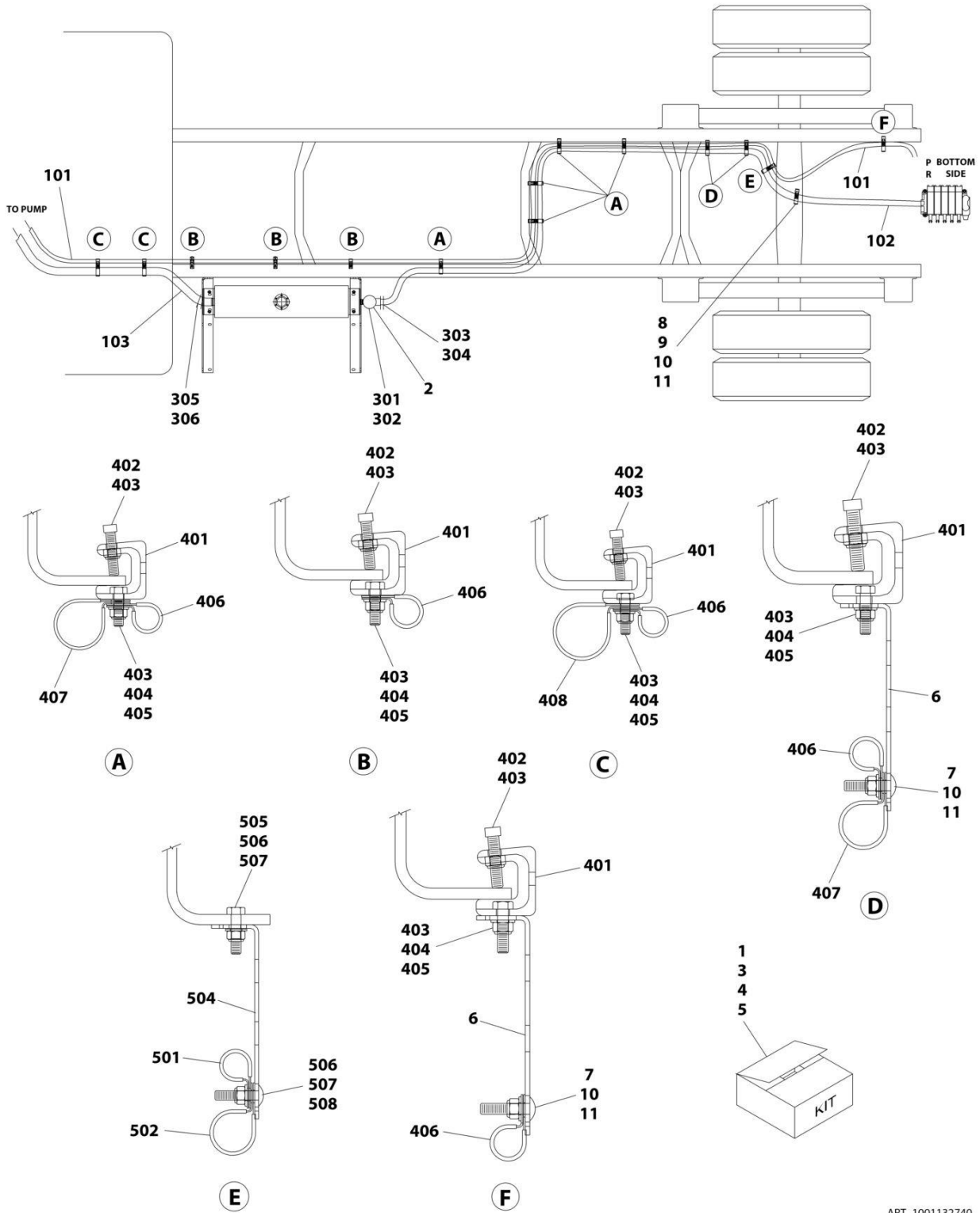
## SECTION 6 - HYDRAULIC

**FIGURE 6-3. HOSE & CLAMP INSTALLATION - 150IN CA CREW CAB (FORD - CREW CAB)**

ITEM	PART NUMBER	QTY	DESCRIPTION	REV
	1001132741	Ref	HOSE & CLAMP INSTALLATION - 150IN CA CREW CAB (FORD - CREW CAB)	0
1	1001132710	1	Hose Kit (Include Items 101-103)	
2	7430000003	1	Filter, Oil	
3	1001132801	1	Clamp, Hose (Includes Items 301-306)	
4	1001132794	15	Clamp, Hose (Includes Items 401-408)	
5	1001132800	1	Clamp, Hose (Includes items 501-508)	
6	4706003844	3	Plate	
7	7115151064	3	Bolt 5/16 x 1-1/4	
8	7274000041	1	Clamp, Hose	
9	7115151050	1	Capscrew 5/16 x 1-1/4	
10	7950150161	4	Washer 5/16	
11	7660152601	4	Nut 5/16	
101	4567130320	1	Hose	
102	4570000160	1	Hose	
103	1001132613	1	Hose	
301	7470000002	1	Gauge, Oil Filter Head	
302	7443000158	1	Elbow, 90	
303	7443000319	1	Fitting, 90	
304	7274000080	2	Clamp	
305	7443000013	1	Nipple	
306	7274000002	2	Clamp	
401	7274000076	1	Clamp	
402	7785152420	1	Screw 5/16 x 1-1/2	
403	7660152601	2	Nut 5/16	
404	7115151050	1	Capscrew 5/16 x 1-1/4	
405	7950150161	1	Washer 5/16	
406	7274000040	1	Clamp	
407	7274000041	1	Clamp	
408	7274000042	1	Clamp	
501	7274000040	1	Clamp	
502	7274000041	1	Clamp	
503	7274000042	1	Clamp (Not Shown)	
504	4706003844	1	Plate	
505	7115151050	1	Capscrew 5/16 x 1-1/4	
506	7950150161	3	Washer 5/16	
507	7660152601	2	Nut 5/16	
508	7115151064	1	Bolt 5/16 x 1-1/4	

# SECTION 6 - HYDRAULIC

FIGURE 6-4. HOSE & CLAMP INSTALLATION - 150IN CA STD CAB (FORD - STD CAB)



ART\_1001132740

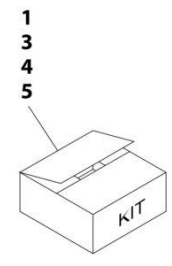
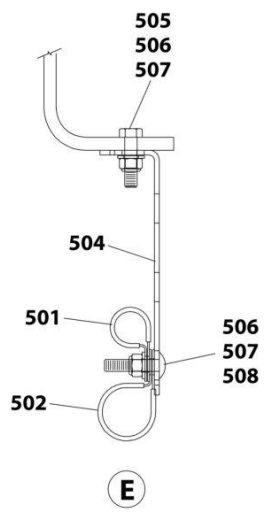
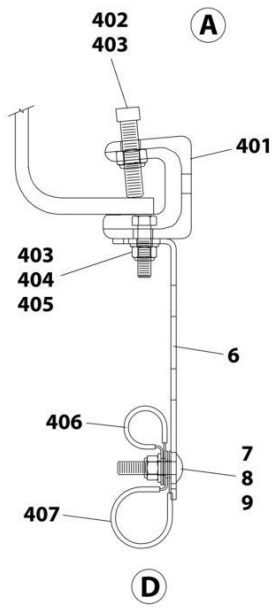
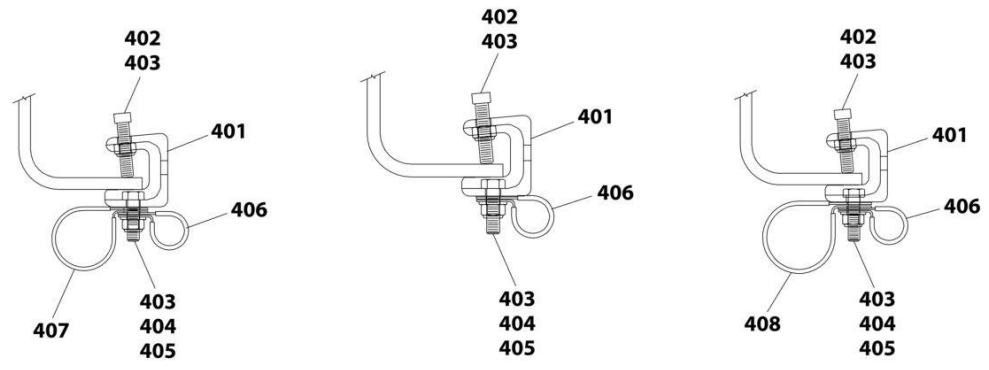
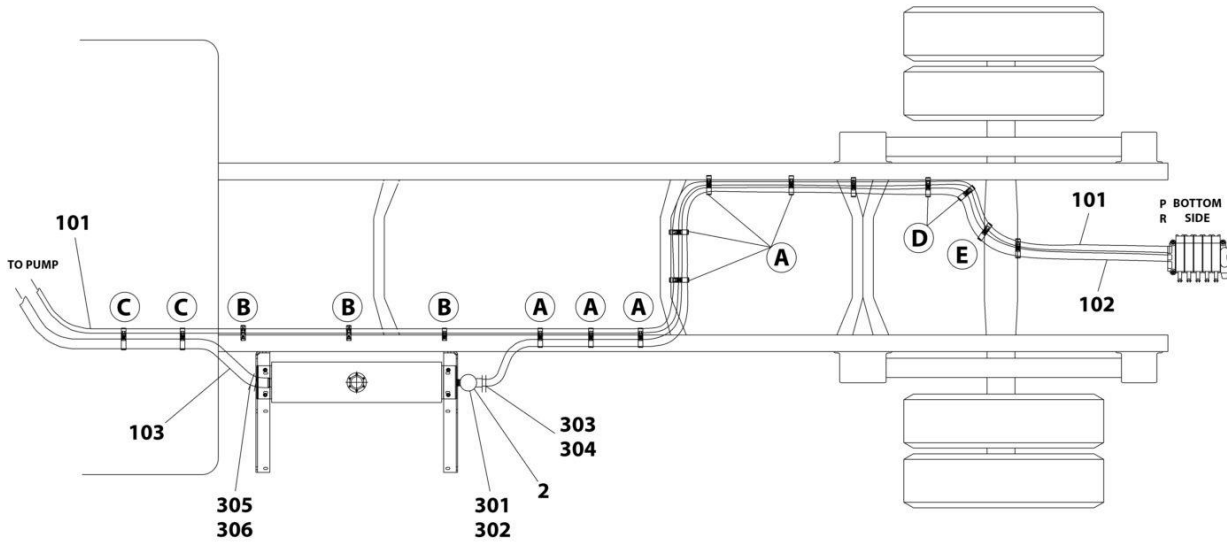
## SECTION 6 - HYDRAULIC

**FIGURE 6-4. HOSE & CLAMP INSTALLATION - 150IN CA STD CAB (FORD - STD CAB)**

ITEM	PART NUMBER	QTY	DESCRIPTION	REV
	1001132740	Ref	HOSE & CLAMP INSTALLATION - 150IN CA STD CAB (FORD - STD CAB)	0
1	1001132709	1	Hose Kit (Includes Items 101-103)	
2	7430000003	1	Filter, Oil	
3	1001132801	1	Clamp, Hose (Includes Items 301-306)	
4	1001132794	13	Clamp, Hose (Includes Items 401-408)	
5	1001132800	1	Clamp, Hose (Includes Items 501-508)	
6	4706003844	3	Plate	
7	7115151064	3	Bolt 5/16 x 1-1/4	
8	7274000041	1	Clamp, Hose	
9	7115151050	1	Capscrew 5/16 x 1-1/4	
10	7950150161	4	Washer 5/16	
11	7660152601	4	Nut 5/16	
101	4567130283	1	Hose	
102	4570000160	1	Hose	
103	4570000044	1	Hose	
301	7470000002	1	Gauge, Oil Filter Head	
302	7443000158	1	Elbow, 90	
303	7443000319	1	Fitting, 90	
304	7274000080	2	Clamp	
305	7443000013	1	Nipple	
306	7274000002	2	Clamp	
401	7274000076	1	Clamp	
402	7785152420	1	Screw 5/16 x 1-1/2	
403	7660152601	2	Nut 5/16	
404	7115151050	1	Capscrew 5/16 x 1-1/4	
405	7950150161	1	Washer 5/16	
406	7274000040	1	Clamp	
407	7274000041	1	Clamp	
408	7274000042	1	Clamp	
501	7274000040	1	Clamp	
502	7274000041	1	Clamp	
503	7274000042	1	Clamp (Not Shown)	
504	4706003844	1	Plate	
505	7115151050	1	Capscrew 5/16 x 1-1/4	
506	7950150161	3	Washer 5/16	
507	7660152601	2	Nut 5/16	
508	7115151064	1	Bolt 5/16 x 1-1/4	

# SECTION 6 - HYDRAULIC

## FIGURE 6-5. HOSE & CLAMP INSTALLATION - 150IN CA STD CAB (PETERBILT)



ART\_1001132749

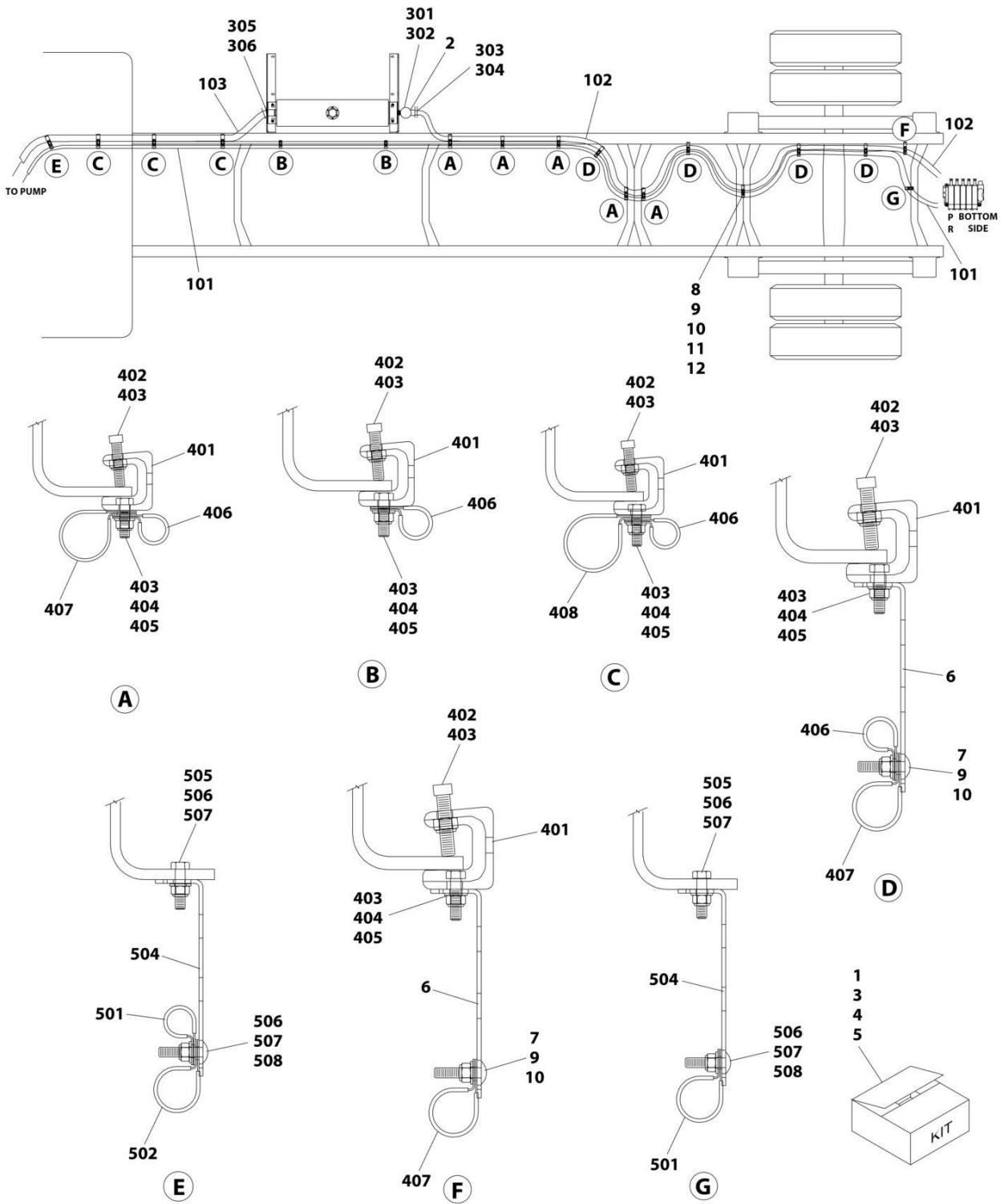
## SECTION 6 - HYDRAULIC

**FIGURE 6-5. HOSE & CLAMP INSTALLATION - 150IN CA STD CAB (PETERBILT)**

ITEM	PART NUMBER	QTY	DESCRIPTION	REV
	1001132749	Ref	HOSE & CLAMP INSTALLATION - 150IN CA STD CAB (PETERBILT)	0
1	1001132718	1	Hose Kit (Includes items 101-103)	
2	7430000003	1	Filter, Oil	
3	1001132801	1	Clamp, Hose (Includes Items 301-306)	
4	1001132794	15	Clamp, Hose (Includes Items 401-408)	
5	1001132800	4	Clamp, Hose (Includes Items 501-508)	
6	4706003844	4	Plate	
7	7115151064	4	Bolt 5/16 x 1-1/4	
8	7950150161	4	Washer 5/16	
9	7660152601	4	Nut 5/16	
101	4567130270	1	Hose	
102	4570000102	1	Hose	
103	1001132609	1	Hose	
301	7470000002	1	Gauge, Oil Filter Head	
302	7443000158	1	Elbow, 90	
303	7443000319	1	Fitting, 90	
304	7274000080	2	Clamp	
305	7443000013	1	Nipple	
306	7274000002	2	Clamp	
401	7274000076	1	Clamp	
402	7785152420	1	Screw 5/16 x 1-1/2	
403	7660152601	2	Nut 5/16	
404	7115151050	1	Capscrew 5/16 x 1-1/4	
405	7950150161	1	Washer 5/16	
406	7274000040	1	Clamp	
407	7274000041	1	Clamp	
408	7274000042	1	Clamp	
501	7274000040	1	Clamp	
502	7274000041	1	Clamp	
503	7274000042	1	Clamp (Not Shown)	
504	4706003844	1	Plate	
505	7115151050	1	Capscrew 5/16 x 1-1/4	
506	7950150161	3	Washer 5/16	
507	7660152601	2	Nut 5/16	
508	7115151064	1	Bolt 5/16 x 1-1/4	

# SECTION 6 - HYDRAULIC

## FIGURE 6-6. HOSE & CLAMP INSTALLATION - 196IN CT STD CAB (FREIGHLINER)



ART\_1001132751



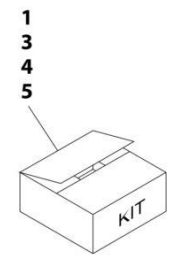
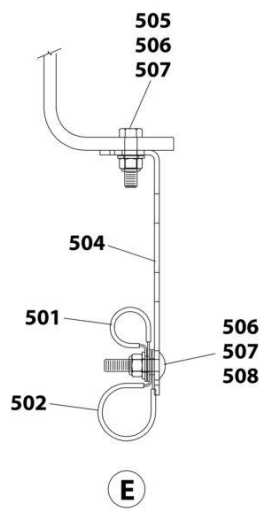
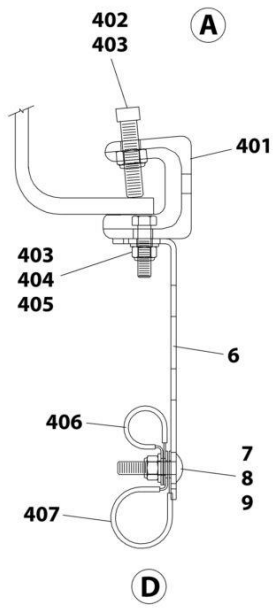
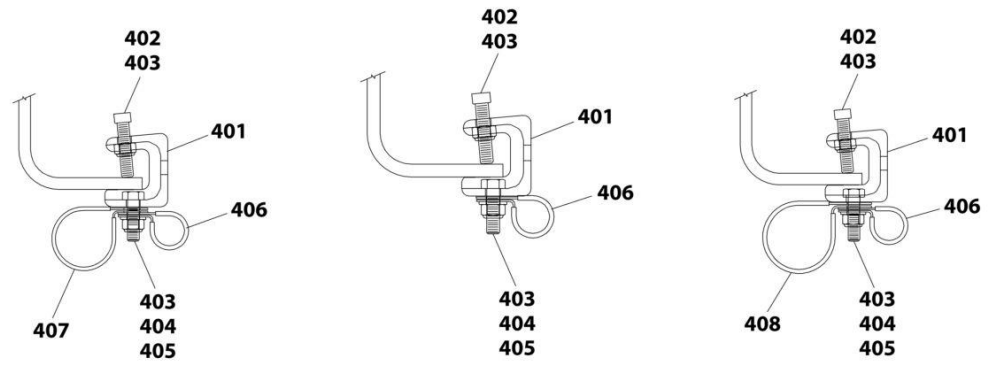
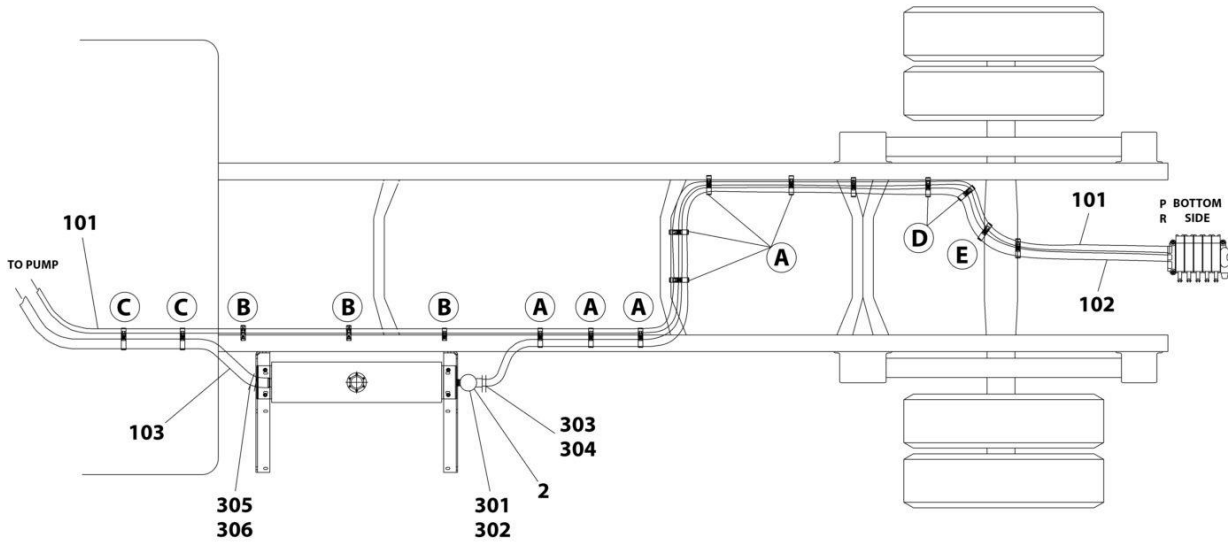
## SECTION 6 - HYDRAULIC

**FIGURE 6-6. HOSE & CLAMP INSTALLATION - 196IN CT STD CAB (FREIGHLINER)**

ITEM	PART NUMBER	QTY	DESCRIPTION	REV
	1001132751	Ref	HOSE & CLAMP INSTALLATION - 196IN CT STD CAB (FREIGHLINER)	0
1	1001132721	1	Hose Kit (Includes Item 101-103)	
2	7430000003	1	Filter, Oil	
3	1001132801	1	Clamp, Hose (Includes item 301-306)	
4	1001132794	15	Clamp, Hose (Includes item 401-408)	
5	1001132800	2	Clamp, Hose (Includes Item 501-508)	
6	4706003844	5	Plate	
7	7115151064	5	Bolt 5/16 x 1-1/4	
8	7115151050	1	Capscrew 5/16 x 1-1/4	
9	7950150161	6	Washer 5/16	
10	7660152601	6	Nut 5/16	
11	7274000040	1	Clamp, Hose	
12	7274000041	1	Clamp, Hose	
101	4567130330	1	Hose	
102	1001132688	1	Hose	
103	1001132595	1	Hose	
301	7470000002	1	Gauge, Oil Filter Head	
302	7443000158	1	Elbow, 90	
303	7443000319	1	Fitting, 90	
304	7274000080	2	Clamp	
305	7443000013	1	Nipple	
306	7274000002	2	Clamp	
401	7274000076	1	Clamp	
402	7785152420	1	Screw 5/16 x 1-1/2	
403	7660152601	2	Nut 5/16	
404	7115151050	1	Capscrew 5/16 x 1-1/4	
405	7950150161	1	Washer 5/16	
406	7274000040	1	Clamp	
407	7274000041	1	Clamp	
408	7274000042	1	Clamp	
501	7274000040	1	Clamp	
502	7274000041	1	Clamp	
503	7274000042	1	Clamp (Not Shown)	
504	4706003844	1	Plate	
505	7115151050	1	Capscrew 5/16 x 1-1/4	
506	7950150161	3	Washer 5/16	
507	7660152601	2	Nut 5/16	
508	7115151064	1	Bolt 5/16 x 1-1/4	

# SECTION 6 - HYDRAULIC

FIGURE 6-7. HOSE & CLAMP INSTALLATION - 196IN CT STD CAB (INTERNATIONAL)



ART\_1001132745

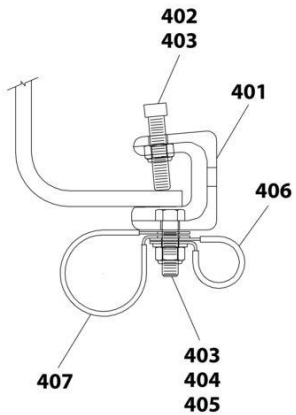
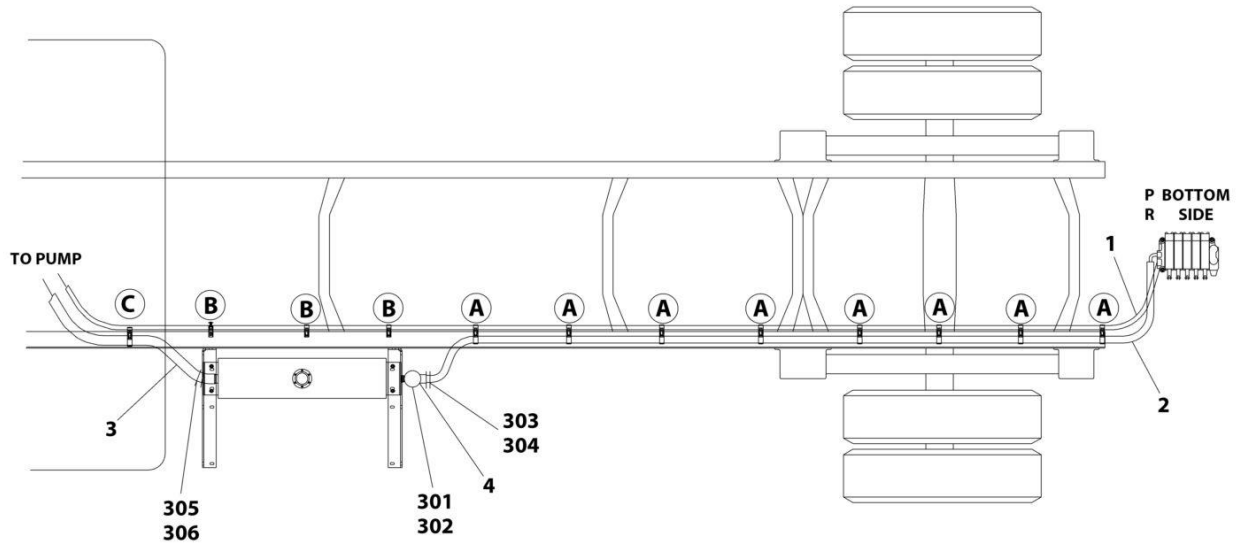
## SECTION 6 - HYDRAULIC

**FIGURE 6-7. HOSE & CLAMP INSTALLATION - 196IN CT STD CAB (INTERNATIONAL)**

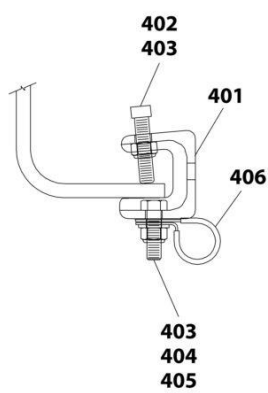
ITEM	PART NUMBER	QTY	DESCRIPTION	REV
	1001132745	Ref	HOSE & CLAMP INSTALLATION - 196IN CT STD CAB (INTERNATIONAL)	0
1	1001132714	1	Hose Kit (includes items 101-103)	
2	7430000003	1	Filter, Oil	
3	1001132801	1	Clamp, Hose (includes items 301-306)	
4	1001132794	15	Clamp, Hose (includes items 401-408)	
5	1001132800	4	Clamp, Hose (includes items 501-508)	
6	4706003844	4	Plate	
7	7115151064	4	Bolt 5/16 x 1-1/4	
8	7950150161	4	Washer 5/16	
9	7660152601	4	Nut 5/16	
101	4567130330	1	Hose	
102	1001132688	1	Hose	
103	1001132595	1	Hose	
301	7470000002	1	Gauge, Oil Filter Head	
302	7443000158	1	Elbow, 90	
303	7443000319	1	Fitting, 90	
304	7274000080	2	Clamp	
305	7443000013	1	Nipple	
306	7274000002	2	Clamp	
401	7274000076	1	Clamp	
402	7785152420	1	Screw 5/16 x 1-1/2	
403	7660152601	2	Nut 5/16	
404	7115151050	1	Capscrew 5/16 x 1-1/4	
405	7950150161	1	Washer 5/16	
406	7274000040	1	Clamp	
407	7274000041	1	Clamp	
408	7274000042	1	Clamp	
501	7274000040	1	Clamp	
502	7274000041	1	Clamp	
503	7274000042	1	Clamp (Not Shown)	
504	4706003844	1	Plate	
505	7115151050	1	Capscrew 5/16 x 1-1/4	
506	7950150161	3	Washer 5/16	
507	7660152601	2	Nut 5/16	
508	7115151064	1	Bolt 5/16 x 1-1/4	

# SECTION 6 - HYDRAULIC

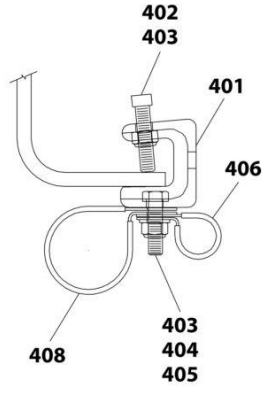
FIGURE 6-8. HOSE & CLAMP INSTALLATION - 242IN CA - GENERIC



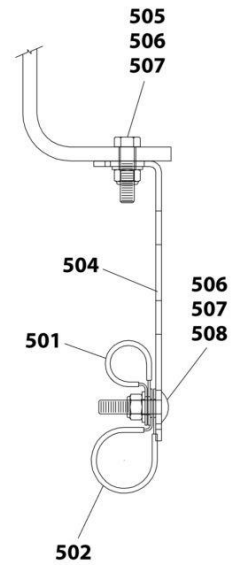
A



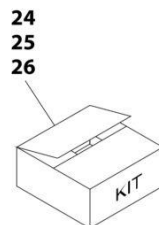
B



C



D



ART\_2570000103

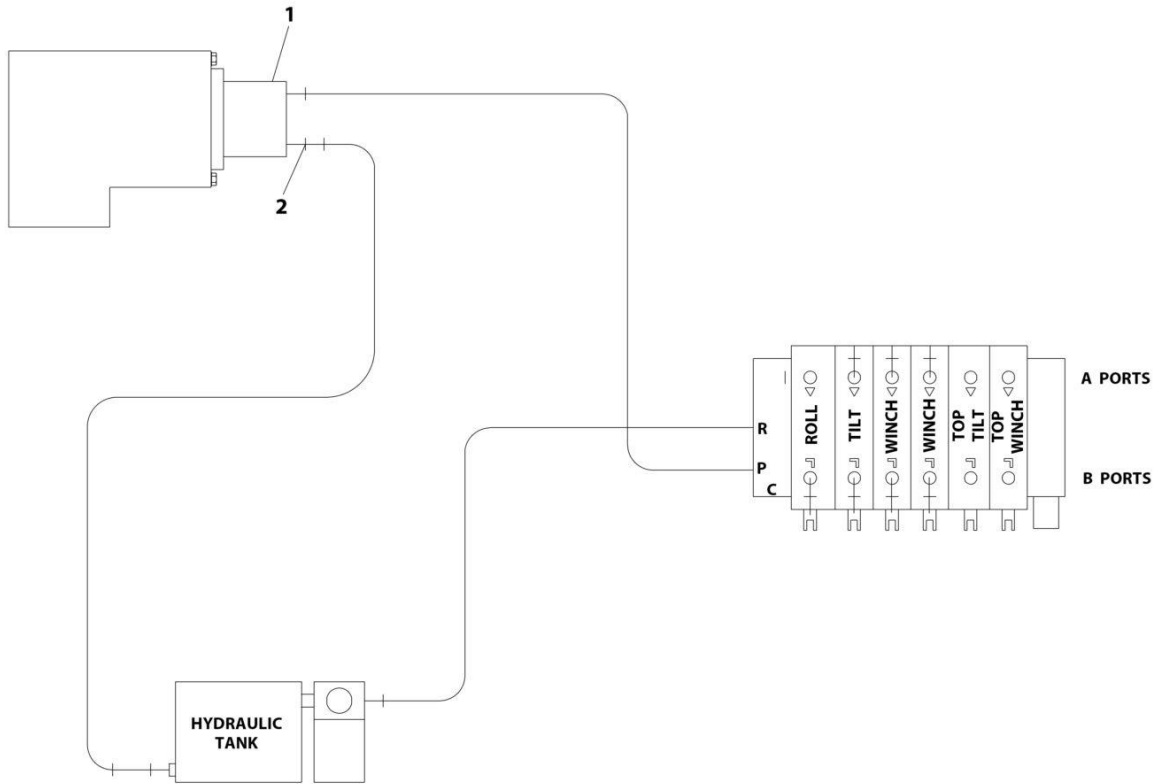
## SECTION 6 - HYDRAULIC

**FIGURE 6-8. HOSE & CLAMP INSTALLATION - 242IN CA - GENERIC**

ITEM	PART NUMBER	QTY	DESCRIPTION	REV
	2570000103	Ref	HOSE & CLAMP INSTALLATION - 242IN CA - GENERIC	D
1	4567130340	1	Hose	
2	4570000182	1	Hose	
3	4570000046	1	Hose	
4	7430000003	1	Filter, Oil	
24	1001132801	1	Clamp, Hose Kit (includes items 301-306)	
25	1001132794	15	Clamp, Hose Kit (includes items 401-408)	
26	1001132800	10	Clamp, Hose Kit (includes items 501-508)	
301	7470000002	1	Gauge, Oil Filter Head	
302	7443000158	1	Elbow, 90	
303	7443000319	1	Fitting, 90	
304	7274000080	2	Clamp	
305	7443000013	1	Nipple	
306	7274000002	2	Clamp	
401	7274000076	1	Clamp	
402	7785152420	1	Screw 5/16 x 1-1/2	
403	7660152601	2	Nut 5/16	
404	7115151050	1	Capscrew 5/16 x 1-1/4	
405	7950150161	1	Washer 5/16	
406	7274000040	1	Clamp	
407	7274000041	1	Clamp	
408	7274000042	1	Clamp	
501	7274000040	1	Clamp	
502	7274000041	1	Clamp	
503	7274000042	1	Clamp (Not Shown)	
504	4706003844	1	Plate	
505	7115151050	1	Capscrew 5/16 x 1-1/4	
506	7950150161	3	Washer 5/16	
507	7660152601	2	Nut 5/16	
508	7115151064	1	Bolt 5/16 x 1-1/4	

# SECTION 6 - HYDRAULIC

## FIGURE 6-9. PUMP INSTALLATION (STANDARD)



ART\_1001135271

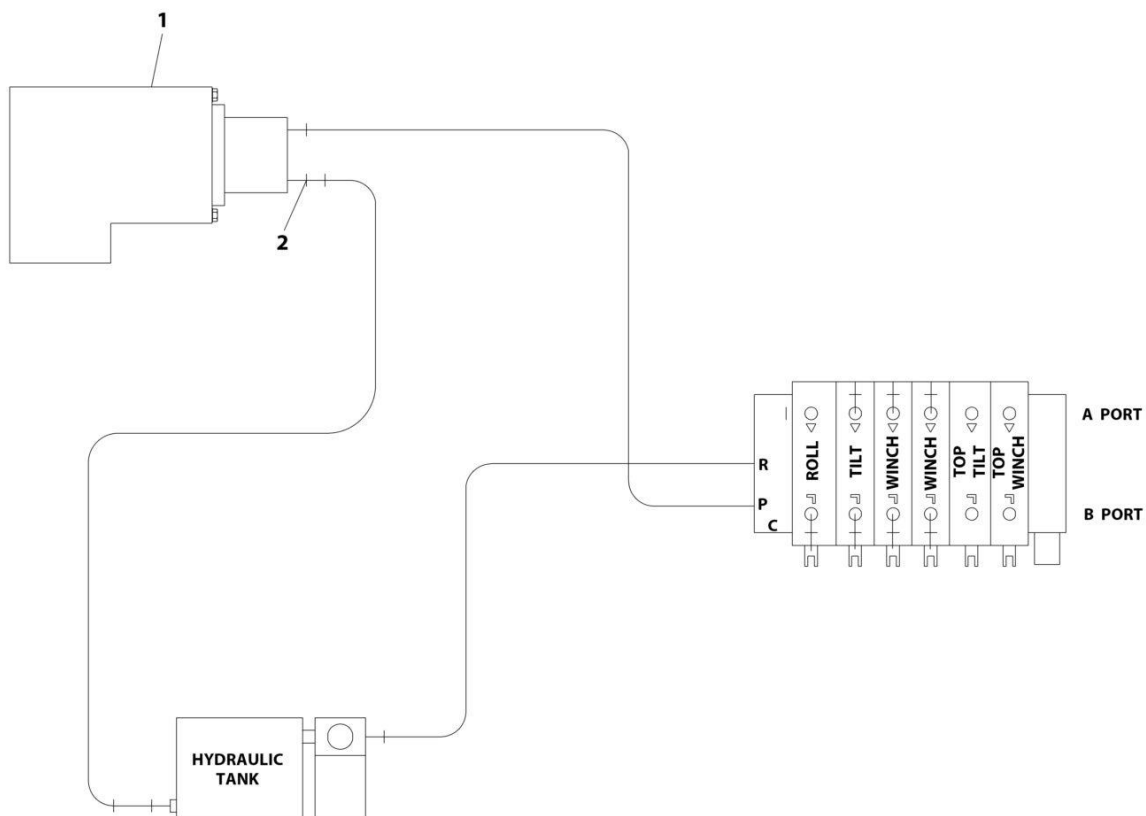
## SECTION 6 - HYDRAULIC

### FIGURE 6-9. PUMP INSTALLATION (STANDARD)

ITEM	PART NUMBER	QTY	DESCRIPTION	REV
1	1001135271	Ref	Pump Installation (Standard)	A
	2500530539	1	Hydraulic Pump Installation (See Separate Breakdown in this Section)	
2	2577530006	1	Pump Fittings (See Separate Breakdown in this Section)	

# SECTION 6 - HYDRAULIC

## FIGURE 6-10. PUMP INSTALLATION (FORD DIESEL)



ART\_1001205003



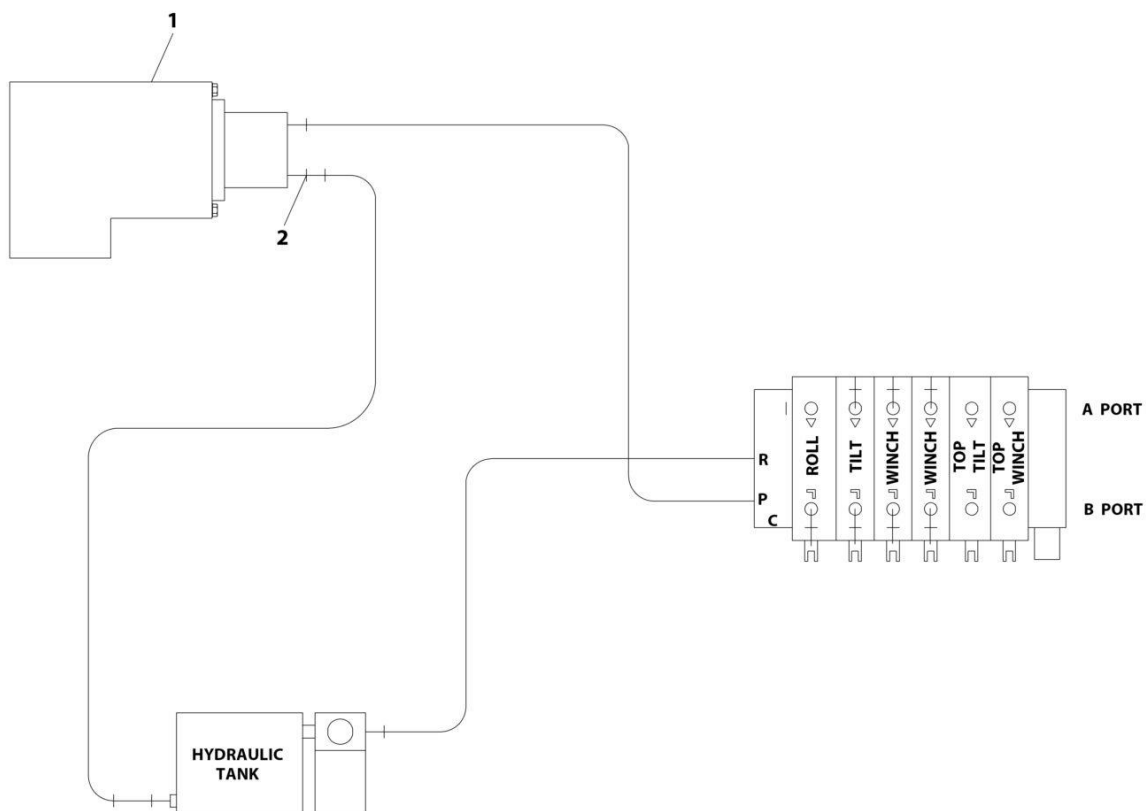
## SECTION 6 - HYDRAULIC

**FIGURE 6-10. PUMP INSTALLATION (FORD DIESEL)**

ITEM	PART NUMBER	QTY	DESCRIPTION	REV
1	1001205003	Ref	Pump Installation (Ford Diesel)	A
	1001203613	1	Pump, Hydraulic (No Service Parts Available - Purchase Complete Pump)	
2	2577530006	1	Pump Fittings (See Separate Breakdown in this Section)	

# SECTION 6 - HYDRAULIC

## FIGURE 6-11. PUMP INSTALLATION (FORD GAS)



ART\_1001205005

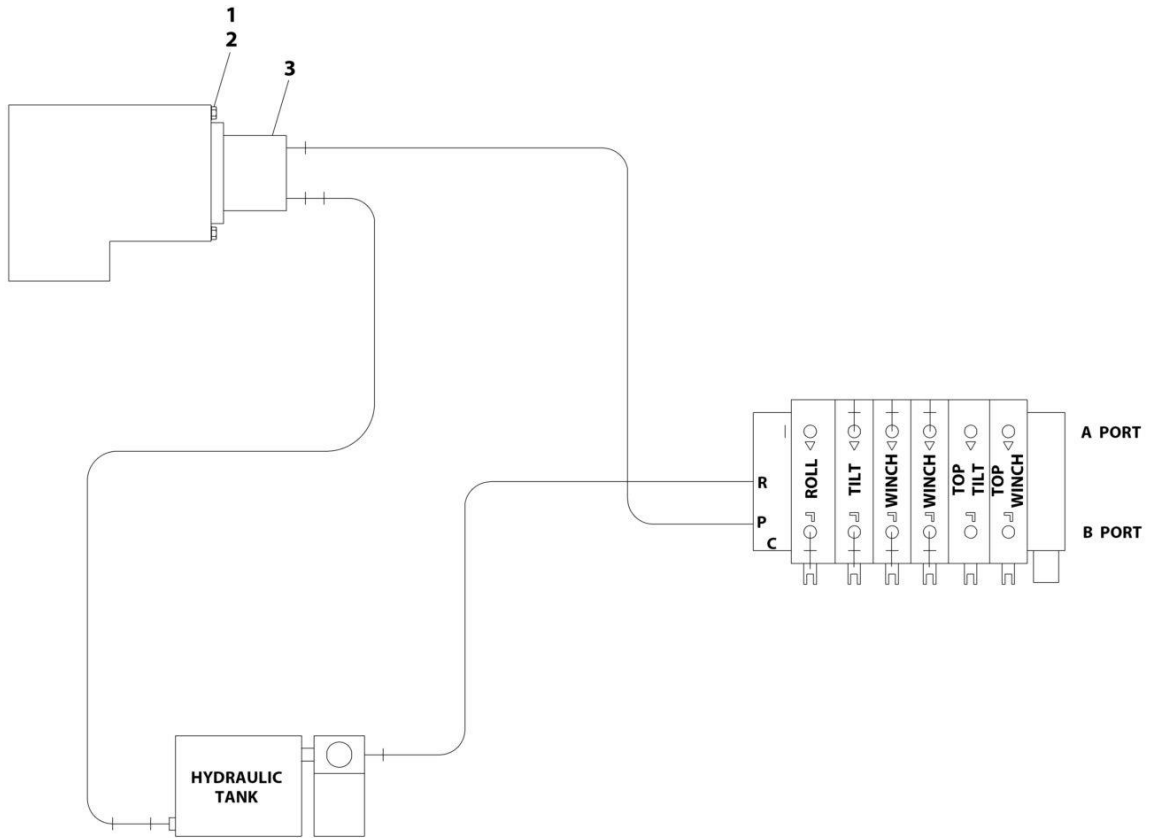
## SECTION 6 - HYDRAULIC

**FIGURE 6-11. PUMP INSTALLATION (FORD GAS)**

ITEM	PART NUMBER	QTY	DESCRIPTION	REV
1	1001205005	Ref	Pump Installation (Ford Gas)	B
	1001203827	1	Pump, Hydraulic (No Service Parts Available - Purchase Complete Pump)	
2	2577530006	1	Pump Fittings (See Separate Breakdown in this Section)	

# SECTION 6 - HYDRAULIC

## FIGURE 6-12. PUMP INSTALLATION - PTO DIRECT MOUNTED



ART\_2500530539

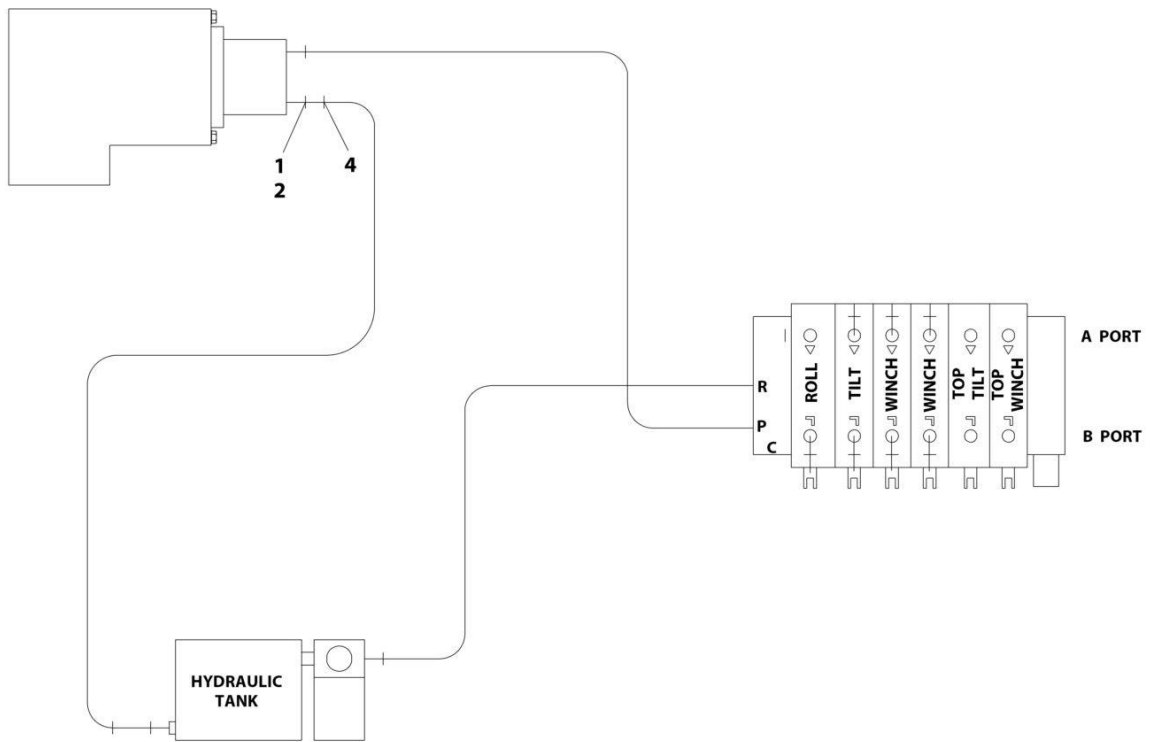
## SECTION 6 - HYDRAULIC

### FIGURE 6-12. PUMP INSTALLATION - PTO DIRECT MOUNTED

ITEM	PART NUMBER	QTY	DESCRIPTION	REV
	2500530539	Ref	Pump Installation - PTO Direct Mounted	B
1	7950180000	2	Washer 19/32	
2	7115181050	2	Capscrew 1/2 x 1-1/4	
3	7724000126	1	Pump, Hydraulic (No Service Parts Available - Purchase Complete Pump)	

# SECTION 6 - HYDRAULIC

## FIGURE 6-13. PUMP FITTINGS HYDRAULIC INSTALLATION



ART\_2577530006

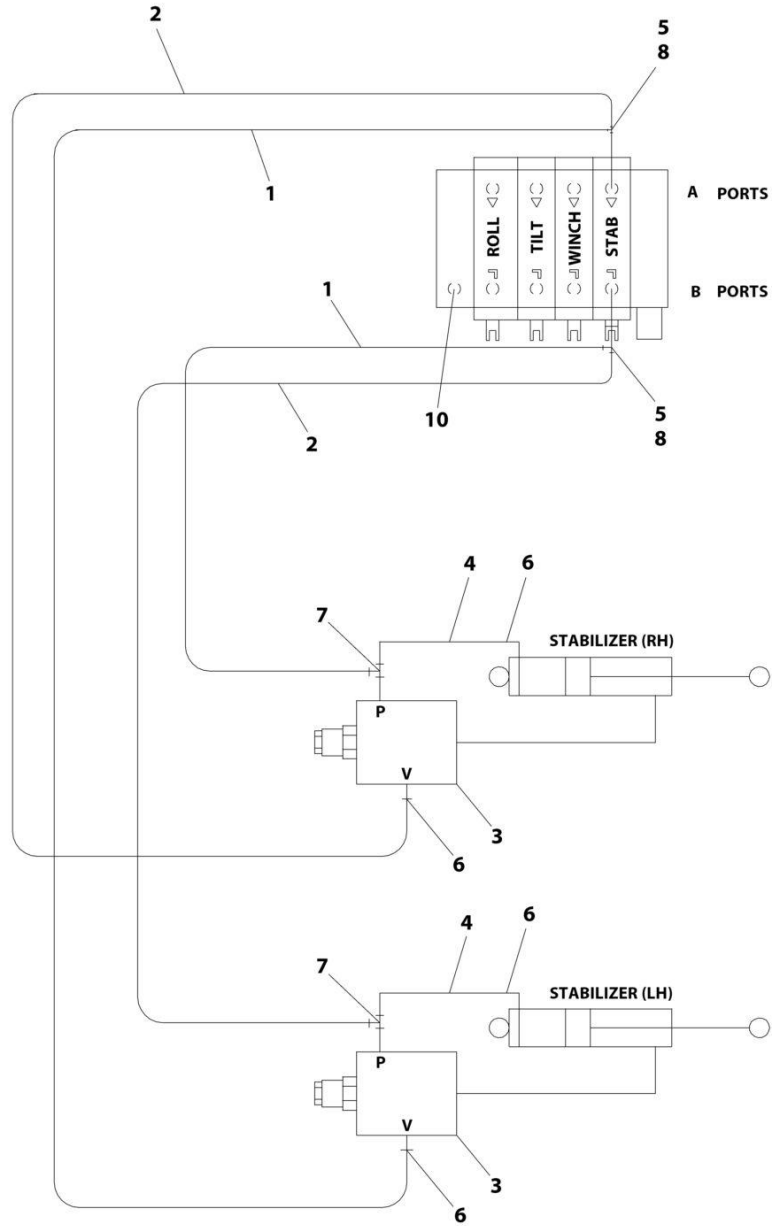
## SECTION 6 - HYDRAULIC

**FIGURE 6-13. PUMP FITTINGS HYDRAULIC INSTALLATION**

ITEM	PART NUMBER	QTY	DESCRIPTION	REV
	2577530006	1	Pump Fittings Hydraulic Installation	C
1	7443000124	1	O-Ring	
2	7445081643	1	Adapter	
4	7443000023	1	Elbow, 90	

# SECTION 6 - HYDRAULIC

## FIGURE 6-14. STABILIZER HYDRAULIC INSTALLATION



ART\_2570000049



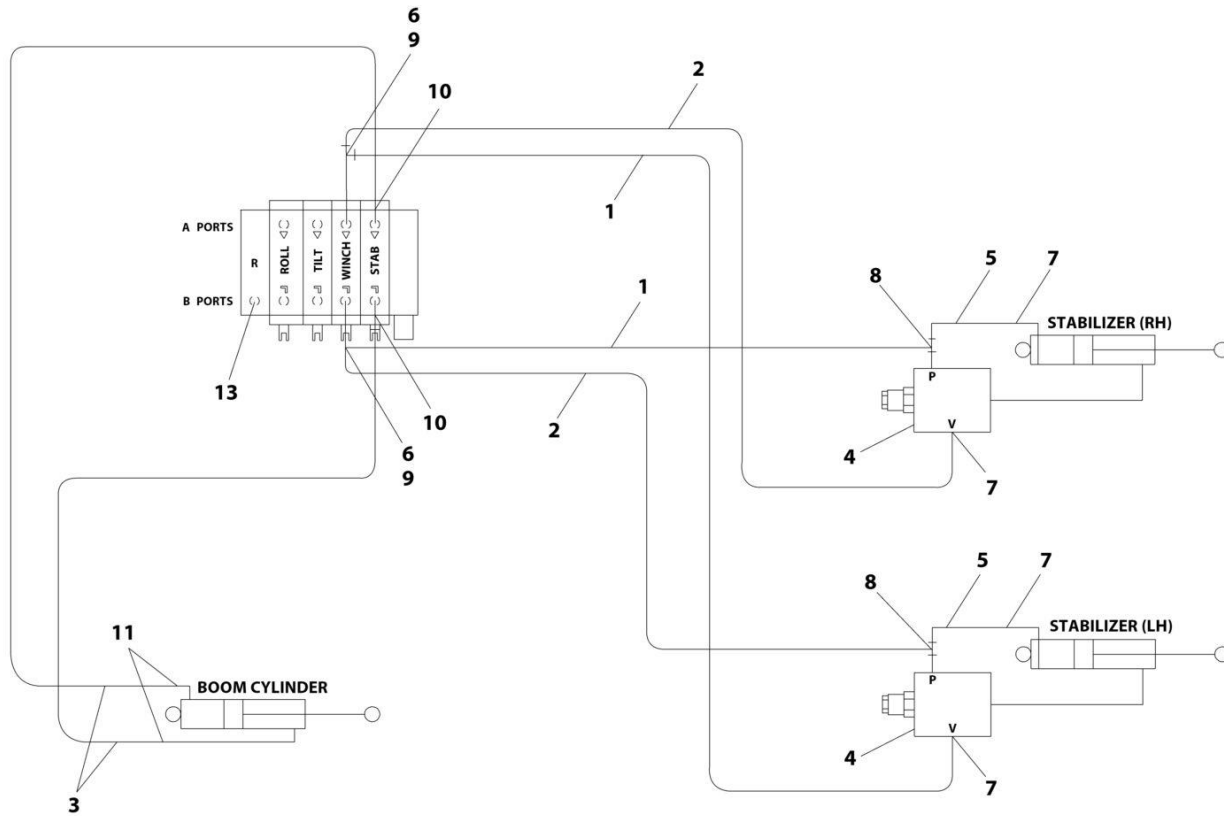
## SECTION 6 - HYDRAULIC

**FIGURE 6-14. STABILIZER HYDRAULIC INSTALLATION**

ITEM	PART NUMBER	QTY	DESCRIPTION	REV
	2570000049	Ref	Stabilizer Hydraulic Installation	E
1	4567122050	2	Hose	
2	4567123051	2	Hose	
3	7935000305	2	Valve Assembly - Counter Balance	
3	900115	2	Valve, Counter Balance Cartridge (1 Per Assembly)	
3	960006	2	Seal Kit - 900115 Cartridge Valve (1 Per Cartridge)	
4	4567122016	2	Hose	
5	7445060845	2	Elbow, 90	
6	7445060645	4	Elbow, 90	
7	7445060648	2	Tee, Run	
8	7443000030	2	Tee, Fitting	
10	7445081046	1	Elbow, 45	

# SECTION 6 - HYDRAULIC

## FIGURE 6-15. STABILIZER WITH HYDRAULIC EXTEND HYDRAULIC INSTALLATION



ART\_2570000032

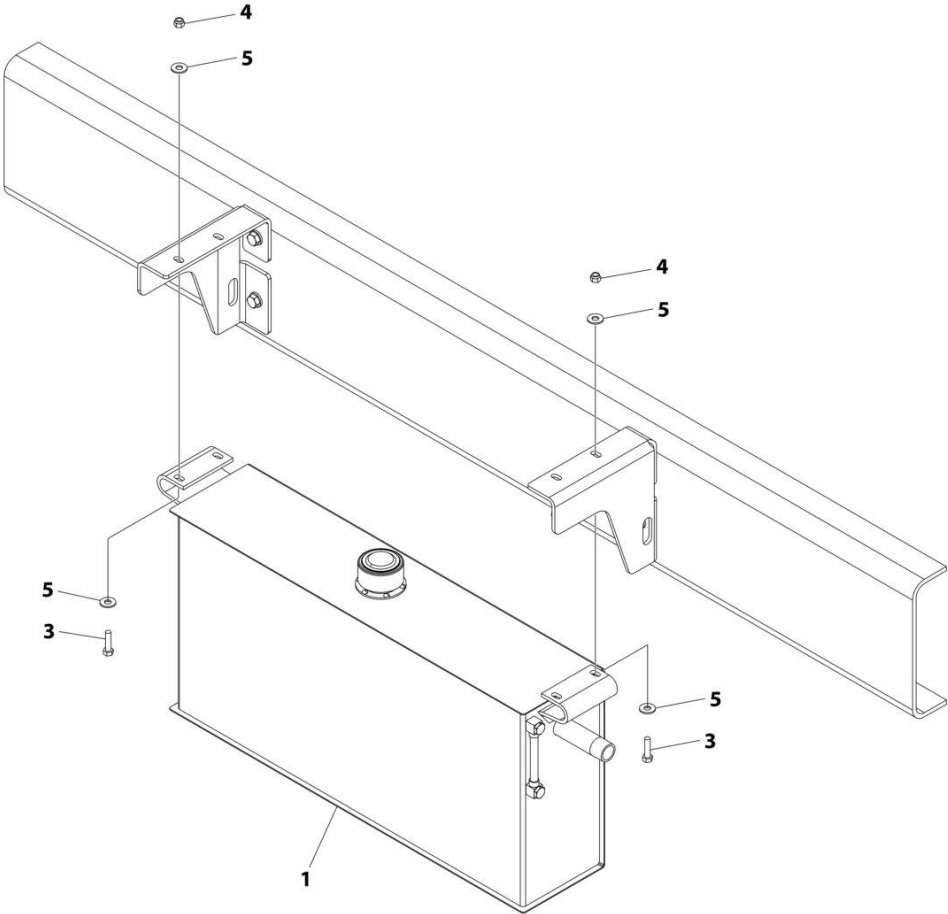
## SECTION 6 - HYDRAULIC

**FIGURE 6-15. STABILIZER WITH HYDRAULIC EXTEND HYDRAULIC INSTALLATION**

ITEM	PART NUMBER	QTY	DESCRIPTION	REV
	2570000032	Ref	Stabilizer with Hydraulic Extend Hydraulic Installation	E
1	4567122050	2	Hose	
2	4567123051	2	Hose	
3	4567123036	2	Hose	
4	7935000305	2	Valve Assembly	
4	900115	2	Valve, Counterbalance Cartridge(1 Per Assembly)	
4	960006	2	Seal Kit - 900115 Cartridge Valve (1 Per Cartridge)	
5	4567122016	2	Hose	
6	7445060845	2	Elbow, 90	
7	7445060645	4	Elbow, 90	
8	7445060648	2	Tee, Run	
9	7443000030	2	Tee, Fitting	
10	7445060843	2	Adapter	
11	7445060646	2	Elbow, 45	
13	7445081046	1	Elbow, 45	

**SECTION 6 - HYDRAULIC**

**FIGURE 6-16. TANK INSTALLATION - HYDRAULIC**



ART\_275000008

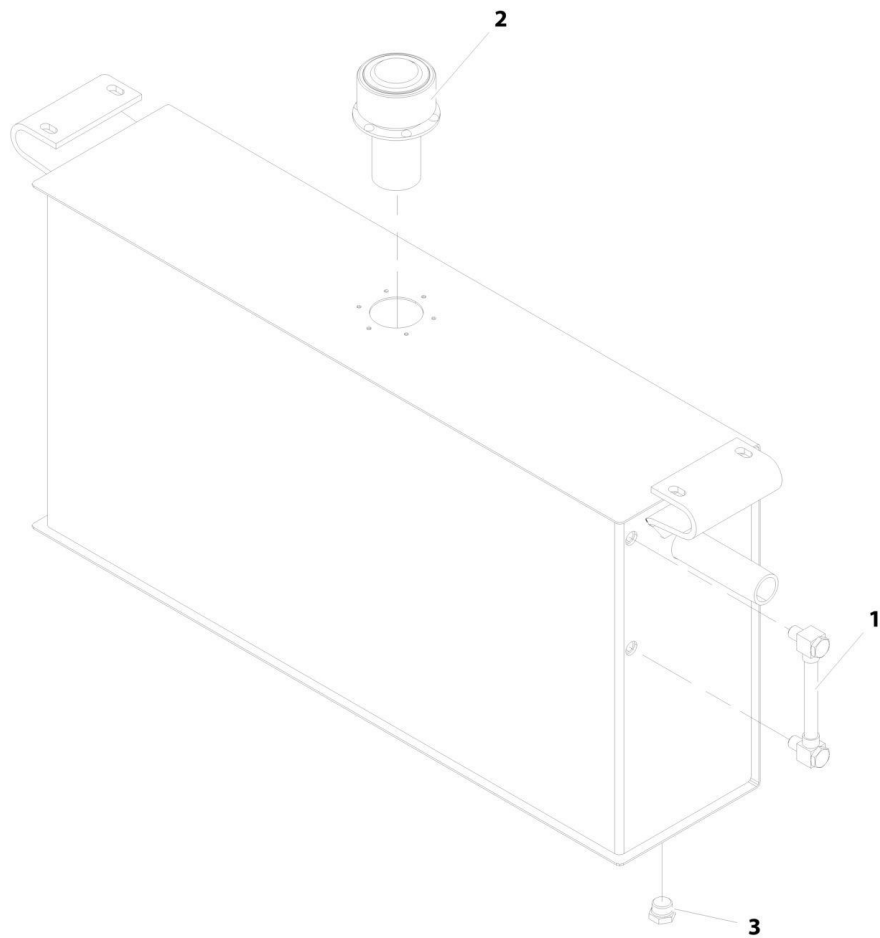
## SECTION 6 - HYDRAULIC

**FIGURE 6-16. TANK INSTALLATION - HYDRAULIC**

ITEM	PART NUMBER	QTY	DESCRIPTION	REV
	2750000008	Ref	Tank Installation - Hydraulic	C
1	3750000018	1	Hydraulic Tank Assembly (See Seperate Breakdown in HYDRAULIC Section)	
3	7115151050	4	Capscrew 5/8 x 1-1/4	
4	7660152601	4	Nut 5/8	
5	7950150161	8	Washer 5/8	

# SECTION 6 - HYDRAULIC

## FIGURE 6-17. TANK ASSEMBLY - HYDRAULIC



ART\_375000018-G

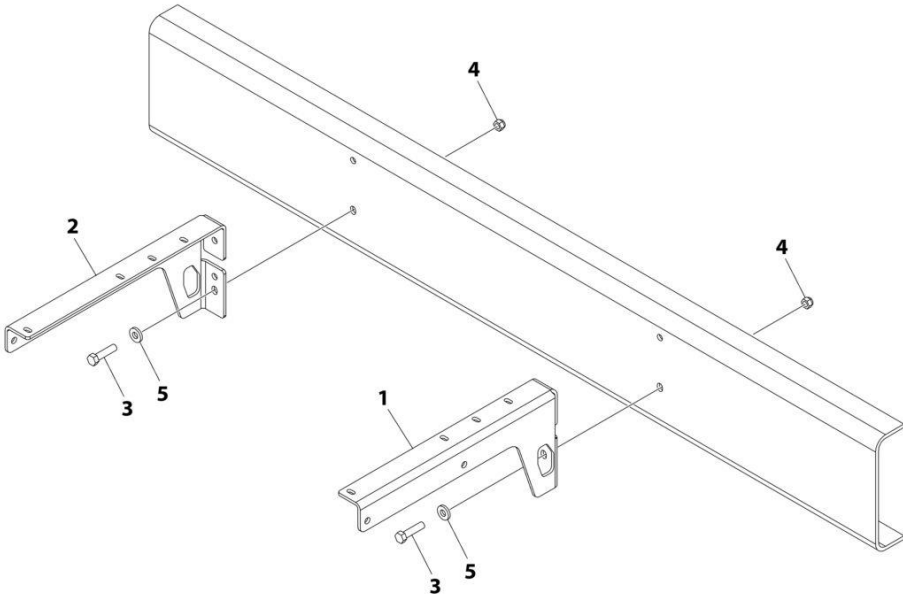
## SECTION 6 - HYDRAULIC

### FIGURE 6-17. TANK ASSEMBLY - HYDRAULIC

ITEM	PART NUMBER	QTY	DESCRIPTION	REV
	375000018	1	Hydraulic Assembly - Tank	G
1	747000027	1	Oil Level Gauge	
2	718300004	1	Breather Filter	
3	770100031	1	Plug w/O-ring	

**SECTION 6 - HYDRAULIC**

**FIGURE 6-18. BRACKET INSTALLATION HYDRAULIC TANK (STANDARD)**



ART\_217800027



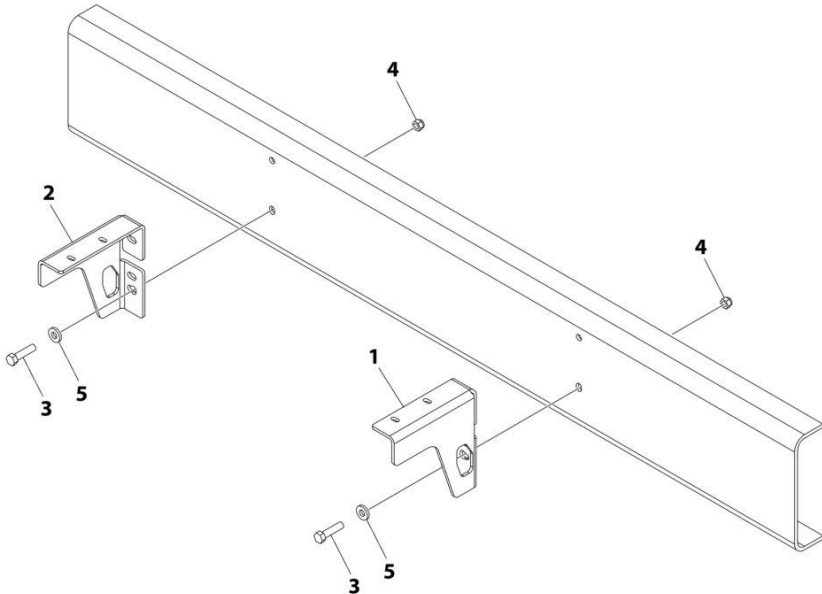
## SECTION 6 - HYDRAULIC

**FIGURE 6-18. BRACKET INSTALLATION HYDRAULIC TANK (STANDARD)**

ITEM	PART NUMBER	QTY	DESCRIPTION	REV
	2178000027	Ref	BRACKET INSTALLATION HYDRAULIC TANK (STANDARD)	A
1	4178000290	1	Bracket (RH)	
2	4178000291	1	Bracket (LH)	
3	7105181650	4	Bolt 1/2 x 2	
4	7660182333	4	Nut 1/2	
5	7950180153	4	Washer 1/2	

**SECTION 6 - HYDRAULIC**

**FIGURE 6-19. BRACKET INSTALLATION HYDRAULIC TANK (SHORT)**



ART\_217800028

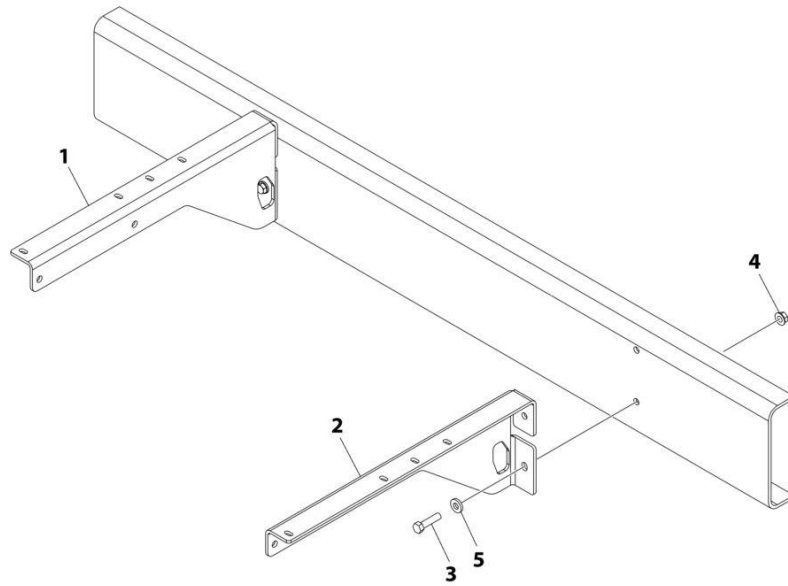
## SECTION 6 - HYDRAULIC

**FIGURE 6-19. BRACKET INSTALLATION HYDRAULIC TANK (SHORT)**

ITEM	PART NUMBER	QTY	DESCRIPTION	REV
	2178000028	Ref	BRACKET INSTALLATION HYDRAULIC TANK (SHORT)	A
1	4178000330	1	Bracket (RH)	
2	4178000331	1	Bracket (LH)	
3	7105181650	4	Bolt 1/2 x 2	
4	7660182333	4	Nut 1/2	
5	7950180153	4	Washer 1/2	

# SECTION 6 - HYDRAULIC

## FIGURE 6-20. BRACKET INSTALLATION HYDRAULIC TANK (LONG)



ART\_2178000025

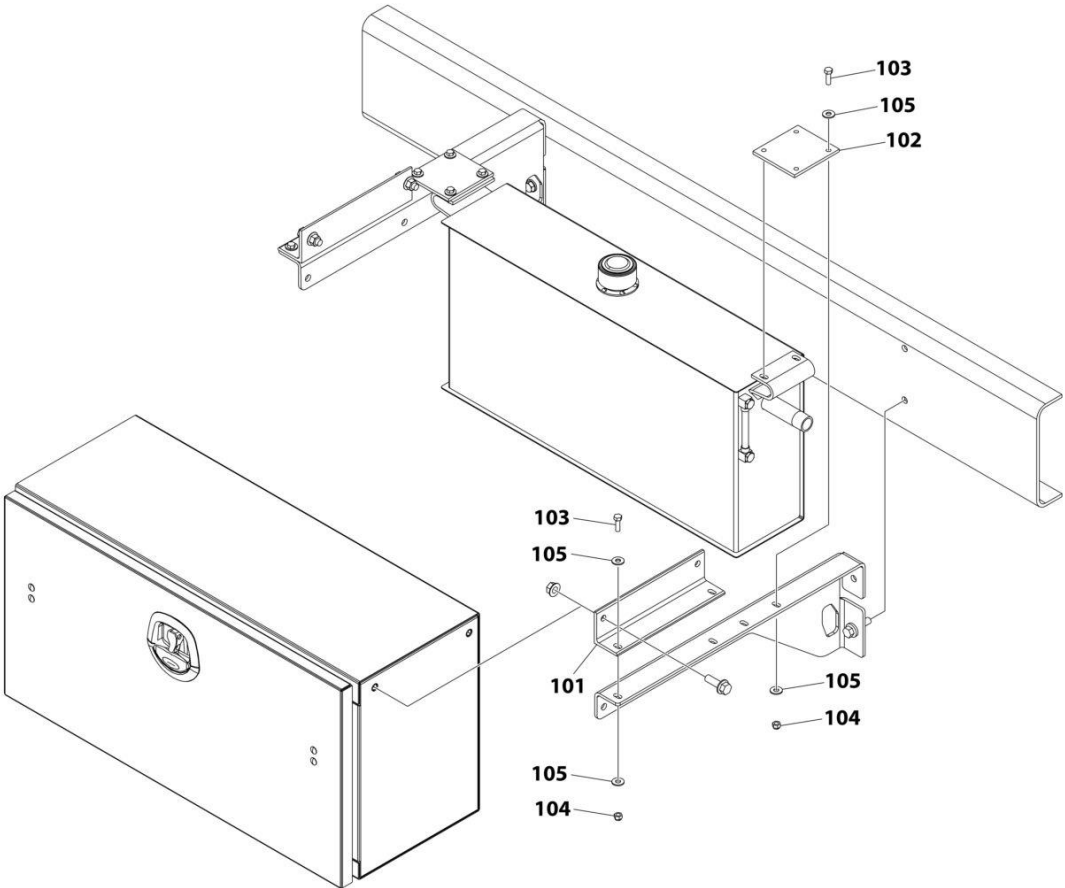
## SECTION 6 - HYDRAULIC

**FIGURE 6-20. BRACKET INSTALLATION HYDRAULIC TANK (LONG)**

ITEM	PART NUMBER	QTY	DESCRIPTION	REV
	2178000025	Ref	BRACKET INSTALLATION HYDRAULIC TANK (LONG)	C
1	4178000338	1	Bracket (RH)	
2	4178000339	1	Bracket (LH)	
3	7105181650	4	Bolt 1/2 x 2	
4	7660182333	4	Nut 1/2	
5	7950180153	4	Washer 1/2	

**SECTION 6 - HYDRAULIC**

**FIGURE 6-21. BRACKET INSTALLATION HYDRAULIC TANK (HIGH)**



ART\_217800068

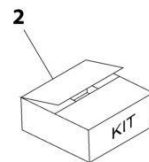
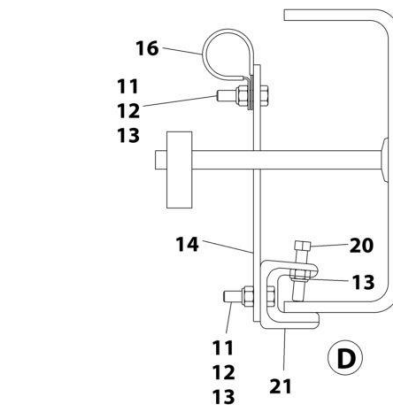
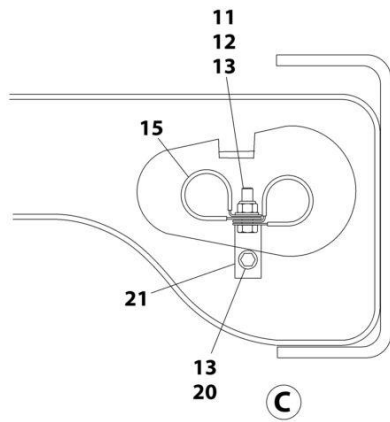
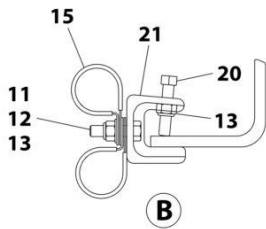
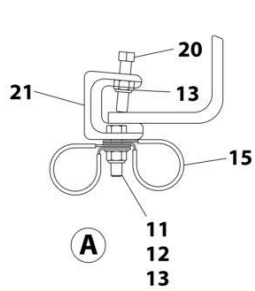
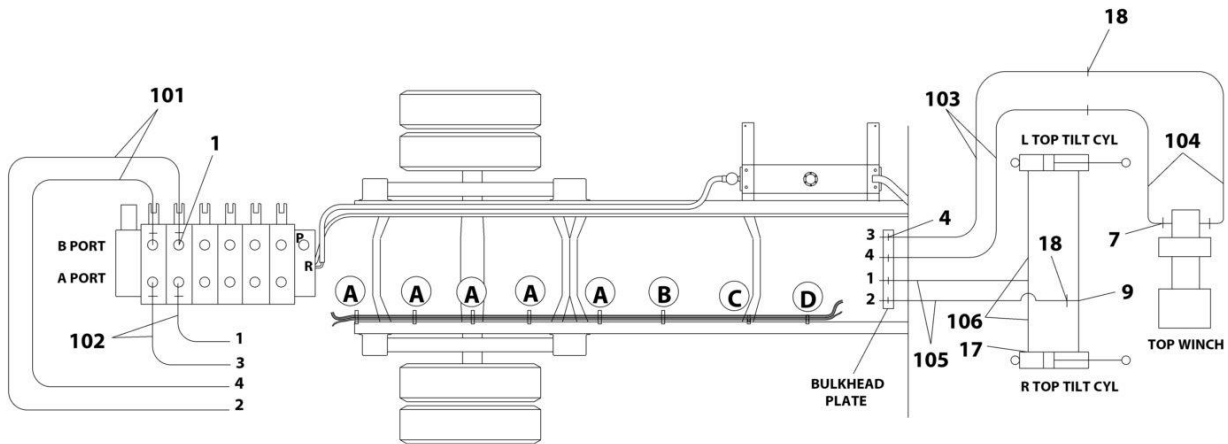
## SECTION 6 - HYDRAULIC

**FIGURE 6-21. BRACKET INSTALLATION HYDRAULIC TANK (HIGH)**

ITEM	PART NUMBER	QTY	DESCRIPTION	REV
	2178000068	Ref	BRACKET INSTALLATION HYDRAULIC TANK (HIGH)	F
101	4017000777	2	Bracket	
102	4706002361	1	Plate	
103	0641508	6	Bolt 5/16 x 1	
104	7660152601	6	Nut 5/16	
105	4751500	12	Washer 5/16	

# SECTION 6 - HYDRAULIC

FIGURE 6-22. UPPER DECK HYDRAULIC INSTALLATION (STANDARD)



ART\_1001136809



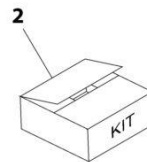
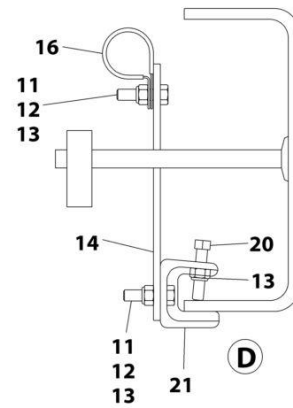
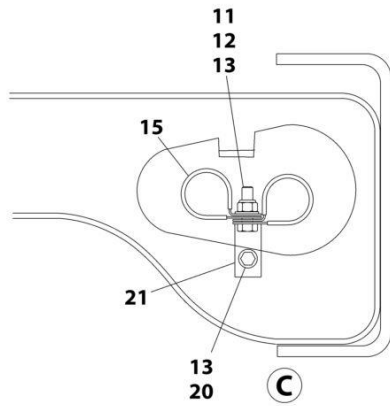
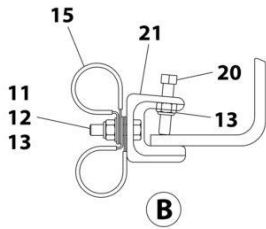
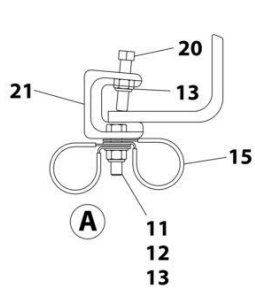
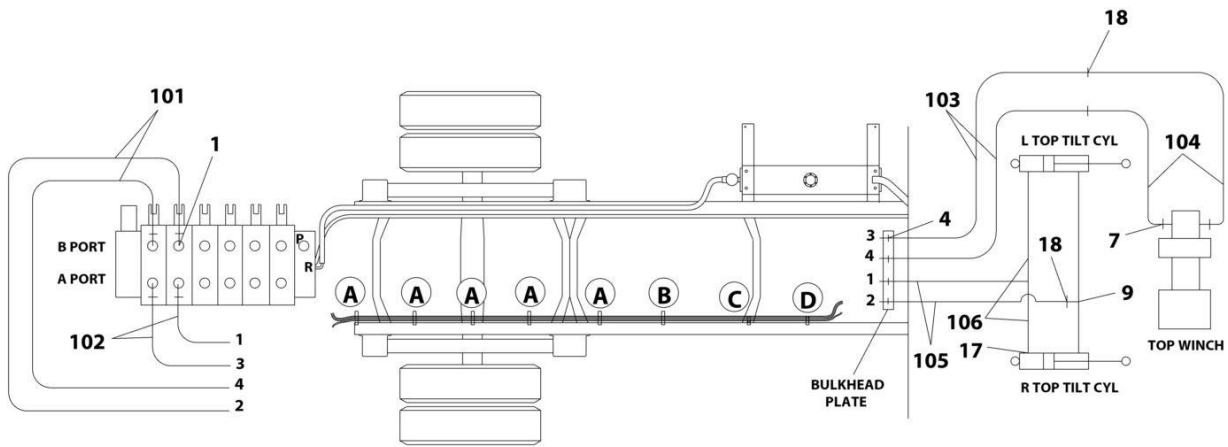
## SECTION 6 - HYDRAULIC

**FIGURE 6-22. UPPER DECK HYDRAULIC INSTALLATION (STANDARD)**

ITEM	PART NUMBER	QTY	DESCRIPTION	REV
	1001136809	Ref	Upper Deck Hydraulic Installation (Standard)	A
1	7445080843	4	Adapter	
2	1001136808	1	Hose Kit (includes items 101-106)	
4	7445080825	4	Bulkhead Union	
7	7445081045	2	Elbow	
9	7445060837	2	Tee	
11	7115151050	16	Capscrew 5/16 x 1-1/4	
12	7950150161	26	Washer 5/16	
13	7660152601	38	Nut 5/16	
14	4706003844	1	Plate	
15	7274000041	38	Clamp	
16	7274000042	3	Clamp	
17	7445060645	4	Elbow	
18	7443000023	4	Elbow	
19	7274000066	8	Clamp (Not Shown)	
20	7785152420	14	Screw 5/16 x 1-1/2	
21	7274000076	14	Clamp	
101	4567133280	2	Hose	
102	4567132280	2	Hose	
103	4567132119	2	Hose	
104	4569432119	2	Hose	
105	1001164328	2	Hose	
106	1001136800	4	Hose	

# SECTION 6 - HYDRAULIC

FIGURE 6-23. UPPER DECK HYDRAULIC INSTALLATION (2016+ FORD F750)



ART\_2570000104

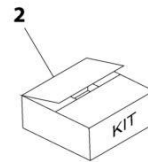
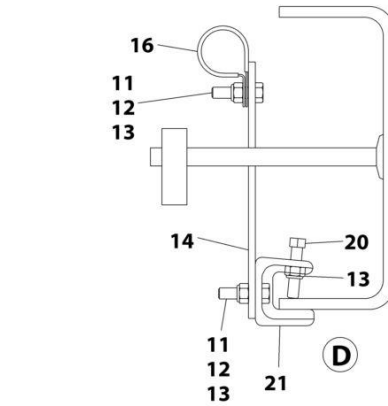
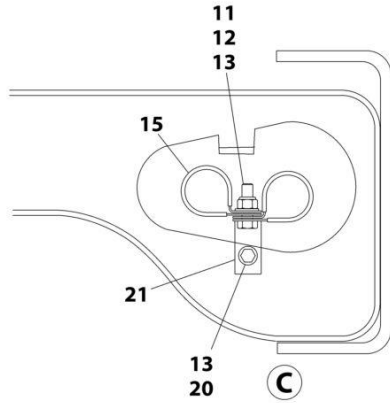
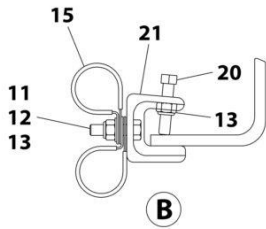
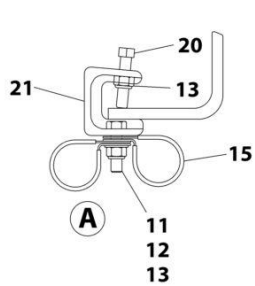
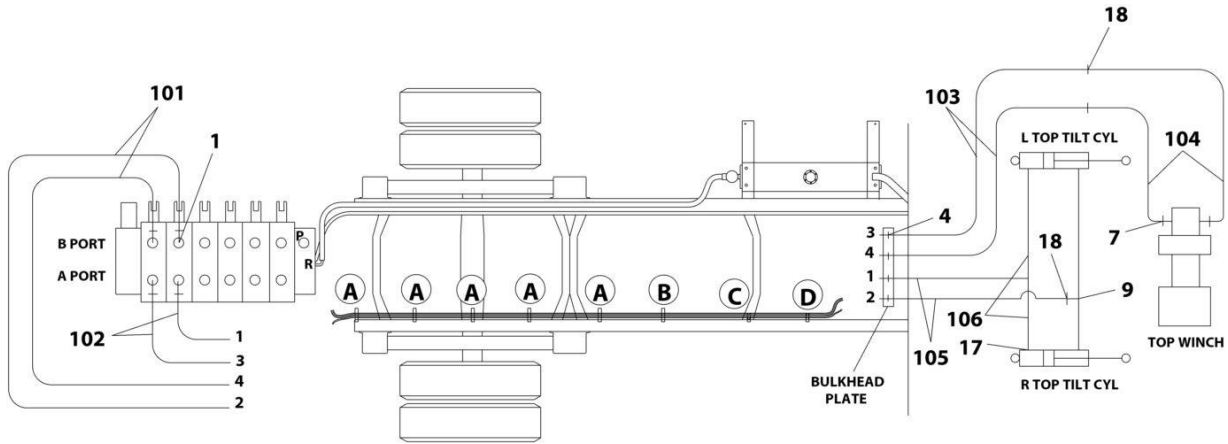
## SECTION 6 - HYDRAULIC

**FIGURE 6-23. UPPER DECK HYDRAULIC INSTALLATION (2016+ FORD F750)**

ITEM	PART NUMBER	QTY	DESCRIPTION	REV
	2570000104	Ref	Upper Deck Hydraulic Installation (2016+ Ford F750)	D
1	7445080843	4	Adapter	
2	4577000010	1	Hose Kit (includes items 101-106)	
4	7445080825	4	Bulkhead, Union	
7	7445081045	2	Elbow	
9	7445060837	2	Tee	
11	7115151050	16	Capscrew 5/16 x 1-1/4	
12	7950150161	26	Washer 5/16	
13	7660152601	36	Nut 5/16	
14	4706003844	1	Plate	
15	7274000041	38	Clamp	
16	7274000042	3	Clamp	
17	7445060645	4	Elbow	
18	7443000023	4	Elbow	
19	7274000066	8	Clamp (Not Shown)	
20	7785152420	14	Screw 5/16 x 1-1/2	
21	7274000076	14	Clamp	
101	4567133280	2	Hose	
102	4567132280	2	Hose	
103	4567132113	2	Hose	
104	4569432119	2	Hose	
105	4567132133	2	Hose	
106	4567120118	4	Hose	

# SECTION 6 - HYDRAULIC

FIGURE 6-24. UPPER DECK HYDRAULIC INSTALLATION (2011-2015 FORD F750)



ART\_2570000105

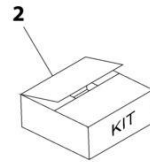
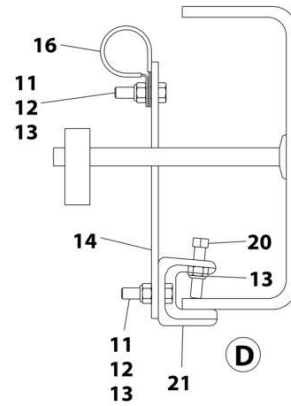
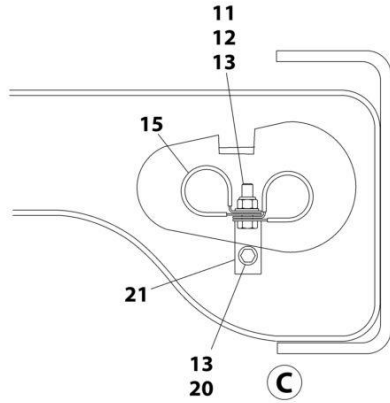
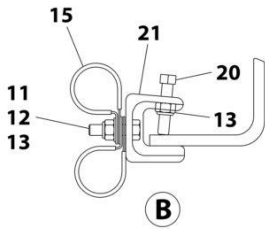
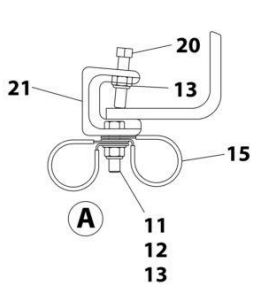
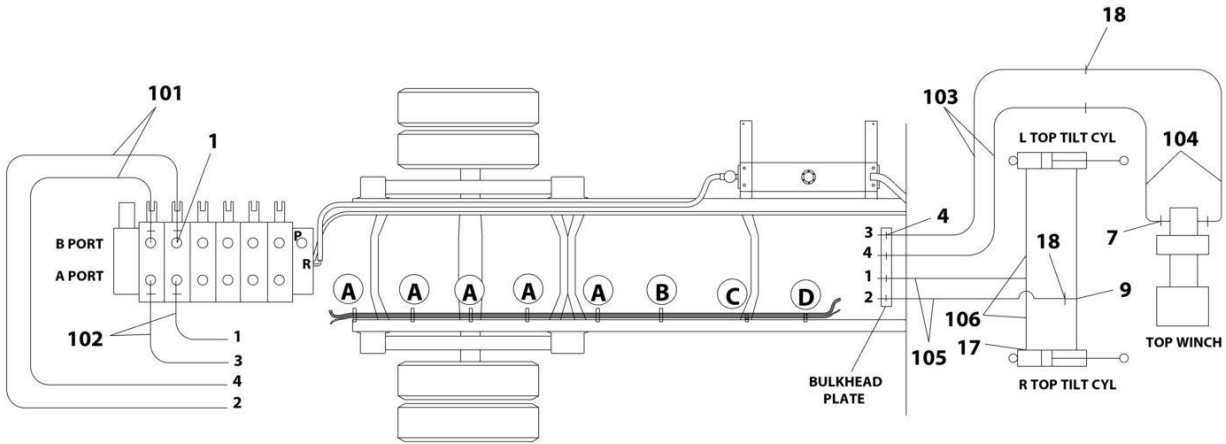
## SECTION 6 - HYDRAULIC

**FIGURE 6-24. UPPER DECK HYDRAULIC INSTALLATION (2011-2015 FORD F750)**

ITEM	PART NUMBER	QTY	DESCRIPTION	REV
	2570000105	Ref	Upper Deck Hydraulic Installation (2011-2015 Ford F750)	D
1	7445080843	4	Adapter	
2	4577000011	1	Hose Kit (includes items 101-106)	
4	7445080825	4	Bulkhead Union	
7	7445081045	2	Elbow	
9	7445060837	2	Tee	
11	7115151050	17	Capscrew 5/16 x 1-1/4	
12	7950150161	27	Washer 5/16	
13	7660152601	38	Nut 5/16	
14	4706003844	1	Plate	
15	7274000041	40	Clamp	
16	7274000042	3	Clamp	
17	7445060645	4	Elbow	
18	7443000023	4	Elbow	
19	7274000066	8	Clamp (Not Shown)	
20	7785152420	15	Screw 5/16 x 1-1/2	
21	7274000076	15	Clamp	
101	4567133304	2	Hose	
102	4567132304	2	Hose	
103	4567132113	2	Hose	
104	4569432119	2	Hose	
105	4567132133	2	Hose	
106	4567120118	4	Hose	

# SECTION 6 - HYDRAULIC

FIGURE 6-25. UPPER DECK HYDRAULIC INSTALLATION (2011 PETERBUILT 337)



ART\_1001136802

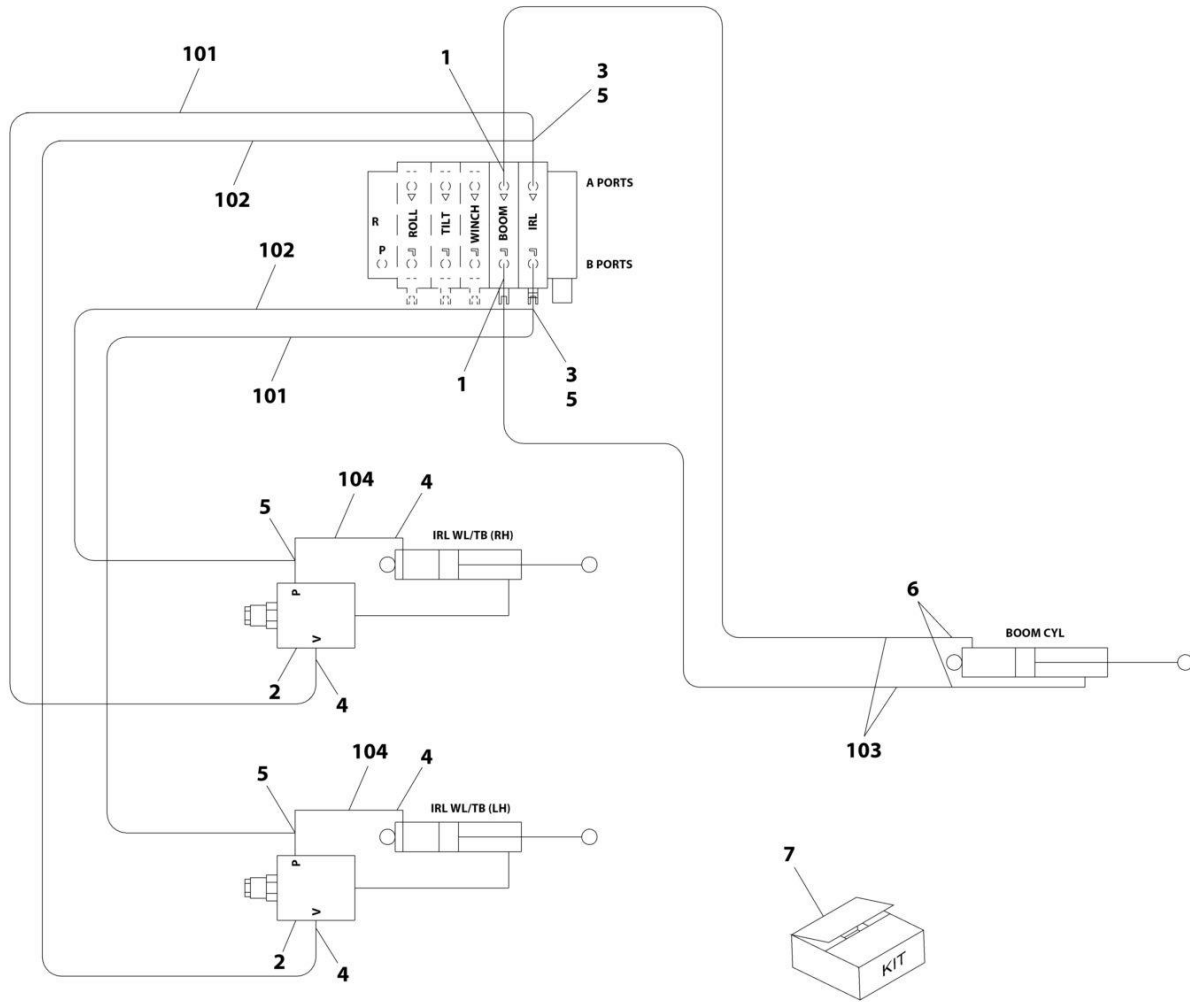
## SECTION 6 - HYDRAULIC

**FIGURE 6-25. UPPER DECK HYDRAULIC INSTALLATION (2011 PETERBUILT 337)**

ITEM	PART NUMBER	QTY	DESCRIPTION	REV
	1001136802	Ref	Upper Deck Hydraulic Installation (2011 Peterbuilt 337)	A
1	7445080843	4	Adapter	
2	1001136801	1	Hose Kit (includes items 101-106)	
4	7445080825	4	Bulkhead Union	
7	7445081045	2	Elbow	
9	7445060837	2	Tee	
11	7115151050	17	Capscrew 5/16 x 1-1/4	
12	7950150161	27	Washer 5/16	
13	7660152601	38	Nut 5/16	
14	4706003844	1	Plate	
15	7274000041	40	Clamp	
16	7274000042	3	Clamp	
17	7445060645	4	Elbow	
18	7443000023	4	Elbow	
19	7274000066	8	Clamp (Not Shown)	
20	7785152420	15	Screw 5/16 x 1-1/2	
21	7274000076	15	Clamp	
101	4567133304	2	Hose	
102	4567132304	2	Hose	
103	4567132119	2	Hose	
104	4569432119	2	Hose	
105	1001164328	2	Hose	
106	1001136800	4	Hose	

# SECTION 6 - HYDRAULIC

FIGURE 6-26. WHEEL LIFT HYDRAULIC INSTALLATION (IRL 3500LBS)



ART\_1001136657



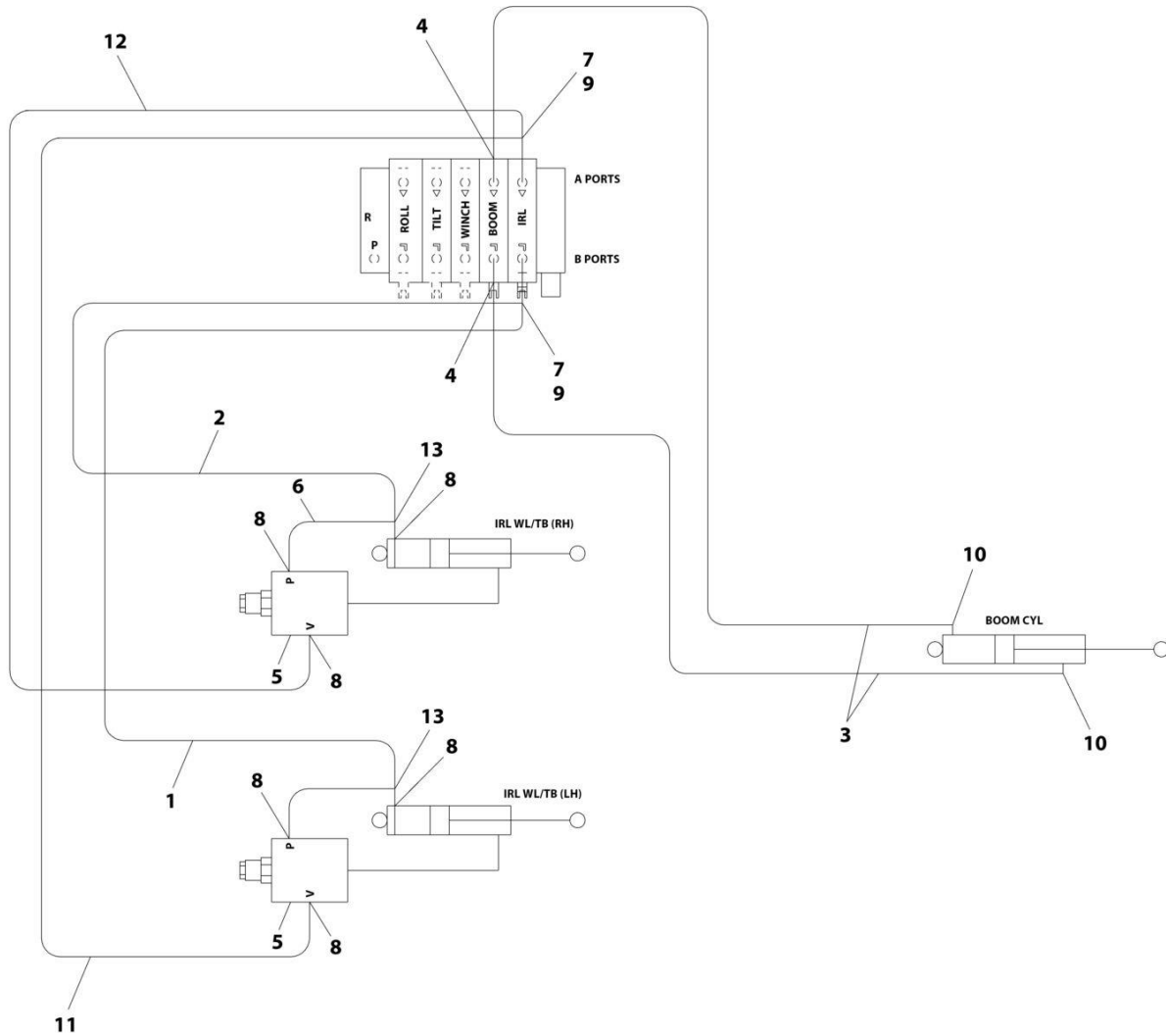
## SECTION 6 - HYDRAULIC

**FIGURE 6-26. WHEEL LIFT HYDRAULIC INSTALLATION (IRL 3500LBS)**

ITEM	PART NUMBER	QTY	DESCRIPTION	REV
	1001136657	Ref	Wheel Lift Hydraulic Installation (IRL 3500LBS)	E
1	7445040843	2	Adapter	
2	7935000305	2	Valve Assembly	
2	900115	2	Valve, Counterbalance Cartridge (1 Per Assembly)	
2	960006	2	Seal Kit - 900115 Cartridge Valve (1 Per Cartridge)	
3	7443000129	2	Reducer	
4	7445060645	4	Elbow	
5	7445060648	4	Tee Run	
6	7445040446	2	Elbow	
7	1001136658	1	Hose Kit (includes items 101-104)	
8	5526000553	12	Tie-Strap (Not Shown)	
101	4567122043	2	Hose	
102	4567123045	2	Hose	
103	4567110034	2	Hose	
104	4567122014	2	Hose	

# SECTION 6 - HYDRAULIC

## FIGURE 6-27. WHEEL LIFT HYDRAULIC INSTALLATION (IRL 4000LBS)



ART\_1001130062

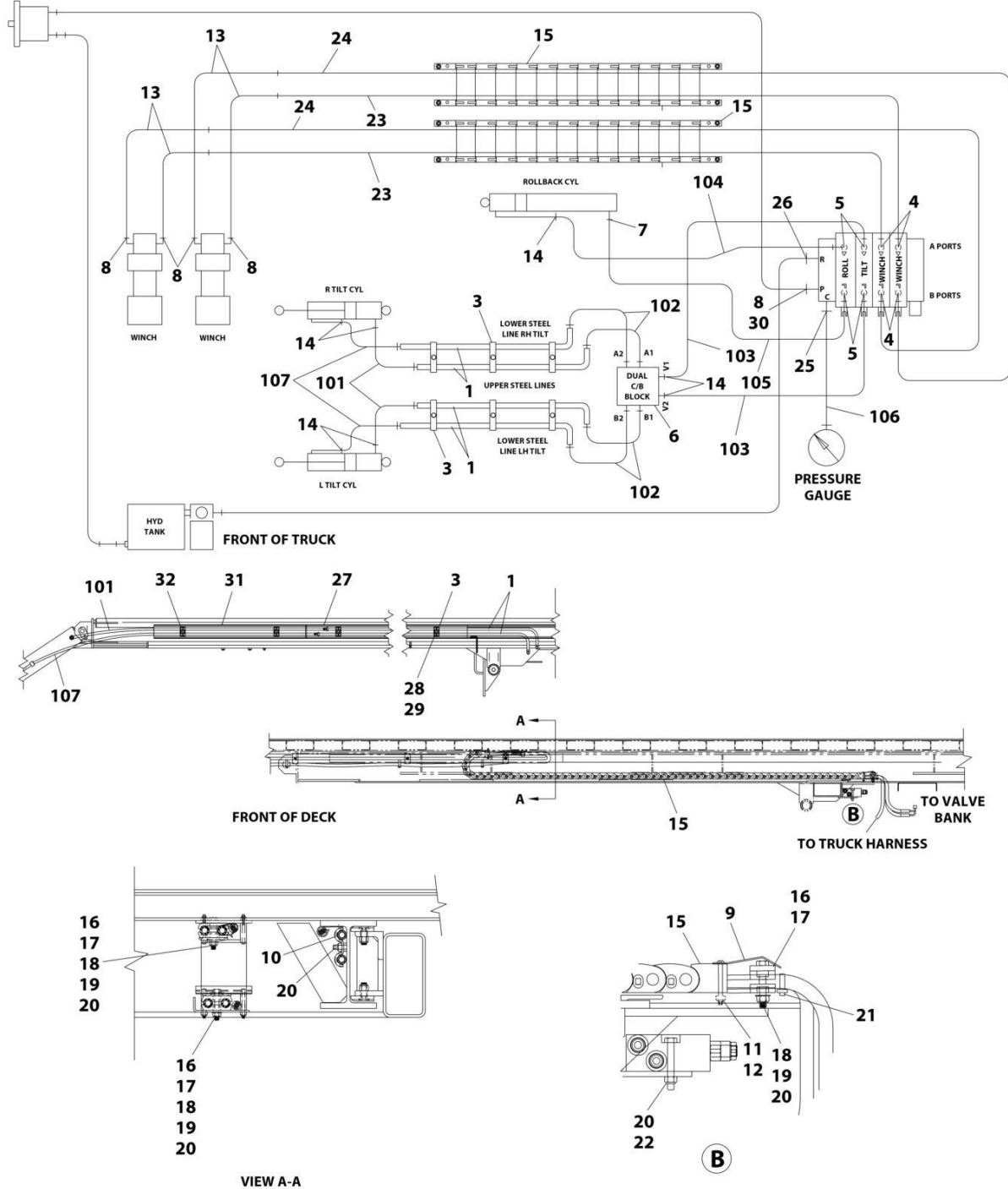
## SECTION 6 - HYDRAULIC

**FIGURE 6-27. WHEEL LIFT HYDRAULIC INSTALLATION (IRL 4000LBS)**

ITEM	PART NUMBER	QTY	DESCRIPTION	REV
	1001130062	Ref	Wheel Lift Hydraulic Installation (IRL 4000LBS)	E
1	4567122038	1	Hose	
2	4567120042	1	Hose	
3	4567110034	2	Hose	
4	7445040843	2	Adapter	
5	7935000305	2	Valve Assembly	
5	900115	2	Valve, Counterbalance Cartridge (1 Per Assembly)	
5	960006	2	Seal Kit - 900115 Cartridge Valve (1 Per Cartridge)	
6	4567120010	2	Hose	
7	7443000129	2	Reducer	
8	7445060645	6	Elbow	
9	7445060648	2	Tee Run	
10	7445040446	2	Elbow	
11	4567123048	1	Hose	
12	4567122043	1	Hose	
13	7443000030	2	Tee Fitting	
14	5526000553	12	Tie-Strap (Not Shown)	

# SECTION 6 - HYDRAULIC

## FIGURE 6-28. WINCH HYDRAULIC INSTALLATION (28FT DECK)



ART\_100119779

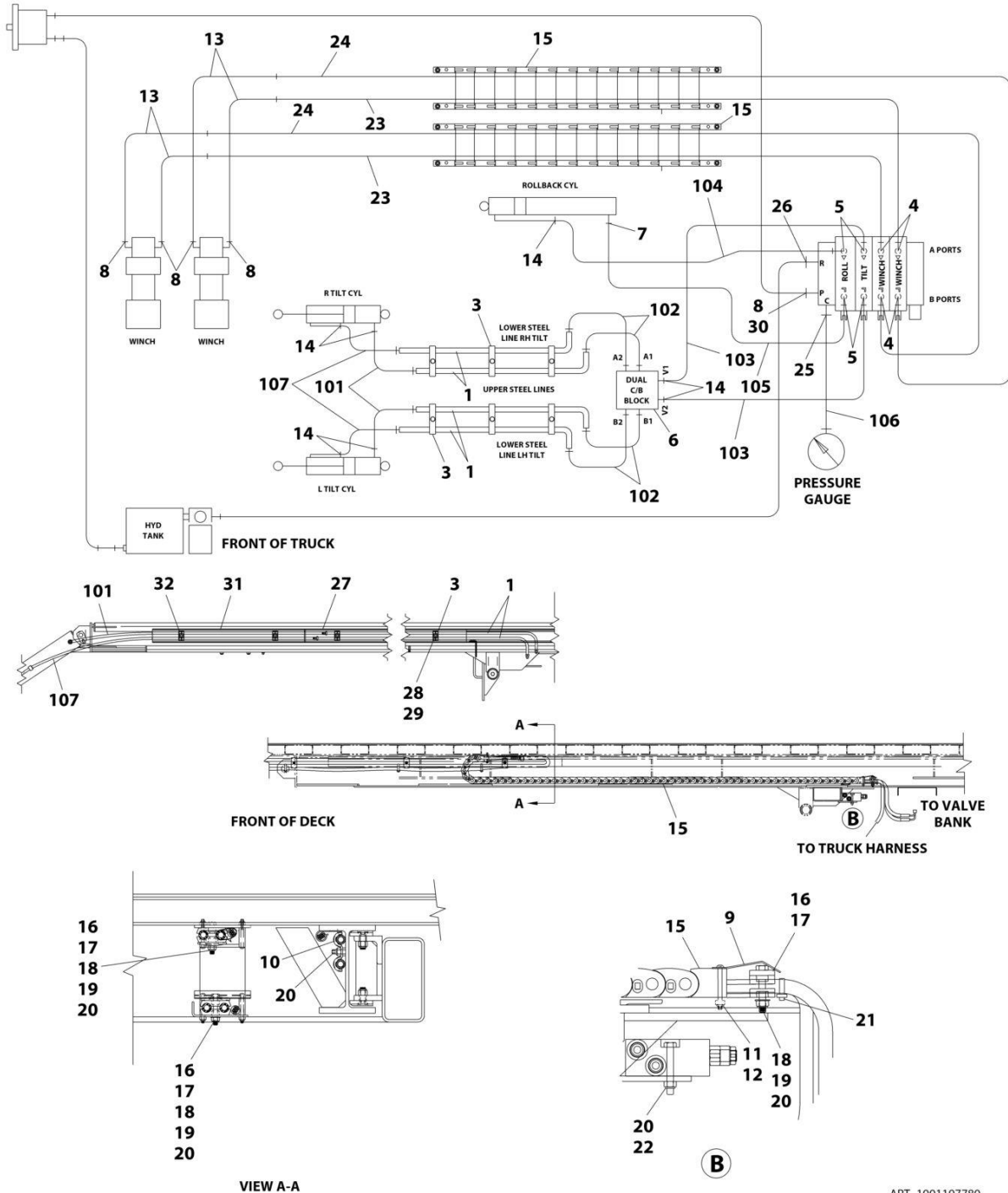
## SECTION 6 - HYDRAULIC

**FIGURE 6-28. WINCH HYDRAULIC INSTALLATION (28FT DECK)**

ITEM	PART NUMBER	QTY	DESCRIPTION	REV
	1001197779	Ref	WINCH HYDRAULIC INSTALLATION (28FT DECK)	D
1	7912000349	4	Tube Assembly	
2	1001197966	1	Hose Kit (Not Shown) (Includes Items 101-107)	
3	7274000064	6	Clamp	
4	7445080843	4	Adapter	
5	7445060843	4	Adapter	
6	7935000306	1	Valve Assembly	
6	900115	2	Valve, Counterbalance Valve (2 Per Assembly)	
6	960006	2	Seal Kit - 900115 Cartridge Valve (1 Per Cartridge)	
7	7445060645	1	Elbow	
8	7445081045	5	Elbow	
9	4706003038	2	Plate	
10	7274000066	16	Clamp	
11	7114101618	8	Capscrew #10 x 2	
12	3300455	8	Nut 10	
13	4567430199	4	Hose	
14	7445060643	7	Adapter	
15	7904000001	2	Carrier	
16	7274000038	8	Clamp	
17	7274000039	4	Cover	
18	4751500	6	Washer 5/16	
19	0641516	4	Capscrew 5/16 x 2	
20	7660152601	21	Nut 5/16	
21	7894000004	10	Tie-Strap	
22	0641518	2	Capscrew 5/16 x 2-1/4	
23	4569433122	2	Hose	
24	4569432122	2	Hose	
25	7445040443	1	Adapter	
26	7443000446	1	Fitting	
27	1001189466	2	Cover	
28	0641504	10	Capscrew 5/16 x 1/2	
29	4711500	20	Washer 5/16	
30	7445080818	1	Nut #8	
31	1001200207	2	Cover	
32	1001220732	4	Clamp	
101	1001220682	2	Hose	
102	4570000379	4	Hose	
103	4567122019	2	Hose	
104	4567123051	1	Hose	
105	4567122024	1	Hose	
106	4567122039	1	Hose	
107	4567120066	2	Hose	

# SECTION 6 - HYDRAULIC

## FIGURE 6-29. WINCH HYDRAULIC INSTALLATION (30FT DECK)



ART\_1001197780

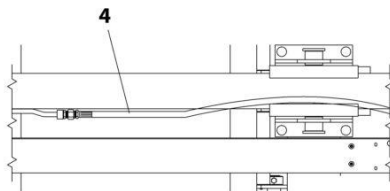
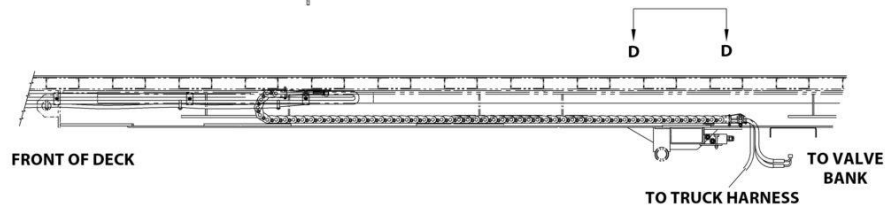
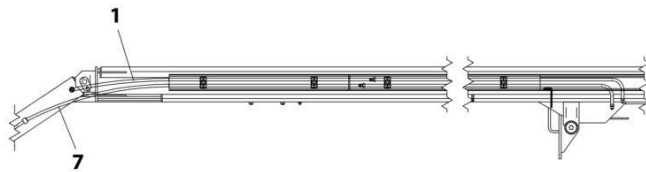
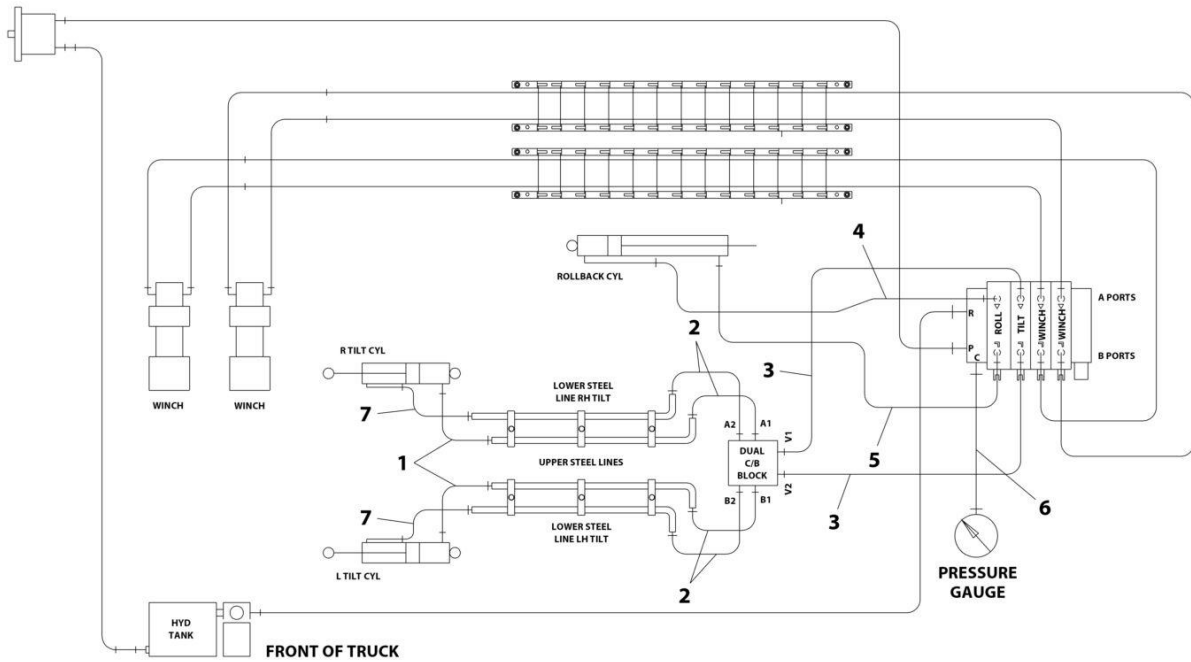
## SECTION 6 - HYDRAULIC

**FIGURE 6-29. WINCH HYDRAULIC INSTALLATION (30FT DECK)**

ITEM	PART NUMBER	QTY	DESCRIPTION	REV
	1001197780	Ref	WINCH HYDRAULIC INSTALLATION (30FT DECK)	D
1	7912000349	4	Tube	
2	1001197966	1	Hose Kit (Not Shown) (Includes Items 101-107)	
3	7274000064	6	Clamp	
4	7445080843	4	Adapter	
5	7445060843	4	Adapter	
6	7935000306	1	Valve Assembly - Counter Balance	
6	900115	2	Valve, Counter Balance Valve (2 Per Assembly)	
6	960006	2	Seal Kit - 900115 Cartridge Valve (1 Per Cartridge)	
7	7445060645	1	Elbow	
8	7445081045	5	Elbow	
9	4706003038	2	Plate	
10	7274000066	18	Clamp	
11	7114101618	8	Capscrew #10 x 2	
12	3300455	8	Nut 10	
13	4567430223	4	Hose	
14	7445060643	7	Adapter	
15	7904000001	2	Cable Carrier	
16	7274000038	8	Clamp	
17	7274000039	4	Cover	
18	4751500	6	Washer 5/16	
19	0641516	4	Capscrew 5/16 x 2	
20	7660152601	23	Nut 5/16	
21	7894000004	10	Tie-Strap	
22	0641518	2	Capscrew 5/16 x 2-1/4	
23	4569433122	2	Hose	
24	4569432122	2	Hose	
25	7445040443	1	Adapter	
26	7443000446	1	Fitting	
27	1001189466	2	Cover	
28	0641504	10	Capscrew 5/16 x 1/2	
29	4711500	20	Washer 5/16	
30	7445080818	1	Nut #8	
31	1001200207	2	Cover	
32	1001220732	4	Clamp	
101	1001220682	2	Hose	
102	4570000379	4	Hose	
103	4567122019	2	Hose	
104	4567123051	1	Hose	
105	4567122024	1	Hose	
106	4567122039	1	Hose	
107	4567120066	2	Hose	

# SECTION 6 - HYDRAULIC

## FIGURE 6-30. WINCH HOSE KIT



ART\_1001197966



## SECTION 6 - HYDRAULIC

### FIGURE 6-30. WINCH HOSE KIT

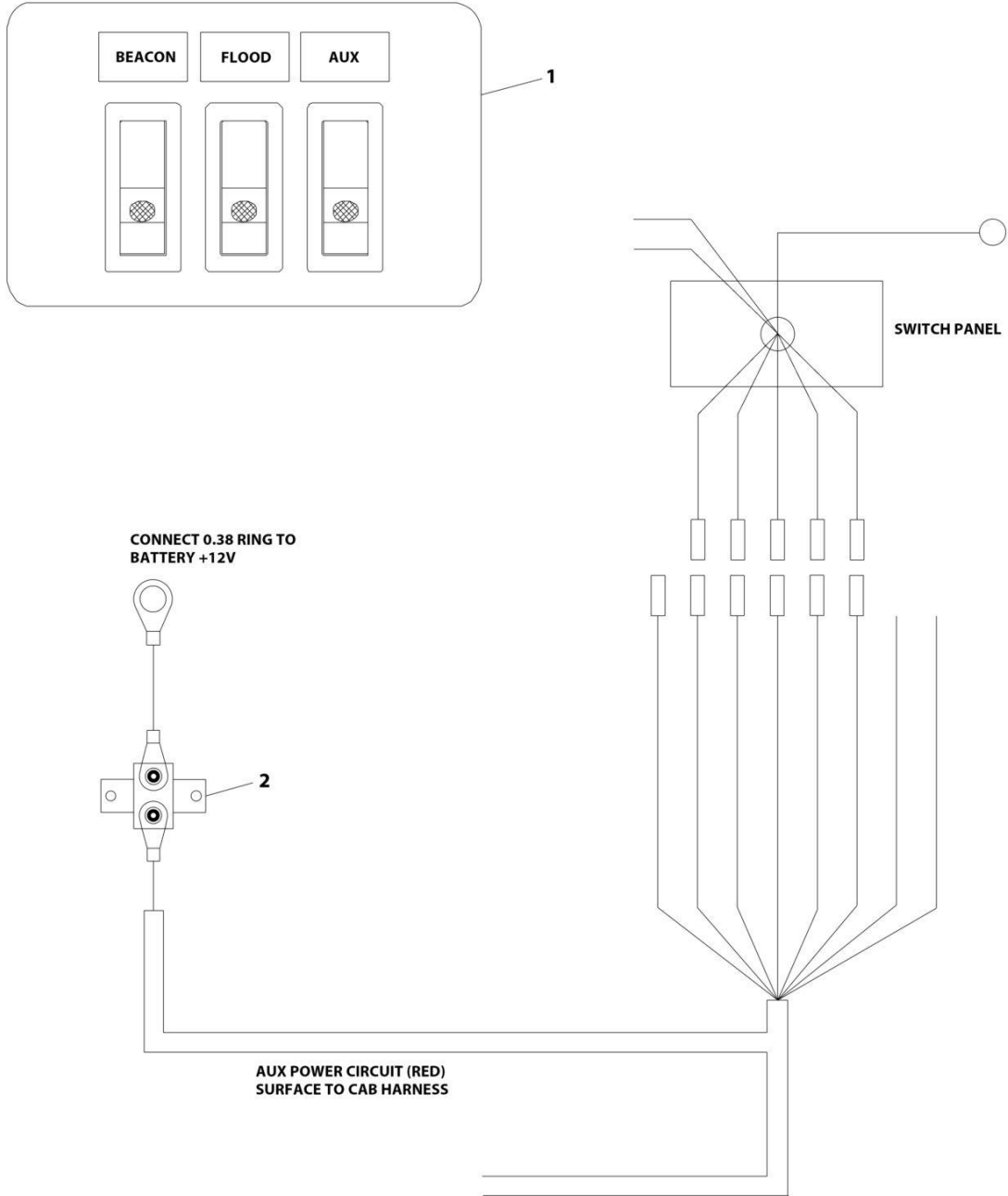
ITEM	PART NUMBER	QTY	DESCRIPTION	REV
	1001197966	Ref	Hose Kit - Tandem Axle	C
1	1001220682	2	Hose	
2	4570000379	4	Hose	
3	4567122019	2	Hose	
4	4567123051	1	Hose	
5	4567122024	1	Hose	
6	4567112042	1	Hose	
7	4567120066	2	Hose	



**SECTION 7 - ELECTRICAL**

# SECTION 7 - ELECTRICAL

## FIGURE 7-1. 3 FUNCTION IN-DASH MINI SWITCH PANEL INSTALLATION



ART\_SP31MPKG

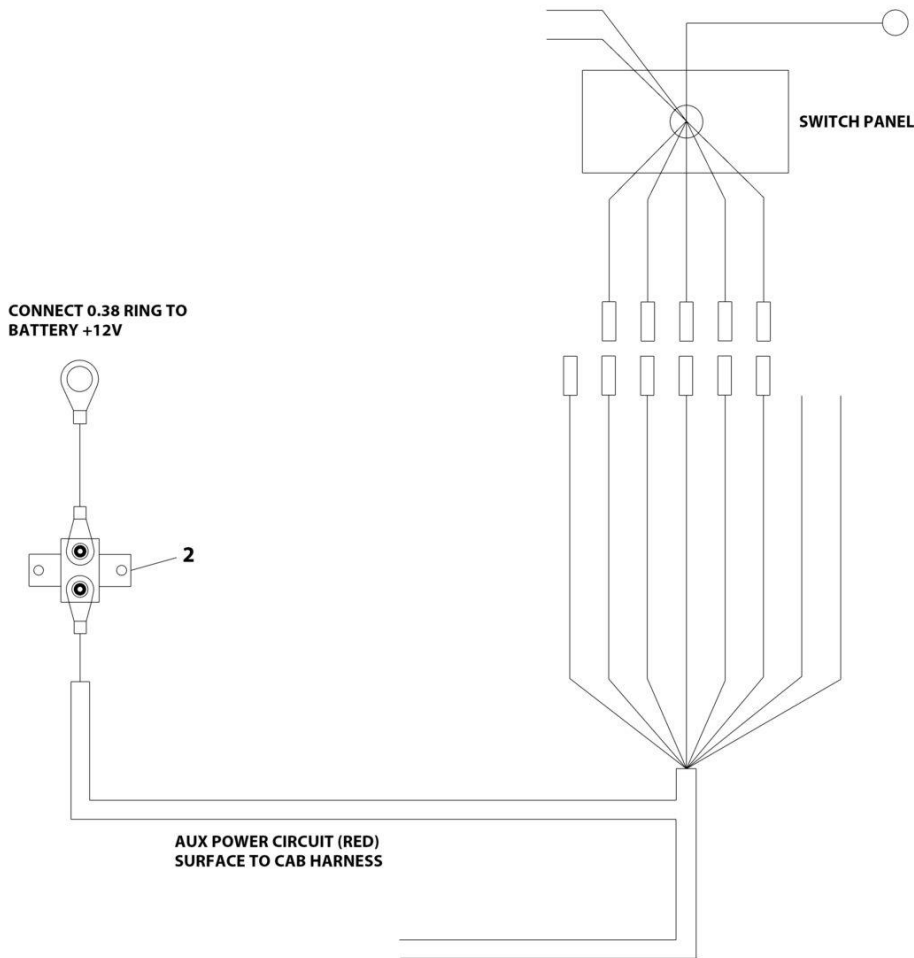
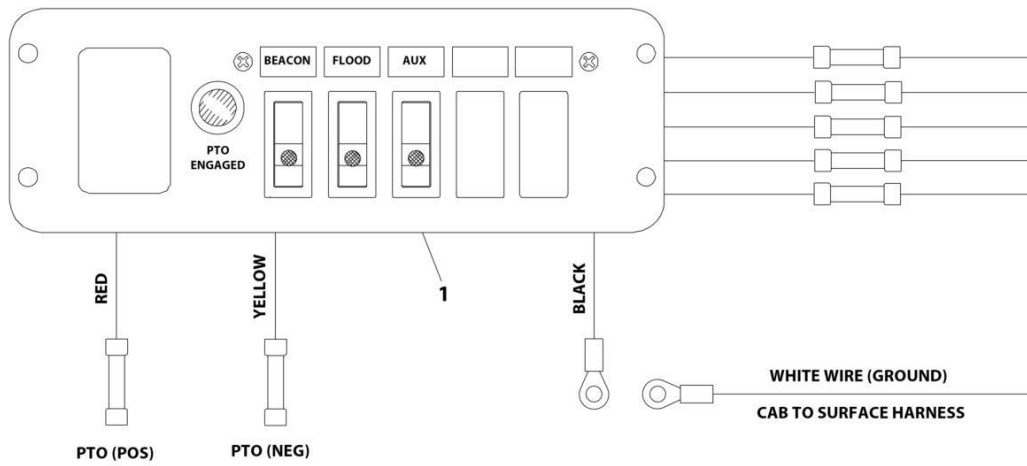
## SECTION 7 - ELECTRICAL

**FIGURE 7-1. 3 FUNCTION IN-DASH MINI SWITCH PANEL INSTALLATION**

ITEM	PART NUMBER	QTY	DESCRIPTION	REV
	SP3IMPKG	Ref	3 Function In-Dash Mini Switch Panel	A
1	7870000113	1	Switch Panel	
2	1001129883	1	Breaker Installation (See Separate Breakdown in this Section)	

# SECTION 7 - ELECTRICAL

## FIGURE 7-2. 3 FUNCTION IN-DASH COMPACT SWITCH PANEL INSTALLATION



ART\_SP3ICPKG

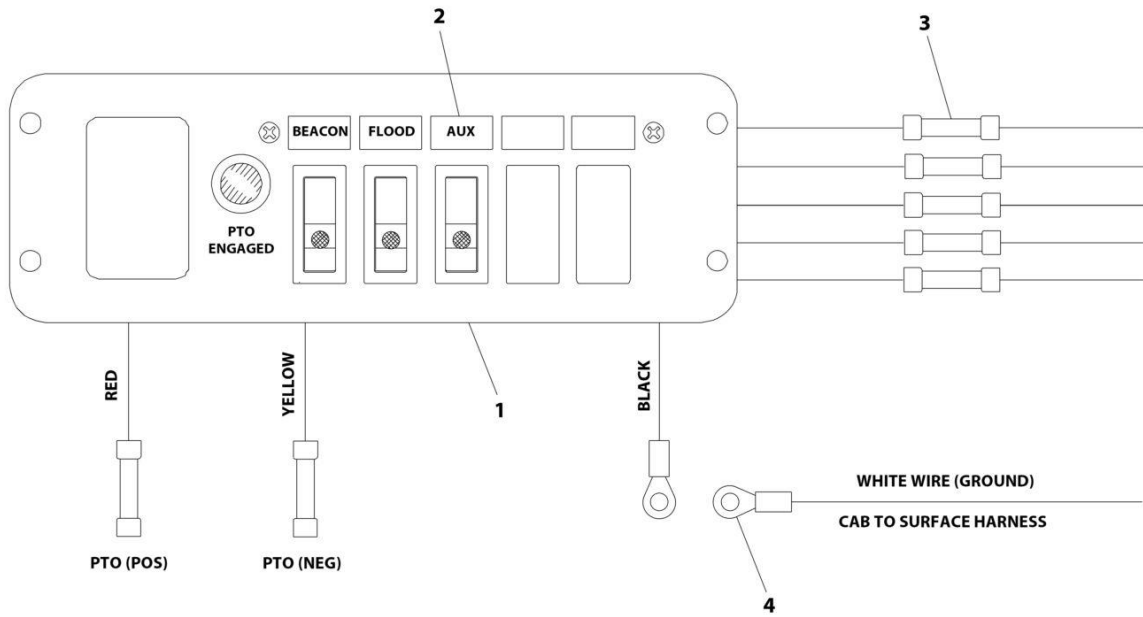
## SECTION 7 - ELECTRICAL

**FIGURE 7-2. 3 FUNCTION IN-DASH COMPACT SWITCH PANEL INSTALLATION**

ITEM	PART NUMBER	QTY	DESCRIPTION	REV
1	SP3ICPKG 1001135700	Ref 1	3 Function In-Dash Compact Switch Panel 3 Function In-Dash Compact Assembly (See Separate Breakdown in this Section)	B
2	1001129883	1	Breaker Installation (See Separate Breakdown in this Section)	

# SECTION 7 - ELECTRICAL

## FIGURE 7-3. 3 FUNCTION IN-DASH COMPACT ASSEMBLY



ART\_1001135700



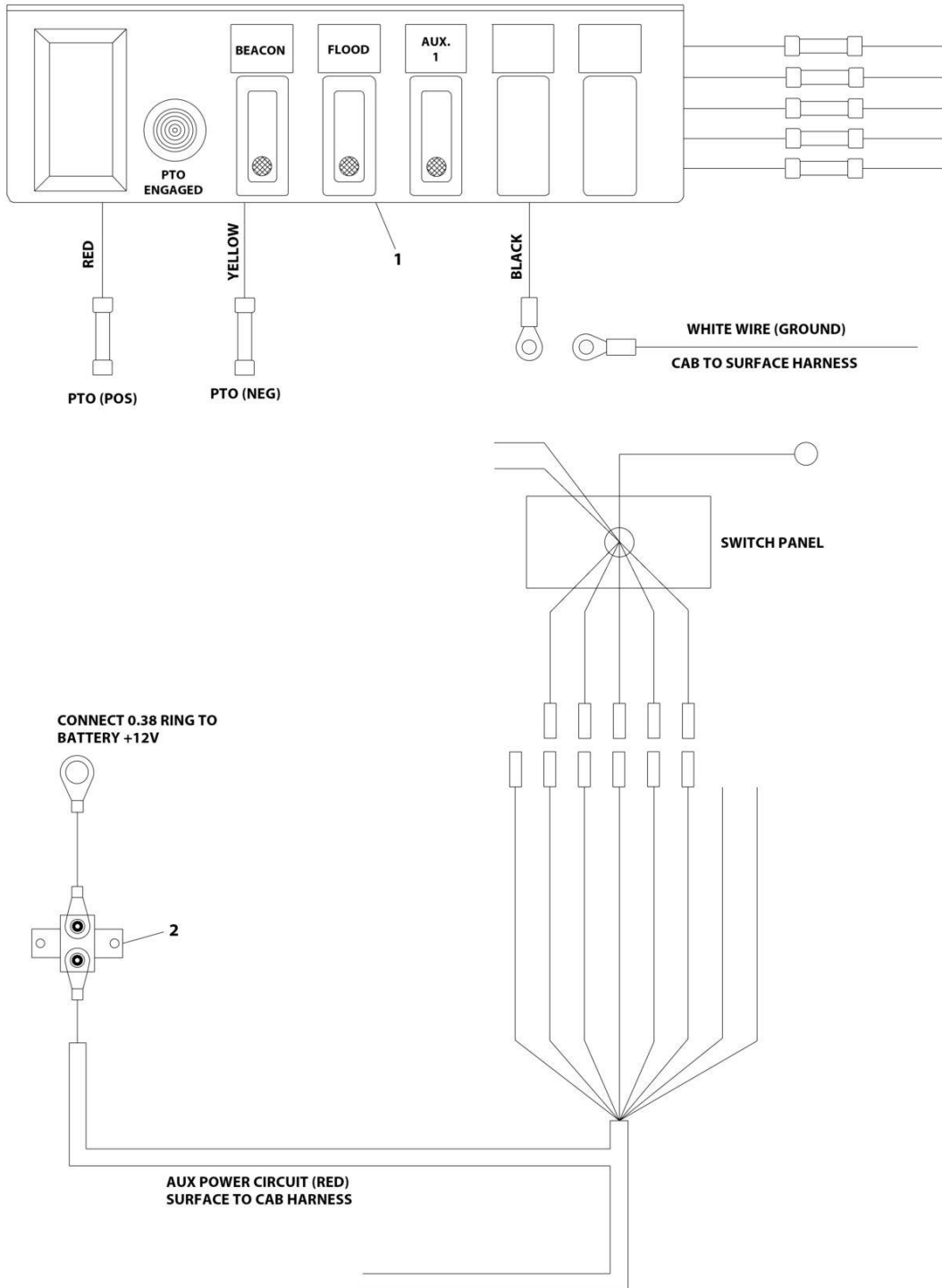
## SECTION 7 - ELECTRICAL

### FIGURE 7-3. 3 FUNCTION IN-DASH COMPACT ASSEMBLY

ITEM	PART NUMBER	QTY	DESCRIPTION	REV
	1001135700	Ref	3 Function In-Dash Compact Installation	A
1	7870000100	1	Switch Panel	
2	7330000288	1	Decal	
3	7345001913	4	Connector	
4	7345211701	1	Terminal	
4	7345001713	1	Connector	
5	4346000005	1	Heat Shrink (Not Shown)	

# SECTION 7 - ELECTRICAL

## FIGURE 7-4. 3 FUNCTION UNDER-DASH COMPACT SWITCH PANEL INSTALLATION



ART\_SP3CPKG

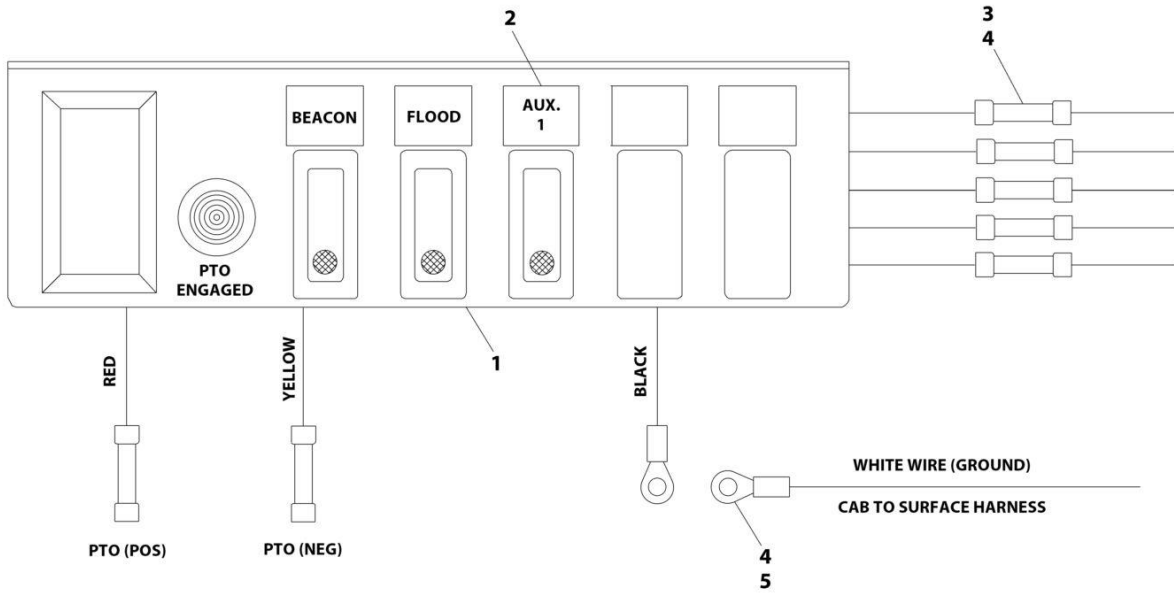
## SECTION 7 - ELECTRICAL

**FIGURE 7-4. 3 FUNCTION UNDER-DASH COMPACT SWITCH PANEL INSTALLATION**

ITEM	PART NUMBER	QTY	DESCRIPTION	REV
1	SP3CPKG 1001135756	Ref 1	3 Function Under-Dash Compact Switch Panel Installation 3 Function Under-Dash Compact Switch Assembly (See Separate Breakdown in this Section)	B
2	1001129883	1	Breaker Installation (See Separate Breakdown in this Section)	

# SECTION 7 - ELECTRICAL

## FIGURE 7-5. 3 FUNCTION UNDER-DASH COMPACT ASSEMBLY



ART\_1001135756

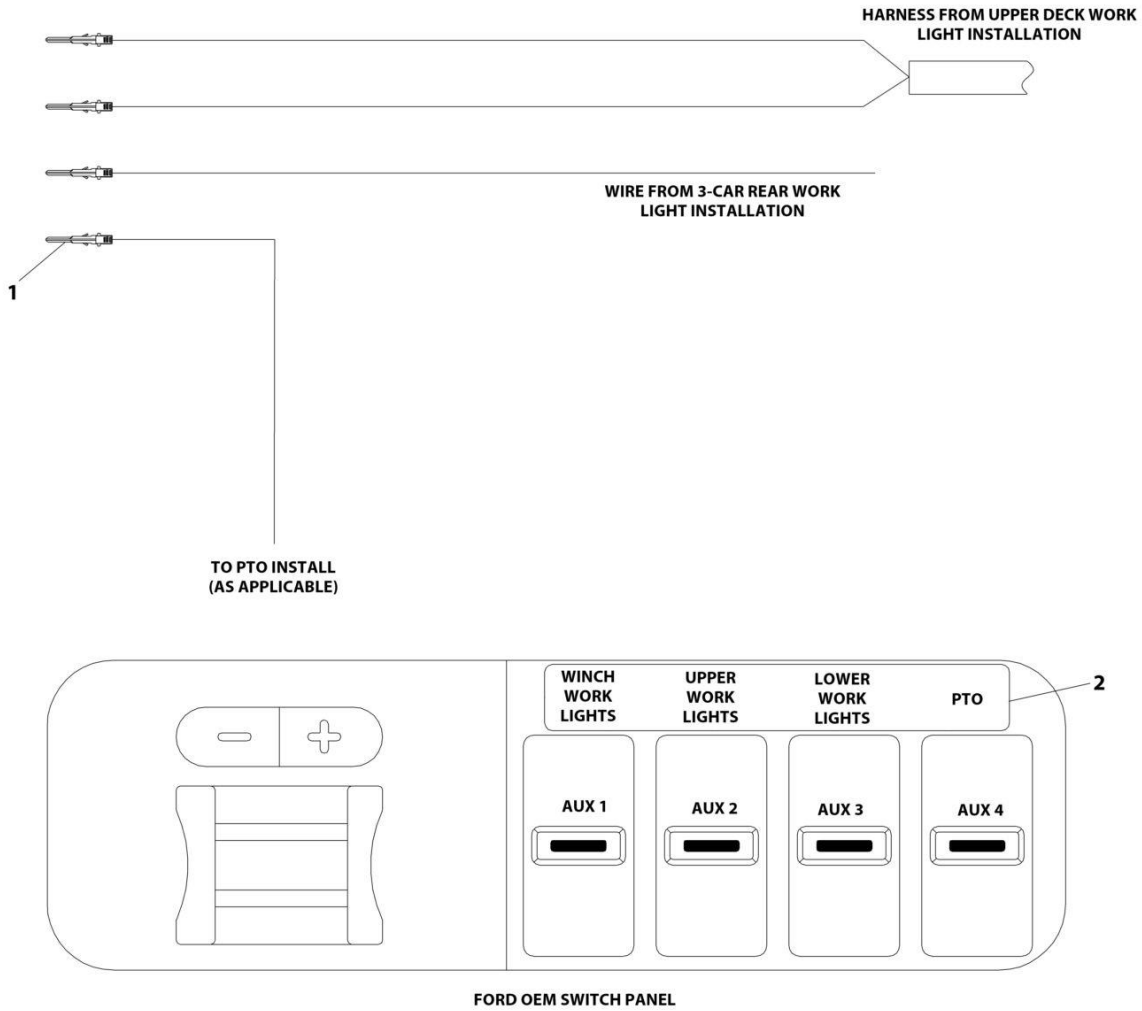
## SECTION 7 - ELECTRICAL

### FIGURE 7-5. 3 FUNCTION UNDER-DASH COMPACT ASSEMBLY

ITEM	PART NUMBER	QTY	DESCRIPTION	REV
	1001135756	1	3 Function Under-Dash Compact Assembly	A
1	7870000134	1	Switch Panel	
2	7330000288	1	Decal	
3	7346000242	2	Connector	
4	7345001713	4	Connector	
5	7345211701	1	Terminal	
6	4346000005	1	Heat Shrink (Not Shown)	
7	8597650003	2	Wire (Not Shown)	
8	5526000553	6	Tie Strap (Not Shown)	

# SECTION 7 - ELECTRICAL

## FIGURE 7-6. 4 FUNCTION IN-DASH SWITCH PANEL INSTALLATION - FORD OEM



ART\_1001136141

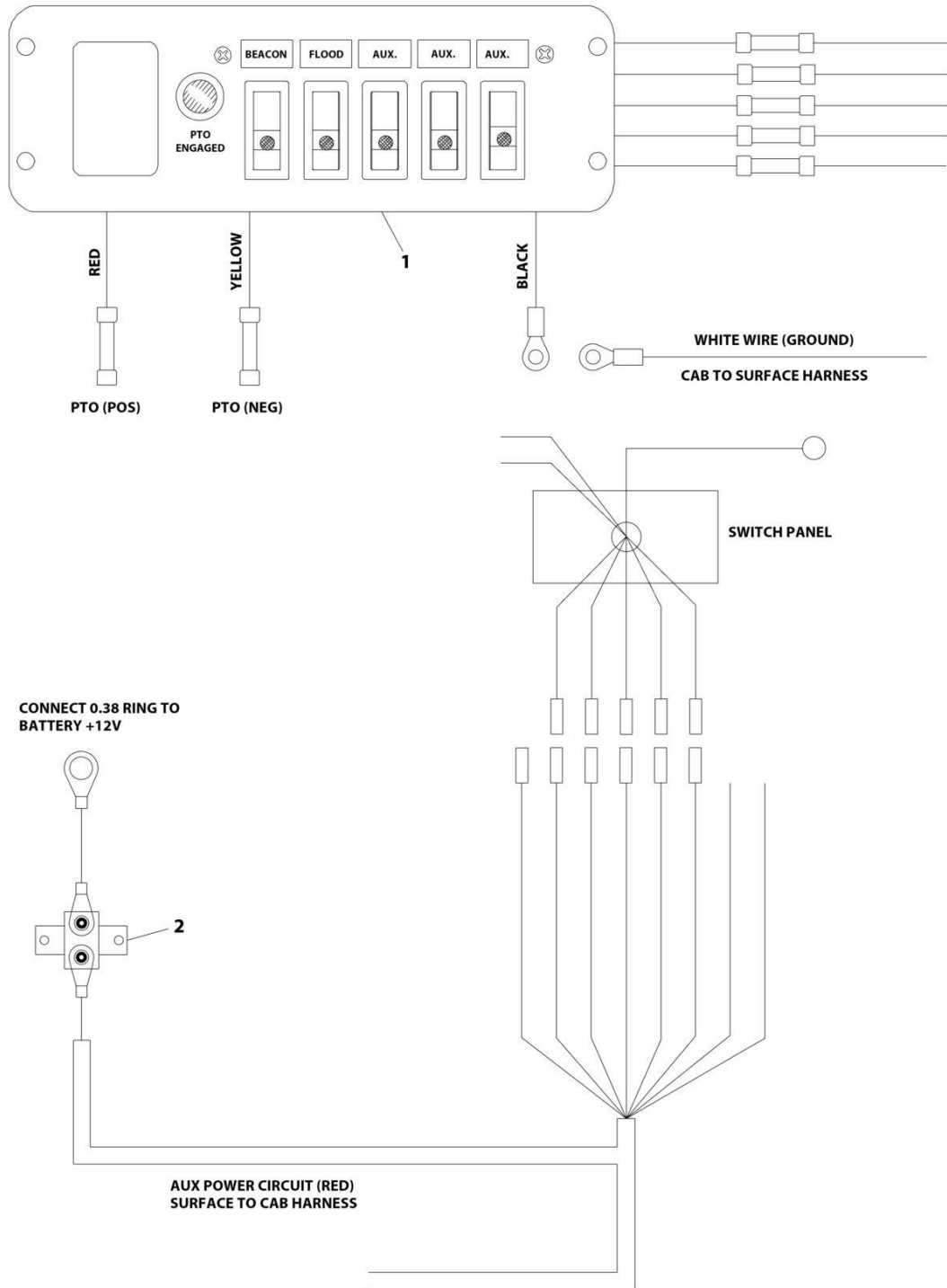
## SECTION 7 - ELECTRICAL

**FIGURE 7-6. 4 FUNCTION IN-DASH SWITCH PANEL INSTALLATION - FORD OEM**

ITEM	PART NUMBER	QTY	DESCRIPTION	REV
	1001136141	Ref	4 FUNCTION IN-DASH SWITCH PANEL INSTALLATION - FORD OEM	B
1	1001129095	4	Terminal	
2	1001136142	AR	Decal	
2	1001136143	AR	Decal	

# SECTION 7 - ELECTRICAL

## FIGURE 7-7. 5 FUNCTION IN-DASH COMPACT SWITCH PANEL INSTALLATION



ART\_SP5ICPKG



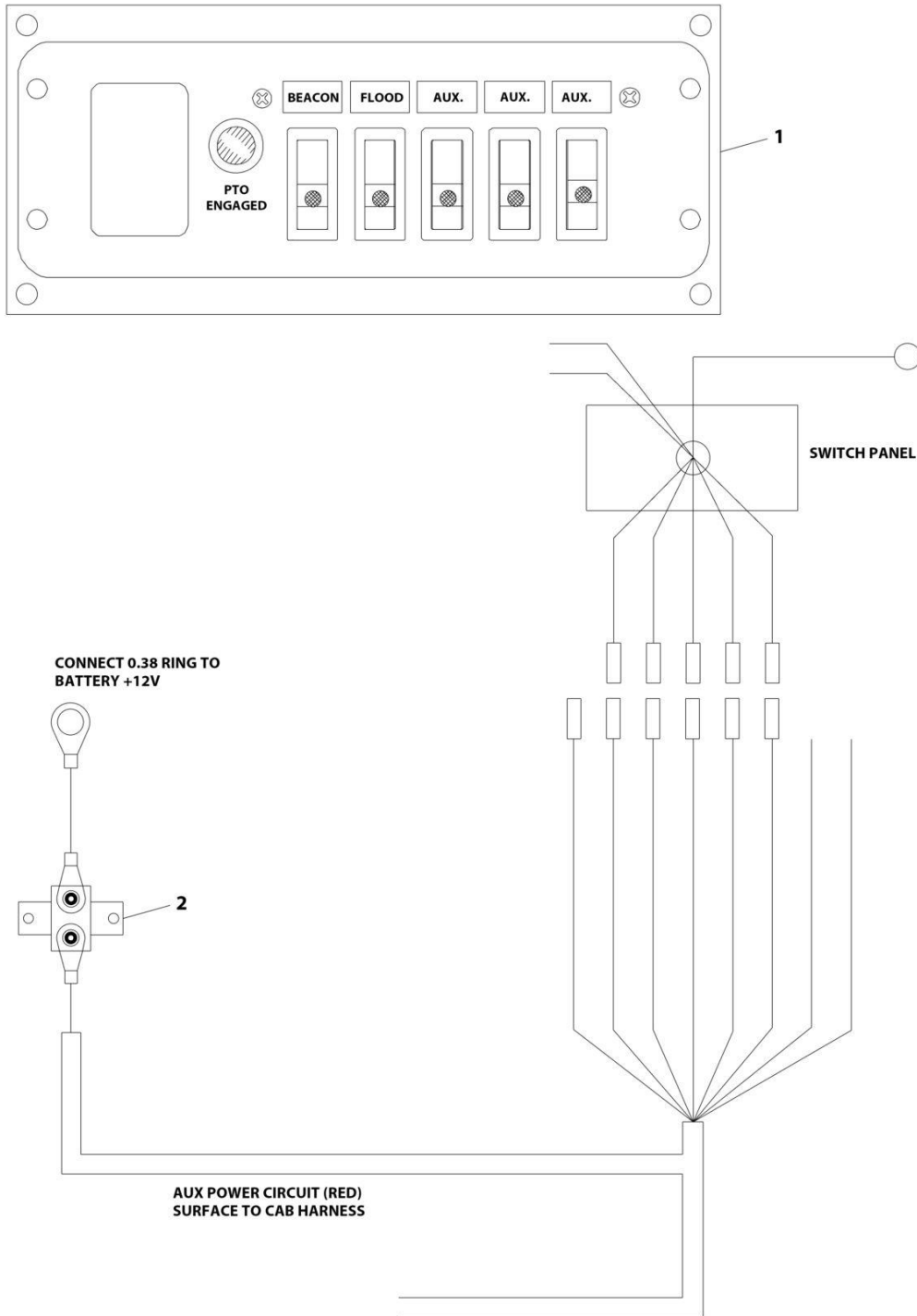
## SECTION 7 - ELECTRICAL

**FIGURE 7-7. 5 FUNCTION IN-DASH COMPACT SWITCH PANEL INSTALLATION**

ITEM	PART NUMBER	QTY	DESCRIPTION	REV
1	SP5ICPKG 1001135701	Ref 1	5 Function In-Dash Compact Switch Panel Installation 5 Function In-Dash Switch Panel Assembly (See Separate Breakdown in this Section)	B
2	1001129883	1	Breaker Installation (See Separate Breakdown in this Section)	

# SECTION 7 - ELECTRICAL

## FIGURE 7-8. 5 FUNCTION IN-DASH SWITCH PANEL INSTALLATION - FORD



ART\_SP5IFPKG

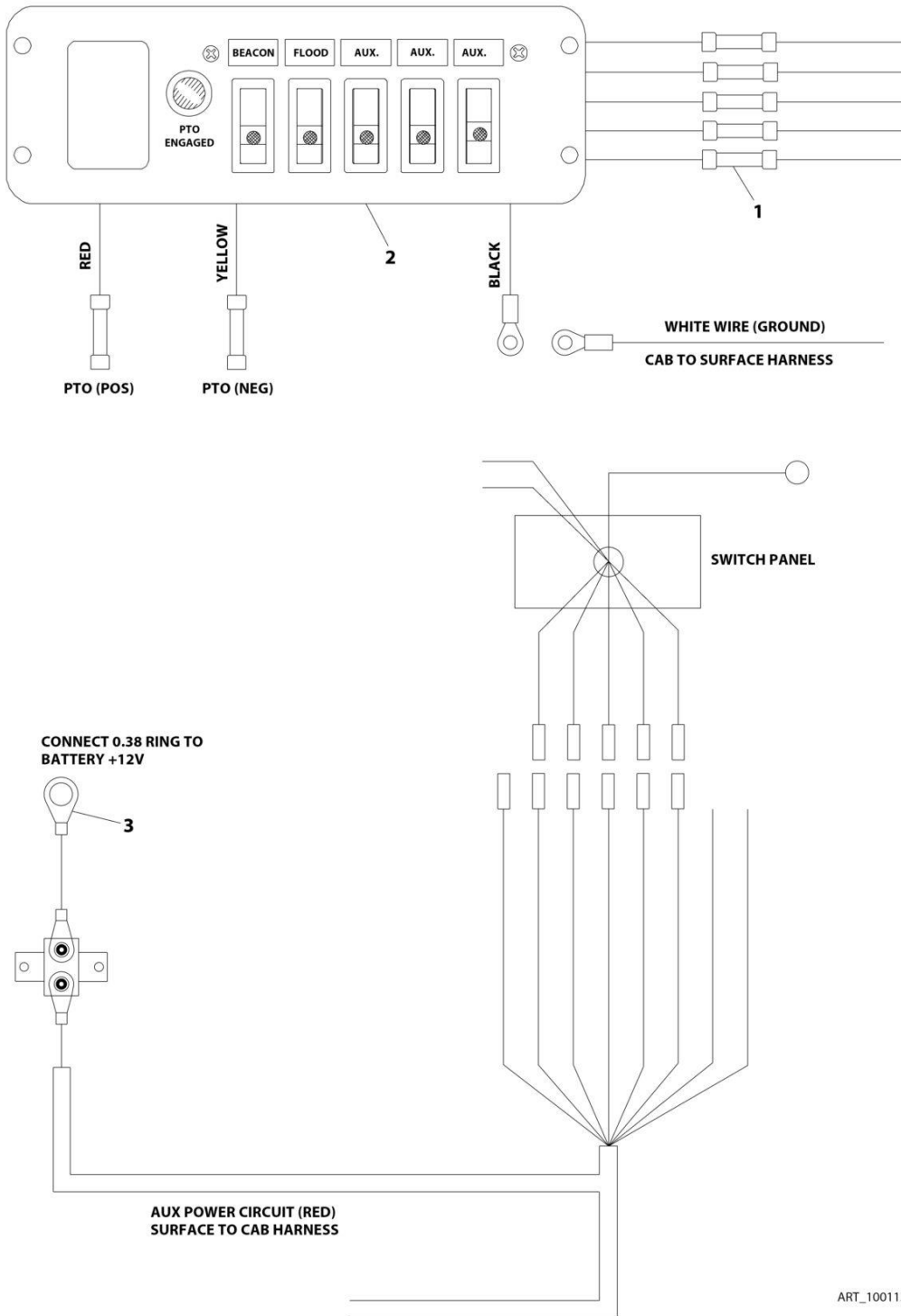
## SECTION 7 - ELECTRICAL

**FIGURE 7-8. 5 FUNCTION IN-DASH SWITCH PANEL INSTALLATION - FORD**

ITEM	PART NUMBER	QTY	DESCRIPTION	REV
1	SP5IFPKG 2870000021	Ref 1	5 FUNCTION IN-DASH SWITCH PANEL INSTALLATION - FORD 5 Function In-Dash Switch Panel Installation (See Separate Breakdown in this Section)	A
2	1001129883	1	Breaker Installation (See Separate Breakdown in this Section)	

# SECTION 7 - ELECTRICAL

## FIGURE 7-9. 5 FUNCTION IN-DASH SWITCH PANEL INSTALLATION - IHC WITHOUT OEM



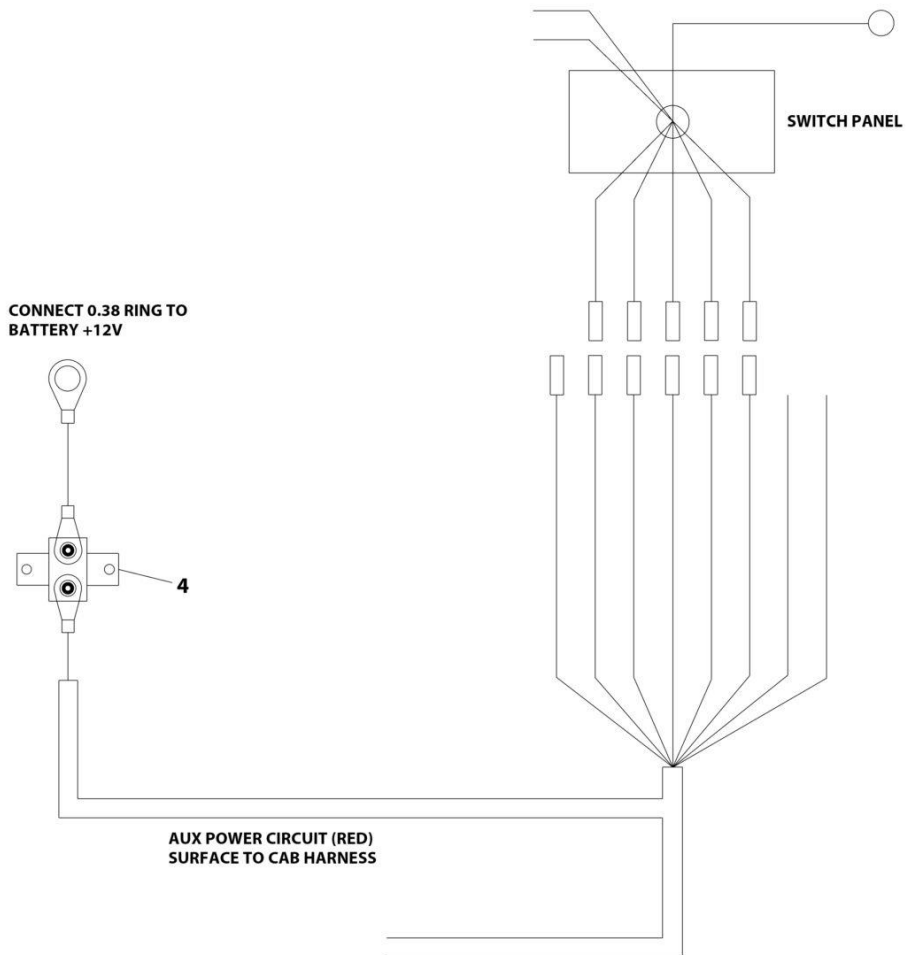
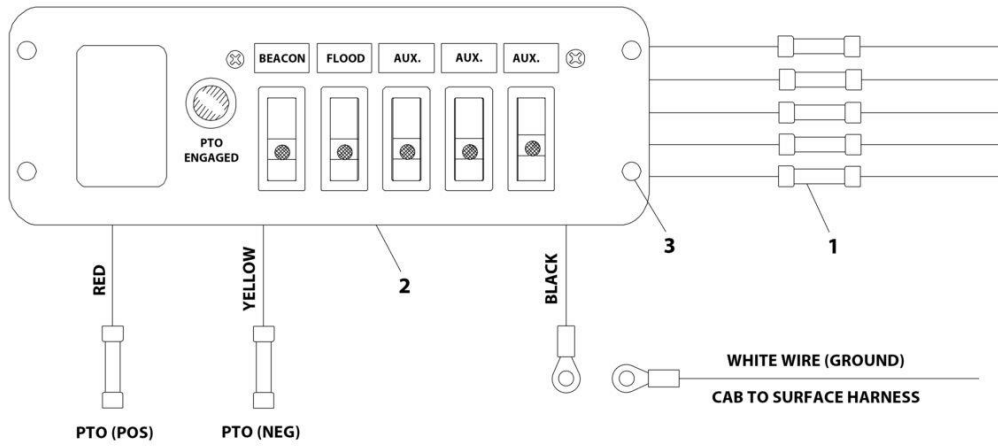
## SECTION 7 - ELECTRICAL

**FIGURE 7-9. 5 FUNCTION IN-DASH SWITCH PANEL INSTALLATION - IHC WITHOUT OEM**

ITEM	PART NUMBER	QTY	DESCRIPTION	REV
	1001135811	Ref	5 FUNCTION IN-DASH SWITCH PANEL INSTALLATION - IHC WITHOUT OEM	A
1	1001135701	1	5 Function In-Dash Compact Installation (See Separate Breakdown in this Section)	
2	1001135813	1	Switch Panel	
3	1001129883	1	Breaker Installation (See Separate Breakdown in this Section)	

# SECTION 7 - ELECTRICAL

## FIGURE 7-10. 5 FUNCTION IN-DASH SWITCH PANEL INSTALLATION - PETERBILT



ART\_1001135812

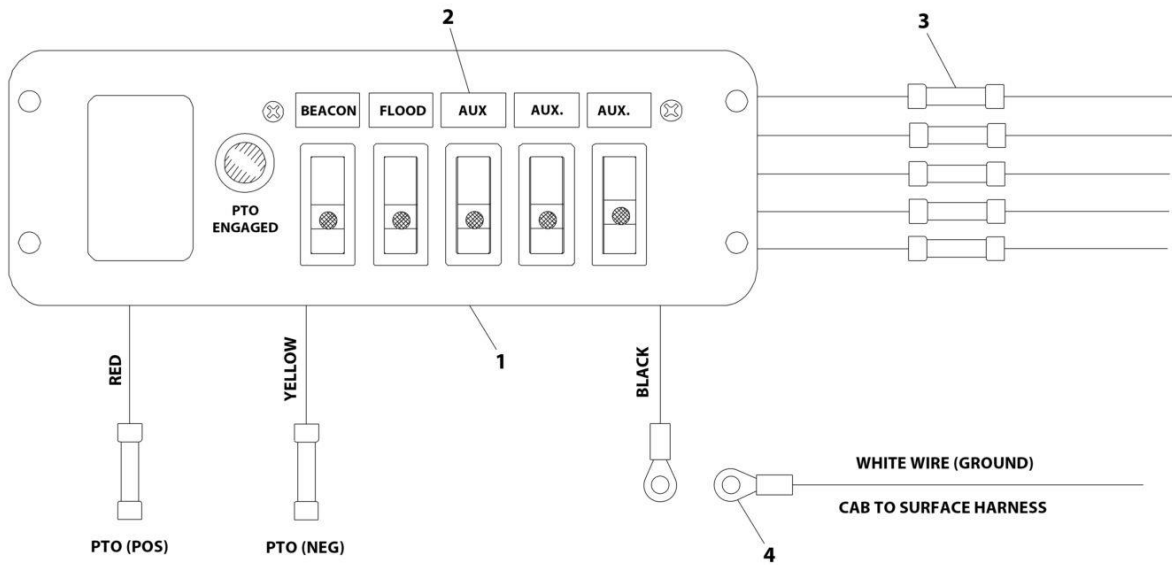
## SECTION 7 - ELECTRICAL

**FIGURE 7-10. 5 FUNCTION IN-DASH SWITCH PANEL INSTALLATION - PETERBILT**

ITEM	PART NUMBER	QTY	DESCRIPTION	REV
	1001135812	Ref	5 FUNCTION IN-DASH SWITCH PANEL INSTALLATION - PETERBILT	A
1	1001135701	1	5 Function In-Dash Switch Panel Installation (See Separate Breakdown in this Section)	
2	1001135814	1	Switch Panel	
3	1001135815	4	Screw #8 x 3/8	
4	1001129883	1	Breaker Installation (See Separate Breakdown in this Section)	

# SECTION 7 - ELECTRICAL

## FIGURE 7-11. 5 FUNCTION IN-DASH COMPACT SWITCH PANEL ASSEMBLY



ART\_1001135701



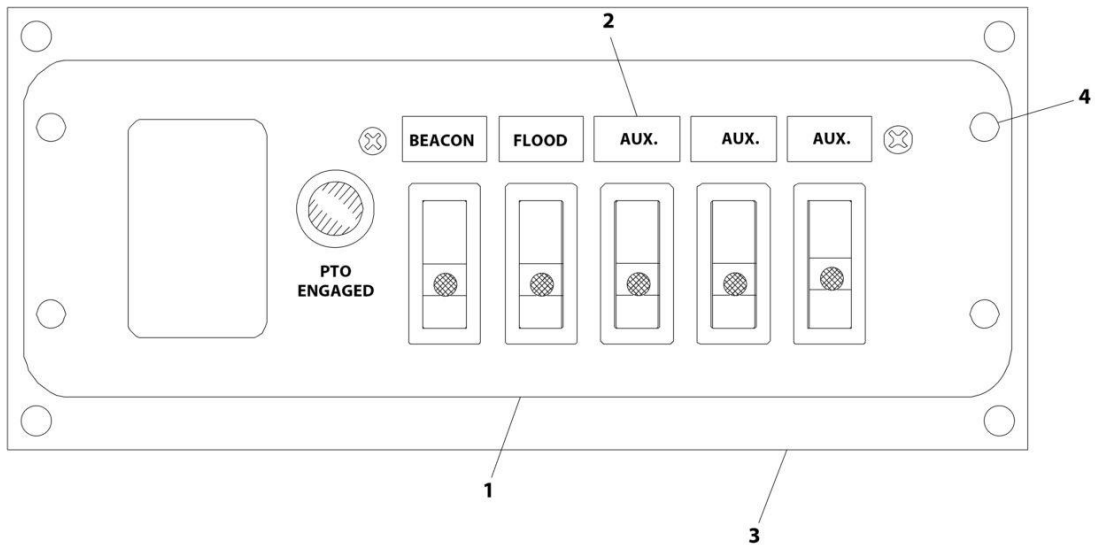
## SECTION 7 - ELECTRICAL

**FIGURE 7-11. 5 FUNCTION IN-DASH COMPACT SWITCH PANEL ASSEMBLY**

ITEM	PART NUMBER	QTY	DESCRIPTION	REV
	1001135701	Ref	5 FUNCTION IN-DASH COMPACT SWITCH PANEL ASSEMBLY	A
1	7870000106	1	Switch Panel	
2	7330000288	1	Decal	
3	7345001913	6	Connector	
4	7345211701	1	Terminal	
4	7345001713	1	Connector	

# SECTION 7 - ELECTRICAL

## FIGURE 7-12. 5 FUNCTION IN-DASH SWITCH PANEL ASSEMBLY - FORD



ART\_2870000021

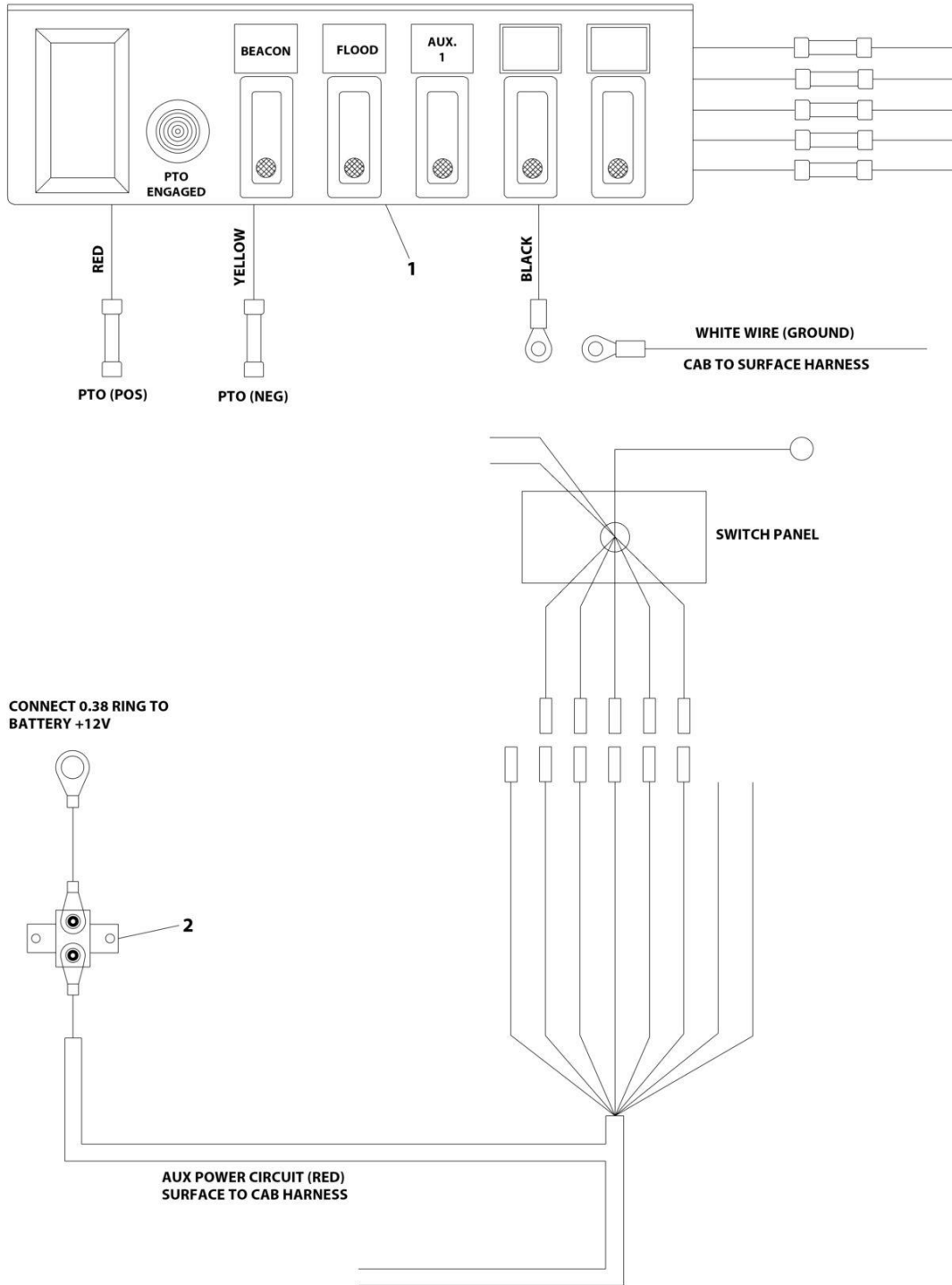
## SECTION 7 - ELECTRICAL

**FIGURE 7-12. 5 FUNCTION IN-DASH SWITCH PANEL ASSEMBLY - FORD**

ITEM	PART NUMBER	QTY	DESCRIPTION	REV
	2870000021	Ref	5 Function In-Dash Switch Panel Installation	0
1	7870000106	1	Switch Panel	
2	7330000288	1	Decal	
3	4178000864	1	Bracket	
4	7120000034	4	Screw #10 x 3/4	

# SECTION 7 - ELECTRICAL

## FIGURE 7-13. 5 FUNCTION UNDER-DASH COMPACT SWITCH PANEL INSTALLATION



ART\_SP5CPKG

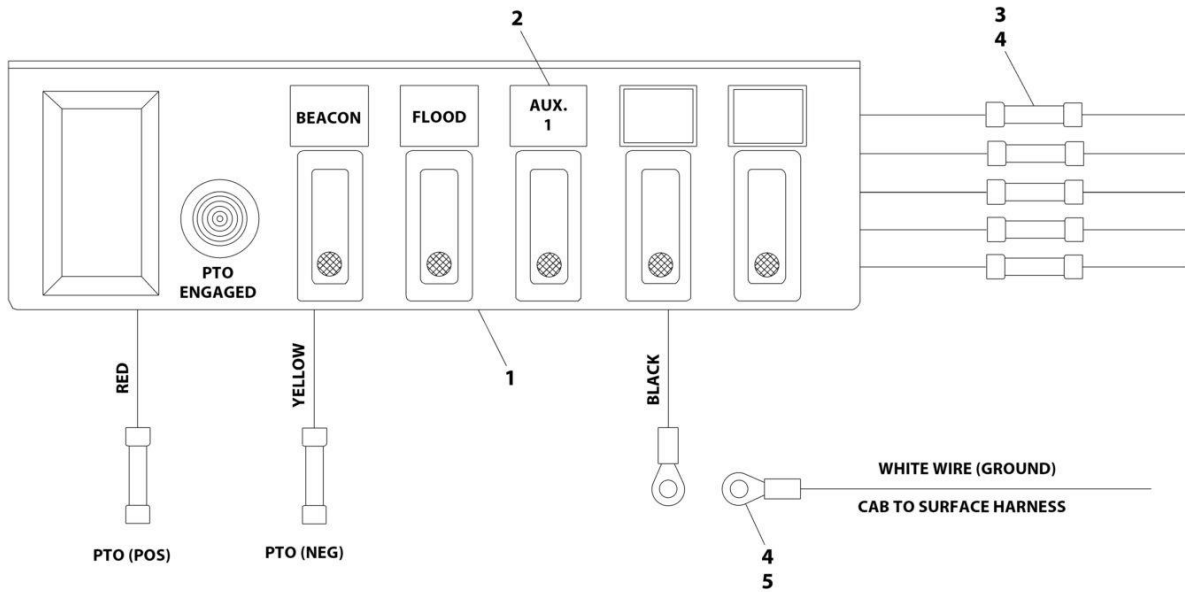
## SECTION 7 - ELECTRICAL

**FIGURE 7-13. 5 FUNCTION UNDER-DASH COMPACT SWITCH PANEL INSTALLATION**

ITEM	PART NUMBER	QTY	DESCRIPTION	REV
	SP5CPKG	Ref	5 FUNCTION UNDER-DASH COMPACT SWITCH PANEL INSTALLATION	B
1	1001135757	1	5 Function Under-Dash Compact Switch Assembly (See Separate Breakdown in this Section)	
2	1001129883	1	Breaker Installation (See Separate Breakdown in this Section)	

# SECTION 7 - ELECTRICAL

## FIGURE 7-14. 5 FUNCTION UNDER-DASH SWITCH PANEL ASSEMBLY



ART\_1001135757

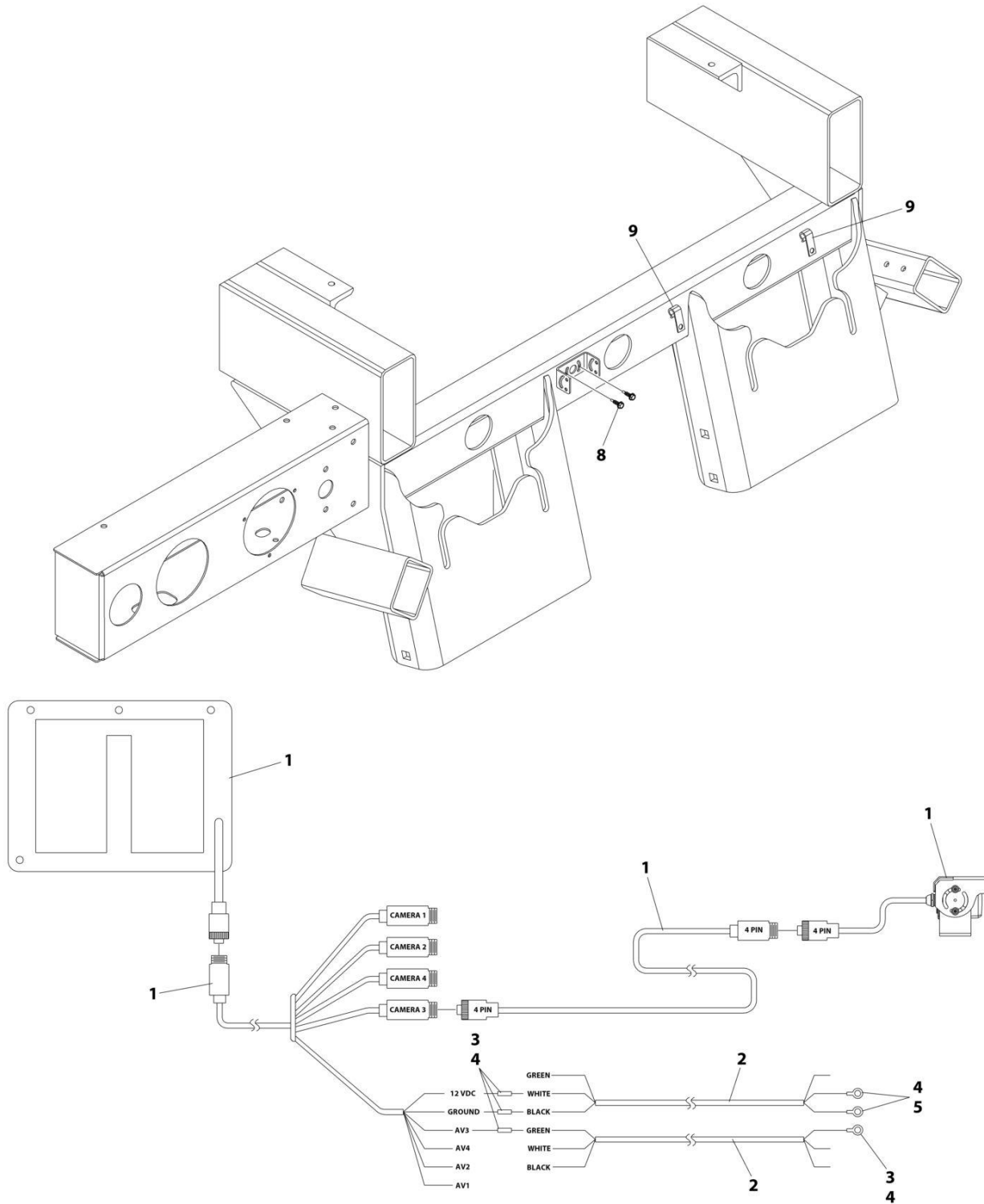
## SECTION 7 - ELECTRICAL

**FIGURE 7-14. 5 FUNCTION UNDER-DASH SWITCH PANEL ASSEMBLY**

ITEM	PART NUMBER	QTY	DESCRIPTION	REV
	1001135757	1	5 FUNCTION UNDER-DASH SWITCH PANEL ASSEMBLY	A
1	7870000137	1	Switch Panel	
2	7330000288	1	Decal	
3	7346000242	2	Connector	
4	7345001713	5	Connector	
5	7345211701	1	Terminal	
6	8597650003	2	Wire (Not Shown)	
7	5526000553	6	Tie Strap (Not Shown)	

# SECTION 7 - ELECTRICAL

## FIGURE 7-15. BACKUP CAMERA CARRIER INSTALLATION - JD SUPPLIED



ART\_1001219321



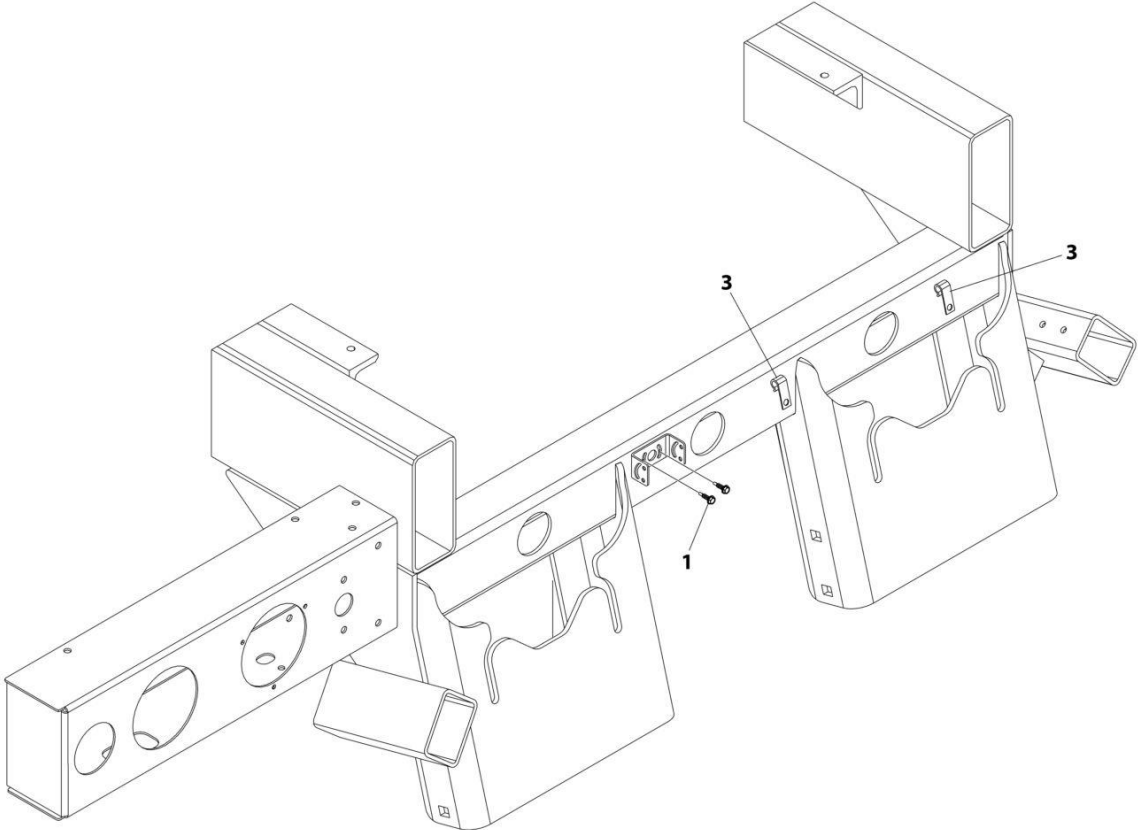
## SECTION 7 - ELECTRICAL

**FIGURE 7-15. BACKUP CAMERA CARRIER INSTALLATION - JD SUPPLIED**

ITEM	PART NUMBER	QTY	DESCRIPTION	REV
	1001219321	Ref	Backup Camera Carrier Installation	D
1	1001219309	1	Backup Camera	
2	5525000537	AR	Wire	
3	7345001704	4	Terminal	
4	7346000039	AR	Tubing	
5	7345211702	3	Terminal	
6	8597650002	AR	Wire (Not Shown)	
7	7894000010	40	Tie Strap (Not Shown)	
8	7120000034	2	Screw #10 x 3/4	
9	7280000018	2	Clip	

**SECTION 7 - ELECTRICAL**

**FIGURE 7-16. BACKUP CAMERA CARRIER INSTALLATION - CHASSIS SUPPLIED**



ART\_1001220181

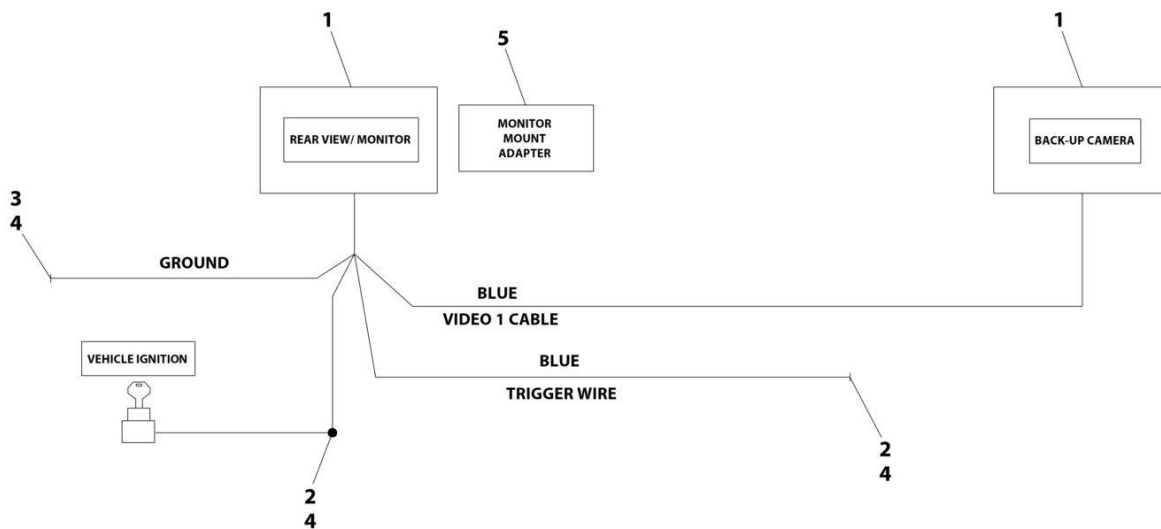
## SECTION 7 - ELECTRICAL

**FIGURE 7-16. BACKUP CAMERA CARRIER INSTALLATION - CHASSIS SUPPLIED**

ITEM	PART NUMBER	QTY	DESCRIPTION	REV
	1001220181	Ref	OEM Backup Camera Carrier Installation	B
1	7120000034	2	Screw #10 x 3/4	
2	5526000553	40	Tie Strap	
3	7280000018	2	Clip	

# SECTION 7 - ELECTRICAL

## FIGURE 7-17. BACKUP CAMERA IN REAR VIEW MIRROR INSTALLATION



ART\_1001142974

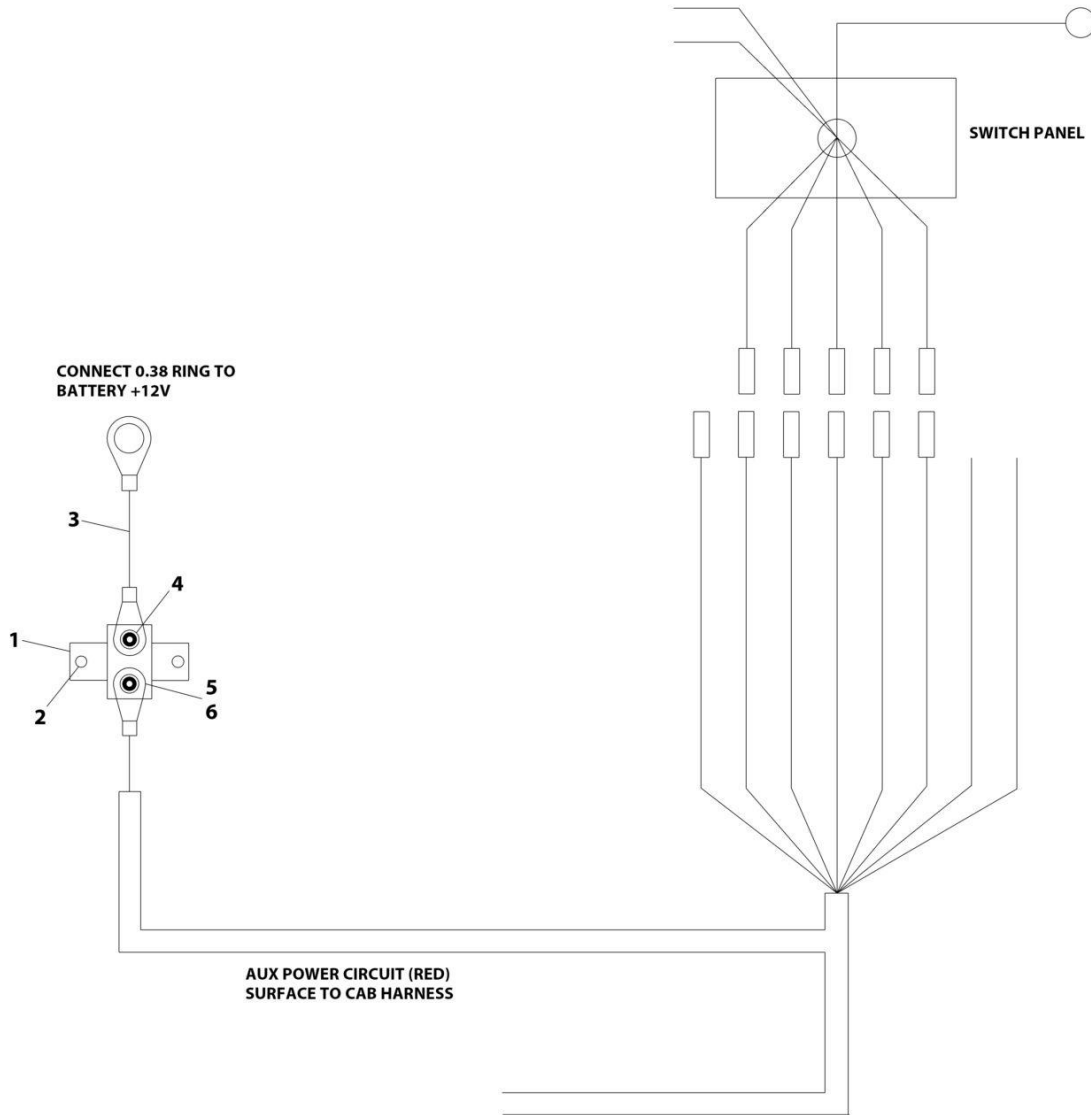
## SECTION 7 - ELECTRICAL

**FIGURE 7-17. BACKUP CAMERA IN REAR VIEW MIRROR INSTALLATION**

ITEM	PART NUMBER	QTY	DESCRIPTION	REV
	1001142974	Ref	BACKUP CAMERA IN REAR VIEW MIRROR INSTALLATION	B
1	1001139909	1	Camera System	
2	7345001914	2	Terminal	
3	7345221902	1	Terminal	
4	7346000039	AR	Tubing	
5	1001229606	1	Adapter	

# SECTION 7 - ELECTRICAL

## FIGURE 7-18. BREAKER INSTALLATION, 50AMP



ART\_1001129883

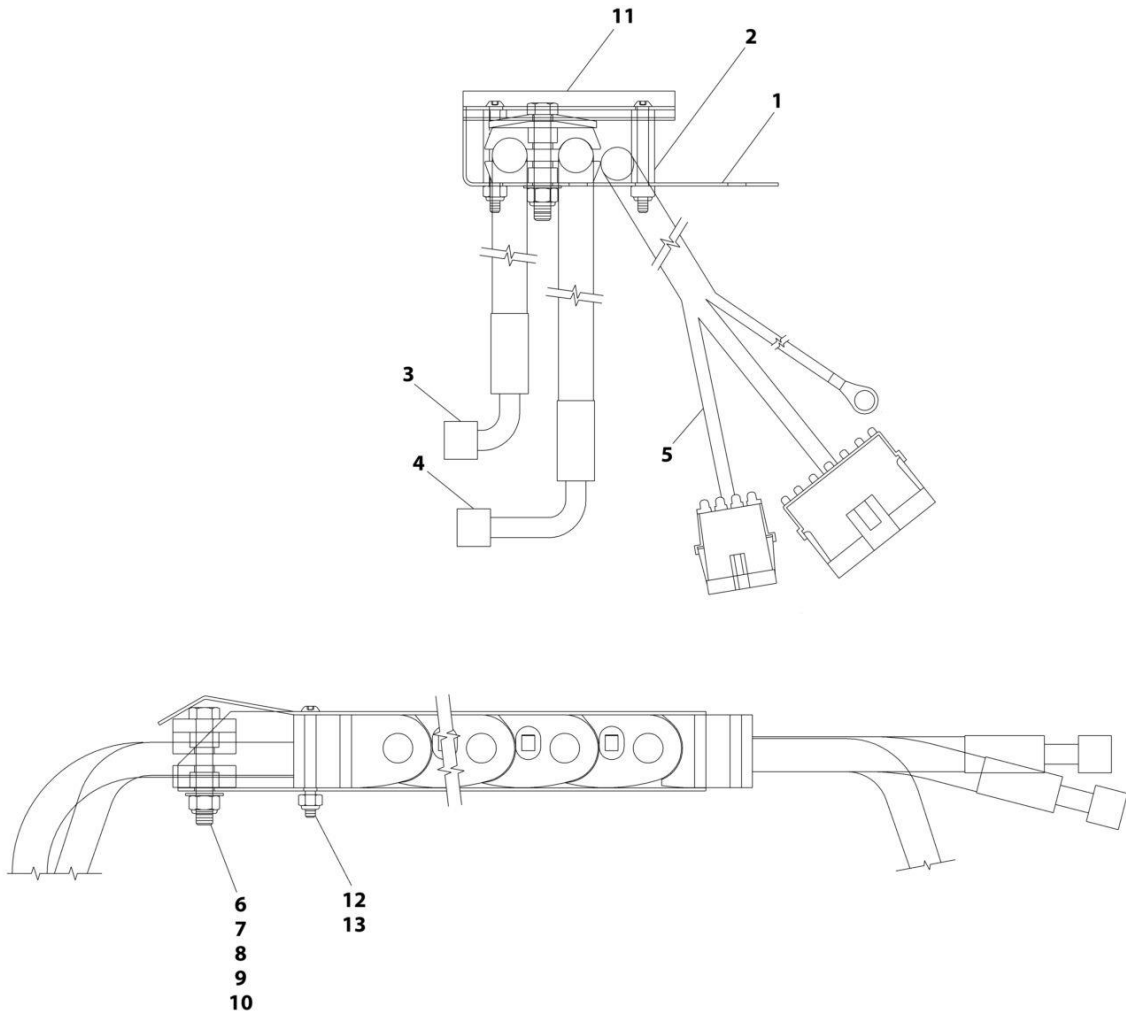
## SECTION 7 - ELECTRICAL

### FIGURE 7-18. BREAKER INSTALLATION, 50AMP

ITEM	PART NUMBER	QTY	DESCRIPTION	REV
	1001129883	Ref	50A BREAKER INSTALLATION	C
1	7457000004	1	Breaker, 50A	
2	7120000034	2	Screw #10 x 3/4	
3	1001129882	1	Harness	
4	7950100151	2	Washer 3/16	
5	7345221902	1	Terminal	
6	4346000005	1	Heat Shrink	

# SECTION 7 - ELECTRICAL

FIGURE 7-19. CARRIER/HOSE/HARNESS KIT (28FT SUBFRAME WITH EMERGENCY LIGHT)



ART\_357000008



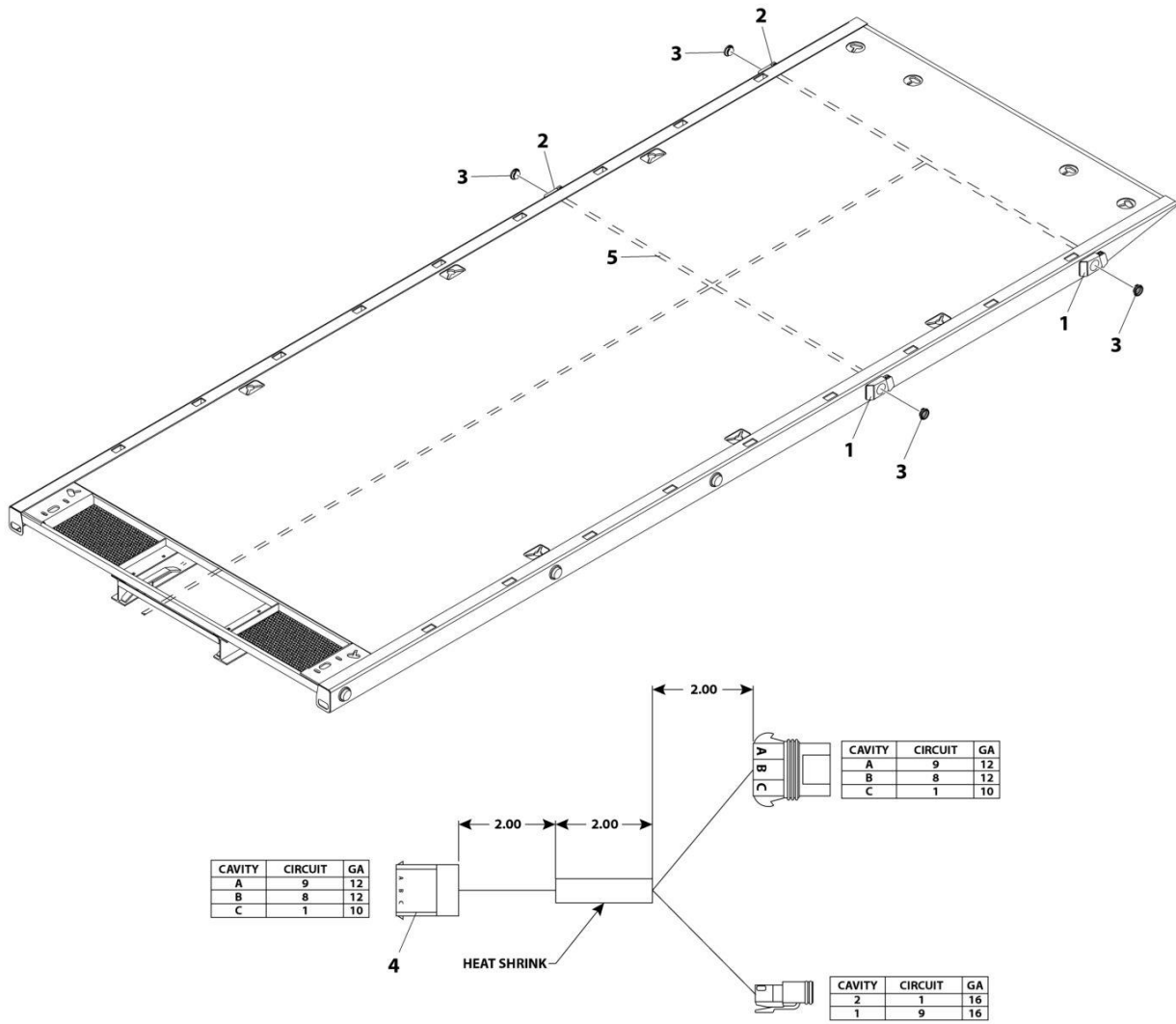
## SECTION 7 - ELECTRICAL

**FIGURE 7-19. CARRIER/HOSE/HARNESS KIT (28FT SUBFRAME WITH EMERGENCY LIGHT)**

ITEM	PART NUMBER	QTY	DESCRIPTION	REV
	3570000008	Ref	CARRIER/HOSE/HARNESS KIT (28FT SUBFRAME WITH EMERGENCY LIGHT)	B
1	4706003069	1	Plate	
2	7904000007	1	Carrier, Hose/Cable	
3	4569432147	1	Hose	
4	4569433147	1	Hose	
5	7552000186	1	Harness, Bic Sub-Deck	
6	7274000038	2	Clamp	
7	7274000039	1	Cover, Clamp	
8	7115151650	1	Bolt 5/16 x 2	
9	7950150161	1	Washer 5/16	
10	7660152601	1	Nut 5/16	
11	4706003038	1	Plate	
12	7114101618	2	Screw #10 x 2	
13	7660102604	2	Nut #10	

# SECTION 7 - ELECTRICAL

## FIGURE 7-20. DECK FLASHER REAR ILLUMINATION



ART\_1001145076

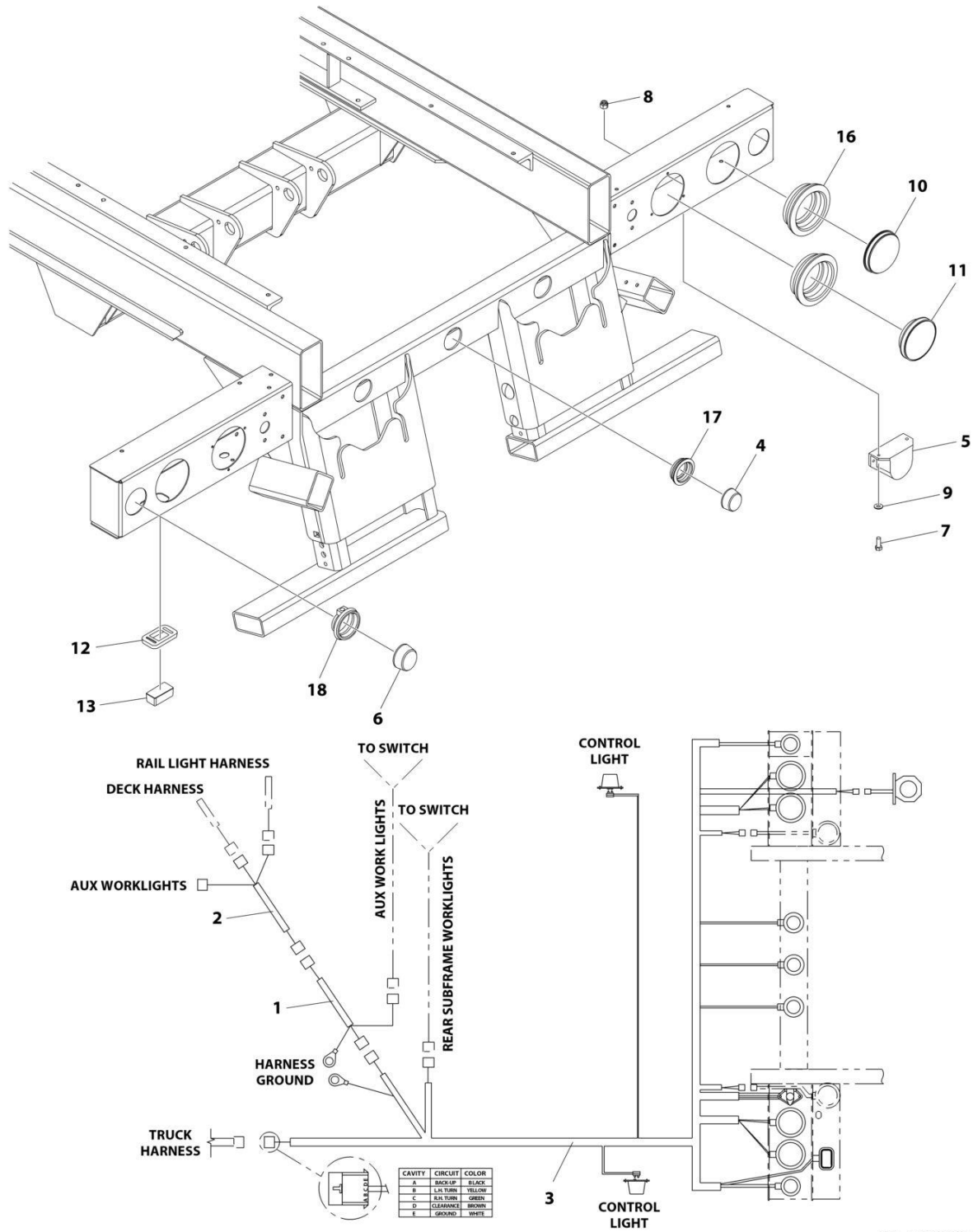
## SECTION 7 - ELECTRICAL

### FIGURE 7-20. DECK FLASHER REAR ILLUMINATION

ITEM	PART NUMBER	QTY	DESCRIPTION	REV
	1001145076	Ref	Deck Flasher Rear Illumination	B
1	1001145074	2	Bracket, LH Whelen Flash	
2	1001145075	2	Bracket, RH Whelen Flash	
3	7493000009	4	Grommet	
4	1001144986	1	Flashers Jumper Wire Harness	
5	1001145077	Ref	Flasher Harness Installation	
5	1001143842	1	Flasher Harness	

# SECTION 7 - ELECTRICAL

## FIGURE 7-21. LIGHTS AND WIRING, REAR



ART\_2590000105

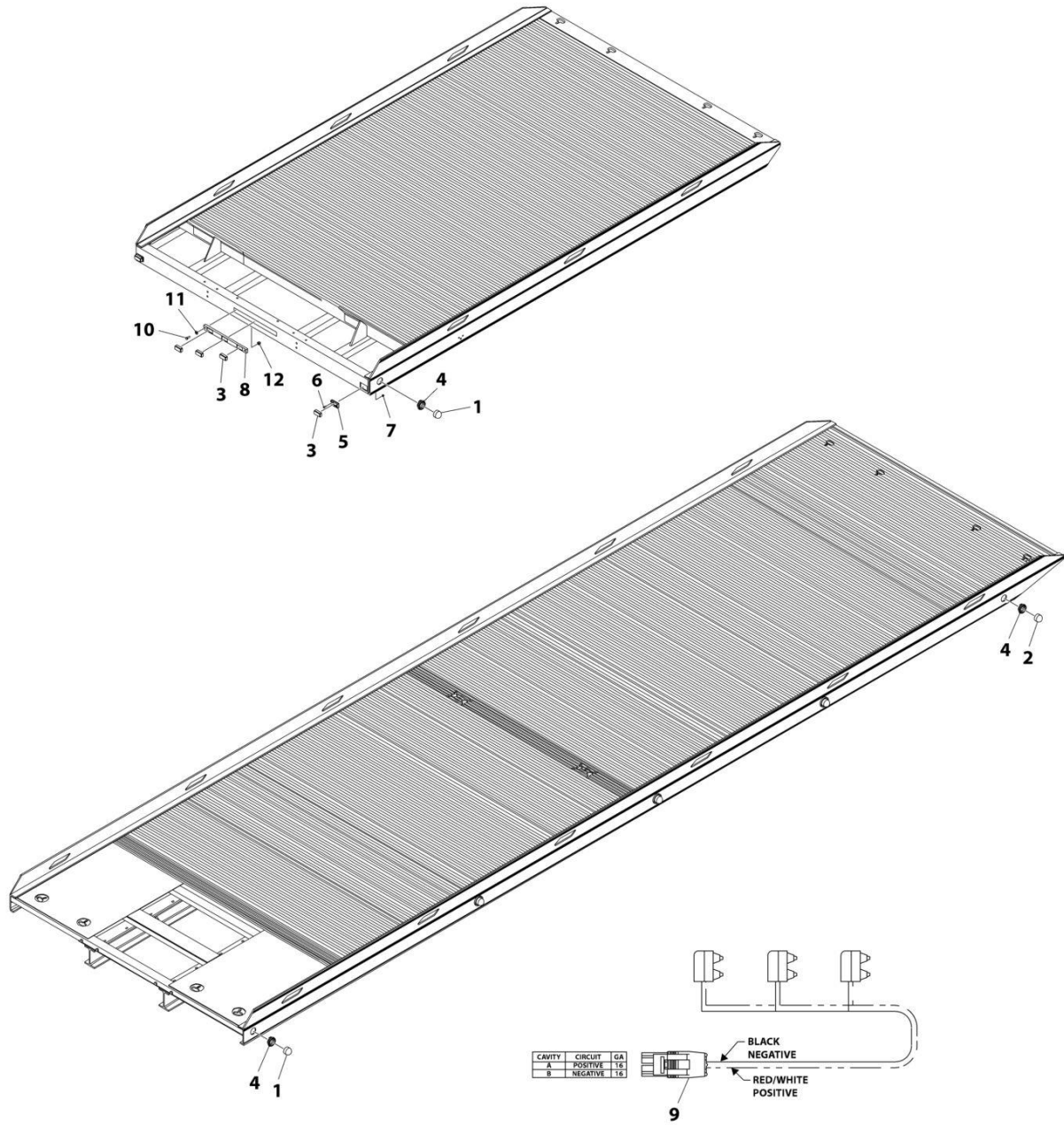
## SECTION 7 - ELECTRICAL

**FIGURE 7-21. LIGHTS AND WIRING, REAR**

ITEM	PART NUMBER	QTY	DESCRIPTION	REV
	2590000105	1	Light and Wiring Installtion	L
1	1001152349	1	Subframe to Deck Wiring Harness	
2	1001152347	1	Deck to Winch Harness	
3	1001173952	1	Subframe Harness	
4	7590000340	3	Marker Light - Red (LED)	
5	7011000006	1	Backup Alarm	
6	7590000343	2	Marker Light - Red (LED)	
7	7114140528	2	Screw 1/4 x 5/8	
8	7660142601	2	Nut 1/4	
9	7949000023	2	Washer	
10	7590000341	2	Marker Light - Red (LED)	
11	1001142769	2	Backup Alarm	
12	7493000010	1	Grommet	
13	1001142771	1	Lamp	
16	7493000002	4	Grommet	
17	7493000023	3	Grommet	
18	7493000009	2	Grommet	

# SECTION 7 - ELECTRICAL

FIGURE 7-22. MARKER LIGHTS INSTALLATION, CARRIER DECK WITH ALUMINUM UPPER



ART\_2590000216

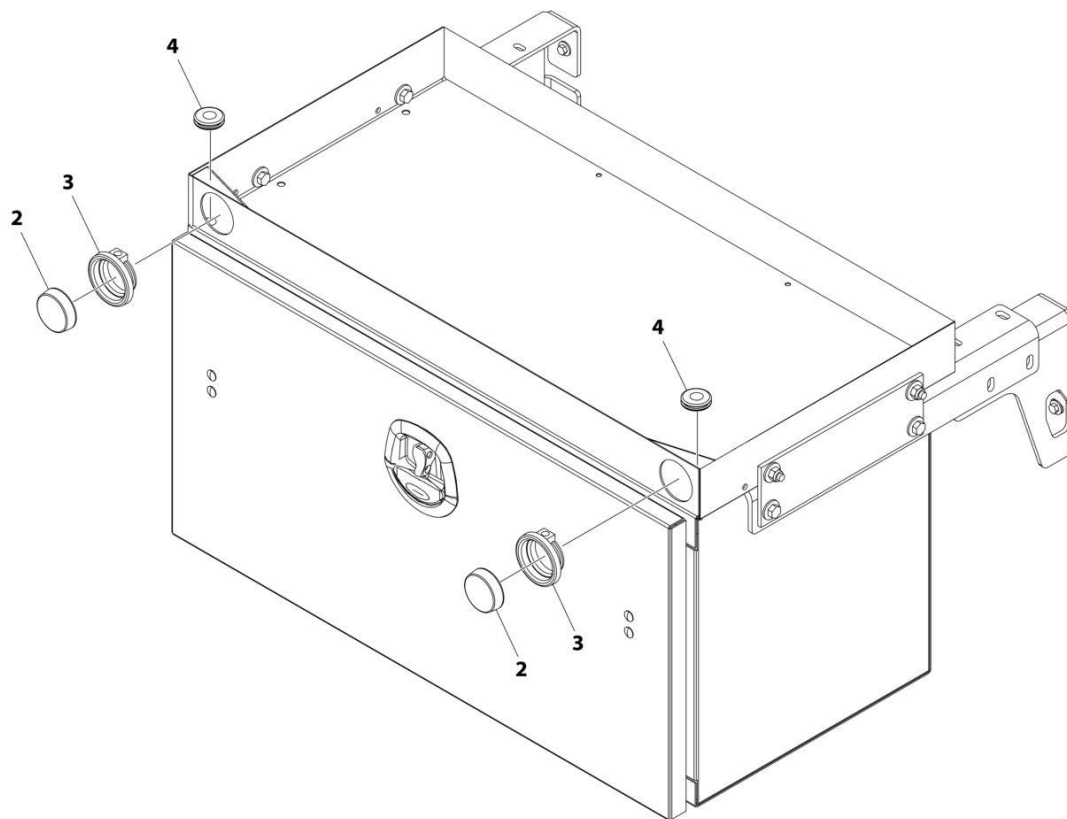
## SECTION 7 - ELECTRICAL

**FIGURE 7-22. MARKER LIGHTS INSTALLATION, CARRIER DECK WITH ALUMINUM UPPER**

ITEM	PART NUMBER	QTY	DESCRIPTION	REV
	2590000216	Ref	Marker Lights Installation, Carrier Deck with Aluminum Upper	C
1	7590000342	10	Marker Light - Amber (LED)	
2	7590000343	2	Marker Light - Red (LED)	
3	7590000339	5	Marker Light - Amber (LED)	
4	7493000009	12	Grommet	
5	7590000207	2	Marker Light Adapter	
6	7114100818	4	Capscrew #10 x 1	
7	7660102604	4	Nut #10	
8	7636000020	1	Mount	
9	7552000374	1	3-Bar Marker Light Harness	
10	7115141450	2	Capscrew 1/4 x 1-3/4	
11	7950100151	2	Washer 3/16	
12	7660142601	2	Nut 1/4	

## SECTION 7 - ELECTRICAL

FIGURE 7-23. MARKER LIGHT, TOOL BOX TOP STORAGE TRAY



ART\_2590000261



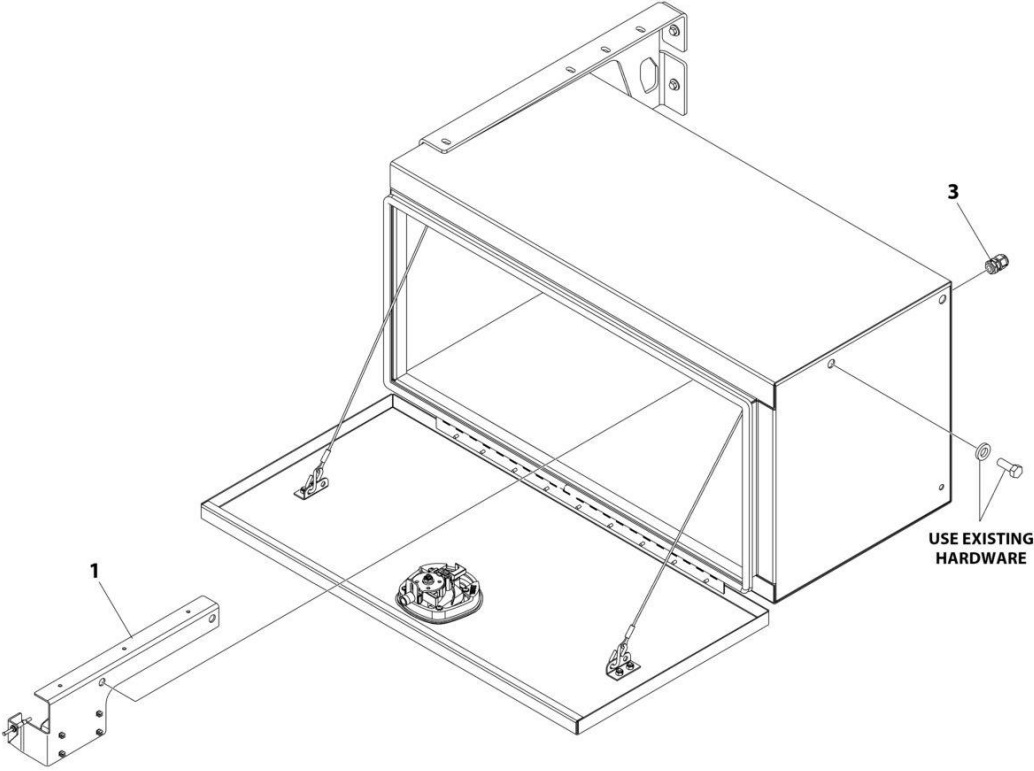
## SECTION 7 - ELECTRICAL

**FIGURE 7-23. MARKER LIGHT, TOOL BOX TOP STORAGE TRAY**

ITEM	PART NUMBER	QTY	DESCRIPTION	REV
	2590000261	Ref	Marker Light, Tool Box Top Storage Tray	C
1	7552000451	1	Harness (Not Shown)	
2	7590000342	2	Marker Light - Amber (LED)	
3	7493000009	2	Grommet	
4	7493000031	2	Grommet	
5	7894000004	6	Tie Strap (Not Shown)	

**SECTION 7 - ELECTRICAL**

**FIGURE 7-24. TOOLBOX LIGHT INSTALLATION**



ART\_217800031

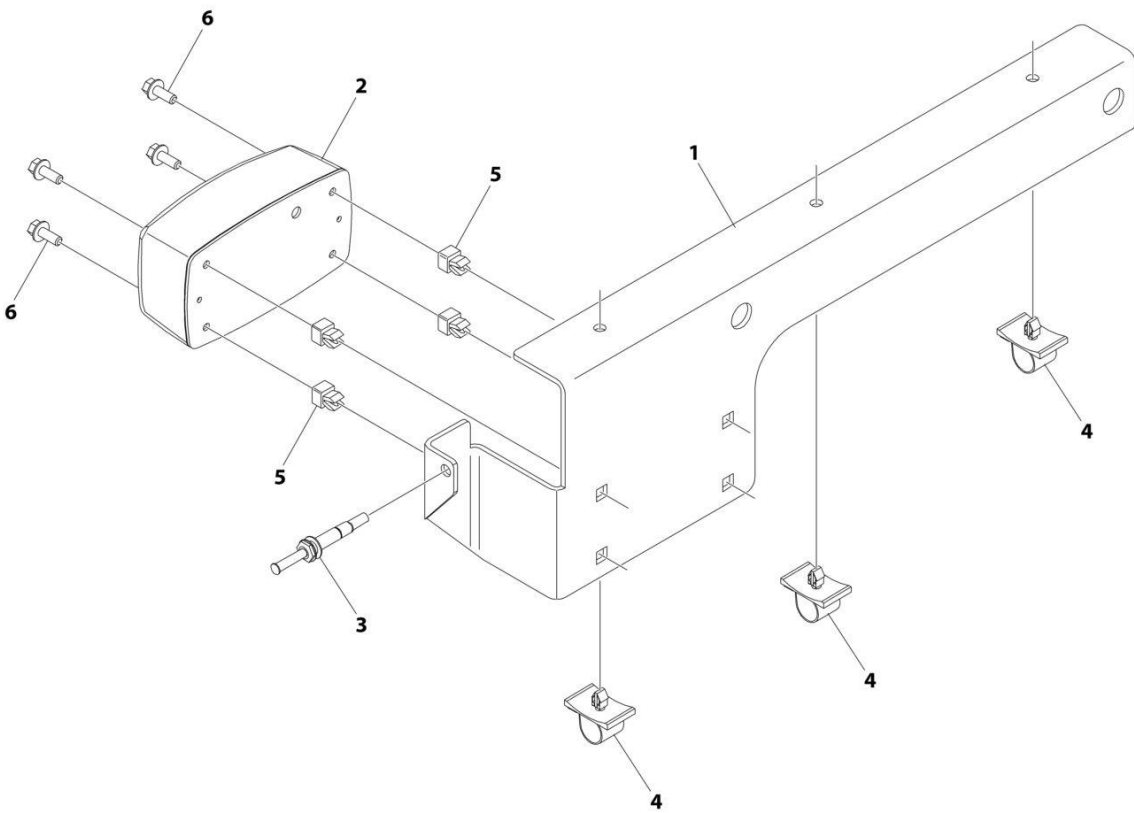
## SECTION 7 - ELECTRICAL

**FIGURE 7-24. TOOLBOX LIGHT INSTALLATION**

ITEM	PART NUMBER	QTY	DESCRIPTION	REV
	2178000031	Ref	Toolbox Light Installation	0
1	3178000437	1	Bracket Assembly (See Separate Breakdown in this Section)	
2	7552000297	1	Harness (Not Shown)	
3	7443000377	1	Fitting	

# SECTION 7 - ELECTRICAL

## FIGURE 7-25. TOOLBOX LIGHT BRACKET ASSEMBLY



ART\_3178000437

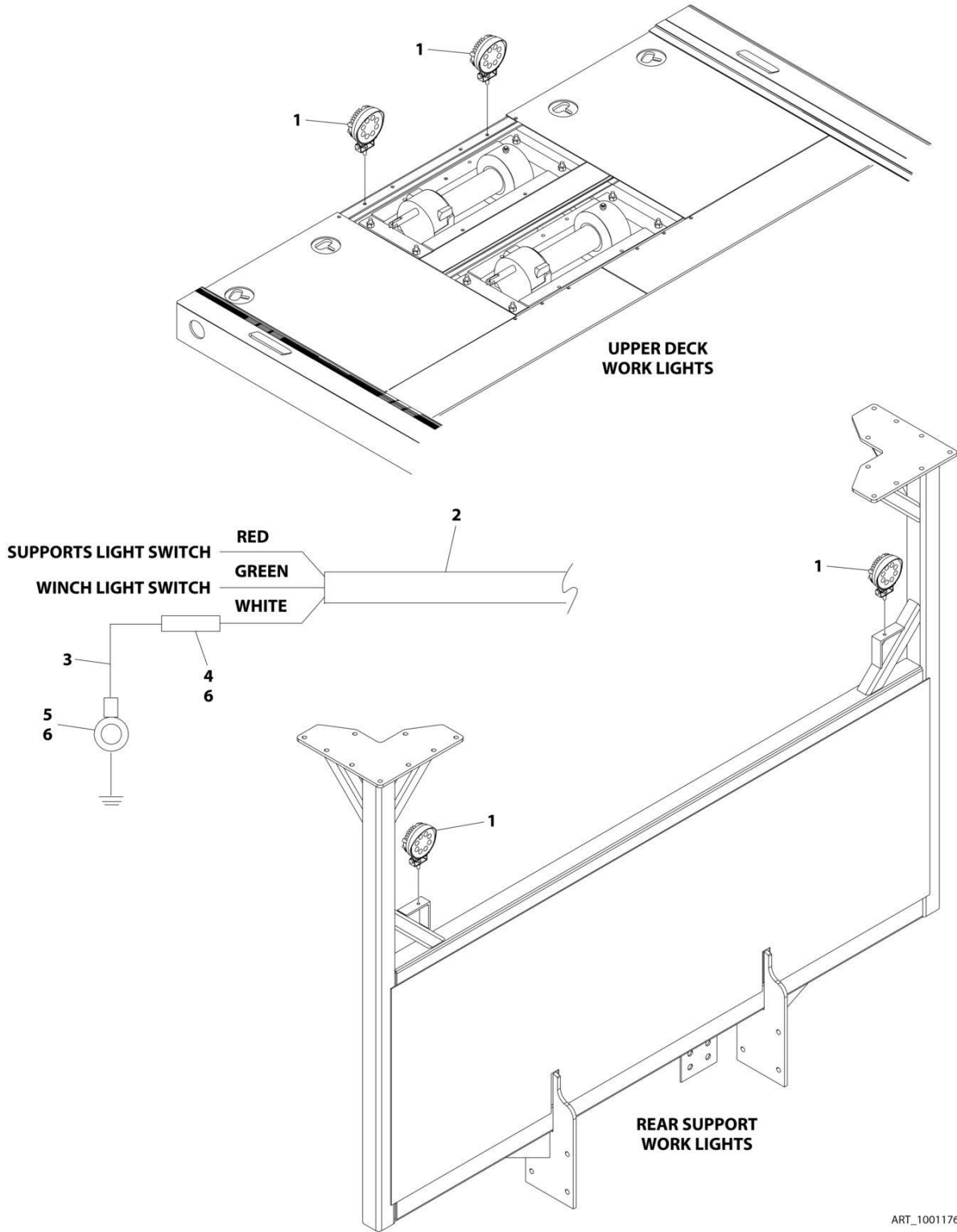
## SECTION 7 - ELECTRICAL

### FIGURE 7-25. TOOLBOX LIGHT BRACKET ASSEMBLY

ITEM	PART NUMBER	QTY	DESCRIPTION	REV
	3178000437	Ref	Toolbox Light Bracket Assembly	0
1	4178000578	1	Bracket	
2	7590000273	1	Light Dome Lamp	
3	7870000115	1	Switch	
4	7280000007	3	Clip	
5	7661000047	4	Nut #10 x 1/8	
6	7790100856	4	Screw #10 x 1/2	

# SECTION 7 - ELECTRICAL

## FIGURE 7-26. WORK LIGHTS INSTALLATION - HEADBOARD



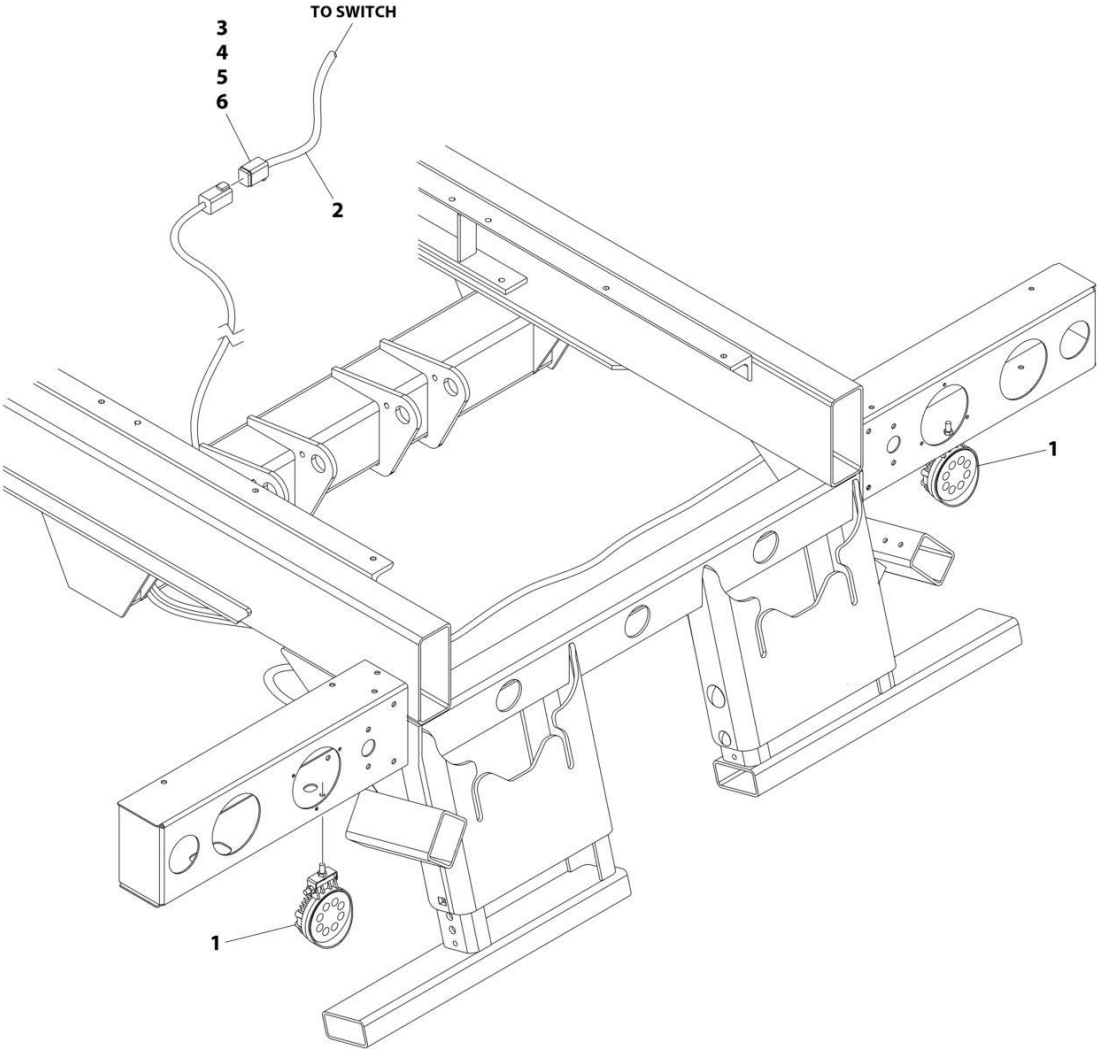
## SECTION 7 - ELECTRICAL

### FIGURE 7-26. WORK LIGHTS INSTALLATION - HEADBOARD

ITEM	PART NUMBER	QTY	DESCRIPTION	REV
	1001176425		Headboard Work Lights	A
1	1001176337	4	Work Lights, Lamp	
2	1001136114	1	Harness	
3	7978000021	8	Wire	
4	7345001714	1	Terminal	
5	7345221702	1	Terminal	
6	4346000005	2	Heat Shrink, Tubing	
7	5526000553	12	Tie Strap (Not Shown)	

**SECTION 7 - ELECTRICAL**

**FIGURE 7-27. WORK LIGHTS INSTALLATION - REAR**



ART\_1001176424



## SECTION 7 - ELECTRICAL

### FIGURE 7-27. WORK LIGHTS INSTALLATION - REAR

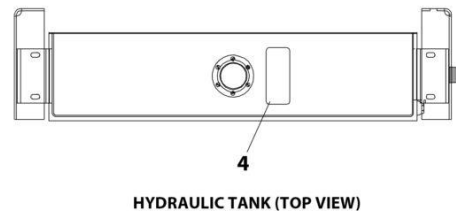
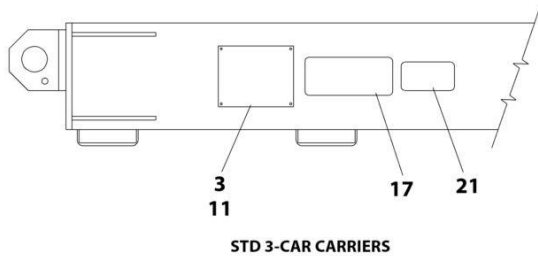
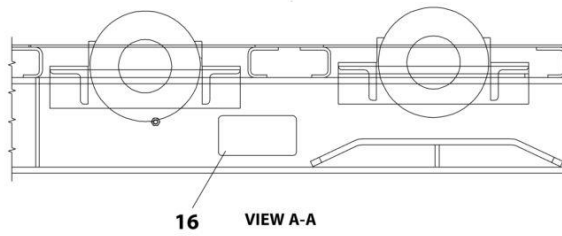
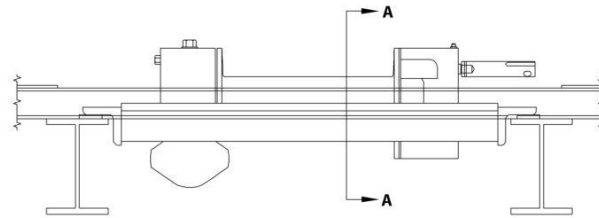
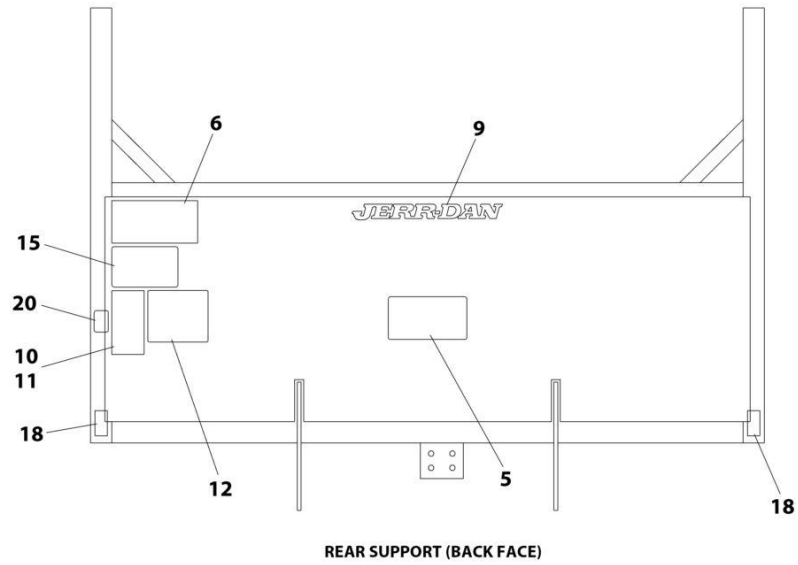
ITEM	PART NUMBER	QTY	DESCRIPTION	REV
	1001176424	Ref	Rear Work Lights	A
1	1001176337	2	Work Lights, Lamp	
2	8977010103	40	Wire	
3	7346000087	1	Connector	
4	7346000099	1	Terminal	
5	7346000037	1	Seal	
6	7346000167	1	Cavity Plug	



**SECTION 8 - DECALS**

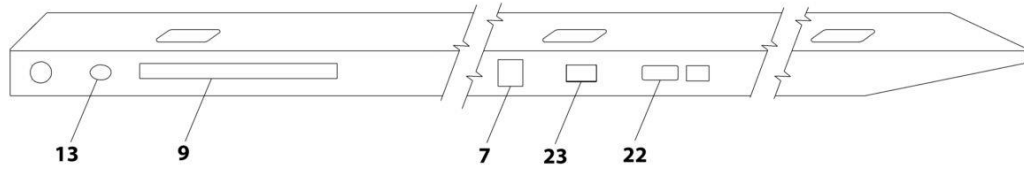
# SECTION 8 - DECALS

## FIGURE 8-1. 3-CAR CARRIER DECAL INSTALLATION

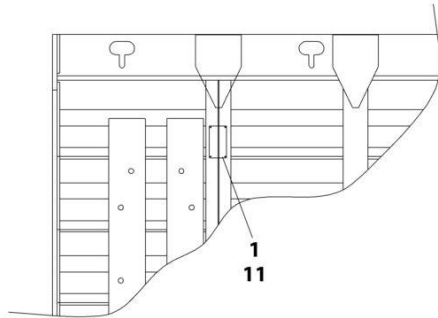


ART\_233000043\_1OF2

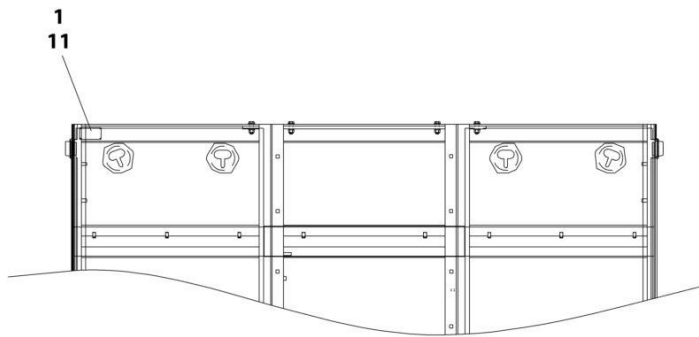
# SECTION 8 - DECALS



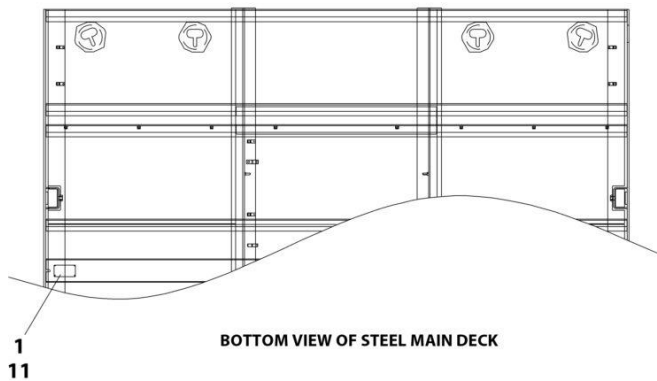
MAIN DECK (RUBRAIL SIDE VIEW)



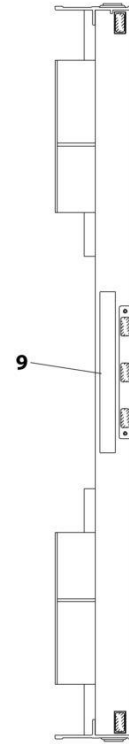
BOTTOM VIEW OF ALUMINUM TOP DECK



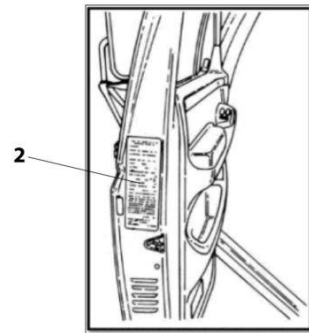
BOTTOM VIEW OF ALUMINUM MAIN DECK



BOTTOM VIEW OF STEEL MAIN DECK



TOP DECK FRONT



CAB DOOR

ART\_233000043\_2OF2

## SECTION 8 - DECALS

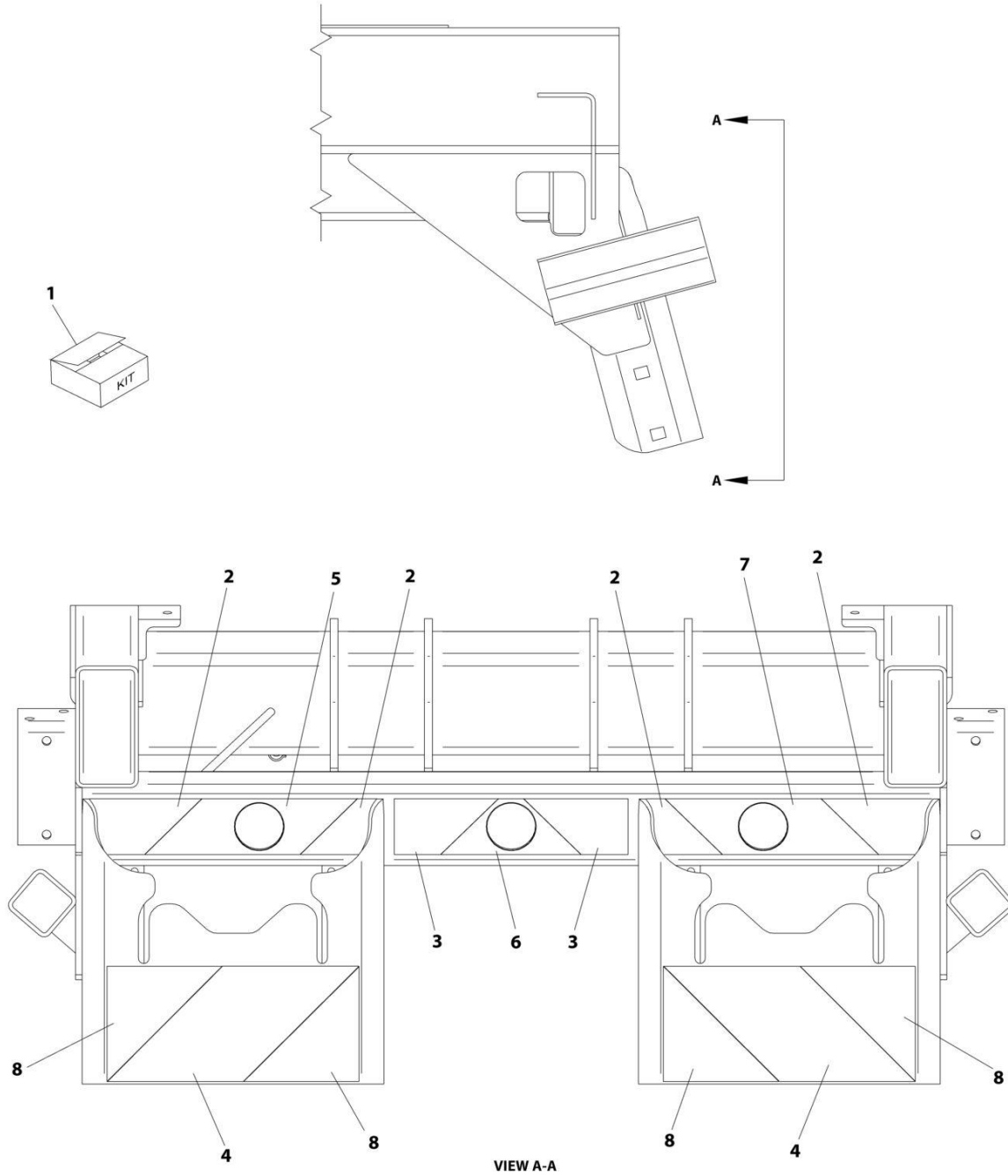
FIGURE 8-1. 3-CAR CARRIER DECAL INSTALLATION

ITEM	PART NUMBER	QTY	DESCRIPTION	REV
	2330000043	Ref	3-Car Carrier Decal Installation	K
1	1001127221	2	Decal - Ident Tag	
2	7330000689	1	Decal - Certification	
3	1001132766	1	Decal - Patent/Subframe	
4	7330000272	1	Decal - Oil Level	
5	1001190626	1	Decal - Winch Warning	
6	7330000489	1	Decal - Lube Chart 3 Car	
7	1001154689	2	Decal - Arrow Rollback Tilt	
8	7330000429	2	Decal - Hood and Access Ladder (Not Shown)	
9	1001153789	4	Decal - Amber Reflect	
10	1001132765	1	Decal - Structural Capacity	
11	7759000004	16	Rivet	
12	1001190625	1	Decal - Checklist	
13	7330000143	1	Decal - Proudly Made in the U	
14	7330000139	1	Decal - Wheel Lift (Not Shown)	
15	7330000381	1	Decal - Free Spool Release	
16	7330000330	1	Decal - Hose Track Carrier	
17	1001168591	1	Decal - Slide Pad Lubrication	
18	7736000001	2	Reflector	
20	7330000510	1	Decal - Air Free Spool Upper Deck	
21	7330000599	2	Decal - Pinch Point	
22	7330000176	3	Decal - Air Suspension	
23	1001231801	2	Decal - Warning Prop 65 Diesel	



# SECTION 8 - DECALS

## FIGURE 8-2. HIGH VISIBILITY REFLECTIVE TAPE



ART\_1001203303



FIGURE 8-2. HIGH VISIBILITY REFLECTIVE TAPE

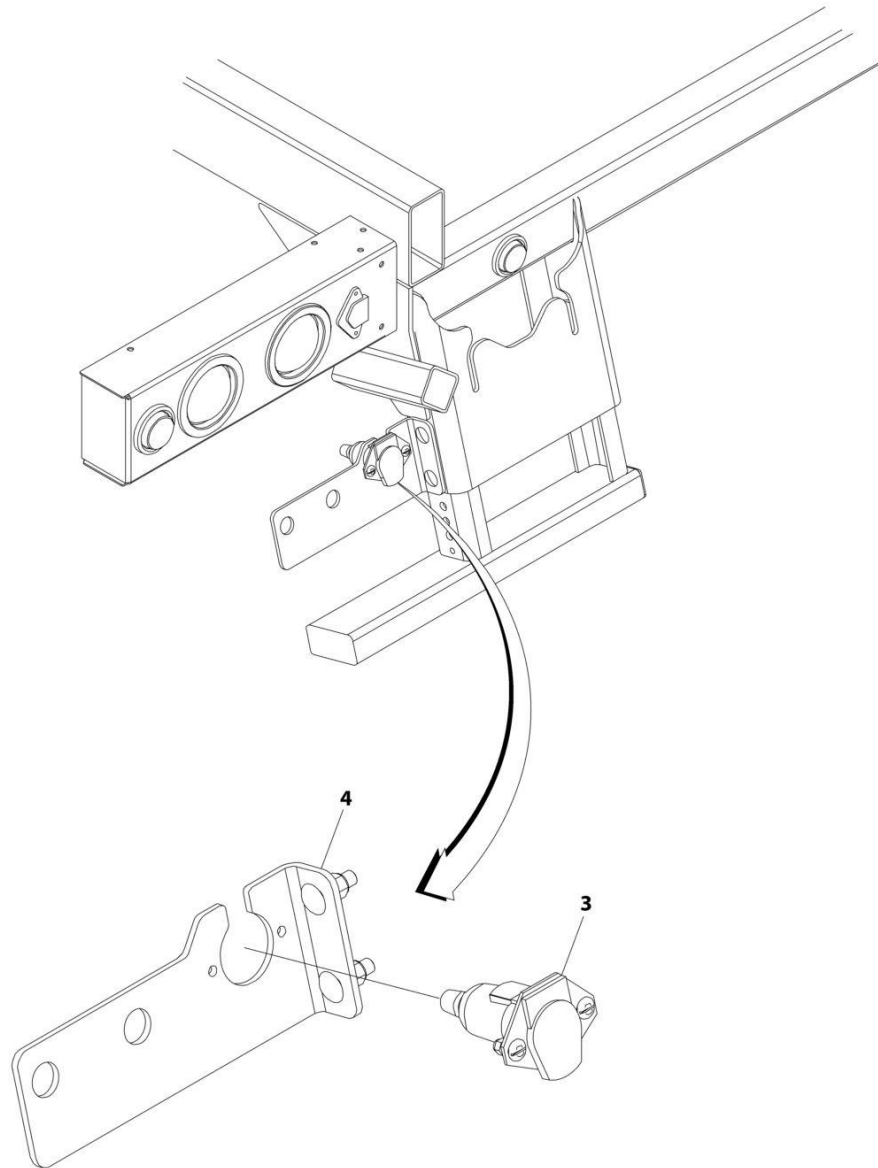
ITEM	PART NUMBER	QTY	DESCRIPTION	REV
	1001203303	Ref	High Visibility Reflective Tape Intallation	A
1	1001203302	1	Decal - Conspicuity Tape Kit (Includes Items 2-8)	
2	1001203295	1	Tape, Yellow	
3	1001203296	1	Tape, Yellow	
4	1001203297	1	Tape, Yellow	
5	1001203298	1	Tape, Red	
6	1001203299	1	Tape, Red	
7	1001203300	1	Tape, Red	
8	1001203301	1	Tape, Red	



**SECTION 9 - ACCESSORIES**

## SECTION 9 - ACCESSORIES

FIGURE 9-1. 7-WAY ELECTRICAL CONNECTOR INSTALLATION



ART\_A7WCON

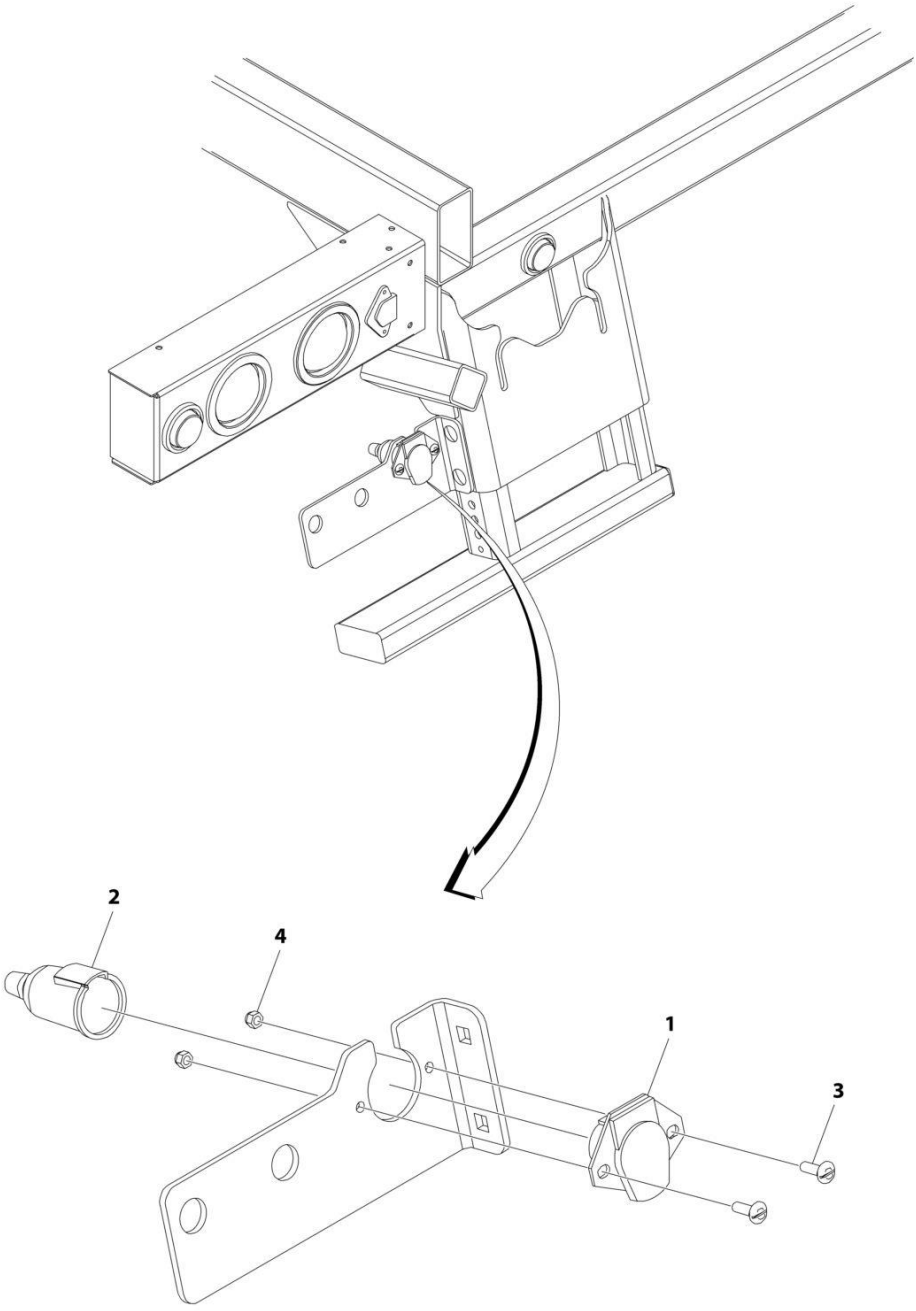
## SECTION 9 - ACCESSORIES

### FIGURE 9-1. 7-WAY ELECTRICAL CONNECTOR INSTALLATION

ITEM	PART NUMBER	QTY	DESCRIPTION	REV
	A7WCON	Ref	7 Way Electric Connector Installation	0
1	7346000132	1	Electrical Adapter 7 to 4 way (Not Shown)	
2	7346000157	1	Electrical Adapter 7 to 6 way (Not Shown)	
3	2346000008	1	7-Way Electrical Connector (See Separate Breakdown in this Section)	
4	2178000037	1	Glad Hands Bracket Installation (See Separate Breakdown in this Section)	

**SECTION 9 - ACCESSORIES**

**FIGURE 9-2. 7-WAY ELECTRICAL CONNECTOR**



ART\_234600008

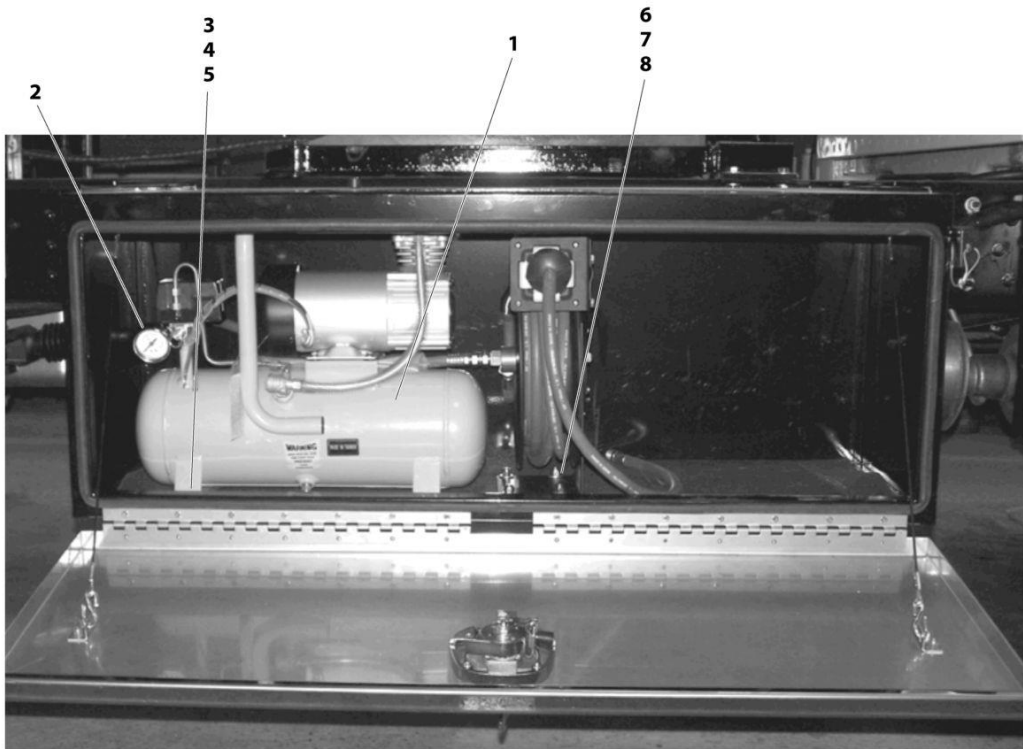
## SECTION 9 - ACCESSORIES

**FIGURE 9-2. 7-WAY ELECTRICAL CONNECTOR**

ITEM	PART NUMBER	QTY	DESCRIPTION	REV
	2346000008	Ref	7-Way Electrical Connector	0
1	7346000055	1	Electrical Receptacle 7-way Connect	
2	7346000078	1	Electrical Boot	
3	7111150813	2	Screw 5/16 x 1	
4	7660152601	2	Nut 5/16	

## SECTION 9 - ACCESSORIES

FIGURE 9-3. AIR COMPRESSOR/HOSE REEL IN TOOLBOX



SHOWN MOUNTED INSIDE 48" TOOLBOX

ART\_2002000030



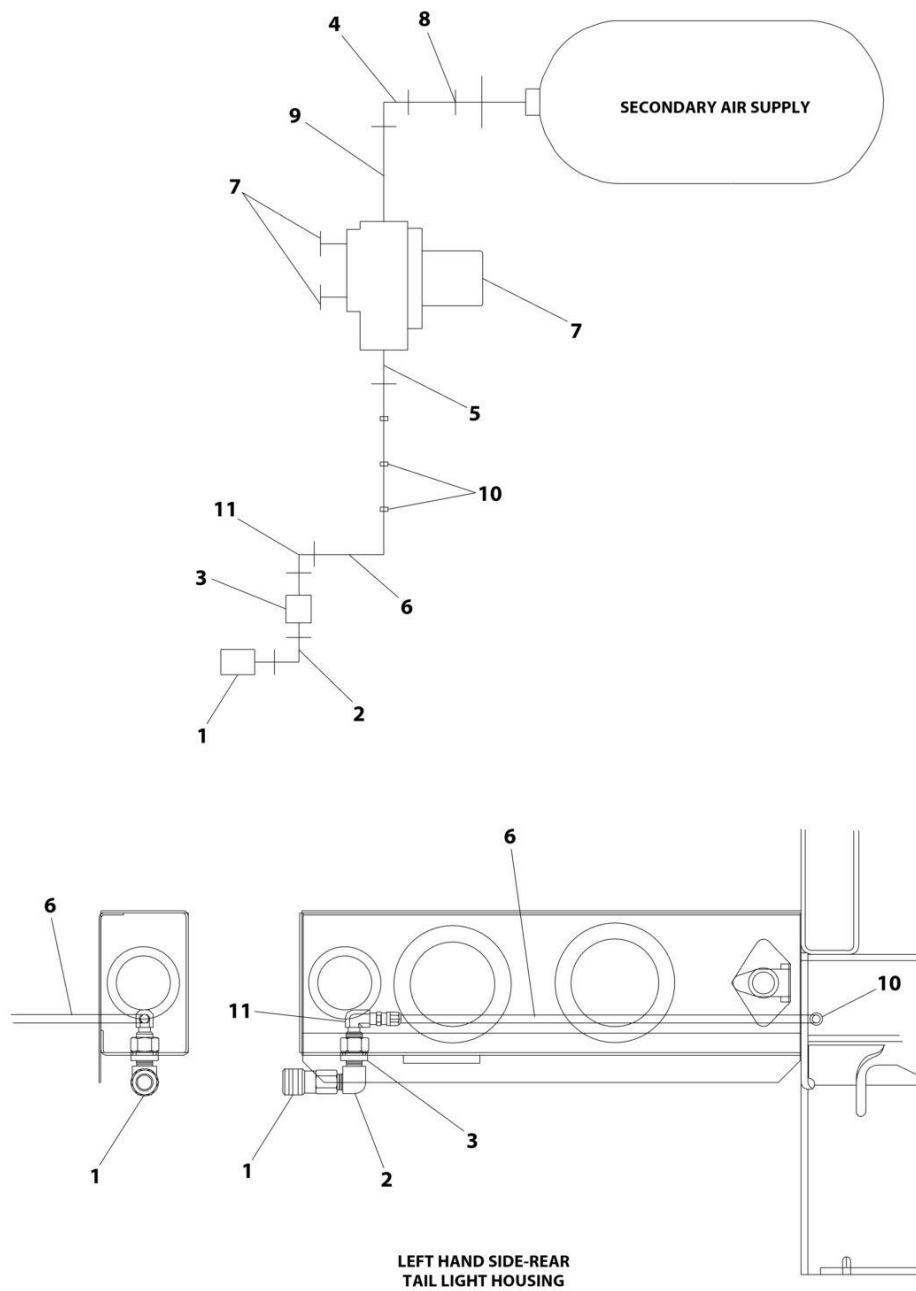
## SECTION 9 - ACCESSORIES

### FIGURE 9-3. AIR COMPRESSOR/HOSE REEL IN TOOLBOX

ITEM	PART NUMBER	QTY	DESCRIPTION	REV
	2002000030	Ref	Toolbox Air Compressor/Hose Reel	B
1	7002000503	1	Air Compressor with Hose Reel	
2	7443000155	1	Fitting	
3	7115161050	4	Capscrew 3/8 x 1-1/4	
4	7950150161	4	Washer 3/8	
5	7660162601	4	Nut 3/8	
6	7115181050	4	Capscrew 1/2 x 1-1/4	
7	7950180153	8	Washer 1/2	
8	7660182601	4	Nut 1/2	

# SECTION 9 - ACCESSORIES

## FIGURE 9-4. AIR SUPPLY DISCONNECT



ART\_2002000009

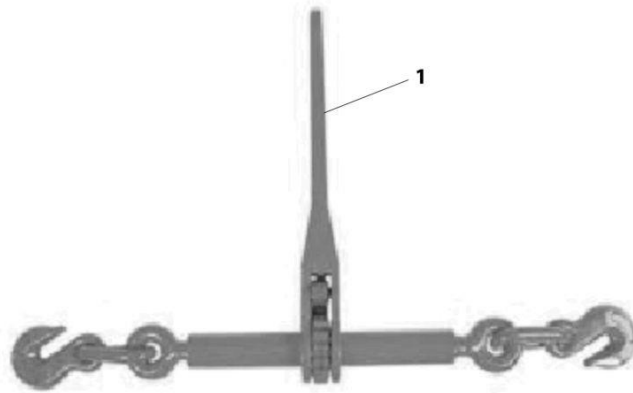
## SECTION 9 - ACCESSORIES

### FIGURE 9-4. AIR SUPPLY DISCONNECT

ITEM	PART NUMBER	QTY	DESCRIPTION	REV
	2002000009	Ref	Air Supply Disconnect	E
1	7312000017	1	Coupling	
2	7445080853	1	Elbow	
3	7446502518	1	Fitting	
4	7443000155	1	Fitting 90	
5	7446060435	2	Tube	
6	7565000014	32	Airline Tubing	
7	7935000120	1	Valve Pressure Protection	
8	7443000154	1	Bushing	
9	7443000156	1	Nipple	
10	7894000031	6	Cable Tie	
11	7443000366	1	Fitting, Tube	

## SECTION 9 - ACCESSORIES

FIGURE 9-5. CHAIN BINDER, 3/8IN CHAIN



ART\_CHB38

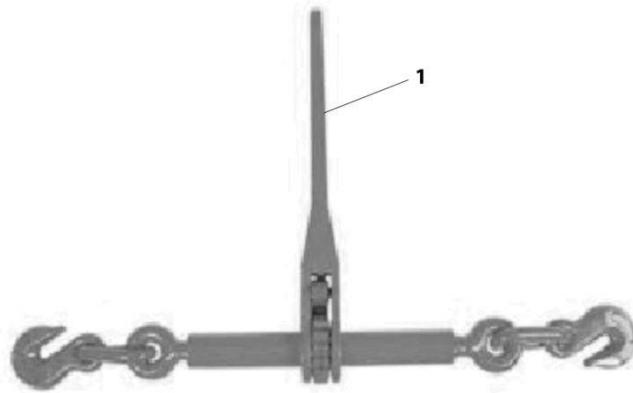
## SECTION 9 - ACCESSORIES

**FIGURE 9-5. CHAIN BINDER, 3/8IN CHAIN**

ITEM	PART NUMBER	QTY	DESCRIPTION	REV
1	CHB38 7002000451	Ref 1	CHAIN BINDER 3/8IN Load Binder	0

## SECTION 9 - ACCESSORIES

FIGURE 9-6. CHAIN BINDER, 1/2IN CHAIN



ART\_CHB50

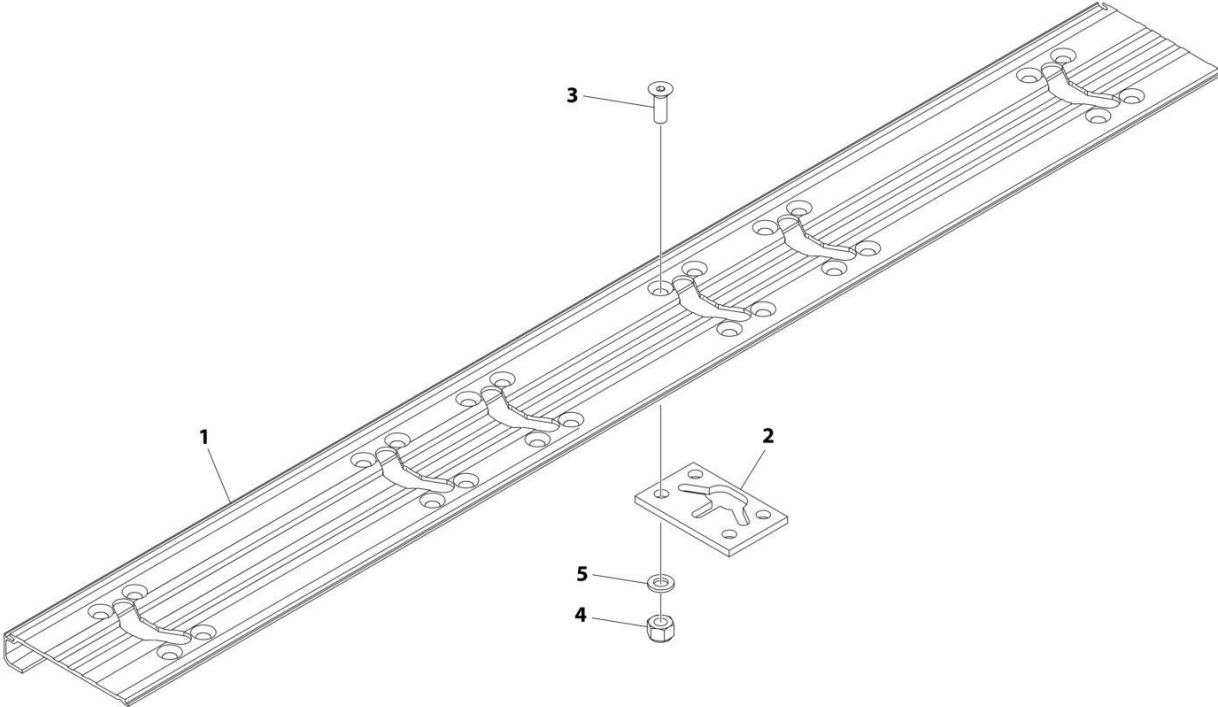
## SECTION 9 - ACCESSORIES

**FIGURE 9-6. CHAIN BINDER, 1/2IN CHAIN**

ITEM	PART NUMBER	QTY	DESCRIPTION	REV
1	CHB50 7002000450	Ref 1	CHAIN BINDER 1/2IN Load Binder	0

**SECTION 9 - ACCESSORIES**

**FIGURE 9-7. EXTRUSION KEYSLOT INSTALLATION**



ART\_1001152461



## SECTION 9 - ACCESSORIES

### FIGURE 9-7. EXTRUSION KEYSLOT INSTALLATION

ITEM	PART NUMBER	QTY	DESCRIPTION	REV
	1001152461	Ref	Extrusion Keyslot Installation	B
1	1001152460	1	Keyslot Channel	
2	4706005551	6	Keyslot Plate	
3	1001138460	24	Bolt 1/2 x 1-1/2	
4	7660182601	24	Nut 1/2	
5	7950180153	24	Washer 1/2	

## SECTION 9 - ACCESSORIES

FIGURE 9-8. FIRE EXTINGUISHER ACCESSORY



ART\_2002000028

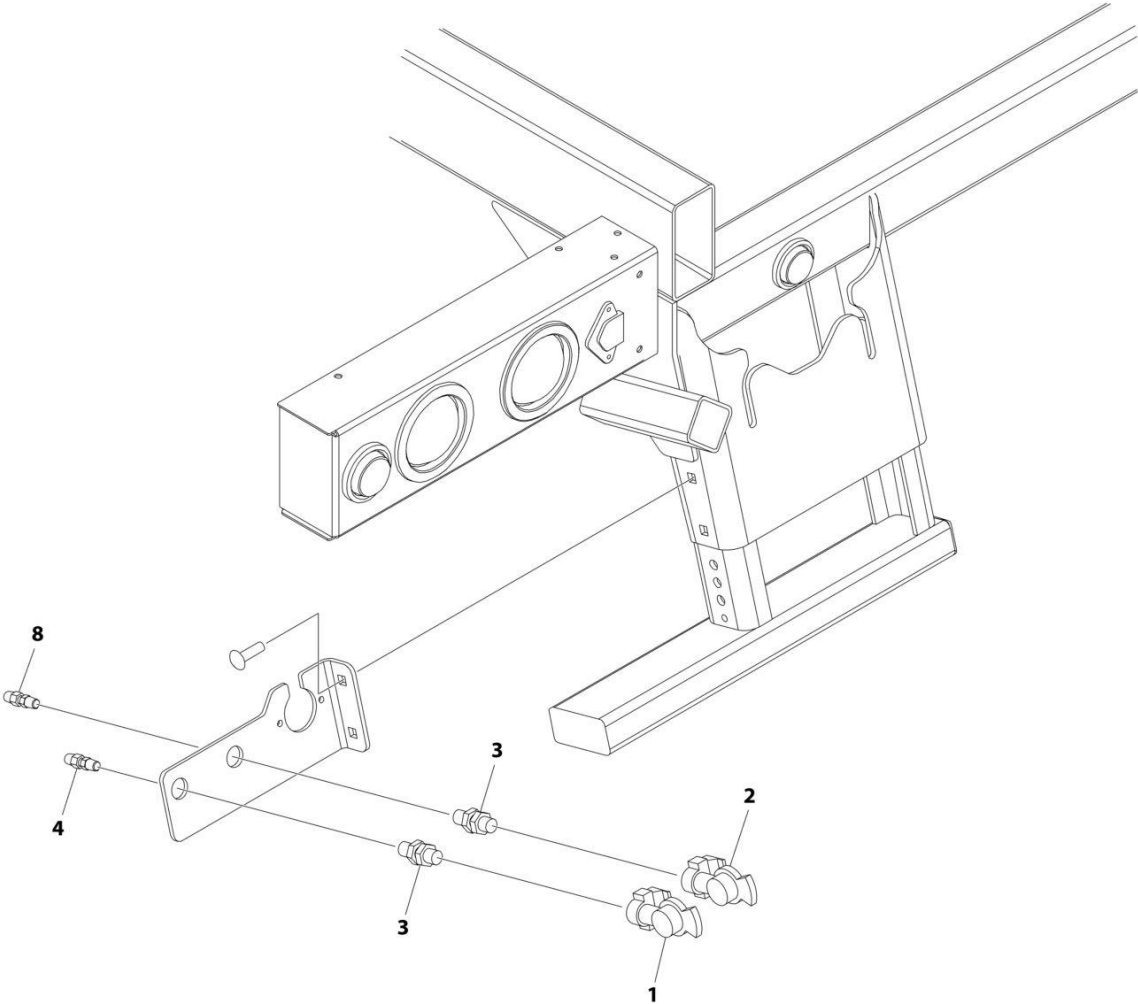
## SECTION 9 - ACCESSORIES

**FIGURE 9-8. FIRE EXTINGUISHER ACCESSORY**

ITEM	PART NUMBER	QTY	DESCRIPTION	REV
1	2002000028	Ref	Fire Extinguisher Accessory	0
	7002000404	1	Fire Extinguisher	

**SECTION 9 - ACCESSORIES**

**FIGURE 9-9. GLAD HAND INSTALLATION**



ART\_2002000016

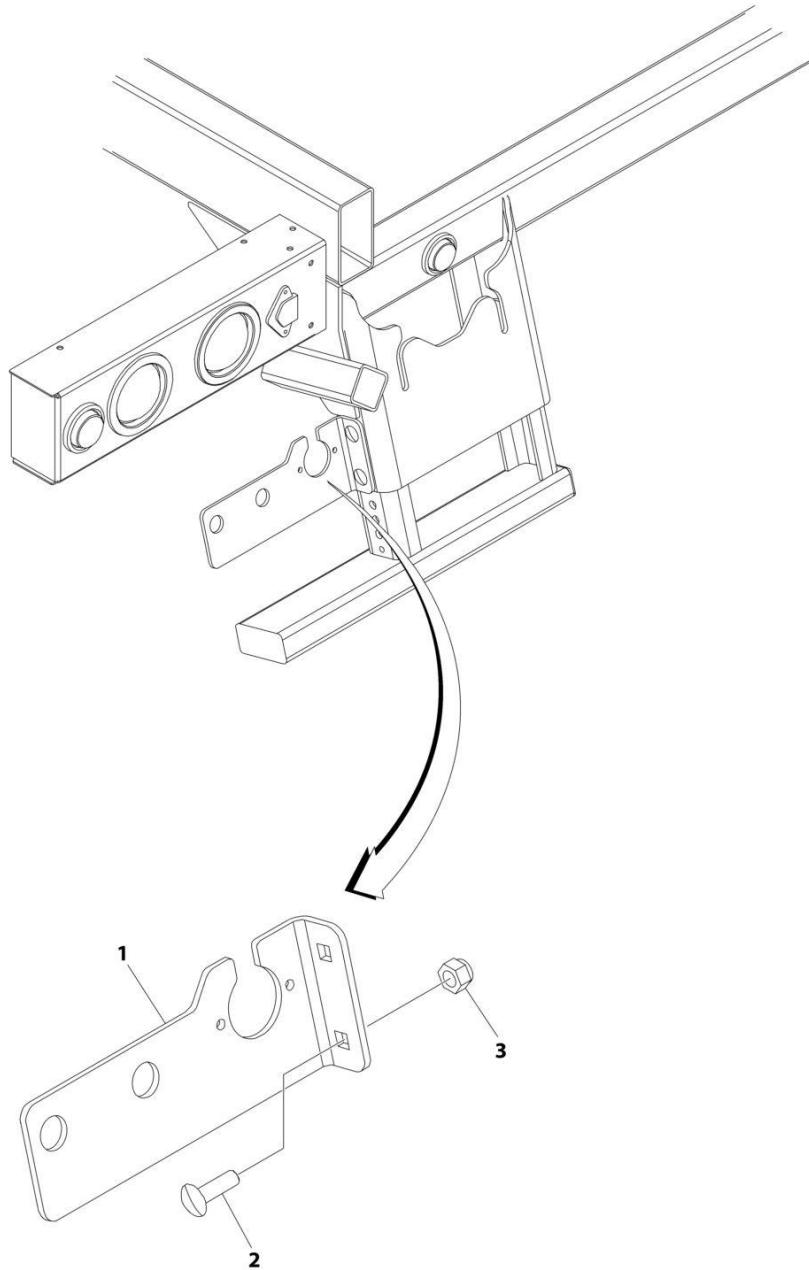
## SECTION 9 - ACCESSORIES

### FIGURE 9-9. GLAD HAND INSTALLATION

ITEM	PART NUMBER	QTY	DESCRIPTION	REV
	2002000016	Ref	Glad Hands Installation	D
1	7312000016	1	Gladhand	
2	7312000015	1	Gladhand	
3	7446502518	2	Fitting	
4	7446060435	1	Fitting	
6	7565000014	50 ft	Airline Tubing (Not Shown)	
7	7312000013	2	Union (Not Shown)	
8	7446502506	1	Connector	

# SECTION 9 - ACCESSORIES

## FIGURE 9-10. GLAD HAND BRACKET INSTALLMENT



ART\_2178000037

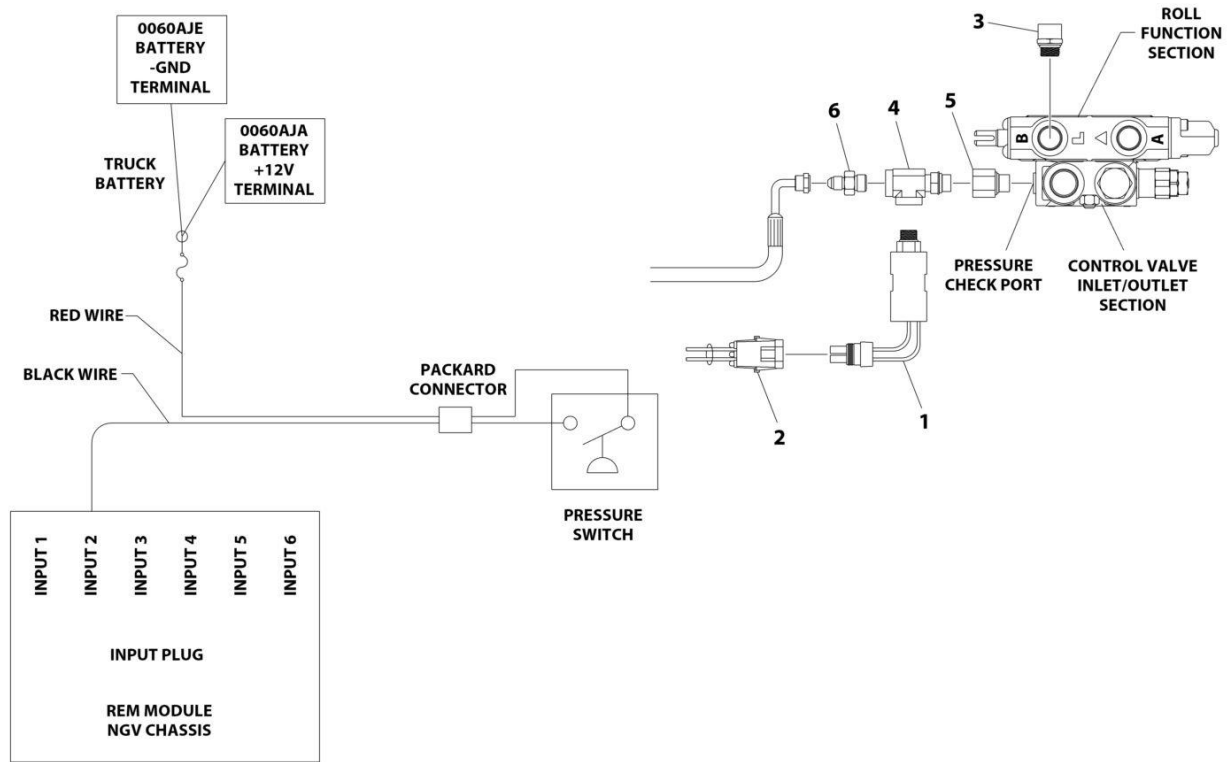
## SECTION 9 - ACCESSORIES

### FIGURE 9-10. GLAD HAND BRACKET INSTALLMENT

ITEM	PART NUMBER	QTY	DESCRIPTION	REV
	2178000037	Ref	GLAD HAND BRACKET INSTALLMENT	0
1	4178000666	1	Bracket	
2	7115181464	2	Bolt 1/2 x 1-3/4	
3	7660182601	2	Nut 1/2	

# SECTION 9 - ACCESSORIES

## FIGURE 9-11. REMOTE THROTTLE CONTROL



ART\_2870000013



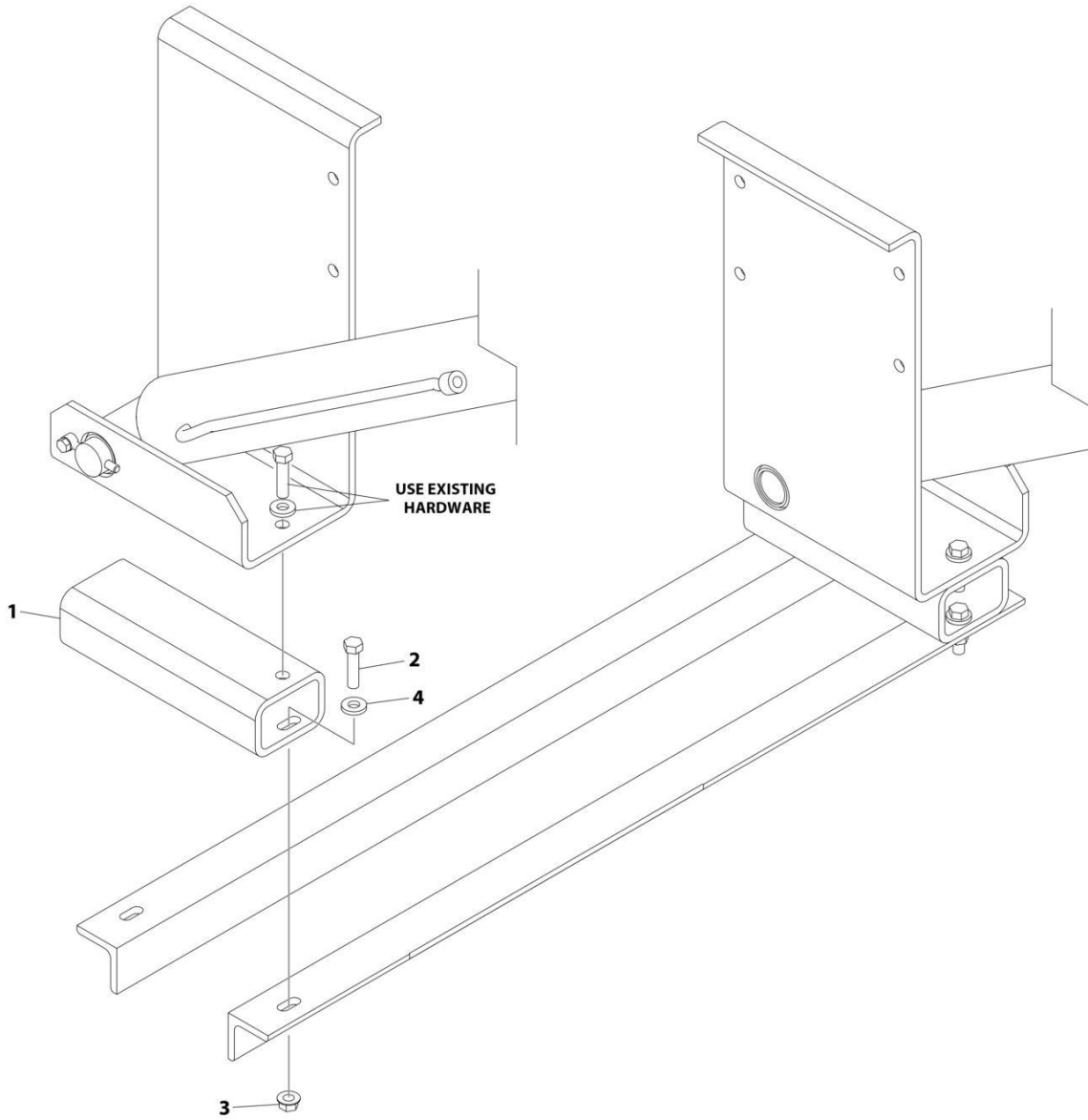
## SECTION 9 - ACCESSORIES

### FIGURE 9-11. REMOTE THROTTLE CONTROL

ITEM	PART NUMBER	QTY	DESCRIPTION	REV
	2870000013	Ref	Remote Throttle Control	D
1	7346000208	1	Pressure Switch	
2	7552000241	1	Harness	
3	7443000428	1	Valve, Check	
4	7443000432	1	Fitting	
5	7443000469	1	Fitting	
6	7445040643	1	Adapter	

# SECTION 9 - ACCESSORIES

## FIGURE 9-12. SADDLE SPACERS INSTALLATION



ART\_1001175532

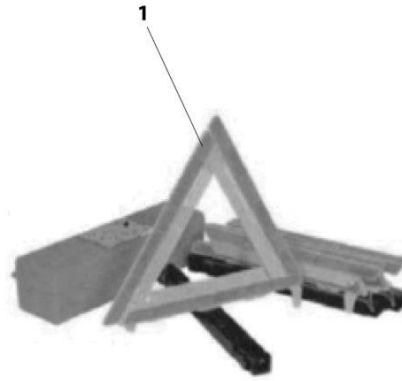
## SECTION 9 - ACCESSORIES

### FIGURE 9-12. SADDLE SPACERS INSTALLATION

ITEM	PART NUMBER	QTY	DESCRIPTION	REV
	1001175532	Ref	Saddle Spacer Installation	A
1	1001175531	2	Saddle Spacer	
2	7105181650	4	Capscrew 1/2 x 2	
3	7660182333	4	Nut 1/2	
4	7950180153	4	Washer 1/2	

## SECTION 9 - ACCESSORIES

FIGURE 9-13. SAFETY TRIANGLE KIT



ART\_STK

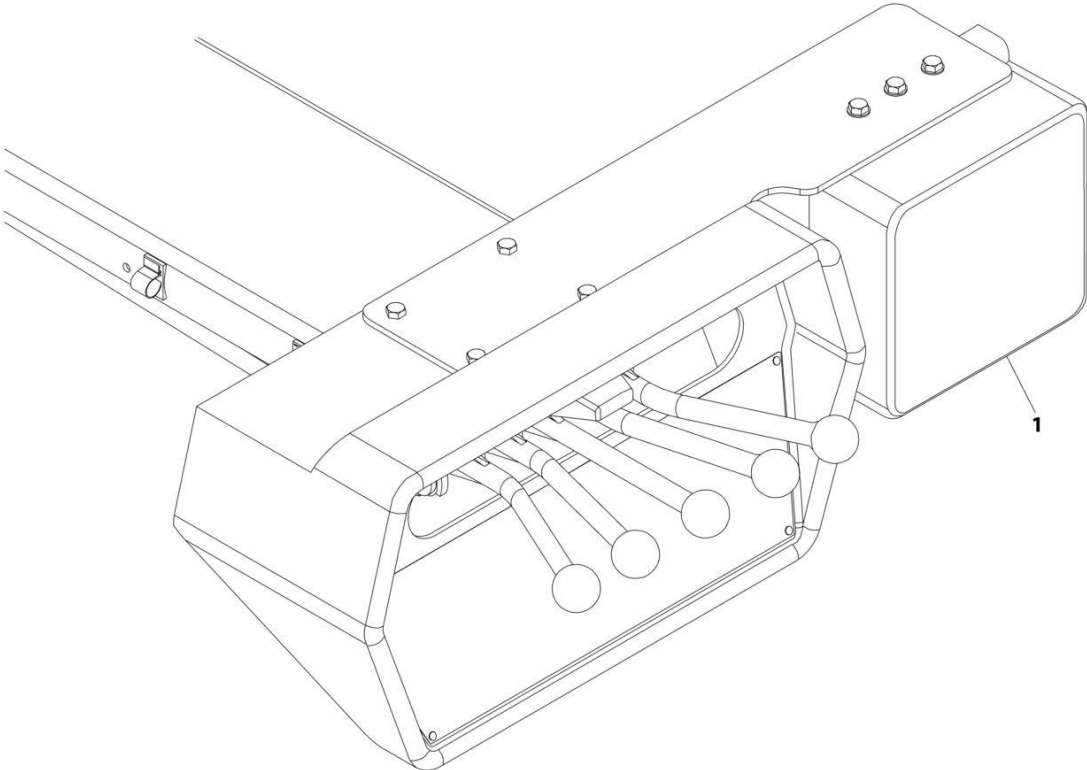
## SECTION 9 - ACCESSORIES

**FIGURE 9-13. SAFETY TRIANGLE KIT**

ITEM	PART NUMBER	QTY	DESCRIPTION	REV
1	STK 7002000285	Ref 1	Safety Triangle Kit Reflective Triangles	0

**SECTION 9 - ACCESSORIES**

**FIGURE 9-14. SCALES (ON-BOARD TRUCK) KIT (VENDOR INSTALLED)**



ART\_1001133721

## SECTION 9 - ACCESSORIES

**FIGURE 9-14. SCALES (ON-BOARD TRUCK) KIT (VENDOR INSTALLED)**

ITEM	PART NUMBER	QTY	DESCRIPTION	REV
	1001133721	Ref	TRUCK SCALES - ON BOARD (AIR WEIGH) (DEALER INSTALLED)	A
1	7577000442	1	Truck Scales - On Board (Air Weigh) Add - On Kit	

## SECTION 9 - ACCESSORIES

FIGURE 9-15. STRAP TIE DOWN KIT - 8-POINT TIRE STRAP



ART\_CAR8PTTD



## SECTION 9 - ACCESSORIES

**FIGURE 9-15. STRAP TIE DOWN KIT - 8-POINT TIRE STRAP**

ITEM	PART NUMBER	QTY	DESCRIPTION	REV
1	CAR8PTTD 7894000073	Ref 1	STRAP/TIE DOWN KIT - 8-POINT TIRE STRAP Chain Strap and Chain Tyre Tie-Down	0

## SECTION 9 - ACCESSORIES

### FIGURE 9-16. TOW STRAPS ACCESSORY KIT

INFORMATION NOT AVAILABLE AT THE TIME OF PRINTING

ART\_1001233004

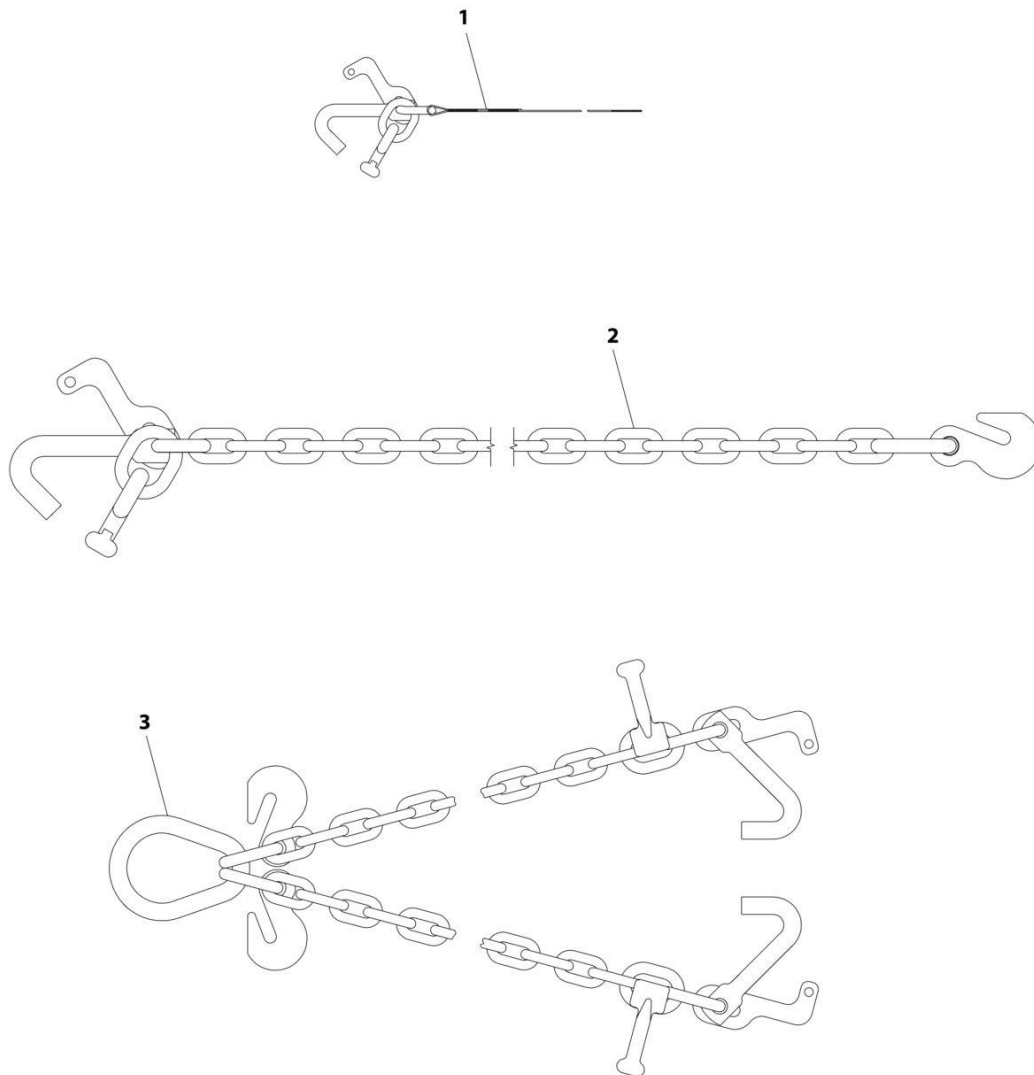
## SECTION 9 - ACCESSORIES

### FIGURE 9-16. TOW STRAPS ACCESSORY KIT

ITEM	PART NUMBER	QTY	DESCRIPTION	REV
	1001233004	Ref	TOW STRAPS ACCESSORY KIT	A
1	70051418	4	Strap 2IN With Loop	
2	70051440	12	Strap 2IN x 8FT With D-Ring	
3	70051403	6	Strap 2IN With Handle Ratchet	
4	70051425	12	Sleeve, Protective 18IN	
5	70051426	1	Light, Tow 2IN Wireless (Yellow)	
6	70051427	1	Stick, Measuring 15FT Collapsible	
7	70051469	1	Ratchet 1/2IN Drive / 24IN Handle	
8	70051470	1	Socket 1-1/8 / 1/2IN Drive	

# SECTION 9 - ACCESSORIES

FIGURE 9-17. STRAP TIE DOWN KIT UPPER DECK



ART\_7577000301

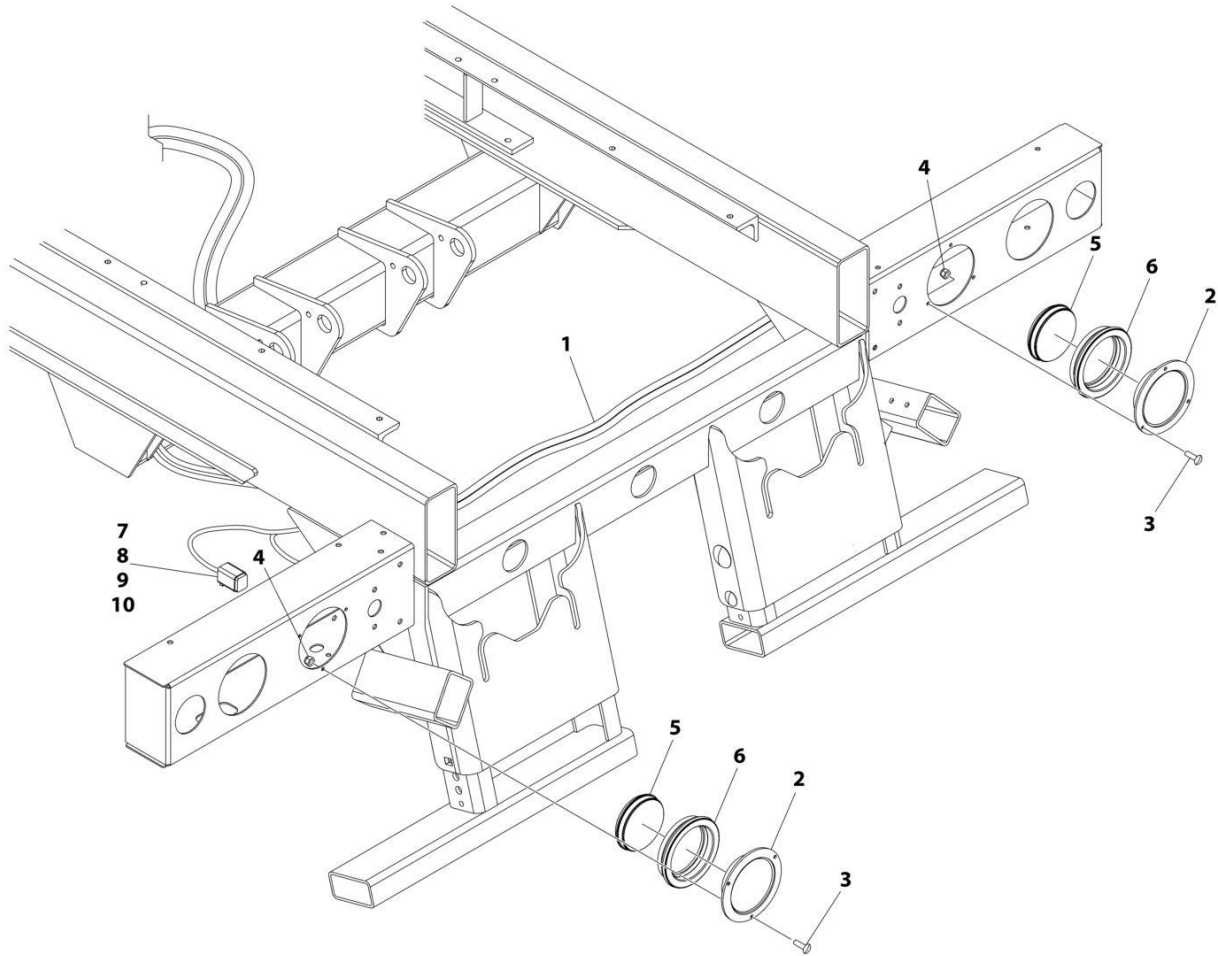
## SECTION 9 - ACCESSORIES

**FIGURE 9-17. STRAP TIE DOWN KIT UPPER DECK**

ITEM	PART NUMBER	QTY	DESCRIPTION	REV
	7577000301	Ref	STRAP TIE DOWN KIT UPPER DECK	0
1	7894000046	2	Strap	
2	7262000041	2	Chain	
3	7262000022	1	Chain	

# SECTION 9 - ACCESSORIES

## FIGURE 9-18. TAILLIGHT CONVERSION KIT, SPLIT STOP/TURN



ART\_2590000292

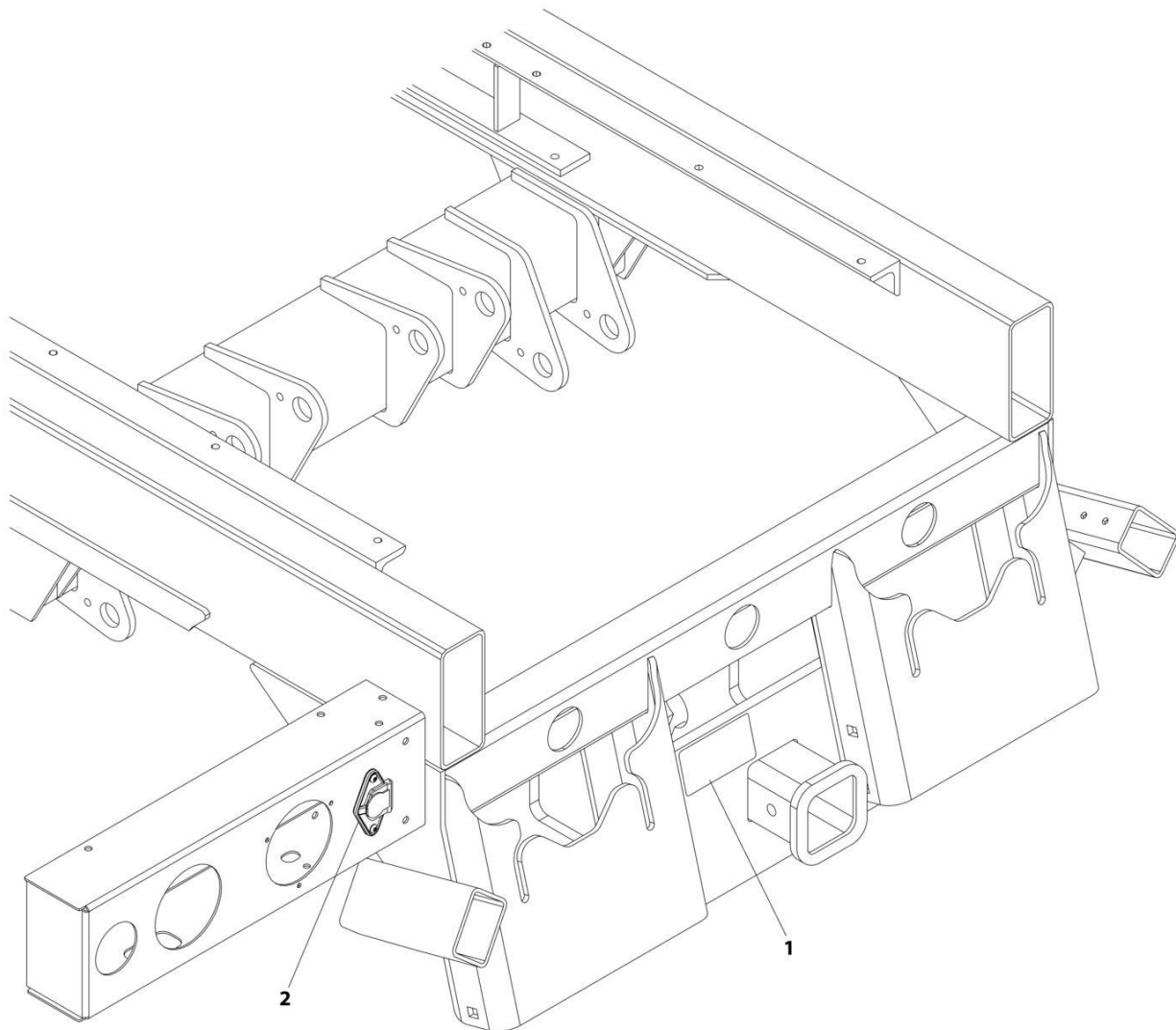
## SECTION 9 - ACCESSORIES

### FIGURE 9-18. TAILLIGHT CONVERSION KIT, SPLIT STOP/TURN

ITEM	PART NUMBER	QTY	DESCRIPTION	REV
	2590000292	Ref	Tail Light Conversion Kit, Split Stop/Turn	E
1	7552000472	1	Harness	
2	7590000432	2	Light	
3	7114101018	6	Capscrew #10 x 1-1/4	
4	7660102604	6	Nut #10	
5	1001142769	2	Lamp	
6	7493000002	2	Grommet	
7	1001159336	1	Electrical Assembly, Tail Light Converter	
8	7345001714	6	Terminal	
9	7346000039	AR	Heat Shrink 1/4IN	
10	1001100949	1	Electrical Assembly, Inline Diode	

## SECTION 9 - ACCESSORIES

FIGURE 9-19. TOW HITCH INSTALLATION - STATIONARY 2 IN TOW HITCH RECEIVER



ART\_RHS05-MD



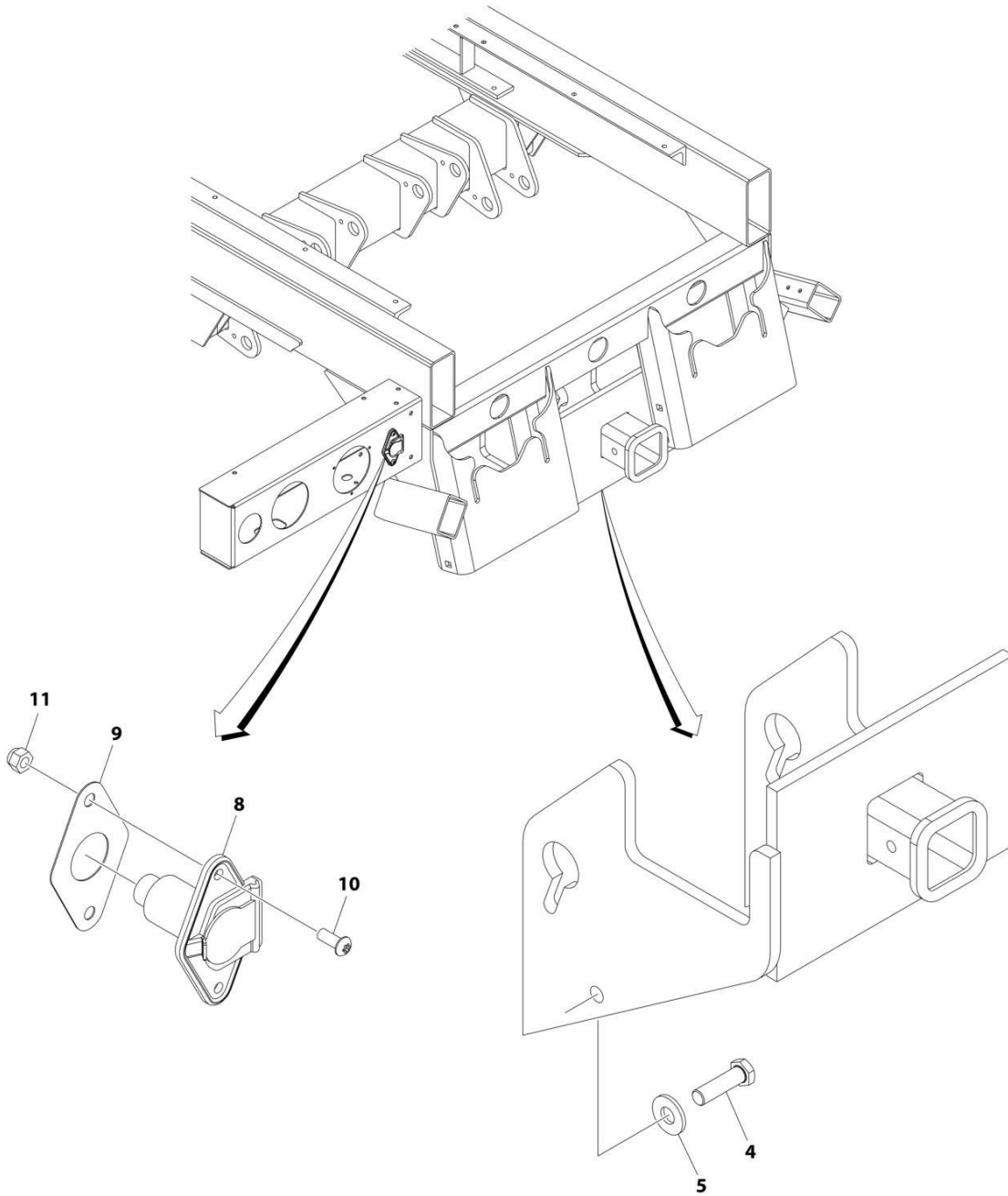
## SECTION 9 - ACCESSORIES

**FIGURE 9-19. TOW HITCH INSTALLATION - STATIONARY 2 IN TOW HITCH RECEIVER**

ITEM	PART NUMBER	QTY	DESCRIPTION	REV
	RHS05-MD	Ref	TOW HITCH INSTALLATION - STATIONARY 2 IN TOW HITCH RECEIVER	0
1	2330000062	Ref	Tow Hitch Decal Installation	
1	7330000274	1	Decal Warning	
2	3556000041	1	Stationary Tow Hitch (See Separate Breakdown in this Section)	

# SECTION 9 - ACCESSORIES

## FIGURE 9-20. TOW HITCH - STATIONARY



ART\_3556000041

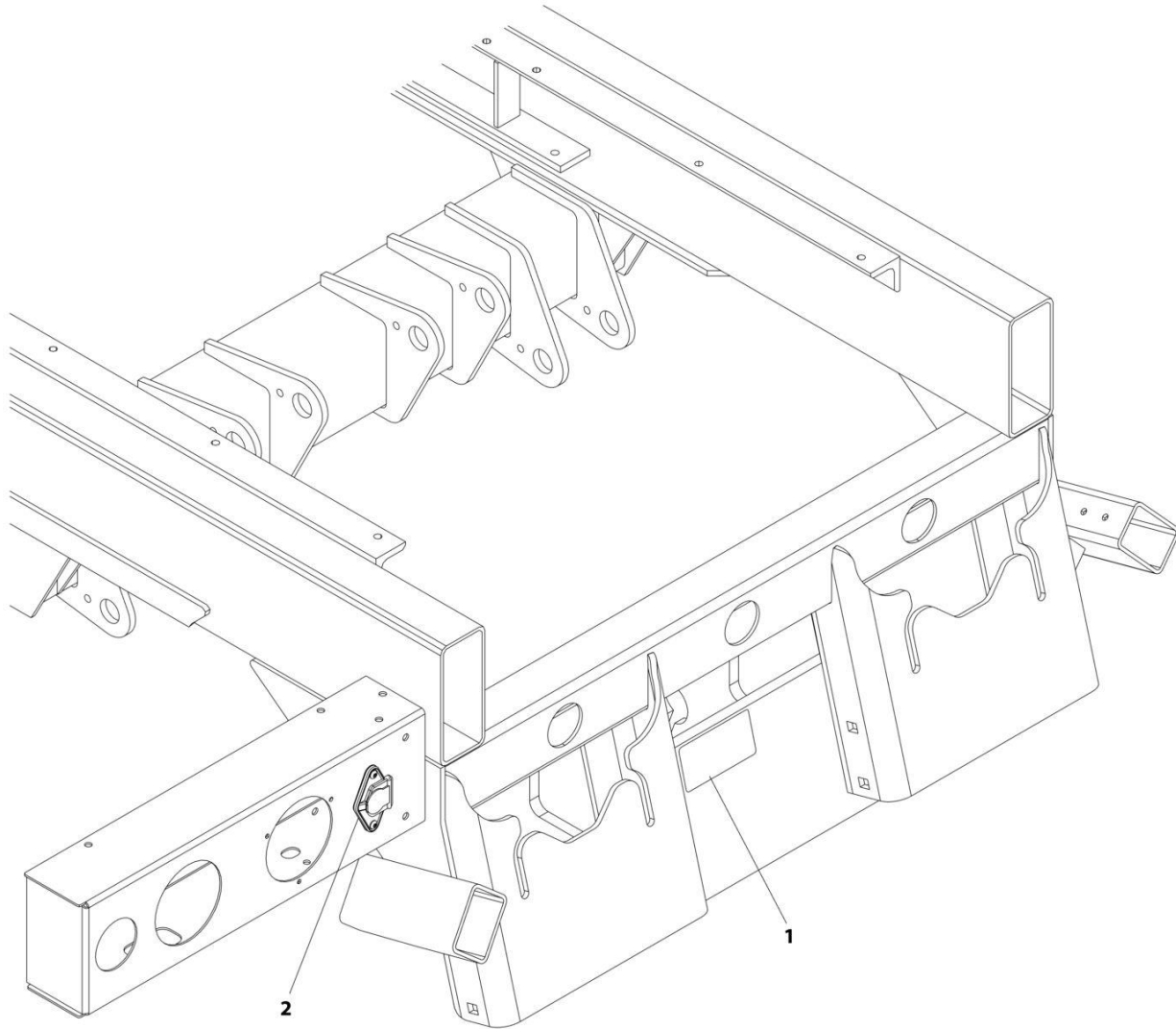
## SECTION 9 - ACCESSORIES

### FIGURE 9-20. TOW HITCH - STATIONARY

ITEM	PART NUMBER	QTY	DESCRIPTION	REV
	3556000041	Ref	TOW HITCH - STATIONARY	C
4	7115181450	2	Capscrew 1/2 x 1-3/4	
5	7950180150	2	Washer 1/2	
8	7291000010	1	Female Receptacle with Connector	
9	7796000048	1	Gasket	
10	7114140528	2	Screw 1/4 x 5/8	
11	7660142601	2	Nut 1/4	

## SECTION 9 - ACCESSORIES

FIGURE 9-21. TOW HITCH INSTALLATION - STATIONARY PINTLE HITCH PLATE



ART\_PHS40-MD

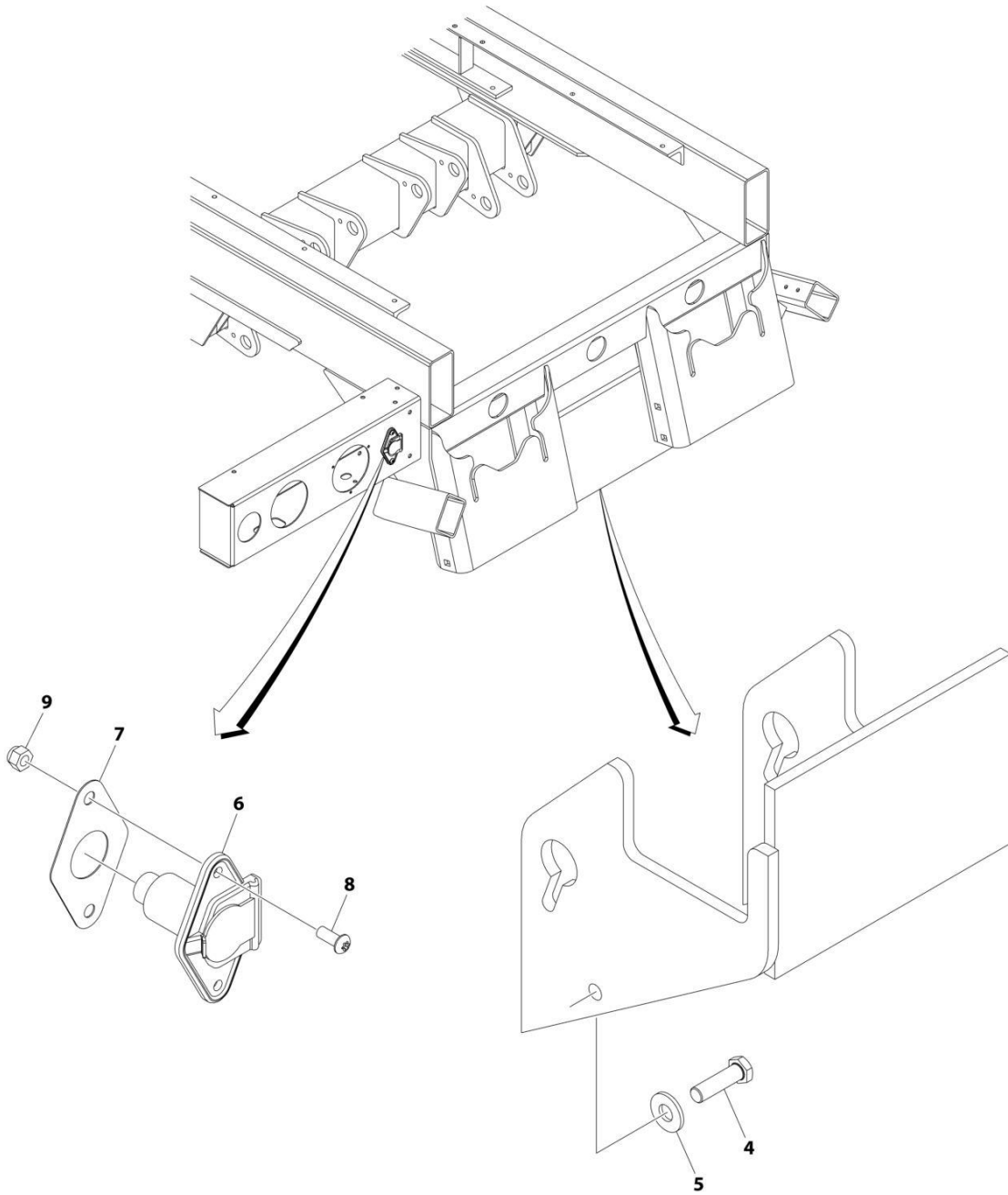
## SECTION 9 - ACCESSORIES

**FIGURE 9-21. TOW HITCH INSTALLATION - STATIONARY PINTLE HITCH PLATE**

ITEM	PART NUMBER	QTY	DESCRIPTION	REV
	PHS40-MD	Ref	TOW HITCH INSTALLATION - STATIONARY PINTLE HITCH PLATE	0
1	2330000062	1	Tow Hitch Decal Installation (See Separate Breakdown in DECALS Section)	
2	3556000040	1	Stationary Pintle Hitch (See Separate Breakdown in this Section)	

# SECTION 9 - ACCESSORIES

## FIGURE 9-22. TOW HITCH - STATIONARY PINTLE



ART\_355600040

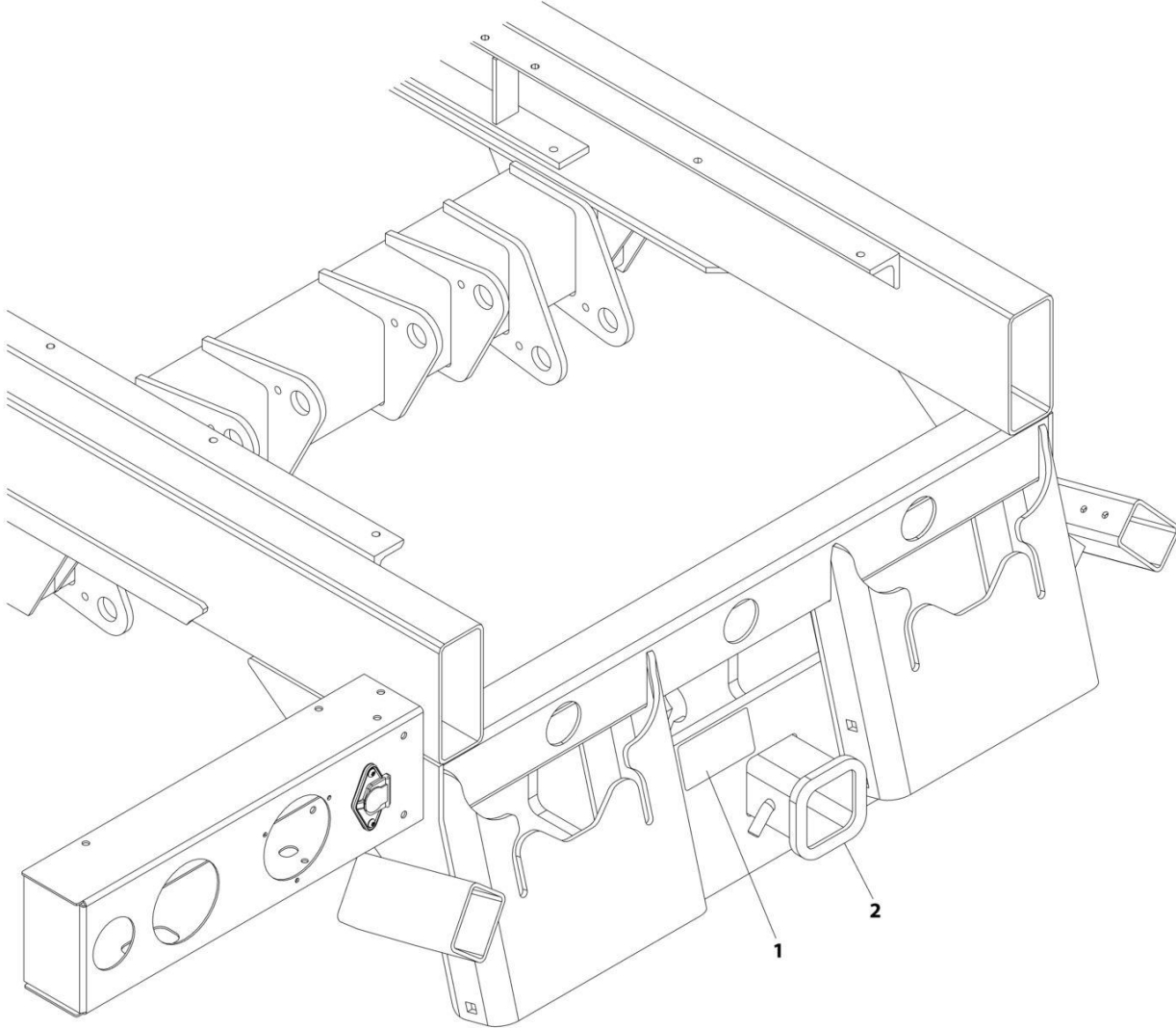
## SECTION 9 - ACCESSORIES

### FIGURE 9-22. TOW HITCH - STATIONARY PINTLE

ITEM	PART NUMBER	QTY	DESCRIPTION	REV
	3556000040	Ref	TOW HITCH - STATIONARY PINTLE	C
4	7115181450	2	Capscrew 1/2 x 1-3/4	
5	7950180150	2	Washer 1/2	
6	7291000010	1	Female Receptacle	
7	7796000048	1	Gasket	
8	7114140528	2	Screw 1/4 x 5/8	
9	7660142601	2	Nut 1/4	

**SECTION 9 - ACCESSORIES**

**FIGURE 9-23. TOW HITCH INSTALLATION - STATIONARY 2.5 IN TOW HITCH RECEIVER**



ART\_1001137580



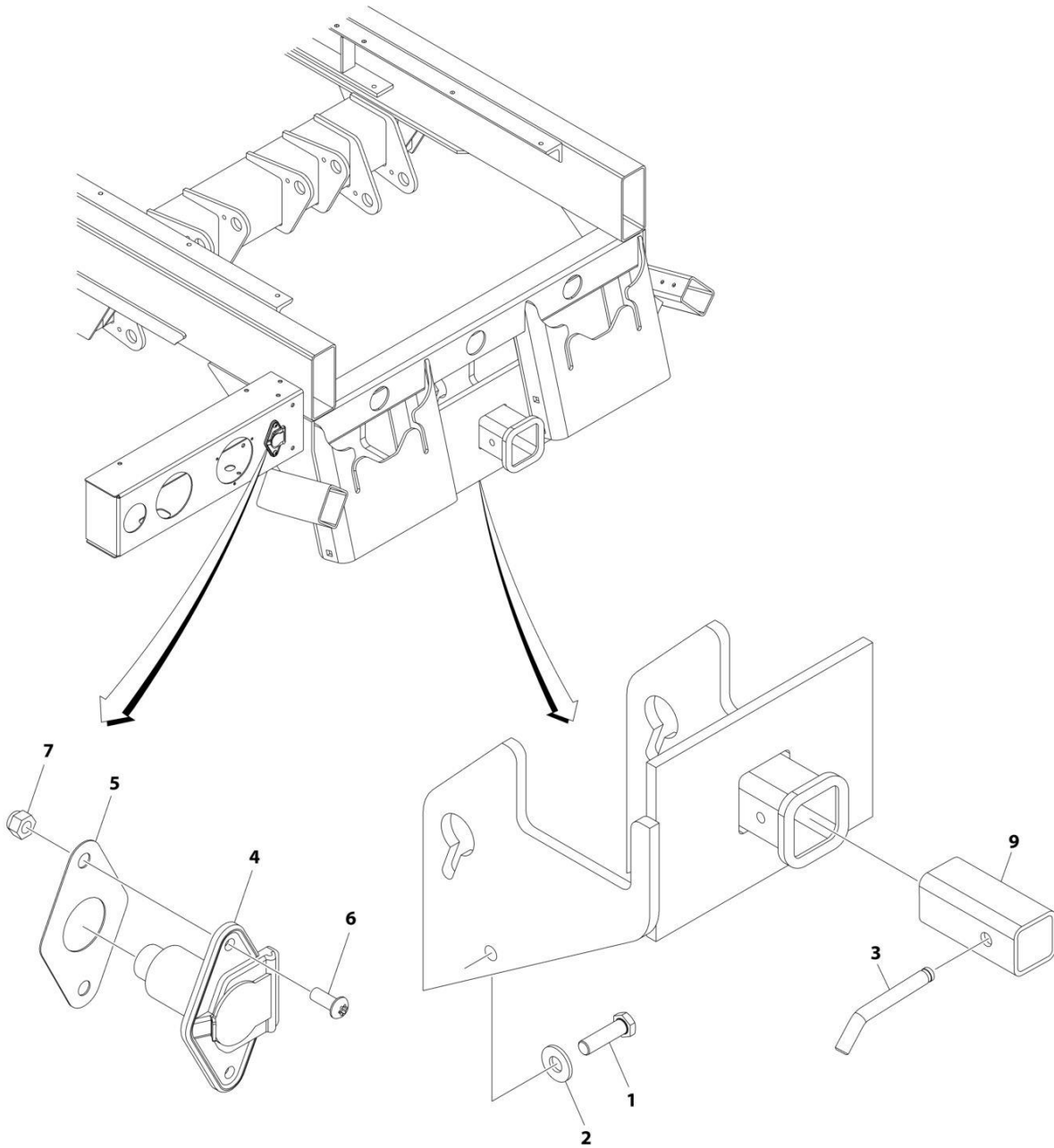
## SECTION 9 - ACCESSORIES

**FIGURE 9-23. TOW HITCH INSTALLATION - STATIONARY 2.5 IN TOW HITCH RECEIVER**

ITEM	PART NUMBER	QTY	DESCRIPTION	REV
	1001137580	Ref	TOW HITCH INSTALLATION - STATIONARY 2.5 IN TOW HITCH RECEIVER	A
1	2330000062	Ref	Tow Hitch Decal Installation	
1	7330000274	1	Decal - Warning Overloading	
2	1001137581	1	Tow Hitch Installation (See Separate Breakdown in this Section)	

# SECTION 9 - ACCESSORIES

## FIGURE 9-24. TOW HITCH INSTALLATION, 2.5 IN



ART\_1001137581

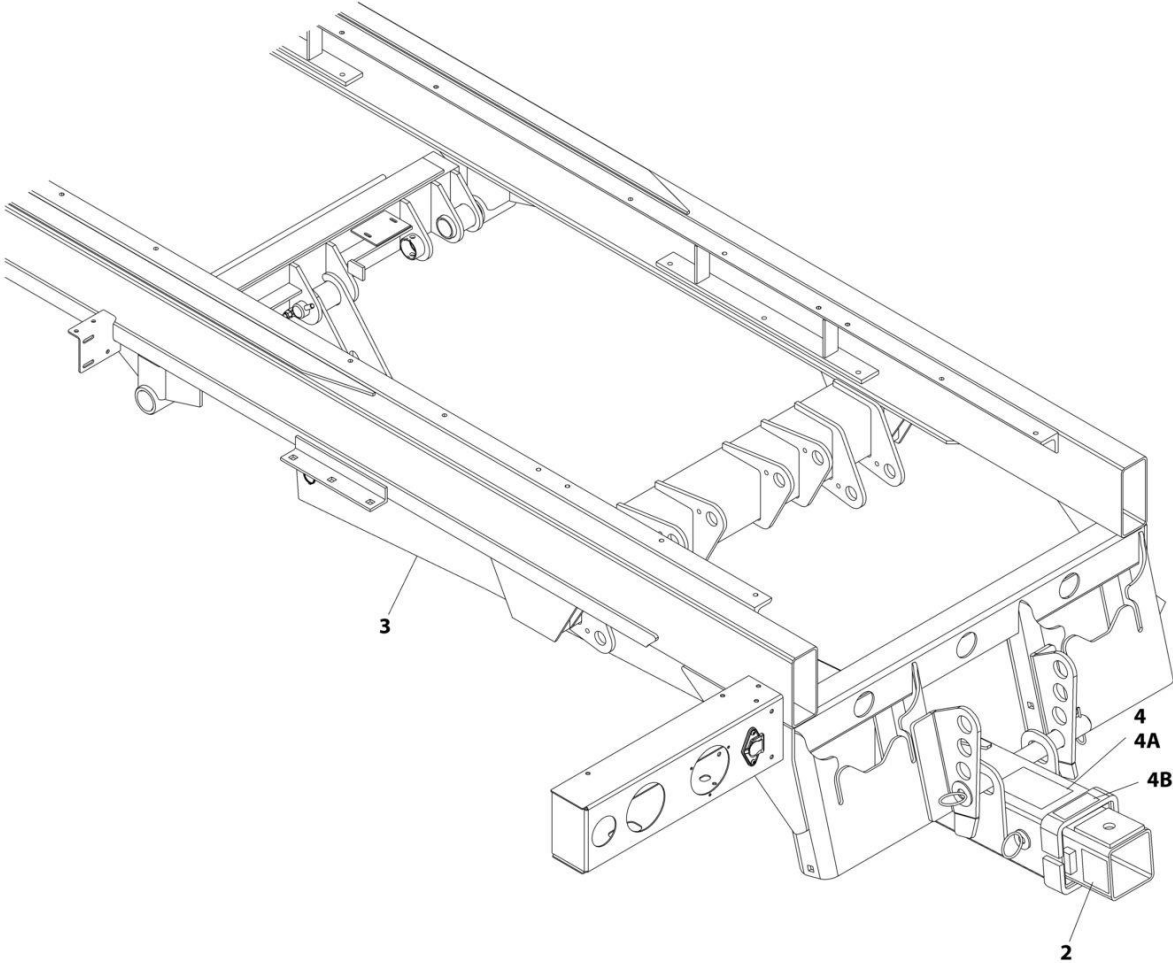
## SECTION 9 - ACCESSORIES

### FIGURE 9-24. TOW HITCH INSTALLATION, 2.5 IN

ITEM	PART NUMBER	QTY	DESCRIPTION	REV
	1001137581	Ref	TOW HITCH INSTALLATION, 2.5 IN	B
1	7115181450	2	Capscrew 1/2 x 1-3/4	
2	7950180150	2	Washer 1/2	
3	7691000033	1	Cotter Pin	
4	7291000010	1	Connector	
5	7796000048	1	Gasket	
6	7114140528	2	Screw 1/4 x 5/8	
7	7660142601	2	Nut 1/4	
9	7913000006	1	Tube	

**SECTION 9 - ACCESSORIES**

**FIGURE 9-25. TOW HITCH INSTALLATION - MANUAL/HYDRAULIC BALL HITCH PLATE**



ART\_BHH35-MD

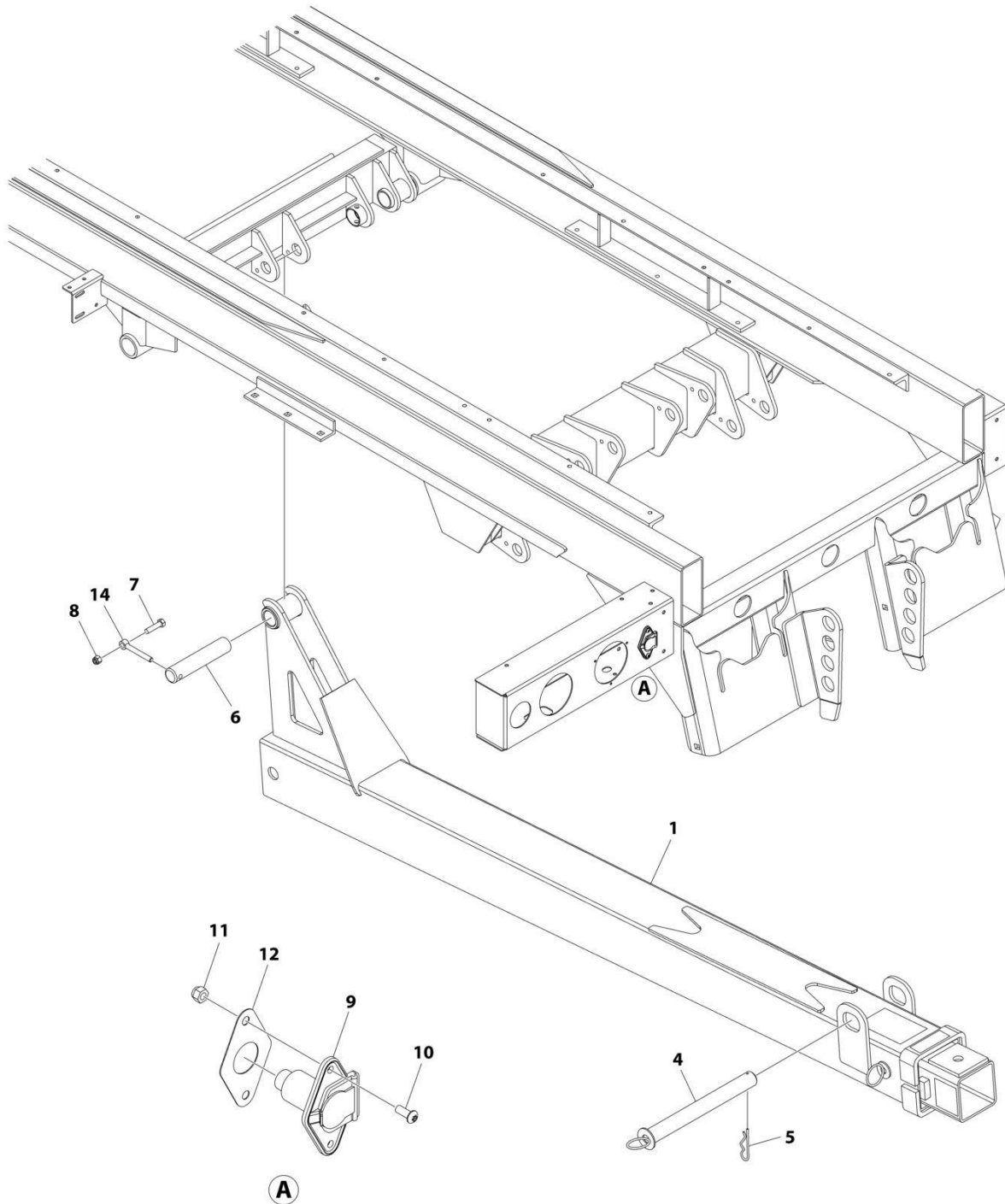
## SECTION 9 - ACCESSORIES

**FIGURE 9-25. TOW HITCH INSTALLATION - MANUAL/HYDRAULIC BALL HITCH PLATE**

ITEM	PART NUMBER	QTY	DESCRIPTION	REV
	BHH35-MD	Ref	TOW HITCH INSTALLATION - MANUAL/HYDRAULIC BALL HITCH PLATE	0
1	2570000055	1	Hose Installation (Not Shown - See Separate Breakdown in HYDRAULIC Section)	
2	2330000040	Ref	Hitch Decal Installation, Ball	
2	4330000002	2	Decal - Red Reflective	
3	2170000087	1	Boom Installation, Ball Hitch (Hydraulic) (See Separate Breakdown in this Section)	
4	2330000060	Ref	Ball Hitch Decal Installation, Tow Option	
4A	7330000684	1	Decal - Safety	
4B	7330000391	1	Decal - Warning, Tow Boom Configuration	

# SECTION 9 - ACCESSORIES

## FIGURE 9-26. TOW HITCH BOOM INSTALLATION - BALL HITCH (HYDRAULIC)



ART\_217000087

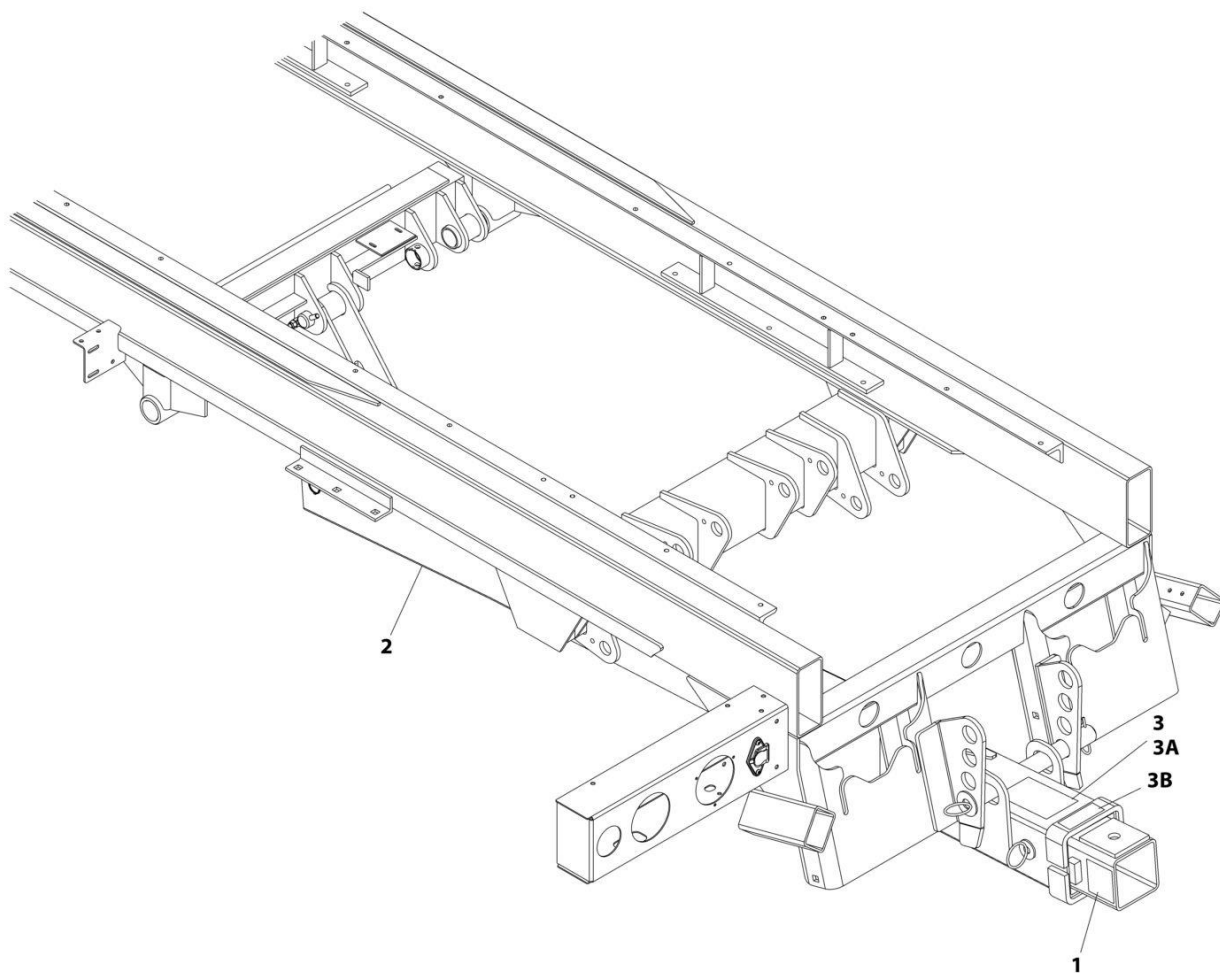
## SECTION 9 - ACCESSORIES

**FIGURE 9-26. TOW HITCH BOOM INSTALLATION - BALL HITCH (HYDRAULIC)**

ITEM	PART NUMBER	QTY	DESCRIPTION	REV
	2170000087	Ref	TOW HITCH BOOM INSTALLATION - BALL HITCH (HYDRAULIC)	D
1	3170000308	1	Boom Assembly	
4	3691000097	1	Pin	
5	7691000001	1	Hairpin	
6	1001188129	1	Pin	
7	0641612	1	Capscrew 3/8 x 1-1/2	
8	3300492	1	Nut 3/8	
9	7291000010	1	Female Receptacle	
10	7114140528	2	Screw 1/4 x 5/8	
11	7660142601	2	Nut 1/4	
12	7796000048	1	Gasket	
14	3841143	1	Keeper	

## SECTION 9 - ACCESSORIES

FIGURE 9-27. TOW HITCH INSTALLATION - MANUAL BALL HITCH PLATE



ART\_BHM35-MD



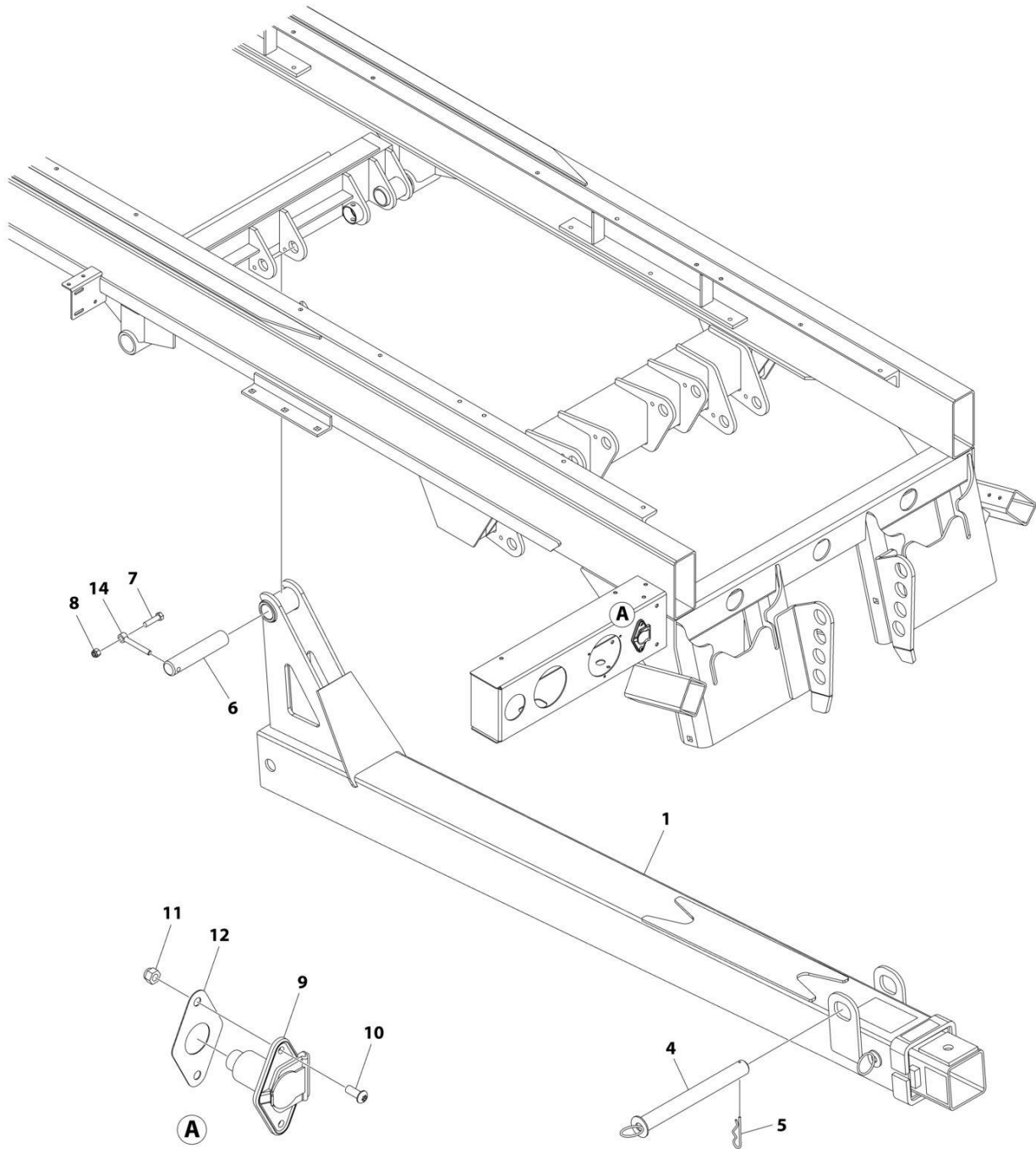
## SECTION 9 - ACCESSORIES

**FIGURE 9-27. TOW HITCH INSTALLATION - MANUAL BALL HITCH PLATE**

ITEM	PART NUMBER	QTY	DESCRIPTION	REV
	BHM35-MD	Ref	TOW HITCH INSTALLATION - MANUAL BALL HITCH PLATE	0
1	2330000040	Ref	Hitch Decal Installation, Ball	
1	4330000002	2	Decal - Red Reflective	
2	2170000088	1	Boom Installation, Ball Hitch (Manual) (See Separate Breakdown in this Section)	
3	2330000060	Ref	Ball Hitch Decal Installation, Tow Option	
3A	7330000684	1	Decal - Safety	
3B	7330000391	1	Decal - Warning, Tow Boom Configuration	

# SECTION 9 - ACCESSORIES

FIGURE 9-28. TOW HITCH BOOM INSTALLATION - BALL HITCH (MANUAL)



ART\_217000088

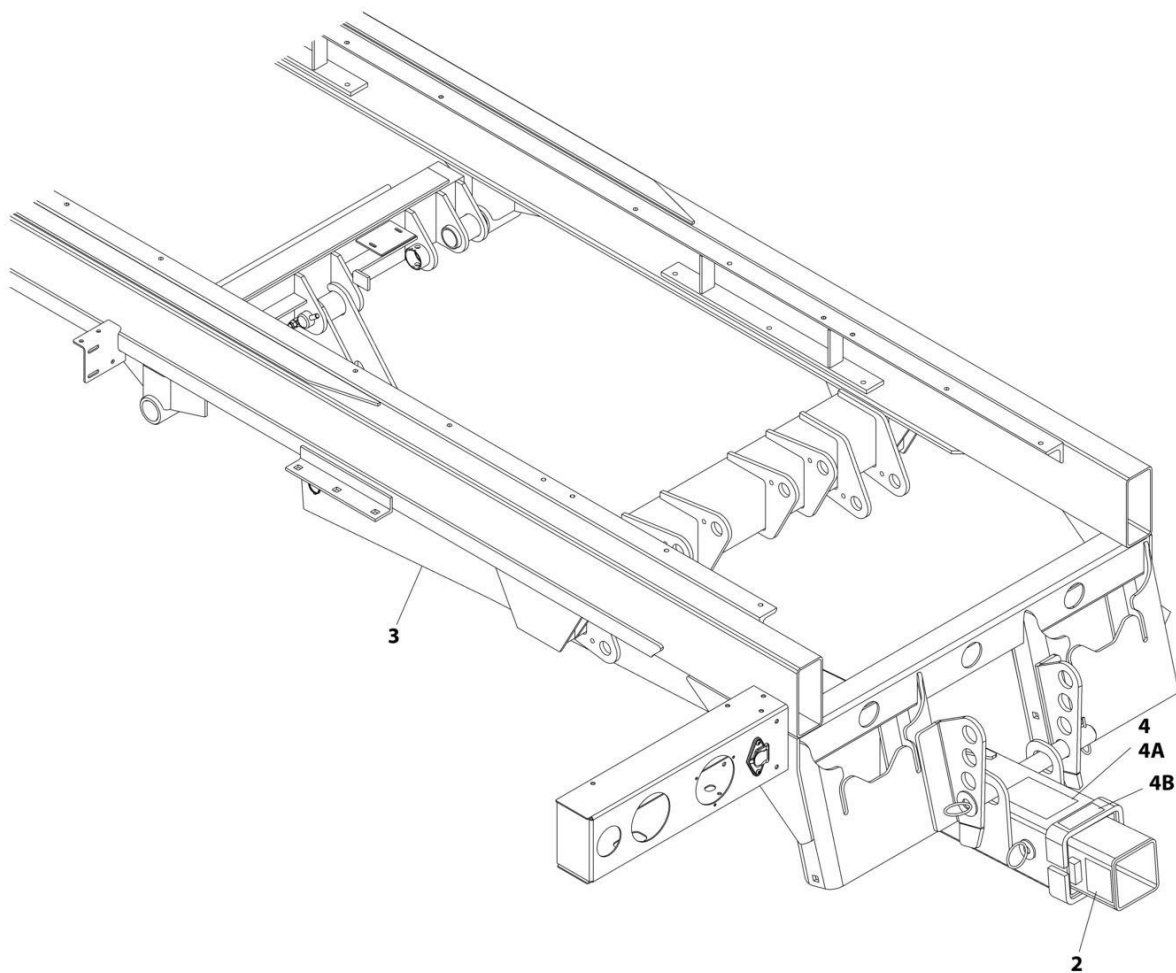
## SECTION 9 - ACCESSORIES

**FIGURE 9-28. TOW HITCH BOOM INSTALLATION - BALL HITCH (MANUAL)**

ITEM	PART NUMBER	QTY	DESCRIPTION	REV
	2170000088	Ref	TOW HITCH BOOM INSTALLATION - BALL HITCH (MANUAL)	D
1	3170000309	1	Boom Assembly	
4	3691000097	1	Pin	
5	7691000001	1	Hairpin	
6	1001188129	1	Pin	
7	0641612	1	Capscrew 3/8 x 1-1/2	
8	3300492	1	Nut 3/8	
9	7291000010	1	Female Receptacle	
10	7114140528	2	Screw 1/4 x 5/8	
11	7660142601	2	Nut 1/4	
12	7796000048	1	Gasket	
14	3841143	1	Keeper	

## SECTION 9 - ACCESSORIES

FIGURE 9-29. TOW HITCH INSTALLATION - MANUAL /HYDRAULIC PINTLE HITCH PLATE



ART\_PHH35-MD

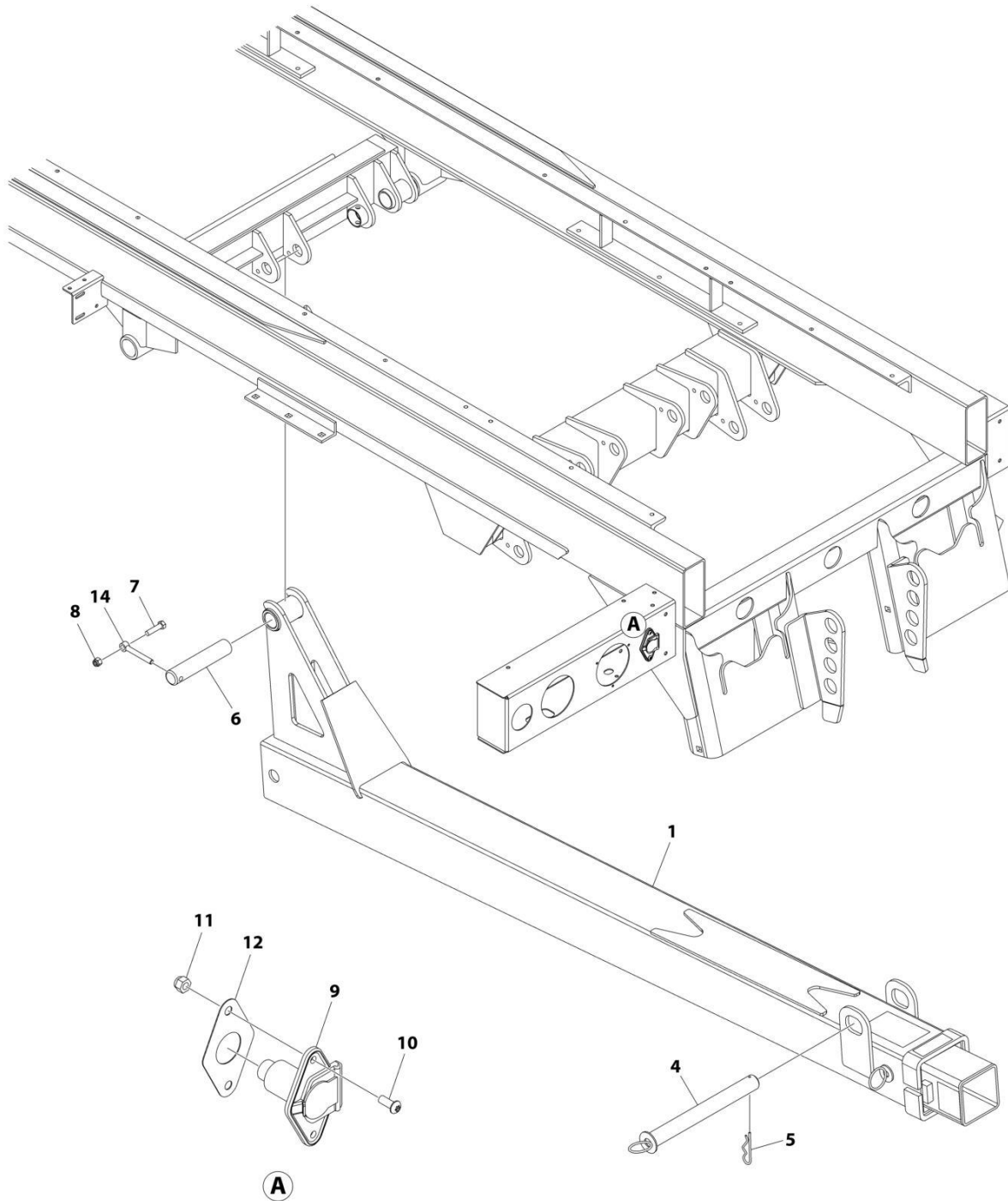
## SECTION 9 - ACCESSORIES

**FIGURE 9-29. TOW HITCH INSTALLATION - MANUAL /HYDRAULIC PINTLE HITCH PLATE**

ITEM	PART NUMBER	QTY	DESCRIPTION	REV
	PHH35-MD	Ref	TOW HITCH INSTALLATION - MANUAL /HYDRAULIC PINTLE HITCH PLATE	0
1	2570000055	1	Hose Installation (Not Shown - See Separate Breakdown in HYDRAULIC Section)	
2	2330000041	Ref	Reflective Tape Installation	
2	7330000645	1	Decal - Red, Retro-reflective LH	
2	7330000646	1	Decal - Red, Retro-reflective RH	
3	2170000089	1	Boom Installation, Pintle Hitch (Hydraulic) (See Separate Breakdown in this Section)	
4	2330000060	Ref	Ball Hitch Decal Installation, Tow Option	
4A	7330000684	1	Decal - Safety	
4B	7330000391	1	Decal - Warning, Tow Boom Configuratio	

# SECTION 9 - ACCESSORIES

## FIGURE 9-30. TOW HITCH BOOM INSTALLATION - PINTLE HITCH (HYDRAULIC)



ART\_217000089

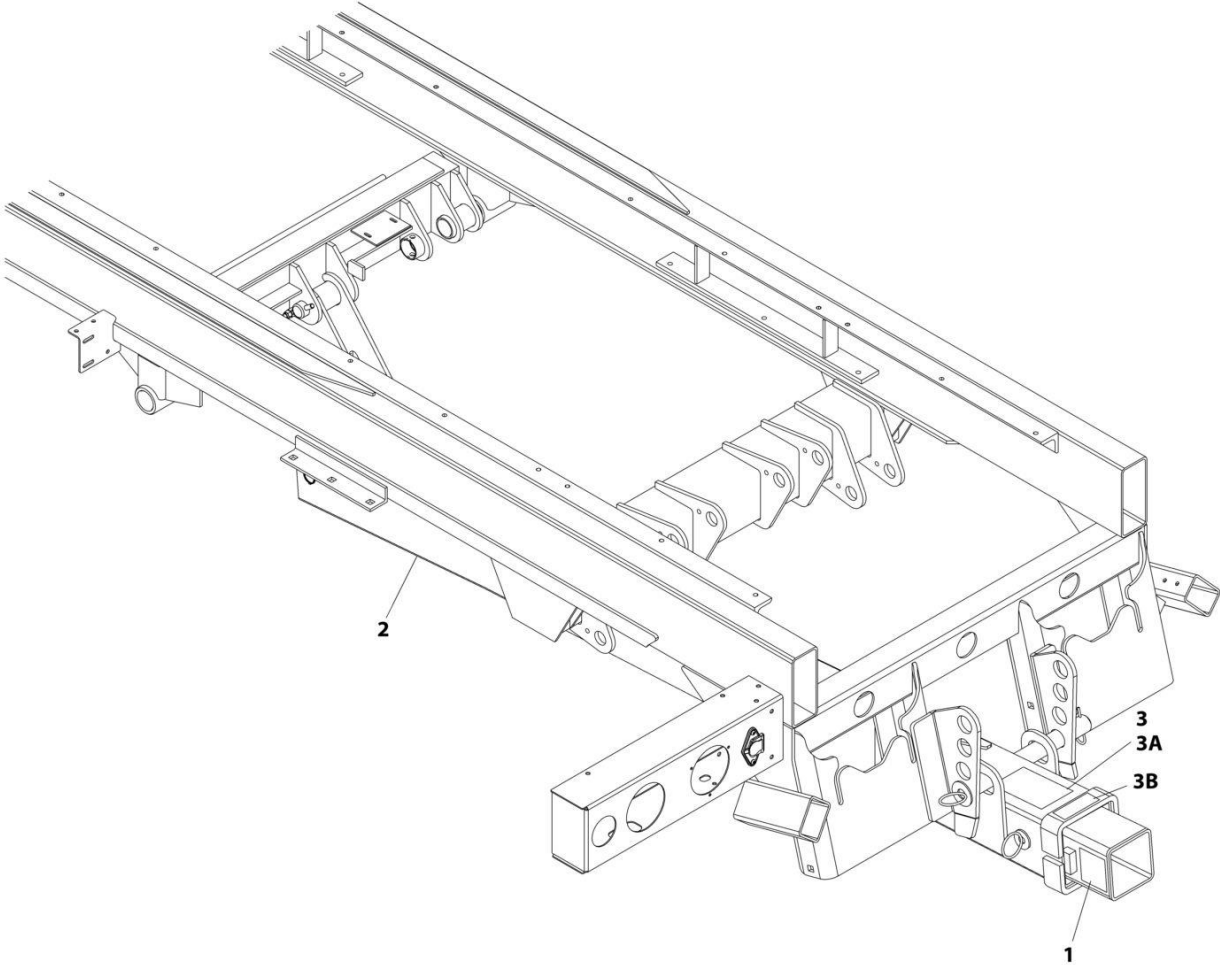
## SECTION 9 - ACCESSORIES

**FIGURE 9-30. TOW HITCH BOOM INSTALLATION - PINTLE HITCH (HYDRAULIC)**

ITEM	PART NUMBER	QTY	DESCRIPTION	REV
	217000089	Ref	TOW HITCH BOOM INSTALLATION - PINTLE HITCH (HYDRAULIC)	D
1	3170000311	1	Boom Assembly	
4	3691000097	1	Pin	
5	7691000001	1	Hiarpin	
6	1001188129	1	Pin	
7	0641612	1	Capscrew 3/8 x 1-1/2	
8	3300492	1	Nut 3/8	
9	7291000010	1	Female Receptacle	
10	7114140528	2	Screw 1/4 x 5/8	
11	7660142601	2	Nut 1/4	
12	7796000048	1	Gasket	
14	3841143	1	Keeper	

**SECTION 9 - ACCESSORIES**

**FIGURE 9-31. TOW HITCH INSTALLATION - MANUAL PINTLE HITCH PLATE**



ART\_PHM35-MD



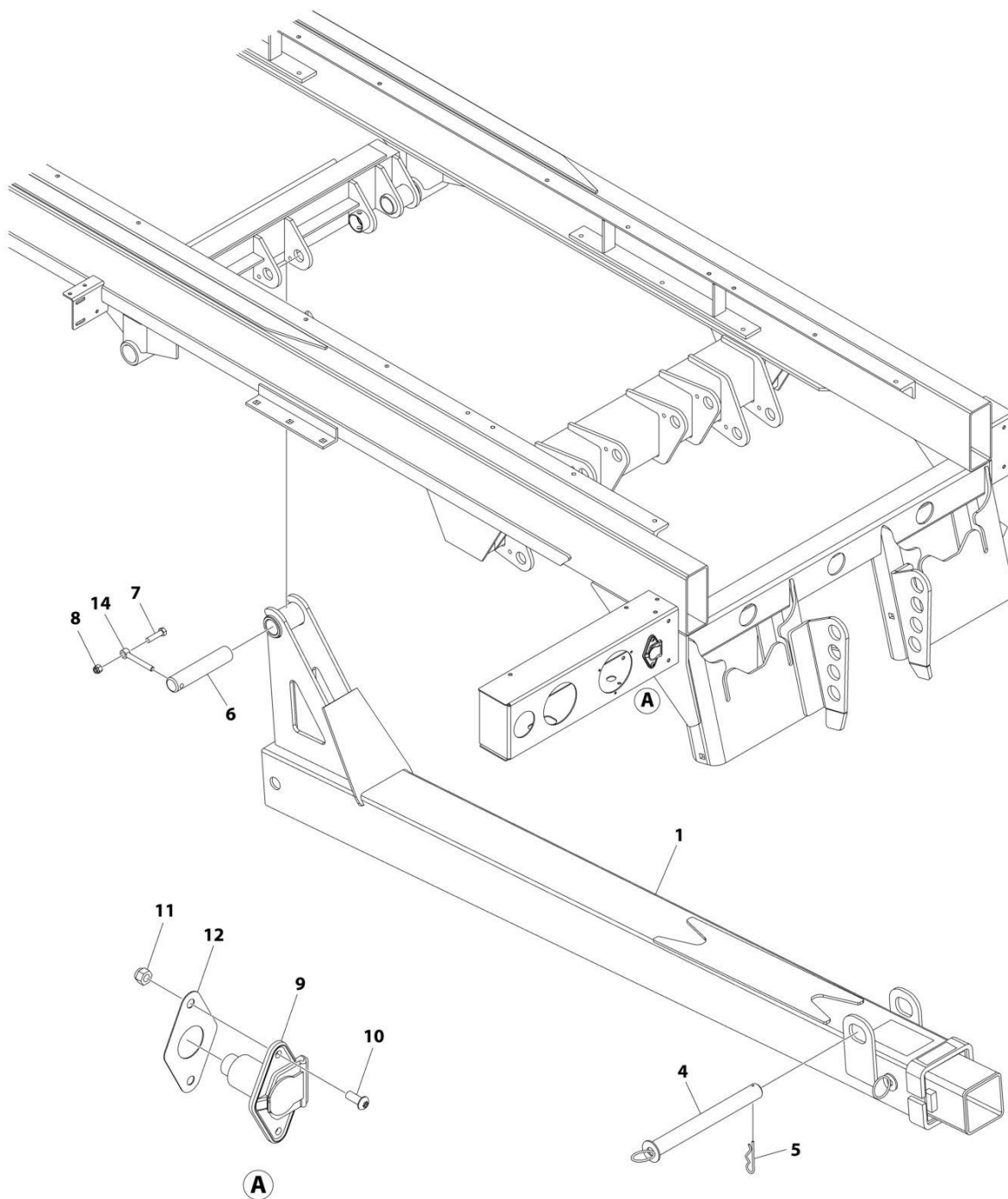
## SECTION 9 - ACCESSORIES

**FIGURE 9-31. TOW HITCH INSTALLATION - MANUAL PINTLE HITCH PLATE**

ITEM	PART NUMBER	QTY	DESCRIPTION	REV
	PHM35-MD	Ref	TOW HITCH BOOM INSTALLATION - PINTLE HITCH (HYDRAULIC)	0
1	2330000041	Ref	Reflective Tape Installation	
1	7330000645	1	Decal - Red, Retro-reflective LH	
1	7330000646	1	Decal - Red, Retro-reflective RH	
2	2170000090	1	Boom Installation, Pintle Hitch (Manual) (See Separate Breakdown in this Section)	
3	2330000060	Ref	Ball Hitch Decal Installation, Tow Option	
3A	7330000684	1	Decal - Safety	
3B	7330000391	1	Decal - Warning, Tow Boom Configuration	

# SECTION 9 - ACCESSORIES

## FIGURE 9-32. TOW HITCH BOOM INSTALLATION - PINTLE HITCH (MANUAL)



ART\_217000090

## SECTION 9 - ACCESSORIES

**FIGURE 9-32. TOW HITCH BOOM INSTALLATION - PINTLE HITCH (MANUAL)**

ITEM	PART NUMBER	QTY	DESCRIPTION	REV
	2170000090	Ref	TOW HITCH BOOM INSTALLATION - PINTLE HITCH (MANUAL)	D
1	3170000312	1	Boom Assembly	
4	3691000097	1	Pin	
5	7691000001	1	Hairpin	
6	1001188129	1	Pin	
7	0641612	1	Capscrew 3/8 x 1-1/2	
8	3300492	1	Nut 3/8	
9	7291000010	1	Female Receptacle	
10	7114140528	2	Screw 1/4 x 5/8	
11	7660142601	2	Nut 1/4	
12	7796000048	1	Gasket	
14	3841143	1	Keeper	

## SECTION 9 - ACCESSORIES

FIGURE 9-33. TOW LIGHT KIT - MAGNETIC MOUNTED



ART\_LMT

## SECTION 9 - ACCESSORIES

**FIGURE 9-33. TOW LIGHT KIT - MAGNETIC MOUNTED**

ITEM	PART NUMBER	QTY	DESCRIPTION	REV
1	LMT 5525000752	Ref 1	TOW LIGHT KIT - MAGNETIC MOUNTED Magnetic Light Kit Towing - with Case	0

## SECTION 9 - ACCESSORIES

FIGURE 9-34. TOW LIGHT KIT - SUCTION MOUNTED



ART\_LST

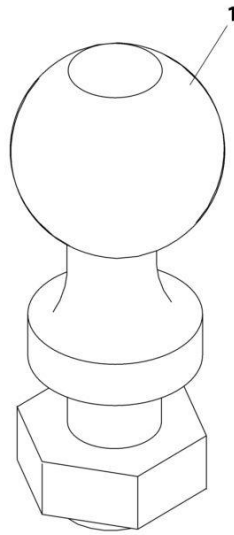
## SECTION 9 - ACCESSORIES

**FIGURE 9-34. TOW LIGHT KIT - SUCTION MOUNTED**

ITEM	PART NUMBER	QTY	DESCRIPTION	REV
	LST 7002000449	Ref 1	Suction Mounted Tow Light Kit Tow Lights Suction	0

## SECTION 9 - ACCESSORIES

FIGURE 9-35. TRAILER BALL - 1.88IN DIA BALL



ART\_TB178



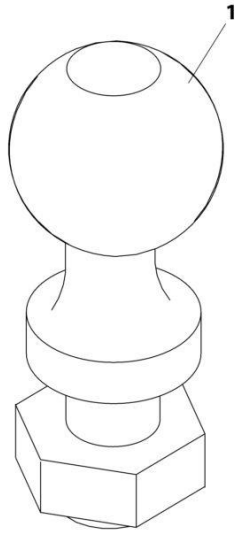
## SECTION 9 - ACCESSORIES

### FIGURE 9-35. TRAILER BALL - 1.88IN DIA BALL

ITEM	PART NUMBER	QTY	DESCRIPTION	REV
1	TB178 7056000007	Ref 1	TRAILER BALL - 1.88IN DIA BALL Ball	0

## SECTION 9 - ACCESSORIES

FIGURE 9-36. TRAILER BALL - 2IN DIA BALL



ART\_TB200

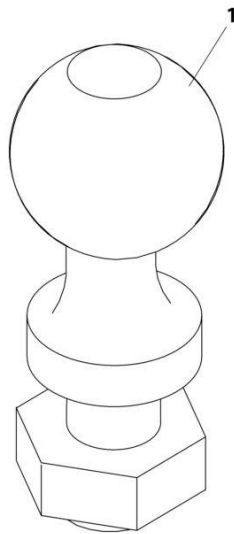
## SECTION 9 - ACCESSORIES

FIGURE 9-36. TRAILER BALL - 2IN DIA BALL

ITEM	PART NUMBER	QTY	DESCRIPTION	REV
1	TB200 7056000008	Ref 1	TRAILER BALL - 2IN DIA BALL Ball	0

## SECTION 9 - ACCESSORIES

FIGURE 9-37. TRAILER BALL - 2-5/16IN DIA BALL



ART\_TB256

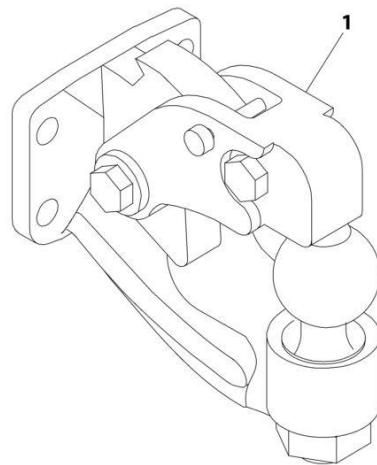
## SECTION 9 - ACCESSORIES

FIGURE 9-37. TRAILER BALL - 2-5/16IN DIA BALL

ITEM	PART NUMBER	QTY	DESCRIPTION	REV
1	TB256 7056000009	Ref 1	TRAILER BALL - 2-5/16IN DIA BALL Ball	0

## SECTION 9 - ACCESSORIES

FIGURE 9-38. TRAILER PINTLE WITH BALL



ART\_DPH-16B

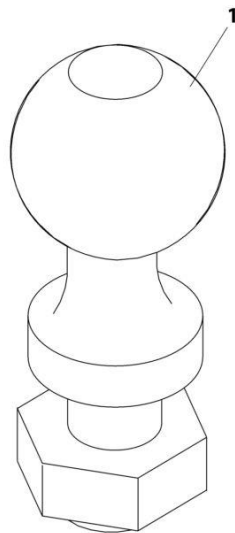
## SECTION 9 - ACCESSORIES

**FIGURE 9-38. TRAILER PINTLE WITH BALL**

ITEM	PART NUMBER	QTY	DESCRIPTION	REV
1	DPH-16B 7556000003	Ref 1	TRAILER PINTLE WITH BALL Pintle Hitch	B

## SECTION 9 - ACCESSORIES

FIGURE 9-39. TRAILER BALL - SS CONVERT-A-BALL KIT



ART\_1001133675



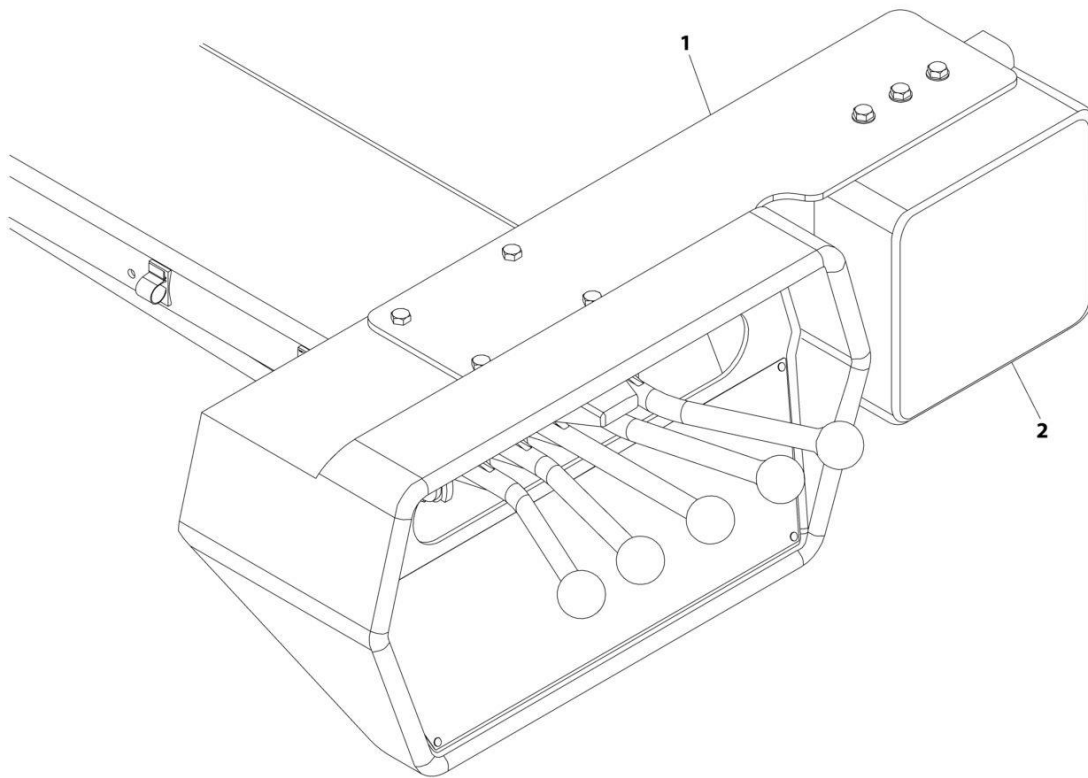
## SECTION 9 - ACCESSORIES

**FIGURE 9-39. TRAILER BALL - SS CONVERT-A-BALL KIT**

ITEM	PART NUMBER	QTY	DESCRIPTION	REV
1	1001133675 7002000458	Ref 1	TRAILER BALL - SS CONVERT-A-BALL KIT Ball	A

## SECTION 9 - ACCESSORIES

FIGURE 9-40. TRUCK SCALES - ONBOARD (RIGHT WEIGHT) ( DEALER INSTALLED)



ART\_1001130142

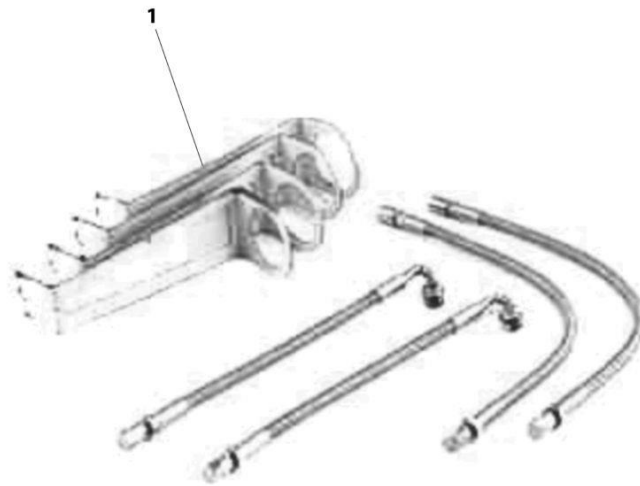
## SECTION 9 - ACCESSORIES

**FIGURE 9-40. TRUCK SCALES - ONBOARD (RIGHT WEIGHT) ( DEALER INSTALLED)**

ITEM	PART NUMBER	QTY	DESCRIPTION	REV
	1001130142	Ref	TRUCK SCALES - ONBOARD (RIGHT WEIGHT, DEALER INSTALLED)	0
1	1001130151	1	Plate Weight Mount	
2	1001129875	1	Accessory Weight Load Scale	

## SECTION 9 - ACCESSORIES

FIGURE 9-41. VALVE STEM EXTENSION KIT



ART\_2002000029

## SECTION 9 - ACCESSORIES

### FIGURE 9-41. VALVE STEM EXTENSION KIT

ITEM	PART NUMBER	QTY	DESCRIPTION	REV
1	2002000029 7002000447	Ref 1	Valve System Extension Kit Valve Stem	0

## SECTION 9 - ACCESSORIES

FIGURE 9-42. WHEEL CHOCKS



ART\_RWC

## SECTION 9 - ACCESSORIES

FIGURE 9-42. WHEEL CHOCKS

ITEM	PART NUMBER	QTY	DESCRIPTION	REV
1	RWC 7002000448	Ref 2	WHEEL CHOCKS Wheel Chock - Rubber	0





**SECTION 10 - BUILD DOCUMENTS**

# SECTION 10 - BUILD DOCUMENTS

## FIGURE 10-1. BUILD DOC\_5376000232

ITEM	PART NUMBER	QTY	DESCRIPTION	REV
	Note	Ref	<b>Note: This list is for build tracking purposes only. Parts in this list are not available at this inventory stocking level. Parts in this list may not be applicable to all models. For more specific parts information contact Jerr-Dan Parts Department</b>	
	BSKT-2	Ref	Basket, Storage (Standard) (Qty 2 of PN 2899000030)	
	BSKT24-2	Ref	Basket, Storage (Deep) (Qty 2 of PN 2899000041)	
	1001132261	Ref	Deck Material 28FT x 96IN (Smooth Steel)	
	1001132262	Ref	Deck Material 28FT x 96IN (Diamond Plate Steel)	
	1001195909	Ref	Deck Material 28FT x 102IN (Smooth Steel)	
	1001195911	Ref	Deck Material 28FT x 102IN (Diamond Plate Steel)	
	1001132263	Ref	Deck Material 30FT x 96IN (Smooth Steel)	
	1001132264	Ref	Deck Material 30FT x 96IN (Diamond Plate Steel)	
	1001195910	Ref	Deck Material 30FT x 102IN (Smooth Steel)	
	1001195912	Ref	Deck Material 30FT x 102IN (Diamond Plate Steel)	
	SSQF-21	Ref	Fender, Quarter 19.50IN Wheels (SS)	
	SSQF-24	Ref	Fender, Quarter 22.50IN Wheels (SS)	
	ML-TBTST-2	Ref	Lights, Marker for Toolbox Storage Tray (Qty 2 of PN 2590000261)	
	1001181867	Ref	Lights, Marker for Toolbox Storage Tray (Qty 3 of PN 2590000261)	
	1001181868	Ref	Lights, Marker for Toolbox Storage Tray (Qty 4 of PN 2590000261)	
		Ref	<b>PTO (Installation &amp; replacement is based on individual characteristics of the unit - Contact Jerr-Dan Parts Dept.)</b>	
	RCTH-2	Ref	Remote Control 6 Function U/L Transmitter Holder (Duplicate of PN 2002000031)	
	STAB-HIGH	Ref	Stabilizer Modicifaction for High Frames	
	TBSA36-2	Ref	Shelf, Toolbox 36IN (Qty 2 of PN 2899000059)	
	TBSA36-3	Ref	Shelf, Toolbox 36IN (Qty 3 of PN 2899000059)	
	TBSA36-4	Ref	Shelf, Toolbox 36IN (Qty 4 of PN 2899000059)	
	TBSA48-2	Ref	Shelf, Toolbox 48IN (Qty 2 of PN 2899000060)	
	TBSA48-4	Ref	Shelf, Toolbox 48IN (Qty 4 of PN 2899000060)	
	TBSA60-2	Ref	Shelf, Toolbox 60IN (Qty 2 of PN 2899000061)	
	1001241870	Ref	Service/Aftermarket Kits List	H
	TB36-2	Ref	ToolBox 36IN (QTY 2 of PN 28990000055)	
	TB36-3	Ref	ToolBox 36IN (QTY 3 of PN 28990000055)	
	TB36-4	Ref	ToolBox 36IN (QTY 4 of PN 28990000055)	
	TB48-2	Ref	ToolBox 48IN (QTY 2 of PN 28990000057)	
	1001181841	Ref	ToolBox 48IN Underbox Mount (QTY 2 of PN 1001137931)	
	TB48-3	Ref	ToolBox 48IN (QTY 3 of PN 28990000057)	
	TB48-4	Ref	ToolBox 48IN (QTY 4 of PN 28990000057)	
	TB60-2	Ref	ToolBox 60IN (QTY 2 of PN 28990000058)	
	1001181843	Ref	ToolBox 60IN Underbox Mount (QTY 2 of PN 1001137566)	
	TB78-2	Ref	ToolBox 78IN (QTY 2 of PN 28990000075)	
	2178000027	Ref	ToolBox Brackets Installation (Standard Mounts) (Duplicate of Brackets Included Toolbox Installations/Hydraulic Tank Uses Same Parts)	
	MBK-STD-2	Ref	ToolBox Brackets Installation (QTY 2 of PN 2178000027) (Duplicate of Brackets Included Toolbox Installations/Hydraulic Tank Uses Same Parts)	
	MBK-STD-3	Ref	ToolBox Brackets Installation (QTY 3 of PN 2178000027) (Duplicate of Brackets Included Toolbox Installations/Hydraulic Tank Uses Same Parts)	
	MBK-STD-4	Ref	ToolBox Brackets Installation (QTY 4 of PN 2178000027) (Duplicate	

## SECTION 10 - BUILD DOCUMENTS

ITEM	PART NUMBER	QTY	DESCRIPTION	REV
			of Brackets Included Toolbox Installations/Hydraulic Tank Uses Same Parts)	
	2178000028	Ref	ToolBox Brackets Installation (Short Mounts) (Duplicate of Brackets Included Toolbox Installations/Hydraulic Tank Uses Same Parts)	
	2178000025	Ref	ToolBox Brackets Installation (Long Mounts) (Duplicate of Brackets Included Toolbox Installations/Hydraulic Tank Uses Same Parts)	
	2178000068	Ref	ToolBox Brackets Installation (High Mounts) (Duplicate of Brackets Included Toolbox Installations/Hydraulic Tank Uses Same Parts)	
	2178000067	Ref	ToolBox Brackets Installation (Alternatie for 78IN Toolbox) (Duplicate of Brackets Included Toolbox Installations)	
	TBL-2	Ref	ToolBox Lights (QTY 2 of PN 2178000031)	
	TBL-3	Ref	ToolBox Lights (QTY 3 of PN 2178000031)	
	TBL-4	Ref	ToolBox Lights (QTY 4 of PN 2178000031)	
	TBTST36-3	Ref	Tray, Storage (Top of Toolbox) (Qty 3 of PN 2002000048)	
	TBTST48-2	Ref	Tray, Storage (Top of Toolbox) (Qty 2 of PN 2002000049)	
	TBTST78-2	Ref	Tray, Storage (Top of Toolbox) (Qty 2 of PN 2002000051)	
	MBK-HM-2	Ref	ToolBox Brackets Installation (High Mounts) (QTY 2 of PN 2178000027) (Duplicate of Brackets Included Toolbox Installations/Hydraulic Tank Uses Same Parts)	
	TBTST60-2	Ref	Tray, Storage (Top of Toolbox) (Qty 2 of PN 2002000050)	
	TBTST36-4	Ref	Tray, Storage (Top of Toolbox) (Qty 4 of PN 2002000048)	
	TBTST36-2	Ref	Tray, Storage (Top of Toolbox) (Qty 2 of PN 2002000048)	



**PART NUMBER INDEX**

## SECTION 10 - BUILD DOCUMENTS

0100011.....207	1001131092.....227	1001136658.....425	1001158665.....137
0641504.....429, 431	1001131093.....119	1001136800.....417, 423	1001158666.....141
0641508.....73, 77, 79, 83, 87, 415	1001131107.....119	1001136801.....423	1001158667.....139
0641510.....119	1001131170.....245	1001136802.....247, 249, 251, 253, 255, 257, 423	1001158668.....143
0641514.....15	1001131184.....249	1001136808.....417	1001158674.....173, 179, 185, 191
0641516.....429, 431	1001131625.....115, 123, 125	1001136809.....229, 231, 233, 235, 237, 239, 241, 243, 417	1001158677.....175, 181, 187, 193
0641518.....429, 431	1001131724.....111	1001137566.....85	1001158678.....177, 183, 189, 195
0641612.....31, 35, 51, 55, 59, 63, 67, 153, 155, 157, 159, 259, 551, 555, 559, 563	1001131804.....219	1001137580.....545	1001158861.....145
0641624.....31, 35	1001131811.....239	1001137581.....545, 547	1001158862.....149
0641806.....31, 35	1001131812.....23, 239	1001137931.....81	1001158863.....147
0641812.....259	1001131813.....23	1001137970.....289, 291, 293, 295, 299, 301, 303, 305	1001158866.....151
0641814.....13, 15, 17, 19, 21, 23, 25, 27, 29, 31, 35, 259	1001131814.....23	1001138460.....513	1001158870.....157, 165
0641816.....119	1001132256.....127	1001138522.....269	1001158873.....145, 147, 157
0641834.....169, 171	1001132261.....586	1001139909.....469	1001158874.....149, 151, 159
0642016.....119	1001132262.....586	1001141749.....211	1001158876.....165, 167
0651816.....31, 35, 41, 43, 71, 73, 75, 77, 79, 81, 83, 85, 87	1001132263.....586	1001142769.....477, 535	1001158885.....179
0652016.....13, 15, 17, 19, 21, 23, 25, 27, 29	1001132264.....586	1001142771.....477	1001158886.....181
0681714.....127	1001132279.....127	1001142974.....469	1001158887.....183
0681816.....133	1001132286.....25	1001143764.....329, 331, 333	1001158888.....185
0682022.....133	1001132287.....25	1001143842.....475	1001158889.....187
0682028.....127	1001132290.....25, 241, 255	1001144986.....475	1001158890.....189
0691810.....63, 67	1001132297.....241	1001145074.....475	1001159336.....535
0741610.....31, 35, 259	1001132595.....385, 387	1001145075.....475	1001160195.....207
1001100949.....535	1001132609.....383	1001145076.....475	1001162040.....255
1001127221.....494	1001132613.....379	1001145077.....475	1001162403.....31, 35
1001127297.....63, 67	1001132688.....385, 387	1001147846.....271	1001162798.....31, 35
1001127880.....119	1001132709.....381	1001148999.....317	1001164328.....417, 423
1001128551.....17	1001132710.....379	1001151248.....41	1001166071.....199
1001128563.....17	1001132714.....387	1001152347.....477	1001166855.....31, 35, 365
1001128583.....17, 231, 249	1001132718.....383	1001152349.....477	1001166857.....153, 155, 361
1001128589.....231	1001132721.....385	1001152460.....513	1001166858.....161, 163, 165, 167, 359
1001128625.....119	1001132740.....381	1001152461.....513	1001167764.....31, 35, 369
1001129095.....447	1001132741.....379	1001152463.....217	1001167766.....157, 159, 357
1001129875.....579	1001132745.....387	1001153789.....494	1001167767.....51, 55, 59, 63, 67, 367
1001129882.....471	1001132749.....383	1001153944.....207	1001167769.....259, 371
1001129883.....437, 439, 443, 449, 451, 453, 455, 461, 471	1001132751.....385	1001153945.....207	1001168319.....375
1001130062.....145, 147, 149, 151, 427	1001132765.....494	1001153946.....207	1001168591.....494
1001130142.....579	1001132766.....494	1001153971.....207	1001170175.....173, 175, 177, 197
1001130151.....579	1001132794.....379, 381, 383, 385, 387, 389	1001154689.....494	1001170182.....173
1001130832.....27, 243, 257	1001132800.....379, 381, 383, 385, 387, 389	1001155489.....259	1001170183.....175
1001130833.....133	1001132801.....379, 381, 383, 385, 387, 389	1001155491.....227, 229, 231, 233, 235, 237, 239, 241, 243, 245, 247, 249, 251, 253, 255, 257, 259	1001170184.....177
1001130885.....27	1001133675.....577	1001155975.....77, 95, 97, 99	1001170187.....329, 331, 333
1001130886.....19, 27	1001133721.....527	1001156006.....75, 77, 81, 85	1001170188.....329, 331, 333
1001130890.....123	1001134109.....123	1001156357.....77	1001170190.....329, 331, 333
1001130917.....243	1001134110.....115	1001156358.....75	1001170403.....323
1001130919.....257	1001135271.....391	1001158627.....161, 163	1001170405.....323, 329
1001130922.....21	1001135700.....439, 441	1001158635.....153, 161	1001170416.....325
1001130923.....21	1001135701.....449, 453, 455, 457	1001158637.....155, 163	1001170418.....325, 331
1001130934.....21, 237	1001135756.....443, 445	1001158648.....137, 139, 153	1001170421.....327
1001131041.....119	1001135757.....461, 463	1001158649.....141, 143, 155	1001171652.....309, 311, 313, 315
1001131067.....13, 15	1001135811.....453		
1001131068.....13	1001135812.....455		
1001131072.....13, 227, 245	1001135813.....453		
1001131078.....237	1001135814.....455		
	1001135815.....455		
	1001136114.....487		
	1001136141.....447		
	1001136142.....447		
	1001136143.....447		
	1001136657.....137, 139, 141, 143, 425		

## SECTION 10 - BUILD DOCUMENTS

1001171657 ..... 309	1001197779..... 211, 213, 219, 221, 429	1001233004..... 531	2330000060 ..... 549, 553, 557, 561
1001171658 ..... 311	1001197780..... 215, 217, 223, 225, 431	1001241870..... 586	2330000061 ..... 61, 65
1001171661 ..... 313	1001197785..... 35	1001248245..... 309, 311, 313, 315	2330000062 ..... 537, 541, 545
1001171662 ..... 315	1001197966..... 429, 431, 433	1001249466..... 213	2330000063 ..... 53, 57
1001173268 ..... 29	1001197989..... 31	1001258235..... 211	2330000064 ..... 49
1001173269 ..... 29	1001197990..... 31	1001258236..... 215	2330000065 ..... 137, 139, 141, 143, 145, 147, 149, 151
1001173270 29, 235, 253	1001198871..... 337	1001258237..... 219	2346000008 ..... 501, 503
1001173271 ..... 235	1001200207..... 429, 431	1001258238..... 223	2484000004 ..... 179, 181, 183, 199
1001173276 ..... 121	1001203295..... 497	1001258240..... 217	2484000006 ..... 185, 187, 189, 201
1001173277 ..... 121	1001203296..... 497	1001258241..... 221	2500530539 ..... 391, 397
1001173946 ..... 113	1001203297..... 497	1001258242..... 225	2550000275 ..... 307
1001173947 ..... 113	1001203298..... 497	1001268672..... 217	2570000032 ..... 61, 403
1001173948 ..... 32	1001203299..... 497	1001270542..... 125	2570000049 ... 49, 53, 57, 65, 401
1001173949 ..... 36, 113	1001203300..... 497	1001270543..... 125	2570000055 ..... 377, 549, 557
1001173952 ..... 477	1001203301..... 497	1001270545..... 125	2570000103 ..... 389
1001174433 ... 13, 15, 17, 19, 21, 23, 25, 27, 29	1001203302..... 497	2002000008..... 103, 105	2570000104 ..... 227, 419
1001175531 ..... 523	1001203303..... 497	2002000009..... 507	2570000105 ..... 245, 421
1001175532 ..... 523	1001203613..... 393	2002000016..... 517	2577000016 ..... 339, 341, 343, 345
1001176337 ..... 487, 489	1001203827..... 395	2002000028..... 515	2577000019 ..... 323, 325, 327, 337
1001176424 ..... 489	1001204776..... 169, 171	2002000029..... 581	2577000031 ..... 341, 347
1001176425 ..... 487	1001205003..... 393	2002000030..... 505	2577000034 ..... 343, 349
1001177601 ..... 69	1001205005..... 395	2002000031..... 353	2577000035 ..... 345, 351
1001177603 ..... 45	1001208769..... 71, 75	2002000048..... 95	2577530006 ..... 391, 393, 395, 399
1001177605 ..... 47	1001208772..... 73, 77	2002000049..... 97	2590000105 ..... 477
1001177633 ..... 45	1001208776..... 79, 81	2002000050..... 99	2590000216 ..... 479
1001177634 ..... 47	1001208780..... 83, 85	2002000051..... 101	2590000261 ..... 481
1001178523 ..... 253	1001208785..... 87	2170000087 ..... 549, 551	2590000292 ..... 535
1001179025 ..... 279, 281	1001211056..... 117	2170000088 ..... 553, 555	2638000017 ..... 107
1001181417 ..... 375	1001211057..... 117	2170000089 ..... 557, 559	2638000019 ..... 109
1001181841 ..... 586	1001211058..... 117	2170000090 ..... 561, 563	2679000005 39, 211, 213, 215, 217, 219, 221, 223, 225
1001181843 ..... 586	1001211204..... 15	2178000025 ..... 413, 587	2729000078 ..... 287
1001181867 ..... 586	1001211207. 15, 229, 247	2178000027 ..... 409, 586	2729000079 ..... 297
1001181868 ..... 586	1001211208..... 247	2178000028 ..... 411, 587	2750000008 ..... 211, 213, 215, 217, 219, 221, 223, 225, 405
1001183326 ..... 63, 363	1001211210..... 117	2178000031 ..... 483	2849000038 ..... 49, 51
1001188129 ... 51, 55, 59, 63, 67, 153, 155, 157, 159, 551, 555, 559, 563	1001211211..... 117	2178000037 ..... 501, 519	2849000039 ..... 61, 63
1001188132 ..... 153, 155, 157, 159	1001211276..... 229	2178000067 ..... 587	2849000040 ..... 65, 67
1001188133 ..... 153, 155, 157, 159	1001212193..... 285	2178000068 ..... 415, 587	2849000041 ..... 53, 55
1001188134 ..... 259	1001212287..... 117	2190000010 ..... 129	2849000049 ..... 57, 59
1001188140 ..... 67	1001212287..... 117	2190000014 ..... 131	2870000013 ..... 521
1001188141 ... 31, 35, 51, 55, 59, 63	1001219309..... 465	2190000022 ..... 115	2870000016 ..... 283
1001188206 ..... 31, 35	1001219321..... 465	2249000009..... 265, 271, 277	2870000021 ..... 451, 459
1001188615 ..... 113	1001219377 41, 211, 213, 219, 221	2262000011 69, 137, 139, 141, 143, 145, 147, 149, 151	2899000030 ..... 103
1001188616 ..... 113	1001219789 43, 215, 217, 223, 225	2314000007 ..... 265, 271, 275	2899000041 ..... 105
1001189286 ..... 259	1001220181..... 467	2330000007 ..... 265, 271, 275	2899000055 ..... 71
1001189466 ..... 429, 431	1001220682..... 429, 431, 433	2330000035 ..... 137, 141, 145, 149	2899000057 ..... 79
1001190625 ..... 494	1001220732..... 429, 431	2330000036 ..... 139, 143, 147, 151	2899000058 ..... 83
1001190626 ..... 494	1001221995..... 215	2330000040 ..... 549, 553	2899000059 ..... 89
1001191516 ..... 279, 281	1001223814 ..... 71, 73, 75, 77, 79, 81, 83, 85, 87	2330000041 ..... 61, 65, 557, 561	2899000060 ..... 91
1001193511 ..... 19	1001223815 ..... 71, 73, 75, 77	2330000043 ..... 211, 213, 215, 217, 219, 221, 223, 225, 494	2899000061 ..... 93
1001193518 19, 233, 251	1001223816 ..... 79, 81	2330000055 ..... 211, 213, 215, 217, 219, 221, 223, 225	2899000065 ..... 73
1001193519 ..... 233	1001223817 ..... 83, 85	2330000057 ..... 137, 139, 141, 143, 145, 147, 149, 151	2899000075 ..... 87
1001193520 ..... 251	1001223818 ..... 87		2970000098 ..... 267, 271
1001195792 ..... 213	1001223819 ..... 71, 73, 75, 77		
1001195909 ..... 586	1001223820 ..... 79, 81		
1001195910 ..... 586	1001223821 ..... 83, 85		
1001195911 ..... 586	1001223822 ..... 87		
1001195912 ..... 586	1001229606 ..... 469		
1001195914 ..... 221	1001230127 ..... 353		
1001195915 ..... 225	1001231801 ..... 494		
1001197270 ..... 35			

## SECTION 10 - BUILD DOCUMENTS

2970000099.....265, 269	3484000090 ..... 197	4017001585 ..... 15	4567123048.....427
2970000100.....261	3484000091 ..... 197	4017001701 ..... 289	4567123051.....401, 403, 429, 431, 433
2970000115.....271, 281	3550001912 ..... 319	4017001702 ..... 291	4567130270.....383
2970000116.....265, 279	3550001913 ..... 317, 319	4017001703 ..... 299	4567130283.....381
3002000013.....13, 15, 17, 19, 21, 23, 25, 27, 29	3551000036 ..... 197, 199, 203, 205	4017001704 ..... 301	4567130320.....379
3017000100.....259	3556000040 ..... 541, 543	4017001709 ..... 303	4567130330.....385, 387
3017000101.....259	3556000041 ..... 537, 539	4017001710 ..... 305	4567130340.....389
3017000123.....287, 289	3558000021 ..... 41, 43	4017001712 ..... 295	4567132113.....419, 421
3017000124.....287, 291	3560000010 ..... 329, 331, 333	4017001742 ..... 107, 109, 111	4567132119.....417, 423
3017000125.....297, 299	3570000008 ..... 473	4017001743 ..... 107, 109, 111	4567132133.....419, 421
3017000126.....297, 301	3592000040 ..... 153, 157, 169	4178000290 ... 71, 79, 83, 87, 103, 105, 409	4567132280.....417, 419
3017000131.....297, 303	3592000042 ..... 169	4178000291 ... 71, 75, 79, 81, 83, 85, 87, 103, 105, 409	4567132304.....421, 423
3017000132.....297, 305	3592000058 ..... 169	4178000330 ... 79, 83, 87, 411	4567133280.....417, 419
3017000133.....287, 293	3592000060 ..... 171	4178000331 ..... 411	4567133304.....421, 423
3017000134.....287, 295	3592000065 ..... 171	4178000338 ..... 73, 413	4567430199.....429
3020000029.....201	3592000066 ..... 155, 159, 171	4178000339 .. 73, 77, 413	4567430223.....431
3020000030.....201	3606000028 ..... 279, 281	4178000578 ..... 485	4569432119.....417, 419, 421, 423
3020000037 ..... 199	3636000144 ..... 31, 35	4178000599 ... 71, 73, 75, 77, 79, 81, 83, 85, 87	4569432122.....429, 431
3020000038 ..... 199	3691000064 ..... 63, 67	4178000664 ..... 339	4569432147.....473
3020000102 ..... 153, 157	3691000097 ..... 551, 555, 559, 563	4178000665 ..... 339	4569433122.....429, 431
3020000131 ..... 155, 159	3706000213 ..... 277	4178000666 ..... 519	4569433147.....473
3020000132 ..... 197	3706000214 ..... 261, 277	4178000673 ..... 279, 281	4570000044.....381
3020029.....191, 193, 195	3706000215 ..... 261, 277	4178000752 ..... 281	4570000046.....389
3020039..31, 35, 63, 161, 163, 165, 167, 191, 193, 195, 259	3706000279 ..... 261	4178000757 ..... 279	4570000102.....383
3062000014.....31, 35	3750000018 ..... 405, 407	4178000864 ..... 459	4570000160.....379, 381
3062000015.....31, 35	3754000002 ..... 259	4178000912 ..... 31, 35	4570000182.....389
3097000629 ..... 211	3760133 ..... 63, 161, 163, 165, 167	4209000146 ..... 279, 281	4570000379.....429, 431, 433
3097000646 ..... 215	3811000053 ..... 95	4209000204 ..... 31, 35	4577000010.....419
3097000841 ..... 219	3811000054 ..... 97	4209000337 ..... 259	4577000011.....421
3097000843 ..... 223	3811000055 ..... 99	4211000001 ..... 329, 331, 337	4587000003.....279, 281
3170000162 ..... 161	3811000057 ..... 101	4254000005 ..... 203, 205	4606000217 ..... 329, 331, 333
3170000163 ..... 165	3841143 ... 31, 35, 51, 55, 59, 63, 67, 153, 155, 157, 159, 259, 551, 555, 559, 563	4259000001 ..... 205	4632000015.....103
3170000308 ..... 551	3849000027 ..... 51	4259000002 ..... 203	4632000048.....105
3170000309 ..... 555	3849000028 ..... 63, 67	4263000464 ..... 329, 331, 333	4679000046.....161, 163, 165, 167
3170000311 ..... 559	3849000029 ..... 55	4330000002 ..... 549, 553	4679000145.....39
3170000312 ..... 563	3849000042 ..... 59	4346000005 ..... 441, 445, 471, 487	4679000193.....259
3170000492 ..... 167	3868000280 ... 15, 17, 19, 21, 23, 25, 27, 29	4567110034 ..... 425, 427	4679000211.....161, 163, 165, 167
3170000504 ..... 163	3868000292 ..... 13	4567112042 ..... 433	4679000221.....197, 201
3178000288 ..... 31, 35	3899000053 ..... 103	4567120010 ..... 427	4679000256.....71, 75
3178000289 ..... 31, 35	3899000075 ..... 105	4567120042 ..... 427	4679000257.....73, 77
3178000437 ..... 483, 485	3899000125 ..... 71, 75	4567120066 ..... 429, 431, 433	4679000258.....79, 81
3178000503 ..... 259	3899000126 ..... 73, 77	4567120118 ..... 419, 421	4679000259.....83, 85
3178000566 ..... 87	3899000127 ..... 79, 81	4567122014 ..... 425	4679000322.....87
3190000052 ..... 115	3899000128 ..... 83, 85	4567122016 ..... 401, 403	4679000332.....43
3271501 ..... 119	3899000173 ..... 87	4567122019 ..... 429, 431, 433	4691000103.....191, 193, 195
3271601 ..... 41, 43	3913000097 ..... 191	4567122024 ..... 429, 431, 433	4691000183.....203, 205
3271705 ..... 127	3913000100 ..... 193	4567122038 ..... 427	4691000186.....203, 205
3271805.....133, 309, 311, 313, 315	3913000101 ..... 195	4567122039 ..... 429, 431	4691000268.....161, 163, 165, 167
3272001 ..... 127	3935000124 ..... 329, 331, 333, 335	4567122042 ..... 377	4691000296.....161, 163, 165, 167
3272005 ..... 133	4017000739 ..... 161, 163, 165, 167	4567122043 ..... 425, 427	4691000354.....203, 205
3290801 ..... 127	4017000777 ..... 415	4567122050 ..... 401, 403	4691000357.....203, 205
3300455.31, 35, 429, 431	4017001093 ..... 31, 35	4567123036 ..... 403	4691000429.....63
3300492.....31, 35, 51, 55, 59, 63, 67, 153, 155, 157, 159, 259, 551, 555, 559, 563	4017001271 ..... 41, 43	4567123045 ..... 425	4691000430.....63
3314000029 ..... 275	4017001403 ..... 89, 91, 93		4691000568.....319
3484000016 ..... 205			4691000573.....31, 35
3484000017 ..... 203			4706002361....73, 77, 79, 83, 87, 415
3484000030 ..... 199			4706003025.....41, 43
3484000031 ..... 199			
3484000046 ..... 201, 205			
3484000047 ..... 201, 203			



## SECTION 10 - BUILD DOCUMENTS

4706003026 ..... 41, 43	4949000047..... 191, 193, 195	7105223250.... 13, 15, 17, 19, 21, 23, 25, 27, 29	7120000005 ..... 287, 297
4706003038 ..... 429, 431, 473	5525000537..... 465	7111150813..... 503	7120000032 ..... 41, 43
4706003069 ..... 473	5525000752..... 565	7111150864..... 107, 109, 111	7120000034 ... 13, 15, 17, 19, 21, 23, 29, 459, 465, 467, 471
4706003218 ..... 259	5526000553..... 425, 427, 445, 463, 467, 487	7111161050..... 329, 331, 333	7183000004 ..... 407
4706003219 ..... 261	7002000285..... 525	7114100518..... 353	7189000005 ..... 25, 27
4706003222 ... 13, 15, 17, 19, 21, 23, 25, 27, 29	7002000404..... 515	7114100810..... 347, 349, 351	7189000026 ..... 31, 35
4706003374 ..... 309, 311	7002000447..... 581	7114100818... 31, 35, 479	7209000028 ..... 161, 163, 165, 167
4706003844 ..... 379, 381, 383, 385, 387, 389, 417, 419, 421, 423	7002000448..... 583	7114101018..... 535	7248000063 ..... 267, 269
4706005551 ..... 513	7002000449..... 567	7114101618..... 429, 431, 473	7248000069 ..... 261
4706005595 ..... 347, 349, 351	7002000450..... 511	7114101618..... 429, 431, 473	7248000114 ... 71, 73, 75, 77, 79, 81, 83, 85
4706006019 ..... 115	7002000451..... 509	7114140465.... 71, 73, 75, 77, 79, 81, 83, 85, 87	7248000155 ..... 87
4706006020 ..... 115	7002000458..... 577	7114140528.... 55, 59, 63, 67, 153, 155, 157, 159, 477, 539, 543, 547, 551, 555, 559, 563	7253000002 ..... 191, 193, 195, 207
4706006216 ... 95, 97, 99, 101	7002000503..... 505	7114140529..... 113	7254000016 ..... 279, 281
4706006228 ..... 289, 291, 293, 295, 299, 301, 303, 305	7002000521..... 353	7114141450..... 31, 35	7259000015 ..... 41, 43
4706006427 ..... 107, 109, 111	7005000003..... 339	7114141450..... 31, 35	7259000016 ..... 41, 43
4711500 ..... 15, 119, 429, 431	70050678 ..... 273	7114150818..... 107, 109, 111, 113, 197, 201	7262000022 ..... 533
4711700 ..... 127	70050679 ..... 273	7114160618..... 259	7262000040 ..... 69
4711800 ... 309, 311, 313, 315	70050682 ..... 273	7114161218..... 275	7262000041 ..... 533
4712000 ..... 127, 133	70050694 ..... 273	7114181218..... 317	7274000002 ..... 379, 381, 383, 385, 387, 389
4712200 ... 13, 15, 17, 19, 21, 23, 25, 27, 29	70051167 ..... 365, 369	7115140450..... 375	7274000038 ..... 429, 431, 473
475130031, 35, 161, 163, 165, 167	70051168 ..... 361, 367	7115140650..... 329, 331, 333	7274000039 ..... 429, 431, 473
4751500 ... 73, 77, 79, 83, 87, 415, 429, 431	70051169 ..... 359	7115140850..... 69	7274000040 ..... 379, 381, 383, 385, 387, 389
4751600 ..... 31, 35	70051170 ..... 365, 369	7115141450..... 479	7274000041 ..... 379, 381, 383, 385, 387, 389, 417, 419, 421, 423
4761800 63, 67, 169, 171	70051171 ..... 365, 369	7115150664..... 329, 331, 333, 337	7274000042 ..... 379, 381, 383, 385, 387, 389, 417, 419, 421, 423
4763000184 ..... 203, 205	70051172 ..... 361, 367	7115150850.... 89, 91, 93, 103, 105, 329, 331, 333	7274000044 ..... 379, 381, 383, 385, 387, 389, 417, 419, 421, 423
4763000413 ..... 279, 281	70051173 ..... 361, 367	7115150864..... 339	7274000063 ..... 329, 331, 333
4763000414 ..... 279, 281	70051174 .. 359, 361, 365	7115151050..... 279, 281, 379, 381, 383, 385, 387, 389, 405, 417, 419, 421, 423	7274000064 ..... 429, 431
4796000009 ... 71, 73, 75, 77	70051175 ..... 359	7115151064..... 379, 381, 383, 385, 387, 389	7274000066 ..... 417, 419, 421, 423, 429, 431
4796000010 ..... 79, 81	70051176 ..... 359	7115151650..... 473	7274000076 ..... 379, 381, 383, 385, 387, 389, 417, 419, 421, 423
4796000011 ..... 83, 85	70051388 ..... 367	7115160950.... 95, 97, 99, 101	7274000080 ..... 379, 381, 383, 385, 387, 389
4796000012 ..... 87	70051389 ..... 367	7115161050..... 505	7274000125 ..... 41, 43
4811000841 ..... 89	70051390 ..... 367	7115161250..... 129, 261, 277	7280000007 ..... 329, 331, 333, 485
4811000868 ..... 91, 93	70051391 ..... 367, 369	7115162650..... 261, 277	7280000018 ..... 465, 467
4812000061 ..... 275	70051392 ..... 369	7115181050..... 397, 505	7291000010 ... 55, 59, 63, 67, 153, 155, 157, 159, 539, 543, 547, 551, 555, 559, 563
4812000121 ..... 115	70051393 ..... 369	7115181064.. 45, 47, 329, 331, 333	7295000109 ..... 347
4812000122 ..... 115	70051394 ..... 365	7115181223.... 13, 15, 17, 19, 21, 23, 25, 27, 29	7295000111 ..... 349, 351
4812000123 ..... 115	70051395 ..... 365	7115181450..... 129, 261, 539, 543, 547	7309000002 ..... 279, 281
4812000124 ..... 115	70051403 ..... 531	7115181464... 31, 35, 519	7312000013 ..... 517
4831000069 ..... 329, 331, 333	70051418 ..... 531	7115181664..... 45, 47	7312000015 ..... 517
4831000079 ..... 31, 35	70051425 ..... 531	7115181664..... 267	7312000016 ..... 517
4831000083 ..... 31, 35	70051426 ..... 531	7115182650..... 131	7312000017 ..... 507
4831000084 ..... 31, 35	70051427 ..... 531	7118140418..... 161, 163, 165, 167	7330000060 ..... 137, 139, 141, 143, 145, 147, 149, 151
4891800 ... 13, 15, 17, 19, 21, 23, 25, 27, 29, 31, 35, 41, 43, 71, 73, 75, 77, 79, 81, 83, 85, 87	70051440 ..... 531	7118161026..... 39	7330000139 ..... 494
4892000 ... 13, 15, 17, 19, 21, 23, 25, 27, 29, 31, 35	70051469 ..... 531	7118162250..... 259	7330000143 ..... 494
4912000399 ..... 131	70051470 ..... 531	7118181216.... 71, 73, 75, 77, 79, 81, 83, 85, 87	
	7011000006..... 477		
	7056000007..... 569		
	7056000008..... 571		
	7056000009..... 573		
	7082000010..... 279, 281		
	7082000016..... 169, 171, 367		
	7082000017.... 31, 35, 51, 55, 59, 63, 67, 153, 155, 157, 159		
	7082000018..... 153, 155, 157, 159, 367, 369		
	7105181250..... 279, 281		
	7105181650..... 103, 105, 409, 411, 413, 523		
	7105201250..... 41, 43		
	7105201850.. 31, 35, 129, 131		
	7105202050..... 41, 43		
	7105202250..... 31, 35		

## SECTION 10 - BUILD DOCUMENTS

7330000176.....494	7346000099 ..... 489	7446502518 ..... 507, 517	7640000002.....283, 285
7330000272.....494	7346000132 ..... 501	7457000004 ..... 471	7660102604....71, 73, 75,
7330000274..53, 57, 537, 545	7346000157 ..... 501	7470000002 ..... 379, 381, 383, 385, 387, 389	77, 79, 81, 83, 85, 87, 347, 349, 351, 473, 479, 535
7330000288.....441, 445, 457, 459, 463	7346000167 ..... 489	7470000027 ..... 407	7660142601....55, 59, 63, 67, 153, 155, 157, 159, 329, 331, 333, 477, 479, 539, 543, 547, 551, 555, 559, 563
7330000330.....494	7346000208 ..... 521	7493000002 ..... 477, 535	7660142604....31, 35, 71, 73, 75, 77, 79, 81, 83, 85, 87
7330000381.....494	7346000210 ..... 115	7493000009 ..... 475, 477, 479, 481	7660152601.... 15, 73, 77, 79, 83, 87, 89, 91, 93, 103, 105, 107, 109, 111, 113, 197, 201, 279, 281, 329, 331, 333, 337, 339, 379, 381, 383, 385, 387, 389, 405, 415, 417, 419, 421, 423, 429, 431, 473, 503
7330000384.....201	7346000242 ..... 445, 463	7493000010 ..... 477	7660162301..... 259
7330000391..61, 65, 549, 553, 557, 561	7430000003 ..... 379, 381, 383, 385, 387, 389	7493000023 ..... 477	7660162601....39, 95, 97, 99, 101, 129, 261, 275, 277, 329, 331, 333, 505
7330000417.....137, 141, 145, 149	7440030000 ..... 191, 193, 195, 203, 205, 207	7493000031 ..... 481	7660180001..... 69
7330000418.....137, 141, 145, 149	7443000013 ..... 379, 381, 383, 385, 387, 389	7550000073 ..... 319	7660180234.....279, 281
7330000419.....137, 139, 141, 143, 145, 147, 149, 151	7443000023 ..... 399, 417, 419, 421, 423	7550000074 ..... 319	7660182301....71, 73, 75, 77, 79, 81, 83, 85, 87, 169, 171
7330000420.....139, 143, 147, 151	7443000030 ..... 401, 403, 427	7551000019 ..... 329, 331, 333	7660182304.... 13, 15, 17, 19, 21, 23, 25, 27, 29, 259
7330000428.....211, 213, 215, 217, 219, 221, 223, 225	7443000048 ..... 329, 331	7551000020 ..... 329, 331, 333	7660182333....31, 35, 41, 43, 71, 73, 75, 77, 79, 81, 83, 85, 87, 103, 105, 409, 411, 413, 523
7330000429.....494	7443000124 ..... 399	7551000021 ..... 329, 331, 333	7660182601....31, 35, 45, 47, 69, 129, 131, 259, 261, 267, 269, 289, 291, 293, 295, 299, 301, 303, 305, 317, 329, 331, 333, 505, 513, 519
7330000432.....139, 143, 147, 151	7443000129 ..... 425, 427	7551000022 ..... 329, 331, 333	7660182631.....279, 281
7330000464.....329, 331, 333	7443000139 ..... 283	7552000186 ..... 473	7660202347.... 13, 15, 17, 19, 21, 23, 25, 27, 29, 31, 35, 41, 43, 129, 131
7330000465.....329, 331, 333	7443000152 ..... 283	7552000188 ..... 473	7660222333.... 13, 15, 17, 19, 21, 23, 25, 27, 29
7330000489.....494	7443000154 ..... 283, 507	7552000241 ..... 521	7661000042..... 113
7330000510.....494	7443000155 ..... 283, 505, 507	7552000242 ..... 483	7661000047.....485
7330000599....49, 53, 57, 494	7443000156 ..... 283, 507	7552000297 ..... 479	7661000055.....297
7330000609.....191, 193, 195	7443000158 ..... 379, 381, 383, 385, 387, 389	7552000374 ..... 479	7661000056..... 353
7330000645..61, 65, 557, 561	7443000177 ..... 283, 285	7552000393 ..... 347	7661000064..... 69, 113
7330000646..61, 65, 557, 561	7443000178 ..... 283	7552000426 ..... 349, 351	7679000010.... 13, 15, 17, 19, 21, 23, 29
7330000683.....137, 139, 141, 143, 145, 147, 149, 151	7443000270 ..... 283	7552000451 ..... 481	7690000020..... 69
7330000684..61, 65, 137, 139, 141, 143, 145, 147, 149, 151, 549, 553, 557, 561	7443000319 ..... 379, 381, 383, 385, 387, 389	7552000472 ..... 535	7690051274.....279, 281
7330000689.....494	7443000366 ..... 507	7555000015 ..... 79, 81	7690101200.....329, 331, 333
7330000696.....347, 349, 351	7443000377 ..... 483	7555000016 ..... 71, 73, 75, 77, 83, 85, 87	7691000001..63, 67, 551, 555, 559, 563
7345001704.....465	7443000428 ..... 521	7556000003 ..... 575	769100003359, 177, 183, 189, 547
7345001713.....441, 445, 457, 463	7443000432 ..... 521	7560000007 ..... 329, 331, 333	
7345001714.....487, 535	7443000433 ..... 521	7565000014 15, 507, 517	
7345001913.....441, 457	7443000446 ..... 429, 431	7565000016 ..... 283, 285	
7345001914.....469	7443000469 ..... 521	7577000194 ..... 115, 117, 121, 127, 133	
7345211701.....441, 445, 457, 463	7445040443 ..... 429, 431	7577000208 ..... 211, 213, 215, 217, 219, 221, 223, 225	
7345211702.....465	7445040446 ..... 425, 427	7577000239 ..... 335	
7345221902.....469, 471	7445040643 ..... 521	7577000242 ..... 137, 139, 141, 143, 145, 147, 149, 151	
7346000037.....489	7445040843 ..... 425, 427	7577000301 ..... 227, 229, 231, 233, 235, 237, 239, 241, 243, 245, 247, 249, 251, 253, 255, 257, 533	
7346000039.....465, 469, 535	7445060643 ..... 377, 429, 431	7577000442 ..... 527	
7346000055.....503	7445060645 ..... 401, 403, 417, 419, 421, 423, 425, 427, 429, 431	7590000207 ..... 479	
7346000078.....503	7445060646 ..... 403	7590000273 ..... 485	
7346000087.....489	7445060648 ..... 401, 403, 425, 427	7590000339 ..... 479	
	7445060837 ..... 417, 419, 421, 423	7590000340 ..... 477	
	7445060843 ..... 417, 419, 421, 423	7590000341 ..... 477	
	7445060845 ..... 401, 403	7590000342 ..... 479, 481	
	7445080818 ..... 429, 431	7590000343 ..... 477, 479	
	7445080825 ..... 417, 419, 421, 423	7590000432 ..... 535	
	7445080843 ..... 417, 419, 421, 423, 429, 431	7592000005 ...71, 73, 75, 77, 79, 81, 83, 85, 87	
	7445080853 ..... 507	7626000014 ..... 261, 267, 269	
	7445081045 ..... 417, 419, 421, 423, 429, 431	7636000020 ..... 479	
	7445081046 ..... 401, 403	7638000004 ..... 107	
	7445081643 ..... 399	7638000013 ..... 109	
	7446060435 ..... 507, 517		
	7446502506 ..... 517		

## SECTION 10 - BUILD DOCUMENTS

7691000045 ... 13, 15, 17, 19, 21, 23, 25, 27, 29	7935000120.....283, 507	8411080102.....289, 291, 293, 295, 299, 301, 303, 305	LMT ..... 565
7691000056 ..... 329, 331, 333	7935000170.....335	8597650002.....465	LST ..... 567
7691000066 ..... 329, 331, 333, 337	7935000173.....335	8597650003.....445, 463	MBK-HM-2 ..... 587
7701000031 ..... 407	7935000174.....335	8632000012.....329, 331, 333	MBK-STD-2..... 586
7701000033 ..... 307	7935000182..... 283, 285	8977010103.....489	MBK-STD-3..... 586
7701000049 ..... 51, 275	7935000227.....335	900115.....401, 403, 425, 427, 429, 431	MBK-STD-4..... 586
7701000051 ..... 87	7935000305.....401, 403, 425, 427	9007960003.....273	ML-TBTST-2 ..... 586
7701000055 ..... 51	7935000306.....429, 431	9120960034.....273	PHH35-MD ..... 557
7701000074 ..... 87	7935000369.....335	9120960059.....273	PHM35-MD ..... 561
7724000126 ..... 397	7935000388.....335	9120960061.....273	PHS40-MD ..... 541
7736000001 ..... 494	7949000008..... 31, 35	9314960024.....273	RC-3..... 341
7754000022 ..... 319	7949000011.....329, 331, 333	9472960072.....273	RC-4..... 343
7754000024 ..... 191, 193, 195	7949000023.69, 113, 477	9560960011.....273	RC-5..... 345
7754000037 ..... 203, 205	7949000030.....279, 281	9560960021.....273	RCTH-2 ..... 586
7759000004 ..... 494	7949000054.....329, 331, 333	9575960014.....273	RHS05-MD..... 537
7759000006 ..... 329, 331, 333	7949000072..... 31, 35	960006.....401, 403, 425, 427, 429, 431	RWC ..... 583
7759000020 ... 71, 73, 75, 77, 79, 81, 83, 85, 87	7950100143.....71, 73, 75, 77, 79, 81, 83, 85, 87	9691960001.....273	SP3CPKG ..... 443
7785152420 ..... 379, 381, 383, 385, 387, 389, 417, 419, 421, 423	7950100151.....347, 349, 351, 471, 479	9691960035.....273	SP3ICPKG ..... 439
7786000006 ..... 203, 205	7950140000.....69, 375	9701960015.....273	SP3IMPKG ..... 437
7790100856 ..... 485	7950140141.....329, 331, 333, 375	9704320027.....273	SP5CPKG ..... 461
7790141056 ... 13, 15, 17, 19, 21, 23, 25, 27, 29	7950140143..... 31, 35	9704020022.....273	SP5ICPKG ..... 449
7790142051 ..... 353	7950150141..... 197, 201	9704020027.....273	SP5IFPKG ..... 451
7790151253 ..... 329, 331, 333	7950150153..... 107, 109, 111, 113, 275	9704120003.....273	SPHM-MD ..... 65
7796000048 ... 55, 59, 63, 67, 153, 155, 157, 159, 539, 543, 547, 551, 555, 559, 563	7950150161....89, 91, 93, 95, 97, 99, 101, 103, 105, 279, 281, 329, 331, 333, 337, 379, 381, 383, 385, 387, 389, 405, 417, 419, 421, 423, 473, 505	9704120045.....273	SRHSH-MD..... 57
7843000006 ..... 203, 205	7950160141.....277	9704140045.....273	SRHS-MD ..... 53
7843000016 ..... 203, 205	7950160161..... 129, 261, 277, 329, 331, 333	970418177 .....273	SSQF-21 ..... 586
7843000027 ..... 279, 281	7950180000.....397	970431008 .....273	SSQF-24 ..... 586
7843000034 ..... 261, 277	7950180143... 13, 15, 17, 19, 21, 23, 25, 27, 29, 129, 131, 259, 279, 281	970442184 .....273	STAB-HIGH..... 586
7870000100 ..... 441	7950180150..... 539, 543, 547	970442205 .....273	STAB-MD..... 49
7870000106 ..... 457, 459	7950180153..... 103, 105, 267, 269, 409, 411, 413, 505, 513, 523	970450006.....273	STK ..... 525
7870000113 ..... 437	7950180161.....279, 281, 329, 331, 333	970456008.....273	TB178 ..... 569
7870000115 ..... 485	7950180400.....261, 267, 269	970468011 .....273	TB200 ..... 571
7870000134 ..... 445	7950200000.....203, 205	970472013 .....273	TB256 ..... 573
7870000137 ..... 463	7950220141.....329, 331, 333, 337	970486009.....273	TB36-2 ..... 586
7894000004 ..... 283, 285, 429, 431, 481	7970000121.....267, 269, 273	970486017 .....273	TB36-3 ..... 586
7894000010 ..... 465	7970000122.....261, 263	970494002 .....273	TB36-4 ..... 586
7894000031 ..... 507	7978000021.....487	970494053 .....273	TB48-2 ..... 586
7894000046 ..... 533		970518014 .....273	TB48-3 ..... 586
7894000047 ..... 259		970518015 .....273	TB48-4 ..... 586
7894000048 ..... 259		970960060 .....273	TB60-2 ..... 586
7894000073 ..... 529		970960062 .....273	TB78-2 ..... 586
7904000001 ..... 429, 431		970960068 .....273	TBL-2 ..... 587
7904000007 ..... 473		A7WCON .....501	TBL-3 ..... 587
7912000349 ..... 429, 431		BHH35-MD .....549	TBL-4 ..... 587
7913000006 59, 177, 183, 189, 547		BHM35-MD .....553	TBSA36-2 ..... 586
		BSKT-2 .....586	TBSA36-3 ..... 586
		BSKT24-2 .....586	TBSA36-4 ..... 586
		CAR8PTTD.....529	TBSA48-2 ..... 586
		CHB38 .....509	TBSA48-4 ..... 586
		CHB50 .....511	TBSA60-2 ..... 586
		DPH-16B.....575	TBTST36-2 ..... 587
			TBTST36-3 ..... 587
			TBTST36-4 ..... 587
			TBTST48-2 ..... 587
			TBTST60-2 ..... 587
			TBTST78-2 ..... 587
			W08WM-3C..... 271
			W08WMAL-3C ..... 265



**Corporate Office  
13224 Fountainhead Plaza  
Hagerstown, MD 21742 USA**

**☎ (717) 597-7111 (Corporate)  
☎ (800) 926-9666 (Customer Support)**

**Visit our website  
[www.jerr-dan.com](http://www.jerr-dan.com)**