

# ***JERR-DAN***<sup>®</sup>

---

## **Illustrated Parts Manual**

### ***Model 6 TON STD CARRIER***

SN 0220017095 to Present

P/N  
5376000247

July 30, 2022 - Rev A

---

# ***JERR-DAN***<sup>®</sup>

An Oshkosh Corporation Company





## **REVISION LOG**

July 30, 2022 - A - Original Release (Edited to 1001133285 Revision Z-AL)

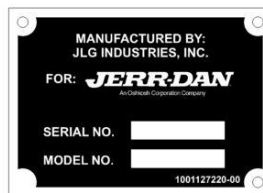
## GENERAL INFORMATION

JerrDan, LLC (Jerr-Dan) strives to provide information that is accurate, complete and useful. Descriptions and illustrative material contained within this manual are as accurate as known at the time of publication and are subject to change, without notice, as a result of continuous product improvements. Jerr-Dan reserves the right to amend the information in this document at any time without prior notice.

Information contained in this manual reflects how this vehicle was built at the factory. Modifications or additions by the distributor or owner are not reflected in this manual.

This parts manual does not include service parts information for the commercial chassis (IHC, Ford, GM, etc.). That information is provided by the chassis manufacturer.

When ordering parts, please refer to your unit's Serial Number and Model Number. This information is be found on the aluminum tag riveted to the inside of the driver's side rear compartment of the main body.



Additional or replacement manuals can be ordered by calling Jerr-Dan Parts at 717-597-7111. Price and availability will be quoted at time of the request.

Please report comments and/or errors by contacting Jerr-Dan. Contact numbers are located on rear cover of Manual.

Manufactured under one or more of the following patents: 5,575,606; 5,672,042; 5,697,741; 5,713,714; 5,722,810; 5,782,596; 5,839,775 and 6,315,515 B1 with other Patents Pending.

Jerr-Dan and the Jerr-Dan logo are registered trademarks and Run Hard is a service mark of JerrDan, LLC, Hagerstown, MD USA.

The material in this document is confidential and the property of Jerr-Dan. No part of this document may be photocopied, reproduced or translated to another language without the express written consent of Jerr-Dan.

# TABLE OF CONTENTS

SECTION 1 - SUBFRAME .....	15
FIGURE 1-1. SUBFRAME INSTALLATION - INBOARD STANDARD .....	16
FIGURE 1-2. SUBFRAME INSTALLATION - INBOARD GALVANIZED .....	18
FIGURE 1-3. SUBFRAME INSTALLATION - OUTBOARD STANDARD (SN 0220017095 through 0220022358) .....	20
FIGURE 1-4. SUBFRAME INSTALLATION - OUTBOARD STANDARD (SN 0220022359 to Present) .....	22
FIGURE 1-5. SUBFRAME INSTALLATION - OUTBOARD STANDARD (HINO 195 ONLY) (SN 0220017095 through 0220022358) .....	24
FIGURE 1-6. SUBFRAME INSTALLATION - OUTBOARD STANDARD (HINO 195 ONLY) (SN 0220022359 to Present) .....	28
FIGURE 1-7. SUBFRAME INSTALLATION - OUTBOARD STANDARD (ISUZU NRR ONLY) (SN 0220017095 through 0220022358) .....	32
FIGURE 1-8. SUBFRAME INSTALLATION - OUTBOARD STANDARD (ISUZU NRR ONLY) (SN 0220022359 to Present) .....	34
FIGURE 1-9. SUBFRAME INSTALLATION - OUTBOARD GALVANIZED (SN 0220017095 through 0220022358) .....	36
FIGURE 1-10. SUBFRAME INSTALLATION - OUTBOARD GALVANIZED (SN 0220022359 to Present) .....	38
FIGURE 1-11. SUBFRAME INSTALLATION - OUTBOARD GALVANIZED (HINO 195 ONLY) (SN 0220017095 through 0220022358) .....	40
FIGURE 1-12. SUBFRAME INSTALLATION - OUTBOARD GALVANIZED (HINO 195 ONLY) (SN 0220022359 to Present) .....	44
FIGURE 1-13. SUBFRAME INSTALLATION - OUTBOARD GALVANIZED (ISUZU NRR ONLY) (SN 0220017095 through 0220022358) .....	48
FIGURE 1-14. SUBFRAME INSTALLATION - OUTBOARD GALVANIZED (ISUZU NRR ONLY) (SN 0220022359 to Present) .....	52
FIGURE 1-15. SUBFRAME INSTALLATION - HIGH DUMP .....	56
FIGURE 1-16. CYLINDER ASSEMBLY - DECK ROLL .....	60
FIGURE 1-17. CYLINDER ASSEMBLY - DECK TILT (INBOARD SUBFRAME) .....	62
FIGURE 1-18. CYLINDER ASSEMBLY - DECK TILT (OUTBOARD SUBFRAME) (SN 0220017095 through 0220022358) .....	64
FIGURE 1-19. CYLINDER ASSEMBLY - DECK TILT (OUTBOARD SUBFRAME) (SN 0220022359 to Present) .....	66
FIGURE 1-20. PAD INSTALLATION - 19FT DECK .....	68
FIGURE 1-21. PAD INSTALLATION - 20FT & 21FT DECKS .....	70
FIGURE 1-22. SIDE RECOVERY SYSTEM - 8000 LBS WINCH .....	72
FIGURE 1-23. SIDE RECOVERY SYSTEM - 8000 LBS WINCH WITH COMBO REMOTE .....	76
FIGURE 1-24. SIDE RECOVERY SYSTEM - 10000 LBS WINCH .....	80
FIGURE 1-25. SIDE RECOVERY SYSTEM - 10000 LBS WINCH WITH COMBO REMOTE .....	84
FIGURE 1-26. SIDE RECOVERY SYSTEM - 10000 LBS WINCH WITH AIR FREE SPOOL .....	88
FIGURE 1-27. SIDE RECOVERY SYSTEM - 10000 LBS WINCH WITH AIR FREE SPOOL & COMBO REMOTE .....	92
FIGURE 1-28. CYLINDER ASSEMBLY - SIDE RECOVERY SYSTEM .....	96
FIGURE 1-29. WINCH ASSEMBLY - 8000 LBS SIDE RECOVERY .....	98
FIGURE 1-30. WINCH ASSEMBLY - 10000 LBS SIDE RECOVERY .....	102
FIGURE 1-31. REAR STABILIZER - COMPLETE .....	106
FIGURE 1-32. REAR STABILIZER - COMPLETE (2IN TOW HITCH) .....	108
FIGURE 1-33. REAR STABILIZER - COMPLETE (2.5IN TOW HITCH) .....	110
FIGURE 1-34. REAR STABILIZER - COMPLETE (PINTLE HITCH) (MANUAL) .....	112
FIGURE 1-35. REAR STABILIZER - COMPLETE (PINTLE HITCH) (HYDRAULIC) .....	114
FIGURE 1-36. REAR STABILIZER INSTALLATION .....	116
FIGURE 1-37. REAR STABILIZER INSTALLATION (2IN TOW HITCH) .....	118
FIGURE 1-38. REAR STABILIZER INSTALLATION (2.5IN TOW HITCH) .....	120
FIGURE 1-39. REAR STABILIZER INSTALLATION (PINTLE HITCH) (MANUAL) .....	122
FIGURE 1-40. REAR STABILIZER INSTALLATION (PINTLE HITCH) (HYDRAULIC) .....	124
FIGURE 1-41. CYLINDER ASSEMBLY - STABILIZER .....	126
FIGURE 1-42. CYLINDER ASSEMBLY - PINTLE HOOK .....	128
FIGURE 1-43. TOOLBOX INSTALLATION - 24IN SIDE TUNNEL (SINGLE COMPARTMENT) .....	130
FIGURE 1-44. TOOLBOX INSTALLATION - 24IN SIDE TUNNEL (DUAL COMPARTMENT) .....	132
FIGURE 1-45. TOOLBOX ASSEMBLY - 24IN SIDE TUNNEL (SINGLE COMPARTMENT) .....	134
FIGURE 1-46. TOOLBOX ASSEMBLY - 24IN SIDE TUNNEL (DUAL COMPARTMENT) .....	136
FIGURE 1-47. LIGHT BOX AND COVER INSTALLATION (STANDARD SUBFRAME OUTBOARD ONLY) .....	138
FIGURE 1-48. TUNNEL DRAWER INSTALLATION - 24IN .....	140
FIGURE 1-49. TOOLBOX - 36IN .....	142
FIGURE 1-50. TOOLBOX - 36IN NARROW .....	144
FIGURE 1-51. TOOLBOX - 36IN NARROW UNDERMOUNT .....	146
FIGURE 1-52. TOOLBOX - 36IN UNDERMOUNT .....	148
FIGURE 1-53. TOOLBOX - 48IN .....	150
FIGURE 1-54. TOOLBOX - 48IN UNDERMOUNT .....	152
FIGURE 1-55. TOOLBOX - 60IN .....	154
FIGURE 1-56. TOOLBOX - 60IN UNDERMOUNT .....	156
FIGURE 1-57. TOOLBOX - 78IN .....	158
FIGURE 1-58. TOOLBOX STAINLESS COVER INSTALLATION .....	160
FIGURE 1-59. TOOLBOX STORAGE BASKET .....	162
FIGURE 1-60. TOOLBOX STORAGE BASKET (DEEP) .....	164

# TABLE OF CONTENTS

FIGURE 1-61. TOOLBOX SHELF - 36IN .....	166
FIGURE 1-62. TOOLBOX SHELF - 48IN .....	168
FIGURE 1-63. TOOLBOX SHELF - 60IN .....	170
FIGURE 1-64. TOOLBOX TOP STORAGE TRAY - 36IN .....	172
FIGURE 1-65. TOOLBOX TOP STORAGE TRAY - 48IN .....	174
FIGURE 1-66. TOOLBOX TOP STORAGE TRAY - 60IN .....	176
FIGURE 1-67. TOOLBOX TOP STORAGE TRAY - 78IN .....	178
FIGURE 1-68. CHASSIS MOUNTING KIT - DODGE 2013-2018 .....	180
FIGURE 1-69. CHASSIS MOUNTING KIT - DODGE 2019+ .....	182
FIGURE 1-70. CHASSIS MOUNTING KIT - FORD 2011-2016 F550 DIESEL .....	184
FIGURE 1-71. CHASSIS MOUNTING KIT - FORD 2011-2016 F550 GAS .....	186
FIGURE 1-72. CHASSIS MOUNTING KIT - FORD 2017+ F 550 DIESEL (SN 0220017095 through 0220023729) .....	188
FIGURE 1-73. CHASSIS MOUNTING KIT - FORD 2017+ F 550 DIESEL (SN 0220023730 to Present) .....	192
FIGURE 1-74. CHASSIS MOUNTING KIT - FORD 2017+ F 550 DIESEL (SN 0220017095 through 0220023729) .....	196
FIGURE 1-75. CHASSIS MOUNTING KIT - FORD 2017+ F 550 GAS (SN 0220023730 to Present) .....	198
FIGURE 1-76. CHASSIS MOUNTING KIT - HINO 195 .....	200
FIGURE 1-77. CHASSIS MOUNTING KIT - INTERNATIONAL 2012 TERRASTAR .....	202
FIGURE 1-78. CHASSIS MOUNTING KIT - ISUZU 150WB .....	204
FIGURE 1-79. CHASSIS MOUNTING KIT - ISUZU 176WB .....	208
FIGURE 1-80. BRAKE CABLE REWORK - CHEVY/GMC 4500/5500 (2007 & EARLIER) .....	210
FIGURE 1-81. FUEL HOSE INSTALLATION - CHEVY/GMC 4500/5500 (2005 & EARLIER) .....	212
FIGURE 1-82. FUEL HOSE INSTALLATION - CHEVY/GMC 4500/5500 DIESEL (2006+) .....	214
FIGURE 1-83. FUEL HOSE INSTALLATION - CHEVY/GMC 4500/5500 GAS (2006+) .....	216
FIGURE 1-84. MUDFLAPS INSTALLATION - STANDARD (2008-2011 DODGE & FORD) .....	218
FIGURE 1-85. MUDFLAPS INSTALLATION - STANDARD (2012+ DODGE) .....	220
FIGURE 1-86. MUDFLAPS INSTALLATION - STANDARD (2012+ FORD) .....	222
FIGURE 1-87. MUDFLAPS INSTALLATION - STANDARD (HINO 195 & ISUZU NRR) .....	224
FIGURE 1-88. MUDFLAPS INSTALLATION - CUSTOMER SUPPLIED .....	226
FIGURE 1-89. MUDFLAPS INSTALLATION - CUSTOMER SUPPLIED (2008-2011 DODGE & FORD) .....	228
FIGURE 1-90. MUDFLAPS INSTALLATION - CUSTOMER SUPPLIED (2012+ FORD, HINO 195 & ISUZU NRR) .....	230
FIGURE 1-91. MUDFLAPS INSTALLATION - HIGH .....	232
FIGURE 1-92. BUMPER (REAR) INSTALLATION - SHORT GALVANIZED .....	234
FIGURE 1-93. BUMPER (REAR) INSTALLATION - LONG GALVANIZED .....	236
FIGURE 1-94. BUMPER (REAR) INSTALLATION - HIGH DUMP MODELS .....	238
FIGURE 1-95. FENDERS INSTALLATION - POLY .....	240
SECTION 2 - WHEEL LIFT .....	243
FIGURE 2-1. WHEEL LIFT INSTALLATION - IRL (PREP FOR LATER) .....	244
FIGURE 2-2. WHEEL LIFT INSTALLATION - IRL (MANUAL L-ARMS STANDARD) .....	246
FIGURE 2-3. WHEEL LIFT INSTALLATION - IRL (MANUAL L-ARMS GALVANIZED) .....	248
FIGURE 2-4. WHEEL LIFT INSTALLATION - IRL (MANUAL L-ARMS EXTENDED STANDARD) .....	250
FIGURE 2-5. WHEEL LIFT INSTALLATION - IRL (MANUAL L-ARMS EXTENDED GALVANIZED) .....	252
FIGURE 2-6. WHEEL LIFT INSTALLATION - IRL (T-37 L-ARMS STANDARD) .....	254
FIGURE 2-7. WHEEL LIFT INSTALLATION - IRL (T-37 L-ARMS GALVANIZED) .....	256
FIGURE 2-8. WHEEL LIFT INSTALLATION - IRL (T-37 L-ARMS EXTENDED STANDARD) .....	258
FIGURE 2-9. WHEEL LIFT INSTALLATION - IRL (HYDRAULIC L-ARMS STANDARD) .....	260
FIGURE 2-10. WHEEL LIFT INSTALLATION - IRL (HYDRAULIC L-ARMS HIGH FRAME) .....	262
FIGURE 2-11. WHEEL LIFT INSTALLATION - ZOD (MANUAL L-ARMS STANDARD) .....	264
FIGURE 2-12. WHEEL LIFT INSTALLATION - ZOD (MANUAL L-ARMS GALVANIZED) .....	266
FIGURE 2-13. WHEEL LIFT INSTALLATION - ZOD (T-37 L-ARMS STANDARD) .....	268
FIGURE 2-14. WHEEL LIFT INSTALLATION - ZOD (T-37 L-ARMS GALVANIZED) .....	270
FIGURE 2-15. WHEEL LIFT BOOM INSTALLATION - IRL (MANUAL & T37 L-ARMS STANDARD) .....	272
FIGURE 2-16. WHEEL LIFT BOOM INSTALLATION - IRL (MANUAL & T37 L-ARMS GALVANIZED) .....	274
FIGURE 2-17. WHEEL LIFT BOOM INSTALLATION - IRL (MANUAL & T37 L-ARMS EXTENDED STANDARD) .....	276
FIGURE 2-18. WHEEL LIFT BOOM INSTALLATION - IRL (MANUAL & T37 L-ARMS EXTENDED GALVANIZED) .....	278
FIGURE 2-19. WHEEL LIFT BOOM INSTALLATION - IRL (HYDRAULIC L-ARMS STANDARD) .....	280
FIGURE 2-20. WHEEL LIFT BOOM INSTALLATION - IRL (HYDRAULIC L-ARMS HIGH FRAME) .....	282
FIGURE 2-21. WHEEL LIFT BOOM INSTALLATION - ZOD (MANUAL & T37 L-ARMS STANDARD) .....	284
FIGURE 2-22. WHEEL LIFT BOOM INSTALLATION - ZOD (MANUAL & T37 L-ARMS GALVANIZED) .....	286
FIGURE 2-23. CHAIN INSTALLATION .....	288
FIGURE 2-24. WHEEL LIFT BOOM ASSEMBLY- IRL (MANUAL & T37 L-ARMS STANDARD) .....	290
FIGURE 2-25. WHEEL LIFT BOOM ASSEMBLY - IRL (MANUAL & T37 L-ARMS GALVANIZED) .....	292
FIGURE 2-26. WHEEL LIFT BOOM ASSEMBLY - IRL (MANUAL & T37 L-ARMS EXTENDED STANDARD) .....	294
FIGURE 2-27. WHEEL LIFT BOOM ASSEMBLY - IRL (MANUAL & T37 L-ARMS EXTENDED GALVANIZED) .....	296
FIGURE 2-28. WHEEL LIFT BOOM ASSEMBLY - IRL (HYDRAULIC L-ARMS) .....	298
FIGURE 2-29. WHEEL LIFT BOOM ASSEMBLY - ZOD (MANUAL & T37 L-ARMS STANDARD) .....	300

# TABLE OF CONTENTS

FIGURE 2-30. WHEEL LIFT BOOM ASSEMBLY - ZOD (MANUAL & T37 L-ARMS GALVANIZED) .....	302
FIGURE 2-31. LINK ASSEMBLY (STANDARD) .....	304
FIGURE 2-32. LINK ASSEMBLY (GALVANIZED) .....	306
FIGURE 2-33. LINK ASSEMBLY (HYDRAULIC GRIDS) .....	308
FIGURE 2-34. CYLINDER ASSEMBLY - WHEEL LIFT (STANDARD) .....	310
FIGURE 2-35. CYLINDER ASSEMBLY - WHEEL LIFT (HIGH FRAME) .....	312
FIGURE 2-36. CYLINDER ASSEMBLY - WHEEL LIFT (ZOD) .....	314
FIGURE 2-37. CYLINDER ASSEMBLY - WHEEL LIFT (EXTEND/RETRACT) .....	316
FIGURE 2-38. WHEEL LIFT CAMLOCK INSTALLATION .....	318
FIGURE 2-39. WHEEL LIFT GRID INSTALLATION (MANUAL L-ARMS) .....	320
FIGURE 2-40. WHEEL LIFT GRID INSTALLATION (T37 L-ARMS) .....	322
FIGURE 2-41. PIVOTING WHEEL LIFT ASSEMBLY - LH (T37 L-ARMS) .....	324
FIGURE 2-42. PIVOTING WHEEL LIFT ASSEMBLY - RH (T37 L-ARMS) .....	326
FIGURE 2-43. WHEEL LIFT GRID INSTALLATION (HYDRAULIC L-ARMS) .....	328
FIGURE 2-44. CYLINDER ASSEMBLY - HYDRAULIC GRID .....	332
FIGURE 2-45. WHEEL LIFT GRID INSTALLATION - AUTOGRIDS .....	334
FIGURE 2-46. PIVOT TUBE INSTALLATION - IRL (MANUAL & T37 L-ARMS WITH BALL) .....	336
FIGURE 2-47. PIVOT TUBE INSTALLATION - IRL (MANUAL & T37 L-ARMS WITH 2IN HITCH) .....	338
FIGURE 2-48. PIVOT TUBE INSTALLATION - ZOD (MANUAL & T37 L-ARMS WITH BALL) .....	340
FIGURE 2-49. PIVOT TUBE INSTALLATION - ZOD (MANUAL & T37 L-ARMS WITH 2IN HITCH) .....	342
SECTION 3 - DECK .....	345
FIGURE 3-1. DECK INSTALLATION - ALUMINUM 19FT X 96IN FIXED RAIL .....	346
FIGURE 3-2. DECK INSTALLATION - ALUMINUM 19FT X 96IN DUAL ANGLE FIXED RAIL .....	348
FIGURE 3-3. DECK INSTALLATION - ALUMINUM 19FT X 96IN REMOVABLE RAIL .....	350
FIGURE 3-4. DECK INSTALLATION - ALUMINUM 19FT X 96IN TRANSPORTER .....	352
FIGURE 3-5. DECK INSTALLATION - ALUMINUM 19FT X 102IN FIXED RAIL .....	354
FIGURE 3-6. DECK INSTALLATION - ALUMINUM 19FT X 102IN DUAL ANGLE FIXED RAIL .....	356
FIGURE 3-7. DECK INSTALLATION - ALUMINUM 19FT X 102IN REMOVABLE RAIL .....	358
FIGURE 3-8. DECK INSTALLATION - ALUMINUM 19FT X 102IN TRANSPORTER .....	360
FIGURE 3-9. DECK INSTALLATION - ALUMINUM 20FT X 96IN FIXED RAIL .....	362
FIGURE 3-10. DECK INSTALLATION - ALUMINUM 20FT X 96IN DUAL ANGLE FIXED RAIL .....	364
FIGURE 3-11. DECK INSTALLATION - ALUMINUM 20FT X 96IN REMOVABLE RAIL .....	366
FIGURE 3-12. DECK INSTALLATION - ALUMINUM 20FT X 96IN TRANSPORTER .....	368
FIGURE 3-13. DECK INSTALLATION - ALUMINUM 20FT X 102IN FIXED RAIL .....	370
FIGURE 3-14. DECK INSTALLATION - ALUMINUM 20FT X 102IN DUAL ANGLE FIXED RAIL .....	372
FIGURE 3-15. DECK INSTALLATION - ALUMINUM 20FT X 102IN REMOVABLE RAIL .....	374
FIGURE 3-16. DECK INSTALLATION - ALUMINUM 20FT X 102IN TRANSPORTER .....	376
FIGURE 3-17. DECK INSTALLATION - ALUMINUM 21FT X 90IN FIXED RAIL .....	378
FIGURE 3-18. DECK INSTALLATION - ALUMINUM 21FT X 96IN FIXED RAIL .....	380
FIGURE 3-19. DECK INSTALLATION - ALUMINUM 21FT X 96IN DUAL ANGLE FIXED RAIL .....	382
FIGURE 3-20. DECK INSTALLATION - ALUMINUM 21FT X 96IN REMOVABLE RAIL .....	384
FIGURE 3-21. DECK INSTALLATION - ALUMINUM 21FT X 96IN REMOVABLE RAIL (CARGO HAULER) .....	386
FIGURE 3-22. DECK INSTALLATION - ALUMINUM 21FT X 96IN TRANSPORTER .....	388
FIGURE 3-23. DECK INSTALLATION - ALUMINUM 21FT X 102IN FIXED RAIL .....	390
FIGURE 3-24. DECK INSTALLATION - ALUMINUM 21FT X 102IN DUAL ANGLE FIXED RAIL .....	392
FIGURE 3-25. DECK INSTALLATION - ALUMINUM 21FT X 102IN REMOVABLE RAIL .....	394
FIGURE 3-26. DECK INSTALLATION - ALUMINUM 21FT X 102IN TRANSPORTER .....	396
FIGURE 3-27. DECK INSTALLATION - STEEL 19FT X 96IN DUAL ANGLE REMOVABLE RAIL (SHARK) .....	398
FIGURE 3-28. DECK INSTALLATION - STEEL 19FT X 96IN REMOVABLE RAIL .....	400
FIGURE 3-29. DECK INSTALLATION - STEEL 19FT X 96IN REMOVABLE RAIL (HIGH DUMP) .....	402
FIGURE 3-30. DECK INSTALLATION - STEEL 19FT X 96IN TRANSPORTER .....	404
FIGURE 3-31. DECK INSTALLATION - STEEL 19FT X 102IN DUAL ANGLE REMOVABLE RAIL (19FT X 102IN SHARK) .....	406
FIGURE 3-32. DECK INSTALLATION - STEEL 19FT X 102IN REMOVABLE RAIL .....	408
FIGURE 3-33. DECK INSTALLATION - STEEL 19FT X 102IN TRANSPORTER .....	410
FIGURE 3-34. DECK INSTALLATION - STEEL 20FT X 96IN DUAL ANGLE REMOVABLE RAIL (20FT X 102IN SHARK) .....	412
FIGURE 3-35. DECK INSTALLATION - STEEL 20FT X 96IN REMOVABLE RAIL .....	414
FIGURE 3-36. DECK INSTALLATION - STEEL 20FT X 96IN TRANSPORTER .....	416
FIGURE 3-37. DECK INSTALLATION - STEEL 20FT X 102IN DUAL ANGLE REMOVABLE RAIL (SHARK) .....	418
FIGURE 3-38. DECK INSTALLATION - STEEL 20FT X 102IN REMOVABLE RAIL .....	420
FIGURE 3-39. DECK INSTALLATION - STEEL 20FT X 102IN TRANSPORTER .....	422
FIGURE 3-40. DECK INSTALLATION - STEEL 22FT X 90IN REMOVABLE RAIL .....	424
FIGURE 3-41. DECK INSTALLATION - STEEL 21FT X 96IN DUAL ANGLE REMOVABLE RAIL (SHARK) .....	426
FIGURE 3-42. DECK INSTALLATION - STEEL 21FT X 96IN REMOVABLE RAIL .....	428
FIGURE 3-43. DECK INSTALLATION - STEEL 21FT X 96IN TRANSPORTER .....	430
FIGURE 3-44. DECK INSTALLATION - STEEL 21FT X 102IN DUAL ANGLE REMOVABLE RAIL (SHARK) .....	432

# TABLE OF CONTENTS

FIGURE 3-45. DECK INSTALLATION - STEEL 21FT X 102IN REMOVABLE RAIL .....	434
FIGURE 3-46. DECK INSTALLATION - STEEL 21FT X 102IN TRANSPORTER .....	436
FIGURE 3-47. WINCH INSTALLATION - 8000 LBS (STANDARD ALUMINUM DECK) .....	438
FIGURE 3-48. WINCH INSTALLATION - 8000 LBS AIR FREE SPOOL (STANDARD ALUMINUM DECK) .....	440
FIGURE 3-49. WINCH INSTALLATION - 8000 LBS (STANDARD STEEL DECK) .....	442
FIGURE 3-50. WINCH INSTALLATION - 8000 LBS AIR FREE SPOOL (STANDARD STEEL DECK) .....	444
FIGURE 3-51. WINCH INSTALLATION - 8000 LBS (TRANSPORTER ALUMINUM DECK) .....	446
FIGURE 3-52. WINCH INSTALLATION - 8000 LBS AIR FREE SPOOL (TRANSPORTER ALUMINUM DECK) .....	448
FIGURE 3-53. WINCH INSTALLATION - 8000 LBS (TRANSPORTER STEEL DECK) .....	450
FIGURE 3-54. WINCH INSTALLATION - 8000 LBS AIR FREE SPOOL (TRANSPORTER STEEL DECK) .....	452
FIGURE 3-55. WINCH INSTALLATION - 10000 LBS (STANDARD ALUMINUM DECK) .....	454
FIGURE 3-56. WINCH INSTALLATION - 10000 LBS AIR FREE SPOOL (STANDARD ALUMINUM DECK) .....	456
FIGURE 3-57. WINCH INSTALLATION - 10000 LBS (STANDARD STEEL DECK) .....	458
FIGURE 3-58. WINCH INSTALLATION - 10000 LBS AIR FREE SPOOL (STANDARD STEEL DECK) .....	460
FIGURE 3-59. WINCH INSTALLATION - 10000 LBS (TRANSPORTER ALUMINUM DECK) .....	462
FIGURE 3-60. WINCH INSTALLATION - 10000 LBS AIR FREE SPOOL (TRANSPORTER ALUMINUM DECK) .....	464
FIGURE 3-61. WINCH INSTALLATION - 10000 LBS (TRANSPORTER STEEL DECK) .....	466
FIGURE 3-62. WINCH INSTALLATION - 10000 LBS AIR FREE SPOOL (TRANSPORTER STEEL DECK) .....	468
FIGURE 3-63. WINCH INSTALLATION - 10000 LBS SLIDING PLANETARY .....	470
FIGURE 3-64. WINCH INSTALLATION - 10000 LBS SLIDING PLANETARY AIR FREE SPOOL .....	472
FIGURE 3-65. WINCH INSTALLATION - 12000 LBS (STEEL DECK) .....	474
FIGURE 3-66. WINCH ASSEMBLY - 8000 LBS .....	476
FIGURE 3-67. WINCH ASSEMBLY - 8000 LBS AIR FREE SPOOL .....	478
FIGURE 3-68. WINCH ASSEMBLY - 10000 LBS .....	480
FIGURE 3-69. WINCH ASSEMBLY - 10000 LBS AIR FREE SPOOL .....	484
FIGURE 3-70. WINCH ASSEMBLY - 10000 LBS SLIDING PLANETARY .....	488
FIGURE 3-71. WINCH ASSEMBLY - 10000 LBS SLIDING AIR FREE SPOOL .....	490
FIGURE 3-72. WINCH ASSEMBLY - 12000 LBS .....	492
FIGURE 3-73. WINCH HOSES & FITTINGS INSTALLATION (SLIDING WINCH ONLY) .....	494
FIGURE 3-74. WINCH HANDLE (SLIDING WINCH ONLY) .....	496
FIGURE 3-75. WINCH HOSES & FITTINGS INSTALLATION (SLIDING AIR FREE SPOOL WINCH ONLY) .....	498
FIGURE 3-76. HEADBOARD INSTALLATION- 36.50IN (DELUXE BOLT-ON) .....	500
FIGURE 3-77. HEADBOARD INSTALLATION - 36.50IN (STATIONARY DELUXE BOLT-ON) .....	502
FIGURE 3-78. HEADBOARD INSTALLATION - 37.38IN (STANDARD BOLT-ON) .....	504
FIGURE 3-79. HEADBOARD INSTALLATION - 37.38IN (STATIONARY FIXED) .....	506
FIGURE 3-80. HEADBOARD INSTALLATION - 45.50IN- 65.50 (ADJUSTABLE BOLT-ON) .....	508
FIGURE 3-81. HEADBOARD INSTALLATION - 45.50IN- 65.50 (ADJUSTABLE BOLT-ON - SPECIAL PAINT) .....	510
FIGURE 3-82. HEADBOARD INSTALLATION - 45.50IN- 65.50 (STATIONARY ADJUSTABLE BOLT-ON) .....	512
FIGURE 3-83. HEADBOARD INSTALLATION - 45.50IN- 65.50 (STATIONARY ADJUSTABLE BOLT-ON - SPECIAL PAINT) .....	514
FIGURE 3-84. HEADBOARD INSTALLATION - 45.50IN (DELUXE BOLT-ON) .....	516
FIGURE 3-85. HEADBOARD INSTALLATION - 45.50IN (STATIONARY DELUXE BOLT-ON) .....	518
FIGURE 3-86. HEADBOARD INSTALLATION - 50.50IN (DELUXE BOLT-ON) .....	520
FIGURE 3-87. HEADBOARD INSTALLATION - 50.50IN (STATIONARY DELUXE BOLT-ON) .....	522
FIGURE 3-88. HEADBOARD INSTALLATION - 50IN (BUCKET REST) .....	524
FIGURE 3-89. HEADBOARD INSTALLATION - 54.75IN (BUCKET REST) .....	526
FIGURE 3-90. HEADBOARD INSTALLATION - 57.50IN (DELUXE BOLT-ON) .....	528
FIGURE 3-91. HEADBOARD INSTALLATION - 57.50IN (STATIONARY DELUXE BOLT-ON) .....	530
FIGURE 3-92. HEADBOARD INSTALLATION, 61.5IN (BUCKET REST) .....	532
FIGURE 3-93. HEADBOARD BASE INSTALLATION .....	534
FIGURE 3-94. HEADBOARD SPACER INSTALLATION .....	536
FIGURE 3-95. RAIL (REMOVABLE) INSTALLATION - 5IN ALUMINUM (19FT/20FT DECK) .....	538
FIGURE 3-96. RAIL (REMOVABLE) INSTALLATION - 5IN ALUMINUM (21FT DECK) .....	540
FIGURE 3-97. RAIL (REMOVABLE) INSTALLATION - 5IN STEEL (19FT/20FT DECK) .....	542
FIGURE 3-98. RAIL (REMOVABLE) INSTALLATION - 5IN STEEL (21FT DECK) .....	544
FIGURE 3-99. RAIL PLUG (PERMANENT) INSTALLATION - 6IN STEEL (19FT/20FT DECK) .....	546
FIGURE 3-100. RAIL PLUG (PERMANENT) INSTALLATION - 6IN STEEL (21FT DECK) .....	548
FIGURE 3-101. D-RINGS INSTALLATION - 1 PAIR (ALUMINIUM DECK) .....	550
FIGURE 3-102. D-RINGS INSTALLATION - 2 PAIR (ALUMINIUM DECK) .....	552
FIGURE 3-103. D-RINGS INSTALLATION - 3 PAIR (ALUMINIUM DECK) .....	554
FIGURE 3-104. D-RINGS INSTALLATION - 4 PAIR (ALUMINIUM DECK) .....	556
FIGURE 3-105. D-RINGS INSTALLATION - 1 PAIR (STEEL DECK) .....	558
FIGURE 3-106. D-RINGS INSTALLATION - 2 PAIR (STEEL DECK) .....	560
FIGURE 3-107. D-RINGS INSTALLATION - 3 PAIR (STEEL DECK) .....	562
FIGURE 3-108. D-RINGS INSTALLATION - 4 PAIR (STEEL DECK) .....	564
FIGURE 3-109. D-RINGS INSTALLATION - 1 PAIR (ALUMINIUM DECK NEAR WINCH) .....	566
FIGURE 3-110. D-RINGS INSTALLATION - 1 PAIR (ALUMINIUM DECK NEAR WINCH) (TRANSPORTER) .....	568
FIGURE 3-111. ANTI-SLIP TAPE INSTALLATION (SIDES) .....	570

# TABLE OF CONTENTS

FIGURE 3-112. ANTI-SLIP PAINT INSTALLATION (ALUMINUM DECK SIDES) .....	572
FIGURE 3-113. ANTI-SLIP PAINT INSTALLATION (STEEL DECK SIDES).....	574
FIGURE 3-114. ANTI-SLIP PAINT INSTALLATION (DECK APPROACH END) .....	576
FIGURE 3-115. DECK ROLLERS AT APPROACH TIP.....	578
FIGURE 3-116. DECK ROLLER BRACKET ASSEMBLY .....	580
FIGURE 3-117. PLUG INSTALLATION - HEADBOARD WITHOUT LIGHTBAR .....	582
FIGURE 3-118. CABLE TENSIONER ASSEMBLY .....	584
FIGURE 3-119. CABLE TENSIONER ASSEMBLY .....	586
SECTION 4 - CONTROLS .....	589
FIGURE 4-1. 2 BANK VALVE CONTROLS INSTALLATION .....	590
FIGURE 4-2. 3 BANK VALVE CONTROLS INSTALLATION (USED WITH 2 BANK VALVE OPTION) .....	592
FIGURE 4-3. 3 BANK VALVE CONTROLS INSTALLATION - NO/MANUAL TOW .....	594
FIGURE 4-4. 3 BANK VALVE INSTALLATION - NO/MANUAL TOW/REMOTE CONTROL.....	596
FIGURE 4-5. 3 BANK VALVE CONTROLS INSTALLATION - NO/MANUAL TOW/NO WINCH.....	598
FIGURE 4-6. 3 BANK VALVE CONTROLS INSTALLATION - NO/MANUAL TOW/WINCHMOTOR SPOOL .....	600
FIGURE 4-7. 3 BANK VALVE CONTROLS INSTALLATION - NO/MANUAL TOW/WINCHMOTOR SPOOL .....	602
FIGURE 4-8. 3 BANK VALVE CONTROLS INSTALLATION - NO/MANUAL TOW/REMOTE CONTROL .....	604
FIGURE 4-9. 3 BANK VALVE CONTROLS INSTALLATION - NO/MANUAL TOW/REMOTE CONTROL .....	606
FIGURE 4-10. 4 BANK VALVE INSTALLATION – HYDRAULIC TOW/REMOTE CONTROL .....	608
FIGURE 4-11. 4 BANK VALVE CONTROLS INSTALLATION - NO/MANUAL TOW/STABILIZERS .....	610
FIGURE 4-12. 4 BANK VALVE CONTROLS INSTALLATION - NO/MANUAL TOW/STABILIZERS .....	612
FIGURE 4-13. 4 BANK VALVE CONTROLS INSTALLATION - NO/MANUAL TOW/STABILIZERS/REMOTE CONTROL .....	614
FIGURE 4-14. 4 BANK VALVE INSTALLATION - NO/MANUAL TOW/STABILIZERS/REMOTE CONTROL .....	616
FIGURE 4-15. 4 BANK VALVE CONTROLS INSTALLATION - HYDRAULIC TOW.....	618
FIGURE 4-16. 4 BANK VALVE CONTROLS INSTALLATION - HYDRAULIC TOW.....	620
FIGURE 4-17. 4 BANK VALVE CONTROLS INSTALLATION - HYDRAULIC TOW/REMOTE CONTROL .....	622
FIGURE 4-18. 4 BANK VALVE CONTROLS INSTALLATION - HYDRAULIC TOW/WINCH MOTOR SPOOL .....	624
FIGURE 4-19. 4 BANK VALVE CONTROLS INSTALLATION - HYDRAULIC TOW/WINCH MOTOR SPOOL .....	626
FIGURE 4-20. 4 BANK VALVE CONTROLS INSTALLATION - HYDRAULIC TOW/WINCH MOTOR SPOOL/REMOTE CONTROL.....	628
FIGURE 4-21. 4 BANK VALVE CONTROLS INSTALLATION - HYDRAULIC TOW/WINCH MOTOR SPOOL/REMOTE CONTROL.....	630
FIGURE 4-22. 5 BANK VALVE INSTALLATION - HYDRAULIC TOW/STABILIZERS/REMOTE CONTROL .....	632
FIGURE 4-23. 5 BANK VALVE CONTROLS INSTALLATION - HYDRAULIC TOW/STABILIZER .....	634
FIGURE 4-24. 5 BANK VALVE CONTROLS INSTALLATION - HYDRAULIC TOW/STABILIZER .....	636
FIGURE 4-25. 5 BANK VALVE CONTROLS INSTALLATION - HYDRAULIC TOW/STABILIZER/REMOTE CONTROL .....	638
FIGURE 4-26. 5 BANK VALVE INSTALLATION – HYDRAULIC TOW/IRL/REMOTE CONTROL .....	640
FIGURE 4-27. 5 BANK VALVE CONTROLS INSTALLATION - HYDRAULIC TOW/IRL.....	642
FIGURE 4-28. 5 BANK VALVE CONTROLS INSTALLATION - HYDRAULIC TOW/IRL.....	644
FIGURE 4-29. 5 BANK VALVE CONTROLS INSTALLATION - HYD TOW/IRL/REMOTE CONTROL .....	646
FIGURE 4-30. 5 BANK VALVE CONTROLS INSTALLATION - HYDRAULIC TOW/IRL/WINCH MOTOR SPOOL .....	648
FIGURE 4-31. 5 BANK VALVE CONTROLS INSTALLATION - HYDRAULIC TOW/IRL/WINCH MOTOR SPOOL .....	650
FIGURE 4-32. 5 BANK VALVE CONTROLS INSTALLATION - HYDRAULIC TOW/IRL/WINCH MOTOR SPOOL/REMOTE CONTROL.....	652
FIGURE 4-33. 5 BANK VALVE CONTROLS INSTALLATION - HYDRAULIC TOW/IRL/WINCH MOTOR SPOOL/REMOTE CONTROL.....	654
FIGURE 4-34. 5 BANK VALVE CONTROLS INSTALLATION - HYDRAULIC TOW/IRL/COLOR HANDLES/RACEWAY .....	656
FIGURE 4-35. 5 BANK VALVE CONTROLS INSTALLATION - HYDRAULIC TOW/IRL/COLOR HANDLES/RACEWAY .....	658
FIGURE 4-36. 5 BANK VALVE CONTROLS INSTALLATION - HYDRAULIC TOW/IRL/COLOR HANDLES/RACEWAY .....	660
FIGURE 4-37. 6 BANK VALVE INSTALLATION - HYDRAULIC TOW/IRL/HYDRAULIC GRID/REMOTE CONTROL .....	662
FIGURE 4-38. 6 BANK VALVE CONTROLS INSTALLATION - HYDRAULIC TOW/IRL/HYD GRID .....	664
FIGURE 4-39. 6 BANK VALVE CONTROLS INSTALLATION - HYDRAULIC TOW/IRL/HYD GRID .....	666
FIGURE 4-40. 6 BANK VALVE CONTROLS INSTALLATION - HYDRAULIC TOW/IRL/HYDRAULIC GRID/REMOTE CONTROL .....	668
FIGURE 4-41. 6 BANK VALVE INSTALLATION - HYDRAULIC TOW/IRL/ZOD/REMOTE CONTROL .....	670
FIGURE 4-42. 6 BANK VALVE CONTROLS INSTALLATION - HYDRAULIC TOW/IRL/ZOD.....	672
FIGURE 4-43. 6 BANK VALVE CONTROLS INSTALLATION - HYDRAULIC TOW/IRL/ZOD.....	674
FIGURE 4-44. 6 BANK VALVE CONTROLS INSTALLATION - HYD TOW/IRL/ZOD/REMOTE CONTROL .....	676
FIGURE 4-45. VALVE ASSEMBLY - 3 BANK.....	678
FIGURE 4-46. VALVE ASSEMBLY - 5 BANK (WITHOUT WINCH MOTOR SPOOL).....	680
FIGURE 4-47. VALVE ASSEMBLY - 5 BANK (WITH WINCH MOTOR SPOOL).....	682
FIGURE 4-48. VALVE ASSEMBLY - 6 BANK (WITH HYD GRIDS).....	684
FIGURE 4-49. VALVE ASSEMBLY - 6 BANK (WITH ZOD).....	686
FIGURE 4-50. LINEAR ACTUATOR INSTALLATION (WITH REMOTE CONTROL) .....	688
FIGURE 4-51. LINEAR ACTUATOR MOUNTING KIT - 3 & 5 BANK VALVE.....	690

# TABLE OF CONTENTS

FIGURE 4-52. LINEAR ACTUATOR MOUNTING KIT - 6 BANK VALVE .....	692
FIGURE 4-53. FREE SPOOL INSTALLATION - SINGLE 8K/10K WINCH (STANDARD HEADBOARD) .....	694
FIGURE 4-54. FREE SPOOL INSTALLATION - SINGLE 8K/10K WINCH (DELUXE HEADBOARD) .....	696
FIGURE 4-55. FREE SPOOL INSTALLATION - DUAL 8K/10K WINCH (STANDARD HEADBOARD) .....	698
FIGURE 4-56. FREE SPOOL INSTALLATION - DUAL 8K/10K WINCH (DELUXE HEADBOARD) .....	700
FIGURE 4-57. FREE SPOOL INSTALLATION - 8K/10K WINCH (AIR) (STANDARD HEADBOARD) .....	702
FIGURE 4-58. FREE SPOOL INSTALLATION - 12K WINCH (BOLT-ON HEADBOARD) .....	704
FIGURE 4-59. FREE SPOOL INSTALLATION - 12K WINCH (STATIONARY HEADBOARD) .....	706
FIGURE 4-60. REMOTE CONTROL - ONE FUNCTION, WINCHES PLUS .....	708
FIGURE 4-61. REMOTE CONTROL - TWO FUNCTION, WINCHES PLUS .....	710
FIGURE 4-62. REMOTE CONTROL - THREE FUNCTION, WINCHES PLUS .....	712
FIGURE 4-63. REMOTE CONTROL - FOUR FUNCTION, WINCHES PLUS .....	714
FIGURE 4-64. REMOTE CONTROL - FIVE FUNCTION, WINCHES PLUS .....	716
FIGURE 4-65. REMOTE CONTROL - SIX FUNCTION U/L TRANSMITTER HOLDER .....	718
FIGURE 4-66. MIRATRON WIRELESS INSTALLATION - ONE FUNCTION .....	720
FIGURE 4-67. MIRATRON WIRELESS INSTALLATION - TWO FUNCTION .....	722
FIGURE 4-68. MIRATRON WIRELESS INSTALLATION - THREE FUNCTION .....	724
FIGURE 4-69. MIRATRON WIRELESS INSTALLATION - FOUR FUNCTION .....	726
FIGURE 4-70. MIRATRON WIRELESS INSTALLATION - FIVE FUNCTION .....	728
SECTION 5 - HYDRAULIC .....	731
FIGURE 5-1. HOSE INSTALLATION - DODGE 20IN CA STD CAB .....	732
FIGURE 5-2. HOSE INSTALLATION - FORD 120IN CA STD CAB (2011-2016 FORD) .....	734
FIGURE 5-3. HOSE INSTALLATION - FORD 120IN CA STD CAB (2017+ FORD) .....	736
FIGURE 5-4. HOSE INSTALLATION - FORD & HINO 150IN CA STD CAB .....	738
FIGURE 5-5. HOSE INSTALLATION - FORD 150IN CA EXT CAB .....	740
FIGURE 5-6. HOSE INSTALLATION - FORD 150IN CA CREW CAB .....	742
FIGURE 5-7. HOSE INSTALLATION - FREIGHTLINER 150IN CA STD CAB .....	744
FIGURE 5-8. HOSE INSTALLATION - HINO 144IN CA STD CAB .....	746
FIGURE 5-9. HOSE INSTALLATION - HINO 195 145IN CA STD CAB .....	748
FIGURE 5-10. HOSE INSTALLATION - INTERNATIONAL 120IN CA STD CAB .....	750
FIGURE 5-11. HOSE INSTALLATION - INTERNATIONAL 138IN CA STD CAB .....	752
FIGURE 5-12. HOSE INSTALLATION - INTERNATIONAL 144IN CA STD CAB .....	754
FIGURE 5-13. HOSE INSTALLATION - INTERNATIONAL 150IN CA STD CAB .....	756
FIGURE 5-14. HOSE INSTALLATION - INTERNATIONAL 150IN CA EXT CAB .....	758
FIGURE 5-15. HOSE INSTALLATION - ISUZU ALL CA STD CAB .....	760
FIGURE 5-16. HOSE INSTALLATION - PETERBUILT 150IN CA STD CAB .....	762
FIGURE 5-17. HOSE INSTALLATION - PETERBUILT 150IN CA STD CAB .....	764
FIGURE 5-18. HOSE INSTALLATION - UD 138IN CA STD CAB .....	766
FIGURE 5-19. HOSE INSTALLATION - SIDE RECOVERY SYSTEM .....	768
FIGURE 5-20. HOSE INSTALLATION - STABILIZER .....	770
FIGURE 5-21. HOSE INSTALLATION - STABILIZER (WITH HYD PINTLE) .....	772
FIGURE 5-22. HOSE INSTALLATION - SUBFRAME (19FT-20FT DECK - INTBOARD) .....	774
FIGURE 5-23. HOSE INSTALLATION - SUBFRAME (19FT-20FT DECK - OUTBOARD) .....	776
FIGURE 5-24. HOSE INSTALLATION - SUBFRAME (21FT DECK - INBOARD) .....	778
FIGURE 5-25. HOSE INSTALLATION - SUBFRAME (21FT DECK - OUTBOARD) .....	780
FIGURE 5-26. HOSE INSTALLATION - SUBFRAME (HIGH DUMP DECK) .....	782
FIGURE 5-27. HOSE INSTALLATION - TOW HITCH PLATE .....	784
FIGURE 5-28. HOSE INSTALLATION - TOW IRL HITCH PLATE .....	786
FIGURE 5-29. HOSE INSTALLATION - WHEEL LIFT (IR/MANUAL ARMS) .....	788
FIGURE 5-30. HOSE INSTALLATION - WHEEL LIFT (IR/HYDRAULIC ARMS) .....	790
FIGURE 5-31. HOSE INSTALLATION - WHEEL LIFT (IR/HYDRAULIC ARMS/HIGH FRAME) .....	792
FIGURE 5-32. HOSE INSTALLATION - WHEEL LIFT (ZOD) .....	794
FIGURE 5-33. HOSE INSTALLATION - WINCH (10000 LBS SLIDING WINCH) .....	796
FIGURE 5-34. TANK (HYDRAULIC) & BRACKETS INSTALLATION .....	798
FIGURE 5-35. TANK (HYDRAULIC) ASSEMBLY .....	800
FIGURE 5-36. HYDRAULIC FILTER COVER PLATE .....	802
SECTION 6 - ELECTRICAL .....	805
FIGURE 6-1. BREAKER INSTALLATION, - 50AMP .....	806
FIGURE 6-2. CAMERA (BACKUP) CARRIER INSTALLATION .....	808
FIGURE 6-3. CAMERA (BACKUP) CARRIER INSTALLATION - OEM .....	810
FIGURE 6-4. CAMERA (BACKUP) CARRIER INSTALLATION - OEM (CV515) .....	812
FIGURE 6-5. CAMERA (BACKUP) IN REAR VIEW MIRROR INSTALLATION .....	814
FIGURE 6-6. CAMERA (CARGO) INSTALLATION - HEADBOARD MOUNTED .....	816



# TABLE OF CONTENTS

FIGURE 6-7. LIGHTS AND WIRING INSTALLATION - BOLTED-ON HEADBOARD (SN 0220017095 through 0220020946) .....	818
FIGURE 6-8. LIGHTS AND WIRING INSTALLATION - BOLTED-ON HEADBOARD (SN 0220020947 to Present) .....	820
FIGURE 6-9. LIGHTS AND WIRING INSTALLATION – STATIONARY HEADBOARD (SN 0220017095 through 0220023729) .....	822
FIGURE 6-10. LIGHTS AND WIRING INSTALLATION - STATIONARY HEADBOARD (SN 0220020947 to Present) .....	824
FIGURE 6-11. LIGHTS - 24V LIGHT INSTALLATION .....	826
FIGURE 6-12. LIGHTS - BUMPER STROBE INSTALLATION .....	828
FIGURE 6-13. LIGHTS - DECK FLASHER INSTALLATION (REAR) .....	830
FIGURE 6-14. LIGHTS- HEADBOARD LIGHTS INSTALLATION .....	832
FIGURE 6-15. LIGHTS- HEADBOARD LIGHTS INSTALLATION (BUCKET REST) .....	834
FIGURE 6-16. LIGHTS- HEADBOARD LIGHTS INSTALLATION (SRS) .....	836
FIGURE 6-17. LIGHTS - LIGHTBAR INSTALLATION (STANDARD MOUNT) (CODE 3 PRIZM BRAND) (AMBER) .....	838
FIGURE 6-18. LIGHTS - LIGHTBAR INSTALLATION (STANDARD MOUNT) (CODE 3 PRIZM BRAND) (RED) .....	840
FIGURE 6-19. LIGHTS - LIGHTBAR INSTALLATION (STANDARD MOUNT) (CODE 3 STD BRAND) .....	842
FIGURE 6-20. LIGHTS - LIGHTBAR INSTALLATION (STANDARD MOUNT) (ECCO BRAND) .....	844
FIGURE 6-21. LIGHTS - LIGHTBAR INSTALLATION (STANDARD MOUNT) (WHELEN BRAND) .....	846
FIGURE 6-22. LIGHTS - LIGHTBAR INSTALLATION (HIGH MOUNT) (CODE 3 PRIZM BRAND) .....	848
FIGURE 6-23. LIGHTS - LIGHTBAR INSTALLATION (HIGH MOUNT) (CODE 3 STD BRAND) .....	850
FIGURE 6-24. LIGHTS - LIGHTBAR INSTALLATION (HIGH MOUNT) (ECCO BRAND) .....	852
FIGURE 6-25. LIGHTS - LIGHTBAR INSTALLATION (HIGH MOUNT) (WHELEN BRAND) .....	854
FIGURE 6-26. LIGHTS - LIGHTBAR ASSEMBLY – (CODE 3 PRIZM BRAND) (AMBER) .....	856
FIGURE 6-27. LIGHTS - LIGHTBAR ASSEMBLY – (CODE 3 PRIZM BRAND) (RED) .....	858
FIGURE 6-28. LIGHTS - LIGHTBAR ASSEMBLY – (CODE 3 STD BRAND) (AMBER) .....	860
FIGURE 6-29. LIGHTS - LIGHTBAR ASSEMBLY (ECCO BRAND) .....	862
FIGURE 6-30. LIGHTS - LIGHTBAR ASSEMBLY (WHELEN BRAND) .....	864
FIGURE 6-31. LIGHTS - LIGHTBAR MOUNT INSTALLATION - BUCKET REST HEADBOARD .....	868
FIGURE 6-32. LIGHTS - MARKER LIGHT INSTALLATION, CARRIER DECK .....	870
FIGURE 6-33. LIGHTS - MARKER LIGHT INSTALLATION, CARRIER DECK - 24V .....	872
FIGURE 6-34. LIGHTS - MARKER LIGHT, TOOL BOX TOP STORAGE TRAY .....	874
FIGURE 6-35. LIGHTS - TAIL LIGHT CONVERSION KIT .....	876
FIGURE 6-36. LIGHTS - TAILLIGHT HARNESS .....	878
FIGURE 6-37. LIGHTS - TOOLBOX LIGHT INSTALLATION .....	880
FIGURE 6-38. LIGHTS - WORKLIGHTS INSTALLATION (WINCH) .....	882
FIGURE 6-39. LIGHTS - WORKLIGHTS INSTALLATION (REAR) .....	884
FIGURE 6-40. SUBFRAME HARNESS .....	886
FIGURE 6-41. SUBFRAME TO CAB HARNESS (WITH BOLT-ON HEADBOARD) .....	888
FIGURE 6-42. SUBFRAME TO CAB HARNESS (WITH STATIONARY HEADBOARD) (SN 0220017095 through 0220020946) .....	890
FIGURE 6-43. SUBFRAME TO CAB HARNESS (WITH STATIONARY HEADBOARD) (SN 0220020947 to Present) .....	892
FIGURE 6-44. SUBFRAME TO CAB HARNESS (WITH BOLT-ON HEADBOARD) (SN 0220017095 through 0220020946) .....	894
FIGURE 6-45. SUBFRAME TO DECK HARNESS (WITH BOLT-ON HEADBOARD) (SN 0220020947 to Present) .....	896
FIGURE 6-46. SUBFRAME TO DECK HARNESS (WITH STATIONARY HEADBOARD) .....	898
FIGURE 6-47. SWITCH PANEL INSTALLATION - 3 FUNCTION (IN-DASH COMPACT) (SN 0220017095 through 0220020946) .....	900
FIGURE 6-48. SWITCH PANEL INSTALLATION - 3 FUNCTION (IN-DASH COMPACT) (SN 0220020947 to Present) .....	902
FIGURE 6-49. SWITCH PANEL ASSEMBLY - 3 FUNCTION (IN-DASH COMPACT) .....	904
FIGURE 6-50. SWITCH PANEL ASSEMBLY - 3 FUNCTION (IN-DASH COMPACT) .....	906
FIGURE 6-51. SWITCH PANEL INSTALLATION - 3 FUNCTION (IN-DASH MINI) (SN 0220017095 through 0220020946) .....	908
FIGURE 6-52. SWITCH PANEL INSTALLATION - 3 FUNCTION (IN-DASH MINI) (SN 0220020947 to Present) .....	910
FIGURE 6-53. SWITCH PANEL INSTALLATION - 3 FUNCTION (UNDER-DASH COMPACT) (SN 0220017095 through 0220020946) .....	912
FIGURE 6-54. SWITCH PANEL INSTALLATION - 3 FUNCTION (UNDER-DASH COMPACT) (SN 0220020947 to Present) .....	914
FIGURE 6-55. SWITCH PANEL ASSEMBLY - 3 FUNCTION (UNDER-DASH COMPACT) .....	916
FIGURE 6-56. SWITCH PANEL ASSEMBLY - 3 FUNCTION (UNDER-DASH COMPACT) .....	918
FIGURE 6-57. SWITCH PANEL INSTALLATION - 4 FUNCTION (IN-DASH) (FORD 2008-2016 F550 OEM) (SN 0220017095 through 0220020946) .....	920
FIGURE 6-58. SWITCH PANEL INSTALLATION - 4 FUNCTION (IN-DASH) (FORD 2008-2016 F550 OEM) (SN 0220020947 to Present) .....	922
FIGURE 6-59. SWITCH PANEL INSTALLATION - 4 FUNCTION (IN-DASH) (FORD 2011+ F650/750 OEM) (SN 0220017095 through 0220020946) .....	924
FIGURE 6-60. SWITCH PANEL INSTALLATION - 4 FUNCTION (IN-DASH) (FORD 2011+ F650/750 OEM) (SN 0220020947 to Present) .....	926
FIGURE 6-61. SWITCH PANEL INSTALLATION - 5 FUNCTION (IN-DASH COMPACT) (SN 0220017095 through 0220020946) .....	928
FIGURE 6-62. SWITCH PANEL INSTALLATION - 5 FUNCTION (IN-DASH COMPACT) (SN 0220020947 to Present) .....	930
FIGURE 6-63. SWITCH PANEL INSTALLATION - 5 FUNCTION (IN-DASH COMPACT) (IHC WITHOUT OEM) (SN 0220017095 through 0220020946) .....	932

# TABLE OF CONTENTS

FIGURE 6-64. SWITCH PANEL INSTALLATION - 5 FUNCTION (IN-DASH COMPACT) (IHC WITHOUT OEM) (SN 0220020947 to Present).....	934
FIGURE 6-65. SWITCH PANEL INSTALLATION - 5 FUNCTION (IN-DASH) (PETERBILT) (SN 0220017095 through 0220020946).....	936
FIGURE 6-66. SWITCH PANEL INSTALLATION - 5 FUNCTION (IN-DASH) (PETERBILT) (SN 0220020947 to Present) .....	938
FIGURE 6-67. SWITCH PANEL ASSEMBLY - 5 FUNCTION (IN-DASH).....	940
FIGURE 6-68. SWITCH PANEL ASSEMBLY - 5 FUNCTION (IN-DASH).....	942
FIGURE 6-69. SWITCH PANEL INSTALLATION - 5 FUNCTION (UNDER-DASH COMPACT) (SN 0220017095 through 0220020946).....	944
FIGURE 6-70. SWITCH PANEL INSTALLATION - 5 FUNCTION (UNDER-DASH COMPACT) (SN 0220020947 to Present) .....	946
FIGURE 6-71. SWITCH PANEL ASSEMBLY - 5 FUNCTION UNDER-DASH (COMPACT) .....	948
FIGURE 6-72. SWITCH PANEL ASSEMBLY - 5 FUNCTION UNDER-DASH (COMPACT) .....	950
FIGURE 6-73. SWITCH PANEL INSTALLATION - 6 FUNCTION (FORD F550 2017+ OEM) (SN 0220017095 through 0220020946).....	952
FIGURE 6-74. SWITCH PANEL INSTALLATION - 6 FUNCTION (FORD F550 2017+ OEM) (SN 0220020947 to Present) .....	954
FIGURE 6-75. SWITCH PANEL INSTALLATION - 6 FUNCTION (IN-DASH COMPACT) (IHC WITH OEM) (SN 0220017095 through 0220020946).....	956
FIGURE 6-76. SWITCH PANEL INSTALLATION - 6 FUNCTION (IN-DASH COMPACT) (IHC WITH OEM) (SN 0220020947 to Present) .....	958
FIGURE 6-77. SWITCH PANEL INSTALLATION - 6 FUNCTION (RAM 2013+) (SN 0220017095 through 0220020946) .....	960
FIGURE 6-78. SWITCH PANEL INSTALLATION - 6 FUNCTION (RAM 2013+) (SN 0220020947 to Present) .....	962
FIGURE 6-79. SWITCH PANEL INSTALLATION - 3 FUNCTION (OEM CV515 2019+) .....	964
 SECTION 7 - DECALS .....	 967
FIGURE 7-1. DECALS INSTALLATION - STANDARD .....	968
FIGURE 7-2. DECALS INSTALLATION - CARGO HAULER .....	972
FIGURE 7-3. DECALS INSTALLATION - SPANISH .....	976
FIGURE 7-4. DECALS INSTALLATION - SIDE RECOVERY SYSTEM.....	980
FIGURE 7-5. REFLECTIVE TAPE INSTALLATION - HIGH VISIBILITY .....	982
 SECTION 8 - ACCESSORIES .....	 985
FIGURE 8-1. KITS LIST .....	986
FIGURE 8-2. 7-WAY ELECTRICAL CONNECTOR.....	988
FIGURE 8-3. 7-WAY ELECTRICAL INSTALLATION .....	990
FIGURE 8-4. AIR SUPPLY DISCONNECT .....	992
FIGURE 8-5. BUMPER INSTALLATION - PUSH (FRONT) (NO GRILLE GUARD (DODGE 2011+) .....	994
FIGURE 8-6. BUMPER INSTALLATION - PUSH (FRONT) (NO GRILLE GUARD (FORD F550 2011-2016) .....	996
FIGURE 8-7. BUMPER INSTALLATION - PUSH (FRONT) (NO GRILLE GUARD (FORD F550 2017+) .....	998
FIGURE 8-8. BUMPER INSTALLATION - PUSH (FRONT) (NO GRILLE GUARD) (IHC 4300) .....	1000
FIGURE 8-9. BUMPER INSTALLATION - PUSH (FRONT) (NO GRILLE GUARD (FREIGHTLINER MS 2008+) .....	1002
FIGURE 8-10. BUMPER INSTALLATION - PUSH (FRONT) (WITH GRILLE GUARD (FORD F550 2011-2016) .....	1004
FIGURE 8-11. BUMPER INSTALLATION - PUSH (FRONT) (NO GRILLE GUARD) (FORD F650 2011-2016) .....	1006
FIGURE 8-12. BUMPER INSTALLATION - PUSH (FRONT) (WITH GRILLE GUARD (FORD F550 2017+) .....	1008
FIGURE 8-13. CHAIN BINDER, 1/2" CHAIN.....	1010
FIGURE 8-14. CHAIN BINDER, 3/8" CHAIN.....	1012
FIGURE 8-15. CHAIN RACKS (ADJUSTABLE/FIXED HEADBOARD) .....	1014
FIGURE 8-16. CHAIN RACKS (ADJUSTABLE/FIXED HEADBOARD) (LOCKING) .....	1016
FIGURE 8-17. CHAIN RACKS (DELUXE HEADBOARD) .....	1018
FIGURE 8-18. CHAIN RACKS (DELUXE HEADBOARD) (LOCKING) .....	1020
FIGURE 8-19. FIRE EXTINGUISHER ACCESSORY.....	1022
FIGURE 8-20. FUEL CAN HOLDER & CHAIN RACK INSTALLATION (HEADBOARD) .....	1024
FIGURE 8-21. FUEL CAN HOLDER & LOCKING CHAIN RACK INSTALLATION (HEADBOARD) .....	1026
FIGURE 8-22. FUEL CAN HOLDER & PROPANE TANK HOLDER (ADJUSTABLE HEADBOARD).....	1028
FIGURE 8-23. FUEL CAN HOLDER INSTALLATION (DELUXE HEADBOARD).....	1030
FIGURE 8-24. FUEL CAN HOLDER INSTALLATION (FIXED & ADJUSTABLE HEADBOARD) .....	1032
FIGURE 8-25. GLAD HAND INSTALLATION WITH MTG BRACKET.....	1034
FIGURE 8-26. GLAD HAND INSTALLATION WITHOUT MTG BRACKET .....	1036
FIGURE 8-27. GLADHANDS BRACKET INSTALLATION .....	1038
FIGURE 8-28. GRAB HANDLES (ADJUSTABLE HEADBOARD) .....	1040
FIGURE 8-29. LADDER, 3-STEP FOLDING (LEFT & RIGHT).....	1042
FIGURE 8-30. LADDER, 3-STEP FOLDING (LEFT) .....	1044
FIGURE 8-31. SCALES - ON-BOARD TRUCK (AIR WEIGHT) .....	1046
FIGURE 8-32. SCALES - ON BOARD TRUCK (RIGHT WEIGHT) .....	1048
FIGURE 8-33. PROPANE TANK HOLDERS (ADJUSTABLE HEADBOARD) .....	1050
FIGURE 8-34. PROPANE TANK HOLDERS (FIXED HEADBOARD) .....	1052

# TABLE OF CONTENTS

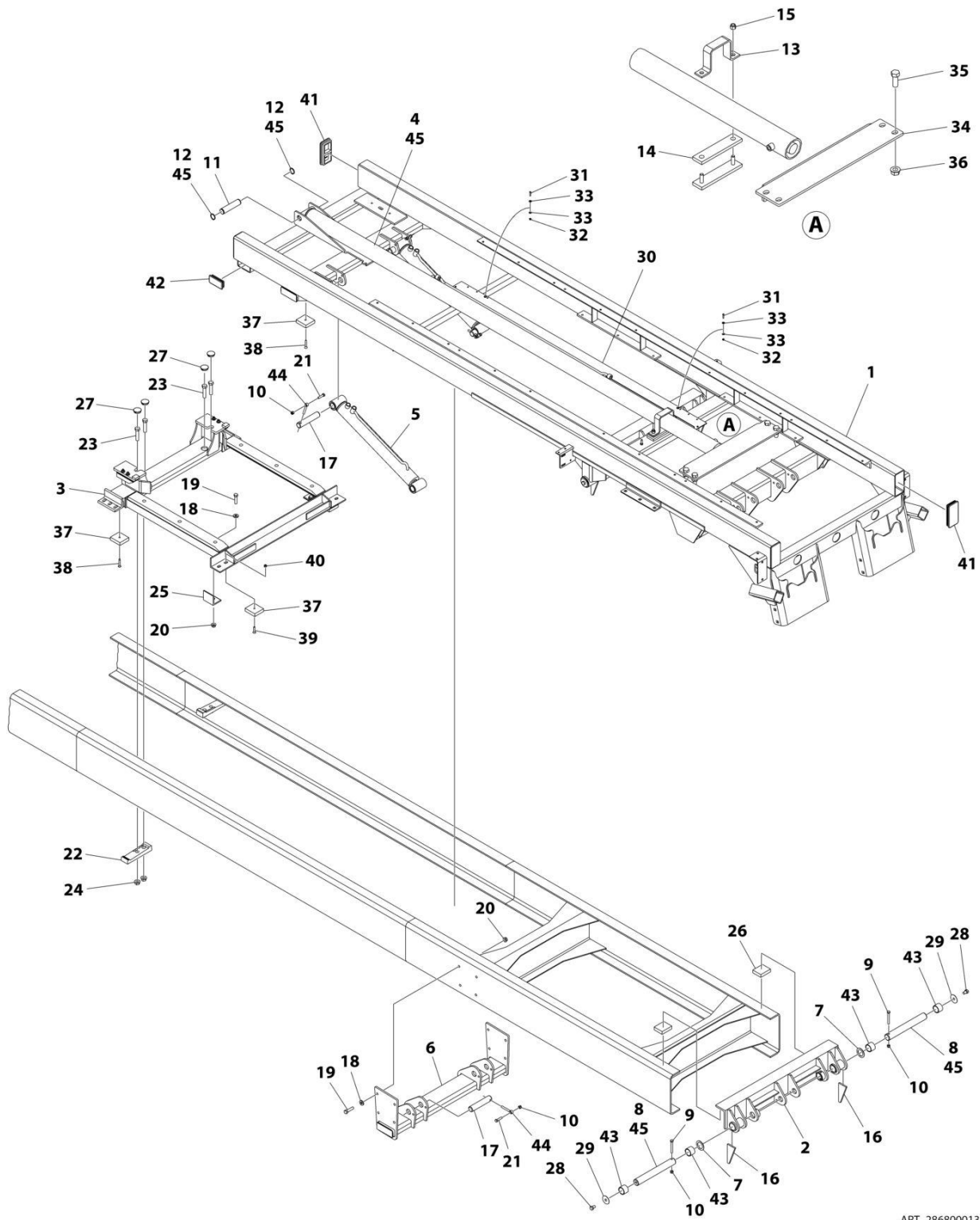
FIGURE 8-35. REMOTE THROTTLE CONTROL .....	1054
FIGURE 8-36. SAFETY TRIANGLE KIT .....	1056
FIGURE 8-37. STRAP EXTENSION WITH SWIVEL HOOK - 50FT .....	1058
FIGURE 8-38. STRAP KIT - CARRIER 8 POINT TIRE TIE DOWN .....	1060
FIGURE 8-39. TOOLBOX AIR COMPRESSOR/HOSE REEL .....	1062
FIGURE 8-40. TOOLBOX TRAY CARGO NET INSTALLATION .....	1064
FIGURE 8-41. TOW BALL - 1.88" DIA BALL .....	1066
FIGURE 8-42. TOW BALL - 2" DIA BALL .....	1068
FIGURE 8-43. TOW BALL - 2.31" DIA BALL .....	1070
FIGURE 8-44. TOW BALL - SS CONVERT-A-BALL KIT .....	1072
FIGURE 8-45. TOW PINTLE - DUPLEX PINTLE HITCH .....	1074
FIGURE 8-46. TOW HITCH - BALL HITCH PLATE (MANUAL) .....	1076
FIGURE 8-47. TOW HITCH - BALL HITCH PLATE (MANUAL/HYDRAULIC) .....	1078
FIGURE 8-48. TOW HITCH - IRL BALL HITCH PLATE .....	1080
FIGURE 8-49. TOW HITCH - IRL PINTLE HITCH PLATE .....	1082
FIGURE 8-50. TOW HITCH - PINTLE HITCH PLATE (MANUAL) .....	1084
FIGURE 8-51. TOW HITCH - PINTLE HITCH PLATE (MANUAL/HYDRAULIC) .....	1086
FIGURE 8-52. TOW HITCH - STATIONARY 2 IN TOW HITCH RECEIVER .....	1088
FIGURE 8-53. TOW HITCH - STATIONARY 2.5 IN TOW HITCH RECEIVER .....	1090
FIGURE 8-54. TOW HITCH - STATIONARY PINTLE HITCH PLATE .....	1092
FIGURE 8-55. TOW HITCH BOOM INSTALLATION - BALL HITCH PLATE (MANUAL) .....	1094
FIGURE 8-56. TOW HITCH BOOM INSTALLATION - BALL HITCH PLATE (MANUAL/HYDRAULIC) .....	1096
FIGURE 8-57. TOW HITCH BOOM INSTALLATION - IRL BALL HITCH PLATE .....	1098
FIGURE 8-58. TOW HITCH BOOM INSTALLATION - IRL PINTLE HITCH PLATE .....	1100
FIGURE 8-59. TOW HITCH BOOM INSTALLATION - PINTLE HITCH PLATE (MANUAL) .....	1102
FIGURE 8-60. TOW HITCH BOOM INSTALLATION - PINTLE HITCH PLATE (MANUAL/HYDRAULIC) .....	1104
FIGURE 8-61. TOW HITCH BOOM ASSEMBLY - BALL HITCH PLATE (MANUAL) .....	1106
FIGURE 8-62. TOW HITCH BOOM ASSEMBLY - BALL HITCH PLATE (MANUAL/HYDRAULIC) .....	1108
FIGURE 8-63. TOW HITCH BOOM ASSEMBLY - IRL BALL HITCH PLATE .....	1110
FIGURE 8-64. TOW HITCH BOOM ASSEMBLY - IRL PINTLE HITCH PLATE .....	1112
FIGURE 8-65. TOW HITCH BOOM ASSEMBLY - PINTLE HITCH PLATE (MANUAL) .....	1114
FIGURE 8-66. TOW HITCH BOOM ASSEMBLY - PINTLE HITCH PLATE (MANUAL/HYDRAULIC) .....	1116
FIGURE 8-67. TOW HITCH CYLINDER ASSEMBLY - LIFT .....	1118
FIGURE 8-68. TOW HITCH CYLINDER ASSEMBLY - EXTEND/RETRACT .....	1120
FIGURE 8-69. TOW HITCH RECEIVER INSTALLATION - 2IN BALL (STATIONARY) .....	1122
FIGURE 8-70. TOW HITCH RECEIVER INSTALLATION - 2.5IN BALL (STATIONARY) .....	1124
FIGURE 8-71. TOW HITCH RECEIVER INSTALLATION - PINTLE (STATIONARY) .....	1126
FIGURE 8-72. TOW LIGHT KIT (MAGNETIC MOUNTED) .....	1128
FIGURE 8-73. TOW LIGHT KIT (SUCTION MOUNTED) .....	1130
FIGURE 8-74. VALVE STEM EXTENSION KIT .....	1132
FIGURE 8-75. WHEEL CHOCKS (RUBBER) .....	1134
SECTION 9 - BUILD DOCUMENTS .....	1137
FIGURE 9-1. BUILD DOC_5376000247 .....	1138
PART NUMBER INDEX .....	1142



**SECTION 1 - SUBFRAME**

# SECTION 1 - SUBFRAME

## FIGURE 1-1. SUBFRAME INSTALLATION - INBOARD STANDARD



ART\_2868000138

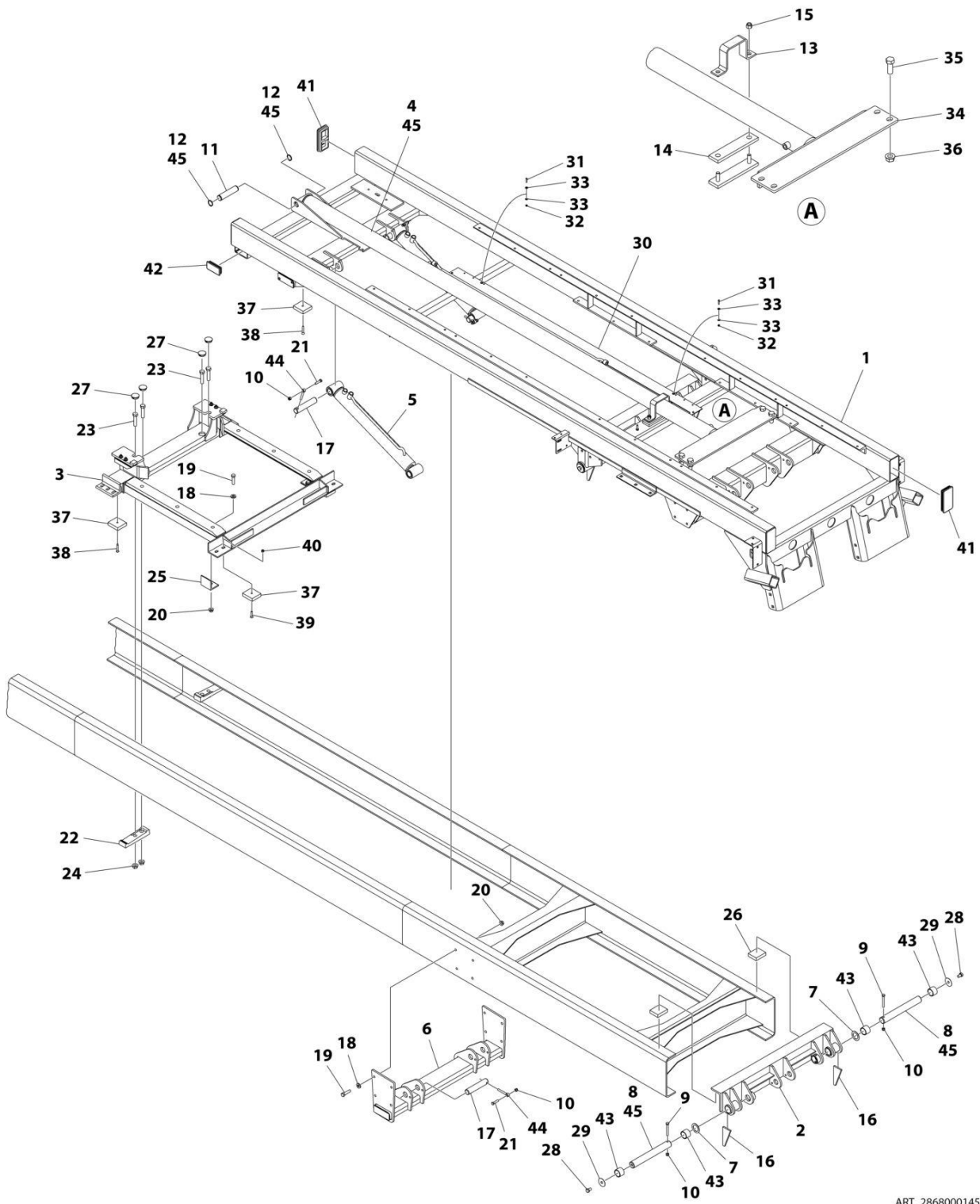
## SECTION 1 - SUBFRAME

### FIGURE 1-1. SUBFRAME INSTALLATION - INBOARD STANDARD

ITEM	PART NUMBER	QTY	DESCRIPTION	REV
	2868000138	Ref	SUBFRAME INSTALLATION STANDARD DUTY INTERNAL TILT	E
1	1001177721	1	Frame Weldment	
2	3905000012	1	Trunnion	
3	3558000014	1	Hold Down Assembly	
4	1001166856	1	Roll Cylinder Assembly (See Separate Breakdown in this Section)	
5	1001183325	2	Tilt Cylinder Assembly (See Separate Breakdown in this Section)	
6	3316000054	1	Crossmember	
7	7949000008	2	Washer 2-1/4	
8	4691000573	2	Pin	
9	0641624	2	Capscrew 3/8 x 3	
10	3300492	6	Nut 3/8	
11	4691000429	1	Pin	
12	3760133	2	Ring	
13	4178000367	1	Bracket	
14	4679000151	1	Pad	
15	7660182601	2	Nut 1/2	
16	4497000358	2	Gusset	
17	1001188129	4	Pin	
18	4891800	10	Washer 1/2	
19	0651816	10	Capscrew 1/2 x 2	
20	7660182333	10	Nut 1/2	
21	0641612	4	Capscrew 3/8 x 1-1/2	
22	7274000046	2	Clamp	
23	7105202250	4	Capscrew 5/8 x 2-3/4	
24	7660202347	4	Nut 5/8	
25	4017001250	2	Angle	
26	1001134995	2	Bar	
27	7701000063	4	Plug	
28	0641806	2	Capscrew 1/2 x 3/4	
29	7949000072	2	Washer 2	
30	4706005958	1	Plate, Hose	
31	7114100818	4	Capscrew #10 x 1	
32	3300455	4	Nut 10	
33	4751300	8	Washer 3/16	
34	3017000103	1	Angle	
35	0642216	4	Bolt 3/4 x 2	
36	7660222308	4	Nut 3/4	
37	1001134994	6	Pad	
38	7786000007	4	Bolt 5/16 x 2	
39	0741512	2	Bolt 5/16 x 1-1/2	
40	7660152601	2	Nut 5/16	
41	7701000048	4	Plug	
42	7701000051	2	Plug	
43	7082000017	4	Bearing	
44	3841143	4	Keeper, Shaft	
45	3020039	AR	Lubricant	

# SECTION 1 - SUBFRAME

## FIGURE 1-2. SUBFRAME INSTALLATION - INBOARD GALVANIZED





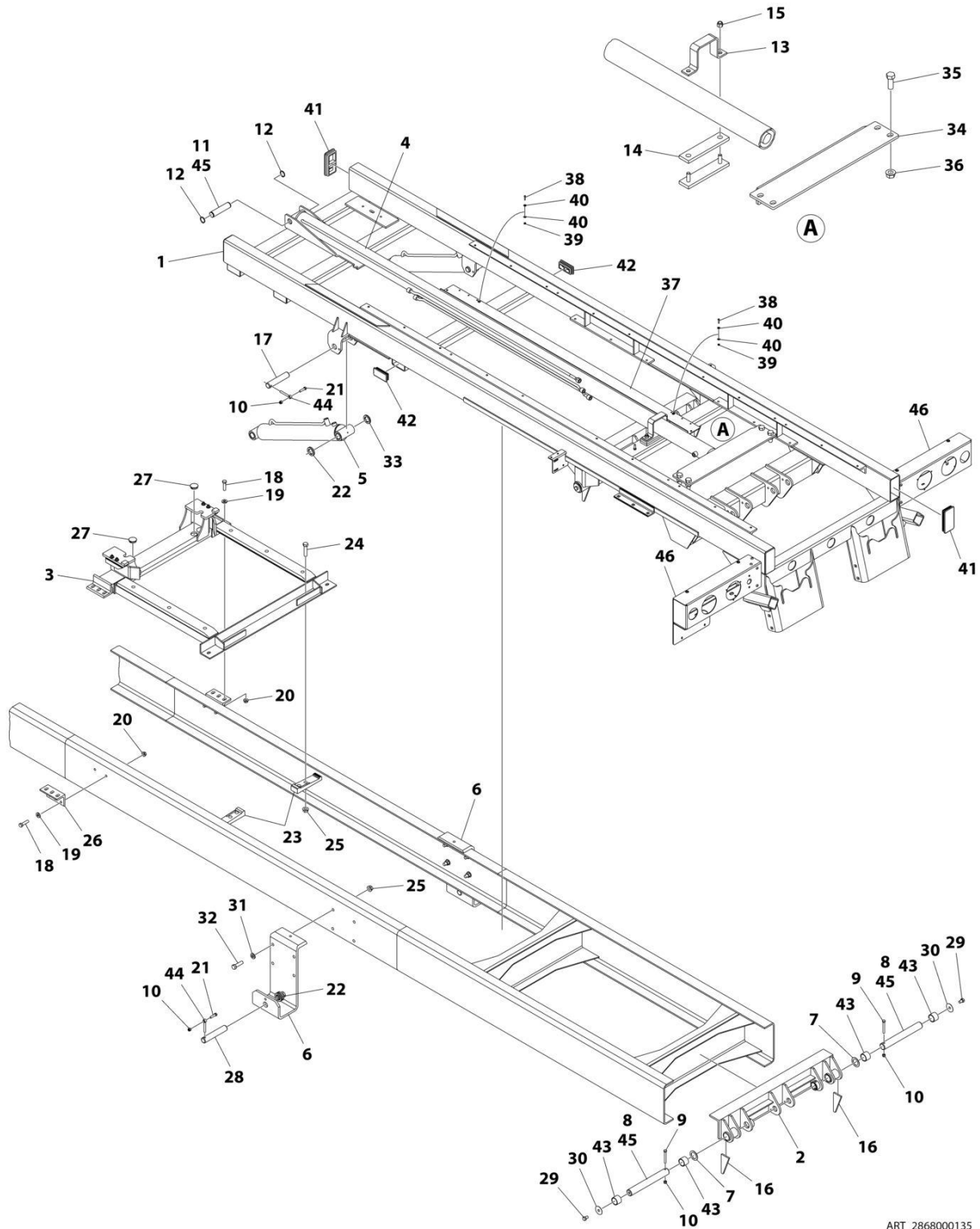
## SECTION 1 - SUBFRAME

**FIGURE 1-2. SUBFRAME INSTALLATION - INBOARD GALVANIZED**

ITEM	PART NUMBER	QTY	DESCRIPTION	REV
	2868000145	Ref	SUBFRAME INSTALLATION STANDARD DUTY INBOARD TILT	E
1	1001177722	1	Frame Weldment	
2	3905000012	1	Trunnion	
3	3558000014	1	Hold Down Assembly	
4	1001166856	1	Roll Cylinder Assembly (See Separate Breakdown in this Section)	
5	1001183325	2	Tilt Cylinder Assembly (See Separate Breakdown in this Section)	
6	3316000054	1	Crossmember	
7	7949000008	2	Washer 2-1/4	
8	4691000573	2	Pin	
9	0641624	2	Capscrew 3/8 x 3	
10	3300492	6	Nut 3/8	
11	4691000429	1	Pin	
12	3760133	2	Ring	
13	4178000367	1	Bracket	
14	4679000151	1	Pad	
15	7660182601	2	Nut 1/2	
16	4497000358	2	Gusset	
17	1001188129	4	Pin	
18	4891800	10	Washer 1/2	
19	0651816	10	Capscrew 1/2 x 2	
20	7660182333	10	Nut 1/2	
21	0641612	4	Capscrew 3/8 x 1-1/2	
22	7274000046	2	Clamp	
23	7105202250	4	Capscrew 5/8 x 2-3/4	
24	7660202347	4	Nut 5/8	
25	4017001250	2	Angle	
26	1001134995	2	Bar	
27	7701000063	4	Plug	
28	0641806	2	Capscrew 1/2 x 3/4	
29	7949000072	2	Washer 2	
30	4706005958	1	Plate, Hose	
31	7114100818	4	Capscrew #10 x 1	
32	3300455	4	Nut 10	
33	4751300	8	Washer 3/16	
34	3017000103	1	Angle	
35	0642216	4	Bolt 3/4 x 2	
36	7660222308	4	Nut 3/4	
37	1001134994	6	Pad	
38	7786000007	4	Bolt 5/16 x 2	
39	0741512	2	Bolt 5/16 x 1-1/2	
40	7660152601	2	Nut 5/16	
41	7701000048	4	Plug	
42	7701000051	2	Plug	
43	7082000017	4	Bearing	
44	3841143	4	Keeper, Shaft	
45	3020039	AR	Lubricant	

# SECTION 1 - SUBFRAME

FIGURE 1-3. SUBFRAME INSTALLATION - OUTBOARD STANDARD (SN 0220017095 through 0220022358)



ART\_2868000135

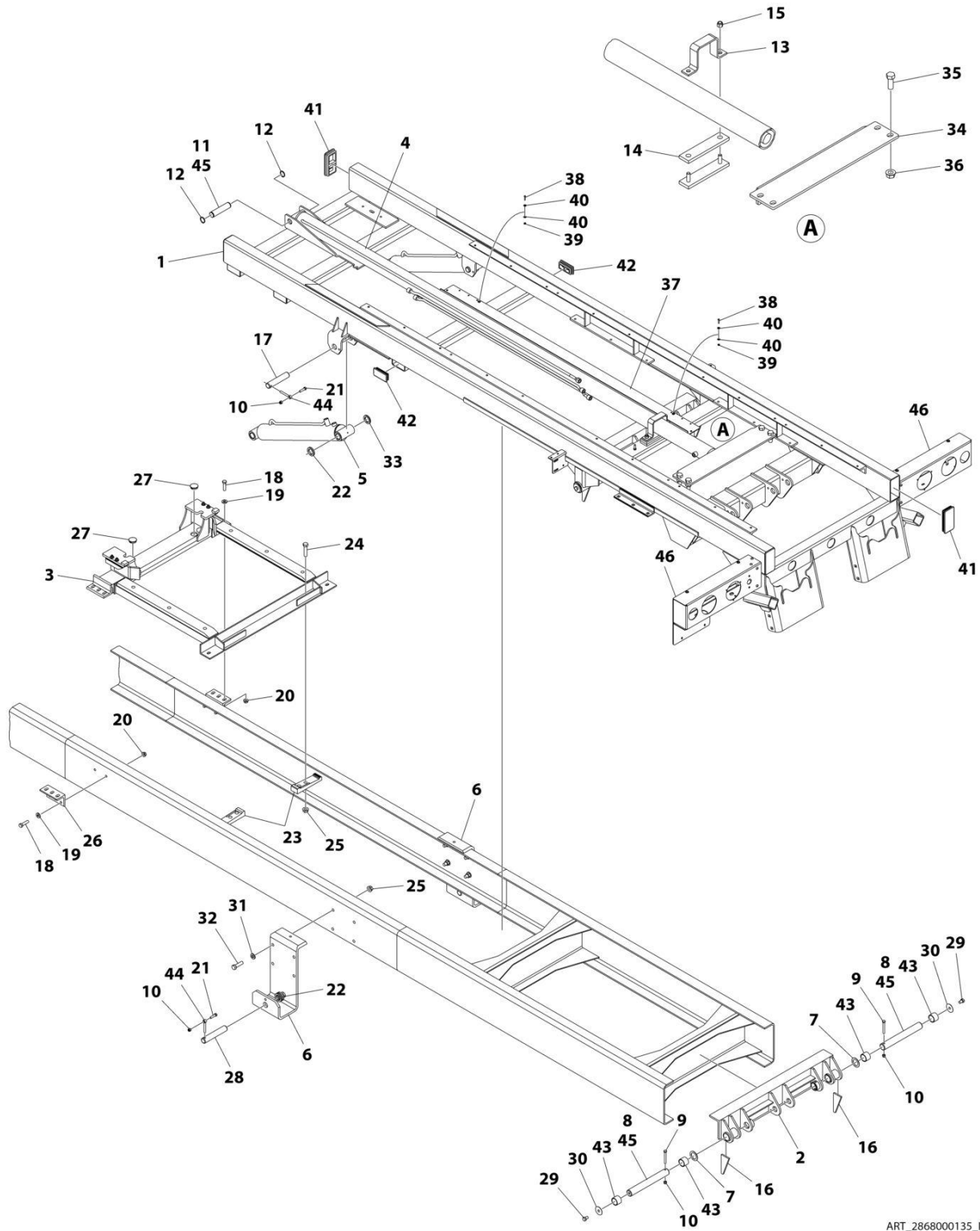
## SECTION 1 - SUBFRAME

**FIGURE 1-3. SUBFRAME INSTALLATION - OUTBOARD STANDARD (SN 0220017095 through 022002358)**

ITEM	PART NUMBER	QTY	DESCRIPTION	REV
	2868000135	Ref	SUBFRAME INSTALLATION 6-TON CARRIER	H
1	1001177717	1	Frame Weldment	
2	3905000012	1	Trunnion	
3	3558000014	1	Hold Down Assembly	
4	1001166856	1	Roll Cylinder Assembly (See Separate Breakdown in this Section)	
5	1001166859	2	Tilt Cylinder Assembly (See Separate Breakdown in this Section)	
6	4178000805	2	Bracket	
7	7949000008	2	Washer 2-1/4	
8	4691000573	2	Pin	
9	0641624	2	Capscrew 3/8 x 3	
10	3300492	6	Nut 3/8	
11	4691000429	1	Pin	
12	3760133	2	Ring	
13	4178000367	1	Bracket	
14	4679000151	1	Pad	
15	7660182601	2	Nut 1/2	
16	4497000358	2	Gusset	
17	1001188129	2	Pin	
18	0651816	8	Capscrew 1/2 x 2	
19	4891800	8	Washer 1/2	
20	7660182333	8	Nut 1/2	
21	0641612	4	Capscrew 3/8 x 1-1/2	
22	4209000337	8	Bushing	
23	7274000046	2	Clamp	
24	7105202250	4	Capscrew 5/8 x 2-3/4	
25	7660202347	12	Nut 5/8	
26	4017001271	2	Angle	
27	7701000063	4	Plug	
28	1001188139	2	Pin	
29	0641806	2	Capscrew 1/2 x 3/4	
30	7949000072	2	Washer 2	
31	4892000	8	Washer 5/8	
32	7105201850	8	Capscrew 5/8 x 2-1/4	
33	4209000358	2	Bushing	
34	3017000103	1	Angle	
35	0642216	4	Bolt 3/4 x 2	
36	7660222308	4	Nut 3/4	
37	4706005958	1	Plate, Hose	
38	7114100818	4	Capscrew #10 x 1	
39	3300455	4	Nut 10	
40	4751300	8	Washer 3/16	
41	7701000048	4	Plug	
42	7701000051	6	Plug	
43	7082000017	4	Bearing	
44	3841143	4	Keeper, Shaft	
45	3020039	AR	Lubricant	
46	1001173948	1	Light Box and Cover Installation (See Separate Breakdown in this Section)	

# SECTION 1 - SUBFRAME

FIGURE 1-4. SUBFRAME INSTALLATION - OUTBOARD STANDARD (SN 022002359 to Present)



ART\_2868000135\_I

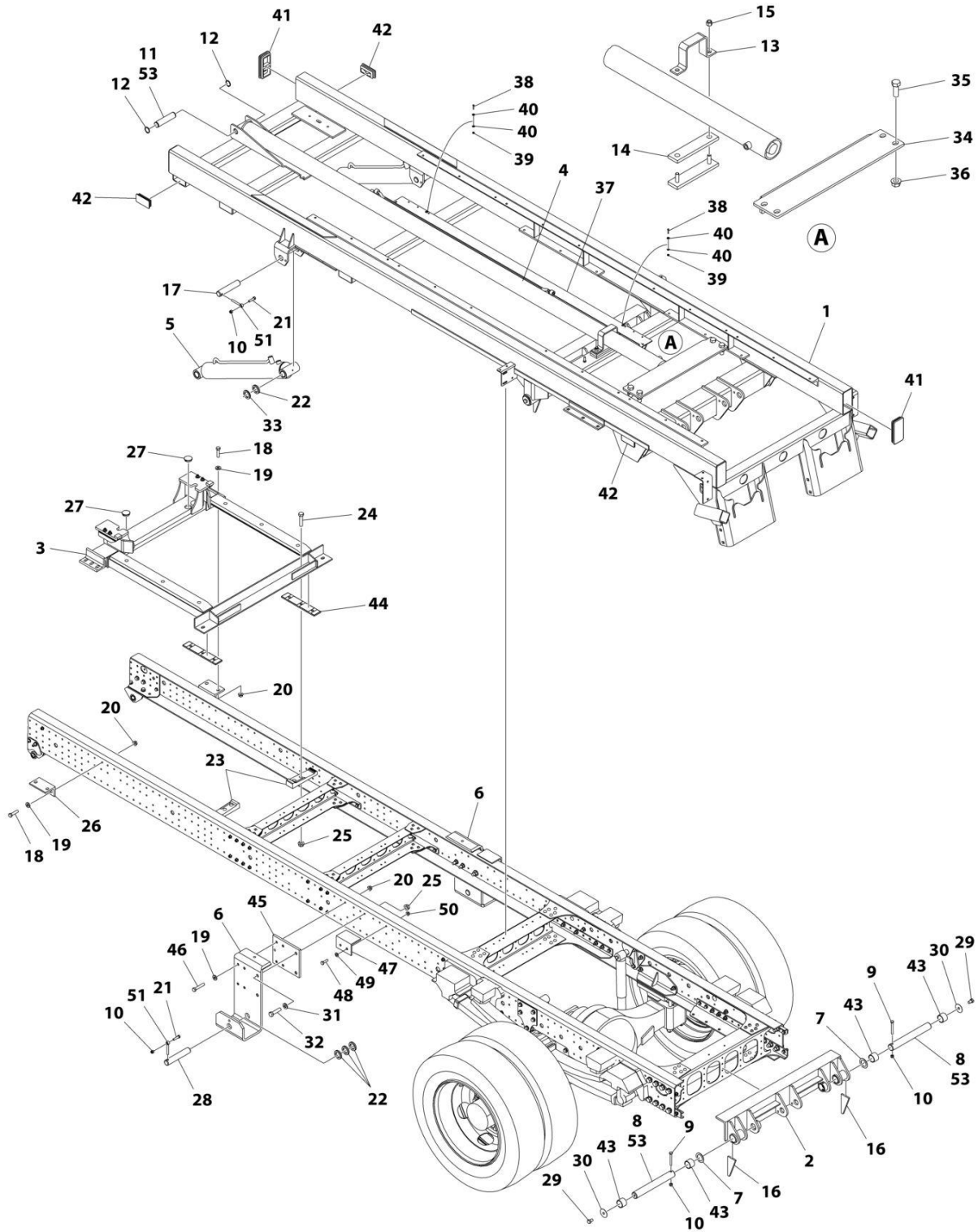
## SECTION 1 - SUBFRAME

**FIGURE 1-4. SUBFRAME INSTALLATION - OUTBOARD STANDARD (SN 0220022359 to Present)**

ITEM	PART NUMBER	QTY	DESCRIPTION	REV
	2868000135	Ref	SUBFRAME INSTALLATION 6-TON CARRIER	I
1	1001177717	1	Frame Weldment	
2	3905000012	1	Trunnion	
3	3558000014	1	Hold Down Assembly	
4	1001166856	1	Roll Cylinder Assembly (See Separate Breakdown in this Section)	
5	1001270175	2	Tilt Cylinder Assembly (See Separate Breakdown in this Section)	
6	4178000805	2	Bracket	
7	7949000008	2	Washer 2-1/4	
8	4691000573	2	Pin	
9	0641624	2	Capscrew 3/8 x 3	
10	3300492	6	Nut 3/8	
11	4691000429	1	Pin	
12	3760133	2	Ring	
13	4178000367	1	Bracket	
14	4679000151	1	Pad	
15	7660182601	2	Nut 1/2	
16	4497000358	2	Gusset	
17	1001188129	2	Pin	
18	0651816	8	Capscrew 1/2 x 2	
19	4891800	8	Washer 1/2	
20	7660182333	8	Nut 1/2	
21	0641612	4	Capscrew 3/8 x 1-1/2	
22	4209000337	8	Bushing	
23	7274000046	2	Clamp	
24	7105202250	4	Capscrew 5/8 x 2-3/4	
25	7660202347	12	Nut 5/8	
26	4017001271	2	Angle	
27	7701000063	4	Plug	
28	1001188139	2	Pin	
29	0641806	2	Capscrew 1/2 x 3/4	
30	7949000072	2	Washer 2	
31	4892000	8	Washer 5/8	
32	7105201850	8	Capscrew 5/8 x 2-1/4	
33	4209000358	2	Bushing	
34	3017000103	1	Angle	
35	0642216	4	Bolt 3/4 x 2	
36	7660222308	4	Nut 3/4	
37	4706005958	1	Plate, Hose	
38	7114100818	4	Capscrew #10 x 1	
39	3300455	4	Nut 10	
40	4751300	8	Washer 3/16	
41	7701000048	4	Plug	
42	7701000051	6	Plug	
43	7082000017	4	Bearing	
44	3841143	4	Keeper, Shaft	
45	3020039	AR	Lubricant	
46	1001173948	1	Light Box and Cover Installation (See Separate Breakdown in this Section)	

# SECTION 1 - SUBFRAME

FIGURE 1-5. SUBFRAME INSTALLATION - OUTBOARD STANDARD (HINO 195 ONLY) (SN 0220017095 through 022002358)



ART\_1001159922

## SECTION 1 - SUBFRAME

**FIGURE 1-5. SUBFRAME INSTALLATION - OUTBOARD STANDARD (HINO 195 ONLY) (SN 0220017095 through 022002358)**

ITEM	PART NUMBER	QTY	DESCRIPTION	REV
	1001159922	Ref	SUBFRAME INSTALLATION STANDARD HINO	B
1	1001177717	1	Frame Weldment	
2	3905000012	1	Trunnion	
3	3558000014	1	Hold Down Assembly	
4	1001166856	1	Roll Cylinder Assembly (See Separate Breakdown in this Section)	
5	1001166859	2	Tilt Cylinder Assembly (See Separate Breakdown in this Section)	
6	1001142062	2	Bracket	
7	7949000008	2	Washer 2-1/4	
8	4691000573	2	Pin	
9	0641624	2	Capscrew 3/8 x 3	
10	3300492	6	Nut 3/8	
11	4691000429	1	Pin	
12	3760133	2	Retainer	
13	4178000367	1	Bracket	
14	4679000151	1	Pad	
15	7660182601	2	Nut 1/2	
16	4497000358	2	Gusset	
17	1001188129	2	Pin	
18	0651816	8	Capscrew 1/2 x 2	
19	4891800	16	Washer 1/2	
20	7660182333	16	Nut 1/2	
21	0641612	4	Capscrew 3/8 x 1-1/2	
22	4209000337	8	Bushing	
23	7274000046	2	Clamp	
24	7105202250	4	Capscrew 5/8 x 2-3/4	
25	7660202347	8	Nut 5/8	
26	1001159913	2	Angle	
27	7701000063	4	Plug	
28	1001188139	2	Pin	
29	0641806	2	Capscrew 1/2 x 3/4	
30	7949000072	2	Washer 2	
31	4892000	4	Washer 5/8	
32	7105202050	4	Capscrew 5/8 x 2-1/2	
33	4209000358	2	Bushing	
34	3017000103	1	Angle	
35	0642216	4	Bolt 3/4 x 2	
36	7660222308	4	Nut 3/4	
37	4706005958	1	Plate, Hose	
38	7114100818	4	Capscrew #10 x 1	
39	3300455	4	Nut 10	
40	4751300	8	Washer 3/16	
41	7701000048	4	Plug	
42	7701000051	6	Plug	
43	7082000017	4	Bearing	
44	3340898	2	Pad	
45	1001159915	2	Shim	
46	0651822	8	Bolt 1/2 x 2-3/4	
47	1001159914	2	Angle	
48	0761015	4	Bolt M10 x 35	

## SECTION 1 - SUBFRAME

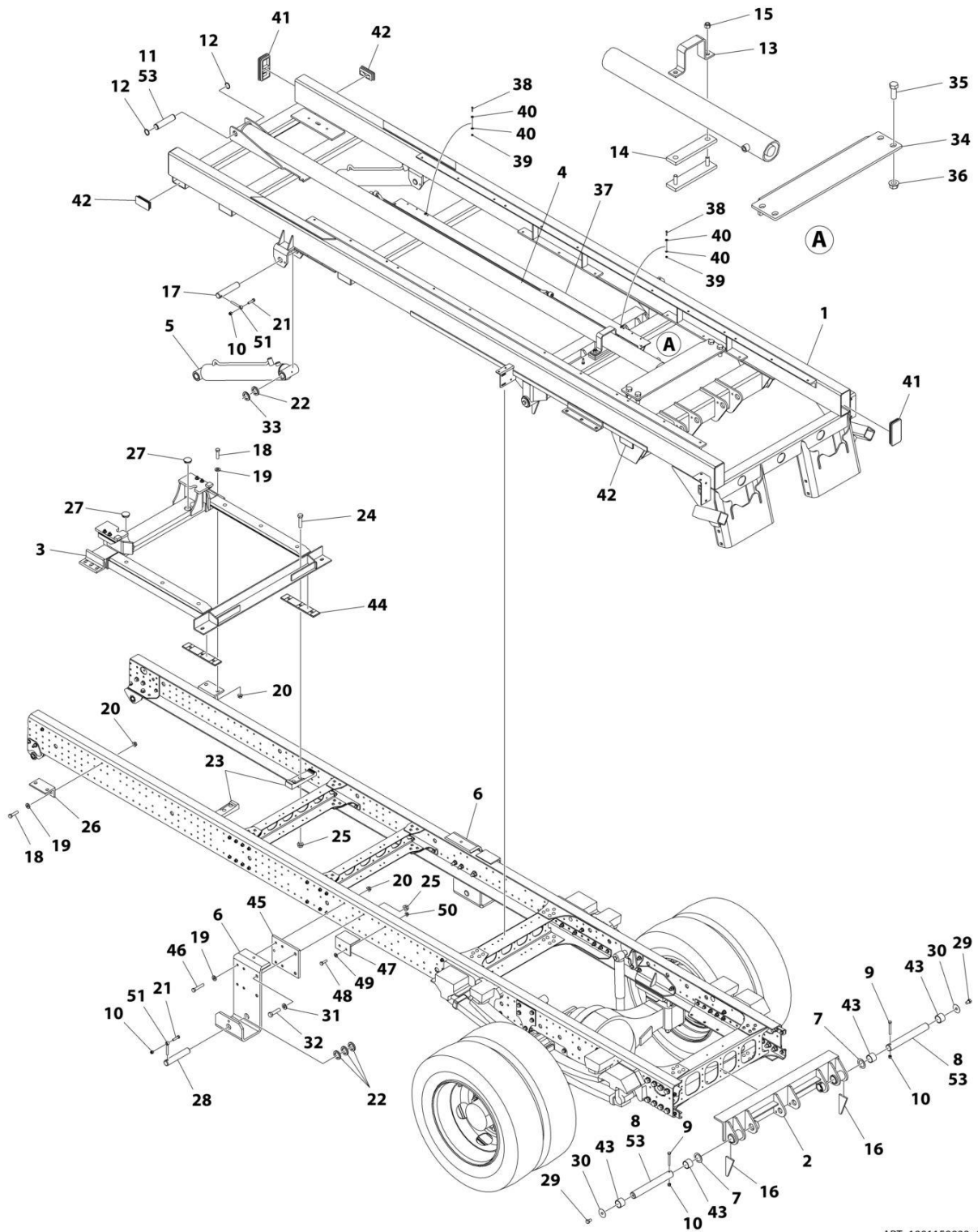
ITEM	PART NUMBER	QTY	DESCRIPTION	REV
49	4711700	4	Washer 7/16	
50	5261000	4	Nut M10	
51	3841143	4	Keeper, Shaft	
53	3020039	AR	Lubricant	
100	1001257906	1	Subframe Saddle Bracket Kit (Not Shown) (Includes items 6,45 & Attaching Hardware)	





# SECTION 1 - SUBFRAME

FIGURE 1-6. SUBFRAME INSTALLATION - OUTBOARD STANDARD (HINO 195 ONLY) (SN 0220022359 to Present)



ART\_1001159922\_C

## SECTION 1 - SUBFRAME

**FIGURE 1-6. SUBFRAME INSTALLATION - OUTBOARD STANDARD (HINO 195 ONLY) (SN 0220022359 to Present)**

ITEM	PART NUMBER	QTY	DESCRIPTION	REV
	1001159922	Ref	SUBFRAME INSTALLATION STANDARD HINO	C
1	1001177717	1	Frame Weldment	
2	3905000012	1	Trunnion	
3	3558000014	1	Hold Down Assembly	
4	1001166856	1	Roll Cylinder Assembly (See Separate Breakdown in this Section)	
5	1001270175	2	Tilt Cylinder Assembly (See Separate Breakdown in this Section)	
6	1001142062	2	Bracket	
7	7949000008	2	Washer 2-1/4	
8	4691000573	2	Pin	
9	0641624	2	Capscrew 3/8 x 3	
10	3300492	6	Nut 3/8	
11	4691000429	1	Pin	
12	3760133	2	Retainer	
13	4178000367	1	Bracket	
14	4679000151	1	Pad	
15	7660182601	2	Nut 1/2	
16	4497000358	2	Gusset	
17	1001188129	2	Pin	
18	0651816	8	Capscrew 1/2 x 2	
19	4891800	16	Washer 1/2	
20	7660182333	16	Nut 1/2	
21	0641612	4	Capscrew 3/8 x 1-1/2	
22	4209000337	8	Bushing	
23	7274000046	2	Clamp	
24	7105202250	4	Capscrew 5/8 x 2-3/4	
25	7660202347	8	Nut 5/8	
26	1001159913	2	Angle	
27	7701000063	4	Plug	
28	1001188139	2	Pin	
29	0641806	2	Capscrew 1/2 x 3/4	
30	7949000072	2	Washer 2	
31	4892000	4	Washer 5/8	
32	7105202050	4	Capscrew 5/8 x 2-1/2	
33	4209000358	2	Bushing	
34	3017000103	1	Angle	
35	0642216	4	Bolt 3/4 x 2	
36	7660222308	4	Nut 3/4	
37	4706005958	1	Plate, Hose	
38	7114100818	4	Capscrew #10 x 1	
39	3300455	4	Nut 10	
40	4751300	8	Washer 3/16	
41	7701000048	4	Plug	
42	7701000051	6	Plug	
43	7082000017	4	Bearing	
44	3340898	2	Pad	
45	1001159915	2	Shim	
46	0651822	8	Bolt 1/2 x 2-3/4	
47	1001159914	2	Angle	
48	0761015	4	Bolt M10 x 35	

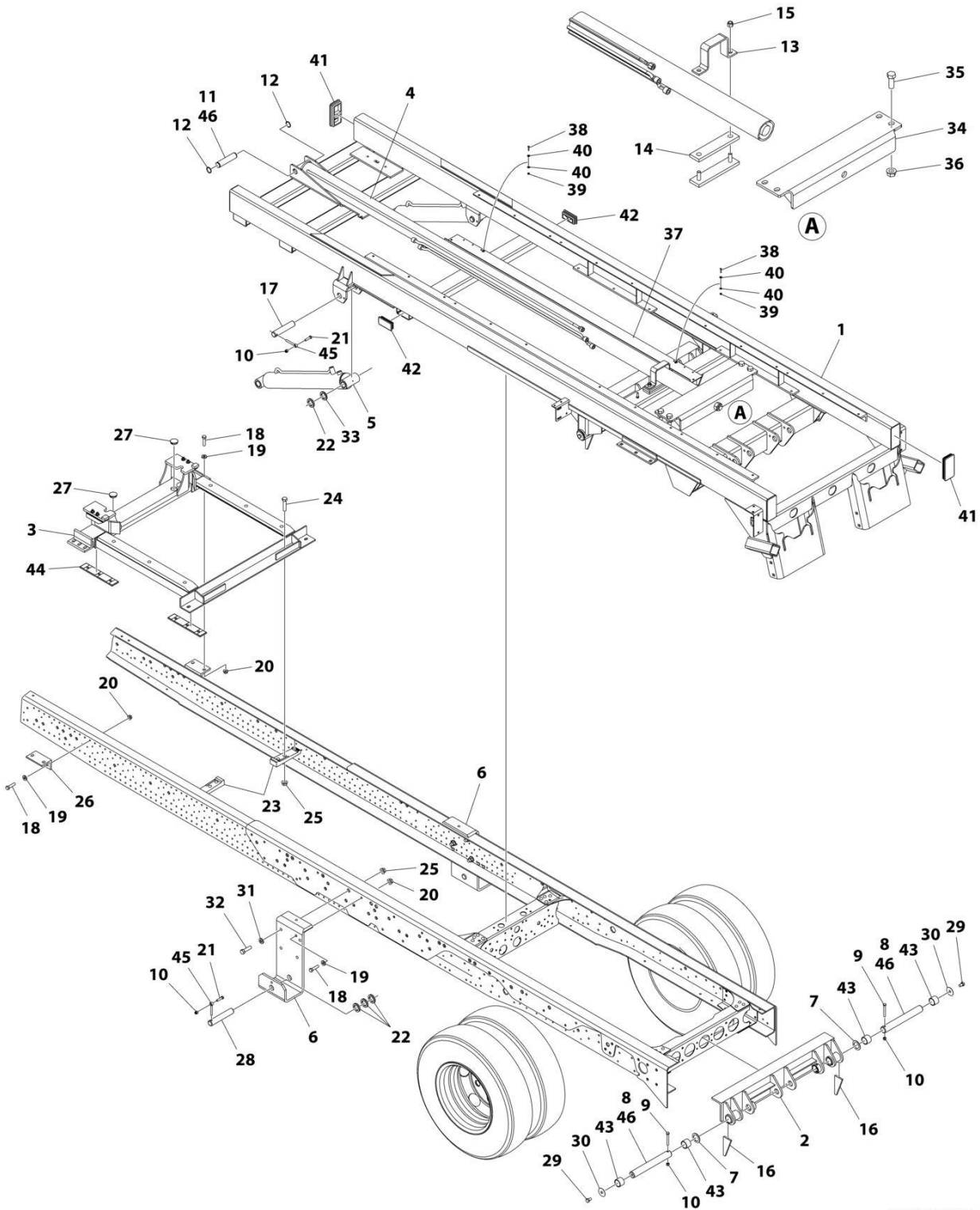
## SECTION 1 - SUBFRAME

ITEM	PART NUMBER	QTY	DESCRIPTION	REV
49	4711700	4	Washer 7/16	
50	5261000	4	Nut M10	
51	3841143	4	Keeper, Shaft	
53	3020039	AR	Lubricant	
100	1001257906	1	Subframe Saddle Bracket Kit (Not Shown) (Includes items 6,45 & Attaching Hardware)	



# SECTION 1 - SUBFRAME

FIGURE 1-7. SUBFRAME INSTALLATION - OUTBOARD STANDARD (ISUZU NRR ONLY) (SN 0220017095 through 022002358)



ART\_1001156360

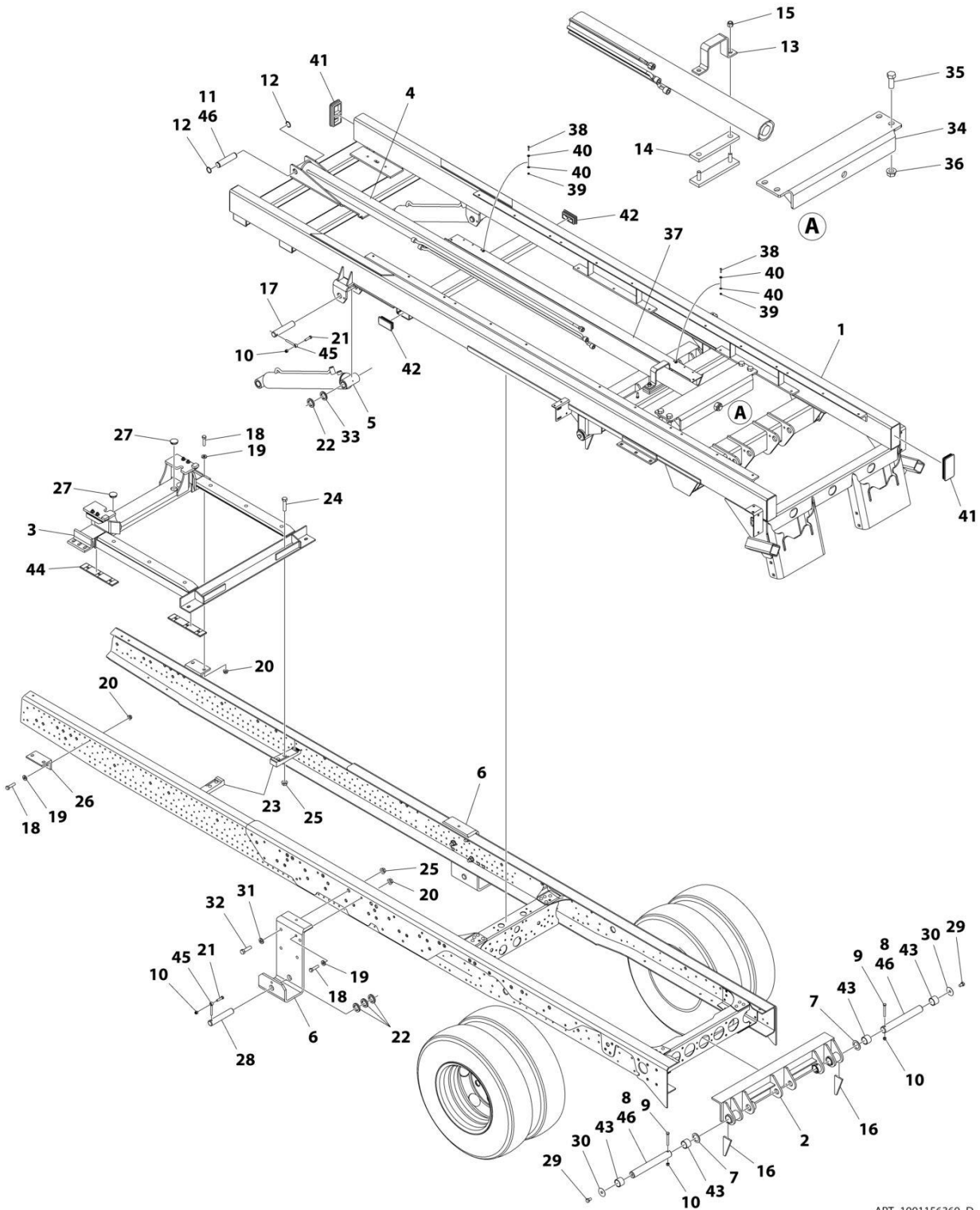
## SECTION 1 - SUBFRAME

**FIGURE 1-7. SUBFRAME INSTALLATION - OUTBOARD STANDARD (ISUZU NRR ONLY) (SN 0220017095 through 022002358)**

ITEM	PART NUMBER	QTY	DESCRIPTION	REV
	1001156360	Ref	SUBFRAME INSTALLATION STANDARD ISUZU NRR	C
1	1001177717	1	Frame Weldment	
2	3905000012	1	Trunnion	
3	3558000014	1	Hold Down Assembly	
4	1001166856	1	Roll Cylinder Assembly (See Separate Breakdown in this Section)	
5	1001166859	2	Tilt Cylinder Assembly (See Separate Breakdown in this Section)	
6	1001142062	2	Bracket	
7	7949000008	2	Washer 2-1/4	
8	4691000573	2	Pin	
9	0641624	2	Capscrew 3/8 x 3	
10	3300492	6	Nut 3/8	
11	4691000429	1	Pin	
12	7754000006	2	Retainer	
13	4178000367	1	Bracket	
14	4679000151	1	Pad	
15	7660182601	2	Nut 1/2	
16	4497000358	2	Gusset	
17	1001188129	2	Pin	
18	0651816	9	Capscrew 1/2 x 2	
19	4891800	9	Washer 1/2	
20	7660182333	9	Nut 1/2	
21	0641612	4	Capscrew 3/8 x 1-1/2	
22	4209000337	8	Bushing	
23	7274000046	2	Clamp	
24	7105202250	4	Capscrew 5/8 x 2-3/4	
25	7660202347	12	Nut 5/8	
26	1001159913	2	Angle	
27	7701000063	4	Plug	
28	1001188139	2	Pin	
29	0641806	2	Capscrew 1/2 x 3/4	
30	7949000072	2	Washer 2	
31	4892000	8	Washer 5/8	
32	7105201850	8	Capscrew 5/8 x 2-1/4	
33	4209000358	2	Bushing	
34	3017000103	1	Angle	
35	0642216	4	Bolt 3/4 x 2	
36	7660222308	4	Nut 3/4	
37	4706005958	1	Plate, Hose	
38	7114100818	4	Capscrew #10 x 1	
39	3300455	4	Nut 10	
40	4751300	8	Washer 3/16	
41	7701000048	4	Plug	
42	7701000051	6	Plug	
43	7082000017	4	Bearing	
44	3340898	2	Pad	
45	3841143	4	Keeper, Shaft	
46	3020039	AR	Lubricant	
100	1001257906	1	Subframe Saddle Bracket Kit (Not Shown) (Includes items 6 & Attaching Hardware)	

# SECTION 1 - SUBFRAME

FIGURE 1-8. SUBFRAME INSTALLATION - OUTBOARD STANDARD (ISUZU NRR ONLY) (SN 0220022359 to Present)



ART\_1001156360\_D



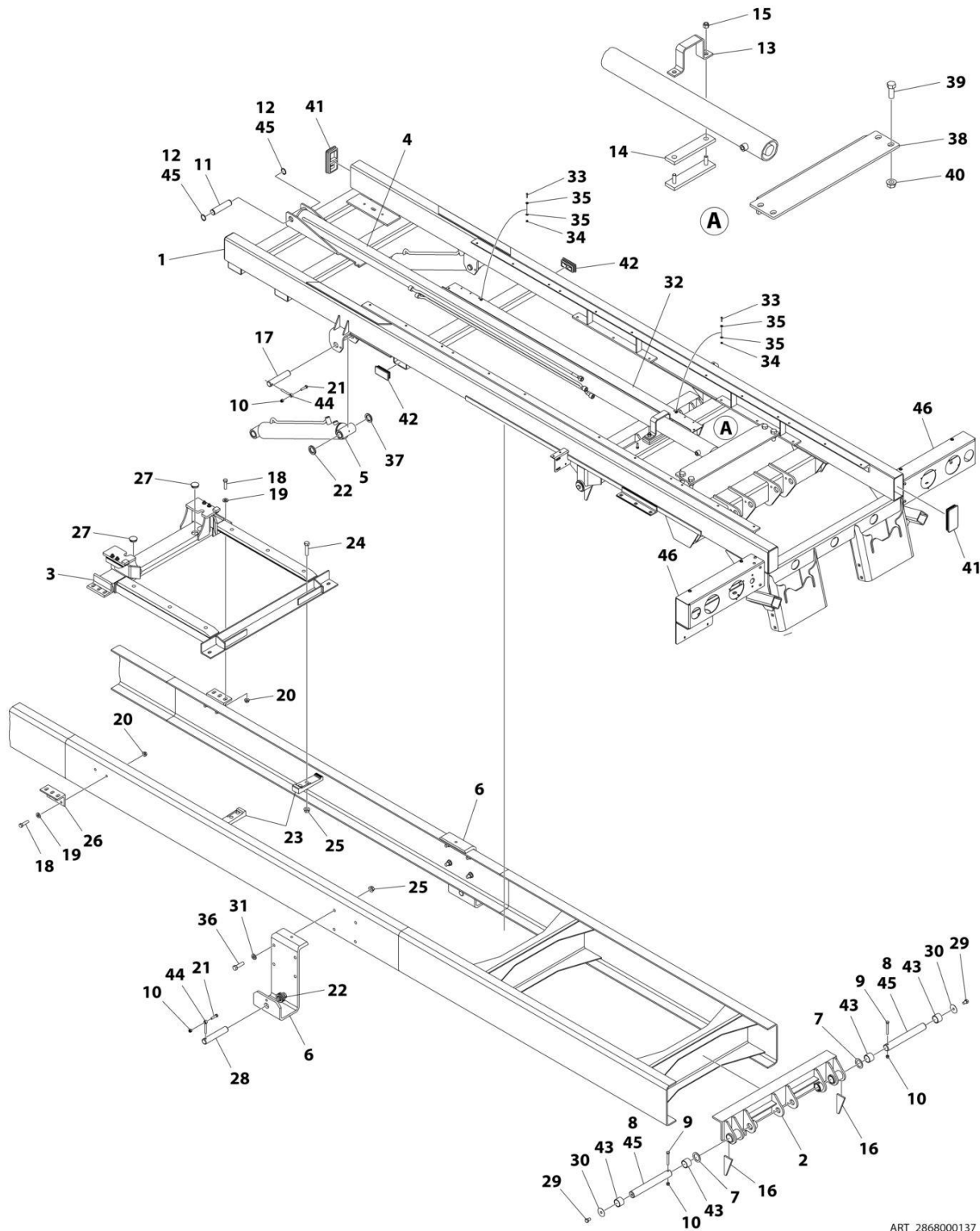
## SECTION 1 - SUBFRAME

**FIGURE 1-8. SUBFRAME INSTALLATION - OUTBOARD STANDARD (ISUZU NRR ONLY) (SN 0220022359 to Present)**

ITEM	PART NUMBER	QTY	DESCRIPTION	REV
	1001156360	Ref	SUBFRAME INSTALLATION STANDARD ISUZU NRR	D
1	1001177717	1	Frame Weldment	
2	3905000012	1	Trunnion	
3	3558000014	1	Hold Down Assembly	
4	1001166856	1	Roll Cylinder Assembly (See Separate Breakdown in this Section)	
5	1001270175	2	Tilt Cylinder Assembly (See Separate Breakdown in this Section)	
6	1001142062	2	Bracket	
7	7949000008	2	Washer 2-1/4	
8	4691000573	2	Pin	
9	0641624	2	Capscrew 3/8 x 3	
10	3300492	6	Nut 3/8	
11	4691000429	1	Pin	
12	7754000006	2	Retainer	
13	4178000367	1	Bracket	
14	4679000151	1	Pad	
15	7660182601	2	Nut 1/2	
16	4497000358	2	Gusset	
17	1001188129	2	Pin	
18	0651816	9	Capscrew 1/2 x 2	
19	4891800	9	Washer 1/2	
20	7660182333	9	Nut 1/2	
21	0641612	4	Capscrew 3/8 x 1-1/2	
22	4209000337	8	Bushing	
23	7274000046	2	Clamp	
24	7105202250	4	Capscrew 5/8 x 2-3/4	
25	7660202347	12	Nut 5/8	
26	1001159913	2	Angle	
27	7701000063	4	Plug	
28	1001188139	2	Pin	
29	0641806	2	Capscrew 1/2 x 3/4	
30	7949000072	2	Washer 2	
31	4892000	8	Washer 5/8	
32	7105201850	8	Capscrew 5/8 x 2-1/4	
33	4209000358	2	Bushing	
34	3017000103	1	Angle	
35	0642216	4	Bolt 3/4 x 2	
36	7660222308	4	Nut 3/4	
37	4706005958	1	Plate, Hose	
38	7114100818	4	Capscrew #10 x 1	
39	3300455	4	Nut 10	
40	4751300	8	Washer 3/16	
41	7701000048	4	Plug	
42	7701000051	6	Plug	
43	7082000017	4	Bearing	
44	3340898	2	Pad	
45	3841143	4	Keeper, Shaft	
46	3020039	AR	Lubricant	
100	1001257906	1	Subframe Saddle Bracket Kit (Not Shown) (Includes items 6 & Attaching Hardware)	

# SECTION 1 - SUBFRAME

FIGURE 1-9. SUBFRAME INSTALLATION - OUTBOARD GALVANIZED (SN 0220017095 through 0220022358)



ART\_2868000137

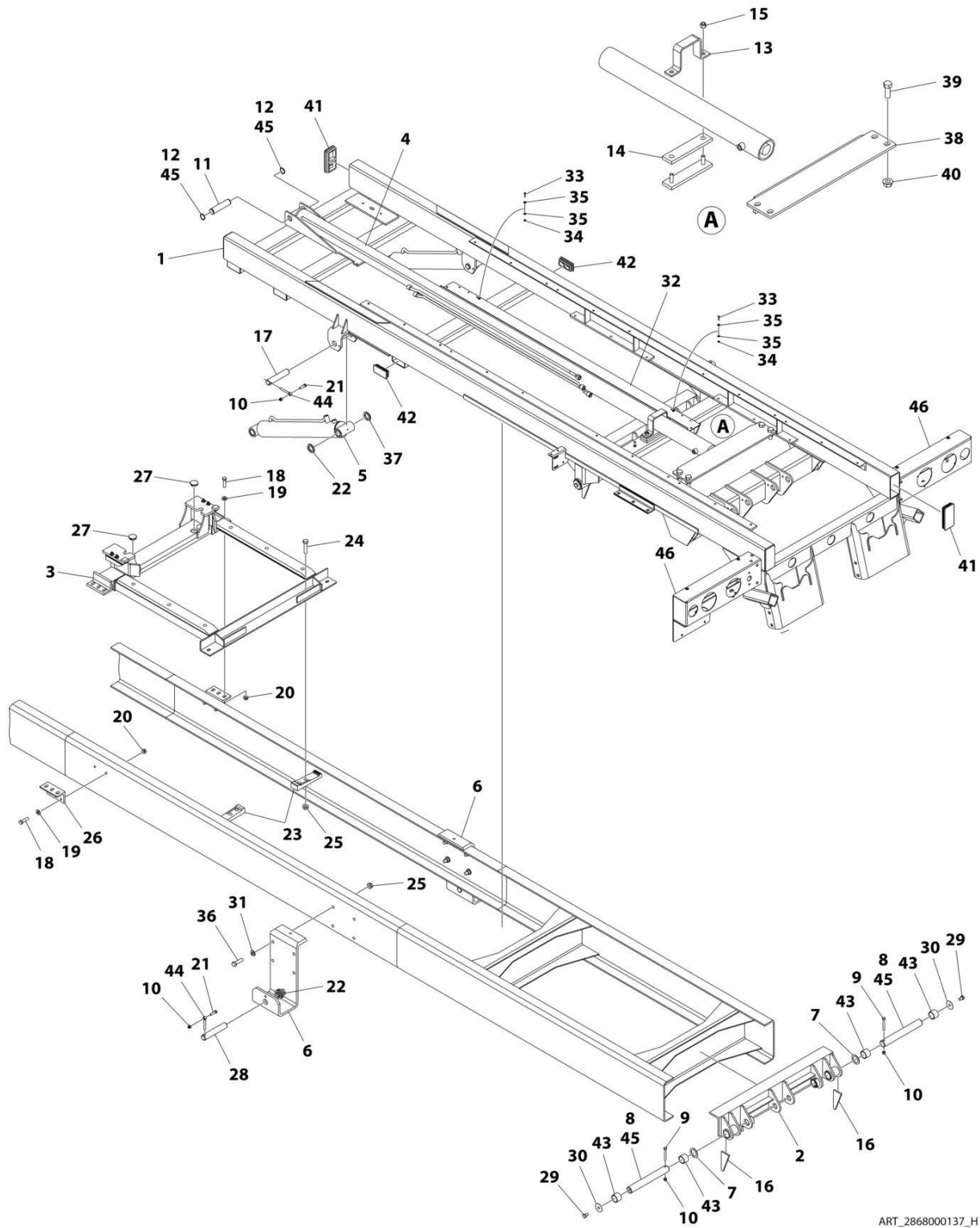
## SECTION 1 - SUBFRAME

**FIGURE 1-9. SUBFRAME INSTALLATION - OUTBOARD GALVANIZED (SN 0220017095 through 022002358)**

ITEM	PART NUMBER	QTY	DESCRIPTION	REV
	2868000137	Ref	SUBFRAME INSTALLATION 6-TON CARRIER (GALVANIZED)	G
1	1001177718	1	Frame Weldment	
2	3905000012	1	Trunnion	
3	3558000014	1	Hold Down Assembly	
4	1001166856	1	Roll Cylinder Assembly (See Separate Breakdown in this Section)	
5	1001166859	2	Tilt Cylinder Assembly (See Separate Breakdown in this Section)	
6	4178000805	2	Bracket	
7	7949000008	2	Washer 2-1/4	
8	4691000573	2	Pin	
9	0641624	2	Capscrew 3/8 x 3	
10	3300492	6	Nut 3/8	
11	4691000429	1	Pin	
12	3760133	2	Ring	
13	4178000367	1	Bracket	
14	4679000151	1	Pad	
15	7660182601	2	Nut 1/2	
16	4497000358	2	Gusset	
17	1001188129	2	Pin	
18	0651816	8	Capscrew 1/2 x 2	
19	4891800	8	Washer 1/2	
20	7660182333	8	Nut 1/2	
21	0641612	4	Capscrew 3/8 x 1-1/2	
22	4209000337	8	Bushing	
23	7274000046	2	Clamp	
24	7105202250	4	Capscrew 5/8 x 2-3/4	
25	7660202347	12	Nut 5/8	
26	4017001271	2	Angle	
27	7701000063	4	Plug	
28	1001188139	2	Pin	
29	0641806	2	Capscrew 1/2 x 3/4	
30	7949000072	2	Washer 2	
31	4892000	8	Washer 5/8	
32	4706005958	1	Plate, Hose	
33	7114100818	4	Capscrew #10 x 1	
34	3300455	4	Nut 10	
35	4751300	8	Washer 3/16	
36	7105201850	8	Capscrew 5/8 x 2-1/4	
37	4209000358	2	Bushing	
38	3017000103	1	Angle	
39	0642216	4	Bolt 3/4 x 2	
40	7660222308	4	Nut 3/4	
41	7701000048	4	Plug	
42	7701000051	6	Plug	
43	7082000017	4	Bearing	
44	3841143	4	Keeper, Shaft	
45	3020039	AR	Lubricant	
46	1001173949	1	Light Box and Cover Installation (See Separate Breakdown in this Section)	

# SECTION 1 - SUBFRAME

FIGURE 1-10. SUBFRAME INSTALLATION - OUTBOARD GALVANIZED (SN 0220022359 to Present)



ART\_2868000137\_H

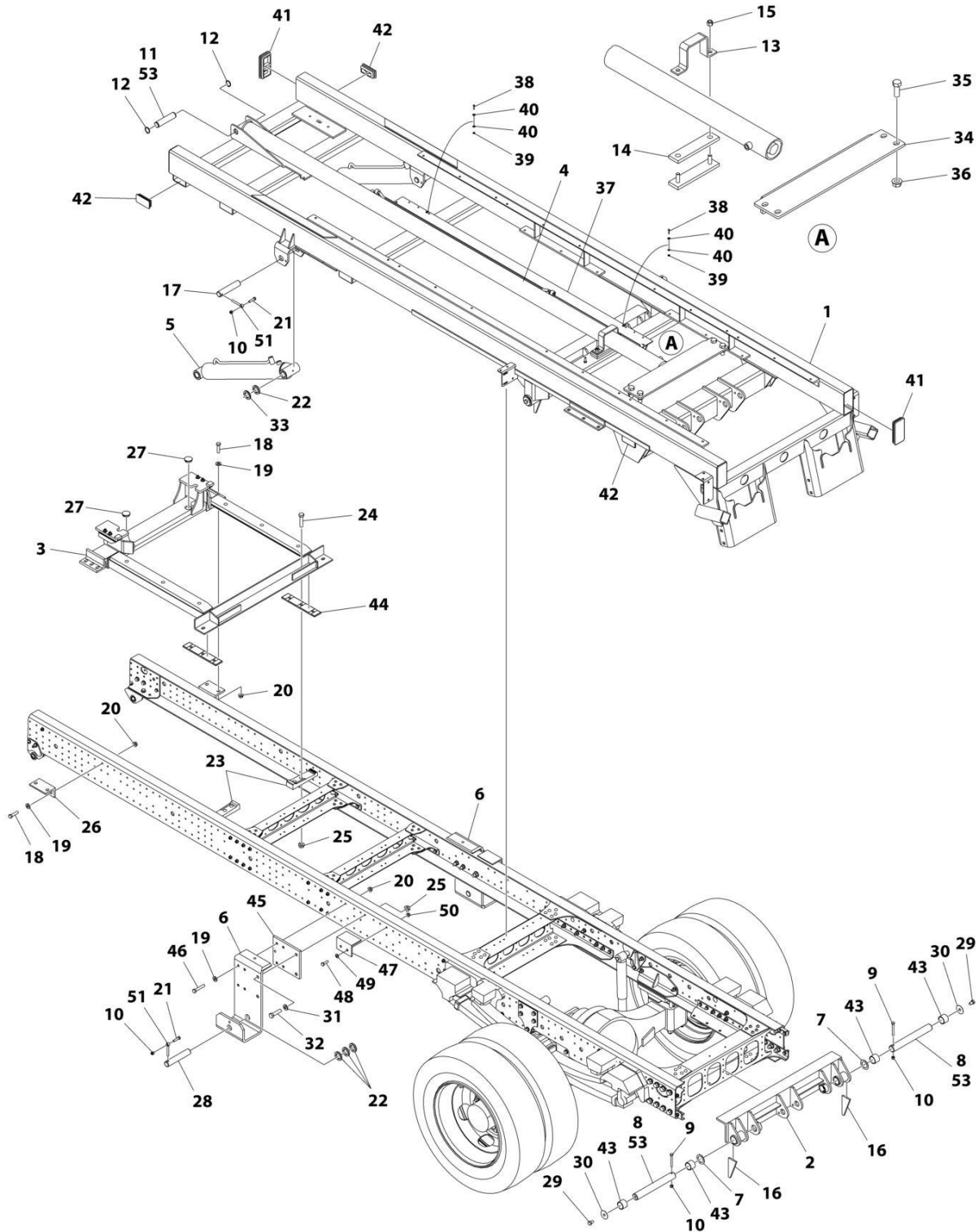
## SECTION 1 - SUBFRAME

**FIGURE 1-10. SUBFRAME INSTALLATION - OUTBOARD GALVANIZED (SN 0220022359 to Present)**

ITEM	PART NUMBER	QTY	DESCRIPTION	REV
	2868000137	Ref	SUBFRAME INSTALLATION 6-TON CARRIER (GALVANIZED)	H
1	1001177718	1	Frame Weldment	
2	3905000012	1	Trunnion	
3	3558000014	1	Hold Down Assembly	
4	1001166856	1	Roll Cylinder Assembly (See Separate Breakdown in this Section)	
5	1001270175	1	Tilt Cylinder Assembly (See Separate Breakdown in this Section)	
6	4178000805	2	Bracket	
7	7949000008	2	Washer 2-1/4	
8	4691000573	2	Pin	
9	0641624	2	Capscrew 3/8 x 3	
10	3300492	6	Nut 3/8	
11	4691000429	1	Pin	
12	3760133	2	Ring	
13	4178000367	1	Bracket	
14	4679000151	1	Pad	
15	7660182601	2	Nut 1/2	
16	4497000358	2	Gusset	
17	1001188129	2	Pin	
18	0651816	8	Capscrew 1/2 x 2	
19	4891800	8	Washer 1/2	
20	7660182333	8	Nut 1/2	
21	0641612	4	Capscrew 3/8 x 1-1/2	
22	4209000337	8	Bushing	
23	7274000046	2	Clamp	
24	7105202250	4	Capscrew 5/8 x 2-3/4	
25	7660202347	12	Nut 5/8	
26	4017001271	2	Angle	
27	7701000063	4	Plug	
28	1001188139	2	Pin	
29	0641806	2	Capscrew 1/2 x 3/4	
30	7949000072	2	Washer 2	
31	4892000	8	Washer 5/8	
32	4706005958	1	Plate, Hose	
33	7114100818	4	Capscrew #10 x 1	
34	3300455	4	Nut 10	
35	4751300	8	Washer 3/16	
36	7105201850	8	Capscrew 5/8 x 2-1/4	
37	4209000358	2	Bushing	
38	3017000103	1	Angle	
39	0642216	4	Bolt 3/4 x 2	
40	7660222308	4	Nut 3/4	
41	7701000048	4	Plug	
42	7701000051	6	Plug	
43	7082000017	4	Bearing	
44	3841143	4	Keeper, Shaft	
45	3020039	AR	Lubricant	
46	1001173949	1	Light Box and Cover Installation (See Separate Breakdown in this Section)	

# SECTION 1 - SUBFRAME

FIGURE 1-11. SUBFRAME INSTALLATION - OUTBOARD GALVANIZED (HINO 195 ONLY) (SN 0220017095 through 022002358)



ART\_1001159907

## SECTION 1 - SUBFRAME

**FIGURE 1-11. SUBFRAME INSTALLATION - OUTBOARD GALVANIZED (HINO 195 ONLY) (SN 0220017095 through 022002358)**

ITEM	PART NUMBER	QTY	DESCRIPTION	REV
	1001159907	Ref	SUBFRAME INSTALLATION STANDARD GALVANIZED HINO	B
1	1001177718	1	Frame Weldment	
2	3905000012	1	Trunnion	
3	3558000014	1	Hold Down Assembly	
4	1001166856	1	Roll Cylinder Assembly (See Separate Breakdown in this Section)	
5	1001166859	2	Tilt Cylinder Assembly (See Separate Breakdown in this Section)	
6	1001142062	2	Bracket	
7	7949000008	2	Washer 2-1/4	
8	4691000573	2	Pin	
9	0641624	2	Capscrew 3/8 x 3	
10	3300492	6	Nut 3/8	
11	4691000429	1	Pin	
12	3760133	2	Retainer	
13	4178000367	1	Bracket	
14	4679000151	1	Pad	
15	7660182601	2	Nut 1/2	
16	4497000358	2	Gusset	
17	1001188129	2	Pin	
18	0651816	8	Capscrew 1/2 x 2	
19	4891800	16	Washer 1/2	
20	7660182333	16	Nut 1/2	
21	0641612	4	Capscrew 3/8 x 1-1/2	
22	4209000337	8	Bushing	
23	7274000046	2	Clamp	
24	7105202250	4	Capscrew 5/8 x 2-3/4	
25	7660202347	8	Nut 5/8	
26	1001159913	2	Angle	
27	7701000063	4	Plug	
28	1001188139	2	Pin	
29	0641806	2	Capscrew 1/2 x 3/4	
30	7949000072	2	Washer 2	
31	4892000	4	Washer 5/8	
32	7105202050	4	Capscrew 5/8 x 2-1/2	
33	4209000358	2	Bushing	
34	3017000103	1	Angle	
35	0642216	4	Bolt 3/4 x 2	
36	7660222308	4	Nut 3/4	
37	4706005958	1	Plate, Hose	
38	7114100818	4	Capscrew #10 x 1	
39	3300455	4	Nut 10	
40	4751300	8	Washer 3/16	
41	7701000048	4	Plug	
42	7701000051	6	Plug	
43	7082000017	4	Bearing	
44	3340898	2	Pad	
45	1001159915	2	Shim	
46	0651822	8	Bolt 1/2 x 2-3/4	
47	1001159914	2	Angle	
48	0761015	4	Bolt M10 x 35	

## SECTION 1 - SUBFRAME

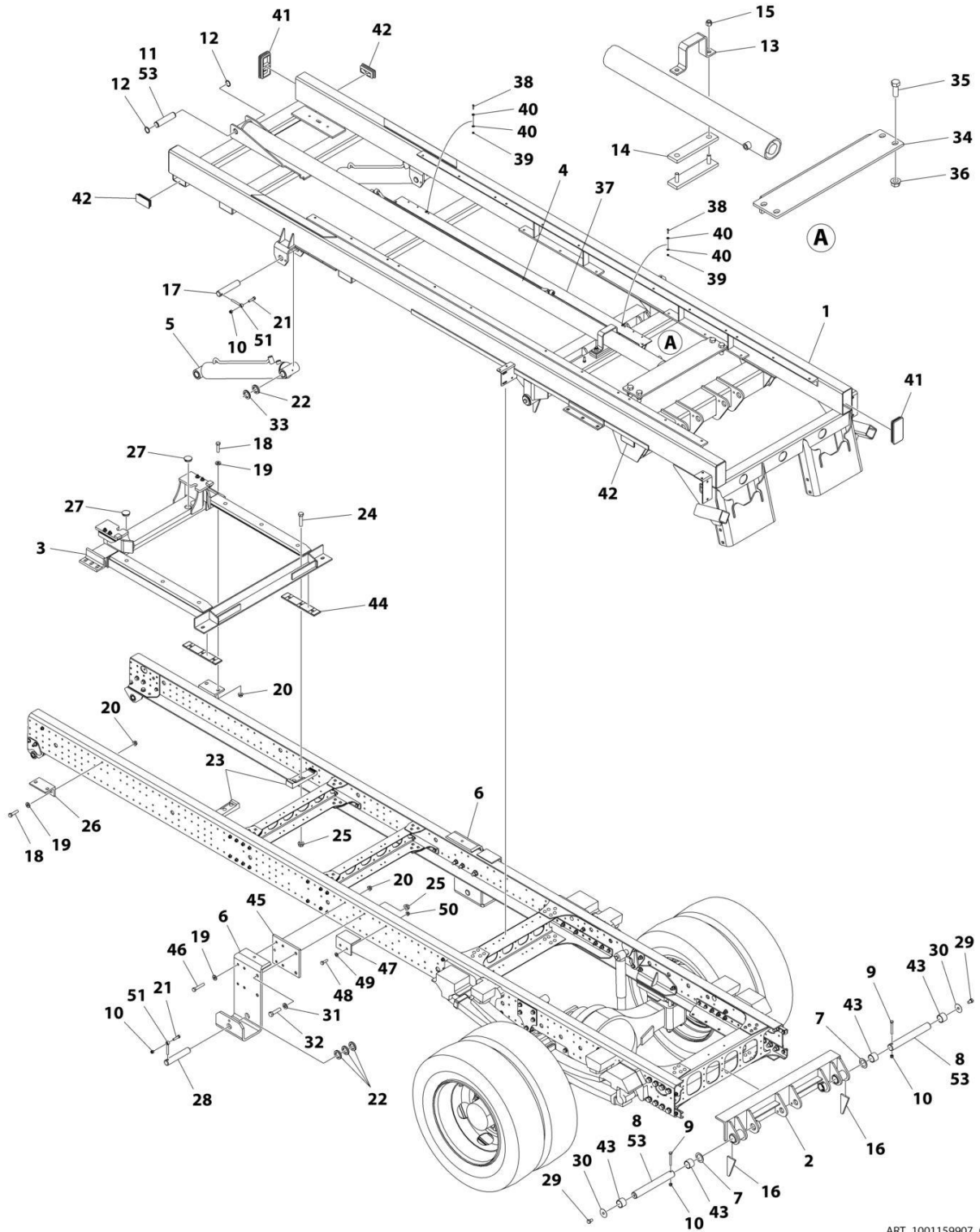
ITEM	PART NUMBER	QTY	DESCRIPTION	REV
49	4711700	4	Washer 7/16	
50	5261000	4	Nut M10	
51	3841143	4	Keeper, Shaft	
53	3020039	AR	Lubricant	
100	1001257906	1	Subframe Saddle Bracket Kit (Not Shown) (Includes items 6,45 & Attaching Hardware)	





# SECTION 1 - SUBFRAME

FIGURE 1-12. SUBFRAME INSTALLATION - OUTBOARD GALVANIZED (HINO 195 ONLY) (SN 0220022359 to Present)



ART\_1001159907\_C

## SECTION 1 - SUBFRAME

**FIGURE 1-12. SUBFRAME INSTALLATION - OUTBOARD GALVANIZED (HINO 195 ONLY) (SN 0220022359 to Present)**

ITEM	PART NUMBER	QTY	DESCRIPTION	REV
	1001159907	Ref	SUBFRAME INSTALLATION STANDARD GALVANIZED HINO	C
1	1001177718	1	Frame Weldment	
2	3905000012	1	Trunnion	
3	3558000014	1	Hold Down Assembly	
4	1001166856	1	Roll Cylinder Assembly (See Separate Breakdown in this Section)	
5	1001270175	2	Tilt Cylinder Assembly (See Separate Breakdown in this Section)	
6	1001142062	2	Bracket	
7	7949000008	2	Washer 2-1/4	
8	4691000573	2	Pin	
9	0641624	2	Capscrew 3/8 x 3	
10	3300492	6	Nut 3/8	
11	4691000429	1	Pin	
12	3760133	2	Retainer	
13	4178000367	1	Bracket	
14	4679000151	1	Pad	
15	7660182601	2	Nut 1/2	
16	4497000358	2	Gusset	
17	1001188129	2	Pin	
18	0651816	8	Capscrew 1/2 x 2	
19	4891800	16	Washer 1/2	
20	7660182333	16	Nut 1/2	
21	0641612	4	Capscrew 3/8 x 1-1/2	
22	4209000337	8	Bushing	
23	7274000046	2	Clamp	
24	7105202250	4	Capscrew 5/8 x 2-3/4	
25	7660202347	8	Nut 5/8	
26	1001159913	2	Angle	
27	7701000063	4	Plug	
28	1001188139	2	Pin	
29	0641806	2	Capscrew 1/2 x 3/4	
30	7949000072	2	Washer 2	
31	4892000	4	Washer 5/8	
32	7105202050	4	Capscrew 5/8 x 2-1/2	
33	4209000358	2	Bushing	
34	3017000103	1	Angle	
35	0642216	4	Bolt 3/4 x 2	
36	7660222308	4	Nut 3/4	
37	4706005958	1	Plate, Hose	
38	7114100818	4	Capscrew #10 x 1	
39	3300455	4	Nut 10	
40	4751300	8	Washer 3/16	
41	7701000048	4	Plug	
42	7701000051	6	Plug	
43	7082000017	4	Bearing	
44	3340898	2	Pad	
45	1001159915	2	Shim	
46	0651822	8	Bolt 1/2 x 2-3/4	
47	1001159914	2	Angle	
48	0761015	4	Bolt M10 x 35	

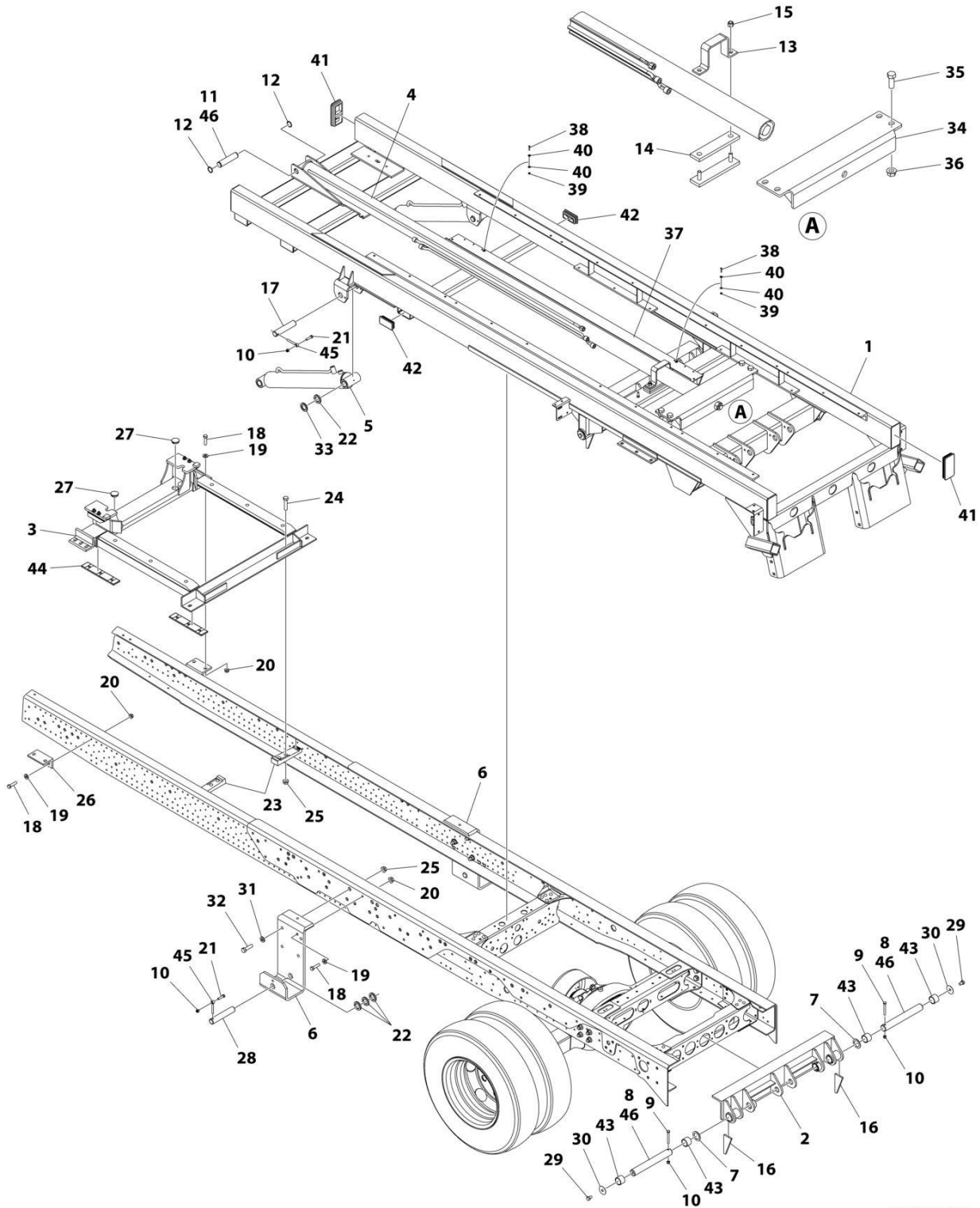
## SECTION 1 - SUBFRAME

ITEM	PART NUMBER	QTY	DESCRIPTION	REV
49	4711700	4	Washer 7/16	
50	5261000	4	Nut M10	
51	3841143	4	Keeper, Shaft	
53	3020039	AR	Lubricant	
100	1001257906	1	Subframe Saddle Bracket Kit (Not Shown) (Includes items 6,45 & Attaching Hardware)	



# SECTION 1 - SUBFRAME

FIGURE 1-13. SUBFRAME INSTALLATION - OUTBOARD GALVANIZED (ISUZU NRR ONLY) (SN 0220017095 through 022002358)



ART\_1001159626

## SECTION 1 - SUBFRAME

**FIGURE 1-13. SUBFRAME INSTALLATION - OUTBOARD GALVANIZED (ISUZU NRR ONLY) (SN 0220017095 through 022002358)**

ITEM	PART NUMBER	QTY	DESCRIPTION	REV
	1001159626	Ref	SUBFRAME INSTALLATION STANDARD DUTY GALVANIZED ISUZU NRR	C
1	1001177718	1	Frame Weldment	
2	3905000012	1	Trunnion	
3	3558000014	1	Hold Down Assembly	
4	1001166856	1	Roll Cylinder Assembly (See Separate Breakdown in this Section)	
5	1001166859	2	Tilt Cylinder Assembly (See Separate Breakdown in this Section)	
6	1001142062	2	Bracket	
7	7949000008	2	Washer 2-1/4	
8	4691000573	2	Pin	
9	0641624	2	Capscrew 3/8 x 3	
10	3300492	6	Nut 3/8	
11	4691000429	1	Pin	
12	7754000006	2	Retainer	
13	4178000367	1	Bracket	
14	4679000151	1	Pad	
15	7660182601	2	Nut 1/2	
16	4497000358	2	Gusset	
17	1001188129	2	Pin	
18	0651816	9	Capscrew 1/2 x 2	
19	4891800	9	Washer 1/2	
20	7660182333	9	Nut 1/2	
21	0641612	4	Capscrew 3/8 x 1-1/2	
22	4209000337	8	Bushing	
23	7274000046	2	Clamp	
24	7105202250	4	Capscrew 5/8 x 2-3/4	
25	7660202347	12	Nut 5/8	
26	1001159913	2	Angle	
27	7701000063	4	Plug	
28	1001188139	2	Pin	
29	0641806	2	Capscrew 1/2 x 3/4	
30	7949000072	2	Washer 2	
31	4892000	8	Washer 5/8	
32	7105201850	8	Capscrew 5/8 x 2-1/4	
33	4209000358	2	Bushing	
34	3017000103	1	Angle	
35	0642216	4	Bolt 3/4 x 2	
36	7660222308	4	Nut 3/4	
37	4706005958	1	Plate, Hose	
38	7114100818	4	Capscrew #10 x 1	
39	3300455	4	Nut 10	
40	4751300	8	Washer 3/16	
41	7701000048	4	Plug	
42	7701000051	6	Plug	
43	7082000017	4	Bearing	
44	3340898	2	Pad	
45	3841143	4	Keeper, Shaft	
46	3020039	AR	Lubricant	
100	1001257906	1	Subframe Saddle Bracket Kit (Not Shown) (Includes items 6 &	

## SECTION 1 - SUBFRAME

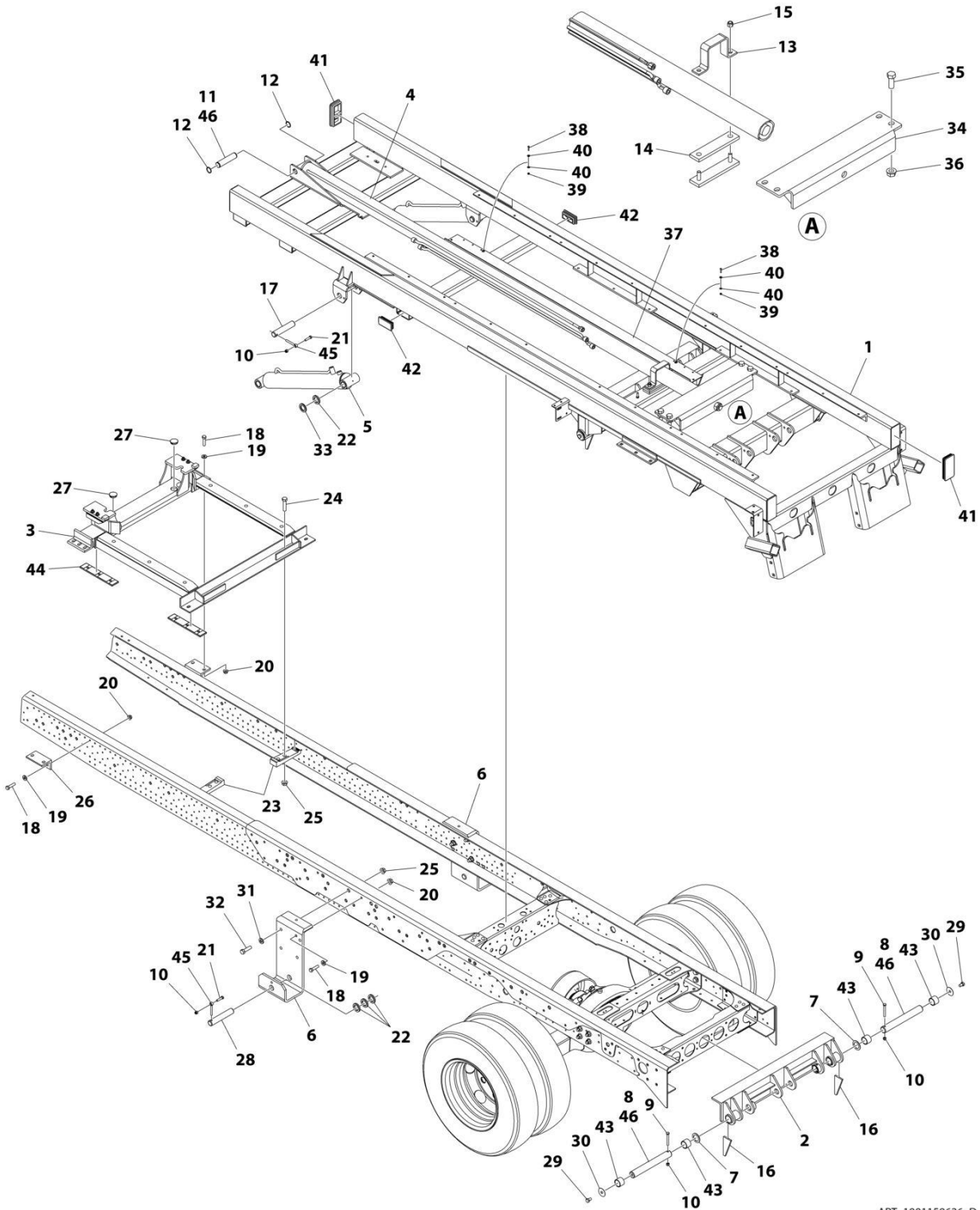
ITEM	PART NUMBER	QTY	DESCRIPTION	REV
			Attaching Hardware)	





# SECTION 1 - SUBFRAME

FIGURE 1-14. SUBFRAME INSTALLATION - OUTBOARD GALVANIZED (ISUZU NRR ONLY) (SN 0220022359 to Present)



ART\_1001159626\_D

## SECTION 1 - SUBFRAME

**FIGURE 1-14. SUBFRAME INSTALLATION - OUTBOARD GALVANIZED (ISUZU NRR ONLY) (SN 0220022359 to Present)**

ITEM	PART NUMBER	QTY	DESCRIPTION	REV
	1001159626	Ref	SUBFRAME INSTALLATION STANDARD DUTY GALVANIZED ISUZU NRR	D
1	1001177718	1	Frame Weldment	
2	3905000012	1	Trunnion	
3	3558000014	1	Hold Down Assembly	
4	1001166856	1	Roll Cylinder Assembly (See Separate Breakdown in this Section)	
5	1001270175	2	Tilt Cylinder Assembly (See Separate Breakdown in this Section)	
6	1001142062	2	Bracket	
7	7949000008	2	Washer 2-1/4	
8	4691000573	2	Pin	
9	0641624	2	Capscrew 3/8 x 3	
10	3300492	6	Nut 3/8	
11	4691000429	1	Pin	
12	7754000006	2	Retainer	
13	4178000367	1	Bracket	
14	4679000151	1	Pad	
15	7660182601	2	Nut 1/2	
16	4497000358	2	Gusset	
17	1001188129	2	Pin	
18	0651816	9	Capscrew 1/2 x 2	
19	4891800	9	Washer 1/2	
20	7660182333	9	Nut 1/2	
21	0641612	4	Capscrew 3/8 x 1-1/2	
22	4209000337	8	Bushing	
23	7274000046	2	Clamp	
24	7105202250	4	Capscrew 5/8 x 2-3/4	
25	7660202347	12	Nut 5/8	
26	1001159913	2	Angle	
27	7701000063	4	Plug	
28	1001188139	2	Pin	
29	0641806	2	Capscrew 1/2 x 3/4	
30	7949000072	2	Washer 2	
31	4892000	8	Washer 5/8	
32	7105201850	8	Capscrew 5/8 x 2-1/4	
33	4209000358	2	Bushing	
34	3017000103	1	Angle	
35	0642216	4	Bolt 3/4 x 2	
36	7660222308	4	Nut 3/4	
37	4706005958	1	Plate, Hose	
38	7114100818	4	Capscrew #10 x 1	
39	3300455	4	Nut 10	
40	4751300	8	Washer 3/16	
41	7701000048	4	Plug	
42	7701000051	6	Plug	
43	7082000017	4	Bearing	
44	3340898	2	Pad	
45	3841143	4	Keeper, Shaft	
46	3020039	AR	Lubricant	
100	1001257906	1	Subframe Saddle Bracket Kit (Not Shown) (Includes items 6 &	

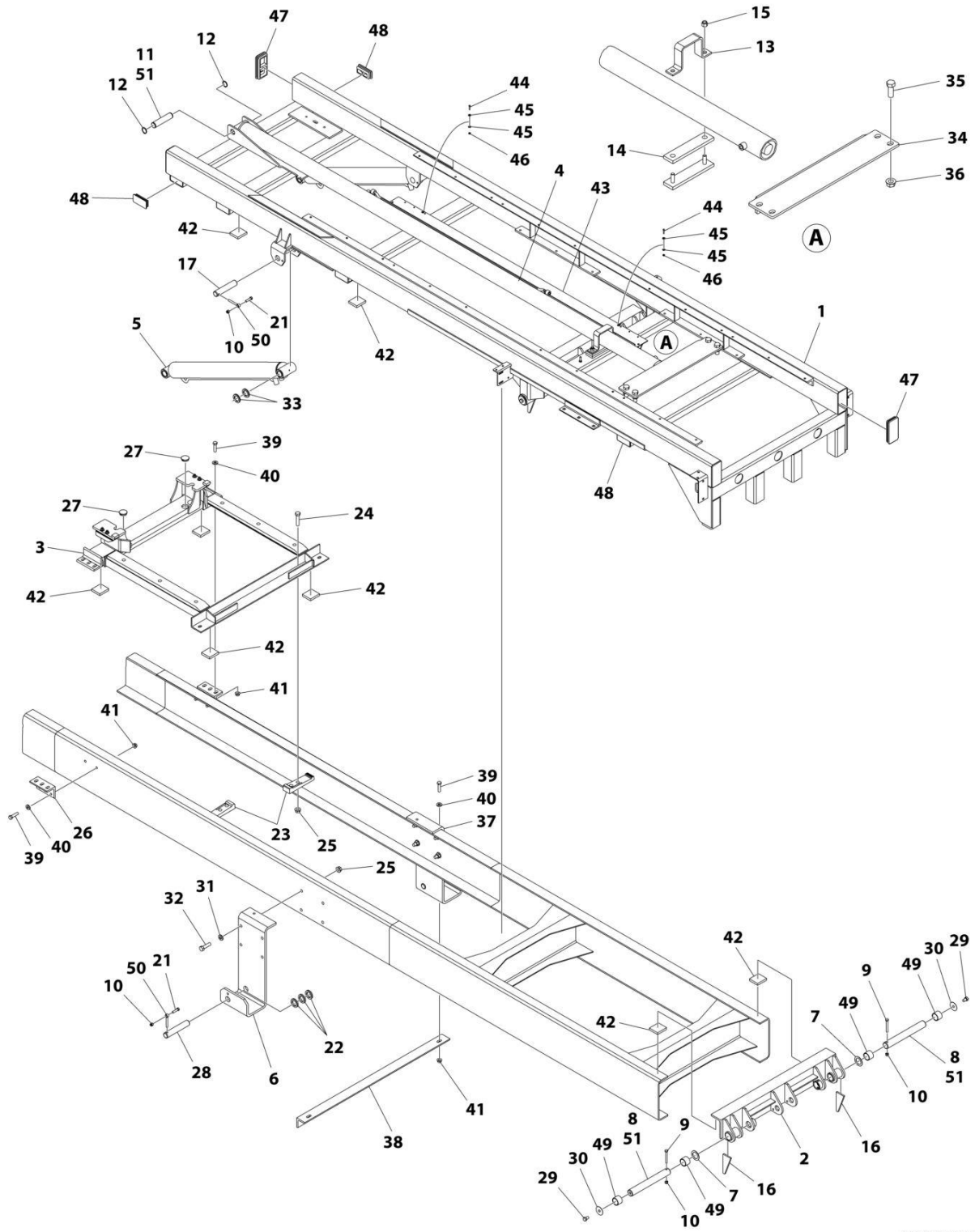
## SECTION 1 - SUBFRAME

ITEM	PART NUMBER	QTY	DESCRIPTION	REV
			Attaching Hardware)	



# SECTION 1 - SUBFRAME

## FIGURE 1-15. SUBFRAME INSTALLATION - HIGH DUMP



ART\_1001130560

# SECTION 1 - SUBFRAME

## FIGURE 1-15. SUBFRAME INSTALLATION - HIGH DUMP

ITEM	PART NUMBER	QTY	DESCRIPTION	REV
	1001130560	Ref	SUBFRAME INSTALLATION HIGH DUMP	F
1	1001177723	1	Frame Weldment	
2	3905000012	1	Trunnion	
3	3558000014	1	Hold Down Assembly	
4	1001166856	1	Roll Cylinder Assembly (See Separate Breakdown in CYLINDER Section)	
5	3320000154	2	Tilt Cylinder Assembly (See Separate Breakdown in CYLINDER Section)	
6	1001135157	1	Mount	
7	7949000008	2	Washer 2-1/4	
8	4691000573	2	Pin	
9	0641624	2	Capscrew 3/8 x 3	
10	3300492	6	Nut 3/8	
11	4691000429	1	Pin	
12	3760133	2	Ring	
13	4178000367	1	Bracket	
14	4679000151	1	Pad	
15	7660182601	2	Nut 1/2	
16	4497000358	2	Gusset	
17	1001188129	2	Pin	
21	0641612	4	Capscrew 3/8 x 1-1/2	
22	4209000337	6	Bushing	
23	7274000046	2	Clamp	
24	7105202250	4	Capscrew 5/8 x 2-3/4	
25	7660202347	12	Nut 5/8	
26	4017001271	2	Angle	
27	7701000063	4	Plug	
28	1001188139	2	Pin	
29	0641806	2	Capscrew 1/2 x 3/4	
30	7949000072	2	Washer 2	
31	4892000	8	Washer 5/8	
32	7105201850	8	Capscrew 5/8 x 2-1/4	
33	4209000358	4	Bushing	
34	3017000103	1	Angle	
35	0642216	4	Bolt 3/4 x 2	
36	7660222308	4	Nut 3/4	
37	1001135158	1	Mount	
38	4017001407	1	Angle	
39	0651816	10	Capscrew 1/2 x 2	
40	4891800	10	Washer 1/2	
41	7660182333	10	Nut 1/2	
42	4705000507	10	Plate	
43	4706005958	1	Plate	
44	7114100818	4	Capscrew #10 x 1	
45	4751300	8	Washer 3/16	
46	3300455	4	Nut 10	
47	7701000048	4	Plug	
48	7701000051	8	Plug	
49	7082000017	4	Bearing	
50	3841143	4	Keeper, Shaft	

## SECTION 1 - SUBFRAME

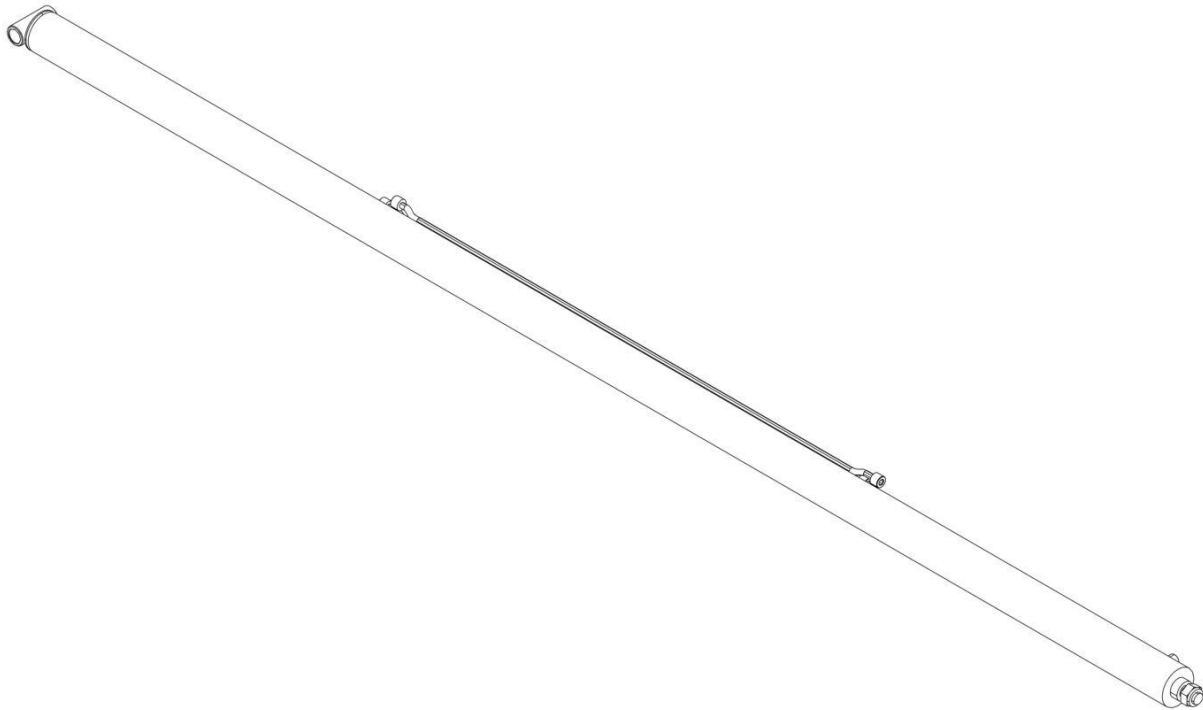
ITEM	PART NUMBER	QTY	DESCRIPTION	REV
51	3020039	AR	Lubricant	





# SECTION 1 - SUBFRAME

FIGURE 1-16. CYLINDER ASSEMBLY - DECK ROLL



ART\_1001166856

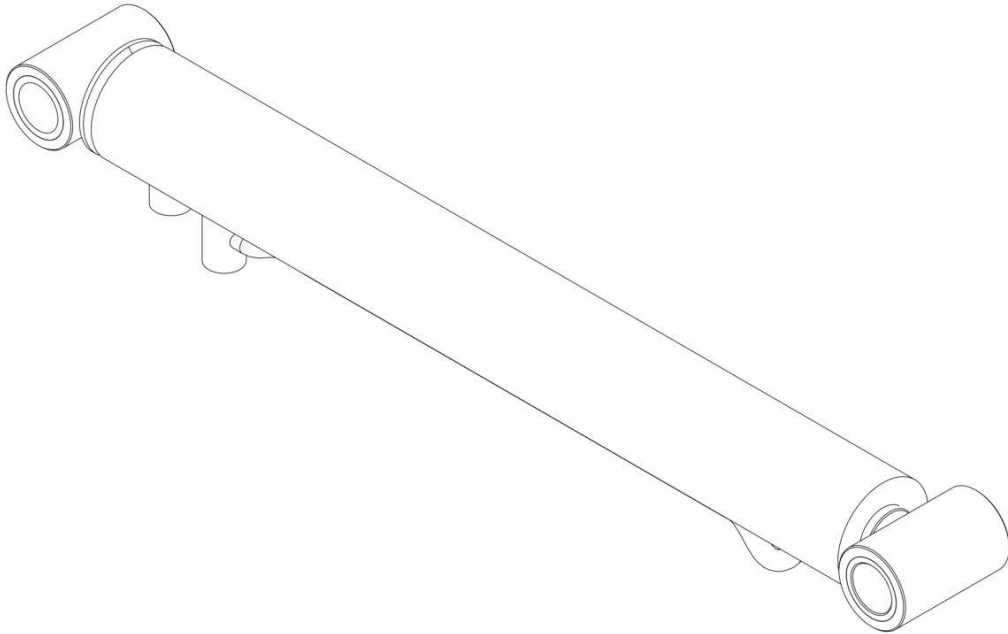
# SECTION 1 - SUBFRAME

## FIGURE 1-16. CYLINDER ASSEMBLY - DECK ROLL

ITEM	PART NUMBER	QTY	DESCRIPTION	REV
	1001166856	Ref	CYLINDER ASSEMBLY - DECK ROLL	D
		Ref	Note: No Service Parts Available at Time of Printing.	

# SECTION 1 - SUBFRAME

FIGURE 1-17. CYLINDER ASSEMBLY - DECK TILT (INBOARD SUBFRAME)



ART\_1001183325

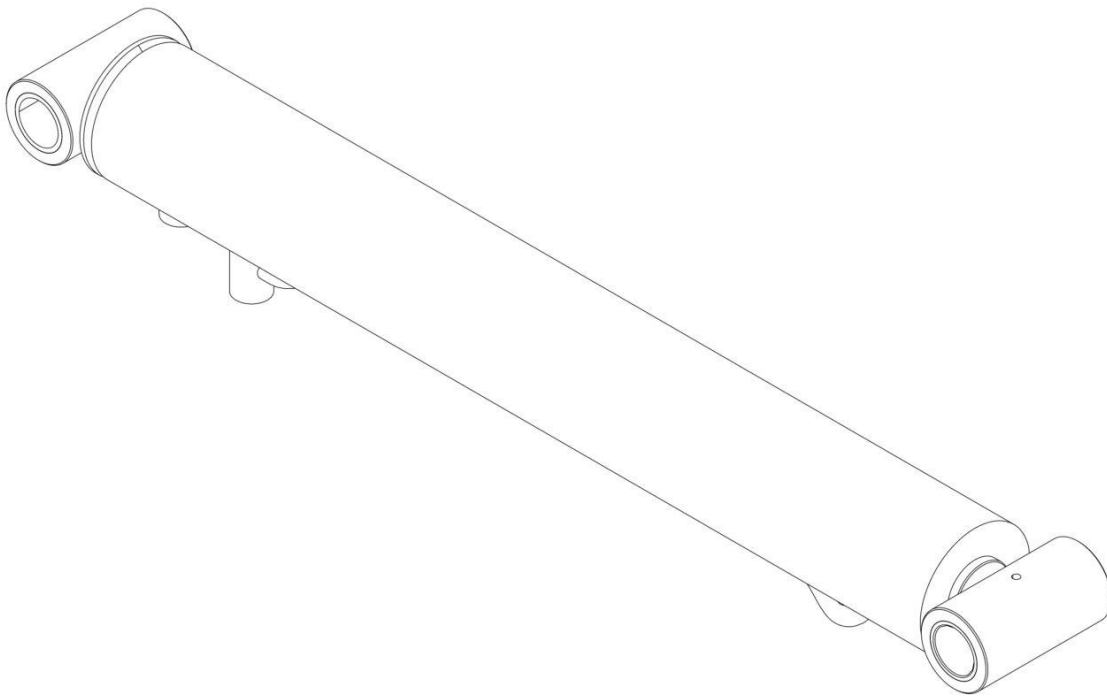
## SECTION 1 - SUBFRAME

**FIGURE 1-17. CYLINDER ASSEMBLY - DECK TILT (INBOARD SUBFRAME)**

ITEM	PART NUMBER	QTY	DESCRIPTION	REV
	1001183325	Ref	CYLINDER ASSEMBLY - DECK TILT (INBOARD SUBFRAME)	B
		Ref	Note: No Service Parts Available at Time of Printing.	

## SECTION 1 - SUBFRAME

FIGURE 1-18. CYLINDER ASSEMBLY - DECK TILT (OUTBOARD SUBFRAME) (SN 0220017095 through 0220022358)



ART\_1001166859

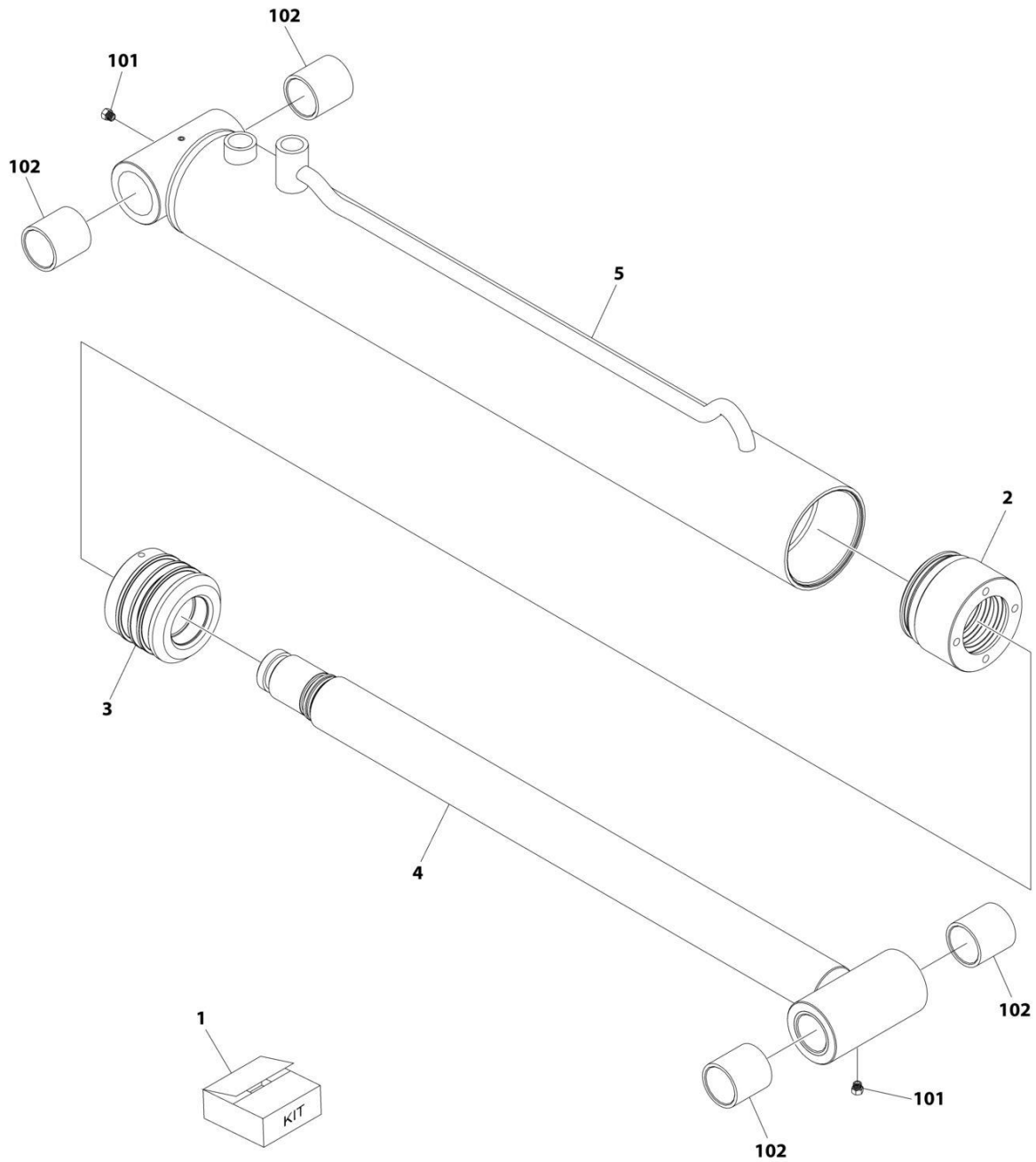
## SECTION 1 - SUBFRAME

**FIGURE 1-18. CYLINDER ASSEMBLY - DECK TILT (OUTBOARD SUBFRAME) (SN 0220017095 through 0220022358)**

ITEM	PART NUMBER	QTY	DESCRIPTION	REV
	1001166859	Ref	CYLINDER ASSEMBLY - DECK TILT (OUTBOARD SUBFRAME)	F
		Ref	Note: No Service Parts Available at Time of Printing.	

# SECTION 1 - SUBFRAME

FIGURE 1-19. CYLINDER ASSEMBLY - DECK TILT (OUTBOARD SUBFRAME) (SN 022002359 to Present)



ART\_1001270175



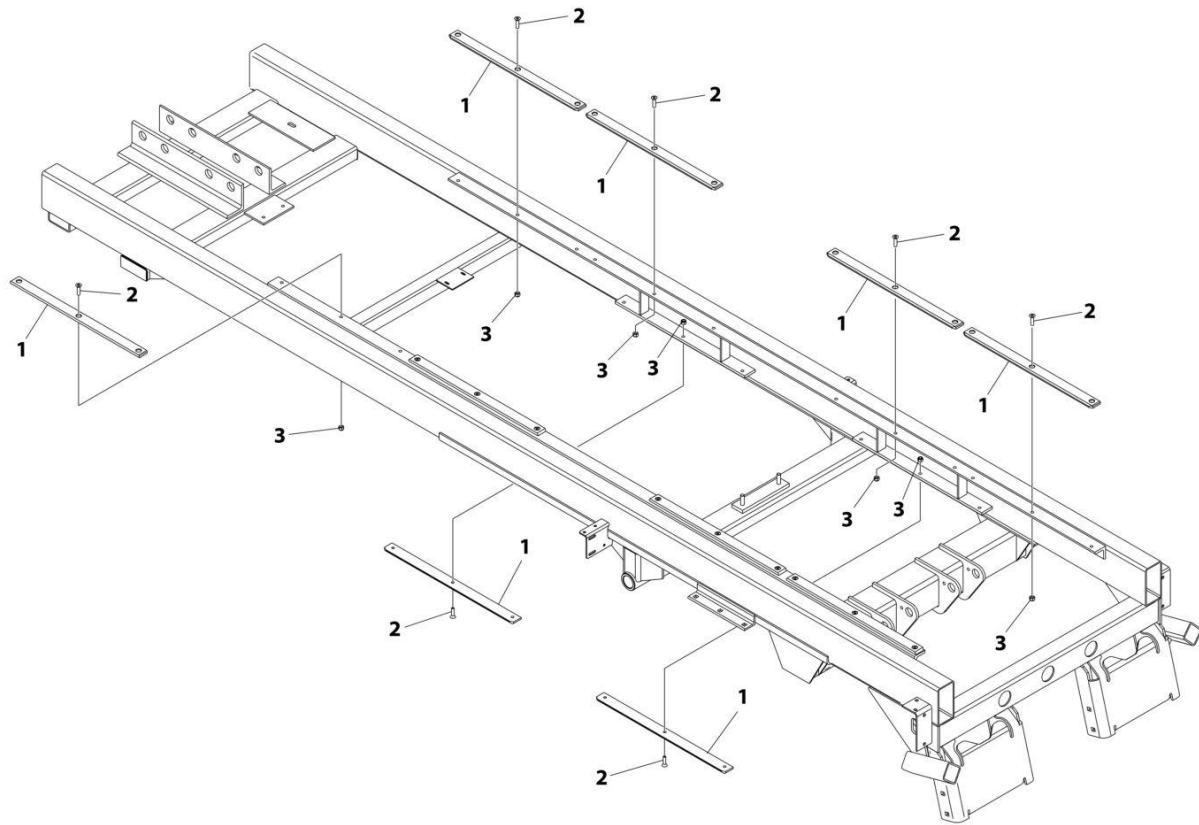
## SECTION 1 - SUBFRAME

**FIGURE 1-19. CYLINDER ASSEMBLY - DECK TILT (OUTBOARD SUBFRAME) (SN 0220022359 to Present)**

ITEM	PART NUMBER	QTY	DESCRIPTION	REV
	1001270175	Ref	TILT CYLINDER ASSEMBLY	B
1	70051168	1	Kit, Seal	
1	See Note	NSS	Ring, Back Up (Note: Use PN 70051168)	
1	See Note	NSS	O-Ring (Note: Use PN 70051168)	
1	See Note	NSS	Buffer Ring (Note: Use PN 70051168)	
1	See Note	NSS	Bushing (Note: Use PN 70051168)	
1	See Note	NSS	Rod Seal (Note: Use PN 70051168)	
1	See Note	NSS	Wiper (Note: Use PN 70051168)	
1	See Note	NSS	Piston Seal (Note: Use PN 70051168)	
1	See Note	NSS	Wearing (Note: Use PN 70051168)	
2	70051172	1	Head Kit	
2	See Note	NSS	Back Up Ring (Note: Use PN 70051172)	
2	See Note	NSS	Buffer Ring (Note: Use PN 70051172)	
2	See Note	NSS	Bushing (Note: Use PN 70051172)	
2	See Note	NSS	O-Ring (Note: Use PN 70051172)	
2	See Note	NSS	Retainer (Note: Use PN 70051172)	
2	See Note	NSS	Rod Seal (Note: Use PN 70051172)	
2	See Note	NSS	Wiper (Note: Use PN 70051172)	
3	70051173	1	Piston Kit	
3	See Note	NSS	Piston (Note: Use PN 70051173)	
3	See Note	NSS	Piston Seal (Note: Use PN 70051173)	
3	See Note	NSS	Setscrew (Note: Use PN 70051173)	
3	See Note	NSS	Wear Ring (Note: Use PN 70051173)	
4	70052741	1	Rod	
5	See Note	NSS	Barrel ( Note: Use PN 1001270175)	
101	1001204776	2	Fitting	
102	7082000016	4	Bearing	

# SECTION 1 - SUBFRAME

## FIGURE 1-20. PAD INSTALLATION - 19FT DECK



ART\_267900002

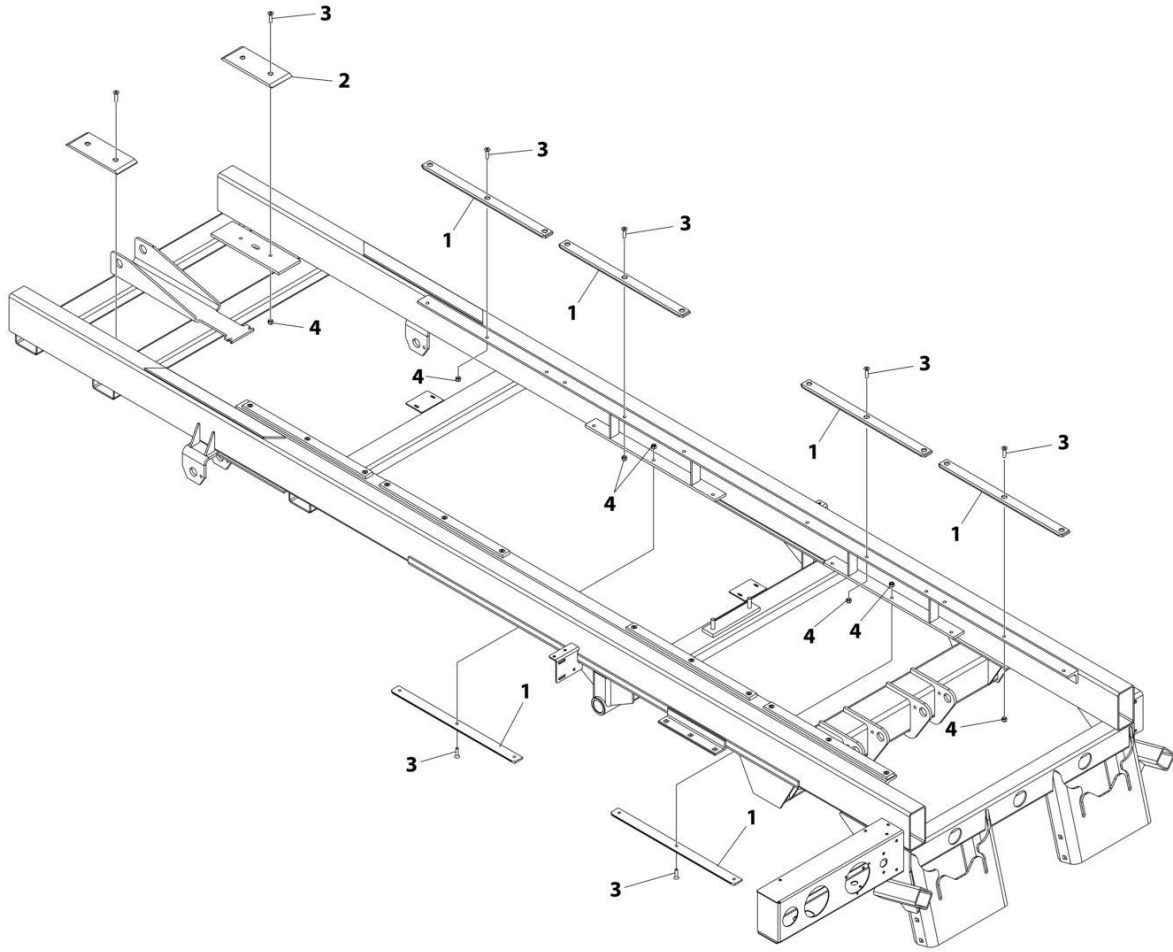
# SECTION 1 - SUBFRAME

## FIGURE 1-20. PAD INSTALLATION - 19FT DECK

ITEM	PART NUMBER	QTY	DESCRIPTION	REV
	2679000002	Ref	PAD INSTALLATION SLIDE 19FT STANDARD DUTY	B
1	4679000145	12	Pad	
2	7118161026	36	Capscrew 3/8 x 1-1/4	
3	7660162601	36	Nut 3/8	

# SECTION 1 - SUBFRAME

## FIGURE 1-21. PAD INSTALLATION - 20FT & 21FT DECKS



ART\_2679000006

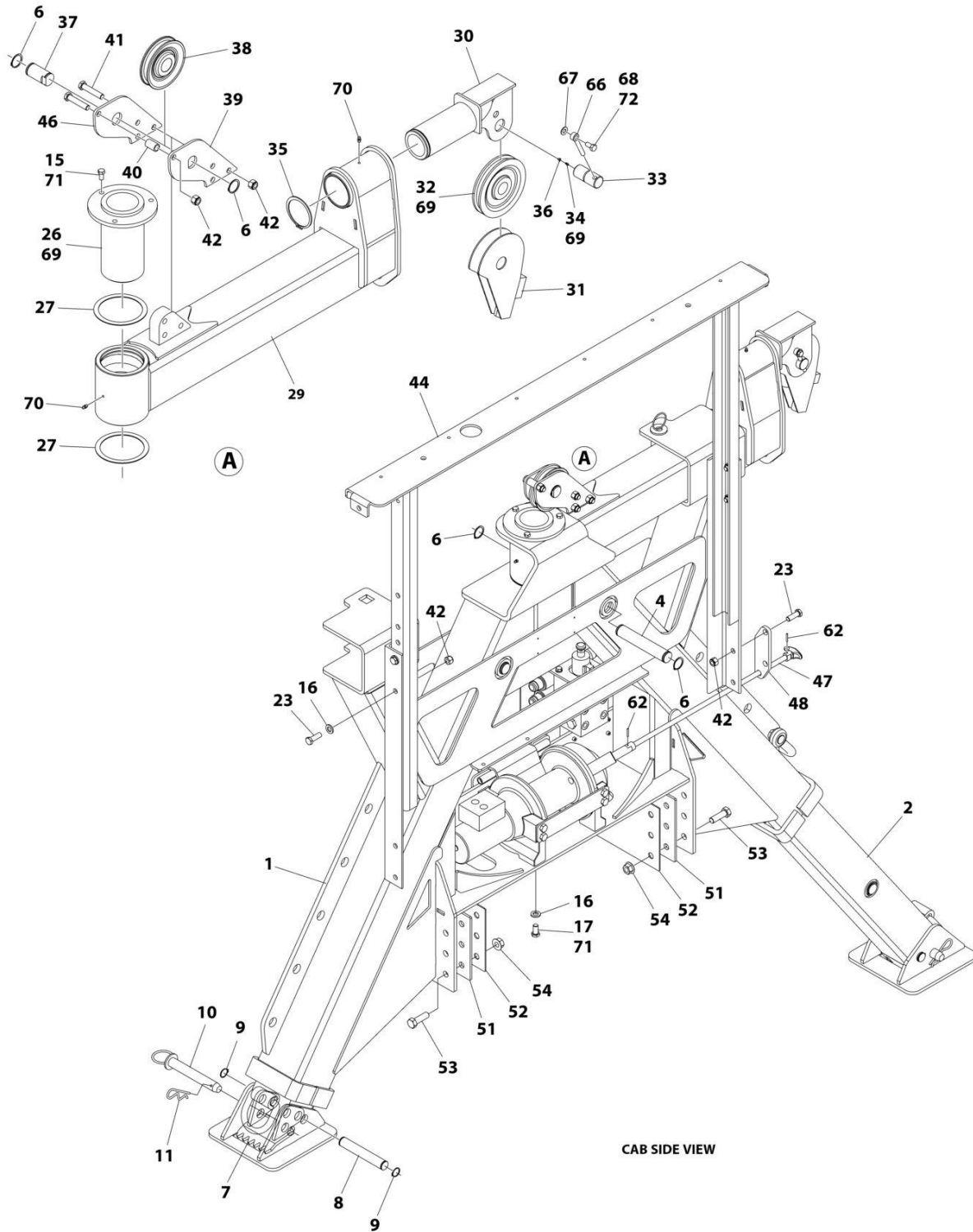
## SECTION 1 - SUBFRAME

### FIGURE 1-21. PAD INSTALLATION - 20FT & 21FT DECKS

ITEM	PART NUMBER	QTY	DESCRIPTION	REV
	2679000006	Ref	PAD INSTALLATION SLIDE 20-21FT STANDARD DUTY	0
1	4679000145	12	Pad	
2	4679000154	2	Pad	
3	7118161026	40	Capscrew 3/8 x 1-1/4	
4	7660162601	40	Nut 3/8	

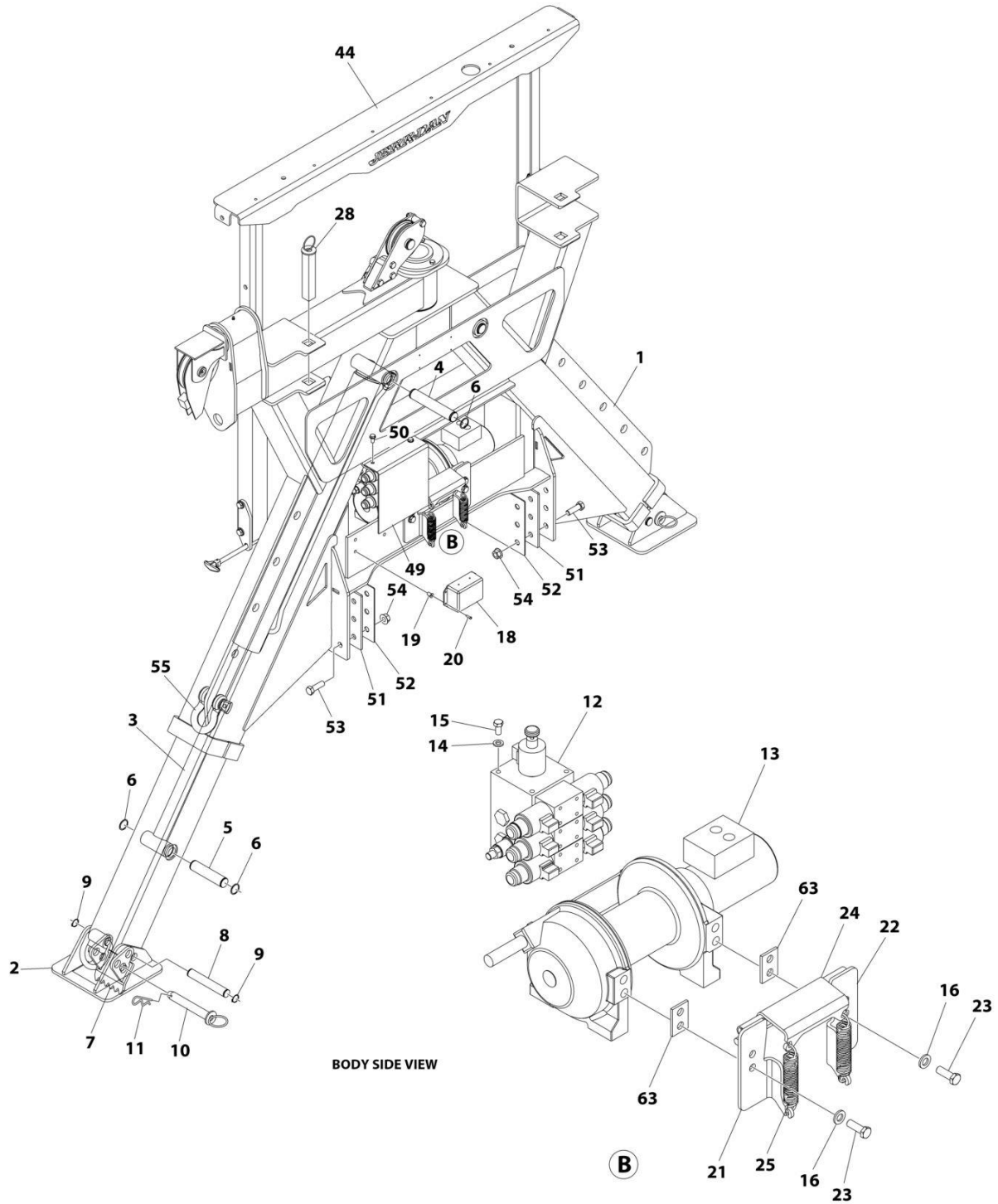
# SECTION 1 - SUBFRAME

FIGURE 1-22. SIDE RECOVERY SYSTEM - 8000 LBS WINCH



ART\_3455000059\_10F2

# SECTION 1 - SUBFRAME



ART\_345500059\_20F2

# SECTION 1 - SUBFRAME

## FIGURE 1-22. SIDE RECOVERY SYSTEM - 8000 LBS WINCH

ITEM	PART NUMBER	QTY	DESCRIPTION	REV
	3455000059	Ref	FRAME ASSEMBLY (SRS-8)	D
1	3455000058	1	Frame Weldment	
2	3170000473	2	Boom Weldment	
3	3320000229	2	Cylinder Assembly (See Separate Breakdown in this Section)	
4	4691000296	2	Pin	
5	4691000429	2	Pin	
6	3760133	9	Ring	
7	3706000363	2	Plate	
8	4691000495	2	Pin	
9	7754000019	6	Ring	
10	3691000064	2	Pin	
11	7691000001	2	Hair Pin	
12	3619000010	1	Manifold Assembly	
13	7970000157	1	Winch Assembly (See Separate Breakdown in this Section)	
14	7950160000	3	Lockwasher	
15	0641606	6	Capscrew 3/8 x 3/4	
16	4891800	20	Washer 1/2	
17	1001139343	8	Bolt 1/2 x 1-1/4	
18	7295000118	1	Controller	
19	7661000007	4	Nut #10	
20	7104100613	4	Screw #10	
21	3178000517	1	Bracket	
22	3178000518	1	Bracket	
23	0641812	10	Capscrew 1/2 1-1/2	
24	3706000364	1	Plate	
25	7843000035	2	Spring	
26	3691000259	1	Pin	
27	4949000059	2	Washer 5 x 4-1/2	
28	3691000260	1	Pin	
29	1001206388	1	Boom	
30	1001206161	1	Support	
31	1001206167	1	Support	
32	7809000001	1	Sheave	
33	1001206171	1	Pin	
34	88671008	1	Fitting	
35	7754000005	1	Ring	
36	7253000002	1	Fitting	
37	4691000513	1	Pin	
38	7809000021	1	Sheave	
39	4706005651	1	Plate	
40	4209000336	1	Bushing	
41	0641820	4	Capscrew 1/2 x 2	
42	7660182601	12	Nut 1/2	
44	3241000208	1	Headboard	
45	7552000385	1	Side Recovery System Harness (Not Shown - See Separate Breakdown in ELECTRICAL Section))	
46	4706005650	1	Plate	
47	3763000188	1	Rod	
48	4706005672	1	Plate	
49	4314000167	1	Cover	

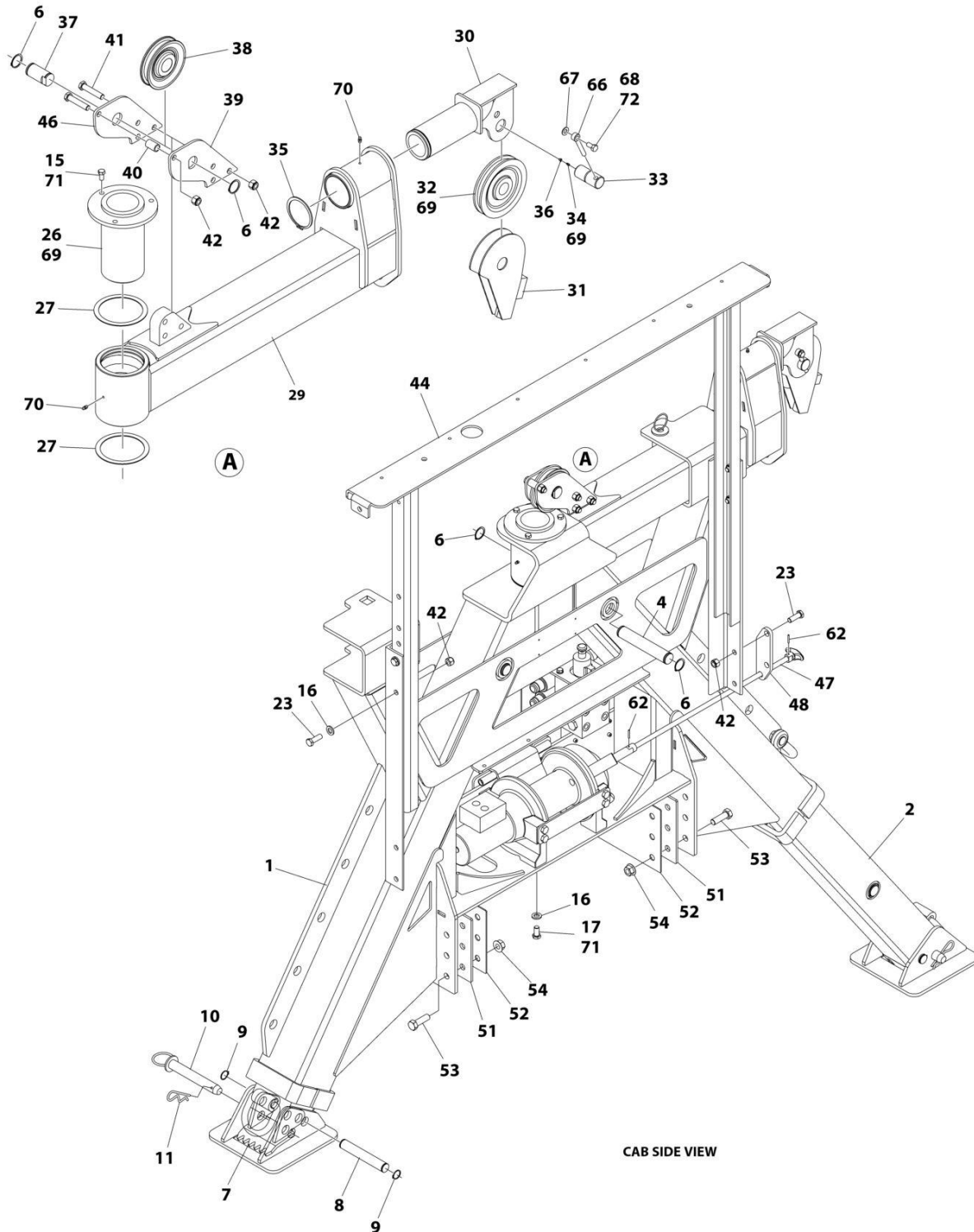


## SECTION 1 - SUBFRAME

ITEM	PART NUMBER	QTY	DESCRIPTION	REV
50	7790161253	2	Screw 3/8 x 3/4	
51	4831000126	2	Spacer	
52	4831000127	2	Spacer	
53	0652016	12	Screw 5/8 x 2	
54	7660202347	12	Nut 1/6	
55	7804000007	1	Shackle	
56	7248000077	1	Wire Rope (Not Shown)	
57	7274000053	4	Clamp (Not Shown)	
58	0641508	4	Capscrew 5/16 x 1 (Not Shown)	
59	4751500	4	Washer 5/16 (Not Shown)	
60	7660152601	4	Nut 1/3 (Not Shown)	
61	7002000519	1	Snatch (Not Shown)	
62	7690051641	1	Pin	
63	4706005752	2	Plate	
66	3841143	1	Keeper	
67	4711600	1	Washer	
68	0651606	1	Capscrew 3/8 x 3/4	
69	3020039	AR	Lubricant	
70	3020029	AR	Lube	
71	0100071	AR	Adhesive	
72	1001095650	AR	Adhesive	

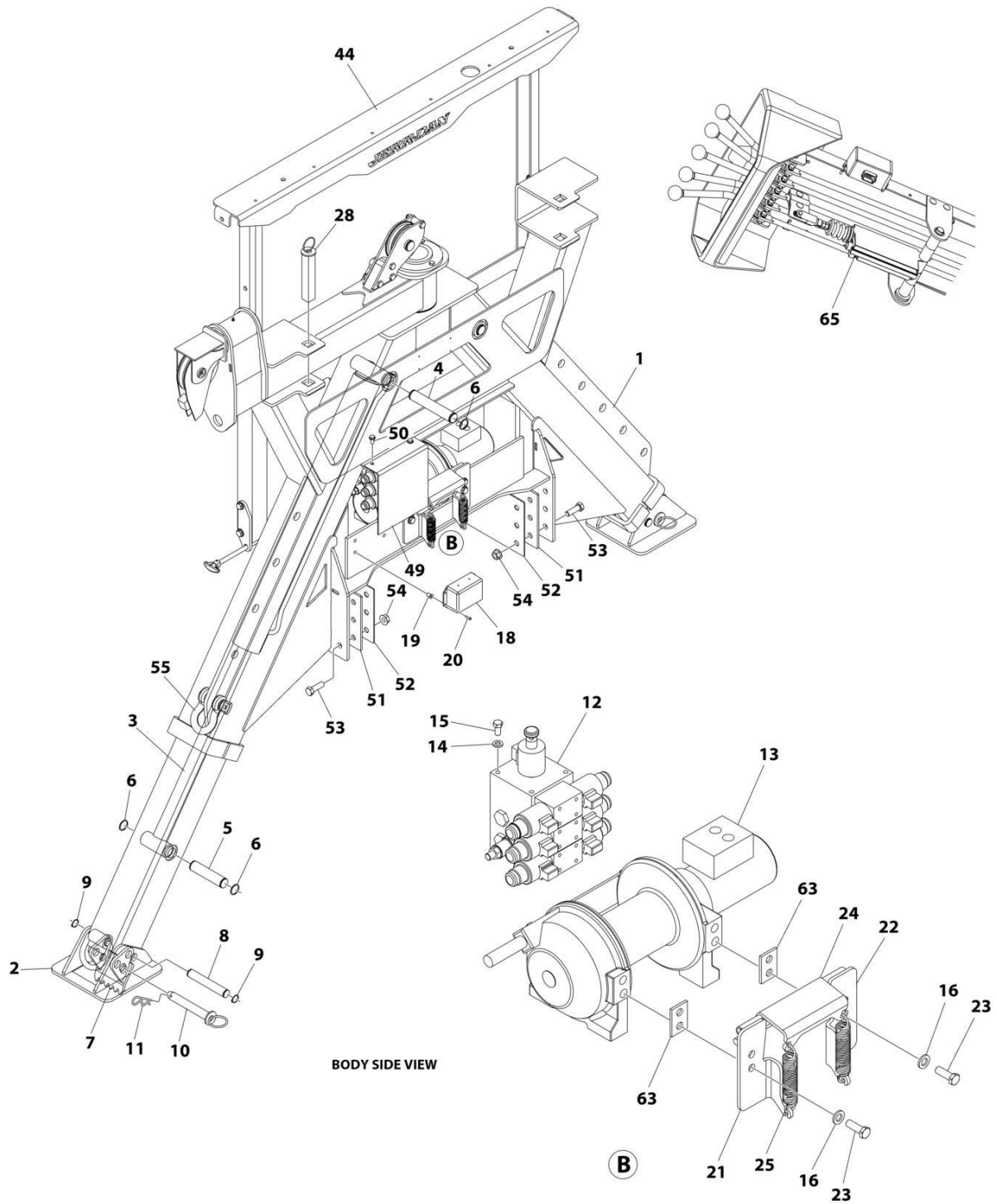
# SECTION 1 - SUBFRAME

FIGURE 1-23. SIDE RECOVERY SYSTEM - 8000 LBS WINCH WITH COMBO REMOTE



ART\_3455000064\_10F2

# SECTION 1 - SUBFRAME



ART\_345500064\_20F2

# SECTION 1 - SUBFRAME

FIGURE 1-23. SIDE RECOVERY SYSTEM - 8000 LBS WINCH WITH COMBO REMOTE

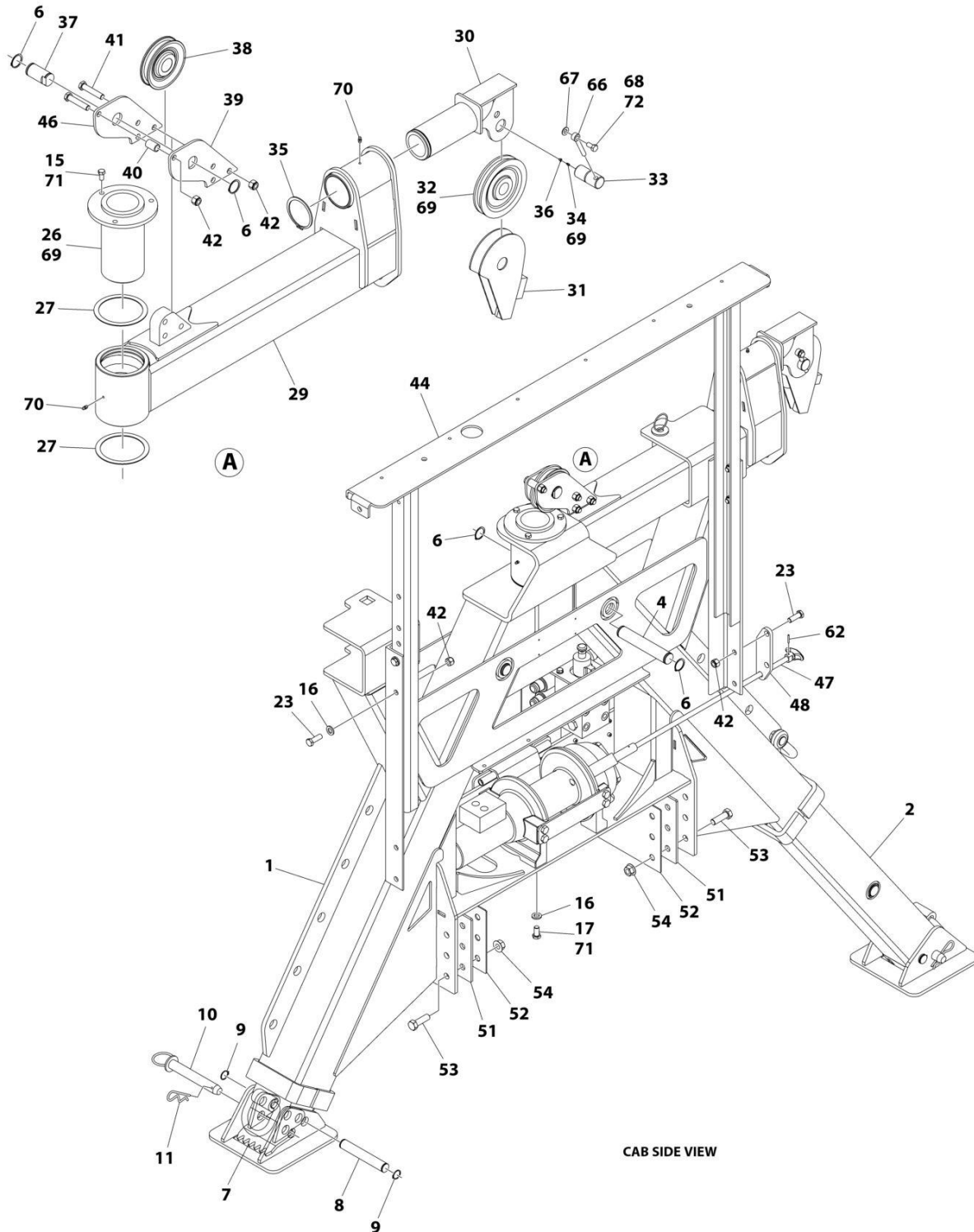
ITEM	PART NUMBER	QTY	DESCRIPTION	REV
	3455000064	Ref	FRAME ASSEMBLY (SRS-8), 3+1 REMOTE	C
1	3455000058	1	Frame Weldment	
2	3170000473	2	Boom Weldment	
3	3320000229	2	Cylinder Assembly (See Separate Breakdown in this Section)	
4	4691000296	2	Pin	
5	4691000429	2	Pin	
6	3760133	9	Ring	
7	3706000363	2	Plate	
8	4691000495	2	Pin	
9	7754000019	6	Ring	
10	3691000064	2	Pin	
11	7691000001	2	Hair Pin	
12	3619000010	1	Manifold Assembly	
13	7970000157	1	Winch Assembly (See Separate Breakdown in this Section)	
14	7950160000	3	Lockwasher	
15	0641606	6	Capscrew 3/8 x 3/4	
16	4891800	20	Washer 1/2	
17	1001139343	8	Bolt 1/2 x 1-1/4	
18	7295000130	1	Controller	
19	7661000007	4	Nut #10	
20	7104100613	4	Screw #10	
21	3178000517	1	Bracket	
22	3178000518	1	Bracket	
23	0641812	10	Capscrew 1/2 1-1/2	
24	3706000364	1	Plate	
25	7843000035	2	Spring	
26	3691000259	1	Pin	
27	4949000059	2	Washer 5 x 4-1/2	
28	3691000260	1	Pin	
29	1001206388	1	Boom	
30	1001206161	1	Support	
31	1001206167	1	Support	
32	7809000001	1	Sheave	
33	1001206171	1	Pin	
34	88671008	1	Fitting	
35	7754000005	1	Ring	
36	7253000002	1	Fitting	
37	4691000513	1	Pin	
38	7809000021	1	Sheave	
39	4706005651	1	Plate	
40	4209000336	1	Bushing	
41	0641820	4	Capscrew 1/2 x 2	
42	7660182601	12	Nut 1/2	
44	3241000208	1	Headboard	
45	7552000413	1	Side Recovery System Harness (Not Shown - See Separate Breakdown in ELECTRICAL Section))	
46	4706005650	1	Plate	
47	3763000188	1	Rod	
48	4706005672	1	Plate	
49	4314000167	1	Cover	

## SECTION 1 - SUBFRAME

ITEM	PART NUMBER	QTY	DESCRIPTION	REV
50	7790161253	2	Screw 3/8 x 3/4	
51	4831000126	2	Spacer	
52	4831000127	2	Spacer	
53	0652016	12	Screw 5/8 x 2	
54	7660202347	12	Nut 1/6	
55	7804000007	1	Shackle	
56	7248000077	1	Wire Rope (Not Shown)	
57	7274000053	4	Clamp (Not Shown)	
58	0641508	4	Capscrew 5/16 x 1 (Not Shown)	
59	4751500	4	Washer 5/16 (Not Shown)	
60	7660152601	4	Nut 1/3 (Not Shown)	
61	7002000519	1	Snatch (Not Shown)	
62	7690051641	1	Pin	
63	4706005752	2	Plate	
65	2577000016	1	Actuator	
66	3841143	1	Keeper	
67	4711600	1	Washer	
68	0651606	1	Capscrew 3/8 x 3/4	
69	3020039	AR	Lubricant	
70	3020029	AR	Lube	
71	0100071	AR	Compound Locking	
72	1001095650	AR	Compound Locking	

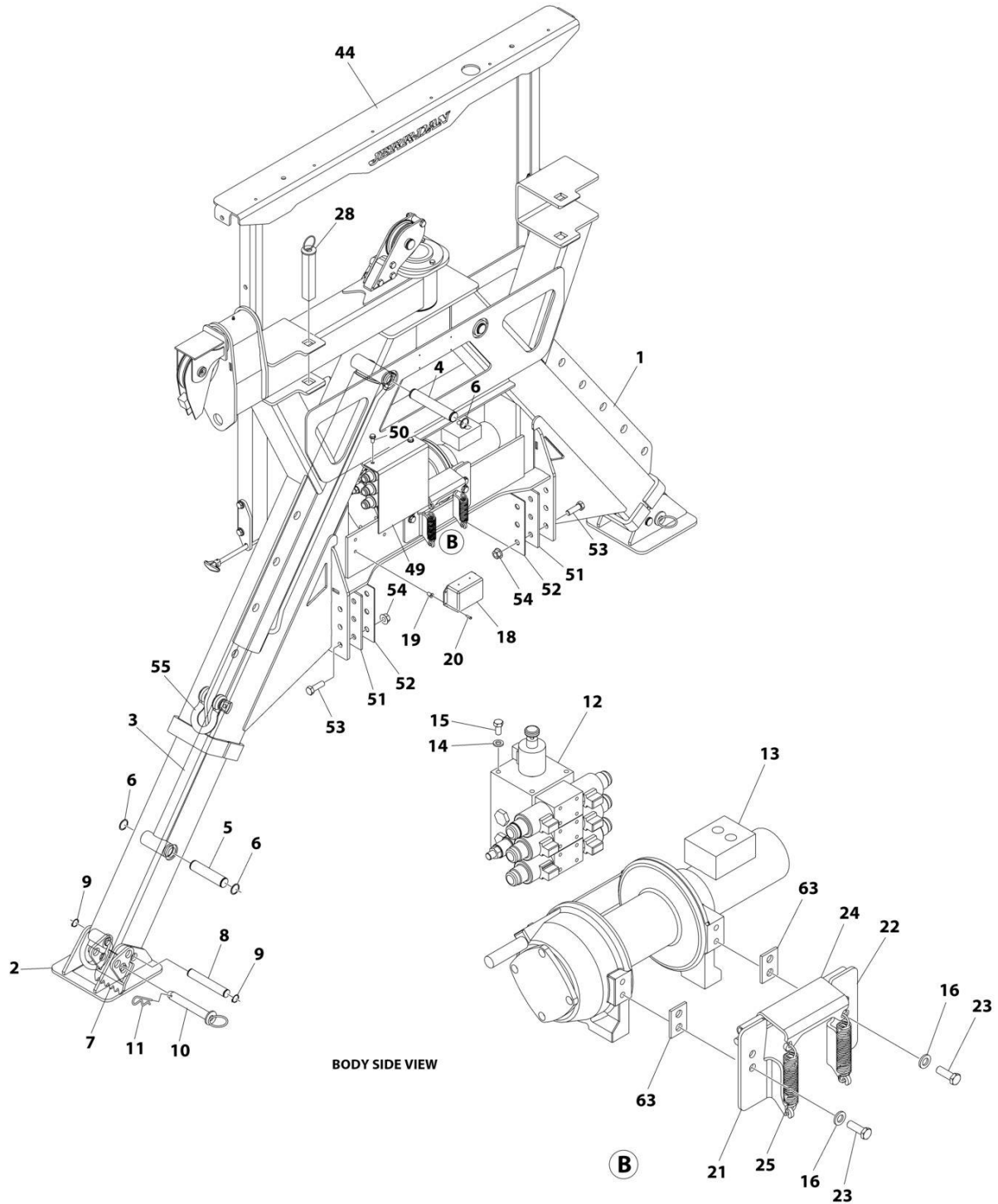
# SECTION 1 - SUBFRAME

FIGURE 1-24. SIDE RECOVERY SYSTEM - 10000 LBS WINCH



ART\_3455000060\_10F2

# SECTION 1 - SUBFRAME



BODY SIDE VIEW

ART\_345500060\_2OF2

# SECTION 1 - SUBFRAME

**FIGURE 1-24. SIDE RECOVERY SYSTEM - 10000 LBS WINCH**

ITEM	PART NUMBER	QTY	DESCRIPTION	REV
	3455000060	Ref	FRAME ASSEMBLY (SRS-10)	D
1	3455000058	1	Frame Weldment	
2	3170000473	2	Boom Weldment	
3	3320000229	2	Cylinder Assembly (See Separate Breakdown in this Section)	
4	4691000296	2	Pin	
5	4691000429	2	Pin	
6	3760133	9	Ring	
7	3706000363	2	Plate	
8	4691000495	2	Pin	
9	7754000019	6	Ring	
10	3691000064	2	Pin	
11	7691000001	2	Hair Pin	
12	3619000010	1	Manifold Assembly	
13	7970000158	1	Winch Assembly (See Separate Breakdown in this Section)	
14	7950160000	3	Lockwasher	
15	0641606	6	Capscrew 3/8 x 3/4	
16	4891800	20	Washer 1/2	
17	1001139343	8	Bolt 1/2 x 1-1/4	
18	7295000118	1	Controller	
19	7661000007	4	Nut #10	
20	7104100613	4	Screw #10	
21	3178000517	1	Bracket	
22	3178000518	1	Bracket	
23	0641812	10	Capscrew 1/2 1-1/2	
24	3706000364	1	Plate	
25	7843000035	2	Spring	
26	3691000259	1	Pin	
27	4949000059	2	Washer 5 x 4-1/2	
28	3691000260	1	Pin	
29	1001206388	1	Boom	
30	1001206161	1	Support	
31	1001206167	1	Support	
32	7809000001	1	Sheave	
33	1001206171	1	Pin	
34	88671008	1	Fitting	
35	7754000005	1	Ring	
36	7253000002	1	Fitting	
37	4691000513	1	Pin	
38	7809000021	1	Sheave	
39	4706005651	1	Plate	
40	4209000336	1	Bushing	
41	0641820	4	Capscrew 1/2 x 2	
42	7660182601	14	Nut 1/2	
44	3241000208	1	Headboard	
45	7552000385	1	Side Recovery System Harness (Not Shown - See Separate Breakdown in ELECTRICAL Section))	
46	4706005650	1	Plate	
47	3763000188	1	Rod	
48	4706005672	1	Plate	
49	4314000167	1	Cover	

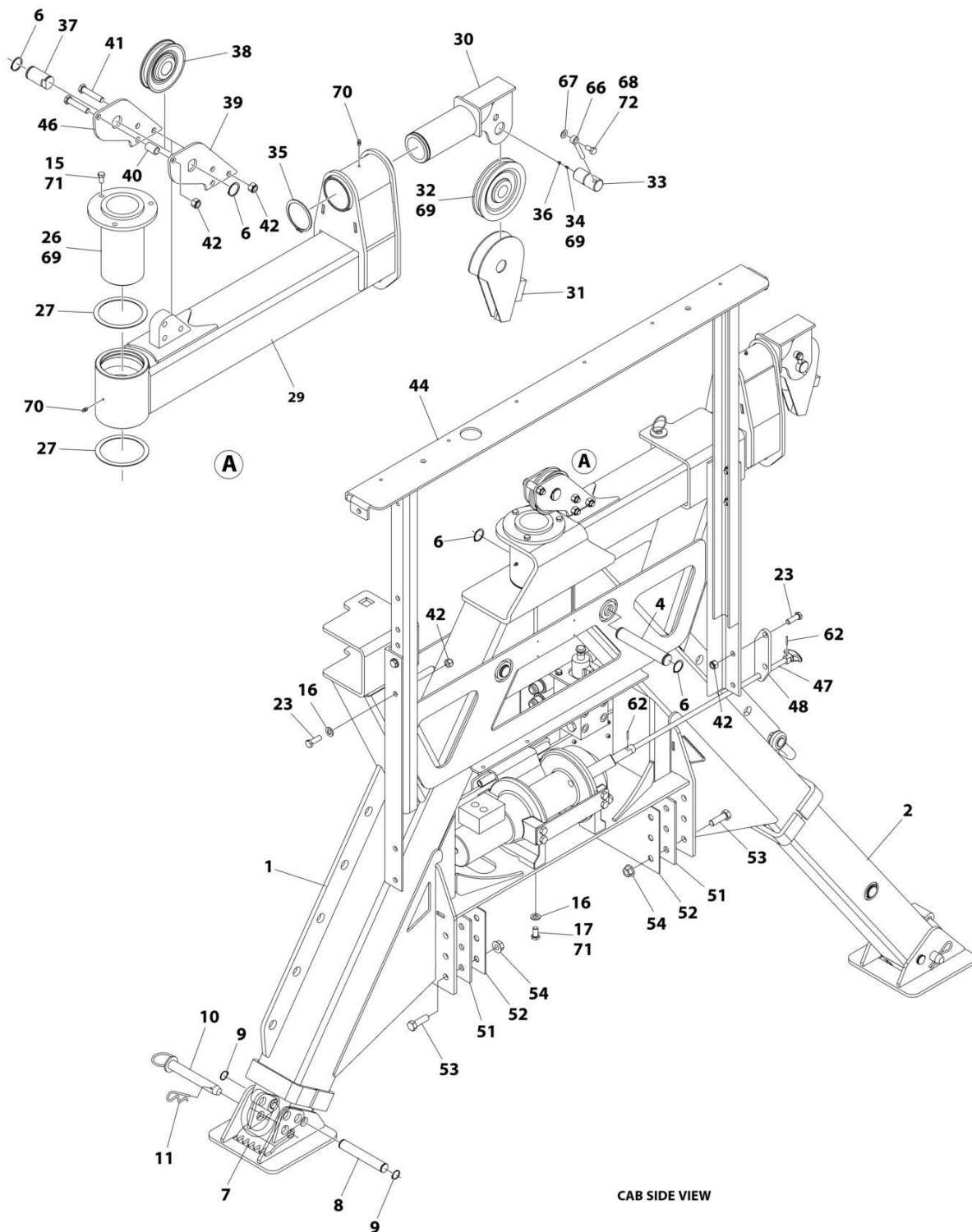


## SECTION 1 - SUBFRAME

ITEM	PART NUMBER	QTY	DESCRIPTION	REV
50	7790161253	2	Screw 3/8 x 3/4	
51	4831000126	2	Spacer	
52	4831000127	2	Spacer	
53	0652016	12	Screw 5/8 x 2	
54	7660202347	12	Nut 1/6	
55	7804000007	1	Shackle	
56	7248000070	1	Wire Rope (Not Shown)	
57	7274000053	4	Clamp (Not Shown)	
58	0641508	4	Capscrew 5/16 x 1 (Not Shown)	
59	4751500	4	Washer 5/16 (Not Shown)	
60	7660152601	4	Nut 1/3 (Not Shown)	
61	7002000519	1	Snatch (Not Shown)	
62	7690051641	1	Pin	
63	4706005752	2	Plate	
66	3841143	1	Keeper	
67	4711600	1	Washer	
68	0651606	1	Capscrew 3/8 x 3/4	
69	3020039	AR	Lubricant	
70	3020029	AR	Lube	
71	0100071	AR	Adhesive	
72	1001095650	AR	Adhesive	

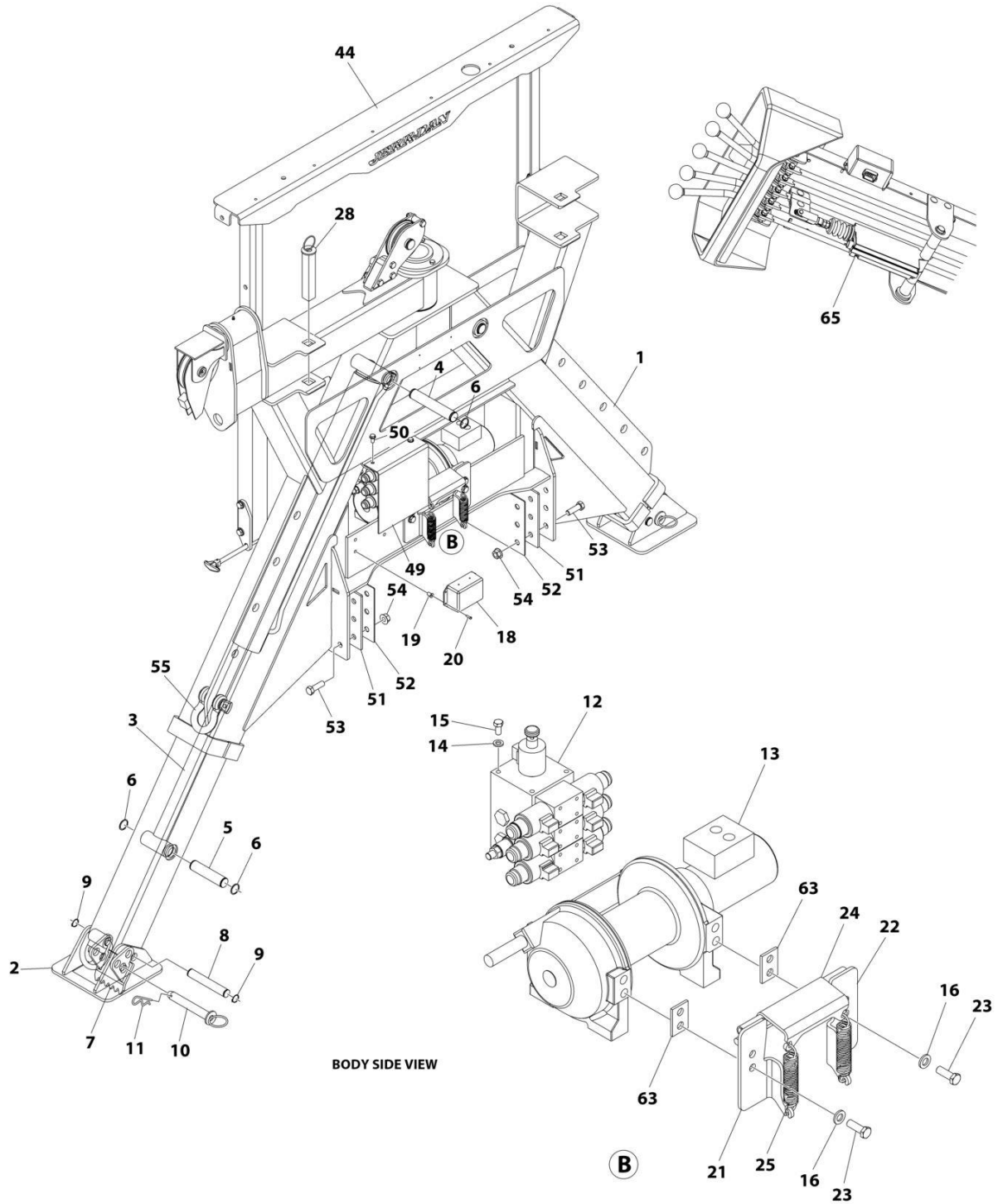
# SECTION 1 - SUBFRAME

## FIGURE 1-25. SIDE RECOVERY SYSTEM - 10000 LBS WINCH WITH COMBO REMOTE



ART\_3455000065\_10F2

# SECTION 1 - SUBFRAME



BODY SIDE VIEW

ART\_345500065\_20F2

# SECTION 1 - SUBFRAME

**FIGURE 1-25. SIDE RECOVERY SYSTEM - 10000 LBS WINCH WITH COMBO REMOTE**

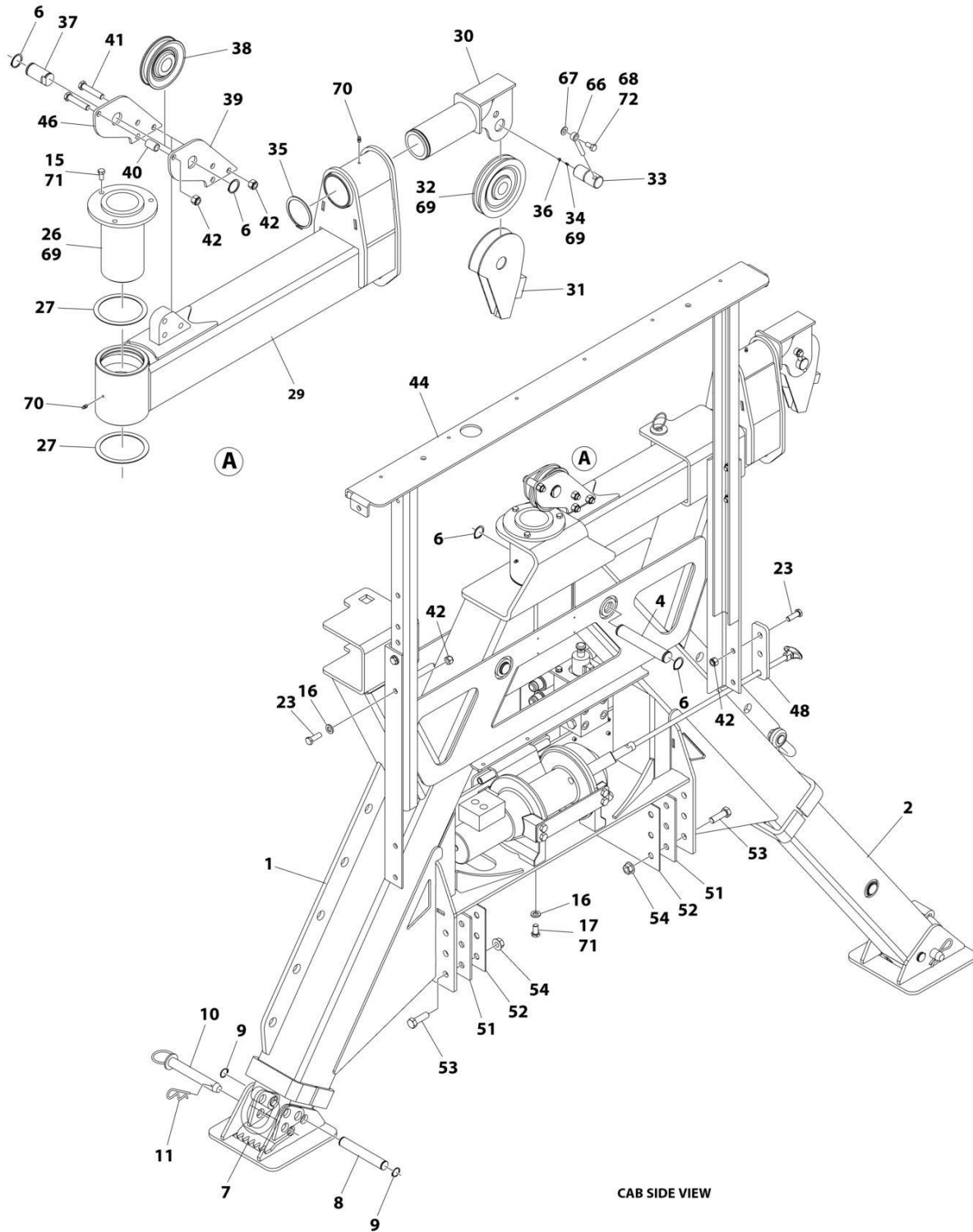
ITEM	PART NUMBER	QTY	DESCRIPTION	REV
	3455000065	Ref	FRAME ASSEMBLY (SRS-10), 3+1 REMOTE	C
1	3455000058	1	Frame Weldment	
2	3170000473	2	Boom Weldment	
3	3320000229	2	Cylinder Assembly (See Separate Breakdown in this Section)	
4	4691000296	2	Pin	
5	4691000429	2	Pin	
6	3760133	9	Ring	
7	3706000363	2	Plate	
8	4691000495	2	Pin	
9	7754000019	6	Ring	
10	3691000064	2	Pin	
11	7691000001	2	Hair Pin	
12	3619000010	1	Manifold Assembly	
13	7970000158	1	Winch Assembly (See Separate Breakdown in this Section)	
14	7950160000	3	Lockwasher	
15	0641606	6	Capscrew 3/8 x 3/4	
16	4891800	20	Washer 1/2	
17	1001139343	8	Bolt 1/2 x 1-1/4	
18	7295000130	1	Controller	
19	7661000007	4	Nut #10	
20	7104100613	4	Screw #10	
21	3178000517	1	Bracket	
22	3178000518	1	Bracket	
23	0641812	10	Capscrew 1/2 1-1/2	
24	3706000364	1	Plate	
25	7843000035	2	Spring	
26	3691000259	1	Pin	
27	4949000059	2	Washer 5 x 4-1/2	
28	3691000260	1	Pin	
29	1001206388	1	Boom	
30	1001206161	1	Support	
31	1001206167	1	Support	
32	7809000001	1	Sheave	
33	1001206171	1	Pin	
34	88671008	1	Fitting	
35	7754000005	1	Ring	
36	7253000002	1	Fitting	
37	4691000513	1	Pin	
38	7809000021	1	Sheave	
39	4706005651	1	Plate	
40	4209000336	1	Bushing	
41	0641820	4	Capscrew 1/2 x 2	
42	7660182601	12	Nut 1/2	
44	3241000208	1	Headboard	
45	7552000413	1	Side Recovery System Harness (Not Shown - See Separate Breakdown in ELECTRICAL Section))	
46	4706005650	1	Plate	
47	3763000188	1	Rod	
48	4706005672	1	Plate	
49	4314000167	1	Cover	

## SECTION 1 - SUBFRAME

ITEM	PART NUMBER	QTY	DESCRIPTION	REV
50	7790161253	2	Screw 3/8 x 3/4	
51	4831000126	2	Spacer	
52	4831000127	2	Spacer	
53	0652016	12	Screw 5/8 x 2	
54	7660202347	12	Nut 1/6	
55	7804000007	1	Shackle	
56	7248000070	1	Wire Rope (Not Shown)	
57	7274000053	4	Clamp (Not Shown)	
58	0641508	4	Capscrew 5/16 x 1 (Not Shown)	
59	4751500	4	Washer 5/16 (Not Shown)	
60	7660152601	4	Nut 1/3 (Not Shown)	
61	7002000519	1	Snatch (Not Shown)	
62	7690051641	1	Pin	
63	4706005752	2	Plate	
65	2577000016	1	Linear Actuator Kit	
66	3841143	1	Keeper	
67	4711600	1	Washer	
68	0651606	1	Capscrew 3/8 x 3/4	
69	3020039	AR	Lubricant	
70	3020029	AR	Lube	
71	0100071	AR	Adhesive	
72	1001095650	AR	Adhesive	

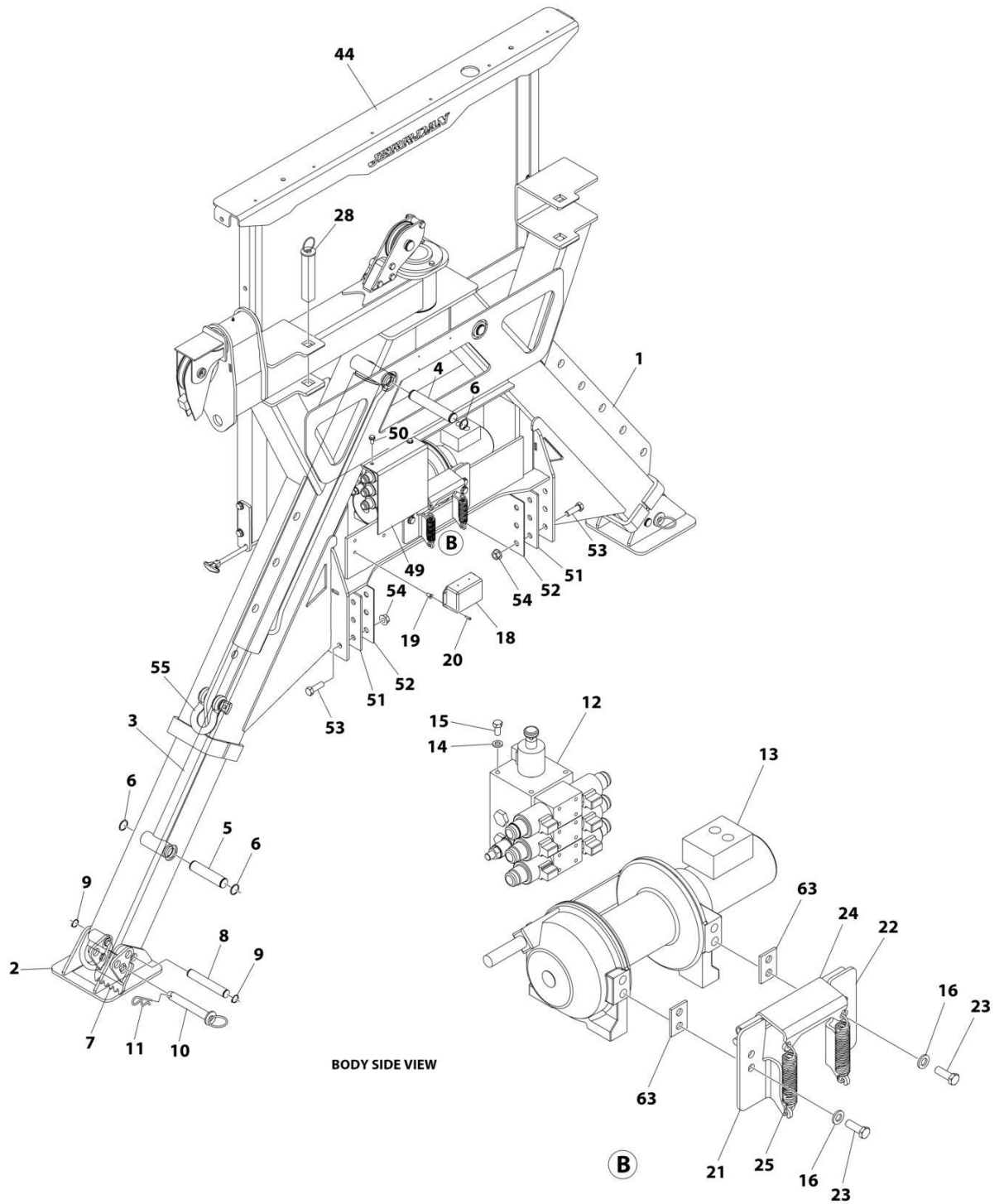
# SECTION 1 - SUBFRAME

FIGURE 1-26. SIDE RECOVERY SYSTEM - 10000 LBS WINCH WITH AIR FREE SPOOL



ART\_3455000063\_10F2

# SECTION 1 - SUBFRAME



BODY SIDE VIEW

ART\_345500063\_2OF2

# SECTION 1 - SUBFRAME

**FIGURE 1-26. SIDE RECOVERY SYSTEM - 10000 LBS WINCH WITH AIR FREE SPOOL**

ITEM	PART NUMBER	QTY	DESCRIPTION	REV
	3455000063	Ref	FRAME ASSEMBLY (SRS-10), AIR F/S	C
1	3455000058	1	Frame Weldment	
2	3170000473	2	Boom Weldment	
3	3320000229	2	Cylinder Assembly (See Separate Breakdown in this Section)	
4	4691000296	2	Pin	
5	4691000429	2	Pin	
6	3760133	9	Ring	
7	3706000363	2	Plate	
8	4691000495	2	Pin	
9	7754000019	6	Ring	
10	3691000064	2	Pin	
11	7691000001	2	Hair Pin	
12	3619000010	1	Manifold Assembly	
13	7970000166	1	Winch Assembly (See Separate Breakdown in this Section)	
14	7950160000	3	Lockwasher	
15	0641606	6	Capscrew 3/8 x 3/4	
16	4891800	20	Washer 1/2	
17	1001139343	8	Bolt 1/2 x 1-1/4	
18	7295000118	1	Controller	
19	7661000007	4	Nut #10	
20	7104100613	4	Screw #10	
21	3178000517	1	Bracket	
22	3178000518	1	Bracket	
23	0641812	12	Capscrew 1/2 1-1/2	
24	3706000364	1	Plate	
25	7843000035	2	Spring	
26	3691000259	1	Pin	
27	4949000059	2	Washer 5 x 4-1/2	
28	3691000260	1	Pin	
29	1001206388	1	Boom	
30	1001206161	1	Support	
31	1001206167	1	Support	
32	7809000001	1	Sheave	
33	1001206171	1	Pin	
34	88671008	1	Fitting	
35	7754000005	1	Ring	
36	7253000002	1	Fitting	
37	4691000513	1	Pin	
38	7809000021	1	Sheave	
39	4706005651	1	Plate	
40	4209000336	1	Bushing	
41	0641820	4	Capscrew 1/2 x 2	
42	7660182601	14	Nut 1/2	
44	3241000208	1	Headboard	
45	7552000385	1	Side Recovery System Harness (Not Shown - See Separate Breakdown in ELECTRICAL Section))	
46	4706005650	1	Plate	
48	4706006211	2	Plate	
49	4314000167	1	Cover	
50	7790161253	2	Screw 3/8 x 3/4	

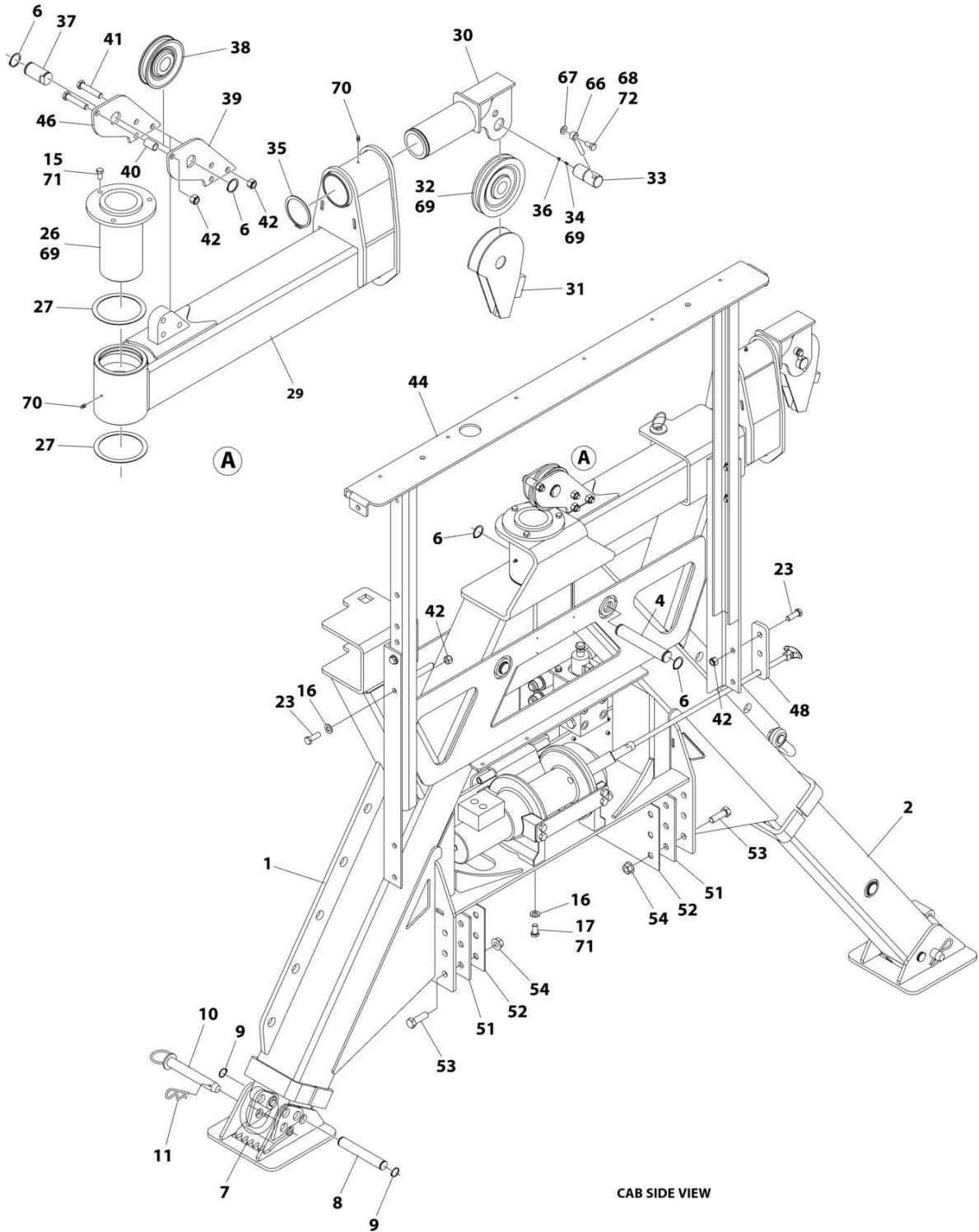


## SECTION 1 - SUBFRAME

ITEM	PART NUMBER	QTY	DESCRIPTION	REV
51	4831000126	2	Spacer	
52	4831000127	2	Spacer	
53	0652016	12	Screw 5/8 x 2	
54	7660202347	12	Nut 1/6	
55	7804000007	1	Shackle	
56	7248000070	1	Wire Rope (Not Shown)	
57	7274000053	4	Clamp (Not Shown)	
58	0641508	4	Capscrew 5/16 x 1 (Not Shown)	
59	4751500	4	Washer 5/16 (Not Shown)	
60	7660152601	4	Nut 1/3 (Not Shown)	
61	7002000519	1	Snatch (Not Shown)	
63	4706005752	2	Plate	
64	2870000023	1	Switch Installation (Not Shown)	
66	3841143	1	Keeper	
67	4711600	1	Washer	
68	0651606	1	Capscrew 3/8 x 3/4	
69	3020039	AR	Lubricant	
70	3020029	AR	Lube	
71	0100071	AR	Adhesive	
72	1001095650	AR	Adhesive	

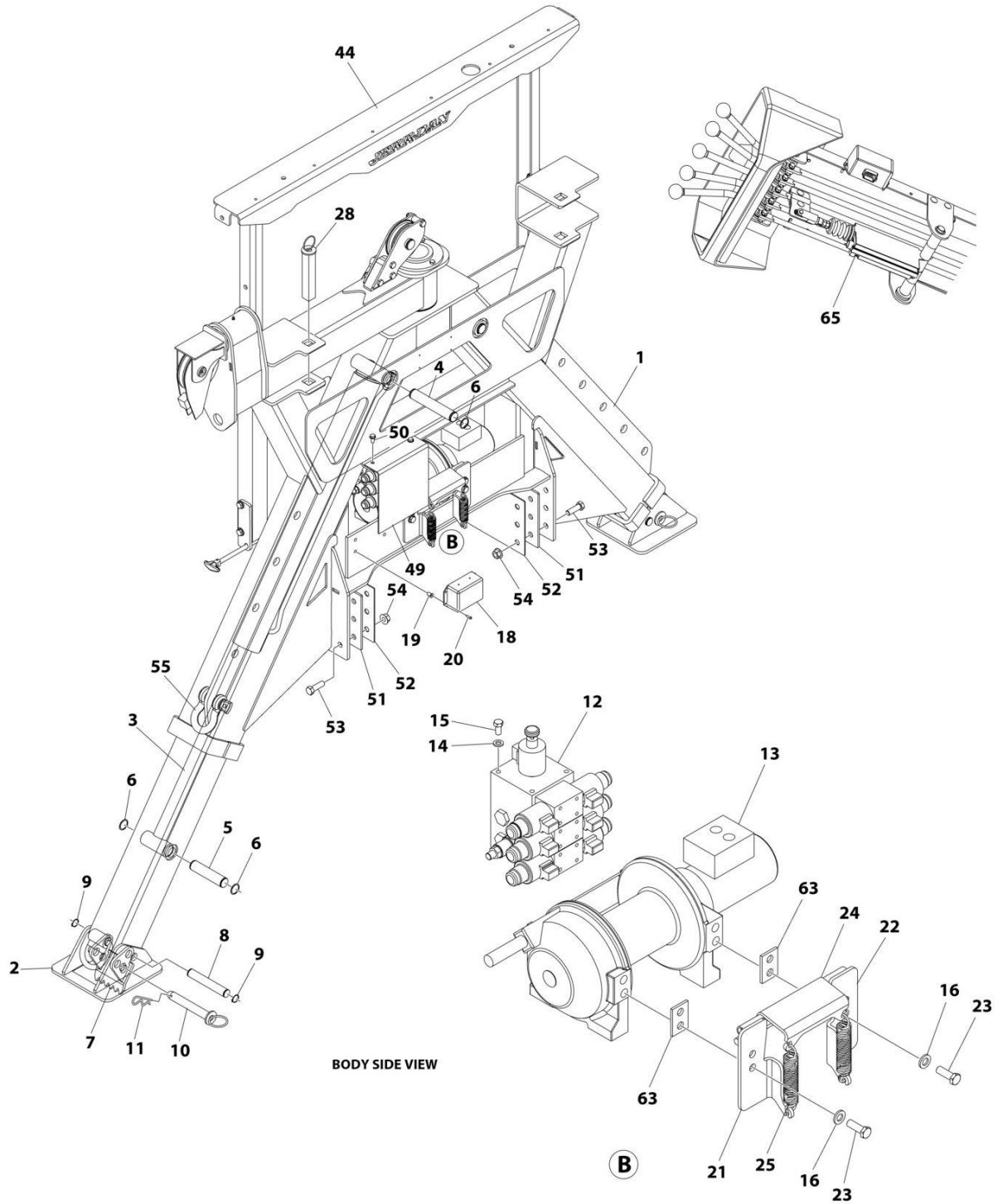
# SECTION 1 - SUBFRAME

## FIGURE 1-27. SIDE RECOVERY SYSTEM - 10000 LBS WINCH WITH AIR FREE SPOOL & COMBO REMOTE



ART\_3455000066\_10F2

# SECTION 1 - SUBFRAME



BODY SIDE VIEW

ART\_3455000066\_20F2

# SECTION 1 - SUBFRAME

**FIGURE 1-27. SIDE RECOVERY SYSTEM - 10000 LBS WINCH WITH AIR FREE SPOOL & COMBO REMOTE**

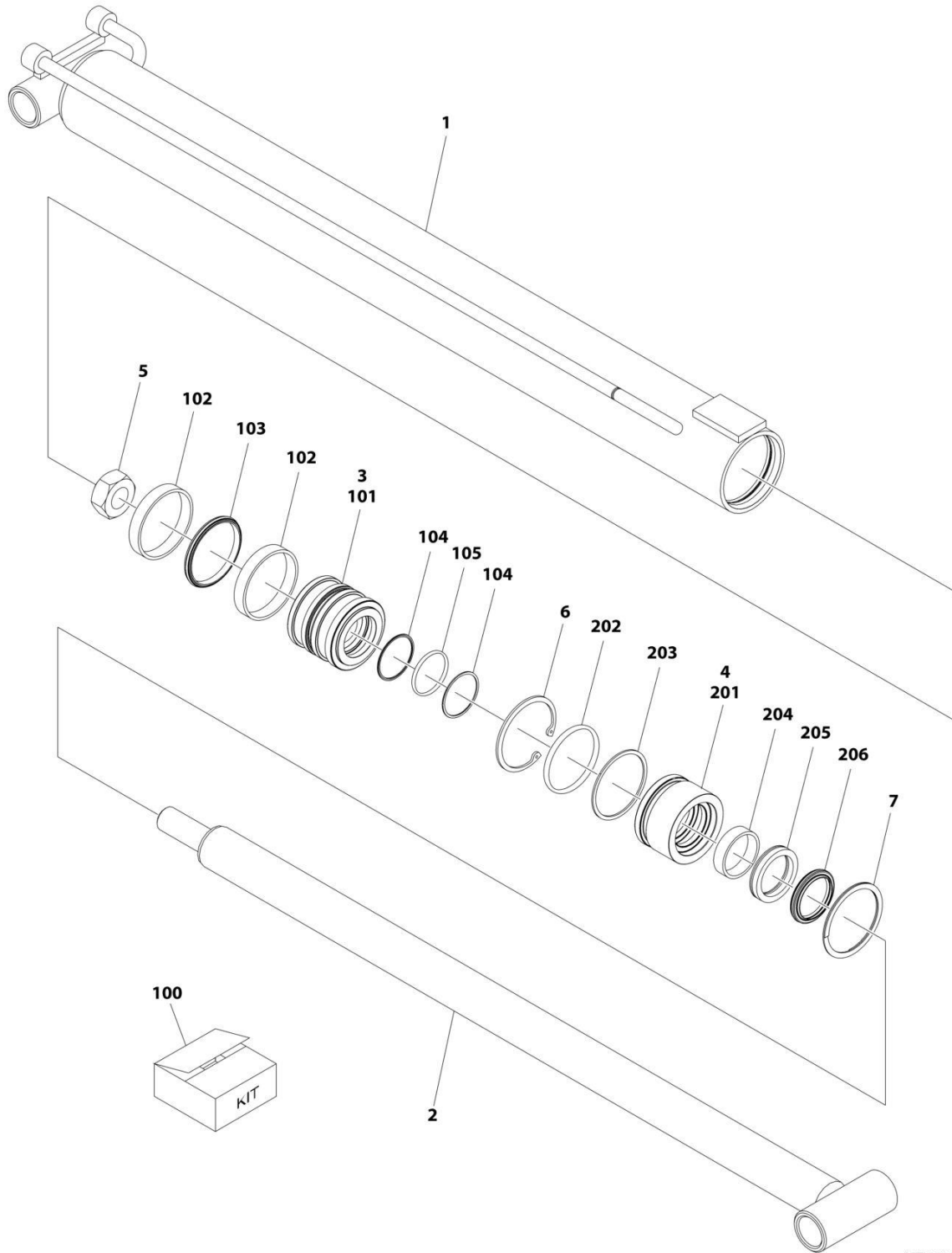
ITEM	PART NUMBER	QTY	DESCRIPTION	REV
	3455000066	Ref	FRAME ASSEMBLY (SRS-10), AIR F/S, 3+1 REMOTE	C
1	3455000058	1	Frame	
2	3170000473	2	Boom Weldment	
3	3320000229	2	Cylinder Assembly (See Separate Breakdown in this Section)	
4	4691000296	2	Pin	
5	4691000429	2	Pin	
6	3760133	9	Ring	
7	3706000363	2	Plate	
8	4691000495	2	Pin	
9	7754000019	6	Ring	
10	3691000064	2	Pin	
11	7691000001	2	Hair Pin	
12	3619000010	1	Manifold Assembly	
13	7970000166	1	Winch Assembly (See Separate Breakdown in this Section)	
14	7950160000	3	Lockwasher	
15	0641606	6	Capscrew 3/8 x 3/4	
16	4891800	20	Washer 1/2	
17	1001139343	8	Bolt 1/2 x 1-1/4	
18	7295000130	1	Controller	
19	7661000007	4	Nut #10	
20	7104100613	4	Screw #10	
21	3178000517	1	Bracket	
22	3178000518	1	Bracket	
23	0641812	12	Capscrew 1/2 1-1/2	
24	3706000364	1	Plate	
25	7843000035	2	Spring	
26	3691000259	1	Pin	
27	4949000059	2	Washer 5 x 4-1/2	
28	3691000260	1	Pin	
29	1001206388	1	Boom	
30	1001206161	1	Support	
31	1001206167	1	Support	
32	7809000001	1	Sheave	
33	1001206171	1	Pin	
34	88671008	1	Fitting	
35	7754000005	1	Ring	
36	7253000002	1	Fitting	
37	4691000513	1	Pin	
38	7809000021	1	Sheave	
39	4706005651	1	Plate	
40	4209000336	1	Bushing	
41	0641820	4	Capscrew 1/2 x 2	
42	7660182601	14	Nut 1/2	
44	3241000208	1	Headboard	
45	7552000413	1	Side Recovery System Harness (Not Shown - See Separate Breakdown in ELECTRICAL Section))	
46	4706005650	1	Plate	
48	4706006211	2	Plate	
49	4314000167	1	Cover	

## SECTION 1 - SUBFRAME

ITEM	PART NUMBER	QTY	DESCRIPTION	REV
50	7790161253	2	Screw 3/8 x 3/4	
51	4831000126	2	Spacer	
52	4831000127	2	Spacer	
53	0652016	12	Screw 5/8 x 2	
54	7660202347	12	Nut 1/6	
55	7804000007	1	Shackle	
56	7248000070	1	Wire Rope (Not Shown)	
57	7274000053	4	Clamp (Not Shown)	
58	0641508	4	Capscrew 5/16 x 1 (Not Shown)	
59	4751500	4	Washer 5/16 (Not Shown)	
60	7660152601	4	Nut 1/3 (Not Shown)	
61	7002000519	1	Snatch (Not Shown)	
63	4706005752	2	Plate	
64	2870000023	1	Switch Installation (Not Shown)	
65	2577000016	1	Linear Actuator Kit	
66	3841143	1	Keeper	
67	4711600	1	Washer	
68	0651606	1	Capscrew 3/8 x 3/4	
69	3020039	AR	Lubricant	
70	3020029	AR	Lube	
71	0100071	AR	Adhesive	
72	1001095650	AR	Adhesive	

# SECTION 1 - SUBFRAME

## FIGURE 1-28. CYLINDER ASSEMBLY - SIDE RECOVERY SYSTEM



ART\_3320000229

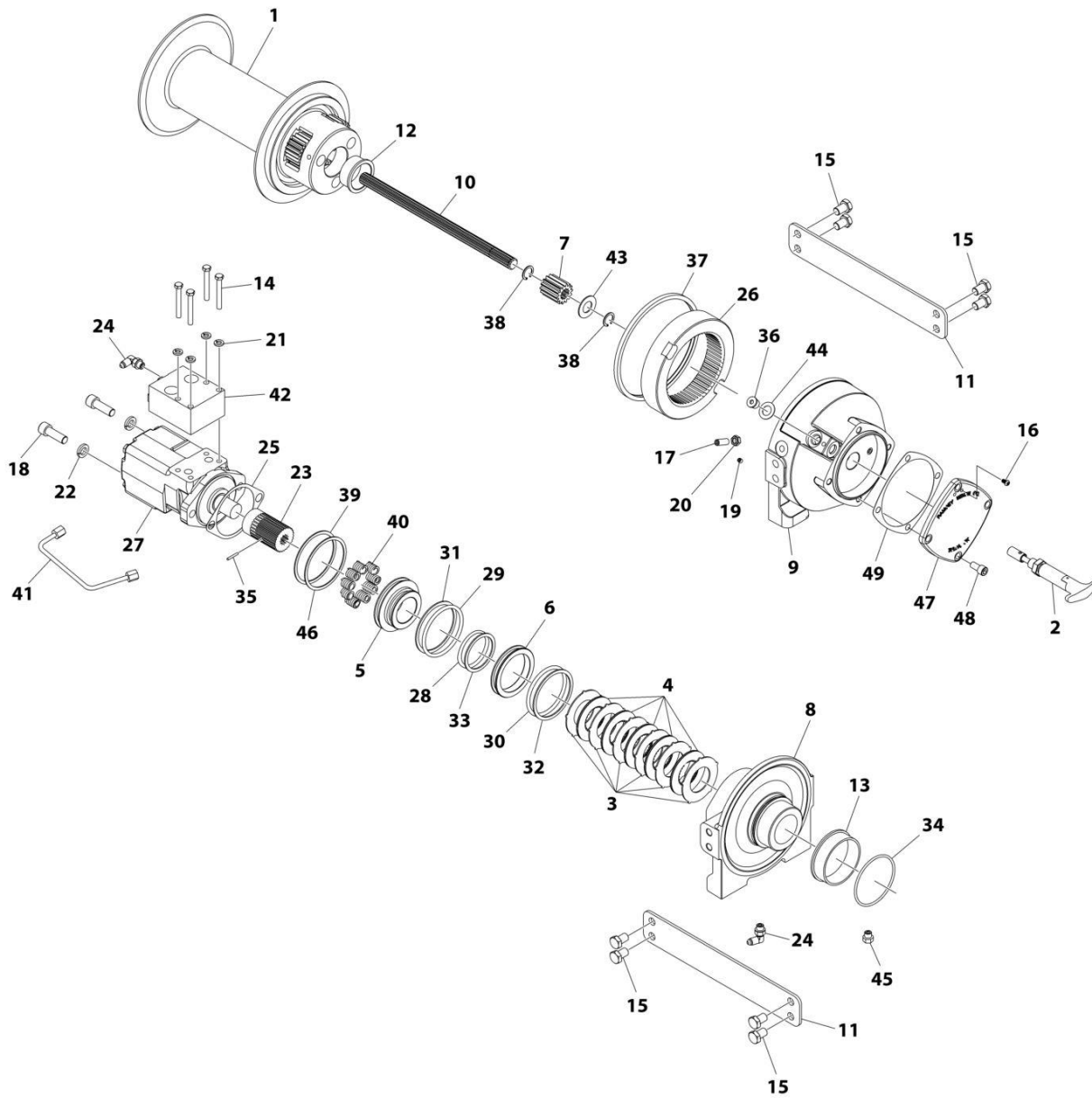
## SECTION 1 - SUBFRAME

**FIGURE 1-28. CYLINDER ASSEMBLY - SIDE RECOVERY SYSTEM**

ITEM	PART NUMBER	QTY	DESCRIPTION	REV
	3320000229	Ref	CYLINDER ASSEMBLY - SIDE RECOVERY SYSTEM	A
1	3071000213	1	Barrel	
2	3763000187	1	Rod	
3	3698000001	1	Piston Assembly (Includes Items 101-105)	
4	3553000011	1	Head Assembly (Includes Items 201-206)	
5	7661000034	1	Nut	
6	7754000002	1	Ring, Retaining	
7	7754000026	1	Ring, Retaining	
100	7577250024	1	Seal Kit (Includes Items 102-105 & 202-206)	
	3698000001	Ref	PISTON ASSEMBLY	
101	4698000007	1	Piston	
102	7754000003	2	Ring, Wear	
103	7796000063	1	Seal	
104	7755224609	2	Ring, Back-up	
105	7755224000	1	O-Ring	
	3553000011	Ref	HEAD ASSEMBLY	
201	4553000008	1	Head	
202	7755334000	1	O-Ring	
203	7755334609	1	Ring, Back-up	
204	7754000004	1	Ring, Wear	
205	7796000024	1	Seal	
206	7796000008	1	Wiper	

# SECTION 1 - SUBFRAME

## FIGURE 1-29. WINCH ASSEMBLY - 8000 LBS SIDE RECOVERY



ART\_7970000157



## SECTION 1 - SUBFRAME

### FIGURE 1-29. WINCH ASSEMBLY - 8000 LBS SIDE RECOVERY

ITEM	PART NUMBER	QTY	DESCRIPTION	REV
	797000157	Ref	WINCH - 8000 LBS PLANETARY GEAR WITH MANUAL FREE SPOOL	B
1	9970960027	1	Drum Assembly "Y"	
2	9551960018	1	Shifter Assembly	
3	70050612	6	Stator - Brake	
4	70050613	5	Disc Brake	
5	70050614	1	Piston Brake	
6	70050615	1	Piston Brake Backup	
7	9472960042	1	Gear - Output, Sun	
8	70050456	1	End Bearing - Motor	
9	70050616	1	End Bearing - Gear housing	
10	70050617	1	Shaft - Input "Y" Drum	
11	70050618	2	Plate - Tie "Y" Drum	
12	9209960023	1	Bushing - Drum	
13	70050457	1	Bushing - Drum, Motor End	
14	70050619	4	Capscrew 5/16 x 2-1/2	
15	9120960025	8	Capscrew 1/2 x 3/4	
16	70050682	2	Screw 1/4 x 1-2	
17	9786960006	1	Setscrew 3/8 x 1	
18	70050627	2	Capscrew 1/2 x 1-3/4	
19	7785140404	1	Setscrew 1/4 x 1/4	
20	70050628	1	Nut 3/8	
21	9970418163	4	Washer 5/16	
22	9949960016	2	Washer 1/2	
23	9309960009	1	Coupling - Motor	
24	9443960010	2	Fitting	
25	70050458	1	Gasket	
26	9472960043	1	Gear - Ring	
27	9626960012	1	Motor - Hydraulic	
28	70050459	1	O-Ring	
29	70050460	1	O-Ring	
30	70050461	1	O-Ring	
31	70050462	1	Ring - Backup	
32	70050463	1	Ring - Backup	
33	70050464	1	Ring - Backup	
34	70050465	1	O-Ring	
35	9691960001	1	Spirol Pin	
36	9701960016	1	Plug	
37	9796960049	1	Seal	
38	9754960039	2	Snap Ring	
39	70050466	1	Ring - Internal Retaining	
40	70050622	9	Spring - Brake	
41	9912960035	1	Tube - Brake Release (Ports Up)	
42	9935960142	1	Valve - Motor Control "B" Rotation	
43	9812960005	1	Washer - Thrust	
44	9949960017	1	Washer - Thrust	
45	9183960002	1	Fitting, Vent	
46	70050626	1	Ring - Internal Retaining	
47	70050625	1	Cover - Gear Housing	
48	9120960081	4	Capscrew 3/8 x 3/4	

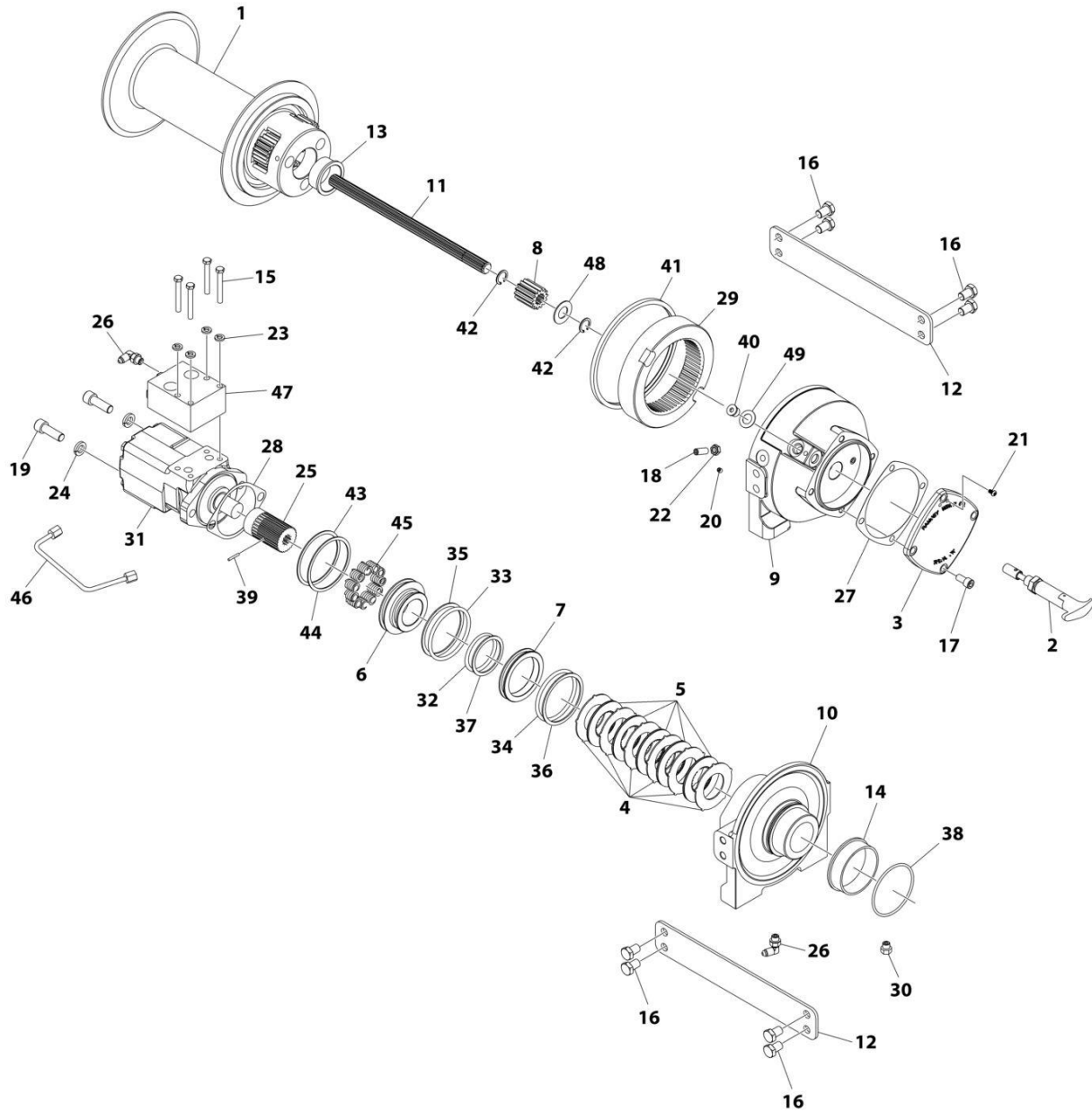
## SECTION 1 - SUBFRAME

ITEM	PART NUMBER	QTY	DESCRIPTION	REV
49	9796960047	1	Gasket	



# SECTION 1 - SUBFRAME

## FIGURE 1-30. WINCH ASSEMBLY - 10000 LBS SIDE RECOVERY



ART\_7970000158

## SECTION 1 - SUBFRAME

### FIGURE 1-30. WINCH ASSEMBLY - 10000 LBS SIDE RECOVERY

ITEM	PART NUMBER	QTY	DESCRIPTION	REV
	7970000158	Ref	WINCH - 10000 LBS PLANETARY GEAR WITH MANUAL FREE SPOOL	B
1	70050525	1	Drum Assembly "Y"	
2	9551960018	1	Shifter Assembly	
3	70050625	1	Cover - Gear Housing	
4	70050612	6	Stator - Brake	
5	70050613	5	Disc Brake	
6	70050614	1	Piston Brake	
7	70050615	1	Piston Brake Backup	
8	9472960042	1	Gear - Output, Sun	
9	70050616	1	End Bearing - Gear housing	
10	70050456	1	End Bearing - Motor	
11	70050617	1	Shaft - Input "Y" Drum	
12	70050618	2	Plate - Tie "Y" Drum	
13	9209960023	1	Bushing - Drum	
14	70050457	1	Bushing - Drum, Motor End	
15	70050619	4	Capscrew 5/16 x 2-1/2	
16	9120960025	8	Capscrew 1/2 x 3/4	
17	9120960081	4	Capscrew 3/8 x 3/4	
18	9786960006	1	Setscrew 3/8 x 1	
19	70050627	2	Capscrew 1/2 x 1-3/4	
20	7785140404	1	Setscrew 1/4 x 1/4	
21	70050620	2	Screw #10 x 3/8	
22	70050628	1	Nut 3/8	
23	9970418163	4	Washer 5/16	
24	9949960031	2	Washer 1/2	
25	70050621	1	Coupling - Motor	
26	9443960010	2	Fitting	
27	9796960047	1	Gasket	
28	70050458	1	Gasket	
29	9472960043	1	Gear - Ring	
30	9183960002	1	Fitting, Vent	
31	9626960027	1	Motor - Hydraulic	
32	70050459	1	O-Ring	
33	70050460	1	O-Ring	
34	70050461	1	O-Ring	
35	70050462	1	Ring - Backup	
36	70050463	1	Ring - Backup	
37	70050464	1	Ring - Backup	
38	70050465	1	O-Ring	
39	9691960001	1	Spirol Pin	
40	9701960016	1	Plug	
41	9796960049	1	Seal	
42	9754960039	2	Snap Ring	
43	70050466	2	Ring - Internal Retaining	
44	70050626	1	Ring - Internal Retaining	
45	70050622	11	Spring - Brake	
46	9912960035	1	Tube - Brake Release (Ports Up)	
47	9935960142	1	Valve - Motor Control "B" Rotation	
48	9812960005	1	Washer - Thrust	

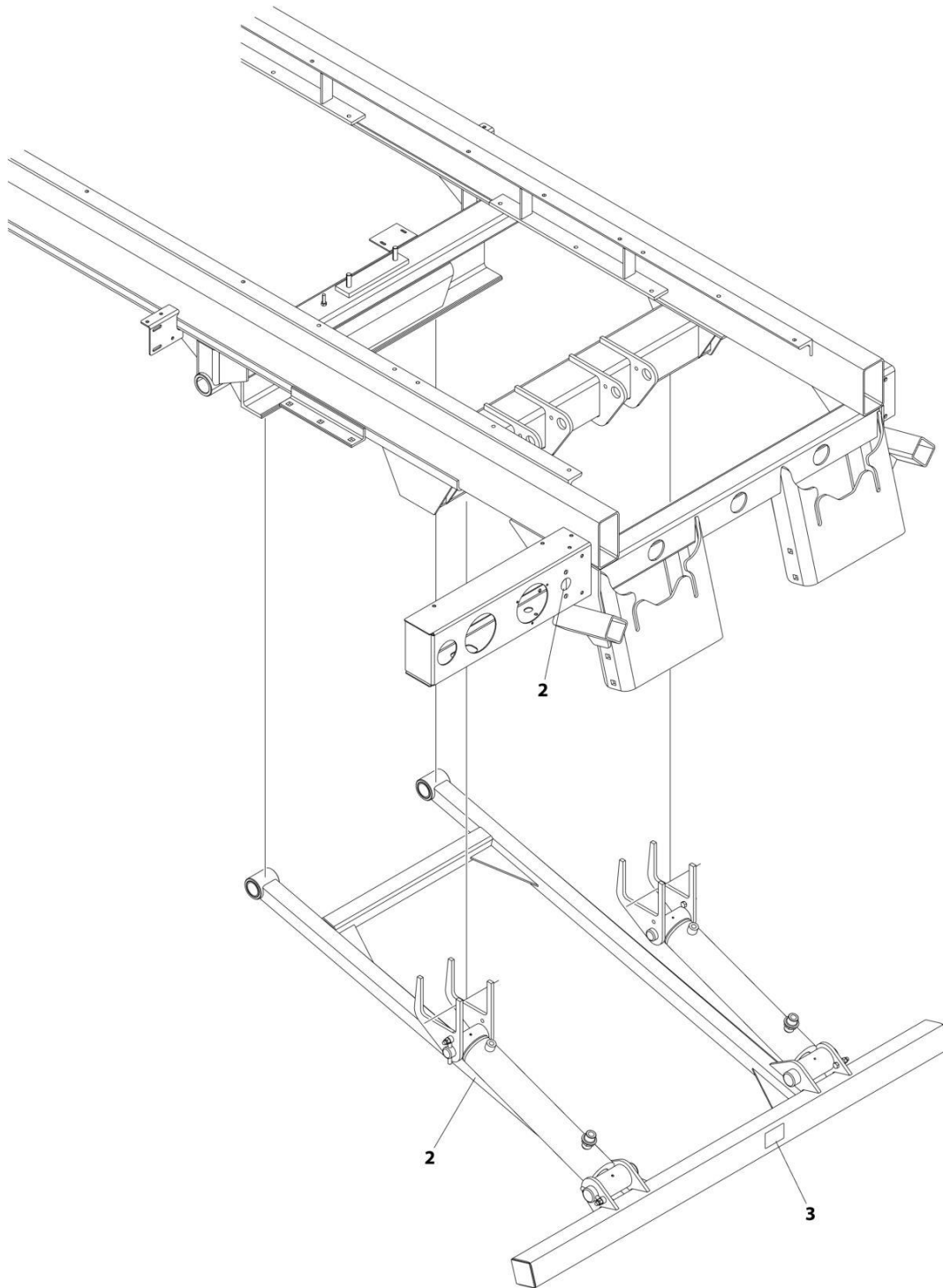
## SECTION 1 - SUBFRAME

ITEM	PART NUMBER	QTY	DESCRIPTION	REV
49	9949960017	1	Washer - Thrust	



# SECTION 1 - SUBFRAME

## FIGURE 1-31. REAR STABILIZER - COMPLETE



ART\_STAB-SD



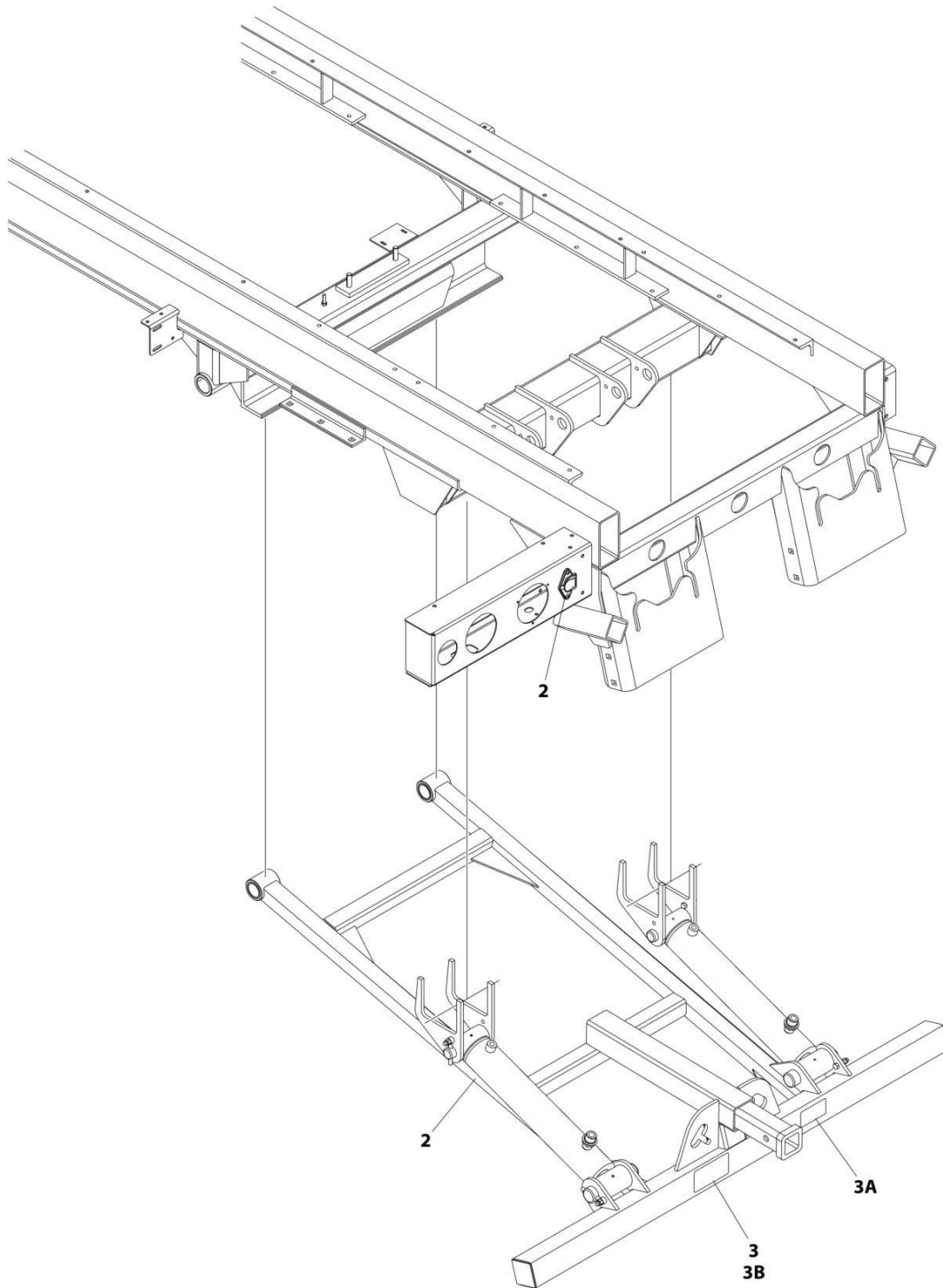
## SECTION 1 - SUBFRAME

### FIGURE 1-31. REAR STABILIZER - COMPLETE

ITEM	PART NUMBER	QTY	DESCRIPTION	REV
	STAB-SD	Ref	REAR DOCK STABILIZER - STANDARD DUTY	B
1	2570000056	1	Hose Installation (Not Shown - See Separate Breakdown in HYDRAULIC Section)	
2	2849000034	1	Rear Stabilizer Installation (See Separate Breakdown in this Section)	
3	2330000064	Ref	Decal Installation	
3	7330000599	1	Decal - Warning Pinch Point	

# SECTION 1 - SUBFRAME

FIGURE 1-32. REAR STABILIZER - COMPLETE (2IN TOW HITCH)



ART\_SRHS-SD

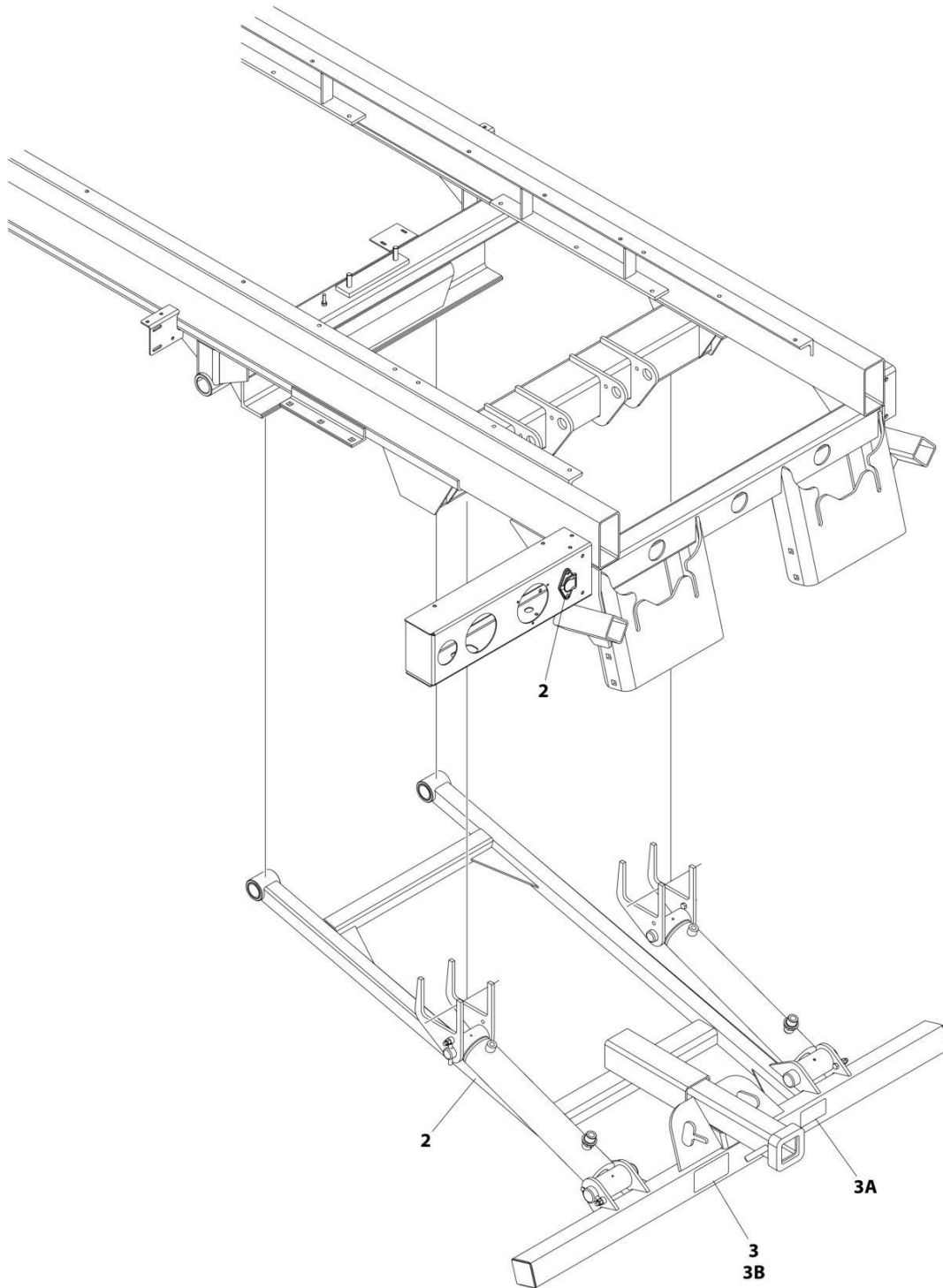
## SECTION 1 - SUBFRAME

### FIGURE 1-32. REAR STABILIZER - COMPLETE (2IN TOW HITCH)

ITEM	PART NUMBER	QTY	DESCRIPTION	REV
	SRHS-SD	Ref	REAR DOCK STABILIZER (2 IN TOW HITCH)	0
1	2570000056	1	Hose Installation (Not Shown - See Separate Breakdown in HYDRAULIC Section)	
2	2849000037	1	Rear Stabilizer Installation (See Separate Breakdown in this Section)	
3	2330000063	Ref	Decal Installation	
3A	7330000599	1	Decal - Warning Pinch Point	
3B	7330000274	1	Decal - Warning Overload	

# SECTION 1 - SUBFRAME

## FIGURE 1-33. REAR STABILIZER - COMPLETE (2.5IN TOW HITCH)



ART\_SRHSH-SD

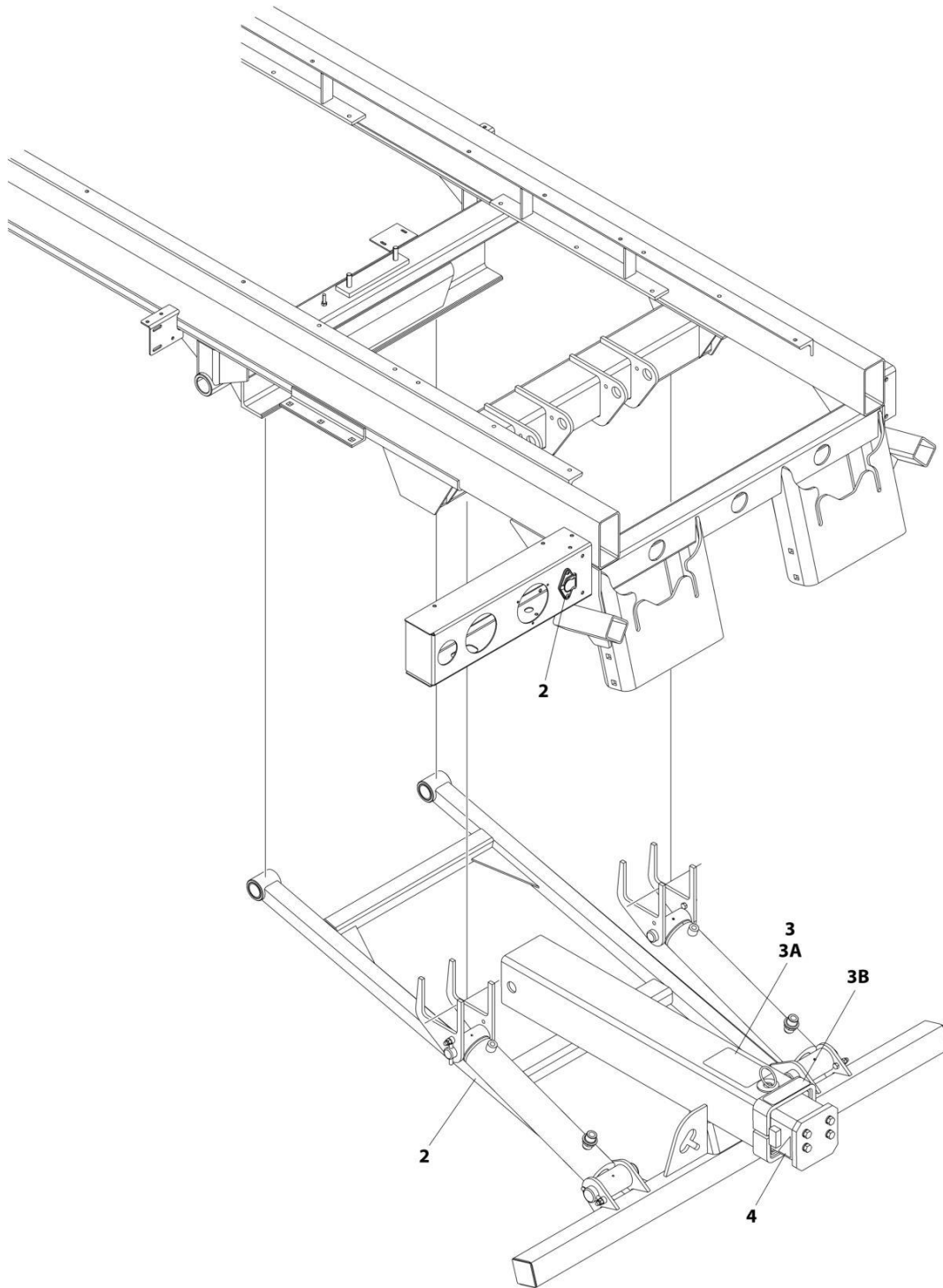
## SECTION 1 - SUBFRAME

**FIGURE 1-33. REAR STABILIZER - COMPLETE (2.5IN TOW HITCH)**

ITEM	PART NUMBER	QTY	DESCRIPTION	REV
	SRHSH-SD	Ref	REAR DOCK STABILIZER (2.5 IN TOW HITCH)	0
1	2570000056	1	Hose Installation (Not Shown - See Separate Breakdown in HYDRAULIC Section)	
2	2849000048	1	Rear Stabilizer Installation (See Separate Breakdown in this Section)	
3	2330000063	Ref	Decal Installation	
3A	7330000599	1	Decal - Warning Pinch Point	
3B	7330000274	1	Decal - Warning Overload	

# SECTION 1 - SUBFRAME

## FIGURE 1-34. REAR STABILIZER - COMPLETE (PINTLE HITCH) (MANUAL)



ART\_SPHM-5D

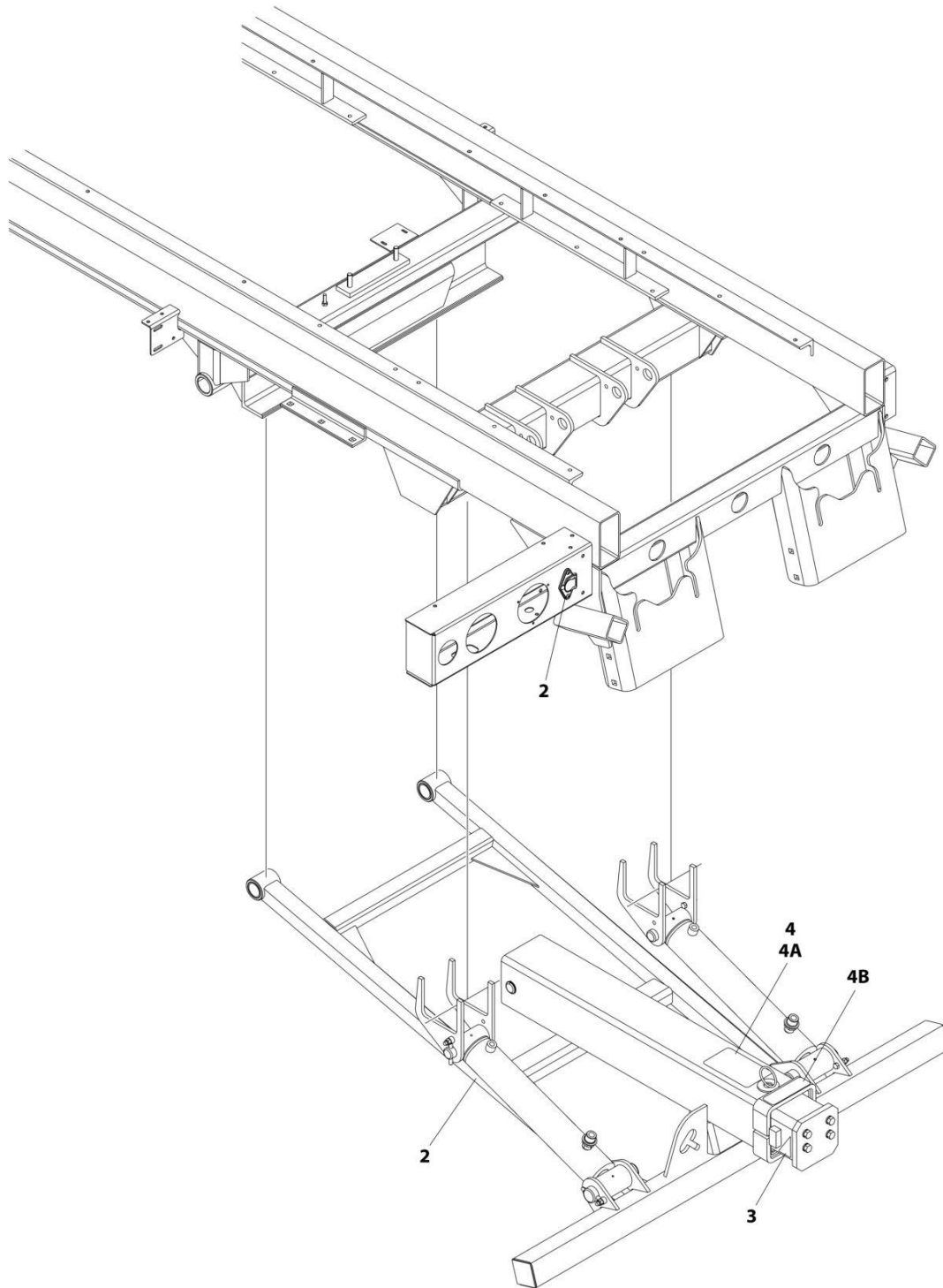
## SECTION 1 - SUBFRAME

**FIGURE 1-34. REAR STABILIZER - COMPLETE (PINTLE HITCH) (MANUAL)**

ITEM	PART NUMBER	QTY	DESCRIPTION	REV
	SPHM-SD	Ref	REAR DOCK STABILIZER WITH MANUAL EXTEND	0
1	2570000056	1	Hose Installation (Not Shown - See Separate Breakdown in HYDRAULIC Section)	
2	2849000035	1	Stabilizer Installation (See Separate Breakdown in this Section)	
3	2330000061	Ref	Decal Installation	
3A	7330000684	1	Decal - Safety	
3B	7330000391	1	Decal - Warning, Tow Boom Configuration	
4	2330000041	Ref	Reflective Tape Installation	
4	7330000645	1	Decal - Red, Retro-reflective LH	
4	7330000646	1	Decal - Red, Retro-reflective RH	

# SECTION 1 - SUBFRAME

FIGURE 1-35. REAR STABILIZER - COMPLETE (PINTLE HITCH) (HYDRAULIC)



ART\_SPHH-SD



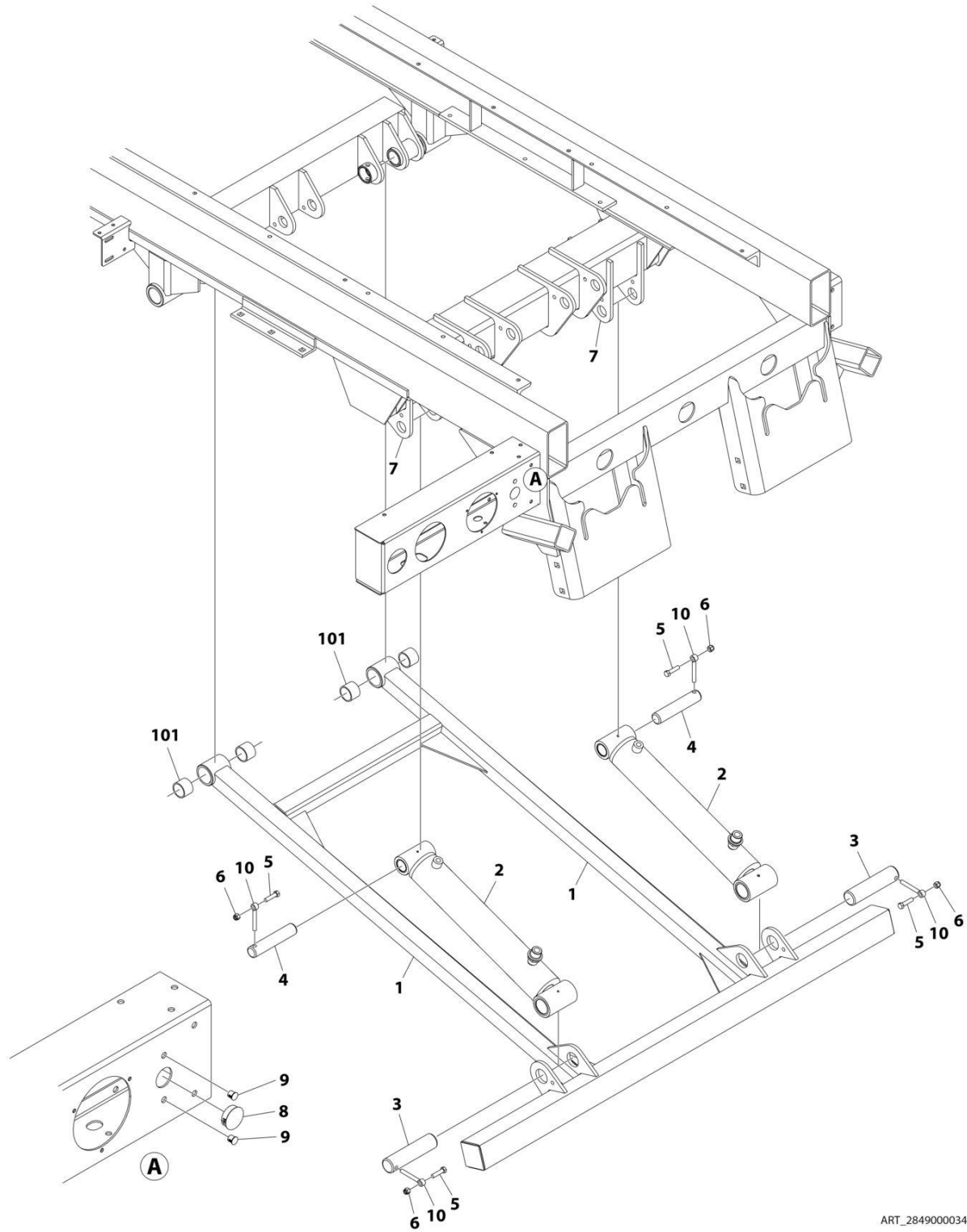
## SECTION 1 - SUBFRAME

**FIGURE 1-35. REAR STABILIZER - COMPLETE (PINTLE HITCH) (HYDRAULIC)**

ITEM	PART NUMBER	QTY	DESCRIPTION	REV
	SPHH-SD	Ref	REAR DOCK STABILIZER WITH MANUAL EXTEND	0
1	2570000057	1	Hose Installation (Not Shown - See Separate Breakdown in HYDRAULIC Section)	
2	2849000036	1	Stabilizer Installation (See Separate Breakdown in this Section)	
3	2330000041	Ref	Reflective Tape Installation	
3	7330000645	1	Decal - Red, Retro-reflective LH	
3	7330000646	1	Decal - Red, Retro-reflective RH	
4	2330000061	Ref	Decal Installation	
4A	7330000684	1	Decal - Safety	
4B	7330000391	1	Decal - Warning, Tow Boom Configuration	

# SECTION 1 - SUBFRAME

## FIGURE 1-36. REAR STABILIZER INSTALLATION



ART\_2849000034

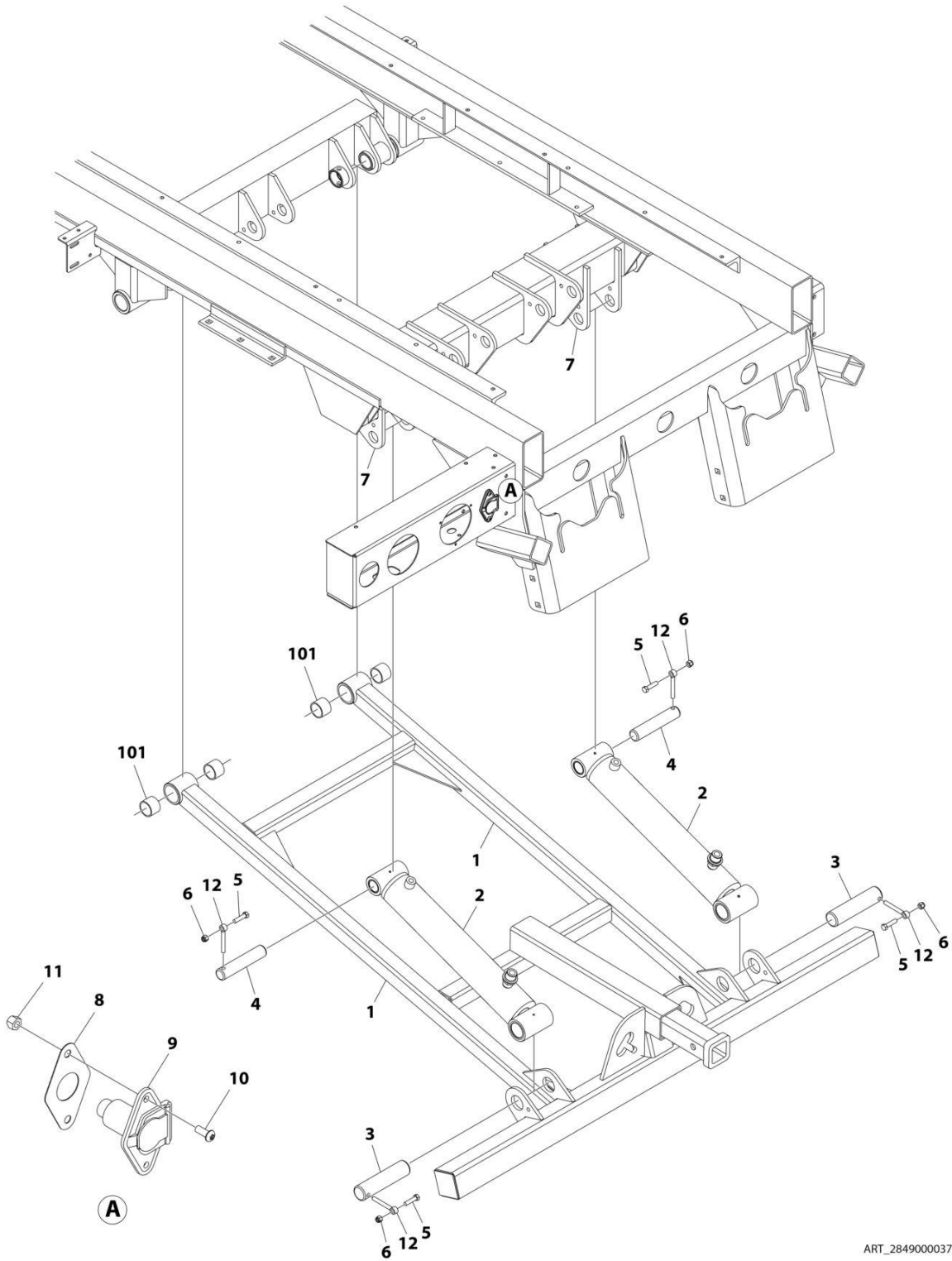
## SECTION 1 - SUBFRAME

### FIGURE 1-36. REAR STABILIZER INSTALLATION

ITEM	PART NUMBER	QTY	DESCRIPTION	REV
	2849000034	Ref	REAR DOCK STABILIZER INSTALLATION - STANDARD DUTY	E
1	3849000021	1	Rear Stabilizer Weldment	
2	1001166857	2	Cylinder Assembly (See Separate Breakdown in CYLINDER Section)	
3	1001188141	2	Pin	
4	1001188129	2	Pin	
5	0641612	4	Capscrew 3/8 x 1-1/2	
6	3300492	4	Nut 3/8	
7	3316000051	1	Crossmember Weldment	
8	7701000049	1	Plug	
9	7701000055	2	Plug	
10	3841143	4	Keeper, Shaft	
101	7082000017	4	Bearing	

# SECTION 1 - SUBFRAME

## FIGURE 1-37. REAR STABILIZER INSTALLATION (2IN TOW HITCH)



ART\_2849000037

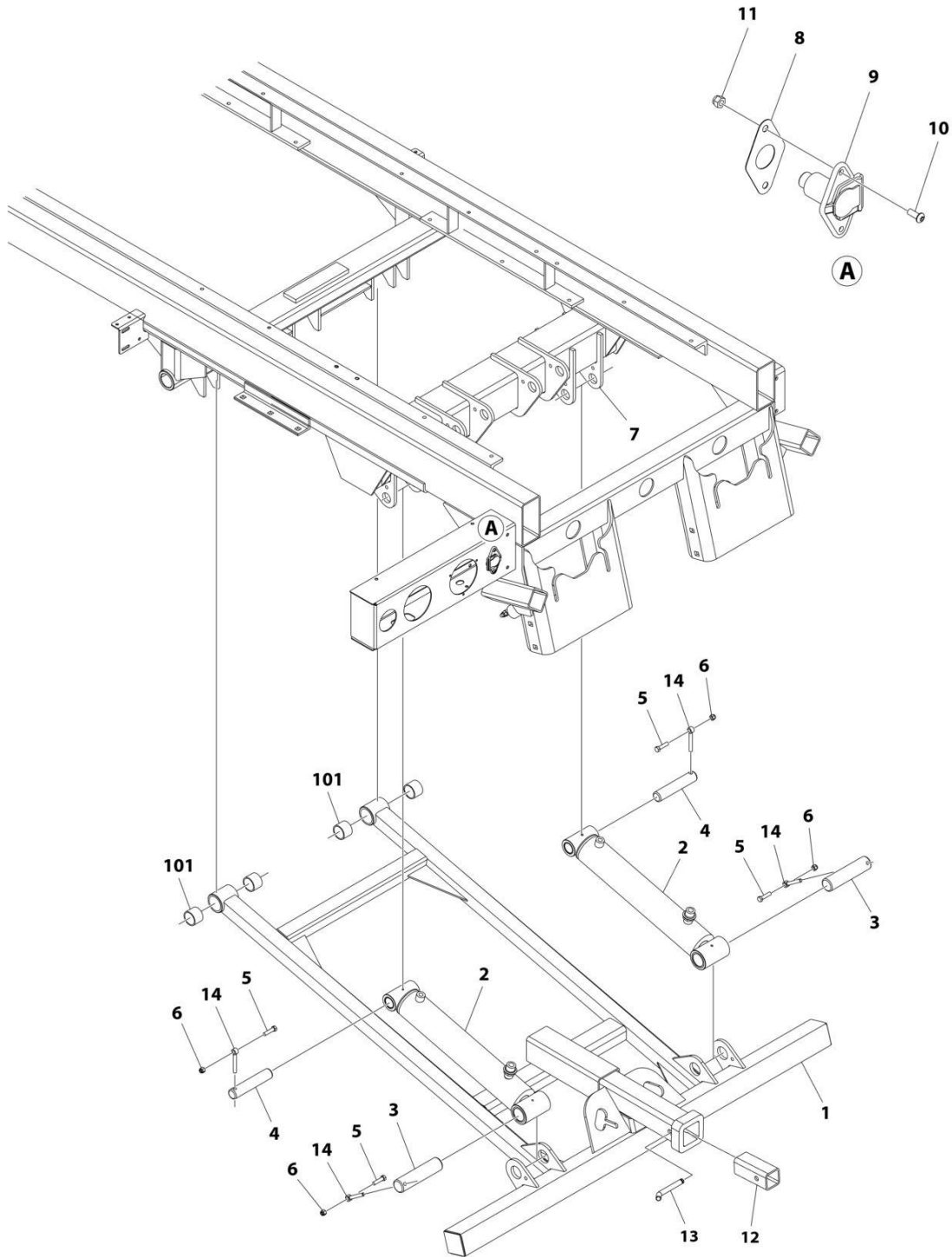
## SECTION 1 - SUBFRAME

**FIGURE 1-37. REAR STABILIZER INSTALLATION (2IN TOW HITCH)**

ITEM	PART NUMBER	QTY	DESCRIPTION	REV
	2849000037	Ref	REAR STABILIZER INSTALLATION (TOW HITCH STANDARD DUTY)	D
1	3849000023	1	Stabilizer Weldment with Tow Hitch	
2	1001166857	2	Cylinder Assembly (See Separate Breakdown in CYLINDER Section)	
3	1001188141	2	Pin	
4	1001188129	2	Pin	
5	0641612	4	Capscrew 3/8 x 1-1/2	
6	3300492	4	Nut 3/8	
7	3316000051	1	Crossmember Weldment	
8	7796000048	1	Gasket	
9	7291000010	1	Female Receptacle with Connector	
10	7114140528	2	Screw 1/4 x 5/8	
11	7660142601	2	Nut 1/4	
12	3841143	4	Keeper, Shaft	
101	7082000017	4	Bearing	

# SECTION 1 - SUBFRAME

## FIGURE 1-38. REAR STABILIZER INSTALLATION (2.5IN TOW HITCH)



ART\_2849000048

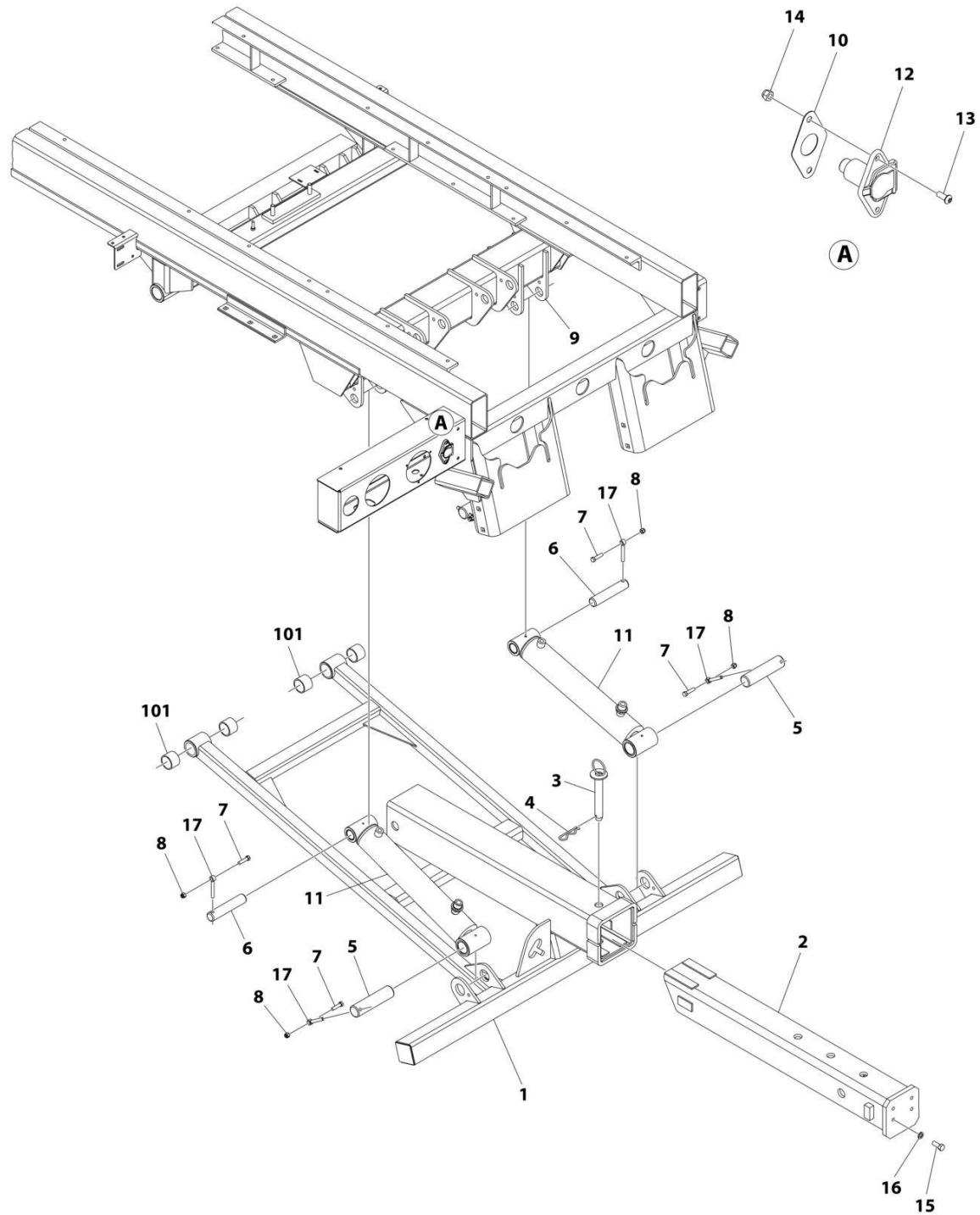
## SECTION 1 - SUBFRAME

**FIGURE 1-38. REAR STABILIZER INSTALLATION (2.5IN TOW HITCH)**

ITEM	PART NUMBER	QTY	DESCRIPTION	REV
	2849000048	Ref	REAR STABILIZER INSTALLATION - HYDRAULIC (TOW HITCH)	D
1	3849000041	1	Stabilizer Weldment with Tow Hitch	
2	1001166857	2	Cylinder Assembly (See Separate Breakdown in CYLINDER Section)	
3	1001188141	2	Pin	
4	1001188129	2	Pin	
5	0641612	4	Capscrew 3/8 x 1-1/2	
6	3300492	4	Nut 3/8	
7	3316000051	1	Crossmember Weldment	
8	7796000048	1	Gasket	
9	7291000010	1	Female Receptacle with Connector	
10	7114140528	2	Screw 1/4 x 5/8	
11	7660142601	2	Nut 1/4	
12	7913000006	1	Tube	
13	7691000033	1	Pin	
14	3841143	4	Keeper, Shaft	
101	7082000017	4	Bearing	

# SECTION 1 - SUBFRAME

## FIGURE 1-39. REAR STABILIZER INSTALLATION (PINTLE HITCH) (MANUAL)



ART\_2849000035



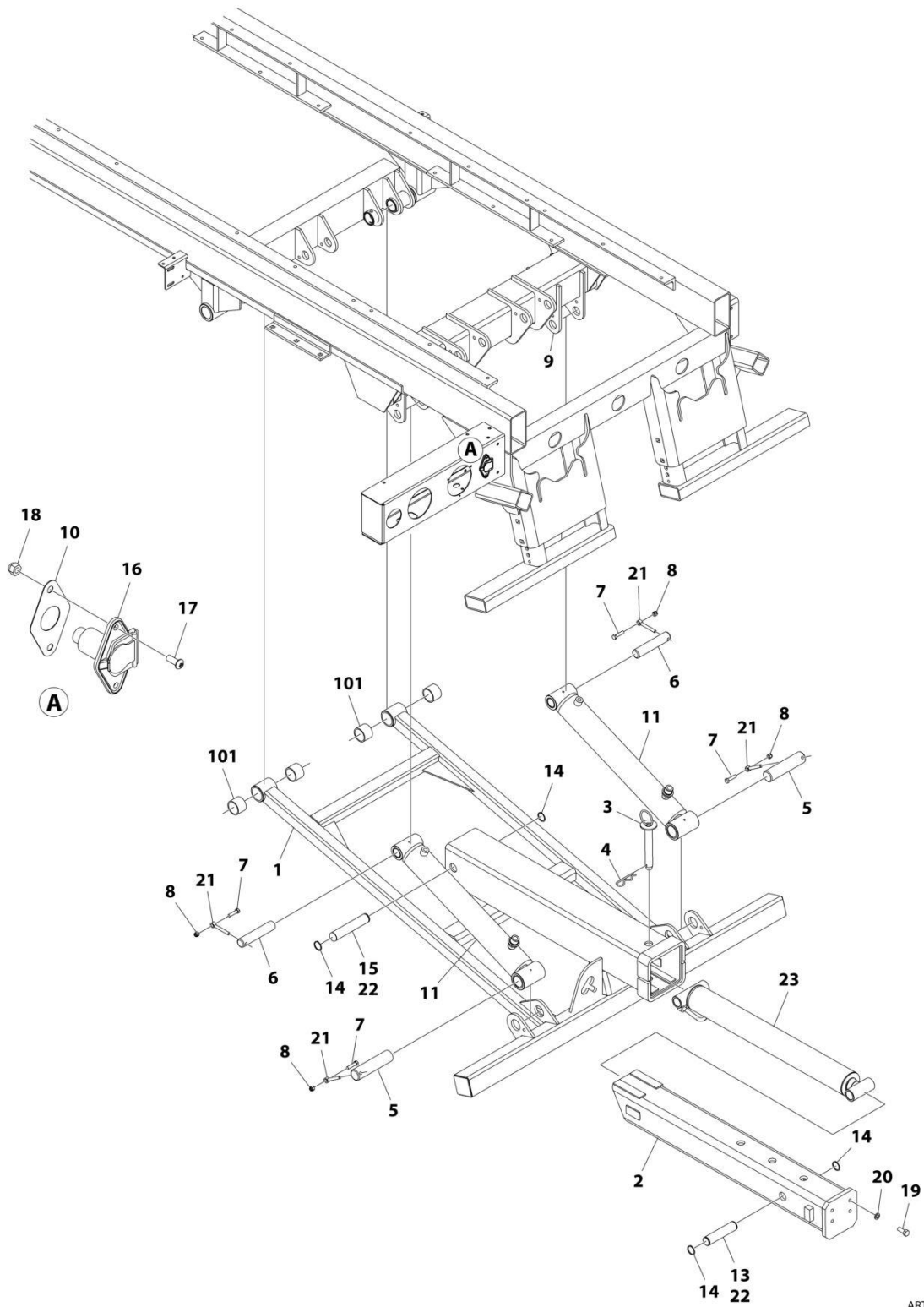
## SECTION 1 - SUBFRAME

**FIGURE 1-39. REAR STABILIZER INSTALLATION (PINTLE HITCH) (MANUAL)**

ITEM	PART NUMBER	QTY	DESCRIPTION	REV
	2849000035	Ref	STABILIZER INSTALLATION WITH MAN PINTLE BOOM STANDARD DUTY	G
1	3849000022	1	Rear Stabilizer Weldment	
2	1001127297	1	Boom Weldment	
3	3691000064	1	Pin	
4	7691000001	1	Hair Pin	
5	1001188141	2	Pin	
6	1001188129	2	Pin	
7	0641612	4	Capscrew 3/8 x 1 1/2	
8	3300492	4	Nut 3/8	
9	3316000051	1	Crossmember Weldment	
10	7796000048	1	Gasket	
11	1001166857	2	Cylinder Assembly (See Separate Breakdown in CYLINDER Section)	
12	7291000010	1	Female Receptacle with Connector	
13	7114140528	2	Screw 1/4 x 5/8	
14	7660142601	2	Nut 1/4	
15	0691810	4	Capscrew 1/2 x 1 1/4	
16	4761800	4	Washer 1/2	
17	3841143	4	Keeper, Shaft	
101	7082000017	4	Bearing	

# SECTION 1 - SUBFRAME

## FIGURE 1-40. REAR STABILIZER INSTALLATION (PINTLE HITCH) (HYDRAULIC)



ART\_2849000036

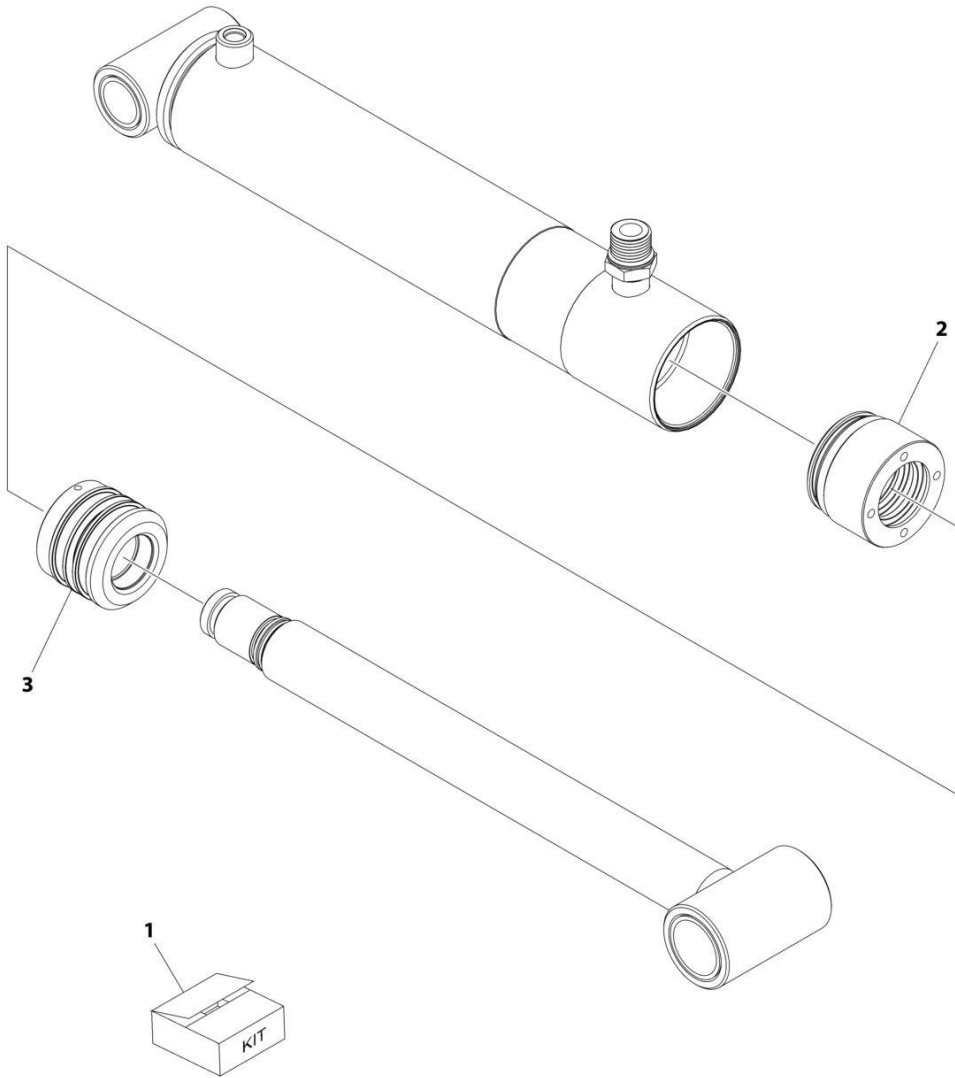
## SECTION 1 - SUBFRAME

**FIGURE 1-40. REAR STABILIZER INSTALLATION (PINTLE HITCH) (HYDRAULIC)**

ITEM	PART NUMBER	QTY	DESCRIPTION	REV
	2849000036	Ref	STABILIZER INSTALLATION WITH HYDRAULIC PINTLE BOOM STANDARD DUTY	H
1	3849000022	1	Stabilizer Weldment with Pintle Boom	
2	1001127297	1	Boom Weldment	
3	3691000064	1	Pin	
4	7691000001	1	Hair Pin	
5	1001188141	2	Pin	
6	1001188129	2	Pin	
7	0641612	4	Capscrew 3/8 x 1 1/2	
8	3300492	4	Nut 3/8	
9	3316000051	1	Crossmember Weldment	
10	7796000048	1	Gasket	
11	1001166857	2	Cylinder Assembly (See Separate Breakdown in CYLINDER Section)	
13	4691000429	1	Pin	
14	7754000006	4	Ring Retaining	
15	4691000430	1	Pin	
16	7291000010	1	Female Receptacle with Connector	
17	7114140528	2	Screw 1/4 x 5/8	
18	7660142601	2	Nut 1/4	
19	0691810	4	Capscrew 1/2 x 1 1/4	
20	4761800	4	Washer 1/2	
21	3841143	4	Keeper, Shaft	
22	3020039	AR	Lubricant	
23	1001183326	1	Pintle Extend Cylinder Assembly (See Separate Breakdown in CYLINDER Section)	
101	7082000017	4	Bearing	

# SECTION 1 - SUBFRAME

## FIGURE 1-41. CYLINDER ASSEMBLY - STABILIZER



ART\_1001166857

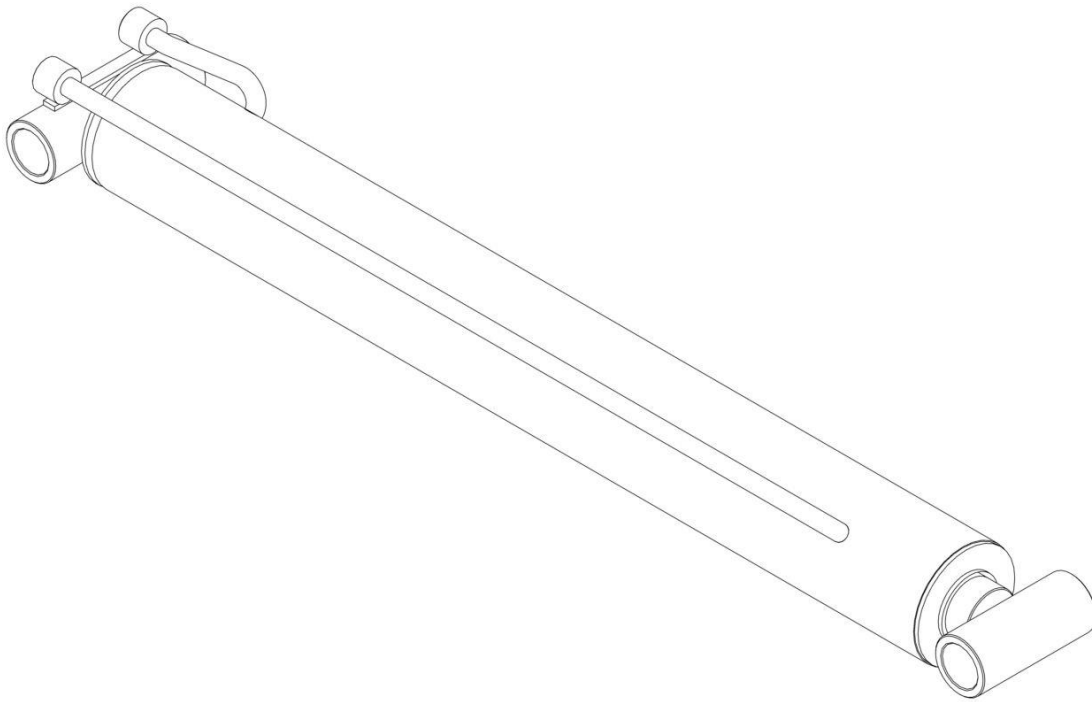
# SECTION 1 - SUBFRAME

## FIGURE 1-41. CYLINDER ASSEMBLY - STABILIZER

ITEM	PART NUMBER	QTY	DESCRIPTION	REV
	1001166857	Ref	IRL CYLINDER ASSEMBLY	E
1	70051168	1	Kit, Seal	
2	70051172	1	Kit, Head	
3	70051173	1	Kit, Piston	

# SECTION 1 - SUBFRAME

FIGURE 1-42. CYLINDER ASSEMBLY - PINTLE HOOK



ART\_1001183326

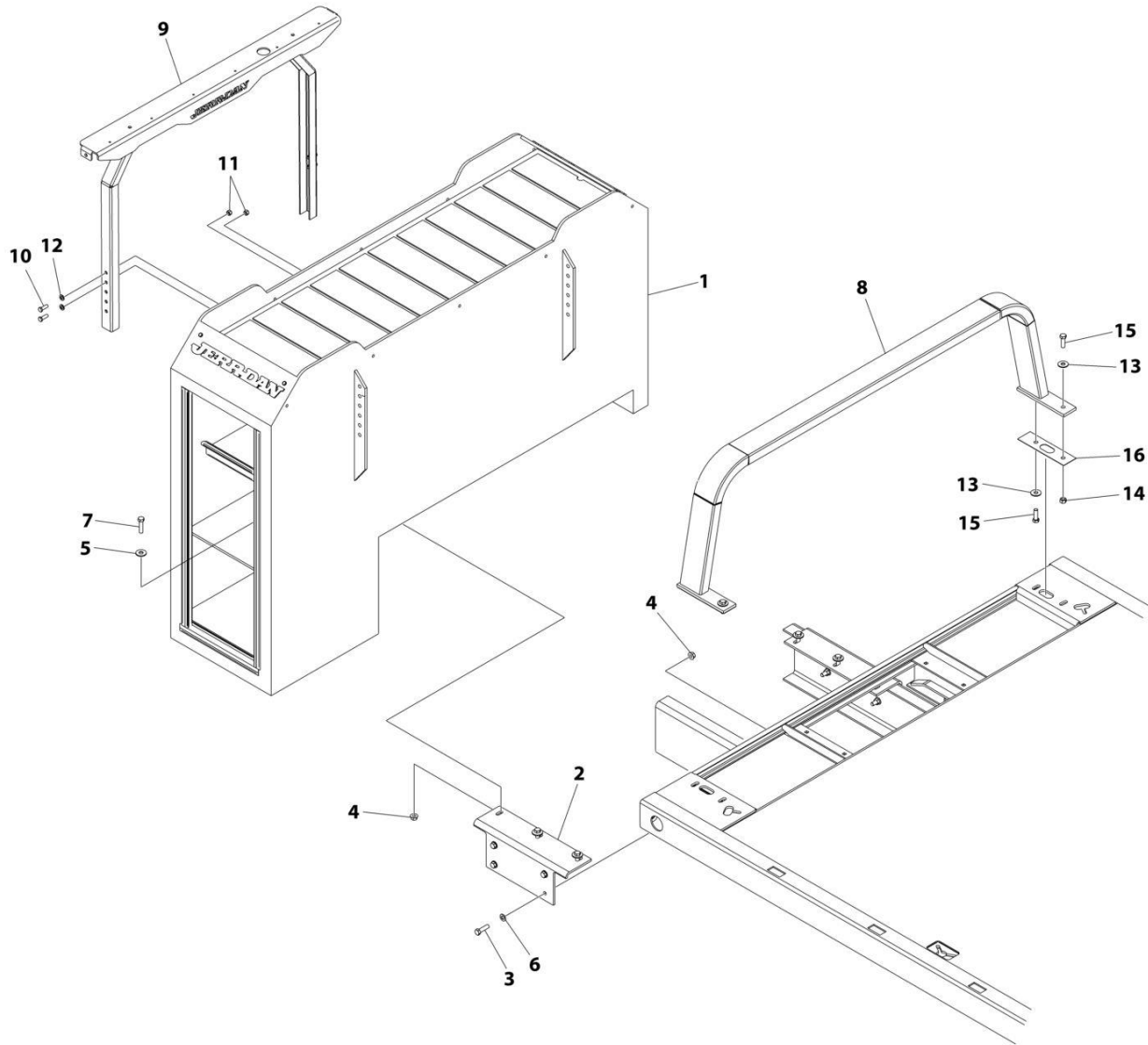
# SECTION 1 - SUBFRAME

## FIGURE 1-42. CYLINDER ASSEMBLY - PINTLE HOOK

ITEM	PART NUMBER	QTY	DESCRIPTION	REV
	1001183326	Ref	Pintle Extend Cylinder Assembly	D
		Ref	Note: No Service Parts Available at Time of Printing.	

# SECTION 1 - SUBFRAME

## FIGURE 1-43. TOOLBOX INSTALLATION - 24IN SIDE TUNNEL (SINGLE COMPARTMENT)



ART\_1001148035



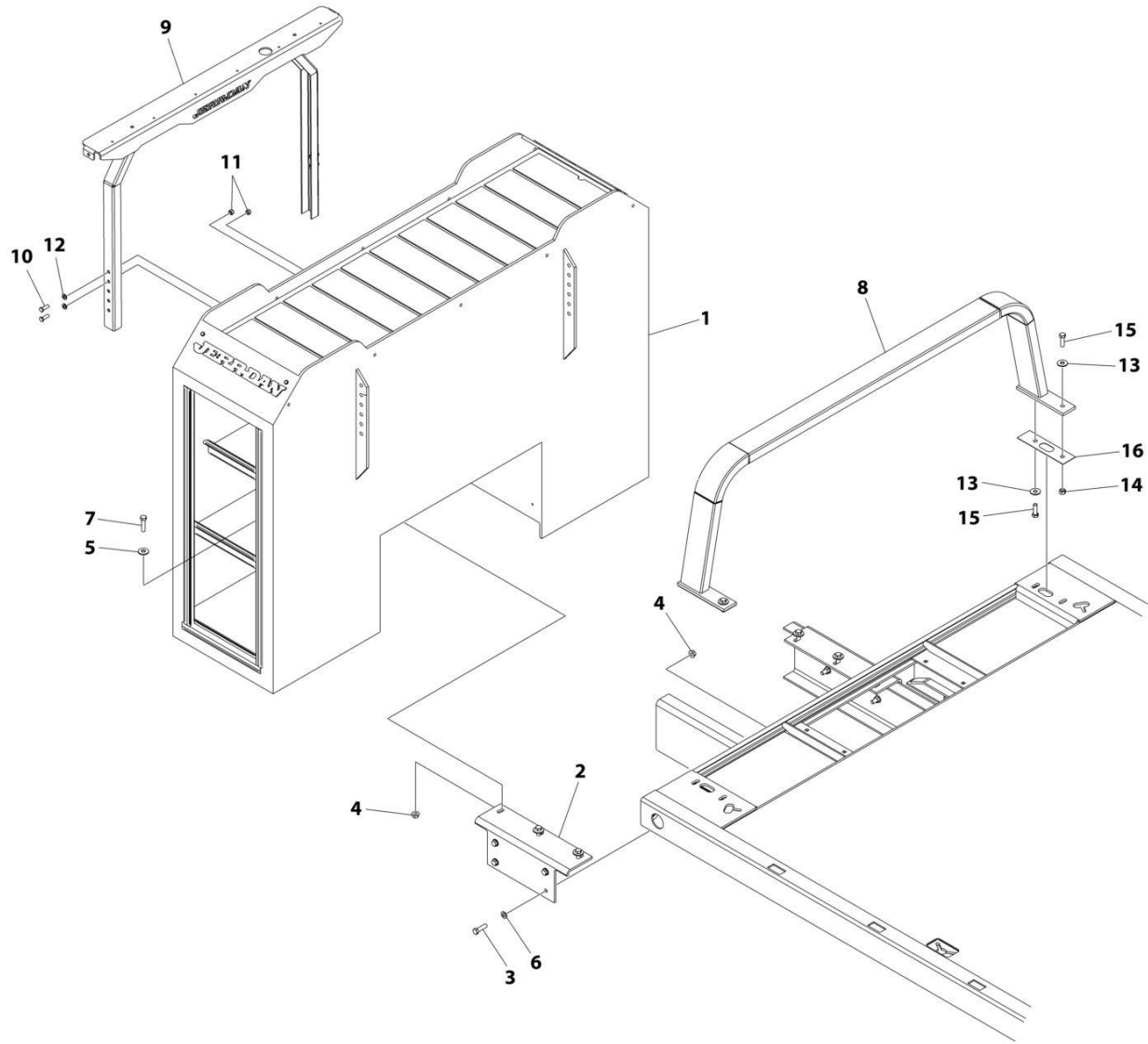
## SECTION 1 - SUBFRAME

**FIGURE 1-43. TOOLBOX INSTALLATION - 24IN SIDE TUNNEL (SINGLE COMPARTMENT)**

ITEM	PART NUMBER	QTY	DESCRIPTION	REV
	1001148035	Ref	SIDE TUNNEL TOOLBOX INSTALLATION - 24IN	A
1	1001147361	1	Toolbox Assembly (See Separate Breakdown in this Section)	
2	1001148455	2	Bracket	
3	7105201850	8	Capscrew 5/8 x 2-1/4	
4	7660202347	14	Nut 5/8	
5	7950200161	6	Washer 5/8	
6	7950200242	8	Washer 5/8	
7	7105202050	6	Capscrew 5/8	
8	1001148180	1	Bumper	
9	1001148385	1	Bracket	
10	7115181250	4	Capscrew 1/2 x 1-1/2	
11	7660182601	4	Nut 1/2	
12	7950180153	4	Washer 1/2	
13	7950200152	4	Washer 5/8	
14	7660200035	2	Nut 5/8	
15	7105201650	4	Capscrew 5/8 x 2	
16	4796000037	2	Gasket	
17	1001147362	1	Carrier Tunnel Harness (Not Shown)	

# SECTION 1 - SUBFRAME

## FIGURE 1-44. TOOLBOX INSTALLATION - 24IN SIDE TUNNEL (DUAL COMPARTMENT)



ART\_1001143228

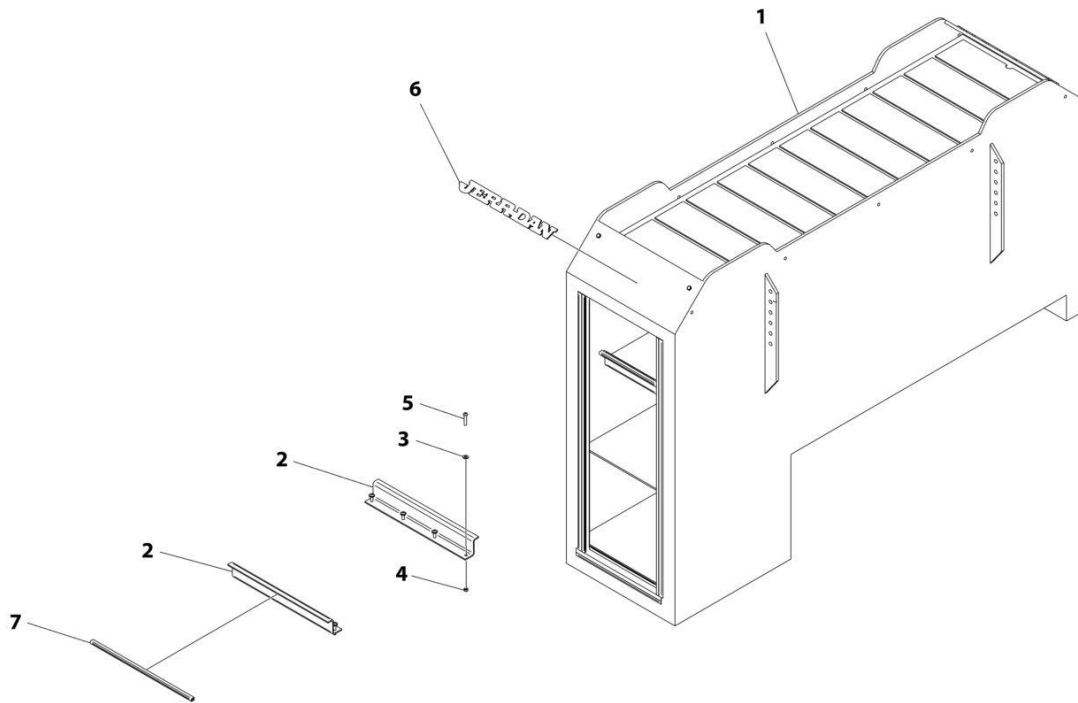
## SECTION 1 - SUBFRAME

**FIGURE 1-44. TOOLBOX INSTALLATION - 24IN SIDE TUNNEL (DUAL COMPARTMENT)**

ITEM	PART NUMBER	QTY	DESCRIPTION	REV
	1001143228	Ref	TUNNEL TOOLBOX INSTALLATION - 24IN	B
1	1001143227	1	Toolbox Assembly (See Separate Breakdown in this Section)	
2	1001148455	2	Bracket	
3	7105201850	8	Capscrew 5/8 x 2-1/4	
4	7660202347	14	Nut 5/8	
5	7950200161	6	Washer 5/8	
6	7950200242	8	Washer 5/8	
7	7105202050	6	Capscrew 5/8 x 2-1/2	
8	1001148180	1	Bumper	
9	1001148385	1	Bracket	
10	7115181250	4	Capscrew 1/2 x 1-1/2	
11	7660182601	4	Nut 1/2	
12	7950180153	4	Washer 1/2	
13	7950200152	4	Washer 5/8	
14	7660200035	2	Nut 5/8	
15	7105201650	4	Capscrew 5/8	
16	4796000037	2	Gasket	
17	1001146552	1	Carrier Tunnel Harness (Not Shown)	

# SECTION 1 - SUBFRAME

FIGURE 1-45. TOOLBOX ASSEMBLY - 24IN SIDE TUNNEL (SINGLE COMPARTMENT)



ART\_1001147361

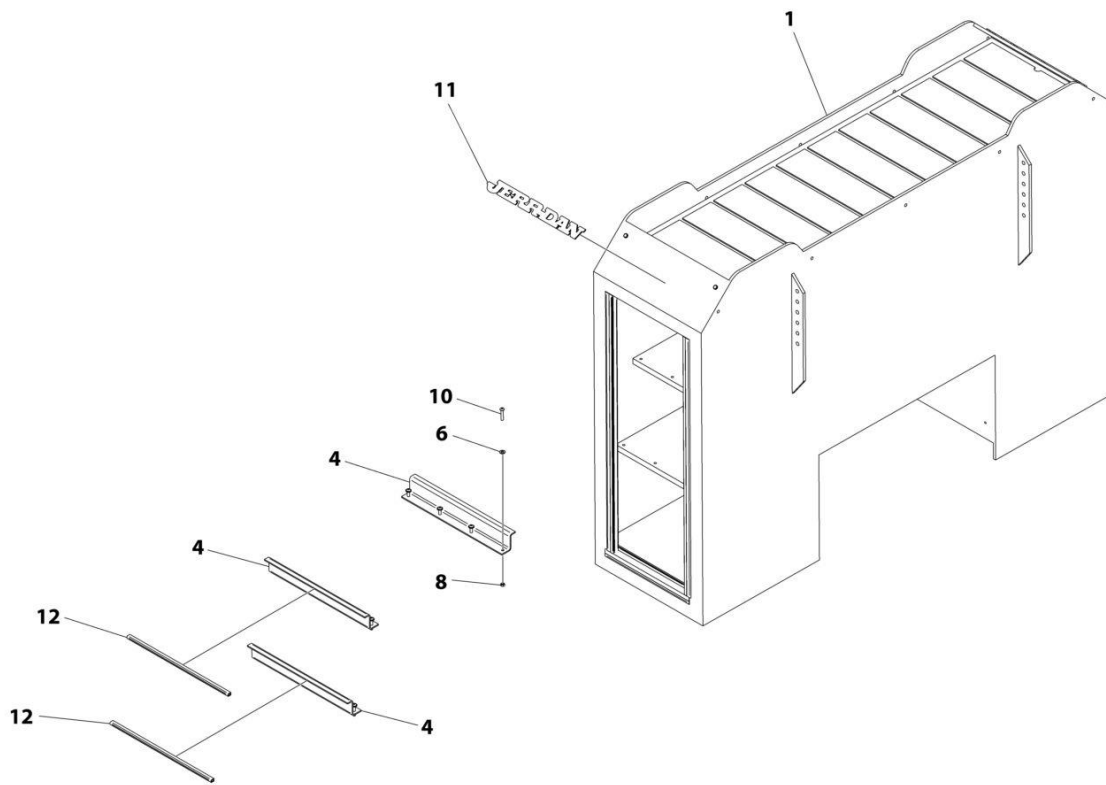
## SECTION 1 - SUBFRAME

**FIGURE 1-45. TOOLBOX ASSEMBLY - 24IN SIDE TUNNEL (SINGLE COMPARTMENT)**

ITEM	PART NUMBER	QTY	DESCRIPTION	REV
	1001147361	Ref	SIDE TUNNEL TOOLBOX ASSEMBLY - 24IN	A
1	1001147357	1	Toolbox	
2	1001143257	5	Bracket	
3	7950160153	20	Washer 3/8	
4	7660162601	20	Nut 3/8	
5	7114161618	20	Capscrew 3/8	
6	7330000408	2	Decal, Jerr-dan Logo	
7	8632000002	5.7 ft	Trim	

# SECTION 1 - SUBFRAME

FIGURE 1-46. TOOLBOX ASSEMBLY - 24IN SIDE TUNNEL (DUAL COMPARTMENT)



ART\_1001143227

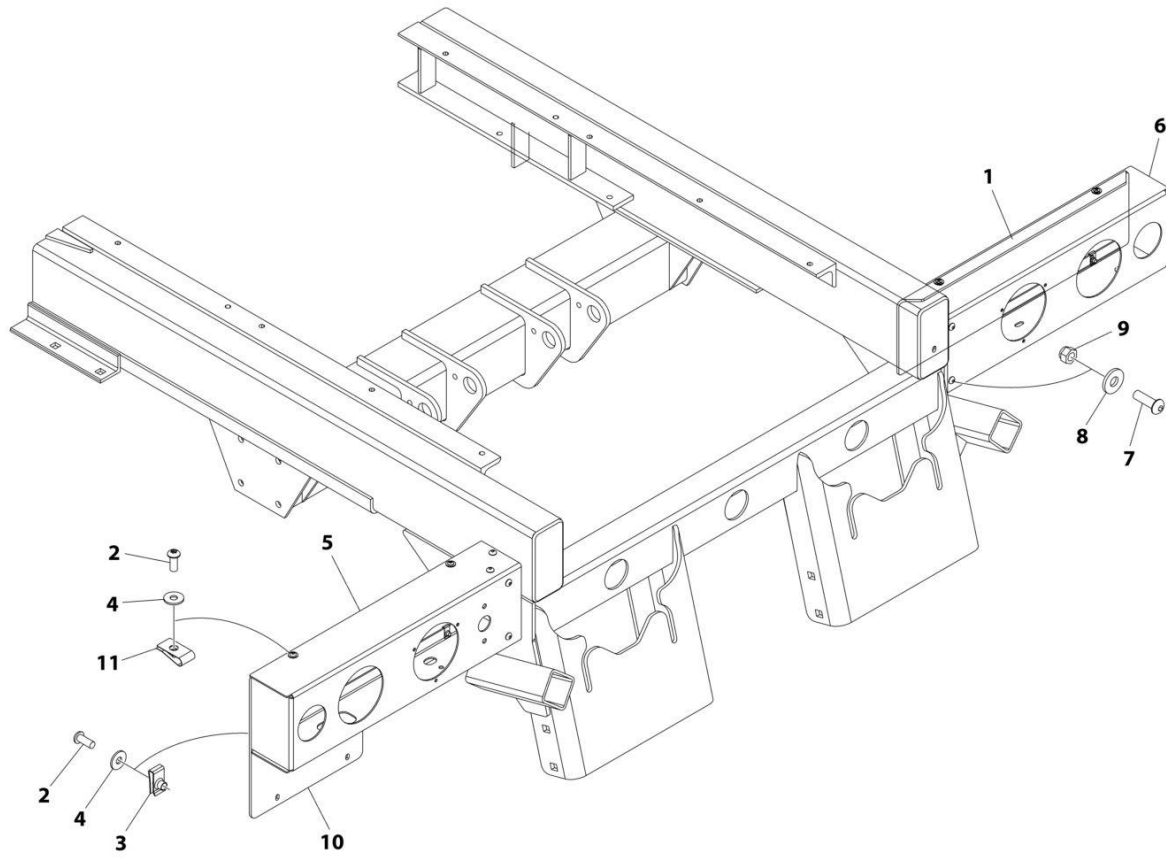
## SECTION 1 - SUBFRAME

**FIGURE 1-46. TOOLBOX ASSEMBLY - 24IN SIDE TUNNEL (DUAL COMPARTMENT)**

ITEM	PART NUMBER	QTY	DESCRIPTION	REV
	1001143227	Ref	TUNNEL TOOLBOX ASSEMBLY - 24IN	B
1	1001142430	1	Toolbox	
4	1001143257	6	Bracket	
6	7950160153	24	Washer 3/8	
8	7660162601	24	Nut 3/8	
10	7114161618	24	Capscrew 3/8	
11	7330000408	2	Decal, Jerr-dan Logo	
12	8632000002	7.5 ft	Trim	

# SECTION 1 - SUBFRAME

FIGURE 1-47. LIGHT BOX AND COVER INSTALLATION (STANDARD SUBFRAME OUTBOARD ONLY)



ART\_1001173949



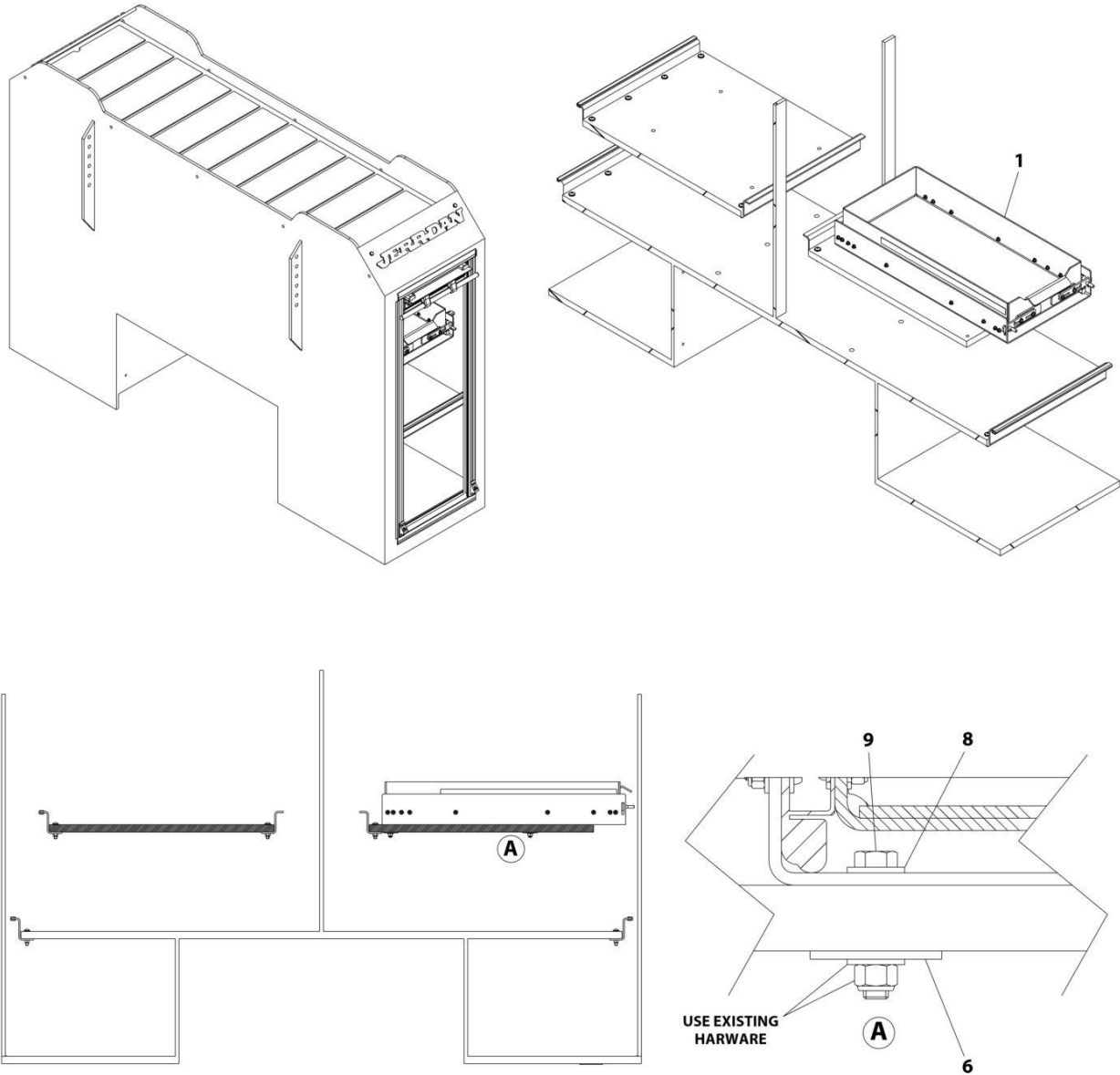
## SECTION 1 - SUBFRAME

**FIGURE 1-47. LIGHT BOX AND COVER INSTALLATION (STANDARD SUBFRAME OUTBOARD ONLY)**

ITEM	PART NUMBER	QTY	DESCRIPTION	REV
	1001173949	Ref	LIGHT BOX AND COVER INSTALLATION	B
1	1001188615	1	Cover, Light Box (RH)	
2	7114140529	8	Screw 1/4 x 5/8	
3	7661000042	4	U-Nut 1/4	
4	7949000023	8	Washer	
5	1001173947	1	Bracket, Light Box (LH)	
6	1001173946	1	Bracket, Light Box (RH)	
7	7114150818	8	Screw 3/8 x 1	
8	7950150153	8	Washer 3/8	
9	7660152601	8	Nut 3/8	
10	1001188616	1	Cover, Light Box (LH)	
11	7661000064	4	U-Nut 1/4	

# SECTION 1 - SUBFRAME

## FIGURE 1-48. TUNNEL DRAWER INSTALLATION - 24IN



ART\_1001147363

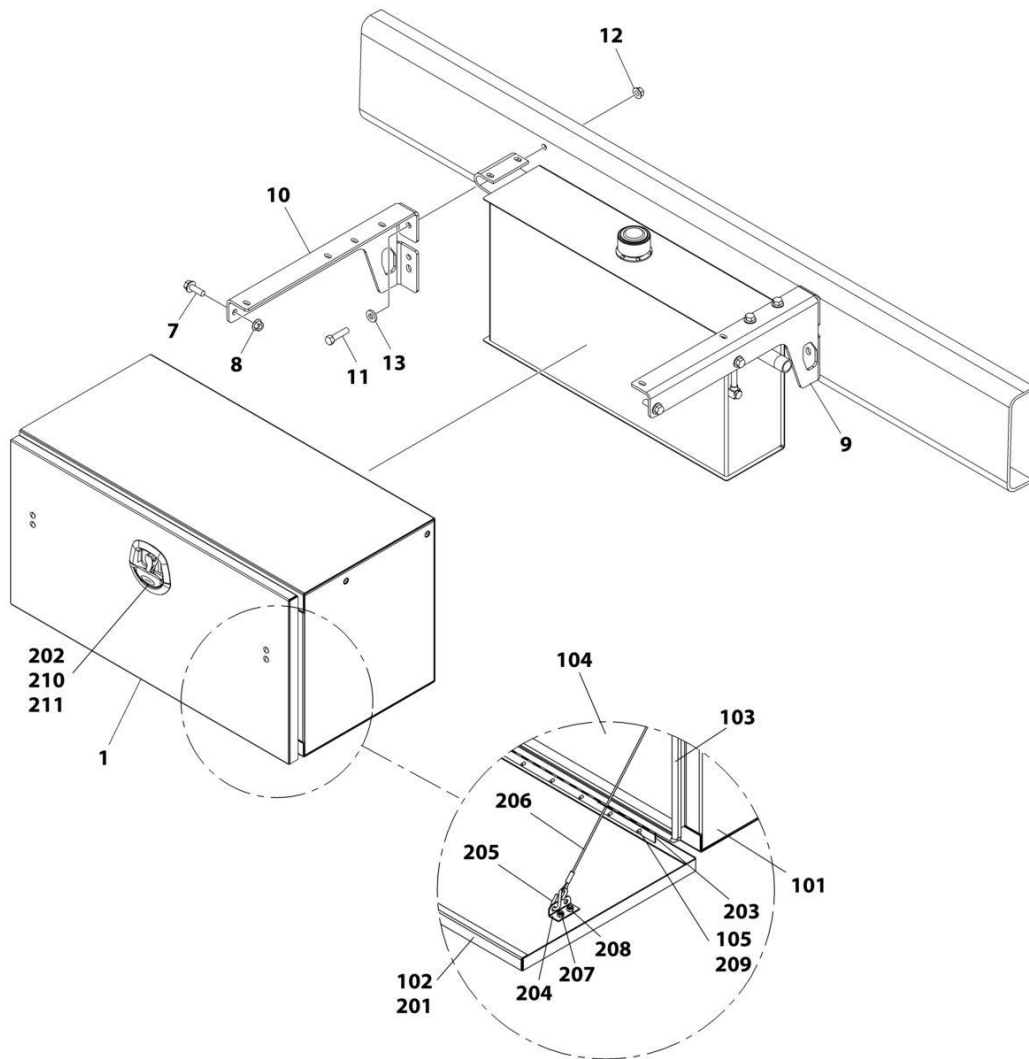
## SECTION 1 - SUBFRAME

**FIGURE 1-48. TUNNEL DRAWER INSTALLATION - 24IN**

ITEM	PART NUMBER	QTY	DESCRIPTION	REV
	1001147363	Ref	TOOLBOX DRAWER INSTALLATION - 24IN	B
1	1001143233	1	Drawer Assembly	
6	7949000015	4	Washer	
8	7950160153	4	Washer 3/8	
9	7115161650	4	Bolt 3/8 x 2	

# SECTION 1 - SUBFRAME

## FIGURE 1-49. TOOLBOX - 36IN



ART\_289900055

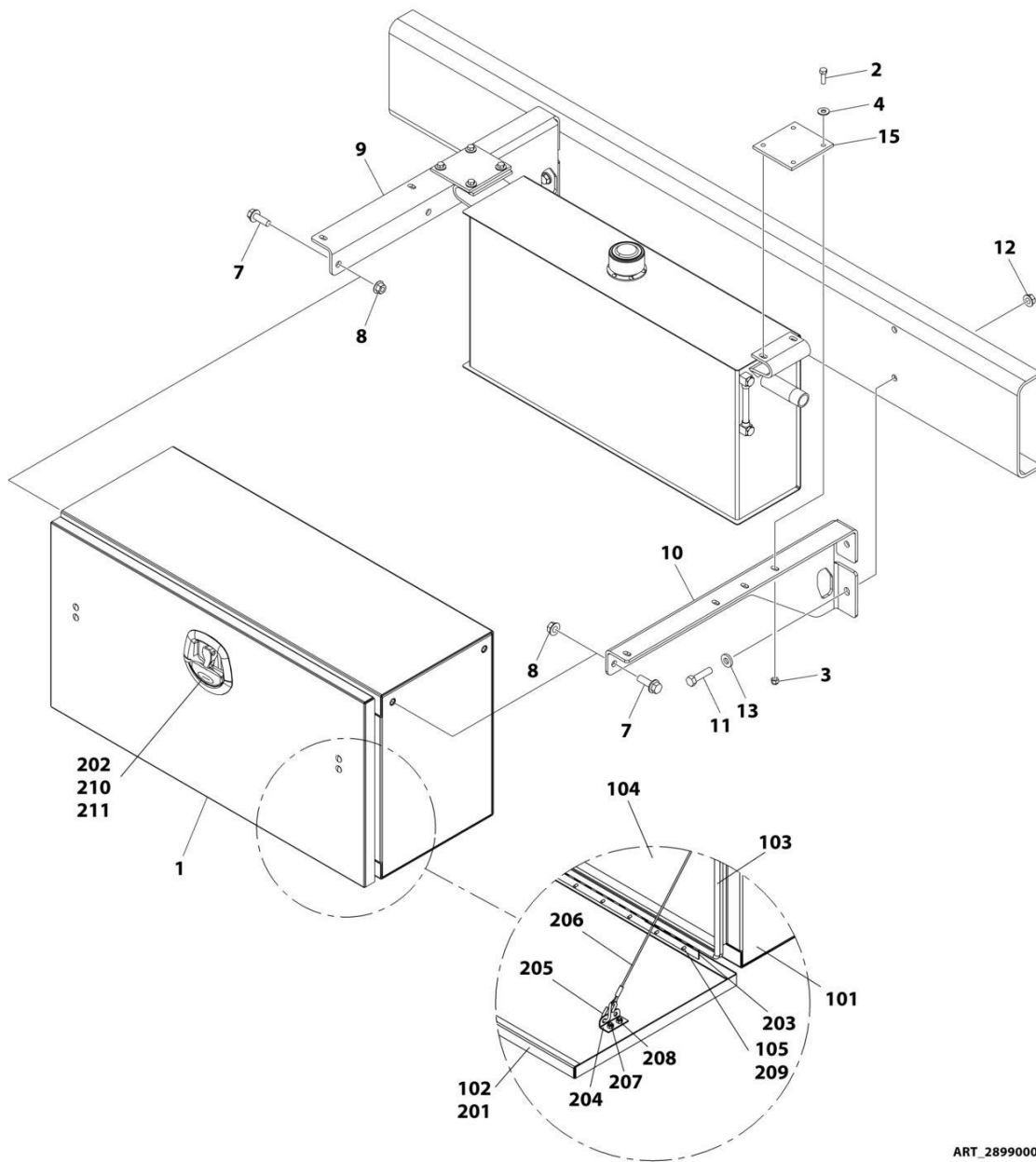
# SECTION 1 - SUBFRAME

## FIGURE 1-49. TOOLBOX - 36IN

ITEM	PART NUMBER	QTY	DESCRIPTION	REV
	2899000055	Ref	TOOLBOX, 36IN	F
1	1001208769	1	Toolbox Assembly (includes items 101 through 105)	A
7	7118181216	4	Capscrew 1/2 x 1-1/2	
8	7660182301	4	Nut 1/2	
9	4178000290	1	Bracket	
10	4178000291	1	Bracket	
11	0651816	4	Capscrew 1/2 x 2	
12	7660182333	4	Nut 1/2	
13	4891800	4	Washer 1/2	
101	3899000125	1	Toolbox Weldment	
102	1001223819	1	Toolbox Door Assembly (includes items 201 through 211)	A
103	4796000009	1	Gasket	
104	4679000256	1	Pad	
105	7759000020	9	Rivet	
201	1001223815	1	Door Weldment	
202	1001223814	1	Latch	
203	7555000016	1	Hinge	
204	4178000599	2	Bracket	
205	7592000005	4	S-Link	
206	7248000114	2	Cable	
207	7114140465	4	Bolt 0.25-20X0.50	
208	7660142604	4	Locknut 0.25-20	
209	7759000020	9	Rivet	
210	7950100143	4	Washer 0.19	
211	7660102604	4	Locknut #10-24	

# SECTION 1 - SUBFRAME

## FIGURE 1-50. TOOLBOX - 36IN NARROW



ART\_289900065

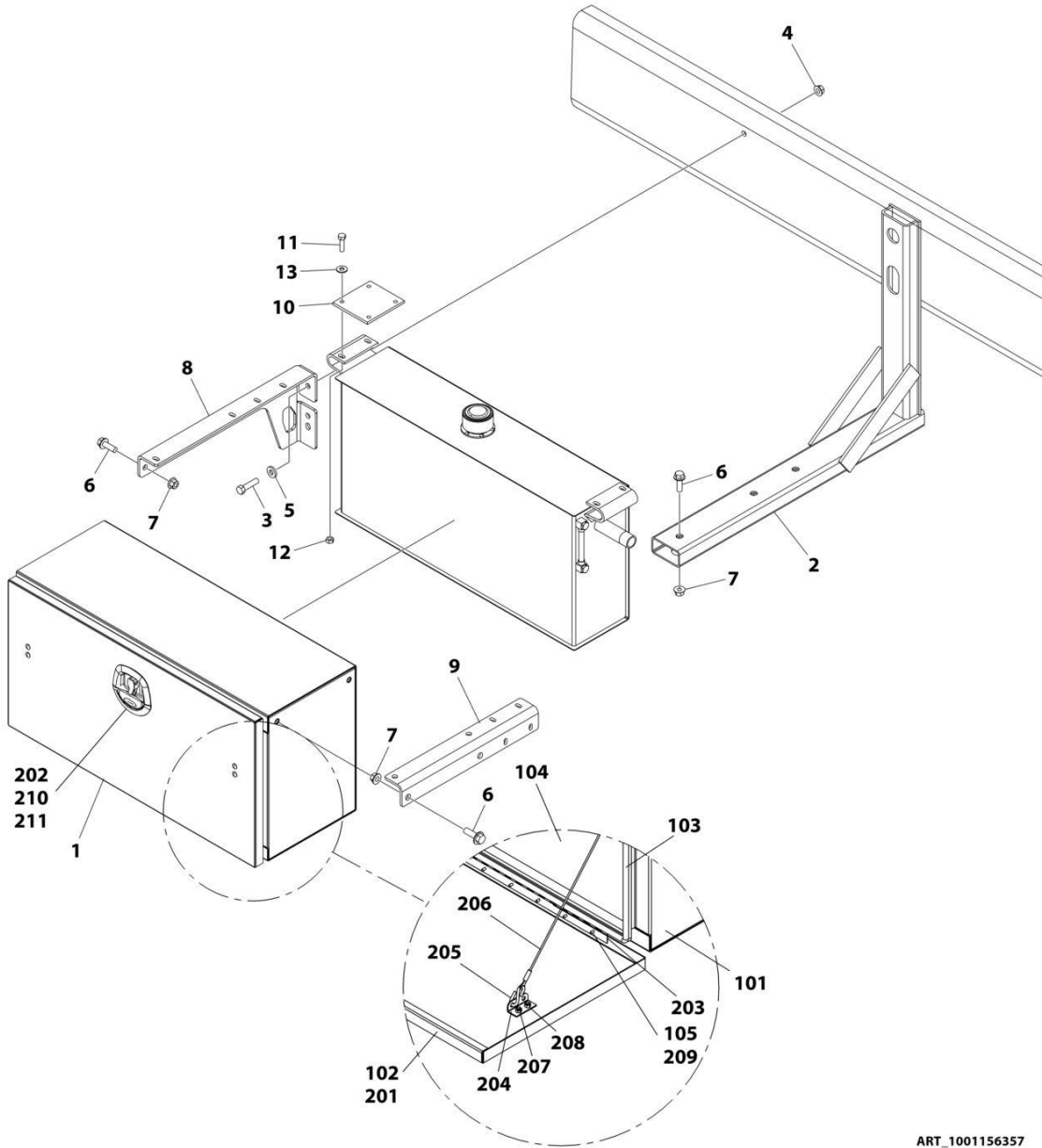
## SECTION 1 - SUBFRAME

### FIGURE 1-50. TOOLBOX - 36IN NARROW

ITEM	PART NUMBER	QTY	DESCRIPTION	REV
	2899000065	Ref	TOOLBOX, 36IN NARROW	F
1	1001208772	1	Toolbox Assembly (includes items 101 through 105)	A
2	0641508	4	Capscrew 5/16 x 1	
3	7660152601	4	Nut 5/16	
4	4751500	8	Washer 5/16	
7	7118181216	4	Capscrew 1/2 x 1-1/2	
8	7660182301	4	Nut 1/2	
9	4178000338	1	Bracket	
10	4178000339	1	Bracket	
11	0651816	4	Capscrew 1/2 x 2	
12	7660182333	4	Nut 1/2	
13	4891800	4	Washer 1/2	
15	4706002361	2	Plate	
101	3899000126	1	Toolbox Weldment	
102	1001223819	1	Toolbox Door Assembly (includes items 201 through 211)	A
103	4796000009	1	Gasket	
104	4679000257	1	Pad	
105	7759000020	9	Rivet	
201	1001223815	1	Toolbox Door	
202	1001223814	1	Latch	
203	7555000016	1	Hinge	
204	4178000599	2	Bracket	
205	7592000005	4	S-Link	
206	7248000114	2	Cable	
207	7114140465	4	Bolt 0.25-20X.050	
208	7660142604	4	Locknut 0.25-20	
209	7759000020	9	Rivet	
210	7950100143	4	Washer 0.19	
211	7660102604	4	Locknut #10-24	

# SECTION 1 - SUBFRAME

## FIGURE 1-51. TOOLBOX - 36IN NARROW UNDERMOUNT



ART\_1001156357



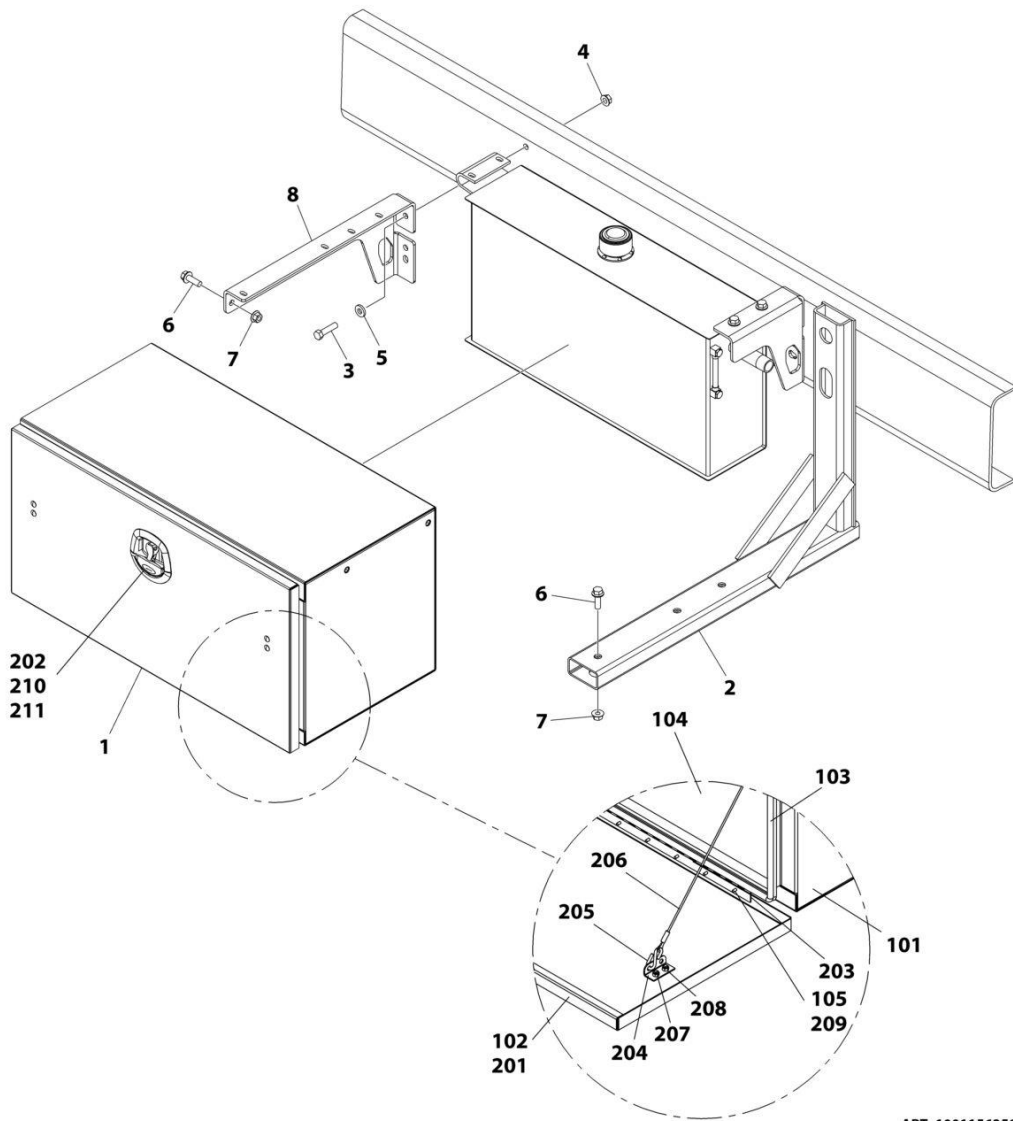
## SECTION 1 - SUBFRAME

### FIGURE 1-51. TOOLBOX - 36IN NARROW UNDERMOUNT

ITEM	PART NUMBER	QTY	DESCRIPTION	REV
	1001156357	Ref	TOOLBOX, 36IN UNDERBOX MOUNT NARROW	B
1	1001208772	1	Toolbox Assembly (includes items 101 through 105)	A
2	1001156006	1	Frame Weldment	
3	0651816	4	Capscrew 1/2 x 2	
4	7660182333	4	Nut 1/2	
5	4891800	4	Washer 1/2	
6	7118181216	6	Capscrew 1/2 x 1-1/2	
7	7660182301	6	Nut 1/2	
8	4178000339	1	Bracket	
9	1001155975	1	Bracket	
10	4706002361	1	Plate	
11	0641508	2	Capscrew 5/16 x 1	
12	7660152601	2	Nut 5/16	
13	4751500	4	Washer 5/16	
101	3899000126	1	Toolbox Weldment	
102	1001223819	1	Toolbox Door Assembly (includes items 201 through 211)	A
103	4796000009	1	Gasket	
104	4679000257	1	Pad	
105	7759000020	9	Rivet	
201	1001223815	1	Toolbox Door	
202	1001223814	1	Latch	
203	7555000016	1	Hinge	
204	4178000599	2	Bracket	
205	7592000005	4	S-Link	
206	7248000114	2	Cable	
207	7114140465	4	Bolt 0.25-20X0.50	
208	7660142604	4	Locknut 0.25-20	
209	7759000020	9	Rivet	
210	7950100143	4	Washer 0.19	
211	7660102604	4	Locknut #10-24	

# SECTION 1 - SUBFRAME

## FIGURE 1-52. TOOLBOX - 36IN UNDERMOUNT



ART\_1001156358

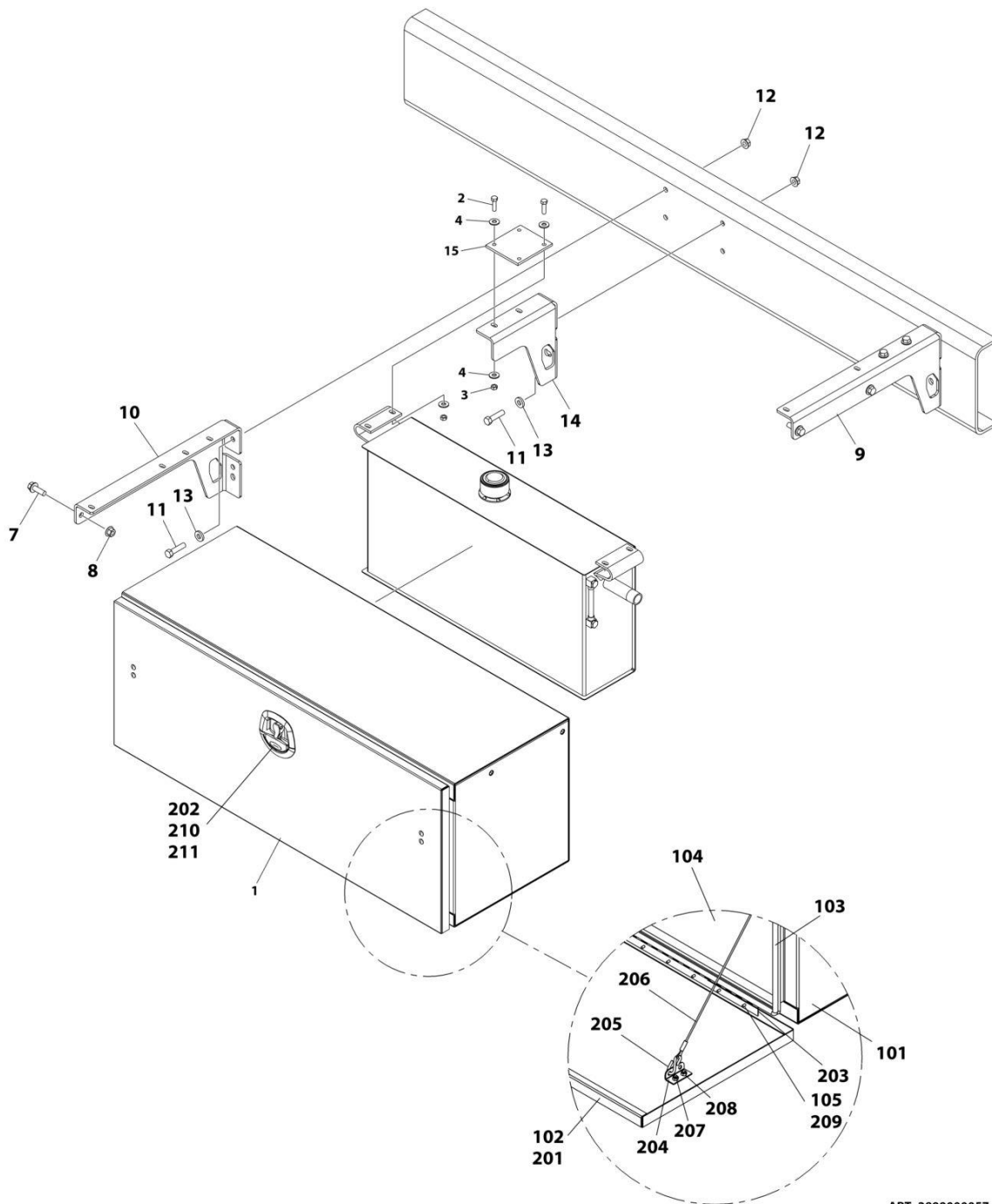
## SECTION 1 - SUBFRAME

### FIGURE 1-52. TOOLBOX - 36IN UNDERMOUNT

ITEM	PART NUMBER	QTY	DESCRIPTION	REV
	1001156358	Ref	TOOLBOX, 36IN UNDERBOX MOUNT	B
1	1001208769	1	Toolbox Assembly (includes items 101 through 105)	A
2	1001156006	1	Frame Weldment	
3	0651816	4	Capscrew 1/2 x 2	
4	7660182333	4	Nut 1/2	
5	4891800	4	Washer 1/2	
6	7118181216	4	Capscrew 1/2 x 1-1/2	
7	7660182301	4	Nut 1/2	
8	4178000291	1	Bracket	
101	3899000125	1	Toolbox Weldment	
102	1001223819	1	Toolbox Door Assembly (includes items 201 through 211)	A
103	4796000009	1	Gasket	
104	4679000256	1	Pad	
105	7759000020	1	Rivet	
201	1001223815	1	Toolbox Door	
202	1001223814	1	Latch	
203	7555000016	1	Hinge	
204	4178000599	2	Bracket	
205	7592000005	4	S-Link	
206	7248000114	2	Cable	
207	7114140465	4	Bolt 0.25-20X0.50	
208	7660142604	4	Locknut 0.25-20	
209	7759000020	9	Rivet	
210	7950100143	4	Washer 0.19	
211	7660102604	4	Locknut #10-24	

# SECTION 1 - SUBFRAME

## FIGURE 1-53. TOOLBOX - 48IN



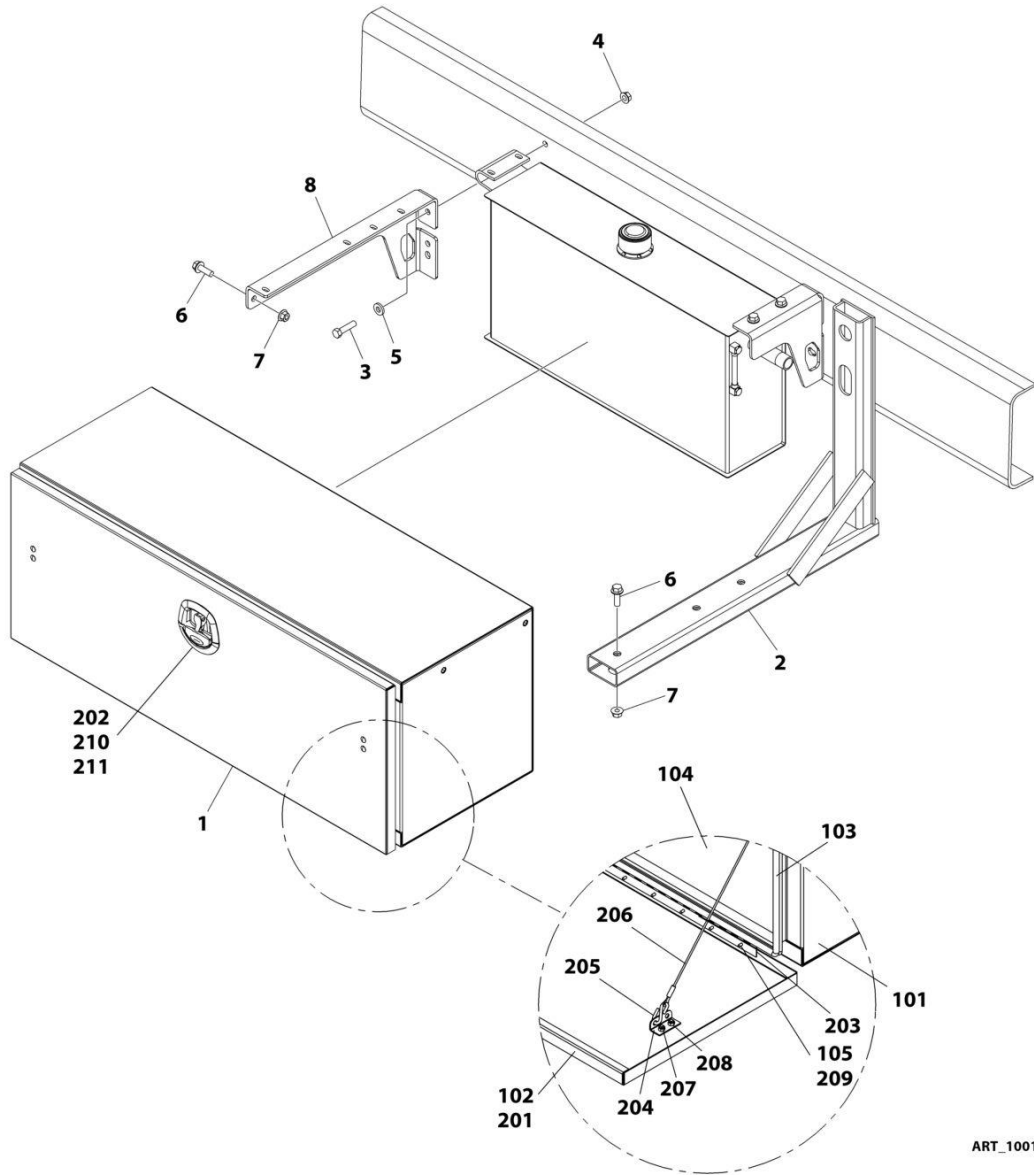
# SECTION 1 - SUBFRAME

## FIGURE 1-53. TOOLBOX - 48IN

ITEM	PART NUMBER	QTY	DESCRIPTION	REV
	2899000057	Ref	TOOLBOX, 48IN	E
1	1001208776	1	Toolbox Assembly (includes iotemss 101 through 105)	A
2	0641508	4	Capscrew 5/16 x 1	
3	7660152601	4	Nut 5/16	
4	4751500	8	Washer 5/16	
7	7118181216	4	Capscrew 1/2 x 1-1/2	
8	7660182301	4	Nut 1/2	
9	4178000290	1	Bracket	
10	4178000291	1	Bracket	
11	0651816	6	Capscrew 1/2 x 2	
12	7660182333	6	Nut 1/2	
13	4891800	6	Washer 1/2	
14	4178000330	1	Bracket	
15	4706002361	1	Plate	
101	3899000127	1	Toolbox Weldment	
102	1001223820	1	Toolbox Door Assembly (includes items 201 through 211)	A
103	4796000010	1	Gasket	
104	4679000258	1	Pad	
105	7759000020	14	Rivet	
201	1001223816	1	Toolbox Door	
202	1001223814	1	Latch	
203	7555000015	2	Hinge	
204	4178000599	2	Braclet	
205	7592000005	4	S-Link	
206	7248000114	2	Cable	
207	7114140465	4	Bolt 0.25-20X0.50	
208	7660142604	4	Locknut 0.25-20	
209	7759000020	14	Rivet	
210	7950100143	4	Washer 0.19	
211	7660102604	4	Locknut #10-24	

# SECTION 1 - SUBFRAME

## FIGURE 1-54. TOOLBOX - 48IN UNDERMOUNT



ART\_1001137931

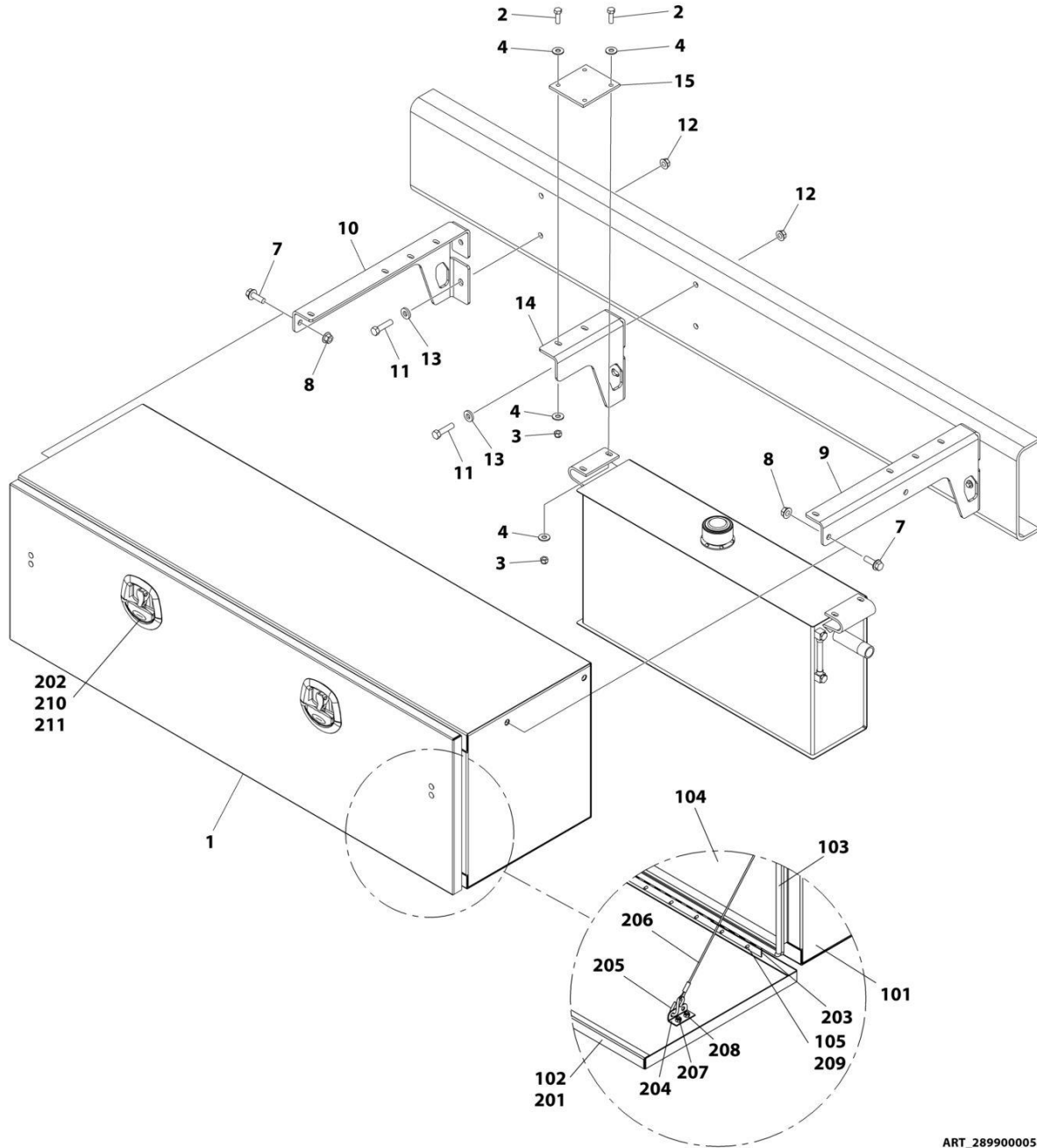
## SECTION 1 - SUBFRAME

### FIGURE 1-54. TOOLBOX - 48IN UNDERMOUNT

ITEM	PART NUMBER	QTY	DESCRIPTION	REV
	1001137931	Ref	TOOLBOX, 48IN UNDERBOX MOUNT	D
1	1001208776	1	Toolbox Assembly (includes items 101 through 105)	A
2	1001156006	1	Frame Weldment	
3	0651816	4	Capscrew 1/2 x 2	
4	7660182333	4	Nut 1/2	
5	4891800	4	Washer 1/2	
6	7118181216	6	Capscrew 1/2 x 1-1/2	
7	7660182301	6	Nut 1/2	
8	4178000291	1	Bracket	
101	3899000127	1	Toolbox Weldment	
102	1001223820	1	Toolbox Door Assembly (includes items 201 through 211)	
103	4796000010	1	Gasket	
104	4679000258	1	Pad	
105	7759000020	14	Rivet	
201	1001223816	1	Toolbox Door	
202	1001223814	1	Latch	
203	7555000015	2	Hinge	
204	4178000599	2	Bracket	
205	7592000005	4	S-Link	
206	7248000114	2	Cable	
207	7114140465	4	Bolt 0.25-20X0.50	
208	7660142604	4	Locknut 0.25-20	
209	7759000020	14	Rivet	
210	7950100143	4	Washer 0.19	
211	7660102604	4	Locknut #10-24	

# SECTION 1 - SUBFRAME

## FIGURE 1-55. TOOLBOX - 60IN



ART\_2899000058



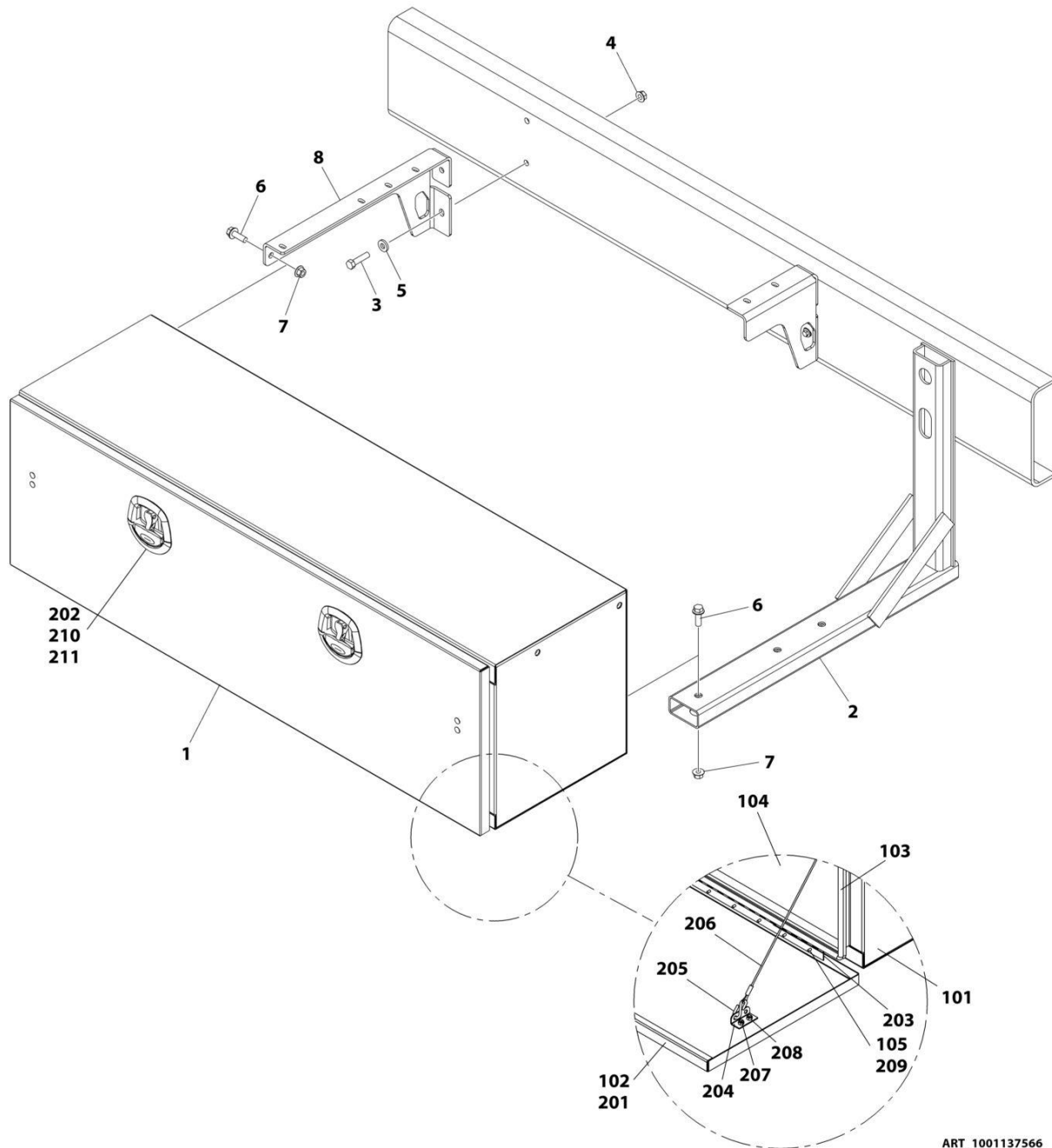
# SECTION 1 - SUBFRAME

## FIGURE 1-55. TOOLBOX - 60IN

ITEM	PART NUMBER	QTY	DESCRIPTION	REV
	2899000058	Ref	TOOLBOX, 60IN	E
1	1001208780	1	Toolbox Assembly (includes items 101 through 105)	A
2	0641508	4	Capscrew 5/16 x 1	
3	7660152601	4	Nut 5/16	
4	4751500	8	Washer 5/16	
7	7118181216	4	Capscrew 1/2 x 1-1/2	
8	7660182301	4	Nut 1/2	
9	4178000290	1	Bracket	
10	4178000291	1	Bracket	
11	0651816	6	Capscrew 1/2 x 2	
12	7660182333	6	Nut 1/2	
13	4891800	6	Washer 1/2	
14	4178000330	1	Bracket	
15	4706002361	1	Plate	
101	3899000128	1	Toolbox Weldment	
102	1001223821	1	Toolbox Door Assembly (includes items 201 through 211)	A
103	4796000011	1	Gasket	
104	4679000259	1	Pad	
105	7759000020	18	Rivet	
201	1001223817	1	Toolbox Door	
202	1001223814	2	Latch	
203	7555000016	2	Hinge	
204	4178000599	2	Bracket	
205	7592000005	4	S-Link	
206	7248000114	2	Cable	
207	7114140465	4	Bolt 0.25-20X.050	
208	7660142604	4	Locknut 0.25-20	
209	7759000020	18	Rivet	
210	7950100143	8	Washer 0.191	
211	7660102604	8	Locknut #10-24	

# SECTION 1 - SUBFRAME

## FIGURE 1-56. TOOLBOX - 60IN UNDERMOUNT



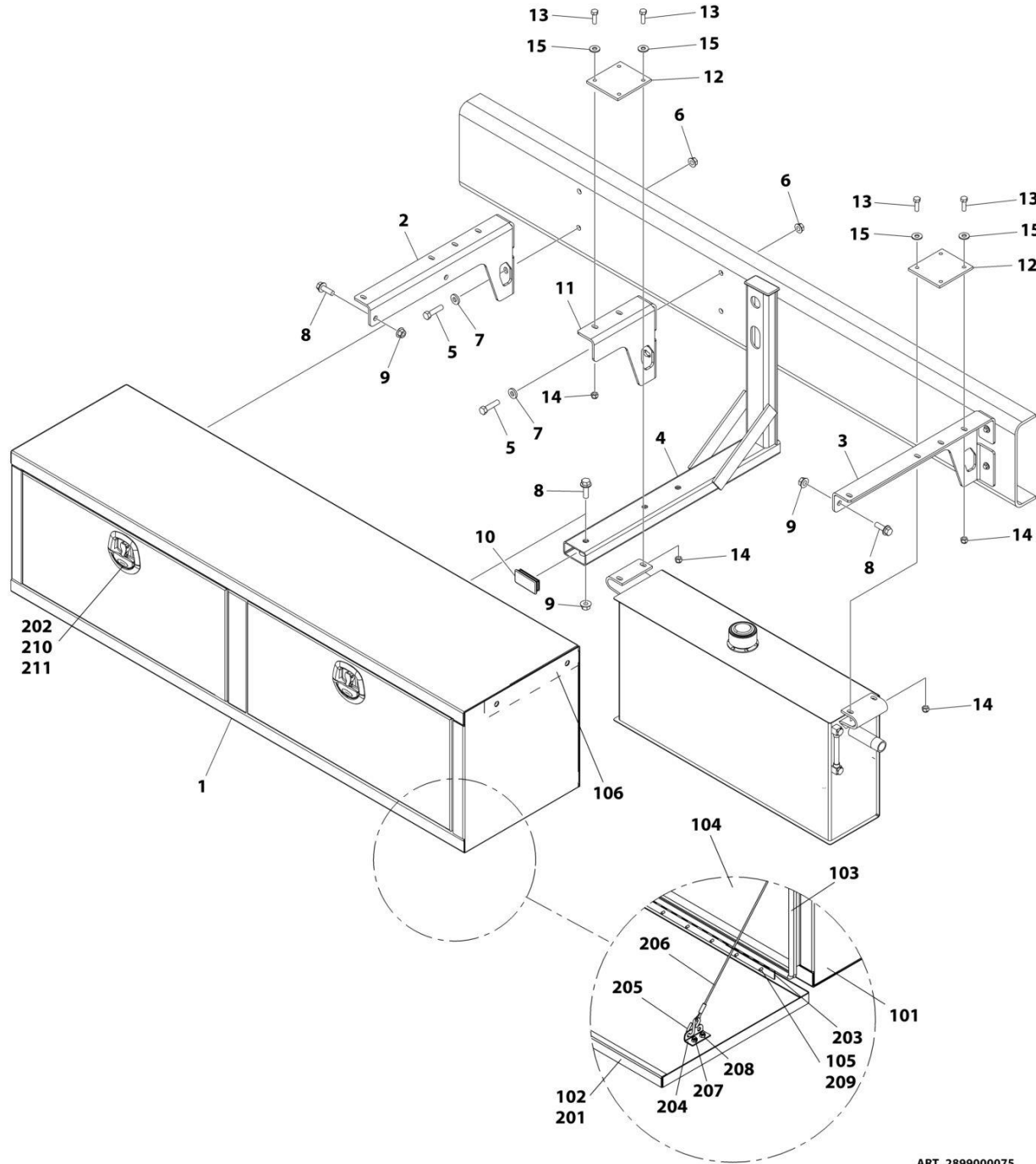
## SECTION 1 - SUBFRAME

### FIGURE 1-56. TOOLBOX - 60IN UNDERMOUNT

ITEM	PART NUMBER	QTY	DESCRIPTION	REV
	1001137566	Ref	TOOLBOX, 60IN UNDERBOX MOUNT	D
1	1001208780	1	Toolbox Assembly (includes items 101 through 105)	A
2	1001156006	1	Frame Weldment	
3	0651816	4	Capscrew 1/2 x 2	
4	7660182333	4	Nut 1/2	
5	4891800	4	Washer 1/2	
6	7118181216	6	Capscrew 1/2 x 1-1/2	
7	7660182301	6	Nut 1/2	
8	4178000291	1	Bracket	
101	3899000128	1	Toolbox Weldment	
102	1001223821	1	Toolbox Door Assembly (includes items 201 through 211)	A
103	4796000011	1	Gasket	
104	4679000259	1	Pad	
105	7759000020	18	Rivet	
201	1001223817	1	Toolbox Door	
202	1001223814	2	Latch	
203	7555000016	2	Hinge	
204	4178000599	2	Bracket	
205	7592000005	4	S-Link	
206	7248000114	2	Cable	
207	7114140465	4	Bolt 0.25-20X0.50	
208	7660142604	4	Locknut 0.25-20	
209	7759000020	18	Rivet	
210	7950100143	8	Washer 0.19	
211	7660102604	8	Locknut #10-24	

# SECTION 1 - SUBFRAME

## FIGURE 1-57. TOOLBOX - 78IN



# SECTION 1 - SUBFRAME

## FIGURE 1-57. TOOLBOX - 78IN

ITEM	PART NUMBER	QTY	DESCRIPTION	REV
	2899000075	Ref	TOOLBOX, 78IN	C
1	1001208785	1	Toolbox Assembly (includes items 101 through 106)	A
2	4178000291	1	Bracket	
3	4178000290	1	Bracket	
4	3178000566	1	Bracket	
5	0651816	8	Capscrew 1/2 x 2	
6	7660182333	8	Nut 1/2	
7	4891800	8	Washer 1/2	
8	7118181216	6	Capscrew 1/2 x 1-1/2	
9	7660182301	6	Nut 1/2	
10	7701000051	2	Plug	
11	4178000330	1	Bracket	
12	4706002361	2	Plate	
13	0641508	4	Capscrew 5/16 x 1	
14	7660152601	4	Nut 5/16	
15	4751500	8	Washer 5/16	
101	3899000173	1	Toolbox Weldment	
102	1001223822	2	Toolbox Door Assembly (includes items 201 through 211)	A
103	4796000012	2	Gasket	
104	4679000322	1	Pad	
105	7759000020	18	Rivet	
106	7701000074	2	Plug	
201	1001223818	1	Toolbox Door	
202	1001223814	1	Latch	
203	7555000016	1	Hinge	
204	4178000599	2	Bracket	
205	7592000005	4	S-Link	
206	7248000155	2	Cable	
207	7114140465	4	Bolt 0.25-20X0.50	
208	7660142604	4	Locknut 0.25-20	
209	7759000020	9	Rivet	
210	7950100143	4	Washer 0.19	
211	7660102604	4	Locknut #10-24	

## **SECTION 1 - SUBFRAME**

### **FIGURE 1-58. TOOLBOX STAINLESS COVER INSTALLATION**

**INFORMATION NOT AVAILABLE AT THE TIME OF PRINTING**

ART\_1001233004

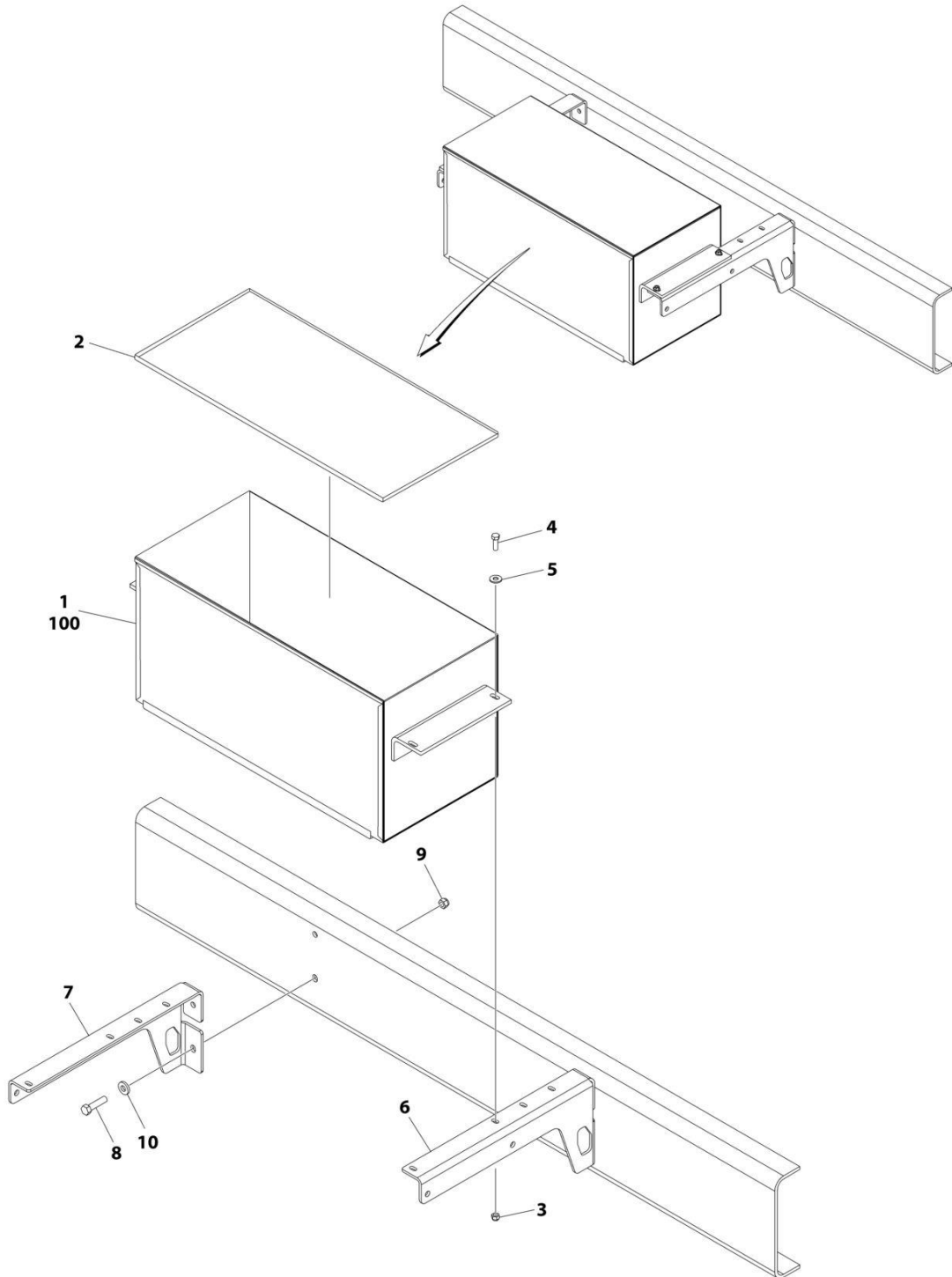
# SECTION 1 - SUBFRAME

## FIGURE 1-58. TOOLBOX STAINLESS COVER INSTALLATION

ITEM	PART NUMBER	QTY	DESCRIPTION	REV
1	2002000008	Ref	SS Face Cover, Storage Basket	0
	7002000410	1	Faceplate Basket	

# SECTION 1 - SUBFRAME

## FIGURE 1-59. TOOLBOX STORAGE BASKET



ART\_2899000030



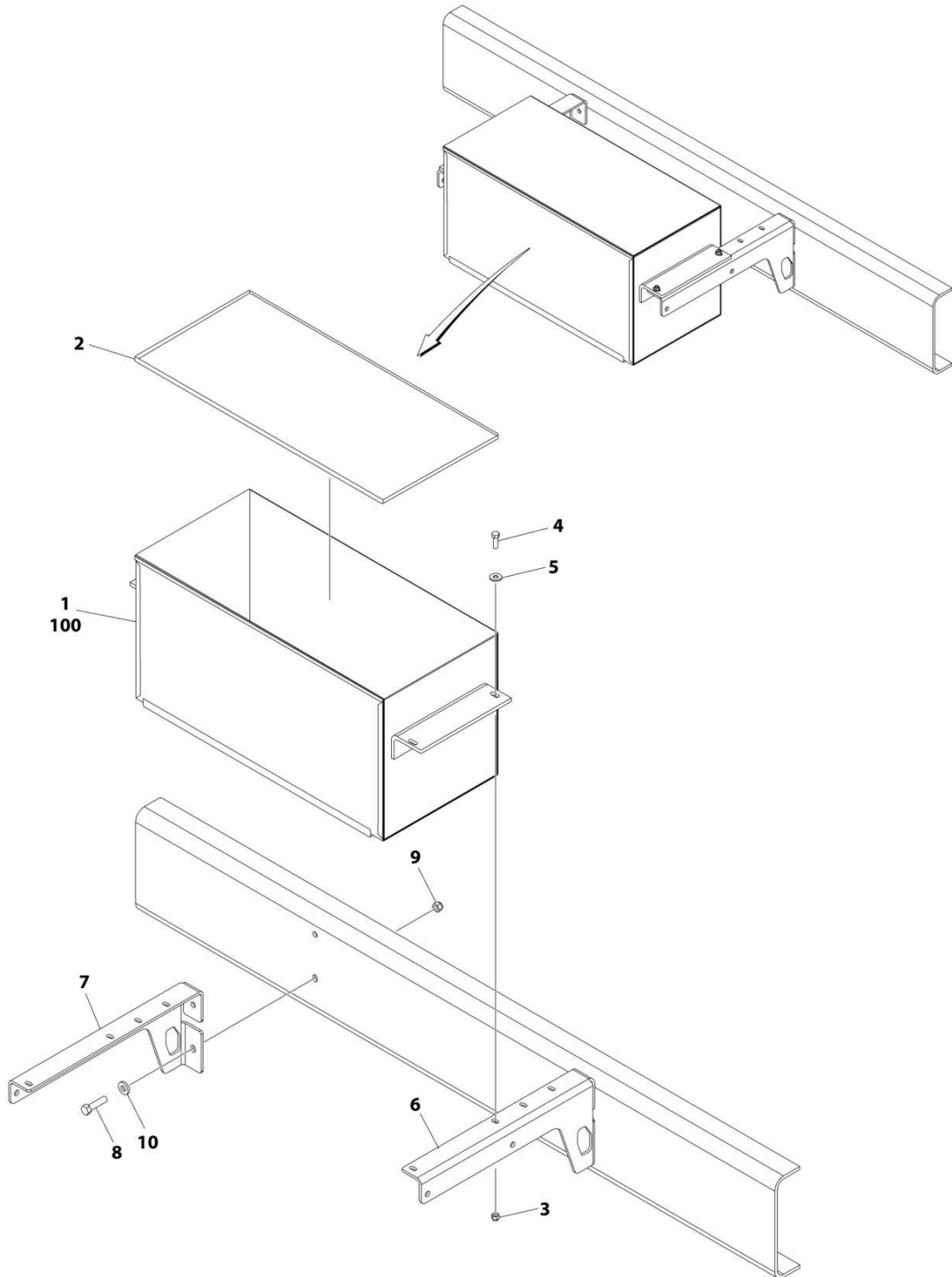
## SECTION 1 - SUBFRAME

### FIGURE 1-59. TOOLBOX STORAGE BASKET

ITEM	PART NUMBER	QTY	DESCRIPTION	REV
	2899000030	Ref	STORAGE BASKET	C
1	3899000053	1	Basket Weldment	
2	4632000015	1	Moulding	
3	7660152601	4	Nut 5/16	
4	7115150850	4	Capscrew 5/16 x 1	
5	7950150161	4	Washer 5/16	
6	4178000290	1	Bracket	
7	4178000291	1	Bracket	
8	7105181650	4	Capscrew 1/2 x 2	
9	7660182333	4	Nut 1/2	
10	7950180153	4	Washer 1/2	
100	2002000008	1	Cover Kit – Storage Basket (SS) (Includes SS Cover Face Plate and Rivets)	

# SECTION 1 - SUBFRAME

## FIGURE 1-60. TOOLBOX STORAGE BASKET (DEEP)



ART\_289900041

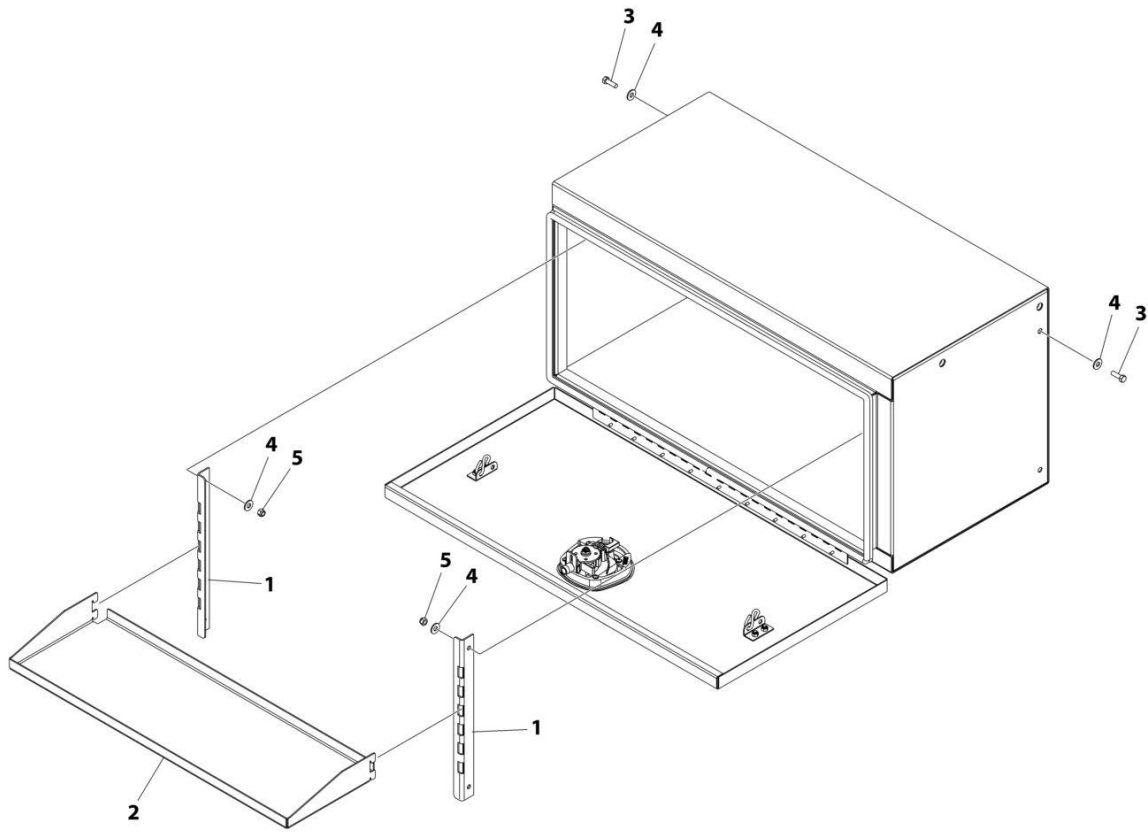
## SECTION 1 - SUBFRAME

**FIGURE 1-60. TOOLBOX STORAGE BASKET (DEEP)**

ITEM	PART NUMBER	QTY	DESCRIPTION	REV
	2899000041	Ref	STORAGE BASKET, DEEP	B
1	3899000075	1	Basket Weldment	
2	4632000048	1	Moulding	
3	7660152601	4	Nut 5/16	
4	7115150850	4	Capscrew 5/16 x 1	
5	7950150161	4	Washer 5/16	
6	4178000290	1	Bracket	
7	4178000291	1	Bracket	
8	7105181650	4	Capscrew 1/2 x 2	
9	7660182333	4	Nut 1/2	
10	7950180153	4	Washer 1/2	
100	2002000008	1	Cover Kit – Storage Basket (SS) (Includes SS Cover Face Plate and Rivets)	

# SECTION 1 - SUBFRAME

## FIGURE 1-61. TOOLBOX SHELF - 36IN



ART\_2899000059

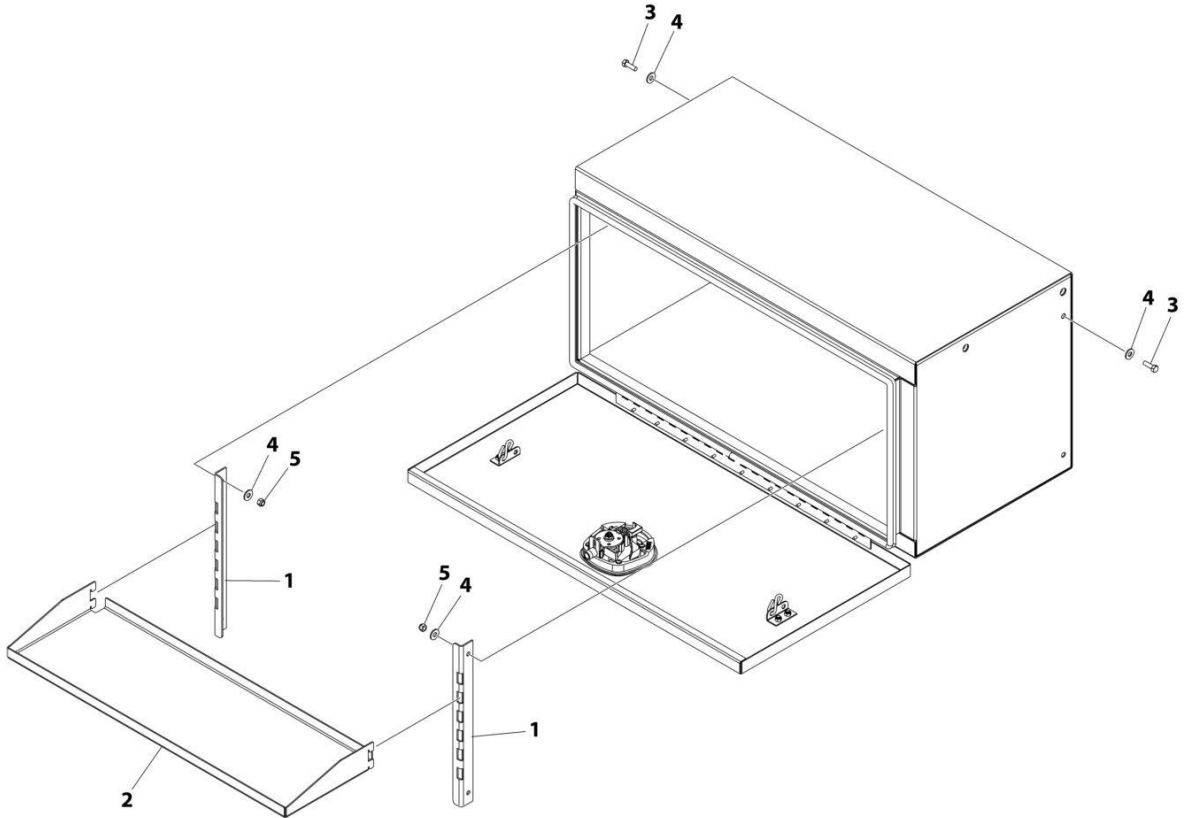
# SECTION 1 - SUBFRAME

## FIGURE 1-61. TOOLBOX SHELF - 36IN

ITEM	PART NUMBER	QTY	DESCRIPTION	REV
	2899000059	Ref	TOOL BOX SHELF, 36IN	B
1	4017001403	2	Angle	
2	4811000841	1	Sheet	
3	7115150850	4	Capscrew 5/16 x 1	
4	7950150161	8	Washer 5/16	
5	7660152601	4	Nut 5/16	

# SECTION 1 - SUBFRAME

## FIGURE 1-62. TOOLBOX SHELF - 48IN



ART\_2899000060

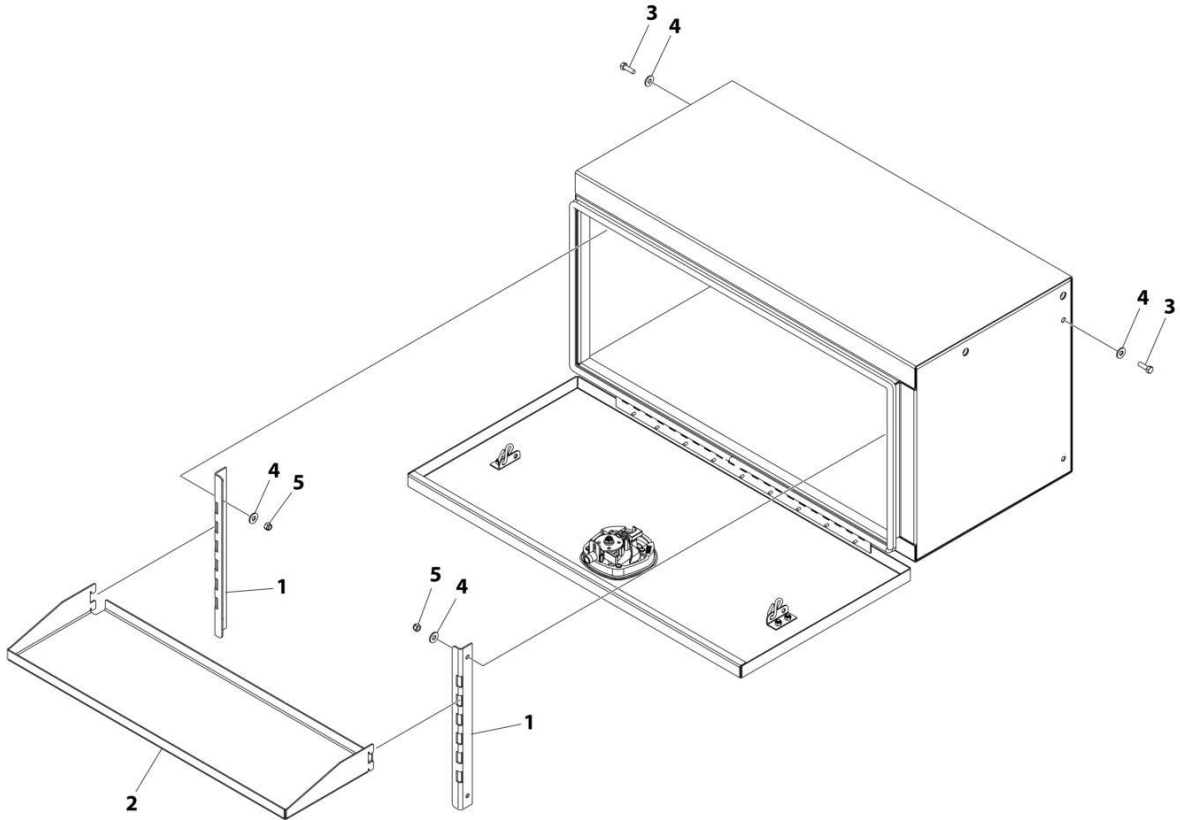
# SECTION 1 - SUBFRAME

## FIGURE 1-62. TOOLBOX SHELF - 48IN

ITEM	PART NUMBER	QTY	DESCRIPTION	REV
	2899000060	Ref	TOOL BOX SHELF, 48IN	B
1	4017001403	2	Angle	
2	4811000868	1	Sheet	
3	7115150850	4	Capscrew 5/16 x 1	
4	7950150161	8	Washer 5/16	
5	7660152601	4	Nut 5/16	

# SECTION 1 - SUBFRAME

## FIGURE 1-63. TOOLBOX SHELF - 60IN



ART\_289900061



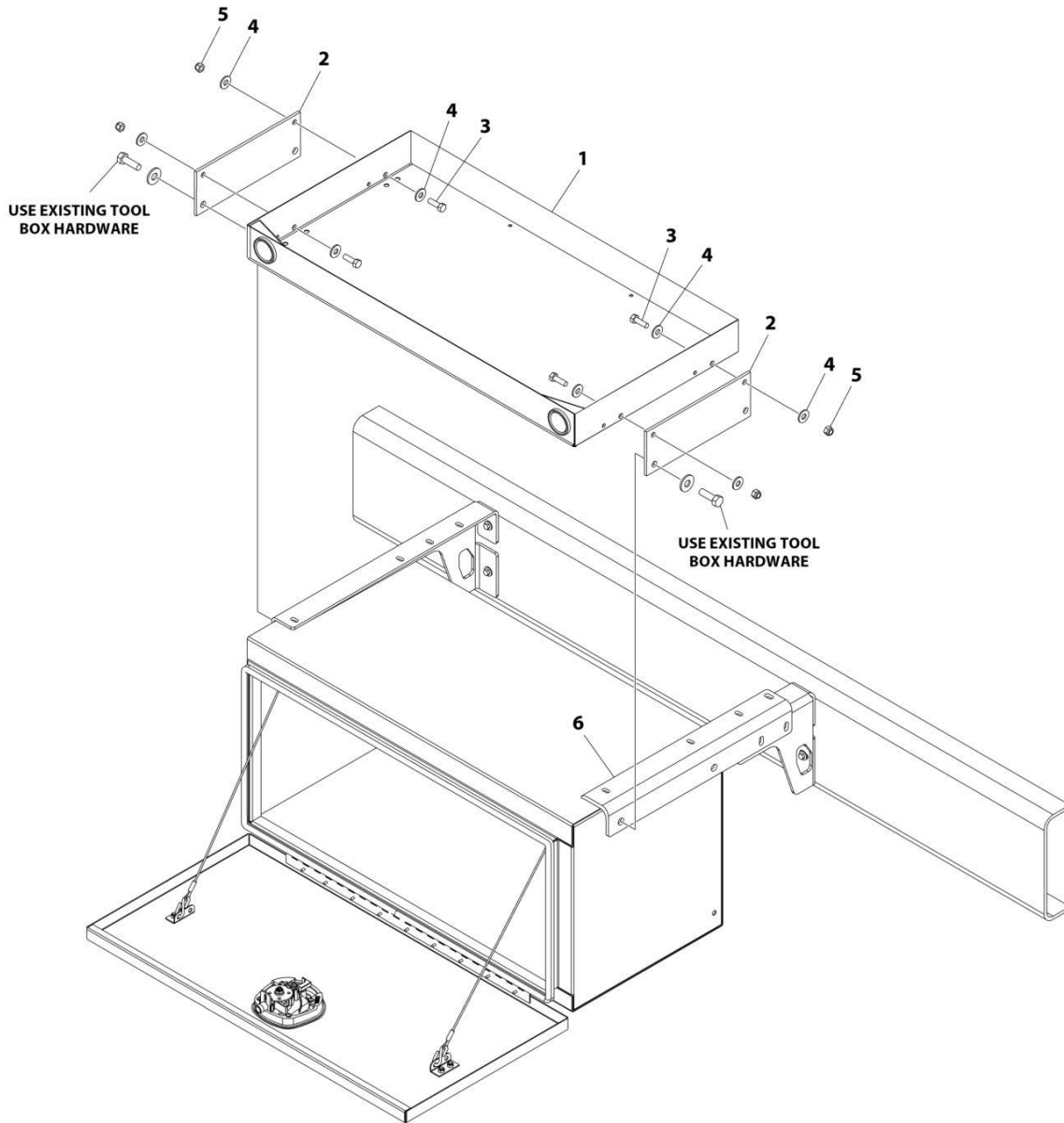
# SECTION 1 - SUBFRAME

## FIGURE 1-63. TOOLBOX SHELF - 60IN

ITEM	PART NUMBER	QTY	DESCRIPTION	REV
	2899000061	Ref	TOOL BOX SHELF, 60IN	B
1	4017001403	2	Angle	
2	4811000868	1	Sheet	
3	7115150850	4	Capscrew 5/16 x 1	
4	7950150161	8	Washer 5/16	
5	7660152601	4	Nut 5/16	

# SECTION 1 - SUBFRAME

## FIGURE 1-64. TOOLBOX TOP STORAGE TRAY - 36IN



ART\_2002000048

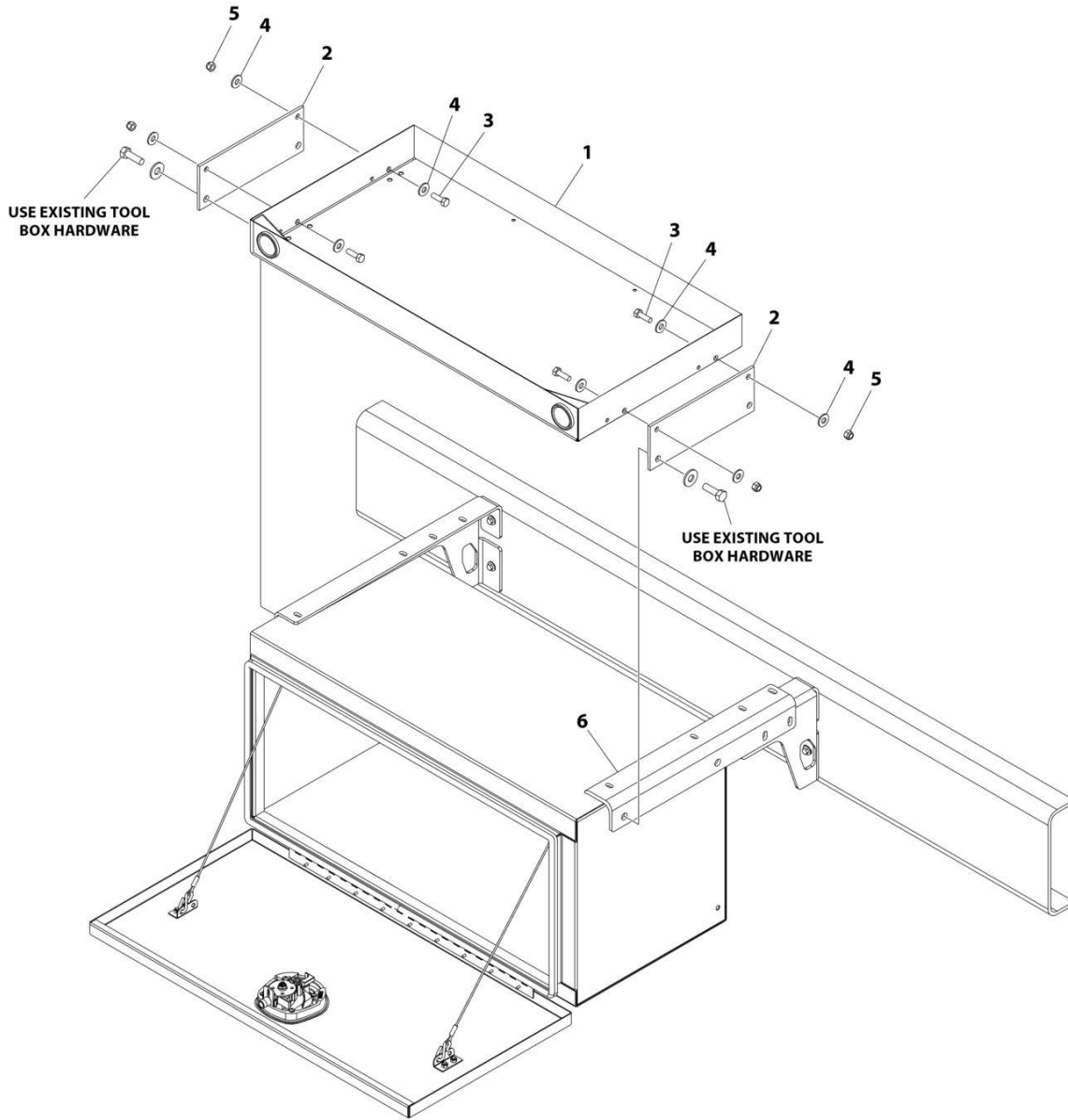
## SECTION 1 - SUBFRAME

### FIGURE 1-64. TOOLBOX TOP STORAGE TRAY - 36IN

ITEM	PART NUMBER	QTY	DESCRIPTION	REV
	2002000048	Ref	TOOL BOX TOP STORAGE TRAY, 36IN	B
1	3811000053	1	Sheet Weldment	
2	4706006216	1	Plate	
3	7115160950	4	Bolt 3/8 x 1-1/8	
4	7950150161	8	Washer 5/16	
5	7660162601	4	Nut 3/8	
6	1001155975	1	Bracket	

# SECTION 1 - SUBFRAME

## FIGURE 1-65. TOOLBOX TOP STORAGE TRAY - 48IN



ART\_2002000049

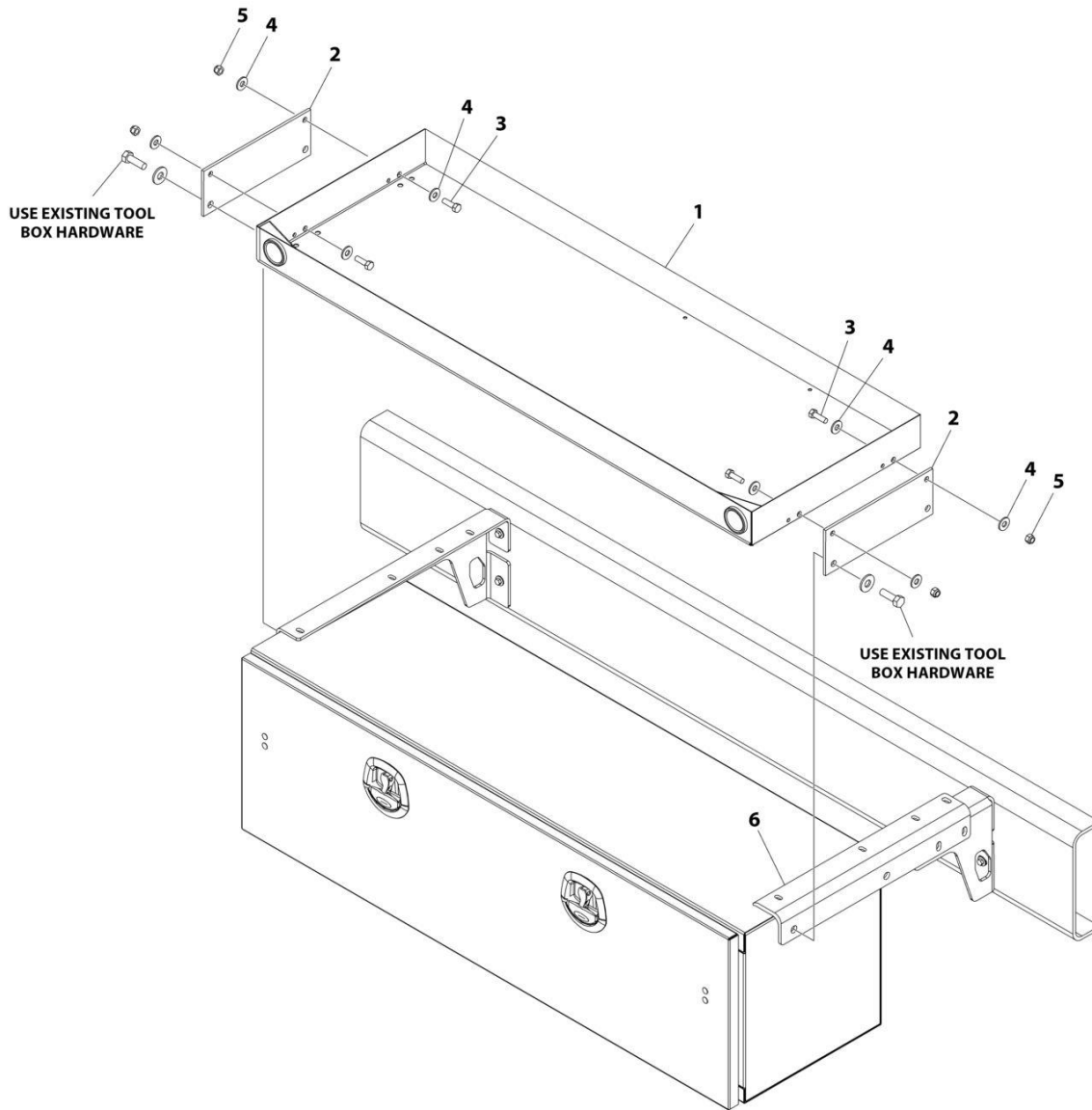
# SECTION 1 - SUBFRAME

## FIGURE 1-65. TOOLBOX TOP STORAGE TRAY - 48IN

ITEM	PART NUMBER	QTY	DESCRIPTION	REV
	2002000049	Ref	TOOL BOX TOP STORAGE TRAY, 48IN	B
1	3811000054	1	Sheet Weldment	
2	4706006216	2	Plate	
3	7115160950	1	Bolt 3/8 x 1-1/8	
4	7950150161	8	Washer 5/16	
5	7660162601	4	Nut 3/8	
6	1001155975	1	Bracket	

# SECTION 1 - SUBFRAME

## FIGURE 1-66. TOOLBOX TOP STORAGE TRAY - 60IN



ART\_2002000050

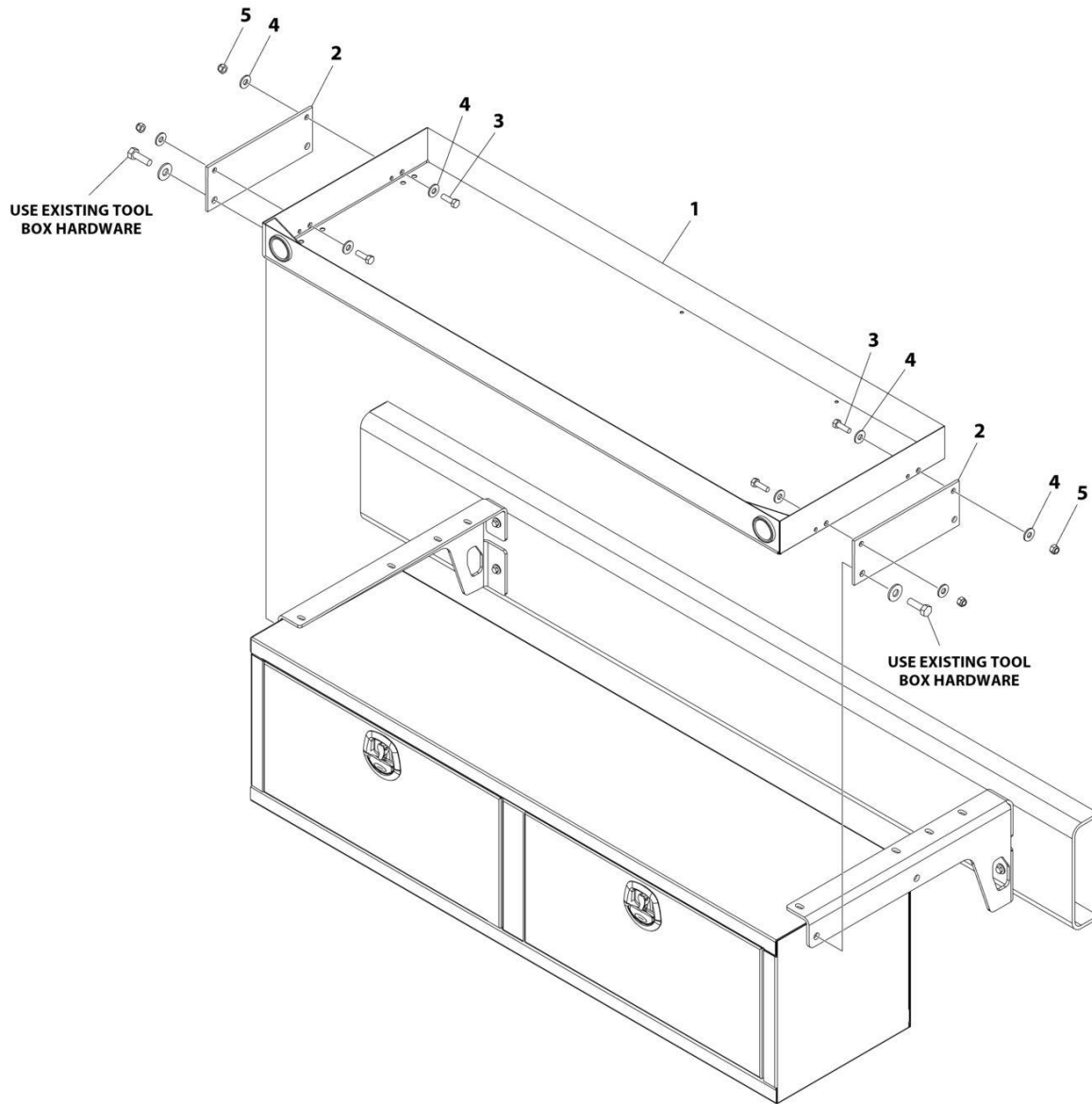
# SECTION 1 - SUBFRAME

## FIGURE 1-66. TOOLBOX TOP STORAGE TRAY - 60IN

ITEM	PART NUMBER	QTY	DESCRIPTION	REV
	2002000050	Ref	TOOL BOX TOP STORAGE TRAY, 60IN	B
1	3811000055	1	Sheet	
2	4706006216	2	Plate	
3	7115160950	4	Bolt 3/8 x 1-1/8	
4	7950150161	8	Washer 5/16	
5	7660162601	4	Nut 3/8	
6	1001155975	1	Bracket	

# SECTION 1 - SUBFRAME

## FIGURE 1-67. TOOLBOX TOP STORAGE TRAY - 78IN



ART\_2002000051



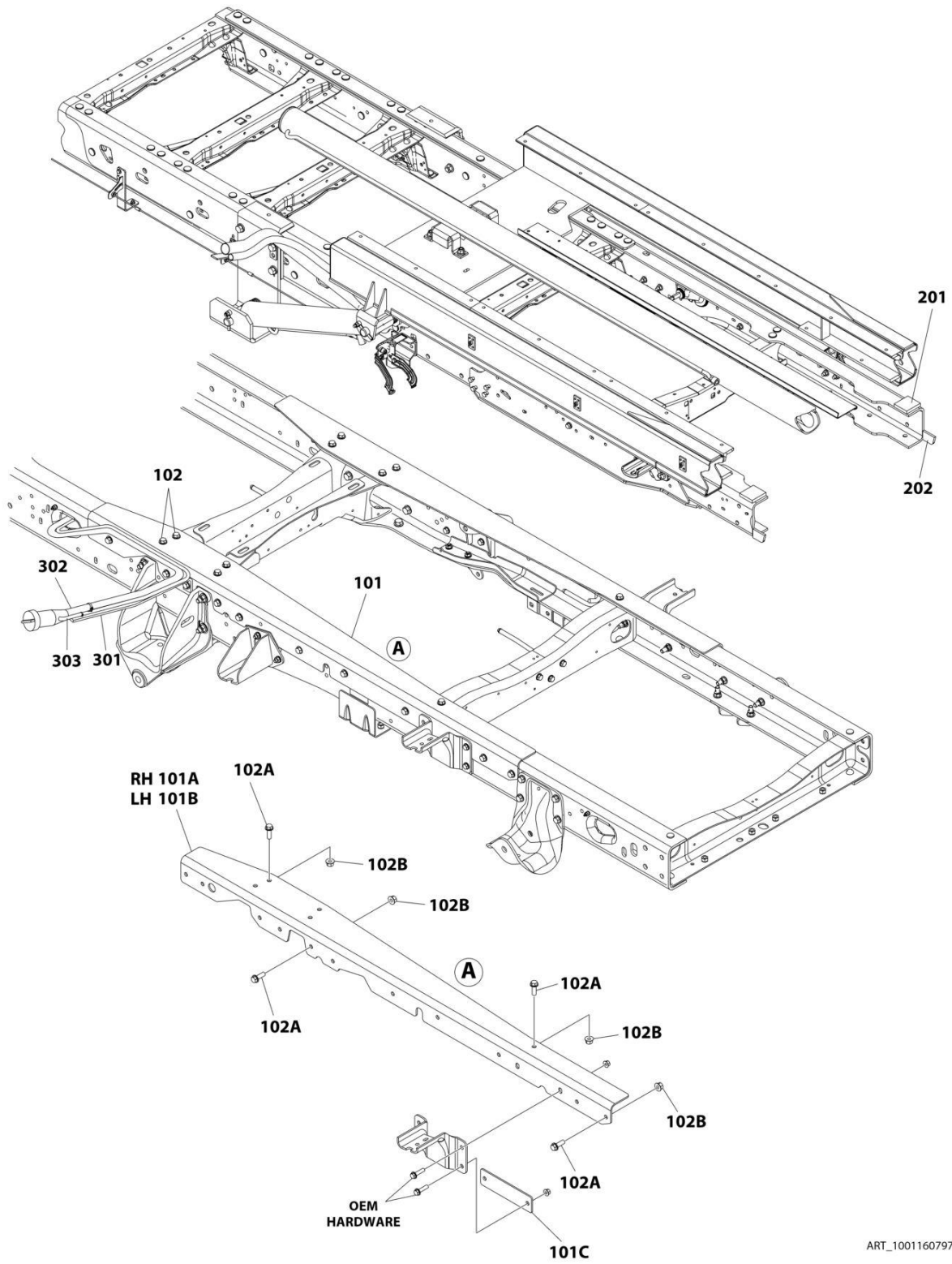
## SECTION 1 - SUBFRAME

### FIGURE 1-67. TOOLBOX TOP STORAGE TRAY - 78IN

ITEM	PART NUMBER	QTY	DESCRIPTION	REV
	2002000051	Ref	TOOL BOX TOP STORAGE TRAY, 78IN	B
1	3811000057	1	Sheet	
2	4706006216	2	Plate	
3	7115160950	4	Bolt 3/8 x 1-1/8	
4	7950150161	8	Washer 5/16	
5	7660162601	1	Nut 3/8	

# SECTION 1 - SUBFRAME

## FIGURE 1-68. CHASSIS MOUNTING KIT - DODGE 2013-2018



ART\_1001160797

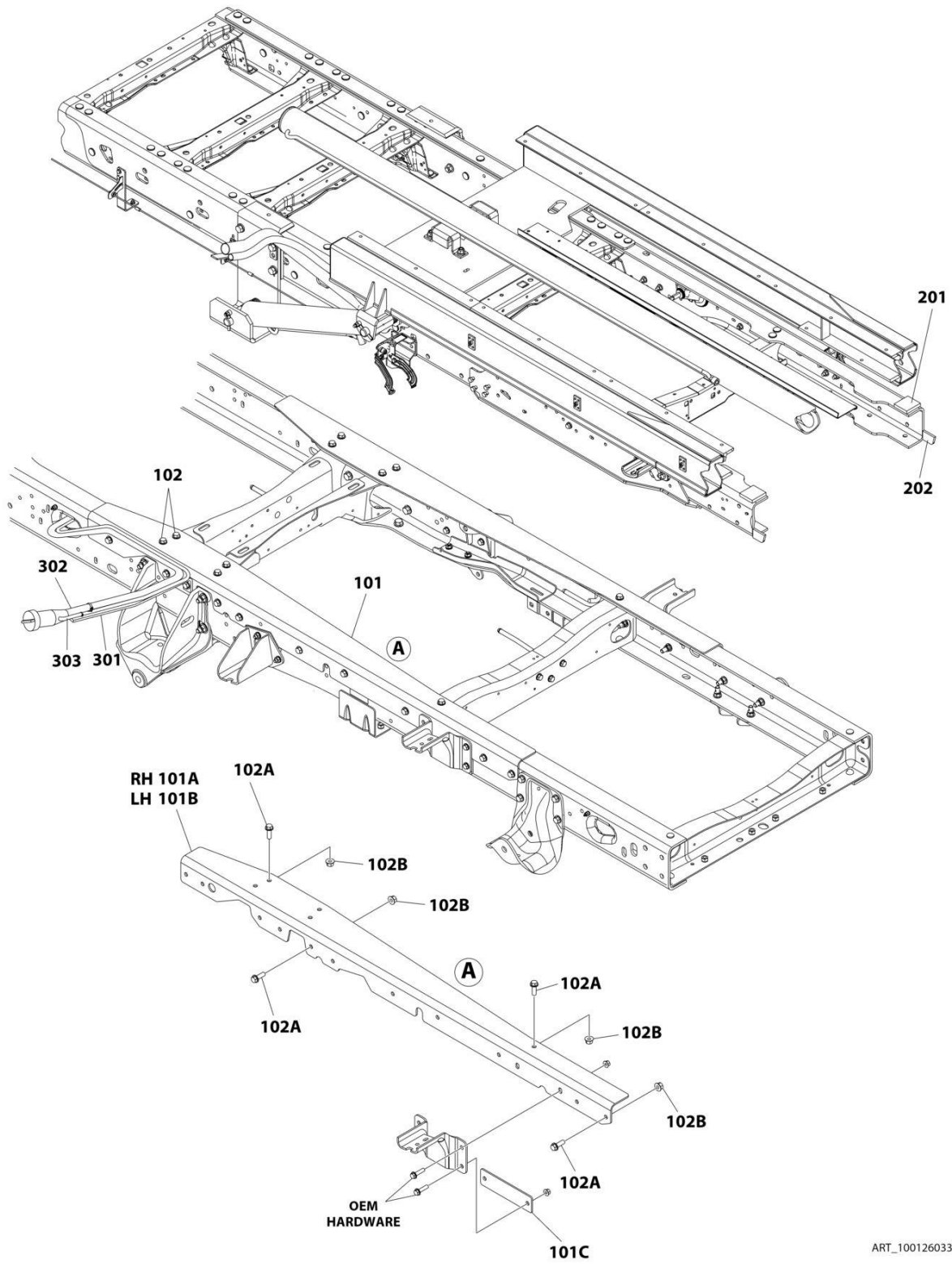
## SECTION 1 - SUBFRAME

**FIGURE 1-68. CHASSIS MOUNTING KIT - DODGE 2013-2018**

ITEM	PART NUMBER	QTY	DESCRIPTION	REV
	1001160797	Ref	CHASSIS MOUNTING KIT - DODGE 2013-2018	B
1	1001160367	Ref	Frame Reinforcement Installation (Not Shown) (See Items 101-102 for Breakdown)	
2	1001161297	Ref	Subframe Modifications Installation (Not Shown) (See Items 201-210 for Breakdown)	
3	2570000153	Ref	Hose Installation (Not Shown) (See Items 301-303 for Breakdown)	
4	1001161328	1	LED Wiring Installation (Not Shown)	
5	7577000194	1	Kit Chassis Wiring Connector (Not Shown)	
	1001160367	Ref	FRAME REINFORCEMENT INSTALLATION	B
101	1001160591	1	Service Plate Kit	
101A	1001160362	1	Angle	
101B	1001160363	1	Angle	
101C	1001160365	2	Plate	
102	1001160592	1	Service Hardware Kit	
102A	5251215	32	Bolt M12 x 35	
102B	1001164169	32	Nut M12	
	1001161297	Ref	SUBFRAME MODIFICATIONS INSTALLATION	B
201	4062000281	2	Bar	
202	4497000549	2	Gusset	
204	1001161318	2	Stud (Not Shown)	
205	5241400	2	Washer (Not Shown)	
206	1001164050	1	Plate (Not Shown)	
207	7115180850	1	Capscrew 1/2 x 1 (Not Shown)	
208	7950180150	1	Washer 1/2 (Not Shown)	
209	7660182301	1	Nut 1/2 (Not Shown)	
210	1001164192	1	Rivet (Not Shown)	
	2570000153	Ref	HOSE INSTALLATION	A
301	4178000421	1	Bracket	
302	7570000016	1	Hose	
303	7570000017	1	Hose	

# SECTION 1 - SUBFRAME

## FIGURE 1-69. CHASSIS MOUNTING KIT - DODGE 2019+



ART\_1001260338

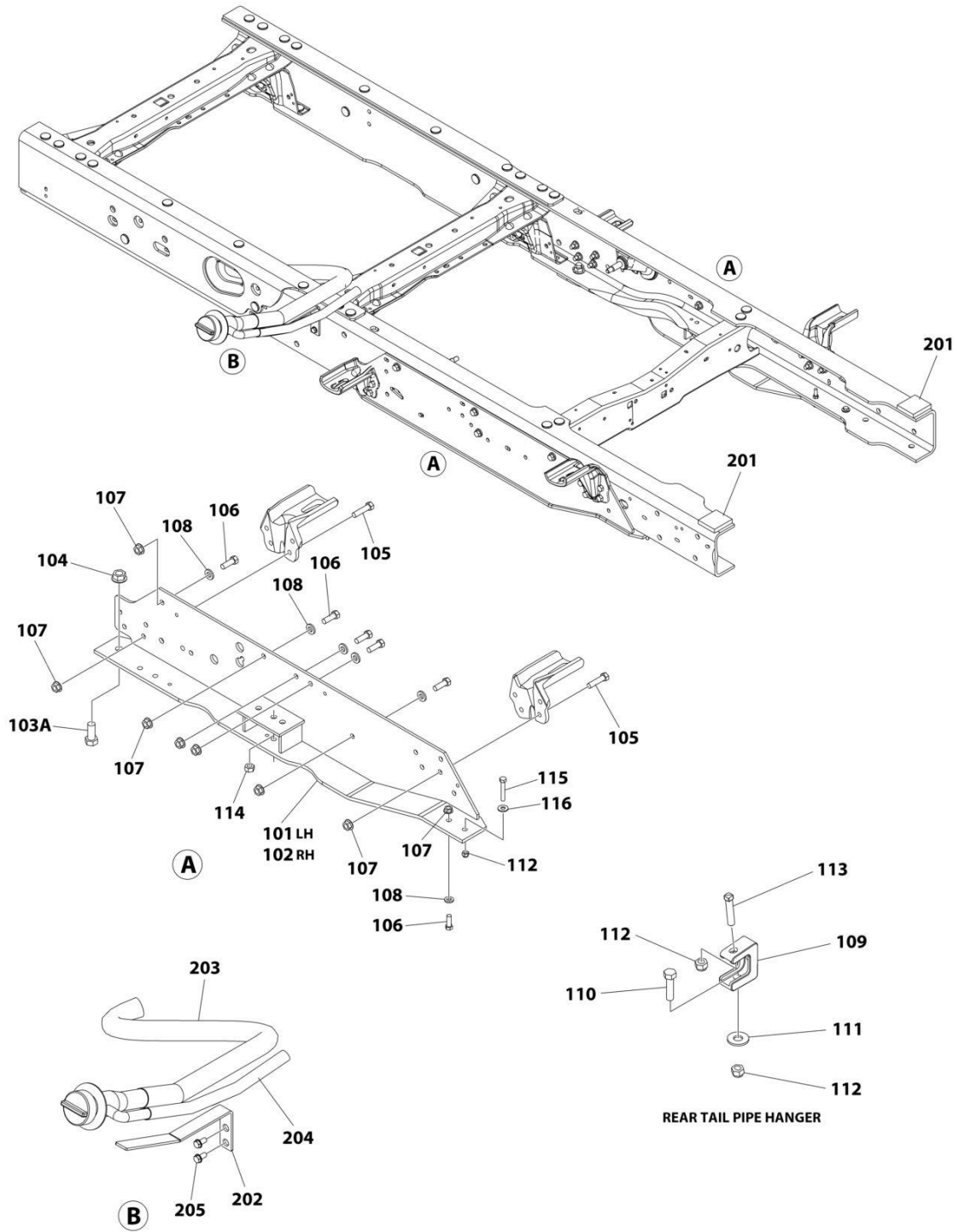
## SECTION 1 - SUBFRAME

**FIGURE 1-69. CHASSIS MOUNTING KIT - DODGE 2019+**

ITEM	PART NUMBER	QTY	DESCRIPTION	REV
	1001260338	Ref	CHASSIS MOUNTING KIT - DODGE 2019	A
1	1001160367	Ref	Frame Reinforcement Installation (Not Shown) (See Items 101-102 for Breakdown)	
2	1001161297	Ref	Subframe Modifications Installation (Not Shown) (See Items 201-210 for Breakdown)	
3	2570000153	Ref	Hose Installation (Not Shown) (See Items 301-303 for Breakdown)	
4	7577000194	1	Kit Chassis Wiring Connector (Not Shown)	
	1001160367	Ref	FRAME REINFORCEMENT INSTALLATION	B
101	1001160591	1	Service Plate Kit	
101A	1001160362	1	Angle	
101B	1001160363	1	Angle	
101C	1001160365	2	Plate	
102	1001160592	1	Service Hardware Kit	
102A	5251215	32	Bolt M12 x 35	
102B	1001164169	32	Nut M12	
	1001161297	Ref	SUBFRAME MODIFICATIONS INSTALLATION	B
201	4062000281	2	Bar	
202	4497000549	2	Gusset	
204	1001161318	2	Stud (Not Shown)	
205	5241400	2	Washer (Not Shown)	
206	1001164050	1	Plate (Not Shown)	
207	7115180850	1	Capscrew 1/2 x 1 (Not Shown)	
208	7950180150	1	Washer 1/2 (Not Shown)	
209	7660182301	1	Nut 1/2 (Not Shown)	
210	1001164192	1	Rivet (Not Shown)	
	2570000153	Ref	HOSE INSTALLATION	A
301	4178000421	1	Bracket	
302	7570000016	1	Hose	
303	7570000017	1	Hose	

# SECTION 1 - SUBFRAME

## FIGURE 1-70. CHASSIS MOUNTING KIT - FORD 2011-2016 F550 DIESEL



ART\_1001123159

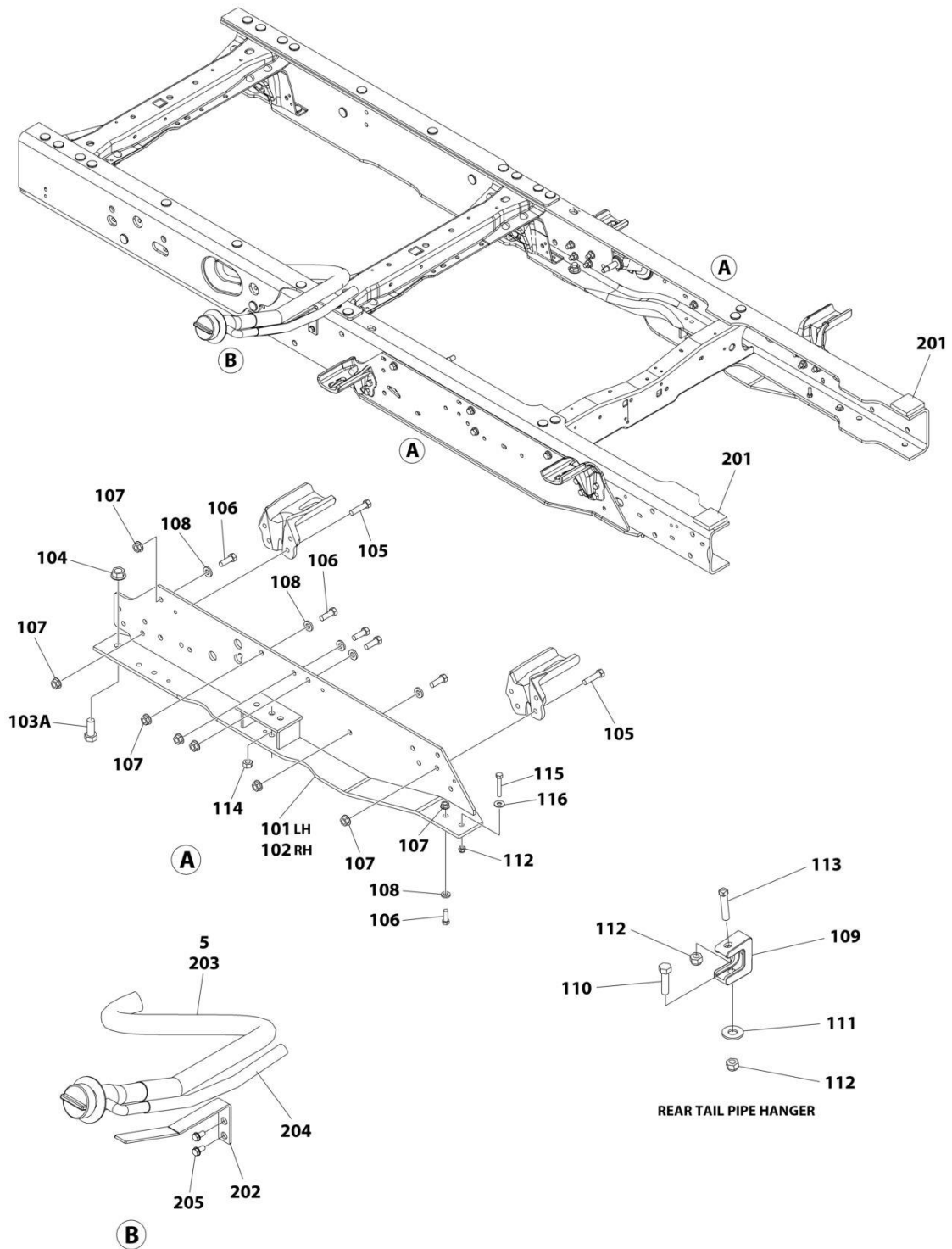
## SECTION 1 - SUBFRAME

**FIGURE 1-70. CHASSIS MOUNTING KIT - FORD 2011-2016 F550 DIESEL**

ITEM	PART NUMBER	QTY	DESCRIPTION	REV
	1001123159	Ref	CHASSIS MOUNTING KIT	D
1	2177000007	Ref	Brace Installation (Not Shown) (See Items 101-116)	
2	2577000041	Ref	Chassis Mod Installation Kit (Not Shown) (See Items 201-205)	
4	7577000194	1	Wiring Connector Kit (Not Shown)	
	2177000007	Ref	BRACE INSTALLATION	C
101	3177000053	1	Brace (LH)	
102	3177000054	1	Brace (RH)	
103	1001156465	1	Hardware Kit (Not Shown)	
103A	7105201250	2	Bolt 5/8 x 1-1/2	
104	7660202347	2	Nut 5/8	
105	7105171450	18	Bolt 7/16 x 1-3/4	
106	7105171050	16	Bolt 7/16 x 1-1/4	
107	7660172331	34	Nut 7/16	
108	7950170142	18	Washer 7/16	
109	7274000076	1	Clamp	
110	7115151050	1	Bolt 5/16 x 1-1/4	
111	7950150161	1	Washer 5/16	
112	7660152601	4	Nut 5/16	
113	7785152420	1	Screw Set 5/16	
114	7661000065	2	Nut M10	
115	7115151650	2	Bolt 5/16 x 2	
116	4891500	4	Washer 5/16	
	2577000041	Ref	CHASSIS MOD INSTALLATION	D
201	4062000281	2	Bar	
202	4178000283	1	Bracket	
203	7570000016	1	Hose (Fuel Filler)	
204	7570000017	1	Hose (Fuel Vent)	
205	7790161253	2	Screw 5/8 x 3/4	

# SECTION 1 - SUBFRAME

## FIGURE 1-71. CHASSIS MOUNTING KIT - FORD 2011-2016 F550 GAS



ART\_1001123161



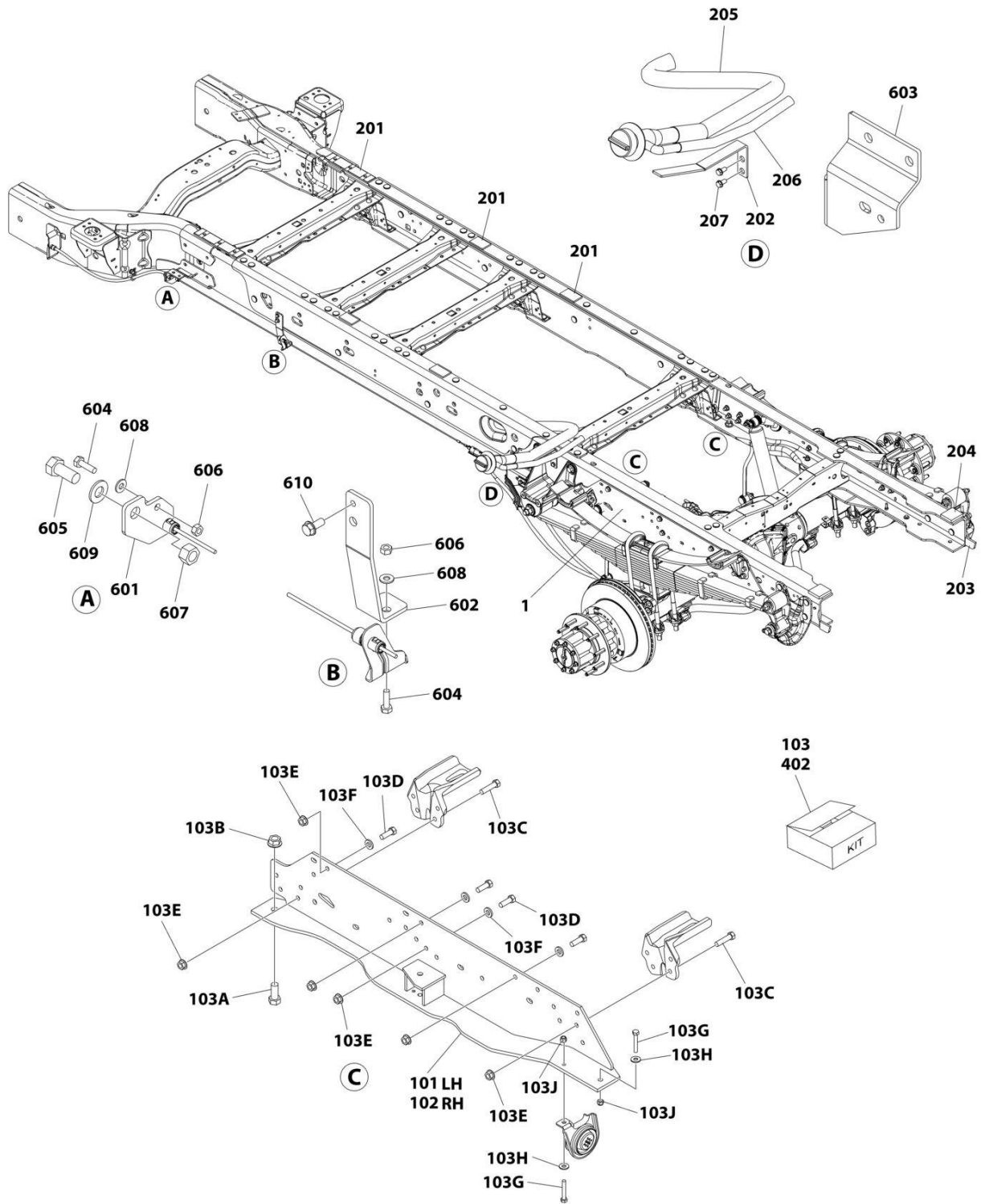
## SECTION 1 - SUBFRAME

**FIGURE 1-71. CHASSIS MOUNTING KIT - FORD 2011-2016 F550 GAS**

ITEM	PART NUMBER	QTY	DESCRIPTION	REV
	1001123161	Ref	CHASSIS MOUNTING KIT	C
1	2177000007	1	Brace Installation (Not Shown) (See Items 101-116)	
2	2577000042	1	Chassis Mod Installation Kit (Not Shown) (See Items 201-205)	
3	7577000194	1	Wiring Connector Kit (Not Shown)	
5	7819000013	1	Sleeve	
7	7330000700	1	Decal - PTO Operation (Not Shown)	
	2177000007	Ref	BRACE INSTALLATION	A
101	3177000053	1	Brace (LH)	
102	3177000054	1	Brace (RH)	
103	1001156465	1	Hardware Kit (Not Shown)	
103A	7105201250	2	Bolt 5/8 x 1-1/2	
104	7660202347	2	Nut 5/8	
105	7105171450	18	Bolt 7/16 x 1-3/4	
106	7105171050	16	Bolt 7/16 x 1-1/4	
107	7660172331	34	Nut 7/16	
108	7950170142	18	Washer 7/16	
109	7274000076	1	Clamp	
110	7115151050	1	Bolt 5/16 x 1-1/4	
111	7950150161	1	Washer 5/16	
112	7660152601	4	Nut 5/16	
113	7785152420	1	Screw Set 5/16	
114	7661000065	2	Nut M10	
115	7115151650	2	Bolt 5/16 x 2	
116	4891500	4	Washer 5/16	
	2577000042	Ref	CHASSIS MOD INSTALLATION	D
201	4062000281	2	Bar	
202	4178000283	1	Bracket	
203	7570000016	1	Hose (Fuel Filler)	
204	7570000017	1	Hose (Fuel Vent)	
205	7790161253	2	Screw 5/8 x 3/4	

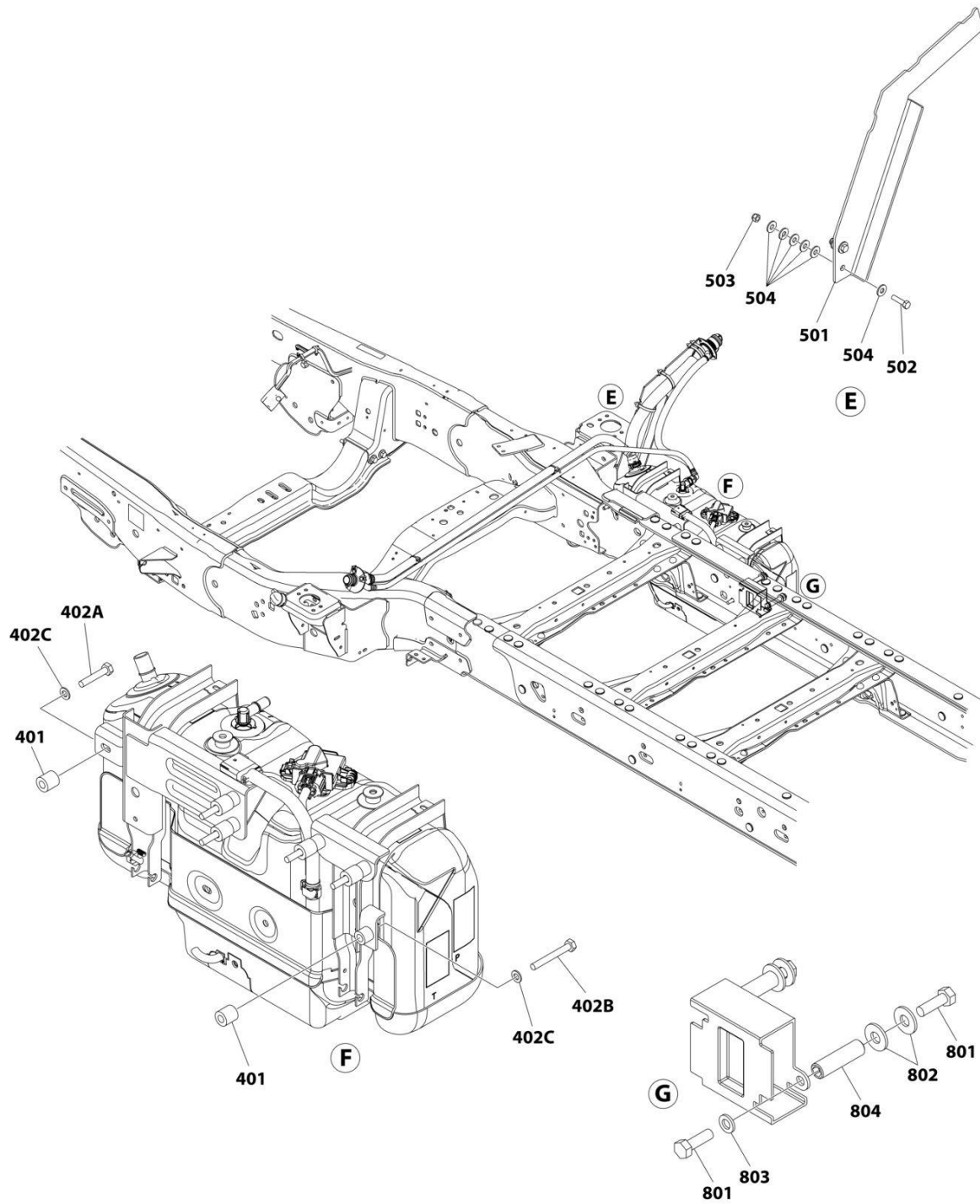
# SECTION 1 - SUBFRAME

FIGURE 1-72. CHASSIS MOUNTING KIT - FORD 2017+ F550 DIESEL (SN 0220017095 through 0220023729)



ART\_1001220099\_C\_10F2

# SECTION 1 - SUBFRAME



ART\_1001220099\_C\_2OF2

# SECTION 1 - SUBFRAME

**FIGURE 1-72. CHASSIS MOUNTING KIT - FORD 2017+ F550 DIESEL (SN 0220017095 through 0220023729)**

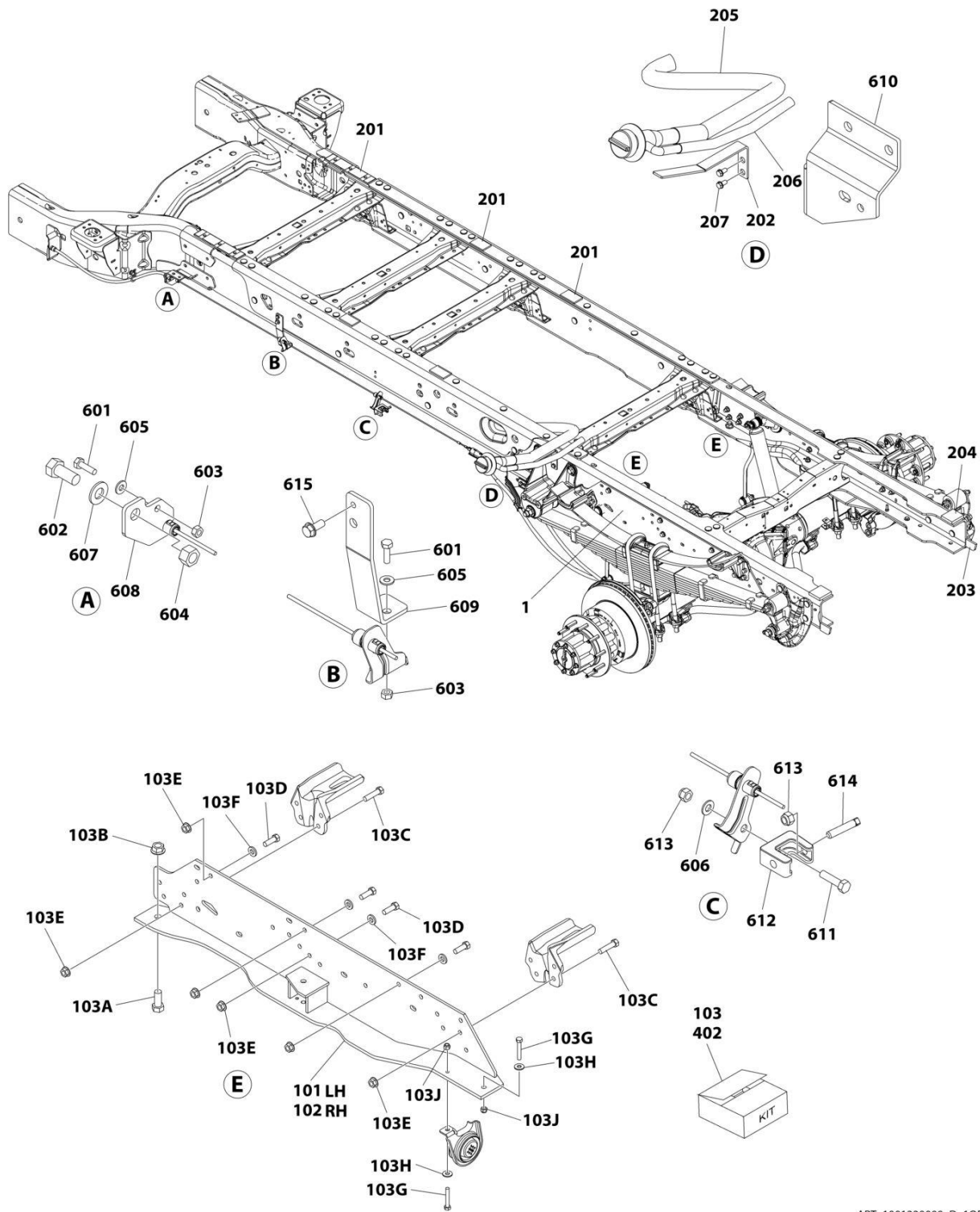
ITEM	PART NUMBER	QTY	DESCRIPTION	REV
	1001220099	Ref	CHASSIS MOUNTING KIT - FORD DIESEL 2017	C
1	1001219801	Ref	Frame Reinforcement Installation (See Items 101-103 for Breakdown)	
2	1001220174	Ref	Subframe Modifications Installation (Not Shown) (See Items 201-207 for Breakdown)	
3	7577000194	1	Kit Chassis Wiring Connector (Not Shown)	
4	1001220832	Ref	Rework DEF Tank Installation (Not Shown) (See Items 401-402 for Breakdown)	
5	1001220909	Ref	Tank Filler Installation (Not Shown) (See Items 501-505 for Breakdown)	
6	1001220831	Ref	Brake Cable Installation (Not Shown) (See Items 601-611 for Breakdown)	
7	7949000019	1	Washer (Not Shown)	
8	1001223882	Ref	Module Spacer Installation (See Items 801-804 for Breakdown)	
	1001219801	Ref	FRAME REINFORCEMENT INSTALLATION	B
101	1001219767	1	Brace, LH Frame	
102	1001219768	1	Brace, RH Frame	
103	1001221528	1	Hardware Kit	
103A	7105201250	2	Bolt 5/8 x 1-1/2	
103B	7660202347	2	Nut 5/8	
103C	7105171450	16	Bolt 7/16 x 1-3/4	
103D	7105171050	8	Bolt 7/16 x 1-1/4	
103E	7660172331	24	Nut 7/16	
103F	4891700	8	Washer 7/16	
103G	7115151650	3	Bolt 5/16 x 2	
103H	4751500	3	Washer 5/16	
103J	7660152601	3	Nut 5/16	
	1001220174	Ref	SUBFRAME MODIFICATIONS INSTALLATION	A
201	3340898	2	Pad	
202	4178000283	1	Bracket	
203	4497000549	2	Gusset	
204	4705000507	2	Plate	
205	7570000016	1	Hose	
206	7570000017	2	Hose	
207	7790161253	1	Screw 3/8 x 3/4	
	1001220832	Ref	REWORK DEF TANK INSTALLATION	A
401	1001220833	6	Shim	
402	1001221065	1	Tank Hardware Kit	
402A	0701019	1	Bolt M10 x 55	
402B	0701024	5	Bolt M10 x 80	
402C	4812000	6	Washer M10	
	1001220909	Ref	TANK FILLER INSTALLATION	B
501	1001221232	1	Bracket	
502	0641510	2	Bolt 5/16 x 1-1/4	
503	7660152601	2	Nut 5/16	
504	4751500	12	Washer 5/16	
505	5526000553	4	Tie-Strap (Not Shown)	
	1001220831	Ref	BRAKE CABLE INSTALLATION	C
601	1001221075	1	Plate	
602	1001221137	1	Plate	

## SECTION 1 - SUBFRAME

ITEM	PART NUMBER	QTY	DESCRIPTION	REV
603	1001221138	1	Bracket	
604	0641407	2	Bolt 1/4 x 7/8	
605	0641809	1	Bolt 1/2 x 1-1/8	
606	3311401	2	Nut 1/4	
607	3311801	1	Nut 1/2	
608	4711400	3	Washer 1/4	
609	4711800	1	Washer 1/2	
610	7790151253	1	Screw 5/16 x 3/4	
611	5526000553	1	Tie-Strap (Not Shown)	
	1001223882	Ref	MODULE SPACER INSTALLATION	A
801	0641508	4	Bolt 5/16 x 1	
802	4751500	4	Washer 5/16	
803	4761500	2	Washer 5/16	
804	7661000027	2	Stacking Nut	

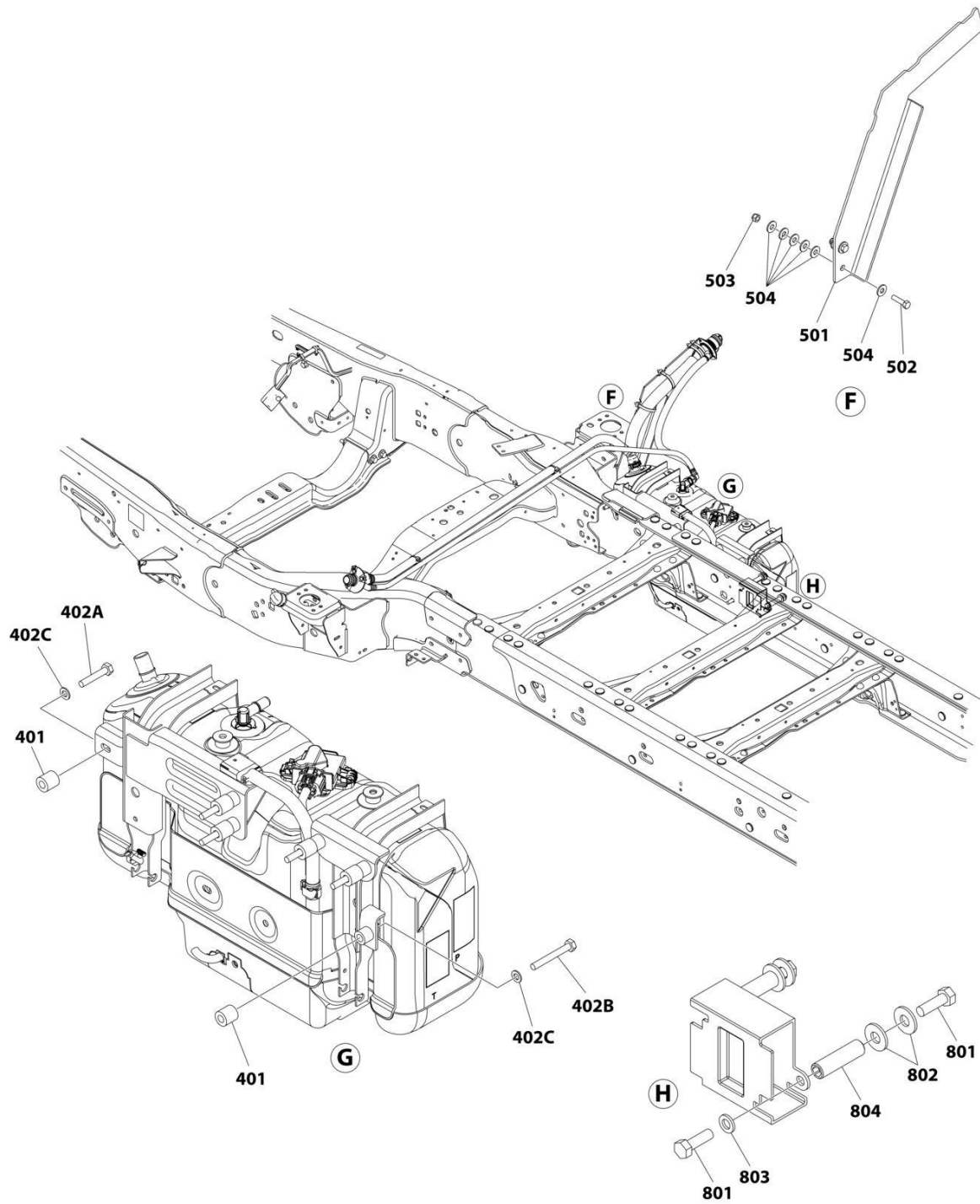
# SECTION 1 - SUBFRAME

FIGURE 1-73. CHASSIS MOUNTING KIT - FORD 2017+ F550 DIESEL (SN 0220023730 to Present)



ART\_1001220099\_D\_10F2

# SECTION 1 - SUBFRAME



ART\_1001220099\_D\_20F2

# SECTION 1 - SUBFRAME

**FIGURE 1-73. CHASSIS MOUNTING KIT - FORD 2017+ F550 DIESEL (SN 0220023730 to Present)**

ITEM	PART NUMBER	QTY	DESCRIPTION	REV
	1001220099	Ref	CHASSIS MOUNTING KIT - FORD DIESEL 2017	D
1	1001219801	Ref	Frame Reinforcement Installation (See Items 101-103 for Breakdown)	
2	1001220174	Ref	Subframe Modifications Installation (Not Shown) (See Items 201-207 for Breakdown)	
3	7577000194	1	Kit Chassis Wiring Connector (Not Shown)	
4	1001220832	Ref	Rework DEF Tank Installation (Not Shown) (See Items 401-402 for Breakdown)	
5	1001220909	Ref	Tank Filler Installation (Not Shown) (See Items 501-505 for Breakdown)	
6	1001272551	Ref	Brake Cable Installation (Not Shown) (See Items 601-615 for Breakdown)	
7	7949000019	1	Washer (Not Shown)	
8	1001223882	Ref	Module Spacer Installation (See Items 801-804 for Breakdown)	
	1001219801	Ref	FRAME REINFORCEMENT INSTALLATION	B
101	1001219767	1	Brace, LH Frame	
102	1001219768	1	Brace, RH Frame	
103	1001221528	1	Hardware Kit	
103A	7105201250	2	Bolt 5/8 x 1-1/2	
103B	7660202347	2	Nut 5/8	
103C	7105171450	16	Bolt 7/16 x 1-3/4	
103D	7105171050	8	Bolt 7/16 x 1-1/4	
103E	7660172331	24	Nut 7/16	
103F	4891700	8	Washer 7/16	
103G	7115151650	3	Bolt 5/16 x 2	
103H	4751500	3	Washer 5/16	
103J	7660152601	3	Nut 5/16	
	1001220174	Ref	SUBFRAME MODIFICATIONS INSTALLATION	A
201	3340898	2	Pad	
202	4178000283	1	Bracket	
203	4497000549	2	Gusset	
204	4705000507	2	Plate	
205	7570000016	1	Hose	
206	7570000017	2	Hose	
207	7790161253	1	Screw 3/8 x 3/4	
	1001220832	Ref	REWORK DEF TANK INSTALLATION	A
401	1001220833	6	Shim	
402	1001221065	1	Tank Hardware Kit	
402A	0701019	1	Bolt M10 x 55	
402B	0701024	5	Bolt M10 x 80	
402C	4812000	6	Washer M10	
	1001220909	Ref	TANK FILLER INSTALLATION	B
501	1001221232	1	Bracket	
502	0641510	2	Bolt 5/16 x 1-1/4	
503	7660152601	2	Nut 5/16	
504	4751500	12	Washer 5/16	
505	5526000553	4	Tie-Strap (Not Shown)	
	1001272551	Ref	BRAKE CABLE INSTALLATION	A
601	0641407	2	Bolt 1/4 x 7/8	
602	0641809	1	Bolt 1/2 x 1-1/8	
603	3311401	2	Nut 1/4	

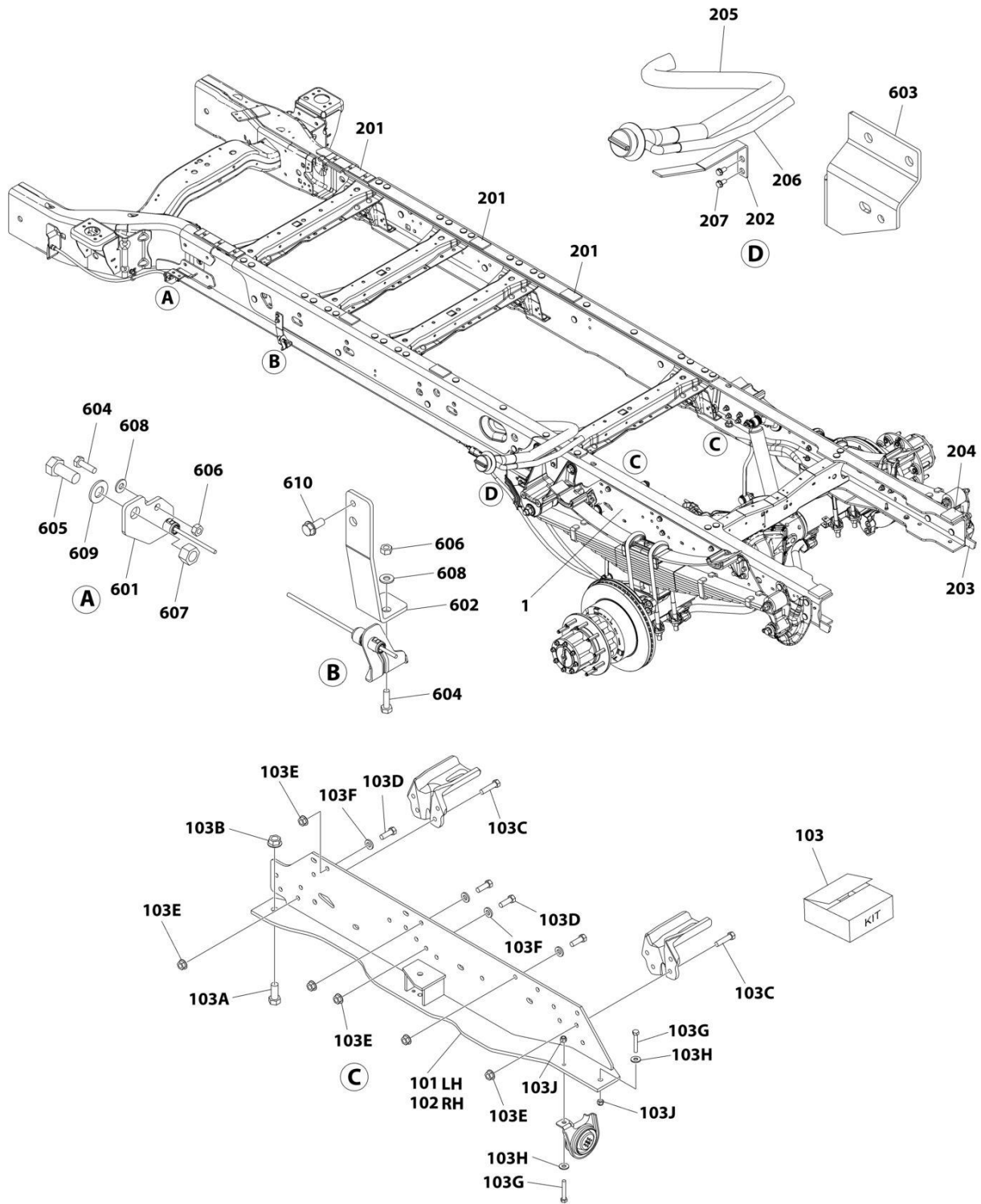


## SECTION 1 - SUBFRAME

ITEM	PART NUMBER	QTY	DESCRIPTION	REV
604	3311801	1	Nut 1/2	
605	4711400	5	Washer 1/4	
606	4711500	1	Washer 5/16	
607	4711800	1	Washer 1/2	
608	1001272543	1	Plate	
609	1001272544	1	Bracket	
610	1001272545	1	Bracket	
611	7115151050	1	Bolt 5/16 x 1-1/4	
612	7274000076	1	Clamp	
613	7660152601	2	Nut 5/16	
614	7785152420	1	Screw 5/16 x 1-1/2	
615	7790151253	1	Screw 5/16 x 3/4	
	1001223882	Ref	MODULE SPACER INSTALLATION	A
801	0641508	4	Bolt 5/16 x 1	
802	4751500	4	Washer 5/16	
803	4761500	2	Washer 5/16	
804	7661000027	2	Stacking Nut	

# SECTION 1 - SUBFRAME

FIGURE 1-74. CHASSIS MOUNTING KIT - FORD 2017+ F550 DIESEL (SN 0220017095 through 0220023729)



ART\_1001220092\_B

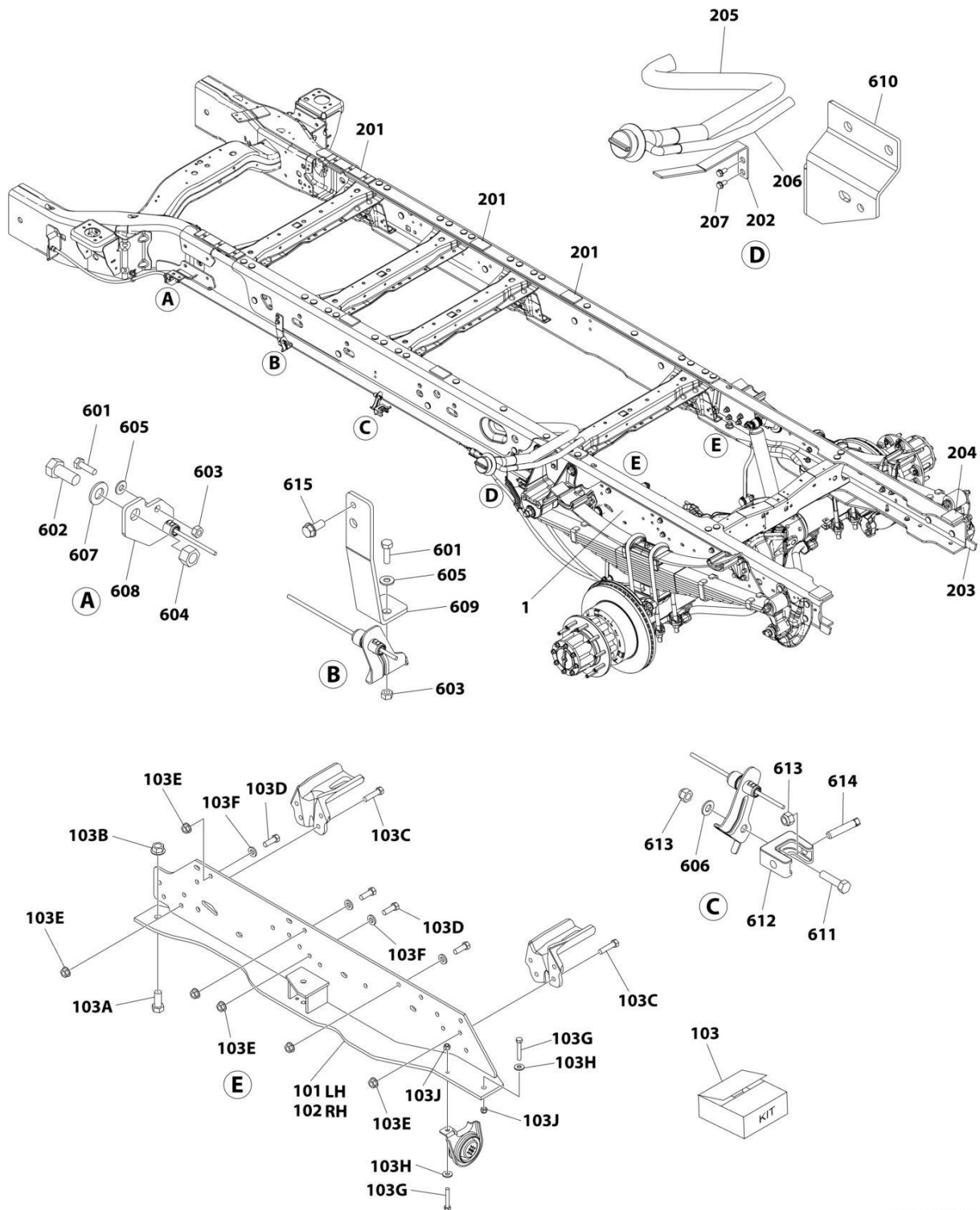
## SECTION 1 - SUBFRAME

**FIGURE 1-74. CHASSIS MOUNTING KIT - FORD 2017+ F550 DIESEL (SN 0220017095 through 0220023729)**

ITEM	PART NUMBER	QTY	DESCRIPTION	REV
	1001220092	Ref	CHASSIS MOUNTING KIT - FORD GAS 2017	B
1	1001219801	Ref	Frame Reinforcement Installation (See Items 101-103 for Breakdown)	
2	1001220174	Ref	Subframe Modifications Installation (Not Shown) (See Items 201-207 for Breakdown)	
3	7577000194	1	Kit Chassis Wiring Connector (Not Shown)	
4	7819000013	1	Sleeve (Not Shown)	
5	7330000700	1	Decal (Not Shown)	
6	1001220831	Ref	Brake Cable Installation (Not Shown) (See Items 601-611 for Breakdown)	
7	7949000019	1	Washer (Not Shown)	
	1001219801	Ref	FRAME REINFORCEMENT INSTALLATION	B
101	1001219767	1	Brace, LH Frame	
102	1001219768	1	Brace, RH Frame	
103	1001221528	1	Hardware Kit	
103A	7105201250	2	Bolt 5/8 x 1-1/2	
103B	7660202347	2	Nut 5/8	
103C	7105171450	16	Bolt 7/16 x 1-3/4	
103D	7105171050	8	Bolt 7/16 x 1-1/4	
103E	7660172331	24	Nut 7/16	
103F	4891700	8	Washer 7/16	
103G	7115151650	3	Bolt 5/16 x 2	
103H	4751500	3	Washer 5/16	
103J	7660152601	3	Nut 5/16	
	1001220174	Ref	SUBFRAME MODIFICATIONS INSTALLATION	A
201	3340898	2	Pad	
202	4178000283	1	Bracket	
203	4497000549	2	Gusset	
204	4705000507	2	Plate	
205	7570000016	1	Hose	
206	7570000017	2	Hose	
207	7790161253	1	Screw 3/8 x 3/4	
	1001220831	Ref	BRAKE CABLE INSTALLATION	C
601	1001221075	1	Plate	
602	1001221138	1	Plate	
603	1001221137	1	Bracket	
604	0641407	2	Bolt 1/4 x 7/8	
605	0641809	1	Bolt 1/2 x 1-1/8	
606	3311401	2	Nut 1/4	
607	3311801	1	Nut 1/2	
608	4711400	5	Washer 1/4	
609	4711800	1	Washer 1/2	
610	7790151253	1	Screw 5/16 x 3/4	
611	5526000553	1	Tie-Strap (Not Shown)	

# SECTION 1 - SUBFRAME

FIGURE 1-75. CHASSIS MOUNTING KIT - FORD 2017+ F550 GAS (SN 0220023730 to Present)



ART\_1001220092\_C

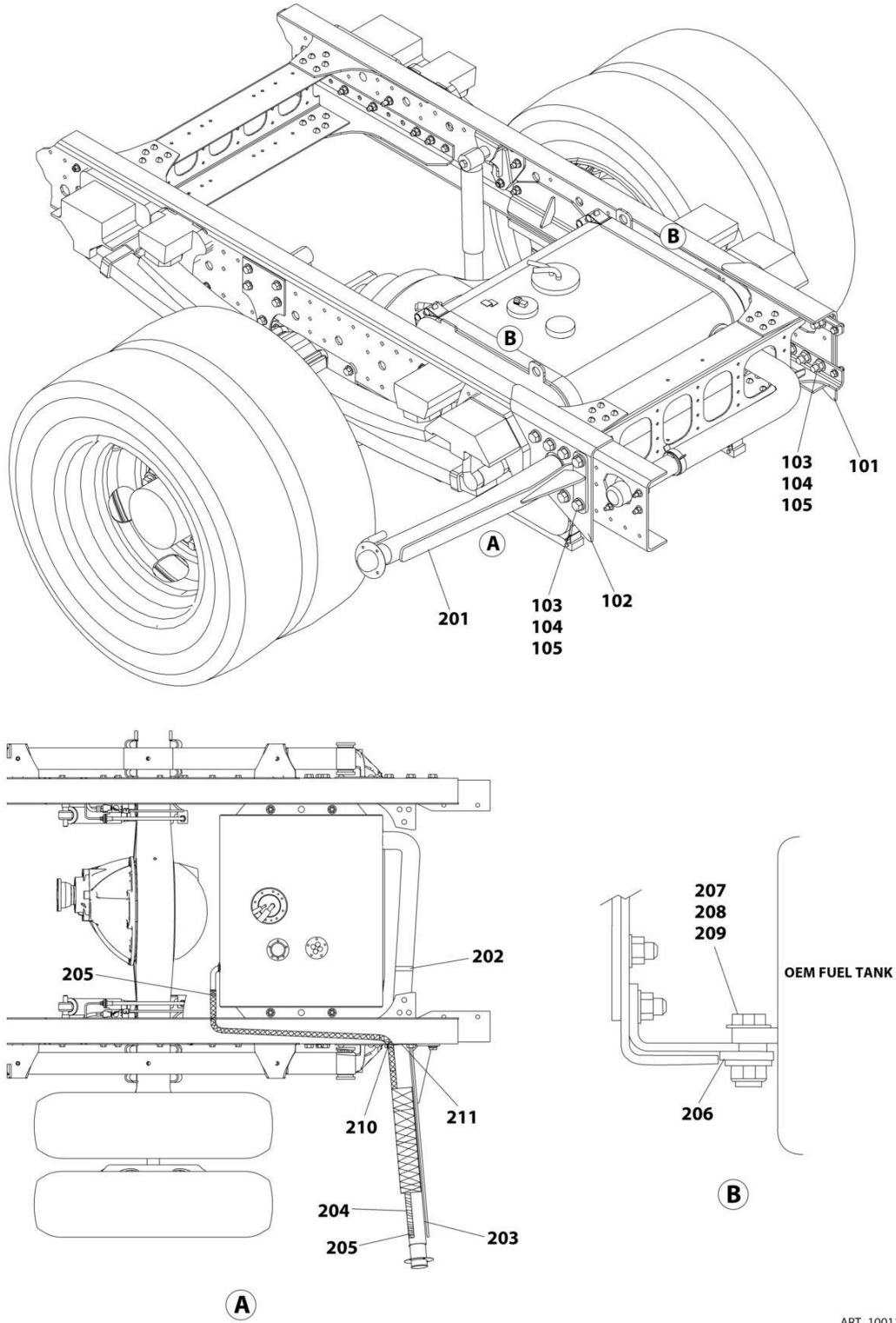
## SECTION 1 - SUBFRAME

**FIGURE 1-75. CHASSIS MOUNTING KIT - FORD 2017+ F550 GAS (SN 0220023730 to Present)**

ITEM	PART NUMBER	QTY	DESCRIPTION	REV
	1001220092	Ref	CHASSIS MOUNTING KIT - FORD GAS 2017	C
1	1001219801	Ref	Frame Reinforcement Installation (See Items 101-103 for Breakdown)	
2	1001220174	Ref	Subframe Modifications Installation (Not Shown) (See Items 201-207 for Breakdown)	
3	7577000194	1	Kit Chassis Wiring Connector (Not Shown)	
4	7819000013	1	Sleeve (Not Shown)	
5	7330000700	1	Decal (Not Shown)	
6	1001272551	Ref	Brake Cable Installation (Not Shown) (See Items 601-615 for Breakdown)	
7	7949000019	1	Washer (Not Shown)	
	1001219801	Ref	FRAME REINFORCEMENT INSTALLATION	B
101	1001219767	1	Brace, LH Frame	
102	1001219768	1	Brace, RH Frame	
103	1001221528	1	Hardware Kit	
103A	7105201250	2	Bolt 5/8 x 1-1/2	
103B	7660202347	2	Nut 5/8	
103C	7105171450	16	Bolt 7/16 x 1-3/4	
103D	7105171050	8	Bolt 7/16 x 1-1/4	
103E	7660172331	24	Nut 7/16	
103F	4891700	8	Washer 7/16	
103G	7115151650	3	Bolt 5/16 x 2	
103H	4751500	3	Washer 5/16	
103J	7660152601	3	Nut 5/16	
	1001220174	Ref	SUBFRAME MODIFICATIONS INSTALLATION	A
201	3340898	2	Pad	
202	4178000283	1	Bracket	
203	4497000549	2	Gusset	
204	4705000507	2	Plate	
205	7570000016	1	Hose	
206	7570000017	2	Hose	
207	7790161253	1	Screw 3/8 x 3/4	
	1001272551	Ref	BRAKE CABLE INSTALLATION	A
601	0641407	2	Bolt 1/4 x 7/8	
602	0641809	1	Bolt 1/2 x 1-1/8	
603	3311401	2	Nut 1/4	
604	3311801	1	Nut 1/2	
605	4711400	5	Washer 1/4	
606	4711500	1	Washer 5/16	
607	4711800	1	Washer 1/2	
608	1001272543	1	Plate	
609	1001272544	1	Bracket	
610	1001272545	1	Bracket	
611	7115151050	1	Bolt 5/16 x 1-1/4	
612	7274000076	1	Clamp	
613	7660152601	2	Nut 5/16	
614	7785152420	1	Screw 5/16 x 1-1/2	
615	7790151253	1	Screw 5/16 x 3/4	

# SECTION 1 - SUBFRAME

## FIGURE 1-76. CHASSIS MOUNTING KIT - HINO 195



ART\_1001159908

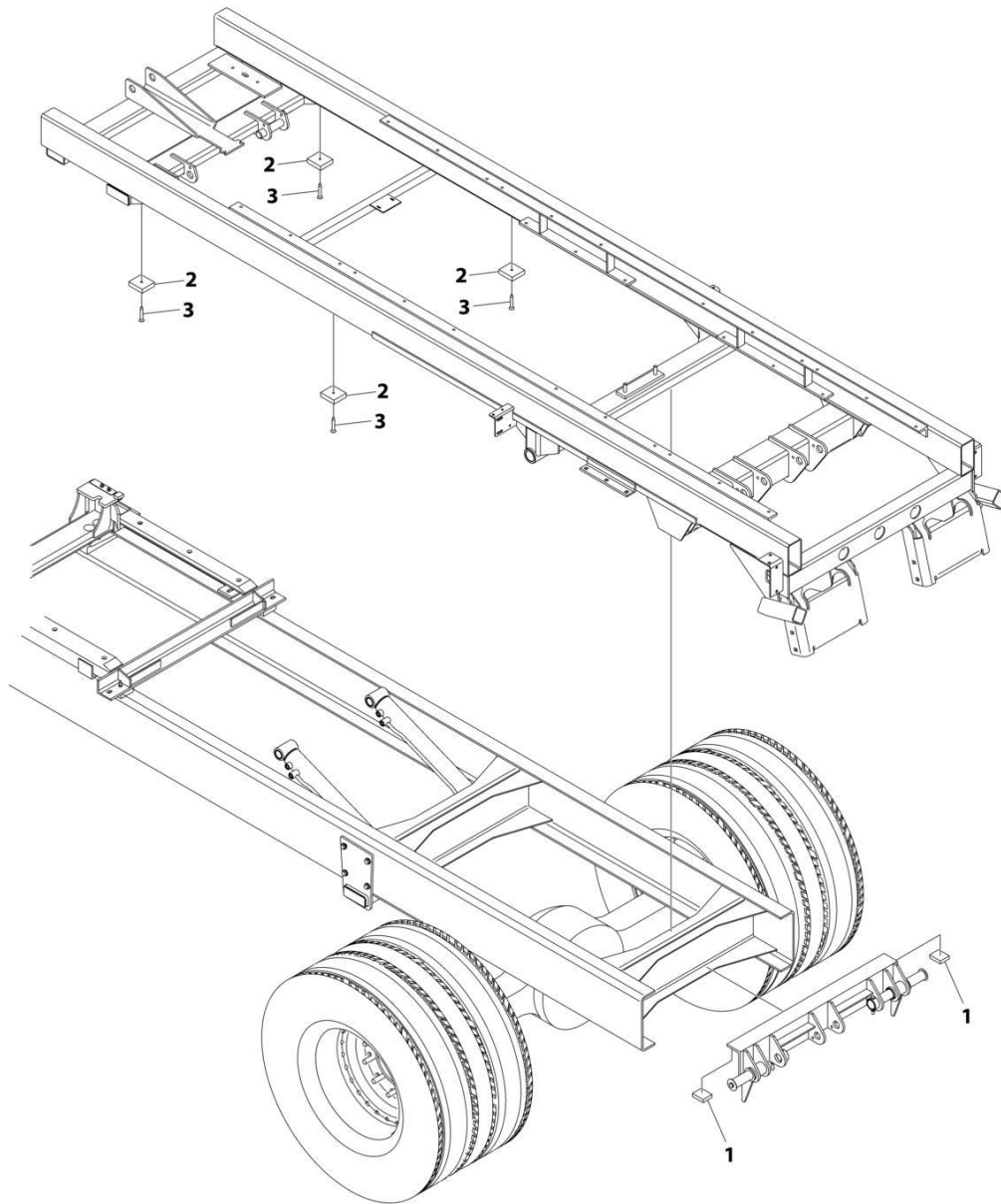
## SECTION 1 - SUBFRAME

**FIGURE 1-76. CHASSIS MOUNTING KIT - HINO 195**

ITEM	PART NUMBER	QTY	DESCRIPTION	REV
	1001159908	Ref	CHASSIS MOUNTING KIT	A
1	1001159909	Ref	Frame Reinforcement Installation (Not Shown) (See Items 101-105)	
2	1001159910	Ref	Fuel Filler Installation (Not Shown) (See Items 201-212)	
3	7577000194	1	Kit Chassis Wiring Connector (Not Shown)	
	1001159909	Ref	FRAME REINFORCEMENT INSTALLATION	A
101	1001159916	1	Plate (RH)	
102	1001159917	1	Plate (LH)	
103	7105201650	16	Bolt 5/8 x 2	
104	7950200242	16	Washer 5/8	
105	7660202347	16	Nut 5/8	
	1001159910	Ref	FUEL FILLER INSTALLATION	A
201	1001167244	1	Bracket	
202	1001156274	1	Pipe	
203	1001130587	1	Clamp	
204	1001169147	1	Hose (Fuel Vent)	
205	8405006	2	Clamp	
206	1001159918	2	Plate	
207	7105171450	8	Bolt 5/16 x 1-3/4	
208	7950170142	8	Washer 5/16	
209	7660172331	8	Nut 5/16	
210	5746491	1	Sleeve, Nylon	
211	1001159563	1	Sleeve, Nylon	
212	7894000004	4	Tie-Strap (Not Shown)	

# SECTION 1 - SUBFRAME

FIGURE 1-77. CHASSIS MOUNTING KIT - INTERNATIONAL 2012 TERRASTAR



ART\_1001133073



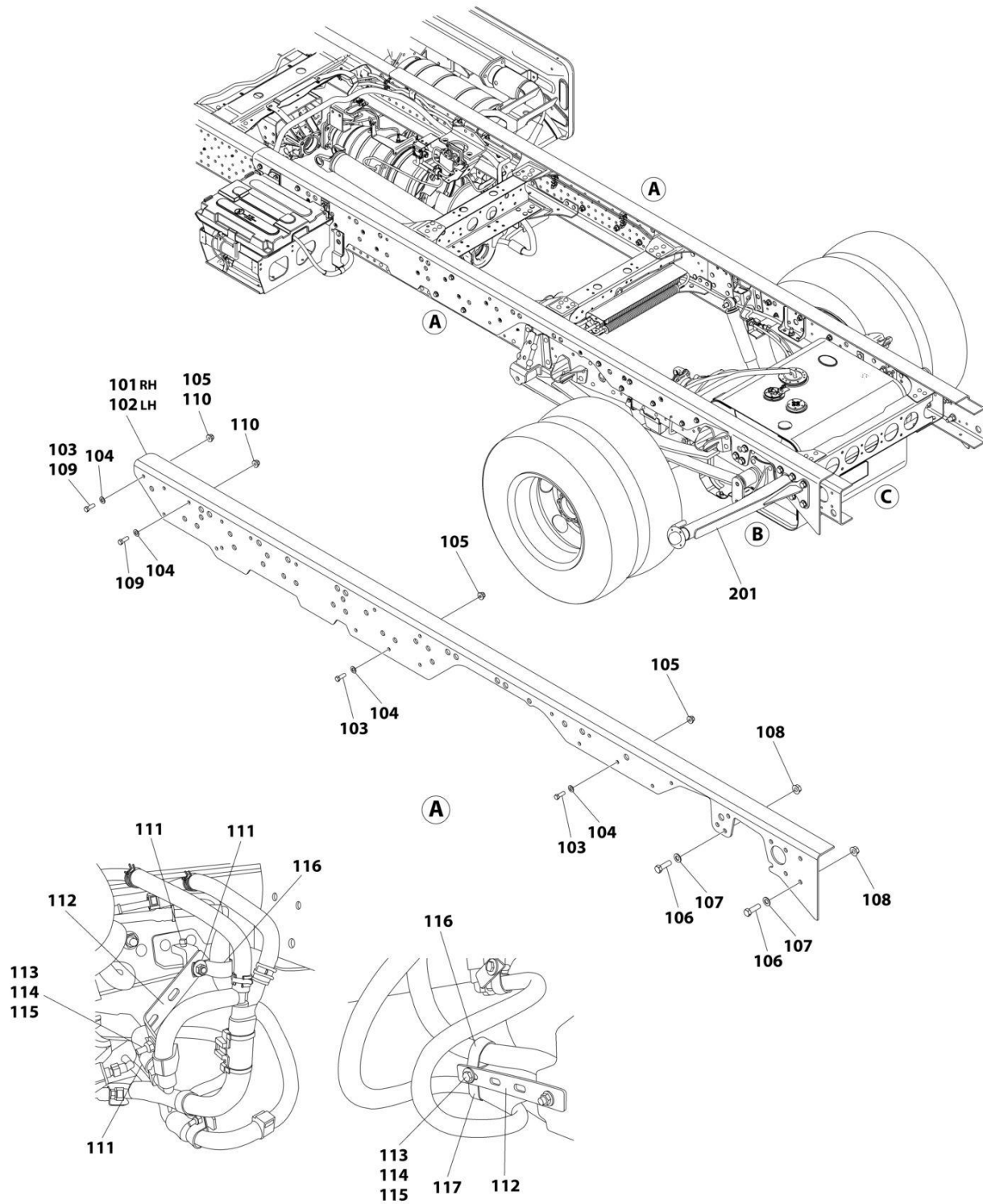
## SECTION 1 - SUBFRAME

**FIGURE 1-77. CHASSIS MOUNTING KIT - INTERNATIONAL 2012 TERRASTAR**

ITEM	PART NUMBER	QTY	DESCRIPTION	REV
	1001133073	Ref	SUBFRAME IHC TERRASTAR INSTALLATION	C
1	1001134995	2	Bar	
2	1001134994	4	Pad	
3	7786000007	4	Screw 5/16 x 2	

# SECTION 1 - SUBFRAME

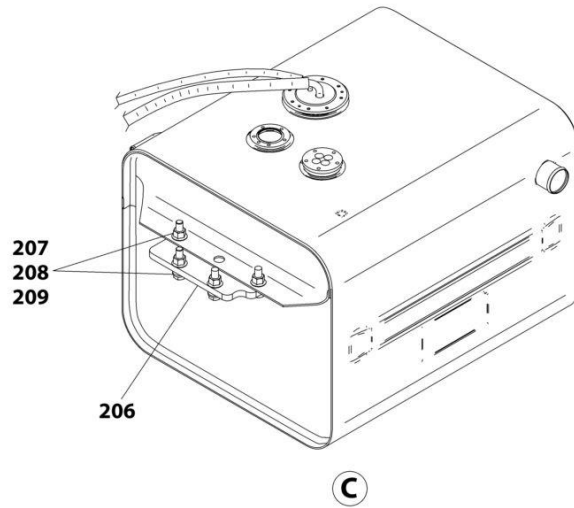
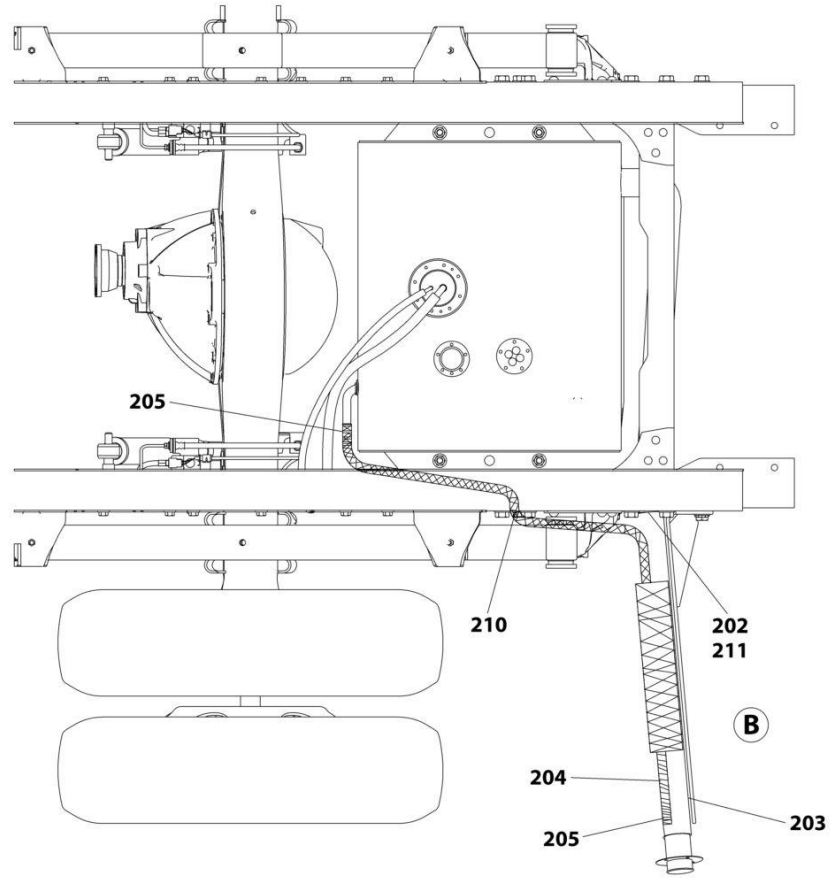
## FIGURE 1-78. CHASSIS MOUNTING KIT - ISUZU 150WB



DEF HOSE SUPPORT INSTALLATION

ART\_1001159638\_10F2

# SECTION 1 - SUBFRAME



ART\_1001159638\_20F2

# SECTION 1 - SUBFRAME

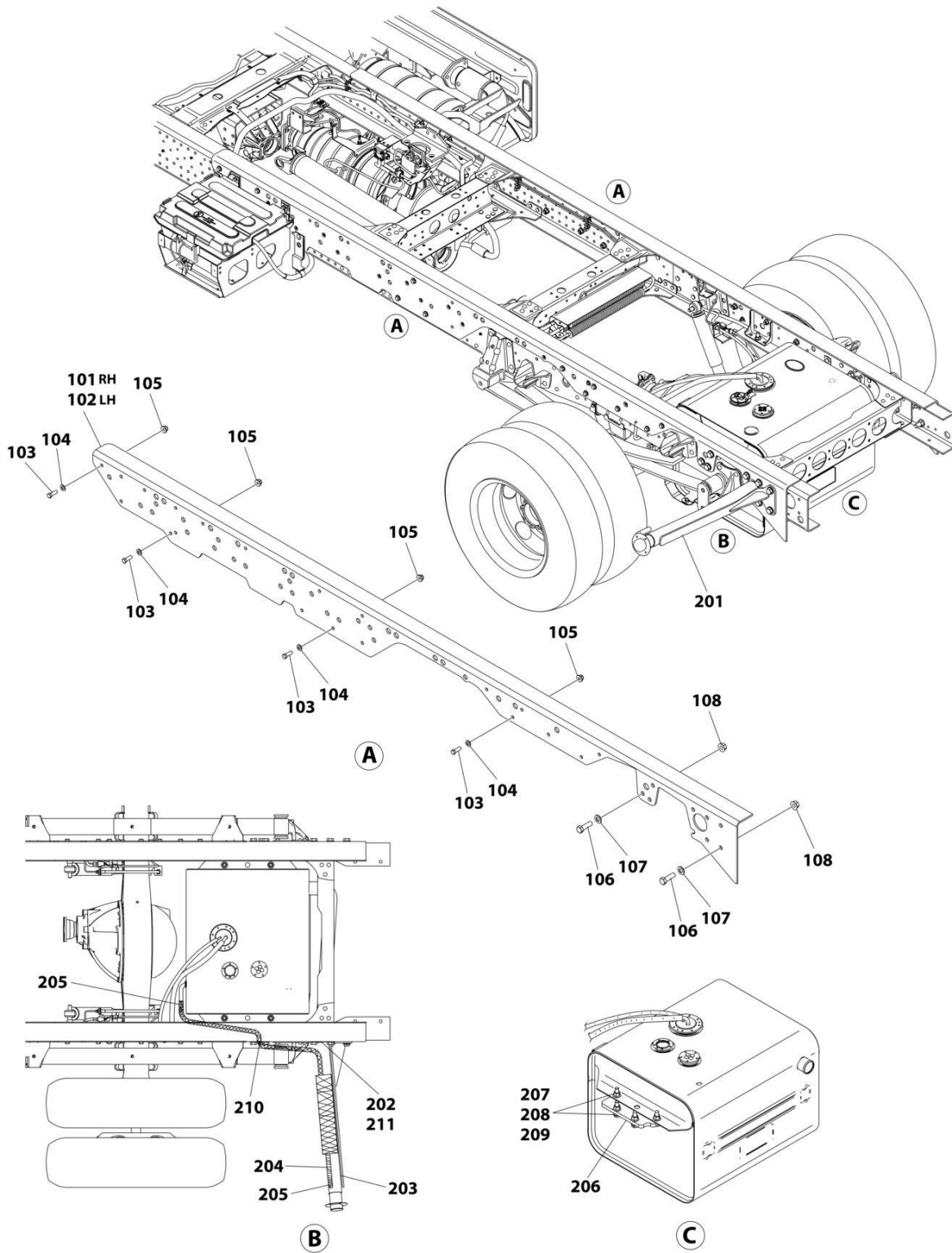
## FIGURE 1-78. CHASSIS MOUNTING KIT - ISUZU 150WB

ITEM	PART NUMBER	QTY	DESCRIPTION	REV
	1001159638	Ref	CHASSIS MOUNTING KIT	A
1	1001156081	Ref	Frame Reinforcement Installation (Not Shown) (See Item 101-118)	
2	1001156392	Ref	Fuel Filler Installation (Not Shown) (See Item 201-212)	
3	7577000194	1	Kit Chassis Wiring Connector (Not Shown)	
	1001156081	Ref	FRAME REINFORCEMENT INSTALLATION	A
101	1001155971	1	Plate (LH)	
102	1001155972	1	Plate (RH)	
103	7105171050	22	Bolt 5/16 x 1-1/4	
104	7950170142	27	Washer 5/16	
105	7660172331	22	Nut 5/16	
106	7105201650	18	Bolt 5/8 x 2	
107	7950200242	18	Washer 5/8	
108	7660202347	18	Nut 5/8	
109	0761015	5	Bolt M10	
110	5261000	5	Nut	
111	1001132794	1	Clamp Kit (See Separate Breakdown in HYDRAULIC Section)	
112	4706003844	2	Plate	
113	7115151064	2	Bolt, Carriage 3/8 x 1-1/4	
114	7950150161	2	Washer 3/8	
115	7660152601	2	Nut 3/8	
116	7274000105	2	Clamp	
117	7274000040	1	Clamp	
118	7894000004	1	Tie-Strap (Not Shown)	
	1001156392	Ref	FUEL FILLER INSTALLATION	C
201	1001167098	1	Bracket	
202	1001156274	1	Pipe	
203	1001130587	1	Clamp	
204	1001169147	1	Hose (Fuel Vent)	
205	8405006	2	Clamp	
206	1001156437	2	Plate	
207	7105181650	8	Bolt 1/2 x 2	
208	7950180153	8	Washer 1/2	
209	7660182333	8	Nut 1/2	
210	5746491	1	Sleeve, Nylon	
211	1001159563	1	Sleeve, Nylon	
212	7894000004	4	Tie-Strap (Not Shown)	



# SECTION 1 - SUBFRAME

## FIGURE 1-79. CHASSIS MOUNTING KIT - ISUZU 176WB



ART\_1001159639

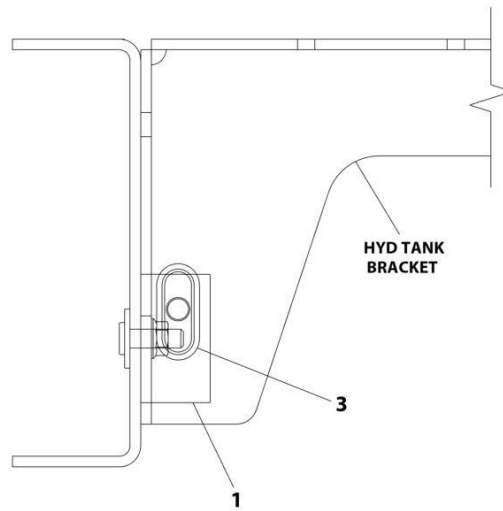
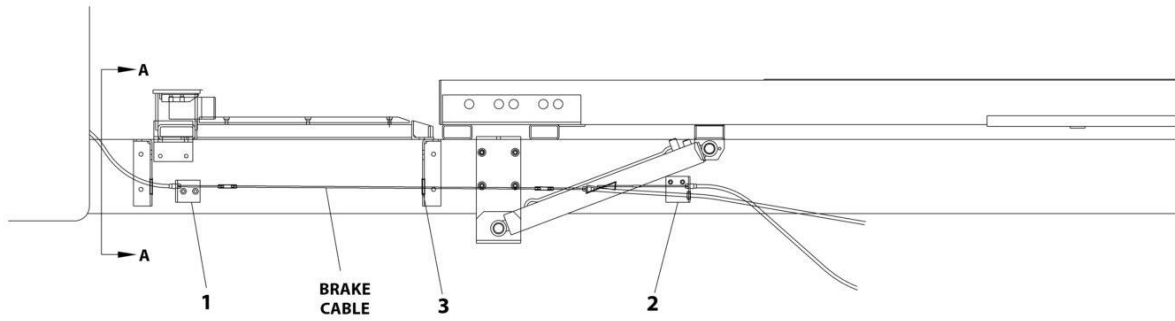
## SECTION 1 - SUBFRAME

**FIGURE 1-79. CHASSIS MOUNTING KIT - ISUZU 176WB**

ITEM	PART NUMBER	QTY	DESCRIPTION	REV
	1001159639	Ref	CHASSIS MOUNTING KIT	A
1	1001156082	Ref	Frame Reinforcement Installation (Not Shown) (See Item 101-108)	
2	1001156392	Ref	Fuel Filler Installation (Not Shown) (See Item 201-212)	
3	7577000194	1	Kit Chassis Wiring Connector (Not Shown)	
	1001156082	Ref	FRAME REINFORCEMENT INSTALLATION	A
101	1001155971	1	Plate, RH Side	
102	1001155972	1	Plate, LH Side	
103	7105171050	31	Bolt 5/16 x 1-1/4	
104	7950170142	31	Washer 5/16	
105	7660172331	31	Nut 5/16	
106	7105201650	18	Bolt 5/8 x 2	
107	7950200242	18	Washer 5/8	
108	7660202347	18	Nut 5/8	
	1001156392	Ref	FUEL FILLER INSTALLATION	C
201	1001167098	1	Bracket	
202	1001156274	1	Pipe	
203	1001130587	1	Clamp	
204	1001169147	1	Hose (Fuel Vent)	
205	8405006	2	Clamp	
206	1001156437	2	Plate	
207	7105181650	8	Bolt 1/2 x 2	
208	7950180153	8	Washer 1/2	
209	7660182333	8	Nut 1/2	
210	5746491	1	Sleeve, Nylon	
211	1001159563	1	Sleeve, Nylon	
212	7894000004	4	Tie-Strap (Not Shown)	

# SECTION 1 - SUBFRAME

FIGURE 1-80. BRAKE CABLE REWORK - CHEVY/GMC 4500/5500 (2007 & EARLIER)



SECTION A-A

ART\_224800004



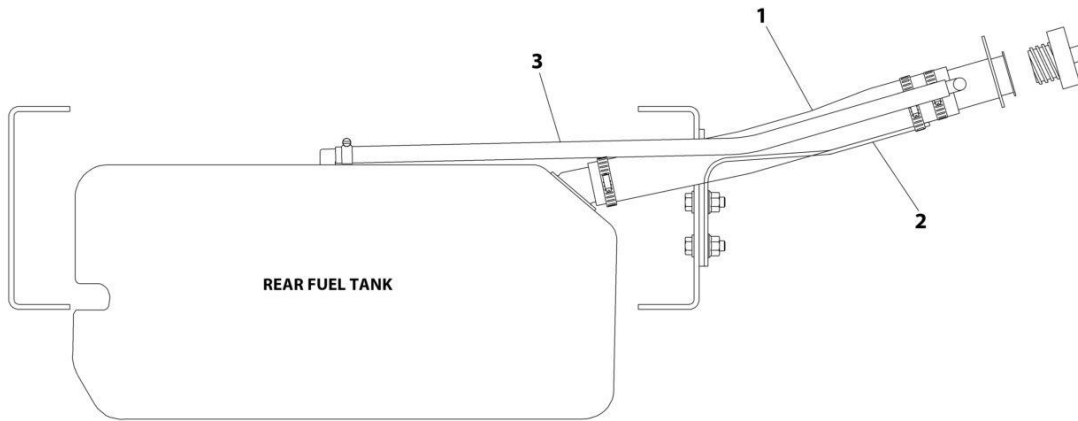
## SECTION 1 - SUBFRAME

**FIGURE 1-80. BRAKE CABLE REWORK - CHEVY/GMC 4500/5500 (2007 & EARLIER)**

ITEM	PART NUMBER	QTY	DESCRIPTION	REV
	2248000004	Ref	CABLE REWORK C4500 C5000 PARK BRAKE	0
1	4178000474	1	Bracket	
2	4178000475	1	Bracket	
3	7493000011	2	Grommet	

# SECTION 1 - SUBFRAME

FIGURE 1-81. FUEL HOSE INSTALLATION - CHEVY/GMC 4500/5500 (2005 & EARLIER)



ART\_2570000120

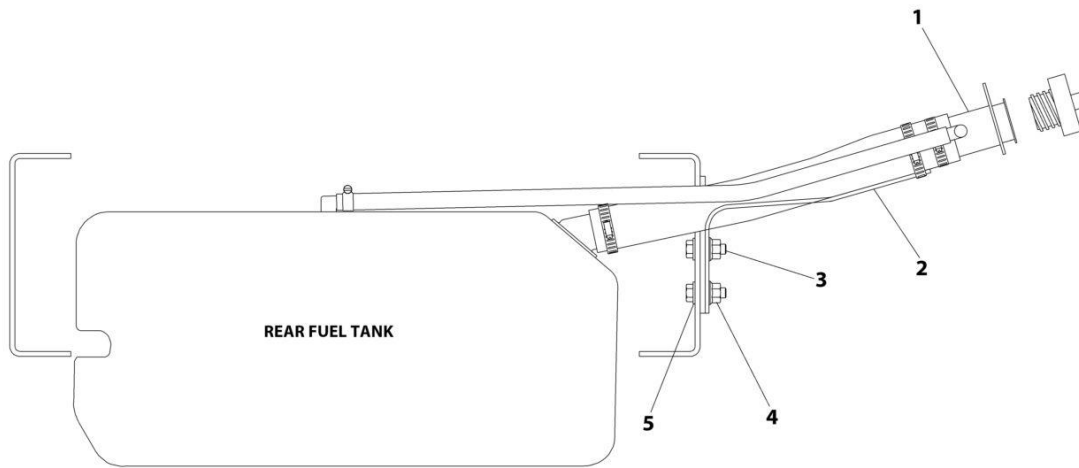
## SECTION 1 - SUBFRAME

**FIGURE 1-81. FUEL HOSE INSTALLATION - CHEVY/GMC 4500/5500 (2005 & EARLIER)**

ITEM	PART NUMBER	QTY	DESCRIPTION	REV
	2570000120	Ref	HOSE INSTALLATION - CHEVY C4500/C5500 REAR FUEL	A
1	7570000025	1	Hose	
2	4178000421	1	Bracket	
3	4912000374	1	Tube	

# SECTION 1 - SUBFRAME

FIGURE 1-82. FUEL HOSE INSTALLATION - CHEVY/GMC 4500/5500 DIESEL (2006+)



ART\_2570000142

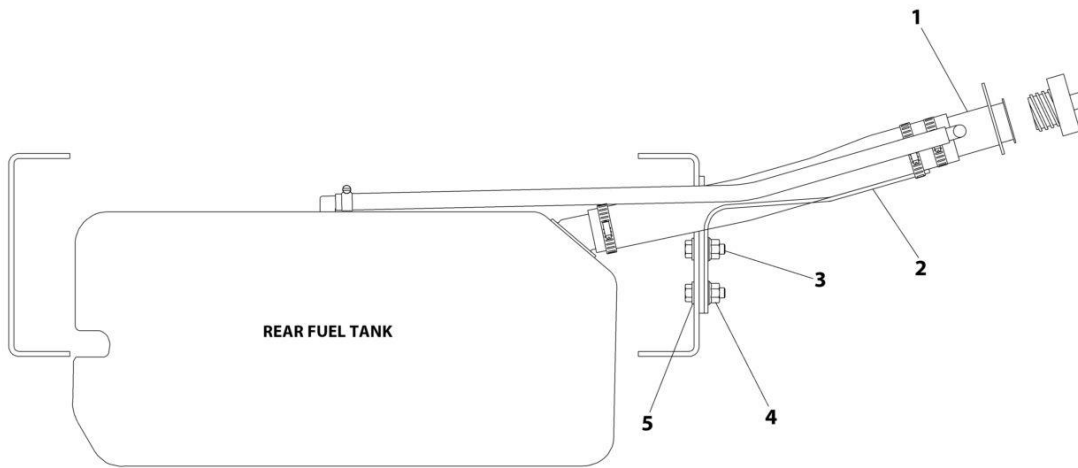
## SECTION 1 - SUBFRAME

**FIGURE 1-82. FUEL HOSE INSTALLATION - CHEVY/GMC 4500/5500 DIESEL (2006+)**

ITEM	PART NUMBER	QTY	DESCRIPTION	REV
	2570000142	Ref	HOSE INSTALLATION - C4500/C5500 REAR FUEL DIES	A
1	7912000234	1	Tube	
2	4178000421	1	Bracket	
3	7105181650	2	Capscrew 1/2 x 2	
4	7660182333	2	Nut 1/2	
5	7950180153	2	Washer 1/2	

# SECTION 1 - SUBFRAME

FIGURE 1-83. FUEL HOSE INSTALLATION - CHEVY/GMC 4500/5500 GAS (2006+)



ART\_2570000141

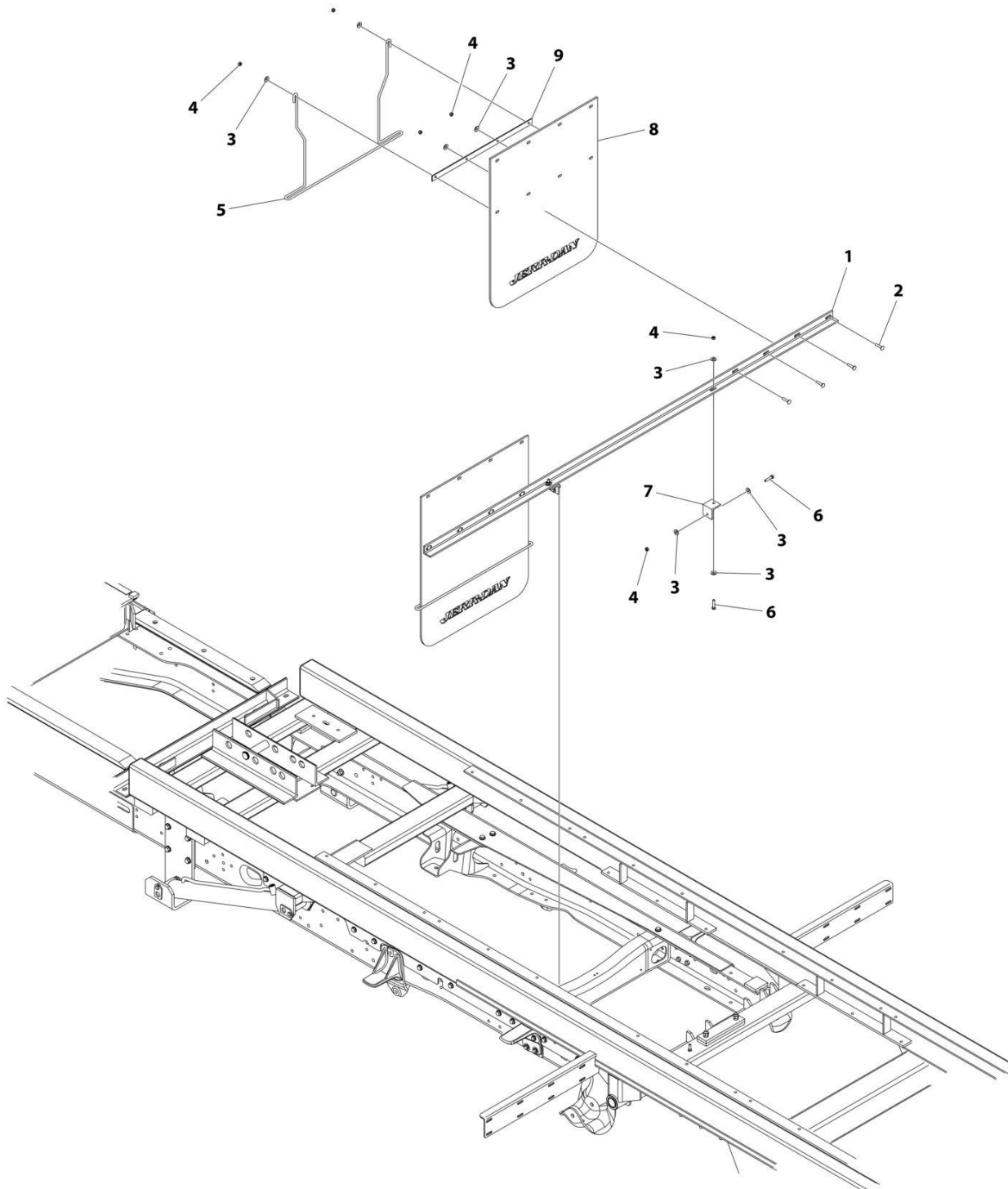
## SECTION 1 - SUBFRAME

**FIGURE 1-83. FUEL HOSE INSTALLATION - CHEVY/GMC 4500/5500 GAS (2006+)**

ITEM	PART NUMBER	QTY	DESCRIPTION	REV
	2570000141	Ref	HOSE INSTALLATION - C4500/C5500 REAR FUEL GAS	A
1	7912000236	1	Tube	
2	4178000421	1	Bracket	
3	7105181650	2	Capscrew 1/2 x 2	
4	7660182333	2	Nut 1/2	
5	7950180153	2	Washer 1/2	

# SECTION 1 - SUBFRAME

## FIGURE 1-84. MUDFLAPS INSTALLATION - STANDARD (2008-2011 DODGE & FORD)



ART\_1001132565



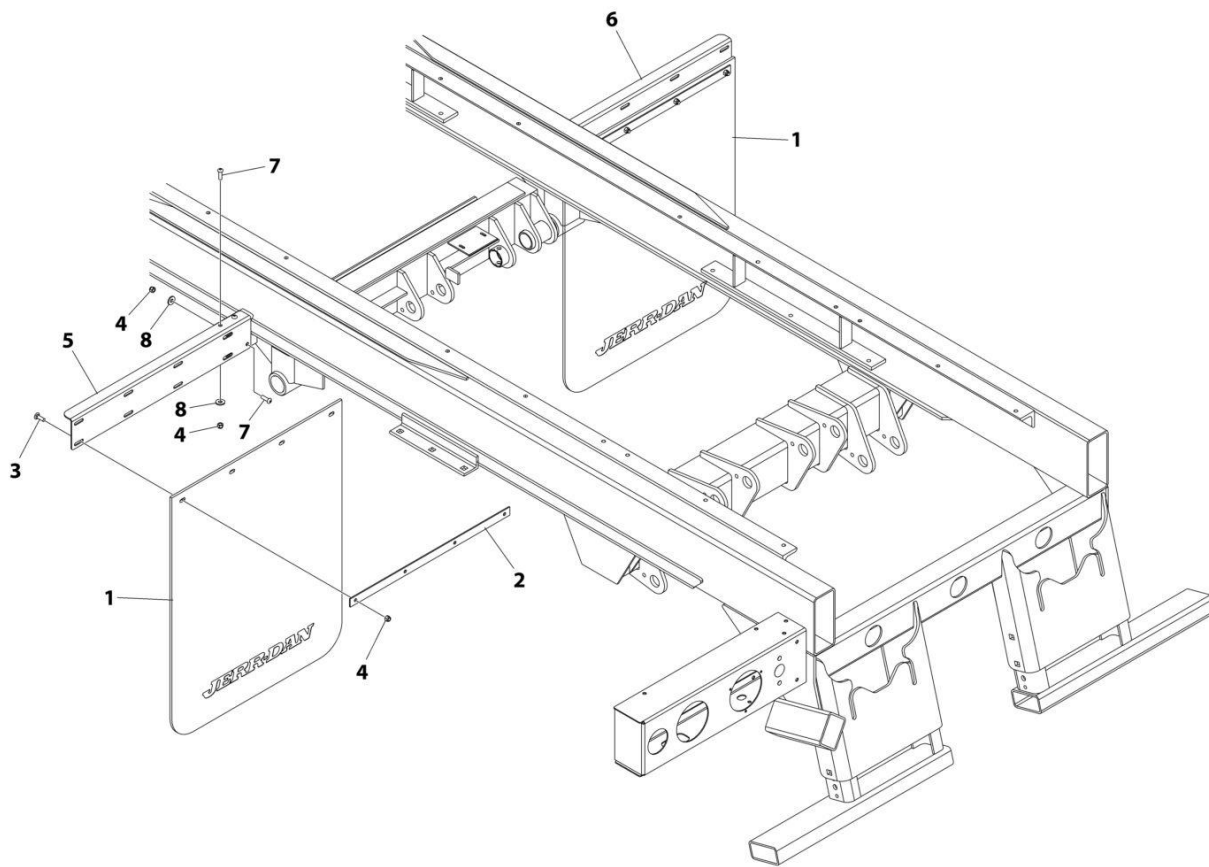
## SECTION 1 - SUBFRAME

**FIGURE 1-84. MUDFLAPS INSTALLATION - STANDARD (2008-2011 DODGE & FORD)**

ITEM	PART NUMBER	QTY	DESCRIPTION	REV
	1001132565	Ref	MUDFLAP INSTALLATION - F550, D5500	D
1	1001147117	1	Angle	
2	7115151264	8	Bolt 5/16 x 1-1/2	
3	7950150161	20	Washer 5/16	
4	7660152601	12	Nut 5/16	
5	7178000044	2	Bracket	
6	7115151250	4	Capscrew 5/16 x 1-1/2	
7	4017001587	2	Angle	
8	7638000004	2	Mud-flap with Jerr-dan Logo	
9	4706006427	2	Plate	

# SECTION 1 - SUBFRAME

FIGURE 1-85. MUDFLAPS INSTALLATION - STANDARD (2012+ DODGE)



ART\_263800017

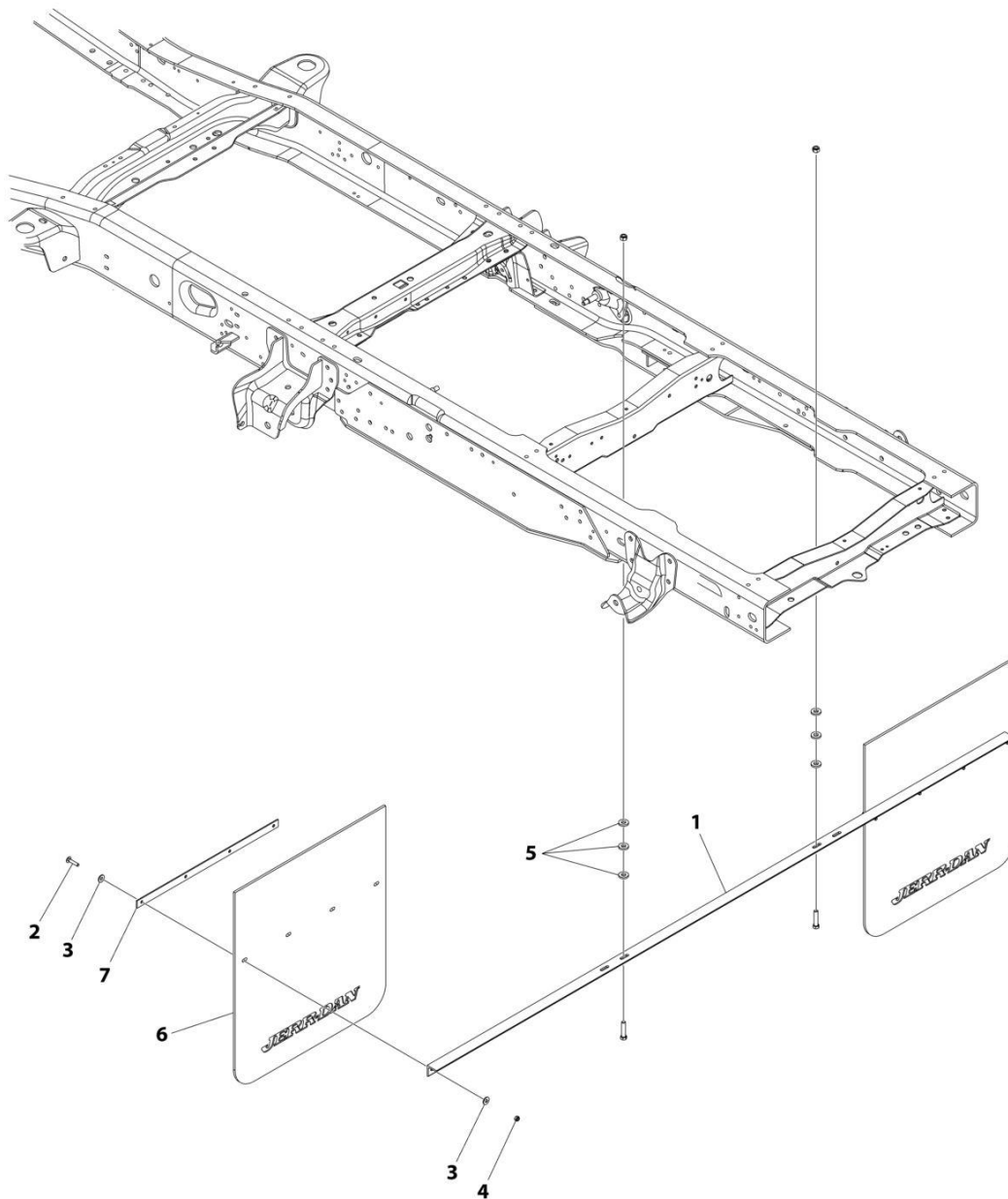
## SECTION 1 - SUBFRAME

**FIGURE 1-85. MUDFLAPS INSTALLATION - STANDARD (2012+ DODGE)**

ITEM	PART NUMBER	QTY	DESCRIPTION	REV
	2638000017	Ref	Mud Flaps, Standard	B
1	7638000004	2	Mud Flaps with Jerr-Dan Logo	
2	4706006427	2	Plate, Galvanneal	
3	7111150864	8	Bolt 5/16 x 1	
4	7660152601	14	Nut 5/16	
5	4017001742	1	Angle LH, Galvanneal	
6	4017001743	1	Angle RH, Galvanneal	
7	7114150818	6	Capscrew 5/16 x 1	
8	7950150153	6	Washer 5/16	

# SECTION 1 - SUBFRAME

FIGURE 1-86. MUDFLAPS INSTALLATION - STANDARD (2012+ FORD)



ART\_1001151490

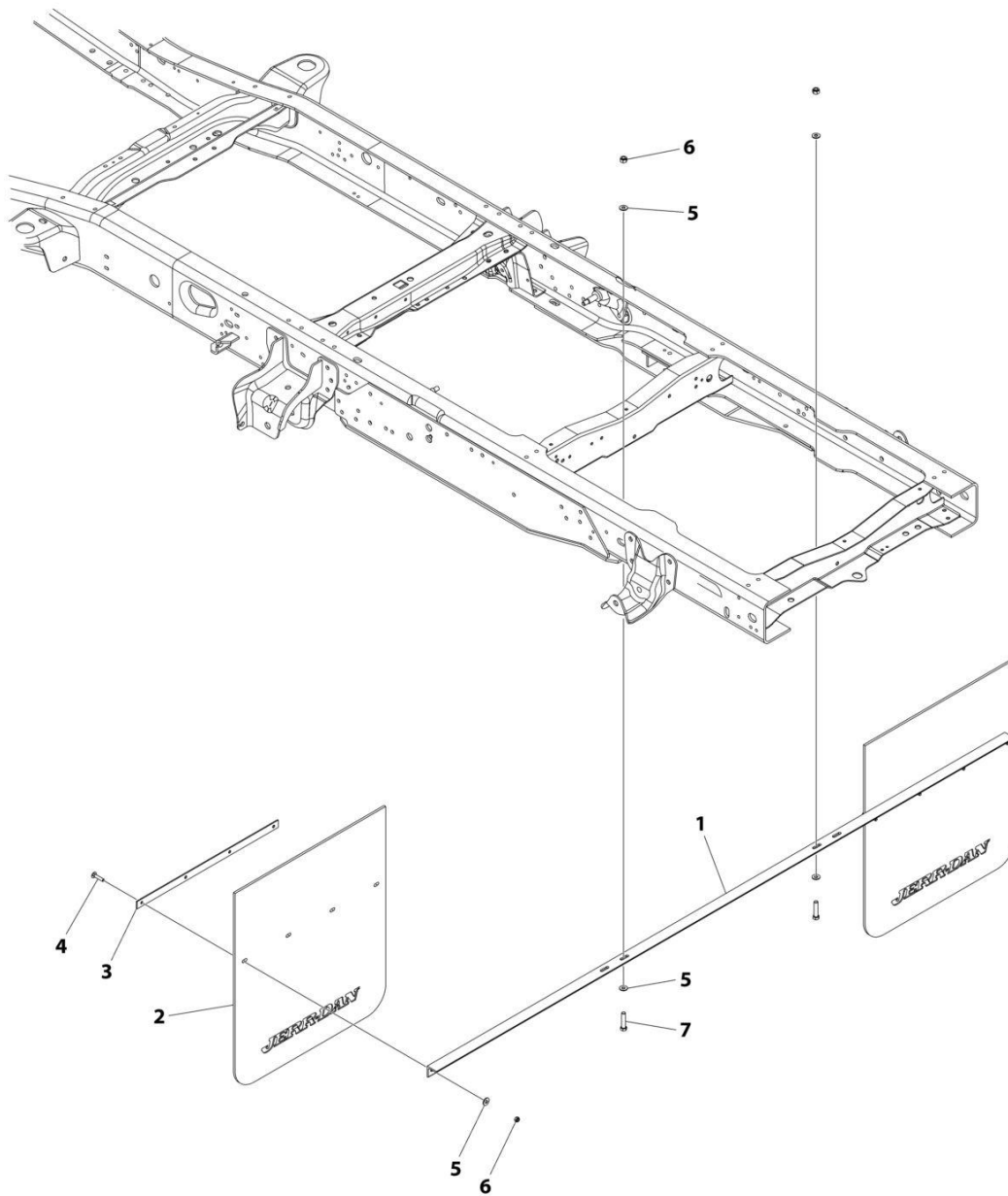
## SECTION 1 - SUBFRAME

**FIGURE 1-86. MUDFLAPS INSTALLATION - STANDARD (2012+ FORD)**

ITEM	PART NUMBER	QTY	DESCRIPTION	REV
	1001151490	Ref	MUDFLAP INSTALLATION FORD F550	D
1	1001147117	1	Angle	
2	7115151264	8	Bolt 5/16 x 1-1/2	
3	7950150161	16	Washer 5/16	
4	7660152601	8	Nut 5/16	
5	4891800	6	Washer 1/2	
6	1001159566	2	Panel, Mud-flap	
7	4706006427	2	Plate	

# SECTION 1 - SUBFRAME

FIGURE 1-87. MUDFLAPS INSTALLATION - STANDARD (HINO 195 & ISUZU NRR)



ART\_1001159565

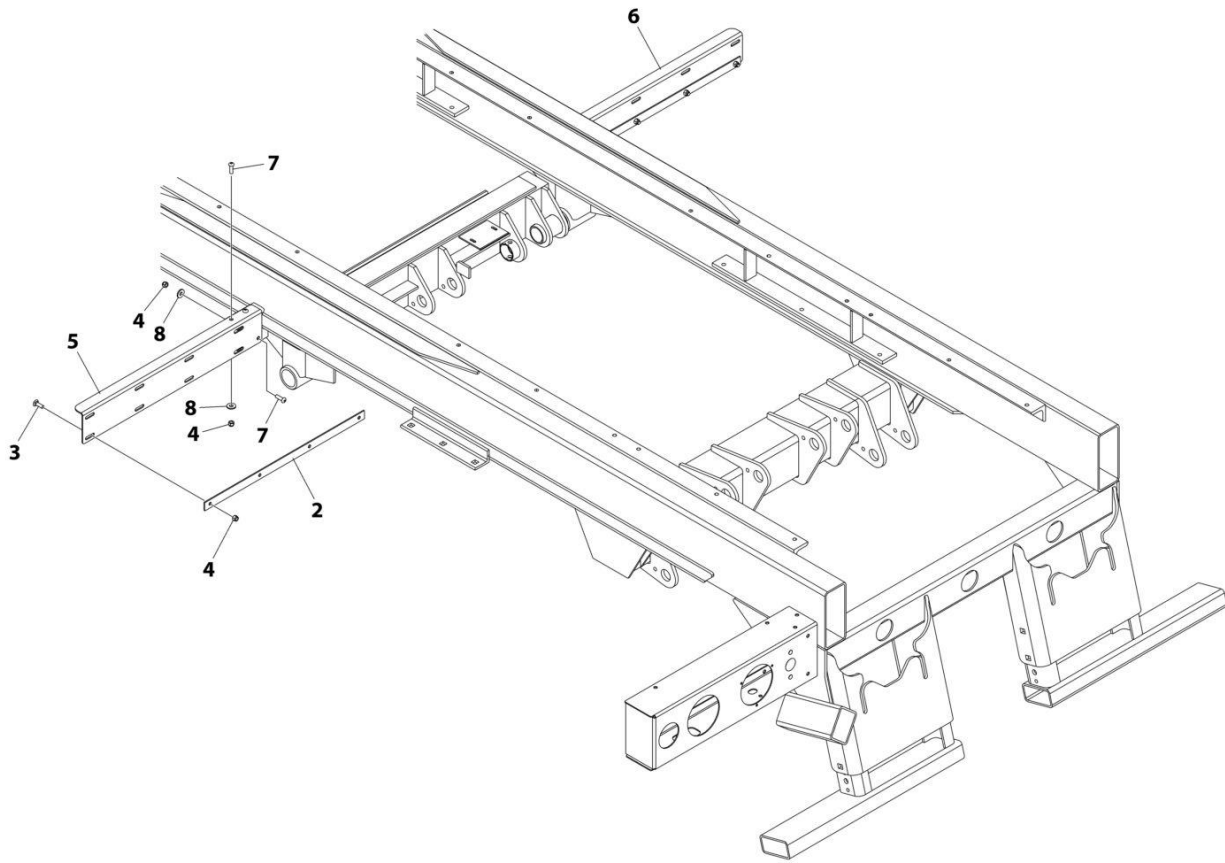
## SECTION 1 - SUBFRAME

**FIGURE 1-87. MUDFLAPS INSTALLATION - STANDARD (HINO 195 & ISUZU NRR)**

ITEM	PART NUMBER	QTY	DESCRIPTION	REV
	1001159565	Ref	MUDFLAP ISUZU NRR INSTALLATION	B
1	1001147117	1	Angle	
2	1001159566	2	Panel, Mud-flap	
3	4706006427	2	Plate	
4	7115151264	8	Bolt 5/16 x 1-1/2	
5	7950150161	12	Washer 5/16	
6	7660152601	10	Nut 5/16	
7	7115151050	2	Capscrew 5/16 x 1-1/4	

# SECTION 1 - SUBFRAME

## FIGURE 1-88. MUDFLAPS INSTALLATION - CUSTOMER SUPPLIED



ART\_1001131724



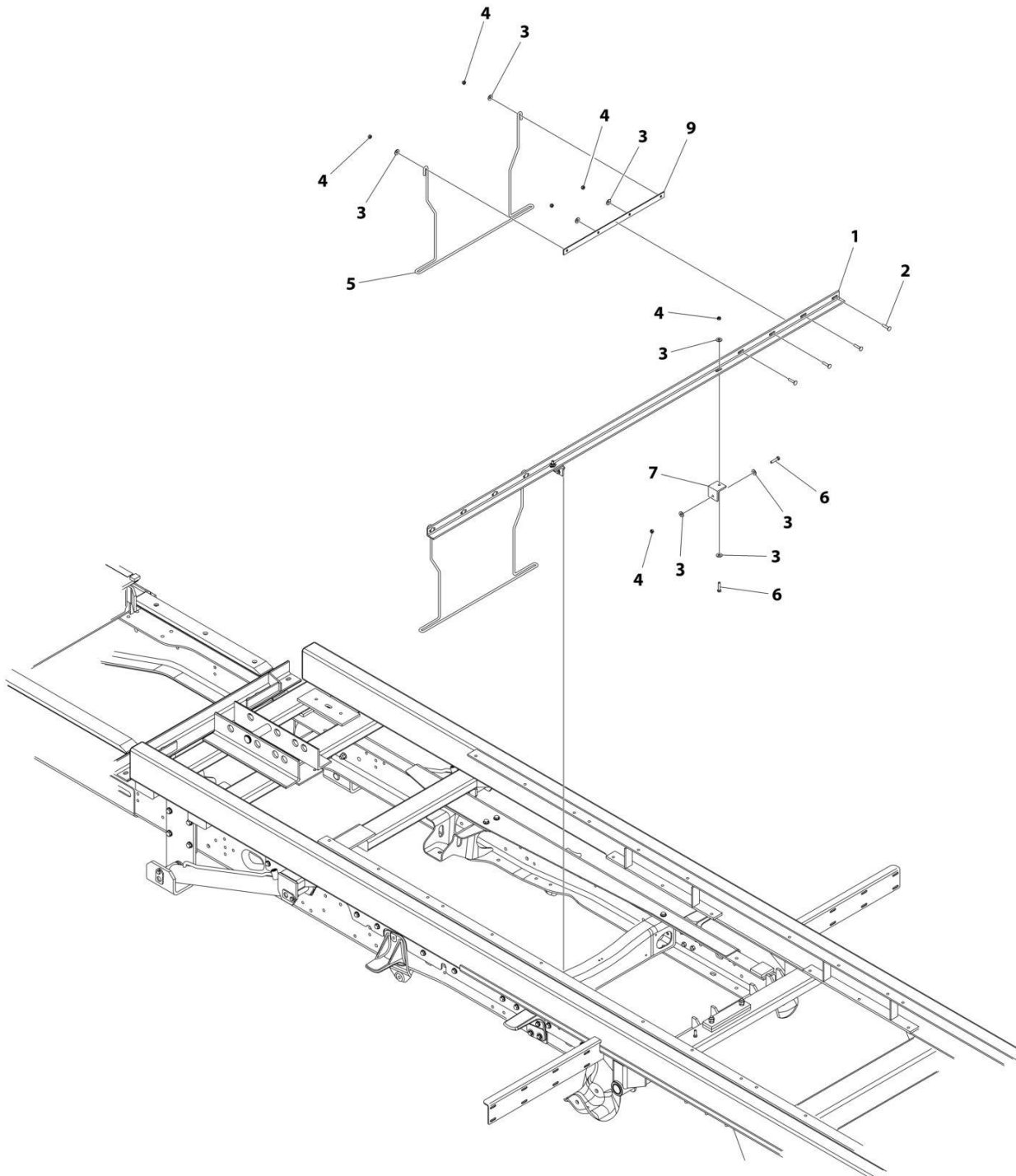
## SECTION 1 - SUBFRAME

**FIGURE 1-88. MUDFLAPS INSTALLATION - CUSTOMER SUPPLIED**

ITEM	PART NUMBER	QTY	DESCRIPTION	REV
	1001131724	Ref	Mud Flaps, Customer Installation	0
2	4706006427	2	Plate Galvanneal	
3	7111150864	8	Bolt 5/16 x 1	
4	7660152601	14	Nut 5/16	
5	4017001742	1	Angle LH Galvanneal	
6	4017001743	1	Angle RH Galvanneal	
7	7114150818	6	Capscrew 5/16 x 1	
8	7950150153	6	Washer 5/16	

# SECTION 1 - SUBFRAME

FIGURE 1-89. MUDFLAPS INSTALLATION - CUSTOMER SUPPLIED (2008-2011 DODGE & FORD)



ART\_1001132566

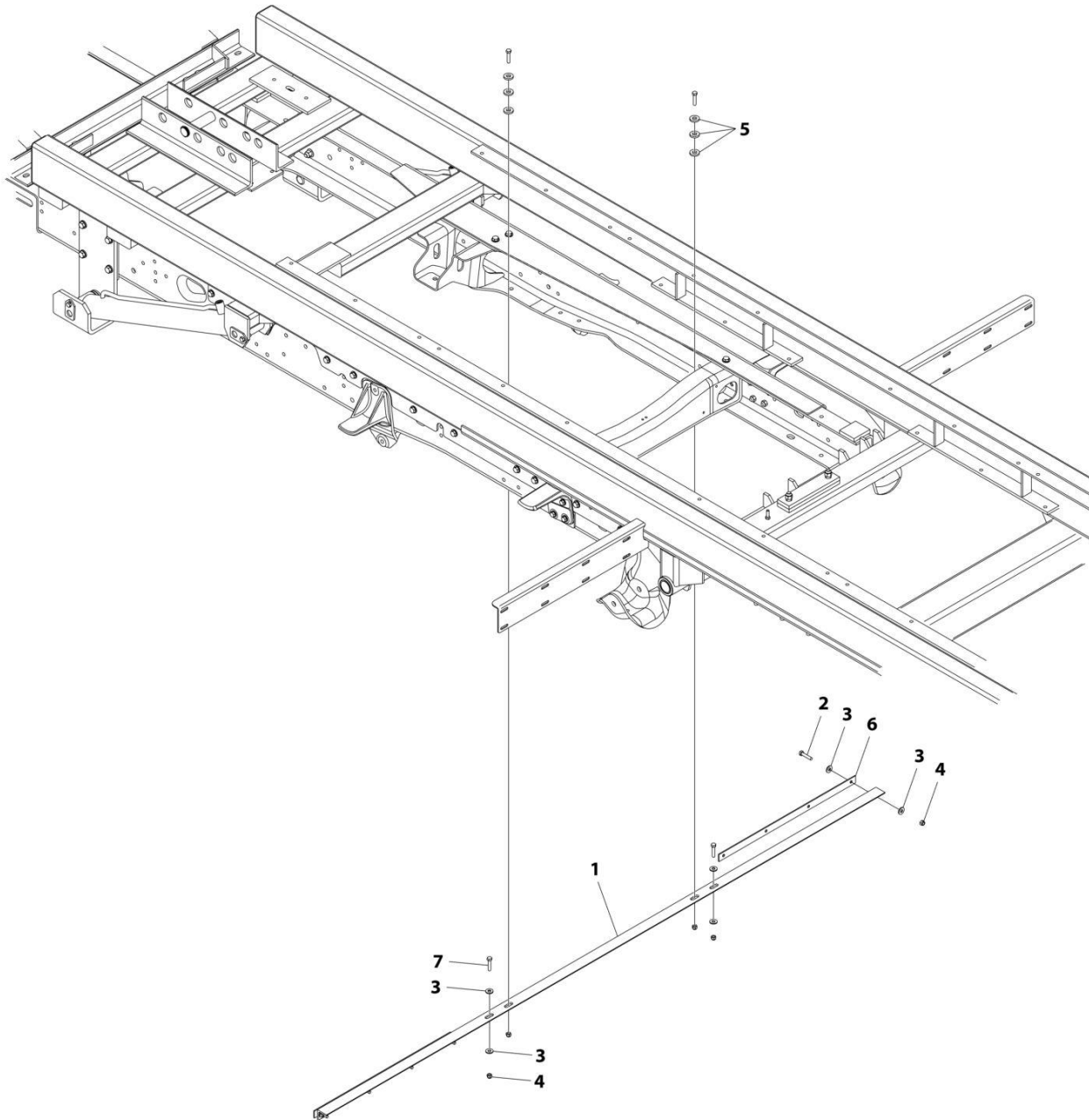
## SECTION 1 - SUBFRAME

**FIGURE 1-89. MUDFLAPS INSTALLATION - CUSTOMER SUPPLIED (2008-2011 DODGE & FORD)**

ITEM	PART NUMBER	QTY	DESCRIPTION	REV
	1001132566	Ref	CUSTOMER MUDFLAP INSTALLATION - F550, D5500	D
1	1001147117	1	Angle	
2	7115151264	8	Bolt 5/16 x 1-1/2	
3	7950150161	20	Washer 5/16	
4	7660152601	12	Nut 5/16	
5	7178000044	2	Bracket	
6	7115151250	4	Capscrew 5/16 x 1-1/2	
7	4017001587	2	Angle	
9	4706006427	2	Plate	

# SECTION 1 - SUBFRAME

FIGURE 1-90. MUDFLAPS INSTALLATION - CUSTOMER SUPPLIED (2012+ FORD, HINO 195 & ISUZU NRR)



ART\_1001151493

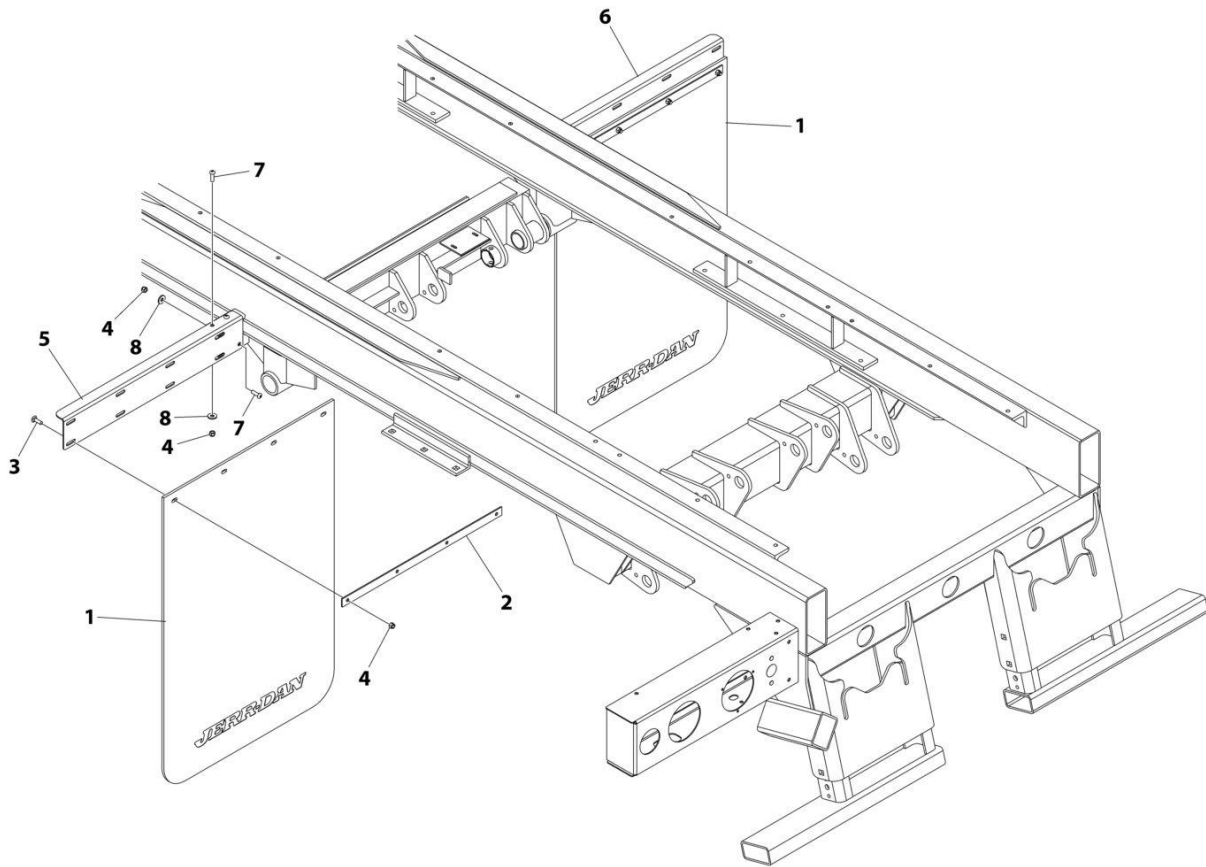
## SECTION 1 - SUBFRAME

**FIGURE 1-90. MUDFLAPS INSTALLATION - CUSTOMER SUPPLIED (2012+ FORD, HINO 195 & ISUZU NRR)**

ITEM	PART NUMBER	QTY	DESCRIPTION	REV
	1001151493	Ref	MUDFLAPS INSTALLATION	C
1	1001147117	1	Angle	
2	7115151264	8	Bolt 5/16 x 1-1/2	
3	7950150161	20	Washer 5/16	
4	7660152601	10	Nut 5/16	
5	4891800	6	Washer	
6	4706006427	2	Plate	
7	7115151050	2	Bolt 5/16 x 1-1/4	

# SECTION 1 - SUBFRAME

## FIGURE 1-91. MUDFLAPS INSTALLATION - HIGH



ART\_263800019

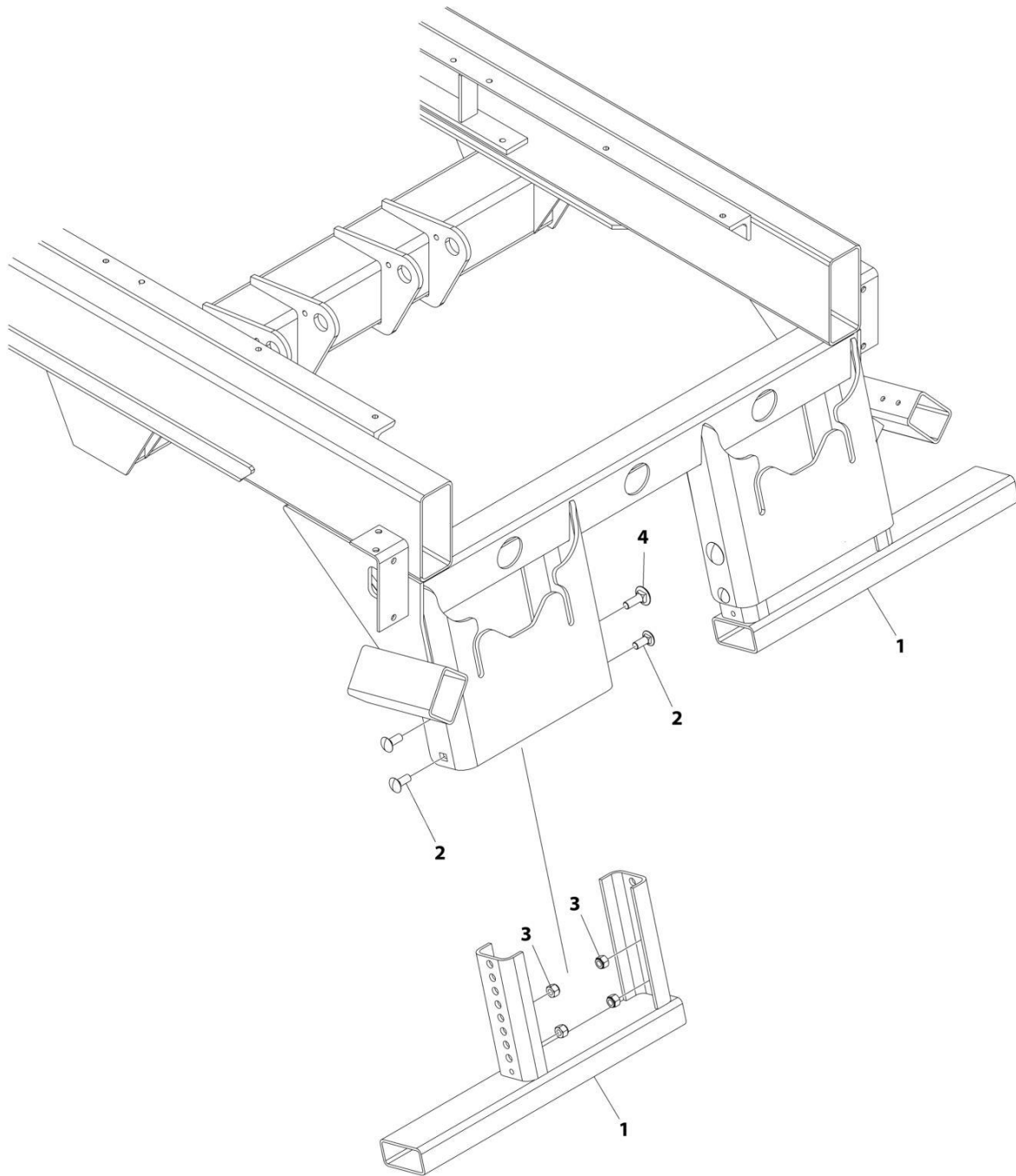
# SECTION 1 - SUBFRAME

## FIGURE 1-91. MUDFLAPS INSTALLATION - HIGH

ITEM	PART NUMBER	QTY	DESCRIPTION	REV
	2638000019	Ref	Mud Flap - High	D
1	7638000013	2	Mud Flap with Jerr-Dan Logo	
2	4706006427	2	Plate Galvanneal	
3	7111150864	8	Bolt 5/16 x 1	
4	7660152601	14	Nut 5/16	
5	4017001742	1	Angle LH Galvanneal	
6	4017001743	1	Angle RH Galvanneal	
7	7114150818	6	Capscrew 5/16 x 1	
8	7950150153	6	Washer 5/16	

# SECTION 1 - SUBFRAME

## FIGURE 1-92. BUMPER (REAR) INSTALLATION - SHORT GALVANIZED



ART\_1001177633



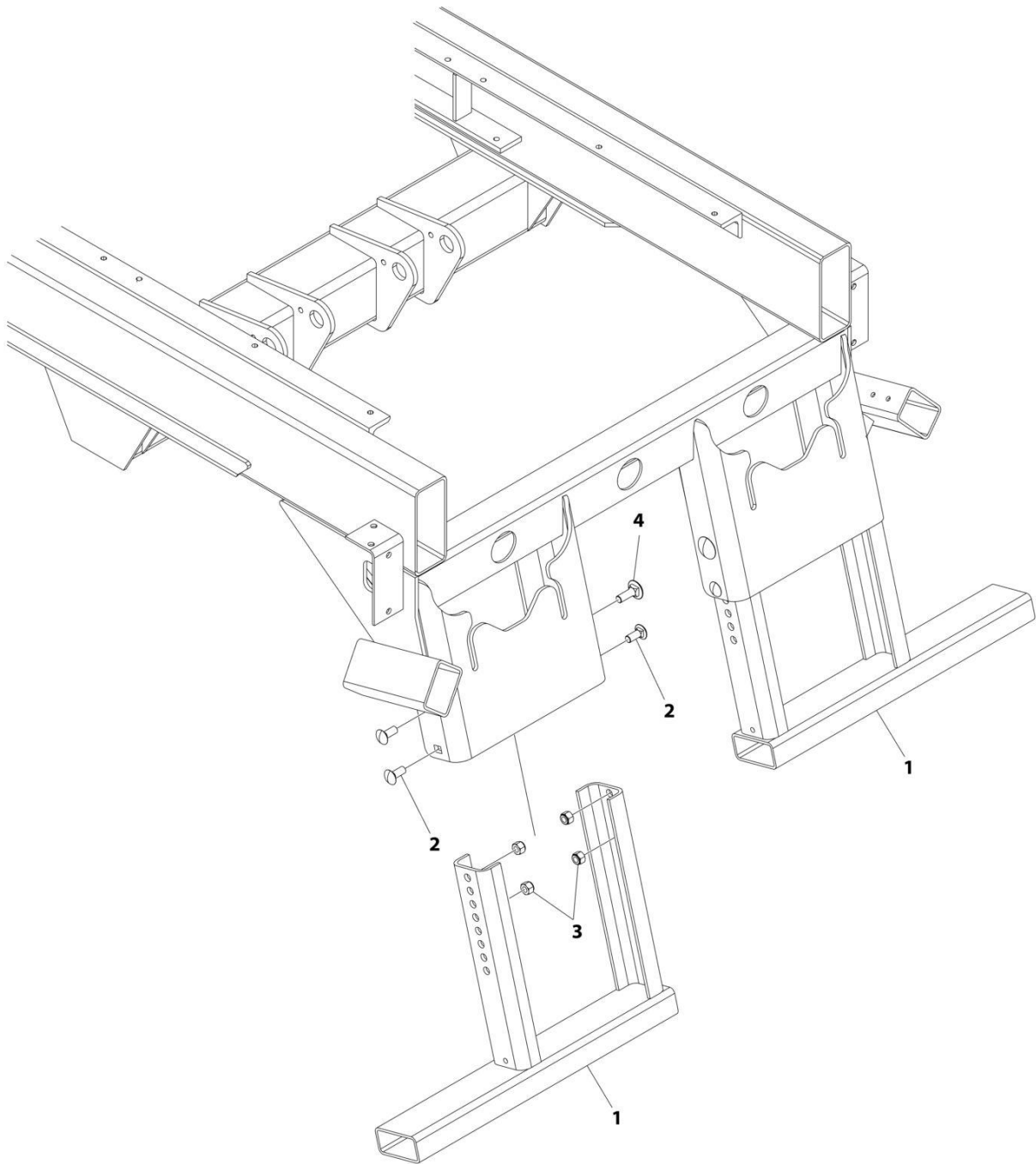
## SECTION 1 - SUBFRAME

### FIGURE 1-92. BUMPER (REAR) INSTALLATION - SHORT GALVANIZED

ITEM	PART NUMBER	QTY	DESCRIPTION	REV
	1001177633	Ref	Rear Bumper - Short Galvanized	B
1	1001177603	2	Bumper	
2	7115181064	6	Bolt 1/2 x 1-1/4	
3	7660182601	8	Nut 1/2	
4	7115181664	2	Bolt 1/2 x 2	

# SECTION 1 - SUBFRAME

## FIGURE 1-93. BUMPER (REAR) INSTALLATION - LONG GALVANIZED



ART\_1001177634

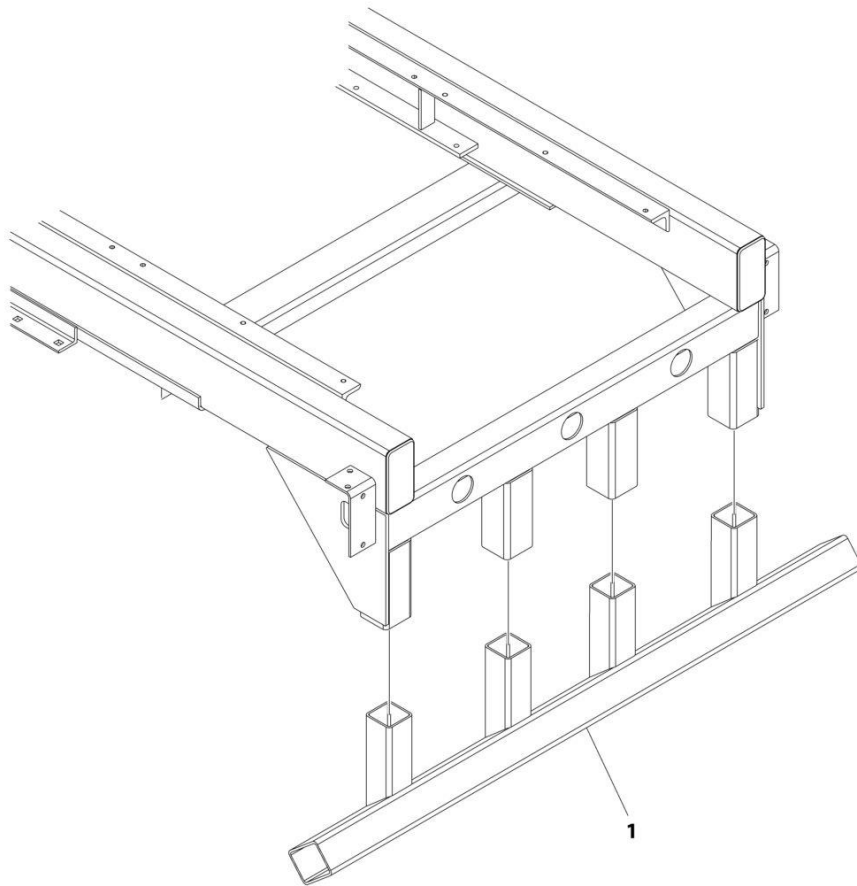
## SECTION 1 - SUBFRAME

### FIGURE 1-93. BUMPER (REAR) INSTALLATION - LONG GALVANIZED

ITEM	PART NUMBER	QTY	DESCRIPTION	REV
	1001177634	Ref	Rear Bumper - Long Galvanized	B
1	1001177605	2	Bumper	
2	7115181064	6	Bolt 1/2 x 1-1/4	
3	7660182601	8	Nut 1/2	
4	7115181664	2	Bolt 1/2 x 2	

# SECTION 1 - SUBFRAME

FIGURE 1-94. BUMPER (REAR) INSTALLATION - HIGH DUMP MODELS



ART\_1001130561

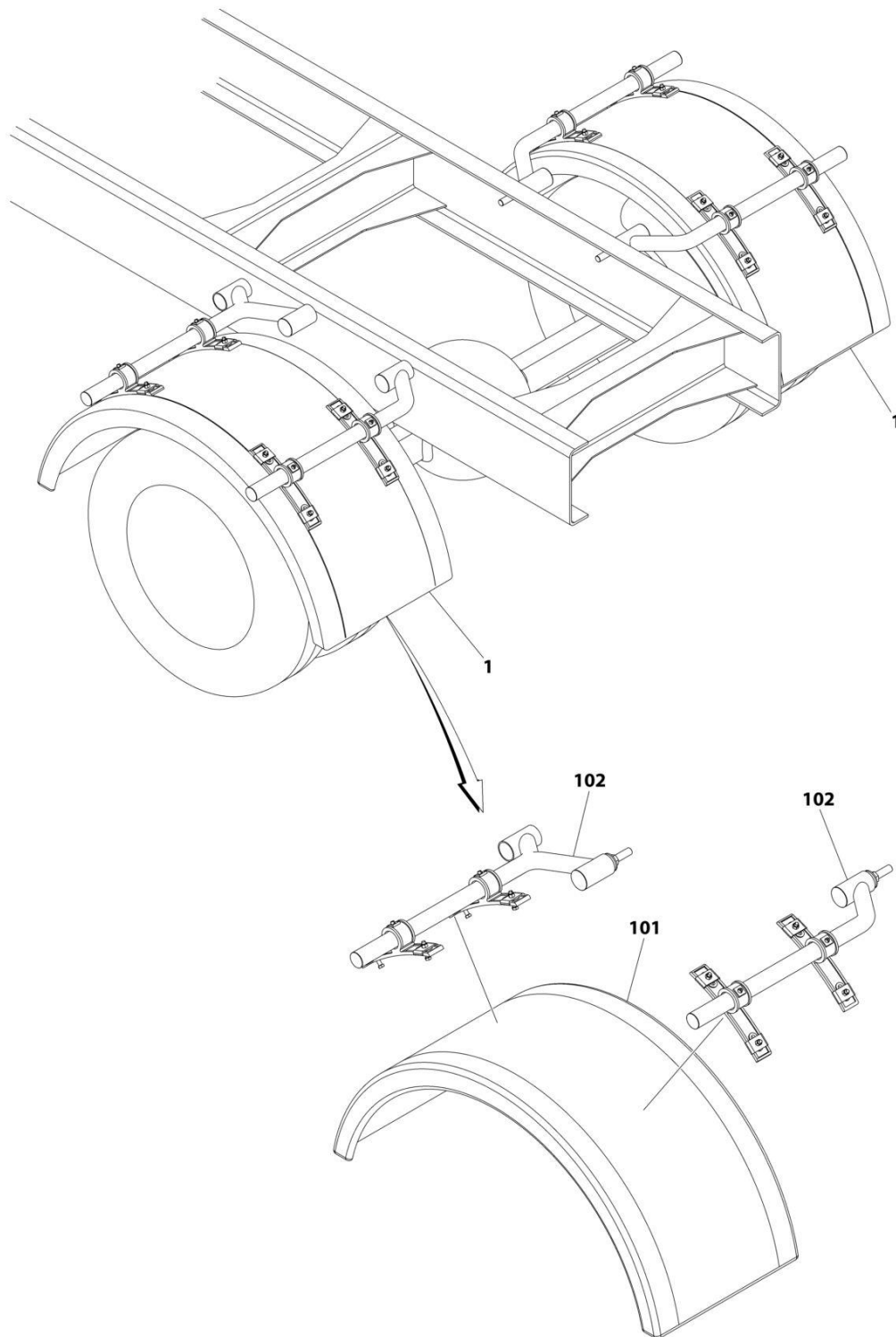
## SECTION 1 - SUBFRAME

**FIGURE 1-94. BUMPER (REAR) INSTALLATION - HIGH DUMP MODELS**

ITEM	PART NUMBER	QTY	DESCRIPTION	REV
1	1001130561	Ref	BUMPER INSTALLATION	0
	1001131105	1	Bumper	

# SECTION 1 - SUBFRAME

## FIGURE 1-95. FENDERS INSTALLATION - POLY



ART\_1001169913

# SECTION 1 - SUBFRAME

## FIGURE 1-95. FENDERS INSTALLATION - POLY

ITEM	PART NUMBER	QTY	DESCRIPTION	REV
	1001169913	Ref	POLY FENDERS INSTALLATION 19.5IN	A
1	1001170192	2	Accessory, Poly Fender Kit	
101	1001169958	1	Fender, Poly	
102	1001169959	1	Mount, Poly Fender	

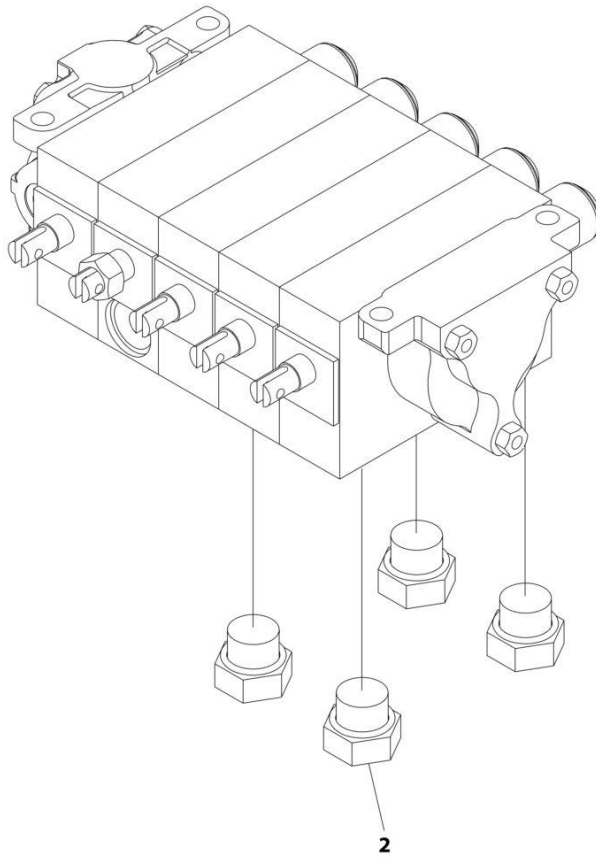




**SECTION 2 - WHEEL LIFT**

## SECTION 2 - WHEEL LIFT

FIGURE 2-1. WHEEL LIFT INSTALLATION - IRL (PREP FOR LATER)



ART\_1001127744

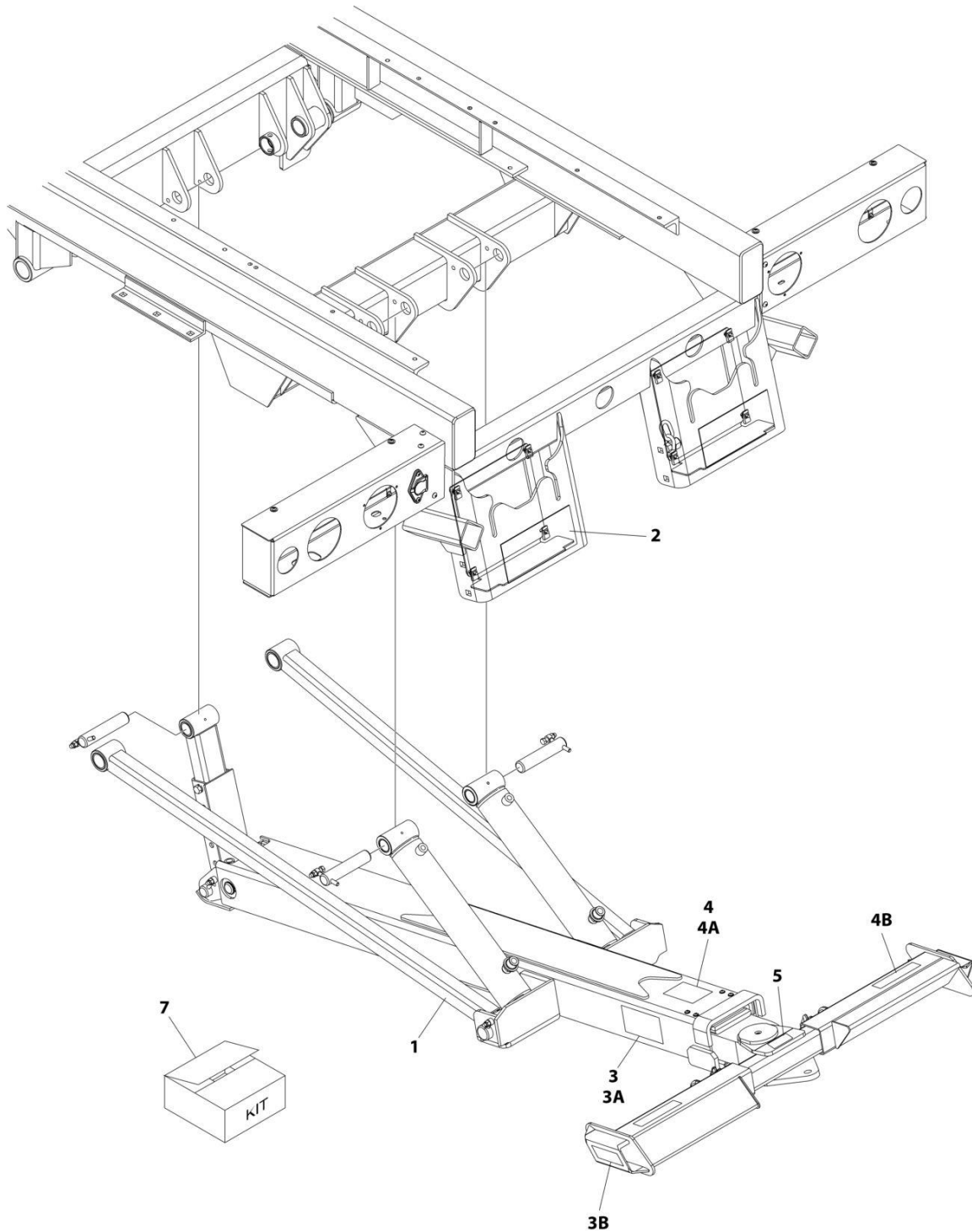
## SECTION 2 - WHEEL LIFT

FIGURE 2-1. WHEEL LIFT INSTALLATION - IRL (PREP FOR LATER)

ITEM	PART NUMBER	QTY	DESCRIPTION	REV
	1001127744	Ref	IRL WHEEL LIFT INSTALLATION	D
2	7443000048	4	Fitting Plug	

# SECTION 2 - WHEEL LIFT

## FIGURE 2-2. WHEEL LIFT INSTALLATION - IRL (MANUAL L-ARMS STANDARD)



ART\_1001158650

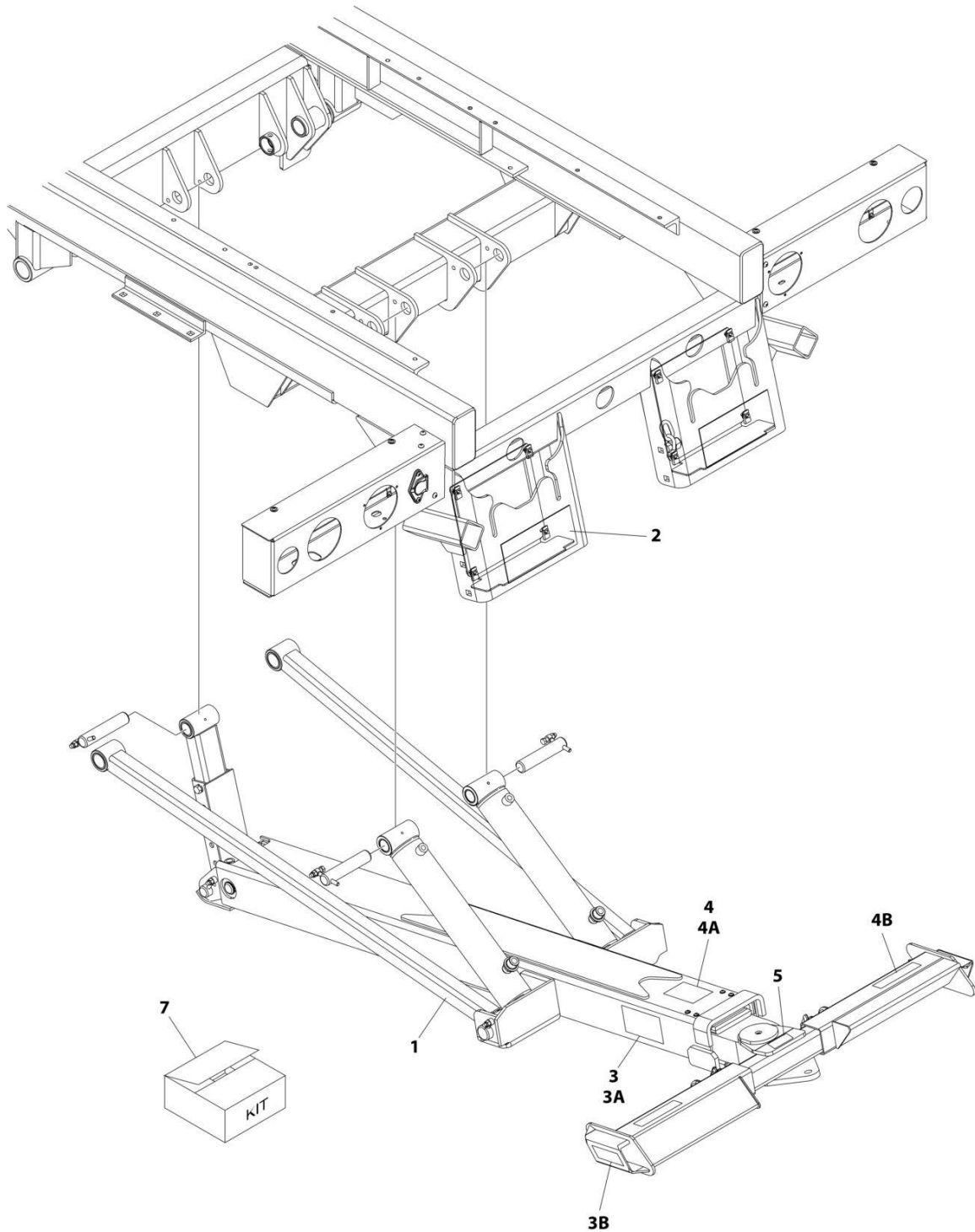
## SECTION 2 - WHEEL LIFT

**FIGURE 2-2. WHEEL LIFT INSTALLATION - IRL (MANUAL L-ARMS STANDARD)**

ITEM	PART NUMBER	QTY	DESCRIPTION	REV
	1001158650	Ref	IRL WHEEL LIFT INSTALLATION - 3000 LBS	A
1	1001158638	1	Boom Installation (See Separate Breakdown in this Section)	
2	2262000011	1	Chain Installation (See Separate Breakdown in SUBFRAME Section)	
3	2330000035	Ref	Wheel Lift Decal Installation	
3A	7330000419	2	Decal - Red Reflective (Boom)	
3B	7330000417	1	Decal - LH Red Reflective (Grid)	
3B	7330000418	1	Decal - RH Red Reflective (Grid)	
4	2330000057	Ref	Decal Installation	
4A	7330000684	1	Decal - Safety	
4B	7330000683	2	Decal - Safety	
5	2330000065	Ref	Tow Hitch Decal Installation	
5	7330000060	1	Decal - Warning, Hitch on Wheel lift	
6	2570000051	1	Hydraulic Hose Installation (Not Shown - See Separate Breakdown in HYDRAULIC Section)	
7	7577000242	1	Tie-Strap and Ratchet Kit	

# SECTION 2 - WHEEL LIFT

## FIGURE 2-3. WHEEL LIFT INSTALLATION - IRL (MANUAL L-ARMS GALVANIZED)



ART\_1001158651

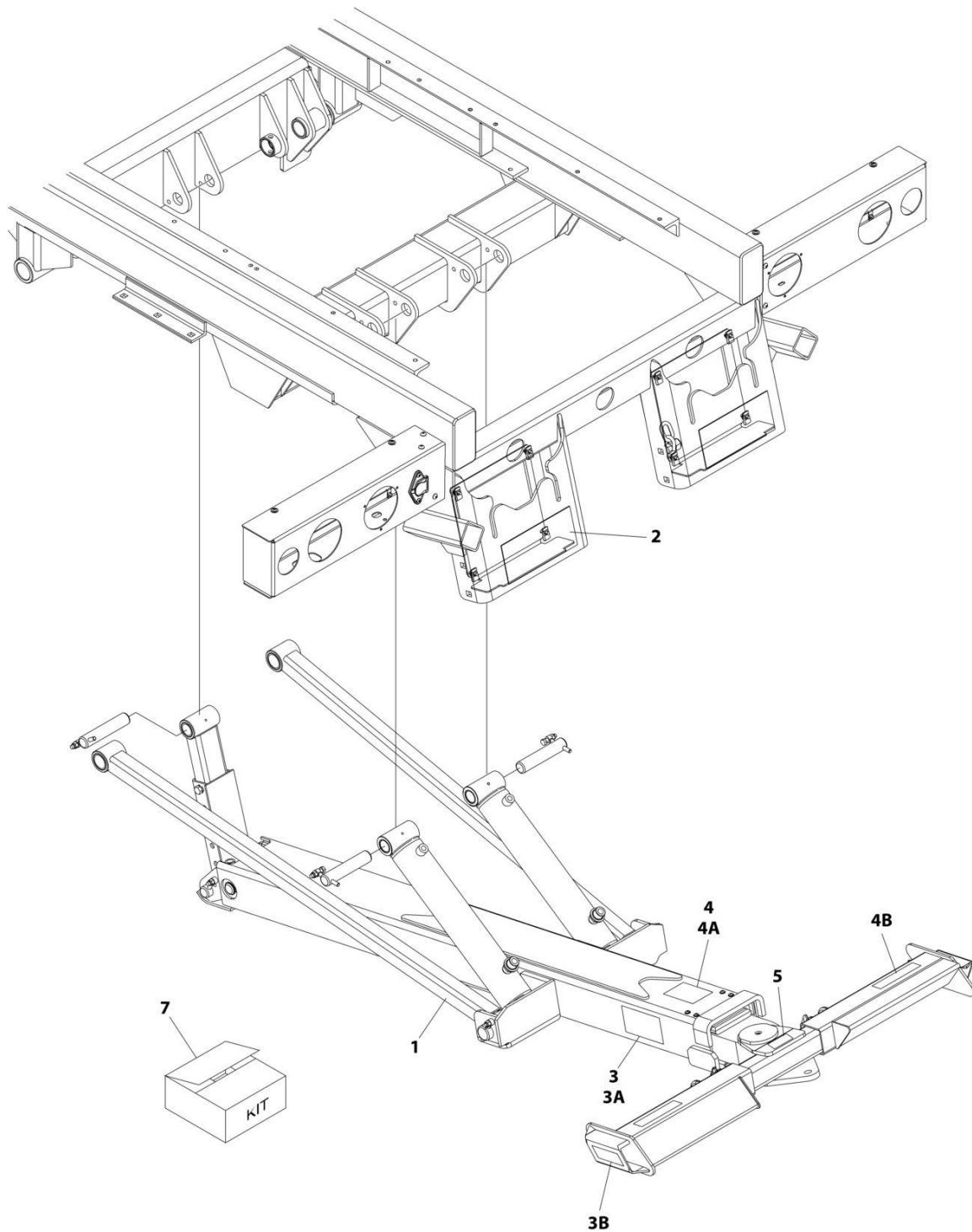
## SECTION 2 - WHEEL LIFT

**FIGURE 2-3. WHEEL LIFT INSTALLATION - IRL (MANUAL L-ARMS GALVANIZED)**

ITEM	PART NUMBER	QTY	DESCRIPTION	REV
	1001158651	Ref	IRL WHEEL LIFT INSTALLATION - 3000 LBS (GALVANIZED)	B
1	1001158644	1	Boom Installation (See Separate Breakdown in this Section)	
2	2262000011	1	Chain Installation (See Separate Breakdown in SUBFRAME Section)	
3	2330000035	Ref	Wheel Lift Decal Installation	
3A	7330000419	2	Decal - Red Reflective (Boom)	
3B	7330000417	1	Decal - LH Red Reflective (Grid)	
3B	7330000418	1	Decal - RH Red Reflective (Grid)	
4	2330000057	Ref	Decal Installation	
4A	7330000684	1	Decal - Safety	
4B	7330000683	2	Decal - Safety	
5	2330000065	Ref	Tow Hitch Decal Installation (See Separate Breakdown in DECAL Section)	
5	7330000060	1	Decal - Warning, Hitch on Wheel lift	
6	2570000051	1	Hydraulic Hose Installation (Not Shown - See Separate Breakdown in HYDRAULIC Section)	
7	7577000242	1	Tie-Strap and Ratchet Kit	

## SECTION 2 - WHEEL LIFT

FIGURE 2-4. WHEEL LIFT INSTALLATION - IRL (MANUAL L-ARMS EXTENDED STANDARD)



ART\_1001158652



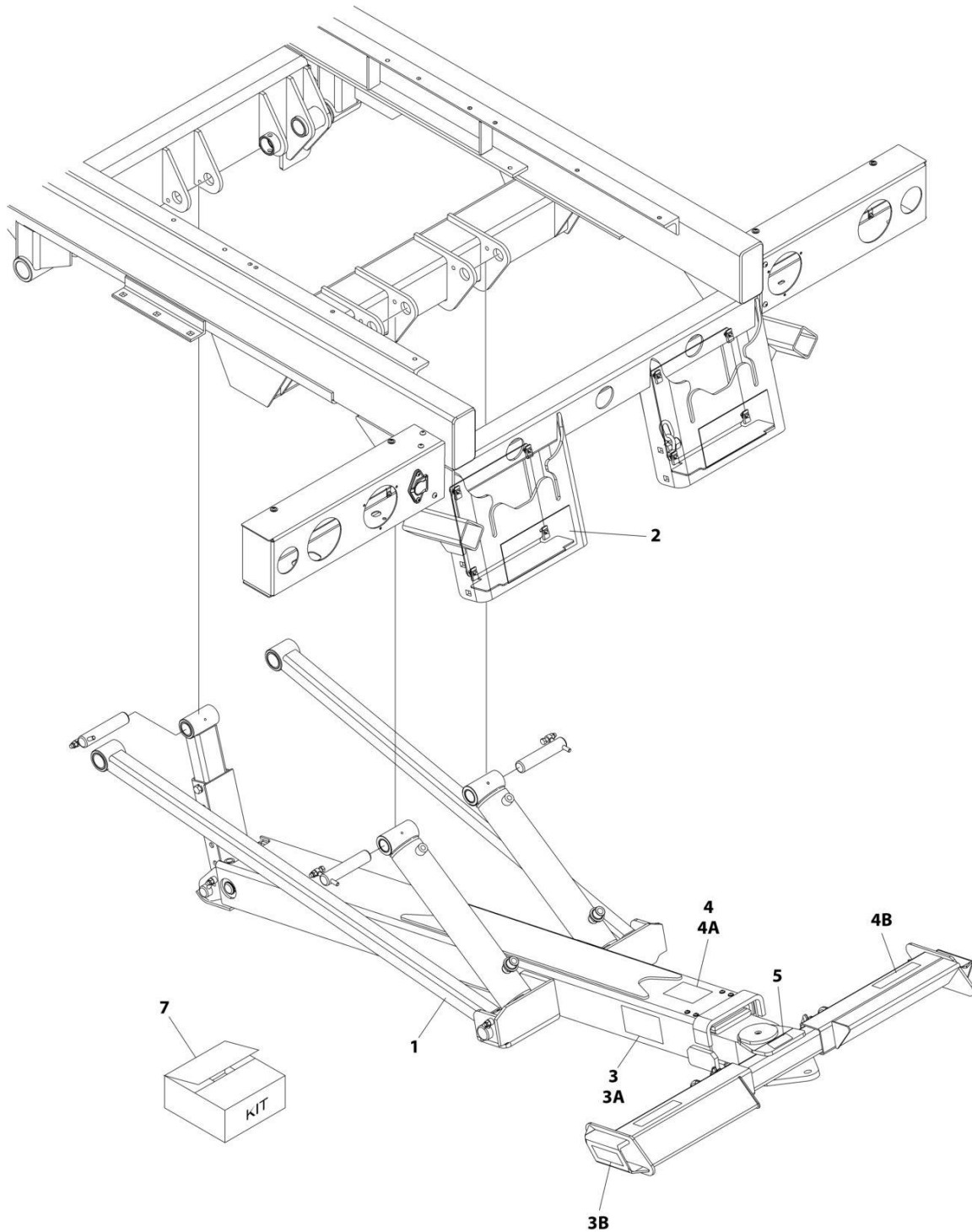
## SECTION 2 - WHEEL LIFT

**FIGURE 2-4. WHEEL LIFT INSTALLATION - IRL (MANUAL L-ARMS EXTENDED STANDARD)**

ITEM	PART NUMBER	QTY	DESCRIPTION	REV
	1001158652	Ref	IRL WHEEL LIFT INSTALLATION - 3000 LBS (EXTEND)	A
1	1001158645	1	Boom Installation (See Separate Breakdown in this Section)	
2	2262000011	1	Chain Installation (See Separate Breakdown in SUBFRAME Section)	
3	2330000035	Ref	Wheel Lift Decal Installation	
3A	7330000419	2	Decal - Red Reflective (Boom)	
3B	7330000417	1	Decal - LH Red Reflective (Grid)	
3B	7330000418	1	Decal - RH Red Reflective (Grid)	
4	2330000057	Ref	Decal Installation	
4A	7330000684	1	Decal - Safety	
4B	7330000683	2	Decal - Safety	
5	2330000065	Ref	Tow Hitch Decal Installation (See Separate Breakdown in DECAL Section)	
5	7330000060	1	Decal - Warning, Hitch on Wheel lift	
6	2570000051	1	Hydraulic Hose Installation (Not Shown - See Separate Breakdown in HYDRAULIC Section)	
7	7577000242	1	Tie-Strap and Ratchet Kit	

## SECTION 2 - WHEEL LIFT

FIGURE 2-5. WHEEL LIFT INSTALLATION - IRL (MANUAL L-ARMS EXTENDED GALVANIZED)



ART\_1001158653

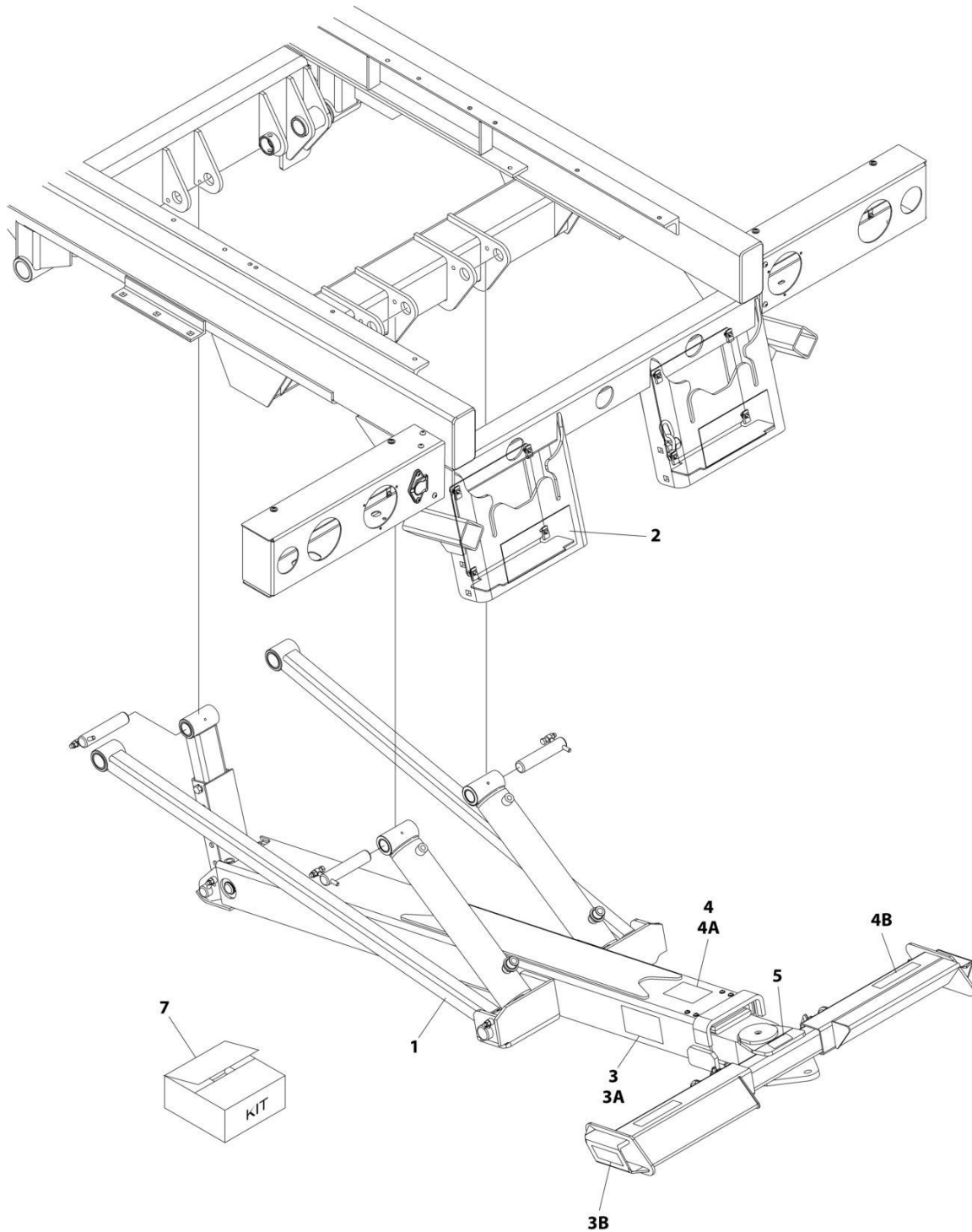
## SECTION 2 - WHEEL LIFT

**FIGURE 2-5. WHEEL LIFT INSTALLATION - IRL (MANUAL L-ARMS EXTENDED GALVANIZED)**

ITEM	PART NUMBER	QTY	DESCRIPTION	REV
	1001158653	Ref	IRL WHEEL LIFT INSTALLATION - 3000 LBS (EXTEND, GALVANIZED)	B
1	1001158646	1	Boom Installation (See Separate Breakdown in this Section)	
2	2262000011	1	Chain Installation (See Separate Breakdown in SUBFRAME Section)	
3	2330000035	Ref	Wheel Lift Decal Installation	
3A	7330000419	2	Decal - Red Reflective (Boom)	
3B	7330000417	1	Decal - LH Red Reflective (Grid)	
3B	7330000418	1	Decal - RH Red Reflective (Grid)	
4	2330000057	Ref	Decal Installation	
4A	7330000684	1	Decal - Safety	
4B	7330000683	2	Decal - Safety	
5	2330000065	Ref	Tow Hitch Decal Installation	
5	7330000060	1	Decal - Warning, Hitch on Wheel lift	
6	2570000051	1	Hydraulic Hose Installation (Not Shown - See Separate Breakdown in HYDRAULIC Section)	
7	7577000242	1	Tie-Strap and Ratchet Kit	

# SECTION 2 - WHEEL LIFT

## FIGURE 2-6. WHEEL LIFT INSTALLATION - IRL (T-37 L-ARMS STANDARD)



ART\_1001158654

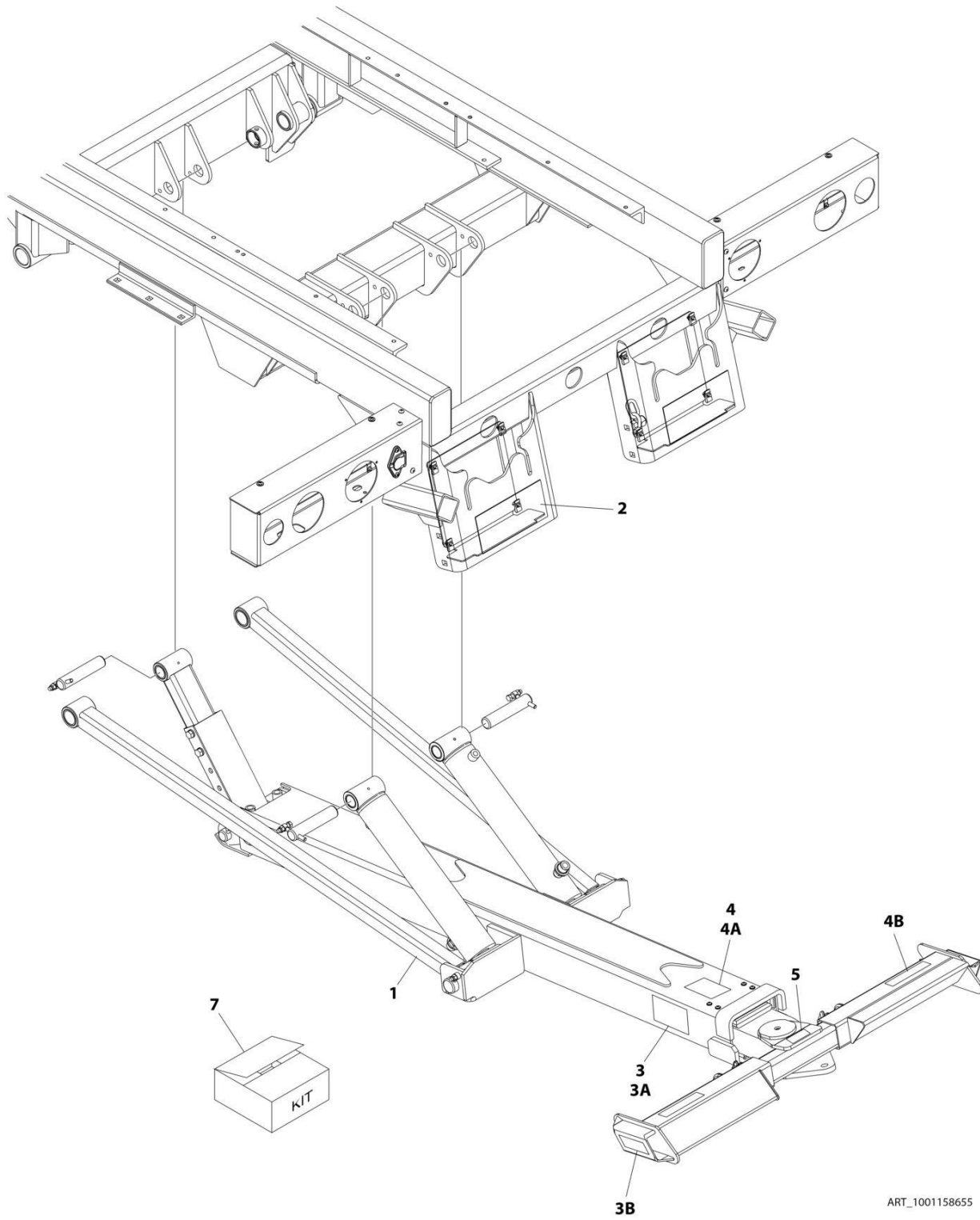
## SECTION 2 - WHEEL LIFT

**FIGURE 2-6. WHEEL LIFT INSTALLATION - IRL (T-37 L-ARMS STANDARD)**

ITEM	PART NUMBER	QTY	DESCRIPTION	REV
	1001158654	Ref	IRL WHEEL LIFT INSTALLATION - 3000 LBS (T37)	A
1	1001158638	1	Boom Installation (See Separate Breakdown in this Section)	
2	2262000011	1	Chain Installation (See Separate Breakdown in SUBFRAME Section)	
3	2330000036	Ref	Wheel Lift Decal Installation, T37	
3A	7330000419	2	Decal - Red Reflective (Boom)	
3B	7330000420	1	Decal - LH Red Reflective (T37 Grid)	
3C	7330000432	1	Decal - RH Red Reflective (T37 Grid)	
4	2330000057	Ref	Decal Installation	
4A	7330000684	1	Decal - Safety	
4B	7330000683	2	Decal - Safety	
5	2330000065	Ref	Tow Hitch Decal Installation	
5	7330000060	1	Decal - Warning, Hitch on Wheel lift	
6	2570000051	1	Hydraulic Hose Installation (Not Shown - See Separate Breakdown in HYDRAULIC Section)	
7	7577000242	1	Tie-Strap and Ratchet Kit	

# SECTION 2 - WHEEL LIFT

FIGURE 2-7. WHEEL LIFT INSTALLATION - IRL (T-37 L-ARMS GALVANIZED)



ART\_1001158655

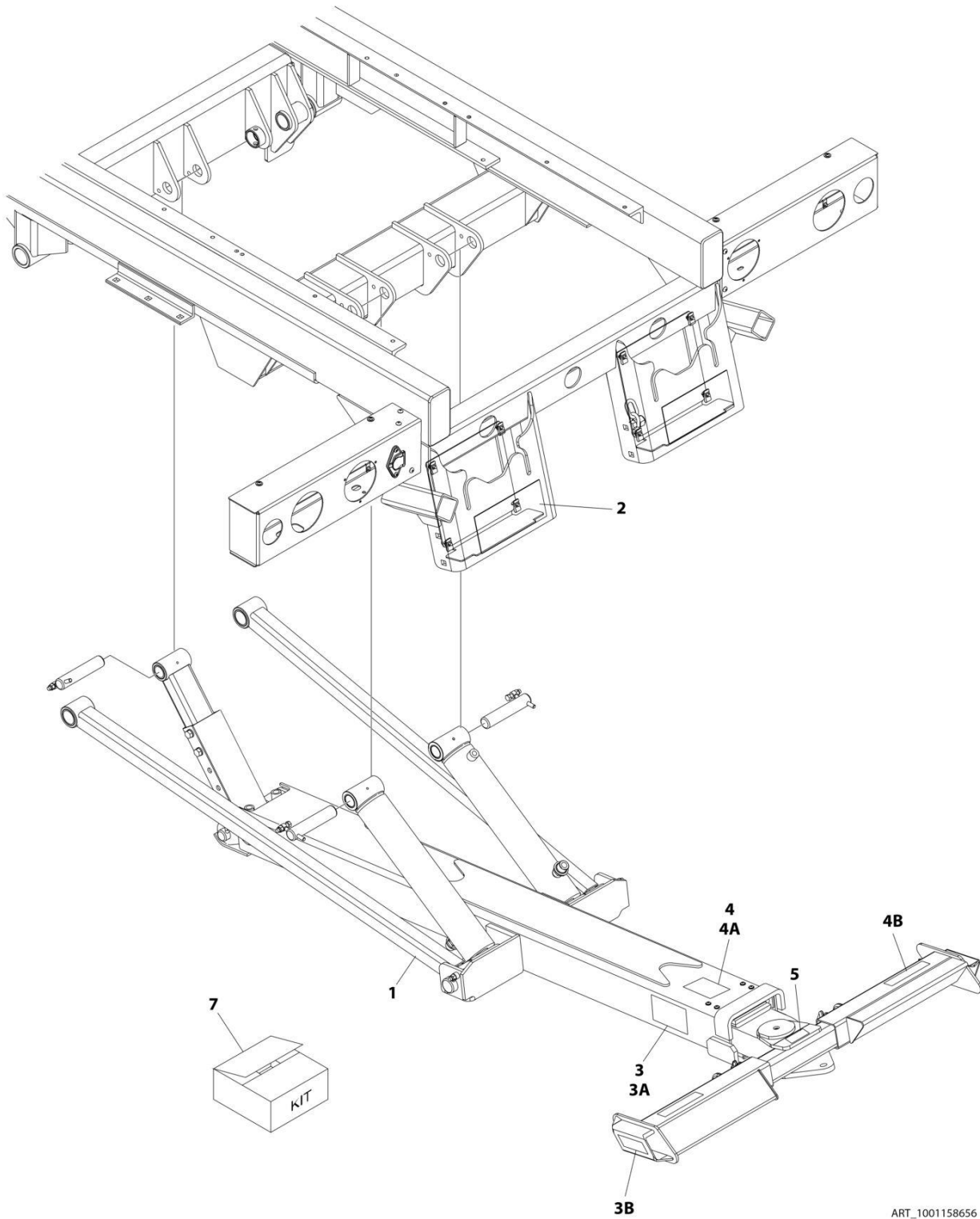
## SECTION 2 - WHEEL LIFT

**FIGURE 2-7. WHEEL LIFT INSTALLATION - IRL (T-37 L-ARMS GALVANIZED)**

ITEM	PART NUMBER	QTY	DESCRIPTION	REV
	1001158655	Ref	IRL WHEEL LIFT INSTALLATION - 3000 LBS (T37) (GALVANIZED)	B
1	1001158644	1	Boom Assembly Installation (See Separate Breakdown in this Section)	
2	2262000011	1	Chain Installation (See Separate Breakdown in SUBFRAME Section)	
3	2330000036	Ref	Wheel Lift Decal Installation, T37	
3A	7330000419	2	Decal - Red Reflective (Boom)	
3B	7330000420	1	Decal - LH Red Reflective (T37 Grid)	
3C	7330000432	1	Decal - RH Red Reflective (T37 Grid)	
4	2330000057	Ref	Decal Installation	
4A	7330000684	1	Decal - Safety	
4B	7330000683	2	Decal - Safety	
5	2330000065	Ref	Tow Hitch Decal Installation	
5	7330000060	1	Decal - Warning, Hitch on Wheel lift	
6	2570000051	1	Hydraulic Hose Installation (Not Shown - See Separate Breakdown in HYDRAULIC Section)	
7	7577000242	1	Tie-Strap and Ratchet Kit	

# SECTION 2 - WHEEL LIFT

## FIGURE 2-8. WHEEL LIFT INSTALLATION - IRL (T-37 L-ARMS EXTENDED STANDARD)



ART\_1001158656



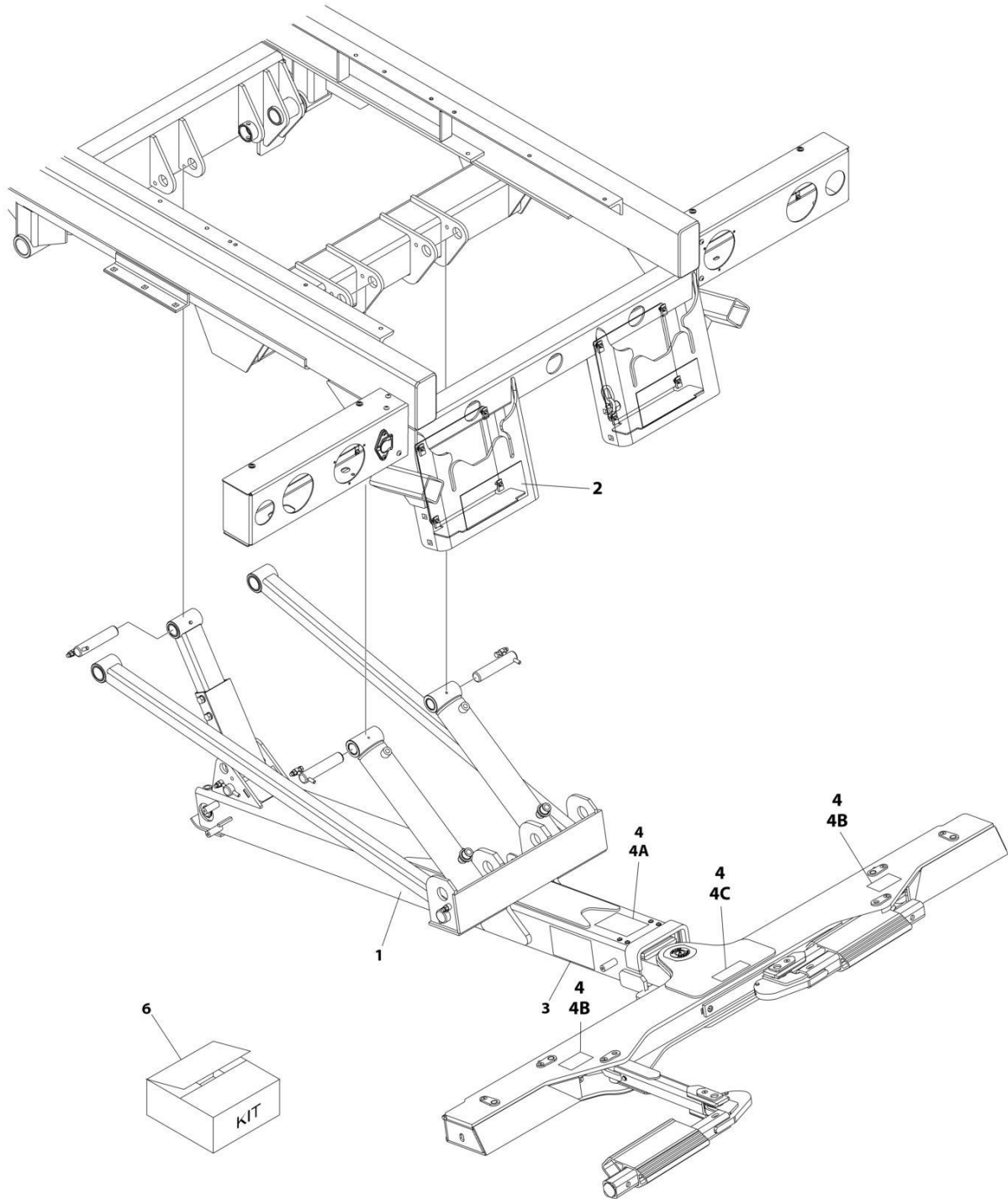
## SECTION 2 - WHEEL LIFT

**FIGURE 2-8. WHEEL LIFT INSTALLATION - IRL (T-37 L-ARMS EXTENDED STANDARD)**

ITEM	PART NUMBER	QTY	DESCRIPTION	REV
	1001158656	Ref	IRL WHEEL LIFT INSTALLATION - 3000 LBS (T37) (EXTEND)	A
1	1001158645	1	Boom Assembly Installation (See Separate Breakdown in this Section)	
2	2262000011	1	Chain Installation (See Separate Breakdown in SUBFRAME Section)	
3	2330000036	Ref	Wheel Lift Decal Installation, T37	
3A	7330000419	2	Decal - Red Reflective (Boom)	
3B	7330000420	1	Decal - LH Red Reflective (T37 Grid)	
3B	7330000432	1	Decal - RH Red Reflective (T37 Grid)	
4	2330000057	Ref	Decal Installation	
4A	7330000684	1	Decal - Safety	
4B	7330000683	2	Decal - Safety	
5	2330000065	Ref	Tow Hitch Decal Installation	
5	7330000060	1	Decal - Warning, Hitch on Wheel lift	
6	2570000051	1	Hydraulic Hose Installation (Not Shown - See Separate Breakdown in HYDRAULIC Section)	
7	7577000242	1	Tie-Strap and Ratchet Kit	

# SECTION 2 - WHEEL LIFT

FIGURE 2-9. WHEEL LIFT INSTALLATION - IRL (HYDRAULIC L-ARMS STANDARD)



ART\_1001158657

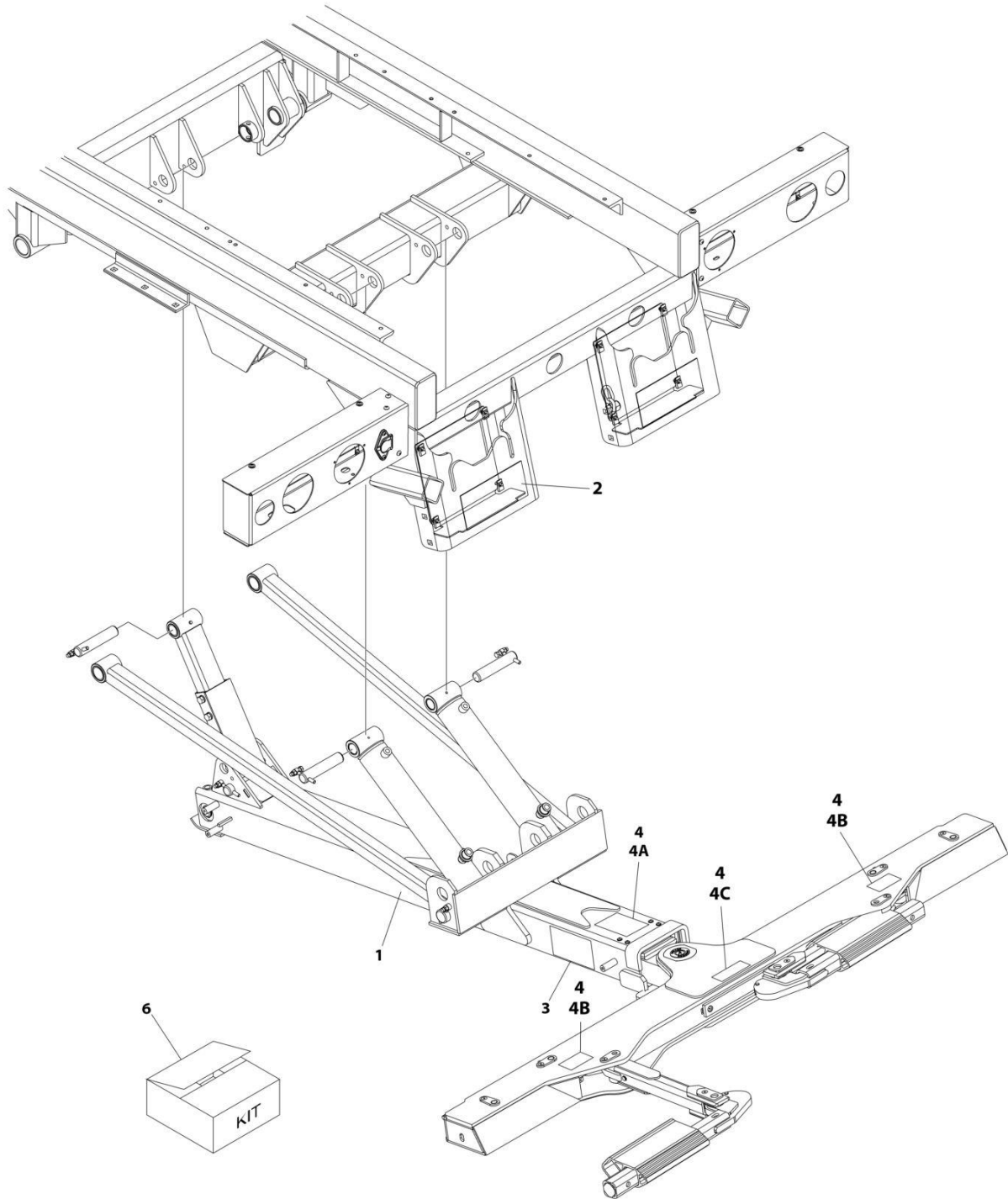
## SECTION 2 - WHEEL LIFT

**FIGURE 2-9. WHEEL LIFT INSTALLATION - IRL (HYDRAULIC L-ARMS STANDARD)**

ITEM	PART NUMBER	QTY	DESCRIPTION	REV
	1001158657	Ref	IRL WHEEL LIFT INSTALLATION - 3000 LBS (HYDRAULIC GRID)	A
1	1001158642	1	Boom Assembly Installation (See Separate Breakdown in this Section)	
2	2262000011	1	Chain Installation (See Separate Breakdown in SUBFRAME Section)	
3	2330000051	Ref	Wheel Lift Decal Installation	
3	7330000419	2	Decal - Red Reflective (Boom)	
4	2330000057	Ref	Decal Installation	
4A	7330000684	1	Decal - Safety	
4B	7330000599	2	Decal - Safety	
4C	7330000036	1	Decal - Safety	
5	2570000144	1	Hydraulic Hose Installation (Not Shown - See Separate Breakdown in HYDRAULIC Section)	
6	7577000376	1	Tie-Strap and Ratchet Kit	

# SECTION 2 - WHEEL LIFT

FIGURE 2-10. WHEEL LIFT INSTALLATION - IRL (HYDRAULIC L-ARMS HIGH FRAME)



ART\_1001158658

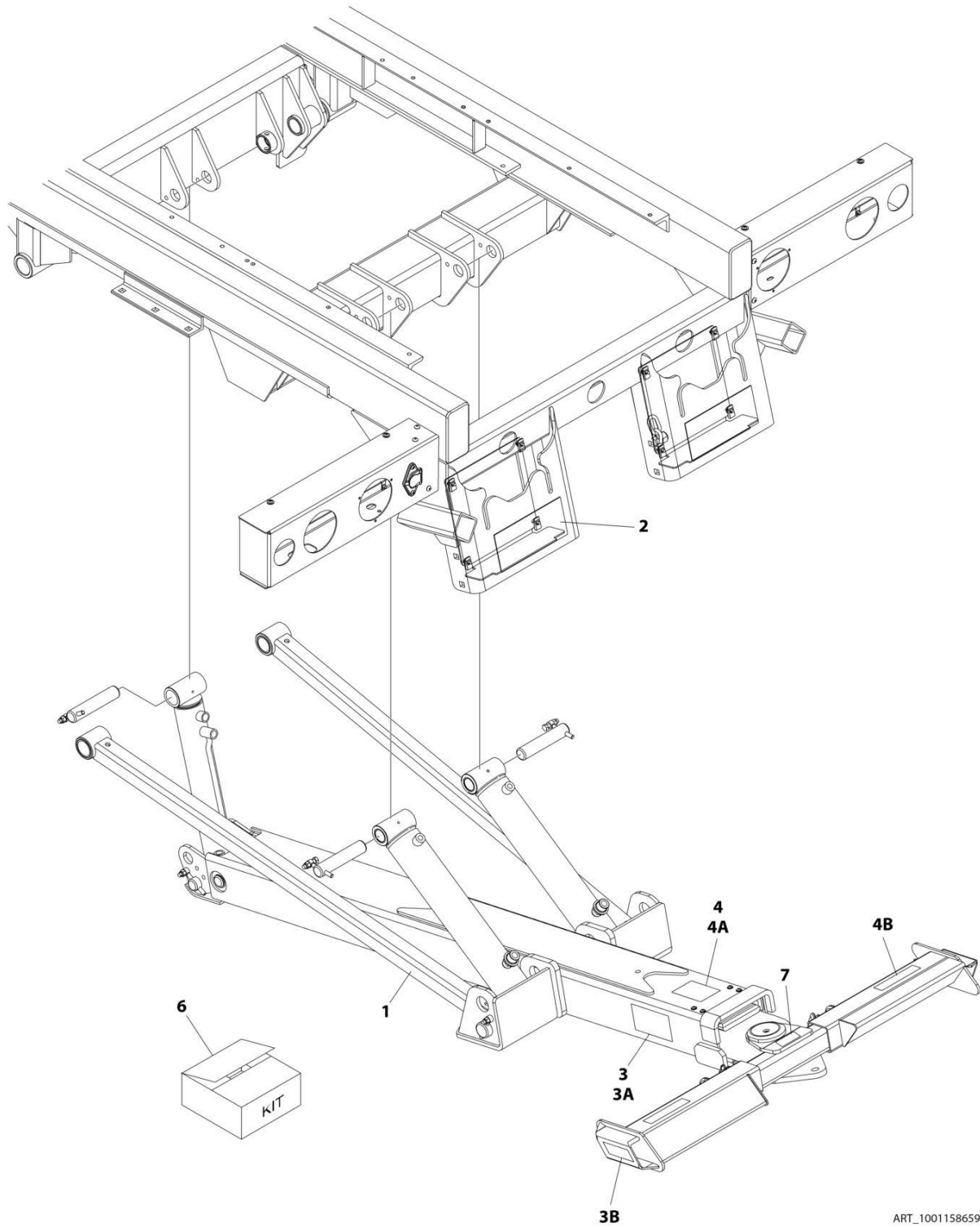
## SECTION 2 - WHEEL LIFT

**FIGURE 2-10. WHEEL LIFT INSTALLATION - IRL (HYDRAULIC L-ARMS HIGH FRAME)**

ITEM	PART NUMBER	QTY	DESCRIPTION	REV
	1001158658	Ref	IRL WHEEL LIFT INSTALLATION - 3000 LBS (HYDRAULIC, HIGH FRAME)	A
1	1001158643	1	Boom Assembly Installation (See Separate Breakdown in this Section)	
2	2262000011	1	Chain Installation (See Separate Breakdown in SUBFRAME Section)	
3	2330000051	Ref	Wheel Lift Decal Installation	
3	7330000419	2	Decal - Red Reflective (Boom)	
4	2330000057	Ref	Decal Installation	
4A	7330000684	1	Decal - Safety	
4B	7330000599	2	Decal - Safety	
4C	7330000036	1	Decal - Safety	
5	2570000143	1	Hydraulic Hose Installation (Not Shown - See Separate Breakdown in HYDRAULIC Section)	
6	7577000376	1	Tie-Strap and Ratchet Kit	

# SECTION 2 - WHEEL LIFT

## FIGURE 2-11. WHEEL LIFT INSTALLATION - ZOD (MANUAL L-ARMS STANDARD)



ART\_1001158659

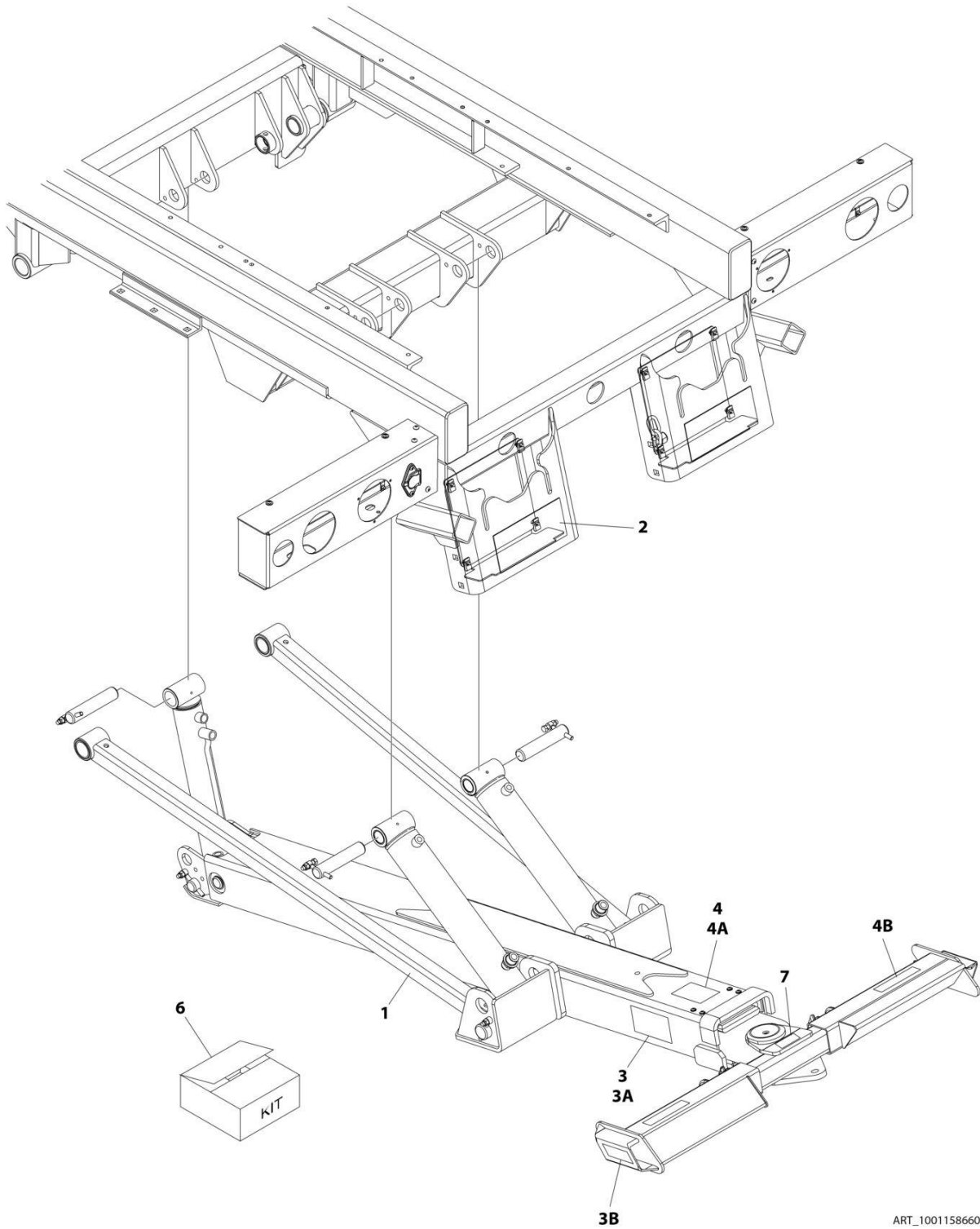
## SECTION 2 - WHEEL LIFT

**FIGURE 2-11. WHEEL LIFT INSTALLATION - ZOD (MANUAL L-ARMS STANDARD)**

ITEM	PART NUMBER	QTY	DESCRIPTION	REV
	1001158659	Ref	IRL WHEEL LIFT INSTALLATION - 3000 LBS (ZOD)	A
1	1001158639	1	Boom Assembly Installation (See Separate Breakdown in this Section)	
2	2262000011	1	Chain Installation (See Separate Breakdown in SUBFRAME Section)	
3	2330000035	Ref	Wheel Lift Decal Installation	
3A	7330000419	2	Decal - Red Reflective (Boom)	
3B	7330000417	1	Decal - LH Red Reflective (Grid)	
3B	7330000418	1	Decal - RH Red Reflective (Grid)	
4	2330000057	Ref	Decal Installation	
4A	7330000684	1	Decal - Safety	
4B	7330000683	2	Decal - Safety	
5	2570000052	1	Hydraulic Hose Installation (Not Shown - See Separate Breakdown in HYDRAULIC Section)	
6	7577000242	1	Tie-Strap and Ratchet Kit	
7	2330000065	Ref	Tow Hitch Decal Installation	
7	7330000060	1	Decal - Warning, Hitch on Wheel lift	

## SECTION 2 - WHEEL LIFT

FIGURE 2-12. WHEEL LIFT INSTALLATION - ZOD (MANUAL L-ARMS GALVANIZED)





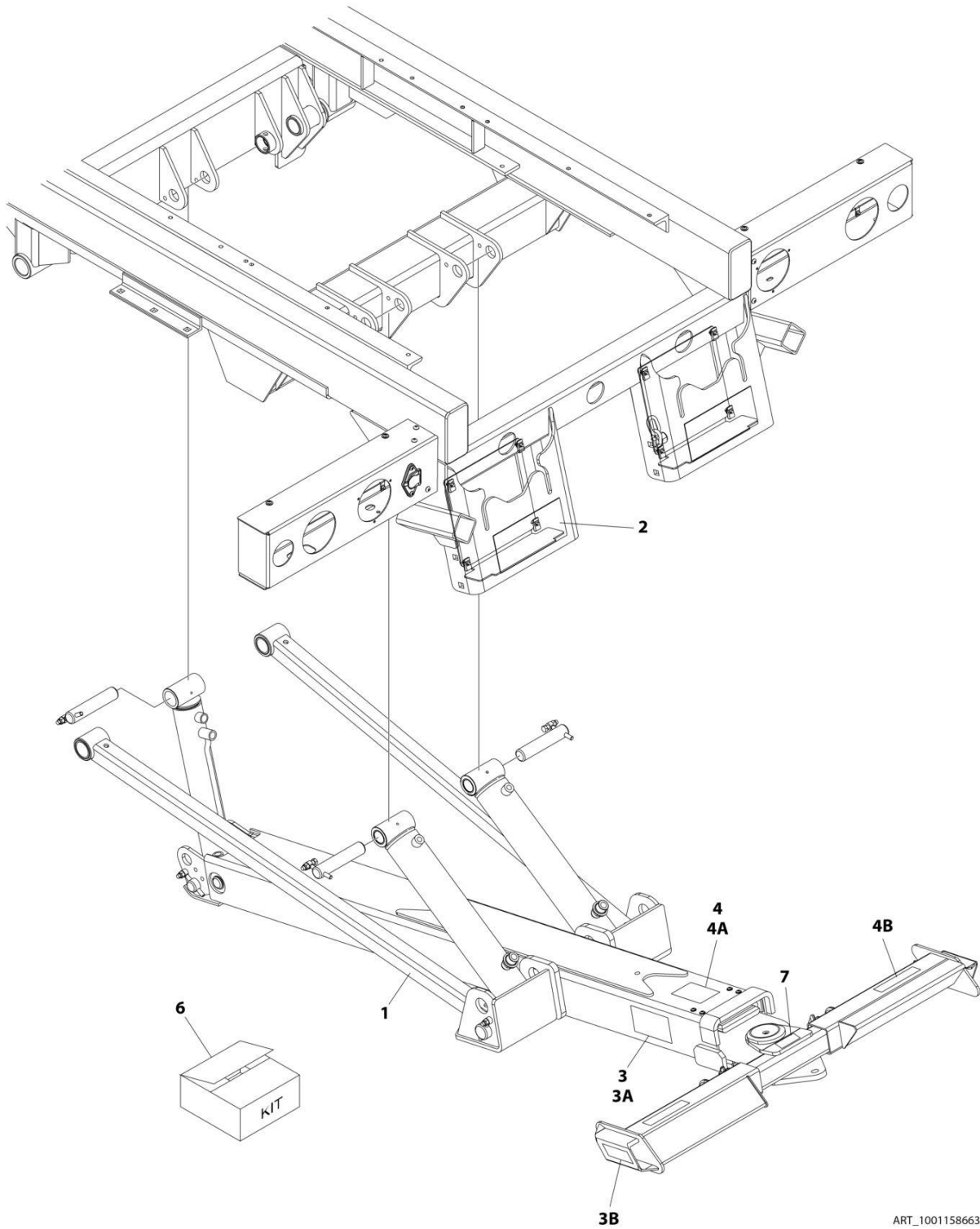
## SECTION 2 - WHEEL LIFT

**FIGURE 2-12. WHEEL LIFT INSTALLATION - ZOD (MANUAL L-ARMS GALVANIZED)**

ITEM	PART NUMBER	QTY	DESCRIPTION	REV
	1001158660	Ref	WHEEL LIFT INSTALLATION - 3000 LBS (ZOD, GALVANIZED)	A
1	1001158647	1	Boom Assembly Installation (See Separate Breakdown in this Section)	
2	2262000011	1	Chain Installation (See Separate Breakdown in SUBFRAME Section)	
3	2330000035	Ref	Wheel Lift Decal Installation	
3A	7330000419	2	Decal - Red Reflective (Boom)	
3B	7330000417	1	Decal - LH Red Reflective (Grid)	
3B	7330000418	1	Decal - RH Red Reflective (Grid)	
4	2330000057	Ref	Decal Installation	
4A	7330000684	1	Decal - Safety	
4B	7330000683	2	Decal - Safety	
5	2570000052	1	Hydraulic Hose Installation (Not Shown - See Separate Breakdown in HYDRAULIC Section)	
6	7577000242	1	Tie-Strap and Ratchet Kit	
7	2330000065	Ref	Tow Hitch Decal Installation	
7	7330000060	1	Decal - Warning, Hitch on Wheel lift	

# SECTION 2 - WHEEL LIFT

FIGURE 2-13. WHEEL LIFT INSTALLATION - ZOD (T-37 L-ARMS STANDARD)



ART\_1001158663

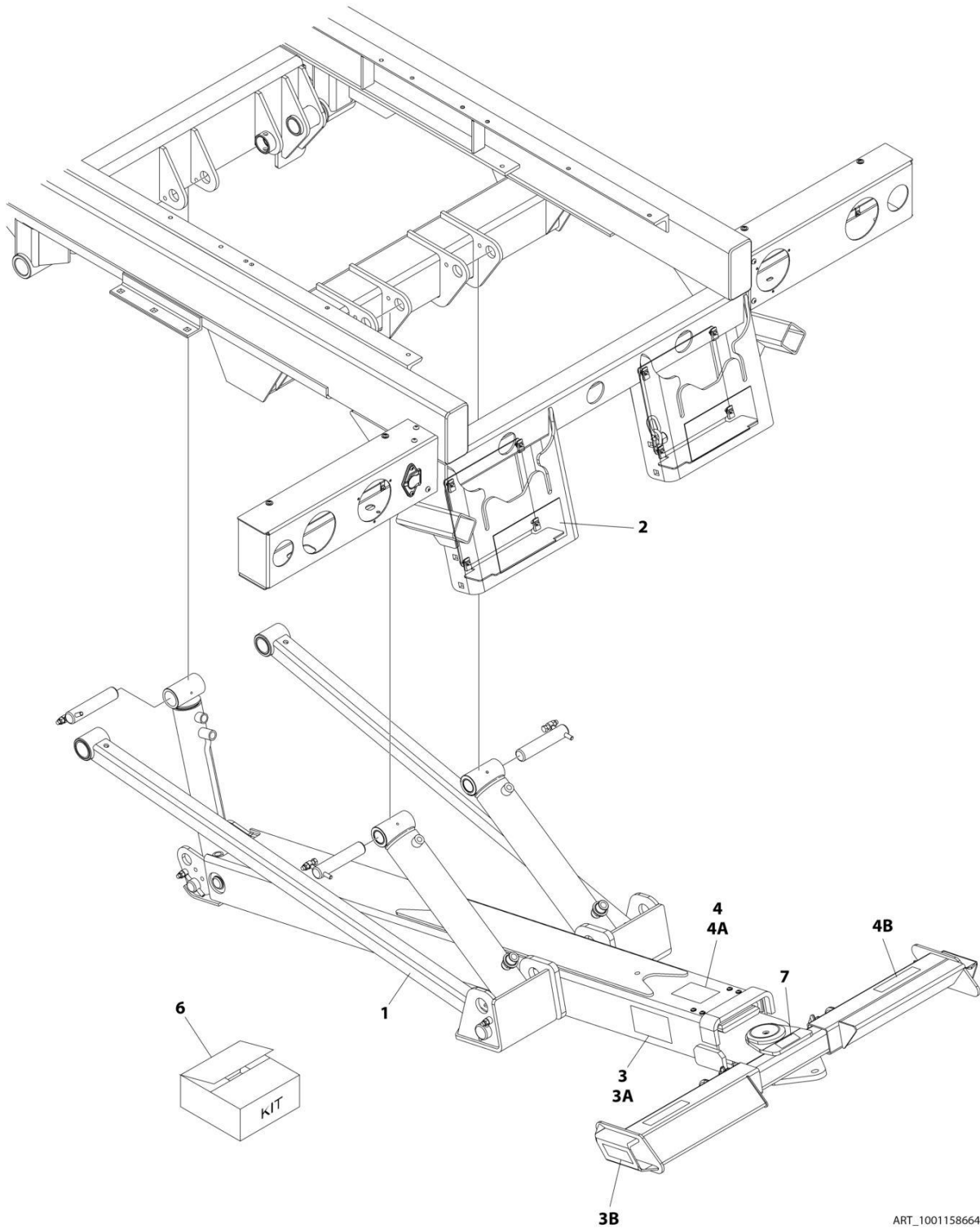
## SECTION 2 - WHEEL LIFT

**FIGURE 2-13. WHEEL LIFT INSTALLATION - ZOD (T-37 L-ARMS STANDARD)**

ITEM	PART NUMBER	QTY	DESCRIPTION	REV
	1001158663	Ref	WHEEL LIFT INSTALLATION - 3000 LBS (T37) (ZOD)	A
1	1001158639	1	Boom Assembly Installation (See Separate Breakdown in this Section)	
2	2262000011	1	Chain Installation (See Separate Breakdown in SUBFRAME Section)	
3	2330000036	Ref	Wheel Lift Decal Installation, T37	
3A	7330000419	2	Decal - Red Reflective (Boom)	
3B	7330000420	1	Decal - LH Red Reflective (T37 Grid)	
3B	7330000432	1	Decal - RH Red Reflective (T37 Grid)	
4	2330000057	Ref	Decal Installation	
4A	7330000684	1	Decal - Safety	
4B	7330000683	2	Decal - Safety	
5	2570000052	1	Hydraulic Hose Installation (Not Shown - See Separate Breakdown in HYDRAULIC Section)	
6	7577000242	1	Tie-Strap and Ratchet Kit	
7	2330000065	Ref	Tow Hitch Decal Installation	
7	7330000060	1	Decal - Warning, Hitch on Wheel lift	

# SECTION 2 - WHEEL LIFT

FIGURE 2-14. WHEEL LIFT INSTALLATION - ZOD (T-37 L-ARMS GALVANIZED)



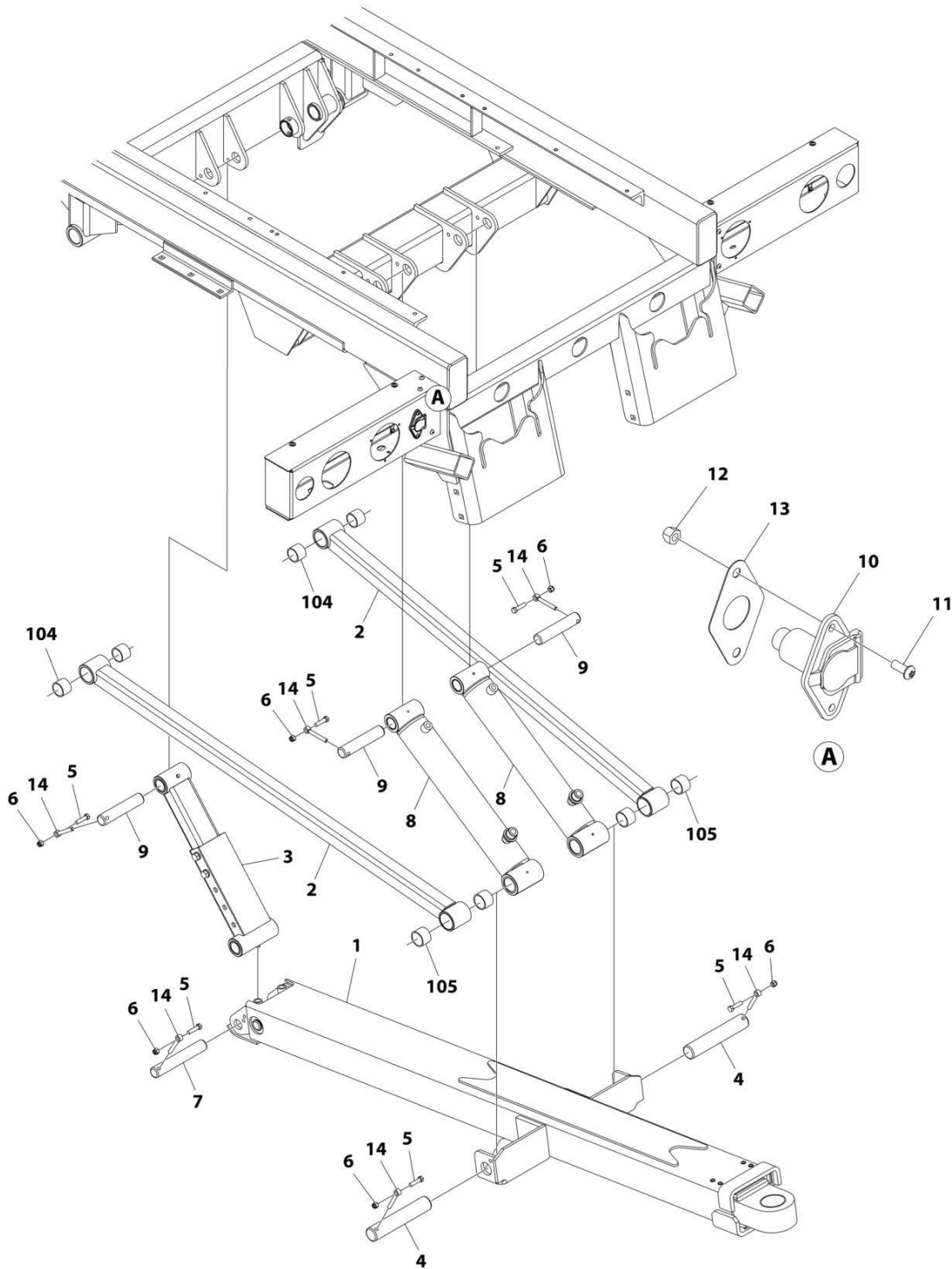
## SECTION 2 - WHEEL LIFT

**FIGURE 2-14. WHEEL LIFT INSTALLATION - ZOD (T-37 L-ARMS GALVANIZED)**

ITEM	PART NUMBER	QTY	DESCRIPTION	REV
	1001158664	Ref	WHEEL LIFT INSTALLATION - 3000 LBS (T37) (GALVANIZED)	B
1	1001158647	1	Boom Assembly Installation (See Separate Breakdown in this Section)	
2	2262000011	1	Chain Installation (See Separate Breakdown in SUBFRAME Section)	
3	2330000036	Ref	Wheel Lift Decal Installation, T37	
3A	7330000419	2	Decal - Red Reflective (Boom)	
3B	7330000420	1	Decal - LH Red Reflective (T37 Grid)	
3B	7330000432	1	Decal - RH Red Reflective (T37 Grid)	
4	2330000057	Ref	Decal Installation	
4A	7330000684	1	Decal - Safety	
4B	7330000683	2	Decal - Safety	
5	2570000052	1	Hydraulic Hose Installation (Not Shown - See Separate Breakdown in HYDRAULIC Section)	
6	7577000242	1	Tie-Strap and Ratchet Kit	
7	2330000065	Ref	Tow Hitch Decal Installation	
7	7330000060	1	Decal - Warning, Hitch on Wheel lift	

# SECTION 2 - WHEEL LIFT

FIGURE 2-15. WHEEL LIFT BOOM INSTALLATION - IRL (MANUAL & T37 L-ARMS STANDARD)



ART\_1001158638

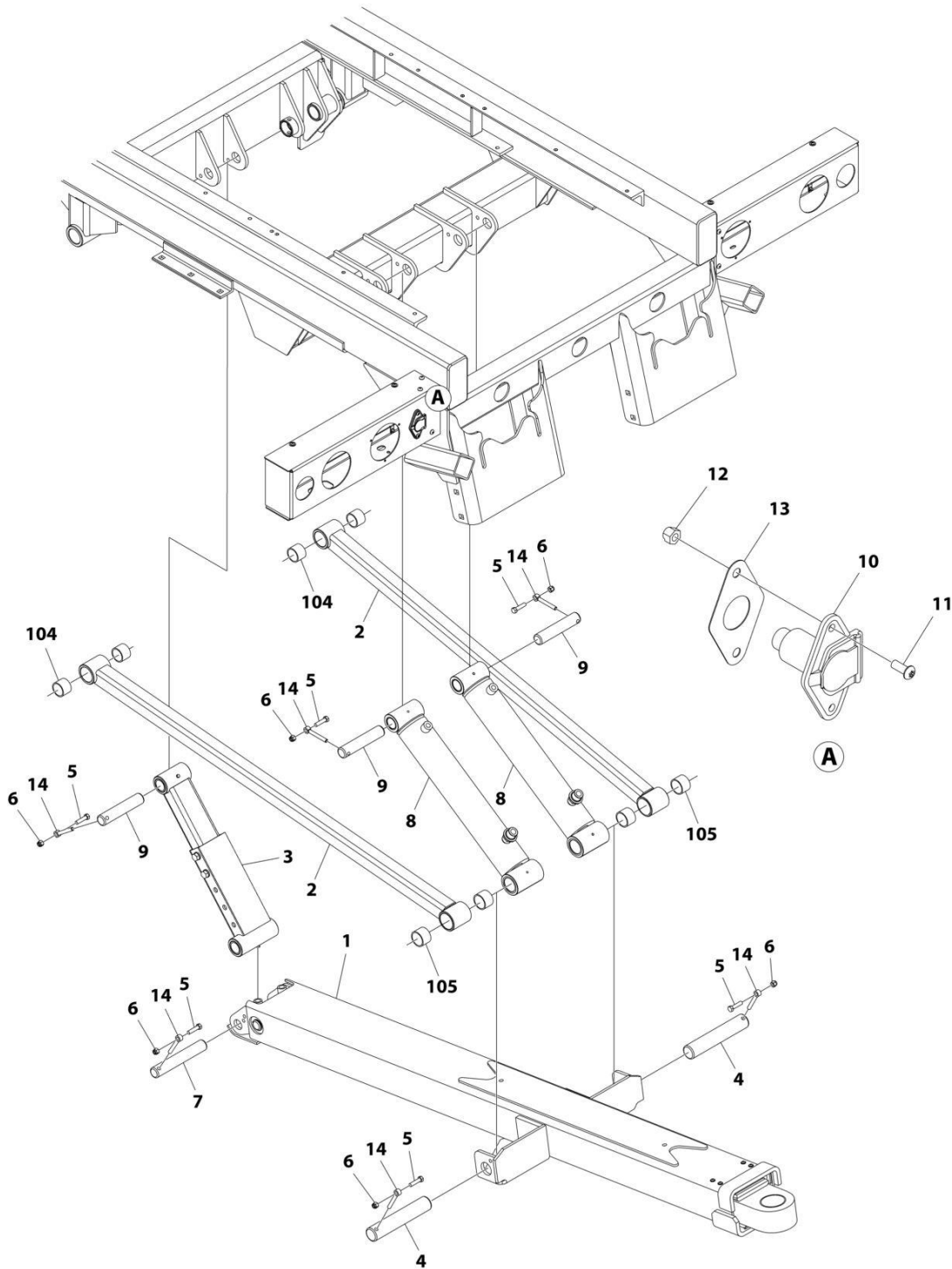
## SECTION 2 - WHEEL LIFT

**FIGURE 2-15. WHEEL LIFT BOOM INSTALLATION - IRL (MANUAL & T37 L-ARMS STANDARD)**

ITEM	PART NUMBER	QTY	DESCRIPTION	REV
	1001158638	Ref	IRL BOOM INSTALLATION - 3000 LBS (STANDARD DUTY)	B
1	1001158629	1	Boom Assembly (See Separate Breakdown in this Section)	
2	302000097	2	Arm Weldment	
3	3592000036	1	Link Assembly (See Separate Breakdown in this Section)	
4	1001188132	2	Pin	
5	0641612	6	Capscrew 3/8 x 1-1/2	
6	3300492	6	Nut 3/8	
7	1001188133	1	Pin	
8	1001166857	2	Cylinder Assembly (See Separate Breakdown in CYLINDER Section)	
9	1001188129	3	Pin	
10	7291000010	1	Female Receptacle with Connector	
11	7114140528	2	Screw 1/4 x 5/8	
12	7660142601	2	Nut 1/4	
13	7796000048	1	Gasket	
14	3841143	6	Keeper	
104	7082000017	4	Bearing	
105	7082000018	4	Bearing	

# SECTION 2 - WHEEL LIFT

FIGURE 2-16. WHEEL LIFT BOOM INSTALLATION - IRL (MANUAL & T37 L-ARMS GALVANIZED)



ART\_1001158644



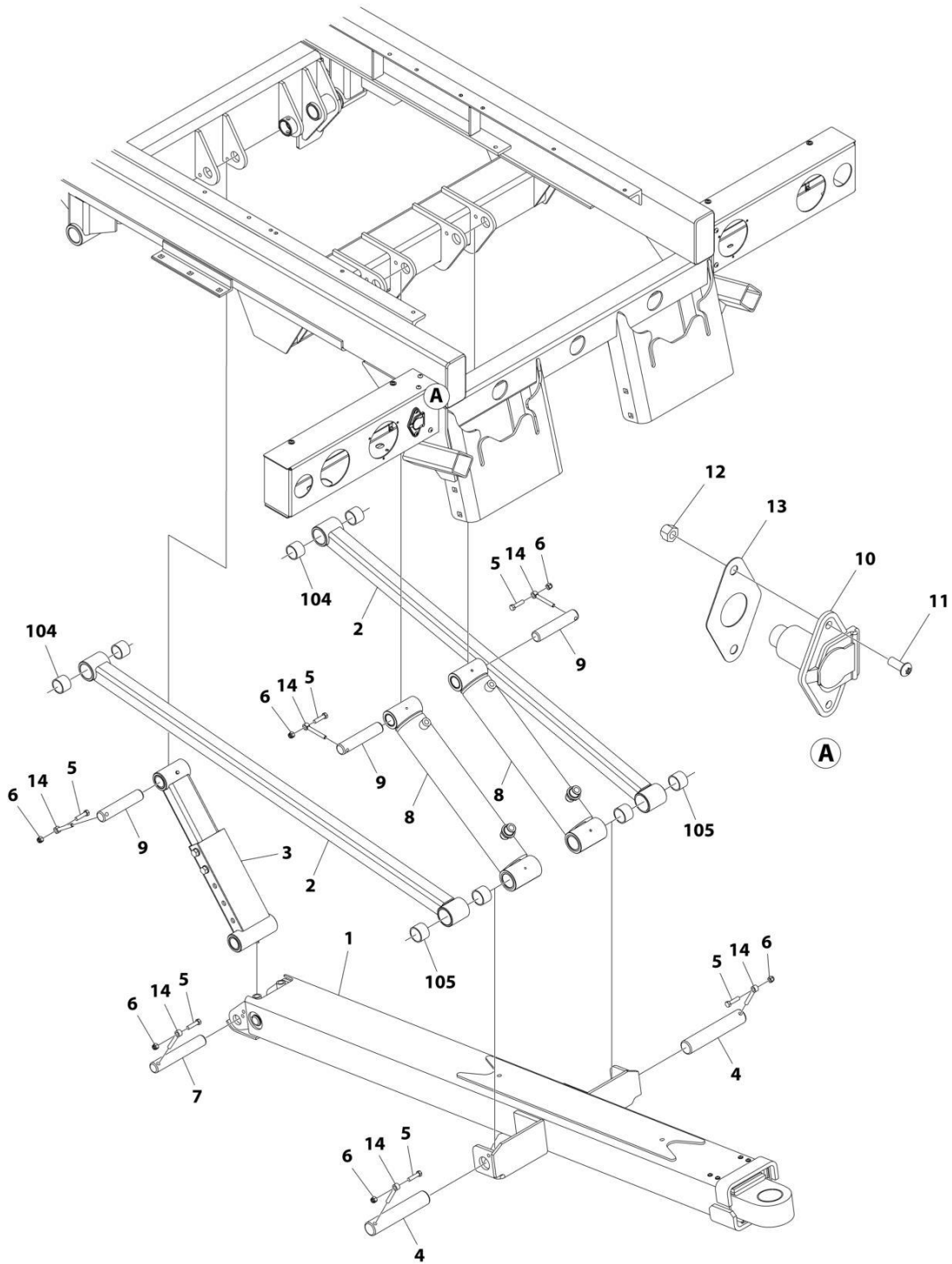
## SECTION 2 - WHEEL LIFT

**FIGURE 2-16. WHEEL LIFT BOOM INSTALLATION - IRL (MANUAL & T37 L-ARMS GALVANIZED)**

ITEM	PART NUMBER	QTY	DESCRIPTION	REV
	1001158644	Ref	IRL BOOM INSTALLATION - 3000 LBS (GALVANIZED)	B
1	1001158631	1	Boom Assembly (See Separate Breakdown in this Section)	
2	3020000113	2	Arm Weldment	
3	3592000057	1	Link Assembly (See Separate Breakdown in this Section)	
4	1001188132	2	Pin	
5	0641612	6	Bolt 3/8 x 1-1/2	
6	3300492	6	Capscrew 3/8 x 1-1/2	
7	1001188133	1	Pin	
8	1001166857	2	Cylinder Assembly (See Separate Breakdown in CYLINDER Section)	
9	1001188129	3	Pin	
10	7291000010	1	Female Receptacle with Connector	
11	7114140528	2	Screw 1/4 x 5/8	
12	7660142601	2	Nut 1/4	
13	7796000048	1	Gasket	
14	3841143	6	Keeper	
104	7082000017	1	Bearing	
105	7082000018	1	Bearing	

# SECTION 2 - WHEEL LIFT

## FIGURE 2-17. WHEEL LIFT BOOM INSTALLATION - IRL (MANUAL & T37 L-ARMS EXTENDED STANDARD)



ART\_1001158645

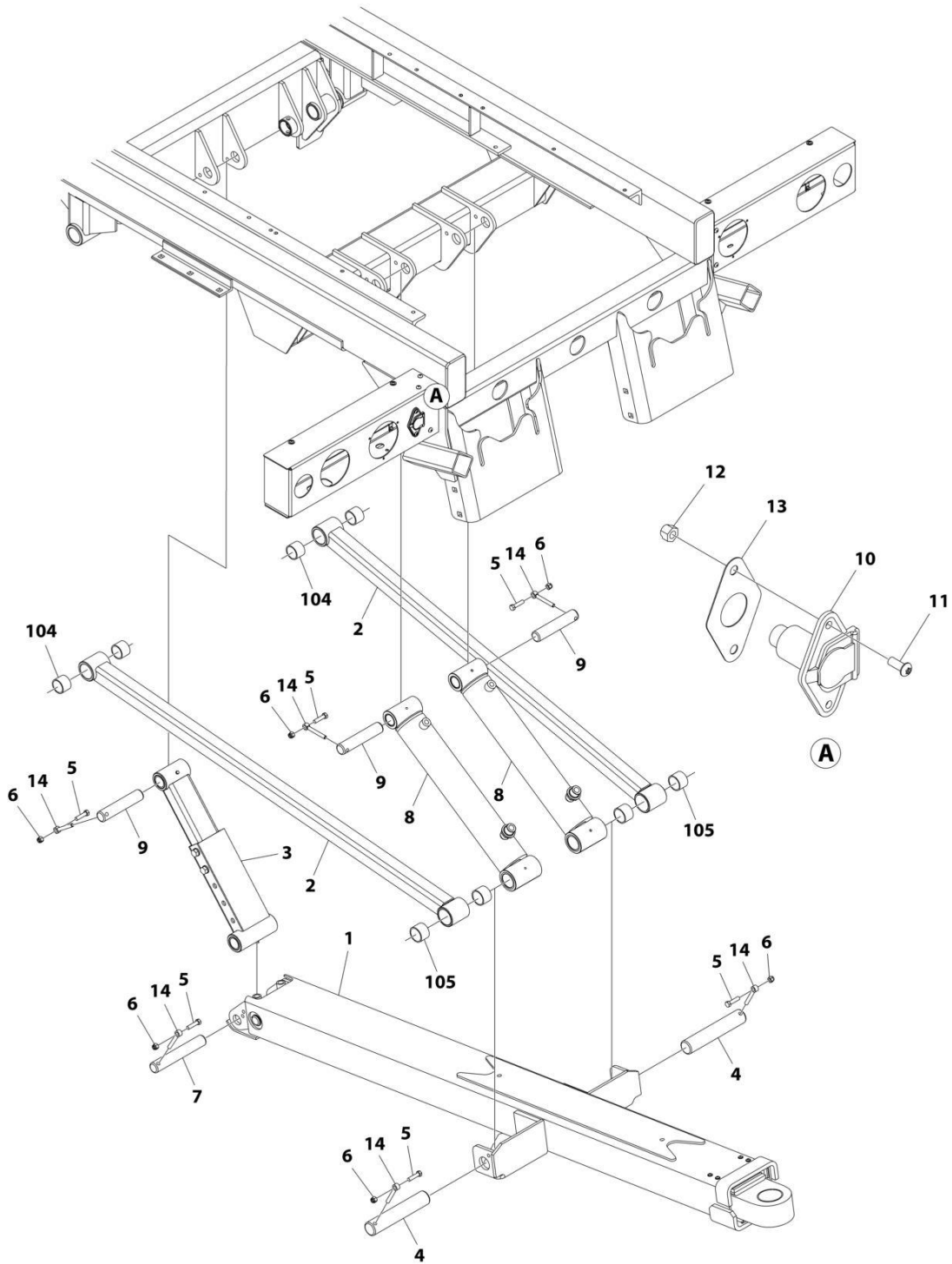
## SECTION 2 - WHEEL LIFT

**FIGURE 2-17. WHEEL LIFT BOOM INSTALLATION - IRL (MANUAL & T37 L-ARMS EXTENDED STANDARD)**

ITEM	PART NUMBER	QTY	DESCRIPTION	REV
	1001158645	Ref	IRL BOOM INSTALLATION - 3000 LBS (EXTEND)	B
1	1001158632	1	Boom Assembly (See Separate Breakdown in this Section)	
2	302000097	2	Arm Weldment	
3	359200036	1	Link Assembly (See Separate Breakdown in this Section)	
4	1001188132	2	Pin	
5	0641612	6	Capscrew 3/8 x 1-1/2	
6	3300492	6	Nut 3/8	
7	1001188133	1	Pin	
9	1001166857	2	Cylinder Assembly (See Separate Breakdown in CYLINDER Section)	
10	1001188129	3	Pin	
11	7291000010	1	Female Receptacle with Connector	
12	7114140528	2	Screw 1/4 x 5/8	
13	7660142601	2	Nut 1/4	
14	7796000048	1	Gasket	
15	3841143	6	Keeper	
104	7082000017	4	Bearing	
105	7082000018	4	Bearing	

# SECTION 2 - WHEEL LIFT

## FIGURE 2-18. WHEEL LIFT BOOM INSTALLATION - IRL (MANUAL & T37 L-ARMS EXTENDED GALVANIZED)



ART\_1001158646

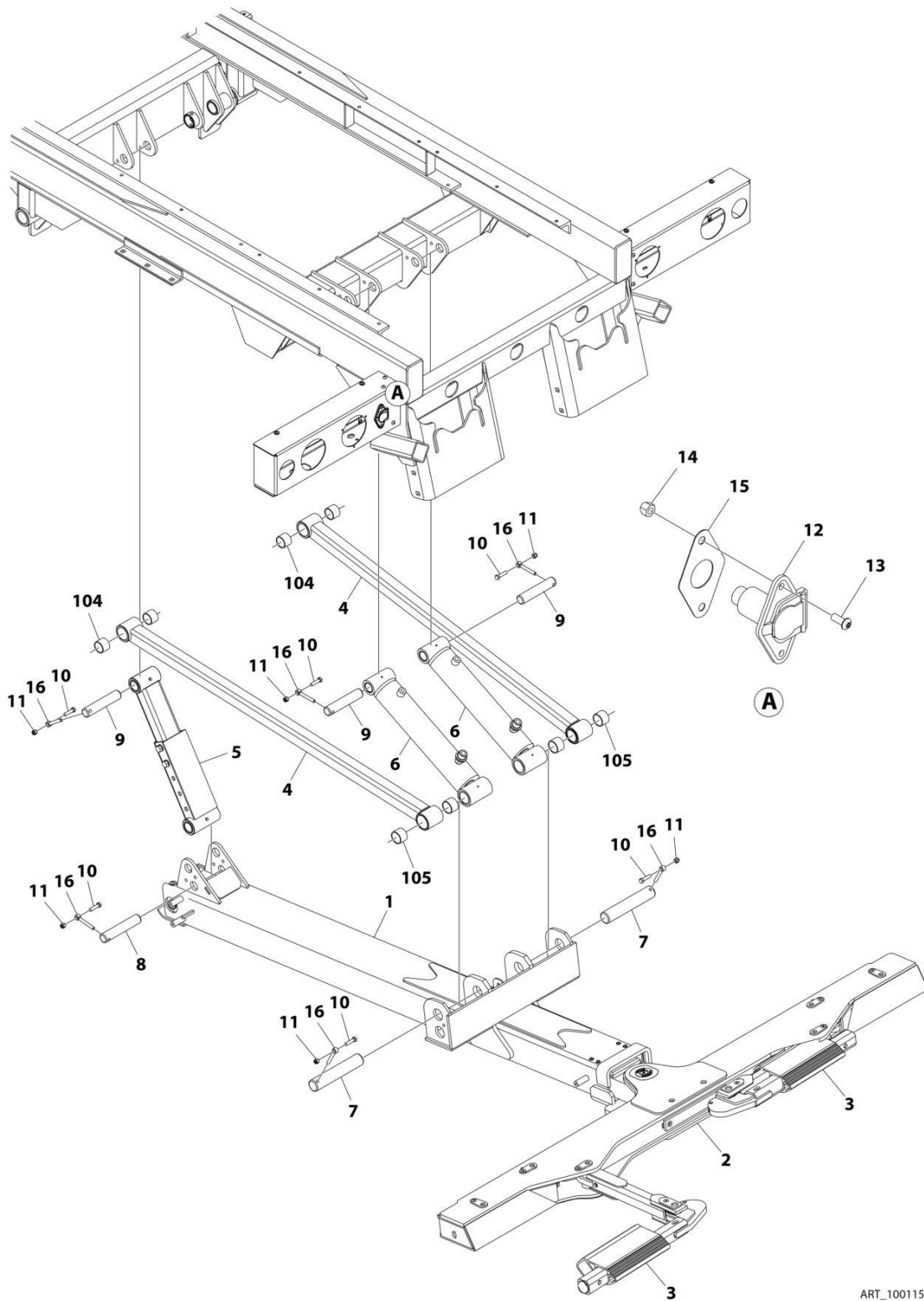
## SECTION 2 - WHEEL LIFT

**FIGURE 2-18. WHEEL LIFT BOOM INSTALLATION - IRL (MANUAL & T37 L-ARMS EXTENDED GALVANIZED)**

ITEM	PART NUMBER	QTY	DESCRIPTION	REV
	1001158646	Ref	IRL BOOM INSTALLATION - 3000 LBS (EXTEND, GALVANIZED)	B
1	1001158633	1	Boom Assembly (See Separate Breakdown in this Section)	
2	3020000113	2	Arm Weldment	
3	3592000057	1	Link Assembly (See Separate Breakdown in this Section)	
4	1001188132	2	Pin	
5	0641612	6	Capscrew 3/8 x 1-1/2	
6	3300492	6	Nut 3/8	
7	1001188133	1	Pin	
9	1001166857	2	Cylinder Assembly (See Separate Breakdown in CYLINDER Section)	
10	1001188129	3	Pin	
11	7291000010	1	Female Receptacle with Connector	
12	7114140528	2	Screw 1/4 x 5/8	
13	7660142601	2	Nut 1/4	
14	7796000048	1	Gasket	
15	3841143	6	Keeper	
104	7082000017	1	Bearing	
105	7082000018	1	Bearing	

## SECTION 2 - WHEEL LIFT

FIGURE 2-19. WHEEL LIFT BOOM INSTALLATION - IRL (HYDRAULIC L-ARMS STANDARD)



ART\_1001158642

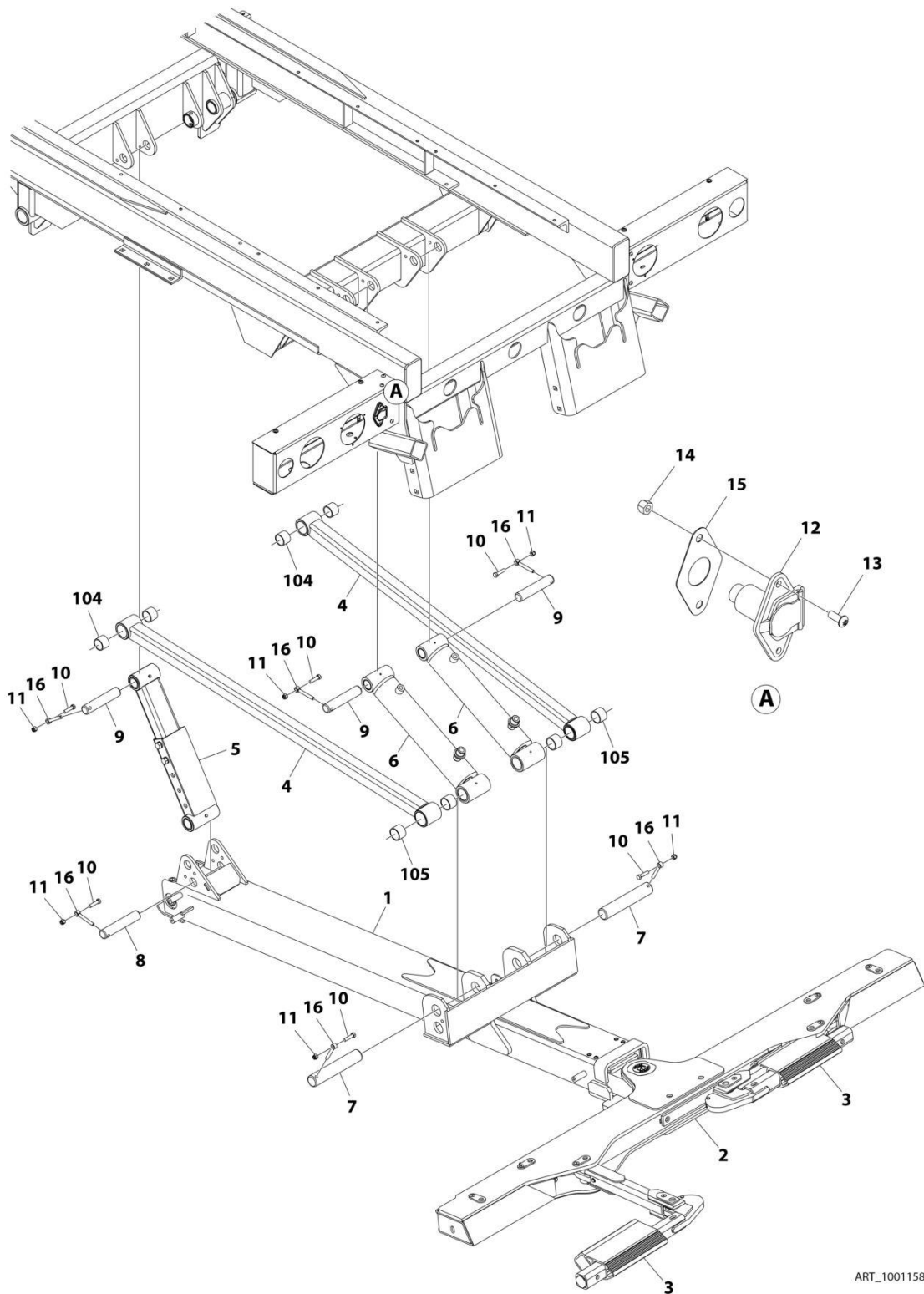
## SECTION 2 - WHEEL LIFT

**FIGURE 2-19. WHEEL LIFT BOOM INSTALLATION - IRL (HYDRAULIC L-ARMS STANDARD)**

ITEM	PART NUMBER	QTY	DESCRIPTION	REV
	1001158642	Ref	IRL BOOM INSTALLATION - 3000 LBS (AUTOGRID)	C
1	1001158630	1	Boom Assembly (See Separate Breakdown in this Section)	
2	1001228493	1	Carrier Autogrid (See Separate Breakdown in this Section)	
3	2484000008	1	Grid Arm Autogrid (See Separate Breakdown in this Section)	
4	3020000110	2	Arm Weldment	
5	3592000054	1	Link Assembly (See Separate Breakdown in this Section)	
6	3320000134	2	Cylinder Assembly (See Separate Breakdown in CYLINDER Section)	
7	1001188132	2	Pin	
8	1001188134	1	Pin	
9	1001188129	3	Pin	
10	0641612	6	Capscrew 3/8 x 1-1/2	
11	3300492	6	Nut 3/8	
12	7291000010	1	Female Receptacle with Connector	
13	7114140528	2	Screw 1/4 x 5/8	
14	7660142601	2	Nut 1/4	
15	7796000048	1	Gasket	
16	3841143	6	Keeper	
104	7082000017	4	Bearing	
105	7082000018	4	Bearing	

# SECTION 2 - WHEEL LIFT

## FIGURE 2-20. WHEEL LIFT BOOM INSTALLATION - IRL (HYDRAULIC L-ARMS HIGH FRAME)



ART\_1001158643



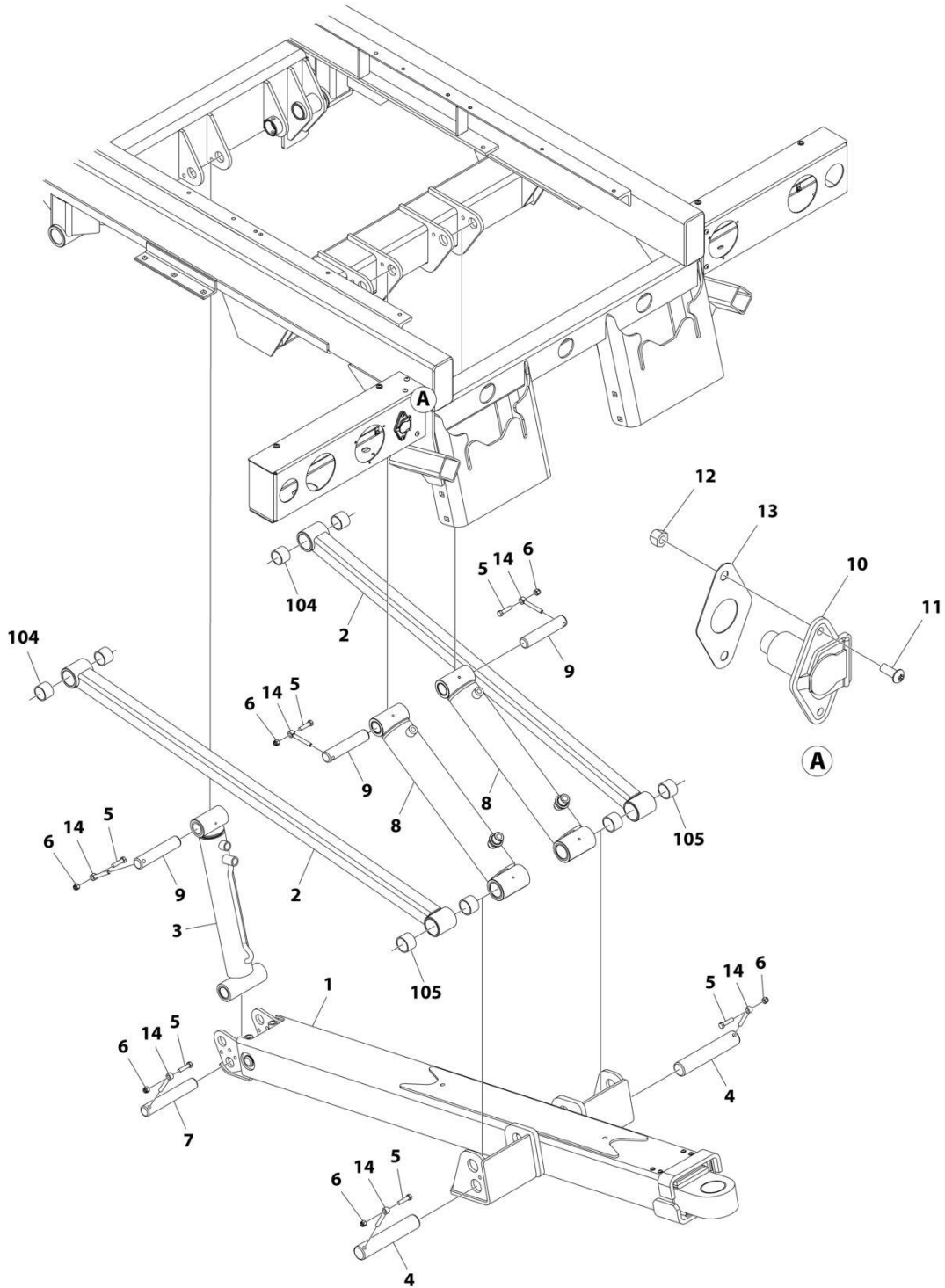
## SECTION 2 - WHEEL LIFT

**FIGURE 2-20. WHEEL LIFT BOOM INSTALLATION - IRL (HYDRAULIC L-ARMS HIGH FRAME)**

ITEM	PART NUMBER	QTY	DESCRIPTION	REV
	1001158643	Ref	IRL BOOM INSTALLATION - 3000 LBS (AUTOGRID HIGH FRAME)	C
1	1001158630	1	Boom Assembly (See Separate Breakdown in this Section)	
2	1001228493	1	Carrier Aurogrid (See Separate Breakdown in this Section)	
3	2484000008	1	Grid Arm Autogrid (See Separate Breakdown in this Section)	
4	3020000097	2	Arm Weldment	
5	3592000054	1	Link Assembly (See Separate Breakdown in this Section)	
6	1001166857	2	Cylinder Assembly (See Separate Breakdown in CYLINDER Section)	
7	1001188132	2	Pin	
8	1001188134	1	Pin	
9	1001188129	3	Pin	
10	0641612	6	Capscrew 3/8 x 1-1/2	
11	3300492	6	Nut 3/8	
12	7291000010	1	Female Receptacle with Connector	
13	7114140528	2	Screw 1/4 x 5/8	
14	7660142601	2	Nut 1/4	
15	7796000048	1	Gasket	
16	3841143	6	Keeper	
104	7082000017	4	Bearing	
105	7082000018	4	Bearing	

# SECTION 2 - WHEEL LIFT

FIGURE 2-21. WHEEL LIFT BOOM INSTALLATION - ZOD (MANUAL & T37 L-ARMS STANDARD)



ART\_1001158639

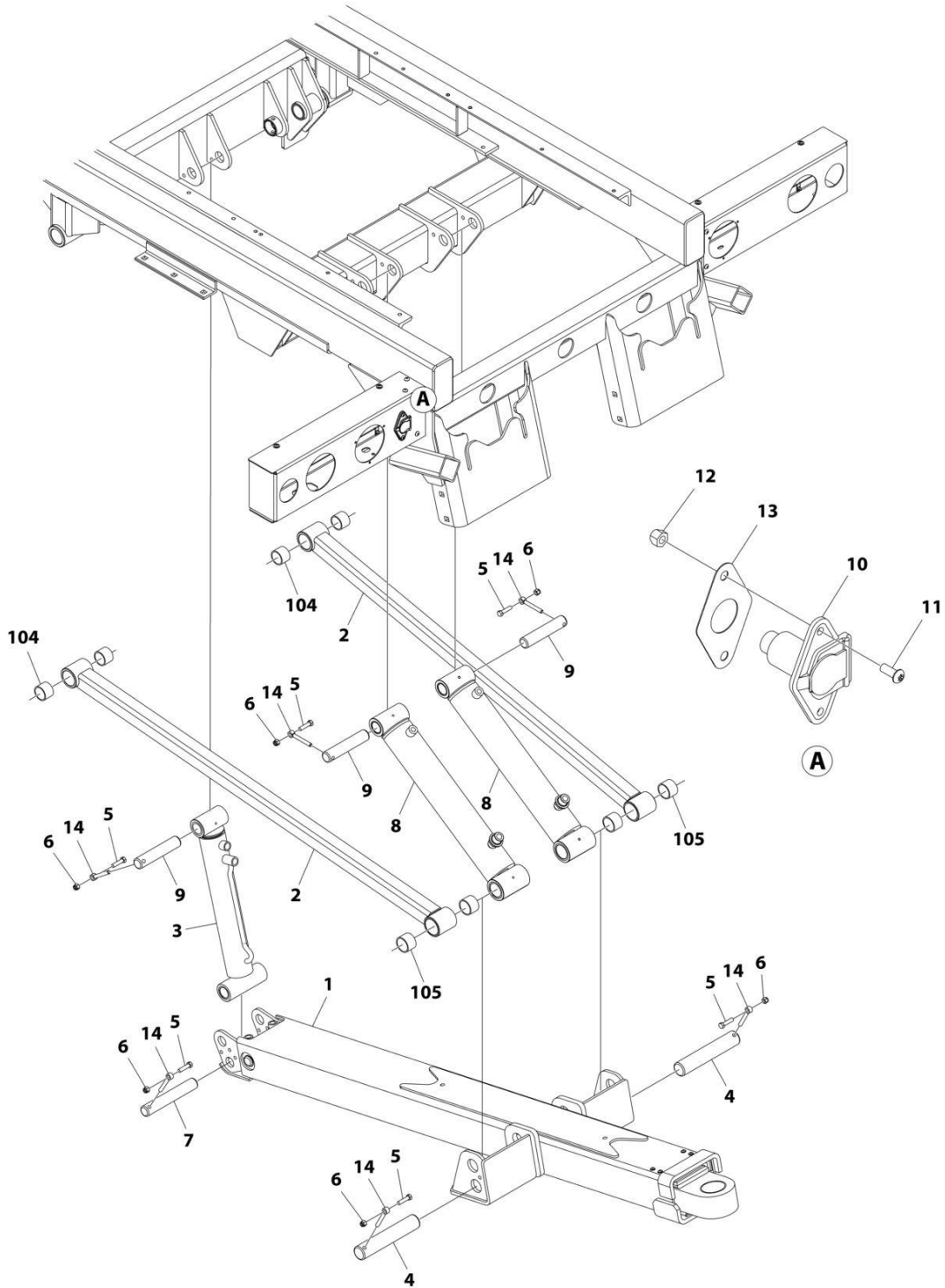
## SECTION 2 - WHEEL LIFT

**FIGURE 2-21. WHEEL LIFT BOOM INSTALLATION - ZOD (MANUAL & T37 L-ARMS STANDARD)**

ITEM	PART NUMBER	QTY	DESCRIPTION	REV
	1001158639	Ref	IRL BOOM INSTALLATION - 3000 LBS (STANDARD DUTY)	B
1	1001158628	1	Boom Assembly (See Separate Breakdown in this Section)	
2	302000097	2	Arm Weldment	
3	3320000118	1	Cylinder Assembly (See Separate Breakdown in CYLINDER Section)	
4	1001188132	2	Pin	
5	0641612	6	Capscrew 3/8 x 1-1/2	
6	3300492	6	Nut 3/8	
7	1001188133	1	Pin	
8	1001166857	2	Cylinder Assembly (See Separate Breakdown in CYLINDER Section)	
9	1001188129	3	Pin	
10	7291000010	1	Female Receptacle with Connector	
11	7114140528	2	Screw 1/4 x 5/8	
12	7660142601	2	Nut 1/4	
13	7796000048	1	Gasket	
14	3841143	6	Keeper	
104	7082000017	4	Bearing	
105	7082000018	4	Bearing	

# SECTION 2 - WHEEL LIFT

FIGURE 2-22. WHEEL LIFT BOOM INSTALLATION - ZOD (MANUAL & T37 L-ARMS GALVANIZED)



ART\_1001158647

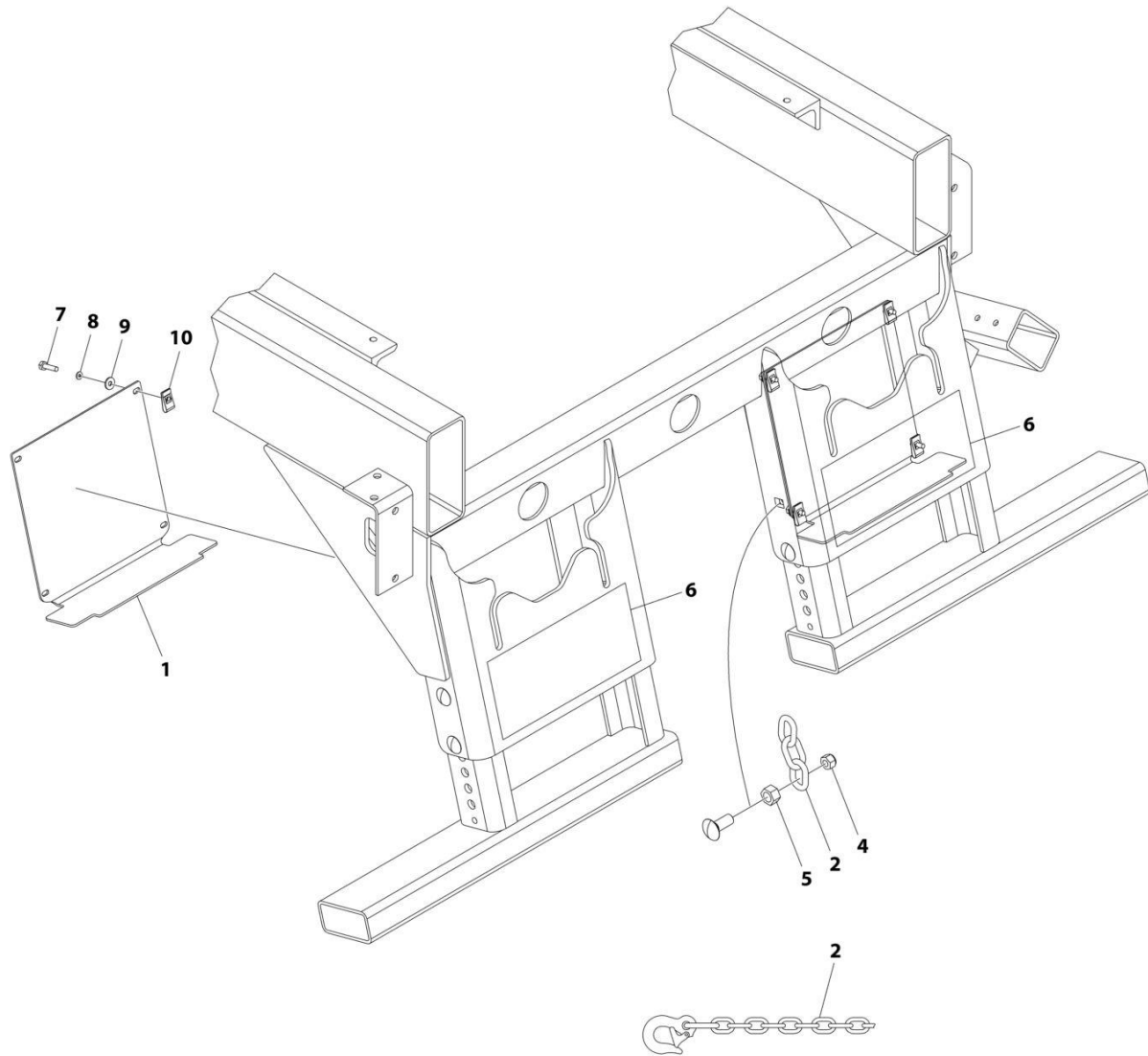
## SECTION 2 - WHEEL LIFT

**FIGURE 2-22. WHEEL LIFT BOOM INSTALLATION - ZOD (MANUAL & T37 L-ARMS GALVANIZED)**

ITEM	PART NUMBER	QTY	DESCRIPTION	REV
	1001158647	Ref	BOOM INSTALLATION - 3000 LBS (RTL, STANDARD DUTY, GALVANIZED)	B
1	1001158634	1	Boom Assembly (See Separate Breakdown in this Section)	
2	3020000113	2	Arm Weldment	
3	3320000118	1	Cylinder Assembly (See Separate Breakdown in CYLINDER Section)	
4	1001188132	2	Pin	
5	0641612	6	Capscrew 3/8 x 1-1/2	
6	3300492	6	Nut 3/8	
7	1001188133	1	Pin	
8	1001166857	2	Cylinder Assembly (See Separate Breakdown in CYLINDER Section)	
9	1001188129	3	Pin	
10	7291000010	1	Female Receptacle with Connector	
11	7114140528	2	Screw 1/4 x 5/8	
12	7660142601	2	Nut 1/4	
13	7796000048	1	Gasket	
14	3841143	6	Keeper	
104	7082000017	1	Bearing	
105	7082000018	1	Bearing	

# SECTION 2 - WHEEL LIFT

## FIGURE 2-23. CHAIN INSTALLATION



ART\_2262000011

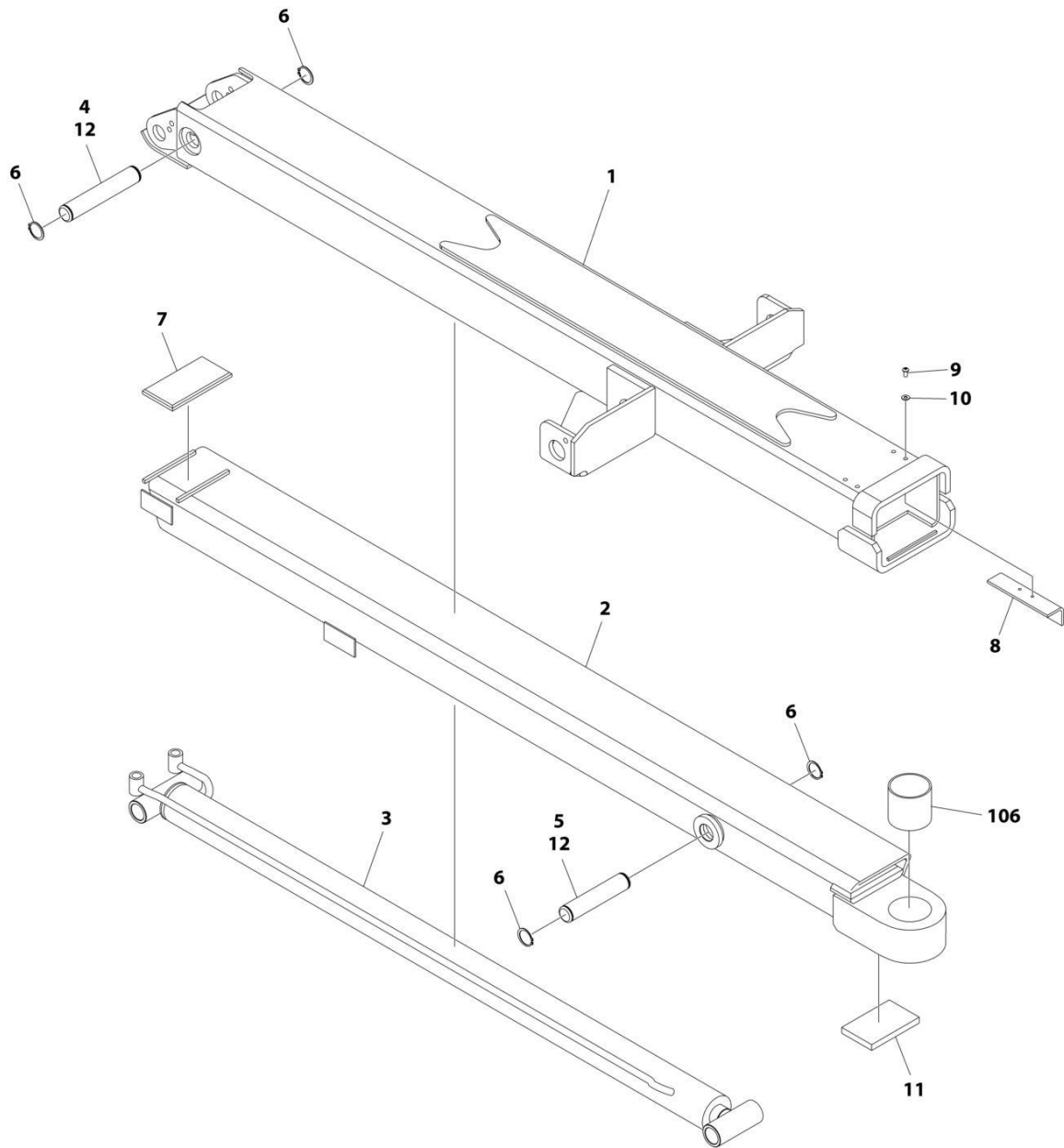
## SECTION 2 - WHEEL LIFT

### FIGURE 2-23. CHAIN INSTALLATION

ITEM	PART NUMBER	QTY	DESCRIPTION	REV
	2262000011	Ref	CHAIN BOX INSTALLATION	C
1	1001177601	2	Panel	
2	7262000040	2	Chain	
4	7660182601	2	Nut 1/2	
5	7660180001	2	Nut 1/2	
6	7679000020	2	Pad	
7	7115140850	8	Capscrew 1/4 x 1	
8	7950140000	8	Washer 1/4	
9	7949000023	8	Washer	
10	7661000064	8	Clip, U-Nut 1/4	

# SECTION 2 - WHEEL LIFT

FIGURE 2-24. WHEEL LIFT BOOM ASSEMBLY- IRL (MANUAL & T37 L-ARMS STANDARD)



ART\_1001158629



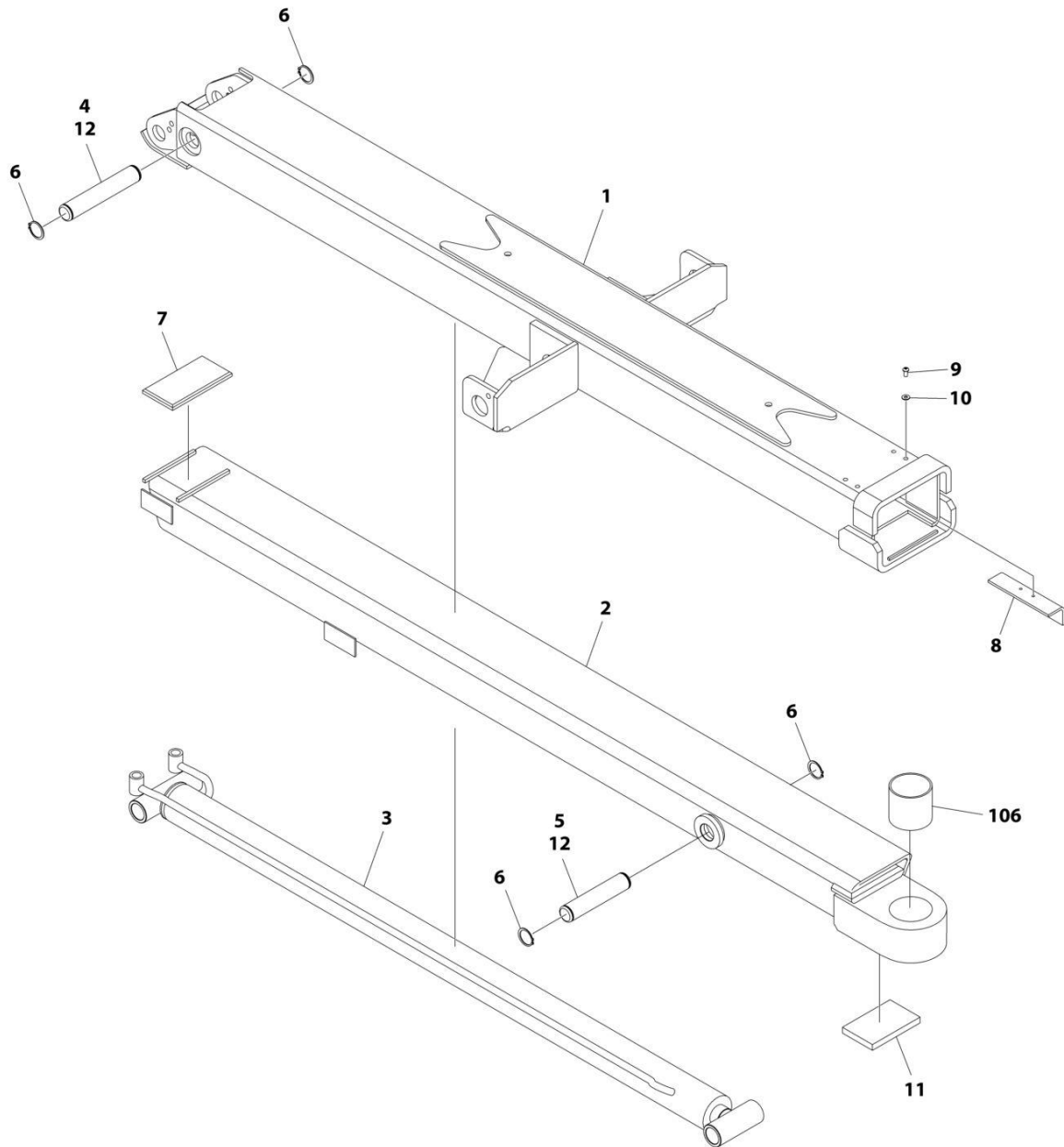
## SECTION 2 - WHEEL LIFT

**FIGURE 2-24. WHEEL LIFT BOOM ASSEMBLY- IRL (MANUAL & T37 L-ARMS STANDARD)**

ITEM	PART NUMBER	QTY	DESCRIPTION	REV
	1001158629	Ref	BOOM ASSEMBLY - 3000 LBS (STANDARD DUTY)	C
1	3170000170	1	Boom Weldment	
2	1001158626	1	Tube Weldment	
3	1001166858	1	Extend/Retract Cylinder Assembly (See Separate Breakdown in CYLINDER Section)	
4	4691000296	1	Pin	
5	4691000268	1	Pin	
6	3760133	4	Ring	
7	4679000046	1	Pad	
8	4017000739	2	Angle	
9	7118140418	4	Capscrew 1/4 x 1/2	
10	4751300	4	Washer 3/16	
11	4679000211	1	Pad	
12	3020039	AR	Lubricant	
106	7209000030	1	Bushing	

# SECTION 2 - WHEEL LIFT

FIGURE 2-25. WHEEL LIFT BOOM ASSEMBLY - IRL (MANUAL & T37 L-ARMS GALVANIZED)



ART\_1001158631

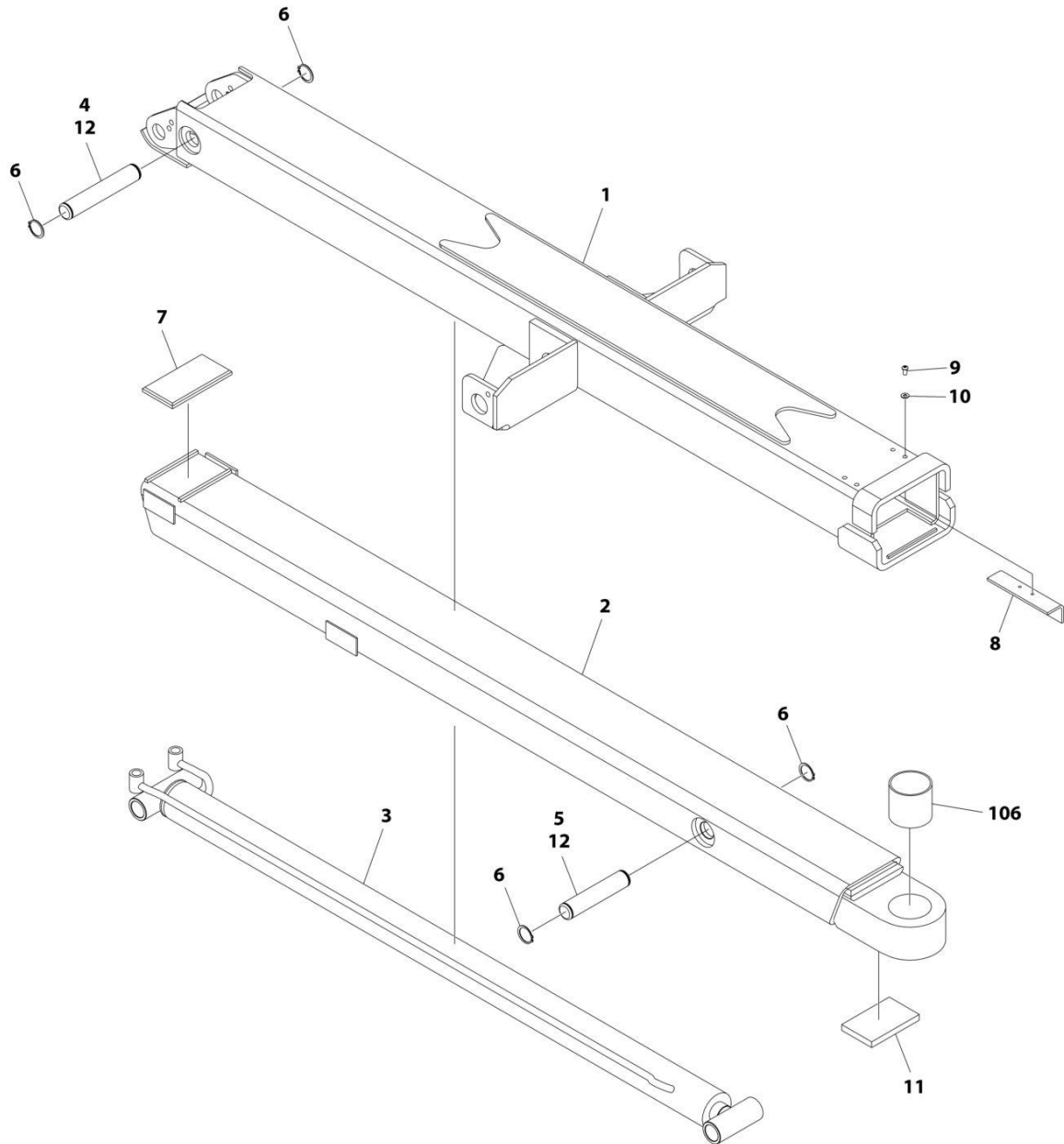
## SECTION 2 - WHEEL LIFT

**FIGURE 2-25. WHEEL LIFT BOOM ASSEMBLY - IRL (MANUAL & T37 L-ARMS GALVANIZED)**

ITEM	PART NUMBER	QTY	DESCRIPTION	REV
	1001158631	Ref	BOOM ASSEMBLY - 3000 LBS (GALVANIZED)	C
1	3170000445	1	Boom Weldment	
2	1001158626	1	Tube Weldment	
3	1001166858	1	Extend/Retract Cylinder Assembly (See Separate Breakdown in CYLINDER Section)	
4	4691000296	1	Pin	
5	4691000268	1	Pin	
6	3760133	4	Ring	
7	4679000046	1	Pad	
8	4017000739	2	Angle	
9	7118140418	4	Capscrew 1/4 x 1/2	
10	4751300	4	Washer 3/16	
11	4679000211	1	Pad	
12	3020039	AR	Lubricant	
106	7209000030	1	Bushing	

# SECTION 2 - WHEEL LIFT

FIGURE 2-26. WHEEL LIFT BOOM ASSEMBLY - IRL (MANUAL & T37 L-ARMS EXTENDED STANDARD)



ART\_1001158632

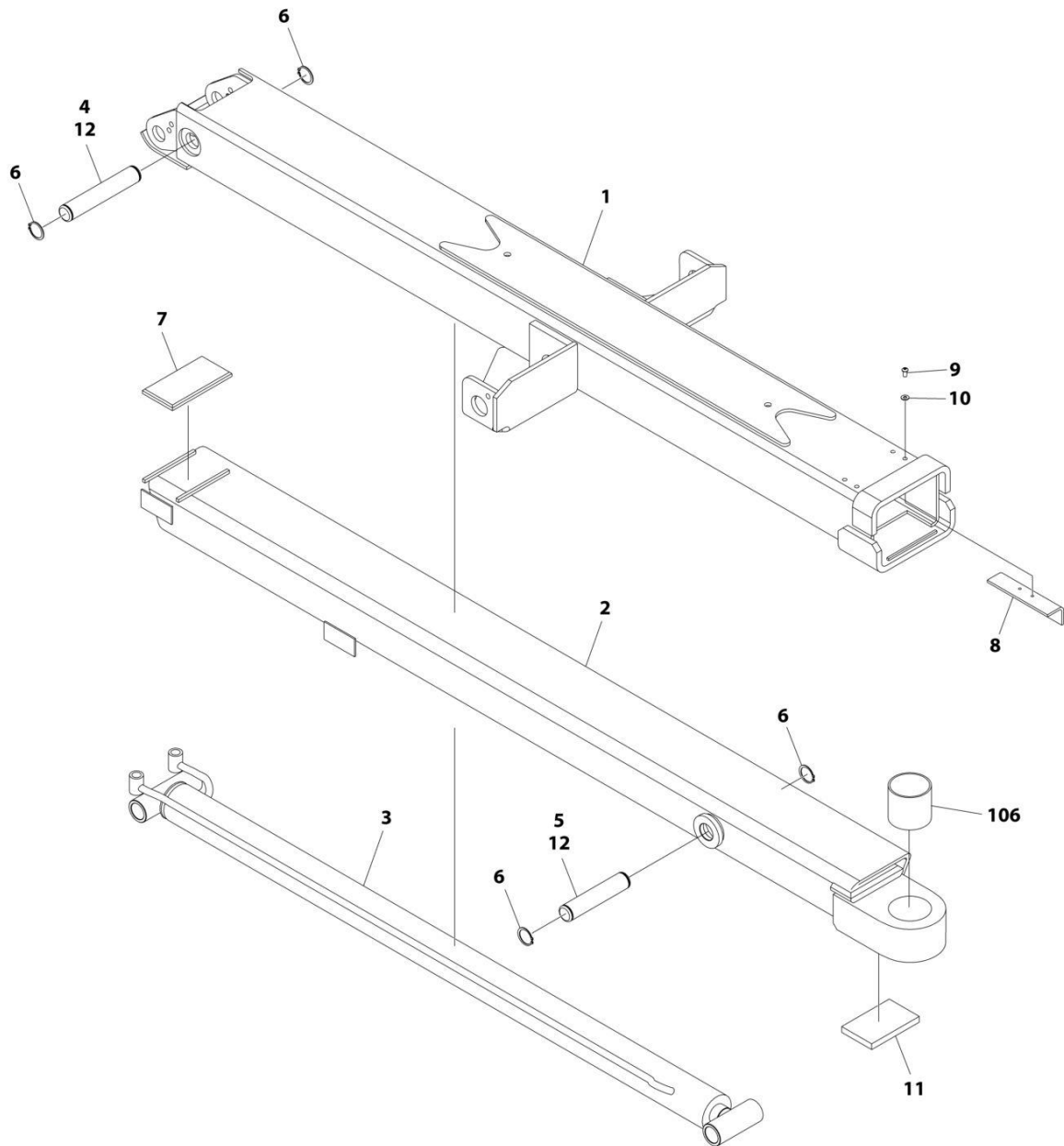
## SECTION 2 - WHEEL LIFT

**FIGURE 2-26. WHEEL LIFT BOOM ASSEMBLY - IRL (MANUAL & T37 L-ARMS EXTENDED STANDARD)**

ITEM	PART NUMBER	QTY	DESCRIPTION	REV
	1001158632	Ref	BOOM ASSEMBLY - 3000 LBS (EXTEND)	C
1	3170000450	1	Boom Weldment	
2	1001158626	1	Tube Weldment	
3	1001166858	1	Extend/Retract Cylinder Assembly (See Separate Breakdown in CYLINDER Section)	
4	4691000296	1	Pin	
5	4691000268	1	Pin	
6	3760133	4	Ring	
7	4679000046	1	Pad	
8	4017000739	2	Angle	
9	7118140418	4	Capscrew 1/4 x 1/2	
10	4751300	4	Washer 3/16	
11	4679000211	1	Pad	
12	3020039	AR	Lubricant	
106	7209000030	1	Bushing	

# SECTION 2 - WHEEL LIFT

FIGURE 2-27. WHEEL LIFT BOOM ASSEMBLY - IRL (MANUAL & T37 L-ARMS EXTENDED GALVANIZED)



ART\_1001158633

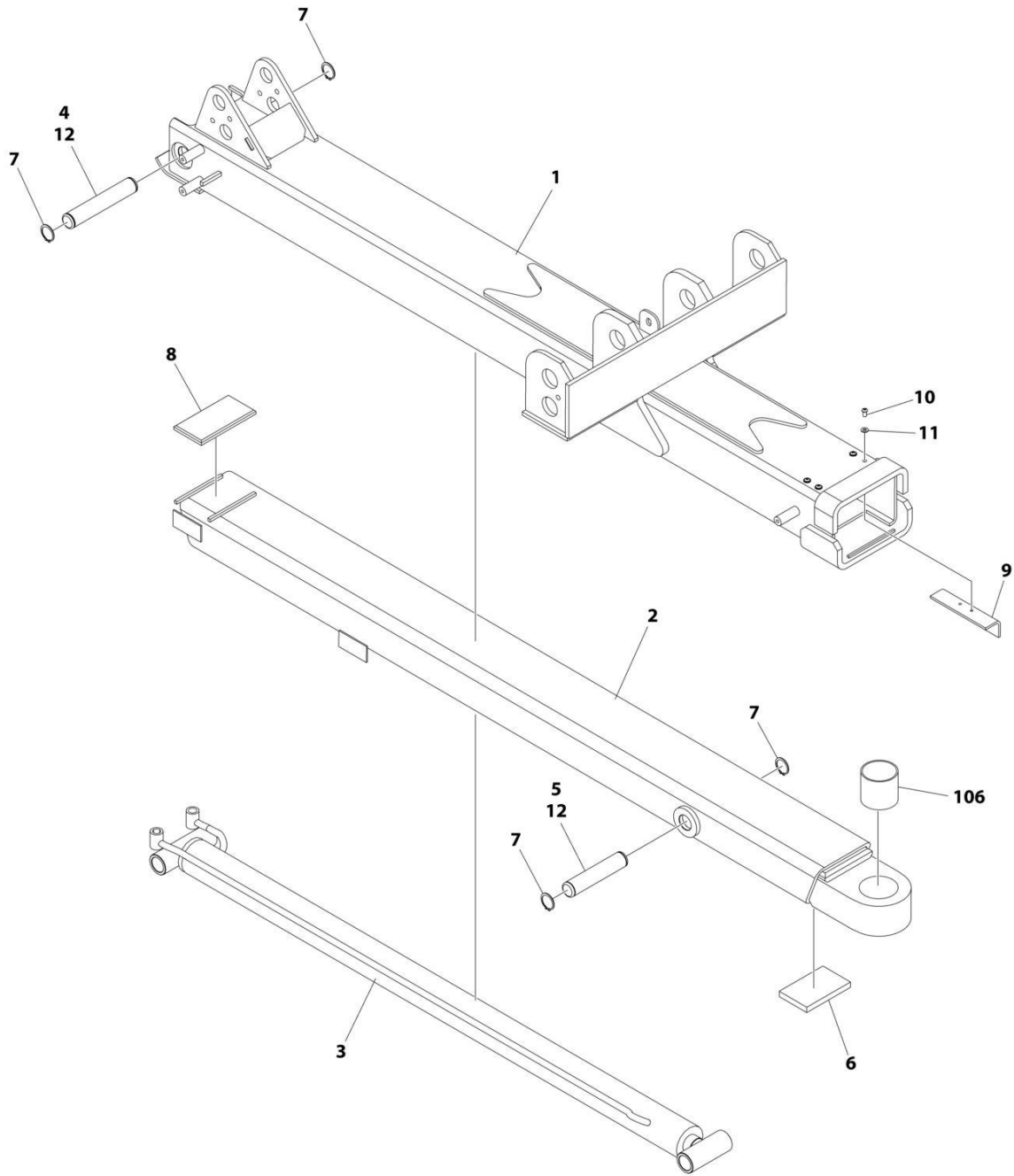
## SECTION 2 - WHEEL LIFT

**FIGURE 2-27. WHEEL LIFT BOOM ASSEMBLY - IRL (MANUAL & T37 L-ARMS EXTENDED GALVANIZED)**

ITEM	PART NUMBER	QTY	DESCRIPTION	REV
	1001158633	Ref	BOOM ASSEMBLY - 3000 LBS (EXTEND, GALVANIZED)	B
1	3170000456	1	Boom Weldment	
2	1001158626	1	Tube Weldment	
3	1001166858	1	Extend/Retract Cylinder Assembly (See Separate Breakdown in CYLINDER Section)	
4	4691000296	1	Pin	
5	4691000268	1	Pin	
6	3760133	4	Ring	
7	4679000046	1	Pad	
8	4017000739	2	Angle	
9	7118140418	4	Capscrew 1/4 x 1/2	
10	4751300	4	Washer 3/16	
11	4679000211	1	Pad	
12	3020039	AR	Lubricant	
106	7209000030	1	Bushing	

# SECTION 2 - WHEEL LIFT

## FIGURE 2-28. WHEEL LIFT BOOM ASSEMBLY - IRL (HYDRAULIC L-ARMS)



ART\_1001158630



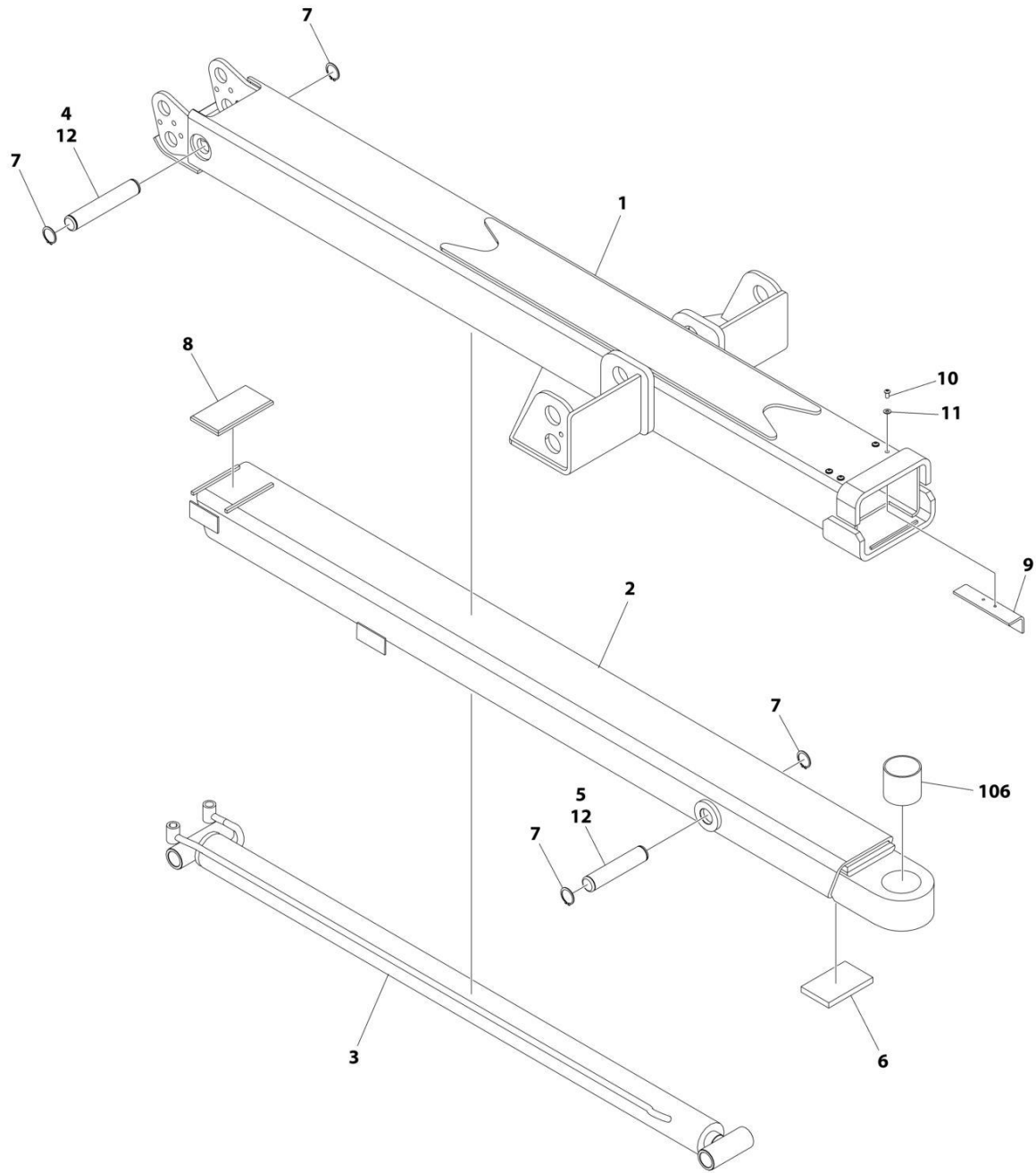
## SECTION 2 - WHEEL LIFT

**FIGURE 2-28. WHEEL LIFT BOOM ASSEMBLY - IRL (HYDRAULIC L-ARMS)**

ITEM	PART NUMBER	QTY	DESCRIPTION	REV
	1001158630	Ref	BOOM ASSEMBLY - 3000 LBS (AUTOGRID, ZOD)	B
1	3170000428	1	Boom Weldment	
2	1001158626	1	Tube Weldment	
3	1001166858	1	Extend/Retract Cylinder Assembly (See Separate Breakdown in this Section)	
4	4691000296	1	Pin	
5	4691000268	1	Pin	
6	4679000211	1	Pad	
7	3760133	4	Ring	
8	4679000046	1	Pad	
9	4017000739	2	Angle	
10	7118140418	4	Capscrew 1/4 x 1/2	
11	4751300	4	Washer 3/16	
12	3020039	AR	Lubricant	
106	7209000030	1	Bushing	

# SECTION 2 - WHEEL LIFT

FIGURE 2-29. WHEEL LIFT BOOM ASSEMBLY - ZOD (MANUAL & T37 L-ARMS STANDARD)



ART\_1001158628

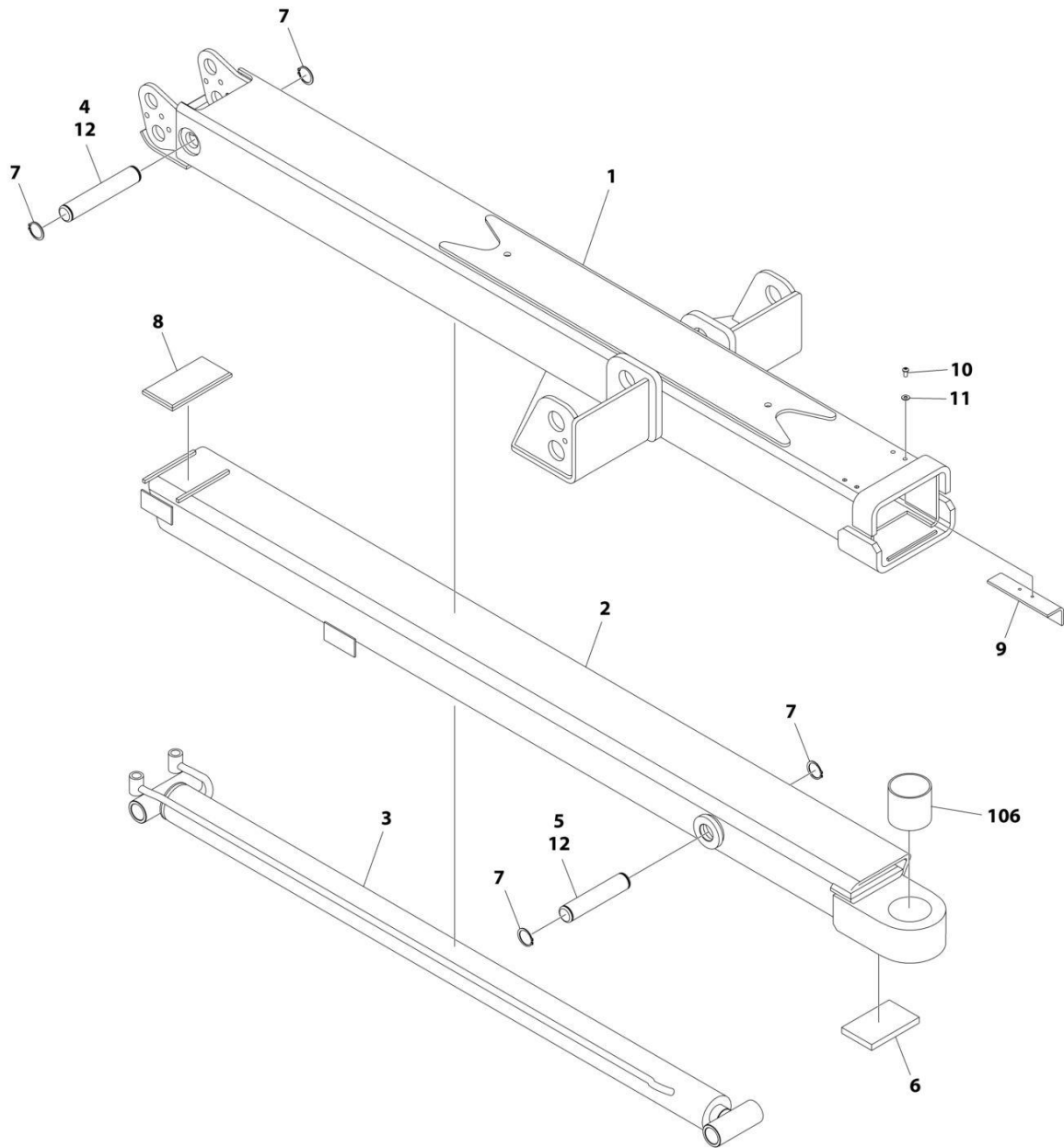
## SECTION 2 - WHEEL LIFT

**FIGURE 2-29. WHEEL LIFT BOOM ASSEMBLY - ZOD (MANUAL & T37 L-ARMS STANDARD)**

ITEM	PART NUMBER	QTY	DESCRIPTION	REV
	1001158628	Ref	BOOM ASSEMBLY - 3000 LBS (STANDARD DUTY, ZOD)	C
1	3170000237	1	Boom Weldment	
2	1001158626	1	Tube Weldment	
3	1001166858	1	Extend/Retract Cylinder Assembly (See Separate Breakdown in CYLINDER Section)	
4	4691000296	1	Pin	
5	4691000268	1	Pin	
6	4679000211	1	Pad	
7	3760133	4	Ring	
8	4679000046	1	Pad	
9	4017000739	2	Angle	
10	7118140418	4	Capscrew 1/4 x 1/2	
11	4751300	4	Washer 3/16	
12	3020039	AR	Lubricant	
106	7209000030	1	Bushing	

# SECTION 2 - WHEEL LIFT

FIGURE 2-30. WHEEL LIFT BOOM ASSEMBLY - ZOD (MANUAL & T37 L-ARMS GALVANIZED)



ART\_1001158634

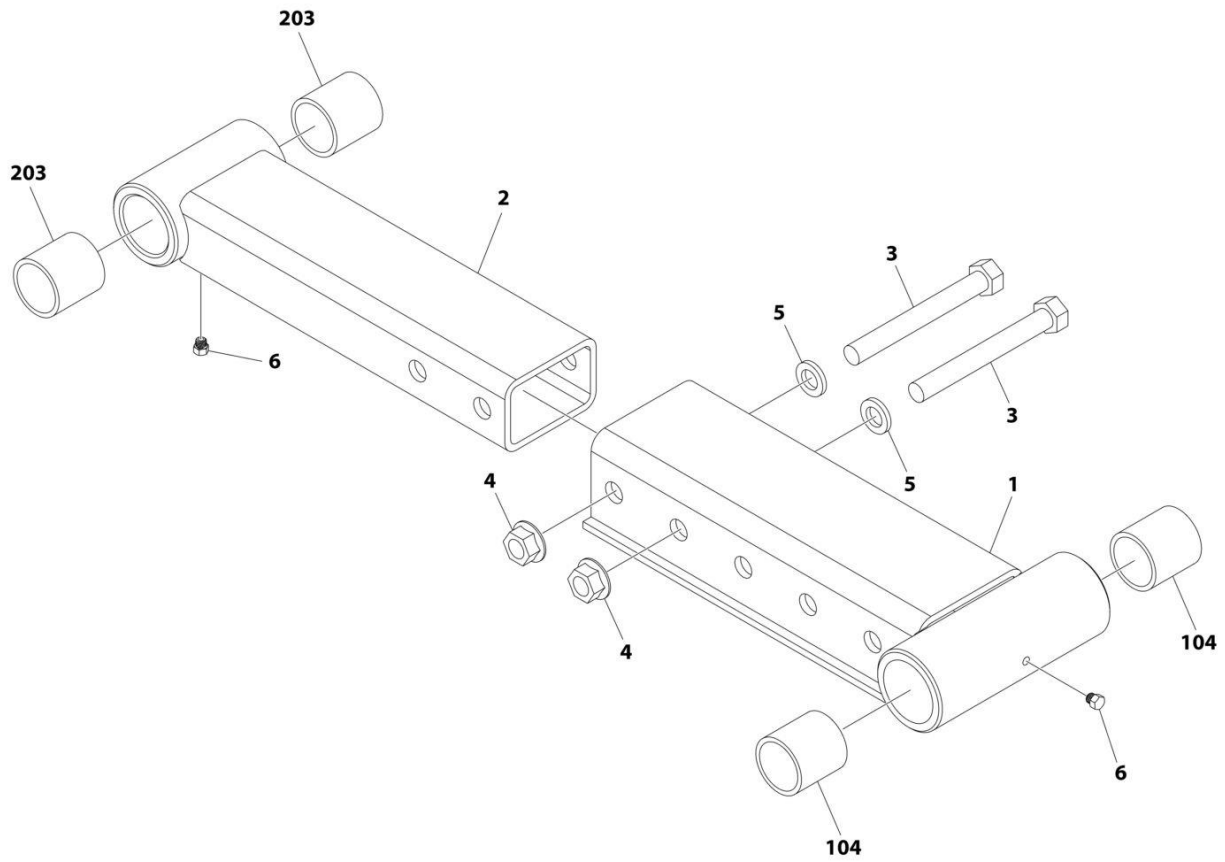
## SECTION 2 - WHEEL LIFT

**FIGURE 2-30. WHEEL LIFT BOOM ASSEMBLY - ZOD (MANUAL & T37 L-ARMS GALVANIZED)**

ITEM	PART NUMBER	QTY	DESCRIPTION	REV
	1001158634	Ref	BOOM ASSEMBLY - 3000 LBS (ZOD, GALVANIZED)	C
1	3170000460	1	Boom Weldment	
2	1001158626	1	Tube Weldment	
3	1001166858	1	Extend/Retract Cylinder Assembly (See Separate Breakdown in CYLINDER Section)	
4	4691000296	1	Pin	
5	4691000268	1	Pin	
6	4679000211	1	Pad	
7	3760133	4	Ring	
8	4679000046	1	Pad	
9	4017000739	2	Angle	
10	7118140418	4	Capscrew 1/4 x 1/2	
11	4751300	4	Washer 3/16	
12	3020039	AR	Lubricant	
106	7209000030	1	Bushing	

# SECTION 2 - WHEEL LIFT

## FIGURE 2-31. LINK ASSEMBLY (STANDARD)



ART\_3592000036

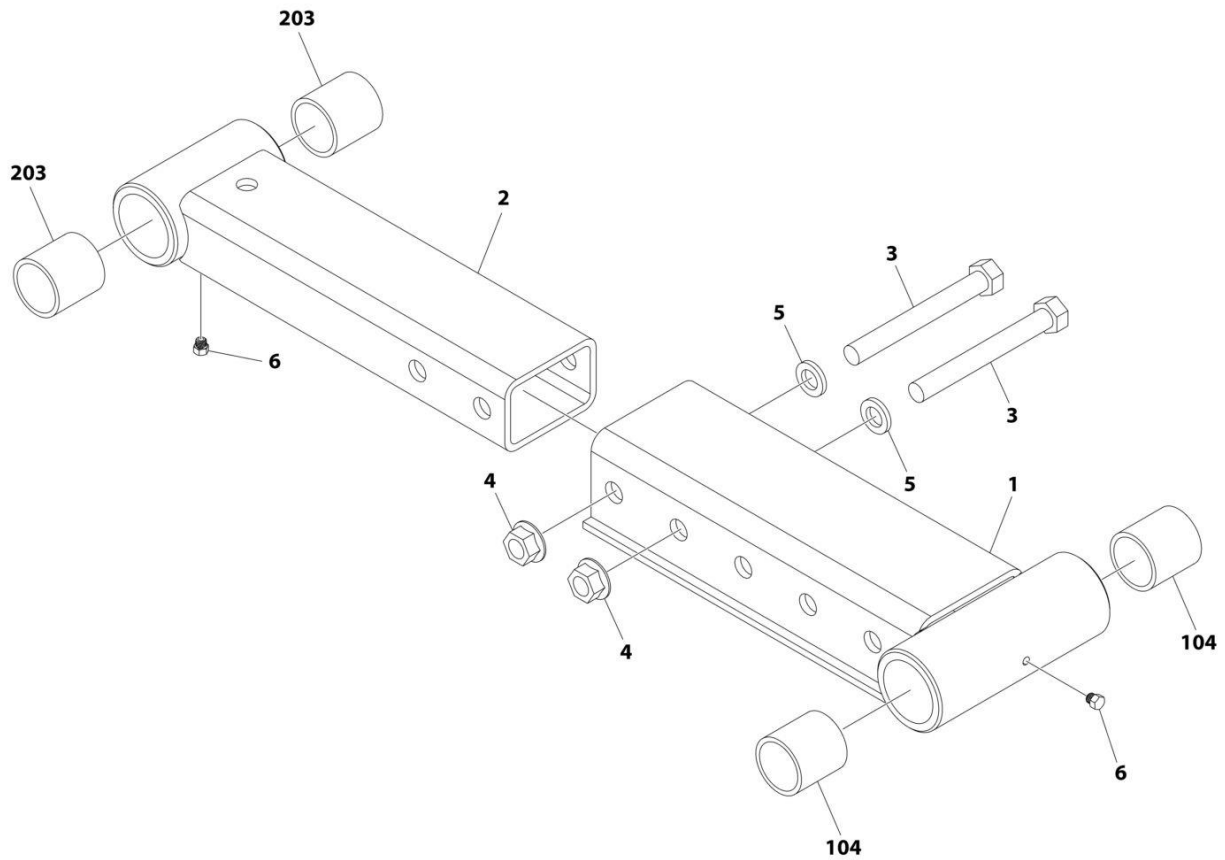
## SECTION 2 - WHEEL LIFT

### FIGURE 2-31. LINK ASSEMBLY (STANDARD)

ITEM	PART NUMBER	QTY	DESCRIPTION	REV
	3592000036	Ref	LINK ASSEMBLY	B
1	3592000058	1	Lower Link Weldment	
2	3592000035	1	Upper Link Weldment	
3	0641834	2	Capscrew 1/2 x 4-1/4	
4	7660182301	2	Nut 1/2	
5	4761800	2	Washer 1/2	
6	1001204776	2	Fitting	
104	7082000016	2	Bearing	
203	7082000016	2	Bearing	

# SECTION 2 - WHEEL LIFT

## FIGURE 2-32. LINK ASSEMBLY (GALVANIZED)



ART\_3592000057



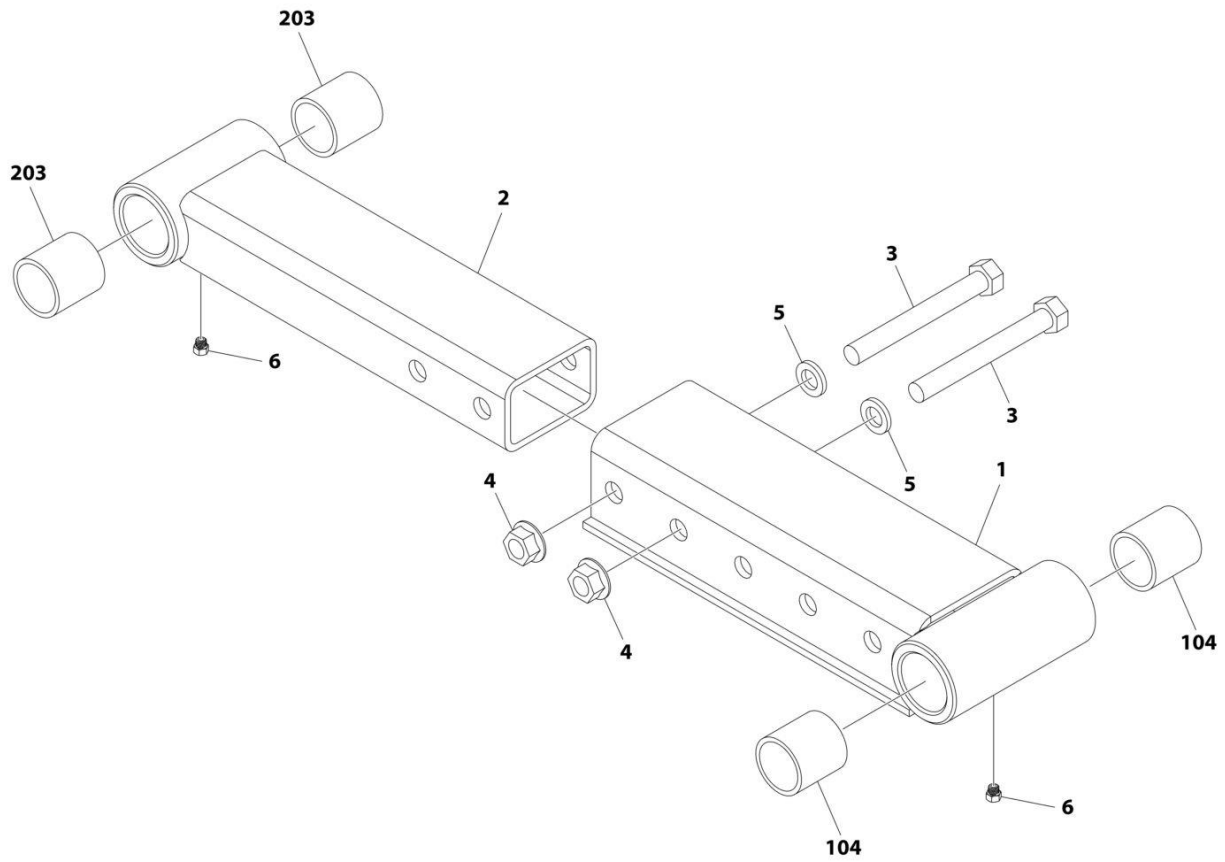
## SECTION 2 - WHEEL LIFT

### FIGURE 2-32. LINK ASSEMBLY (GALVANIZED)

ITEM	PART NUMBER	QTY	DESCRIPTION	REV
	3592000057	Ref	LINK ASSEMBLY STANDARD DUTY GALVANIZED	B
1	3592000060	1	Lower Link Weldment	
2	3592000050	1	Upper Link Weldment	
3	0641834	2	Capscrew 1/2 x 4-1/4	
4	7660182301	2	Nut 1/2	
5	4761800	2	Washer 1/2	
6	1001204776	2	Fitting	
104	7082000016	2	Bearing	
203	7082000016	2	Bearing	

# SECTION 2 - WHEEL LIFT

## FIGURE 2-33. LINK ASSEMBLY (HYDRAULIC GRIDS)



ART\_3592000054

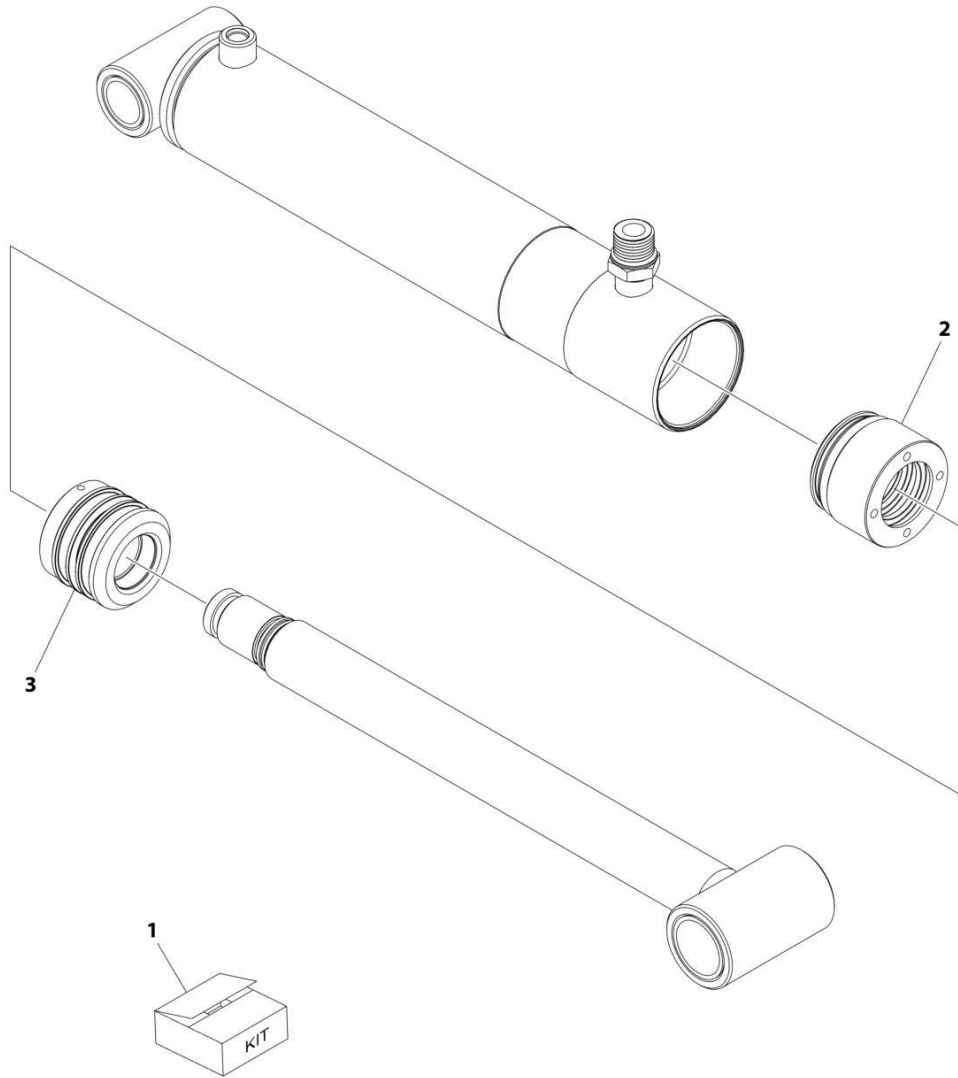
## SECTION 2 - WHEEL LIFT

### FIGURE 2-33. LINK ASSEMBLY (HYDRAULIC GRIDS)

ITEM	PART NUMBER	QTY	DESCRIPTION	REV
	3592000054	Ref	LINK ASSEMBLY (STANDARD DUTY AUTOGRID)	B
1	3592000059	1	Lower Link Weldment	
2	3592000035	1	Upper Link Weldment	
3	0641834	2	Capscrew 1/2 x 4-1/4	
4	7660182301	2	Nut 1/2	
5	4761800	2	Washer 1/2	
6	1001204776	2	Fitting	
104	7082000016	2	Bearing	
203	7082000016	2	Bearing	

## SECTION 2 - WHEEL LIFT

FIGURE 2-34. CYLINDER ASSEMBLY - WHEEL LIFT (STANDARD)



ART\_1001166857

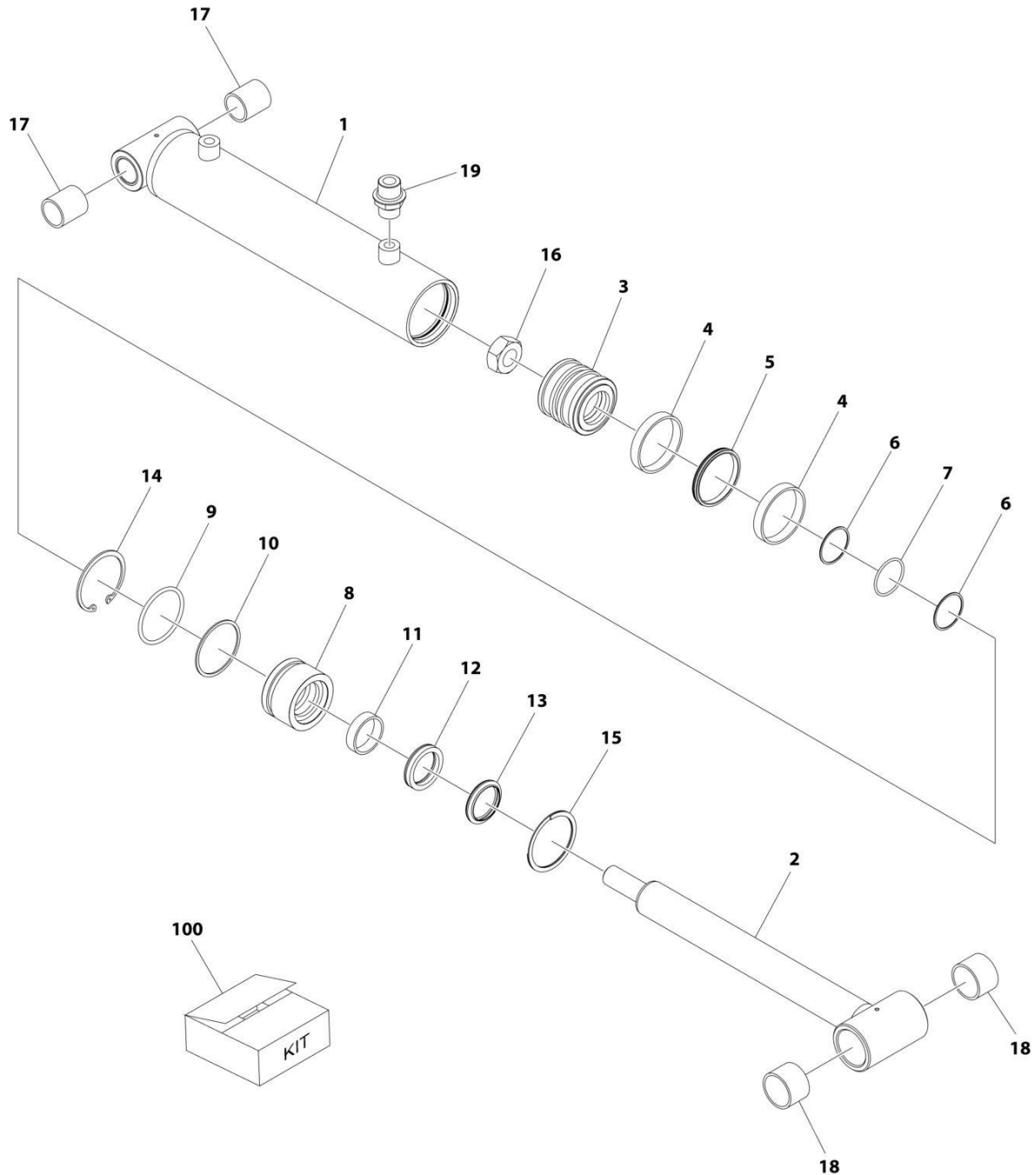
## SECTION 2 - WHEEL LIFT

**FIGURE 2-34. CYLINDER ASSEMBLY - WHEEL LIFT (STANDARD)**

ITEM	PART NUMBER	QTY	DESCRIPTION	REV
	1001166857	Ref	IRL CYLINDER ASSEMBLY	E
1	70051168	1	Kit, Seal	
2	70051172	1	Kit, Head	
3	70051173	1	Kit, Piston	

# SECTION 2 - WHEEL LIFT

## FIGURE 2-35. CYLINDER ASSEMBLY - WHEEL LIFT (HIGH FRAME)



ART\_3320000134\_C

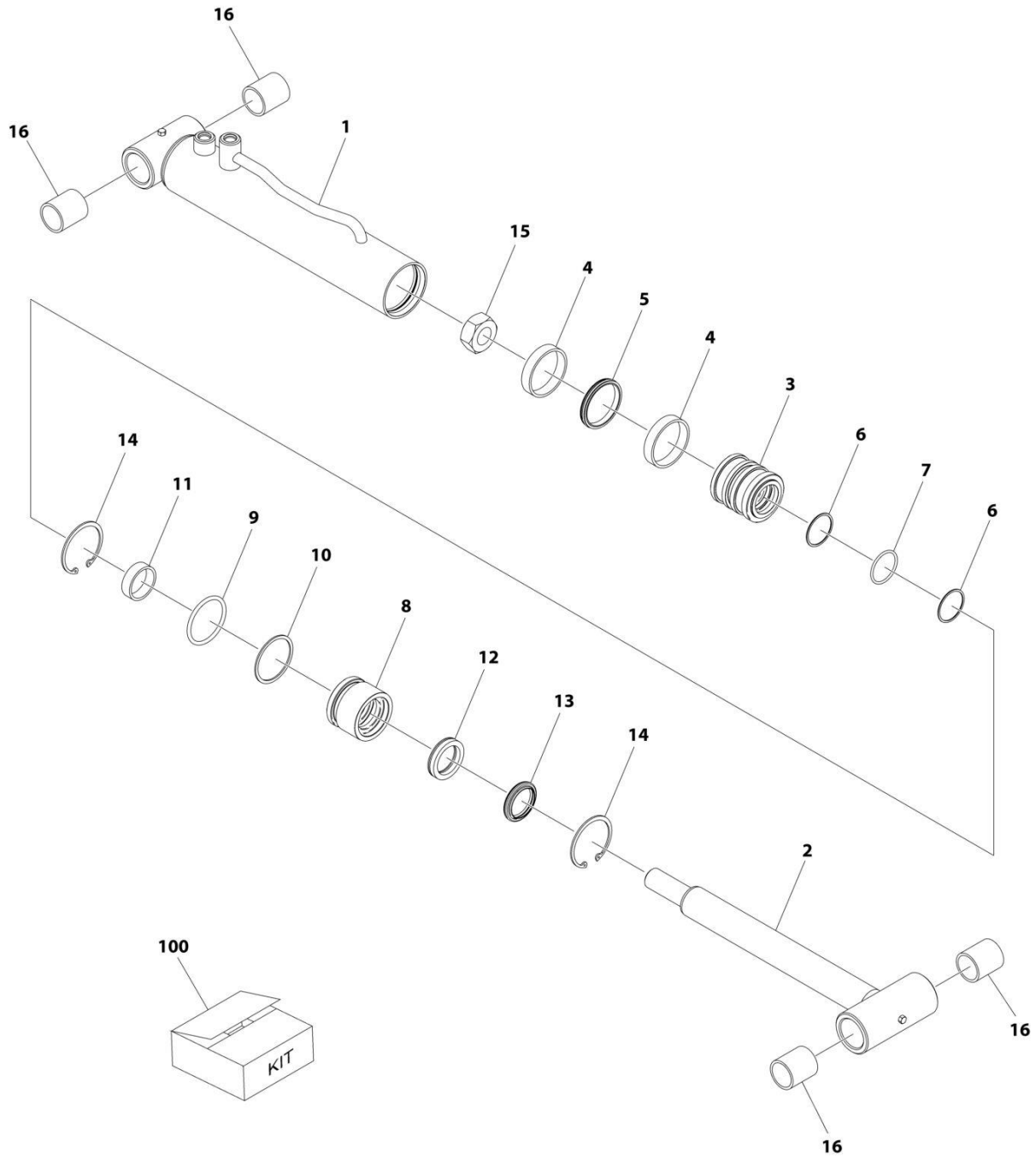
## SECTION 2 - WHEEL LIFT

**FIGURE 2-35. CYLINDER ASSEMBLY - WHEEL LIFT (HIGH FRAME)**

ITEM	PART NUMBER	QTY	DESCRIPTION	REV
	332000134	Ref	CYLINDER ASSEMBLY - WHEEL LIFT (PRECISION BRAND)	C
1	3071000131	1	Barrel Weldment	
2	3763000139	1	Rod Weldment	
3	4698000007	1	Piston	
4	7754000003	2	Wear Ring	
5	7796000063	1	Piston Locking, T-Seal	
6	7755224609	2	Back-Up Ring	
7	7755224000	1	O-Ring	
8	4553000008	1	Head	
9	7755334000	1	O-Ring	
10	7755334609	1	Back-Up Ring	
11	7754000004	1	Wear Ring	
12	7796000024	1	Rod Seal	
13	7796000008	1	Rod Wiper Seal	
14	7754000002	1	Retaining Ring	
15	7754000026	1	Retaining Ring	
16	7661000034	1	Nut	
17	7082000016	2	Bearing	
18	7082000018	2	Bearing	
19	7443000245	1	Fitting, Straight	
100	7577250024	1	Service Kit (includes items 4-7 & 9-15)	

# SECTION 2 - WHEEL LIFT

## FIGURE 2-36. CYLINDER ASSEMBLY - WHEEL LIFT (ZOD)



ART\_3320000118\_C



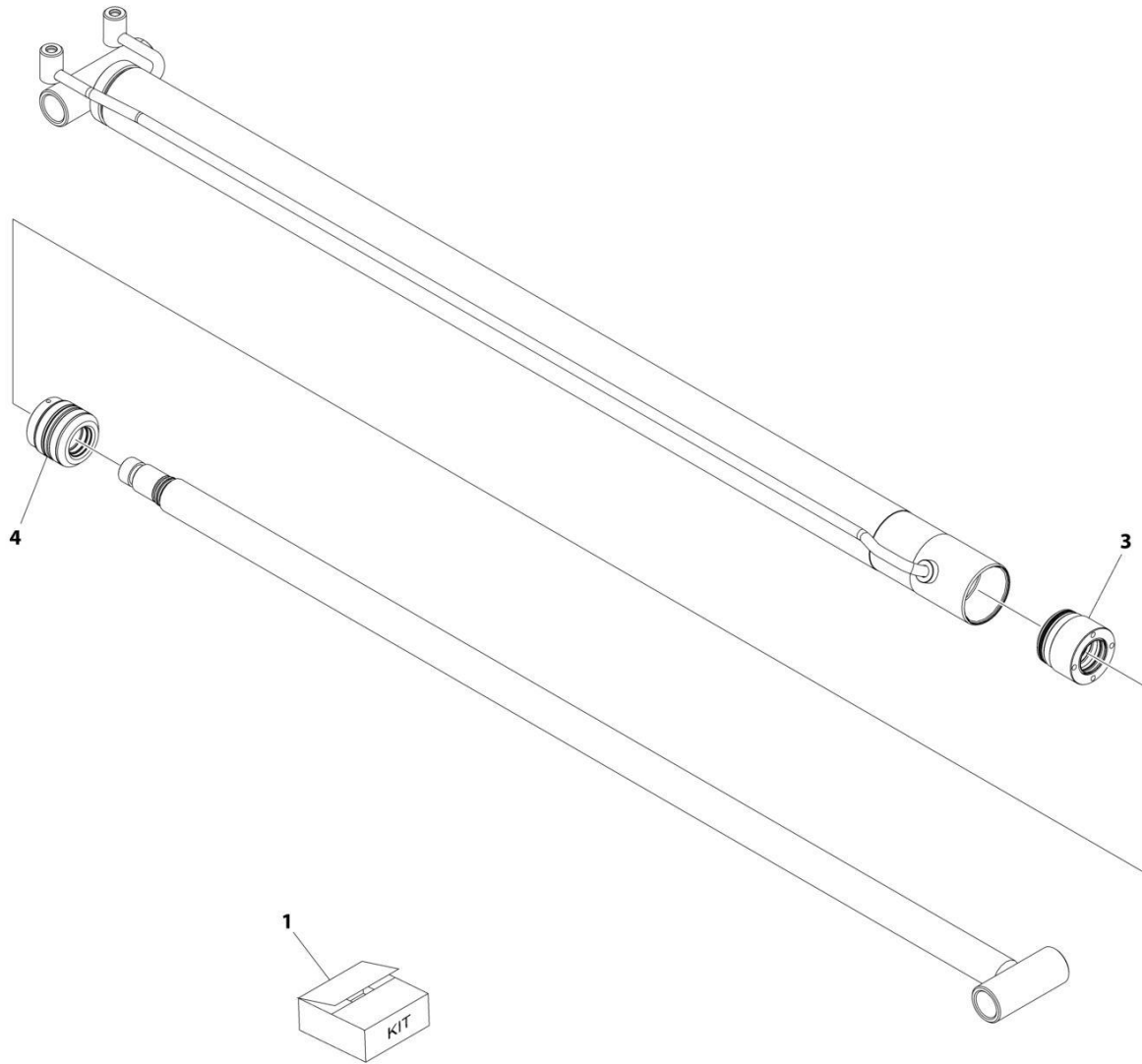
## SECTION 2 - WHEEL LIFT

**FIGURE 2-36. CYLINDER ASSEMBLY - WHEEL LIFT (ZOD)**

ITEM	PART NUMBER	QTY	DESCRIPTION	REV
	3320000118	Ref	CYLINDER ASSEMBLY - WHEEL LIFT (PRECISION BRAND)	C
1	3071000109	1	Barrel Weld	
2	3763000122	1	Rod Weld	
3	3698000006	1	Piston	
4	7754000053	2	Wear Ring	
5	7796000067	1	Piston Locking, T-Sea	
6	7755330609	2	Back-Up Ring	
7	7755224000	1	O-Ring	
8	3553000016	1	Head	
9	7755330000	1	O-Ring	
10	7755224609	1	Back-Up Ring	
11	7754000054	1	Wear Ring	
12	7796000045	1	Rod Seal	
13	7796000046	1	Rod Wiper Seal	
14	7754000051	2	Retaining Ring	
15	7661000034	1	Nut	
16	7082000016	4	Bushing	
100	7577250206	1	Service Kit (includes items 4-7 & 9-14)	

# SECTION 2 - WHEEL LIFT

FIGURE 2-37. CYLINDER ASSEMBLY - WHEEL LIFT (EXTEND/RETRACT)



ART\_1001166858

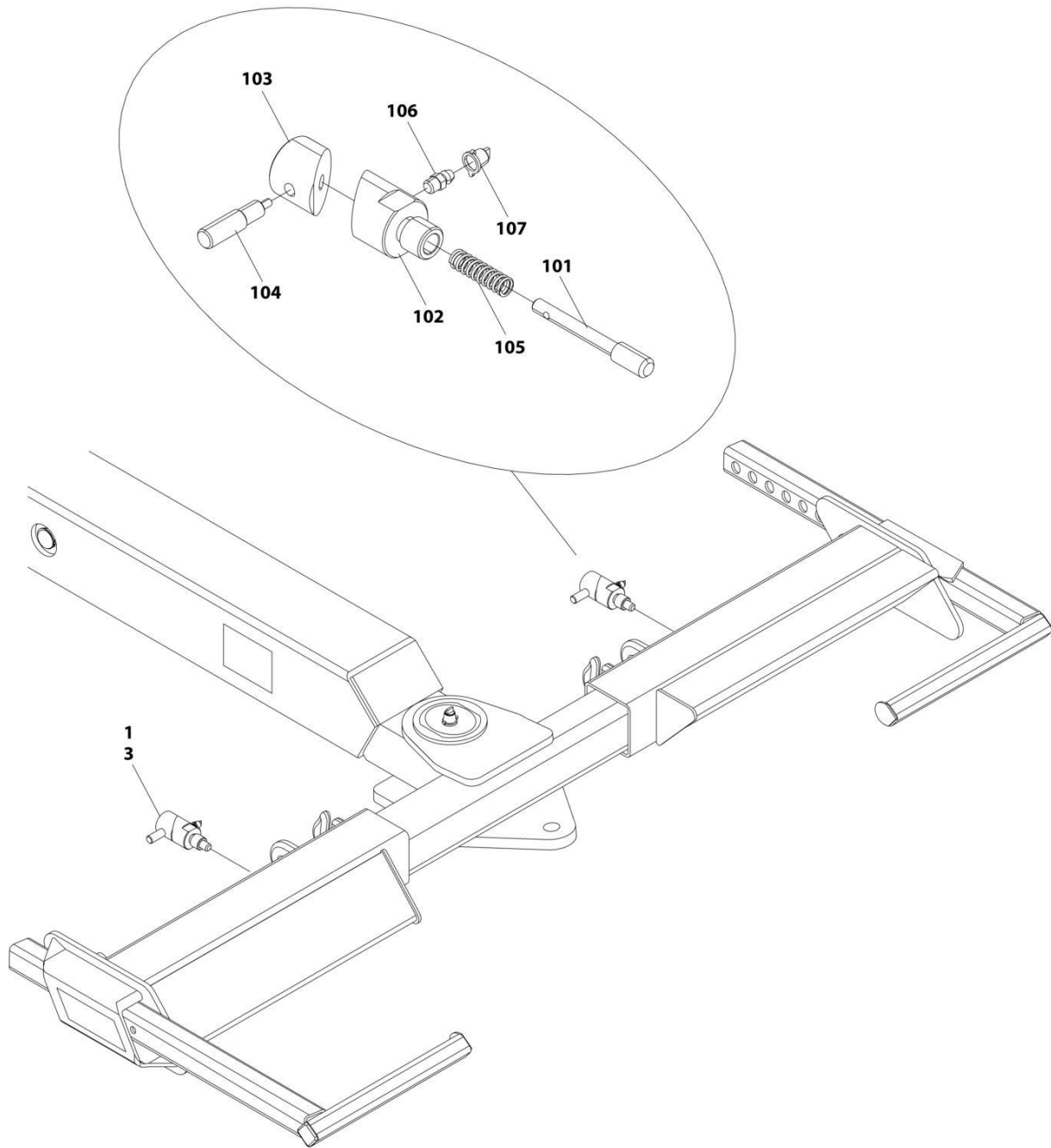
## SECTION 2 - WHEEL LIFT

**FIGURE 2-37. CYLINDER ASSEMBLY - WHEEL LIFT (EXTEND/RETRACT)**

ITEM	PART NUMBER	QTY	DESCRIPTION	REV
	1001166858	Ref	EXTEND/RETRACT CYLINDER ASSEMBLY	D
1	70051169	1	Kit, Seal	
2	70051174	1	Instruction Assembly/Disassembly (not shown)	
3	70051175	1	Kit, Head	
4	70051176	1	Kit, Piston	

# SECTION 2 - WHEEL LIFT

## FIGURE 2-38. WHEEL LIFT CAMLOCK INSTALLATION



ART\_1001160195

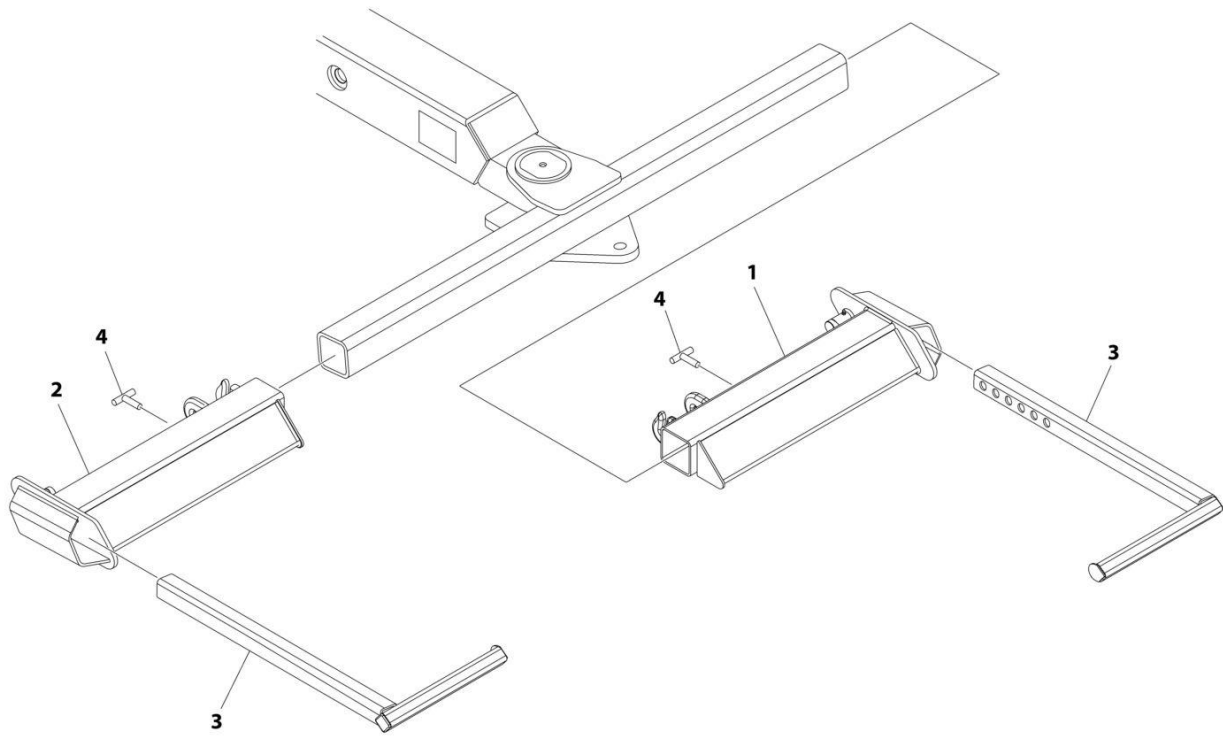
## SECTION 2 - WHEEL LIFT

### FIGURE 2-38. WHEEL LIFT CAMLOCK INSTALLATION

ITEM	PART NUMBER	QTY	DESCRIPTION	REV
	1001160195	Ref	Wheel Lift Crossbar Cam-Lock	A
1	1001153950	2	Cam Lock (includes items 101 through 107)	
3	0100011	AR	Compound Locking	
101	1001153944	2	Pin	
102	1001153945	2	Cam-Lock Tube	
103	1001153946	2	Cam-Lock Cap	
104	1001153947	2	Handle	
105	1001153971	1	Spring	
106	7440030000	2	Fitting, Grease	
107	7253000002	2	Cap, Grease	

# SECTION 2 - WHEEL LIFT

## FIGURE 2-39. WHEEL LIFT GRID INSTALLATION (MANUAL L-ARMS)



ART\_2484000011

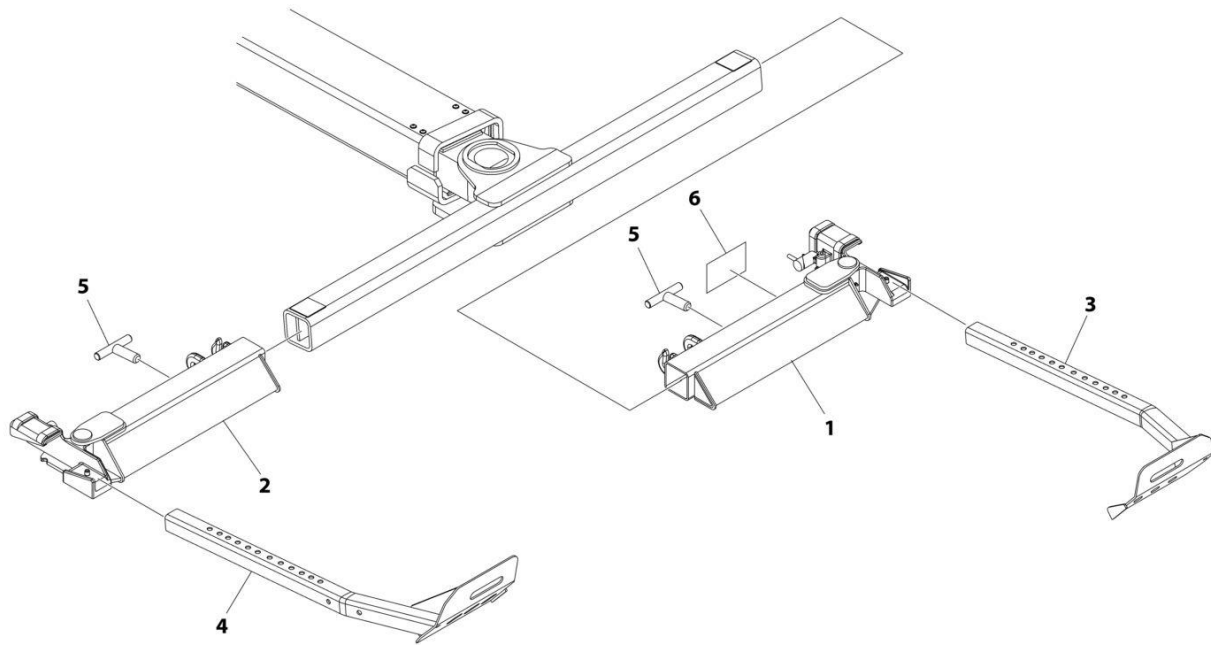
## SECTION 2 - WHEEL LIFT

**FIGURE 2-39. WHEEL LIFT GRID INSTALLATION (MANUAL L-ARMS)**

ITEM	PART NUMBER	QTY	DESCRIPTION	REV
	2484000011	Ref	GRID WHEEL INSTALLATION - (3000 LBS) - GALVANIZED	C
1	3484000034	1	Grid Weldment, RH	
2	3484000035	1	Grid Weldment, LH	
3	3020000132	2	Arm Weldment	
4	3551000036	2	T-Handle	

## SECTION 2 - WHEEL LIFT

FIGURE 2-40. WHEEL LIFT GRID INSTALLATION (T37 L-ARMS)



ART\_2484000013



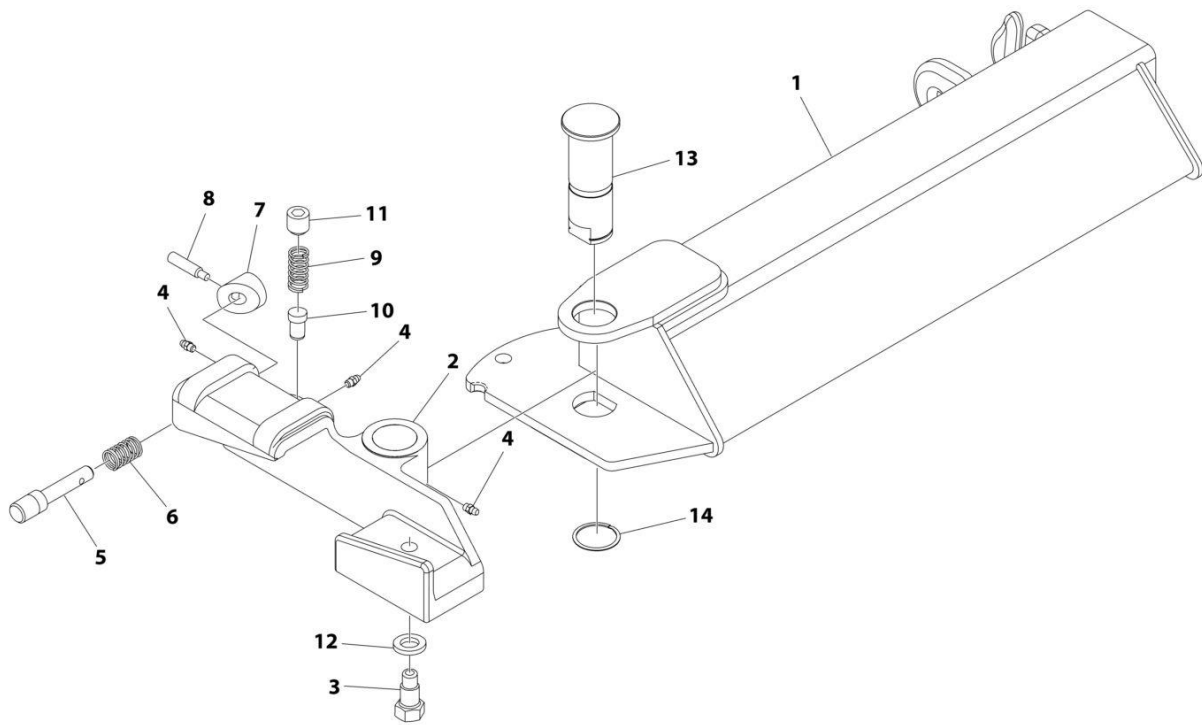
## SECTION 2 - WHEEL LIFT

**FIGURE 2-40. WHEEL LIFT GRID INSTALLATION (T37 L-ARMS)**

ITEM	PART NUMBER	QTY	DESCRIPTION	REV
	2484000013	Ref	WHEEL LIFT INSTALLATION (GRID) - (3000 LBS - T37)	0
1	3484000052	1	Pivoting Wheel Lift Assembly, RH (See Separate Breakdown in this Section)	
2	3484000053	1	Pivoting Wheel Lift Assembly, LH (See Separate Breakdown in this Section)	
3	3020000030	1	L-Arm Weldment, RH	
4	3020000029	1	L-Arm Weldment, LH	
5	3551000036	2	T-Handle	
6	7330000385	1	Decal	

## SECTION 2 - WHEEL LIFT

FIGURE 2-41. PIVOTING WHEEL LIFT ASSEMBLY - LH (T37 L-ARMS)



ART\_348400053

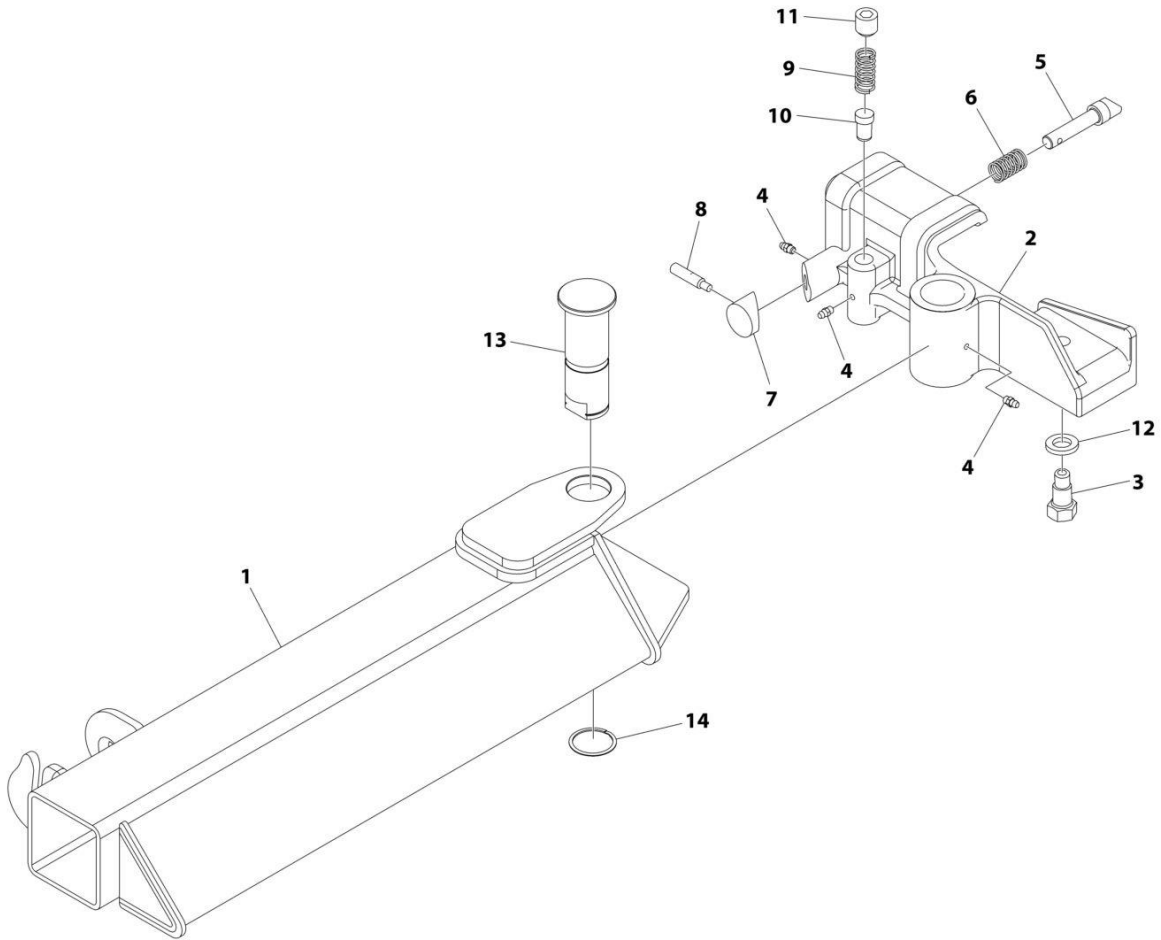
## SECTION 2 - WHEEL LIFT

**FIGURE 2-41. PIVOTING WHEEL LIFT ASSEMBLY - LH (T37 L-ARMS)**

ITEM	PART NUMBER	QTY	DESCRIPTION	REV
	3484000053	Ref	WHEEL LIFT ASSEMBLY (GRID), LH	0
1	3484000052	1	Grid Weldment, LH	
2	4259000002	1	Grid Pivot LH	
3	4691000354	1	Pin	
4	7440030000	3	Fitting	
5	4691000186	1	Pin	
6	7843000006	1	Spring	
7	4254000005	1	Cap	
8	4763000184	1	Rod	
9	7843000016	1	Spring	
10	4691000183	1	Pin	
11	7786000006	1	Screw 3/4 x 5/8	
12	7950200000	1	Washer 5/8	
13	4691000357	1	Pin	
14	7754000037	1	Ring Retaining	

# SECTION 2 - WHEEL LIFT

## FIGURE 2-42. PIVOTING WHEEL LIFT ASSEMBLY - RH (T37 L-ARMS)



ART\_348400052

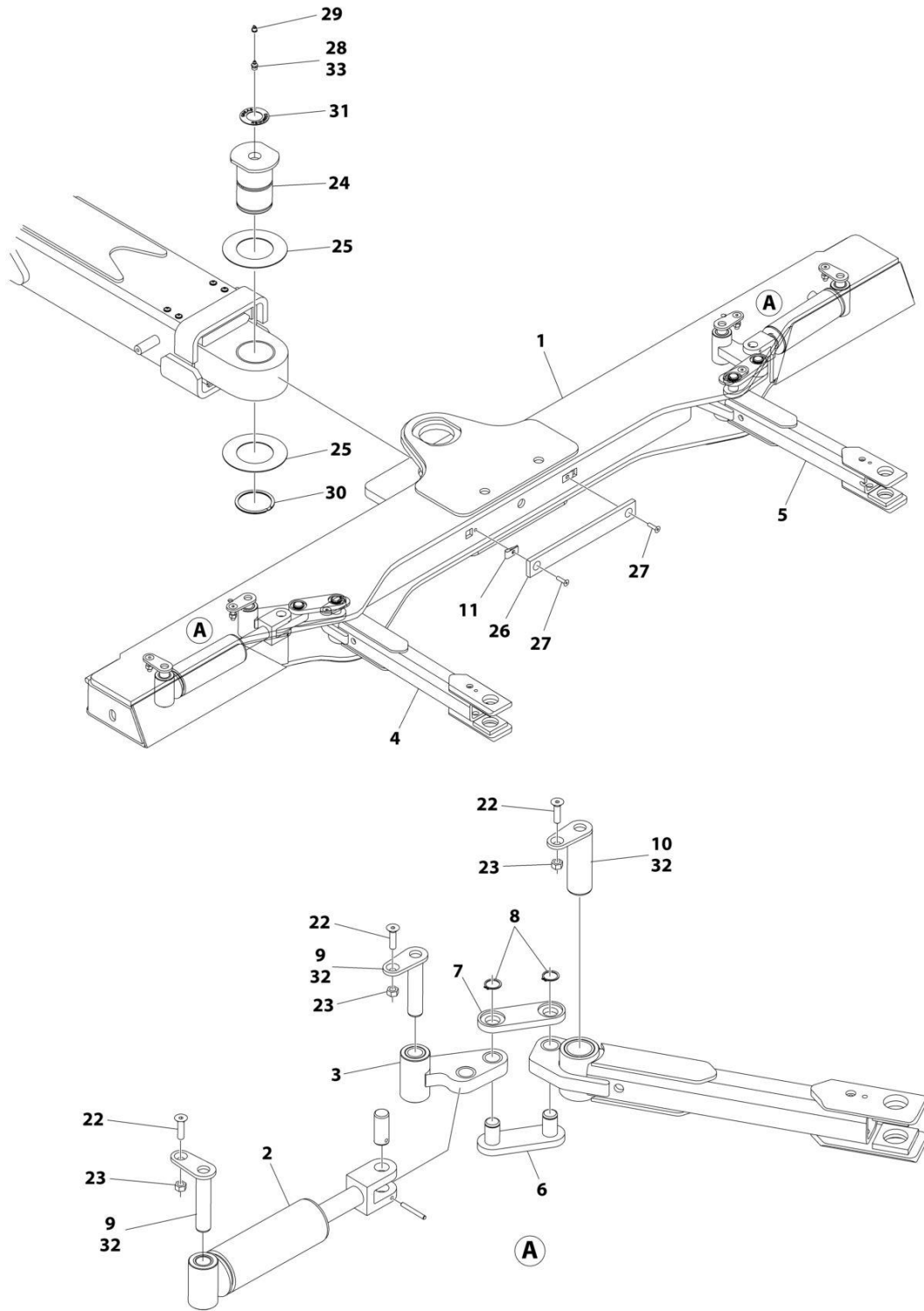
## SECTION 2 - WHEEL LIFT

**FIGURE 2-42. PIVOTING WHEEL LIFT ASSEMBLY - RH (T37 L-ARMS)**

ITEM	PART NUMBER	QTY	DESCRIPTION	REV
	3484000052	Ref	WHEEL LIFT ASSEMBLY (GRID), RH	0
1	3484000050	1	Grid Weldment, RH	
2	4259000001	1	Grid Pivot RH	
3	4691000354	1	Pin	
4	7440030000	3	Fitting	
5	4691000186	1	Pin	
6	7843000006	1	Spring	
7	4254000005	1	Cap	
8	4763000184	1	Rod	
9	7843000016	1	Spring	
10	4691000183	1	Pin	
11	7786000006	1	Screw 3/4 x 5/8	
12	7950200000	1	Washer 5/8	
13	4691000357	1	Pin	
14	7754000037	1	Ring Retaining	

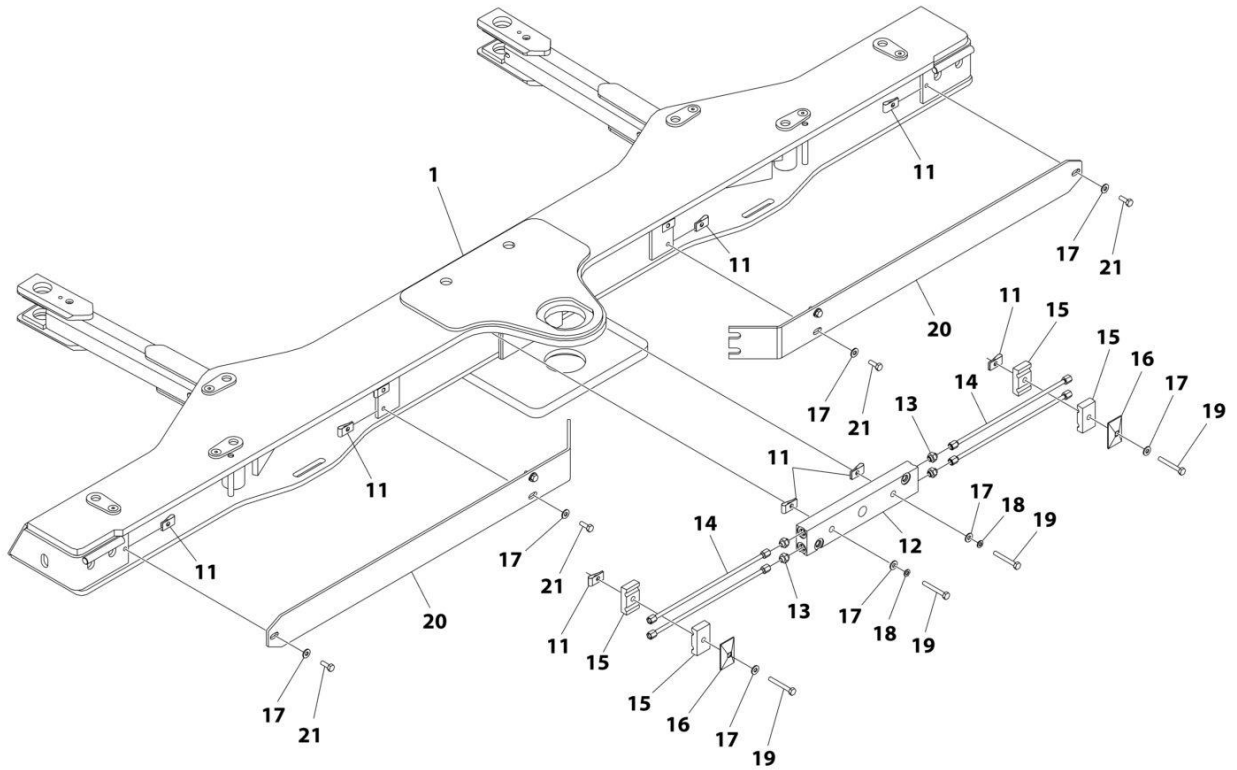
# SECTION 2 - WHEEL LIFT

## FIGURE 2-43. WHEEL LIFT GRID INSTALLATION (HYDRAULIC L-ARMS)



ART\_1001228493\_10F2

# SECTION 2 - WHEEL LIFT



ART\_1001228493\_2OF2

## SECTION 2 - WHEEL LIFT

**FIGURE 2-43. WHEEL LIFT GRID INSTALLATION (HYDRAULIC L-ARMS)**

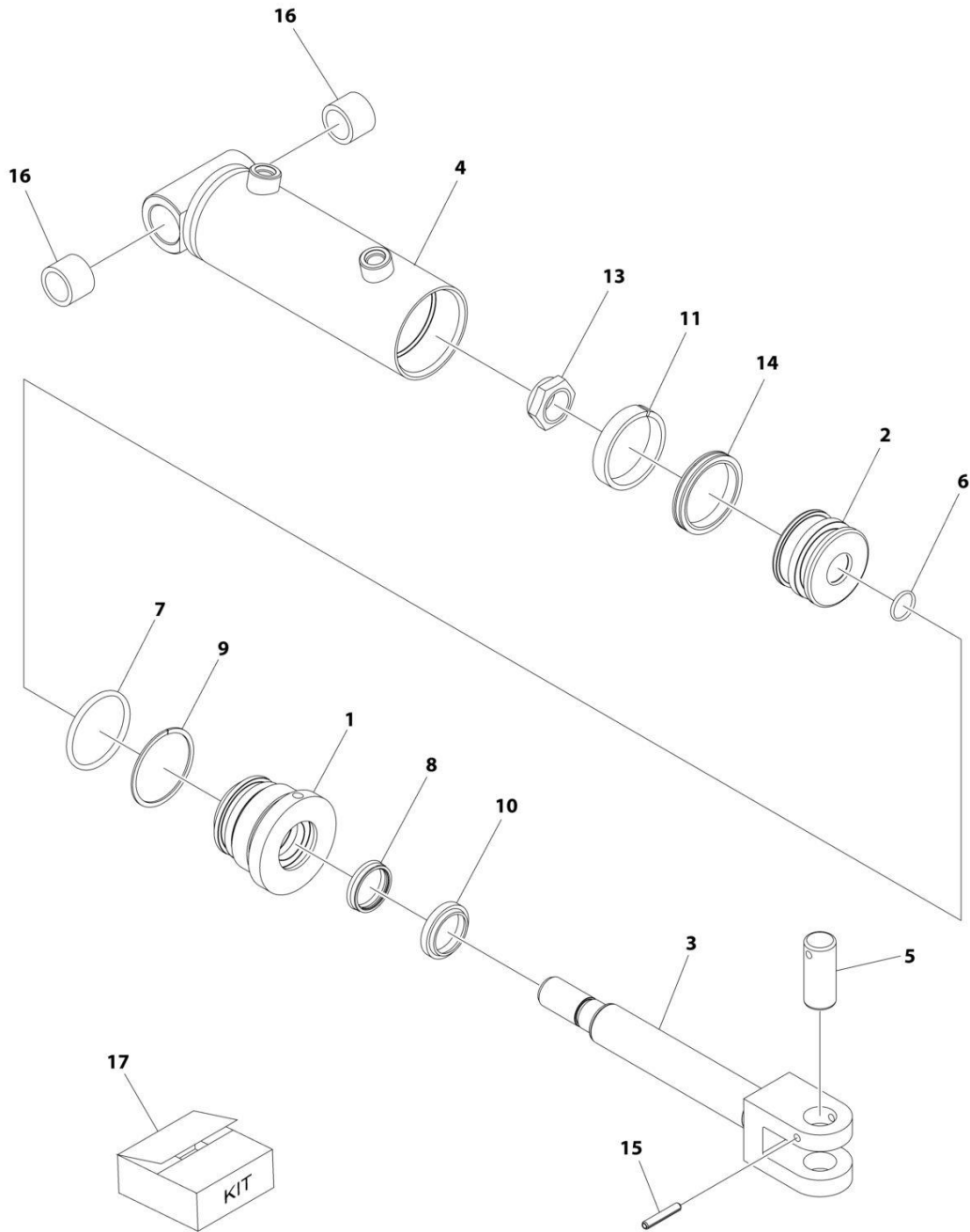
ITEM	PART NUMBER	QTY	DESCRIPTION	REV
	1001228493	Ref	HYDRAULIC WHEEL LIFT GRID	A
1	1001228491	1	Plate	
2	7320000064	2	Cylinder Assembly - Hydraulic Grid (See Separate Breakdown in this Section)	
3	3592000052	2	Link	
4	3020000115	1	Arm (LH)	
5	3020000111	1	Arm (RH)	
6	3592000051	2	Link Weldment	
7	4706003497	2	Plate	
8	3760351	4	Ring, Retaining	
9	3691000229	4	Pin	
10	3691000230	2	Pin	
11	7661000064	12	Clip, U-Nut 1/4	
12	4619000013	1	Manifold	
13	7445040443	4	Adapter	
14	7912000184	4	Tube, Hydraulic	
15	7274000086	4	Clamp	
16	7274000039	2	Clamp Cover	
17	4711400	10	Washer 1/4	
18	4761400	2	Washer 1/4	
19	0641416	4	Capscrew 1/4 x 2	
20	1001220280	2	Plate	
21	0641406	6	Capscrew 1/4 x 3/4	
22	1001137904	6	Bolt 5/16 x 1-1/4	
23	3271505	6	Nut 5/16	
24	4691000198	1	Pin	
25	4949000047	2	Washer	
26	4679000268	1	Pad	
27	0741408	2	Flat	
28	88671001	1	Grease	
29	7253000002	1	Fitting	
30	7754000024	1	Retaining Ring	
31	7330000609	1	Decal, Grease Required	
32	3020039	AR	Lubricant	
33	3020029	AR	Lubricant	





# SECTION 2 - WHEEL LIFT

## FIGURE 2-44. CYLINDER ASSEMBLY - HYDRAULIC GRID



ART\_732000064

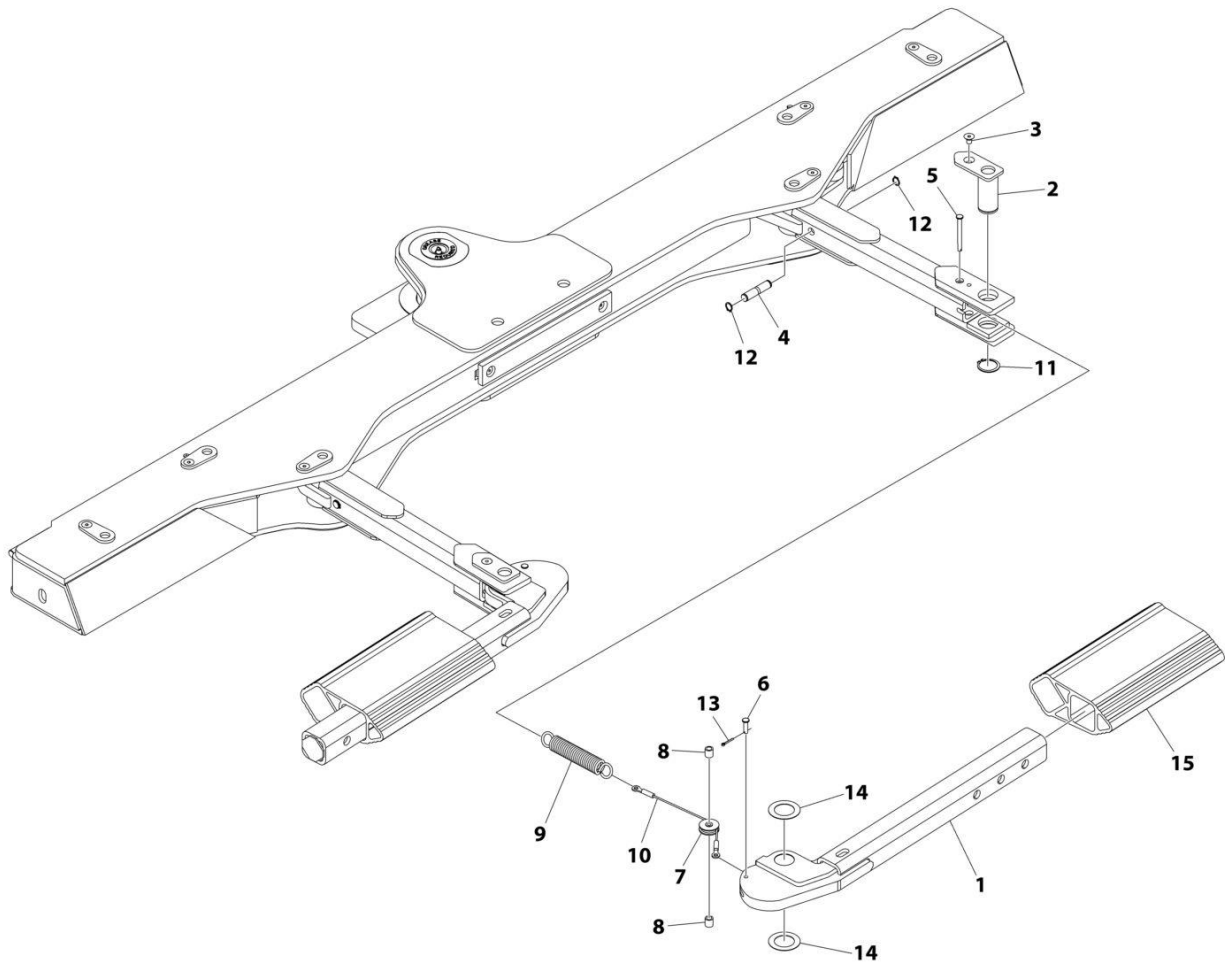
## SECTION 2 - WHEEL LIFT

**FIGURE 2-44. CYLINDER ASSEMBLY - HYDRAULIC GRID**

ITEM	PART NUMBER	QTY	DESCRIPTION	REV
	732000064	Ref	CYLINDER ASSEMBLY	B
1	7027336	1	Gland	
2	7027338	1	Piston	
3	70050632	1	Rod Assembly	
4	70050633	1	Barrel Assembly	
5	70050634	1	Retention Pin	
6	70050635	1	O-Ring	
7	70050636	1	O-Ring	
8	70050637	1	Rod Seal	
9	70050638	1	Backup Ring	
10	70050639	1	Rod Wiper	
11	70050640	1	Wear Ring	
12	70050641	2	Plug	
13	70050642	1	Nut 3/4	
14	70050643	1	Piston Seal	
15	70050644	1	Roll Pin	
16	7082000026	2	Bearing	
17	7027341	1	Seal Kit (includes items 6-11)	

# SECTION 2 - WHEEL LIFT

## FIGURE 2-45. WHEEL LIFT GRID INSTALLATION - AUTOGRIDS



ART\_248400008

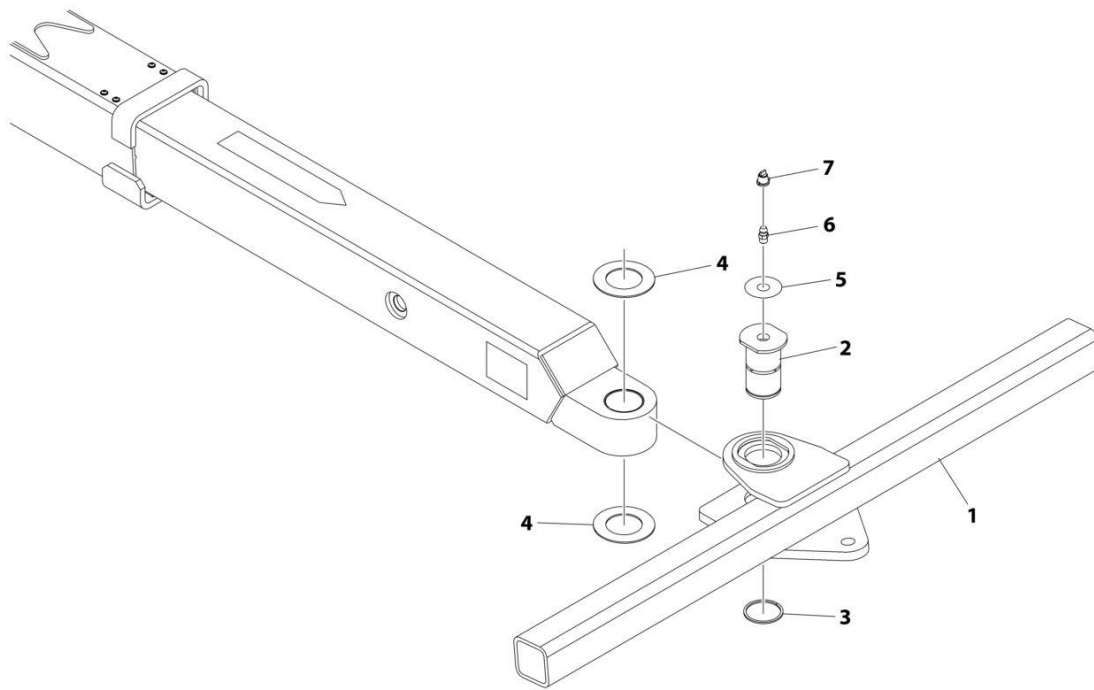
## SECTION 2 - WHEEL LIFT

**FIGURE 2-45. WHEEL LIFT GRID INSTALLATION - AUTOGRIDS**

ITEM	PART NUMBER	QTY	DESCRIPTION	REV
	2484000008	Ref	GRID ARM INSTALLATION - AUTOGRID	C
1	3020000112	2	Arm Weldment	
2	3691000222	2	Pin	
3	0741504	2	Screw 5/16 x 1/2	
4	4691000527	2	Pin	
5	7690144005	2	Pin	
6	7690141600	2	Pin	
7	7719000005	2	Pulley	
8	4831000112	4	Spacer	
9	7843000043	2	Spring	
10	7248000115	2	Cable	
11	3760133	2	Retainer	
12	7754000087	4	Retainer	
13	7690021210	2	Pin	
14	4949000072	4	Washer	
15	8411080091	2	L-Arm Spacer	

## SECTION 2 - WHEEL LIFT

FIGURE 2-46. PIVOT TUBE INSTALLATION - IRL (MANUAL & T37 L-ARMS WITH BALL)



ART\_1001158672

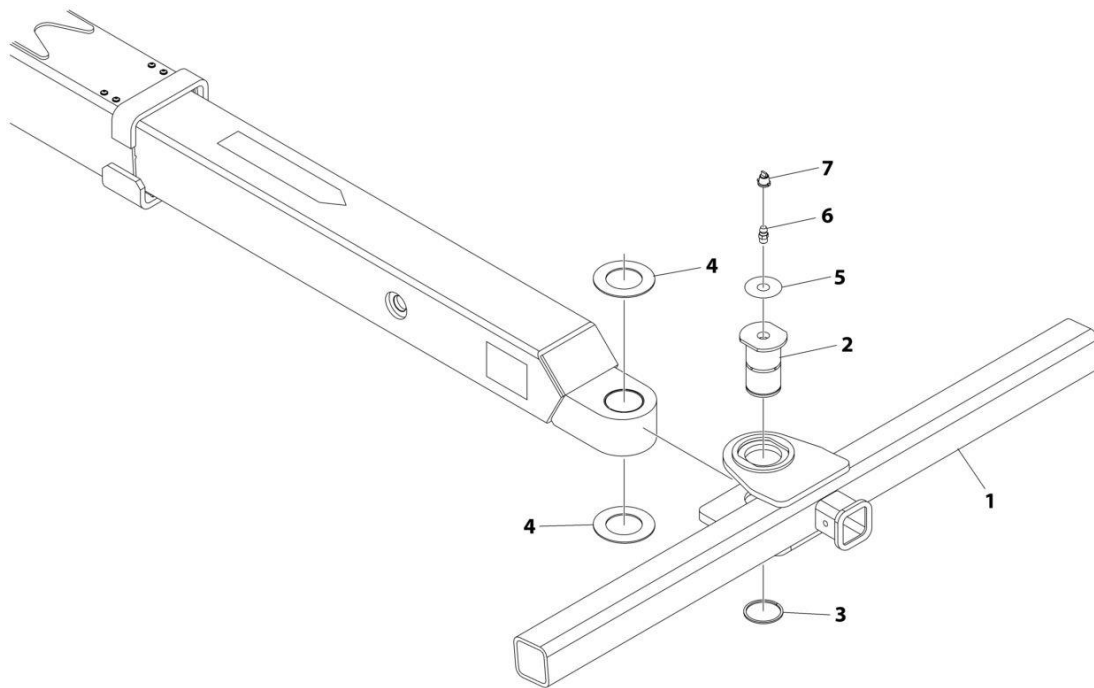
## SECTION 2 - WHEEL LIFT

**FIGURE 2-46. PIVOT TUBE INSTALLATION - IRL (MANUAL & T37 L-ARMS WITH BALL)**

ITEM	PART NUMBER	QTY	DESCRIPTION	REV
	1001158672	Ref	IRL PIVOT TUBE INSTALLATION - (3000 LBS) (BALL)	A
1	3913000093	1	Tube	
2	4691000278	1	Pin	
3	7754000024	1	Ring	
4	4949000047	2	Washer	
5	7330000609	1	Decal, Grease Required	
6	7440030000	1	Fitting	
7	7253000002	1	Fitting, Cap	
8	3020039	AR	Lubricant (Not Shown)	
9	3020029	AR	Lube Bearing Grease (Not Shown)	

## SECTION 2 - WHEEL LIFT

FIGURE 2-47. PIVOT TUBE INSTALLATION - IRL (MANUAL & T37 L-ARMS WITH 2IN HITCH)



ART\_1001158675



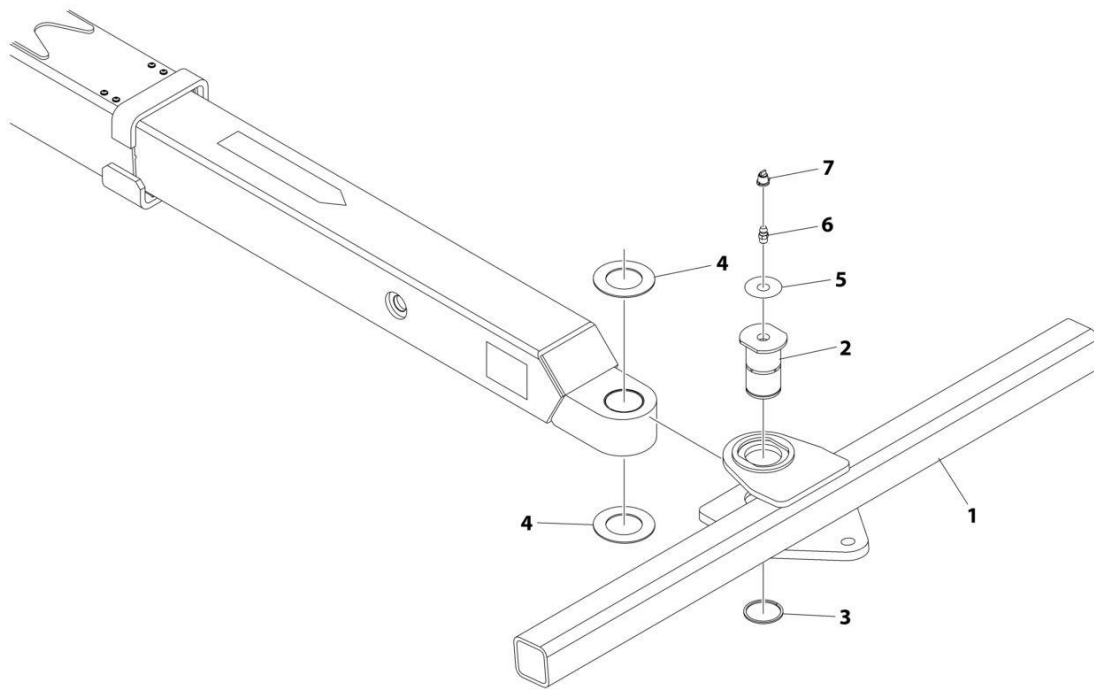
## SECTION 2 - WHEEL LIFT

**FIGURE 2-47. PIVOT TUBE INSTALLATION - IRL (MANUAL & T37 L-ARMS WITH 2IN HITCH)**

ITEM	PART NUMBER	QTY	DESCRIPTION	REV
	1001158675	Ref	IRL PIVOT TUBE INSTALLATION - (3000 LBS) (2 IN TOW HITCH)	A
1	3913000098	1	Tube	
2	4691000278	1	Pin	
3	7754000024	1	Ring	
4	4949000047	2	Washer	
5	7330000609	1	Decal, Grease Required	
6	7440030000	1	Fitting	
7	7253000002	1	Fitting, Cap	
8	3020039	AR	Lubricant (Not Shown)	
9	3020029	AR	Lube Bearing Grease (Not Shown)	

## SECTION 2 - WHEEL LIFT

FIGURE 2-48. PIVOT TUBE INSTALLATION - ZOD (MANUAL & T37 L-ARMS WITH BALL)



ART\_1001158673

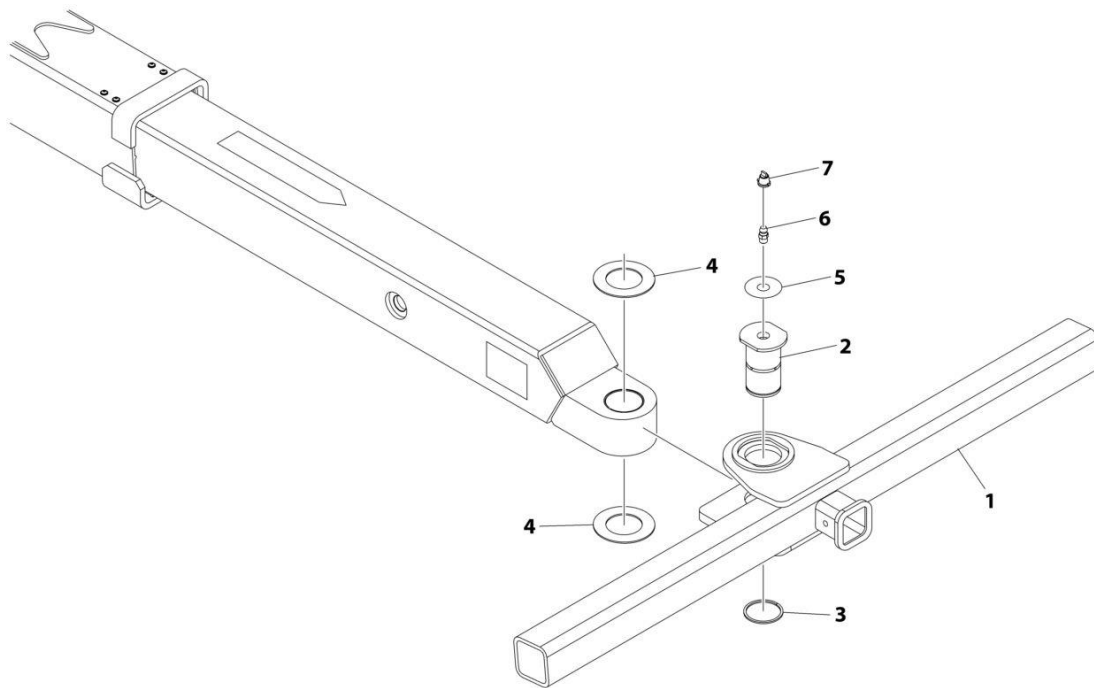
## SECTION 2 - WHEEL LIFT

**FIGURE 2-48. PIVOT TUBE INSTALLATION - ZOD (MANUAL & T37 L-ARMS WITH BALL)**

ITEM	PART NUMBER	QTY	DESCRIPTION	REV
	1001158673	Ref	PIVOT TUBE INSTALLATION - (3000 LBS) (BALL)	A
1	3913000096	1	Tube	
2	4691000278	1	Pin	
3	7754000024	1	Ring	
4	4949000047	2	Washer	
5	7330000609	1	Decal, Grease Required	
6	7440030000	1	Fitting	
7	7253000002	1	Fitting, Cap	
8	3020039	AR	Lubricant (Not Shown)	
9	3020029	AR	Lube Bearing Grease (Not Shown)	

## SECTION 2 - WHEEL LIFT

FIGURE 2-49. PIVOT TUBE INSTALLATION - ZOD (MANUAL & T37 L-ARMS WITH 2IN HITCH)



ART\_1001158676

## SECTION 2 - WHEEL LIFT

**FIGURE 2-49. PIVOT TUBE INSTALLATION - ZOD (MANUAL & T37 L-ARMS WITH 2IN HITCH)**

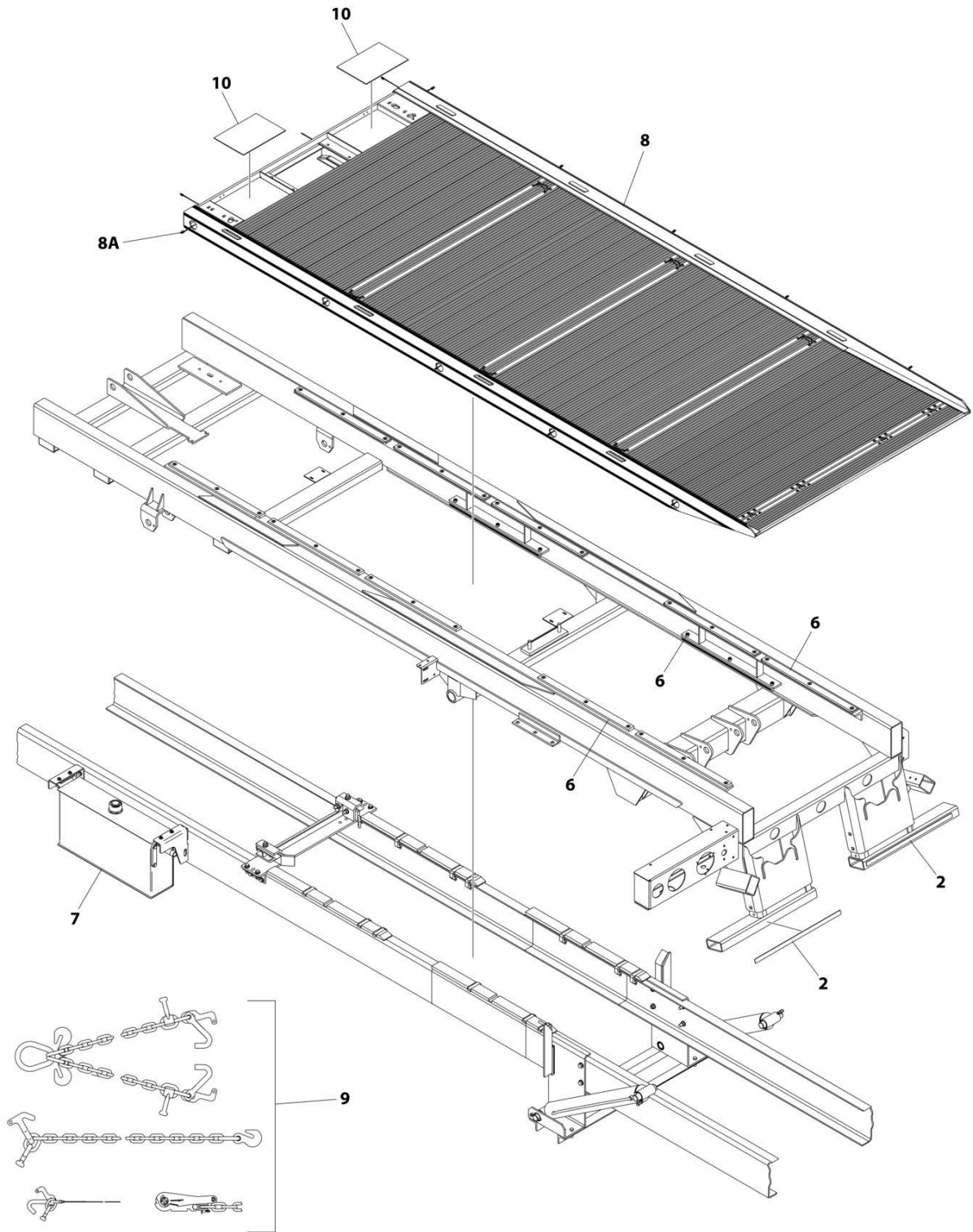
ITEM	PART NUMBER	QTY	DESCRIPTION	REV
	1001158676	Ref	PIVOT TUBE INSTALLATION - (3000 LBS) (2 IN TOW HITCH)	A
1	3913000099	1	Tube	
2	4691000278	1	Pin	
3	7754000024	1	Ring	
4	4949000047	2	Washer	
5	7330000609	1	Decal, Grease Required	
6	7440030000	1	Fitting	
7	7253000002	1	Fitting, Cap	
8	3020039	AR	Lubricant (Not Shown)	
9	3020029	AR	Lube Bearing Grease (Not Shown)	



**SECTION 3 - DECK**

# SECTION 3 - DECK

## FIGURE 3-1. DECK INSTALLATION - ALUMINUM 19FT X 96IN FIXED RAIL



ART\_19NGAF



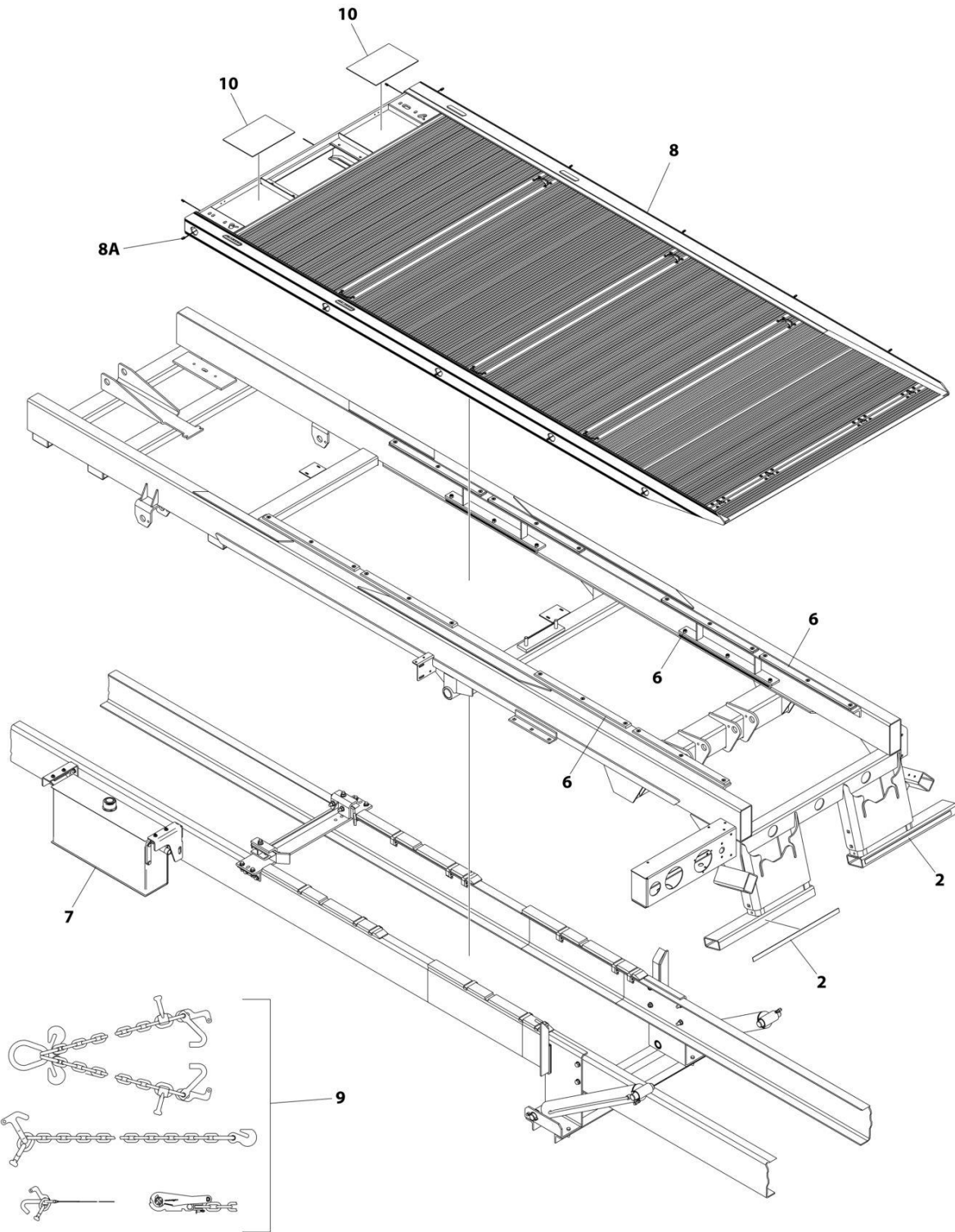
## SECTION 3 - DECK

**FIGURE 3-1. DECK INSTALLATION - ALUMINUM 19FT X 96IN FIXED RAIL**

ITEM	PART NUMBER	QTY	DESCRIPTION	REV
	19NGAF	Ref	DECK INSTALLATION, ALUMINUM FIXED RAIL (19FT X 96IN)	C
1	2330000038	1	Standard Duty Decals Installation (Not Shown - See Separate Breakdown in DECAL Section)	
2	2330000055	Ref	Conspicuity Decal Installation	
2	7330000428	2	Decal - Red/White Reflective	
6	2679000002	1	Pad Installation Slide 19ft Standard Duty (See Separate Breakdown in SUBFRAME Section)	
7	2750000008	1	Hydraulic Reservoir and Bracket Mount (See Separate Breakdown in HYDRAULIC Section)	
8	3097000655	1	Deck Installation, 19ft (Aluminium)	
8A	7552000212	1	Deck Light Harness	
9	7577000208	1	Chain/Tie-Down Kit	
10	7679000017	2	Chain Tray Mat	

# SECTION 3 - DECK

## FIGURE 3-2. DECK INSTALLATION - ALUMINUM 19FT X 96IN DUAL ANGLE FIXED RAIL



ART\_19NGADF

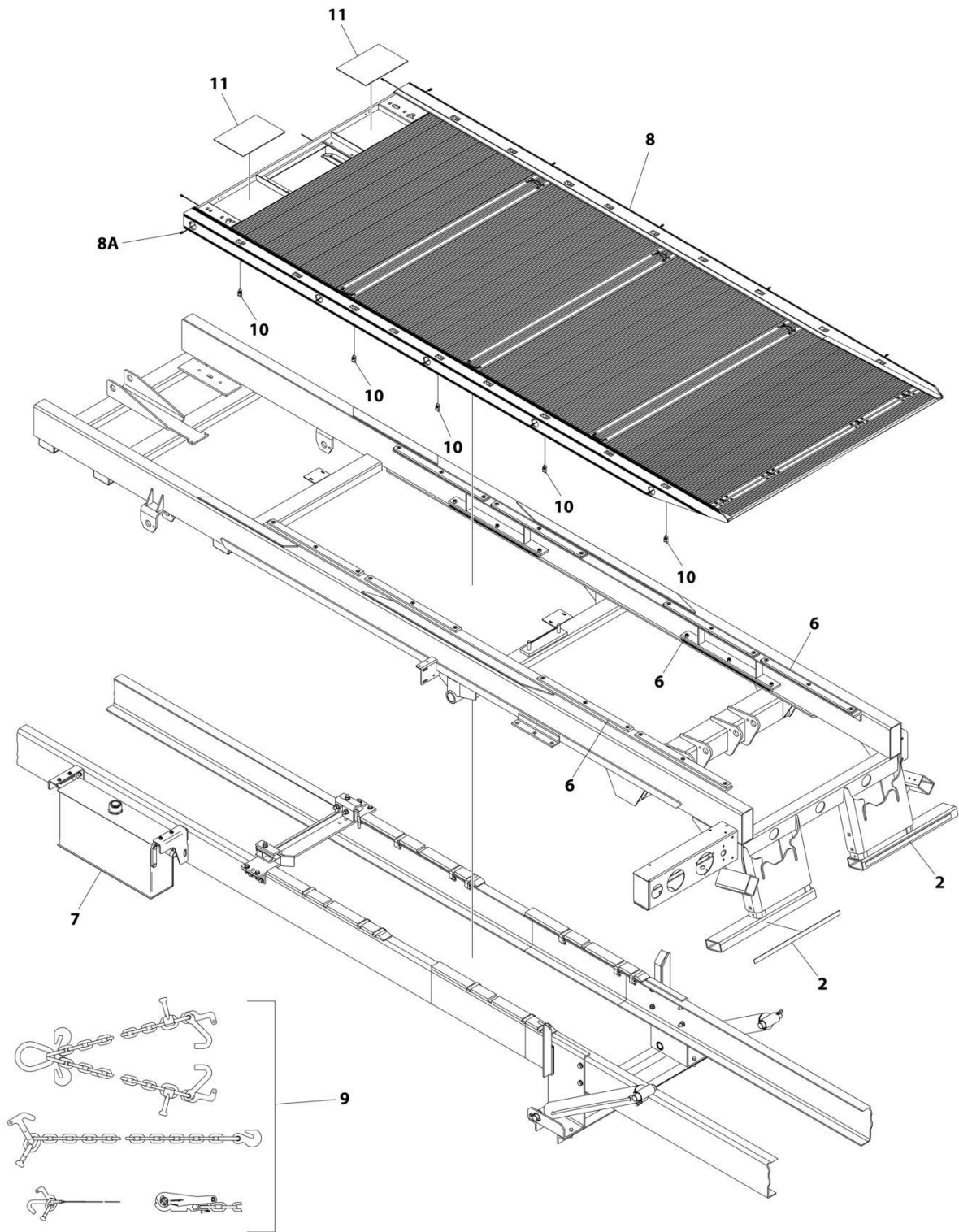
## SECTION 3 - DECK

**FIGURE 3-2. DECK INSTALLATION - ALUMINUM 19FT X 96IN DUAL ANGLE FIXED RAIL**

ITEM	PART NUMBER	QTY	DESCRIPTION	REV
	19NGADF	Ref	DECK INSTALLATION, ALUMINUM DUAL ANGLE FIXED RAIL (19FT X 96IN)	C
1	2330000038	1	Standard Duty Decals Installation (Not Shown - See Separate Breakdown in DECAL Section)	
2	2330000055	Ref	Conspicuity Decal Installation	
2	7330000428	2	Decal - Red/White Reflective	
6	2679000002	1	Main Subframe Pad Installation (See Separate Breakdown in SUBFRAME Section)	
7	2750000008	1	Hydraulic Reservoir and Bracket Mount (See Separate Breakdown in HYDRAULIC Section)	
8	3097000661	1	Deck Installation, 19ft (Aluminium)	
8A	7552000212	1	Deck Light Harness	
9	7577000208	1	Chain/Tie-Down Kit	
10	7679000017	2	Chain Tray Mat	

# SECTION 3 - DECK

FIGURE 3-3. DECK INSTALLATION - ALUMINUM 19FT X 96IN REMOVABLE RAIL



ART\_19NGAR

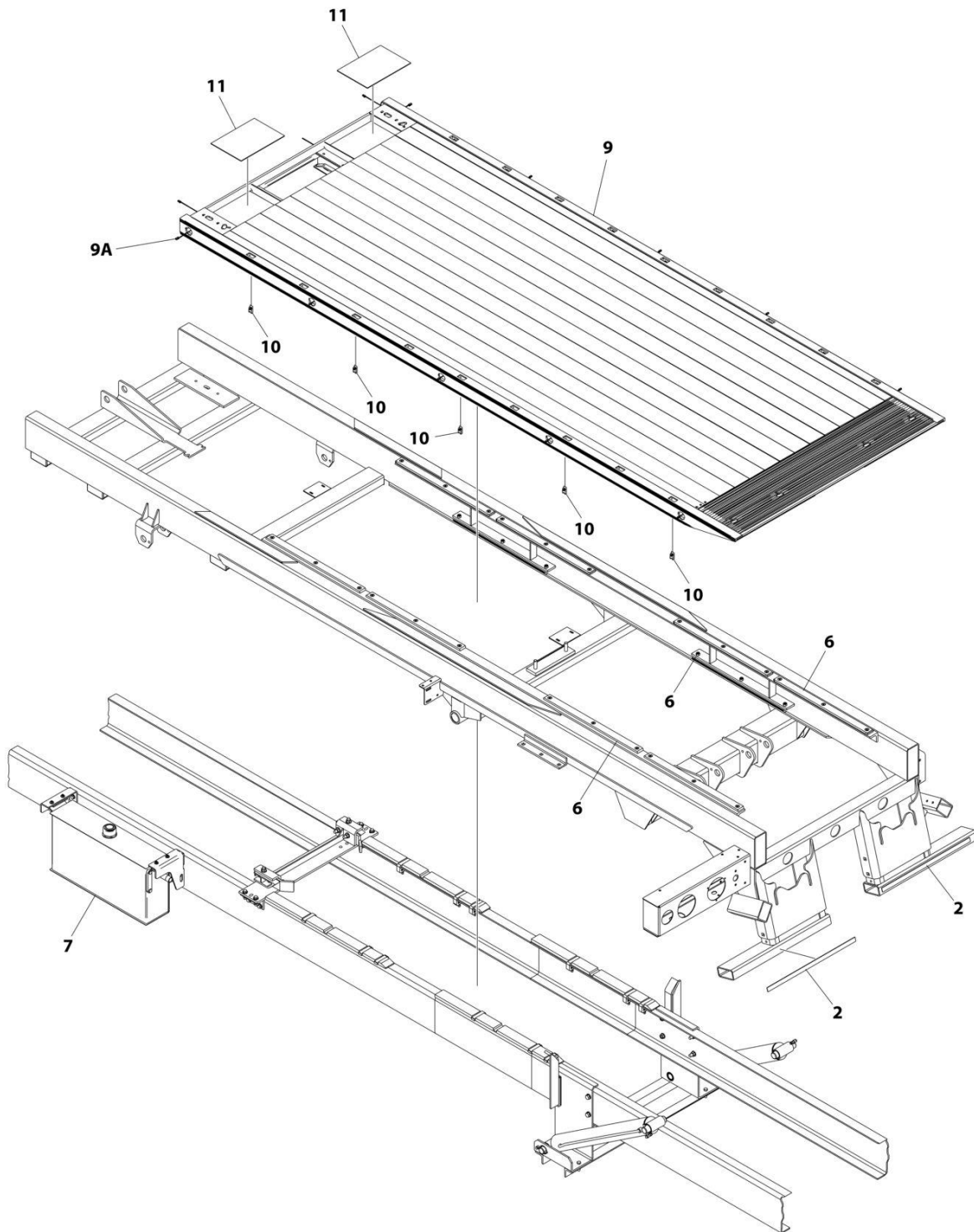
## SECTION 3 - DECK

**FIGURE 3-3. DECK INSTALLATION - ALUMINUM 19FT X 96IN REMOVABLE RAIL**

ITEM	PART NUMBER	QTY	DESCRIPTION	REV
	19NGAR	Ref	DECK INSTALLATION, ALUMINUM REMOVABLE RAIL (19FT X 96IN)	C
1	2330000038	1	Standard Duty Decals Installation (Not Shown - See Separate Breakdown in DECAL Section)	
2	2330000055	Ref	Conspicuity Decal Installation	
2	7330000428	2	Decal - Red/White Reflective	
6	2679000002	1	Main Subframe Pad Installation (See Separate Breakdown in SUBFRAME Section)	
7	2750000008	1	Hydraulic Reservoir and Bracket Mount (See Separate Breakdown in HYDRAULIC Section)	
8	3097000653	1	Deck Installation, 19ft (Aluminium)	
8A	7552000212	1	Deck Light Harness	
9	7577000208	1	Chain/Tie-Down Kit	
10	7661000055	10	Nut 1/2	
11	7679000017	2	Chain Tray Mat	

# SECTION 3 - DECK

## FIGURE 3-4. DECK INSTALLATION - ALUMINUM 19FT X 96IN TRANSPORTER



ART\_19NGAT-8

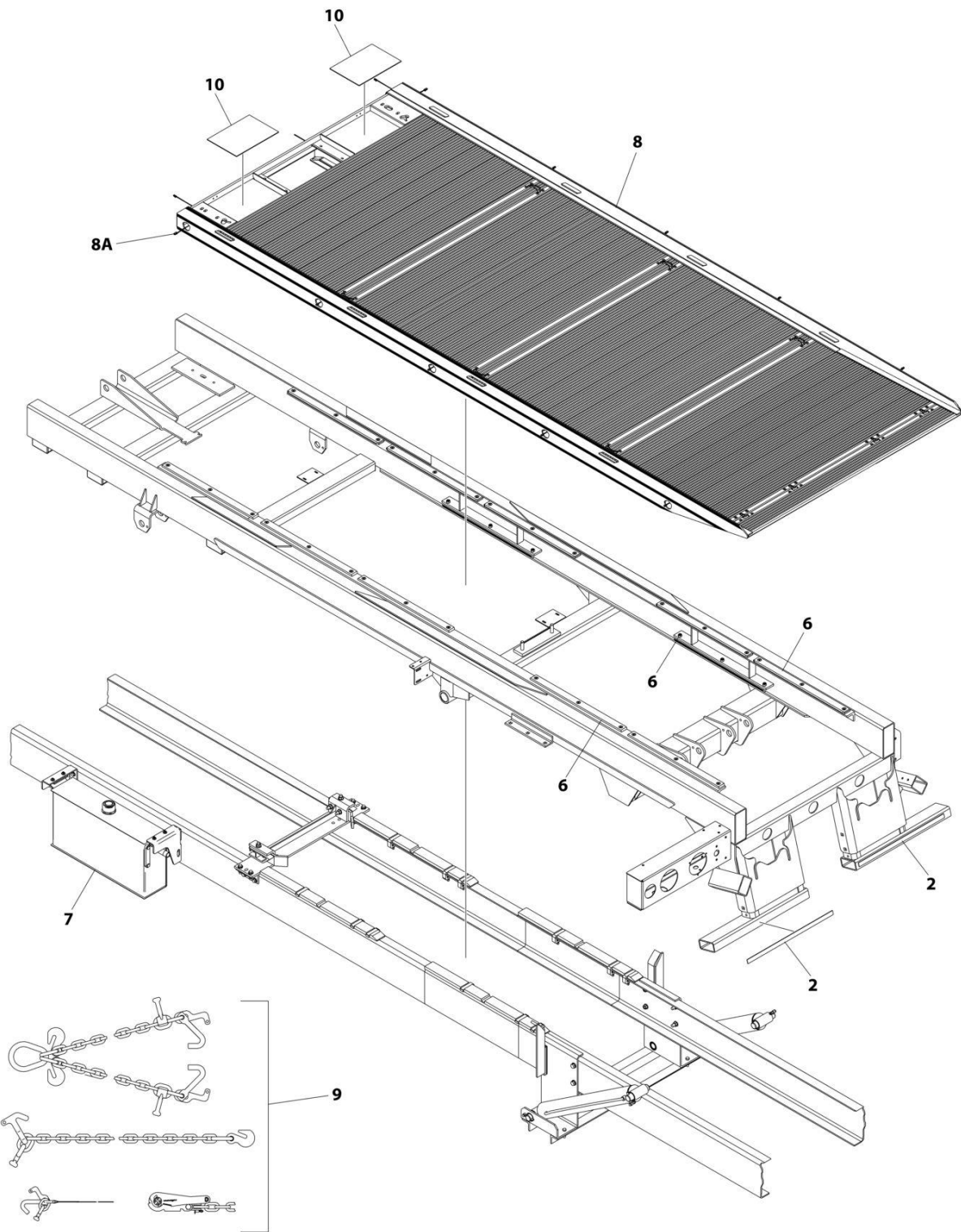
## SECTION 3 - DECK

**FIGURE 3-4. DECK INSTALLATION - ALUMINUM 19FT X 96IN TRANSPORTER**

ITEM	PART NUMBER	QTY	DESCRIPTION	REV
	19NGAT-8	Ref	DECK INSTALLATION, ALUMINUM TRANSPORTER (19FT X 96IN)	C
1	2330000038	1	Standard Duty Decals Installation (Not Shown - See Separate Breakdown in DECAL Section)	
2	2330000055	Ref	Conspicuity Decal Installation	
2	7330000428	2	Decal - Red/White Reflective	
6	2679000002	1	Main Subframe Pad Installation (See Separate Breakdown in SUBFRAME Section)	
7	2750000008	1	Hydraulic Reservoir and Bracket Mount (See Separate Breakdown in HYDRAULIC Section)	
9	3097000659	1	Deck Installation, 19ft (Aluminium)	
9A	7552000212	1	Deck Light Harness	
10	7661000055	10	Nut 1/2	
11	7679000017	2	Chain Tray Mat	

# SECTION 3 - DECK

## FIGURE 3-5. DECK INSTALLATION - ALUMINUM 19FT X 102IN FIXED RAIL



ART\_19NGAF-W



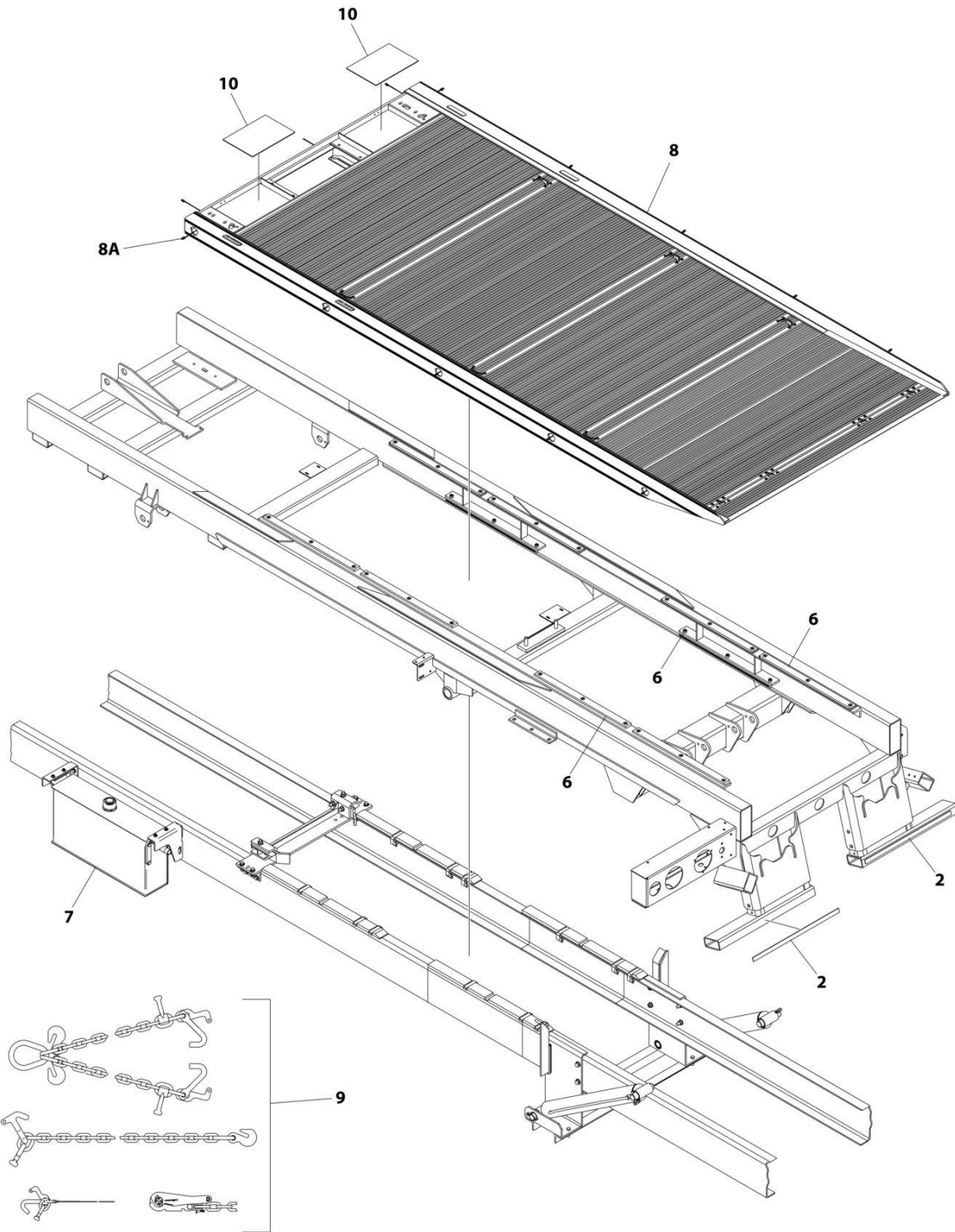
## SECTION 3 - DECK

**FIGURE 3-5. DECK INSTALLATION - ALUMINUM 19FT X 102IN FIXED RAIL**

ITEM	PART NUMBER	QTY	DESCRIPTION	REV
	19NGAF-W	Ref	DECK INSTALLATION, ALUMINUM FIXED RAIL (19FT X 102IN)	C
1	2330000038	1	Standard Duty Decals Installation (Not Shown - See Separate Breakdown in DECAL Section)	
2	2330000055	Ref	Conspicuity Decal Installation	
2	7330000428	2	Decal - Red/White Reflective	
6	2679000002	1	Pad Installation Slide 19ft Standard Duty (See Separate Breakdown in SUBFRAME Section)	
7	2750000008	1	Hydraulic Reservoir and Bracket Mount (See Separate Breakdown in HYDRAULIC Section)	
8	3097000656	1	Deck Installation, 19ft (Aluminium)	
8A	7552000212	1	Deck Light Harness	
9	7577000208	1	Chain/Tie-Down Kit	
10	7679000017	2	Chain Tray Mat	

# SECTION 3 - DECK

## FIGURE 3-6. DECK INSTALLATION - ALUMINUM 19FT X102IN DUAL ANGLE FIXED RAIL



ART\_19NGADF-W

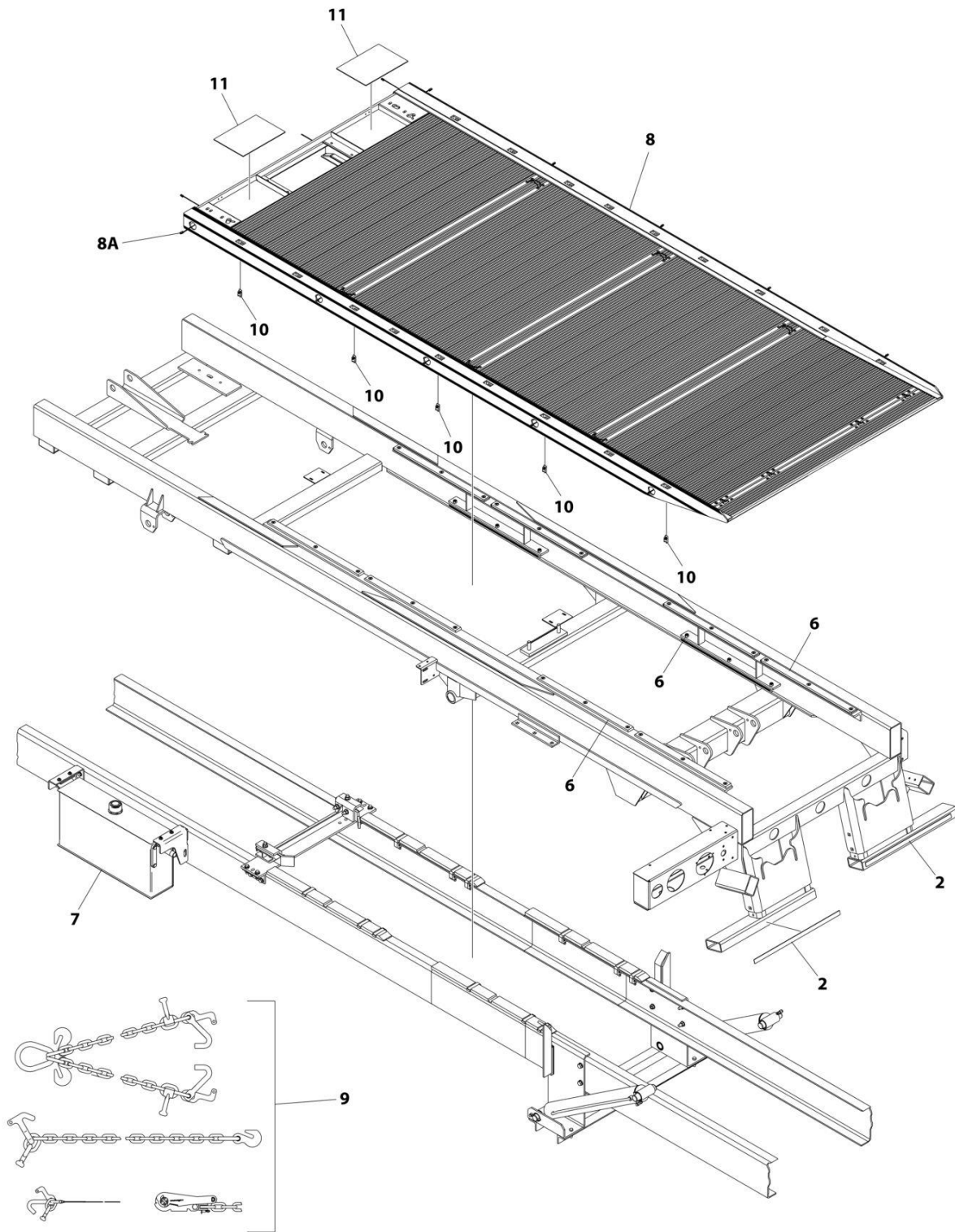
## SECTION 3 - DECK

**FIGURE 3-6. DECK INSTALLATION - ALUMINUM 19FT X102IN DUAL ANGLE FIXED RAIL**

ITEM	PART NUMBER	QTY	DESCRIPTION	REV
	19NGADF-W	Ref	DECK INSTALLATION, ALUMINUM DUAL ANGLE FIXED RAIL (19FT X 102IN)	C
1	2330000038	1	Standard Duty Decals Installation (Not Shown - See Separate Breakdown in DECAL Section)	
2	2330000055	Ref	Conspicuity Decal Installation	
2	7330000428	2	Decal - Red/White Reflective	
6	2679000002	1	Main Subframe Pad Installation (See Separate Breakdown in SUBFRAME Section)	
7	2750000008	1	Hydraulic Reservoir and Bracket Mount (See Separate Breakdown in HYDRAULIC Section)	
8	3097000662	1	Deck Installation, 19ft (Aluminium)	
8A	7552000212	1	Deck Light Harness	
9	7577000208	1	Chain/Tie-Down Kit	
10	7679000017	2	Chain Tray Mat	

# SECTION 3 - DECK

## FIGURE 3-7. DECK INSTALLATION - ALUMINUM 19FT X 102IN REMOVABLE RAIL



ART\_19NGAR-W

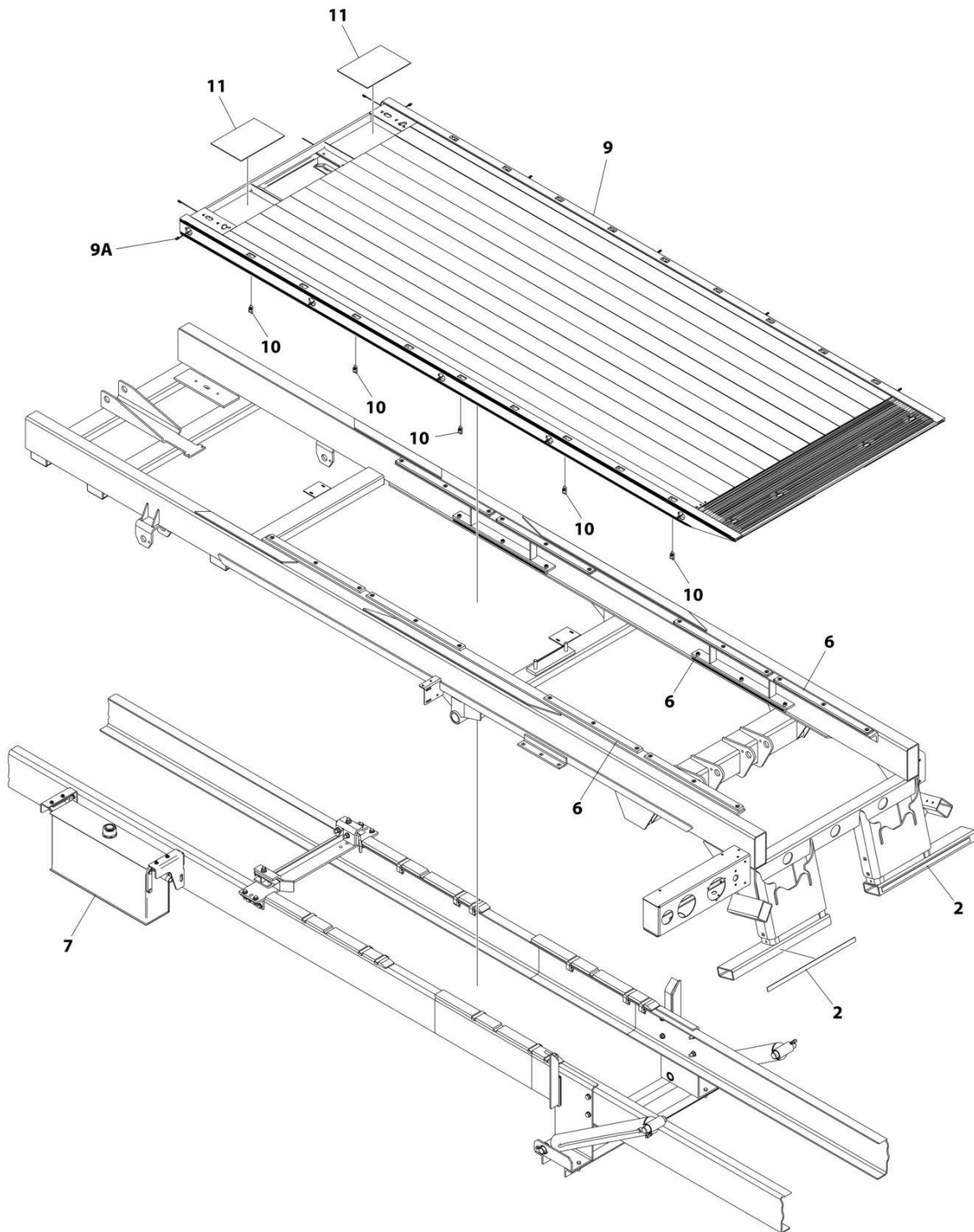
## SECTION 3 - DECK

**FIGURE 3-7. DECK INSTALLATION - ALUMINUM 19FT X 102IN REMOVABLE RAIL**

ITEM	PART NUMBER	QTY	DESCRIPTION	REV
	19NGAR-W	Ref	DECK INSTALLATION, ALUMINUM REMOVABLE RAIL (19FT X 102IN)	C
1	2330000038	1	Standard Duty Decals Installation (Not Shown - See Separate Breakdown in DECAL Section)	
2	2330000055	Ref	Conspicuity Decal Installation	
2	7330000428	2	Decal - Red/White Reflective	
6	2679000002	1	Main Subframe Pad Installation (See Separate Breakdown in SUBFRAME Section)	
7	2750000008	1	Hydraulic Reservoir and Bracket Mount (See Separate Breakdown in HYDRAULIC Section)	
8	3097000654	1	Deck Installation, 19ft (Aluminium)	
8A	7552000212	1	Deck Light Harness	
9	7577000208	1	Chain/Tie-Down Kit	
10	7661000055	10	Nut 1/2	
11	7679000017	2	Chain Tray Mat	

# SECTION 3 - DECK

## FIGURE 3-8. DECK INSTALLATION - ALUMINUM 19FT X 102IN TRANSPORTER



ART\_19NGAT-8W

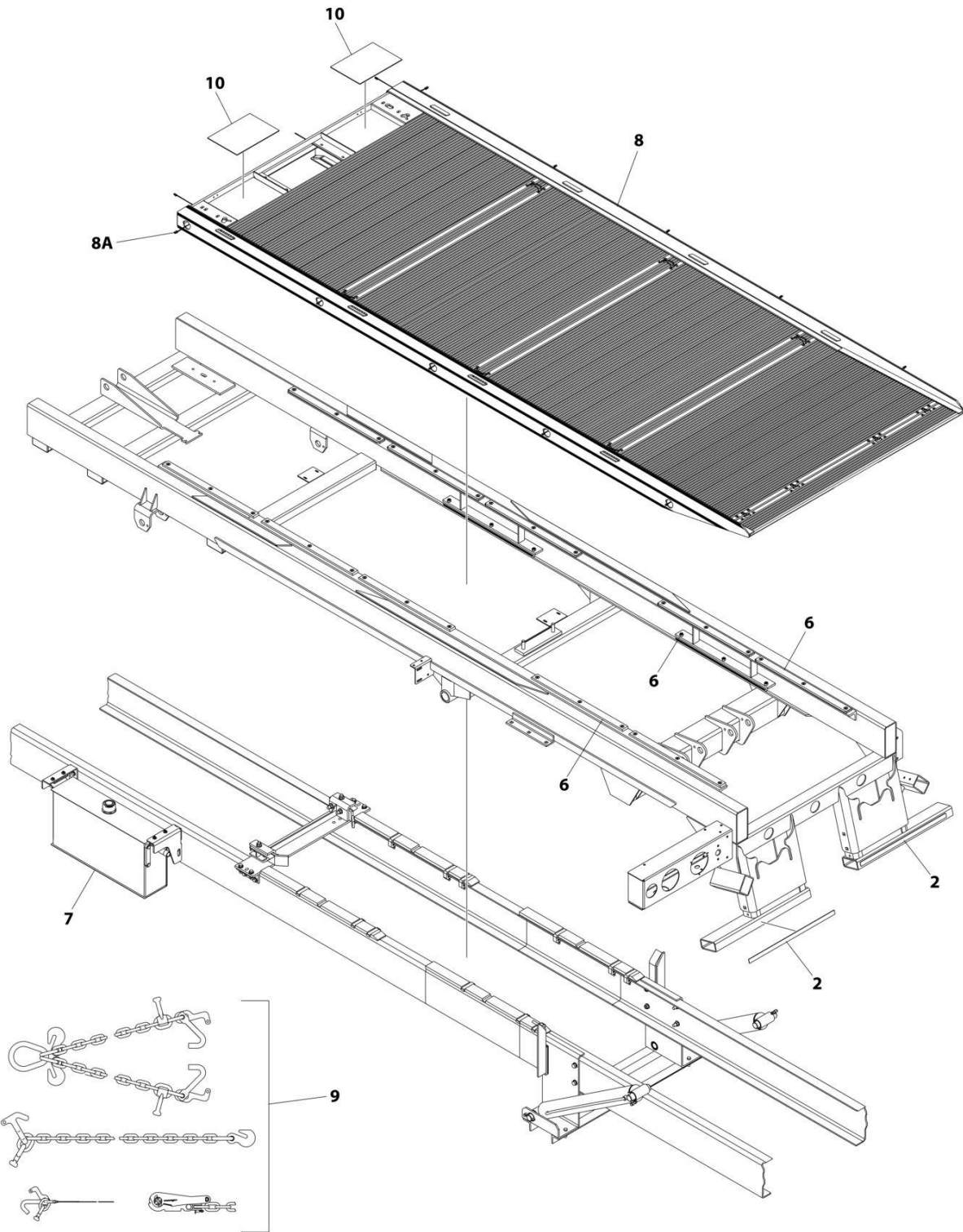
## SECTION 3 - DECK

**FIGURE 3-8. DECK INSTALLATION - ALUMINUM 19FT X 102IN TRANSPORTER**

ITEM	PART NUMBER	QTY	DESCRIPTION	REV
	19NGAT-8W	Ref	DECK INSTALLATION, ALUMINUM TRANSPORTER (19FT X 102IN)	C
1	2330000038	1	Standard Duty Decals Installation (Not Shown - See Separate Breakdown in DECAL Section)	
2	2330000055	Ref	Conspicuity Decal Installation	
2	7330000428	2	Decal - Red/White Reflective	
6	2679000002	1	Main Subframe Pad Installation (See Separate Breakdown in SUBFRAME Section)	
7	2750000008	1	Hydraulic Reservoir and Bracket Mount (See Separate Breakdown in HYDRAULIC Section)	
9	3097000660	1	Deck Installation, 19ft (Aluminium)	
9A	7552000212	1	Deck Light Harness	
10	7661000055	10	Nut 1/2	
11	7679000017	2	Chain Tray Mat	

# SECTION 3 - DECK

## FIGURE 3-9. DECK INSTALLATION - ALUMINUM 20FT X 96IN FIXED RAIL



ART\_20NGAF



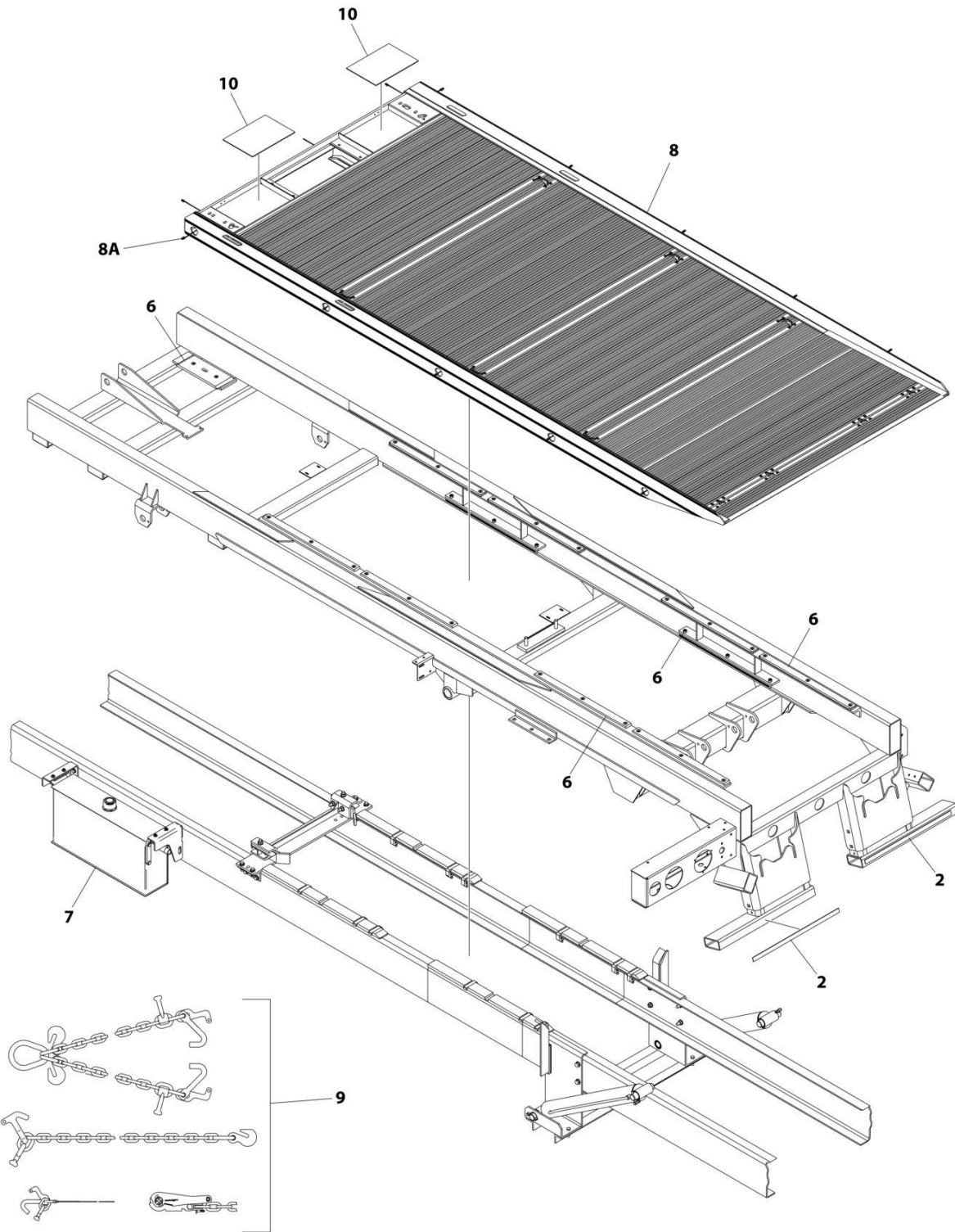
## SECTION 3 - DECK

**FIGURE 3-9. DECK INSTALLATION - ALUMINUM 20FT X 96IN FIXED RAIL**

ITEM	PART NUMBER	QTY	DESCRIPTION	REV
	20NGAF	Ref	DECK INSTALLATION, ALUMINUM FIXED RAIL (20FT X 96IN)	C
1	2330000038	1	Standard Duty Decals Installation (Not Shown - See Separate Breakdown in DECAL Section)	
2	2330000055	Ref	Conspicuity Decal Installation	
2	7330000428	2	Decal - Red/White Reflective	
6	2679000006	1	Pad Installation Slide 20ft Standard Duty (See Separate Breakdown in SUBFRAME Section)	
7	2750000008	1	Hydraulic Reservoir and Bracket Mount (See Separate Breakdown in HYDRAULIC Section)	
8	3097000665	1	Deck Installation, 20ft (Aluminium)	
8A	7552000212	1	Deck Light Harness	
9	7577000208	1	Chain/Tie-Down Kit	
10	7679000017	2	Chain Tray Mat	

# SECTION 3 - DECK

## FIGURE 3-10. DECK INSTALLATION - ALUMINUM 20FT X 96IN DUAL ANGLE FIXED RAIL



ART\_20NGADF

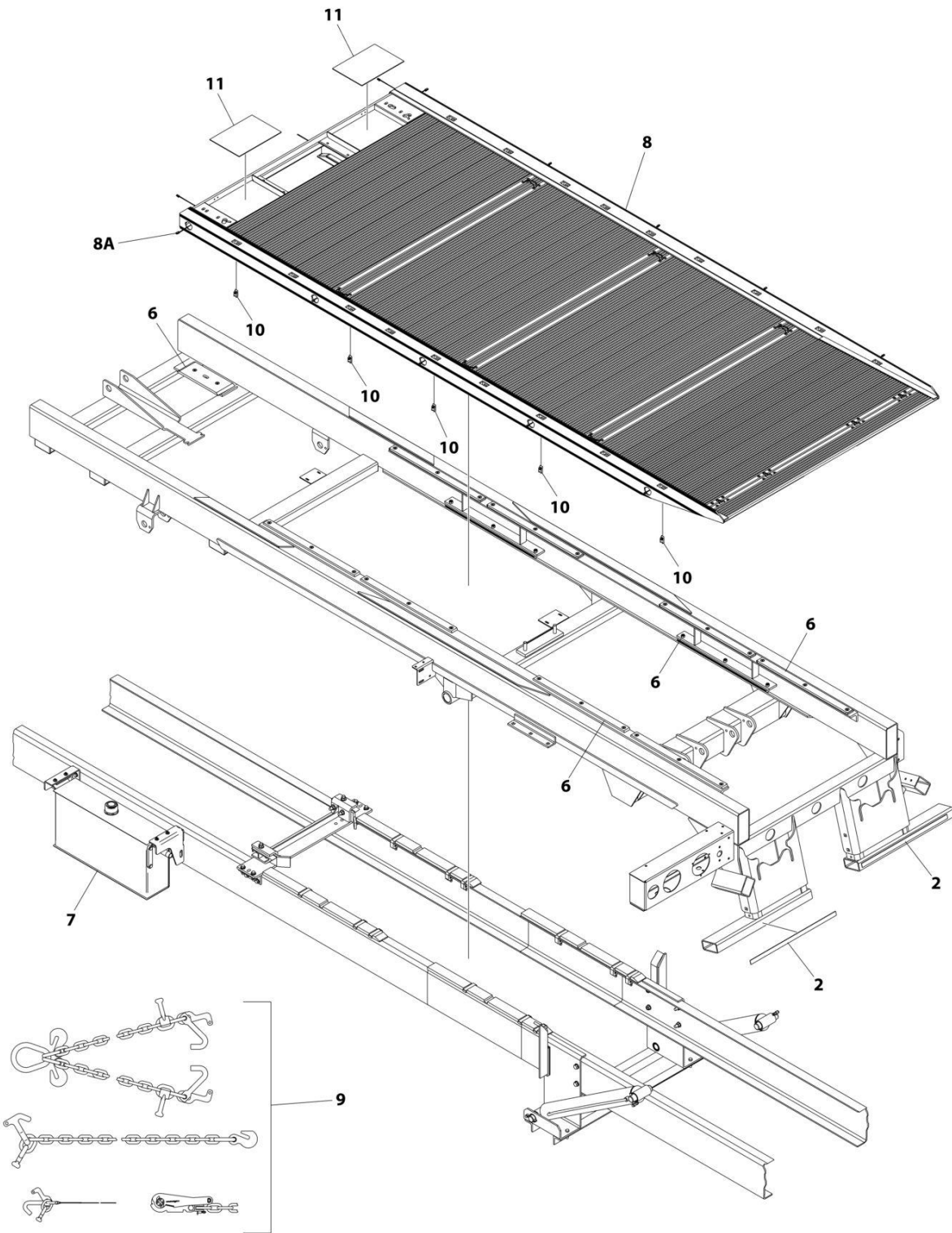
## SECTION 3 - DECK

**FIGURE 3-10. DECK INSTALLATION - ALUMINUM 20FT X 96IN DUAL ANGLE FIXED RAIL**

ITEM	PART NUMBER	QTY	DESCRIPTION	REV
	20NGADF	Ref	DECK INSTALLATION, ALUMINUM DUAL ANGLE FIXED RAIL (20FT X 96IN)	C
1	2330000038	1	Standard Duty Decals Installation (Not Shown - See Separate Breakdown in DECAL Section)	
2	2330000055	Ref	Conspicuity Decal Installation	
2	7330000428	2	Decal - Red/White Reflective	
6	2679000006	1	Main Subframe Pad Installation (See Separate Breakdown in SUBFRAME Section)	
7	2750000008	1	Hydraulic Reservoir and Bracket Mount (See Separate Breakdown in HYDRAULIC Section)	
8	3097000671	1	Deck Installation, 20ft (Aluminium)	
8A	7552000212	1	Deck Light Harness	
9	7577000208	1	Chain/Tie-Down Kit	
10	7679000017	2	Chain Tray Mat	

# SECTION 3 - DECK

## FIGURE 3-11. DECK INSTALLATION - ALUMINUM 20FT X 96IN REMOVABLE RAIL



ART\_20NGAR

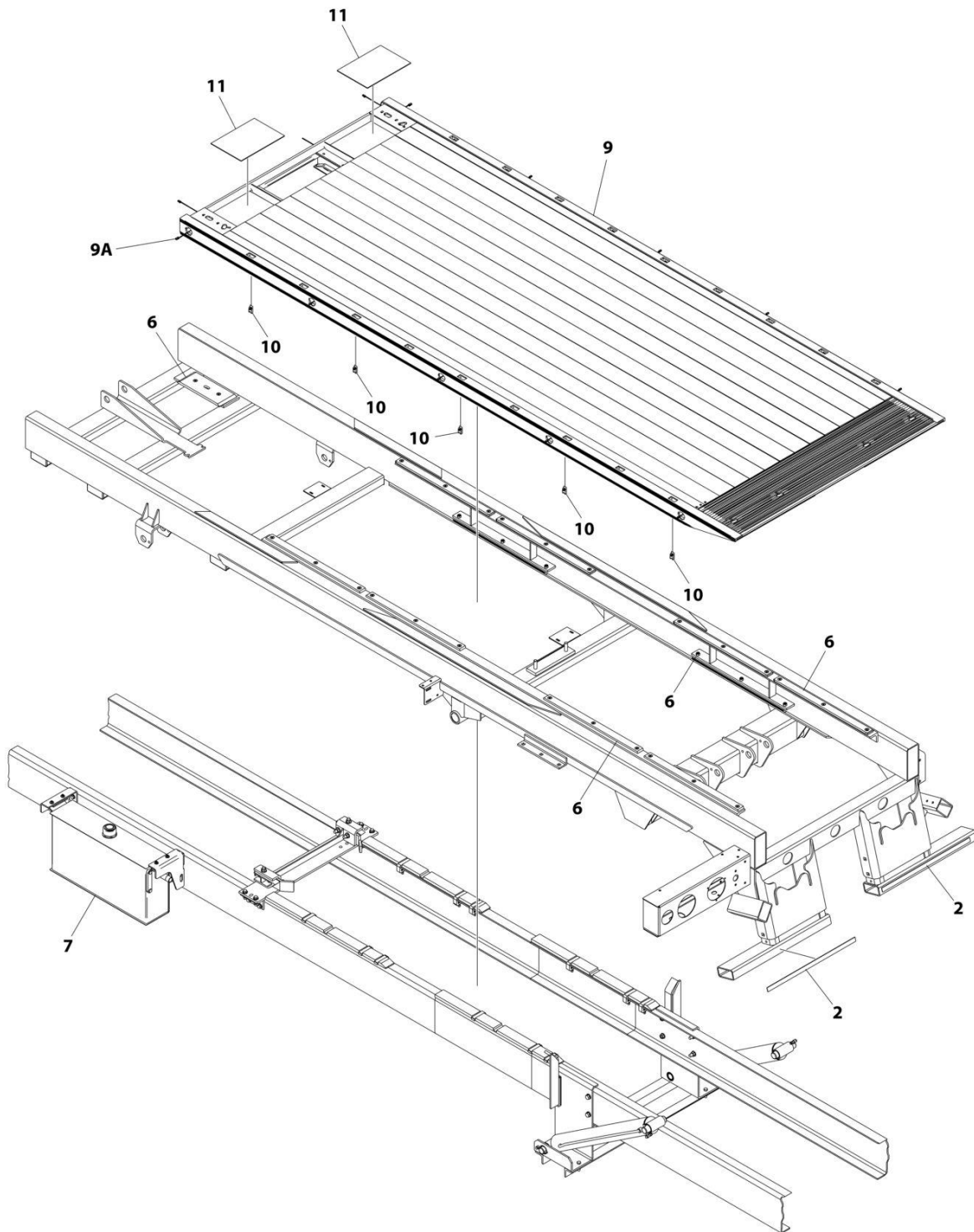
## SECTION 3 - DECK

**FIGURE 3-11. DECK INSTALLATION - ALUMINUM 20FT X 96IN REMOVABLE RAIL**

ITEM	PART NUMBER	QTY	DESCRIPTION	REV
	20NGAR	Ref	DECK INSTALLATION, ALUMINUM REMOVABLE RAIL (20FT X 96IN)	C
1	2330000038	1	Standard Duty Decals Installation (Not Shown - See Separate Breakdown in DECAL Section)	
2	2330000055	Ref	Conspicuity Decal Installation	
2	7330000428	2	Decal - Red/White Reflective	
6	2679000006	1	Main Subframe Pad Installation (See Separate Breakdown in SUBFRAME Section)	
7	2750000008	1	Hydraulic Reservoir and Bracket Mount (See Separate Breakdown in HYDRAULIC Section)	
8	3097000663	1	Deck Installation, 20ft (Aluminium)	
8A	7552000212	1	Deck Light Harness	
9	7577000208	1	Chain/Tie-Down Kit	
10	7661000055	10	Nut 1/2	
11	7679000017	2	Chain Tray Mat	

# SECTION 3 - DECK

## FIGURE 3-12. DECK INSTALLATION - ALUMINUM 20FT X 96IN TRANSPORTER



ART\_20NGAT-8

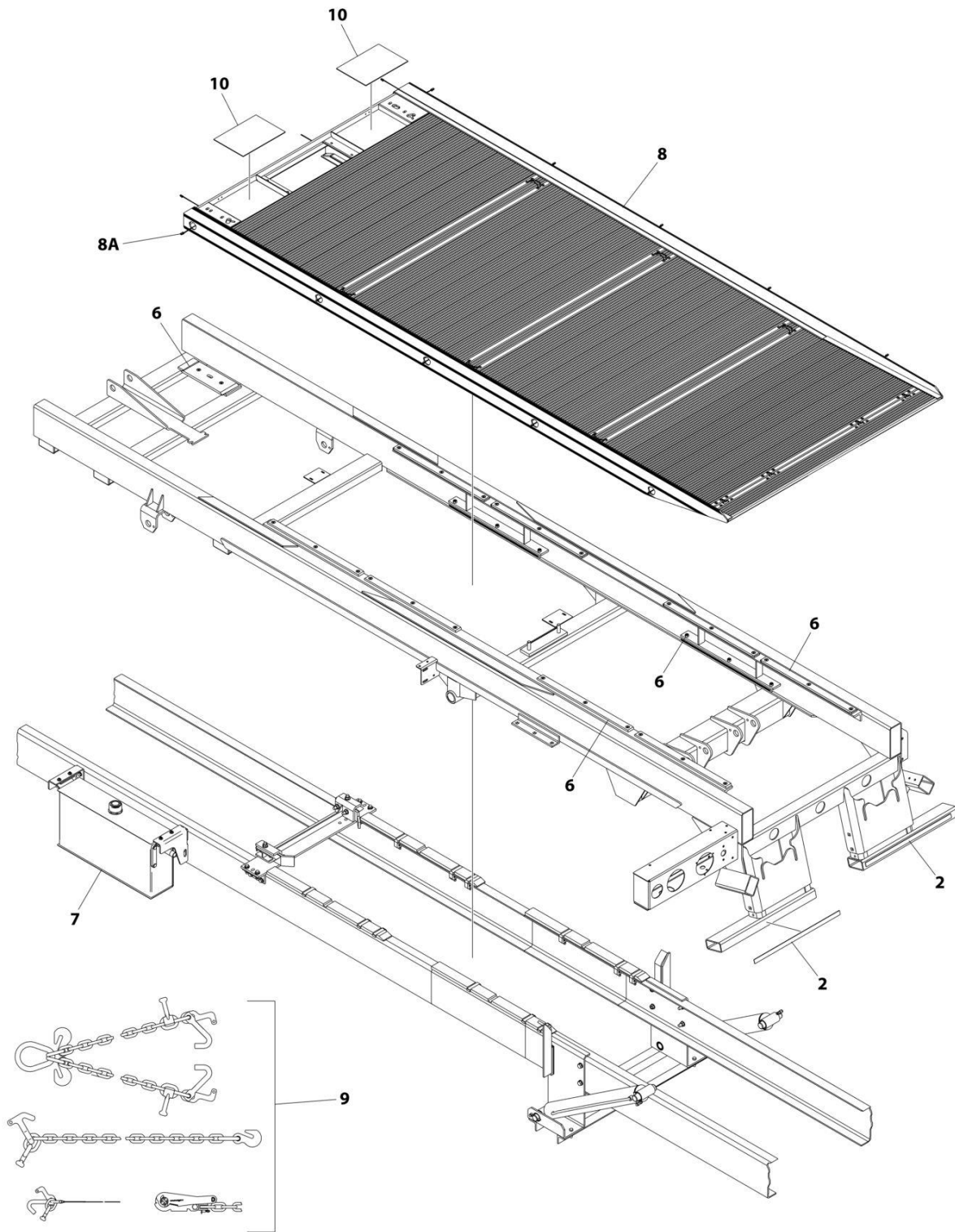
## SECTION 3 - DECK

**FIGURE 3-12. DECK INSTALLATION - ALUMINUM 20FT X 96IN TRANSPORTER**

ITEM	PART NUMBER	QTY	DESCRIPTION	REV
	20NGAT-8	Ref	DECK INSTALLATION, ALUMINUM TRANSPORTER (20FT X 96IN)	C
1	2330000038	1	Standard Duty Decals Installation (Not Shown - See Separate Breakdown in DECAL Section)	
2	2330000055	Ref	Conspicuity Decal Installation	
2	7330000428	2	Decal - Red/White Reflective	
6	2679000006	1	Main Subframe Pad Installation (See Separate Breakdown in SUBFRAME Section)	
7	2750000008	1	Hydraulic Reservoir and Bracket Mount (See Separate Breakdown in HYDRAULIC Section)	
9	3097000669	1	Deck Installation, 20ft (Aluminium)	
9A	7552000212	1	Deck Light Harness	
10	7661000055	10	Nut 1/2	
11	7679000017	2	Chain Tray Mat	

# SECTION 3 - DECK

## FIGURE 3-13. DECK INSTALLATION - ALUMINUM 20FT X 102IN FIXED RAIL



ART\_20NGAF-W



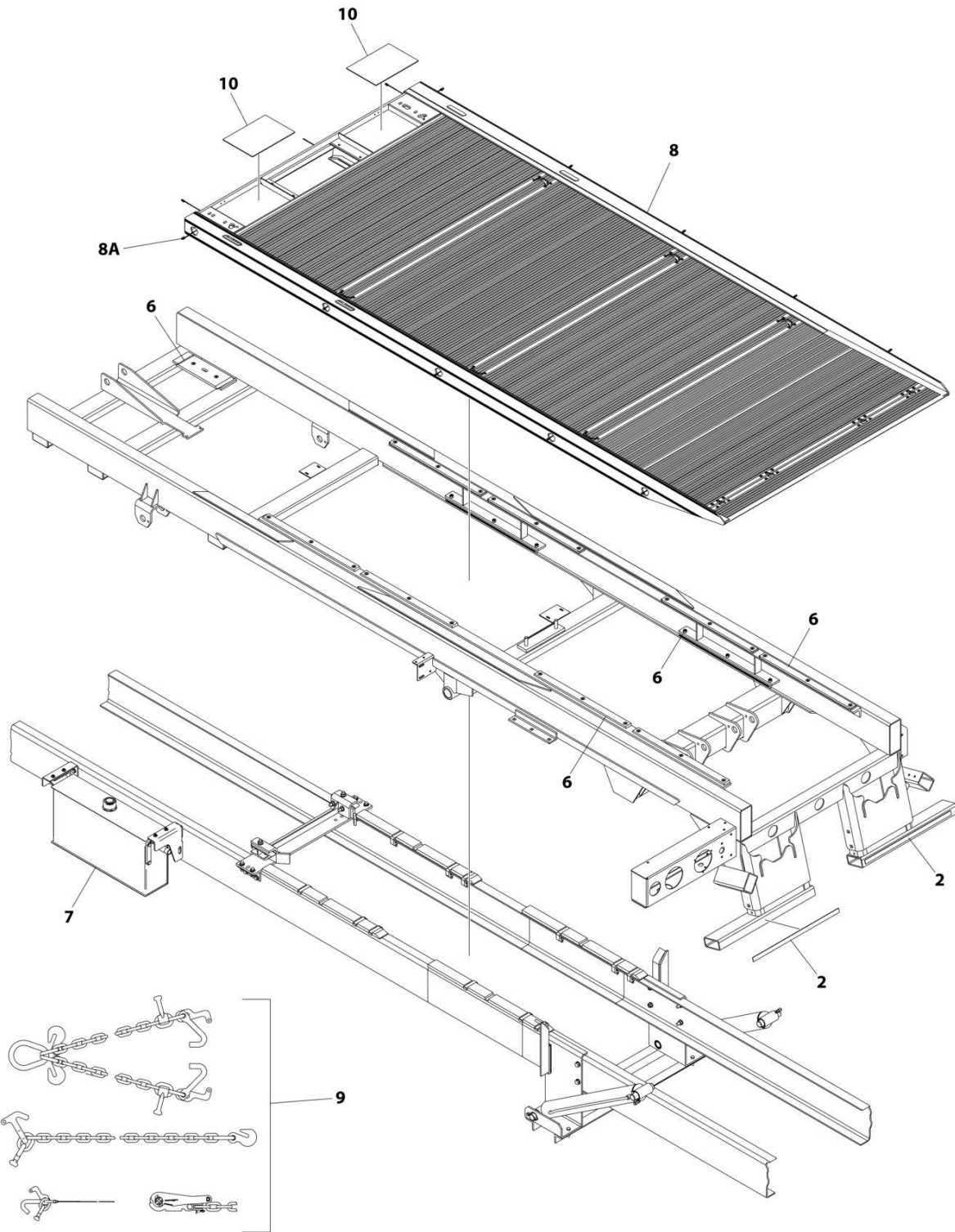
## SECTION 3 - DECK

**FIGURE 3-13. DECK INSTALLATION - ALUMINUM 20FT X 102IN FIXED RAIL**

ITEM	PART NUMBER	QTY	DESCRIPTION	REV
	20NGAF-W	Ref	DECK INSTALLATION, ALUMINUM FIXED RAIL (20FT X 102IN)	C
1	2330000038	1	Standard Duty Decals Installation (Not Shown - See Separate Breakdown in DECAL Section)	
2	2330000055	Ref	Conspicuity Decal Installation	
2	7330000428	2	Decal - Red/White Reflective	
6	2679000006	1	Main Subframe Pad Installation (See Separate Breakdown in SUBFRAME Section)	
7	2750000008	1	Hydraulic Reservoir and Bracket Mount (See Separate Breakdown in HYDRAULIC Section)	
8	3097000666	1	Deck Installation, 30ft (Aluminium)	
8A	7552000212	1	Deck Light Harness	
9	7577000208	1	Chain/Tie-Down Kit	
10	7679000017	2	Chain Tray Mat	

# SECTION 3 - DECK

FIGURE 3-14. DECK INSTALLATION - ALUMINUM 20FT X 102IN DUAL ANGLE FIXED RAIL



ART\_20NGADF-W

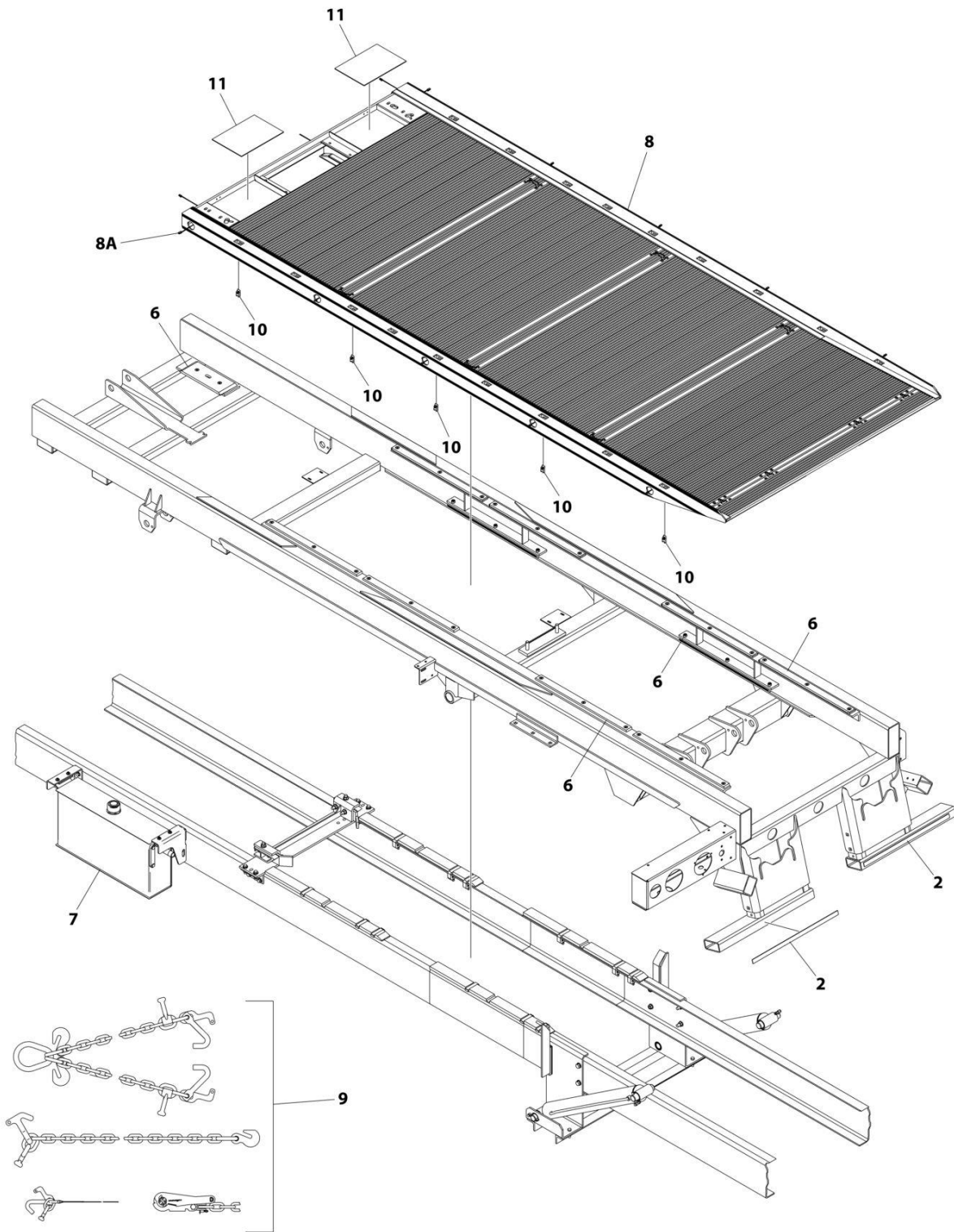
## SECTION 3 - DECK

**FIGURE 3-14. DECK INSTALLATION - ALUMINUM 20FT X 102IN DUAL ANGLE FIXED RAIL**

ITEM	PART NUMBER	QTY	DESCRIPTION	REV
	20NGADF-W	Ref	DECK INSTALLATION, ALUMINUM DUAL ANGLE FIXED RAIL (20FT X 102IN)	C
1	2330000038	1	Standard Duty Decals Installation (Not Shown - See Separate Breakdown in DECAL Section)	
2	2330000055	Ref	Conspicuity Decal Installation	
2	7330000428	2	Decal - Red/White Reflective	
6	2679000006	1	Main Subframe Pad Installation (See Separate Breakdown in SUBFRAME Section)	
7	2750000008	1	Hydraulic Reservoir and Bracket Mount (See Separate Breakdown in HYDRAULIC Section)	
8	3097000672	1	Deck Installation, 20ft (Aluminium)	
8A	7552000212	1	Deck Light Harness	
9	7577000208	1	Chain/Tie-Down Kit	
10	7679000017	2	Chain Tray Mat	

# SECTION 3 - DECK

## FIGURE 3-15. DECK INSTALLATION - ALUMINUM 20FT X 102IN REMOVABLE RAIL



ART\_20NGAR-W

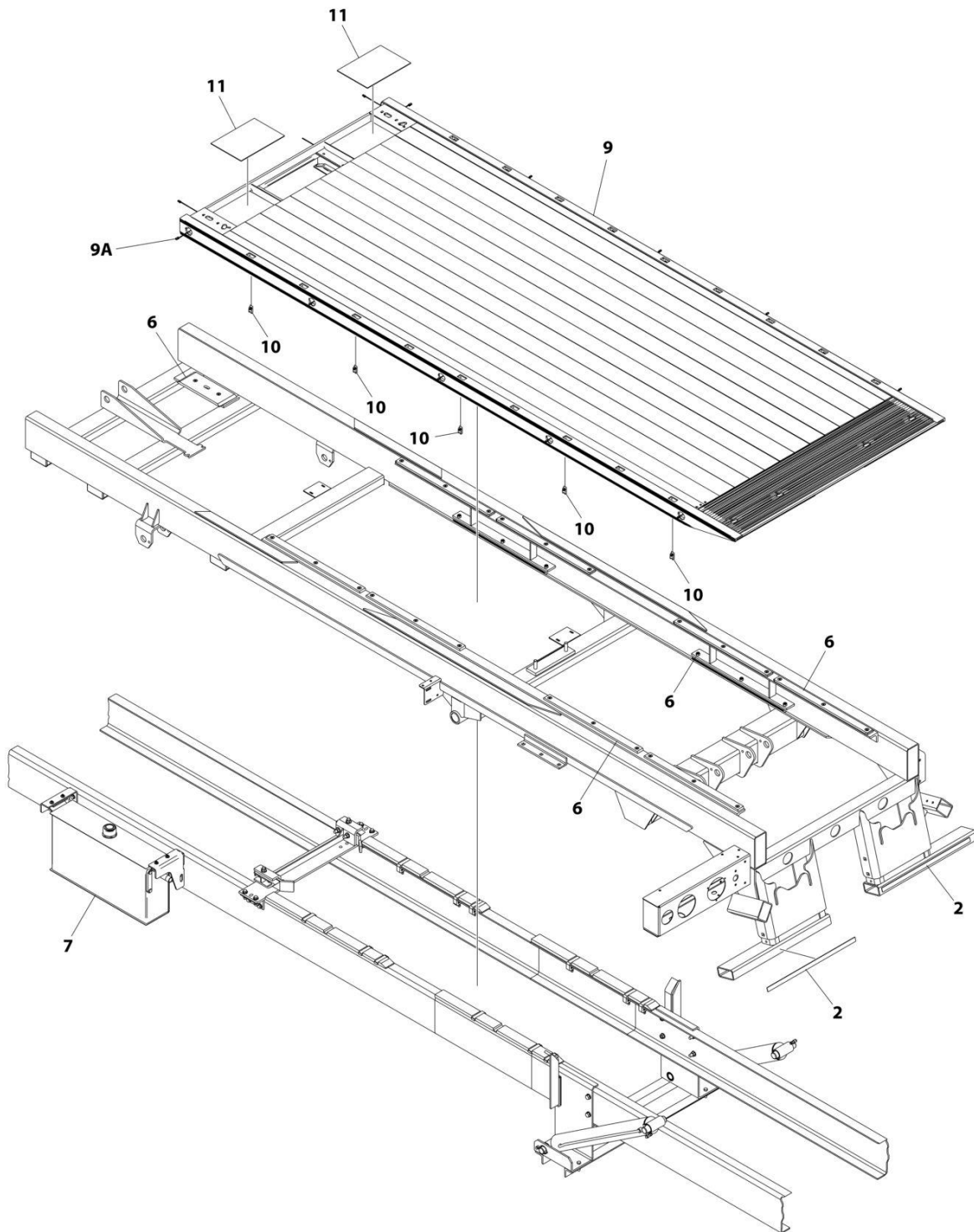
## SECTION 3 - DECK

**FIGURE 3-15. DECK INSTALLATION - ALUMINUM 20FT X 102IN REMOVABLE RAIL**

ITEM	PART NUMBER	QTY	DESCRIPTION	REV
	20NGAR-W	Ref	DECK INSTALLATION, ALUMINUM REMOVABLE RAIL (20FT X 102IN)	C
1	2330000038	1	Standard Duty Decals Installation (Not Shown - See Separate Breakdown in DECAL Section)	
2	2330000055	Ref	Conspicuity Decal Installation	
2	7330000428	2	Decal - Red/White Reflective	
6	2679000006	1	Main Subframe Pad Installation (See Separate Breakdown in SUBFRAME Section)	
7	2750000008	1	Hydraulic Reservoir and Bracket Mount (See Separate Breakdown in HYDRAULIC Section)	
8	3097000664	1	Deck Installation, 20ft (Aluminium)	
8A	7552000212	1	Deck Light Harness	
9	7577000208	1	Chain/Tie-Down Kit	
10	7661000055	10	Nut 1/2	
11	7679000017	2	Chain Tray Mat	

# SECTION 3 - DECK

## FIGURE 3-16. DECK INSTALLATION - ALUMINUM 20FT X 102IN TRANSPORTER



ART\_20NGAT-8W

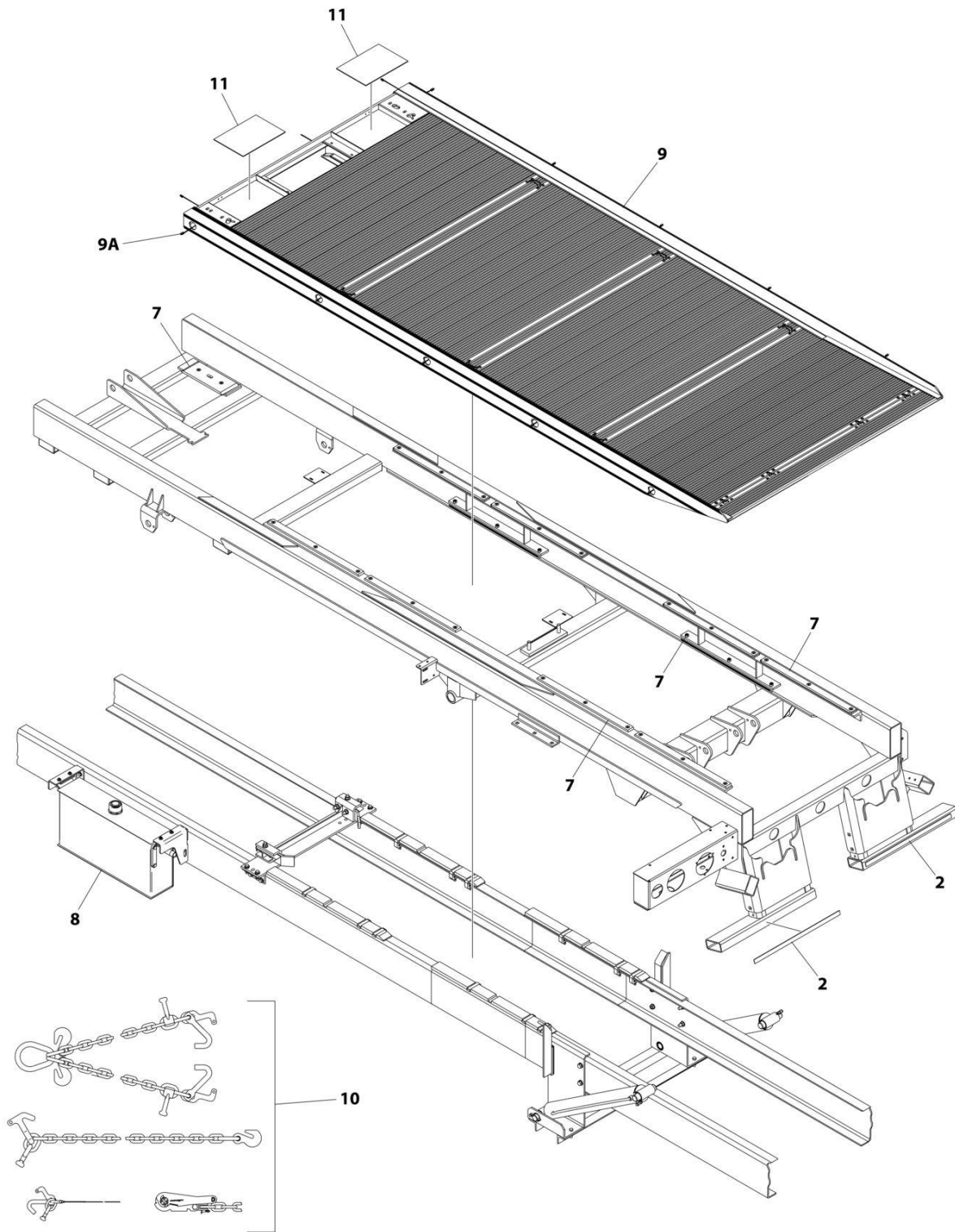
## SECTION 3 - DECK

**FIGURE 3-16. DECK INSTALLATION - ALUMINUM 20FT X 102IN TRANSPORTER**

ITEM	PART NUMBER	QTY	DESCRIPTION	REV
	20NGAT-8W	Ref	DECK INSTALLATION, ALUMINUM TRANSPORTER (20FT X 102IN)	C
1	2330000038	1	Standard Duty Decals Installation (Not Shown - See Separate Breakdown in DECAL Section)	
2	2330000055	Ref	Conspicuity Decal Installation	
2	7330000428	2	Decal - Red/White Reflective	
6	2679000006	1	Main Subframe Pad Installation (See Separate Breakdown in SUBFRAME Section)	
7	2750000008	1	Hydraulic Reservoir and Bracket Mount (See Separate Breakdown in HYDRAULIC Section)	
9	3097000670	1	Deck Installation, 20ft (Aluminium)	
9A	7552000212	1	Deck Light Harness	
10	7661000055	10	Nut 1/2	
11	7679000017	2	Chain Tray Mat	

# SECTION 3 - DECK

## FIGURE 3-17. DECK INSTALLATION - ALUMINUM 21FT X 90IN FIXED RAIL



ART\_1001130179



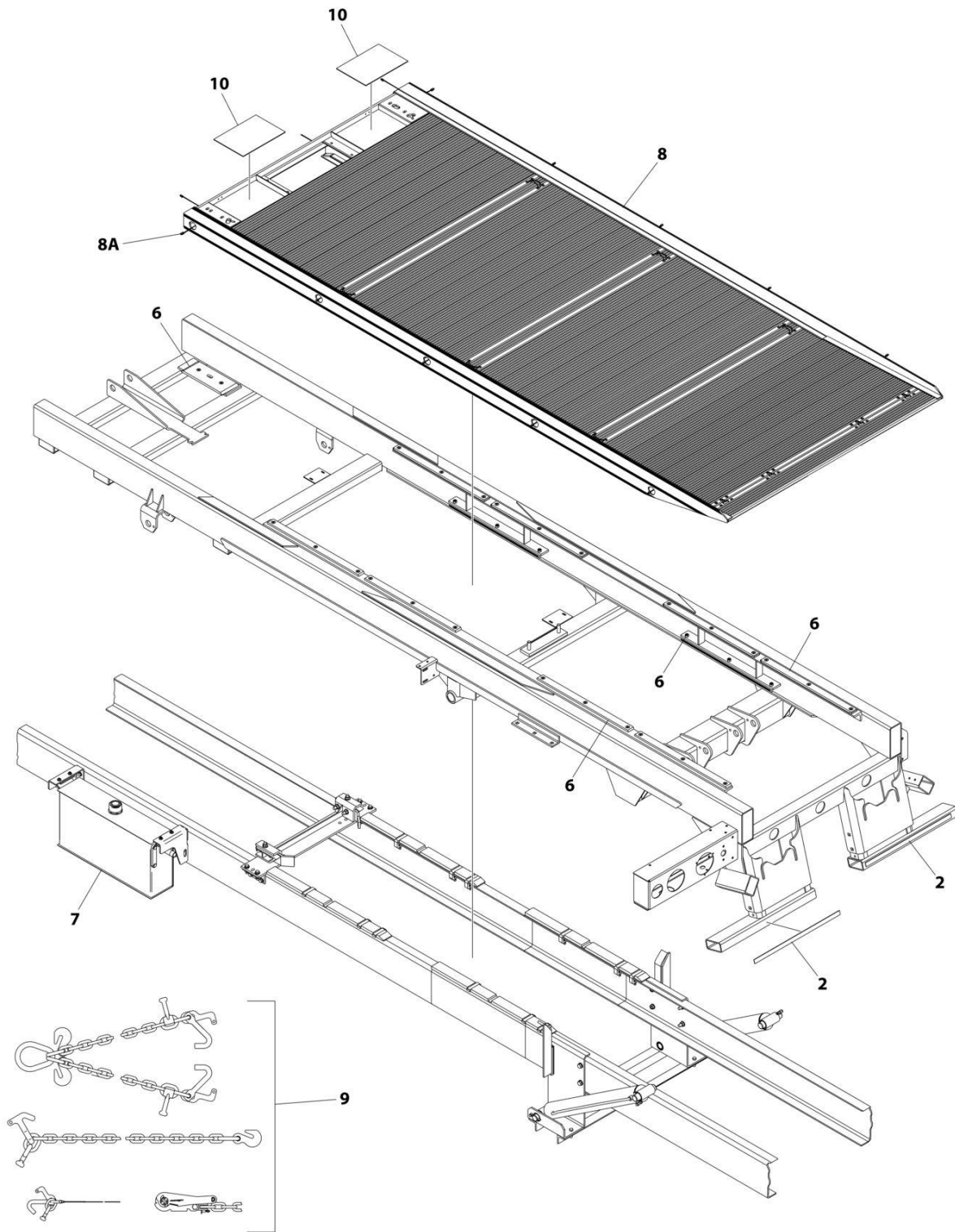
## SECTION 3 - DECK

**FIGURE 3-17. DECK INSTALLATION - ALUMINUM 21FT X 90IN FIXED RAIL**

ITEM	PART NUMBER	QTY	DESCRIPTION	REV
	1001130179	Ref	DECK INSTALLATION, ALUMINUM FIXED RAIL (21FT X 90IN)	D
1	2330000038	1	Standard Duty Decals Installation (Not Shown - See Separate Breakdown in DECAL Section)	
2	2330000055	Ref	Conspicuity Decal Installation	
2	7330000428	2	Decal - Red/White Reflective	
7	2679000006	1	Main Subframe Pad Installation (See Separate Breakdown in SUBFRAME Section)	
8	2750000008	1	Hydraulic Reservoir and Bracket Mount (See Separate Breakdown in HYDRAULIC Section)	
9	1001128462	1	Deck Installation, 21ft (Aluminium)	
9A	7552000212	1	Deck Light Harness	
10	7577000208	1	Chain/Tie-Down Kit	
11	7679000017	2	Chain Tray Mat	

# SECTION 3 - DECK

## FIGURE 3-18. DECK INSTALLATION - ALUMINUM 21FT X 96IN FIXED RAIL



ART\_21NGAF

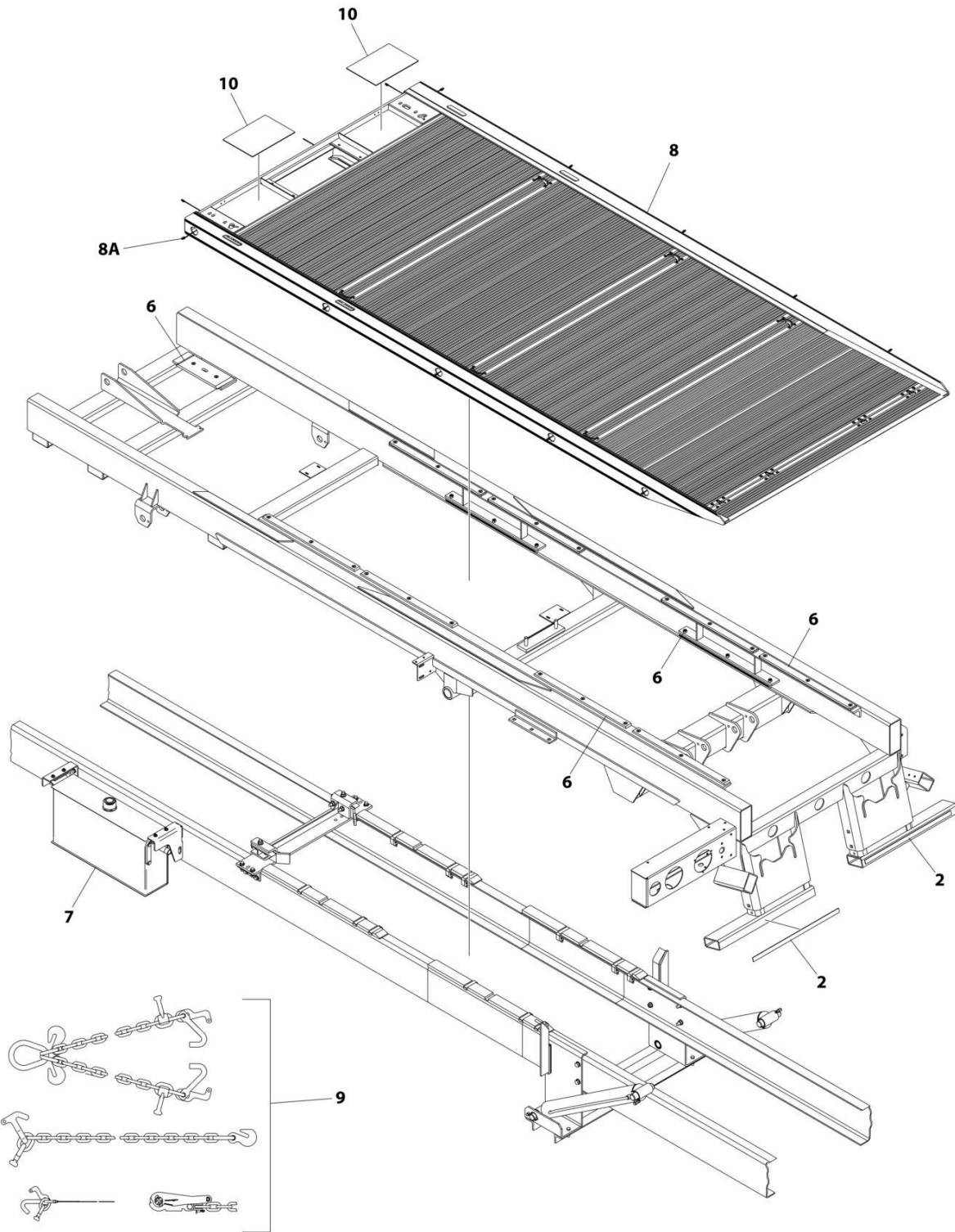
## SECTION 3 - DECK

**FIGURE 3-18. DECK INSTALLATION - ALUMINUM 21FT X 96IN FIXED RAIL**

ITEM	PART NUMBER	QTY	DESCRIPTION	REV
	21NGAF	Ref	DECK INSTALLATION, ALUMINUM FIXED RAIL (21FT X 96IN)	C
1	2330000038	1	Standard Duty Decals Installation (Not Shown - See Separate Breakdown in DECAL Section)	
2	2330000055	Ref	Conspicuity Decal Installation	
2	7330000428	2	Decal - Red/White Reflective	
6	2679000006	1	Main Subframe Pad Installation (See Separate Breakdown in SUBFRAME Section)	
7	2750000008	1	Hydraulic Reservoir and Bracket Mount (See Separate Breakdown in HYDRAULIC Section)	
8	3097000675	1	Deck Installation, 21ft (Aluminium)	
8A	7552000212	1	Deck Light Harness	
9	7577000208	1	Chain/Tie-Down Kit	
10	7679000017	2	Chain Tray Mat	

# SECTION 3 - DECK

FIGURE 3-19. DECK INSTALLATION - ALUMINUM 21FT X 96IN DUAL ANGLE FIXED RAIL



ART\_21NGADF

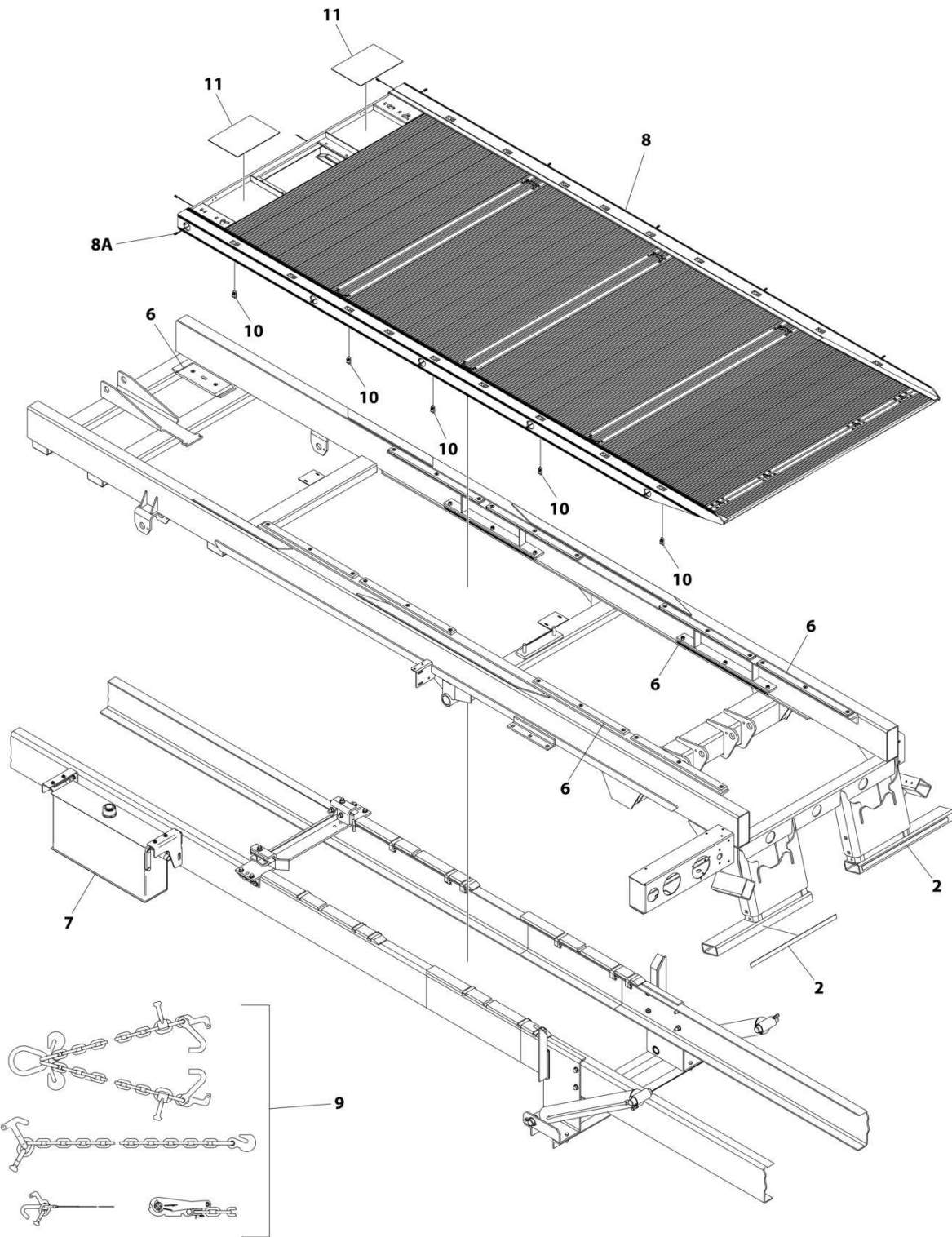
## SECTION 3 - DECK

**FIGURE 3-19. DECK INSTALLATION - ALUMINUM 21FT X 96IN DUAL ANGLE FIXED RAIL**

ITEM	PART NUMBER	QTY	DESCRIPTION	REV
	21NGADF	Ref	DECK INSTALLATION, ALUMINUM DUAL ANGLE FIXED RAIL (21FT X 96IN)	C
1	2330000038	1	Standard Duty Decals Installation (Not Shown - See Separate Breakdown in DECAL Section)	
2	2330000055	Ref	Conspicuity Decal Installation	
2	7330000428	2	Decal - Red/White Reflective	
6	2679000006	1	Main Subframe Pad Installation (See Separate Breakdown in SUBFRAME Section)	
7	2750000008	1	Hydraulic Reservoir and Bracket Mount (See Separate Breakdown in HYDRAULIC Section)	
8	3097000681	1	Deck Installation, 21ft (Aluminium)	
8A	7552000212	1	Deck Light Harness	
9	7577000208	1	Chain/Tie-Down Kit	
10	7679000017	2	Chain Tray Mat	

# SECTION 3 - DECK

## FIGURE 3-20. DECK INSTALLATION - ALUMINUM 21FT X 96IN REMOVABLE RAIL



ART\_21NGAR

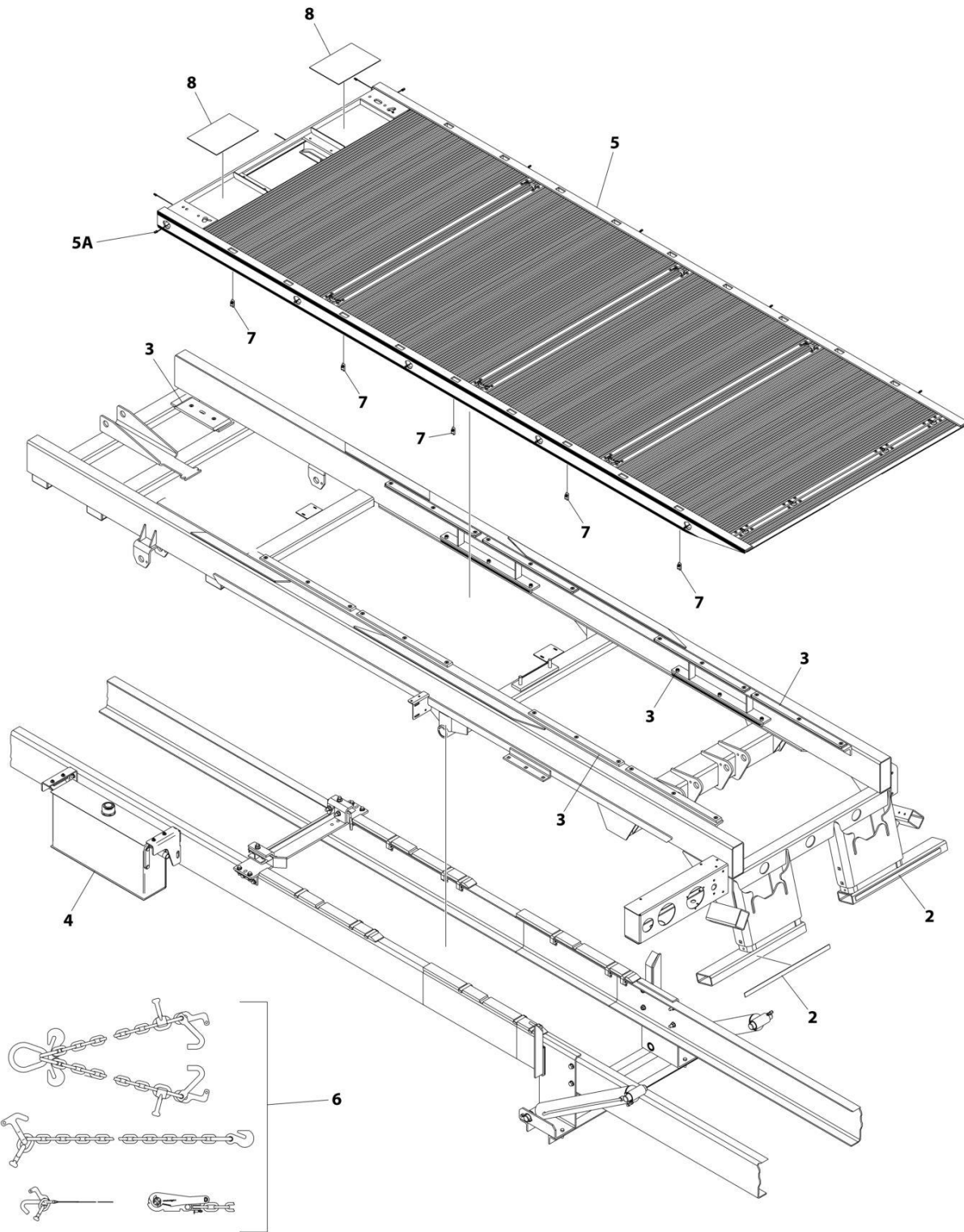
## SECTION 3 - DECK

**FIGURE 3-20. DECK INSTALLATION - ALUMINUM 21FT X 96IN REMOVABLE RAIL**

ITEM	PART NUMBER	QTY	DESCRIPTION	REV
	21NGAR	Ref	DECK INSTALLATION, ALUMINUM REMOVABLE RAIL (21FT X 96IN)	C
1	2330000038	1	Standard Duty Decals Installation (Not Shown - See Separate Breakdown in DECAL Section)	
2	2330000055	Ref	Conspicuity Decal Installation	
2	7330000428	2	Decal - Red/White Reflective	
6	2679000006	1	Main Subframe Pad Installation (See Separate Breakdown in SUBFRAME Section)	
7	2750000008	1	Hydraulic Reservoir and Bracket Mount (See Separate Breakdown in HYDRAULIC Section)	
8	3097000673	1	Deck Installation, 21ft (Aluminium)	
8A	7552000212	1	Deck Light Harness	
9	7577000208	1	Chain/Tie-Down Kit	
10	7661000055	10	Nut 1/2	
11	7679000017	2	Chain Tray Mat	

# SECTION 3 - DECK

FIGURE 3-21. DECK INSTALLATION - ALUMINUM 21FT X 96IN REMOVABLE RAIL CARGO HAULER)



ART\_100126441



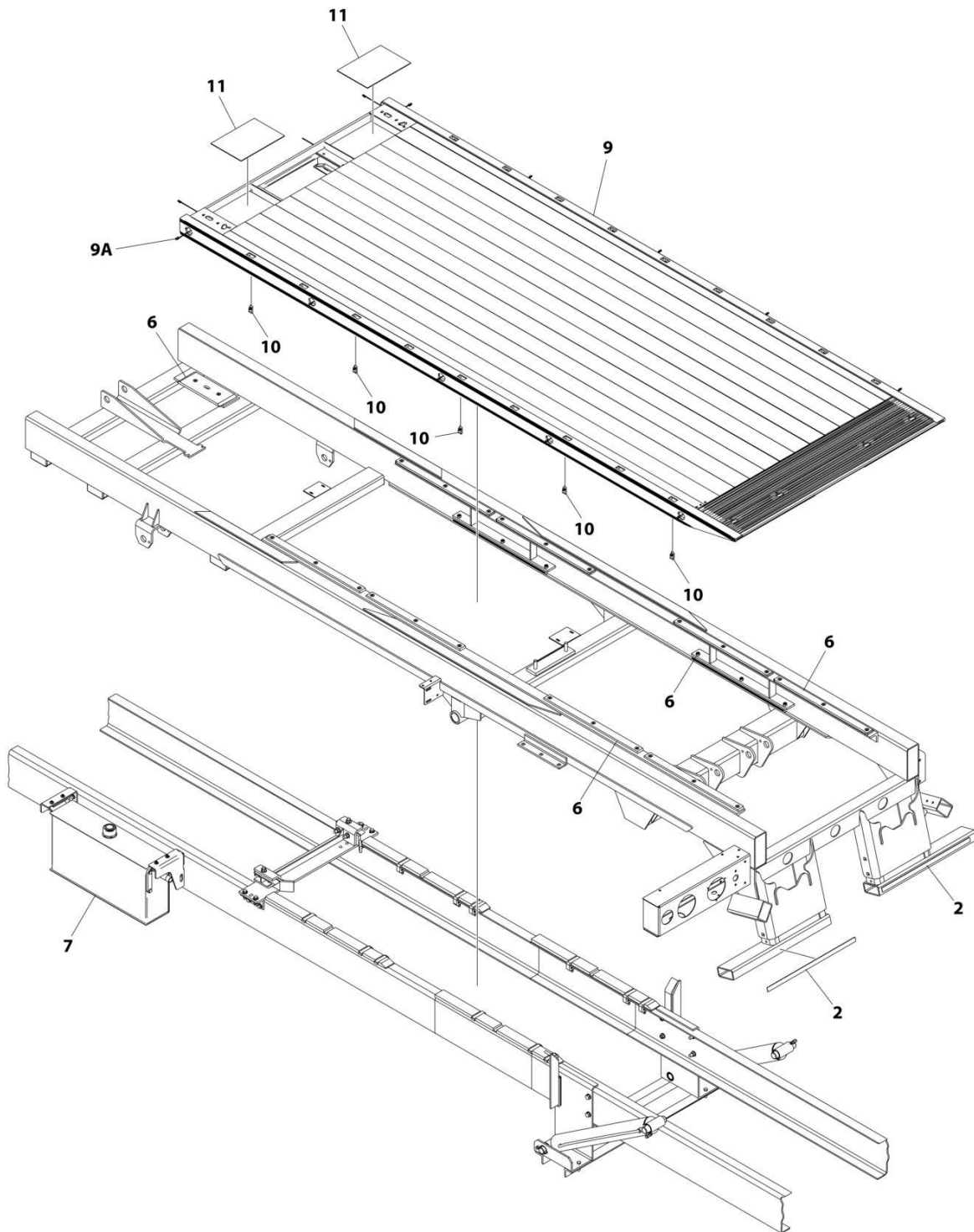
## SECTION 3 - DECK

**FIGURE 3-21. DECK INSTALLATION - ALUMINUM 21FT X 96IN REMOVABLE RAIL CARGO HAULER)**

ITEM	PART NUMBER	QTY	DESCRIPTION	REV
	1001264441	Ref	DECK INSTALLATION, ALUMINUM DUAL ANGLE FIXED RAIL (21FT X 96IN CARGO HAULER)	A
1	1001264091	1	Standard Duty Decals Installation (Not Shown - See Separate Breakdown in DECAL Section)	
2	2330000055	Ref	Conspicuity Decal Installation	
2	7330000428	2	Decal - Red/White Reflective	
3	2679000006	1	Main Subframe Pad Installation (See Separate Breakdown in SUBFRAME Section)	
4	2750000008	1	Hydraulic Reservoir and Bracket Mount (See Separate Breakdown in HYDRAULIC Section)	
5	3097000673	1	Deck Installation, 21ft (Aluminium)	
5A	7552000212	1	Deck Light Harness	
6	7577000208	1	Chain/Tie-Down Kit	
7	7661000055	10	Nut 1/2	
8	7679000017	2	Chain Tray Mat	

# SECTION 3 - DECK

FIGURE 3-22. DECK INSTALLATION - ALUMINUM 21FT X 96IN TRANSPORTER



ART\_21NGAT-8

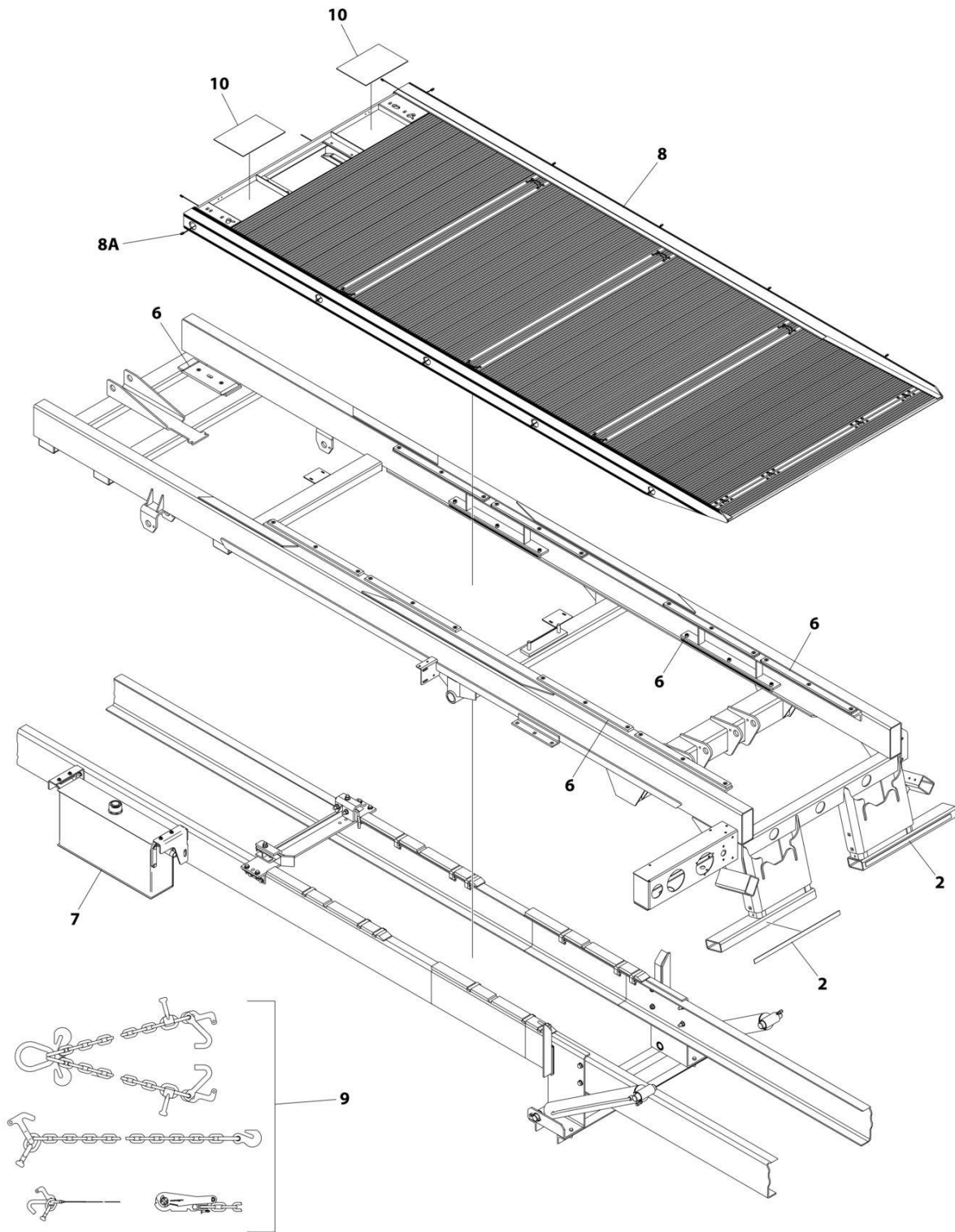
## SECTION 3 - DECK

**FIGURE 3-22. DECK INSTALLATION - ALUMINUM 21FT X 96IN TRANSPORTER**

ITEM	PART NUMBER	QTY	DESCRIPTION	REV
	21NGAT-8	Ref	DECK INSTALLATION, ALUMINUM TRANSPORTER (21FT X 96IN)	C
1	2330000038	1	Standard Duty Decals Installation (Not Shown - See Separate Breakdown in Decal Section)	
2	2330000055	Ref	Conspicuity Decal Installation	
2	7330000428	2	Decal - Red/White Reflective	
6	2679000006	1	Main Subframe Pad Installation (See Separate Breakdown in SUBFRAME Section)	
7	2750000008	1	Hydraulic Reservoir and Bracket Mount (See Separate Breakdown in HYDRAULIC Section)	
9	3097000679	1	Deck Installation, 21ft (Aluminium)	
9A	7552000212	1	Deck Light Harness	
10	7661000055	10	Nut 1/2	
11	7679000017	2	Chain Tray Mat	

# SECTION 3 - DECK

## FIGURE 3-23. DECK INSTALLATION - ALUMINUM 21FT X 102IN FIXED RAIL



ART\_21NGAF-W

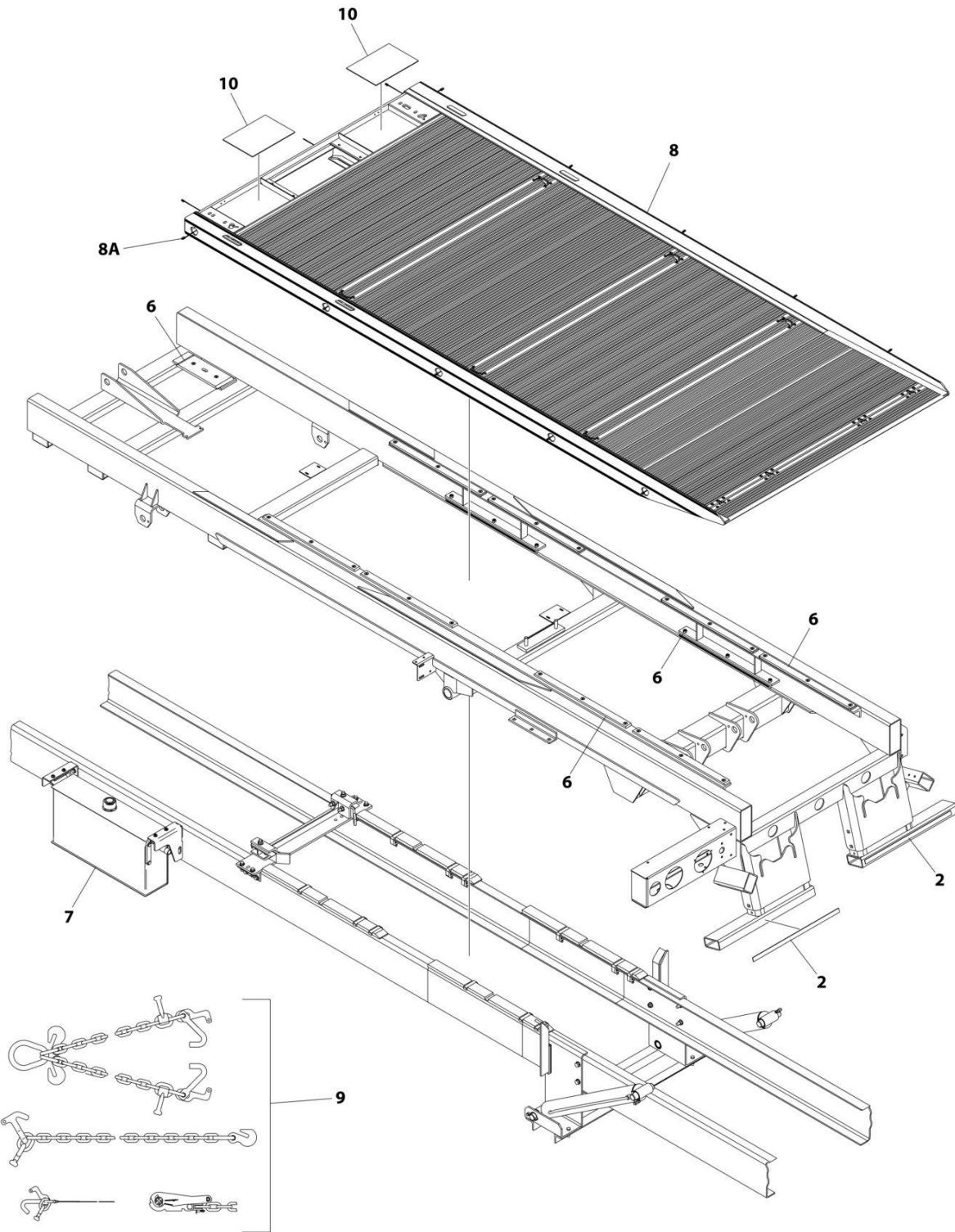
## SECTION 3 - DECK

**FIGURE 3-23. DECK INSTALLATION - ALUMINUM 21FT X 102IN FIXED RAIL**

ITEM	PART NUMBER	QTY	DESCRIPTION	REV
	21NGAF-W	Ref	DECK INSTALLATION, ALUMINUM FIXED RAIL (21FT X 102IN)	C
1	2330000038	1	Standard Duty Decals Installation (Not Shown - See Separate Breakdown in DECAL Section)	
2	2330000055	Ref	Conspicuity Decal Installation	
2	7330000428	2	Decal - Red/White Reflective	
6	2679000006	1	Main Subframe Pad Installation (See Separate Breakdown in SUBFRAME Section)	
7	2750000008	1	Hydraulic Reservoir and Bracket Mount (See Separate Breakdown in HYDRAULIC Section)	
8	3097000676	1	Deck Installation, 21ft (Aluminium)	
8A	7552000212	1	Deck Light Harness	
9	7577000208	1	Chain/Tie-Down Kit	
10	7679000017	2	Chain Tray Mat	

# SECTION 3 - DECK

FIGURE 3-24. DECK INSTALLATION - ALUMINUM 21FT X 102IN DUAL ANGLE FIXED RAIL



ART\_21NGADF-W

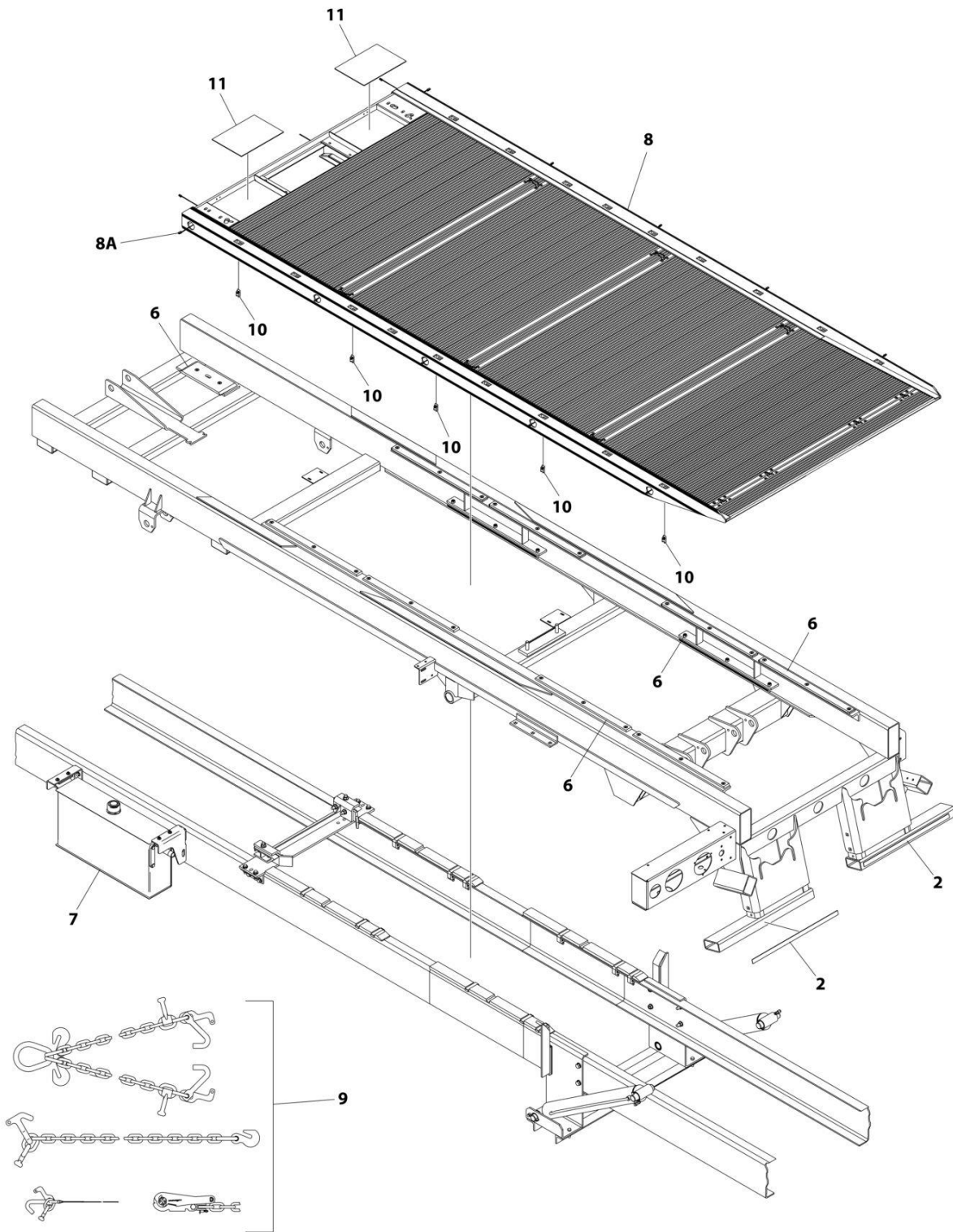
## SECTION 3 - DECK

**FIGURE 3-24. DECK INSTALLATION - ALUMINUM 21FT X 102IN DUAL ANGLE FIXED RAIL**

ITEM	PART NUMBER	QTY	DESCRIPTION	REV
	21NGADF-W	Ref	DECK INSTALLATION, ALUMINUM DUAL ANGLE FIXED RAIL (21FT X 102IN)	C
1	2330000038	1	Standard Duty Decals Installation (Not Shown - See Separate Breakdown in DECAL Section)	
2	2330000055	Ref	Conspicuity Decal Installation	
2	7330000428	2	Decal - Red/White Reflective	
6	2679000006	1	Main Subframe Pad Installation (See Separate Breakdown in SUBFRAME Section)	
7	2750000008	1	Hydraulic Reservoir and Bracket Mount (See Separate Breakdown in HYDRAULIC Section)	
8	3097000682	1	Deck Installation, 21ft (Aluminium)	
8A	7552000212	1	Deck Light Harness	
9	7577000208	1	Chain/Tie-Down Kit	
10	7679000017	2	Chain Tray Mat	

# SECTION 3 - DECK

## FIGURE 3-25. DECK INSTALLATION - ALUMINUM 21FT X 102IN REMOVABLE RAIL



ART\_21NGAR-W



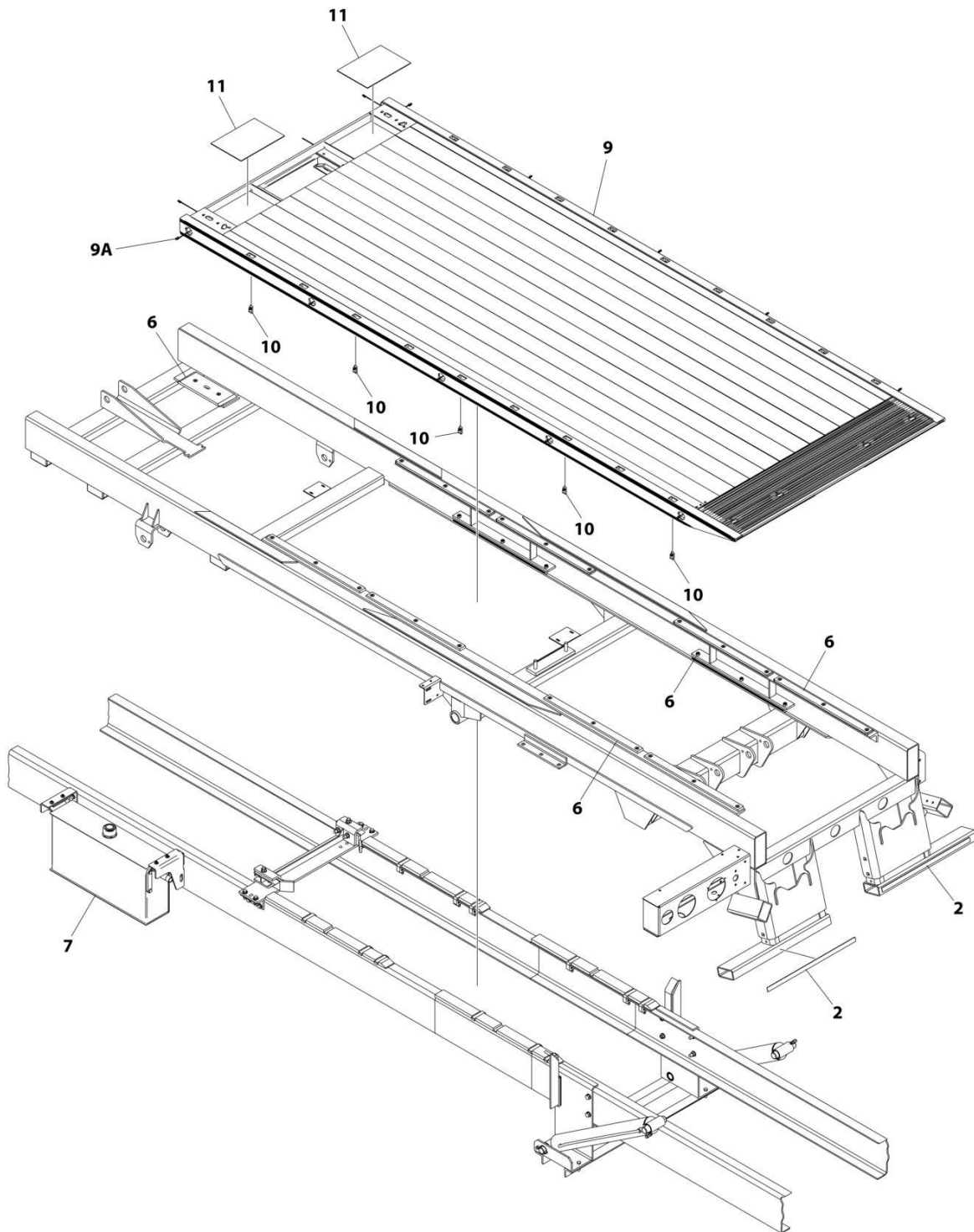
## SECTION 3 - DECK

**FIGURE 3-25. DECK INSTALLATION - ALUMINUM 21FT X 102IN REMOVABLE RAIL**

ITEM	PART NUMBER	QTY	DESCRIPTION	REV
	21NGAR-W	Ref	DECK INSTALLATION, ALUMINUM REMOVABLE RAIL (21FT X 102IN)	C
1	2330000038	1	Standard Duty Decals Installation (Not Shown - See Separate Breakdown in DECAL Section)	
2	2330000055	Ref	Conspicuity Decal Installation	
2	7330000428	2	Decal - Red/White Reflective	
6	2679000006	1	Main Subframe Pad Installation (See Separate Breakdown in SUBFRAME Section)	
7	2750000008	1	Hydraulic Reservoir and Bracket Mount (See Separate Breakdown in HYDRAULIC Section)	
8	3097000674	1	Deck Installation, 21ft (Aluminium)	
8A	7552000212	1	Deck Light Harness	
9	7577000208	1	Chain/Tie-Down Kit	
10	7661000055	10	Nut 1/2	
11	7679000017	2	Chain Tray Mat	

# SECTION 3 - DECK

## FIGURE 3-26. DECK INSTALLATION - ALUMINUM 21FT X 102IN TRANSPORTER



ART\_21NGAT-8W

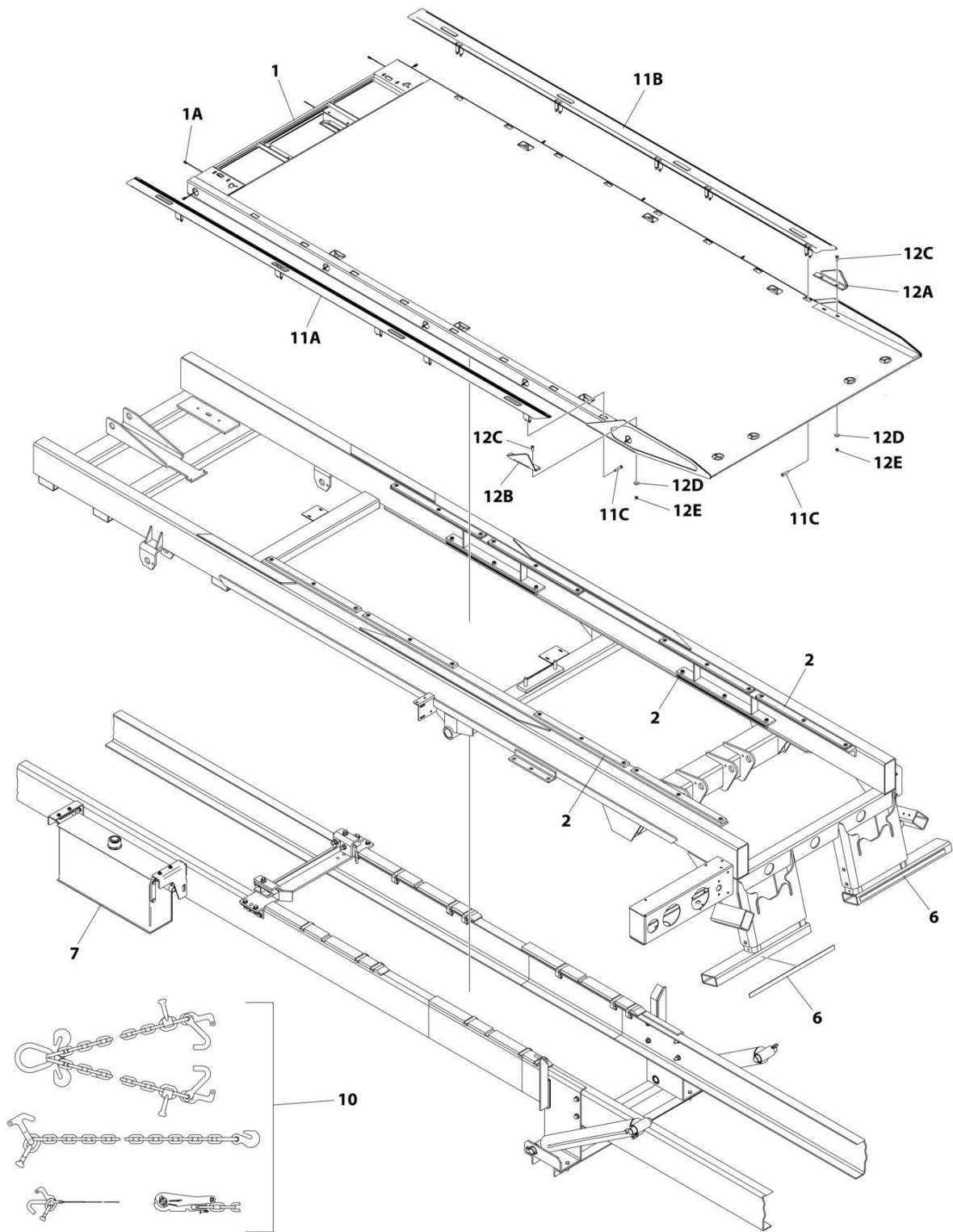
## SECTION 3 - DECK

**FIGURE 3-26. DECK INSTALLATION - ALUMINUM 21FT X 102IN TRANSPORTER**

ITEM	PART NUMBER	QTY	DESCRIPTION	REV
	21NGAT-8W	Ref	DECK INSTALLATION, ALUMINUM TRANSPORTER (21FT X 102IN)	C
1	2330000038	1	Standard Duty Decals Installation (Not Shown - See Separate Breakdown in DECAL Section)	
2	2330000055	Ref	Conspicuity Decal Installation	
2	7330000428	2	Decal - Red/White Reflective	
6	2679000006	1	Main Subframe Pad Installation (See Separate Breakdown in SUBFRAME Section)	
7	2750000008	1	Hydraulic Reservoir and Bracket Mount (See Separate Breakdown in HYDRAULIC Section)	
9	3097000680	1	Deck Installation, 21ft (Aluminium)	
9A	7552000212	1	Deck Light Harness	
10	7661000055	10	Nut 1/2	
11	7679000017	2	Chain Tray Mat	

# SECTION 3 - DECK

FIGURE 3-27. DECK INSTALLATION - STEEL 19FT X 96IN DUAL ANGLE REMOVABLE RAIL (SHARK)



ART\_19SLPB

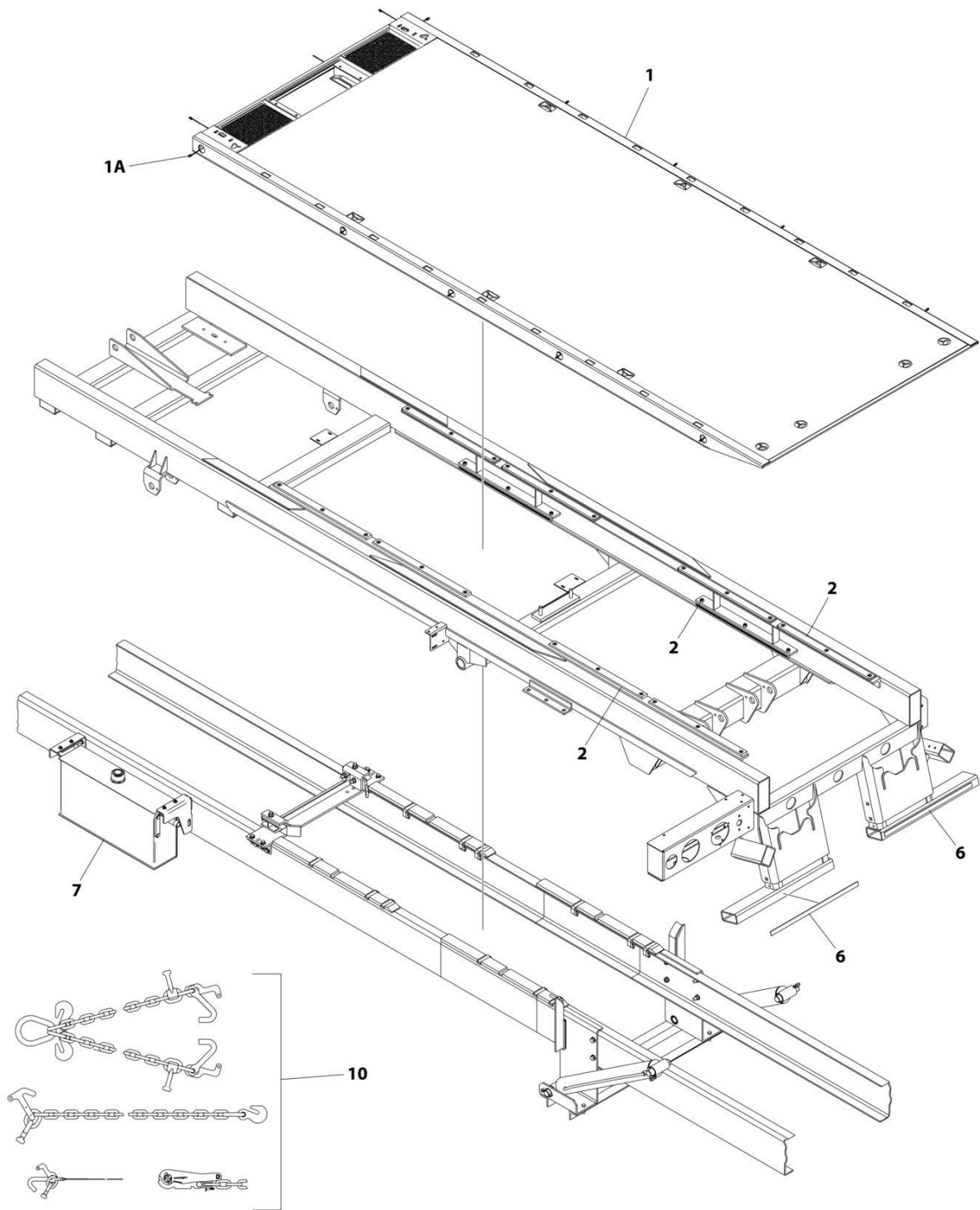
## SECTION 3 - DECK

**FIGURE 3-27. DECK INSTALLATION - STEEL 19FT X 96IN DUAL ANGLE REMOVABLE RAIL (SHARK)**

ITEM	PART NUMBER	QTY	DESCRIPTION	REV
	19SLPB	Ref	DECK INSTALLATION , STEEL DUAL ANGLE REMOVABLE RAIL (19FT X 96IN SHARK)	B
1	3097000795	1	Deck Installation, 19ft (Steel)	
1A	7552000212	1	Deck Light Harness	
2	2679000002	1	Main Subframe Pad Installation (See Separate Breakdown in SUBFRAME Section)	
5	2330000038	1	Standard Duty Decals Installation (Not Shown - See Separate Breakdown in DECAL Section)	
6	2330000055	Ref	Conspicuity Decal Installation	
6	7330000428	2	Decal - Red/White Reflective	
7	2750000008	1	Hydraulic Reservoir and Bracket Mount (See Separate Breakdown in HYDRAULIC Section)	
10	7577000208	1	Chain/Tie-Down Kit	
11	2729000092	Ref	Rail Installation	
11A	3017000135	1	Angle Assembly LH	
11B	3017000136	1	Angle Assembly RH	
11C	7120000005	8	Capscrew 1/2 x 2-1/2	
12	2178000066	Ref	Bracket Installation	
12A	4178000873	1	Bracket, RH	
12B	4178000874	1	Bracket, LH	
12C	7115181223	4	Screw 1/2 x 1-1/2	
12D	7950180161	4	Washer 1/2	
12E	7660182601	4	Nut 1/2	

# SECTION 3 - DECK

## FIGURE 3-28. DECK INSTALLATION - STEEL 19FT X 96IN REMOVABLE RAIL



ART\_19RRSB

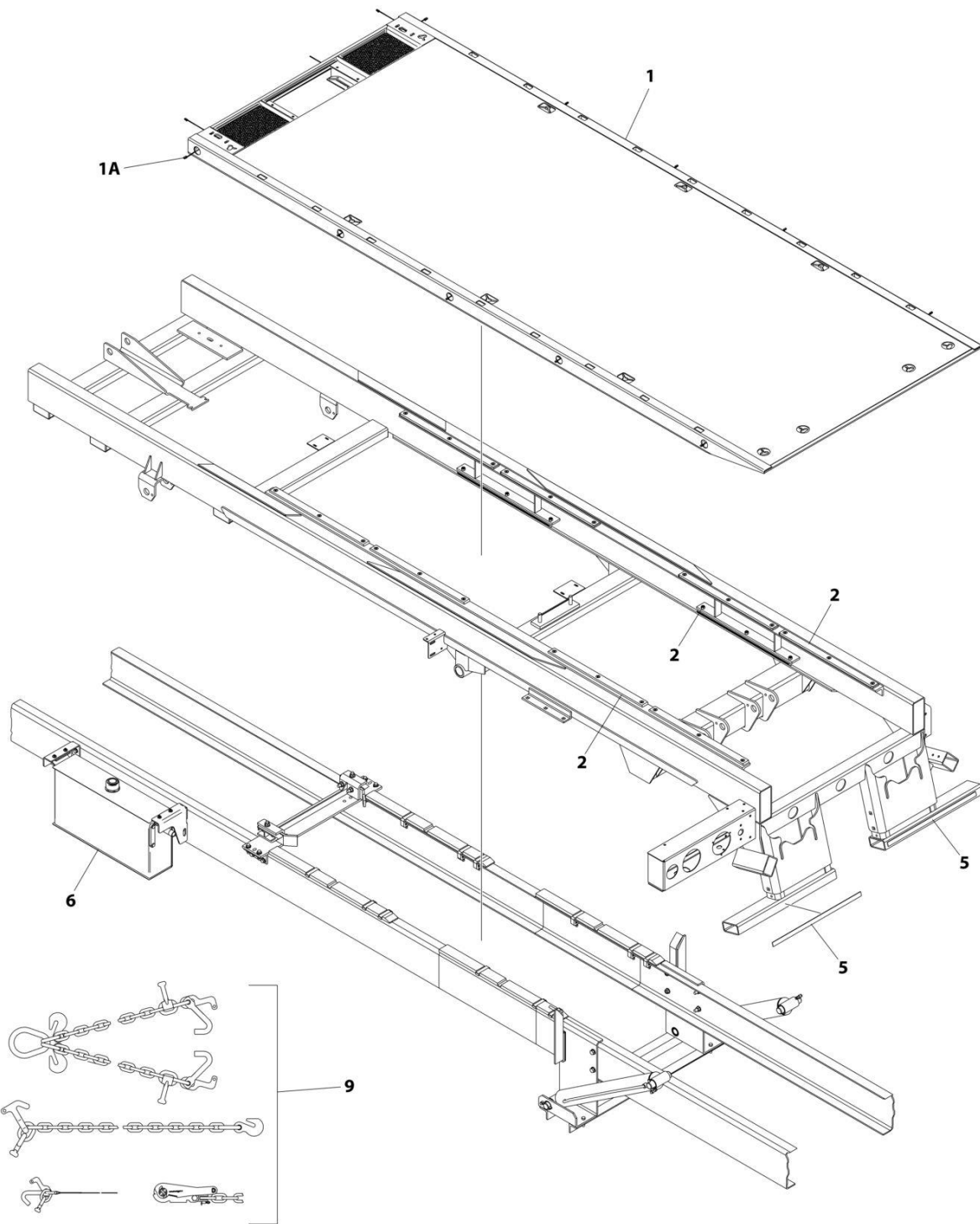
## SECTION 3 - DECK

**FIGURE 3-28. DECK INSTALLATION - STEEL 19FT X 96IN REMOVABLE RAIL**

ITEM	PART NUMBER	QTY	DESCRIPTION	REV
	19RRSB	Ref	DECK INSTALLATION, STEEL REMOVABLE RAIL (19FT X 96IN)	B
1	3097000787	1	Deck Installation, 19ft (Steel)	
1A	7552000212	1	Deck Light Harness	
2	2679000002	1	Main Subframe Pad Installation (See Separate Breakdown in SUBFRAME Section)	
5	2330000038	1	Standard Duty Decals Installation (Not Shown - See Separate Breakdown in DECAL Section)	
6	2330000055	Ref	Conspicuity Decal Installation	
6	7330000428	2	Decal - Red/White Reflective	
7	2750000008	1	Hydraulic Reservoir and Bracket Mount (See Separate Breakdown in HYDRAULIC Section)	
10	7577000208	1	Chain/Tie-Down Kit	

# SECTION 3 - DECK

## FIGURE 3-29. DECK INSTALLATION - STEEL 19FT X 96IN REMOVABLE RAIL (HIGH DUMP)



ART\_1001130559



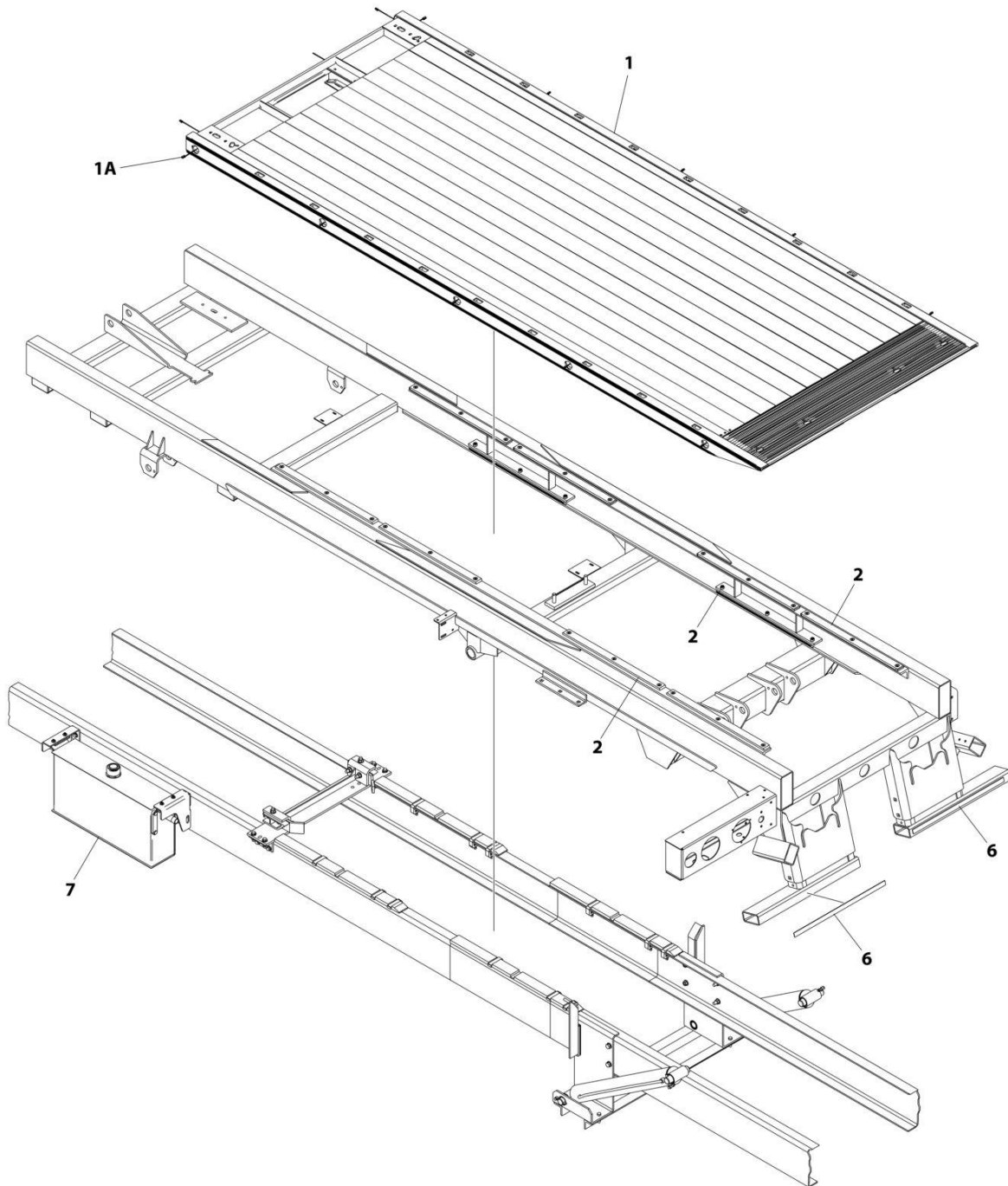
## SECTION 3 - DECK

**FIGURE 3-29. DECK INSTALLATION - STEEL 19FT X 96IN REMOVABLE RAIL (HIGH DUMP)**

ITEM	PART NUMBER	QTY	DESCRIPTION	REV
	1001130559	Ref	DECK INSTALLATION, STEEL REMOVABLE RAIL (19FT X 96IN HIGH DUMP)	B
1	1001130578	1	Deck Installation, 19ft (Steel)	
1A	7552000212	1	Deck Light Harness	
2	2679000002	1	Main Subframe Pad Installation (See Separate Breakdown in SUBFRAME Section)	
4	2330000038	1	Standard Duty Decals Installation (Not Shown - See Separate Breakdown in DECAL Section)	
5	2330000055	Ref	Conspicuity Decal Installation	
5	7330000428	2	Decal - Red/White Reflective	
6	2750000008	1	Hydraulic Reservoir and Bracket Mount (See Separate Breakdown in HYDRAULIC Section)	
9	7577000208	1	Chain/Tie-Down Kit	

# SECTION 3 - DECK

## FIGURE 3-30. DECK INSTALLATION - STEEL 19FT X 96IN TRANSPORTER



ART\_19STRB-8

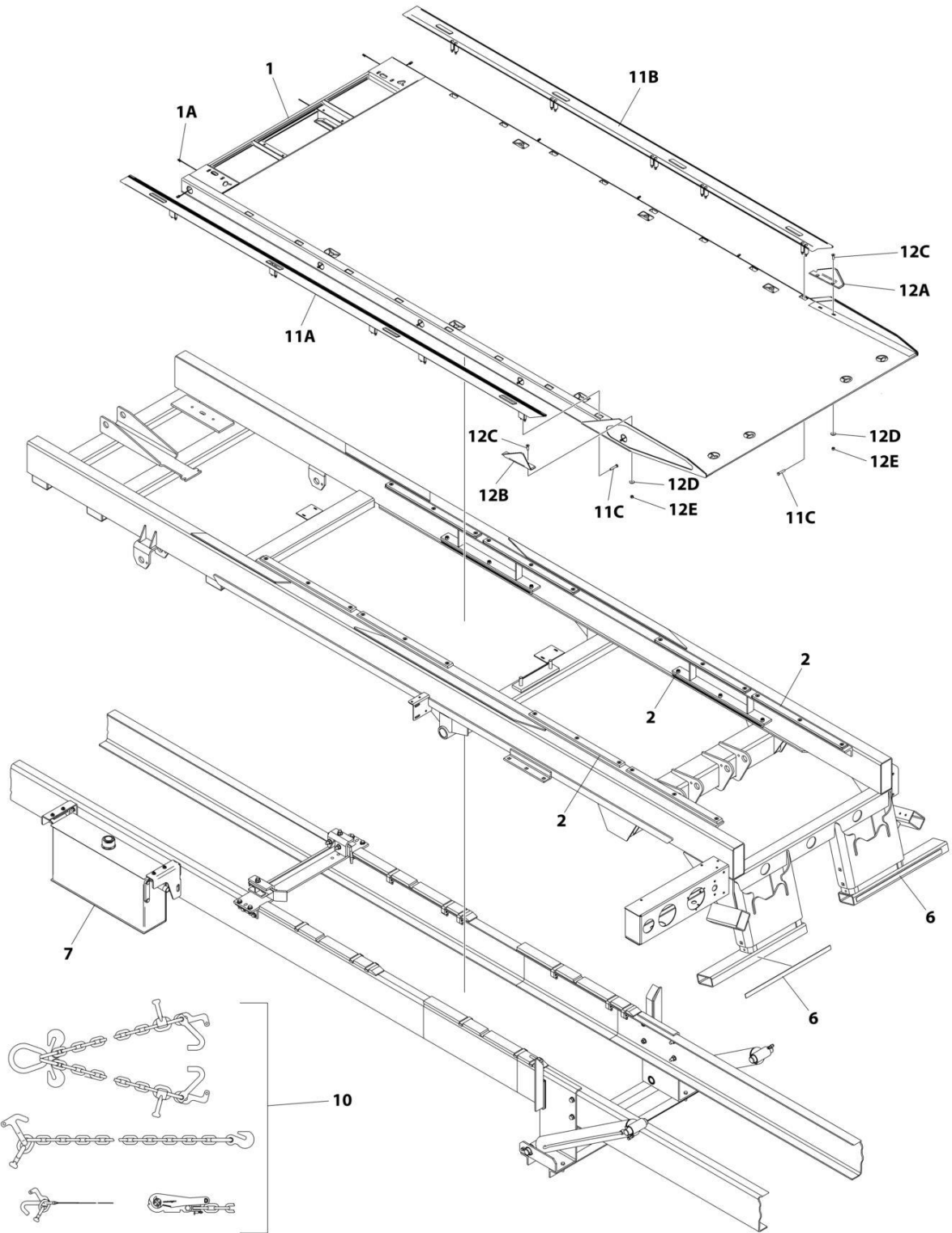
## SECTION 3 - DECK

**FIGURE 3-30. DECK INSTALLATION - STEEL 19FT X 96IN TRANSPORTER**

ITEM	PART NUMBER	QTY	DESCRIPTION	REV
	19STRB-8	Ref	DECK INSTALLATION, ALUMINUM TRANSPORTER (19FT X 96IN)	B
1	3097000803	1	Deck Installation, 19ft (Steel)	
1A	7552000212	1	Deck Light Harness	
2	2679000002	1	Main Subframe Pad Installation (See Separate Breakdown in SUBFRAME Section)	
5	2330000038	1	Standard Duty Decals Installation (Not Shown - See Separate Breakdown in DECAL Section)	
6	2330000055	Ref	Conspicuity Decal Installation	
6	7330000428	2	Decal - Red/White Reflective	
7	2750000008	1	Hydraulic Reservoir and Bracket Mount (See Separate Breakdown in HYDRAULIC Section)	

# SECTION 3 - DECK

## FIGURE 3-31. DECK INSTALLATION - STEEL 19FT X 102IN DUAL ANGLE REMOVABLE RAIL (19FT X 102IN SHARK)



ART\_19SLPB-W

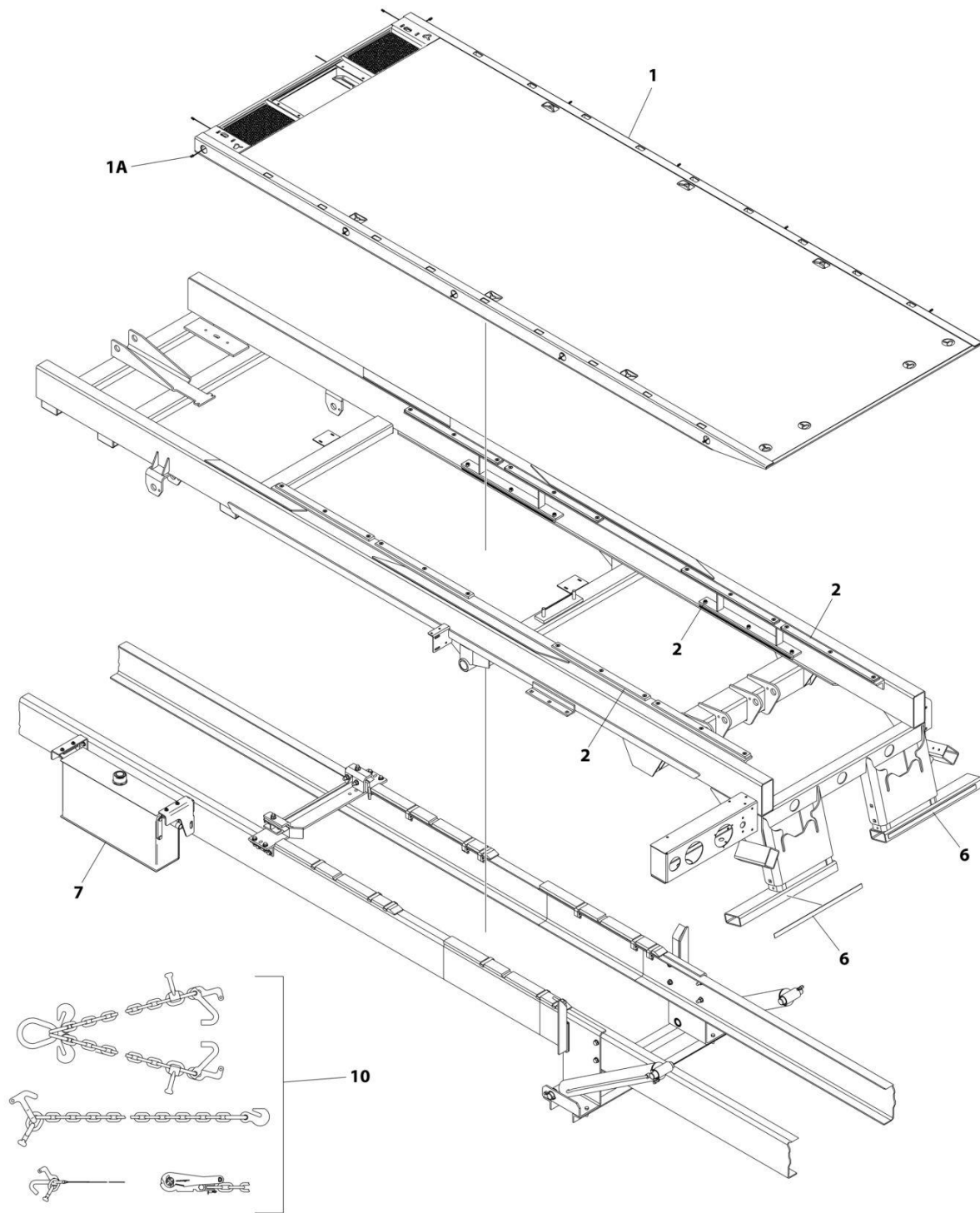
## SECTION 3 - DECK

**FIGURE 3-31. DECK INSTALLATION - STEEL 19FT X 102IN DUAL ANGLE REMOVABLE RAIL (19FT X 102IN SHARK)**

ITEM	PART NUMBER	QTY	DESCRIPTION	REV
	19SLPB-W	Ref	DECK INSTALLATION, STEEL DUAL ANGLE REMOVABLE RAIL (19FT X 102IN SHARK)	B
1	3097000796	1	Deck Installation, 19ft (Steel)	
1A	7552000212	1	Deck Light Harness	
2	2679000002	1	Main Subframe Pad Installation (See Separate Breakdown in SUBFRAME Section)	
5	2330000038	1	Standard Duty Decals Installation (Not Shown - See Separate Breakdown in DECAL Section)	
6	2330000055	Ref	Conspicuity Decal Installation	
6	7330000428	2	Decal - Red/White Reflective	
7	2750000008	1	Hydraulic Reservoir and Bracket Mount (See Separate Breakdown in HYDRAULIC Section)	
10	7577000208	1	Chain/Tie-Down Kit	
11	2729000092	Ref	Rail Installation	
11A	3017000135	1	Angle Assembly LH	
11B	3017000136	1	Angle Assembly RH	
11C	7120000005	8	Capscrew 1/2 x 2-1/2	
12	2178000066	Ref	Bracket Installation	
12A	4178000873	1	Bracket, RH	
12B	4178000874	1	Bracket, LH	
12C	7115181223	4	Screw 1/2 x 1-1/2	
12D	7950180161	4	Washer 1/2	
12E	7660182601	4	Nut 1/2	

# SECTION 3 - DECK

## FIGURE 3-32. DECK INSTALLATION - STEEL 19FT X 102IN REMOVABLE RAIL



ART\_19RRSB-W

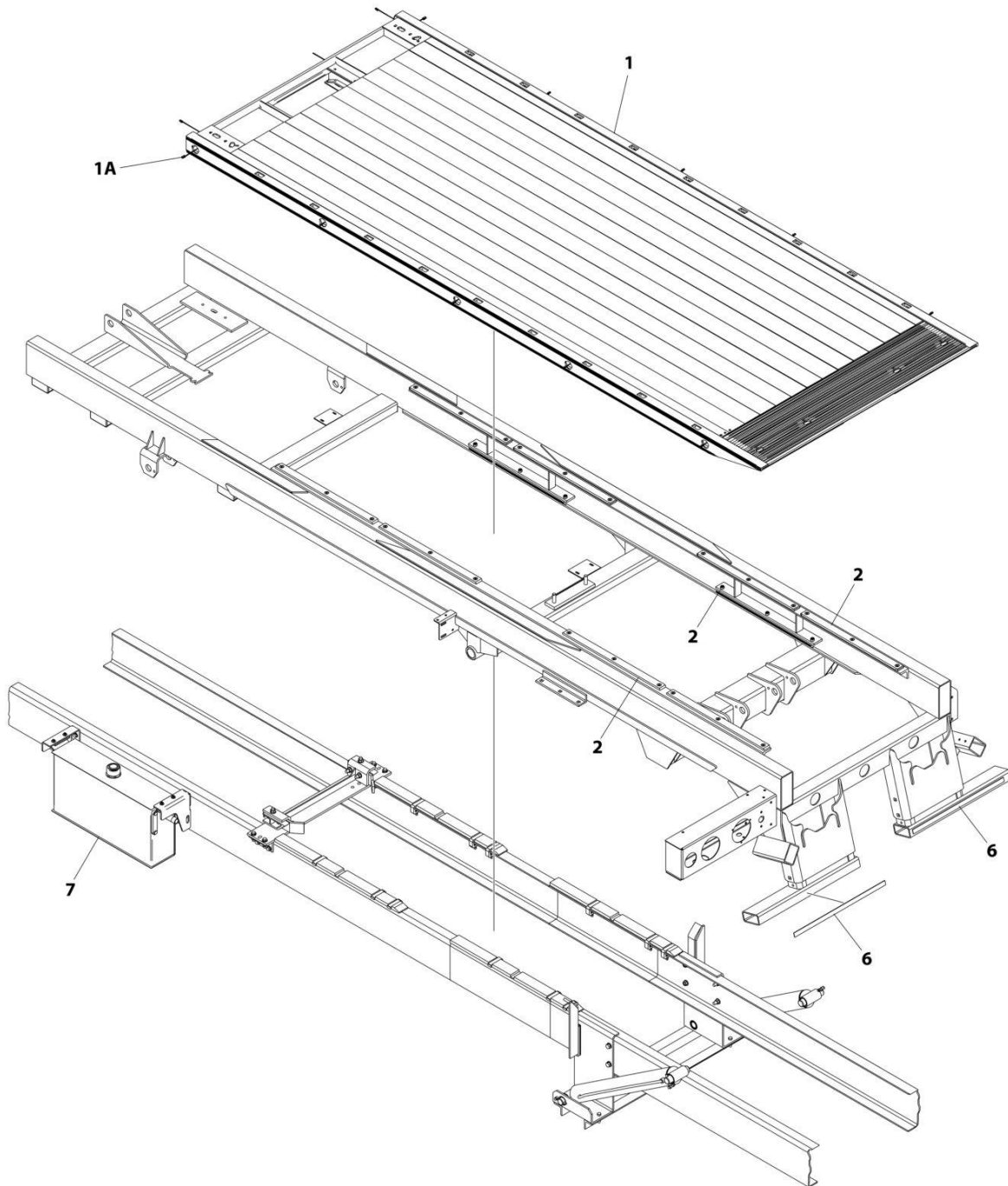
## SECTION 3 - DECK

**FIGURE 3-32. DECK INSTALLATION - STEEL 19FT X 102IN REMOVABLE RAIL**

ITEM	PART NUMBER	QTY	DESCRIPTION	REV
	19RRSB-W	Ref	DECK INSTALLATION, STEEL REMOVABLE RAIL (19FT X 102IN)	B
1	3097000788	1	Deck Installation, 19ft (Steel)	
1A	7552000212	1	Deck Light Harness	
2	2679000002	1	Main Subframe Pad Installation (See Separate Breakdown in SUBFRAME Section)	
5	2330000038	1	Standard Duty Decals Installation (Not Shown - See Separate Breakdown in DECAL Section)	
6	2330000055	Ref	Conspicuity Decal Installation	
6	7330000428	2	Decal - Red/White Reflective	
7	2750000008	1	Hydraulic Reservoir and Bracket Mount (See Separate Breakdown in HYDRAULIC Section)	
10	7577000208	1	Chain/Tie-Down Kit	

# SECTION 3 - DECK

## FIGURE 3-33. DECK INSTALLATION - STEEL 19FT X 102IN TRANSPORTER



ART\_19STRB-8W



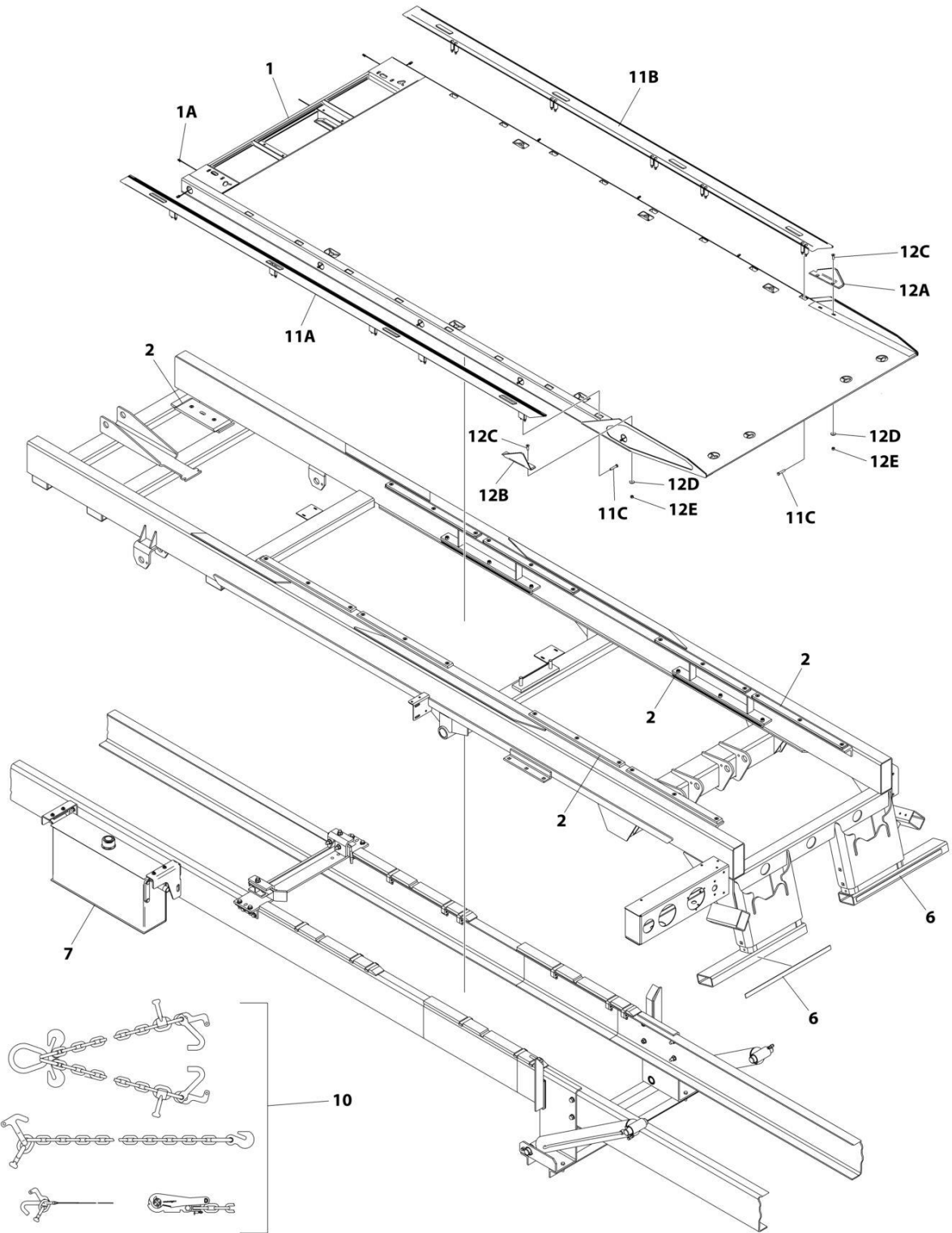
## SECTION 3 - DECK

**FIGURE 3-33. DECK INSTALLATION - STEEL 19FT X 102IN TRANSPORTER**

ITEM	PART NUMBER	QTY	DESCRIPTION	REV
	19STRB-8W	Ref	DECK INSTALLATION, ALUMINUM TRANSPORTER (19FT X 102IN)	B
1	3097000804	1	Deck Installation, 19ft (Steel)	
1A	7552000212	1	Deck Light Harness	
2	2679000002	1	Main Subframe Pad Installation (See Separate Breakdown in SUBFRAME Section)	
5	2330000038	1	Standard Duty Decals Installation (Not Shown - See Separate Breakdown in DECAL Section)	
6	2330000055	Ref	Conspicuity Decal Installation	
6	7330000428	2	Decal - Red/White Reflective	
7	2750000008	1	Hydraulic Reservoir and Bracket Mount (See Separate Breakdown in HYDRAULIC Section)	

# SECTION 3 - DECK

## FIGURE 3-34. DECK INSTALLATION - STEEL 20FT X 96IN DUAL ANGLE REMOVABLE RAIL (20FT X 102IN SHARK)



ART\_20SLPB-W

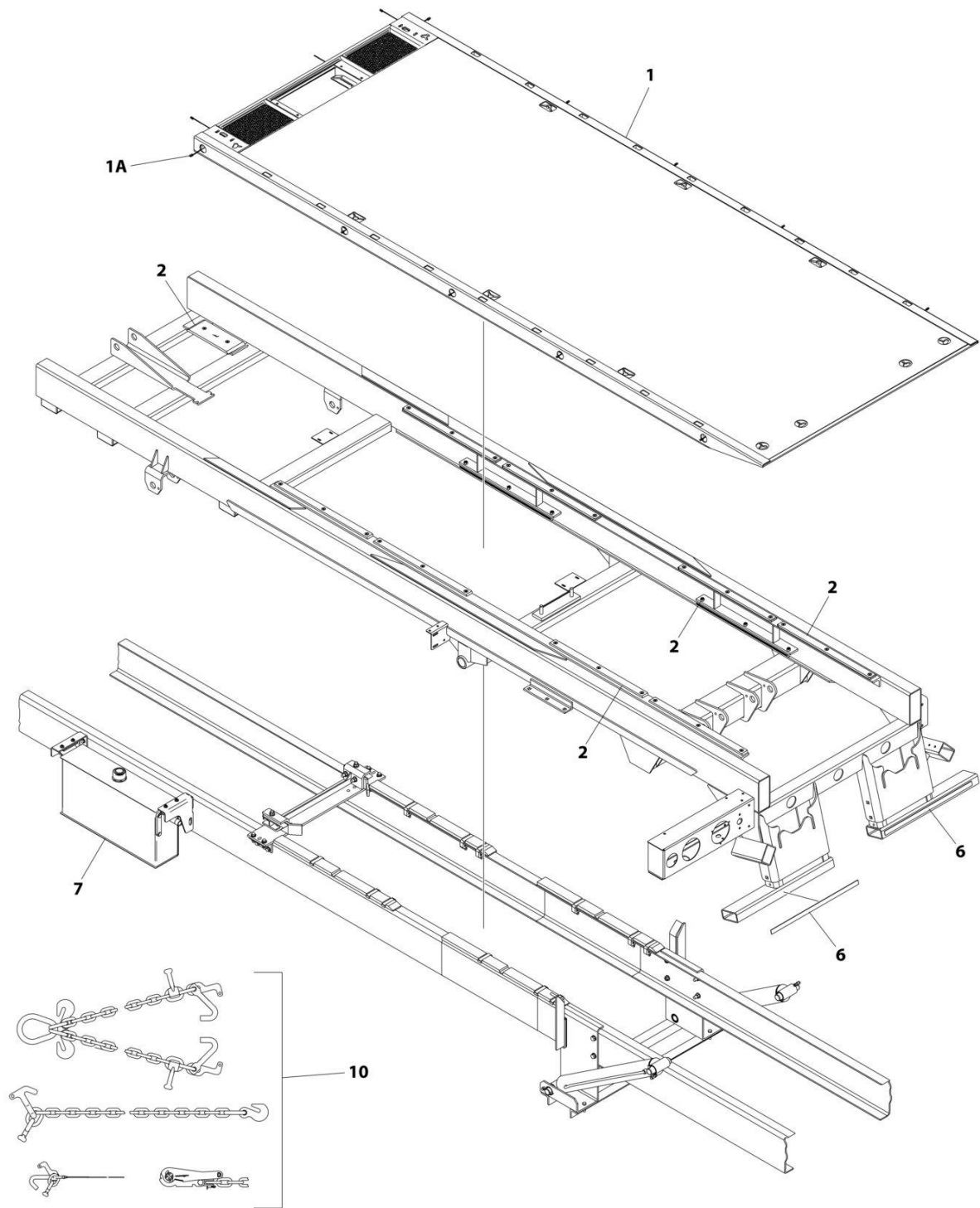
## SECTION 3 - DECK

**FIGURE 3-34. DECK INSTALLATION - STEEL 20FT X 96IN DUAL ANGLE REMOVABLE RAIL (20FT X 102IN SHARK)**

ITEM	PART NUMBER	QTY	DESCRIPTION	REV
	20SLPB-W	Ref	DECK INSTALLATION, STEEL DUAL ANGLE REMOVABLE RAIL (20FT X 102IN SHARK)	B
1	3097000798	1	Deck Installation, 20ft (Steel)	
1A	7552000212	1	Deck Light Harness	
2	2679000006	1	Main Subframe Pad Installation (See Separate Breakdown in SUBFRAME Section)	
5	2330000038	1	Standard Duty Decals Installation (Not Shown - See Separate Breakdown in DECAL Section)	
6	2330000055	Ref	Conspicuity Decal Installation	
6	7330000428	2	Decal - Red/White Reflective	
7	2750000008	1	Hydraulic Reservoir and Bracket Mount (See Separate Breakdown in HYDRAULIC Section)	
10	7577000208	1	Chain/Tie-Down Kit	
11	2729000093	Ref	Rail Installation	
11A	3017000137	1	Angle Assembly LH	
11B	3017000138	1	Angle Assembly RH	
11C	7120000005	8	Capscrew 1/2 x 2-1/2	
12	2178000066	Ref	Bracket Installation	
12A	4178000873	1	Bracket, RH	
12B	4178000874	1	Bracket, LH	
12C	7115181223	4	Screw 1/2 x 1-1/2	
12D	7950180161	4	Washer 1/2	
12E	7660182601	4	Nut 1/2	

# SECTION 3 - DECK

## FIGURE 3-35. DECK INSTALLATION - STEEL 20FT X 96IN REMOVABLE RAIL



ART\_20RRSB

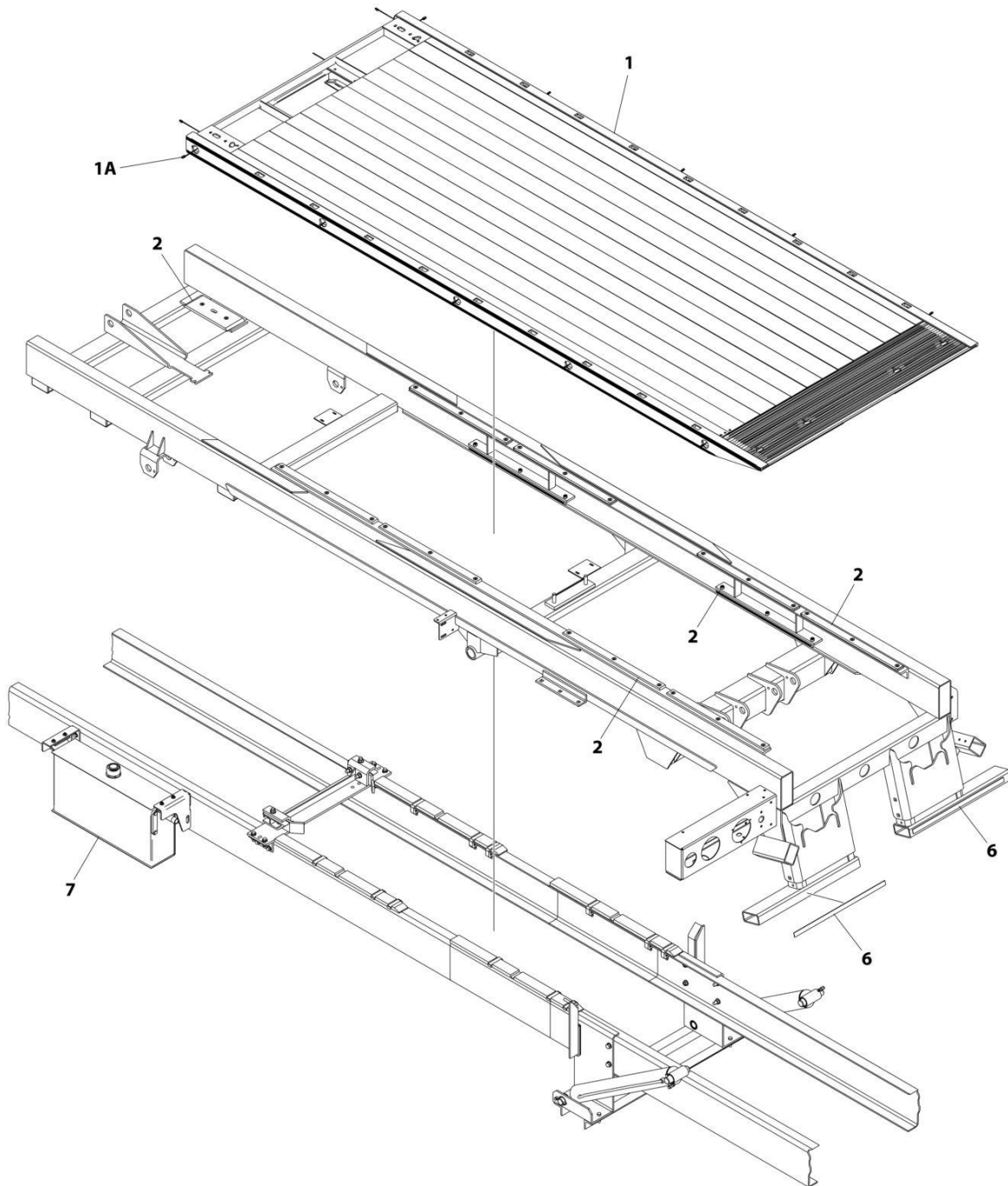
## SECTION 3 - DECK

**FIGURE 3-35. DECK INSTALLATION - STEEL 20FT X 96IN REMOVABLE RAIL**

ITEM	PART NUMBER	QTY	DESCRIPTION	REV
	20RRSB	Ref	DECK INSTALLATION, STEEL REMOVABLE RAIL (20FT X 96IN)	B
1	3097000789	1	Deck Installation, 20ft (Steel)	
1A	7552000212	1	Deck Light Harness	
2	2679000006	1	Main Subframe Pad Installation (See Separate Breakdown in SUBFRAME Section)	
5	2330000038	1	Standard Duty Decals Installation (Not Shown - See Separate Breakdown in DECAL Section)	
6	2330000055	Ref	Conspicuity Decal Installation	
6	7330000428	2	Decal - Red/White Reflective	
7	2750000008	1	Hydraulic Reservoir and Bracket Mount (See Separate Breakdown in HYDRAULIC Section)	
10	7577000208	1	Chain/Tie-Down Kit	

# SECTION 3 - DECK

## FIGURE 3-36. DECK INSTALLATION - STEEL 20FT X 96IN TRANSPORTER



ART\_20STRB-8

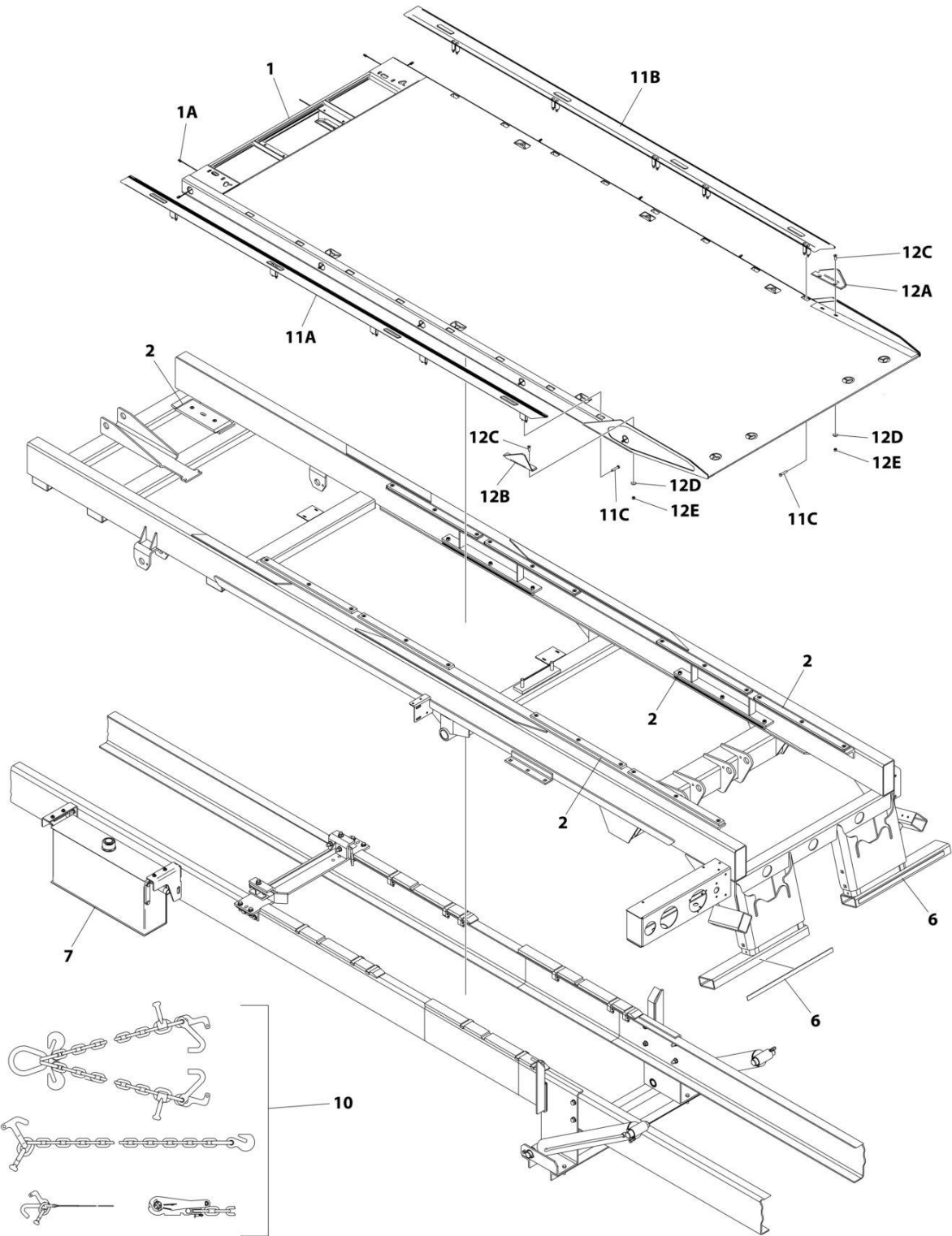
## SECTION 3 - DECK

**FIGURE 3-36. DECK INSTALLATION - STEEL 20FT X 96IN TRANSPORTER**

ITEM	PART NUMBER	QTY	DESCRIPTION	REV
	20STRB-8	Ref	DECK INSTALLATION, ALUMINUM TRANSPORTER (20FT X 96IN)	B
1	3097000805	1	Deck Installation, 20ft (Steel)	
1A	7552000212	1	Deck Light Harness	
2	2679000006	1	Main Subframe Pad Installation (See Separate Breakdown in SUBFRAME Section)	
5	2330000038	1	Standard Duty Decals Installation (Not Shown - See Separate Breakdown in Decal Section)	
6	2330000055	Ref	Conspicuity Decal Installation	
6	7330000428	2	Decal - Red/White Reflective	
7	2750000008	1	Hydraulic Reservoir and Bracket Mount (See Separate Breakdown in HYDRAULIC Section)	

# SECTION 3 - DECK

## FIGURE 3-37. DECK INSTALLATION - STEEL 20FT X 102IN DUAL ANGLE REMOVABLE RAIL (SHARK)



ART\_20SLPB



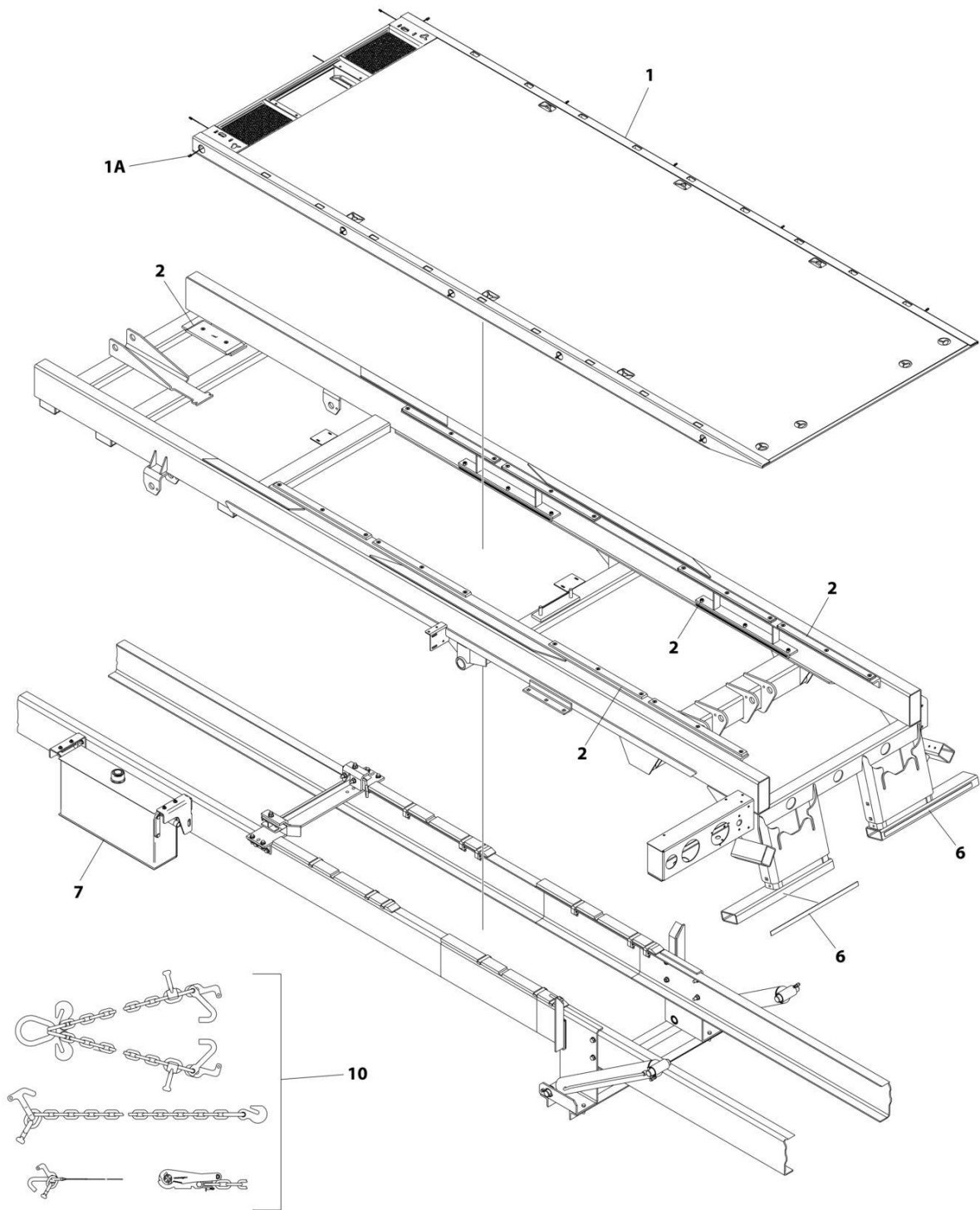
## SECTION 3 - DECK

**FIGURE 3-37. DECK INSTALLATION - STEEL 20FT X 102IN DUAL ANGLE REMOVABLE RAIL (SHARK)**

ITEM	PART NUMBER	QTY	DESCRIPTION	REV
	20SLPB	Ref	DECK INSTALLATION, STEEL DUAL ANGLE REMOVABLE RAIL (20FT X 96IN SHARK)	B
1	3097000797	1	Deck Installation, 20ft (Steel)	
1A	7552000212	1	Deck Light Harness	
2	2679000006	1	Main Subframe Pad Installation (See Separate Breakdown in SUBFRAME Section)	
5	2330000038	1	Standard Duty Decals Installation (Not Shown - See Separate Breakdown in DECAL Section)	
6	2330000055	Ref	Conspicuity Decal Installation	
6	7330000428	2	Decal - Red/White Reflective	
7	2750000008	1	Hydraulic Reservoir and Bracket Mount (See Separate Breakdown in HYDRAULIC Section)	
10	7577000208	1	Chain/Tie-Down Kit	
11	2729000093	Ref	Rail Installation	
11A	3017000137	1	Angle Assembly LH	
11B	3017000138	1	Angle Assembly RH	
11C	7120000005	8	Capscrew 1/2 x 2-1/2	
12	2178000066	Ref	Bracket Installation	
12A	4178000873	1	Bracket, RH	
12B	4178000874	1	Bracket, LH	
12C	7115181223	4	Screw 1/2 x 1-1/2	
12D	7950180161	4	Washer 1/2	
12E	7660182601	4	Nut 1/2	

# SECTION 3 - DECK

## FIGURE 3-38. DECK INSTALLATION - STEEL 20FT X 102IN REMOVABLE RAIL



ART\_20RRSB-W

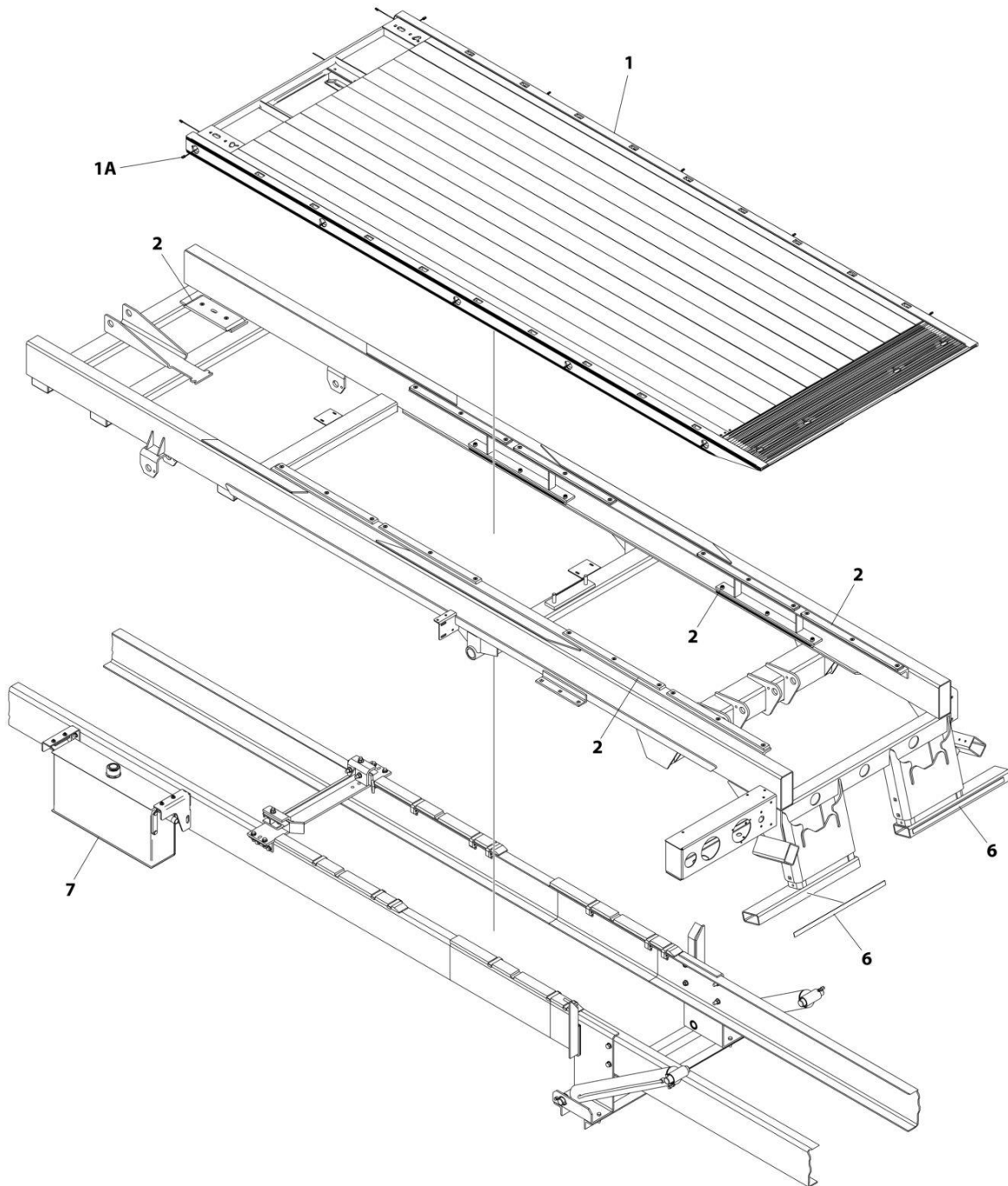
## SECTION 3 - DECK

**FIGURE 3-38. DECK INSTALLATION - STEEL 20FT X 102IN REMOVABLE RAIL**

ITEM	PART NUMBER	QTY	DESCRIPTION	REV
	20RRSB-W	Ref	DECK INSTALLATION, STEEL REMOVABLE RAIL (20FT X 102IN)	B
1	3097000790	1	Deck Installation, 20ft (Steel)	
1A	7552000212	1	Deck Light Harness	
2	2679000006	1	Main Subframe Pad Installation (See Separate Breakdown in SUBFRAME Section)	
5	2330000038	1	Standard Duty Decals Installation (Not Shown - See Separate Breakdown in DECAL Section)	
6	2330000055	Ref	Conspicuity Decal Installation	
6	7330000428	2	Decal - Red/White Reflective	
7	2750000008	1	Hydraulic Reservoir and Bracket Mount (See Separate Breakdown in HYDRAULIC Section)	
10	7577000208	1	Chain/Tie-Down Kit	

# SECTION 3 - DECK

## FIGURE 3-39. DECK INSTALLATION - STEEL 20FT X 102IN TRANSPORTER



ART\_20STRB-8W

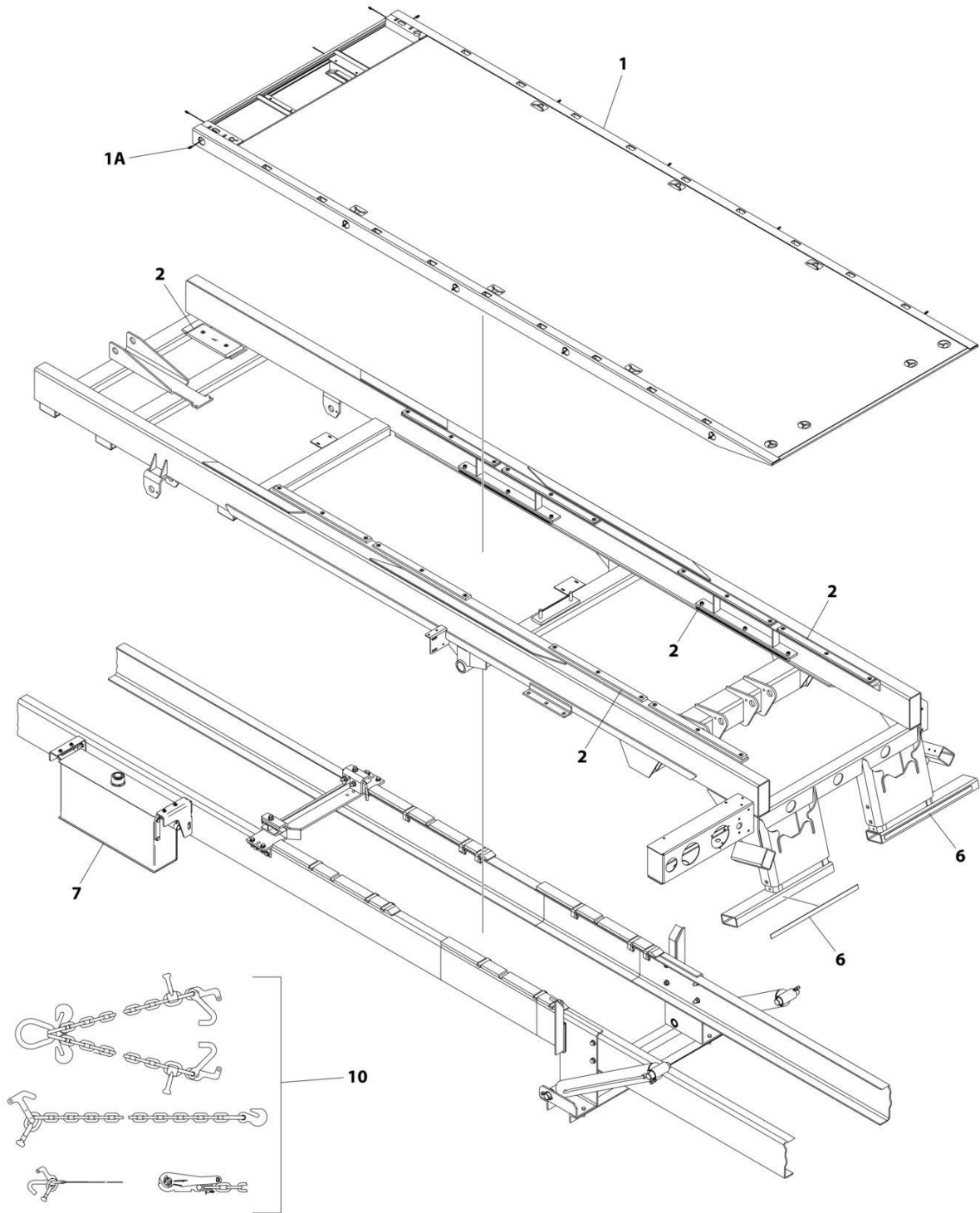
## SECTION 3 - DECK

**FIGURE 3-39. DECK INSTALLATION - STEEL 20FT X 102IN TRANSPORTER**

ITEM	PART NUMBER	QTY	DESCRIPTION	REV
	20STRB-8W	Ref	DECK INSTALLATION, ALUMINUM TRANSPORTER (20FT X 102IN)	B
1	3097000806	1	Deck Installation, 20ft (Steel)	
1A	7552000212	1	Deck Light Harness	
2	2679000006	1	Main Subframe Pad Installation (See Separate Breakdown in SUBFRAME Section)	
5	2330000038	1	Standard Duty Decals Installation (Not Shown - See Separate Breakdown in DECAL Section)	
6	2330000055	Ref	Conspicuity Decal Installation	
6	7330000428	2	Decal - Red/White Reflective	
7	2750000008	1	Hydraulic Reservoir and Bracket Mount (See Separate Breakdown in HYDRAULIC Section)	

# SECTION 3 - DECK

## FIGURE 3-40. DECK INSTALLATION - STEEL 22FT X 90IN REMOVABLE RAIL



ART\_1001131774

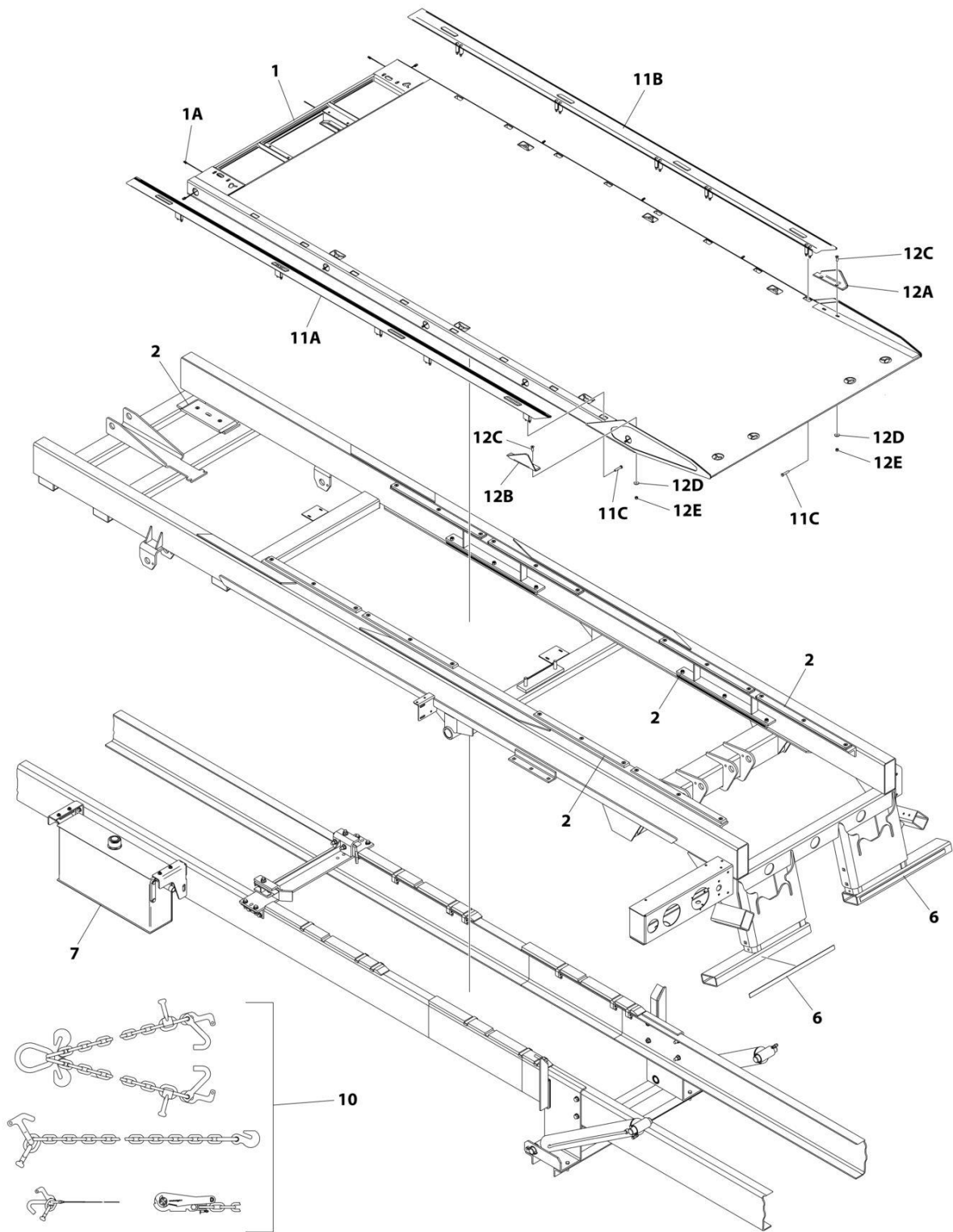
## SECTION 3 - DECK

**FIGURE 3-40. DECK INSTALLATION - STEEL 22FT X 90IN REMOVABLE RAIL**

ITEM	PART NUMBER	QTY	DESCRIPTION	REV
	1001131774	Ref	DECK INSTALLATION, STEEL REMOVABLE RAIL (21FT X 90IN)	B
1	1001131514	1	Deck Installation, 21ft (Steel)	
1A	7552000212	1	Deck Light Harness	
2	2679000006	1	Main Subframe Pad Installation (See Separate Breakdown in SUBFRAME Section)	
5	2330000038	1	Standard Duty Decals Installation (Not Shown - See Separate Breakdown in DECAL Section)	
6	2330000055	Ref	Conspicuity Decal Installation	
6	7330000428	2	Decal - Red/White Reflective	
7	2750000008	1	Hydraulic Reservoir and Bracket Mount (See Separate Breakdown in HYDRAULIC Section)	
10	7577000208	1	Chain/Tie-Down Kit	

# SECTION 3 - DECK

## FIGURE 3-41. DECK INSTALLATION - STEEL 21FT X 96IN DUAL ANGLE REMOVABLE RAIL (SHARK)



ART\_21SLPB



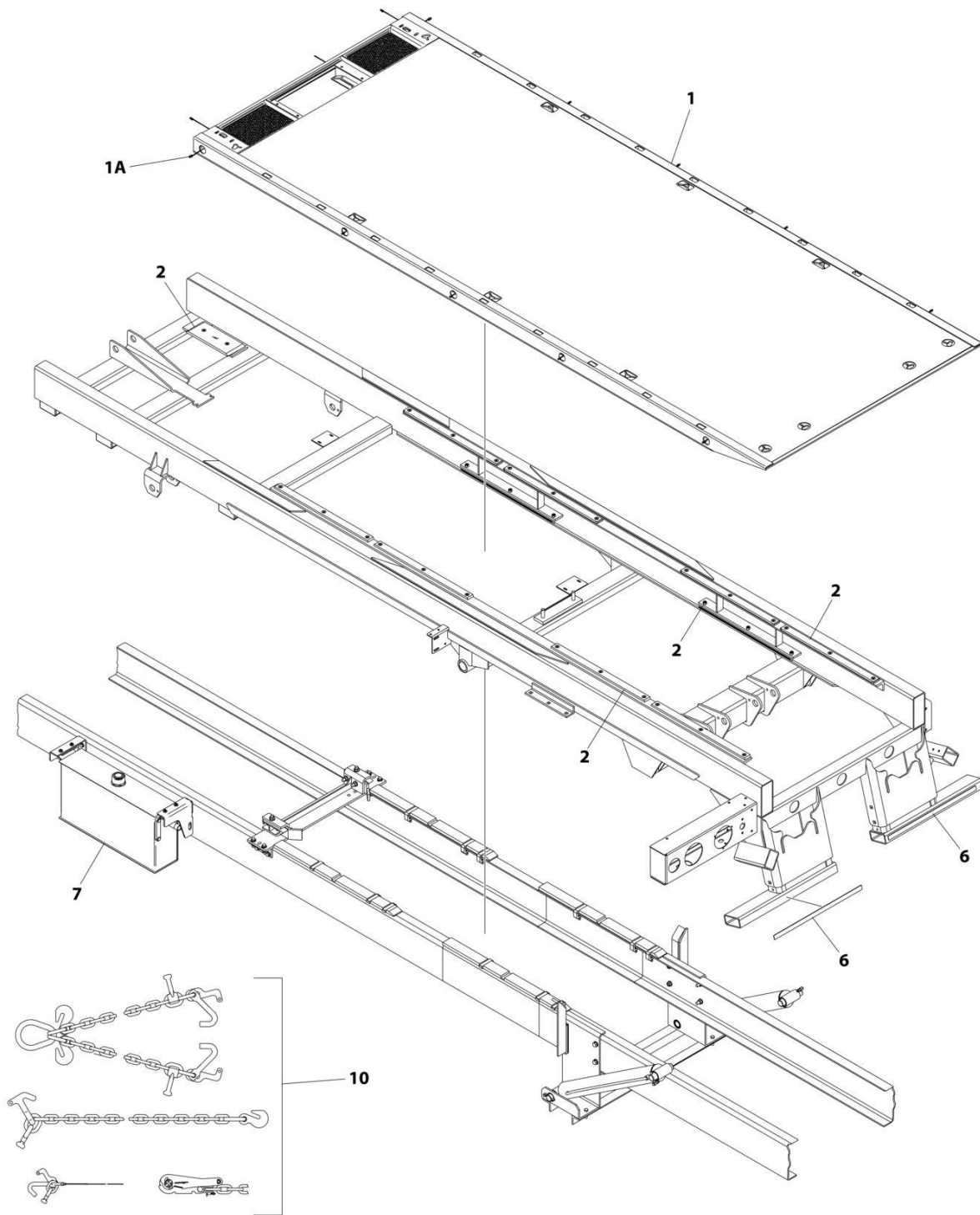
## SECTION 3 - DECK

**FIGURE 3-41. DECK INSTALLATION - STEEL 21FT X 96IN DUAL ANGLE REMOVABLE RAIL (SHARK)**

ITEM	PART NUMBER	QTY	DESCRIPTION	REV
	21SLPB	Ref	DECK INSTALLATION, STEEL DUAL ANGLE REMOVABLE RAIL (21FT X 96IN SHARK)	B
1	3097000799	1	Deck Installation, 21ft (Steel)	
1A	7552000212	1	Deck Light Harness	
2	2679000006	1	Main Subframe Pad Installation (See Separate Breakdown in SUBFRAME Section)	
5	2330000038	1	Standard Duty Decals Installation (Not Shown - See Separate Breakdown in Decal Section)	
6	2330000055	Ref	Conspicuity Decal Installation	
6	7330000428	2	Decal - Red/White Reflective	
7	2750000008	1	Hydraulic Reservoir and Bracket Mount (See Separate Breakdown in HYDRAULIC Section)	
10	7577000208	1	Chain/Tie-Down Kit	
11	2729000094	Ref	Rail Installation	
11A	3017000139	1	Angle Assembly LH	
11B	3017000140	1	Angle Assembly RH	
11C	7120000005	8	Capscrew 1/2 x 2-1/2	
12	2178000066	Ref	Bracket Installation	
12A	4178000873	1	Bracket, RH	
12B	4178000874	1	Bracket, LH	
12C	7115181223	4	Screw 1/2 x 1-1/2	
12D	7950180161	4	Washer 1/2	
12E	7660182601	4	Nut 1/2	

# SECTION 3 - DECK

## FIGURE 3-42. DECK INSTALLATION - STEEL 21FT X 96IN REMOVABLE RAIL



ART\_21RRSB

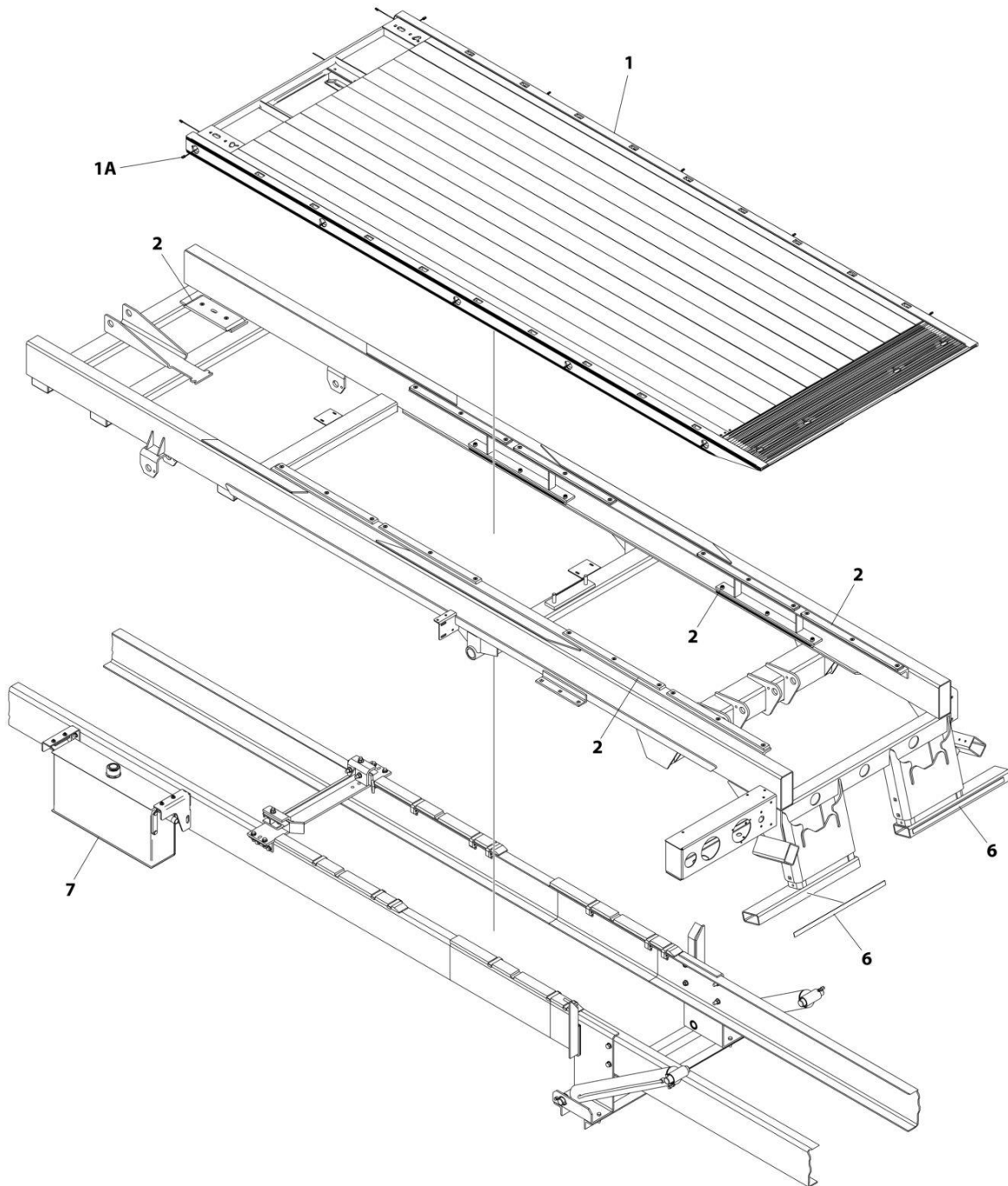
## SECTION 3 - DECK

**FIGURE 3-42. DECK INSTALLATION - STEEL 21FT X 96IN REMOVABLE RAIL**

ITEM	PART NUMBER	QTY	DESCRIPTION	REV
	21RRSB	Ref	DECK INSTALLATION, STEEL REMOVABLE RAIL (21FT X 96IN)	B
1	3097000791	1	Deck Installation, 21ft (Steel)	
1A	7552000212	1	Deck Light Harness	
2	2679000006	1	Main Subframe Pad Installation (See Separate Breakdown in SUBFRAME Section)	
5	2330000038	1	Standard Duty Decals Installation (Not Shown - See Separate Breakdown in DECAL Section)	
6	2330000055	Ref	Conspicuity Decal Installation	
6	7330000428	2	Decal - Red/White Reflective	
7	2750000008	1	Hydraulic Reservoir and Bracket Mount (See Separate Breakdown in HYDRAULIC Section)	
10	7577000208	1	Chain/Tie-Down Kit	

# SECTION 3 - DECK

## FIGURE 3-43. DECK INSTALLATION - STEEL 21FT X 96IN TRANSPORTER



ART\_21STRB-8

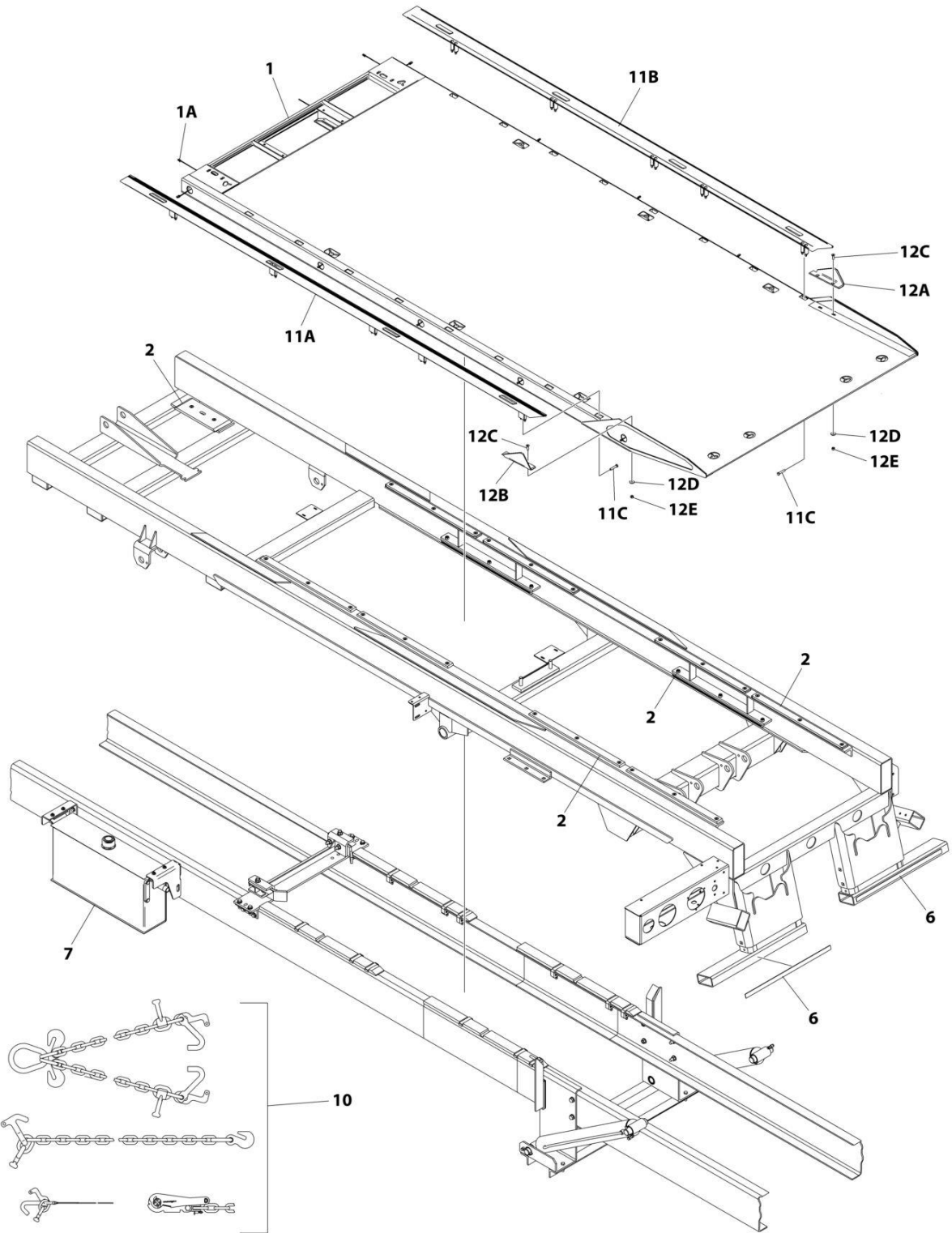
## SECTION 3 - DECK

**FIGURE 3-43. DECK INSTALLATION - STEEL 21FT X 96IN TRANSPORTER**

ITEM	PART NUMBER	QTY	DESCRIPTION	REV
	21STRB-8	Ref	DECK INSTALLATION, ALUMINUM TRANSPORTER (21FT X 96IN)	B
1	3097000807	1	Deck Installation, 21ft (Steel)	
1A	7552000212	1	Deck Light Harness	
2	2679000006	1	Main Subframe Pad Installation (See Separate Breakdown in SUBFRAME Section)	
5	2330000038	1	Standard Duty Decals Installation (Not Shown - See Separate Breakdown in DECAL Section)	
6	2330000055	Ref	Conspicuity Decal Installation	
6	7330000428	2	Decal - Red/White Reflective	
7	2750000008	1	Hydraulic Reservoir and Bracket Mount (See Separate Breakdown in HYDRAULIC Section)	

# SECTION 3 - DECK

## FIGURE 3-44. DECK INSTALLATION - STEEL 21FT X 102IN DUAL ANGLE REMOVABLE RAIL (SHARK)



ART\_21SLPB-W

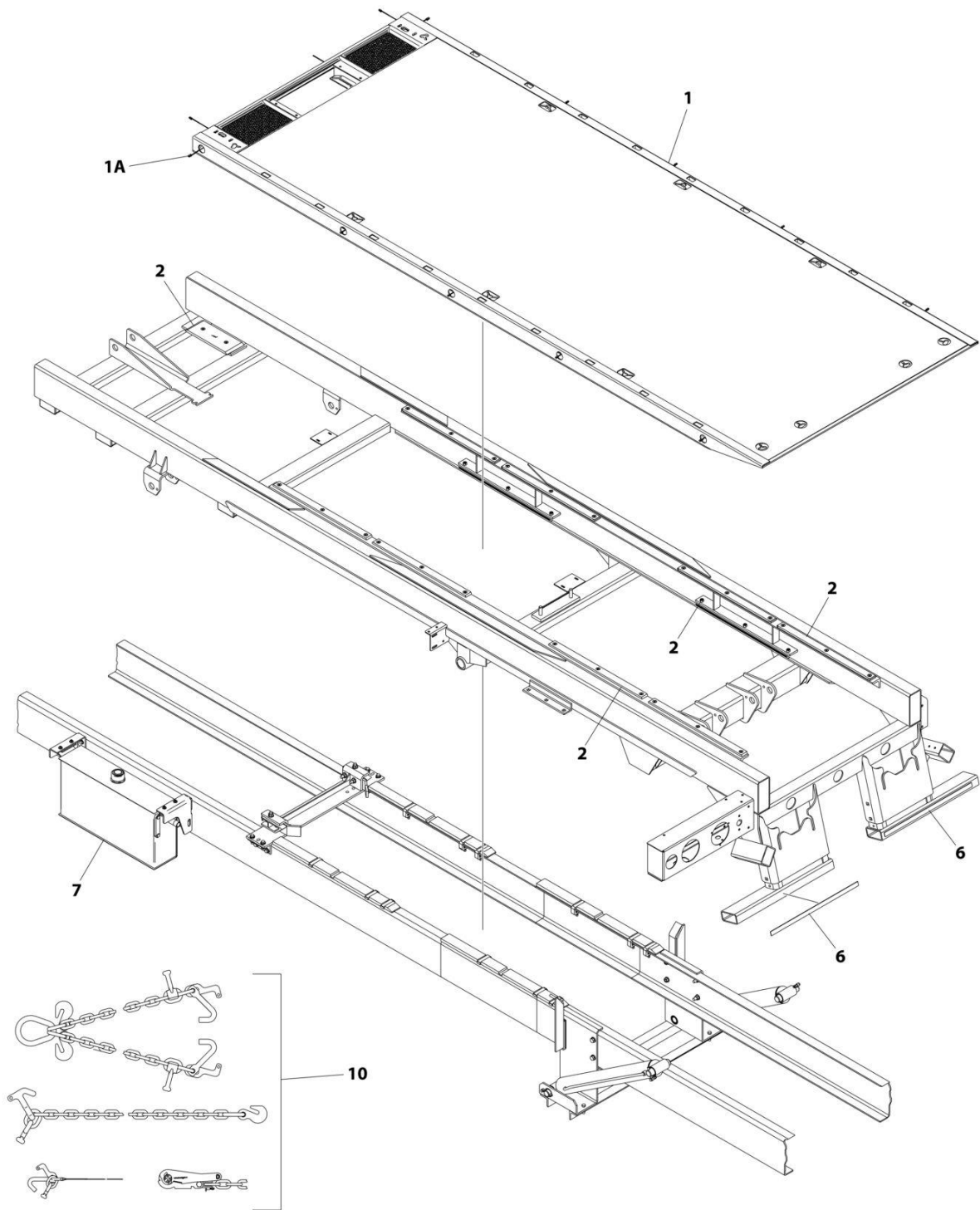
## SECTION 3 - DECK

**FIGURE 3-44. DECK INSTALLATION - STEEL 21FT X 102IN DUAL ANGLE REMOVABLE RAIL (SHARK)**

ITEM	PART NUMBER	QTY	DESCRIPTION	REV
	21SLPB-W	Ref	DECK INSTALLATION, STEEL DUAL ANGLE REMOVABLE RAIL (21FT X 102IN SHARK)	B
1	3097000800	1	Deck Installation, 21ft (Steel)	
1A	7552000212	1	Deck Light Harness	
2	2679000006	1	Main Subframe Pad Installation (See Separate Breakdown in SUBFRAME Section)	
5	2330000038	1	Standard Duty Decals Installation (Not Shown - See Separate Breakdown in Decal Section)	
6	2330000055	Ref	Conspicuity Decal Installation	
6	7330000428	2	Decal - Red/White Reflective	
7	2750000008	1	Hydraulic Reservoir and Bracket Mount (See Separate Breakdown in HYDRAULIC Section)	
10	7577000208	1	Chain/Tie-Down Kit	
11	2729000094	Ref	Rail Installation	
11A	3017000139	1	Angle Assembly LH	
11B	3017000140	1	Angle Assembly RH	
11C	7120000005	8	Capscrew 1/2 x 2-1/2	
12	2178000066	Ref	Bracket Installation	
12A	4178000873	1	Bracket, RH	
12B	4178000874	1	Bracket, LH	
12C	7115181223	4	Screw 1/2 x 1-1/2	
12D	7950180161	4	Washer 1/2	
12E	7660182601	4	Nut 1/2	

# SECTION 3 - DECK

## FIGURE 3-45. DECK INSTALLATION - STEEL 21FT X 102IN REMOVABLE RAIL



ART\_21RRSB-W



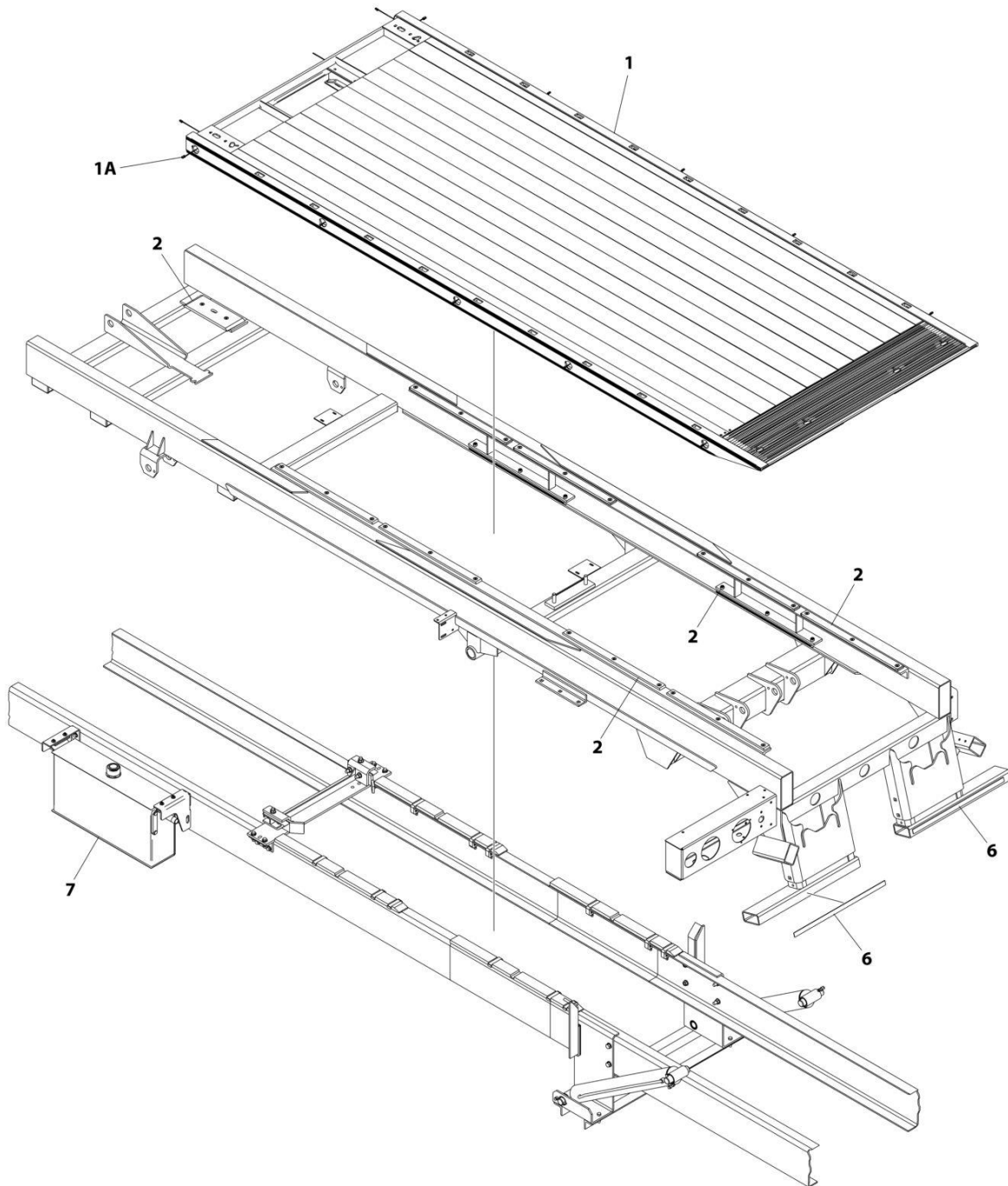
## SECTION 3 - DECK

**FIGURE 3-45. DECK INSTALLATION - STEEL 21FT X 102IN REMOVABLE RAIL**

ITEM	PART NUMBER	QTY	DESCRIPTION	REV
	21RRSB-W	Ref	DECK INSTALLATION, STEEL REMOVABLE RAIL (21FT X 102IN)	B
1	3097000792	1	Deck Installation, 21ft (Steel)	
1A	7552000212	1	Deck Light Harness	
2	2679000006	1	Main Subframe Pad Installation (See Separate Breakdown in SUBFRAME Section)	
5	2330000038	1	Standard Duty Decals Installation (Not Shown - See Separate Breakdown in DECAL Section)	
6	2330000055	Ref	Conspicuity Decal Installation	
6	7330000428	2	Decal - Red/White Reflective	
7	2750000008	1	Hydraulic Reservoir and Bracket Mount (See Separate Breakdown in HYDRAULIC Section)	
10	7577000208	1	Chain/Tie-Down Kit	

# SECTION 3 - DECK

## FIGURE 3-46. DECK INSTALLATION - STEEL 21FT X 102IN TRANSPORTER



ART\_21STRB-8W

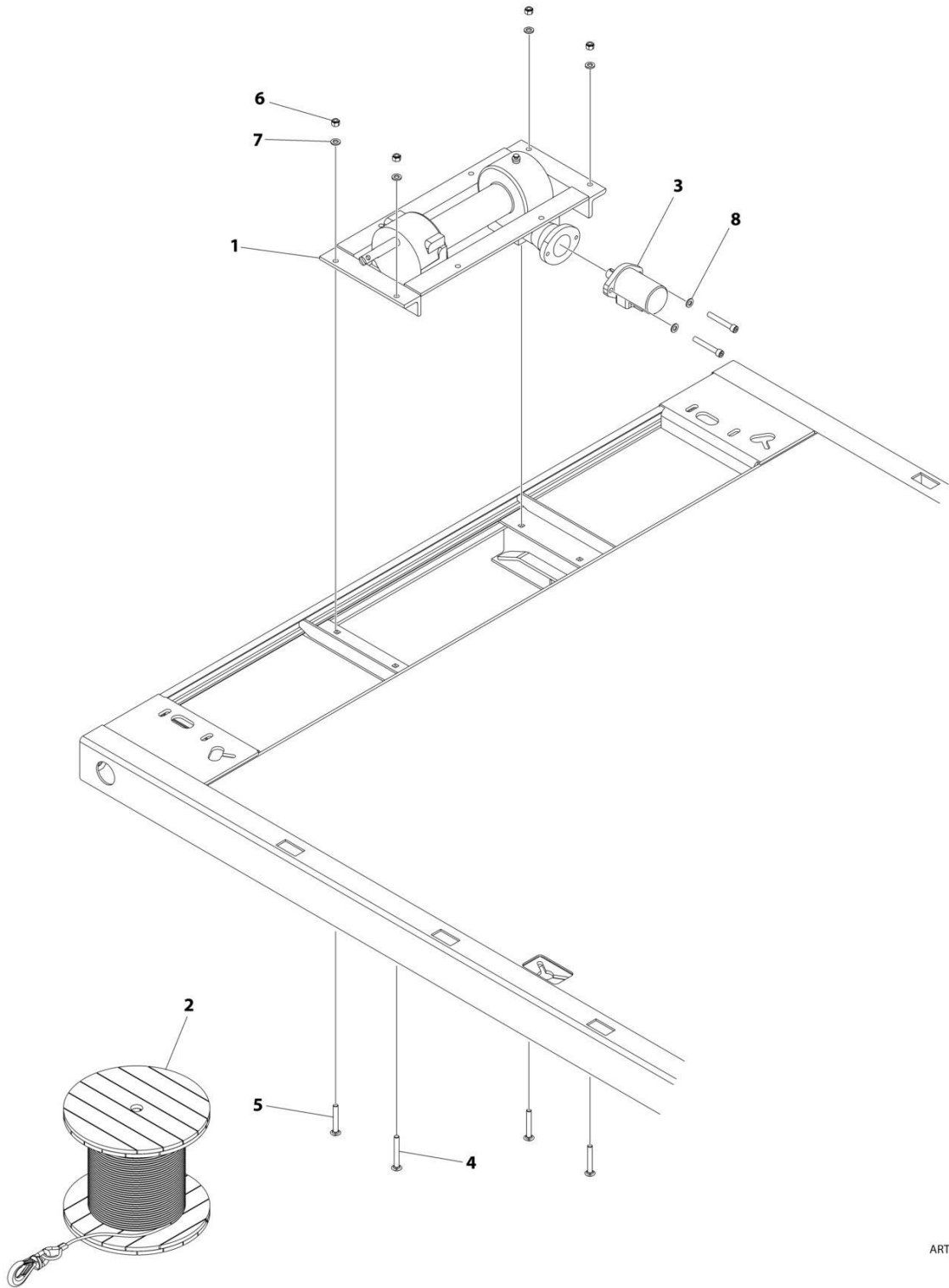
## SECTION 3 - DECK

**FIGURE 3-46. DECK INSTALLATION - STEEL 21FT X 102IN TRANSPORTER**

ITEM	PART NUMBER	QTY	DESCRIPTION	REV
	21STRB-8W	Ref	DECK INSTALLATION - 21FT X 102IN STEEL TRANSPORTER (NGAT-8)	B
1	3097000808	1	Deck Installation, 21ft (Steel)	
1A	7552000212	1	Deck Light Harness	
2	2679000006	1	Main Subframe Pad Installation (See Separate Breakdown in SUBFRAME Section)	
5	2330000038	1	Standard Duty Decals Installation (Not Shown - See Separate Breakdown in DECAL Section)	
6	2330000055	Ref	Conspicuity Decal Installation	
6	7330000428	2	Decal - Red/White Reflective	
7	2750000008	1	Hydraulic Reservoir and Bracket Mount (See Separate Breakdown in HYDRAULIC Section)	

# SECTION 3 - DECK

## FIGURE 3-47. WINCH INSTALLATION - 8000 LBS (STANDARD ALUMINUM DECK)



ART\_W08WAL-SD

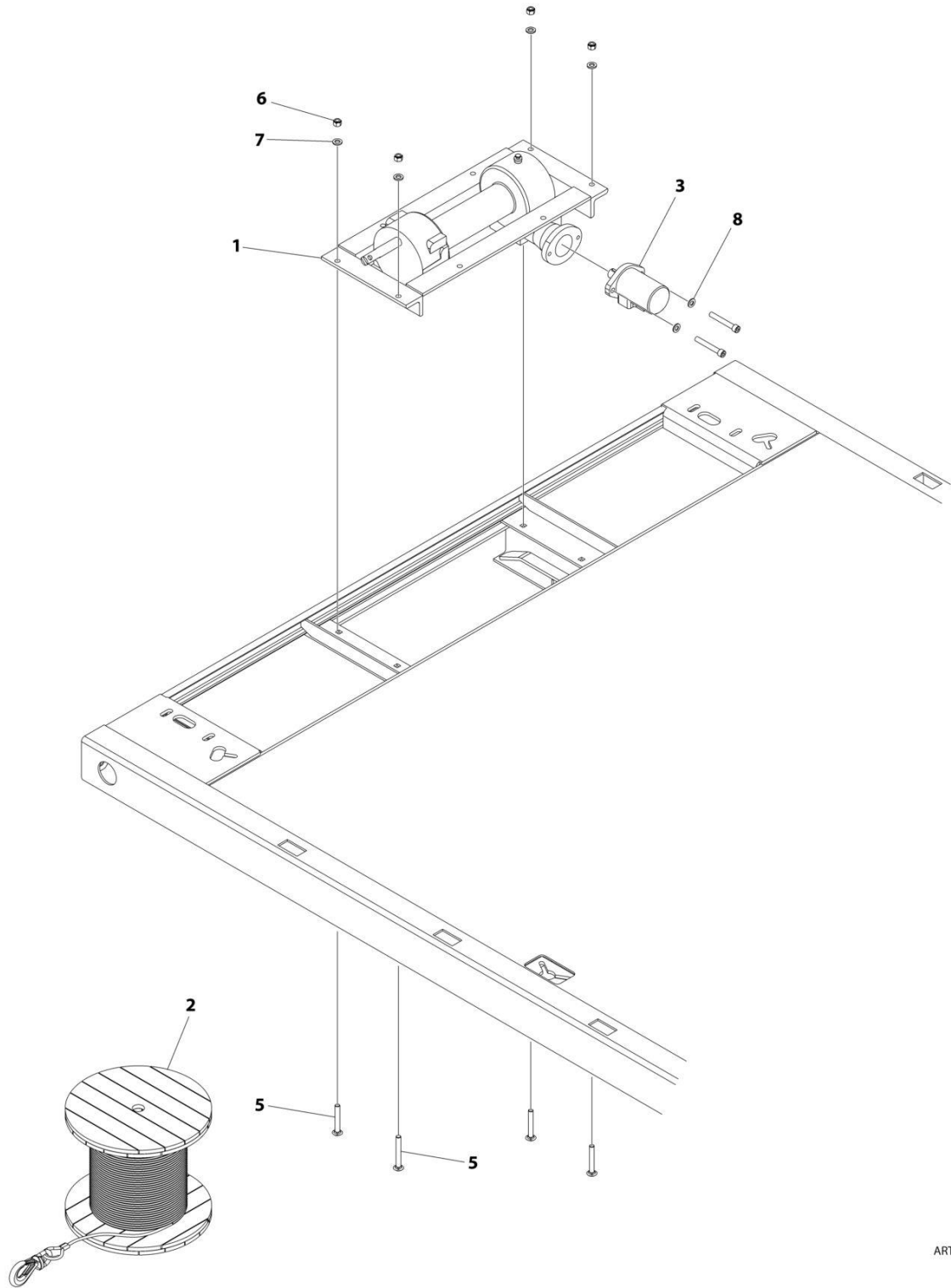
## SECTION 3 - DECK

**FIGURE 3-47. WINCH INSTALLATION - 8000 LBS (STANDARD ALUMINUM DECK)**

ITEM	PART NUMBER	QTY	DESCRIPTION	REV
	W08WAL-SD	Ref	WINCH INSTALLATION	A
	2970000080	Ref	Winch Installation	D
1	7970000121	1	Winch Assembly, 8000 lbs (See Separate Breakdown in this Section)	
2	7248000063	1	Wire Rope	
3	7626000014	1	Motor	
4	1001138523	1	Bolt 1/2 x 2-3/4	
5	1001138522	3	Bolt 1/2 x 2-1/4	
6	7660182601	4	Nut 1/2	
7	7950180153	4	Washer 1/2	
8	7950180400	2	Washer 1/2	
20	2249000017	1	Cable Tensioner Assembly (Not Shown - See Separate Breakdown in this Section)	

# SECTION 3 - DECK

FIGURE 3-48. WINCH INSTALLATION - 8000 LBS AIR FREE SPOOL (STANDARD ALUMINUM DECK)



ART\_1001220878

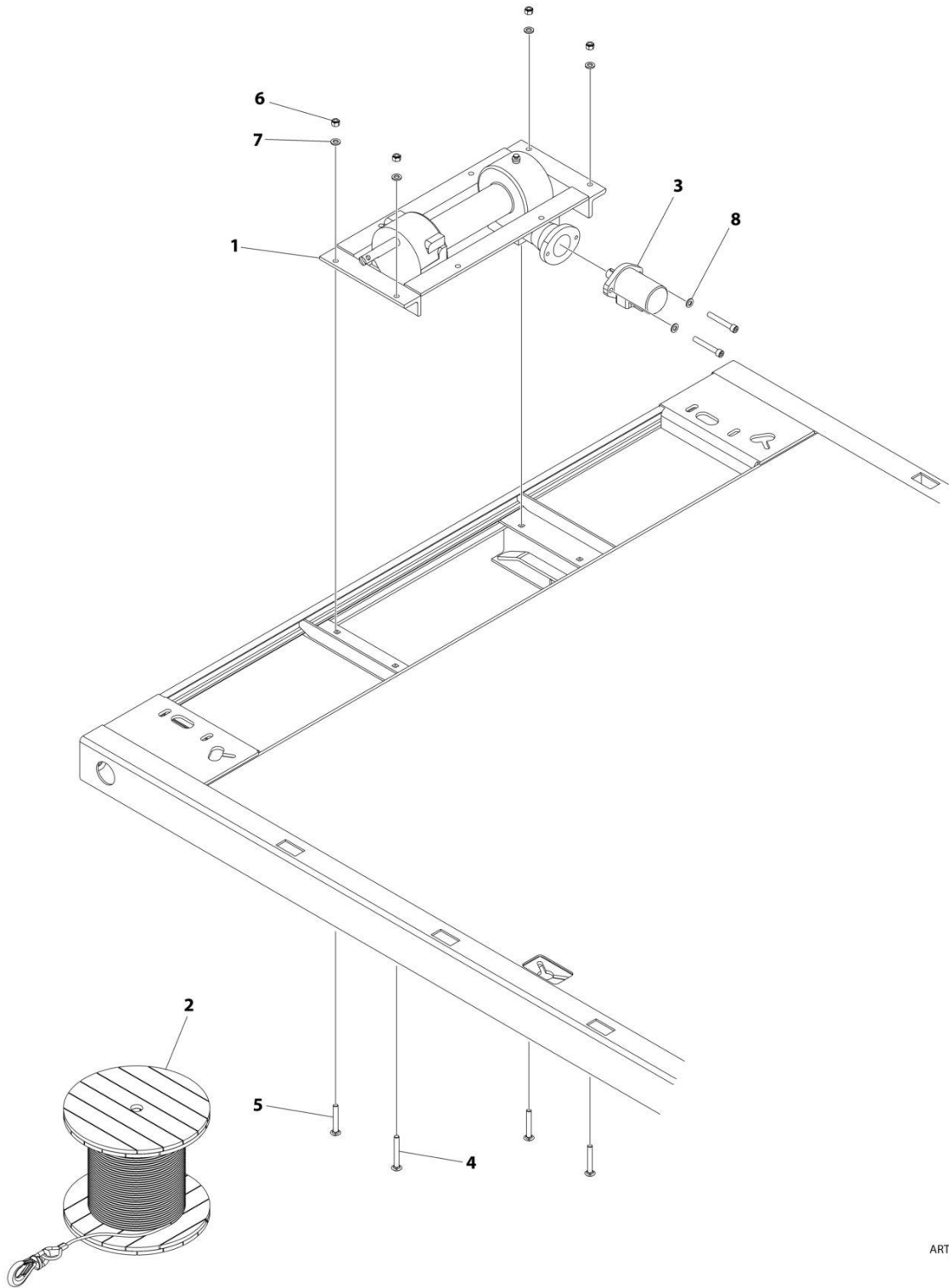
## SECTION 3 - DECK

**FIGURE 3-48. WINCH INSTALLATION - 8000 LBS AIR FREE SPOOL (STANDARD ALUMINUM DECK)**

ITEM	PART NUMBER	QTY	DESCRIPTION	REV
	1001220878	Ref	WINCH INSTALLATION	A
	2970000109	Ref	Winch Installation	B
1	7970000142	1	Winch Assembly, 8000 lbs (See Separate Breakdown in this Section)	
2	7248000063	1	Wire Rope	
3	7626000014	1	Motor	
5	1001138522	4	Bolt 1/2 x 2-1/4	
6	7660182601	4	Nut 1/2	
7	7950180153	4	Washer 1/2	
8	7950180400	2	Washer 1/2	
20	2249000017	1	Cable Tensioner Assembly (Not Shown - See Separate Breakdown in this Section)	

# SECTION 3 - DECK

## FIGURE 3-49. WINCH INSTALLATION - 8000 LBS (STANDARD STEEL DECK)



ART\_W08WST-SD



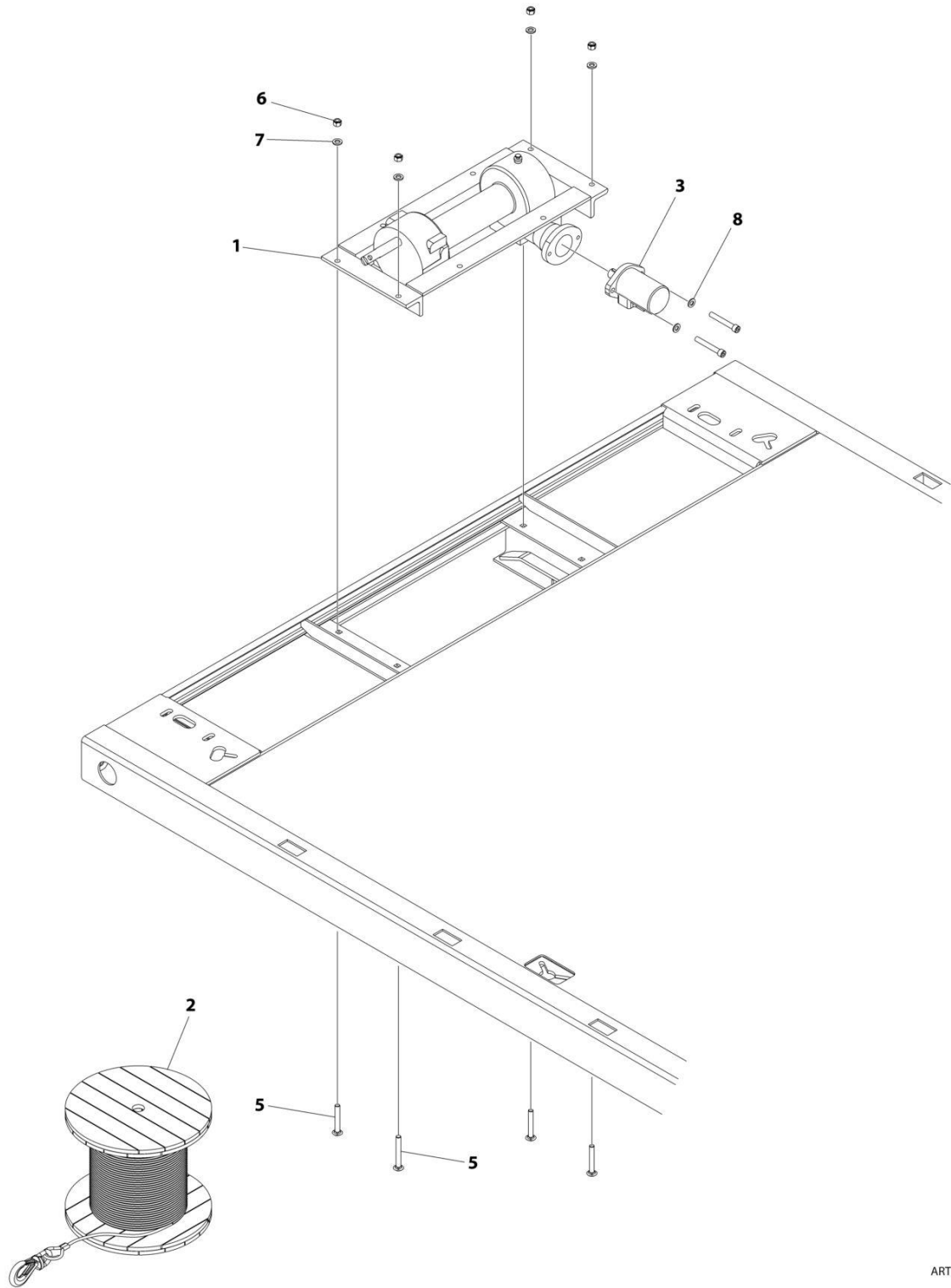
## SECTION 3 - DECK

**FIGURE 3-49. WINCH INSTALLATION - 8000 LBS (STANDARD STEEL DECK)**

ITEM	PART NUMBER	QTY	DESCRIPTION	REV
	W08WST-SD	Ref	WINCH INSTALLATION	A
	2970000088	Ref	Winch Installation	C
1	7970000121	1	Winch Assembly, 8000 lbs (See Separate Breakdown in this Section)	
2	7248000063	1	Wire Rope	
3	7626000014	1	Motor	
4	7115181864	1	Bolt 1/2 x 2-1/4	
5	7115181464	3	Bolt 1/2 x 1-3/4	
6	7660182601	4	Nut 1/2	
7	7950180153	4	Washer 1/2	
8	7950180400	2	Washer 1/2	
20	2249000017	1	Cable Tensioner Assembly (Not Shown - See Separate Breakdown in this Section)	

# SECTION 3 - DECK

FIGURE 3-50. WINCH INSTALLATION - 8000 LBS AIR FREE SPOOL (STANDARD STEEL DECK)



ART\_1001220879

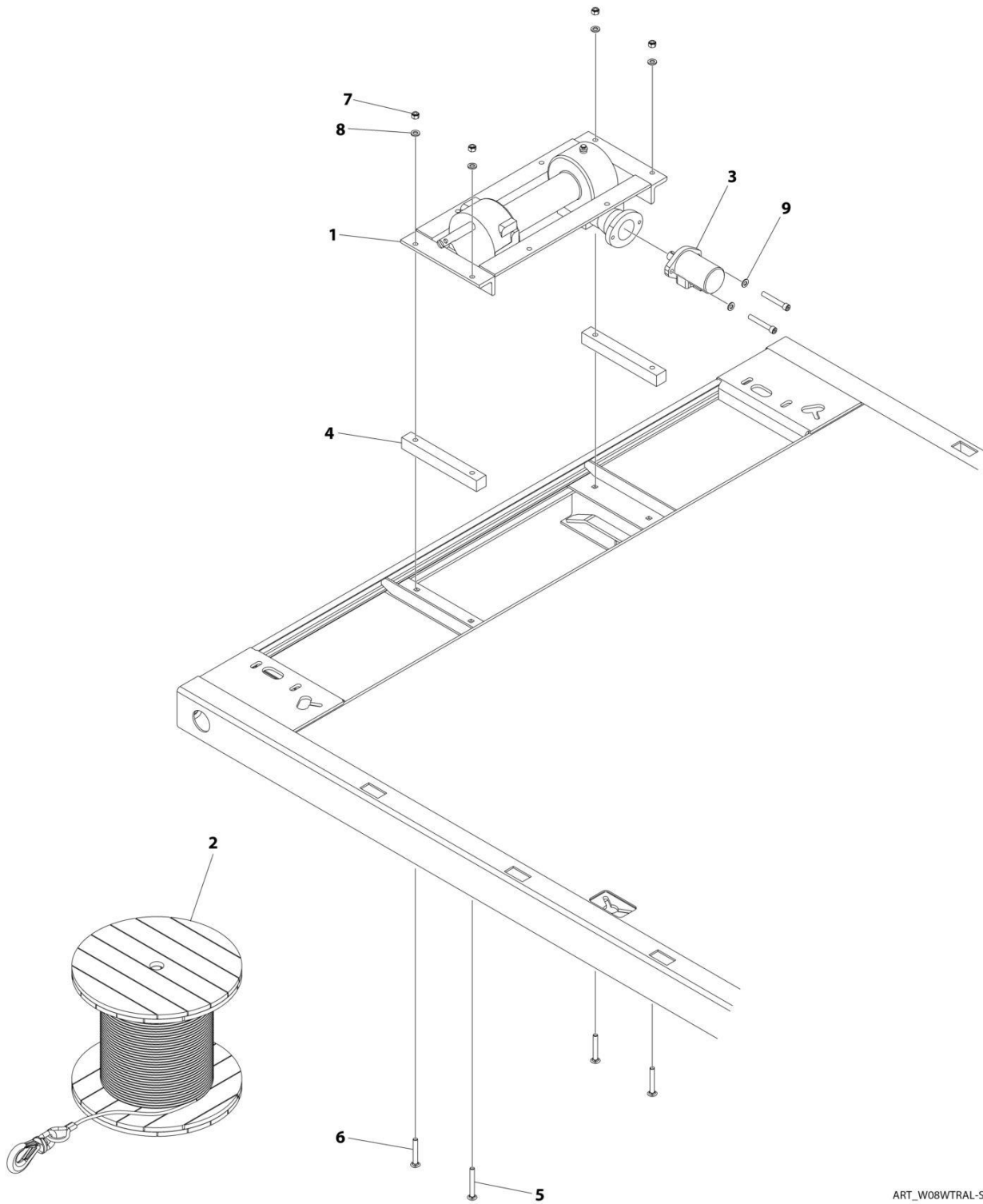
## SECTION 3 - DECK

**FIGURE 3-50. WINCH INSTALLATION - 8000 LBS AIR FREE SPOOL (STANDARD STEEL DECK)**

ITEM	PART NUMBER	QTY	DESCRIPTION	REV
	1001220879	Ref	WINCH INSTALLATION	A
	2970000107	Ref	Winch Installation	A
1	7970000142	1	Winch Assembly, 8000 lbs (See Separate Breakdown in this Section)	
2	7248000063	1	Wire Rope	
3	7626000014	1	Motor	
5	7115181464	4	Bolt 1/2 x 1-3/4	
6	7660182601	4	Nut 1/2	
7	7950180153	4	Washer 1/2	
8	7950180400	2	Washer 1/2	
20	2249000017	1	Cable Tensioner Assembly (Not Shown - See Separate Breakdown in this Section)	

# SECTION 3 - DECK

## FIGURE 3-51. WINCH INSTALLATION - 8000 LBS (TRANSPORTER ALUMINUM DECK)



ART\_W08WTRAL-SD

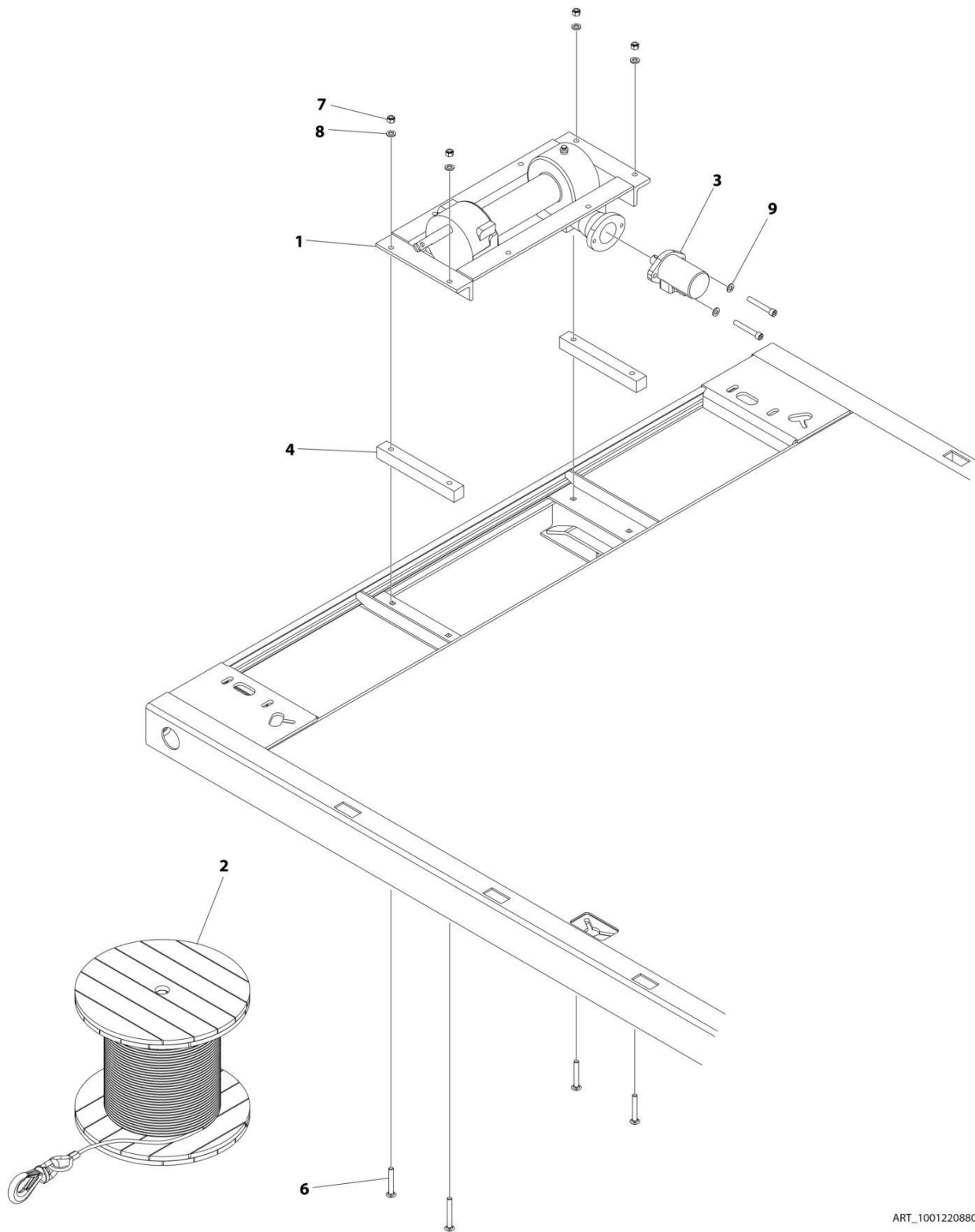
## SECTION 3 - DECK

**FIGURE 3-51. WINCH INSTALLATION - 8000 LBS (TRANSPORTER ALUMINUM DECK)**

ITEM	PART NUMBER	QTY	DESCRIPTION	REV
	W08WTRAL-SD	Ref	WINCH INSTALLATION	A
	2970000081	Ref	Winch Installation	D
1	7970000121	1	Winch Assembly, 8000 lbs (See Separate Breakdown in this Section)	
2	7248000063	1	Wire Rope	
3	7626000014	1	Motor	
4	4062000318	2	Bar	
5	1001137970	1	Bolt 1/2 x 4-1/2	
6	1001137968	3	Bolt 1/2 x 4	
7	7660182601	4	Nut 1/2	
8	7950180153	4	Washer 1/2	
9	7950180400	2	Washer 1/2	
20	2249000017	1	Cable Tensioner Assembly (Not Shown - See Separate Breakdown in this Section)	

# SECTION 3 - DECK

## FIGURE 3-52. WINCH INSTALLATION - 8000 LBS AIR FREE SPOOL (TRANSPORTER ALUMINUM DECK)



ART\_1001220880

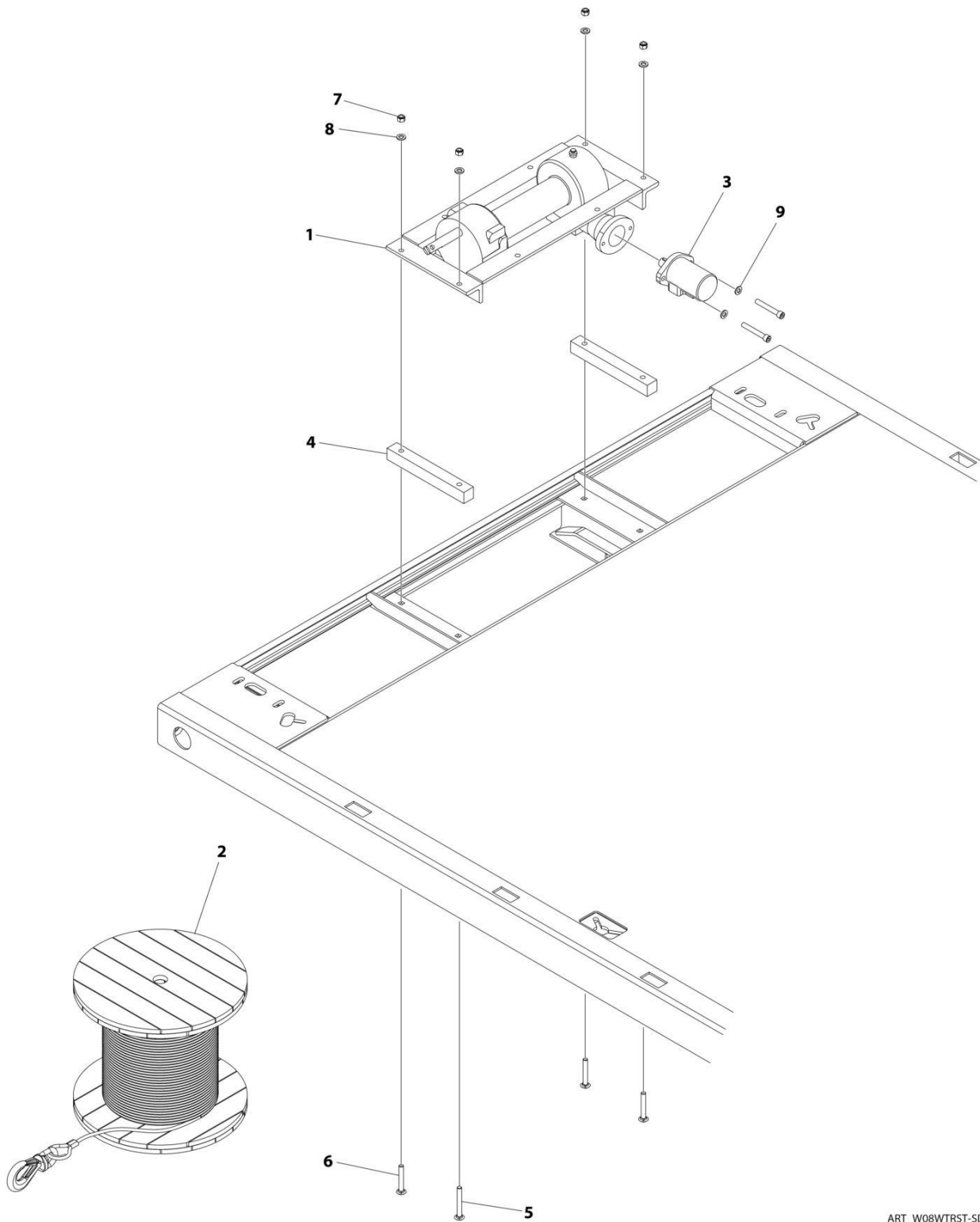
## SECTION 3 - DECK

**FIGURE 3-52. WINCH INSTALLATION - 8000 LBS AIR FREE SPOOL (TRANSPORTER ALUMINUM DECK)**

ITEM	PART NUMBER	QTY	DESCRIPTION	REV
	1001220880	Ref	WINCH INSTALLATION	A
	2970000113	Ref	Winch Installation	B
1	7970000142	1	Winch Assembly, 8000 lbs (See Separate Breakdown in this Section)	
2	7248000063	1	Wire Rope	
3	7626000014	1	Motor	
4	4062000318	2	Bar	
6	1001137968	4	Bolt 1/2 x 4	
7	7660182601	4	Nut 1/2	
8	7950180153	4	Washer 1/2	
9	7950180400	2	Washer 1/2	
20	2249000017	1	Cable Tensioner Assembly (Not Shown - See Separate Breakdown in this Section)	

# SECTION 3 - DECK

## FIGURE 3-53. WINCH INSTALLATION - 8000 LBS (TRANSPORTER STEEL DECK)



ART\_W08WTRST-SD



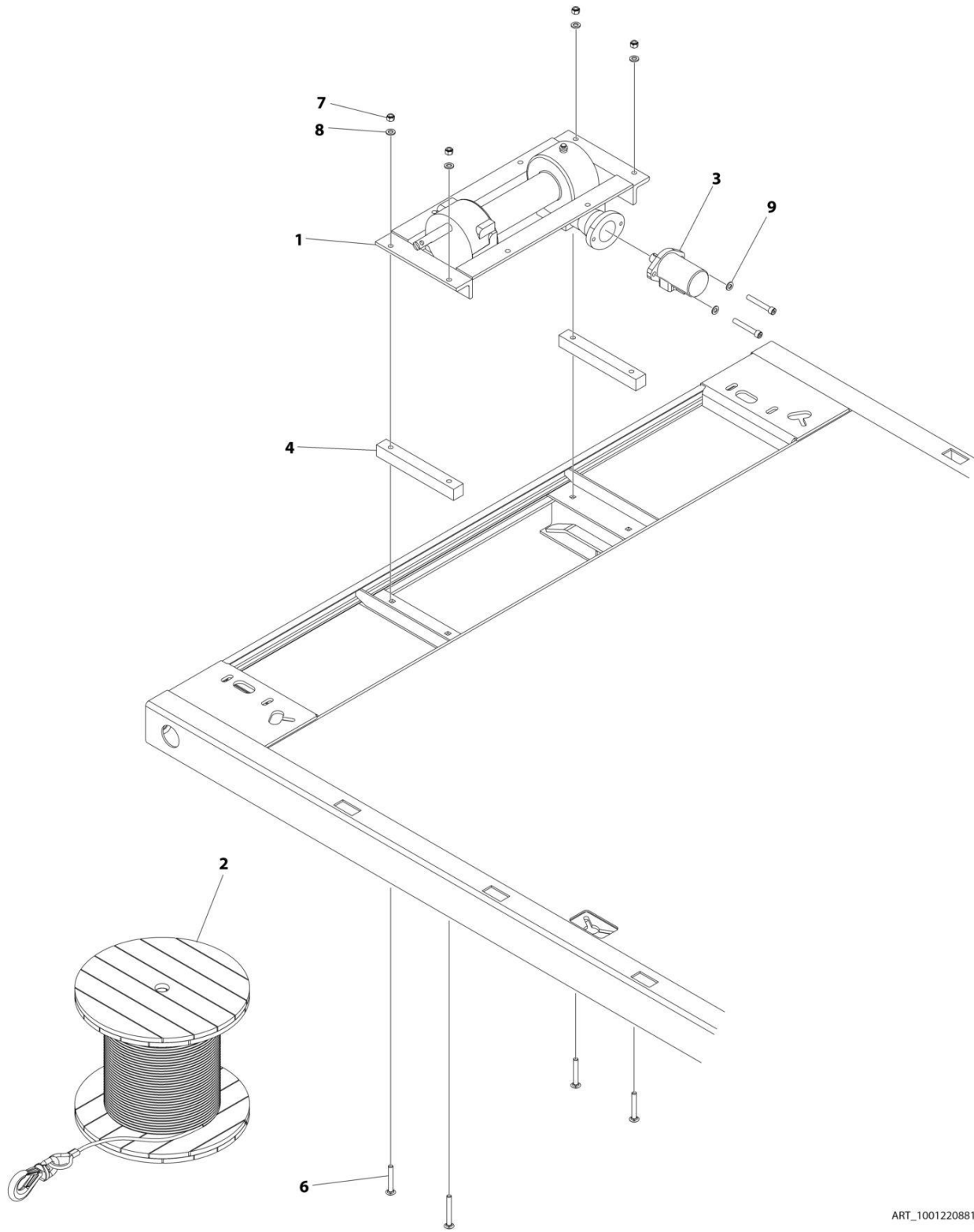
## SECTION 3 - DECK

**FIGURE 3-53. WINCH INSTALLATION - 8000 LBS (TRANSPORTER STEEL DECK)**

ITEM	PART NUMBER	QTY	DESCRIPTION	REV
	W08WTRST-SD	Ref	WINCH INSTALLATION	A
	2970000089	Ref	Winch Installation	C
1	7970000121	1	Winch Assembly, 8000 lbs (See Separate Breakdown in this Section)	
2	7248000063	1	Wire Rope	
3	7626000014	1	Motor	
4	4062000318	2	Bar	
5	7115183264	1	Bolt 1/2 x 4	
6	7115182864	3	Bolt 1/2 x 3-1/2	
7	7660182601	4	Nut 1/2	
8	7950180153	4	Washer 1/2	
9	7950180400	2	Washer 1/2	
20	2249000017	1	Cable Tensioner Assembly (Not Shown - See Separate Breakdown in this Section)	

# SECTION 3 - DECK

FIGURE 3-54. WINCH INSTALLATION - 8000 LBS AIR FREE SPOOL (TRANSPORTER STEEL DECK)



ART\_1001220881

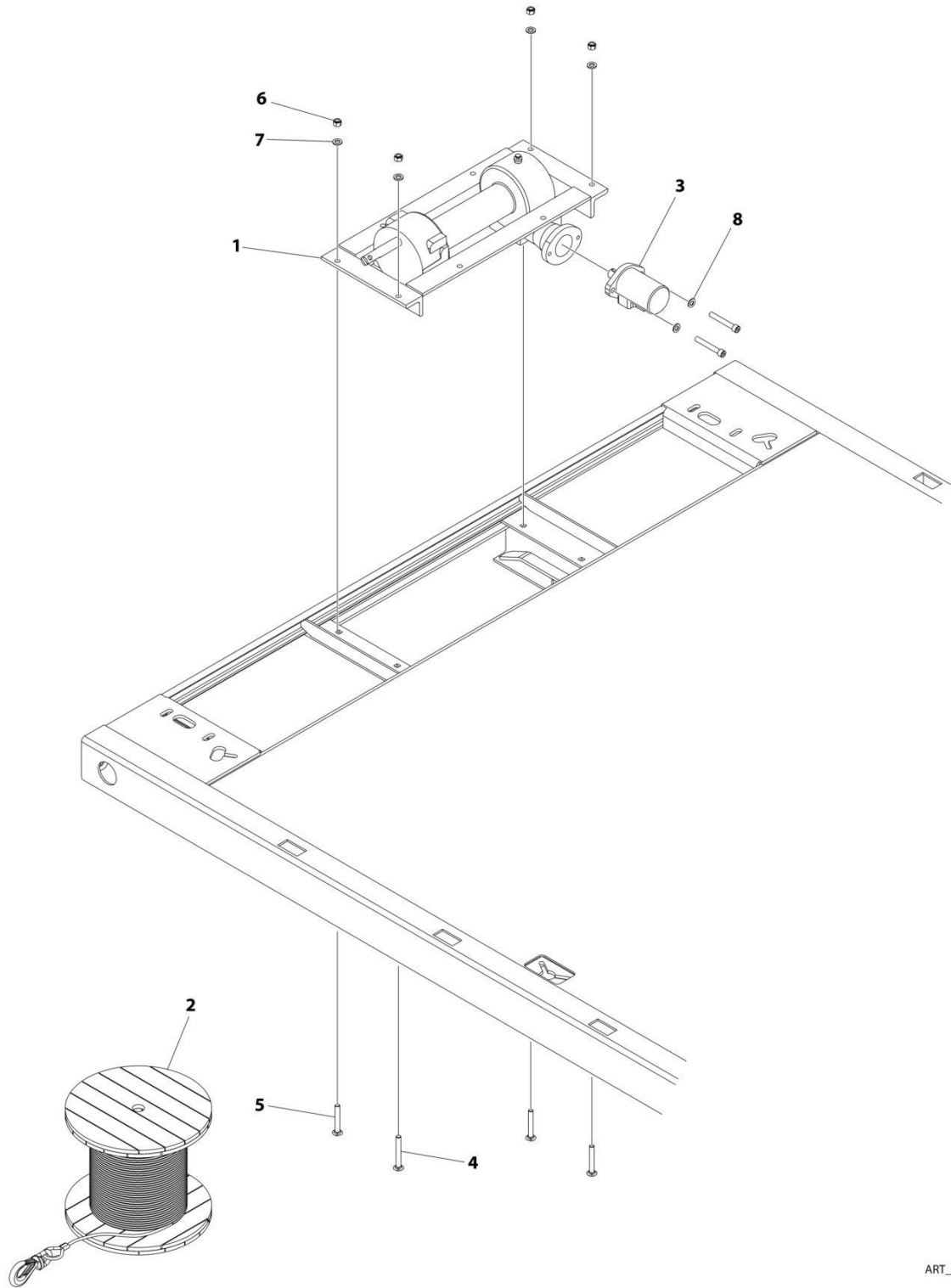
## SECTION 3 - DECK

**FIGURE 3-54. WINCH INSTALLATION - 8000 LBS AIR FREE SPOOL (TRANSPORTER STEEL DECK)**

ITEM	PART NUMBER	QTY	DESCRIPTION	REV
	1001220881	Ref	WINCH INSTALLATION	A
	2970000111	Ref	Winch Installation	A
1	7970000142	1	Winch Assembly, 8000 lbs (See Separate Breakdown in this Section)	
2	7248000063	1	Wire Rope	
3	7626000014	1	Motor	
4	4062000318	2	Bar	
6	7115182864	4	Bolt 1/2 x 3-1/2	
7	7660182601	4	Nut 1/2	
8	7950180153	4	Washer 1/2	
9	7950180400	2	Washer 1/2	
20	2249000017	1	Cable Tensioner Assembly (Not Shown - See Separate Breakdown in this Section)	

# SECTION 3 - DECK

## FIGURE 3-55. WINCH INSTALLATION - 10000 LBS (STANDARD ALUMINUM DECK)



ART\_W010WAL-SD

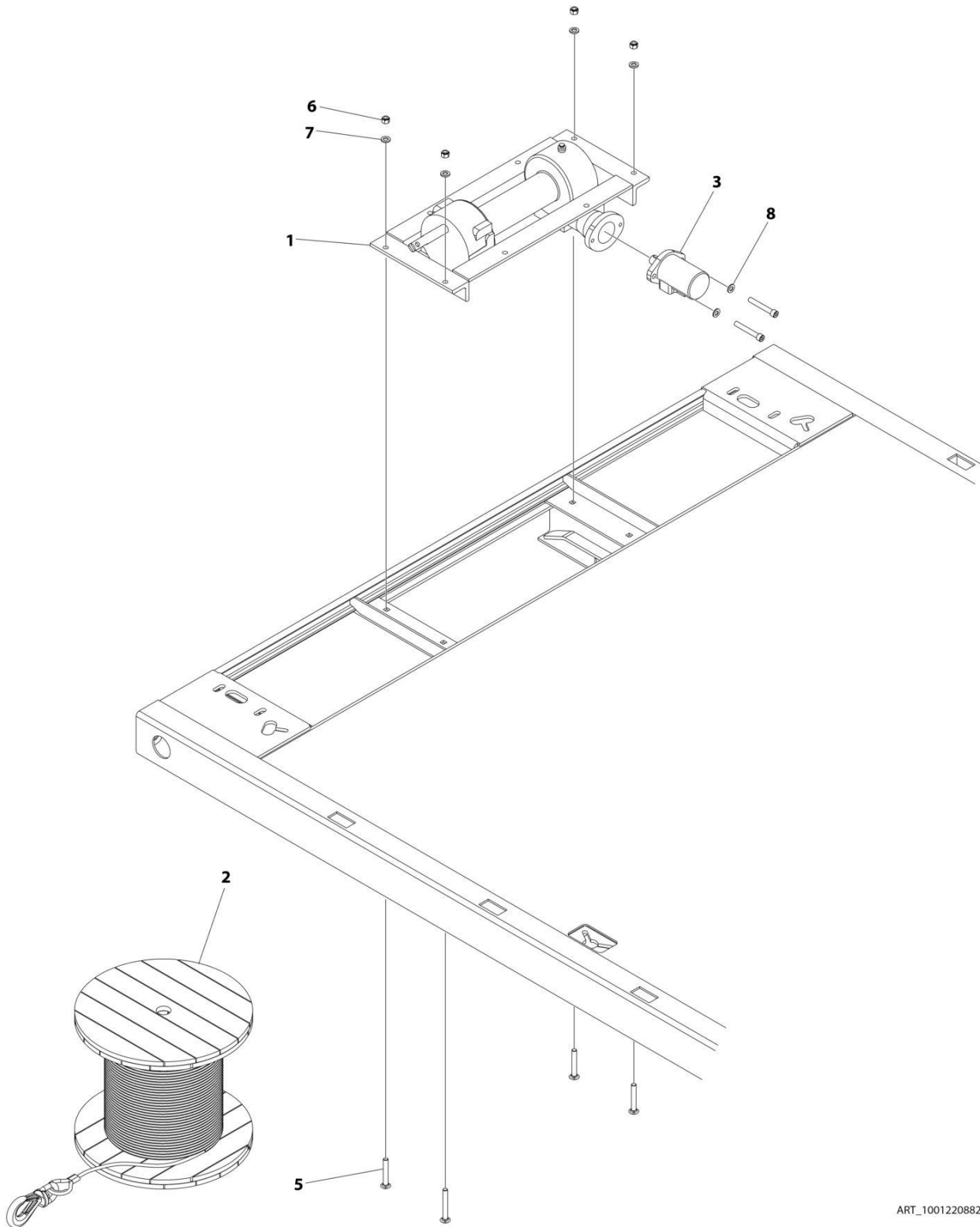
## SECTION 3 - DECK

**FIGURE 3-55. WINCH INSTALLATION - 10000 LBS (STANDARD ALUMINUM DECK)**

ITEM	PART NUMBER	QTY	DESCRIPTION	REV
	WO10WAL-SD	Ref	WINCH INSTALLATION	A
	2970000082	Ref	Winch Installation	D
1	7970000123	1	Winch Assembly, 10000 lbs (See Separate Breakdown in this Section)	
2	7248000064	1	Wire Rope	
3	7626000014	1	Motor	
4	1001138523	1	Bolt 1/2 x 2-3/4	
5	1001138522	3	Bolt 1/2 x 2-1/4	
6	7660182601	4	Nut 1/2	
7	7950180153	4	Washer 1/2	
8	7950180400	2	Washer 1/2	
20	2249000017	1	Cable Tensioner Assembly (Not Shown - See Separate Breakdown in this Section)	

# SECTION 3 - DECK

## FIGURE 3-56. WINCH INSTALLATION - 10000 LBS AIR FREE SPOOL (STANDARD ALUMINUM DECK)



ART\_1001220882

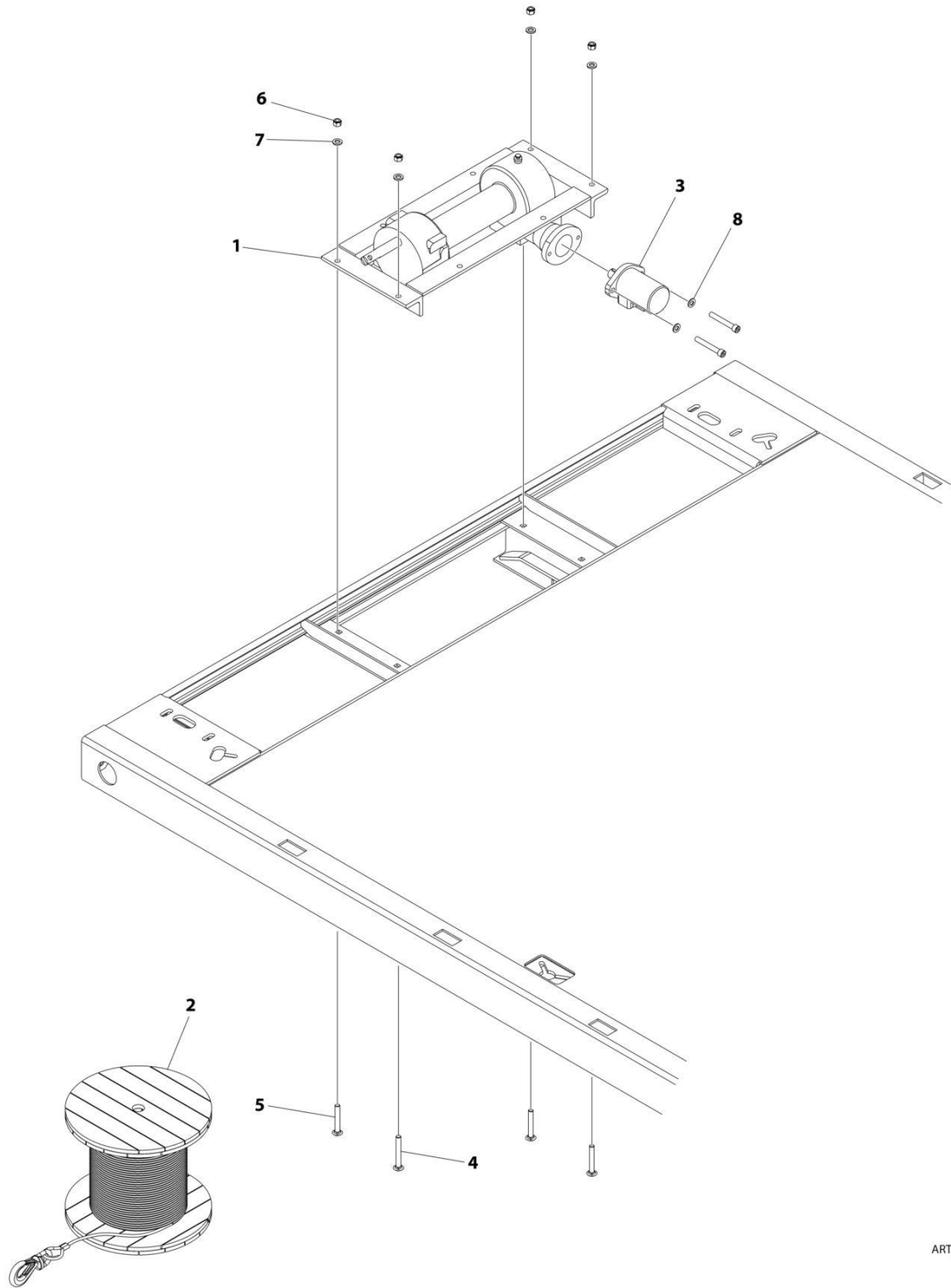
## SECTION 3 - DECK

**FIGURE 3-56. WINCH INSTALLATION - 10000 LBS AIR FREE SPOOL (STANDARD ALUMINUM DECK)**

ITEM	PART NUMBER	QTY	DESCRIPTION	REV
	1001220882	Ref	WINCH INSTALLATION	A
	2970000110	Ref	Winch Installation	B
1	7970000140	1	Winch Assembly, 10000 lbs (See Separate Breakdown in this Section)	
2	7248000064	1	Wire Rope	
3	7626000014	1	Motor	
5	1001138522	3	Bolt 1/2 x 2-1/4	
6	7660182601	4	Nut 1/2	
7	7950180153	4	Washer 1/2	
8	7950180400	2	Washer 1/2	
20	2249000017	1	Cable Tensioner Assembly (Not Shown - See Separate Breakdown in this Section)	

# SECTION 3 - DECK

## FIGURE 3-57. WINCH INSTALLATION - 10000 LBS (STANDARD STEEL DECK)



ART\_WO10WST-5D



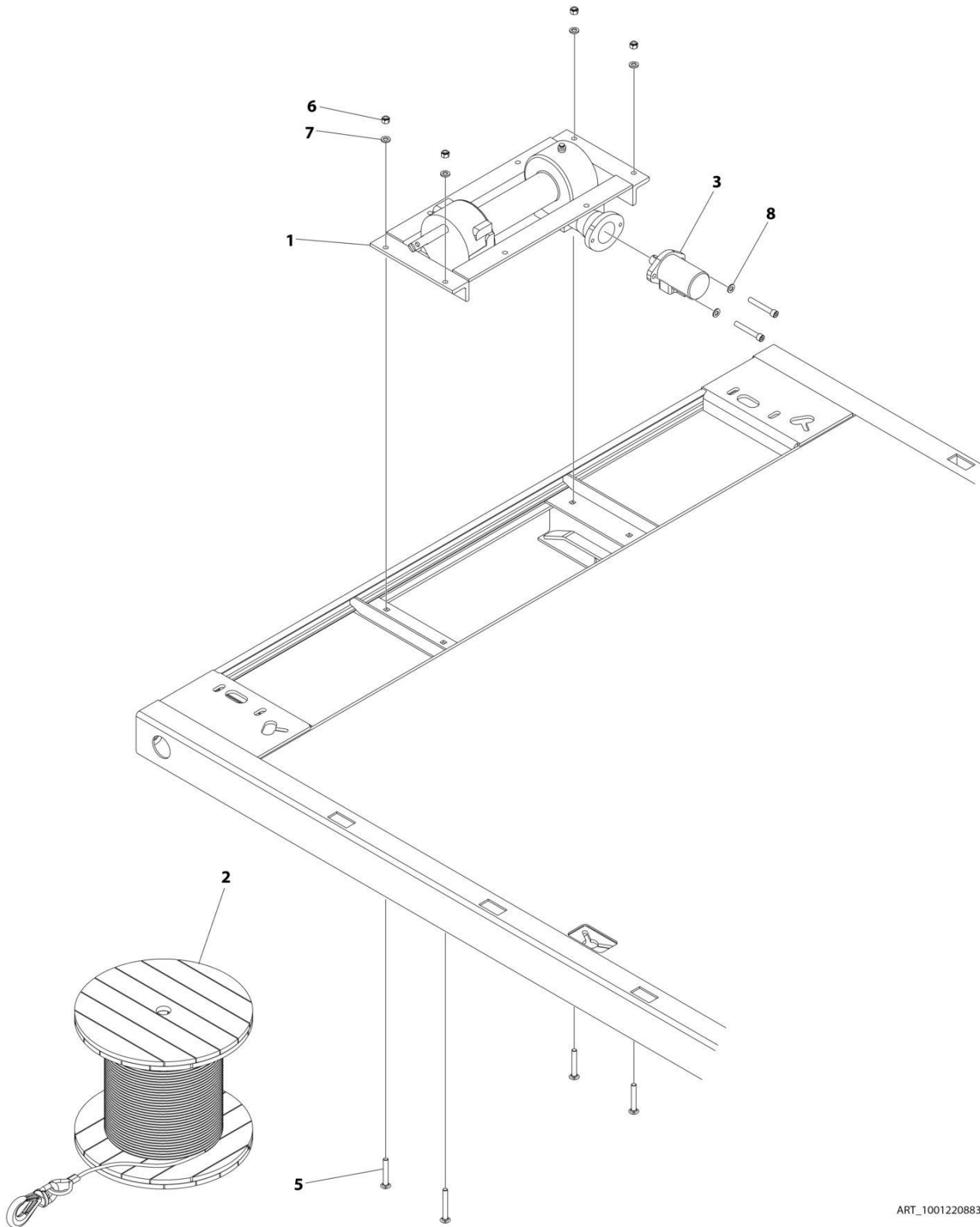
## SECTION 3 - DECK

**FIGURE 3-57. WINCH INSTALLATION - 10000 LBS (STANDARD STEEL DECK)**

ITEM	PART NUMBER	QTY	DESCRIPTION	REV
	WO10WST-SD	Ref	WINCH INSTALLATION	A
	2970000090	Ref	Winch Installation	C
1	7970000123	1	Winch Assembly, 10000 lbs (See Separate Breakdown in this Section)	
2	7248000064	1	Wire Rope	
3	7626000014	1	Motor	
4	7115181864	1	Bolt 1/2 x 2-1/4	
5	7115181464	3	Bolt 1/2 x 1-3/4	
6	7660182601	4	Nut 1/2	
7	7950180153	4	Washer 1/2	
8	7950180400	2	Washer 1/2	
20	2249000017	1	Cable Tensioner Assembly (Not Shown - See Separate Breakdown in this Section)	

# SECTION 3 - DECK

FIGURE 3-58. WINCH INSTALLATION - 10000 LBS AIR FREE SPOOL (STANDARD STEEL DECK)



ART\_1001220883

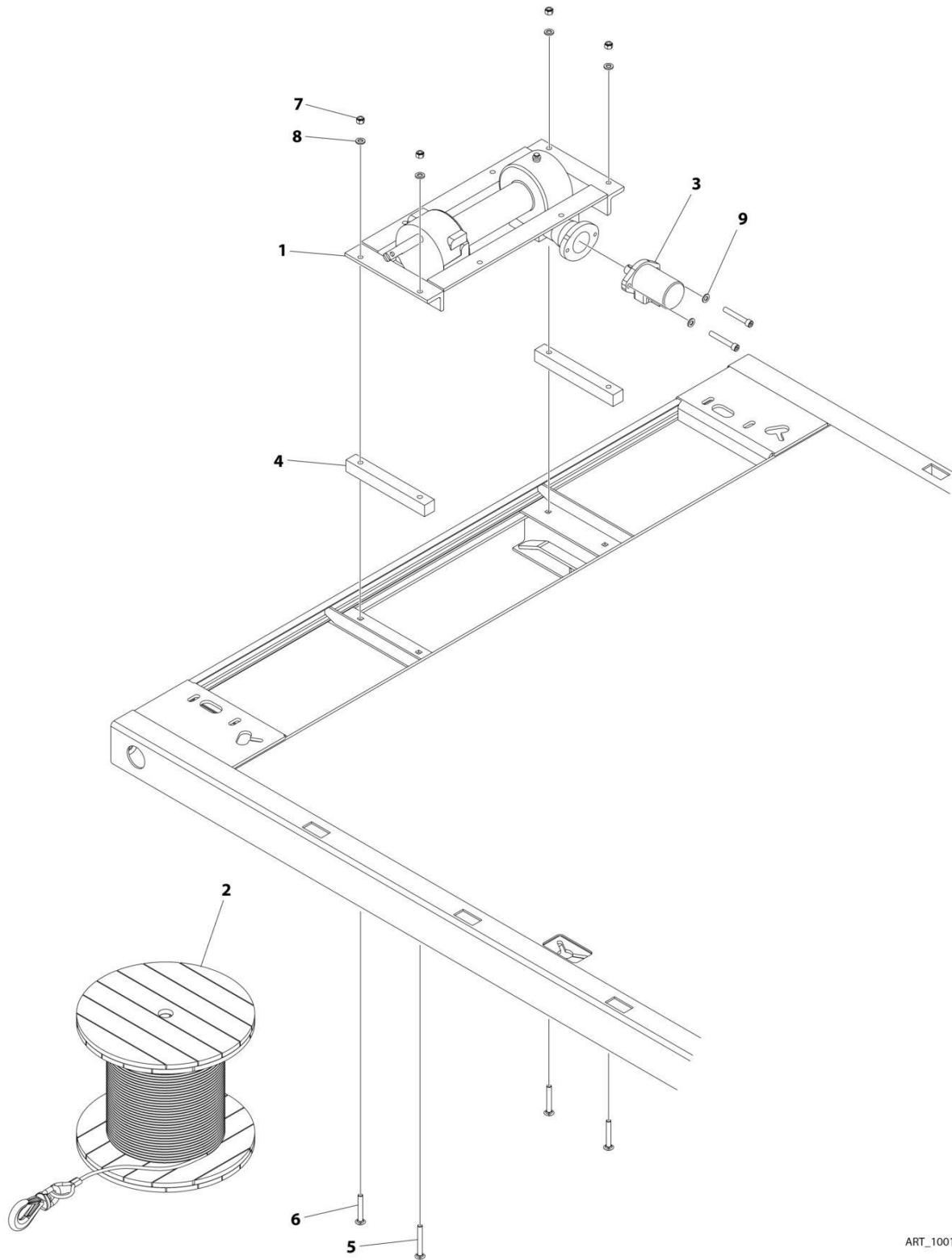
## SECTION 3 - DECK

**FIGURE 3-58. WINCH INSTALLATION - 10000 LBS AIR FREE SPOOL (STANDARD STEEL DECK)**

ITEM	PART NUMBER	QTY	DESCRIPTION	REV
	1001220883	Ref	WINCH INSTALLATION	A
	2970000108	Ref	Winch Installation	A
1	7970000140	1	Winch Assembly, 10000 lbs (See Separate Breakdown in this Section)	
2	7248000064	1	Wire Rope	
3	7626000014	1	Motor	
5	7115181464	3	Bolt 1/2 x 1-3/4	
6	7660182601	4	Nut 1/2	
7	7950180153	4	Washer 1/2	
8	7950180400	2	Washer 1/2	
20	2249000017	1	Cable Tensioner Assembly (Not Shown - See Separate Breakdown in this Section)	

# SECTION 3 - DECK

## FIGURE 3-59. WINCH INSTALLATION - 10000 LBS (TRANSPORTER ALUMINUM DECK)



ART\_1001220876

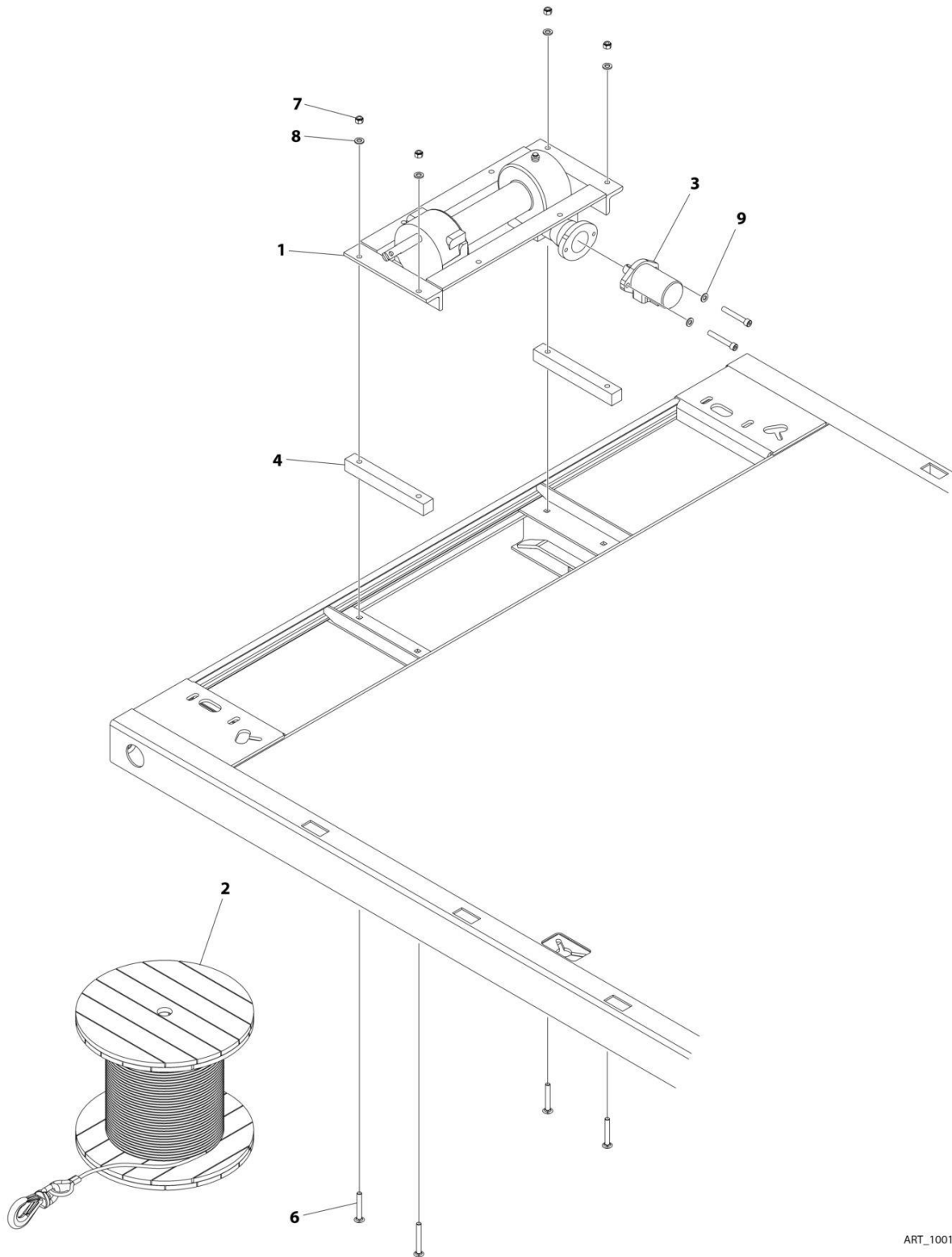
## SECTION 3 - DECK

**FIGURE 3-59. WINCH INSTALLATION - 10000 LBS (TRANSPORTER ALUMINUM DECK)**

ITEM	PART NUMBER	QTY	DESCRIPTION	REV
	1001220876	Ref	WINCH INSTALLATION	A
	2970000083	Ref	Winch Installation	C
1	7970000123	1	Winch Assembly, 10000 lbs (See Separate Breakdown in this Section)	
2	7248000064	1	Wire Rope	
3	7626000014	1	Motor	
4	4062000318	2	Bar	
5	1001137970	1	Bolt 1/2 x 4-1/2	
6	1001137968	3	Bolt 1/2 x 4	
7	7660182601	4	Nut 1/2	
8	7950180153	4	Washer 1/2	
9	7950180400	2	Washer 1/2	
20	2249000017	1	Cable Tensioner Assembly (Not Shown - See Separate Breakdown in this Section)	

# SECTION 3 - DECK

FIGURE 3-60. WINCH INSTALLATION - 10000 LBS AIR FREE SPOOL (TRANSPORTER ALUMINUM DECK)



ART\_1001220884

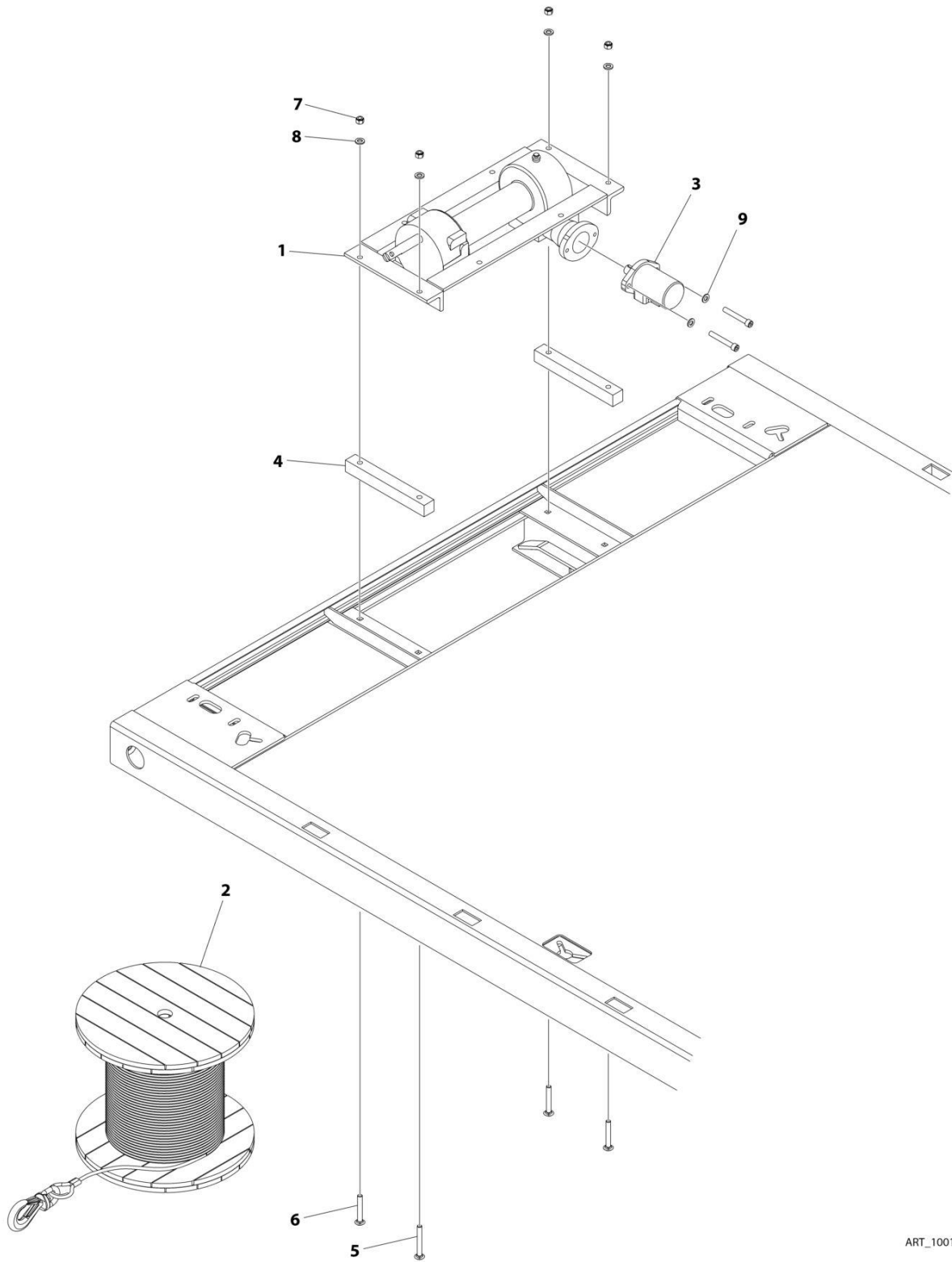
## SECTION 3 - DECK

**FIGURE 3-60. WINCH INSTALLATION - 10000 LBS AIR FREE SPOOL (TRANSPORTER ALUMINUM DECK)**

ITEM	PART NUMBER	QTY	DESCRIPTION	REV
	1001220884	Ref	WINCH INSTALLATION	A
	2970000114	Ref	Winch Installation	C
1	7970000140	1	Winch Assembly, 10000 lbs (See Separate Breakdown in this Section)	
2	7248000064	1	Wire Rope	
3	7626000014	1	Motor	
4	4062000318	2	Bar	
6	1001137968	3	Bolt 1/2 x 4	
7	7660182601	4	Nut 1/2	
8	7950180153	4	Washer 1/2	
9	7950180400	2	Washer 1/2	
20	2249000017	1	Cable Tensioner Assembly (Not Shown - See Separate Breakdown in this Section)	

# SECTION 3 - DECK

## FIGURE 3-61. WINCH INSTALLATION - 10000 LBS (TRANSPORTER STEEL DECK)



ART\_1001220877



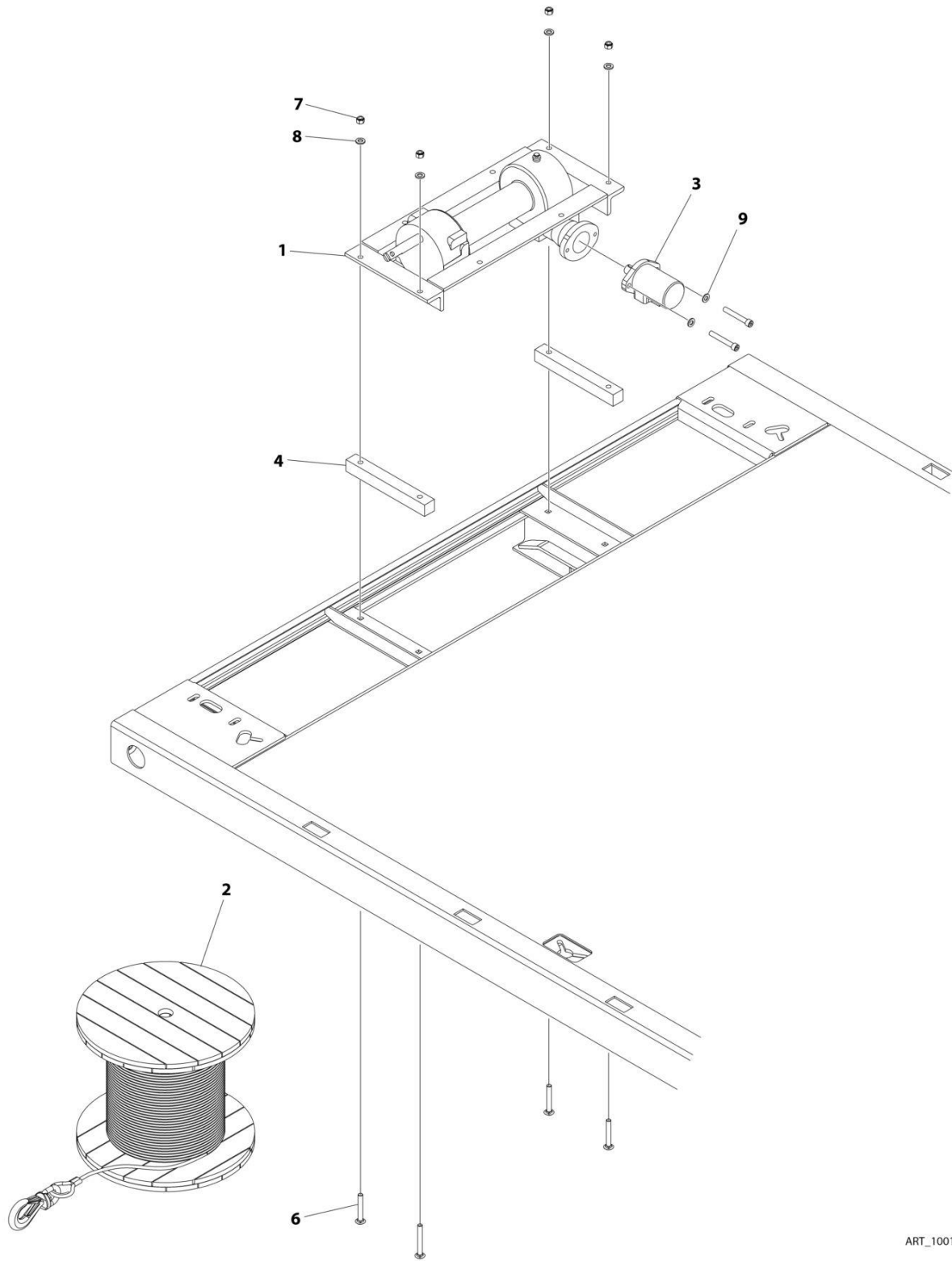
## SECTION 3 - DECK

**FIGURE 3-61. WINCH INSTALLATION - 10000 LBS (TRANSPORTER STEEL DECK)**

ITEM	PART NUMBER	QTY	DESCRIPTION	REV
	1001220877	Ref	WINCH INSTALLATION	A
	2970000091	Ref	Winch Installation	C
1	7970000123	1	Winch Assembly, 10000 lbs (See Separate Breakdown in this Section)	
2	7248000064	1	Wire Rope	
3	7626000014	1	Motor	
4	4062000318	2	Bar	
5	7115183264	1	Bolt 1/2 x 4	
6	7115182864	3	Bolt 1/2 x 3-1/2	
7	7660182601	4	Nut 1/2	
8	7950180153	4	Washer 1/2	
9	7950180400	2	Washer 1/2	
20	2249000017	1	Cable Tensioner Assembly (Not Shown - See Separate Breakdown in this Section)	

# SECTION 3 - DECK

## FIGURE 3-62. WINCH INSTALLATION - 10000 LBS AIR FREE SPOOL (TRANSPORTER STEEL DECK)



ART\_1001220885

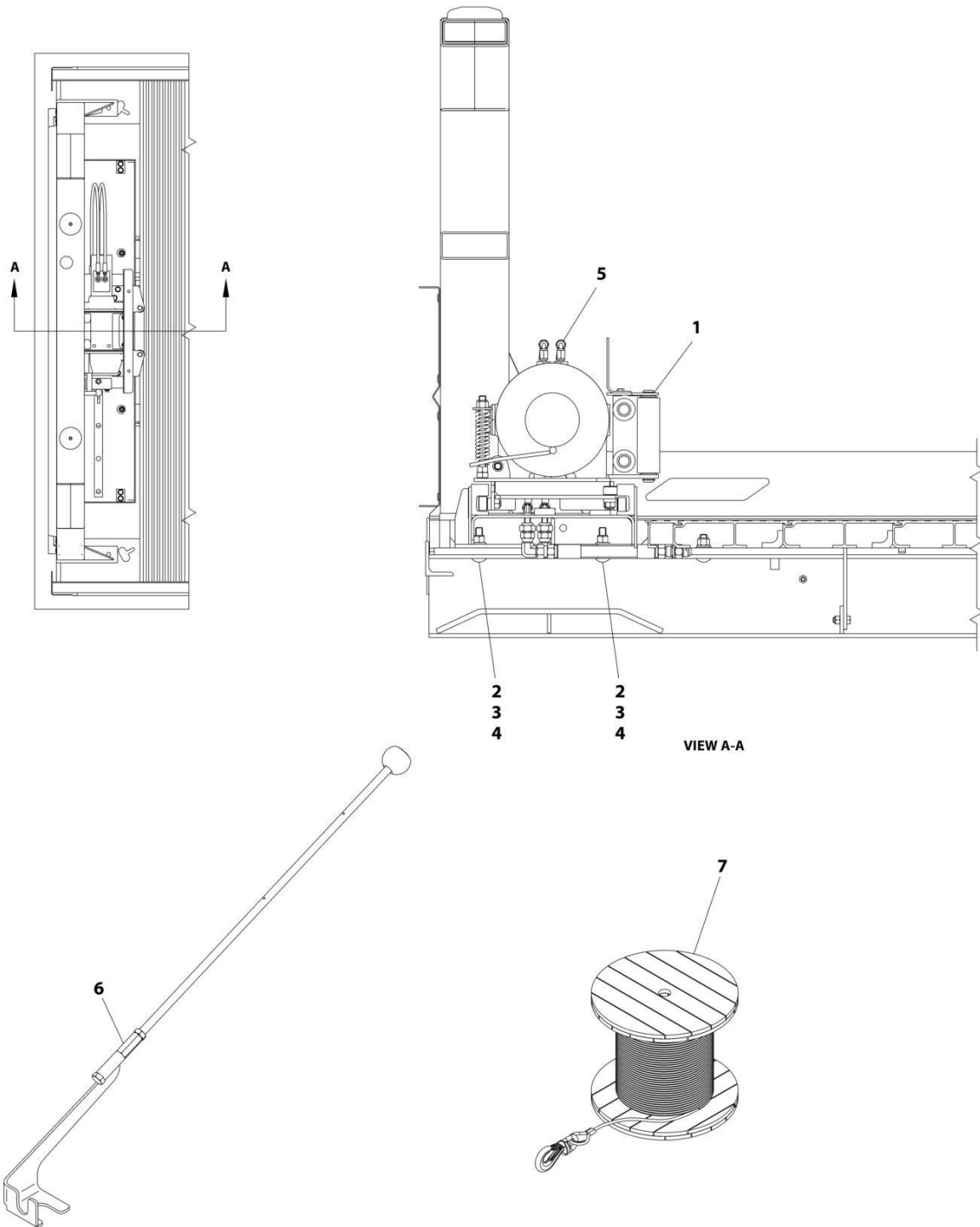
## SECTION 3 - DECK

**FIGURE 3-62. WINCH INSTALLATION - 10000 LBS AIR FREE SPOOL (TRANSPORTER STEEL DECK)**

ITEM	PART NUMBER	QTY	DESCRIPTION	REV
	1001220885	Ref	WINCH INSTALLATION	A
	2970000112	Ref	Winch Installation	A
1	7970000140	1	Winch Assembly, 10000 lbs (See Separate Breakdown in this Section)	
2	7248000064	1	Wire Rope	
3	7626000014	1	Motor	
4	4062000318	2	Bar	
6	7115182864	3	Bolt 1/2 x 3-1/2	
7	7660182601	4	Nut 1/2	
8	7950180153	4	Washer 1/2	
9	7950180400	2	Washer 1/2	
20	2249000017	1	Cable Tensioner Assembly (Not Shown - See Separate Breakdown in this Section)	

# SECTION 3 - DECK

## FIGURE 3-63. WINCH INSTALLATION - 10000 LBS SLIDING PLANETARY



ART\_1001142546

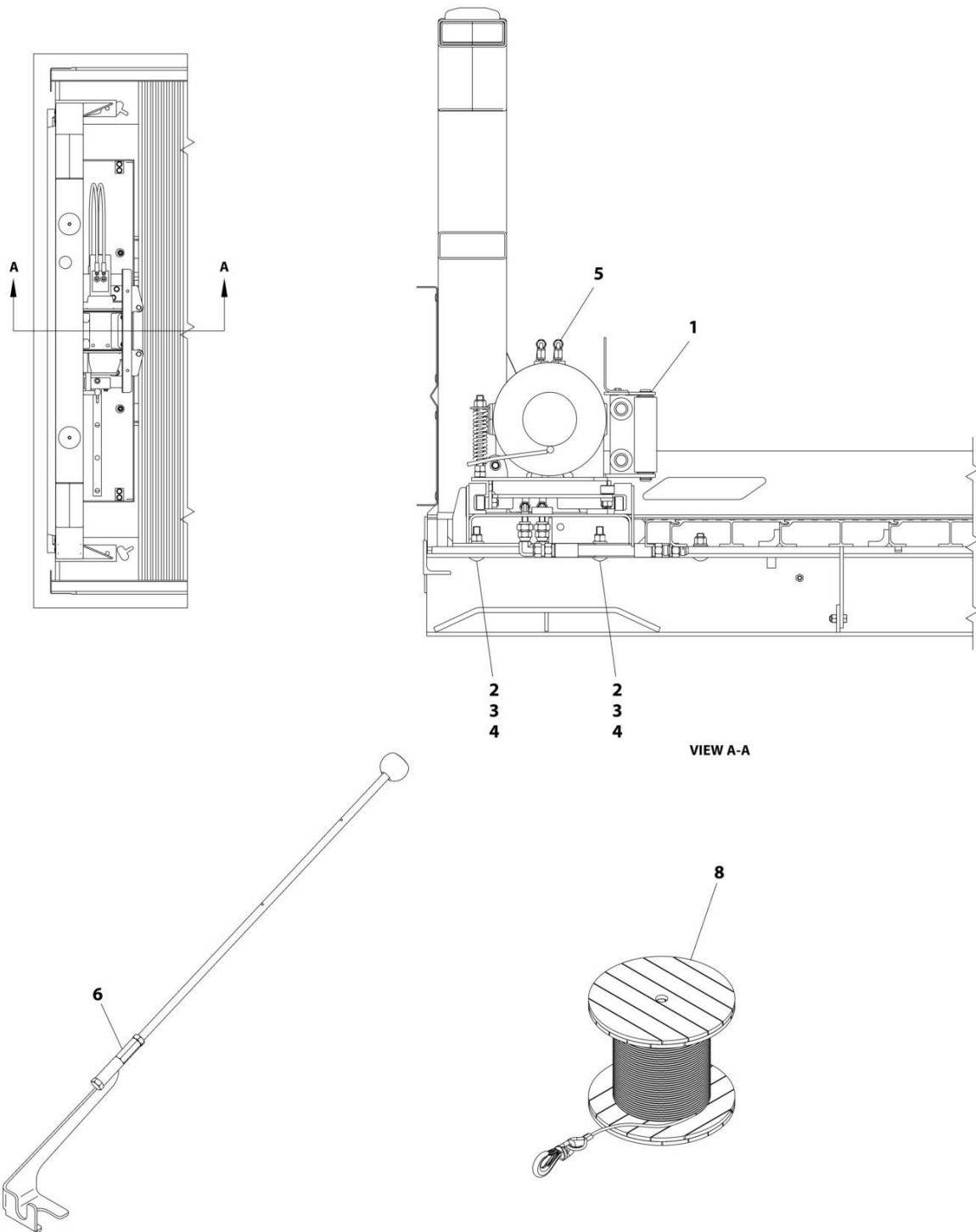
## SECTION 3 - DECK

### FIGURE 3-63. WINCH INSTALLATION - 10000 LBS SLIDING PLANETARY

ITEM	PART NUMBER	QTY	DESCRIPTION	REV
	1001142546	Ref	PLANETARY GEAR SLIDING WINCH - 10000 LBS	A
1	1001142544	1	Sliding Winch Assembly, 10000 lbs (See Separate Breakdown in this Section)	
2	1001138522	4	Bolt 1/2 x 2-1/4	
3	7950180153	4	Washer 1/2	
4	7660182601	4	Nut 1/2	
5	1001145934	1	Hose & Fitting Installation - Sliding Winch (See Separate Breakdown In Hydraulic Section)	
6	1001146028	1	Sliding Winch Handle, Accessory (See Separate Breakdown in this Section)	
7	7248000064	1	Wire Rope	

# SECTION 3 - DECK

## FIGURE 3-64. WINCH INSTALLATION - 10000 LBS SLIDING PLANETARY AIR FREE SPOOL



ART\_1001142545

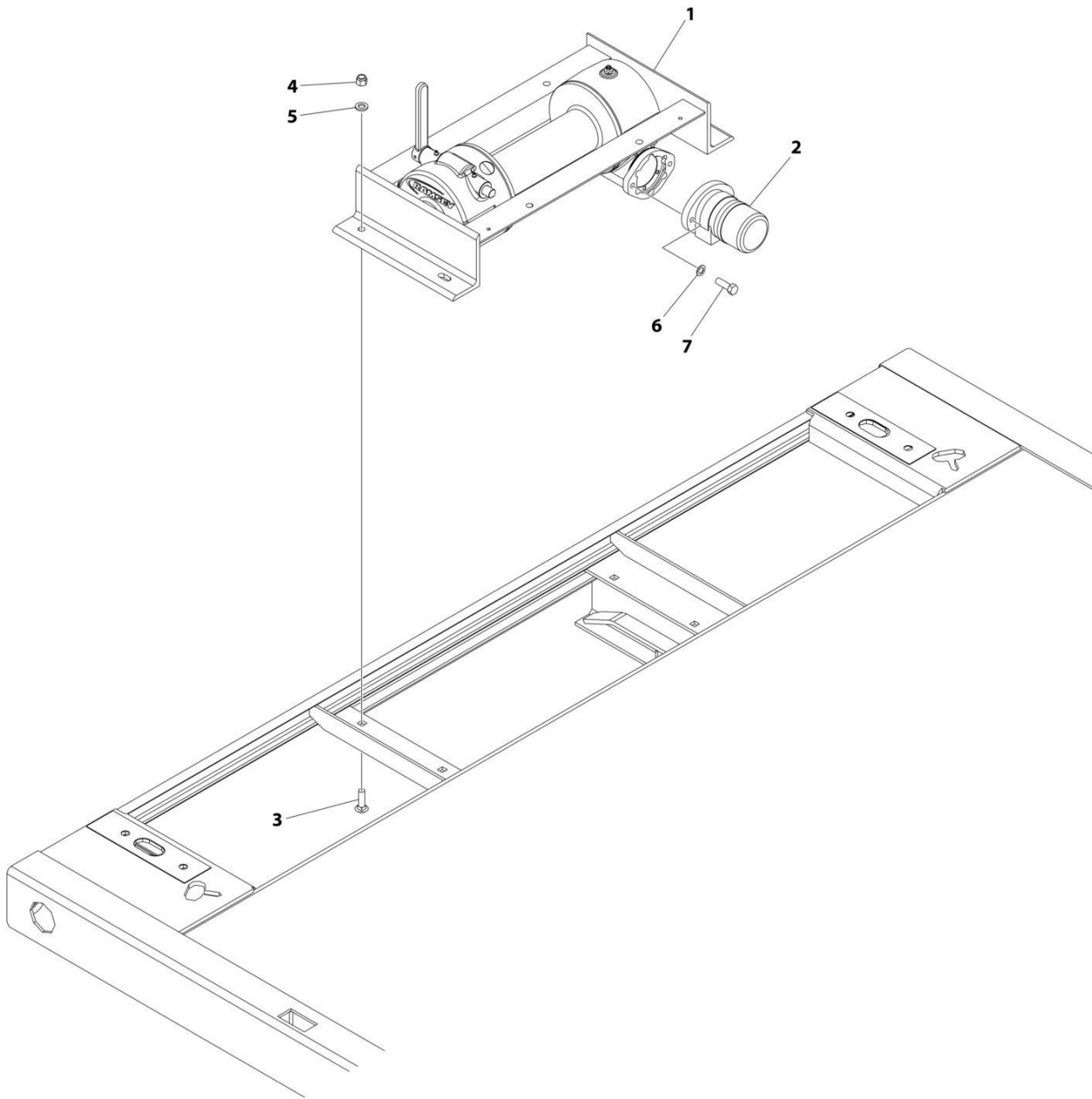
## SECTION 3 - DECK

**FIGURE 3-64. WINCH INSTALLATION - 10000 LBS SLIDING PLANETARY AIR FREE SPOOL**

ITEM	PART NUMBER	QTY	DESCRIPTION	REV
	1001142545	Ref	PLANETARY GEAR SLIDING WINCH - 10000 LBS WITH AIR FREE SPOOL AT CONTROLS	A
1	1001142543	1	Sliding Winch Assembly, 10000 lbs (See Separate Breakdown in this Section)	
2	1001138522	4	Bolt 1/2 x 2-1/4	
3	7950180153	4	Washer 1/2	
4	7660182601	4	Nut 1/2	
5	1001145934	1	Hose & Fitting Installation - Sliding Winch (See Separate Breakdown In Hydraulic Section)	
6	1001146028	1	Sliding Winch Handle, Accessory (See Separate Breakdown in this Section)	
7	1001145935	1	Sliding Winch Air Free Spool, Installation ((Not Shown - See Separate Breakdown in this Section)	
8	7248000064	1	Wire Rope	

# SECTION 3 - DECK

## FIGURE 3-65. WINCH INSTALLATION - 12000 LBS (STEEL DECK)



ART\_W012W-MD



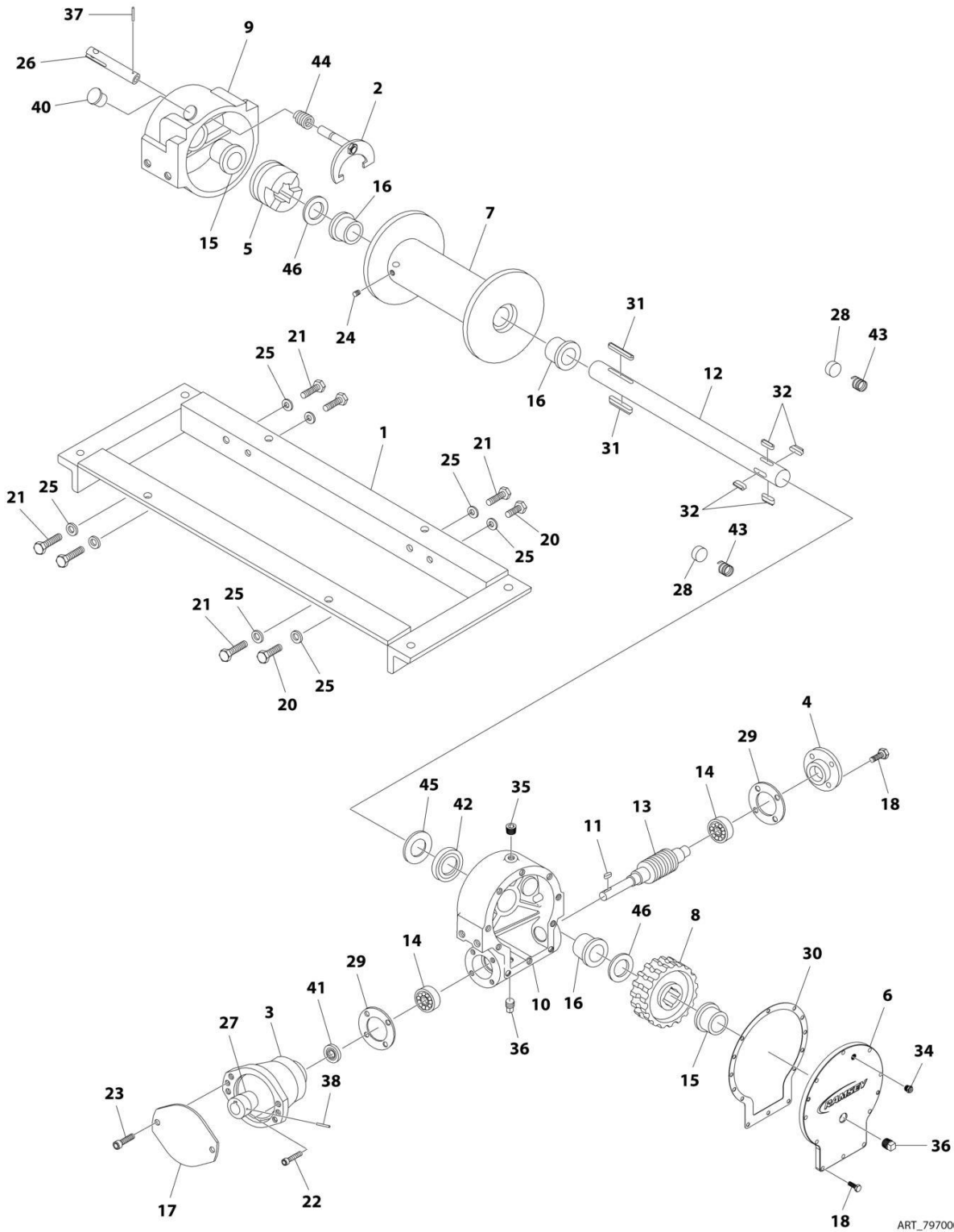
## SECTION 3 - DECK

**FIGURE 3-65. WINCH INSTALLATION - 12000 LBS (STEEL DECK)**

ITEM	PART NUMBER	QTY	DESCRIPTION	REV
	WO12W-MD	Ref	WINCH INSTALLATION	C
	2970000096	Ref	Winch Installation (See Separate Breakdown in this Section)	D
1	7970000083	1	Winch Assembly (See Separate Breakdown in this Section)	
2	7626000018	1	Motor	
3	7115181464	4	Bolt 1/2 x 1-3/4	
4	7660182601	4	Nut 1/2	
5	7950180153	4	Washer 1/2	
6	4771800	2	Washer 1/2	
7	0641812	2	Bolt 1/2 x 1-1/2	
8	7248000064	1	Wire Rope	
20	2249000018	1	Cable Tensioner Assembly (Not Shown - See Separate Breakdown in this Section)	

# SECTION 3 - DECK

## FIGURE 3-66. WINCH ASSEMBLY - 8000 LBS



ART\_797000121

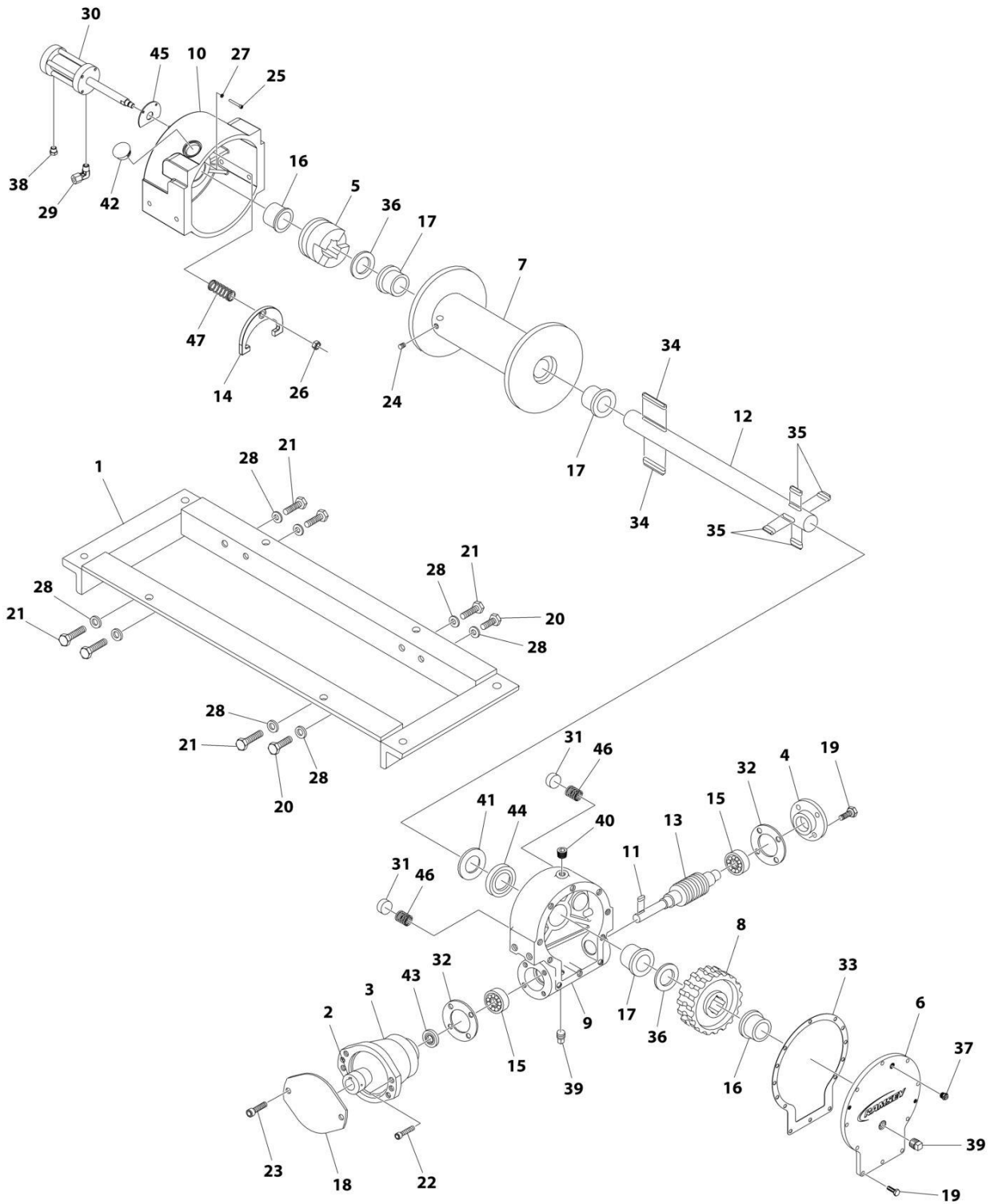
## SECTION 3 - DECK

### FIGURE 3-66. WINCH ASSEMBLY - 8000 LBS

ITEM	PART NUMBER	QTY	DESCRIPTION	REV
	7970000121	Ref	WINCH ASSEMBLY - 8000 LBS	D
1	70050694	1	Frame Assembly	
2	70050678	1	Shifter Assembly	
3	9970300057	1	Adapter	
4	9970316083	1	Bearing Cap	
5	9970960060	1	Jaw Clutch	
6	9314960024	1	Cover	
7	9970960068	1	Drum "Std"	
8	9472960072	1	Gear RH	
9	9560960021	1	Housing-Clutch	
10	9560960011	1	Housing-Gear	
11	9970342027	1	Key	
12	9806960009	1	Shaft-Drum "Std"	
13	9970960062	1	Worm RH	
14	9970402002	2	Bearing-Ball	
15	9970412003	4	Bushing	
16	9970412045	4	Bushing	
17	70050679	1	Adapter Cover	
18	9970414045	14	Capscrew 1/4 x 7/8	
20	9120960034	2	Bolt 3/8 x 1	
21	9120960059	6	Capscrew 3/8 x 1-1/4	
22	70050682	4	Capscrew 1/4 x 1-3/4	
23	9120960061	2	Capscrew 1/2 x 1-1/2	
24	9786960015	1	Setscrew 3/8 x 1/2	
25	9970418177	8	Washer 3/8	
26	9007960003	1	Adapter-Rod	
27	9970431008	1	Coupling	
28	9970330010	2	Disc Brake	
29	9970442184	2	Gasket	
30	9970442205	1	Gasket	
31	9970450006	2	Barth Key	
32	9575960014	4	Barth Key	
34	9970456008	1	Fitting-Relief	
35	9701960015	1	Pipe Plug	
36	9970468011	2	Pipe Plug	
37	9691960035	1	Spirol Pin	
38	9691960001	1	Spirol Pin	
40	9970472013	1	Plastic Plug	
41	9970486009	1	Oil Seal	
42	9970486017	1	Oil Seal	
43	9970494002	2	Spring	
44	9970494053	1	Spring	
45	9970518014	1	Thrust Washer	
46	9970518015	2	Thrust Washer	

# SECTION 3 - DECK

## FIGURE 3-67. WINCH ASSEMBLY - 8000 LBS AIR FREE SPOOL



ART\_7970000142

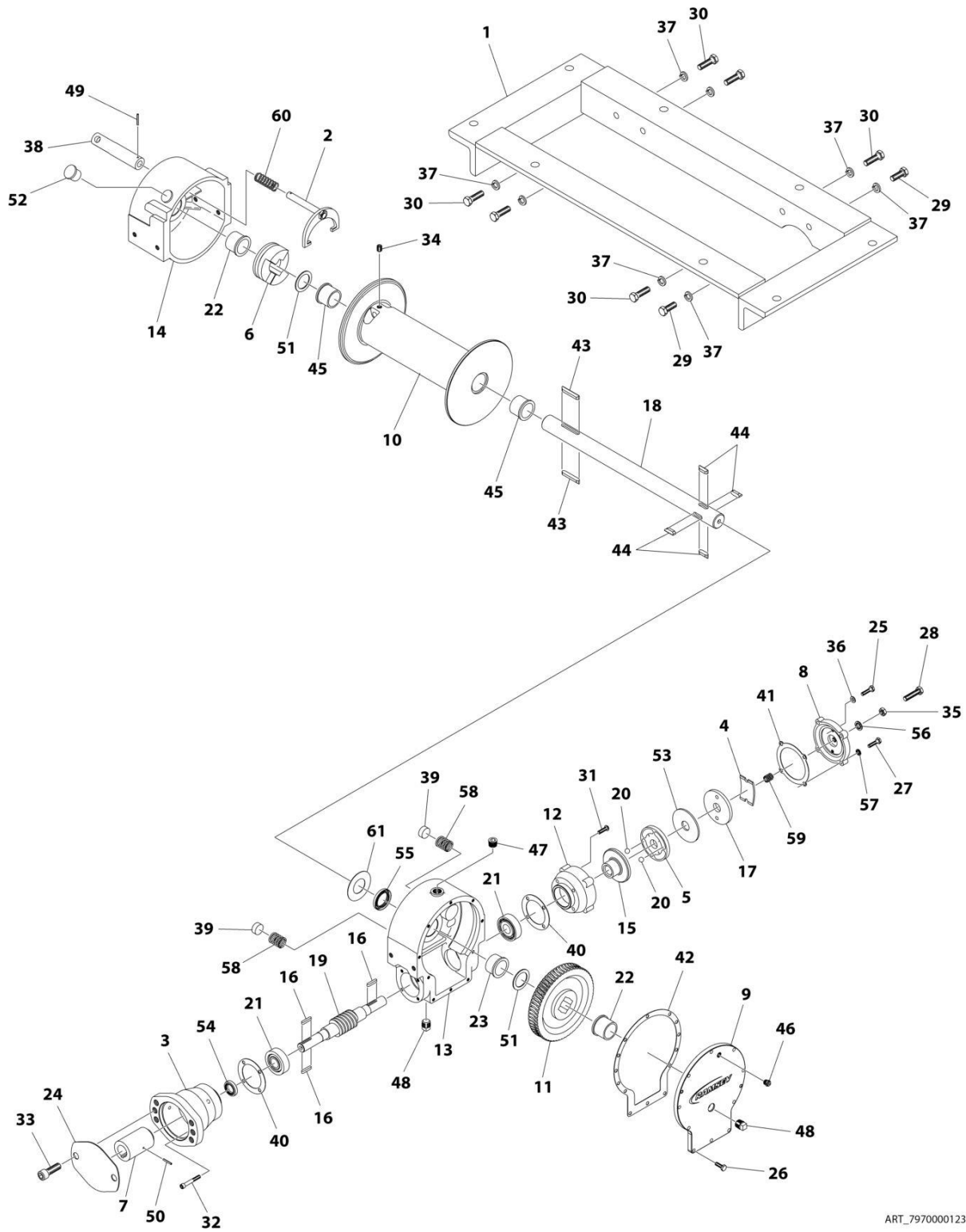
## SECTION 3 - DECK

### FIGURE 3-67. WINCH ASSEMBLY - 8000 LBS AIR FREE SPOOL

ITEM	PART NUMBER	QTY	DESCRIPTION	REV
	7970000142	Ref	WINCH - 10,000 LBS WORM GEAR WITH AIR FREE SPOOL	B
1	70050694	1	Frame Assembly	
2	70050695	1	Coupling Assembly	
3	9970300057	1	Adapter	
4	9970316083	1	Bearing Cap	
5	9970960060	1	Jaw Clutch	
6	9314960024	1	Cover	
7	9970960068	1	Drum - Cable	
8	9472960072	1	Gear, Worm	
9	9560960011	1	Housing-Gear	
10	70050696	1	Housing - Clutch	
11	9970342027	3	Key	
12	9806960009	1	Shaft - Drum	
13	9970960062	1	Worm	
14	70050697	1	Yoke	
15	9970402002	2	Bearing-Ball	
16	9970412003	4	Bushing	
17	9970412045	3	Bushing	
18	70050679	1	Adapter Cover	
19	9970414045	14	Capscrew 1/4 x 7/8	
20	9120960034	2	Bolt 3/8 x 1	
21	9120960059	6	Capscrew 3/8 x 1-1/4	
22	70050682	4	Capscrew 1/4 x 1-3/4	
23	9120960061	2	Capscrew 1/2 x 1-1/2	
24	9786960015	1	Setscrew 3/8 x 1/2	
25	70050686	4	Screw #6 x 1	
26	70050687	1	Nut 3/8	
27	70050688	4	Washer #6	
28	9970415177	1	Washer 3/8	
29	70050698	1	Fitting, Elbow	
30	70050065	1	Cylinder, Air	
31	9970330010	2	Disc Brake	
32	9970442184	2	Gasket	
33	9970442205	1	Gasket	
34	9970450006	2	Barth Key	
35	9575960014	4	Barth Key	
36	9970518015	2	Thrust Washer	
37	9970456008	1	Fitting-Relief	
39	9183960002	1	Breather Vent	
39	9970468011	2	Pipe Plug	
40	9701960015	1	Pipe Plug	
41	9970518014	1	Thrust Washer	
42	9970472013	1	Plastic Plug	
43	9970486009	1	Oil Seal	
44	9970486017	1	Oil Seal	
45	70050689	1	Shim	
46	9970494002	2	Spring	
47	9970494053	1	Spring	

# SECTION 3 - DECK

## FIGURE 3-68. WINCH ASSEMBLY - 10000 LBS



ART\_7970000123

## SECTION 3 - DECK

### FIGURE 3-68. WINCH ASSEMBLY - 10000 LBS

ITEM	PART NUMBER	QTY	DESCRIPTION	REV
	7970000123	Ref	WINCH - 10,000 LBS WORM GEAR WITH AIR FREE SPOOL	B
1	70050677	1	Frame Assembly	
2	70050678	1	Shifter Assembly	
3	9970300057	1	Adapter	
4	9970960036	1	Spring - Flat	
5	1001126187	1	Plate	
7	9970960060	1	Jaw Clutch	
6	9309960020	1	Coupling	
8	9970960034	1	Cover - Brake	
9	9314960024	1	Cover - Gear Housing	
10	9970960068	1	Drum - Cable	
11	9472960068	1	Gear R.H. 30:1	
12	9571960010	1	Housing - Brake	
13	9560960011	1	Housing-Gear	
14	9560960021	1	Housing - Clutch	
15	1001126188	1	Hub- Brake	
16	9970342027	3	Key	
17	1001126192	1	Plate - Retainer	
18	9970960051	1	Shaft - Drum	
19	9472960069	1	Worm R.H. 30:1	
20	9970400003	2	Ball	
21	9970402002	2	Bearing-Ball	
22	9970412003	4	Bushing	
23	9970960052	1	Bushing	
24	70050679	1	Adapter Cover	
25	9970960038	2	Capscrew 1/4 x 1	
26	9970414045	10	Capscrew 1/4 x 3/4	
27	70050680	4	Capscrew 1/4 x 1	
28	9120960075	1	Capscrew 3/8 x 1-1/2	
29	9120960034	2	Capscrew 3/8 x 1	
30	9120960059	6	Capscrew 3/8 x 1-1/4	
31	70050681	4	Capscrew 1/4 x 7/8	
32	70050682	4	Capscrew 1/4 x 1-3/4	
33	9120960061	2	Capscrew 1/2 x 1-1/2	
34	9786960015	1	Setscrew 3/8 x 1/2	
35	70050628	1	Nut 3/8	
36	9949960054	2	Washer 1/4	
37	9970418177	8	Washer 3/8	
38	9007960003	1	Adapter - Rod	
39	9970330010	2	Disc Brake	
40	9970442184	2	Gasket	
41	9796960139	1	Gasket	
42	9970442205	1	Gasket	
43	9970450006	2	Barth Key	
44	9575960014	4	Barth Key	
45	9970412045	2	Bushing	
46	9970456008	1	Fitting-Relief	
47	9701960015	1	Pipe Plug	
48	9970468011	2	Pipe Plug	
49	9691960035	1	Pin, Spiral	

## SECTION 3 - DECK

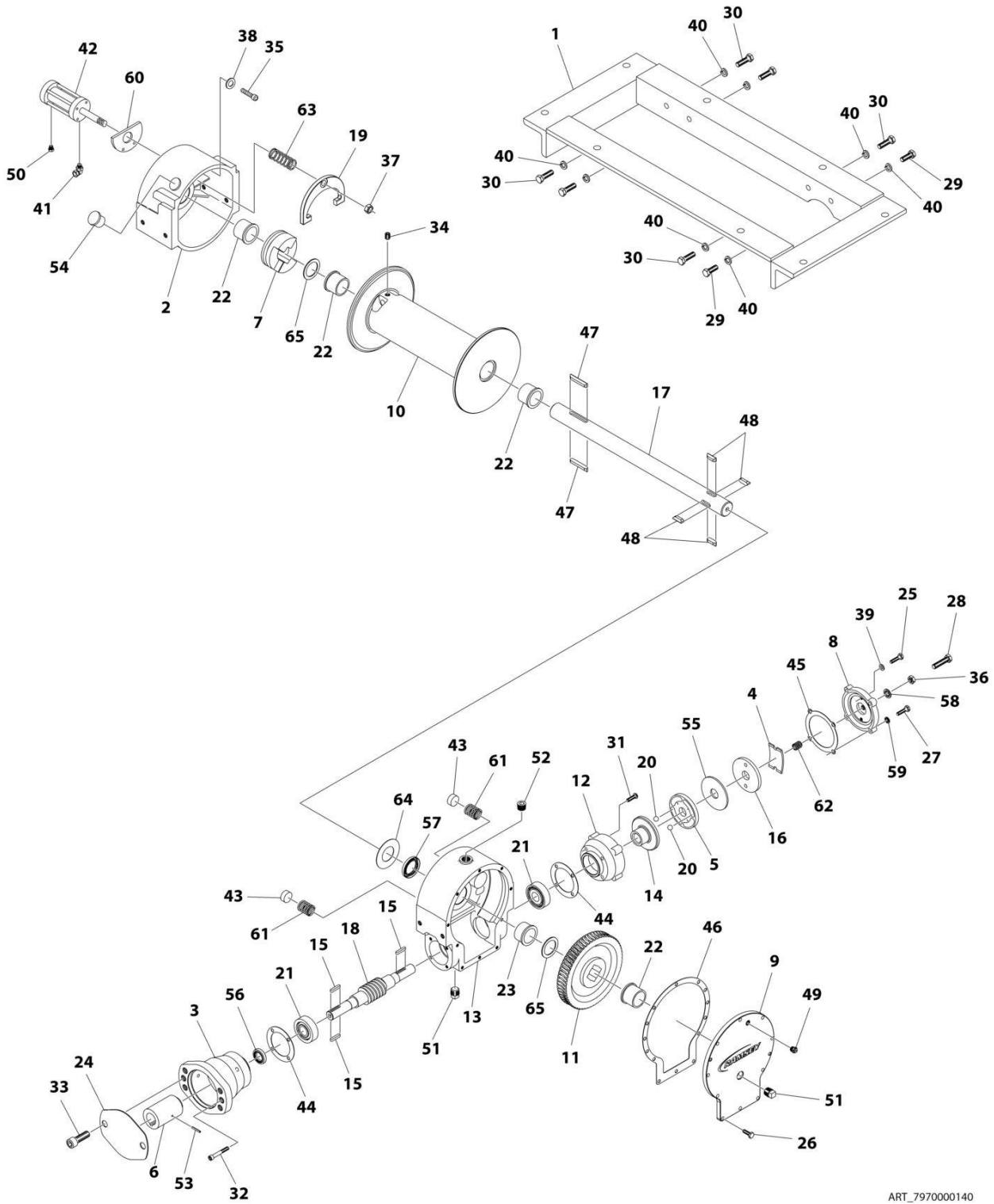
ITEM	PART NUMBER	QTY	DESCRIPTION	REV
50	9691960001	1	Spirol Pin	
51	9970518015	2	Thrust Washer	
52	9970472013	1	Plastic Plug	
53	9970960037	1	Plate - Thrust	
54	9970486009	1	Oil Seal	
55	9970486017	1	Oil Seal	
56	9796960176	1	Seal, Thread	
57	9796960177	4	Seal, Thread	
58	9970494002	2	Spring	
59	9970960035	1	Spring	
60	9970494053	1	Spring	
61	9970518014	1	Thrust Washer	





# SECTION 3 - DECK

## FIGURE 3-69. WINCH ASSEMBLY - 10000 LBS AIR FREE SPOOL



ART\_7970000140

## SECTION 3 - DECK

### FIGURE 3-69. WINCH ASSEMBLY - 10000 LBS AIR FREE SPOOL

ITEM	PART NUMBER	QTY	DESCRIPTION	REV
	7970000140	Ref	WINCH - 10000 LBS WORM GEAR WITH AIR FREE SPOOL	B
1	70050677	1	Frame Assembly	
2	70050684	1	Housing - Clutch	
3	9970300057	1	Adapter	
4	9970960036	1	Spring - Flat	
5	1001126187	1	Plate	
6	9309960020	1	Coupling	
7	9970960060	1	Jaw Clutch	
8	9970960034	1	Cover - Brake	
9	9314960024	1	Cover	
10	9970960068	1	Drum - Cable	
11	9472960068	1	Gear R.H. 30:1	
12	9571960010	1	Housing - Brake	
13	9560960011	1	Housing-Gear	
14	1001126188	1	HUB,BRAKE,#340002	
15	9970342027	3	Key	
16	1001126192	1	Plate	
17	9970960051	1	Shaft - Drum	
18	9472960069	1	Worm R.H. 30:1	
19	70050685	1	Yoke	
20	9970400003	2	Ball	
21	9970402002	2	Bearing-Ball	
22	9970412003	4	Bushing	
23	9970960052	1	Bushing	
24	70050679	1	Adapter Cover	
25	9970960038	2	Capscrew 1/4 x 1	
26	9970414045	10	Capscrew 1/4 x 7/8	
27	70050680	4	Capscrew 1/4 x 1	
28	9120960075	1	Capscrew 3/8 x 1-1/2	
29	9120960034	2	Bolt 3/8 x 1	
30	9120960059	6	Capscrew 3/8 x 1-1/4	
31	70050681	4	Capscrew 1/4 x 7/8	
32	70050682	4	Capscrew 1/4 x 1-3/4	
33	9120960061	2	Capscrew 1/2 x 1-1/2	
34	9786960015	1	Setscrew 3/8 x 1/2	
35	70050686	4	Screw #6 x 1	
36	70050628	1	Nut 3/8	
37	70050687	1	Nut 3/8	
38	70050688	4	Washer #6	
39	9949960054	2	Washer 1/4	
40	9970418177	8	Washer 3/8	
41	9443960021	1	Fitting	
42	70050065	1	Cylinder, Air	
43	9970330010	2	Disc Brake	
44	9970442184	2	Gasket	
45	9796960139	1	Gasket	
46	9970442205	1	Gasket	
47	9970450006	2	Barth Key	
48	9575960014	4	Barth Key	
49	9970456008	1	Fitting-Relief	

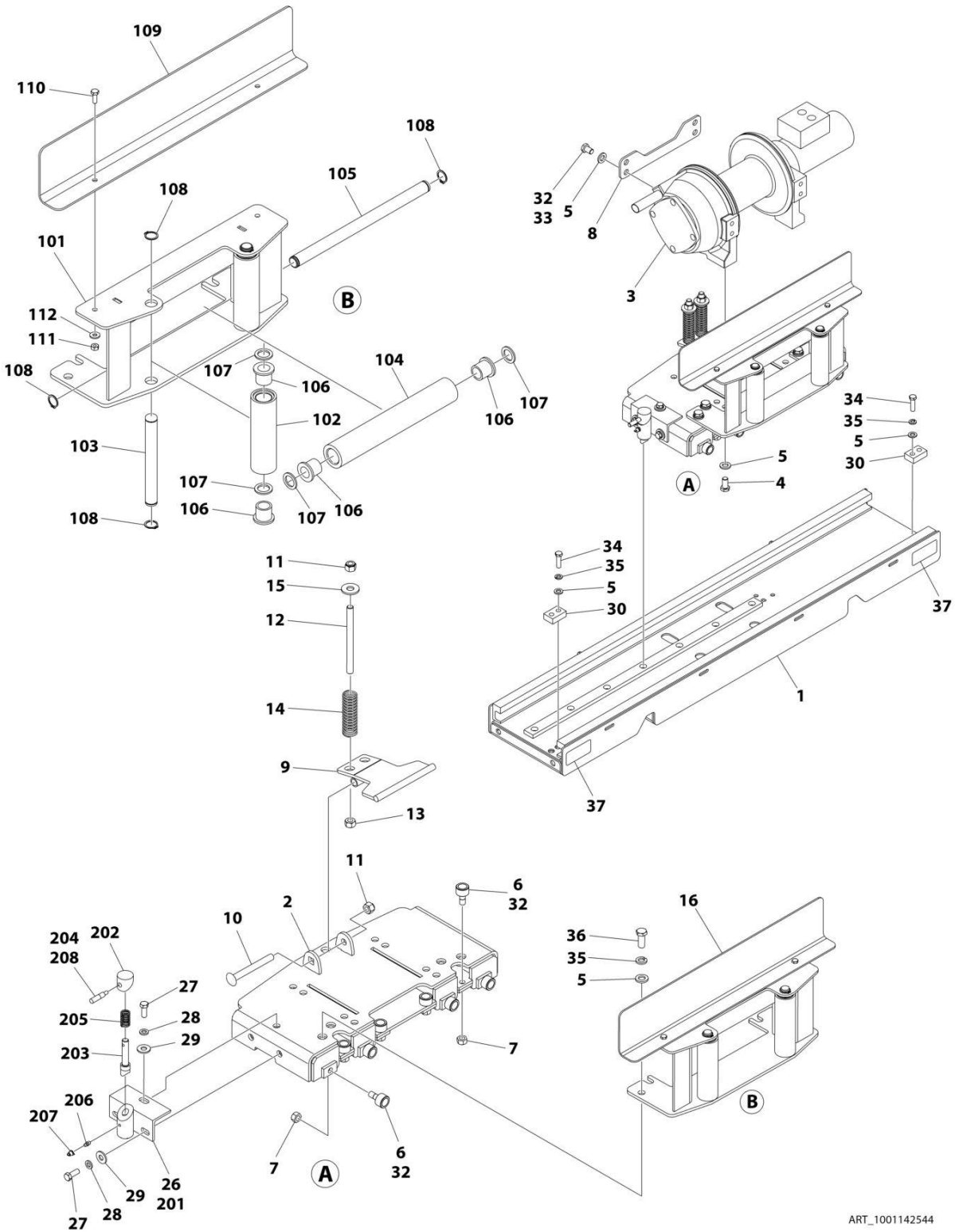
## SECTION 3 - DECK

ITEM	PART NUMBER	QTY	DESCRIPTION	REV
50	9183960002	1	Breather Vent	
51	9970468011	2	Pipe Plug	
52	9701960015	1	Pipe Plug	
53	9691960001	1	Spirol Pin	
54	9970472013	1	Plastic Plug	
55	9970960037	1	Plate - Thrust	
56	9970486009	1	Oil Seal	
57	9970486017	1	Oil Seal	
58	9796960176	1	Seal, Thread	
59	9796960177	4	Seal, Thread	
60	70050689	1	Shim	
61	9970494002	2	Spring	
62	9970960035	1	Spring	
63	9970494053	1	Spring	
64	9970518014	1	Thrust Washer	
65	9970518015	2	Thrust Washer	
66	9970412045	2	Bushing (Not Shown)	



# SECTION 3 - DECK

## FIGURE 3-70. WINCH ASSEMBLY - 10000 LBS SLIDING PLANETARY



ART\_1001142544

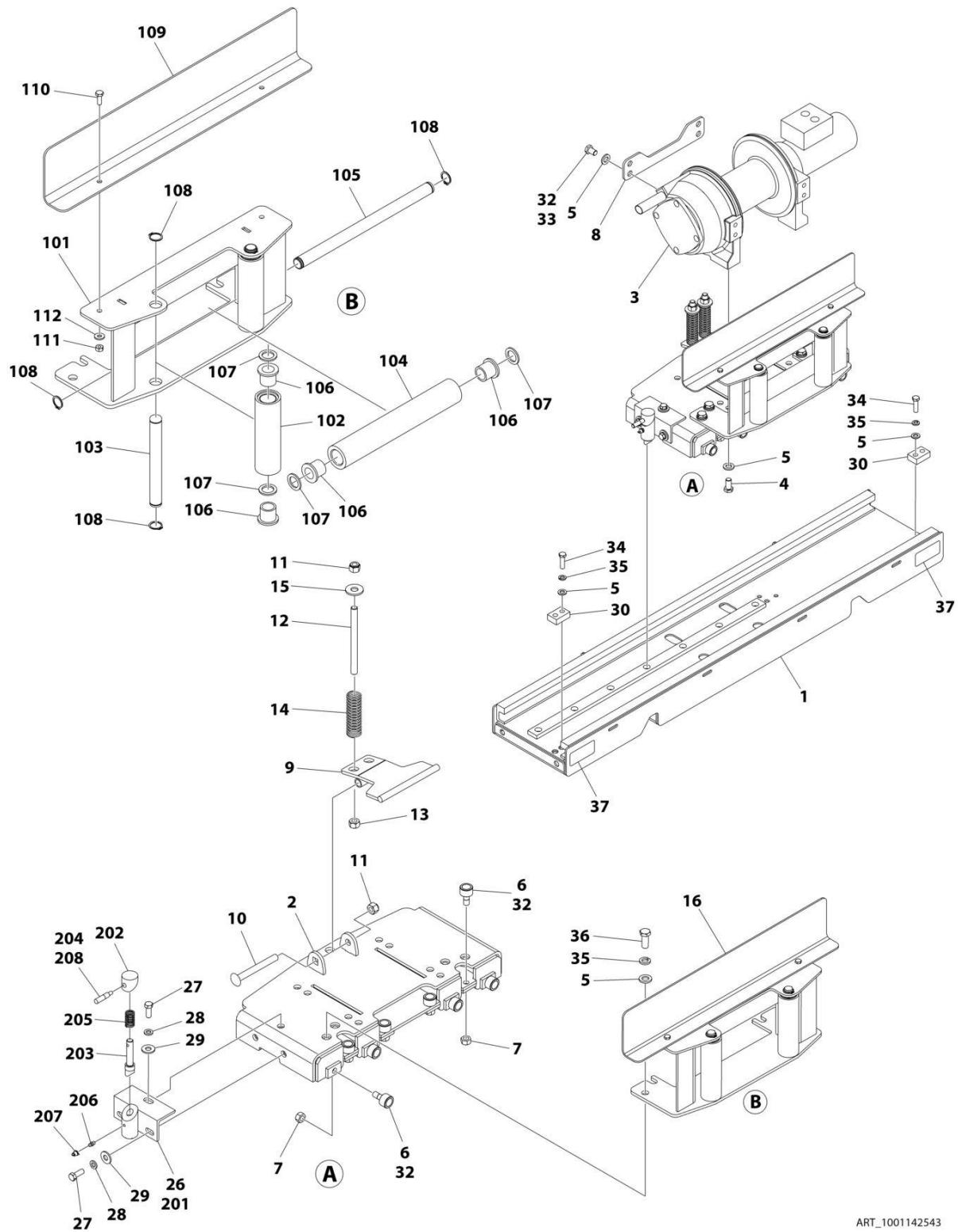
## SECTION 3 - DECK

**FIGURE 3-70. WINCH ASSEMBLY - 10000 LBS SLIDING PLANETARY**

ITEM	PART NUMBER	QTY	DESCRIPTION	REV
	1001142544	Ref	SLIDING WINCH ASSEMBLY - 10000 LBS	C
1	1001144486	1	Base	
2	1001144491	1	Slider	
3	1001239119	1	Winch, Assembly - Sliding (See Separate Breakdown in this Section)	
4	7115180850	8	Capscrew 1/2 x 1	
5	7950180153	20	Washer 1/2	
6	0440287	12	Bearing	
7	3321701	12	Nut 7/16	
8	1001142550	1	Plate	
9	1001142461	1	Lever, Tensioner	
10	1001137970	1	Bolt 1/2 x 4-1/2	
11	7660182601	3	Nut 1/2	
12	1001142553	2	Rod	
13	7660180001	2	Nut 1/2	
14	7843000004	2	Spring	
15	7950180161	2	Washer 1/2	
16	1001145780	1	Roller Guide Assembly (Includes Items 101-112)	
26	1001144498	1	Cam Lock Assembly (Includes Item 201-208)	
27	1001138546	3	Bolt 3/8 x 1	
28	7950160000	3	Washer 1/3	
29	7950160162	3	Washer 1/3	
30	1001144543	2	Stop Block	
32	0100011	AR	Compound Locking	
33	7115180650	4	Capscrew 1/2 x 3/4	
34	1001139199	4	Bolt 1/2 x 1-3/4	
35	7950180000	8	Washer 19/32	
36	1001139343	4	Bolt 1/2 x 1-1/4	
37	1001142962	2	Decal	
101	1001145636	1	Mount	
102	4912000345	2	Tube	
103	4691000421	2	Pin	
104	4912000130	2	Tube	
105	4806000014	2	Shaft	
106	7209000011	8	Bushing	
107	7949000034	8	Spacer	
108	7754000022	8	Retaining Ring	
109	1001150704	1	Plate	
110	7115140650	2	Capscrew 1/4 x 3/4	
111	7660140001	2	Nut 1/4	
112	7950140143	2	Washer 1/4	
201	1001144499	1	Cam Weldment	
202	4254000005	1	Cap	
203	4691000186	1	Pin	
204	4763000184	1	Rod	
205	7843000006	1	Spring	
206	7440030000	1	Fitting	
207	7253000002	1	Fitting	
208	0100011	AR	Compound Locking	

# SECTION 3 - DECK

FIGURE 3-71. WINCH ASSEMBLY - 10000 LBS SLIDING AIR FREE SPOOL



ART\_1001142543



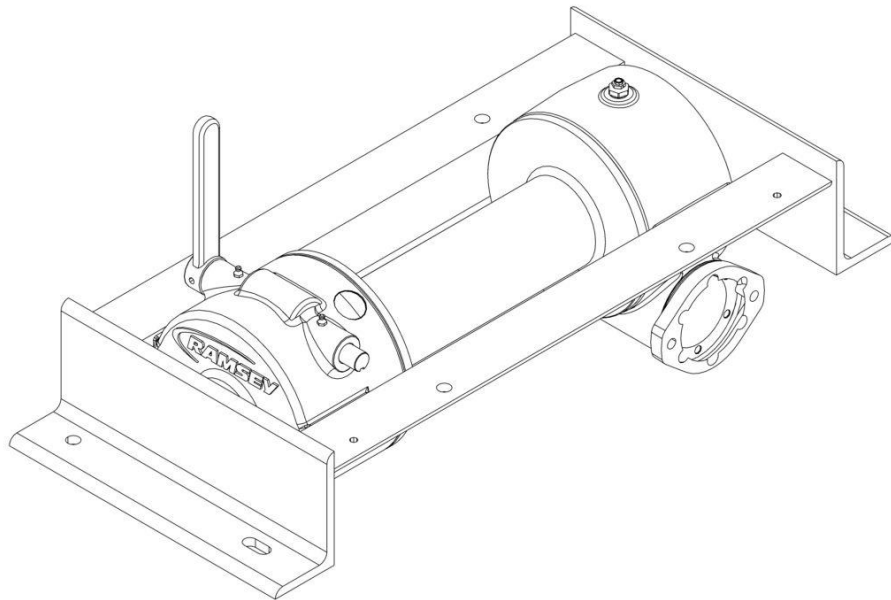
## SECTION 3 - DECK

**FIGURE 3-71. WINCH ASSEMBLY - 10000 LBS SLIDING AIR FREE SPOOL**

ITEM	PART NUMBER	QTY	DESCRIPTION	REV
	1001142543	Ref	SLIDING WINCH ASSEMBLY - 10000 LBS	C
1	1001144486	1	Base	
2	1001144491	1	Slider	
3	1001239120	1	Winch, Assembly - Sliding (See Separate Breakdown in this Section)	
4	7115180850	8	Capscrew 1/2 x 1	
5	7950180153	20	Washer 1/2	
6	0440287	12	Bearing	
7	3321701	12	Nut 7/16	
8	1001142550	1	Plate	
9	1001142461	1	Lever, Tensioner	
10	1001137970	1	Bolt 1/2 x 4-1/2	
11	7660182601	3	Nut 1/2	
12	1001142553	2	Rod	
13	7660180001	2	Nut 1/2	
14	7843000004	2	Spring	
15	7950180161	2	Washer 1/2	
16	1001145780	1	Roller Guide Assembly (Includes Items 101-112)	
26	1001144498	1	Cam Lock Assembly (Includes Item 201-208)	
27	1001138546	3	Bolt 3/8 x 1	
28	7950160000	3	Washer 1/3	
29	7950160162	3	Washer 1/3	
30	1001144543	2	Stop Block	
32	0100011	AR	Compound Locking	
33	7115180650	4	Capscrew 1/2 x 3/4	
34	1001139199	4	Bolt 1/2 x 1-3/4	
35	7950180000	8	Washer 19/32	
36	1001139343	4	Bolt 1/2 x 1-1/4	
37	1001142962	2	Decal	
101	1001145636	1	Mount	
102	4912000345	2	Tube	
103	4691000421	2	Pin	
104	4912000130	2	Tube	
105	4806000014	2	Shaft	
106	7209000011	8	Bushing	
107	7949000034	8	Bushing	
108	7754000022	8	Retaining Ring	
109	1001150704	1	Plate	
110	7115140650	2	Capscrew 1/4 x 3/4	
111	7660140001	2	Nut 1/4	
112	7950140143	2	Washer 1/4	
201	1001144499	1	Cam Weldment	
202	4254000005	1	Cap	
203	4691000186	1	Pin	
204	4763000184	1	Rod	
205	7843000006	1	Spring	
206	7440030000	1	Fitting	
207	7253000002	1	Fitting	
208	0100011	AR	Compound Locking	

# SECTION 3 - DECK

## FIGURE 3-72. WINCH ASSEMBLY - 12000 LBS



ART\_7970000083

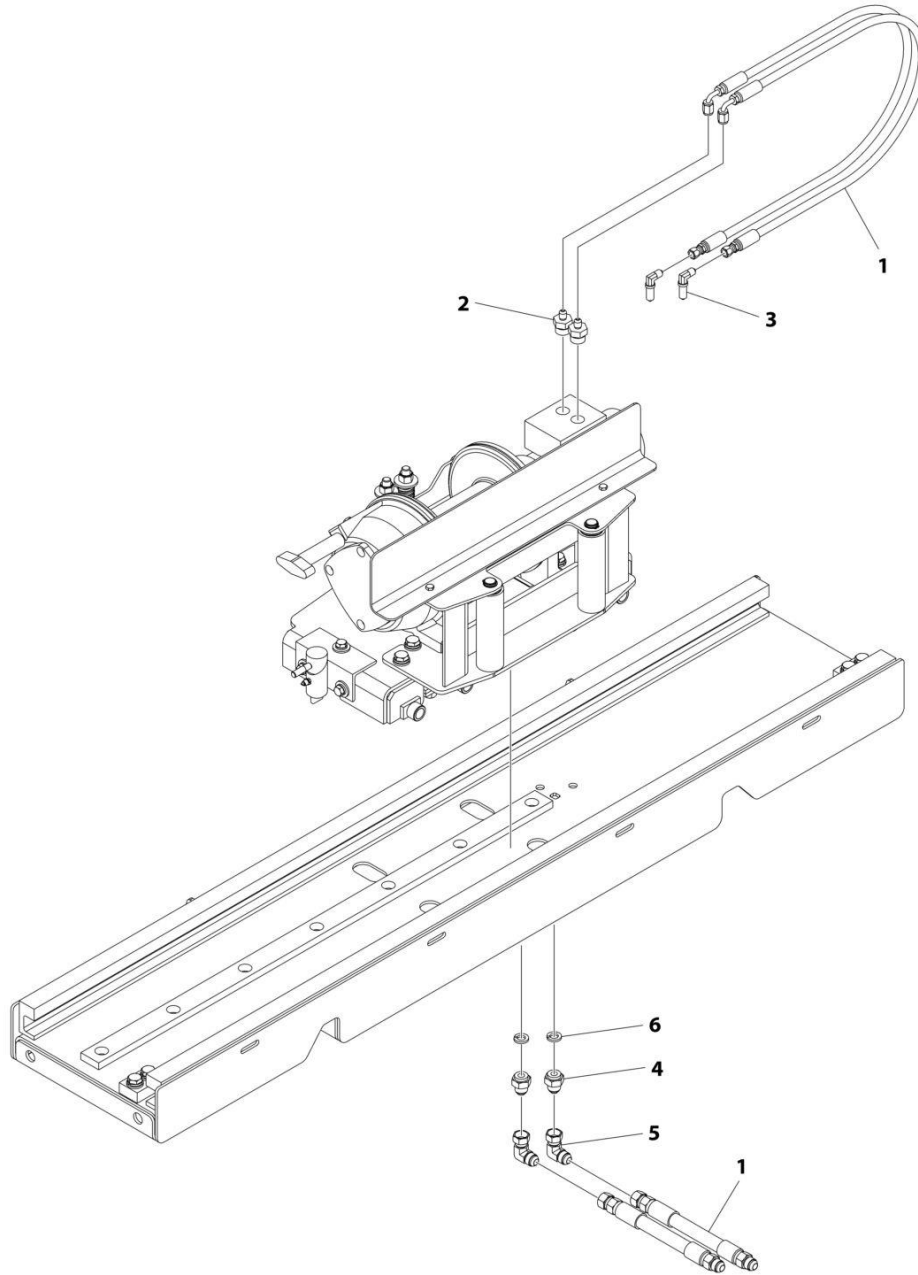
## SECTION 3 - DECK

### FIGURE 3-72. WINCH ASSEMBLY - 12000 LBS

ITEM	PART NUMBER	QTY	DESCRIPTION	REV
	7970000083	Ref	WINCH ASSEMBLY - 12000 LBS	D
		Ref	Note: No Service Components Available at Time of Printing.	

# SECTION 3 - DECK

## FIGURE 3-73. WINCH HOSES & FITTINGS INSTALLATION (SLIDING WINCH ONLY)



ART\_1001145934

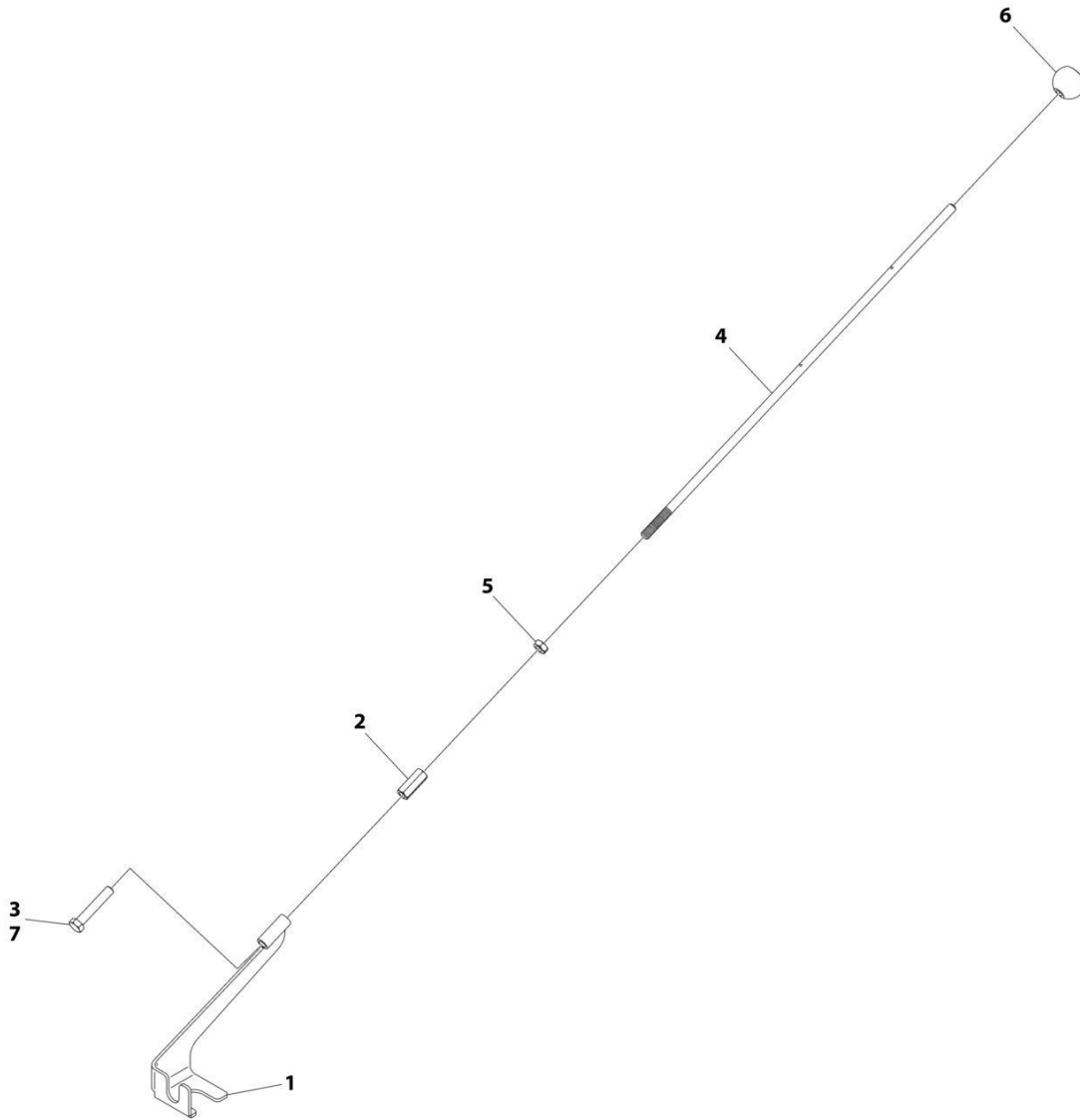
## SECTION 3 - DECK

**FIGURE 3-73. WINCH HOSES & FITTINGS INSTALLATION (SLIDING WINCH ONLY)**

ITEM	PART NUMBER	QTY	DESCRIPTION	REV
	1001145934	Ref	SLIDING WINCH HLF INSTALLATION	B
1	1001145963	1	Hose Sliding Winch	
2	7445041043	2	Adapter	
3	7445040431	2	Elbow	
4	1001144448	2	Adapter	
5	7445080872	2	Elbow	
6	7950170000	2	Washer 1/2	

# SECTION 3 - DECK

FIGURE 3-74. WINCH HANDLE (SLIDING WINCH ONLY)



ART\_1001146028

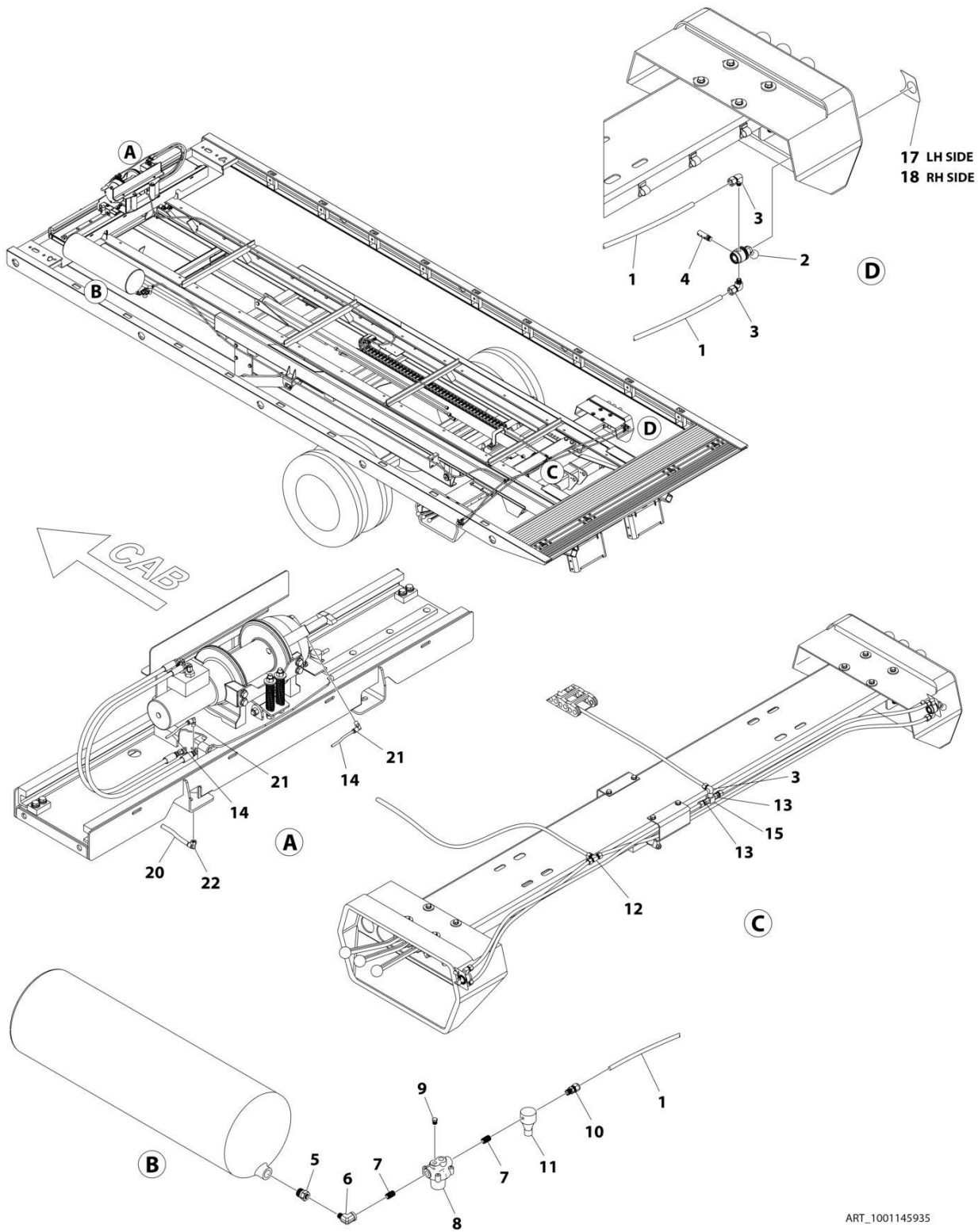
## SECTION 3 - DECK

### FIGURE 3-74. WINCH HANDLE (SLIDING WINCH ONLY)

ITEM	PART NUMBER	QTY	DESCRIPTION	REV
	1001146028	Ref	SLIDING WINCH HANDLE, ACCESSORY	A
1	1001146029	1	Handle	
2	1001146027	1	Nut 1/2	
3	0651822	1	Capscrew 1/2 x 2-3/4	
4	4763000348	1	Rod	
5	7660180234	1	Nut 1/2	
6	7551000017	1	Knob	
7	0100011	AR	Compound Locking	

# SECTION 3 - DECK

## FIGURE 3-75. WINCH HOSES & FITTINGS INSTALLATION (SLIDING AIR FREE SPOOL WINCH ONLY)



ART\_1001145935



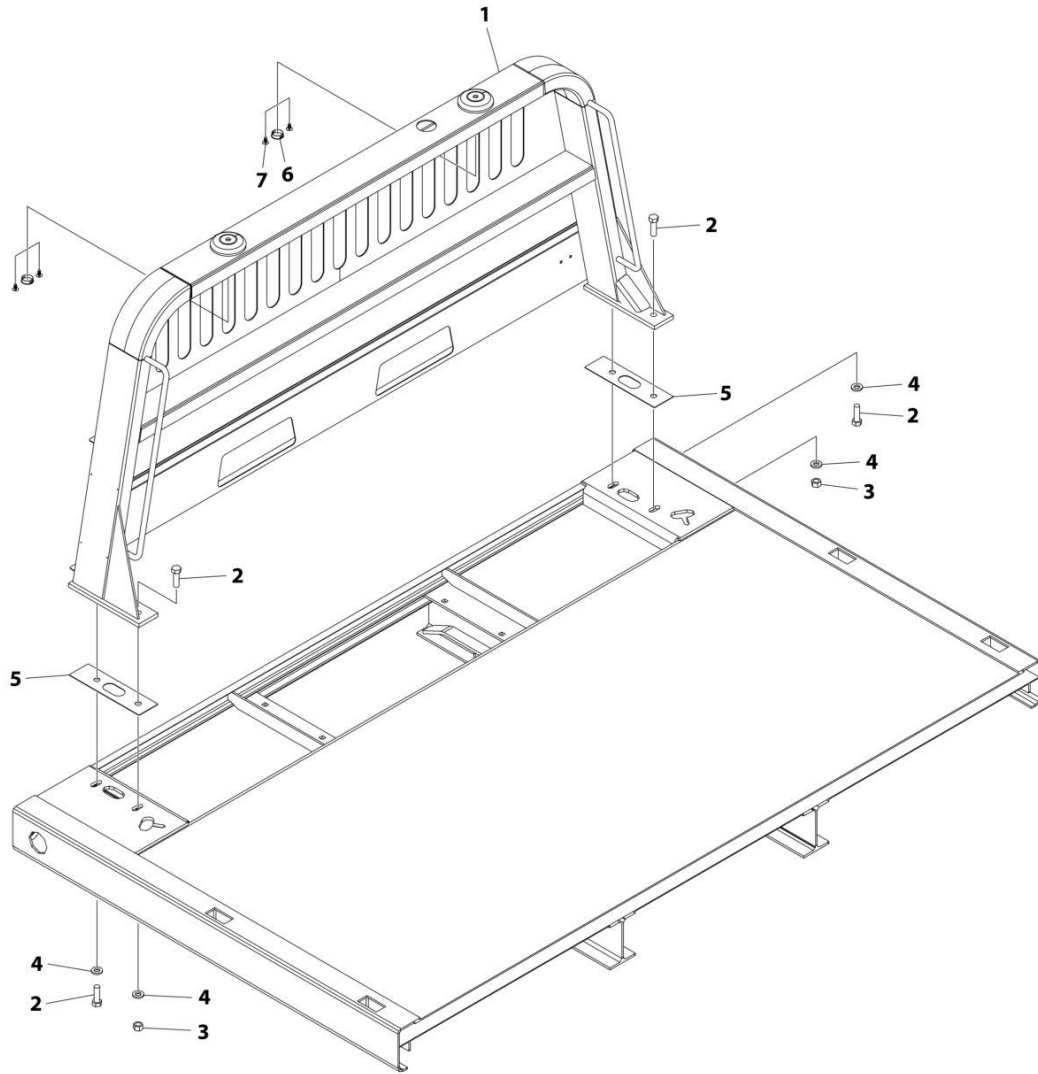
## SECTION 3 - DECK

**FIGURE 3-75. WINCH HOSES & FITTINGS INSTALLATION (SLIDING AIR FREE SPOOL WINCH ONLY)**

ITEM	PART NUMBER	QTY	DESCRIPTION	REV
	1001145935	Ref	SLIDING WINCH AIR FREE SPOOL INSTALLATION	A
1	7565000014	80	Airline	
2	7935000182	2	Valve	
3	7443000364	5	Fitting	
4	7640000002	2	Muffler	
5	7443000154	1	Bushing	
6	7443000111	1	Elbow	
7	7443000156	2	Nipple	
8	7935000120	1	Valve	
9	7443000152	1	Plug	
10	7443000366	1	Fitting	
11	7935000248	1	Valve	
12	7443000371	1	Tube	
13	7443000365	2	Fitting	
14	8597650001	1.5 ft	Loom	
15	7935000229	1	Valve	
16	7894000004	8	Tie Strap (Not Shown)	
17	7330000675	1	Decal	
18	7330000676	1	Decal	
19	7443000443	1	Fitting (Not Shown)	
20	7565000016	5 ft	Airline	
21	7443000173	2	Fitting	
22	1001127985	1	Adapter	

# SECTION 3 - DECK

## FIGURE 3-76. HEADBOARD INSTALLATION- 36.50IN (DELUXE BOLT-ON)



ART\_1001129111

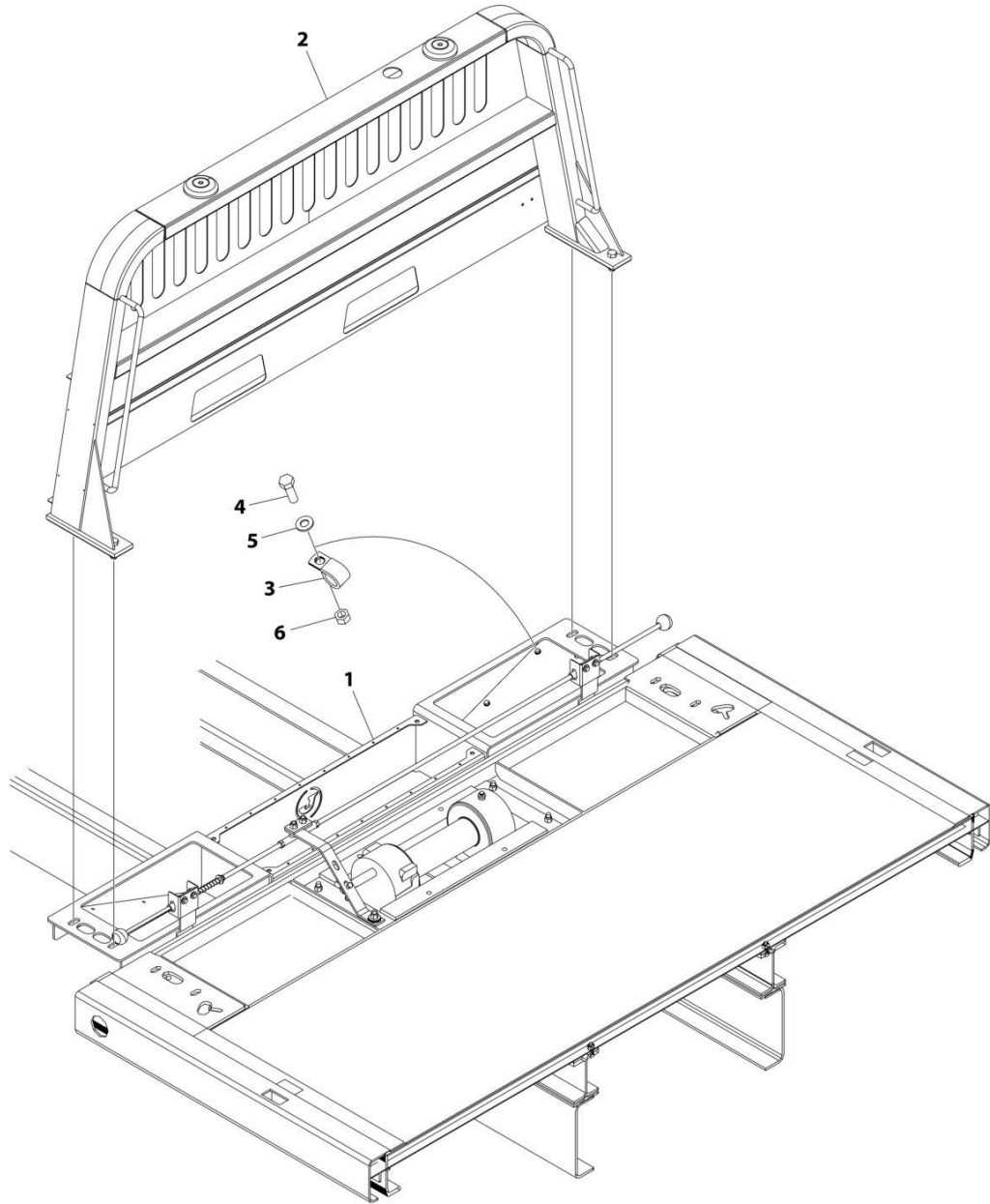
## SECTION 3 - DECK

**FIGURE 3-76. HEADBOARD INSTALLATION- 36.50IN (DELUXE BOLT-ON )**

ITEM	PART NUMBER	QTY	DESCRIPTION	REV
	1001129111	Ref	BUMPER HEADBOARD 36.50IN DELUXE	B
1	1001223266	1	Headboard Weldment	
2	0652016	4	Capscrew 5/8 x 2	
3	7660200035	2	Nut 5/8	
4	4712000	4	Washer 5/8	
5	4796000037	2	Gasket	
6	7701000049	2	Plug	
7	7413000013	4	Push-In Fastener	

# SECTION 3 - DECK

FIGURE 3-77. HEADBOARD INSTALLATION - 36.50IN (STATIONARY DELUXE BOLT-ON)



ART\_1001226006

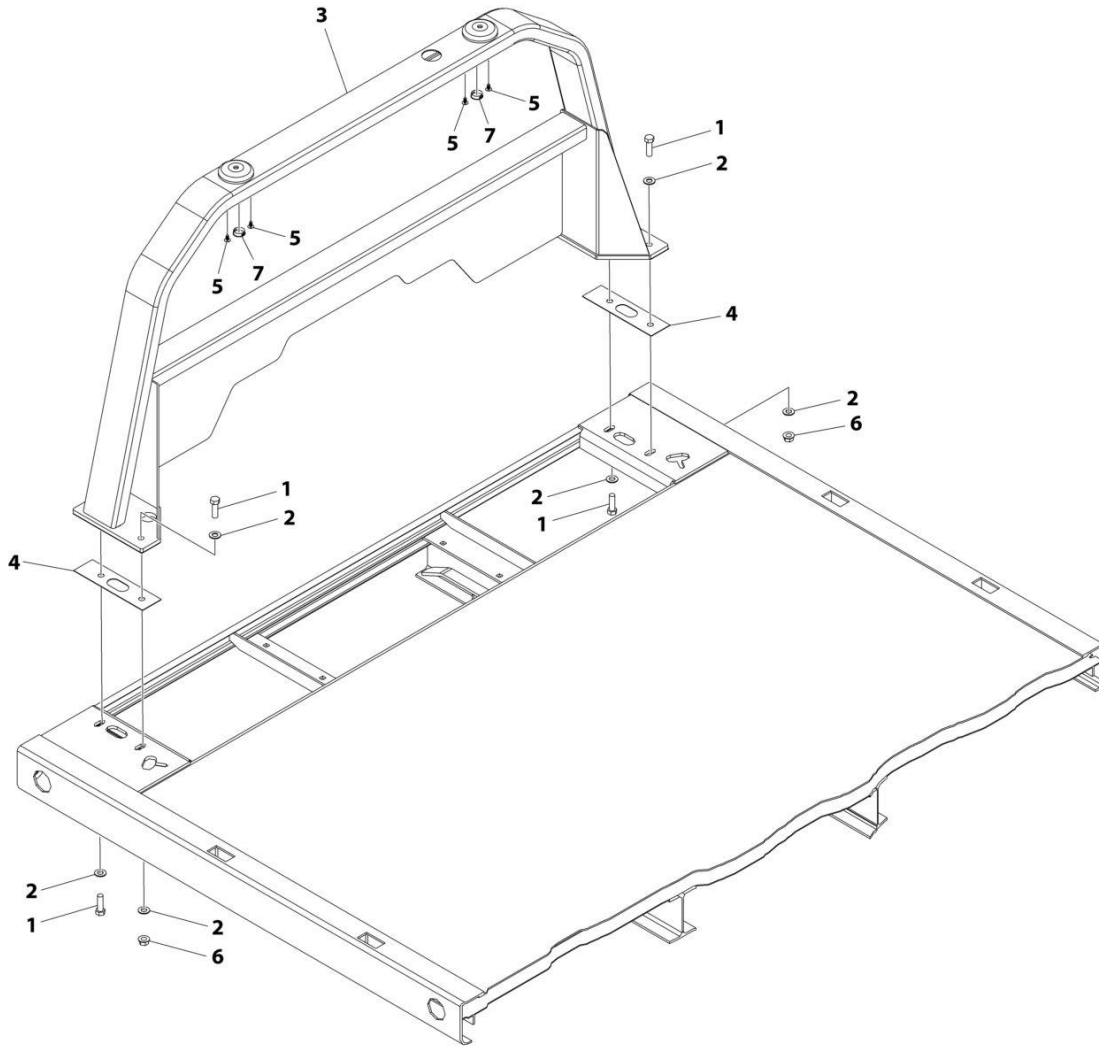
## SECTION 3 - DECK

**FIGURE 3-77. HEADBOARD INSTALLATION - 36.50IN (STATIONARY DELUXE BOLT-ON)**

ITEM	PART NUMBER	QTY	DESCRIPTION	REV
	1001226006	Ref	STATIONARY HEADBOARD 8.88 + 36.50IN DELUXE	B
1	1001225870	1	Headboard Base Installation (See Separate Breakdown in this Section)	
2	1001129111	1	Headboard Deluxe Installation (See Separate Breakdown in this Section)	
3	7274000063	3	Clamp	
4	0641508	3	Capscrew 5/16 x 1	
5	4711500	3	Washer 5/16	
6	3311505	3	Nut 5/16	

# SECTION 3 - DECK

FIGURE 3-78. HEADBOARD INSTALLATION - 37.38IN (STANDARD BOLT-ON)



ART\_1001192987

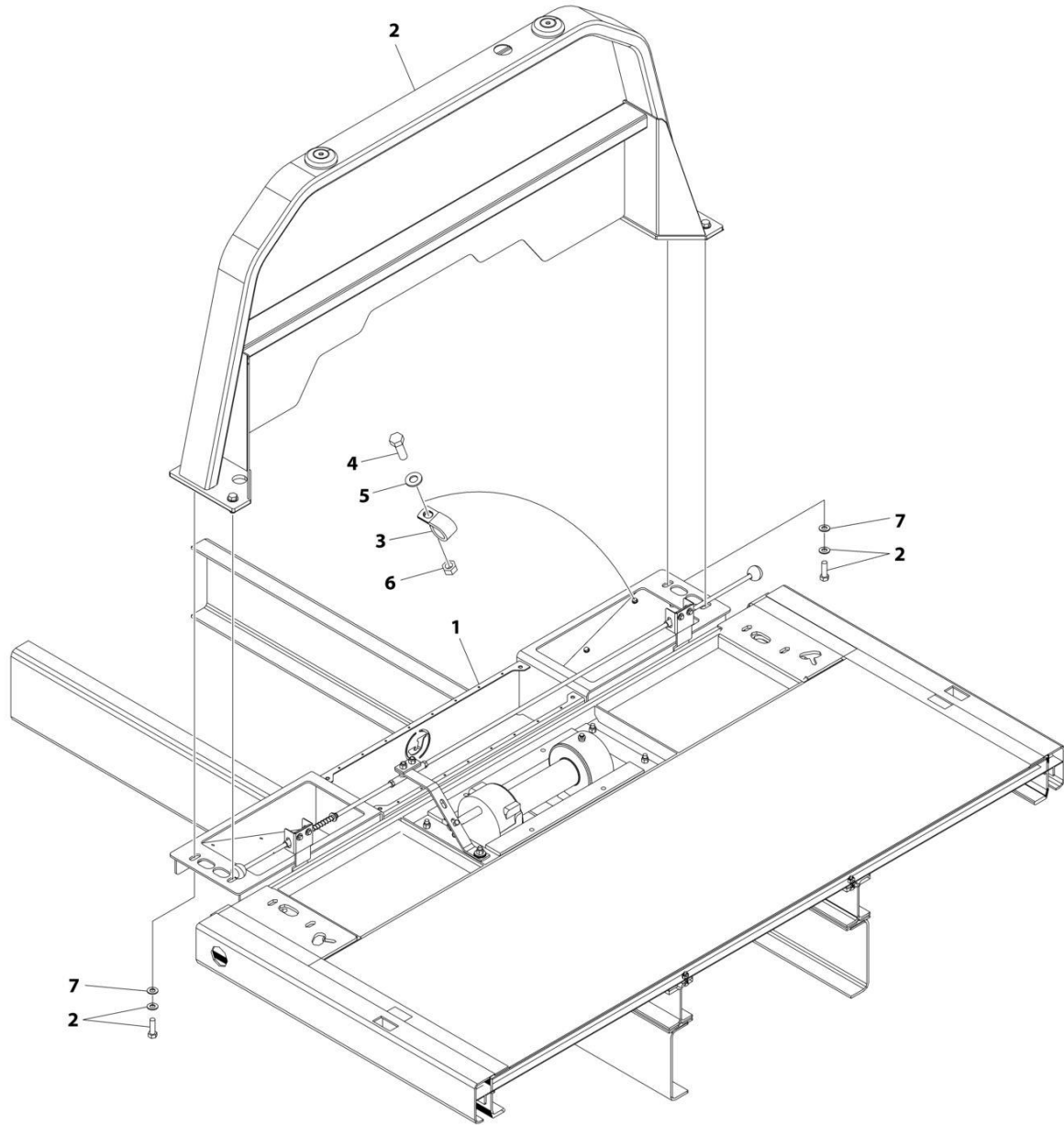
## SECTION 3 - DECK

**FIGURE 3-78. HEADBOARD INSTALLATION - 37.38IN (STANDARD BOLT-ON)**

ITEM	PART NUMBER	QTY	DESCRIPTION	REV
	1001192987	Ref	FIXED HEADBOARD INSTALLATION	A
1	0652016	4	Capscrew 5/8 x 2	
2	4712000	6	Washer 5/8	
3	1001187688	1	Bumper, Headboard	
4	4796000037	2	Gasket	
5	7413000013	4	Push-In Fastener	
6	7660202347	2	Nut 5/8	
7	7701000049	2	Plug	

# SECTION 3 - DECK

## FIGURE 3-79. HEADBOARD INSTALLATION - 37.38IN (STATIONARY FIXED)



ART\_1001226003



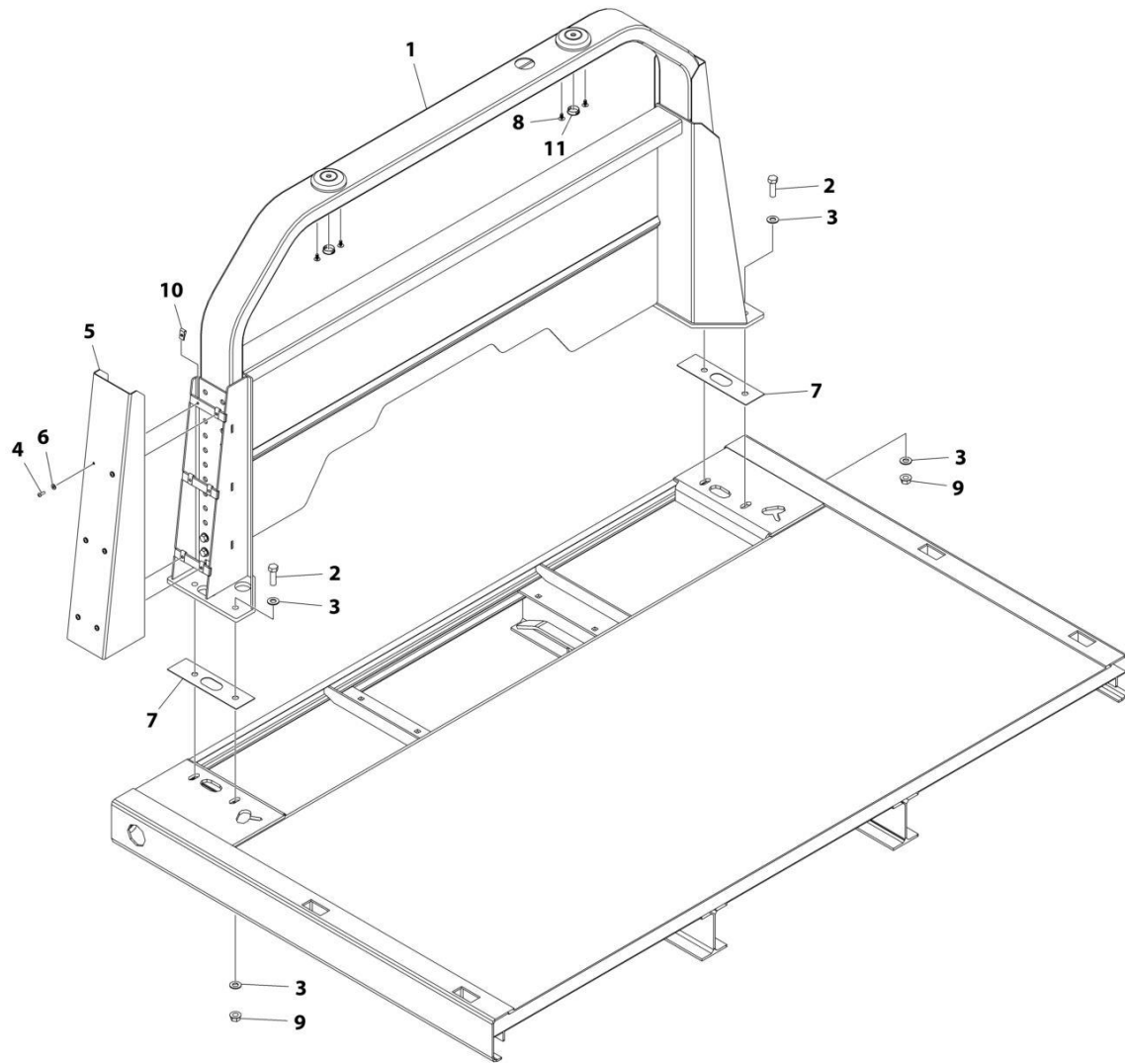
## SECTION 3 - DECK

**FIGURE 3-79. HEADBOARD INSTALLATION - 37.38IN (STATIONARY FIXED)**

ITEM	PART NUMBER	QTY	DESCRIPTION	REV
	1001226003	Ref	STATIONARY FIXED HEIGHT HEADBOARD INSTALLATION	A
1	1001225870	1	Headboard Base Installation (See Separate Breakdown in this Section)	
2	1001192987	1	Headboard Installation (See Separate Breakdown in this Section)	
3	7274000063	3	Clamp	
4	0641508	3	Bolt 5/16 x 1	
5	4711500	3	Washer 5/16	
6	3311505	3	Nut 5/16	
7	4712000	2	Washer 5/8	

# SECTION 3 - DECK

FIGURE 3-80. HEADBOARD INSTALLATION - 45.50IN- 65.50 (ADJUSTABLE BOLT-ON)



ART\_1001189544

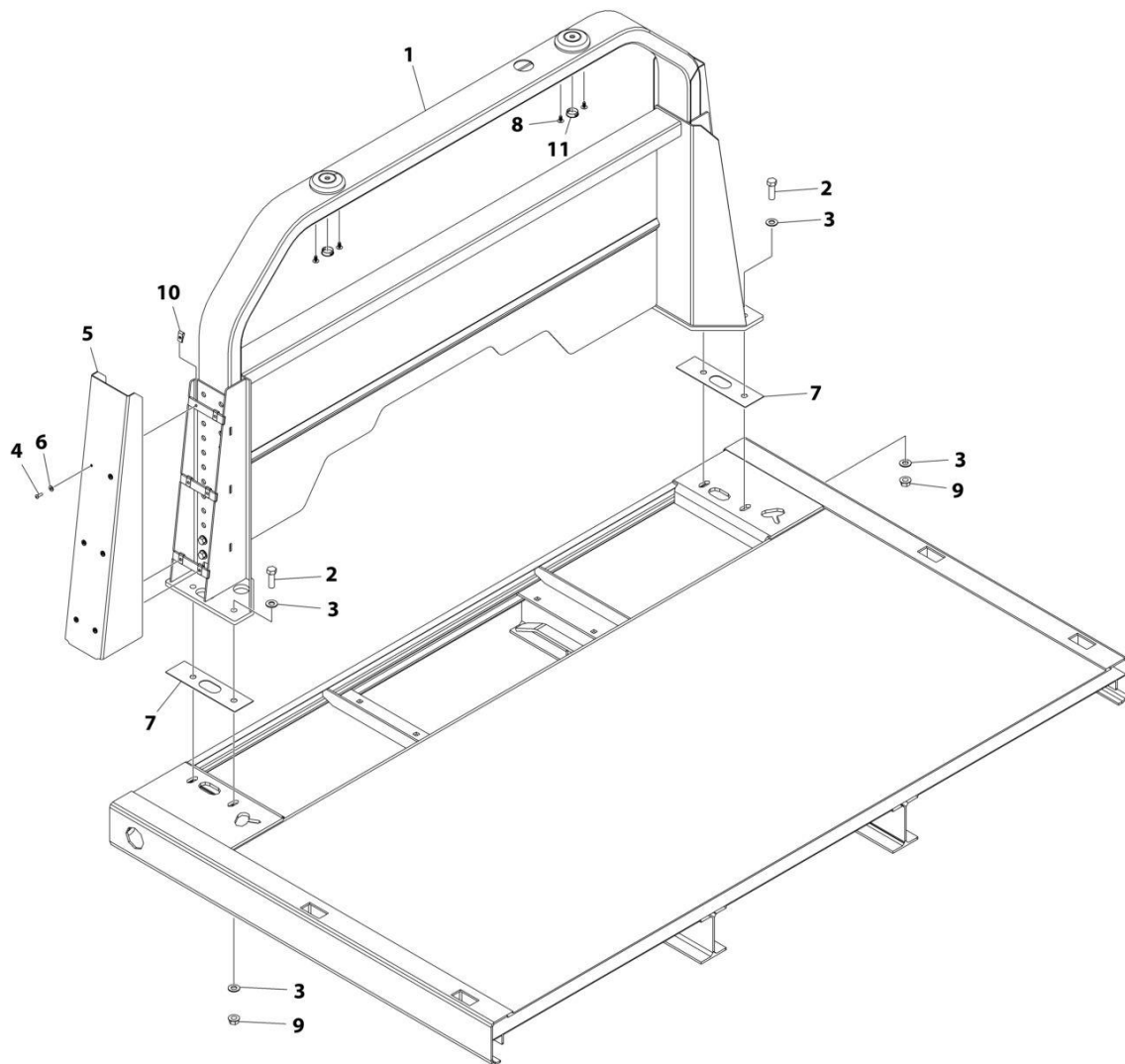
## SECTION 3 - DECK

**FIGURE 3-80. HEADBOARD INSTALLATION - 45.50IN- 65.50 (ADJUSTABLE BOLT-ON)**

ITEM	PART NUMBER	QTY	DESCRIPTION	REV
	1001189544	Ref	ADJUSTABLE HEADBOARD INSTALLATION 45.50 - 65.50IN	A
1	1001192132	1	Headboard Weldment	
2	0652016	4	Capscrew 5/8 x 2	
3	4712000	8	Washer 5/8	
4	0630448001	12	Screw 1/4 x 3/4	
5	1001177459	2	Cover	
6	4711400001	12	Washer 1/4	
7	4796000037	2	Gasket	
8	7413000013	4	Push-In Fastener	
9	7660202347	4	Nut 5/8	
10	7661000064	12	Clip, U-Nut 1/4	
11	7701000049	2	Plug	

# SECTION 3 - DECK

FIGURE 3-81. HEADBOARD INSTALLATION - 45.50IN- 65.50 (ADJUSTABLE BOLT-ON - SPECIAL PAINT)



ART\_1001203834

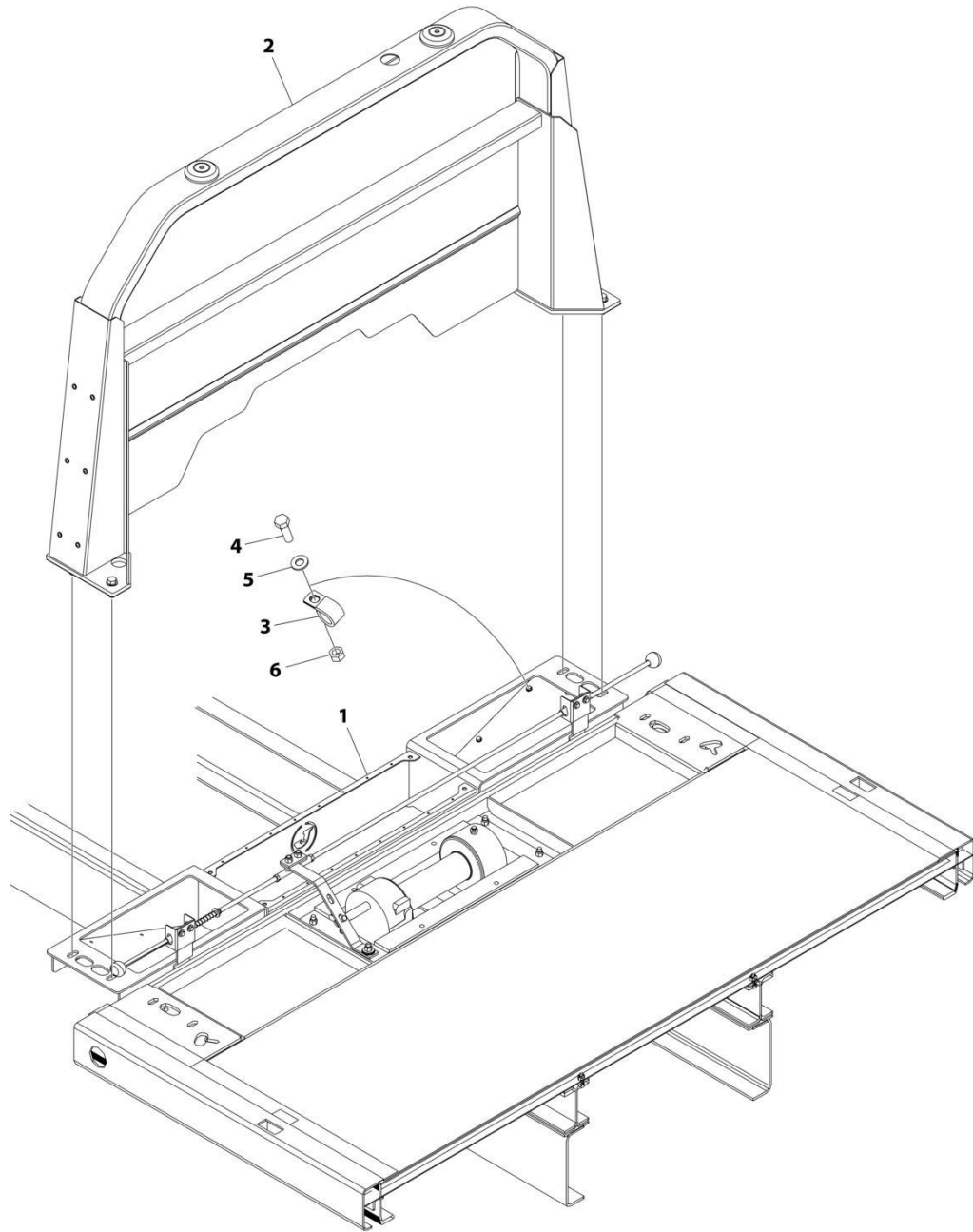
## SECTION 3 - DECK

**FIGURE 3-81. HEADBOARD INSTALLATION - 45.50IN- 65.50 (ADJUSTABLE BOLT-ON - SPECIAL PAINT)**

ITEM	PART NUMBER	QTY	DESCRIPTION	REV
	1001203834	Ref	ADJUSTABLE HEADBOARD INSTALLATION 45.50 - 65.50IN SPECIAL PAINT	B
1	1001203833	1	Headboard Weldment	
2	0652016	4	Capscrew 5/8 x 2	
3	4712000	8	Washer 5/8	
4	0630448001	12	Screw 1/4 x 3/4	
5	1001203829	2	Cover	
6	4711400001	12	Washer 1/4	
7	4796000037	2	Gasket	
8	7413000013	4	Push-In Fastener	
9	7660202347	4	Nut 5/8	
10	7661000064	12	Clip, U-Nut 1/4	
11	7701000049	2	Plug	

# SECTION 3 - DECK

FIGURE 3-82. HEADBOARD INSTALLATION - 45.50IN- 65.50 (STATIONARY ADJUSTABLE BOLT-ON)



ART\_1001226004

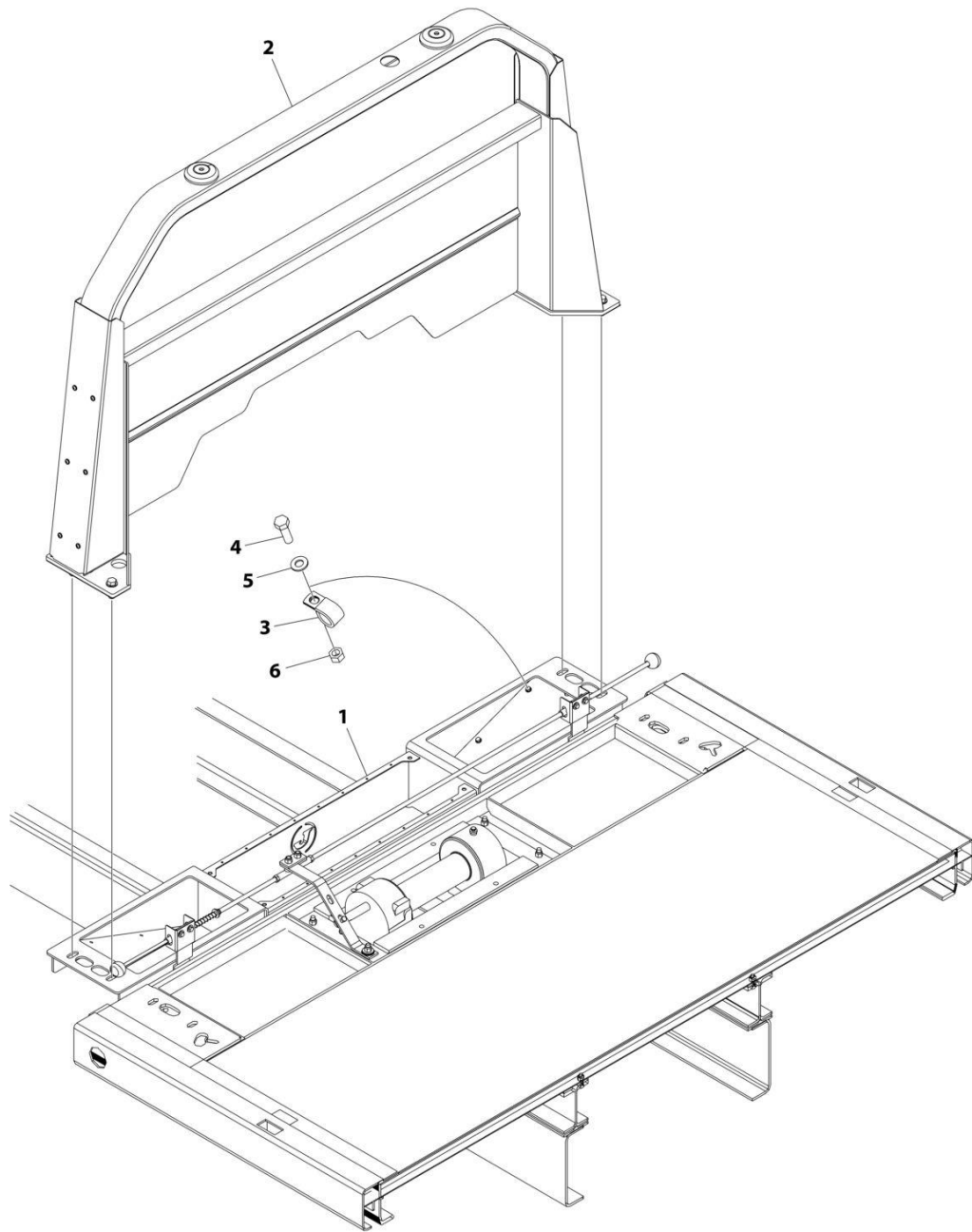
## SECTION 3 - DECK

**FIGURE 3-82. HEADBOARD INSTALLATION - 45.50IN- 65.50 (STATIONARY ADJUSTABLE BOLT-ON**

ITEM	PART NUMBER	QTY	DESCRIPTION	REV
	1001226004	Ref	STATIONARY ADJUSTABLE HEADBOARD 8.88IN	B
1	1001225870	1	Headboard Base Installation (See Separate Breakdown in this Section)	
2	1001189544	1	Headboard Installation (See Separate Breakdown in this Section)	
3	7274000063	3	Clamp	
4	0641508	3	Capscrew 5/16 x 1	
5	4711500	3	Washer 5/16	
6	3311505	3	Nut 5/16	

# SECTION 3 - DECK

FIGURE 3-83. HEADBOARD INSTALLATION - 45.50IN- 65.50 (STATIONARY ADJUSTABLE BOLT-ON - SPECIAL PAINT)



ART\_1001226005



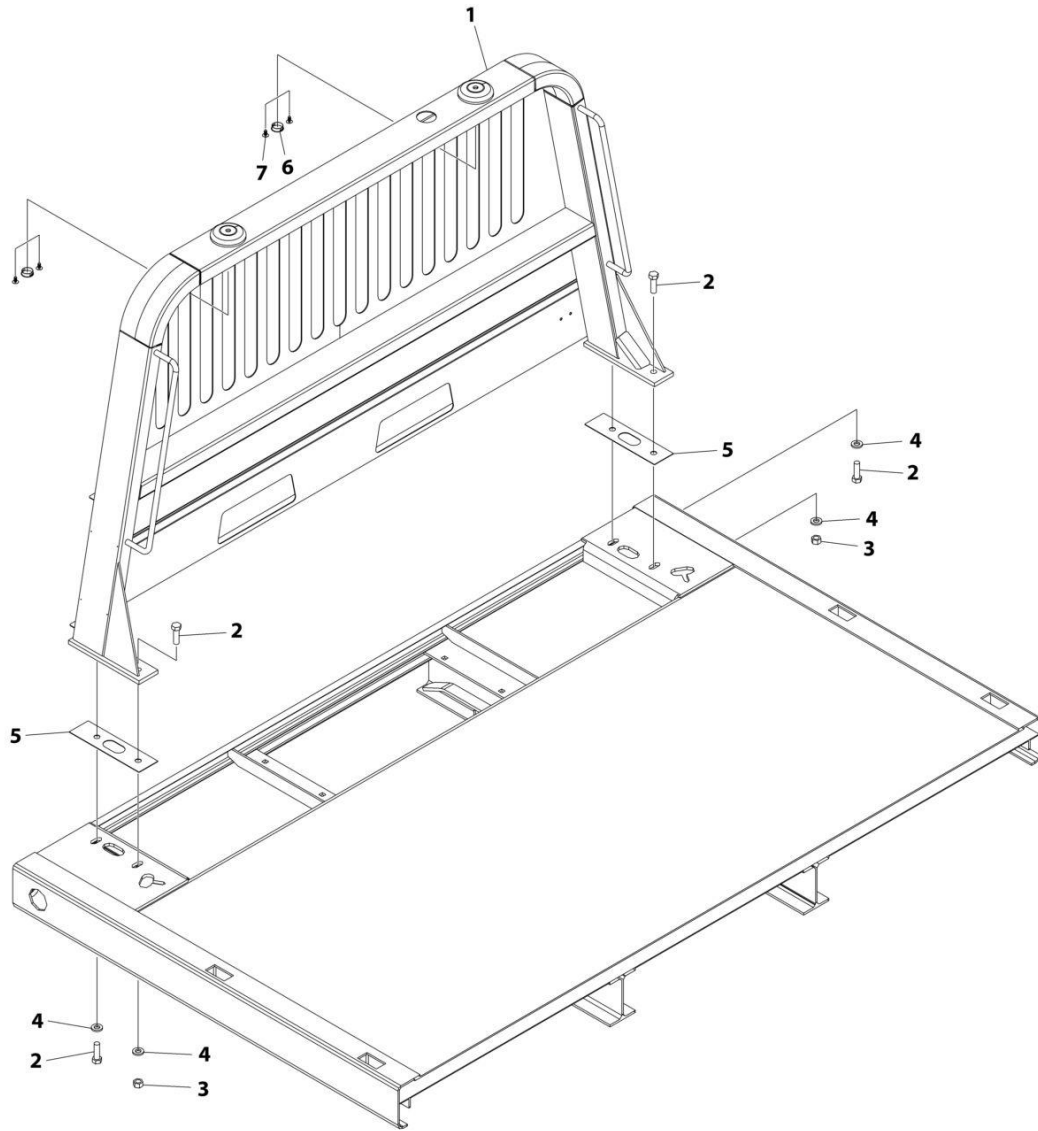
## SECTION 3 - DECK

**FIGURE 3-83. HEADBOARD INSTALLATION - 45.50IN- 65.50 (STATIONARY ADJUSTABLE BOLT-ON  
- SPECIAL PAINT)**

ITEM	PART NUMBER	QTY	DESCRIPTION	REV
	1001226005	Ref	STATIONARY ADJUSTABLE HEADBOARD 8.88IN SPECIAL PAINT	B
1	1001225870	1	Headboard Base Installation (See Separate Breakdown in this Section)	
2	1001203834	1	Headboard Installation (See Separate Breakdown in this Section)	
3	7274000063	3	Clamp	
4	0641508	3	Capscrew 5/16 x 1	
5	4711500	3	Washer 5/16	
6	3311505	3	Nut 5/16	

# SECTION 3 - DECK

## FIGURE 3-84. HEADBOARD INSTALLATION - 45.50IN (DELUXE BOLT-ON)



ART\_1001129114

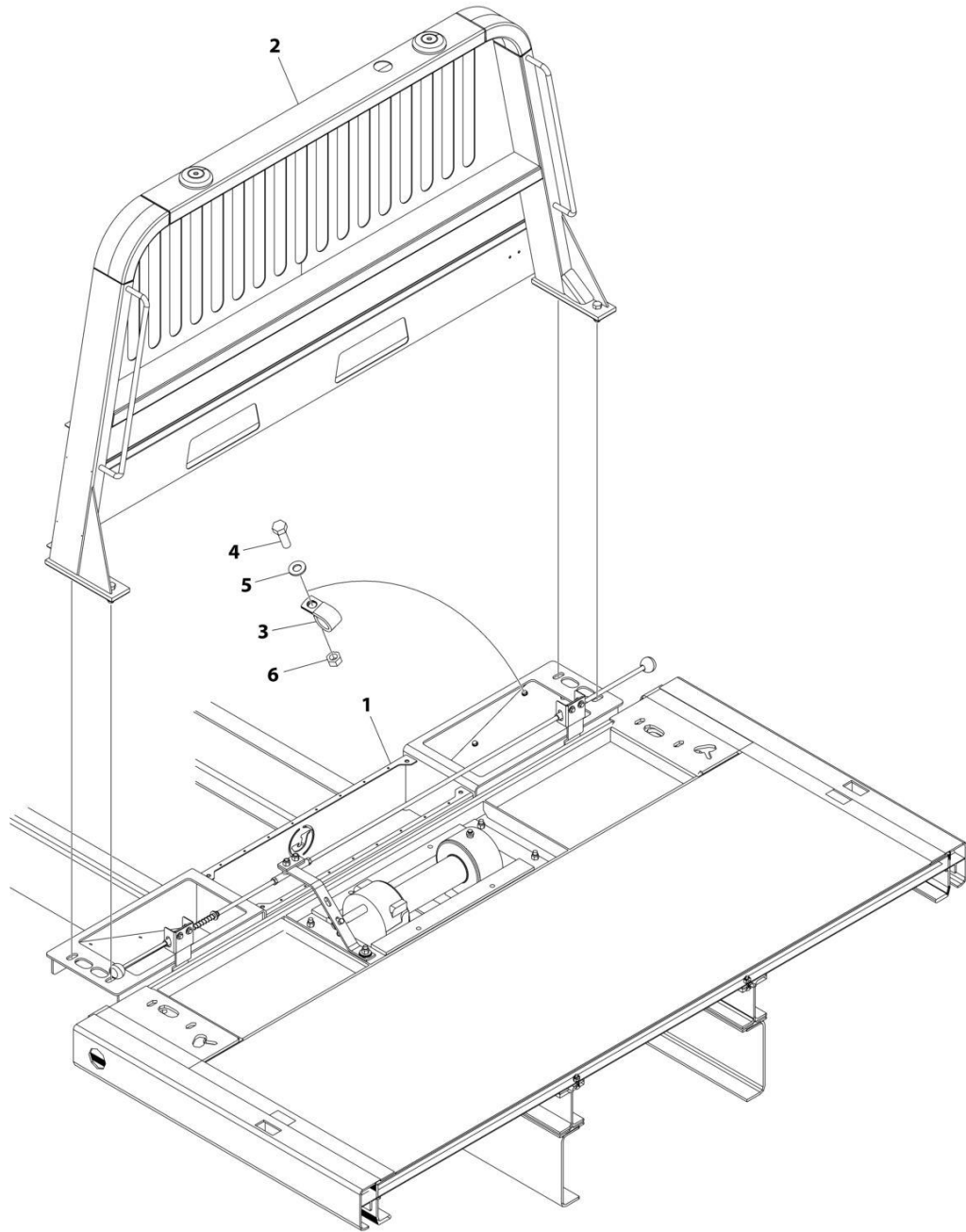
## SECTION 3 - DECK

**FIGURE 3-84. HEADBOARD INSTALLATION - 45.50IN (DELUXE BOLT-ON)**

ITEM	PART NUMBER	QTY	DESCRIPTION	REV
	1001129114	Ref	BUMPER HEADBOARD 45.50IN DELUXE	B
1	1001223267	1	Headboard Weldment	
2	0652016	4	Capscrew 5/8 x 2	
3	7660200035	2	Nut 5/8	
4	4712000	4	Washer 5/8	
5	4796000037	2	Gasket	
6	7701000049	2	Plug	
7	7413000013	4	Push-In Fastener	

# SECTION 3 - DECK

FIGURE 3-85. HEADBOARD INSTALLATION - 45.50IN (STATIONARY DELUXE BOLT-ON)



ART\_1001226007

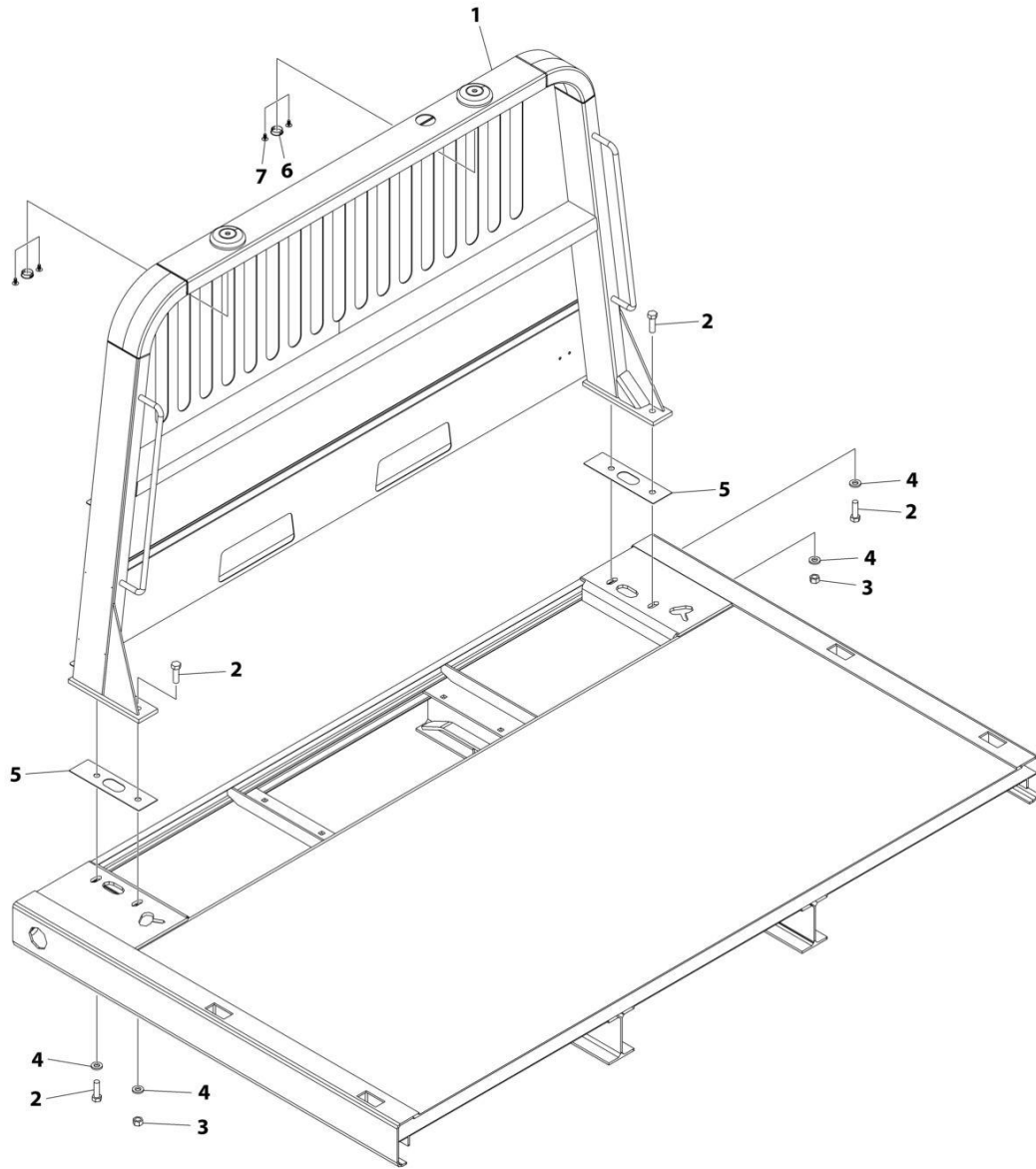
## SECTION 3 - DECK

**FIGURE 3-85. HEADBOARD INSTALLATION - 45.50IN (STATIONARY DELUXE BOLT-ON)**

ITEM	PART NUMBER	QTY	DESCRIPTION	REV
	1001226007	Ref	STATIONARY HEADBOARD 8.88 + 45.50IN DELUXE	B
1	1001225870	1	Headboard Base Installation (See Separate Breakdown in this Section)	
2	1001129114	1	Headboard Deluxe Installation (See Separate Breakdown in this Section)	
3	7274000063	3	Clamp	
4	0641508	3	Capscrew 5/16 x 1	
5	4711500	3	Washer 5/16	
6	3311505	3	Nut 5/16	

# SECTION 3 - DECK

## FIGURE 3-86. HEADBOARD INSTALLATION - 50.50IN (DELUXE BOLT-ON)



ART\_1001129116

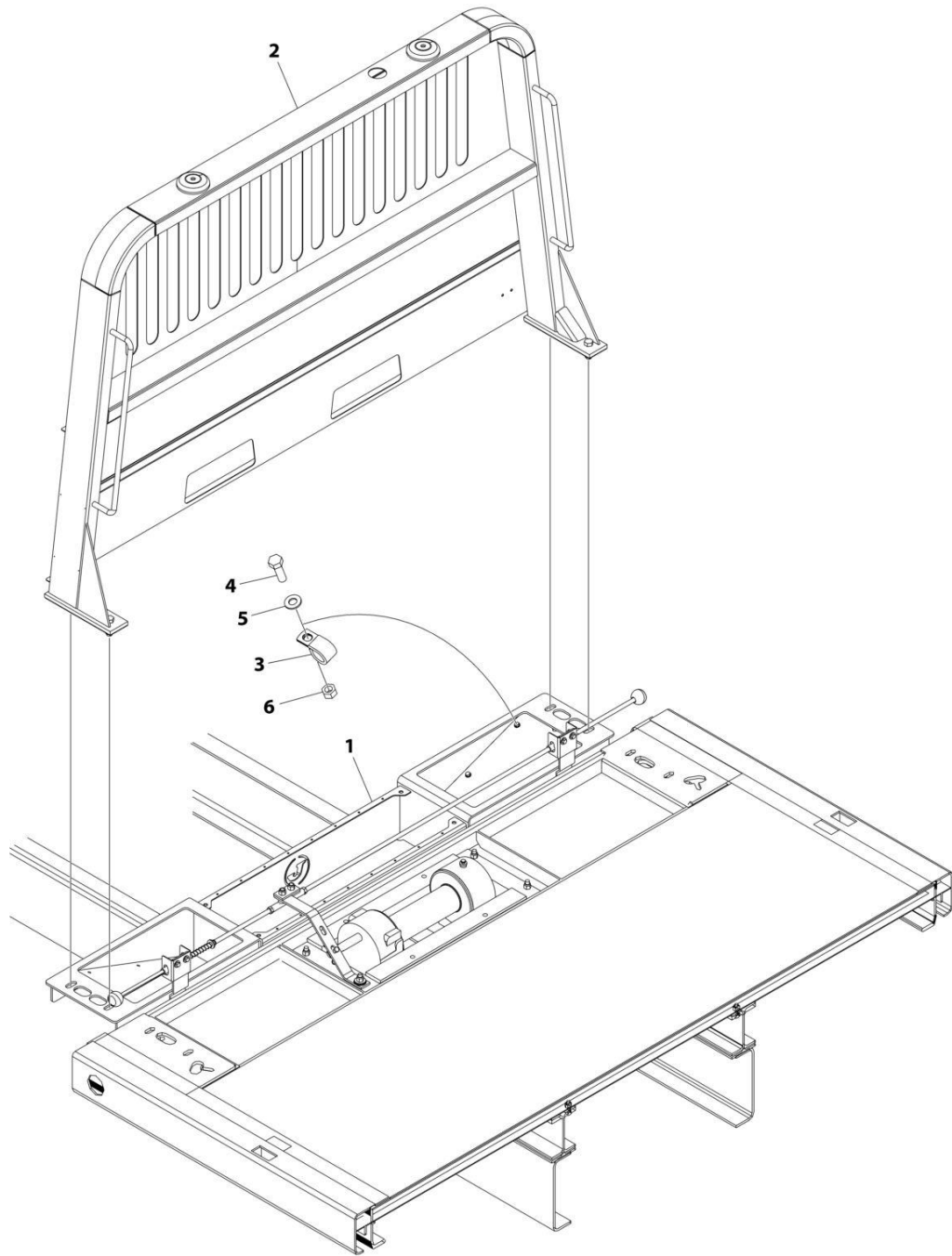
## SECTION 3 - DECK

**FIGURE 3-86. HEADBOARD INSTALLATION - 50.50IN (DELUXE BOLT-ON)**

ITEM	PART NUMBER	QTY	DESCRIPTION	REV
	1001129116	Ref	BUMPER HEADBOARD 50.50IN DELUXE	B
1	1001223268	1	Headboard Weldment	
2	0652016	4	Capscrew 5/8 x 2	
3	7660200035	2	Nut 5/8	
4	4712000	4	Washer 5/8	
5	4796000037	2	Gasket	
6	7701000049	2	Plug	
7	7413000013	4	Push-In Fastener	

# SECTION 3 - DECK

FIGURE 3-87. HEADBOARD INSTALLATION - 50.50IN (STATIONARY DELUXE BOLT-ON))



ART\_1001226008



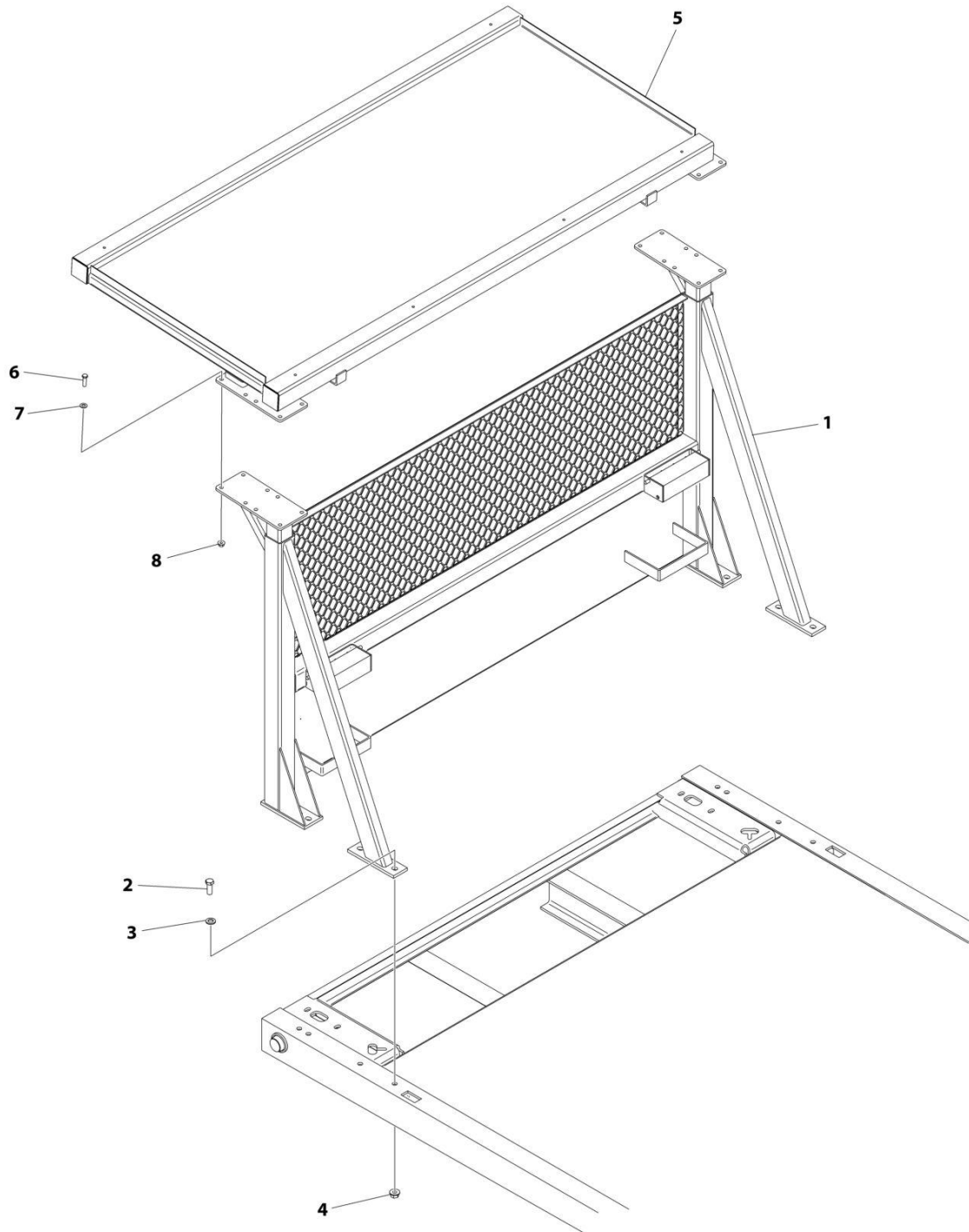
## SECTION 3 - DECK

**FIGURE 3-87. HEADBOARD INSTALLATION - 50.50IN (STATIONARY DELUXE BOLT-ON))**

ITEM	PART NUMBER	QTY	DESCRIPTION	REV
	1001226008	Ref	STATIONARY HEADBOARD 8.88 + 50.50IN DELUXE	B
1	1001225870	1	Headboard Base Installation (See Separate Breakdown in this Section)	
2	1001129116	1	Headboard Deluxe Installation (See Separate Breakdown in this Section)	
3	7274000063	3	Clamp	
4	0641508	3	Capscrew 5/16 x 1	
5	4711500	3	Washer 5/16	
6	3311505	3	Nut 5/16	

# SECTION 3 - DECK

## FIGURE 3-88. HEADBOARD INSTALLATION - 50IN (BUCKET REST)



ART\_1001141922

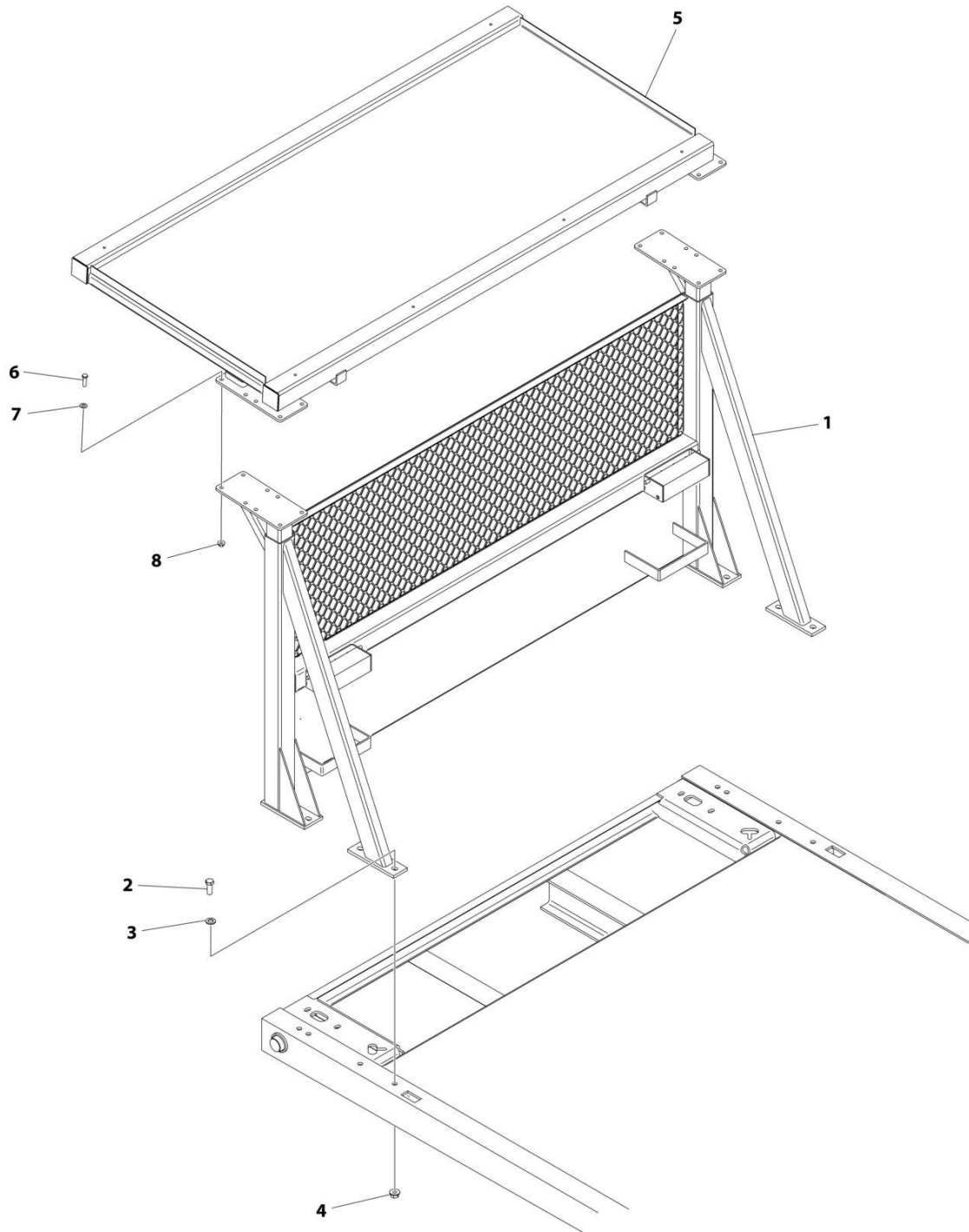
## SECTION 3 - DECK

**FIGURE 3-88. HEADBOARD INSTALLATION - 50IN (BUCKET REST)**

ITEM	PART NUMBER	QTY	DESCRIPTION	REV
	1001141922	Ref	BUCKET REST HEADBOARD - 50IN	B
1	1001141918	1	Lower Headboard Weldment	
2	7115222050	8	Capscrew 3/4 x 2-1/2	
3	7950220141	8	Washer 3/4	
4	7660222308	8	Nut 3/4	
5	1001141875	1	Upper Headboard Weldment	
6	7115181450	16	Capscrew 1/2 x 1-3/4	
7	7950180143	16	Washer 1/2	
8	7660182304	16	Nut 1/2	
9	1001142381	1	Deck Modified (Not Shown)	
10	7894000042	30	Tie Strap (Not Shown)	
11	7701000058	16	Plug (Not Shown)	

# SECTION 3 - DECK

## FIGURE 3-89. HEADBOARD INSTALLATION - 54.75IN (BUCKET REST)



ART\_1001128443

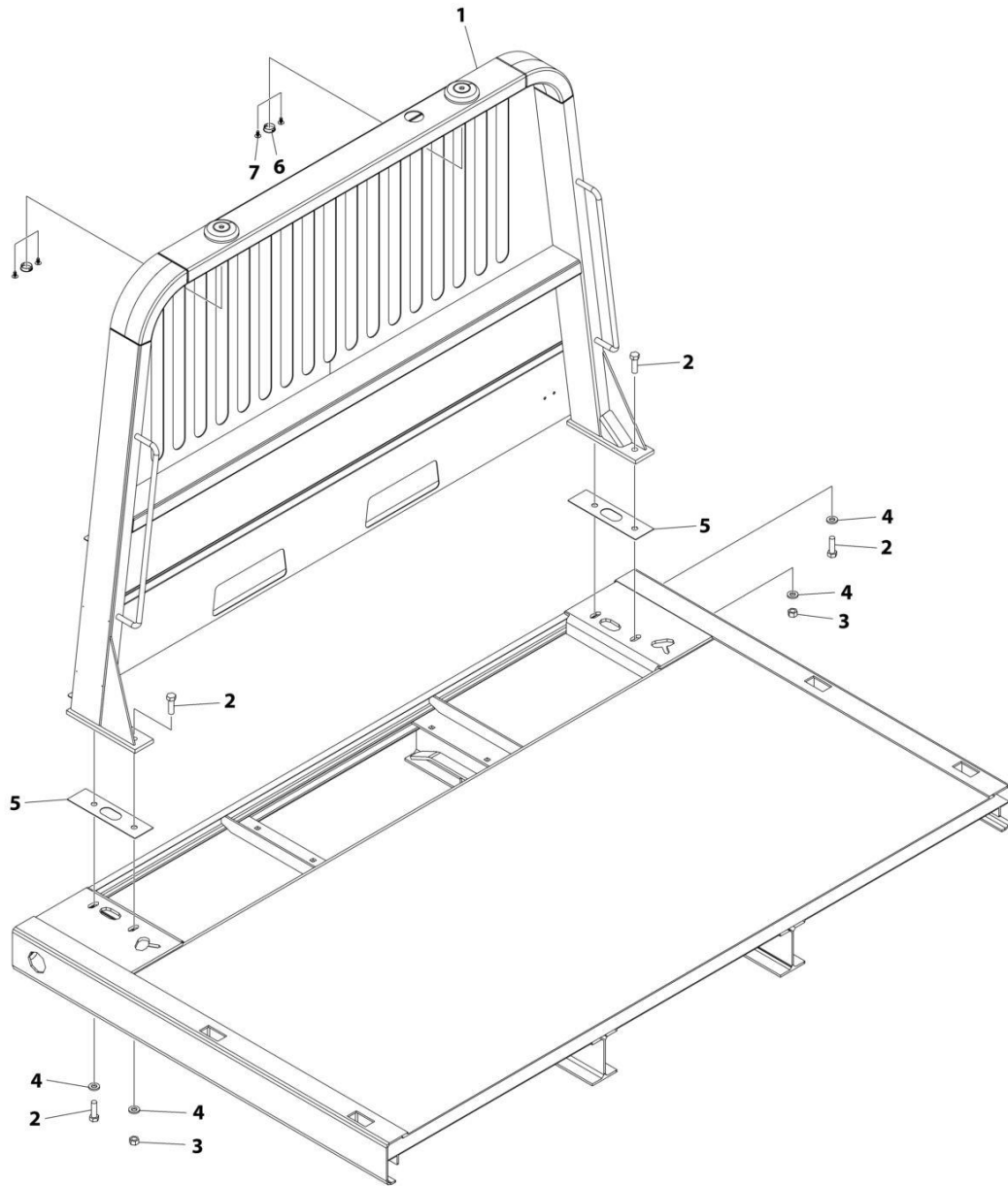
## SECTION 3 - DECK

**FIGURE 3-89. HEADBOARD INSTALLATION - 54.75IN (BUCKET REST)**

ITEM	PART NUMBER	QTY	DESCRIPTION	REV
	1001128443	Ref	BUCKET REST HEADBOARD - 54.75IN	D
1	1001132350	1	Lower Headboard Weldment	
2	7115222050	8	Capscrew 3/4 x 2-1/2	
3	7950220141	8	Washer 3/4	
4	7660222308	8	Nut 3/4	
5	1001141875	1	Upper Headboard Weldment	
6	7115181450	16	Capscrew 1/2 x 1-3/4	
7	7950180143	16	Washer 1/2	
8	7660182304	16	Nut 1/2	
9	1001142381	1	Deck Modified (Not Shown)	
10	7894000042	30	Tie Strap (Not Shown)	
11	7701000058	16	Plug (Not Shown)	

# SECTION 3 - DECK

## FIGURE 3-90. HEADBOARD INSTALLATION - 57.50IN (DELUXE BOLT-ON)



ART\_1001129118

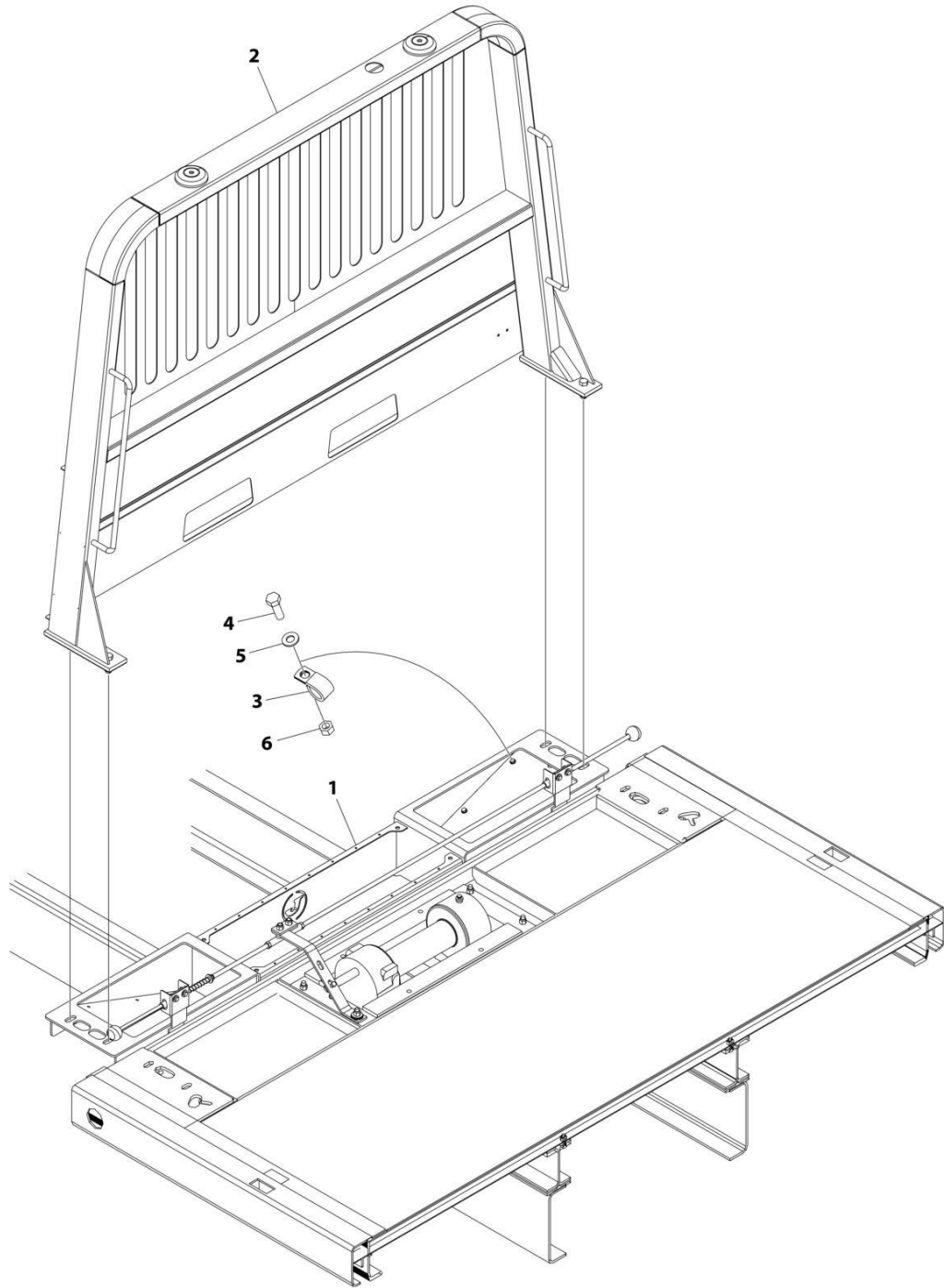
## SECTION 3 - DECK

**FIGURE 3-90. HEADBOARD INSTALLATION - 57.50IN (DELUXE BOLT-ON)**

ITEM	PART NUMBER	QTY	DESCRIPTION	REV
	1001129118	Ref	BUMPER HEADBOARD 57.50IN DELUXE	B
1	1001223269	1	Headboard Weldment	
2	0652016	4	Capscrew 5/8 x 2	
3	7660200035	2	Nut 5/8	
4	4712000	4	Washer 5/8	
5	4796000037	2	Gasket	
6	7701000049	2	Plug	
7	7413000013	4	Push-In Fastener	

# SECTION 3 - DECK

FIGURE 3-91. HEADBOARD INSTALLATION - 57.50IN (STATIONARY DELUXE BOLT-ON)



ART\_1001226009



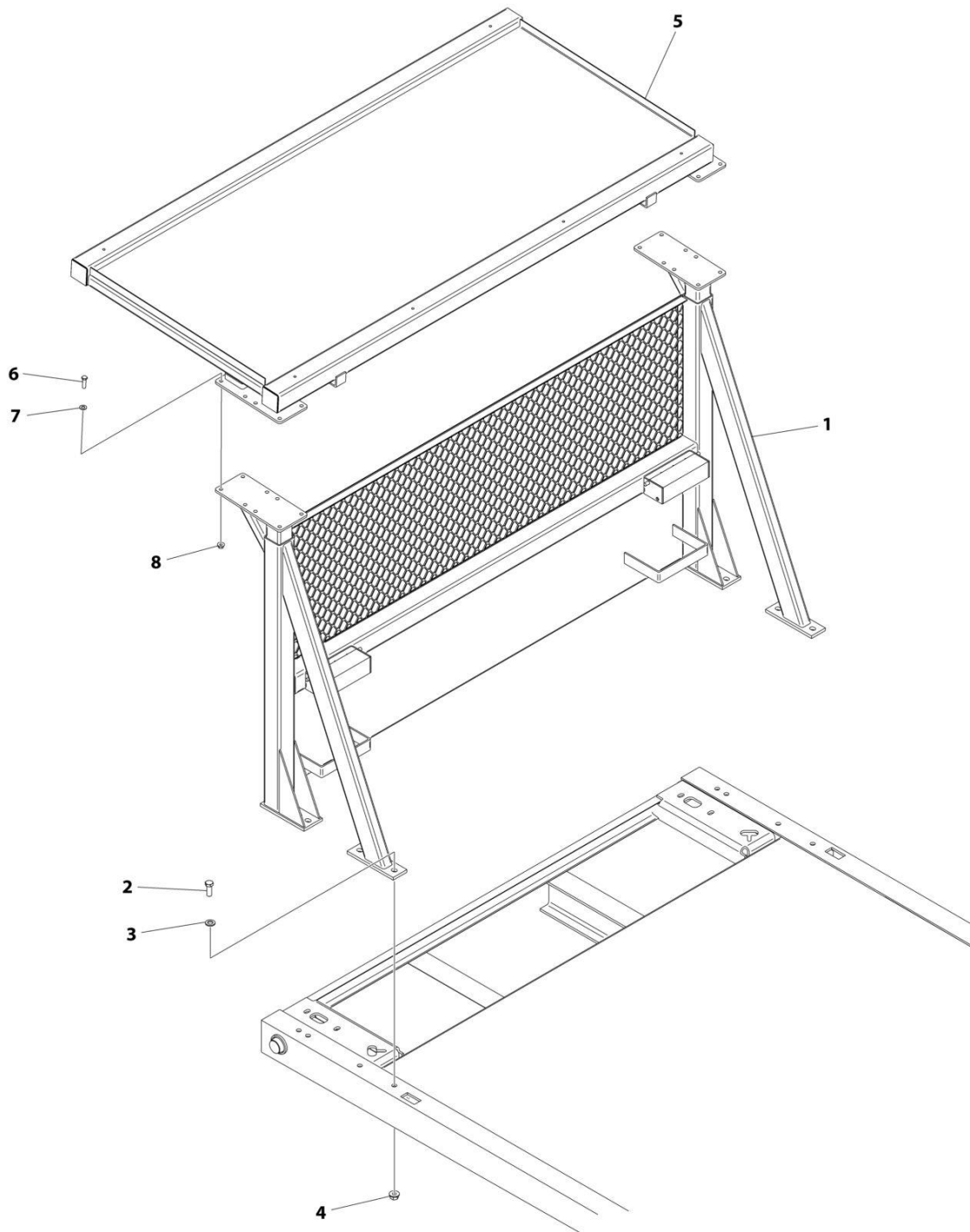
## SECTION 3 - DECK

**FIGURE 3-91. HEADBOARD INSTALLATION - 57.50IN (STATIONARY DELUXE BOLT-ON)**

ITEM	PART NUMBER	QTY	DESCRIPTION	REV
	1001226009	Ref	STATIONARY HEADBOARD 8.88 + 57.50IN DELUXE	B
1	1001225870	1	Headboard Base Installation (See Separate Breakdown in this Section)	
2	1001129118	1	Headboard Deluxe Installation (See Separate Breakdown in this Section)	
3	7274000063	3	Clamp	
4	0641508	3	Capscrew 5/16 x 1	
5	4711500	3	Washer 5/16	
6	3311505	3	Nut 5/16	

# SECTION 3 - DECK

## FIGURE 3-92. HEADBOARD INSTALLATION, 61.5IN (BUCKET REST)



ART\_1001139579

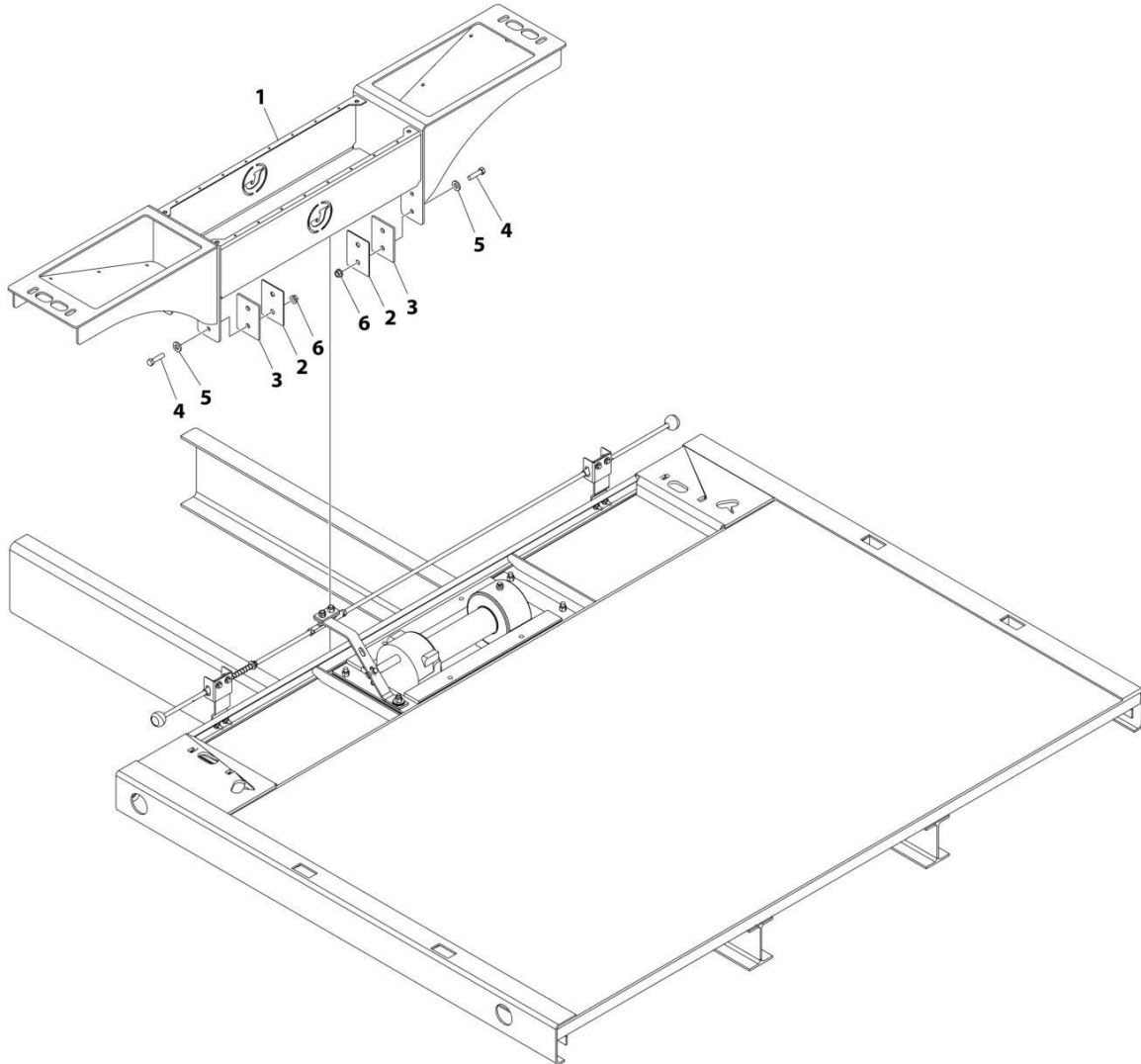
## SECTION 3 - DECK

**FIGURE 3-92. HEADBOARD INSTALLATION, 61.5IN (BUCKET REST)**

ITEM	PART NUMBER	QTY	DESCRIPTION	REV
	1001139579	Ref	BUCKET REST HEADBOARD - 61.5IN	C
1	1001139503	1	Lower Headboard Weldment	
2	7115222050	8	Capscrew 3/4 x 2-1/2	
3	7950220141	8	Washer 3/4	
4	7660222308	8	Nut 3/4	
5	1001141875	1	Upper Headboard Weldment	
6	7115181450	16	Capscrew 1/2 x 1-3/4	
7	7950180143	16	Washer 1/2	
8	7660182304	16	Nut 1/2	
9	1001142381	1	Deck Modified (Not Shown)	
10	7894000042	30	Tie Strap (Not Shown)	
11	7701000058	16	Plug (Not Shown)	

# SECTION 3 - DECK

## FIGURE 3-93. HEADBOARD BASE INSTALLATION



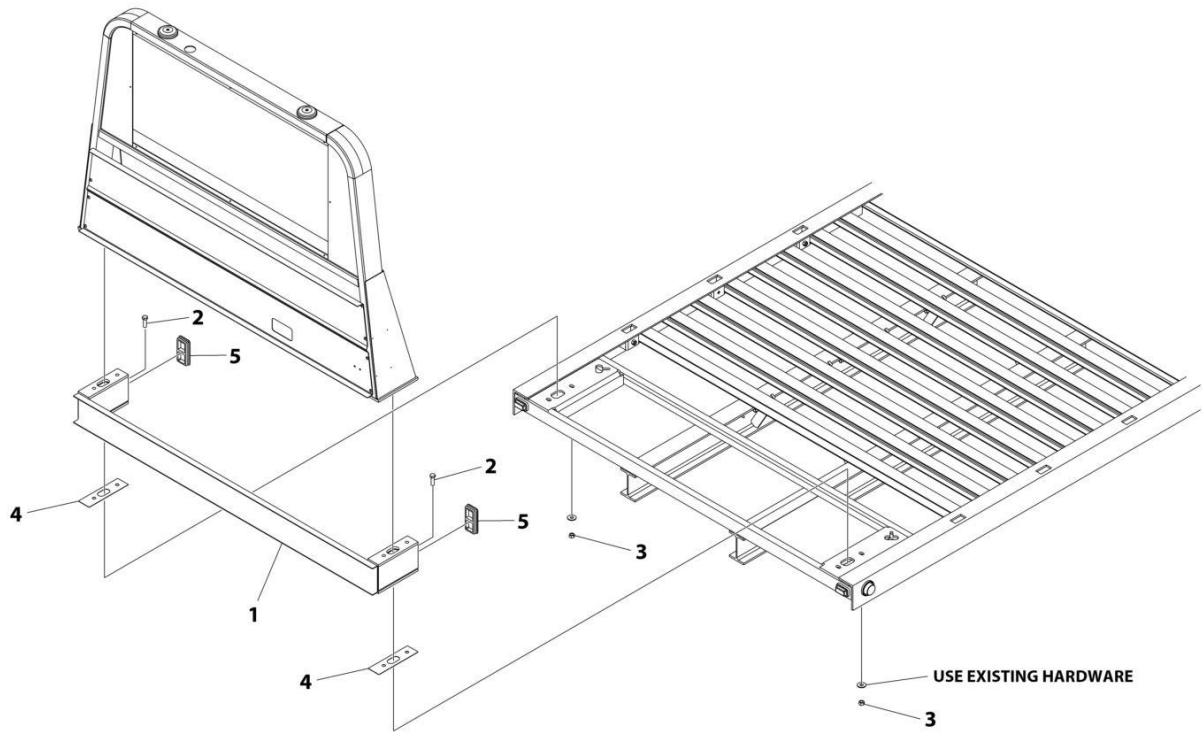
ART\_1001225870

FIGURE 3-93. HEADBOARD BASE INSTALLATION

ITEM	PART NUMBER	QTY	DESCRIPTION	REV
	1001225870	Ref	HEADBOARD BASE INSTALLATION	C
1	1001225869	1	Mount	
2	1001226847	4	Shim	
3	1001226848	4	Shim	
4	7105181650	8	Capscrew 1/2 x 2	
5	4892000	8	Washer 5/8	
6	7660182333	8	Nut 1/2	

# SECTION 3 - DECK

## FIGURE 3-94. HEADBOARD SPACER INSTALLATION



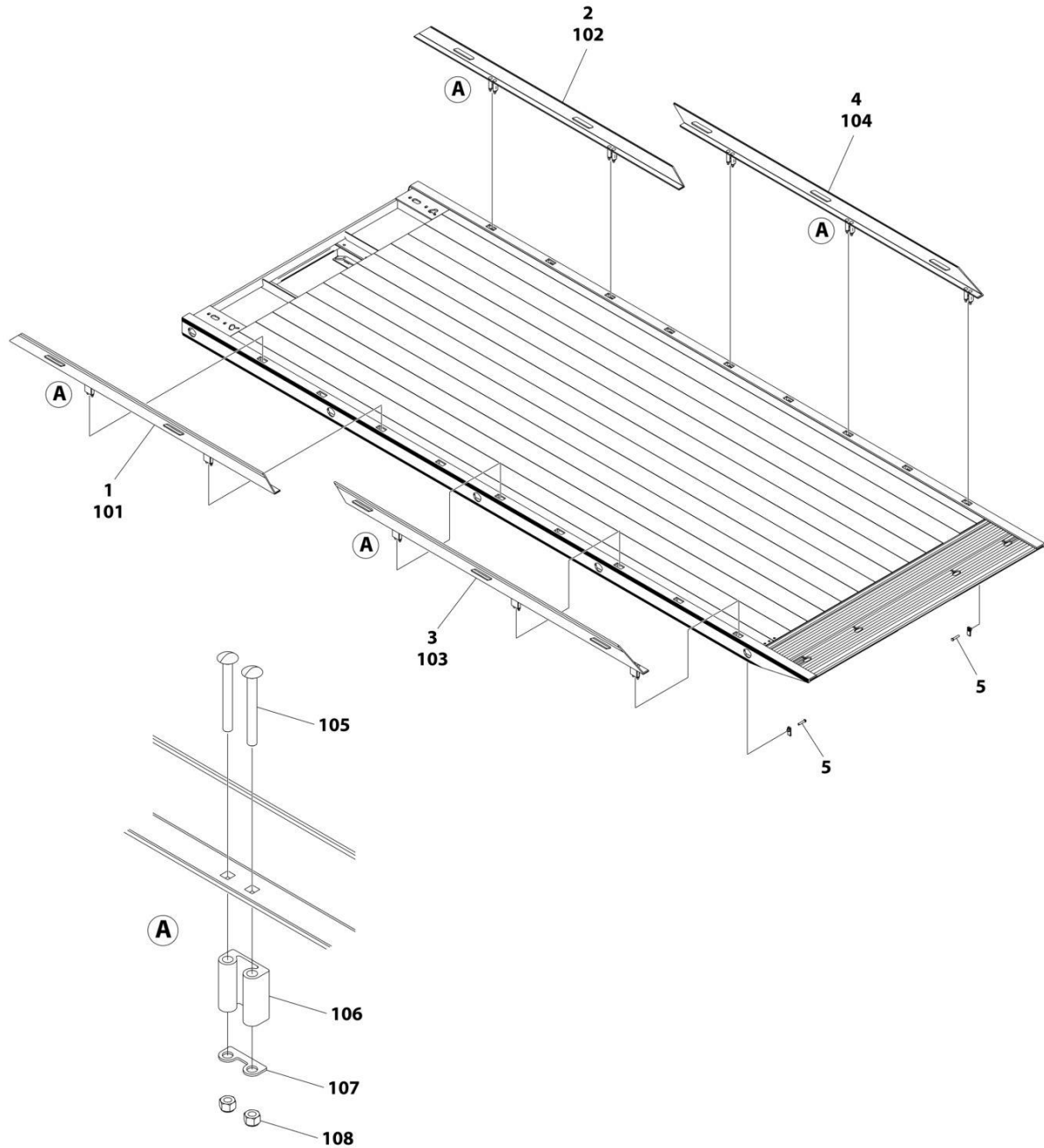
ART\_1001134788

**FIGURE 3-94. HEADBOARD SPACER INSTALLATION**

ITEM	PART NUMBER	QTY	DESCRIPTION	REV
	1001134788	Ref	SPACER BOLT ON HEADBOARD INSTALLATION	A
1	1001134776	1	Mount, Headboard	
2	7105201650	4	Screw M16 x 50	
3	7660200035	4	Nut M16	
4	4796000037	2	Gasket	
5	7701000048	2	Plug	

# SECTION 3 - DECK

## FIGURE 3-95. RAIL (REMOVABLE) INSTALLATION - 5IN ALUMINUM (19FT/20FT DECK)



ART\_2729000073



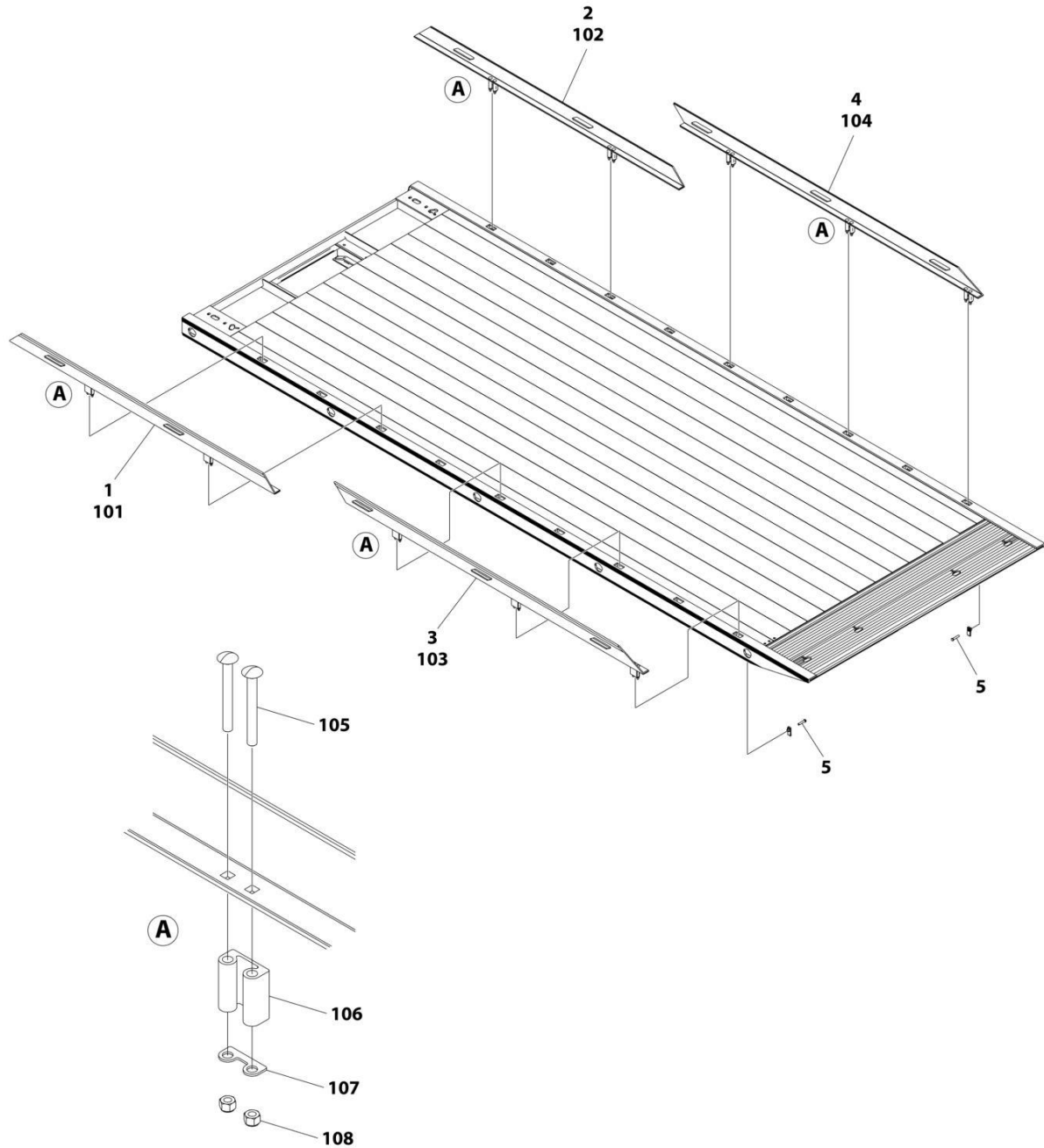
## SECTION 3 - DECK

**FIGURE 3-95. RAIL (REMOVABLE) INSTALLATION - 5IN ALUMINUM (19FT/20FT DECK)**

ITEM	PART NUMBER	QTY	DESCRIPTION	REV
	2729000073	Ref	RAISED RAILS INSTALLATION - 19-20IN	B
1	3017000121	1	Angle Assembly, Front LH (Includes Items 101 & 105-108)	
2	3017000122	1	Angle Assembly, Front RH (Includes Items 102 & 105-108)	
3	3017000127	1	Angle Assembly, Rear LH (Includes Items 103 & 105-108)	
4	3017000128	1	Angle Assembly, Rear RH (Includes Items 104-108)	
5	7120000005	10	Capscrew 1/2 x 2-1/2	
101	4017001699	1	Angle LH Front	
102	4017001700	1	Angle RH Front	
103	4017001705	1	Angle LH Rear	
104	4017001706	1	Angle RH Rear	
105	1001137970	20	Bolt 1/2 x 4-1/2	
106	8411080102	10	Extrusion	
107	4706006228	10	Plate	
108	7660182601	20	Nut 1/2	

# SECTION 3 - DECK

## FIGURE 3-96. RAIL (REMOVABLE) INSTALLATION - 5IN ALUMINUM (21FT DECK)



ART\_2729000074

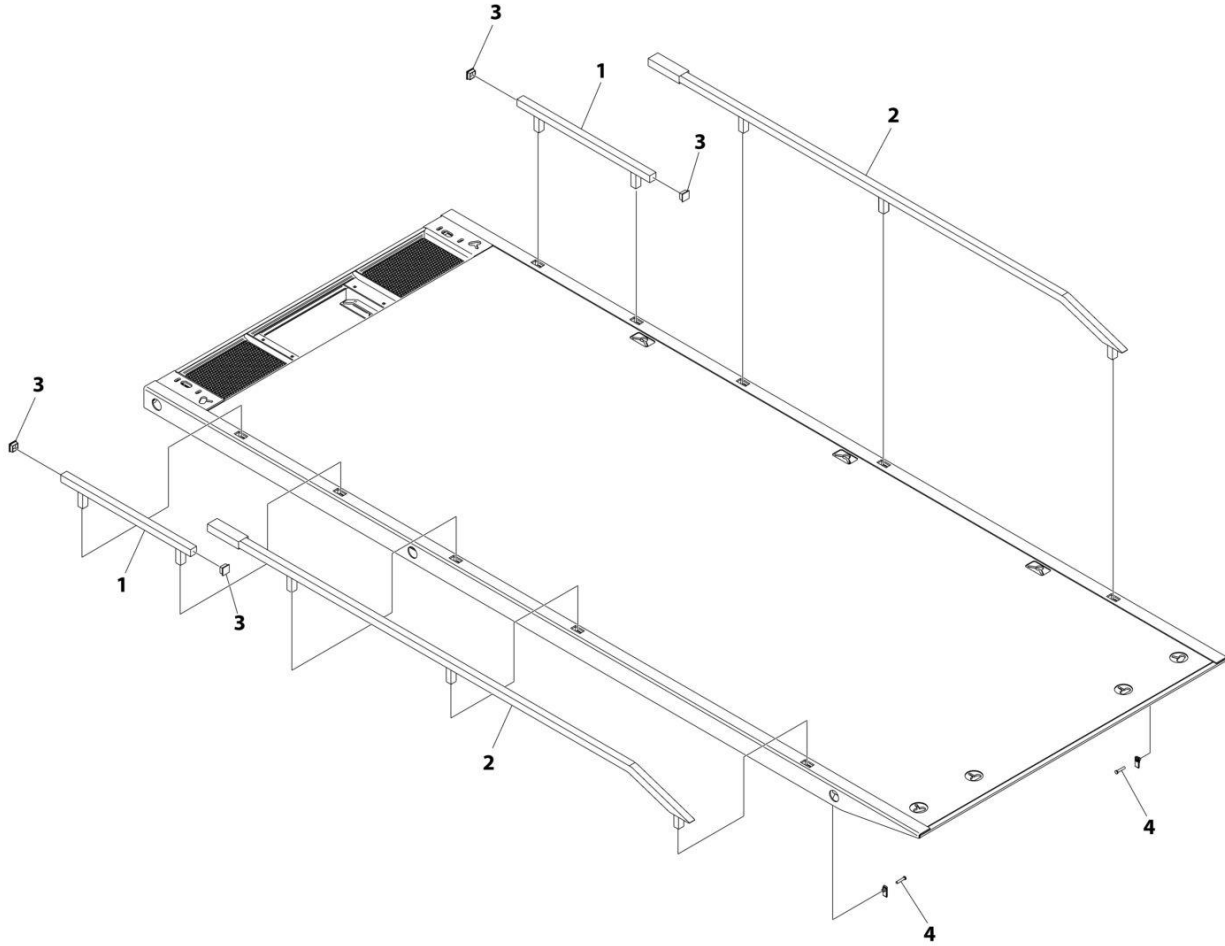
## SECTION 3 - DECK

**FIGURE 3-96. RAIL (REMOVABLE) INSTALLATION - 5IN ALUMINUM (21FT DECK)**

ITEM	PART NUMBER	QTY	DESCRIPTION	REV
	2729000074	Ref	RAISED RAILS INSTALLATION - 21IN	B
1	3017000121	1	Angle Assembly, Front LH (Includes Items 101 & 105-108)	
2	3017000122	1	Angle Assembly, Front RH (Includes Items 102 & 105-108)	
3	3017000129	1	Angle Assembly, Rear LH (Includes Items 103 & 105-108)	
4	3017000130	1	Angle Assembly, Rear RH (Includes Items 104-108)	
5	7120000005	12	Capscrew 1/2 x 2-1/2	
101	4017001699	1	Angle LH Front	
102	4017001700	1	Angle RH Front	
103	4017001707	1	Angle LH Rear	
104	4017001708	1	Angle RH Rear	
105	1001137970	20	Bolt 1/2 x 4-1/2	
106	8411080102	10	Extrusion	
107	4706006228	10	Plate	
108	7660182601	20	Nut 1/2	

# SECTION 3 - DECK

## FIGURE 3-97. RAIL (REMOVABLE) INSTALLATION - 5IN STEEL (19FT/20FT DECK)



ART\_2729000104

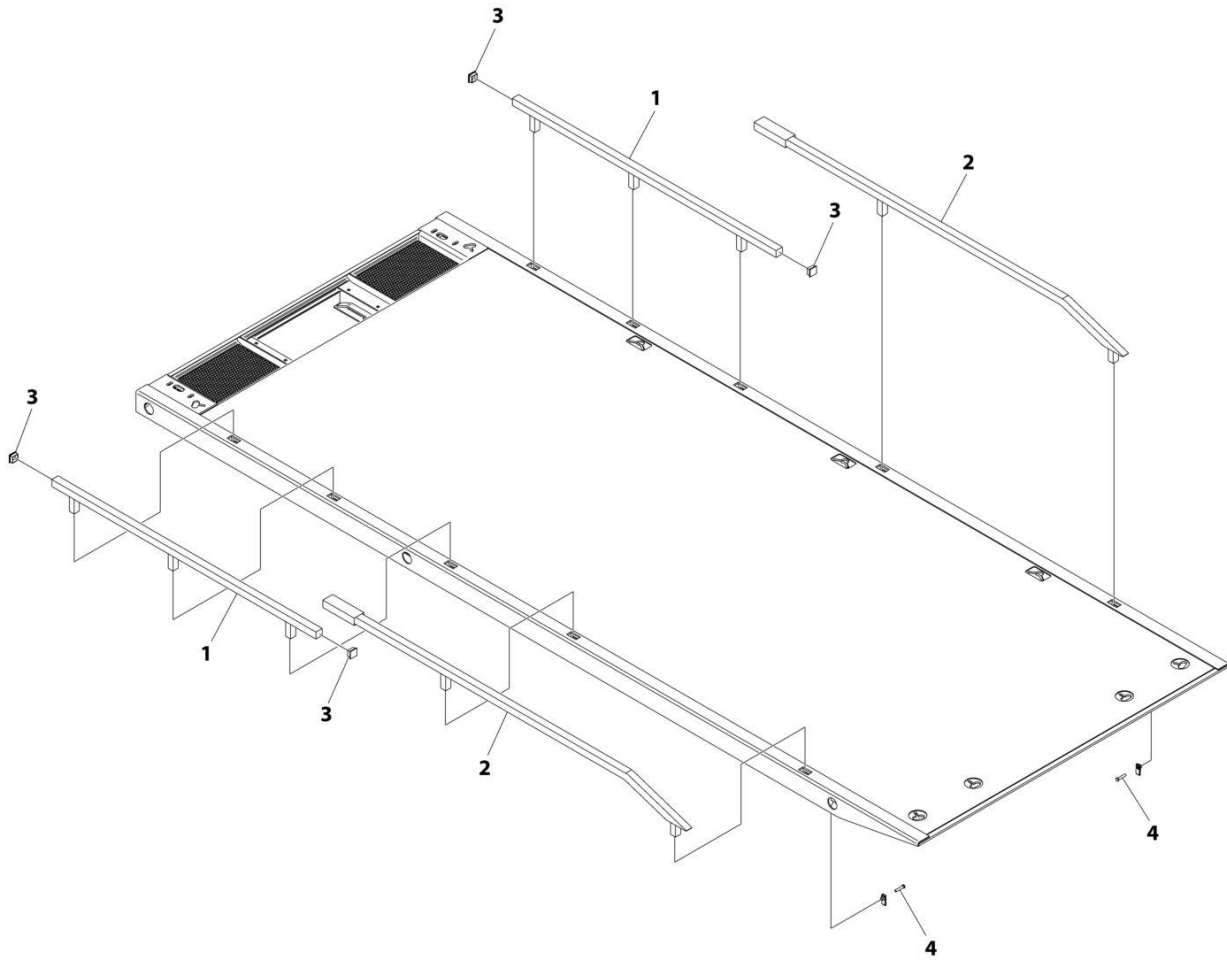
## SECTION 3 - DECK

**FIGURE 3-97. RAIL (REMOVABLE) INSTALLATION - 5IN STEEL (19FT/20FT DECK)**

ITEM	PART NUMBER	QTY	DESCRIPTION	REV
	2729000104	Ref	RAIL INSTALLATION	0
1	3729000281	2	Rail Weldment, Front	
2	3729000284	2	Rail Weldment, Rear	
3	7701000033	4	Plug	
4	7115181050	10	Capscrew 1/2 x 1-1/4	

# SECTION 3 - DECK

FIGURE 3-98. RAIL (REMOVABLE) INSTALLATION - 5IN STEEL (21FT DECK)



ART\_2729000105

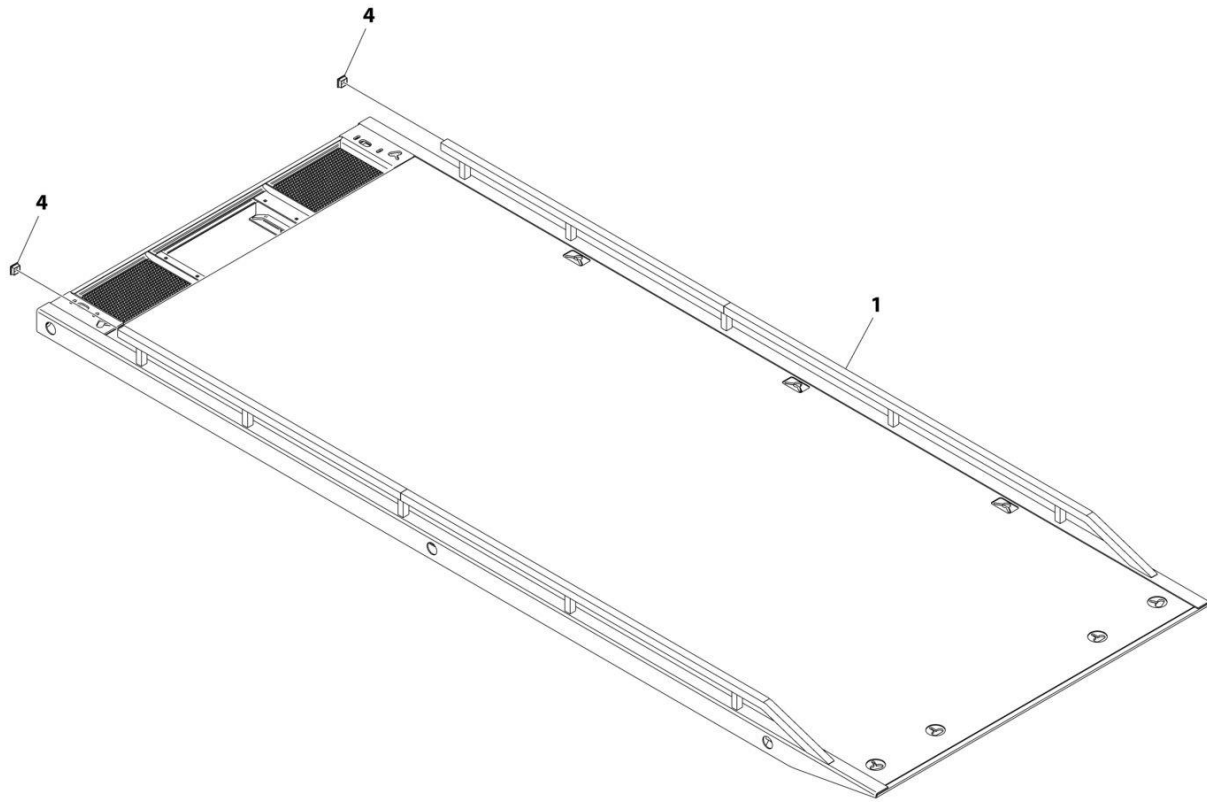
## SECTION 3 - DECK

**FIGURE 3-98. RAIL (REMOVABLE) INSTALLATION - 5IN STEEL (21FT DECK)**

ITEM	PART NUMBER	QTY	DESCRIPTION	REV
	2729000105	Ref	RAIL INSTALLATION	0
1	3729000282	2	Rail Weldment, Front	
2	3729000283	2	Rail Weldment, Rear	
3	7701000033	4	Plug	
4	7115181050	10	Capscrew 1/2 x 1-1/4	

# SECTION 3 - DECK

FIGURE 3-99. RAIL PLUG (PERMANENT) INSTALLATION - 6IN STEEL (19FT/20FT DECK)



ART\_2729000038



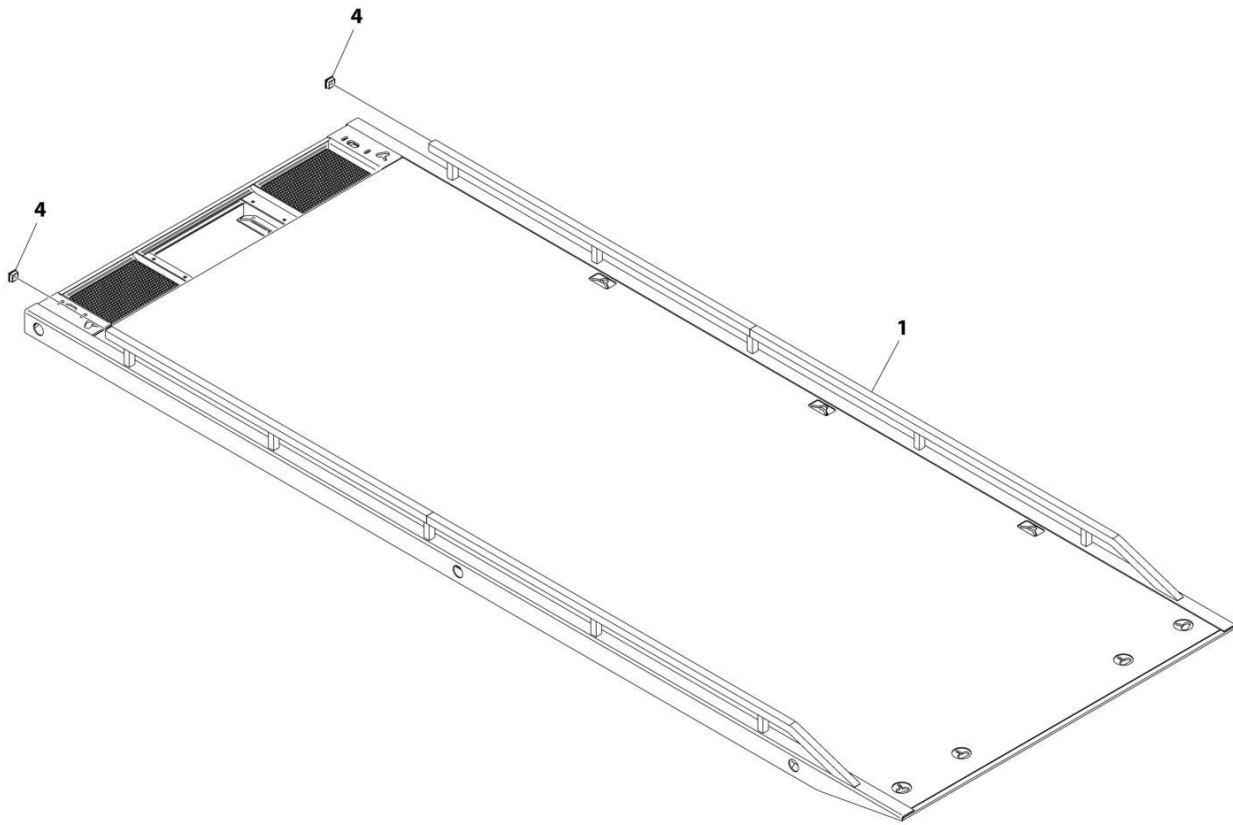
## SECTION 3 - DECK

**FIGURE 3-99. RAIL PLUG (PERMANENT) INSTALLATION - 6IN STEEL (19FT/20FT DECK)**

ITEM	PART NUMBER	QTY	DESCRIPTION	REV
1	2729000038	1	Permanent Raised Rail Installation - 19ft	A
4	7701000033	2	Plug	

# SECTION 3 - DECK

FIGURE 3-100. RAIL PLUG (PERMANENT) INSTALLATION - 6IN STEEL (21FT DECK)



ART\_2729000037

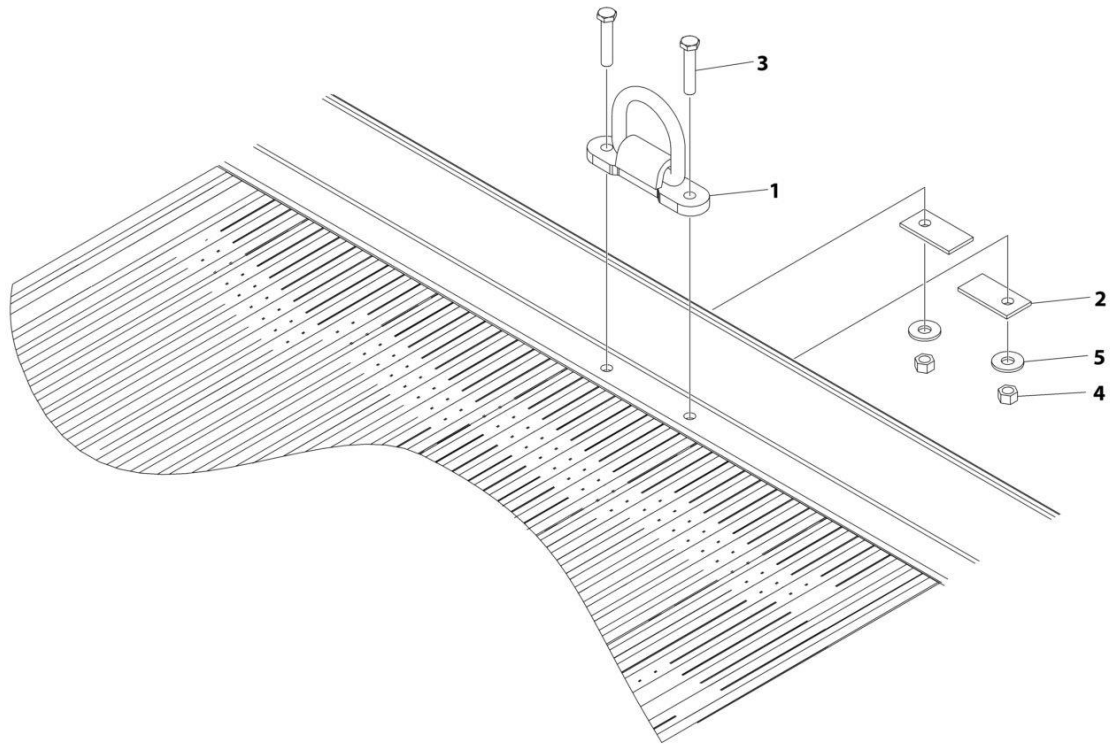
## SECTION 3 - DECK

**FIGURE 3-100. RAIL PLUG (PERMANENT) INSTALLATION - 6IN STEEL (21FT DECK)**

ITEM	PART NUMBER	QTY	DESCRIPTION	REV
1	2729000037	1	Permanent Raised Rail Installation - 21ft	A
4	7701000033	2	Plug	

# SECTION 3 - DECK

## FIGURE 3-101. D-RINGS INSTALLATION -1 PAIR (ALUMINIUM DECK)



ART\_1001171655

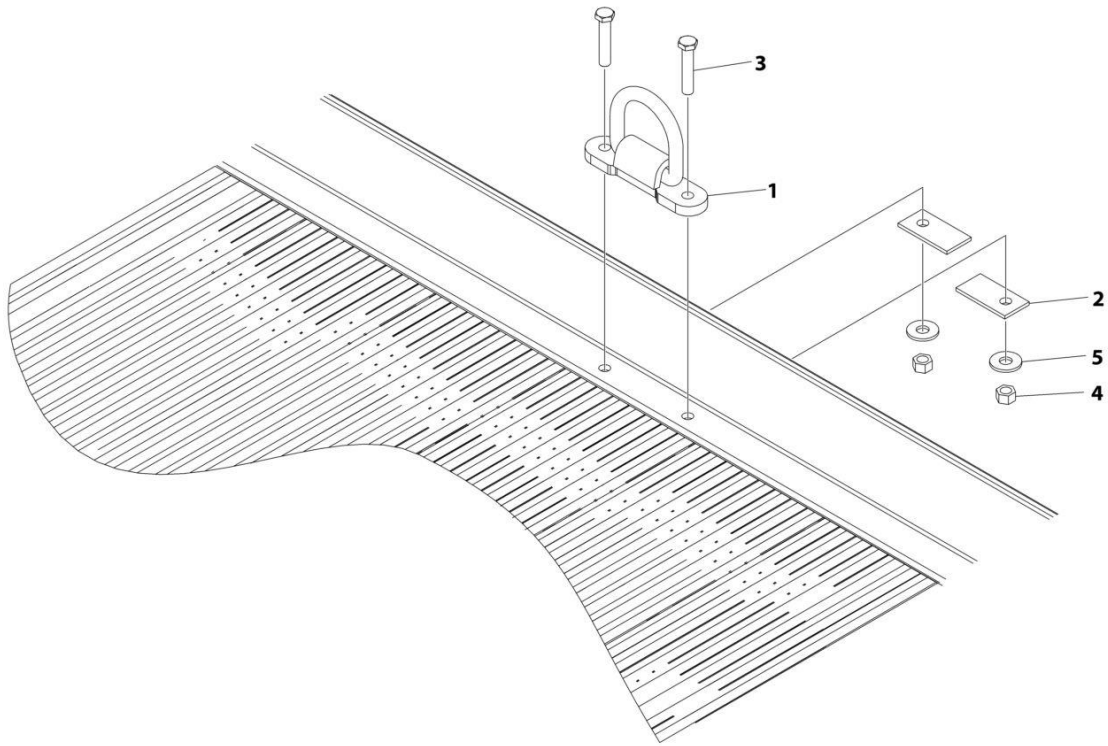
## SECTION 3 - DECK

**FIGURE 3-101. D-RINGS INSTALLATION -1 PAIR (ALUMINIUM DECK)**

ITEM	PART NUMBER	QTY	DESCRIPTION	REV
	1001171655	Ref	1 PAIR BOLT-ON D-RING ALUMINIUM DECK INSTALLATION	B
1	1001171652	2	D-Ring	
2	4706003374	4	Plate	
3	1001248245	4	Bolt 1/2 x 2-1/8	
4	3271805	4	Nut 1/2	
5	4711800	4	Washer 1/2	

# SECTION 3 - DECK

## FIGURE 3-102. D-RINGS INSTALLATION - 2 PAIR (ALUMINIUM DECK)



ART\_1001171656

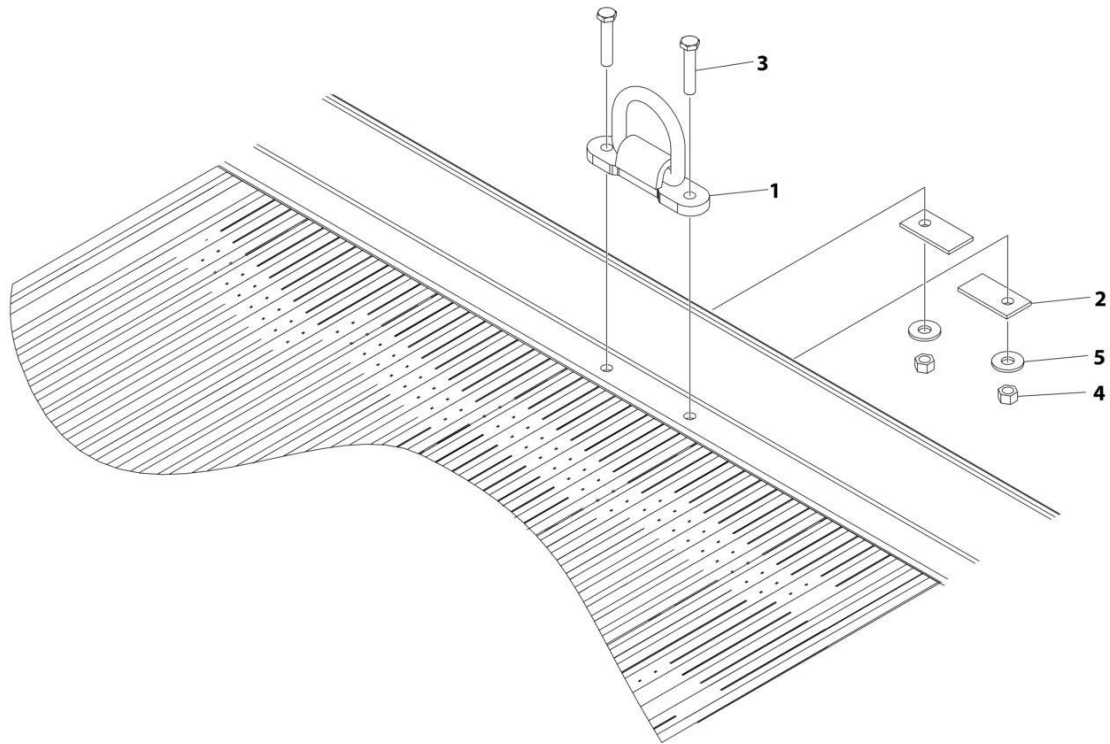
## SECTION 3 - DECK

**FIGURE 3-102. D-RINGS INSTALLATION - 2 PAIR (ALUMINIUM DECK)**

ITEM	PART NUMBER	QTY	DESCRIPTION	REV
	1001171656	Ref	2 PAIR BOLT-ON D-RING ALUMINIUM DECK INSTALLATION	B
1	1001171652	4	D-Ring	
2	4706003374	8	Plate	
3	1001248245	8	Bolt 1/2 x 2-1/8	
4	3271805	8	Nut 1/2	
5	4711800	8	Washer 1/2	

# SECTION 3 - DECK

## FIGURE 3-103. D-RINGS INSTALLATION - 3 PAIR (ALUMINIUM DECK)



ART\_1001171657



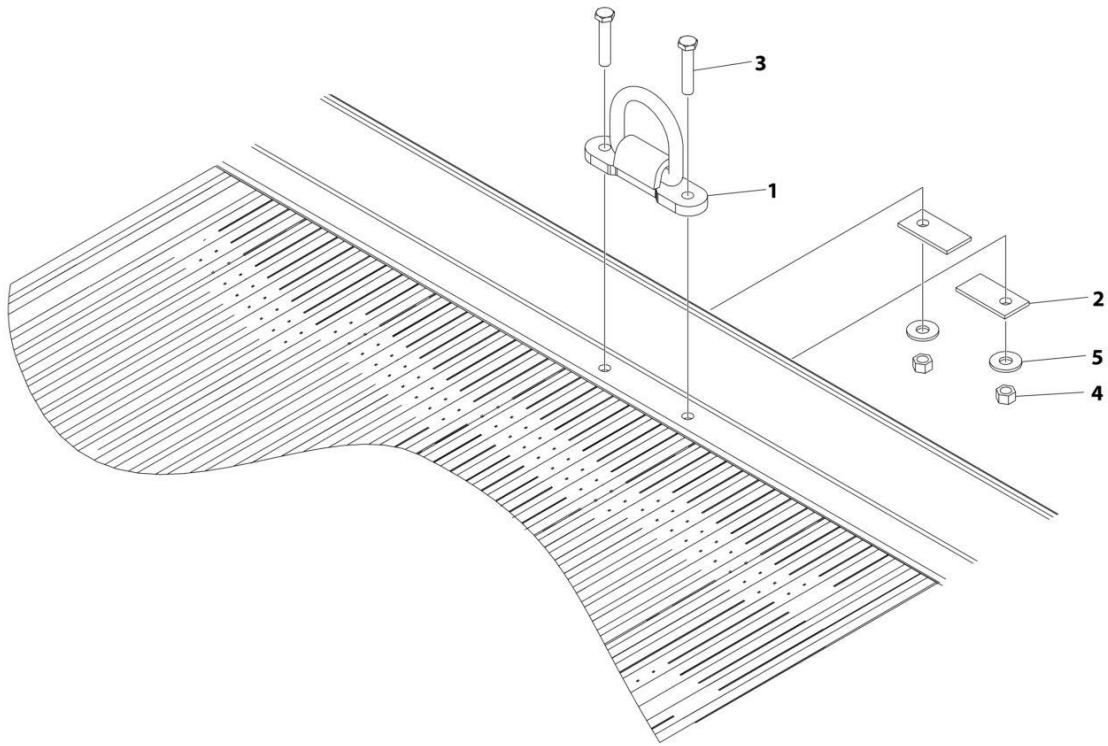
## SECTION 3 - DECK

**FIGURE 3-103. D-RINGS INSTALLATION - 3 PAIR (ALUMINIUM DECK)**

ITEM	PART NUMBER	QTY	DESCRIPTION	REV
	1001171657	Ref	D-RINGS INSTALLATION - BOLT-ON 3 PAIRS EQUALLY SPACED (ALUMINIUM DECK)	B
1	1001171652	6	D-Ring	
2	4706003374	12	Plate	
3	1001248245	12	Bolt 1/2 x 2-1/8	
4	3271805	12	Nut 1/2	
5	4711800	12	Washer 1/2	

# SECTION 3 - DECK

## FIGURE 3-104. D-RINGS INSTALLATION - 4 PAIR (ALUMINIUM DECK)



ART\_1001171658

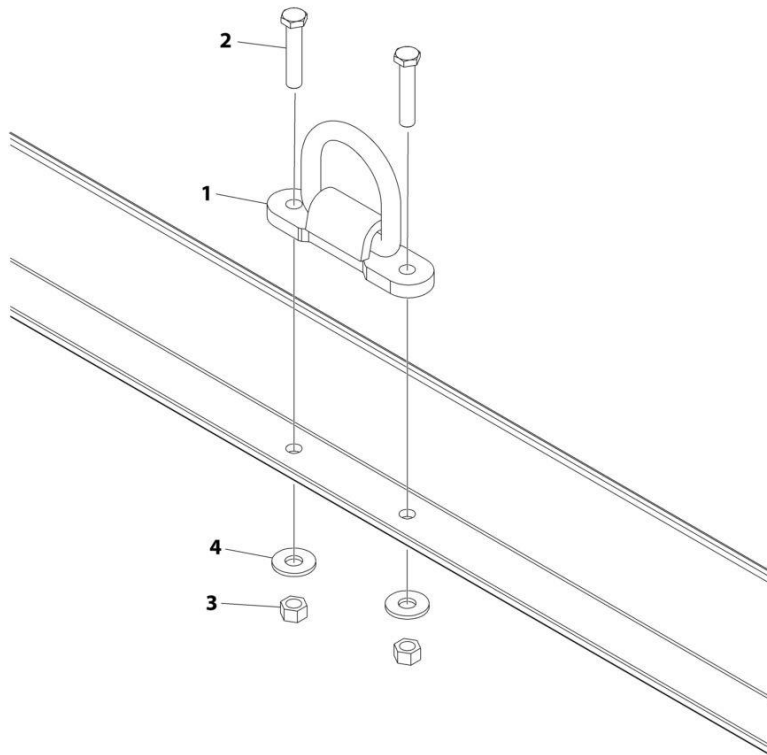
## SECTION 3 - DECK

**FIGURE 3-104. D-RINGS INSTALLATION - 4 PAIR (ALUMINIUM DECK)**

ITEM	PART NUMBER	QTY	DESCRIPTION	REV
	1001171658	Ref	D-RINGS INSTALLATION - BOLT-ON 4 PAIRS EQUALLY SPACED (ALUMINIUM DECK)	B
1	1001171652	8	D-Ring	
2	4706003374	16	Plate	
3	1001248245	16	Bolt 1/2 x 2-1/8	
4	3271805	16	Nut 1/2	
5	4711800	16	Washer 1/2	

# SECTION 3 - DECK

FIGURE 3-105. D-RINGS INSTALLATION - 1 PAIR (STEEL DECK)



ART\_1001171659

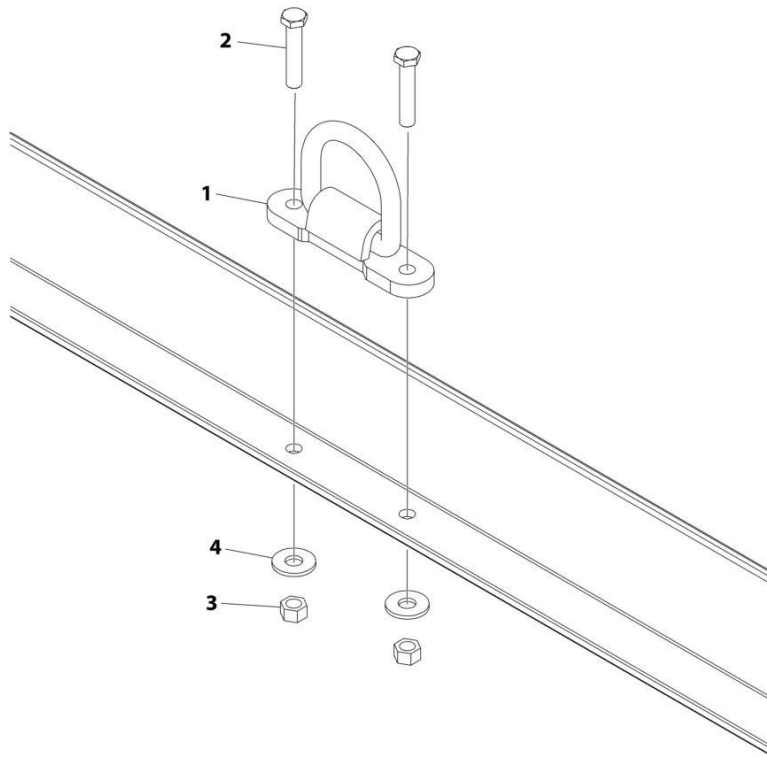
## SECTION 3 - DECK

### FIGURE 3-105. D-RINGS INSTALLATION - 1 PAIR (STEEL DECK)

ITEM	PART NUMBER	QTY	DESCRIPTION	REV
	1001171659	Ref	D-RINGS, 5/8IN BOLT-ON, 1 PAIR, STEEL DECK	B
1	1001171652	2	D-Ring	
2	1001248245	4	Bolt 1/2 x 2-1/8	
3	3271805	4	Nut 1/2	
4	4711800	4	Washer 1/2	

# SECTION 3 - DECK

FIGURE 3-106. D-RINGS INSTALLATION - 2 PAIR (STEEL DECK)



ART\_1001171660

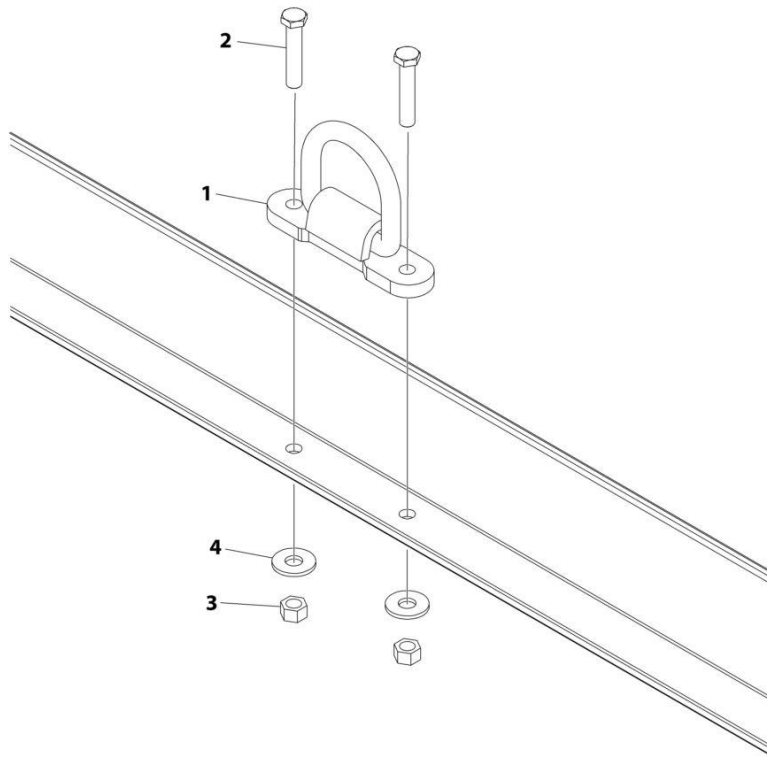
## SECTION 3 - DECK

**FIGURE 3-106. D-RINGS INSTALLATION - 2 PAIR (STEEL DECK)**

ITEM	PART NUMBER	QTY	DESCRIPTION	REV
	1001171660	Ref	D-RINGS, 5/8IN BOLT-ON, 2 PAIR, STEEL	B
1	1001171652	4	D-Ring	
2	1001248245	8	Bolt 1/2 x 2-1/8	
3	3271805	8	Nut 1/2	
4	4711800	8	Washer 1/2	

# SECTION 3 - DECK

FIGURE 3-107. D-RINGS INSTALLATION - 3 PAIR (STEEL DECK)



ART\_1001171661



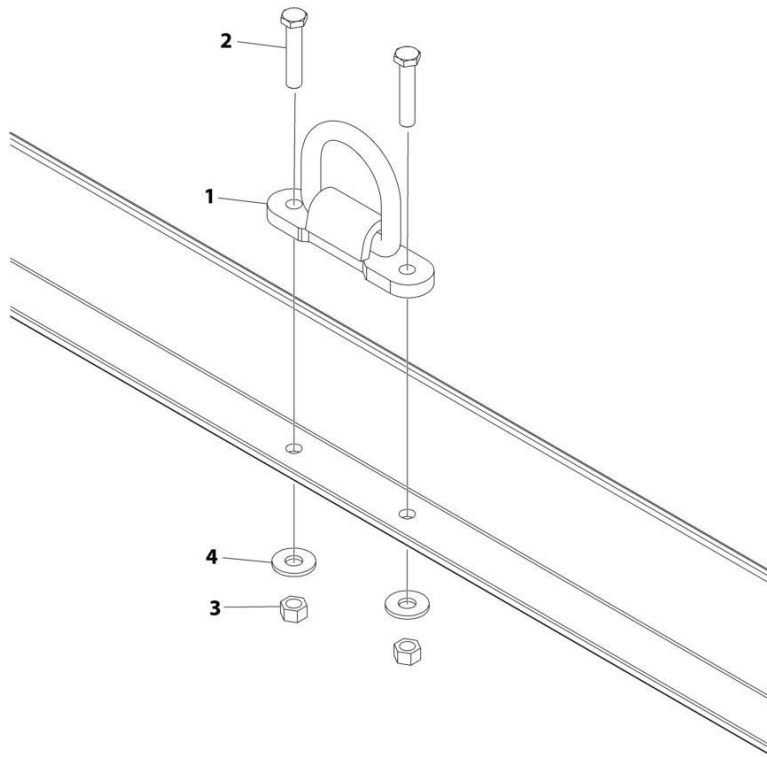
## SECTION 3 - DECK

### FIGURE 3-107. D-RINGS INSTALLATION - 3 PAIR (STEEL DECK)

ITEM	PART NUMBER	QTY	DESCRIPTION	REV
	1001171661	Ref	D-RINGS INSTALLATION - BOLT-ON 3 PAIRS EQUALLY SPACED (STEEL DECK)	B
1	1001171652	6	D-Ring	
2	1001248245	12	Bolt 1/2 x 2-1/8	
3	3271805	12	Nut 1/2	
4	4711800	12	Washer 1/2	

# SECTION 3 - DECK

FIGURE 3-108. D-RINGS INSTALLATION - 4 PAIR (STEEL DECK)



ART\_1001171662

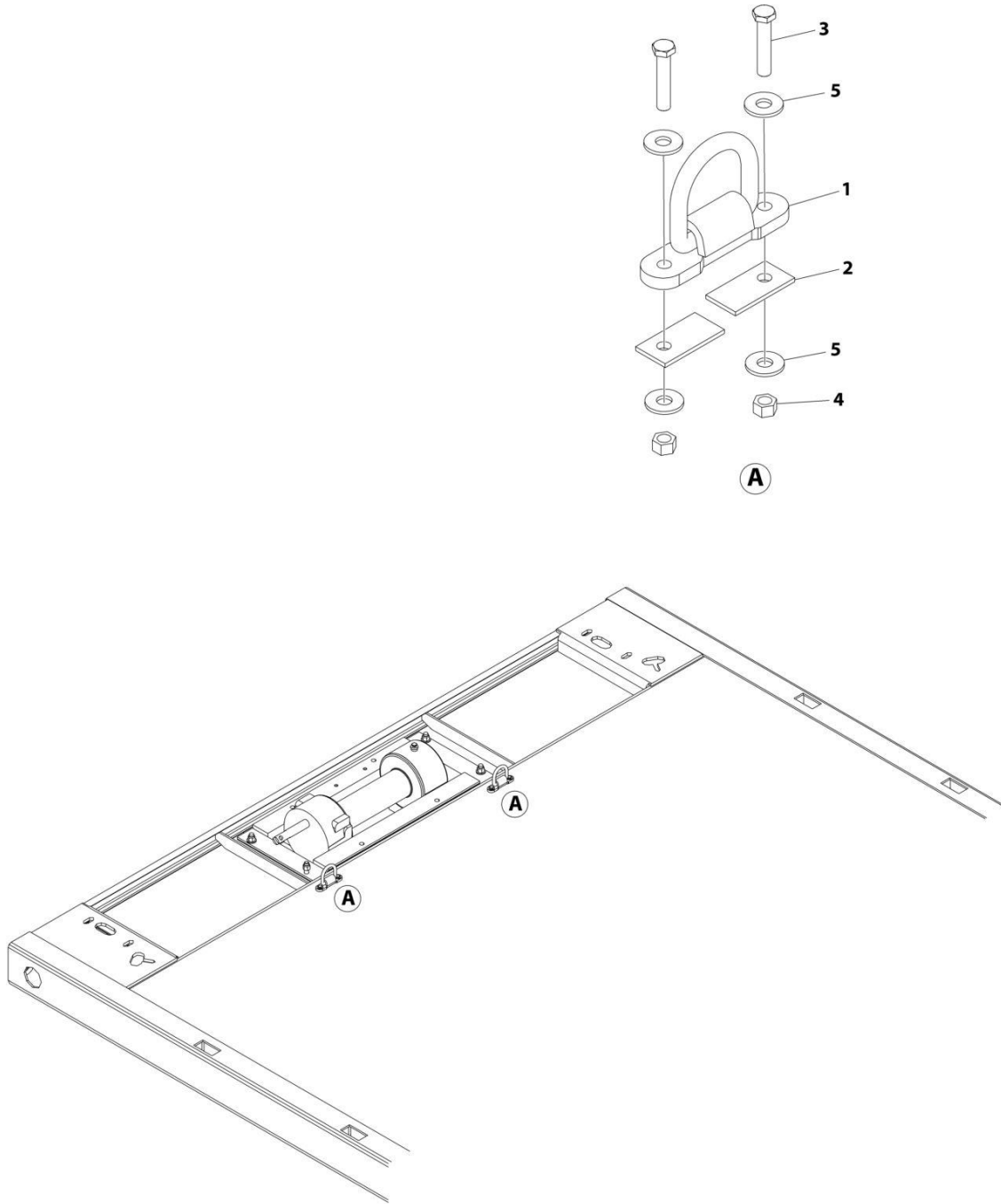
## SECTION 3 - DECK

### FIGURE 3-108. D-RINGS INSTALLATION - 4 PAIR (STEEL DECK)

ITEM	PART NUMBER	QTY	DESCRIPTION	REV
	1001171662	Ref	D-RINGS INSTALLATION - BOLT-ON 4 PAIRS EQUALLY SPACED (STEEL DECK)	B
1	1001171652	8	D-Ring	
2	1001248245	16	Bolt 1/2 x 2-1/8	
3	3271805	16	Nut 1/2	
4	4711800	16	Washer 1/2	

# SECTION 3 - DECK

## FIGURE 3-109. D-RINGS INSTALLATION - 1 PAIR (ALUMINIUM DECK NEAR WINCH)



ART\_1001188646

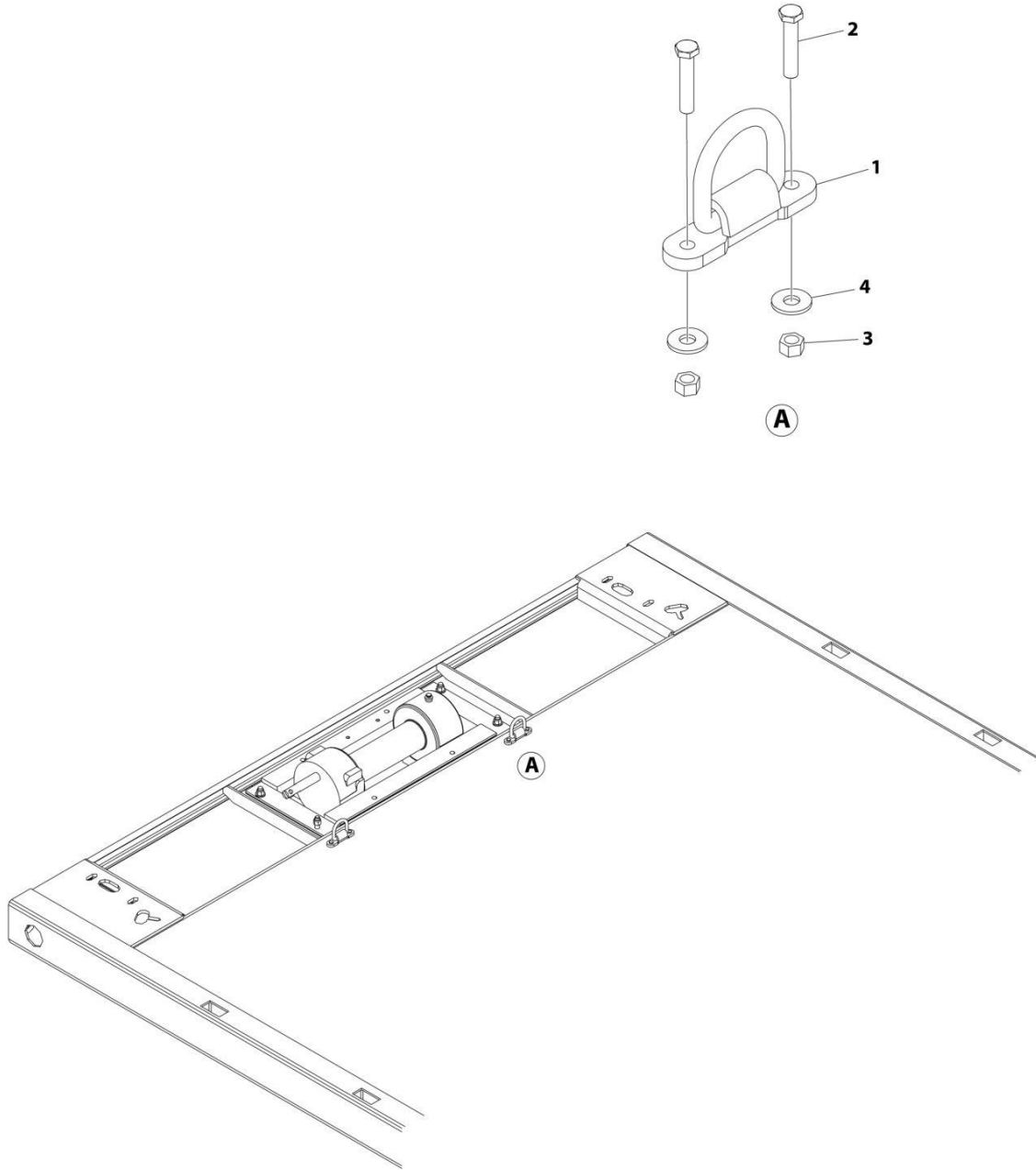
## SECTION 3 - DECK

**FIGURE 3-109. D-RINGS INSTALLATION -1 PAIR (ALUMINIUM DECK NEAR WINCH)**

ITEM	PART NUMBER	QTY	DESCRIPTION	REV
	1001188646	Ref	D-RINGS BOLT-ON AT WINCH ALUMINIUM DECK INSTALLATION	A
1	1001171652	2	D-Ring	
2	4706003374	4	Plate	
3	7115182250	4	Capscrew 1/2 x 2-3/4	
4	7660182601	4	Nut 1/2	
5	7950180141	8	Washer 1/2	

# SECTION 3 - DECK

FIGURE 3-110. D-RINGS INSTALLATION -1 PAIR (ALUMINIUM DECK NEAR WINCH)  
(TRANSPORTER)



ART\_1001188648

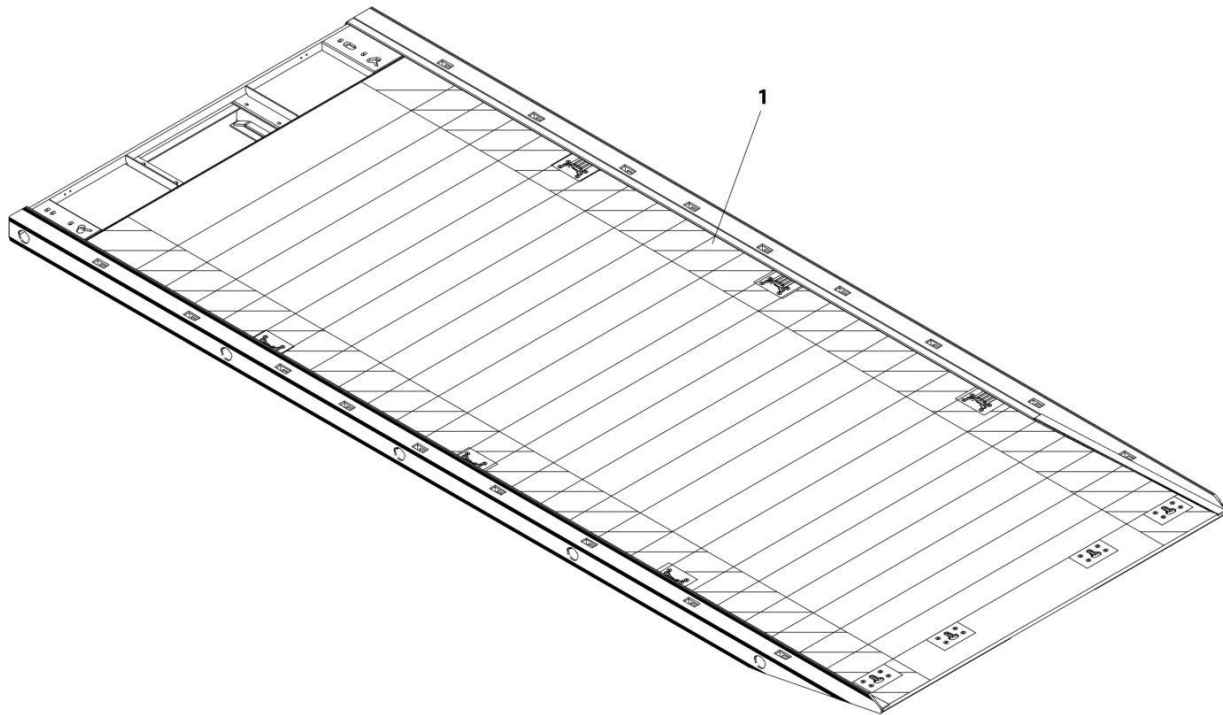
## SECTION 3 - DECK

**FIGURE 3-110. D-RINGS INSTALLATION -1 PAIR (ALUMINIUM DECK NEAR WINCH)  
(TRANSPORTER)**

ITEM	PART NUMBER	QTY	DESCRIPTION	REV
	1001188648	Ref	D-RINGS, 5/8IN BOLT-ON NEAR WINCH, 1 PAIR, TRANSPORTER	B
1	1001171652	2	D-Ring	
2	7115182250	4	Capscrew 1/2 x 2-3/4	
3	7660182601	4	Nut 1/2	
4	7950180141	4	Washer 1/2	

# SECTION 3 - DECK

## FIGURE 3-111. ANTI-SLIP TAPE INSTALLATION (SIDES)



ART\_1001263057



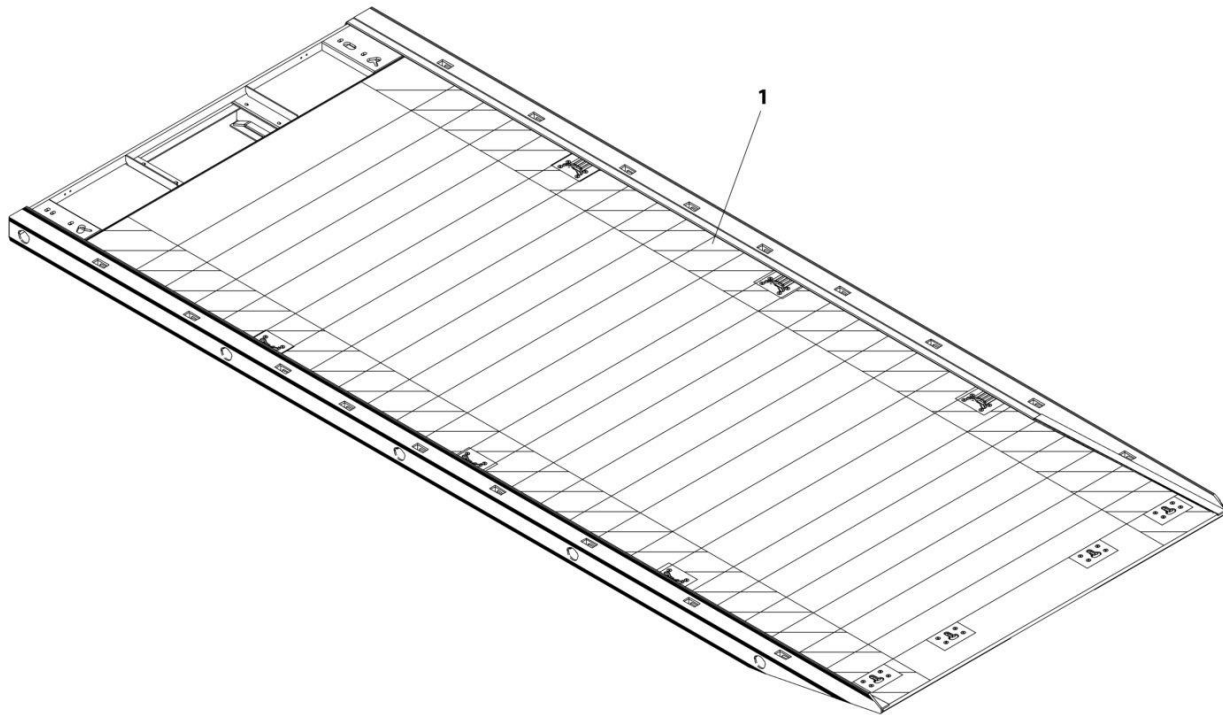
## SECTION 3 - DECK

**FIGURE 3-111. ANTI-SLIP TAPE INSTALLATION (SIDES)**

ITEM	PART NUMBER	QTY	DESCRIPTION	REV
1	1001263057 1001263247	Ref 60 ft / 18.3m	ANTI-SLIP TAPE INSTALLATION (SIDES) Tape	A

# SECTION 3 - DECK

FIGURE 3-112. ANTI-SLIP PAINT INSTALLATION (ALUMINUM DECK SIDES)



ART\_1001260335

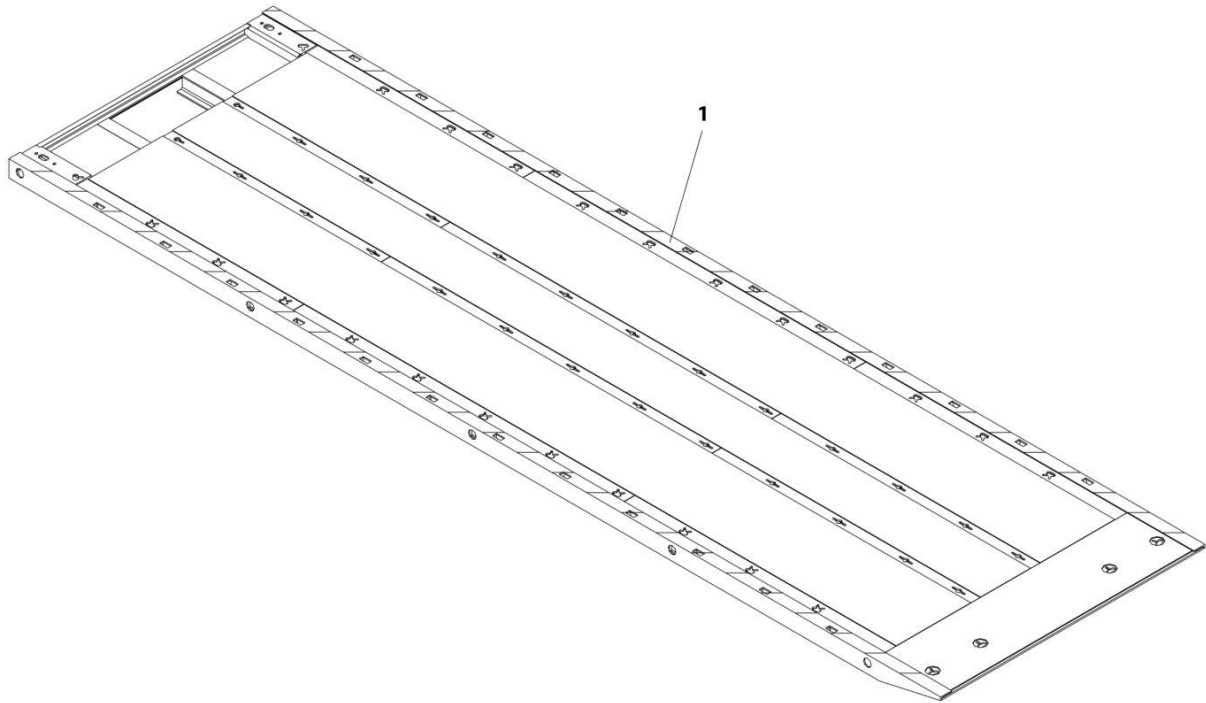
## SECTION 3 - DECK

**FIGURE 3-112. ANTI-SLIP PAINT INSTALLATION (ALUMINUM DECK SIDES)**

ITEM	PART NUMBER	QTY	DESCRIPTION	REV
1	1001260335	Ref	ANTI-SLIP PAINT INSTALLATION (ALUMINUM DECK SIDES)	A
	1001219737	AR	Paint, Non-Skid Yellow (1GAL Can)	

# SECTION 3 - DECK

## FIGURE 3-113. ANTI-SLIP PAINT INSTALLATION (STEEL DECK SIDES)



ART\_1001228190

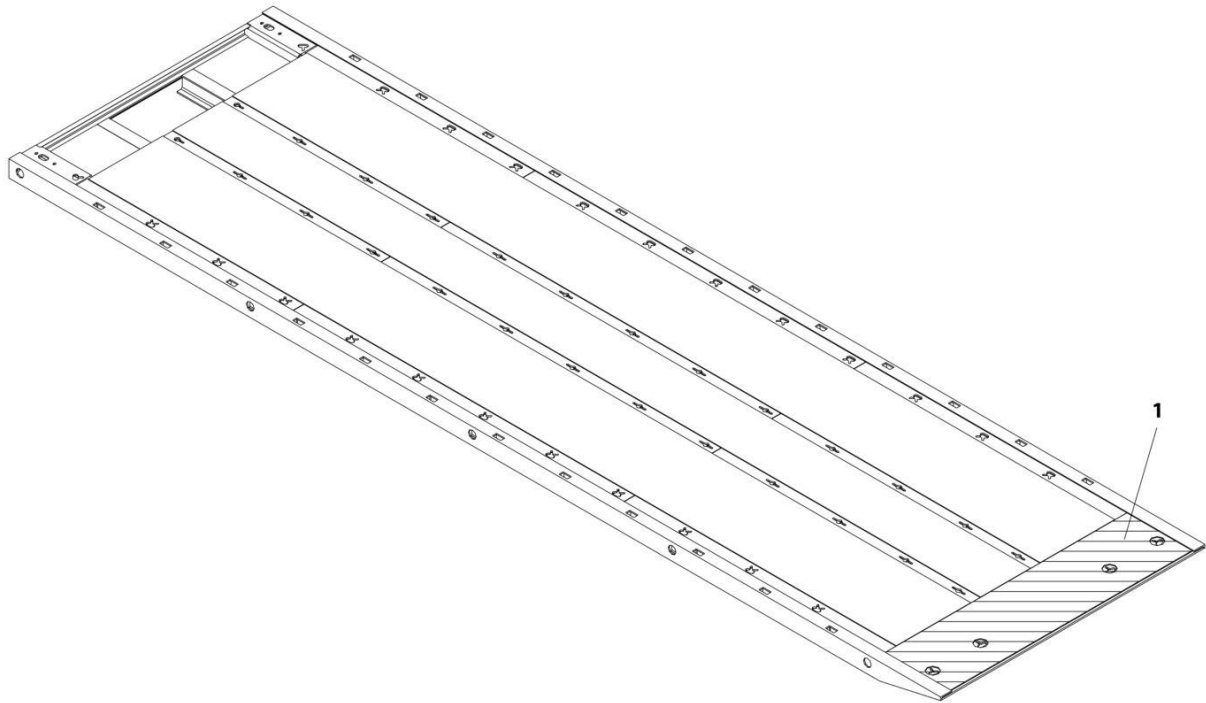
## SECTION 3 - DECK

**FIGURE 3-113. ANTI-SLIP PAINT INSTALLATION (STEEL DECK SIDES)**

ITEM	PART NUMBER	QTY	DESCRIPTION	REV
1	1001228190	Ref	ANTI-SLIP PAINT INSTALLATION (STEEL DECK SIDES)	A
	1001219737	AR	Paint, Non-Skid Yellow (1GAL Can)	

# SECTION 3 - DECK

FIGURE 3-114. ANTI-SLIP PAINT INSTALLATION (DECK APPROACH END)



ART\_1001232775

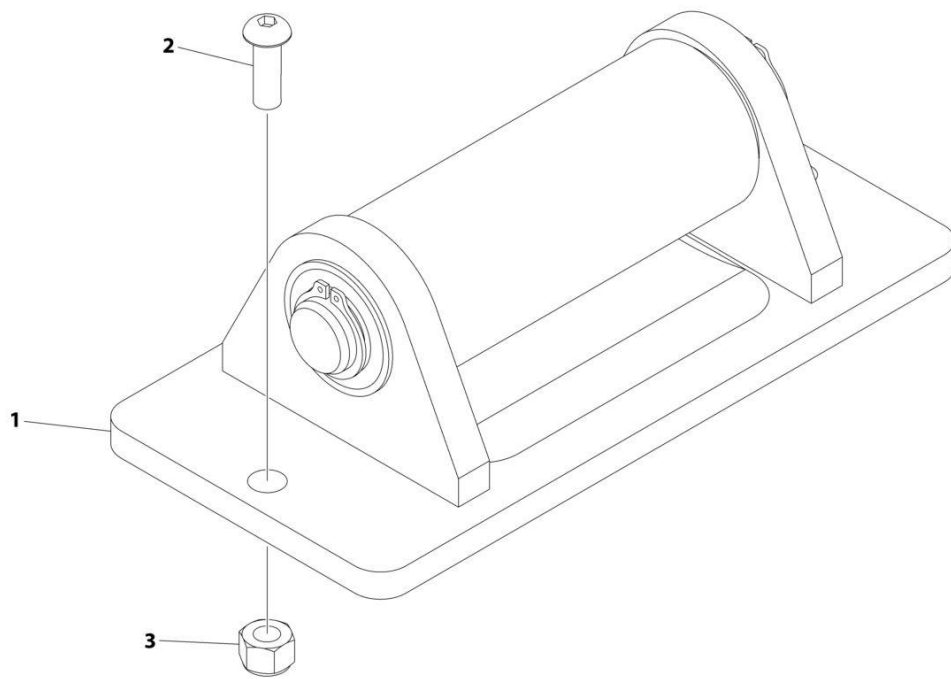
## SECTION 3 - DECK

**FIGURE 3-114. ANTI-SLIP PAINT INSTALLATION (DECK APPROACH END)**

ITEM	PART NUMBER	QTY	DESCRIPTION	REV
1	1001232775	Ref	ANTI-SLIP PAINT INSTALLATION (DECK APPROACH END)	B
	1001219737	AR	Paint, Non-Skid Yellow (1GAL Can)	

# SECTION 3 - DECK

FIGURE 3-115. DECK ROLLERS AT APPROACH TIP



ART\_1001148999



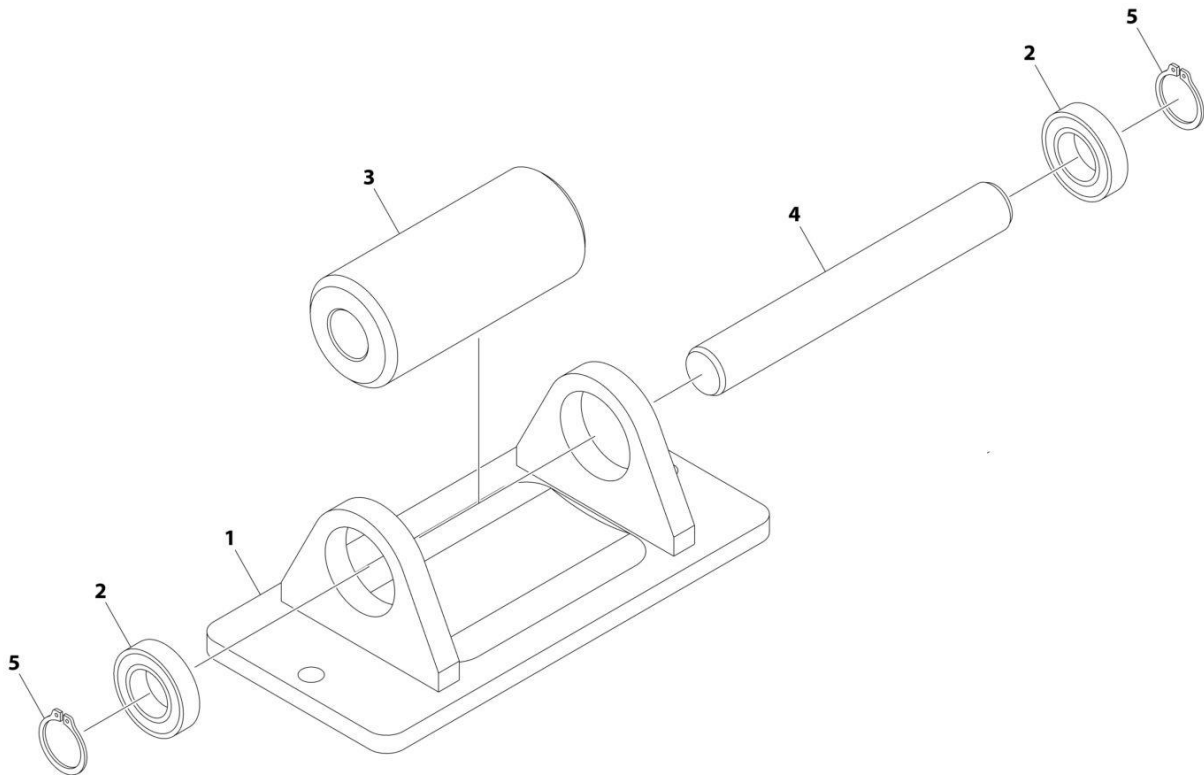
## SECTION 3 - DECK

**FIGURE 3-115. DECK ROLLERS AT APPROACH TIP**

ITEM	PART NUMBER	QTY	DESCRIPTION	REV
	1001148999	Ref	Deck Rollers at Approach Tip	A
1	3550001913	2	Roller Bracket Assembly (See Separate Breakdown in this Section)	
2	7114181218	4	Capscrew 1/2 x 1-1/2	
3	7660182601	4	Nut 1/2	

# SECTION 3 - DECK

## FIGURE 3-116. DECK ROLLER BRACKET ASSEMBLY



ART\_3550001913

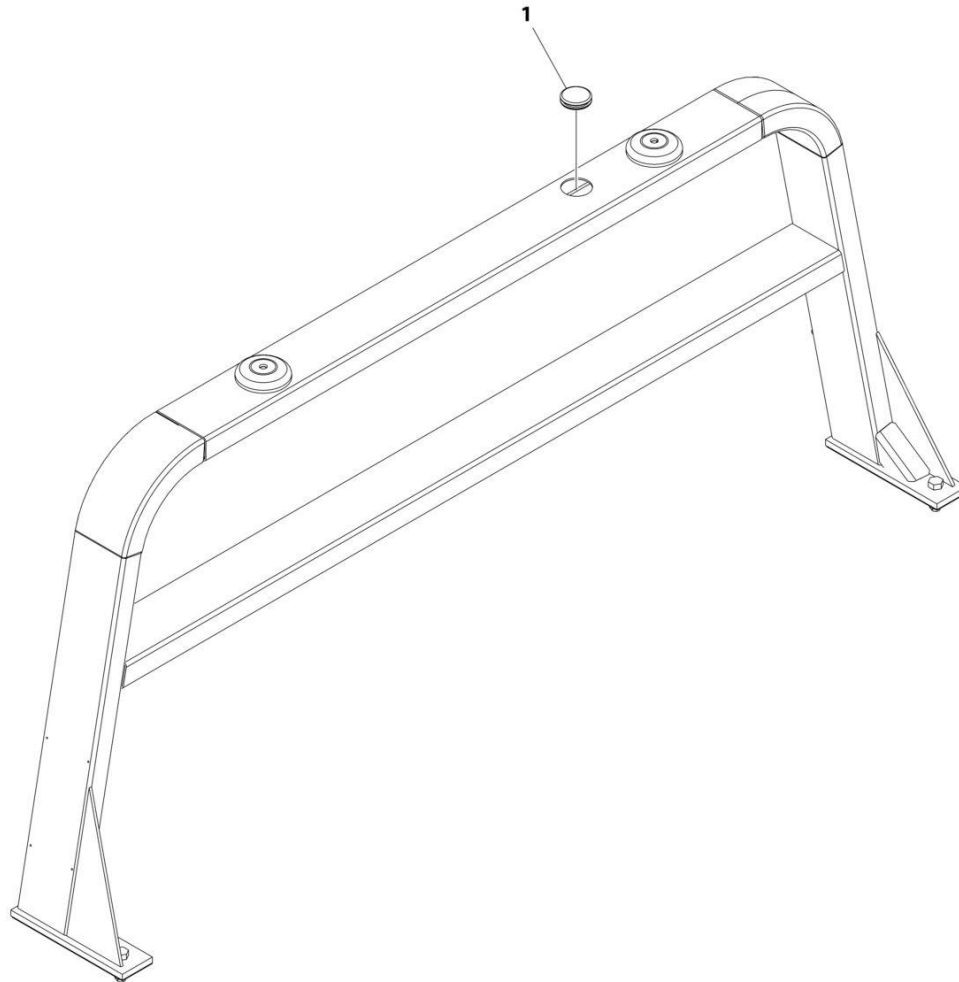
## SECTION 3 - DECK

### FIGURE 3-116. DECK ROLLER BRACKET ASSEMBLY

ITEM	PART NUMBER	QTY	DESCRIPTION	REV
	3550001913	Ref	Roller Bracket Assembly	B
1	3550001912	1	Bracket Weldment	
2	7550000074	2	Bearing	
3	7550000073	1	Roller	
4	4691000568	1	Pin	
5	7754000022	2	Retaining Ring	

# SECTION 3 - DECK

FIGURE 3-117. PLUG INSTALLATION - HEADBOARD WITHOUT LIGHTBAR



ART\_1001156677

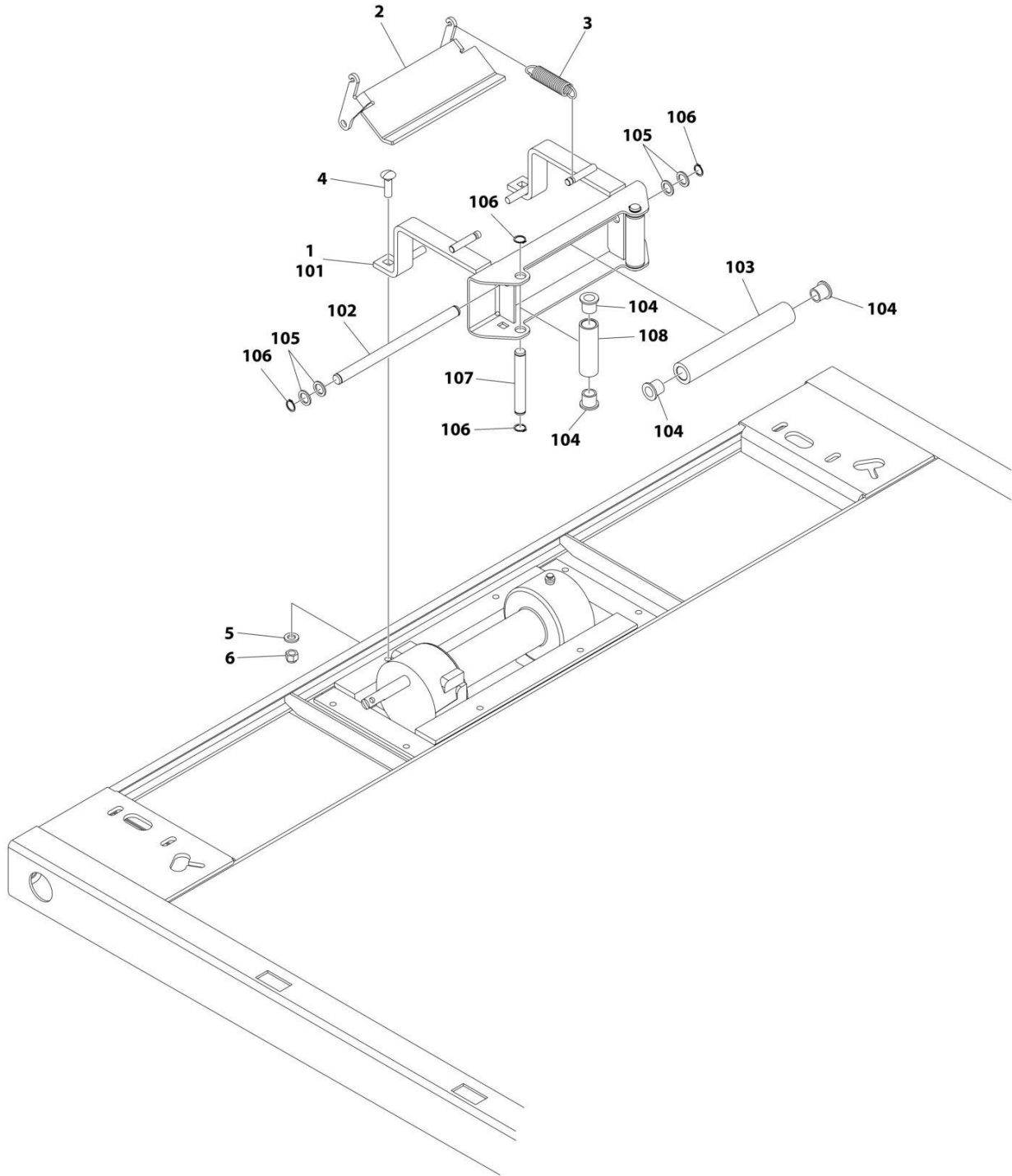
## SECTION 3 - DECK

**FIGURE 3-117. PLUG INSTALLATION - HEADBOARD WITHOUT LIGHTBAR**

ITEM	PART NUMBER	QTY	DESCRIPTION	REV
1	1001156677 7493000015	Ref 1	NO EMERGENCY LIGHTBAR INSTALLATION Grommet	A

# SECTION 3 - DECK

## FIGURE 3-118. CABLE TENSIONER ASSEMBLY



ART\_2249000017

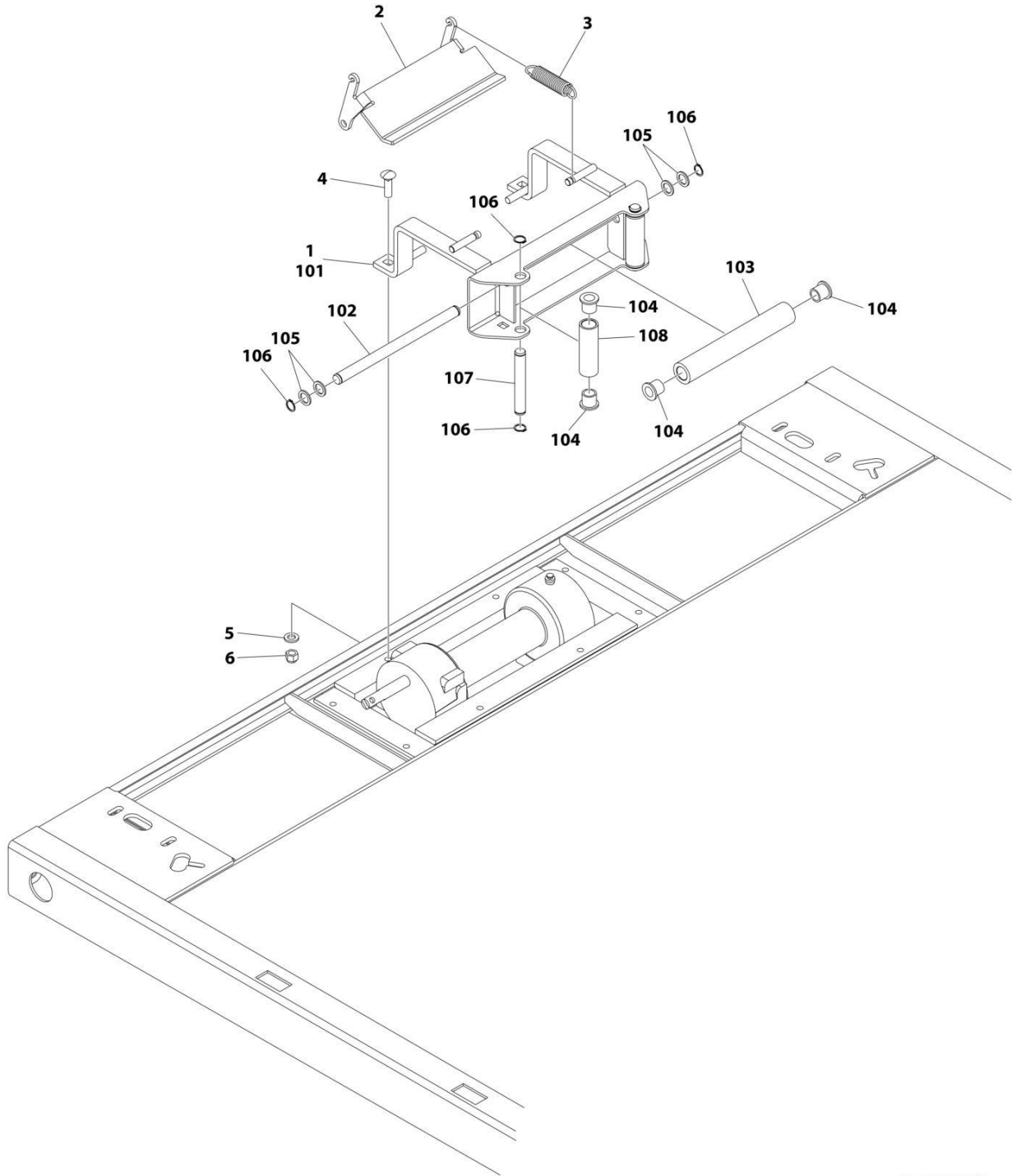
## SECTION 3 - DECK

**FIGURE 3-118. CABLE TENSIONER ASSEMBLY**

ITEM	PART NUMBER	QTY	DESCRIPTION	REV
	2249000017	Ref	CABLE TENSIONER INSTALLATION, WORM GEAR - 8000/10000 LBS	0
1	3249000036	1	Cable Tensioner Assembly (Includes Items 101-108)	
2	4706003766	1	Plate	
3	7843000035	2	Spring	
4	7115181464	4	Bolt 1/2 x 1-3/4	
5	7950180153	4	Washer 1/2	
6	7660182601	4	Nut 1/2	
101	3178000433	1	Bracket Weld	
102	4806000014	1	Shaft	
103	4912000130	1	Roller	
104	7209000011	6	Bushing	
105	7949000034	4	Spacer	
106	7754000022	6	Retaining Ring	
107	4806000011	2	Shaft	
108	4912000394	2	Roller	

# SECTION 3 - DECK

## FIGURE 3-119. CABLE TENSIONER ASSEMBLY



ART\_2249000018



## SECTION 3 - DECK

**FIGURE 3-119. CABLE TENSIONER ASSEMBLY**

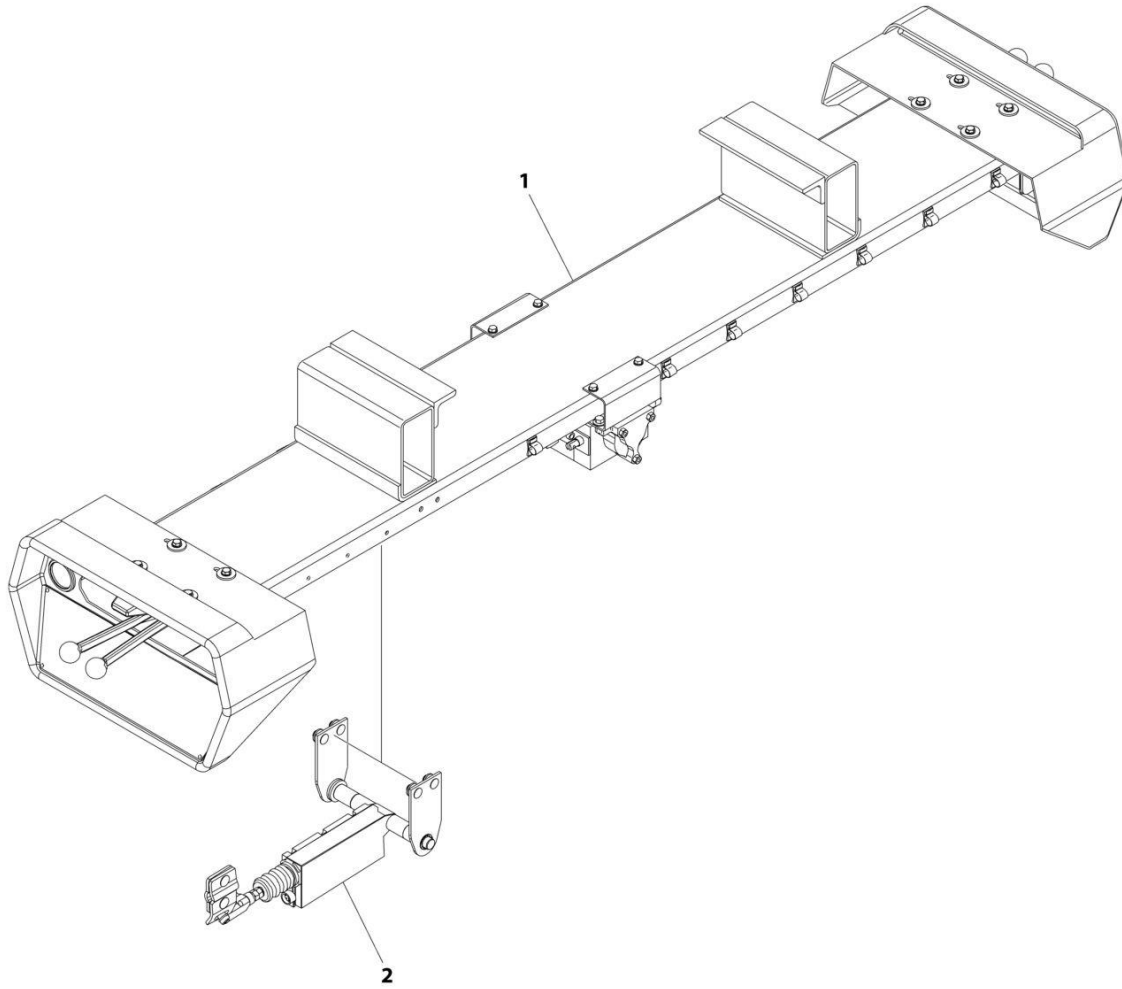
ITEM	PART NUMBER	QTY	DESCRIPTION	REV
	2249000018	Ref	CABLE TENSIONER INSTALLATION, WORM GEAR - 12000 LBS	B
1	3249000036	1	Cable Tensioner Assembly (Includes Items 101-108)	
2	4706003857	1	Plate	
3	7843000035	2	Spring	
4	7115181464	4	Bolt 1/2 x 1-3/4	
5	7950180153	2	Washer 1/2	
6	7660182601	4	Nut 1/2	
101	3178000433	1	Bracket Weld	
102	4806000014	1	Shaft	
103	4912000130	1	Roller	
104	7209000011	6	Bushing	
105	7949000034	4	Spacer	
106	7754000022	6	Retaining Ring	
107	4806000011	2	Shaft	
108	4912000394	2	Roller	



**SECTION 4 - CONTROLS**

# SECTION 4 - CONTROLS

## FIGURE 4-1. 2 BANK VALVE CONTROLS INSTALLATION



ART\_1001170422

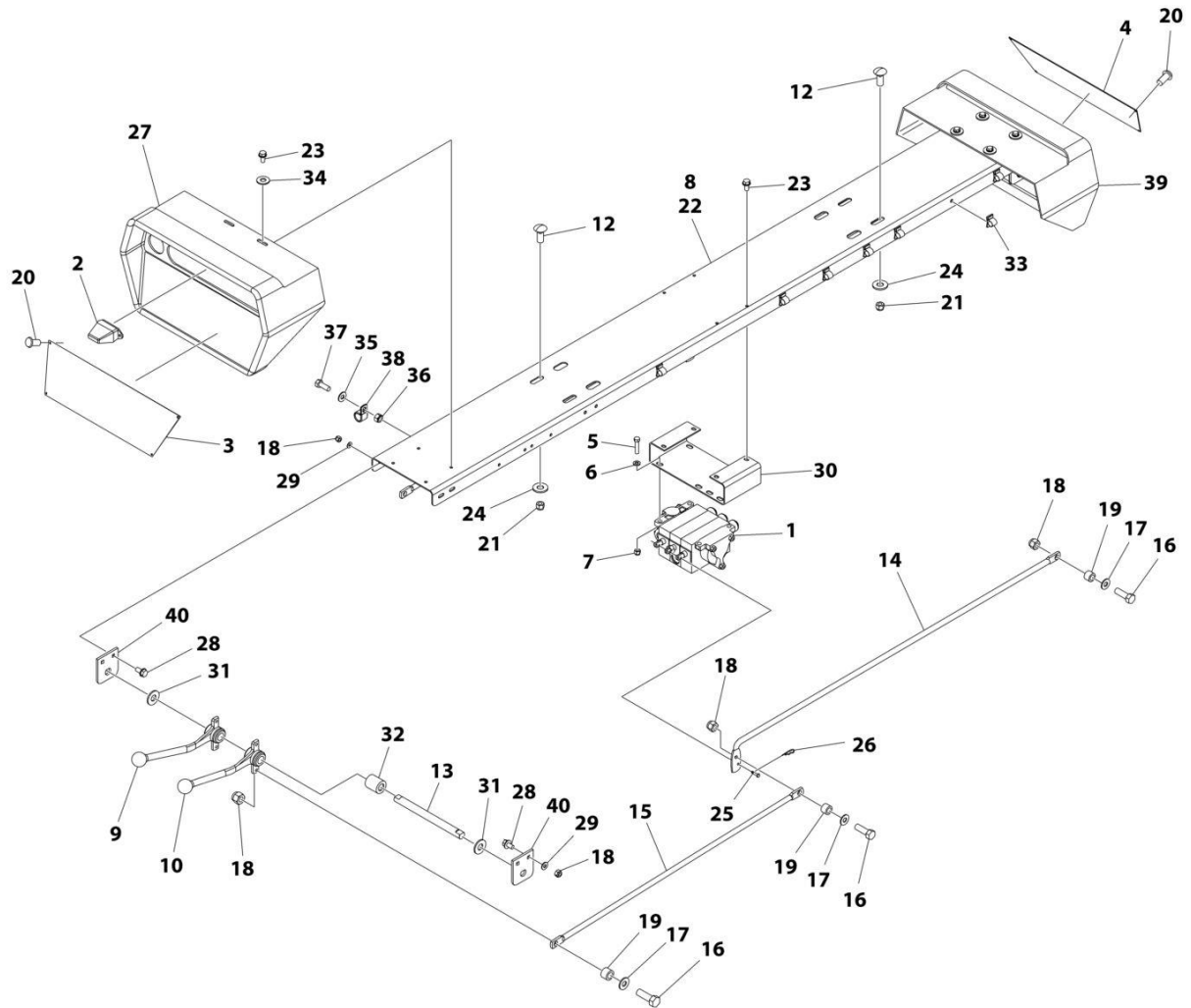
**SECTION 4 - CONTROLS**

**FIGURE 4-1. 2 BANK VALVE CONTROLS INSTALLATION**

ITEM	PART NUMBER	QTY	DESCRIPTION	REV
	1001170422	Ref	2 BANK CONTROLS INSTALLATION - HIGH DUMP, RADIO REMOTE	A
1	1001170380	1	3 Bank Control Installation (See Separate Breakdown in this Section)	
2	2577000017	1	Linear Actuator Mount Kit (See Separate Breakdown in this Section)	

# SECTION 4 - CONTROLS

## FIGURE 4-2. 3 BANK VALVE CONTROLS INSTALLATION (USED WITH 2 BANK VALVE OPTION)



ART\_1001170380

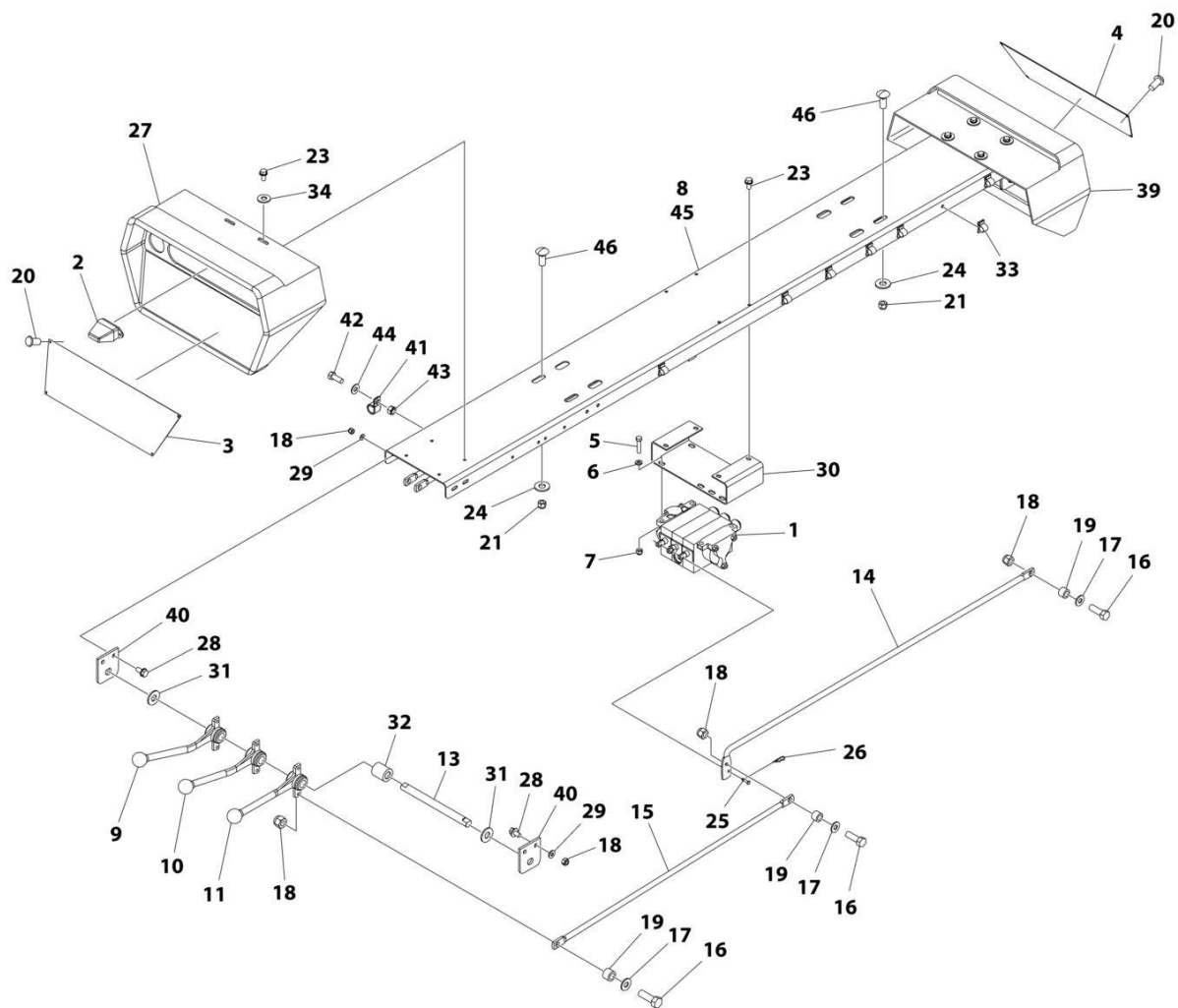
## SECTION 4 - CONTROLS

**FIGURE 4-2. 3 BANK VALVE CONTROLS INSTALLATION (USED WITH 2 BANK VALVE OPTION)**

ITEM	PART NUMBER	QTY	DESCRIPTION	REV
	1001170380	Ref	3 BANK CONTROLS INSTALLATION WITHOUT WINCH	B
1	3935000115	1	Valve Assembly (See Separate Breakdown in this Section)	
2	1001143764	2	Lamp	
3	7330000648	1	Decal, Control Panel, LH	
4	7330000649	1	Decal, Control Panel, RH	
5	7111161050	4	Capscrew 3/8 x 1-1/4	
6	7950160161	4	Washer 3/8	
7	7660162601	4	Nut 3/8	
8	1001170189	1	Channel	
9	7551000021	2	Control Handle	
10	7551000020	2	Control Handle	
12	7115181064	4	Bolt 1/2 x 1-1/4	
13	7691000064	2	Pin	
14	1001170187	2	Control Rod	
15	1001170188	2	Control Rod	
16	7115150850	6	Capscrew 5/16 x 1	
17	7949000011	6	Washer	
18	7660152601	14	Nut 5/16	
19	4831000069	6	Spacer	
20	7759000006	8	Rivet	
21	7660182601	4	Nut 1/2	
22	8632000012	AR	Trim Lock	
23	7790151253	12	Screw 5/16 x 3/4	
24	7950180161	4	Washer 1/2	
25	7690101200	2	Clevis Pin	
26	7691000056	2	Pin, Hairpin Cotter	
27	3560000010	1	Control Hood Assembly	
28	7115150664	8	Bolt 5/16 x 3/4	
29	7950150161	8	Washer 5/16	
30	1001135272	1	Channel	
31	7950220141	2	Washer 3/4	
32	4211000001	4	Bushing	
33	7280000007	11	Wire Clip	
34	7949000054	8	Washer	
35	7950140141	1	Washer 1/4	
36	7660142601	1	Nut 1/4	
37	7115140650	1	Capscrew 1/4 x 3/4	
38	7274000063	1	Clamp	
39	7560000007	1	Control Hood RH	
40	4606000217	4	Lug	

# SECTION 4 - CONTROLS

## FIGURE 4-3. 3 BANK VALVE CONTROLS INSTALLATION - NO/MANUAL TOW



ART\_2296000107



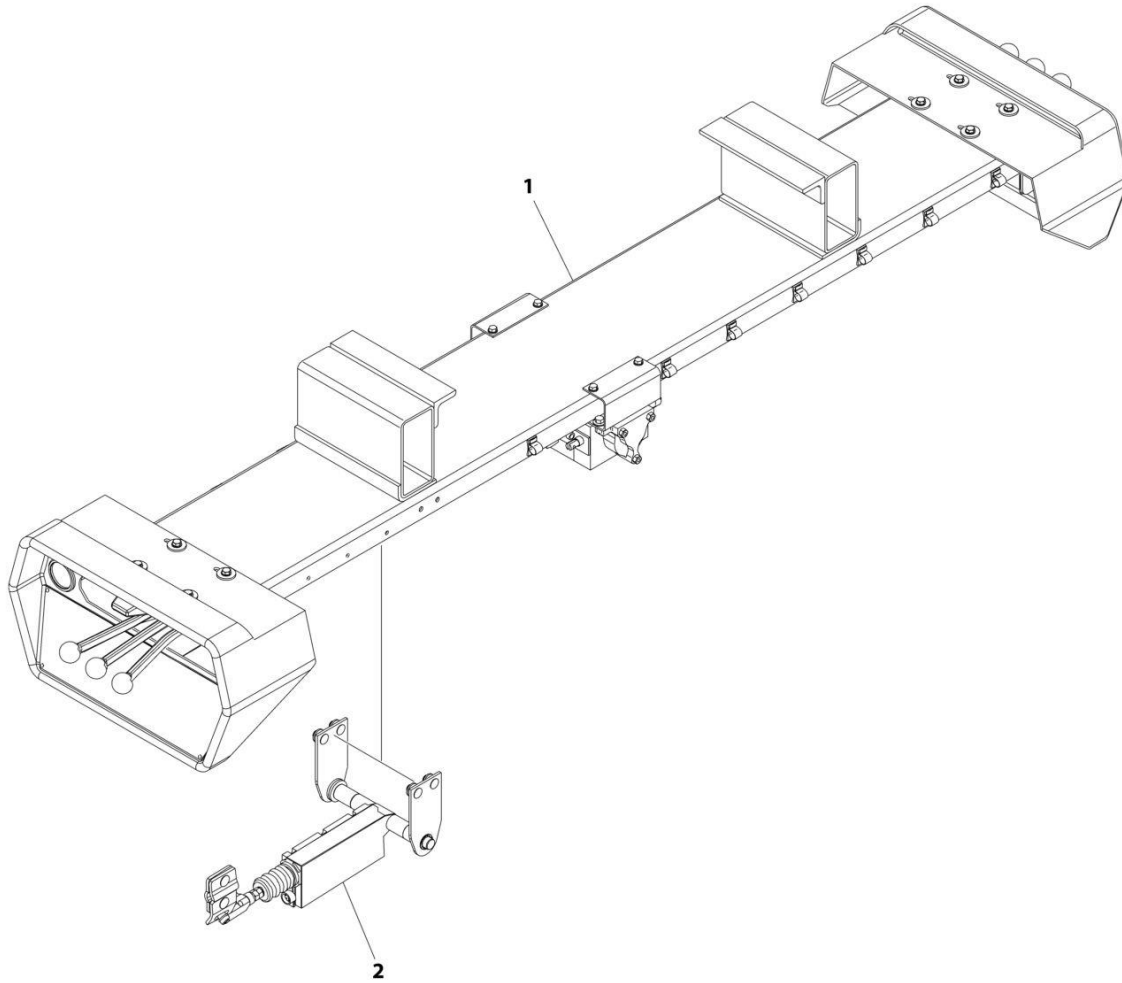
## SECTION 4 - CONTROLS

**FIGURE 4-3. 3 BANK VALVE CONTROLS INSTALLATION - NO/MANUAL TOW**

ITEM	PART NUMBER	QTY	DESCRIPTION	REV
	2296000107	Ref	3 BANK CONTROLS INSTALLATION - NO/MAN TOW	I
1	3935000115	1	Valve Assembly (See Separate Breakdown in this Section)	
2	1001143764	2	Lamp	
3	7330000648	1	Decal Control Panel, LH	
4	7330000649	1	Decal Control Panel, RH	
5	7111161050	4	Capscrew 3/8 x 1-1/4	
6	7950160161	4	Washer 3/8	
7	7660162601	4	Nut 3/8	
8	1001135273	1	Channel	
9	7551000021	2	Control Handle	
10	7551000020	2	Control Handle	
11	7551000018	2	Control Handle	
13	7691000064	2	Pin	
14	4763000280	3	Control Rod	
15	4763000279	3	Control Rod	
16	7115150850	9	Capscrew 5/16 x 1	
17	7949000011	9	Washer	
18	7660152601	17	Nut 5/16	
19	4831000069	9	Spacer	
20	7759000006	8	Rivet	
21	7660182601	4	Nut 1/2	
23	7790151253	12	Screw 5/16 x 3/4	
24	7950180161	4	Washer 1/2	
25	7690101200	3	Clevis Pin	
26	7691000056	3	Pin, Hairpin Cotter	
27	3560000010	1	Control Hood Assembly	
28	7115150664	8	Bolt 5/16 x 3/4	
29	7950150161	8	Washer 5/16	
30	1001135272	1	Channel	
31	7950220141	2	Washer 3/4	
32	4211000001	4	Bushing	
33	7280000007	11	Wire Clip	
34	7949000054	8	Washer	
39	7560000007	1	Control Hood, RH	
40	4606000217	4	Lug	
41	7274000063	1	Clamp	
42	7115140650	1	Capscrew 1/4 x 3/4	
43	7660142601	1	Nut 1/4	
44	7950140141	1	Washer 1/4	
45	8632000012	AR	Trim Lock	
46	7115181064	4	Bolt 1/2 x 1-1/4	

# SECTION 4 - CONTROLS

## FIGURE 4-4. 3 BANK VALVE INSTALLATION - NO/MANUAL TOW/REMOTE CONTROL



ART\_C3BNORC-TPR

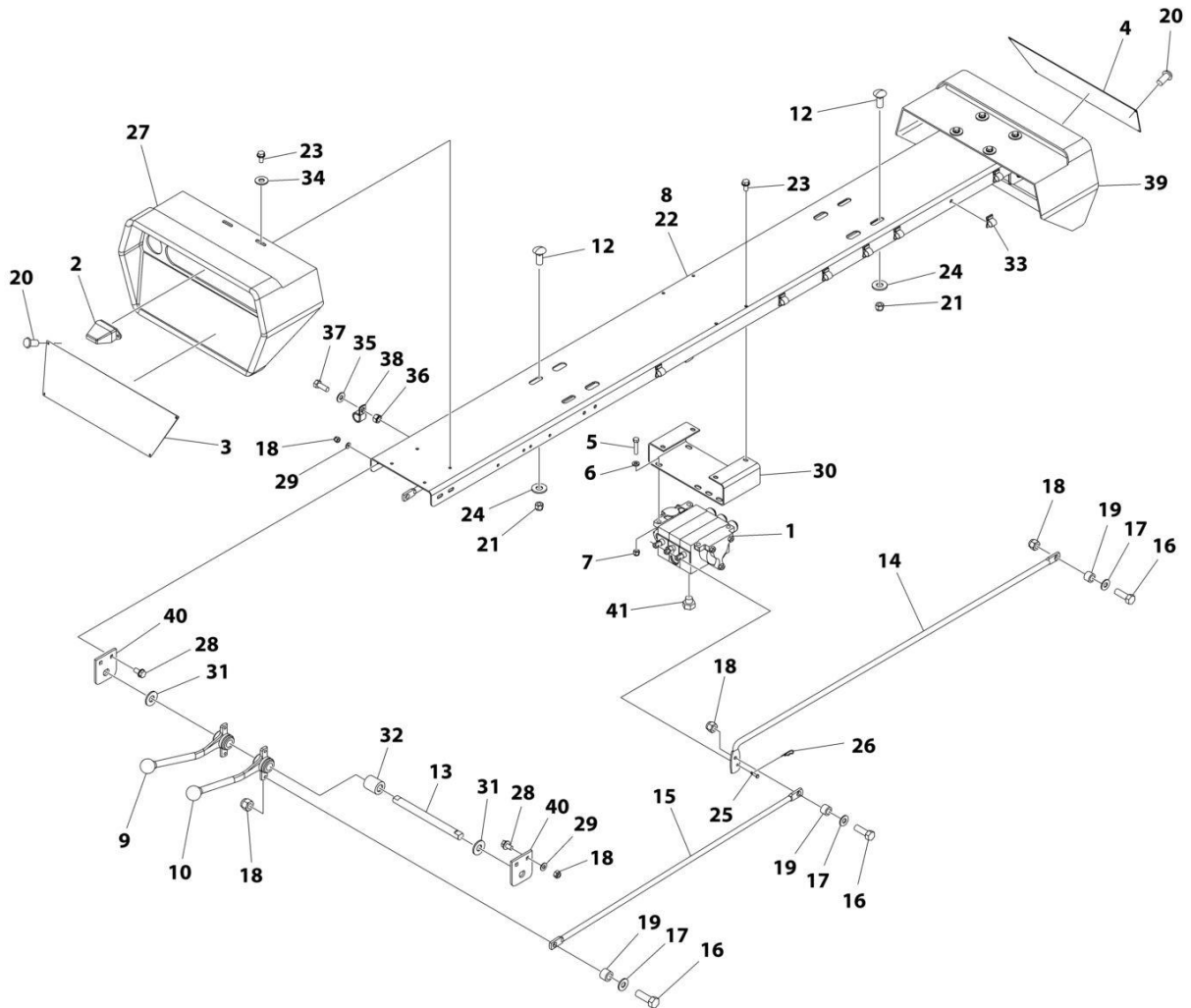
**SECTION 4 - CONTROLS**

**FIGURE 4-4. 3 BANK VALVE INSTALLATION - NO/MANUAL TOW/REMOTE CONTROL**

ITEM	PART NUMBER	QTY	DESCRIPTION	REV
	C3BNORC-TPR	Ref	3 BANK VALVE INSTALLATION - NO/MANUAL TOW/REMOTE CONTROL	0
1	2296000107	1	3 Bank Controls Installation (See Separate Breakdown in this Section)	
2	2577000017	1	Linear Actuator Mount Kit (See Separate Breakdown in this Section)	

# SECTION 4 - CONTROLS

## FIGURE 4-5. 3 BANK VALVE CONTROLS INSTALLATION - NO/MANUAL TOW/NO WINCH



ART\_1001264092

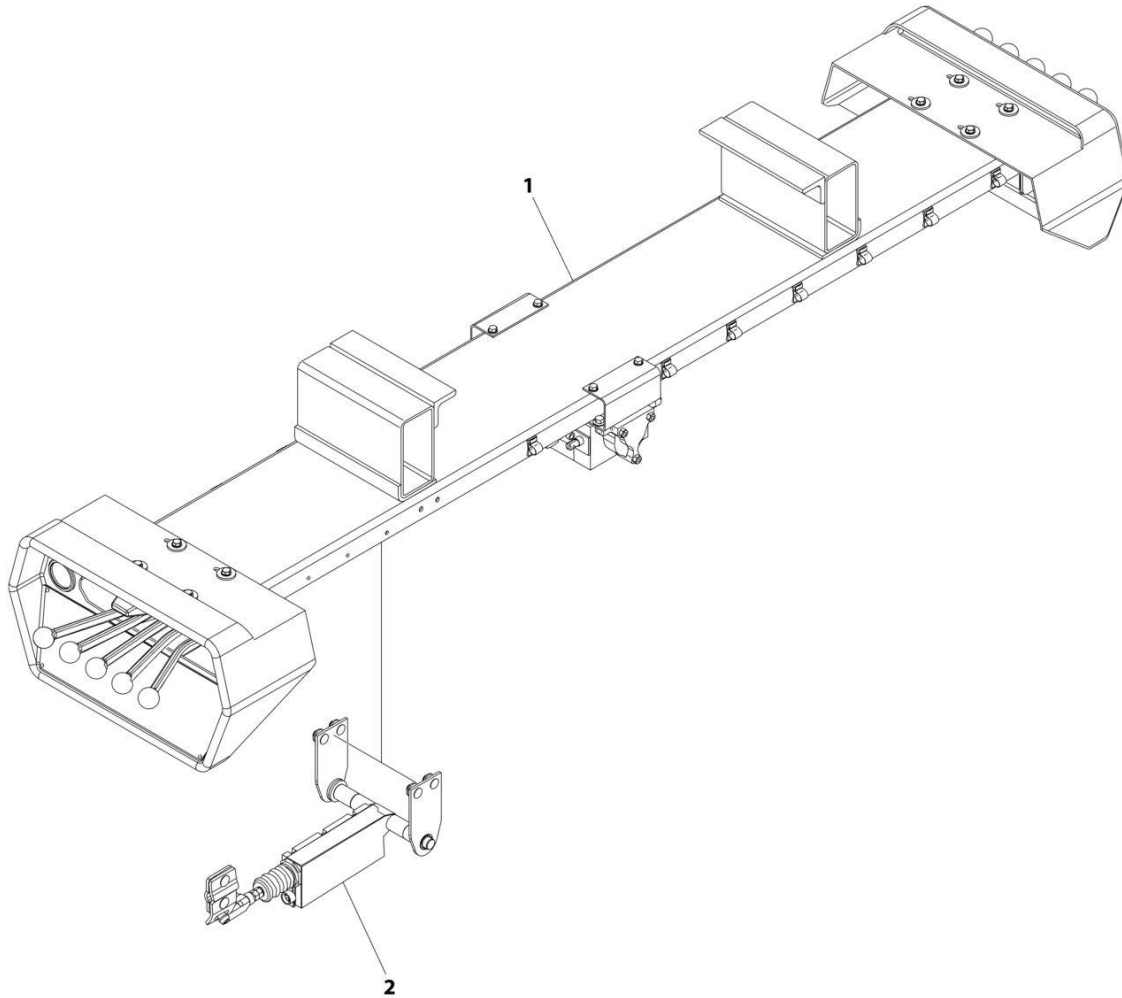
## SECTION 4 - CONTROLS

**FIGURE 4-5. 3 BANK VALVE CONTROLS INSTALLATION - NO/MANUAL TOW/NO WINCH**

ITEM	PART NUMBER	QTY	DESCRIPTION	REV
	1001264092	Ref	3 BANK CONTROLS INSTALLATION - WITHOUT WINCH MOTOR SPOOL	A
1	3935000115	1	Valve Assembly (See Separate Breakdown in this Section)	
2	1001143764	2	Lamp	
3	1001264086	1	Decal Control Panel, LH	
4	1001264087	1	Decal Control Panel, RH	
5	7111161050	2	Capscrew 3/8 x 1-1/4	
6	7950160161	2	Washer 3/8	
7	7660162601	2	Nut 3/8	
8	1001170189	1	Channel	
9	7551000021	2	Control Handle	
10	7551000020	2	Control Handle	
12	7115181064	4	Bolt 1/2 x 1-1/4	
13	7691000064	2	Pin	
14	1001170187	2	Control Rod	
15	1001170188	2	Control Rod	
16	7115150850	6	Capscrew 5/16 x 1	
17	7949000011	6	Washer	
18	7660152601	14	Nut 5/16	
19	4831000069	6	Spacer	
20	7759000006	8	Rivet	
21	7660182601	4	Nut 1/2	
22	8632000012	AR	Trim Lock	
23	7790151253	12	Screw 5/16 x 3/4	
24	7950180161	4	Washer 1/2	
25	7690101200	2	Clevis Pin	
26	7691000056	2	Pin, Hairpin Cotter	
27	3560000010	1	Control Hood Assembly	
28	7115150664	8	Bolt 5/16 x 3/4	
29	7950150161	8	Washer 5/16	
30	1001135272	1	Channel	
31	7950220141	2	Washer 3/4	
32	4211000001	6	Bushing	
33	7280000007	11	Wire Clip	
34	7949000054	8	Washer	
35	7950140141	1	Washer 1/4	
36	7660142601	1	Nut 1/4	
37	7115140650	1	Capscrew 1/4 x 3/4	
38	7274000063	1	Clamp	
39	7560000007	1	Control Hood, RH	
40	4606000217	4	Lug	
41	7443000048	2	Fitting Plug	

# SECTION 4 - CONTROLS

## FIGURE 4-6. 3 BANK VALVE CONTROLS INSTALLATION - NO/MANUAL TOW/WINCHMOTOR SPOOL



ART\_1001261141

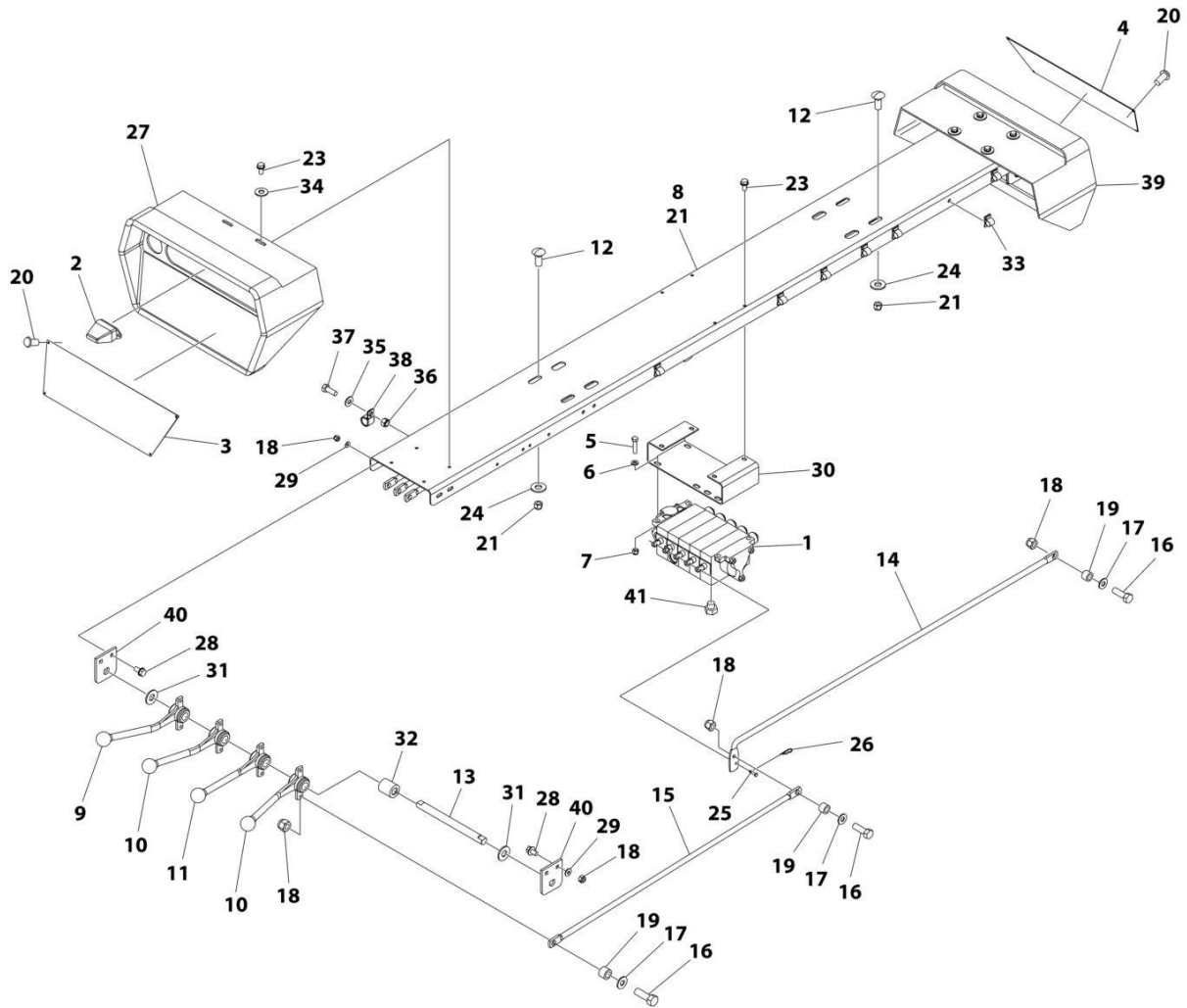
## SECTION 4 - CONTROLS

**FIGURE 4-6. 3 BANK VALVE CONTROLS INSTALLATION - NO/MANUAL TOW/WINCHMOTOR SPOOL**

ITEM	PART NUMBER	QTY	DESCRIPTION	REV
	1001261141	Ref	3 BANK CONTROLS INSTALLATION - WINCH MOTOR SPOOL, RADIO REMOTE	A
1	1001261140	Ref	3 Bank Controls Installation (See Separate Breakdown in this Section)	
2	2577000017	1	Linear Actuator Mount Kit (See Separate Breakdown in this Section)	

# SECTION 4 - CONTROLS

## FIGURE 4-7. 3 BANK VALVE CONTROLS INSTALLATION - NO/MANUAL TOW/WINCHMOTOR SPOOL



ART\_1001261140



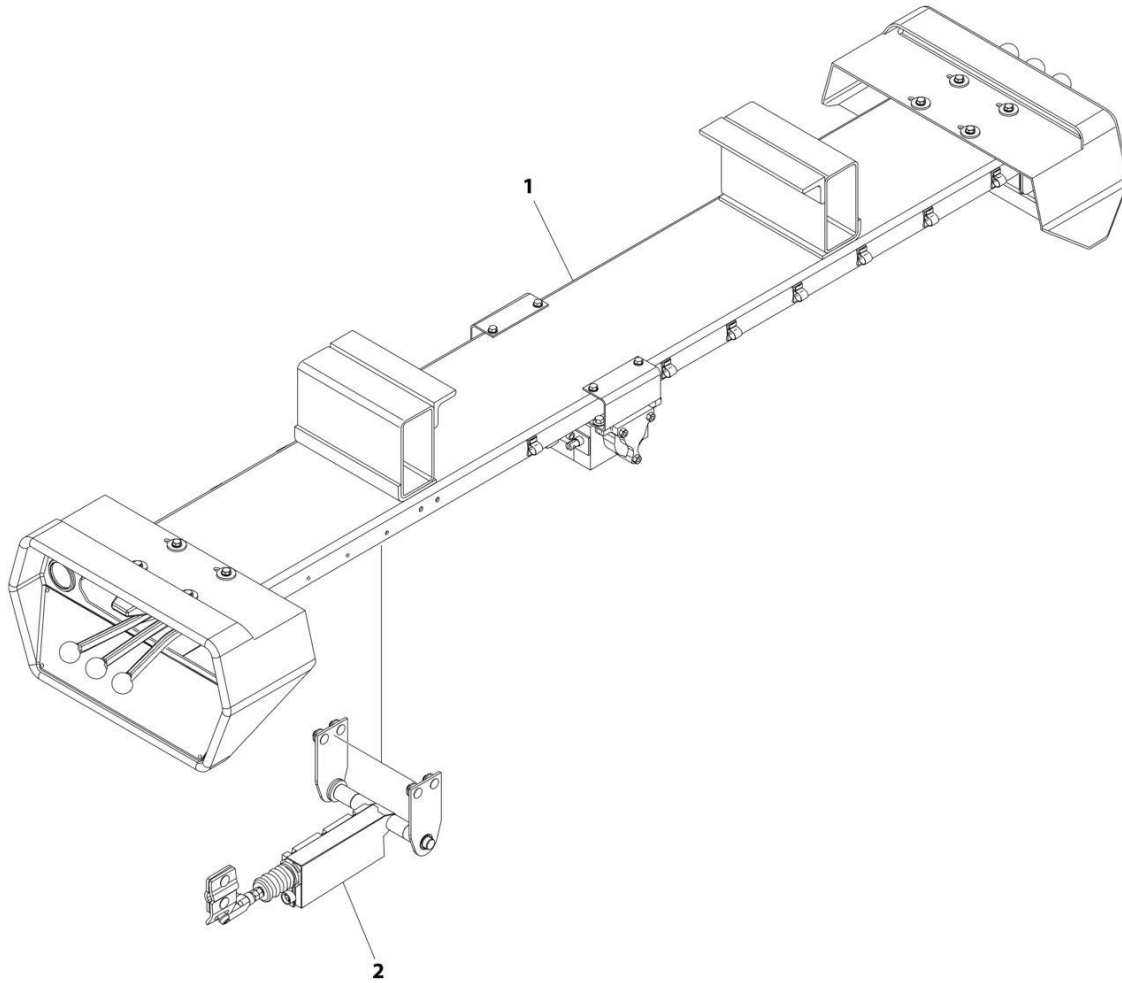
## SECTION 4 - CONTROLS

**FIGURE 4-7. 3 BANK VALVE CONTROLS INSTALLATION - NO/MANUAL TOW/WINCHMOTOR SPOOL**

ITEM	PART NUMBER	QTY	DESCRIPTION	REV
	1001261140	Ref	3 BANK CONTROLS INSTALLATION - WINCH MOTOR SPOOL	A
1	1001146603	1	Valve Assembly (See Separate Breakdown in this Section)	
2	1001143764	2	Lamp	
3	7330000648	1	Decal Control Panel, LH	
4	7330000649	1	Decal Control Panel, RH	
5	7111161050	4	Capscrew 3/8 x 1-1/4	
6	7950160161	4	Washer 3/8	
7	7660162601	4	Nut 3/8	
8	1001170189	1	Channel	
9	7551000021	2	Control Handle	
10	7551000020	2	Control Handle	
11	7551000018	2	Control Handle	
12	7115181064	2	Bolt 1/2 x 1-1/4	
13	7691000064	4	Pin	
14	1001170187	3	Control Rod	
15	1001170188	3	Control Rod	
16	7115150850	9	Capscrew 5/16 x 1	
17	7949000011	9	Washer	
18	7660152601	17	Nut 5/16	
19	4831000069	9	Sapcer	
20	7759000006	8	Rivet	
21	8632000012	AR	Trim Lock	
22	7660182601	4	Nut 1/2	
23	7790151253	12	Screw 5/16 x 3/4	
24	7950180161	4	Washer 1/2	
25	7690101200	3	Clevis Pin	
26	7691000056	3	Pin, Hairpin Cotter	
27	3560000010	1	Control Hood Assembly	
28	7115150664	8	Bolt 5/16 x 3/4	
29	7950150161	8	Washer 5/16	
30	1001135272	1	Channel	
31	7950220141	2	Washer 3/4	
32	4211000001	4	Bushing	
33	7280000007	11	Wire Clip	
34	7949000054	8	Washer	
35	7950140141	1	Washer 1/4	
36	7660142601	1	Nut 1/4	
37	7115140650	1	Capscrew 1/4 x 3/4	
38	7274000063	1	Clamp	
39	7560000007	1	Control Hood, RH	
40	4606000217	4	Lug	
41	7443000048	4	Fitting Plug	

# SECTION 4 - CONTROLS

FIGURE 4-8. 3 BANK VALVE CONTROLS INSTALLATION - NO/MANUAL TOW/REMOTE CONTROL



ART\_1001170381

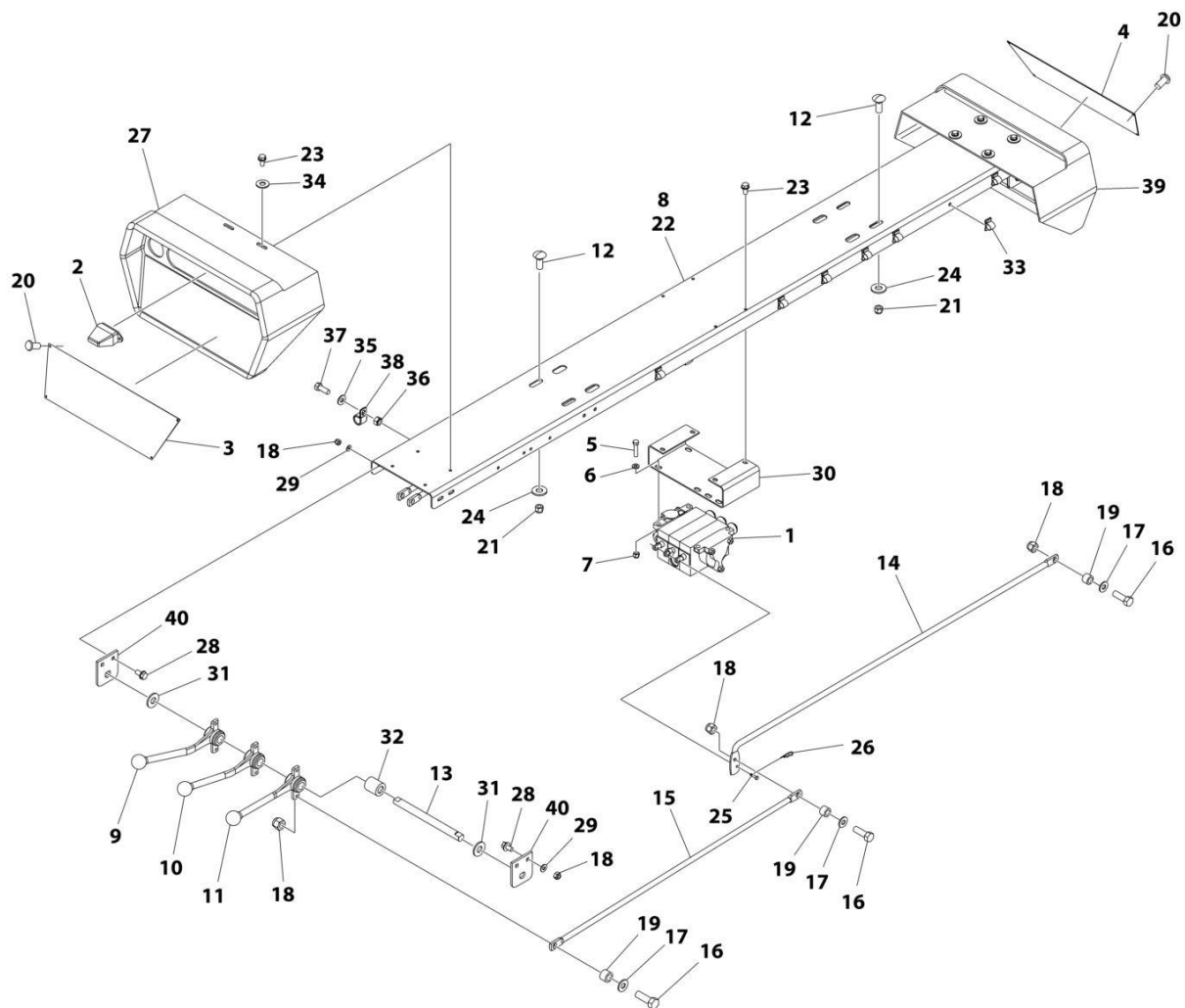
## SECTION 4 - CONTROLS

**FIGURE 4-8. 3 BANK VALVE CONTROLS INSTALLATION - NO/MANUAL TOW/REMOTE CONTROL**

ITEM	PART NUMBER	QTY	DESCRIPTION	REV
1	1001170381	Ref	3 BANK CONTROLS INSTALLATION - REMOTE CONTROL	A
	1001170378	Ref	3 Bank Controls Installation (See Separate Breakdown in this Section)	
2	2577000017	1	Linear Actuator Mount Kit (See Separate Breakdown in this Section)	

# SECTION 4 - CONTROLS

## FIGURE 4-9. 3 BANK VALVE CONTROLS INSTALLATION - NO/MANUAL TOW/REMOTE CONTROL



ART\_1001170378

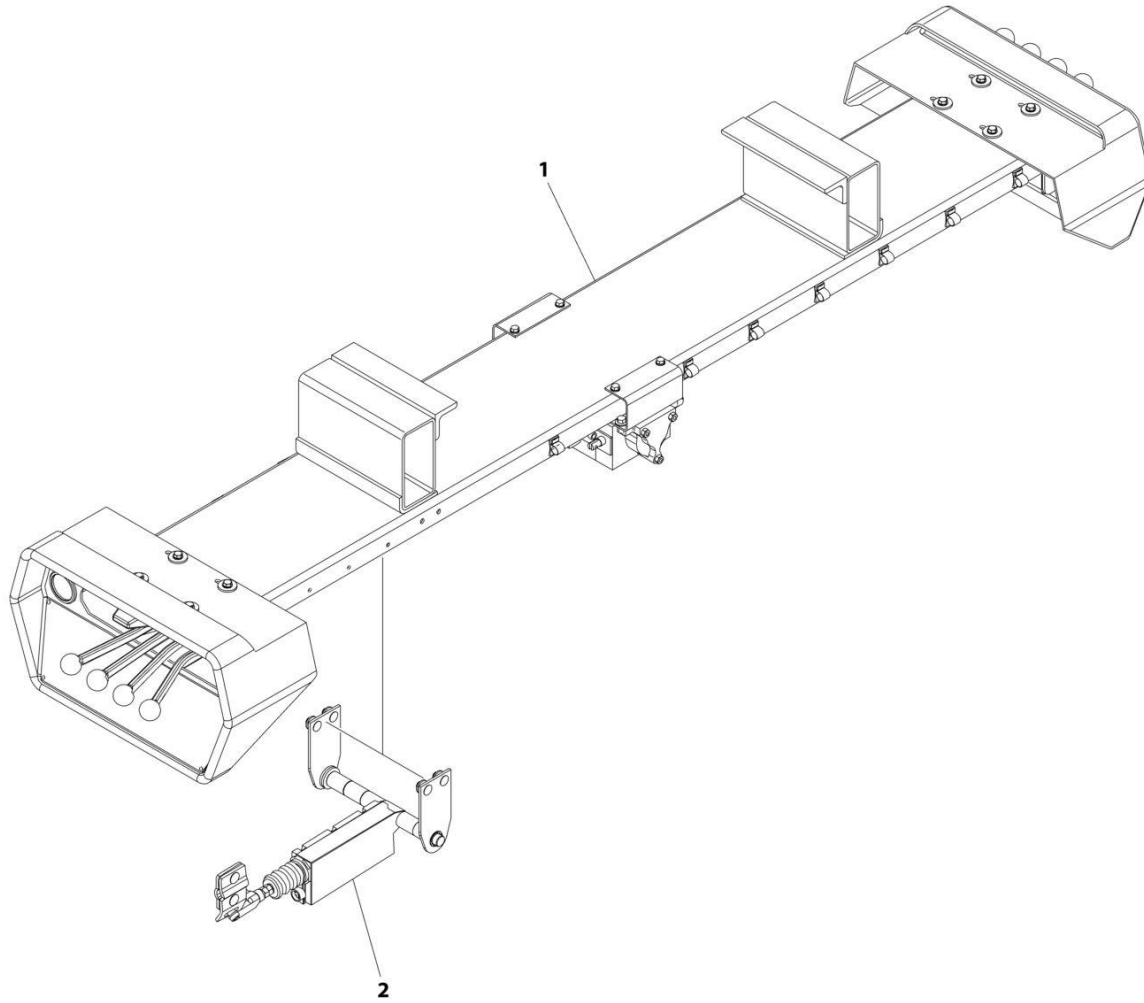
## SECTION 4 - CONTROLS

**FIGURE 4-9. 3 BANK VALVE CONTROLS INSTALLATION - NO/MANUAL TOW/REMOTE CONTROL**

ITEM	PART NUMBER	QTY	DESCRIPTION	REV
	1001170378	Ref	3 BANK CONTROLS INSTALLATION - NO/MAN TOW	A
1	3935000115	1	Valve Assembly (See Separate Breakdown in this Section)	
2	1001143764	2	Lamp	
3	7330000648	1	Decal, Control Panel, LH	
4	7330000649	1	Decal, Control Panel, RH	
5	7111161050	4	Capscrew 3/8 x 1-1/4	
6	7950160161	4	Washer 3/8	
7	7660162601	4	Nut 3/8	
8	1001170189	1	Channel	
9	7551000021	2	Control Handle	
10	7551000020	2	Control Handle	
11	7551000018	2	Control Handle	
12	7115181064	4	Bolt 1/2 x 1-1/4	
13	7691000064	2	Pin	
14	1001170187	3	Control Rod	
15	1001170188	3	Control Rod	
16	7115150850	9	Capscrew 5/16 x 1	
17	7949000011	9	Washer	
18	7660152601	17	Nut 5/16	
19	4831000069	9	Spacer	
20	7759000006	8	Rivet	
21	7660182601	4	Nut 1/2	
22	8632000012	AR	Trim Lock	
23	7790151253	12	Screw 5/16 x 3/4	
24	7950180161	4	Washer 1/2	
25	7690101200	3	Clevis Pin	
26	7691000056	3	Pin, Hairpin Cotter	
27	3560000010	1	Control Hood Assembly	
28	7115150664	8	Bolt 5/16 x 3/4	
29	7950150161	8	Washer 5/16	
30	1001135272	1	Channel	
31	7950220141	2	Washer 3/4	
32	4211000001	4	Bushing	
33	7280000007	11	Wire Clip	
34	7949000054	8	Washer	
35	7950140141	1	Washer 1/4	
36	7660142601	1	Nut 1/4	
37	7115140650	1	Capscrew 1/4 x 3/4	
38	7274000063	1	Clamp	
39	7560000007	1	Control Hood RH	
40	4606000217	4	Lug	

# SECTION 4 - CONTROLS

## FIGURE 4-10. 4 BANK VALVE INSTALLATION – HYDRAULIC TOW/REMOTE CONTROL



ART\_C4BHTRC-TPR

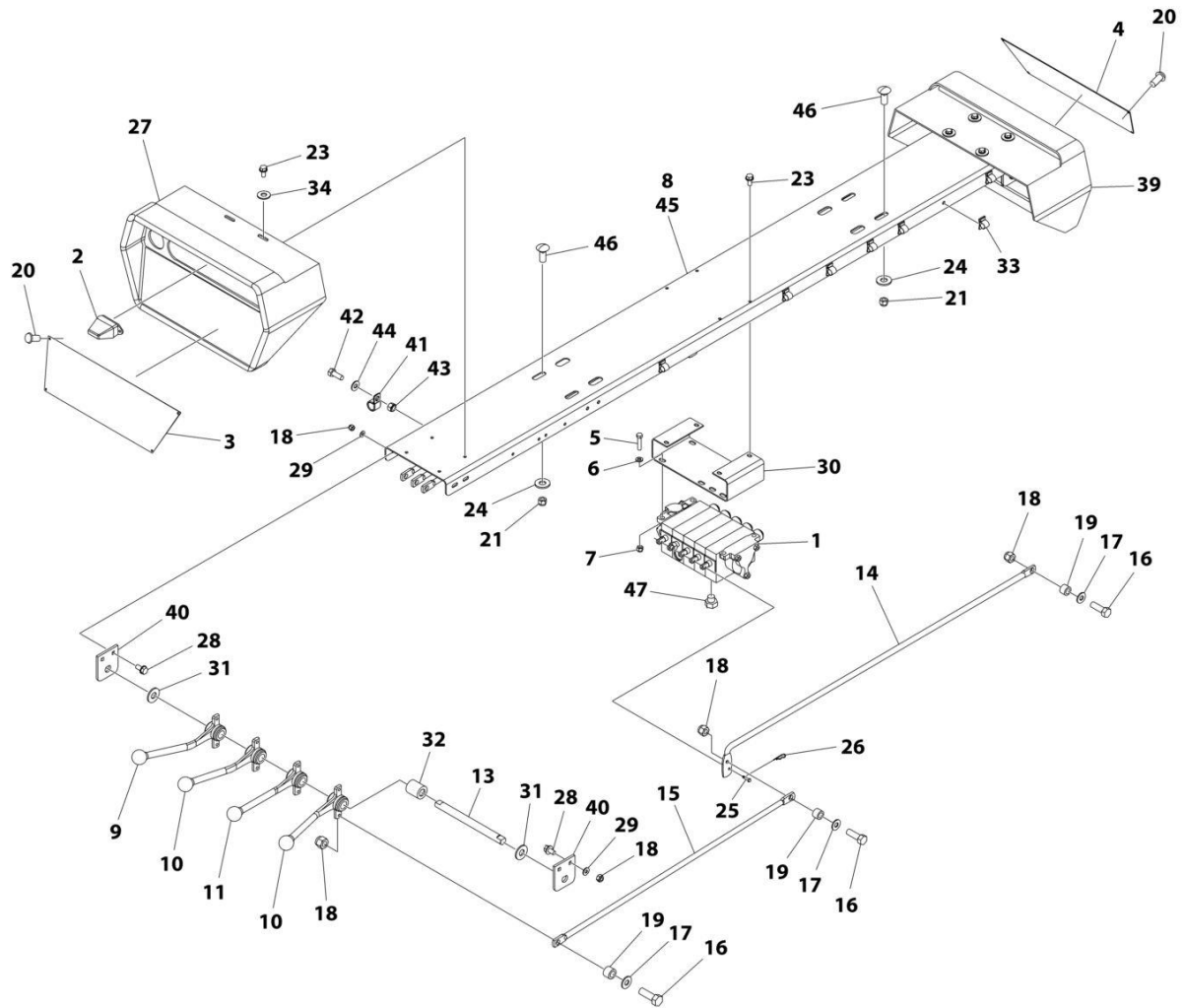
## SECTION 4 - CONTROLS

**FIGURE 4-10. 4 BANK VALVE INSTALLATION – HYDRAULIC TOW/REMOTE CONTROL**

ITEM	PART NUMBER	QTY	DESCRIPTION	REV
1	C4BHTRC-TPR 2296000112	Ref 1	4 BANK VALVE INSTALLATION - HYD TOW/REMOTE CONTROL 4 Bank Controls Installation (See Separate Breakdown in this Section)	0
2	2577000017	1	Linear Actuator Mount Kit (See Separate Breakdown in this Section)	

# SECTION 4 - CONTROLS

## FIGURE 4-11. 4 BANK VALVE CONTROLS INSTALLATION - NO/MANUAL TOW/STABILIZERS



ART\_2296000108



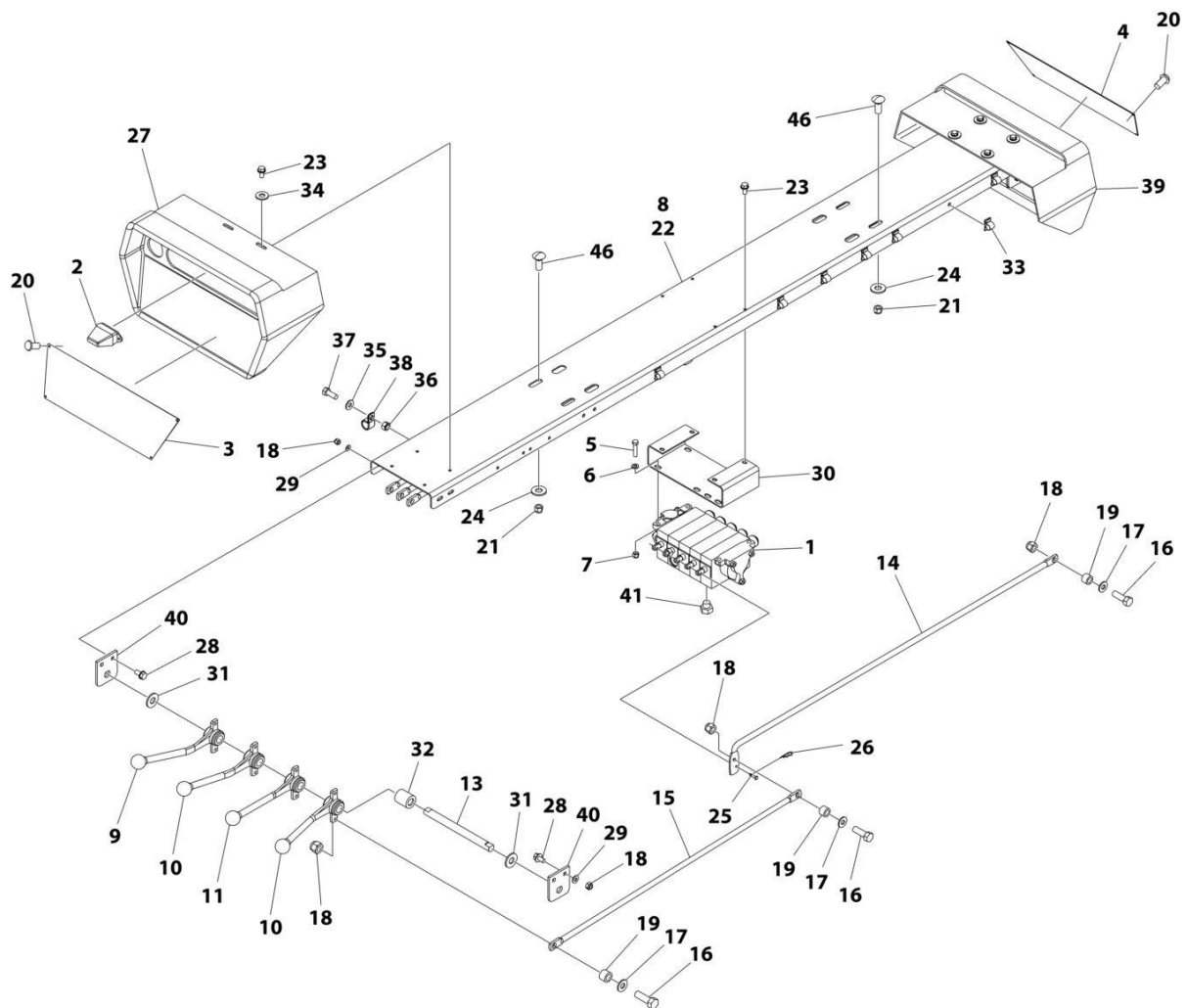
## SECTION 4 - CONTROLS

**FIGURE 4-11. 4 BANK VALVE CONTROLS INSTALLATION - NO/MANUAL TOW/STABILIZERS**

ITEM	PART NUMBER	QTY	DESCRIPTION	REV
	2296000108	Ref	4 BANK CONTROLS INSTALLATION - NO/MAN TOW, STABILIZER	J
1	3935000117	1	Valve Assembly (See Separate Breakdown in this Section)	
2	1001143764	2	Lamp	
3	7330000650	1	Decal, Control Panel Stabilizer, LH	
4	7330000651	1	Decal, Control Panel Stabilizer, RH	
5	7111161050	4	Capscrew 3/8 x 1-1/4	
6	7950160161	4	Washer 3/8	
7	7660162601	4	Nut 3/8	
8	1001135273	1	Channel	
9	7551000021	2	Control Handle	
10	7551000020	4	Control Handle	
11	7551000018	2	Control Handle	
13	7691000064	2	Pin	
14	4763000280	4	Control Rod	
15	4763000279	4	Control Rod	
16	7115150850	12	Capscrew 5/16 x 1	
17	7949000011	12	Washer	
18	7660152601	20	Nut 5/16	
19	4831000069	12	Spacer	
20	7759000006	8	Rivet	
21	7660182601	4	Nut 1/2	
23	7790151253	12	Screw 5/16 x 3/4	
24	7950180161	4	Washer 1/2	
25	7690101200	4	Clevis Pin	
26	7691000056	4	Pin, Hairpin Cotter	
27	3560000010	1	Control Hood Assembly	
28	7115150664	8	Bolt 5/16 x 3/4	
29	7950150161	8	Washer 5/16	
30	1001135272	1	Channel	
31	7950220141	2	Washer 3/4	
32	4211000001	2	Bushing	
33	7280000007	11	Wire Clip	
34	7949000054	8	Washer	
39	7560000007	1	Control Hood, RH	
40	4606000217	4	Lug	
41	7274000063	1	Clamp	
42	7115140650	1	Capscrew 1/4 x 3/4	
43	7660142601	1	Nut 1/4	
44	7950140141	1	Washer 1/4	
45	8632000012	AR	Trim Lock	
46	7115181064	4	Bolt 1/2 x 1-1/4	
47	7443000048	2	Fitting Plug	

# SECTION 4 - CONTROLS

## FIGURE 4-12. 4 BANK VALVE CONTROLS INSTALLATION - NO/MANUAL TOW/STABILIZERS



ART\_1001170391

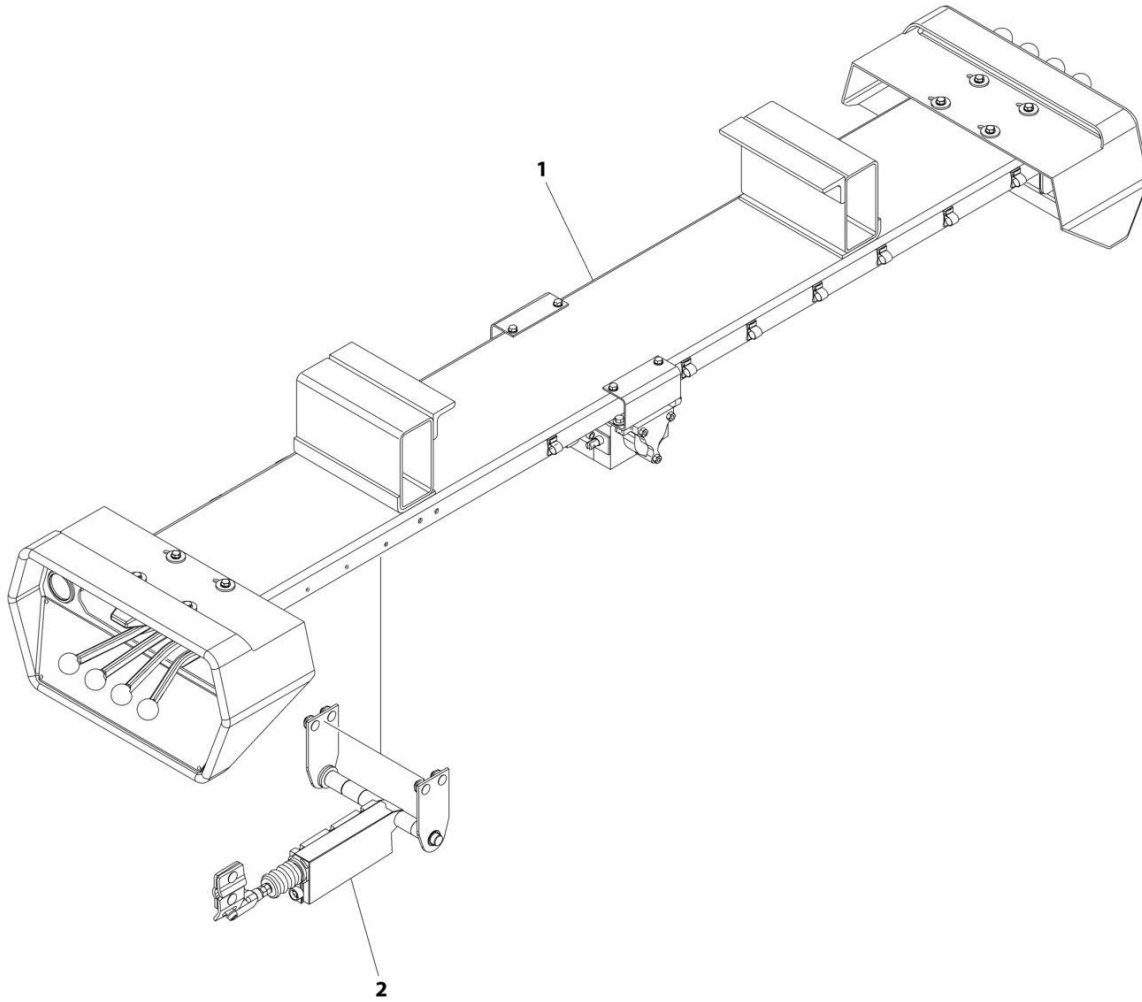
## SECTION 4 - CONTROLS

**FIGURE 4-12. 4 BANK VALVE CONTROLS INSTALLATION - NO/MANUAL TOW/STABILIZERS**

ITEM	PART NUMBER	QTY	DESCRIPTION	REV
	1001170391	Ref	4 BANK CONTROLS INSTALLATION WITH STABILIZER	B
1	3935000117	1	Valve Assembly (See Separate Breakdown in this Section)	
2	1001143764	2	Lamp	
3	7330000650	1	Decal, Control Panel Stabilizer, LH	
4	7330000651	1	Decal, Control Panel Stabilizer, RH	
5	7111161050	4	Capscrew 3/8 x 1-1/4	
6	7950160161	4	Washer 3/8	
7	7660162601	4	Nut 3/8	
8	1001170189	1	Channel	
9	7551000021	2	Control Handle	
10	7551000020	4	Control Handle	
11	7551000018	2	Control Handle	
12	7115181064	4	Bolt 1/2 x 1/4	
13	7691000064	2	Pin	
14	1001170187	4	Control Rod	
15	1001170188	4	Control Rod	
16	7115150850	12	Capscrew 5/16 x 1	
17	7949000011	12	Washer	
18	7660152601	20	Nut 5/16	
19	4831000069	12	Spacer	
20	7759000006	8	Rivet	
21	7660182601	4	Nut 1/2	
22	8632000012	AR	Trim lock	
23	7790151253	12	Screw 5/16 x 3/4	
24	7950180161	4	Washer 1/2	
25	7690101200	4	Clevis Pin	
26	7691000056	1	Pin, Hairpin Cotter	
27	3560000010	1	Control Hood Assembly	
28	7115150664	8	Bolt 5/16 x 3/4	
29	7950150161	8	Washer 5/16	
30	1001135272	1	Channel	
31	7950220141	2	Washer 3/4	
32	4211000001	2	Bushing	
33	7280000007	11	Wire Clip	
34	7949000054	8	Washer	
35	7950140141	1	Washer 1/4	
36	7660142601	1	Nut 1/4	
37	7115140650	1	Capscrew 1/4 x 3/4	
38	7274000063	1	Clamp	
39	7560000007	1	Control Hood, RH	
40	4606000217	4	Lug	
41	7443000048	2	Fitting Plug	

# SECTION 4 - CONTROLS

## FIGURE 4-13. 4 BANK VALVE CONTROLS INSTALLATION - NO/MANUAL TOW/STABILIZERS/RMOTE CONTROL



ART\_1001170392

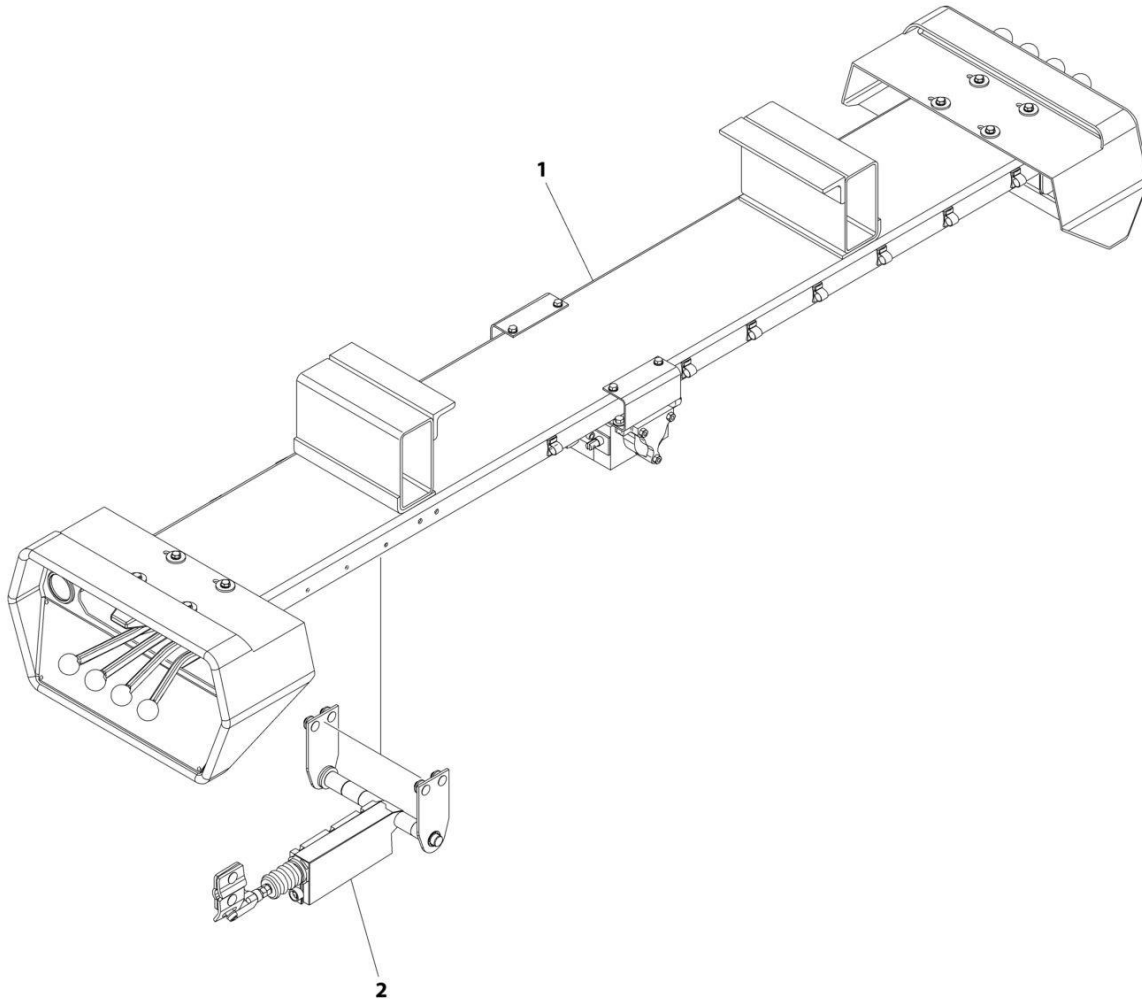
**SECTION 4 - CONTROLS**

**FIGURE 4-13. 4 BANK VALVE CONTROLS INSTALLATION - NO/MANUAL TOW/STABILIZERS/REMOTE CONTROL**

<b>ITEM</b>	<b>PART NUMBER</b>	<b>QTY</b>	<b>DESCRIPTION</b>	<b>REV</b>
	1001170392	Ref	4 BANK CONTROLS INSTALLATION WITH STABILIZER - REMOTE CONTROL	A
1	1001170391	Ref	4 Bank Controls Installation (See Separate Breakdown in this Section)	
2	2577000017	1	Linear Actuator Mount Kit (See Separate Breakdown in this Section)	

# SECTION 4 - CONTROLS

FIGURE 4-14. 4 BANK VALVE INSTALLATION - NO/MANUAL TOW/STABILIZERS/REMOTE CONTROL



ART\_C4BSTRC-TPR

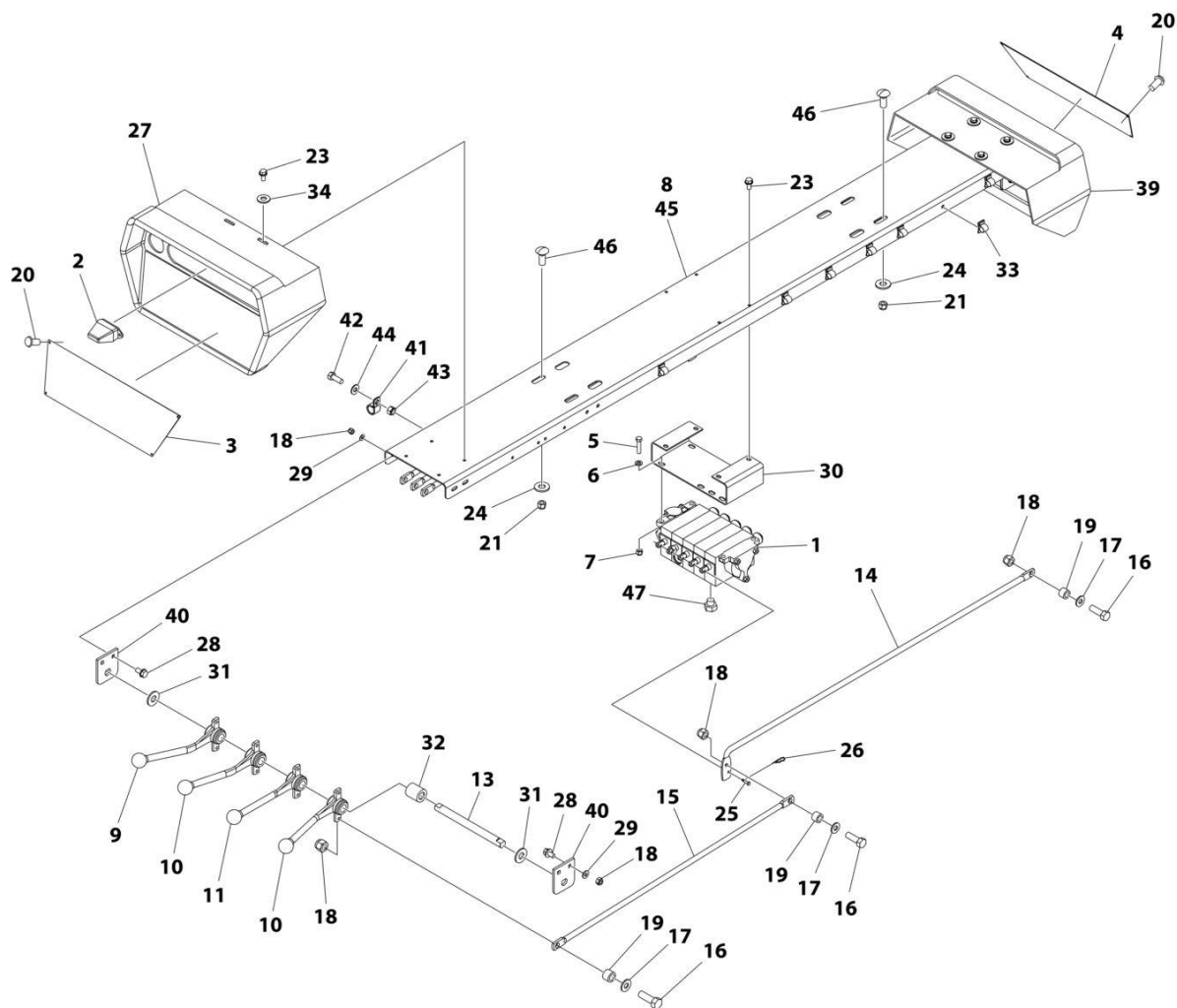
## SECTION 4 - CONTROLS

**FIGURE 4-14. 4 BANK VALVE INSTALLATION - NO/MANUAL TOW/STABILIZERS/REMOTE CONTROL**

ITEM	PART NUMBER	QTY	DESCRIPTION	REV
	C4BSTRC-TPR	Ref	4 BANK VALVE INSTALLATION - NO/MANUAL TOW/STABILIZERS/REMOTE CONTROL	0
1	2296000108	1	4 Bank Controls Installation (See Separate Breakdown in this Section)	
2	2577000017	1	Linear Actuator Mount Kit (See Separate Breakdown in this Section)	

# SECTION 4 - CONTROLS

## FIGURE 4-15. 4 BANK VALVE CONTROLS INSTALLATION - HYDRAULIC TOW



ART\_2296000112



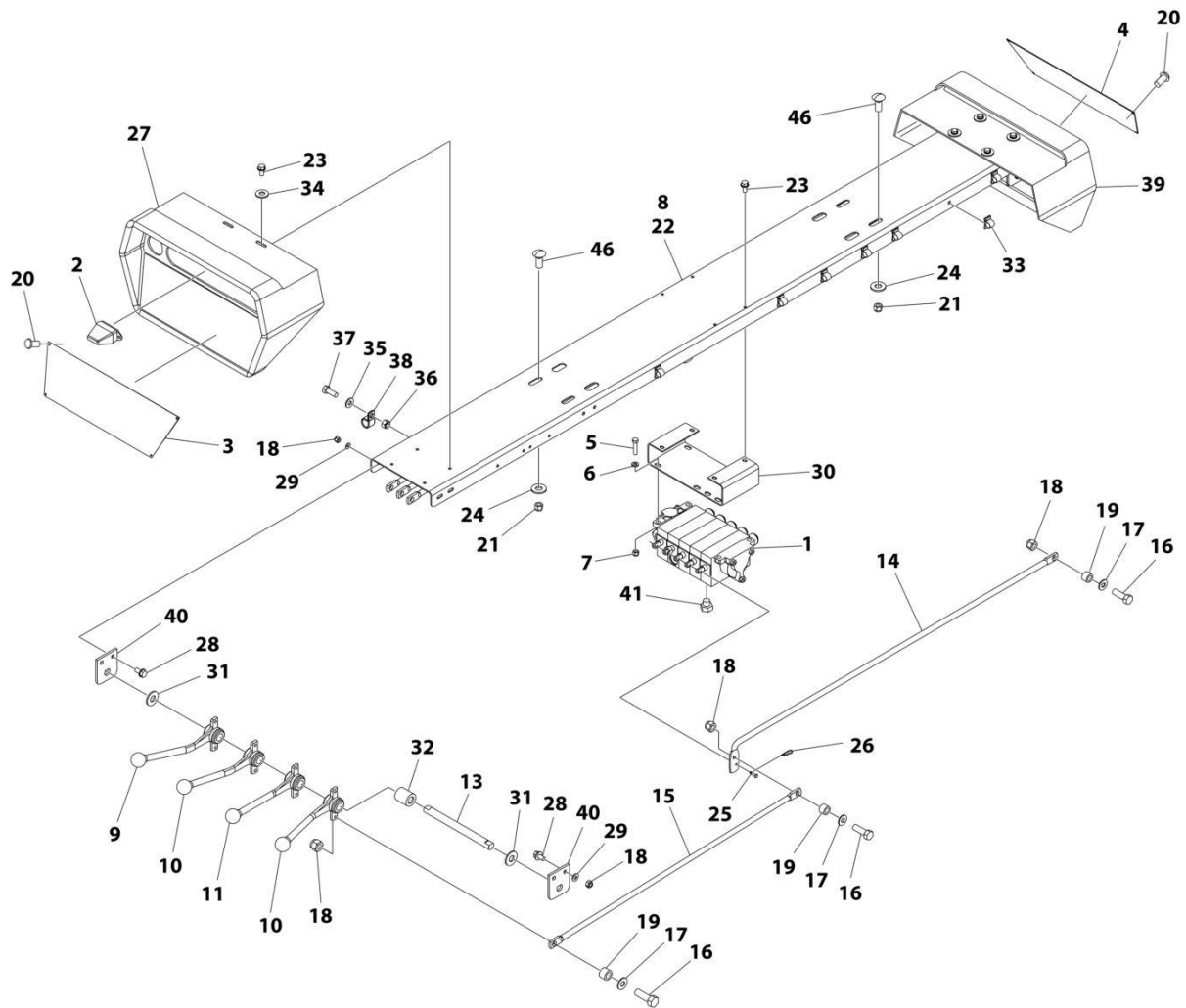
## SECTION 4 - CONTROLS

**FIGURE 4-15. 4 BANK VALVE CONTROLS INSTALLATION - HYDRAULIC TOW**

ITEM	PART NUMBER	QTY	DESCRIPTION	REV
	2296000112	Ref	4 BANK CONTROLS INSTALLATION WITH HITCH	K
1	3935000117	1	Valve Assembly (See Separate Breakdown in this Section)	
2	1001143764	2	Lamp	
3	7330000648	1	Decal Control Panel, LH	
4	7330000649	1	Decal Control Panel, RH	
5	7111161050	4	Capscrew 3/8 x 1-1/4	
6	7950160161	4	Washer 3/8	
7	7660162601	4	Nut 3/8	
8	1001135273	1	Channel	
9	7551000021	2	Control Handle	
10	7551000020	4	Control Handle	
11	7551000018	2	Control Handle	
13	7691000064	2	Pin	
14	4763000280	4	Control Rod	
15	4763000279	4	Control Rod	
16	7115150850	12	Capscrew 5/16 x 1	
17	7949000011	12	Washer	
18	7660152601	20	Nut 5/16	
19	4831000069	12	Spacer	
20	7759000006	8	Rivet	
21	7660182601	4	Nut 1/2	
23	7790151253	12	Screw 5/16 x 3/4	
24	7950180161	4	Washer 1/2	
25	7690101200	4	Clevis Pin	
26	7691000056	4	Pin, Hairpin Cotter	
27	3560000010	1	Control Hood Assembly	
28	7115150664	8	Bolt 5/16 x 3/4	
29	7950150161	8	Washer 5/16	
30	1001135272	1	Channel	
31	7950220141	2	Washer 3/4	
32	4211000001	2	Bushing	
33	7280000007	11	Wire Clip	
34	7949000054	8	Washer	
39	7560000007	1	Control Hood, RH	
40	4606000217	4	Lug	
41	7274000063	1	Clamp	
42	7115140650	1	Capscrew 1/4 x 3/4	
43	7660142601	1	Nut 1/4	
44	7950140141	1	Washer 1/4	
45	8632000012	AR	Trim Lock	
46	7115181064	4	Bolt 1/2 x 1-1/4	
47	7443000048	4	Fitting Plug	

# SECTION 4 - CONTROLS

## FIGURE 4-16. 4 BANK VALVE CONTROLS INSTALLATION - HYDRAULIC TOW



ART\_1001170390

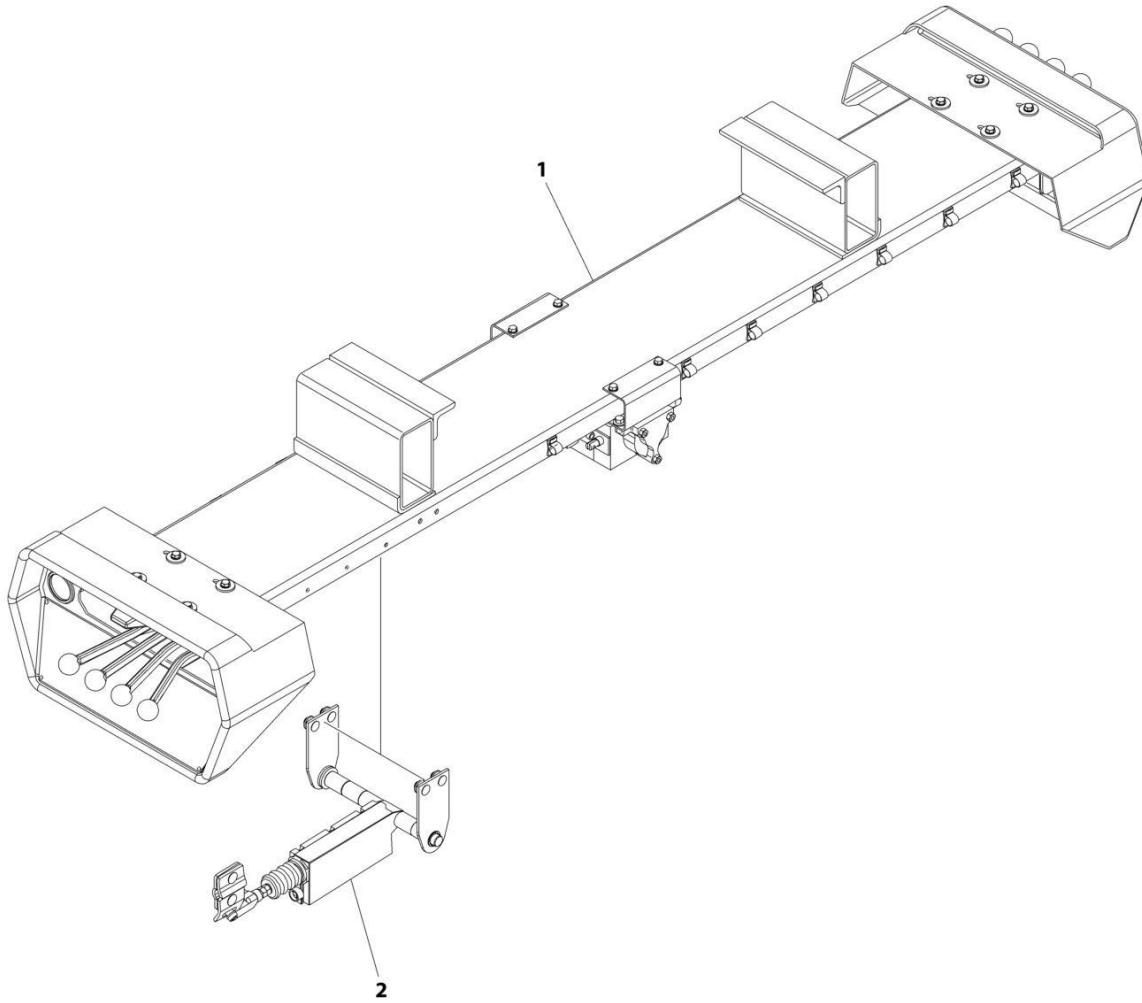
## SECTION 4 - CONTROLS

**FIGURE 4-16. 4 BANK VALVE CONTROLS INSTALLATION - HYDRAULIC TOW**

ITEM	PART NUMBER	QTY	DESCRIPTION	REV
	1001170390	Ref	4 BANK CONTROLS INSTALLATION WITH HITCH	B
1	3935000117	1	Valve Assembly (See Separate Breakdown in this Section)	
2	1001143764	2	Lamp	
3	7330000648	1	Decal Control Panel, LH	
4	7330000649	1	Decal Control Panel, RH	
5	7111161050	4	Capscrew 3/8 x 1-1/4	
6	7950160161	4	Washer 3/8	
7	7660162601	4	Nut 3/8	
8	1001170189	1	Channel	
9	7551000021	2	Control Handle	
10	7551000020	4	Control Handle	
11	7551000018	2	Control Handle	
12	7115181064	4	Bolt 1/2 x 1/4	
13	7691000064	2	Pin	
14	1001170187	4	Control Rod	
15	1001170188	4	Control Rod	
16	7115150850	12	Capscrew 5/16 x 1	
17	7949000011	12	Washer	
18	7660152601	20	Nut 5/16	
19	4831000069	12	Spacer	
20	7759000006	8	Rivet	
21	7660182601	4	Nut 1/2	
22	8632000012	AR	Trim lock	
23	7790151253	12	Screw 5/16 x 3/4	
24	7950180161	4	Washer 1/2	
25	7690101200	4	Clevis Pin	
26	7691000056	4	Pin, Hairpin Cotter	
27	3560000010	1	Control Hood Assembly	
28	7115150664	8	Bolt 5/16 x 3/4	
29	7950150161	8	Washer 5/16	
30	1001135272	1	Channel	
31	7950220141	2	Washer 3/4	
32	4211000001	2	Bushing	
33	7280000007	11	Wire Clip	
34	7949000054	8	Washer	
35	7950140141	1	Washer 1/4	
36	7660142601	1	Nut 1/4	
37	7115140650	1	Capscrew 1/4 x 3/4	
38	7274000063	1	Clamp	
39	7560000007	1	Control Hood, RH	
40	4606000217	4	Lug	
41	7443000048	2	Fitting Plug	

# SECTION 4 - CONTROLS

FIGURE 4-17. 4 BANK VALVE CONTROLS INSTALLATION - HYDRAULIC TOW/REMOTE CONTROL



ART\_1001170385

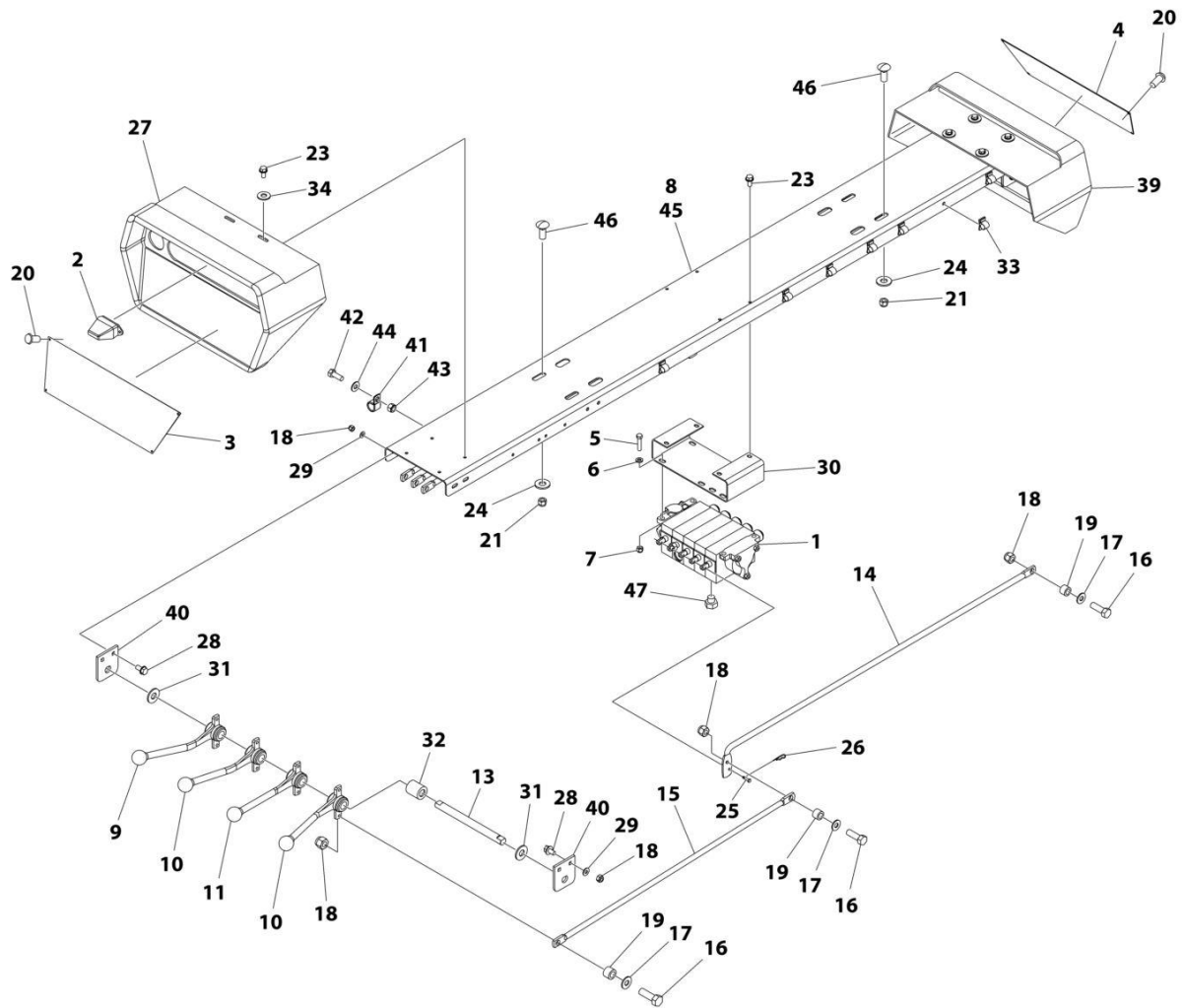
**SECTION 4 - CONTROLS**

**FIGURE 4-17. 4 BANK VALVE CONTROLS INSTALLATION - HYDRAULIC TOW/REMOTE CONTROL**

ITEM	PART NUMBER	QTY	DESCRIPTION	REV
	1001170385	Ref	4 BANK CONTROLS INSTALLATION WITH HITCH - REMOTE CONTROL	A
1	1001170390	Ref	4 Bank Controls Installation (See Separate Breakdown in this Section)	
2	2577000017	1	Linear Actuator Mount Kit (See Separate Breakdown in this Section)	

# SECTION 4 - CONTROLS

## FIGURE 4-18. 4 BANK VALVE CONTROLS INSTALLATION - HYDRAULIC TOW/WINCH MOTOR SPOOL



ART\_1001145990

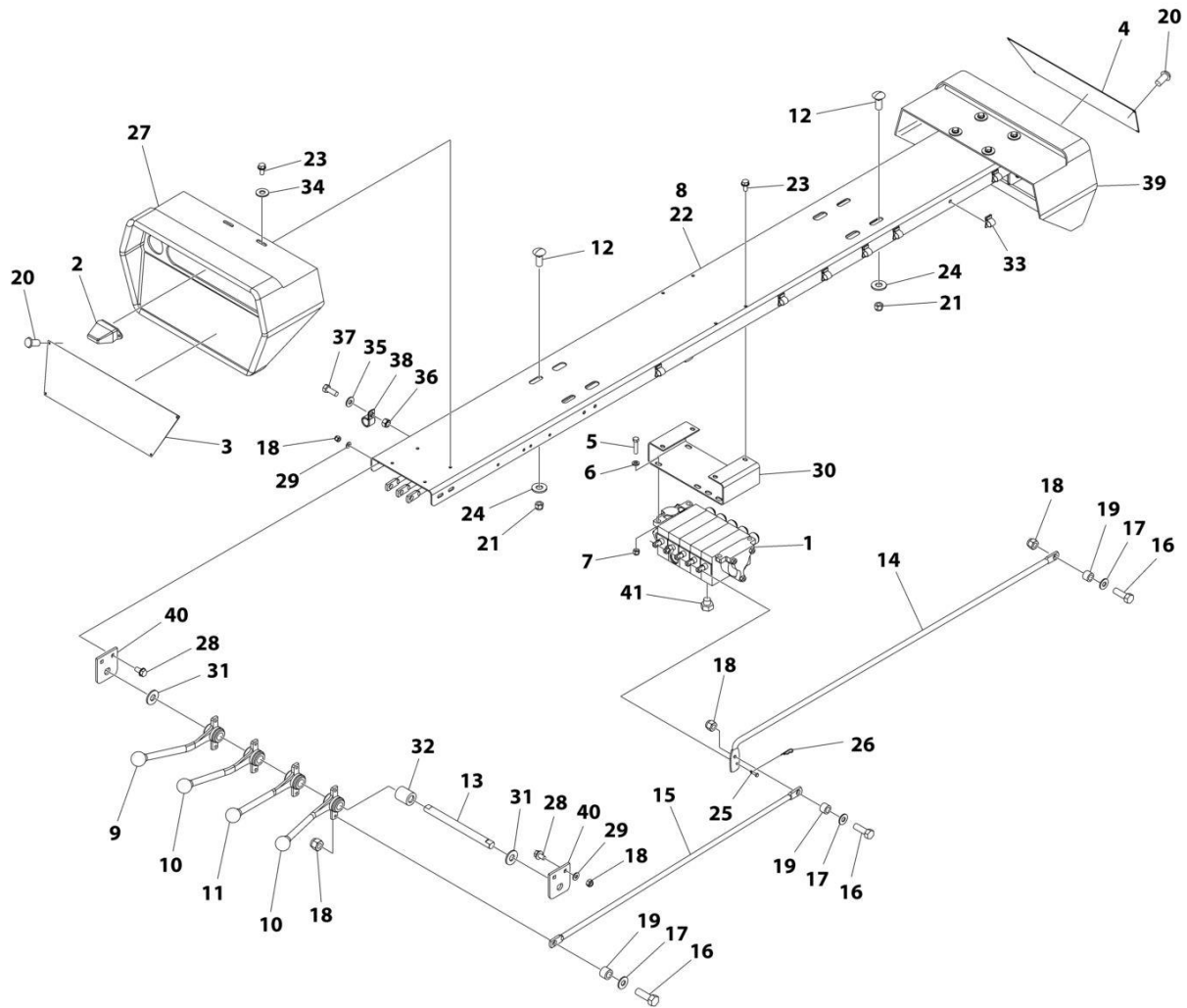
## SECTION 4 - CONTROLS

**FIGURE 4-18. 4 BANK VALVE CONTROLS INSTALLATION - HYDRAULIC TOW/WINCH MOTOR SPOOL**

ITEM	PART NUMBER	QTY	DESCRIPTION	REV
	1001145990	Ref	4 BANK CONTROLS INSTALLATION - HYDRAULIC TOW, WINCH MOTOR SPOOL	C
1	1001146603	1	Valve Assembly (See Separate Breakdown in this Section)	
2	1001143764	2	Lamp	
3	7330000650	1	Decal Control Panel Stabilizer, LH	
4	7330000651	1	Decal Control Panel Stabilizer, RH	
5	7111161050	4	Capscrew 3/8 x 1-1/4	
6	7950160161	4	Washer 3/8	
7	7660162601	4	Nut 3/8	
8	1001135273	1	Channel	
9	7551000021	2	Control Handle	
10	7551000020	4	Control Handle	
11	7551000018	2	Control Handle	
13	7691000064	2	Pin	
14	4763000280	4	Control Rod	
15	4763000279	4	Control Rod	
16	7115150850	12	Capscrew 5/16 x 1	
17	7949000011	12	Washer	
18	7660152601	20	Nut 5/16	
19	4831000069	12	Spacer	
20	7759000006	8	Rivet	
21	7660182601	4	Nut 1/2	
23	7790151253	12	Screw 5/16 x 3/4	
24	7950180161	4	Washer 1/2	
25	7690101200	4	Clevis Pin	
26	7691000056	1	Pin, Hairpin Cotter	
27	3560000010	8	Control Hood Assembly	
28	7115150664	8	Bolt 5/16 x 3/4	
29	7950150161	1	Washer 5/16	
30	1001135272	2	Channel	
31	7950220141	2	Washer 3/4	
32	4211000001	11	Bushing	
33	7280000007	8	Wire Clip	
34	7949000054	1	Washer	
39	7560000007	1	Control Hood, RH	
40	4606000217	4	Lug	
41	7274000063	1	Clamp	
42	7115140650	1	Capscrew 1/4 x 3/4	
43	7660142601	1	Nut 1/4	
44	7950140141	1	Washer 1/4	
45	8632000012	AR	Trim Lock	
46	7115181064	4	Bolt 1/2 x 1-1/4	
47	7443000048	2	Fitting Plug	

# SECTION 4 - CONTROLS

## FIGURE 4-19. 4 BANK VALVE CONTROLS INSTALLATION - HYDRAULIC TOW/WINCH MOTOR SPOOL



ART\_1001170423



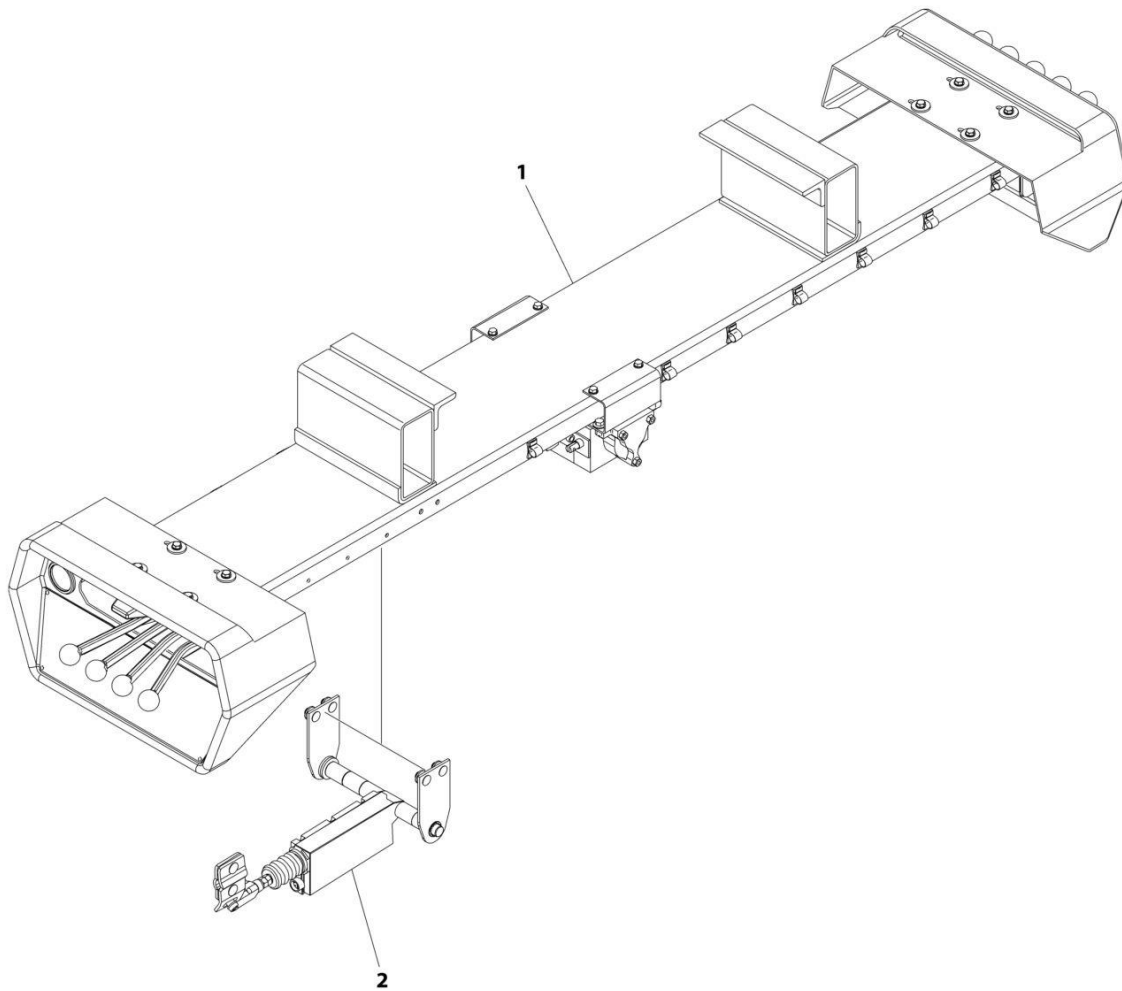
## SECTION 4 - CONTROLS

**FIGURE 4-19. 4 BANK VALVE CONTROLS INSTALLATION - HYDRAULIC TOW/WINCH MOTOR SPOOL**

ITEM	PART NUMBER	QTY	DESCRIPTION	REV
	1001170423	Ref	4 BANK CONTROLS INSTALLATION - HYDRAULIC TOW, WINCH MOTOR SPOOL	B
1	1001146603	1	Valve Assembly (See Separate Breakdown in this Section)	
2	1001143764	2	Lamp	
3	7330000650	1	Decal Control Panel, LH	
4	7330000651	1	Decal Control Panel, RH	
5	7111161050	4	Capscrew 3/8 x 1-1/4	
6	7950160161	4	Washer 3/8	
7	7660162601	4	Nut 3/8	
8	1001170189	1	Channel	
9	7551000021	2	Control Handle	
10	7551000020	4	Control Handle	
11	7551000018	2	Control Handle	
12	7115181064	4	Bolt 1/2 x 1/4	
13	7691000064	2	Pin	
14	1001170187	4	Control Rod	
15	1001170188	4	Control Rod	
16	7115150850	12	Capscrew 5/16 x 1	
17	7949000011	12	Washer	
18	7660152601	20	Nut 5/16	
19	4831000069	12	Spacer	
20	7759000006	8	Rivet	
21	7660182601	4	Nut 1/2	
22	8632000012	AR	Trim lock	
23	7790151253	12	Screw 5/16 x 3/4	
24	7950180161	4	Washer 1/2	
25	7690101200	4	Clevis Pin	
26	7691000056	4	Pin, Hairpin Cotter	
27	3560000010	1	Control Hood Assembly	
28	7115150664	8	Bolt 5/16 x 3/4	
29	7950150161	8	Washer 5/16	
30	1001135272	1	Channel	
31	7950220141	2	Washer 3/4	
32	4211000001	2	Bushing	
33	7280000007	11	Wire Clip	
34	7949000054	8	Washer	
35	7950140141	1	Washer 1/4	
36	7660142601	1	Nut 1/4	
37	7115140650	1	Capscrew 1/4 x 3/4	
38	7274000063	1	Clamp	
39	7560000007	1	Control Hood, RH	
40	4606000217	4	Lug	
41	7443000048	2	Fitting Plug	

# SECTION 4 - CONTROLS

FIGURE 4-20. 4 BANK VALVE CONTROLS INSTALLATION - HYDRAULIC TOW/WINCH MOTOR SPOOL/REMOTE CONTROL



ART\_1001153232

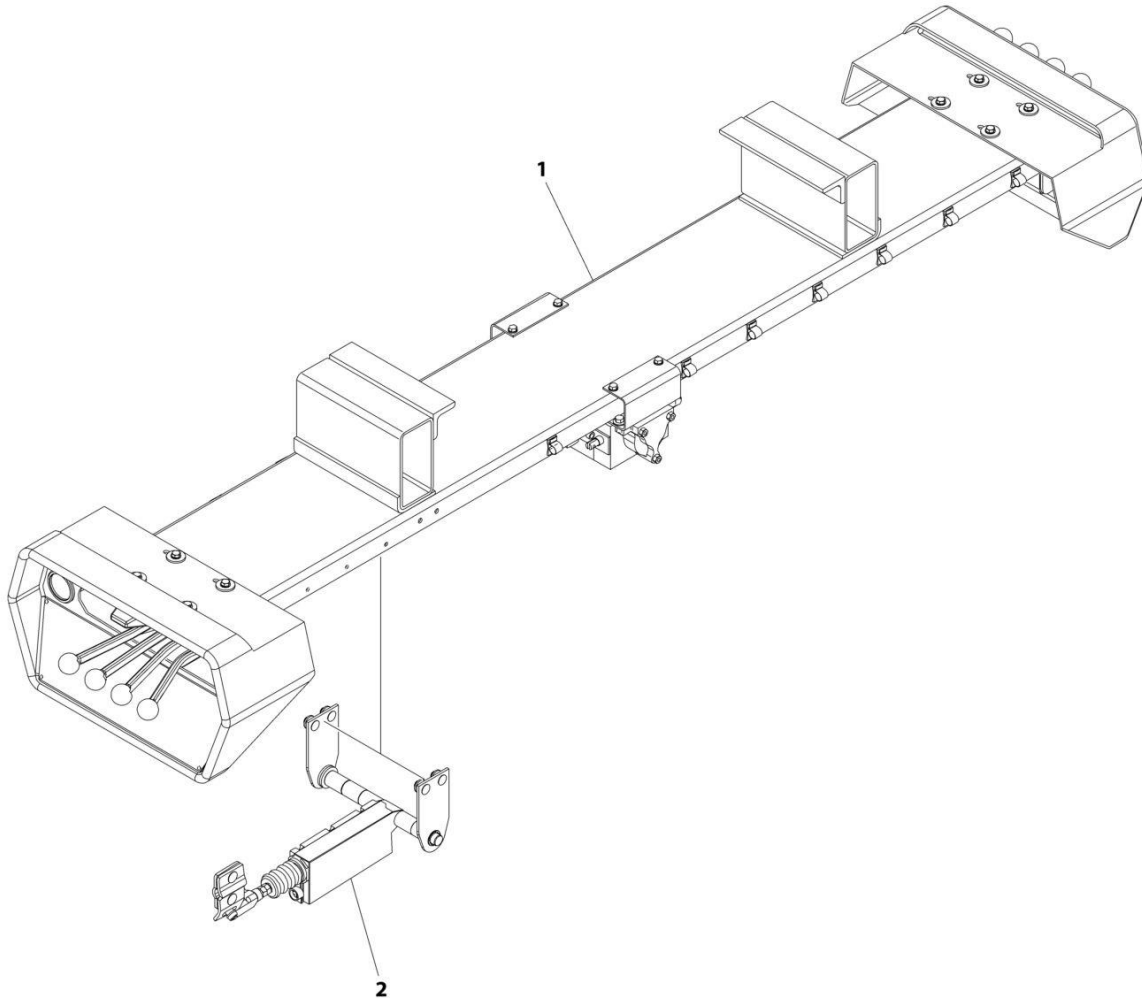
**SECTION 4 - CONTROLS**

**FIGURE 4-20. 4 BANK VALVE CONTROLS INSTALLATION - HYDRAULIC TOW/WINCH MOTOR SPOOL/REMOTE CONTROL**

<b>ITEM</b>	<b>PART NUMBER</b>	<b>QTY</b>	<b>DESCRIPTION</b>	<b>REV</b>
	1001153232	Ref	4 BANK CONTROLS - WINCH MOTOR SPOOL, RADIO REMOTE	A
1	1001145990	1	4 Bank Controls Installation (See Separate Breakdown in this Section)	
2	2577000017	1	Linear Actuator Mount Kit (See Separate Breakdown in this Section)	

# SECTION 4 - CONTROLS

## FIGURE 4-21. 4 BANK VALVE CONTROLS INSTALLATION - HYDRAULIC TOW/WINCH MOTOR SPOOL/REMOTE CONTROL



ART\_1001170424

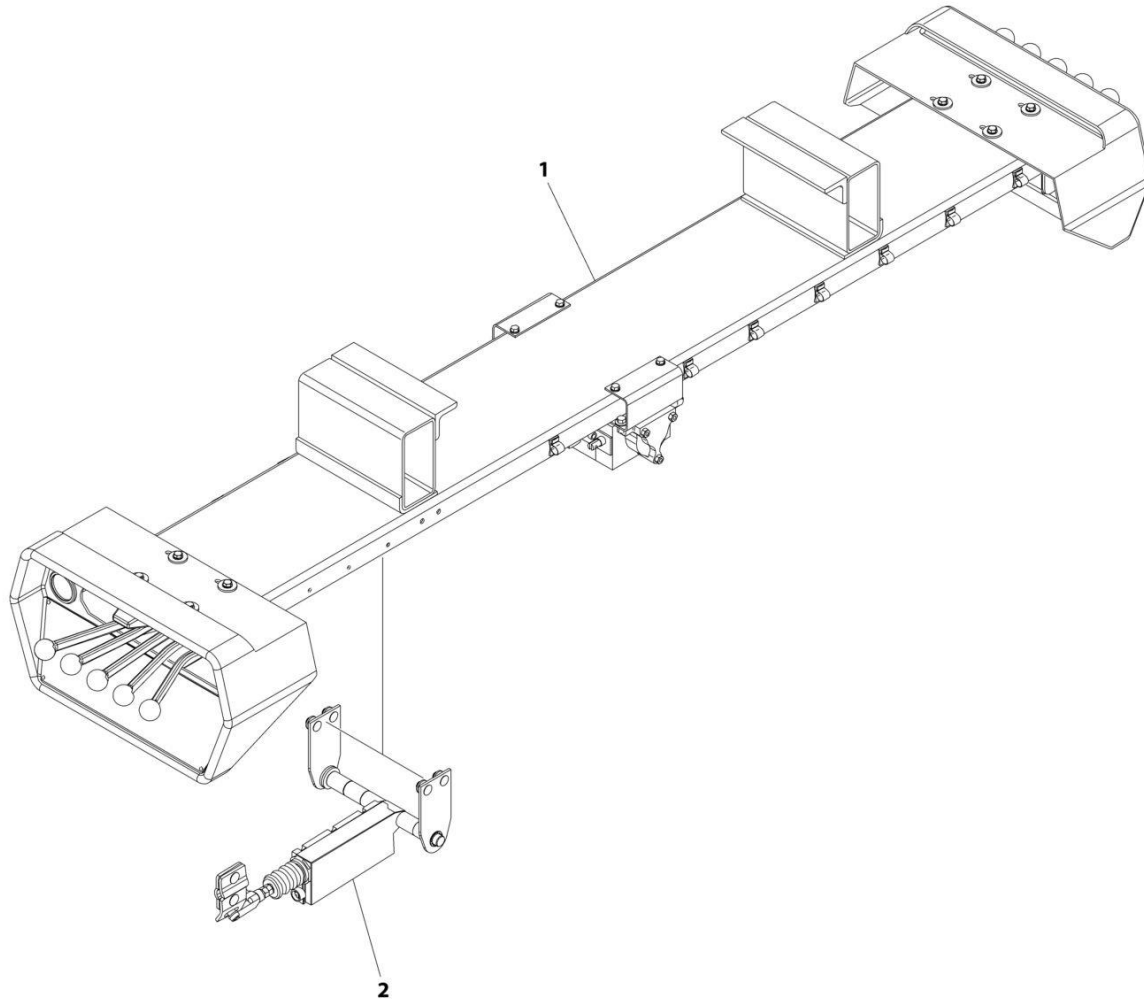
**SECTION 4 - CONTROLS**

**FIGURE 4-21. 4 BANK VALVE CONTROLS INSTALLATION - HYDRAULIC TOW/WINCH MOTOR SPOOL/REMOTE CONTROL**

<b>ITEM</b>	<b>PART NUMBER</b>	<b>QTY</b>	<b>DESCRIPTION</b>	<b>REV</b>
	1001170424	Ref	4 BANK CONTROLS INSTALLATION - WINCH MOTOR SPOOL, RADIO REMOTE	A
1	1001170423	Ref	4 Bank Controls Installation (See Separate Breakdown in this Section)	
2	2577000017	1	Linear Actuator Mount Kit (See Separate Breakdown in this Section)	

# SECTION 4 - CONTROLS

FIGURE 4-22. 5 BANK VALVE INSTALLATION - HYDRAULIC TOW/STABILIZERS/REMOTE CONTROL



ART\_C5BSTRC-TPR

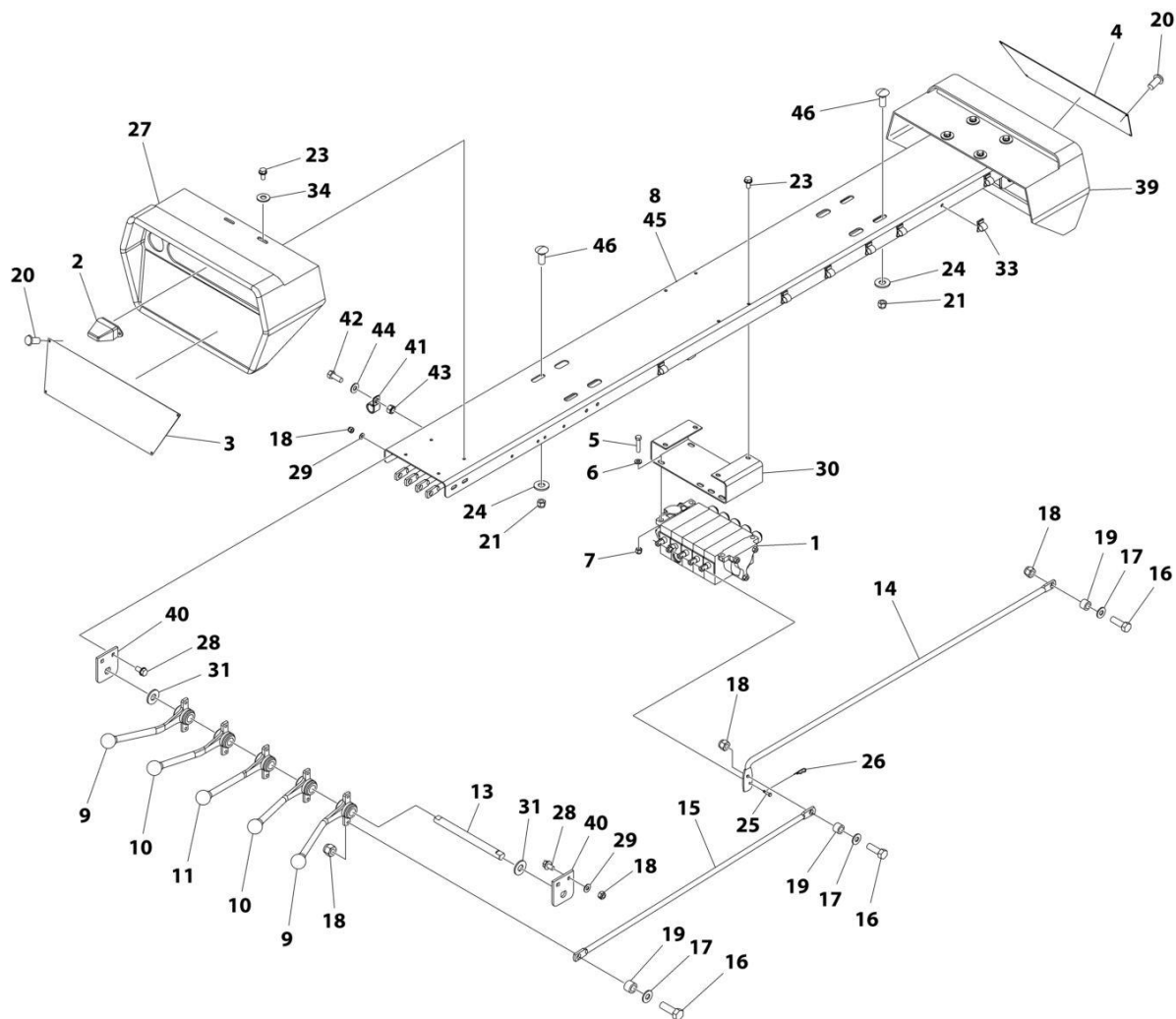
## SECTION 4 - CONTROLS

**FIGURE 4-22. 5 BANK VALVE INSTALLATION - HYDRAULIC TOW/STABILIZERS/REMOTE CONTROL**

ITEM	PART NUMBER	QTY	DESCRIPTION	REV
	C5BSTRC-TPR	Ref	5 BANK VALVE INSTALLATION - HYD TOW/STABILIZERS/REMOTE CONTROL	0
1	2296000111	1	5 Bank Controls Installation (See Separate Breakdown in this Section)	
2	2577000017	1	Linear Actuator Mount Kit (See Separate Breakdown in this Section)	

# SECTION 4 - CONTROLS

## FIGURE 4-23. 5 BANK VALVE CONTROLS INSTALLATION - HYDRAULIC TOW/STABILIZER



ART\_2296000111



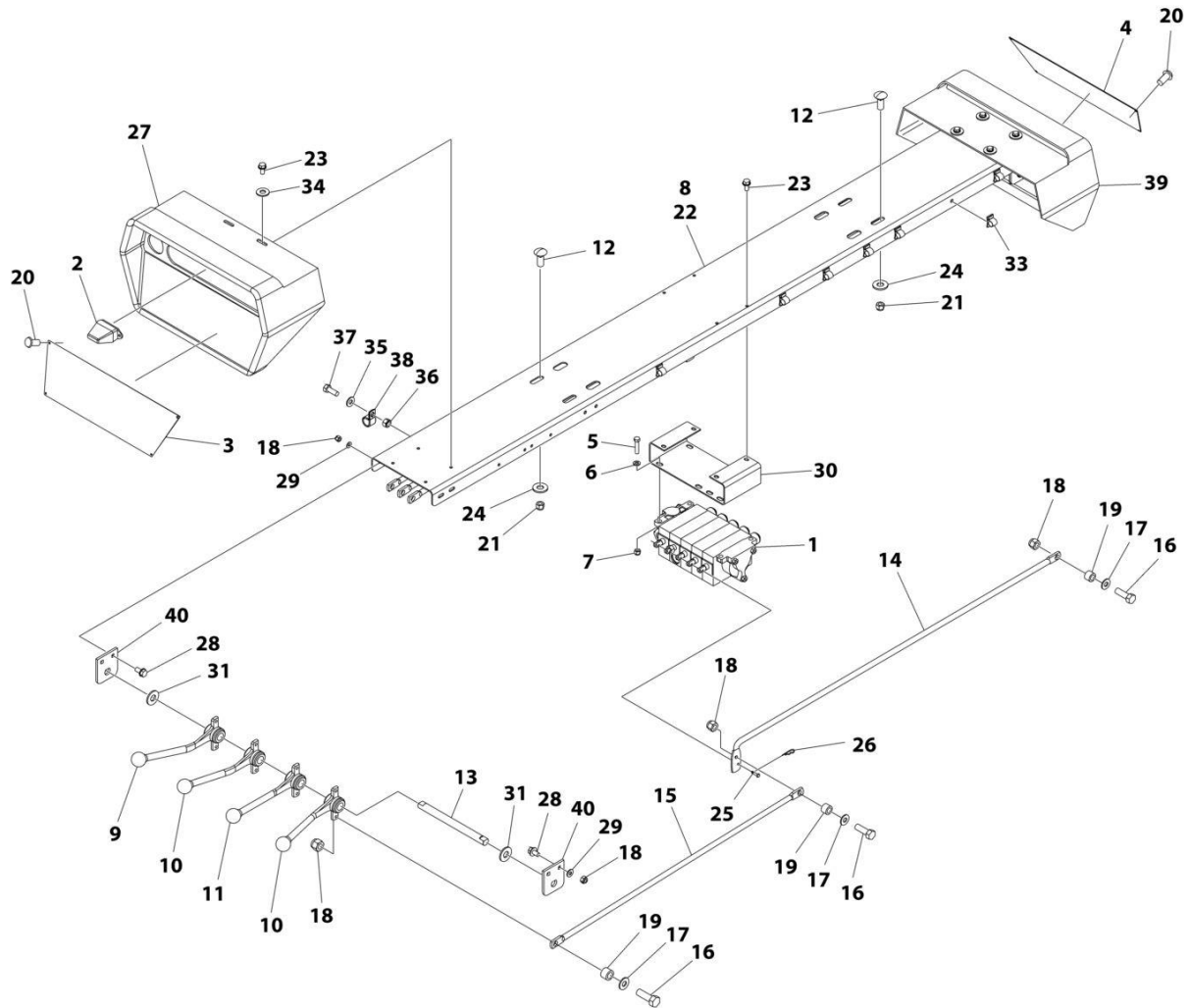
## SECTION 4 - CONTROLS

**FIGURE 4-23. 5 BANK VALVE CONTROLS INSTALLATION - HYDRAULIC TOW/STABILIZER**

ITEM	PART NUMBER	QTY	DESCRIPTION	REV
	2296000111	Ref	5 BANK CONTROLS INSTALLATION - HYDRAULIC TOW, STABILIZER	J
1	3935000117	1	Valve Assembly (See Separate Breakdown in this Section)	
2	1001143764	2	Lamp	
3	7330000650	1	Decal, Control Panel Stabilizer, LH	
4	7330000651	1	Decal, Control Panel Stabilizer, RH	
5	7111161050	4	Capscrew 3/8 x 1-1/4	
6	7950160161	4	Washer 3/8	
7	7660162601	4	Nut 3/8	
8	1001135273	1	Channel	
9	7551000021	2	Control Handle	
10	7551000020	4	Control Handle	
11	7551000018	2	Control Handle	
13	7691000064	2	Pin	
14	4763000280	5	Control Rod	
15	4763000279	5	Control Rod	
16	7115150850	15	Capscrew 5/16 x 1	
17	7949000011	15	Washer	
18	7660152601	23	Nut 5/16	
19	4831000069	15	Spacer	
20	7759000006	8	Rivet	
21	7660182601	4	Nut 1/2	
23	7790151253	12	Screw 5/16 x 3/4	
24	7950180161	4	Washer 1/2	
25	7690101200	5	Clevis Pin	
26	7691000056	5	Pin, Hairpin Cotter	
27	3560000010	1	Control Hood Assembly	
28	7115150664	8	Bolt 5/16 x 3/4	
29	7950150161	8	Washer 5/16	
30	1001135272	1	Channel	
31	7950220141	2	Washer 3/4	
33	7280000007	11	Wire Clip	
34	7949000054	8	Washer	
39	7560000007	1	Control Hood, RH	
40	4606000217	4	Lug	
41	7274000063	1	Clamp	
42	7115140650	1	Capscrew 1/4 x 3/4	
43	7660142601	1	Nut 1/4	
44	7950140141	1	Washer 1/4	
45	8632000012	AR	Trim Lock	
46	7115181064	4	Bolt 1/2 x 1-1/4	

# SECTION 4 - CONTROLS

## FIGURE 4-24. 5 BANK VALVE CONTROLS INSTALLATION - HYDRAULIC TOW/STABILIZER



ART\_1001170401

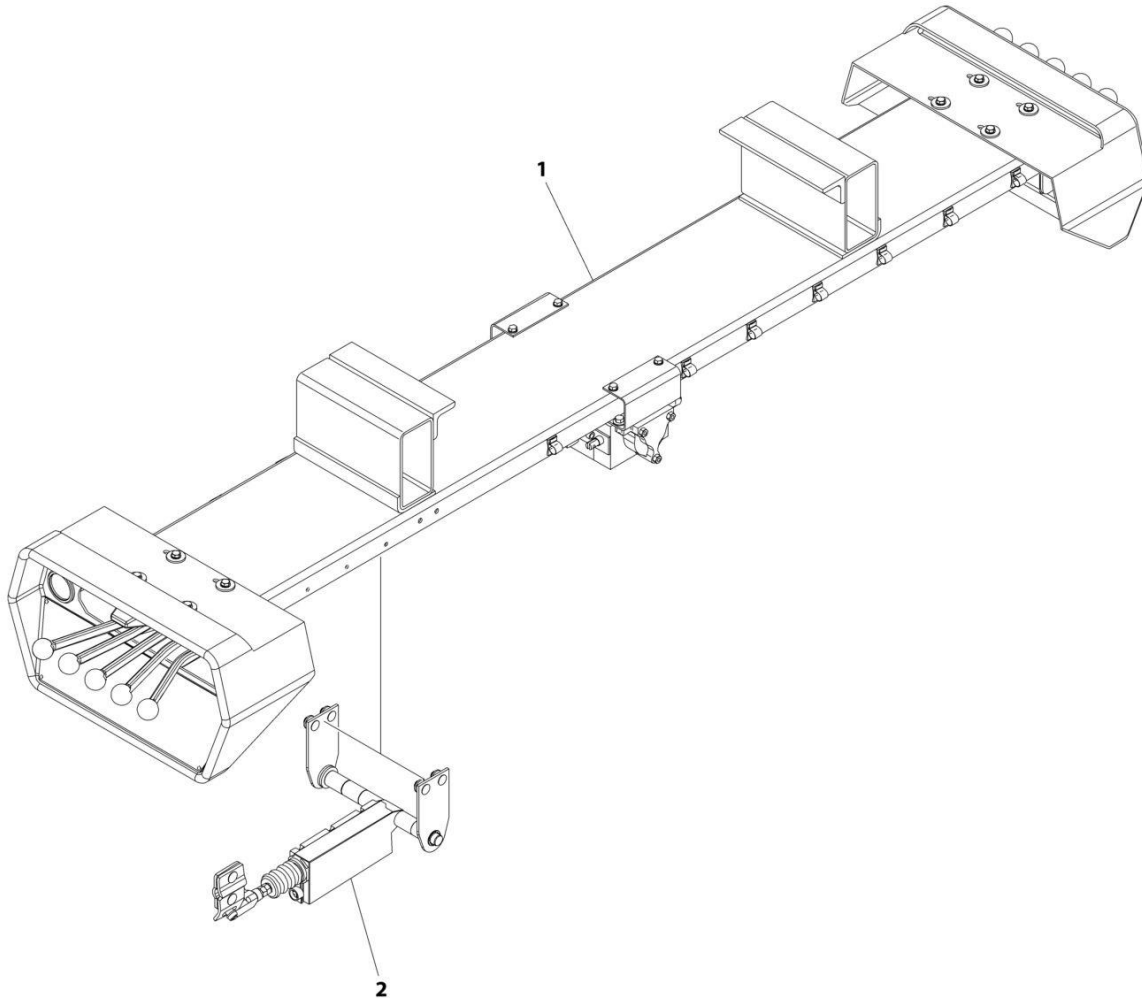
## SECTION 4 - CONTROLS

**FIGURE 4-24. 5 BANK VALVE CONTROLS INSTALLATION - HYDRAULIC TOW/STABILIZER**

ITEM	PART NUMBER	QTY	DESCRIPTION	REV
	1001170401	Ref	5 BANK CONTROLS INSTALLATION WITH STABILIZER - EXTEND	A
1	3935000117	1	Valve Assembly (See Separate Breakdown in this Section)	
2	1001143764	2	Lamp	
3	7330000650	1	Decal Control Panel Stabilizer, LH	
4	7330000651	1	Decal Control Panel Stabilizer, RH	
5	7111161050	4	Capscrew 3/8 x 1-1/4	
6	7950160161	4	Washer 3/8	
7	7660162601	4	Nut 3/8	
8	1001170189	1	Channel	
9	7551000021	4	Control Handle	
10	7551000020	4	Control Handle	
11	7551000018	2	Control Handle	
12	7115181064	4	Bolt 1/2 x 1/4	
13	7691000064	2	Pin	
14	1001170187	5	Control Rod	
15	1001170188	5	Control Rod	
16	7115150850	15	Capscrew 5/16 x 1	
17	7949000011	15	Washer	
18	7660152601	23	Nut 5/16	
19	4831000069	15	Spacer	
20	7759000006	8	Rivet	
21	7660182601	4	Nut 1/2	
22	8632000012	AR	Trim lock	
23	7790151253	12	Screw 5/16 x 3/4	
24	7950180161	4	Washer 1/2	
25	7690101200	5	Clevis Pin	
26	7691000056	5	Pin, Hairpin Cotter	
27	3560000010	1	Control Hood Assembly	
28	7115150664	8	Bolt 5/16 x 3/4	
29	7950150161	8	Washer 5/16	
30	1001135272	1	Channel	
31	7950220141	2	Washer 3/4	
33	7280000007	11	Wire Clip	
34	7949000054	8	Washer	
35	7950140141	1	Washer 1/4	
36	7660142601	1	Nut 1/4	
37	7115140650	1	Capscrew 1/4 x 3/4	
38	7274000063	1	Clamp	
39	7560000007	1	Control Hood, RH	
40	4606000217	4	Lug	

# SECTION 4 - CONTROLS

FIGURE 4-25. 5 BANK VALVE CONTROLS INSTALLATION - HYDRAULIC  
TOW/STABILIZER/REMOTE CONTROL



ART\_1001170402

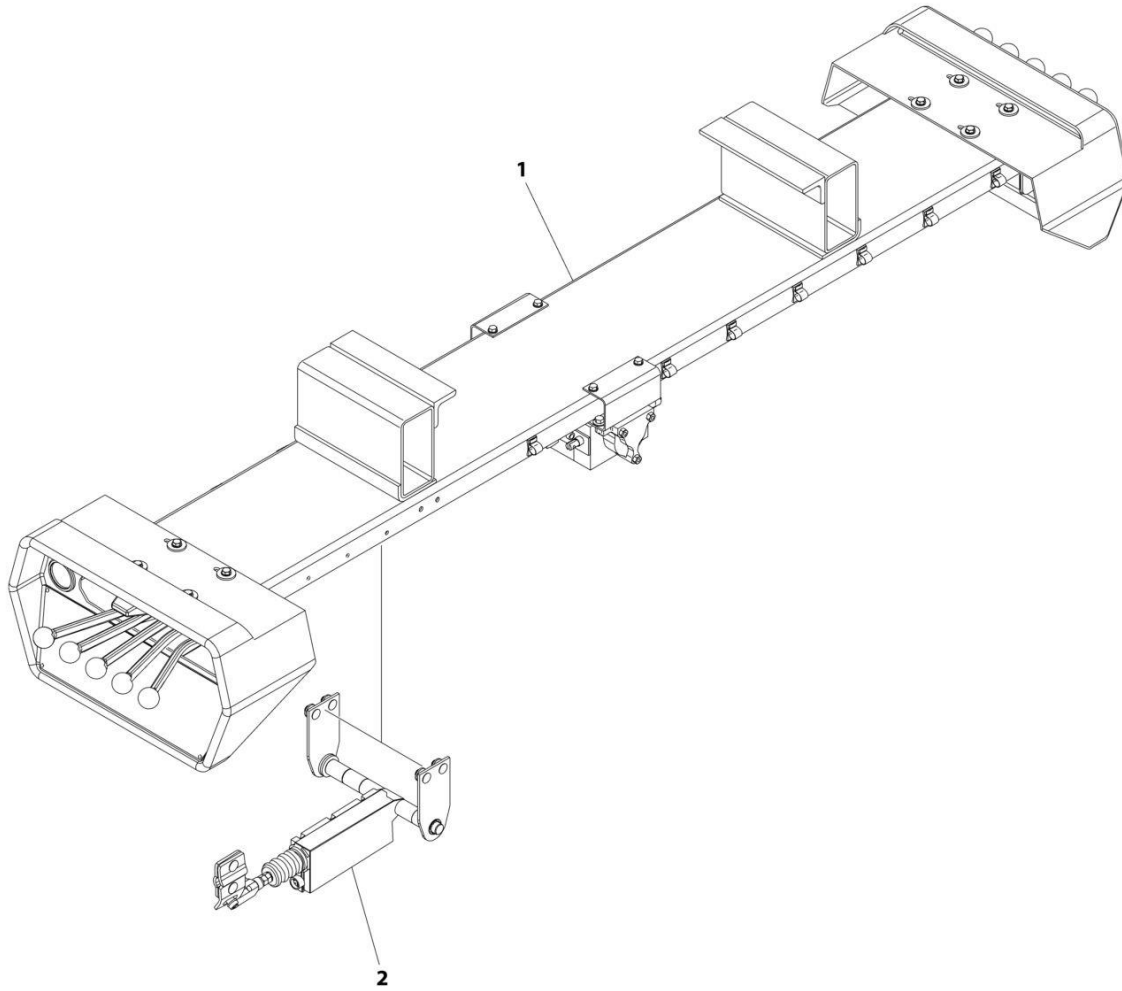
## SECTION 4 - CONTROLS

**FIGURE 4-25. 5 BANK VALVE CONTROLS INSTALLATION - HYDRAULIC  
TOW/STABILIZER/REMOTE CONTROL**

ITEM	PART NUMBER	QTY	DESCRIPTION	REV
	1001170402	Ref	5 BANK CONTROLS INSTALLATION WITH STABILIZER - REMOTE CONTROL	A
1	1001170401	1	5 Bank Controls Installation (See Separate Breakdown in this Section)	
2	2577000017	1	Linear Actuator Mount Kit (See Separate Breakdown in this Section)	

# SECTION 4 - CONTROLS

FIGURE 4-26. 5 BANK VALVE INSTALLATION – HYDRAULIC TOW/IRL/REMOTE CONTROL



ART\_CSBITRC-TPR

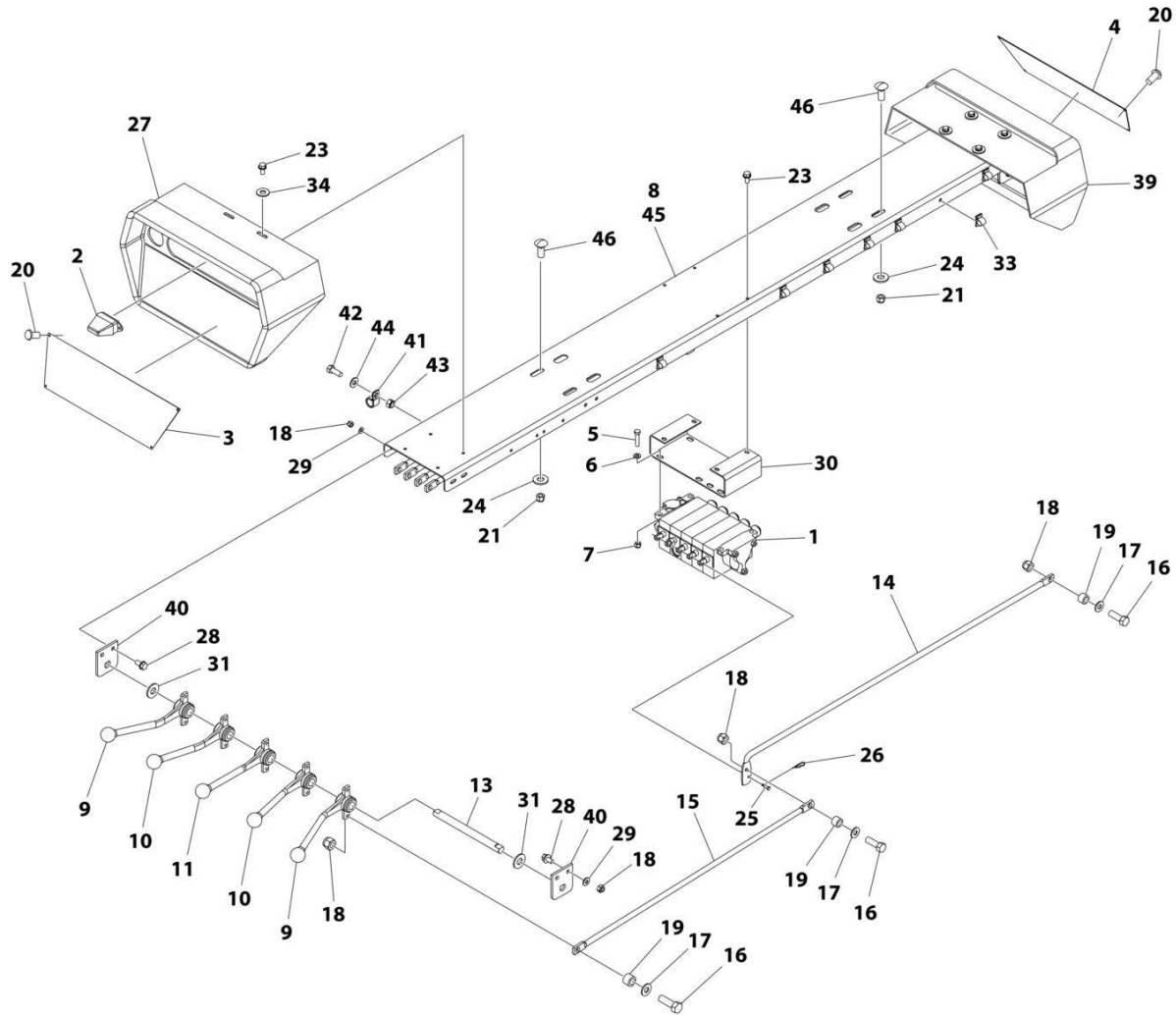
**SECTION 4 - CONTROLS**

**FIGURE 4-26. 5 BANK VALVE INSTALLATION – HYDRAULIC TOW/IRL/REMOTE CONTROL**

<b>ITEM</b>	<b>PART NUMBER</b>	<b>QTY</b>	<b>DESCRIPTION</b>	<b>REV</b>
	C5BITRC-TPR	Ref	5 BANK VALVE INSTALLATION - HYD TOW/IRL/REMOTE CONTROL	0
1	2296000106	1	5 Bank Controls Installation (See Separate Breakdown in this Section)	
2	2577000017	1	Linear Actuator Mount Kit (See Separate Breakdown in this Section)	

# SECTION 4 - CONTROLS

## FIGURE 4-27. 5 BANK VALVE CONTROLS INSTALLATION - HYDRAULIC TOW/IRL



ART\_2296000106



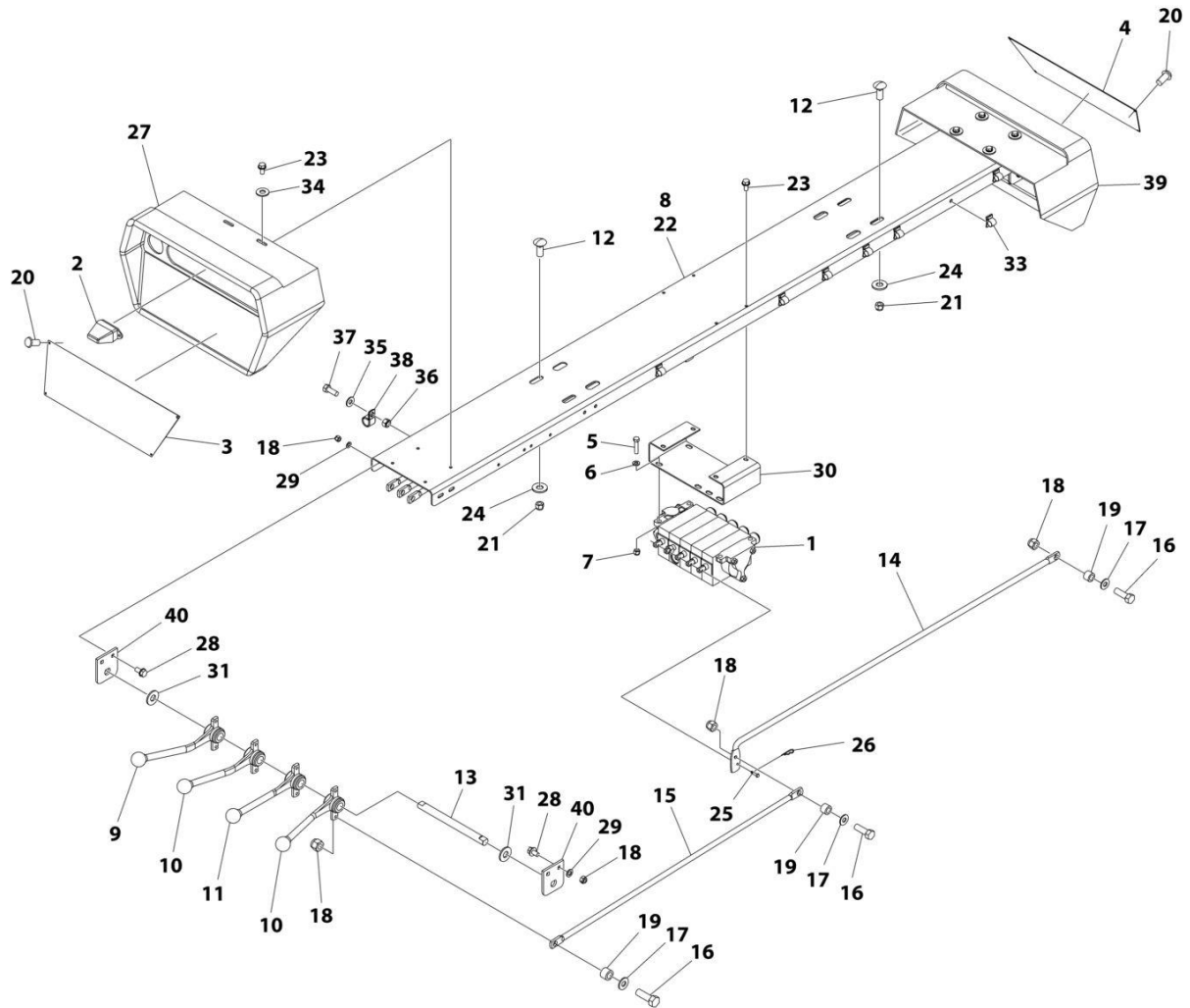
## SECTION 4 - CONTROLS

**FIGURE 4-27. 5 BANK VALVE CONTROLS INSTALLATION - HYDRAULIC TOW/IRL**

ITEM	PART NUMBER	QTY	DESCRIPTION	REV
	2296000106	Ref	5 BANK CONTROLS INSTALLATION - HYDRAULIC TOW, IRL	I
1	3935000117	1	Valve Assembly (See Separate Breakdown in this Section)	
2	1001143764	2	Lamp	
3	7330000648	1	Decal Control Panel, LH	
4	7330000649	1	Decal Control Panel, RH	
5	7111161050	4	Capscrew 3/8 x 1-1/4	
6	7950160161	4	Washer 3/8	
7	7660162601	4	Nut 3/8	
8	1001135273	1	Channel	
9	7551000021	4	Control Handle	
10	7551000020	4	Control Handle	
11	7551000018	2	Control Handle	
13	7691000064	2	Pin	
14	4763000280	5	Control Rod	
15	4763000279	5	Control Rod	
16	7115150850	15	Capscrew 5/16 x 1	
17	7949000011	15	Washer	
18	7660152601	23	Nut 5/16	
19	4831000069	15	Spacer	
20	7759000006	8	Rivet	
21	7660182601	4	Nut 1/2	
23	7790151253	12	Screw 5/16 x 3/4	
24	7950180161	4	Washer 1/2	
25	7690101200	5	Clevis Pin	
26	7691000056	5	Pin, Hairpin Cotter	
27	3560000010	1	Control Hood Assembly	
28	7115150664	8	Bolt 5/16 x 3/4	
29	7950150161	8	Washer 5/16	
30	1001135272	1	Channel	
31	7950220141	2	Washer 3/4	
33	7280000007	11	Wire Clip	
34	7949000054	8	Washer	
39	7560000007	1	Control Hood, RH	
40	4606000217	4	Lug	
41	7274000063	1	Clamp	
42	7115140650	1	Capscrew 1/4 x 3/4	
43	7660142601	1	Nut 1/4	
44	7950140141	1	Washer 1/4	
45	8632000012	AR	Trim Lock	
46	7115181064	4	Bolt 1/2 x 1-1/4	

# SECTION 4 - CONTROLS

## FIGURE 4-28. 5 BANK VALVE CONTROLS INSTALLATION - HYDRAULIC TOW/IRL



ART\_1001170393

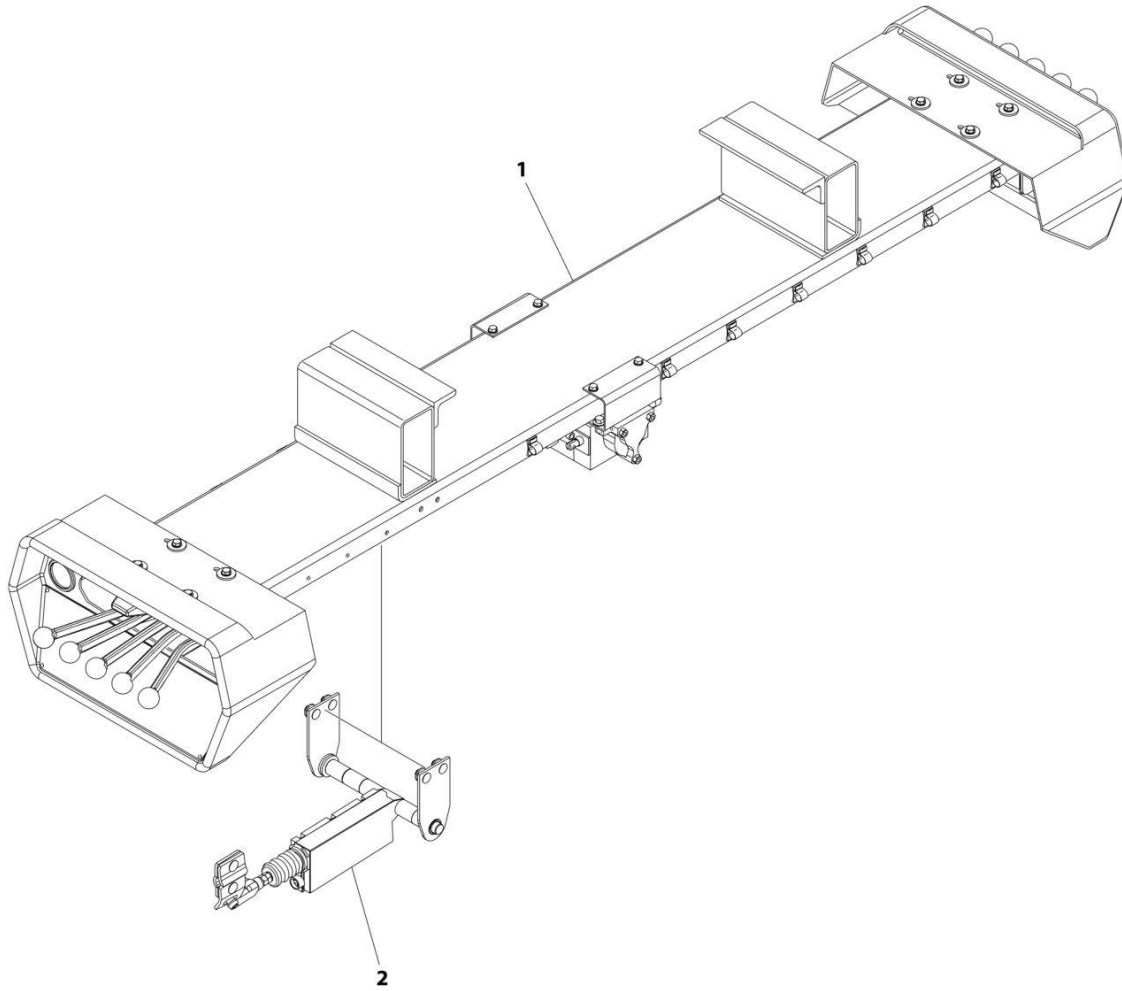
## SECTION 4 - CONTROLS

**FIGURE 4-28. 5 BANK VALVE CONTROLS INSTALLATION - HYDRAULIC TOW/IRL**

ITEM	PART NUMBER	QTY	DESCRIPTION	REV
	1001170393	Ref	5 BANK CONTROLS INSTALLATION - IRL	A
1	3935000117	1	Valve Assembly (See Separate Breakdown in this Section)	
2	1001143764	2	Lamp	
3	7330000648	1	Decal Control Panel, LH	
4	7330000649	1	Decal Control Panel, RH	
5	7111161050	4	Capscrew 3/8 x 1-1/4	
6	7950160161	4	Washer 3/8	
7	7660162601	4	Nut 3/8	
8	1001170189	1	Channel	
9	7551000021	4	Control Handle	
10	7551000020	4	Control Handle	
11	7551000018	2	Control Handle	
12	7115181064	4	Bolt 1/2 x 1-1/4	
13	7691000064	2	Pin	
14	1001170187	5	Control Rod	
15	1001170188	5	Control Rod	
16	7115150850	15	Capscrew 5/16 x 1	
17	7949000011	15	Washer	
18	7660152601	23	Nut 5/16	
19	4831000069	15	Sapcer	
20	7759000006	8	Rivet	
21	7660182601	4	Nut 1/2	
22	8632000012	AR	Trim Lock	
23	7790151253	12	Screw 5/16 x 3/4	
24	7950180161	4	Washer 1/2	
25	7690101200	5	Clevis Pin	
26	7691000056	5	Pin, Hairpin Cotter	
27	3560000010	1	Control Hood Assembly	
28	7115150664	8	Bolt 5/16 x 3/4	
29	7950150000	8	Washer 5/16	
30	1001135272	1	Channel	
31	7950220141	2	Washer 3/4	
33	7280000007	11	Wire Clip	
34	7949000054	8	Washer	
35	7950140141	1	Washer 1/4	
36	7660142601	1	Nut 1/4	
37	7115140650	1	Capscrew 1/4 x 3/4	
38	7274000063	1	Clamp	
39	7560000007	1	Control Hood, RH	
40	4606000217	4	Lug	

# SECTION 4 - CONTROLS

## FIGURE 4-29. 5 BANK VALVE CONTROLS INSTALLATION - HYD TOW/IRL/REMOTE CONTROL



ART\_1001170397

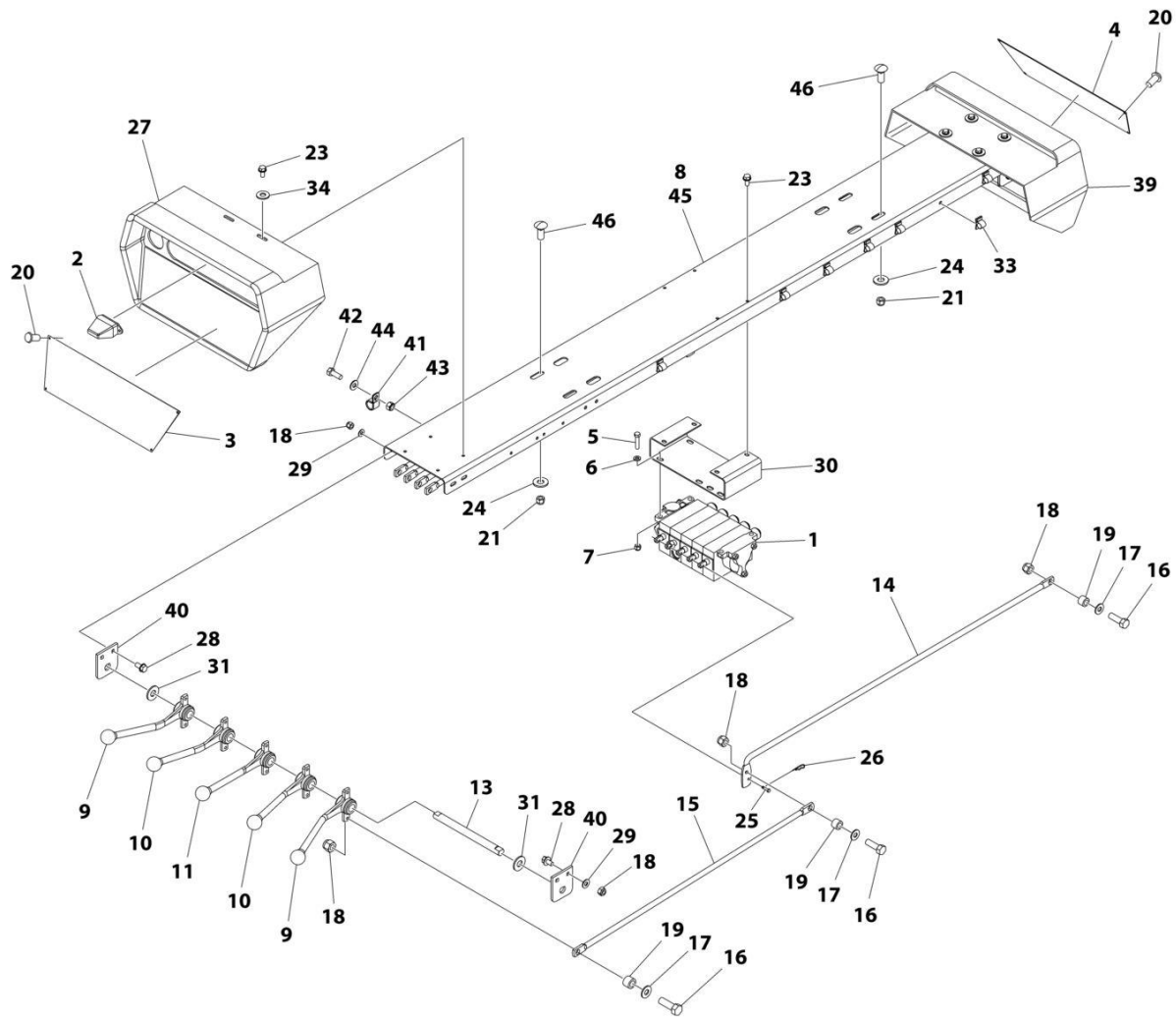
## SECTION 4 - CONTROLS

**FIGURE 4-29. 5 BANK VALVE CONTROLS INSTALLATION - HYD TOW/IRL/REMOTE CONTROL**

ITEM	PART NUMBER	QTY	DESCRIPTION	REV
	1001170397	Ref	5 BANK CONTROLS INSTALLATION - WINCH MOTOR SPOOL, RADIO REMOTE	A
1	1001170393	Ref	5 Bank Controls Installation (See Separate Breakdown in this Section)	
2	2577000017	1	Linear Actuator Mount Kit (See Separate Breakdown in this Section)	

# SECTION 4 - CONTROLS

## FIGURE 4-30. 5 BANK VALVE CONTROLS INSTALLATION - HYDRAULIC TOW/IRL/WINCH MOTOR SPOOL



ART\_1001146605

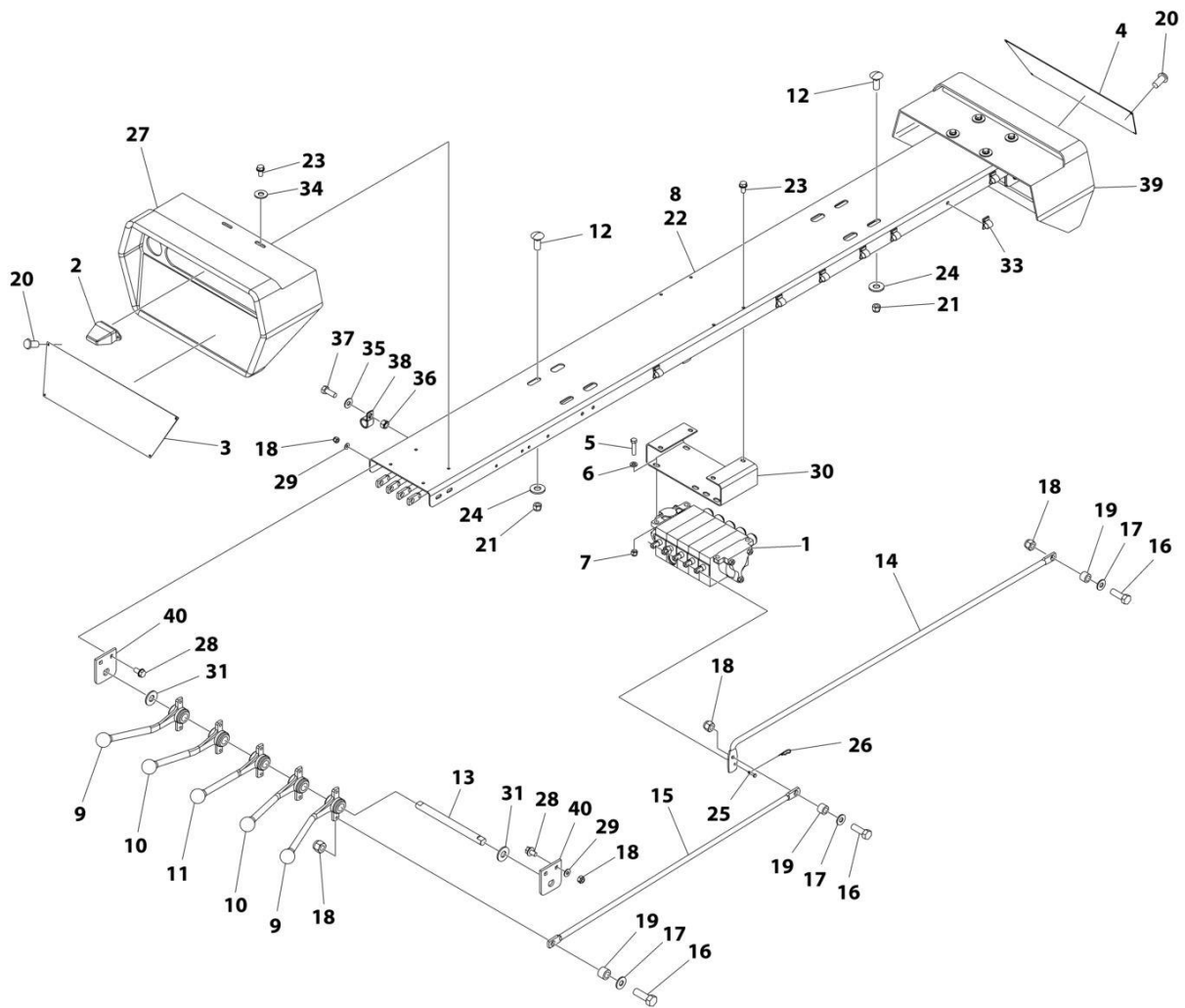
## SECTION 4 - CONTROLS

**FIGURE 4-30. 5 BANK VALVE CONTROLS INSTALLATION - HYDRAULIC TOW/IRL/WINCH MOTOR SPOOL**

ITEM	PART NUMBER	QTY	DESCRIPTION	REV
	1001146605	Ref	5 BANK CONTROLS INSTALLATION - HYDRAULIC TOW, IRL, WINCH MOTOR SPOOL	B
1	1001146603	1	Valve Assembly (See Separate Breakdown in this Section)	
2	1001143764	2	Lamp	
3	7330000648	1	Decal, Control Panel, LH	
4	7330000649	1	Decal, Control Panel, RH	
5	7111161050	4	Capscrew 3/8 x 1-1/4	
6	7950160161	4	Washer 3/8	
7	7660162601	4	Nut 3/8	
8	1001135273	1	Channel	
9	7551000021	4	Control Handle	
10	7551000020	4	Control Handle	
11	7551000018	2	Control Handle	
13	7691000064	2	Pin	
14	4763000280	5	Control Rod	
15	4763000279	5	Control Rod	
16	7115150850	15	Capscrew 5/16 x 1	
17	7949000011	15	Washer	
18	7660152601	23	Nut 5/16	
19	4831000069	15	Spacer	
20	7759000006	8	Rivet	
21	7660182601	4	Nut 1/2	
23	7790151253	12	Screw 5/16 x 3/4	
24	7950180161	4	Washer 1/2	
25	7690101200	5	Clevis Pin	
26	7691000056	5	Pin, Hairpin Cotter	
27	3560000010	1	Control Hood Assembly	
28	7115150664	8	Bolt 5/16 x 3/4	
29	7950150161	8	Washer 5/16	
30	1001135272	1	Channel	
31	7950220141	2	Washer 3/4	
33	7280000007	11	Wire Clip	
34	7949000054	8	Washer	
39	7560000007	1	Control Hood, RH	
40	4606000217	4	Lug	
41	7274000063	1	Clamp	
42	7115140650	1	Capscrew 1/4 x 3/4	
43	7660142601	1	Nut 1/4	
44	7950140141	1	Washer 1/4	
45	8632000012	AR	Trim Lock	
46	7115181064	4	Bolt 1/2 x 1-1/4	

# SECTION 4 - CONTROLS

## FIGURE 4-31. 5 BANK VALVE CONTROLS INSTALLATION - HYDRAULIC TOW/IRL/WINCH MOTOR SPOOL



ART\_1001170399



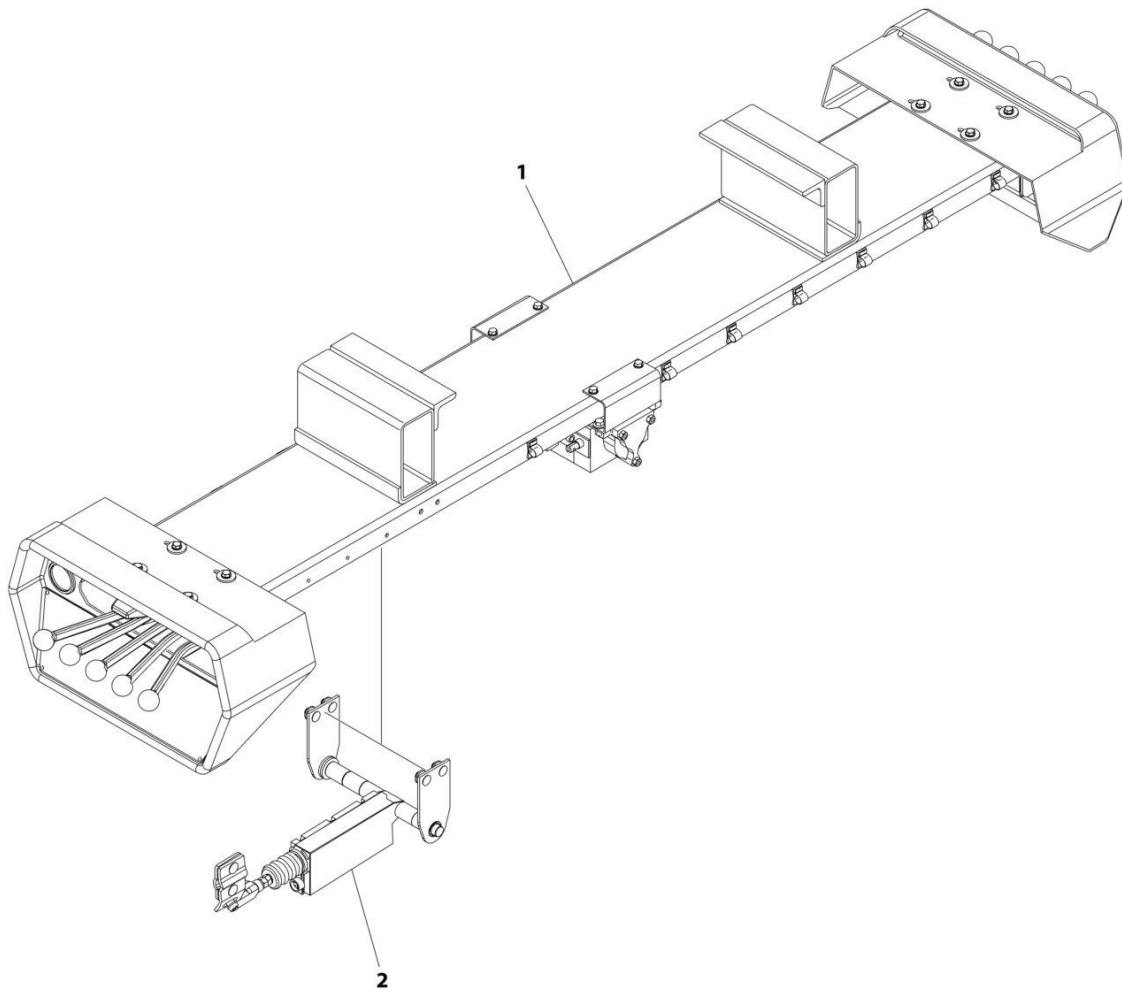
## SECTION 4 - CONTROLS

**FIGURE 4-31. 5 BANK VALVE CONTROLS INSTALLATION - HYDRAULIC TOW/IRL/WINCH MOTOR SPOOL**

ITEM	PART NUMBER	QTY	DESCRIPTION	REV
	1001170399	Ref	5 BANK CONTROLS INSTALLATION - HYDRAULIC TOW, IRL, WINCH MOTOR SPOOL	A
1	1001146603	1	Valve Assembly (See Separate Breakdown in this Section)	
2	1001143764	2	Lamp	
3	7330000648	1	Decal Control Panel, LH	
4	7330000649	1	Decal Control Panel, RH	
5	7111161050	4	Capscrew 3/8 x 1-1/4	
6	7950160161	4	Washer 3/8	
7	7660162601	4	Nut 3/8	
8	1001170189	1	Channel	
9	7551000021	4	Control Handle	
10	7551000020	4	Control Handle	
11	7551000018	2	Control Handle	
12	7115181064	4	Bolt 1/2 x 1-1/4	
13	7691000064	2	Pin	
14	1001170187	5	Control Rod	
15	1001170188	5	Control Rod	
16	7115150850	15	Capscrew 5/16 x 1	
17	7949000011	15	Washer	
18	7660152601	23	Nut 5/16	
19	4831000069	15	Sapcer	
20	7759000006	8	Rivet	
21	7660182601	4	Nut 1/2	
22	8632000012	AR	Trim Lock	
23	7790151253	12	Screw 5/16 x 3/4	
24	7950180161	4	Washer 1/2	
25	7690101200	5	Clevis Pin	
26	7691000056	5	Pin, Hairpin Cotter	
27	3560000010	1	Control Hood Assembly	
28	7115150664	8	Bolt 5/16 x 3/4	
29	7950150161	8	Washer 5/16	
30	1001135272	1	Channel	
31	7950220141	2	Washer 3/4	
33	7280000007	11	Wire Clip	
34	7949000054	8	Washer	
35	7950140141	1	Washer 1/4	
36	7660142601	1	Nut 1/4	
37	7115140650	1	Capscrew 1/4 x 3/4	
38	7274000063	1	Clamp	
39	7560000007	1	Control Hood, RH	
40	4606000217	4	Lug	

# SECTION 4 - CONTROLS

FIGURE 4-32. 5 BANK VALVE CONTROLS INSTALLATION - HYDRAULIC TOW/IRL/WINCH MOTOR SPOOL/REMOTE CONTROL



ART\_1001153233

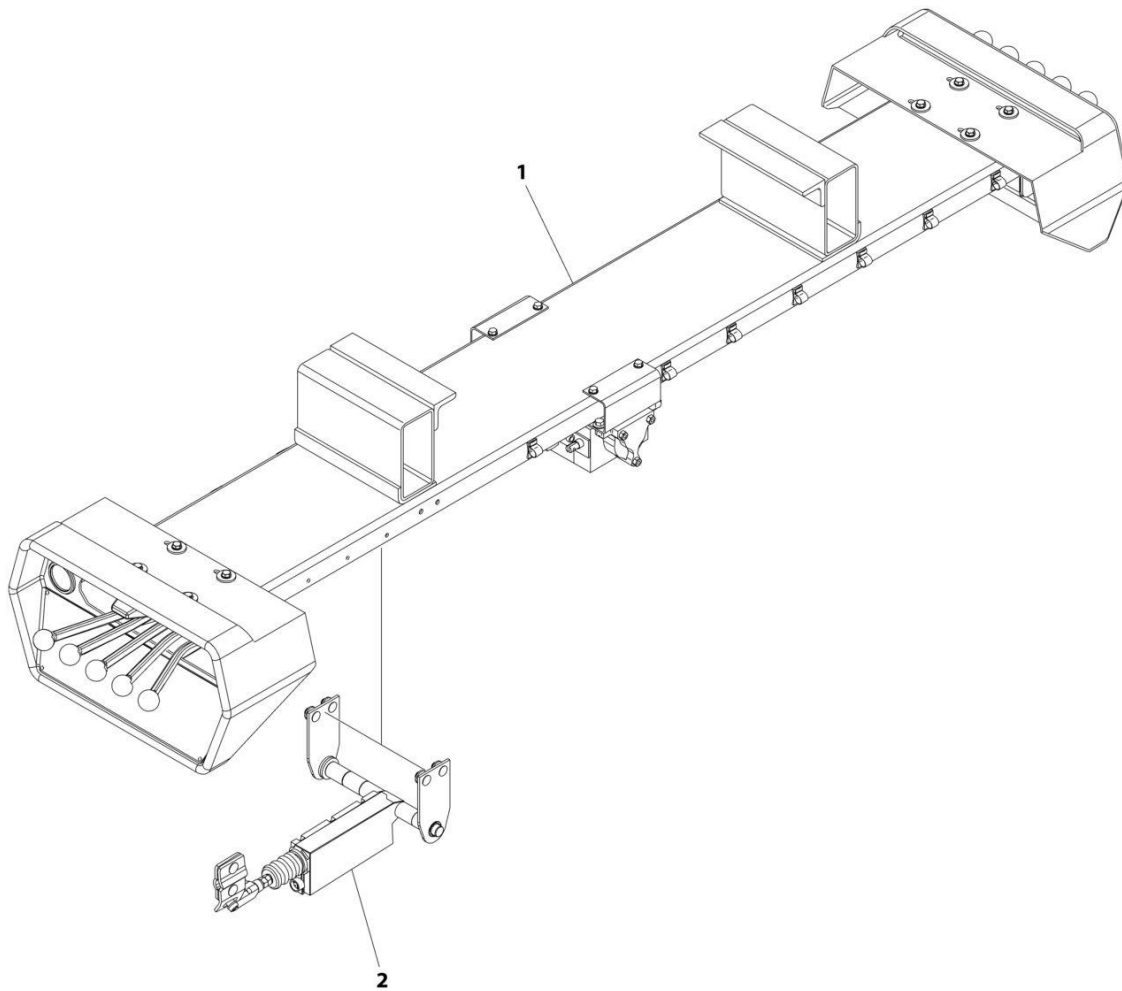
**SECTION 4 - CONTROLS**

**FIGURE 4-32. 5 BANK VALVE CONTROLS INSTALLATION - HYDRAULIC TOW/IRL/WINCH MOTOR SPOOL/REMOTE CONTROL**

<b>ITEM</b>	<b>PART NUMBER</b>	<b>QTY</b>	<b>DESCRIPTION</b>	<b>REV</b>
1	1001153233	Ref	5 BANK CONTROLS - IRL, MOTOR SPOOL, RADIO REMOTE	B
	1001146605	Ref	5 Bank Controls Installation (See Separate Breakdown in this Section))	
2	2577000017	1	Linear Actuator Mount Kit (See Separate Breakdown in this Section)	

## SECTION 4 - CONTROLS

FIGURE 4-33. 5 BANK VALVE CONTROLS INSTALLATION - HYDRAULIC TOW/IRL/WINCH MOTOR SPOOL/REMOTE CONTROL



ART\_1001170400

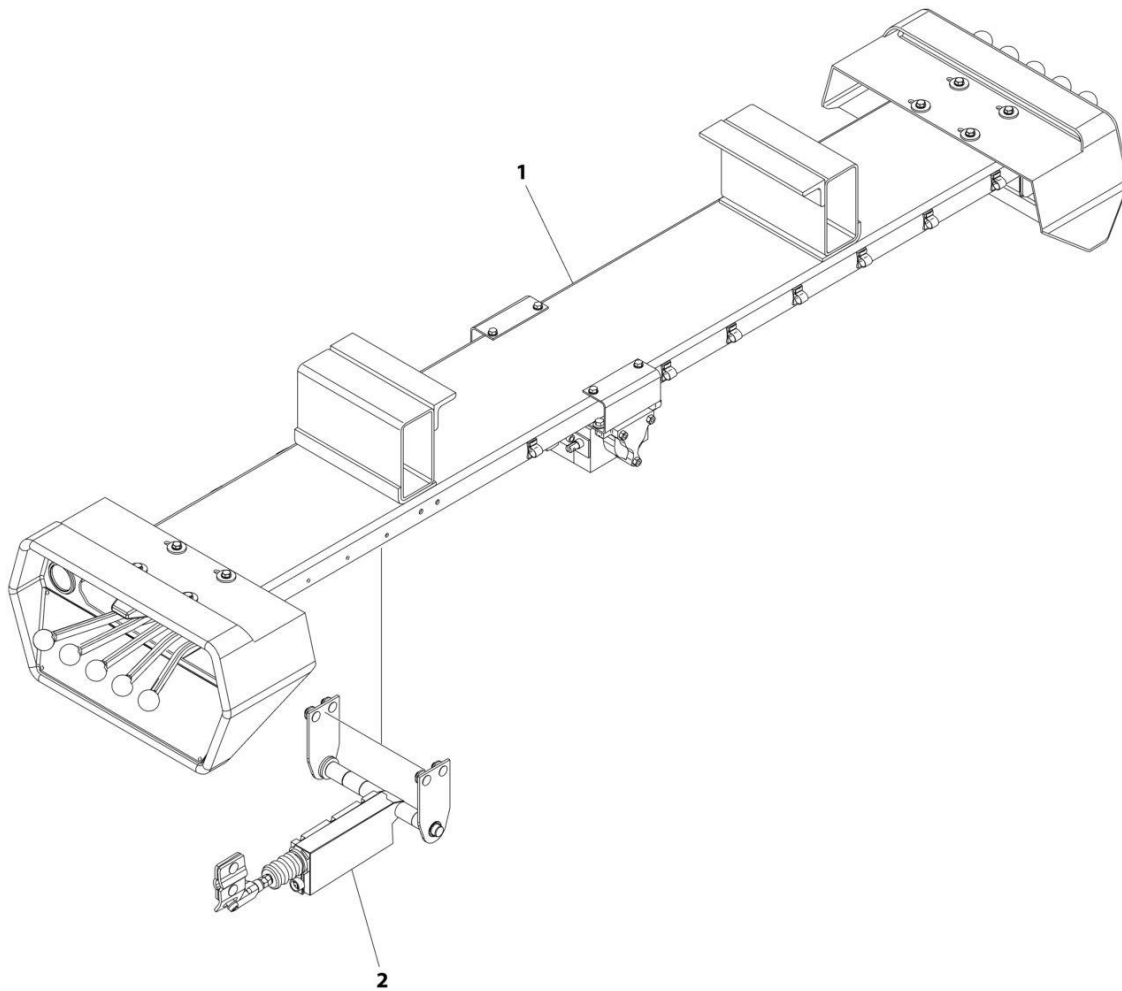
## SECTION 4 - CONTROLS

**FIGURE 4-33. 5 BANK VALVE CONTROLS INSTALLATION - HYDRAULIC TOW/IRL/WINCH MOTOR SPOOL/REMOTE CONTROL**

ITEM	PART NUMBER	QTY	DESCRIPTION	REV
1	1001170400	Ref	5 BANK CONTROLS INSTALLATION - IRL, RADIO REMOTE	A
	1001170399	1	5 Bank Controls Installation (See Separate Breakdown in this Section)	
2	2577000017	1	Linear Actuator Mount Kit (See Separate Breakdown in this Section)	

# SECTION 4 - CONTROLS

## FIGURE 4-34. 5 BANK VALVE CONTROLS INSTALLATION - HYDRAULIC TOW/IRL/COLOR HANDLES/RACEWAY



ART\_1001141684

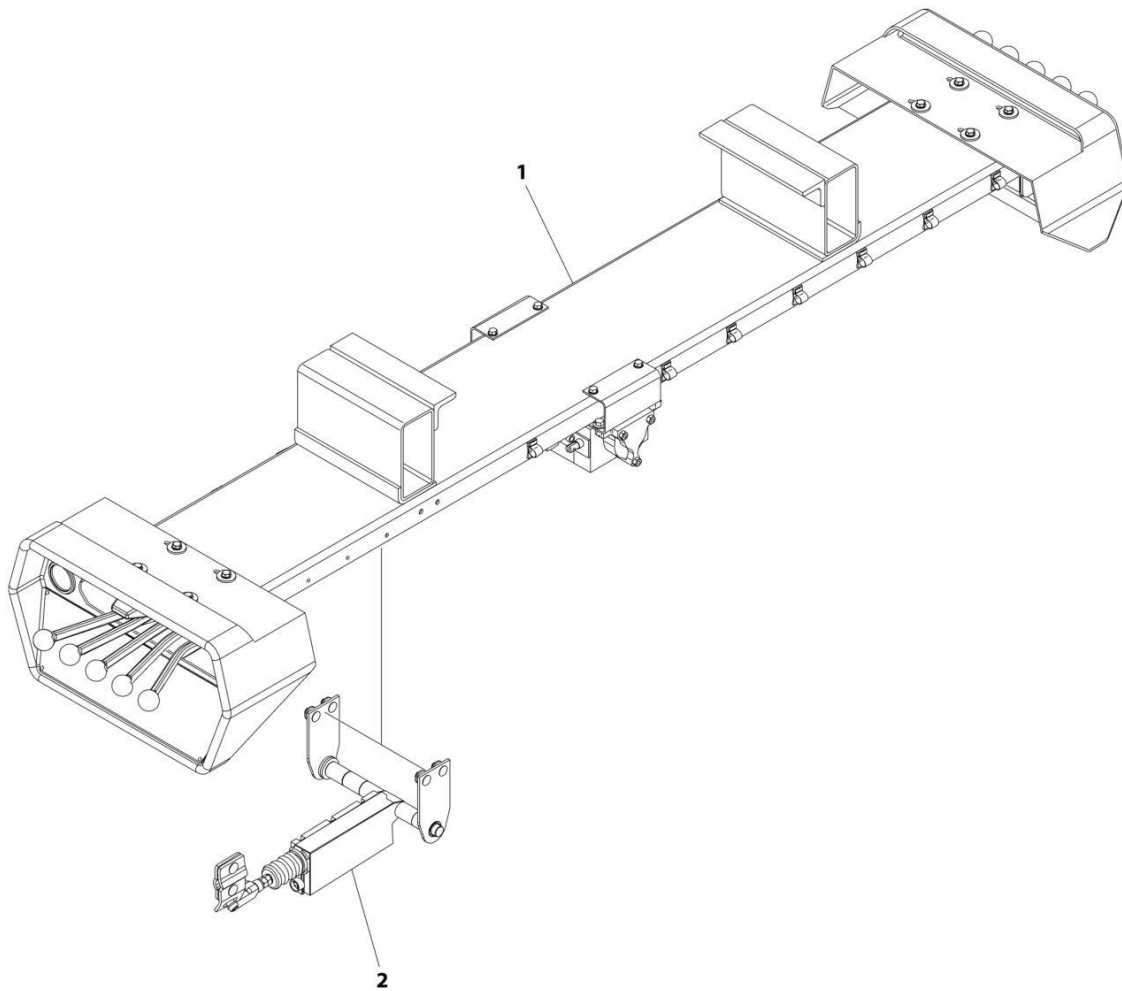
## SECTION 4 - CONTROLS

**FIGURE 4-34. 5 BANK VALVE CONTROLS INSTALLATION - HYDRAULIC TOW/IRL/COLOR HANDLES/RACEWAY**

ITEM	PART NUMBER	QTY	DESCRIPTION	REV
1	1001141684	Ref	5 BANK CONTROLS WITH IRL (TOW OPT)	A
	1001141629	Ref	5 Bank Controls Installation (See Separate Breakdown in this Section)	
2	2577000017	1	Linear Actuator Mount Kit (See Separate Breakdown in this Section)	

# SECTION 4 - CONTROLS

## FIGURE 4-35. 5 BANK VALVE CONTROLS INSTALLATION - HYDRAULIC TOW/IRL/COLOR HANDLES/RACEWAY



ART\_1001170396



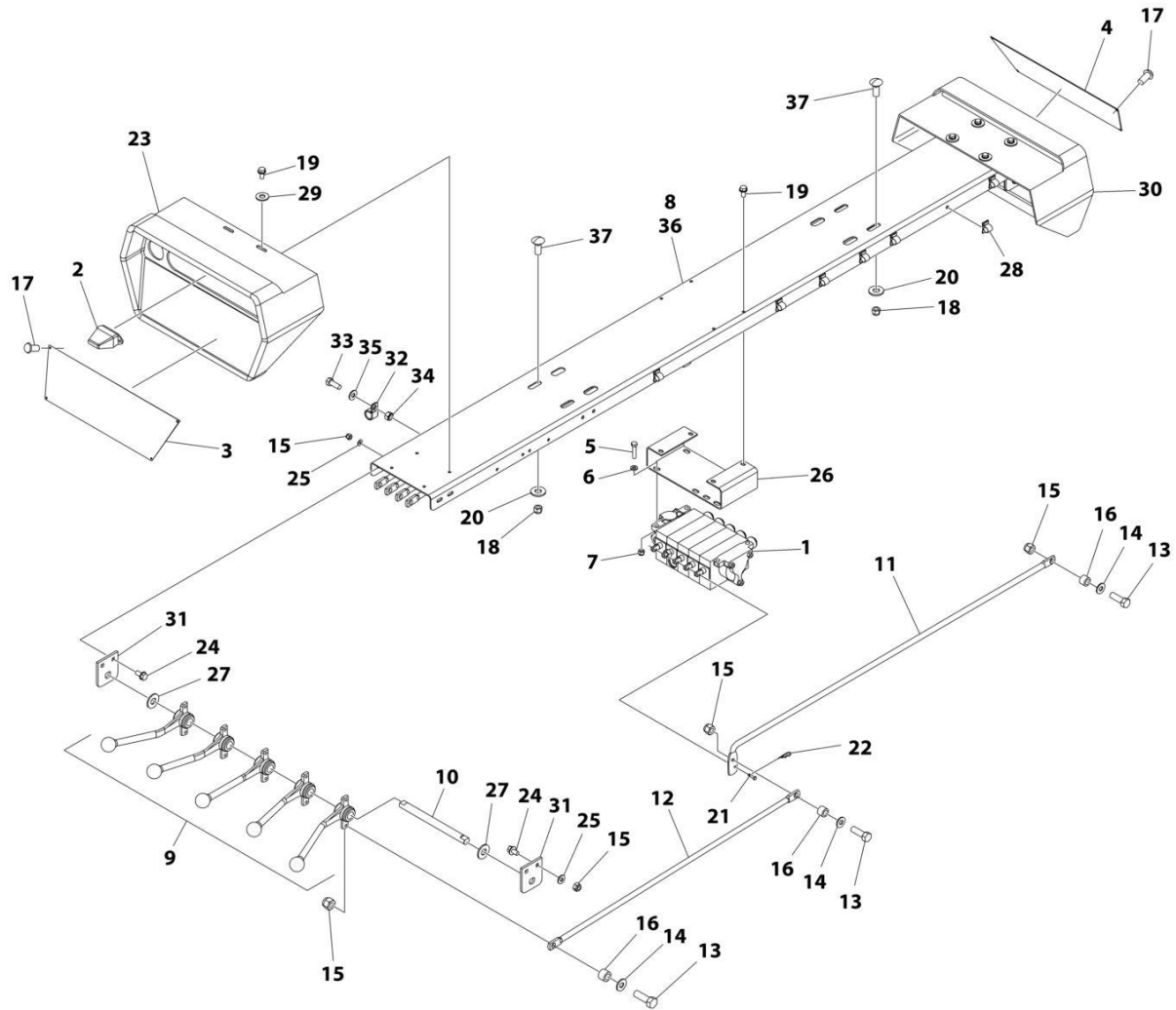
**SECTION 4 - CONTROLS**

**FIGURE 4-35. 5 BANK VALVE CONTROLS INSTALLATION - HYDRAULIC TOW/IRL/COLOR HANDLES/RACEWAY**

<b>ITEM</b>	<b>PART NUMBER</b>	<b>QTY</b>	<b>DESCRIPTION</b>	<b>REV</b>
	1001170396	Ref	5 BANK CONTROLS INSTALLATION - IRL, RACEWAY, RADIO REMOTE	A
1	1001170395	1	5 Bank Controls Installation (See Separate Breakdown in this Section)	
2	2577000017	1	Linear Actuator Mount Kit (See Separate Breakdown in this Section)	

# SECTION 4 - CONTROLS

## FIGURE 4-36. 5 BANK VALVE CONTROLS INSTALLATION - HYDRAULIC TOW/IRL/COLOR HANDLES/RACEWAY



ART\_1001170395

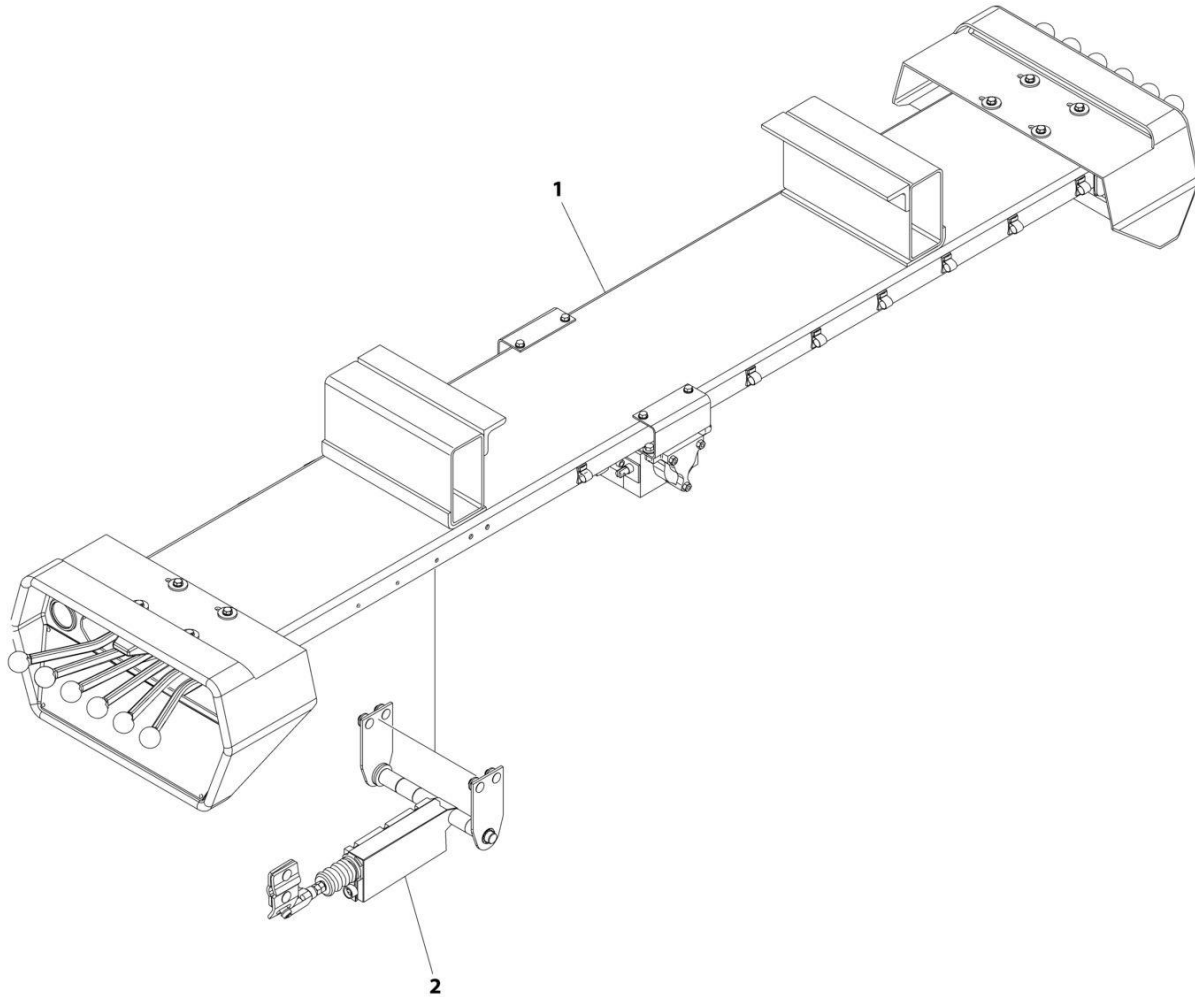
## SECTION 4 - CONTROLS

**FIGURE 4-36. 5 BANK VALVE CONTROLS INSTALLATION - HYDRAULIC TOW/IRL/COLOR HANDLES/RACEWAY**

ITEM	PART NUMBER	QTY	DESCRIPTION	REV
	1001170395	Ref	5 BANK CONTROLS INSTALLATION - IRL, RACEWAY	A
1	3935000117	1	Valve Assembly (See Separate Breakdown in this Section)	
2	1001143764	2	Lamp	
3	7330000648	1	Decal, Control Panel, LH	
4	7330000649	1	Decal, Control Panel, RH	
5	7111161050	4	Capscrew 3/8 x 1-1/4	
6	7950160161	4	Washer 3/8	
7	7660162601	4	Nut 3/8	
8	1001170189	1	Channel	
9	1001141626	1	Control Handle	
10	7691000064	2	Pin	
11	1001170187	5	Control Rod	
12	1001170188	5	Control Rod	
13	7115150850	15	Capscrew 5/16 x 1	
14	7949000011	15	Washer	
15	7660152601	23	Nut 5/16	
16	4831000069	15	Spacer	
17	7759000006	8	Rivet	
18	7660182601	4	Nut 1/2	
19	7790151253	12	Screw 5/16 x 3/4	
20	7950180161	4	Washer 1/2	
21	7690101200	5	Clevis Pin	
22	7691000056	5	Pin, Hairpin Cotter	
23	3560000010	1	Control Hood Assembly	
24	7115150664	8	Bolt 5/16 x 3/4	
25	7950150161	8	Washer 5/16	
26	1001135272	1	Channel	
27	7950220141	2	Washer 3/4	
28	7280000007	11	Wire Clip	
29	7949000054	8	Washer	
30	7560000007	1	Control Hood, RH	
31	4606000217	4	Lug	
32	7274000063	1	Clamp	
33	7115140650	1	Capscrew 1/4 x 3/4	
34	7660142601	1	Nut 1/4	
35	7950140141	1	Washer 1/4	
36	8632000012	AR	Trim Lock	
37	7115181064	4	Bolt 1/2 x 1-1/4	

# SECTION 4 - CONTROLS

FIGURE 4-37. 6 BANK VALVE INSTALLATION - HYDRAULIC TOW/IRL/HYDRAULIC GRID/REMOTE CONTROL



ART\_C6BITAGRC-TPR

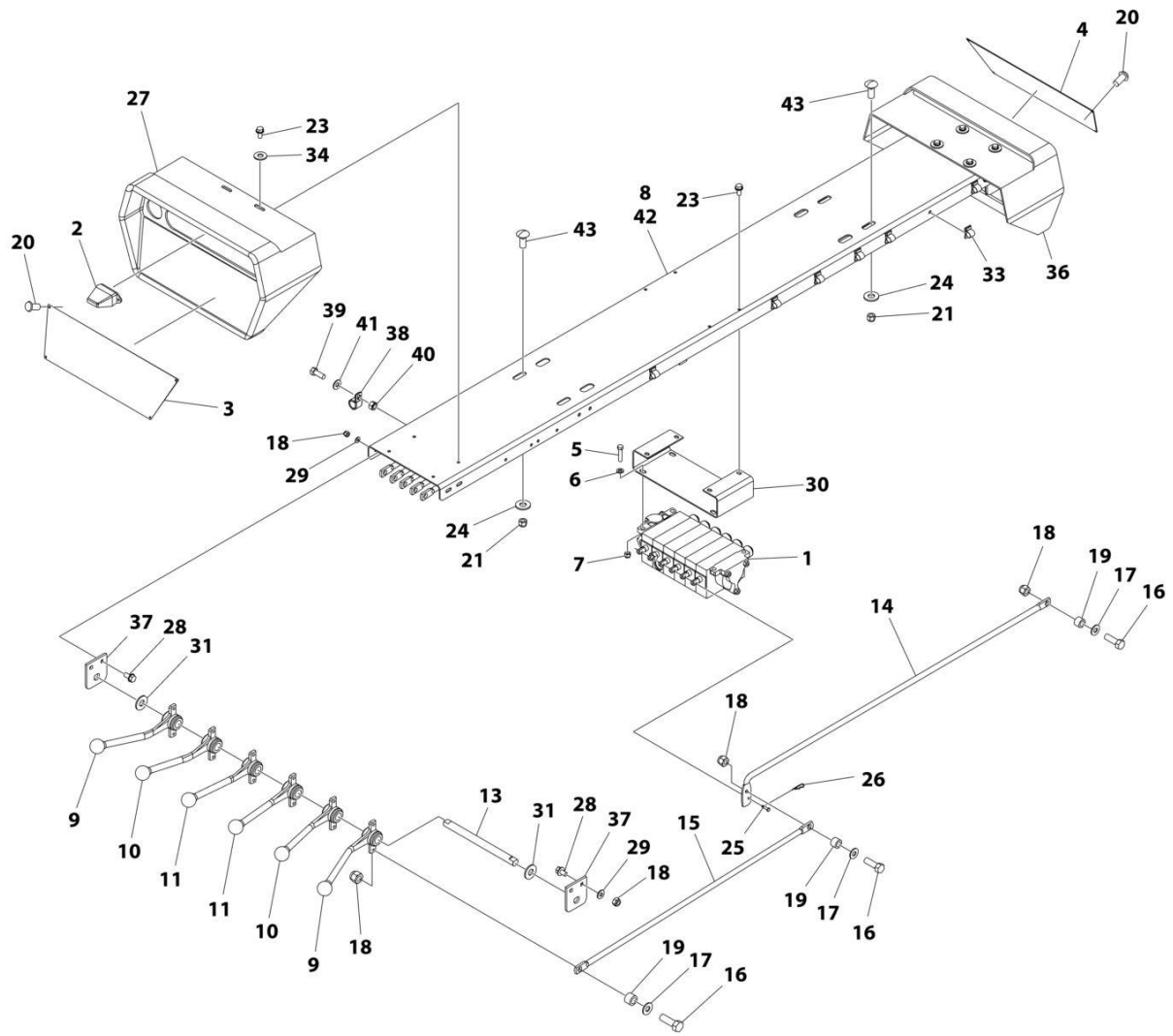
**SECTION 4 - CONTROLS**

**FIGURE 4-37. 6 BANK VALVE INSTALLATION - HYDRAULIC TOW/IRL/HYDRAULIC GRID/REMOTE CONTROL**

ITEM	PART NUMBER	QTY	DESCRIPTION	REV
	C6BITAGRC-TPR	Ref	6 BANK VALVE INSTALLATION - HYD TOW/IRL/HYD GRID/REMOTE CONTROL	0
1	2296000144	1	6 Bank Controls Installation (See Separate Breakdown in this Section)	
2	2577000018	1	Linear Actuator Mount Kit (See Separate Breakdown in this Section)	

# SECTION 4 - CONTROLS

## FIGURE 4-38. 6 BANK VALVE CONTROLS INSTALLATION - HYDRAULIC TOW/IRL/HYD GRID



ART\_2296000144

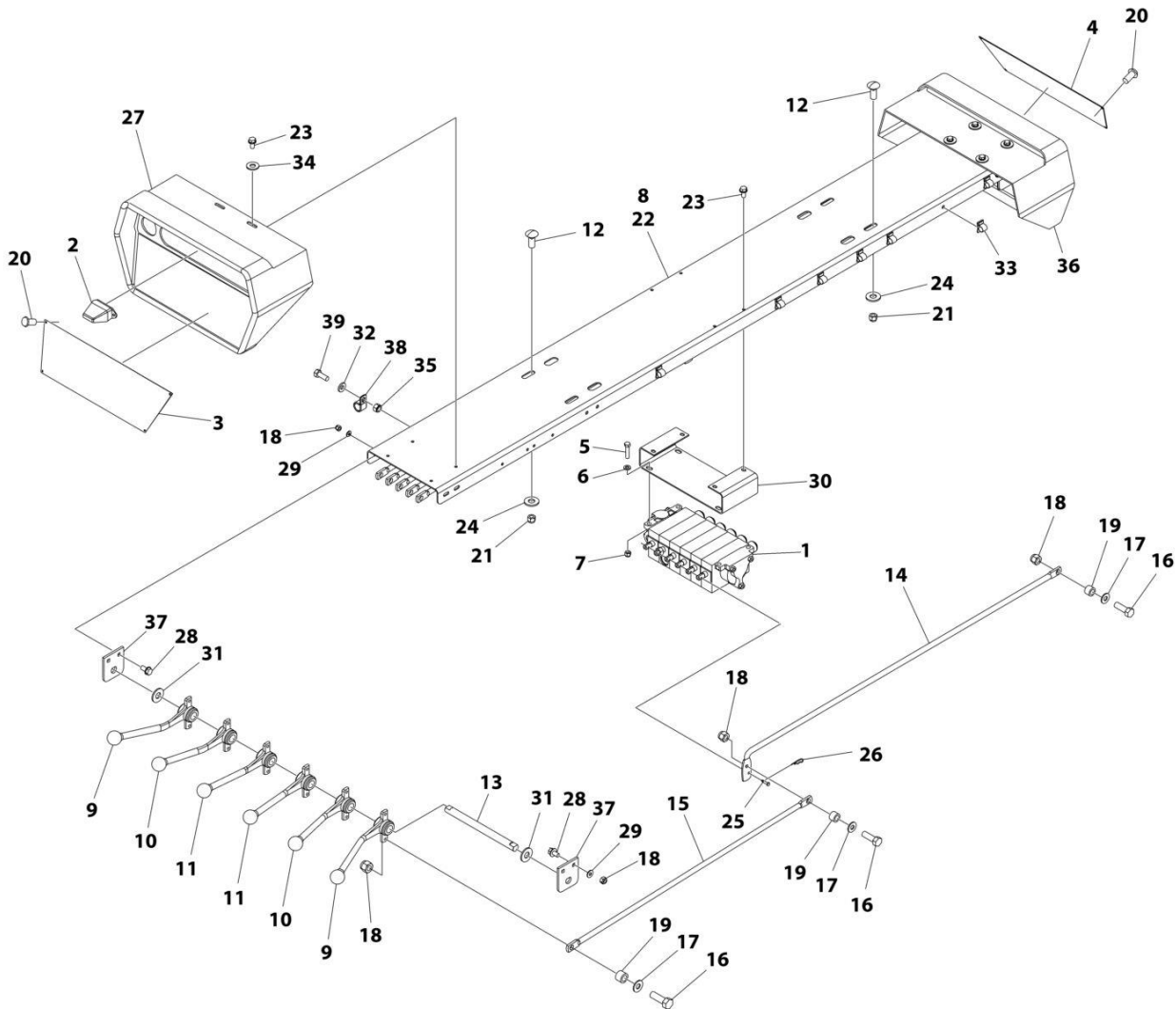
## SECTION 4 - CONTROLS

**FIGURE 4-38. 6 BANK VALVE CONTROLS INSTALLATION - HYDRAULIC TOW/IRL/HYD GRID**

ITEM	PART NUMBER	QTY	DESCRIPTION	REV
	2296000144	Ref	6 BANK CONTROLS INSTALLATION - HYDRAULIC TOW, IRL, HYDRAULIC GRILL	G
1	3935000166	1	Valve Assembly (See Separate Breakdown in this Section)	
2	1001143764	2	Lamp	
3	7330000657	1	Decal Control Panel, LH	
4	7330000658	1	Decal Control Panel, RH	
5	7111161050	4	Capscrew 3/8 x 1-1/4	
6	7950160161	4	Washer 3/8	
7	7660162601	4	Nut 3/8	
8	1001135330	1	Channel	
9	7551000021	4	Control Handle	
10	7551000020	4	Control Handle	
11	7551000019	4	Control Handle	
13	7691000065	2	Pin	
14	4763000280	6	Control Rod	
15	4763000279	6	Control Rod	
16	7115150850	18	Capscrew 5/16 x 1	
17	7949000011	18	Washer	
18	7660152601	26	Nut 5/16	
19	4831000069	18	Spacer	
20	7759000006	8	Rivet	
21	7660182601	4	Nut 1/2	
23	7790151253	12	Screw 5/16 x 3/4	
24	7950180161	4	Washer 1/2	
25	7690101200	6	Clevis Pin	
26	7691000056	6	Pin, Hairpin Cotter	
27	3560000010	1	Control Hood Assembly	
28	7115150664	8	Bolt 5/16 x 3/4	
29	7950150161	8	Washer 5/16	
30	1001135329	1	Channel	
31	7950220141	2	Washer 3/4	
33	7280000007	11	Wire Clip	
34	7949000054	8	Washer	
36	7560000007	1	Control Hood	
37	4606000217	4	Lug	
38	7274000063	1	Clamp	
39	7115140650	1	Capscrew 1/4 x 3/4	
40	7660142601	1	Nut 1/4	
41	7950140141	1	Washer 1/4	
42	8632000012	AR	Trim Lock	
43	7115181064	4	Bolt 1/2 x 1-1/4	

# SECTION 4 - CONTROLS

## FIGURE 4-39. 6 BANK VALVE CONTROLS INSTALLATION - HYDRAULIC TOW/IRL/HYD GRID



ART\_1001170411



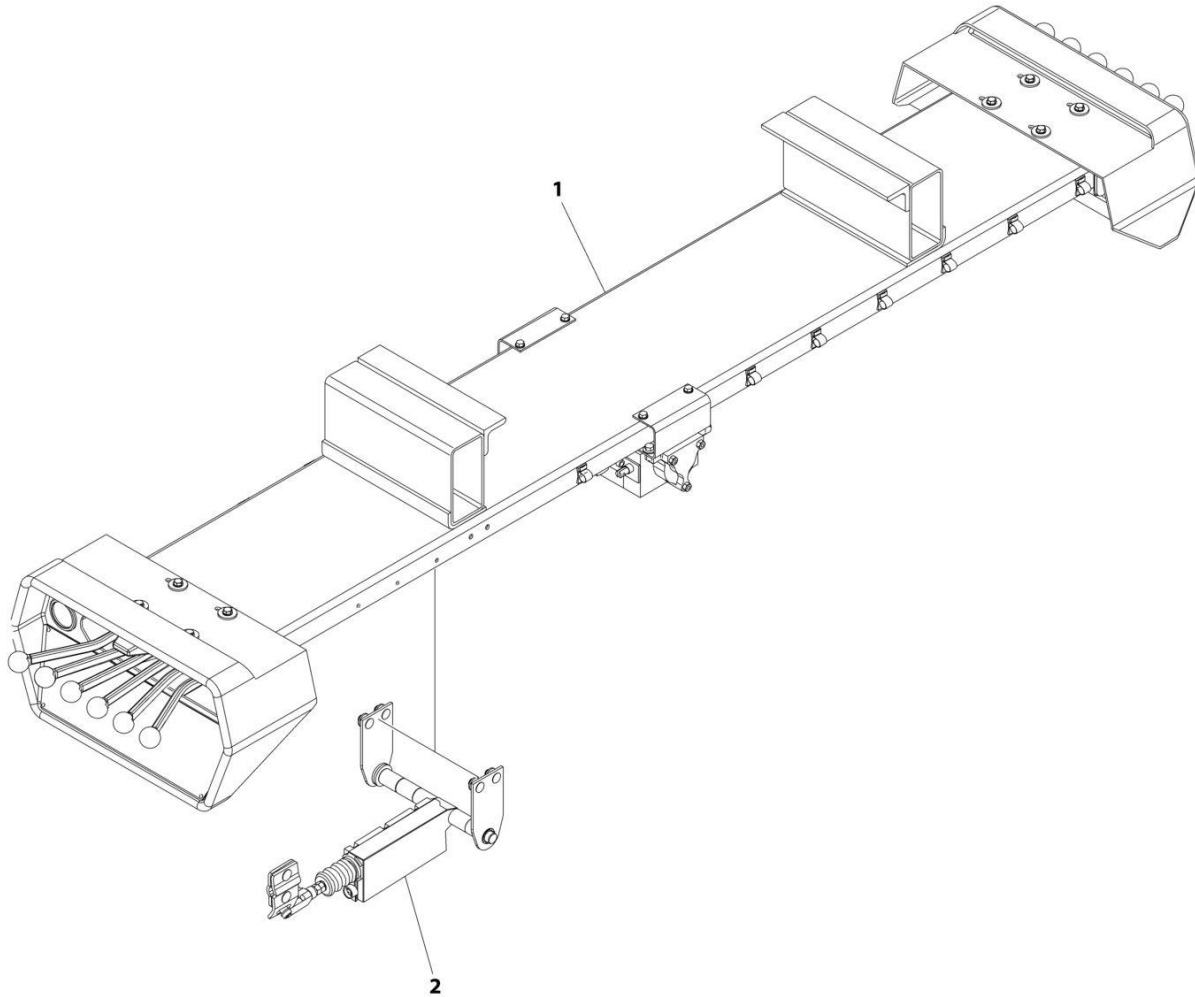
## SECTION 4 - CONTROLS

**FIGURE 4-39. 6 BANK VALVE CONTROLS INSTALLATION - HYDRAULIC TOW/IRL/HYD GRID**

ITEM	PART NUMBER	QTY	DESCRIPTION	REV
	1001170411	Ref	CONTROLS 6-BANK, IRL, HYDRAULIC GRID	A
1	3935000166	1	Valve Assembly (See Separate Breakdown in this Section)	
2	1001143764	2	Lamp	
3	7330000657	1	Decal Control Panel, LH	
4	7330000658	1	Decal Control Panel, RH	
5	7111161050	4	Capscrew 3/8 x 1-1/4	
6	7950160161	4	Washer 3/8	
7	7660162601	4	Nut 3/8	
8	1001170191	4	Channel	
9	7551000021	4	Control Handle	
10	7551000020	4	Control Handle	
11	7551000019	1	Control Handle	
12	7115181064	4	Bolt 1/2 x 1-1/4	
13	7691000065	2	Pin	
14	1001170187	6	Control Rod	
15	1001170188	6	Control Rod	
16	7115150850	18	Capscrew 5/16 x 1	
17	7949000011	18	Washer	
18	7660152601	26	Nut 5/16	
19	4831000069	18	Sapcer	
20	7759000006	8	Rivet	
21	7660182601	4	Nut 1/2	
22	8632000012	AR	Trim Lock	
23	7790151253	12	Screw 5/16 x 3/4	
24	7950180161	4	Washer 1/2	
25	7690101200	6	Clevis Pin	
26	7691000056	6	Pin, Hairpin Cotter	
27	3560000010	1	Control Hood Assembly	
28	7115150664	8	Bolt 5/16 x 3/4	
29	7950150161	8	Washer 5/16	
30	1001135329	1	Channel	
31	7950220141	2	Washer 3/4	
32	7950140141	1	Washer 1/4	
33	7280000007	11	Wire Clip	
34	7949000054	8	Washer	
35	7660142601	1	Nut 1/4	
36	7560000007	1	Control Hood, RH	
37	4606000217	4	Lug	
38	7274000063	1	Clamp	
39	7115140650	1	Capscrew 1/4 x 3/4	

# SECTION 4 - CONTROLS

## FIGURE 4-40. 6 BANK VALVE CONTROLS INSTALLATION - HYDRAULIC TOW/IRL/HYDRAULIC GRID/REMOTE CONTROL



ART\_1001170412

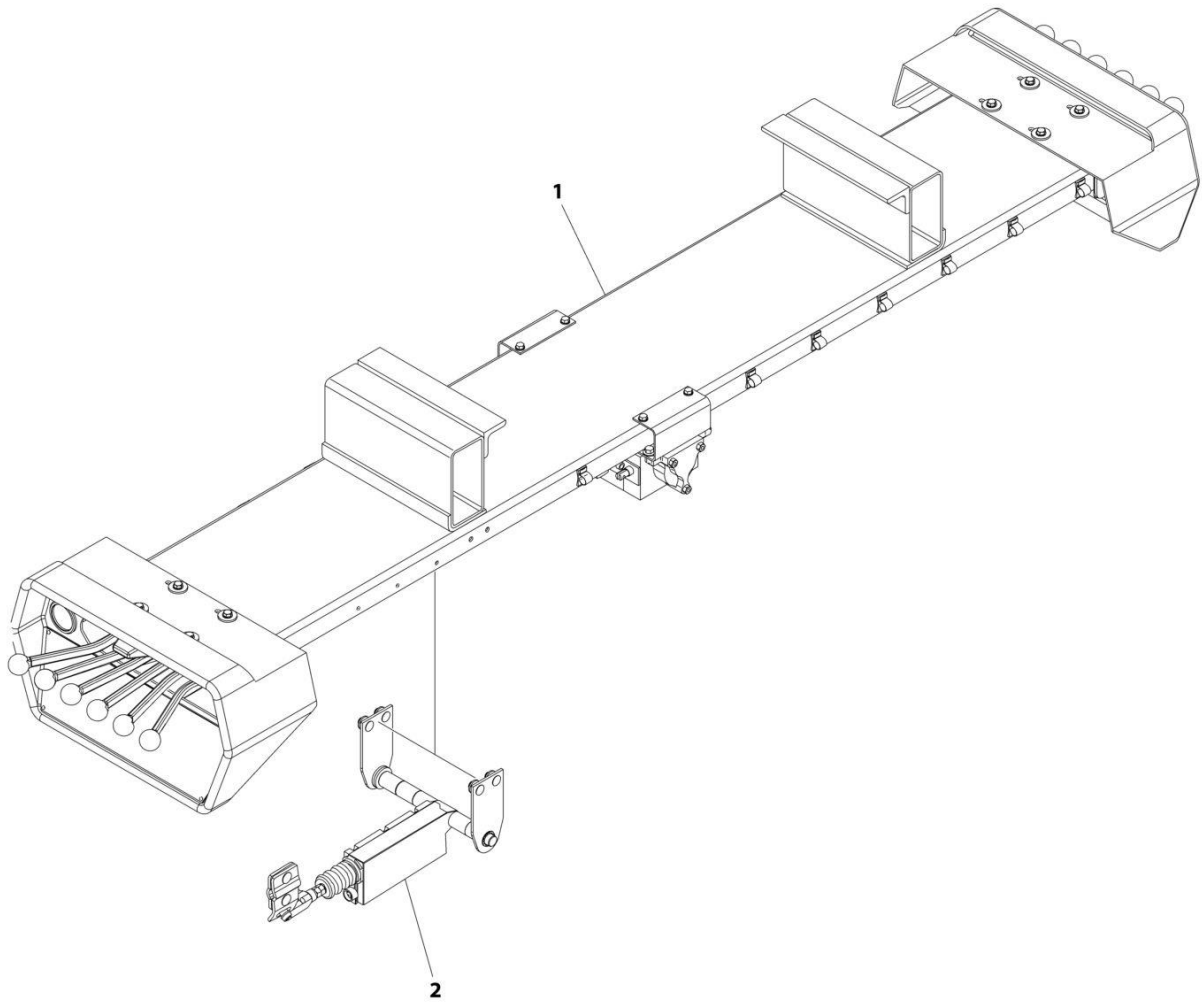
**SECTION 4 - CONTROLS**

**FIGURE 4-40. 6 BANK VALVE CONTROLS INSTALLATION - HYDRAULIC TOW/IRL/HYDRAULIC GRID/REMOTE CONTROL**

<b>ITEM</b>	<b>PART NUMBER</b>	<b>QTY</b>	<b>DESCRIPTION</b>	<b>REV</b>
	1001170412	Ref	6 BANK CONTROLS INSTALLATION - IRL, HYDRAULIC GRID, RADIO REMOTE	A
1	1001170411	Ref	6 Bank Controls Installation (See Separate Breakdown in this Section)	
2	2577000018	1	Linear Actuator Mount Kit (See Separate Breakdown in this Section)	

# SECTION 4 - CONTROLS

FIGURE 4-41. 6 BANK VALVE INSTALLATION - HYDRAULIC TOW/IRL/ZOD/REMOTE CONTROL



ART\_C6BZTRC-TPR

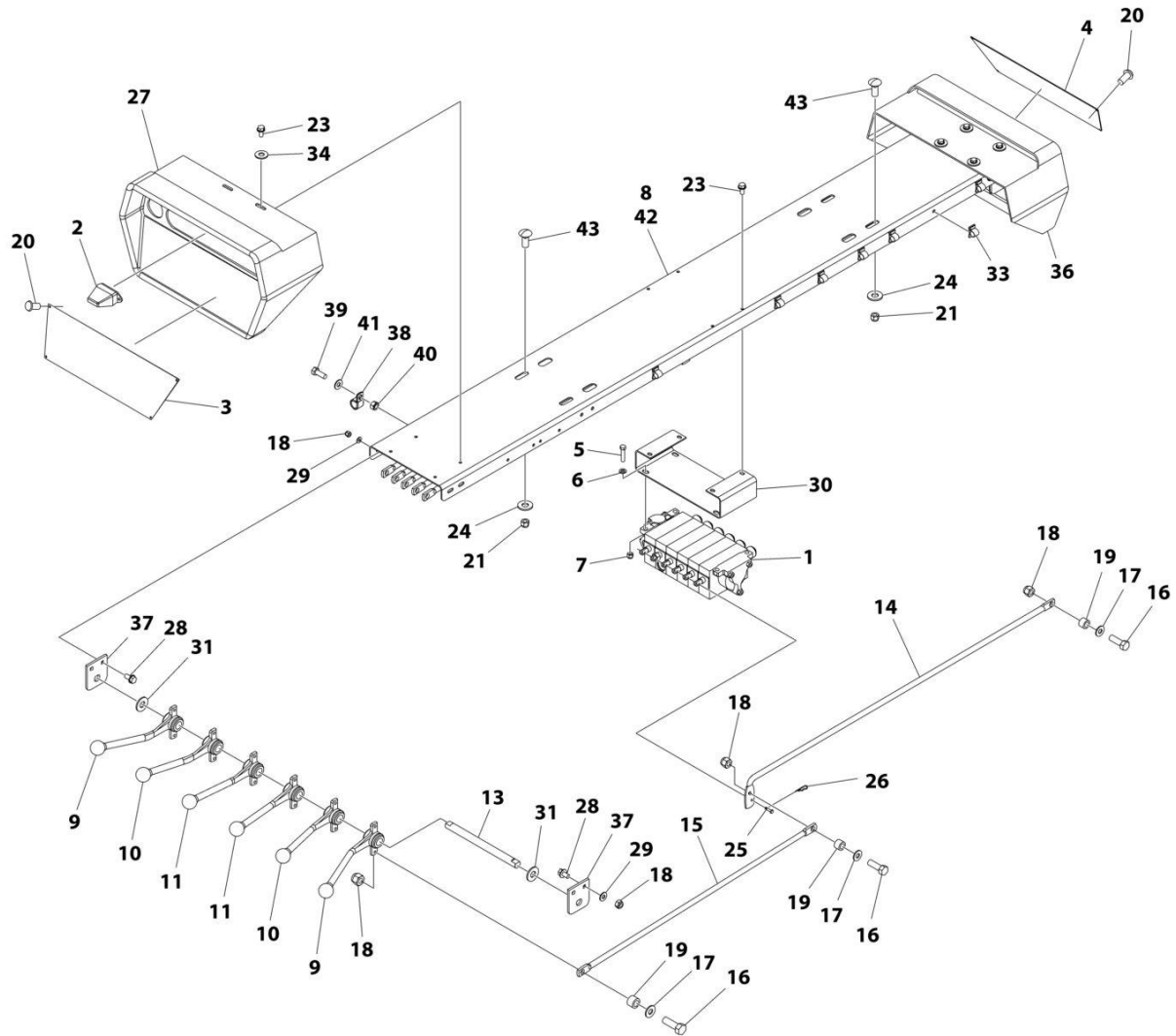
## SECTION 4 - CONTROLS

**FIGURE 4-41. 6 BANK VALVE INSTALLATION - HYDRAULIC TOW/IRL/ZOD/REMOTE CONTROL**

ITEM	PART NUMBER	QTY	DESCRIPTION	REV
	C6BZTRC-TPR	Ref	6 BANK VALVE INSTALLATION - HYD TOW/IRL/ZOD/REMOTE CONTROL	0
1	2296000121	1	6 Bank Controls Installation (See Separate Breakdown in this Section)	
2	2577000018	1	Linear Actuator Mount Kit (See Separate Breakdown in this Section)	

# SECTION 4 - CONTROLS

FIGURE 4-42. 6 BANK VALVE CONTROLS INSTALLATION - HYDRAULIC TOW/IRL/ZOD



ART\_2296000121

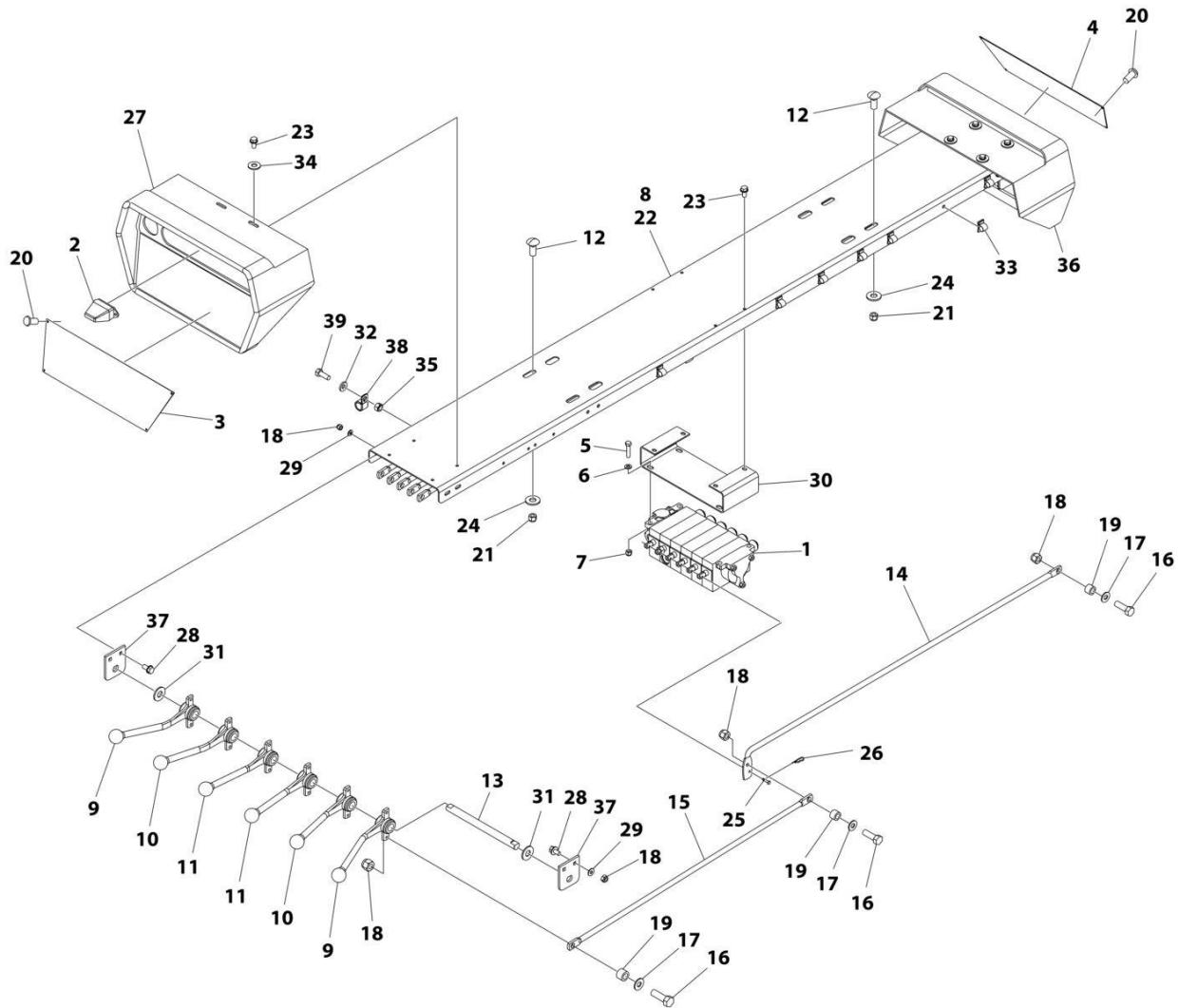
## SECTION 4 - CONTROLS

**FIGURE 4-42. 6 BANK VALVE CONTROLS INSTALLATION - HYDRAULIC TOW/IRL/ZOD**

ITEM	PART NUMBER	QTY	DESCRIPTION	REV
	2296000121	Ref	6 BANK CONTROLS INSTALLATION WITH RTL	I
1	3935000118	1	Valve Assembly (See Separate Breakdown in this Section)	
2	1001143764	2	Lamp	
3	7330000652	1	Decal Control Panel, LH	
4	7330000653	1	Decal Control Panel, RH	
5	7111161050	4	Capscrew 3/8 x 1-1/4	
6	7950160161	4	Washer 3/8	
7	7660162601	4	Nut 3/8	
8	1001135330	1	Channel	
9	7551000021	4	Control Handle	
10	7551000020	4	Control Handle	
11	7551000019	4	Control Handle	
13	7691000065	2	Pin	
14	4763000280	6	Control Rod	
15	4763000279	6	Control Rod	
16	7115150850	18	Capscrew 5/16 x 1	
17	7949000011	18	Washer	
18	7660152601	26	Nut 5/16	
19	4831000069	18	Sapcer	
20	7759000006	8	Rivet	
21	7660182601	4	Nut 1/2	
23	7790151253	12	Screw 5/16 x 3/4	
24	7950180161	4	Washer 1/2	
25	7690101200	6	Clevis Pin	
26	7691000056	6	Pin, Hairpin Cotter	
27	3560000010	1	Control Hood Assembly	
28	7115150664	8	Bolt 5/16 x 3/4	
29	7950150161	8	Washer 5/16	
30	1001135329	1	Channel	
31	7950220141	2	Washer 3/4	
33	7280000007	11	Wire Clip	
34	7949000054	8	Washer	
36	7560000007	1	Control Hood, RH	
37	4606000217	4	Lug	
38	7274000063	1	Clamp	
39	7115140650	1	Capscrew 1/4 x 3/4	
40	7660142601	1	Nut 1/4	
41	7950140141	1	Washer 1/4	
42	8632000012	AR	Trim Lock	
43	7115181064	4	Bolt 1/2 x 1-1/4	

# SECTION 4 - CONTROLS

## FIGURE 4-43. 6 BANK VALVE CONTROLS INSTALLATION - HYDRAULIC TOW/IRL/ZOD



ART\_1001170404



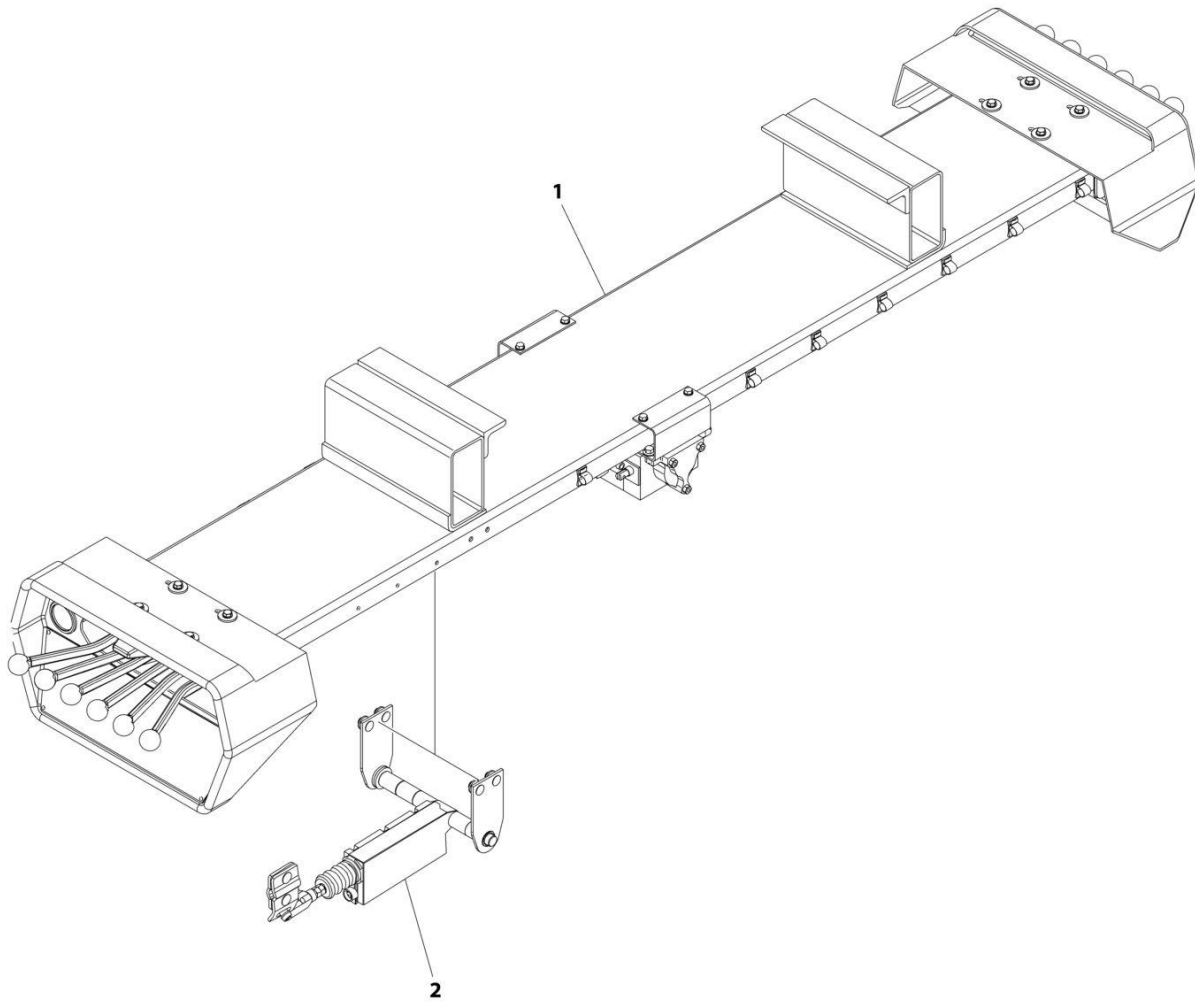
## SECTION 4 - CONTROLS

**FIGURE 4-43. 6 BANK VALVE CONTROLS INSTALLATION - HYDRAULIC TOW/IRL/ZOD**

ITEM	PART NUMBER	QTY	DESCRIPTION	REV
	1001170404	Ref	6 BANK CONTROLS INSTALLATION - IRL, HYDRAULIC GRID, ZOD	A
1	3935000118	1	Valve Assembly (See Separate Breakdown in this Section)	
2	1001143764	2	Lamp	
3	7330000652	1	Decal Control Panel, LH	
4	7330000653	1	Decal Control Panel, RH	
5	7111161050	4	Capscrew 3/8 x 1-1/4	
6	7950160161	4	Washer 3/8	
7	7660162601	4	Nut 3/8	
8	1001170191	1	Channel	
9	7551000021	4	Control Handle	
10	7551000020	4	Control Handle	
11	7551000019	4	Control Handle	
12	7115181064	4	Bolt 1/2 x 1-1/4	
13	7691000065	2	Pin	
14	1001170187	6	Control Rod	
15	1001170188	6	Control Rod	
16	7115150850	18	Capscrew 5/16 x 1	
17	7949000011	18	Washer	
18	7660152601	26	Nut 5/16	
19	4831000069	18	Sapcer	
20	7759000006	8	Rivet	
21	7660182601	4	Nut 1/2	
22	8632000012	AR	Trim Lock	
23	7790151253	12	Screw 5/16 x 3/4	
24	7950180161	4	Washer 1/2	
25	7690101200	6	Clevis Pin	
26	7691000056	6	Pin, Hairpin Cotter	
27	3560000010	1	Control Hood Assembly	
28	7115150664	8	Bolt 5/16 x 3/4	
29	7950150161	8	Washer 5/16	
30	1001135329	1	Channel	
31	7950220141	2	Washer 3/4	
32	7950140141	1	Washer 1/4	
33	7280000007	11	Wire Clip	
34	7949000054	8	Washer	
35	7660142601	1	Nut 1/4	
36	7560000007	1	Control Hood, RH	
37	4606000217	4	Lug	
38	7274000063	1	Clamp	
39	7115140650	1	Capscrew 1/4 x 3/4	

# SECTION 4 - CONTROLS

FIGURE 4-44. 6 BANK VALVE CONTROLS INSTALLATION - HYD TOW/IRL/ZOD/REMOTE CONTROL



ART\_1001170414

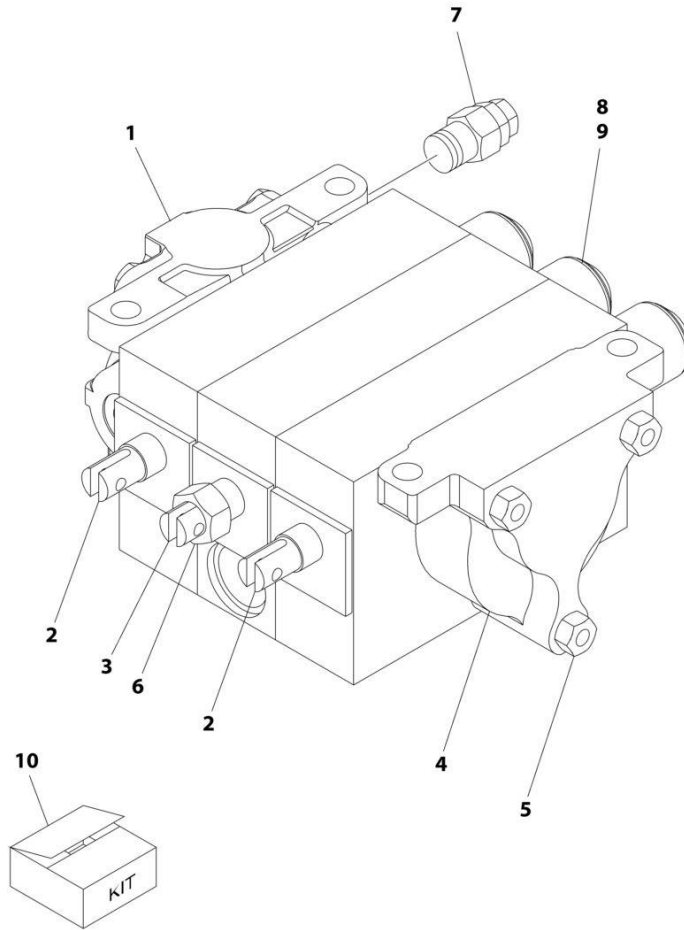
## SECTION 4 - CONTROLS

**FIGURE 4-44. 6 BANK VALVE CONTROLS INSTALLATION - HYD TOW/IRL/ZOD/REMOTE CONTROL**

ITEM	PART NUMBER	QTY	DESCRIPTION	REV
	1001170414	Ref	6 BANK CONTROLS INSTALLATION - IRL, HYDRAULIC TOW, ZOD	A
1	1001170404	Ref	6 Bank Controls Installation (See Separate Breakdown in this Section))	
2	2577000018	1	Linear Actuator Mount Kit (See Separate Breakdown in this Section)	

# SECTION 4 - CONTROLS

## FIGURE 4-45. VALVE ASSEMBLY - 3 BANK



ART\_3935000115

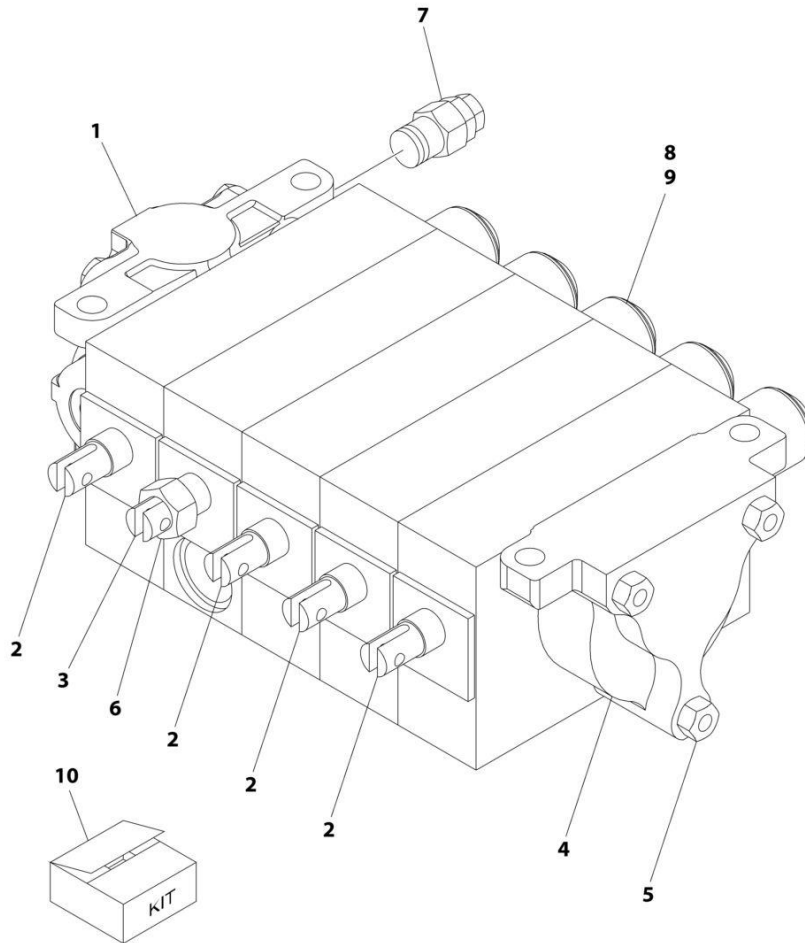
## SECTION 4 - CONTROLS

### FIGURE 4-45. VALVE ASSEMBLY - 3 BANK

ITEM	PART NUMBER	QTY	DESCRIPTION	REV
	3935000115	Ref	VALVE ASSEMBLY - 3 BANK	B
1	7935000369	1	Inlet/Outlet Valve	
2	7935000170	4	Single Clevis Valve	
3	7935000227	1	Relief Valve	
4	7935000173	1	End Valve	
5	7577000215	1	Bolt Kit	
6	7935000388	1	Relief Valve	
7	7935000174	1	Relief Valve	
8	9843930044	AR	Cap	
9	7577000343	AR	Cap	
10	9577930187	AR	Kit, Spool Seal	

# SECTION 4 - CONTROLS

FIGURE 4-46. VALVE ASSEMBLY - 5 BANK (WITHOUT WINCH MOTOR SPOOL)



ART\_3935000117

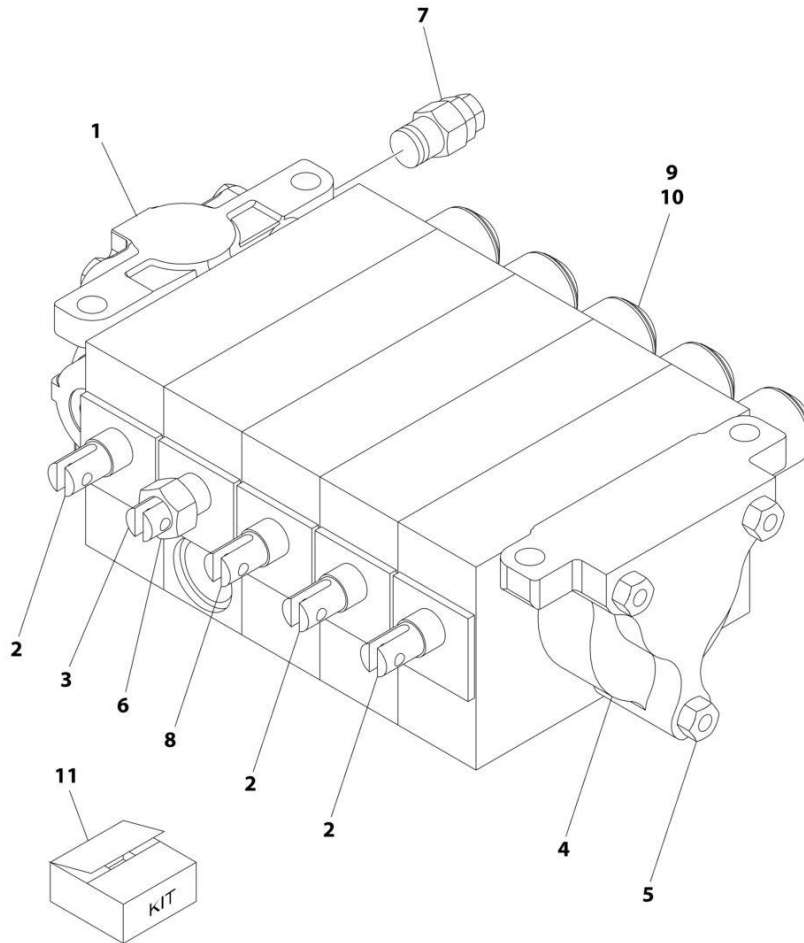
## SECTION 4 - CONTROLS

**FIGURE 4-46. VALVE ASSEMBLY - 5 BANK (WITHOUT WINCH MOTOR SPOOL)**

ITEM	PART NUMBER	QTY	DESCRIPTION	REV
	3935000117	Ref	VALVE ASSEMBLY - 5 BANK	B
1	7935000369	1	Inlet/Outlet Valve	
2	7935000170	4	Single Clevis Valve	
3	7935000227	1	Relief Valve	
4	7935000173	1	End Valve	
5	7577000217	1	Bolt Kit	
6	7935000388	1	Relief Valve	
7	7935000174	1	Relief Valve	
8	9843930044	AR	Cap	
9	7577000343	AR	Cap	
10	9577930187	AR	Kit, Spool Seal	

# SECTION 4 - CONTROLS

FIGURE 4-47. VALVE ASSEMBLY - 5 BANK (WITH WINCH MOTOR SPOOL)



ART\_1001146603



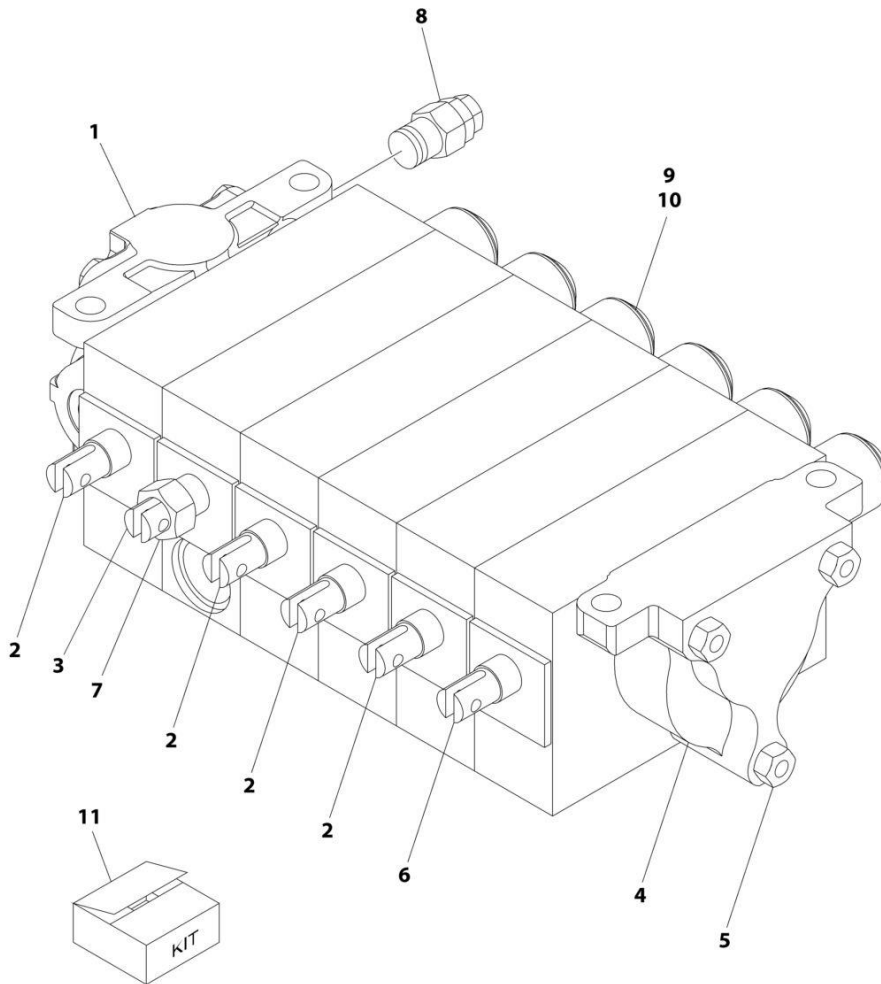
## SECTION 4 - CONTROLS

**FIGURE 4-47. VALVE ASSEMBLY - 5 BANK (WITH WINCH MOTOR SPOOL)**

ITEM	PART NUMBER	QTY	DESCRIPTION	REV
	1001146603	Ref	VALVE ASSEMBLY - 5 BANK	A
1	7935000369	1	Inlet/Outlet Valve	
2	7935000170	4	Single Clevis Valve	
3	7935000227	1	Relief Valve	
4	7935000173	1	End Valve	
6	7577000217	1	Bolt Kit	
6	7935000388	1	Relief Valve	
7	7935000174	1	Relief Valve	
8	1001133740	1	Single Clevis Motor	
9	9843930044	AR	Cap	
10	7577000343	AR	Cap	
11	9577930187	AR	Kit, Spool Seal	

# SECTION 4 - CONTROLS

## FIGURE 4-48. VALVE ASSEMBLY - 6 BANK (WITH HYD GRIDS)



ART\_3935000166

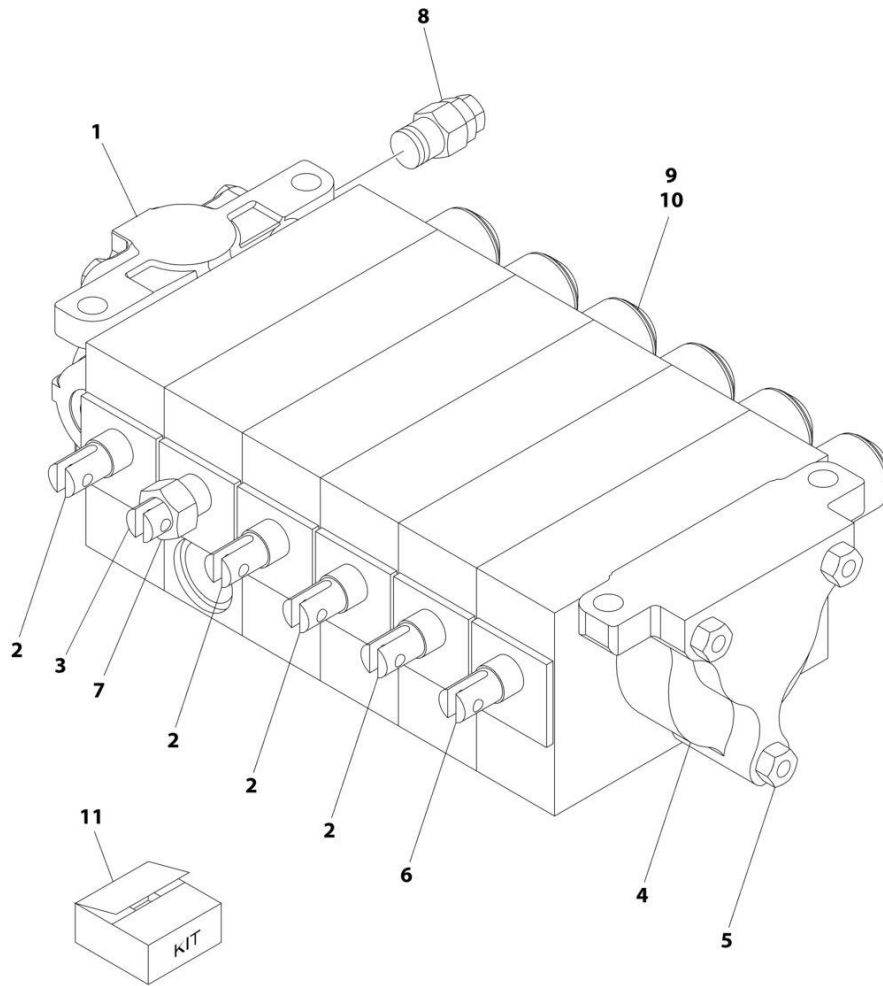
## SECTION 4 - CONTROLS

### FIGURE 4-48. VALVE ASSEMBLY - 6 BANK (WITH HYD GRIDS)

ITEM	PART NUMBER	QTY	DESCRIPTION	REV
	3935000166	Ref	VALVE ASSEMBLY - 6 BANK	B
1	7935000369	1	Inlet/Outlet Valve	
2	7935000170	4	Single Clevis Valve	
3	7935000227	1	Relief Valve	
4	7935000173	1	End Valve	
5	7577000218	1	Bolt Kit	
6	7935000265	1	Valve with PO Check	
7	7935000388	1	Relief Valve	
8	7935000174	1	Relief Valve	
9	9843930044	AR	Cap	
10	7577000343	AR	Cap	
11	9577930187	AR	Kit, Spool Seal	

# SECTION 4 - CONTROLS

## FIGURE 4-49. VALVE ASSEMBLY - 6 BANK (WITH ZOD)



ART\_3935000118

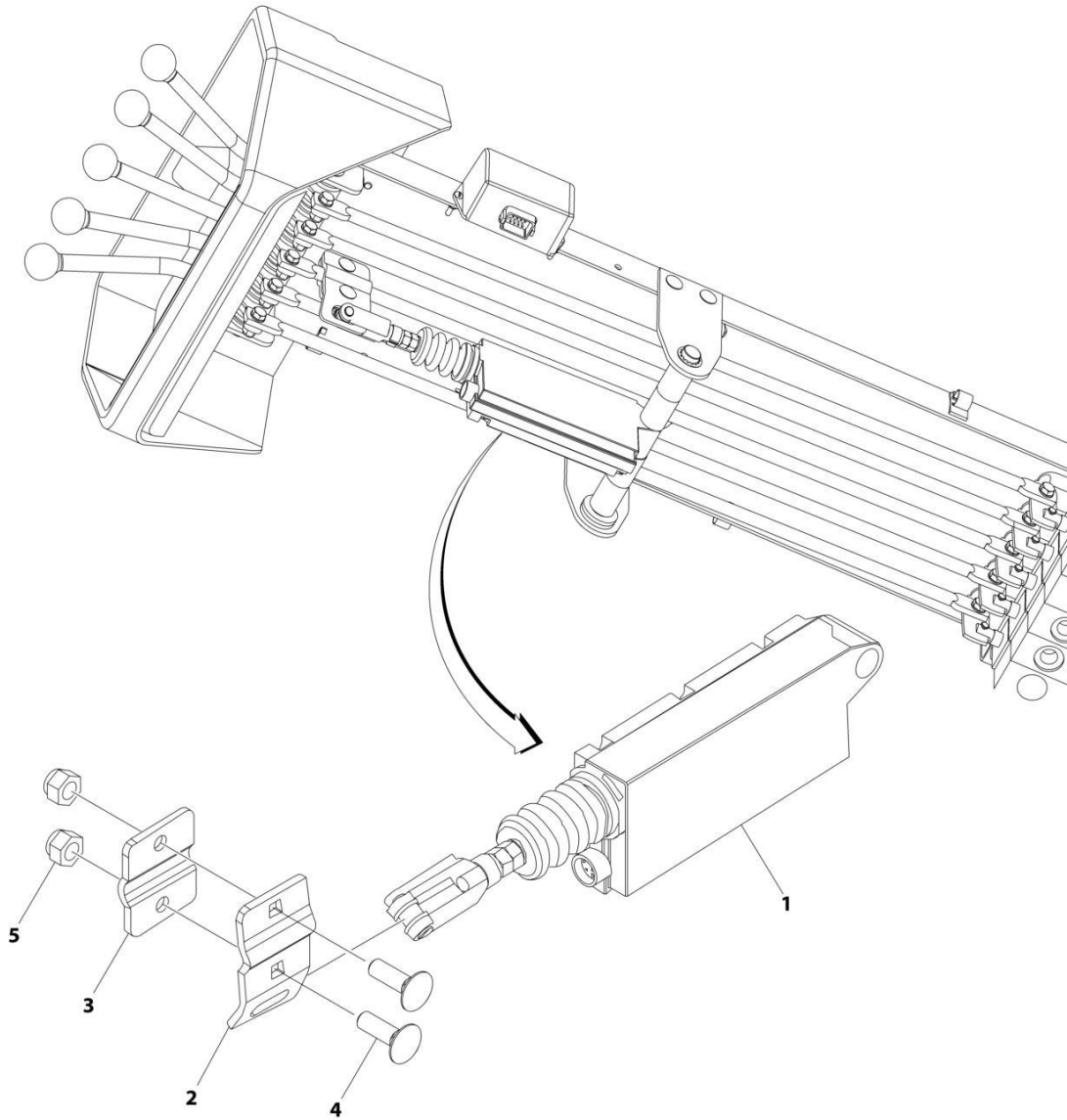
## SECTION 4 - CONTROLS

**FIGURE 4-49. VALVE ASSEMBLY - 6 BANK (WITH ZOD)**

ITEM	PART NUMBER	QTY	DESCRIPTION	REV
	3935000118	Ref	VALVE ASSEMBLY - 6 BANK	B
1	7935000369	1	Inlet/Outlet Valve	
2	7935000170	4	Single Clevis Valve	
3	7935000227	1	Relief Valve	
4	7935000173	1	End Valve	
5	7577000218	1	Bolt Kit	
6	7935000171	1	Valve with Counter Balance	
7	7935000388	1	Relief Valve	
8	7935000174	1	Relief Valve	
9	9843930044	AR	Cap	
10	7577000343	AR	Cap	
11	9577930187	AR	Kit, Spool Seal	

# SECTION 4 - CONTROLS

FIGURE 4-50. LINEAR ACTUATOR INSTALLATION (WITH REMOTE CONTROL)



ART\_2577000016

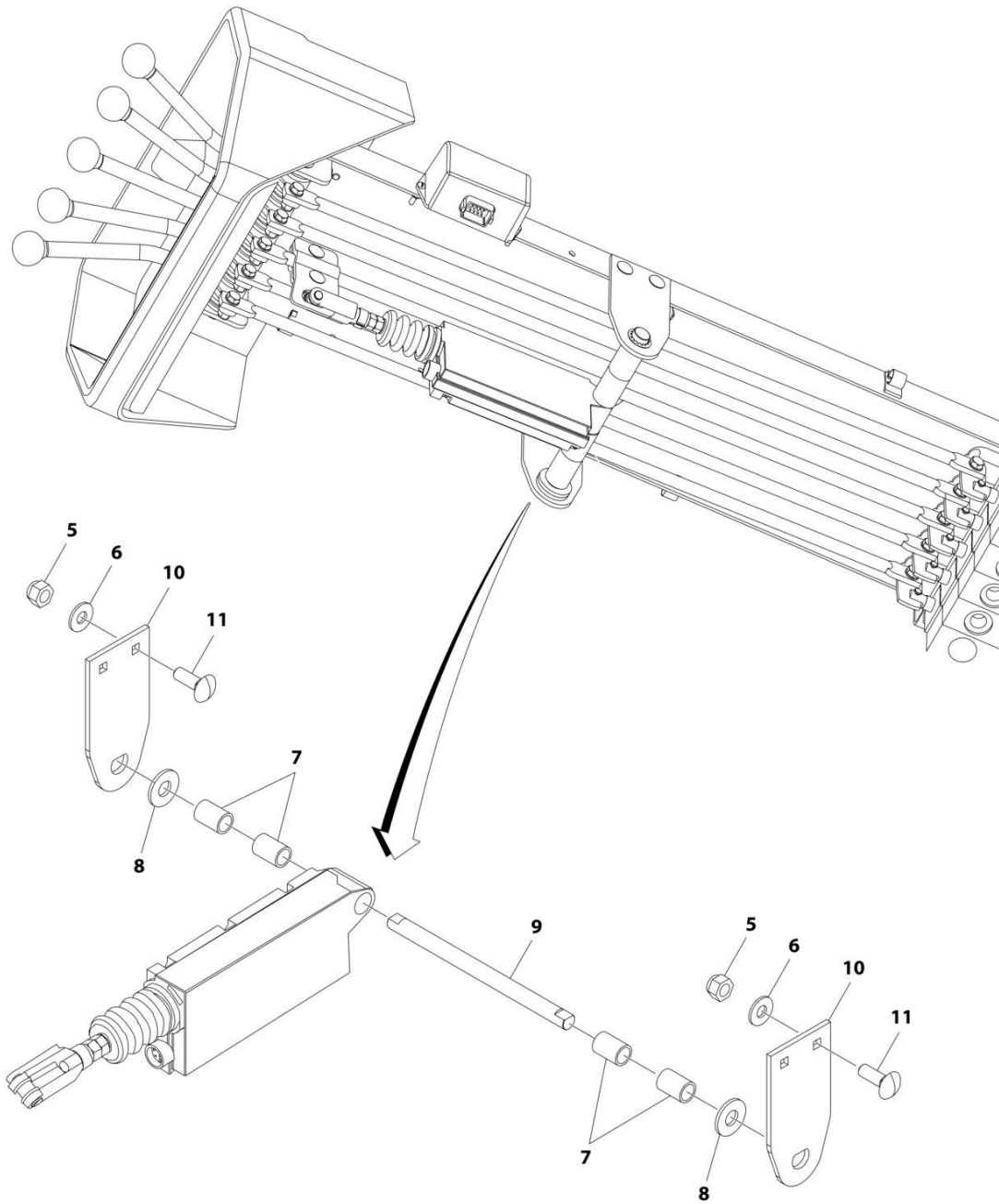
**SECTION 4 - CONTROLS**

**FIGURE 4-50. LINEAR ACTUATOR INSTALLATION (WITH REMOTE CONTROL)**

<b>ITEM</b>	<b>PART NUMBER</b>	<b>QTY</b>	<b>DESCRIPTION</b>	<b>REV</b>
	2577000016	Ref	LINEAR ACTUATOR INSTALLATION KIT	A
1	7005000003	1	Linear Actuator 12V	
2	4178000664	1	Bracket	
3	4178000665	1	Bracket	
4	7115150864	2	Bolt 5/16 x 1	
5	7660152601	2	Nut 5/16	

# SECTION 4 - CONTROLS

## FIGURE 4-51. LINEAR ACTUATOR MOUNTING KIT - 3 & 5 BANK VALVE



ART\_2577000017



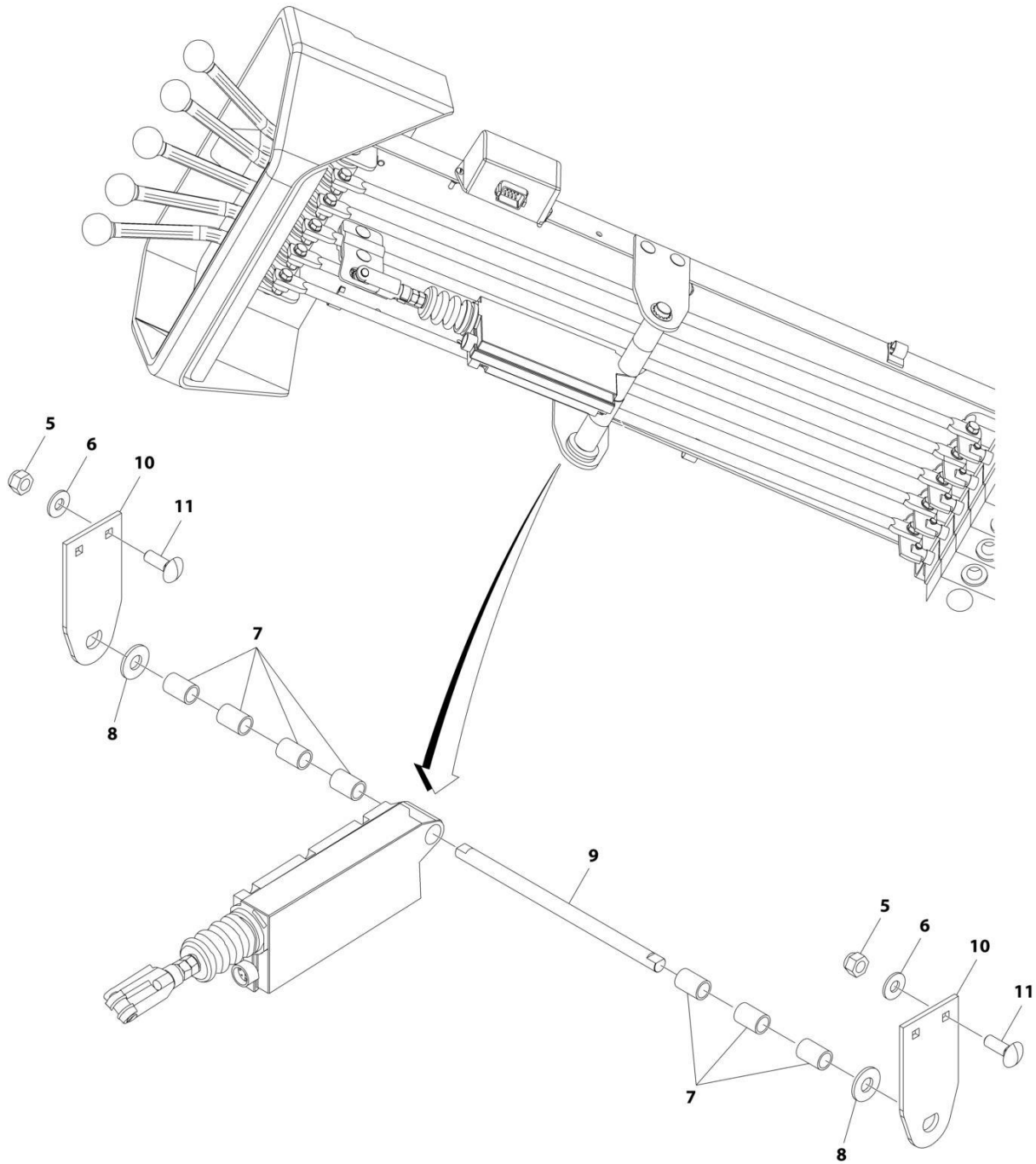
## SECTION 4 - CONTROLS

**FIGURE 4-51. LINEAR ACTUATOR MOUNTING KIT - 3 & 5 BANK VALVE**

ITEM	PART NUMBER	QTY	DESCRIPTION	REV
	2577000017	Ref	LINEAR ACTUATOR MOUNT KIT	B
5	7660152601	4	Nut 1/3	
6	7950150161	4	Washer 1/3	
7	4211000001	4	Bushing	
8	7950220141	2	Washer 3/4	
9	7691000064	1	Pin	
10	1001198871	2	Plate	
11	7115150664	4	Bolt 1/3 x 3/4	

# SECTION 4 - CONTROLS

## FIGURE 4-52. LINEAR ACTUATOR MOUNTING KIT - 6 BANK VALVE



ART\_2577000018

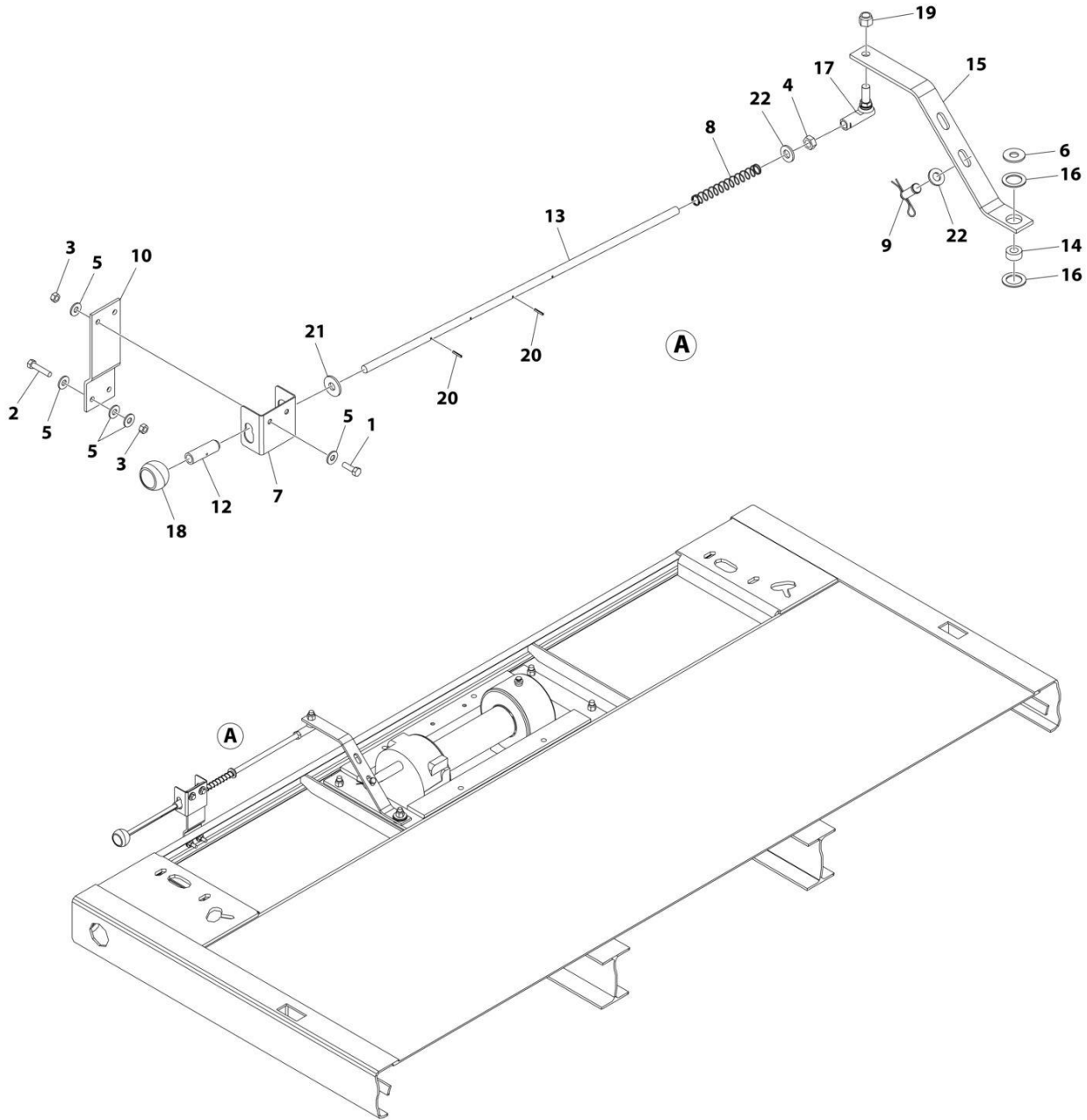
## SECTION 4 - CONTROLS

**FIGURE 4-52. LINEAR ACTUATOR MOUNTING KIT - 6 BANK VALVE**

ITEM	PART NUMBER	QTY	DESCRIPTION	REV
	2577000018	Ref	6 BANK LINEAR ACTUATOR MOUNT KIT	B
5	7660152601	4	Nut 5/16	
6	7950150161	4	Washer 5/16	
7	4211000001	5	Bushing	
8	7950220141	2	Washer 3/4	
9	7691000065	1	Pin	
10	1001198871	2	Plate	
11	7115150664	4	Bolt 5/16 x 3/4	

# SECTION 4 - CONTROLS

FIGURE 4-53. FREE SPOOL INSTALLATION - SINGLE 8K/10K WINCH (STANDARD HEADBOARD)



ART\_1001187663

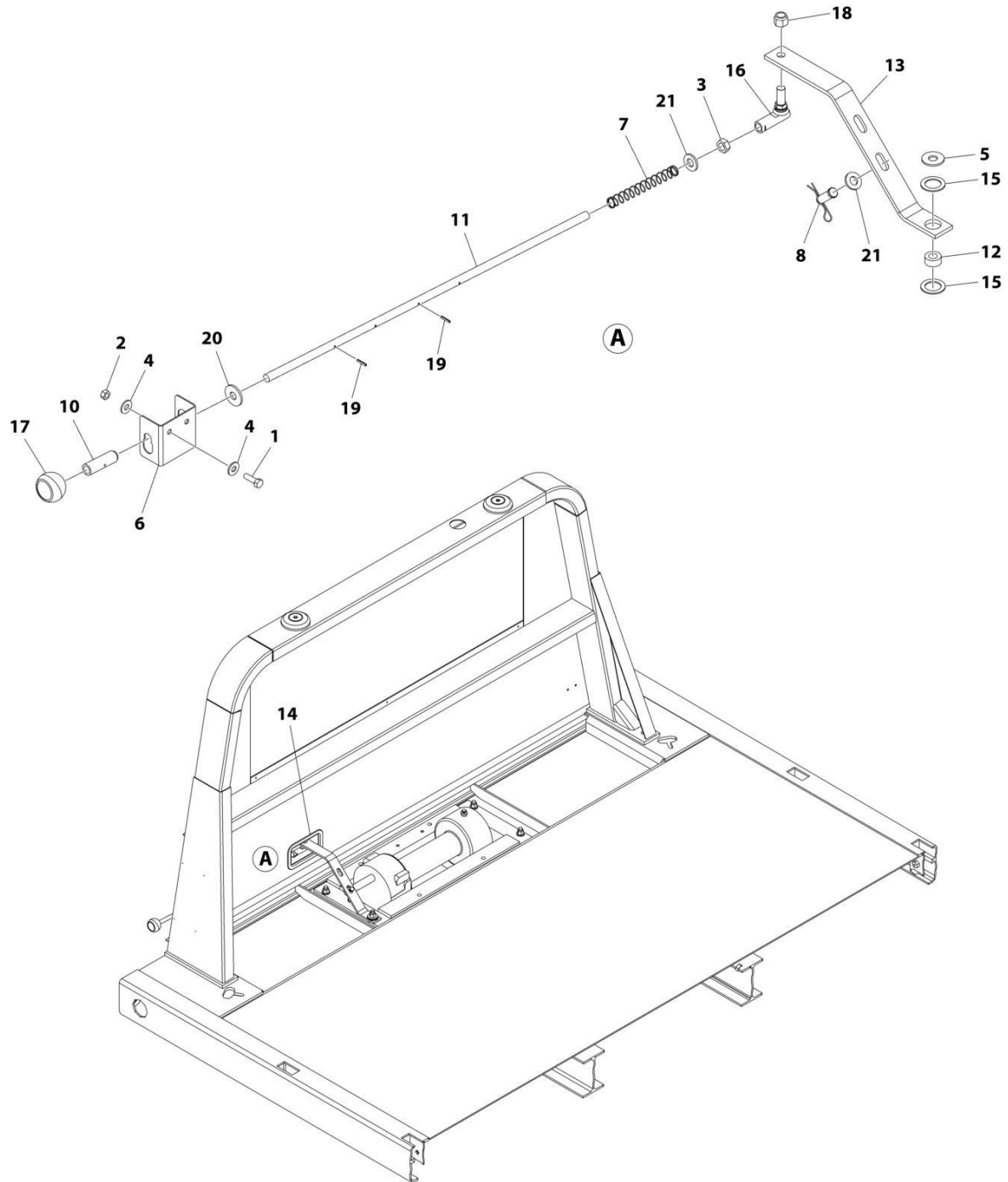
## SECTION 4 - CONTROLS

**FIGURE 4-53. FREE SPOOL INSTALLATION - SINGLE 8K/10K WINCH (STANDARD HEADBOARD)**

ITEM	PART NUMBER	QTY	DESCRIPTION	REV
	1001187663	Ref	HEADBOARD INSTALLATION, SINGLE FREE SPOOL - 8000/10000 LBS	B
1	0641508	2	Capscrew 5/16 x 1	
2	0641512	2	Capscrew 5/16 x 1-1/2	
3	3271505	4	Nut 5/16	
4	3321802	1	Nut 1/2	
5	4751500	10	Washer 5/16	
6	4751800	1	Washer 1/2	
7	1001156245	1	Bracket	
8	1001156249	1	Spring	
9	1001179025	1	Pin	
10	1001187347	1	Bracket	
11	1001156252	1	Decal (Not Shown)	
12	1001191516	1	Sleeve	
13	1001191985	1	Rod	
14	4209000146	1	Bushing	
15	4587000004	1	Lever	
16	7082000010	2	Washer 1-1/2 x 1	
17	7309000002	1	Coupling	
18	7551000017	1	Knob	
19	7660182631	1	Nut 1/2	
20	7690051274	2	Pin	
21	7949000030	1	Washer	
22	7950180143	2	Washer 1/2	

# SECTION 4 - CONTROLS

FIGURE 4-54. FREE SPOOL INSTALLATION - SINGLE 8K/10K WINCH (DELUXE HEADBOARD)



ART\_1001187664

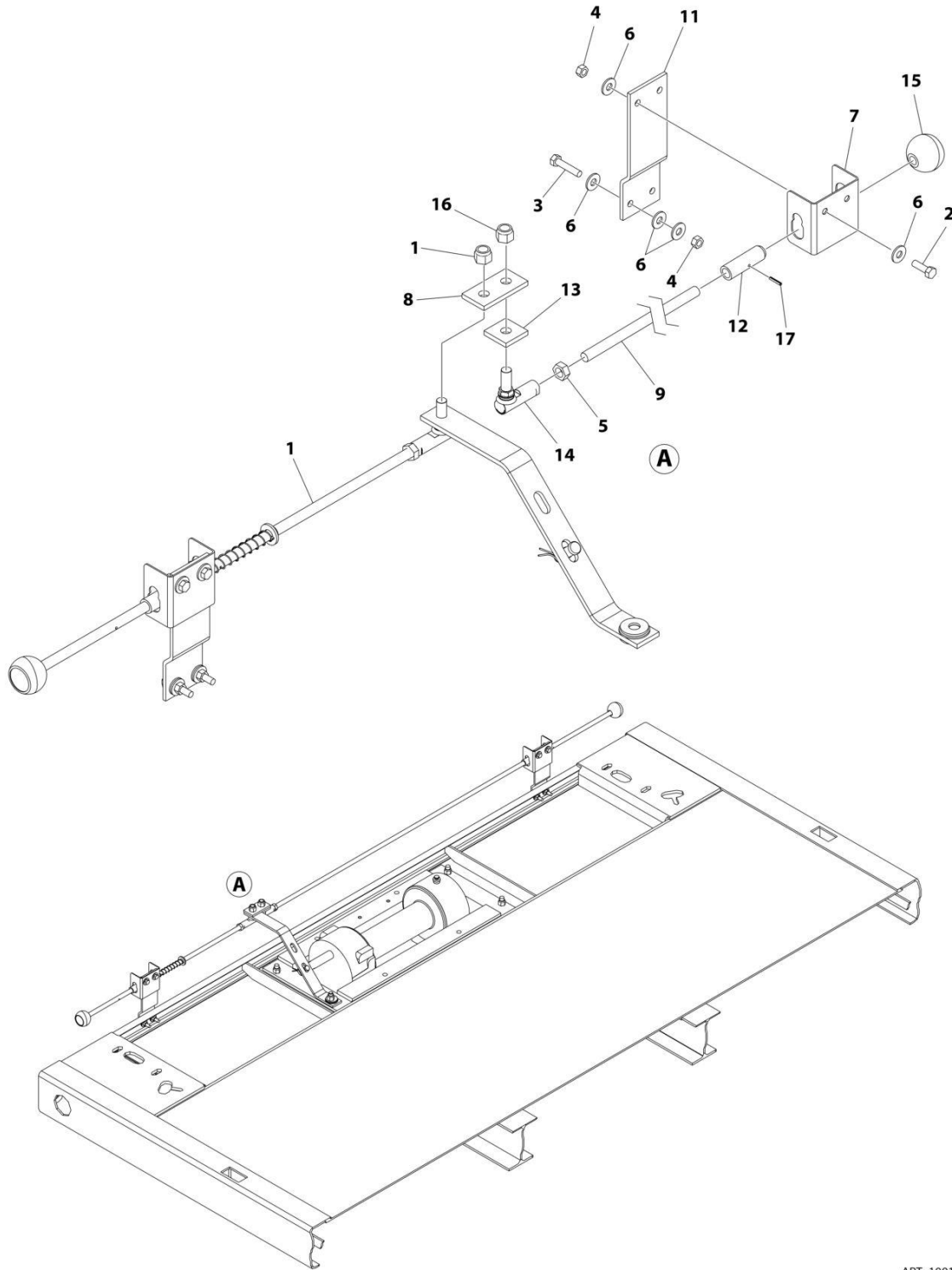
## SECTION 4 - CONTROLS

**FIGURE 4-54. FREE SPOOL INSTALLATION - SINGLE 8K/10K WINCH (DELUXE HEADBOARD)**

ITEM	PART NUMBER	QTY	DESCRIPTION	REV
	1001187664	Ref	DELUXE HEADBOARD INSTALLATION, SINGLE FREE SPOOL - 8000/10000 LBS	B
1	0641508	2	Capscrew 5/16 x 1	
2	3271505	2	Nut 5/16	
3	3321802	1	Nut 1/2	
4	4751500	4	Washer 5/16	
5	4751800	1	Washer 1/2	
6	1001156245	1	Bracket	
7	1001156249	1	Spring	
8	1001179025	1	Pin	
9	1001156252	1	Decal (Not Shown)	
10	1001191516	1	Sleeve	
11	1001191985	1	Rod	
12	4209000146	1	Bushing	
13	4587000004	1	Lever	
14	4632000009	1	Trim Lock	
15	7082000010	2	Washer 1-1/2 x 1	
16	7309000002	1	Coupling	
17	7551000017	1	Knob	
18	7660182631	1	Nut 1/2	
19	7690051274	2	Pin	
20	7949000030	1	Washer	
21	7950180143	2	Washer 1/2	

# SECTION 4 - CONTROLS

FIGURE 4-55. FREE SPOOL INSTALLATION - DUAL 8K/10K WINCH (STANDARD HEADBOARD)



ART\_1001187665



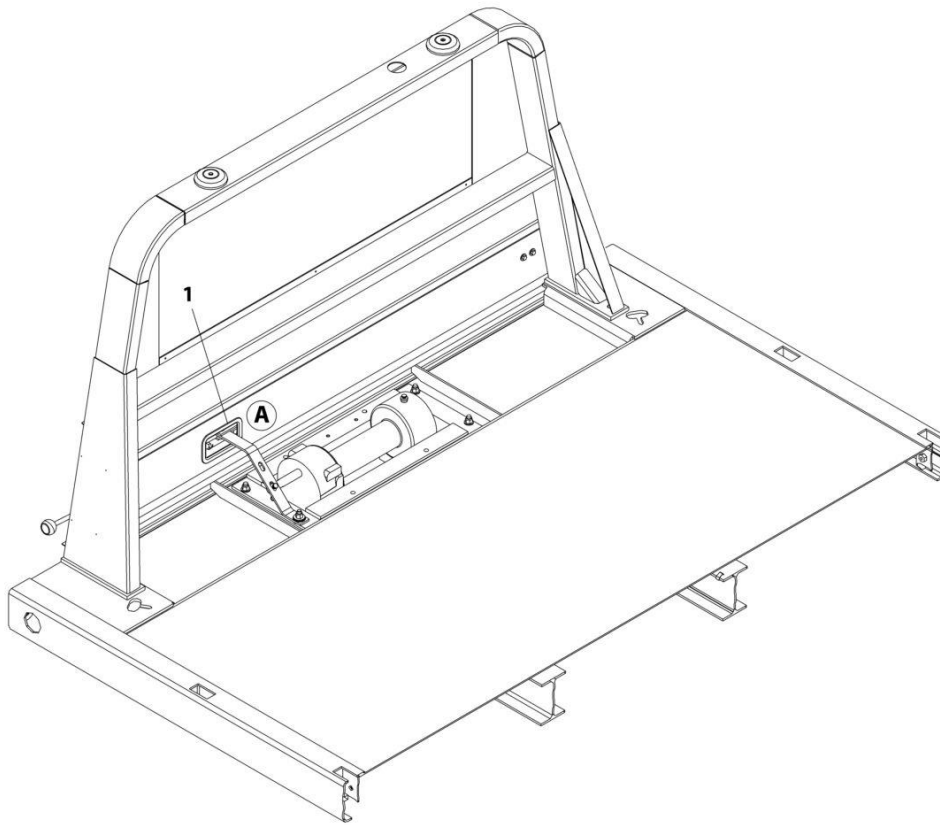
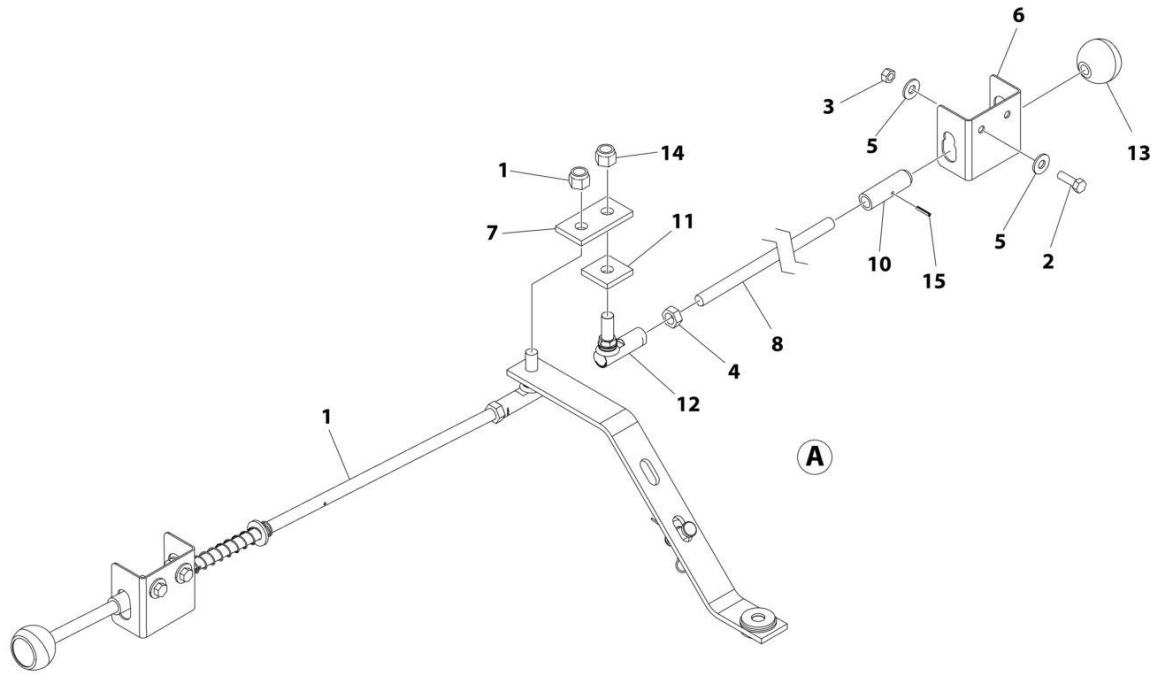
## SECTION 4 - CONTROLS

**FIGURE 4-55. FREE SPOOL INSTALLATION - DUAL 8K/10K WINCH (STANDARD HEADBOARD)**

ITEM	PART NUMBER	QTY	DESCRIPTION	REV
	1001187665	Ref	HEADBOARD INSTALLATION, DUAL FREE SPOOL - 8000/10000 LBS	C
1	1001187663	1	Single Free Spool Installation (See Separate Breakdown in this Section)	
2	0641508	2	Capscrew 5/16 x 1	
3	0641512	2	Capscrew 5/16 x 1-1/2	
4	3271505	4	Nut 5/16	
5	3321802	1	Nut 1/2	
6	4751500	10	Washer 5/16	
7	1001156245	1	Bracket	
8	1001156247	1	Bar	
9	1001156248	1	Rod	
10	1001156252	1	Decal (Not Shown)	
11	1001187347	1	Bracket	
12	1001191516	1	Sleeve	
13	4706000717	1	Plate	
14	7309000002	1	Coupling	
15	7551000017	1	Knob	
16	7660182631	1	Nut 1/2	
17	7690051274	1	Pin	

# SECTION 4 - CONTROLS

FIGURE 4-56. FREE SPOOL INSTALLATION - DUAL 8K/10K WINCH (DELUXE HEADBOARD)



ART\_1001187666

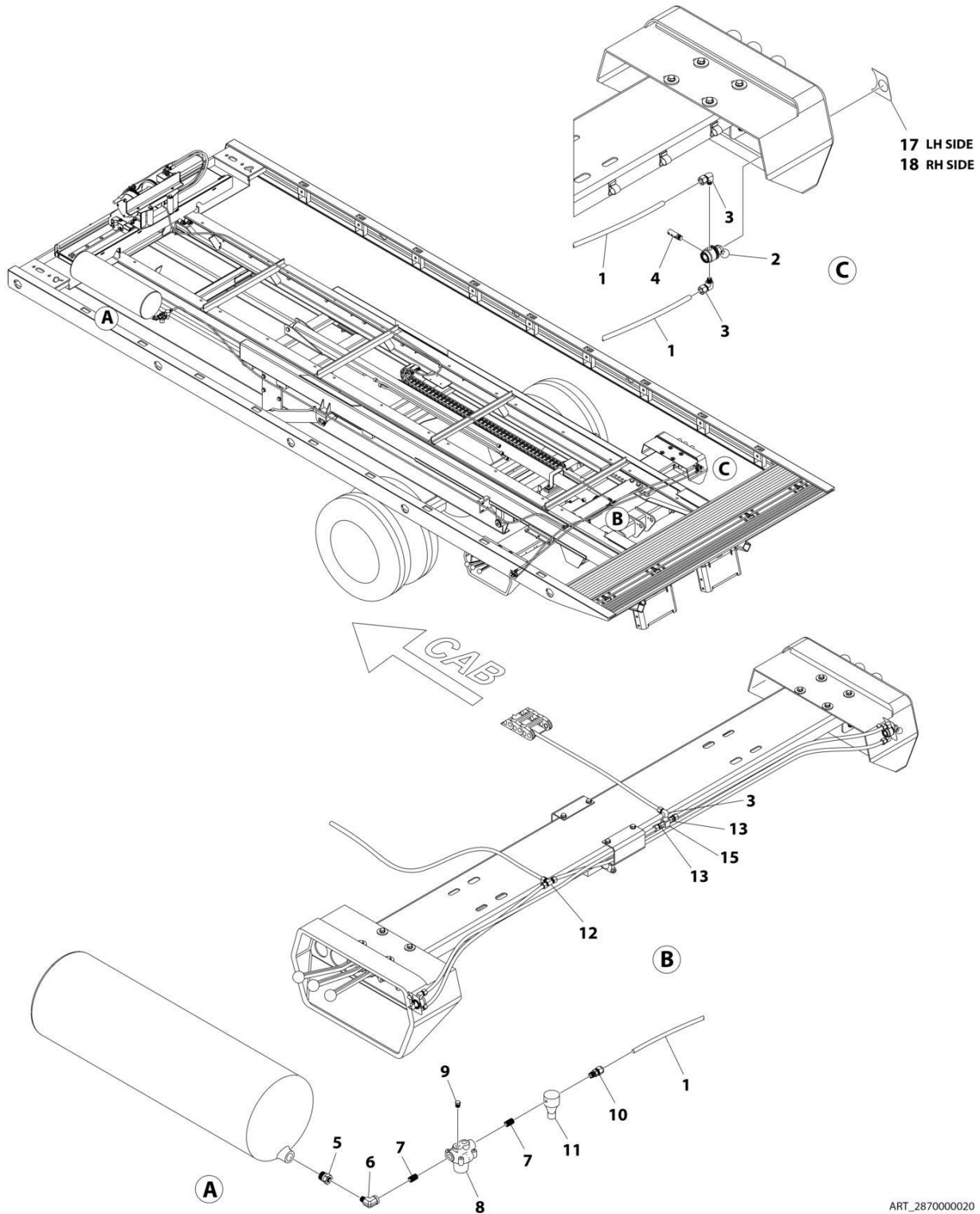
## SECTION 4 - CONTROLS

**FIGURE 4-56. FREE SPOOL INSTALLATION - DUAL 8K/10K WINCH (DELUXE HEADBOARD)**

ITEM	PART NUMBER	QTY	DESCRIPTION	REV
	1001187666	Ref	DELUX HEADBOARD INSTALLATION, DUAL FREE SPOOL - 8000/10000 LBS	B
1	1001187664	1	Single Free Spool, Deluxe Headboard Installation (See Separate Breakdown in this Section)	
2	0641508	2	Capscrew 5/16 x 1	
3	3271505	2	Nut 5/16	
4	3321802	1	Nut 1/2	
5	4751500	4	Washer 5/16	
6	1001156245	1	Bracket	
7	1001156247	1	Bar	
8	1001156248	1	Rod	
9	1001156252	1	Decal (Not Shown)	
10	1001191516	1	Sleeve	
11	4706000717	1	Plate	
12	7309000002	1	Coupling	
13	7551000017	1	Knob	
14	7660182631	1	Nut 1/2	
15	7690051274	1	Pin	

# SECTION 4 - CONTROLS

## FIGURE 4-57. FREE SPOOL INSTALLATION - 8K/10K WINCH (AIR) (STANDARD HEADBOARD)



ART\_287000020

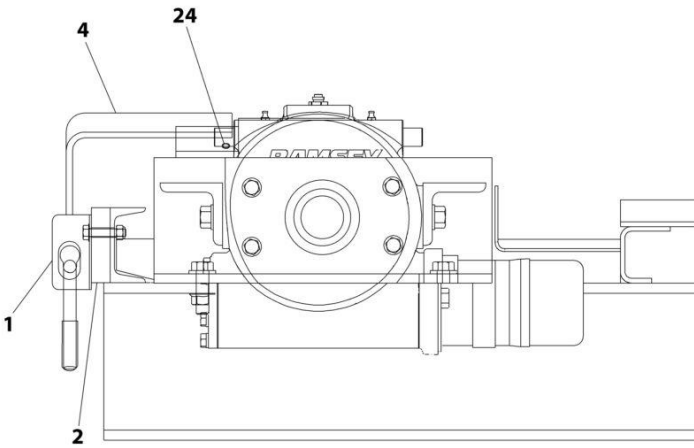
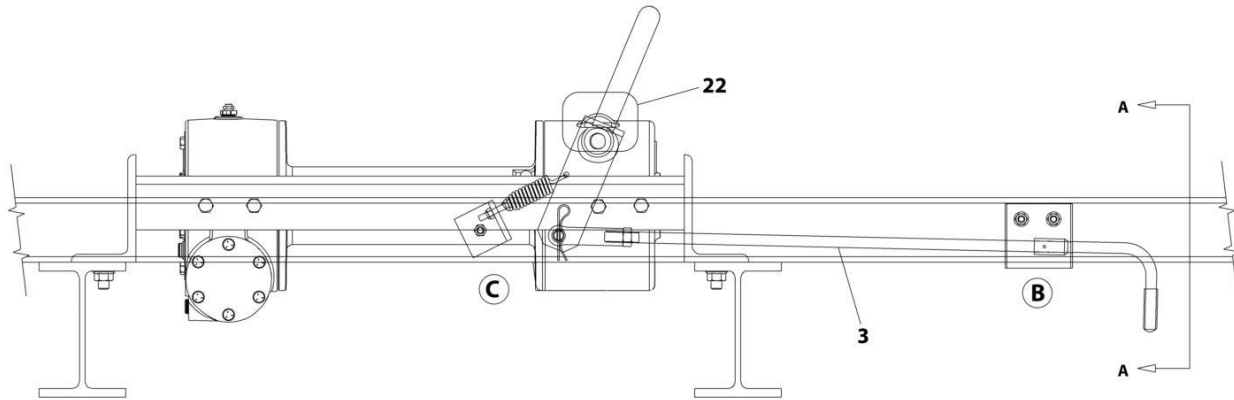
## SECTION 4 - CONTROLS

**FIGURE 4-57. FREE SPOOL INSTALLATION - 8K/10K WINCH (AIR) (STANDARD HEADBOARD)**

ITEM	PART NUMBER	QTY	DESCRIPTION	REV
	287000020	Ref	DAUL AIR FREE SPOOL SWITCH INSTALLATION - 8000/10000 LBS	B
1	7565000014	AR	Airline Tube	
2	7935000182	2	Air Valve	
3	7443000364	5	Fitting	
4	7640000002	2	Air Exhaust Muffler	
5	7443000154	1	Fitting	
6	7443000155	1	Fitting	
7	7443000156	2	Nipple	
8	7935000120	1	Pressure Protection Valve	
9	7443000152	1	Plug	
10	7443000366	1	Fitting	
11	7935000248	1	Air Regulator	
12	7443000371	1	Tee Union	
13	7443000365	2	Fitting	
14	8597650001	1	Loom (Not Shown)	
15	7935000229	1	Shuttle Valve	
16	7894000004	8	Tie Strap (Not Shown)	
17	7330000675	1	Decal LH	
18	7330000676	1	Decal RH	
19	7443000443	1	Fitting (Not Shown)	
20	7565000016	AR	Airline Tubing (Not Shown)	

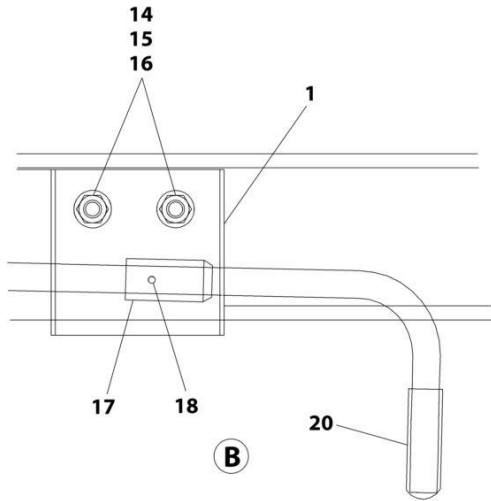
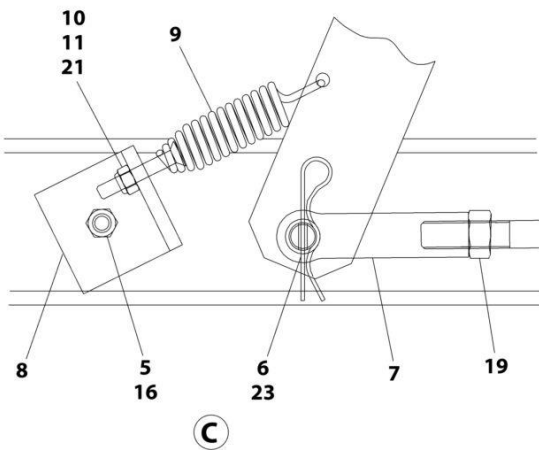
# SECTION 4 - CONTROLS

FIGURE 4-58. FREE SPOOL INSTALLATION - 12K WINCH (BOLT-ON HEADBOARD)



25  
LOCATED ON REAR SIDE  
STAT HEADBOARD

VIEW A-A



ART\_297000069

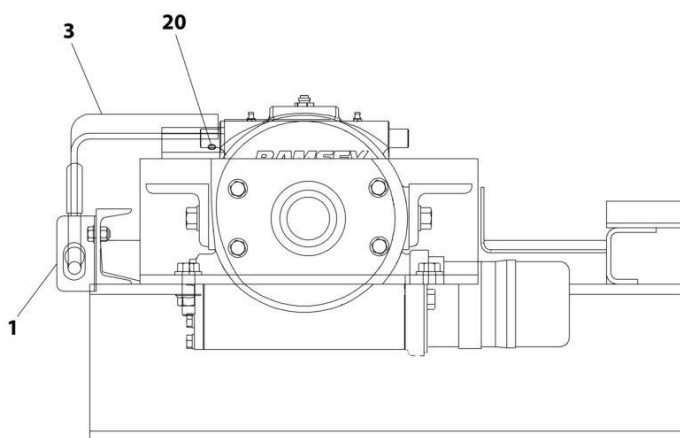
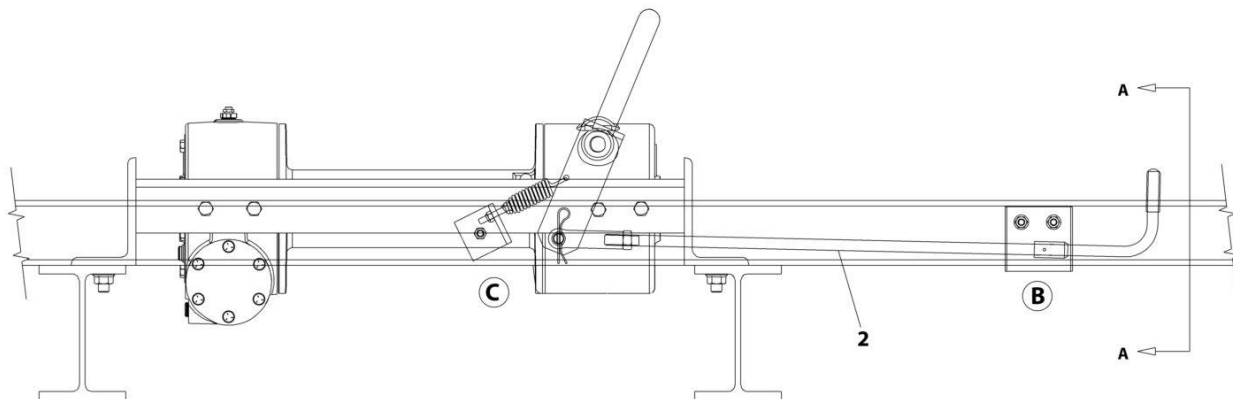
## SECTION 4 - CONTROLS

**FIGURE 4-58. FREE SPOOL INSTALLATION - 12K WINCH (BOLT-ON HEADBOARD)**

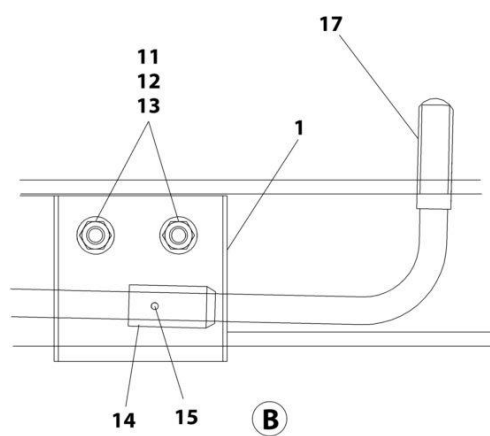
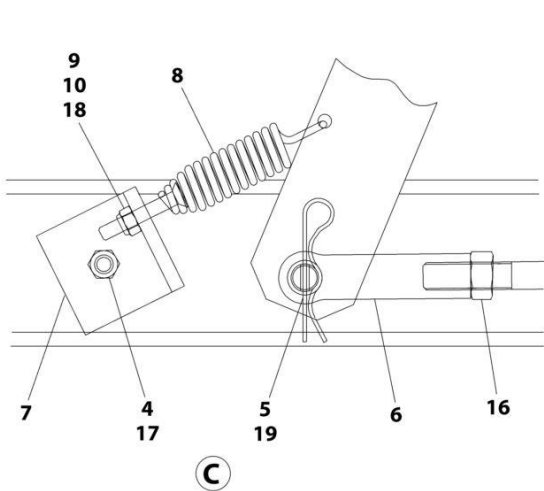
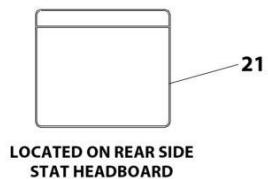
ITEM	PART NUMBER	QTY	DESCRIPTION	REV
	2970000069	Ref	FREE SPOOL INSTALLATION	F
1	4178000673	1	Bracket	
2	4679000208	1	Pad	
3	4763000253	1	Rod	
4	3020000091	1	Arm Weldment Lever	
5	7115150850	1	Capscrew 5/16 x 1	
6	7950180143	2	Washer 1/2	
7	7990000011	1	Yoke	
8	4017001194	1	Angle	
9	7843000007	1	Spring	
10	7111141407	1	Bolt 1/4 x 1-3/4	
11	7660142601	1	Nut 1/4	
14	7950150161	2	Washer 5/16	
15	7115151250	2	Capscrew 5/16 x 1-1/2	
16	7660152601	3	Nut 5/16	
17	4209000212	1	Bushing	
18	7690051274	1	Pin	
19	7660180234	1	Nut 1/2	
20	7254000016	1	Cap	
21	7950140141	1	Washer 1/4	
22	4632000030	1	Moulding	
23	1001179025	1	Pin	
24	7785150500	1	Screw 5/16 x 5/16	
25	7330000242	1	Decal, Free Spool	

# SECTION 4 - CONTROLS

FIGURE 4-59. FREE SPOOL INSTALLATION - 12K WINCH (STATIONARY HEADBOARD)



VIEW A-A



ART\_2970000105



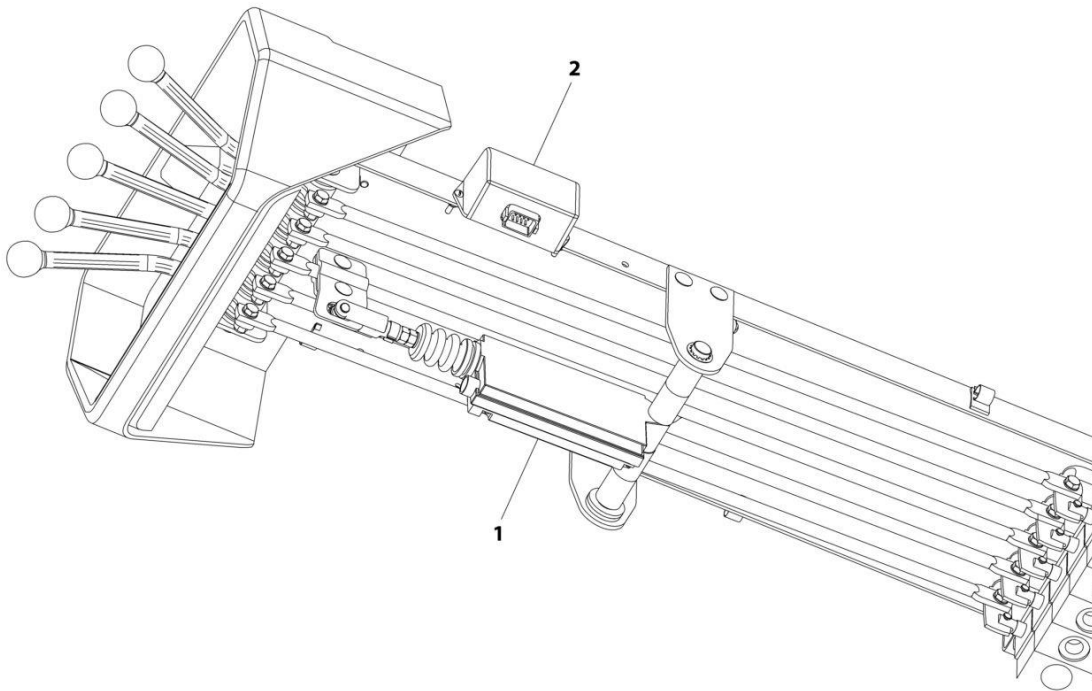
## SECTION 4 - CONTROLS

**FIGURE 4-59. FREE SPOOL INSTALLATION - 12K WINCH (STATIONARY HEADBOARD)**

ITEM	PART NUMBER	QTY	DESCRIPTION	REV
	2970000105	Ref	FREE SPOOL INSTALLATION	C
1	4178000673	1	Bracket	
2	4763000253	1	Rod	
3	3020000123	1	Arm Weldment Lever	
4	7115150850	1	Capscrew 5/16 x 1	
5	7950180143	2	Washer 1/2	
6	7990000011	1	Yoke	
7	4017001504	1	Angle	
8	7843000007	1	Spring	
9	7111141407	1	Bolt 1/4 x 1-3/4	
10	7660142601	1	Nut 1/4	
11	7950150161	2	Washer 5/16	
13	7115150850	3	Capscrew 5/16 x 1	
12	7660152601	2	Nut 5/16	
14	4209000212	1	Bushing	
15	7690051274	1	Pin	
16	7660180234	1	Nut	
17	7254000016	1	Cap	
18	7950140141	1	Washer 1/4	
19	1001179025	1	Pin	
20	7785150500	1	Screw 5/16 x 5/16	
21	7330000495	1	Decal, Free Spool	

# SECTION 4 - CONTROLS

FIGURE 4-60. REMOTE CONTROL - ONE FUNCTION, WINCHES PLUS



ART\_RC-1

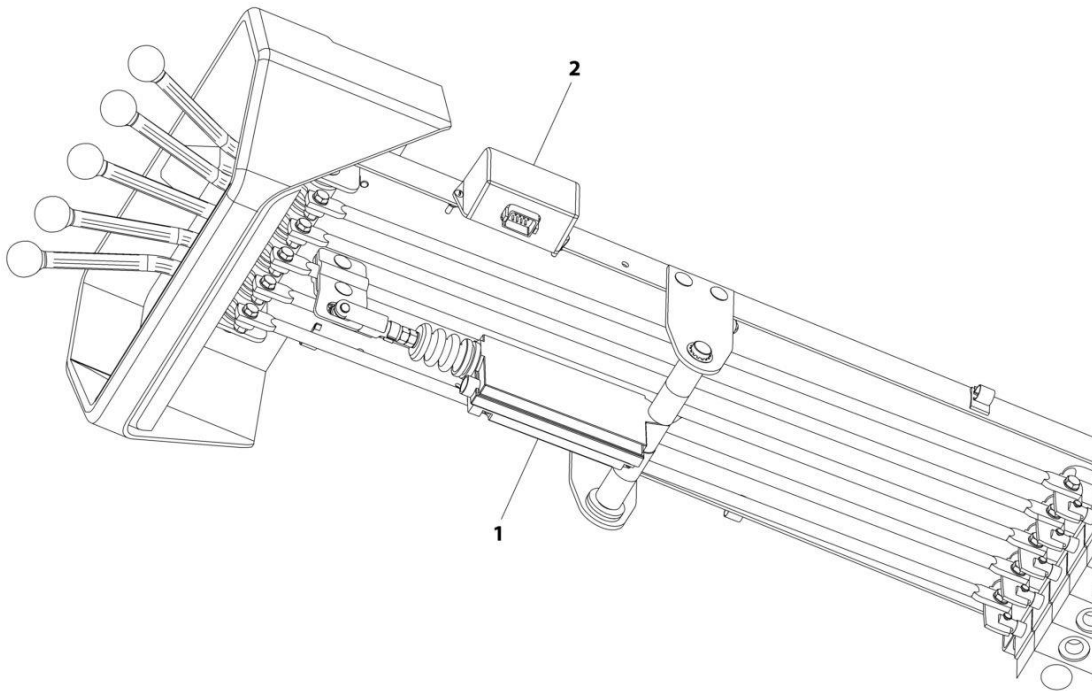
## SECTION 4 - CONTROLS

**FIGURE 4-60. REMOTE CONTROL - ONE FUNCTION, WINCHES PLUS**

ITEM	PART NUMBER	QTY	DESCRIPTION	REV
	RC-1	Ref	REMOTE CONTROL - ONE FUNCTION	0
1	2577000016	1	Linear Actuator Installation Kit (See Separate Breakdown in this Section)	
2	2577000029	1	Miratron Wireless Installation (See Separate Breakdown in this Section)	

# SECTION 4 - CONTROLS

FIGURE 4-61. REMOTE CONTROL - TWO FUNCTION, WINCHES PLUS



ART\_RC-2

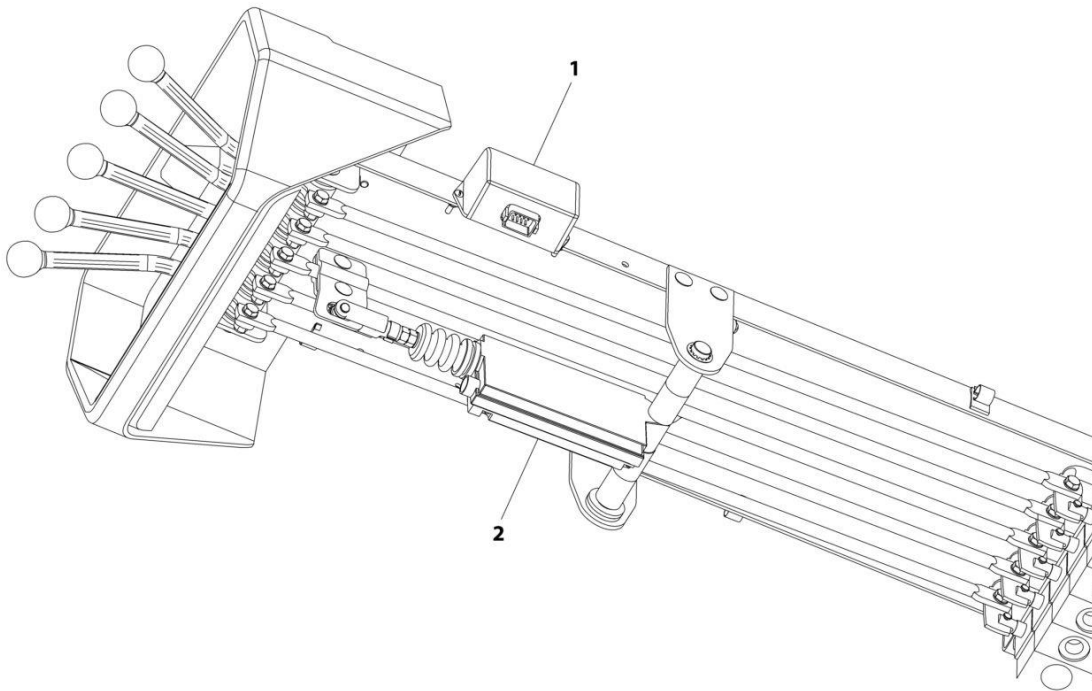
## SECTION 4 - CONTROLS

**FIGURE 4-61. REMOTE CONTROL - TWO FUNCTION, WINCHES PLUS**

ITEM	PART NUMBER	QTY	DESCRIPTION	REV
1	RC-2 2577000016	Ref 2	REMOTE CONTROL - TWO FUNCTION, WINCHES PLUS Linear Actuator Installation Kit (See Separate Breakdown in this Section)	0
2	2577000030	1	Miratron Wireless Installation (See Separate Breakdown in this Section)	

# SECTION 4 - CONTROLS

FIGURE 4-62. REMOTE CONTROL - THREE FUNCTION, WINCHES PLUS



ART\_RC-3

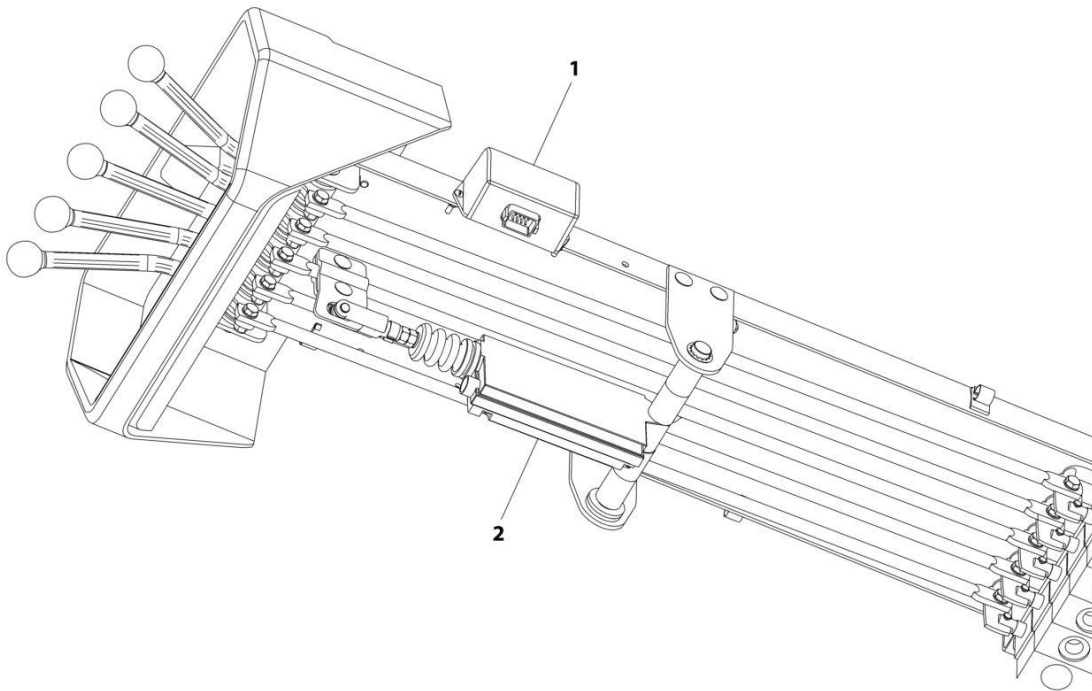
## SECTION 4 - CONTROLS

**FIGURE 4-62. REMOTE CONTROL - THREE FUNCTION, WINCHES PLUS**

ITEM	PART NUMBER	QTY	DESCRIPTION	REV
1	RC-3 2577000016	Ref 3	Remote Control, Three Function, Winches Plus Linear Actuator Installation Kit (See Separate Breakdown in this Section)	0
2	2577000031	1	Miratron Wireless Installation (See Separate Breakdown in this Section)	

# SECTION 4 - CONTROLS

FIGURE 4-63. REMOTE CONTROL - FOUR FUNCTION, WINCHES PLUS



ART\_RC-4



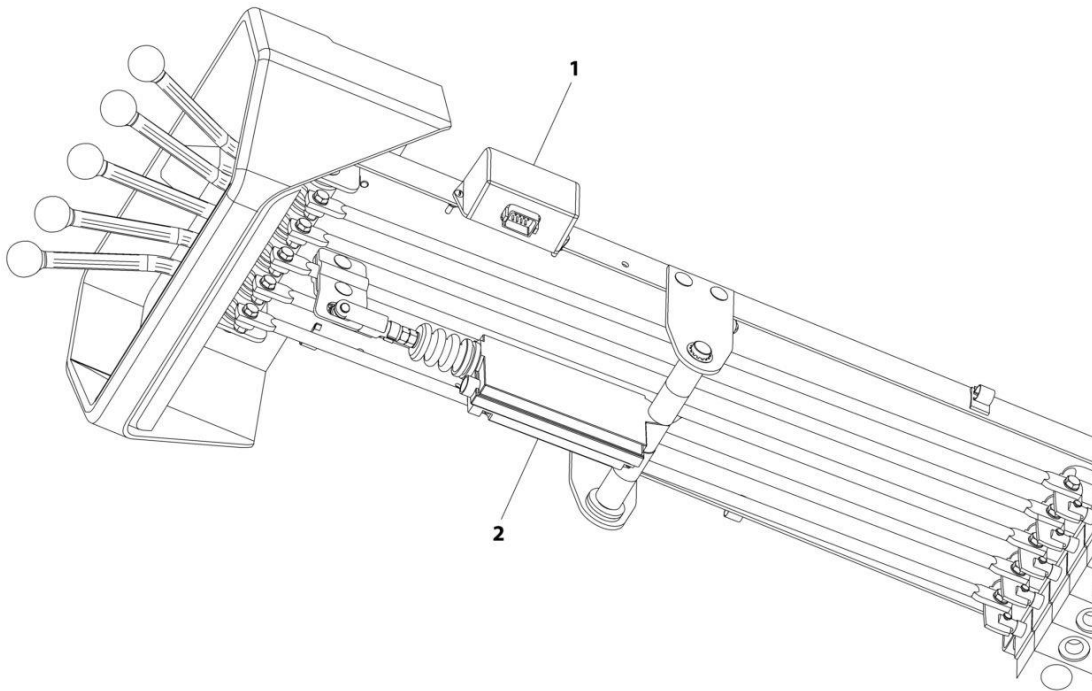
## SECTION 4 - CONTROLS

**FIGURE 4-63. REMOTE CONTROL - FOUR FUNCTION, WINCHES PLUS**

ITEM	PART NUMBER	QTY	DESCRIPTION	REV
1	RC-4 2577000016	Ref 4	Remote Control, Four Function, Winches Plus Linear Actuator Installation Kit (See Separate Breakdown in this Section)	0
2	2577000034	1	Miratron Wireless Installation (See Separate Breakdown in this Section)	

# SECTION 4 - CONTROLS

FIGURE 4-64. REMOTE CONTROL - FIVE FUNCTION, WINCHES PLUS



ART\_RC-5

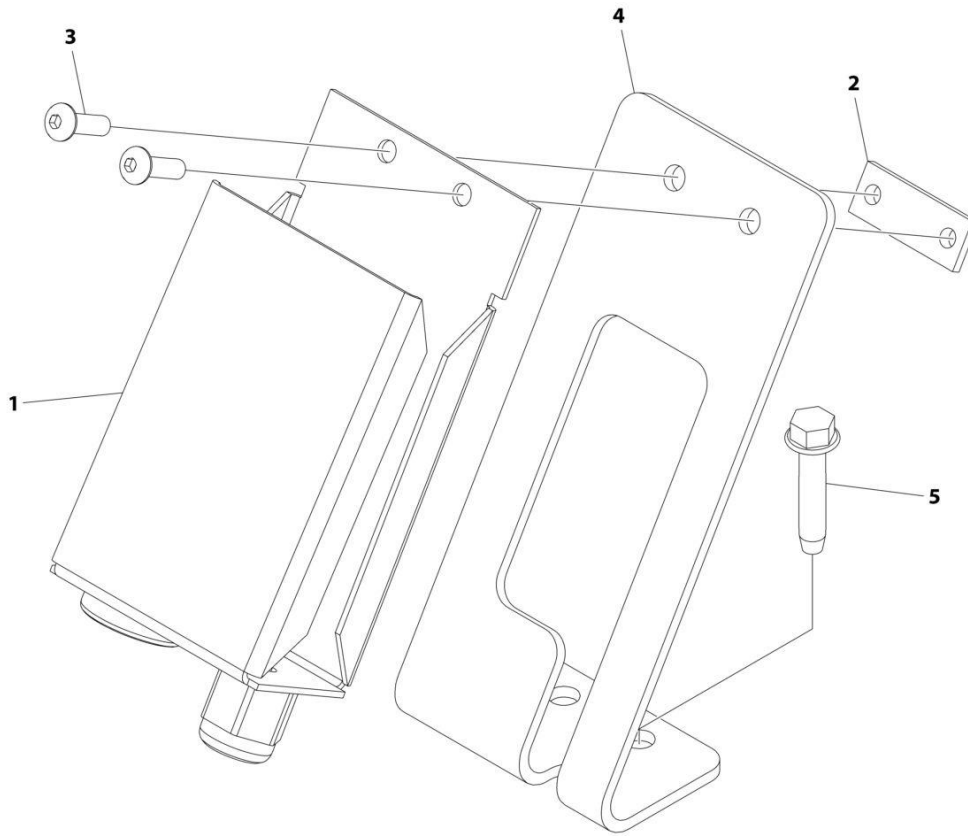
## SECTION 4 - CONTROLS

**FIGURE 4-64. REMOTE CONTROL - FIVE FUNCTION, WINCHES PLUS**

ITEM	PART NUMBER	QTY	DESCRIPTION	REV
1	RC-5 2577000016	Ref 5	Remote Control, Five Function, Winches Plus Linear Actuator Installation Kit (See Separate Breakdown in this Section)	0
2	2577000035	1	Miratron Wireless Installation (See Separate Breakdown in this Section)	

# SECTION 4 - CONTROLS

## FIGURE 4-65. REMOTE CONTROL - SIX FUNCTION U/L TRANSMITTER HOLDER



ART\_2002000031

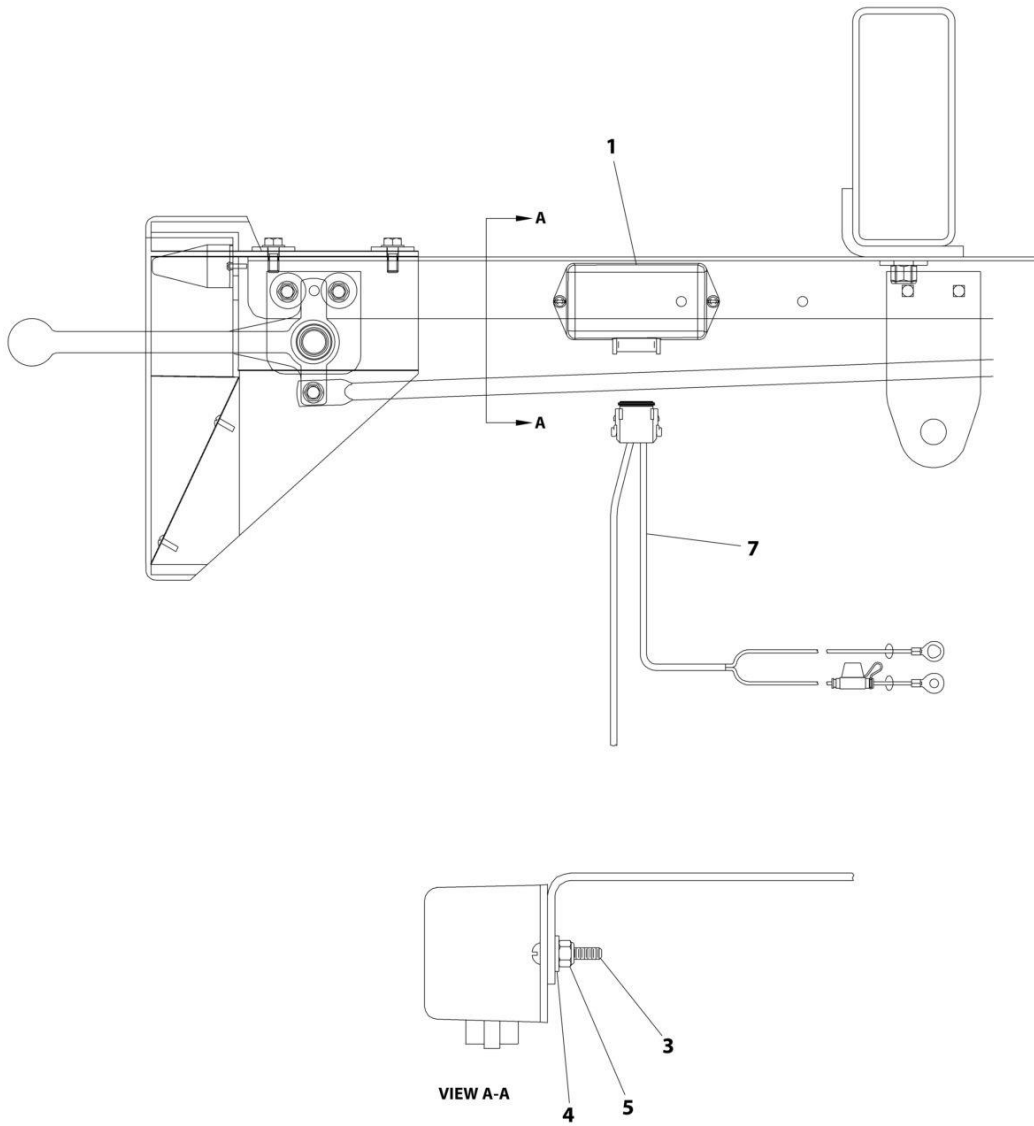
**SECTION 4 - CONTROLS**

**FIGURE 4-65. REMOTE CONTROL - SIX FUNCTION U/L TRANSMITTER HOLDER**

<b>ITEM</b>	<b>PART NUMBER</b>	<b>QTY</b>	<b>DESCRIPTION</b>	<b>REV</b>
	2002000031	Ref	Remote Control 6 Function U/L Transmitter Holder	D
1	7002000521	1	Accessory, Box	
2	7661000056	1	Nut #10	
3	7114100518	2	Screw #10 x 5/8	
4	1001230127	1	Mount	
5	7790142051	2	Screw 1/4 x 1-1/4	

# SECTION 4 - CONTROLS

## FIGURE 4-66. MIRATRON WIRELESS INSTALLATION - ONE FUNCTION



ART\_2577000029

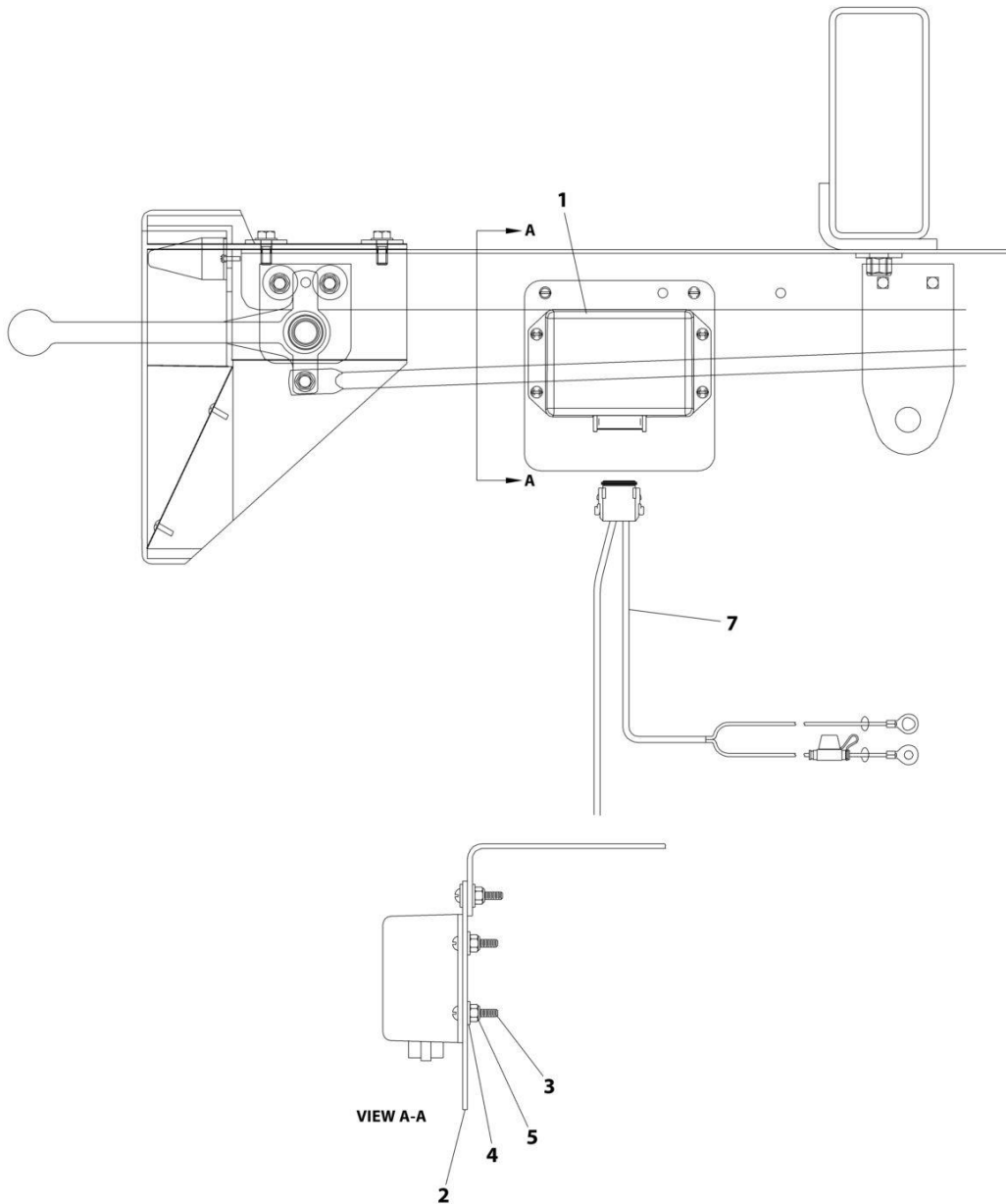
## SECTION 4 - CONTROLS

**FIGURE 4-66. MIRATRON WIRELESS INSTALLATION - ONE FUNCTION**

ITEM	PART NUMBER	QTY	DESCRIPTION	REV
	2577000029	Ref	CONT INST WIRELESS MIRATRON 2 FUNCT	0
1	7295000106	1	Wireless Cont 2 Function Miratron Rollback	
3	7114100810	2	Screw #10 x 1	
4	7950100151	2	Washer 3/16	
5	7660102604	2	Nut #10	
7	7552000391	1	Harness 2 Function Miratron Rollback	
7	4460930	1	Plug, Male - 8 Position	
7	4460465	6	Socket, Female	
7	4460955	2	Plug, Male - 2 Position	
7	4460842	4	Terminal	
7		Ref	<b>Fuse - 10Amp ATO (Purchase Locally)</b>	

# SECTION 4 - CONTROLS

## FIGURE 4-67. MIRATRON WIRELESS INSTALLATION - TWO FUNCTION



ART\_2577000030



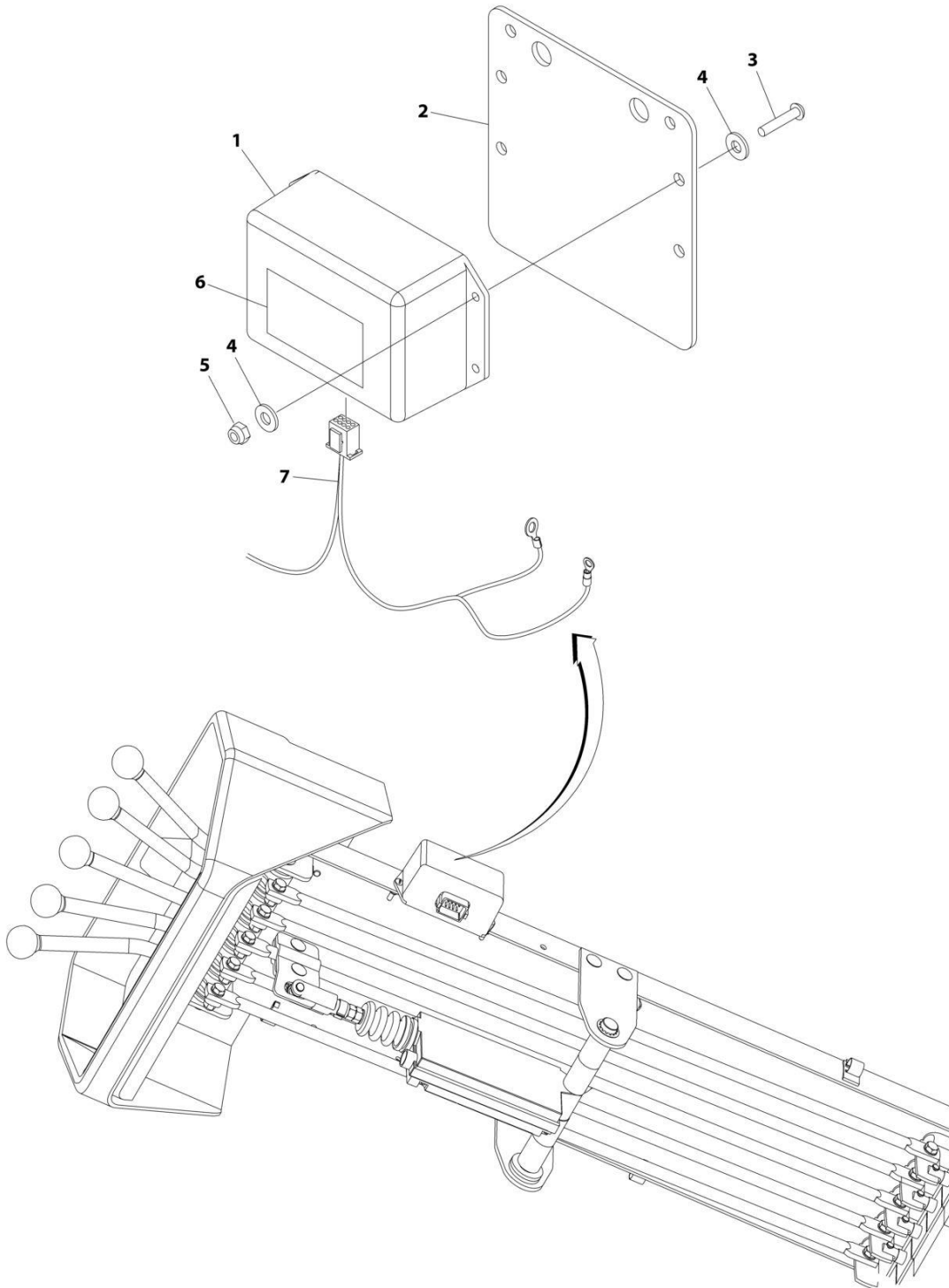
## SECTION 4 - CONTROLS

**FIGURE 4-67. MIRATRON WIRELESS INSTALLATION - TWO FUNCTION**

ITEM	PART NUMBER	QTY	DESCRIPTION	REV
	2577000030	Ref	MIRATRON WIRELESS INSTALLATION, FOUR FUNCTION	A
1	7295000108	1	Wireless Cont 4 Function Miratron Rollback	
2	4706005595	1	Plate	
3	7114100810	6	Screw #10 x 1	
4	7950100151	8	Washer 3/16	
5	7660102604	6	Nut #10	
7	7552000392	1	Harness 4 Function Miratron Rollback	
7	4460933	1	Plug, Male - 12 Position	
7	4460465	10	Socket, Female	
7	4460955	4	Plug, Male - 2 Position	
7	4460842	8	Terminal	
7		Ref	<b>Fuse - 10AMP ATO (Purchase Locally)</b>	

# SECTION 4 - CONTROLS

## FIGURE 4-68. MIRATRON WIRELESS INSTALLATION - THREE FUNCTION



ART\_2577000031

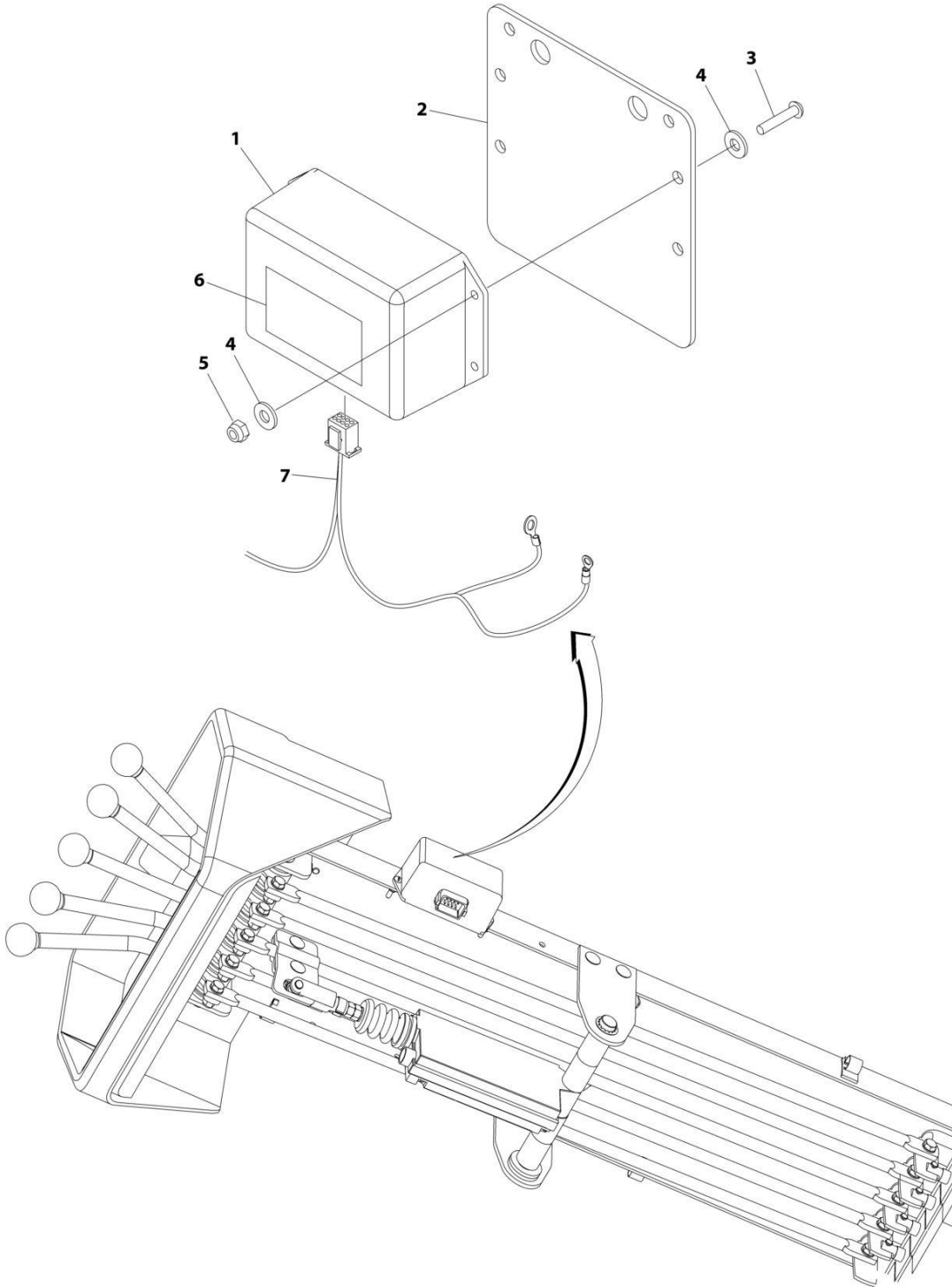
## SECTION 4 - CONTROLS

**FIGURE 4-68. MIRATRON WIRELESS INSTALLATION - THREE FUNCTION**

ITEM	PART NUMBER	QTY	DESCRIPTION	REV
	2577000031	Ref	Miratron Wireless Installation, Three Function	A
1	7295000109	1	Controller (3 remote operations)	
2	4706005595	1	Plate	
3	7114100810	6	Screw #10	
4	7950100151	8	Washer 3/16	
5	7660102604	6	Nut #10	
6	7330000696	1	Decal - Controller Functions	
7	7552000393	1	Harness - 6 Function	
7	4460933	1	Plug, Male - 12 Position	
7	4460465	8	Socket, Female	
7	4460955	6	Plug, Male - 2 Position	
7	4460842	12	Terminal	
7		Ref	<b>Fuse - 10AMP ATO (Purchase Locally)</b>	

# SECTION 4 - CONTROLS

FIGURE 4-69. MIRATRON WIRELESS INSTALLATION - FOUR FUNCTION



ART\_2577000034

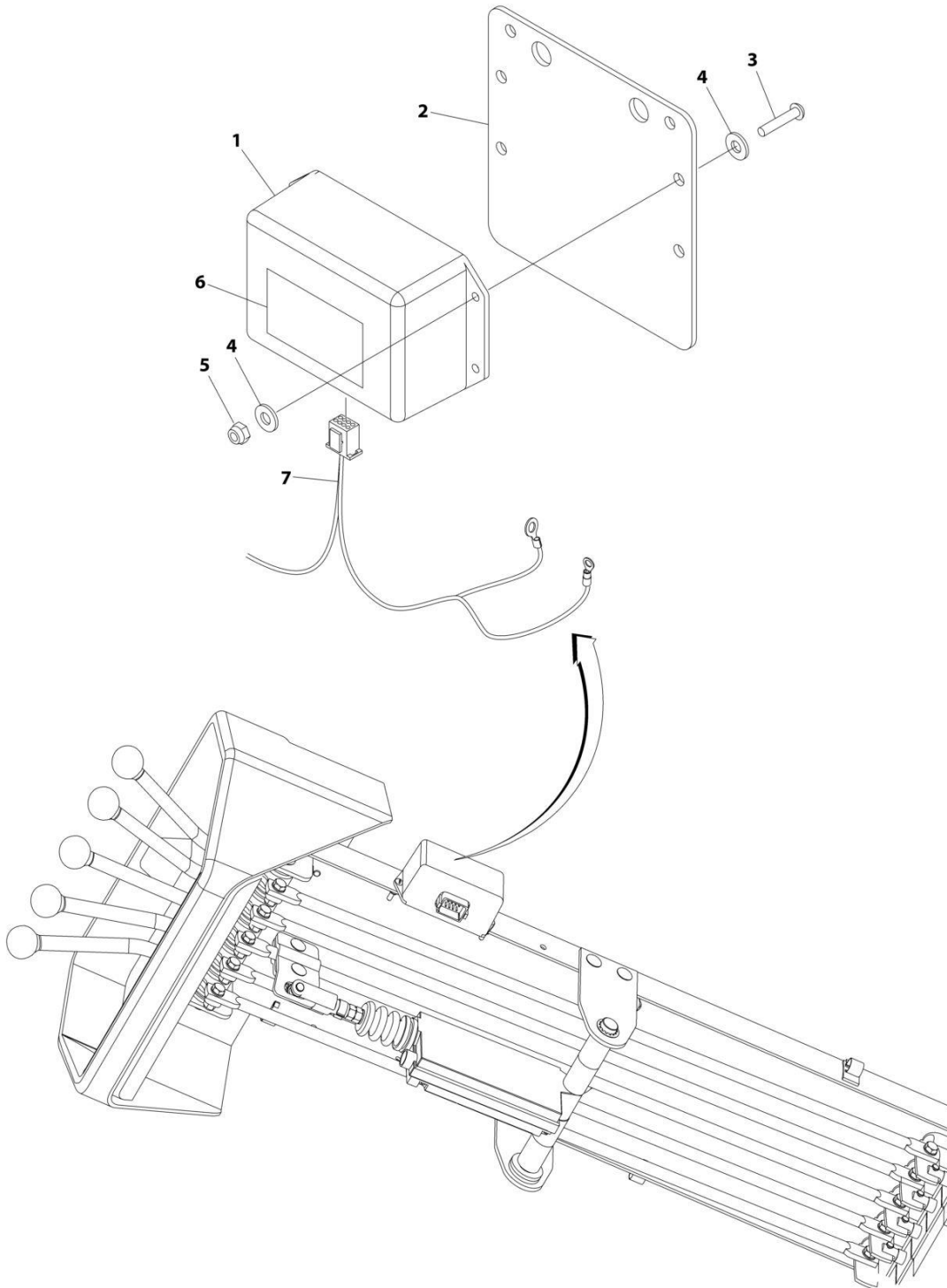
## SECTION 4 - CONTROLS

**FIGURE 4-69. MIRATRON WIRELESS INSTALLATION - FOUR FUNCTION**

ITEM	PART NUMBER	QTY	DESCRIPTION	REV
	2577000034	Ref	Miratron Wireless Installation, Four Function	0
1	7295000111	1	Controller (4 remote operations)	
2	4706005595	1	Plate	
3	7114100810	6	Screw #10	
4	7950100151	8	Washer 3/16	
5	7660102604	6	Nut #10	
6	7330000696	1	Decal - Controller Functions	
7	7552000426	1	Harness - 4 Function	
7	4460933	1	Plug, Male - 12 Position	
7	4460465	11	Socket, Female	
7	4460955	10	Plug, Male - 2 Position	
7	4460842	20	Terminal	
7		Ref	<b>Fuse - 10Amp ATO (Purchase Locally)</b>	
7		Ref	<b>Connector - 1 Position</b>	
7	4460850	1	Terminal	
7	4460458	1	Seal	

# SECTION 4 - CONTROLS

## FIGURE 4-70. MIRATRON WIRELESS INSTALLATION - FIVE FUNCTION



ART\_2577000035

## SECTION 4 - CONTROLS

**FIGURE 4-70. MIRATRON WIRELESS INSTALLATION - FIVE FUNCTION**

ITEM	PART NUMBER	QTY	DESCRIPTION	REV
	2577000035	Ref	Miratron Wireless Installation, Five Function	0
1	7295000111	1	Controller (5 remote operations)	
2	4706005595	1	Plate	
3	7114100810	6	Screw #10	
4	7950100151	8	Washer 3/16	
5	7660102604	6	Nut #10	
6	7330000696	1	Decal - Controller Functions	
7	7552000426	1	Harness	
7	4460933	1	Plug, Male - 12 Position	
7	4460465	11	Socket, Female	
7	4460955	10	Plug, Male - 2 Position	
7	4460842	20	Terminal	
7		Ref	<b>Fuse - 10Amp ATO (Purchase Locally)</b>	
7		Ref	<b>Connector - 1 Position</b>	
7	4460850	1	Terminal	
7	4460458	1	Seal	

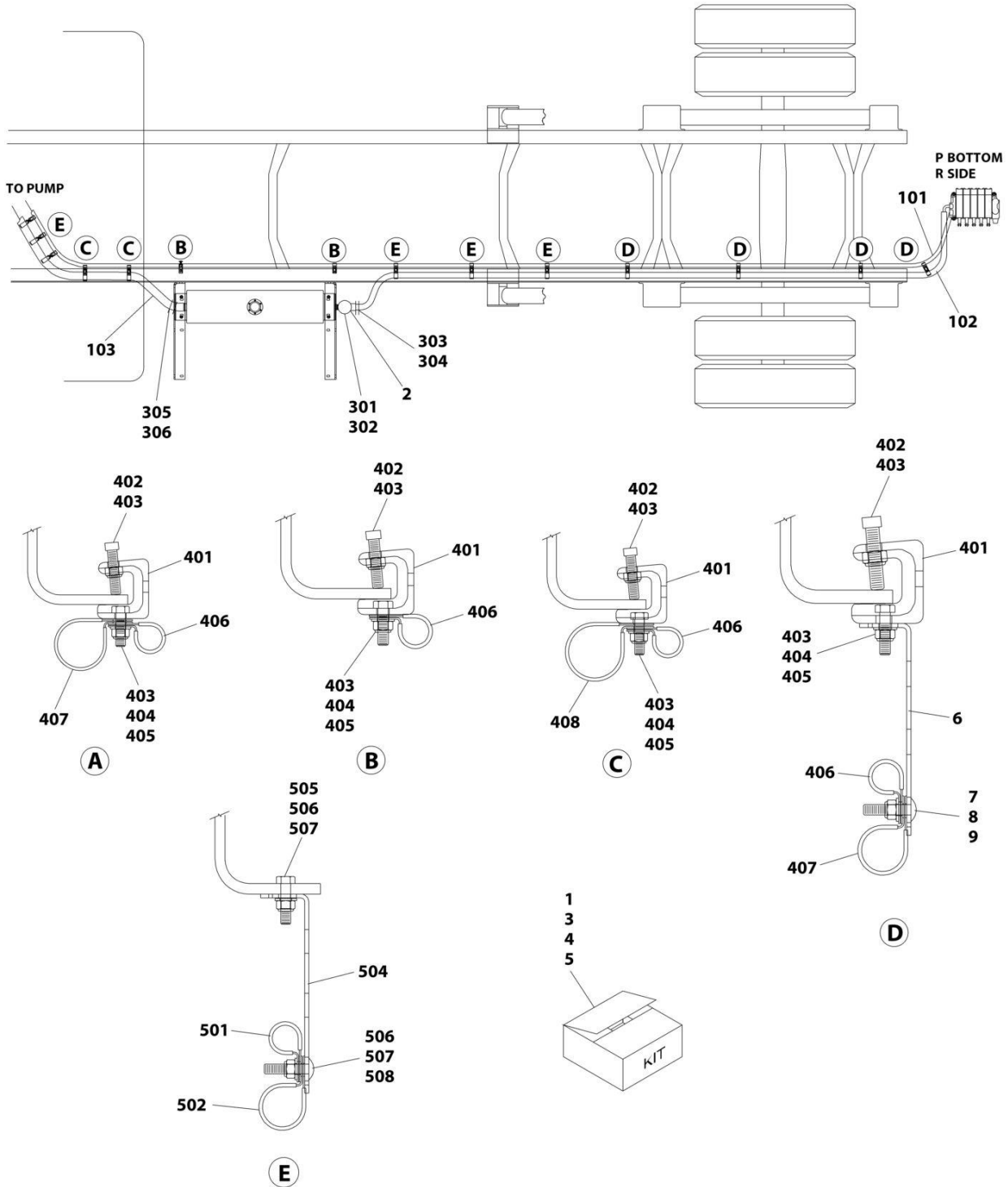




**SECTION 5 - HYDRAULIC**

# SECTION 5 - HYDRAULIC

## FIGURE 5-1. HOSE INSTALLATION - DODGE 20IN CA STD CAB



ART\_1001132752

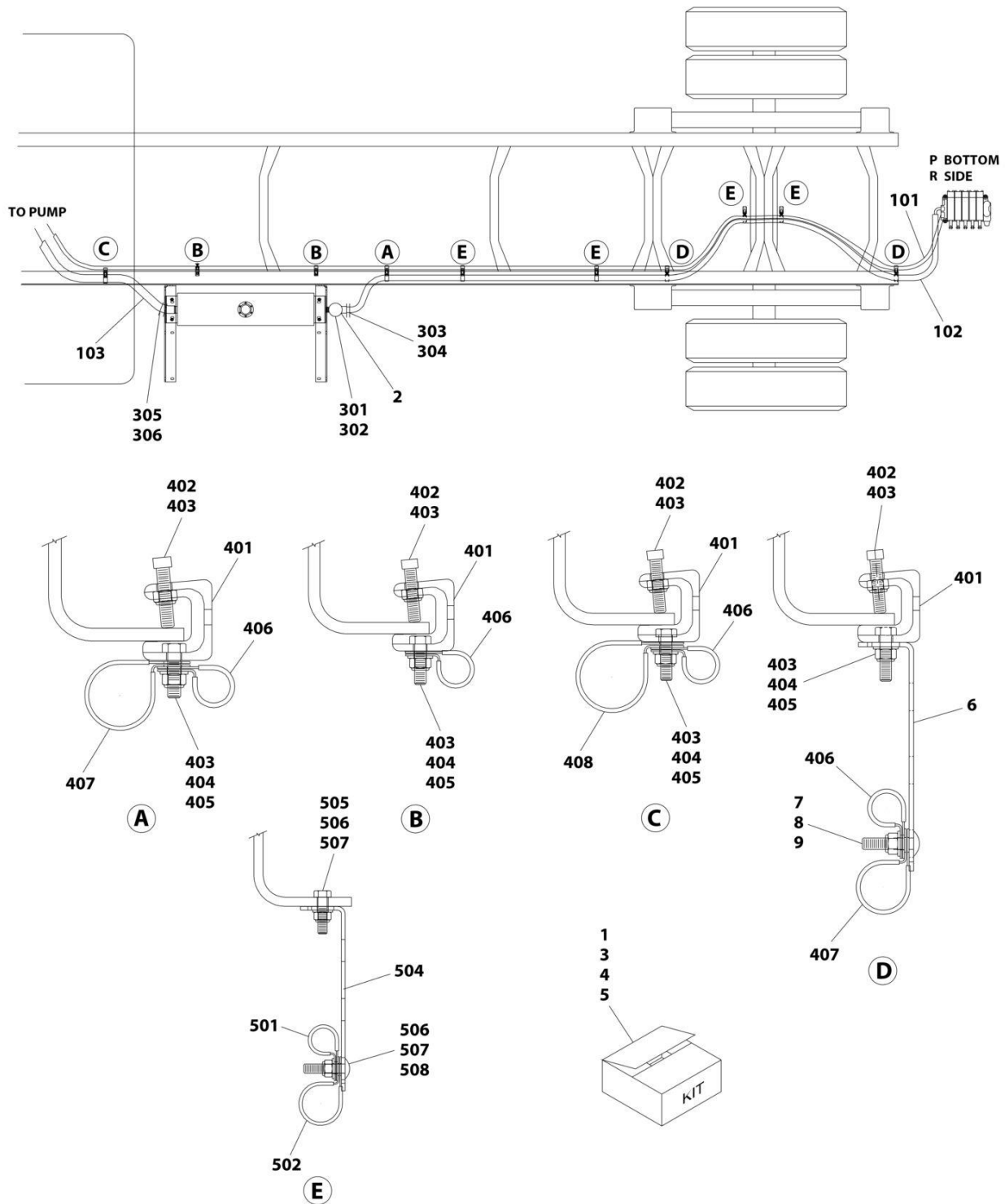
## SECTION 5 - HYDRAULIC

**FIGURE 5-1. HOSE INSTALLATION - DODGE 20IN CA STD CAB**

ITEM	PART NUMBER	QTY	DESCRIPTION	REV
	1001132752	Ref	HOSE INSTALLATION - 120IN CA (STD CAB DODGE)	0
1	1001132722	1	Hose Kit (Include Items 101-103)	
2	7430000003	1	Filter, Oil	
3	1001132801	1	Clamp, Hose Kit (Includes Items 301-306)	
4	1001132794	8	Clamp, Hose Kit (Includes Items 401-408)	
5	1001132800	6	Clamp, Hose Kit (Includes Items 501-508)	
6	4706003844	4	Plate	
7	7115151064	4	Capscrew 5/16 x 1-1/4	
8	7950150161	4	Washer 5/16	
9	7660152601	4	Nut 5/16	
101	4567130256	1	Hose	
102	4570000115	1	Hose	
103	1001132609	1	Hose	
301	7470000002	1	Gauge, Oil Filter Head	
302	7443000158	1	Elbow, 90	
303	7443000319	1	Fitting, 90	
304	7274000080	2	Clamp	
305	7443000013	1	Nipple	
306	7274000002	2	Clamp	
401	7274000076	1	Clamp	
402	7785152420	1	Screw 5/16 x 1-1/2	
403	7660152601	2	Nut 5/16	
404	7115151050	1	Capscrew 5/16 x 1-1/4	
405	7950150161	1	Washer 5/16	
406	7274000040	1	Clamp	
407	7274000041	1	Clamp	
408	7274000042	1	Clamp	
501	7274000040	1	Clamp	
502	7274000041	1	Clamp	
503	7274000042	1	Clamp (Not Shown)	
504	4706003844	1	Plate	
505	7115151050	1	Capscrew 5/16 x 1-1/4	
506	7950150161	3	Washer 5/16	
507	7660152601	2	Nut 5/16	
508	7115151064	1	Bolt 5/16 x 1-1/4	

# SECTION 5 - HYDRAULIC

## FIGURE 5-2. HOSE INSTALLATION - FORD 120IN CA STD CAB (2011-2016 FORD)



ART\_1001132737

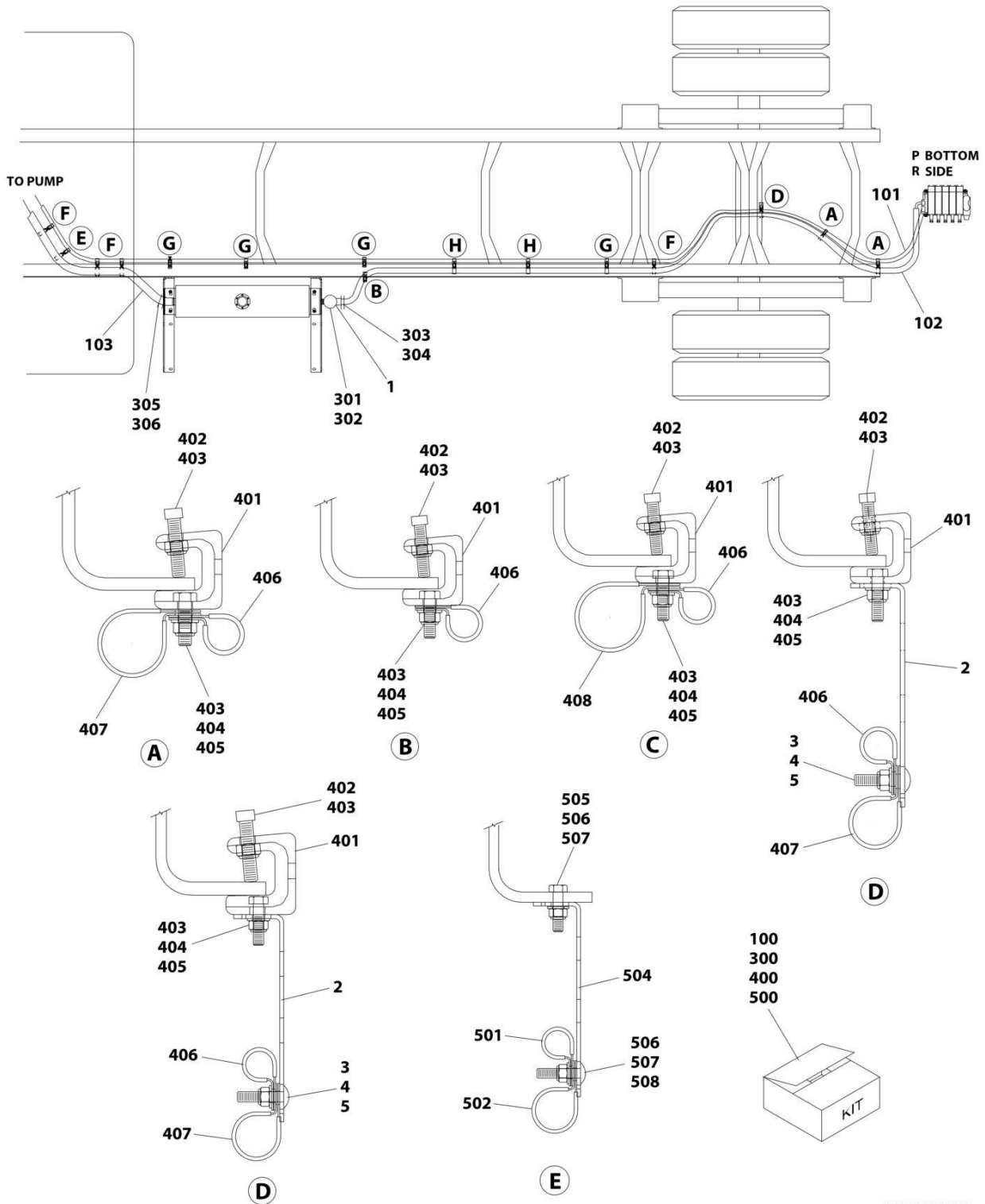
## SECTION 5 - HYDRAULIC

**FIGURE 5-2. HOSE INSTALLATION - FORD 120IN CA STD CAB (2011-2016 FORD)**

ITEM	PART NUMBER	QTY	DESCRIPTION	REV
	1001132737	Ref	HOSE INSTALLATION - 120IN CA (STD CAB FORD)	0
1	1001132706	1	Hose Kit (Include Items 101-103)	
2	7430000003	1	Filter, Oil	
3	1001132801	1	Clamp, Hose Kit (Includes Items 301-306)	
4	1001132794	11	Clamp, Hose Kit (Includes Items 401-408)	
5	1001132800	4	Clamp, Hose Kit (Includes Items 501-508)	
6	4706003844	2	Plate	
7	7115151064	2	Bolt 5/16 x 1-1/4	
8	7950150161	2	Washer 5/16	
9	7660152601	2	Nut 5/16	
101	4567130235	1	Hose	
102	1001130132	1	Hose	
103	1001130130	1	Hose	
301	7470000002	1	Gauge, Oil Filter Head	
302	7443000158	1	Elbow, 90	
303	7443000319	1	Fitting, 90	
304	7274000080	2	Clamp	
305	7443000013	1	Nipple	
306	7274000002	2	Clamp	
401	7274000076	1	Clamp	
402	7785152420	1	Screw 5/16 x 1-1/2	
403	7660152601	2	Nut 5/16	
404	7115151050	1	Capscrew 5/16 x 1-1/4	
405	7950150161	1	Washer 5/16	
406	7274000040	1	Clamp	
407	7274000041	1	Clamp	
408	7274000042	1	Clamp	
501	7274000040	1	Clamp	
502	7274000041	1	Clamp	
503	7274000042	1	Clamp	
504	4706003844	1	Plate	
505	7115151050	1	Capscrew 5/16 x 1-1/4	
506	7950150161	3	Washer 5/16	
507	7660152601	2	Nut 5/16	
508	7115151064	1	Bolt 5/16 x 1-1/4	

# SECTION 5 - HYDRAULIC

## FIGURE 5-3. HOSE INSTALLATION - FORD 120IN CA STD CAB (2017+ FORD)



ART\_1001222487

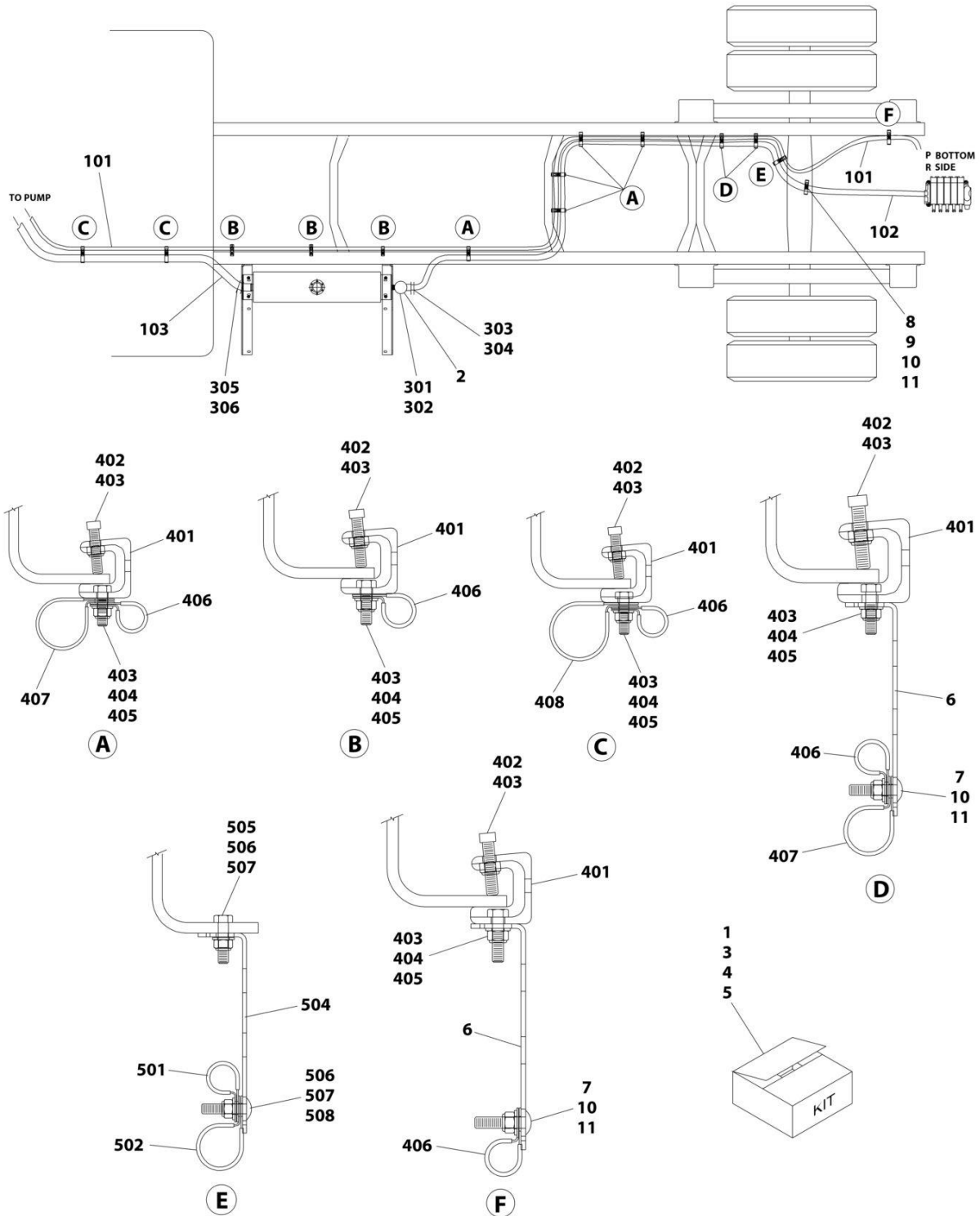
## SECTION 5 - HYDRAULIC

**FIGURE 5-3. HOSE INSTALLATION - FORD 120IN CA STD CAB (2017+ FORD)**

ITEM	PART NUMBER	QTY	DESCRIPTION	REV
	1001222487	Ref	HOSE INSTALLATION - 120IN CA (STD CAB 2017+ FORD)	B
1	7430000003	1	Filter, Oil	
2	4706003844	8	Plate	
3	7115151064	8	Bolt 5/16 x 1-1/4	
4	7950150161	8	Washer 5/16	
5	7660152601	8	Nut 5/16	
100	1001223152	1	Hose Kit	
101	4567130251	1	Hose	
102	1001130132	1	Hose	
103	1001130130	1	Hose	
300	1001132801	1	Clamp Kit	
301	7470000002	1	Gauge, Oil Filter Head	
302	7443000158	1	Elbow, 90	
303	7443000319	1	Fitting, 90	
304	7274000080	2	Clamp	
305	7443000013	1	Nipple	
306	7274000002	2	Clamp	
400	1001132794	13	Clamp Kit	
401	7274000076	1	Clamp	
402	7785152420	1	Screw 5/16 x 1-1/2	
403	7660152601	2	Nut 5/16	
404	7115151050	1	Capscrew 5/16 x 1-1/4	
405	7950150161	1	Washer 5/16	
406	7274000040	1	Clamp	
407	7274000041	1	Clamp	
408	7274000042	1	Clamp	
500	1001132800	2	Clamp Kit	
501	7274000040	1	Clamp	
502	7274000041	1	Clamp	
503	7274000042	1	Clamp (Not Shown)	
504	4706003844	1	Plate	
505	7115151050	1	Capscrew 5/16 x 1-1/4	
506	7950150161	3	Washer 5/16	
507	7660152601	2	Nut 5/16	
508	7115151064	1	Bolt 5/16 x 1-1/4	

# SECTION 5 - HYDRAULIC

## FIGURE 5-4. HOSE INSTALLATION - FORD & HINO 150IN CA STD CAB



ART\_1001132738



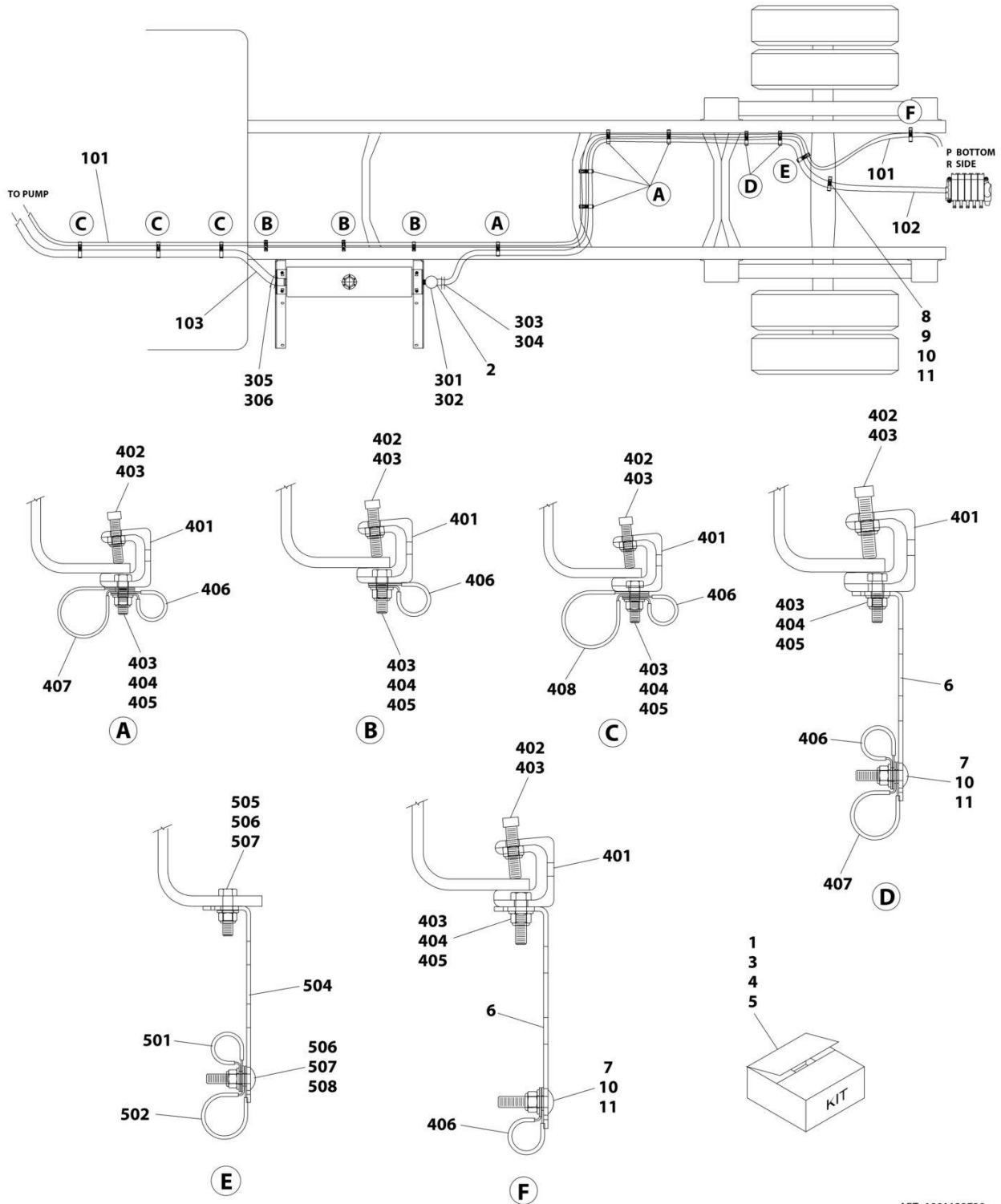
## SECTION 5 - HYDRAULIC

**FIGURE 5-4. HOSE INSTALLATION - FORD & HINO 150IN CA STD CAB**

ITEM	PART NUMBER	QTY	DESCRIPTION	REV
	1001132738	Ref	HOSE INSTALLATION - 150IN CA (STD CAB FORD/HINO AIR)	0
1	1001132707	1	Hose Kit (Include Items 101-103)	
2	7430000003	1	Filter, Oil	
3	1001132801	1	Clamp, Hose Kit (Includes Items 301-306)	
4	1001132794	13	Clamp, Hose Kit (Includes Items 401-408)	
5	1001132800	1	Clamp, Hose Kit (Includes Items 501-508)	
6	4706003844	3	Plate	
7	7115151064	3	Bolt 5/16 x 1-1/4	
8	7274000041	1	Clamp	
9	7115151050	1	Capscrew 5/16 x 1-1/4	
10	7950150161	4	Washer 5/16	
11	7660152601	4	Nut 5/16	
101	4567130268	1	Hose	
102	1001132679	1	Hose	
103	4570000099	1	Hose	
301	7470000002	1	Gauge, Oil Filter Head	
302	7443000158	1	Elbow, 90	
303	7443000319	1	Fitting, 90	
304	7274000080	2	Clamp	
305	7443000013	1	Nipple	
306	7274000002	2	Clamp	
401	7274000076	1	Clamp	
402	7785152420	1	Screw 5/16 x 1-1/2	
403	7660152601	2	Nut 5/16	
404	7115151050	1	Capscrew 5/16 x 1-1/4	
405	7950150161	1	Washer 5/16	
406	7274000040	1	Clamp	
407	7274000041	1	Clamp	
408	7274000042	1	Clamp	
501	7274000040	1	Clamp	
502	7274000041	1	Clamp	
503	7274000042	1	Clamp	
504	4706003844	1	Plate	
505	7115151050	1	Capscrew 5/16 x 1-1/4	
506	7950150161	3	Washer 5/16	
507	7660152601	2	Nut 5/16	
508	7115151064	1	Bolt 5/16 x 1-1/4	

# SECTION 5 - HYDRAULIC

## FIGURE 5-5. HOSE INSTALLATION - FORD 150IN CA EXT CAB



ART\_1001132739

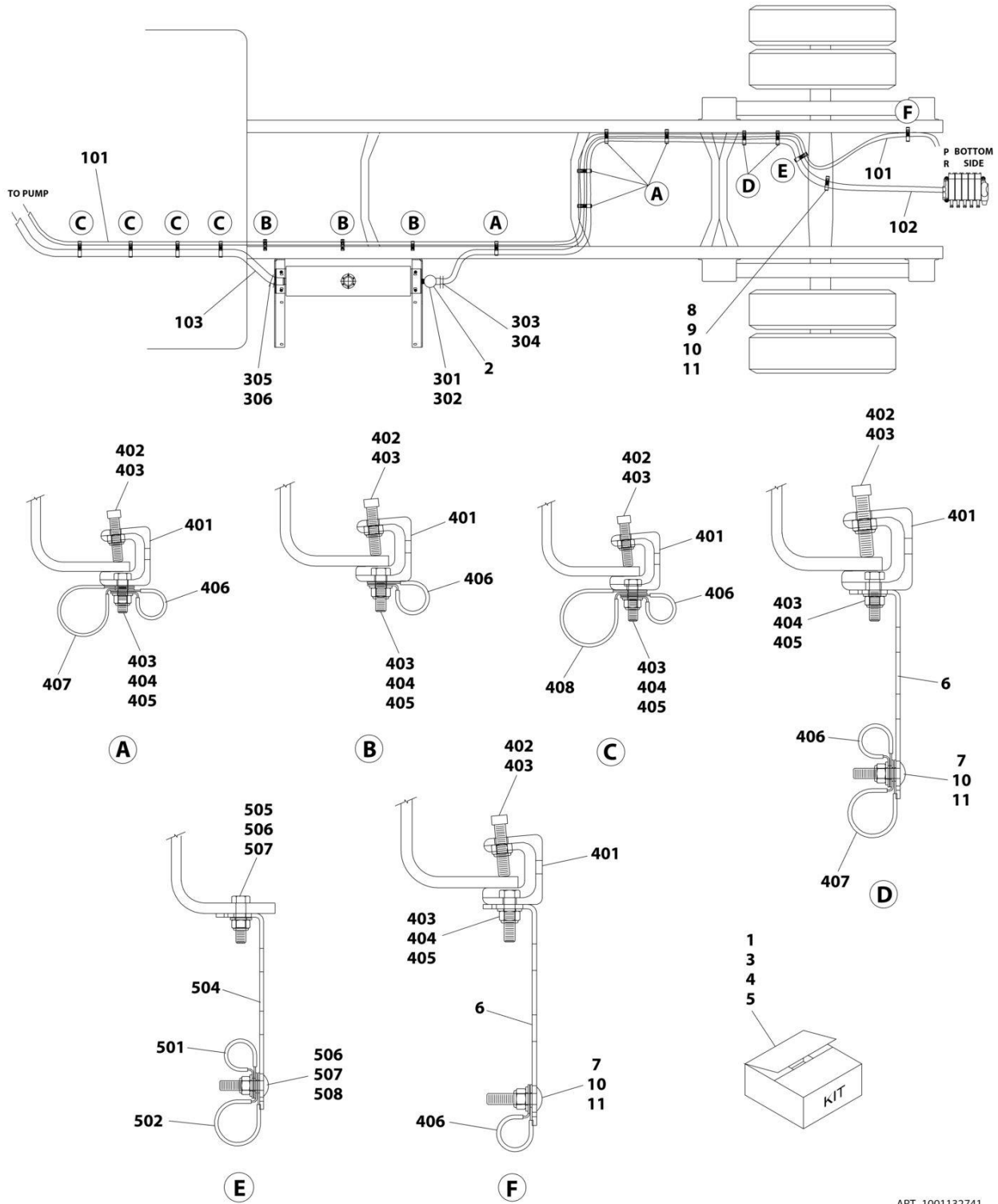
## SECTION 5 - HYDRAULIC

**FIGURE 5-5. HOSE INSTALLATION - FORD 150IN CA EXT CAB**

ITEM	PART NUMBER	QTY	DESCRIPTION	REV
	1001132739	Ref	HOSE INSTALLATION - 150IN CA (EXT CAB FORD)	0
1	1001132708	1	Hose Kit (Include Items 101-103)	
2	743000003	1	Filter, Oil	
3	1001132801	1	Clamp, Hose Kit (Includes Items 301-306)	
4	1001132794	14	Clamp, Hose Kit (Includes Items 401-408)	
5	1001132800	1	Clamp, Hose Kit (Includes Items 501-508)	
6	4706003844	3	Plate	
7	7115151064	3	Bolt 5/16 x 1-1/4	
8	7274000041	1	Clamp	
9	7115151050	1	Capscrew 5/16 x 1-1/4	
10	7950150161	4	Washer 5/16	
11	7660152601	4	Nut 5/16	
101	4567130290	1	Hose	
102	1001132679	1	Hose	
103	4570000352	1	Hose	
301	7470000002	1	Gauge, Oil Filter Head	
302	7443000158	1	Elbow, 90	
303	7443000319	1	Fitting, 90	
304	7274000080	2	Clamp	
305	7443000013	1	Nipple	
306	7274000002	2	Clamp	
401	7274000076	1	Clamp	
402	7785152420	1	Screw 5/16 x 1-1/2	
403	7660152601	2	Nut 5/16	
404	7115151050	1	Capscrew 5/16 x 1-1/4	
405	7950150161	1	Washer 5/16	
406	7274000040	1	Clamp	
407	7274000041	1	Clamp	
408	7274000042	1	Clamp	
501	7274000040	1	Clamp	
502	7274000041	1	Clamp	
503	7274000042	1	Clamp	
504	4706003844	1	Plate	
505	7115151050	1	Capscrew 5/16 x 1-1/4	
506	7950150161	3	Washer 5/16	
507	7660152601	2	Nut 5/16	
508	7115151064	1	Bolt 5/16 x 1-1/4	

# SECTION 5 - HYDRAULIC

## FIGURE 5-6. HOSE INSTALLATION - FORD 150IN CA CREW CAB



ART\_1001132741

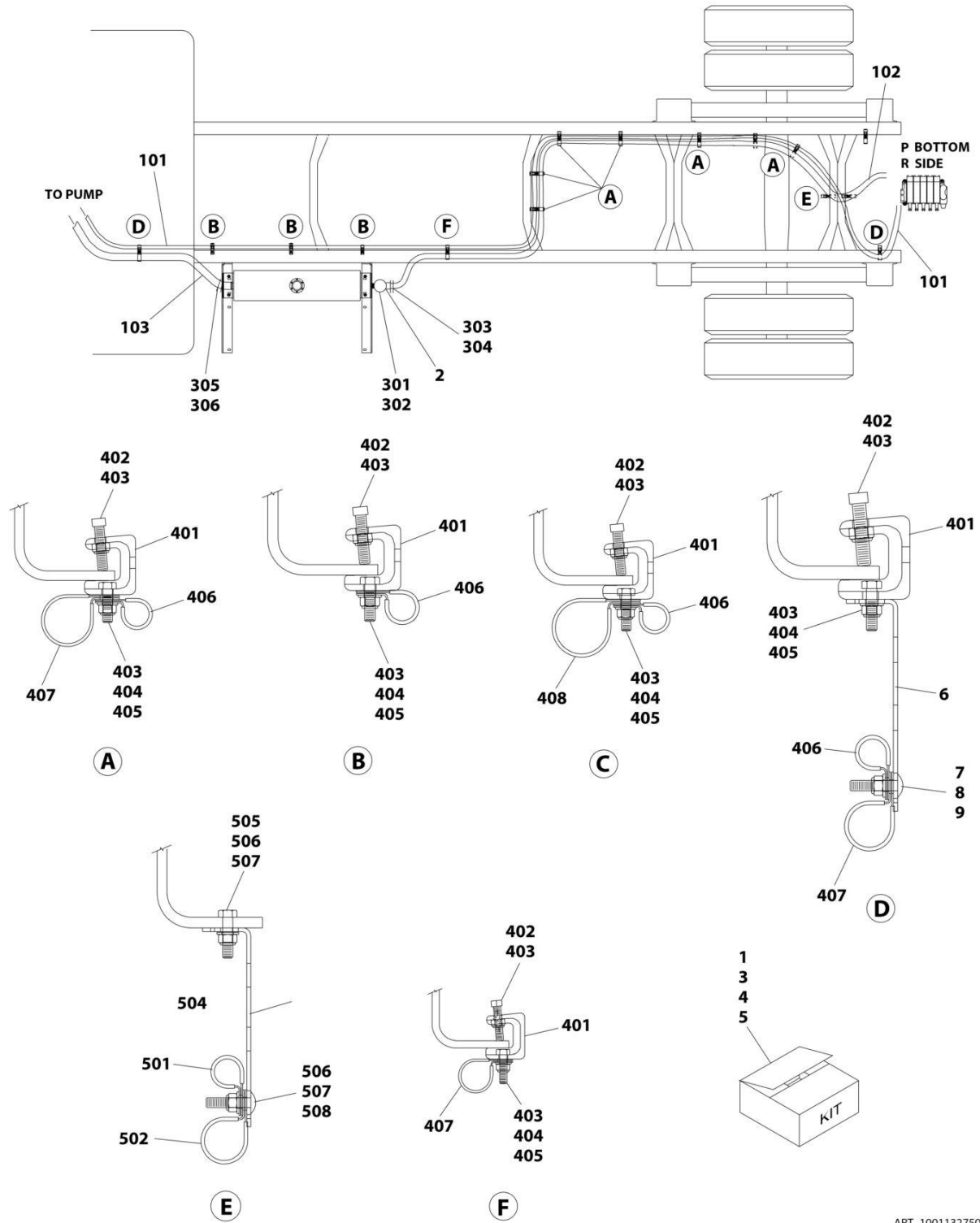
## SECTION 5 - HYDRAULIC

**FIGURE 5-6. HOSE INSTALLATION - FORD 150IN CA CREW CAB**

ITEM	PART NUMBER	QTY	DESCRIPTION	REV
	1001132741	Ref	HOSE & CLAMP INSTALLATION - 150IN CA CREW CAB (FORD - CREW CAB)	0
1	1001132710	1	Hose Kit (Include Items 101-103)	
2	7430000003	1	Filter, Oil	
3	1001132801	1	Clamp, Hose (Includes Items 301-306)	
4	1001132794	15	Clamp, Hose (Includes Items 401-408)	
5	1001132800	1	Clamp, Hose (Includes items 501-508)	
6	4706003844	3	Plate	
7	7115151064	3	Bolt 5/16 x 1-1/4	
8	7274000041	1	Clamp, Hose	
9	7115151050	1	Capscrew 5/16 x 1-1/4	
10	7950150161	4	Washer 5/16	
11	7660152601	4	Nut 5/16	
101	4567130320	1	Hose	
102	4570000160	1	Hose	
103	1001132613	1	Hose	
301	7470000002	1	Gauge, Oil Filter Head	
302	7443000158	1	Elbow, 90	
303	7443000319	1	Fitting, 90	
304	7274000080	2	Clamp	
305	7443000013	1	Nipple	
306	7274000002	2	Clamp	
401	7274000076	1	Clamp	
402	7785152420	1	Screw 5/16 x 1-1/2	
403	7660152601	2	Nut 5/16	
404	7115151050	1	Capscrew 5/16 x 1-1/4	
405	7950150161	1	Washer 5/16	
406	7274000040	1	Clamp	
407	7274000041	1	Clamp	
408	7274000042	1	Clamp	
501	7274000040	1	Clamp	
502	7274000041	1	Clamp	
503	7274000042	1	Clamp (Not Shown)	
504	4706003844	1	Plate	
505	7115151050	1	Capscrew 5/16 x 1-1/4	
506	7950150161	3	Washer 5/16	
507	7660152601	2	Nut 5/16	
508	7115151064	1	Bolt 5/16 x 1-1/4	

# SECTION 5 - HYDRAULIC

## FIGURE 5-7. HOSE INSTALLATION - FREIGHTLINER 150IN CA STD CAB



ART\_1001132750

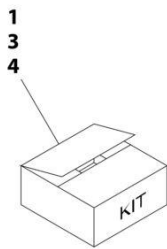
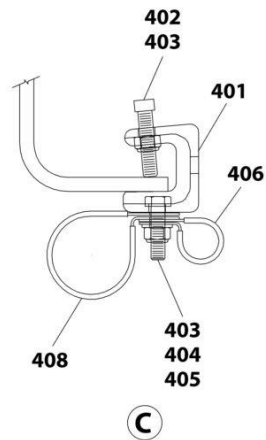
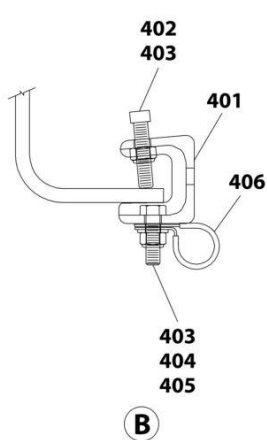
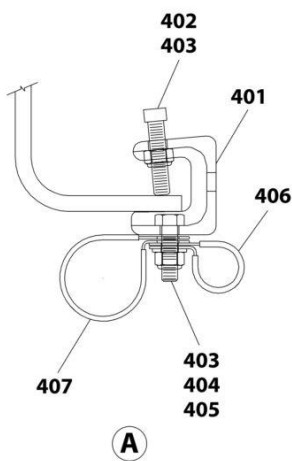
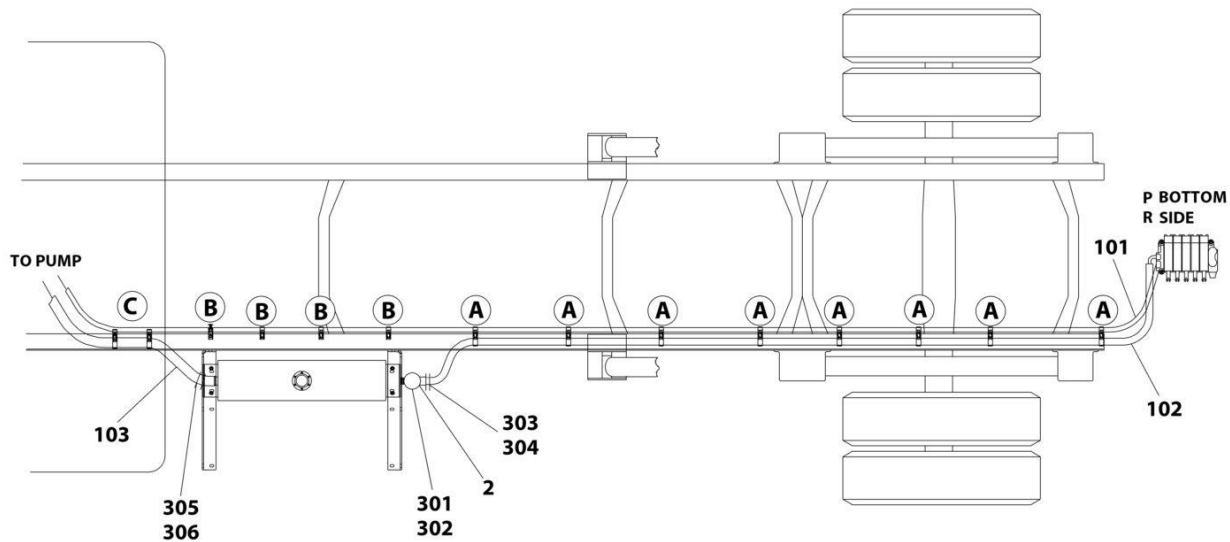
## SECTION 5 - HYDRAULIC

**FIGURE 5-7. HOSE INSTALLATION - FREIGHTLINER 150IN CA STD CAB**

ITEM	PART NUMBER	QTY	DESCRIPTION	REV
	1001132750	Ref	HOSE INSTALLATION - 150IN CA (STD CAB FREIGHTLINER)	0
1	1001132719	1	Hose Kit (Include Items 101-103)	
2	7430000003	1	Filter, Oil	
3	1001132801	1	Clamp, Hose Kit (Includes Items 301-306)	
4	1001132794	13	Clamp, Hose Kit (Includes Items 401-408)	
5	1001132800	2	Clamp, Hose Kit (Includes Items 501-508)	
6	4706003844	1	Plate	
7	7115151064	1	Bolt 5/16 x 1-1/4	
8	7950150161	1	Washer 5/16	
9	7660152601	1	Nut 5/16	
101	4567130241	1	Hose	
102	1001132675	1	Hose	
103	4570000099	1	Hose	
301	7470000002	1	Gauge, Oil Filter Head	
302	7443000158	1	Elbow, 90	
303	7443000319	1	Fitting, 90	
304	7274000080	2	Clamp	
305	7443000013	1	Nipple	
306	7274000002	2	Clamp	
401	7274000076	1	Clamp	
402	7785152420	1	Screw 5/16 x 1-1/2	
403	7660152601	2	Nut 5/16	
404	7115151050	1	Capscrew 5/16 x 1-1/4	
405	7950150161	1	Washer 5/16	
406	7274000040	1	Clamp	
407	7274000041	1	Clamp	
408	7274000042	1	Clamp	
501	7274000040	1	Clamp	
502	7274000041	1	Clamp	
503	7274000042	1	Clamp	
504	4706003844	1	Plate	
505	7115151050	1	Capscrew 5/16 x 1-1/4	
506	7950150161	3	Washer 5/16	
507	7660152601	2	Nut 5/16	
508	7115151064	1	Bolt 5/16 x 1-1/4	

# SECTION 5 - HYDRAULIC

FIGURE 5-8. HOSE INSTALLATION - HINO 144IN CA STD CAB



ART\_1001132761



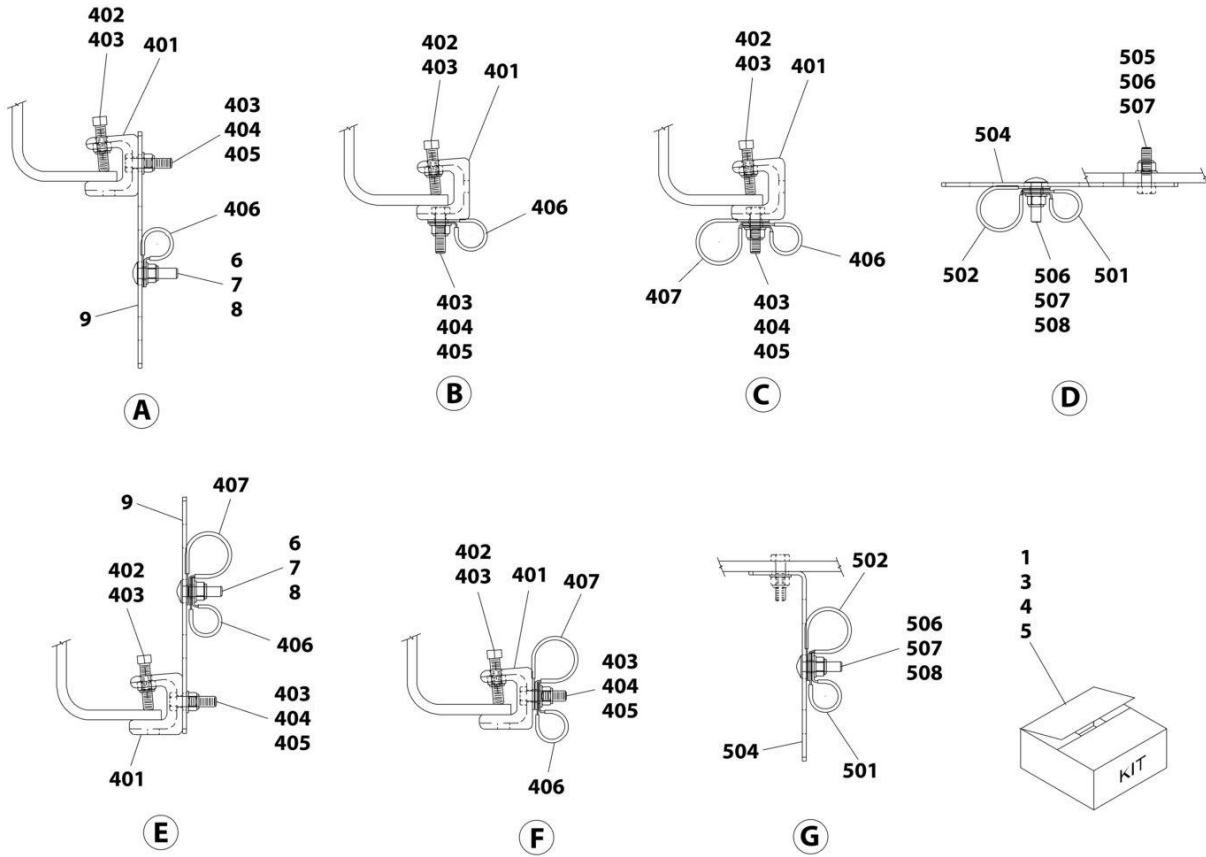
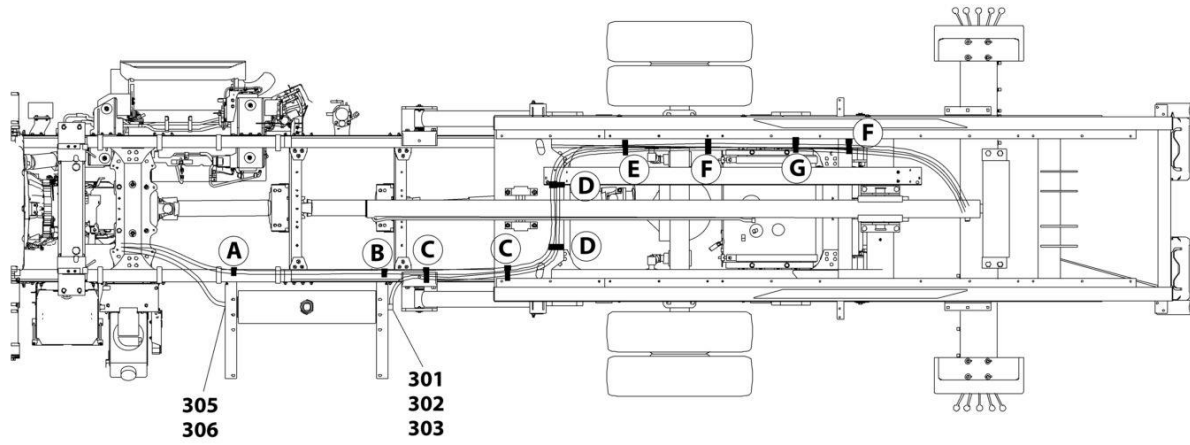
## SECTION 5 - HYDRAULIC

**FIGURE 5-8. HOSE INSTALLATION - HINO 144IN CA STD CAB**

ITEM	PART NUMBER	QTY	DESCRIPTION	REV
	1001132761	Ref	HOSE INSTALLATION - 144IN CA (STD CAB HINO)	0
1	1001132760	1	Hose Kit (Include Items 101-103)	
2	743000003	1	Filter, Oil	
3	1001132801	1	Clamp, Hose Kit (Includes Items 301-306)	
4	1001132794	13	Clamp, Hose Kit (Includes Items 401-408)	
101	4567130241	1	Hose	
102	4570000102	1	Hose	
103	4570000099	1	Hose	
301	7470000002	1	Gauge, Oil Filter Head	
302	7443000158	1	Elbow, 90	
303	7443000319	1	Fitting, 90	
304	7274000080	2	Clamp	
305	7443000013	1	Nipple	
306	7274000002	2	Clamp	
401	7274000076	1	Clamp	
402	7785152420	1	Screw 5/16 x 1-1/2	
403	7660152601	2	Nut 5/16	
404	7115151050	1	Capscrew 5/16 x 1-1/4	
405	7950150161	1	Washer 5/16	
406	7274000040	1	Clamp	
407	7274000041	1	Clamp	
408	7274000042	1	Clamp	

# SECTION 5 - HYDRAULIC

FIGURE 5-9. HOSE INSTALLATION - HINO 195 145IN CA STD CAB



ART\_1001159911

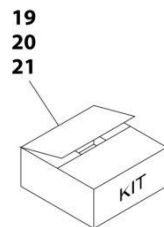
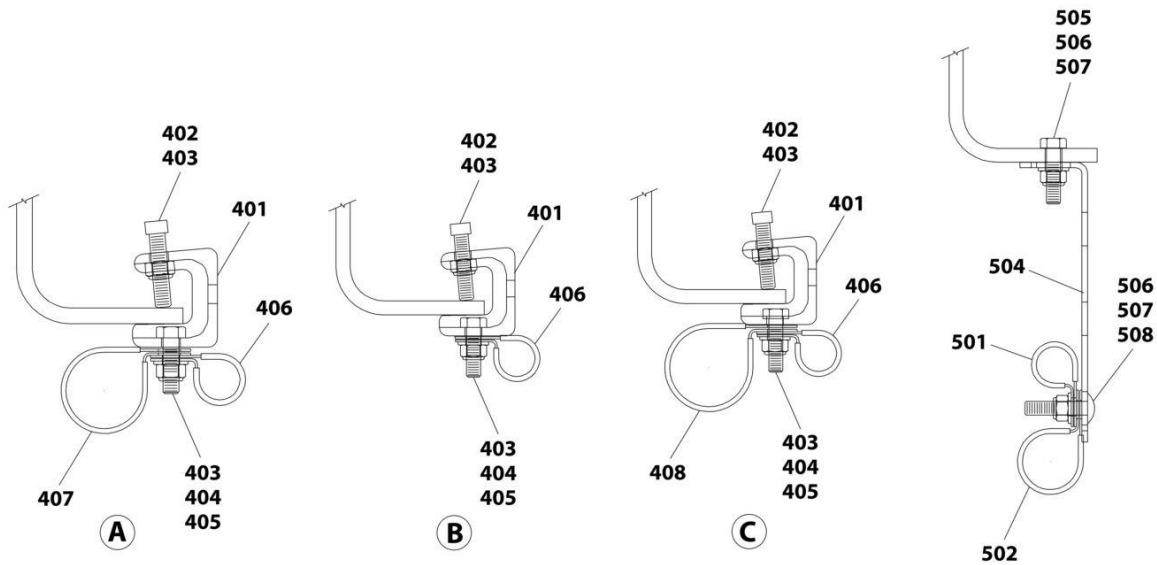
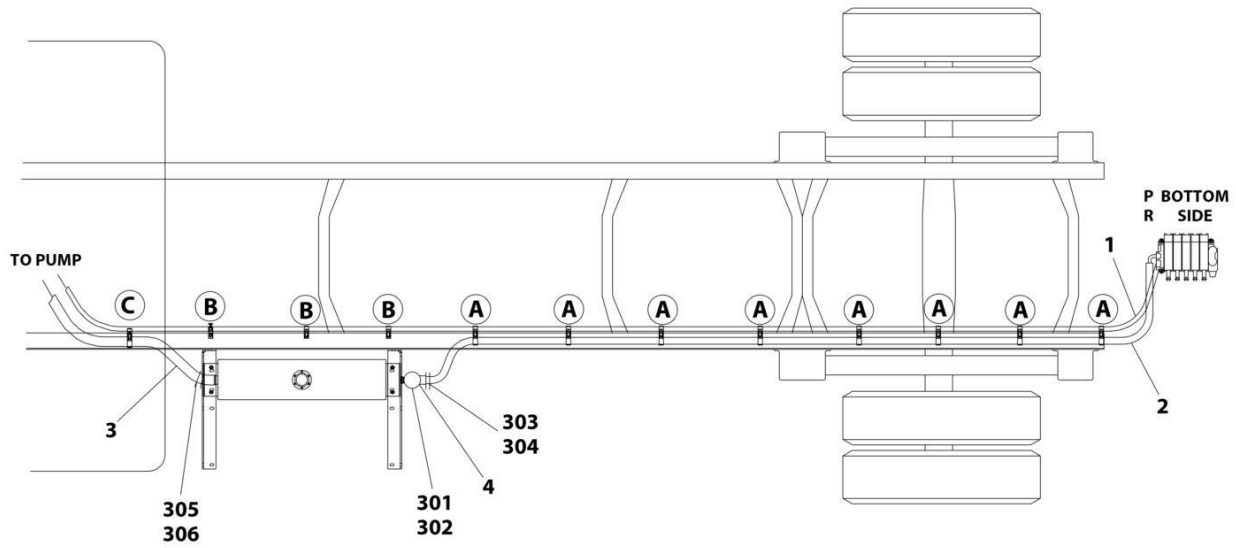
## SECTION 5 - HYDRAULIC

**FIGURE 5-9. HOSE INSTALLATION - HINO 195 145IN CA STD CAB**

ITEM	PART NUMBER	QTY	DESCRIPTION	REV
	1001159911	Ref	HOSE INSTALLATION - 145IN CA (STD HINO)	A
1	1001159912	1	Hose Kit (Includes Items 101-103)	
2	7430000003	1	Filter, Oil (Not Shown)	
3	1001132801	1	Clamp, Hose (Includes Items 301-306)	
4	1001132794	7	Clamp, Hose (Includes Items 401-408)	
5	1001132800	3	Clamp, Hose (Includes Items 501-508)	
6	7115151064	2	Bolt 5/16 x 1-1/4	
7	7950150161	2	Washer 5/16	
8	7660152601	2	Nut 5/16	
9	4706003844	2	Plate	
101	4567130216	1	Hose (Not Shown)	
102	4570000113	1	Hose (Not Shown)	
103	4570000099	1	Hose (Not Shown)	
301	7470000002	1	Gauge, Oil Filter Head	
302	7443000158	1	Elbow, 90	
303	7443000319	1	Fitting, 90	
304	7274000080	2	Clamp (Not Shown)	
305	7443000013	1	Nipple	
306	7274000002	2	Clamp	
401	7274000076	1	Clamp	
402	7785152420	1	Screw 5/16 x 1-1/2	
403	7660152601	2	Nut 5/16	
404	7115151050	1	Capscrew 5/16 x 1-1/4	
405	7950150161	1	Washer 5/16	
406	7274000040	1	Clamp	
407	7274000041	1	Clamp	
408	7274000042	1	Clamp (Not Shown)	
501	7274000040	1	Clamp	
502	7274000041	1	Clamp	
503	7274000042	1	Clamp (Not Shown)	
504	4706003844	1	Plate	
505	7115151050	1	Capscrew 5/16 x 1-1/4	
506	7950150161	3	Washer 5/16	
507	7660152601	2	Nut 5/16	
508	7115151064	1	Bolt 5/16 x 1-1/4	

# SECTION 5 - HYDRAULIC

FIGURE 5-10. HOSE INSTALLATION - INTERNATIONAL 120IN CA STD CAB



ART\_2570000091

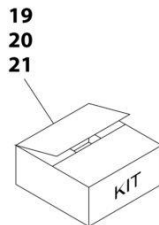
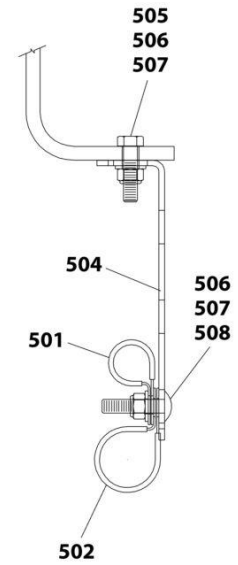
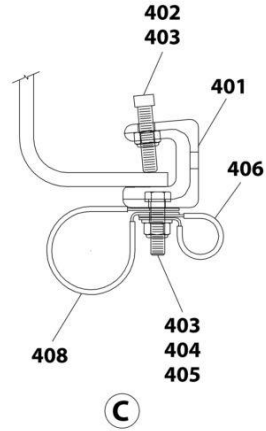
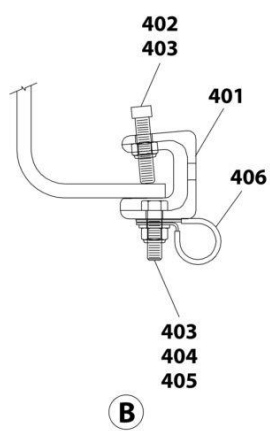
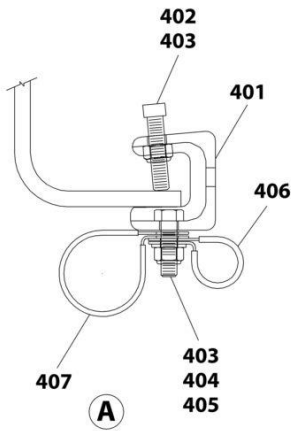
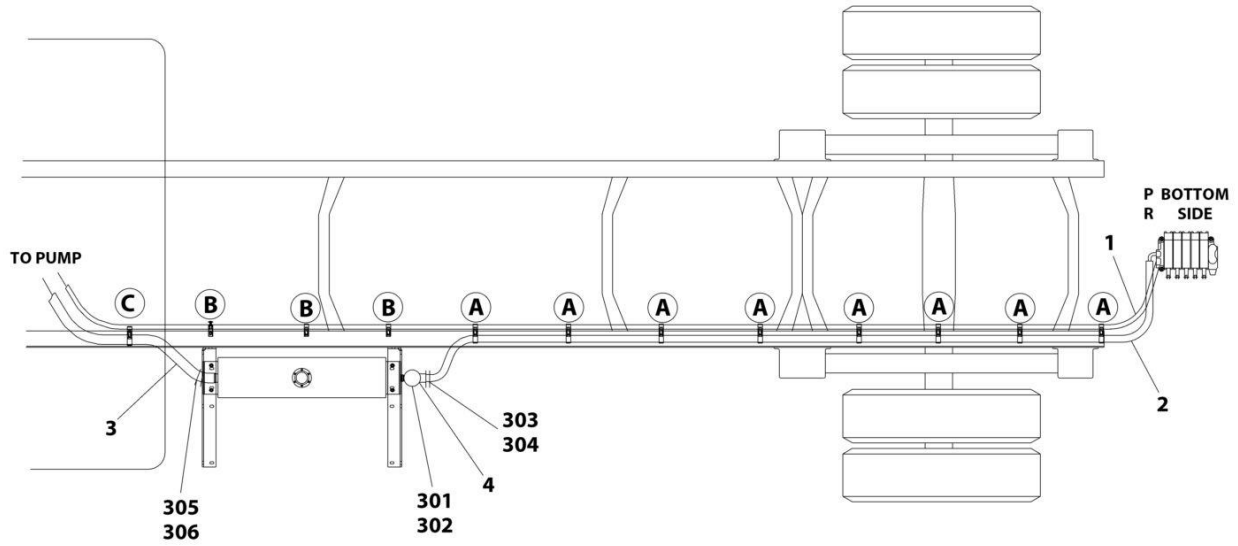
## SECTION 5 - HYDRAULIC

**FIGURE 5-10. HOSE INSTALLATION - INTERNATIONAL 120IN CA STD CAB**

ITEM	PART NUMBER	QTY	DESCRIPTION	REV
	2570000091	Ref	HOSE INSTALLATION - 120IN CA (STD CAB IHC NGV)	2
1	4567130208	1	Hose	
2	4570000193	1	Hose, Return	
3	4570000091	1	Hose, Supply	
4	7430000003	1	Filter, Oil	
19	1001132801	1	Clamp, Hose Kit (Includes Items 301-306)	
20	1001132794	11	Clamp, Hose Kit (Includes Items 401-408)	
21	1001132800	5	Clamp, Hose Kit (Includes Items 501-508)	
301	7470000002	1	Gauge, Oil Filter Head	
302	7443000158	1	Elbow, 90	
303	7443000319	1	Fitting, 90	
304	7274000080	2	Clamp	
305	7443000013	1	Nipple	
306	7274000002	2	Clamp	
401	7274000076	1	Clamp	
402	7785152420	1	Screw 5/16 x 1-1/2	
403	7660152601	2	Nut 5/16	
404	7115151050	1	Capscrew 5/16 x 1-1/4	
405	7950150161	1	Washer 5/16	
406	7274000040	1	Clamp	
407	7274000041	1	Clamp	
408	7274000042	1	Clamp	
501	7274000040	1	Clamp	
502	7274000041	1	Clamp	
503	7274000042	1	Clamp	
504	4706003844	1	Plate	
505	7115151050	1	Capscrew 5/16 x 1-1/4	
506	7950150161	3	Washer 5/16	
507	7660152601	2	Nut 5/16	
508	7115151064	1	Bolt 5/16 x 1-1/4	

# SECTION 5 - HYDRAULIC

FIGURE 5-11. HOSE INSTALLATION - INTERNATIONAL 138IN CA STD CAB



ART\_2570000093

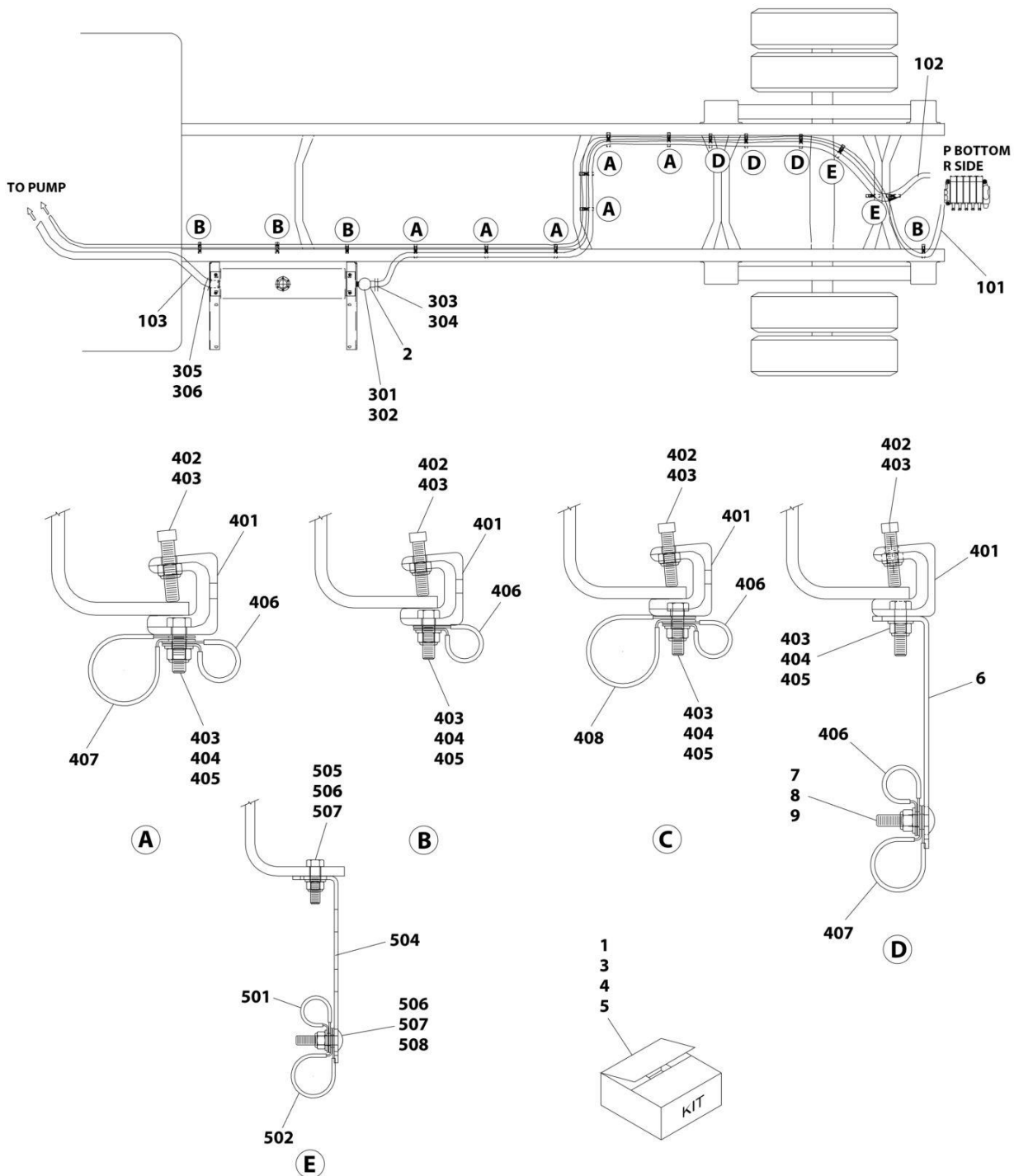
## SECTION 5 - HYDRAULIC

**FIGURE 5-11. HOSE INSTALLATION - INTERNATIONAL 138IN CA STD CAB**

ITEM	PART NUMBER	QTY	DESCRIPTION	REV
	2570000093	Ref	HOSE INSTALLATION - 138IN CA (STD CAB IHC NGV)	2
1	4567130223	1	Hose	
2	4570000101	1	Hose, Return	
3	4570000091	1	Hose, Supply	
4	7430000003	1	Filter, Oil	
19	1001132801	1	Clamp, Hose Kit (Includes Items 301-306)	
20	1001132794	11	Clamp, Hose Kit (Includes Items 401-408)	
21	1001132800	5	Clamp, Hose Kit (Includes Items 501-508)	
301	7470000002	1	Gauge, Oil Filter Head	
302	7443000158	1	Elbow, 90	
303	7443000319	1	Fitting, 90	
304	7274000080	2	Clamp	
305	7443000013	1	Nipple	
306	7274000002	2	Clamp	
401	7274000076	1	Clamp	
402	7785152420	1	Screw 5/16 x 1-1/2	
403	7660152601	2	Nut 5/16	
404	7115151050	1	Capscrew 5/16 x 1-1/4	
405	7950150161	1	Washer 5/16	
406	7274000040	1	Clamp	
407	7274000041	1	Clamp	
408	7274000042	1	Clamp	
501	7274000040	1	Clamp	
502	7274000041	1	Clamp	
503	7274000042	1	Clamp	
504	4706003844	1	Plate	
505	7115151050	1	Capscrew 5/16 x 1-1/4	
506	7950150161	3	Washer 5/16	
507	7660152601	2	Nut 5/16	
508	7115151064	1	Bolt 5/16 x 1-1/4	

# SECTION 5 - HYDRAULIC

FIGURE 5-12. HOSE INSTALLATION - INTERNATIONAL144IN CA STD CAB



ART\_1001132743



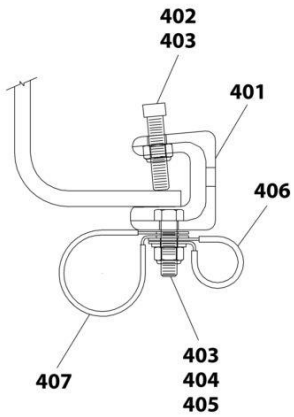
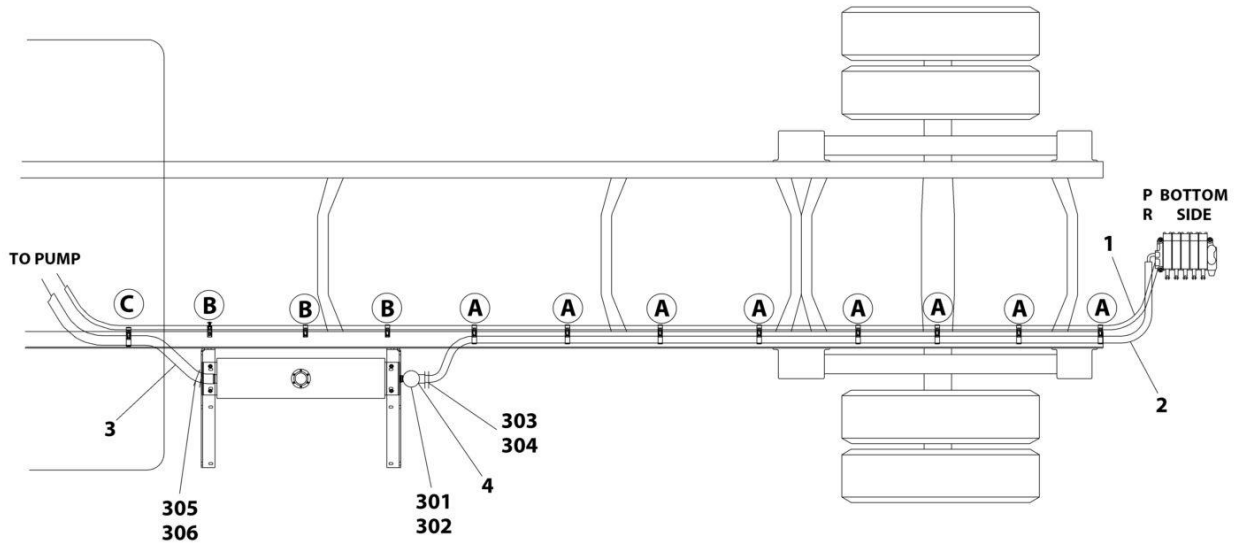
## SECTION 5 - HYDRAULIC

**FIGURE 5-12. HOSE INSTALLATION - INTERNATIONAL 144IN CA STD CAB**

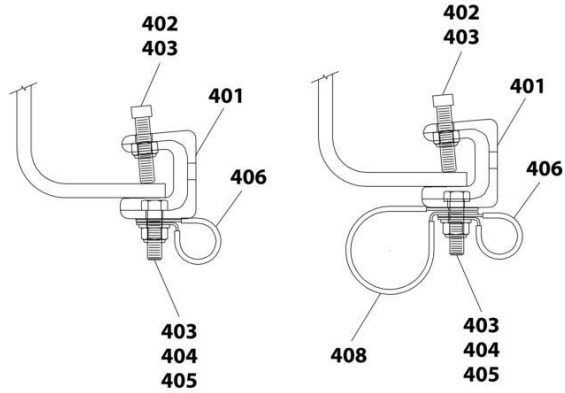
ITEM	PART NUMBER	QTY	DESCRIPTION	REV
	1001132743	Ref	HOSE INSTALLATION - 144IN CA (STD CAB IHC NGV)	0
1	1001132712	1	Hose Kit (Include Items 101-103)	
2	7430000003	1	Filter, Oil	
3	1001132801	1	Clamp, Hose Kit (Includes Items 301-306)	
4	1001132794	14	Clamp, Hose Kit (Includes Items 401-408)	
5	1001132800	3	Clamp, Hose Kit (Includes Items 501-508)	
6	4706003844	3	Plate	
7	7115151064	3	Bolt 5/16 x 1-1/4	
8	7950150161	3	Washer 5/16	
9	7660152601	3	Nut 5/16	
101	4567130264	1	Hose	
102	1001132684	1	Hose	
103	4570000042	1	Hose	
301	7470000002	1	Gauge, Oil Filter Head	
302	7443000158	1	Elbow, 90	
303	7443000319	1	Fitting, 90	
304	7274000080	2	Clamp	
305	7443000013	1	Nipple	
306	7274000002	2	Clamp	
401	7274000076	1	Clamp	
402	7785152420	1	Screw 5/16 x 1-1/2	
403	7660152601	2	Nut 5/16	
404	7115151050	1	Capscrew 5/16 x 1-1/4	
405	7950150161	1	Washer 5/16	
406	7274000040	1	Clamp	
407	7274000041	1	Clamp	
408	7274000042	1	Clamp	
501	7274000040	1	Clamp	
502	7274000041	1	Clamp	
503	7274000042	1	Clamp	
504	4706003844	1	Plate	
505	7115151050	1	Capscrew 5/16 x 1-1/4	
506	7950150161	3	Washer 5/16	
507	7660152601	2	Nut 5/16	
508	7115151064	1	Bolt 5/16 x 1-1/4	

# SECTION 5 - HYDRAULIC

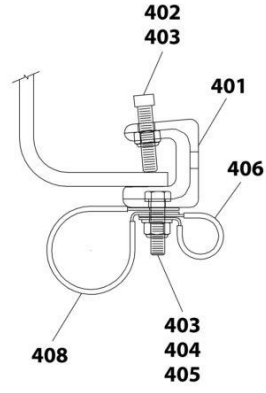
FIGURE 5-13. HOSE INSTALLATION - INTERNATIONAL150IN CA STD CAB



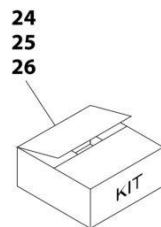
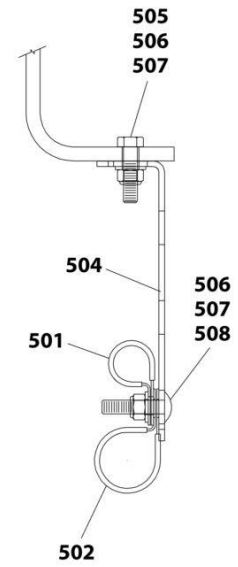
A



B



C



ART\_2570000094

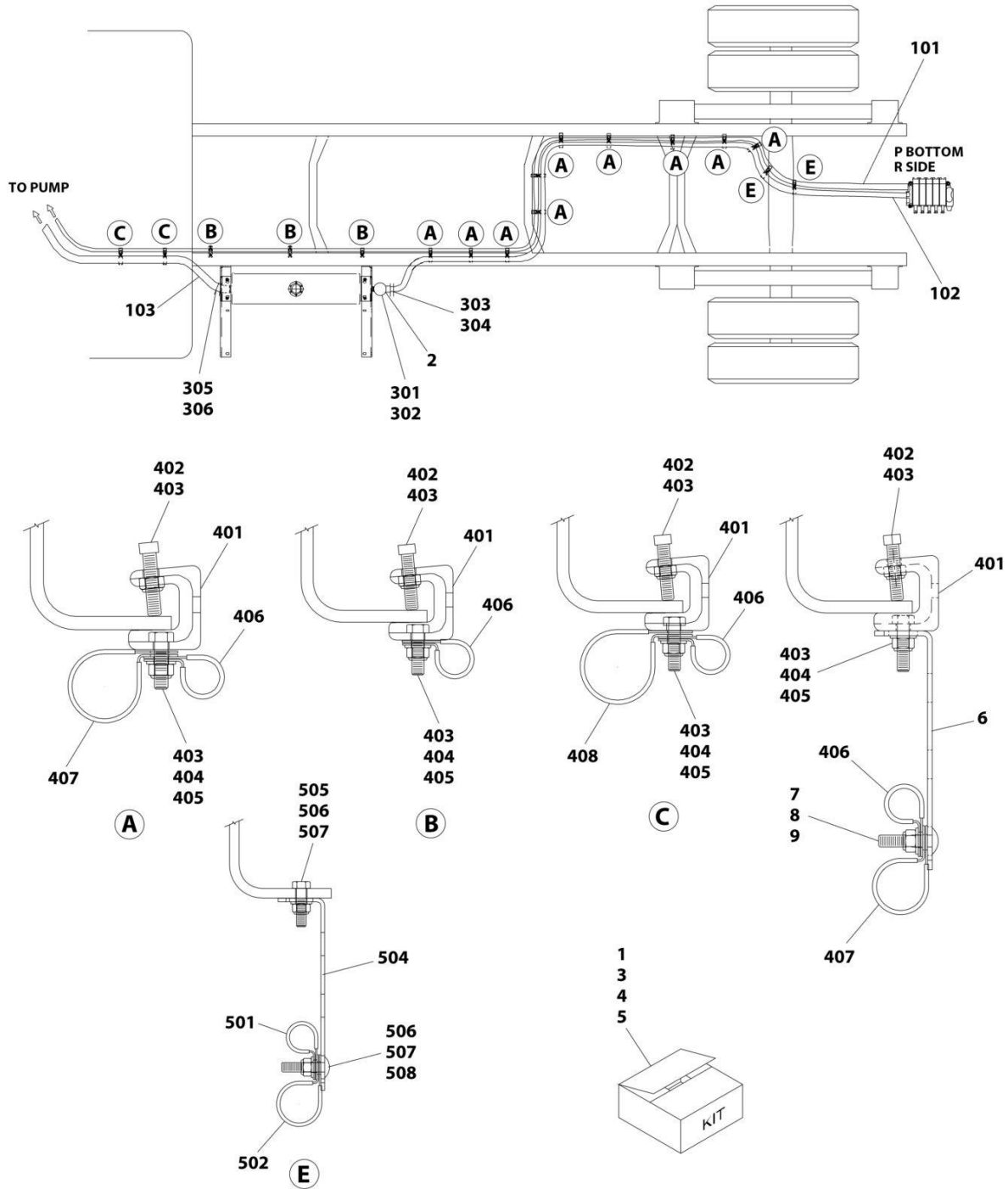
## SECTION 5 - HYDRAULIC

**FIGURE 5-13. HOSE INSTALLATION - INTERNATIONAL 150IN CA STD CAB**

ITEM	PART NUMBER	QTY	DESCRIPTION	REV
	2570000094	Ref	HOSE INSTALLATION - 150IN CA (STD CAB IHC NGV)	D
1	4567130270	1	Hose	
2	1001132685	1	Hose	
3	4570000091	1	Hose	
4	7430000003	1	Filter Assembly	
24	1001132801	1	Clamp, Hose Kit (Includes Items 301-306)	
25	1001132794	12	Clamp, Hose Kit (Includes Items 401-408)	
26	1001132800	6	Clamp, Hose Kit (Includes Items 501-508)	
301	7470000002	1	Gauge, Oil Filter Head	
302	7443000158	1	Elbow, 90	
303	7443000319	1	Fitting, 90	
304	7274000080	2	Clamp	
305	7443000013	1	Nipple	
306	7274000002	2	Clamp	
401	7274000076	1	Clamp	
402	7785152420	1	Screw 5/16 x 1-1/2	
403	7660152601	2	Nut 5/16	
404	7115151050	1	Capscrew 5/16 x 1-1/4	
405	7950150161	1	Washer 5/16	
406	7274000040	1	Clamp	
407	7274000041	1	Clamp	
408	7274000042	1	Clamp	
501	7274000040	1	Clamp	
502	7274000041	1	Clamp	
503	7274000042	1	Clamp	
504	4706003844	1	Plate	
505	7115151050	1	Capscrew 5/16 x 1-1/4	
506	7950150161	3	Washer 5/16	
507	7660152601	2	Nut 5/16	
508	7115151064	1	Bolt 5/16 x 1-1/4	

# SECTION 5 - HYDRAULIC

FIGURE 5-14. HOSE INSTALLATION - INTERNATIONAL150IN CA EXT CAB



ART\_1001132744

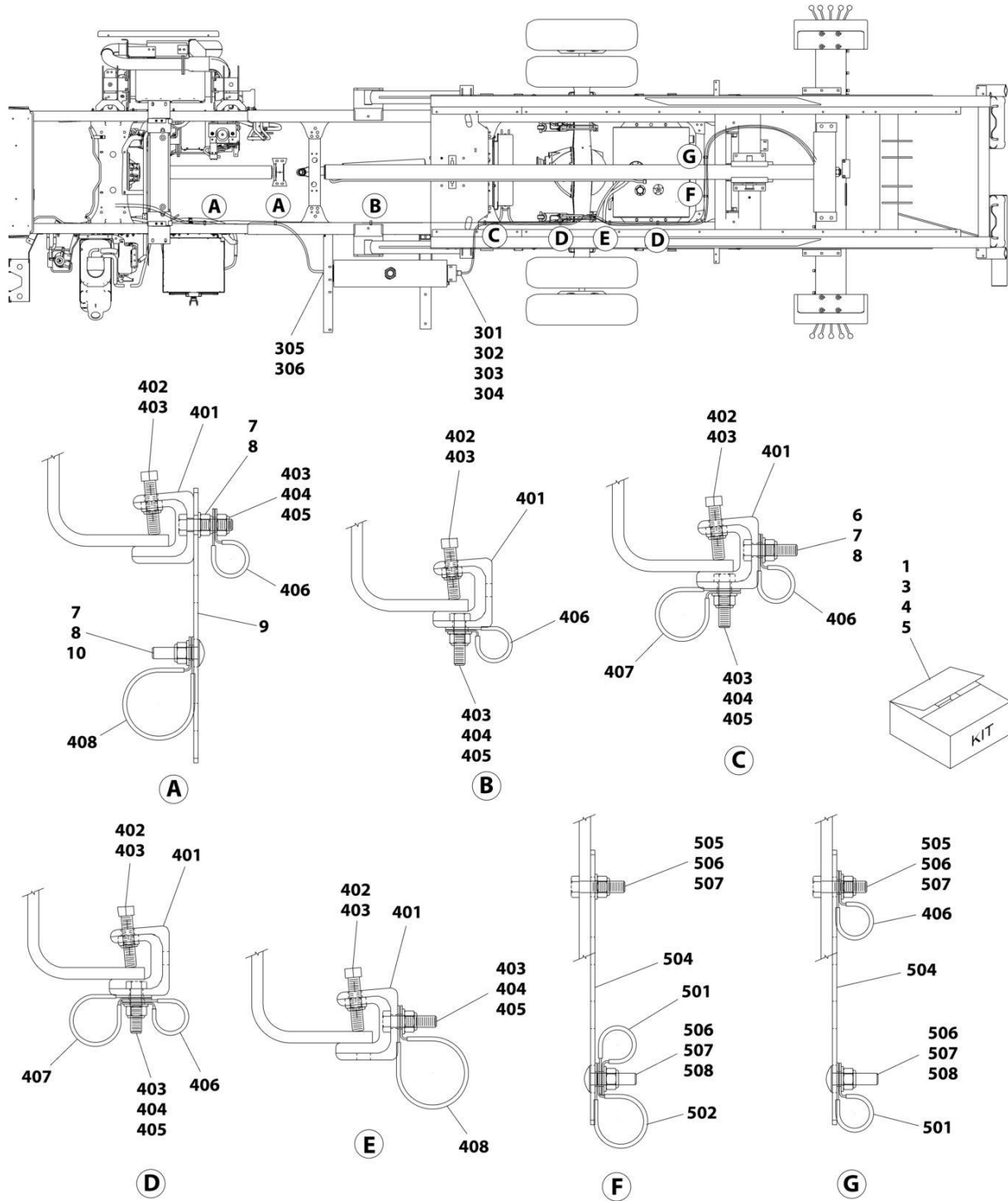
## SECTION 5 - HYDRAULIC

**FIGURE 5-14. HOSE INSTALLATION - INTERNATIONAL150IN CA EXT CAB**

ITEM	PART NUMBER	QTY	DESCRIPTION	REV
	1001132744	Ref	HOSE INSTALLATION - 150IN CA (EXT CAB IHC NGV)	0
1	1001132713	1	Hose Kit (Include Items 101-103)	
2	7430000003	1	Filter, Oil	
3	1001132801	1	Clamp, Hose Kit (Includes Items 301-306)	
4	1001132794	15	Clamp, Hose Kit (Includes Items 401-408)	
5	1001132800	2	Clamp, Hose Kit (Includes Items 501-508)	
6	4706003844	1	Plate	
7	7115151064	1	Bolt 5/16 x 1-1/4	
8	7950150161	1	Washer 5/16	
9	7660152601	1	Nut 5/16	
101	4567130300	1	Hose	
102	1001132684	1	Hose	
103	1001132599	1	Hose	
301	7470000002	1	Gauge, Oil Filter Head	
302	7443000158	1	Elbow, 90	
303	7443000319	1	Fitting, 90	
304	7274000080	2	Clamp	
305	7443000013	1	Nipple	
306	7274000002	2	Clamp	
401	7274000076	1	Clamp	
402	7785152420	1	Screw 5/16 x 1-1/2	
403	7660152601	2	Nut 5/16	
404	7115151050	1	Capscrew 5/16 x 1-1/4	
405	7950150161	1	Washer 5/16	
406	7274000040	1	Clamp	
407	7274000041	1	Clamp	
408	7274000042	1	Clamp	
501	7274000040	1	Clamp	
502	7274000041	1	Clamp	
503	7274000042	1	Clamp	
504	4706003844	1	Plate	
505	7115151050	1	Capscrew 5/16 x 1-1/4	
506	7950150161	3	Washer 5/16	
507	7660152601	2	Nut 5/16	
508	7115151064	1	Bolt 5/16 x 1-1/4	

# SECTION 5 - HYDRAULIC

## FIGURE 5-15. HOSE INSTALLATION - ISUZU ALL CA STD CAB



ART\_1001158617

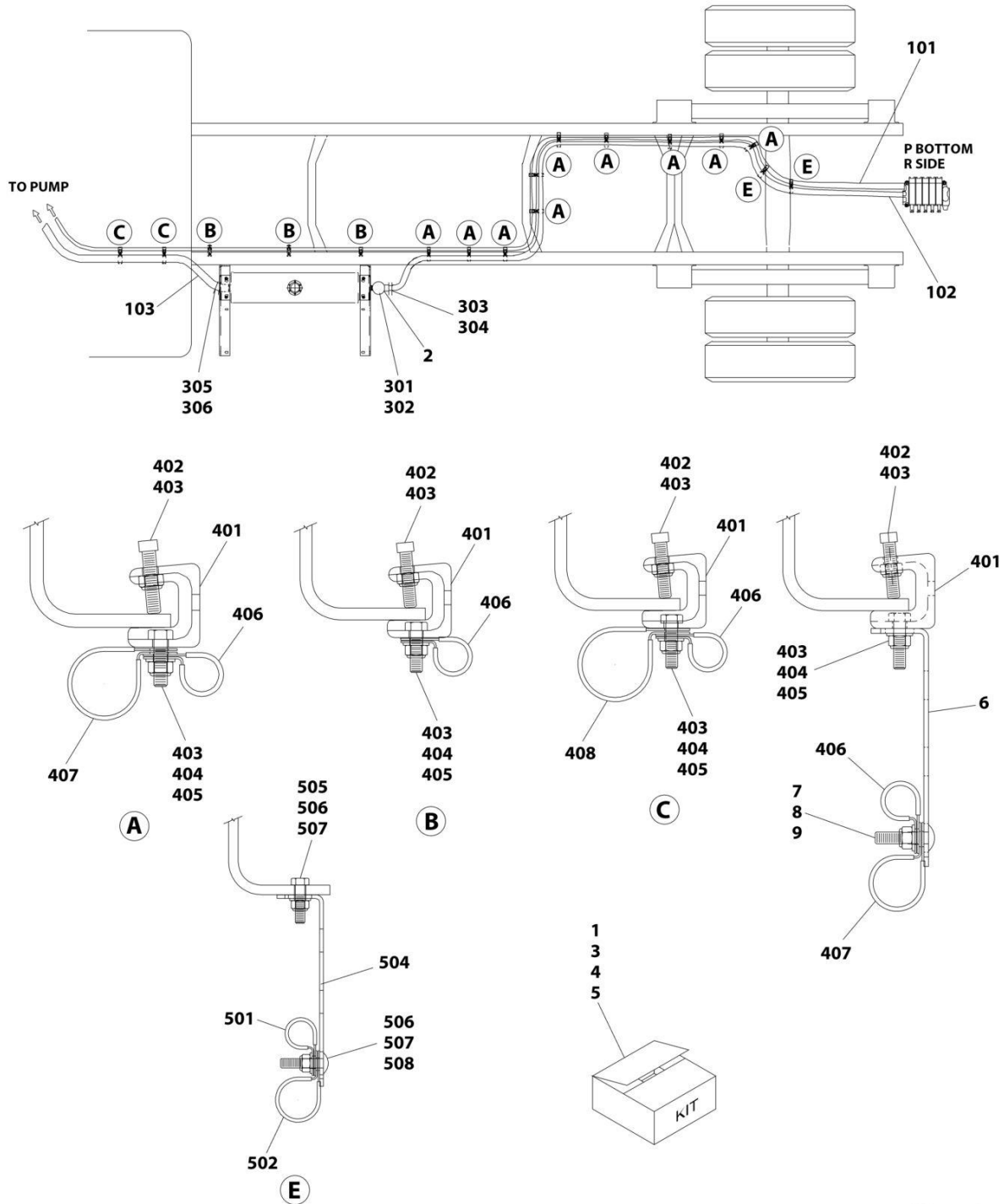
## SECTION 5 - HYDRAULIC

**FIGURE 5-15. HOSE INSTALLATION - ISUZU ALL CA STD CAB**

ITEM	PART NUMBER	QTY	DESCRIPTION	REV
	1001158617	Ref	HOSE INSTALLATION - ALL CA'S (STD CAB ISUZU NRR)	A
1	1001158618	1	Hose Kit (Includes Items 101-103)	
2	743000003	1	Filter, Oil (Not Shown)	
3	1001132801	1	Clamp, Hose (Includes Items 301-306)	
4	1001132794	7	Clamp, Hose (Includes Items 401-408)	
5	1001132800	2	Clamp, Hose (Includes Items 501-508)	
6	7115151050	1	Capscrew 5/16 x 1-1/4	
7	7950150161	7	Washer 5/16	
8	7660152601	5	Nut 5/16	
9	4706003844	2	Plate	
10	7115151064	2	Bolt 5/16 x 1-1/4	
101	4567130205	1	Hose (Not Shown)	
102	4570000098	1	Hose (Not Shown)	
103	4570000099	1	Hose (Not Shown)	
301	7470000002	1	Gauge, Oil Filter Head	
302	7443000158	1	Elbow, 90	
303	7443000319	1	Fitting, 90	
304	7274000080	2	Clamp	
305	7443000013	1	Nipple	
306	7274000002	2	Clamp	
401	7274000076	1	Clamp	
402	7785152420	1	Screw 5/16 x 1-1/2	
403	7660152601	2	Nut 5/16	
404	7115151050	1	Capscrew 5/16 x 1-1/4	
405	7950150161	1	Washer 5/16	
406	7274000040	1	Clamp	
407	7274000041	1	Clamp	
408	7274000042	1	Clamp	
501	7274000040	1	Clamp	
502	7274000041	1	Clamp	
503	7274000042	1	Clamp (Not Shown)	
504	4706003844	1	Plate	
505	7115151050	1	Capscrew 5/16 x 1-1/4	
506	7950150161	3	Washer 5/16	
507	7660152601	2	Nut 5/16	
508	7115151064	1	Bolt 5/16 x 1-1/4	

# SECTION 5 - HYDRAULIC

FIGURE 5-16. HOSE INSTALLATION - PETERBUILT 150IN CA STD CAB



ART\_1001132746



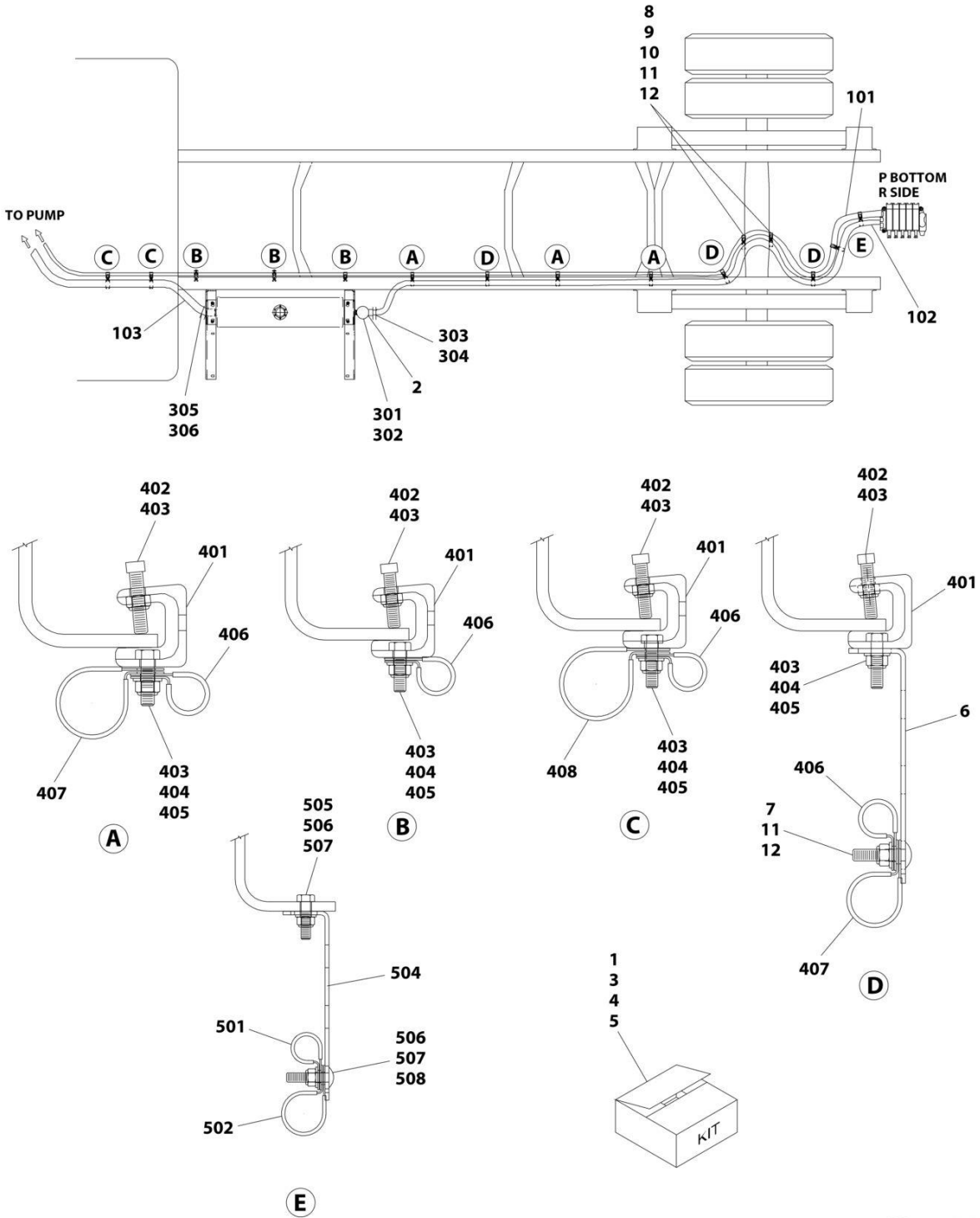
## SECTION 5 - HYDRAULIC

**FIGURE 5-16. HOSE INSTALLATION - PETERBUILT 150IN CA STD CAB**

ITEM	PART NUMBER	QTY	DESCRIPTION	REV
	1001132746	Ref	HOSE INSTALLATION - 150IN CA (STD CAB PETERBILT)	0
1	1001132715	1	Hose Kit (Include Items 101-103)	
2	7430000003	1	Filter, Oil	
3	1001132801	1	Clamp, Hose Kit (Includes Items 301-306)	
4	1001132794	15	Clamp, Hose Kit (Includes Items 401-408)	
5	1001132800	4	Clamp, Hose Kit (Includes Items 501-508)	
6	4706003844	4	Plate	
7	7115151064	4	Bolt 5/16 x 1-1/4	
8	7950150161	4	Washer 5/16	
9	7660152601	4	Nut 5/16	
101	4567130247	1	Hose	
102	4570000113	1	Hose	
103	1001132601	1	Hose	
301	7470000002	1	Gauge, Oil Filter Head	
302	7443000158	1	Elbow, 90	
303	7443000319	1	Fitting, 90	
304	7274000080	2	Clamp	
305	7443000013	1	Nipple	
306	7274000002	2	Clamp	
401	7274000076	1	Clamp	
402	7785152420	1	Screw 5/16 x 1-1/2	
403	7660152601	2	Nut 5/16	
404	7115151050	1	Capscrew 5/16 x 1-1/4	
405	7950150161	1	Washer 5/16	
406	7274000040	1	Clamp	
407	7274000041	1	Clamp	
408	7274000042	1	Clamp	
501	7274000040	1	Clamp	
502	7274000041	1	Clamp	
503	7274000042	1	Clamp	
504	4706003844	1	Plate	
505	7115151050	1	Capscrew 5/16 x 1-1/4	
506	7950150161	3	Washer 5/16	
507	7660152601	2	Nut 5/16	
508	7115151064	1	Bolt 5/16 x 1-1/4	

# SECTION 5 - HYDRAULIC

FIGURE 5-17. HOSE INSTALLATION - PETERBUILT 150IN CA STD CAB



ART\_1001132747

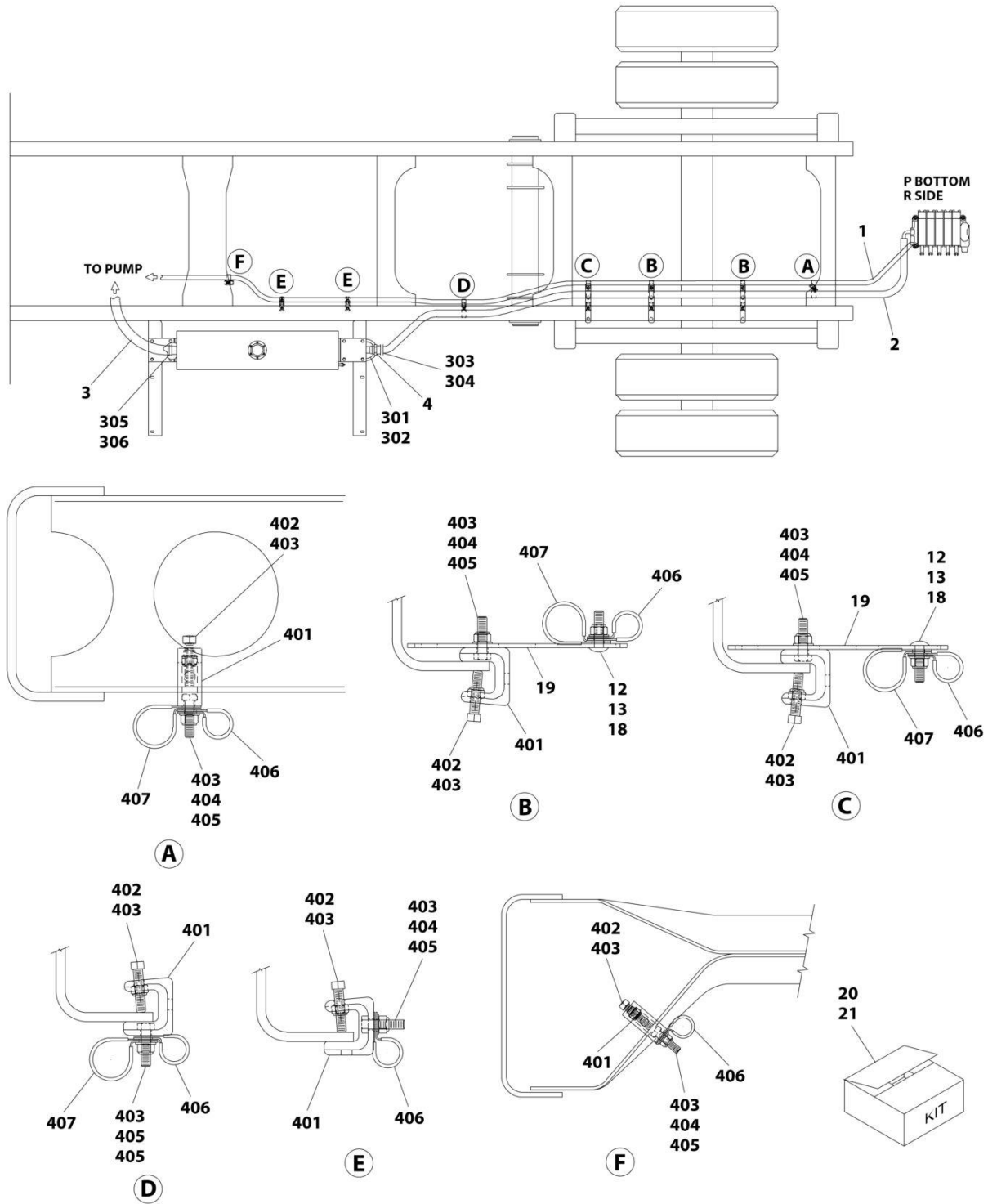
## SECTION 5 - HYDRAULIC

**FIGURE 5-17. HOSE INSTALLATION - PETERBUILT 150IN CA STD CAB**

ITEM	PART NUMBER	QTY	DESCRIPTION	REV
	1001132747	Ref	HOSE INSTALLATION - 162IN CA (STD CAB PETERBILT)	0
1	1001132716	1	Hose Kit (Include Items 101-103)	
2	7430000003	1	Filter, Oil	
3	1001132801	1	Clamp, Hose Kit (Includes Items 301-306)	
4	1001132794	11	Clamp, Hose Kit (Includes Items 401-408)	
5	1001132800	2	Clamp, Hose Kit (Includes Items 501-508)	
6	4706003844	3	Plate	
7	7115151064	3	Bolt 5/16 x 1-1/4	
8	7274000040	2	Clamp	
9	7274000041	2	Clamp	
10	7115151050	2	Capscrew 5/16 x 1-1/4	
11	7950150161	5	Washer 5/16	
12	7660152601	5	Nut 5/16	
101	4567130262	1	Hose	
102	1001132679	1	Hose	
103	1001132599	1	Hose	
301	7470000002	1	Gauge, Oil Filter Head	
302	7443000158	1	Elbow, 90	
303	7443000319	1	Fitting, 90	
304	7274000080	2	Clamp	
305	7443000013	1	Nipple	
306	7274000002	2	Clamp	
401	7274000076	1	Clamp	
402	7785152420	1	Screw 5/16 x 1-1/2	
403	7660152601	2	Nut 5/16	
404	7115151050	1	Capscrew 5/16 x 1-1/4	
405	7950150161	1	Washer 5/16	
406	7274000040	1	Clamp	
407	7274000041	1	Clamp	
408	7274000042	1	Clamp	
501	7274000040	1	Clamp	
502	7274000041	1	Clamp	
503	7274000042	1	Clamp	
504	4706003844	1	Plate	
505	7115151050	1	Capscrew 5/16 x 1-1/4	
506	7950150161	3	Washer 5/16	
507	7660152601	2	Nut 5/16	
508	7115151064	1	Bolt 5/16 x 1-1/4	

# SECTION 5 - HYDRAULIC

FIGURE 5-18. HOSE INSTALLATION - UD 138IN CA STD CAB



ART\_2570000092

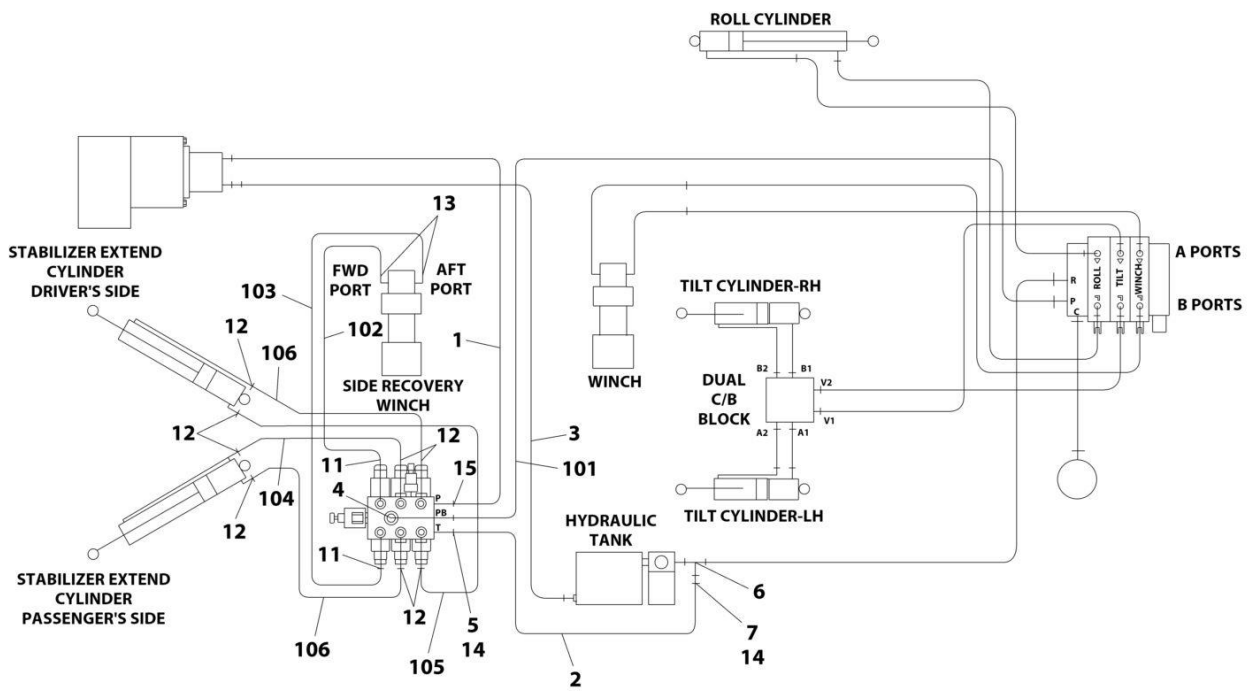
## SECTION 5 - HYDRAULIC

**FIGURE 5-18. HOSE INSTALLATION - UD 138IN CA STD CAB**

ITEM	PART NUMBER	QTY	DESCRIPTION	REV
	2570000092	Ref	HOSE INSTALLATION - 138IN CA (STD CAB UD)	2
1	4567130165	1	Hose	
2	4570000104	1	Hose	
3	4570000105	1	Hose	
4	7430000003	1	Filter, Oil	
12	7950150161	3	Washer 5/16	
13	7660152601	3	Nut 5/16	
18	7115151064	3	Bolt 5/16 x 1-1/4	
19	4706003844	3	Plate	
20	1001132801	1	Clamp, Hose Kit (Includes Items 301-306)	
21	1001132794	8	Clamp, Hose Kit (Includes Items 401-408)	
301	7470000002	1	Gauge, Oil Filter Head	
302	7443000158	1	Elbow, 90	
303	7443000319	1	Fitting, 90	
304	7274000080	2	Clamp	
305	7443000013	1	Nipple	
306	7274000002	2	Clamp	
401	7274000076	1	Clamp	
402	7785152420	1	Screw 5/16 x 1-1/2	
403	7660152601	2	Nut 5/16	
404	7115151050	1	Capscrew 5/16 x 1-1/4	
405	7950150161	1	Washer 5/16	
406	7274000040	1	Clamp	
407	7274000041	1	Clamp	
408	7274000042	1	Clamp (Not Shown)	

# SECTION 5 - HYDRAULIC

## FIGURE 5-19. HOSE INSTALLATION - SIDE RECOVERY SYSTEM



ART\_2570000152

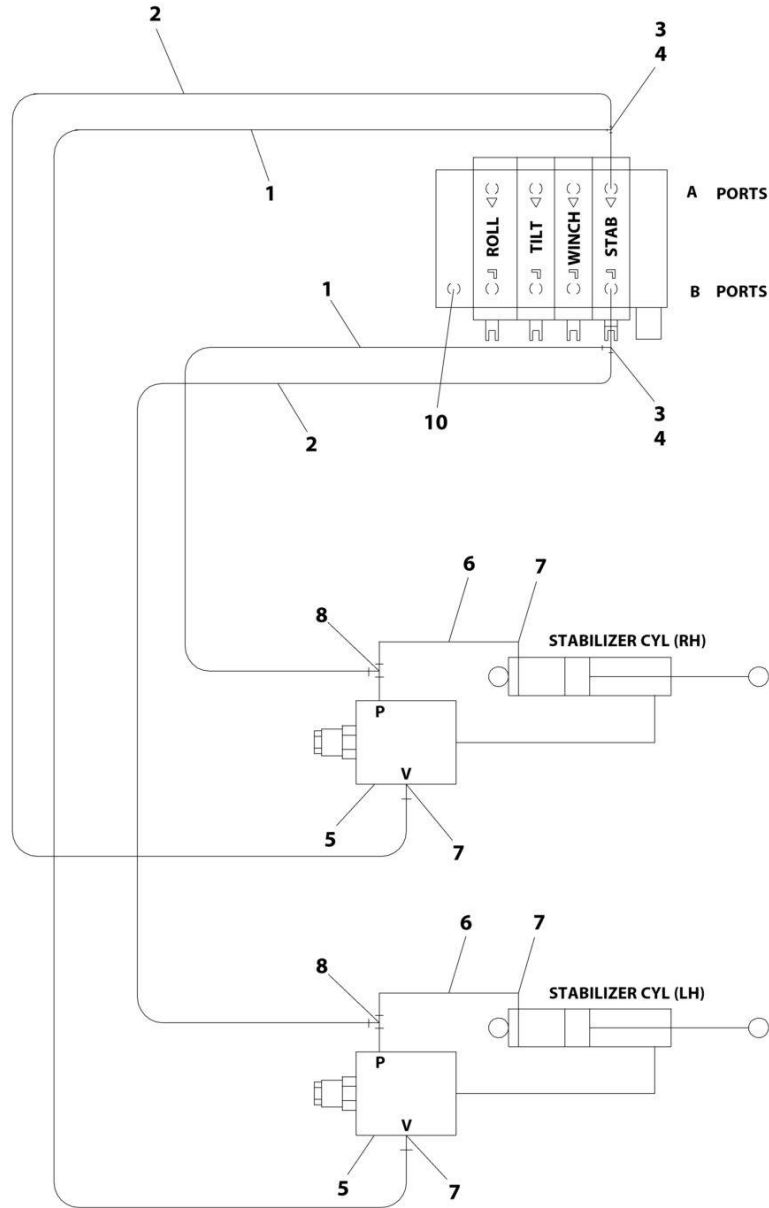
## SECTION 5 - HYDRAULIC

**FIGURE 5-19. HOSE INSTALLATION - SIDE RECOVERY SYSTEM**

ITEM	PART NUMBER	QTY	DESCRIPTION	REV
	2570000152	Ref	HOSE INSTALLATION SPR/HLF (SRS)	C
1	4567133058	1	Hose	
2	4570000104	1	Hose	
3	4570000099	1	Hose	
4	7445081043	1	Adapter	
5	7443000446	1	Fitting	
6	7443000445	1	Fitting	
7	7443000374	1	Fitting	
8	4577000006	1	Hose, Kit (Not Shown) (Includes Items 101-106)	
9	7819000005	1	Sleeve (Not Shown)	
10	7894000004	8	TieStrap (Not Shown)	
11	7445060643	2	Adapter	
12	7445060645	8	Elbow	
13	7445061043	2	Adapter	
14	7274000080	2	Clamp	
15	7445081045	1	Elbow	
16	7445080818	1	Nut #8 (Not Shown)	
101	4569142018	1	Hose	
102	4567123023	1	Hose	
103	4567122022	1	Hose	
104	4567122034	1	Hose	
105	4567122032	1	Hose	
106	4567122030	1	Hose	

# SECTION 5 - HYDRAULIC

## FIGURE 5-20. HOSE INSTALLATION - STABILIZER



ART\_2570000056



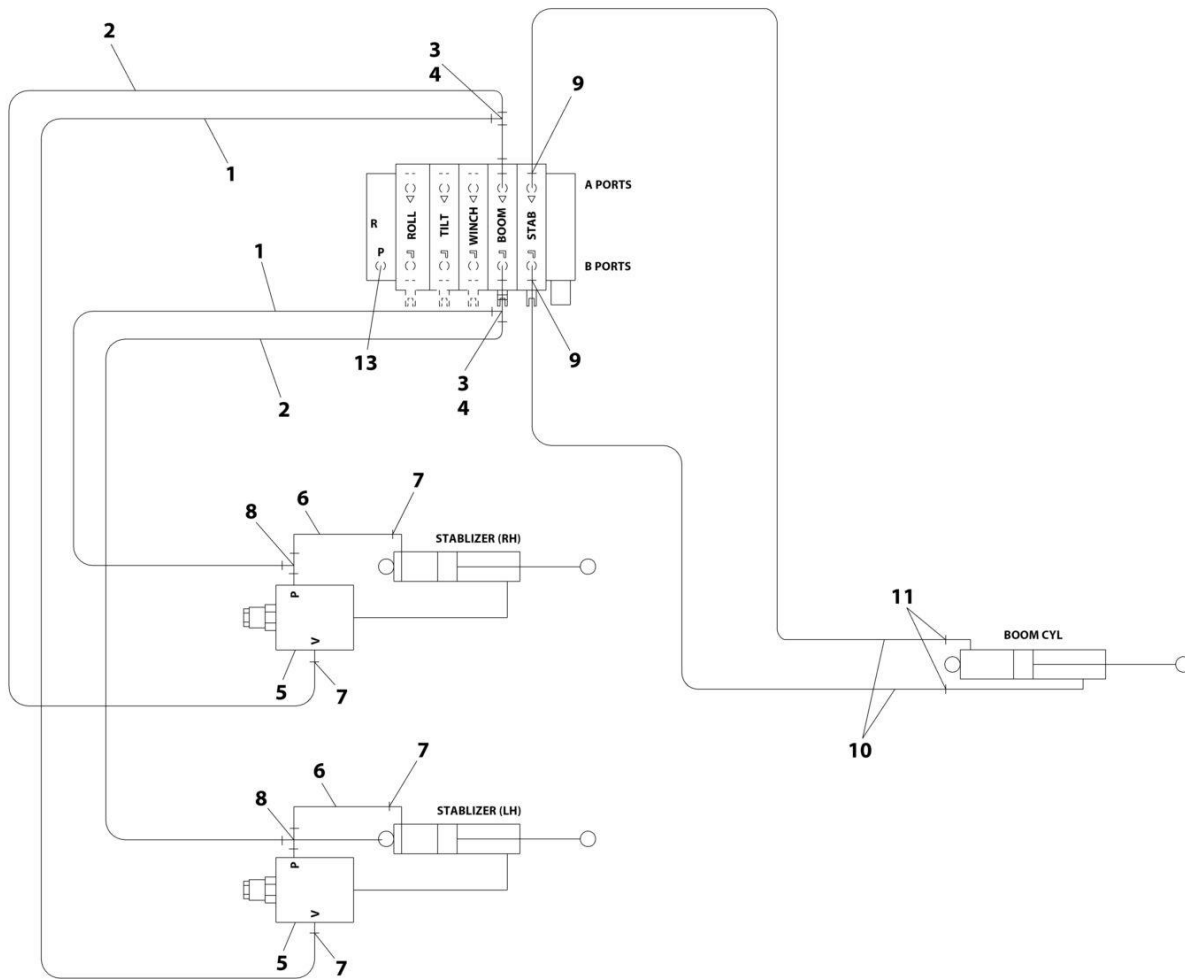
## SECTION 5 - HYDRAULIC

### FIGURE 5-20. HOSE INSTALLATION - STABILIZER

ITEM	PART NUMBER	QTY	DESCRIPTION	REV
	2570000056	Ref	HOSE INSTALLATION HLF - STABILIZER (STANDARD DUTY)	E
1	4567122035	2	Hose	
2	4567123044	2	Hose	
3	7445060845	2	Elbow	
4	7443000030	2	Fitting Tee	
5	7935000305	2	Valve Assembly	
6	4567122014	2	Hose	
7	7445060645	4	ELbow	
8	7445060648	2	Tee Run	
10	7445081046	1	Elbow	

# SECTION 5 - HYDRAULIC

## FIGURE 5-21. HOSE INSTALLATION - STABILIZER (WITH HYD PINTLE)



ART\_2570000057

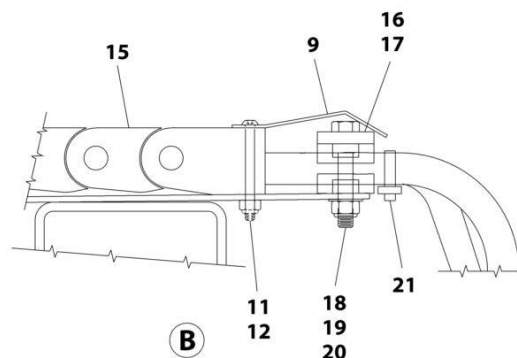
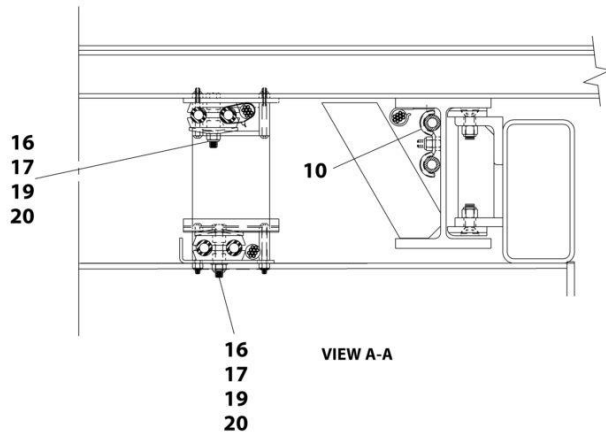
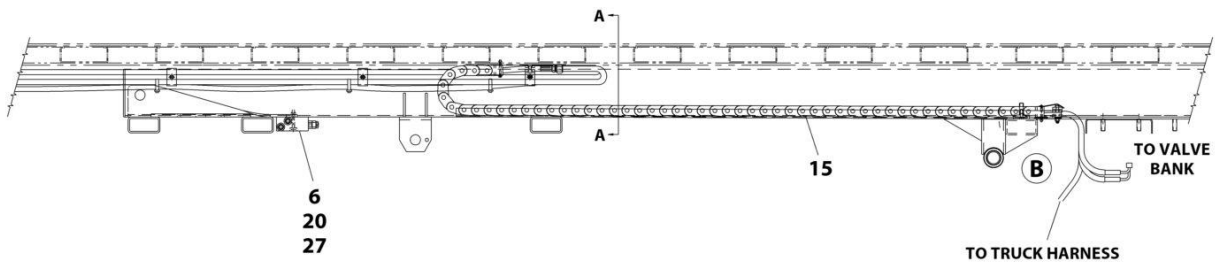
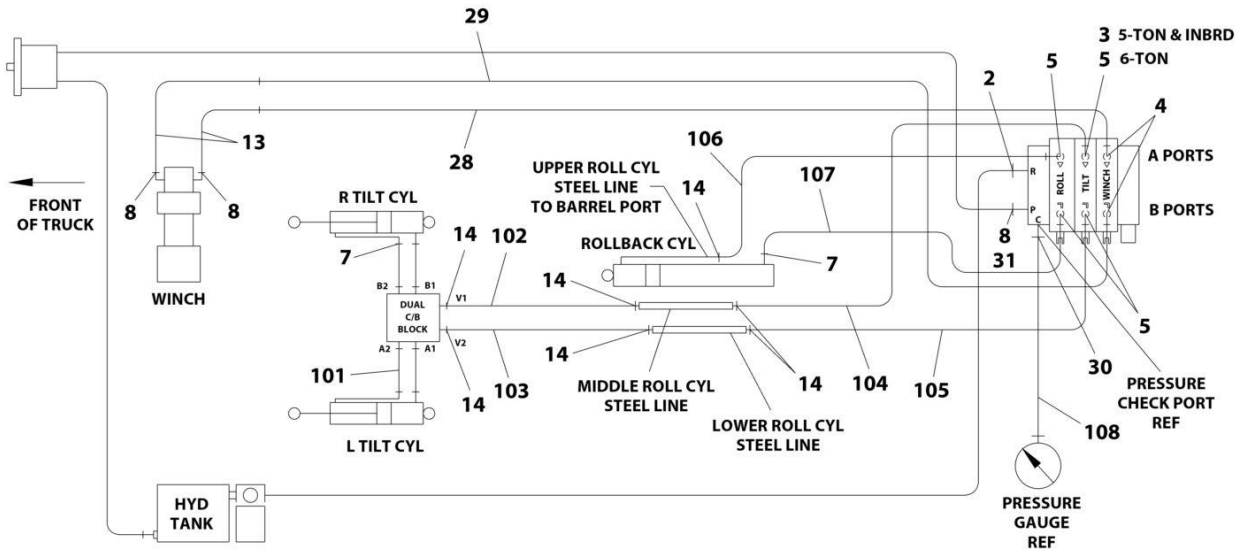
## SECTION 5 - HYDRAULIC

**FIGURE 5-21. HOSE INSTALLATION - STABILIZER (WITH HYD PINTLE)**

ITEM	PART NUMBER	QTY	DESCRIPTION	REV
	2570000057	Ref	HOSE INSTALLATION HLF - STABILIZER (STANDARD DUTY) (EXTEND)	E
1	4567122035	2	Hose	
2	4567123044	2	Hose	
3	7445060845	2	Elbow	
4	7443000030	2	Fitting Tee	
5	7935000305	2	Valve Assembly	
6	4567122014	2	Hose	
7	7445060645	4	Elbow	
8	7445060648	2	Tee Run	
9	7445060843	2	Adapter	
10	4567120024	2	Hose	
11	7445060643	2	Adapter	
13	7445081046	1	Elbow	

# SECTION 5 - HYDRAULIC

## FIGURE 5-22. HOSE INSTALLATION - SUBFRAME (19FT-20FT DECK - INTBOARD)



ART\_2570000162

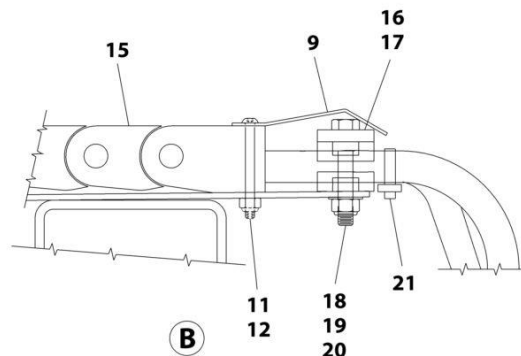
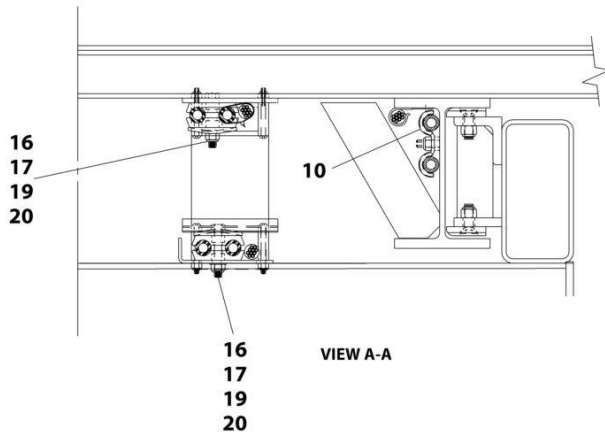
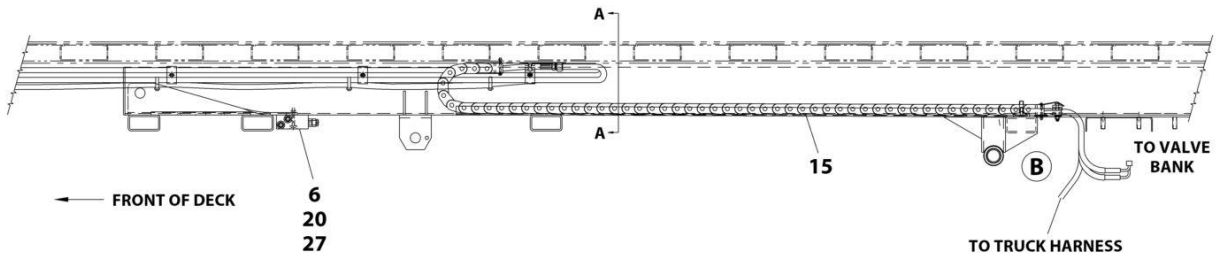
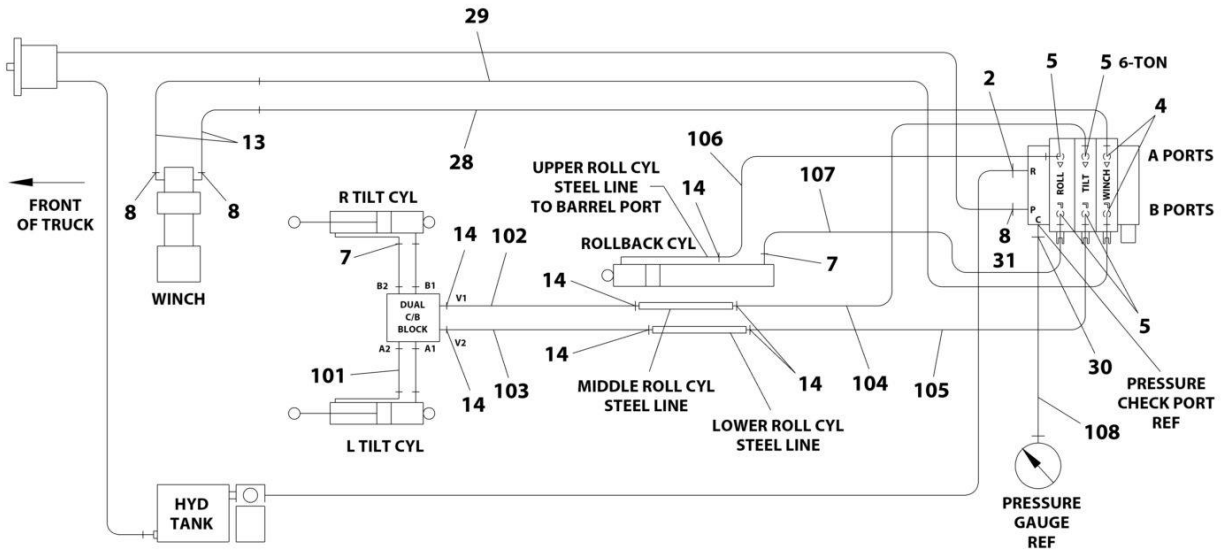
## SECTION 5 - HYDRAULIC

**FIGURE 5-22. HOSE INSTALLATION - SUBFRAME (19FT-20FT DECK - INTBOARD)**

ITEM	PART NUMBER	QTY	DESCRIPTION	REV
	2570000162	Ref	HOSE INSTALLATION HLF STANDARD DUTY 19IN INBOARD	E
1	4577000009	1	Hose Kit (Not Shown) (Includes Items 101-108)	
2	7443000446	1	Fitting	
3	7443000337	1	Fitting	
4	7445080843	2	Adapter	
5	7445060843	3	Adapter	
6	7935000306	1	Valve Assembly	
7	7445060645	5	Elbow	
8	7445081045	3	Elbow	
9	4706003038	1	Plate	
10	7274000066	5	Clamp	
11	7114101618	4	Capscrew #10 x 2	
12	7660102604	4	Nut #10	
13	4567430118	2	Hose	
14	7445060643	7	Adapter	
15	7904000007	1	Cable Track	
16	7274000038	4	Clamp	
17	7274000039	2	Cover	
18	7950150161	4	Washer 5/16	
19	7115151650	2	Bolt 5/16 x 2	
20	7660152601	12	Nut 5/16	
21	7894000004	10	Tie-Strap	
24	7274000040	1	Clamp (Not Shown)	
25	7274000041	1	Clamp (Not Shown)	
26	7274000042	1	Clamp (Not Shown)	
27	7115151850	2	Bolt 5/16 x 2-1/4	
28	4569433115	1	Hose	
29	4569432115	1	Hose	
30	7445040443	1	Adapter	
31	7445080818	1	Nut #8	
101	4570000198	4	Hose	
102	4567120015	1	Hose	
103	4567120017	1	Hose	
104	4567123042	1	Hose	
105	4567122038	1	Hose	
106	4567123044	1	Hose	
107	4567122027	1	Hose	
108	4567112042	1	Hose	

# SECTION 5 - HYDRAULIC

FIGURE 5-23. HOSE INSTALLATION - SUBFRAME (19FT-20FT DECK - OUTBOARD)



ART\_2570000164

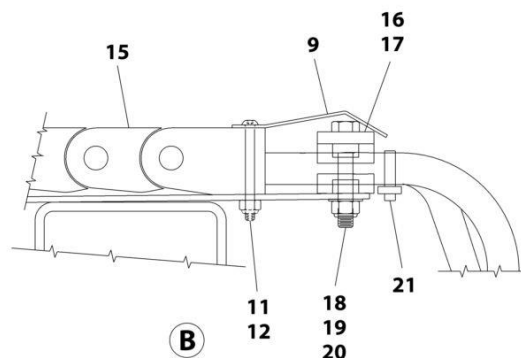
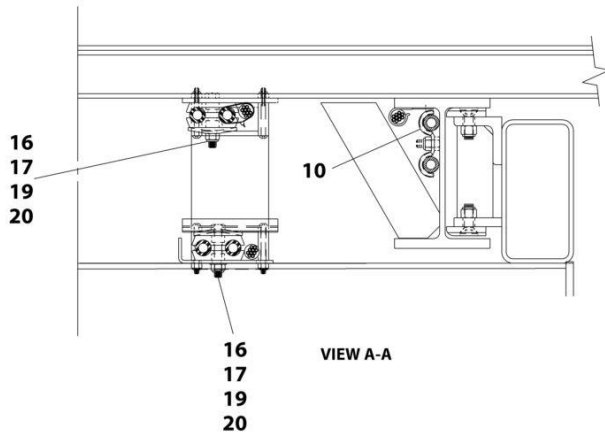
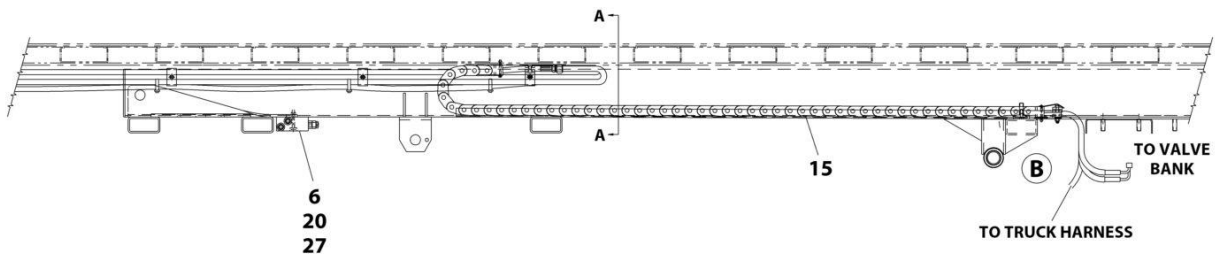
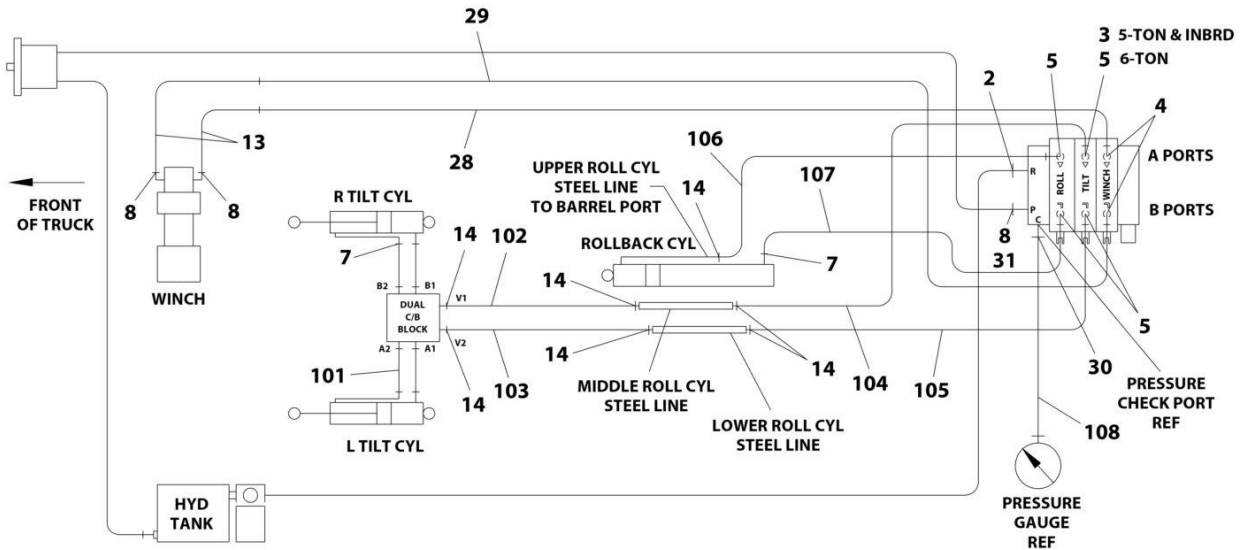
## SECTION 5 - HYDRAULIC

**FIGURE 5-23. HOSE INSTALLATION - SUBFRAME (19FT-20FT DECK - OUTBOARD)**

ITEM	PART NUMBER	QTY	DESCRIPTION	REV
	2570000164	Ref	HOSE INSTALLATION HLF 6-TON 19IN OUTBOARD	E
1	4577000008	1	Hose Kit (Not Shown) (Includes Items 101-108)	
2	7443000446	1	Fitting	
4	7445080843	2	Adapter	
5	7445060843	4	Adapter	
6	7935000306	1	Valve Assembly	
7	7445060645	5	Elbow	
8	7445081045	3	Elbow	
9	4706003038	1	Plate	
10	7274000066	5	Clamp	
11	7114101618	4	Capscrew #10 x 2	
12	7660102604	4	Nut #10	
13	4567430118	2	Hose	
14	7445060643	7	Adapter	
15	7904000007	1	Cable Track	
16	7274000038	4	Clamp	
17	7274000039	2	Cover	
18	7950150161	4	Washer 5/16	
19	7115151650	2	Bolt 5/16 x 2	
20	7660152601	12	Nut 5/16	
21	7894000004	10	Tie-Strap	
24	7274000040	1	Clamp (Not Shown)	
25	7274000041	1	Clamp (Not Shown)	
26	7274000042	1	Clamp (Not Shown)	
27	7115151850	2	Bolt 5/16 x 2-1/4	
28	4569433115	1	Hose	
29	4569432115	1	Hose	
30	7445040443	1	Adapter	
31	7445080818	1	Nut #8	
101	4570000195	4	Hose	
102	4567120015	1	Hose	
103	4567120017	1	Hose	
104	4567123042	1	Hose	
105	4567122038	1	Hose	
106	4567123044	1	Hose	
107	4567122027	1	Hose	
108	4567112042	1	Hose	

# SECTION 5 - HYDRAULIC

FIGURE 5-24. HOSE INSTALLATION - SUBFRAME (21FT DECK - INBOARD)



ART\_2570000163



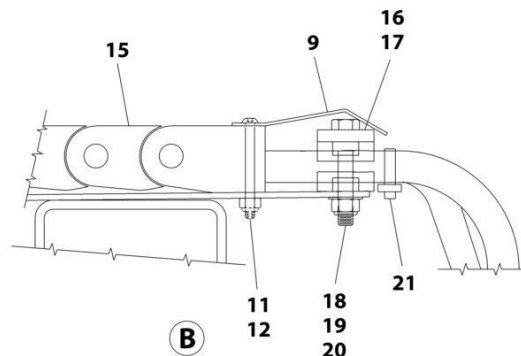
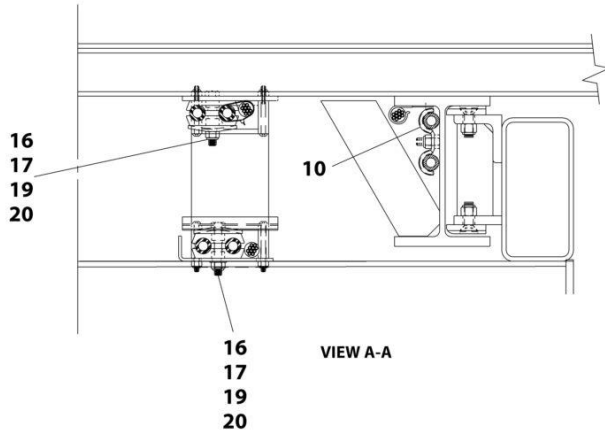
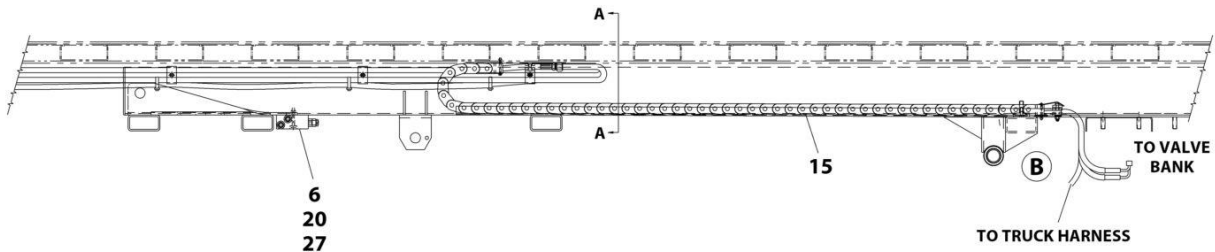
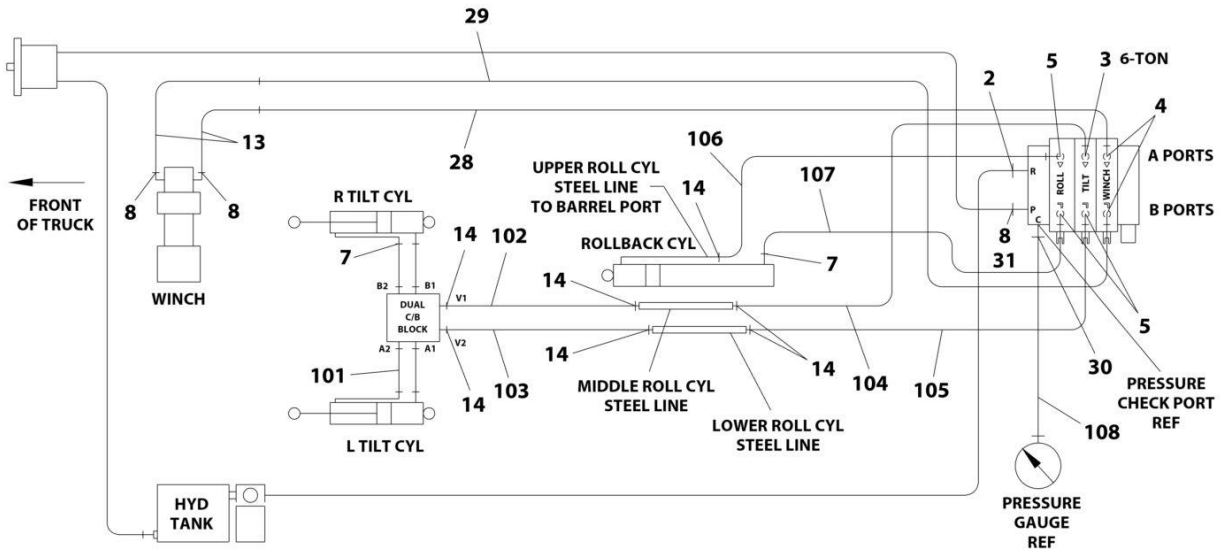
## SECTION 5 - HYDRAULIC

**FIGURE 5-24. HOSE INSTALLATION - SUBFRAME (21FT DECK - INBOARD)**

ITEM	PART NUMBER	QTY	DESCRIPTION	REV
	2570000163	Ref	HOSE INSTALLATION HLF STANDARD DUTY 20/21IN INBOARD	E
1	4577000009	1	Hose Kit (Not Shown) (Includes Items 101-108)	
2	7443000446	1	Fitting	
3	7443000337	1	Fitting	
4	7445080843	2	Adapter	
5	7445060843	3	Adapter	
6	7935000306	1	Valve Assembly	
7	7445060645	5	Elbow	
8	7445081045	3	Elbow	
9	4706003038	1	Plate	
10	7274000066	5	Clamp	
11	7114101618	5	Capscrew #10 x 2	
12	7660102604	4	Nut #10	
13	4567430133	2	Hose	
14	7445060643	7	Adapter	
15	7904000007	1	Cable Track	
16	7274000038	4	Clamp	
17	7274000039	2	Cover	
18	7950150161	4	Washer 5/16	
19	7115151650	2	Bolt 5/16 x 2	
20	7660152601	12	Nut 5/16	
21	7894000004	10	Tie-Strap	
24	7274000040	1	Clamp (Not Shown)	
25	7274000041	1	Clamp (Not Shown)	
26	7274000042	1	Clamp (Not Shown)	
27	7115151850	2	Bolt 5/16 x 2-1/4	
28	4569433115	1	Hose	
29	4569432115	1	Hose	
30	7445040443	1	Adapter	
31	7445080818	1	Nut #8	
101	4570000198	4	Hose	
102	4567120015	1	Hose	
103	4567120017	1	Hose	
104	4567123042	1	Hose	
105	4567122038	1	Hose	
106	4567123044	1	Hose	
107	4567122027	1	Hose	
108	4567112042	1	Hose	

# SECTION 5 - HYDRAULIC

FIGURE 5-25. HOSE INSTALLATION - SUBFRAME (21FT DECK - OUTBOARD)



ART\_2570000165

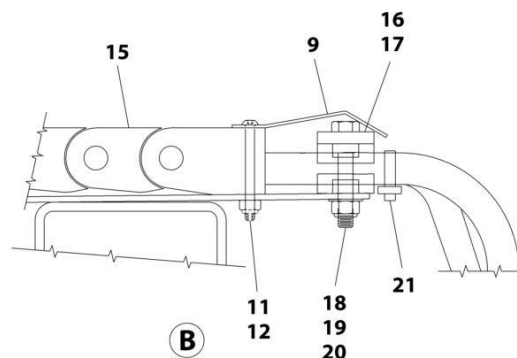
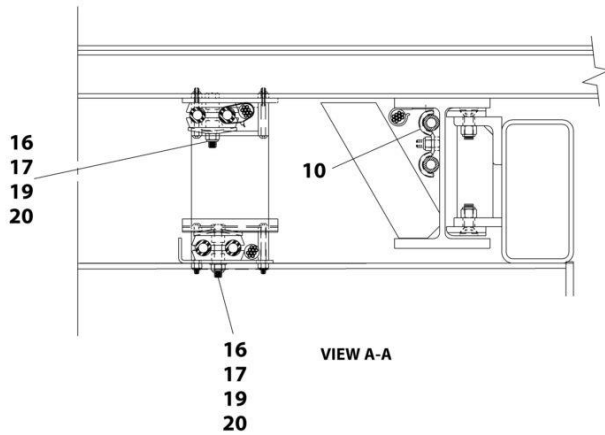
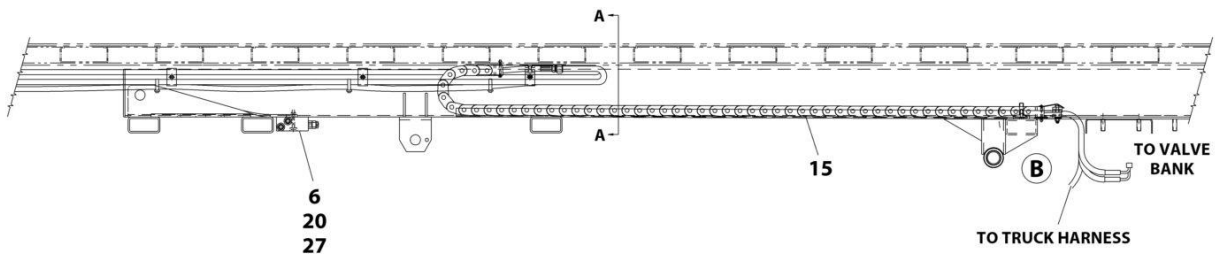
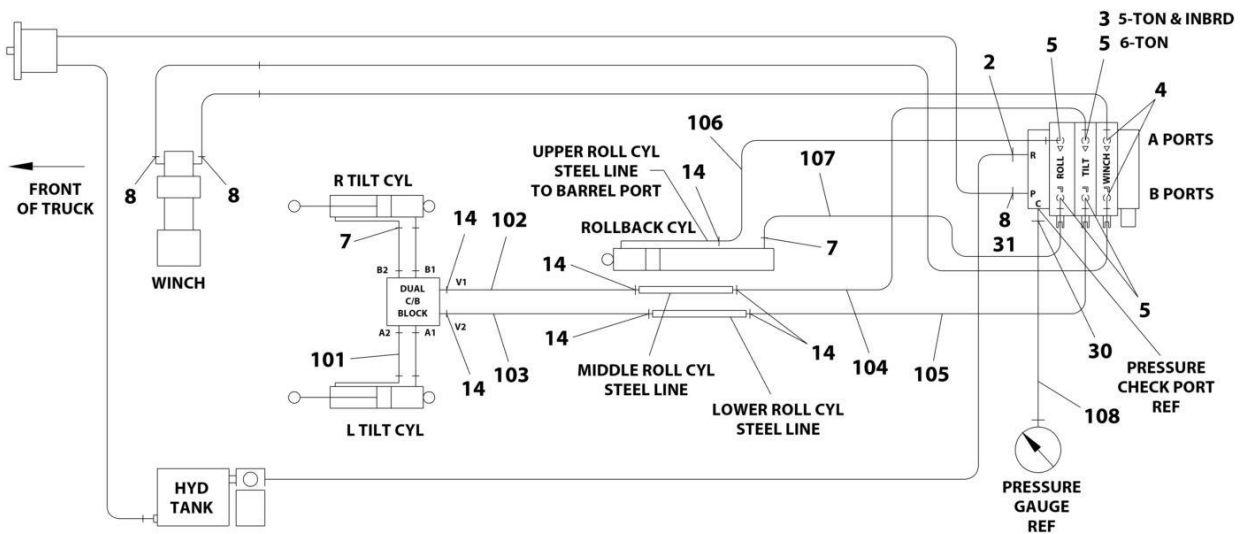
## SECTION 5 - HYDRAULIC

**FIGURE 5-25. HOSE INSTALLATION - SUBFRAME (21FT DECK - OUTBOARD)**

ITEM	PART NUMBER	QTY	DESCRIPTION	REV
	2570000165	Ref	HOSE INSTALLATION HLF 6-TON 20/21IN OUTBOARD	E
1	4577000008	1	Hose Kit (Not Shown) (Includes Items 101-108)	
2	7443000446	1	Fitting	
4	7445080843	2	Adapter	
5	7445060843	4	Adapter	
6	7935000306	1	Valve Assembly	
7	7445060645	5	Elbow	
8	7445081045	3	Elbow	
9	4706003038	1	Plate	
10	7274000066	5	Clamp	
11	7114101618	5	Capscrew #10 x 2	
12	7660102604	4	Nut #10	
13	4567430133	2	Hose	
14	7445060643	7	Adapter	
15	7904000007	1	Cable Track	
16	7274000038	4	Clamp	
17	7274000039	2	Cover	
18	7950150161	4	Washer 5/16	
19	7115151650	2	Bolt 5/16 x 2	
20	7660152601	12	Nut 5/16	
21	7894000004	10	Tie-Strap	
24	7274000040	1	Clamp (Not Shown)	
25	7274000041	1	Clamp (Not Shown)	
26	7274000042	1	Clamp (Not Shown)	
27	7115151850	2	Bolt 5/16 x 2-1/4	
28	4569433115	1	Hose	
29	4569432115	1	Hose	
30	7445040443	1	Adapter	
31	7445080818	1	Nut #8	
101	4570000195	4	Hose	
102	4567120015	1	Hose	
103	4567120017	1	Hose	
104	4567123042	1	Hose	
105	4567122038	1	Hose	
106	4567123044	1	Hose	
107	4567122027	1	Hose	
108	4567112042	1	Hose	

# SECTION 5 - HYDRAULIC

FIGURE 5-26. HOSE INSTALLATION - SUBFRAME (HIGH DUMP DECK)



ART\_1001130565

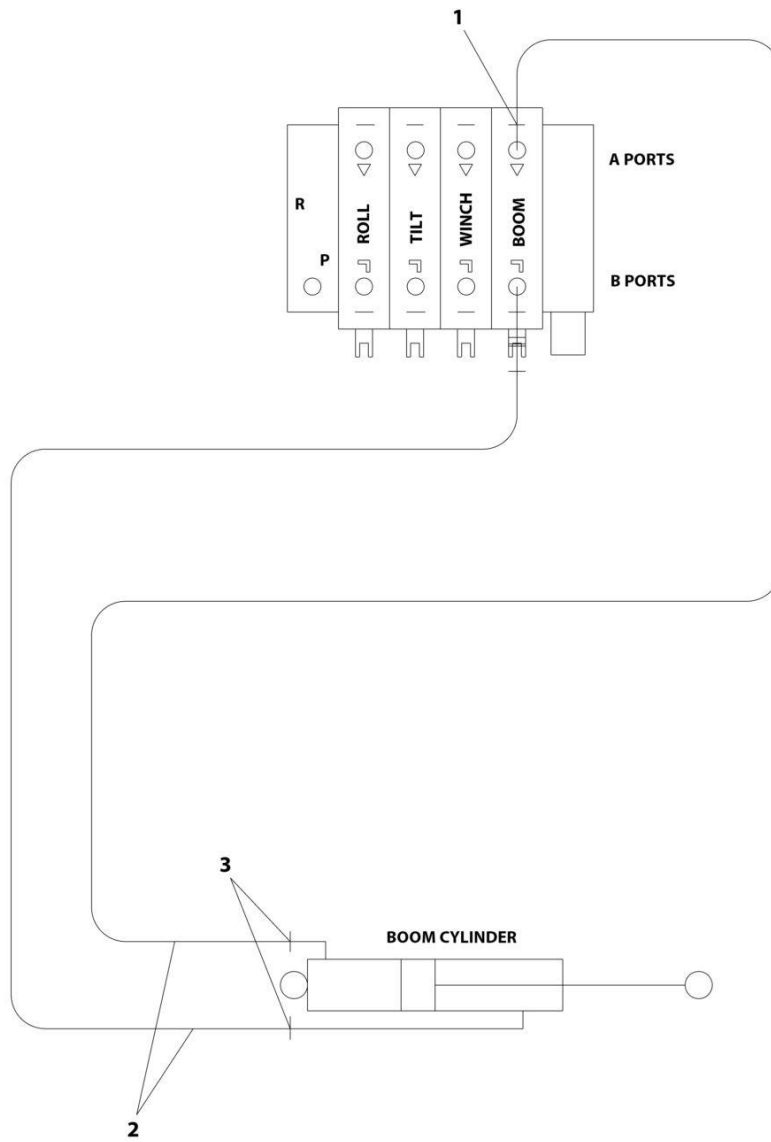
## SECTION 5 - HYDRAULIC

**FIGURE 5-26. HOSE INSTALLATION - SUBFRAME (HIGH DUMP DECK)**

ITEM	PART NUMBER	QTY	DESCRIPTION	REV
	1001130565	Ref	HOSE INSTALLATION HLF 19IN HGH DUMP	C
1	1001130606	1	Hose Kit (Not Shown) (Includes Items 101-108)	
2	7443000446	1	Fitting	
3	7443000337	1	Fitting	
4	7443000048	2	Fitting	
5	7445060843	3	Adapter	
6	7935000306	1	Valve Assembly	
7	7445060645	5	Elbow	
8	7445081045	1	Elbow	
9	4706003038	1	Plate	
10	7274000066	4	Clamp	
11	7114101618	4	Capscrew #10 x 2	
12	7660102604	4	Nut #10	
14	7445060643	7	Adapter	
15	7904000007	1	Cable Track	
16	7274000038	4	Clamp	
17	7274000039	2	Cover	
18	7950150161	4	Washer 5/16	
19	7115151650	2	Bolt 5/16 x 2	
20	7660152601	12	Nut 5/16	
21	7894000004	10	Tie-Strap	
24	7274000040	1	Clamp (Not Shown)	
25	7274000041	1	Clamp (Not Shown)	
26	7274000042	1	Clamp (Not Shown)	
27	7115151850	2	Bolt 5/16 x 2-1/4	
30	7445040443	1	Adapter	
31	7445080818	1	Nut #8	
101	1001130605	4	Hose	
102	4567120020	1	Hose	
103	4567120022	1	Hose	
104	4567123042	1	Hose	
105	4567122038	1	Hose	
106	4567123044	1	Hose	
107	4567122027	1	Hose	
108	4567112042	1	Hose	

# SECTION 5 - HYDRAULIC

FIGURE 5-27. HOSE INSTALLATION - TOW HITCH PLATE



ART\_2570000024

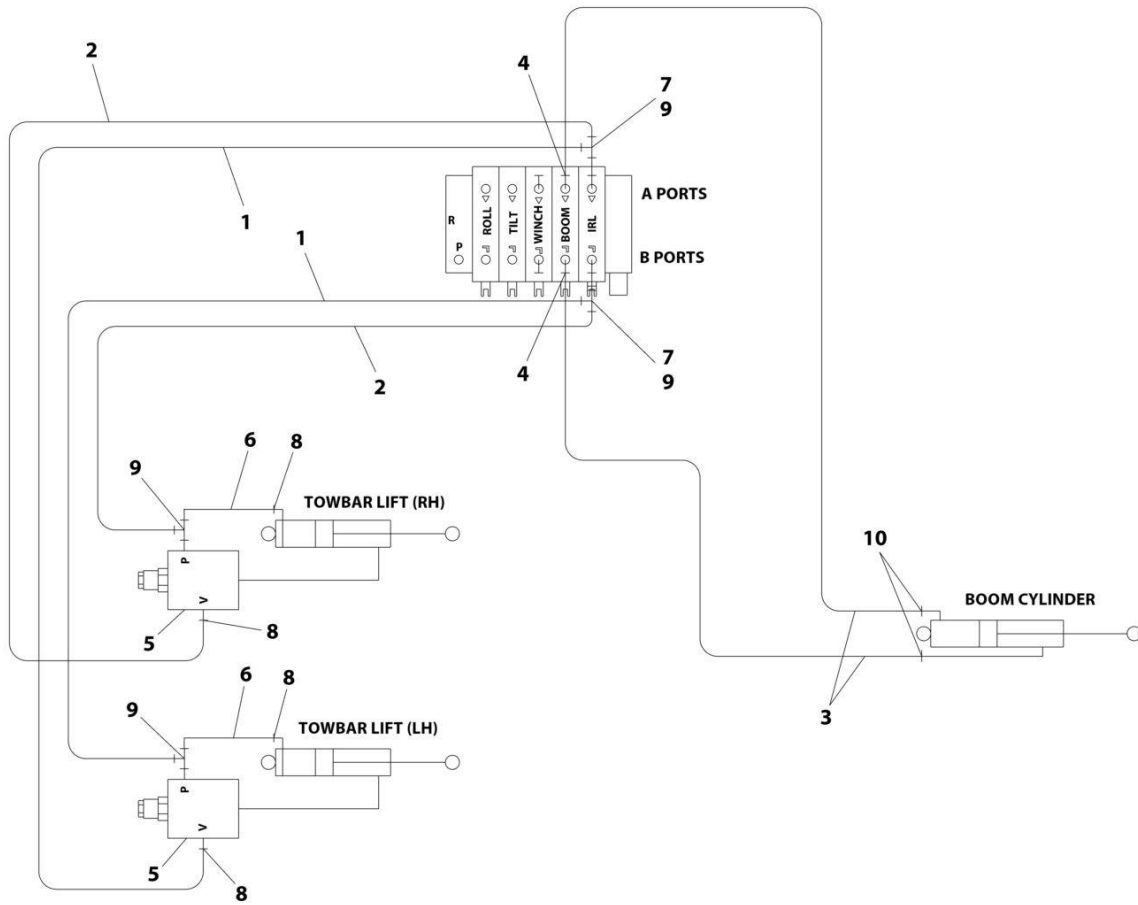
## SECTION 5 - HYDRAULIC

### FIGURE 5-27. HOSE INSTALLATION - TOW HITCH PLATE

ITEM	PART NUMBER	QTY	DESCRIPTION	REV
	2570000024	Ref	HOSE INSTALLATION HLF STANADARD DUTY MANUAL TOWBAR	A
1	7445040843	2	Adapter	
2	4567112042	2	Hose	
3	7445040645	2	Elbow	

# SECTION 5 - HYDRAULIC

## FIGURE 5-28. HOSE INSTALLATION - TOW IRL HITCH PLATE



ART\_2570000050



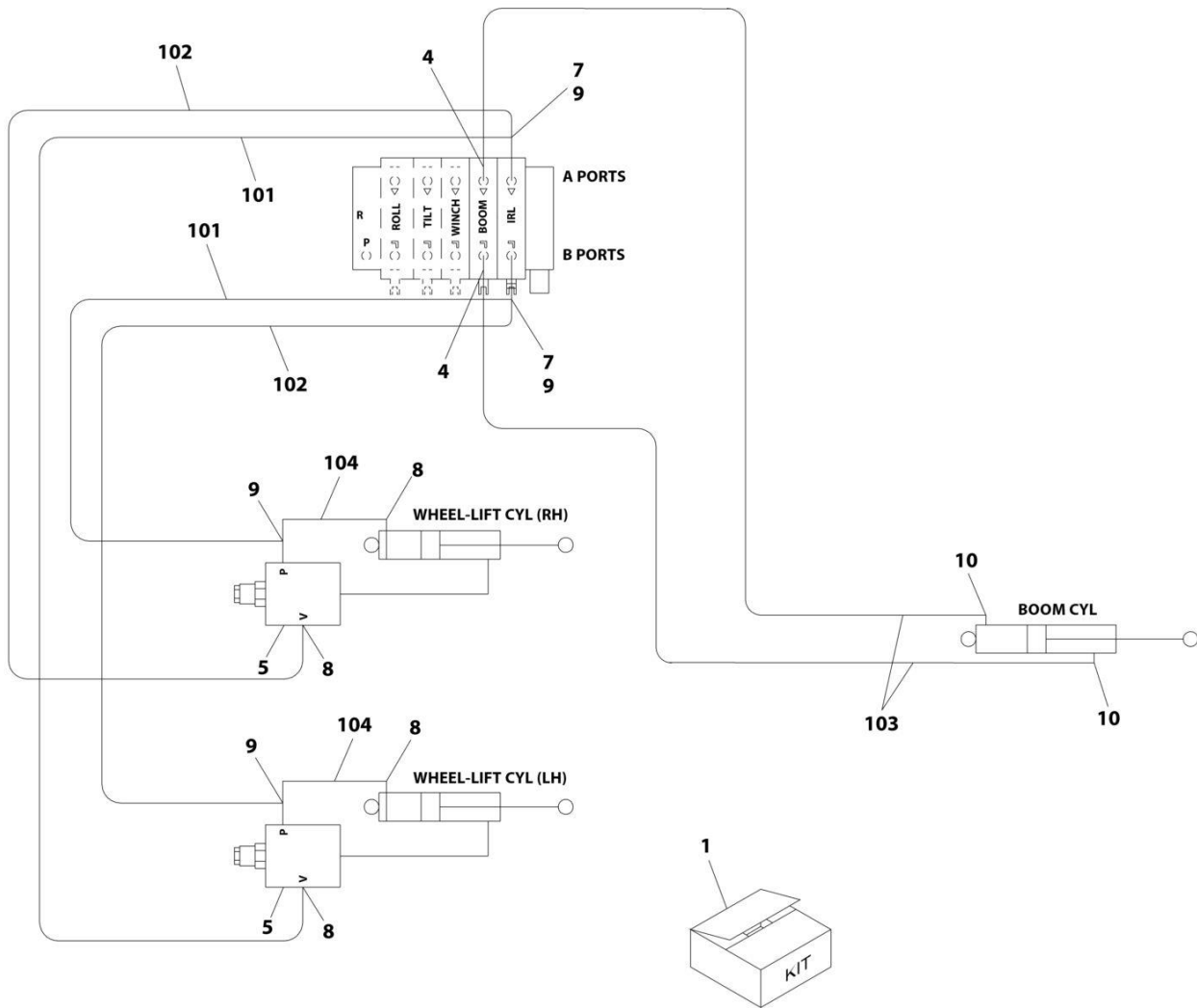
## SECTION 5 - HYDRAULIC

### FIGURE 5-28. HOSE INSTALLATION - TOW IRL HITCH PLATE

ITEM	PART NUMBER	QTY	DESCRIPTION	REV
	2570000050	Ref	IRL HOSE INSTALLATION, HLF, STANDARD DUTY TOW	E
1	4567122032	2	Hose	
2	4567123034	2	Hose	
3	4567110042	2	Hose	
4	7445040843	2	Adapter	
5	7935000305	2	Valve Assembly	
6	4567122014	2	Hose	
7	7443000129	2	Reducer	
8	7445060645	4	Elbow	
9	7445060648	4	Tee Run	
10	7445040645	2	Elbow	

# SECTION 5 - HYDRAULIC

## FIGURE 5-29. HOSE INSTALLATION - WHEEL LIFT (IR/MANUAL ARMS)



ART\_257000051

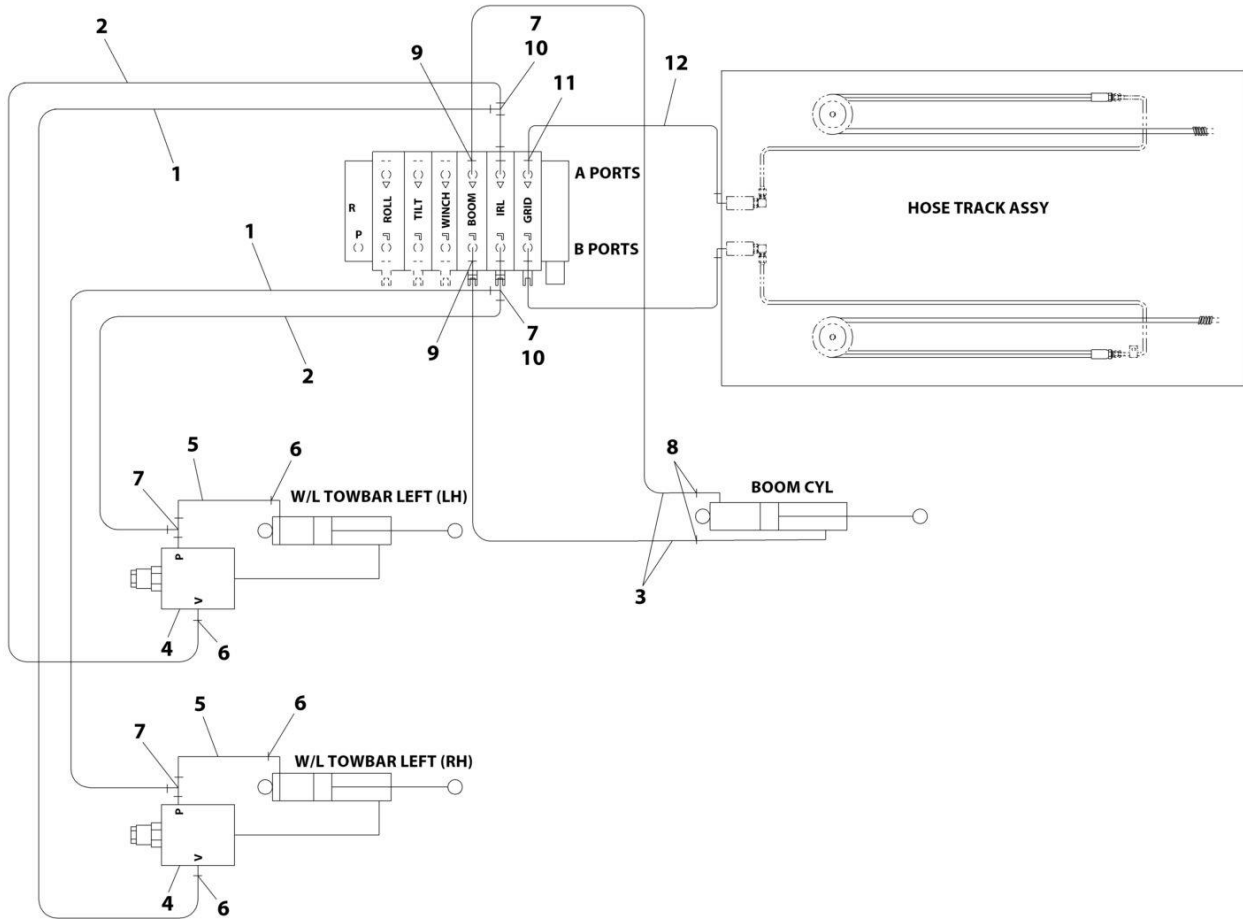
## SECTION 5 - HYDRAULIC

**FIGURE 5-29. HOSE INSTALLATION - WHEEL LIFT (IR/MANUAL ARMS)**

ITEM	PART NUMBER	QTY	DESCRIPTION	REV
	2570000051	Ref	IRL WHEEL LIFT HOSE INSTALLATION - HLF STANDARD DUTY	F
1	4577000002	1	Hose Kit (Includes items 101-104)	
4	7445040843	2	Adapter	
5	7935000305	2	Valve Assembly	
7	7443000129	2	Reducer	
8	7445060645	4	Elbow	
9	7445060648	4	Tee Run	
10	7445040446	2	Elbow	
11	5526000553	12	Tie Strap (Not Shown)	
101	4567122032	2	Hose	
102	4567123034	2	Hose	
103	4567110032	2	Hose	
104	4567122014	2	Hose	

# SECTION 5 - HYDRAULIC

## FIGURE 5-30. HOSE INSTALLATION - WHEEL LIFT (IR/HYDRAULIC ARMS)



ART\_2570000144

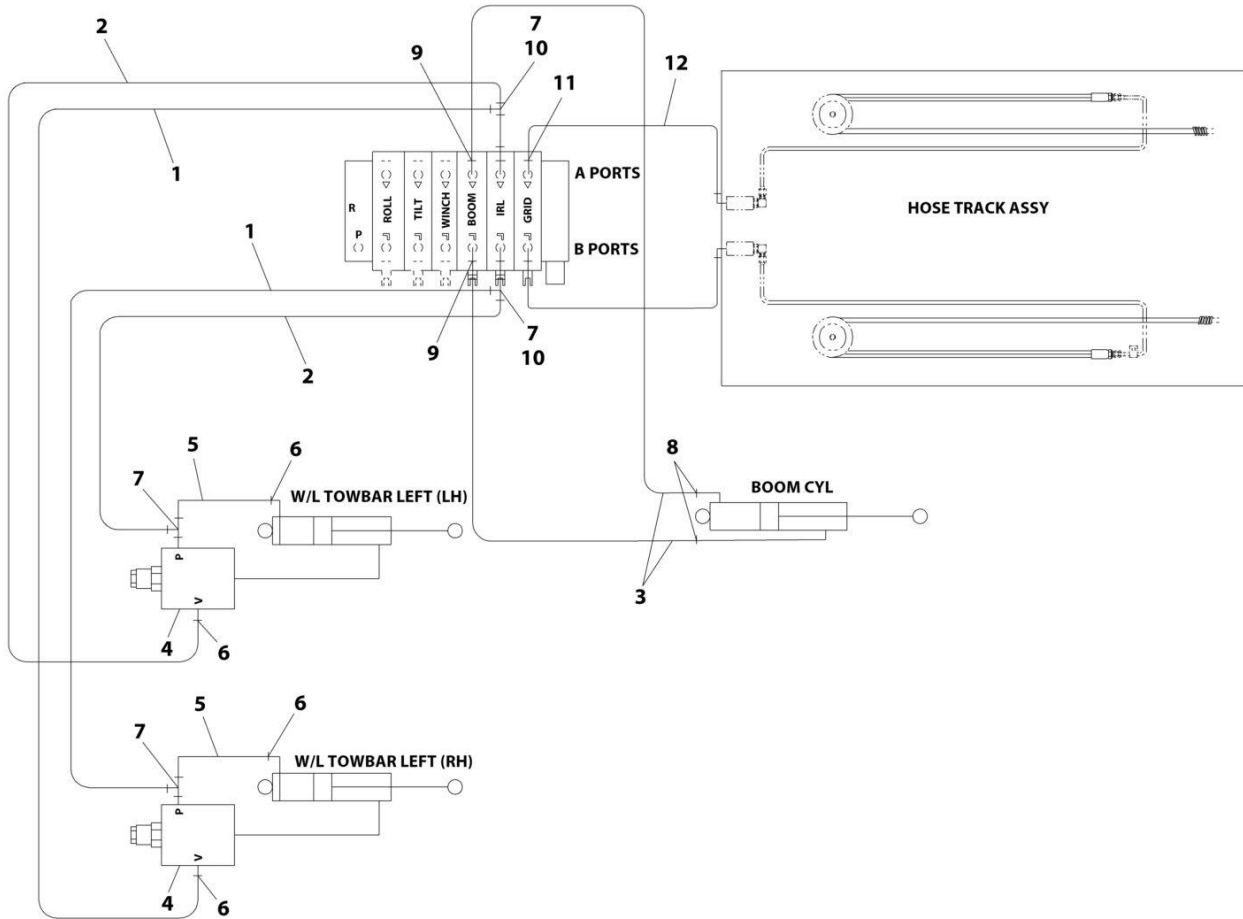
## SECTION 5 - HYDRAULIC

**FIGURE 5-30. HOSE INSTALLATION - WHEEL LIFT (IR/HYDRAULIC ARMS)**

ITEM	PART NUMBER	QTY	DESCRIPTION	REV
	2570000144	Ref	HOSE INSTALLATION HLF AUTOGRID	E
1	4567122032	2	Hose	
2	4567123034	2	Hose	
3	4567110038	2	Hose	
4	7935000305	2	Valve Assembly	
5	4567122012	2	Hose	
6	7445060645	4	Elbow	
7	7445060648	4	Tee Run	
8	7445040446	2	Elbow	
9	7445040843	2	Adapter	
10	7443000129	2	Reducer	
11	7443040843	2	Adapter	
12	4567110034	2	Hose	
13	3904000002	1	Track Assembly (Not Shown)	
14	2570000140	1	Hose (Not Shown)	
15	5526000553	12	Tie Strap (Not Shown)	

# SECTION 5 - HYDRAULIC

FIGURE 5-31. HOSE INSTALLATION - WHEEL LIFT (IR/HYDRAULIC ARMS/HIGH FRAME)



ART\_2570000143

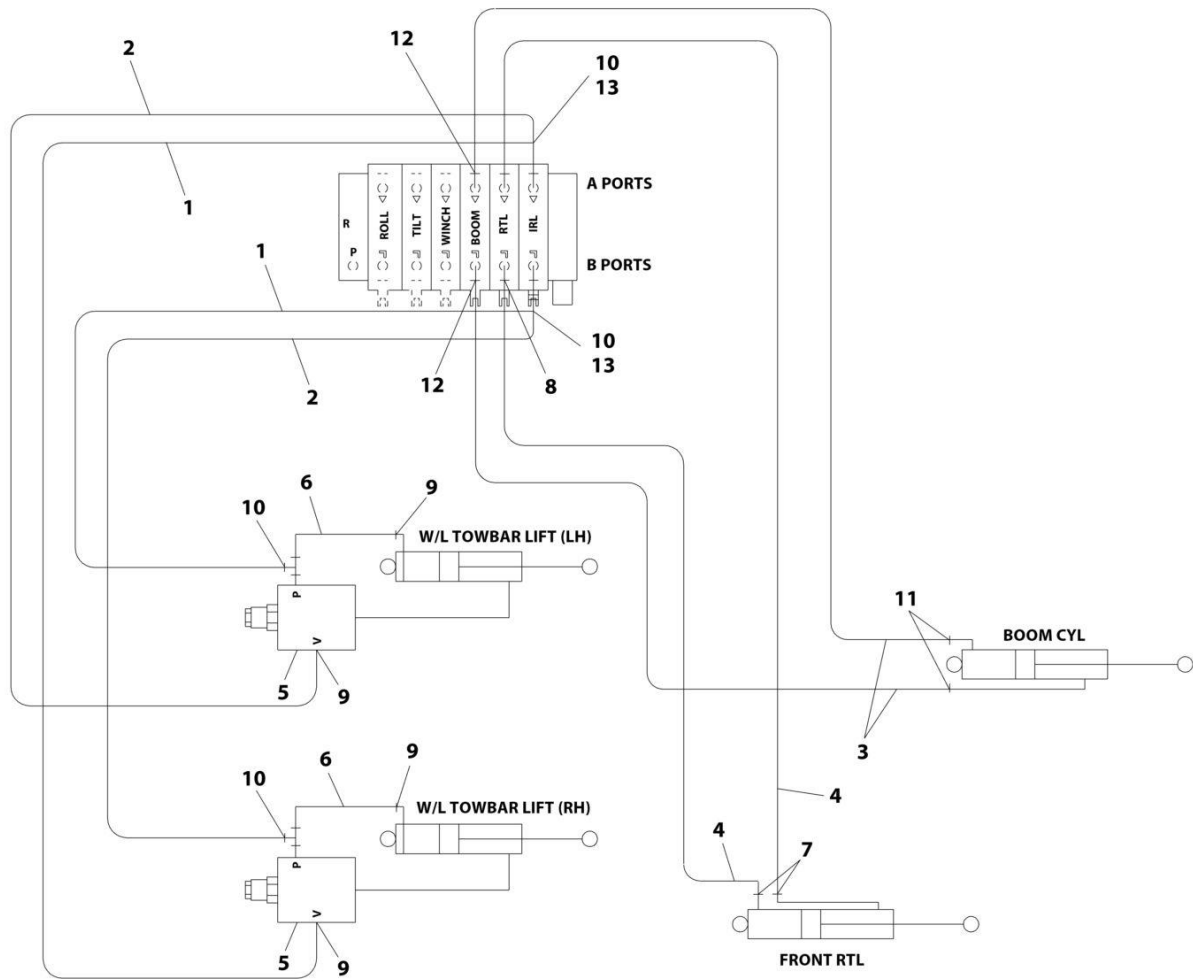
## SECTION 5 - HYDRAULIC

**FIGURE 5-31. HOSE INSTALLATION - WHEEL LIFT (IR/HYDRAULIC ARMS/HIGH FRAME)**

ITEM	PART NUMBER	QTY	DESCRIPTION	REV
	2570000143	Ref	HOSE INSTALLATION HLF AUTOGRID	E
1	4567122032	2	Hose	
2	4567123034	2	Hose	
3	4567110042	2	Hose	
4	7935000305	2	Valve Assembly	
5	4567122014	2	Hose	
6	7445060645	4	Elbow	
7	7445060648	4	Tee Run	
8	7445040446	2	Elbow	
9	7445040843	2	Adapter	
10	7443000129	2	Reducer	
11	7443040843	2	Adapter	
12	4567110038	2	Hose	
13	3904000002	1	Track Assembly (Not Shown)	
14	2570000140	1	Hose (Not Shown)	
15	5526000553	12	Tie Strap (Not Shown)	

# SECTION 5 - HYDRAULIC

FIGURE 5-32. HOSE INSTALLATION - WHEEL LIFT (ZOD)



ART\_257000052



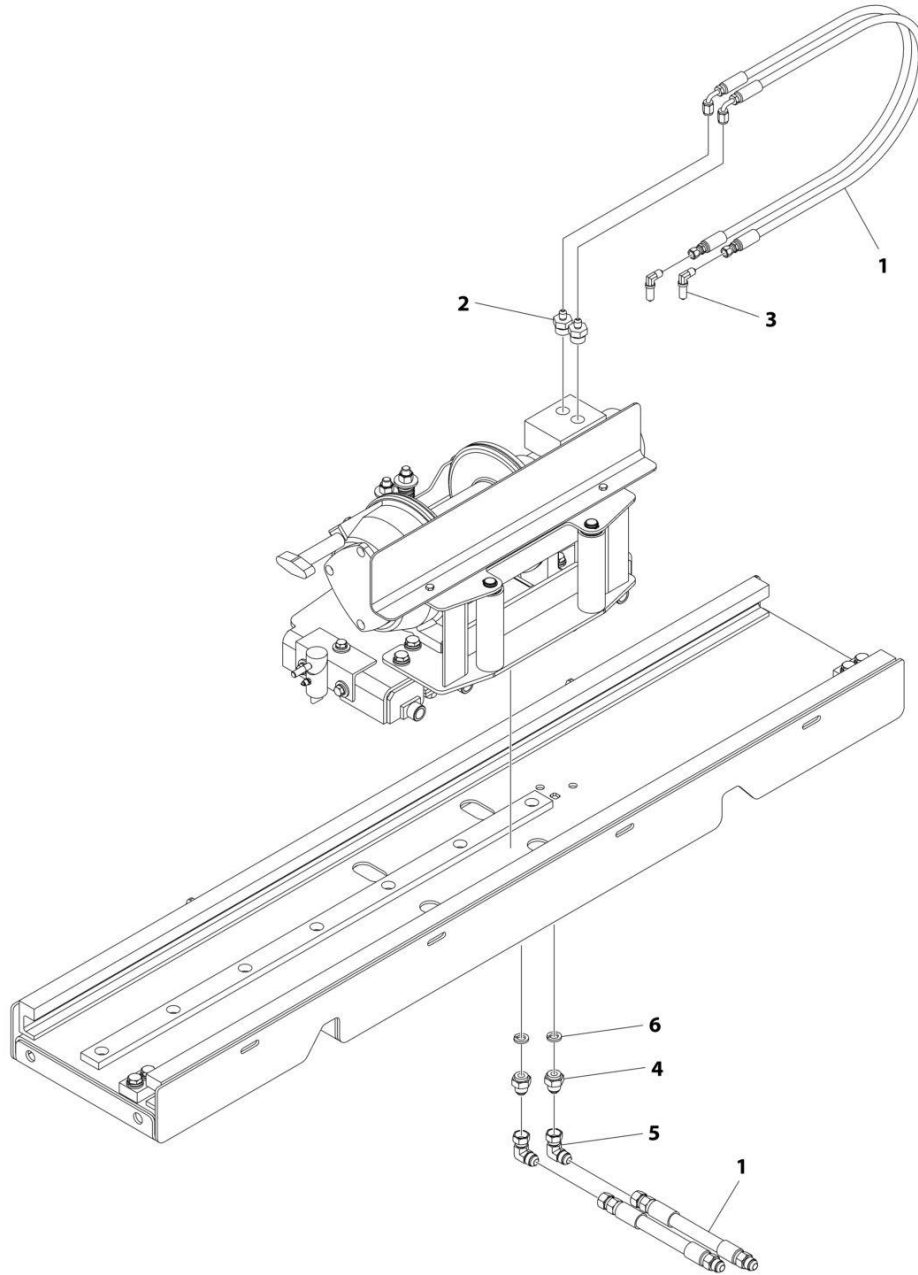
## SECTION 5 - HYDRAULIC

**FIGURE 5-32. HOSE INSTALLATION - WHEEL LIFT (ZOD)**

ITEM	PART NUMBER	QTY	DESCRIPTION	REV
	2570000052	Ref	HOSE INSTALLATION, HLF, STANDARD RTL W/L	G
1	4567122032	2	Hose	
2	4567123034	2	Hose	
3	4567110042	2	Hose	
4	4567120025	2	Hose	
5	7935000305	2	Valve Assembly	
6	4567122014	2	Hose	
7	7445060643	2	Adapter	
8	7445060843	2	Adapter	
9	7445060645	4	Elbow	
10	7445060648	4	Tee Run	
11	7445040446	2	Elbow	
12	7445040843	2	Adapter	
13	7443000129	2	Reducer	
14	5526000553	12	Tie Strap (Not Shown)	

# SECTION 5 - HYDRAULIC

## FIGURE 5-33. HOSE INSTALLATION - WINCH (10000 LBS SLIDING WINCH)



ART\_1001145934

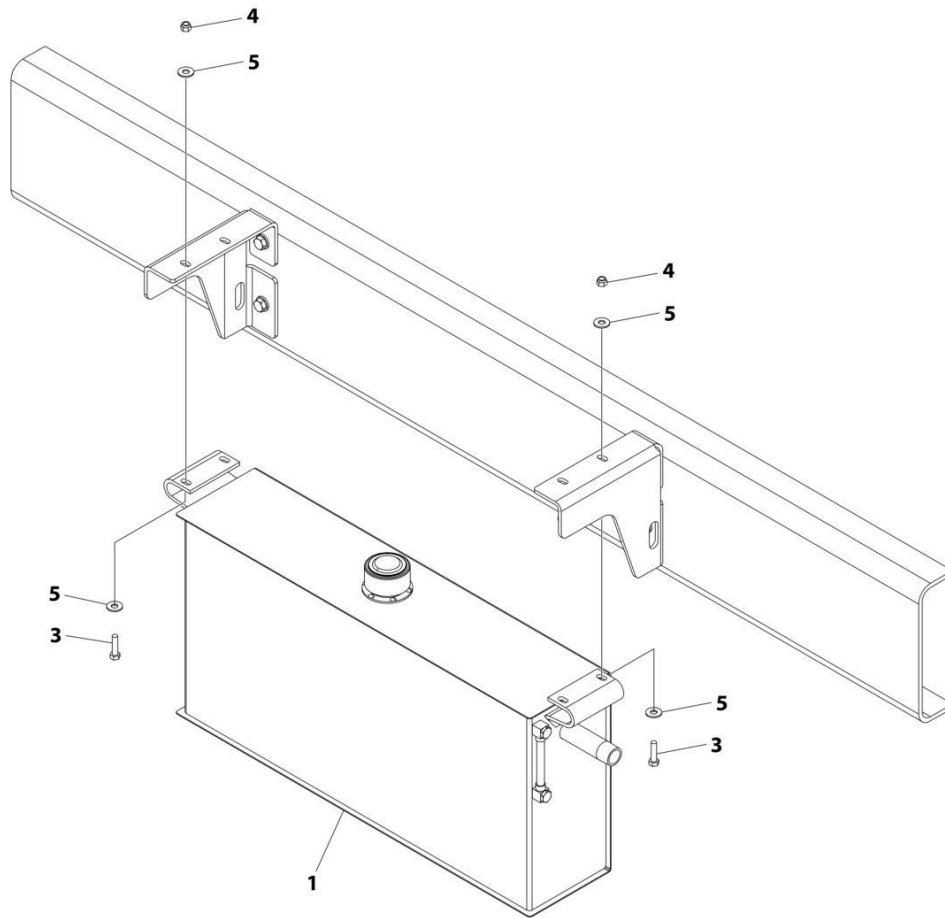
## SECTION 5 - HYDRAULIC

**FIGURE 5-33. HOSE INSTALLATION - WINCH (10000 LBS SLIDING WINCH)**

ITEM	PART NUMBER	QTY	DESCRIPTION	REV
	1001145934	Ref	SLIDING WINCH HLF INSTALLATION	B
1	1001145963	1	Hose Sliding Winch	
2	7445041043	2	Adapter	
3	7445040431	2	Elbow	
4	1001144448	2	Adapter	
5	7445080872	2	Elbow	
6	7950170000	2	Washer 1/2	

# SECTION 5 - HYDRAULIC

## FIGURE 5-34. TANK (HYDRAULIC) & BRACKETS INSTALLATION



ART\_275000008

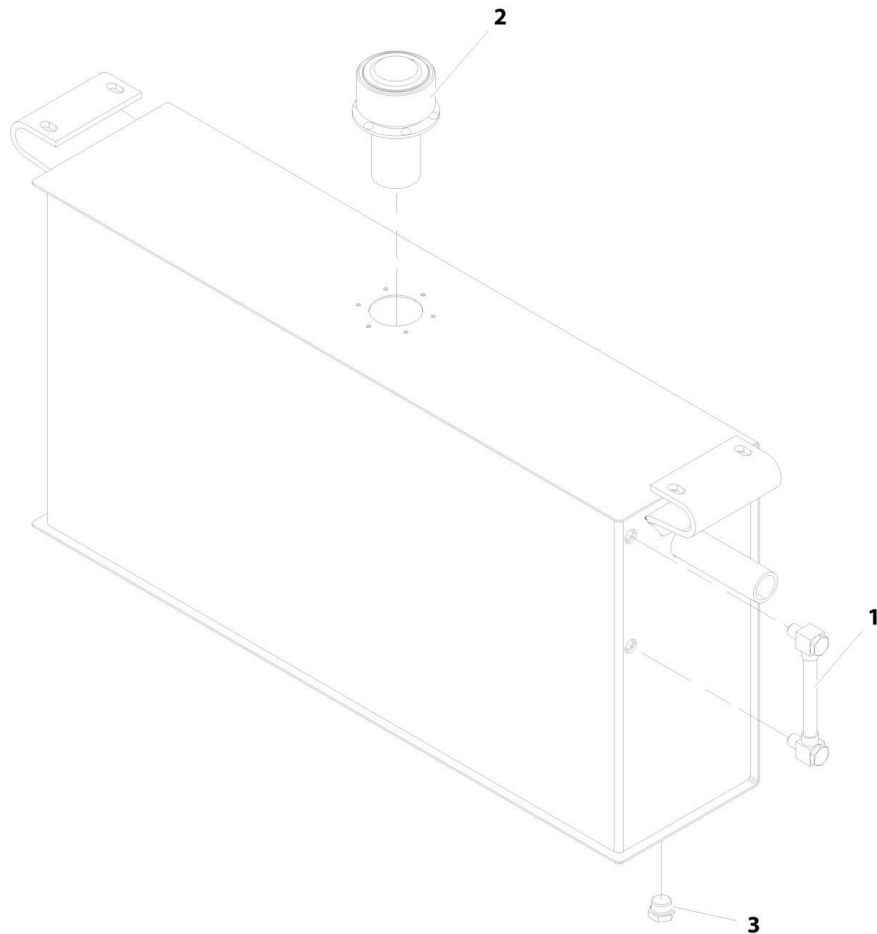
## SECTION 5 - HYDRAULIC

### FIGURE 5-34. TANK (HYDRAULIC) & BRACKETS INSTALLATION

ITEM	PART NUMBER	QTY	DESCRIPTION	REV
	2750000008	Ref	Hydraulic Reservoir and Bracket Mount	C
1	3750000018	1	Hydraulic Tank Assembly (See Seperate Breakdown in HYDRAULIC Section)	
3	7115151050	4	Capscrew 5/8 x 1-1/4	
4	7660152601	4	Nut 5/8	
5	7950150161	8	Washer 5/8	

# SECTION 5 - HYDRAULIC

## FIGURE 5-35. TANK (HYDRAULIC) ASSEMBLY



ART\_375000018-G

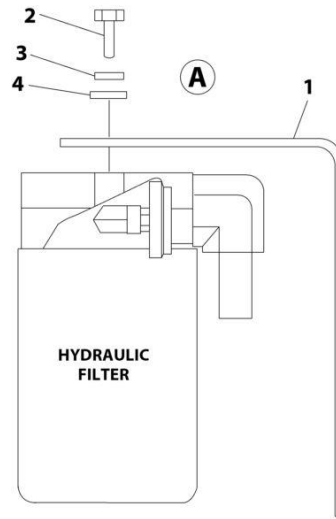
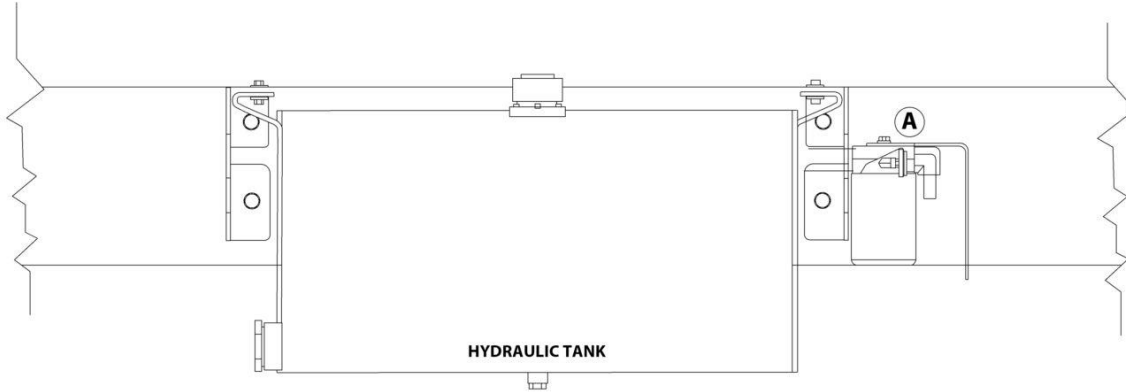
## SECTION 5 - HYDRAULIC

### FIGURE 5-35. TANK (HYDRAULIC) ASSEMBLY

ITEM	PART NUMBER	QTY	DESCRIPTION	REV
	3750000018	1	Hydraulic Assembly - Tank	I
1	7470000027	1	Oil Level Gauge	
2	7183000004	1	Breather Filter	
3	7701000031	1	Plug w/O-ring	

# SECTION 5 - HYDRAULIC

## FIGURE 5-36. HYDRAULIC FILTER COVER PLATE



ART\_1001168319



## SECTION 5 - HYDRAULIC

### FIGURE 5-36. HYDRAULIC FILTER COVER PLATE

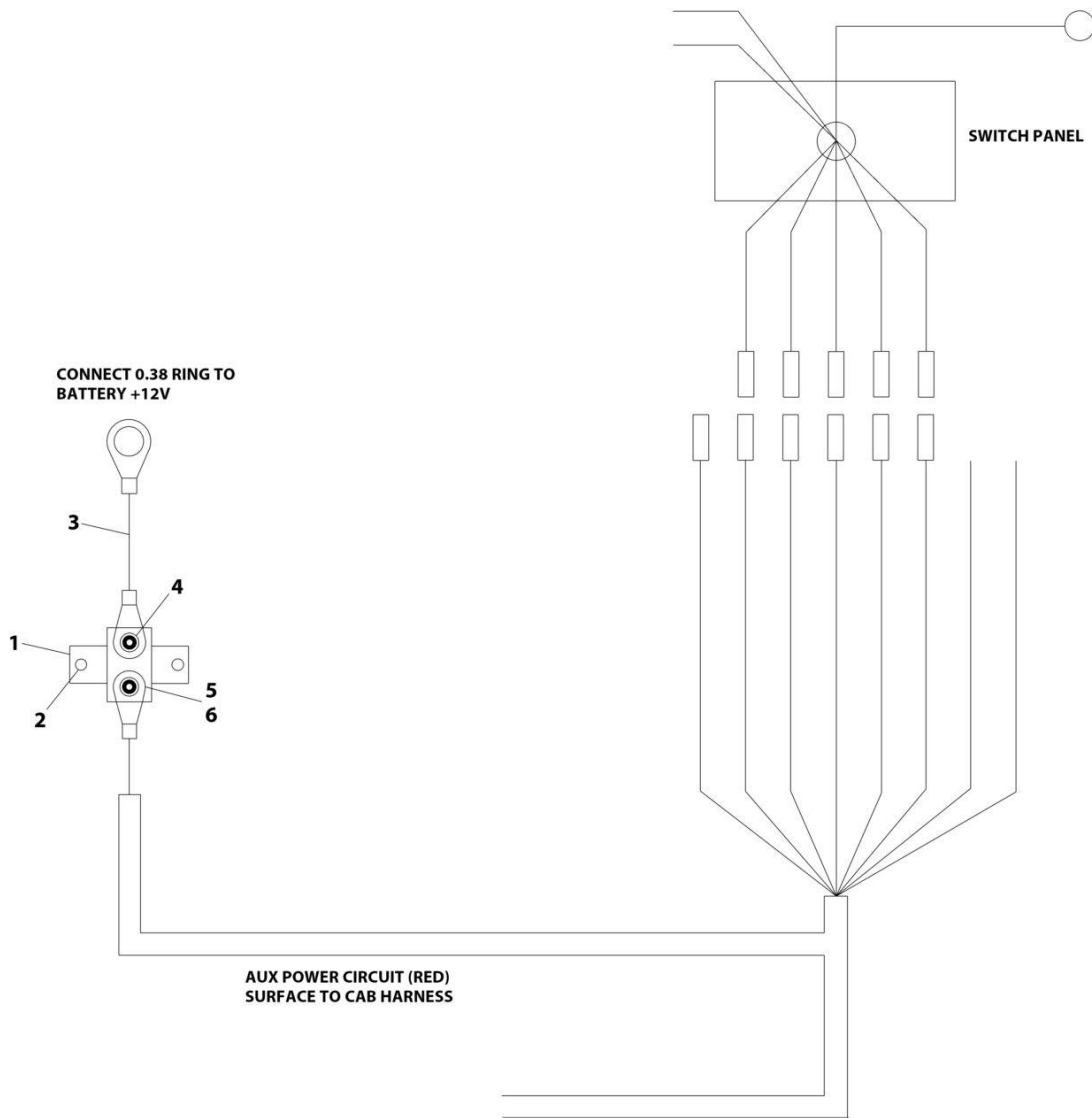
ITEM	PART NUMBER	QTY	DESCRIPTION	REV
	1001168319	Ref	Filter (Hydraulic) Cover Plate Installation	B
1	1001181417	1	Cover	
2	7115140450	2	Capscrew 1/4 x 1/2	
3	7950140000	2	Washer 1/4	
4	7950140141	2	Washer 1/4	



**SECTION 6 - ELECTRICAL**

# SECTION 6 - ELECTRICAL

## FIGURE 6-1. BREAKER INSTALLATION, - 50AMP



ART\_1001129883

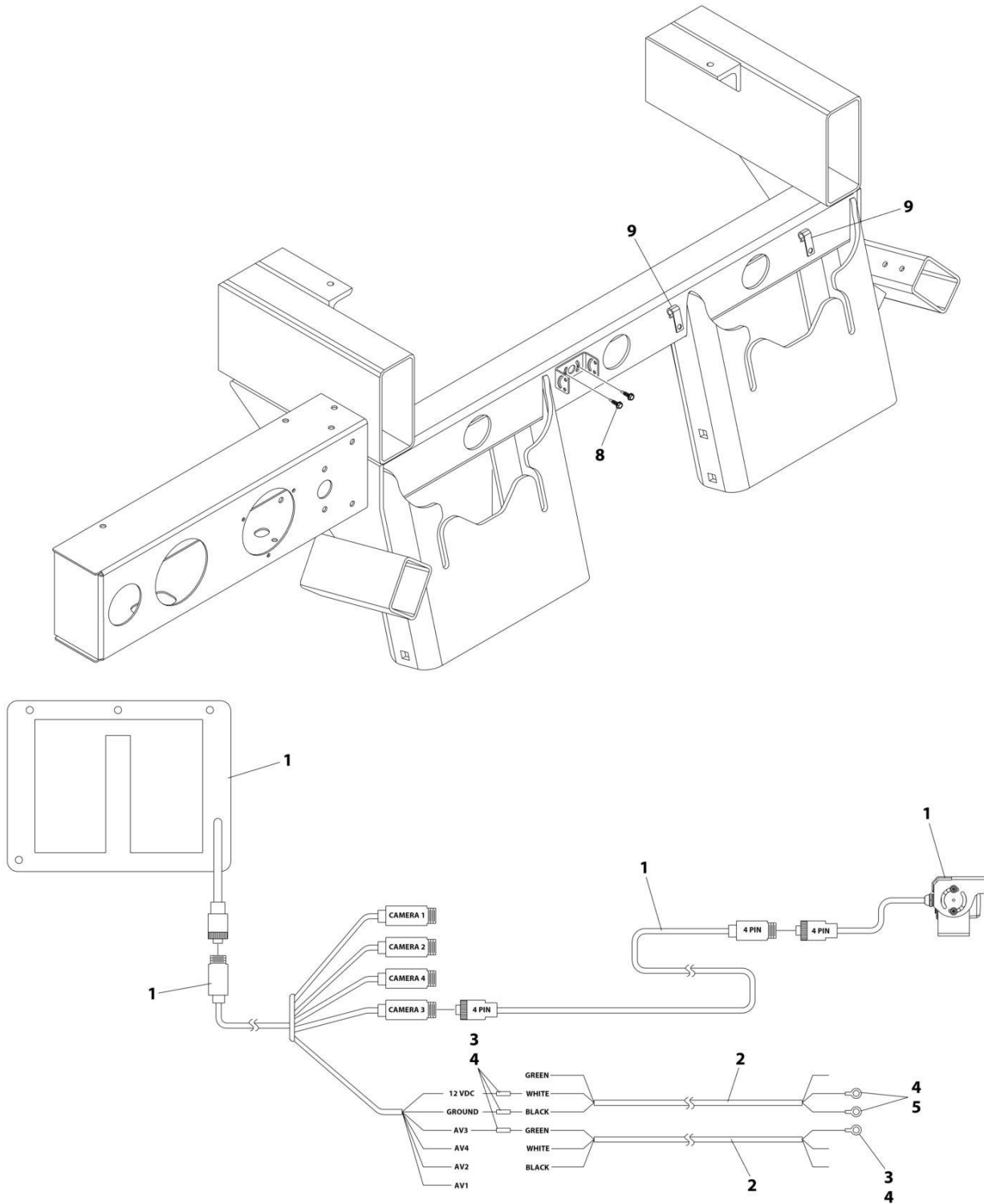
## SECTION 6 - ELECTRICAL

### FIGURE 6-1. BREAKER INSTALLATION, - 50AMP

ITEM	PART NUMBER	QTY	DESCRIPTION	REV
	1001129883	Ref	50A BREAKER INSTALLATION	C
1	7457000004	1	Breaker, 50A	
2	7120000034	2	Screw #10 x 3/4	
3	1001129882	1	Harness	
4	7950100151	2	Washer 3/16	
5	7345221902	1	Terminal	
6	4346000005	1	Heat Shrink	

# SECTION 6 - ELECTRICAL

## FIGURE 6-2. CAMERA (BACKUP) CARRIER INSTALLATION



ART\_1001219321

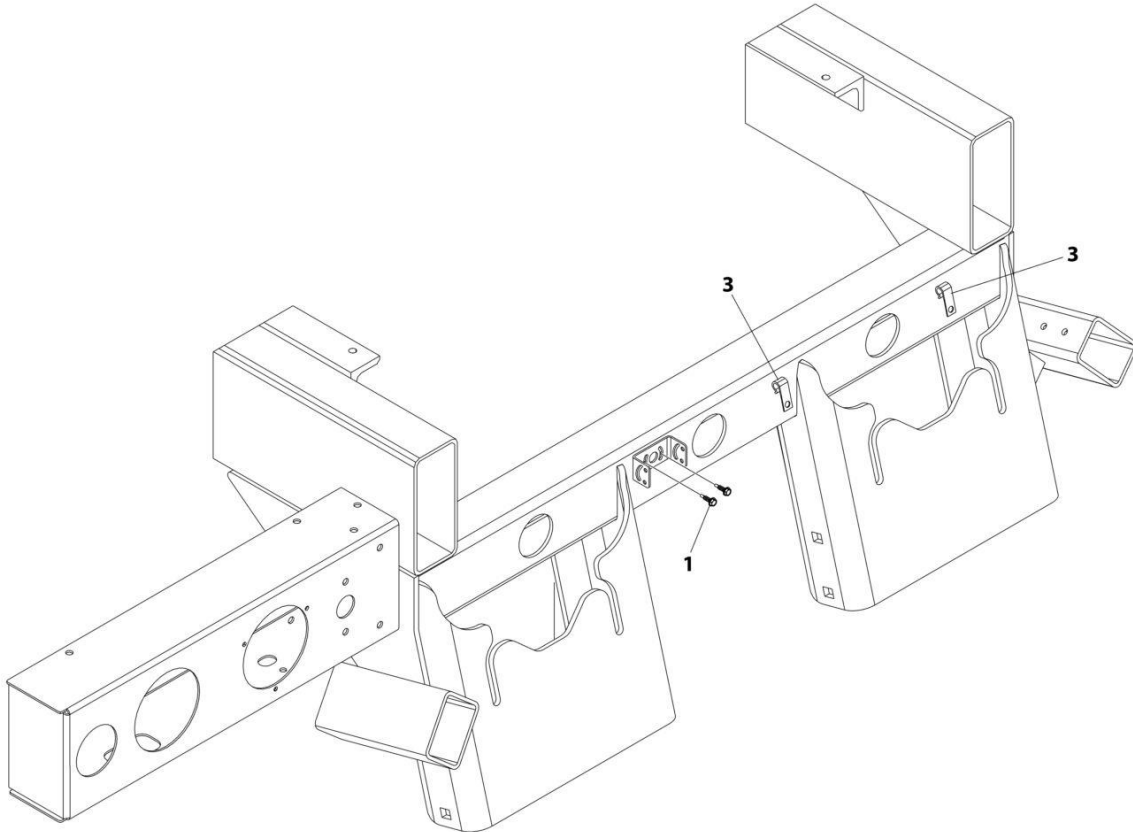
## SECTION 6 - ELECTRICAL

### FIGURE 6-2. CAMERA (BACKUP) CARRIER INSTALLATION

ITEM	PART NUMBER	QTY	DESCRIPTION	REV
	1001219321	Ref	Backup Camera Carrier Installation	D
1	1001219309	1	Backup Camera	
2	5525000537	AR	Wire	
3	7345001704	4	Terminal	
4	7346000039	AR	Tubing	
5	7345211702	3	Terminial	
6	8597650002	AR	Wire (Not Shown)	
7	7894000010	40	Tie Strap (Not Shown)	
8	7120000034	2	Screw #10 x 3/4	
9	7280000018	2	Clip	

# SECTION 6 - ELECTRICAL

## FIGURE 6-3. CAMERA (BACKUP) CARRIER INSTALLATION - OEM



ART\_1001220181



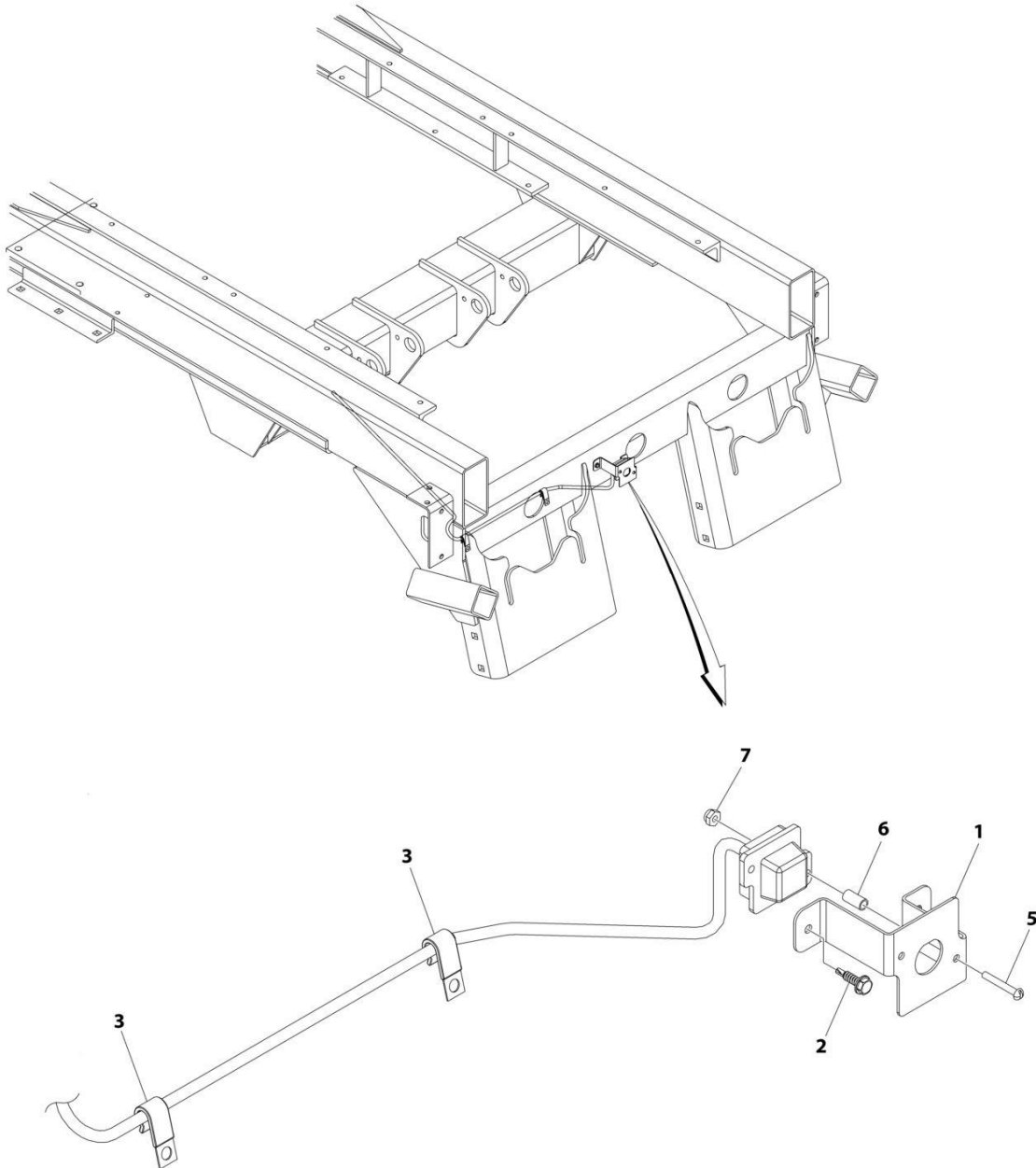
## SECTION 6 - ELECTRICAL

### FIGURE 6-3. CAMERA (BACKUP) CARRIER INSTALLATION - OEM

ITEM	PART NUMBER	QTY	DESCRIPTION	REV
	1001220181	Ref	Backup Camera Installation - Chassis (OEM Supplied)	B
1	7120000034	2	Screw #10 x 3/4	
2	5526000553	40	Tie Strap	
3	7280000018	2	Clip	

# SECTION 6 - ELECTRICAL

## FIGURE 6-4. CAMERA (BACKUP) CARRIER INSTALLATION - OEM (CV515)



ART\_1001254978

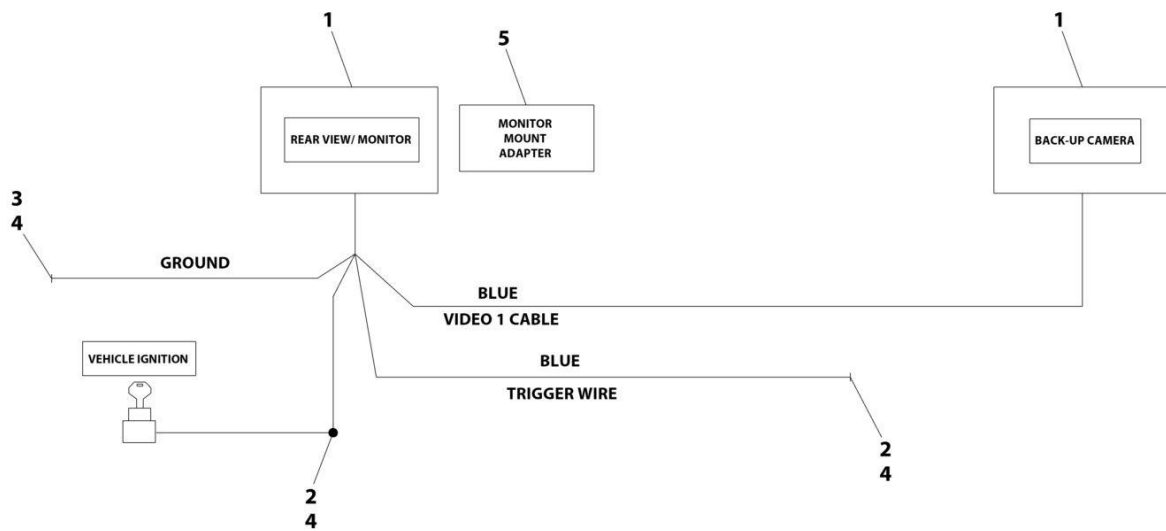
## SECTION 6 - ELECTRICAL

**FIGURE 6-4. CAMERA (BACKUP) CARRIER INSTALLATION - OEM (CV515)**

ITEM	PART NUMBER	QTY	DESCRIPTION	REV
	1001254978	Ref	BACKUP CAMERA, OEM CV515, INSTALLATION	A
1	1001254977	1	Bracket	
2	7120000034	2	Screw #10 x 3/4	
3	7280000018	2	Clip	
4	5526000553	40	Tie-Strap (Not Shown)	
5	7114060810	2	Capscrew #6 x 1	
6	4564088	2	Spacer	
7	7660062604	2	Nut #6	

# SECTION 6 - ELECTRICAL

## FIGURE 6-5. CAMERA (BACKUP) IN REAR VIEW MIRROR INSTALLATION



ART\_1001142974

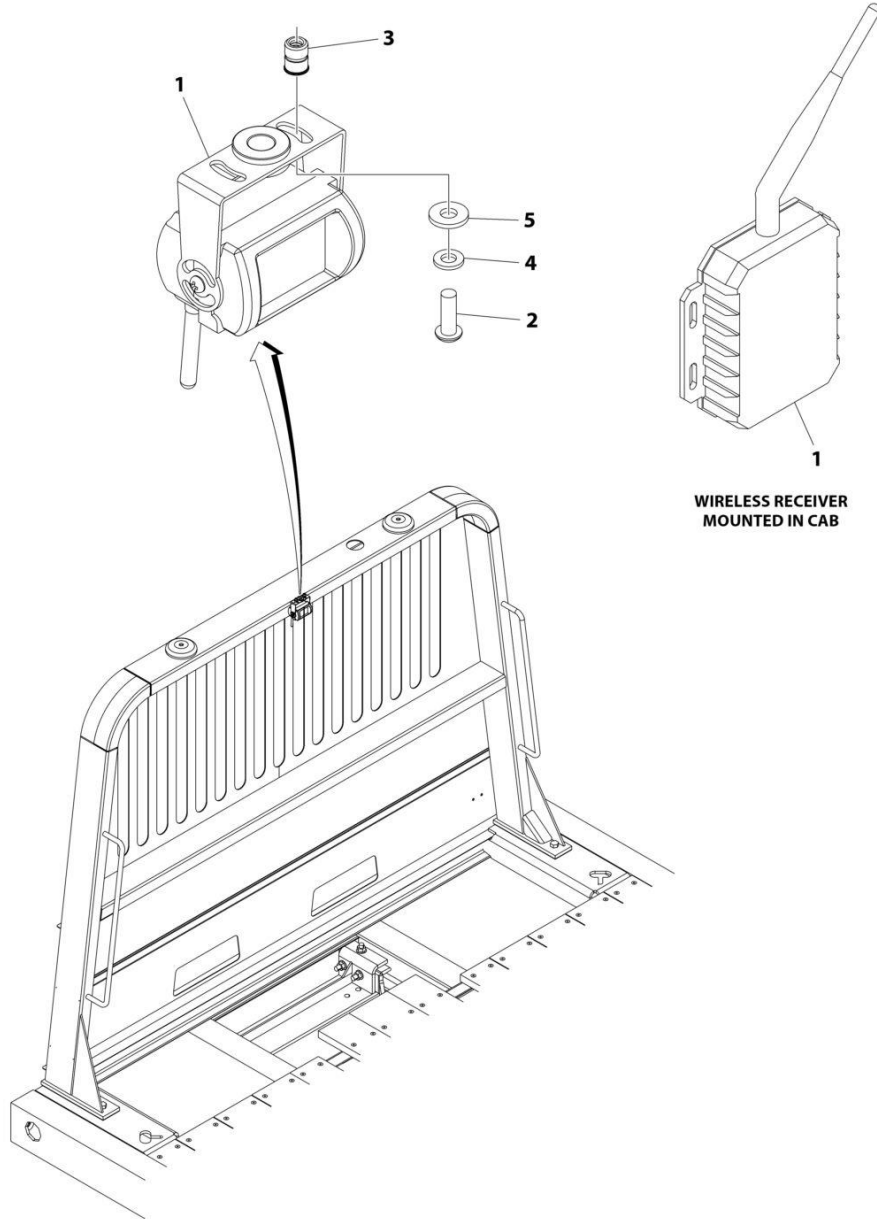
## SECTION 6 - ELECTRICAL

**FIGURE 6-5. CAMERA (BACKUP) IN REAR VIEW MIRROR INSTALLATION**

ITEM	PART NUMBER	QTY	DESCRIPTION	REV
	1001142974	Ref	BACKUP CAMERA IN REAR VIEW MIRROR INSTALLATION	B
1	1001139909	1	Camera System	
2	7345001914	2	Terminal	
3	7345221902	1	Terminal	
4	7346000039	AR	Tubing	
5	1001229606	1	Adapter	

# SECTION 6 - ELECTRICAL

## FIGURE 6-6. CAMERA (CARGO) INSTALLATION - HEADBOARD MOUNTED



ART\_1001257876

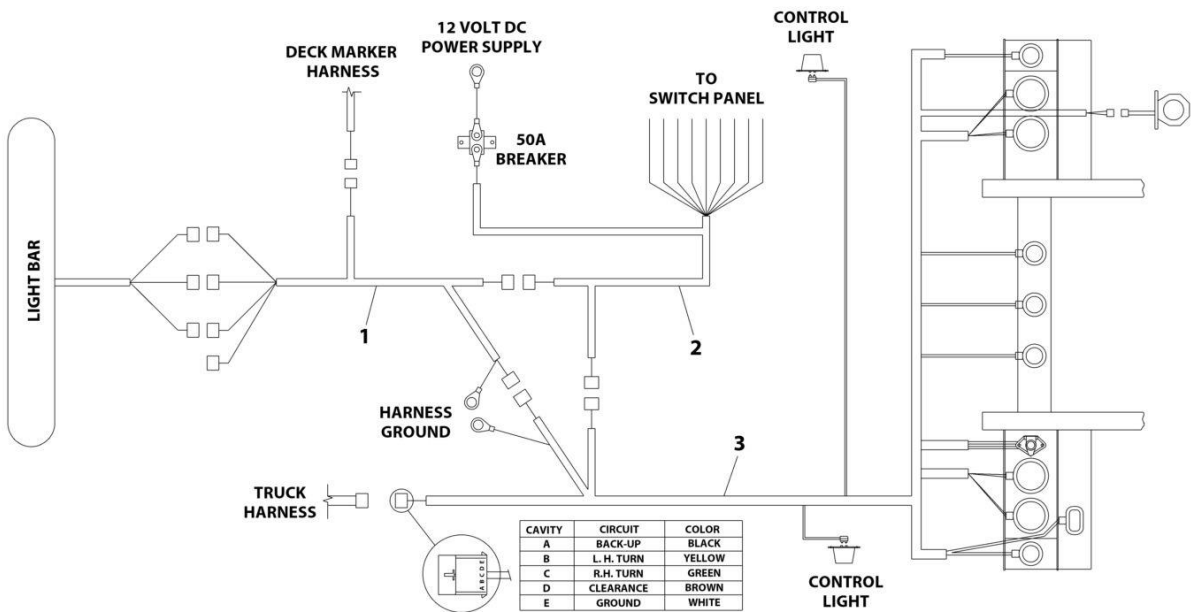
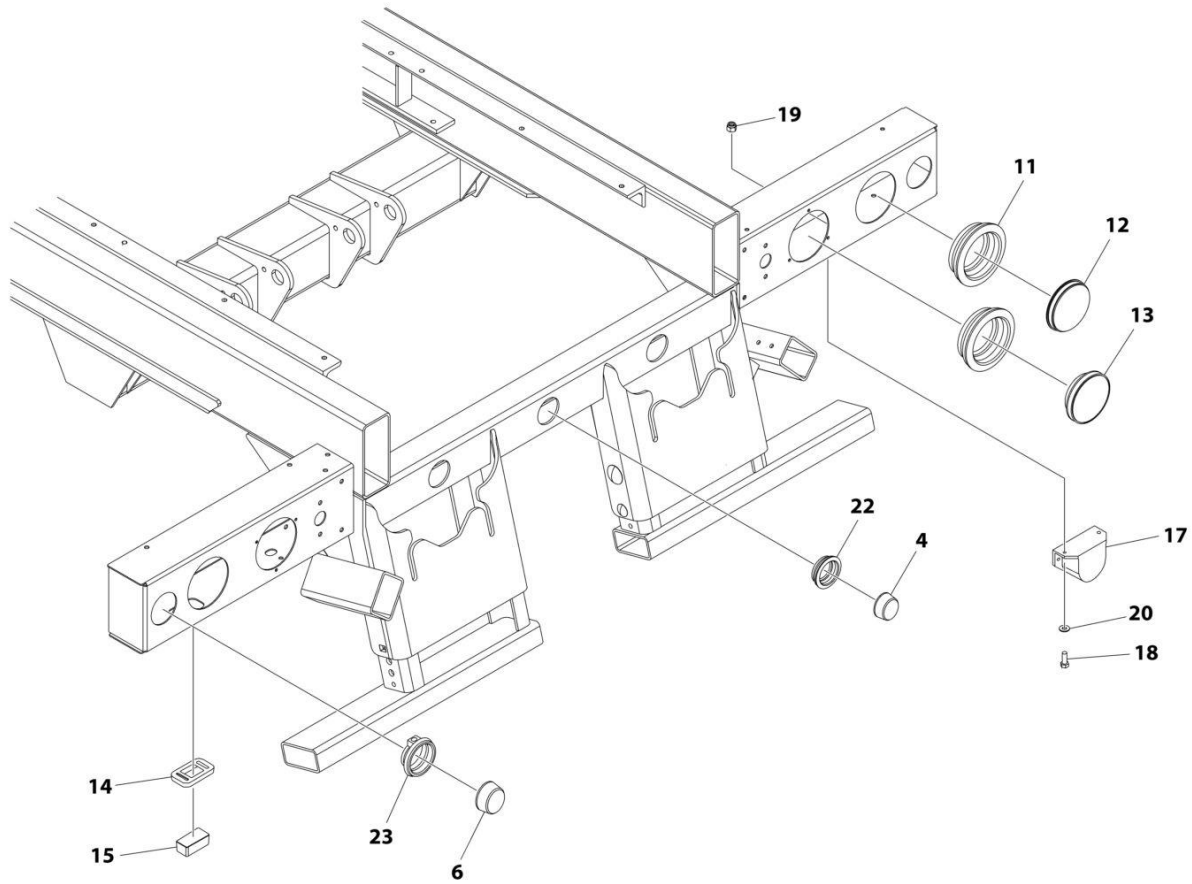
## SECTION 6 - ELECTRICAL

### FIGURE 6-6. CAMERA (CARGO) INSTALLATION - HEADBOARD MOUNTED

ITEM	PART NUMBER	QTY	DESCRIPTION	REV
	1001257876	Ref	CARGO CAMERA, WIRELESS HEADBOARD, INSTALLATION	A
1	1001237244	1	Accessory, Wireless Backup Camera Kit	
2	7114140618	2	Screw 1/4 x 3/4	
3	7413000002	2	Nut 1/4	
4	7950140003	2	Washer 1/4	
5	7950140143	2	Washer 1/4	
6	4460042	2	Terminal, Ring (Not Shown)	
7	4460475	2	Terminal (Not Shown)	

# SECTION 6 - ELECTRICAL

**FIGURE 6-7. LIGHTS AND WIRING INSTALLATION - BOLTED-ON HEADBOARD (SN 0220017095 through 0220020946)**



ART\_1001131703



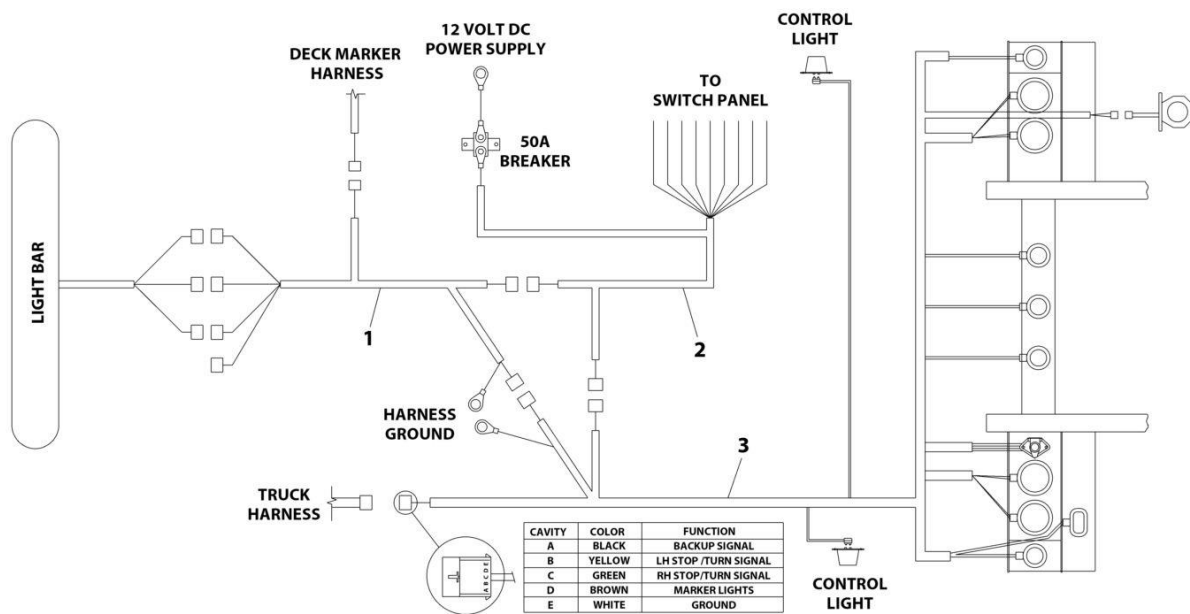
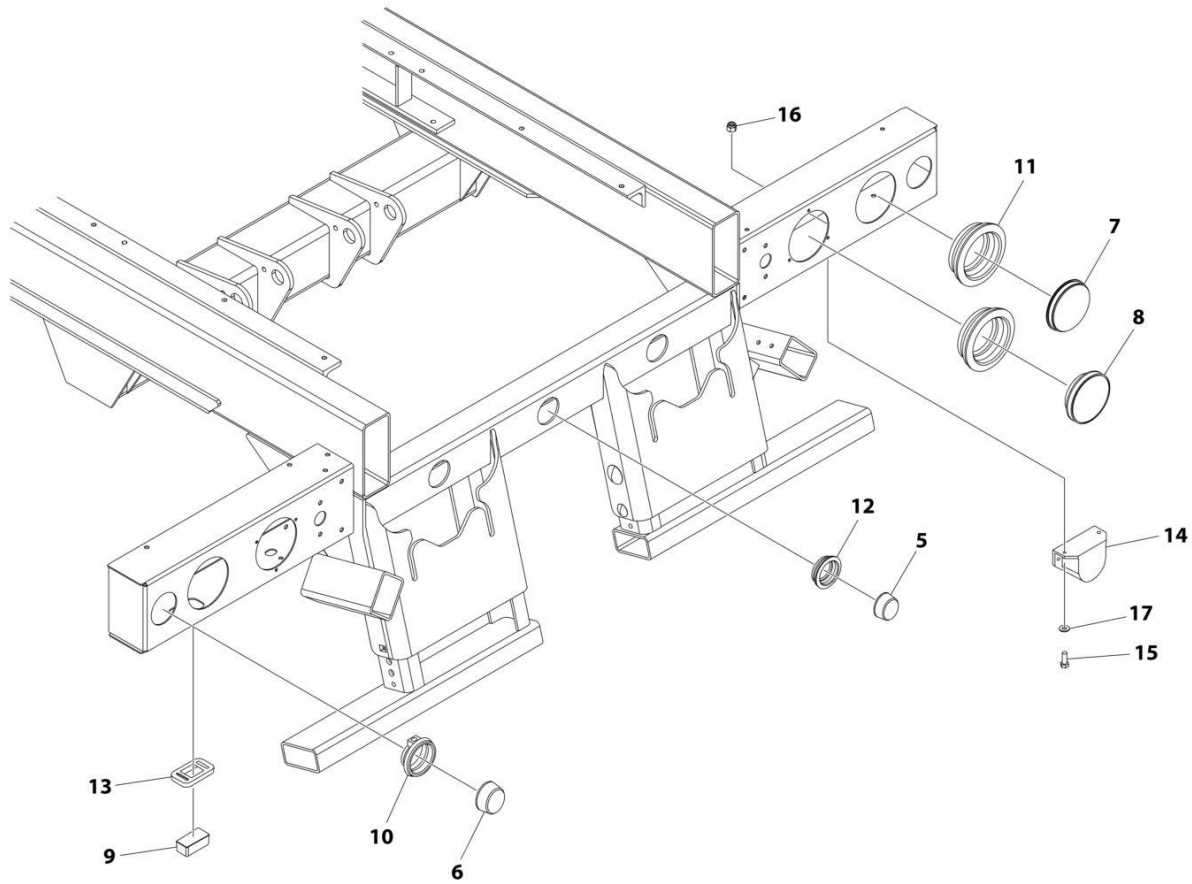
## SECTION 6 - ELECTRICAL

**FIGURE 6-7. LIGHTS AND WIRING INSTALLATION - BOLTED-ON HEADBOARD (SN 0220017095 through 0220020946)**

ITEM	PART NUMBER	QTY	DESCRIPTION	REV
	1001131703	Ref	LIGHTS AND WIRING INSTALLATION - BOLT-ON HEADBOARD	E
1	7552000098	1	Subframe to Deck Wiring Harness (See Separate Breakdown in this Section)	
2	7552000074	1	Subframe to Cab Wiring Harness (See Separate Breakdown in this Section)	
3	1001173952	1	Subframe Harness (See Separate Breakdown in this Section)	
4	7590000340	3	Marker Light - Red (LED)	
6	7590000343	2	Marker Light - Red (LED)	
11	7493000002	4	Grommet	
12	7590000341	2	Marker Light - Red (LED)	
13	1001142769	2	Backup Alarm	
14	7493000010	1	Grommet	
15	1001142771	1	Lamp	
17	7011000006	1	Backup Alarm	
18	7114140528	2	Screw 1/4 x 5/8	
19	7660142601	2	Nut 1/4	
20	7949000023	2	Washer	
22	7493000023	3	Grommet	
23	7493000009	2	Grommet	
24	4346000005	5	Heat Shrink (Not Shown)	

# SECTION 6 - ELECTRICAL

FIGURE 6-8. LIGHTS AND WIRING INSTALLATION - BOLTED-ON HEADBOARD (SN 0220020947 to Present)



ART\_1001260346

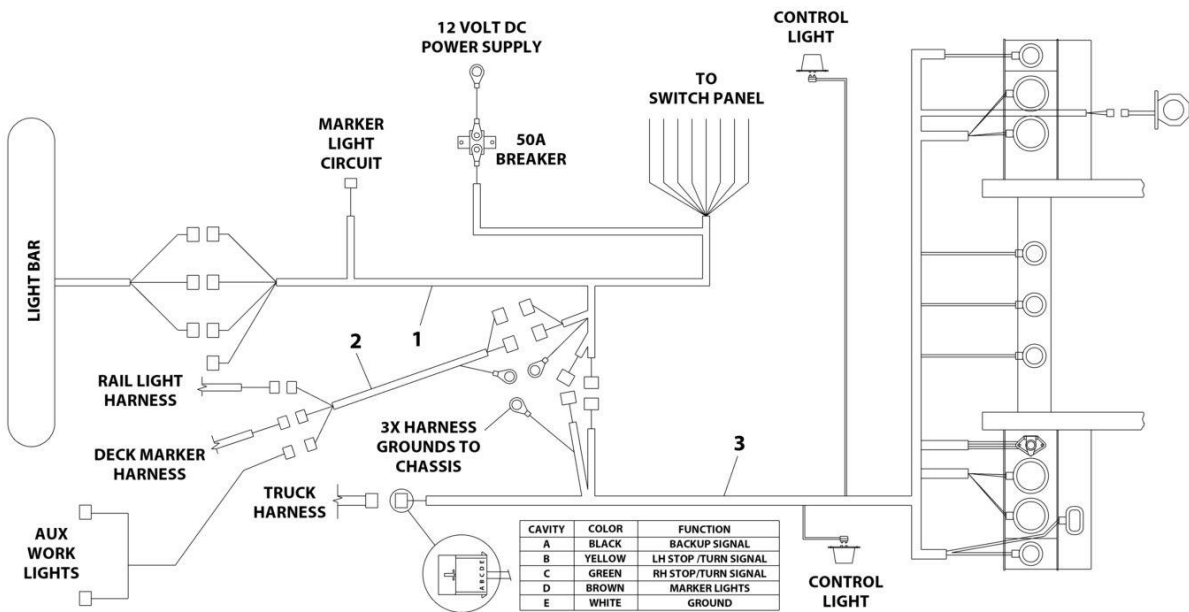
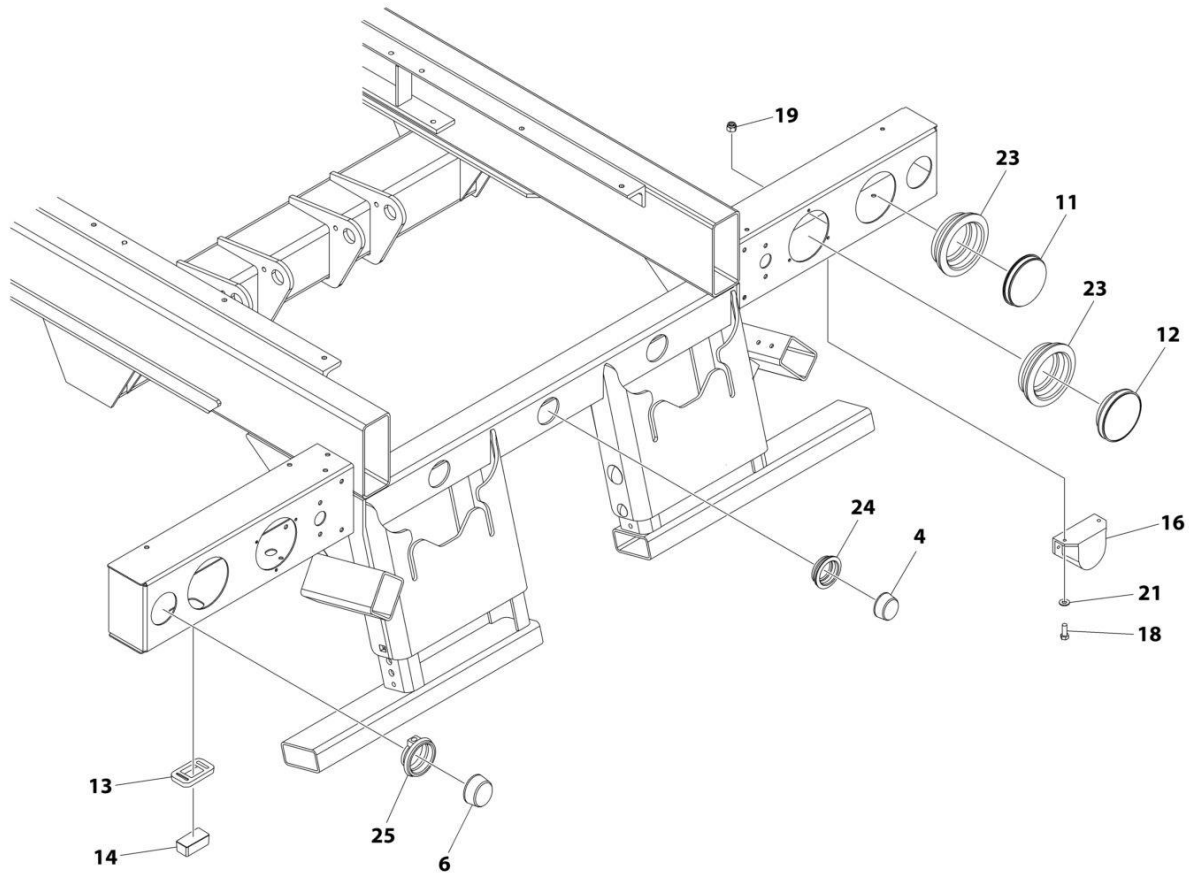
## SECTION 6 - ELECTRICAL

**FIGURE 6-8. LIGHTS AND WIRING INSTALLATION - BOLTED-ON HEADBOARD (SN 0220020947 to Present)**

ITEM	PART NUMBER	QTY	DESCRIPTION	REV
	1001260346	Ref	LIGHTS AND WIRING INSTALLATION - BOLT-ON HEADBOARD	A
1	1001260349	1	Subframe to Deck Wiring Harness (See Separate Breakdown in this Section)	
2	7552000074	1	Subframe to Cab Wiring Harness (See Separate Breakdown in this Section)	
3	1001173952	1	Subframe Harness (See Separate Breakdown in this Section)	
4	4346000005	5	Heat Shrink (Not Shown)	
5	7590000340	3	Marker Light - Red (LED)	
6	7590000343	2	Marker Light - Red (LED)	
7	7590000341	2	Marker Light - Red (LED)	
8	1001142769	2	Light	
9	1001142771	1	Lamp	
10	7493000009	2	Grommet	
11	7493000002	4	Grommet	
12	7493000023	3	Grommet	
13	7493000010	1	Grommet	
14	7011000006	1	Backup Alarm	
15	7114140528	2	Screw 1/4 x 5/8	
16	7660142601	2	Nut 1/4	
17	7949000023	2	Washer	

# SECTION 6 - ELECTRICAL

**FIGURE 6-9. LIGHTS AND WIRING INSTALLATION – STATIONARY HEADBOARD (SN 0220017095 through 0220023729)**



ART\_2590000287

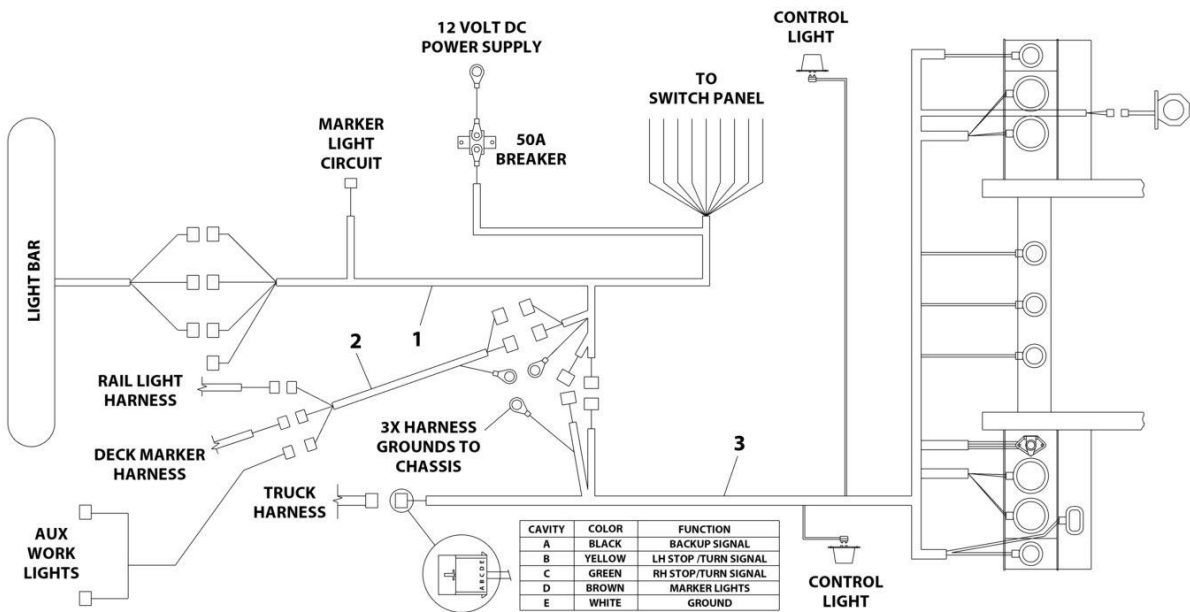
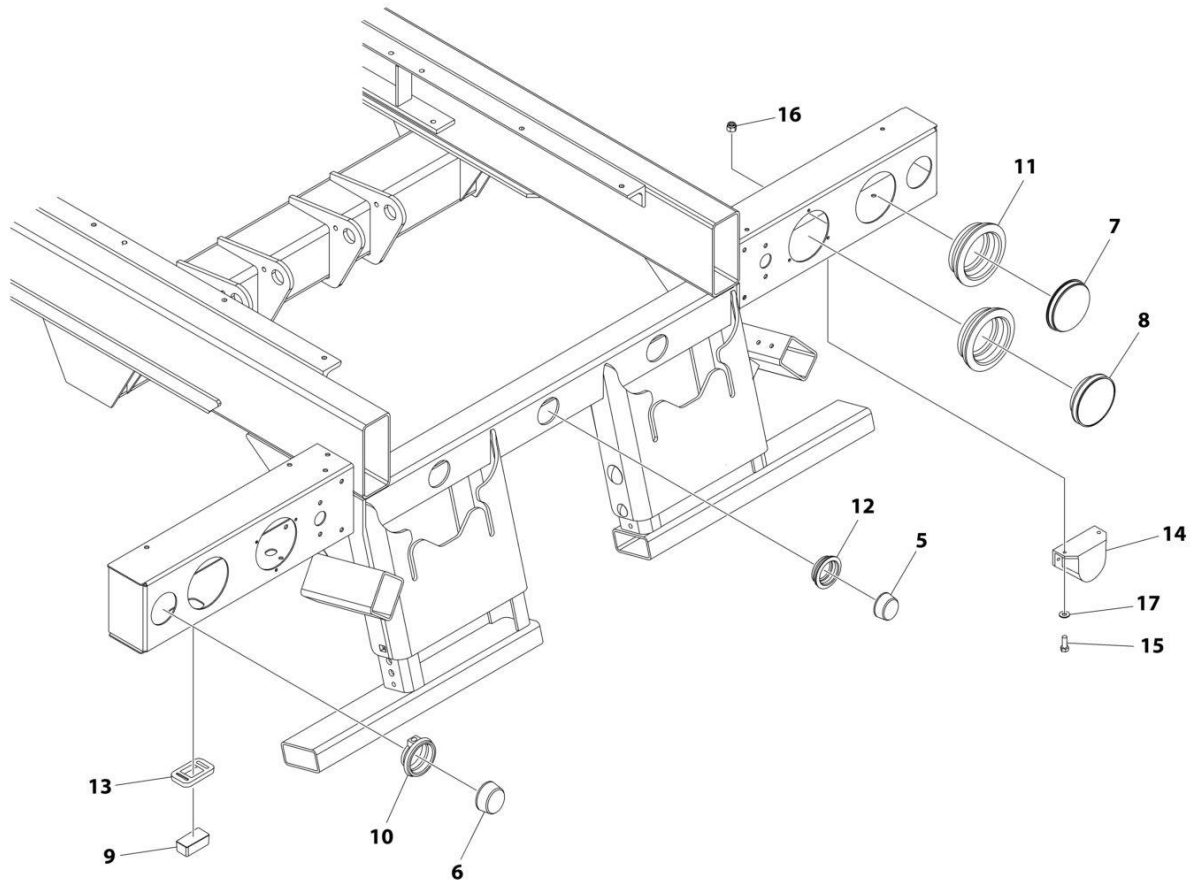
## SECTION 6 - ELECTRICAL

**FIGURE 6-9. LIGHTS AND WIRING INSTALLATION – STATIONARY HEADBOARD (SN 0220017095 through 0220023729)**

ITEM	PART NUMBER	QTY	DESCRIPTION	REV
	2590000287	Ref	LIGHTS AND WIRING INSTALLATION - STATIONARY HEADBOARD	G
1	1001152346	1	Subframe to Cab Wiring Harness (See Separate Breakdown in this Section)	
2	1001152350	1	Subframe to Deck Wiring Harness (See Separate Breakdown in this Section)	
3	1001173952	1	Subframe Harness (See Separate Breakdown in this Section)	
4	7590000340	3	Marker Light - Red (LED)	
6	7590000343	2	Marker Light - Red (LED)	
11	7590000341	2	Marker Light - Red (LED)	
12	1001142769	2	Light	
13	7493000010	1	Grommet	
14	1001142771	1	Lamp	
16	7011000006	1	Backup Alarm	
18	7114140528	2	Screw 1/4 x 5/8	
19	7660142601	2	Nut 1/4	
21	7949000023	2	Washer	
23	7493000002	4	Grommet	
24	7493000023	3	Grommet	
25	7493000009	2	Grommet	
27	4346000005	5	Heat Shrink (Not Shown)	

# SECTION 6 - ELECTRICAL

FIGURE 6-10. LIGHTS AND WIRING INSTALLATION - STATIONARY HEADBOARD (SN 0220020947 to Present)



ART\_1001260345

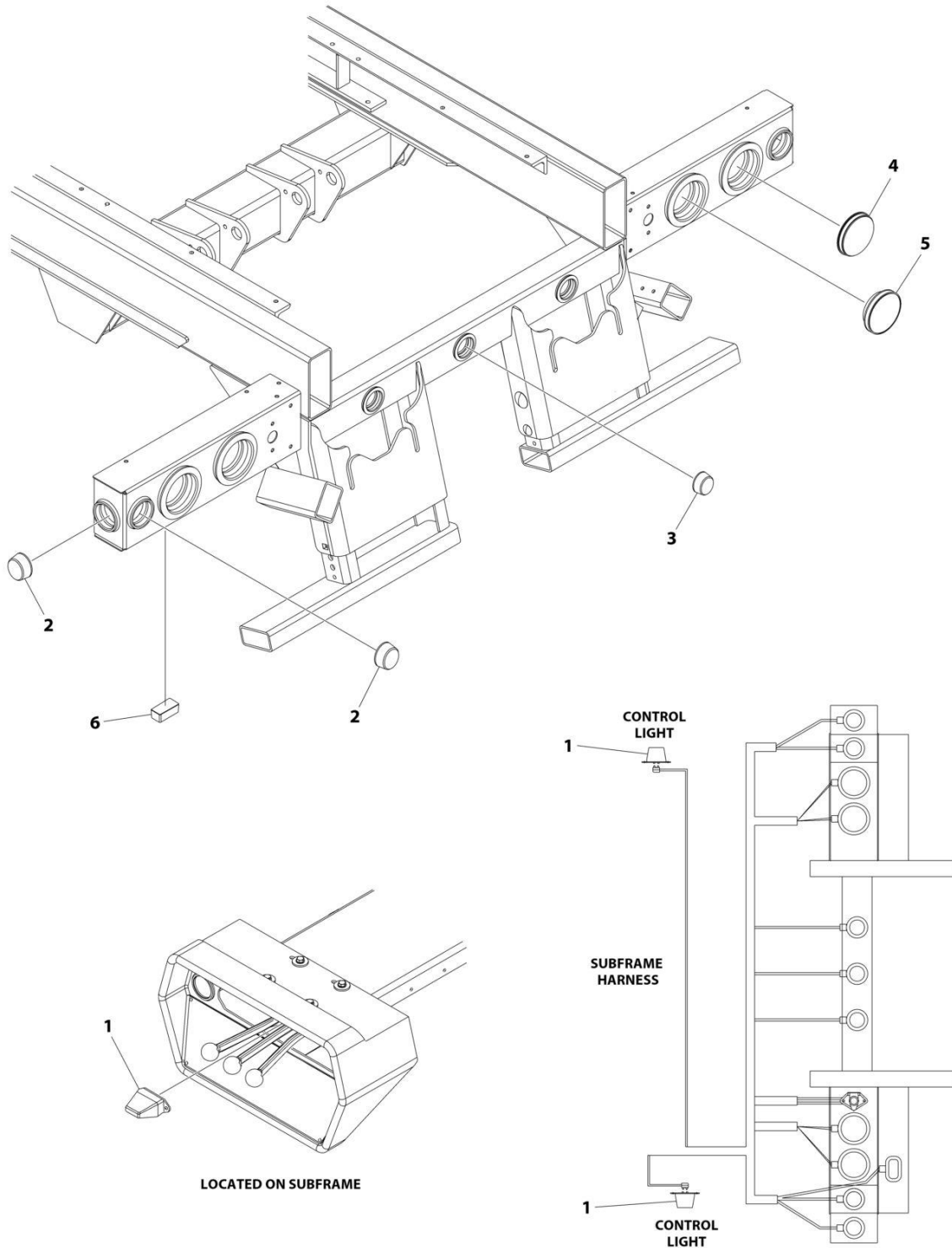
## SECTION 6 - ELECTRICAL

**FIGURE 6-10. LIGHTS AND WIRING INSTALLATION - STATIONARY HEADBOARD (SN 0220020947 to Present)**

ITEM	PART NUMBER	QTY	DESCRIPTION	REV
	1001260345	Ref	LIGHTS AND WIRING INSTALLATION - STATIONARY HEADBOARD	A
1	1001260060	1	Subframe to Cab Wiring Harness (See Separate Breakdown in this Section)	
2	1001152350	1	Subframe to Deck Wiring Harness (See Separate Breakdown in this Section)	
3	1001173952	1	Subframe Harness (See Separate Breakdown in this Section)	
4	4346000005	5	Heat Shrink (Not Shown)	
5	7590000340	3	Marker Light - Red (LED)	
6	7590000343	2	Marker Light - Red (LED)	
7	7590000341	2	Marker Light - Red (LED)	
8	1001142769	2	Backup Alarm	
9	1001142771	1	Lamp	
10	7493000009	2	Grommet	
11	7493000002	4	Grommet	
12	7493000023	3	Grommet	
13	7493000010	1	Grommet	
14	7011000006	1	Backup Alarm	
15	7114140528	2	Screw 1/4 x 5/8	
16	7660142601	2	Nut 1/4	
17	7949000023	2	Washer	

# SECTION 6 - ELECTRICAL

## FIGURE 6-11. LIGHTS - 24V LIGHT INSTALLATION



ART\_1001161526



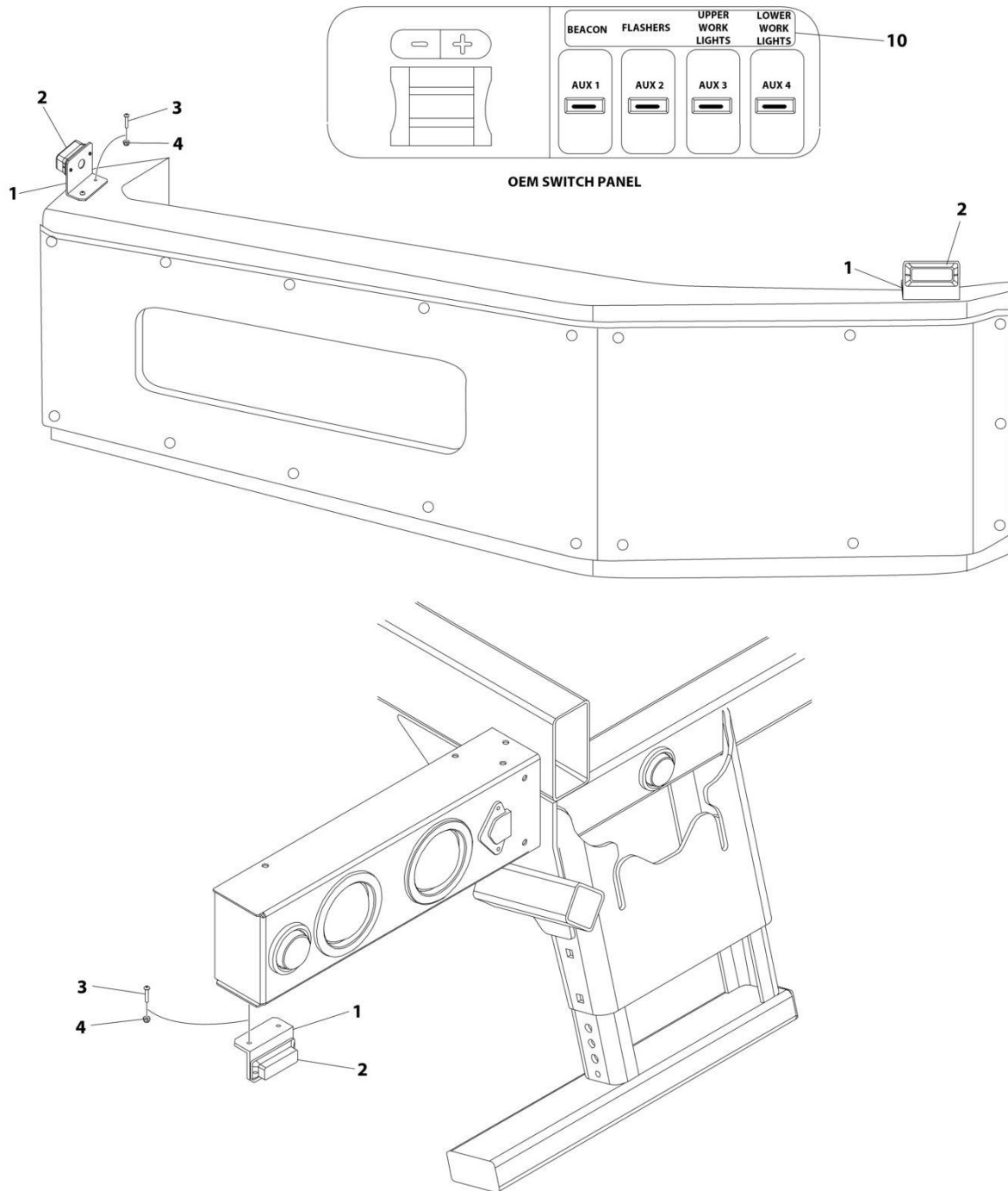
## SECTION 6 - ELECTRICAL

### FIGURE 6-11. LIGHTS - 24V LIGHT INSTALLATION

ITEM	PART NUMBER	QTY	DESCRIPTION	REV
	1001161526	Ref	LIGHT CONVERSION - 24 VOLT	A
1	7590000143	2	Light, Courtesy	
2	7590000132	4	Marker Light - Red (LED)	
3	7590000142	3	Marker Light with Grommet - Red (LED)	
4	7590000135	2	Stop Light	
5	7590000134	2	Backup Light	
6	7590000138	1	Lamp	

# SECTION 6 - ELECTRICAL

## FIGURE 6-12. LIGHTS - BUMPER STROBE INSTALLATION



ART\_1001140607

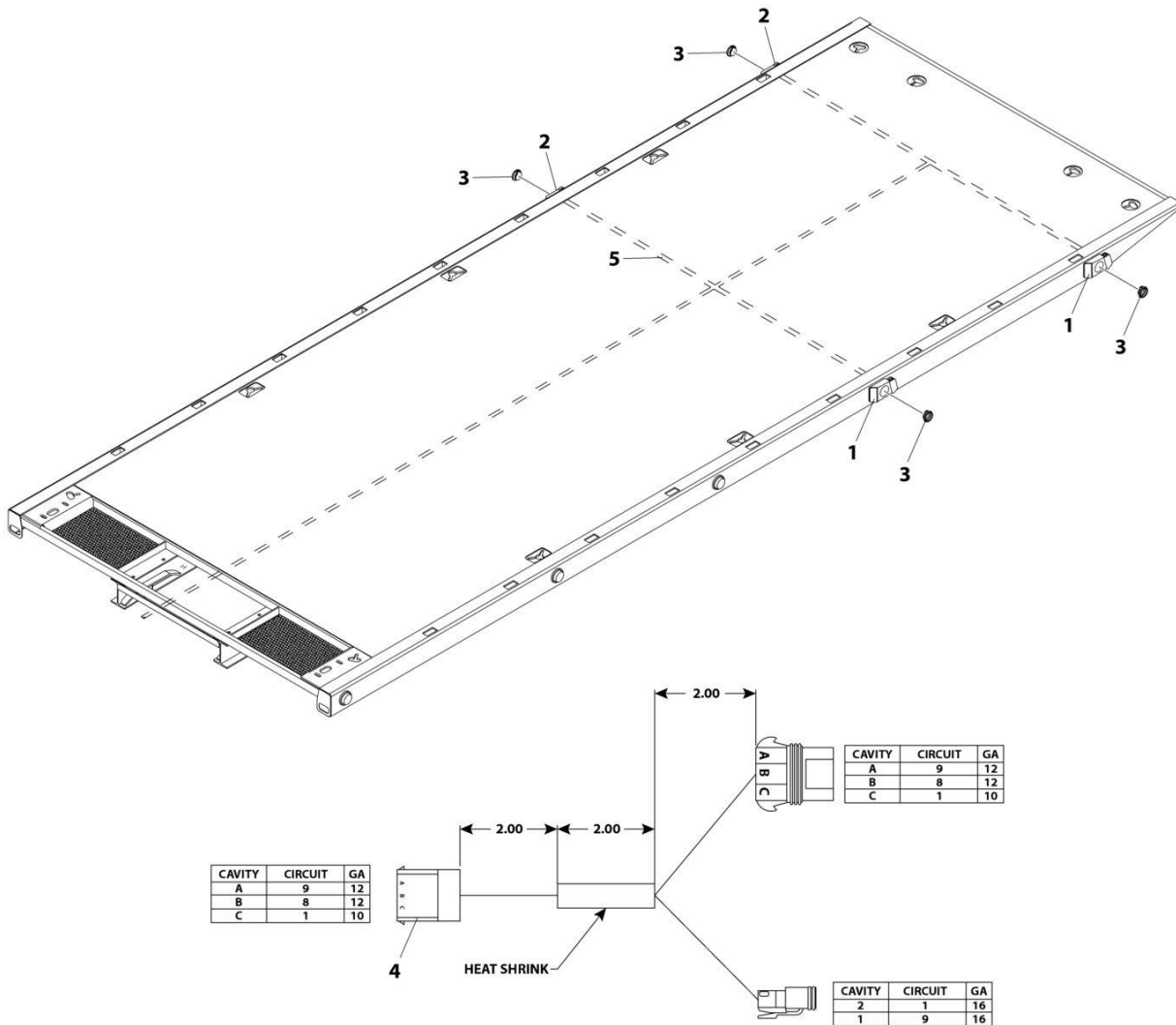
## SECTION 6 - ELECTRICAL

### FIGURE 6-12. LIGHTS - BUMPER STROBE INSTALLATION

ITEM	PART NUMBER	QTY	DESCRIPTION	REV
	1001140607	Ref	BUMPER STROBE LIGHTS INSTALLATION	C
1	1001140536	4	Bracket	
2	7590000291	4	Light 3-LED Flash (Amber)	
3	7114100818	8	Bolt #10 x 1	
4	7660102604	8	Nut #10	
10	1001129461	1	Decal-Switch	

# SECTION 6 - ELECTRICAL

## FIGURE 6-13. LIGHTS - DECK FLASHER INSTALLATION (REAR)



ART\_1001145076

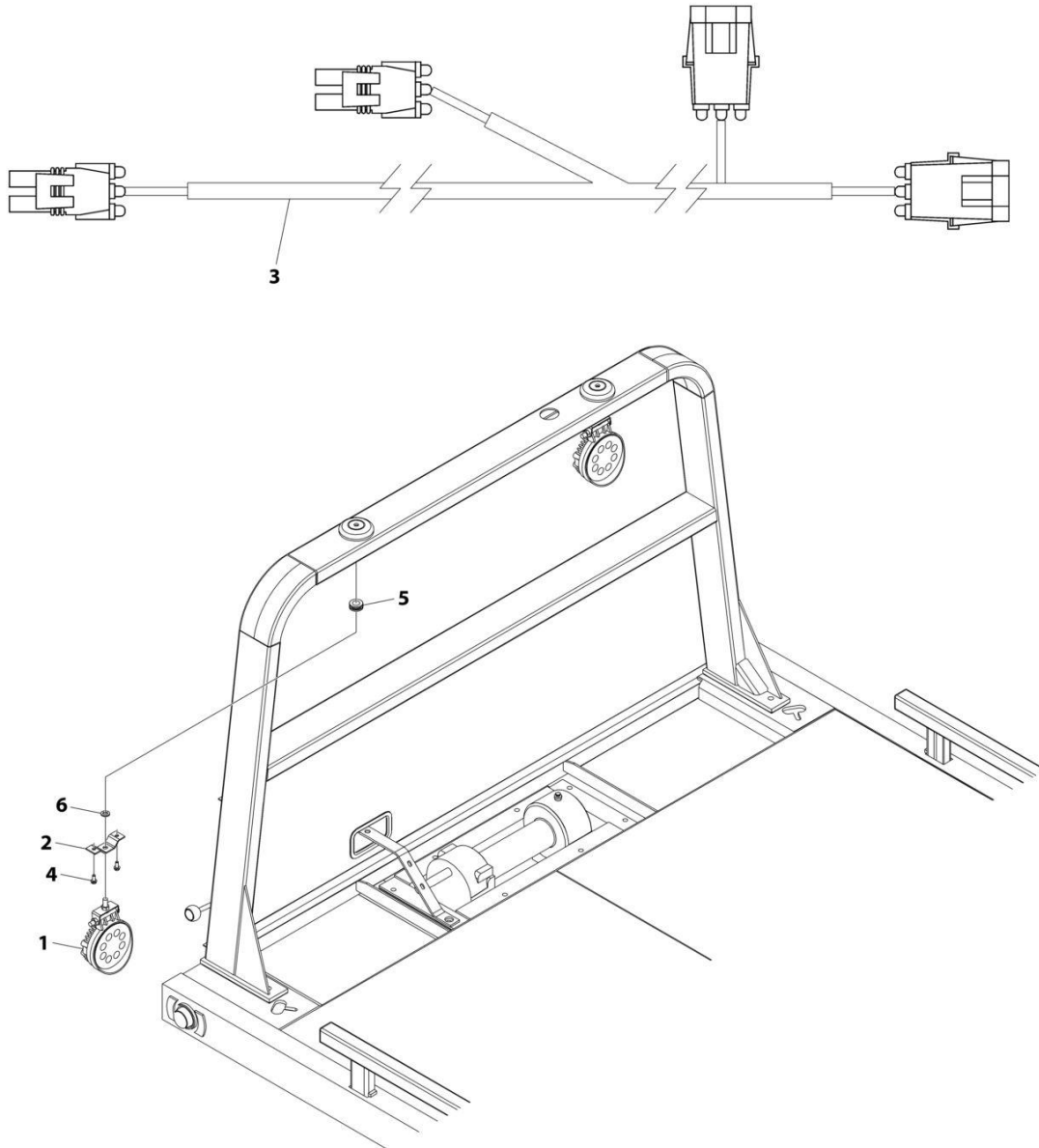
## SECTION 6 - ELECTRICAL

**FIGURE 6-13. LIGHTS - DECK FLASHER INSTALLATION (REAR)**

ITEM	PART NUMBER	QTY	DESCRIPTION	REV
	1001145076	Ref	Deck Flasher Rear Illumination	B
1	1001145074	2	Bracket, LH Whelen Flash	
2	1001145075	2	Bracket, RH Whelen Flash	
3	7493000009	4	Grommet	
4	1001144986	1	Flashers Jumper Wire Harness	
4	8220934	1	Receptacle, Female - 3 Position	
4	8220936	1	Lock	
4	1001277282	3	Terminal	
4	1001277283	3	Seal	
4	4460891	1	Plug, Male - 2 Position	
4	4460465	2	Socket, Female	
4	8220935	1	Plug, Male - 3 Position	
4	8220936	1	Lock	
4	8220099	1	Terminal	
4	1001277283	1	Seal	
5	1001145077	Ref	Flasher Harness Installation	
5	1001143842	1	Flasher Harness	
5	4460897	5	Receptacle, Female - 2 Position	
5	4460464	10	Pin, Male	

# SECTION 6 - ELECTRICAL

## FIGURE 6-14. LIGHTS- HEADBOARD LIGHTS INSTALLATION



ART\_1001176428

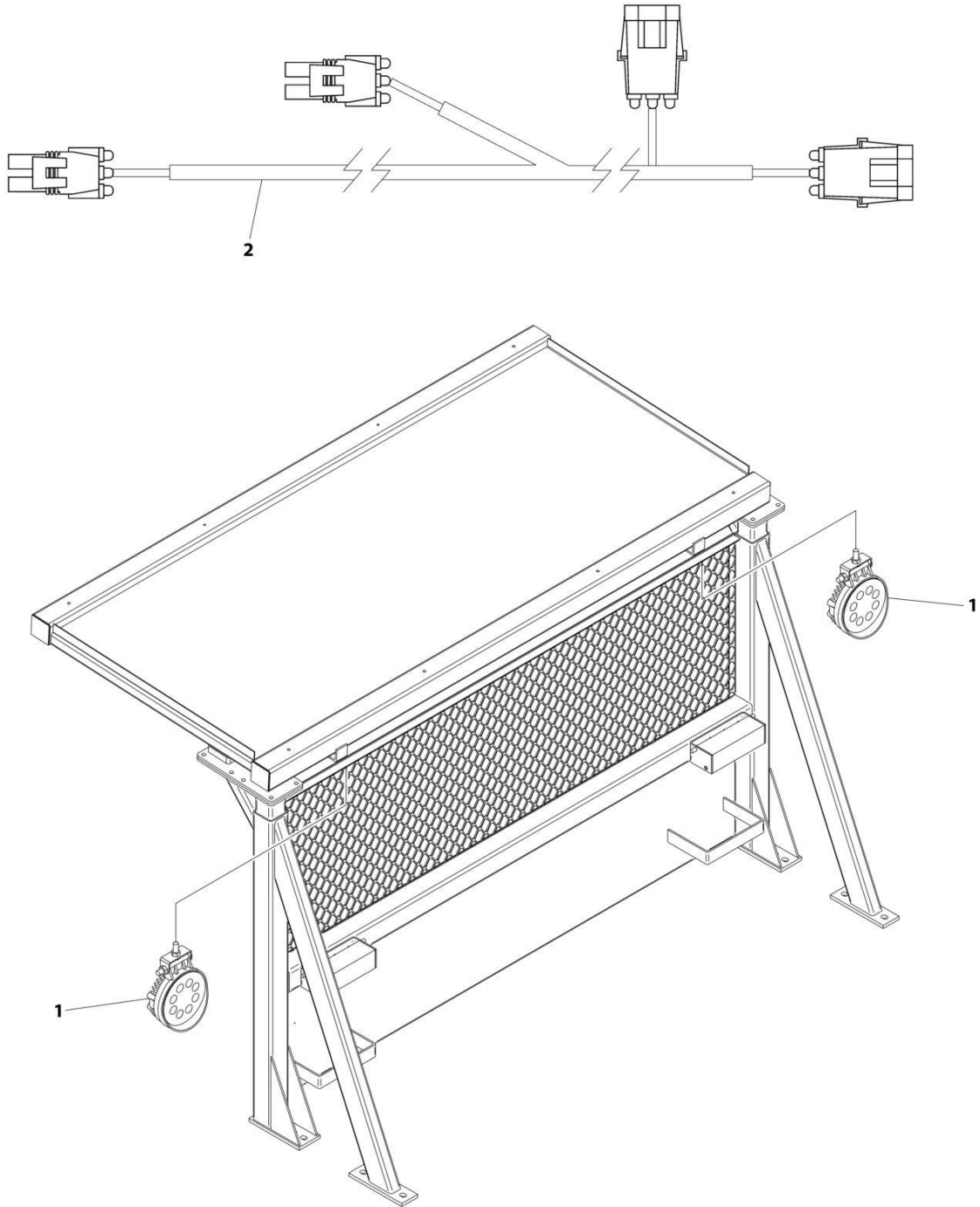
## SECTION 6 - ELECTRICAL

**FIGURE 6-14. LIGHTS- HEADBOARD LIGHTS INSTALLATION**

ITEM	PART NUMBER	QTY	DESCRIPTION	REV
	1001176428	Ref	LED WORK LIGHTS REAR HEADBOARD INSTALLATION	A
1	1001176337	2	Lamp, LED Work Light 10V-30V	
2	4178000402	2	Bracket	
3	7552000222	1	Harness, Headboard Work Light	
3	4460742	3	Plug, Male - 2 Position	
3	4461157	1	Receptacle, Female - 2 Position	
3	4460457	8	Terminal	
3	8220081	8	Seal	
4	7790151253	4	Screw 5/16 x 3/4	
5	7493000003	2	Grommet	
6	7950150161	2	Washer 5/16	
7	5526000553	4	Tie-Strap (Not Shown)	

# SECTION 6 - ELECTRICAL

## FIGURE 6-15. LIGHTS- HEADBOARD LIGHTS INSTALLATION (BUCKET REST)



ART\_1001176427



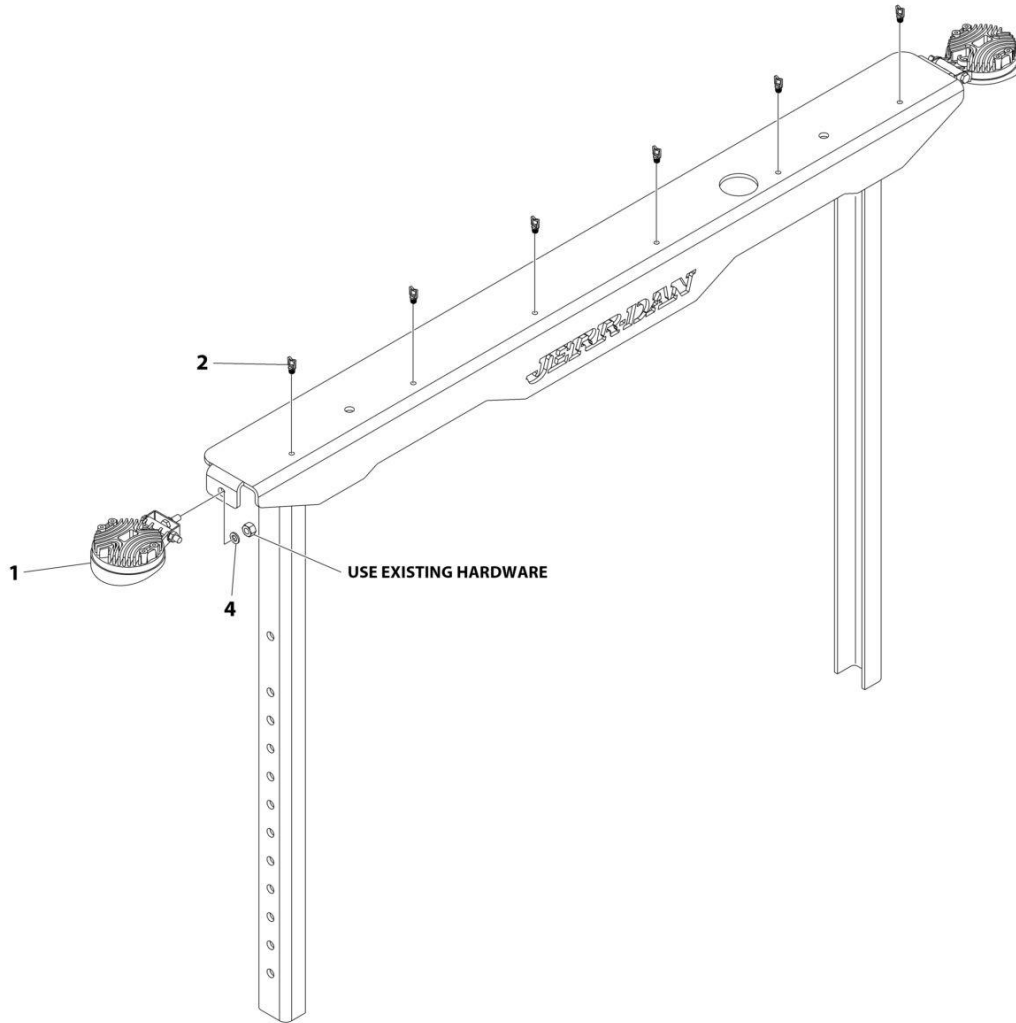
## SECTION 6 - ELECTRICAL

**FIGURE 6-15. LIGHTS- HEADBOARD LIGHTS INSTALLATION (BUCKET REST)**

ITEM	PART NUMBER	QTY	DESCRIPTION	REV
	1001176427	Ref	LED WORK LIGHTS BRACKET HEADBOARD INSTALLATION	A
1	1001176337	2	Lamp, LED Work Light 10V-30V	
2	7552000360	1	Harness, Deck Work Light	
2	4460742	3	Plug, Male - 2 Position	
2	4461157	2	Receptacle, Female - 2 Postion	
2	4460457	8	Terminal	
2	8220081	6	Seal	
2	4460748	2	Plug, Cavity	
3	5526000553	4	Tie-Strap (Not Shown)	

# SECTION 6 - ELECTRICAL

## FIGURE 6-16. LIGHTS- HEADBOARD LIGHTS INSTALLATION (SRS)



ART\_1001176429

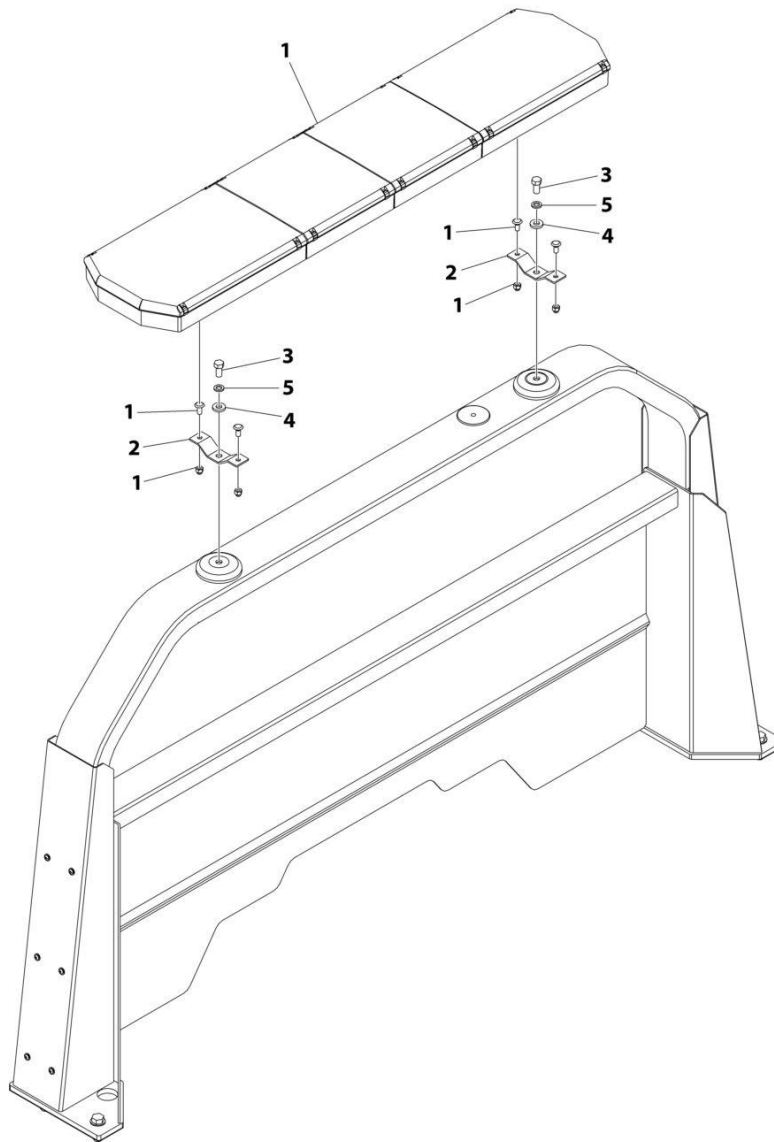
## SECTION 6 - ELECTRICAL

**FIGURE 6-16. LIGHTS- HEADBOARD LIGHTS INSTALLATION (SRS)**

ITEM	PART NUMBER	QTY	DESCRIPTION	REV
	1001176429	Ref	LED WORK LIGHTS HEADBOARD INSTALLATION - SRS	A
1	1001176337	2	Lamp, LED Work Light 10V-30V	
2	728000011	6	Clip	
3	7552000397	1	Harness, Deck Work Light (Not Shown)	
3	4460742	2	Plug, Male - 2 Position	
3	4460457	4	Terminal	
4	7950150161	2	Washer 5/16	

# SECTION 6 - ELECTRICAL

FIGURE 6-17. LIGHTS - LIGHTBAR INSTALLATION (STANDARD MOUNT) (CODE 3 PRIZM BRAND)  
(AMBER)



ART\_2590000252

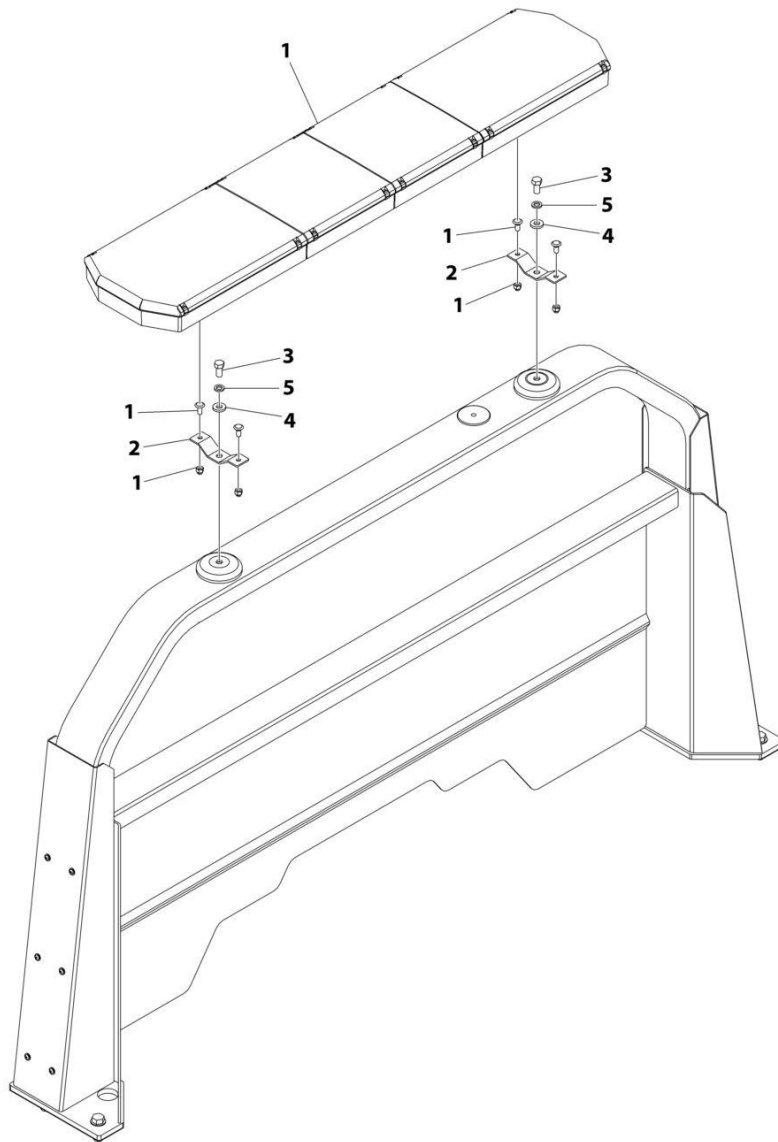
## SECTION 6 - ELECTRICAL

**FIGURE 6-17. LIGHTS - LIGHTBAR INSTALLATION (STANDARD MOUNT) (CODE 3 PRIZM BRAND)  
(AMBER)**

ITEM	PART NUMBER	QTY	DESCRIPTION	REV
	2590000252	Ref	EMERGENCY LIGHTBAR, AMBER, PRIZM - STANDARD MOUNT	D
1	1001136989	1	Lightbar Assembly (See Separate Breakdown in this Section)	
2	4178000402	2	Bracket	
3	7115180850	2	Capscrew 1/2 x 1	
4	7950180252	2	Washer 1/2	
5	7950180000	2	Washer 19/32	

# SECTION 6 - ELECTRICAL

FIGURE 6-18. LIGHTS - LIGHTBAR INSTALLATION (STANDARD MOUNT) (CODE 3 PRIZM BRAND)  
(RED)



ART\_1001129068

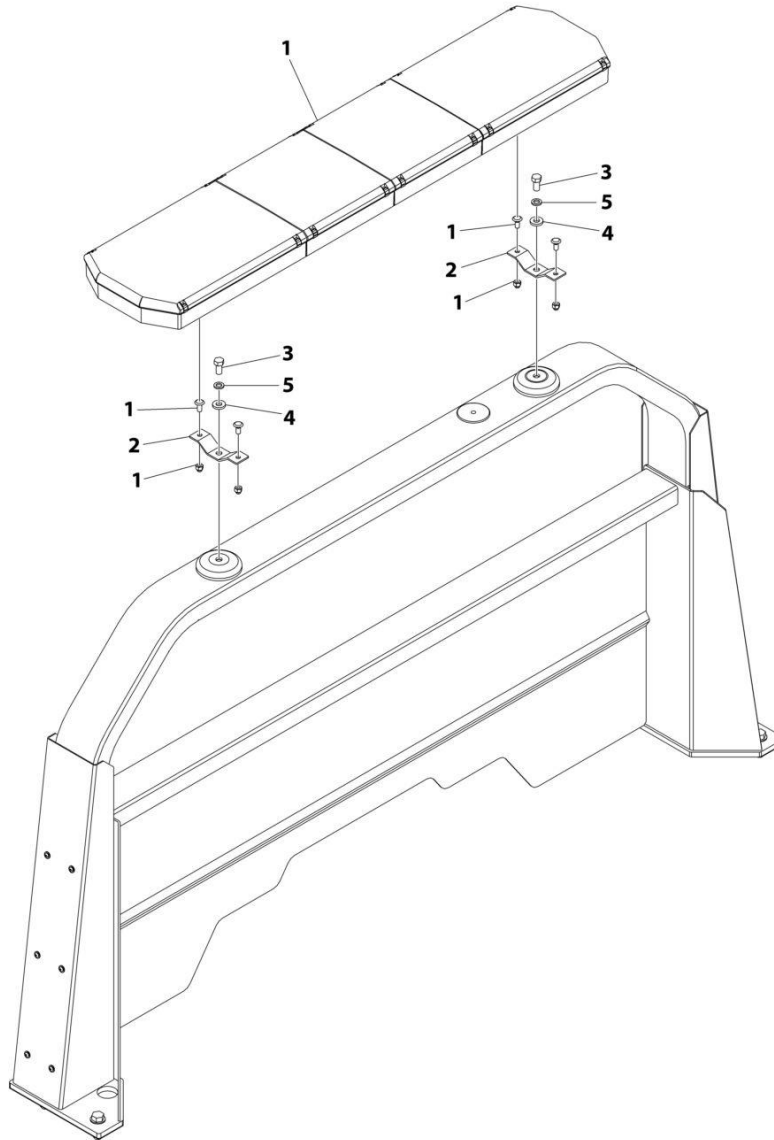
## SECTION 6 - ELECTRICAL

**FIGURE 6-18. LIGHTS - LIGHTBAR INSTALLATION (STANDARD MOUNT) (CODE 3 PRIZM BRAND)  
(RED)**

ITEM	PART NUMBER	QTY	DESCRIPTION	REV
	1001129068	Ref	EMERGENCY LIGHTBAR, RED, PRIZM - STANDARD MOUNT	D
1	1001136993	1	Lightbar Assembly (See Separate Breakdown in this Section)	
2	4178000402	2	Bracket	
3	7115180850	2	Capscrew 1/2 x 1	
4	7950180252	2	Washer 1/2	
5	7950180000	2	Washer 19/32	

# SECTION 6 - ELECTRICAL

## FIGURE 6-19. LIGHTS - LIGHTBAR INSTALLATION (STANDARD MOUNT) (CODE 3 STD BRAND)



ART\_1001165618



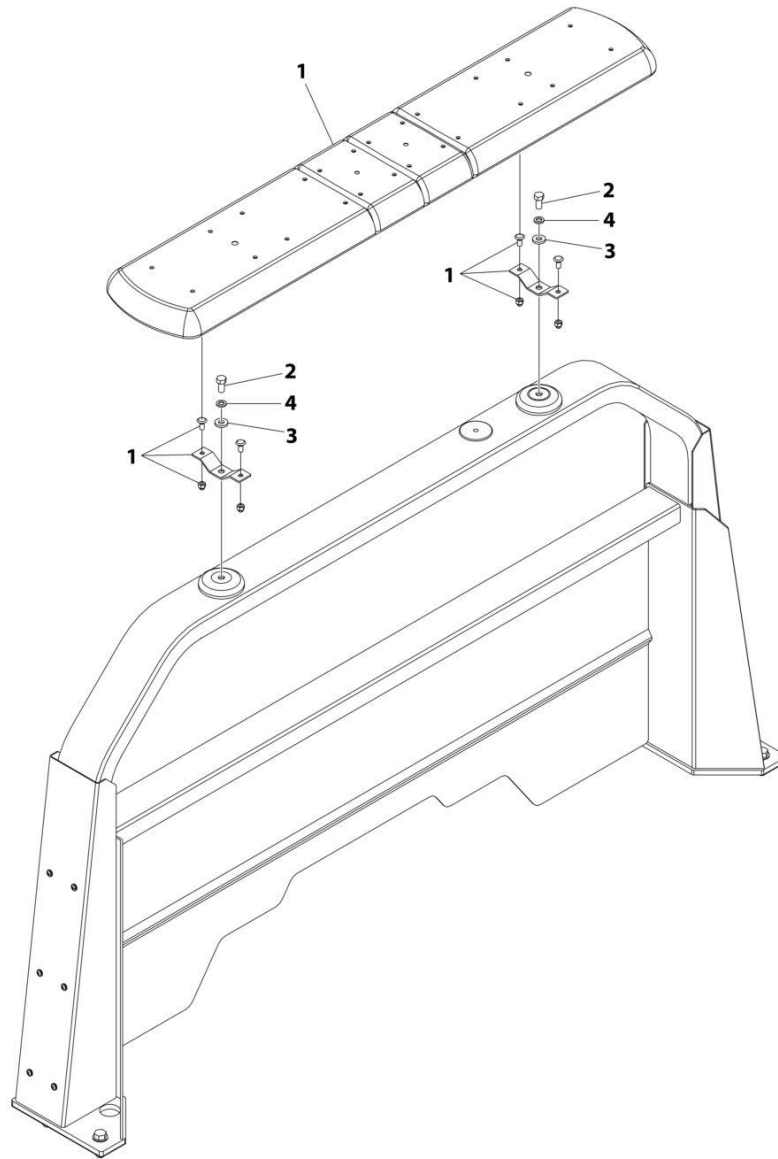
## SECTION 6 - ELECTRICAL

**FIGURE 6-19. LIGHTS - LIGHTBAR INSTALLATION (STANDARD MOUNT) (CODE 3 STD BRAND)**

ITEM	PART NUMBER	QTY	DESCRIPTION	REV
	1001165618	Ref	EMERGENCY LIGHTBAR, AMBER LENS - STANDARD MOUNT	B
1	1001165614	1	Lightbar Assembly (See Separate Breakdown in this Section)	
2	4178000402	2	Bracket	
3	7115180850	2	Capscrew 1/2 x 1	
4	7950180252	2	Washer 1/2	
5	7950180000	2	Washer 19/32	

# SECTION 6 - ELECTRICAL

## FIGURE 6-20. LIGHTS - LIGHTBAR INSTALLATION (STANDARD MOUNT) (ECCO BRAND)



ART\_1001259575

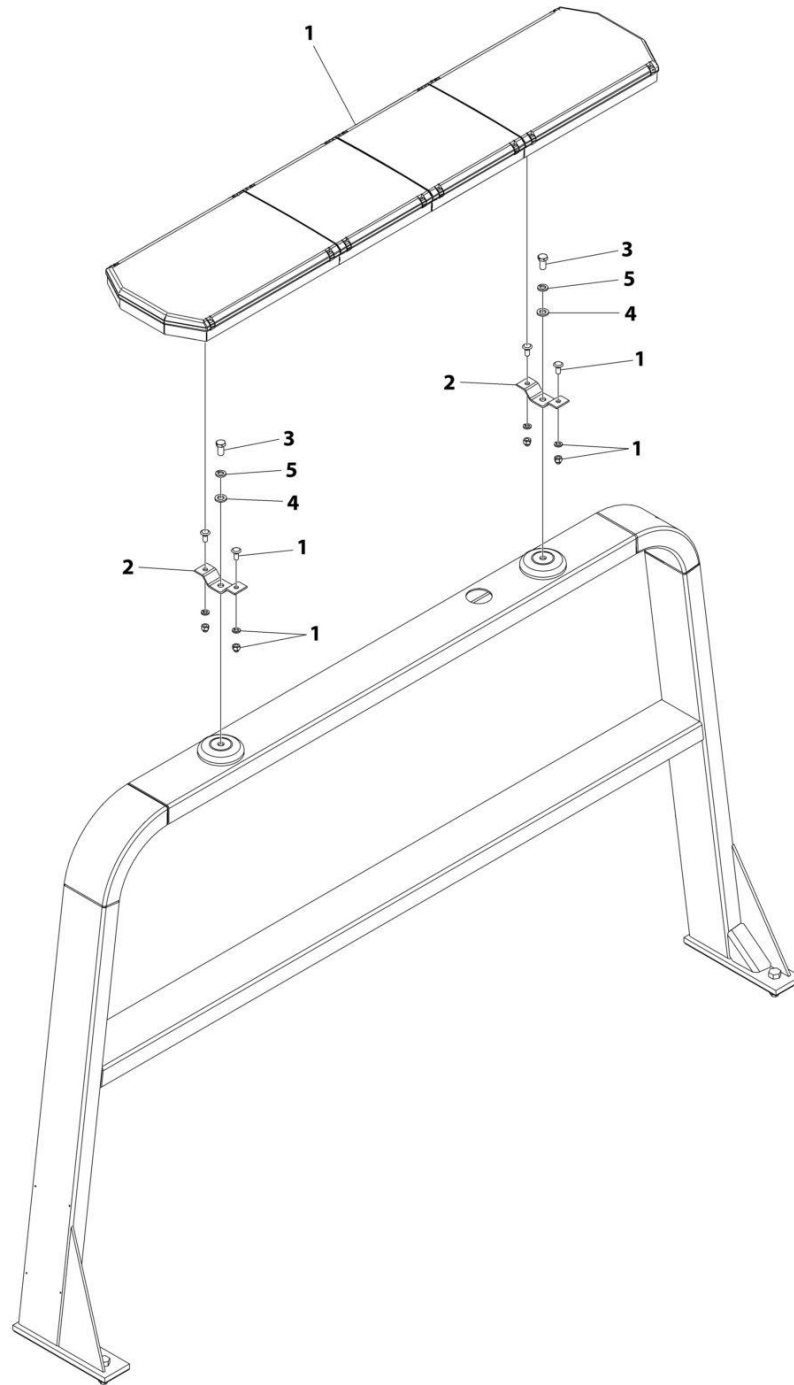
## SECTION 6 - ELECTRICAL

**FIGURE 6-20. LIGHTS - LIGHTBAR INSTALLATION (STANDARD MOUNT) (ECCO BRAND)**

ITEM	PART NUMBER	QTY	DESCRIPTION	REV
	1001259575	Ref	EMERGENCY LIGHTBAR AMBER ECCO 12+ 60 STD MOUNT INSTALLATION	A
1	1001247138	1	Lightbar Assembly (See Separate Breakdown in this Section)	
2	0641808	2	Capscrew 1/2 x 1	
3	4891800	2	Washer 1/2	
4	4761800	2	Washer 1/2	

# SECTION 6 - ELECTRICAL

FIGURE 6-21. LIGHTS - LIGHTBAR INSTALLATION (STANDARD MOUNT) (WHELEN BRAND)



ART\_1001137524

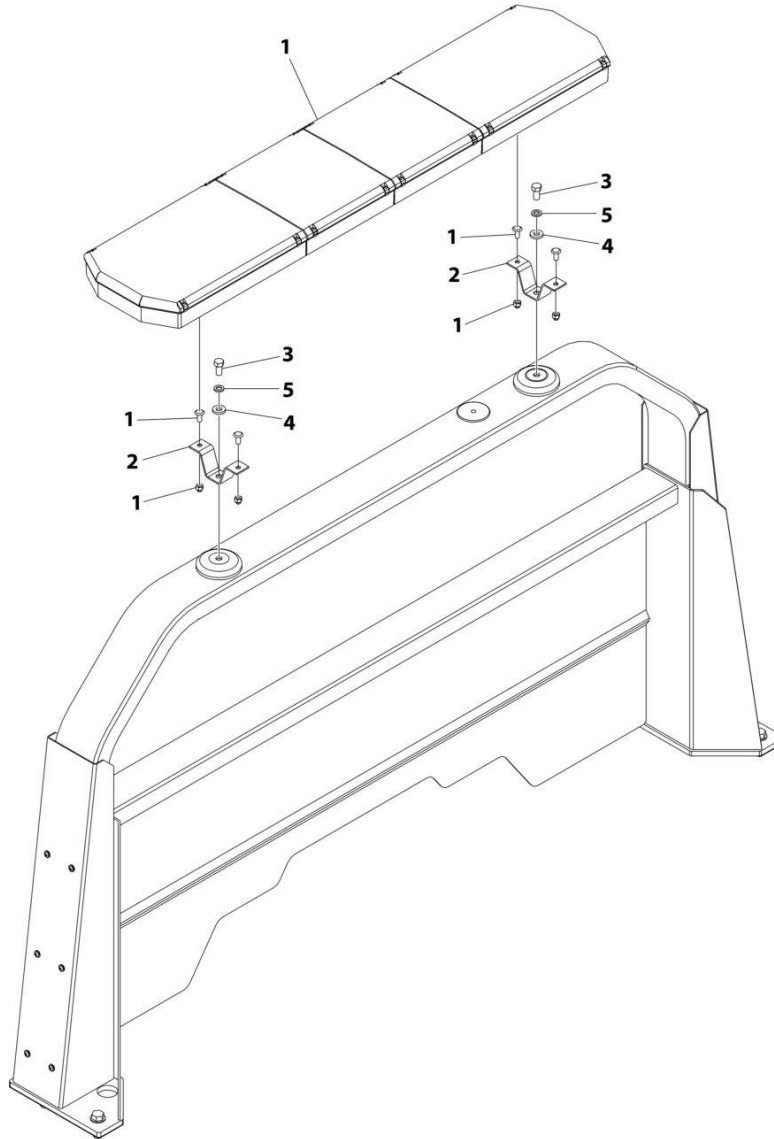
## SECTION 6 - ELECTRICAL

**FIGURE 6-21. LIGHTS - LIGHTBAR INSTALLATION (STANDARD MOUNT) (WHELEN BRAND)**

ITEM	PART NUMBER	QTY	DESCRIPTION	REV
	1001137524	Ref	EMERGENCY LIGHTBAR, AMBER, WHELEN, STANDARD MOUNT	C
1	1001199476	1	Lightbar Assembly (See Separate Breakdown in this Section)	
2	4178000402	2	Bracket	
3	7115180850	2	Capscrew 1/2 x 1	
4	7950180252	2	Washer 1/2	
5	7950180000	2	Washer 19/32	

# SECTION 6 - ELECTRICAL

## FIGURE 6-22. LIGHTS - LIGHTBAR INSTALLATION (HIGH MOUNT) (CODE 3 PRIZM BRAND)



ART\_2590000253

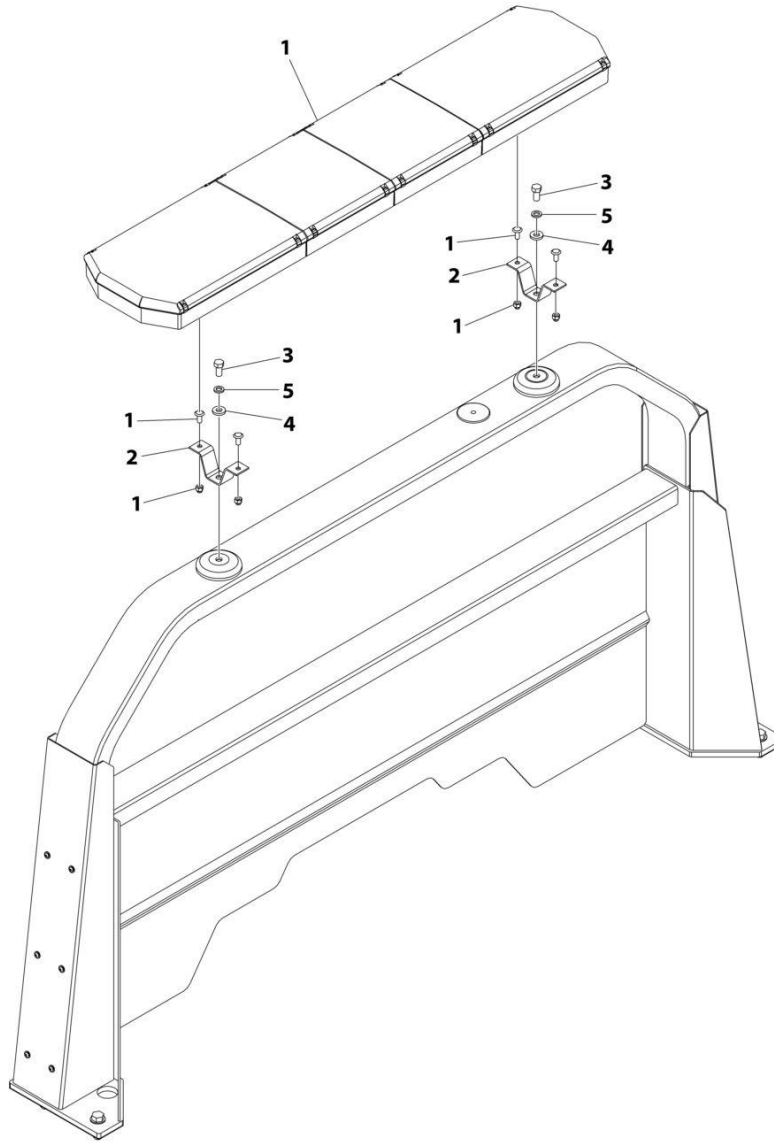
## SECTION 6 - ELECTRICAL

**FIGURE 6-22. LIGHTS - LIGHTBAR INSTALLATION (HIGH MOUNT) (CODE 3 PRIZM BRAND)**

ITEM	PART NUMBER	QTY	DESCRIPTION	REV
	2590000253	Ref	EMERGENCY LIGHTBAR, AMBER, PRIZM - HIGH MOUNT	D
1	1001136989	1	Lightbar Assembly (See Separate Breakdown in this Section)	
2	4178000437	2	Bracket	
3	7115180850	2	Capscrew 1/2 x 1	
4	7950180252	2	Washer 1/2	
5	7950180000	2	Washer 19/32	

# SECTION 6 - ELECTRICAL

FIGURE 6-23. LIGHTS - LIGHTBAR INSTALLATION (HIGH MOUNT) (CODE 3 STD BRAND)



ART\_1001165619



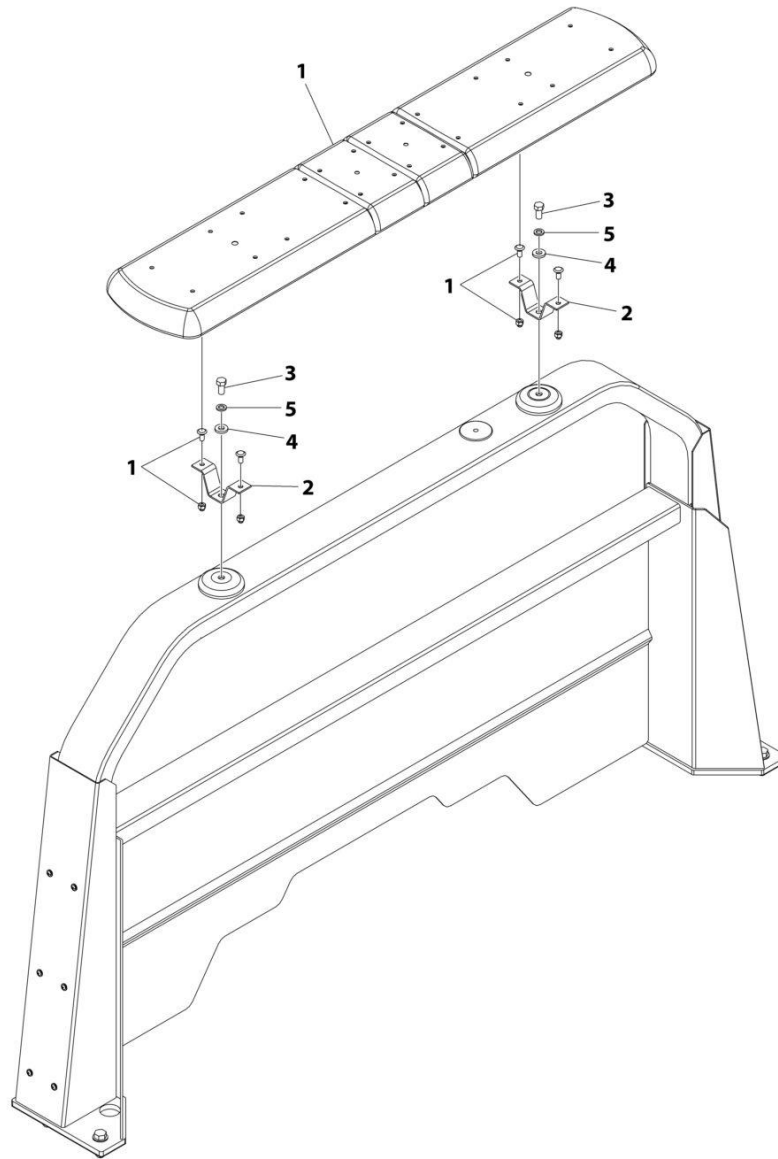
## SECTION 6 - ELECTRICAL

**FIGURE 6-23. LIGHTS - LIGHTBAR INSTALLATION (HIGH MOUNT) (CODE 3 STD BRAND)**

ITEM	PART NUMBER	QTY	DESCRIPTION	REV
	1001165619	Ref	EMERGENCY LIGHTBAR, AMBER LENS - HIGH MOUNT	B
1	1001165614	1	Lamp, Lightbar	
2	4178000437	2	Bracket	
3	7115180850	2	Capscrew 1/2 x 1	
4	7950180252	2	Washer 1/2	
5	7950180000	2	Washer 19/32	

# SECTION 6 - ELECTRICAL

## FIGURE 6-24. LIGHTS - LIGHTBAR INSTALLATION (HIGH MOUNT) (ECCO BRAND)



ART\_1001261039

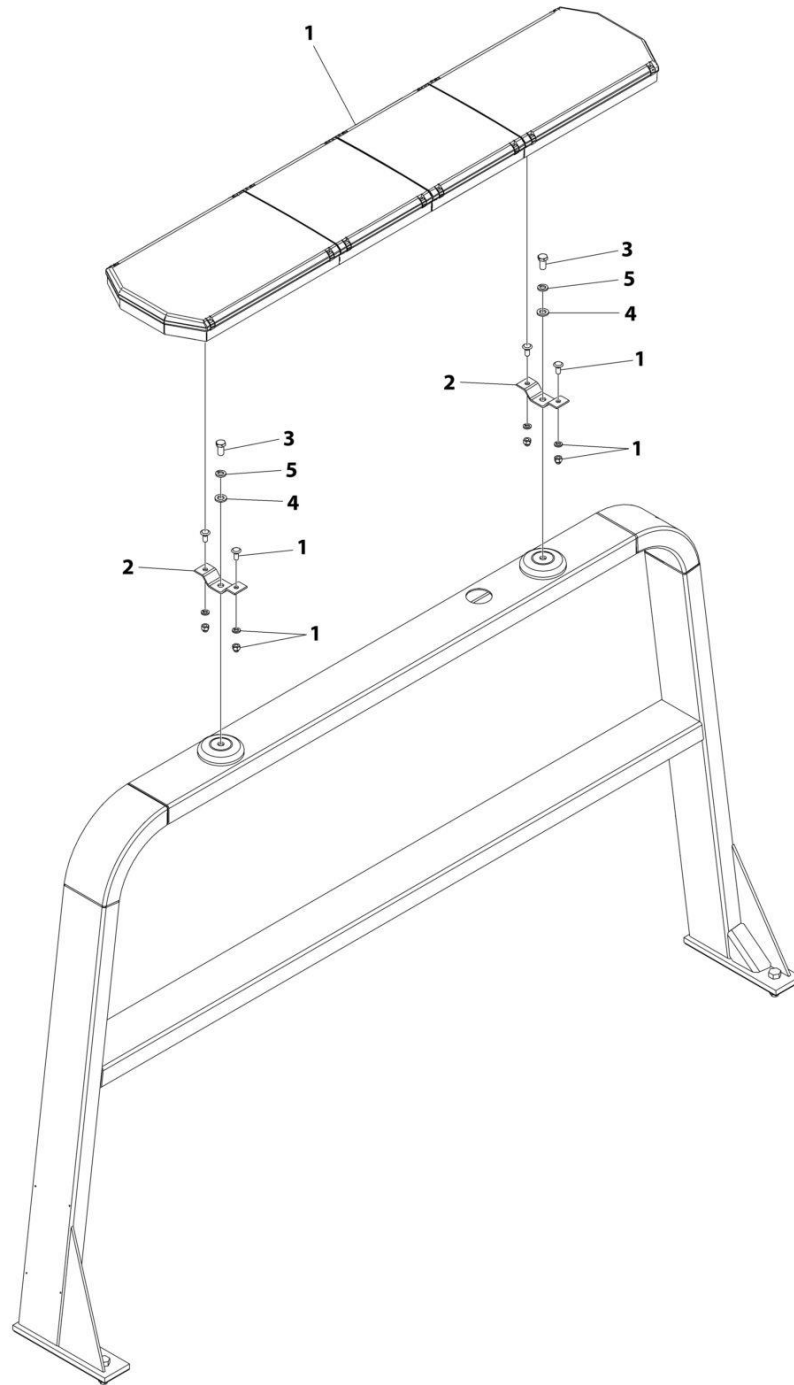
## SECTION 6 - ELECTRICAL

**FIGURE 6-24. LIGHTS - LIGHTBAR INSTALLATION (HIGH MOUNT) (ECCO BRAND)**

ITEM	PART NUMBER	QTY	DESCRIPTION	REV
	1001261039	Ref	EMERGENCY LIGHTBAR AMBER ECCO 12+ 60 HIGH MOUNT INSTALLATION	A
1	1001247138	1	Lightbar Assembly (See Separate Breakdown in this Section)	
2	1001262106	2	Bracket	
3	0641808	2	Capscrew 1/2 x 1	
4	4891800	2	Washer 1/2	
5	4761800	2	Washer 1/2	

# SECTION 6 - ELECTRICAL

## FIGURE 6-25. LIGHTS - LIGHTBAR INSTALLATION (HIGH MOUNT) (WHELEN BRAND)



ART\_1001137525

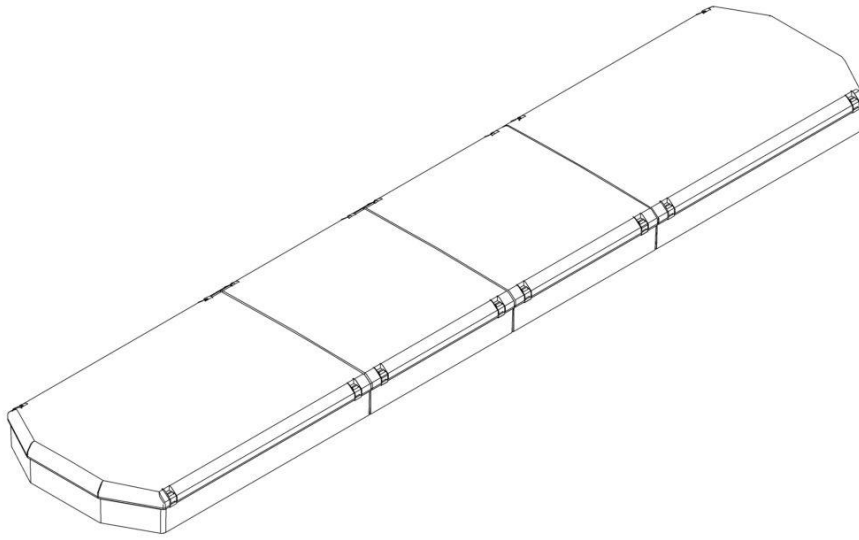
## SECTION 6 - ELECTRICAL

**FIGURE 6-25. LIGHTS - LIGHTBAR INSTALLATION (HIGH MOUNT) (WHELEN BRAND)**

ITEM	PART NUMBER	QTY	DESCRIPTION	REV
	1001137525	Ref	EMERGENCY LIGHTBAR, AMBER, WHELEN, HIGH MOUNT	C
1	1001199476	1	Lamp, Lightbar (See Separate Breakdown in this Section)	
2	4178000437	2	Bracket	
3	7115180850	2	Capscrew 1/2 x 1	
4	7950180252	2	Washer 1/2	
5	7950180000	2	Washer 19/32	

## SECTION 6 - ELECTRICAL

FIGURE 6-26. LIGHTS - LIGHTBAR ASSEMBLY – (CODE 3 PRIZM BRAND) (AMBER)



ART\_1001136989

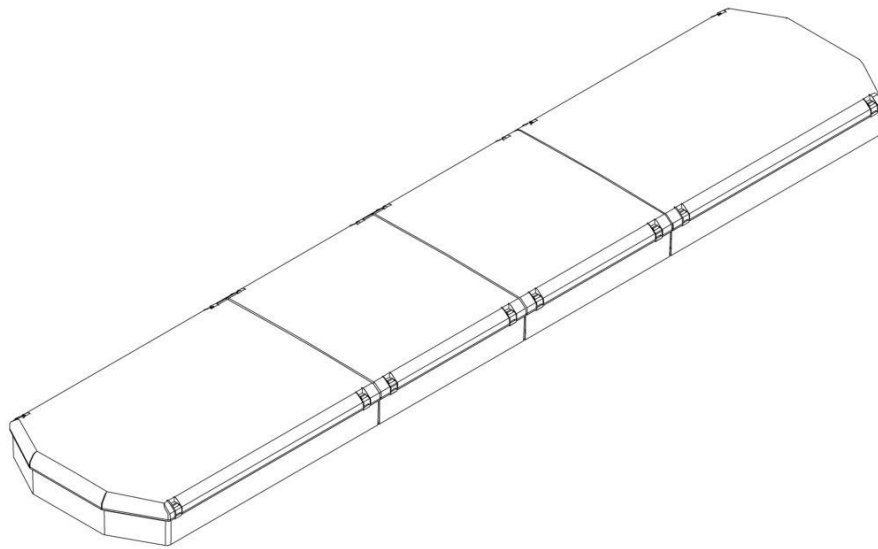
## SECTION 6 - ELECTRICAL

**FIGURE 6-26. LIGHTS - LIGHTBAR ASSEMBLY – (CODE 3 PRIZM BRAND) (AMBER)**

ITEM	PART NUMBER	QTY	DESCRIPTION	REV
	1001136989	Ref	LIGHTS - LIGHTBAR ASSEMBLY – (CODE 3 PRIZM BRAND) (AMBER)	D
		Ref	Note: No Service Components Available at Time of Printing.	

# SECTION 6 - ELECTRICAL

FIGURE 6-27. LIGHTS - LIGHTBAR ASSEMBLY – (CODE 3 PRIZM BRAND) (RED)



ART\_1001136993



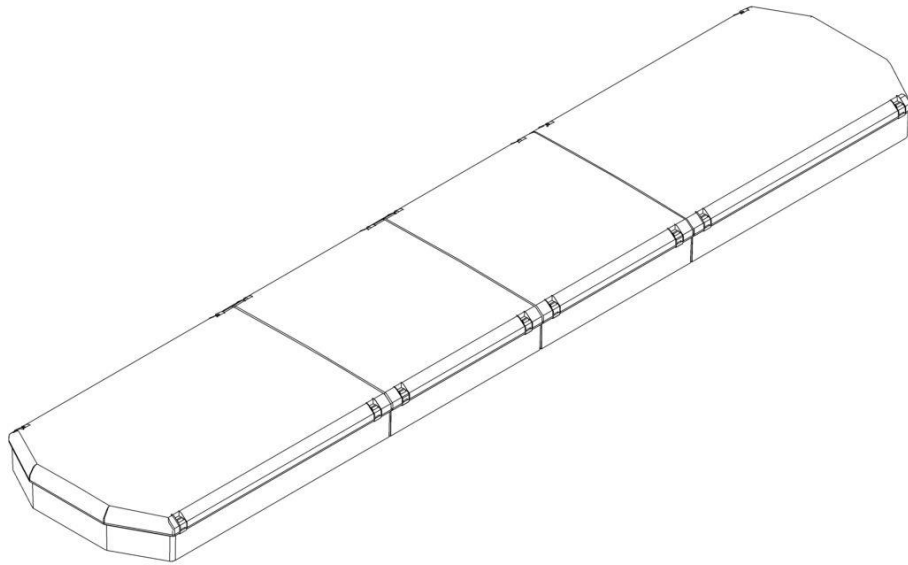
## SECTION 6 - ELECTRICAL

**FIGURE 6-27. LIGHTS - LIGHTBAR ASSEMBLY – (CODE 3 PRIZM BRAND) (RED)**

ITEM	PART NUMBER	QTY	DESCRIPTION	REV
	1001136993	Ref	LIGHTS - LIGHTBAR ASSEMBLY – (CODE 3 PRIZM BRAND) (RED)	B
		Ref	Note: No Service Components Available at Time of Printing.	

## SECTION 6 - ELECTRICAL

FIGURE 6-28. LIGHTS - LIGHTBAR ASSEMBLY – (CODE 3 STD BRAND) (AMBER)



ART\_1001165614

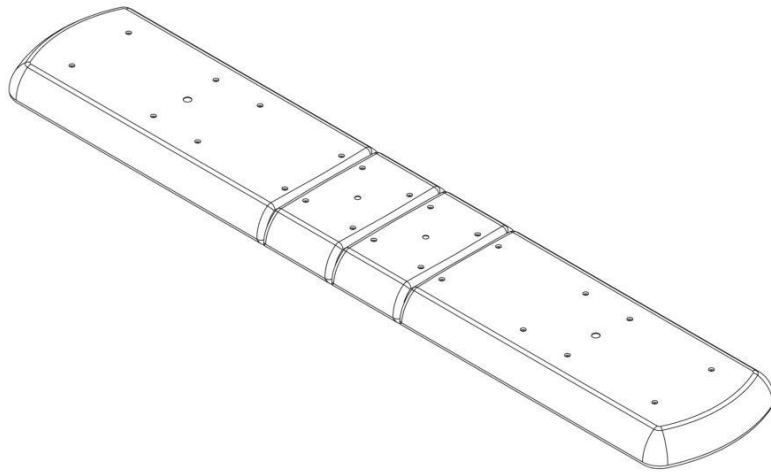
## SECTION 6 - ELECTRICAL

**FIGURE 6-28. LIGHTS - LIGHTBAR ASSEMBLY – (CODE 3 STD BRAND) (AMBER)**

ITEM	PART NUMBER	QTY	DESCRIPTION	REV
	1001165614	Ref	LIGHTS - LIGHTBAR ASSEMBLY – (CODE 3 STD BRAND) (AMBER)	C
		Ref	Note: No Service Components Available at Time of Printing.	

# SECTION 6 - ELECTRICAL

FIGURE 6-29. LIGHTS - LIGHTBAR ASSEMBLY (ECCO BRAND)



ART\_1001247138

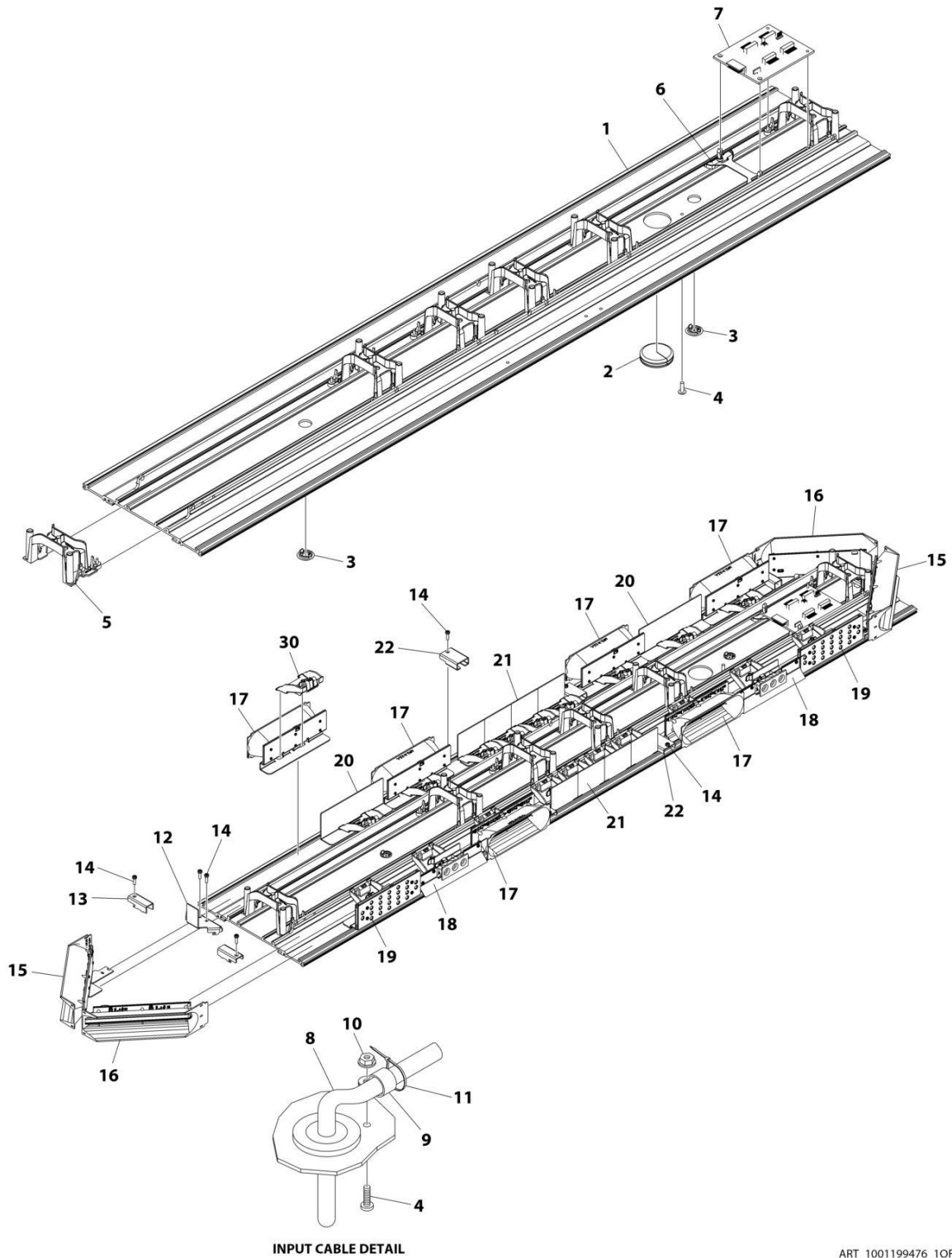
## SECTION 6 - ELECTRICAL

**FIGURE 6-29. LIGHTS - LIGHTBAR ASSEMBLY (ECCO BRAND)**

ITEM	PART NUMBER	QTY	DESCRIPTION	REV
	1001247138	Ref	LIGHTBAR ASSEMBLY (ECCO BRAND)	A
		Ref	Replacement Amber Module	
		Ref	Work/Alley Light (Pair)	
		Ref	Stop/Turn/Taillight Kit (Includes 2 Modules, Harness and STT Cable)	
		Ref	Replacement Driver Board	

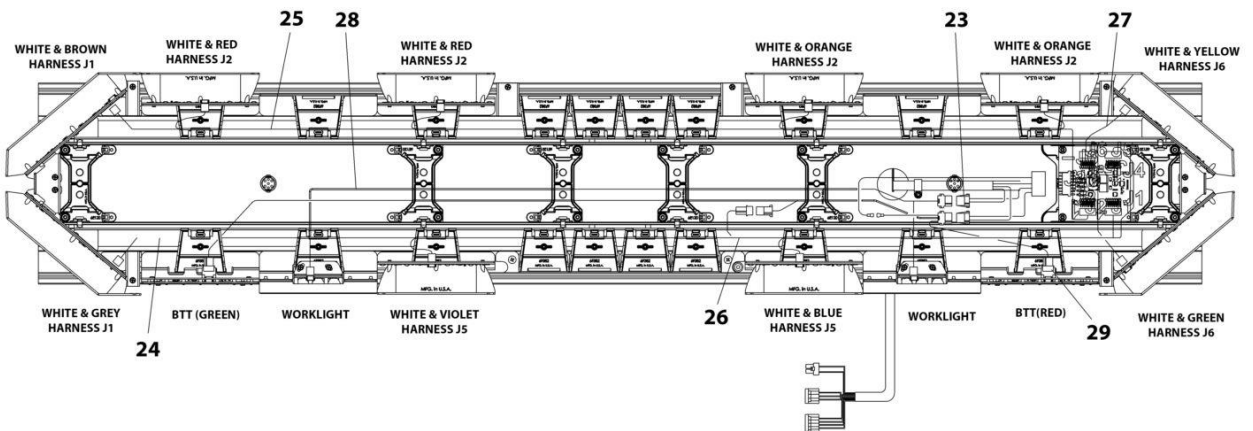
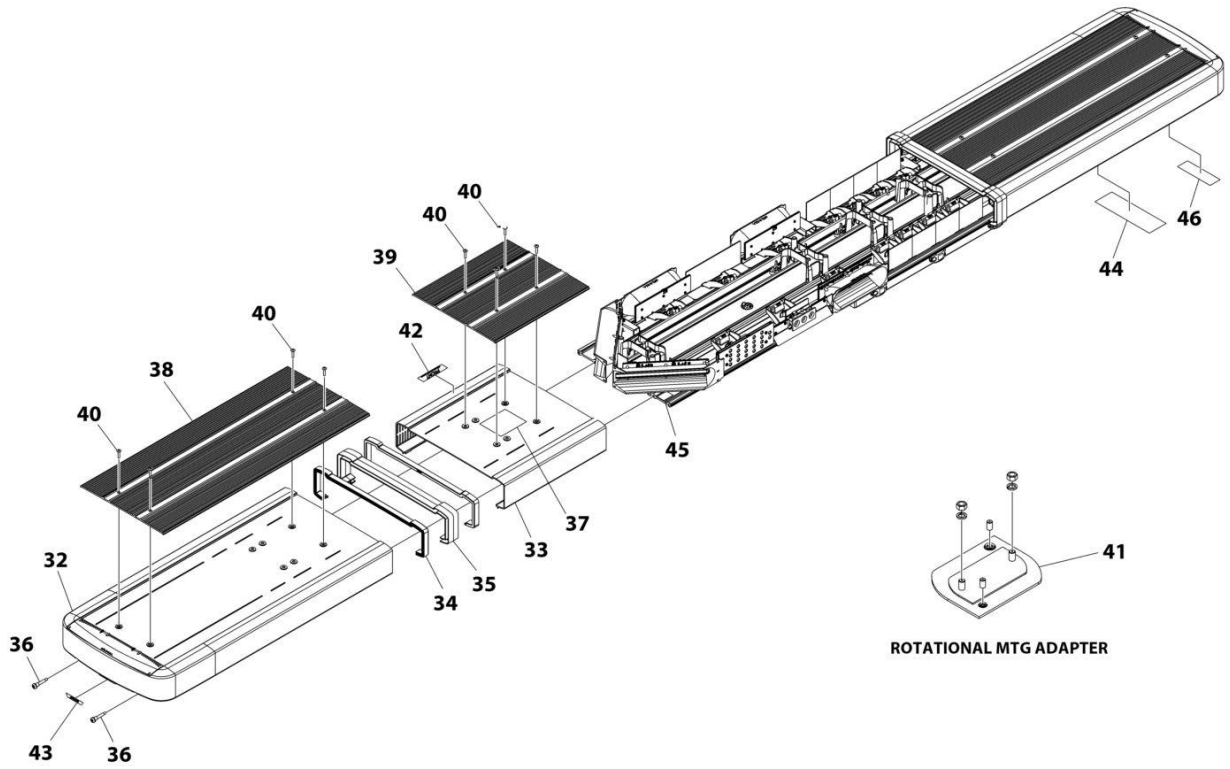
# SECTION 6 - ELECTRICAL

## FIGURE 6-30. LIGHTS - LIGHTBAR ASSEMBLY (WHELEN BRAND)



ART\_1001199476\_10F2

# SECTION 6 - ELECTRICAL



ART\_1001199476\_20F2

## SECTION 6 - ELECTRICAL

FIGURE 6-30. LIGHTS - LIGHTBAR ASSEMBLY (WHELEN BRAND)

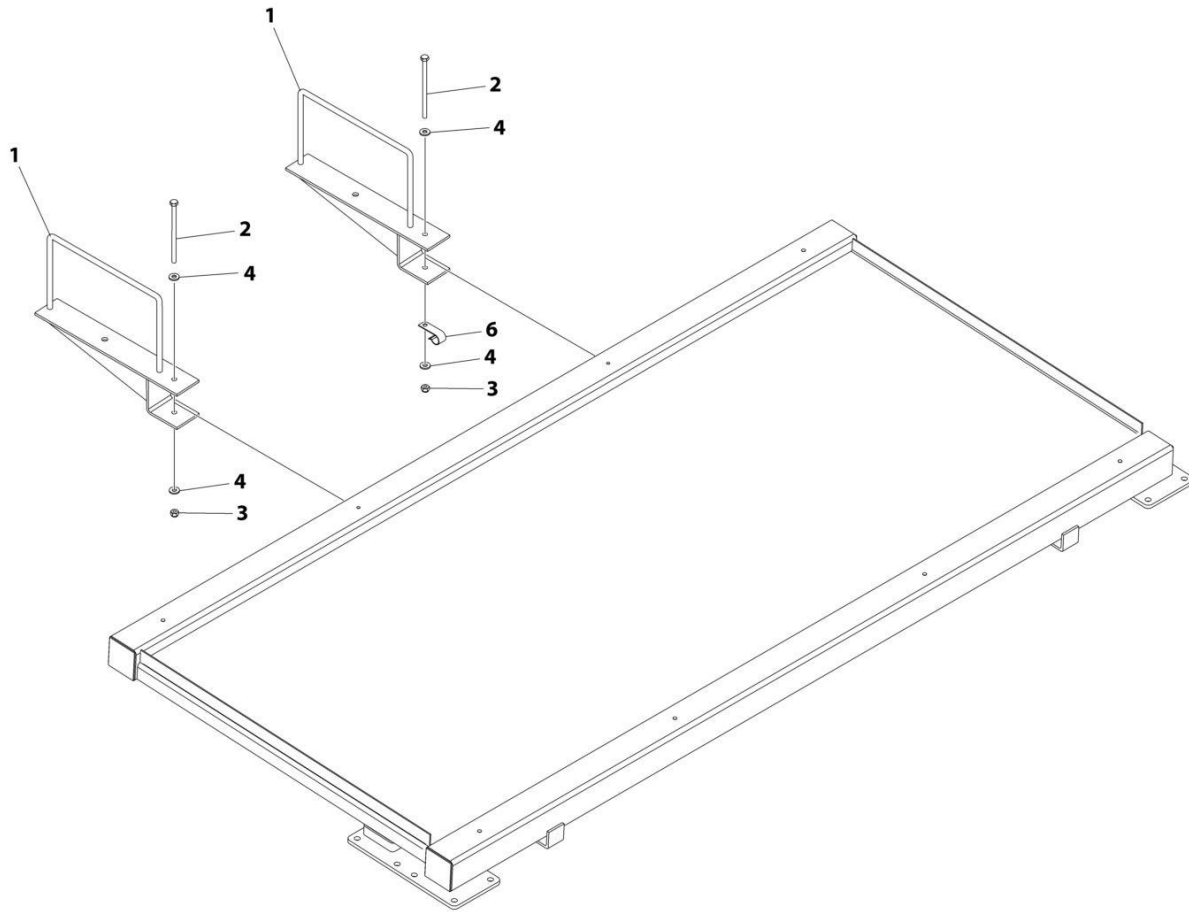
ITEM	PART NUMBER	QTY	DESCRIPTION	REV
	1001199476	Ref	LAMP LIGHTBAR WHELEN LIB2 60 CARR	B
1		Ref	Base, Extruded	
2		Ref	Grommet	
3		Ref	Plug	
4		Ref	Screw 10 x 5/8	
5		Ref	Bracket	
6		Ref	Bracket	
7		Ref	Board Assembly	
8		Ref	Cable Assembly	
9		Ref	Clamp	
10		Ref	Nut 10	
11		Ref	Tie-Strap (Not Shown)	
12		Ref	Bracket	
13		Ref	Bracket	
14		Ref	Screw 6 x 1/2	
15		Ref	Corner Assembly, L-Front/R-Rear	
16		Ref	Corner Assembly, L-Rear/R-Front	
17		Ref	Sub Assembly, Full Directional Liberty	
18		Ref	Sub Assembly, Single 3 Led Full T-D Liberty	
19		Ref	Sub Assembly, 12V Stop/Turn, Tail LC Liberty	
20		Ref	Bracket	
21		Ref	Bracket	
22		Ref	Bracket	
23		Ref	Housing, 6-Position Socket Motor	
24		Ref	Harness, Driver Corner J1	
25		Ref	Harness, Front Inboard J2	
26		Ref	Harness, Rear In Boards J5	
27		Ref	Harness, Pass Corners J6	
28		Ref	Harness, Work Light	
29		Ref	Harness, B/T/T W/Dot LTS	
30		Ref	Bracket	
31		Ref	Tie-Strap (Not Shown)	
32		Ref	Sub Assembly, Full Lens	
33		Ref	Lens, Clear Optic Cut Center	
34		Ref	Seal, Lens Divider	
35		Ref	Divider, Lens Independence Lightbar	
36		Ref	Screw 10 x 1-1/4	
37		Ref	Label, Center Dome Removal Instructions	
38		Ref	Cover, Top Extruded	
39		Ref	Cover, Top Extruded	
40		Ref	Screw 10 x 7/8	
41		Ref	Kit, Rotational	
42		Ref	Label, "Front" Lightbar Assembly	
43		Ref	Label, Jerr-Dan Liberty	
44		Ref	Label, MN/SN	
45		Ref	Label, Serial Number	
46		Ref	Label, "Pre-Production"	





# SECTION 6 - ELECTRICAL

## FIGURE 6-31. LIGHTS - LIGHTBAR MOUNT INSTALLATION - BUCKET REST HEADBOARD



ART\_1001141894

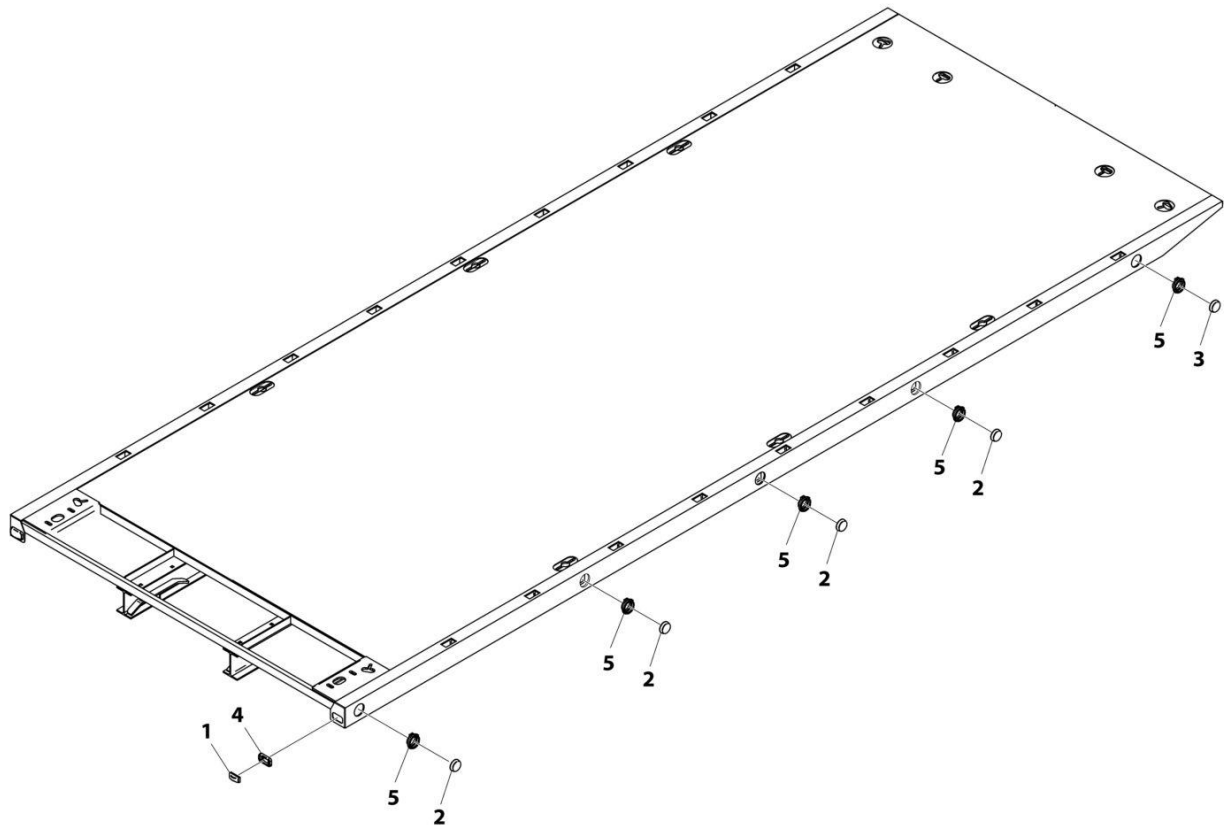
## SECTION 6 - ELECTRICAL

**FIGURE 6-31. LIGHTS - LIGHTBAR MOUNT INSTALLATION - BUCKET REST HEADBOARD**

ITEM	PART NUMBER	QTY	DESCRIPTION	REV
	1001141894	Ref	LIGHT MOUNTING BRACKET INSTALLATION	A
1	1001141889	2	Light Bar Bracket	
2	0641436	2	Capscrew 1/4 x 4-1/2	
3	7660142601	2	Nut 1/4	
4	7950140143	4	Washer 1/4	
5	7660142601	2	Nut 1/2 (Not Shown)	
6	7280000019	1	Clip	

# SECTION 6 - ELECTRICAL

## FIGURE 6-32. LIGHTS - MARKER LIGHT INSTALLATION, CARRIER DECK



ART\_2590000215

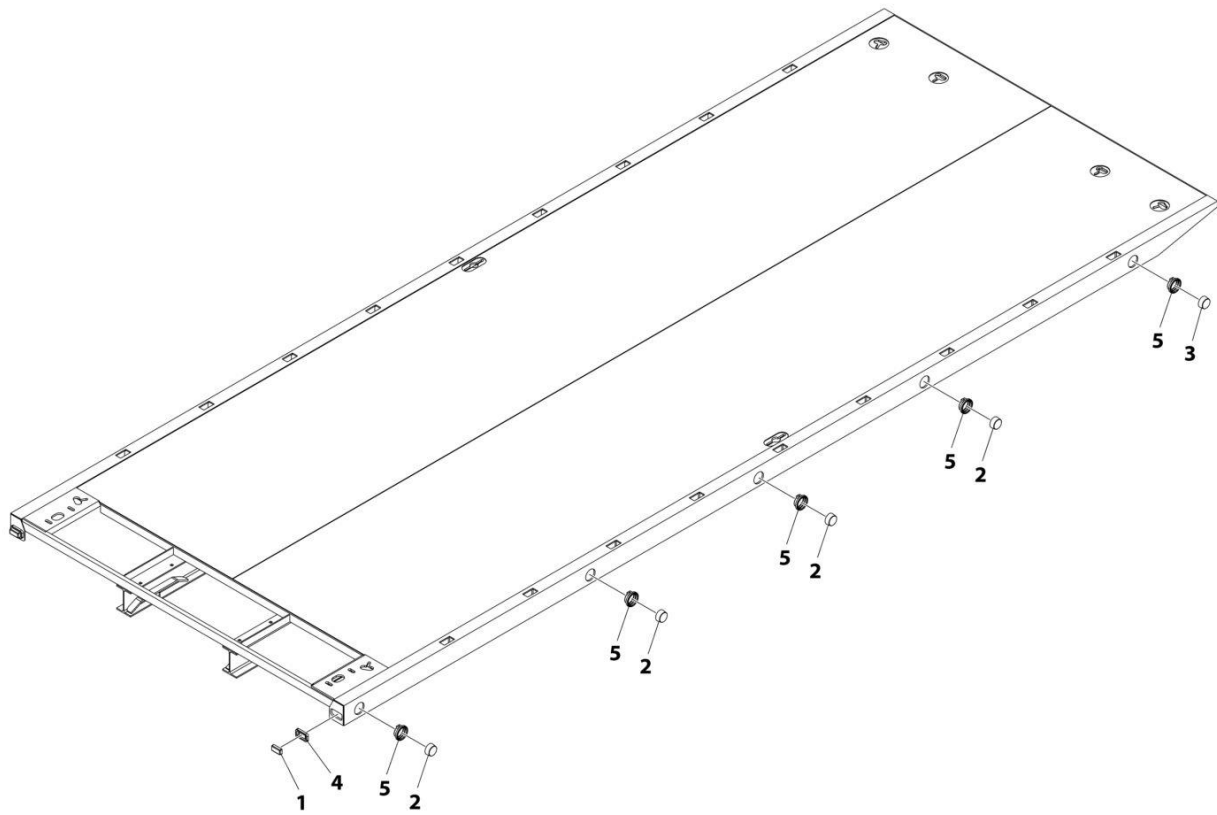
## SECTION 6 - ELECTRICAL

**FIGURE 6-32. LIGHTS - MARKER LIGHT INSTALLATION, CARRIER DECK**

ITEM	PART NUMBER	QTY	DESCRIPTION	REV
	2590000215	Ref	LIGHTS INSTALLATION - STANDARD CARRIER DECK	B
1	7590000339	2	Marker Light - Amber (LED)	
2	7590000342	8	Marker Light - Amber (LED)	
3	7590000343	2	Marker Light - Red (LED)	
4	7493000010	2	Grommet	
5	7493000009	10	Grommet	

# SECTION 6 - ELECTRICAL

FIGURE 6-33. LIGHTS - MARKER LIGHT INSTALLATION, CARRIER DECK - 24V



ART\_1001131570

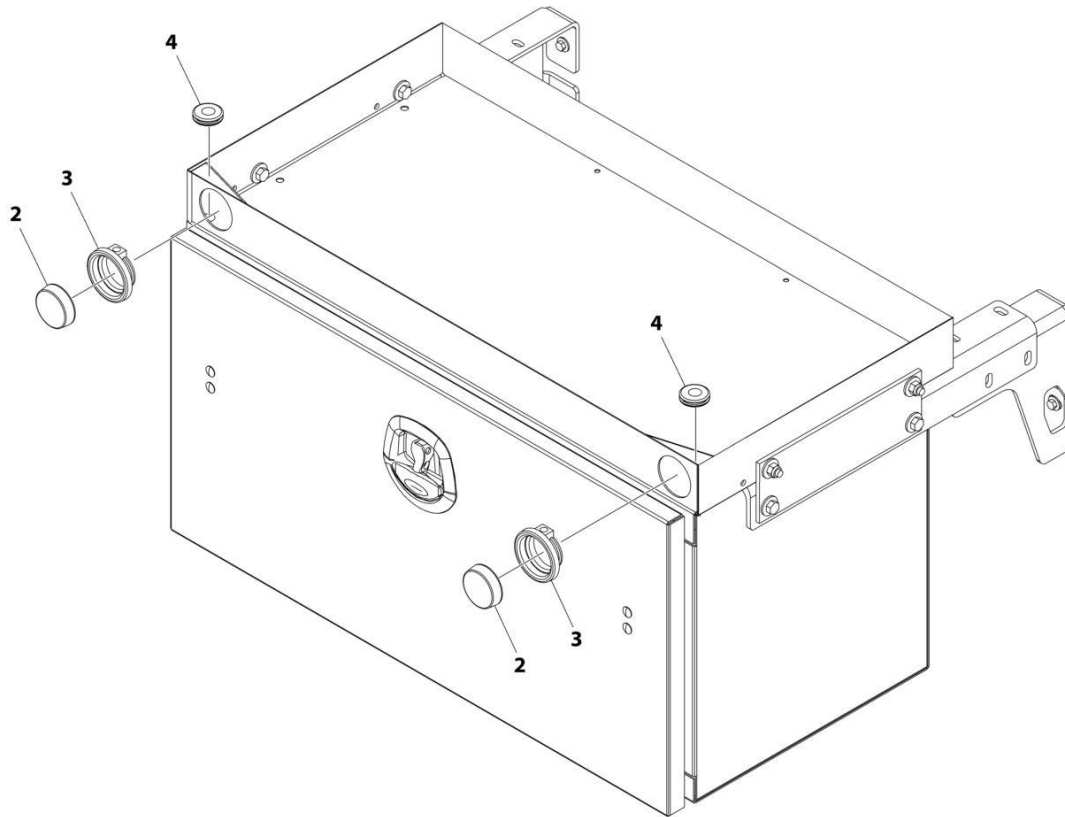
## SECTION 6 - ELECTRICAL

**FIGURE 6-33. LIGHTS - MARKER LIGHT INSTALLATION, CARRIER DECK - 24V**

ITEM	PART NUMBER	QTY	DESCRIPTION	REV
	1001131570	Ref	DECK MARKER LIGHTS	B
1	7590000148	2	Marker Light - Amber	
2	7590000133	8	Light, Round - Amber - 24V	
3	7590000132	2	Light, Round - Red - 24V	
4	7493000010	2	Grommet	
5	7493000009	10	Grommet	

# SECTION 6 - ELECTRICAL

FIGURE 6-34. LIGHTS - MARKER LIGHT, TOOL BOX TOP STORAGE TRAY



ART\_2590000261



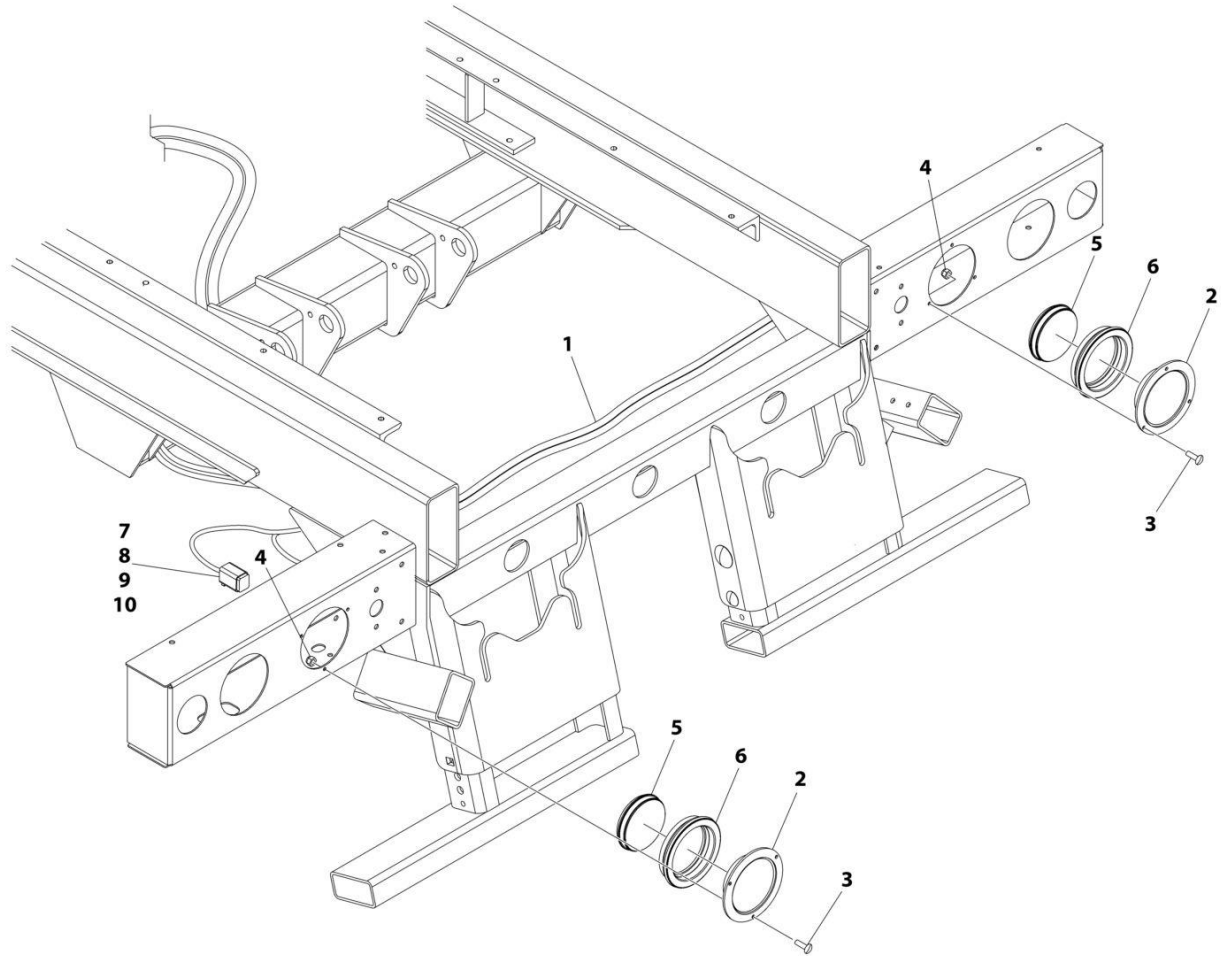
## SECTION 6 - ELECTRICAL

**FIGURE 6-34. LIGHTS - MARKER LIGHT, TOOL BOX TOP STORAGE TRAY**

ITEM	PART NUMBER	QTY	DESCRIPTION	REV
1	2590000261	Ref	Marker Light, Tool Box Top Storage Tray	C
	7552000451	1	Harness Toolbox Marker Light (Not Shown)	
	1001121727	1	Receptacle - 5 Position Female	
	1001116729	5	Terminal	
	1001121726	1	Plug, Male - 5 Position	
	1001116747	5	Terminal	
	4460746	AR	Terminal, Square	
		Ref	<b>Connecotr, Truck Light</b>	
2	7590000342	2	Marker Light - Amber (LED)	
3	7493000009	2	Grommet	
4	7493000031	2	Grommet	
5	7894000004	6	Tie Strap (Not Shown)	

# SECTION 6 - ELECTRICAL

## FIGURE 6-35. LIGHTS - TAIL LIGHT CONVERSION KIT



ART\_2590000292

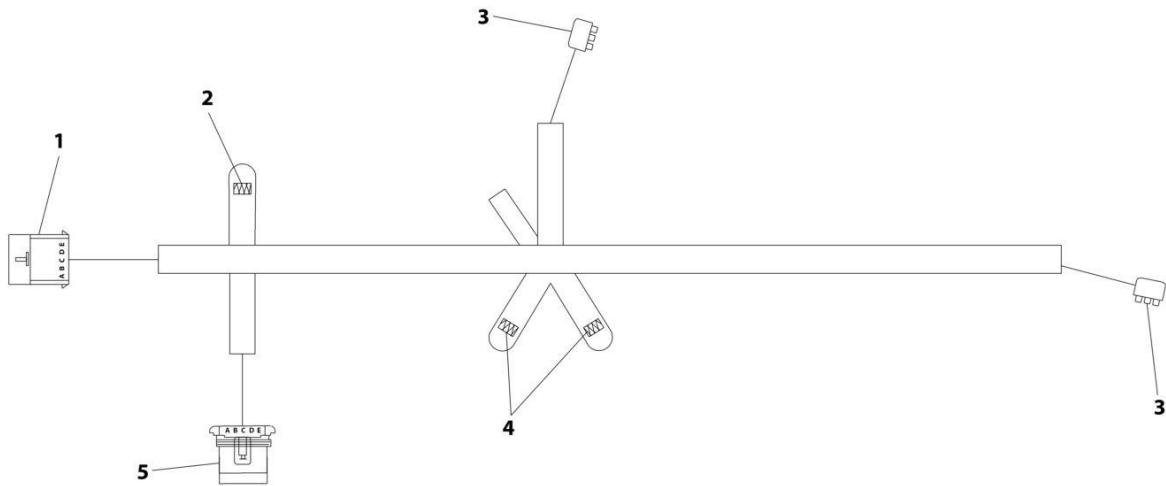
## SECTION 6 - ELECTRICAL

### FIGURE 6-35. LIGHTS - TAIL LIGHT CONVERSION KIT

ITEM	PART NUMBER	QTY	DESCRIPTION	REV
	2590000292	Ref	TAIL LIGHT CONVERSION KIT, SPLIT STOP/TURN	E
1	7552000472	1	Harness, Tail Light (See Separate Breakdown in this Section)	
2	7590000432	2	Light	
3	7114101018	6	Capscrew #10 x 1-1/4	
4	7660102604	6	Nut #10	
5	1001142769	2	Lamp	
6	7493000002	2	Grommet	
7	1001159336	1	Electrical Assembly, Tail Light Converter	
8	7345001714	6	Terminal	
9	7346000039	AR	Heat Shrink 1/4IN	
10	1001100949	1	Diode - IN5400, 50V, 3.0Amp	

# SECTION 6 - ELECTRICAL

## FIGURE 6-36. LIGHTS - TAILLIGHT HARNESS



ART\_7552000472

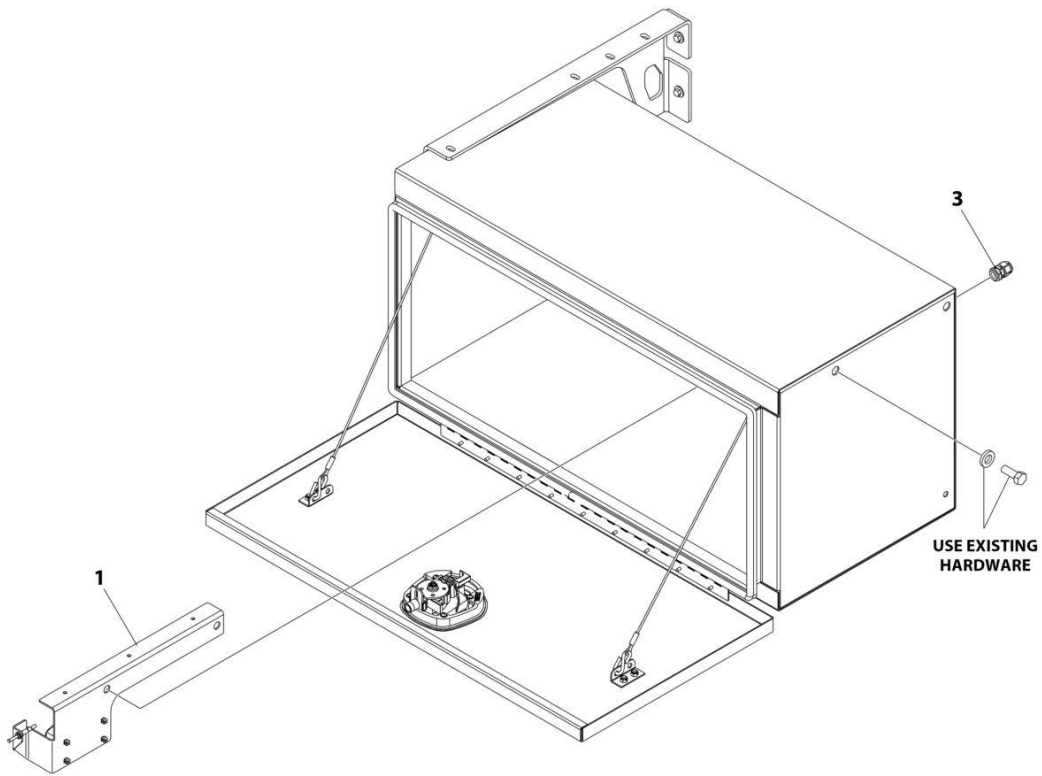
## SECTION 6 - ELECTRICAL

### FIGURE 6-36. LIGHTS - TAILLIGHT HARNESS

ITEM	PART NUMBER	QTY	DESCRIPTION	REV
	7552000472	Ref	TAILLIGHT HARNESS	B
1		Ref	Connector - 5 Position	
1	1001116720	5	Terminal	
1		Ref	Seal	
2	7346000220	1	Resistor 100 Ohm/10 Watt	
3		Ref	Connector - 3 Position	
4	7346000231	2	Resistor 10 Ohm/50 Watt	
5	1001121726	1	Connector - 5 Position	
5	1001116747	5	Terminal	
5		Ref	Seal	

# SECTION 6 - ELECTRICAL

## FIGURE 6-37. LIGHTS - TOOLBOX LIGHT INSTALLATION



ART\_217800031

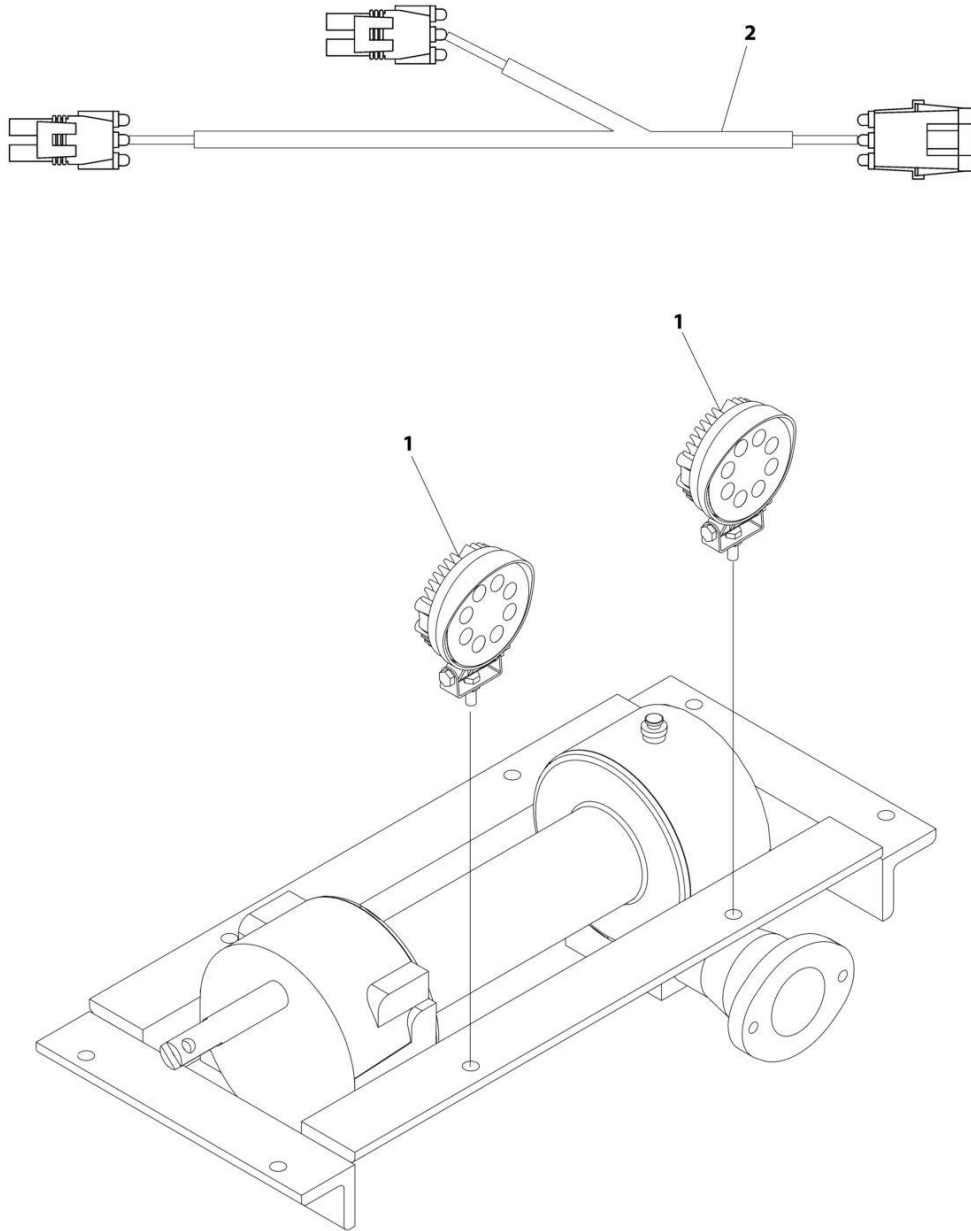
## SECTION 6 - ELECTRICAL

### FIGURE 6-37. LIGHTS - TOOLBOX LIGHT INSTALLATION

ITEM	PART NUMBER	QTY	DESCRIPTION	REV
	2178000031	Ref	Toolbox Light Installation	0
1	3178000437	1	Bracket Assembly (See Separate Breakdown in this Section)	
2	7552000297	1	Harness, Tool Box Light (Not Shown)	
2	4460742	1	Plug, Male - 2 Position	
2	4460457	2	Socket, Female	
3	7443000377	1	Fitting	

# SECTION 6 - ELECTRICAL

## FIGURE 6-38. LIGHTS - WORKLIGHTS INSTALLATION (WINCH)



ART\_1001176431



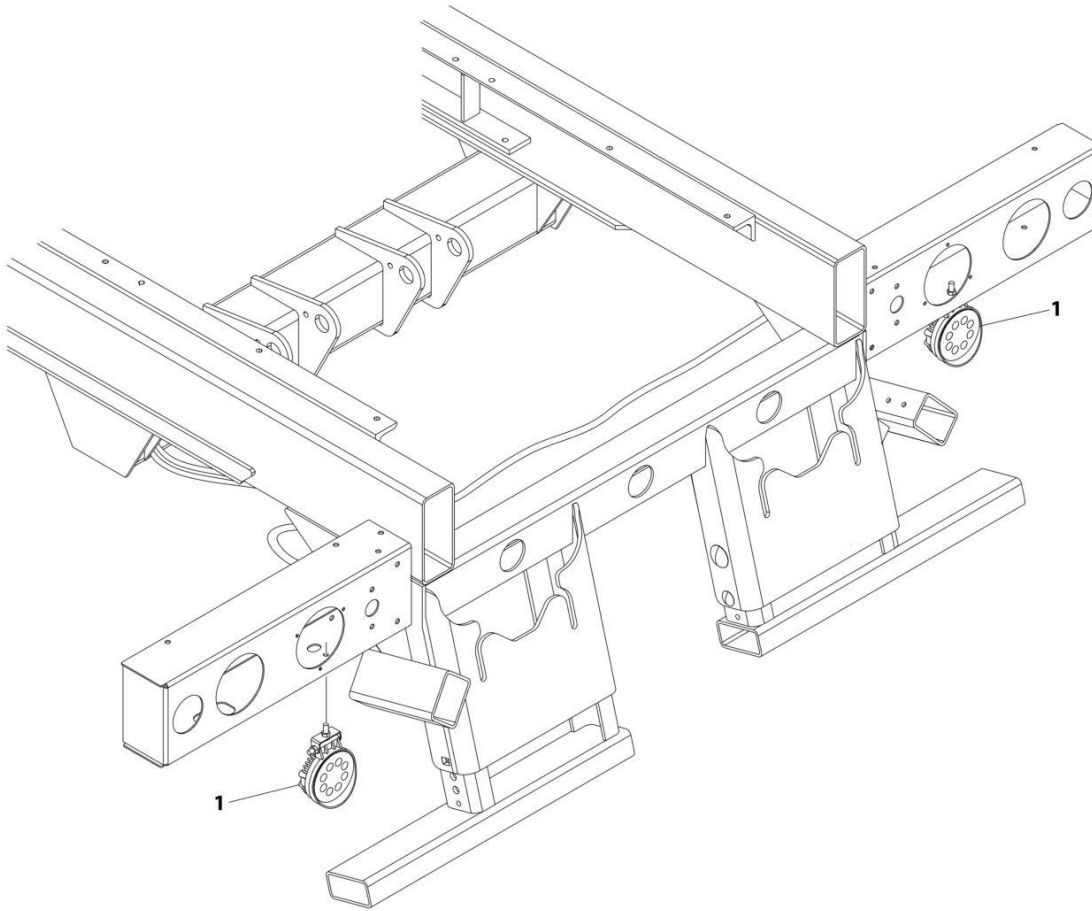
## SECTION 6 - ELECTRICAL

**FIGURE 6-38. LIGHTS - WORKLIGHTS INSTALLATION (WINCH)**

ITEM	PART NUMBER	QTY	DESCRIPTION	REV
	1001176431	Ref	LED WORK LIGHTS WINCH INSTALLATION	B
1	1001176337	2	Lamp, LED Work Light 10V-30V	
2	7552000166	1	Harness, Deck Work Light	
2	4460742	2	Plug, Male - 2 Position	
2	4461157	1	Receptacle, Female - 2 Position	
2	4460457	6	Terminal	
2	8220081	6	Seal	
3	5526000553	4	Tie-Strap (Not Shown)	

# SECTION 6 - ELECTRICAL

## FIGURE 6-39. LIGHTS - WORKLIGHTS INSTALLATION (REAR)



ART\_1001176430

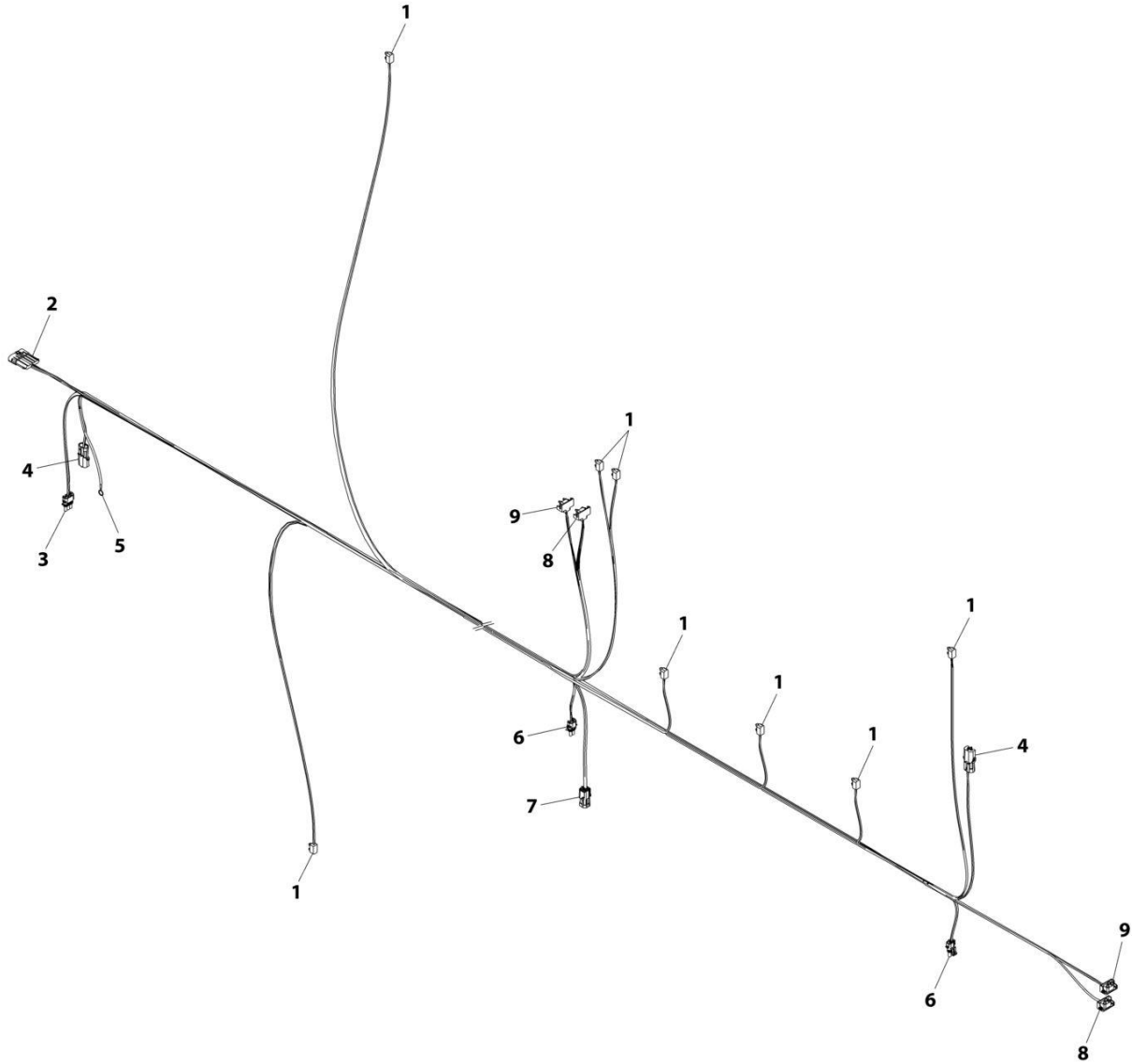
## SECTION 6 - ELECTRICAL

**FIGURE 6-39. LIGHTS - WORKLIGHTS INSTALLATION (REAR)**

ITEM	PART NUMBER	QTY	DESCRIPTION	REV
1	1001176430	Ref	LED WORK LIGHTS REAR INSTALLATION	A
	1001176337	2	Lamp, LED Work Light 10V-30V	

# SECTION 6 - ELECTRICAL

## FIGURE 6-40. SUBFRAME HARNESS



ART\_1001173952

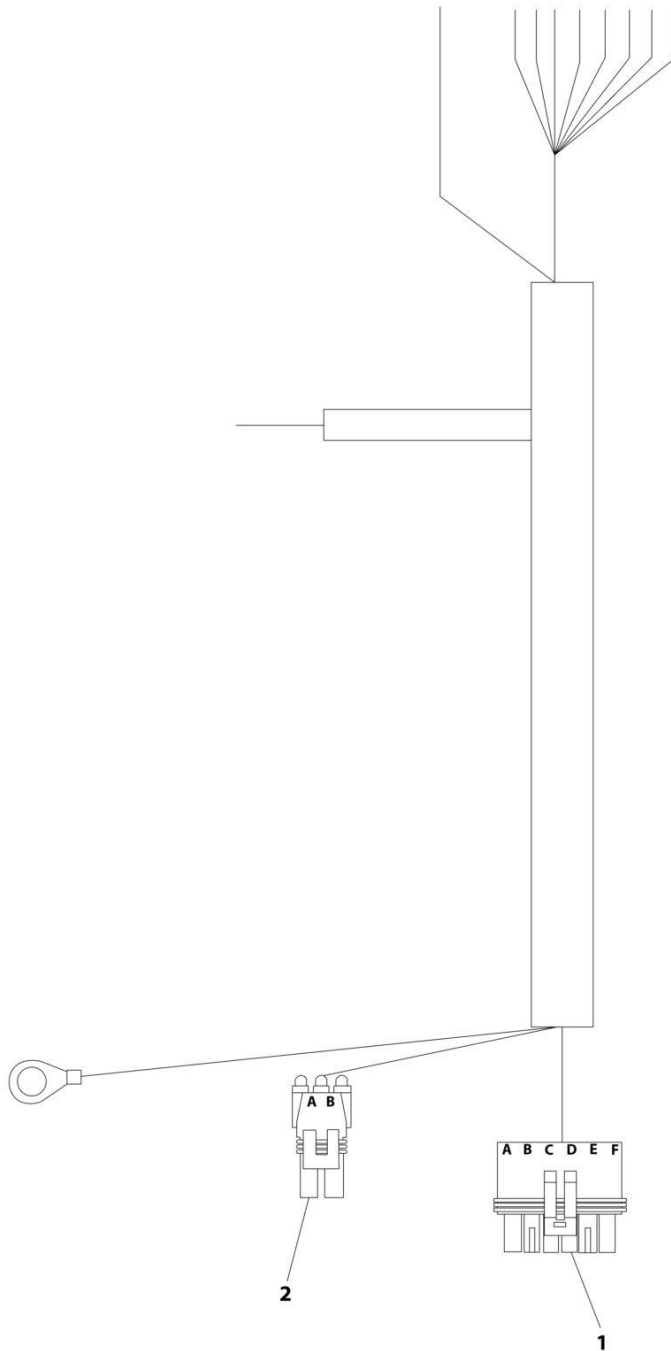
## SECTION 6 - ELECTRICAL

### FIGURE 6-40. SUBFRAME HARNESS

ITEM	PART NUMBER	QTY	DESCRIPTION	REV
	1001173952	Ref	SUBFRAME HARNESS	C
1	1001275791	8	Connector & Lead Wire - 2 Position (Marker Lights)	
2	1001121727	1	Connector - 5 Position	
2	1001116729	5	Terminal	
2	1001190037	5	Seal	
3	4460459	1	Plug, Male - 3 Position	
3	4460457	3	Terminal	
3	1001190037	3	Seal	
4	4461157	2	Plug, Male - 2 Position	
4	4460457	4	Terminal	
4	1001190037	4	Seal	
5	4460019	1	Terminal, Ring	
6	4460742	2	Plug, Male - 2 Position	
6	4460457	4	Terminal	
7	80963062	1	Plug, Male - 4 Position	
7	4460457	4	Terminal	
7	1001190037	4	Seal	
8	1001275792	2	Connector & Lead Wire - 2 Position (Stop/Turn/Taillights)	
9	1001275793	2	Connector & Lead Wire - 2 Position (Stop/Turn/Taillights)	

# SECTION 6 - ELECTRICAL

## FIGURE 6-41. SUBFRAME TO CAB HARNESS (WITH BOLT-ON HEADBOARD)



ART\_7552000074

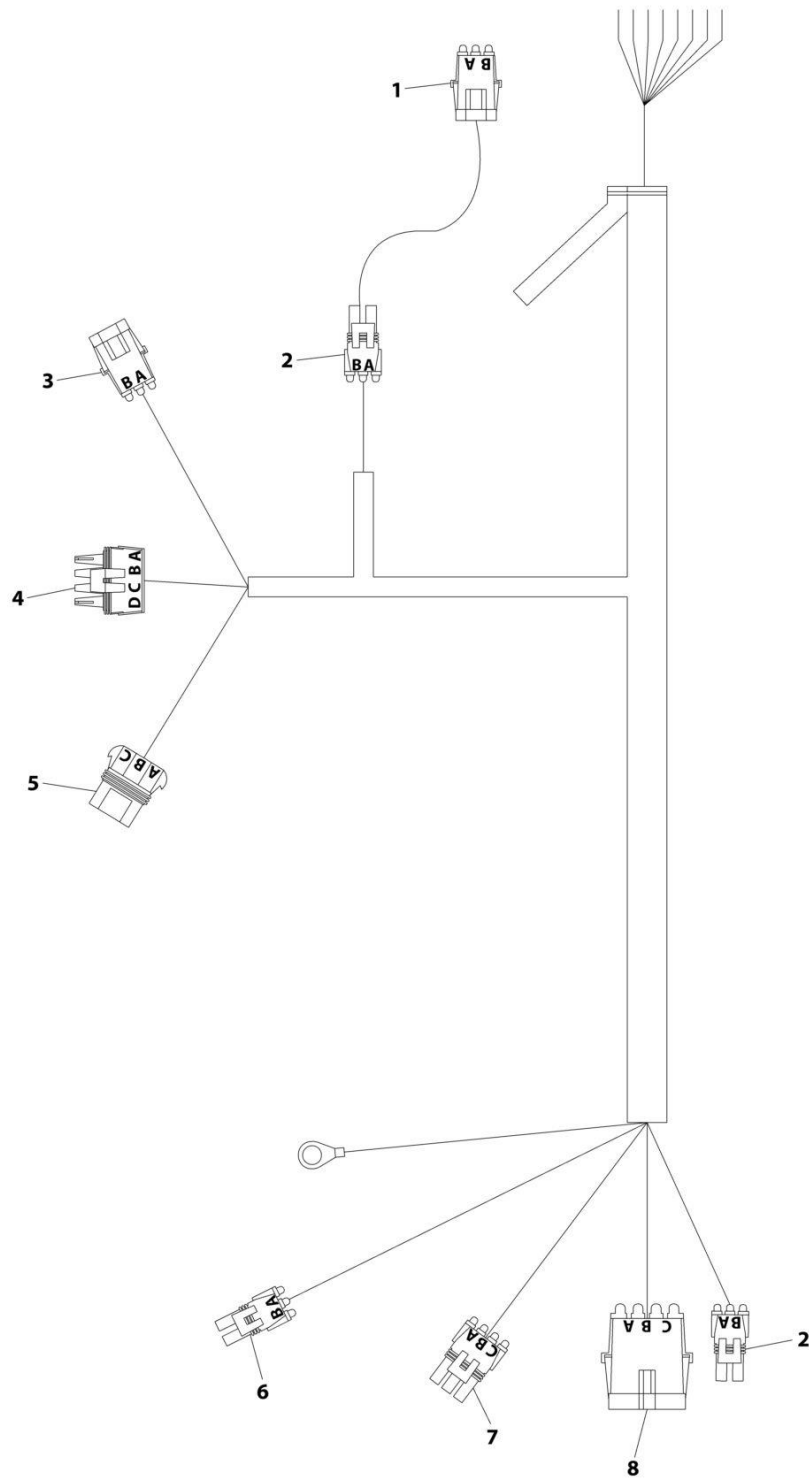
## SECTION 6 - ELECTRICAL

**FIGURE 6-41. SUBFRAME TO CAB HARNESS (WITH BOLT-ON HEADBOARD)**

ITEM	PART NUMBER	QTY	DESCRIPTION	REV
	7552000074	Ref	SUBFRAME TO CAB HARNESS	4
1	4460461	1	Plug, Male - 6 Position	
1	4460790	5	Socket, Female	
1	NPN	6	Seal	
1	1001116727	1	Plug, Terminal	
2	4460742	1	Plug, Male - 2 Position	
2	4460457	2	Terminal	
2	NPN	2	Seal	

# SECTION 6 - ELECTRICAL

FIGURE 6-42. SUBFRAME TO CAB HARNESS (WITH STATIONARY HEADBOARD) (SN 0220017095 through 0220020946)



ART\_1001152346



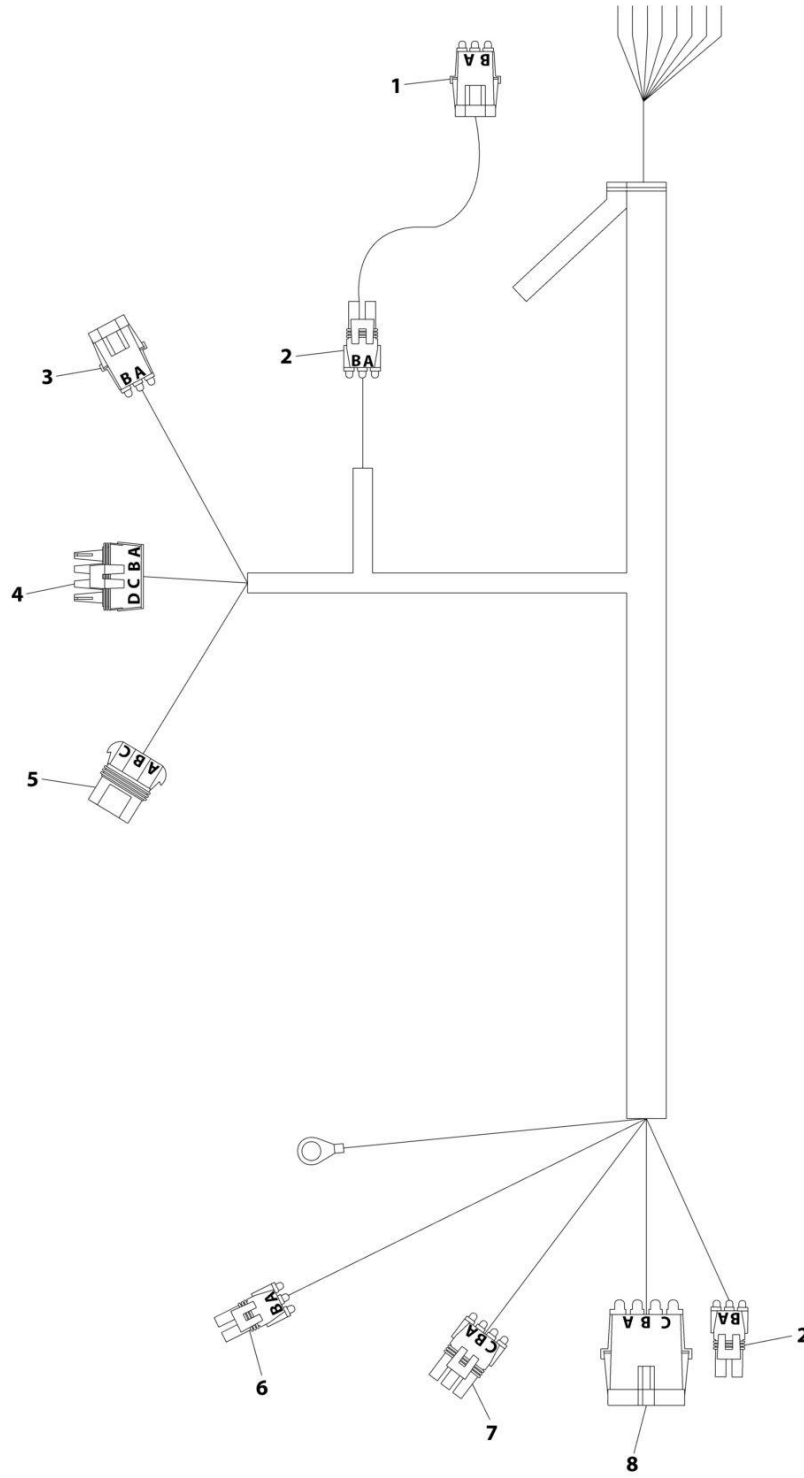
## SECTION 6 - ELECTRICAL

**FIGURE 6-42. SUBFRAME TO CAB HARNESS (WITH STATIONARY HEADBOARD) (SN 0220017095 through 0220020946)**

ITEM	PART NUMBER	QTY	DESCRIPTION	REV
	1001152346	Ref	SUBFRAME TO CAB HARNESS	B
1	4460867	1	Receptacle, Female - 2 Position	
1	1001116727	2	Plug, Terminal	
2	4460742	2	Plug, Male - 2 Position	
2	4460457	4	Terminal	
2	NPN	4	Seal	
2	80963064	1	Connector - 6 Position	
2	4460850	5	Terminal	
2	NPN	3	Seal	
2	1001116727	1	Plug, Terminal	
3	4460867	1	Receptacle, Female - 2 Position	
3	4460850	2	Terminal	
3	NPN	2	Seal	
4	4460460	1	Receptacle, Female - 4 Position	
4	4460790	4	Terminal	
4	NPN	4	Seal	
5	8220935	1	Connector - 3 Position	
5	7346000108	1	Lock	
5	8220099	3	Terminal	
5	NPN	2	Seal	
5	NPN	1	Seal	
6	4460742	1	Plug, Male - 2 Position	
6	4460790	2	Terminal	
6	NPN	2	Seal	
7	4460459	1	Plug, Male - 3 Position	
7	4460743	2	Socket, Female	
7	1001116727	1	Plug, Terminal	
7	NPN	3	Seal	
8	4460476	3	Receptacle, Female - 3 Position	
8	4460850	1	Terminal	
8	NPN	3	Seal	

# SECTION 6 - ELECTRICAL

FIGURE 6-43. SUBFRAME TO CAB HARNESS (WITH STATIONARY HEADBOARD) (SN 0220020947 to Present)



ART\_1001260060

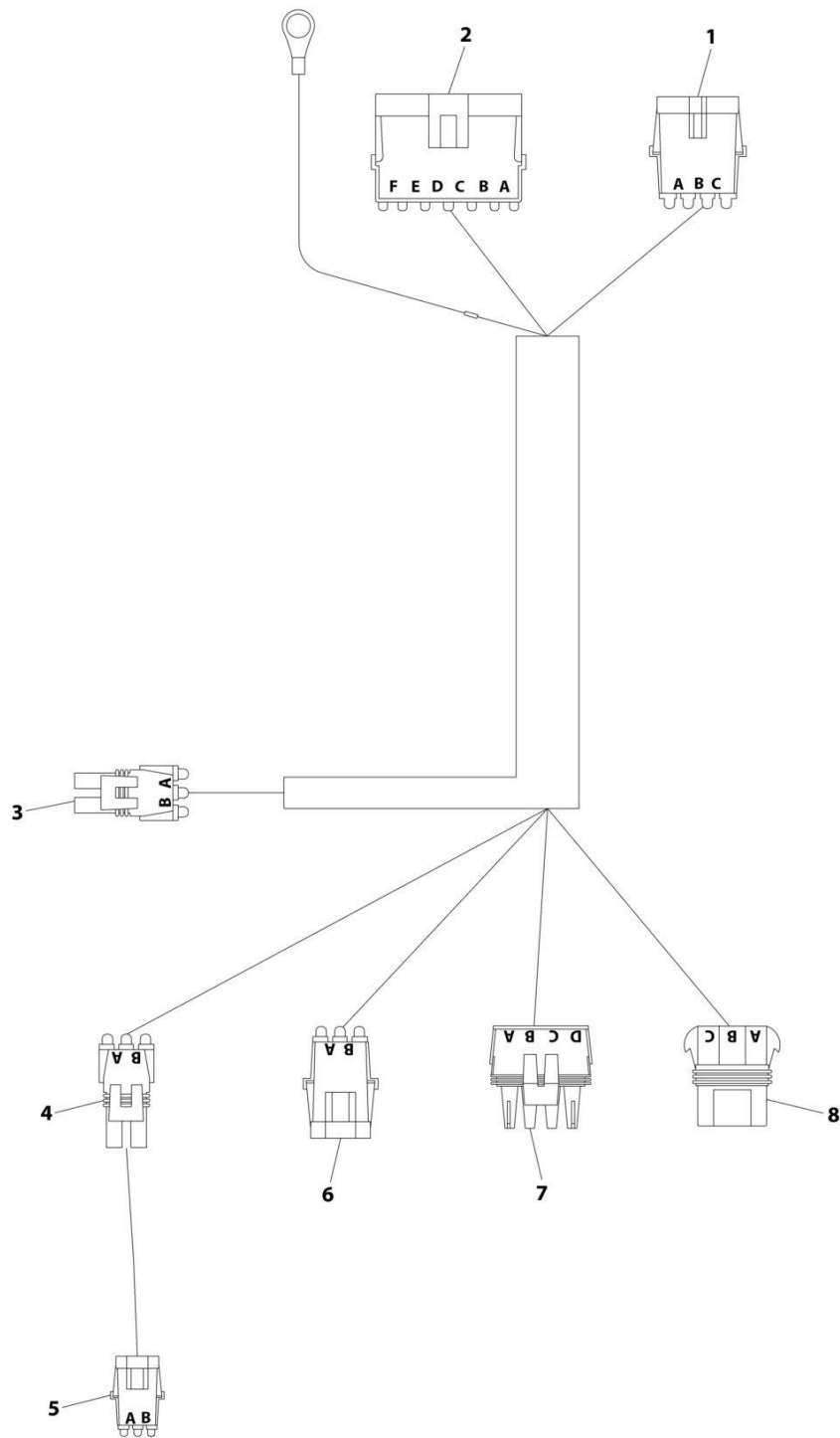
## SECTION 6 - ELECTRICAL

**FIGURE 6-43. SUBFRAME TO CAB HARNESS (WITH STATIONARY HEADBOARD) (SN 0220020947 to Present)**

ITEM	PART NUMBER	QTY	DESCRIPTION	REV
	1001260060	Ref	SUBFRAME TO CAB HARNESS	A
1	4460867	1	Receptacle, Female - 2 Position	
1	1001116727	2	Plug, Terminal	
2	4460742	2	Plug, Male - 2 Position	
2	4460457	4	Terminal	
2	NPN	4	Seal	
2	80963064	1	Connector - 6 Position	
2	4460850	5	Terminal	
2	NPN	3	Seal	
2	1001116727	1	Plug, Terminal	
3	4460867	1	Receptacle, Female - 2 Position	
3	4460850	2	Terminal	
3	NPN	2	Seal	
4	4460460	1	Receptacle, Female - 4 Position	
4	4460790	4	Terminal	
4	NPN	4	Seal	
5	8220935	1	Connector - 3 Position	
5	7346000108	1	Lock	
5	8220099	3	Terminal	
5	NPN	2	Seal	
5	NPN	1	Seal	
6	4460742	1	Plug, Male - 2 Position	
6	4460790	2	Terminal	
6	NPN	2	Seal	
7	4460459	1	Plug, Male - 3 Position	
7	4460743	2	Socket, Female	
7	1001116727	1	Plug, Terminal	
7	NPN	3	Seal	
8	4460476	3	Receptacle, Female - 3 Position	
8	4460850	1	Terminal	
8	NPN	3	Seal	

# SECTION 6 - ELECTRICAL

FIGURE 6-44. SUBFRAME TO CAB HARNESS (WITH BOLT-ON HEADBOARD) (SN 0220017095 through 0220020946)



ART\_7552000098

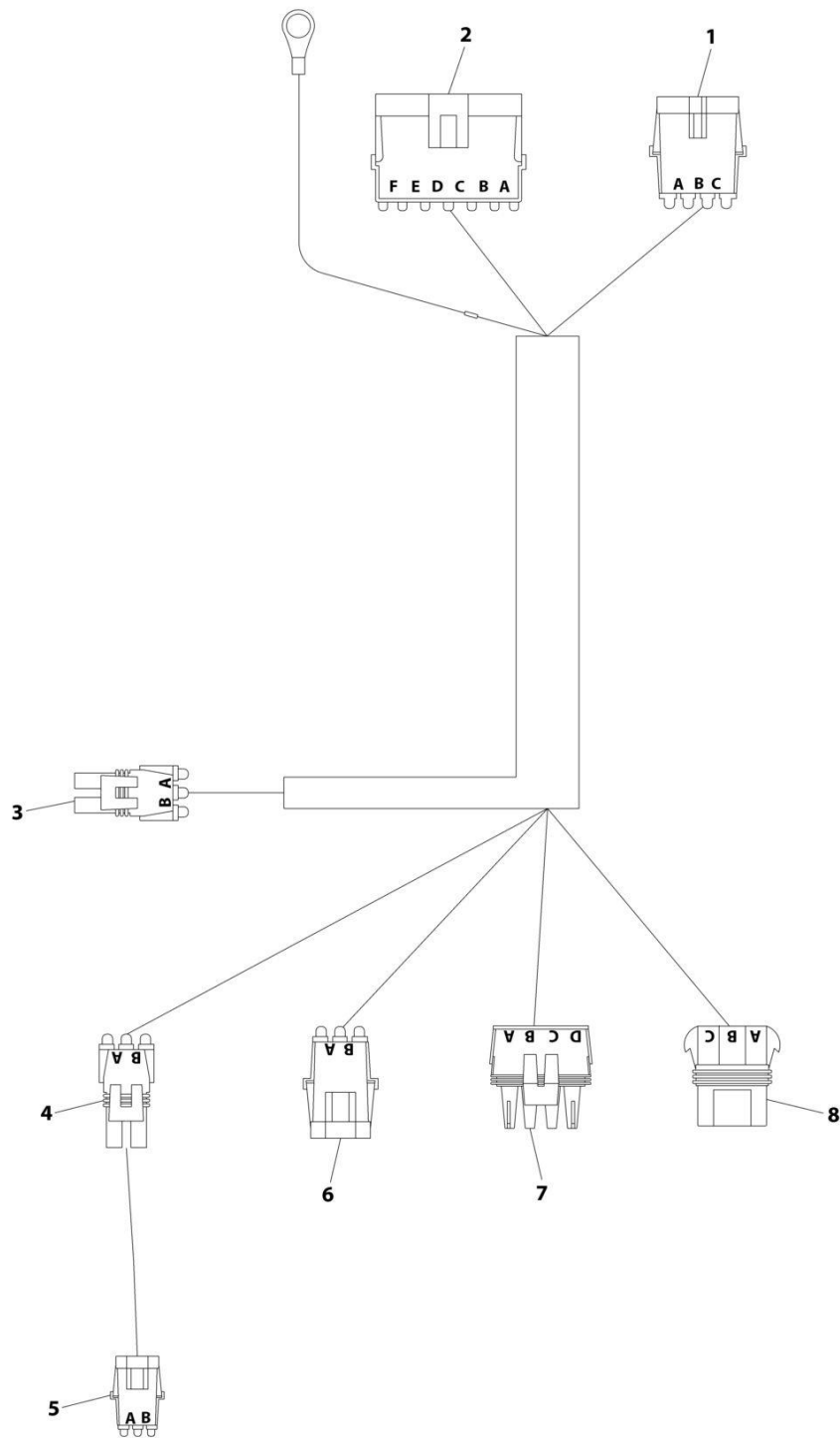
## SECTION 6 - ELECTRICAL

**FIGURE 6-44. SUBFRAME TO CAB HARNESS (WITH BOLT-ON HEADBOARD) (SN 0220017095 through 0220020946)**

ITEM	PART NUMBER	QTY	DESCRIPTION	REV
	7552000098	Ref	SUBFRAME TO DECK HARNESS	B
1	4460476	1	Connector - 3 Position	
1	4460850	3	Terminal	
1	NPN	3	Seal	
2	80963064	1	Connector - 6 Position	
2	4460850	5	Terminal	
2	NPN	3	Seal	
2	1001116727	1	Plug, Terminal	
3	4460742	1	Plug, Male - 2 Position	
3	4460457	2	Terminal	
3	NPN	2	Seal	
4	4460742	1	Plug, Male - 2 Position	
4	4460790	2	Terminal	
4	NPN	2	Seal	
5	4460867	1	Receptacle, Female - 2 Position	
5	1001116727	2	Plug, Terminal	
6	4460867	1	Receptacle, Female - 2 Position	
6	4460850	2	Terminal	
6	NPN	2	Seal	
7	4460460	1	Plug, Male - 4 Position	
7	4460790	4	Terminal	
7	NPN	4	Seal	
8	8220935	1	Connector - 3 Position	
8	7346000108	1	Lock	
8	8220099	3	Terminal	
8	NPN	2	Seal	
8	NPN	1	Seal	

# SECTION 6 - ELECTRICAL

FIGURE 6-45. SUBFRAME TO DECK HARNESS (WITH BOLT-ON HEADBOARD) (SN 0220020947 to Present)



ART\_1001260349

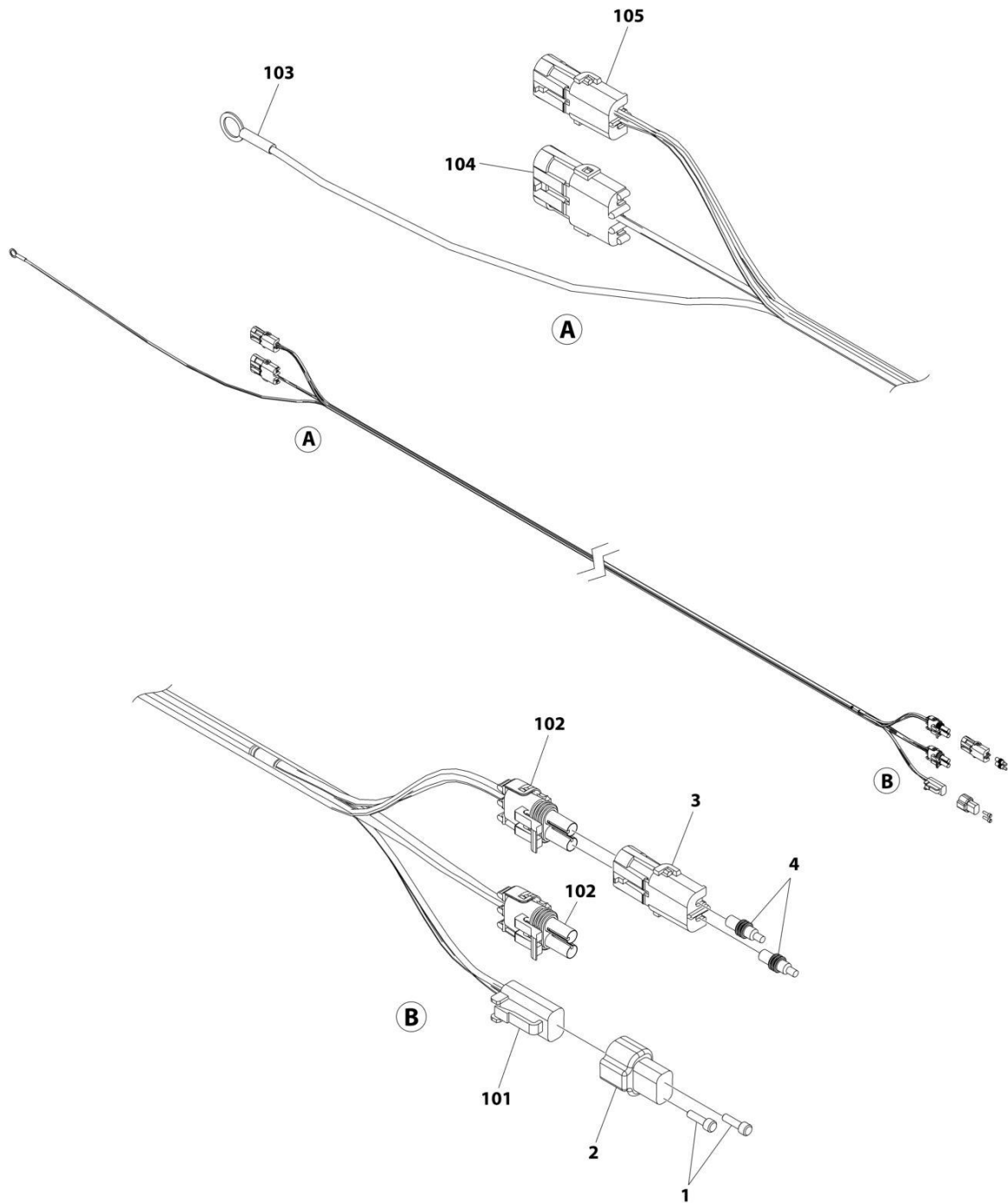
## SECTION 6 - ELECTRICAL

**FIGURE 6-45. SUBFRAME TO DECK HARNESS (WITH BOLT-ON HEADBOARD) (SN 0220020947 to Present)**

ITEM	PART NUMBER	QTY	DESCRIPTION	REV
	1001260349	Ref	SUBFRAME TO DECK HARNESS	A
1	4460476	1	Connector - 3 Position	
1	4460850	3	Terminal	
1	NPN	3	Seal	
2	80963064	1	Connector - 6 Position	
2	4460850	5	Terminal	
2	NPN	3	Seal	
2	1001116727	1	Plug, Terminal	
3	4460742	1	Plug, Male - 2 Position	
3	4460457	2	Terminal	
3	NPN	2	Seal	
4	4460742	1	Plug, Male - 2 Position	
4	4460790	2	Terminal	
4	NPN	2	Seal	
5	4460867	1	Receptacle, Female - 2 Position	
5	1001116727	2	Plug, Terminal	
6	4460867	1	Receptacle, Female - 2 Position	
6	4460850	2	Terminal	
6	NPN	2	Seal	
7	4460460	1	Plug, Male - 4 Position	
7	4460790	4	Terminal	
7	NPN	4	Seal	
8	8220935	1	Connector - 3 Position	
8	7346000108	1	Lock	
8	8220099	3	Terminal	
8	NPN	2	Seal	
8	NPN	1	Seal	

# SECTION 6 - ELECTRICAL

## FIGURE 6-46. SUBFRAME TO DECK HARNESS (WITH STATIONARY HEADBOARD)



ART\_1001152350



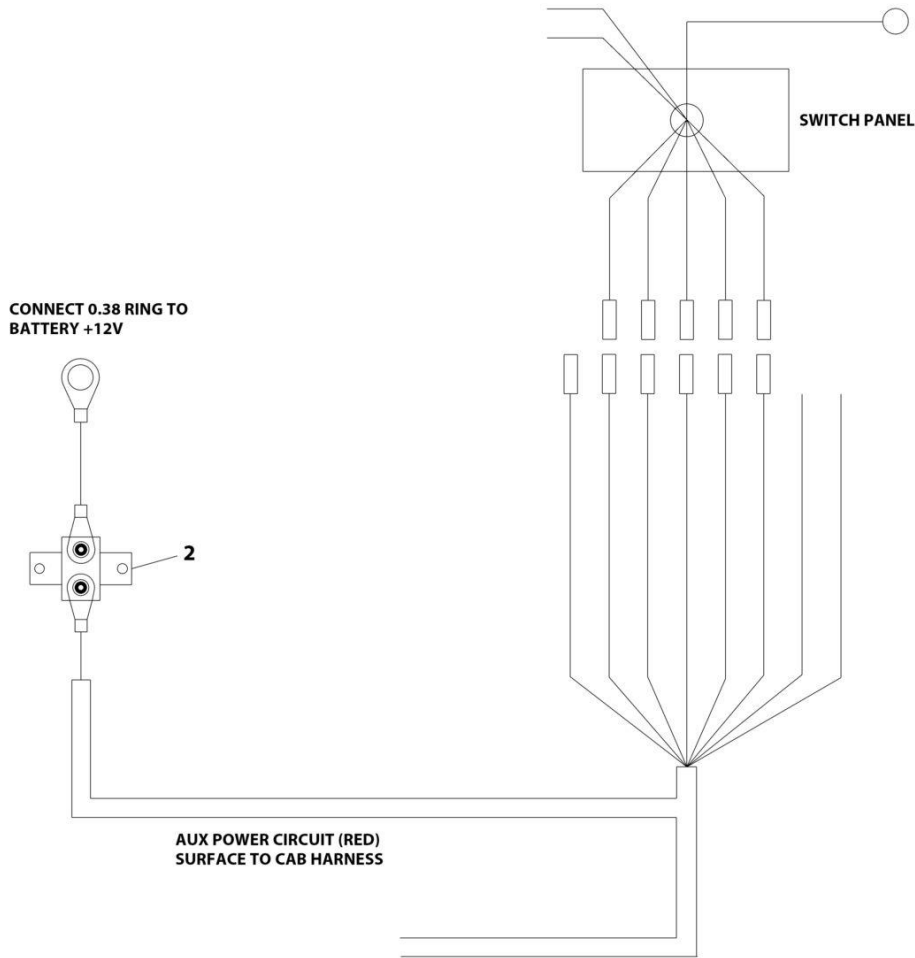
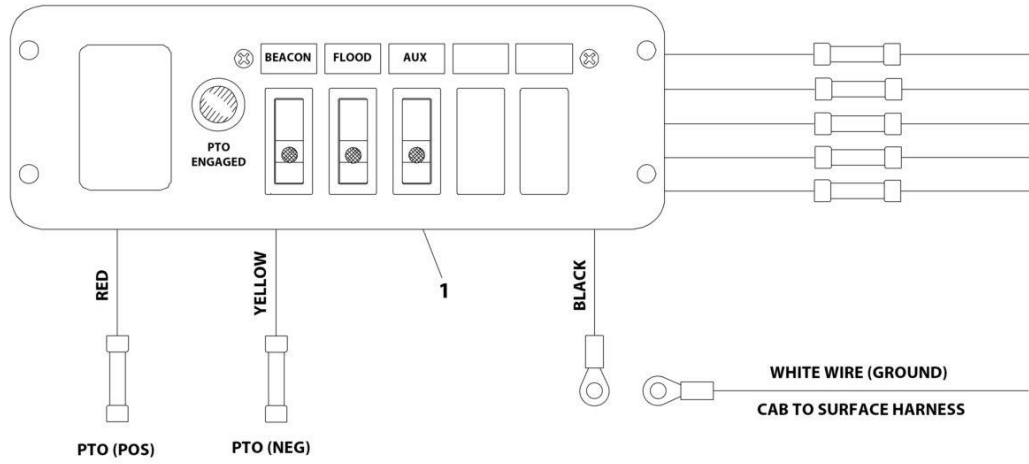
## SECTION 6 - ELECTRICAL

**FIGURE 6-46. SUBFRAME TO DECK HARNESS (WITH STATIONARY HEADBOARD)**

ITEM	PART NUMBER	QTY	DESCRIPTION	REV
	1001152350	Ref	SUBFRAME TO DECK HARNESS	C
1	4460466	2	Plug, Terminal	
2	4460897	1	Receptacle, Female - 2 Position	
3	4461157	1	Receptacle, Female - 2 Position	
4	1001116727	2	Plug, Terminal	
101	4460891	1	Plug, Male - 2 Position	
101	4460942	2	Socket, Female	
102	4460742	2	Plug, Male - 2 Position	
102	4460457	4	Terminal	
103	4460256	1	Terminal, Ring	
104	4460476	1	Receptacle, Female - 3 Position	
104	4460850	1	Terminal	
104	1001116727	2	Plug, Terminal	
105	4461157	1	Plug, Male - 2 Position	
105	4460850	2	Terminal	
105	8220089	2	Seal	

# SECTION 6 - ELECTRICAL

FIGURE 6-47. SWITCH PANEL INSTALLATION - 3 FUNCTION (IN-DASH COMPACT) (SN 0220017095 through 0220020946)



ART\_SP3ICPKG

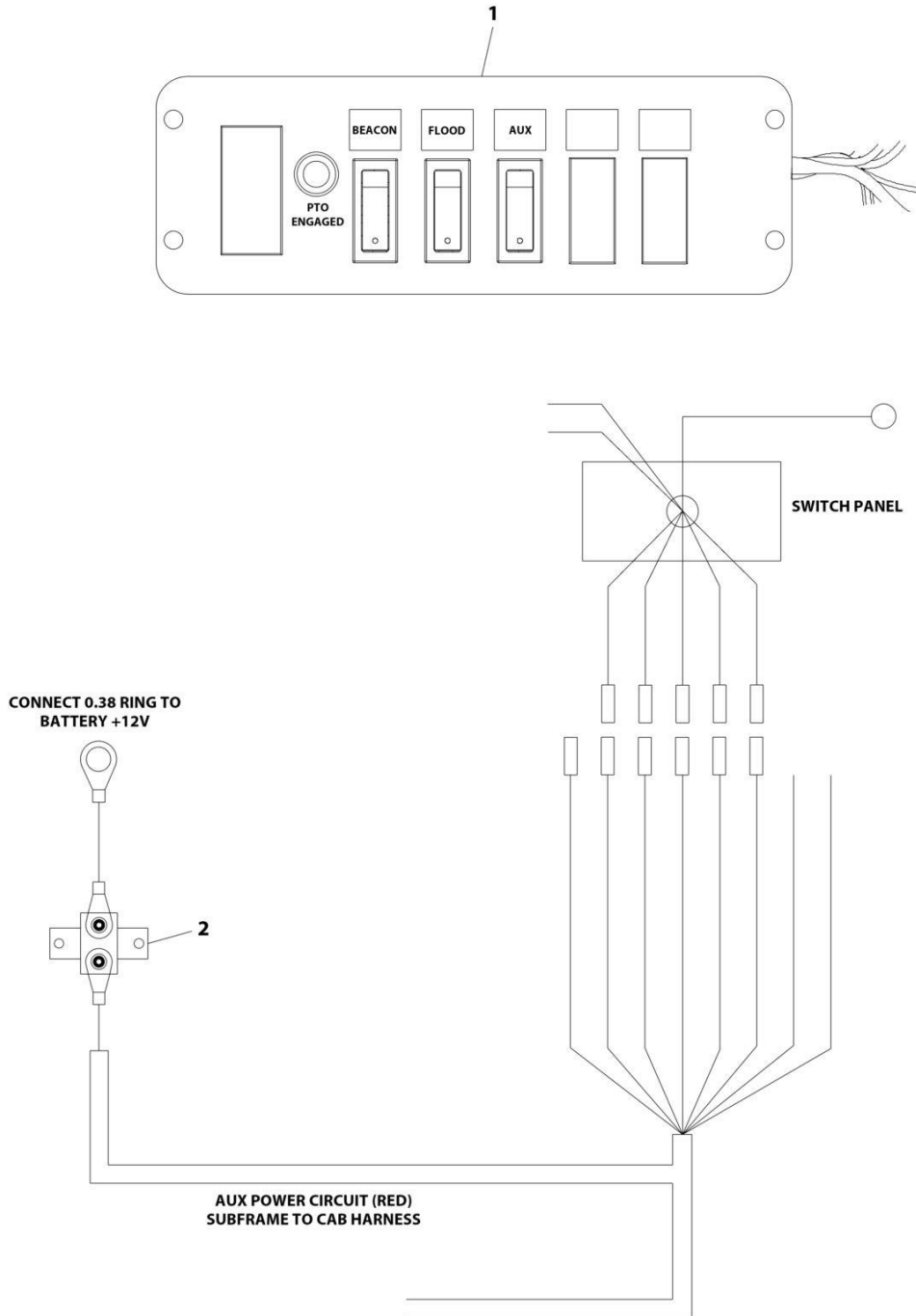
## SECTION 6 - ELECTRICAL

**FIGURE 6-47. SWITCH PANEL INSTALLATION - 3 FUNCTION (IN-DASH COMPACT) (SN 0220017095 through 0220020946)**

ITEM	PART NUMBER	QTY	DESCRIPTION	REV
	SP3ICPKG	Ref	3 FUNCTION IN-DASH COMPACT SWITCH PANEL	C
1	1001135700	1	3 Function In-Dash Compact Assembly (See Separate Breakdown in this Section)	
2	1001129883	1	Breaker Installation (See Separate Breakdown in this Section)	

# SECTION 6 - ELECTRICAL

FIGURE 6-48. SWITCH PANEL INSTALLATION - 3 FUNCTION (IN-DASH COMPACT) (SN 0220020947 to Present)



ART\_1001262046

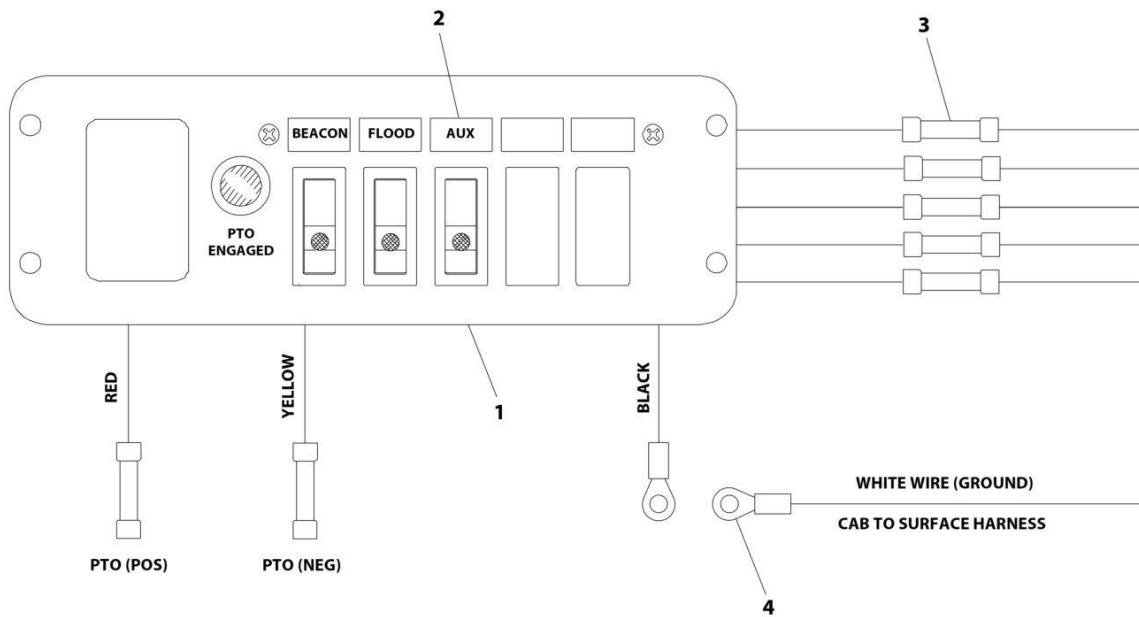
## SECTION 6 - ELECTRICAL

**FIGURE 6-48. SWITCH PANEL INSTALLATION - 3 FUNCTION (IN-DASH COMPACT) (SN 0220020947 to Present)**

ITEM	PART NUMBER	QTY	DESCRIPTION	REV
	1001262046	Ref	3 FUNCTION IN-DASH COMPACT SWITCH PANEL	A
1	1001261002	1	3 Function In-Dash Compact Installation (See Separate Breakdown in this Section)	
2	1001129883	1	Breaker Installation (See Separate Breakdown in this Section)	

# SECTION 6 - ELECTRICAL

## FIGURE 6-49. SWITCH PANEL ASSEMBLY - 3 FUNCTION (IN-DASH COMPACT)



ART\_1001135700

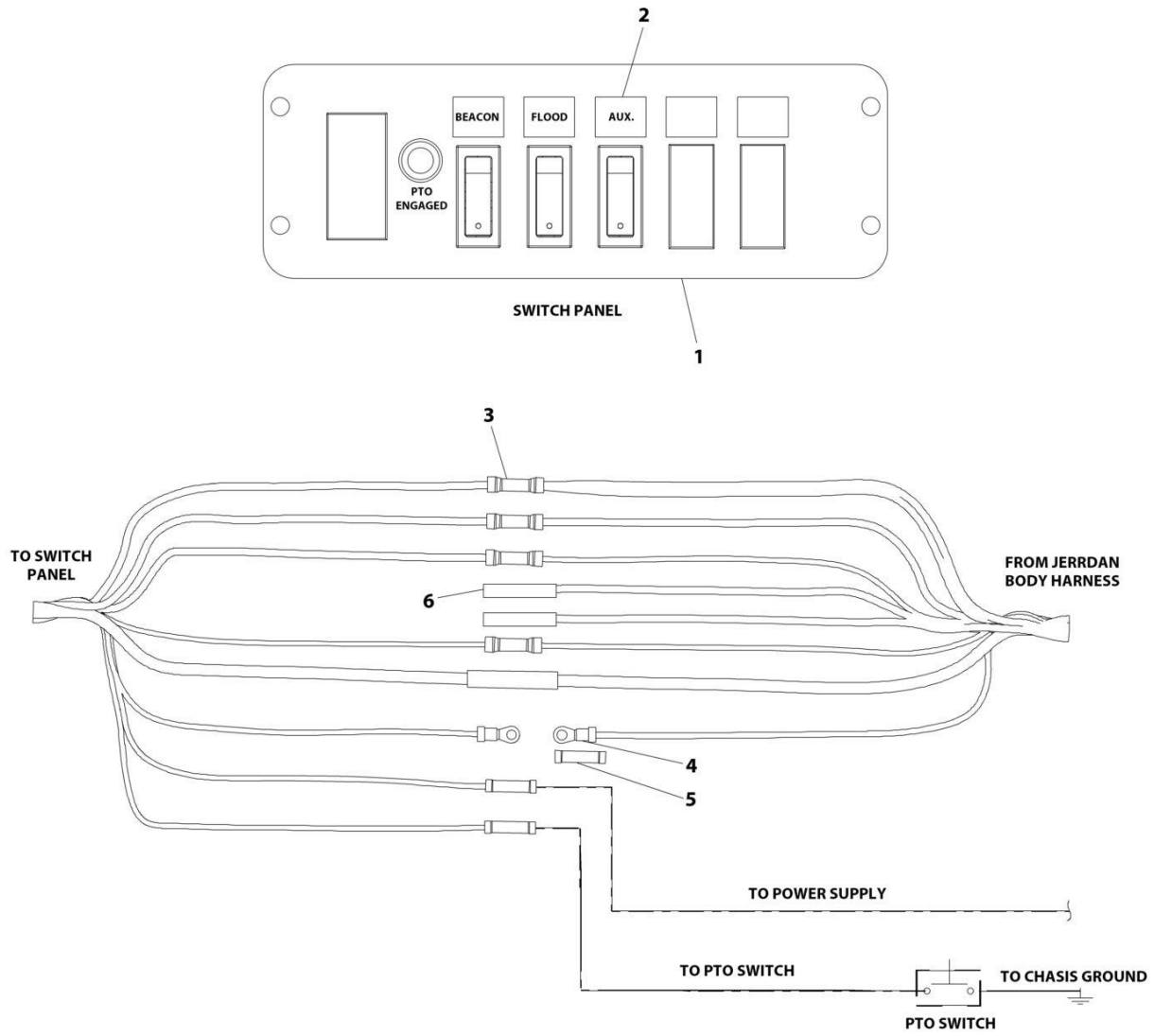
## SECTION 6 - ELECTRICAL

**FIGURE 6-49. SWITCH PANEL ASSEMBLY - 3 FUNCTION (IN-DASH COMPACT)**

ITEM	PART NUMBER	QTY	DESCRIPTION	REV
	1001135700	Ref	3 Function In-Dash Compact Installation	A
1	7870000100	1	Switch Panel	
2	7330000288	1	Decal	
3	7345001913	4	Connector	
4	7345211701	1	Terminal	
4	7345001713	1	Connector	
5	4346000005	1	Heat Shrink (Not Shown)	

# SECTION 6 - ELECTRICAL

## FIGURE 6-50. SWITCH PANEL ASSEMBLY - 3 FUNCTION (IN-DASH COMPACT)



ART\_1001261002



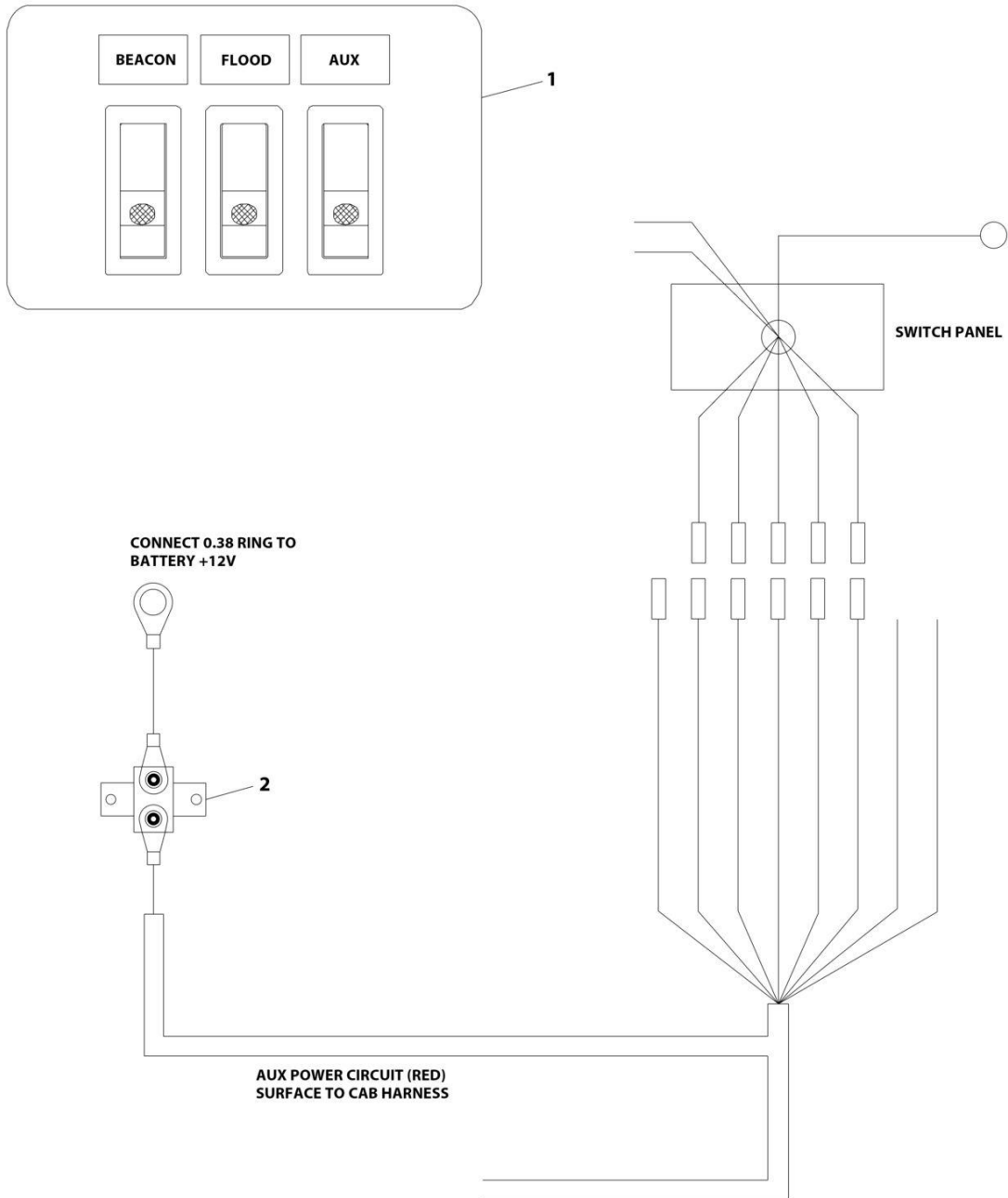
## SECTION 6 - ELECTRICAL

**FIGURE 6-50. SWITCH PANEL ASSEMBLY - 3 FUNCTION (IN-DASH COMPACT)**

ITEM	PART NUMBER	QTY	DESCRIPTION	REV
	1001261002	Ref	3 FUNCTION IN-DASH COMPACT SWITCH PANEL INSTALLATION	B
1	7870000100	1	Switch Panel	
2	7330000288	1	Decal	
3	4460018	4	Connector	
4	4460042	1	Terminal, Ring	
5	4460035	1	Connector	
6	4346000005	2	Heat Shrink	

# SECTION 6 - ELECTRICAL

FIGURE 6-51. SWITCH PANEL INSTALLATION - 3 FUNCTION (IN-DASH MINI) (SN 0220017095 through 0220020946)



ART\_SP3IMPKG

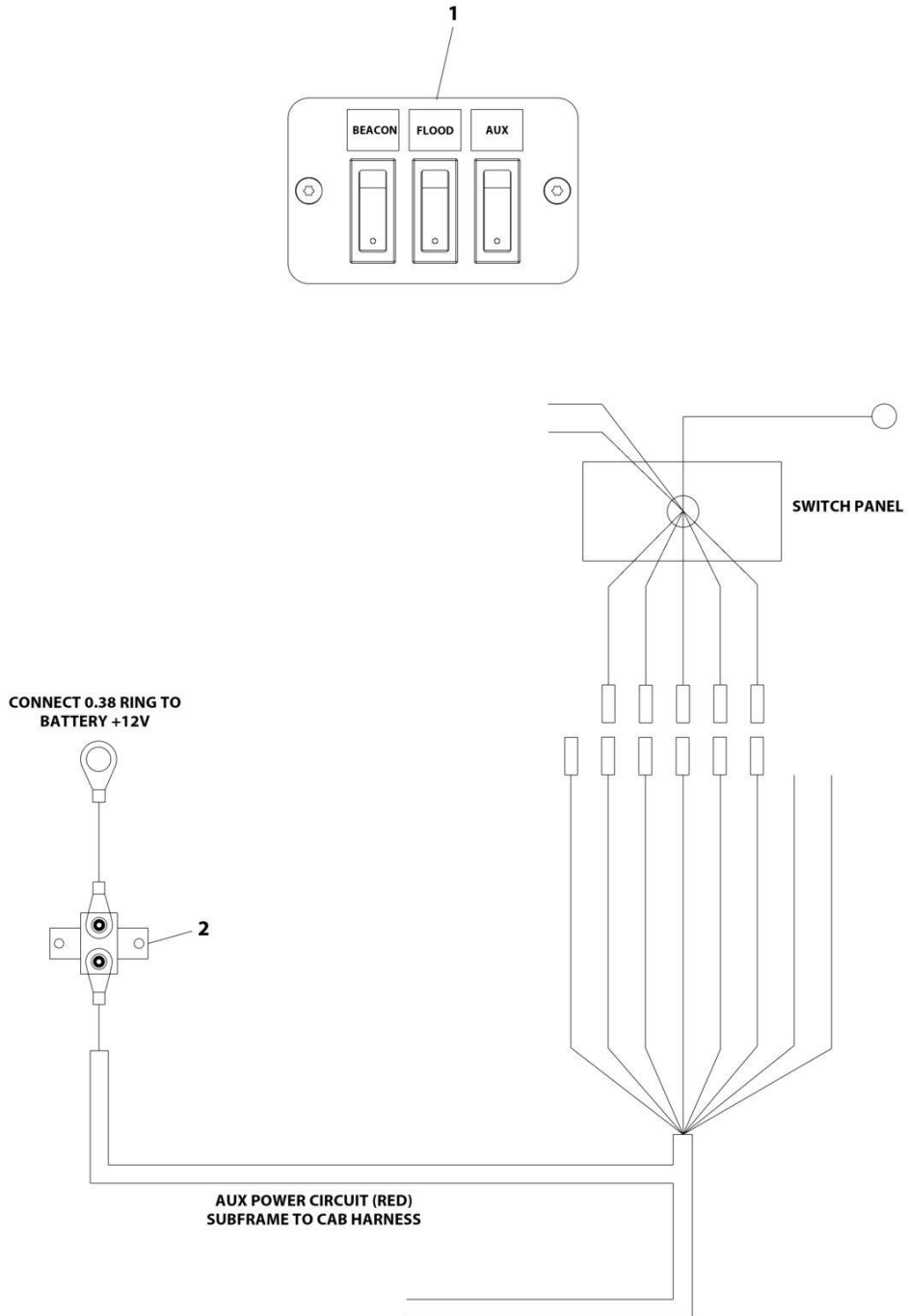
## SECTION 6 - ELECTRICAL

**FIGURE 6-51. SWITCH PANEL INSTALLATION - 3 FUNCTION (IN-DASH MINI) (SN 0220017095 through 0220020946)**

ITEM	PART NUMBER	QTY	DESCRIPTION	REV
	SP3IMPKG	Ref	3 FUNCTION IN-DASH MINI SWITCH PANEL	B
1	7870000113	1	Switch Panel	
2	1001129883	1	Breaker Installation (See Separate Breakdown in this Section)	

# SECTION 6 - ELECTRICAL

FIGURE 6-52. SWITCH PANEL INSTALLATION - 3 FUNCTION (IN-DASH MINI) (SN 0220020947 to Present)



ART\_1001262045

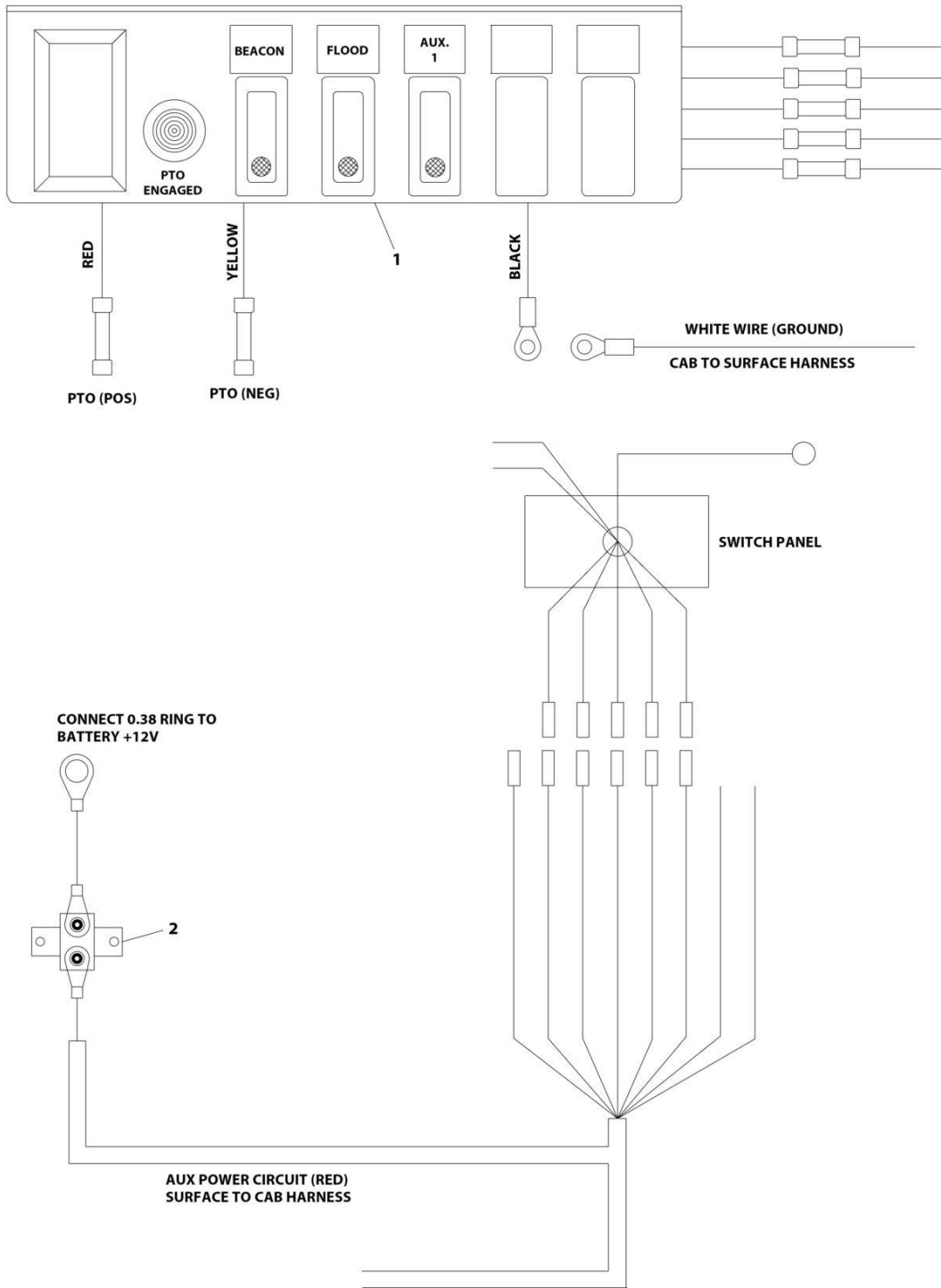
## SECTION 6 - ELECTRICAL

**FIGURE 6-52. SWITCH PANEL INSTALLATION - 3 FUNCTION (IN-DASH MINI) (SN 0220020947 to Present)**

ITEM	PART NUMBER	QTY	DESCRIPTION	REV
	1001262045	Ref	3 FUNCTION IN-DASH MINI SWITCH PANEL	A
1	1001260898	1	3 Function In-Dash Mini Installation	
2	1001129883	1	Breaker Installation (See Separate Breakdown in this Section)	

# SECTION 6 - ELECTRICAL

FIGURE 6-53. SWITCH PANEL INSTALLATION - 3 FUNCTION (UNDER-DASH COMPACT) (SN 0220017095 through 0220020946)



ART\_SP3CPKG

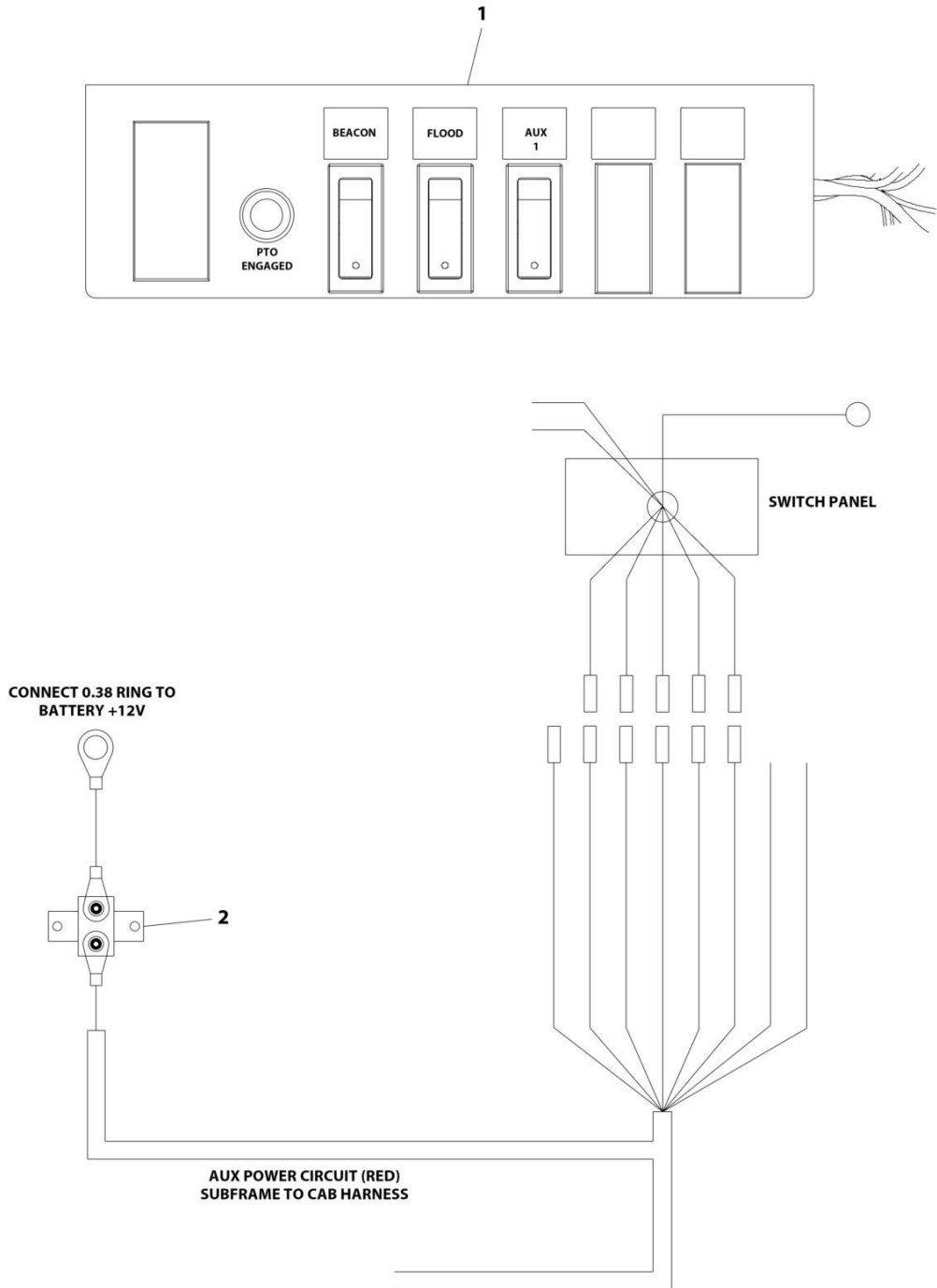
## SECTION 6 - ELECTRICAL

**FIGURE 6-53. SWITCH PANEL INSTALLATION - 3 FUNCTION (UNDER-DASH COMPACT) (SN 0220017095 through 0220020946)**

ITEM	PART NUMBER	QTY	DESCRIPTION	REV
	SP3CPKG	Ref	3 FUNCTION UNDER-DASH COMPACT SWITCH PANEL	C
1	1001135756	1	3 Function Under-Dash Compact Switch Assembly (See Separate Breakdown in this Section)	
2	1001129883	1	Breaker Installation (See Separate Breakdown in this Section)	

# SECTION 6 - ELECTRICAL

FIGURE 6-54. SWITCH PANEL INSTALLATION - 3 FUNCTION (UNDER-DASH COMPACT) (SN 0220020947 to Present)



ART\_1001262048



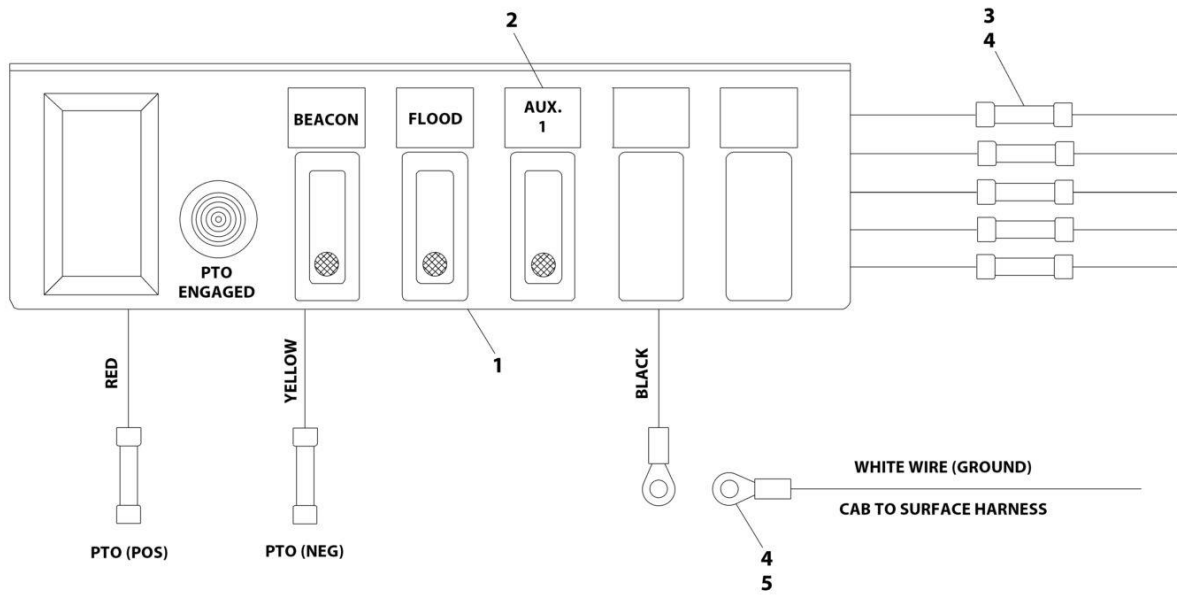
## SECTION 6 - ELECTRICAL

**FIGURE 6-54. SWITCH PANEL INSTALLATION - 3 FUNCTION (UNDER-DASH COMPACT) (SN 0220020947 to Present)**

ITEM	PART NUMBER	QTY	DESCRIPTION	REV
	1001262048	Ref	3 FUNCTION UNDER-DASH COMPACT SWITCH PANEL	A
1	1001261004	1	3 Function Under-Dash Compact Switch Installation (See Separate Breakdown in this Section)	
2	1001129883	1	Breaker Installation (See Separate Breakdown in this Section)	

# SECTION 6 - ELECTRICAL

## FIGURE 6-55. SWITCH PANEL ASSEMBLY - 3 FUNCTION (UNDER-DASH COMPACT)



ART\_1001135756

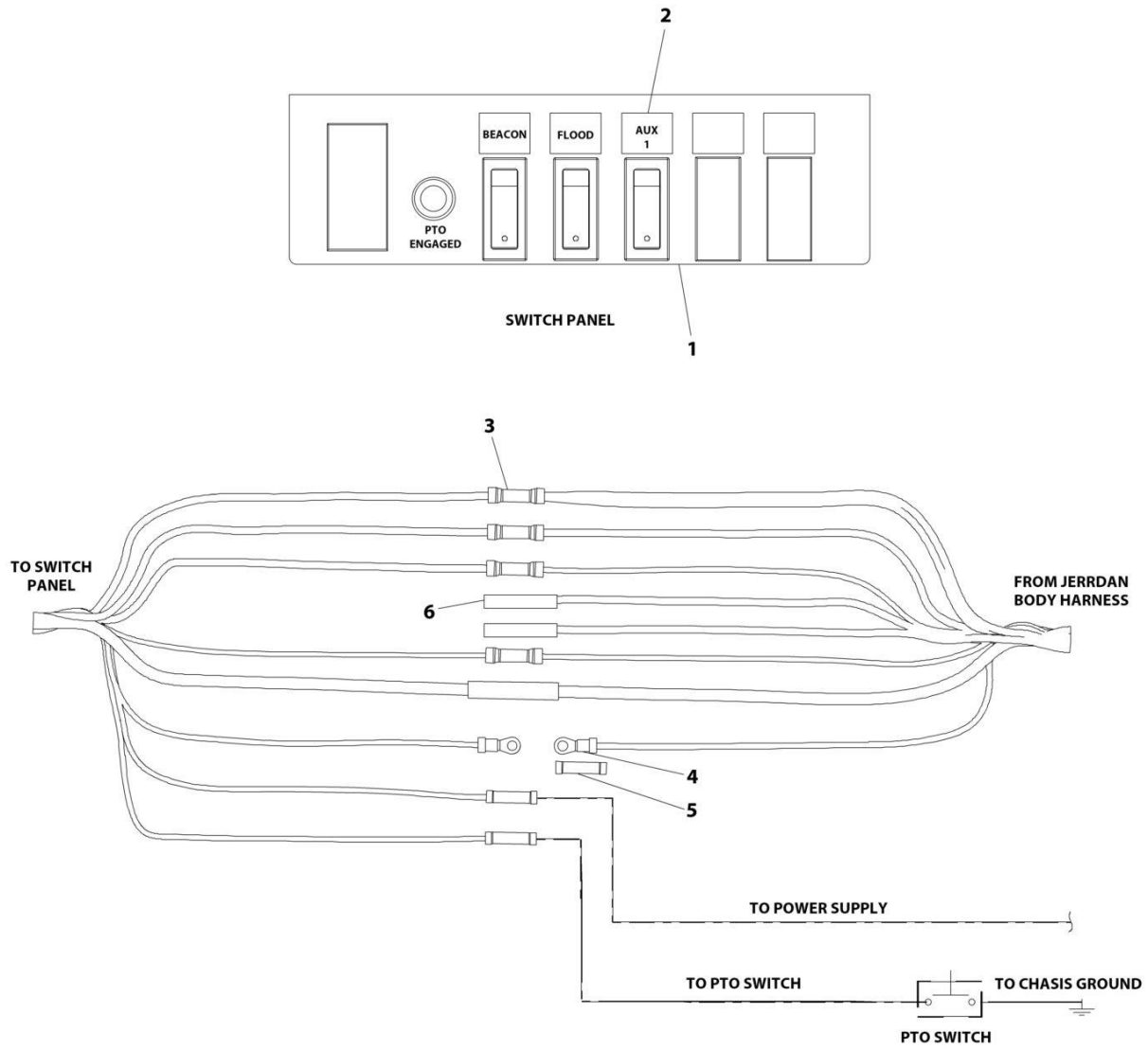
## SECTION 6 - ELECTRICAL

**FIGURE 6-55. SWITCH PANEL ASSEMBLY - 3 FUNCTION (UNDER-DASH COMPACT)**

ITEM	PART NUMBER	QTY	DESCRIPTION	REV
	1001135756	1	3 Function Under-Dash Compact Assembly	A
1	7870000134	1	Switch Panel	
2	7330000288	1	Decal	
3	7346000242	2	Connector	
4	7345001713	4	Connector	
5	7345211701	1	Terminal	
6	4346000005	1	Heat Shrink (Not Shown)	
7	8597650003	2	Wire (Not Shown)	
8	5526000553	6	Tie Strap (Not Shown)	

# SECTION 6 - ELECTRICAL

## FIGURE 6-56. SWITCH PANEL ASSEMBLY - 3 FUNCTION (UNDER-DASH COMPACT)



ART\_1001261004

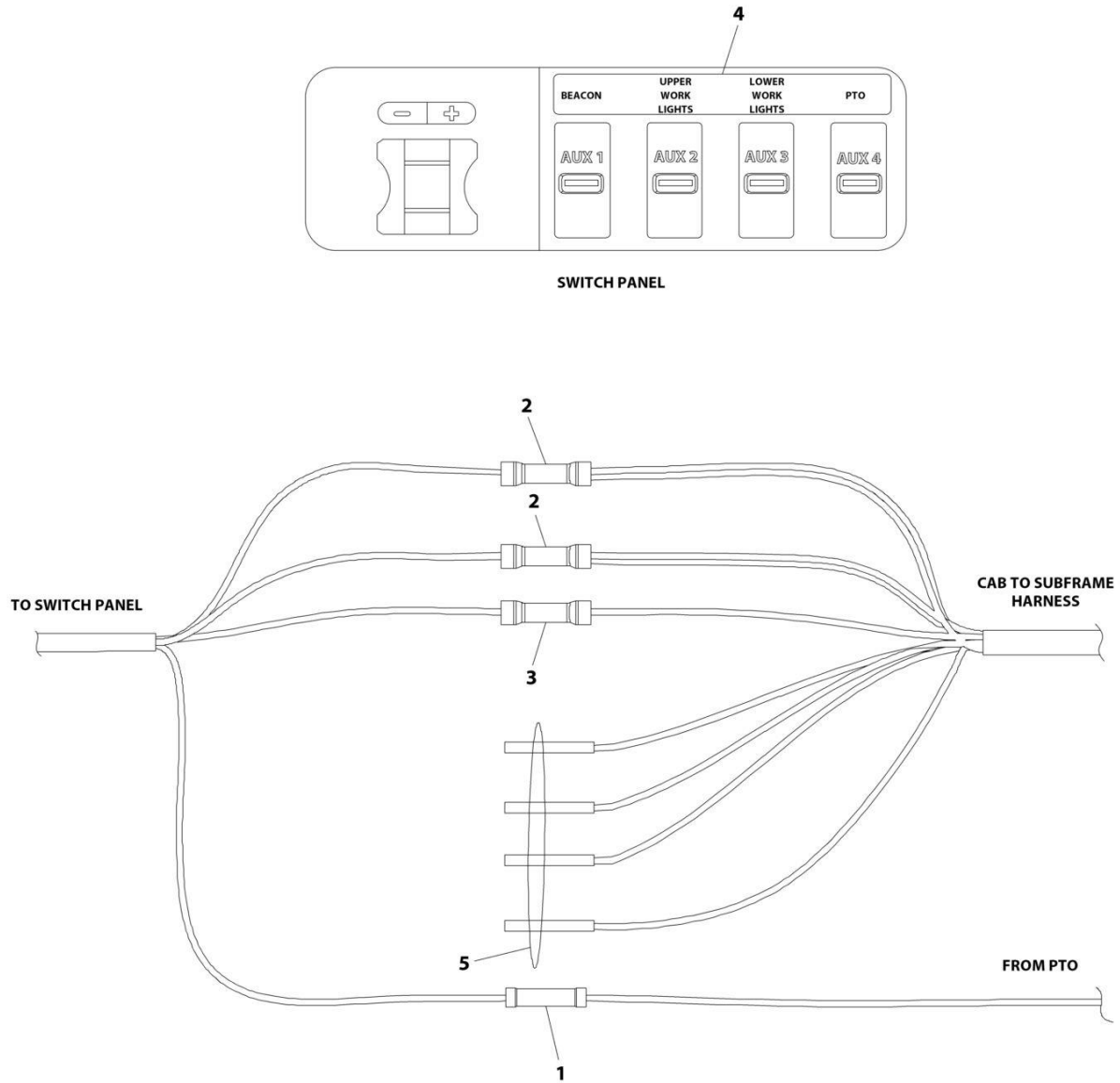
## SECTION 6 - ELECTRICAL

**FIGURE 6-56. SWITCH PANEL ASSEMBLY - 3 FUNCTION (UNDER-DASH COMPACT)**

ITEM	PART NUMBER	QTY	DESCRIPTION	REV
	1001261004	Ref	3 FUNCTION UNDER-DASH COMPACT INSTALLATION	B
1	7870000134	1	Switch Panel	
2	7330000288	1	Decal	
3	4460018	4	Connector	
4	4460042	1	Terminal, Ring	
5	4460035	1	Connector	
6	4346000005	2	Heat Shrink	

# SECTION 6 - ELECTRICAL

FIGURE 6-57. SWITCH PANEL INSTALLATION - 4 FUNCTION (IN-DASH) (FORD 2008-2016 F550 OEM) (SN 0220017095 through 0220020946)



ART\_1001135523

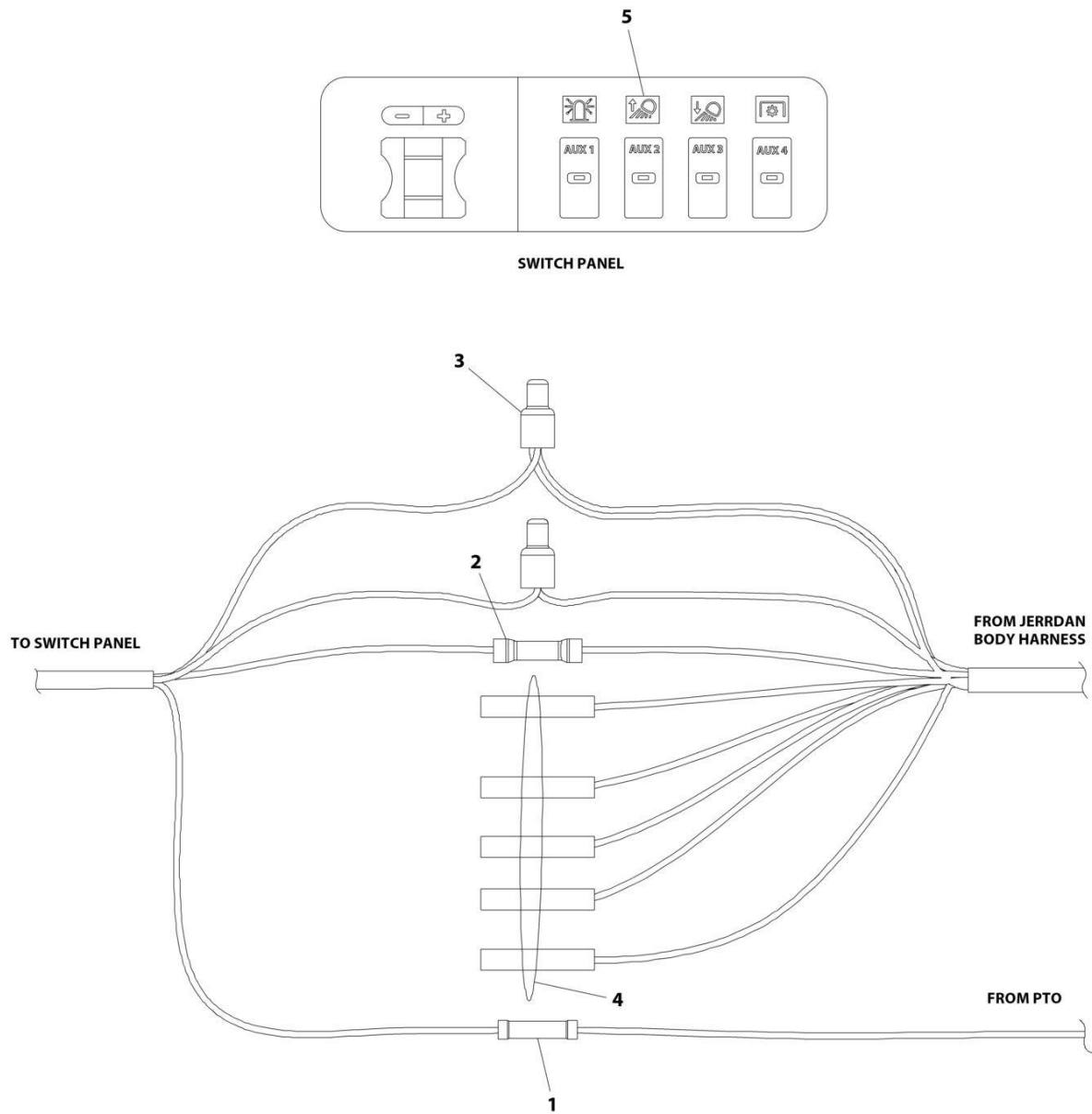
## SECTION 6 - ELECTRICAL

**FIGURE 6-57. SWITCH PANEL INSTALLATION - 4 FUNCTION (IN-DASH) (FORD 2008-2016 F550 OEM) (SN 0220017095 through 0220020946)**

ITEM	PART NUMBER	QTY	DESCRIPTION	REV
	1001135523	Ref	4 FUNCTION IN-DASH SWITCH PANEL FORD F550 OEM 2008-2016	B
1	7345001713	1	Connector	
2	7346000242	2	Connector	
3	7345001913	1	Connector	
4	7330000627	AR	Decal	
4	7330000628	AR	Decal	
5	4346000005	4	Heat Shrink, Tubing	

# SECTION 6 - ELECTRICAL

**FIGURE 6-58. SWITCH PANEL INSTALLATION - 4 FUNCTION (IN-DASH) (FORD 2008-2016 F550 OEM) (SN 0220020947 to Present)**



ART\_1001261007



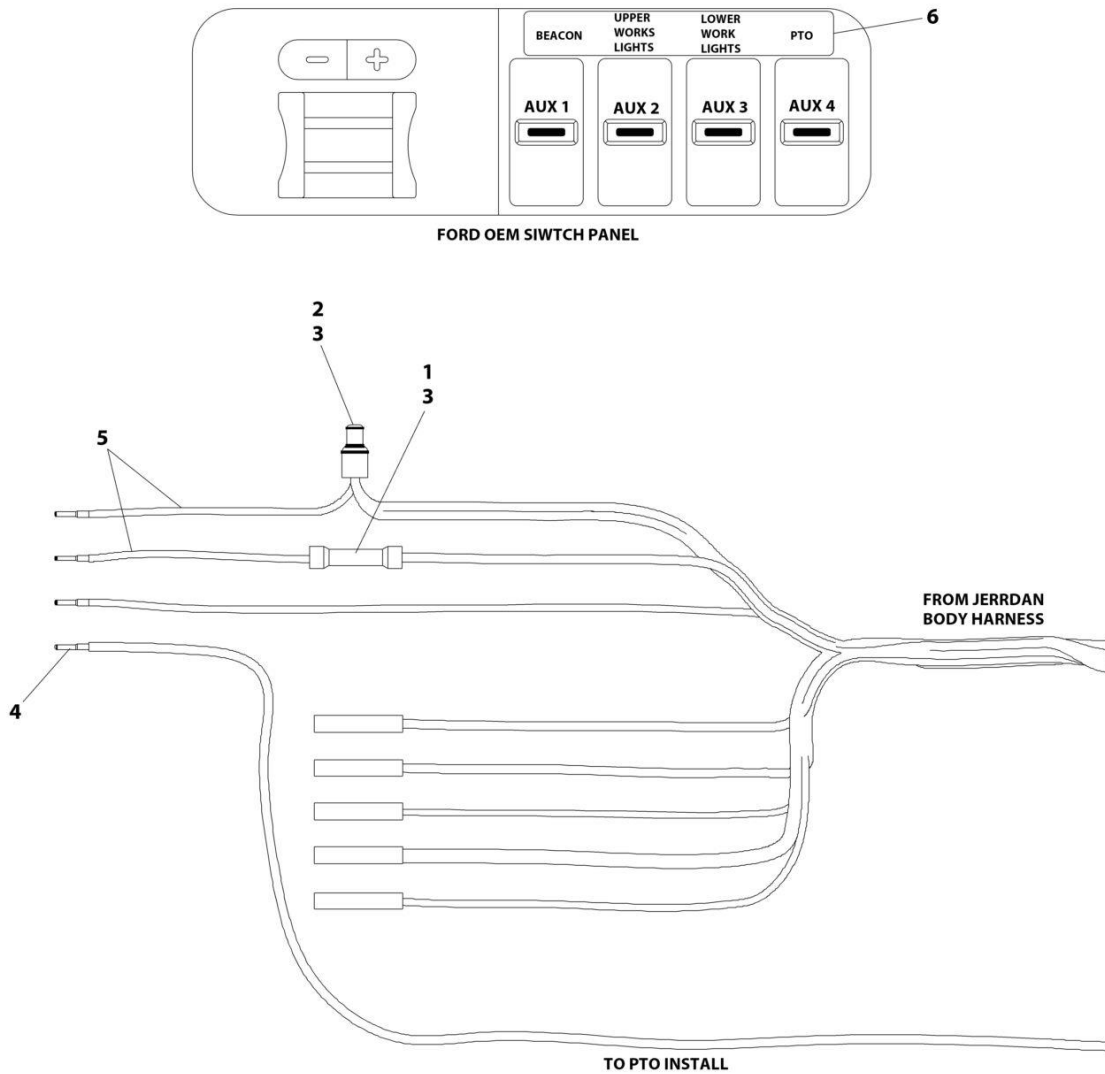
## SECTION 6 - ELECTRICAL

**FIGURE 6-58. SWITCH PANEL INSTALLATION - 4 FUNCTION (IN-DASH) (FORD 2008-2016 F550 OEM) (SN 0220020947 to Present)**

ITEM	PART NUMBER	QTY	DESCRIPTION	REV
	1001261007	Ref	4 FUNCTION IN-DASH SWITCH PANEL FORD F550 OEM 2008-2016	A
1	4460035	1	Terminal	
2	4460018	1	Terminal	
3	7346000242	2	Connector	
4	4346000005	5	Heat Shrink, Tubing	
5	1001221375	AR	Decal	

# SECTION 6 - ELECTRICAL

**FIGURE 6-59. SWITCH PANEL INSTALLATION - 4 FUNCTION (IN-DASH) (FORD 2011+ F650/750 OEM)  
(SN 0220017095 through 0220020946)**



ART\_1001135524

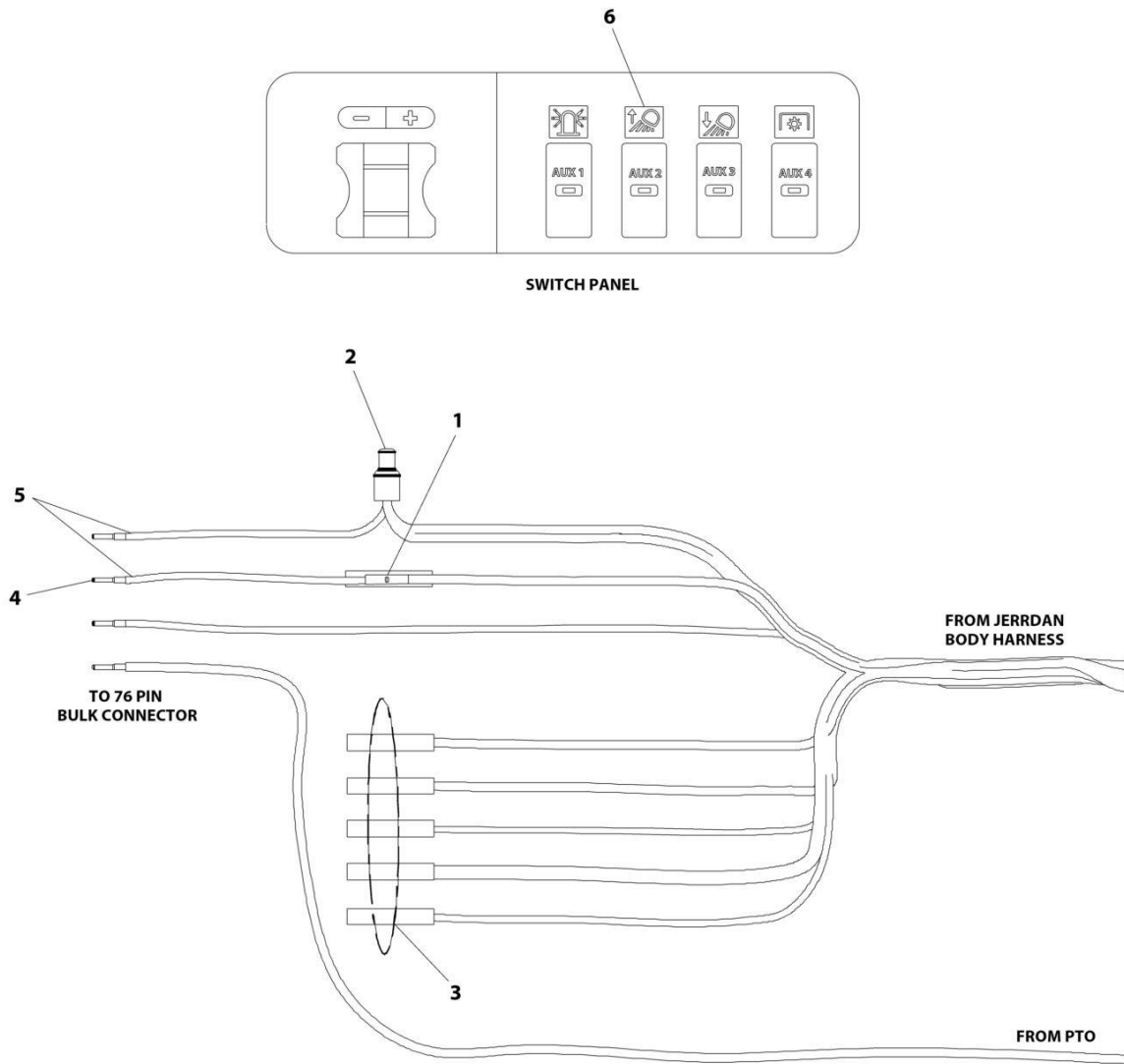
## SECTION 6 - ELECTRICAL

**FIGURE 6-59. SWITCH PANEL INSTALLATION - 4 FUNCTION (IN-DASH) (FORD 2011+ F650/750 OEM)  
(SN 0220017095 through 0220020946)**

ITEM	PART NUMBER	QTY	DESCRIPTION	REV
	1001135524	Ref	4 FUNCTION IN-DASH SWITCH PANEL, FORD F650/750 OEM 2011+	C
1	7345001914	2	Terminal	
2	7346000242	1	Connector	
3	4346000005	7	Heat Shrink, Tubing	
4	1001129095	4	Terminal	
5	7978000020	AR	Wire	
6	7330000627	AR	Decal	
6	7330000628	AR	Decal	
6	1001135622	AR	Decal	

# SECTION 6 - ELECTRICAL

FIGURE 6-60. SWITCH PANEL INSTALLATION - 4 FUNCTION (IN-DASH) (FORD 2011+ F650/750 OEM)  
(SN 0220020947 to Present)



ART\_1001261008

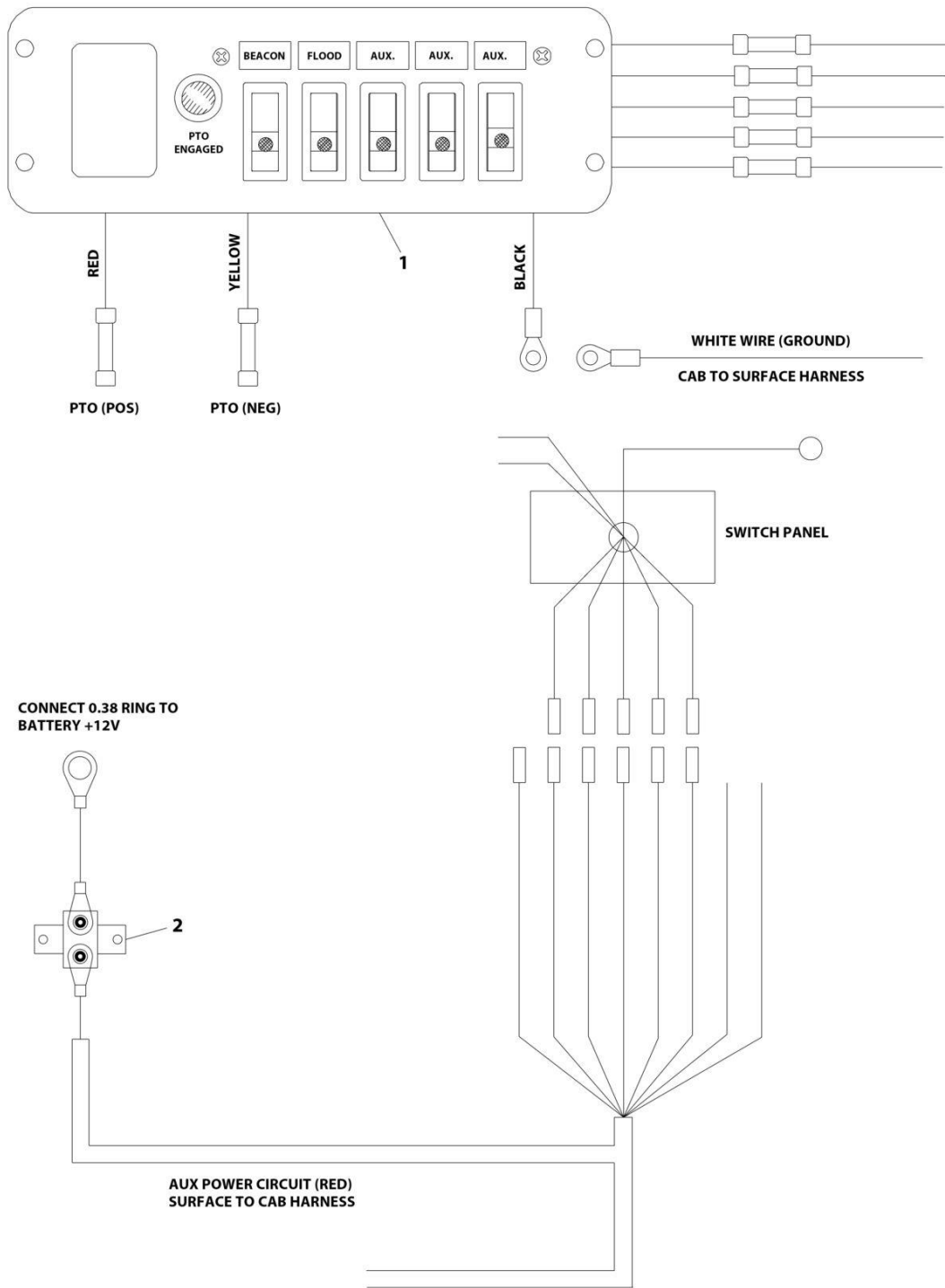
## SECTION 6 - ELECTRICAL

**FIGURE 6-60. SWITCH PANEL INSTALLATION - 4 FUNCTION (IN-DASH) (FORD 2011+ F650/750 OEM)  
(SN 0220020947 to Present)**

ITEM	PART NUMBER	QTY	DESCRIPTION	REV
	1001261008	Ref	4 FUNCTION IN-DASH SWITCH PANEL, FORD F650/750 OEM 2011+	A
1	7345001914	1	Terminal	
2	7346000242	1	Connector	
3	4346000005	7	Heat Shrink, Tubing	
4	1001129095	4	Terminal	
5	7978000020	AR	Wire	
6	1001221375	AR	Decal	

# SECTION 6 - ELECTRICAL

FIGURE 6-61. SWITCH PANEL INSTALLATION - 5 FUNCTION (IN-DASH COMPACT) (SN 0220017095 through 0220020946)



ART\_SP5ICPKG

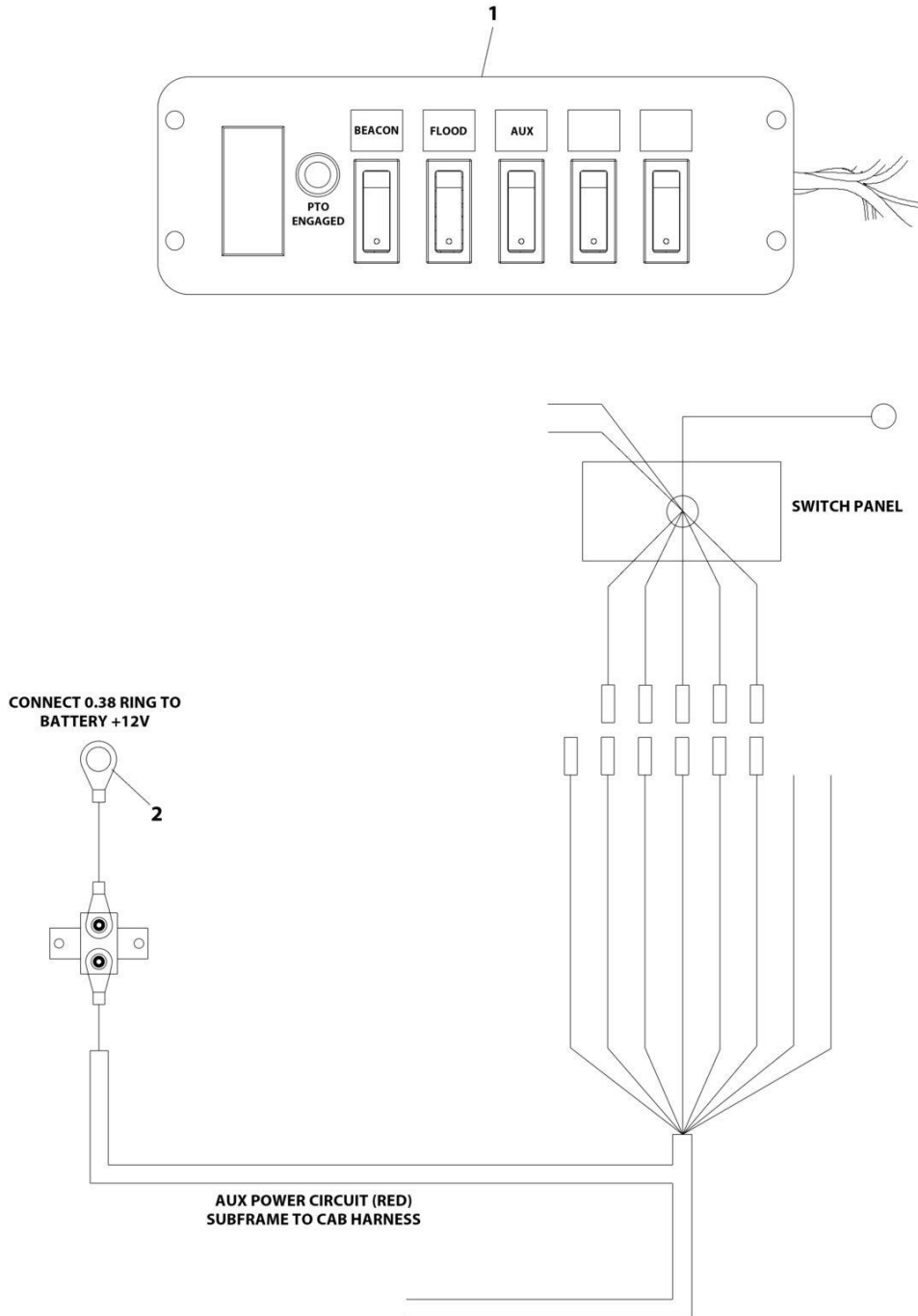
## SECTION 6 - ELECTRICAL

**FIGURE 6-61. SWITCH PANEL INSTALLATION - 5 FUNCTION (IN-DASH COMPACT) (SN 0220017095 through 0220020946)**

ITEM	PART NUMBER	QTY	DESCRIPTION	REV
	SP5ICPKG	Ref	5 FUNCTION IN-DASH COMPACT SWITCH PANEL	C
1	1001135701	1	5 Function In-Dash Switch Panel Assembly (See Separate Breakdown in this Section)	
2	1001129883	1	Breaker Installation (See Separate Breakdown in this Section)	

# SECTION 6 - ELECTRICAL

FIGURE 6-62. SWITCH PANEL INSTALLATION - 5 FUNCTION (IN-DASH COMPACT) (SN 0220020947 to Present)



ART\_1001262049



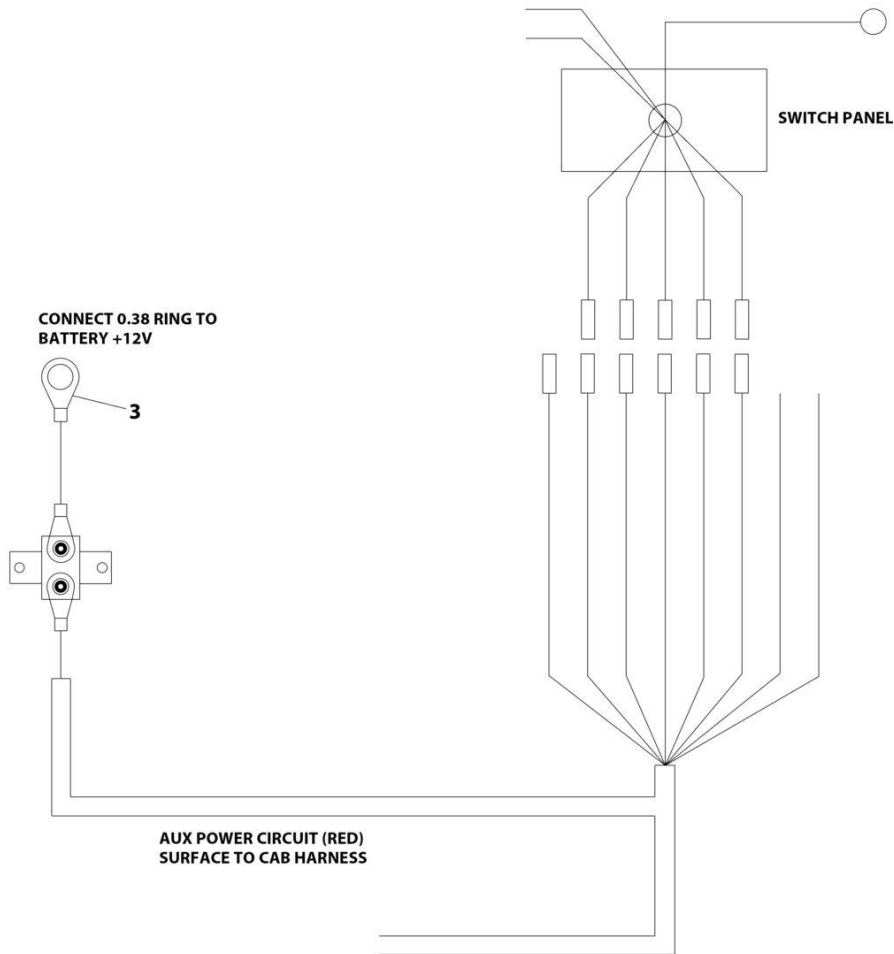
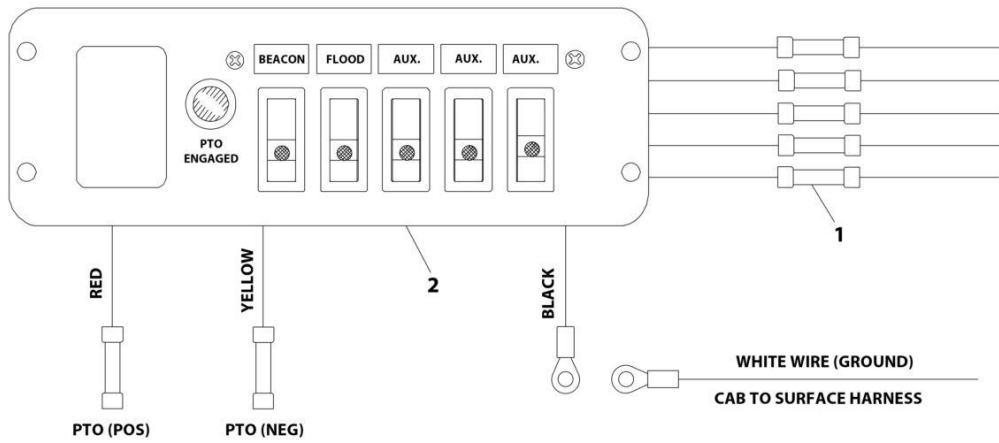
## SECTION 6 - ELECTRICAL

**FIGURE 6-62. SWITCH PANEL INSTALLATION - 5 FUNCTION (IN-DASH COMPACT) (SN 0220020947 to Present)**

ITEM	PART NUMBER	QTY	DESCRIPTION	REV
	1001262049	Ref	5 FUNCTION IN-DASH COMPACT SWITCH PANEL	A
1	1001261005	1	5 Function In-Dash Switch Panel Installation (See Separate Breakdown in this Section)	
2	1001129883	1	Breaker Installation (See Separate Breakdown in this Section)	

# SECTION 6 - ELECTRICAL

**FIGURE 6-63. SWITCH PANEL INSTALLATION - 5 FUNCTION (IN-DASH COMPACT) (IHC WITHOUT OEM) (SN 0220017095 through 0220020946)**



ART\_1001135811

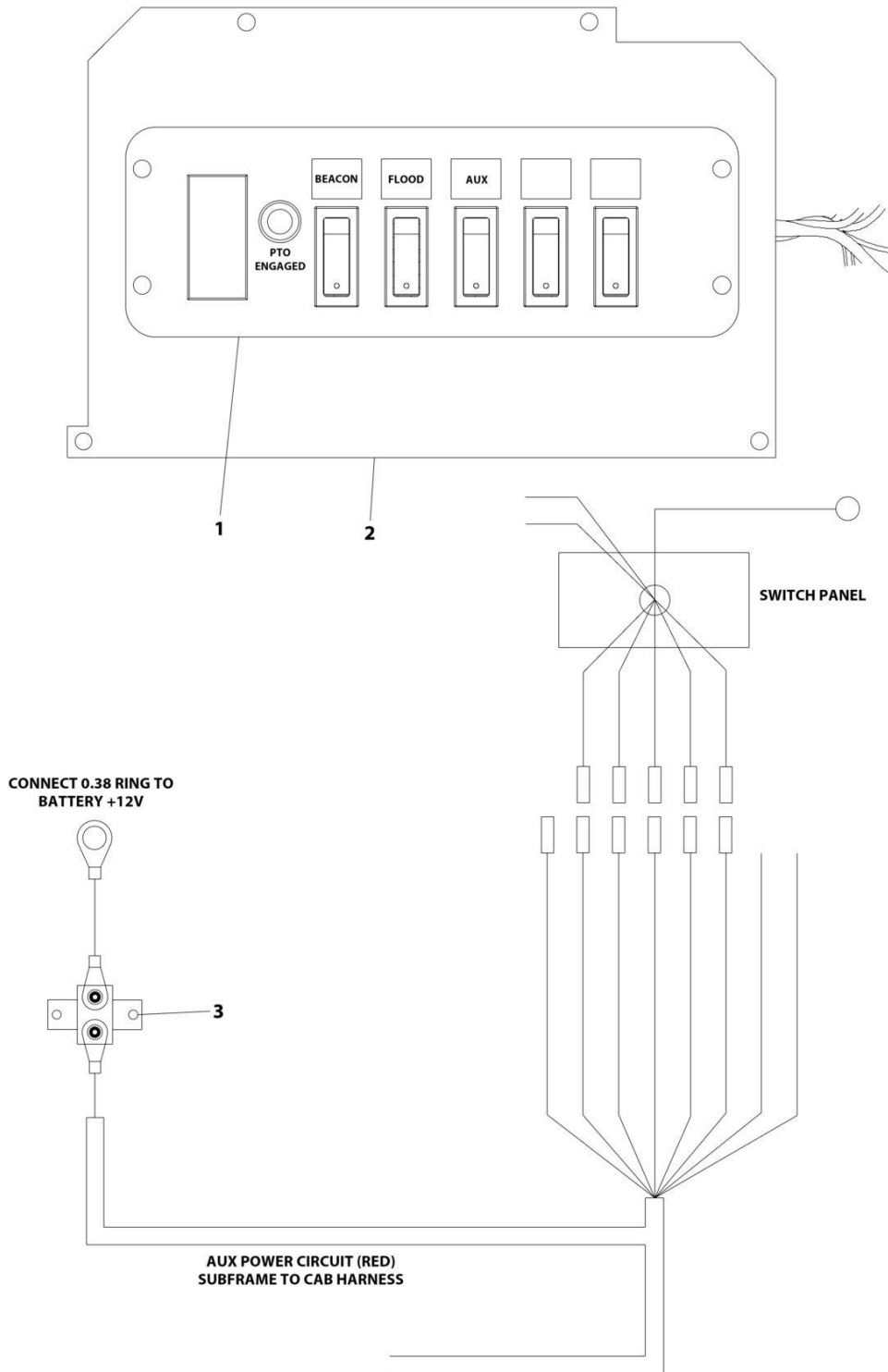
## SECTION 6 - ELECTRICAL

**FIGURE 6-63. SWITCH PANEL INSTALLATION - 5 FUNCTION (IN-DASH COMPACT) (IHC WITHOUT OEM) (SN 0220017095 through 0220020946)**

ITEM	PART NUMBER	QTY	DESCRIPTION	REV
	1001135811	Ref	5 FUNCTION IN-DASH SWITCH PANEL, IHC WITHOUT OEM	B
1	1001135701	1	5 Function In-Dash Compact Installation (See Separate Breakdown in this Section)	
2	1001135813	1	Switch Panel	
3	1001129883	1	Breaker Installation (See Separate Breakdown in this Section)	

# SECTION 6 - ELECTRICAL

**FIGURE 6-64. SWITCH PANEL INSTALLATION - 5 FUNCTION (IN-DASH COMPACT) (IHC WITHOUT OEM) (SN 0220020947 to Present)**



ART\_1001262053

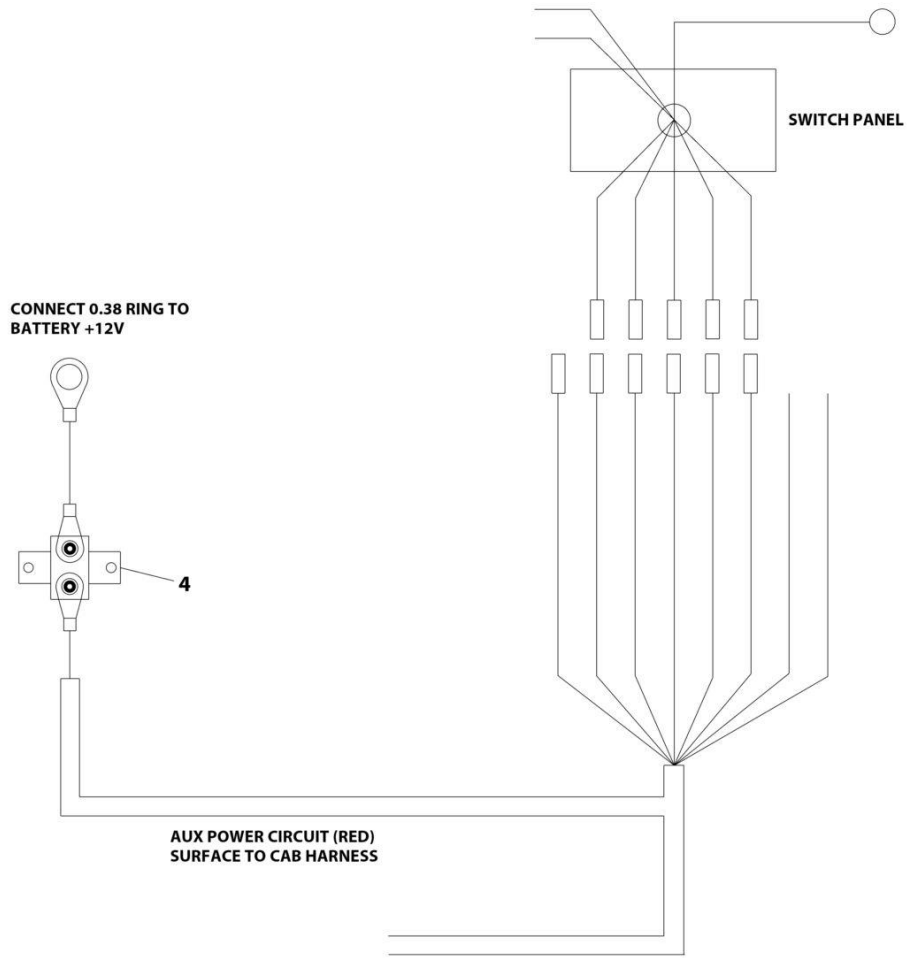
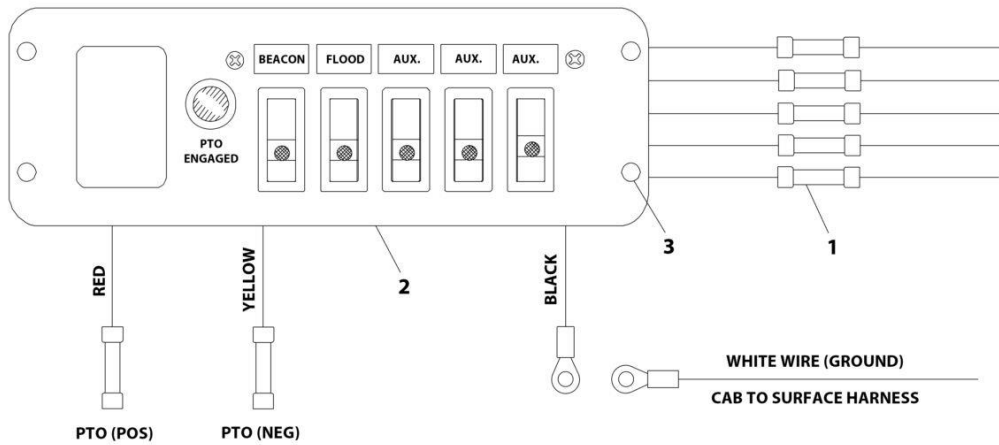
## SECTION 6 - ELECTRICAL

**FIGURE 6-64. SWITCH PANEL INSTALLATION - 5 FUNCTION (IN-DASH COMPACT) (IHC WITHOUT OEM) (SN 0220020947 to Present)**

ITEM	PART NUMBER	QTY	DESCRIPTION	REV
	1001262053	Ref	5 FUNCTION IN-DASH SWITCH PANEL, IHC WITHOUT OEM	A
1	1001261005	1	5 Function In-Dash Switch Panel Installation (See Separate Breakdown in this Section)	
2	1001135813	1	Switch Panel	
3	1001129883	1	Breaker Installation (See Separate Breakdown in this Section)	

# SECTION 6 - ELECTRICAL

**FIGURE 6-65. SWITCH PANEL INSTALLATION - 5 FUNCTION (IN-DASH) (PETERBILT) (SN 0220017095 through 0220020946)**



ART\_1001135812

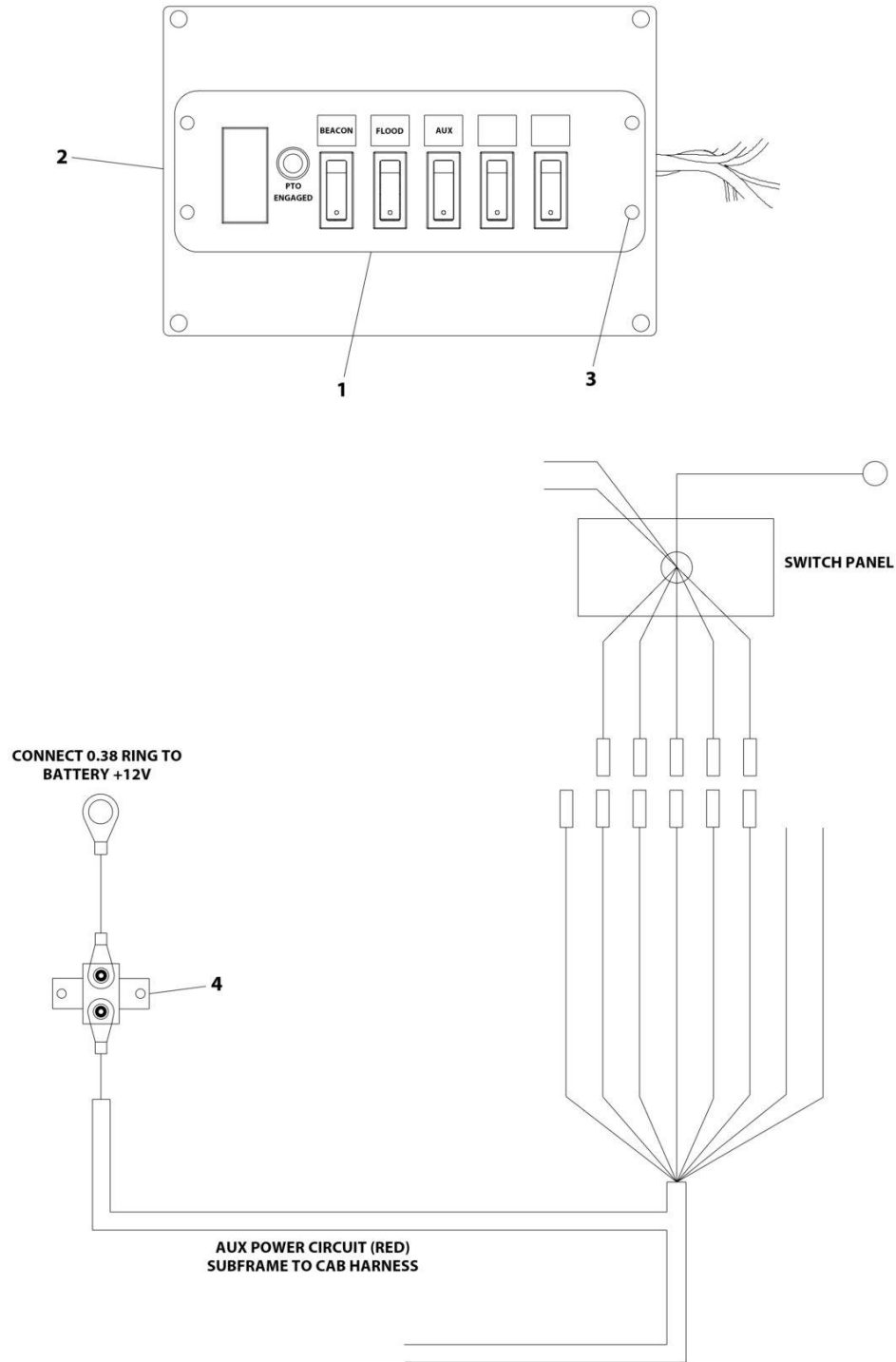
## SECTION 6 - ELECTRICAL

**FIGURE 6-65. SWITCH PANEL INSTALLATION - 5 FUNCTION (IN-DASH) (PETERBILT) (SN 0220017095 through 0220020946)**

ITEM	PART NUMBER	QTY	DESCRIPTION	REV
	1001135812	Ref	5 FUNCTION IN-DASH SWITCH PANEL, PETERBILT	B
1	1001135701	1	5 Function In-Dash Switch Panel Installation (See Separate Breakdown in this Section)	
2	1001135814	1	Switch Panel	
3	1001135815	4	Screw #8 x 3/8	
4	1001129883	1	Breaker Installation (See Separate Breakdown in this Section)	

# SECTION 6 - ELECTRICAL

FIGURE 6-66. SWITCH PANEL INSTALLATION - 5 FUNCTION (IN-DASH) (PETERBILT) (SN 0220020947 to Present)



ART\_1001262052



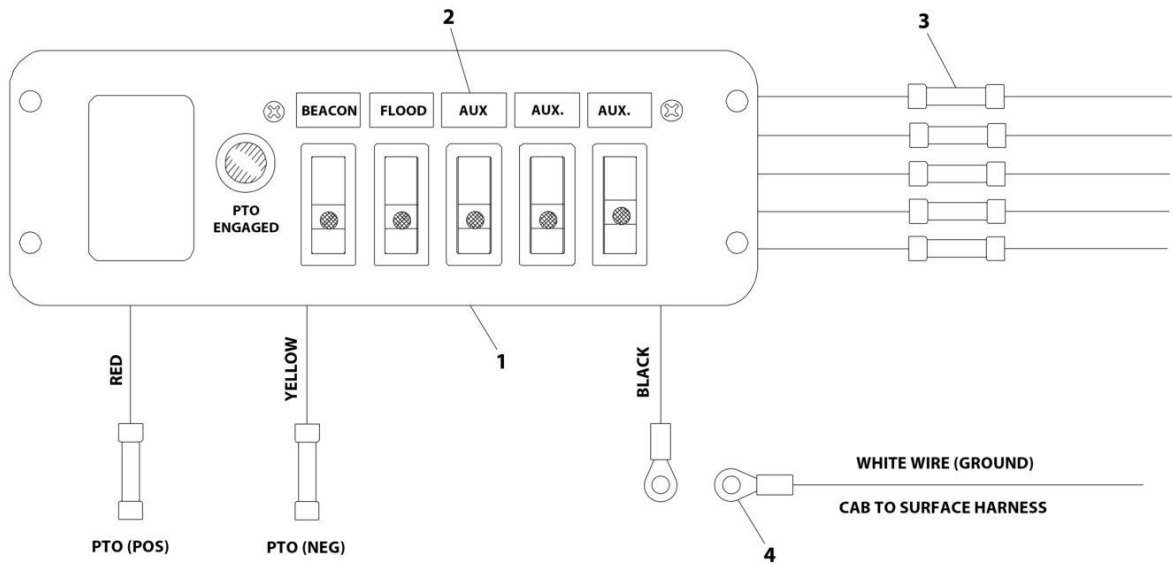
## SECTION 6 - ELECTRICAL

**FIGURE 6-66. SWITCH PANEL INSTALLATION - 5 FUNCTION (IN-DASH) (PETERBILT) (SN 0220020947 to Present)**

ITEM	PART NUMBER	QTY	DESCRIPTION	REV
	1001262052	Ref	5 FUNCTION IN-DASH SWITCH PANEL, PETERBILT	A
1	1001261005	1	5 Function In-Dash Switch Panel Installation (See Separate Breakdown in this Section)	
2	1001135814	1	Switch Panel	
3	1001135815	1	Screw #8 x 3/8	
4	1001129883	1	Breaker Installation (See Separate Breakdown in this Section)	

# SECTION 6 - ELECTRICAL

## FIGURE 6-67. SWITCH PANEL ASSEMBLY - 5 FUNCTION (IN-DASH)



ART\_1001135701

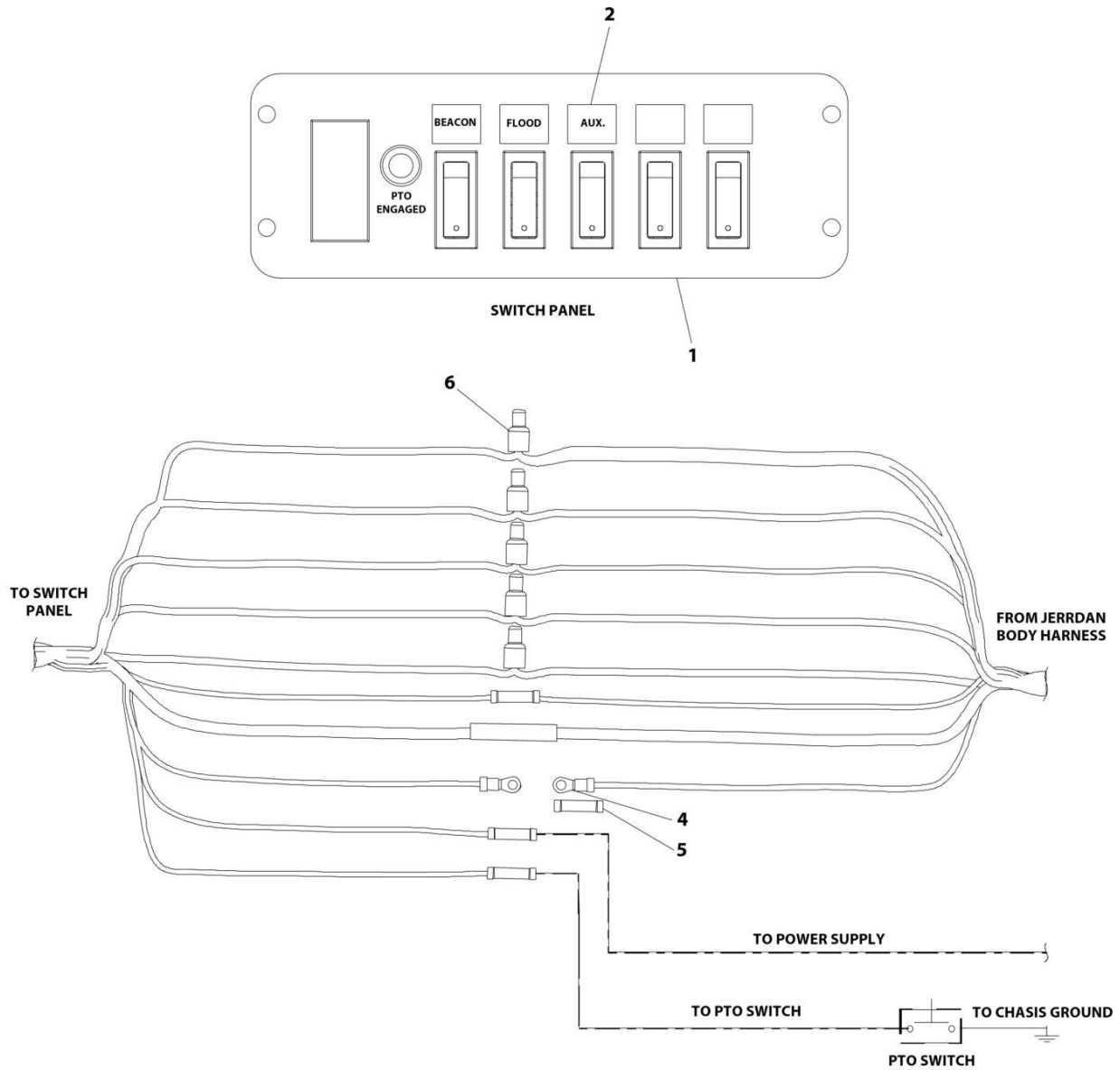
## SECTION 6 - ELECTRICAL

**FIGURE 6-67. SWITCH PANEL ASSEMBLY - 5 FUNCTION (IN-DASH)**

ITEM	PART NUMBER	QTY	DESCRIPTION	REV
	1001135701	Ref	5 FUNCTION IN-DASH COMPACT SWITCH PANEL ASSEMBLY	A
1	7870000106	1	Switch Panel	
2	7330000288	1	Decal	
3	7345001913	6	Connector	
4	7345211701	1	Terminal	
4	7345001713	1	Connector	

# SECTION 6 - ELECTRICAL

## FIGURE 6-68. SWITCH PANEL ASSEMBLY - 5 FUNCTION (IN-DASH)



ART\_1001261005

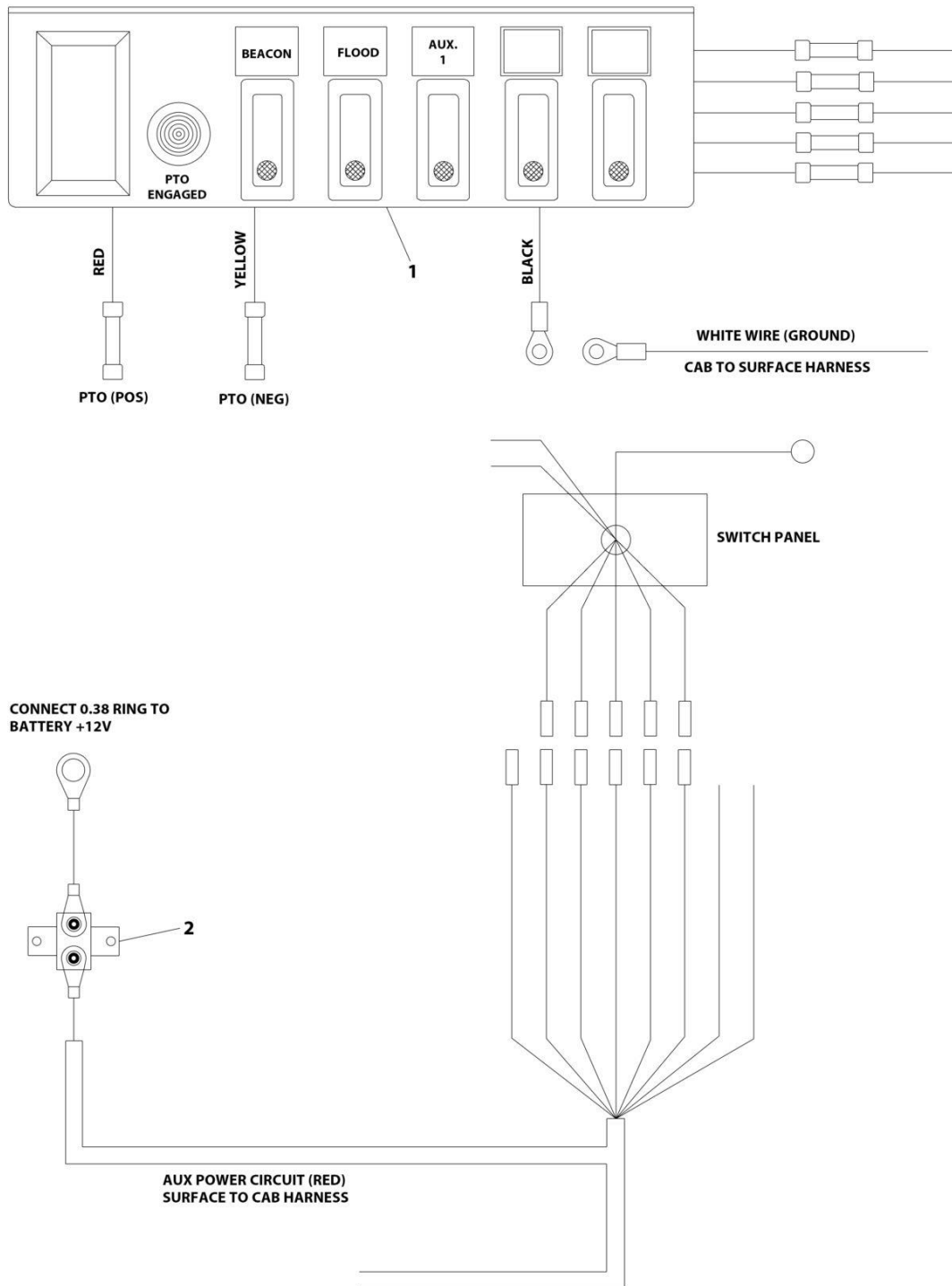
## SECTION 6 - ELECTRICAL

**FIGURE 6-68. SWITCH PANEL ASSEMBLY - 5 FUNCTION (IN-DASH)**

ITEM	PART NUMBER	QTY	DESCRIPTION	REV
	1001261005	Ref	5 FUNCTION IN-DASH COMPACT SWITCH PANEL INSTALLATION	B
1	7870000106	1	Switch Panel	
2	7330000288	1	Decal	
4	4460042	1	Terminal, Ring	
5	4460035	2	Connector	
6	7346000242	5	Connector	

# SECTION 6 - ELECTRICAL

**FIGURE 6-69. SWITCH PANEL INSTALLATION - 5 FUNCTION (UNDER-DASH COMPACT) (SN 0220017095 through 0220020946)**



ART\_SP5CPKG

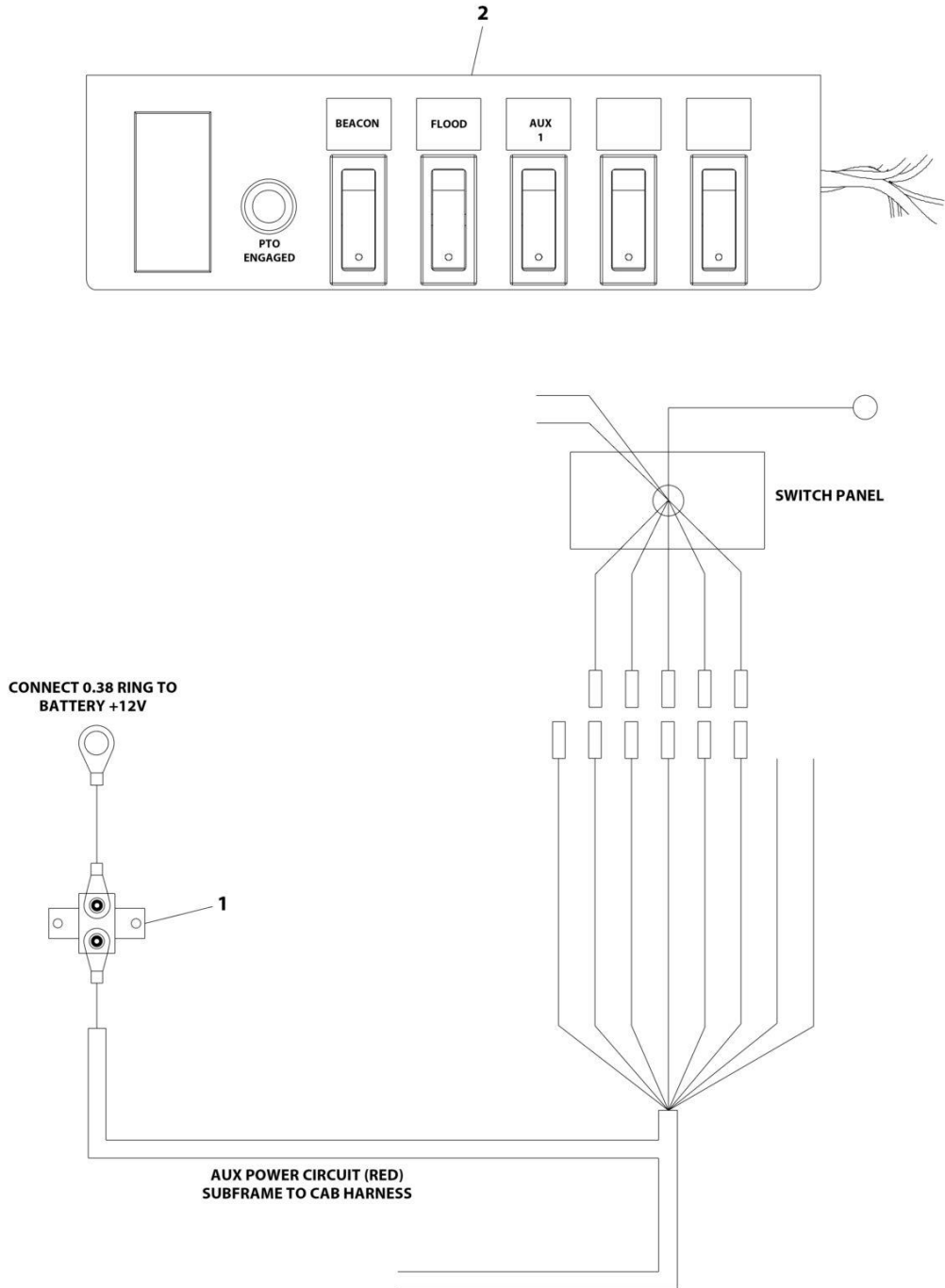
## SECTION 6 - ELECTRICAL

**FIGURE 6-69. SWITCH PANEL INSTALLATION - 5 FUNCTION (UNDER-DASH COMPACT) (SN 0220017095 through 0220020946)**

ITEM	PART NUMBER	QTY	DESCRIPTION	REV
	SP5CPKG	Ref	5 FUNCTION UNDER-DASH COMPACT SWITCH PANEL	C
1	1001135757	1	5 Function Under-Dash Compact Switch Assembly (See Separate Breakdown in this Section)	
2	1001129883	1	Breaker Installation (See Separate Breakdown in this Section)	

# SECTION 6 - ELECTRICAL

## FIGURE 6-70. SWITCH PANEL INSTALLATION - 5 FUNCTION (UNDER-DASH COMPACT) (SN 0220020947 to Present)



ART\_1001262050



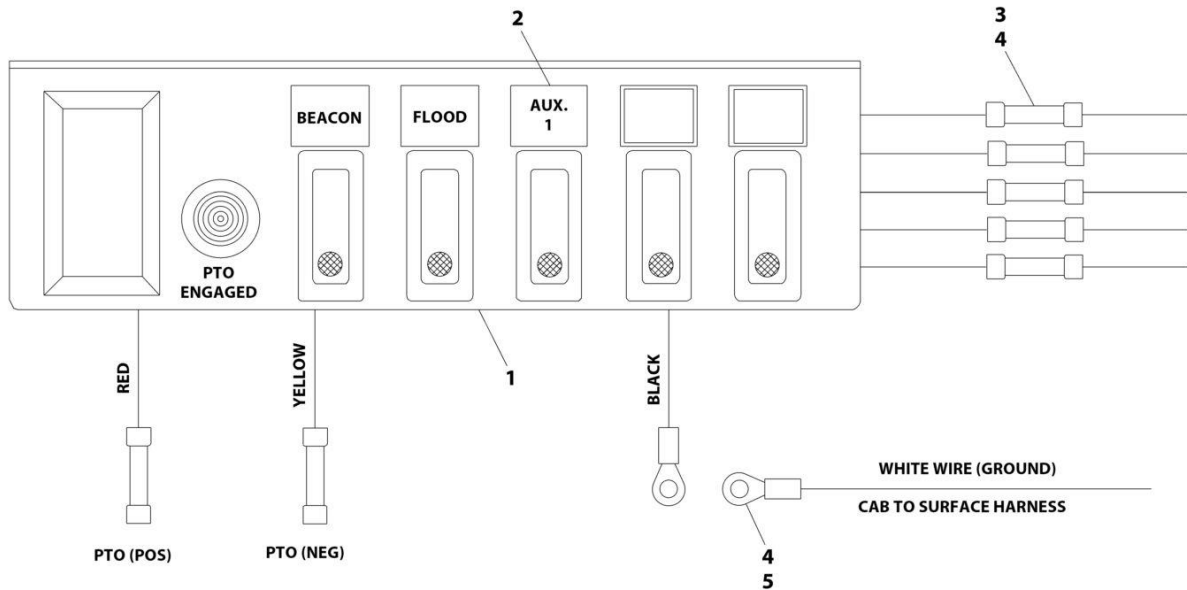
## SECTION 6 - ELECTRICAL

**FIGURE 6-70. SWITCH PANEL INSTALLATION - 5 FUNCTION (UNDER-DASH COMPACT) (SN 0220020947 to Present)**

ITEM	PART NUMBER	QTY	DESCRIPTION	REV
	1001262050	Ref	5 FUNCTION UNDER-DASH COMPACT SWITCH PANEL	A
1	1001129883	1	Breaker Installation (See Separate Breakdown in this Section)	
2	1001261006	1	5 Function Under-Dash Switch Panel Installation (See Separate Breakdown in this Section)	

# SECTION 6 - ELECTRICAL

## FIGURE 6-71. SWITCH PANEL ASSEMBLY - 5 FUNCTION UNDER-DASH (COMPACT)



ART\_1001135757

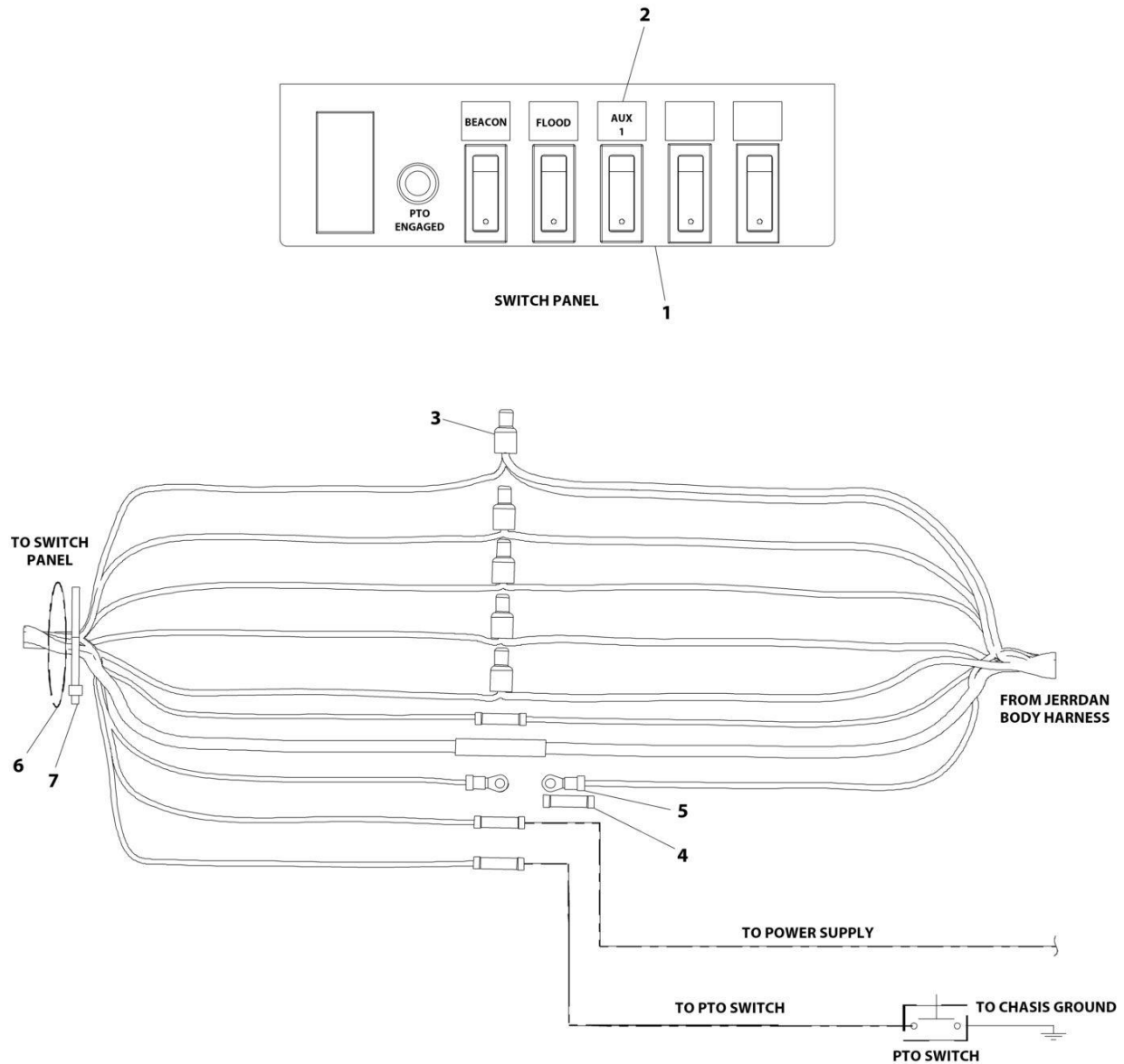
## SECTION 6 - ELECTRICAL

**FIGURE 6-71. SWITCH PANEL ASSEMBLY - 5 FUNCTION UNDER-DASH (COMPACT)**

ITEM	PART NUMBER	QTY	DESCRIPTION	REV
	1001135757	1	5 FUNCTION UNDER-DASH SWITCH PANEL ASSEMBLY	A
1	7870000137	1	Switch Panel	
2	7330000288	1	Decal	
3	7346000242	2	Connector	
4	7345001713	5	Connector	
5	7345211701	1	Ternminal	
6	8597650003	2	Wire (Not Shown)	
7	5526000553	6	Tie Strap (Not Shown)	

# SECTION 6 - ELECTRICAL

## FIGURE 6-72. SWITCH PANEL ASSEMBLY - 5 FUNCTION UNDER-DASH (COMPACT)



ART\_1001261006

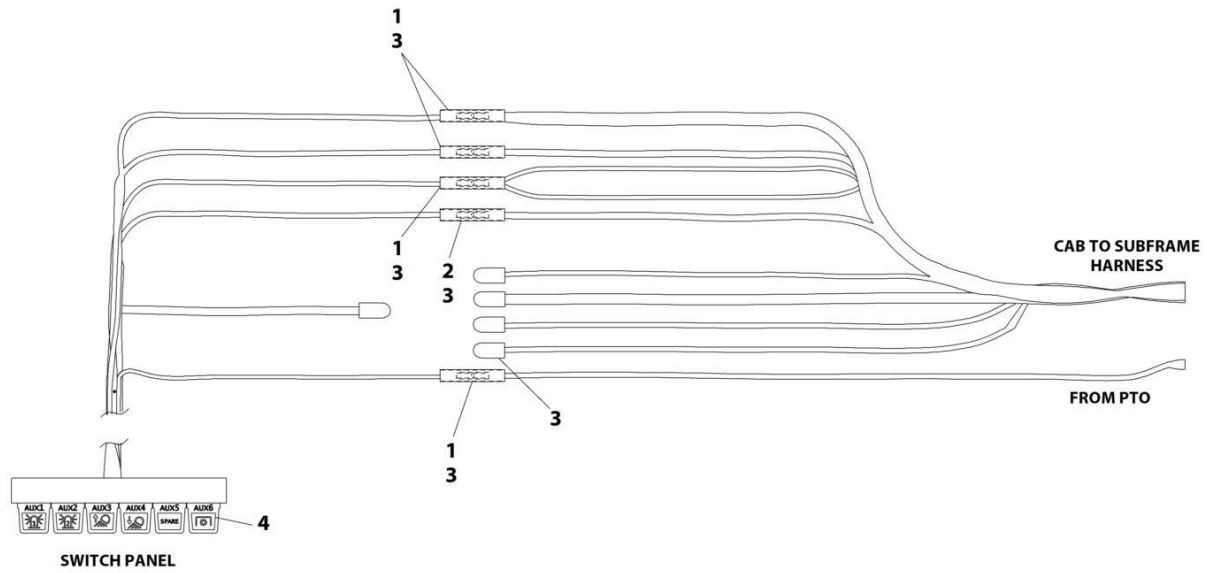
## SECTION 6 - ELECTRICAL

**FIGURE 6-72. SWITCH PANEL ASSEMBLY - 5 FUNCTION UNDER-DASH (COMPACT)**

ITEM	PART NUMBER	QTY	DESCRIPTION	REV
	1001261006	Ref	5 FUNCTION UNDER-DASH COMPACT SWITCH PANEL INSTALLATION	B
1	7870000137	1	Switch Panel	
2	7330000288	1	Decal	
3	7346000242	5	Connector	
4	4460035	2	Connector	
5	4460042	1	Terminal, Ring	
6	8597650003	2	Wire	
7	5526000553	6	Tie Strap	

# SECTION 6 - ELECTRICAL

FIGURE 6-73. SWITCH PANEL INSTALLATION - 6 FUNCTION (FORD F550 2017+ OEM) (SN 0220017095 through 0220020946)



ART\_1001220211

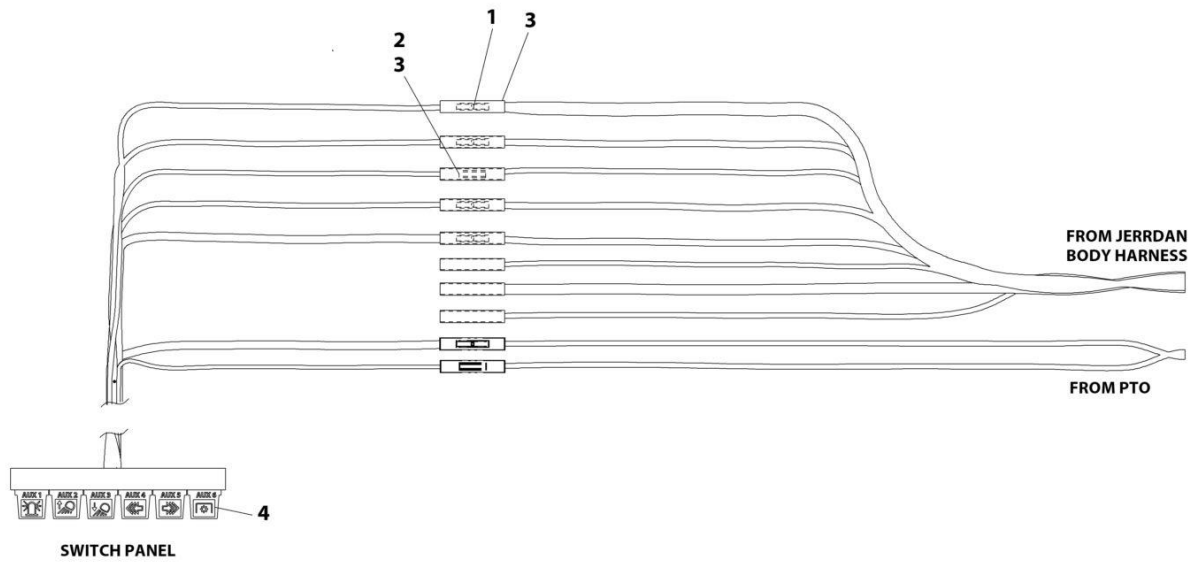
## SECTION 6 - ELECTRICAL

**FIGURE 6-73. SWITCH PANEL INSTALLATION - 6 FUNCTION (FORD F550 2017+ OEM) (SN 0220017095 through 0220020946)**

ITEM	PART NUMBER	QTY	DESCRIPTION	REV
	1001220211	Ref	6 FUNCTION SWITCH PANEL, FORD F550 OEM 2017+	D
1	7345001914	4	Terminal	
2	7345001714	1	Terminal	
3	7346000039	1	Tube	
4	1001221375	1	Decal	
5	1001225218	1	Electrical Assembly (Not Shown)	

# SECTION 6 - ELECTRICAL

FIGURE 6-74. SWITCH PANEL INSTALLATION - 6 FUNCTION (FORD F550 2017+ OEM) (SN 0220020947 to Present)



ART\_1001261023



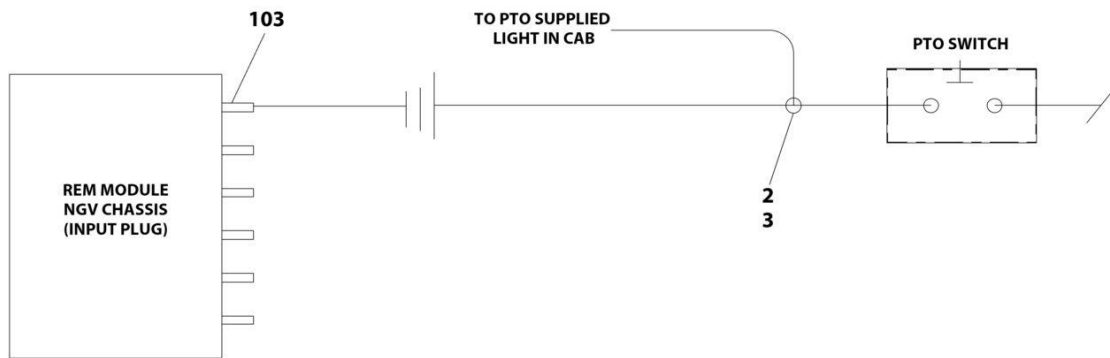
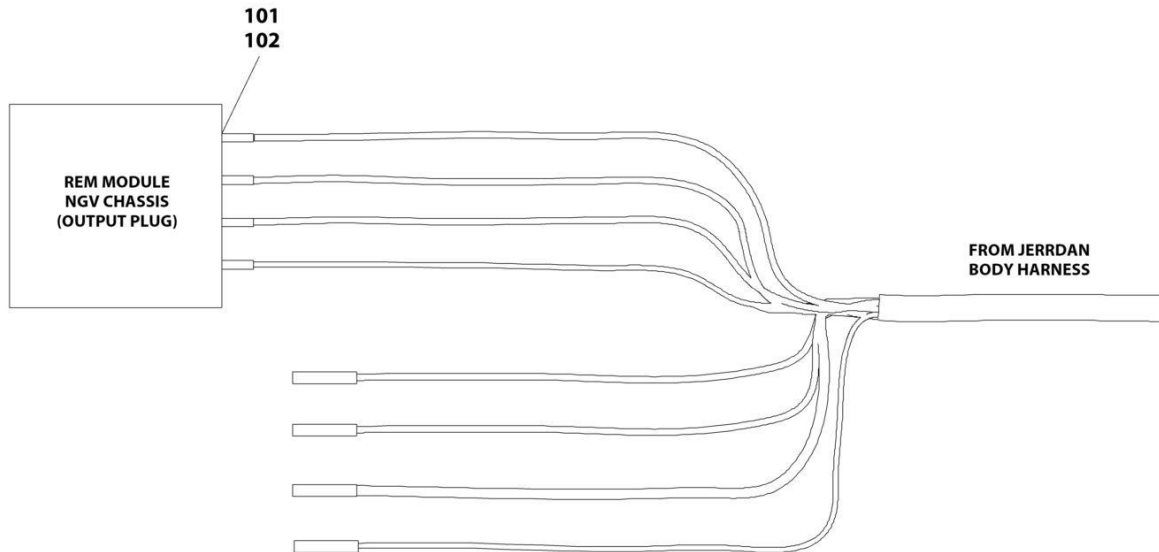
## SECTION 6 - ELECTRICAL

**FIGURE 6-74. SWITCH PANEL INSTALLATION - 6 FUNCTION (FORD F550 2017+ OEM) (SN 0220020947 to Present)**

ITEM	PART NUMBER	QTY	DESCRIPTION	REV
	1001261023	Ref	6 FUNCTION SWITCH PANEL, FORD F550 OEM 2017+	A
1	7345001914	4	Terminal	
2	7345001714	1	Terminal	
3	4346000005	8	Heat Shrink, Tubing	
4	1001221375	1	Decal	
5	1001225218	1	Electrical Assembly (Not Shown)	

# SECTION 6 - ELECTRICAL

FIGURE 6-75. SWITCH PANEL INSTALLATION - 6 FUNCTION (IN-DASH COMPACT) (IHC WITH OEM)  
(SN 0220017095 through 0220020946)



ART\_2978000001

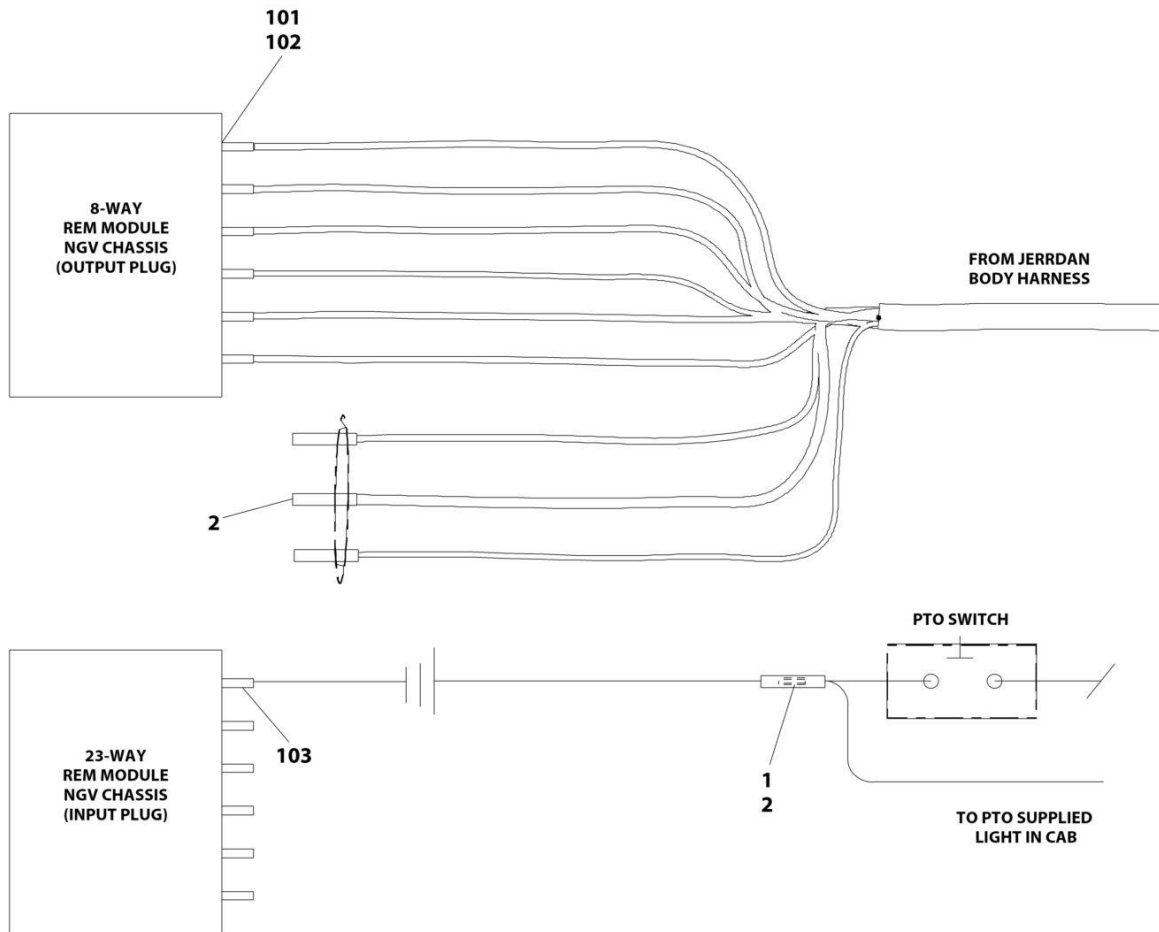
## SECTION 6 - ELECTRICAL

**FIGURE 6-75. SWITCH PANEL INSTALLATION - 6 FUNCTION (IN-DASH COMPACT) (IHC WITH OEM)  
(SN 0220017095 through 0220020946)**

ITEM	PART NUMBER	QTY	DESCRIPTION	REV
	2978000001	Ref	6 FUNCTION IN-DASH SWITCH PANEL, IHC OEM	C
1	7577000329	1	Seal, Kit (Not Shown - Includes Items 101-103)	
2	7345001714	1	Terminal	
3	4346000005	4	Heat Shrink, Tubing	
101	7346000122	AR	Terminal	
102	7346000123	AR	Seal	
103	7346000125	AR	Terminal	

# SECTION 6 - ELECTRICAL

FIGURE 6-76. SWITCH PANEL INSTALLATION - 6 FUNCTION (IN-DASH COMPACT) (IHC WITH OEM)  
(SN 0220020947 to Present)



ART\_1001261016

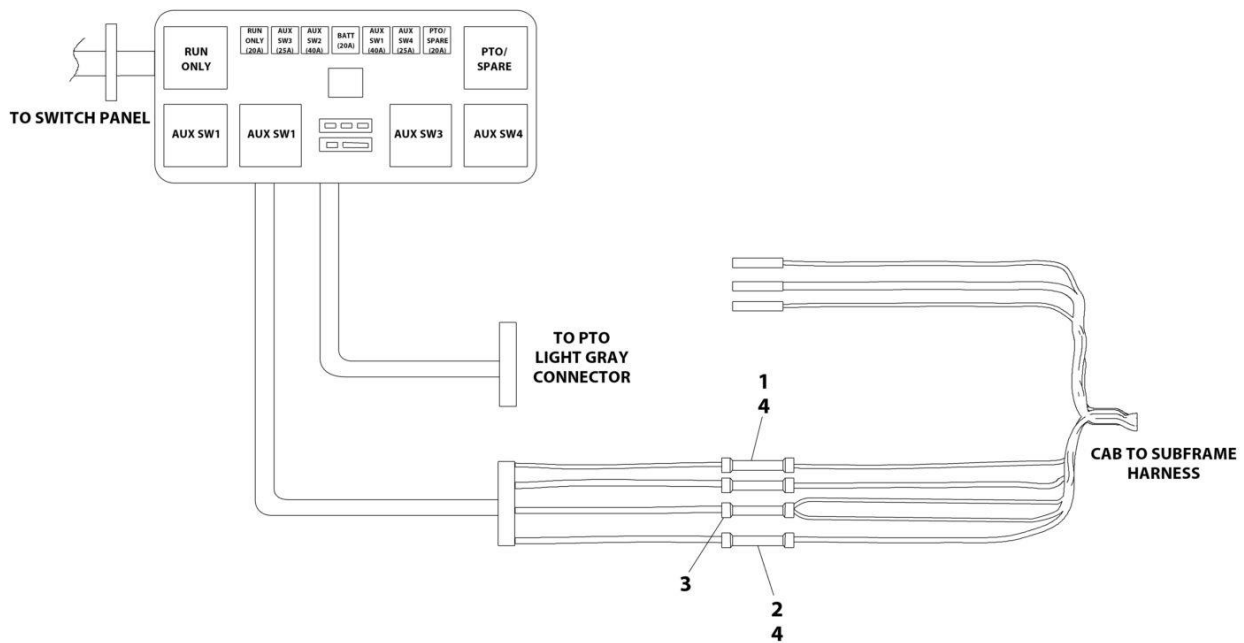
## SECTION 6 - ELECTRICAL

**FIGURE 6-76. SWITCH PANEL INSTALLATION - 6 FUNCTION (IN-DASH COMPACT) (IHC WITH OEM)  
(SN 0220020947 to Present)**

ITEM	PART NUMBER	QTY	DESCRIPTION	REV
	1001261016	Ref	6 FUNCTION IN-DASH SWITCH PANEL, IHC OEM	A
1	7345001714	1	Terminal	
2	4346000005	4	Heat Shrink, Tubing	
100	7577000329	1	Seal, Kit (Not Shown)	
101	7346000122	AR	Terminal	
102	7346000123	AR	Seal	
103	7346000125	AR	Terminal	

# SECTION 6 - ELECTRICAL

FIGURE 6-77. SWITCH PANEL INSTALLATION - 6 FUNCTION (RAM 2013+) (SN 0220017095 through 0220020946)



ART\_1001161370

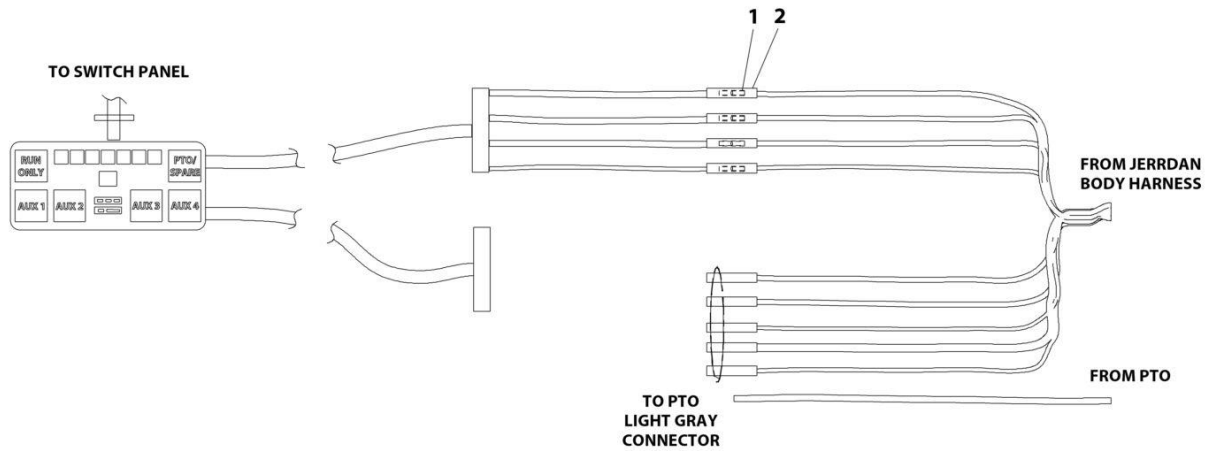
## SECTION 6 - ELECTRICAL

**FIGURE 6-77. SWITCH PANEL INSTALLATION - 6 FUNCTION (RAM 2013+) (SN 0220017095 through 0220020946)**

ITEM	PART NUMBER	QTY	DESCRIPTION	REV
	1001161370	Ref	6 FUNCTION SWITCH PANEL RAM 2013+	C
1	7345001914	4	Terminal	
2	7345001714	1	Terminal	
3	7346000242	1	Connector	
4	7346000039	1	Tube	

# SECTION 6 - ELECTRICAL

FIGURE 6-78. SWITCH PANEL INSTALLATION - 6 FUNCTION (RAM 2013+) (SN 0220020947 to Present)



ART\_1001261022



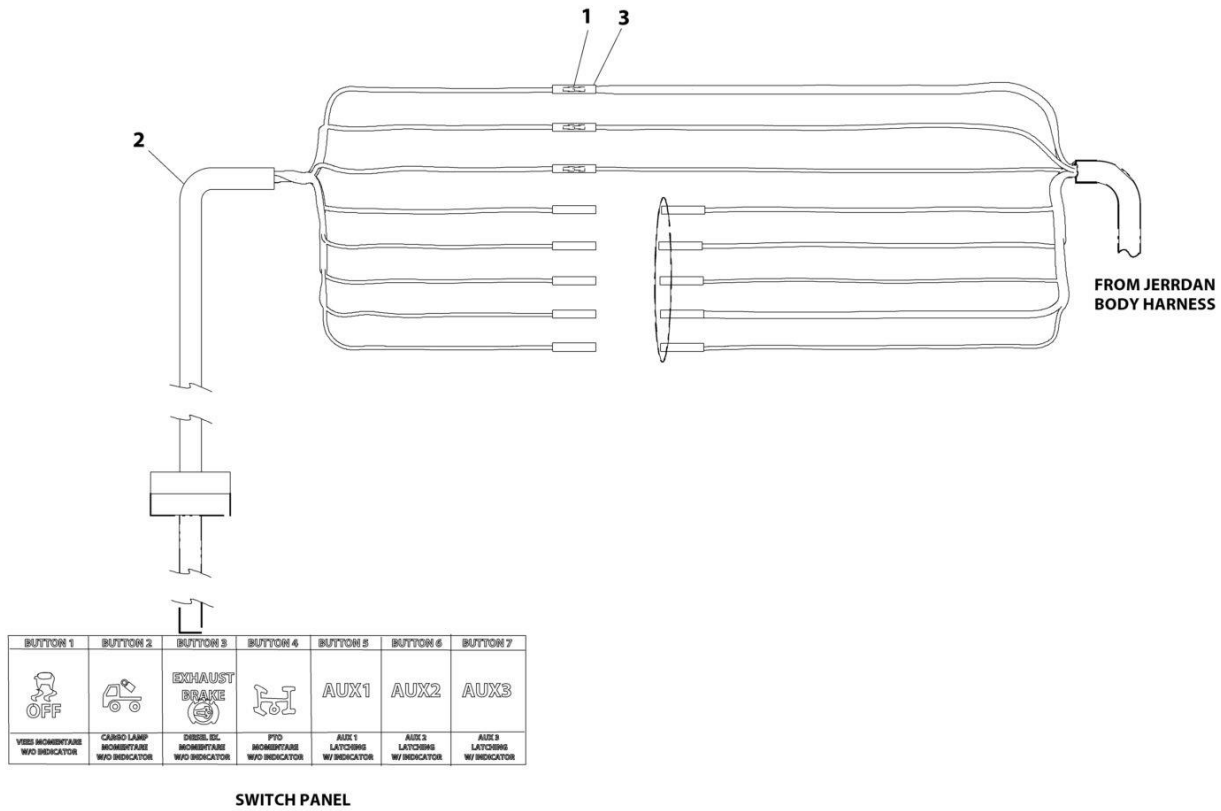
## SECTION 6 - ELECTRICAL

**FIGURE 6-78. SWITCH PANEL INSTALLATION - 6 FUNCTION (RAM 2013+) (SN 0220020947 to Present)**

ITEM	PART NUMBER	QTY	DESCRIPTION	REV
	1001261022	Ref	6 FUNCTION SWITCH PANEL RAM 2013+	A
1	7345001914	5	Terminal	
2	4346000005	9	Heat Shrink	

# SECTION 6 - ELECTRICAL

FIGURE 6-79. SWITCH PANEL INSTALLATION - 3 FUNCTION (OEM CV515 2019+)



ART\_1001261028

## SECTION 6 - ELECTRICAL

**FIGURE 6-79. SWITCH PANEL INSTALLATION - 3 FUNCTION (OEM CV515 2019+)**

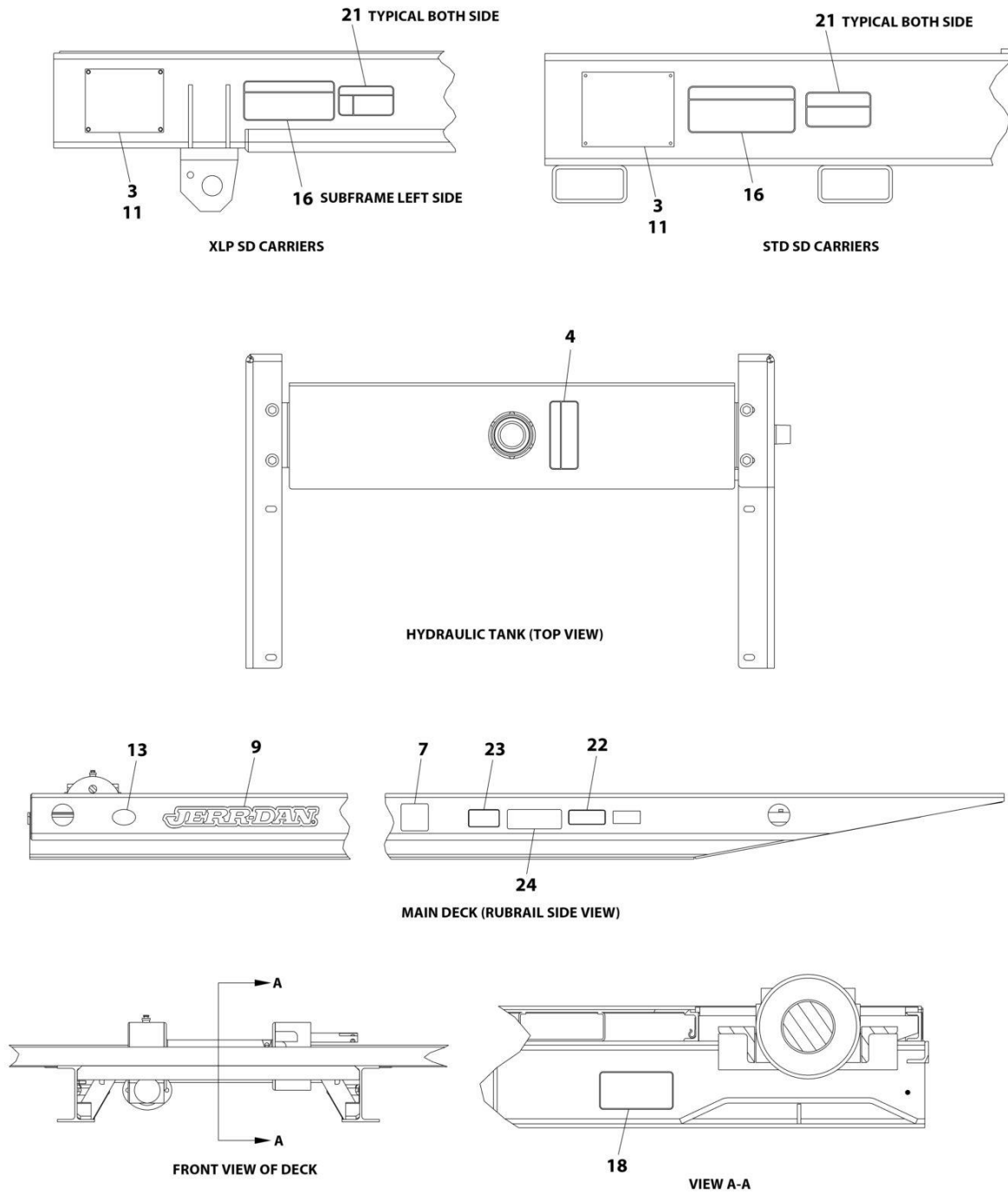
ITEM	PART NUMBER	QTY	DESCRIPTION	REV
	1001261028	Ref	3 FUNCTION SWITCH PANEL, CV515 OEM 2019+	A
1	7345001914	3	Terminal	
2	1001254044	1	Harness	
3	4346000005	8	Heat Shrink, Tubing	



**SECTION 7 - DECALS**

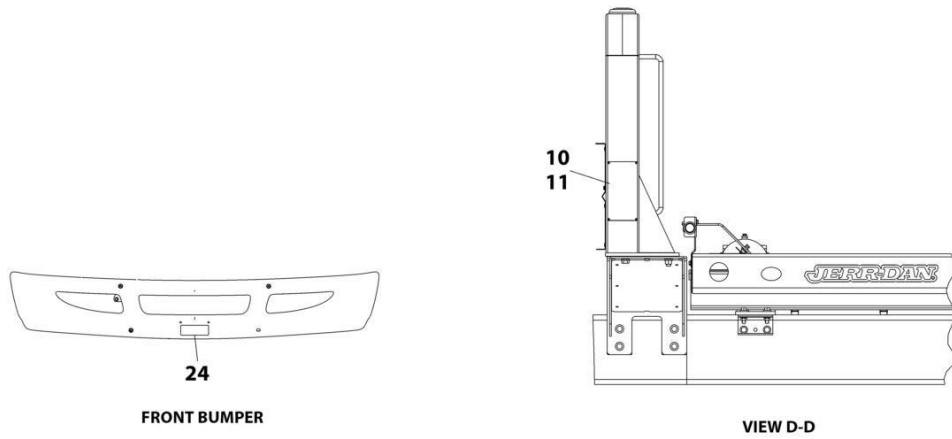
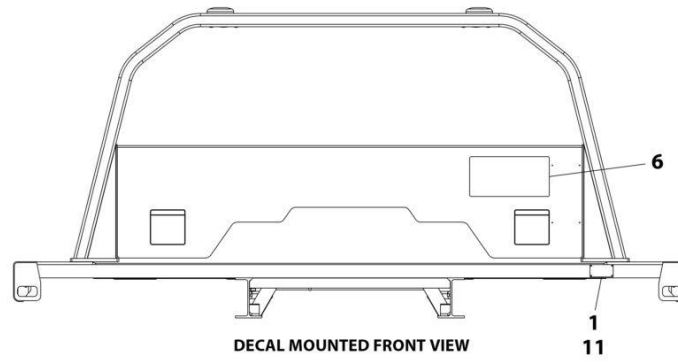
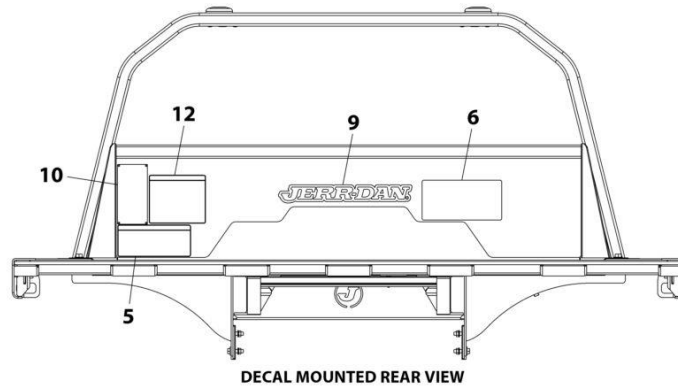
# SECTION 7 - DECALS

## FIGURE 7-1. DECALS INSTALLATION - STANDARD



ART\_233000038\_10F2

# SECTION 7 - DECALS



ART\_233000038\_20F2

# SECTION 7 - DECALS

FIGURE 7-1. DECALS INSTALLATION - STANDARD

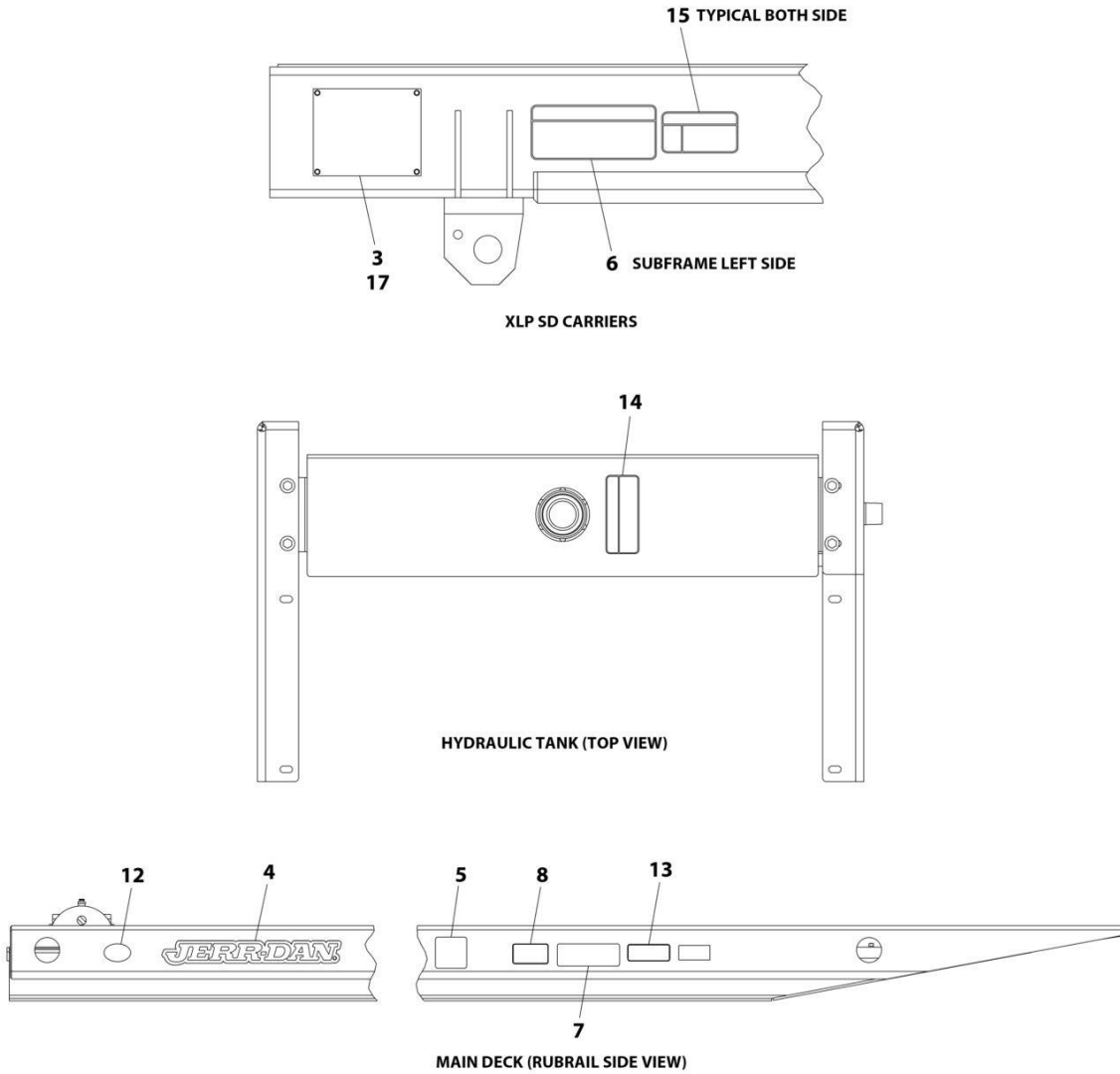
ITEM	PART NUMBER	QTY	DESCRIPTION	REV
	2330000038	Ref	STANDARD DUTY DECALS, INSTALLATION	O
1	1001127221	1	Decal - Ident Tag	
2	7330000689	1	Decal - Certification (Not Shown)	
3	1001132766	1	Decal - Patent/Subframe	
4	7330000272	1	Decal - Oil Level	
5	1001190626	1	Decal - Winch Warning	
6	7330000478	1	Decal - Lub Chart Bic	
7	1001154689	2	Decal - Arrow Rollback Tilt	
9	1001153789	3	Decal - Amber Reflect	
10	1001132764	1	Decal - S.T.A.R. Placard Carrier	
11	7759000004	12	Rivet	
12	1001190625	1	Decal - Checklist	
13	7330000143	1	Decal - Made in the USA	
14	7330000139	1	Decal - Wheel Lift (Not Shown)	
16	1001168591	1	Decal - Slide Pad Lubrication	
18	7330000330	1	Decal - Hose Track Carrier	
21	7330000599	2	Decal - Pinch Point	
22	7330000176	3	Decal - Air Suspension	
23	1001231801	2	Decal - Warning Prop 65 Diesel	
24	1001230968	3	Decal - Electrocutation Hazard	





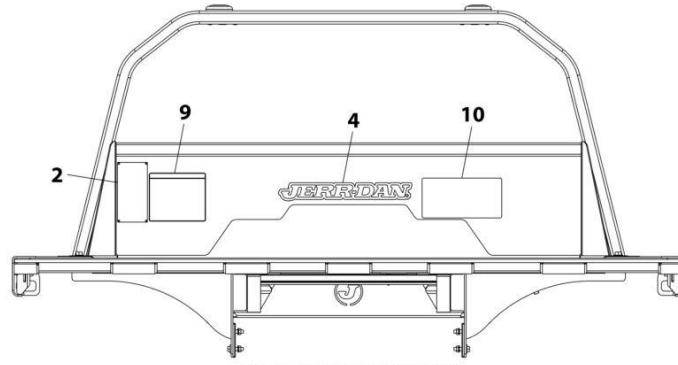
# SECTION 7 - DECALS

## FIGURE 7-2. DECALS INSTALLATION - CARGO HAULER

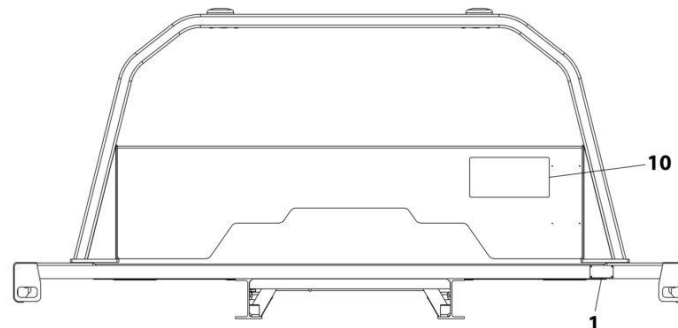


ART\_1001264091\_1OF2

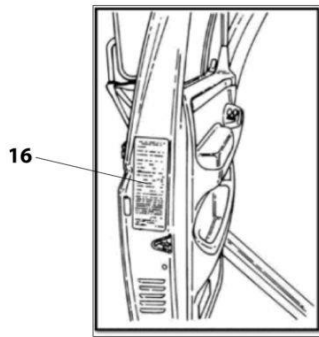
# SECTION 7 - DECALS



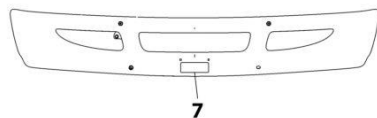
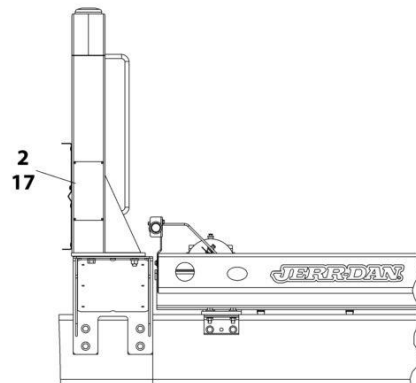
DECAL MOUNTED REAR VIEW



DECAL MOUNTED FRONT VIEW



CAB DOOR



FRONT BUMPER

ART\_1001264091\_20F2

## SECTION 7 - DECALS

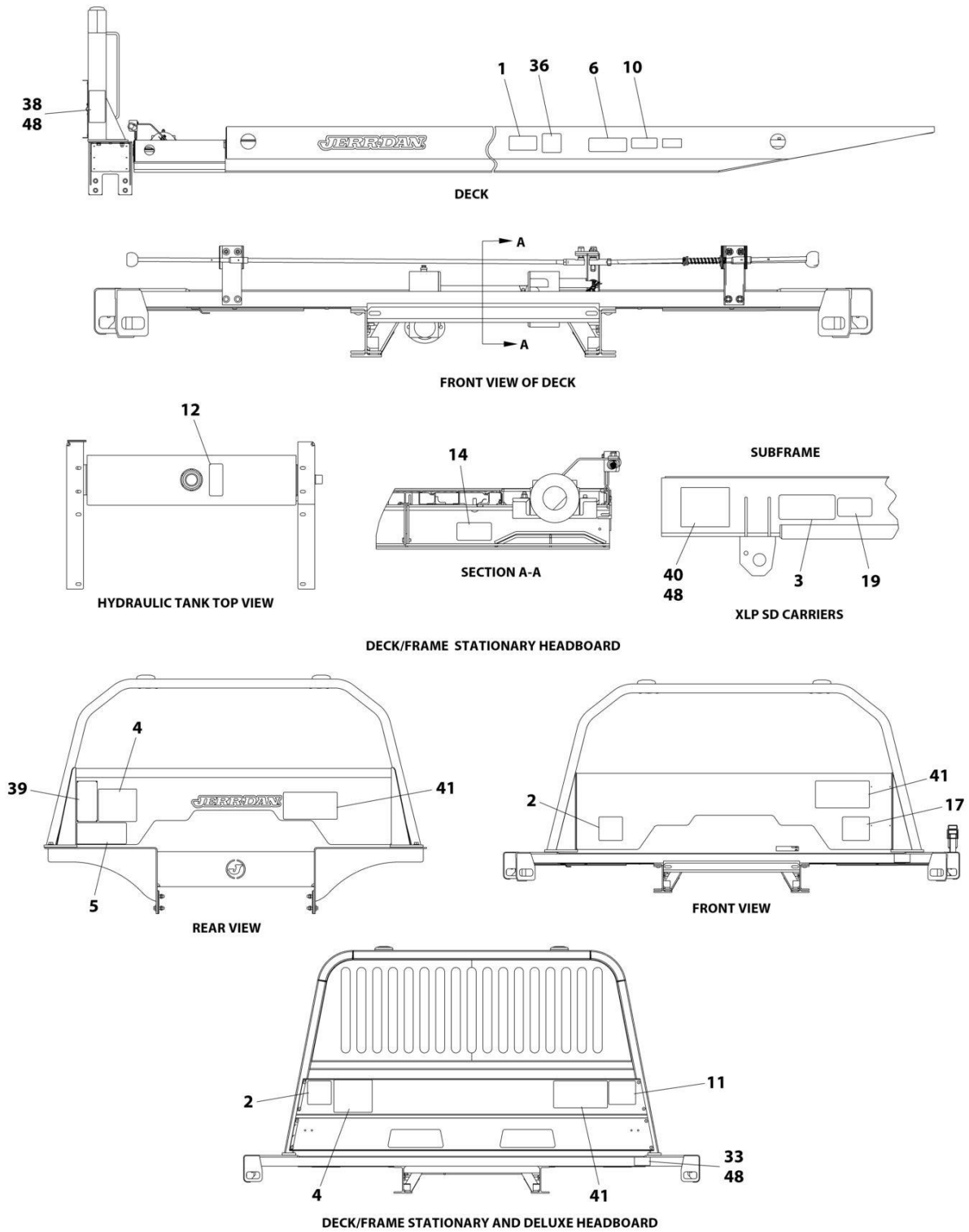
FIGURE 7-2. DECALS INSTALLATION - CARGO HAULER

ITEM	PART NUMBER	QTY	DESCRIPTION	REV
	1001264091	Ref	DECALS INSTALLATION - CARGO HAULER	A
1	1001127221	1	Decal - Ident Tag	
2	1001132764	1	Decal - S.T.A.R. Placard Carrier	
3	1001132766	1	Decal - Patent/Subframe	
4	1001153789	3	Decal - Amber Reflect	
5	1001154689	2	Decal - Arrow Rollback Tilt	
6	1001168591	1	Decal - Slide Pad Lubrication	
7	1001230968	3	Decal - Electrocution Hazard	
8	1001231801	2	Decal - Warning Prop 65 Diesel	
9	1001264084	1	Decal - Checklist	
10	1001264085	1	Decal - Lub Chart Bic	
11	7330000139	1	Decal - Wheel Lift (Not Shown)	
12	7330000143	1	Decal - Made in the USA	
13	7330000176	3	Decal - Air Suspension	
14	7330000272	1	Decal - Oil Level	
15	7330000599	2	Decal - Pinch Point	
16	7330000689	1	Decal - Certification	
17	7759000004	12	Rivet	
50	1001265236	1	Decal Kit - Cargo Hauler (Not Shown - Includes items 9,10 & PNs 1001264086, 1001264087 & 1001263057)	



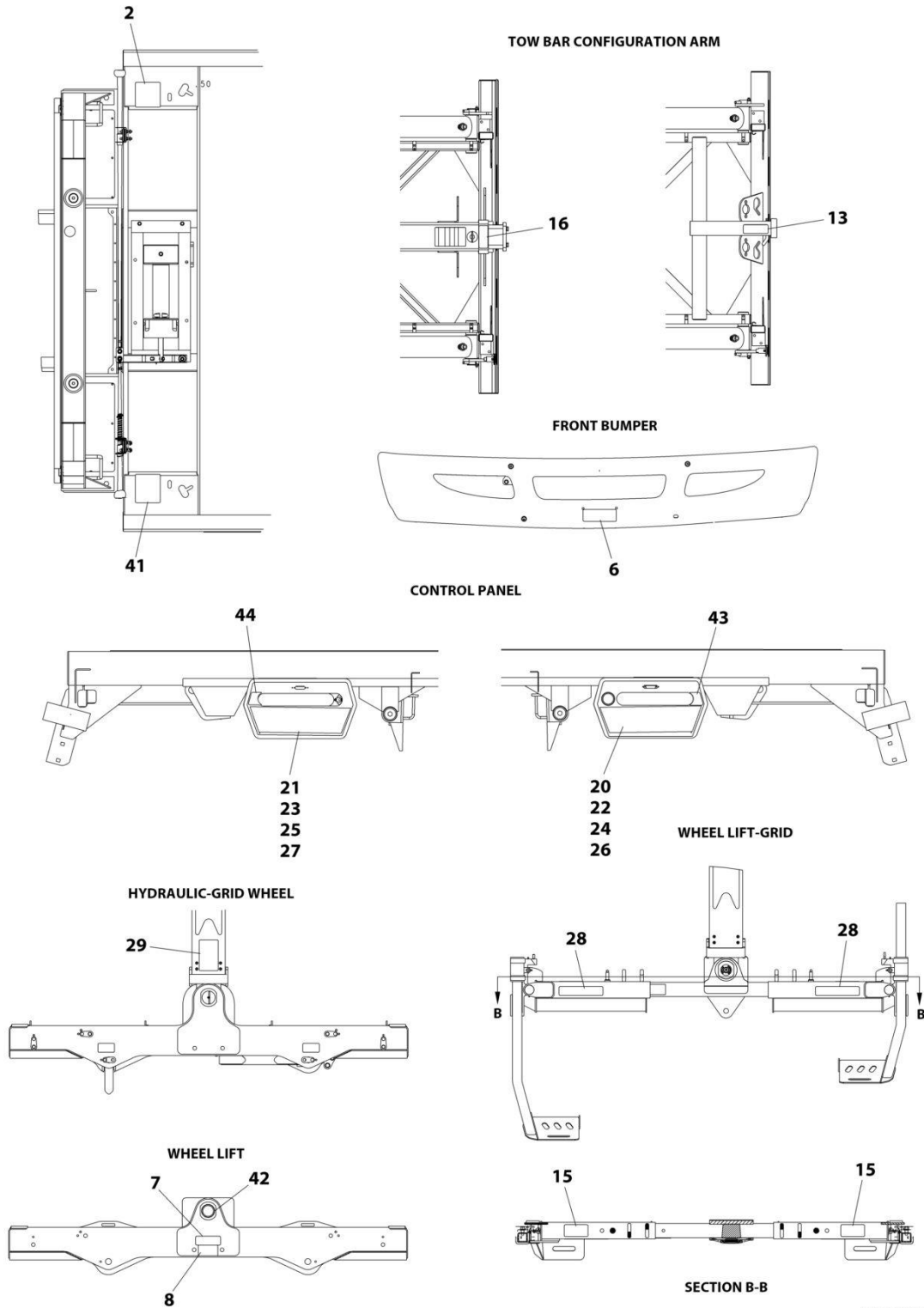
# SECTION 7 - DECALS

## FIGURE 7-3. DECALS INSTALLATION - SPANISH



ART\_1001270138\_10F3

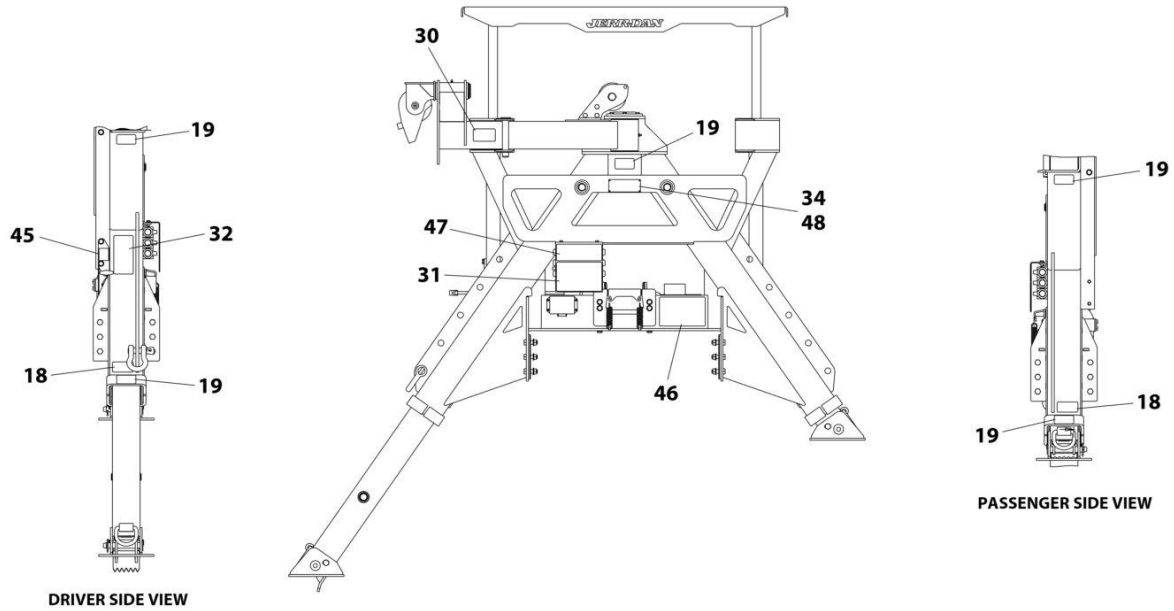
# SECTION 7 - DECALS



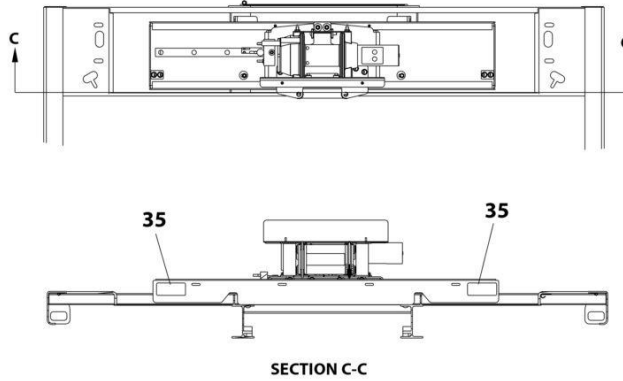
ART\_1001270138\_20F3

# SECTION 7 - DECALS

### SIDE RECOVERY SYSTEM



### SLIDING WINCH



ART\_1001270138\_30F3



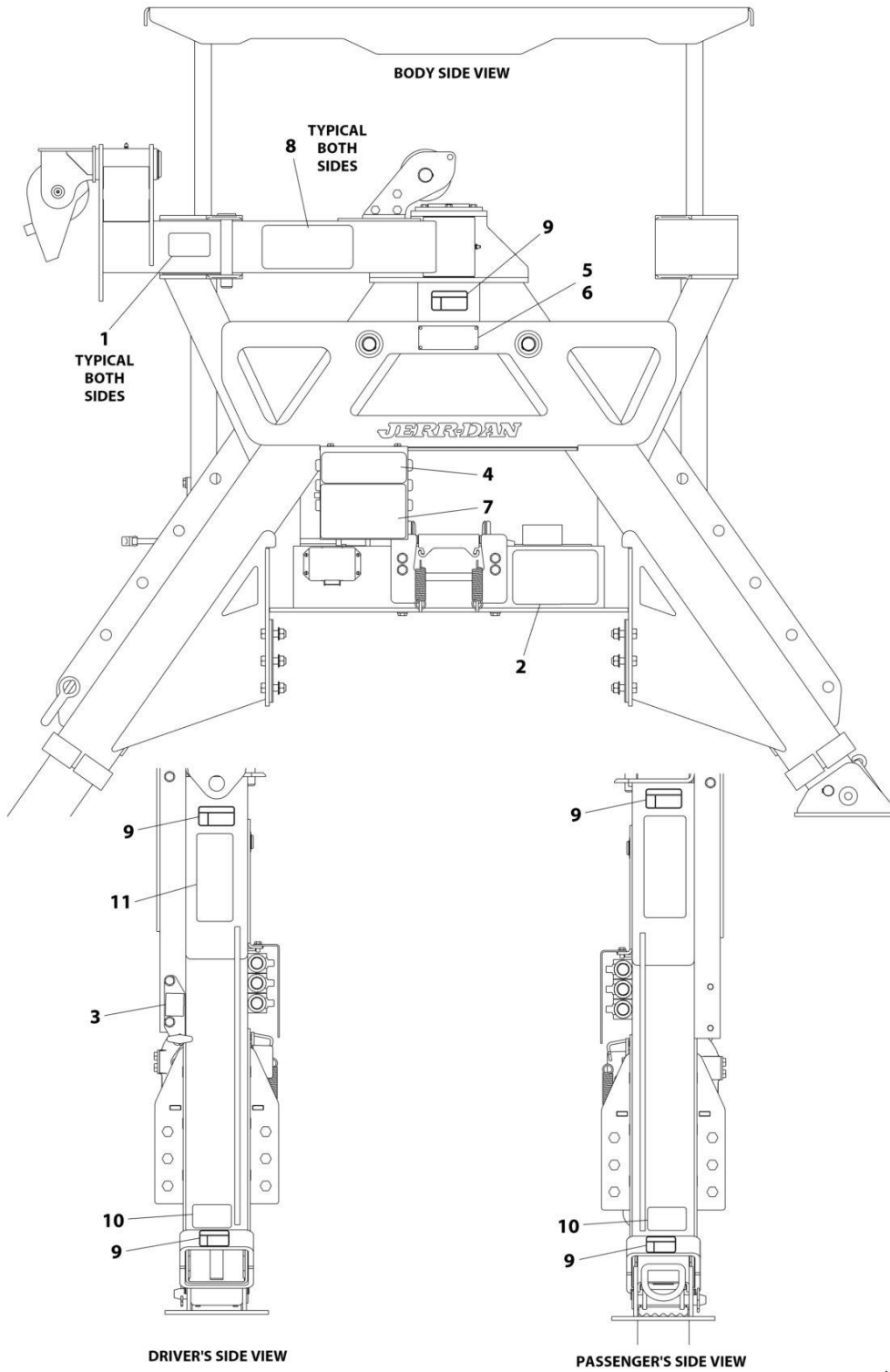
## SECTION 7 - DECALS

**FIGURE 7-3. DECALS INSTALLATION - SPANISH**

ITEM	PART NUMBER	QTY	DESCRIPTION	REV
	1001270138	Ref	CARRIER DECAL INSTALLATION - SPANISH	A
1	1001268618	2	Decal - Ladder Carrier	
2	1001268619	1	Decal - Dual Free Spool Release	
3	1001268620	1	Decal - Slide Pad Lubrication	
4	1001268621	1	Decal - Winch Warning	
5	1001268622	1	Decal - Winch Warning	
6	1001268623	3	Decal - Electrocution Hazard	
7	1001268624	1	Decal - Wheel Lift	
8	1001268625	1	Decal - Hitch on Wheel lift	
9	1001268626	1	Decal - Wheel Lift (Not Shown)	
10	1001268627	3	Decal - Air Suspension	
11	1001268628	1	Decal - Free Spool Release	
12	1001268629	1	Decal - Oil Level	
13	1001268630	1	Decal - Wheel Lift	
14	1001268631	1	Decal - Hose Track Carrier	
15	1001268635	2	Decal - T37 Patent 3-1/2 in	
16	1001268636	1	Decal - Tow Boom Configuration	
17	1001268637	1	Decal - Free Spool Release Stat Hybrid	
18	1001268638	2	Decal - Outrigger/Stabilizer	
19	1001268639	7	Decal - Pinch Point	
20	1001268640	1	Decal - Control Panel 5 Bank	
21	1001268641	1	Decal - Control Panel 5 Bank	
22	1001268642	1	Decal - Control Panel Stabilizer	
23	1001268643	1	Decal - Control Panel Stabilizer	
24	1001268644	1	Decal - Control Panel 6 Bank	
25	1001268645	1	Decal - Control Panel 6 Bank	
26	1001268646	1	Decal - Control Panel 6 Bank	
27	1001268647	1	Decal - Control Panel 6 Bank	
28	1001268648	2	Decal - Safety	
29	1001268649	1	Decal - Safety	
30	1001268650	2	Decal - Pivoting Boom	
31	1001268651	1	Decal - Winch Warning	
32	1001268652	1	Decal - Safety	
33	1001268654	1	Decal - Ident Tag	
34	1001268655	1	Decal - Ident Tag	
35	1001268656	2	Decal - Sliding Winch Warning	
36	1001268657	2	Decal - Arrow Rollback Tilt	
37	1001268658	1	Decal - Lub Chart Greased Option (Not Shown)	
38	1001268659	1	Decal - Placard Carrier	
39	1001268660	1	Decal - Structural Capacity	
40	1001268661	1	Decal - Patent/Subframe I.D.	
41	1001268662	1	Decal - Lube Chart (Lube Free Joints)	
42	1001268663	1	Decal - Grease Required	
43	1001268664	1	Decal - Air Free Spool Control Hood LH	
44	1001268665	1	Decal - Air Free Spool Control Hood RH	
45	1001268666	1	Decal - Winch Free Spool (T-Handle)	
46	1001268667	1	Decal - Lubrication (SRS)	
47	1001268668	1	Decal - Valve Manual Override	
48	7759000004	16	Pop Rivet	

# SECTION 7 - DECALS

## FIGURE 7-4. DECALS INSTALLATION - SIDE RECOVERY SYSTEM



ART\_233000068

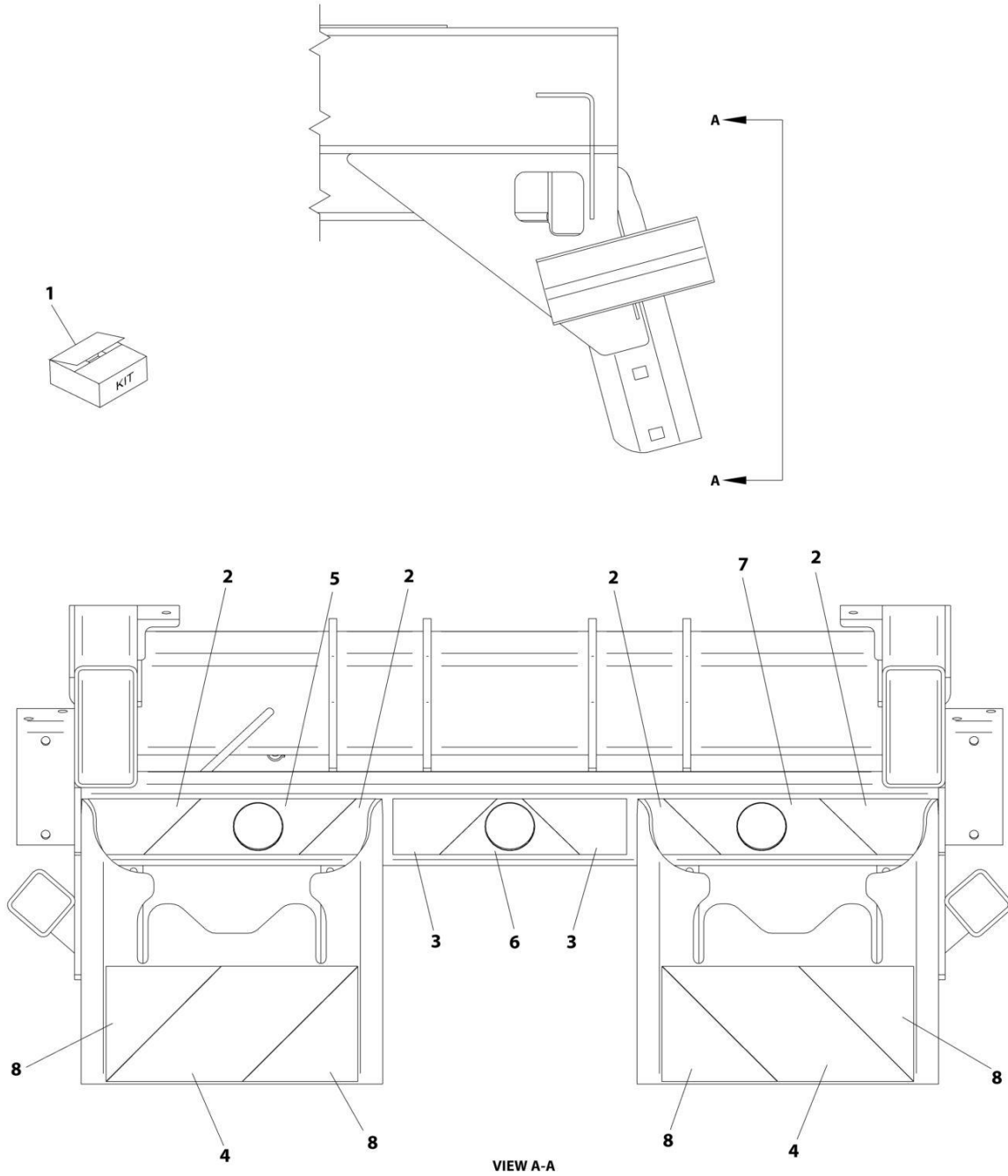
## SECTION 7 - DECALS

**FIGURE 7-4. DECALS INSTALLATION - SIDE RECOVERY SYSTEM**

ITEM	PART NUMBER	QTY	DESCRIPTION	REV
	2330000068	Ref	DECAL INSTALLATION - SIDE RECOVERY SYSTEM	A
1	7330000708	2	Decal, Warning	
2	7330000709	1	Decal, Lubrication	
3	7330000707	1	Decal, Winch Free Spool	
4	7330000711	1	Decal, Valve Manual Override	
5	7330000710	1	Decal, Seal	
6	7759000004	4	Rivet	
7	7330000713	1	Decal, Winch Warning	
8	7330000714	2	Decal, SRS Logo	
9	7330000599	5	Decal, Pinch Point	
10	7330000580	2	Decal, Outrigger	
11	7330000723	1	Decal, Safety	

# SECTION 7 - DECALS

## FIGURE 7-5. REFLECTIVE TAPE INSTALLATION - HIGH VISIBILITY



ART\_1001203303

## SECTION 7 - DECALS

**FIGURE 7-5. REFLECTIVE TAPE INSTALLATION - HIGH VISIBILITY**

ITEM	PART NUMBER	QTY	DESCRIPTION	REV
	1001203303	Ref	High Visibility Reflective Tape Intallation	A
1	1001203302	1	Decal - Conspicuity Tape Kit (Includes Items 2-8)	
2	1001203295	1	Tape, Yellow	
3	1001203296	1	Tape, Yellow	
4	1001203297	1	Tape, Yellow	
5	1001203298	1	Tape, Red	
6	1001203299	1	Tape, Red	
7	1001203300	1	Tape, Red	
8	1001203301	1	Tape, Red	



**SECTION 8 - ACCESSORIES**

## SECTION 8 - ACCESSORIES

FIGURE 8-1. KITS LIST

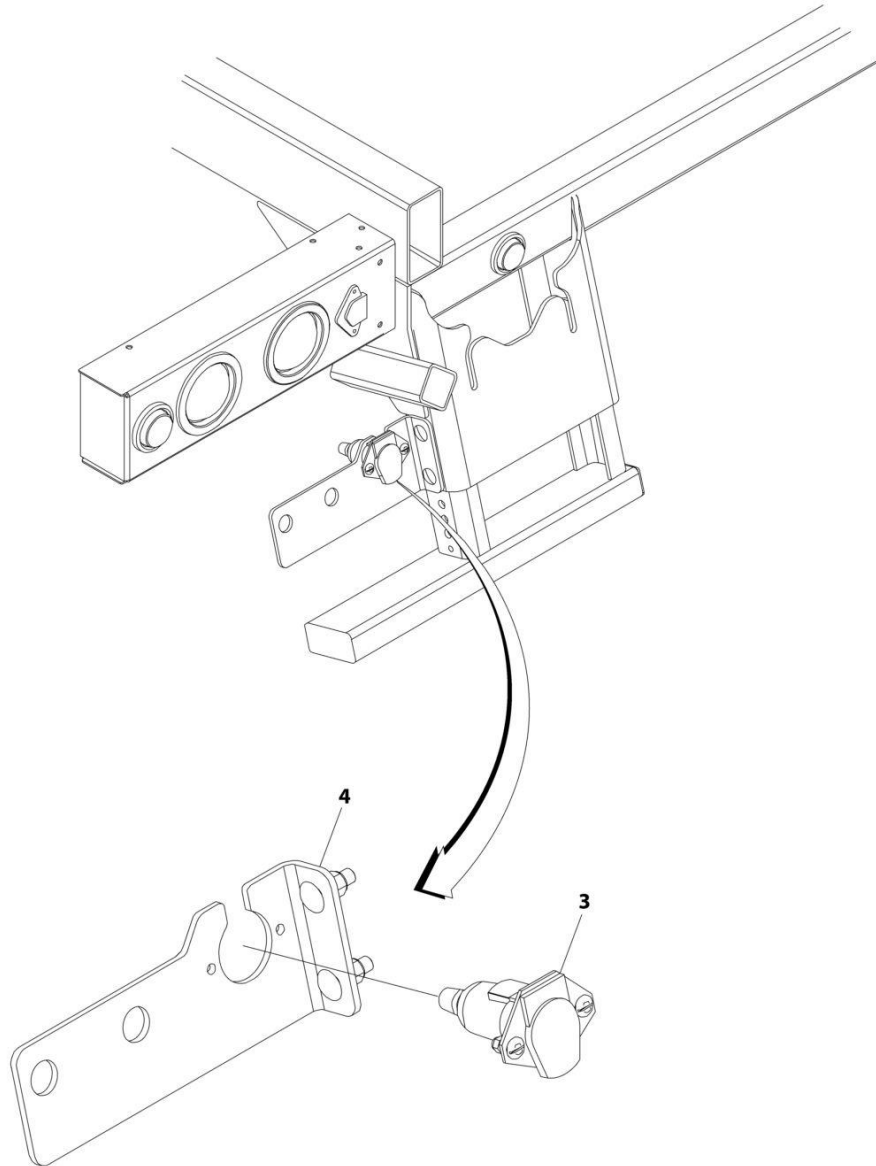
ITEM	PART NUMBER	QTY	DESCRIPTION	REV
	1001241870	Ref	KITS LIST	K
		Ref	<b>Note: Contact JERR-DAN Parts Department for exact contents of kit:</b>	
	1001262545	Ref	Chain Rack Kit - Non-Locking (Standard Headboard) (Includes Rack & Attaching Hardware)	
	1001262546	Ref	Chain Rack Kit - Non-Locking (Deluxe Headboard) (Includes Rack & Attaching Hardware)	
	1001265255	Ref	Chain Rack Kit - Locking (Standard Headboard) (Includes Rack & Attaching Hardware)	
	1001262544	Ref	Chain Rack Kit - Locking (Deluxe Headboard) (Includes Rack & Attaching Hardware)	
	1001265236	Ref	Decal Kit - Cargo Hauler	
	1001187663S	Ref	Free Spool Kit - Single Winch (8000-10000 LBS)	
	1001266452	Ref	Maintenance Kit - 19FT Carrier (Includes Hydraulic Filter Element, Wheel Lift Wear Pads, Slide Pads, Hold Down Wear Pads, Arrow Decals, Controls Placards & Attaching Hardware)	
	1001266454	Ref	Maintenance Kit - 20-21FT Carrier (Includes Hydraulic Filter Element, Wheel Lift Wear Pads, Slide Pads, Hold Down Wear Pads, Arrow Decals, Controls Placards & Attaching Hardware)	
	1001269378	Ref	Pin Kit (Provides Greaseable Pivot Pin)	
	3249000004S	Ref	Roller Cable Guide Kit	
	9577000226	Ref	Slide Pad Kit - 19FT Carrier	
	9577000227	Ref	Slide Pad Kit - 20-21FT Carrier	
	1001257906	Ref	Subframe Saddle Bracket Kit (Includes Saddle Bracket, Shims & Attaching Hardware)	





# SECTION 8 - ACCESSORIES

## FIGURE 8-2. 7-WAY ELECTRICAL CONNECTOR



ART\_A7WCON

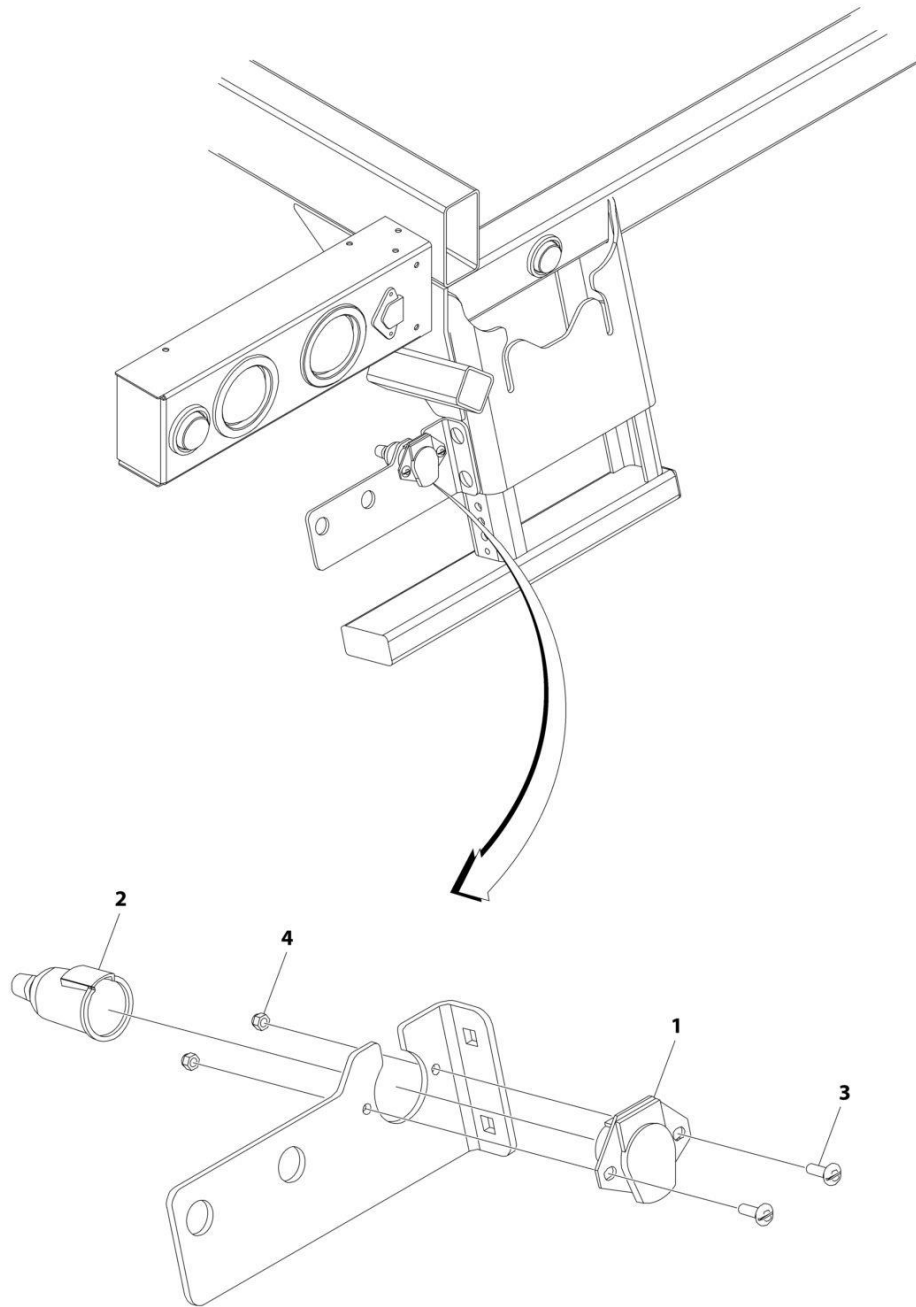
## SECTION 8 - ACCESSORIES

### FIGURE 8-2. 7-WAY ELECTRICAL CONNECTOR

ITEM	PART NUMBER	QTY	DESCRIPTION	REV
	A7WCON	Ref	7 Way Electric Connector Installation	0
1	7346000132	1	Electrical Adapter 7 to 4 way (Not Shown)	
2	7346000157	1	Electrical Adapter 7 to 6 way (Not Shown)	
3	2346000008	1	7-Way Electrical Connector (See Separate Breakdown in this Section)	
4	2178000037	Ref	Glad Hands Bracket Installation	
4	4178000666	1	Bracket	
4	7115181464	2	Bolt 1/2 x 1-3/4	
4	7660182601	2	Nut 1/2	

# SECTION 8 - ACCESSORIES

## FIGURE 8-3. 7-WAY ELECTRICAL INSTALLATION



ART\_2346000008

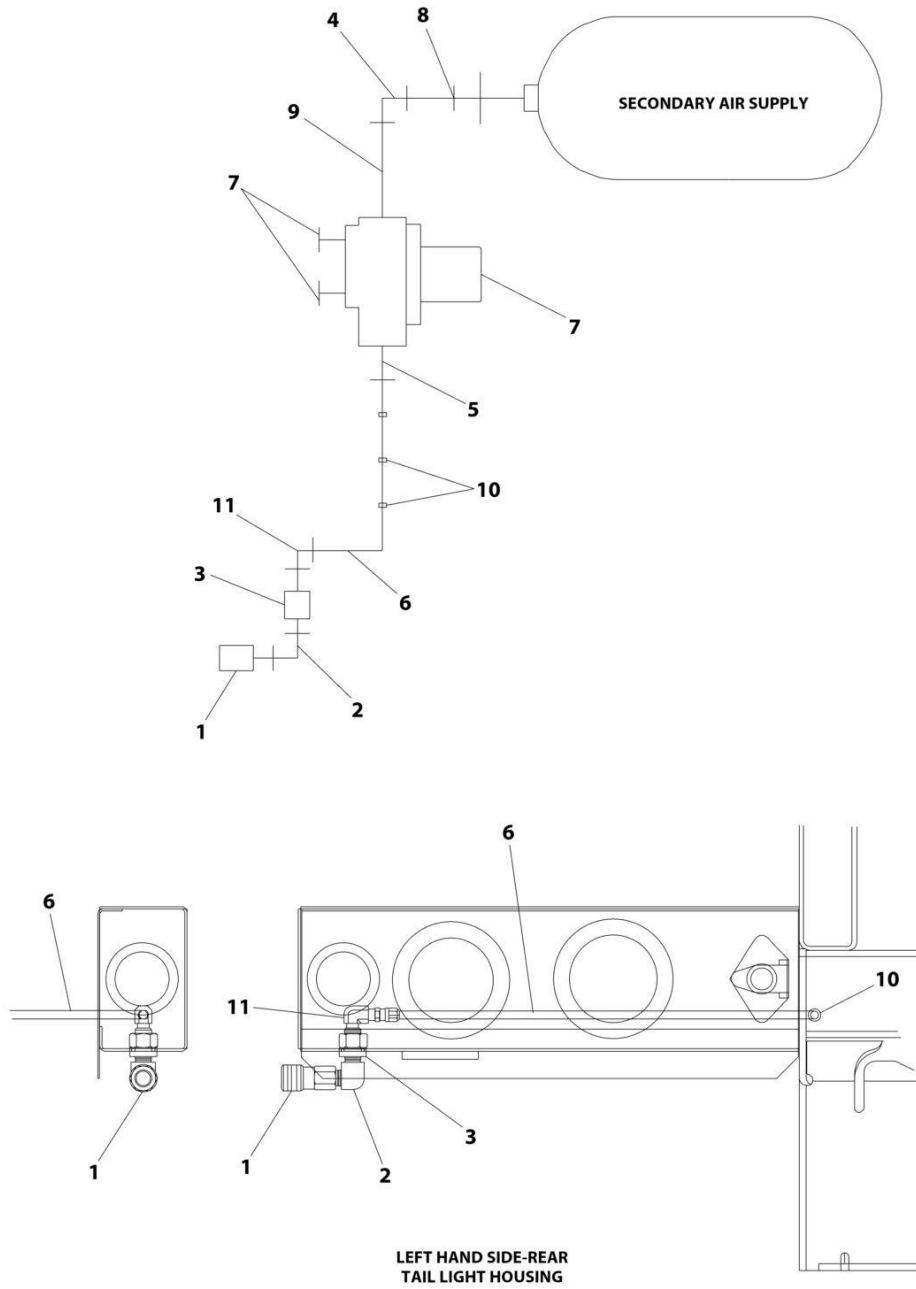
## SECTION 8 - ACCESSORIES

FIGURE 8-3. 7-WAY ELECTRICAL INSTALLATION

ITEM	PART NUMBER	QTY	DESCRIPTION	REV
	2346000008	Ref	7-Way Electrical Connector	0
1	7346000055	1	Electrical Receptacle 7-way Connect	
2	7346000078	1	Electrical Boot	
3	7111150813	2	Screw 5/16 x 1	
4	7660152601	2	Nut 5/16	

# SECTION 8 - ACCESSORIES

## FIGURE 8-4. AIR SUPPLY DISCONNECT



ART\_2002000009

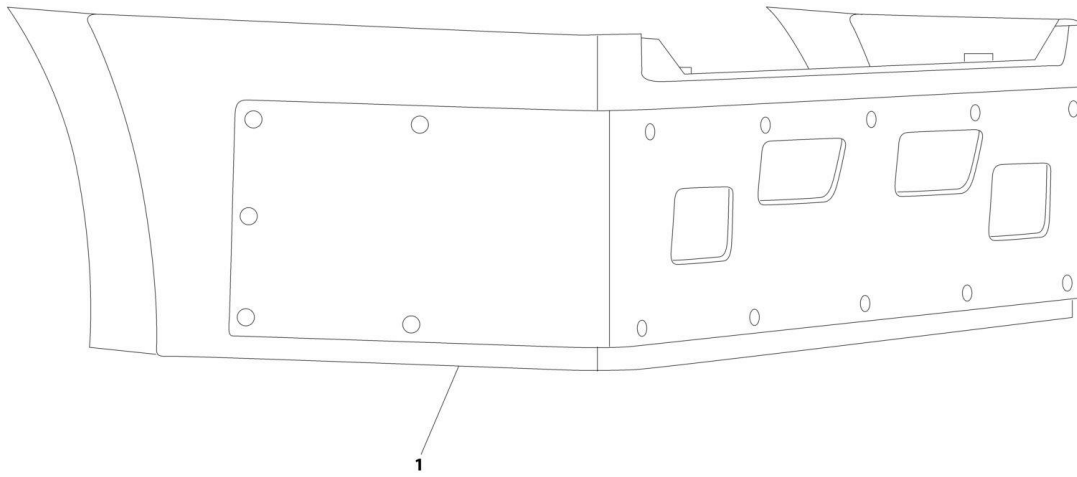
## SECTION 8 - ACCESSORIES

### FIGURE 8-4. AIR SUPPLY DISCONNECT

ITEM	PART NUMBER	QTY	DESCRIPTION	REV
	2002000009	Ref	Air Supply Disconnect	E
1	7312000017	1	Coupling	
2	7445080853	1	Elbow	
3	7446502518	1	Fitting	
4	7443000155	1	Fitting 90	
5	7446060435	2	Tube	
6	7565000014	32	Airline Tubing	
7	7935000120	1	Valve Pressure Protection	
8	7443000154	1	Bushing	
9	7443000156	1	Nipple	
10	7894000031	6	Cable Tie	
11	7443000366	1	Fitting, Tube	

## SECTION 8 - ACCESSORIES

FIGURE 8-5. BUMPER INSTALLATION - PUSH (FRONT) (NO GRILLE GUARD (DODGE 2011+))



ART\_1001155476



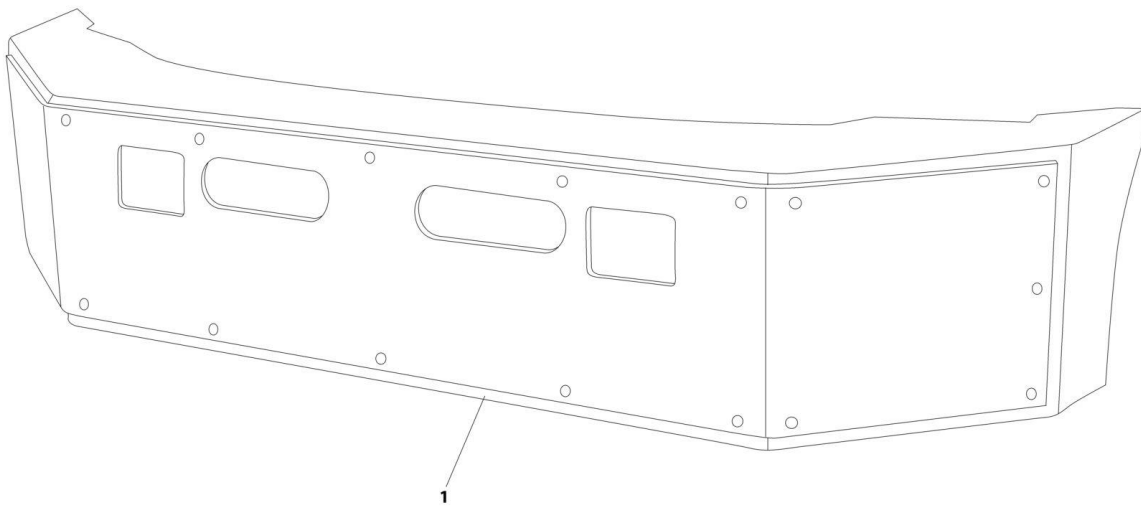
## SECTION 8 - ACCESSORIES

**FIGURE 8-5. BUMPER INSTALLATION - PUSH (FRONT) (NO GRILLE GUARD (DODGE 2011+))**

ITEM	PART NUMBER	QTY	DESCRIPTION	REV
	1001155476	Ref	BUMPER INSTALLATION - PUSH (FRONT) (NO GRILLE GUARD (DODGE 2011+))	A
1	1001155475	1	Bumper	

## SECTION 8 - ACCESSORIES

FIGURE 8-6. BUMPER INSTALLATION - PUSH (FRONT) (NO GRILLE GUARD (FORD F550 2011-2016))



ART\_1001134181

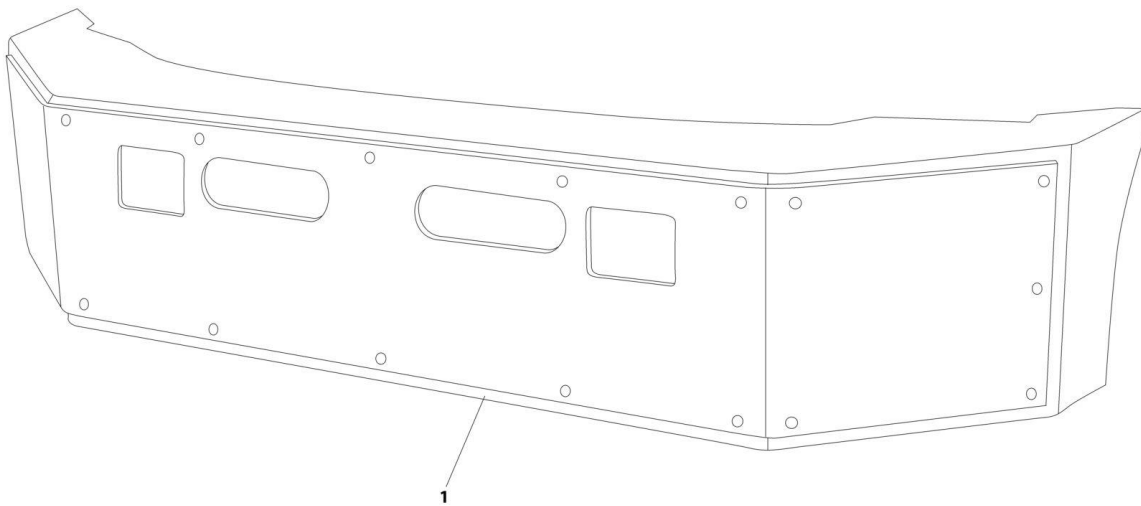
## SECTION 8 - ACCESSORIES

**FIGURE 8-6. BUMPER INSTALLATION - PUSH (FRONT) (NO GRILLE GUARD (FORD F550 2011-2016))**

ITEM	PART NUMBER	QTY	DESCRIPTION	REV
	1001134181	Ref	BUMPER INSTALLATION - PUSH (FRONT) (NO GRILLE GUARD) (FORD 2011-2016)	B
1	1001134178	1	Bumper	

## SECTION 8 - ACCESSORIES

FIGURE 8-7. BUMPER INSTALLATION - PUSH (FRONT) (NO GRILLE GUARD (FORD F550 2017+))



ART\_1001221466

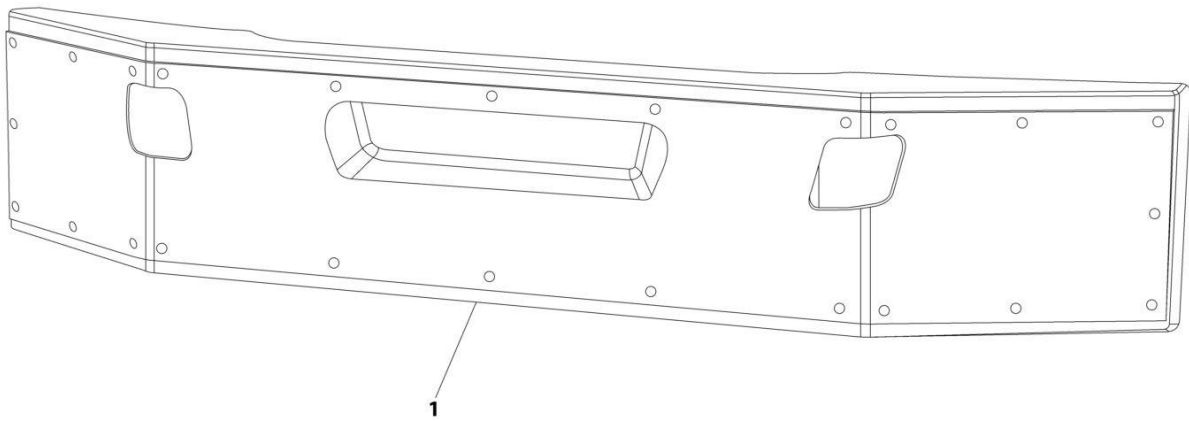
## SECTION 8 - ACCESSORIES

**FIGURE 8-7. BUMPER INSTALLATION - PUSH (FRONT) (NO GRILLE GUARD (FORD F550 2017+))**

ITEM	PART NUMBER	QTY	DESCRIPTION	REV
	1001221466	Ref	BUMPER INSTALLATION - PUSH (FRONT) (NO GRILLE GUARD) (FORD 2017+)	A
1	1001226914	1	Bumper	

# SECTION 8 - ACCESSORIES

FIGURE 8-8. BUMPER INSTALLATION - PUSH (FRONT) (NO GRILLE GUARD) (IHC 4300)



ART\_1001144805

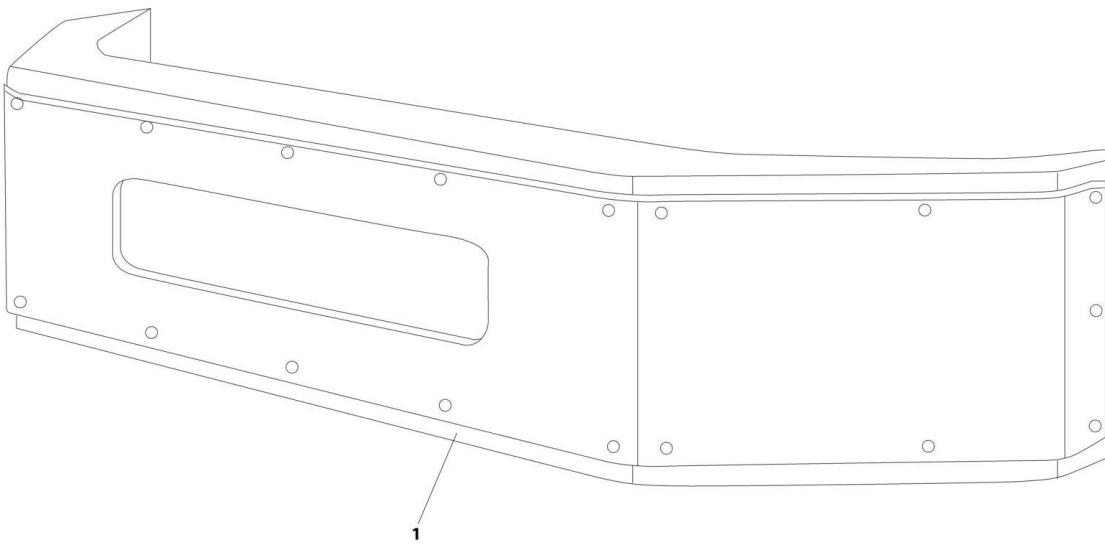
## SECTION 8 - ACCESSORIES

**FIGURE 8-8. BUMPER INSTALLATION - PUSH (FRONT) (NO GRILLE GUARD) (IHC 4300)**

ITEM	PART NUMBER	QTY	DESCRIPTION	REV
	1001144805	Ref	BUMPER INSTALLATION - PUSH (FRONT) (NO GRILLE GUARD) (IHC 4300)	A
1	1001144804	1	Bumper	

## SECTION 8 - ACCESSORIES

FIGURE 8-9. BUMPER INSTALLATION - PUSH (FRONT) (NO GRILLE GUARD (FREIGHTLINER MS 2008+))



ART\_1001146879



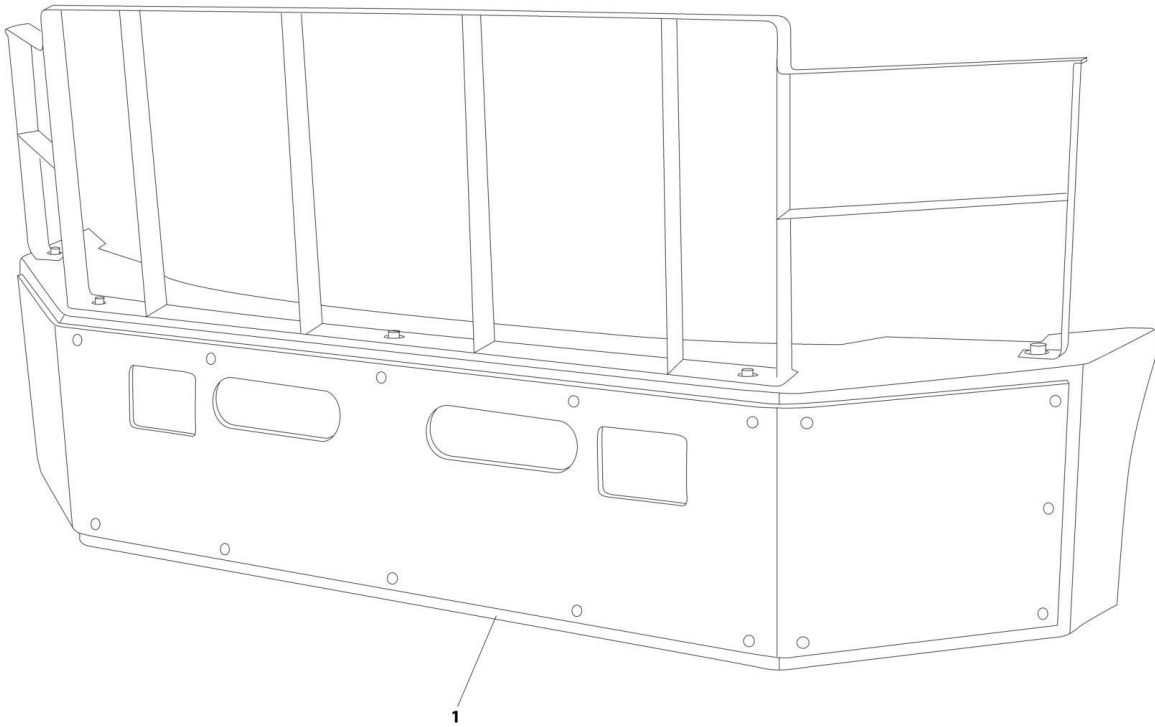
## SECTION 8 - ACCESSORIES

**FIGURE 8-9. BUMPER INSTALLATION - PUSH (FRONT) (NO GRILLE GUARD (FREIGHTLINER MS 2008+))**

ITEM	PART NUMBER	QTY	DESCRIPTION	REV
	1001146879	Ref	BUMPER INSTALLATION - PUSH (FRONT) (NO GRILLE GUARD) (FREIGHTLINER 2008+)	A
1	1001146878	1	Bumper	

## SECTION 8 - ACCESSORIES

FIGURE 8-10. BUMPER INSTALLATION - PUSH (FRONT) (WITH GRILLE GUARD (FORD F550 2011-2016))



ART\_1001123179

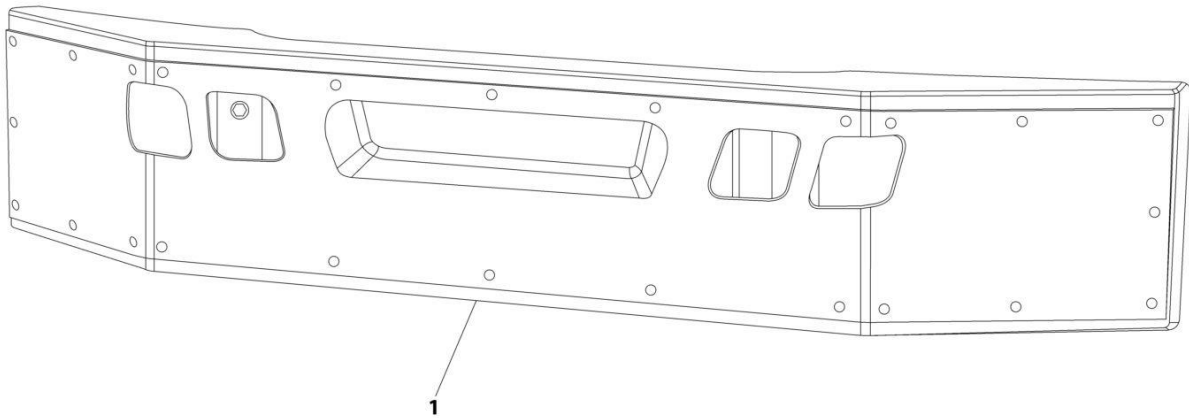
## SECTION 8 - ACCESSORIES

**FIGURE 8-10. BUMPER INSTALLATION - PUSH (FRONT) (WITH GRILLE GUARD (FORD F550 2011-2016))**

ITEM	PART NUMBER	QTY	DESCRIPTION	REV
	1001123179	Ref	BUMPER INSTALLATION - PUSH (FRONT) (WITH GRILLE GUARD) (FORD 2011-2016)	B
1	7190000066	1	Bumper	

## SECTION 8 - ACCESSORIES

FIGURE 8-11. BUMPER INSTALLATION - PUSH (FRONT) (NO GRILLE GUARD) (FORD F650 2011-2016)



ART\_1001133674

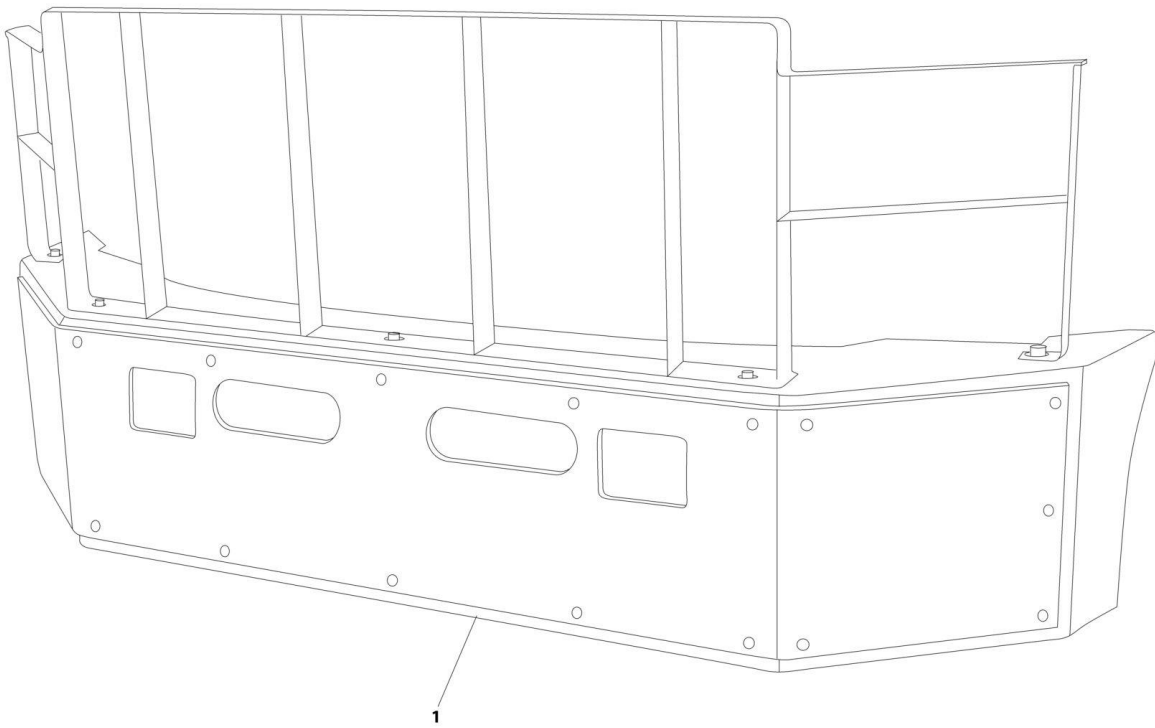
## SECTION 8 - ACCESSORIES

**FIGURE 8-11. BUMPER INSTALLATION - PUSH (FRONT) (NO GRILLE GUARD) (FORD F650 2011-2016)**

ITEM	PART NUMBER	QTY	DESCRIPTION	REV
	1001133674	Ref	BUMPER INSTALLATION - PUSH (FRONT) (NO GRILLE GUARD) (FORD F650 2011-2016)	A
1	1001129909	1	Bumper	

# SECTION 8 - ACCESSORIES

FIGURE 8-12. BUMPER INSTALLATION - PUSH (FRONT) (WITH GRILLE GUARD (FORD F550 2017+))



ART\_1001221467

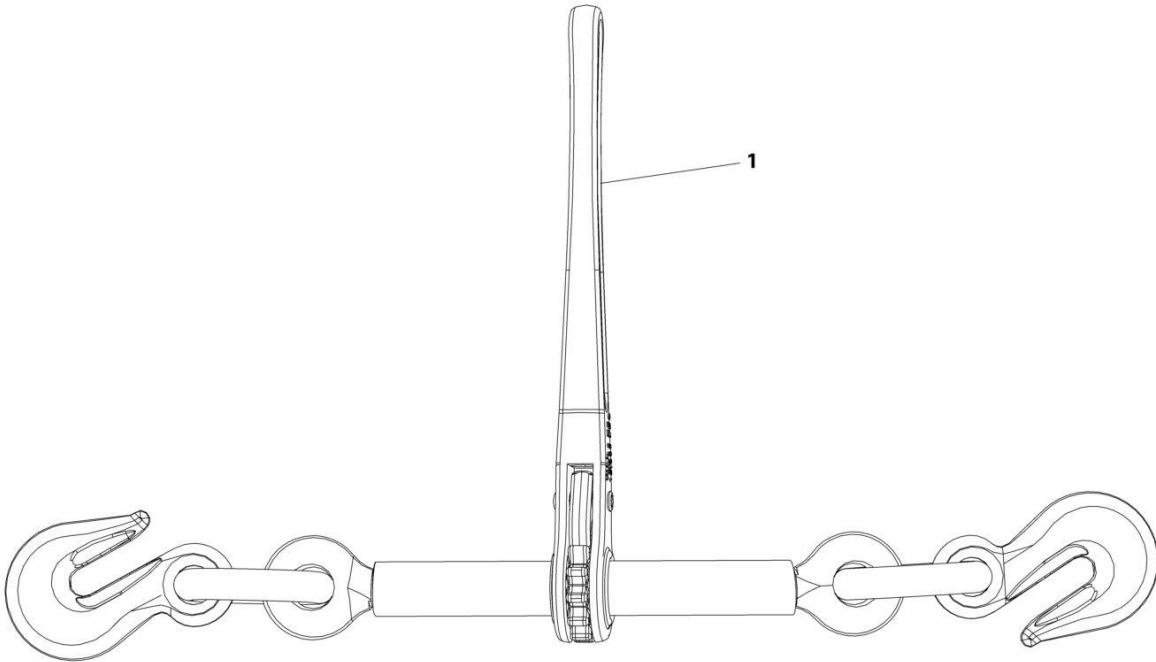
## SECTION 8 - ACCESSORIES

**FIGURE 8-12. BUMPER INSTALLATION - PUSH (FRONT) (WITH GRILLE GUARD (FORD F550 2017+))**

ITEM	PART NUMBER	QTY	DESCRIPTION	REV
	1001221467	Ref	BUMPER INSTALLATION - PUSH (FRONT) (WITH GRILLE GUARD) (FORD 2017+)	A
1	1001226915	1	Bumper	

# SECTION 8 - ACCESSORIES

FIGURE 8-13. CHAIN BINDER, 1/2" CHAIN



ART\_CHB50



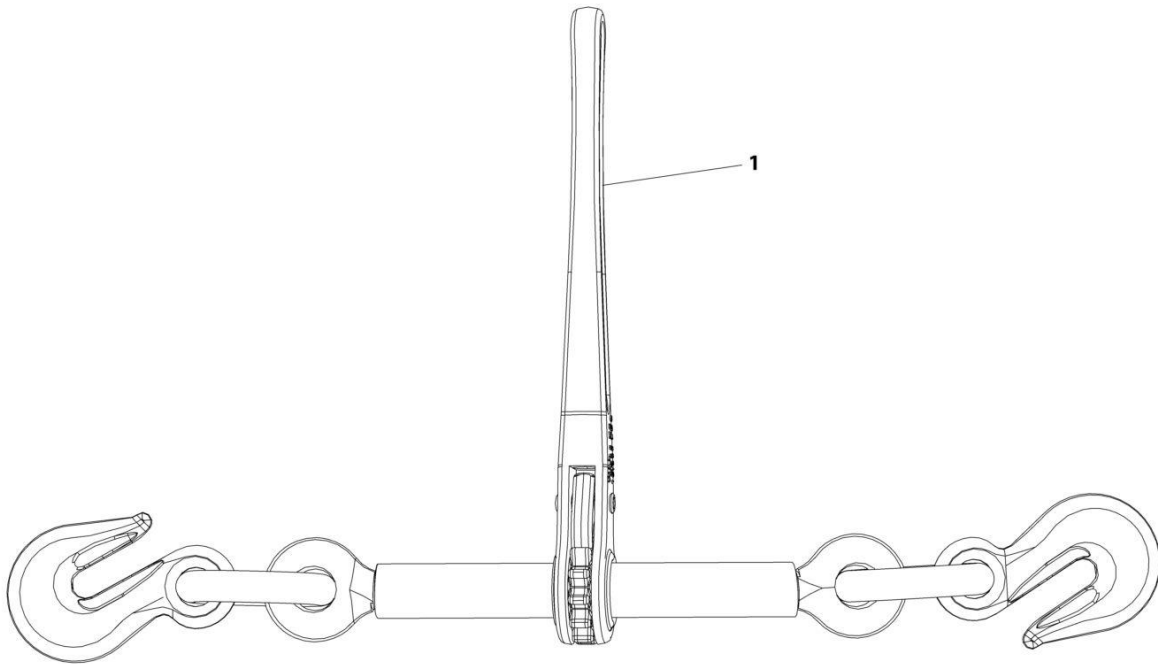
## SECTION 8 - ACCESSORIES

FIGURE 8-13. CHAIN BINDER, 1/2" CHAIN

ITEM	PART NUMBER	QTY	DESCRIPTION	REV
1	CHB50 7002000450	Ref 1	CHAIN BINDER 1/2IN Load Binder	0

# SECTION 8 - ACCESSORIES

FIGURE 8-14. CHAIN BINDER, 3/8" CHAIN



ART\_CHB38

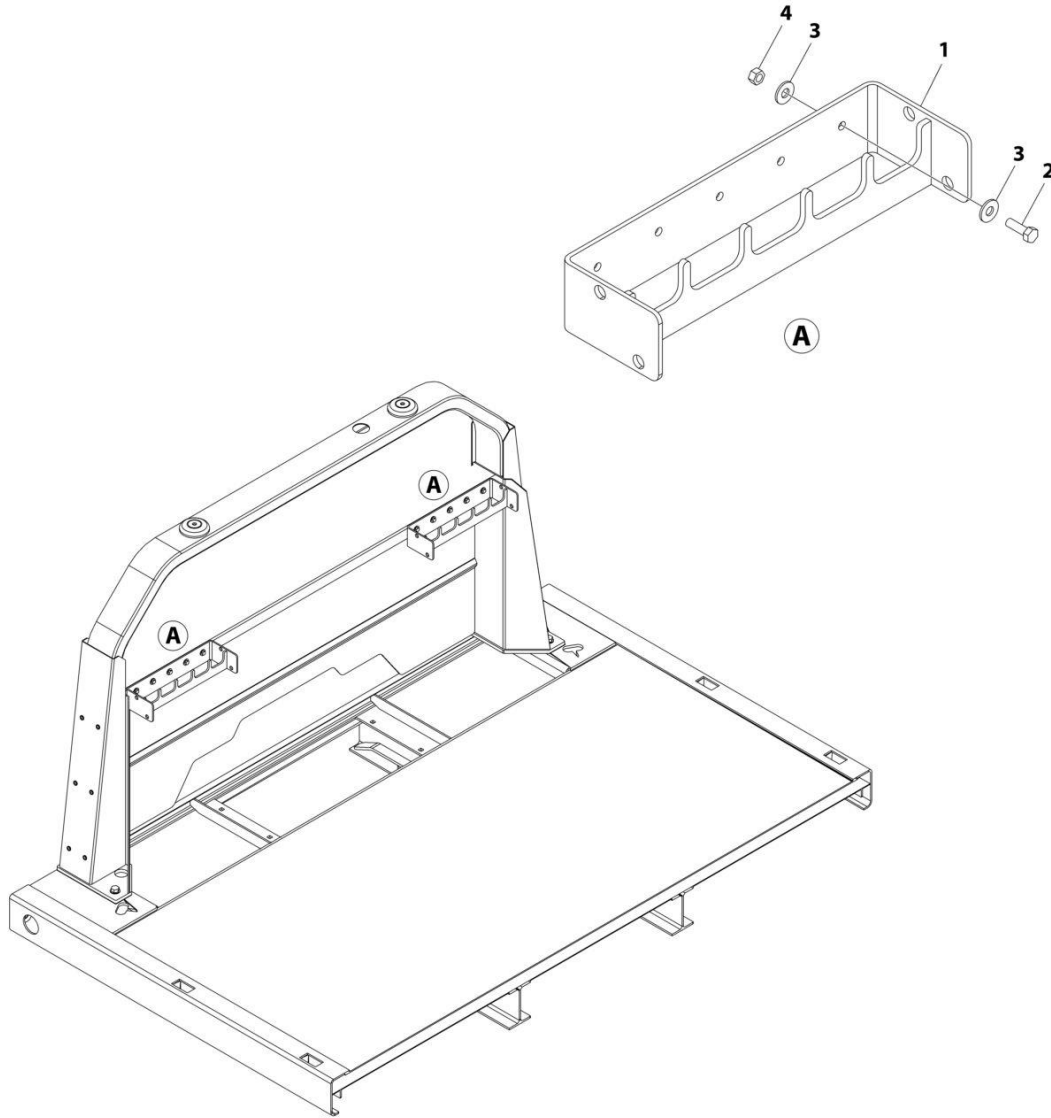
## SECTION 8 - ACCESSORIES

FIGURE 8-14. CHAIN BINDER, 3/8" CHAIN

ITEM	PART NUMBER	QTY	DESCRIPTION	REV
1	CHB38 7002000451	Ref 1	CHAIN BINDER 3/8IN Load Binder	0

# SECTION 8 - ACCESSORIES

## FIGURE 8-15. CHAIN RACKS (ADJUSTABLE/FIXED HEADBOARD)



ART\_1001232526

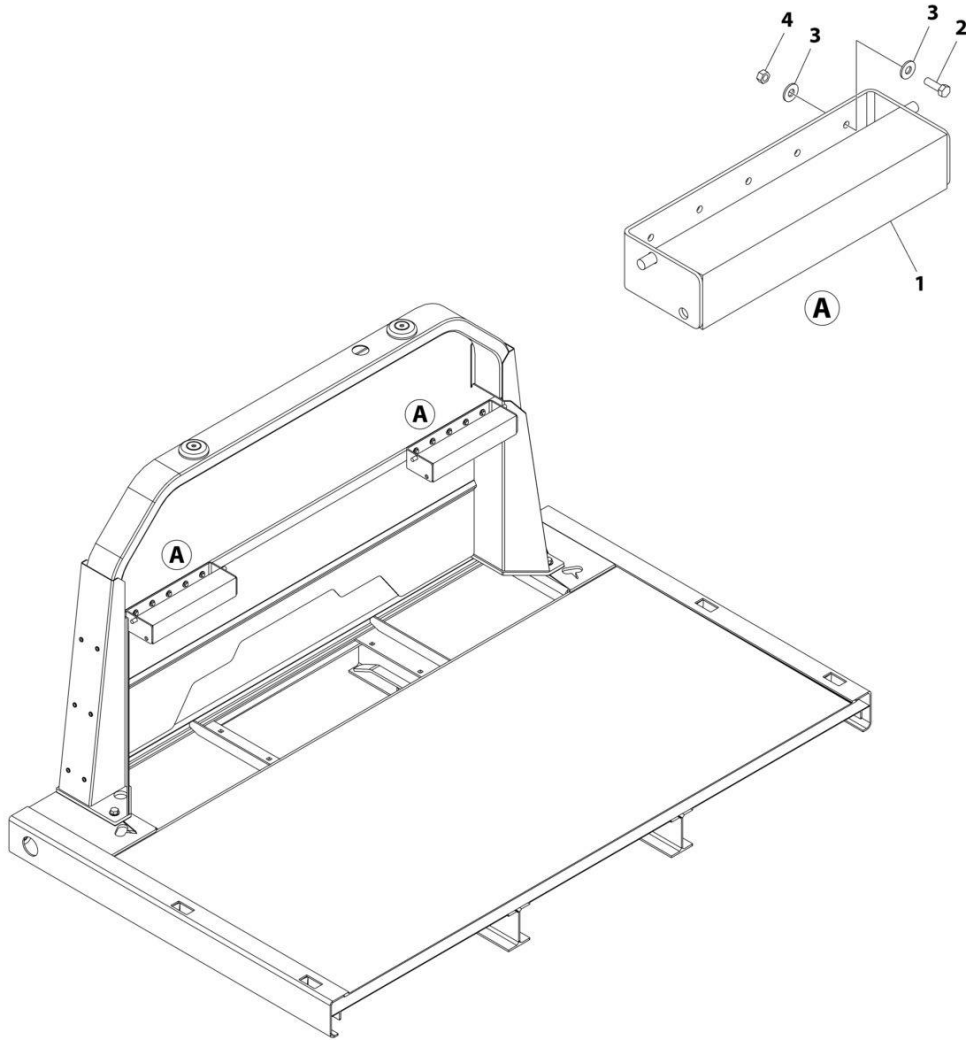
## SECTION 8 - ACCESSORIES

**FIGURE 8-15. CHAIN RACKS (ADJUSTABLE/FIXED HEADBOARD)**

ITEM	PART NUMBER	QTY	DESCRIPTION	REV
	1001232526	Ref	CHAIN RACKS ADJUSTABLE/FIXED HEIGHT, HEADBOARD INSTALLATION	A
1	1001232524	2	Bracket	
2	0641508	10	Capscrew 5/16 x 1	
3	4751500	20	Washer 5/16	
4	3271505	10	Nut 5/16	

# SECTION 8 - ACCESSORIES

FIGURE 8-16. CHAIN RACKS (ADJUSTABLE/FIXED HEADBOARD) (LOCKING)



ART\_1001232527

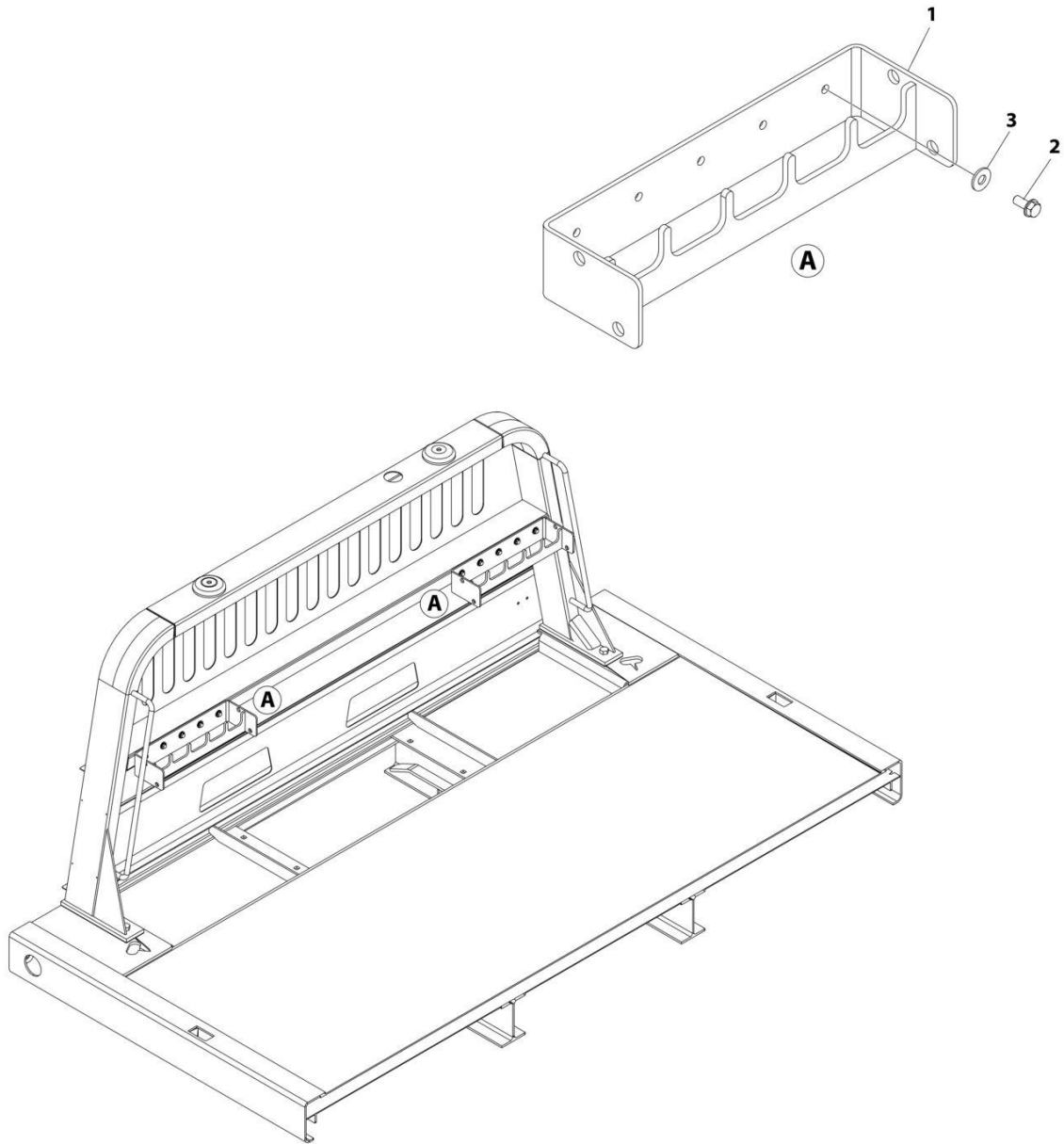
## SECTION 8 - ACCESSORIES

**FIGURE 8-16. CHAIN RACKS (ADJUSTABLE/FIXED HEADBOARD) (LOCKING)**

ITEM	PART NUMBER	QTY	DESCRIPTION	REV
	1001232527	Ref	LOCKING CHAIN RACKS, ADJUSTABLE/FIXED HEIGHT, HEADBOARD INSTALLATION	A
1	1001232525	2	Bracket	
2	0641508	10	Capscrew 5/16 x 1	
3	4751500	20	Washer 5/16	
4	3271505	10	Nut 5/16	

# SECTION 8 - ACCESSORIES

## FIGURE 8-17. CHAIN RACKS (DELUXE HEADBOARD)



ART\_1001232621



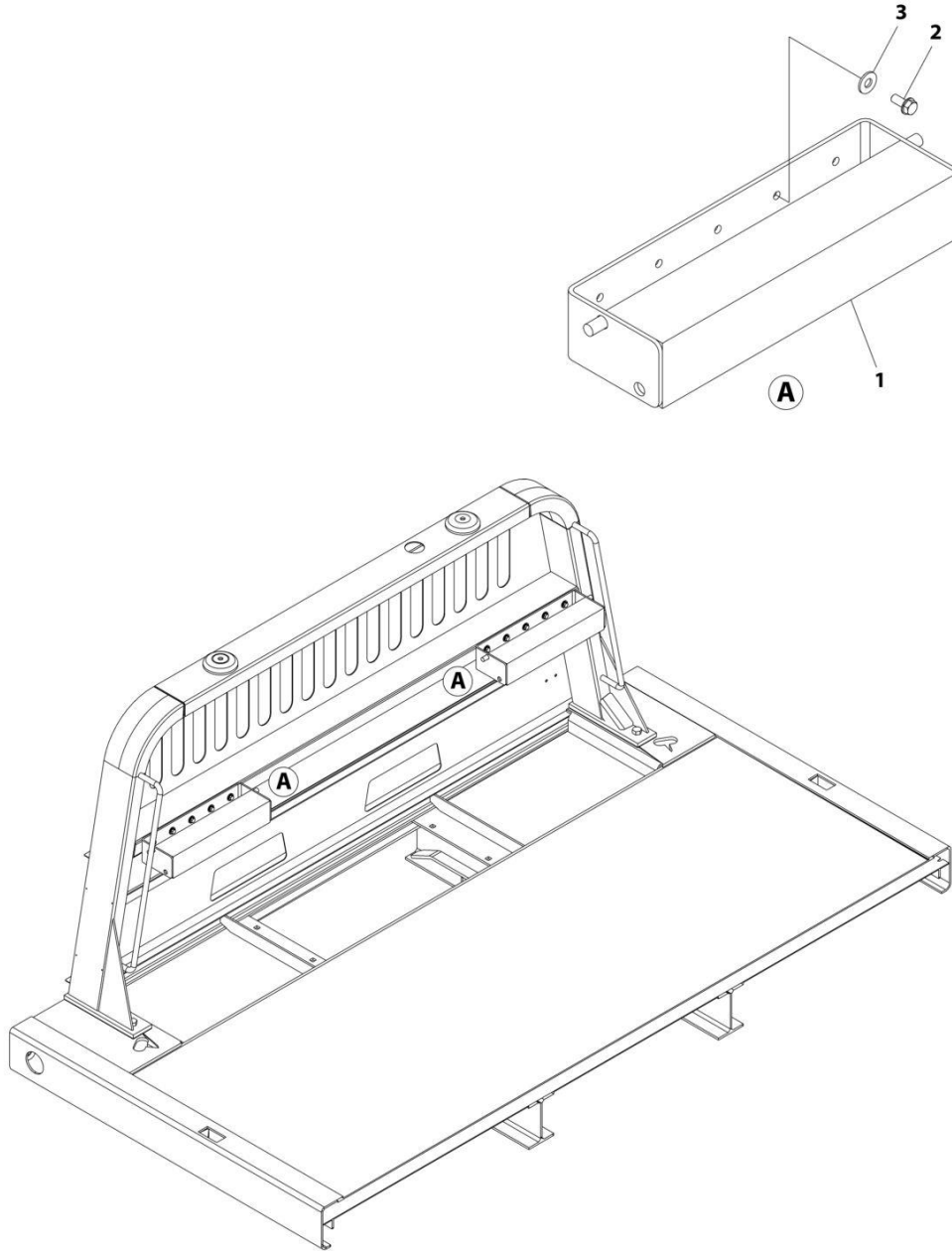
## SECTION 8 - ACCESSORIES

### FIGURE 8-17. CHAIN RACKS (DELUXE HEADBOARD)

ITEM	PART NUMBER	QTY	DESCRIPTION	REV
	1001232621	Ref	CHAIN RACKS, DELUXE HEADBOARD INSTALLATION	A
1	1001232524	2	Bracket	
2	7790151253	10	Screw 5/16 x 3/4	
3	4751500	10	Washer 5/16	

# SECTION 8 - ACCESSORIES

FIGURE 8-18. CHAIN RACKS (DELUXE HEADBOARD) (LOCKING)



ART\_1001232620

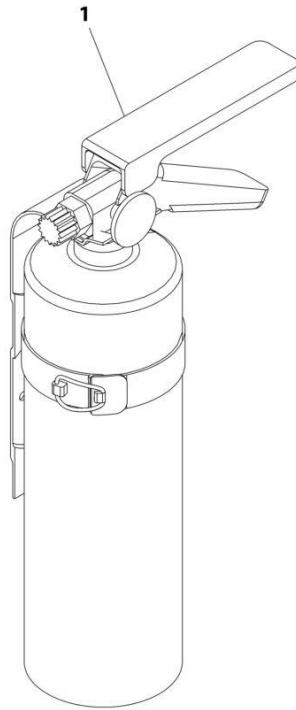
## SECTION 8 - ACCESSORIES

**FIGURE 8-18. CHAIN RACKS (DELUXE HEADBOARD) (LOCKING)**

ITEM	PART NUMBER	QTY	DESCRIPTION	REV
	1001232620	Ref	LOCKING CHAIN RACKS, DELUXE HEADBOARD INSTALLATION	A
1	1001232525	2	Bracket	
2	7790151253	10	Screw 5/16 x 3/4	
3	4751500	10	Washer 5/16	

# SECTION 8 - ACCESSORIES

FIGURE 8-19. FIRE EXTINGUISHER ACCESSORY



ART\_2002000028

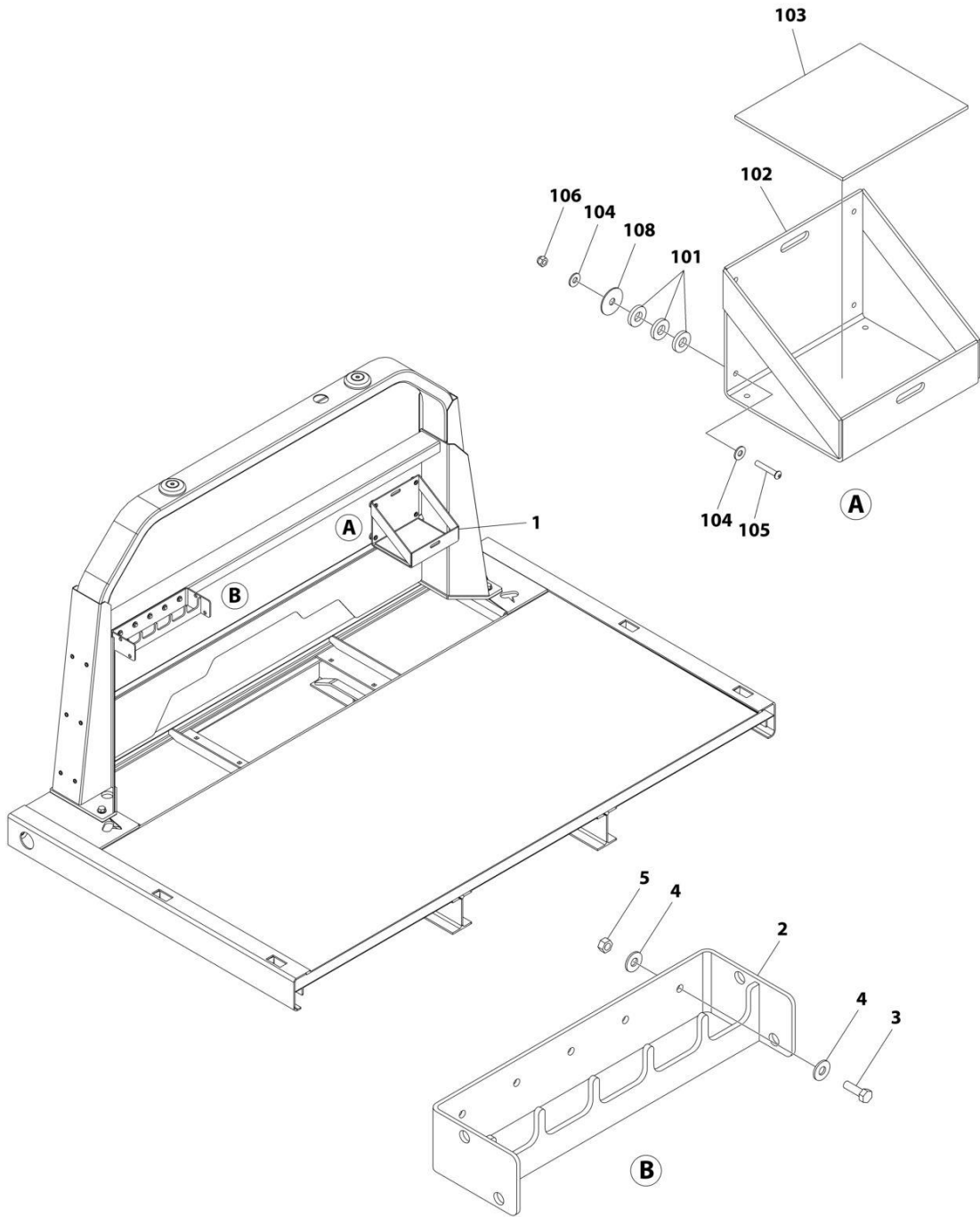
## SECTION 8 - ACCESSORIES

FIGURE 8-19. FIRE EXTINGUISHER ACCESSORY

ITEM	PART NUMBER	QTY	DESCRIPTION	REV
1	2002000028	Ref	Fire Extinguisher Accessory	0
	7002000404	1	Fire Extinguisher	

# SECTION 8 - ACCESSORIES

## FIGURE 8-20. FUEL CAN HOLDER & CHAIN RACK INSTALLATION (HEADBOARD)



ART\_1001232555

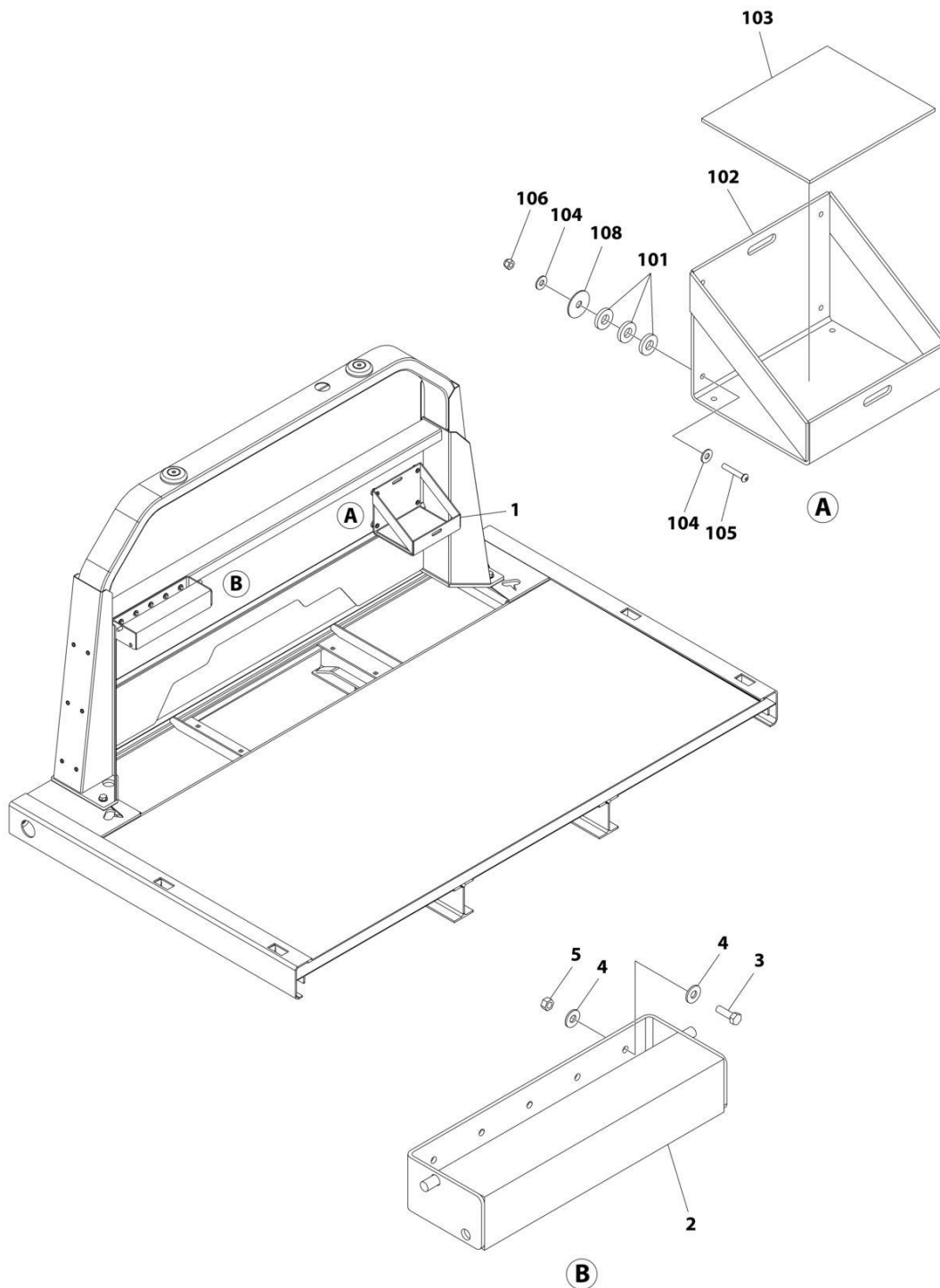
## SECTION 8 - ACCESSORIES

**FIGURE 8-20. FUEL CAN HOLDER & CHAIN RACK INSTALLATION (HEADBOARD)**

ITEM	PART NUMBER	QTY	DESCRIPTION	REV
	1001232555	Ref	FUEL CAN HOLDER AND CHAIN RACK INSTALLATION	A
1	1001190184	1	Fuel Can Holder Installation (Includes Items 101-108)	
2	1001232524	1	Bracket	
3	0641508	5	Capscrew 5/16	
4	4751500	10	Washer 5/16	
5	3271505	5	Nut 5/16	
101	4891800	12	Washer 1/2	
102	3178000471	1	Bracket	
103	4679000274	1	Pad	
104	4751400001	8	Washer 1/4	
105	7114141218	4	Capscrew 1/4-20 x 1-1/2	
106	7660142601	4	Nut 1/4	
107	7894000063	1	Tie-Strap (Not Shown)	
108	7949000055	4	Washer	

# SECTION 8 - ACCESSORIES

## FIGURE 8-21. FUEL CAN HOLDER & LOCKING CHAIN RACK INSTALLATION (HEADBOARD)



ART\_1001232554



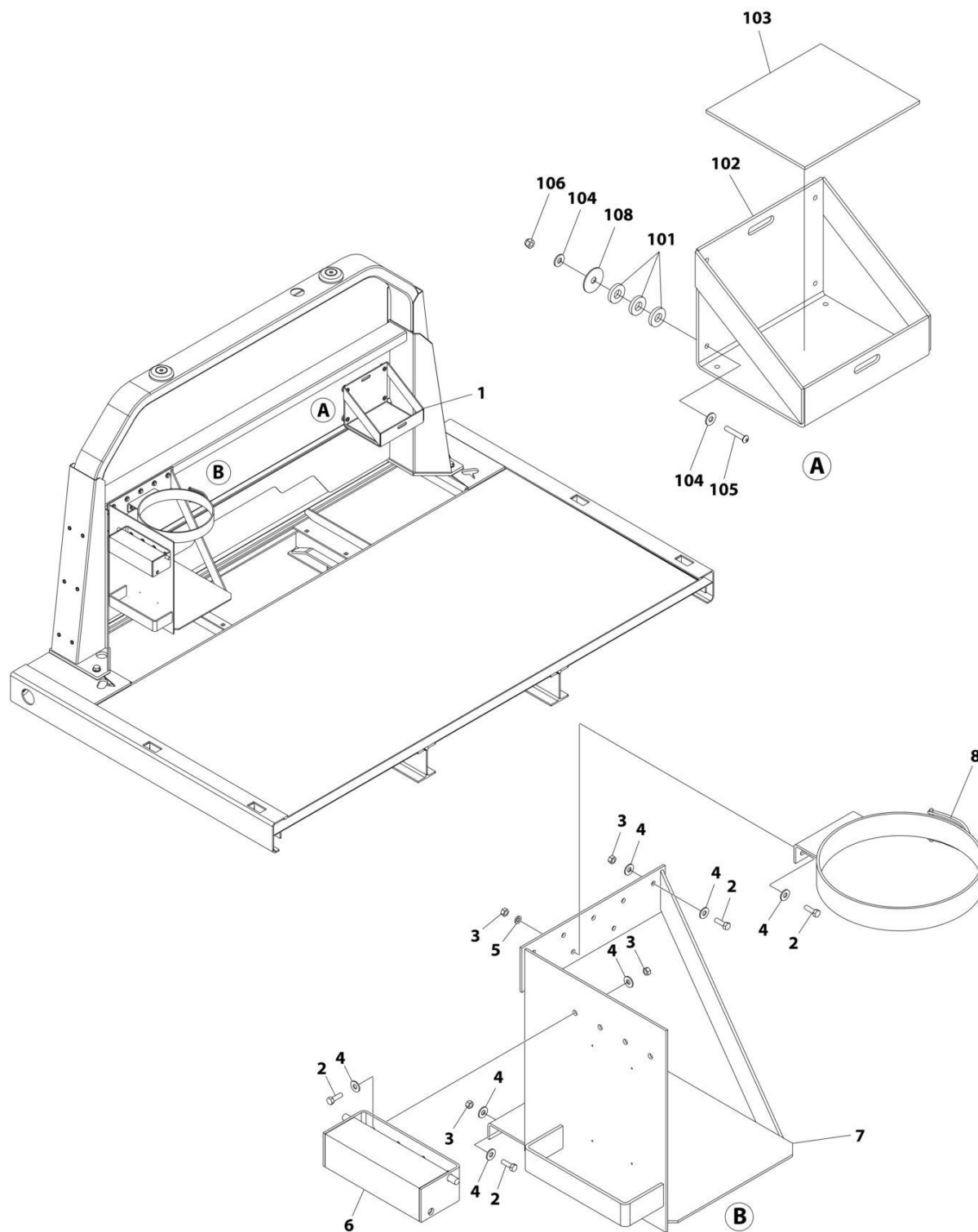
## SECTION 8 - ACCESSORIES

**FIGURE 8-21. FUEL CAN HOLDER & LOCKING CHAIN RACK INSTALLATION (HEADBOARD)**

ITEM	PART NUMBER	QTY	DESCRIPTION	REV
	1001232554	Ref	FUEL CAN HOLDER AND LOCKING CHAIN RACK INSTALLATION	A
1	1001190184	1	Fuel Can Holder Installation (Includes Items 101-108)	
2	1001232525	1	Bracket	
3	0641508	5	Capscrew 5/16	
4	4751500	10	Washer 5/16	
5	3271505	5	Nut 5/16	
101	4891800	12	Washer 1/2	
102	3178000471	1	Bracket	
103	4679000274	1	Pad	
104	4751400001	8	Washer 1/4	
105	7114141218	4	Capscrew 1/4-20 x 1-1/2	
106	7660142601	4	Nut 1/4	
107	7894000063	1	Tie-Strap (Not Shown)	
108	7949000055	4	Washer	

# SECTION 8 - ACCESSORIES

## FIGURE 8-22. FUEL CAN HOLDER & PROPANE TANK HOLDER (ADJUSTABLE HEADBOARD)



ART\_1001191543

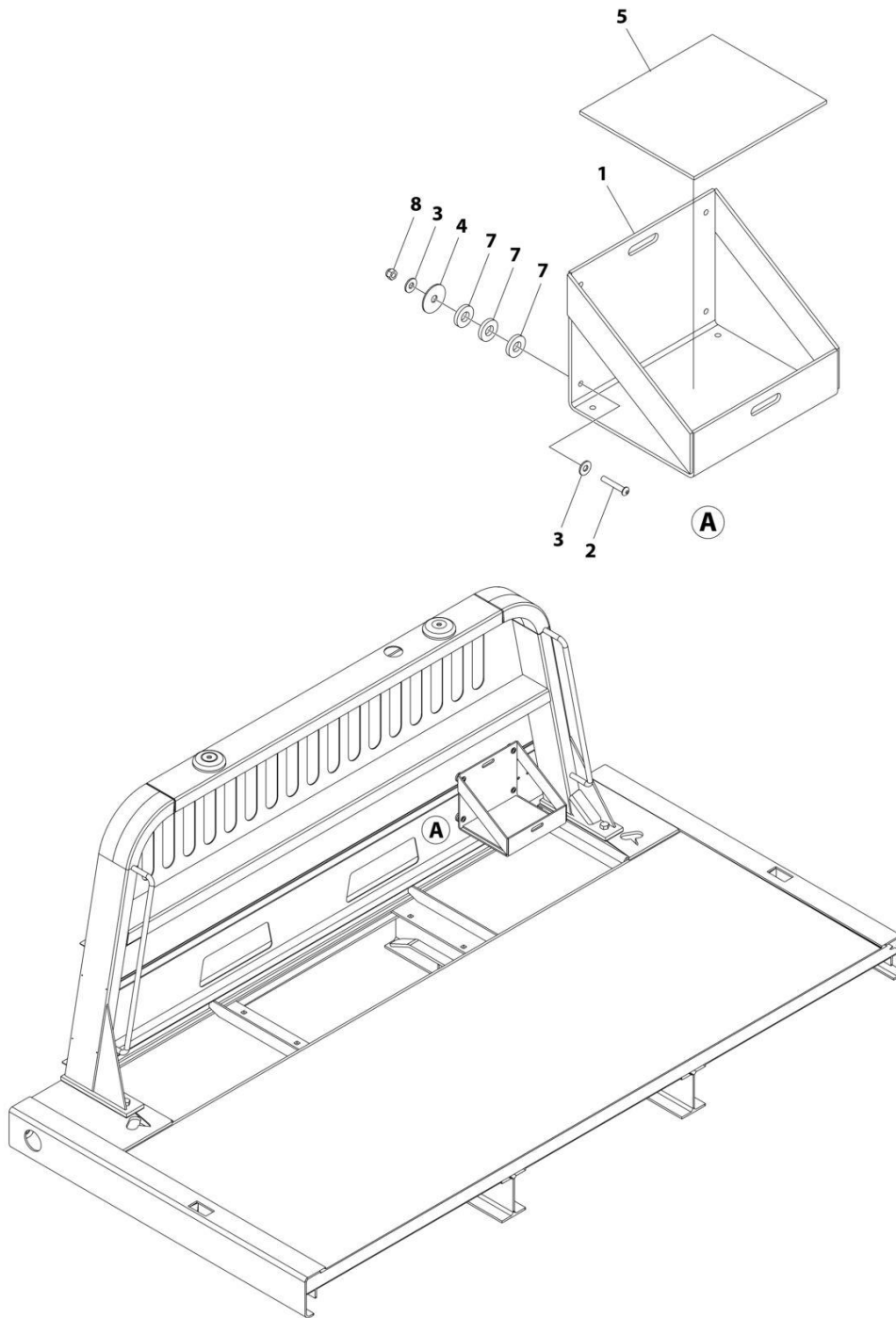
## SECTION 8 - ACCESSORIES

**FIGURE 8-22. FUEL CAN HOLDER & PROPANE TANK HOLDER (ADJUSTABLE HEADBOARD)**

ITEM	PART NUMBER	QTY	DESCRIPTION	REV
	1001191543	Ref	FUEL CAN HOLDER AND PROPANE TANK INSTALLATION	D
1	1001190184	1	Fuel Can Holder Installation (Includes Items 101-108)	
2	0641508	15	Capscrew 5/16 x 1	
3	3271505	15	Nut 5/16	
4	4751500	28	Washer 5/16	
5	4761500	2	Washer 5/16	
6	1001129537	1	Bracket	
7	1001190131	1	Support, LH	
8	7178000029	1	Bracket	
101	4891800	12	Washer 1/2	
102	3178000471	1	Bracket	
103	4679000274	1	Pad	
104	4751400001	8	Washer 1/4	
105	7114141218	4	Capscrew 1/4-20 x 1-1/2	
106	7660142601	4	Nut 1/4	
107	7894000063	1	Tie-Strap (Not Shown)	
108	7949000055	4	Washer	

# SECTION 8 - ACCESSORIES

FIGURE 8-23. FUEL CAN HOLDER INSTALLATION (DELUXE HEADBOARD)



ART\_1001129332

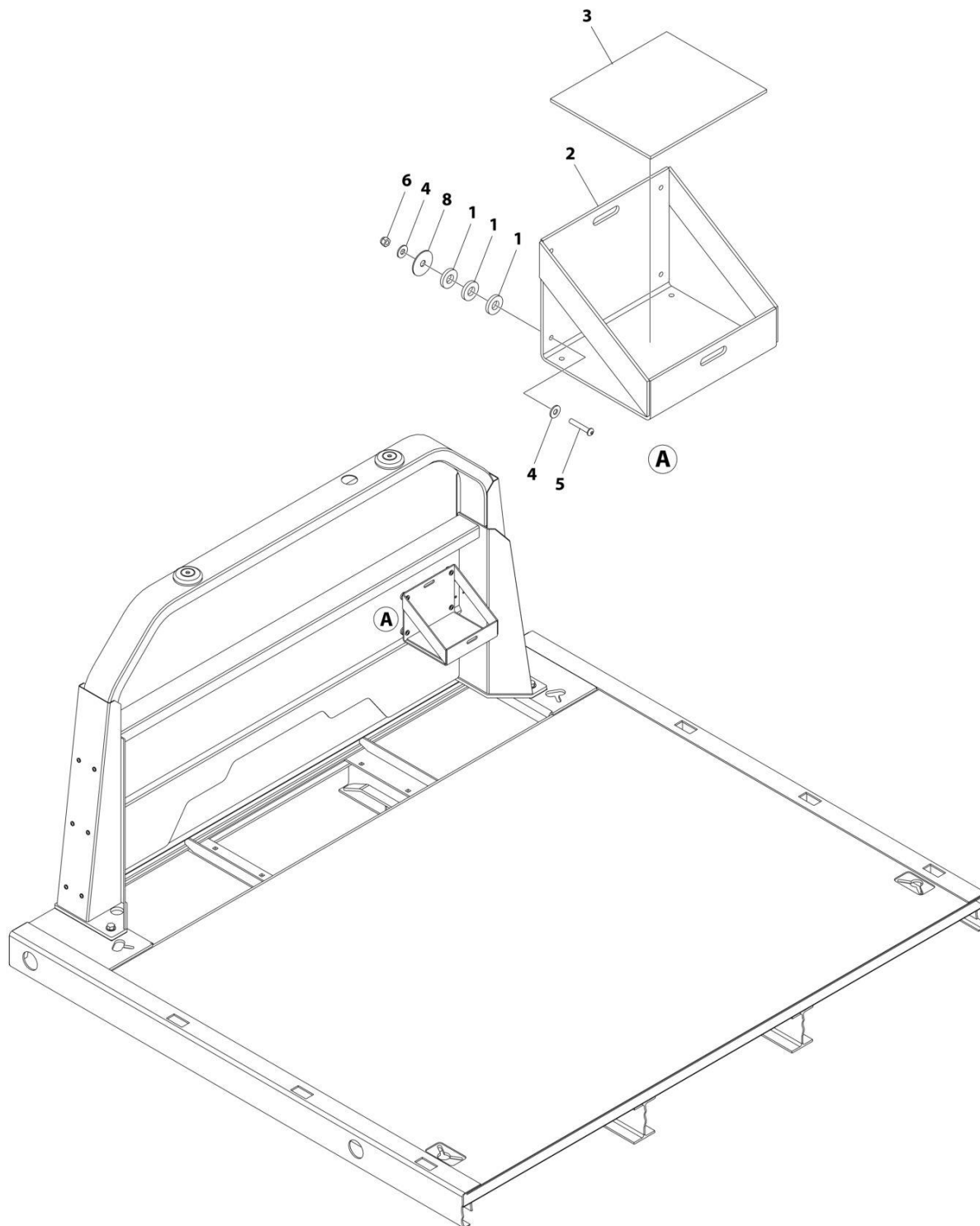
## SECTION 8 - ACCESSORIES

**FIGURE 8-23. FUEL CAN HOLDER INSTALLATION (DELUXE HEADBOARD)**

ITEM	PART NUMBER	QTY	DESCRIPTION	REV
	1001129332	Ref	FUEL CAN HOLDER INSTALLATION	F
1	3178000471	1	Bracket	
2	7114141218	4	Capscrew 1/4	
3	4751400001	8	Washer 1/4	
4	7949000055	4	Washer	
5	4679000274	1	Pad	
6	7894000063	1	Tie-Strap (Not Shown)	
7	4891800	12	Washer 1/2	
8	7660142601	4	Nut 1/4	

# SECTION 8 - ACCESSORIES

FIGURE 8-24. FUEL CAN HOLDER INSTALLATION (FIXED & ADJUSTABLE HEADBOARD)



ART\_1001190184

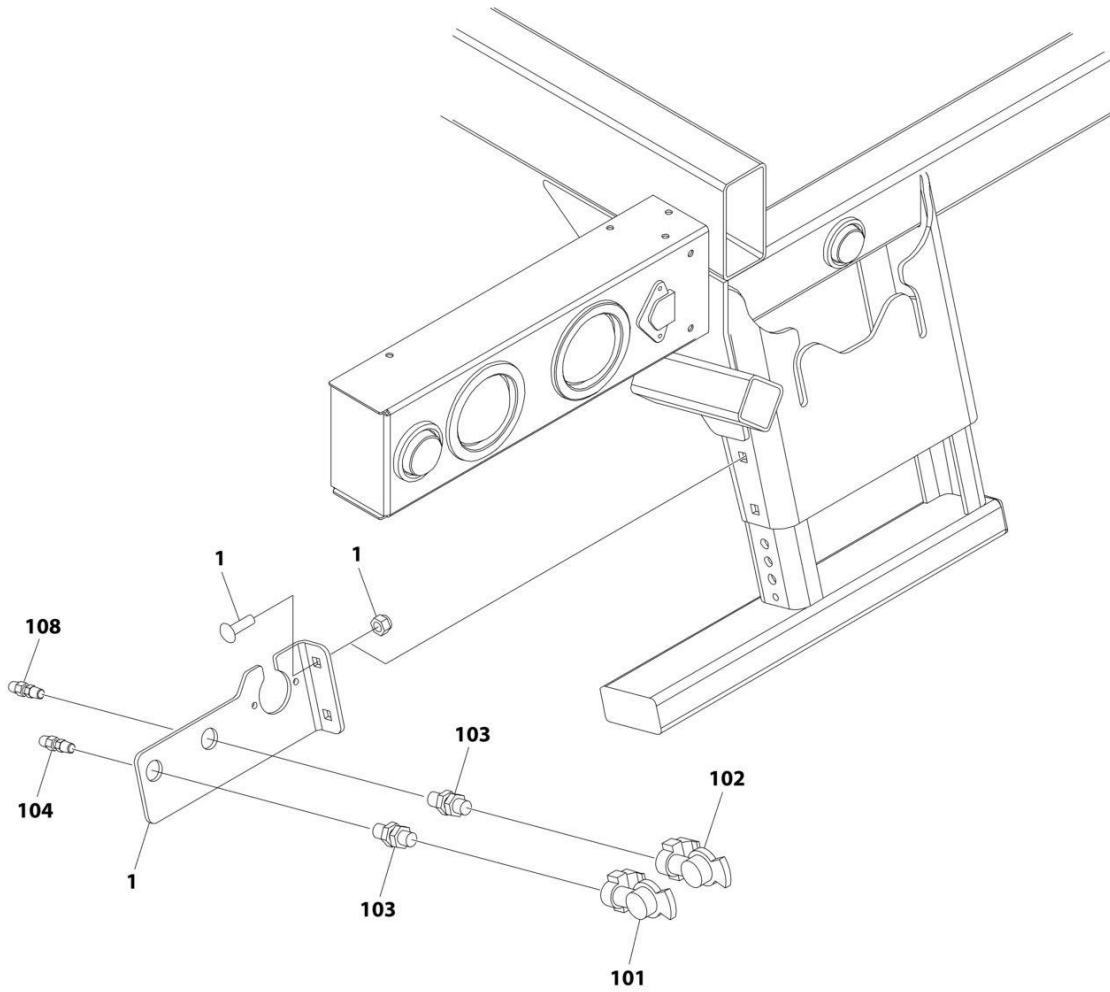
## SECTION 8 - ACCESSORIES

**FIGURE 8-24. FUEL CAN HOLDER INSTALLATION (FIXED & ADJUSTABLE HEADBOARD)**

ITEM	PART NUMBER	QTY	DESCRIPTION	REV
	1001190184	Ref	FUEL CAN HOLDER INSTALLATION	C
1	4891800	12	Washer 1/2	
2	3178000471	1	Bracket	
3	4679000274	1	Pad	
4	4751400001	8	Washer 1/4	
5	7114141218	4	Capscrew 1/4	
6	7660142601	4	Nut 1/4	
7	7894000063	1	Tie Strap (Not Shown)	
8	7949000055	4	Washer	

# SECTION 8 - ACCESSORIES

## FIGURE 8-25. GLAD HAND INSTALLATION WITH MTG BRACKET



ART\_1001270102



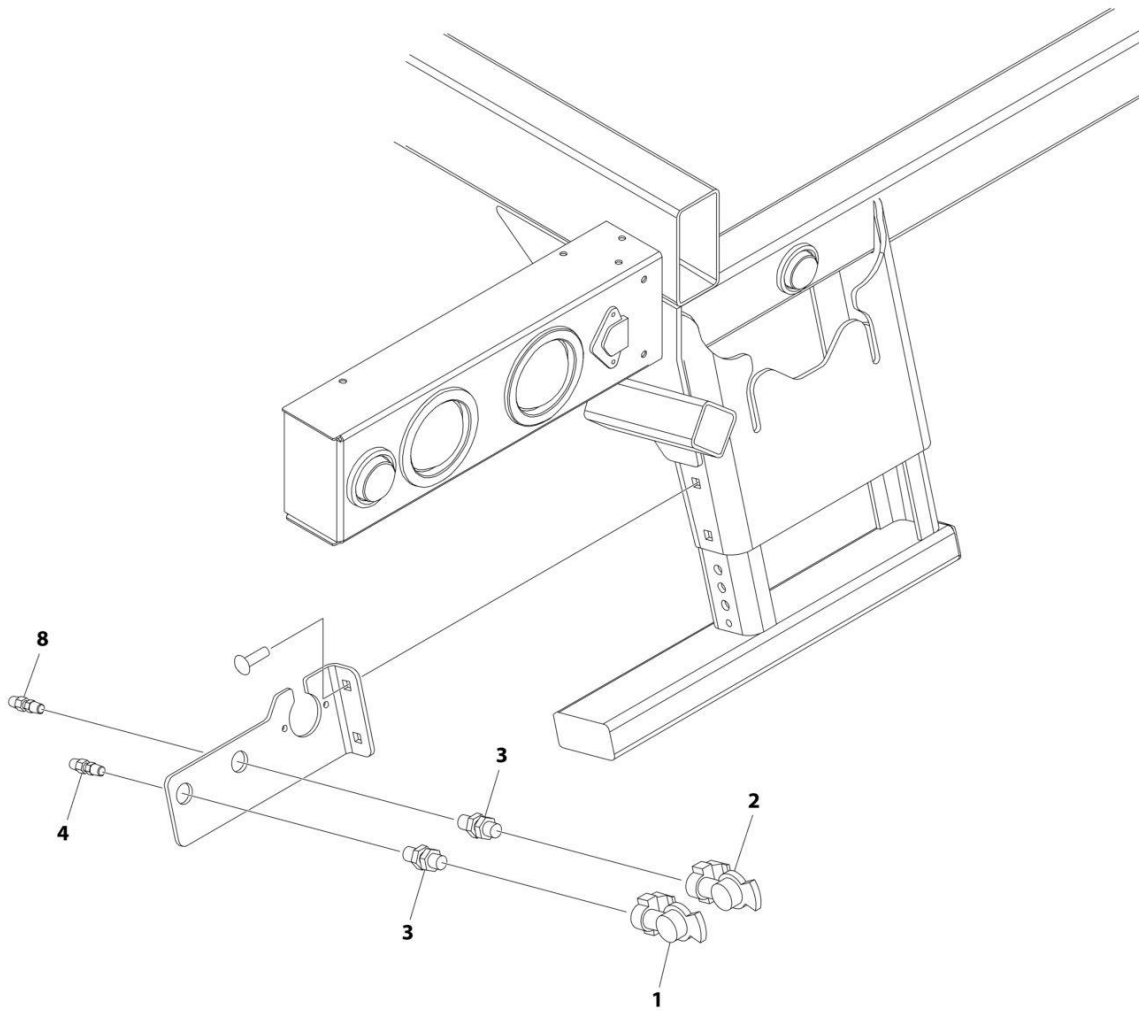
## SECTION 8 - ACCESSORIES

**FIGURE 8-25. GLAD HAND INSTALLATION WITH MTG BRACKET**

ITEM	PART NUMBER	QTY	DESCRIPTION	REV
	1001270102	Ref	GLAND HAND INSTALLATION WITH MOUNTING BRACKET	A
1	2178000037	Ref	Glad Hand Bracket Installation	
1	4178000666	1	Bracket	
1	7115181464	2	Bolt 1/2 x 1-3/4	
1	7660182601	2	Nut 1/2	
101	7312000016	1	Gladhand	
102	7312000015	1	Gladhand	
103	7446502518	2	Fitting	
104	7446060435	1	Fitting	
106	7565000014	50 ft	Airline Tubing (Not Shown)	
107	7312000013	2	Union (Not Shown)	
108	7446502506	1	Connector	

# SECTION 8 - ACCESSORIES

FIGURE 8-26. GLAD HAND INSTALLATION WITHOUT MTG BRACKET



ART\_2002000016

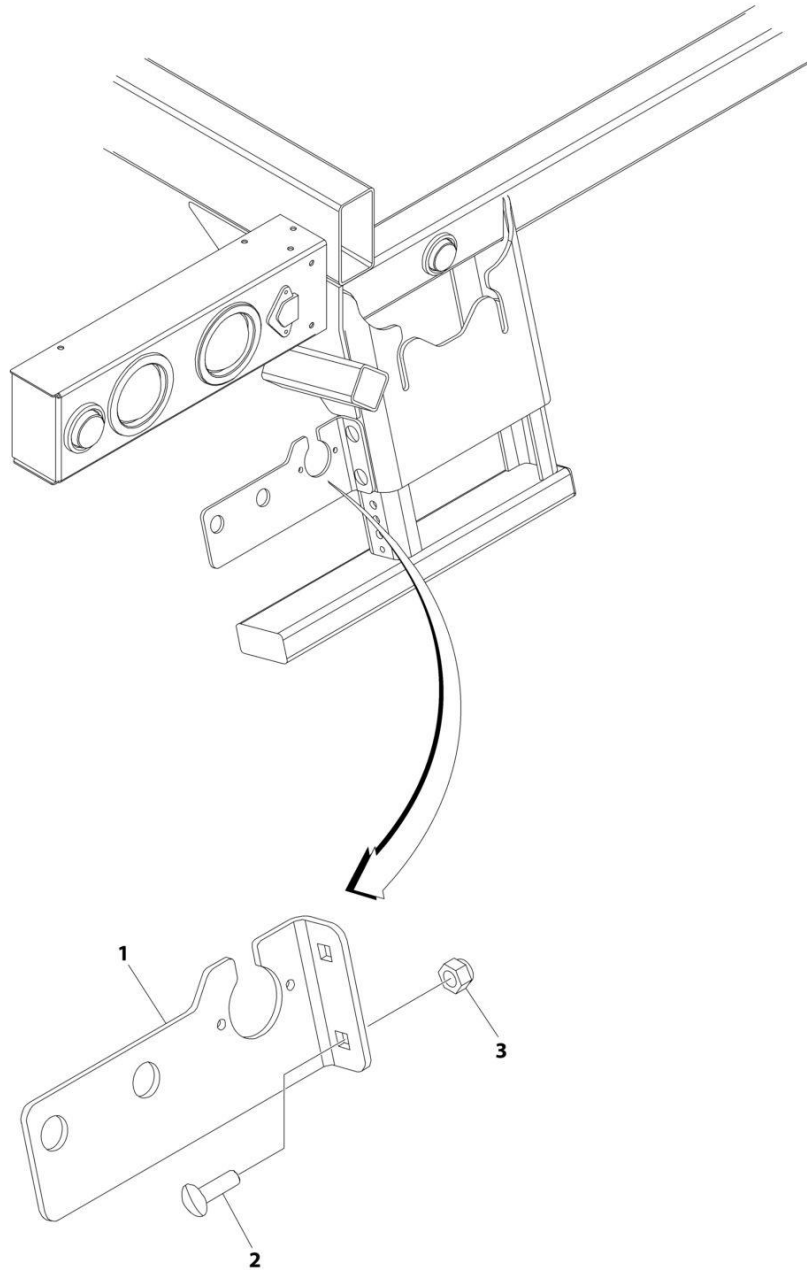
## SECTION 8 - ACCESSORIES

**FIGURE 8-26. GLAD HAND INSTALLATION WITHOUT MTG BRACKET**

ITEM	PART NUMBER	QTY	DESCRIPTION	REV
	2002000016	Ref	Glad Hands Installation	D
1	7312000016	1	Gladhand	
2	7312000015	1	Gladhand	
3	7446502518	2	Fitting	
4	7446060435	1	Fitting	
6	7565000014	50 ft	Airline Tubing (Not Shown)	
7	7312000013	2	Union (Not Shown)	
8	7446502506	1	Connector	

# SECTION 8 - ACCESSORIES

## FIGURE 8-27. GLADHANDS BRACKET INSTALLATION



ART\_2178000037

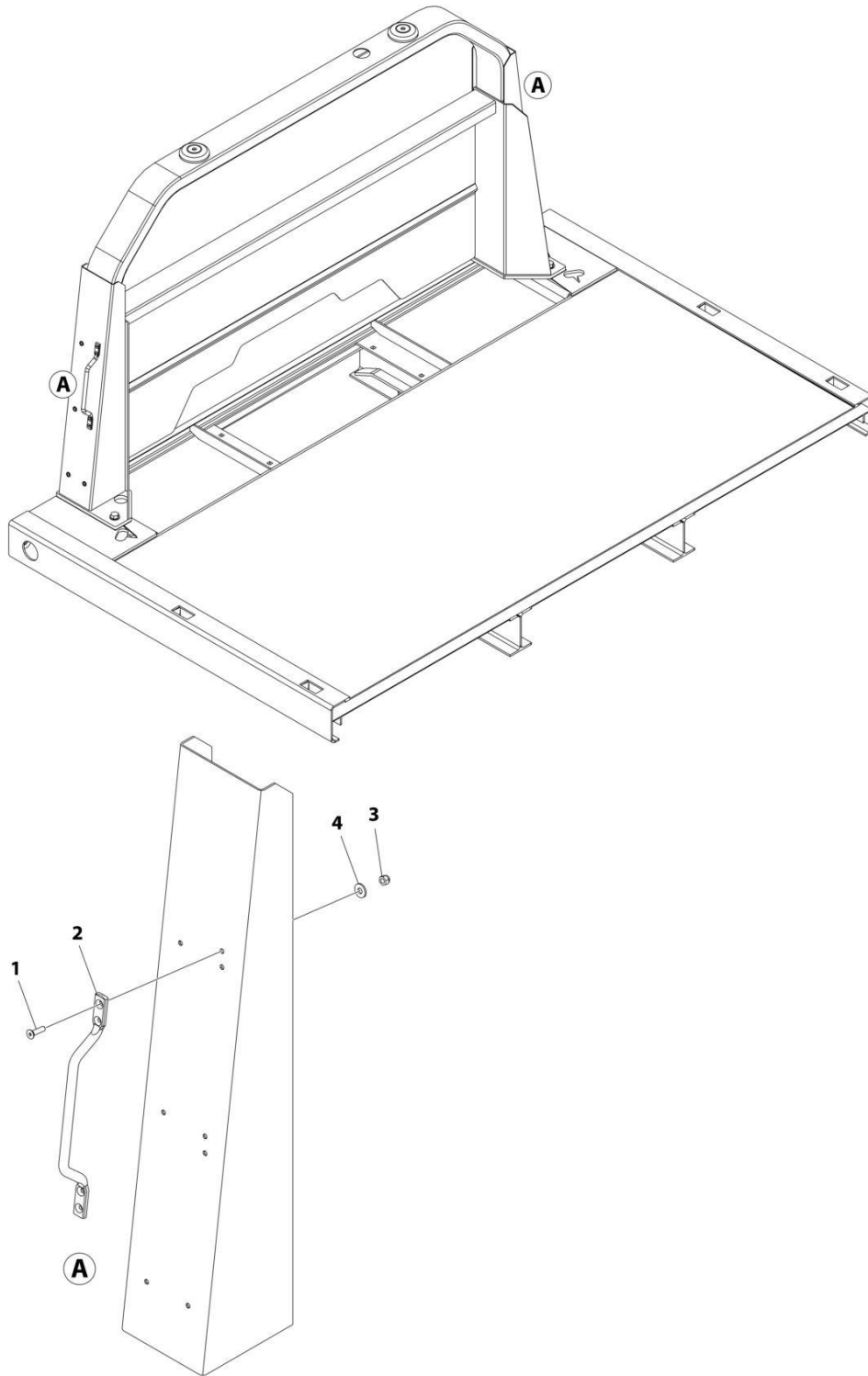
## SECTION 8 - ACCESSORIES

### FIGURE 8-27. GLADHANDS BRACKET INSTALLATION

ITEM	PART NUMBER	QTY	DESCRIPTION	REV
	2178000037	Ref	GLAD HAND BRACKET INSTALLATION	0
1	4178000666	1	Bracket	
2	7115181464	2	Bolt 1/2 x 1-3/4	
3	7660182601	2	Nut 1/2	

# SECTION 8 - ACCESSORIES

FIGURE 8-28. GRAB HANDLES (ADJUSTABLE HEADBOARD)



ART\_1001189548

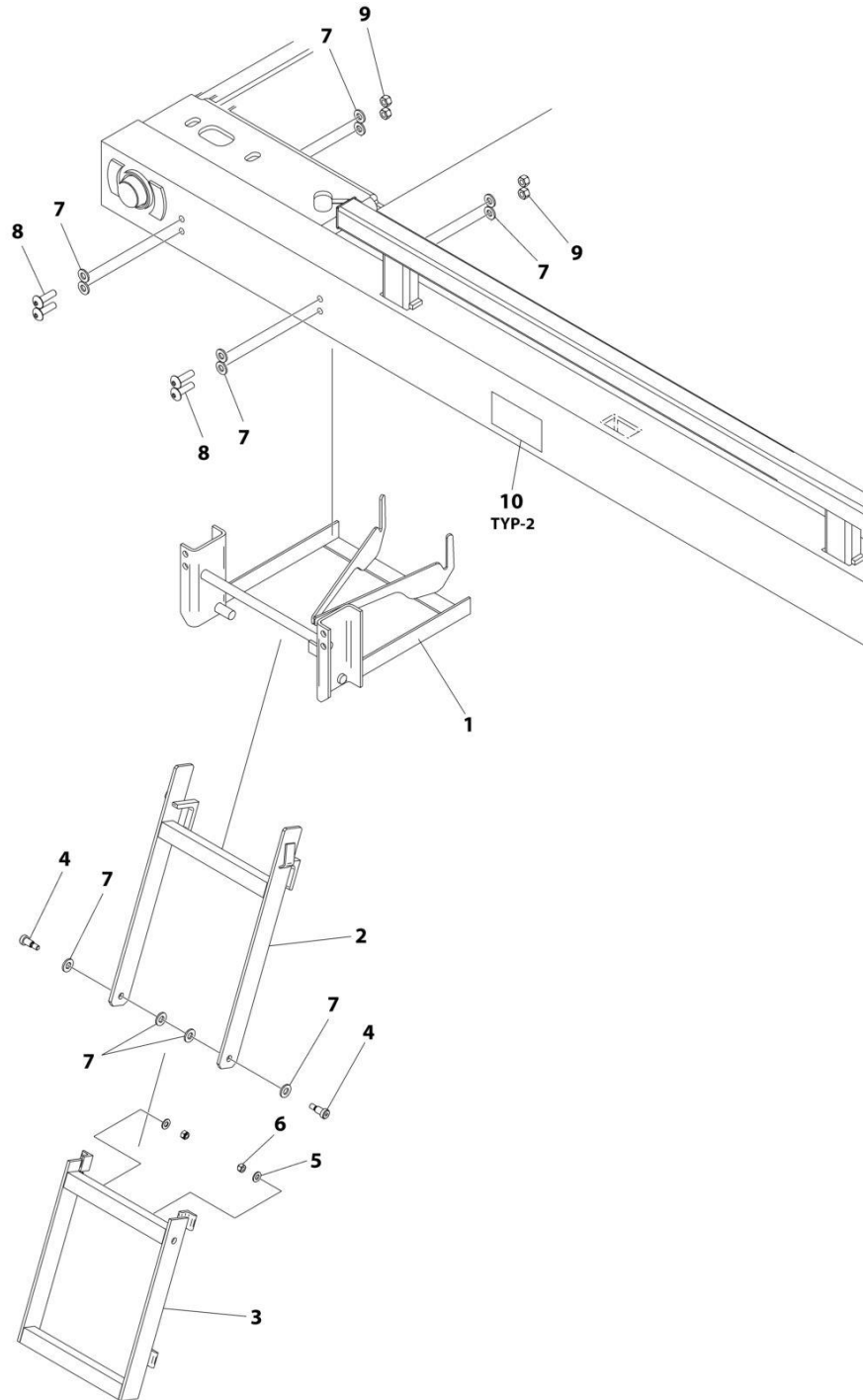
## SECTION 8 - ACCESSORIES

**FIGURE 8-28. GRAB HANDLES (ADJUSTABLE HEADBOARD)**

ITEM	PART NUMBER	QTY	DESCRIPTION	REV
	1001189548	Ref	GRAB HANDLES ADJUSTABLE HEADBOARD INSTALLATION	A
1	7114140823	8	Capscrew 1/4 x 1	
2	7550000070	2	Handle	
3	7660142601	4	Nut 5/16	
4	7950140153	4	Washer 5/16	

# SECTION 8 - ACCESSORIES

FIGURE 8-29. LADDER, 3-STEP FOLDING (LEFT & RIGHT)



ART\_1001142330



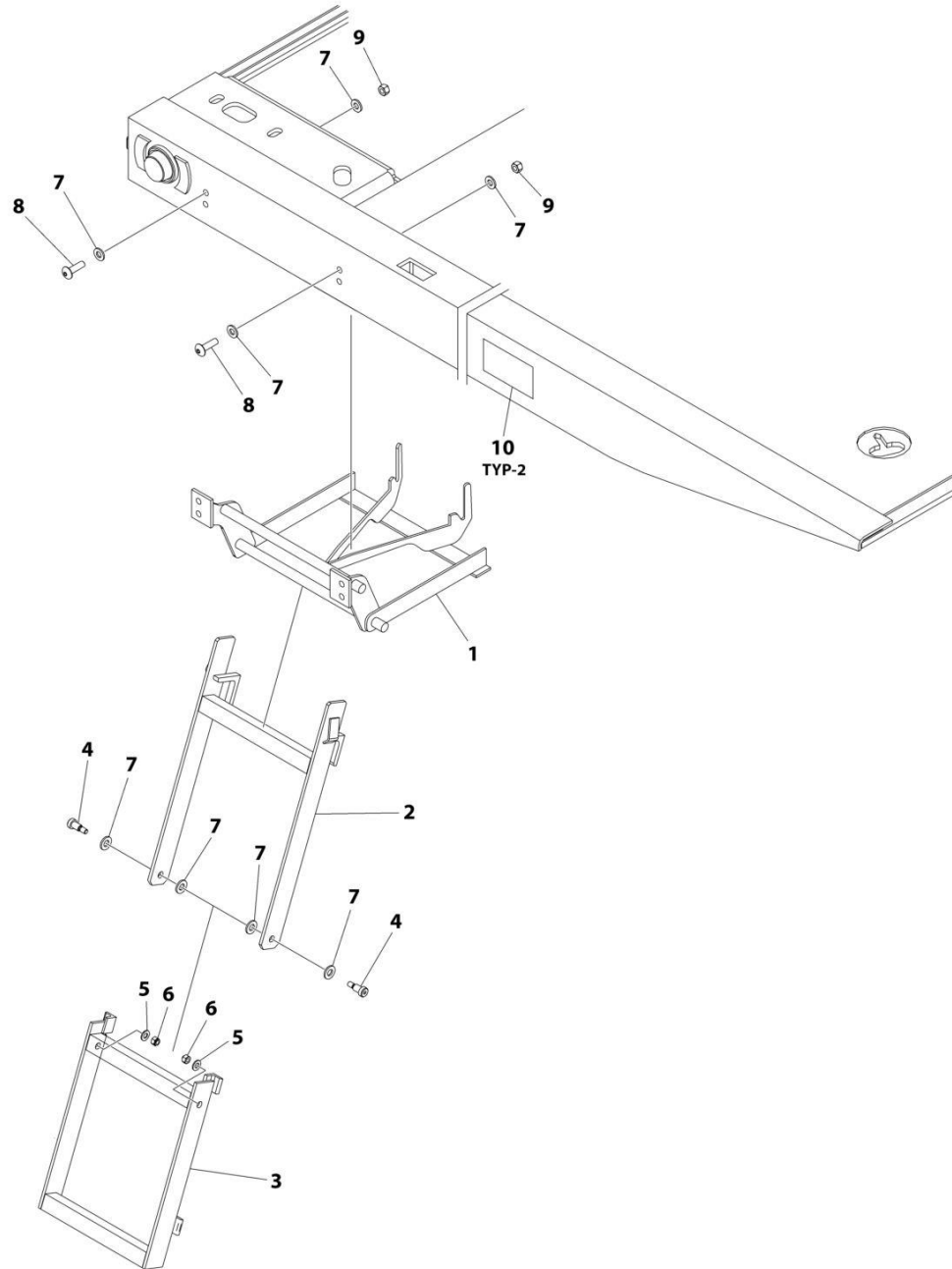
## SECTION 8 - ACCESSORIES

**FIGURE 8-29. LADDER, 3-STEP FOLDING (LEFT & RIGHT)**

ITEM	PART NUMBER	QTY	DESCRIPTION	REV
	1001142330	Ref	FOLDING DECK LADDER	B
1	3178000555	2	Bracket Weldment	
2	3002000009	2	Ladder Top Weldment	
3	3002000008	2	Ladder Bottom Weldment	
4	7115180606	4	Bolt 1/2 x 3/4	
5	7950160161	4	Washer 3/8	
6	7660162601	4	Nut	
7	7950180141	24	Washer 1/2	
8	7114181418	8	Capscrew 1/2 x 1- 3/4	
9	7660182601	8	Nut 1/2	
10	1001131998	2	Decal	
11	1001142334	1	Front Left/Right Drill, Ladder, Specification (Not Shown)	

# SECTION 8 - ACCESSORIES

## FIGURE 8-30. LADDER, 3-STEP FOLDING (LEFT)



ART\_1001142329

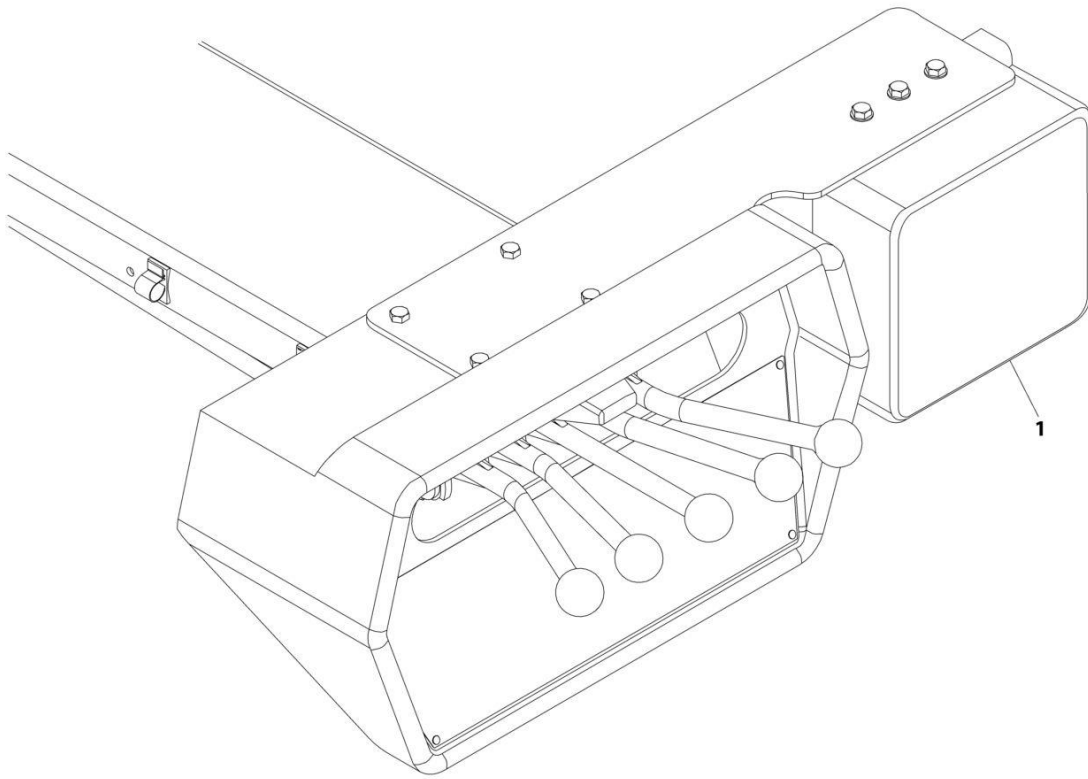
## SECTION 8 - ACCESSORIES

**FIGURE 8-30. LADDER, 3-STEP FOLDING (LEFT)**

ITEM	PART NUMBER	QTY	DESCRIPTION	REV
	1001142329	Ref	LADDER, FOLDING 3-STEP, FRONT LEFT INSTALLATION	B
1	3178000555	1	Bracket	
2	3002000009	1	Top Ladder Weld, Accessory	
3	3002000008	1	Bottom Ladder Weld, Accessory	
4	7115180606	2	Bolt 1/2 x 3/4	
5	7950160161	2	Washer	
6	7660162601	2	Nut	
7	7950180141	12	Washer 1/2	
8	7114181418	4	Capscrew 1/2 x 1- 3/4	
9	7660182601	4	Nut 1/2	
10	1001131998	2	Decal	
11	1001142333	1	Front Left Drill, Ladder, Specification (Not Shown)	

# SECTION 8 - ACCESSORIES

## FIGURE 8-31. SCALES - ON-BOARD TRUCK (AIR WEIGHT)



ART\_1001133721

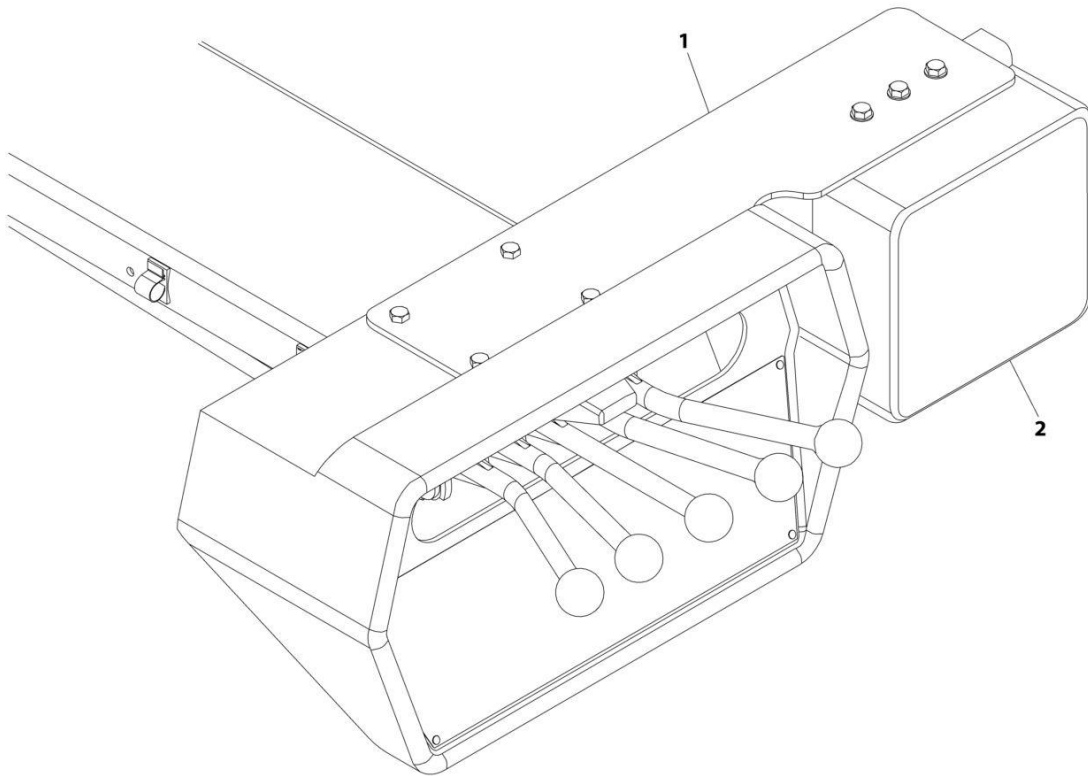
## SECTION 8 - ACCESSORIES

**FIGURE 8-31. SCALES - ON-BOARD TRUCK (AIR WEIGHT)**

ITEM	PART NUMBER	QTY	DESCRIPTION	REV
	1001133721	Ref	TRUCK SCALES - ON BOARD (AIR WEIGH) (DEALER INSTALLED)	A
1	7577000442	1	Truck Scales - On Board (Air Weigh) Add - On Kit	

# SECTION 8 - ACCESSORIES

FIGURE 8-32. SCALES - ON BOARD TRUCK (RIGHT WEIGHT)



ART\_1001130142

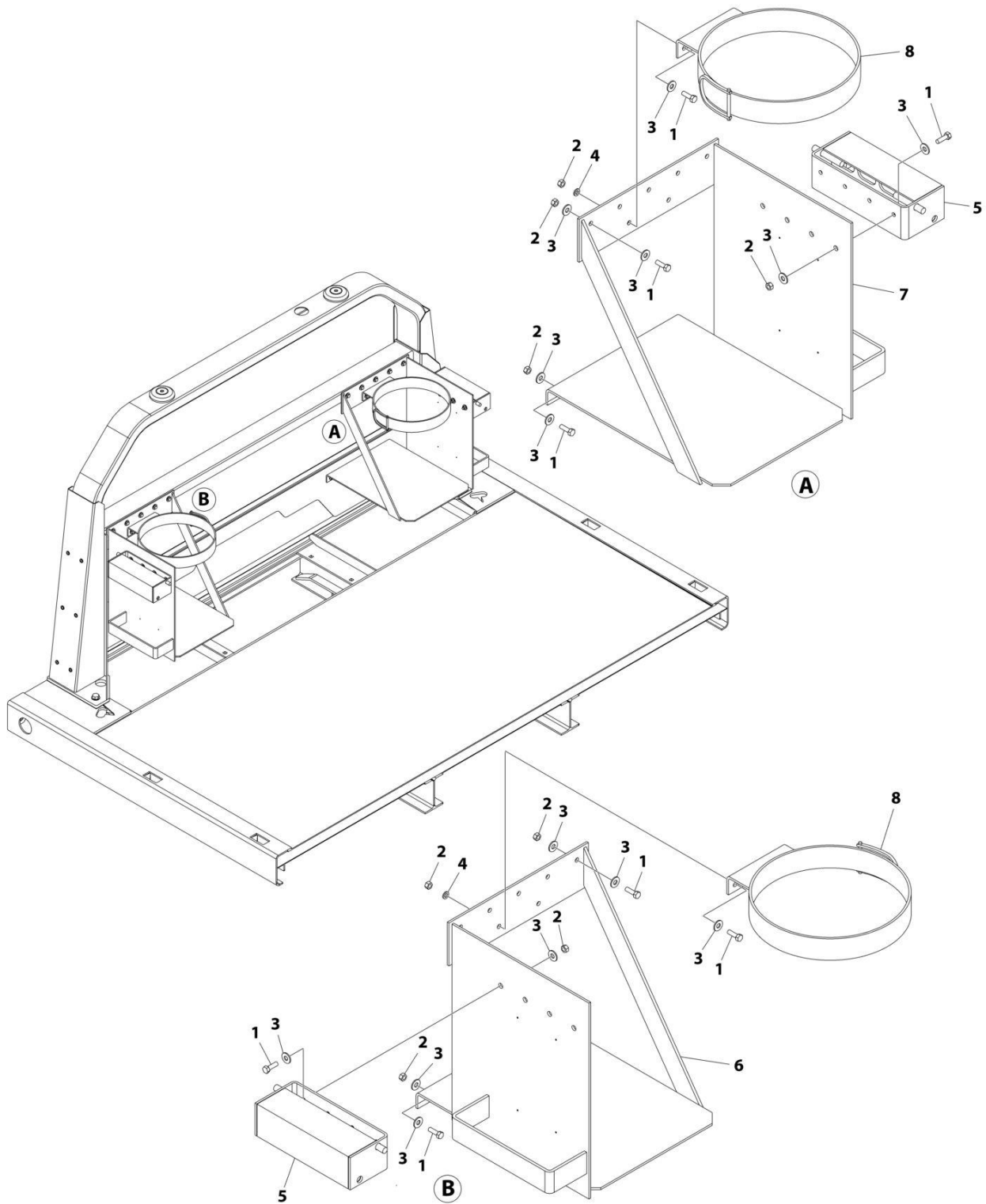
## SECTION 8 - ACCESSORIES

**FIGURE 8-32. SCALES - ON BOARD TRUCK (RIGHT WEIGHT)**

ITEM	PART NUMBER	QTY	DESCRIPTION	REV
	1001130142	Ref	TRUCK SCALES - ONBOARD (RIGHT WEIGHT, DEALER INSTALLED)	0
1	1001130151	1	Plate Weight Mount	
2	1001129875	1	Accessory Weight Load Scale	

# SECTION 8 - ACCESSORIES

## FIGURE 8-33. PROPANE TANK HOLDERS (ADJUSTABLE HEADBOARD)



ART\_1001189550



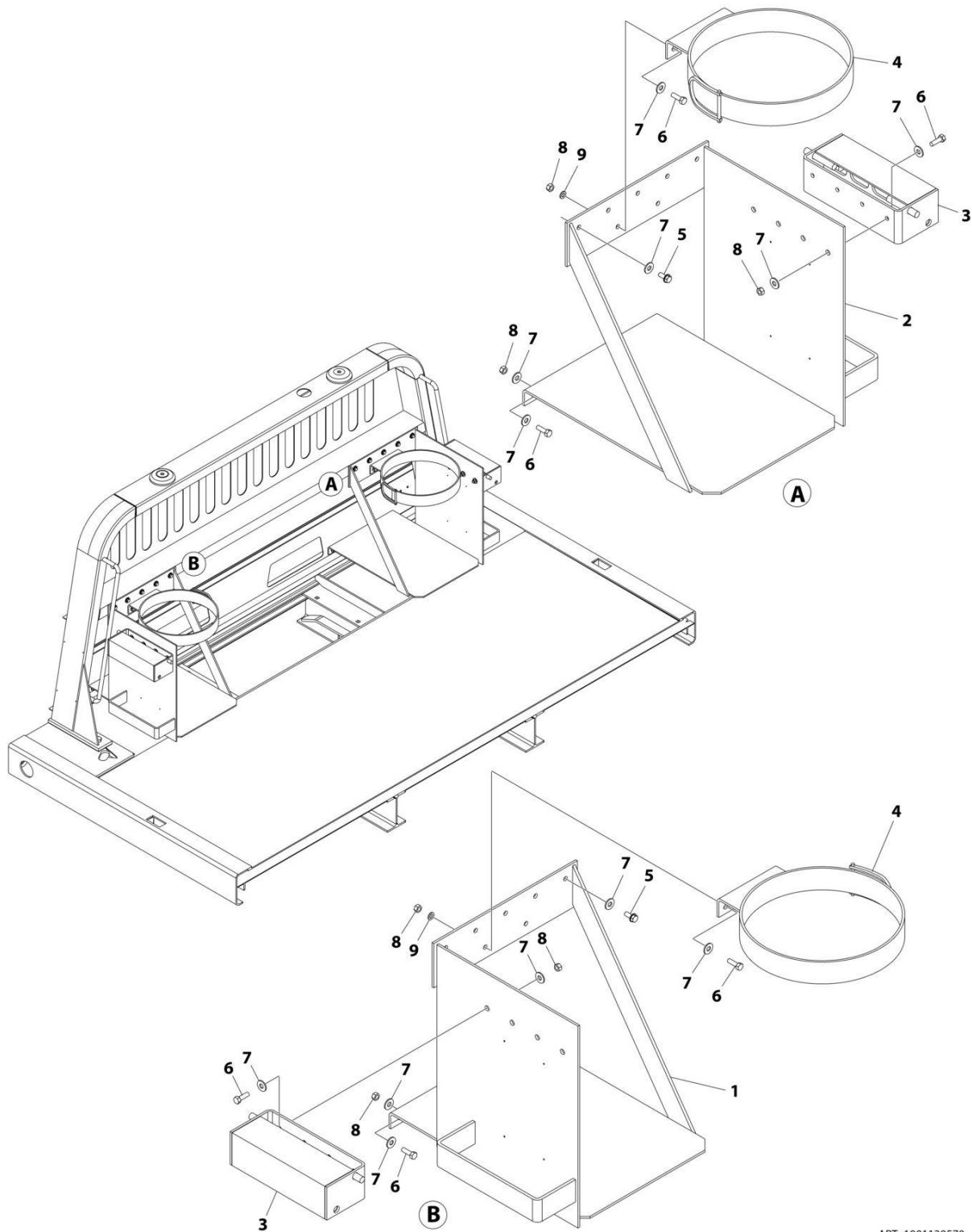
## SECTION 8 - ACCESSORIES

**FIGURE 8-33. PROPANE TANK HOLDERS (ADJUSTABLE HEADBOARD)**

ITEM	PART NUMBER	QTY	DESCRIPTION	REV
	1001189550	Ref	PROPANE TANK HOLDERS, ADJUSTABLE HEADBOARD INSTALLATION	D
1	0641508	30	Capscrew 5/16 x 1	
2	3271505	30	Nut 5/16	
3	4751500	56	Washer 5/16	
4	4761500	4	Washer 5/16	
5	1001129537	2	Bracket	
6	1001190131	1	Propane Tank Support Weld, LH	
7	1001190140	1	Propane Tank Support Weld, RH	
8	7178000029	1	Bracket	

# SECTION 8 - ACCESSORIES

## FIGURE 8-34. PROPANE TANK HOLDERS (FIXED HEADBOARD)



ART\_1001129570

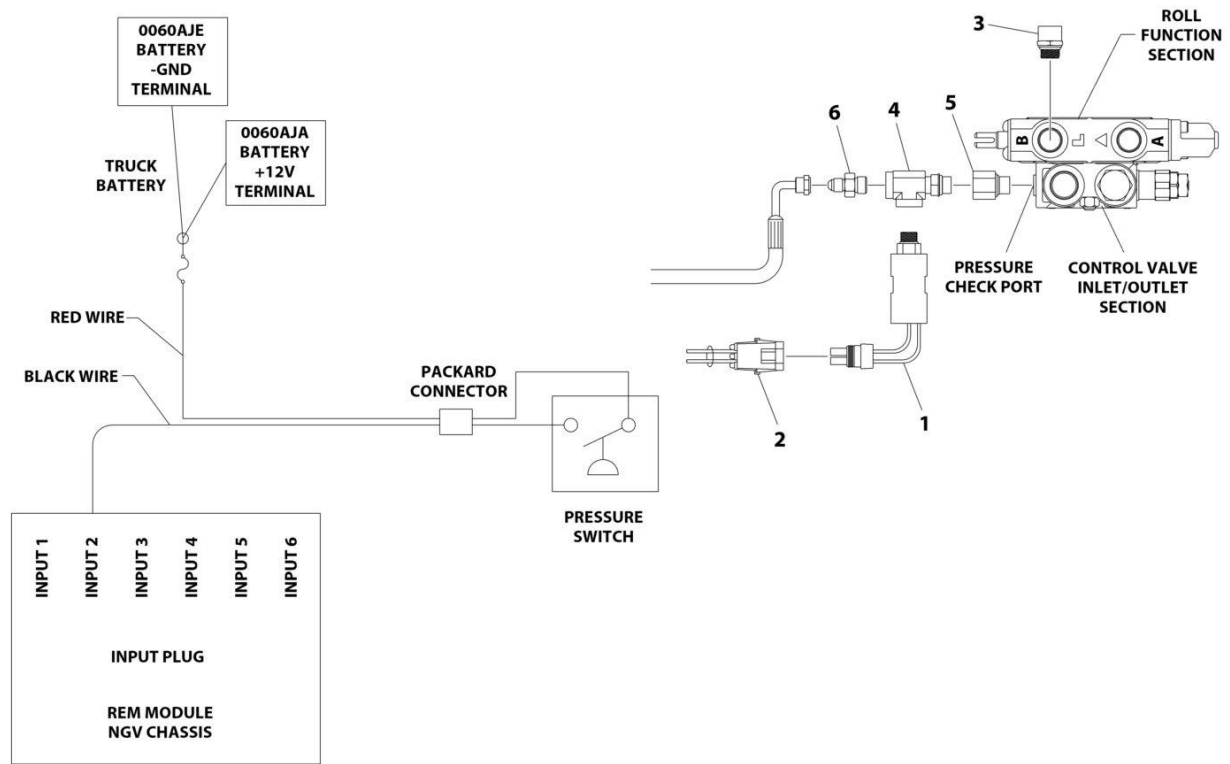
## SECTION 8 - ACCESSORIES

### FIGURE 8-34. PROPANE TANK HOLDERS (FIXED HEADBOARD)

ITEM	PART NUMBER	QTY	DESCRIPTION	REV
	1001129570	Ref	PROPANE TANK HOLDERS, HEADBOARD INSTALLATION	E
1	1001129573	1	Propane Tank Support Weld, LH	
2	1001129576	1	Propane Tank Support Weld, RH	
3	1001129537	2	Bracket	
4	7178000029	1	Bracket	
5	7790151253	10	Screw 5/16 x 3/4	
6	0641508	20	Capscrew 5/16 x 1	
7	4751500	46	Washer 5/16	
8	3271505	20	Nut 5/16	
9	4761500	4	Washer 5/16	

# SECTION 8 - ACCESSORIES

## FIGURE 8-35. REMOTE THROTTLE CONTROL



ART\_2870000013

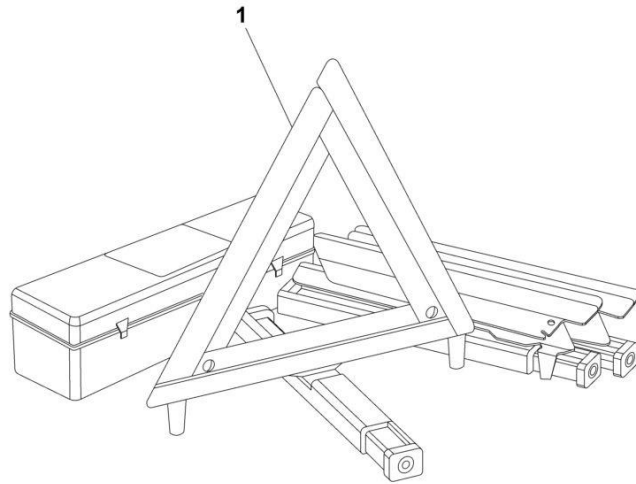
## SECTION 8 - ACCESSORIES

**FIGURE 8-35. REMOTE THROTTLE CONTROL**

ITEM	PART NUMBER	QTY	DESCRIPTION	REV
	2870000013	Ref	Remote Throttle Control	D
1	7346000208	1	Pressure Switch	
2	7552000241	1	Harness, Throttle Control	
2	4460867	1	Plug, Male - 2 Position	
2	4460850	2	Terminal	
2		Ref	<b>Seal</b>	
2		Ref	<b>Fuse - 5 Amp ATO (Purchase Locally)</b>	
3	7443000428	1	Valve, Check	
4	7443000432	1	Fitting	
5	7443000469	1	Fitting	
6	7445040643	1	Adapter	

## SECTION 8 - ACCESSORIES

FIGURE 8-36. SAFETY TRIANGLE KIT



ART\_STK

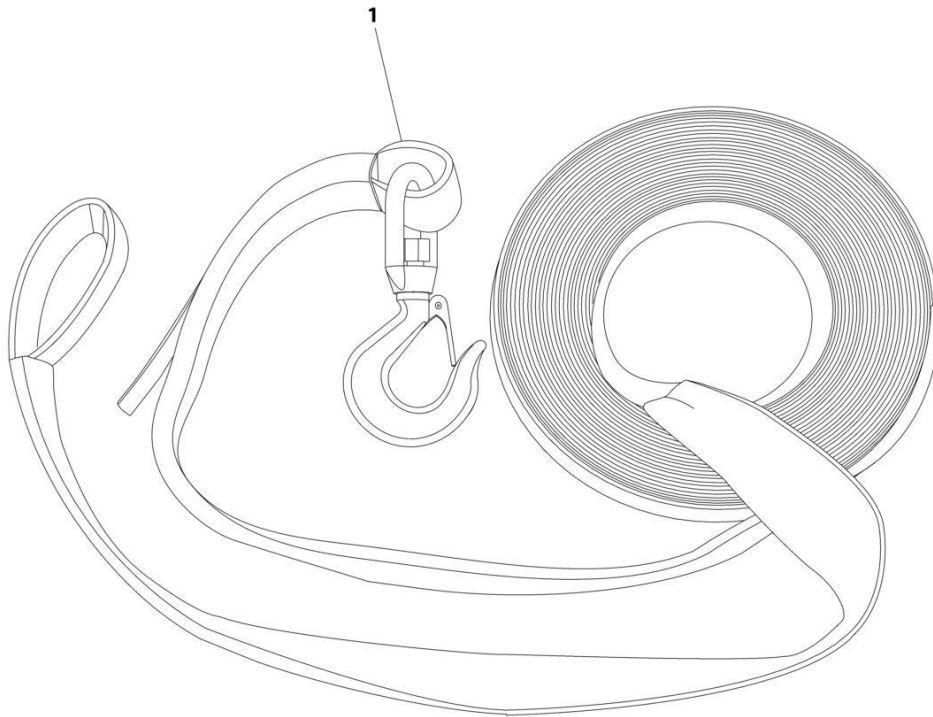
## SECTION 8 - ACCESSORIES

**FIGURE 8-36. SAFETY TRIANGLE KIT**

ITEM	PART NUMBER	QTY	DESCRIPTION	REV
1	STK 7002000285	Ref 1	Safety Triangle Kit Reflective Triangles	0

## SECTION 8 - ACCESSORIES

FIGURE 8-37. STRAP EXTENSION WITH SWIVEL HOOK - 50FT



ART\_STRAP50



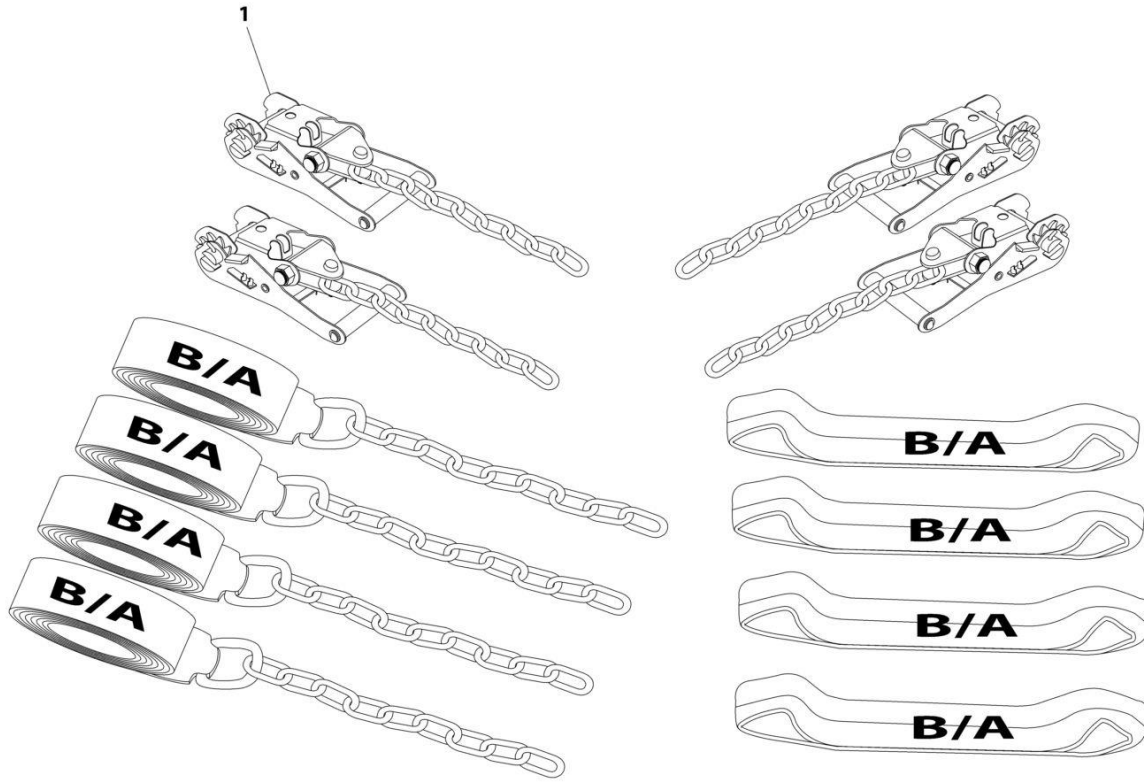
**SECTION 8 - ACCESSORIES**

**FIGURE 8-37. STRAP EXTENSION WITH SWIVEL HOOK - 50FT**

ITEM	PART NUMBER	QTY	DESCRIPTION	REV
1	STRAP50 7894000071	Ref 1	50FT STRAP EXTENSION WITH SWIVEL HOOK Strap Extension with Swivel Hook	0

# SECTION 8 - ACCESSORIES

FIGURE 8-38. STRAP KIT - CARRIER 8 POINT TIRE TIE DOWN



ART\_CAR8PTTD

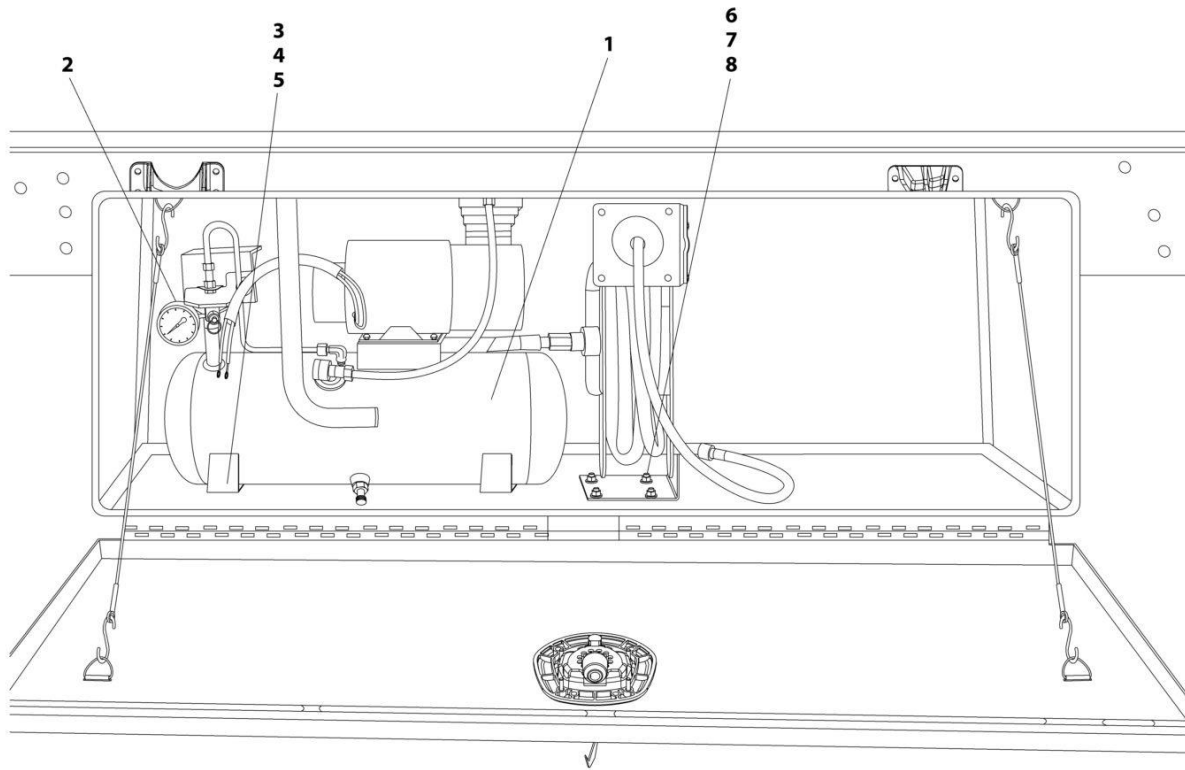
## SECTION 8 - ACCESSORIES

**FIGURE 8-38. STRAP KIT - CARRIER 8 POINT TIRE TIE DOWN**

ITEM	PART NUMBER	QTY	DESCRIPTION	REV
1	CAR8PTTD 7894000073	Ref 1	STRAP/TIE DOWN KIT - 8-POINT TIRE STRAP Chain Strap and Chain Tyre Tie-Down	0

# SECTION 8 - ACCESSORIES

## FIGURE 8-39. TOOLBOX AIR COMPRESSOR/HOSE REEL



SHOWN MOUNTED INSIDE 48IN TOOLBOX

ART\_2002000030

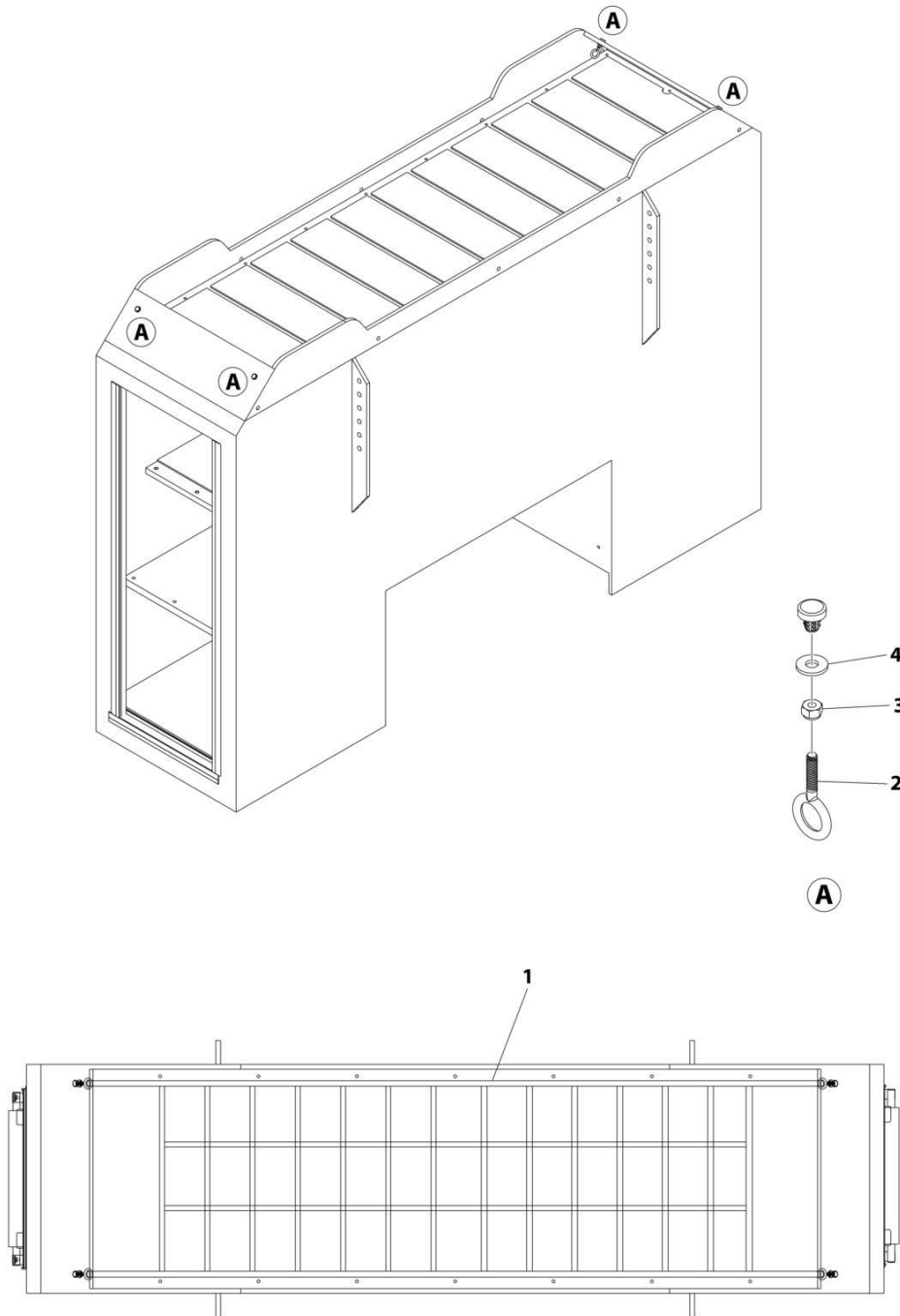
## SECTION 8 - ACCESSORIES

FIGURE 8-39. TOOLBOX AIR COMPRESSOR/HOSE REEL

ITEM	PART NUMBER	QTY	DESCRIPTION	REV
	2002000030	Ref	Toolbox Air Compressor/Hose Reel	B
1	7002000503	1	Air Compressor with Hose Reel	
2	7443000155	1	Fitting	
3	7115161050	4	Capscrew 3/8 x 1-1/4	
4	7950150161	4	Washer 3/8	
5	7660162601	4	Nut 3/8	
6	7115181050	4	Capscrew 1/2 x 1-1/4	
7	7950180153	8	Washer 1/2	
8	7660182601	4	Nut 1/2	

# SECTION 8 - ACCESSORIES

## FIGURE 8-40. TOOLBOX TRAY CARGO NET INSTALLATION



ART\_1001148490

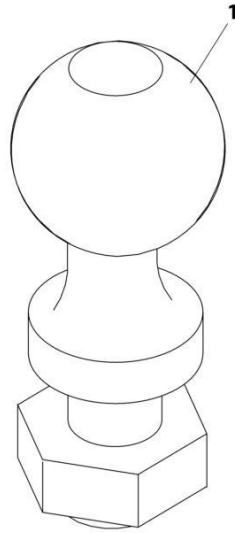
## SECTION 8 - ACCESSORIES

**FIGURE 8-40. TOOLBOX TRAY CARGO NET INSTALLATION**

ITEM	PART NUMBER	QTY	DESCRIPTION	REV
	1001148490	Ref	CARGO NET TOOLBOX TRAY INSTALLATION	A
1	1001148489	1	Accessory, ToolboxTray	
2	1001148920	4	Hook	
3	7660142604	4	Nut 1/4	
4	7950140153	4	Washer 1/4	

# SECTION 8 - ACCESSORIES

FIGURE 8-41. TOW BALL - 1.88" DIA BALL



ART\_TB178



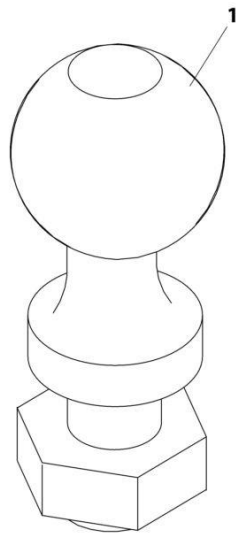
## SECTION 8 - ACCESSORIES

FIGURE 8-41. TOW BALL - 1.88" DIA BALL

ITEM	PART NUMBER	QTY	DESCRIPTION	REV
1	TB178 7056000007	Ref 1	TRAILER BALL - 1.88IN DIA BALL Ball	0

# SECTION 8 - ACCESSORIES

FIGURE 8-42. TOW BALL - 2" DIA BALL



ART\_TB200

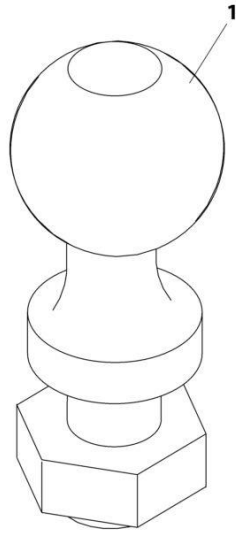
## SECTION 8 - ACCESSORIES

### FIGURE 8-42. TOW BALL - 2" DIA BALL

ITEM	PART NUMBER	QTY	DESCRIPTION	REV
1	TB200 7056000008	Ref 1	TRAILER BALL - 2IN DIA BALL Ball	0

# SECTION 8 - ACCESSORIES

FIGURE 8-43. TOW BALL - 2.31" DIA BALL



ART\_TB256

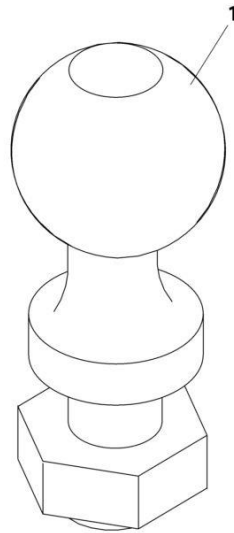
# SECTION 8 - ACCESSORIES

## FIGURE 8-43. TOW BALL - 2.31" DIA BALL

ITEM	PART NUMBER	QTY	DESCRIPTION	REV
1	TB256 7056000009	Ref 1	TRAILER BALL - 2-5/16IN DIA BALL Ball	0

## SECTION 8 - ACCESSORIES

FIGURE 8-44. TOW BALL - SS CONVERT-A-BALL KIT



ART\_1001133675

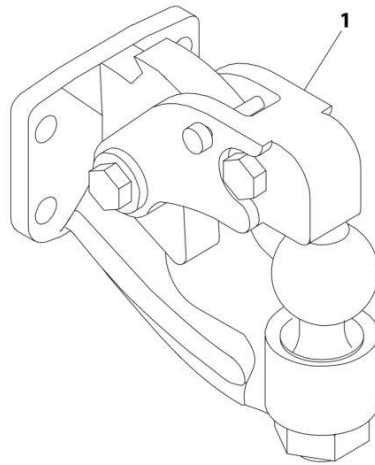
## SECTION 8 - ACCESSORIES

FIGURE 8-44. TOW BALL - SS CONVERT-A-BALL KIT

ITEM	PART NUMBER	QTY	DESCRIPTION	REV
1	1001133675 7002000458	Ref 1	TRAILER BALL - SS CONVERT-A-BALL KIT Ball	A

# SECTION 8 - ACCESSORIES

FIGURE 8-45. TOW PINTLE - DUPLEX PINTLE HITCH



ART\_DPH-16B



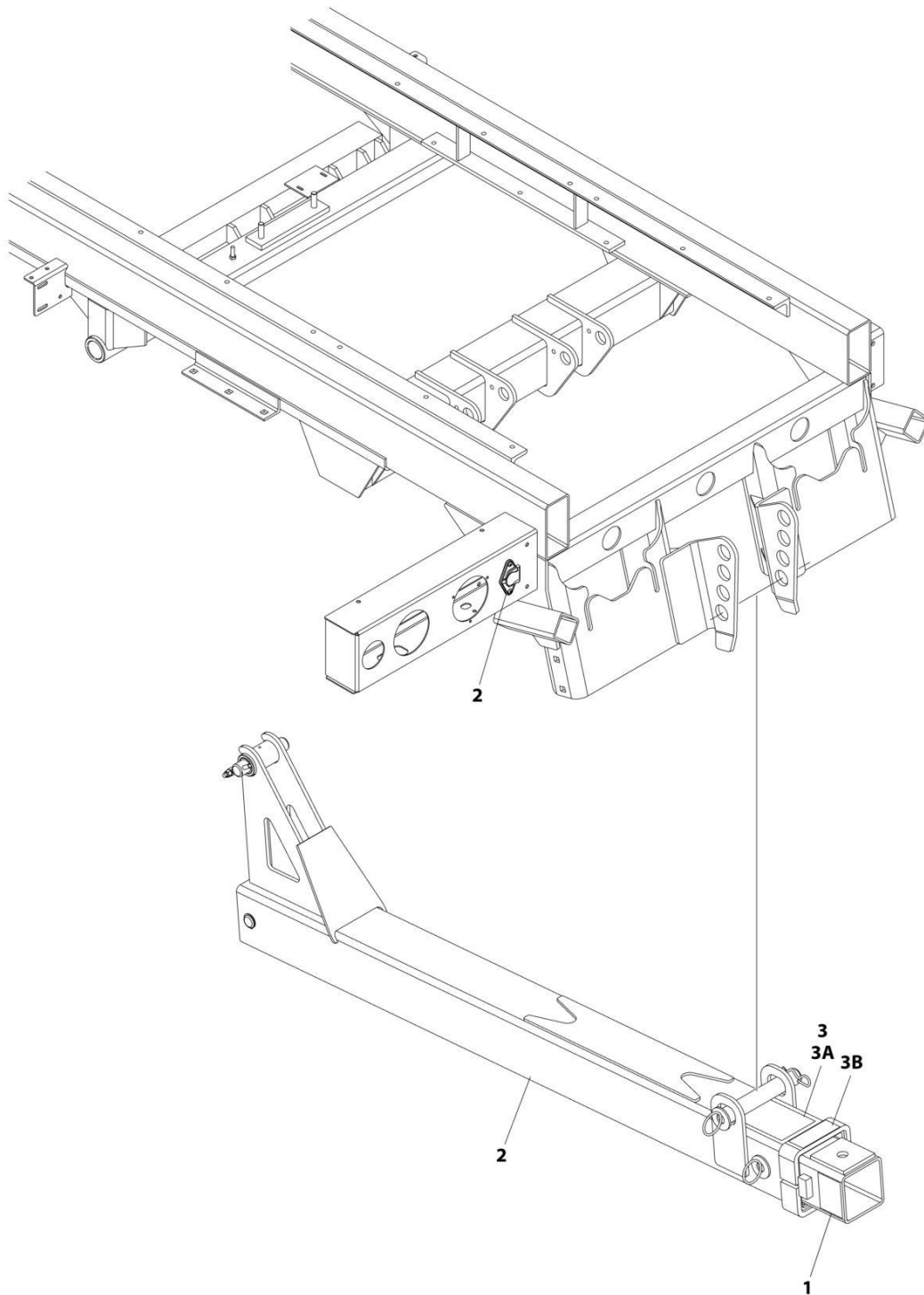
## SECTION 8 - ACCESSORIES

FIGURE 8-45. TOW PINTLE - DUPLEX PINTLE HITCH

ITEM	PART NUMBER	QTY	DESCRIPTION	REV
1	DPH-16B 7556000003	Ref 1	TRAILER PINTLE WITH BALL Pintle Hitch	B

# SECTION 8 - ACCESSORIES

## FIGURE 8-46. TOW HITCH - BALL HITCH PLATE (MANUAL)



ART\_BHM35-5D

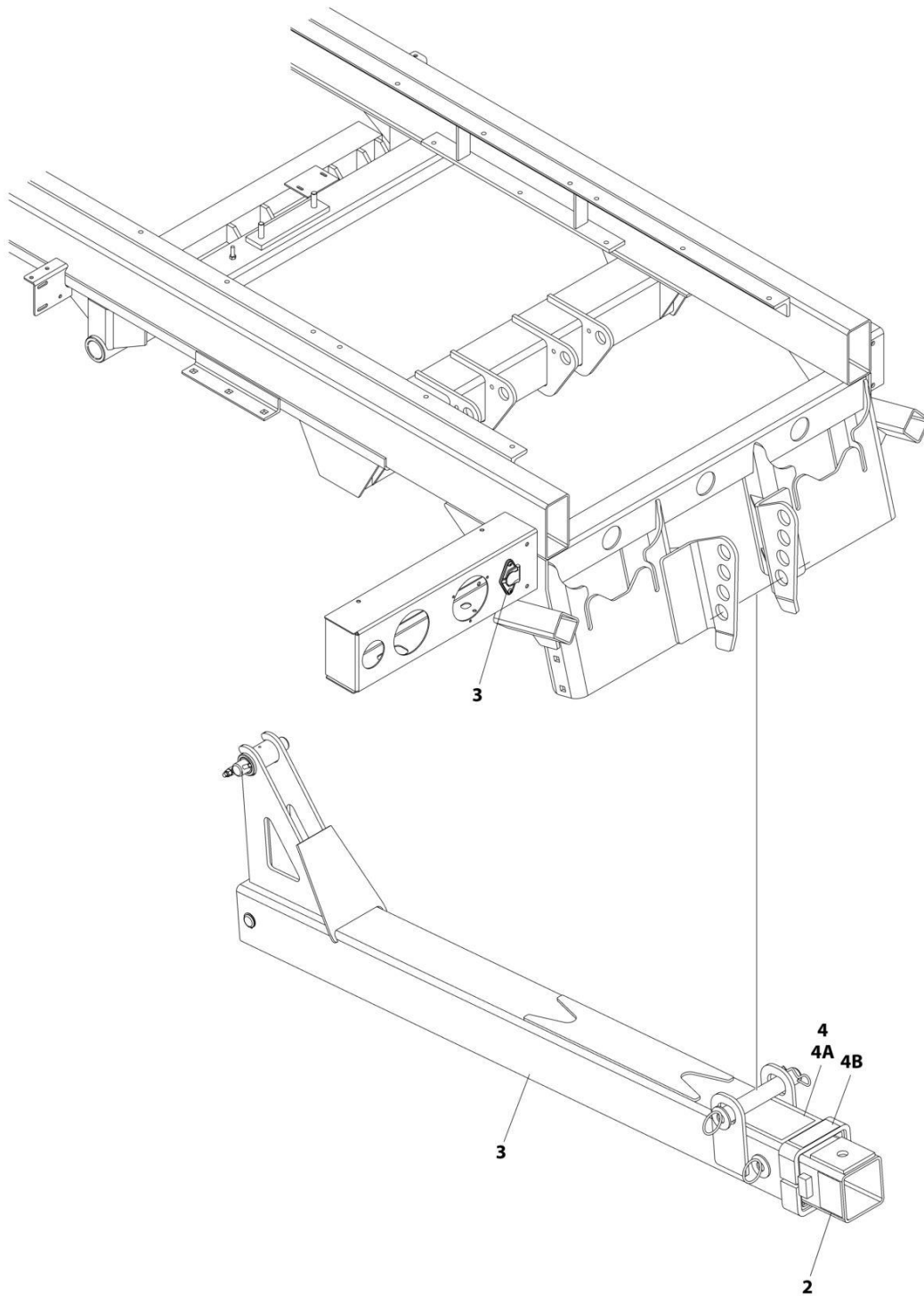
## SECTION 8 - ACCESSORIES

**FIGURE 8-46. TOW HITCH - BALL HITCH PLATE (MANUAL)**

ITEM	PART NUMBER	QTY	DESCRIPTION	REV
	BHM35-SD	Ref	TOW ACC, BALL HITCH PLATE (MANUAL)	0
1	2330000040	Ref	Hitch Decal Installation, Ball	
1	4330000002	2	Decal - Red Reflective	
2	2170000083	1	Boom Installation, Ball Hitch (See Separate Breakdown in this Section)	
3	2330000060	Ref	Ball Hitch Decal Installation, Tow Option	
3A	7330000684	1	Decal - Safety	
3B	7330000391	1	Decal - Warning, Tow Boom Configuration	

# SECTION 8 - ACCESSORIES

## FIGURE 8-47. TOW HITCH - BALL HITCH PLATE (MANUAL/HYDRAULIC)



ART\_BHH35-SD

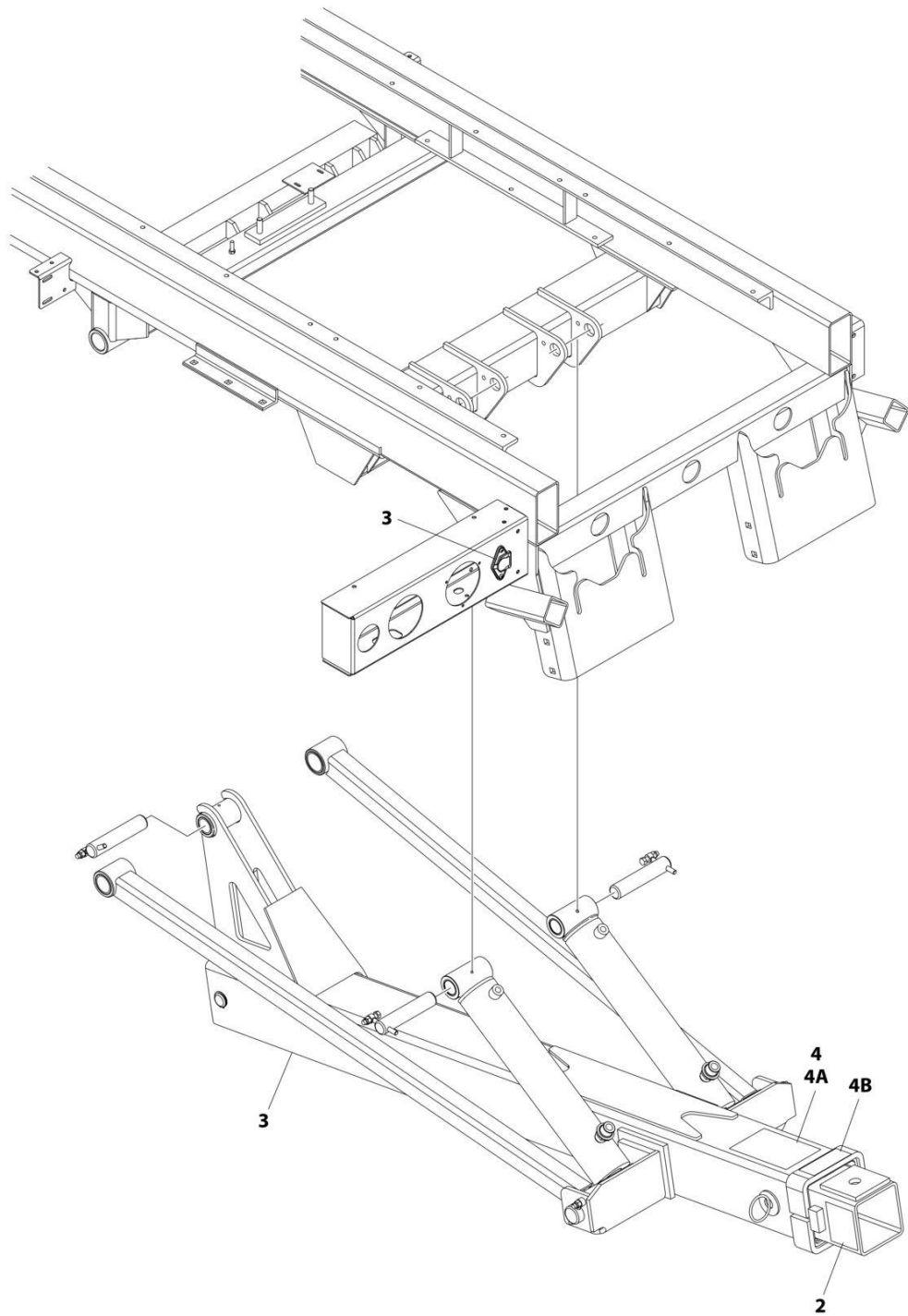
## SECTION 8 - ACCESSORIES

**FIGURE 8-47. TOW HITCH - BALL HITCH PLATE (MANUAL/HYDRAULIC)**

ITEM	PART NUMBER	QTY	DESCRIPTION	REV
	BHH35-SD	Ref	TOW ACC, BALL HITCH PLATE (MANUAL/HYDRAULIC)	0
1	2570000024	1	Hose Installation (Not Shown - See Separate Breakdown in HYDRAULIC Section)	
2	2330000040	Ref	Hitch Decal Installation, Ball	
2	4330000002	2	Decal - Red Reflective	
3	2170000082	1	Boom Installation, Ball Hitch (See Separate Breakdown in this Section)	
4	2330000060	Ref	Ball Hitch Decal Installation, Tow Option	
4A	7330000684	1	Decal - Safety	
4B	7330000391	1	Decal - Warning, Tow Boom Configuration	

# SECTION 8 - ACCESSORIES

## FIGURE 8-48. TOW HITCH - IRL BALL HITCH PLATE



ART\_BHI35-SD

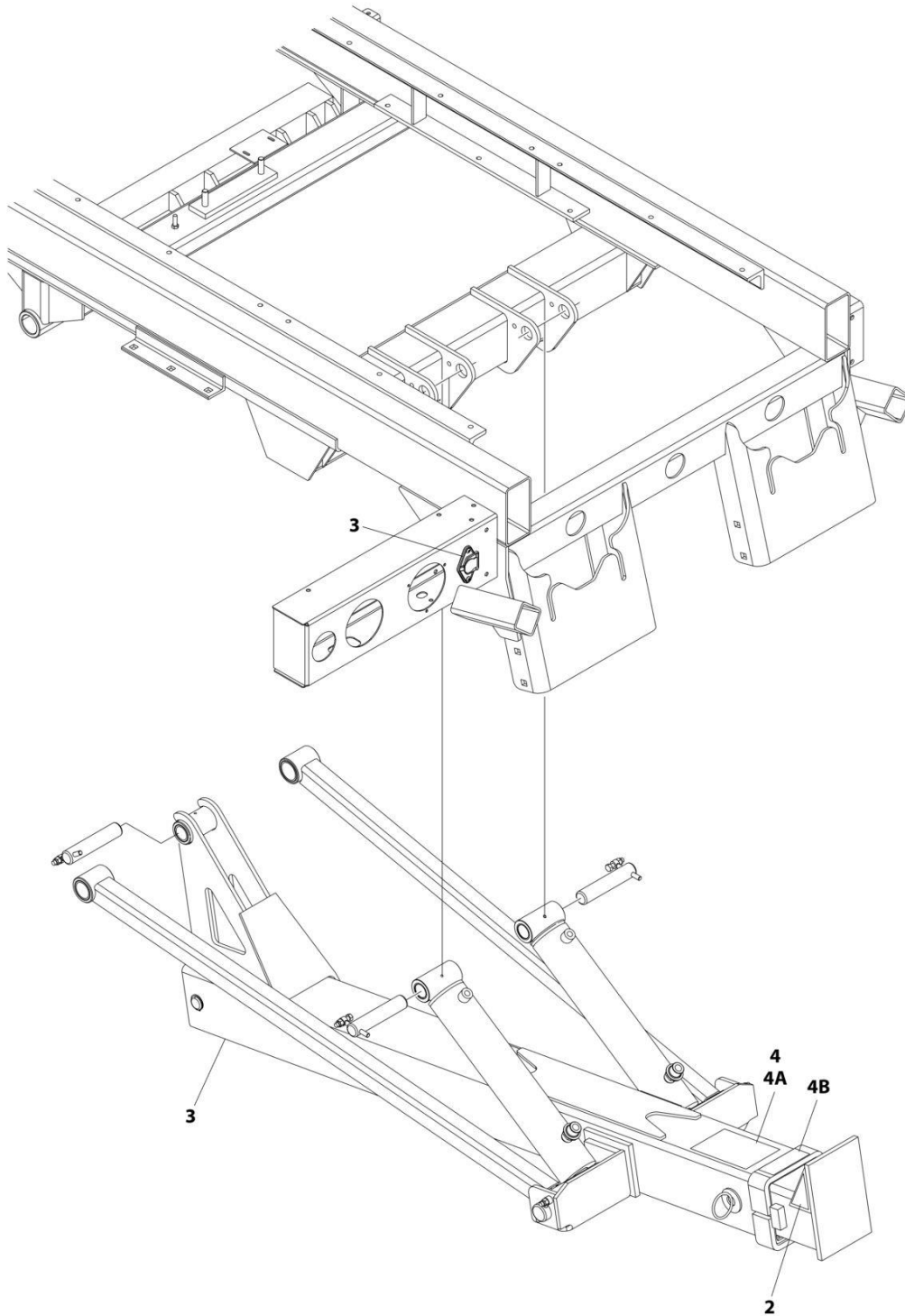
## SECTION 8 - ACCESSORIES

**FIGURE 8-48. TOW HITCH - IRL BALL HITCH PLATE**

ITEM	PART NUMBER	QTY	DESCRIPTION	REV
	BHI35-SD	Ref	TOW ACC, IRL BALL HITCH PLATE	0
1	2570000050	1	Hose Installation (Not Shown - See Separate Breakdown in HYDRAULIC Section)	
2	2330000040	Ref	Hitch Decal Installation, Ball	
2	4330000002	2	Decal - Red Reflective	
3	2170000045	1	Boom Installation, Ball Hitch (See Separate Breakdown in this Section)	
4	2330000060	Ref	Ball Hitch Decal Installation, Tow Option	
4A	7330000684	1	Decal - Safety	
4B	7330000391	1	Decal - Warning, Tow Boom Configuration	

# SECTION 8 - ACCESSORIES

## FIGURE 8-49. TOW HITCH - IRL PINTLE HITCH PLATE



ART\_PHI35-SD



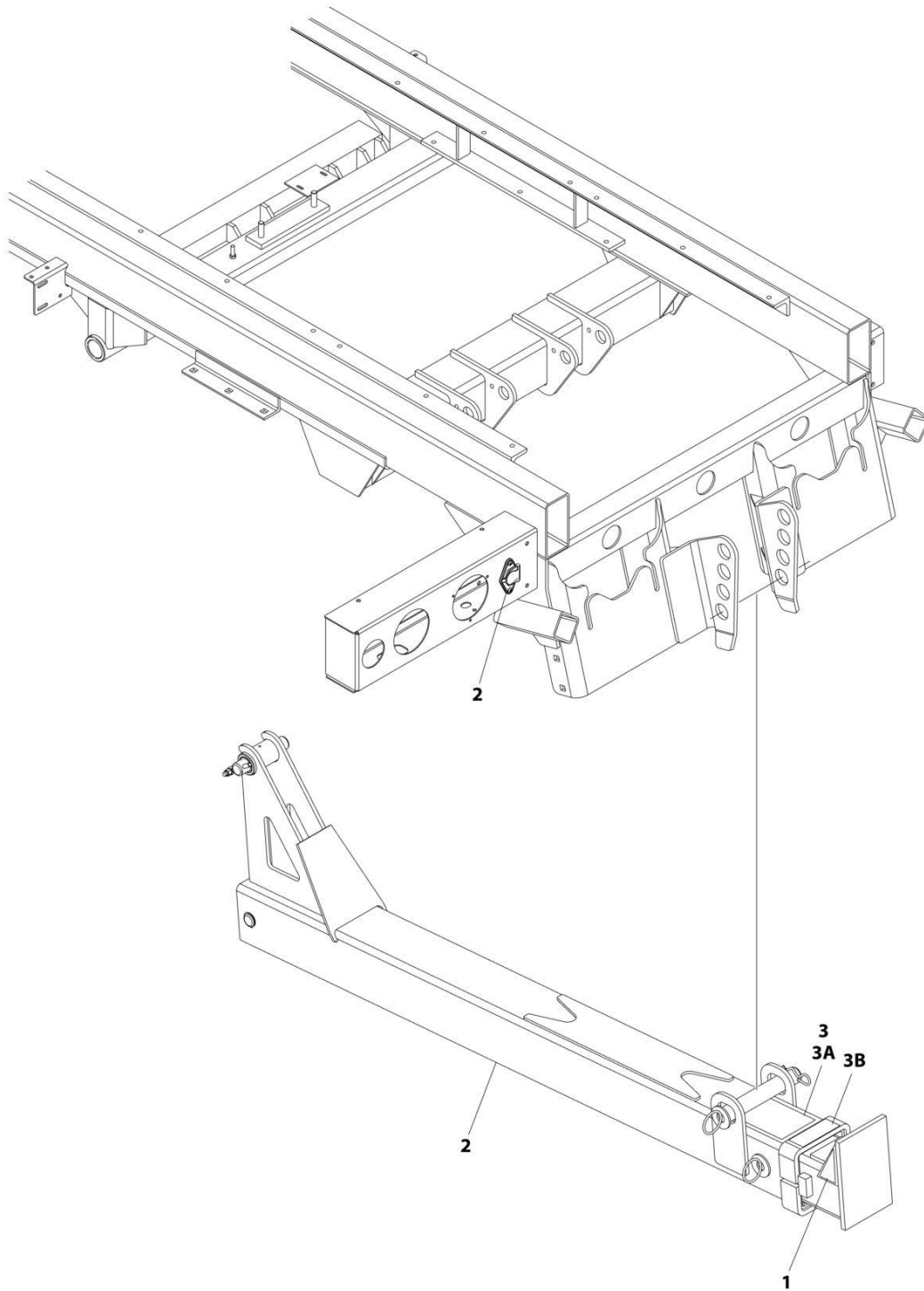
## SECTION 8 - ACCESSORIES

**FIGURE 8-49. TOW HITCH - IRL PINTLE HITCH PLATE**

ITEM	PART NUMBER	QTY	DESCRIPTION	REV
	PHI35-SD	Ref	TOW ACC, IRL PINTLE HITCH PLATE	0
1	2570000050	1	Hose Installation (Not Shown - See Separate Breakdown in HYDRAULIC Section)	
2	2330000041	Ref	Reflective Tape Installation	
2	7330000645	1	Decal - Red, Retro-reflective LH	
2	7330000646	1	Decal - Red, Retro-reflective RH	
3	2170000048	1	Boom Installation, Pintle Hitch (See Separate Breakdown in this Section)	
4	2330000060	Ref	Ball Hitch Decal Installation, Tow Option	
4A	7330000684	1	Decal - Safety	
4B	7330000391	1	Decal - Warning, Tow Boom Configuration	

# SECTION 8 - ACCESSORIES

## FIGURE 8-50. TOW HITCH - PINTLE HITCH PLATE (MANUAL)



ART\_PHM35-SD

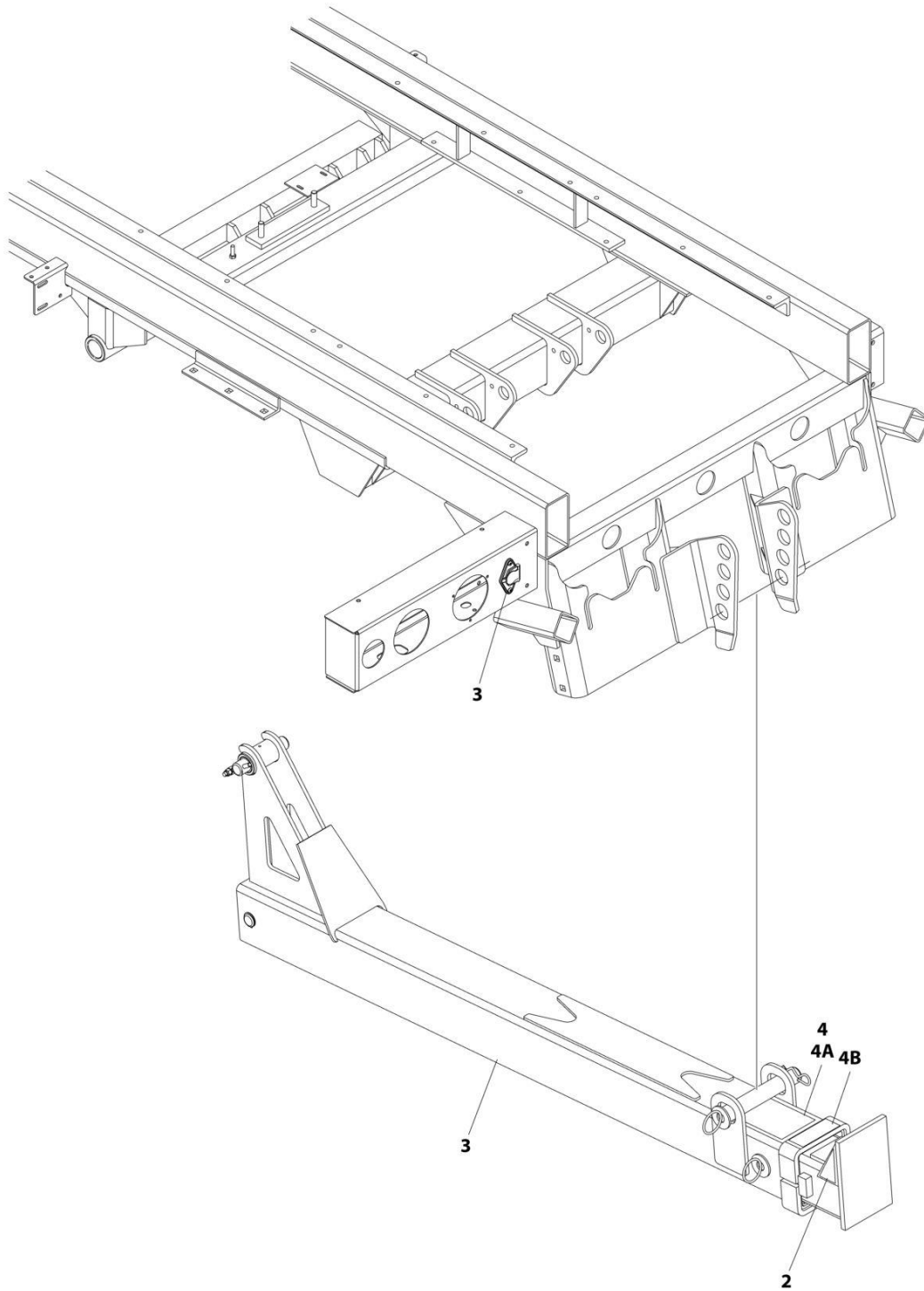
## SECTION 8 - ACCESSORIES

**FIGURE 8-50. TOW HITCH - PINTLE HITCH PLATE (MANUAL)**

ITEM	PART NUMBER	QTY	DESCRIPTION	REV
	PHM35-SD	Ref	TOW ACC, PINTLE HITCH PLATE (MANUAL)	0
1	2330000041	Ref	Reflective Tape Installation	
1	7330000645	1	Decal - Red, Retro-reflective LH	
1	7330000646	1	Decal - Red, Retro-reflective RH	
2	2170000085	1	Boom Installation, Pintle Hitch (See Separate Breakdown in this Section)	
3	2330000060	Ref	Ball Hitch Decal Installation, Tow Option	
3A	7330000684	1	Decal - Safety	
3B	7330000391	1	Decal - Warning, Tow Boom Configuration	

# SECTION 8 - ACCESSORIES

## FIGURE 8-51. TOW HITCH - PINTLE HITCH PLATE (MANUAL/HYDRAULIC)



ART\_PHH35-SD

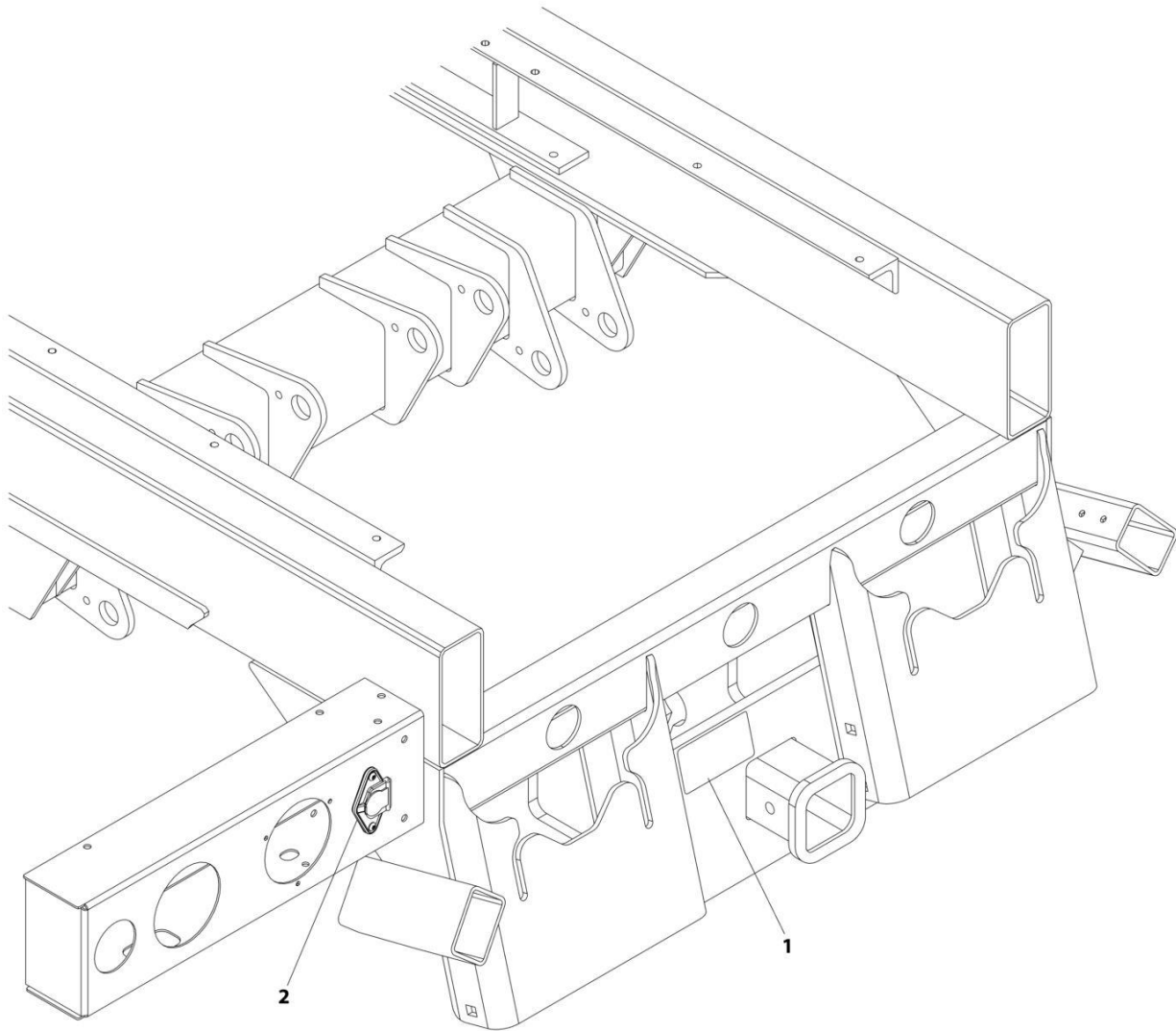
## SECTION 8 - ACCESSORIES

**FIGURE 8-51. TOW HITCH - PINTLE HITCH PLATE (MANUAL/HYDRAULIC)**

ITEM	PART NUMBER	QTY	DESCRIPTION	REV
	PHH35-SD	Ref	TOW ACC, PINTLE HITCH PLATE (MANUAL/HYDRAULIC)	0
1	2570000024	1	Hose Installation (Not Shown - See Separate Breakdown in HYDRAULIC Section)	
2	2330000041	Ref	Reflective Tape Installation	
2	7330000645	1	Decal - Red, Retro-reflective LH	
2	7330000646	1	Decal - Red, Retro-reflective RH	
3	2170000084	1	Boom Installation, Pintle Hitch (See Separate Breakdown in this Section)	
4	2330000060	Ref	Ball Hitch Decal Installation, Tow Option	
4A	7330000684	1	Decal - Safety	
4B	7330000391	1	Decal - Warning, Tow Boom Configuration	

# SECTION 8 - ACCESSORIES

FIGURE 8-52. TOW HITCH - STATIONARY 2 IN TOW HITCH RECEIVER



ART\_RHS05-MD

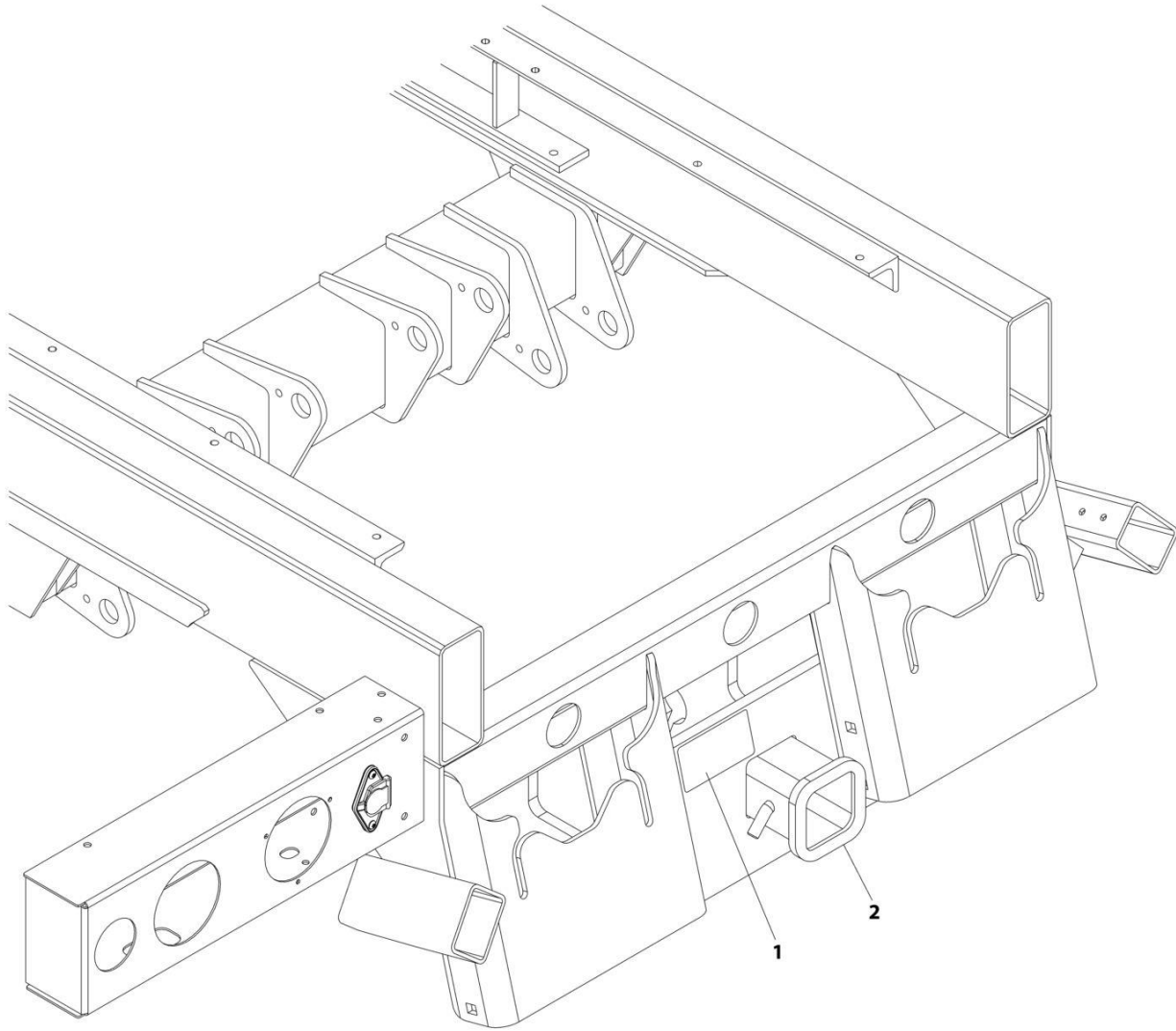
## SECTION 8 - ACCESSORIES

**FIGURE 8-52. TOW HITCH - STATIONARY 2 IN TOW HITCH RECEIVER**

ITEM	PART NUMBER	QTY	DESCRIPTION	REV
	RHS05-MD	Ref	TOW HITCH INSTALLATION - STATIONARY 2 IN TOW HITCH RECEIVER	0
1	2330000062	Ref	Tow Hitch Decal Installation	
1	7330000274	1	Decal Warning	
2	3556000041	1	Stationary Tow Hitch (See Separate Breakdown in this Section)	

# SECTION 8 - ACCESSORIES

FIGURE 8-53. TOW HITCH - STATIONARY 2.5 IN TOW HITCH RECEIVER



ART\_1001137580



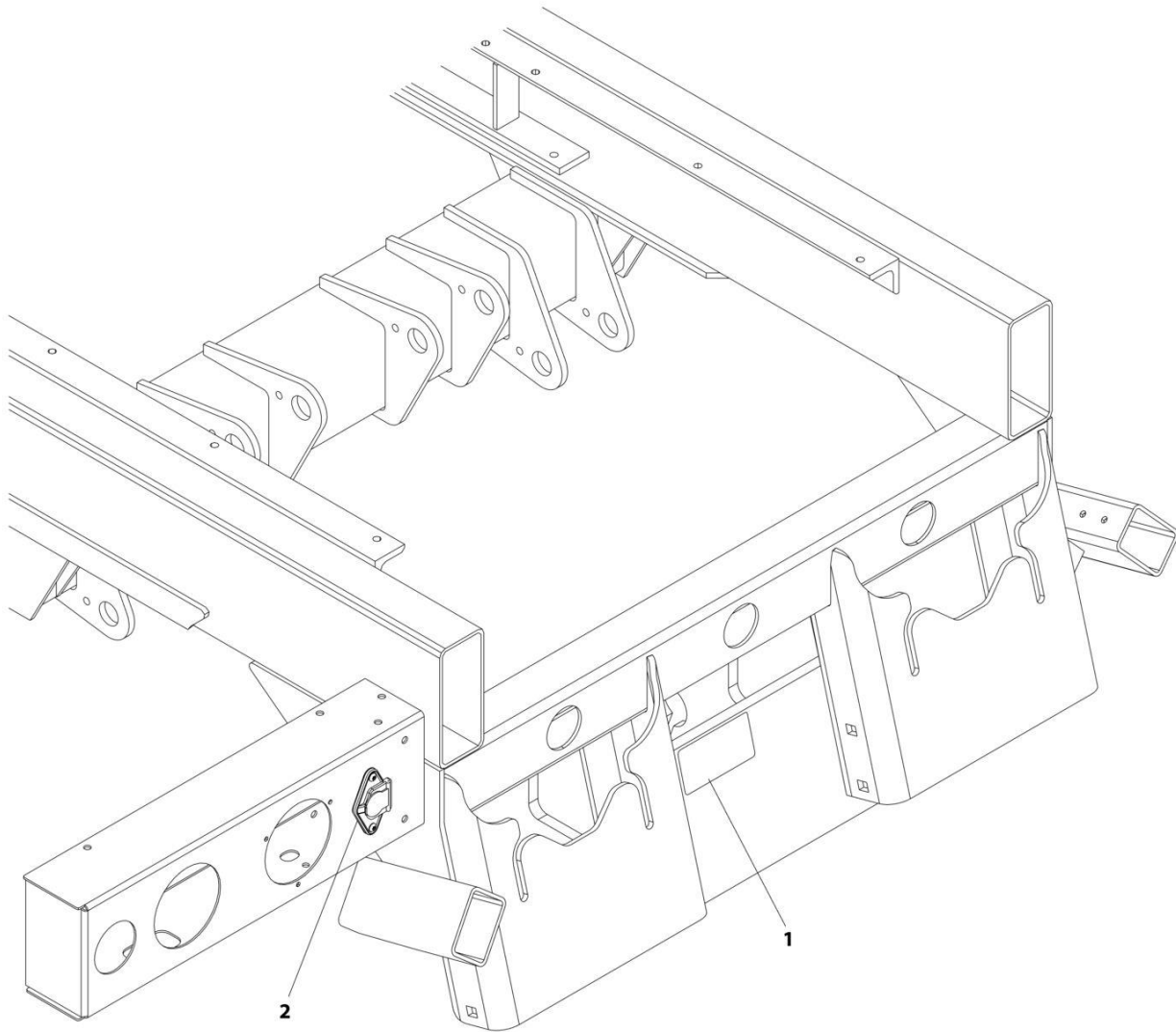
## SECTION 8 - ACCESSORIES

**FIGURE 8-53. TOW HITCH - STATIONARY 2.5 IN TOW HITCH RECEIVER**

ITEM	PART NUMBER	QTY	DESCRIPTION	REV
	1001137580	Ref	TOW HITCH INSTALLATION - STATIONARY 2.5 IN TOW HITCH RECEIVER	A
1	2330000062	Ref	Tow Hitch Decal Installation	
1	7330000274	1	Decal - Warning Overloading	
2	1001137581	1	Tow Hitch Installation (See Separate Breakdown in this Section)	

# SECTION 8 - ACCESSORIES

FIGURE 8-54. TOW HITCH - STATIONARY PINTLE HITCH PLATE



ART\_PH540-MD

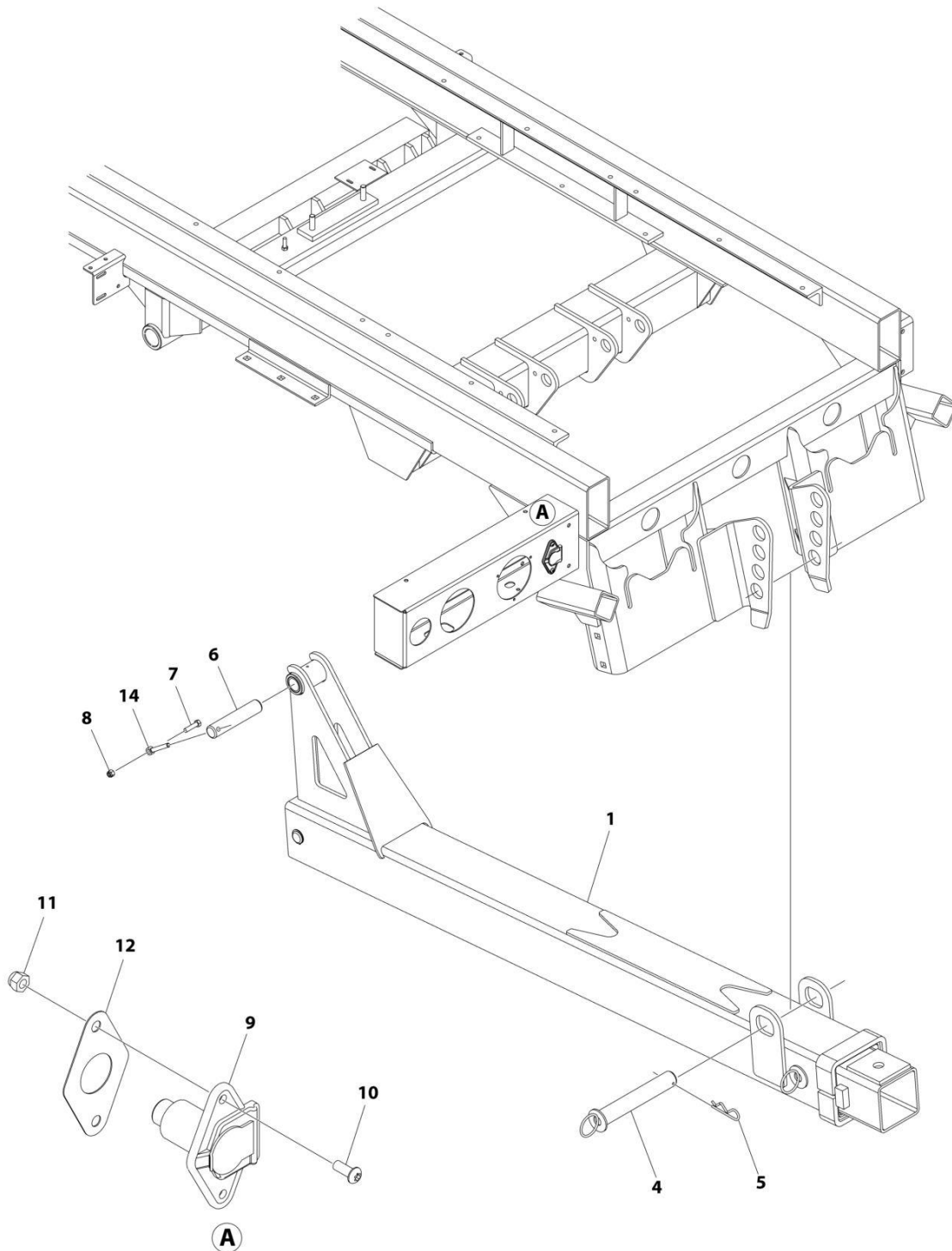
## SECTION 8 - ACCESSORIES

**FIGURE 8-54. TOW HITCH - STATIONARY PINTLE HITCH PLATE**

ITEM	PART NUMBER	QTY	DESCRIPTION	REV
	PHS40-MD	Ref	TOW HITCH INSTALLATION - STATIONARY PINTLE HITCH PLATE	0
1	2330000062	1	Tow Hitch Decal Installation	
1	7330000274	1	Decal - Warning	
2	3556000040	1	Stationary Pintle Hitch (See Separate Breakdown in this Section)	

# SECTION 8 - ACCESSORIES

## FIGURE 8-55. TOW HITCH BOOM INSTALLATION - BALL HITCH PLATE (MANUAL)



ART\_217000083

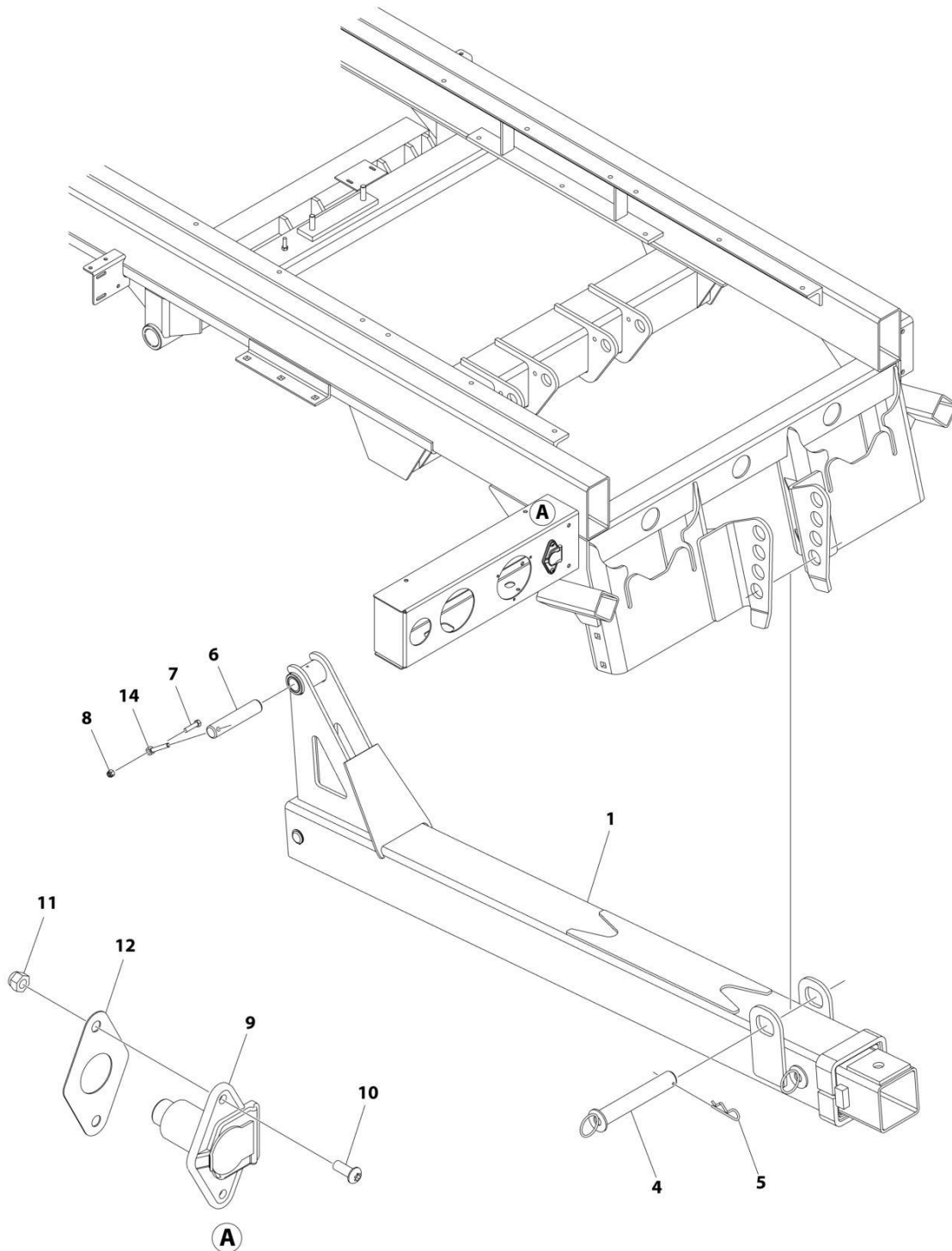
## SECTION 8 - ACCESSORIES

**FIGURE 8-55. TOW HITCH BOOM INSTALLATION - BALL HITCH PLATE (MANUAL)**

ITEM	PART NUMBER	QTY	DESCRIPTION	REV
	2170000083	Ref	BOOM INSTALLATION, BALL HITCH (MANUAL)	D
1	3170000281	1	Boom Assembly (See Separate Breakdown in this Section)	
4	3020000097	1	Pin	
5	7691000001	1	Hair Pin	
6	1001188129	1	Pin	
7	0641612	1	Capscrew 3/8 x 1-1/2	
8	3300492	1	Nut 3/8	
9	7291000010	1	Female Receptacle with Connector	
10	7114140528	2	Screw 1/4 x 5/8	
11	7660142601	2	Nut 1/4	
12	7796000048	1	Gasket	
14	3841143	1	Keeper, Shaft	

# SECTION 8 - ACCESSORIES

## FIGURE 8-56. TOW HITCH BOOM INSTALLATION - BALL HITCH PLATE (MANUAL/HYDRAULIC)



ART\_217000082

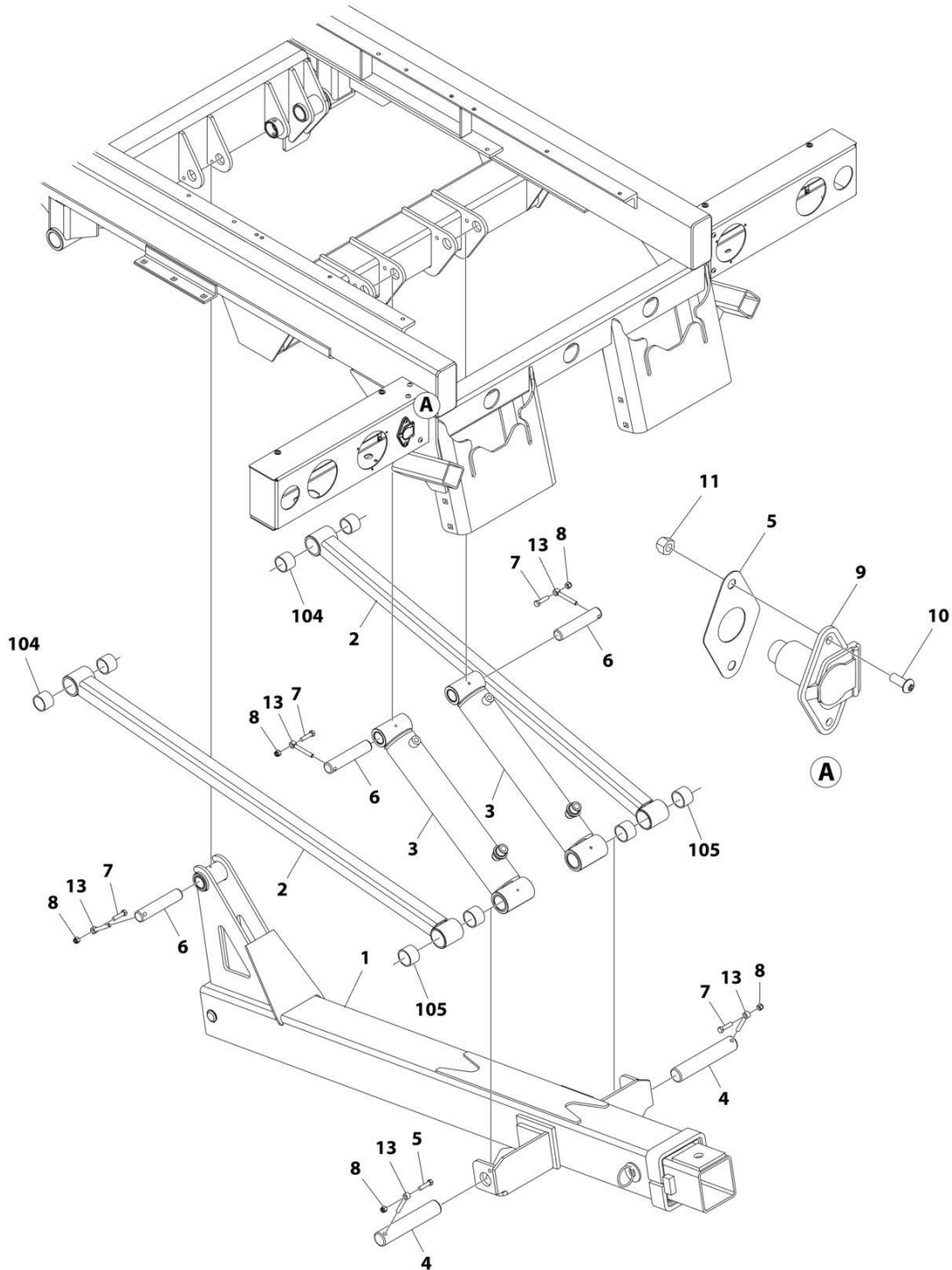
## SECTION 8 - ACCESSORIES

**FIGURE 8-56. TOW HITCH BOOM INSTALLATION - BALL HITCH PLATE (MANUAL/HYDRAULIC)**

ITEM	PART NUMBER	QTY	DESCRIPTION	REV
	2170000082	Ref	BOOM INSTALLATION, BALL HITCH (MANUAL/HYDRAULIC)	D
1	3170000280	1	Boom Assembly (See Separate Breakdown in this Section)	
4	3691000097	1	Pin	
5	7691000001	1	Hair Pin	
6	1001188129	1	Pin	
7	0641612	1	Capscrew 3/8 x 1-1/2	
8	3300492	1	Nut 3/8	
9	7291000010	1	Female Receptacle with Connector	
10	7114140528	2	Screw 1/4 x 5/8	
11	7660142601	2	Nut 1/4	
12	7796000048	1	Gasket	
14	3841143	1	Keeper, Shaft	

# SECTION 8 - ACCESSORIES

## FIGURE 8-57. TOW HITCH BOOM INSTALLATION - IRL BALL HITCH PLATE



ART\_217000045



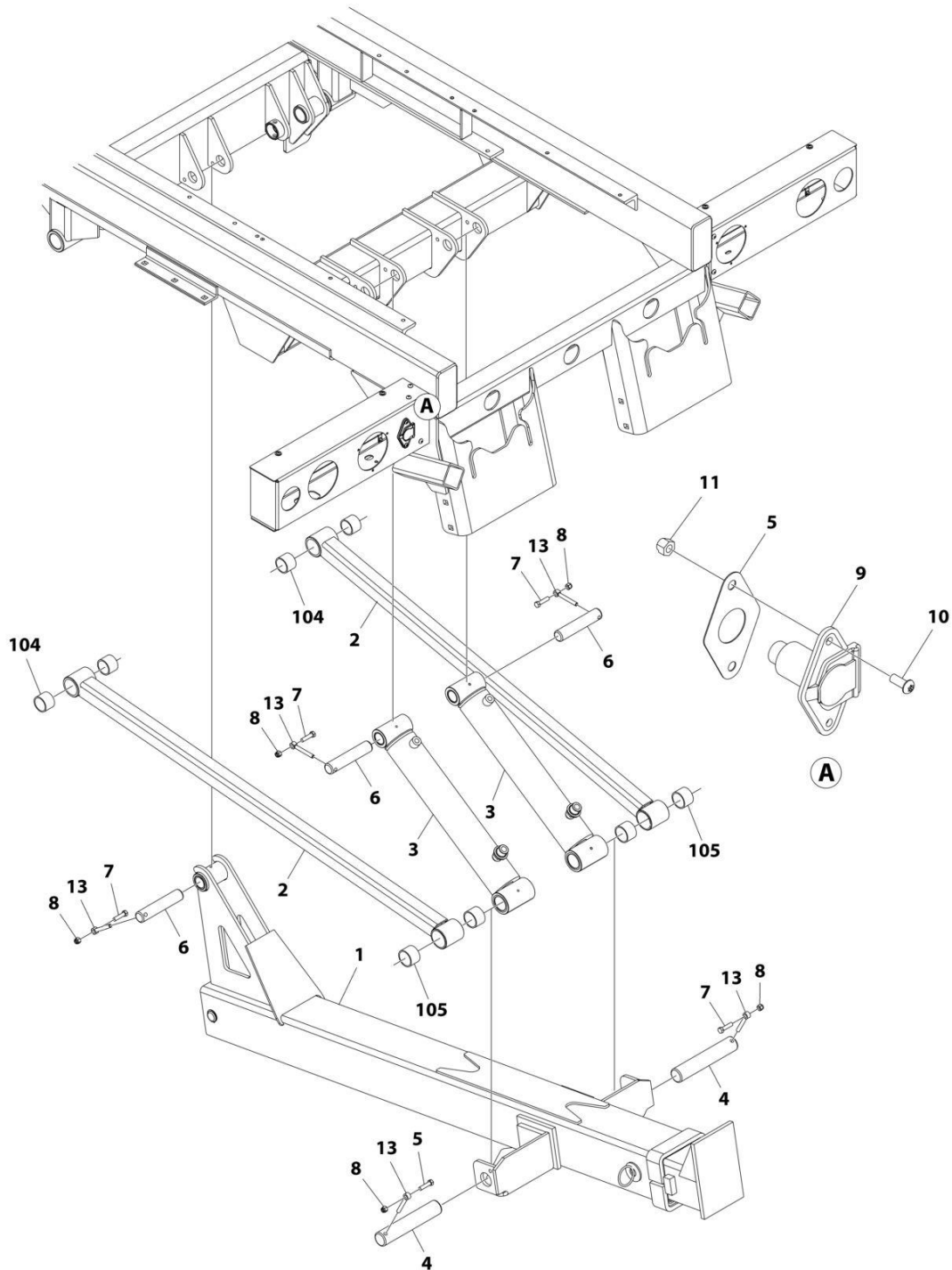
## SECTION 8 - ACCESSORIES

**FIGURE 8-57. TOW HITCH BOOM INSTALLATION - IRL BALL HITCH PLATE**

ITEM	PART NUMBER	QTY	DESCRIPTION	REV
	2170000045	Ref	BOOM INSTALLATION, BALL HITCH (HYDRAULIC)	D
1	3170000279	1	Boom Assembly (See Separate Breakdown in this Section)	
2	3020000097	2	Arm Weldment	
3	1001166857	2	Cylinder Assembly (See Separate Breakdown in this Section)	
4	1001188132	2	Pin	
5	7796000048	1	Gasket	
6	1001188129	3	Pin	
7	0641612	5	Capscrew 3/8 x 1-1/2	
8	3300492	5	Nut 3/8	
9	7291000010	1	Female Receptacle with Connector	
10	7114140528	2	Screw 1/4 x 5/8	
11	7660142601	2	Nut 1/4	
13	3841143	5	Keeper, Shaft	
104	7082000017	4	Bearing	
105	7082000018	4	Bearing	

# SECTION 8 - ACCESSORIES

## FIGURE 8-58. TOW HITCH BOOM INSTALLATION - IRL PINTLE HITCH PLATE



ART\_217000048

## SECTION 8 - ACCESSORIES

**FIGURE 8-58. TOW HITCH BOOM INSTALLATION - IRL PINTLE HITCH PLATE**

ITEM	PART NUMBER	QTY	DESCRIPTION	REV
	2170000048	Ref	BOOM INSTALLATION, PINTLE, HITCH (HYDRAULIC)	D
1	3170000282	1	Boom Assembly (See Separate Breakdown in this Section)	
2	3020000097	2	Arm Weldment	
3	1001166857	2	Cylinder Assembly (See Separate Breakdown in CYLINDER Section)	
4	1001188132	2	Pin	
5	7796000048	1	Gasket	
6	1001188129	3	Pin	
7	0641612	5	Capscrew 3/8 x 1-1/2	
8	3300492	5	Nut 3/8	
9	7291000010	1	Female Receptacle with Connector	
10	7114140528	2	Screw 1/4 x 5/8	
11	7660142601	2	Nut 1/4	
13	3841143	5	Keeper, Shaft	
104	7082000017	4	Bearing	
105	7082000018	4	Bearing	



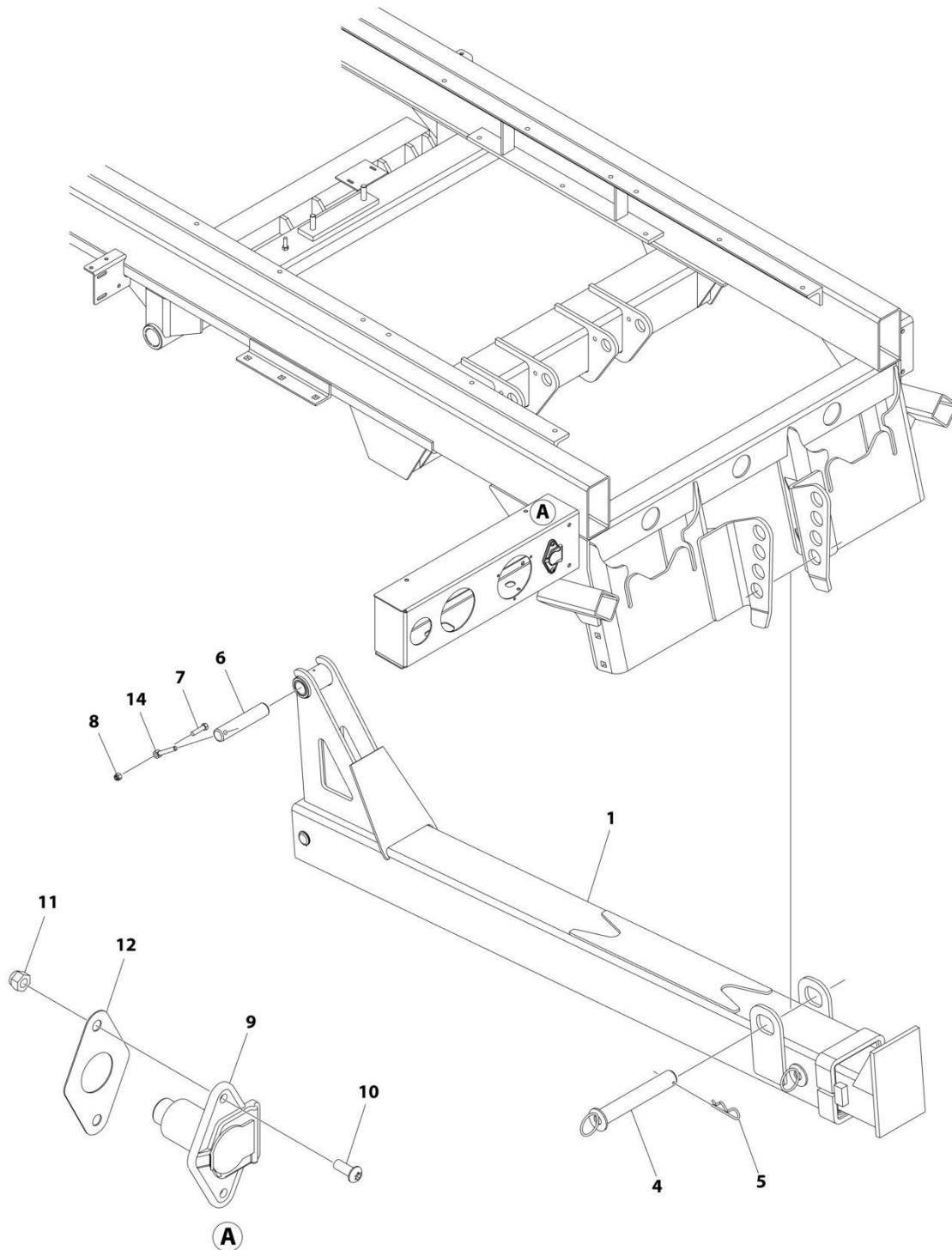
## SECTION 8 - ACCESSORIES

**FIGURE 8-59. TOW HITCH BOOM INSTALLATION - PINTLE HITCH PLATE (MANUAL)**

ITEM	PART NUMBER	QTY	DESCRIPTION	REV
	2170000085	Ref	BOOM INSTALLATION, PINTLE HITCH (MANUAL)	D
1	3170000284	1	Boom Assembly (See Separate Breakdown in this Section)	
4	3691000097	1	Pin	
5	7691000001	1	Hair Pin	
6	1001188129	1	Pin	
7	0641612	1	Capscrew 3/8 x 1-1/2	
8	3300492	1	Nut 3/8	
9	7291000010	1	Female Receptacle with Connector	
10	7114140528	2	Screw 1/4 x 5/8	
11	7660142601	2	Nut 1/4	
12	7796000048	1	Gasket	
14	3841143	1	Keeper, Shaft	

# SECTION 8 - ACCESSORIES

FIGURE 8-60. TOW HITCH BOOM INSTALLATION - PINTLE HITCH PLATE (MANUAL/HYDRAULIC)



ART\_217000084

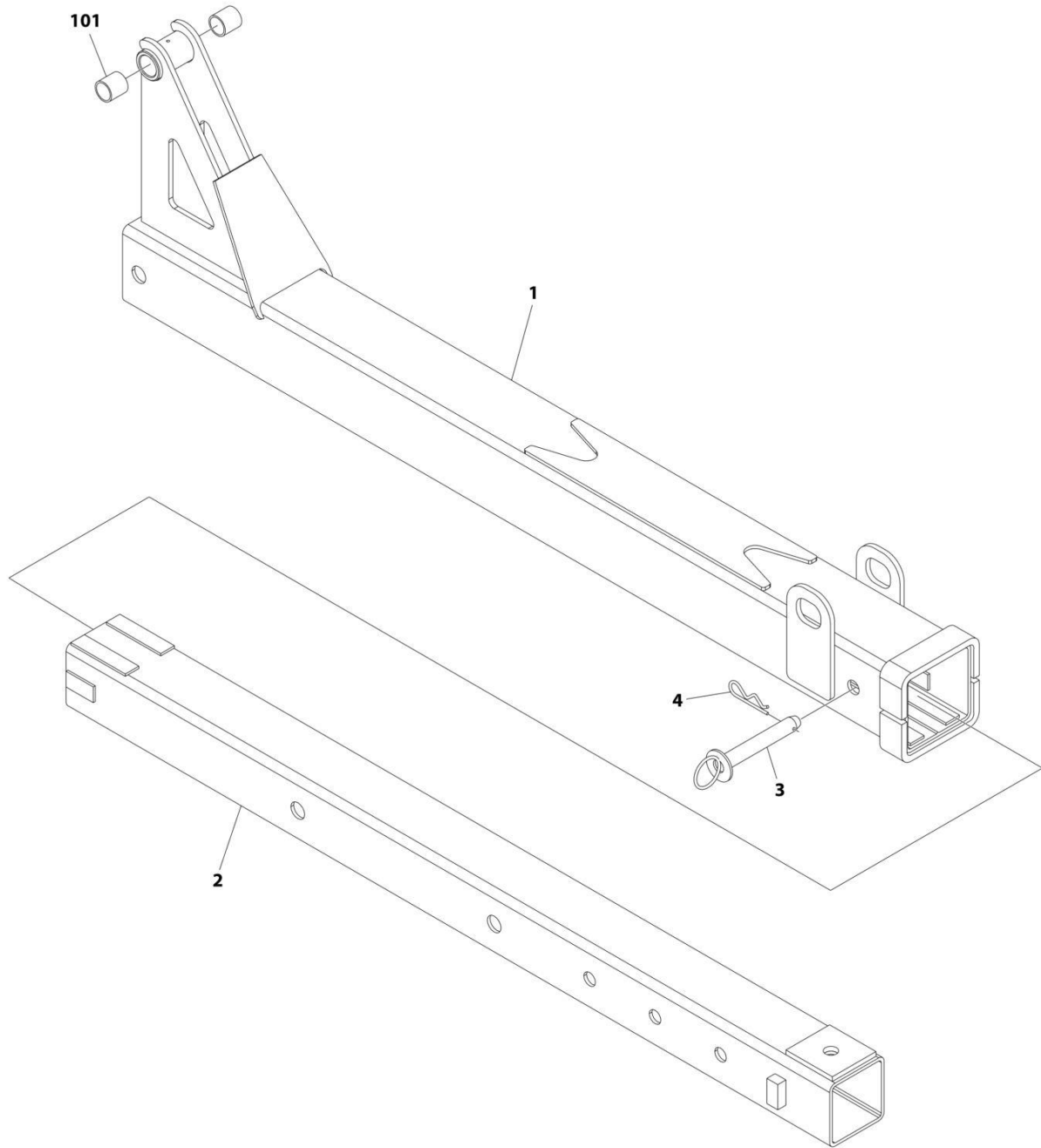
## SECTION 8 - ACCESSORIES

**FIGURE 8-60. TOW HITCH BOOM INSTALLATION - PINTLE HITCH PLATE (MANUAL/HYDRAULIC)**

ITEM	PART NUMBER	QTY	DESCRIPTION	REV
	2170000084	Ref	BOOM INSTALLATION, PINTLE, HITCH (HYDRAULIC)	D
1	3170000283	1	Boom Assembly (See Separate Breakdown in this Section)	
4	3691000097	1	Pin	
5	7691000001	1	Hair Pin	
6	1001188129	1	Pin	
7	0641612	1	Capscrew 3/8 x 1-1/2	
8	3300492	1	Nut 3/8	
9	7291000010	1	Female Receptacle with Connector	
10	7114140528	2	Screw 1/4 x 5/8	
11	7660142601	2	Nut 1/4	
12	7796000048	1	Gasket	
14	3841143	1	Keeper, Shaft	

# SECTION 8 - ACCESSORIES

FIGURE 8-61. TOW HITCH BOOM ASSEMBLY - BALL HITCH PLATE (MANUAL)



ART\_3170000281



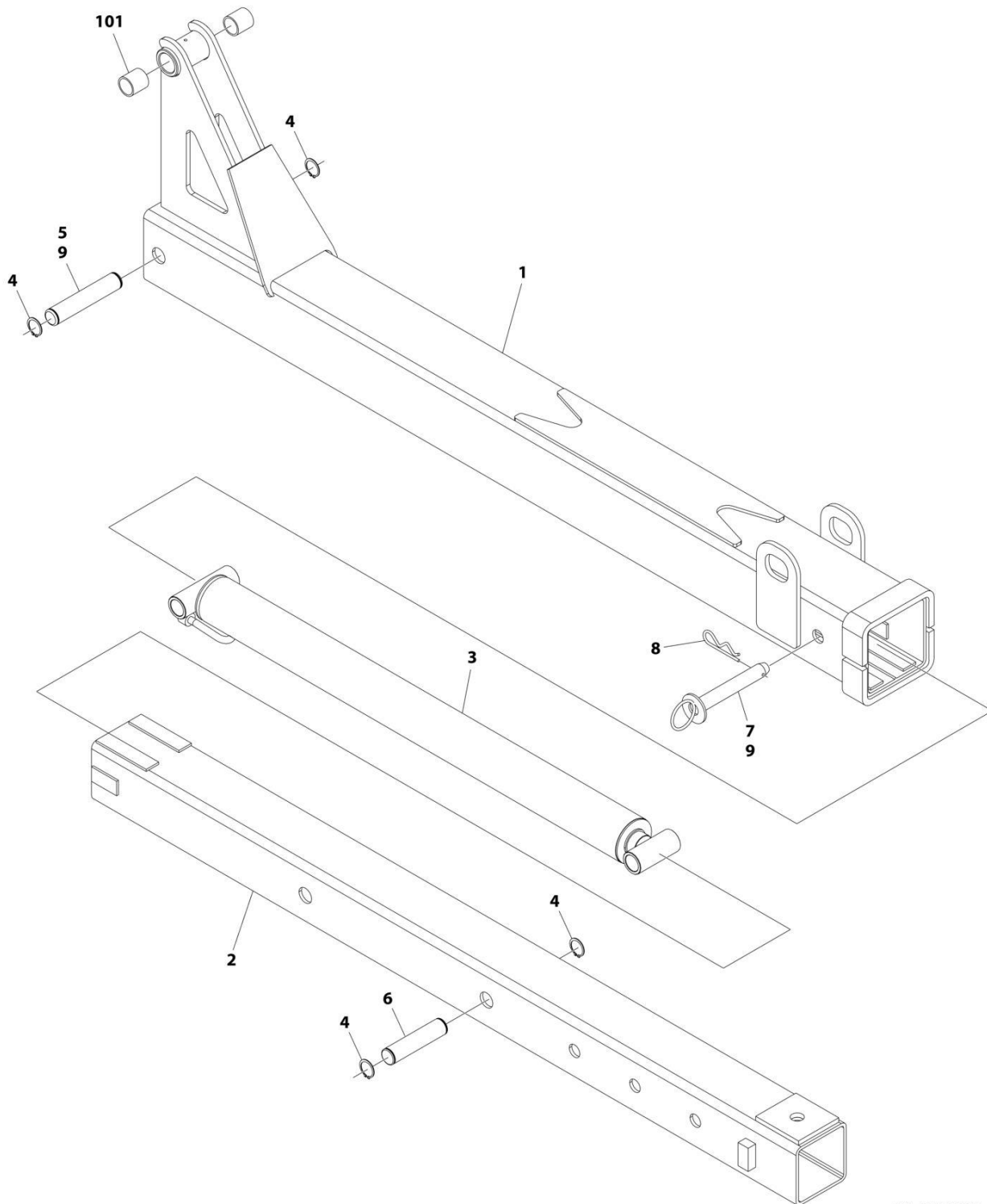
## SECTION 8 - ACCESSORIES

**FIGURE 8-61. TOW HITCH BOOM ASSEMBLY - BALL HITCH PLATE (MANUAL)**

ITEM	PART NUMBER	QTY	DESCRIPTION	REV
	3170000281	Ref	BOOM ASSEMBLY, BALL HITCH (MANUAL)	0
1	3170000276	1	Boom Weldment	
2	3913000062	1	Tube Weldment	
3	3691000064	1	Pin	
4	7691000001	1	Hair Pin	
101	7082000016	2	Bearing	

# SECTION 8 - ACCESSORIES

FIGURE 8-62. TOW HITCH BOOM ASSEMBLY - BALL HITCH PLATE (MANUAL/HYDRAULIC)



ART\_3170000280

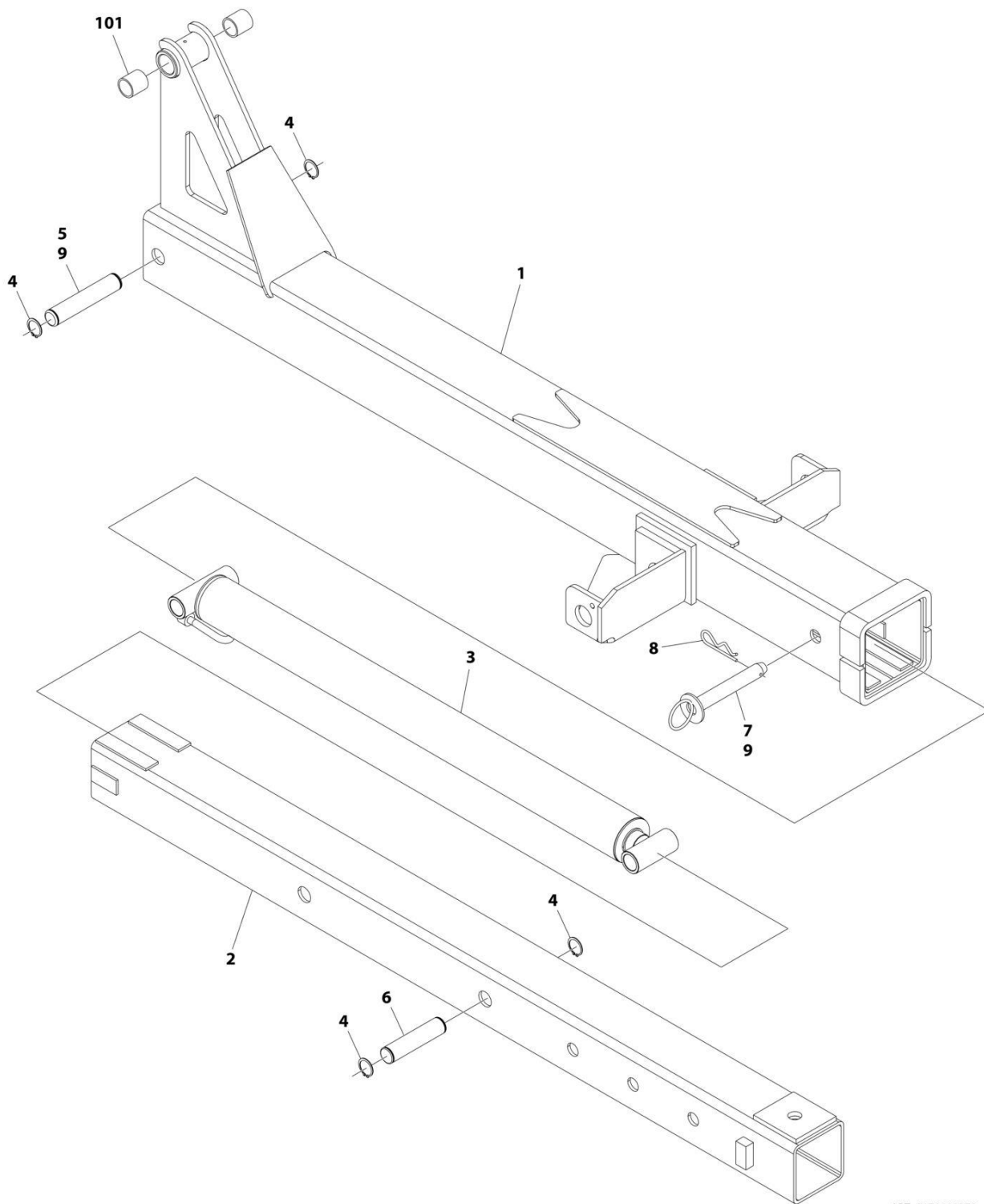
## SECTION 8 - ACCESSORIES

**FIGURE 8-62. TOW HITCH BOOM ASSEMBLY - BALL HITCH PLATE (MANUAL/HYDRAULIC)**

ITEM	PART NUMBER	QTY	DESCRIPTION	REV
	3170000280	Ref	BOOM ASSEMBLY, BALL HITCH (HYDRAULIC)	B
1	3170000276	1	Boom Weldment	
2	3913000062	1	Tube Weldment	
3	1001183327	1	Cylinder Assembly (See Separate Breakdown in CYLINDER Section)	
4	3760133	4	Ring, Retaining	
5	4691000430	1	Pin	
6	4691000429	1	Pin	
7	3691000064	1	Pin	
8	7691000001	1	Hair Pin	
9	3020039	AR	Lubricant	
101	7082000016	2	Bearing	

# SECTION 8 - ACCESSORIES

## FIGURE 8-63. TOW HITCH BOOM ASSEMBLY - IRL BALL HITCH PLATE



ART\_3170000279

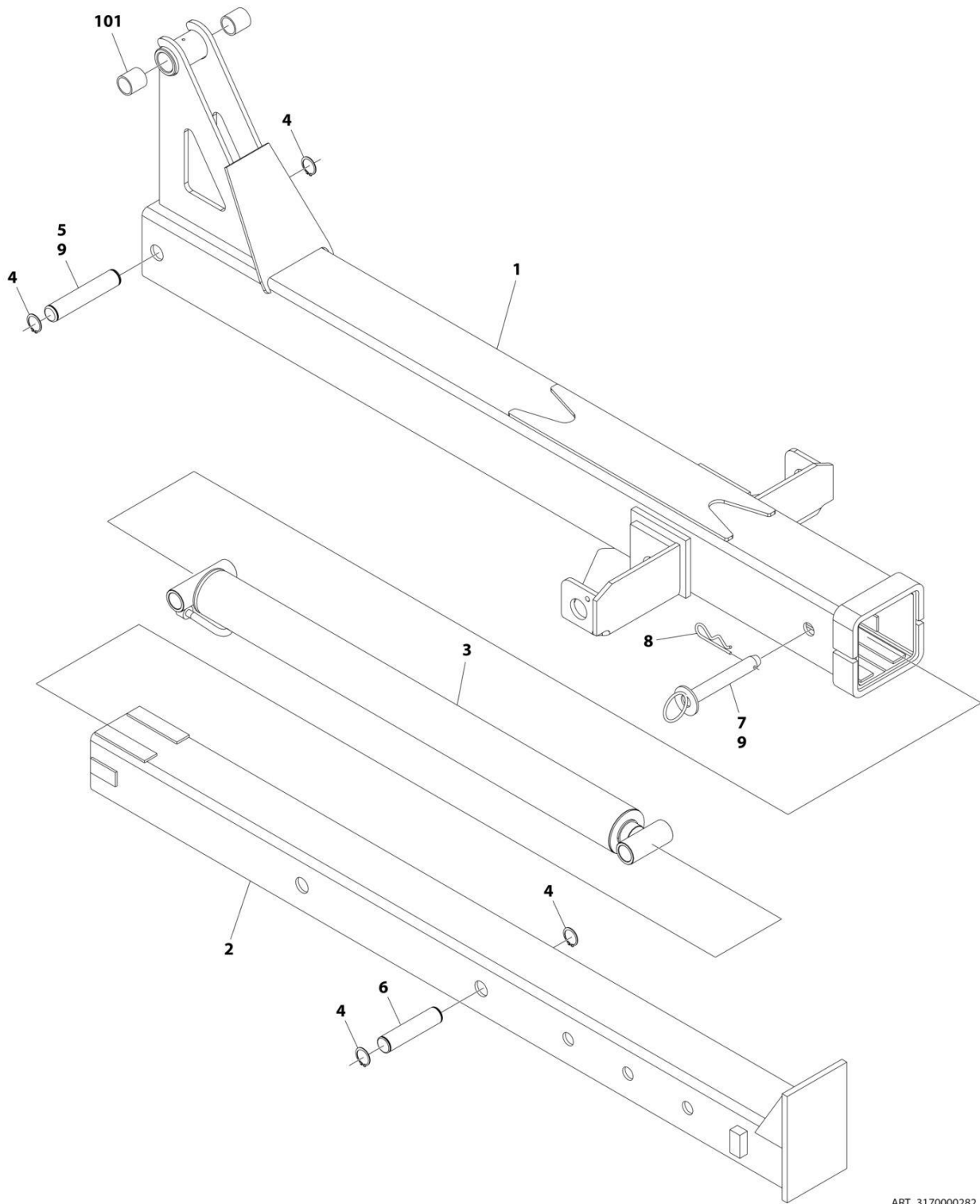
## SECTION 8 - ACCESSORIES

**FIGURE 8-63. TOW HITCH BOOM ASSEMBLY - IRL BALL HITCH PLATE**

ITEM	PART NUMBER	QTY	DESCRIPTION	REV
	3170000279	Ref	BOOM ASSEMBLY, BALL HITCH (HYDRAULIC)	B
1	3170000275	1	Boom Weldment	
2	3913000062	1	Tube Weldment	
3	1001183327	1	Cylinder Assembly (See Separate Breakdown in CYLINDER Section)	
4	3760133	4	Ring, Retaining	
5	4691000430	1	Pin	
6	4691000429	1	Pin	
7	3691000064	1	Pin	
8	7691000001	1	Hair Pin	
9	3020039	AR	Lubricant	
101	7082000016	2	Bushing	

# SECTION 8 - ACCESSORIES

## FIGURE 8-64. TOW HITCH BOOM ASSEMBLY - IRL PINTLE HITCH PLATE



ART\_3170000282

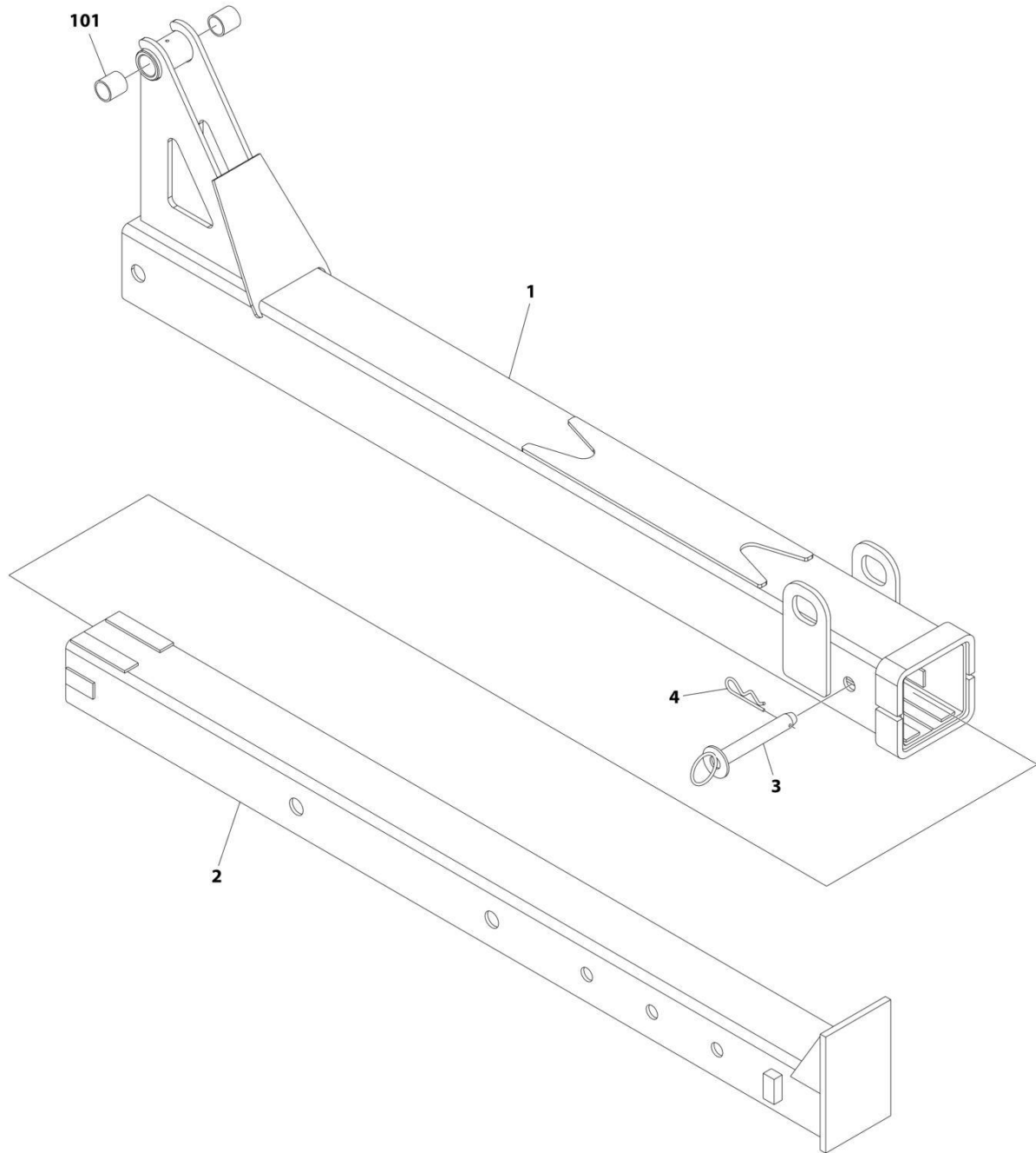
## SECTION 8 - ACCESSORIES

**FIGURE 8-64. TOW HITCH BOOM ASSEMBLY - IRL PINTLE HITCH PLATE**

ITEM	PART NUMBER	QTY	DESCRIPTION	REV
	3170000282	Ref	BOOM ASSEMBLY, PINTLE, HITCH (HYDRAULIC)	B
1	3170000275	1	Boom Weldment	
2	3170000208	1	Tube Weldment	
3	1001183327	1	Cylinder Assembly (See Separate Breakdown in CYLINDER Section)	
4	3760133	4	Ring, Retaining	
5	4691000430	1	Pin	
6	4691000429	1	Pin	
7	3691000064	1	Pin	
8	7691000001	1	Hair Pin	
9	3020039	AR	Lubricant	
101	7082000016	2	Bearing	

# SECTION 8 - ACCESSORIES

FIGURE 8-65. TOW HITCH BOOM ASSEMBLY - PINTLE HITCH PLATE (MANUAL)



ART\_3170000284



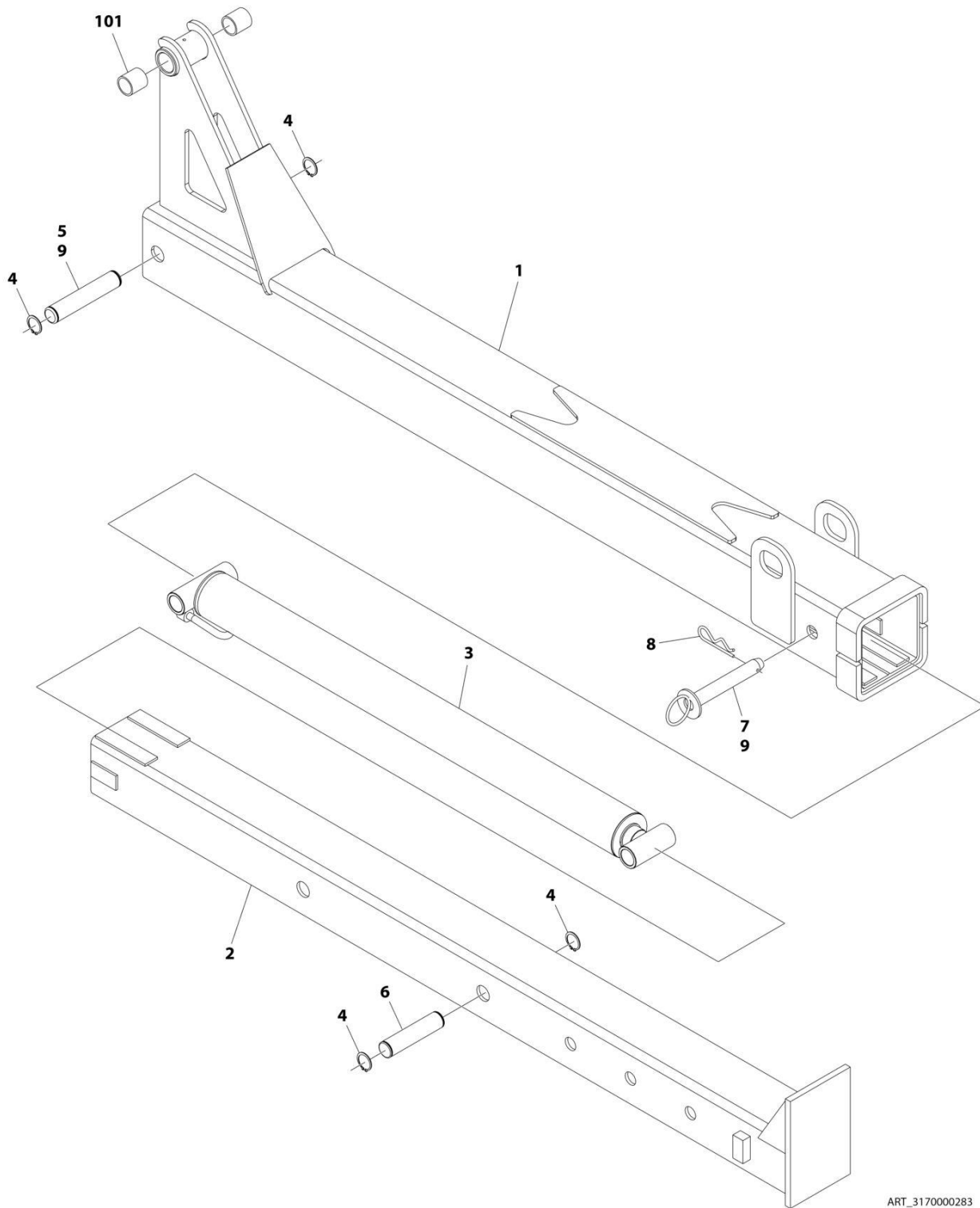
## SECTION 8 - ACCESSORIES

**FIGURE 8-65. TOW HITCH BOOM ASSEMBLY - PINTLE HITCH PLATE (MANUAL)**

ITEM	PART NUMBER	QTY	DESCRIPTION	REV
	3170000284	Ref	BOOM ASSEMBLY, PINTLE HITCH (MANUAL)	B
1	3170000276	1	Boom Weldment	
2	3913000062	1	Tube Weldment	
3	3691000064	1	Pin, Weldment	
4	7691000001	1	Hair Pin	
101	7082000016	2	Bearing	

# SECTION 8 - ACCESSORIES

FIGURE 8-66. TOW HITCH BOOM ASSEMBLY - PINTLE HITCH PLATE (MANUAL/HYDRAULIC)



ART\_3170000283

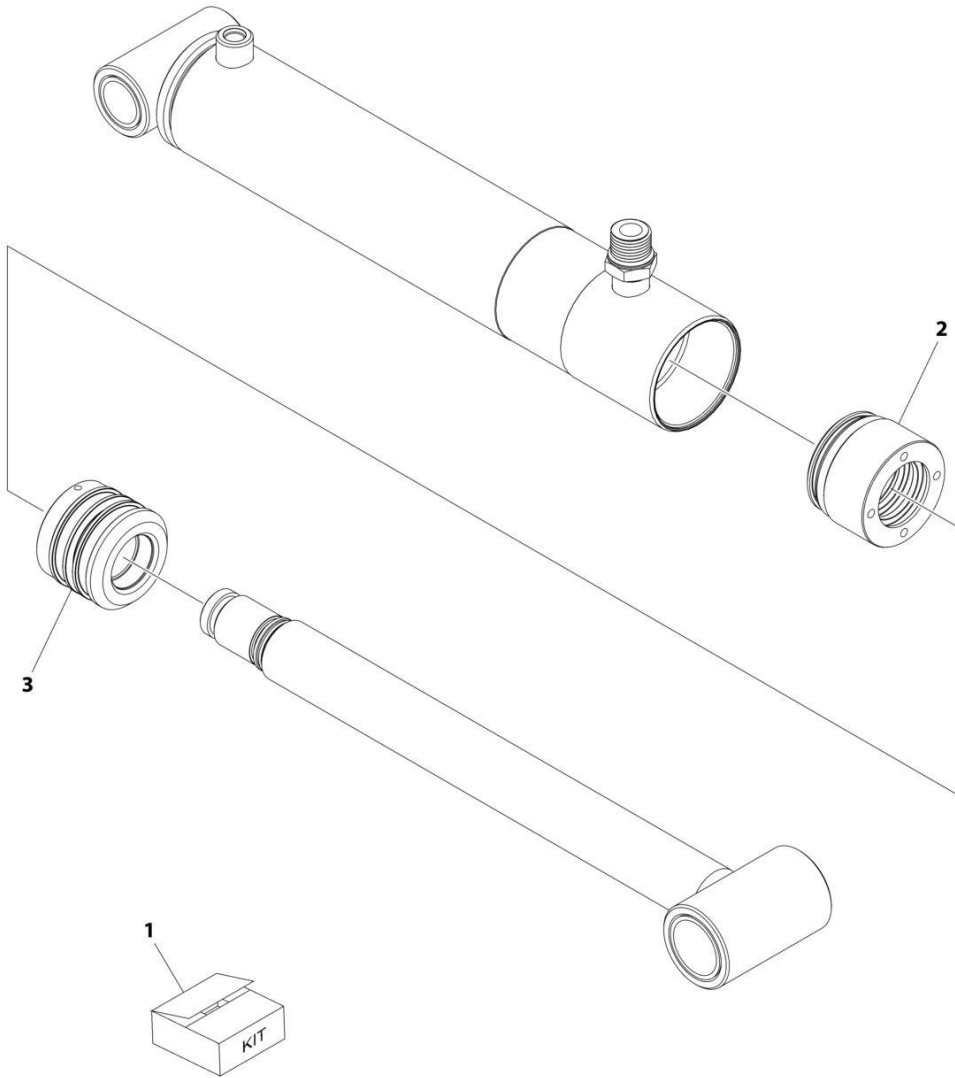
## SECTION 8 - ACCESSORIES

**FIGURE 8-66. TOW HITCH BOOM ASSEMBLY - PINTLE HITCH PLATE (MANUAL/HYDRAULIC)**

ITEM	PART NUMBER	QTY	DESCRIPTION	REV
	3170000283	Ref	BOOM ASSEMBLY, PINTLE HITCH (HYDRAULIC)	B
1	3170000276	1	Boom Weldment	
2	3170000208	1	Tube Weldment	
3	1001183327	1	Cylinder Assembly (See Separate Breakdown in CYLINDER Section)	
4	3760133	4	Ring, Retaining	
5	4691000430	1	Pin	
6	4691000429	1	Pin	
7	3691000064	1	Pin	
8	7691000001	1	Hair Pin	
9	3020039	AR	Lubricant	
101	7082000016	2	Bearing	

# SECTION 8 - ACCESSORIES

## FIGURE 8-67. TOW HITCH CYLINDER ASSEMBLY - LIFT



ART\_1001166857

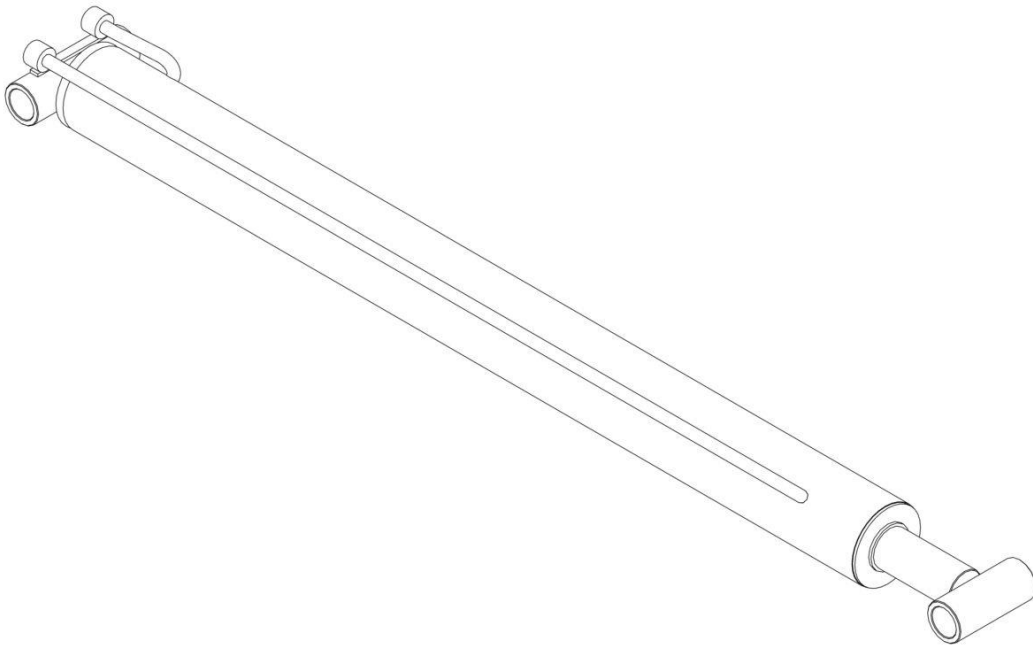
## SECTION 8 - ACCESSORIES

FIGURE 8-67. TOW HITCH CYLINDER ASSEMBLY - LIFT

ITEM	PART NUMBER	QTY	DESCRIPTION	REV
	1001166857	Ref	IRL CYLINDER ASSEMBLY	E
1	70051168	1	Kit, Seal	
2	70051172	1	Kit, Head	
3	70051173	1	Kit, Piston	

## SECTION 8 - ACCESSORIES

FIGURE 8-68. TOW HITCH CYLINDER ASSEMBLY – EXTEND/RETRACT



ART\_1001183327

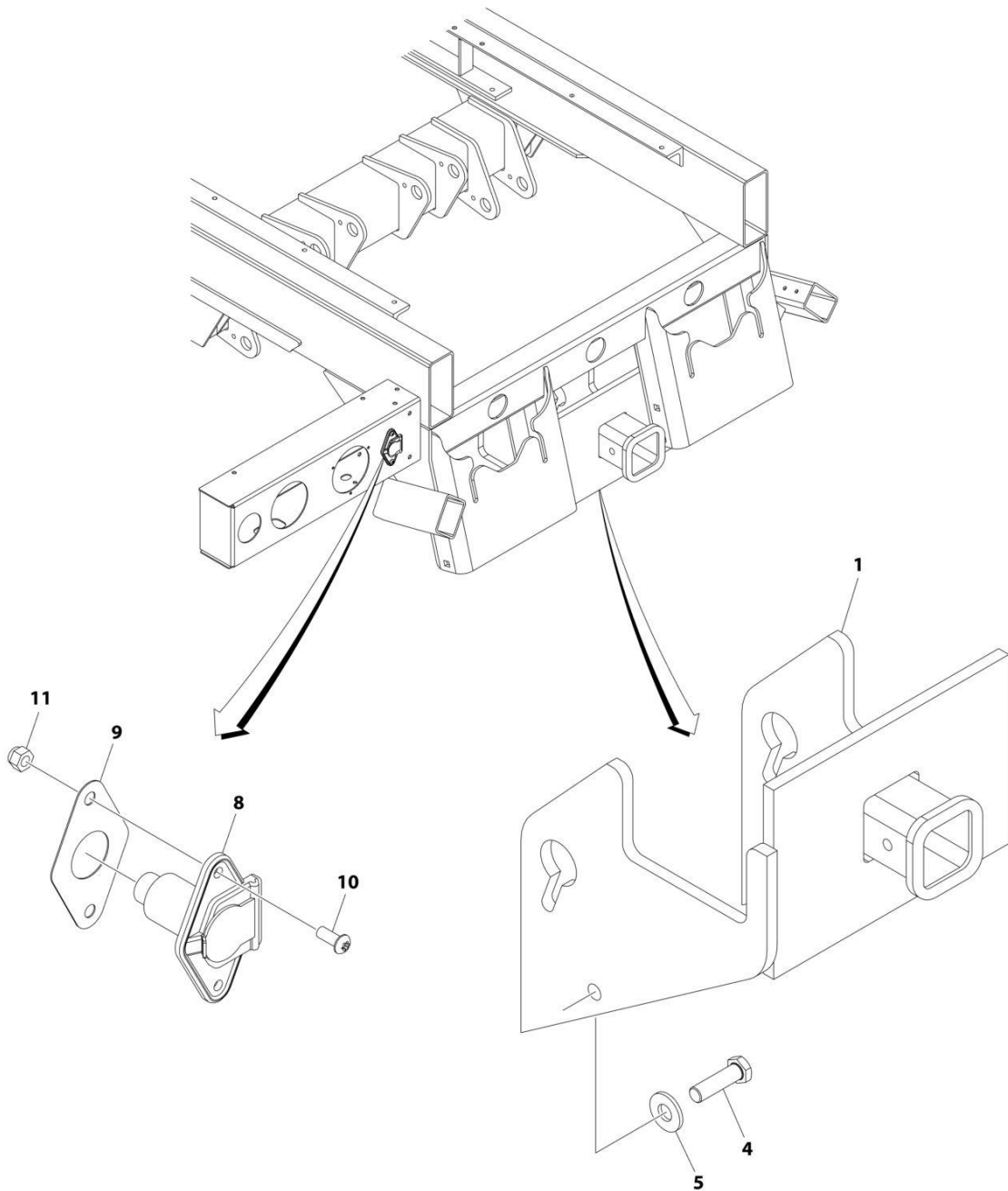
## SECTION 8 - ACCESSORIES

**FIGURE 8-68. TOW HITCH CYLINDER ASSEMBLY – EXTEND/RETRACT**

ITEM	PART NUMBER	QTY	DESCRIPTION	REV
	1001183327	Ref	TOW HITCH CYLINDER ASSEMBLY – EXTEND/RETRACT	D
		Ref	Note: No Service Components Available at Time of Printing.	

# SECTION 8 - ACCESSORIES

## FIGURE 8-69. TOW HITCH RECEIVER INSTALLATION - 2IN BALL (STATIONARY)



ART\_3556000041



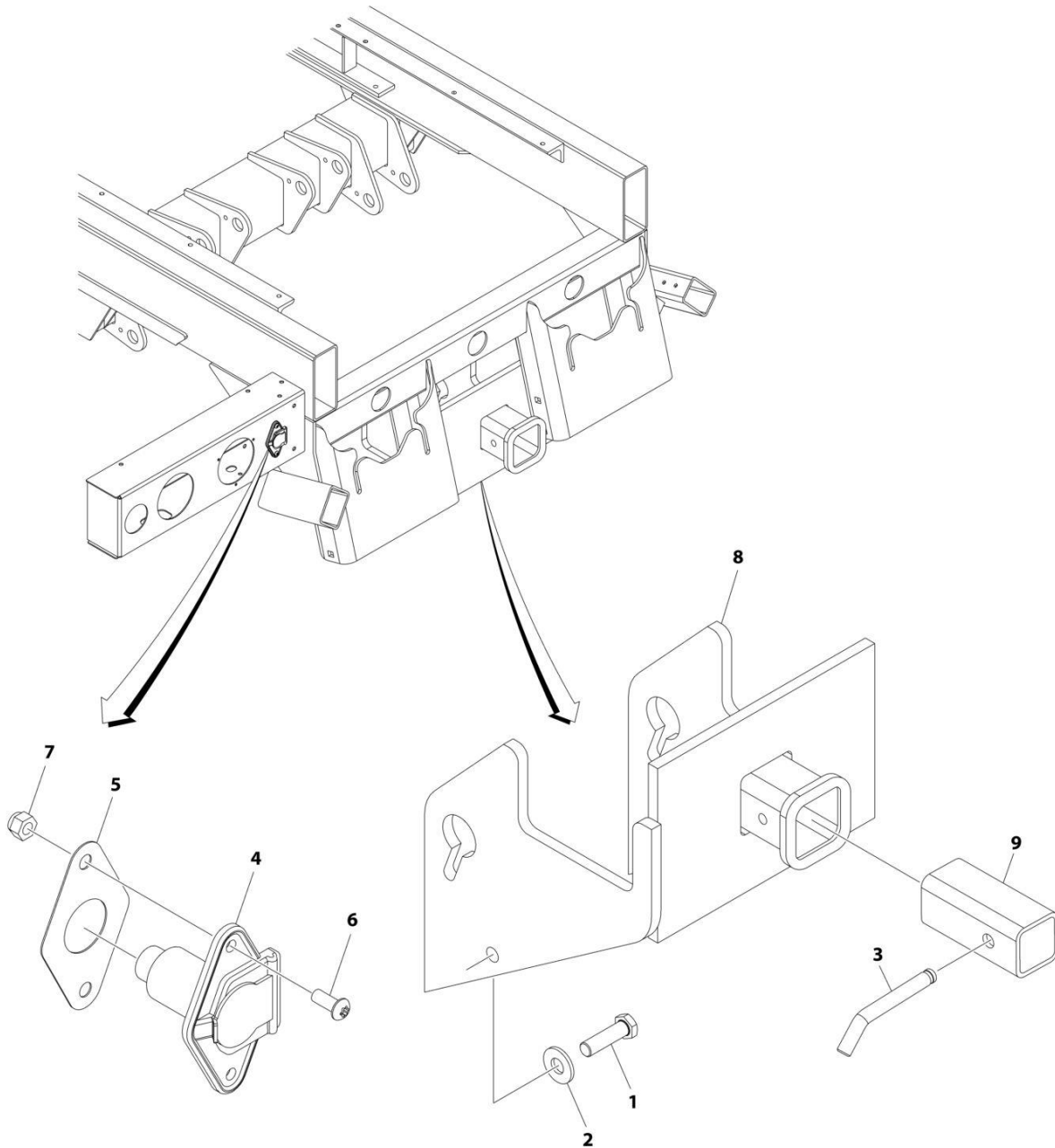
## SECTION 8 - ACCESSORIES

**FIGURE 8-69. TOW HITCH RECEIVER INSTALLATION - 2IN BALL (STATIONARY)**

ITEM	PART NUMBER	QTY	DESCRIPTION	REV
	3556000041	Ref	TOW HITCH - STATIONARY	C
1	1001180288	1	Receiver, Hitch	
4	7115181450	2	Capscrew 1/2 x 1-3/4	
5	7950180150	2	Washer 1/2	
8	7291000010	1	Female Receptacle with Connector	
9	7796000048	1	Gasket	
10	7114140528	2	Screw 1/4 x 5/8	
11	7660142601	2	Nut 1/4	

# SECTION 8 - ACCESSORIES

## FIGURE 8-70. TOW HITCH RECEIVER INSTALLATION - 2.5IN BALL (STATIONARY)



ART\_1001137581

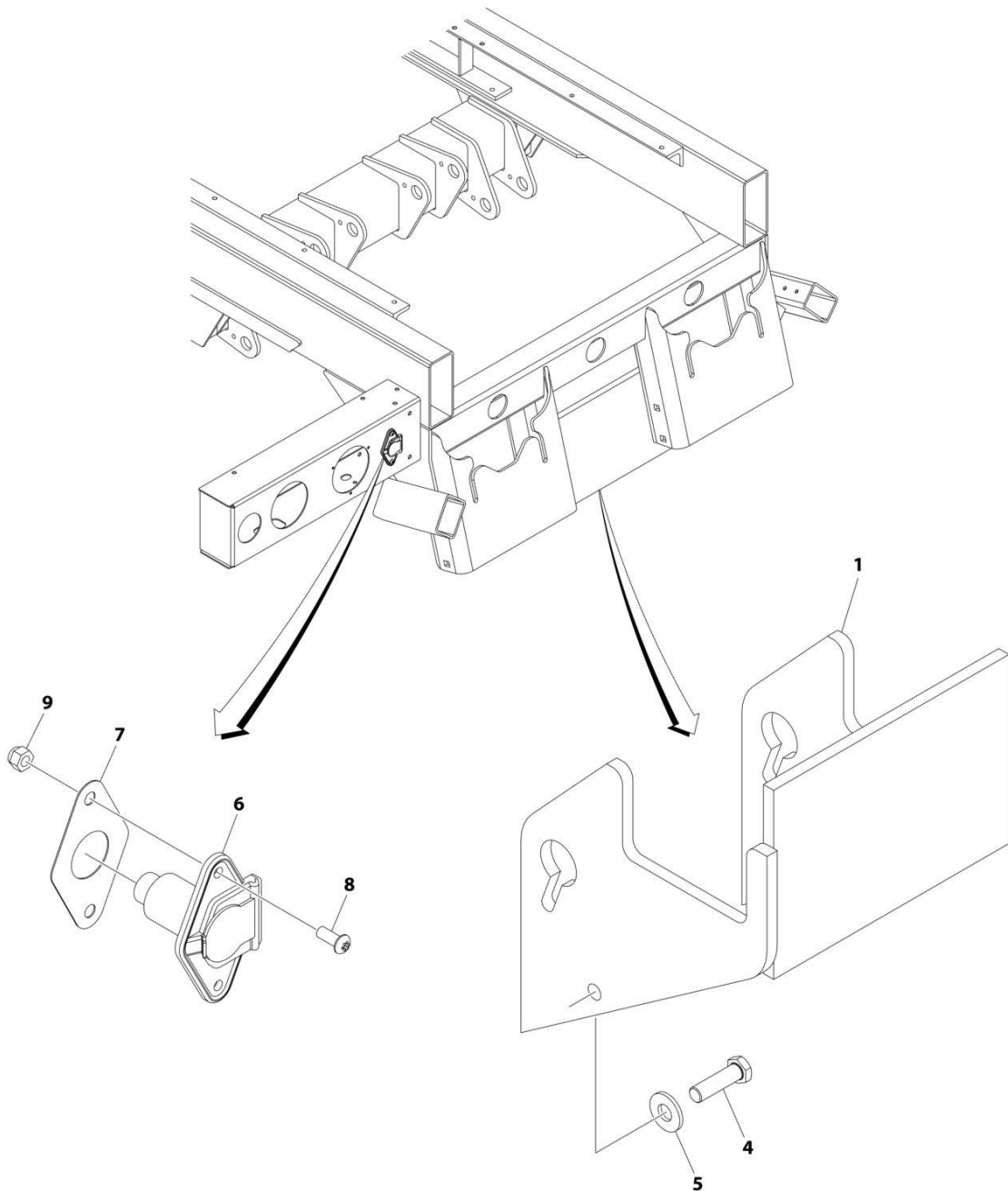
## SECTION 8 - ACCESSORIES

**FIGURE 8-70. TOW HITCH RECEIVER INSTALLATION - 2.5IN BALL (STATIONARY)**

ITEM	PART NUMBER	QTY	DESCRIPTION	REV
	1001137581	Ref	TOW HITCH INSTALLATION, 2.5 IN	B
1	7115181450	2	Capscrew 1/2 x 1-3/4	
2	7950180150	2	Washer 1/2	
3	7691000033	1	Cotter Pin	
4	7291000010	1	Connector	
5	7796000048	1	Gasket	
6	7114140528	2	Screw 1/4 x 5/8	
7	7660142601	2	Nut 1/4	
8	1001180289	1	Hitch Receiver	
9	7913000006	1	Tube	

# SECTION 8 - ACCESSORIES

## FIGURE 8-71. TOW HITCH RECEIVER INSTALLATION - PINTLE (STATIONARY)



ART\_355600040

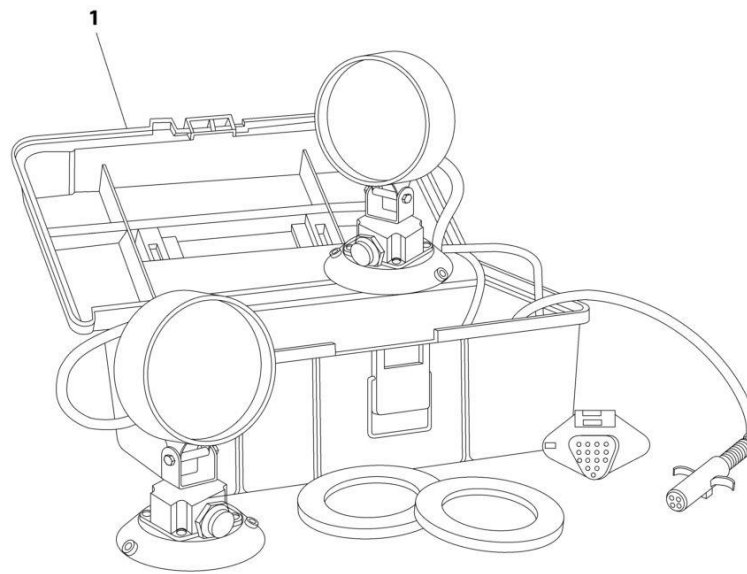
## SECTION 8 - ACCESSORIES

**FIGURE 8-71. TOW HITCH RECEIVER INSTALLATION - PINTLE (STATIONARY)**

ITEM	PART NUMBER	QTY	DESCRIPTION	REV
	3556000040	Ref	TOW HITCH - STATIONARY PINTLE	C
1	1001180290	1	Hitch Receiver	
4	7115181450	2	Capscrew 1/2 x 1-3/4	
5	7950180150	2	Washer 1/2	
6	7291000010	1	Female Receptacle	
7	7796000048	1	Gasket	
8	7114140528	2	Screw 1/4 x 5/8	
9	7660142601	2	Nut 1/4	

# SECTION 8 - ACCESSORIES

FIGURE 8-72. TOW LIGHT KIT (MAGNETIC MOUNTED)



ART\_LMT

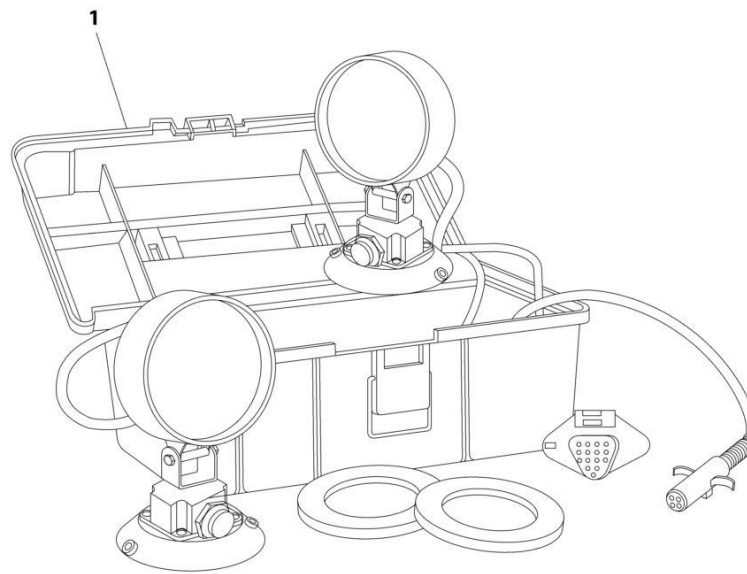
## SECTION 8 - ACCESSORIES

**FIGURE 8-72. TOW LIGHT KIT (MAGNETIC MOUNTED)**

ITEM	PART NUMBER	QTY	DESCRIPTION	REV
1	LMT 5525000752	Ref 1	TOW LIGHT KIT - MAGNETIC MOUNTED Magnetic Light Kit Towing - with Case	0

# SECTION 8 - ACCESSORIES

FIGURE 8-73. TOW LIGHT KIT (SUCTION MOUNTED)



ART\_LST



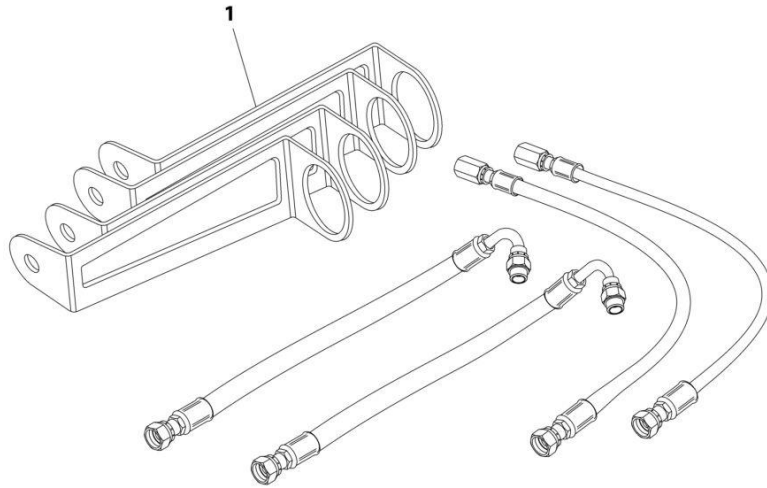
## SECTION 8 - ACCESSORIES

FIGURE 8-73. TOW LIGHT KIT (SUCTION MOUNTED )

ITEM	PART NUMBER	QTY	DESCRIPTION	REV
1	LST 7002000449	Ref 1	SUCTION MOUNTED TOW LIGHT KIT Tow Lights Suction	0

# SECTION 8 - ACCESSORIES

## FIGURE 8-74. VALVE STEM EXTENSION KIT



ART\_2002000029

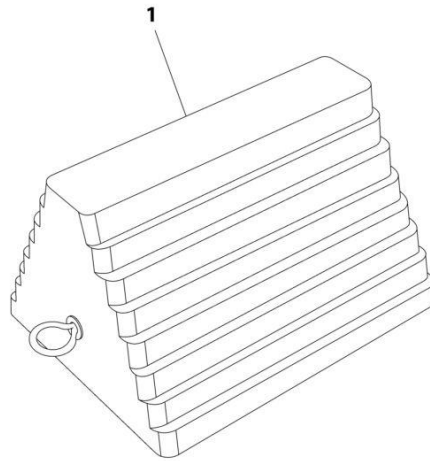
## SECTION 8 - ACCESSORIES

FIGURE 8-74. VALVE STEM EXTENSION KIT

ITEM	PART NUMBER	QTY	DESCRIPTION	REV
1	2002000029	Ref	Valve System Extension Kit	0
	7002000447	1	Valve Stem	

# SECTION 8 - ACCESSORIES

FIGURE 8-75. WHEEL CHOCKS (RUBBER)



ART\_RWC

## SECTION 8 - ACCESSORIES

### FIGURE 8-75. WHEEL CHOCKS (RUBBER)

ITEM	PART NUMBER	QTY	DESCRIPTION	REV
1	RWC 7002000448	Ref 2	WHEEL CHOCKS Wheel Chock - Rubber	0



**SECTION 9 - BUILD DOCUMENTS**

# SECTION 9 - BUILD DOCUMENTS

FIGURE 9-1. BUILD DOC\_5376000247

ITEM	PART NUMBER	QTY	DESCRIPTION	REV
	Note	Ref	<b>Note: This list is for build tracking purposes only. Parts in this list are not available at this inventory stocking level. Parts in this list may not be applicable to all models. For more specific parts information contact Jerr-Dan Parts Department</b>	
	BSKT-2	Ref	Basket, Storage (Standard) (Qty 2 of PN 2899000030)	
	BSKT24-2	Ref	Basket, Storage (Deep) (Qty 2 of PN 2899000041)	
	CMKSTD-SD	Ref	Chassis Mounting Kit - Standard	
	1001134107	Ref	Chassis Moimnting Kit - Ford 2011-2016 F650/F750	
	1001220105	Ref	Chassis Moimnting Kit - Ford 2017+ F650/F750	
	1001141768	Ref	Chassis Moimnting Kit - Hino 2012	
	1001134108	Ref	Chassis Moimnting Kit - International 2011+	
	1001133075	Ref	Chassis Moimnting Kit - International 2012 Telestar	
	1001125893	Ref	Decking Material 19FT x 96IN (Wood for Aluminum Deck)	
	1001125894	Ref	Decking Material 19FT x 102IN (Wood for Aluminum Deck)	
	1001125895	Ref	Decking Material 20FT x 96IN (Wood for Aluminum Deck)	
	1001125898	Ref	Decking Material 20FT x 102IN (Wood for Aluminum Deck)	
	1001125896	Ref	Decking Material 21FT x 96IN (Wood for Aluminum Deck)	
	1001125897	Ref	Decking Material 21FT x 102IN (Wood for Aluminum Deck)	
	1001125844	Ref	Decking Material 19FT x 96IN (Wood for Steel Deck)	
	1001125845	Ref	Decking Material 19FT x 102IN (Wood for Steel Deck)	
	1001125849	Ref	Decking Material 20FT x 96IN (Wood for Steel Deck)	
	1001125847	Ref	Decking Material 20FT x 102IN (Wood for Steel Deck)	
	1001125846	Ref	Decking Material 21FT x 96IN (Wood for Steel Deck)	
	1001125848	Ref	Decking Material 21FT x 102IN (Wood for Steel Deck)	
	2811000004	Ref	Decking Material 19FT x 96IN (Diamond Plate Steel)	
	2811000005	Ref	Decking Material 19FT x 102IN (Diamond Plate Steel)	
	2811000006	Ref	Decking Material 20FT x 96IN (Diamond Plate Steel)	
	2811000007	Ref	Decking Material 20FT x 102IN (Diamond Plate Steel)	
	1001131743	Ref	Decking Material 20FT x 96IN (Diamond Plate Steel)	
	2811000008	Ref	Decking Material 21FT x 96IN (Diamond Plate Steel)	
	2811000009	Ref	Decking Material 21FT x 102IN (Diamond Plate Steel)	
	2811000001	Ref	Decking Material 19FT x 96IN (Smooth Steel)	
	1001130562	Ref	Decking Material 19FT x 96IN (Smooth Steel) (No Winch/High Dump)	
	1001131949	Ref	Decking Material 19FT x 102IN (Smooth Steel)	
	2811000002	Ref	Decking Material 20FT x 96IN (Smooth Steel)	
	1001131950	Ref	Decking Material 20FT x 102IN (Smooth Steel)	
	2811000003	Ref	Decking Material 21FT x 96IN (Smooth Steel)	
	1001131951	Ref	Decking Material 21FT x 102IN (Smooth Steel)	
	1001152709	Ref	Decking Material 19FT x 96IN (Diamond Plate over Wood) (Outside Keyslots)	
	1001152710	Ref	Decking Material 19FT x 102IN (Diamond Plate over Wood) (Outside Keyslots)	
	1001152993	Ref	Decking Material 19FT x 96IN (Diamond Plate over Wood) (In & Outside Keyslots)	
	1001152994	Ref	Decking Material 19FT x 102IN (Diamond Plate over Wood) (In & Outside Keyslots)	
	1001152711	Ref	Decking Material 20FT x 96IN (Diamond Plate over Wood) (Outside Keyslots)	
	1001152712	Ref	Decking Material 20FT x 102IN (Diamond Plate over Wood) (Outside Keyslots)	



## SECTION 9 - BUILD DOCUMENTS

ITEM	PART NUMBER	QTY	DESCRIPTION	REV
	1001152995	Ref	Decking Material 20FT x 96IN (Diamond Plate over Wood) (In & Outside Keyslots)	
	1001152996	Ref	Decking Material 20FT x 102IN (Diamond Plate over Wood) (In & Outside Keyslots)	
	1001152713	Ref	Decking Material 21FT x 96IN (Diamond Plate over Wood) (Outside Keyslots)	
	1001152714	Ref	Decking Material 21FT x 102IN (Diamond Plate over Wood) (Outside Keyslots)	
	1001152997	Ref	Decking Material 21FT x 96IN (Diamond Plate over Wood) (In & Outside Keyslots)	
	1001152998	Ref	Decking Material 21FT x 102IN (Diamond Plate over Wood) (In & Outside Keyslots)	
	1001128868	Ref	Deck Modification - Bucket Rest (Standard)	
	1001127910	Ref	Deck Modification - Bucket Rest (Transporter)	
	1001228185	Ref	Deck Seam Sealer Installation	
	2754000001	Ref	D-Rings 1 PAIR (STEEL DECK) (Welded on) 5/8IN	
	2754000002	Ref	D-Rings 1 PAIR (STEEL DECK) (Welded on) 1IN	
	1001188647	Ref	D-Rings 1 PAIR (STEEL DECK) (Welded on) 5/8IN SOW	
	DR063W-2	Ref	D-Rings 2 PAIR (STEEL DECK) (Welded on) 5/8IN	
	1001130902	Ref	D-Rings 3 PAIR (STEEL DECK) (Welded on) 5/8IN	
	SSQF-21	Ref	Fender, Quarter 19.50IN Wheels (SS)	
	SSQF-24	Ref	Fender, Quarter 22.50IN Wheels (SS)	
	1001210267	Ref	Greased Pivot Joint Option, Subframe Only	
	1001207209	Ref	Greased Pivot Joint Option, Subframe and Wheelift	
	KSD120-AL	Ref	Keyslot (Standard Width Deck)	
	KSD120-AL-2	Ref	Keyslot (Standard Width Deck) (2X)	
	KSD120W-AL	Ref	Keyslot (Wide Width Deck)	
	KSD120W-AL-2	Ref	Keyslot (Wide Width Deck) (2X)	
	1001230202	Ref	Keyslot Strips - Mid Section	
	2706000013	Ref	Keyslot Strips - Rubrails Section	
	1001211686	Ref	Light Bar Channel (96W Deck)	
	1001133677	Ref	Light Bar Channel (102W Deck)	
	ML-TBST-2	Ref	Light, Marker for Toolbox Storage Tray (Qty 2 of PN 2590000261)	
	1001181867	Ref	Light, Marker for Toolbox Storage Tray (Qty 3 of PN 2590000261)	
	1001181868	Ref	Light, Marker for Toolbox Storage Tray (Qty 4 of PN 2590000261)	
	1001161142	Ref	Lubrication Installation	
		Ref	<b>PTO Installation and replacement is based on individual characteristics of the unit - Contact Jerr-Dan Parts Dept.)</b>	
		Ref	<b>Pump Installation and replacement is based on individual characteristics of the unit - Contact Jerr-Dan Parts Dept.)</b>	
	RCTH-2	Ref	Remote Control 6 Function U/L Transmitter Holder (Duplicate of PN 2002000031)	
	2706000036	Ref	Rubrail 6IN - 19FT/20FT Decks	
	2706000037	Ref	Rubrail 6IN - 21FT Decks	
	2706000039	Ref	Rubrail 8IN - 19FT/20FT Decks	
	2706000040	Ref	Rubrail 8IN - 21FT Decks	
	2706000042	Ref	Rubrail 10IN - 19FT/20FT Decks	
	2706000043	Ref	Rubrail 10IN - 21FT Decks	
	1001142066	Ref	Saddle Brackets without Holes	
	TBSA36-2	Ref	Shelf, Toolbox 36IN (Qty 2 of PN 2899000059)	
	TBSA36-3	Ref	Shelf, Toolbox 36IN (Qty 3 of PN 2899000059)	
	TBSA36-4	Ref	Shelf, Toolbox 36IN (Qty 4 of PN 2899000059)	
	TBSA48-2	Ref	Shelf, Toolbox 48IN (Qty 2 of PN 2899000060)	

## SECTION 9 - BUILD DOCUMENTS

ITEM	PART NUMBER	QTY	DESCRIPTION	REV
	1001181855	Ref	Shelf, Toolbox 48IN (Qty 3 of PN 2899000060)	
	TBSA48-4	Ref	Shelf, Toolbox 48IN (Qty 4 of PN 2899000060)	
	TBSA60-2	Ref	Shelf, Toolbox 60IN (Qty 2 of PN 2899000061)	
	SRS-8	Ref	Side Recovery System - 8 K Winch	
	SRS-8-CRC	Ref	Side Recovery System - 8 K Winch with Combo Remote	
	SRS-10	Ref	Side Recovery System - 10 K Winch	
	SRS-10-AFS	Ref	Side Recovery System - 10 K Winch with Air Free Spool	
	SRS-10-CRC	Ref	Side Recovery System - 10 K Winch with Combo Remote	
	1001211215	Ref	Side Recovery System - 10 K Winch with Air Free Spool & Remote Conbo	
	1001135795	Ref	Stakes & Rubrails - 19FT Deck	
	1001148397	Ref	Stakes & Rubrails - 20FT Deck	
	1001135796	Ref	Stakes & Rubrails - 21FT Deck	
	1001135792	Ref	Stakes & Rubrails & Pipes - 19FT Deck	
	1001135793	Ref	Stakes & Rubrails & Pipes - 20FT Deck	
	1001135794	Ref	Stakes & Rubrails & Pipes - 21FT Deck	
	SUBITU19-6T	Ref	Subframe19FT/20FT Inboard	
	1001211216	Ref	Subframe19FT/20FT Inboard Galvanized	
	SUBOTU19-6T	Ref	Subframe19FT/20FT Outboard	
	1001159630	Ref	Subframe19FT/20FT Outboard (Isuzu NRR))	
	1001211217	Ref	Subframe19FT/20FT Outboard Galvanized	
	1001159629	Ref	Subframe19FT/20FT Outboard Galvanized (Isuzu NRR))	
	SUBITU-6T	Ref	Subframe 21FT Inboard	
	SUBITUG-6T	Ref	Subframe 21FT Inboard Galvanized	
	SUBOTU-6T	Ref	Subframe 21FT Outboard	
	SUBOTUG-6T	Ref	Subframe 21FT Outboard Galvanized	
	1001159921	Ref	Subframe 21FT Outboard Hino 195	
	1001159906	Ref	Subframe 21FT Outboard Hino 195 Galvanized	
	1001159631	Ref	Subframe 21FT Outboard Isuzu NRR	
	1001159632	Ref	Subframe 21FT Outboard Isuzu NRR Galvanized	
	1001130564	Ref	Subframe High Dump	
	TB36-2	Ref	Toolbox 36IN (Qty 2 of PN 2899000055)	
	TB36-3	Ref	Toolbox 36IN (Qty 3 of PN 2899000055)	
	TB36-4	Ref	Toolbox 36IN (Qty 4 of PN 2899000055)	
	TB48-2	Ref	Toolbox 48IN (Qty 2 of PN 2899000057)	
	TB48-3	Ref	Toolbox 48IN (Qty 3 of PN 2899000057)	
	TB48-4	Ref	Toolbox 48IN (Qty 4 of PN 2899000057)	
	1001181841	Ref	Toolbox 48IN Underbox Mount (Qty 2 of PN 1001137931)	
	TB60-2	Ref	Toolbox 60IN (Qty 2 of PN 2899000058)	
	1001181843	Ref	Toolbox 60IN Underbox Mount (Qty 2 of PN 1001137566)	
	TB78-2	Ref	Toolbox 78IN (Qty 2 of PN 2899000075)	
	2178000027	Ref	ToolBox Brackets Installation (Standard Mounts) (Duplicate of Brackets Included Toolbox Installations/Hydraulic Tank Uses Same Parts)	
	MBK-STD-2	Ref	ToolBox Brackets Installation (QTY 2 of PN 2178000027) (Duplicate of Brackets Included Toolbox Installations/Hydraulic Tank Uses Same Parts)	
	MBK-STD-3	Ref	ToolBox Brackets Installation (QTY 3 of PN 2178000027) (Duplicate of Brackets Included Toolbox Installations/Hydraulic Tank Uses Same Parts)	
	MBK-STD-4	Ref	ToolBox Brackets Installation (QTY 4 of PN 2178000027) (Duplicate of Brackets Included Toolbox Installations/Hydraulic Tank Uses Same Parts)	

## SECTION 9 - BUILD DOCUMENTS

ITEM	PART NUMBER	QTY	DESCRIPTION	REV
	2178000068	Ref	ToolBox Brackets Installation (High Mounts) (Duplicate of Brackets Included Toolbox Installations/Hydraulic Tank Uses Same Parts)	
	MBK-HM-2	Ref	ToolBox Brackets Installation (High Mounts) (QTY 2 of PN 2178000027) (Duplicate of Brackets Included Toolbox Installations/Hydraulic Tank Uses Same Parts)	
	2178000025	Ref	ToolBox Brackets Installation (Long Mounts) (Duplicate of Brackets Included Toolbox Installations/Hydraulic Tank Uses Same Parts)	
	2178000028	Ref	ToolBox Brackets Installation (Short Mounts) (Duplicate of Brackets Included Toolbox Installations/Hydraulic Tank Uses Same Parts)	
	2178000067	Ref	ToolBox Brackets Installation (Alternative for 78IN Toolbox) (Duplicate of Brackets Included Toolbox Installations)	
	TBL-2	Ref	ToolBox Lights (QTY 2 of PN 2178000031)	
	TBL-3	Ref	ToolBox Lights (QTY 3 of PN 2178000031)	
	TBL-4	Ref	ToolBox Lights (QTY 4 of PN 2178000031)	
	SP-D5500TOOLB	Ref	Toolbox Shims - 2011 Dodge 5500	
	SP-D5500TOOLB-2	Ref	Toolbox Shims - 2011 Dodge 5500 (QTY 2 of SP-D5500TOOLB)	
	TBTST36-2	Ref	Tray, Storage (Top of Toolbox) (Qty 2 of PN 2002000048)	
	TBTST36-3	Ref	Tray, Storage (Top of Toolbox) (Qty 3 of PN 2002000048)	
	TBTST36-4	Ref	Tray, Storage (Top of Toolbox) (Qty 4 of PN 2002000048)	
	TBTST48-2	Ref	Tray, Storage (Top of Toolbox) (Qty 2 of PN 2002000049)	
	1001181859	Ref	Tray, Storage (Top of Toolbox) (Qty 3 of PN 2002000049)	
	1001181860	Ref	Tray, Storage (Top of Toolbox) (Qty 4 of PN 2002000049)	
	TBTST60-2	Ref	Tray, Storage (Top of Toolbox) (Qty 2 of PN 2002000050)	
	TBTST78-2	Ref	Tray, Storage (Top of Toolbox) (Qty 2 of PN 2002000051)	
	1001147364	Ref	Tunnel Drawer, Toolbox 24IN (Qty 2 of PN 1001147363)	
	1001158688	Ref	Wheel Lift Grid Installation - IRL (Manual Arms with Ball)	
	1001158689	Ref	Wheel Lift Grid Installation - IRL (Manual Arms with 2IN Hitch)	
	1001158684	Ref	Wheel Lift Grid Installation - IRL (T37 Arms with Ball)	
	1001158685	Ref	Wheel Lift Grid Installation - IRL (T37 Arms with 2IN Hitch)	
	1001158690	Ref	Wheel Lift Grid Installation - ZOD (Manual Arms with Ball)	
	1001158691	Ref	Wheel Lift Grid Installation - ZOD (Manual Arms with 2IN Hitch)	
	1001158686	Ref	Wheel Lift Grid Installation - ZOD (T37 Arms with Ball)	
	1001158687	Ref	Wheel Lift Grid Installation - ZOD (T37 Arms with 2IN Hitch)	

## **SECTION 9 - BUILD DOCUMENTS**

### **PART NUMBER INDEX**

## SECTION 9 - BUILD DOCUMENTS

<p>0100011 ....319, 489, 491, 497</p> <p>0100071 ....75, 79, 83, 87, 91, 95</p> <p>0440287 ..... 489, 491</p> <p>0630448001 ..... 509, 511</p> <p>0641406 .....330</p> <p>0641407 .... 191, 194, 197, 199</p> <p>0641416 .....330</p> <p>0641436 .....869</p> <p>0641508 ....75, 79, 83, 87, 91, 95, 145, 147, 151, 155, 159, 191, 195, 503, 507, 513, 515, 519, 523, 531, 695, 697, 699, 701, 1015, 1017, 1025, 1027, 1029, 1051, 1053</p> <p>0641510 ..... 190, 194</p> <p>0641512 ..... 695, 699</p> <p>0641606 ....74, 78, 82, 86, 90, 94</p> <p>0641612 .... 17, 19, 21, 23, 25, 29, 33, 35, 37, 39, 41, 45, 49, 53, 57, 117, 119, 121, 123, 125, 273, 275, 277, 279, 281, 283, 285, 287, 1095, 1097, 1099, 1101, 1103, 1105</p> <p>0641624 .... 17, 19, 21, 23, 25, 29, 33, 35, 37, 39, 41, 45, 49, 53, 57</p> <p>0641806 .... 17, 19, 21, 23, 25, 29, 33, 35, 37, 39, 41, 45, 49, 53, 57</p> <p>0641808 ..... 845, 853</p> <p>0641809 .... 191, 194, 197, 199</p> <p>0641812 ....74, 78, 82, 86, 90, 94, 475</p> <p>0641820 ....74, 78, 82, 86, 90, 94</p> <p>0641834 .....305, 307, 309</p> <p>0642216 .... 17, 19, 21, 23, 25, 29, 33, 35, 37, 39, 41, 45, 49, 53, 57</p> <p>0651606 ....75, 79, 83, 87, 91, 95</p> <p>0651816 .... 17, 19, 21, 23, 25, 29, 33, 35, 37, 39, 41, 45, 49, 53, 57, 143, 145, 147, 149, 151, 153, 155, 157, 159</p> <p>0651822 ....25, 29, 41, 45, 497</p> <p>0652016 ....75, 79, 83, 87, 91, 95, 501, 505, 509, 511, 517, 521, 529</p> <p>0691810 ..... 123, 125</p> <p>0701019 ..... 190, 194</p> <p>0701024 ..... 190, 194</p> <p>0741408 .....330</p> <p>0741504 .....335</p> <p>0741512 ..... 17, 19</p>	<p>0761015 .... 25, 29, 41, 45, 206</p> <p>1001095650 .... 75, 79, 83, 87, 91, 95</p> <p>1001100949 ..... 877</p> <p>1001116720 ..... 879</p> <p>1001116727 .....889, 891, 893, 895, 897, 899</p> <p>1001116729 .....875, 887</p> <p>1001116747 .....875, 879</p> <p>1001121726 .....875, 879</p> <p>1001121727 .....875, 887</p> <p>1001123159 ..... 185</p> <p>1001123161 ..... 187</p> <p>1001123179 ..... 1005</p> <p>1001125844 ..... 1138</p> <p>1001125845 ..... 1138</p> <p>1001125846 ..... 1138</p> <p>1001125847 ..... 1138</p> <p>1001125848 ..... 1138</p> <p>1001125849 ..... 1138</p> <p>1001125893 ..... 1138</p> <p>1001125894 ..... 1138</p> <p>1001125895 ..... 1138</p> <p>1001125896 ..... 1138</p> <p>1001125897 ..... 1138</p> <p>1001125898 ..... 1138</p> <p>1001126187 .....481, 485</p> <p>1001126188 .....481, 485</p> <p>1001126192 .....481, 485</p> <p>1001127221 .....970, 974</p> <p>1001127297 .....123, 125</p> <p>1001127744 ..... 245</p> <p>1001127910 ..... 1139</p> <p>1001127985 ..... 499</p> <p>1001128443 ..... 527</p> <p>1001128462 ..... 379</p> <p>1001128868 ..... 1139</p> <p>1001129068 ..... 841</p> <p>1001129095 .....925, 927</p> <p>1001129111 .....501, 503</p> <p>1001129114 .....517, 519</p> <p>1001129116 .....521, 523</p> <p>1001129118 .....529, 531</p> <p>1001129332 ..... 1031</p> <p>1001129461 ..... 829</p> <p>1001129537 ...1029, 1051, 1053</p> <p>1001129570 ..... 1053</p> <p>1001129573 ..... 1053</p> <p>1001129576 ..... 1053</p> <p>1001129875 ..... 1049</p> <p>1001129882 ..... 807</p> <p>1001129883 .....807, 901, 903, 909, 911, 913, 915, 929, 931, 933, 935, 937, 939, 945, 947</p> <p>1001129909 ..... 1007</p> <p>1001130130 .....735, 737</p> <p>1001130132 .....735, 737</p> <p>1001130142 ..... 1049</p> <p>1001130151 ..... 1049</p> <p>1001130179 ..... 379</p> <p>1001130559 ..... 403</p> <p>1001130560 ..... 57</p> <p>1001130561 ..... 239</p>	<p>1001130562 ..... 1138</p> <p>1001130564 ..... 1140</p> <p>1001130565 ..... 783</p> <p>1001130578 ..... 403</p> <p>1001130587 .....201, 206, 209</p> <p>1001130605 ..... 783</p> <p>1001130606 ..... 783</p> <p>1001130902 ..... 1139</p> <p>1001131105 ..... 239</p> <p>1001131514 ..... 425</p> <p>1001131570 ..... 873</p> <p>1001131703 ..... 819</p> <p>1001131724 ..... 227</p> <p>1001131743 ..... 1138</p> <p>1001131774 ..... 425</p> <p>1001131949 ..... 1138</p> <p>1001131950 ..... 1138</p> <p>1001131951 ..... 1138</p> <p>1001131998 ... 1043, 1045</p> <p>1001132350 ..... 527</p> <p>1001132565 ..... 219</p> <p>1001132566 ..... 229</p> <p>1001132599 .....759, 765</p> <p>1001132601 ..... 763</p> <p>1001132609 ..... 733</p> <p>1001132613 ..... 743</p> <p>1001132675 ..... 745</p> <p>1001132679 ..... 739, 741, 765</p> <p>1001132684 ..... 755, 759</p> <p>1001132685 ..... 757</p> <p>1001132706 ..... 735</p> <p>1001132707 ..... 739</p> <p>1001132708 ..... 741</p> <p>1001132710 ..... 743</p> <p>1001132712 ..... 755</p> <p>1001132713 ..... 759</p> <p>1001132715 ..... 763</p> <p>1001132716 ..... 765</p> <p>1001132719 ..... 745</p> <p>1001132722 ..... 733</p> <p>1001132737 ..... 735</p> <p>1001132738 ..... 739</p> <p>1001132739 ..... 741</p> <p>1001132741 ..... 743</p> <p>1001132743 ..... 755</p> <p>1001132744 ..... 759</p> <p>1001132746 ..... 763</p> <p>1001132747 ..... 765</p> <p>1001132750 ..... 745</p> <p>1001132752 ..... 733</p> <p>1001132760 ..... 747</p> <p>1001132761 ..... 747</p> <p>1001132764 ..... 970, 974</p> <p>1001132766 ..... 970, 974</p> <p>1001132794 ..... 206, 733, 735, 737, 739, 741, 743, 745, 747, 749, 751, 753, 755, 757, 759, 761, 763, 765, 767</p> <p>1001132800 ..... 733, 735, 737, 739, 741, 743, 745, 749, 751, 753, 755, 757, 759, 761, 763, 765</p>	<p>1001132801 .....733, 735, 737, 739, 741, 743, 745, 747, 749, 751, 753, 755, 757, 759, 761, 763, 765, 767</p> <p>1001133073 ..... 203</p> <p>1001133075 ..... 1138</p> <p>1001133674 ..... 1007</p> <p>1001133675 ..... 1073</p> <p>1001133677 ..... 1139</p> <p>1001133721 ..... 1047</p> <p>1001133740 ..... 683</p> <p>1001134107 ..... 1138</p> <p>1001134108 ..... 1138</p> <p>1001134178 ..... 997</p> <p>1001134181 ..... 997</p> <p>1001134776 ..... 537</p> <p>1001134788 ..... 537</p> <p>1001134994 ... 17, 19, 203</p> <p>1001134995 ... 17, 19, 203</p> <p>1001135157 ..... 57</p> <p>1001135158 ..... 57</p> <p>1001135272 .....593, 595, 599, 603, 607, 611, 613, 619, 621, 625, 627, 635, 637, 643, 645, 649, 651, 661</p> <p>1001135273 .....595, 611, 619, 625, 635, 643, 649</p> <p>1001135329 .....665, 667, 673, 675</p> <p>1001135330 .....665, 673</p> <p>1001135523 ..... 921</p> <p>1001135524 ..... 925</p> <p>1001135622 ..... 925</p> <p>1001135700 .....901, 905</p> <p>1001135701 .....929, 933, 937, 941</p> <p>1001135756 .....913, 917</p> <p>1001135757 .....945, 949</p> <p>1001135792 ..... 1140</p> <p>1001135793 ..... 1140</p> <p>1001135794 ..... 1140</p> <p>1001135795 ..... 1140</p> <p>1001135796 ..... 1140</p> <p>1001135811 ..... 933</p> <p>1001135812 ..... 937</p> <p>1001135813 .....933, 935</p> <p>1001135814 .....937, 939</p> <p>1001135815 .....937, 939</p> <p>1001136989 .....839, 849, 857</p> <p>1001136993 .....841, 859</p> <p>1001137524 ..... 847</p> <p>1001137525 ..... 855</p> <p>1001137566 ..... 157</p> <p>1001137580 ..... 1091</p> <p>1001137581 .....1091, 1125</p> <p>1001137904 ..... 330</p> <p>1001137931 ..... 153</p> <p>1001137968 .....447, 449, 463, 465</p> <p>1001137970 .....447, 463, 489, 491, 539, 541</p> <p>1001138522 .....439, 441, 455, 457, 471, 473</p>
--	--	--	--

## SECTION 9 - BUILD DOCUMENTS

1001138523 .....439, 455	1001145636.....489, 491	1001156006 .....147, 149, 153, 157	1001158689..... 1141
1001138546 .....489, 491	1001145780.....489, 491	1001156081 ..... 206	1001158690..... 1141
1001139199 .....489, 491	1001145934.....471, 473, 495, 797	1001156082 ..... 209	1001158691..... 1141
1001139343 .....74, 78, 82, 86, 90, 94, 489, 491	1001145935.....473, 499	1001156245 .....695, 697, 699, 701	1001159336.....877
1001139503 ..... 533	1001145963.....495, 797	1001156247 .....699, 701	1001159563.....201, 206, 209
1001139579 ..... 533	1001145990.....625, 629	1001156248 .....699, 701	1001159565.....225
1001139909 ..... 815	1001146027 .....497	1001156249 .....695, 697	1001159566.....223, 225
1001140536 ..... 829	1001146028.....471, 473, 497	1001156252 .....695, 697, 699, 701	1001159626.....49, 53
1001140607 ..... 829	1001146029.....497	1001156274 .....201, 206, 209	1001159629..... 1140
1001141626 ..... 661	1001146552.....133	1001156357 ..... 147	1001159630..... 1140
1001141629 ..... 657	1001146603.....603, 625, 627, 649, 651, 683	1001156358 ..... 149	1001159631..... 1140
1001141684 ..... 657	1001146605.....649, 653	1001156360 .....33, 35	1001159632..... 1140
1001141768 ..... 1138	1001146878 ..... 1003	1001156392 .....206, 209	1001159638.....206
1001141875 .....525, 527, 533	1001146879.....1003	1001156437 .....206, 209	1001159639.....209
1001141889 ..... 869	1001147117.....219, 223, 225, 229, 231	1001156465 .....185, 187	1001159906..... 1140
1001141894 ..... 869	1001147357 .....135	1001156677 ..... 583	1001159907.....41, 45
1001141918 ..... 525	1001147361.....131, 135	1001158617 ..... 761	1001159908.....201
1001141922 ..... 525	1001147362.....131	1001158618 ..... 761	1001159909.....201
1001142062 .....25, 29, 33, 35, 41, 45, 49, 53	1001147363.....141	1001158626 .....291, 293, 295, 297, 299, 301, 303	1001159910.....201
1001142066 ..... 1139	1001147364 ..... 1141	1001158628 .....285, 301	1001159911.....749
1001142329 ..... 1045	1001148035.....131	1001158629 .....273, 291	1001159912.....749
1001142330 ..... 1043	1001148180.....131, 133	1001158630 .....281, 283, 299	1001159913.... 25, 29, 33, 35, 41, 45, 49, 53
1001142333 ..... 1045	1001148385.....131, 133	1001158631 .....275, 293	1001159914.... 25, 29, 41, 45
1001142334 ..... 1043	1001148397 .....1140	1001158632 .....277, 295	1001159915.... 25, 29, 41, 45
1001142381 .....525, 527, 533	1001148455.....131, 133	1001158633 .....279, 297	1001159916.....201
1001142430 ..... 137	1001148489.....1065	1001158634 .....287, 303	1001159917.....201
1001142461 .....489, 491	1001148920.....1065	1001158638 .....247, 255, 273	1001159918.....201
1001142543 .....473, 491	1001148999.....579	1001158639 .....265, 269, 285	1001159921..... 1140
1001142544 .....471, 489	1001150704.....489, 491	1001158642 .....261, 281	1001159922.....25, 29
1001142545 ..... 473	1001151490.....223	1001158643 .....263, 283	1001160195.....319
1001142546 ..... 471	1001151493.....231	1001158644 .....249, 257, 275	1001160362.....181, 183
1001142550 .....489, 491	1001152346.....823, 891	1001158645 .....251, 259, 277	1001160363.....181, 183
1001142553 .....489, 491	1001152350.....823, 825, 899	1001158646 .....253, 279	1001160365.....181, 183
1001142769 .....819, 821, 823, 825, 877	1001152709.....1138	1001158647 .....267, 271, 287	1001160367.....181, 183
1001142771 .....819, 821, 823, 825	1001152710.....1138	1001158650 .....247	1001160591.....181, 183
1001142962 .....489, 491	1001152711.....1138	1001158651 .....249	1001160592.....181, 183
1001142974 ..... 815	1001152712.....1138	1001158652 .....251	1001160797..... 181
1001143227 .....133, 137	1001152713.....1139	1001158653 .....253	1001161142..... 1139
1001143228 ..... 133	1001152714.....1139	1001158654 .....255	1001161297.....181, 183
1001143233 ..... 141	1001152993.....1138	1001158655 .....257	1001161318.....181, 183
1001143257 .....135, 137	1001152994.....1138	1001158656 .....259	1001161328..... 181
1001143764 .....593, 595, 599, 603, 607, 611, 613, 619, 621, 625, 627, 635, 637, 643, 645, 649, 651, 661, 665, 667, 673, 675	1001152995.....1139	1001158657 .....261	1001161370.....961
1001143842 ..... 831	1001152996.....1139	1001158658 .....263	1001161526.....827
1001144448 .....495, 797	1001152997.....1139	1001158659 .....265	1001164050.....181, 183
1001144486 .....489, 491	1001152998.....1139	1001158660 .....267	1001164169.....181, 183
1001144491 .....489, 491	1001153232.....629	1001158663 .....269	1001164192.....181, 183
1001144498 .....489, 491	1001153233.....653	1001158664 .....271	1001165614.....843, 851, 861
1001144499 .....489, 491	1001153789.....970, 974	1001158672 .....337	1001165618.....843
1001144543 .....489, 491	1001153944.....319	1001158673 .....341	1001165619.....851
1001144804 ..... 1001	1001153945.....319	1001158675 .....339	1001166856.... 17, 19, 21, 23, 25, 29, 33, 35, 37, 39, 41, 45, 49, 53, 57, 61
1001144805 ..... 1001	1001153946.....319	1001158676 .....343	1001166857.....117, 119, 121, 123, 125, 127, 273, 275, 277, 279, 283, 285, 287, 311, 1099, 1101, 1119
1001144986 ..... 831	1001153947.....319	1001158684 ..... 1141	1001166858.....291, 293, 295, 297, 299, 301, 303, 317
1001145074 ..... 831	1001153950.....319	1001158685 ..... 1141	
1001145075 ..... 831	1001153971.....319	1001158686 ..... 1141	
1001145076 ..... 831	1001154689.....970, 974	1001158687 ..... 1141	
1001145077 ..... 831	1001155475.....995	1001158688 ..... 1141	
	1001155476.....995		
	1001155971.....206, 209		
	1001155972.....206, 209		
	1001155975.....147, 173, 175, 177		

## SECTION 9 - BUILD DOCUMENTS

1001166859 .....21, 25, 33, 37, 41, 49, 65	1001176429 .....837	1001190037 .....887	1001220831 .....190, 197
1001167098 ..... 206, 209	1001176430 .....885	1001190131 ... 1029, 1051	1001220832 .....190, 194
1001167244 .....201	1001176431 .....883	1001190140 ..... 1051	1001220833 .....190, 194
1001168319 .....803	1001177459 .....509	1001190184 ..1025, 1027, 1029, 1033	1001220876 .....463
1001168591 ..... 970, 974	1001177601 .....289	1001190625 ..... 970	1001220877 .....467
1001169147 ..... 201, 206, 209	1001177603 .....235	1001190626 ..... 970	1001220878 .....441
1001169913 .....241	1001177605 .....237	1001191516 .....695, 697, 699, 701	1001220879 .....445
1001169958 .....241	1001177633 .....235	1001191516 .....695, 697, 699, 701	1001220880 .....449
1001169959 .....241	1001177634 .....237	1001191516 .....695, 697, 699, 701	1001220881 .....453
1001170187 ..... 593, 599, 603, 607, 613, 621, 627, 637, 645, 651, 661, 667, 675	1001177717 .... 21, 23, 25, 29, 33, 35	1001191543 ..... 1029	1001220882 .....457
1001170188 ..... 593, 599, 603, 607, 613, 621, 627, 637, 645, 651, 661, 667, 675	1001177718 .... 37, 39, 41, 45, 49, 53	1001191985 .....695, 697	1001220883 .....461
1001170189 ..... 593, 599, 603, 607, 613, 621, 627, 637, 645, 651, 661	1001177721 ..... 17	1001192132 ..... 509	1001220884 .....465
1001170191 ..... 667, 675	1001177722 ..... 19	1001192987 ..... 505, 507	1001220885 .....469
1001170192 .....241	1001177723 .....57	1001198871 ..... 691, 693	1001220909 .....190, 194
1001170378 ..... 605, 607	1001179025 .....695, 697, 705, 707	1001199476 .....847, 855, 866	1001221065 .....190, 194
1001170380 ..... 591, 593	1001180288 .....1123	1001203295 ..... 983	1001221075 .....190, 197
1001170381 .....605	1001180289 .....1125	1001203296 ..... 983	1001221137 .....190, 197
1001170385 .....623	1001180290 .....1127	1001203297 ..... 983	1001221138 .....191, 197
1001170390 ..... 621, 623	1001181417 .....803	1001203298 ..... 983	1001221232 .....190, 194
1001170391 ..... 613, 615	1001181841 .....1140	1001203299 ..... 983	1001221375 .....923, 927, 953, 955
1001170392 .....615	1001181843 .....1140	1001203300 ..... 983	1001221466 .....999
1001170393 ..... 645, 647	1001181855 .....1140	1001203301 ..... 983	1001221467 .....1009
1001170395 ..... 659, 661	1001181859 .....1141	1001203302 ..... 983	1001221528 .....190, 194, 197, 199
1001170396 .....659	1001181860 .....1141	1001203303 ..... 983	1001222487 ..... 737
1001170397 .....647	1001181867 .....1139	1001203829 ..... 511	1001223152 .....737
1001170399 ..... 651, 655	1001181868 .....1139	1001203833 ..... 511	1001223266 .....501
1001170400 .....655	1001183325 .... 17, 19, 63	1001203834 ..... 511, 515	1001223267 .....517
1001170401 ..... 637, 639	1001183326 .....125, 129	1001204776 67, 305, 307, 309	1001223268 .....521
1001170402 .....639	1001183327 ...1109, 1111, 1113, 1117, 1121	1001206161 ....74, 78, 82, 86, 90, 94	1001223269 .....529
1001170404 ..... 675, 677	1001187347 .....695, 699	1001206167 ....74, 78, 82, 86, 90, 94	1001223814 .....143, 145, 147, 149, 151, 153, 155, 157, 159
1001170411 ..... 667, 669	1001187663 .....695, 699	1001206171 ....74, 78, 82, 86, 90, 94	1001223815 .....143, 145, 147, 149
1001170412 .....669	1001187663S .....986	1001206388 ....74, 78, 82, 86, 90, 94	1001223816 .....151, 153
1001170414 .....677	1001187664 .....697, 701	1001207209 ..... 1139	1001223817 .....155, 157
1001170422 .....591	1001187665 .....699	1001208769 ..... 143, 149	1001223818 .....159
1001170423 ..... 627, 631	1001187688 .....505	1001208772 ..... 145, 147	1001223819 .....143, 145, 147, 149
1001170424 .....631	1001188129 ... 17, 19, 21, 23, 25, 29, 33, 35, 37, 39, 41, 45, 49, 53, 57, 117, 119, 121, 123, 125, 273, 275, 277, 279, 281, 283, 285, 287, 1095, 1097, 1099, 1101, 1103, 1105	1001208776 ..... 151, 153	1001223820 .....151, 153
1001171652 ..... 551, 553, 555, 557, 559, 561, 563, 565, 567, 569	1001188132 .....273, 275, 277, 279, 281, 283, 285, 287, 1099, 1101	1001208780 ..... 155, 157	1001223821 .....155, 157
1001171655 .....551	1001188133 .....273, 275, 277, 279, 285, 287	1001208785 ..... 159	1001223822 .....159
1001171656 .....553	1001188134 .....281, 283	1001210267 ..... 1139	1001223882 .....190, 191, 194, 195
1001171657 .....555	1001188139 ... 21, 23, 25, 29, 33, 35, 37, 39, 41, 45, 49, 53, 57	1001211215 ..... 1140	1001225218 .....953, 955
1001171658 .....557	1001188141 .....117, 119, 121, 123, 125	1001211216 ..... 1140	1001225869 .....535
1001171659 .....559	1001188615 ..... 139	1001211217 ..... 1140	1001225870 .....503, 507, 513, 515, 519, 523, 531, 535
1001171660 .....561	1001188616 ..... 139	1001211686 ..... 1139	1001226003 .....507
1001171661 .....563	1001188646 .....567	1001219309 ..... 809	1001226004 .....513
1001171662 .....565	1001188647 .....1139	1001219321 ..... 809	1001226005 .....515
1001173946 .....139	1001188648 .....569	1001219737 .....573, 575, 577	1001226006 .....503
1001173947 .....139	1001189544 .....509, 513	1001219767 ..... 190, 194, 197, 199	1001226007 .....519
1001173948 ..... 21, 23	1001189548 .....1041	1001219768 ..... 190, 194, 197, 199	1001226008 .....523
1001173949 ...37, 39, 139	1001189550 .....1051	1001219801 ..... 190, 194, 197, 199	1001226009 .....531
1001173952 ..... 819, 821, 823, 825, 887		1001220092 ..... 197, 199	1001226847 .....535
1001176337 ..... 833, 835, 837, 883, 885		1001220099 ..... 190, 194	1001226848 .....535
1001176427 .....835		1001220105 ..... 1138	1001226914 .....999
1001176428 .....833		1001220174 ..... 190, 194, 197, 199	1001226915 .....1009
		1001220181 ..... 811	1001228185 .....1139
		1001220211 ..... 953	1001228190 .....575
		1001220280 ..... 330	1001228491 .....330
			1001228493 .....281, 283, 330

## SECTION 9 - BUILD DOCUMENTS

1001229606 .....	815	1001264085 .....	974	1001275792 .....	887	21NGAT-8 .....	389
1001230127 .....	719	1001264086 .....	599	1001275793 .....	887	21NGAT-8W .....	397
1001230202 .....	1139	1001264087 .....	599	1001277282 .....	831	21RRSB .....	429
1001230968 .....	970, 974	1001264091 .....	387, 974	1001277283 .....	831	21RRSB-W .....	435
1001231801 .....	970, 974	1001264092 .....	599	19NGADF .....	349	21SLPB .....	427
1001232524 .....	1015, 1019, 1025	1001264441 .....	387	19NGADF-W .....	357	21SLPB-W .....	433
1001232525 .....	1017, 1021, 1027	1001265236 .....	974, 986	19NGAF .....	347	21STRB-8 .....	431
1001232526 .....	1015	1001265255 .....	986	19NGAF-W .....	355	21STRB-8W .....	437
1001232527 .....	1017	1001266452 .....	986	19NGAR .....	351	2248000004 .....	211
1001232554 .....	1027	1001266454 .....	986	19NGAR-W .....	359	2249000017 .....	439, 441, 443, 445, 447, 449, 451, 453, 455, 457, 459, 461, 463, 465, 467, 469, 585
1001232555 .....	1025	1001268618 .....	979	19NGAT-8 .....	353	2249000018 .....	475, 587
1001232620 .....	1021	1001268619 .....	979	19NGAT-8W .....	361	2262000011 .....	247, 249, 251, 253, 255, 257, 259, 261, 263, 265, 267, 269, 271, 289
1001232621 .....	1019	1001268620 .....	979	19RRSB .....	401	2296000106 .....	641, 643
1001232775 .....	577	1001268621 .....	979	19RRSB-W .....	409	2296000107 .....	595, 597
1001237244 .....	817	1001268622 .....	979	19SLPB .....	399	2296000108 .....	611, 617
1001239119 .....	489	1001268623 .....	979	19SLPB-W .....	407	2296000111 .....	633, 635
1001239120 .....	491	1001268624 .....	979	19STRB-8 .....	405	2296000112 .....	609, 619
1001241870 .....	986	1001268625 .....	979	19STRB-8W .....	411	2296000121 .....	671, 673
1001247138 .....	845, 853, 863	1001268626 .....	979	2002000008 .....	161, 163, 165	2296000144 .....	663, 665
1001248245 .....	551, 553, 555, 557, 559, 561, 563, 565	1001268627 .....	979	2002000009 .....	993	2330000035 .....	247, 249, 251, 253, 265, 267
1001254044 .....	965	1001268628 .....	979	2002000016 .....	1037	2330000036 .....	255, 257, 259, 269, 271
1001254977 .....	813	1001268629 .....	979	2002000016 .....	1037	2330000038 .....	347, 349, 351, 353, 355, 357, 359, 361, 363, 365, 367, 369, 371, 373, 375, 377, 379, 381, 383, 385, 389, 391, 393, 395, 397, 399, 401, 403, 405, 407, 409, 411, 413, 415, 417, 419, 421, 423, 425, 427, 429, 431, 433, 435, 437, 970
1001254978 .....	813	1001268630 .....	979	2002000028 .....	1023	2330000040 .....	1077, 1079, 1081
1001257876 .....	817	1001268631 .....	979	2002000029 .....	1133	2330000041 .....	113, 115, 1083, 1085, 1087
1001257906 .....	26, 30, 33, 35, 42, 46, 49, 53, 986	1001268635 .....	979	2002000030 .....	1063	2330000051 .....	261, 263
1001259575 .....	845	1001268636 .....	979	2002000031 .....	719	2330000055 .....	347, 349, 351, 353, 355, 357, 359, 361, 363, 365, 367, 369, 371, 373, 375, 377, 379, 381, 383, 385, 387, 389, 391, 393, 395, 397, 399, 401, 403, 405, 407, 409, 411, 413, 415, 417, 419, 421, 423, 425, 427, 429, 431, 433, 435, 437
1001260060 .....	825, 893	1001268637 .....	979	2002000048 .....	173	2330000060 .....	1077, 1079, 1081, 1083, 1085, 1087
1001260335 .....	573	1001268638 .....	979	2002000049 .....	175	2330000061 .....	113, 115
1001260338 .....	183	1001268639 .....	979	2002000050 .....	177		
1001260345 .....	825	1001268640 .....	979	2002000051 .....	179		
1001260346 .....	821	1001268641 .....	979	20NGADF .....	365		
1001260349 .....	821, 897	1001268642 .....	979	20NGADF-W .....	373		
1001260898 .....	911	1001268643 .....	979	20NGAF .....	363		
1001261002 .....	903, 907	1001268644 .....	979	20NGAF-W .....	371		
1001261004 .....	915, 919	1001268645 .....	979	20NGAR .....	367		
1001261005 .....	931, 935, 939, 943	1001268646 .....	979	20NGAR-W .....	375		
1001261006 .....	947, 951	1001268647 .....	979	20NGAT-8 .....	369		
1001261007 .....	923	1001268648 .....	979	20NGAT-8W .....	377		
1001261008 .....	927	1001268649 .....	979	20RRSB .....	415		
1001261016 .....	959	1001268650 .....	979	20RRSB-W .....	421		
1001261022 .....	963	1001268651 .....	979	20SLPB .....	419		
1001261023 .....	955	1001268652 .....	979	20SLPB-W .....	413		
1001261028 .....	965	1001268654 .....	979	20STRB-8 .....	417		
1001261039 .....	853	1001268655 .....	979	20STRB-8W .....	423		
1001261140 .....	601, 603	1001268656 .....	979	2170000045 .....	1081, 1099		
1001261141 .....	601	1001268657 .....	979	2170000048 .....	1083, 1101		
1001262045 .....	911	1001268658 .....	979	2170000082 .....	1079, 1097		
1001262046 .....	903	1001268659 .....	979	2170000083 .....	1077, 1095		
1001262048 .....	915	1001268660 .....	979	2170000084 .....	1087, 1105		
1001262049 .....	931	1001268661 .....	979	2170000085 .....	1085, 1103		
1001262050 .....	947	1001268662 .....	979	2177000007 .....	185, 187		
1001262052 .....	939	1001268663 .....	979	2178000025 .....	1141		
1001262053 .....	935	1001268664 .....	979	2178000027 .....	1140		
1001262106 .....	853	1001268665 .....	979	2178000028 .....	1141		
1001262544 .....	986	1001268666 .....	979	2178000031 .....	881		
1001262545 .....	986	1001268667 .....	979	2178000037 .....	989, 1035, 1039		
1001262546 .....	986	1001268668 .....	979	2178000066 .....	399, 407, 413, 419, 427, 433		
1001263057 .....	571	1001269378 .....	986	2178000067 .....	1141		
1001263247 .....	571	1001270102 .....	1035	2178000068 .....	1141		
1001264084 .....	974	1001270138 .....	979	21NGADF .....	383		
		1001270175 .....	23, 29, 35, 39, 45, 53, 67	21NGADF-W .....	393		
		1001272543 .....	195, 199	21NGAF .....	381		
		1001272544 .....	195, 199	21NGAF-W .....	391		
		1001272545 .....	195, 199	21NGAR .....	385		
		1001272551 .....	194, 199	21NGAR-W .....	395		
		1001275791 .....	887				



## SECTION 9 - BUILD DOCUMENTS

2330000062 .. 1089, 1091, 1093	2679000002 69, 347, 349, 351, 353, 355, 357, 359, 361, 399, 401, 403, 405, 407, 409, 411	2899000058 ..... 155	337, 339, 341, 343, 1109, 1111, 1113, 1117
2330000063 ..... 109, 111	2706000013 ..... 1139	2899000059 ..... 167	3071000109 ..... 315
2330000064 ..... 107	2706000036 ..... 1139	2899000060 ..... 169	3071000131 ..... 313
2330000065 ..... 247, 249, 251, 253, 255, 257, 259, 265, 267, 269, 271	2706000037 ..... 1139	2899000061 ..... 171	3071000213 ..... 97
2330000068 ..... 981	2706000039 ..... 1139	2899000065 ..... 145	3097000653 ..... 351
2346000008 ..... 989, 991	2706000040 ..... 1139	2970000069 ..... 705	3097000654 ..... 359
2484000008 ..... 281, 283, 335	2706000042 ..... 1139	2970000080 ..... 439	3097000655 ..... 347
2484000011 ..... 321	2706000043 ..... 1139	2970000081 ..... 447	3097000656 ..... 355
2484000013 ..... 323	2729000037 ..... 549	2970000082 ..... 455	3097000659 ..... 353
2570000024 .... 785, 1079, 1087	2729000038 ..... 547	2970000083 ..... 463	3097000660 ..... 361
2570000050 .... 787, 1081, 1083	2729000073 ..... 539	2970000088 ..... 443	3097000661 ..... 349
2570000051 ..... 247, 249, 251, 253, 255, 257, 259, 789	2729000074 ..... 541	2970000089 ..... 451	3097000662 ..... 357
2570000052 ..... 265, 267, 269, 271, 795	2729000092 ..... 399, 407	2970000090 ..... 459	3097000663 ..... 367
2570000056 ..... 107, 109, 111, 113, 771	2729000093 ..... 413, 419	2970000091 ..... 467	3097000664 ..... 375
2570000057 ..... 115, 773	2729000094 ..... 427, 433	2970000096 ..... 475	3097000665 ..... 363
2570000091 ..... 751	2729000104 ..... 543	2970000105 ..... 707	3097000666 ..... 371
2570000092 ..... 767	2729000105 ..... 545	2970000107 ..... 445	3097000669 ..... 369
2570000093 ..... 753	2750000008 ..... 347, 349, 351, 353, 355, 357, 359, 361, 363, 365, 367, 369, 371, 373, 375, 377, 379, 381, 383, 385, 387, 389, 391, 393, 395, 397, 399, 401, 403, 405, 407, 409, 411, 413, 415, 417, 419, 421, 423, 425, 427, 429, 431, 433, 435, 437, 799	2970000108 ..... 461	3097000670 ..... 377
2570000094 ..... 757	2754000001 ..... 1139	2970000109 ..... 441	3097000671 ..... 365
2570000120 ..... 213	2754000002 ..... 1139	2970000110 ..... 457	3097000672 ..... 373
2570000140 ..... 791, 793	2811000001 ..... 1138	2970000111 ..... 453	3097000673 ..... 385, 387
2570000141 ..... 217	2811000002 ..... 1138	2970000112 ..... 469	3097000674 ..... 395
2570000142 ..... 215	2811000003 ..... 1138	2970000113 ..... 449	3097000675 ..... 381
2570000143 ..... 263, 793	2811000004 ..... 1138	2970000114 ..... 465	3097000676 ..... 391
2570000144 ..... 261, 791	2811000005 ..... 1138	2978000001 ..... 957	3097000679 ..... 389
2570000152 ..... 769	2811000006 ..... 1138	3002000008 ... 1043, 1045	3097000680 ..... 397
2570000153 ..... 181, 183	2811000007 ..... 1138	3002000009 ... 1043, 1045	3097000681 ..... 383
2570000162 ..... 775	2811000008 ..... 1138	3017000103 .... 17, 19, 21, 23, 25, 29, 33, 35, 37, 39, 41, 45, 49, 53, 57	3097000682 ..... 393
2570000163 ..... 779	2811000009 ..... 1138	3017000121 ..... 539, 541	3097000787 ..... 401
2570000164 ..... 777	2849000034 ..... 107, 117	3017000122 ..... 539, 541	3097000788 ..... 409
2570000165 ..... 781	2849000035 ..... 113, 123	3017000127 ..... 539	3097000789 ..... 415
2577000016 .... 79, 87, 95, 689, 709, 711, 713, 715, 717	2849000036 ..... 115, 125	3017000128 ..... 539	3097000790 ..... 421
2577000017 ..... 591, 597, 601, 605, 609, 615, 617, 623, 629, 631, 633, 639, 641, 647, 653, 655, 657, 659, 691	2849000037 ..... 109, 119	3017000129 ..... 541	3097000791 ..... 429
2577000018 ..... 663, 669, 671, 677, 693	2849000048 ..... 111, 121	3017000130 ..... 541	3097000792 ..... 435
2577000029 ..... 709, 721	2868000135 ..... 21, 23	3017000135 ..... 399, 407	3097000795 ..... 399
2577000030 ..... 711, 723	2868000137 ..... 37, 39	3017000136 ..... 399, 407	3097000796 ..... 407
2577000031 ..... 713, 725	2868000138 ..... 17	3017000137 ..... 413, 419	3097000797 ..... 419
2577000034 ..... 715, 727	2868000145 ..... 19	3017000138 ..... 413, 419	3097000798 ..... 413
2577000035 ..... 717, 729	2870000013 ..... 1055	3017000139 ..... 427, 433	3097000799 ..... 427
2577000041 ..... 185	2870000020 ..... 703	3017000140 ..... 427, 433	3097000800 ..... 433
2577000042 ..... 187	2870000023 ..... 91, 95	3020000029 ..... 323	3097000803 ..... 405
2590000215 ..... 871	2870000029 ..... 1138	3020000030 ..... 323	3097000804 ..... 411
2590000252 ..... 839	2889000030 ..... 163	3020000031 ..... 705	3097000805 ..... 423
2590000253 ..... 849	2889000041 ..... 165	3020000091 ..... 705	3097000807 ..... 431
2590000261 ..... 875	2889000055 ..... 143	3020000097 ..... 273, 277, 283, 285, 1095, 1099, 1101	3097000808 ..... 437
2590000287 ..... 823	2899000057 ..... 151	302000110 ..... 281	3170000170 ..... 291
2590000292 ..... 877		302000111 ..... 330	3170000208 ..... 1113, 1117
2638000017 ..... 221		302000112 ..... 335	3170000237 ..... 301
2638000019 ..... 233		302000113 ..... 275, 279, 287	3170000275 ..... 1111, 1113
		302000115 ..... 330	3170000276 ... 1107, 1109, 1115, 1117
		302000123 ..... 707	3170000279 ... 1099, 1111
		302000132 ..... 321	3170000280 ... 1097, 1109
		3020029 ..... 75, 79, 83, 87, 91, 95, 330, 337, 339, 341, 343	3170000281 ... 1095, 1107
		3020039 ..... 17, 19, 21, 23, 26, 30, 33, 35, 37, 39, 42, 46, 49, 53, 58, 75, 79, 83, 87, 91, 95, 125, 291, 293, 295, 297, 299, 301, 303, 330,	3170000282 ... 1101, 1113
			3170000283 ... 1105, 1117
			3170000284 ... 1103, 1115
			3170000428 ..... 299
			3170000445 ..... 293
			3170000450 ..... 295
			3170000456 ..... 297
			3170000460 ..... 303
			3170000473 ... 74, 78, 82, 86, 90, 94
			3177000053 ..... 185, 187

## SECTION 9 - BUILD DOCUMENTS

3177000054 .....185, 187	3550001912.....581	3811000053 ..... 173	4062000318.....447, 449,
3178000433 .....585, 587	3550001913.....579, 581	3811000054 ..... 175	451, 453, 463, 465,
3178000437 ..... 881	3551000036.....321, 323	3811000055 ..... 177	467, 469
3178000471 ..1025, 1027, 1029, 1031, 1033	3553000011..... 97	3811000057 ..... 179	4178000283.....185, 187,
3178000517 ....74, 78, 82, 86, 90, 94	3553000016.....315	3841143.....17, 19, 21, 23, 26, 30, 33, 35, 37, 39, 42, 46, 49, 53, 57, 75, 79, 83, 87, 91, 95, 117, 119, 121, 123, 125, 273, 275, 277, 279, 281, 283, 285, 287, 1095, 1097, 1099, 1101, 1103, 1105	190, 194, 197, 199
3178000518 ....74, 78, 82, 86, 90, 94	3556000040....1093, 1127	3849000021 ..... 117	4178000290.....143, 151, 155, 159, 163, 165
3178000555 ...1043, 1045	3556000041....1089, 1123	3849000022 ..... 123, 125	4178000291.....143, 149, 151, 153, 155, 157, 159, 163, 165
3178000566 ..... 159	3558000014.... 17, 19, 21, 23, 25, 29, 33, 35, 37, 39, 41, 45, 49, 53, 57	3849000023 ..... 119	4178000330.....151, 155, 159
3241000208 ....74, 78, 82, 86, 90, 94	3560000010.....593, 595, 599, 603, 607, 611, 613, 619, 621, 625, 627, 635, 637, 643, 645, 649, 651, 661, 665, 667, 673, 675	3890000041 ..... 121	4178000338.....145
3249000004S ..... 986	3592000035.....305, 309	3890000053 ..... 163	4178000339.....145, 147
3249000036 .....585, 587	3592000036.....273, 277, 305	3890000075 ..... 165	4178000367.... 17, 19, 21, 23, 25, 29, 33, 35, 37, 39, 41, 45, 49, 53, 57
3271505.....330, 695, 697, 699, 701, 1015, 1017, 1025, 1027, 1029, 1051, 1053	3592000050.....307	3890000125 ..... 143, 149	4178000402.....833, 839, 841, 843, 847
3271805.....551, 553, 555, 557, 559, 561, 563, 565	3592000051.....330	389000126 ..... 145, 147	4178000421.....181, 183, 213, 215, 217
3300455.....17, 19, 21, 23, 25, 29, 33, 35, 37, 39, 41, 45, 49, 53, 57	3592000052.....330	389000127 ..... 151, 153	4178000437.....849, 851, 855
3300492.....17, 19, 21, 23, 25, 29, 33, 35, 37, 39, 41, 45, 49, 53, 57, 117, 119, 121, 123, 125, 273, 275, 277, 279, 281, 283, 285, 287, 1095, 1097, 1099, 1101, 1103, 1105	3592000054.....281, 283, 309	389000128 ..... 155, 157	4178000474.....211
3311401.....191, 194, 197, 199	3592000057.....275, 279, 307	3904000002 ..... 791, 793	4178000475.....211
3311505.....503, 507, 513, 515, 519, 523, 531	3592000058.....305	3905000012 ....17, 19, 21, 23, 25, 29, 33, 35, 37, 39, 41, 45, 49, 53, 57	4178000599.....143, 145, 147, 149, 151, 153, 155, 157, 159
3311801.....191, 195, 197, 199	3592000059.....309	3913000062 ..1107, 1109, 1111, 1115	4178000664.....689
3316000051 .....117, 119, 121, 123, 125	3592000060.....307	3913000093 ..... 337	4178000665.....689
3316000054 ..... 17, 19	3619000010.... 74, 78, 82, 86, 90, 94	3913000096 ..... 341	4178000666.....989, 1035, 1039
3320000118 .....285, 287, 315	3691000064.... 74, 78, 82, 86, 90, 94, 123, 125, 1107, 1109, 1111, 1113, 1115, 1117	3913000098 ..... 339	4178000673.....705, 707
3320000134 .....281, 313	3691000097...1097, 1103, 1105	3913000099 ..... 343	4178000805.... 21, 23, 37, 39
3320000154 ..... 57	3691000222.....335	3935000115 ..... 593, 595, 599, 607, 679	4178000873.....399, 407, 413, 419, 427, 433
3320000229 ....74, 78, 82, 86, 90, 94, 97	3691000229.....330	3935000117 .....611, 613, 619, 621, 635, 637, 643, 645, 661, 681	4178000874.....399, 407, 413, 419, 427, 433
3321701.....489, 491	3691000230.....330	3935000118 .....673, 675, 687	4209000146.....695, 697
3321802.....695, 697, 699, 701	3691000259.... 74, 78, 82, 86, 90, 94	3935000166 ..... 665, 667, 685	4209000212.....705, 707
3340898.....25, 29, 33, 35, 41, 45, 49, 53, 190, 194, 197, 199	3691000260.... 74, 78, 82, 86, 90, 94	4017000739 .....291, 293, 295, 297, 299, 301, 303	4209000336.... 74, 78, 82, 86, 90, 94
3455000058 ....74, 78, 82, 86, 90, 94	3698000001.....97	4017001403 ..... 167, 169, 171	4209000337.... 21, 23, 25, 29, 33, 35, 37, 39, 41, 45, 49, 53, 57
3455000059 ..... 74	3698000006.....315	4017001407 ..... 57	4211000001.....593, 595, 599, 603, 607, 611, 613, 619, 621, 625, 627, 691, 693
3455000060 ..... 82	3706000363.... 74, 78, 82, 86, 90, 94	4017001504 ..... 707	4254000005.....325, 327, 489, 491
3455000063 ..... 90	3706000364.... 74, 78, 82, 86, 90, 94	4017001587 .....219, 229	4259000001 ..... 327
3455000064 ..... 78	3729000281.....543	4017001699 .....539, 541	4259000002 ..... 325
3455000065 ..... 86	3729000282.....545	4017001700 .....539, 541	4314000167.... 74, 78, 82, 86, 90, 94
3455000066 ..... 94	3729000283.....545	4017001705 ..... 539	4330000002...1077, 1079, 1081
3484000034 ..... 321	3729000284.....543	4017001706 ..... 539	4346000005.....807, 819, 821, 823, 825, 905, 907, 917, 919, 921, 923, 925, 927, 955, 957, 959, 963, 965
3484000035 ..... 321	3750000018.....799, 801	4017001707 ..... 541	4460018..... 907, 919, 923
3484000050 ..... 327	3760133 .... 17, 19, 21, 23, 25, 29, 37, 39, 41, 45, 57, 74, 78, 82, 86, 90, 94, 291, 293, 295, 297, 299, 301, 303, 335, 1109, 1111, 1113, 1117	4017001708 ..... 541	
3484000052 .....323, 325, 327	3760351 .....330	4017001742 .....221, 227, 233	
3484000053 .....323, 325	3763000122.....315	4017001743 .....221, 227, 233	
	3763000139.....313	4062000281 ..... 181, 183, 185, 187	
	3763000187..... 97		
	3763000188.... 74, 78, 82, 86		

## SECTION 9 - BUILD DOCUMENTS

4460019 .....887	4567120025 .....795	4587000004 .....695, 697	4706003038.....775, 777, 779, 781, 783
4460035 ....907, 919, 923, 943, 951	4567122012 .....791	4606000217 .....593, 595, 599, 603, 607, 611, 613, 619, 621, 625, 627, 635, 637, 643, 645, 649, 651, 661, 665, 667, 673, 675	4706003374.....551, 553, 555, 557, 567
4460042 ....817, 907, 919, 943, 951	4567122014 .....771, 773, 787, 789, 793, 795	4619000013 .....330	4706003497.....330
4460256 .....899	4567122022 .....769	4632000009 .....697	4706003766.....585
4460457 ....833, 835, 837, 881, 883, 887, 889, 891, 893, 895, 897, 899	4567122027 .....775, 777, 779, 781, 783	4632000015 .....163	4706003844.....206, 733, 735, 737, 739, 741, 743, 745, 749, 751, 753, 755, 757, 759, 761, 763, 765, 767
4460458 .....727, 729	4567122030 .....769	4632000030 .....705	4706003857.....587
4460459 .....887, 891, 893	4567122032 .....769, 787, 789, 791, 793, 795	4632000048 .....165	4706005595.....723, 725, 727, 729
4460460 ....891, 893, 895, 897	4567122034 .....769	4679000046 .....291, 293, 295, 297, 299, 301, 303	4706005650....74, 78, 82, 86, 90, 94
4460461 .....889	4567122035 .....771, 773	4679000145 .....69, 71	4706005651....74, 78, 82, 86, 90, 94
4460464 .....831	4567122038 .....775, 777, 779, 781, 783	4679000151 ....17, 19, 21, 23, 25, 29, 33, 35, 37, 39, 41, 45, 49, 53, 57	4706005672....74, 78, 82, 86
4460465 ....721, 723, 725, 727, 729, 831	4567123023 .....769	4679000154 .....71	4706005752....75, 79, 83, 87, 91, 95
4460466 .....899	4567123034 .....787, 789, 791, 793, 795	4679000208 .....705	4706005958....17, 19, 21, 23, 25, 29, 33, 35, 37, 39, 41, 45, 49, 53, 57
4460475 .....817	4567123042 .....775, 777, 779, 781, 783	4679000211 .....291, 293, 295, 297, 299, 301, 303	4706006211 .....90, 94
4460476 ....891, 893, 895, 897, 899	4567123044 .....771, 773, 775, 777, 779, 781, 783	4679000256 .....143, 149	4706006216.....173, 175, 177, 179
4460742 ....833, 835, 837, 881, 883, 887, 889, 891, 893, 895, 897, 899	4567130165 .....767	4679000257 .....145, 147	4706006228.....539, 541
4460743 .....891, 893	4567130205 .....761	4679000258 .....151, 153	4706006427.....219, 221, 223, 225, 227, 229, 231, 233
4460746 .....875	4567130208 .....751	4679000268 .....330	4711400 ....191, 195, 197, 199, 330
4460748 .....835	4567130216 .....749	4679000274 ..1025, 1027, 1029, 1031, 1033	4711400001.....509, 511
4460790 ....889, 891, 893, 895, 897	4567130223 .....753	4691000182 .....159	4711500 ....195, 199, 503, 507, 513, 515, 519, 523, 531
4460842 ....721, 723, 725, 727, 729	4567130235 .....735	4691000186 .....325, 327, 489, 491	4711600 ....75, 79, 83, 87, 91, 95
4460850 ....727, 729, 891, 893, 895, 897, 899, 1055	4567130241 .....745, 747	4691000198 .....330	4711700 .....26, 30, 42, 46
4460867 ....891, 893, 895, 897, 1055	4567130247 .....763	4691000268 .....291, 293, 295, 297, 299, 301, 303	4711800 ....191, 195, 197, 199, 551, 553, 555, 557, 559, 561, 563, 565
4460891 .....831, 899	4567130251 .....737	4691000278 .....337, 339, 341, 343	4712000 ....501, 505, 507, 509, 511, 517, 521, 529
4460897 .....831, 899	4567130256 .....733	4691000296 ....74, 78, 82, 86, 90, 94, 291, 293, 295, 297, 299, 301, 303	4751300 ....17, 19, 21, 23, 25, 29, 33, 35, 37, 39, 41, 45, 49, 53, 57, 291, 293, 295, 297, 299, 301, 303
4460930 .....721	4567130262 .....765	4691000354 .....325, 327	4751400001...1025, 1027, 1029, 1031, 1033
4460933 ....723, 725, 727, 729	4567130264 .....755	4691000357 .....325, 327	4751500 ....75, 79, 83, 87, 91, 95, 145, 147, 151, 155, 159, 190, 191, 194, 195, 197, 199, 695, 697, 699, 701, 1015, 1017, 1019, 1021, 1025, 1027, 1029, 1051, 1053
4460942 .....899	4567130268 .....739	4691000421 .....489, 491	4751800 .....695, 697
4460955 ....721, 723, 725, 727, 729	4567130270 .....757	4691000429 ....17, 19, 21, 23, 25, 29, 33, 35, 37, 39, 41, 45, 49, 53, 57, 74, 78, 82, 86, 90, 94, 125, 1109, 1111, 1113, 1117	4761400 .....330
4461157 ....833, 835, 883, 887, 899	4567130290 .....741	4691000430 ....125, 1109, 1111, 1113, 1117	4761500 ..191, 195, 1029, 1051, 1053
4497000358 ....17, 19, 21, 23, 25, 29, 33, 35, 37, 39, 41, 45, 49, 53, 57	4567130300 .....759	4691000495 ....74, 78, 82, 86, 90, 94	4761800 ....123, 125, 305, 307, 309, 845, 853
4497000549 .....181, 183, 190, 194, 197, 199	4567130320 .....743	4691000513 ....74, 78, 82, 86, 90, 94	
4553000008 .....97, 313	4567133058 .....769	4691000527 .....335	
4564088 .....813	4567430118 .....775, 777	4691000568 .....581	
4567110032 .....789	4567430133 .....779, 781	4691000573 ....17, 19, 21, 23, 25, 29, 33, 35, 37, 39, 41, 45, 49, 53, 57	
4567110034 .....791	4569142018 .....769	4698000007 .....97, 313	
4567110038 .....791, 793	4569432115 .....775, 777, 779, 781	4705000507 57, 190, 194, 197, 199	
4567110042 .....787, 793, 795	4569433115 .....775, 777, 779, 781	4706000717 .....699, 701	
4567112042 .....775, 777, 779, 781, 783, 785	4570000042 .....755	4706002361 .....145, 147, 151, 155, 159	
4567120015 .....775, 777, 779, 781	4570000091 .....751, 753, 757		
4567120017 .....775, 777, 779, 781	4570000098 .....761		
4567120020 .....783	4570000099 .....739, 745, 747, 749, 761, 769		
4567120022 .....783	4570000101 .....753		
4567120024 .....773	4570000102 .....747		
	4570000104 .....767, 769		
	4570000105 .....767		
	4570000113 .....749, 763		
	4570000115 .....733		
	4570000160 .....743		
	4570000193 .....751		
	4570000195 .....777, 781		
	4570000198 .....775, 779		
	4570000352 .....741		
	4577000002 .....789		
	4577000006 .....769		
	4577000008 .....777, 781		
	4577000009 .....775, 779		

## SECTION 9 - BUILD DOCUMENTS

4763000184 .....325, 327, 489, 491	5526000553.....190, 191, 194, 197, 789, 791, 793, 795, 811, 813, 833, 835, 883, 917, 949, 951	70050681 .....481, 485 70050682.....99, 477, 479, 481, 485	7105202050.... 25, 29, 41, 45, 131, 133
4763000253 .....705, 707	5746491 ..... 201, 206, 209	70050684..... 485 70050685..... 485	7105202250.... 17, 19, 21, 23, 25, 29, 33, 35, 37, 39, 41, 45, 49, 53, 57
4763000279 .....595, 611, 619, 625, 635, 643, 649, 665, 673	7002000285..... 1057	70050686..... 479, 485 70050687 .....479, 485	7111141407 .....705, 707
4763000280 .....595, 611, 619, 625, 635, 643, 649, 665, 673	7002000404..... 1023	70050688..... 479, 485 70050689..... 479, 486	7111150813.....991
4763000348 ..... 497	7002000410..... 161	70050694..... 477, 479	7111150864.....221, 227, 233
4771800 ..... 475	7002000447..... 1133	70050695..... 479	7111161050.....593, 595, 599, 603, 607, 611, 613, 619, 621, 625, 627, 635, 637, 643, 645, 649, 651, 661, 665, 667, 673, 675
4796000009 ..... 143, 145, 147, 149	7002000448..... 1135	70050696..... 479	7114060810.....813
4796000010 ..... 151, 153	7002000449..... 1131	70050697..... 479	7114100518.....719
4796000011 ..... 155, 157	7002000450..... 1011	70050698..... 479	7114100810.....721, 723, 725, 727, 729
4796000012 ..... 159	7002000451..... 1013	70051168....67, 127, 311, 1119	7114100818.... 17, 19, 21, 23, 25, 29, 33, 35, 37, 39, 41, 45, 49, 53, 57, 829
4796000037 ..... 131, 133, 501, 505, 509, 511, 517, 521, 529, 537	7002000458..... 1073	70051169..... 317	7114101018.....877
4806000011 .....585, 587	7002000519.... 75, 79, 83, 87, 91, 95	70051172....67, 127, 311, 1119	7114101618.....775, 777, 779, 781, 783
4806000014 .....489, 491, 585, 587	7002000521..... 719	70051173....67, 127, 311, 1119	7114140465.....143, 145, 147, 149, 151, 153, 155, 157, 159
4811000841 ..... 167	7005000003.....689	70051174..... 317	7114140528.....119, 121, 123, 125, 273, 275, 277, 279, 281, 283, 285, 287, 819, 821, 823, 825, 1095, 1097, 1099, 1101, 1103, 1105, 1123, 1125, 1127
4811000868 ..... 169, 171	70050065 .....479, 485	70051175..... 317	7114140529..... 139
4812000 ..... 190, 194	70050456 .....99, 103	70051176..... 317	7114140618.....817
4831000069 .....593, 595, 599, 603, 607, 611, 613, 619, 621, 625, 627, 635, 637, 643, 645, 649, 651, 661, 665, 667, 673, 675	70050457 .....99, 103	70052741 ..... 67	7114140823..... 1041
4831000112 ..... 335	70050458 .....99, 103	7011000006 .....819, 821, 823, 825	7114141218...1025, 1027, 1029, 1031, 1033
4831000126 ....75, 79, 83, 87, 91, 95	70050459 .....99, 103	7027336..... 333	7114150818.....139, 221, 227, 233
4831000127 ....75, 79, 83, 87, 91, 95	70050460 .....99, 103	7027338..... 333	7114161618.....135, 137
4891500 ..... 185, 187	70050461 .....99, 103	7027341..... 333	7114181218.....579
4891700.....190, 194, 197, 199	70050462 .....99, 103	7056000007 ..... 1067	7114181418....1043, 1045
4891800.....17, 19, 21, 23, 25, 29, 33, 35, 37, 39, 41, 45, 49, 53, 57, 74, 78, 82, 86, 90, 94, 143, 145, 147, 149, 151, 153, 155, 157, 159, 223, 231, 845, 853, 1025, 1027, 1029, 1031, 1033	70050463 .....99, 103	7056000008 ..... 1069	7115140450.....803
4892000.....21, 23, 25, 29, 33, 35, 37, 39, 41, 45, 49, 53, 57, 535	70050464 .....99, 103	7056000009 ..... 1071	7115140650.....489, 491, 593, 595, 599, 603, 607, 611, 613, 619, 621, 625, 627, 635, 637, 643, 645, 649, 651, 661, 665, 667, 673, 675
4912000130 .....489, 491, 585, 587	70050465 .....99, 103	7082000010 .....695, 697	7115140850.....289
4912000345 .....489, 491	70050466 .....99, 103	7082000016 67, 305, 307, 309, 313, 315, 1107, 1109, 1111, 1113, 1115, 1117	7115150664.....593, 595, 599, 603, 607, 611, 613, 619, 621, 625, 627, 635, 637, 643, 645, 649, 651, 661, 665, 667, 673, 675, 691, 693
4912000374 ..... 213	70050467 .....99, 103	7082000017 ....17, 19, 21, 23, 25, 29, 33, 35, 37, 39, 41, 45, 49, 53, 57, 117, 119, 121, 123, 125, 273, 275, 277, 279, 281, 283, 285, 287, 1099, 1101	7115150850.....163, 165, 167, 169, 171, 593, 595, 599, 603, 607, 611, 613, 619, 621, 625, 627, 635, 637,
4912000394 .....585, 587	70050468 .....99, 103	7082000018 .....273, 275, 277, 279, 281, 283, 285, 287, 313, 1099, 1101	
4949000047 ..... 330, 337, 339, 341, 343	70050469 .....99, 103	7082000026 ..... 333	
4949000059 ....74, 78, 82, 86, 90, 94	70050612 .....99, 103	7104100613 ....74, 78, 82, 86, 90, 94	
4949000072 ..... 335	70050613 .....99, 103	7105171050 .....185, 187, 190, 194, 197, 199, 206, 209	
5241400 ..... 181, 183	70050614 .....99, 103	7105171450 ..... 185, 187, 190, 194, 197, 199, 201	
5251215 ..... 181, 183	70050615 .....99, 103	7105181650 ..... 163, 165, 206, 209, 215, 217, 535	
5261000.....26, 30, 42, 46, 206	70050616 .....99, 103	7105201250 .....185, 187, 190, 194, 197, 199	
5525000537 ..... 809	70050617 .....99, 103	7105201650 ..... 131, 133, 201, 206, 209, 537	
5525000752 ..... 1129	70050618 .....99, 103	7105201850 ....21, 23, 33, 35, 37, 39, 49, 53, 57, 131, 133	
	70050619 .....99, 103		
	70050620 ..... 103		
	70050621 ..... 103		
	70050622 .....99, 103		
	70050625 .....99, 103		
	70050626 .....99, 103		
	70050627 .....99, 103		
	70050628 .... 99, 103, 481, 485		
	70050632 ..... 333		
	70050633 ..... 333		
	70050634 ..... 333		
	70050635 ..... 333		
	70050636 ..... 333		
	70050637 ..... 333		
	70050638 ..... 333		
	70050639 ..... 333		
	70050640 ..... 333		
	70050641 ..... 333		
	70050642 ..... 333		
	70050643 ..... 333		
	70050644 ..... 333		
	70050677 .....481, 485		
	70050678 .....477, 481		
	70050679 ..477, 479, 481, 485		
	70050680 .....481, 485		

## SECTION 9 - BUILD DOCUMENTS

643, 645, 649, 651, 661, 665, 667, 673, 675, 705, 707	712000005 .....399, 407, 413, 419, 427, 433, 539, 541	7274000063 .....503, 507, 513, 515, 519, 523, 531, 593, 595, 599, 603, 607, 611, 613, 619, 621, 625, 627, 635, 637, 643, 645, 649, 651, 661, 665, 667, 673, 675	7330000385 .....323
7115150864 .....689	7120000034 .....807, 809, 811, 813	7274000066 .....775, 777, 779, 781, 783	7330000391 .....113, 115, 1077, 1079, 1081, 1083, 1085, 1087
7115151050 ..... 185, 187, 195, 199, 225, 231, 733, 735, 737, 739, 741, 743, 745, 747, 749, 751, 753, 755, 757, 759, 761, 763, 765, 767, 799	7178000029...1029, 1051, 1053	7274000076 ..... 185, 187, 195, 199, 733, 735, 737, 739, 741, 743, 745, 747, 749, 751, 753, 755, 757, 759, 761, 763, 765, 767	7330000408 .....135, 137
7115151064 ..... 206, 733, 735, 737, 739, 741, 743, 745, 749, 751, 753, 755, 757, 759, 761, 763, 765, 767	7178000044 .....219, 229	7274000080 .....733, 735, 737, 739, 741, 743, 745, 747, 749, 751, 753, 755, 757, 759, 761, 763, 765, 767, 769	7330000417 .....247, 249, 251, 253, 265, 267
7115151250 ..... 219, 229, 705	7183000004 ..... 801	7274000086 ..... 330	7330000418 .....247, 249, 251, 253, 265, 267
7115151264 ..... 219, 223, 225, 229, 231	7190000066 .....1005	7274000105 ..... 206	7330000419 .....247, 249, 251, 253, 255, 257, 259, 261, 263, 265, 267, 269, 271
7115151650 ..... 185, 187, 190, 194, 197, 199, 775, 777, 779, 781, 783	7209000011 .....489, 491, 585, 587	7280000007 .....593, 595, 599, 603, 607, 611, 613, 619, 621, 625, 627, 635, 637, 643, 645, 649, 651, 661, 665, 667, 673, 675	7330000420 .....255, 257, 259, 269, 271
7115151650 ..... 185, 187, 190, 194, 197, 199, 775, 777, 779, 781, 783	7209000030 .....291, 293, 295, 297, 299, 301, 303	7280000011 ..... 837	7330000428 .....347, 349, 351, 353, 355, 357, 359, 361, 363, 365, 367, 369, 371, 373, 375, 377, 379, 381, 383, 385, 387, 389, 391, 393, 395, 397, 399, 401, 403, 405, 407, 409, 411, 413, 415, 417, 419, 421, 423, 425, 427, 429, 431, 433, 435, 437
7115151850 ..... 775, 777, 779, 781, 783	7248000063 .....439, 441, 443, 445, 447, 449, 451, 453	7280000018 .....809, 811, 813	7330000432 .....255, 257, 259, 269, 271
7115160950 ..... 173, 175, 177, 179	7248000070 ..... 83, 87, 91, 95	7280000019 ..... 869	7330000478 ..... 970
7115161050 .....1063	7248000077 .....75, 79	7291000010 ..... 119, 121, 123, 125, 273, 275, 277, 279, 281, 283, 285, 287, 1095, 1097, 1099, 1101, 1103, 1105, 1123, 1125, 1127	7330000495 ..... 707
7115161650 .....141	7248000114 .....143, 145, 147, 149, 151, 153, 155, 157	7295000106 ..... 721	7330000580 ..... 981
7115180606 ... 1043, 1045	7248000115 ..... 335	7295000108 ..... 723	7330000599 .....107, 109, 111, 261, 263, 970, 974, 981
7115180650 ..... 489, 491	7248000155 .....159	7295000109 ..... 725	7330000627 .....921, 925
7115180850 ..... 181, 183, 489, 491, 839, 841, 843, 847, 849, 851, 855	7253000002 ... 74, 78, 82, 86, 90, 94, 319, 330, 337, 339, 341, 343, 489, 491	7295000111 ..... 727, 729	7330000628 .....921, 925
7115181050 ..... 543, 545, 1063	7254000016 .....705, 707	7295000118 .....74, 82, 90	7330000645 .....113, 115, 1083, 1085, 1087
7115181064 ..... 235, 237, 593, 595, 599, 603, 607, 611, 613, 619, 621, 625, 627, 635, 637, 643, 645, 649, 651, 661, 665, 667, 673, 675	7262000040 .....289	7295000130 .....78, 86, 94	7330000646 .....113, 115, 1083, 1085, 1087
7115181223 ..... 399, 407, 413, 419, 427, 433	7274000002 .....733, 735, 737, 739, 741, 743, 745, 747, 749, 751, 753, 755, 757, 759, 761, 763, 765, 767	7309000002 .....695, 697, 699, 701	7330000648 .....593, 595, 603, 607, 619, 621, 643, 645, 649, 651, 661
7115181250 ..... 131, 133	7274000038 .....775, 777, 779, 781, 783	7312000013 ... 1035, 1037	7330000649 .....593, 595, 603, 607, 619, 621, 643, 645, 649, 651, 661
7115181450 ..... 525, 527, 533, 1123, 1125, 1127	7274000039 .....330, 775, 777, 779, 781, 783	7312000015 ... 1035, 1037	7330000650 .....611, 613, 625, 627, 635, 637
7115181464 ..... 443, 445, 459, 461, 475, 585, 587, 989, 1035, 1039	7274000040 .....206, 733, 735, 737, 739, 741, 743, 745, 747, 749, 751, 753, 755, 757, 759, 761, 763, 765, 767, 775, 777, 779, 781, 783	7312000016 ... 1035, 1037	7330000651 .....611, 613, 625, 627, 635, 637
7115181664 ..... 235, 237	7274000041 .....733, 735, 737, 739, 741, 743, 745, 747, 749, 751, 753, 755, 757, 759, 761, 763, 765, 767, 775, 777, 779, 781, 783	7312000017 ..... 993	7330000652 .....921, 925
7115181864 ..... 443, 459	7274000042 .....733, 735, 737, 739, 741, 743, 745, 747, 749, 751, 753, 755, 757, 759, 761, 763, 765, 767, 775, 777, 779, 781, 783	7320000064 ..... 330, 333	7330000652 .....921, 925
7115182250 ..... 567, 569	7274000046 ... 17, 19, 21, 23, 25, 29, 33, 35, 37, 39, 41, 45, 49, 53, 57	7330000036 .....261, 263	7330000645 .....113, 115, 1083, 1085, 1087
7115182864 ..... 451, 453, 467, 469	7274000053 ... 75, 79, 83, 87, 91, 95	7330000060 .....247, 249, 251, 253, 255, 257, 259, 265, 267, 269, 271	7330000646 .....113, 115, 1083, 1085, 1087
7115183264 ..... 451, 467		7330000139 ..... 970, 974	7330000648 .....593, 595, 603, 607, 619, 621, 643, 645, 649, 651, 661
7115222050 ..... 525, 527, 533		7330000143 ..... 970, 974	7330000649 .....593, 595, 603, 607, 619, 621, 643, 645, 649, 651, 661
7118140418 ..... 291, 293, 295, 297, 299, 301, 303		7330000176 ..... 970, 974	7330000650 .....611, 613, 625, 627, 635, 637
7118161026 ..... 69, 71		7330000242 ..... 705	7330000651 .....611, 613, 625, 627, 635, 637
7118181216 ..... 143, 145, 147, 149, 151, 153, 155, 157, 159		7330000272 ..... 970, 974	7330000652 .....673, 675
		7330000274 ..... 109, 111, 1089, 1091, 1093	7330000653 .....673, 675
		7330000288 .....905, 907, 917, 919, 941, 943, 949, 951	7330000657 .....665, 667
		7330000330 ..... 970	7330000658 .....665, 667

# SECTION 9 - BUILD DOCUMENTS

271, 1077, 1079, 1081, 1083, 1085, 1087	7443000129.....787, 789, 791, 793, 795	7445081043 ..... 769	423, 425, 427, 429, 431, 433, 435, 437
7330000689 .....970, 974	7443000152.....499, 703	7445081045 .....769, 775, 777, 779, 781, 783	7552000222.....833
7330000696 .....725, 727, 729	7443000154.....499, 703, 993	7445081046 .....771, 773	7552000241.....1055
7330000700 .....187, 197, 199	7443000155.....703, 993, 1063	7446060435 ....993, 1035, 1037	7552000297.....881
7330000707 ..... 981	7443000156.....499, 703, 993	7446502506 ...1035, 1037	7552000360.....835
7330000708 ..... 981	7443000158.....733, 735, 737, 739, 741, 743,	7446502518 ....993, 1035, 1037	7552000385.....74, 82, 90
7330000709 ..... 981	745, 747, 749, 751,	7457000004 ..... 807	7552000391.....721
7330000710 ..... 981	753, 755, 757, 759,	7470000002 .....733, 735, 737, 739, 741, 743,	7552000392.....723
7330000711 ..... 981	761, 763, 765, 767	745, 747, 749, 751,	7552000393.....725
7330000713 ..... 981	7443000173.....499	753, 755, 757, 759,	7552000397.....837
7330000714 ..... 981	7443000245.....313	761, 763, 765, 767	7552000413.....78, 86, 94
7330000723 ..... 981	7443000319.....733, 735, 737, 739, 741, 743,	7470000027 ..... 801	7552000426.....727, 729
7345001704 ..... 809	745, 747, 749, 751,	7493000002 .....819, 821, 823, 825, 877	7552000451.....875
7345001713 .....905, 917, 921, 941, 949	753, 755, 757, 759,	7493000003 ..... 833	7552000472.....877, 879
7345001714 .....877, 953, 955, 957, 959, 961	761, 763, 765, 767	7493000009 .....819, 821, 823, 825, 831, 871, 873, 875	7555000015.....151, 153
7345001913 .....905, 921, 941	7443000337.....775, 779, 783	7493000010 .....819, 821, 823, 825, 871, 873	7555000016.....143, 145, 147, 149, 155, 157, 159
7345001914 .....815, 925, 927, 953, 955, 961, 963, 965	7443000364.....499, 703	7493000011 ..... 211	7556000003.....1075
7345211701 .....905, 917, 941, 949	7443000365.....499, 703	7493000015 ..... 583	7560000007.....593, 595, 599, 603, 607, 611, 613, 619, 621, 625, 627, 635, 637, 643, 645, 649, 651, 661, 665, 667, 673, 675
7345211702 ..... 809	7443000366.....499, 703, 993	7493000023 .....819, 821, 823, 825	7565000014.....499, 703, 993, 1035, 1037
7345221902 .....807, 815	7443000371.....499, 703	7493000031 ..... 875	7565000016.....499, 703
7346000039 .....809, 815, 877, 953, 961	7443000374.....769	7550000070 ..... 1041	7570000016.....181, 183, 185, 187, 190, 194, 197, 199
7346000055 ..... 991	7443000377 .....881	7550000073 ..... 581	7570000017 .....181, 183, 185, 187, 190, 194, 197, 199
7346000078 ..... 991	7443000428 .....1055	7550000074 ..... 581	7570000025.....213
7346000108 .....891, 893, 895, 897	7443000432.....1055	7551000017 .....497, 695, 697, 699, 701	7577000194.....181, 183, 185, 187, 190, 194, 197, 199, 201, 206, 209
7346000122 .....957, 959	7443000443.....499, 703	7551000018 .....595, 603, 607, 611, 613, 619, 621, 625, 627, 635, 637, 643, 645, 649, 651	7577000208.....347, 349, 351, 355, 357, 359, 363, 365, 367, 371, 373, 375, 379, 381, 383, 385, 387, 391, 393, 395, 399, 401, 403, 407, 409, 413, 415, 419, 421, 425, 427, 429, 433, 435
7346000125 .....957, 959	7443000445.....769	7551000020 .....593, 595, 599, 603, 607, 611, 613, 619, 621, 625, 627, 635, 637, 643, 645, 649, 651, 665, 667, 673, 675	7577000215.....679
7346000132 ..... 989	7443000446.....769, 775, 777, 779, 781, 783	7551000021 .....593, 595, 599, 603, 607, 611, 613, 619, 621, 625, 627, 635, 637, 643, 645, 649, 651, 665, 667, 673, 675	7577000217.....681, 683
7346000157 ..... 989	7443000469.....1055	7552000074 .....819, 821, 889	7577000218.....685, 687
7346000208 ..... 1055	7443040843 .....791, 793	7552000098 .....819, 895	7577000242.....247, 249, 251, 253, 255, 257, 259, 265, 267, 269, 271
7346000220 ..... 879	7445040431 .....495, 797	7552000166 ..... 883	7577000329.....957, 959
7346000231 ..... 879	7445040443 .....330, 775, 777, 779, 781, 783	7552000212 .....347, 349, 351, 353, 355, 357, 359, 361, 363, 365, 367, 369, 371, 373, 375, 377, 379, 381, 383, 385, 387, 389, 391, 393, 395, 397, 399, 401, 403, 405, 407, 409, 411, 413, 415, 417, 419, 421,	7577000343.....679, 681, 683, 685, 687
7346000242 .....917, 921, 923, 925, 927, 943, 949, 951, 961	7445040446.....789, 791, 793, 795	7552000216 ..... 883	7577000376.....261, 263
7413000002 ..... 817	7445040643.....1055	7552000217 ..... 883	7577000442.....1047
7413000013 .....501, 505, 509, 511, 517, 521, 529	7445040645.....785, 787	7552000218 ..... 883	7577250024.....97, 313
7430000003 .....733, 735, 737, 739, 741, 743, 745, 747, 749, 751, 753, 755, 757, 759, 761, 763, 765, 767	7445040843.....785, 787, 789, 791, 793, 795	7552000219 .....819, 821, 889	7577250206.....315
7440030000 .....319, 325, 327, 337, 339, 341, 343, 489, 491	7445041043.....495, 797	7552000074 .....819, 821, 889	7590000132.....827, 873
7443000013 .....733, 735, 737, 739, 741, 743, 745, 747, 749, 751, 753, 755, 757, 759, 761, 763, 765, 767	7445060643.....769, 773, 775, 777, 779, 781, 783, 795	7552000098 .....819, 895	7590000133.....873
7443000030 .....771, 773	7445060645.....769, 771, 773, 775, 777, 779, 781, 783, 787, 789, 791, 793, 795	7552000166 ..... 883	7590000134.....827
7443000048 .....245, 599, 603, 611, 613, 619, 621, 625, 627, 783	7445060843.....773, 775, 777, 779, 781, 783, 795	7552000166 ..... 883	7590000135.....827
7443000111 ..... 499	7445060845.....771, 773	7552000212 .....347, 349, 351, 353, 355, 357, 359, 361, 363, 365, 367, 369, 371, 373, 375, 377, 379, 381, 383, 385, 387, 389, 391, 393, 395, 397, 399, 401, 403, 405, 407, 409, 411, 413, 415, 417, 419, 421,	7590000138.....827
	7445061043.....769		7590000142.....827
	7445080818.....769, 775, 777, 779, 781, 783		7590000143.....827
	7445080843.....775, 777, 779, 781		
	7445080853.....993		
	7445080872.....495, 797		

## SECTION 9 - BUILD DOCUMENTS

7590000148.....873	747, 749, 751, 753,	7660222308 ....17, 19, 21,	7701000051.... 17, 19, 21,
7590000291 .....829	755, 757, 759, 761,	23, 25, 29, 33, 35, 37,	23, 25, 29, 33, 35, 37,
7590000339 .....871	763, 765, 767, 775,	39, 41, 45, 49, 53, 57,	39, 41, 45, 49, 53, 57,
7590000340 ..... 819, 821,	777, 779, 781, 783,	525, 527, 533	159
823, 825	799, 991	7661000007 ....74, 78, 82,	7701000055..... 117
7590000341 ..... 819, 821,	7660162601.. 69, 71, 135,	86, 90, 94	7701000058.....525, 527,
823, 825	137, 173, 175, 177,	7661000027 ..... 191, 195	533
7590000342 ..... 871, 875	179, 593, 595, 599,	7661000034 .97, 313, 315	7701000063.... 17, 19, 21,
7590000343 ..... 819, 821,	603, 607, 611, 613,	7661000042 ..... 139	23, 25, 29, 33, 35, 37,
823, 825, 871	619, 621, 625, 627,	7661000055 ..... 351, 353,	39, 41, 45, 49, 53, 57
7590000432 .....877	635, 637, 643, 645,	359, 361, 367, 369,	7701000074..... 159
7592000005 ..... 143, 145,	649, 651, 661, 665,	375, 377, 385, 387,	7719000005..... 335
147, 149, 151, 153,	667, 673, 675, 1043,	389, 395, 397	7754000002.....97, 313
155, 157, 159	1045, 1063	7661000056 ..... 719	7754000003.....97, 313
7626000014 ..... 439, 441,	7660172331 .....185, 187,	7661000064 ..... 139, 289,	7754000004.....97, 313
443, 445, 447, 449,	190, 194, 197, 199,	330, 509, 511	7754000005.... 74, 78, 82,
451, 453, 455, 457,	201, 206, 209	7661000065 .....185, 187	86, 90, 94
459, 461, 463, 465,	7660180001 .....289, 489,	7679000017 .....347, 349,	7754000006.... 33, 35, 49,
467, 469	491	351, 353, 355, 357,	53, 125
7626000018 .....475	7660180234.....497, 705,	359, 361, 363, 365,	7754000019.... 74, 78, 82,
7638000004 ..... 219, 221	707	367, 369, 371, 373,	86, 90, 94
7638000013 .....233	7660182301 .....143, 145,	375, 377, 379, 381,	7754000022.....489, 491,
7640000002 ..... 499, 703	147, 149, 151, 153,	383, 385, 387, 389,	581, 585, 587
7660062604 .....813	155, 157, 159, 181,	391, 393, 395, 397	7754000024.....330, 337,
7660102604 ..... 143, 145,	183, 305, 307, 309	7679000020 ..... 289	339, 341, 343
147, 149, 151, 153,	7660182304.....525, 527,	7690021210 ..... 335	7754000026.....97, 313
155, 157, 159, 721,	533	7690051274 .....695, 697,	7754000037 .....325, 327
723, 725, 727, 729,	7660182333.... 17, 19, 21,	699, 701, 705, 707	7754000051 ..... 315
775, 777, 779, 781,	23, 25, 29, 33, 35, 37,	7690051641 .....75, 79, 83,	7754000053..... 315
783, 829, 877	39, 41, 45, 49, 53, 57,	87	7754000054..... 315
7660140001 ..... 489, 491	143, 145, 147, 149,	7690101200 .....593, 595,	7754000087 ..... 335
7660142601 ..... 119, 121,	151, 153, 155, 157,	599, 603, 607, 611,	7755224000 .97, 313, 315
123, 125, 273, 275,	159, 163, 165, 206,	613, 619, 621, 625,	7755224609 .97, 313, 315
277, 279, 281, 283,	209, 215, 217, 535	627, 635, 637, 643,	7755330000..... 315
285, 287, 593, 595,	7660182601 .... 17, 19, 21,	645, 649, 651, 661,	7755330609..... 315
599, 603, 607, 611,	23, 25, 29, 33, 35, 37,	665, 667, 673, 675	7755334000.....97, 313
613, 619, 621, 625,	39, 41, 45, 49, 53, 57,	7690141600 ..... 335	7755334609.....97, 313
627, 635, 637, 643,	74, 78, 82, 86, 90, 94,	7690144005 ..... 335	7759000004 .....970, 974,
645, 649, 651, 661,	131, 133, 235, 237,	7691000001 .....74, 78, 82,	78, 98, 981
665, 667, 673, 675,	289, 399, 407, 413,	86, 90, 94, 123, 125,	7759000006.....593, 595,
705, 707, 819, 821,	419, 427, 433, 439,	1095, 1097, 1103,	599, 603, 607, 611,
823, 825, 869, 1025,	441, 443, 445, 447,	1105, 1107, 1109,	613, 619, 621, 625,
1027, 1029, 1031,	449, 451, 453, 455,	1111, 1113, 1115, 1117	627, 635, 637, 643,
1033, 1041, 1095,	457, 459, 461, 463,	7691000033 ..... 121, 1125	645, 649, 651, 661,
1097, 1099, 1101,	465, 467, 469, 471,	7691000056 .....593, 595,	665, 667, 673, 675
1103, 1105, 1123,	473, 475, 489, 491,	599, 603, 607, 611,	7759000020.....143, 145,
1125, 1127	539, 541, 567, 569,	613, 619, 621, 625,	147, 149, 151, 153,
7660142604 ..... 143, 145,	579, 585, 587, 593,	627, 635, 637, 643,	155, 157, 159
147, 149, 151, 153,	595, 599, 603, 607,	645, 649, 651, 661,	7785140404.....99, 103
155, 157, 159, 1065	611, 613, 619, 621,	665, 667, 673, 675	7785150500.....705, 707
7660152601 .... 17, 19, 75,	625, 627, 635, 637,	7691000064 .....593, 595,	7785152420.....185, 187,
79, 83, 87, 91, 95, 139,	643, 645, 649, 651,	599, 603, 607, 611,	195, 199, 733, 735,
145, 147, 151, 155,	661, 665, 667, 673,	613, 619, 621, 625,	737, 739, 741, 743,
159, 163, 165, 167,	675, 989, 1035, 1039,	627, 635, 637, 643,	745, 747, 749, 751,
169, 171, 185, 187,	1043, 1045, 1063	645, 649, 651, 661, 691	753, 755, 757, 759,
190, 194, 195, 197,	7660182631 .....695, 697,	7691000065 .....665, 667,	761, 763, 765, 767
199, 206, 219, 221,	699, 701	673, 675, 693	7786000006.....325, 327
223, 225, 227, 229,	7660200035 .....131, 133,	7701000031 ..... 801	7786000007... 17, 19, 203
231, 233, 593, 595,	501, 517, 521, 529, 537	7701000033 .....543, 545,	7790142051 ..... 719
599, 603, 607, 611,	7660202347 .... 17, 19, 21,	547, 549	7790151253.....191, 195,
613, 619, 621, 625,	23, 25, 29, 33, 35, 37,	7701000048 ....17, 19, 21,	197, 199, 593, 595,
627, 635, 637, 643,	39, 41, 45, 49, 53, 57,	23, 25, 29, 33, 35, 37,	599, 603, 607, 611,
645, 649, 651, 661,	75, 79, 83, 87, 91, 95,	39, 41, 45, 49, 53, 57,	613, 619, 621, 625,
665, 667, 673, 675,	131, 133, 185, 187,	537	627, 635, 637, 643,
689, 691, 693, 705,	190, 194, 197, 199,	7701000049 ..... 117, 501,	645, 649, 651, 661,
707, 733, 735, 737,	201, 206, 209, 505,	505, 509, 511, 517,	665, 667, 673, 675,
739, 741, 743, 745,	509, 511	521, 529	833, 1019, 1021, 1053

# SECTION 9 - BUILD DOCUMENTS

7790161253 .....75, 79, 83, 87, 90, 95, 185, 187, 190, 194, 197, 199	7935000229.....499, 703	643, 649, 651, 661, 665, 667, 673, 675, 691, 693, 705, 707, 733, 735, 737, 739, 741, 743, 745, 747, 749, 751, 753, 755, 757, 759, 761, 763, 765, 767, 775, 777, 779, 781, 783, 799, 833, 837, 1063	635, 637, 643, 645, 649, 651, 661, 665, 667, 673, 675, 691, 693
7796000008 .....97, 313	7935000248.....499, 703	7950160000 ....74, 78, 82, 86, 90, 94, 489, 491	7970000083.....475, 493
7796000024 .....97, 313	7935000265.....685	7950160153 .....135, 137, 141	7970000121.....439, 443, 447, 451, 477
7796000045 .....315	7935000305.....771, 773, 787, 789, 791, 793, 795	7950160161 .....593, 595, 599, 603, 607, 611, 613, 619, 621, 625, 627, 635, 637, 643, 645, 649, 651, 661, 665, 667, 673, 675, 1043, 1045	7970000123.....455, 459, 463, 467, 481
7796000046 .....315	7935000306.....775, 777, 779, 781, 783	7950160162 .....489, 491	7970000140.....457, 461, 465, 469, 485
7796000048 .....119, 121, 123, 125, 273, 275, 277, 279, 281, 283, 285, 287, 1095, 1097, 1099, 1101, 1103, 1105, 1123, 1125, 1127	7935000369.....679, 681, 683, 685, 687	7950170000 .....495, 797	7970000157 .....74, 78, 99
7796000063 .....97, 313	7935000388.....679, 681, 683, 685, 687	7950170142 .....185, 187, 201, 206, 209	7970000158... 82, 86, 103
7796000067 .....315	7949000008.... 17, 19, 21, 23, 25, 29, 33, 35, 37, 39, 41, 45, 49, 53, 57	7950180000 .....489, 491, 839, 841, 843, 847, 849, 851, 855	7970000166.....90, 94
779600007 .....315	7949000011.....593, 595, 599, 603, 607, 611, 613, 619, 621, 625, 627, 635, 637, 643, 645, 649, 651, 661, 665, 667, 673, 675	7950180141 .....567, 569, 1043, 1045	7978000020.....925, 927
7804000007 ....75, 79, 83, 87, 91, 95	7949000019.....190, 194, 197, 199	7950180143 .....525, 527, 533, 695, 697, 705, 707	7990000011 .....705, 707
7809000001 ....74, 78, 82, 86, 90, 94	7949000023.....139, 289, 819, 821, 823, 825	7950180150 .....181, 183, 1123, 1125, 1127	80963062 .....887
7809000002 ....74, 78, 82, 86, 90, 94	7949000030.....695, 697	7950180153 .....131, 133, 163, 165, 206, 209, 215, 217, 439, 441, 443, 445, 447, 449, 451, 453, 455, 457, 459, 461, 463, 465, 467, 469, 471, 473, 475, 489, 491, 585, 587, 1063	80963064 .. 891, 893, 895, 897
7819000005 .....769	7949000034.....489, 491, 585, 587	7950180161 .....399, 407, 413, 419, 427, 433, 489, 491, 593, 595, 599, 603, 607, 611, 613, 619, 621, 625, 627, 635, 637, 643, 645, 649, 651, 661, 665, 667, 673, 675	8220081 ..... 833, 835, 883
7819000013 .....187, 197, 199	7949000054.....593, 595, 599, 603, 607, 611, 613, 619, 621, 625, 627, 635, 637, 643, 645, 649, 651, 661, 665, 667, 673, 675	7950180252 .....839, 841, 843, 847, 849, 851, 855	8220089 .....899
7843000004 .....489, 491	7949000072.... 17, 19, 21, 23, 25, 29, 33, 35, 37, 39, 41, 45, 49, 53, 57	7950180400 .....439, 441, 443, 445, 447, 449, 451, 453, 455, 457, 459, 461, 463, 465, 467, 469	8220099 .... 831, 891, 893, 895, 897
7843000006 .....325, 327, 489, 491	7950100143.....143, 145, 147, 149, 151, 153, 155, 157, 159	7950180400 .....439, 441, 443, 445, 447, 449, 451, 453, 455, 457, 459, 461, 463, 465, 467, 469	8220934 .....831
7843000007 .....705, 707	7950100151.....721, 723, 725, 727, 729, 807	7950200000 .....325, 327	8220935 .... 831, 891, 893, 895, 897
7843000016 .....325, 327	7950140000.....289, 803	7950200152 .....131, 133	8220936 .....831
7843000035 ....74, 78, 82, 86, 90, 94, 585, 587	7950140003.....817	7950200161 .....131, 133	8405006 ..... 201, 206, 209
7843000043 .....335	7950140141.....593, 595, 599, 603, 607, 611, 613, 619, 621, 625, 627, 635, 637, 643, 645, 649, 651, 661, 665, 667, 673, 675, 705, 707, 803	7950200242 .....131, 133, 201, 206, 209	8411080091.....335
7870000100 .....905, 907	7950140143.....489, 491, 817, 869	7950220141 .....525, 527, 533, 593, 595, 599, 603, 607, 611, 613, 619, 621, 625, 627,	8411080102.....539, 541
7870000106 .....941, 943	7950140153....1041, 1065		8597650001.....499, 703
7870000113 .....909	7950150000.....645		8597650002.....809
7870000134 .....917, 919	7950150153.....139, 221, 227, 233		8597650003.....917, 949, 951
7870000137 .....949, 951	7950150161.....163, 165, 167, 169, 171, 173, 175, 177, 179, 185, 187, 206, 219, 223, 225, 229, 231, 593,		8632000002.....135, 137
7894000004 .....201, 206, 209, 499, 703, 769, 775, 777, 779, 781, 783, 875	7950150170 .....679, 681, 683, 685, 687		8632000012.....593, 595, 599, 603, 607, 611, 613, 619, 621, 625, 627, 635, 637, 643, 645, 649, 651, 661, 665, 667, 673, 675
7894000010 .....809	7950150171 .....687		8632000012.....593, 595, 599, 603, 607, 611, 613, 619, 621, 625, 627, 635, 637, 643, 645, 649, 651, 661, 665, 667, 673, 675
7894000031 .....993	7950150173 .....679, 681, 683, 685, 687		88671001 .....330
7894000042 .....525, 527, 533	7950150174 .....679, 681, 683, 685, 687		88671008 .. 74, 78, 82, 86, 90, 94
7894000063 ..1025, 1027, 1029, 1031, 1033	7950150182 .....499, 703		9007960003.....477, 481
7894000071 .....1059	7950150182 .....499, 703, 993		9120960025.....99, 103
7894000073 .....1061	7950150170 .....679, 681, 683, 685, 687		9120960034.....477, 479, 481, 485
7904000007 .....775, 777, 779, 781, 783	7950150171 .....687		9120960059.....477, 479, 481, 485
7912000184 .....330	7950150173 .....679, 681, 683, 685, 687		9120960061.....477, 479, 481, 485
7912000234 .....215	7950150174 .....679, 681, 683, 685, 687		9120960075.....481, 485
7912000236 .....217	7950150182 .....499, 703		9120960081.....99, 103
7913000006 .....121, 1125	7950150227 .....679, 681, 683, 685, 687		9183960002 99, 103, 479, 486
7935000120 .....499, 703, 993			9209960023.....99, 103
7935000170 .....679, 681, 683, 685, 687			9309960009.....99
7935000171 .....687			9309960020.....481, 485
7935000173 .....679, 681, 683, 685, 687			9314960024.....477, 479, 481, 485
7935000174 .....679, 681, 683, 685, 687			9443960010.....99, 103
7935000182 .....499, 703			9443960021.....485
7935000227 .....679, 681, 683, 685, 687			9472960042.....99, 103
			9472960043.....99, 103
			9472960068.....481, 485



## SECTION 9 - BUILD DOCUMENTS

9472960069 ..... 481, 485	9970412003 .....477, 479, 481, 485	BHI35-SD ..... 1081	SRHS-SD ..... 109
9472960072 ..... 477, 479	9970412045 .....477, 479, 481, 486	BHM35-SD ..... 1077	SRS-10 ..... 1140
9551960018 ..... 99, 103	9970414045 .....477, 479, 481, 485	BSKT-2 ..... 1138	SRS-10-AFS ..... 1140
9560960011 ..... 477, 479, 481, 485	9970415177 ..... 479	BSKT24-2 ..... 1138	SRS-10-CRC ..... 1140
9560960021 ..... 477, 481	9970418163 .....99, 103	C3BNORC-TPR ..... 597	SRS-8 ..... 1140
9571960010 ..... 481, 485	9970418177 .....477, 481, 485	C4BHTRC-TPR ..... 609	SRS-8-CRC ..... 1140
9575960014 ..... 477, 479, 481, 485	9970431008 ..... 477	C4BSTRC-TPR ..... 617	SSQF-21 ..... 1139
9577000226 .....986	9970442184 .....477, 479, 481, 485	C5BITRC-TPR ..... 641	SSQF-24 ..... 1139
9577000227 .....986	9970442205 .....477, 479, 481, 485	C5BSTRC-TPR ..... 633	STAB-SD ..... 107
9577930187 ..... 679, 681, 683, 685, 687	9970450006 .....477, 479, 481, 485	C6BITAGRC-TPR ..... 663	STK ..... 1057
9626960012 .....99	9970456008 .....477, 479, 481, 485	C6BZTRC-TPR ..... 671	STRAP50 ..... 1059
9626960027 .....103	9970468011 .....477, 479, 481, 486	CAR8PTTD ..... 1061	SUBITU19-6T ..... 1140
9691960001 99, 103, 477, 482, 486	9970472013 .....477, 479, 482, 486	CHB38 ..... 1013	SUBITU-6T ..... 1140
9691960035 ..... 477, 481	9970486009 .....477, 479, 482, 486	CHB50 ..... 1011	SUBITUG-6T ..... 1140
9701960015 ..... 477, 479, 481, 486	9970486017 .....477, 479, 482, 486	CMKSTD-SD ..... 1138	SUBOTU19-6T ..... 1140
9701960016 ..... 99, 103	9970494002 .....477, 479, 482, 486	DPH-16B ..... 1075	SUBOTUG-6T ..... 1140
9754960039 ..... 99, 103	9970494053 .....477, 479, 482, 486	DR063W-2 ..... 1139	TB178 ..... 1067
9786960006 ..... 99, 103	9970518014 .....477, 479, 482, 486	KSD120-AL ..... 1139	TB200 ..... 1069
9786960015 ..... 477, 479, 481, 485	9970518015 .....477, 479, 482, 486	KSD120-AL-2 ..... 1139	TB256 ..... 1071
9796960047 ..... 100, 103	9970960027 ..... 99	KSD120W-AL ..... 1139	TB36-2 ..... 1140
9796960049 ..... 99, 103	9970960034 .....481, 485	LMT ..... 1129	TB36-3 ..... 1140
9796960139 ..... 481, 485	9970960035 .....482, 486	LST ..... 1131	TB36-4 ..... 1140
9796960176 ..... 482, 486	9970960036 .....481, 485	MBK-HM-2 ..... 1141	TB48-2 ..... 1140
9796960177 ..... 482, 486	9970960037 .....482, 486	MBK-STD-2 ..... 1140	TB48-3 ..... 1140
9806960009 ..... 477, 479	9970960038 .....481, 485	MBK-STD-3 ..... 1140	TB48-4 ..... 1140
9812960005 ..... 99, 103	9970960051 .....481, 485	MBK-STD-4 ..... 1140	TB60-2 ..... 1140
9843930044 ..... 679, 681, 683, 685, 687	9970960052 .....481, 485	ML-TBTST-2 ..... 1139	TB78-2 ..... 1140
9912960035 ..... 99, 103	9970960060 .....477, 479, 481, 485	PHH35-SD ..... 1087	TBL-2 ..... 1141
9935960142 ..... 99, 103	9970960062 .....477, 479	PHI35-SD ..... 1083	TBL-3 ..... 1141
9949960016 .....99	9970960068 .....477, 479, 481, 485	PHM35-SD ..... 1085	TBL-4 ..... 1141
9949960017 ..... 99, 104	A7WCON ..... 989	PHS40-MD ..... 1093	TBSA36-2 ..... 1139
9949960031 .....103	BHH35-SD ..... 1079	RC-1 ..... 709	TBSA36-3 ..... 1139
9949960054 ..... 481, 485		RC-2 ..... 711	TBSA36-4 ..... 1139
9970300057 ..... 477, 479, 481, 485		RC-3 ..... 713	TBSA48-2 ..... 1139
9970316083 ..... 477, 479		RC-4 ..... 715	TBSA48-4 ..... 1140
9970330010 ..... 477, 479, 481, 485		RC-5 ..... 717	TBSA60-2 ..... 1140
9970342027 ..... 477, 479, 481, 485		RCTH-2 ..... 1139	TBTST36-2 ..... 1141
9970400003 ..... 481, 485		RHS05-MD ..... 1089	TBTST36-3 ..... 1141
9970402002 ..... 477, 479, 481, 485		RWC ..... 1135	TBTST36-4 ..... 1141
		SP3C PKG ..... 913	TBTST48-2 ..... 1141
		SP3ICPKG ..... 901	TBTST60-2 ..... 1141
		SP3IMPKG ..... 909	TBTST78-2 ..... 1141
		SP5C PKG ..... 945	W08WAL-SD ..... 439
		SP5ICPKG ..... 929	W08WST-SD ..... 443
		SP-D5500TOOLB ... 1141	W08WTRAL-SD ..... 447
		SP-D5500TOOLB-2 . 1141	W08WTRST-SD ..... 451
		SPHH-SD ..... 115	WO10WAL-SD ..... 455
		SPHM-SD ..... 113	WO10WST-SD ..... 459
		SRHSH-SD ..... 111	WO12W-MD ..... 475

# ***JERR-DAN***<sup>®</sup>

***Corporate Office  
13224 Fountainhead Plaza  
Hagerstown, MD 21742 USA***

***☎ (717) 597-7111 (Corporate)  
☎ (800) 926-9666 (Customer Support)***

***Visit our website  
[www.jerrdan.com](http://www.jerrdan.com)***



**OSHKOSH™**