

# ***JERR-DAN***<sup>®</sup>

---

## **Illustrated Parts Manual**

### ***Model 6 TON XLP CARRIER***

**SN 0220022847 to 0220025491**

**P/N  
5376000238**

**September 1, 2022 - Rev C**

---

# ***JERR-DAN***<sup>®</sup>

An Oshkosh Corporation Company





## **REVISION LOG**

April 30, 2021 - A - Original Release (Edited to 1001133285 Revision AH)  
August 27, 2021 - B - Revised (Edited to 1001133285 Revision AH-AJ)  
September 1, 2022 - C - Revised (Edited to 1001133285 Revision AH-AK)

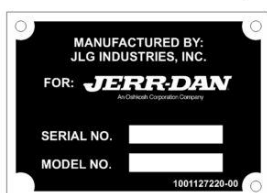
## GENERAL INFORMATION

JerrDan, LLC (Jerr-Dan) strives to provide information that is accurate, complete and useful. Descriptions and illustrative material contained within this manual are as accurate as known at the time of publication and are subject to change, without notice, as a result of continuous product improvements. Jerr-Dan reserves the right to amend the information in this document at any time without prior notice.

Information contained in this manual reflects how this vehicle was built at the factory. Modifications or additions by the distributor or owner are not reflected in this manual.

This parts manual does not include service parts information for the commercial chassis (IHC, Ford, GM, etc.). That information is provided by the chassis manufacturer.

When ordering parts, please refer to your unit's Serial Number and Model Number. This information is be found on the aluminum tag riveted to the inside of the driver's side rear compartment of the main body.



Additional or replacement manuals can be ordered by calling Jerr-Dan Parts at 717-597-7111. Price and availability will be quoted at time of the request.

Please report comments and/or errors by contacting Jerr-Dan. Contact numbers are located on rear cover of Manual.

Manufactured under one or more of the following patents: 5,575,606; 5,672,042; 5,697,741; 5,713,714; 5,722,810; 5,782,596; 5,839,775 and 6,315,515 B1 with other Patents Pending.

Jerr-Dan and the Jerr-Dan logo are registered trademarks and Run Hard is a service mark of JerrDan, LLC, Hagerstown, MD USA.

The material in this document is confidential and the property of Jerr-Dan. No part of this document may be photocopied, reproduced or translated to another language without the express written consent of Jerr-Dan.

# TABLE OF CONTENTS

SECTION 1 - SUBFRAME .....	13
FIGURE 1-1. SUBFRAME INSTALLATION - 19FT/20FT (2012+ DODGE 5500 & 2012+ FORD F550).....	14
FIGURE 1-2. SUBFRAME INSTALLATION - 19FT/20FT (2012+ DODGE 5500 & 2012+ FORD F550) (GALVANIZED).....	18
FIGURE 1-3. SUBFRAME INSTALLATION - 20FT (2019+ CVC515) .....	22
FIGURE 1-4. SUBFRAME INSTALLATION - 20FT (2019+ CVC515) (GALVANIZED) .....	26
FIGURE 1-5. SUBFRAME INSTALLATION - 20FT/22FT (ISUZU).....	30
FIGURE 1-6. SUBFRAME INSTALLATION - 20FT/22FT (ISUZU) (GALVANIZED).....	34
FIGURE 1-7. SUBFRAME INSTALLATION - 21FT/22FT .....	38
FIGURE 1-8. SUBFRAME INSTALLATION - 21FT/22FT (2019+ CVC515).....	42
FIGURE 1-9. SUBFRAME INSTALLATION - 21FT/22FT (2019+ CVC515) (GALVANIZED).....	46
FIGURE 1-10. SUBFRAME INSTALLATION - 21FT/22FT (GALVANIZED).....	50
FIGURE 1-11. SUBFRAME INSTALLATION - 22FT (HINO 195).....	54
FIGURE 1-12. SUBFRAME INSTALLATION- 22FT (HINO 195) (GALVANIZED).....	58
FIGURE 1-13. ROLL CYLINDER ASSEMBLY .....	62
FIGURE 1-14. TILT CYLINDER ASSEMBLY .....	64
FIGURE 1-15. PAD INSTALLATION - SUBFRAME .....	66
FIGURE 1-16. SIDE RECOVERY SYSTEM (SRS) INSTALLATION - 8000 LBS WINCH.....	68
FIGURE 1-17. SIDE RECOVERY SYSTEM (SRS) INSTALLATION - 8000 LBS WINCH WITH REMOTE CONTROL .....	72
FIGURE 1-18. SIDE RECOVERY SYSTEM (SRS) INSTALLATION - 10000 LBS WINCH (SN 0220022847 through 0220024465).....	76
FIGURE 1-19. SIDE RECOVERY SYSTEM (SRS) INSTALLATION - 10000 LBS WINCH (3 FUNCTION REMOTE CONTROL) (SN 0220024466 through 02200025491) .....	80
FIGURE 1-20. SIDE RECOVERY SYSTEM (SRS) INSTALLATION - 10000 LBS WINCH WITH REMOTE CONTROL (SN 0220022847 through 0220024465).....	84
FIGURE 1-21. SIDE RECOVERY SYSTEM (SRS) INSTALLATION - 10000 LBS WINCH (4 FUNCTION REMOTE CONTROL) (SN 0220024466 through 02200025491) .....	88
FIGURE 1-22. SIDE RECOVERY SYSTEM (SRS) INSTALLATION - 10000 LBS WINCH WITH AIR FREE SPOOL (SN 0220022847 through 0220024465).....	92
FIGURE 1-23. SIDE RECOVERY SYSTEM (SRS) INSTALLATION - 10000 LBS WINCH WITH AIR FREE SPOOL (3 FUNCTION REMOTE CONTROL) (SN 0220024466 through 02200025491) .....	96
FIGURE 1-24. SIDE RECOVERY SYSTEM (SRS) INSTALLATION - 10000 LBS WINCH WITH AIR FREE SPOOL & REMOTE CONTROL (SN 0220022847 through 0220024465).....	100
FIGURE 1-25. SIDE RECOVERY SYSTEM (SRS) INSTALLATION - 10000 LBS WINCH WITH AIR FREE SPOOL (4 FUNCTION REMOTE CONTROL) (SN 0220024466 through 02200025491) .....	104
FIGURE 1-26. WINCH (SRS) ASSEMBLY - 8000 LBS.....	108
FIGURE 1-27. WINCH (SRS) ASSEMBLY - 10000 LBS.....	112
FIGURE 1-28. WINCH (SRS) ASSEMBLY - 10000 LBS WITH AIR FREE SPOOL .....	116
FIGURE 1-29. CYLINDER ASSEMBLY - SIDE RECOVERY SYSTEM .....	120
FIGURE 1-30. CHAIN BOX INSTALLATION.....	122
FIGURE 1-31. REAR STABILIZER - COMPLETE .....	124
FIGURE 1-32. REAR STABILIZER - COMPLETE (2.5IN TOW HITCH).....	126
FIGURE 1-33. REAR STABILIZER - COMPLETE (PINTLE HITCH).....	128
FIGURE 1-34. REAR STABILIZER INSTALLATION .....	130
FIGURE 1-35. REAR STABILIZER INSTALLATION (2.5IN TOW HITCH) .....	132
FIGURE 1-36. REAR STABILIZER INSTALLATION (PINTLE HITCH) .....	134
FIGURE 1-37. LIFT CYLINDER ASSEMBLY .....	136
FIGURE 1-38. PINTLE EXTEND/RETRACT CYLINDER ASSEMBLY .....	138
FIGURE 1-39. TOOLBOX - 36IN .....	140
FIGURE 1-40. TOOLBOX - 36IN NARROW.....	142
FIGURE 1-41. TOOLBOX - 36IN UNDERMOUNT .....	144
FIGURE 1-42. TOOLBOX - 36IN NARROW UNDERMOUNT .....	146
FIGURE 1-43. TOOLBOX - 48IN .....	148
FIGURE 1-44. TOOLBOX - 48IN UNDERMOUNT .....	150
FIGURE 1-45. TOOLBOX - 60IN .....	152
FIGURE 1-46. TOOLBOX - 60IN .....	154
FIGURE 1-47. TOOLBOX - 78IN .....	156
FIGURE 1-48. TOOLBOX DRAWER INSTALLATION - 24IN.....	158
FIGURE 1-49. TOOLBOX STORAGE BASKET .....	160
FIGURE 1-50. TOOLBOX STORAGE BASKET (DEEP) .....	162
FIGURE 1-51. TOOLBOX SHELF - 36IN .....	164
FIGURE 1-52. TOOLBOX SHELF - 48IN .....	166
FIGURE 1-53. TOOLBOX SHELF - 60IN .....	168
FIGURE 1-54. TOOLBOX TOP STORAGE TRAY - 36IN.....	170
FIGURE 1-55. TOOLBOX TOP STORAGE TRAY - 48IN.....	172
FIGURE 1-56. TOOLBOX TOP STORAGE TRAY - 60IN.....	174

# TABLE OF CONTENTS

FIGURE 1-57. TOOLBOX TOP STORAGE TRAY - 78IN .....	176
FIGURE 1-58. TUNNEL (SIDE) TOOLBOX INSTALLATION - 24IN (DUAL COMPARTMENT) .....	178
FIGURE 1-59. TUNNEL (SIDE) TOOLBOX ASSEMBLY - 24IN (WITH DUAL COMPARTMENT TUNNEL) .....	180
FIGURE 1-60. TUNNEL (SIDE) TOOLBOX INSTALLATION - 24IN (SINGLE COMPARTMENT).....	182
FIGURE 1-61. TUNNEL (SIDE) TOOLBOX ASSEMBLY - 24IN (WITH SINGLE COMPARTMENT TUNNEL) .....	184
FIGURE 1-62. CHASSIS MOUNTING KIT, 2019+ CVC .....	186
FIGURE 1-63. CHASSIS MOUNTING KIT, 2017+ FORD F550 (DIESEL) .....	188
FIGURE 1-64. CHASSIS MOUNTING KIT, ISUZU 150WB .....	190
FIGURE 1-65. CHASSIS MOUNTING KIT, ISUZU 176WB .....	194
FIGURE 1-66. CHASSIS MOUNTING KIT, HINO.....	196
FIGURE 1-67. FUEL HOSE INSTALLATION - CHEVY/GMC 4500/5500 (2005 & EARLIER) .....	198
FIGURE 1-68. FUEL HOSE INSTALLATION - CHEVY/GMC 4500/5500 GAS (2006+) .....	200
FIGURE 1-69. FUEL HOSE INSTALLATION - CHEVY/GMC 4500/5500 DIESEL (2006+) .....	202
FIGURE 1-70. PARKING BRAKE REWORK - CHEVY/GMC 4500/5500.....	204
FIGURE 1-71. MUD FLAPS INSTALLATION - FACTORY SUPPLIED (2012+ DODGE D5500).....	206
FIGURE 1-72. MUD FLAPS INSTALLATION - FACTORY SUPPLIED (2012+ FORD F550).....	208
FIGURE 1-73. MUD FLAPS INSTALLATION - FACTORY SUPPLIED (ISUZU & HINO) .....	210
FIGURE 1-74. MUD FLAPS INSTALLATION - FACTORY SUPPLIED (HIGH FRAME) .....	212
FIGURE 1-75. MUD FLAPS INSTALLATION - CUSTOMER SUPPLIED .....	214
FIGURE 1-76. MUD FLAPS INSTALLATION - CUSTOMER SUPPLIED (2012+ FORD F550, ISUZU & HINO).....	216
FIGURE 1-77. REAR BUMPER, SHORT GALVANIZED .....	218
FIGURE 1-78. REAR BUMPER, LONG GALVANIZED.....	220
FIGURE 1-79. LIGHT BOX AND COVER INSTALLATION.....	222
FIGURE 1-80. LIGHT BOX AND COVER INSTALLATION (GALVANIZED).....	224
FIGURE 1-81. FENDERS INSTALLATION - POLY .....	226
SECTION 2 - WHEEL LIFT.....	229
FIGURE 2-1. WHEEL LIFT - COMPLETE (3500 LBS - FIXED ARMS) (19FT DECK).....	230
FIGURE 2-2. WHEEL LIFT - COMPLETE (3500 LBS - FIXED ARMS) (20-22FT DECK).....	232
FIGURE 2-3. WHEEL LIFT - COMPLETE (3500 LBS - FIXED ARMS) (GALVANIZED) (19FT DECK).....	234
FIGURE 2-4. WHEEL LIFT - COMPLETE (3500 LBS - FIXED ARMS) (GALVANIZED) (20-22FT DECK).....	236
FIGURE 2-5. WHEEL LIFT - COMPLETE (3500 LBS - T37 PIVOTING ARMS).....	238
FIGURE 2-6. WHEEL LIFT - COMPLETE (3500 LBS - T37 PIVOTING ARMS) (GALVANIZED).....	240
FIGURE 2-7. WHEEL LIFT - COMPLETE (3500 LBS - AUTO GRIDS HYDRAULIC ARMS) .....	242
FIGURE 2-8. WHEEL LIFT BOOM INSTALLATION (3500 LBS) (19FT DECK) .....	244
FIGURE 2-9. WHEEL LIFT BOOM INSTALLATION (3500 LBS) (20-22FT DECK) .....	246
FIGURE 2-10. WHEEL LIFT BOOM INSTALLATION (3500 LBS GALVANIZED) (19FT DECK).....	248
FIGURE 2-11. WHEEL LIFT BOOM INSTALLATION (3500 LBS GALVANIZED) (20-22FT DECK).....	250
FIGURE 2-12. WHEEL LIFT BOOM INSTALLATION (3500 LBS WITH AUTOGRIDS).....	252
FIGURE 2-13. BOOM ASSEMBLY (3500 LBS) (19FT DECK).....	254
FIGURE 2-14. BOOM ASSEMBLY (3500 LBS) (20-22FT DECK) .....	256
FIGURE 2-15. BOOM ASSEMBLY (3500 LBS GALVANIZED) (19FT DECK) .....	258
FIGURE 2-16. BOOM ASSEMBLY (3500 LBS GALVANIZED) (20-22FT DECK).....	260
FIGURE 2-17. BOOM ASSEMBLY (3500 LBS WITH AUTO GRIDS).....	262
FIGURE 2-18. CYLINDER ASSEMBLY - WHEEL LIFT EXTEND/RETRACT (WITHOUT AUTO GRIDS) .....	264
FIGURE 2-19. CYLINDER ASSEMBLY - WHEEL LIFT EXTEND/RETRACT (WITH AUTO GRIDS).....	266
FIGURE 2-20. CYLINDER ASSEMBLY - WHEEL LIFT EXTEND/RETRACT (WITH AUTO GRIDS) .....	268
FIGURE 2-21. CYLINDER ASSEMBLY - WHEEL LIFT BOOM LIFT (WITHOUT AUTO GRIDS) .....	270
FIGURE 2-22. CYLINDER ASSEMBLY - WHEEL LIFT BOOM LIFT (WITH AUTO GRIDS) .....	272
FIGURE 2-23. LINK ASSEMBLY .....	274
FIGURE 2-24. LINK ASSEMBLY (GALVANIZED) .....	276
FIGURE 2-25. WHEEL LIFT CROSSBAR CAM-LOCK.....	278
FIGURE 2-26. WHEEL LIFT GRID - COMPLETE (3500 LBS - MANUAL) (BALL HITCH).....	280
FIGURE 2-27. WHEEL LIFT GRID - COMPLETE (3500 LBS - T37) (BALL HITCH) .....	282
FIGURE 2-28. WHEEL LIFT GRID - COMPLETE (3500 LBS - MANUAL) (2IN TOW HITCH) .....	284
FIGURE 2-29. WHEEL LIFT GRID - COMPLETE (GRID), (3500 LBS - T37) (2IN TOW HITCH).....	286
FIGURE 2-30. WHEEL LIFT GRID - COMPLETE (3500 LBS - MANUAL) (2.5IN TOW HITCH) .....	288
FIGURE 2-31. WHEEL LIFT GRID - COMPLETE (3500 LBS - T37) (2.5IN TOW HITCH) .....	290
FIGURE 2-32. WHEEL GRID INSTALLATION (3500 LBS MANUAL).....	292
FIGURE 2-33. WHEEL GRID INSTALLATION (3500 LBS T-37) .....	294
FIGURE 2-34. WHEEL LIFT ASSEMBLY (GRID), LH .....	296
FIGURE 2-35. WHEEL LIFT ASSEMBLY (GRID), RH.....	298
FIGURE 2-36. WHEEL LIFT GRID INSTALLATION (AUTO GRIDS).....	300
FIGURE 2-37. WHEEL LIFT GRID INSTALLATION - WHEEL LIFT (AUTO GRIDS) (GALVANIZED) .....	304
FIGURE 2-38. WHEEL LIFT ARM INSTALLATION (AUTO GRIDS).....	308
FIGURE 2-39. WHEEL LIFT LINK INSTALLATION (AUTO GRIDS).....	310

# TABLE OF CONTENTS

FIGURE 2-40. CYLINDER ASSEMBLY - WHEEL LIFT GRID .....	312
FIGURE 2-41. PIVOT TUBE INSTALLATION (BALL HITCH) .....	314
FIGURE 2-42. PIVOT TUBE INSTALLATION (2 IN TOW HITCH RECEIVER) .....	316
FIGURE 2-43. PIVOT TUBE INSTALLATION (2.5 IN TOW HITCH RECEIVER) .....	318
SECTION 3 - DECK .....	321
FIGURE 3-1. DECK MODEL - ALUMINUM 19N X 96IN FIXED RAIL .....	322
FIGURE 3-2. DECK MODEL - ALUMINUM 19IN X 96IN FIXED RAIL DUAL ANGLE .....	324
FIGURE 3-3. DECK MODEL - ALUMINUM 19IN X 96IN REMOVABLE RAIL .....	326
FIGURE 3-4. DECK MODEL - ALUMINUM 19N X 102IN FIXED RAIL .....	328
FIGURE 3-5. DECK MODEL - ALUMINUM 19IN X 102IN FIXED RAIL DUAL ANGLE .....	330
FIGURE 3-6. DECK MODEL - ALUMINUM 19IN X 102IN REMOVABLE RAIL .....	332
FIGURE 3-7. DECK MODEL - ALUMINUM 20IN X 96IN FIXED RAIL .....	334
FIGURE 3-8. DECK MODEL - ALUMINUM 20IN X 96IN FIXED RAIL DUAL ANGLE .....	336
FIGURE 3-9. DECK MODEL - ALUMINUM 20IN X 96IN REMOVABLE RAIL .....	338
FIGURE 3-10. DECK MODEL - ALUMINUM 20IN X 102IN FIXED RAIL .....	340
FIGURE 3-11. DECK MODEL - ALUMINUM 20IN X 102IN FIXED RAIL DUAL ANGLE .....	342
FIGURE 3-12. DECK MODEL - ALUMINUM 20IN X 102IN REMOVABLE RAIL .....	344
FIGURE 3-13. DECK MODEL - ALUMINUM 21IN X 90IN FIXED RAIL .....	346
FIGURE 3-14. DECK MODEL - ALUMINUM 21IN X 96IN FIXED RAIL .....	348
FIGURE 3-15. DECK MODEL - ALUMINUM 21IN X 96IN FIXED RAIL DUAL ANGLE .....	350
FIGURE 3-16. DECK MODEL - ALUMINUM 21IN X 96IN FIXED RAIL DUAL ANGLE CARGO HAULER .....	352
FIGURE 3-17. DECK MODEL - ALUMINUM 21IN X 96IN REMOVABLE RAIL .....	354
FIGURE 3-18. DECK MODEL - ALUMINUM 21IN X 96IN REMOVABLE RAIL CARGO HAULER .....	356
FIGURE 3-19. DECK MODEL - ALUMINUM 21IN X 102IN FIXED RAIL .....	358
FIGURE 3-20. DECK MODEL - ALUMINUM 21IN X 102IN FIXED RAIL DUAL ANGLE .....	360
FIGURE 3-21. DECK MODEL - ALUMINUM 21IN X 102IN REMOVABLE RAIL .....	362
FIGURE 3-22. DECK MODEL - ALUMINUM 22IN X 96IN FIXED RAIL .....	364
FIGURE 3-23. DECK MODEL - ALUMINUM 22IN X 96IN FIXED RAIL DUAL ANGLE .....	366
FIGURE 3-24. DECK MODEL - ALUMINUM 22IN X 96IN FIXED RAIL DUAL ANGLE CARGO HAULER .....	368
FIGURE 3-25. DECK MODEL - ALUMINUM 22IN X 96IN REMOVABLE RAIL .....	370
FIGURE 3-26. DECK MODEL - ALUMINUM 22IN X 96IN REMOVABLE RAIL CARGO HAULER .....	372
FIGURE 3-27. DECK MODEL - ALUMINUM 22IN X 102IN FIXED RAIL .....	374
FIGURE 3-28. DECK MODEL - ALUMINUM 22IN X 102IN FIXED RAIL DUAL ANGLE .....	376
FIGURE 3-29. DECK MODEL - ALUMINUM 22IN X 102IN REMOVABLE RAIL .....	378
FIGURE 3-30. DECK MODEL - STEEL 19IN X 96IN REMOVABLE RAIL .....	380
FIGURE 3-31. DECK MODEL - STEEL 19IN X 96IN REMOVABLE RAIL DUAL ANGLE SHARK .....	382
FIGURE 3-32. DECK MODEL - STEEL 19IN X 102IN REMOVABLE RAIL .....	384
FIGURE 3-33. DECK MODEL - STEEL 19IN X 102IN REMOVABLE RAIL DUAL ANGLE SHARK .....	386
FIGURE 3-34. DECK MODEL - STEEL 20IN X 96IN REMOVABLE RAIL .....	388
FIGURE 3-35. DECK MODEL - STEEL 20IN X 96IN REMOVABLE RAIL DUAL ANGLE SHARK .....	390
FIGURE 3-36. DECK MODEL - STEEL 20IN X 102IN REMOVABLE RAIL .....	392
FIGURE 3-37. DECK MODEL - STEEL 20IN X 102IN REMOVABLE RAIL DUAL ANGLE SHARK .....	394
FIGURE 3-38. DECK MODEL - STEEL 21IN X 90IN REMOVABLE RAIL .....	396
FIGURE 3-39. DECK MODEL - STEEL 21IN X 96IN REMOVABLE RAIL .....	398
FIGURE 3-40. DECK MODEL - STEEL 21IN X 96IN REMOVABLE RAIL DUAL ANGLE SHARK .....	400
FIGURE 3-41. DECK MODEL - STEEL 21IN X 96IN TRANSPORTER .....	402
FIGURE 3-42. DECK MODEL - STEEL 21IN X 102IN REMOVABLE RAIL .....	404
FIGURE 3-43. DECK MODEL - STEEL 21IN X 102IN REMOVABLE RAIL (GALVANIZED) .....	406
FIGURE 3-44. DECK MODEL - STEEL 21IN X 102IN REMOVABLE RAIL DUAL ANGLE SHARK .....	408
FIGURE 3-45. DECK MODEL - STEEL 21IN X 102IN TRANSPORTER .....	410
FIGURE 3-46. DECK MODEL - STEEL 22IN X 96IN REMOVABLE RAIL .....	412
FIGURE 3-47. DECK MODEL - STEEL 22IN X 96IN REMOVABLE RAIL DUAL ANGLE SHARK .....	414
FIGURE 3-48. DECK MODEL - STEEL 22IN X 102IN REMOVABLE RAIL .....	416
FIGURE 3-49. DECK MODEL - STEEL 22IN X 102IN REMOVABLE RAIL (GALVANIZED) .....	418
FIGURE 3-50. DECK MODEL - STEEL 22IN X 102IN REMOVABLE RAIL CONTAINER TRANSPORTER .....	420
FIGURE 3-51. DECK MODEL - STEEL 22IN X 102IN REMOVABLE RAIL DUAL ANGLE SHARK .....	422
FIGURE 3-52. RAIL-BUMPER CONTAINER TRANSPORTER INSTALLATION .....	424
FIGURE 3-53. WINCH INSTALLATION - 8000 LBS (ALUMINUM DECK) .....	426
FIGURE 3-54. WINCH INSTALLATION - 8000 LBS (STEEL DECK) .....	428
FIGURE 3-55. WINCH INSTALLATION - 8000 LBS (TRANSPORTER) .....	430
FIGURE 3-56. WINCH INSTALLATION - 8000 LBS WITH AIR FREE SPOOL (ALUMINUM DECK) .....	432
FIGURE 3-57. WINCH INSTALLATION - 8000 LBS WITH AIR FREE SPOOL (STEEL DECK) .....	434
FIGURE 3-58. WINCH INSTALLATION - 8000 LBS WITH AIR FREE SPOOL (STEEL DECK) (TRANSPORTER) .....	436
FIGURE 3-59. WINCH INSTALLATION - 10000 LBS WORM GEAR (ALUMINUM DECK) .....	438
FIGURE 3-60. WINCH INSTALLATION - 10000 LBS WORM GEAR (STEEL DECK) .....	440

# TABLE OF CONTENTS

FIGURE 3-61. WINCH INSTALLATION - 10000 LBS WORM GEAR (TRANSPORTER).....	442
FIGURE 3-62. WINCH INSTALLATION - 10000 LBS WORM GEAR & AIR FREE SPOOL (ALUMINUM DECK).....	444
FIGURE 3-63. WINCH INSTALLATION - 10000 LBS WORM GEAR AND AIR FREE SPOOL (STEEL DECK).....	446
FIGURE 3-64. WINCH INSTALLATION - 10000 LBS WORM GEAR AND AIR FREE SPOOL (TRANSPORTER).....	448
FIGURE 3-65. WINCH INSTALLATION - 10000 LBS SLIDING PLANETARY GEAR.....	450
FIGURE 3-66. WINCH INSTALLATION - 10000 LBS SLIDING PLANETARY GEAR & AIR FREE SPOOL.....	452
FIGURE 3-67. WINCH INSTALLATION - 12000 LBS (STEEL DECK).....	454
FIGURE 3-68. WINCH ASSEMBLY - 8000 LBS.....	456
FIGURE 3-69. WINCH ASSEMBLY - 8000 LBS WITH FREE SPOOL.....	458
FIGURE 3-70. WINCH ASSEMBLY - 10000 LBS WORM GEAR.....	460
FIGURE 3-71. WINCH ASSEMBLY, - 10000 LBS WORM GEAR WITH FREE SPOOL.....	464
FIGURE 3-72. WINCH ASSEMBLY - 10000 LBS PLANETARY GEAR.....	468
FIGURE 3-73. WINCH ASSEMBLY - 12000 LBS.....	470
FIGURE 3-74. CABLE TENSIONER INSTALLATION - 8000 LBS & /10000 LBS WORM GEAR WINCHES.....	472
FIGURE 3-75. CABLE TENSIONER INSTALLATION - 12000 LBS WORM GEAR WINCHES.....	474
FIGURE 3-76. WINCH HANDLE (PLANETARY WGEAR WINCH).....	476
FIGURE 3-77. HEADBOARD INSTALLATION- 36.50IN (DELUXE BOLT-ON ).....	478
FIGURE 3-78. HEADBOARD INSTALLATION - 36.50IN (STATIONARY DELUXE BOLT-ON).....	480
FIGURE 3-79. HEADBOARD INSTALLATION - 37.38IN (STANDARD BOLT-ON).....	482
FIGURE 3-80. HEADBOARD INSTALLATION - 37.38IN (STATIONARY FIXED).....	484
FIGURE 3-81. HEADBOARD INSTALLATION - 45.50IN (STATIONARY DELUXE BOLT-ON).....	486
FIGURE 3-82. HEADBOARD INSTALLATION - 45.50IN- 65.50 (ADJUSTABLE BOLT-ON).....	488
FIGURE 3-83. HEADBOARD INSTALLATION - 45.50IN- 65.50 (ADJUSTABLE BOLT-ON - SPECIAL PAINT).....	490
FIGURE 3-84. HEADBOARD INSTALLATION - 45.50IN (DELUXE BOLT-ON).....	492
FIGURE 3-85. HEADBOARD INSTALLATION - 45.50IN- 65.50 (STATIONARY ADJUSTABLE BOLT-ON).....	494
FIGURE 3-86. HEADBOARD INSTALLATION - 45.50IN- 65.50 (STATIONARY ADJUSTABLE BOLT-ON - SPECIAL PAINT).....	496
FIGURE 3-87. HEADBOARD INSTALLATION - 50IN (BUCKET REST).....	498
FIGURE 3-88. HEADBOARD INSTALLATION - 50.50IN (DELUXE BOLT-ON).....	500
FIGURE 3-89. HEADBOARD INSTALLATION - 50.50IN (STATIONARY DELUXE BOLT-ON)).....	502
FIGURE 3-90. HEADBOARD INSTALLATION - 54.75IN (BUCKET REST).....	504
FIGURE 3-91. HEADBOARD INSTALLATION - 57.50IN (STATIONARY DELUXE BOLT-ON).....	506
FIGURE 3-92. HEADBOARD INSTALLATION - 57.50IN (DELUXE BOLT-ON).....	508
FIGURE 3-93. HEADBOARD INSTALLATION, 61.5IN (BUCKET REST).....	510
FIGURE 3-94. HEADBOARD BASE INSTALLATION.....	512
FIGURE 3-95. HEADBOARD SPACER INSTALLATION, BOLT ON.....	514
FIGURE 3-96. RAIL (REMOVABLE) INSTALLATION - 5IN ALUMINUM (19FT/20FT DECK).....	516
FIGURE 3-97. RAIL (REMOVABLE) INSTALLATION - 5IN ALUMINUM (21FT DECK).....	518
FIGURE 3-98. RAIL (REMOVABLE) INSTALLATION - 5IN ALUMINUM (22FT DECK).....	520
FIGURE 3-99. RAIL (REMOVABLE) INSTALLATION - 5IN STEEL (19FT/20FT DECK).....	522
FIGURE 3-100. RAIL (REMOVABLE) INSTALLATION - 5IN STEEL (21FT DECK).....	524
FIGURE 3-101. RAIL PLUG (PERMANENT) INSTALLATION - 6IN STEEL (19FT/20FT DECK).....	526
FIGURE 3-102. RAIL PLUG (PERMANENT) INSTALLATION - 6IN STEEL (21FT DECK).....	528
FIGURE 3-103. RAIL PLUG (PERMANENT) INSTALLATION - 6IN STEEL (22FT DECK).....	530
FIGURE 3-104. D-RINGS INSTALLATION -1 PAIR (ALUMINIUM DECK).....	532
FIGURE 3-105. D-RINGS INSTALLATION - 2 PAIR (ALUMINIUM DECK).....	534
FIGURE 3-106. D-RINGS INSTALLATION - 3 PAIR (ALUMINIUM DECK).....	536
FIGURE 3-107. D-RINGS INSTALLATION -1 PAIR (ALUMINIUM DECK NEAR WINCH).....	538
FIGURE 3-108. D-RINGS INSTALLATION - 4 PAIR (ALUMINIUM DECK).....	540
FIGURE 3-109. D-RINGS INSTALLATION - 1 PAIR (STEEL DECK).....	542
FIGURE 3-110. D-RINGS INSTALLATION - 2 PAIR (STEEL DECK).....	544
FIGURE 3-111. D-RINGS INSTALLATION - 3 PAIR (STEEL DECK).....	546
FIGURE 3-112. D-RINGS INSTALLATION - 4 PAIR (STEEL DECK).....	548
FIGURE 3-113. D-RINGS INSTALLATION -1 PAIR (STEEL DECK NEAR WINCH).....	550
FIGURE 3-114. D-RINGS INSTALLATION -1 PAIR (TRANSPORTER NEAR WINCH).....	552
FIGURE 3-115. ANTI-SLIP TAPE INSTALLATION (SIDES).....	554
FIGURE 3-116. ANTI-SLIP PAINT INSTALLATION (DECK APPROACH END).....	556
FIGURE 3-117. ANTI-SLIP PAINT INSTALLATION (STEEL DECK SIDES).....	558
FIGURE 3-118. ANTI-SLIP PAINT INSTALLATION (ALUMINUM DECK SIDES).....	560
FIGURE 3-119. DECK ROLLERS AT APPROACH TIP.....	562
FIGURE 3-120. ROLLER BRACKET ASSEMBLY.....	564
 SECTION 4 - CONTROLS.....	 567
FIGURE 4-1. 3 BANK VALVE CONTROLS INSTALLATION - NO/MANUAL TOW.....	568
FIGURE 4-2. 3 BANK VALVE INSTALLATION - NO/MANUAL TOW/REMOTE CONTROL.....	570
FIGURE 4-3. 3 BANK VALVE CONTROLS INSTALLATION - NO/MANUAL TOW/NO WINCH.....	572
FIGURE 4-4. 3 BANK VALVE CONTROLS INSTALLATION - NO/MANUAL TOW/WINCHMOTOR SPOOL.....	574

# TABLE OF CONTENTS

FIGURE 4-5. 3 BANK VALVE CONTROLS INSTALLATION - NO/MANUAL TOW/WINCHMOTOR SPOOL.....	576
FIGURE 4-6. 3 BANK VALVE CONTROLS INSTALLATION - NO/MANUAL TOW/REMOTE CONTROL.....	578
FIGURE 4-7. 3 BANK VALVE CONTROLS INSTALLATION - NO/MANUAL TOW/REMOTE CONTROL.....	580
FIGURE 4-8. 4 BANK VALVE INSTALLATION – HYDRAULIC TOW/REMOTE CONTROL.....	582
FIGURE 4-9. 4 BANK VALVE CONTROLS INSTALLATION - HYDRAULIC TOW.....	584
FIGURE 4-10. 4 BANK VALVE CONTROLS INSTALLATION - NO/MANUAL TOW/STABILIZERS.....	586
FIGURE 4-11. 4 BANK VALVE CONTROLS INSTALLATION - NO/MANUAL TOW/STABILIZERS.....	588
FIGURE 4-12. 4 BANK VALVE CONTROLS INSTALLATION - NO/MANUAL TOW/STABILIZERS/REMOTE CONTROL.....	590
FIGURE 4-13. 4 BANK VALVE INSTALLATION - NO/MANUAL TOW/STABILIZERS/REMOTE CONTROL.....	592
FIGURE 4-14. 4 BANK VALVE CONTROLS INSTALLATION - HYDRAULIC TOW.....	594
FIGURE 4-15. 4 BANK VALVE CONTROLS INSTALLATION - HYDRAULIC TOW/REMOTE CONTROL.....	596
FIGURE 4-16. 4 BANK VALVE CONTROLS INSTALLATION - HYDRAULIC TOW/WINCH MOTOR SPOOL.....	598
FIGURE 4-17. 4 BANK VALVE CONTROLS INSTALLATION - HYDRAULIC TOW/WINCH MOTOR SPOOL.....	600
FIGURE 4-18. 4 BANK VALVE CONTROLS INSTALLATION - HYDRAULIC TOW/WINCH MOTOR SPOOL/REMOTE CONTROL.....	602
FIGURE 4-19. 4 BANK VALVE CONTROLS INSTALLATION - HYDRAULIC TOW/WINCH MOTOR SPOOL/REMOTE CONTROL.....	604
FIGURE 4-20. 5 BANK VALVE INSTALLATION - HYDRAULIC TOW/STABILIZERS/REMOTE CONTROL.....	606
FIGURE 4-21. 5 BANK VALVE CONTROLS INSTALLATION - HYDRAULIC TOW/STABILIZER.....	608
FIGURE 4-22. 5 BANK VALVE CONTROLS INSTALLATION - HYDRAULIC TOW/STABILIZER.....	610
FIGURE 4-23. 5 BANK VALVE CONTROLS INSTALLATION - HYDRAULIC TOW/STABILIZER/REMOTE CONTROL.....	612
FIGURE 4-24. 5 BANK VALVE INSTALLATION – HYDRAULIC TOW/IRL/REMOTE CONTROL.....	614
FIGURE 4-25. 5 BANK VALVE CONTROLS INSTALLATION - HYDRAULIC TOW/IRL.....	616
FIGURE 4-26. 5 BANK VALVE CONTROLS INSTALLATION - HYDRAULIC TOW/IRL.....	618
FIGURE 4-27. 5 BANK VALVE CONTROLS INSTALLATION - HYD TOW/IRL/REMOTE CONTROL.....	620
FIGURE 4-28. 5 BANK VALVE CONTROLS INSTALLATION - HYDRAULIC TOW/IRL/WINCH MOTOR SPOOL.....	622
FIGURE 4-29. 5 BANK VALVE CONTROLS INSTALLATION - HYDRAULIC TOW/IRL/WINCH MOTOR SPOOL.....	624
FIGURE 4-30. 5 BANK VALVE CONTROLS INSTALLATION - HYDRAULIC TOW/IRL/WINCH MOTOR SPOOL/REMOTE CONTROL.....	626
FIGURE 4-31. 5 BANK VALVE CONTROLS INSTALLATION - HYDRAULIC TOW/IRL/WINCH MOTOR SPOOL/REMOTE CONTROL.....	628
FIGURE 4-32. 5 BANK VALVE CONTROLS INSTALLATION - HYDRAULIC TOW/IRL/COLOR HANDLES/RACEWAY.....	630
FIGURE 4-33. 5 BANK VALVE CONTROLS INSTALLATION - HYDRAULIC TOW/IRL/COLOR HANDLES/RACEWAY.....	632
FIGURE 4-34. 5 BANK VALVE CONTROLS INSTALLATION - HYDRAULIC TOW/IRL/COLOR HANDLES/RACEWAY.....	634
FIGURE 4-35. 5 BANK VALVE CONTROLS INSTALLATION - HYDRAULIC TOW/IRL/COLOR HANDLES/RACEWAY.....	636
FIGURE 4-36. 6 BANK VALVE INSTALLATION - HYDRAULIC TOW/IRL/HYDRAULIC GRID/REMOTE CONTROL.....	638
FIGURE 4-37. 6 BANK VALVE CONTROLS INSTALLATION - HYDRAULIC TOW/IRL/HYD GRID.....	640
FIGURE 4-38. 6 BANK VALVE CONTROLS INSTALLATION - HYDRAULIC TOW/IRL/HYD GRID.....	642
FIGURE 4-39. 6 BANK VALVE CONTROLS INSTALLATION - HYDRAULIC TOW/IRL/HYDRAULIC GRID/REMOTE CONTROL.....	644
FIGURE 4-40. 6 BANK VALVE CONTROLS INSTALLATION - HYDRAULIC TOW/IRL/ZOD.....	646
FIGURE 4-41. 6 BANK VALVE CONTROLS INSTALLATION - HYD TOW/IRL/ZOD/REMOTE CONTROL.....	648
FIGURE 4-42. VALVE ASSEMBLY - 3 BANK.....	650
FIGURE 4-43. VALVE ASSEMBLY - 5 BANK (WITHOUT WINCH MOTOR SPOOL).....	652
FIGURE 4-44. VALVE ASSEMBLY - 5 BANK (WITH WINCH MOTOR SPOOL).....	654
FIGURE 4-45. VALVE ASSEMBLY - 6 BANK (WITH AUTO GRIDS).....	656
FIGURE 4-46. VALVE ASSEMBLY - 6 BANK (WITH ZOD).....	658
FIGURE 4-47. LINEAR ACTUATOR MOUNTING KIT - 3 4, & 5 BANK VALVE.....	660
FIGURE 4-48. LINEAR ACTUATOR MOUNTING KIT - 6 BANK VALVE.....	662
FIGURE 4-49. LINEAR ACTUATOR INSTALLATION KIT.....	664
FIGURE 4-50. FREE SPOOL INSTALLATION - SINGLE 8K/10K WINCH (STANDARD HEADBOARD).....	666
FIGURE 4-51. FREE SPOOL INSTALLATION - SINGLE 8K/10K WINCH (DELUXE HEADBOARD).....	668
FIGURE 4-52. FREE SPOOL INSTALLATION - DUAL 8K/10K WINCH (STANDARD HEADBOARD).....	670
FIGURE 4-53. FREE SPOOL INSTALLATION - DUAL 8K/10K WINCH (DELUXE HEADBOARD).....	672
FIGURE 4-54. FREE SPOOL INSTALLATION - 8K/10K WINCH (AIR) (STANDARD HEADBOARD).....	674
FIGURE 4-55. FREE SPOOL INSTALLATION - 12K WINCH (BOLT-ON HEADBOARD).....	676
FIGURE 4-56. FREE SPOOL INSTALLATION - 12K WINCH (STATIONARY HEADBOARD).....	678
FIGURE 4-57. REMOTE CONTROL, ONE FUNCTION, WINCHES PLUS.....	680
FIGURE 4-58. REMOTE CONTROL, TWO FUNCTION, WINCHES PLUS.....	682
FIGURE 4-59. REMOTE CONTROL, THREE FUNCTION, WINCHES PLUS.....	684
FIGURE 4-60. REMOTE CONTROL, FOUR FUNCTION, WINCHES PLUS.....	686
FIGURE 4-61. REMOTE CONTROL, FIVE FUNCTION, WINCHES PLUS.....	688
FIGURE 4-62. MIRATRON WIRELESS INSTALLATION, ONE FUNCTION.....	690
FIGURE 4-63. MIRATRON WIRELESS INSTALLATION, TWO FUNCTION.....	692
FIGURE 4-64. MIRATRON WIRELESS INSTALLATION, THREE FUNCTION.....	694
FIGURE 4-65. MIRATRON WIRELESS INSTALLATION, FOUR FUNCTION.....	696
FIGURE 4-66. MIRATRON WIRELESS INSTALLATION, FIVE FUNCTION.....	698

# TABLE OF CONTENTS

FIGURE 4-67. REMOTE CONTROL 6 FUNCTION U/L TRANSMITTER HOLDER.....	700
SECTION 5 - HYDRAULIC.....	703
FIGURE 5-1. HOSE INSTALLATION - ALL CA STD CAB (ISUZU).....	704
FIGURE 5-2. HOSE INSTALLATION - 120IN CA STD CAB (2017+ FORD).....	706
FIGURE 5-3. HOSE INSTALLATION - 120IN CA STD CAB (DODGE).....	708
FIGURE 5-4. HOSE INSTALLATION - 120IN CA STD CAB (FORD).....	710
FIGURE 5-5. HOSE INSTALLATION - 120IN CA, 201IN WB.....	712
FIGURE 5-6. HOSE INSTALLATION - 120IN CA, 201IN WB.....	714
FIGURE 5-7. HOSE INSTALLATION - 120IN CA, 235IN WB.....	716
FIGURE 5-8. HOSE INSTALLATION - 120IN CT STD CAB (INTERNATIONAL).....	718
FIGURE 5-9. HOSE INSTALLATION - 120N CA, 235IN WB.....	720
FIGURE 5-10. HOSE INSTALLATION - 138IN CA STD CAB.....	722
FIGURE 5-11. HOSE INSTALLATION - 138IN CA, 219IN WB.....	724
FIGURE 5-12. HOSE INSTALLATION - 138IN CA, 219IN WB.....	726
FIGURE 5-13. HOSE INSTALLATION - 138IN CT STD CAB (INTERNATIONAL).....	728
FIGURE 5-14. HOSE INSTALLATION - 144IN CA STD CAB (HINO).....	730
FIGURE 5-15. HOSE INSTALLATION - 144IN CT STD CAB (INTERNATIONAL).....	732
FIGURE 5-16. HOSE INSTALLATION - 145IN CA STD CAB (HINO).....	734
FIGURE 5-17. HOSE INSTALLATION - 150IN CA CREW CAB (FORD - CREW CAB).....	736
FIGURE 5-18. HOSE INSTALLATION - 150IN CA STD CAB (FORD/HINO).....	738
FIGURE 5-19. HOSE INSTALLATION - 150IN CA STD CAB (PETERBILT).....	740
FIGURE 5-20. HOSE INSTALLATION - 150IN CA STD CAB (PETERBILT).....	742
FIGURE 5-21. HOSE INSTALLATION - 150IN CA, 231IN WB.....	744
FIGURE 5-22. HOSE INSTALLATION - 150IN CA, 231IN WB.....	746
FIGURE 5-23. HOSE INSTALLATION - 150IN CT EXT CAB (FORD).....	748
FIGURE 5-24. HOSE INSTALLATION - 150IN CT EXT CAB (INTERNATIONAL).....	750
FIGURE 5-25. HOSE INSTALLATION - 150IN CT STD CAB (FREIGHLINER).....	752
FIGURE 5-26. HOSE INSTALLATION - 150IN CT STD CAB (INTERNATIONAL).....	754
FIGURE 5-27. HOSE INSTALLATION - 162IN CA, 243IN WB.....	756
FIGURE 5-28. HOSE INSTALLATION - 162IN CA, 243IN WB.....	758
FIGURE 5-29. HOSE INSTALLATION - SIDE RECOVERY SYSTEM (SRS).....	760
FIGURE 5-30. HOSE INSTALLATION - STABILIZER.....	762
FIGURE 5-31. HOSE INSTALLATION - STABILIZER (REAR DECK).....	764
FIGURE 5-32. HOSE INSTALLATION - SUBFRAME (20FT DECK).....	766
FIGURE 5-33. HOSE INSTALLATION - SUBFRAME (21FT/22FT DECK).....	768
FIGURE 5-34. HOSE INSTALLATION - WHEEL LIFT 3500 LBS.....	770
FIGURE 5-35. HOSE INSTALLATION - WHEEL LIFT (AUTO GRIDS).....	772
FIGURE 5-36. HOSE INSTALLATION - WINCH (PLANETARY GEAR).....	774
FIGURE 5-37. HYDRAULIC FILTER COVER PLATE.....	776
FIGURE 5-38. TANK (HYDRAULIC) AND BRACKET MOUNT INSTALLATION.....	778
FIGURE 5-39. TANK (HYDRAULIC) ASSEMBLY.....	780
SECTION 6 - ELECTRICAL.....	783
FIGURE 6-1. BREAKER INSTALLATION - 50AMP.....	784
FIGURE 6-2. CAMERA (BACKUP) CARRIER INSTALLATION.....	786
FIGURE 6-3. CAMERA (BACKUP) CARRIER INSTALLATION - OEM.....	788
FIGURE 6-4. CAMERA (BACKUP) CARRIER INSTALLATION - OEM (CV515).....	790
FIGURE 6-5. CAMERA (BACKUP) IN REAR VIEW MIRROR INSTALLATION.....	792
FIGURE 6-6. CAMERA (CARGO) INSTALLATION - HEADBOARD MOUNTED.....	794
FIGURE 6-7. CAMERA HARNESS.....	796
FIGURE 6-8. DECK FLASHER REAR ILLUMINATION.....	798
FIGURE 6-9. LIGHTS AND WIRING INSTALLATION - BOLTED-ON HEADBOARD.....	800
FIGURE 6-10. LIGHTS AND WIRING INSTALLATION - STATIONARY HEADBOARD.....	802
FIGURE 6-11. LIGHTS - 24 VOLT LIGHT SWAP INSTALLATION.....	804
FIGURE 6-12. LIGHTS - BUMPER STROBE INSTALLATION.....	806
FIGURE 6-13. LIGHTS - LIGHTBAR INSTALLATION (STANDARD MOUNT) (ECCO BRAND) (STANDARD MOUNT).....	808
FIGURE 6-14. LIGHTS - LIGHTBAR INSTALLATION (STANDARD MOUNT) (ECCO BRAND) (HIGH MOUNT).....	810
FIGURE 6-15. LIGHTS - LIGHTBAR INSTALLATION (STANDARD MOUNT) (WHELEN BRAND).....	812
FIGURE 6-16. LIGHTS - LIGHTBAR INSTALLATION (HIGH MOUNT) (WHELEN BRAND).....	814
FIGURE 6-17. LIGHTS - LIGHTBAR ASSEMBLY (ECCO BRAND).....	816
FIGURE 6-18. LIGHTS - LIGHTBAR ASSEMBLY (WHELEN BRAND).....	818
FIGURE 6-19. LIGHTS - MARKER LIGHT INSTALLATION, CARRIER DECK.....	822
FIGURE 6-20. LIGHTS - MARKER LIGHT INSTALLATION, CARRIER DECK - 24V.....	824
FIGURE 6-21. LIGHTS - MARKER LIGHT, TOOL BOX TOP STORAGE TRAY.....	826



# TABLE OF CONTENTS

FIGURE 6-22. LIGHTS - TOOLBOX LIGHT INSTALLATION.....	828
FIGURE 6-23. LIGHTS - WORK LIGHTS INSTALLATION - HEADBOARD.....	830
FIGURE 6-24. LIGHTS - WORK LIGHTS INSTALLATION - HEADBOARD (BUCKET REST) .....	832
FIGURE 6-25. LIGHTS - WORK LIGHTS INSTALLATION - HEADBOARD (SRS) .....	834
FIGURE 6-26. LIGHTS - WORKLIGHTS INSTALLATION (REAR) .....	836
FIGURE 6-27. LIGHTS - WORKLIGHTS INSTALLATION (WINCH).....	838
FIGURE 6-28. LIGHT BRACKET ASSEMBLY - TOOLBOX.....	840
FIGURE 6-29. LIGHT MOUNTING BAR IINSTALLATION (BUCKET REST).....	842
FIGURE 6-30. SUBFRAME HARNESS.....	844
FIGURE 6-31. SUBFRAME TO CAB HARNESS (BOLT-ON HEADBOARD).....	846
FIGURE 6-32. SUBFRAME TO CAB HARNESS (STATIONARY HEADBOARD).....	848
FIGURE 6-33. SUBFRAME TO DECK HARNESS (BOLT-ON HEADBOARD) .....	850
FIGURE 6-34. SUBFRAME TO DECK HARNESS (STATIONARY HEADBOARD).....	852
FIGURE 6-35. SWITCH PANEL INSTALLATION - 3 FUNCTION (IN-DASH COMPACT) .....	854
FIGURE 6-36. SWITCH PANEL INSTALLATION - 3 FUNCTION (IN-DASH MINI).....	856
FIGURE 6-37. SWITCH PANEL INSTALLATION - 3 FUNCTION (UNDER-DASH COMPACT) .....	858
FIGURE 6-38. SWITCH PANEL ASSEMBLY - 3 FUNCTION (UNDER-DASH COMPACT) .....	860
FIGURE 6-39. SWITCH PANEL ASSEMBLY - 3 FUNCTION (IN-DASH COMPACT) .....	862
FIGURE 6-40. SWITCH PANEL ASSEMBLY - 3 FUNCTION (OEM).....	864
FIGURE 6-41. SWITCH PANEL INSTALLATION - 4 FUNCTION (IN-DASH) (FORD 2008-2016 F550 OEM) .....	866
FIGURE 6-42. SWITCH PANEL INSTALLATION - 4 FUNCTION (IN-DASH) (FORD 2011+ F650/750 OEM) .....	868
FIGURE 6-43. SWITCH PANEL INSTALLATION - 5 FUNCTION (IN-DASH COMPACT) .....	870
FIGURE 6-44. SWITCH PANEL INSTALLATION - 5 FUNCTION (IN-DASH COMPACT) (IHC WITHOUT OEM).....	872
FIGURE 6-45. SWITCH PANEL INSTALLATION - 5 FUNCTION (IN-DASH) (PETERBILT) .....	874
FIGURE 6-46. SWITCH PANEL INSTALLATION - 5 FUNCTION (UNDER-DASH COMPACT) .....	876
FIGURE 6-47. SWITCH PANEL ASSEMBLY - 5 FUNCTION (IN-DASH) .....	878
FIGURE 6-48. SWITCH PANEL ASSEMBLY - 5 FUNCTION UNDER-DASH (COMPACT) .....	880
FIGURE 6-49. SWITCH PANEL INSTALLATION - 6 FUNCTION (FORD F550 2017+ OEM) .....	882
FIGURE 6-50. SWITCH PANEL INSTALLATION - 6 FUNCTION (IN-DASH COMPACT) (IHC WITH OEM) .....	884
FIGURE 6-51. SWITCH PANEL INSTALLATION - 6 FUNCTION (RAM 2013+).....	886
FIGURE 6-52. SIDE RECOVERY SYSTEM (SRS) HARNESS (WITHOUT REMOTE CONTROL) .....	888
FIGURE 6-53. SIDE RECOVERY SYSTEM (SRS) HARNESS (WITH REMOTE CONTROL).....	890
SECTION 7 - DECALS.....	893
FIGURE 7-1. STANDARD DUTY DECALS INSTALLATION.....	894
FIGURE 7-2. STANDARD DUTY DECALS INSTALLATION (CARGO HAULER).....	898
FIGURE 7-3. CARRIER DECAL INSTALLATION, SPANISH.....	902
FIGURE 7-4. HIGH VISIBILITY REFLECTIVE TAPE .....	906
FIGURE 7-5. DECAL INSTALLATION AND RELOCATION.....	908
SECTION 8 - ACCESSORIES .....	911
FIGURE 8-1. KITS LIST .....	912
FIGURE 8-2. 7-WAY ELECTRICAL CONNECTOR.....	914
FIGURE 8-3. 7-WAY ELECTRICAL INSTALLATION .....	916
FIGURE 8-4. AIR SUPPLY DISCONNECT .....	918
FIGURE 8-5. BOOM INSTALLATION - BALL HITCH (HYDRAULIC).....	920
FIGURE 8-6. BOOM INSTALLATION - BALL HITCH (MANUAL) .....	922
FIGURE 8-7. BOOM INSTALLATION - PINTLE HITCH (HYDRAULIC).....	924
FIGURE 8-8. BOOM INSTALLATION, PINTLE HITCH (MANUAL).....	926
FIGURE 8-9. BUMPER INSTALLATION - PUSH (FRONT) (NO GRILLE GUARD (DODGE 2011+).....	928
FIGURE 8-10. BUMPER INSTALLATION - PUSH (FRONT) (NO GRILLE GUARD (FORD F550 2011-2016).....	930
FIGURE 8-11. BUMPER INSTALLATION - PUSH (FRONT) (NO GRILLE GUARD (FORD F550 2017+).....	932
FIGURE 8-12. BUMPER INSTALLATION - PUSH (FRONT) (NO GRILLE GUARD (FREIGHTLINER 2008+).....	934
FIGURE 8-13. BUMPER INSTALLATION - PUSH (FRONT) (NO GRILLE GUARD) (FORD F650 2011-2016) .....	936
FIGURE 8-14. BUMPER INSTALLATION - PUSH (FRONT) (NO GRILLE GUARD) (HINO).....	938
FIGURE 8-15. BUMPER INSTALLATION - PUSH (FRONT) (NO GRILLE GUARD) (IHC 4300).....	940
FIGURE 8-16. BUMPER INSTALLATION - PUSH (FRONT) (WITH GRILLE GUARD (FORD F550 2011-2016).....	942
FIGURE 8-17. BUMPER INSTALLATION - PUSH (FRONT) (WITH GRILLE GUARD (FORD F550 2017+).....	944
FIGURE 8-18. CHAIN BINDER, 1/2IN CHAIN.....	946
FIGURE 8-19. CHAIN BINDER, 3/8IN CHAIN.....	948
FIGURE 8-20. CHAIN RACKS (ADJUSTABLE/FIXED HEADBOARD).....	950
FIGURE 8-21. CHAIN RACKS (ADJUSTABLE/FIXED HEADBOARD) (LOCKING).....	952
FIGURE 8-22. CHAIN RACKS (DELUXE HEADBOARD) .....	954
FIGURE 8-23. CHAIN RACKS (DELUXE HEADBOARD) (LOCKING).....	956
FIGURE 8-24. FIRE EXTINGUISHER ACCESSORY.....	958

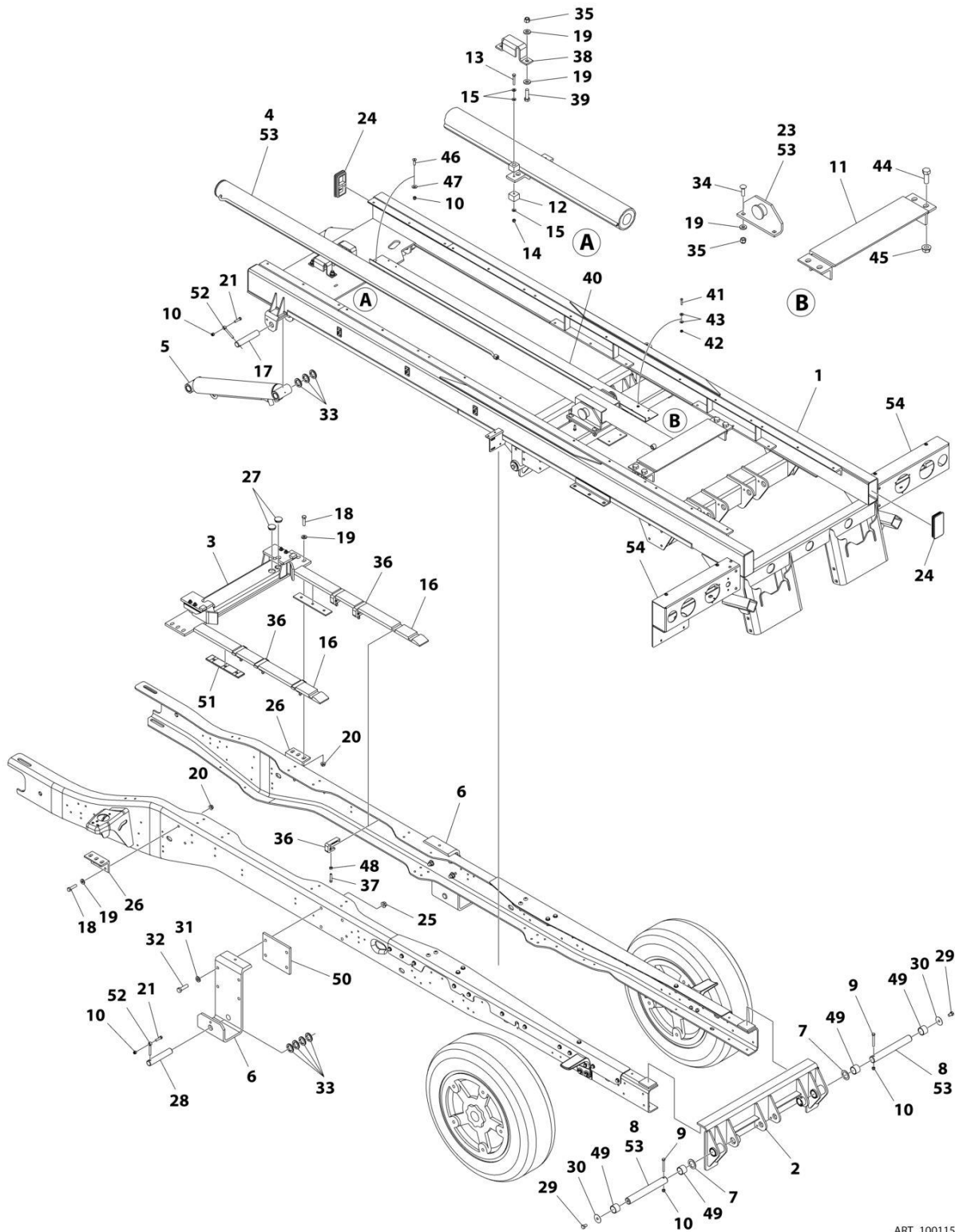
# TABLE OF CONTENTS

FIGURE 8-25. FUEL CAN HOLDER & CHAIN RACK INSTALLATION (HEADBOARD) .....	960
FIGURE 8-26. FUEL CAN HOLDER & LOCKING CHAIN RACK INSTALLATION (HEADBOARD) .....	962
FIGURE 8-27. FUEL CAN HOLDER & PROPANE TANK HOLDER (ADJUSTABLE HEADBOARD) .....	964
FIGURE 8-28. FUEL CAN HOLDER INSTALLATION (DELUXE HEADBOARD) .....	966
FIGURE 8-29. FUEL CAN HOLDER INSTALLATION (FIXED & ADJUSTABLE HEADBOARD) .....	968
FIGURE 8-30. FUEL TANK MODIFICATION INSTALLATION .....	970
FIGURE 8-31. GLAD HAND INSTALLATION WITH MTG BRACKET .....	972
FIGURE 8-32. GLAD HAND INSTALLATION WITHOUT MTG BRACKET .....	974
FIGURE 8-33. GLADHANDS BRACKET INSTALLATION .....	976
FIGURE 8-34. GRAB HANDLES (ADJUSTABLE HEADBOARD) .....	978
FIGURE 8-35. HEADBOARD PLUG INSTALLATION - NO EMERGENCY LIGHTBAR .....	980
FIGURE 8-36. KEYSLOT INSTALLATION - EXTRUDED .....	982
FIGURE 8-37. LADDER, 3-STEP FOLDING (LEFT & RIGHT) .....	984
FIGURE 8-38. LADDER, 3-STEP FOLDING (LEFT) .....	986
FIGURE 8-39. MAGNETIC MOUNTED TOW LIGHT KIT .....	988
FIGURE 8-40. PROPANE TANK HOLDERS (ADJUSTABLE HEADBOARD) .....	990
FIGURE 8-41. PROPANE TANK HOLDERS (FIXED HEADBOARD) .....	992
FIGURE 8-42. REMOTE THROTTLE CONTROL .....	994
FIGURE 8-43. RUBBER WHEEL CHOCKS .....	996
FIGURE 8-44. SADDLE SPACERS INSTALLATION .....	998
FIGURE 8-45. SAFETY TRIANGLE KIT .....	1000
FIGURE 8-46. STRAP EXTENSION WITH SWIVEL HOOK - 50FT .....	1002
FIGURE 8-47. STRAP KIT - CARRIER 8 POINT TIRE TIE DOWN .....	1004
FIGURE 8-48. SUCTION MOUNTED TOW LIGHT KIT .....	1006
FIGURE 8-49. TAIL LIGHT CONVERSION KIT, SPLIT STOP/TURN .....	1008
FIGURE 8-50. TAIL LIGHT CONVERSION HARNESS .....	1010
FIGURE 8-51. TIE DOWN STRAP/RACHET STRAP KIT .....	1012
FIGURE 8-52. TIE DOWN STRAP/RACHET STRAP KIT (AUTO GRIDS) .....	1014
FIGURE 8-53. TOOLBOX AIR COMPRESSOR/HOSE REEL .....	1016
FIGURE 8-54. TOOLBOX TRAY CARGO NET INSTALLATION .....	1018
FIGURE 8-55. TOW BALL - SS CONVERT-A-BALL KIT .....	1020
FIGURE 8-56. TOW HITCH RECEIVER INSTALLATION - 2.5IN BALL (STATIONARY) .....	1022
FIGURE 8-57. TOW HITCH - BALL HITCH PLATE (MANUAL/HYDRAULIC) .....	1024
FIGURE 8-58. TOW HITCH - PINTLE HITCH PLATE (MANUAL) .....	1026
FIGURE 8-59. TOW HITCH - PINTLE HITCH PLATE (MANUAL/HYDRAULIC) .....	1028
FIGURE 8-60. TOW HITCH - PINTLE HITCH PLATE (STATIONARY) .....	1030
FIGURE 8-61. TOW HITCH - BALL HITCH PLATE (MANUAL) .....	1032
FIGURE 8-62. TOW HITCH - STATIONARY 2 IN TOW HITCH RECEIVER .....	1034
FIGURE 8-63. TOW HITCH - STATIONARY 2.5 IN TOW HITCH RECEIVER .....	1036
FIGURE 8-64. TOW HITCH RECEIVER INSTALLATION - 2IN BALL (STATIONARY) .....	1038
FIGURE 8-65. TOW HITCH RECEIVER INSTALLATION - PINTLE (STATIONARY) .....	1040
FIGURE 8-66. TOW PINTLE - DUPLEX PINTLE HITCH .....	1042
FIGURE 8-67. TRAILER ACC, 2.31IN DIA BALL .....	1044
FIGURE 8-68. TRAILER ACC, 1.88IN DIA BALL .....	1046
FIGURE 8-69. TRAILER ACC, 2IN DIA BALL .....	1048
FIGURE 8-70. TRUCK SCALES - ON BOARD (AIR WEIGHT) (DEALER INSTALLED) .....	1050
FIGURE 8-71. TRUCK SCALES - ON BOARD (RIGHT WEIGHT) (DEALER INSTALLED) .....	1052
FIGURE 8-72. VALVE STEM EXTENSION KIT .....	1054
 SECTION 9 - BUILD DOCUMENTS .....	 1057
FIGURE 9-1. BUILD DOC_5376000238 .....	1058
 PART NUMBER INDEX .....	 1063

**SECTION 1 - SUBFRAME**

# SECTION 1 - SUBFRAME

FIGURE 1-1. SUBFRAME INSTALLATION - 19FT/20FT (2012+ DODGE 5500 & 2012+ FORD F550)



ART\_1001151462

## SECTION 1 - SUBFRAME

**FIGURE 1-1. SUBFRAME INSTALLATION - 19FT/20FT (2012+ DODGE 5500 & 2012+ FORD F550)**

ITEM	PART NUMBER	QTY	DESCRIPTION	REV
	1001151462	Ref	SUBFRAME INSTALLATION FORD DODGE	H
1	1001177719	1	Frame Weldment	
2	1001162403	1	Trunnion	
3	3558000019	1	Hold Down Assembly (prior to SN 0220023372 excluding 0220023219)	
3	1001272550	1	Hold Down Assembly (SN 0220023372 to present including 0220023219)	
4	1001166855	1	Roll Cylinder Assembly (See Separate Breakdown in this Section)	
5	1001270175	2	Tilt Cylinder Assembly (See Separate Breakdown in this Section)	
6	4178000805	2	Bracket	
7	7949000008	2	Washer 2-1/4	
8	4691000573	2	Pin	
9	0641624	2	Capscrew 3/8 x 3	
10	3300492	7	Nut 3/8	
11	3017000104	1	Angle	
12	7189000026	4	Bumper	
13	7114141450	2	Capscrew 1/4 x 1-3/4	
14	7660142604	2	Nut 1/4	
15	7950140143	6	Washer 1/4	
16	1001151248	2	Pad (prior to SN 0220023372 excluding 0220023219)	
17	1001188134	2	Pin	
18	0651816	8	Capscrew 1/2 x 2 (prior to SN 0220023372 excluding 0220023219)	
19	4891800	20	Washer 1/2 (prior to SN 0220023372 excluding 0220023219)	
19	4891800	12	Washer 1/2 (SN 0220023372 to present including 0220023219)	
20	7660182333	8	Nut 1/2 (prior to SN 0220023372 excluding 0220023219)	
21	0641612	4	Capscrew 3/8 x 1-1/2	
23	3636000144	2	Trunnion	
24	7701000048	4	Plug	
25	7660202347	8	Nut 5/8	
26	4017001271	2	Angle (prior to SN 0220023372 excluding 0220023219)	
27	7701000063	4	Plug	
28	1001188139	2	Pin	
29	0641806	2	Capscrew 1/2 x 3/4	
30	7949000072	2	Washer 2	
31	4892000	8	Washer 5/8	
32	7105202050	8	Capscrew 5/8 x 2-1/2	
33	4209000358	14	Bushing	
34	7115181464	4	Bolt 1/2 x 1-3/4	
35	7660182601	8	Nut 1/2	
36	7274000125	6	Clamp (prior to SN 0220023372 excluding 0220023219)	
37	7120000032	6	Bolt 3/8 x 1-3/4	
38	4178000912	2	Bracket	
39	0641812	4	Bolt 1/2 x 1-3/4	
40	1001162798	1	Plate	
41	7114100818	2	Capscrew #10 x 1	
42	3300455	2	Nut 10	
43	4751300	4	Washer 3/16	
44	0642216	4	Bolt 3/4 x 2	
45	7660222308	4	Nut 3/4	
46	0741610	1	Bolt 3/8 x 1-1/4	

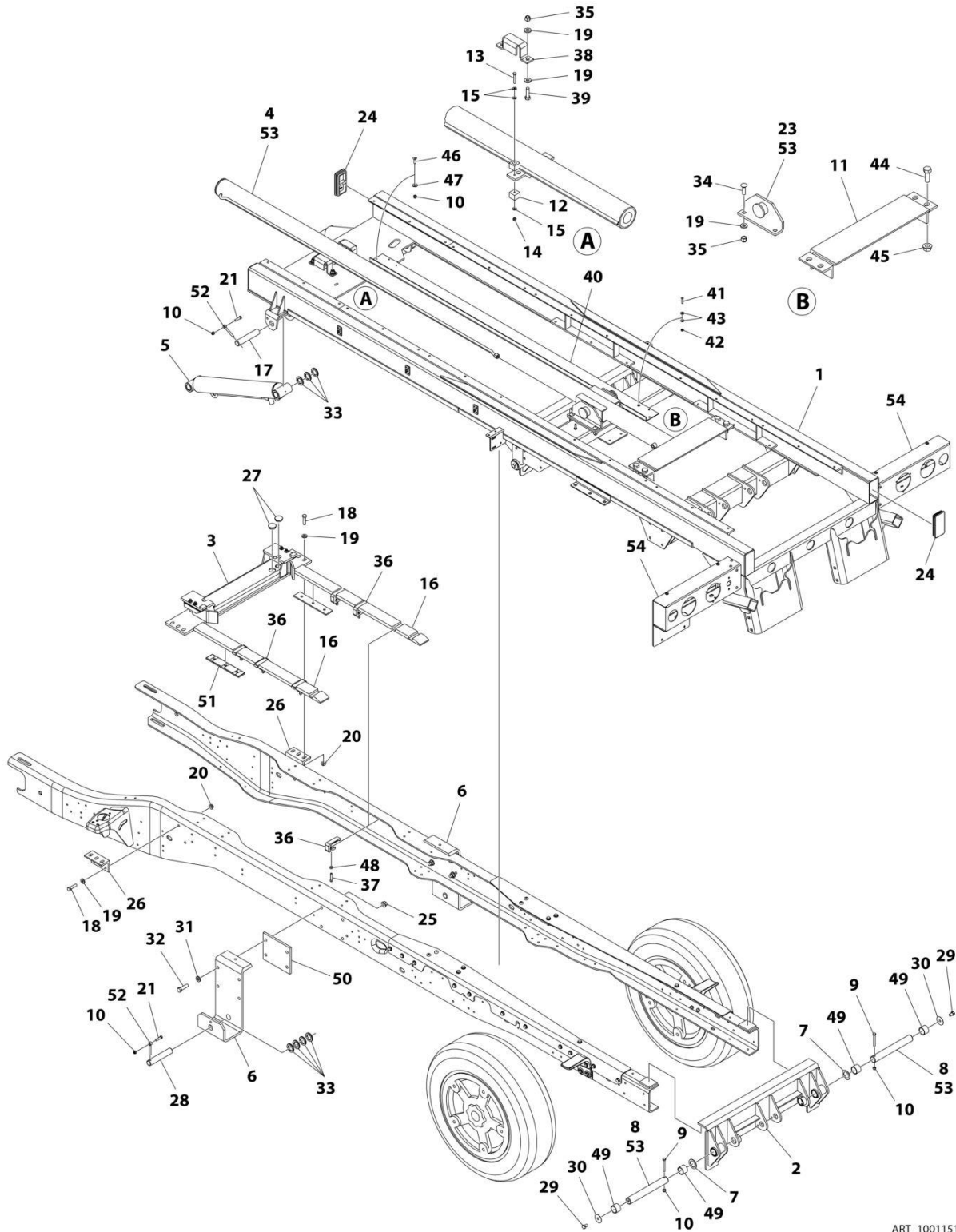
## SECTION 1 - SUBFRAME

ITEM	PART NUMBER	QTY	DESCRIPTION	REV
47	4751600	1	Washer 3/8	
48	3271601	6	Nut 3/8 (prior to SN 0220023372 excluding 0220023219)	
49	7082000017	4	Bearing	
50	1001147116	2	Shim	
51	3340898	2	Pad (prior to SN 0220023372 excluding 0220023219)	
52	3841143	4	Keeper, Shaft	
53	3020039	AR	Lubricant	
54	1001173948	1	Light Box and Cover Installation (See Separate Breakdown in this Section)	



# SECTION 1 - SUBFRAME

FIGURE 1-2. SUBFRAME INSTALLATION - 19FT/20FT (2012+ DODGE 5500 & 2012+ FORD F550)  
(GALVANIZED)



ART\_1001151505



## SECTION 1 - SUBFRAME

**FIGURE 1-2. SUBFRAME INSTALLATION - 19FT/20FT (2012+ DODGE 5500 & 2012+ FORD F550)  
(GALVANIZED)**

ITEM	PART NUMBER	QTY	DESCRIPTION	REV
	1001151505	Ref	SUBFRAME INSTALLATION FORD DODGE GALVANIZED	I
1	1001177720	1	Frame Weldment	
2	1001162403	1	Trunnion	
3	3558000019	1	Hold Down Assembly (prior to SN 0220023372 excluding 0220023219)	
3	1001272550	1	Hold Down Installation (SN 0220023372 to present including 0220023219)	
4	1001166855	1	Roll Cylinder Assembly (See Separate Breakdown in this Section)	
5	1001270175	2	Tilt Cylinder Assembly (See Separate Breakdown in this Section)	
6	4178000805	2	Bracket	
7	7949000008	2	Washer 2-1/4	
8	4691000573	2	Pin	
9	0641624	2	Capscrew 3/8 x 3	
10	3300492	7	Nut 3/8	
11	3017000104	1	Angle	
12	7189000026	4	Bumper	
13	7114141450	2	Capscrew 1/4 x 1-3/4	
14	7660142604	2	Nut 1/4	
15	7950140143	6	Washer 1/4	
16	1001151248	2	Pad (prior to SN 0220023372 excluding 0220023219)	
17	1001188134	2	Pin	
18	0651816	8	Capscrew 1/2 x 2 (prior to SN 0220023372 excluding 0220023219)	
19	4891800	20	Washer 1/2 (prior to SN 0220023372 excluding 0220023219)	
	4891800	1	Washer 1/2 (SN 0220023372 to present including 0220023219)	
20	7660182333	8	Nut 1/2 (prior to SN 0220023372 excluding 0220023219)	
21	0641612	4	Capscrew 3/8 x 1-1/2	
23	3636000144	2	Trunnion	
24	7701000048	4	Plug	
25	7660202347	8	Nut 5/8	
26	4017001271	2	Angle (prior to SN 0220023372 excluding 0220023219)	
27	7701000063	4	Plug (prior to SN 0220023372 excluding 0220023219)	
28	1001188139	2	Pin	
29	0641806	2	Capscrew 1/2 x 3/4	
30	7949000072	2	Washer 2	
31	4892000	8	Washer 5/8	
32	7105202050	8	Capscrew 5/8 x 2-1/2	
33	4209000358	14	Bushing	
34	7115181464	4	Bolt 1/2 x 1-3/4	
35	7660182601	8	Nut 1/2	
36	7274000125	6	Clamp (prior to SN 0220023372 excluding 0220023219)	
37	7120000032	6	Bolt 3/8 x 1-3/4 (prior to SN 0220023372 excluding 0220023219)	
38	4178000912	2	Bracket	
39	0641814	4	Bolt 1/2 x 1-3/4	
40	1001162798	1	Plate	
41	7114100818	2	Capscrew #10 x 1	
42	3300455	2	Nut 10	
43	4751300	4	Washer 3/16	
44	0642216	4	Bolt 3/4 x 2	
45	7660222308	4	Nut 3/4	

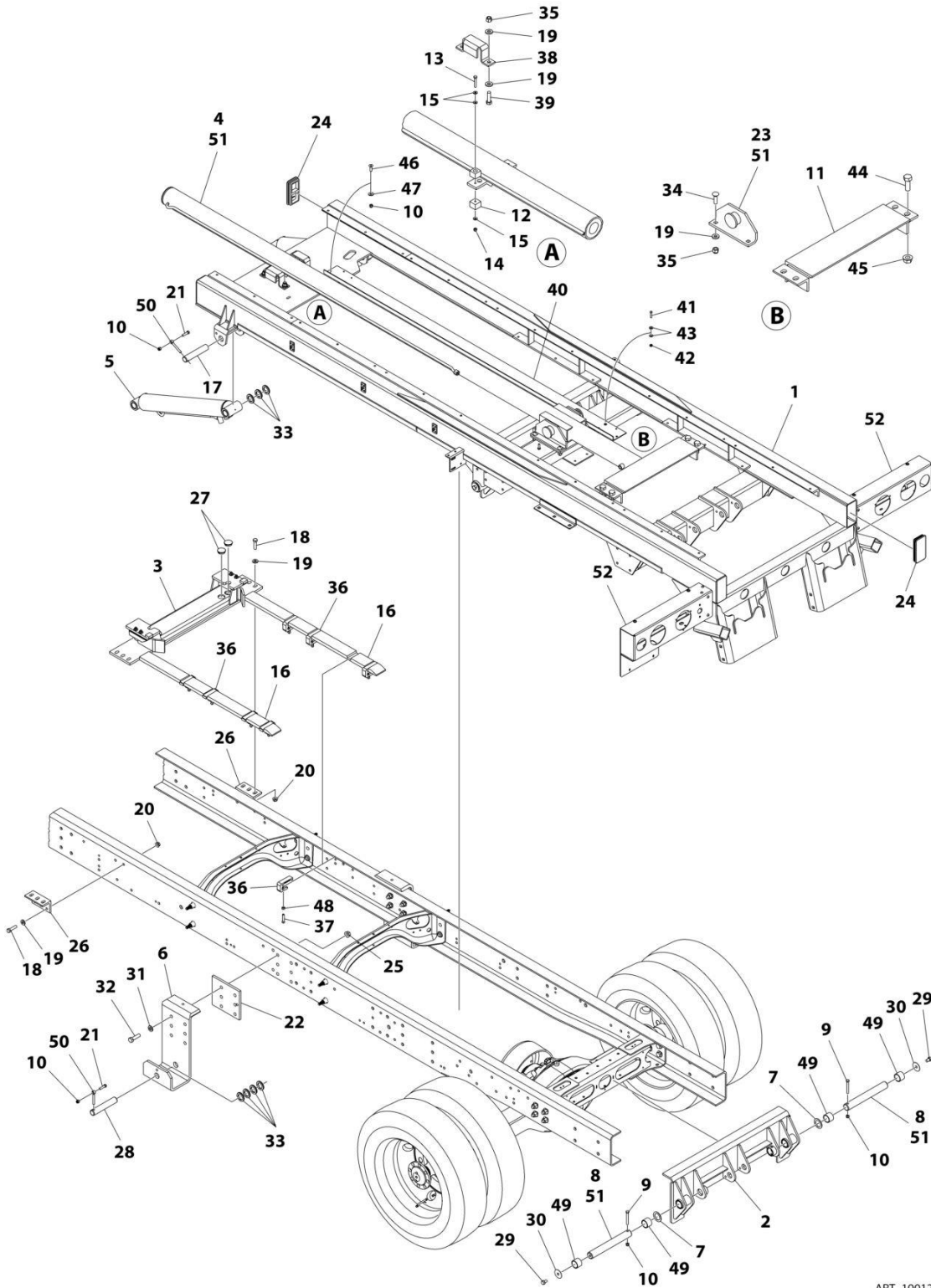
## SECTION 1 - SUBFRAME

ITEM	PART NUMBER	QTY	DESCRIPTION	REV
46	0741610	1	Bolt 3/8 x 1-1/4	
47	4751600	1	Washer 3/8	
48	3271601	6	Nut 3/8 (prior to SN 0220023372 excluding 0220023219)	
49	7082000017	4	Bearing	
50	1001147116	2	Shim	
51	3340898	2	Pad (prior to SN 0220023372 excluding 0220023219)	
52	3841143	4	Keeper, Shaft	
53	3020039	AR	Lubricant	
54	1001173949	1	Light Box and Cover Installation (See Separate Breakdown in this Section)	



# SECTION 1 - SUBFRAME

## FIGURE 1-3. SUBFRAME INSTALLATION - 20FT (2019+ CVC515)



ART\_1001253907

## SECTION 1 - SUBFRAME

**FIGURE 1-3. SUBFRAME INSTALLATION - 20FT (2019+ CVC515)**

ITEM	PART NUMBER	QTY	DESCRIPTION	REV
	1001253907	Ref	SUBFRAME INSTALLATION XLP, OUTBOARD, 2019 GM/IHC	C
1	1001177719	1	Frame Weldment	
2	1001162403	1	Trunnion	
3	3558000019	1	Hold Down Assembly	
4	1001166855	1	Roll Cylinder Assembly (See Separate Breakdown in this Section)	
5	1001270175	2	Tilt Cylinder Assembly (See Separate Breakdown in this Section)	
6	1001142062	2	Bracket	
7	7949000008	2	Washer 2-1/4	
8	4691000573	2	Pin	
9	0641624	2	Capscrew 3/8 x 3	
10	3300492	7	Nut 3/8	
11	3017000104	1	Angle	
12	7189000026	4	Bumper	
13	7114141450	2	Capscrew 1/4 x 1-3/4	
14	7660142604	2	Nut 1/4	
15	7950140143	6	Washer 1/4	
16	1001151248	2	Pad	
17	1001188134	2	Pin	
18	0651816	8	Capscrew 1/2 x 2	
19	4891800	20	Washer 1/2	
20	7660182333	8	Nut 1/2	
21	0641612	4	Capscrew 3/8 x 1-1/2	
22	1001159915	2	Shim	
23	3636000144	2	Trunnion	
24	7701000048	4	Plug	
25	7660202347	8	Nut 5/8	
26	4017001271	2	Angle	
27	7701000063	4	Plug	
28	1001188139	2	Pin	
29	0641806	2	Capscrew 1/2 x 3/4	
30	7949000072	2	Washer 2	
31	4892000	8	Washer 5/8	
32	7105202050	8	Capscrew 5/8 x 2-1/2	
33	4209000358	14	Bushing	
34	7115181464	4	Bolt 1/2 x 1-3/4	
35	7660182601	8	Nut 1/2	
36	7274000125	8	Clamp	
37	7120000032	8	Bolt 3/8 x 1-3/4	
38	4178000912	2	Bracket	
39	0641814	4	Bolt 1/2 x 1-3/4	
40	1001162798	1	Plate	
41	7114100818	2	Capscrew #10 x 1	
42	3300455	2	Nut 10	
43	4751300	4	Washer 3/16	
44	0642216	4	Bolt 3/4 x 2	
45	7660222308	4	Nut 3/4	
46	0741610	1	Bolt 3/8 x 1-1/4	
47	4751600	1	Washer 3/8	
48	3271601	8	Nut 3/8	
49	7082000017	4	Bearing	

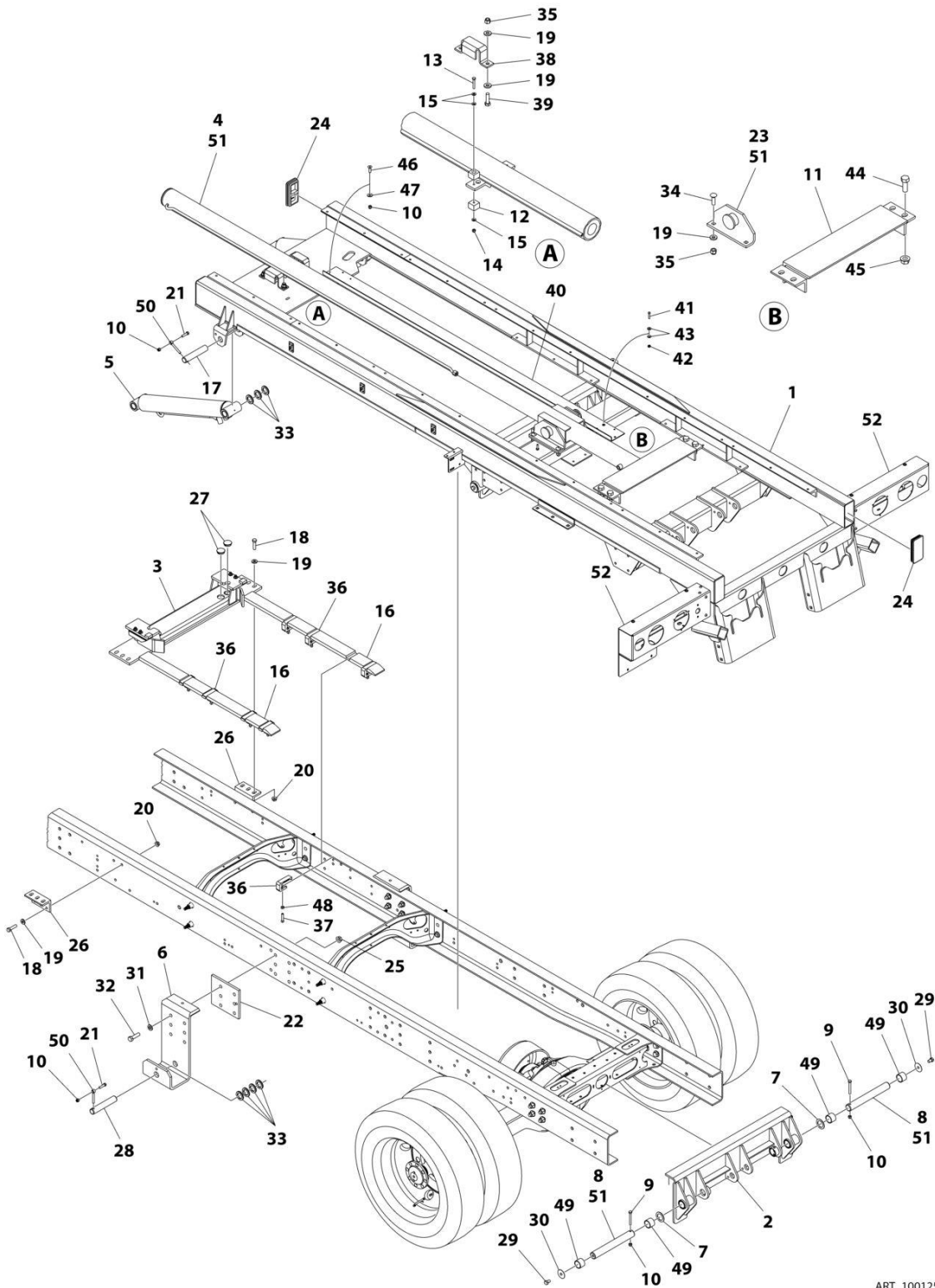
## SECTION 1 - SUBFRAME

ITEM	PART NUMBER	QTY	DESCRIPTION	REV
50	3841143	4	Keeper, Shaft	
51	3020039	AR	Lubricant	
52	1001173948	1	Light Box and Cover Installation (See Separate Breakdown in this Section)	



# SECTION 1 - SUBFRAME

FIGURE 1-4. SUBFRAME INSTALLATION - 20FT (2019+ CVC515) (GALVANIZED)



ART\_1001253909



## SECTION 1 - SUBFRAME

**FIGURE 1-4. SUBFRAME INSTALLATION - 20FT (2019+ CVC515) (GALVANIZED)**

ITEM	PART NUMBER	QTY	DESCRIPTION	REV
	1001253909	Ref	SUBFRAME INSTALLATION XLP, OUTBOARD GALVANIZED, 2019 GM/IHC	C
1	1001177720	1	Frame Weldment	
2	1001162403	1	Trunnion	
3	3558000019	1	Hold Down Assembly	
4	1001166855	1	Roll Cylinder Assembly (See Separate Breakdown in this Section)	
5	1001270175	2	Tilt Cylinder Assembly (See Separate Breakdown in this Section)	
6	1001142062	2	Bracket	
7	7949000008	2	Washer 2-1/4	
8	4691000573	2	Pin	
9	0641624	2	Capscrew 3/8 x 3	
10	3300492	7	Nut 3/8	
11	3017000104	1	Angle	
12	7189000026	4	Bumper	
13	7114141450	2	Capscrew 1/4 x 1-3/4	
14	7660142604	2	Nut 1/4	
15	7950140143	6	Washer 1/4	
16	1001151248	2	Pad	
17	1001188134	2	Pin	
18	0651816	8	Capscrew 1/2 x 2	
19	4891800	20	Washer 1/2	
20	7660182333	8	Nut 1/2	
21	0641612	4	Capscrew 3/8 x 1-1/2	
22	1001159915	2	Shim	
23	3636000144	2	Trunnion	
24	7701000048	4	Plug	
25	7660202347	8	Nut 5/8	
26	4017001271	2	Angle	
27	7701000063	4	Plug	
28	1001188139	2	Pin	
29	0641806	2	Capscrew 1/2 x 3/4	
30	7949000072	2	Washer 2	
31	4892000	8	Washer 5/8	
32	7105202050	8	Capscrew 5/8 x 2-1/2	
33	4209000358	14	Bushing	
34	7115181464	4	Bolt 1/2 x 1-3/4	
35	7660182601	8	Nut 1/2	
36	7274000125	8	Clamp	
37	7120000032	8	Bolt 3/8 x 1-3/4	
38	4178000912	2	Bracket	
39	0641814	4	Bolt 1/2 x 1-3/4	
40	1001162798	1	Plate	
41	7114100818	2	Capscrew #10 x 1	
42	3300455	2	Nut 10	
43	4751300	4	Washer 3/16	
44	0642216	4	Bolt 3/4 x 2	
45	7660222308	4	Nut 3/4	
46	0741610	1	Bolt 3/8 x 1-1/4	
47	4751600	1	Washer 3/8	
48	3271601	8	Nut 3/8	

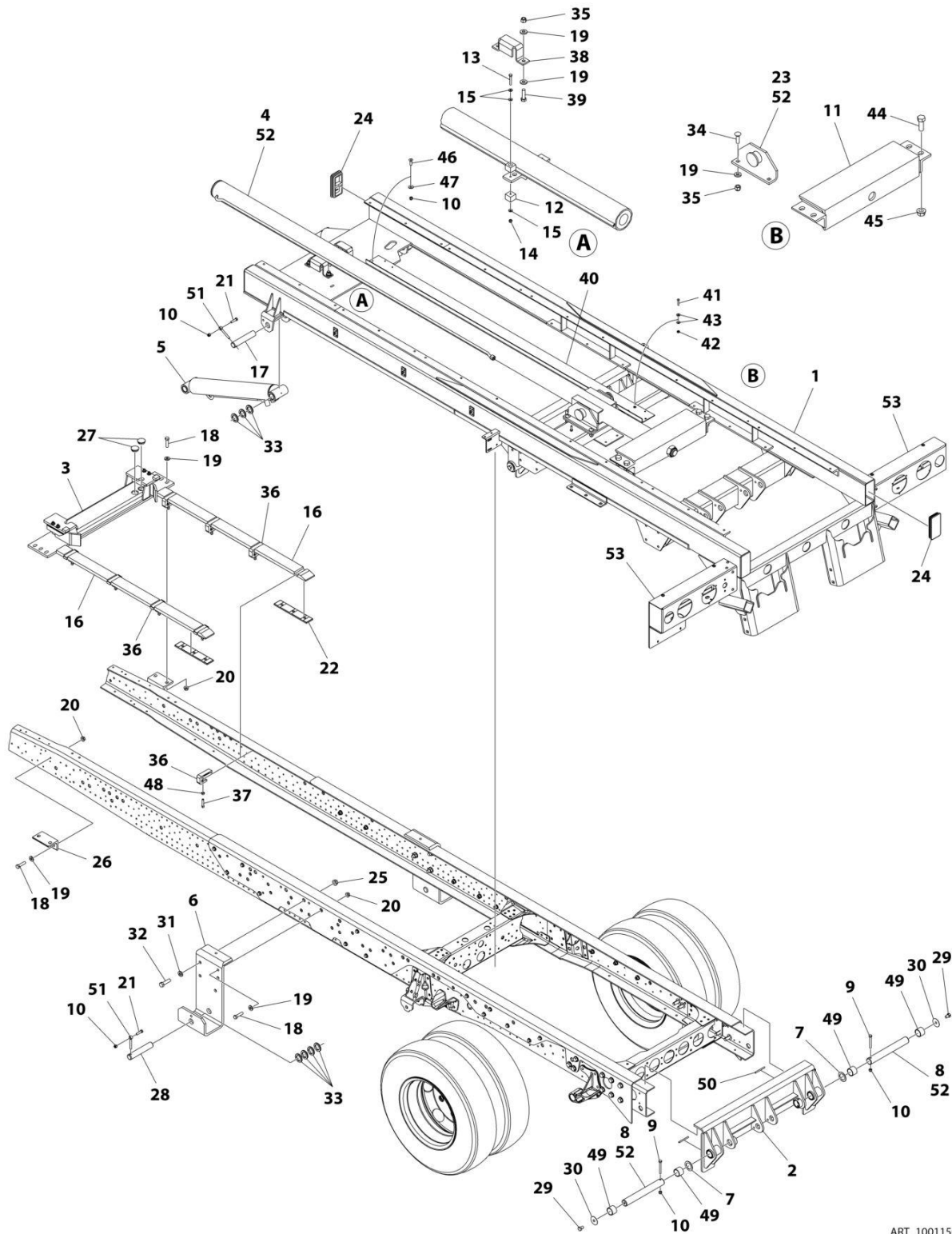
## SECTION 1 - SUBFRAME

ITEM	PART NUMBER	QTY	DESCRIPTION	REV
49	7082000017	4	Bearing	
50	3841143	4	Keeper, Shaft	
51	3020039	AR	Lubricant	
52	1001173949	1	Light Box and Cover Installation (See Separate Breakdown in this Section)	



# SECTION 1 - SUBFRAME

## FIGURE 1-5. SUBFRAME INSTALLATION - 20FT/22FT (ISUZU)



ART\_1001156359

## SECTION 1 - SUBFRAME

**FIGURE 1-5. SUBFRAME INSTALLATION - 20FT/22FT (ISUZU)**

ITEM	PART NUMBER	QTY	DESCRIPTION	REV
	1001156359	Ref	SUBFRAME INSTALLATION XLP ISUZU NRR	G
1	1001177719	1	Frame Weldment	
2	1001162403	1	Trunnion	
3	3558000019	1	Hold Down Assembly	
4	1001166855	1	Roll Cylinder Assembly (See Separate Breakdown in this Section)	
5	1001270175	2	Tilt Cylinder Assembly (See Separate Breakdown in this Section)	
6	1001142062	2	Bracket	
7	7949000008	2	Washer 2-1/4	
8	4691000573	2	Pin	
9	0641624	2	Capscrew 3/8 x 3	
10	3300492	7	Nut 3/8	
11	3017000104	1	Angle	
12	7189000026	4	Bumper	
13	7114141450	2	Capscrew 1/4 x 1-3/4	
14	7660142604	2	Nut 1/4	
15	7950140143	6	Washer 1/4	
16	4679000332	2	Pad	
17	1001188134	2	Pin	
18	0651816	9	Capscrew 1/2 x 2	
19	4891800	21	Washer 1/2	
20	7660182333	9	Nut 1/2	
21	0641612	4	Capscrew 3/8 x 1-1/2	
22	3340898	10	Pad	
23	3636000144	2	Trunnion	
24	7701000048	4	Plug	
25	7660202347	8	Nut 5/8	
26	1001159913	2	Angle	
27	7701000063	4	Plug	
28	1001188139	2	Pin	
29	0641806	2	Capscrew 1/2 x 3/4	
30	7949000072	2	Washer 2	
31	4892000	8	Washer 5/8	
32	7105201850	8	Capscrew 5/8 x 2-1/4	
33	4209000358	14	Bushing	
34	7115181464	4	Bolt 1/2 x 1-3/4	
35	7660182601	8	Nut 1/2	
36	7274000125	8	Clamp	
37	7120000032	8	Bolt 3/8 x 1-3/4	
38	4178000912	2	Bracket	
39	0641814	4	Bolt 1/2 x 1-3/4	
40	1001162798	1	Plate	
41	7114100818	2	Capscrew #10 x 1	
42	3300455	2	Nut 10	
43	4751300	4	Washer 3/16	
44	0642216	4	Bolt 3/4 x 2	
45	7660222308	4	Nut 3/4	
46	0741610	1	Bolt 3/8 x 1-1/4	
47	4751600	1	Washer 3/8	
48	3271601	8	Nut 3/8	
49	7082000017	4	Bearing	

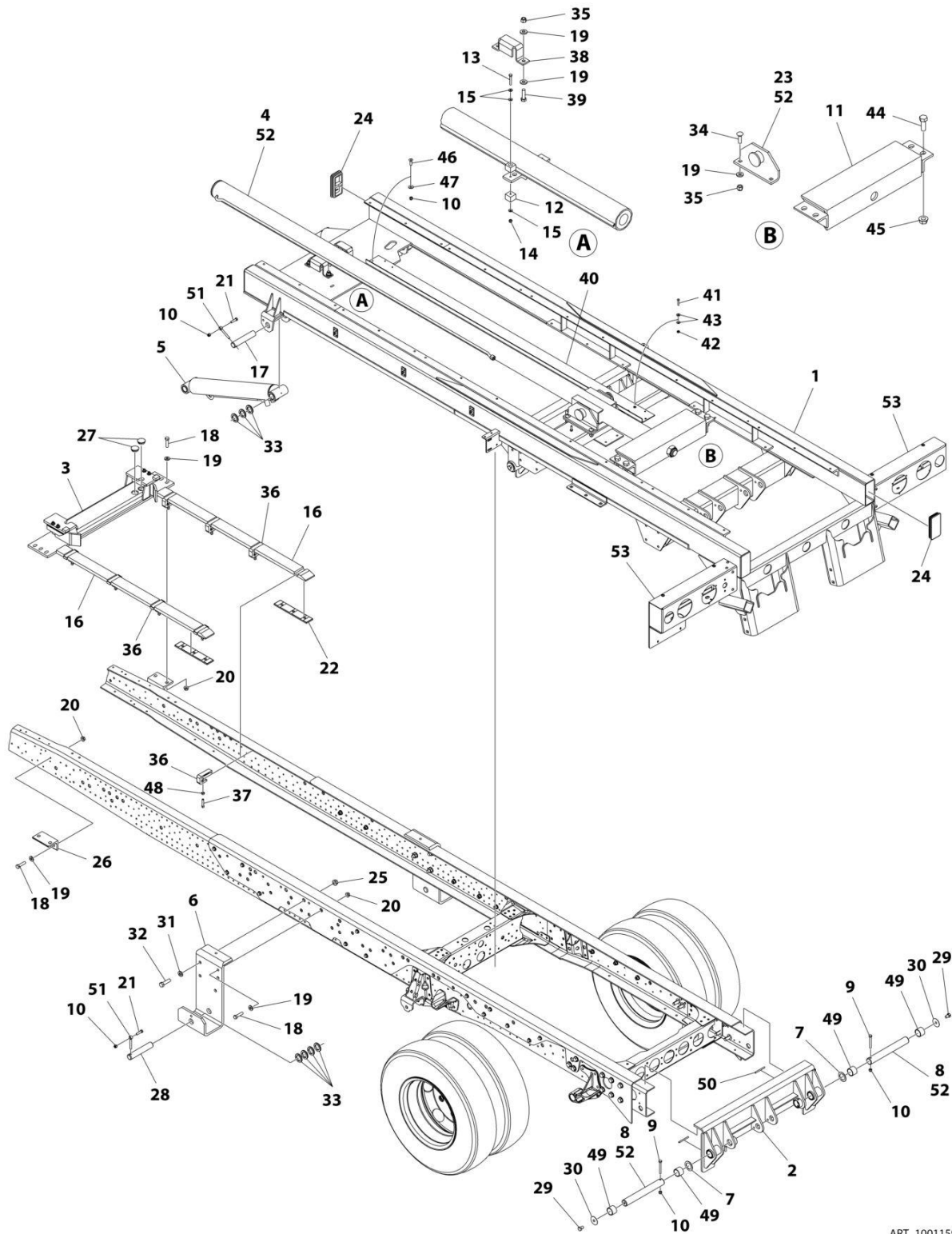
## SECTION 1 - SUBFRAME

ITEM	PART NUMBER	QTY	DESCRIPTION	REV
50	1001159822	2	Rod	
51	3841143	4	Keeper, Shaft	
52	3020039	AR	Lubricant	
53	1001173948	1	Light Box and Cover Installation (See Separate Breakdown in this Section)	



# SECTION 1 - SUBFRAME

## FIGURE 1-6. SUBFRAME INSTALLATION - 20FT/22FT (ISUZU) (GALVANIZED)



ART\_1001159625



## SECTION 1 - SUBFRAME

**FIGURE 1-6. SUBFRAME INSTALLATION - 20FT/22FT (ISUZU) (GALVANIZED)**

ITEM	PART NUMBER	QTY	DESCRIPTION	REV
	1001159625	Ref	SUBFRAME INSTALLATION XLP GALVANIZED ISUZU NRR	G
1	1001177720	1	Frame Weldment	
2	1001162403	1	Trunnion	
3	3558000019	1	Hold Down Assembly	
4	1001166855	1	Roll Cylinder Assembly (See Separate Breakdown in this Section)	
5	1001270175	2	Tilt Cylinder Assembly (See Separate Breakdown in this Section)	
6	1001142062	2	Bracket	
7	7949000008	2	Washer 2-1/4	
8	4691000573	2	Pin	
9	0641624	2	Capscrew 3/8 x 3	
10	3300492	7	Nut 3/8	
11	3017000104	1	Angle	
12	7189000026	4	Bumper	
13	7114141450	2	Capscrew 1/4 x 1-3/4	
14	7660142604	2	Nut 1/4	
15	7950140143	6	Washer 1/4	
16	4679000332	2	Pad	
17	1001188134	2	Pin	
18	0651816	9	Capscrew 1/2 x 2	
19	4891800	21	Washer 1/2	
20	7660182333	9	Nut 1/2	
21	0641612	4	Capscrew 3/8 x 1-1/2	
22	3340898	10	Pad	
23	3636000144	2	Trunnion	
24	7701000048	4	Plug	
25	7660202347	8	Nut 5/8	
26	1001159913	2	Angle	
27	7701000063	4	Plug	
28	1001188139	2	Pin	
29	0641806	2	Capscrew 1/2 x 3/4	
30	7949000072	2	Washer 2	
31	4892000	8	Washer 5/8	
32	7105201850	8	Capscrew 5/8 x 2-1/4	
33	4209000358	14	Bushing	
34	7115181464	4	Bolt 1/2 x 1-3/4	
35	7660182601	8	Nut 1/2	
36	7274000125	8	Clamp	
37	7120000032	8	Bolt 3/8 x 1-3/4	
38	4178000912	2	Bracket	
39	0641814	4	Bolt 1/2 x 1-3/4	
40	1001162798	1	Plate	
41	7114100818	2	Capscrew #10 x 1	
42	3300455	2	Nut 10	
43	4751300	4	Washer 3/16	
44	0642216	4	Bolt 3/4 x 2	
45	7660222308	4	Nut 3/4	
46	0741610	1	Bolt 3/8 x 1-1/4	
47	4751600	1	Washer 3/8	
48	3271601	8	Nut 3/8	
49	7082000017	4	Bearing	

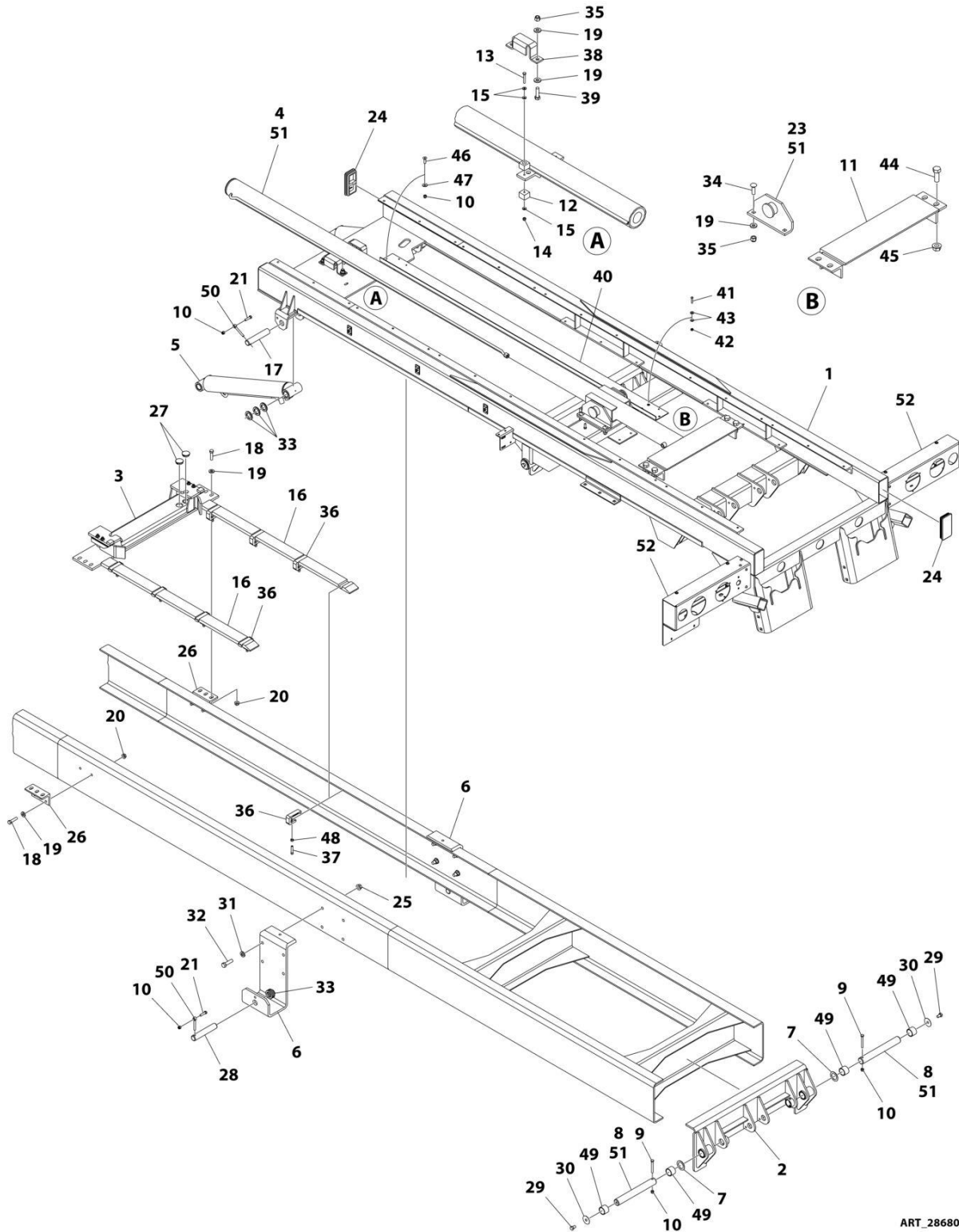
## SECTION 1 - SUBFRAME

ITEM	PART NUMBER	QTY	DESCRIPTION	REV
50	1001159822	2	Rod	
51	3841143	4	Keeper, Shaft	
52	3020039	AR	Lubricant	
53	1001173949	1	Light Box and Cover Installation (See Separate Breakdown in this Section)	



# SECTION 1 - SUBFRAME

## FIGURE 1-7. SUBFRAME INSTALLATION - 21FT/22FT



ART\_2868000146

## SECTION 1 - SUBFRAME

**FIGURE 1-7. SUBFRAME INSTALLATION - 21FT/22FT**

ITEM	PART NUMBER	QTY	DESCRIPTION	REV
	2868000146	Ref	SUBFRAME INSTALLATION 6-TON XLP	K
1	1001177719	1	Frame Weldment	
2	1001162403	1	Trunnion	
3	3558000019	1	Hold Down Assembly	
4	1001166855	1	Roll Cylinder Assembly (See Separate Breakdown in this Section)	
5	1001270175	2	Tilt Cylinder Assembly (See Separate Breakdown in this Section)	
6	4178000805	2	Bracket	
7	7949000008	2	Washer 2-1/4	
8	4691000573	2	Pin	
9	0641624	2	Capscrew 3/8 x 3	
10	3300492	7	Nut 3/8	
11	3017000104	1	Angle	
12	7189000026	4	Bumper	
13	7114141450	2	Capscrew 1/4 x 1-3/4	
14	7660142604	2	Nut 1/4	
15	7950140143	6	Washer 1/4	
16	4679000332	2	Pad	
17	1001188134	2	Pin	
18	0651816	8	Capscrew 1/2 x 2	
19	4891800	20	Washer 1/2	
20	7660182333	8	Nut 1/2	
21	0641612	4	Capscrew 3/8 x 1-1/2	
23	3636000144	2	Trunnion	
24	7701000048	4	Plug	
25	7660202347	8	Nut 5/8	
26	4017001271	2	Angle	
27	7701000063	4	Plug	
28	1001188139	2	Pin	
29	0641806	2	Capscrew 1/2 x 3/4	
30	7949000072	2	Washer 2	
31	4892000	8	Washer 5/8	
32	7105201850	8	Capscrew 5/8 x 2-1/4	
33	4209000358	14	Bushing	
34	7115181464	4	Bolt 1/2 x 1-3/4	
35	7660182601	8	Nut 1/2	
36	7274000125	8	Clamp	
37	7120000032	8	Bolt 3/8 x 1-3/4	
38	4178000912	1	Bracket	
39	0641814	4	Bolt 1/2 x 1-3/4	
40	1001162798	1	Plate	
41	7114100818	2	Capscrew #10 x 1	
42	3300455	2	Nut 10	
43	4751300	4	Washer 3/16	
44	0642216	4	Bolt 3/4 x 2	
45	7660222308	4	Nut 3/4	
46	0741610	1	Bolt 3/8 x 1-1/4	
47	4751600	1	Washer 3/8	
48	3271601	8	Nut 3/8	
49	7082000017	4	Bearing	
50	3841143	4	Keeper, Shaft	

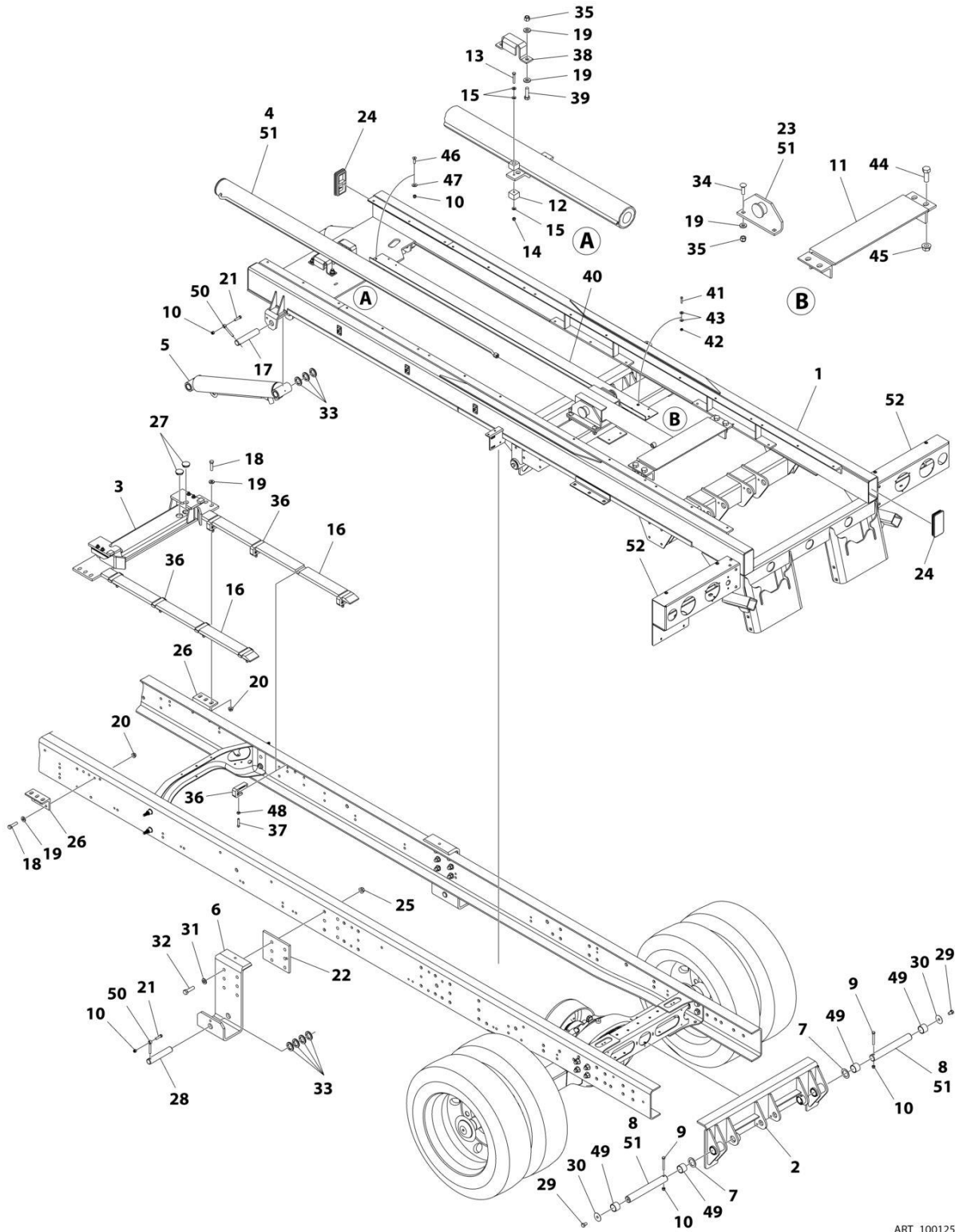
## SECTION 1 - SUBFRAME

ITEM	PART NUMBER	QTY	DESCRIPTION	REV
51	3020039	AR	Lubricant	
52	1001173948	1	Light Box and Cover Installation (See Separate Breakdown in this Section)	



# SECTION 1 - SUBFRAME

## FIGURE 1-8. SUBFRAME INSTALLATION - 21FT/22FT (2019+ CVC515)



ART\_1001253908



## SECTION 1 - SUBFRAME

**FIGURE 1-8. SUBFRAME INSTALLATION - 21FT/22FT (2019+ CVC515)**

ITEM	PART NUMBER	QTY	DESCRIPTION	REV
	1001253908	Ref	SUBFRAME INSTALLATION XLP, OUTBOARD, 2019 CHEVY/IHC	C
1	1001177719	1	Frame Weldment	
2	1001162403	1	Trunnion	
3	3558000019	1	Hold Down Assembly	
4	1001166855	1	Roll Cylinder Assembly (See Separate Breakdown in this Section)	
5	1001270175	2	Tilt Cylinder Assembly (See Separate Breakdown in this Section)	
6	1001142062	2	Bracket	
7	7949000008	2	Washer 2-1/4	
8	4691000573	2	Pin	
9	0641624	2	Capscrew 3/8 x 3	
10	3300492	7	Nut 3/8	
11	3017000104	1	Angle	
12	7189000026	4	Bumper	
13	7114141450	2	Capscrew 1/4 x 1-3/4	
14	7660142604	2	Nut 1/4	
15	7950140143	6	Washer 1/4	
16	4679000332	2	Pad	
17	1001188134	2	Pin	
18	0651816	8	Capscrew 1/2 x 2	
19	4891800	20	Washer 1/2	
20	7660182333	8	Nut 1/2	
21	0641612	4	Capscrew 3/8 x 1-1/2	
22	1001159915	2	Shim	
23	3636000144	2	Trunnion	
24	7701000048	4	Plug	
25	7660202347	12	Nut 5/8	
26	4017001271	2	Angle	
27	7701000063	4	Plug	
28	1001188139	2	Pin	
29	0641806	2	Capscrew 1/2 x 3/4	
30	7949000072	2	Washer 2	
31	4892000	12	Washer 5/8	
32	7105202050	12	Capscrew 5/8 x 2-1/2	
33	4209000358	14	Bushing	
34	7115181464	4	Bolt 1/2 x 1-3/4	
35	7660182601	8	Nut 1/2	
36	7274000125	8	Clamp	
37	7120000032	8	Bolt 3/8 x 1-3/4	
38	4178000912	2	Bracket	
39	0641814	4	Bolt 1/2 x 1-3/4	
40	1001162798	1	Plate	
41	7114100818	2	Capscrew #10 x 1	
42	3300455	2	Nut 10	
43	4751300	4	Washer 3/16	
44	0642216	4	Bolt 3/4 x 2	
45	7660222308	4	Nut 3/4	
46	0741610	1	Bolt 3/8 x 1-1/4	
47	4751600	1	Washer 3/8	
48	3271601	8	Nut 3/8	
49	7082000017	4	Bearing	

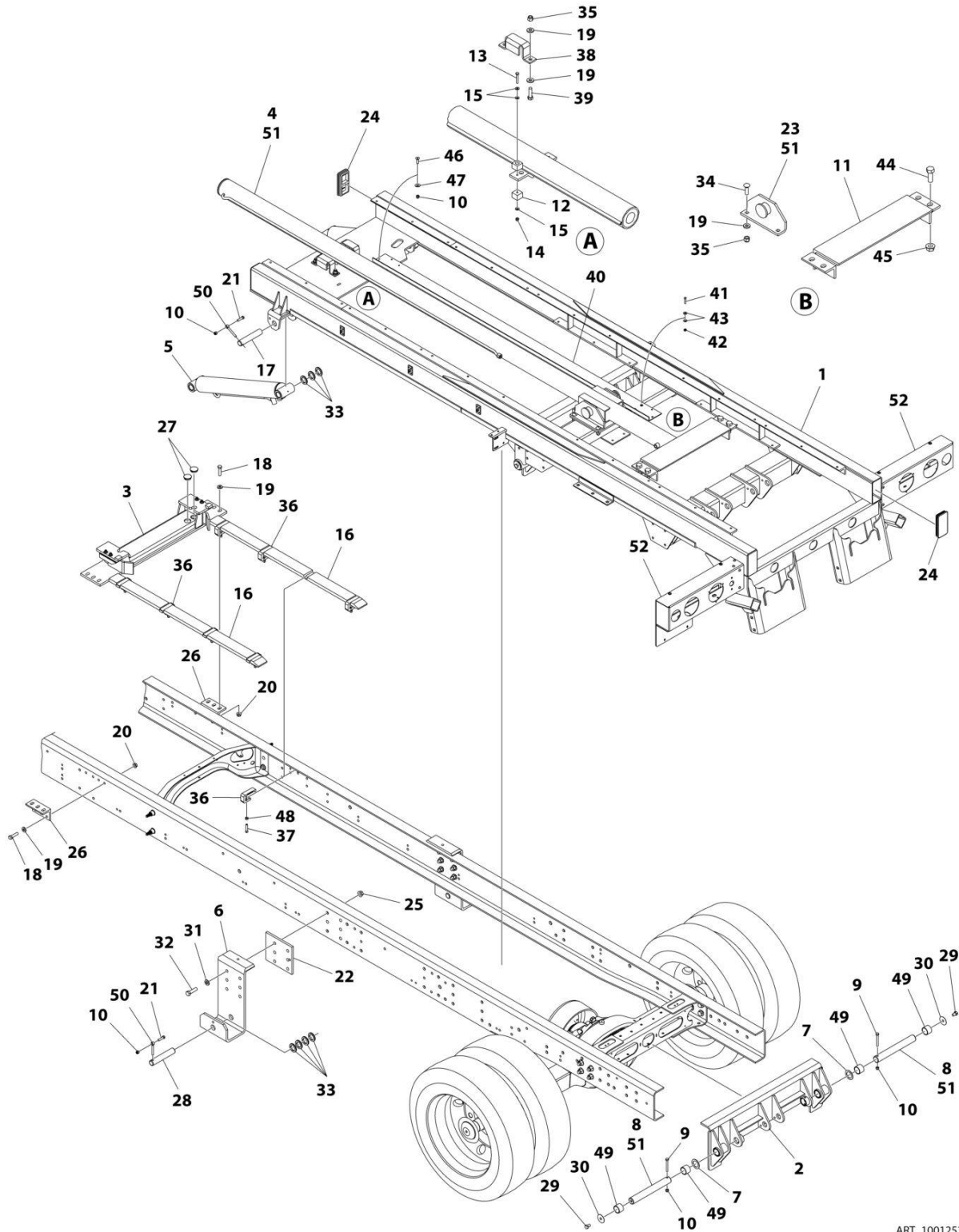
## SECTION 1 - SUBFRAME

ITEM	PART NUMBER	QTY	DESCRIPTION	REV
50	3841143	4	Keeper, Shaft	
51	3020039	AR	Lubricant	
52	1001173948	1	Light Box and Cover Installation (See Separate Breakdown in this Section)	



# SECTION 1 - SUBFRAME

FIGURE 1-9. SUBFRAME INSTALLATION - 21FT/22FT (2019+ CVC515) (GALVANIZED)



ART\_1001253910

## SECTION 1 - SUBFRAME

**FIGURE 1-9. SUBFRAME INSTALLATION - 21FT/22FT (2019+ CVC515) (GALVANIZED)**

ITEM	PART NUMBER	QTY	DESCRIPTION	REV
	1001253910	Ref	SUBFRAME INSTALLATION XLP, OUTBOARD GALVANIZED, 2019 CHEVY/IHC	C
1	1001177720	1	Frame Weldment	
2	1001162403	1	Trunnion	
3	3558000019	1	Hold Down Assembly	
4	1001166855	1	Roll Cylinder Assembly (See Separate Breakdown in this Section)	
5	1001270175	2	Tilt Cylinder Assembly (See Separate Breakdown in this Section)	
6	1001142062	2	Bracket	
7	7949000008	2	Washer 2-1/4	
8	4691000573	2	Pin	
9	0641624	2	Capscrew 3/8 x 3	
10	3300492	7	Nut 3/8	
11	3017000104	1	Angle	
12	7189000026	4	Bumper	
13	7114141450	2	Capscrew 1/4 x 1-3/4	
14	7660142604	2	Nut 1/4	
15	7950140143	6	Washer 1/4	
16	4679000332	2	Pad	
17	1001188134	2	Pin	
18	0651816	8	Capscrew 1/2 x 2	
19	4891800	20	Washer 1/2	
20	7660182333	8	Nut 1/2	
21	0641612	4	Capscrew 3/8 x 1-1/2	
22	1001159915	2	Shim	
23	3636000144	2	Trunnion	
24	7701000048	4	Plug	
25	7660202347	12	Nut 5/8	
26	4017001271	2	Angle	
27	7701000063	4	Plug	
28	1001188139	2	Pin	
29	0641806	2	Capscrew 1/2 x 3/4	
30	7949000072	2	Washer 2	
31	4892000	12	Washer 5/8	
32	7105202050	12	Capscrew 5/8 x 2-1/2	
33	4209000358	14	Bushing	
34	7115181464	4	Bolt 1/2 x 1-3/4	
35	7660182601	8	Nut 1/2	
36	7274000125	8	Clamp	
37	7120000032	8	Bolt 3/8 x 1-3/4	
38	4178000912	2	Bracket	
39	0641814	4	Bolt 1/2 x 1-3/4	
40	1001162798	1	Plate	
41	7114100818	2	Capscrew #10 x 1	
42	3300455	2	Nut 10	
43	4751300	4	Washer 3/16	
44	0642216	4	Bolt 3/4 x 2	
45	7660222308	4	Nut 3/4	
46	0741610	1	Bolt 3/8 x 1-1/4	
47	4751600	1	Washer 3/8	
48	3271601	8	Nut 3/8	

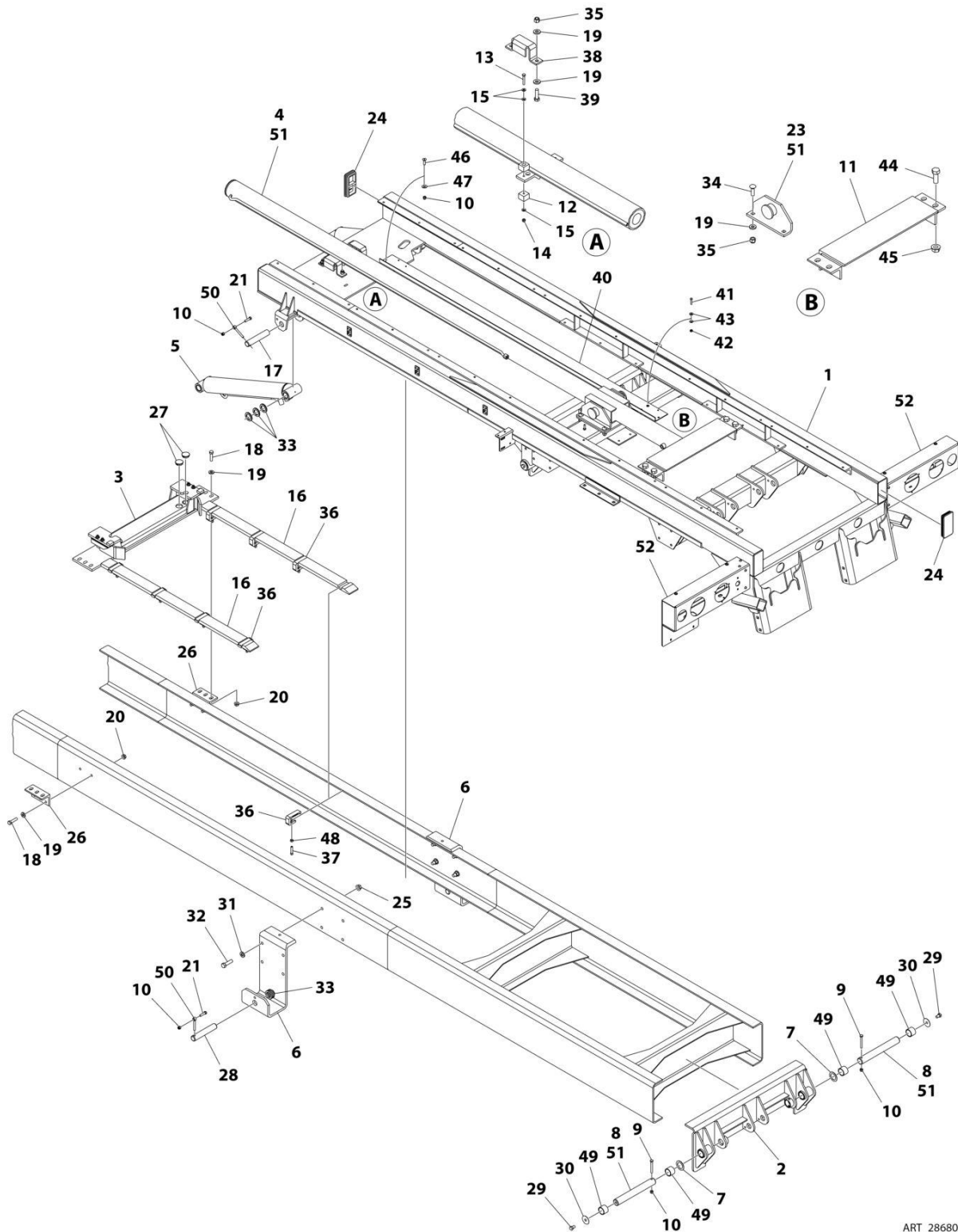
## SECTION 1 - SUBFRAME

ITEM	PART NUMBER	QTY	DESCRIPTION	REV
49	7082000017	4	Bearing	
50	3841143	4	Keeper, Shaft	
51	3020039	AR	Lubricant	
52	1001173949	1	Light Box and Cover Installation (See Separate Breakdown in this Section)	



# SECTION 1 - SUBFRAME

## FIGURE 1-10. SUBFRAME INSTALLATION - 21FT/22FT (GALVANIZED)



ART\_2868000148



## SECTION 1 - SUBFRAME

**FIGURE 1-10. SUBFRAME INSTALLATION - 21FT/22FT (GALVANIZED)**

ITEM	PART NUMBER	QTY	DESCRIPTION	REV
	2868000148	Ref	SUBFRAME INSTALLATION 6-TON XLP GALVANIZED	K
2	1001177720	1	Frame Weldment	
2	1001162403	1	Trunnion	
3	3558000019	1	Hold Down Assembly	
4	1001166855	1	Roll Cylinder Assembly (See Separate Breakdown in this Section)	
5	1001270175	2	Tilt Cylinder Assembly (See Separate Breakdown in this Section)	
6	4178000805	2	Bracket	
7	7949000008	2	Washer 2-1/4	
8	4691000573	2	Pin	
9	0641624	2	Capscrew 3/8 x 3	
10	3300492	7	Nut 3/8	
11	3017000104	1	Angle	
12	7189000026	4	Bumper	
13	7114141450	2	Capscrew 1/4 x 1-3/4	
14	7660142604	2	Nut 1/4	
15	7950140143	6	Washer 1/4	
16	4679000332	2	Pad	
17	1001188134	2	Pin	
18	0651816	8	Capscrew 1/2 x 2	
19	4891800	20	Washer 1/2	
20	7660182333	8	Nut 1/2	
21	0641612	4	Capscrew 3/8 x 1-1/2	
23	3636000144	2	Trunnion	
24	7701000048	4	Plug	
25	7660202347	8	Nut 5/8	
26	4017001271	2	Angle	
27	7701000063	4	Plug	
28	1001188139	2	Pin	
29	0641806	2	Capscrew 1/2 x 3/4	
30	7949000072	2	Washer 2	
31	4892000	8	Washer 5/8	
32	7105201850	8	Capscrew 5/8 x 2-1/4	
33	4209000358	14	Bushing	
34	7115181464	4	Bolt 1/2 x 1-3/4	
35	7660182601	8	Nut 1/2	
36	7274000125	8	Clamp	
37	7120000032	8	Bolt 3/8 x 1-3/4	
38	4178000912	1	Bracket	
39	0641814	4	Bolt 1/2 x 1-3/4	
40	1001162798	1	Plate	
41	7114100818	2	Capscrew #10 x 1	
42	3300455	2	Nut 10	
43	4751300	4	Washer 3/16	
44	0642216	4	Bolt 3/4 x 2	
45	7660222308	4	Nut 3/4	
46	0741610	1	Bolt 3/8 x 1-1/4	
47	4751600	1	Washer 3/8	
48	3271601	8	Nut 3/8	
49	7082000017	4	Bearing	
50	3841143	4	Keeper, Shaft	

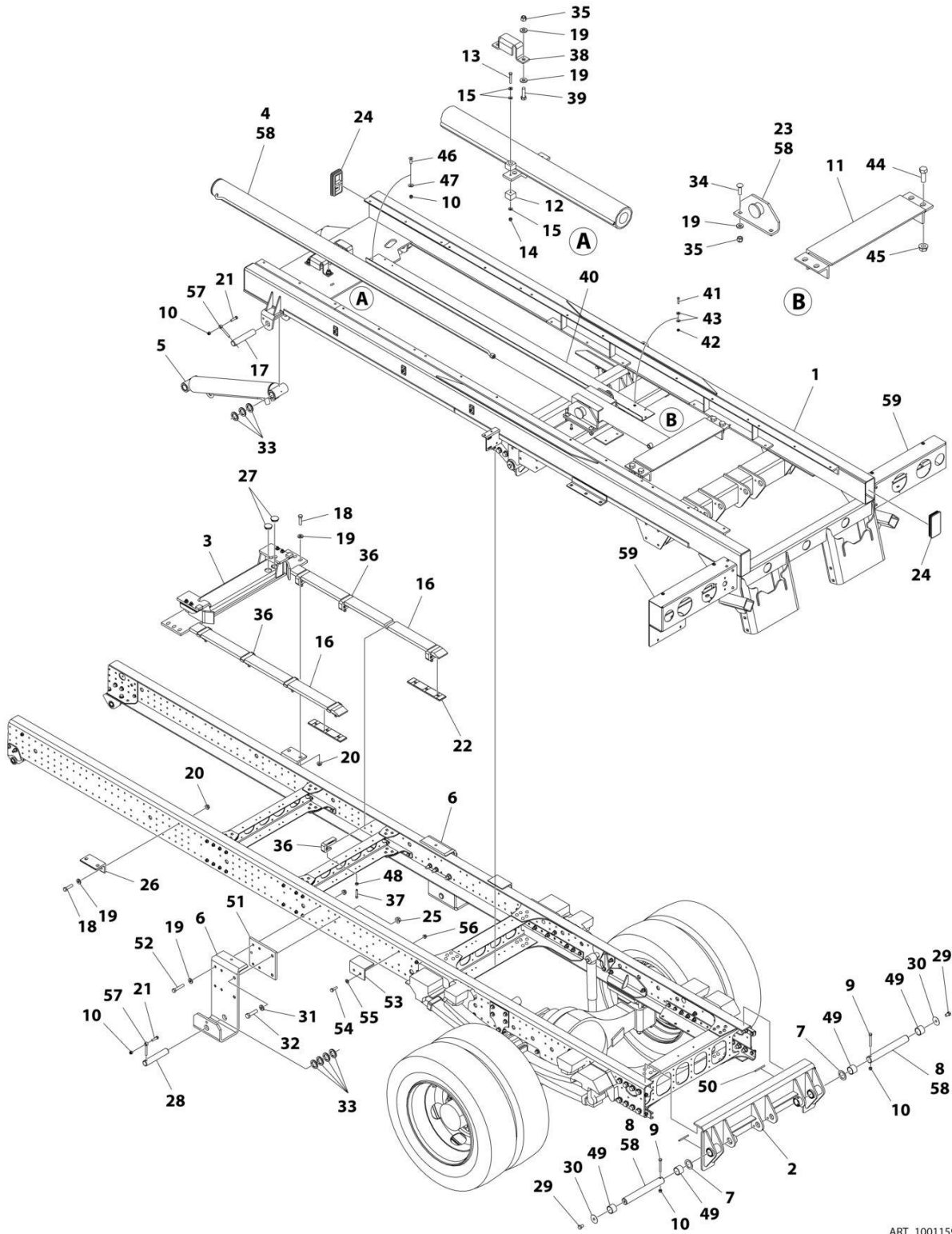
## SECTION 1 - SUBFRAME

ITEM	PART NUMBER	QTY	DESCRIPTION	REV
51	3020039	AR	Lubricant	
52	1001173948	1	Light Box and Cover Installation (See Separate Breakdown in this Section)	



# SECTION 1 - SUBFRAME

## FIGURE 1-11. SUBFRAME INSTALLATION - 22FT (HINO 195)



ART\_1001159903

## SECTION 1 - SUBFRAME

**FIGURE 1-11. SUBFRAME INSTALLATION - 22FT (HINO 195)**

ITEM	PART NUMBER	QTY	DESCRIPTION	REV
	1001159903	Ref	SUBFRAME INSTALLATION XLP HINO	E
1	1001177719	1	Frame Weldment	
2	1001162403	1	Trunnion	
3	3558000019	1	Hold Down Assembly	
4	1001166855	1	Roll Cylinder Assembly (See Separate Breakdown in this Section)	
5	1001270175	2	Tilt Cylinder Assembly (See Separate Breakdown in this Section)	
6	1001142062	2	Bracket	
7	7949000008	2	Washer 2-1/4	
8	4691000573	2	Pin	
9	0641624	2	Capscrew 3/8 x 3	
10	3300492	7	Nut 3/8	
11	3017000104	1	Angle	
12	7189000026	4	Bumper	
13	7114141450	2	Capscrew 1/4 x 1-3/4	
14	7660142604	2	Nut 1/4	
15	7950140143	6	Washer 1/4	
16	4679000332	2	Pad	
17	1001188134	2	Pin	
18	0651816	8	Capscrew 1/2 x 2	
19	4891800	28	Washer 1/2	
20	7660182333	16	Nut 1/2	
21	0641612	4	Capscrew 3/8 x 1-1/2	
22	3340898	10	Pad	
23	3636000144	2	Trunnion	
24	7701000048	4	Plug	
25	7660202347	4	Nut 5/8	
26	1001159913	2	Angle	
27	7701000063	4	Plug	
28	1001188139	2	Pin	
29	0641806	2	Capscrew 1/2 x 3/4	
30	7949000072	2	Washer 2	
31	4892000	4	Washer 5/8	
32	7105202050	4	Capscrew 5/8 x 2-1/2	
33	4209000358	14	Bushing	
34	7115181464	4	Bolt 1/2 x 1-3/4	
35	7660182601	8	Nut 1/2	
36	7274000125	8	Clamp	
37	7120000032	8	Bolt 3/8 x 1-3/4	
38	4178000912	2	Bracket	
39	0641814	4	Bolt 1/2 x 1-3/4	
40	1001162798	1	Plate	
41	7114100818	2	Capscrew #10 x 1	
42	3300455	2	Nut 10	
43	4751300	4	Washer 3/16	
44	0642216	4	Bolt 3/4 x 2	
45	7660222308	4	Nut 3/4	
46	0741610	1	Bolt 3/8 x 1-1/4	
47	4751600	1	Washer 3/8	
48	3271601	8	Nut 3/8	
49	7082000017	4	Bearing	

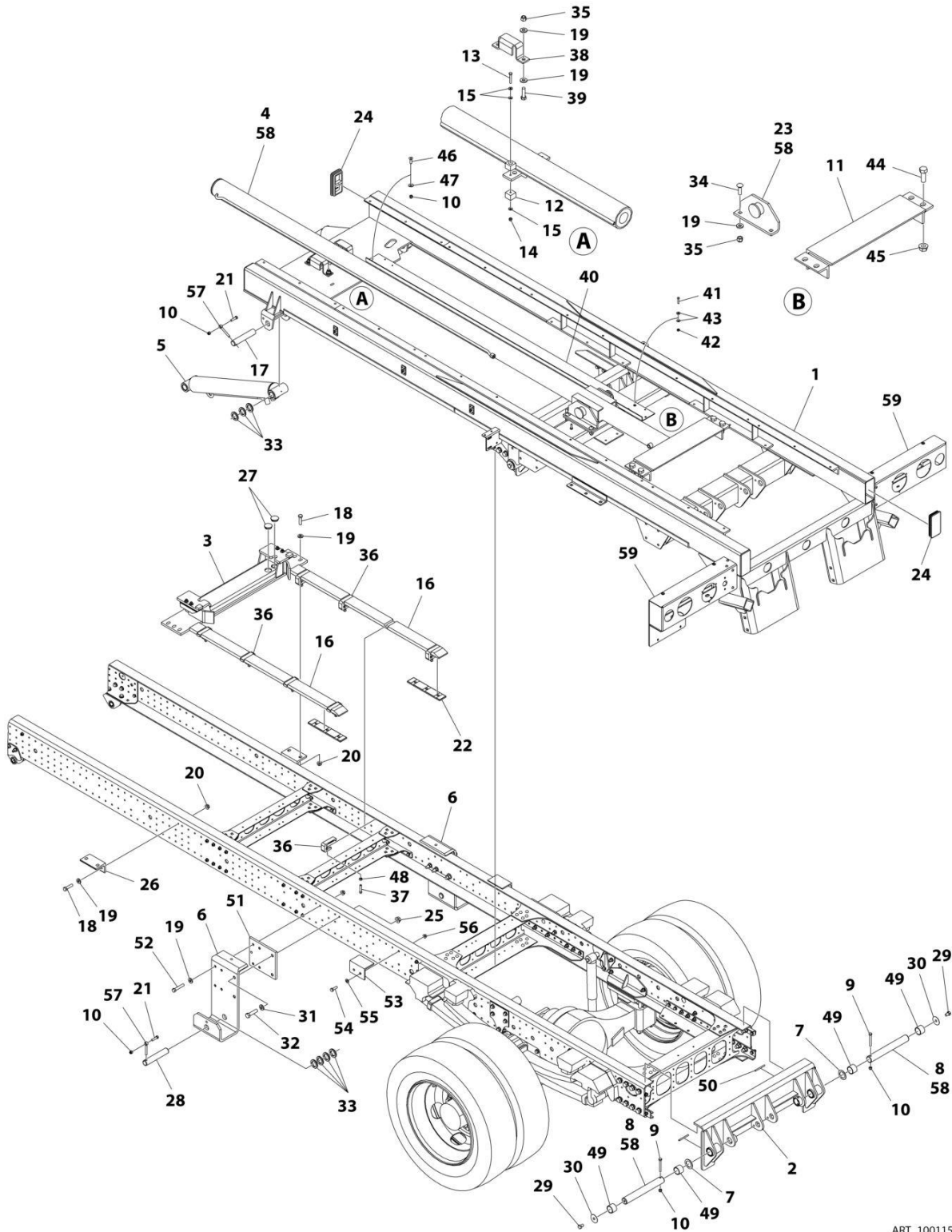
## SECTION 1 - SUBFRAME

ITEM	PART NUMBER	QTY	DESCRIPTION	REV
50	1001159822	2	Rod	
51	1001159915	2	Shim	
52	0651822	8	Bolt 1/2 x 2-3/4	
53	1001159914	2	Angle	
54	0761015	4	Bolt M10 x 35	
55	4711700	4	Washer 7/16	
56	5261000	4	Nut M10	
57	3841143	4	Keeper, Shaft	
58	3020039	AR	Lubricant	
59	1001173948	1	Light Box and Cover Installation (See Separate Breakdown in this Section)	



# SECTION 1 - SUBFRAME

FIGURE 1-12. SUBFRAME INSTALLATION- 22FT (HINO 195) (GALVANIZED)



ART\_1001159905



## SECTION 1 - SUBFRAME

**FIGURE 1-12. SUBFRAME INSTALLATION- 22FT (HINO 195) (GALVANIZED)**

ITEM	PART NUMBER	QTY	DESCRIPTION	REV
	1001159905	Ref	SUBFRAME INSTALLATION XLP GALVANIZED HINO	E
1	1001177720	1	Frame Weldment	
2	1001162403	1	Trunnion	
3	3558000019	1	Hold Down Assembly	
4	1001166855	1	Roll Cylinder Assembly (See Separate Breakdown in this Section)	
5	1001270175	2	Tilt Cylinder Assembly (See Separate Breakdown in this Section)	
6	1001142062	2	Bracket	
7	7949000008	2	Washer 2-1/4	
8	4691000573	2	Pin	
9	0641624	2	Capscrew 3/8 x 3	
10	3300492	7	Nut 3/8	
11	3017000104	1	Angle	
12	7189000026	4	Bumper	
13	7114141450	2	Capscrew 1/4 x 1-3/4	
14	7660142604	2	Nut 1/4	
15	7950140143	6	Washer 1/4	
16	4679000332	2	Pad	
17	1001188134	2	Pin	
18	0651816	8	Capscrew 1/2 x 2	
19	4891800	28	Washer 1/2	
20	7660182333	16	Nut 1/2	
21	0641612	4	Capscrew 3/8 x 1-1/2	
22	3340898	10	Pad	
23	3636000144	2	Trunnion	
24	7701000048	4	Plug	
25	7660202347	4	Nut 5/8	
26	1001159913	2	Angle	
27	7701000063	4	Plug	
28	1001188139	2	Pin	
29	0641806	2	Capscrew 1/2 x 3/4	
30	7949000072	2	Washer 2	
31	4892000	4	Washer 5/8	
32	7105202050	4	Capscrew 5/8 x 2-1/2	
33	4209000358	14	Bushing	
34	7115181464	4	Bolt 1/2 x 1-3/4	
35	7660182601	8	Nut 1/2	
36	7274000125	8	Clamp	
37	7120000032	8	Bolt 3/8 x 1-3/4	
38	4178000912	2	Bracket	
39	0641814	4	Bolt 1/2 x 1-3/4	
40	1001162798	1	Plate	
41	7114100818	2	Capscrew #10 x 1	
42	3300455	2	Nut 10	
43	4751300	4	Washer 3/16	
44	0642216	4	Bolt 3/4 x 2	
45	7660222308	4	Nut 3/4	
46	0741610	1	Bolt 3/8 x 1-1/4	
47	4751600	1	Washer 3/8	
48	3271601	8	Nut 3/8	
49	7082000017	4	Bearing	

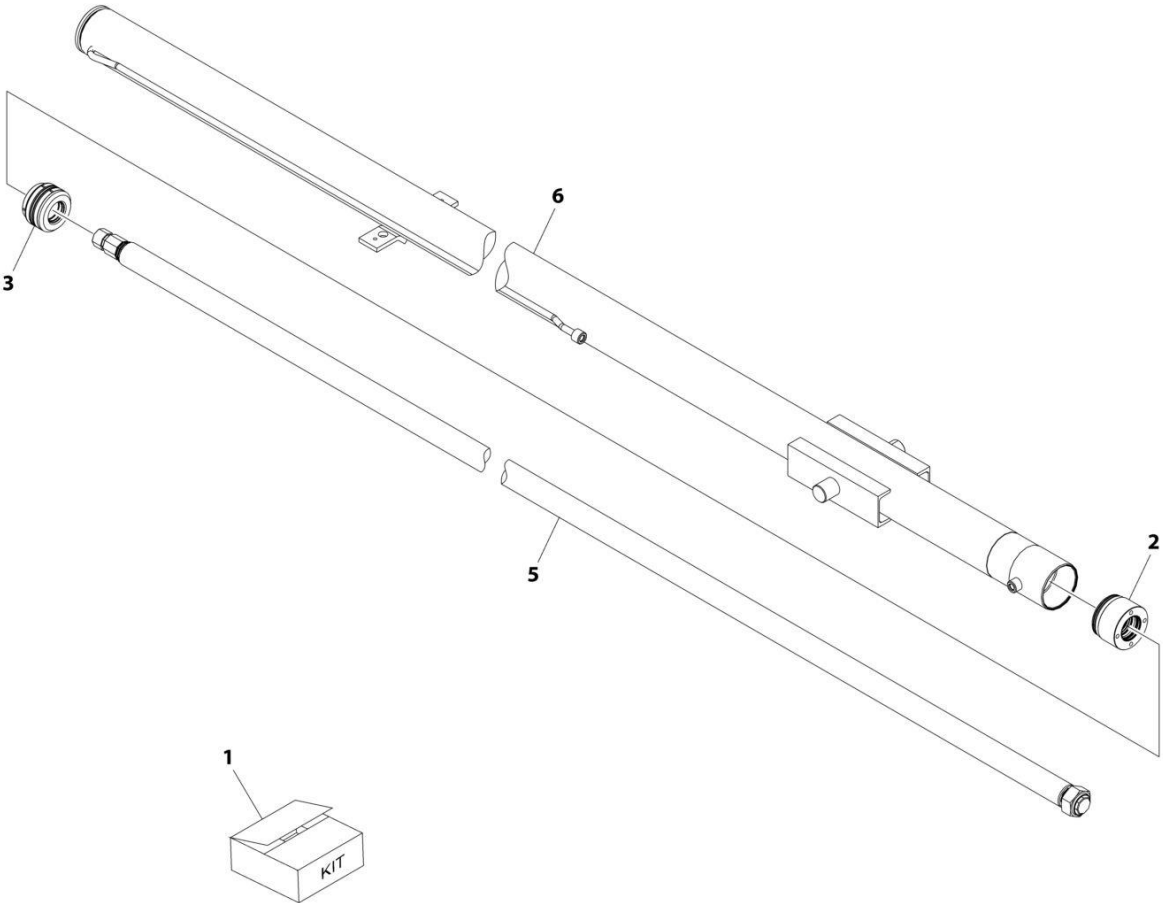
## SECTION 1 - SUBFRAME

ITEM	PART NUMBER	QTY	DESCRIPTION	REV
50	1001159822	2	Rod	
51	1001159915	2	Shim	
52	0651822	8	Bolt 1/2 x 2-3/4	
53	1001159914	2	Angle	
54	0761015	4	Bolt M10 x 35	
55	4711700	4	Washer 7/16	
56	5261000	4	Nut M10	
57	3841143	4	Keeper, Shaft	
58	3020039	AR	Lubricant	
59	1001173949	1	Light Box and Cover Installation (See Separate Breakdown in this Section)	



**SECTION 1 - SUBFRAME**

**FIGURE 1-13. ROLL CYLINDER ASSEMBLY**



ART\_100166855

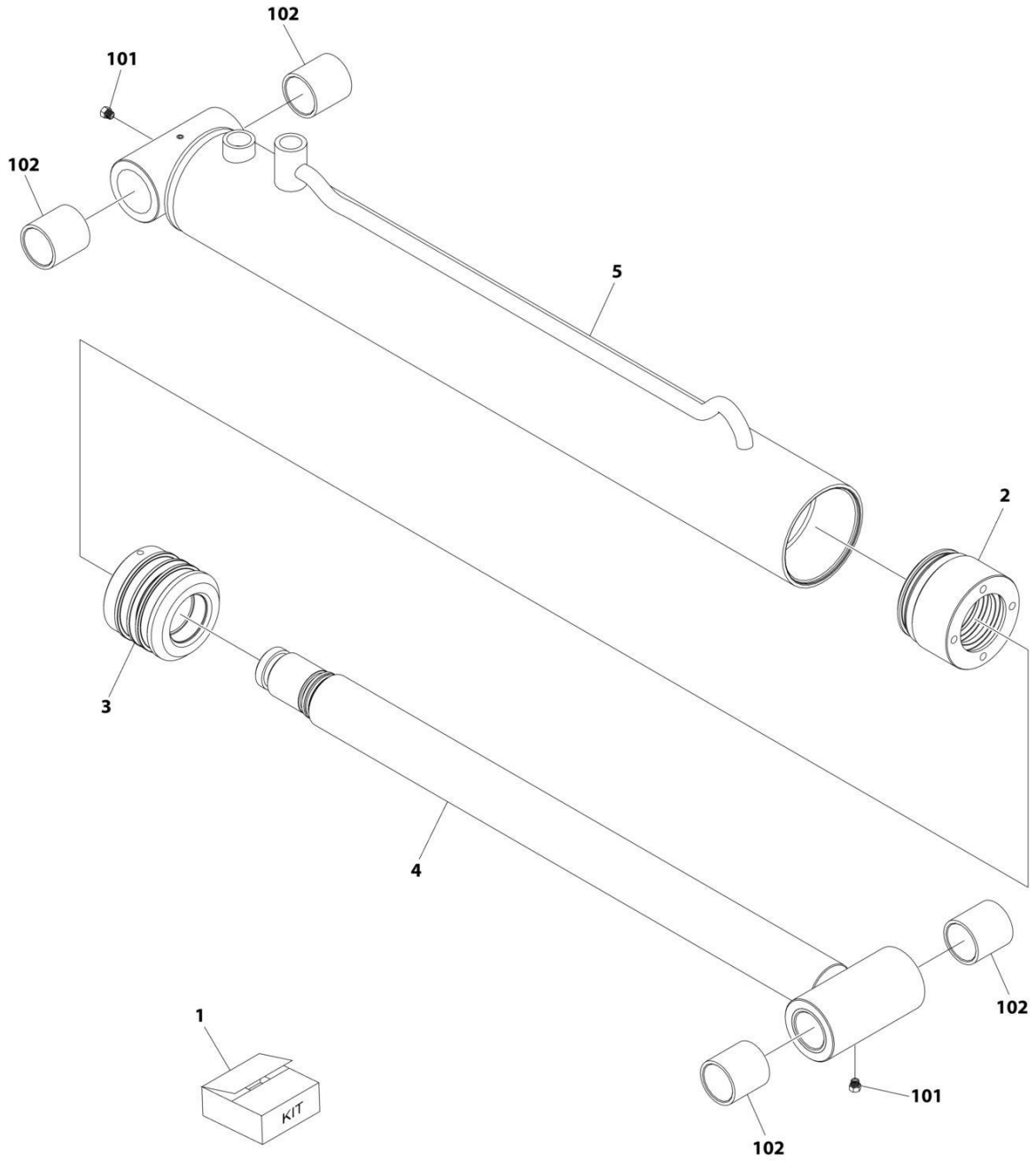
**SECTION 1 - SUBFRAME**

**FIGURE 1-13. ROLL CYLINDER ASSEMBLY**

<b>ITEM</b>	<b>PART NUMBER</b>	<b>QTY</b>	<b>DESCRIPTION</b>	<b>REV</b>
	1001166855	Ref	Roll Cylinder Assembly	C
1	70051167	1	Kit, Seal	
2	70051170	1	Kit, Head	
3	70051171	1	Kit, Piston	
4	70051174	1	Instruction Assembly/Disassembly (not shown)	
5	70051394	1	Rod	
6	70051395	1	Shell Assembly	

# SECTION 1 - SUBFRAME

## FIGURE 1-14. TILT CYLINDER ASSEMBLY



ART\_1001270175

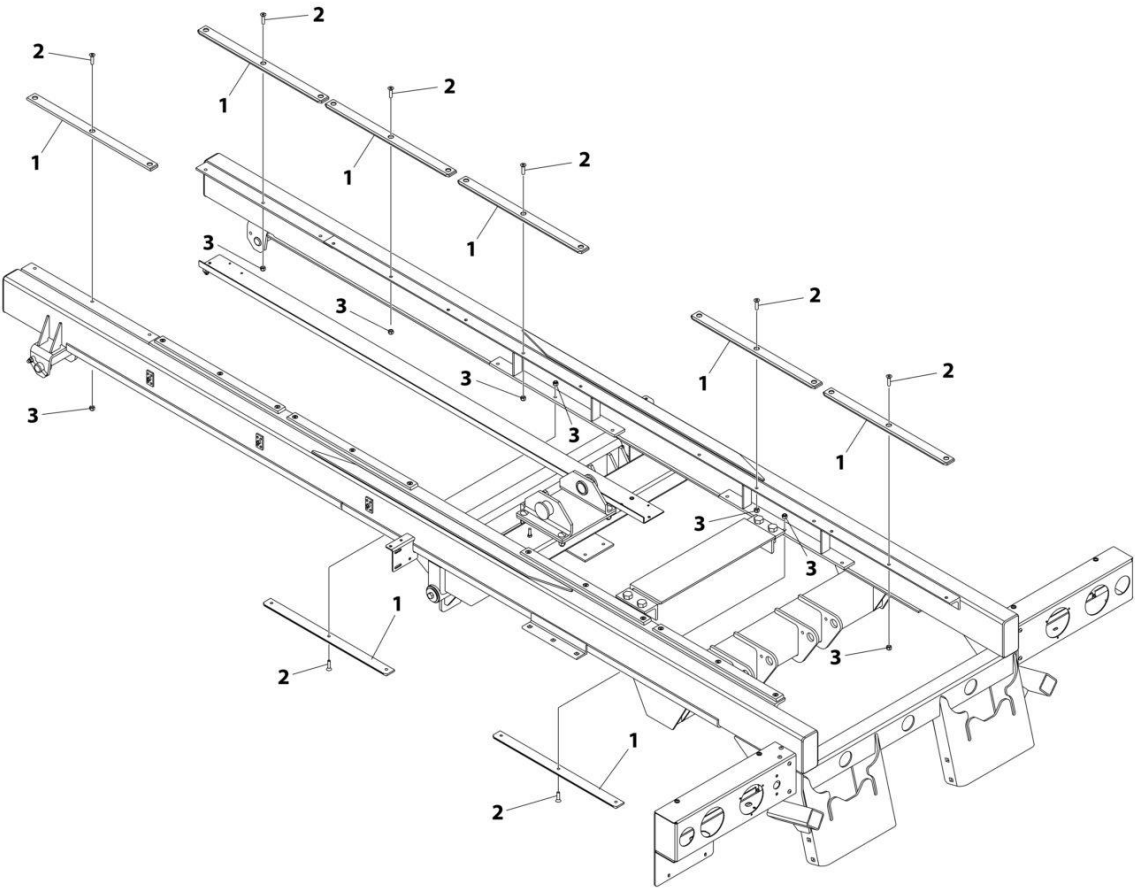
## SECTION 1 - SUBFRAME

### FIGURE 1-14. TILT CYLINDER ASSEMBLY

ITEM	PART NUMBER	QTY	DESCRIPTION	REV
	1001270175	Ref	TILT CYLINDER ASSEMBLY	B
1	70051168	1	Kit, Seal	
1	See Note	NSS	Ring, Back Up (Note: Use PN 70051168)	
1	See Note	NSS	O-Ring (Note: Use PN 70051168)	
1	See Note	NSS	Buffer Ring (Note: Use PN 70051168)	
1	See Note	NSS	Bushing (Note: Use PN 70051168)	
1	See Note	NSS	Rod Seal (Note: Use PN 70051168)	
1	See Note	NSS	Wiper (Note: Use PN 70051168)	
1	See Note	NSS	Piston Seal (Note: Use PN 70051168)	
1	See Note	NSS	Wearing (Note: Use PN 70051168)	
2	70051172	1	Head Kit	
2	See Note	NSS	Back Up Ring (Note: Use PN 70051172)	
2	See Note	NSS	Buffer Ring (Note: Use PN 70051172)	
2	See Note	NSS	Bushing (Note: Use PN 70051172)	
2	See Note	NSS	O-Ring (Note: Use PN 70051172)	
2	See Note	NSS	Retainer (Note: Use PN 70051172)	
2	See Note	NSS	Rod Seal (Note: Use PN 70051172)	
2	See Note	NSS	Wiper (Note: Use PN 70051172)	
3	70051173	1	Piston Kit	
3	See Note	NSS	Piston (Note: Use PN 70051173)	
3	See Note	NSS	Piston Seal (Note: Use PN 70051173)	
3	See Note	NSS	Setscrew (Note: Use PN 70051173)	
3	See Note	NSS	Wear Ring (Note: Use PN 70051173)	
4	70052741	1	Rod	
5	See Note	NSS	Barrel ( Note: Use PN 1001270175)	
101	1001204776	2	Fitting	
102	7082000016	4	Bearing	

# SECTION 1 - SUBFRAME

## FIGURE 1-15. PAD INSTALLATION - SUBFRAME



ART\_267900010



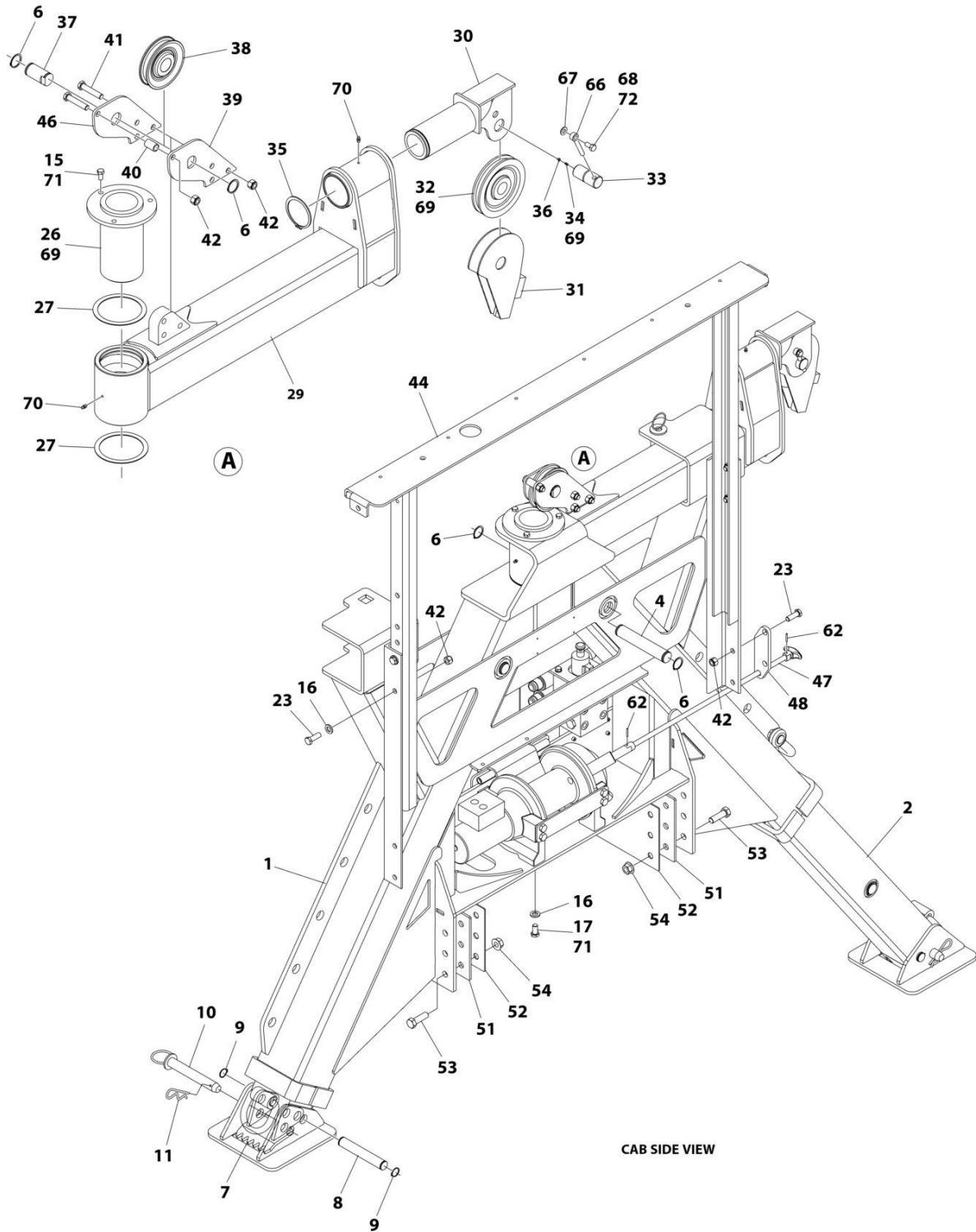
**SECTION 1 - SUBFRAME**

**FIGURE 1-15. PAD INSTALLATION - SUBFRAME**

<b>ITEM</b>	<b>PART NUMBER</b>	<b>QTY</b>	<b>DESCRIPTION</b>	<b>REV</b>
	2679000010	Ref	PAD INSTALLATION SLIDE 19-22FT XLP SUBFRAME	0
1	4679000145	14	Pad	
2	7118161026	42	Capscrew 3/8 x 1-1/4	
3	7660162601	42	Nut 3/8	

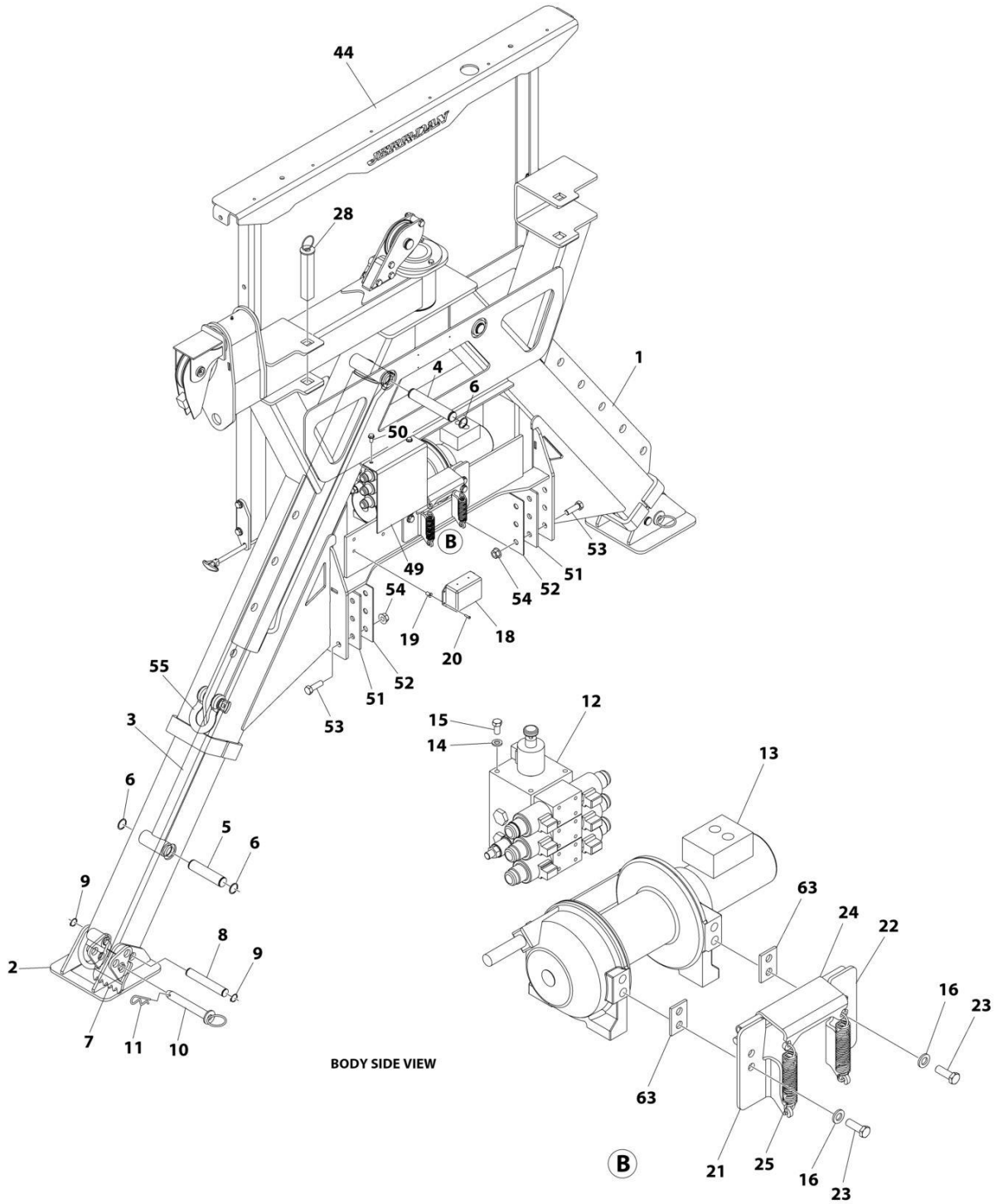
# SECTION 1 - SUBFRAME

## FIGURE 1-16. SIDE RECOVERY SYSTEM (SRS) INSTALLATION - 8000 LBS WINCH



ART\_3455000059\_10F2

# SECTION 1 - SUBFRAME



ART\_345500059\_2OF2

# SECTION 1 - SUBFRAME

**FIGURE 1-16. SIDE RECOVERY SYSTEM (SRS) INSTALLATION - 8000 LBS WINCH**

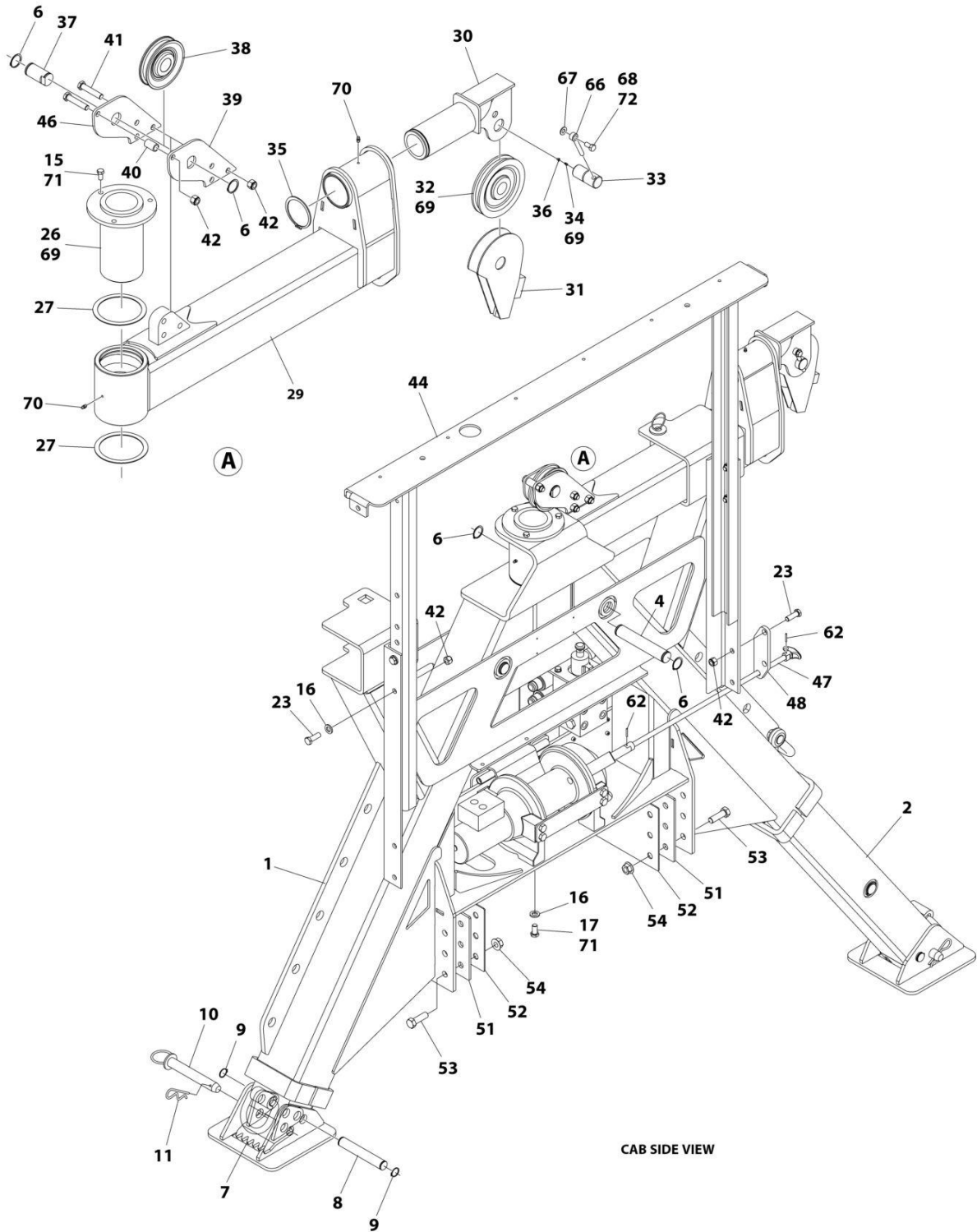
ITEM	PART NUMBER	QTY	DESCRIPTION	REV
	3455000059	Ref	FRAME ASSEMBLY (SRS-8)	D
1	3455000058	1	Frame Weldment	
2	3170000473	2	Boom Weldment	
3	3320000229	2	Cylinder Assembly (See Separate Breakdown in this Section)	
4	4691000296	2	Pin	
5	4691000429	2	Pin	
6	3760133	9	Ring	
7	3706000363	2	Plate	
8	4691000495	2	Pin	
9	7754000019	6	Ring	
10	3691000064	2	Pin	
11	7691000001	2	Hair Pin	
12	3619000010	1	Manifold Assembly	
13	7970000157	1	Winch Assembly (See Separate Breakdown in this Section)	
14	7950160000	3	Lockwasher	
15	0641606	6	Bolt 3/8 x 3/4	
16	4891800	20	Washer 1/2	
17	1001139343	8	Bolt 1/2 x 1-1/4	
18	7295000118	1	Controller	
19	7661000007	4	Nut #10	
20	7104100613	4	Screw #10	
21	3178000517	1	Bracket	
22	3178000518	1	Bracket	
23	0641812	10	Bolt 1/2 1-1/2	
24	3706000364	1	Plate	
25	7843000035	2	Spring	
26	3691000259	1	Pin	
27	4949000059	2	Washer 5 x 4-1/2	
28	3691000260	1	Pin	
29	1001206388	1	Boom	
30	1001206161	1	Support	
31	1001206167	1	Support	
32	7809000001	1	Sheave	
33	1001206171	1	Pin	
34	88671008	1	Fitting, Straight	
35	7754000005	1	Ring	
36	7253000002	1	Fitting	
37	4691000513	1	Pin	
38	7809000021	1	Sheave	
39	4706005651	1	Plate	
40	4209000336	1	Bushing	
41	0641820	4	Bolt 1/2 x 2	
42	7660182601	12	Nut 1/2	
44	3241000208	1	Headboard	
45	7552000385	1	Side Recovery System Harness (Not Shown - See Separate Breakdown in ELECTRICAL Section)	
46	4706005650	1	Plate	
47	3763000188	1	Rod	
48	4706005672	1	Plate	
49	4314000167	1	Cover	

## SECTION 1 - SUBFRAME

ITEM	PART NUMBER	QTY	DESCRIPTION	REV
50	7790161253	2	Screw 3/8 x 3/4	
51	4831000126	2	Spacer	
52	4831000127	2	Spacer	
53	0652016	12	Bolt 5/8 x 2	
54	7660202347	12	Nut 1/6	
55	7804000007	1	Shackle	
56	7248000077	1	Wire Rope (Not Shown)	
57	7274000053	4	Clamp (Not Shown)	
58	0641508	4	Bolt 5/16 x 1 (Not Shown)	
59	4751500	4	Washer 5/16 (Not Shown)	
60	7660152601	4	Nut 1/3 (Not Shown)	
61	7002000519	1	Snatch (Not Shown)	
62	7690051641	1	Pin	
63	4706005752	2	Plate	
66	3841143	1	Keeper	
67	4711600	1	Washer	
68	0651606	1	Bolt 3/8 x 3/4	
69	3020039	AR	Lubricant	
70	3020029	AR	Lube	
71	0100071	AR	Adhesive	
72	1001095650	AR	Adhesive	

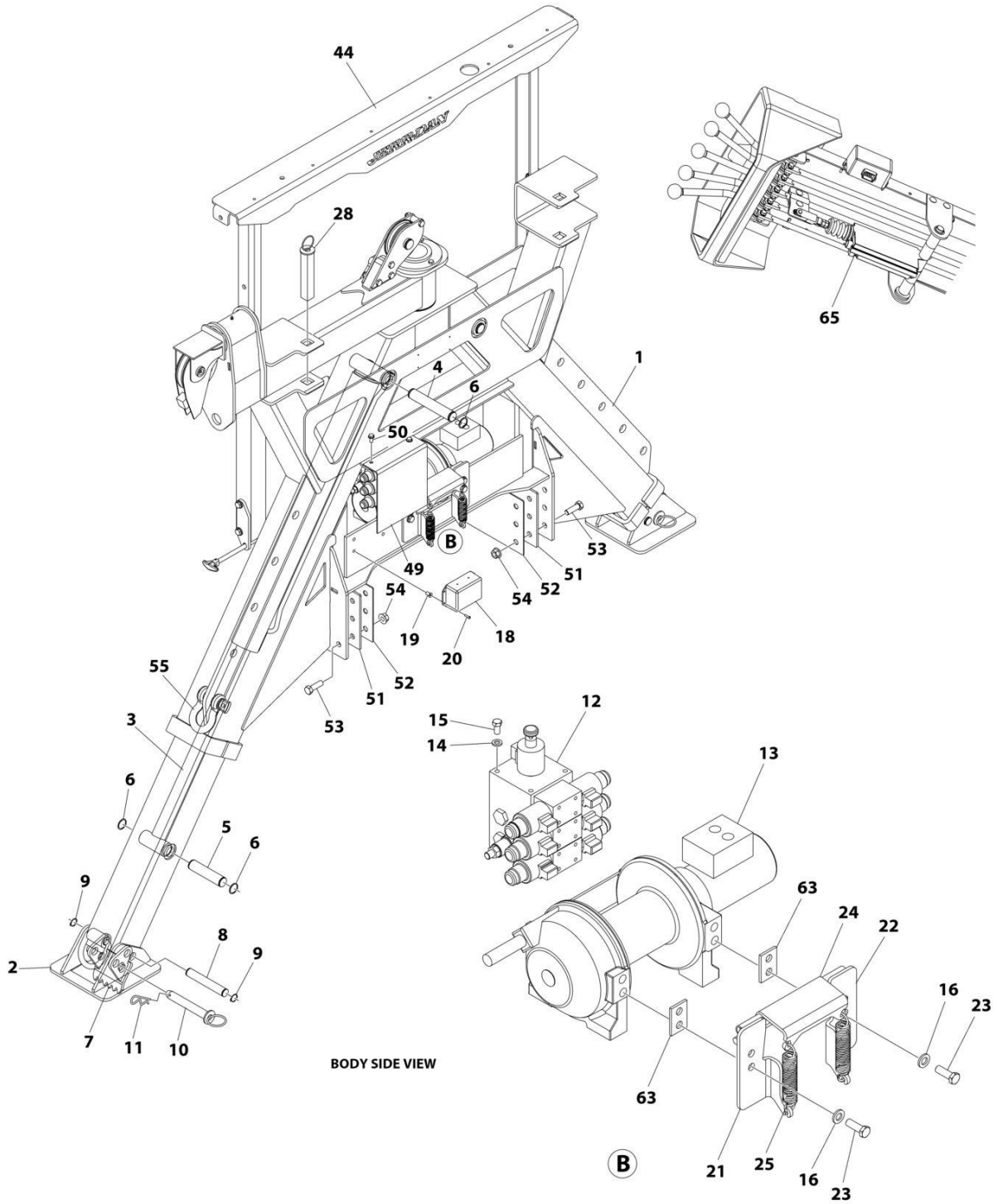
# SECTION 1 - SUBFRAME

## FIGURE 1-17. SIDE RECOVERY SYSTEM (SRS) INSTALLATION - 8000 LBS WINCH WITH REMOTE CONTROL



ART\_3455000064\_10F2

# SECTION 1 - SUBFRAME



BODY SIDE VIEW

ART\_345500064\_2OF2

## SECTION 1 - SUBFRAME

**FIGURE 1-17. SIDE RECOVERY SYSTEM (SRS) INSTALLATION - 8000 LBS WINCH WITH REMOTE CONTROL**

ITEM	PART NUMBER	QTY	DESCRIPTION	REV
	3455000064	Ref	FRAME ASSEMBLY (SRS-8), 3+1 REMOTE	C
1	3455000058	1	Frame Weldment	
2	3170000473	2	Boom Weldment	
3	3320000229	2	Cylinder Assembly (See Separate Breakdown in this Section)	
4	4691000296	2	Pin	
5	4691000429	2	Pin	
6	3760133	9	Ring	
7	3706000363	2	Plate	
8	4691000495	2	Pin	
9	7754000019	6	Ring	
10	3691000064	2	Pin	
11	7691000001	2	Hair Pin	
12	3619000010	1	Manifold Assembly	
13	7970000157	1	Winch Assembly (See Separate Breakdown in this Section)	
14	7950160000	3	Lockwasher	
15	0641606	6	Bolt 3/8 x 3/4	
16	4891800	20	Washer 1/2	
17	1001139343	8	Bolt 1/2 x 1-1/4	
18	7295000130	1	Controller	
19	7661000007	4	Nut #10	
20	7104100613	4	Screw #10	
21	3178000517	1	Bracket	
22	3178000518	1	Bracket	
23	0641812	10	Bolt 1/2 1-1/2	
24	3706000364	1	Plate	
25	7843000035	2	Spring	
26	3691000259	1	Pin	
27	4949000059	2	Washer 5 x 4-1/2	
28	3691000260	1	Pin	
29	1001206388	1	Boom	
30	1001206161	1	Support	
31	1001206167	1	Support	
32	7809000001	1	Sheave	
33	1001206171	1	Pin	
34	88671008	1	Fitting, Straight	
35	7754000005	1	Ring	
36	7253000002	1	Fitting	
37	4691000513	1	Pin	
38	7809000021	1	Sheave	
39	4706005651	1	Plate	
40	4209000336	1	Bushing	
41	0641820	4	Bolt 1/2 x 2	
42	7660182601	12	Nut 1/2	
44	3241000208	1	Headboard	
45	7552000413	1	Side Recovery System Harness (Not Shown - See Separate Breakdown in ELECTRICAL Section)	
46	4706005650	1	Plate	
47	3763000188	1	Rod	
48	4706005672	1	Plate	

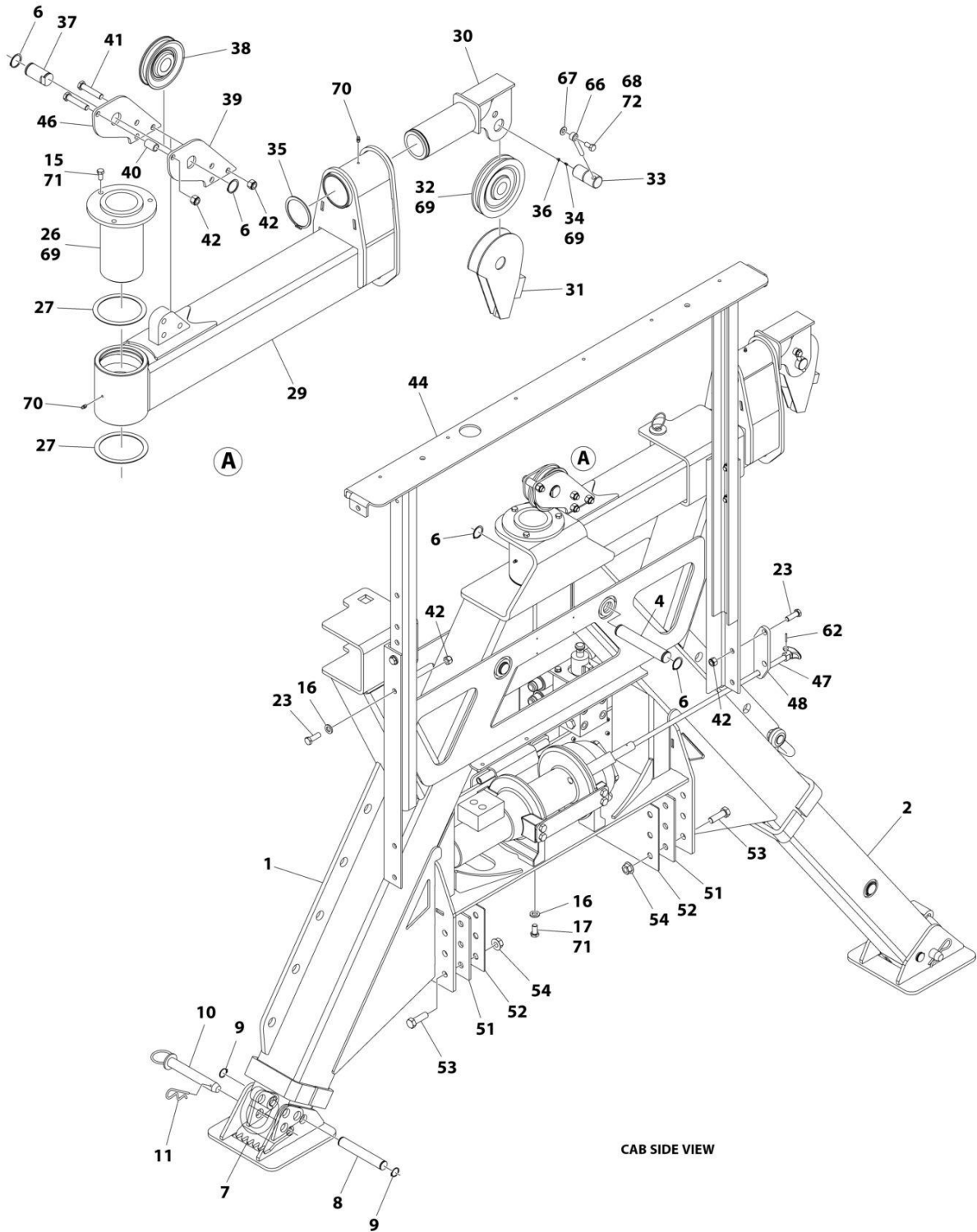


## SECTION 1 - SUBFRAME

ITEM	PART NUMBER	QTY	DESCRIPTION	REV
49	4314000167	1	Cover	
50	7790161253	2	Screw 3/8 x 3/4	
51	4831000126	2	Spacer	
52	4831000127	2	Spacer	
53	0652016	12	Bolt 5/8 x 2	
54	7660202347	12	Nut 1/6	
55	7804000007	1	Shackle	
56	7248000077	1	Wire Rope (Not Shown)	
57	7274000053	4	Clamp (Not Shown)	
58	0641508	4	Bolt 5/16 x 1 (Not Shown)	
59	4751500	4	Washer 5/16 (Not Shown)	
60	7660152601	4	Nut 1/3 (Not Shown)	
61	7002000519	1	Snatch (Not Shown)	
62	7690051641	1	Pin	
63	4706005752	2	Plate	
65	2577000016	1	Actuator	
66	3841143	1	Keeper	
67	4711600	1	Washer	
68	0651606	1	Bolt 3/8 x 3/4	
69	3020039	AR	Lubricant	
70	3020029	AR	Lube	
71	0100071	AR	Compound Locking	
72	1001095650	AR	Compound Locking	

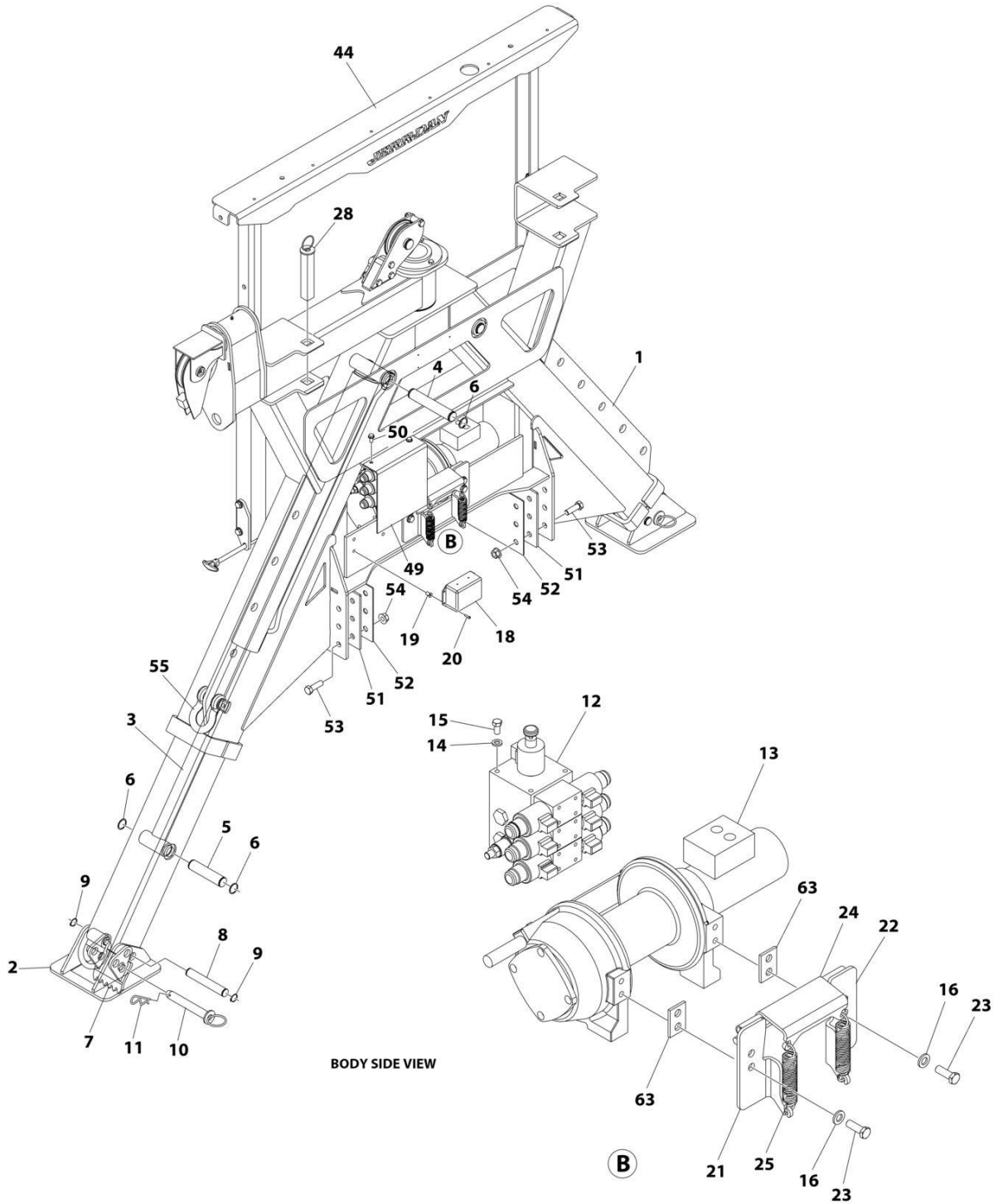
# SECTION 1 - SUBFRAME

FIGURE 1-18. SIDE RECOVERY SYSTEM (SRS) INSTALLATION - 10000 LBS WINCH (SN 0220022847 through 0220024465)



ART\_3455000060\_10F2

# SECTION 1 - SUBFRAME



ART\_3455000060\_2OF2

## SECTION 1 - SUBFRAME

**FIGURE 1-18. SIDE RECOVERY SYSTEM (SRS) INSTALLATION - 10000 LBS WINCH (SN 0220022847 through 0220024465)**

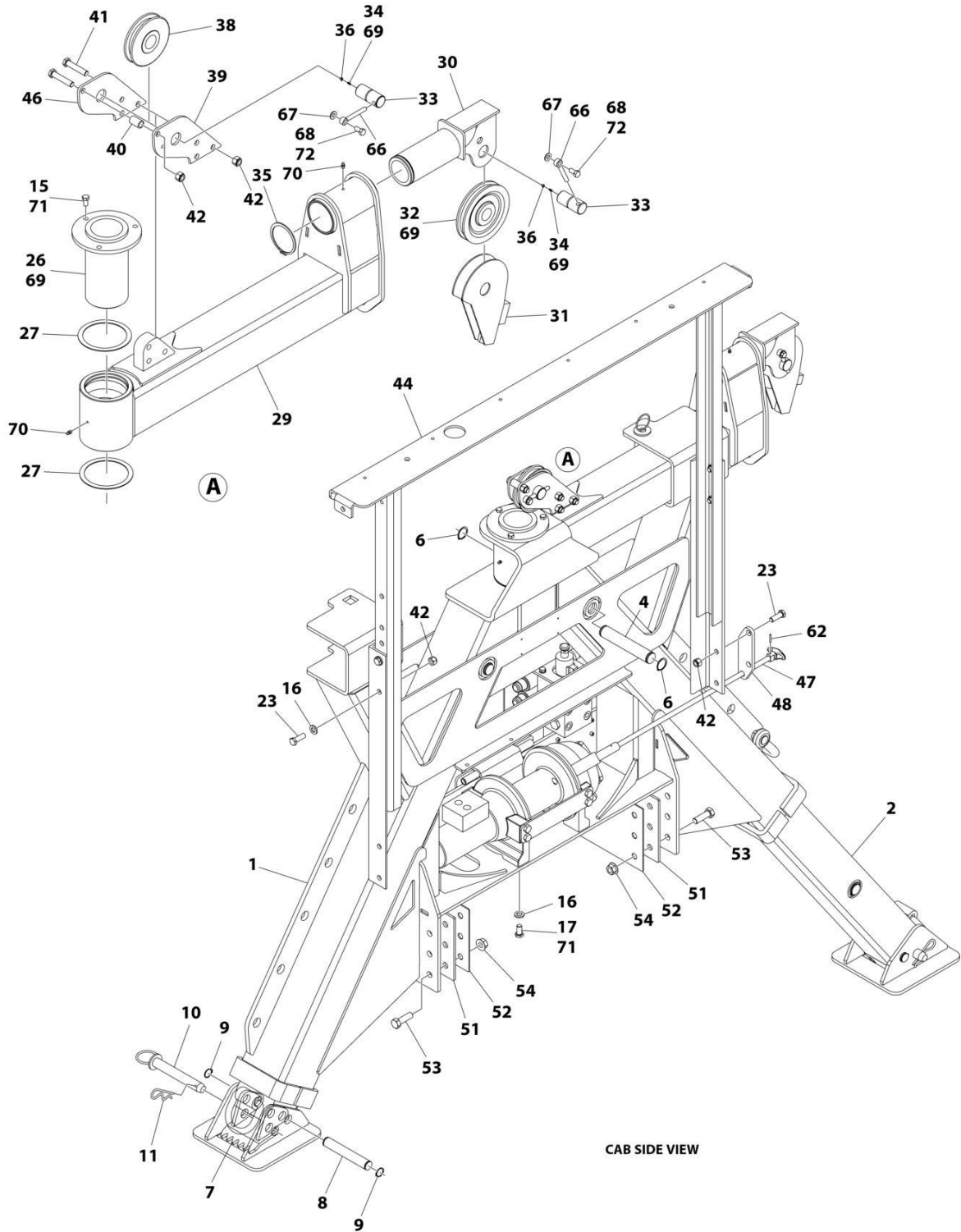
ITEM	PART NUMBER	QTY	DESCRIPTION	REV
	3455000060	Ref	FRAME ASSEMBLY (SRS-10)	D
1	3455000058	1	Frame Weldment	
2	3170000473	2	Boom Weldment	
3	3320000229	2	Cylinder Assembly (See Separate Breakdown in this Section)	
4	4691000296	2	Pin	
5	4691000429	2	Pin	
6	3760133	9	Ring	
7	3706000363	2	Plate	
8	4691000495	2	Pin	
9	7754000019	6	Ring	
10	3691000064	2	Pin	
11	7691000001	2	Hair Pin	
12	3619000010	1	Manifold Assembly	
13	7970000158	1	Winch Assembly (See Separate Breakdown in this Section)	
14	7950160000	3	Lockwasher	
15	0641606	6	Bolt 3/8 x 3/4	
16	4891800	20	Washer 1/2	
17	1001139343	8	Bolt 1/2 x 1-1/4	
18	7295000118	1	Controller	
19	7661000007	4	Nut #10	
20	7104100613	4	Screw #10	
21	3178000517	1	Bracket	
22	3178000518	1	Bracket	
23	0641812	10	Bolt 1/2 1-1/2	
24	3706000364	1	Plate	
25	7843000035	2	Spring	
26	3691000259	1	Pin	
27	4949000059	2	Washer 5 x 4-1/2	
28	3691000260	1	Pin	
29	1001206388	1	Boom	
30	1001206161	1	Support	
31	1001206167	1	Support	
32	7809000001	1	Sheave	
33	1001206171	1	Pin	
34	88671008	1	Fitting, Straight	
35	7754000005	1	Ring	
36	7253000002	1	Fitting	
37	4691000513	1	Pin	
38	7809000021	1	Sheave	
39	4706005651	1	Plate	
40	4209000336	1	Bushing	
41	0641820	4	Bolt 1/2 x 2	
42	7660182601	14	Nut 1/2	
44	3241000208	1	Headboard	
45	7552000385	1	Side Recovery System Harness (Not Shown - See Separate Breakdown in ELECTRICAL Section)	
46	4706005650	1	Plate	
47	3763000188	1	Rod	
48	4706005672	1	Plate	

## SECTION 1 - SUBFRAME

ITEM	PART NUMBER	QTY	DESCRIPTION	REV
49	4314000167	1	Cover	
50	7790161253	2	Screw 3/8 x 3/4	
51	4831000126	2	Spacer	
52	4831000127	2	Spacer	
53	0652016	12	Bolt 5/8 x 2	
54	7660202347	12	Nut 1/6	
55	7804000007	1	Shackle	
56	7248000070	1	Wire Rope (Not Shown)	
57	7274000053	4	Clamp (Not Shown)	
58	0641508	4	Bolt 5/16 x 1 (Not Shown)	
59	4751500	4	Washer 5/16 (Not Shown)	
60	7660152601	4	Nut 1/3 (Not Shown)	
61	7002000519	1	Snatch (Not Shown)	
62	7690051641	1	Pin	
63	4706005752	2	Plate	
66	3841143	1	Keeper	
67	4711600	1	Washer	
68	0651606	1	Bolt 3/8 x 3/4	
69	3020039	AR	Lubricant	
70	3020029	AR	Lube	
71	0100071	AR	Adhesive	
72	1001095650	AR	Adhesive	

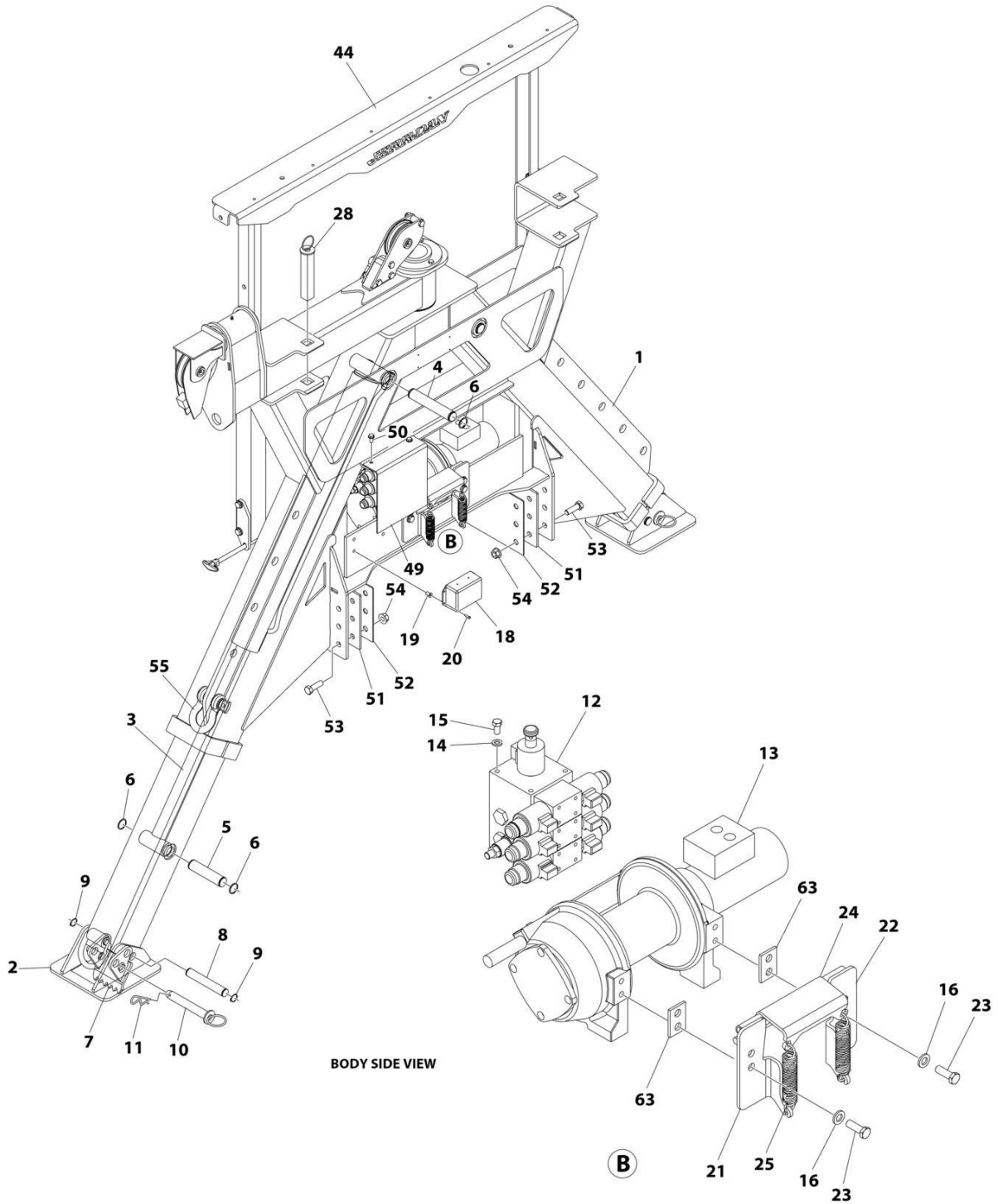
# SECTION 1 - SUBFRAME

FIGURE 1-19. SIDE RECOVERY SYSTEM (SRS) INSTALLATION - 10000 LBS WINCH (3 FUNCTION REMOTE CONTROL) (SN 0220024466 through 02200025491)



ART\_1001271983\_10F2

# SECTION 1 - SUBFRAME



ART\_1001271983\_2OF2

## SECTION 1 - SUBFRAME

**FIGURE 1-19. SIDE RECOVERY SYSTEM (SRS) INSTALLATION - 10000 LBS WINCH (3 FUNCTION REMOTE CONTROL) (SN 0220024466 through 02200025491)**

ITEM	PART NUMBER	QTY	DESCRIPTION	REV
	1001271983	Ref	FRAME ASSEMBLY (SRS-10), MAN F/S, 3 REMOTE	A
1	3455000058	1	Frame Weldment	
2	3170000473	2	Boom Weldment	
3	3320000229	2	Cylinder Assembly (See Separate Breakdown in this Section)	
4	4691000296	2	Pin	
5	4691000429	2	Pin	
6	3760133	7	Ring	
7	3706000363	2	Plate	
8	4691000495	2	Pin	
9	7754000019	6	Ring	
10	3691000064	2	Pin	
11	7691000001	2	Hair Pin	
12	3619000010	1	Manifold Assembly	
13	7970000158	1	Winch assembly (See Separate Breakdown in this Section)	
14	7950160000	3	Lockwasher	
15	0641606	6	Bolt 3/8 x 3/4	
16	4891800	20	Washer 1/2	
17	1001139343	8	Bolt 1/2 x 1-1/4	
18	7295000118	1	Controller	
19	7661000007	4	Nut #10	
20	7104100613	4	Screw #10	
21	3178000517	1	Bracket	
22	3178000518	1	Bracket	
23	0641812	10	Bolt 1/2 1-1/2	
24	3706000364	1	Plate	
25	7843000035	2	Spring	
26	3691000259	1	Pin	
27	4949000059	2	Washer 5 x 4-1/2	
28	3691000260	1	Pin	
29	1001206388	1	Boom	
30	1001206161	1	Support	
31	1001206167	1	Support	
32	7809000001	1	Sheave	
33	1001206171	2	Pin	
34	88671008	2	Fitting, Straight	
35	7754000005	1	Ring	
36	7253000002	2	Fitting	
38	1001271775	1	Sheave	
39	1001271842	1	Plate	
40	4209000336	1	Bushing	
41	0641820	4	Bolt 1/2 x 2	
42	7660182601	14	Nut 1/2	
44	3241000208	1	Headboard	
45	7552000385	1	Side Recovery System Harness (Not Shown - See Separate Breakdown in ELECTRICAL Section)	
46	4706005650	1	Plate	
47	3763000188	1	Rod	
48	4706005672	1	Plate	
49	4314000167	1	Cover	

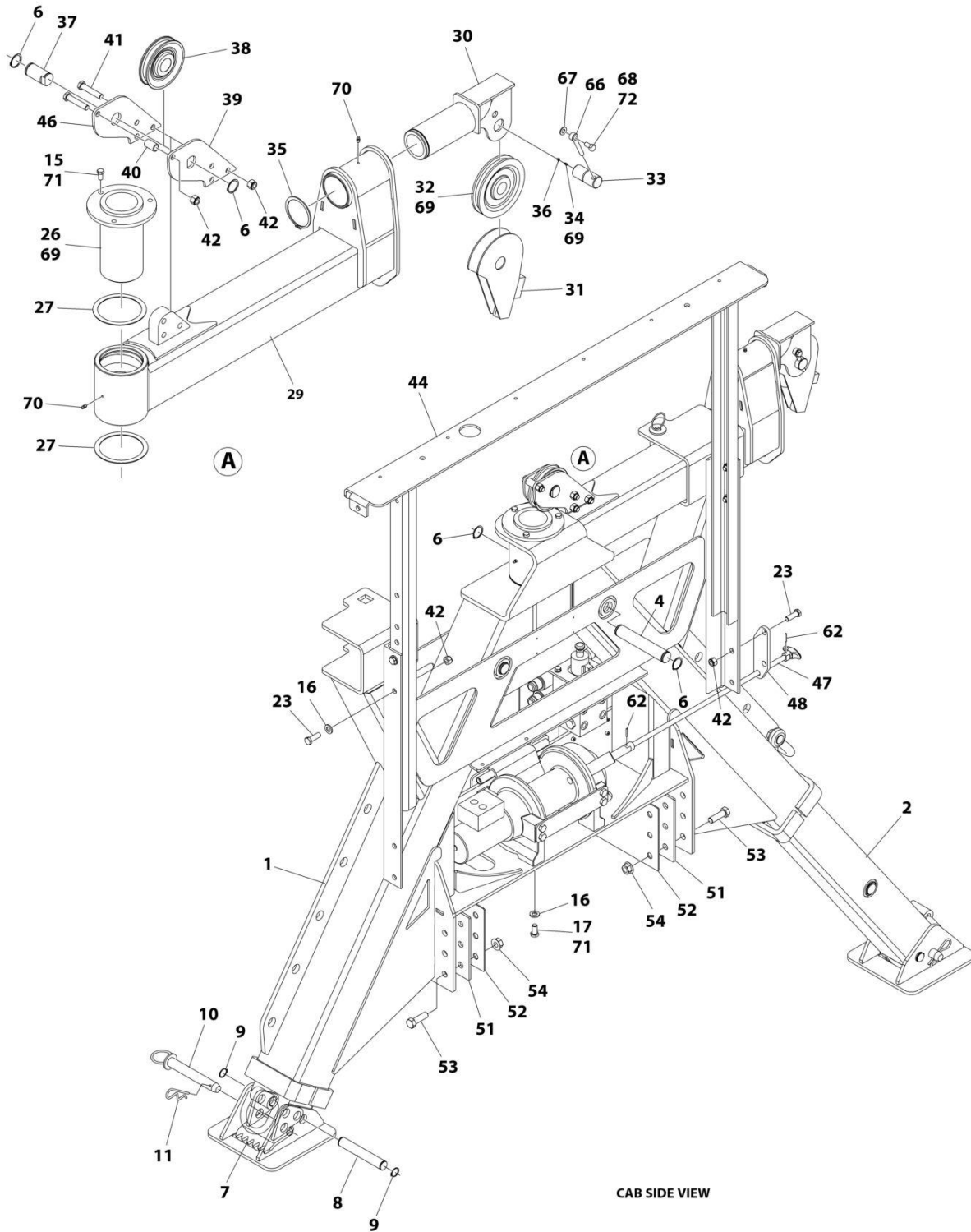


## SECTION 1 - SUBFRAME

ITEM	PART NUMBER	QTY	DESCRIPTION	REV
50	7790161253	2	Screw 3/8 x 3/4	
51	4831000126	2	Spacer	
52	4831000127	2	Spacer	
53	0652016	12	Bolt 5/8 x 2	
54	7660202347	12	Nut 1/6	
55	7804000007	1	Shackle	
56	7248000077	1	Wire Rope (Not Shown)	
57	7274000053	4	Clamp (Not Shown)	
58	0641508	4	Bolt 5/16 x 1 (Not Shown)	
59	4751500	4	Washer 5/16 (Not Shown)	
60	7660152601	4	Nut 1/3 (Not Shown)	
61	7002000519	1	Snatch (Not Shown)	
62	7690051641	1	Pin	
63	4706005752	2	Plate	
66	3841143	2	Keeper	
67	4711600	2	Washer	
68	0651606	2	Bolt 3/8 x 3/4	
69	3020039	AR	Lubricant	
70	3020029	AR	Lube	
71	0100071	AR	Adhesive	
72	1001095650	AR	Adhesive	

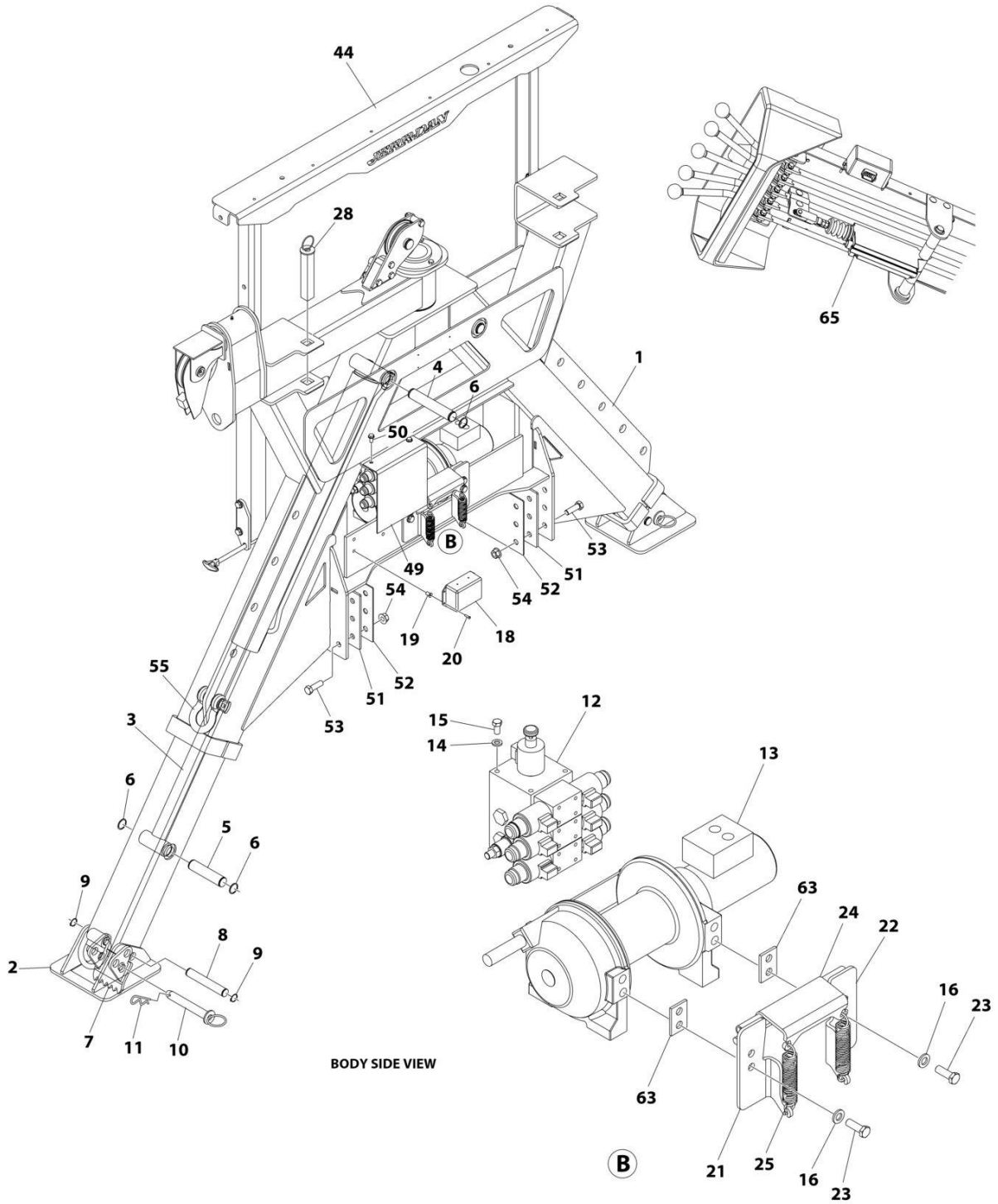
# SECTION 1 - SUBFRAME

FIGURE 1-20. SIDE RECOVERY SYSTEM (SRS) INSTALLATION - 10000 LBS WINCH WITH REMOTE CONTROL (SN 0220022847 through 0220024465)



ART\_3455000065\_10F2

# SECTION 1 - SUBFRAME



BODY SIDE VIEW

ART\_345500065\_2OF2

## SECTION 1 - SUBFRAME

**FIGURE 1-20. SIDE RECOVERY SYSTEM (SRS) INSTALLATION - 10000 LBS WINCH WITH REMOTE CONTROL (SN 0220022847 through 0220024465)**

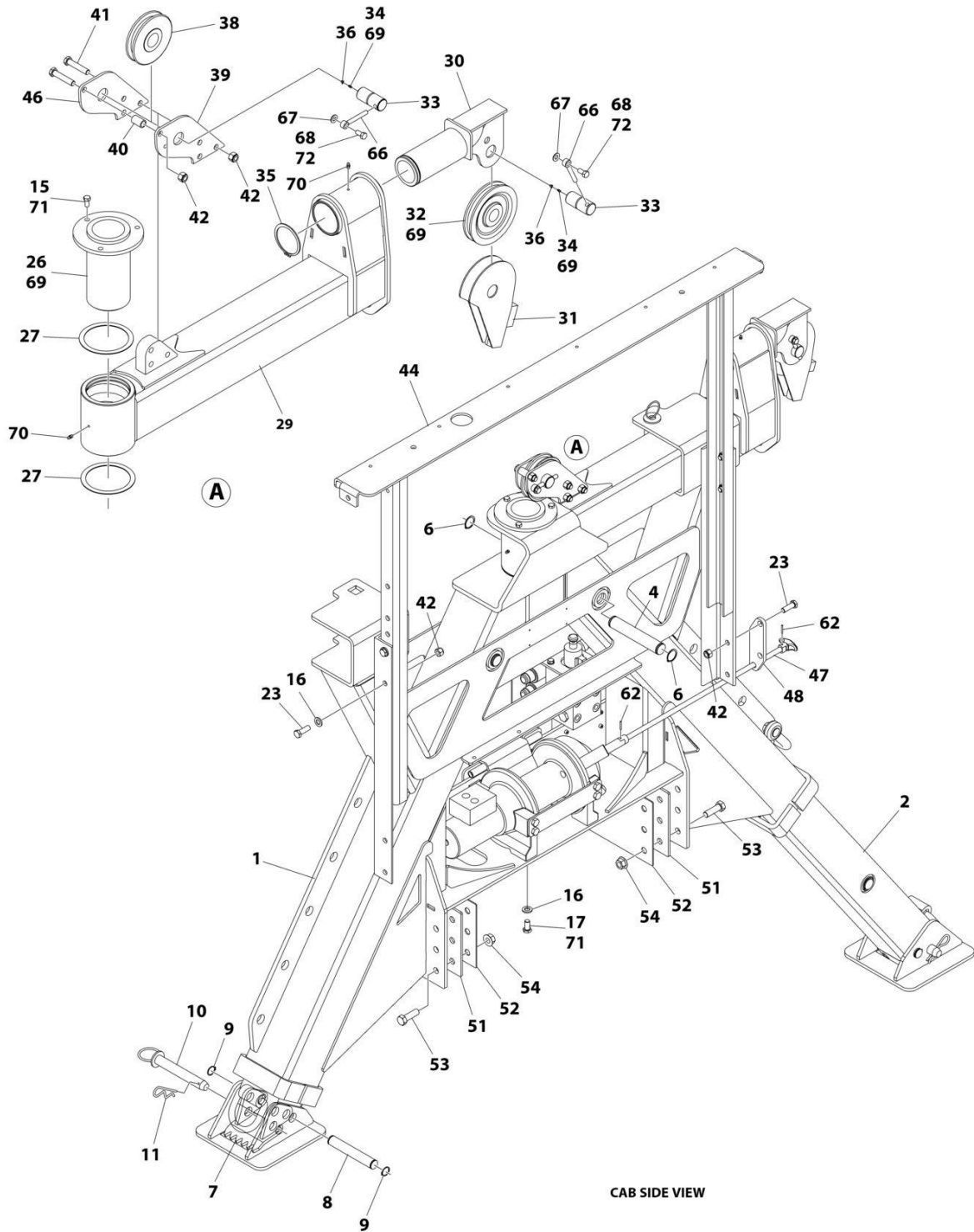
ITEM	PART NUMBER	QTY	DESCRIPTION	REV
	3455000065	Ref	FRAME ASSEMBLY (SRS-10), 3+1 REMOTE	C
1	3455000058	1	Frame Weldment	
2	3170000473	2	Boom Weldment	
3	3320000229	2	Cylinder Assembly (See Separate Breakdown in this Section)	
4	4691000296	2	Pin	
5	4691000429	2	Pin	
6	3760133	9	Ring	
7	3706000363	2	Plate	
8	4691000495	2	Pin	
9	7754000019	6	Ring	
10	3691000064	2	Pin	
11	7691000001	2	Hair Pin	
12	3619000010	1	Manifold Assembly	
13	7970000158	1	Winch Assembly (See Separate Breakdown in this Section)	
14	7950160000	3	Lockwasher	
15	0641606	6	Bolt 3/8 x 3/4	
16	4891800	20	Washer 1/2	
17	1001139343	8	Bolt 1/2 x 1-1/4	
18	7295000130	1	Controller	
19	7661000007	4	Nut #10	
20	7104100613	4	Screw #10	
21	3178000517	1	Bracket	
22	3178000518	1	Bracket	
23	0641812	10	Bolt 1/2 1-1/2	
24	3706000364	1	Plate	
25	7843000035	2	Spring	
26	3691000259	1	Pin	
27	4949000059	2	Washer 5 x 4-1/2	
28	3691000260	1	Pin	
29	1001206388	1	Boom	
30	1001206161	1	Support	
31	1001206167	1	Support	
32	7809000001	1	Sheave	
33	1001206171	1	Pin	
34	88671008	1	Fitting, Straight	
35	7754000005	1	Ring	
36	7253000002	1	Fitting	
37	4691000513	1	Pin	
38	7809000021	1	Sheave	
39	4706005651	1	Plate	
40	4209000336	1	Bushing	
41	0641820	4	Bolt 1/2 x 2	
42	7660182601	12	Nut 1/2	
44	3241000208	1	Headboard	
45	7552000413	1	Side Recovery System Harness (Not Shown - See Separate Breakdown in ELECTRICAL Section)	
46	4706005650	1	Plate	
47	3763000188	1	Rod	
48	4706005672	1	Plate	

## SECTION 1 - SUBFRAME

ITEM	PART NUMBER	QTY	DESCRIPTION	REV
49	4314000167	1	Cover	
50	7790161253	2	Screw 3/8 x 3/4	
51	4831000126	2	Spacer	
52	4831000127	2	Spacer	
53	0652016	12	Bolt 5/8 x 2	
54	7660202347	12	Nut 1/6	
55	7804000007	1	Shackle	
56	7248000070	1	Wire Rope (Not Shown)	
57	7274000053	4	Clamp (Not Shown)	
58	0641508	4	Bolt 5/16 x 1 (Not Shown)	
59	4751500	4	Washer 5/16 (Not Shown)	
60	7660152601	4	Nut 1/3 (Not Shown)	
61	7002000519	1	Snatch (Not Shown)	
62	7690051641	1	Pin	
63	4706005752	2	Plate	
65	2577000016	1	Linear Actuator Kit	
66	3841143	1	Keeper	
67	4711600	1	Washer	
68	0651606	1	Bolt 3/8 x 3/4	
69	3020039	AR	Lubricant	
70	3020029	AR	Lube	
71	0100071	AR	Adhesive	
72	1001095650	AR	Adhesive	

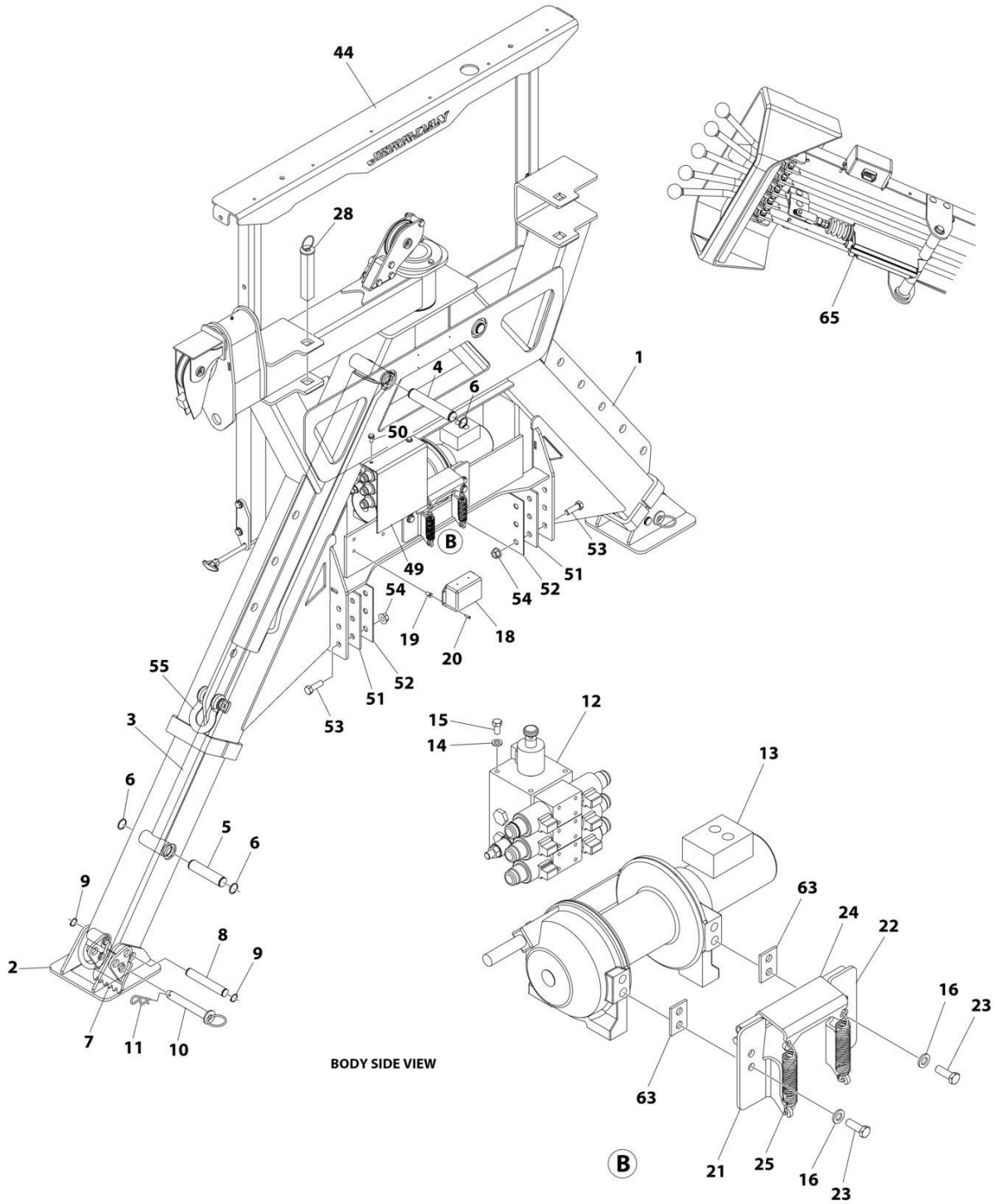
# SECTION 1 - SUBFRAME

FIGURE 1-21. SIDE RECOVERY SYSTEM (SRS) INSTALLATION - 10000 LBS WINCH (4 FUNCTION REMOTE CONTROL) (SN 0220024466 through 02200025491)



ART\_1001271985\_10F2

# SECTION 1 - SUBFRAME



BODY SIDE VIEW

ART\_1001271985\_2OF2

## SECTION 1 - SUBFRAME

**FIGURE 1-21. SIDE RECOVERY SYSTEM (SRS) INSTALLATION - 10000 LBS WINCH (4 FUNCTION REMOTE CONTROL) (SN 0220024466 through 02200025491)**

ITEM	PART NUMBER	QTY	DESCRIPTION	REV
	1001271985	Ref	FRAME ASSEMBLY (SRS-10), MAN F/S, 4 REMOTE	A
1	3455000058	1	Frame Weldment	
2	3170000473	2	Boom Weldment	
3	3320000229	2	Cylinder Assembly (See Separate Breakdown in this Section)	
4	4691000296	2	Pin	
5	4691000429	2	Pin	
6	3760133	7	Ring	
7	3706000363	2	Plate	
8	4691000495	2	Pin	
9	7754000019	6	Ring	
10	3691000064	2	Pin	
11	7691000001	2	Hair Pin	
12	3619000010	1	Manifold Assembly	
13	7970000158	1	Winch Assembly (See Separate Breakdown in this Section)	
14	7950160000	3	Lockwasher	
15	0641606	6	Bolt 3/8 x 3/4	
16	4891800	20	Washer 1/2	
17	1001139343	8	Bolt 1/2 x 1-1/4	
18	7295000130	1	Controller	
19	7661000007	4	Nut #10	
20	7104100613	4	Screw #10	
21	3178000517	1	Bracket	
22	3178000518	1	Bracket	
23	0641812	10	Bolt 1/2 1-1/2	
24	3706000364	1	Plate	
25	7843000035	2	Spring	
26	3691000259	1	Pin	
27	4949000059	2	Washer 5 x 4-1/2	
28	3691000260	1	Pin	
29	1001206388	1	Boom	
30	1001206161	1	Support	
31	1001206167	1	Support	
32	7809000001	1	Sheave	
33	1001206171	2	Pin	
34	88671008	2	Fitting, Straight	
35	7754000005	1	Ring	
36	7253000002	2	Fitting	
38	1001271775	1	Sheave	
39	1001271842	1	Plate	
40	4209000336	1	Bushing	
41	0641820	4	Bolt 1/2 x 2	
42	7660182601	12	Nut 1/2	
44	3241000208	1	Headboard	
45	7552000413	1	Harness Side Recovery System Harness (Not Shown - See Separate Breakdown in ELECTRICAL Section)	
46	4706005650	1	Plate	
47	3763000188	1	Rod	
48	4706005672	1	Plate	
49	4314000167	1	Cover	

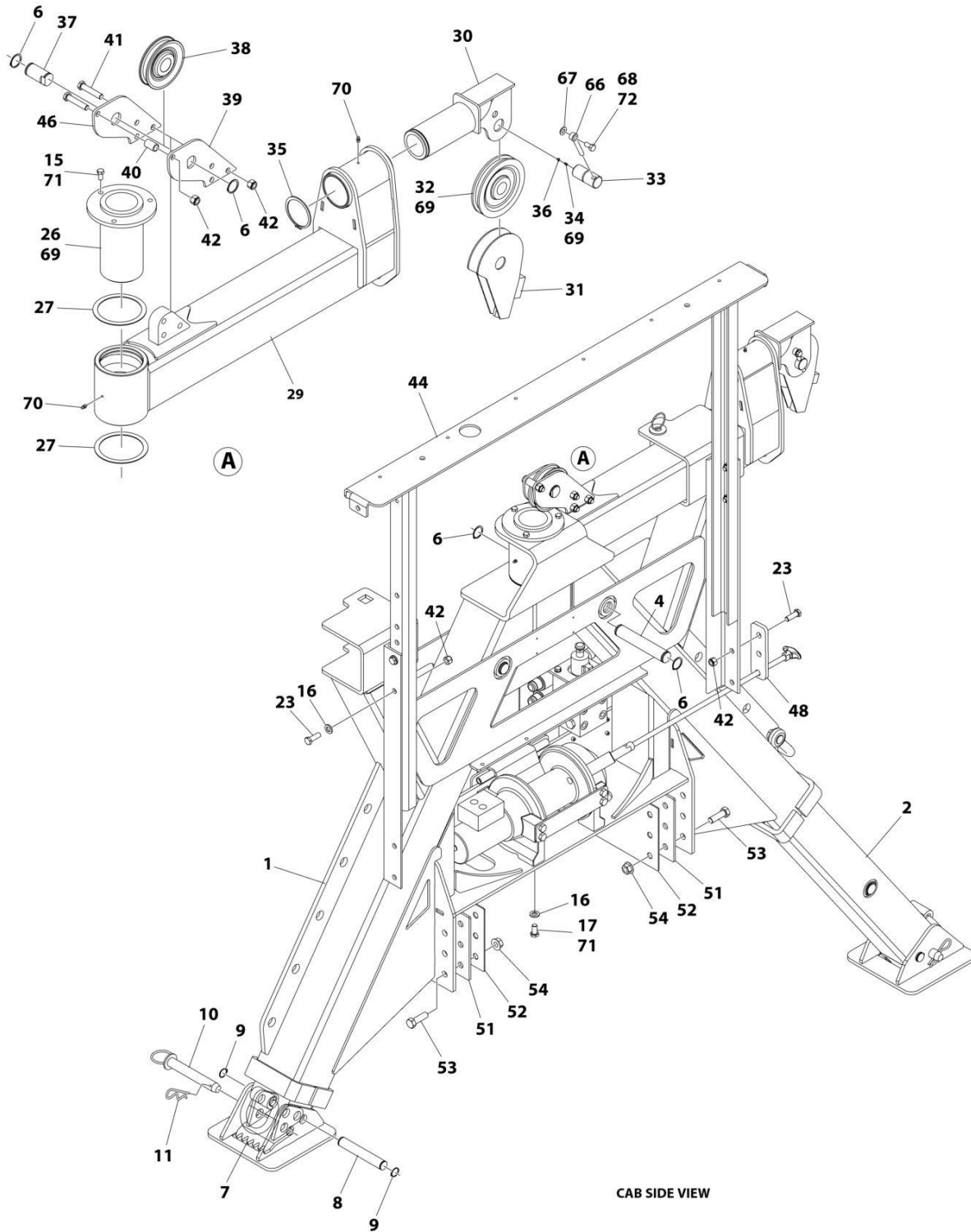


## SECTION 1 - SUBFRAME

ITEM	PART NUMBER	QTY	DESCRIPTION	REV
50	7790161253	2	Screw 3/8 x 3/4	
51	4831000126	2	Spacer	
52	4831000127	2	Spacer	
53	0652016	12	Bolt 5/8 x 2	
54	7660202347	12	Nut 1/6	
55	7804000007	1	Shackle	
56	7248000077	1	Wire Rope (Not Shown)	
57	7274000053	4	Clamp (Not Shown)	
58	0641508	4	Bolt 5/16 x 1 (Not Shown)	
59	4751500	4	Washer 5/16 (Not Shown)	
60	7660152601	4	Nut 1/3 (Not Shown)	
61	7002000519	1	Snatch (Not Shown)	
62	7690051641	1	Pin	
63	4706005752	2	Plate	
65	2577000016	1	Linear Actuator Kit	
66	3841143	2	Keeper	
67	4711600	2	Washer	
68	0651606	2	Bolt 3/8 x 3/4	
69	3020039	AR	Lubricant	
70	3020029	AR	Lube	
71	0100071	AR	Adhesive	
72	1001095650	AR	Adhesive	

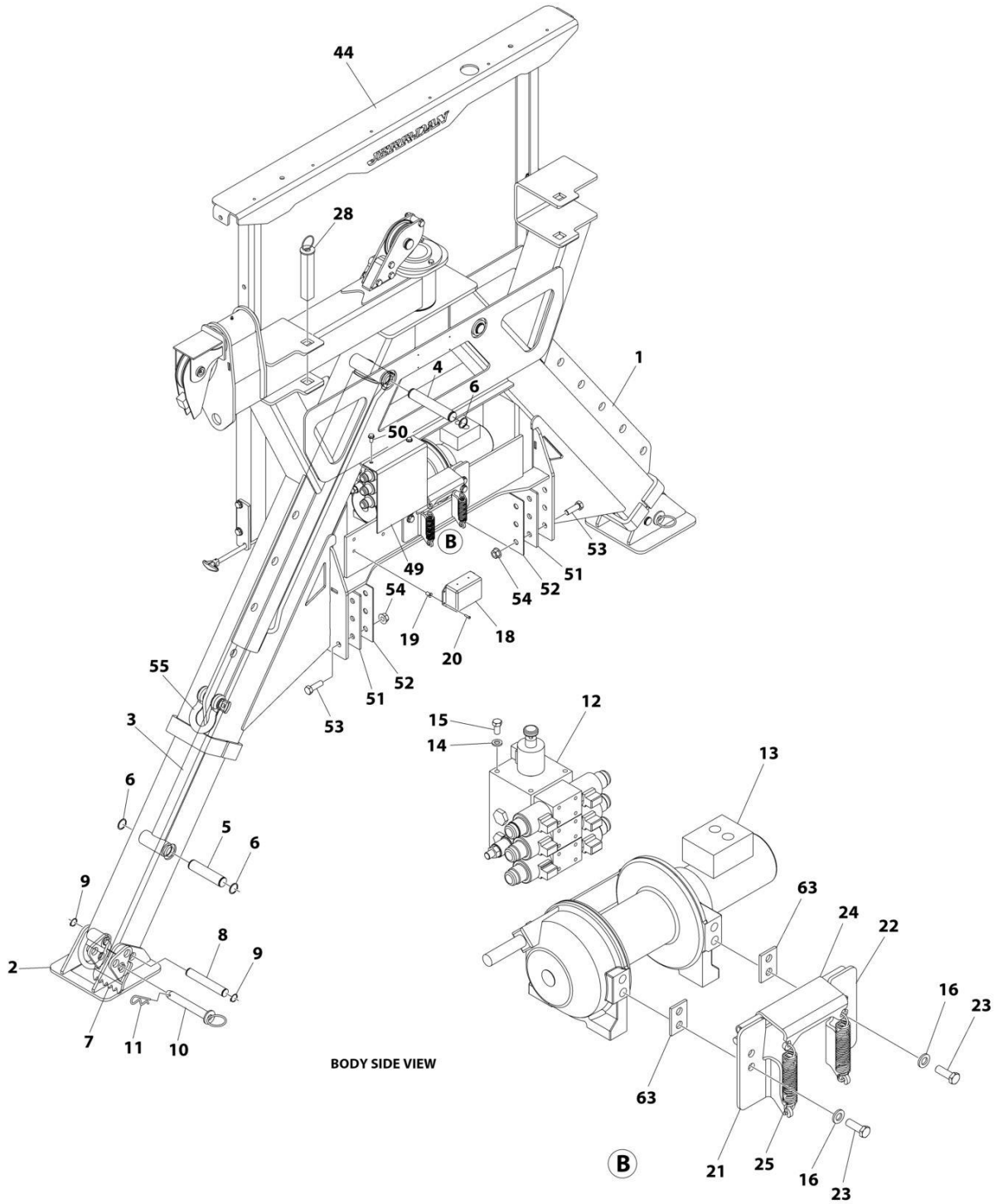
# SECTION 1 - SUBFRAME

FIGURE 1-22. SIDE RECOVERY SYSTEM (SRS) INSTALLATION - 10000 LBS WINCH WITH AIR FREE SPOOL (SN 0220022847 through 0220024465)



ART\_3455000063\_10F2

# SECTION 1 - SUBFRAME



ART\_345500063\_2OF2

## SECTION 1 - SUBFRAME

**FIGURE 1-22. SIDE RECOVERY SYSTEM (SRS) INSTALLATION - 10000 LBS WINCH WITH AIR FREE SPOOL (SN 0220022847 through 0220024465)**

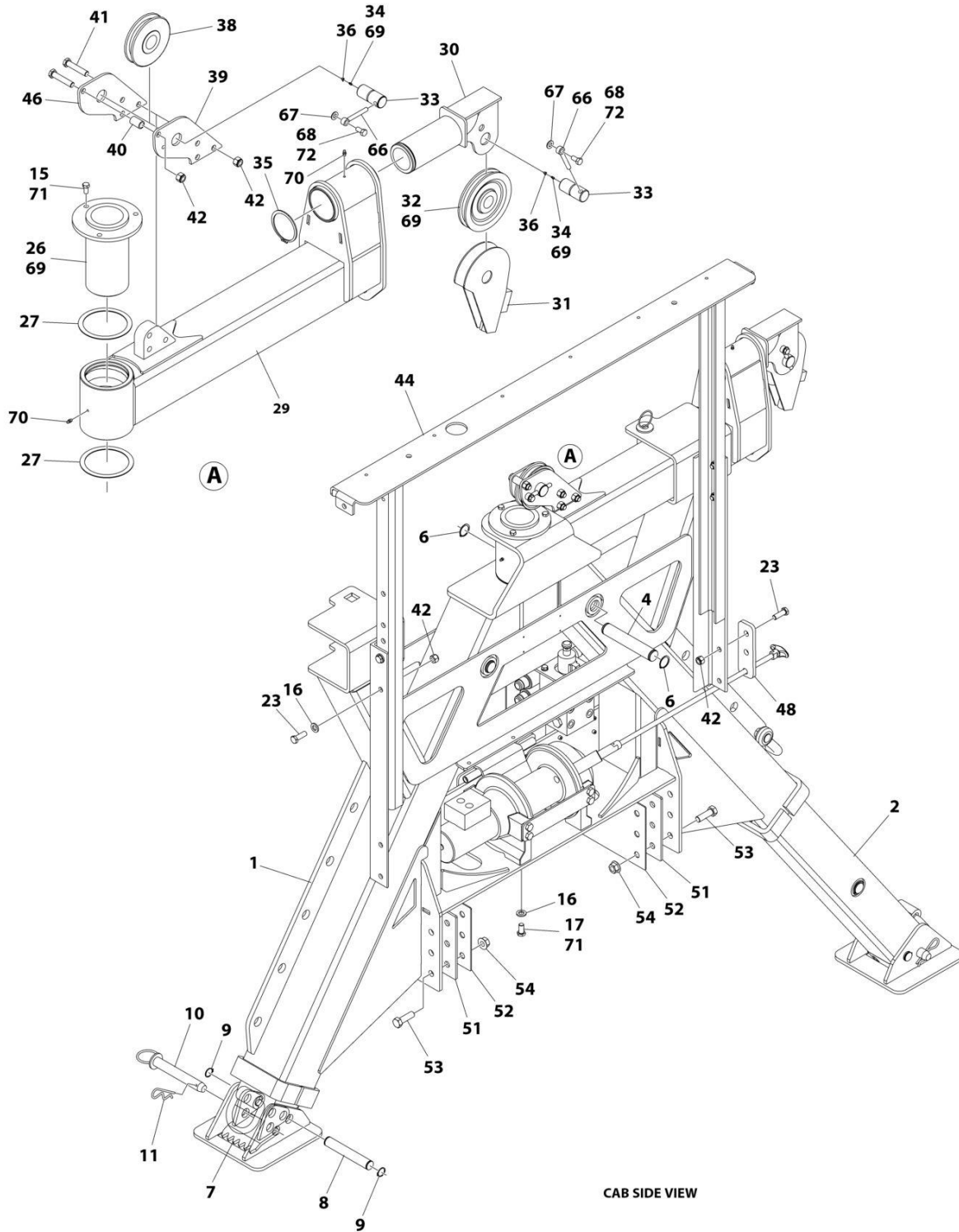
ITEM	PART NUMBER	QTY	DESCRIPTION	REV
	3455000063	Ref	FRAME ASSEMBLY (SRS-10), AIR F/S	C
1	3455000058	1	Frame Weldment	
2	3170000473	2	Boom Weldment	
3	3320000229	2	Cylinder Assembly (See Separate Breakdown in this Section)	
4	4691000296	2	Pin	
5	4691000429	2	Pin	
6	3760133	9	Ring	
7	3706000363	2	Plate	
8	4691000495	2	Pin	
9	7754000019	6	Ring	
10	3691000064	2	Pin	
11	7691000001	2	Hair Pin	
12	3619000010	1	Manifold Assembly	
13	7970000166	1	Winch Assembly (See Separate Breakdown in this Section)	
14	7950160000	3	Lockwasher	
15	0641606	6	Bolt 3/8 x 3/4	
16	4891800	20	Washer 1/2	
17	1001139343	8	Bolt 1/2 x 1-1/4	
18	7295000118	1	Controller	
19	7661000007	4	Nut #10	
20	7104100613	4	Screw #10	
21	3178000517	1	Bracket	
22	3178000518	1	Bracket	
23	0641812	12	Bolt 1/2 1-1/2	
24	3706000364	1	Plate	
25	7843000035	2	Spring	
26	3691000259	1	Pin	
27	4949000059	2	Washer 5 x 4-1/2	
28	3691000260	1	Pin	
29	1001206388	1	Boom	
30	1001206161	1	Support	
31	1001206167	1	Support	
32	7809000001	1	Sheave	
33	1001206171	1	Pin	
34	88671008	1	Fitting, Straight	
35	7754000005	1	Ring	
36	7253000002	1	Fitting	
37	4691000513	1	Pin	
38	7809000021	1	Sheave	
39	4706005651	1	Plate	
40	4209000336	1	Bushing	
41	0641820	4	Bolt 1/2 x 2	
42	7660182601	14	Nut 1/2	
44	3241000208	1	Headboard	
45	7552000385	1	Side Recovery System Harness (Not Shown - See Separate Breakdown in ELECTRICAL Section)	
46	4706005650	1	Plate	
48	4706006211	2	Plate	
49	4314000167	1	Cover	

## SECTION 1 - SUBFRAME

ITEM	PART NUMBER	QTY	DESCRIPTION	REV
50	7790161253	2	Screw 3/8 x 3/4	
51	4831000126	2	Spacer	
52	4831000127	2	Spacer	
53	0652016	12	Bolt 5/8 x 2	
54	7660202347	12	Nut 1/6	
55	7804000007	1	Shackle	
56	7248000070	1	Wire Rope (Not Shown)	
57	7274000053	4	Clamp (Not Shown)	
58	0641508	4	Bolt 5/16 x 1 (Not Shown)	
59	4751500	4	Washer 5/16 (Not Shown)	
60	7660152601	4	Nut 1/3 (Not Shown)	
61	7002000519	1	Snatch (Not Shown)	
63	4706005752	2	Plate	
64	2870000023	1	Switch Installation (Not Shown)	
66	3841143	1	Keeper	
67	4711600	1	Washer	
68	0651606	1	Bolt 3/8 x 3/4	
69	3020039	AR	Lubricant	
70	3020029	AR	Lube	
71	0100071	AR	Adhesive	
72	1001095650	AR	Adhesive	

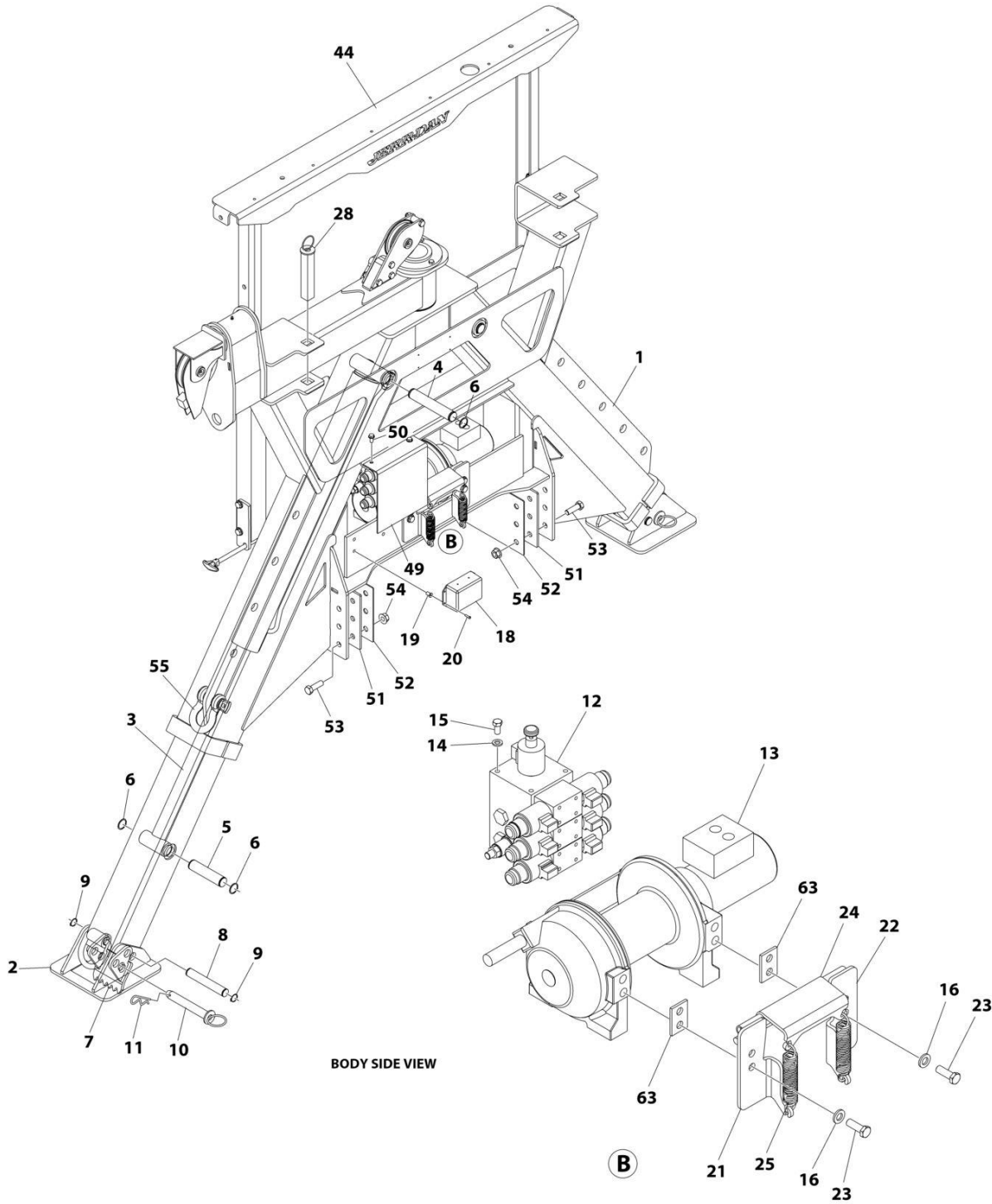
# SECTION 1 - SUBFRAME

FIGURE 1-23. SIDE RECOVERY SYSTEM (SRS) INSTALLATION - 10000 LBS WINCH WITH AIR FREE SPOOL (3 FUNCTION REMOTE CONTROL) (SN 0220024466 through 02200025491)



ART\_1001271984\_10F2

# SECTION 1 - SUBFRAME



BODY SIDE VIEW

ART\_1001271984\_20F2

## SECTION 1 - SUBFRAME

**FIGURE 1-23. SIDE RECOVERY SYSTEM (SRS) INSTALLATION - 10000 LBS WINCH WITH AIR FREE SPOOL (3 FUNCTION REMOTE CONTROL) (SN 0220024466 through 02200025491)**

ITEM	PART NUMBER	QTY	DESCRIPTION	REV
	1001271984	Ref	FRAME ASSEMBLY (SRS-10), AIR F/S, 3 REMOTE	A
1	3455000058	1	Frame Weldment	
2	3170000473	2	Boom Weldment	
3	3320000229	2	Cylinder Assembly (See Separate Breakdown in this Section)	
4	4691000296	2	Pin	
5	4691000429	2	Pin	
6	3760133	7	Ring	
7	3706000363	2	Plate	
8	4691000495	2	Pin	
9	7754000019	6	Ring	
10	3691000064	2	Pin	
11	7691000001	2	Hair Pin	
12	3619000010	1	Manifold Assembly	
13	7970000166	1	Winch Assembly (See Separate Breakdown in this Section)	
14	7950160000	3	Lockwasher	
15	0641606	6	Bolt 3/8 x 3/4	
16	4891800	20	Washer 1/2	
17	1001139343	8	Bolt 1/2 x 1-1/4	
18	7295000118	1	Controller	
19	7661000007	4	Nut #10	
20	7104100613	4	Screw #10	
21	3178000517	1	Bracket	
22	3178000518	1	Bracket	
23	0641812	12	Bolt 1/2 1-1/2	
24	3706000364	1	Plate	
25	7843000035	2	Spring	
26	3691000259	1	Pin	
27	4949000059	2	Washer 5 x 4-1/2	
28	3691000260	1	Pin	
29	1001206388	1	Boom	
30	1001206161	1	Support	
31	1001206167	1	Support	
32	7809000001	1	Sheave	
33	1001206171	2	Pin	
34	88671008	2	Fitting, Straight	
35	7754000005	1	Ring	
36	7253000002	2	Fitting	
38	1001271775	1	Sheave	
39	1001271842	1	Plate	
40	4209000336	1	Bushing	
41	0641820	4	Bolt 1/2 x 2	
42	7660182601	14	Nut 1/2	
44	3241000208	1	Headboard	
45	7552000385	1	Side Recovery System Harness (Not Shown - See Separate Breakdown in ELECTRICAL Section)	
46	4706005650	1	Plate	
48	4706006211	2	Plate	
49	4314000167	1	Cover	
50	7790161253	2	Screw 3/8 x 3/4	

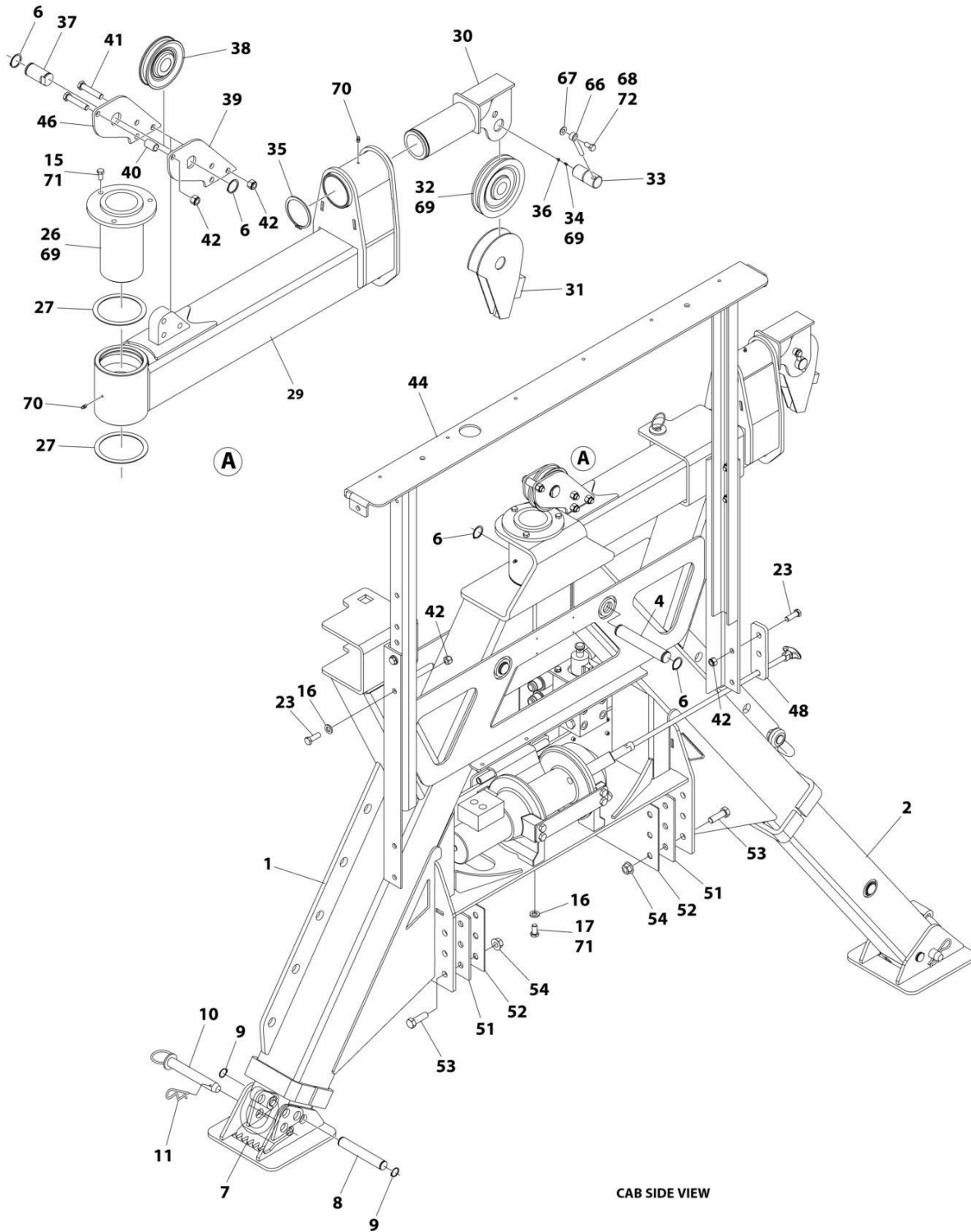


## SECTION 1 - SUBFRAME

ITEM	PART NUMBER	QTY	DESCRIPTION	REV
51	4831000126	2	Spacer	
52	4831000127	2	Spacer	
53	0652016	12	Bolt 5/8 x 2	
54	7660202347	12	Nut 1/6	
55	7804000007	1	Shackle	
56	7248000077	1	Wire Rope (Not Shown)	
57	7274000053	4	Clamp (Not Shown)	
58	0641508	4	Bolt 5/16 x 1 (Not Shown)	
59	4751500	4	Washer 5/16 (Not Shown)	
60	7660152601	4	Nut 1/3 (Not Shown)	
61	7002000519	1	Snatch (Not Shown)	
63	4706005752	2	Plate	
64	2870000023	1	Switch Installation (Not Shown)	
66	3841143	2	Keeper	
67	4711600	2	Washer	
68	0651606	2	Bolt 3/8 x 3/4	
69	3020039	AR	Lubricant	
70	3020029	AR	Lube	
71	0100071	AR	Adhesive	
72	1001095650	AR	Adhesive	

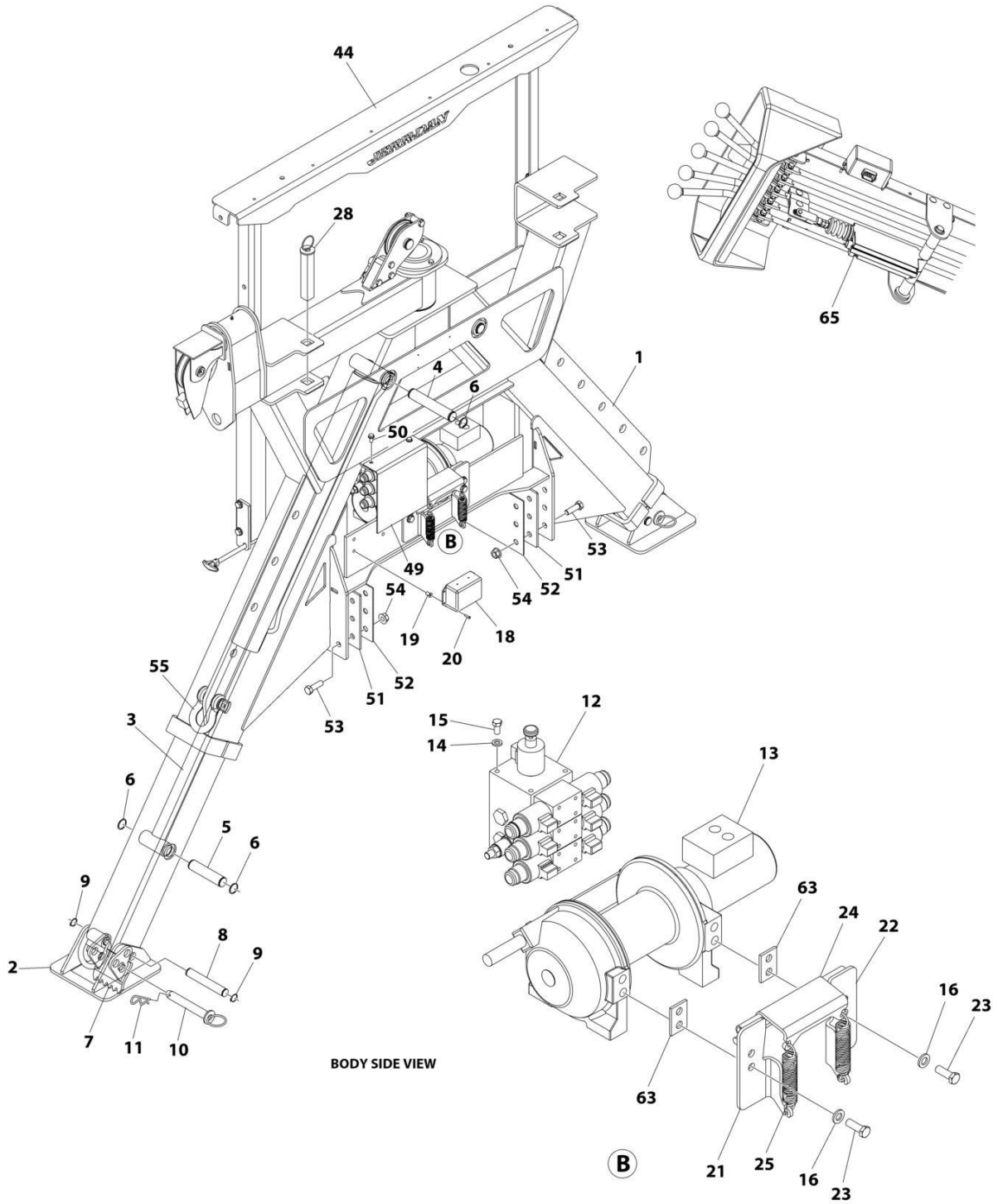
# SECTION 1 - SUBFRAME

FIGURE 1-24. SIDE RECOVERY SYSTEM (SRS) INSTALLATION - 10000 LBS WINCH WITH AIR FREE SPOOL & REMOTE CONTROL (SN 0220022847 through 0220024465)



ART\_3455000066\_10F2

# SECTION 1 - SUBFRAME



BODY SIDE VIEW

ART\_345500066\_2OF2

## SECTION 1 - SUBFRAME

**FIGURE 1-24. SIDE RECOVERY SYSTEM (SRS) INSTALLATION - 10000 LBS WINCH WITH AIR FREE SPOOL & REMOTE CONTROL (SN 0220022847 through 0220024465)**

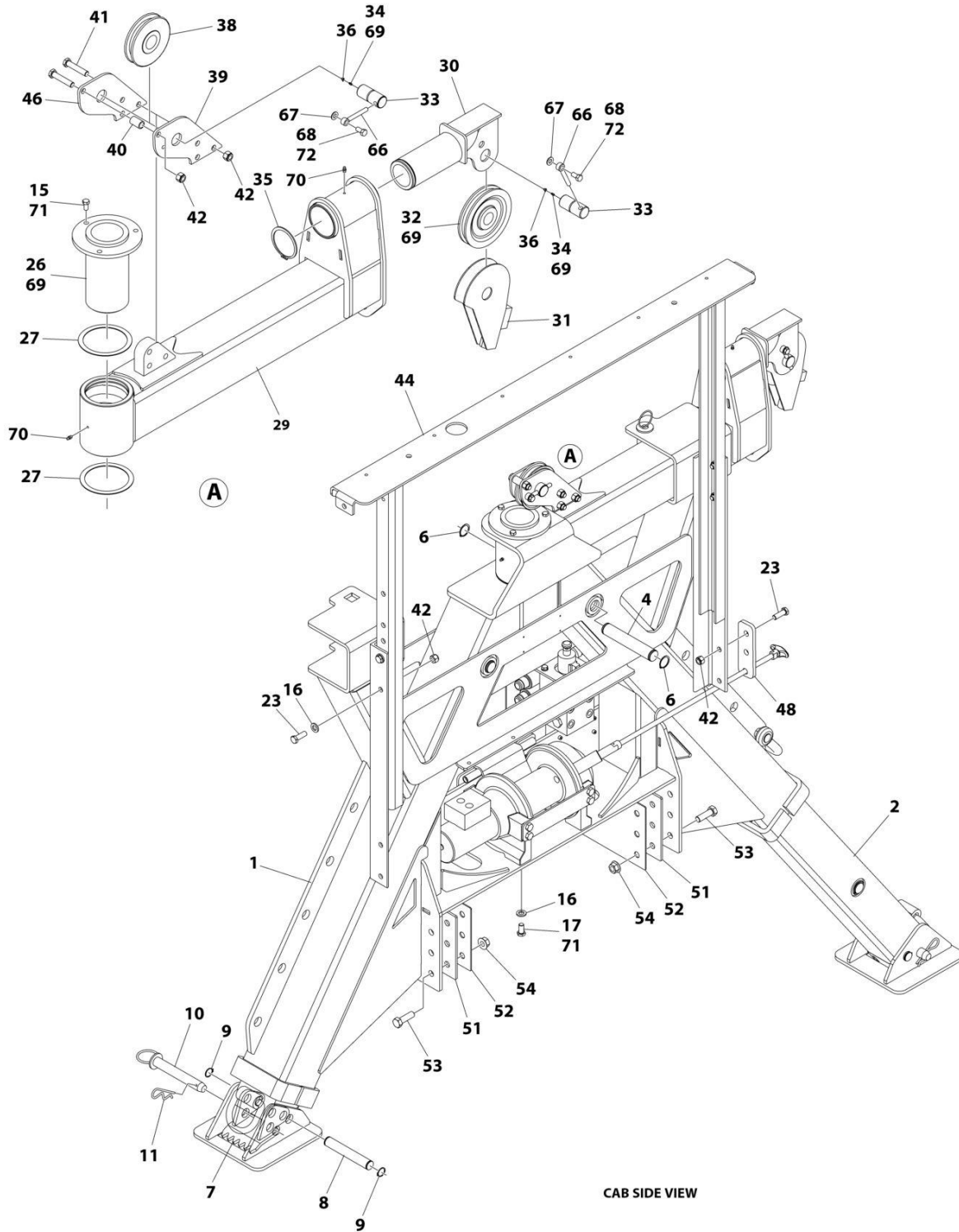
ITEM	PART NUMBER	QTY	DESCRIPTION	REV
	3455000066	Ref	FRAME ASSEMBLY (SRS-10), AIR F/S, 3+1 REMOTE	C
1	3455000058	1	Frame	
2	3170000473	2	Boom Weldment	
3	3320000229	2	Cylinder Assembly (See Separate Breakdown in this Section)	
4	4691000296	2	Pin	
5	4691000429	2	Pin	
6	3760133	9	Ring	
7	3706000363	2	Plate	
8	4691000495	2	Pin	
9	7754000019	6	Ring	
10	3691000064	2	Pin	
11	7691000001	2	Hair Pin	
12	3619000010	1	Manifold Assembly	
13	7970000166	1	Winch Assembly (See Separate Breakdown in this Section)	
14	7950160000	3	Lockwasher	
15	0641606	6	Bolt 3/8 x 3/4	
16	4891800	20	Washer 1/2	
17	1001139343	8	Bolt 1/2 x 1-1/4	
18	7295000130	1	Controller	
19	7661000007	4	Nut #10	
20	7104100613	4	Screw #10	
21	3178000517	1	Bracket	
22	3178000518	1	Bracket	
23	0641812	12	Bolt 1/2 1-1/2	
24	3706000364	1	Plate	
25	7843000035	2	Spring	
26	3691000259	1	Pin	
27	4949000059	2	Washer 5 x 4-1/2	
28	3691000260	1	Pin	
29	1001206388	1	Boom	
30	1001206161	1	Support	
31	1001206167	1	Support	
32	7809000001	1	Sheave	
33	1001206171	1	Pin	
34	88671008	1	Fitting, Straight	
35	7754000005	1	Ring	
36	7253000002	1	Fitting	
37	4691000513	1	Pin	
38	7809000021	1	Sheave	
39	4706005651	1	Plate	
40	4209000336	1	Bushing	
41	0641820	4	Bolt 1/2 x 2	
42	7660182601	14	Nut 1/2	
44	3241000208	1	Headboard	
45	7552000413	1	Side Recovery System Harness (Not Shown - See Separate Breakdown in ELECTRICAL Section)	
46	4706005650	1	Plate	
48	4706006211	2	Plate	
49	4314000167	1	Cover	

## SECTION 1 - SUBFRAME

ITEM	PART NUMBER	QTY	DESCRIPTION	REV
50	7790161253	2	Screw 3/8 x 3/4	
51	4831000126	2	Spacer	
52	4831000127	2	Spacer	
53	0652016	12	Bolt 5/8 x 2	
54	7660202347	12	Nut 1/6	
55	7804000007	1	Shackle	
56	7248000070	1	Wire Rope (Not Shown)	
57	7274000053	4	Clamp (Not Shown)	
58	0641508	4	Bolt 5/16 x 1 (Not Shown)	
59	4751500	4	Washer 5/16 (Not Shown)	
60	7660152601	4	Nut 1/3 (Not Shown)	
61	7002000519	1	Snatch (Not Shown)	
63	4706005752	2	Plate	
64	2870000023	1	Switch Installation (Not Shown)	
65	2577000016	1	Linear Actuator Kit	
66	3841143	1	Keeper	
67	4711600	1	Washer	
68	0651606	1	Bolt 3/8 x 3/4	
69	3020039	AR	Lubricant	
70	3020029	AR	Lube	
71	0100071	AR	Adhesive	
72	1001095650	AR	Adhesive	

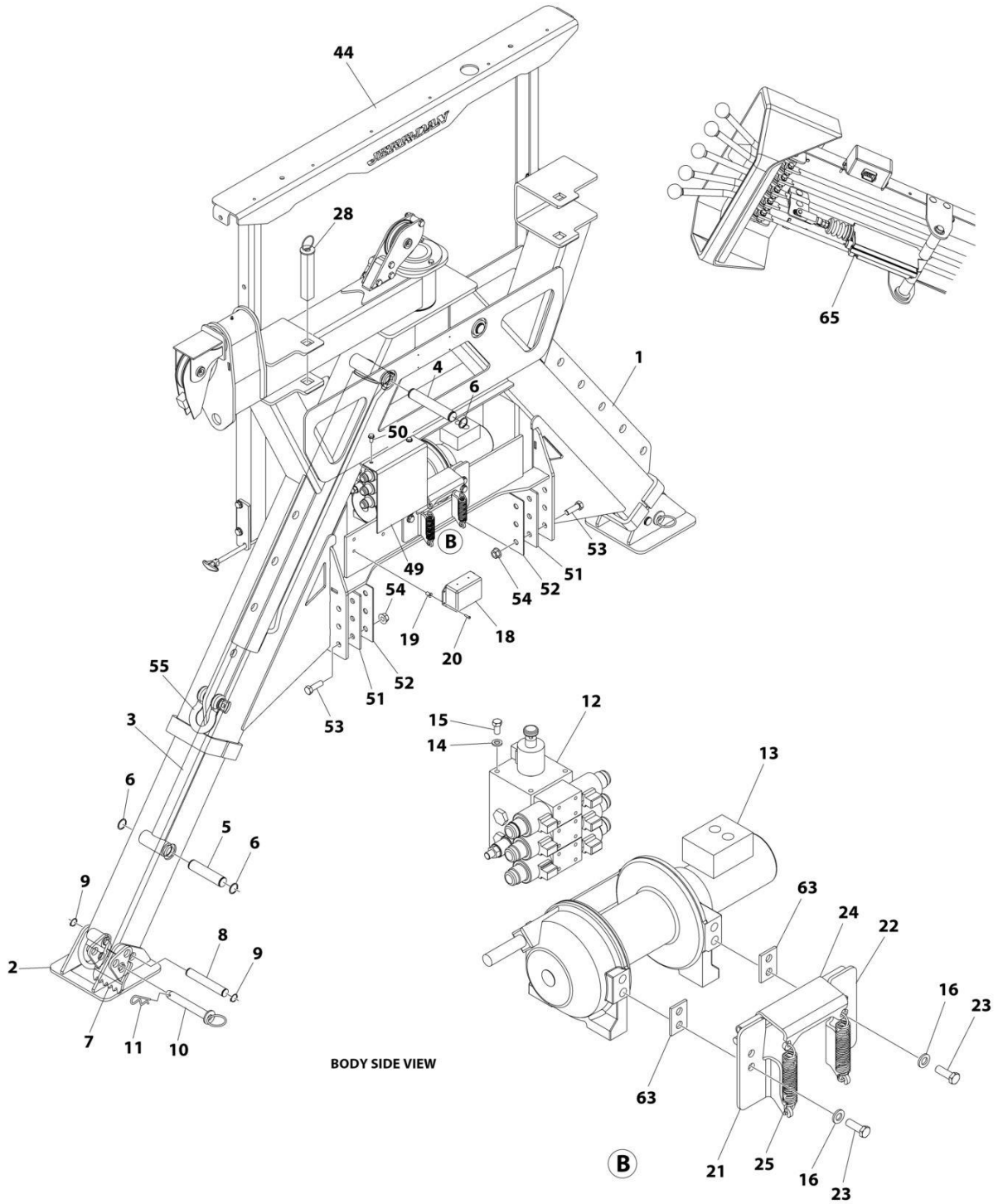
# SECTION 1 - SUBFRAME

FIGURE 1-25. SIDE RECOVERY SYSTEM (SRS) INSTALLATION - 10000 LBS WINCH WITH AIR FREE SPOOL (4 FUNCTION REMOTE CONTROL) (SN 0220024466 through 02200025491)



ART\_1001271986\_10F2

# SECTION 1 - SUBFRAME



BODY SIDE VIEW

ART\_1001271986\_20F2

## SECTION 1 - SUBFRAME

**FIGURE 1-25. SIDE RECOVERY SYSTEM (SRS) INSTALLATION - 10000 LBS WINCH WITH AIR FREE SPOOL (4 FUNCTION REMOTE CONTROL) (SN 0220024466 through 02200025491)**

ITEM	PART NUMBER	QTY	DESCRIPTION	REV
	1001271986	Ref	FRAME ASSEMBLY (SRS-10), AIR F/S, 4 REMOTE	A
1	3455000058	1	Frame	
2	3170000473	2	Boom Weldment	
3	3320000229	2	Cylinder Assembly (See Separate Breakdown in this Section)	
4	4691000296	2	Pin	
5	4691000429	2	Pin	
6	3760133	7	Ring	
7	3706000363	2	Plate	
8	4691000495	2	Pin	
9	7754000019	6	Ring	
10	3691000064	2	Pin	
11	7691000001	2	Hair Pin	
12	3619000010	1	Manifold Assembly	
13	7970000166	1	Winch Assembly (See Separate Breakdown in this Section)	
14	7950160000	3	Lockwasher	
15	0641606	6	Bolt 3/8 x 3/4	
16	4891800	20	Washer 1/2	
17	1001139343	8	Bolt 1/2 x 1-1/4	
18	7295000130	1	Controller	
19	7661000007	4	Nut #10	
20	7104100613	4	Screw #10	
21	3178000517	1	Bracket	
22	3178000518	1	Bracket	
23	0641812	12	Bolt 1/2 1-1/2	
24	3706000364	1	Plate	
25	7843000035	2	Spring	
26	3691000259	1	Pin	
27	4949000059	2	Washer 5 x 4-1/2	
28	3691000260	1	Pin	
29	1001206388	1	Boom	
30	1001206161	1	Support	
31	1001206167	1	Support	
32	7809000001	1	Sheave	
33	1001206171	2	Pin	
34	88671008	2	Fitting	
35	7754000005	1	Ring	
36	7253000002	2	Fitting	
38	1001271775	1	Sheave	
39	1001271842	1	Plate	
40	4209000336	1	Bushing	
41	0641820	4	Bolt 1/2 x 2	
42	7660182601	14	Nut 1/2	
44	3241000208	1	Headboard	
45	7552000413	1	Side Recovery System Harness (Not Shown - See Separate Breakdown in ELECTRICAL Section)	
46	4706005650	1	Plate	
48	4706006211	2	Plate	
49	4314000167	1	Cover	
50	7790161253	2	Screw 3/8 x 3/4	

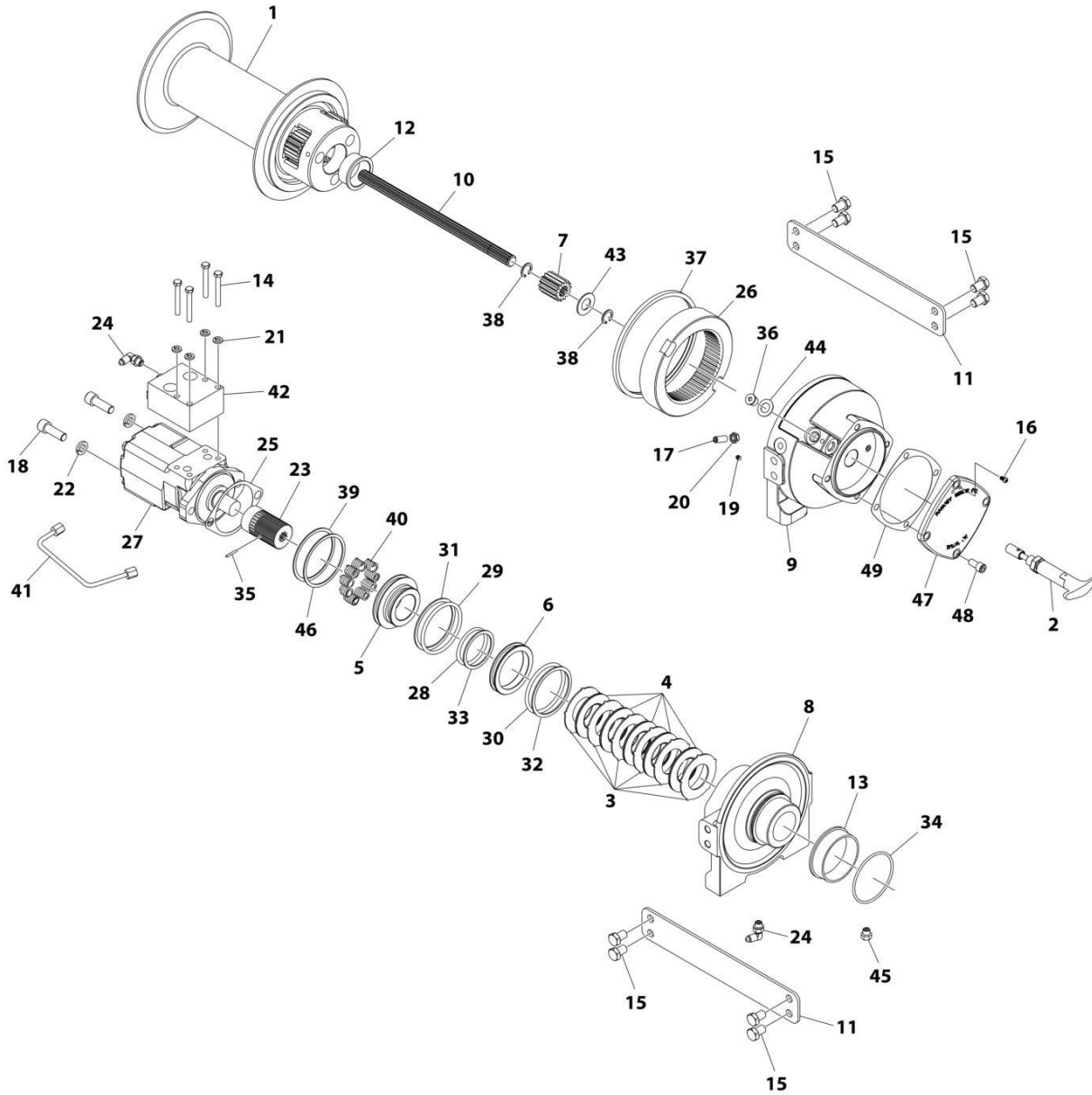


## SECTION 1 - SUBFRAME

ITEM	PART NUMBER	QTY	DESCRIPTION	REV
51	4831000126	2	Spacer	
52	4831000127	2	Spacer	
53	0652016	12	Bolt 5/8 x 2	
54	7660202347	12	Nut 1/6	
55	7804000007	1	Shackle	
56	7248000077	1	Wire Rope (Not Shown)	
57	7274000053	4	Clamp (Not Shown)	
58	0641508	4	Bolt 5/16 x 1 (Not Shown)	
59	4751500	4	Washer 5/16 (Not Shown)	
60	7660152601	4	Nut 1/3 (Not Shown)	
61	7002000519	1	Snatch (Not Shown)	
63	4706005752	2	Plate	
64	2870000023	1	Switch Installation (Not Shown)	
65	2577000016	1	Linear Actuator Kit	
66	3841143	2	Keeper	
67	4711600	2	Washer	
68	0651606	2	Bolt 3/8 x 3/4	
69	3020039	AR	Lubricant	
70	3020029	AR	Lube	
71	0100071	AR	Adhesive	
72	1001095650	AR	Adhesive	

# SECTION 1 - SUBFRAME

## FIGURE 1-26. WINCH (SRS) ASSEMBLY - 8000 LBS



ART\_7970000157

## SECTION 1 - SUBFRAME

### FIGURE 1-26. WINCH (SRS) ASSEMBLY - 8000 LBS

ITEM	PART NUMBER	QTY	DESCRIPTION	REV
	7970000157	Ref	WINCH - 8000 LBS PLANETARY GEAR WITH MANUAL FREE SPOOL	B
1	9970960027	1	Drum Assembly "Y"	
2	9551960018	1	Shifter Assembly	
3	70050612	6	Stator - Brake	
4	70050613	5	Disc Brake	
5	70050614	1	Piston Brake	
6	70050615	1	Piston Brake Backup	
7	9472960042	1	Gear - Output, Sun	
8	70050456	1	End Bearing - Motor	
9	70050616	1	End Bearing - Gear housing	
10	70050617	1	Shaft - Input "Y" Drum	
11	70050618	2	Plate - Tie "Y" Drum	
12	9209960023	1	Bushing - Drum	
13	70050457	1	Bushing - Drum, Motor End	
14	70050619	4	Capscrew 5/16 x 2-1/2	
15	9120960025	8	Capscrew 1/2 x 3/4	
16	70050682	2	Screw 1/4 x 1-2	
17	9786960006	1	Setscrew 3/8 x 1	
18	70050627	2	Capscrew 1/2 x 1-3/4	
19	7785140404	1	Setscrew 1/4 x 1/4	
20	70050628	1	Nut 3/8	
21	9970418163	4	Washer 5/16	
22	9949960016	2	Washer 1/2	
23	9309960009	1	Coupling - Motor	
24	9443960010	2	Fitting	
25	70050458	1	Gasket	
26	9472960043	1	Gear - Ring	
27	9626960012	1	Motor - Hydraulic	
28	70050459	1	O-Ring	
29	70050460	1	O-Ring	
30	70050461	1	O-Ring	
31	70050462	1	Ring - Backup	
32	70050463	1	Ring - Backup	
33	70050464	1	Ring - Backup	
34	70050465	1	O-Ring	
35	9691960001	1	Spirol Pin	
36	9701960016	1	Plug	
37	9796960049	1	Seal	
38	9754960039	2	Snap Ring	
39	70050466	1	Ring - Internal Retaining	
40	70050622	9	Spring - Brake	
41	9912960035	1	Tube - Brake Release (Ports Up)	
42	9935960142	1	Valve - Motor Control "B" Rotation	
43	9812960005	1	Washer - Thrust	
44	9949960017	1	Washer - Thrust	
45	9183960002	1	Fitting, Vent	
46	70050626	1	Ring - Internal Retaining	
47	70050625	1	Cover - Gear Housing	
48	9120960081	4	Capscrew 3/8 x 3/4	

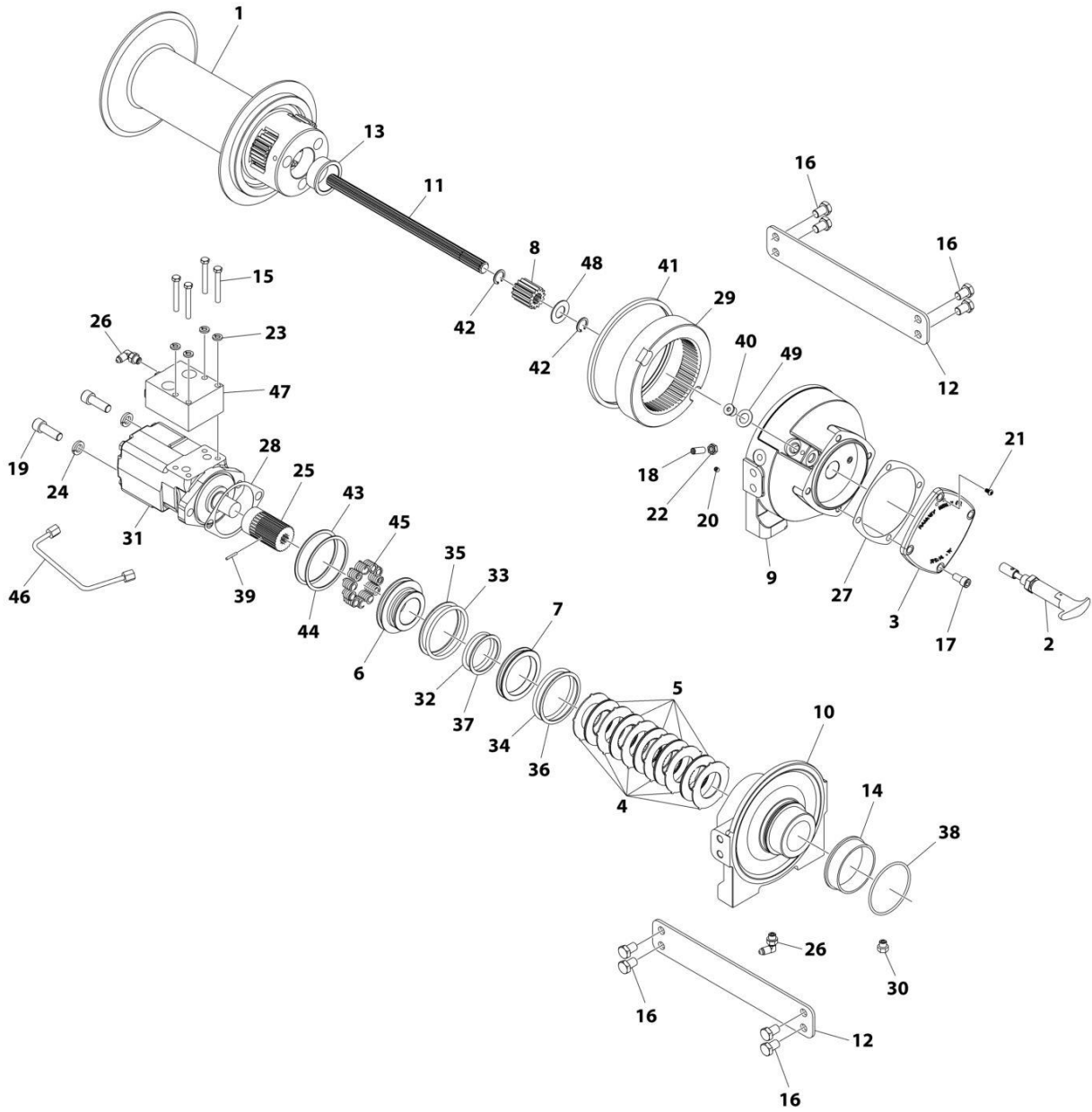
## SECTION 1 - SUBFRAME

ITEM	PART NUMBER	QTY	DESCRIPTION	REV
49	9796960047	1	Gasket	



# SECTION 1 - SUBFRAME

## FIGURE 1-27. WINCH (SRS) ASSEMBLY - 10000 LBS



ART\_7970000158

# SECTION 1 - SUBFRAME

## FIGURE 1-27. WINCH (SRS) ASSEMBLY - 10000 LBS

ITEM	PART NUMBER	QTY	DESCRIPTION	REV
	7970000158	Ref	WINCH - 10000 LBS PLANETARY GEAR WITH MANUAL FREE SPOOL	B
1	70050525	1	Drum Assembly "Y"	
2	9551960018	1	Shifter Assembly	
3	70050625	1	Cover - Gear Housing	
4	70050612	6	Stator - Brake	
5	70050613	5	Disc Brake	
6	70050614	1	Piston Brake	
7	70050615	1	Piston Brake Backup	
8	9472960042	1	Gear - Output, Sun	
9	70050616	1	End Bearing - Gear housing	
10	70050456	1	End Bearing - Motor	
11	70050617	1	Shaft - Input "Y" Drum	
12	70050618	2	Plate - Tie "Y" Drum	
13	9209960023	1	Bushing - Drum	
14	70050457	1	Bushing - Drum, Motor End	
15	70050619	4	Capscrew 5/16 x 2-1/2	
16	9120960025	8	Capscrew 1/2 x 3/4	
17	9120960081	4	Capscrew 3/8 x 3/4	
18	9786960006	1	Setscrew 3/8 x 1	
19	70050627	2	Capscrew 1/2 x 1-3/4	
20	7785140404	1	Setscrew 1/4 x 1/4	
21	70050620	2	Screw #10 x 3/8	
22	70050628	1	Nut 3/8	
23	9970418163	4	Washer 5/16	
24	9949960031	2	Washer 1/2	
25	70050621	1	Coupling - Motor	
26	9443960010	2	Fitting	
27	9796960047	1	Gasket	
28	70050458	1	Gasket	
29	9472960043	1	Gear - Ring	
30	9183960002	1	Fitting, Vent	
31	9626960027	1	Motor - Hydraulic	
32	70050459	1	O-Ring	
33	70050460	1	O-Ring	
34	70050461	1	O-Ring	
35	70050462	1	Ring - Backup	
36	70050463	1	Ring - Backup	
37	70050464	1	Ring - Backup	
38	70050465	1	O-Ring	
39	9691960001	1	Spirol Pin	
40	9701960016	1	Plug	
41	9796960049	1	Seal	
42	9754960039	2	Snap Ring	
43	70050466	2	Ring - Internal Retaining	
44	70050626	1	Ring - Internal Retaining	
45	70050622	11	Spring - Brake	
46	9912960035	1	Tube - Brake Release (Ports Up)	
47	9935960142	1	Valve - Motor Control "B" Rotation	
48	9812960005	1	Washer - Thrust	

## SECTION 1 - SUBFRAME

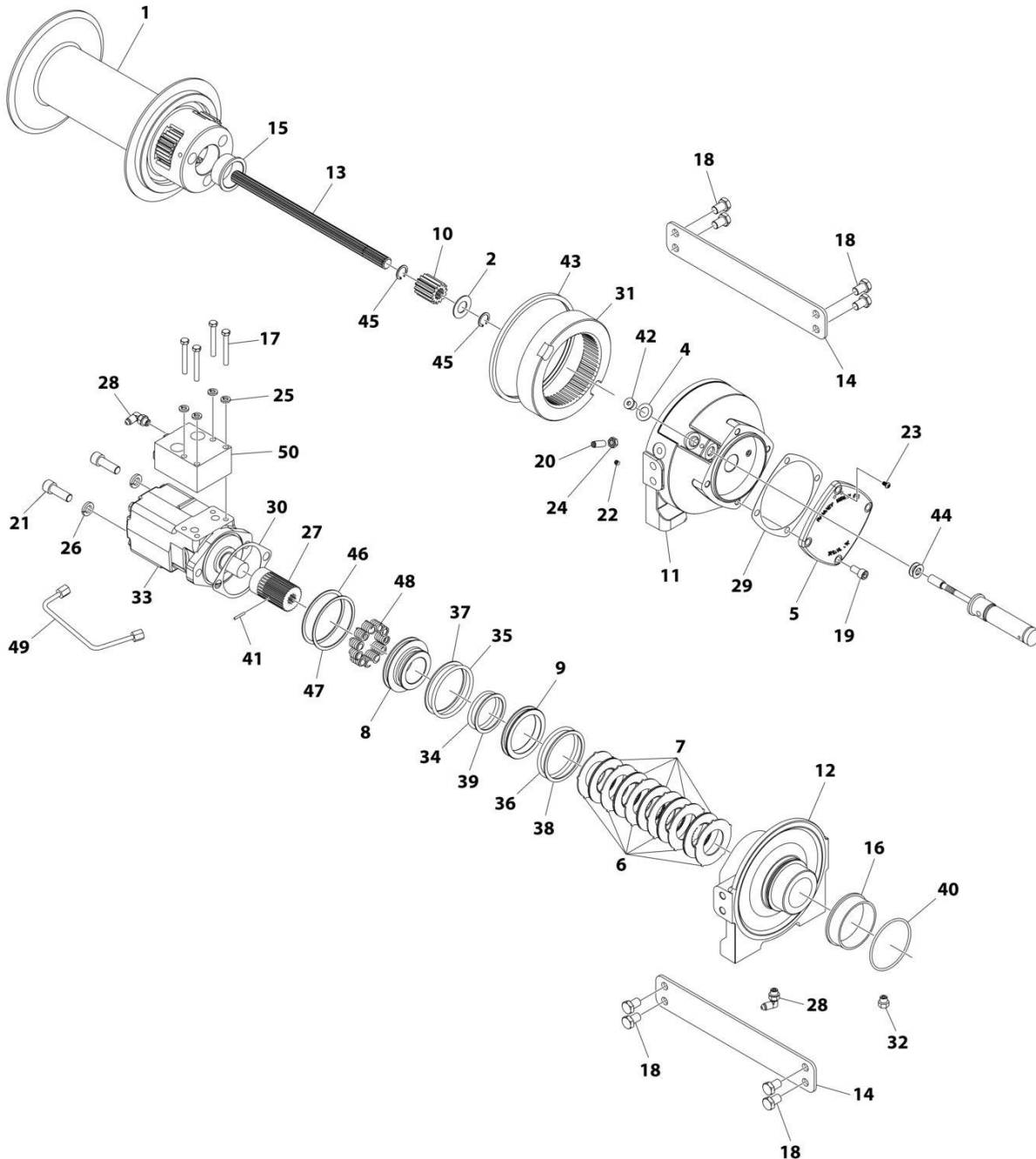
ITEM	PART NUMBER	QTY	DESCRIPTION	REV
49	9949960017	1	Washer - Thrust	





# SECTION 1 - SUBFRAME

FIGURE 1-28. WINCH (SRS) ASSEMBLY - 10000 LBS WITH AIR FREE SPOOL



ART\_7970000166

## SECTION 1 - SUBFRAME

**FIGURE 1-28. WINCH (SRS) ASSEMBLY - 10000 LBS WITH AIR FREE SPOOL**

ITEM	PART NUMBER	QTY	DESCRIPTION	REV
	7970000166	Ref	WINCH - 10000 LBS PLANETARY GEAR WITH AIR FREE SPOOL	B
1	70050525	1	Drum Assembly "Y"	
2	9812960005	1	Washer - Thrust	
3	70050662	1	Decal - Slide Pad / Pivot Joint (Not Shown)	
4	9949960017	1	Washer - Thrust	
5	70050625	1	Cover - Gear Housing	
60	70050612	6	Stator - Brake	
7	70050613	5	Disc Brake	
8	70050614	1	Piston Brake	
9	70050615	1	Piston Brake Backup	
10	9742960064	1	Gear - Output, Sun	
11	70050616	1	End Bearing - Gear housing	
12	70050456	1	End Bearing - Motor	
13	70050617	1	Shaft - Input "Y" Drum	
14	70050618	2	Plate - Tie "Y" Drum	
15	9209960023	1	Bushing - Drum	
16	70050457	1	Bushing - Drum, Motor End	
17	70050619	4	Capscrew 5/16 x 2-1/2	
18	9120960025	8	Capscrew 1/2 x 3/4	
19	9120960081	4	Capscrew 3/8 x 3/4	
20	9786960006	1	Setscrew 3/8 x 1	
21	70050627	2	Capscrew 1/2 x 1-3/4	
22	7785140404	1	Setscrew 1/4 x 1/4	
23	70050620	2	Screw #10 x 3/8	
24	70050628	1	Nut 3/8	
25	9970418163	4	Washer 5/16	
26	9949960031	2	Washer 1/2	
27	70050621	1	Coupling - Motor	
28	9443960010	2	Fitting	
29	9796960047	1	Gasket	
30	70050458	1	Gasket	
31	9472960043	1	Gear - Ring	
32	9183960002	1	Fitting, Vent	
33	9626960027	1	Motor - Hydraulic	
34	70050459	1	O-Ring	
35	70050460	1	O-Ring	
36	70050461	1	O-Ring	
37	70050462	1	Ring - Backup	
38	70050463	1	Ring - Backup	
39	70050464	1	Ring - Backup	
40	70050465	1	O-Ring	
41	9691960001	1	Spirol Pin	
42	9701960016	1	Plug	
43	9796960049	1	Seal	
44	70050100	1	Shim	
45	9754960039	2	Snap Ring	
46	70050466	2	Ring - Internal Retaining	
47	70050626	1	Ring - Internal Retaining	
48	70050622	11	Spring - Brake	
49	9912960035	1	Tube - Brake Release (Ports Up)	

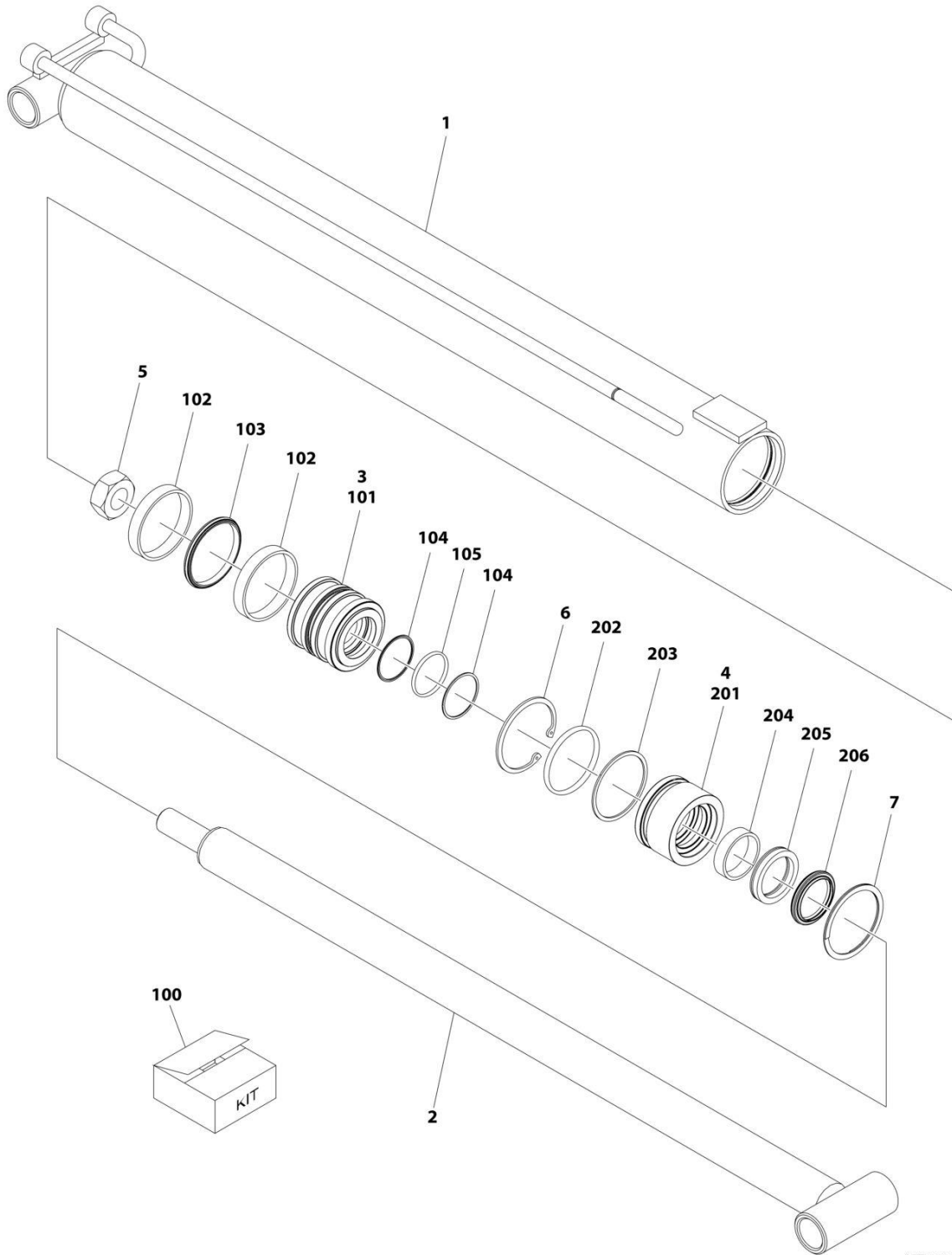
## SECTION 1 - SUBFRAME

ITEM	PART NUMBER	QTY	DESCRIPTION	REV
50	70050701	1	Valve - Motor Control "A" Rotation	



# SECTION 1 - SUBFRAME

## FIGURE 1-29. CYLINDER ASSEMBLY - SIDE RECOVERY SYSTEM



ART\_3320000229

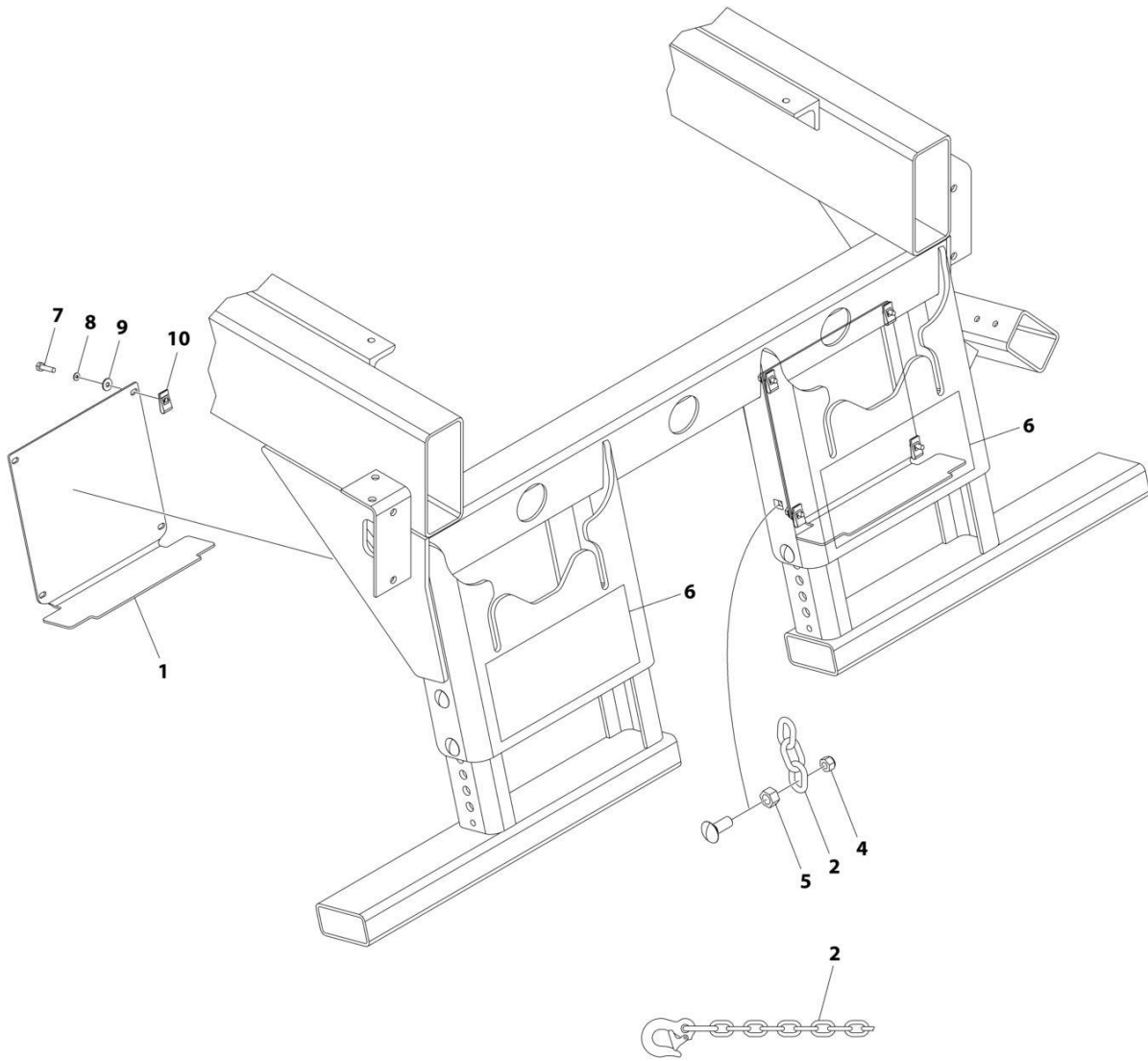
## SECTION 1 - SUBFRAME

**FIGURE 1-29. CYLINDER ASSEMBLY - SIDE RECOVERY SYSTEM**

ITEM	PART NUMBER	QTY	DESCRIPTION	REV
	3320000229	Ref	CYLINDER ASSEMBLY - SIDE RECOVERY SYSTEM	A
1	3071000213	1	Barrel	
2	3763000187	1	Rod	
3	3698000001	1	Piston Assembly (Includes Items 101-105)	
4	3553000011	1	Head Assembly (Includes Items 201-206)	
5	7661000034	1	Nut	
6	7754000002	1	Ring, Retaining	
7	7754000026	1	Ring, Retaining	
100	7577250024	1	Seal Kit (Includes Items 102-105 & 202-206)	
	3698000001	Ref	PISTON ASSEMBLY	
101	4698000007	1	Piston	
102	7754000003	2	Ring, Wear	
103	7796000063	1	Seal	
104	7755224609	2	Ring, Back-up	
105	7755224000	1	O-Ring	
	3553000011	Ref	HEAD ASSEMBLY	
201	4553000008	1	Head	
202	7755334000	1	O-Ring	
203	7755334609	1	Ring, Back-up	
204	7754000004	1	Ring, Wear	
205	7796000024	1	Seal	
206	7796000008	1	Wiper	

# SECTION 1 - SUBFRAME

## FIGURE 1-30. CHAIN BOX INSTALLATION



ART\_2262000011



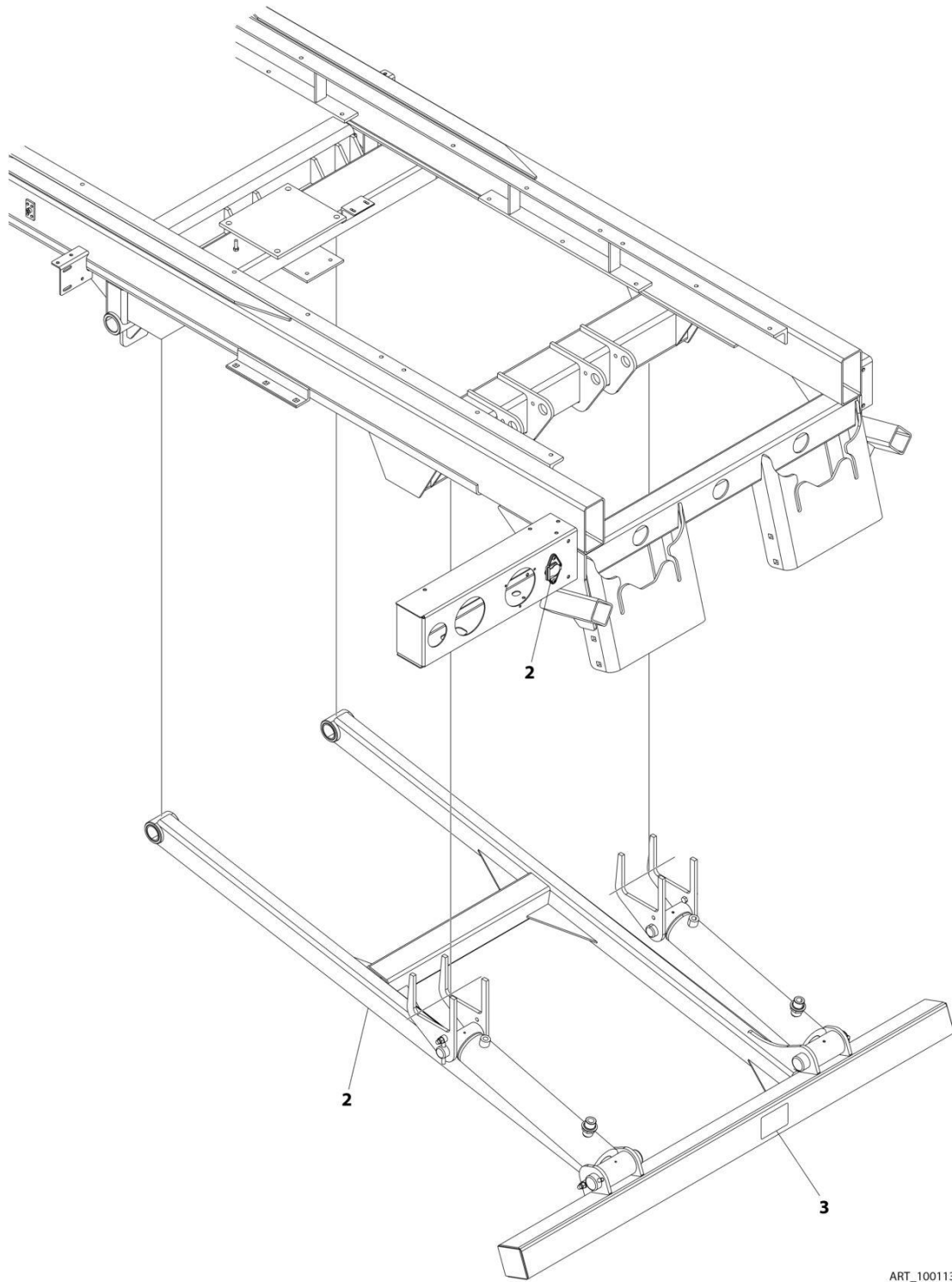
**SECTION 1 - SUBFRAME**

**FIGURE 1-30. CHAIN BOX INSTALLATION**

<b>ITEM</b>	<b>PART NUMBER</b>	<b>QTY</b>	<b>DESCRIPTION</b>	<b>REV</b>
	2262000011	Ref	CHAIN BOX INSTALLATION	C
1	1001177601	2	Panel	
2	7262000040	2	Chain	
4	7660182601	2	Nut 1/2	
5	7660180001	2	Nut 1/2	
6	7679000020	2	Pad	
7	7115140850	8	Capscrew 1/4 x 1	
8	7950140000	8	Washer 1/4	
9	7949000023	8	Washer	
10	7661000064	8	Clip, U-Nut 1/4	

# SECTION 1 - SUBFRAME

## FIGURE 1-31. REAR STABILIZER - COMPLETE



ART\_1001130053

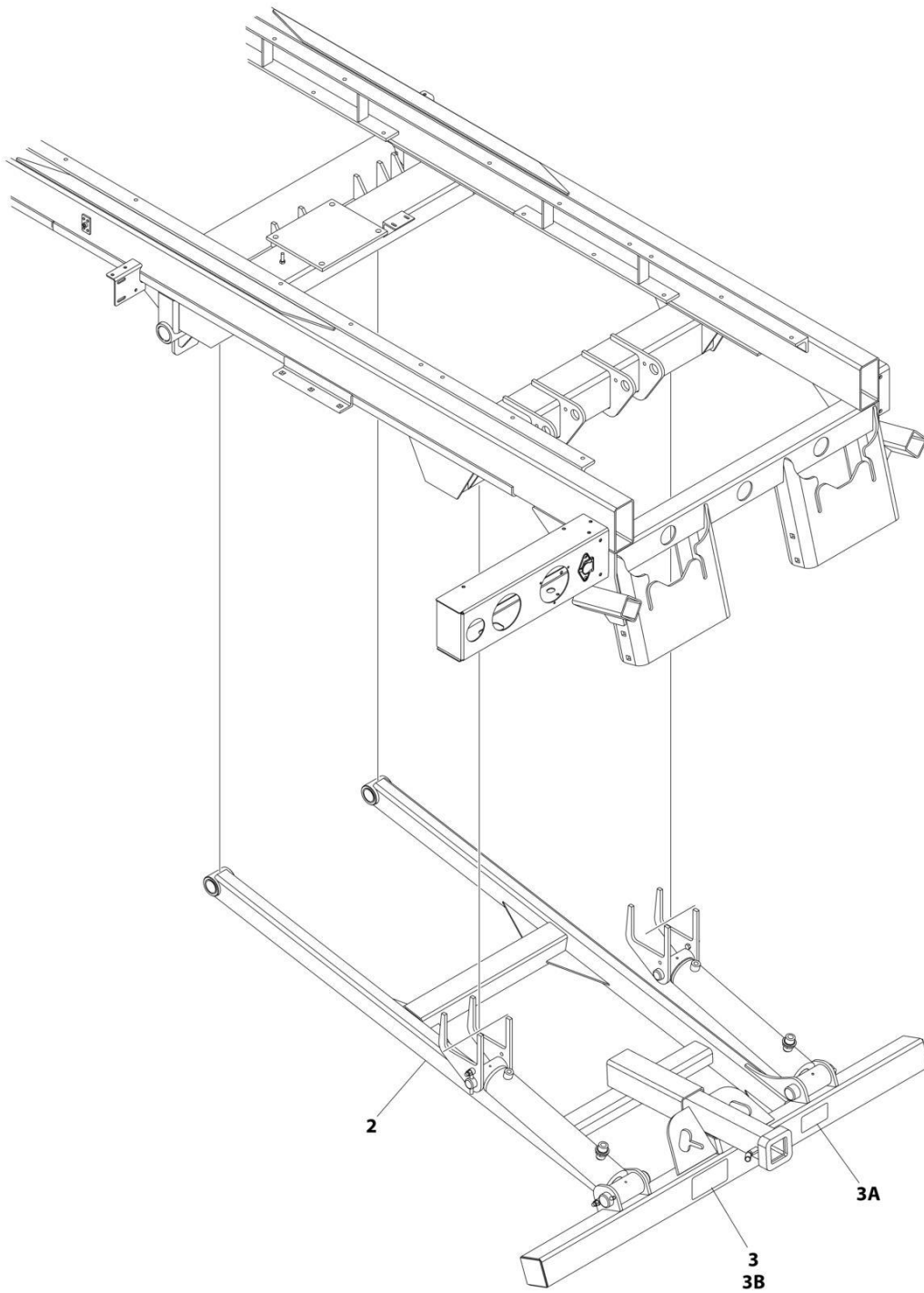
**SECTION 1 - SUBFRAME**

**FIGURE 1-31. REAR STABILIZER - COMPLETE**

<b>ITEM</b>	<b>PART NUMBER</b>	<b>QTY</b>	<b>DESCRIPTION</b>	<b>REV</b>
	1001130053	Ref	REAR DOCK STABILIZER LOW PROFILE	B
1	2570000049	1	Hose Installation (Not Shown - See Separate Breakdown in HYDRAULIC Section)	
2	2849000052	1	Stabilizer Installation (See Separate Breakdown in this Section)	
3	2330000064	Ref	Decal Installation	
3	7330000599	1	Decal - Warning Pinch Point	

# SECTION 1 - SUBFRAME

FIGURE 1-32. REAR STABILIZER - COMPLETE (2.5IN TOW HITCH)



ART\_1001130054

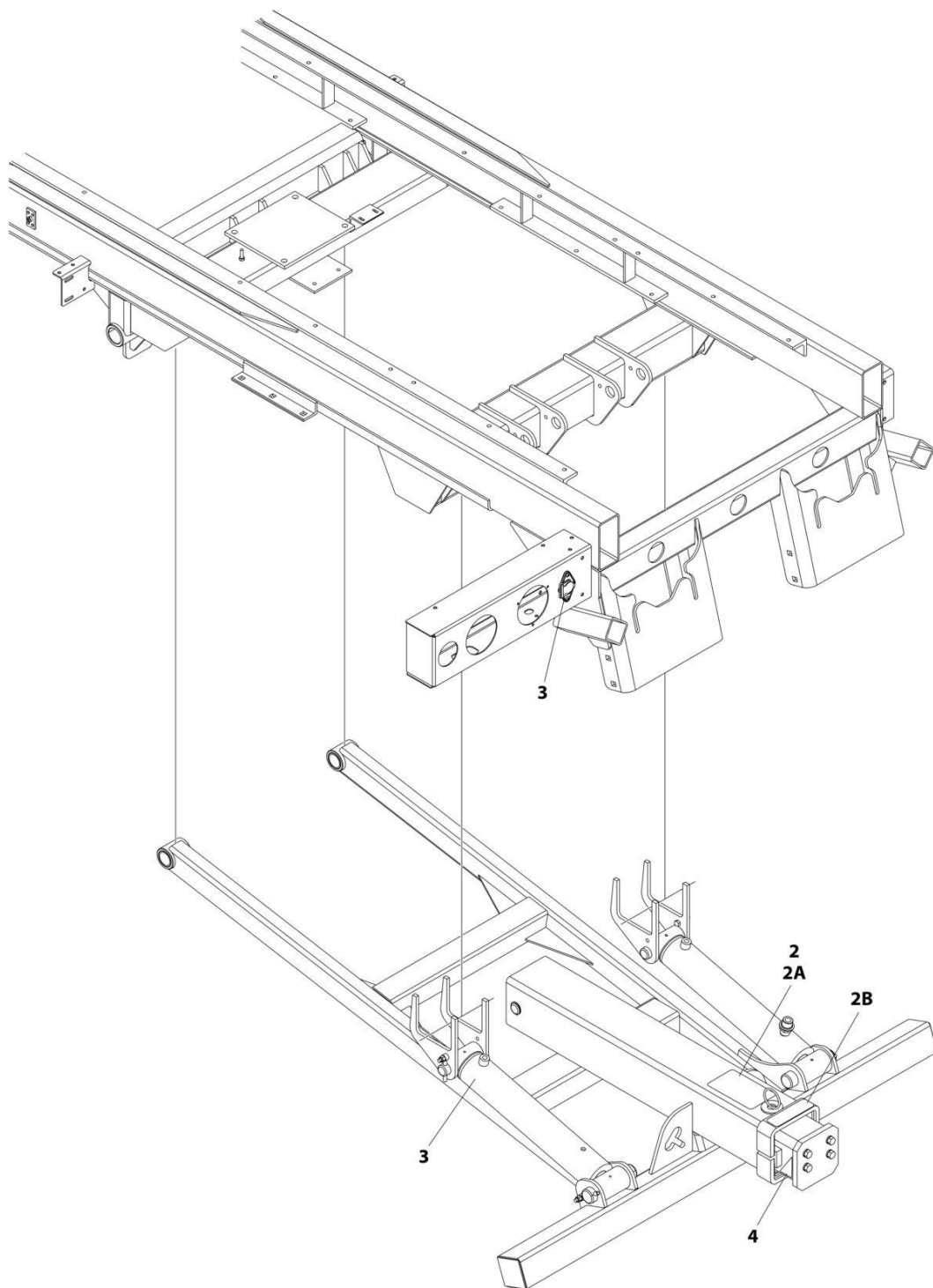
**SECTION 1 - SUBFRAME**

**FIGURE 1-32. REAR STABILIZER - COMPLETE (2.5IN TOW HITCH)**

<b>ITEM</b>	<b>PART NUMBER</b>	<b>QTY</b>	<b>DESCRIPTION</b>	<b>REV</b>
	1001130054	Ref	REAR DOCK STABILIZER LOW PROFILE	0
1	2570000049	1	Hose Installation (Not Shown - See Separate Breakdown in HYDRAULIC Section)	
2	2849000053	1	Stabilizer Installation (See Separate Breakdown in this Section)	
3	2330000063	Ref	Decal Installation	
3A	7330000599	1	Decal - Warning Pinch Point	
3B	7330000274	1	Decal - Warning Overload	

# SECTION 1 - SUBFRAME

## FIGURE 1-33. REAR STABILIZER - COMPLETE (PINTLE HITCH)



ART\_1001131295

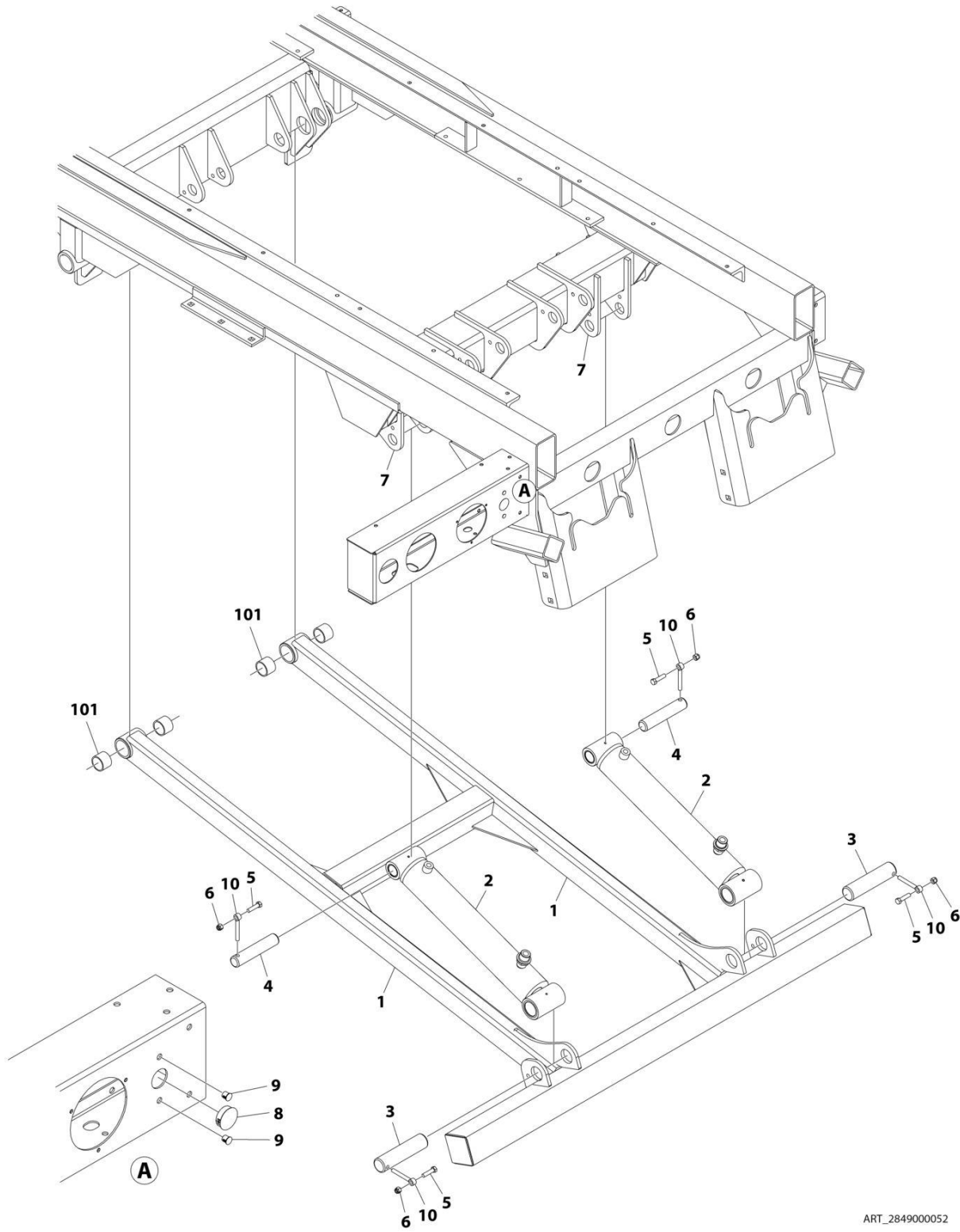
**SECTION 1 - SUBFRAME**

**FIGURE 1-33. REAR STABILIZER - COMPLETE (PINTLE HITCH)**

ITEM	PART NUMBER	QTY	DESCRIPTION	REV
	1001131295	Ref	REAR DOCK STABILIZER WITH HYDRAULIC	0
1	2570000032	1	Hose Installation (Not Shown - See Separate Breakdown in HYDRAULIC Section)	
2	2330000061	Ref	Decal Installation	
2A	7330000684	1	Decal - Safety	
2B	7330000391	1	Decal - Warning, Tow Boom Configuration	
3	1001131230	1	Stabilizer Installation (See Separate Breakdown in this Section)	
4	2330000041	Ref	Reflective Tape Installation	
4	7330000645	1	Decal - Red, Retro-reflective LH	
4	7330000646	1	Decal - Red, Retro-reflective RH	

# SECTION 1 - SUBFRAME

## FIGURE 1-34. REAR STABILIZER INSTALLATION



ART\_2849000052



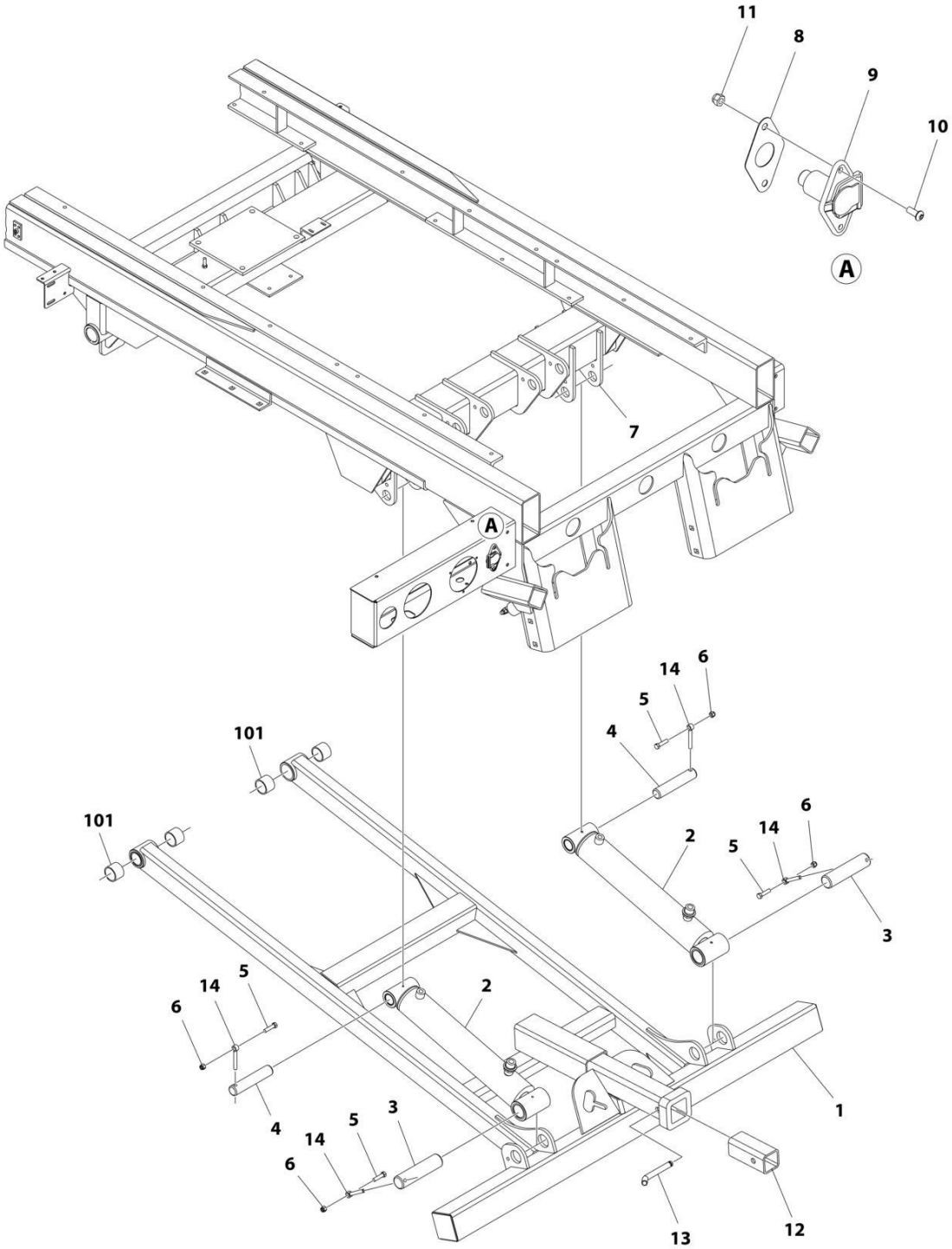
## SECTION 1 - SUBFRAME

### FIGURE 1-34. REAR STABILIZER INSTALLATION

ITEM	PART NUMBER	QTY	DESCRIPTION	REV
	2849000052	Ref	REAR DOCK STABILIZER INSTALLATION LOW PROFILE	E
1	3849000043	1	Rear Stabilizer Weldment	
2	1001166857	2	Cylinder Assembly (See Separate Breakdown in this Section)	
3	1001188141	2	Pin	
4	1001188129	2	Pin	
5	0641612	4	Capscrew 3/8 x 1-1/2	
6	3300492	4	Nut 3/8	
7	3316000051	1	Crossmember Weldment	
8	7701000049	1	Plug	
9	7701000055	2	Plug	
10	3841143	4	Keeper, Shaft	
101	7082000017	4	Bearing	

# SECTION 1 - SUBFRAME

## FIGURE 1-35. REAR STABILIZER INSTALLATION (2.5IN TOW HITCH)



ART\_2849000053

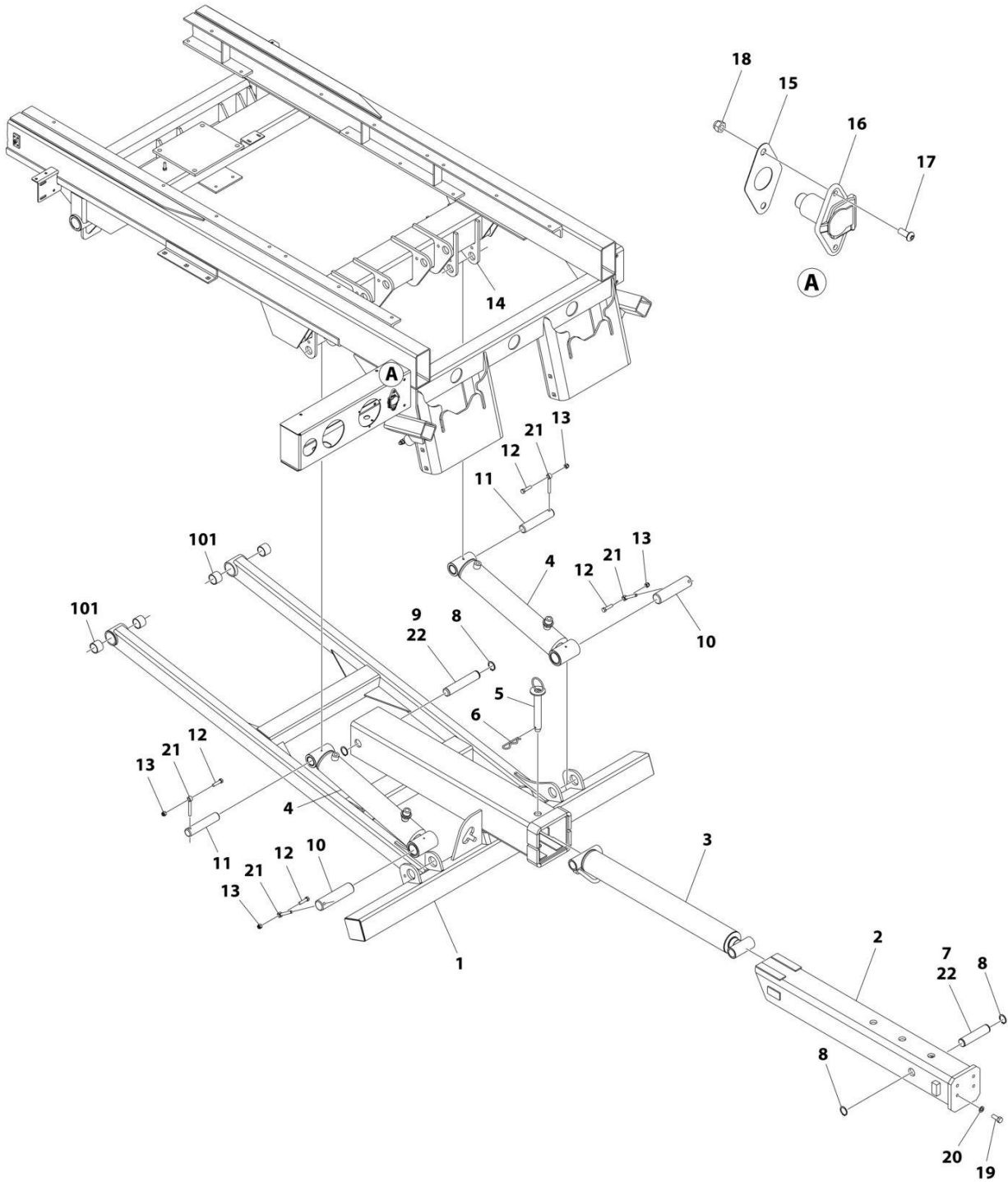
## SECTION 1 - SUBFRAME

**FIGURE 1-35. REAR STABILIZER INSTALLATION (2.5IN TOW HITCH)**

ITEM	PART NUMBER	QTY	DESCRIPTION	REV
	2849000053	Ref	STABILIZER INSTALLATION WITH HYDRAULIC TOW HITCH	D
1	3849000044	1	Rear Stabilizer Weldment	
2	1001166857	2	Cylinder Assembly (See Separate Breakdown in CYLINDER Section)	
3	1001188141	2	Pin	
4	1001188129	2	Pin	
5	0641612	4	Capscrew 3/8 x 1-1/2	
6	3300492	4	Nut 3/8	
7	3316000051	1	Crossmember Weldment	
8	7796000048	1	Gasket	
9	7291000010	1	Female Receptacle with Connector	
10	7114140528	2	Screw 1/4 x 5/8	
11	7660142601	2	Nut 1/4	
12	7913000006	1	Tube	
13	7691000033	1	Pin	
14	3841143	4	Keeper, Shaft	
101	7082000017	4	Bearing	

# SECTION 1 - SUBFRAME

## FIGURE 1-36. REAR STABILIZER INSTALLATION (PINTLE HITCH)



ART\_1001131230

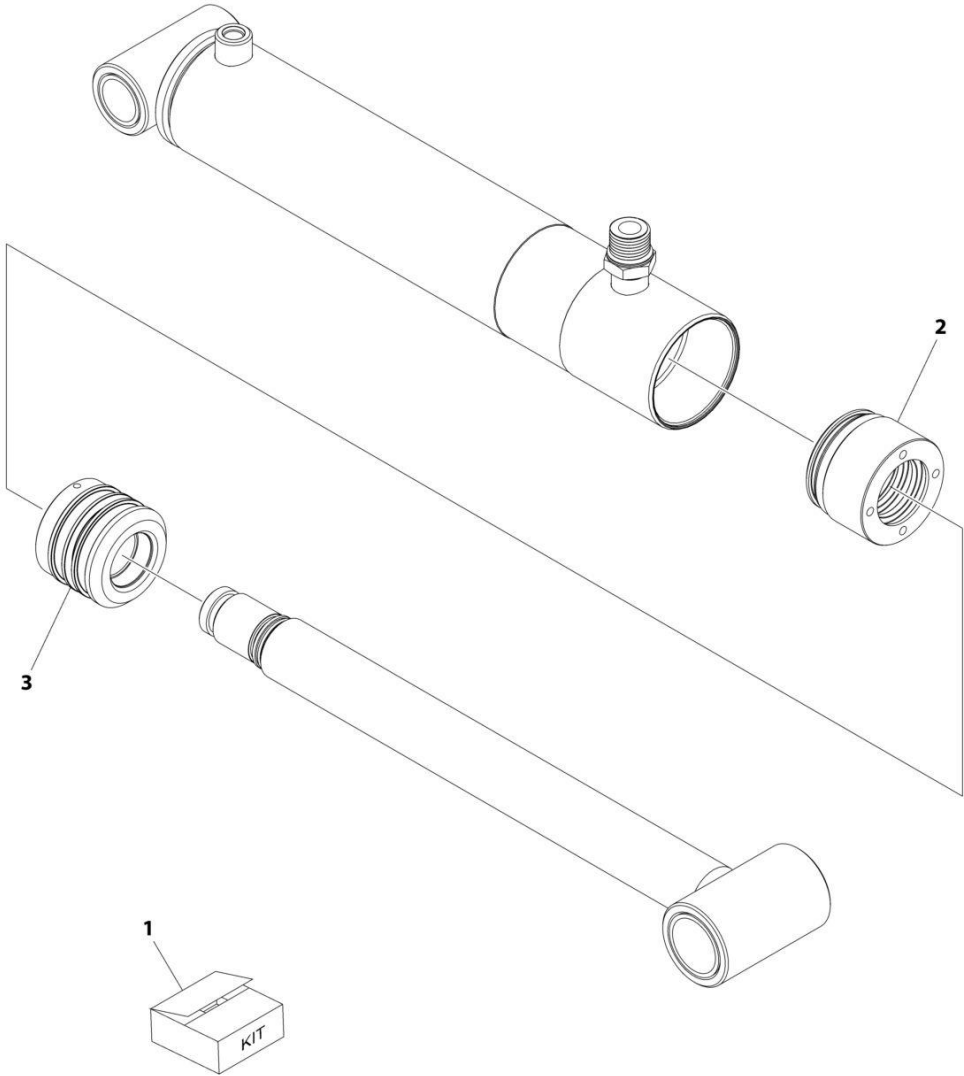
## SECTION 1 - SUBFRAME

**FIGURE 1-36. REAR STABILIZER INSTALLATION (PINTLE HITCH)**

ITEM	PART NUMBER	QTY	DESCRIPTION	REV
	1001131230	Ref	STABILIZER INSTALLATION WITH HYDRAULIC	G
1	1001131255	1	Stabilizer Weldment	
2	1001127297	1	Boom Weldment	
3	1001183326	1	Pintle Extend Cylinder Assembly (See Separate Breakdown in this Section)	
4	1001166857	2	Cylinder Assembly (See Separate Breakdown in this Section)	
5	3691000064	1	Pin, Weldment	
6	7691000001	1	Hair Pin	
7	4691000429	1	Pin	
8	3760133	4	Ring, Retaining	
9	4691000430	1	Pin	
10	1001188141	2	Pin	
11	1001188129	2	Pin	
12	0641612	4	Capscrew 3/8 x 1-1/2	
13	3300492	4	Nut 3/8	
14	3316000051	1	Crossmember Weldment	
15	7796000048	1	Gasket	
16	7291000010	1	Female Receptacle with Connector	
17	7114140528	2	Screw 1/4 x 5/8	
18	7660142601	2	Nut 1/4	
19	0691810	4	Capscrew 1/2 x 1-1/4	
20	4761800	4	Washer 1/2	
21	3841143	4	Keeper, Shaft	
22	3020039	AR	Lubricant	
101	7082000017	4	Bearing	

**SECTION 1 - SUBFRAME**

**FIGURE 1-37. LIFT CYLINDER ASSEMBLY**



ART\_1001166857

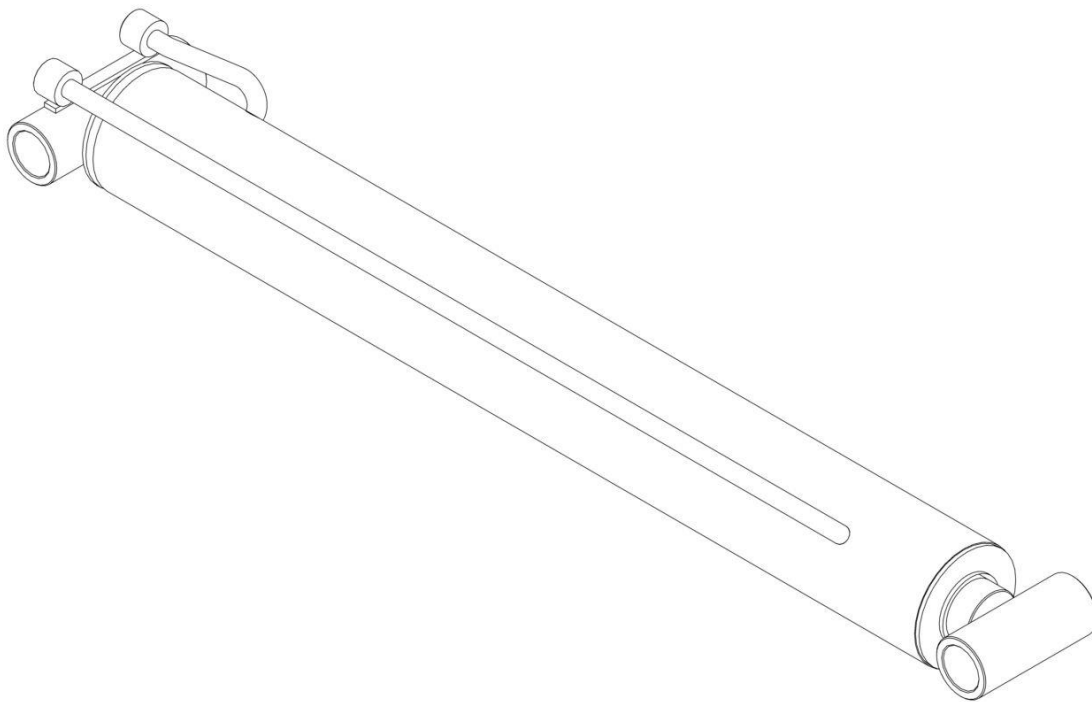
**SECTION 1 - SUBFRAME**

**FIGURE 1-37. LIFT CYLINDER ASSEMBLY**

<b>ITEM</b>	<b>PART NUMBER</b>	<b>QTY</b>	<b>DESCRIPTION</b>	<b>REV</b>
	1001166857	Ref	IRL CYLINDER ASSEMBLY	E
1	70051168	1	Kit, Seal	
2	70051172	1	Kit, Head	
3	70051173	1	Kit, Piston	

# SECTION 1 - SUBFRAME

FIGURE 1-38. PINTLE EXTEND/RETRACT CYLINDER ASSEMBLY



ART\_1001183326



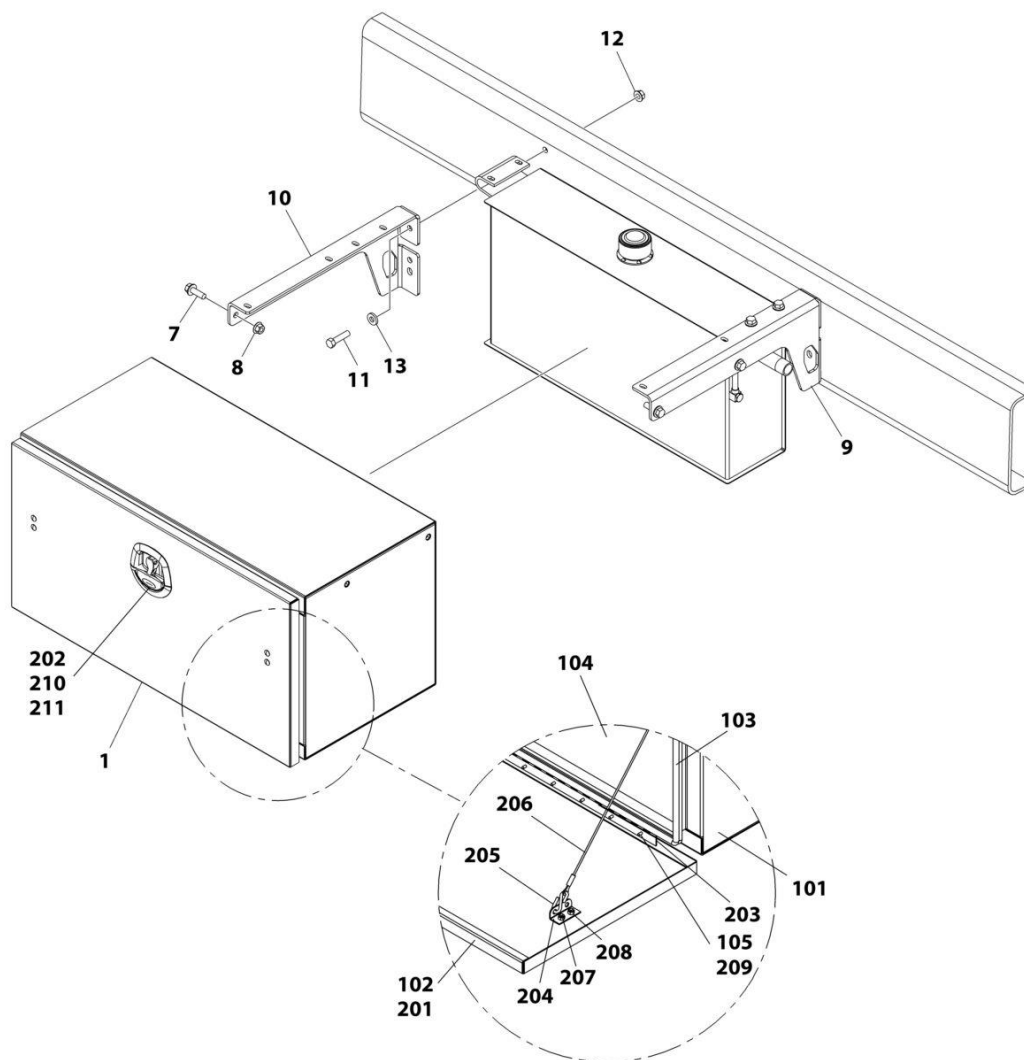
**SECTION 1 - SUBFRAME**

**FIGURE 1-38. PINTLE EXTEND/RETRACT CYLINDER ASSEMBLY**

ITEM	PART NUMBER	QTY	DESCRIPTION	REV
	1001183326	Ref Ref	Pintle Extend Cylinder Assembly Note: No Service Parts Available at Time of Printing.	D

# SECTION 1 - SUBFRAME

## FIGURE 1-39. TOOLBOX - 36IN



ART\_289900055

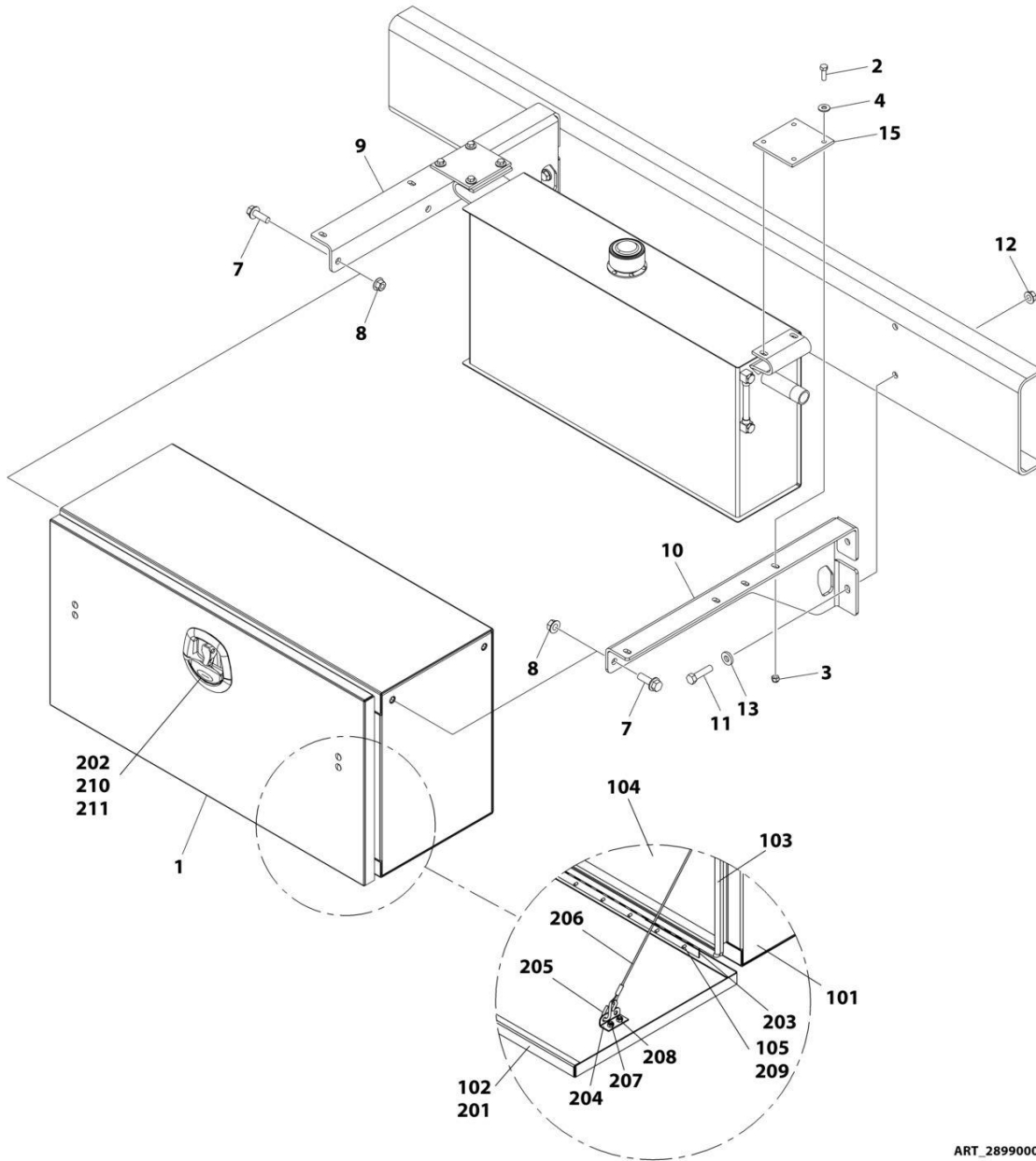
# SECTION 1 - SUBFRAME

## FIGURE 1-39. TOOLBOX - 36IN

ITEM	PART NUMBER	QTY	DESCRIPTION	REV
	2899000055	Ref	TOOLBOX, 36IN	F
1	1001208769	1	Toolbox Assembly (includes items 101 through 105)	A
7	7118181216	4	Capscrew 1/2 x 1-1/2	
8	7660182301	4	Nut 1/2	
9	4178000290	1	Bracket	
10	4178000291	1	Bracket	
11	0651816	4	Bolt 1/2 x 2	
12	7660182333	4	Nut 1/2	
13	4891800	4	Washer 1/2	
101	3899000125	1	Toolbox Weldment	
102	1001223819	1	Toolbox Door Assembly (includes items 201 through 211)	A
103	4796000009	1	Gasket	
104	4679000256	1	Pad	
105	7759000020	9	Rivet	
201	1001223815	1	Door Weldment	
202	1001223814	1	Latch	
203	7555000016	1	Hinge	
204	4178000599	2	Bracket	
205	7592000005	4	S-Link	
206	7248000114	2	Cable	
207	7114140465	4	Bolt 0.25-20X0.50	
208	7660142604	4	Locknut 0.25-20	
209	7759000020	9	Rivet	
210	7950100143	4	Washer 0.19	
211	7660102604	4	Locknut #10-24	

# SECTION 1 - SUBFRAME

## FIGURE 1-40. TOOLBOX - 36IN NARROW



ART\_289900065

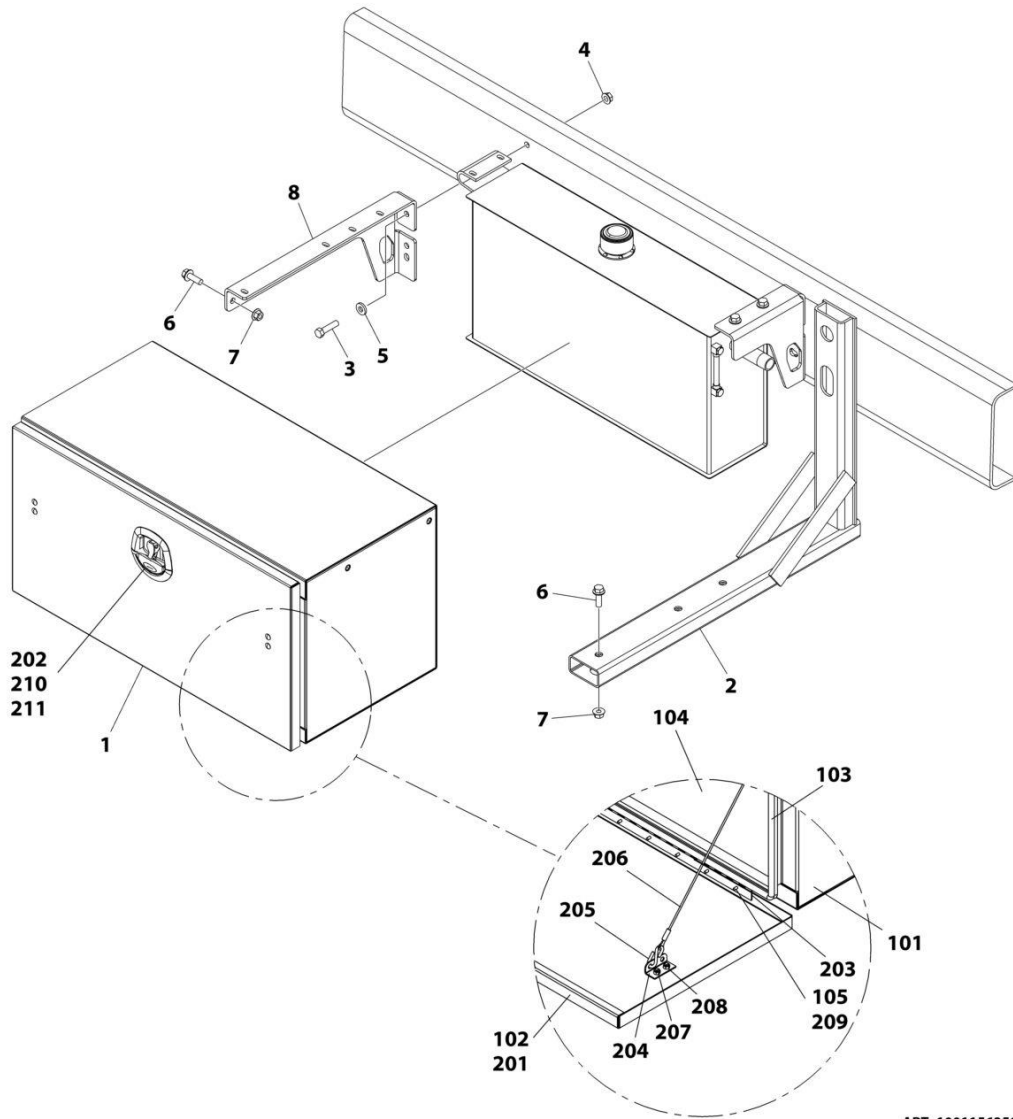
## SECTION 1 - SUBFRAME

### FIGURE 1-40. TOOLBOX - 36IN NARROW

ITEM	PART NUMBER	QTY	DESCRIPTION	REV
	2899000065	Ref	TOOLBOX, 36IN NARROW	F
1	1001208772	1	Toolbox Assembly (includes items 101 through 105)	A
2	0641508	4	Bolt 5/16 x 1	
3	7660152601	4	Nut 5/16	
4	4751500	8	Washer 5/16	
7	7118181216	4	Capscrew 1/2 x 1-1/2	
8	7660182301	4	Nut 1/2	
9	4178000338	1	Bracket	
10	4178000339	1	Bracket	
11	0651816	4	Bolt 1/2 x 2	
12	7660182333	4	Nut 1/2	
13	4891800	4	Washer 1/2	
15	4706002361	2	Plate	
101	3899000126	1	Toolbox Weldment	
102	1001223819	1	Toolbox Door Assembly (includes items 201 through 211)	A
103	4796000009	1	Gasket	
104	4679000257	1	Pad	
105	7759000020	9	Rivet	
201	1001223815	1	Toolbox Door	
202	1001223814	1	Latch	
203	7555000016	1	Hinge	
204	4178000599	2	Bracket	
205	7592000005	4	S-Link	
206	7248000114	2	Cable	
207	7114140465	4	Bolt 0.25-20X.050	
208	7660142604	4	Locknut 0.25-20	
209	7759000020	9	Rivet	
210	7950100143	4	Washer 0.19	
211	7660102604	4	Locknut #10-24	

# SECTION 1 - SUBFRAME

## FIGURE 1-41. TOOLBOX - 36IN UNDERMOUNT



ART\_1001156358

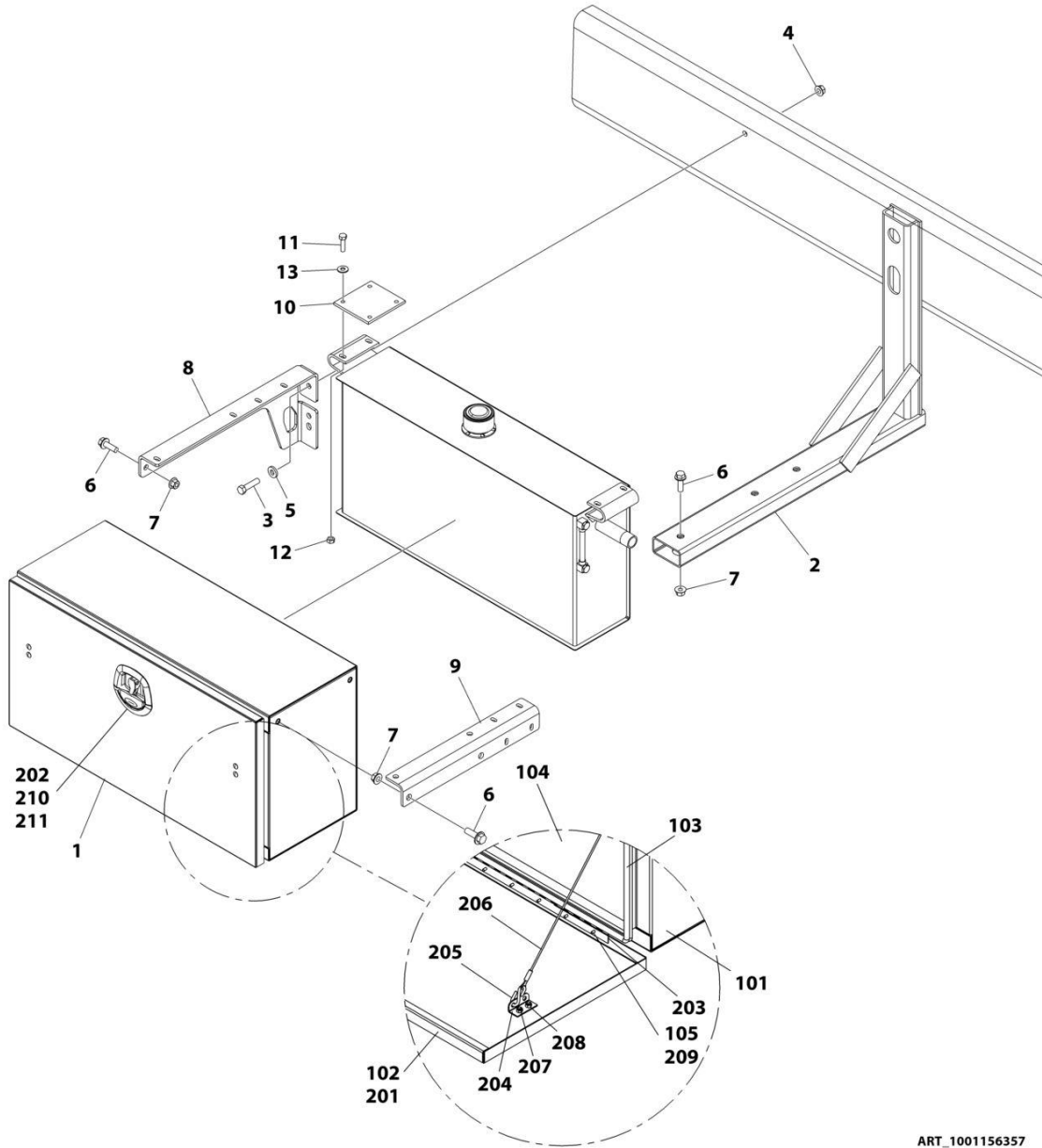
## SECTION 1 - SUBFRAME

**FIGURE 1-41. TOOLBOX - 36IN UNDERMOUNT**

ITEM	PART NUMBER	QTY	DESCRIPTION	REV
	1001156358	Ref	TOOLBOX, 36IN UNDERBOX MOUNT	B
1	1001208769	1	Toolbox Assembly (includes items 101 through 105)	A
2	1001156006	1	Frame Weldment	
3	0651816	4	Bolt 1/2 x 2	
4	7660182333	4	Nut 1/2	
5	4891800	4	Washer 1/2	
6	7118181216	4	Capscrew 1/2 x 1-1/2	
7	7660182301	4	Nut 1/2	
8	4178000291	1	Bracket	
101	3899000125	1	Toolbox Weldment	
102	1001223819	1	Toolbox Door Assembly (includes items 201 through 211)	A
103	4796000009	1	Gasket	
104	4679000256	1	Pad	
105	7759000020	1	Rivet	
201	1001223815	1	Toolbox Door	
202	1001223814	1	Latch	
203	7555000016	1	Hinge	
204	4178000599	2	Bracket	
205	7592000005	4	S-Link	
206	7248000114	2	Cable	
207	7114140465	4	Bolt 0.25-20X0.50	
208	7660142604	4	Locknut 0.25-20	
209	7759000020	9	Rivet	
210	7950100143	4	Washer 0.19	
211	7660102604	4	Locknut #10-24	

# SECTION 1 - SUBFRAME

## FIGURE 1-42. TOOLBOX - 36IN NARROW UNDERMOUNT



ART\_1001156357



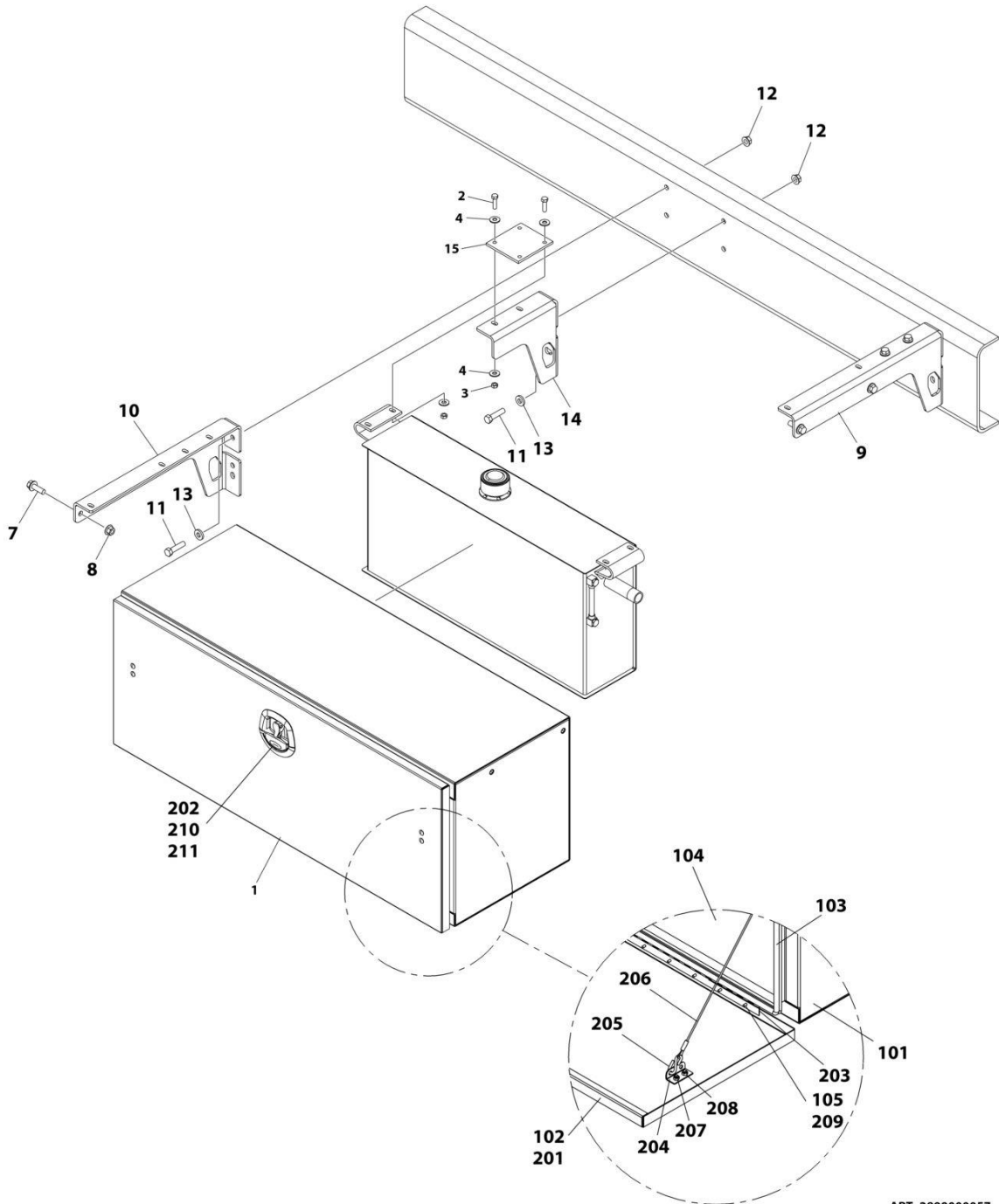
## SECTION 1 - SUBFRAME

**FIGURE 1-42. TOOLBOX - 36IN NARROW UNDERMOUNT**

ITEM	PART NUMBER	QTY	DESCRIPTION	REV
	1001156357	Ref	TOOLBOX, 36IN UNDERBOX MOUNT NARROW	B
1	1001208772	1	Toolbox Assembly (includes items 101 through 105)	A
2	1001156006	1	Frame Weldment	
3	0651816	4	Bolt 1/2 x 2	
4	7660182333	4	Nut 1/2	
5	4891800	4	Washer 1/2	
6	7118181216	6	Capscrew 1/2 x 1-1/2	
7	7660182301	6	Nut 1/2	
8	4178000339	1	Bracket	
9	1001155975	1	Bracket	
10	4706002361	1	Plate	
11	0641508	2	Bolt 5/16 x 1	
12	7660152601	2	Nut 5/16	
13	4751500	4	Washer 5/16	
101	3899000126	1	Toolbox Weldment	
102	1001223819	1	Toolbox Door Assembly (includes items 201 through 211)	A
103	4796000009	1	Gasket	
104	4679000257	1	Pad	
105	7759000020	9	Rivet	
201	1001223815	1	Toolbox Door	
202	1001223814	1	Latch	
203	7555000016	1	Hinge	
204	4178000599	2	Bracket	
205	7592000005	4	S-Link	
206	7248000114	2	Cable	
207	7114140465	4	Bolt 0.25-20X0.50	
208	7660142604	4	Locknut 0.25-20	
209	7759000020	9	Rivet	
210	7950100143	4	Washer 0.19	
211	7660102604	4	Locknut #10-24	

# SECTION 1 - SUBFRAME

## FIGURE 1-43. TOOLBOX - 48IN



ART\_2899000057

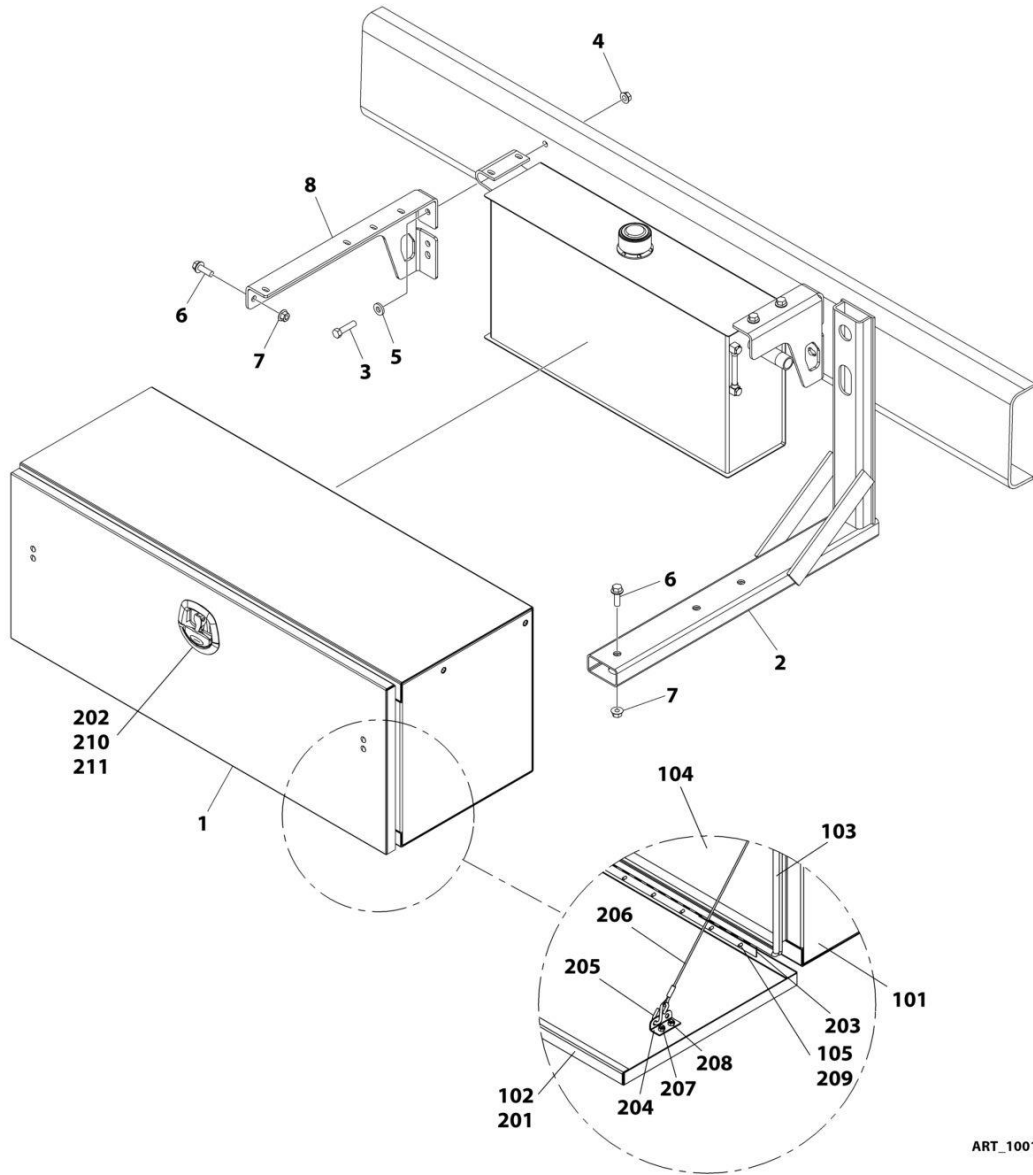
# SECTION 1 - SUBFRAME

## FIGURE 1-43. TOOLBOX - 48IN

ITEM	PART NUMBER	QTY	DESCRIPTION	REV
	2899000057	Ref	TOOLBOX, 48IN	E
1	1001208776	1	Toolbox Assembly (includes iotemss 101 through 105)	A
2	0641508	4	Bolt 5/16 x 1	
3	7660152601	4	Nut 5/16	
4	4751500	8	Washer 5/16	
7	7118181216	4	Capscrew 1/2 x 1-1/2	
8	7660182301	4	Nut 1/2	
9	4178000290	1	Bracket	
10	4178000291	1	Bracket	
11	0651816	6	Bolt 1/2 x 2	
12	7660182333	6	Nut 1/2	
13	4891800	6	Washer 1/2	
14	4178000330	1	Bracket	
15	4706002361	1	Plate	
101	3899000127	1	Toolbox Weldment	
102	1001223820	1	Toolbox Door Assembly (includes items 201 through 211)	A
103	4796000010	1	Gasket	
104	4679000258	1	Pad	
105	7759000020	14	Rivet	
201	1001223816	1	Toolbox Door	
202	1001223814	1	Latch	
203	7555000015	2	Hinge	
204	4178000599	2	Braclet	
205	7592000005	4	S-Link	
206	7248000114	2	Cable	
207	7114140465	4	Bolt 0.25-20X0.50	
208	7660142604	4	Locknut 0.25-20	
209	7759000020	14	Rivet	
210	7950100143	4	Washer 0.19	
211	7660102604	4	Locknut #10-24	

# SECTION 1 - SUBFRAME

## FIGURE 1-44. TOOLBOX - 48IN UNDERMOUNT



ART\_1001137931

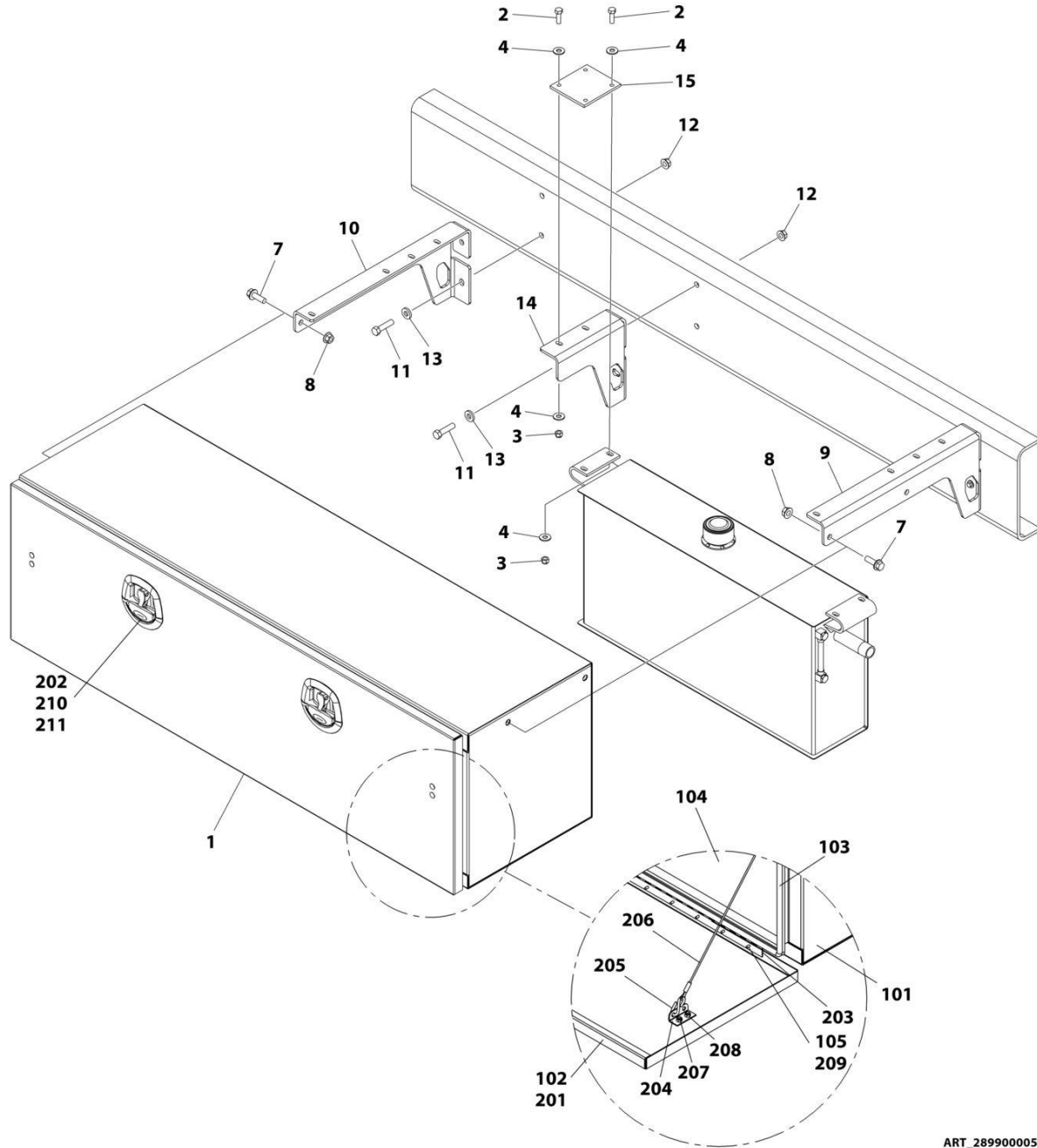
## SECTION 1 - SUBFRAME

### FIGURE 1-44. TOOLBOX - 48IN UNDERMOUNT

ITEM	PART NUMBER	QTY	DESCRIPTION	REV
	1001137931	Ref	TOOLBOX, 48IN UNDERBOX MOUNT	D
1	1001208776	1	Toolbox Assembly (includes items 101 through 105)	A
2	1001156006	1	Frame Weldment	
3	0651816	4	Bolt 1/2 x 2	
4	7660182333	4	Nut 1/2	
5	4891800	4	Washer 1/2	
6	7118181216	6	Capscrew 1/2 x 1-1/2	
7	7660182301	6	Nut 1/2	
8	4178000291	1	Bracket	
101	3899000127	1	Toolbox Weldment	
102	1001223820	1	Toolbox Door Assembly (includes items 201 through 211)	
103	4796000010	1	Gasket	
104	4679000258	1	Pad	
105	7759000020	14	Rivet	
201	1001223816	1	Toolbox Door	
202	1001223814	1	Latch	
203	7555000015	2	Hinge	
204	4178000599	2	Bracket	
205	7592000005	4	S-Link	
206	7248000114	2	Cable	
207	7114140465	4	Bolt 0.25-20X0.50	
208	7660142604	4	Locknut 0.25-20	
209	7759000020	14	Rivet	
210	7950100143	4	Washer 0.19	
211	7660102604	4	Locknut #10-24	

# SECTION 1 - SUBFRAME

## FIGURE 1-45. TOOLBOX - 60IN



ART\_2899000058

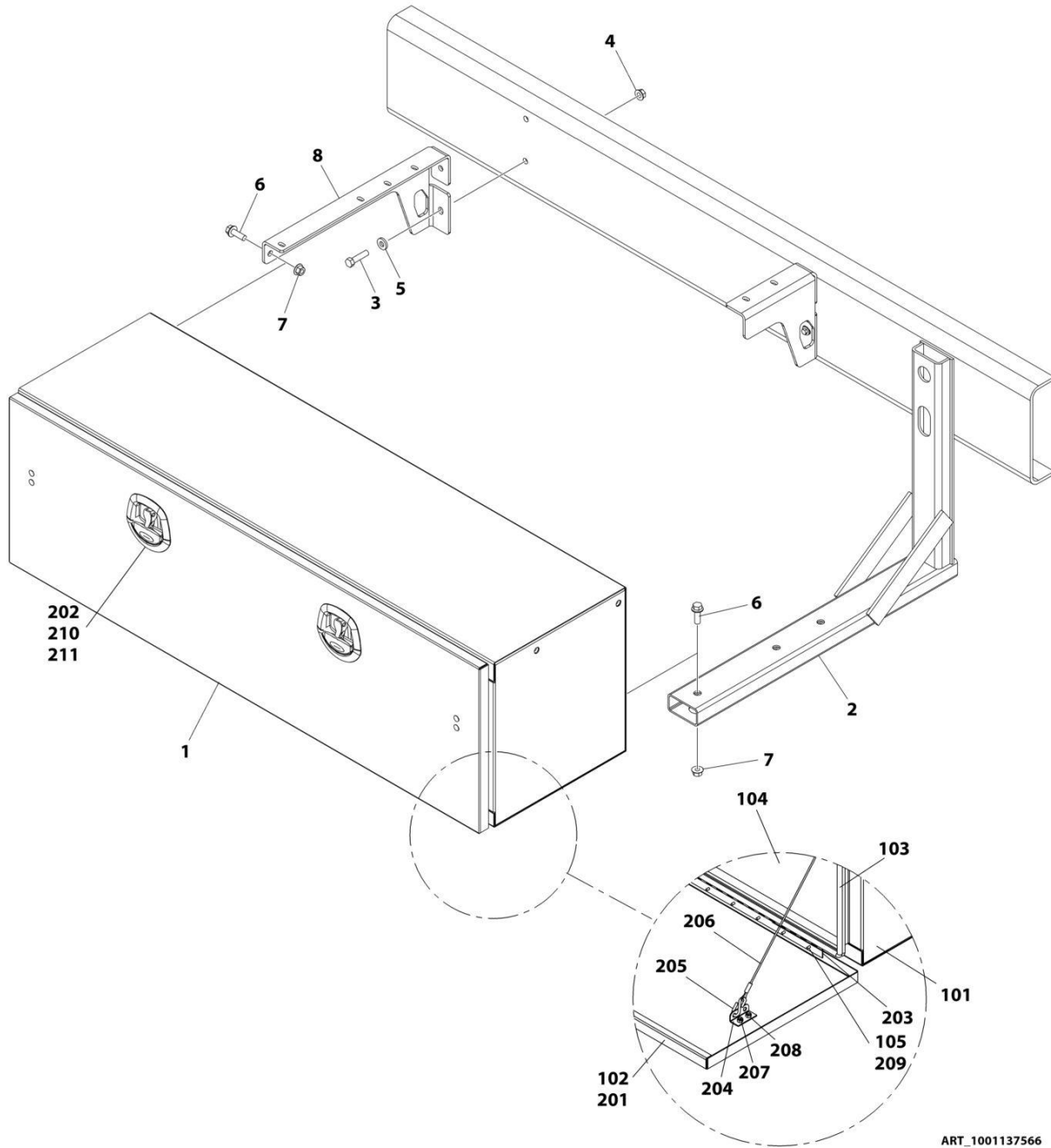
# SECTION 1 - SUBFRAME

## FIGURE 1-45. TOOLBOX - 60IN

ITEM	PART NUMBER	QTY	DESCRIPTION	REV
	2899000058	Ref	TOOLBOX, 60IN	E
1	1001208780	1	Toolbox Assembly (includes items 101 through 105)	A
2	0641508	4	Bolt 5/16 x 1	
3	7660152601	4	Nut 5/16	
4	4751500	8	Washer 5/16	
7	7118181216	4	Capscrew 1/2 x 1-1/2	
8	7660182301	4	Nut 1/2	
9	4178000290	1	Bracket	
10	4178000291	1	Bracket	
11	0651816	6	Bolt 1/2 x 2	
12	7660182333	6	Nut 1/2	
13	4891800	6	Washer 1/2	
14	4178000330	1	Bracket	
15	4706002361	1	Plate	
101	3899000128	1	Toolbox Weldment	
102	1001223821	1	Toolbox Door Assembly (includes items 201 through 211)	A
103	4796000011	1	Gasket	
104	4679000259	1	Pad	
105	7759000020	18	Rivet	
201	1001223817	1	Toolbox Door	
202	1001223814	2	Latch	
203	7555000016	2	Hinge	
204	4178000599	2	Bracket	
205	7592000005	4	S-Link	
206	7248000114	2	Cable	
207	7114140465	4	Bolt 0.25-20X.050	
208	7660142604	4	Locknut 0.25-20	
209	7759000020	18	Rivet	
210	7950100143	8	Washer 0.191	
211	7660102604	8	Locknut #10-24	

# SECTION 1 - SUBFRAME

## FIGURE 1-46. TOOLBOX - 60IN





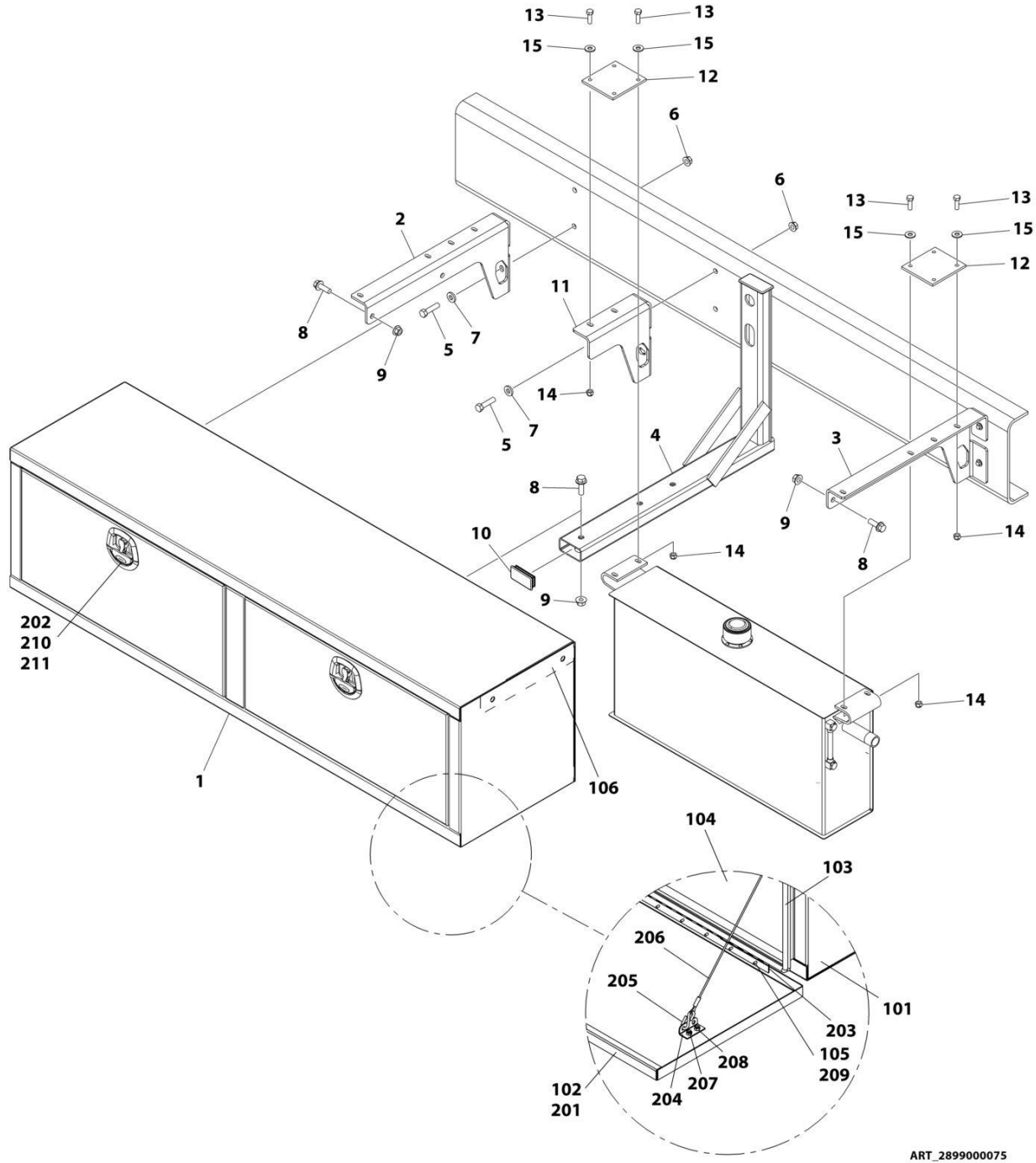
## SECTION 1 - SUBFRAME

### FIGURE 1-46. TOOLBOX - 60IN

ITEM	PART NUMBER	QTY	DESCRIPTION	REV
	1001137566	Ref	TOOLBOX, 60IN UNDERBOX MOUNT	D
1	1001208780	1	Toolbox Assembly (includes items 101 through 105)	A
2	1001156006	1	Frame Weldment	
3	0651816	4	Bolt 1/2 x 2	
4	7660182333	4	Nut 1/2	
5	4891800	4	Washer 1/2	
6	7118181216	6	Capscrew 1/2 x 1-1/2	
7	7660182301	6	Nut 1/2	
8	4178000291	1	Bracket	
101	3899000128	1	Toolbox Weldment	
102	1001223821	1	Toolbox Door Assembly (includes items 201 through 211)	A
103	4796000011	1	Gasket	
104	4679000259	1	Pad	
105	7759000020	18	Rivet	
201	1001223817	1	Toolbox Door	
202	1001223814	2	Latch	
203	7555000016	2	Hinge	
204	4178000599	2	Bracket	
205	7592000005	4	S-Link	
206	7248000114	2	Cable	
207	7114140465	4	Bolt 0.25-20X0.50	
208	7660142604	4	Locknut 0.25-20	
209	7759000020	18	Rivet	
210	7950100143	8	Washer 0.19	
211	7660102604	8	Locknut #10-24	

# SECTION 1 - SUBFRAME

## FIGURE 1-47. TOOLBOX - 78IN



ART\_2899000075

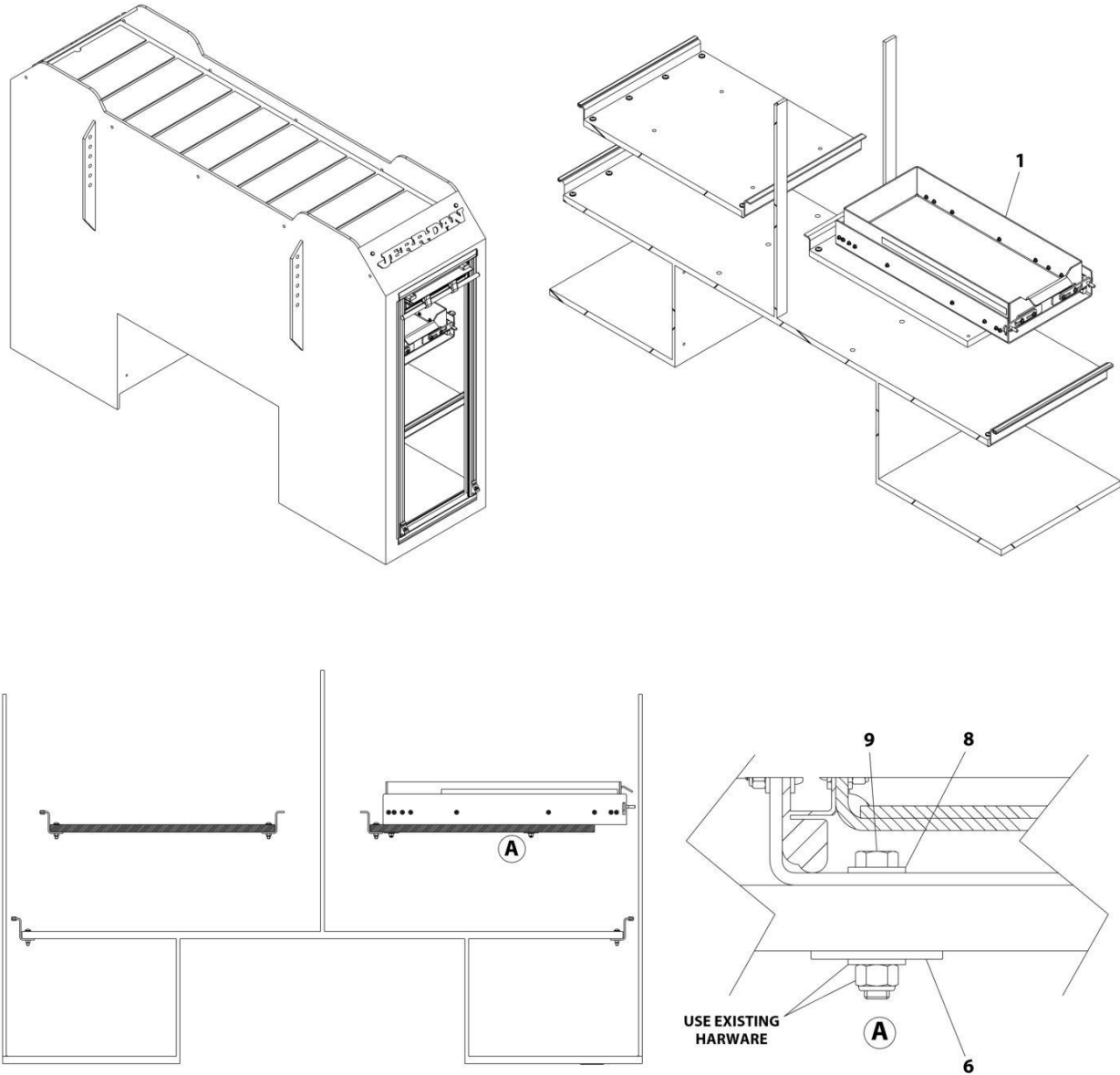
# SECTION 1 - SUBFRAME

## FIGURE 1-47. TOOLBOX - 78IN

ITEM	PART NUMBER	QTY	DESCRIPTION	REV
	2899000075	Ref	TOOLBOX, 78IN	C
1	1001208785	1	Toolbox Assembly (includes items 101 through 106)	A
2	4178000291	1	Bracket	
3	4178000290	1	Bracket	
4	3178000566	1	Bracket	
5	0651816	8	Bolt 1/2 x 2	
6	7660182333	8	Nut 1/2	
7	4891800	8	Washer 1/2	
8	7118181216	6	Capscrew 1/2 x 1-1/2	
9	7660182301	6	Nut 1/2	
10	7701000051	2	Plug	
11	4178000330	1	Bracket	
12	4706002361	2	Plate	
13	0641508	4	Bolt 5/16 x 1	
14	7660152601	4	Nut 5/16	
15	4751500	8	Washer 5/16	
101	3899000173	1	Toolbox Weldment	
102	1001223822	2	Toolbox Door Assembly (includes items 201 through 211)	A
103	4796000012	2	Gasket	
104	4679000322	1	Pad	
105	7759000020	18	Rivet	
106	7701000074	2	Plug	
201	1001223818	1	Toolbox Door	
202	1001223814	1	Latch	
203	7555000016	1	Hinge	
204	4178000599	2	Bracket	
205	7592000005	4	S-Link	
206	7248000155	2	Cable	
207	7114140465	4	Bolt 0.25-20X0.50	
208	7660142604	4	Locknut 0.25-20	
209	7759000020	9	Rivet	
210	7950100143	4	Washer 0.19	
211	7660102604	4	Locknut #10-24	

# SECTION 1 - SUBFRAME

FIGURE 1-48. TOOLBOX DRAWER INSTALLATION - 24IN



ART\_1001147363

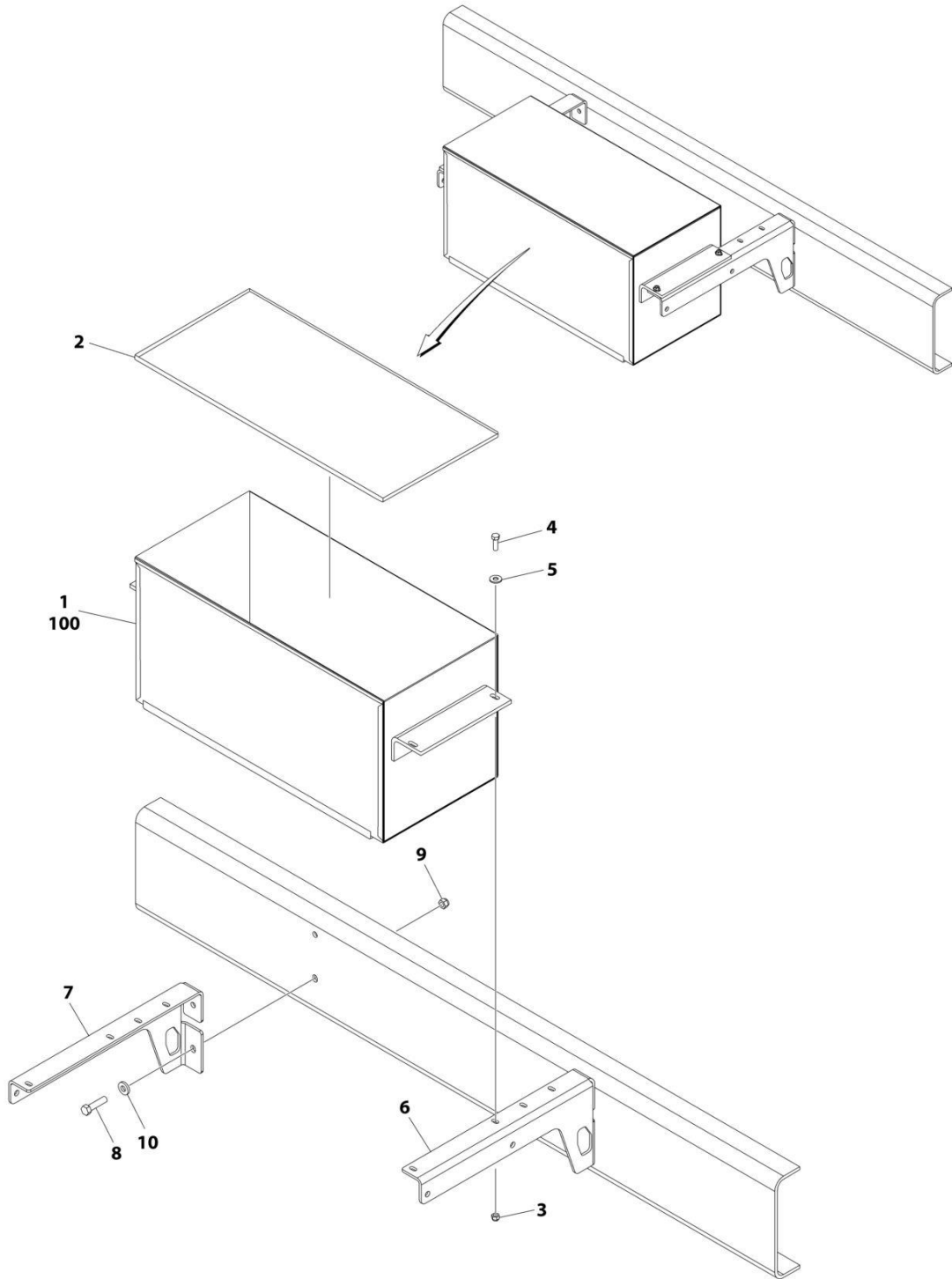
**SECTION 1 - SUBFRAME**

**FIGURE 1-48. TOOLBOX DRAWER INSTALLATION - 24IN**

<b>ITEM</b>	<b>PART NUMBER</b>	<b>QTY</b>	<b>DESCRIPTION</b>	<b>REV</b>
	1001147363	Ref	TOOLBOX DRAWER INSTALLATION - 24IN	B
1	1001143233	1	Drawer Assembly	
6	7949000015	4	Washer	
8	7950160153	4	Washer 3/8	
9	7115161650	4	Bolt 3/8 x 2	

# SECTION 1 - SUBFRAME

## FIGURE 1-49. TOOLBOX STORAGE BASKET



ART\_2899000030

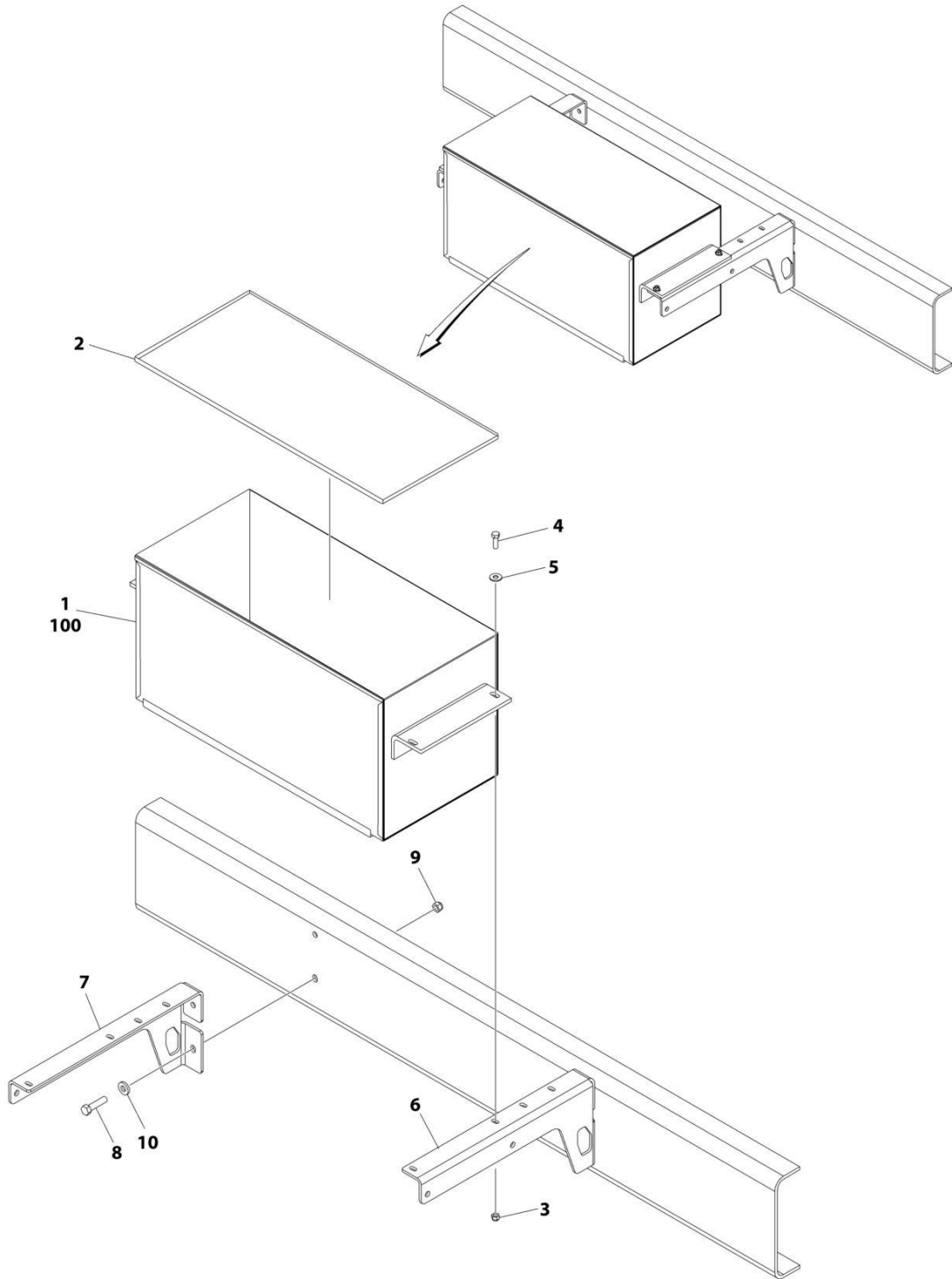
**SECTION 1 - SUBFRAME**

**FIGURE 1-49. TOOLBOX STORAGE BASKET**

<b>ITEM</b>	<b>PART NUMBER</b>	<b>QTY</b>	<b>DESCRIPTION</b>	<b>REV</b>
	2899000030	Ref	STORAGE BASKET	C
1	3899000053	1	Basket Weldment	
2	4632000015	1	Moulding	
3	7660152601	4	Nut 5/16	
4	7115150850	4	Capscrew 5/16 x 1	
5	7950150161	4	Washer 5/16	
6	4178000290	1	Bracket	
7	4178000291	1	Bracket	
8	7105181650	4	Capscrew 1/2 x 2	
9	7660182333	4	Nut 1/2	
10	7950180153	4	Washer 1/2	
100	2002000008	1	Cover Kit – Storage Basket (SS) (Includes SS Cover Face Plate and Rivets)	

# SECTION 1 - SUBFRAME

## FIGURE 1-50. TOOLBOX STORAGE BASKET (DEEP)



ART\_2899000041



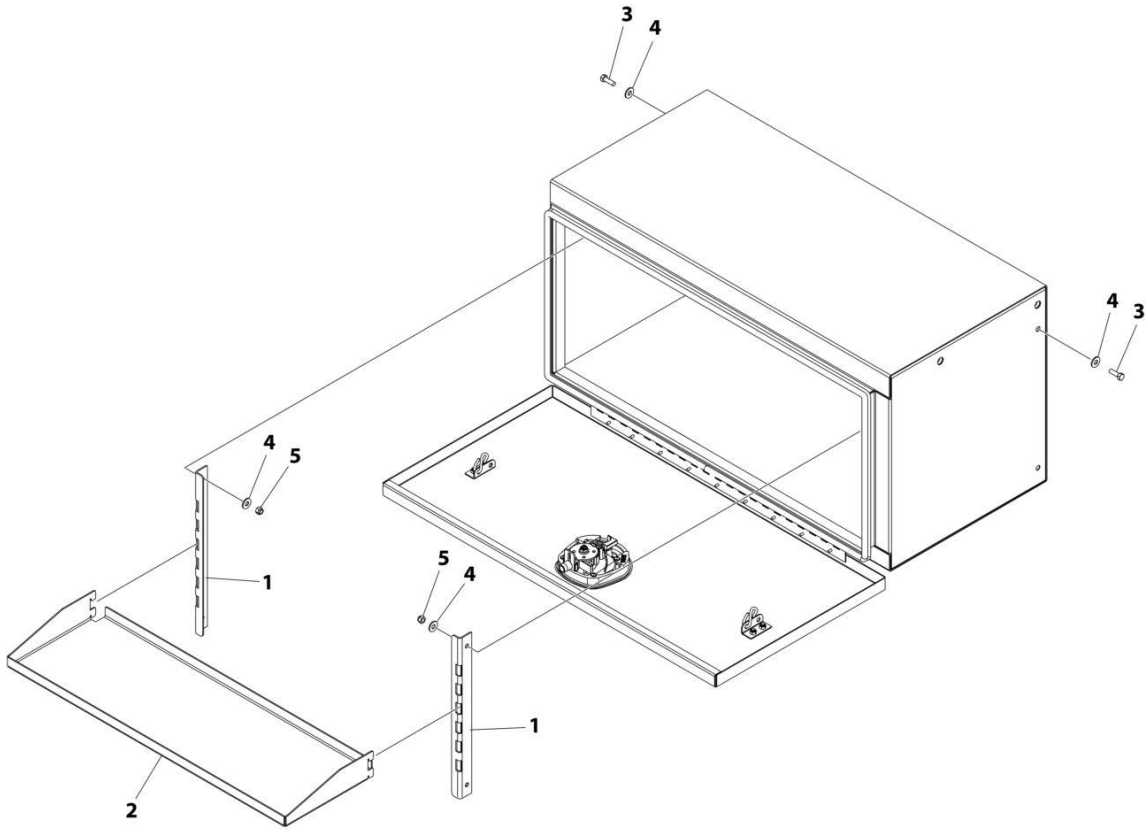
**SECTION 1 - SUBFRAME**

**FIGURE 1-50. TOOLBOX STORAGE BASKET (DEEP)**

ITEM	PART NUMBER	QTY	DESCRIPTION	REV
	2899000041	Ref	STORAGE BASKET, DEEP	B
1	3899000075	1	Basket Weldment	
2	4632000048	1	Moulding	
3	7660152601	4	Nut 5/16	
4	7115150850	4	Capscrew 5/16 x 1	
5	7950150161	4	Washer 5/16	
6	4178000290	1	Bracket	
7	4178000291	1	Bracket	
8	7105181650	4	Capscrew 1/2 x 2	
9	7660182333	4	Nut 1/2	
10	7950180153	4	Washer 1/2	
100	2002000008	1	Cover Kit – Storage Basket (SS) (Includes SS Cover Face Plate and Rivets)	

**SECTION 1 - SUBFRAME**

**FIGURE 1-51. TOOLBOX SHELF - 36IN**



ART\_289900059

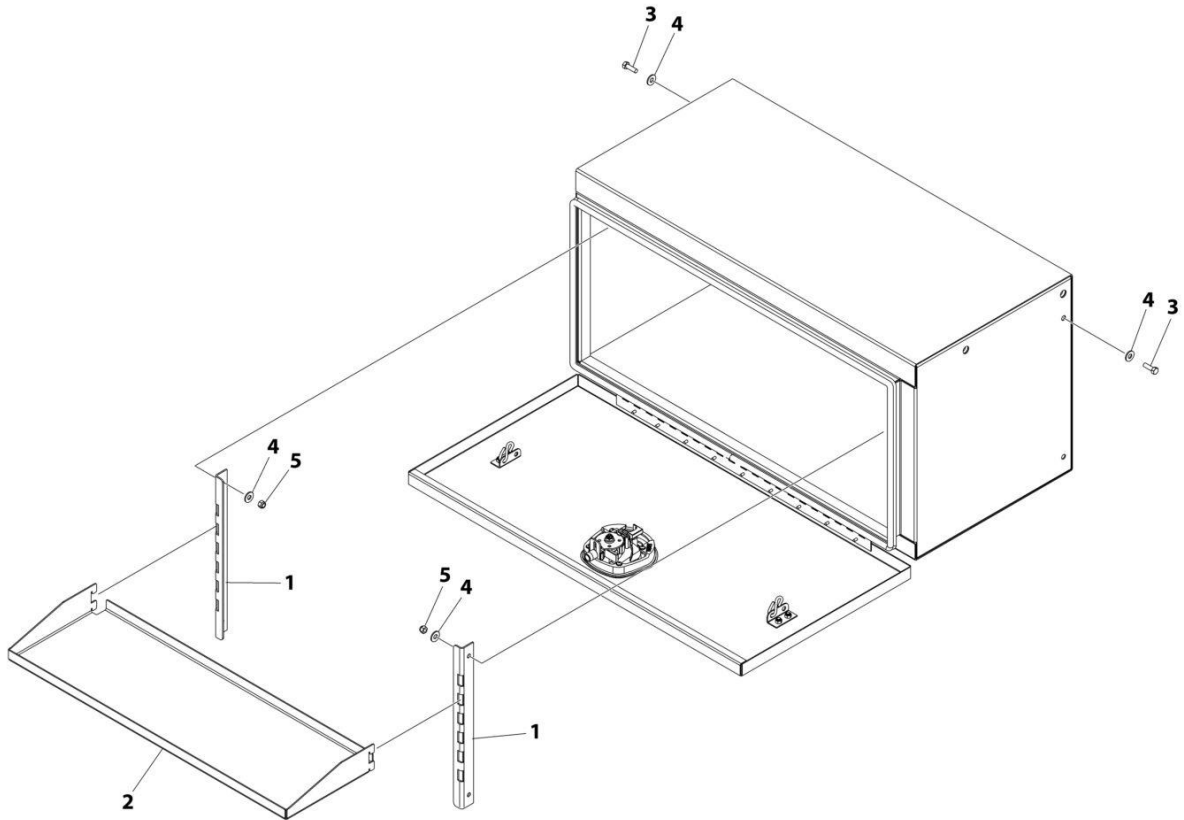
**SECTION 1 - SUBFRAME**

**FIGURE 1-51. TOOLBOX SHELF - 36IN**

<b>ITEM</b>	<b>PART NUMBER</b>	<b>QTY</b>	<b>DESCRIPTION</b>	<b>REV</b>
	2899000059	Ref	TOOL BOX SHELF, 36IN	B
1	4017001403	2	Angle	
2	4811000841	1	Sheet	
3	7115150850	4	Capscrew 5/16 x 1	
4	7950150161	8	Washer 5/16	
5	7660152601	4	Nut 5/16	

# SECTION 1 - SUBFRAME

## FIGURE 1-52. TOOLBOX SHELF - 48IN



ART\_2899000060

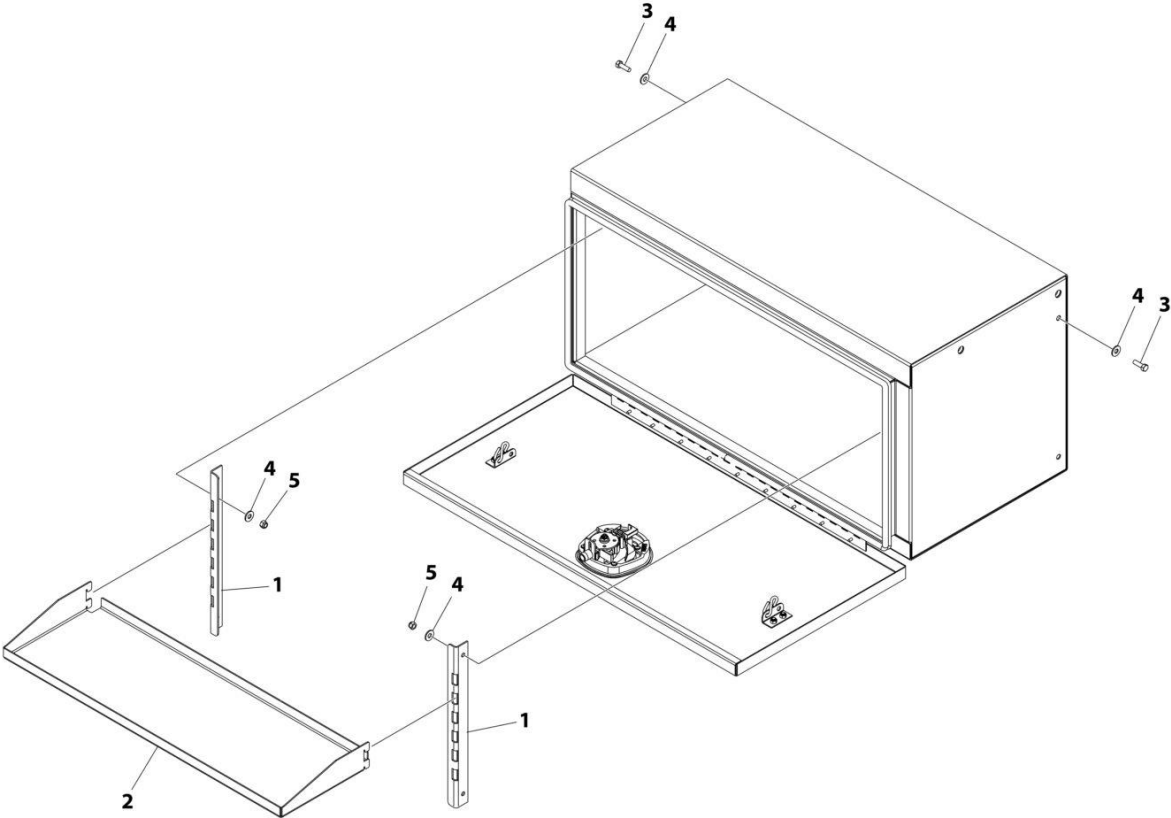
**SECTION 1 - SUBFRAME**

**FIGURE 1-52. TOOLBOX SHELF - 48IN**

<b>ITEM</b>	<b>PART NUMBER</b>	<b>QTY</b>	<b>DESCRIPTION</b>	<b>REV</b>
	2899000060	Ref	TOOL BOX SHELF, 48IN	B
1	4017001403	2	Angle	
2	4811000868	1	Sheet	
3	7115150850	4	Capscrew 5/16 x 1	
4	7950150161	8	Washer 5/16	
5	7660152601	4	Nut 5/16	

**SECTION 1 - SUBFRAME**

**FIGURE 1-53. TOOLBOX SHELF - 60IN**



ART\_289900061

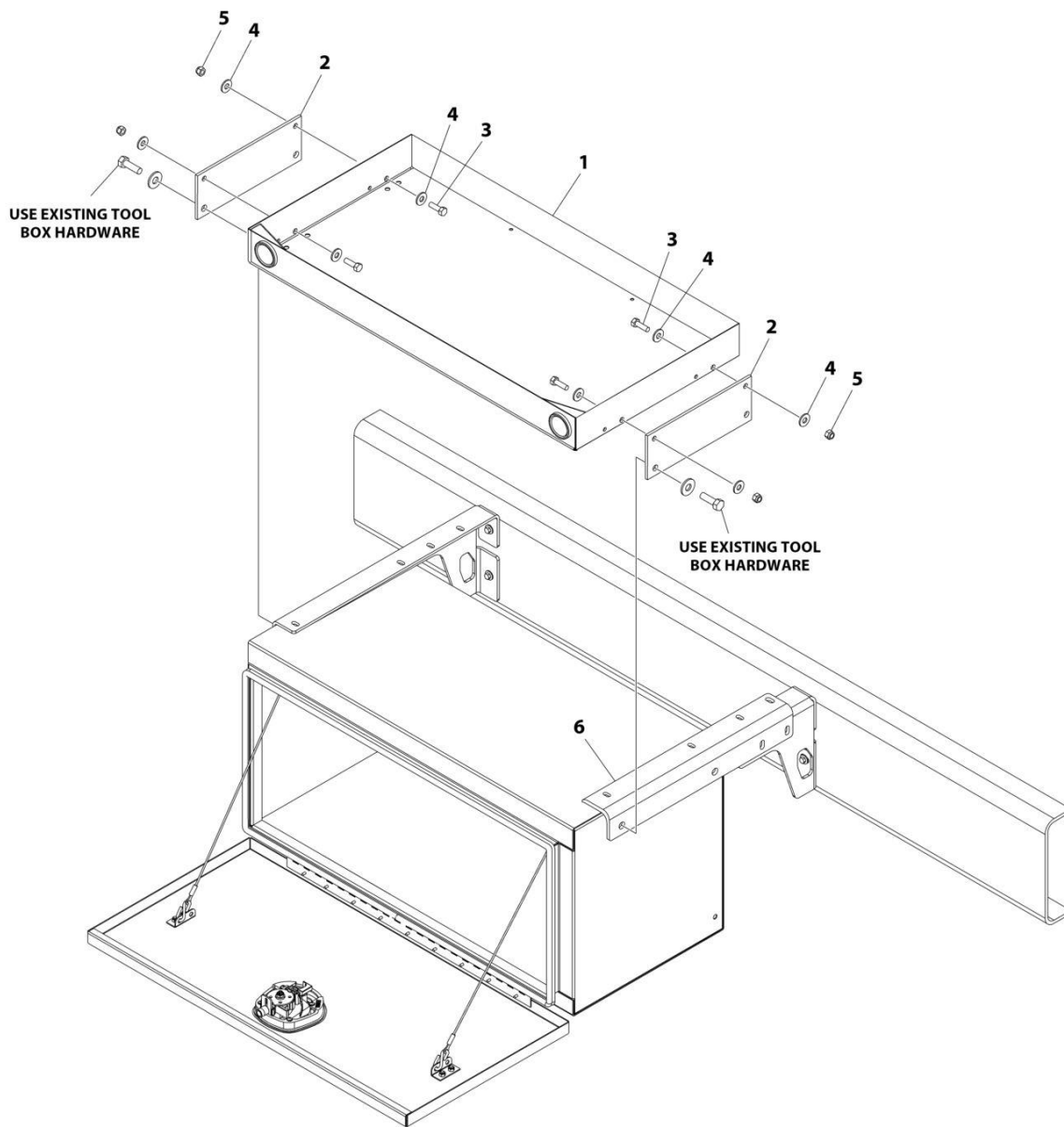
**SECTION 1 - SUBFRAME**

**FIGURE 1-53. TOOLBOX SHELF - 60IN**

<b>ITEM</b>	<b>PART NUMBER</b>	<b>QTY</b>	<b>DESCRIPTION</b>	<b>REV</b>
	2899000061	Ref	TOOL BOX SHELF, 60IN	B
1	4017001403	2	Angle	
2	4811000868	1	Sheet	
3	7115150850	4	Capscrew 5/16 x 1	
4	7950150161	8	Washer 5/16	
5	7660152601	4	Nut 5/16	

# SECTION 1 - SUBFRAME

## FIGURE 1-54. TOOLBOX TOP STORAGE TRAY - 36IN



ART\_2002000048



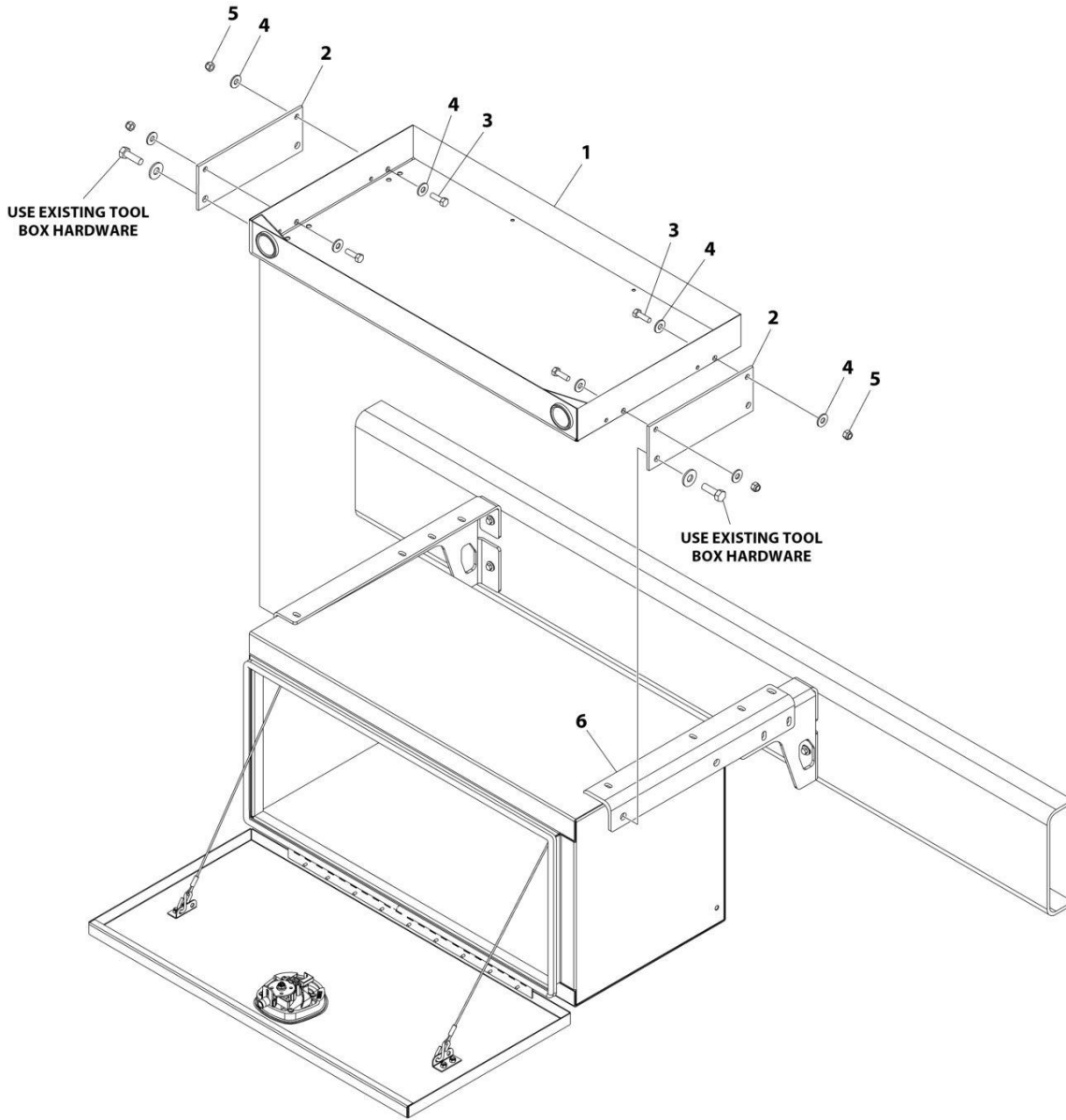
**SECTION 1 - SUBFRAME**

**FIGURE 1-54. TOOLBOX TOP STORAGE TRAY - 36IN**

<b>ITEM</b>	<b>PART NUMBER</b>	<b>QTY</b>	<b>DESCRIPTION</b>	<b>REV</b>
	2002000048	Ref	TOOL BOX TOP STORAGE TRAY, 36IN	B
1	3811000053	1	Sheet Weldment	
2	4706006216	1	Plate	
3	7115160950	4	Bolt 3/8 x 1-1/8	
4	7950150161	8	Washer 5/16	
5	7660162601	4	Nut 3/8	
6	1001155975	1	Bracket	

# SECTION 1 - SUBFRAME

FIGURE 1-55. TOOLBOX TOP STORAGE TRAY - 48IN



ART\_200200049

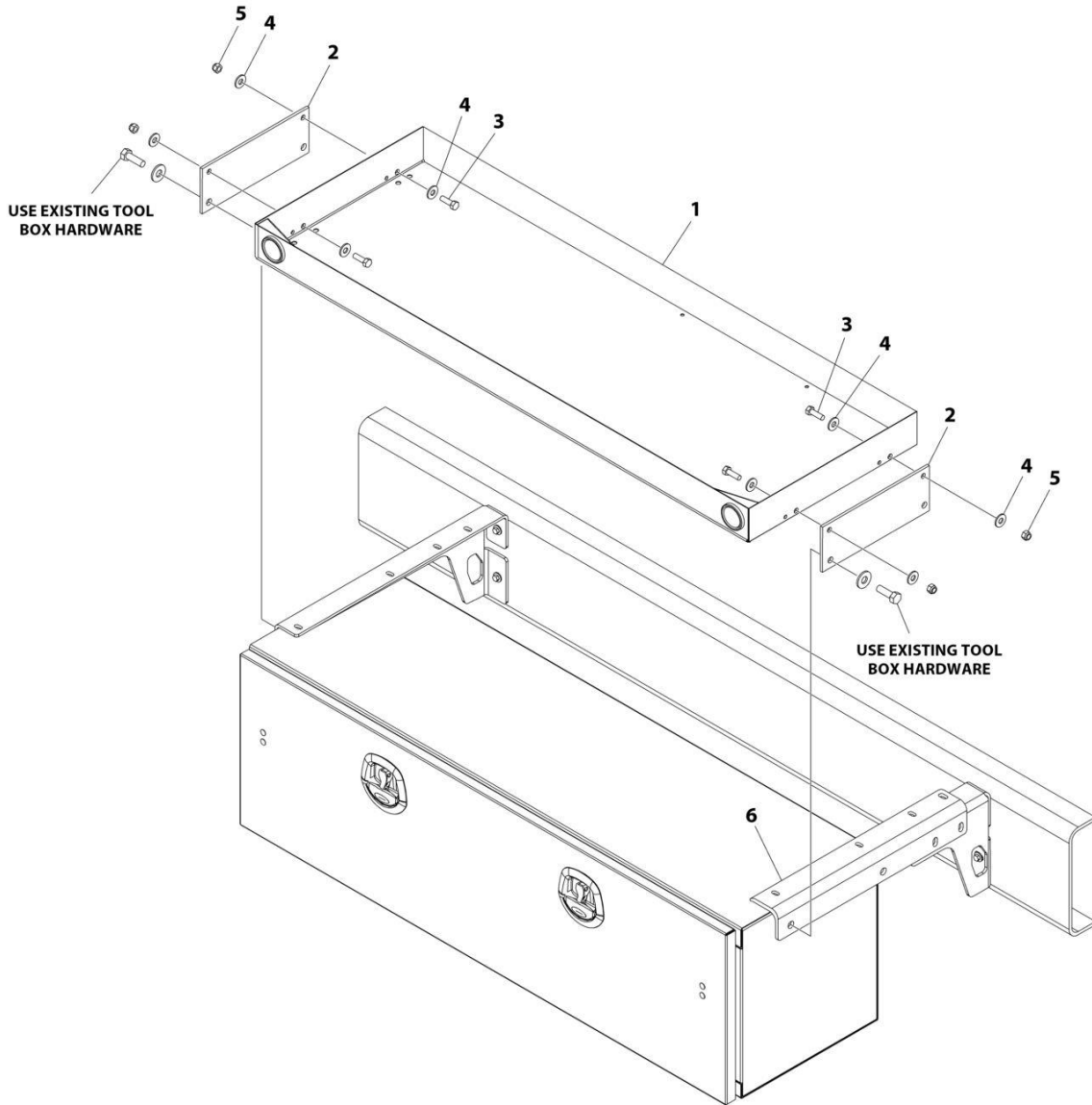
**SECTION 1 - SUBFRAME**

**FIGURE 1-55. TOOLBOX TOP STORAGE TRAY - 48IN**

<b>ITEM</b>	<b>PART NUMBER</b>	<b>QTY</b>	<b>DESCRIPTION</b>	<b>REV</b>
	2002000049	Ref	TOOL BOX TOP STORAGE TRAY, 48IN	B
1	3811000054	1	Sheet Weldment	
2	4706006216	2	Plate	
3	7115160950	1	Bolt 3/8 x 1-1/8	
4	7950150161	8	Washer 5/16	
5	7660162601	4	Nut 3/8	
6	1001155975	1	Bracket	

# SECTION 1 - SUBFRAME

FIGURE 1-56. TOOLBOX TOP STORAGE TRAY - 60IN



ART\_2002000050

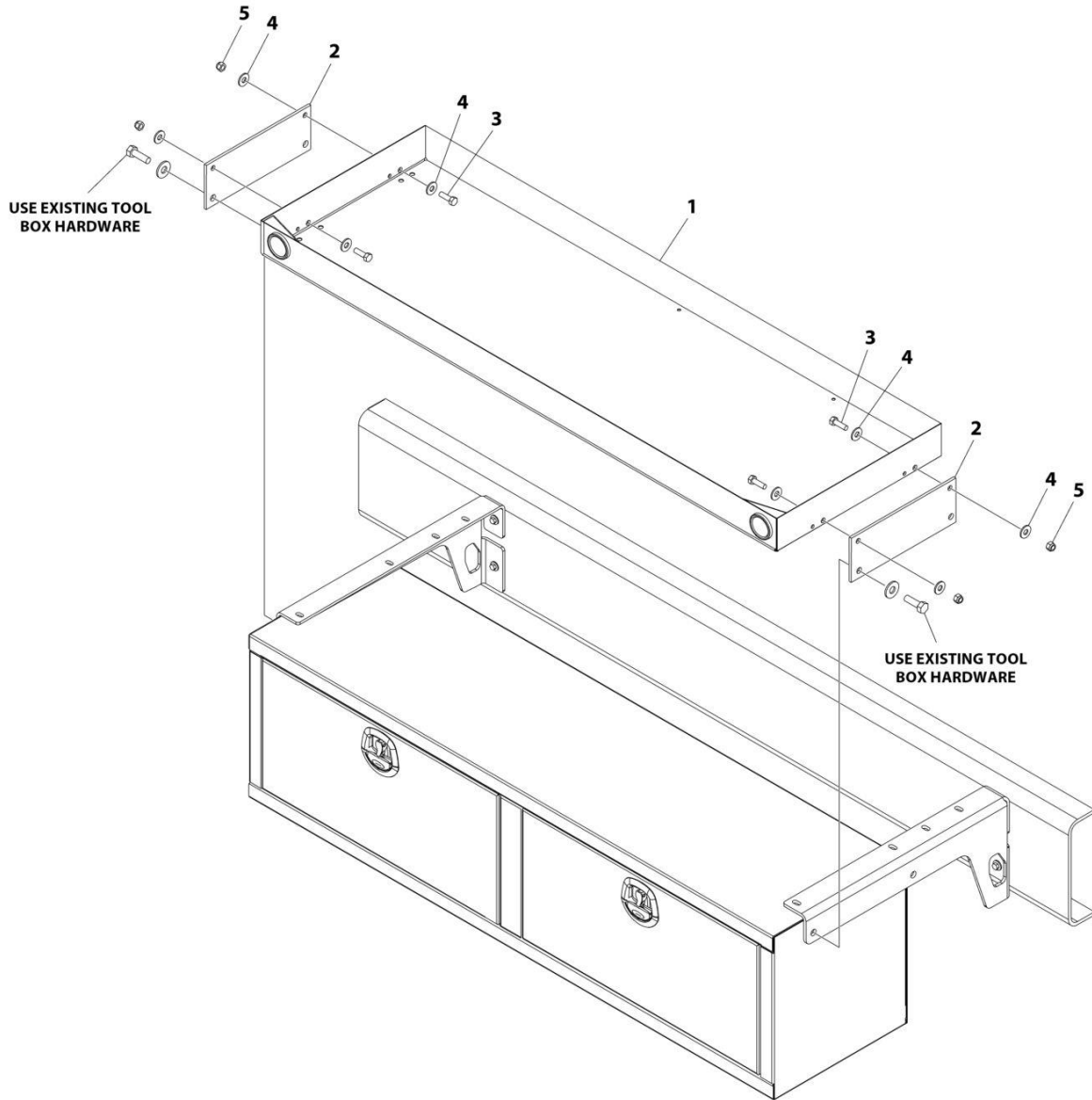
**SECTION 1 - SUBFRAME**

**FIGURE 1-56. TOOLBOX TOP STORAGE TRAY - 60IN**

<b>ITEM</b>	<b>PART NUMBER</b>	<b>QTY</b>	<b>DESCRIPTION</b>	<b>REV</b>
	2002000050	Ref	TOOL BOX TOP STORAGE TRAY, 60IN	B
1	3811000055	1	Sheet	
2	4706006216	2	Plate	
3	7115160950	4	Bolt 3/8 x 1-1/8	
4	7950150161	8	Washer 5/16	
5	7660162601	4	Nut 3/8	
6	1001155975	1	Bracket	

# SECTION 1 - SUBFRAME

FIGURE 1-57. TOOLBOX TOP STORAGE TRAY - 78IN



ART\_2002000051

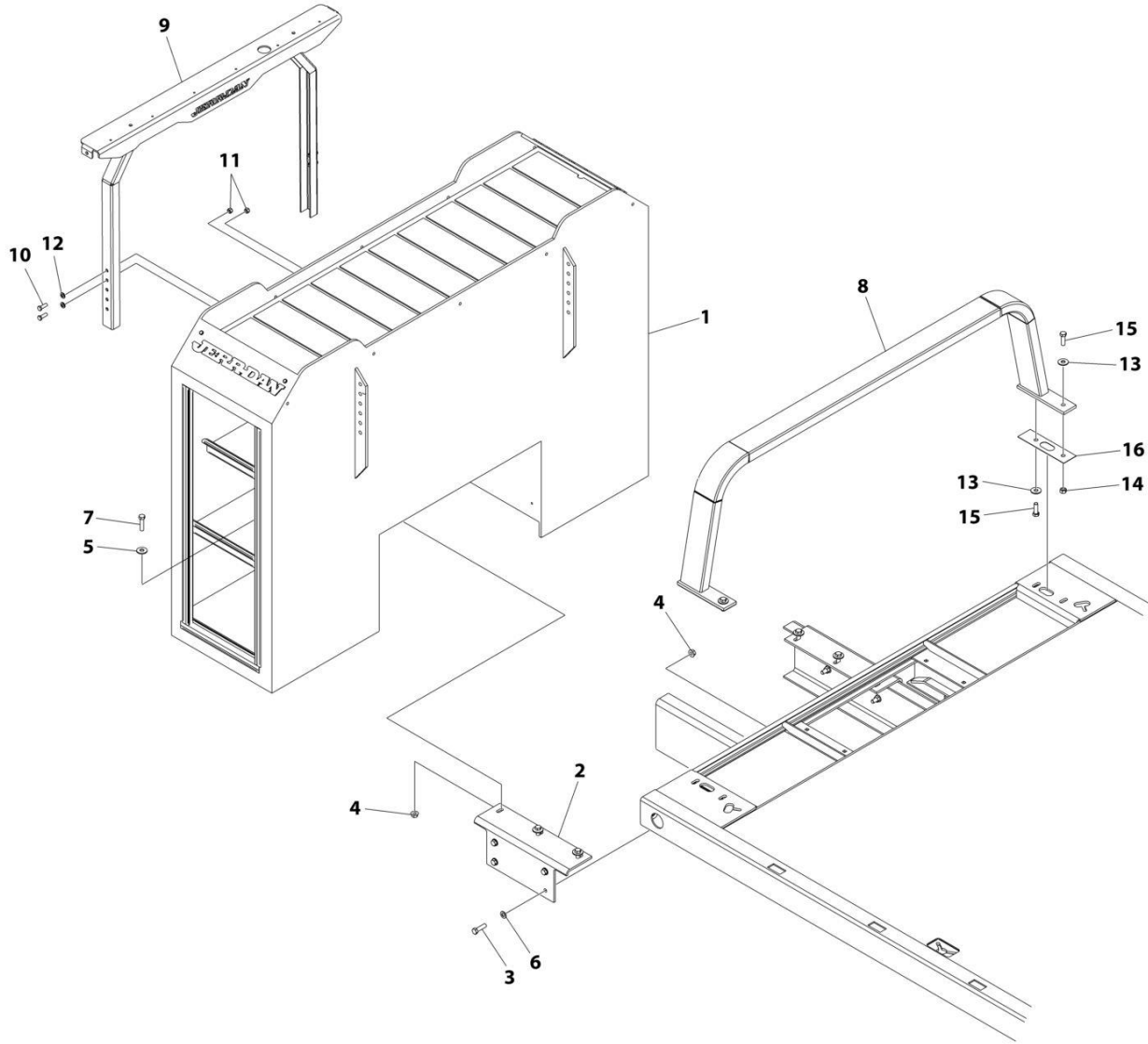
**SECTION 1 - SUBFRAME**

**FIGURE 1-57. TOOLBOX TOP STORAGE TRAY - 78IN**

<b>ITEM</b>	<b>PART NUMBER</b>	<b>QTY</b>	<b>DESCRIPTION</b>	<b>REV</b>
	2002000051	Ref	TOOL BOX TOP STORAGE TRAY, 78IN	B
1	3811000057	1	Sheet	
2	4706006216	2	Plate	
3	7115160950	4	Bolt 3/8 x 1-1/8	
4	7950150161	8	Washer 5/16	
5	7660162601	1	Nut 3/8	

# SECTION 1 - SUBFRAME

FIGURE 1-58. TUNNEL (SIDE) TOOLBOX INSTALLATION - 24IN (DUAL COMPARTMENT)



ART\_1001143228



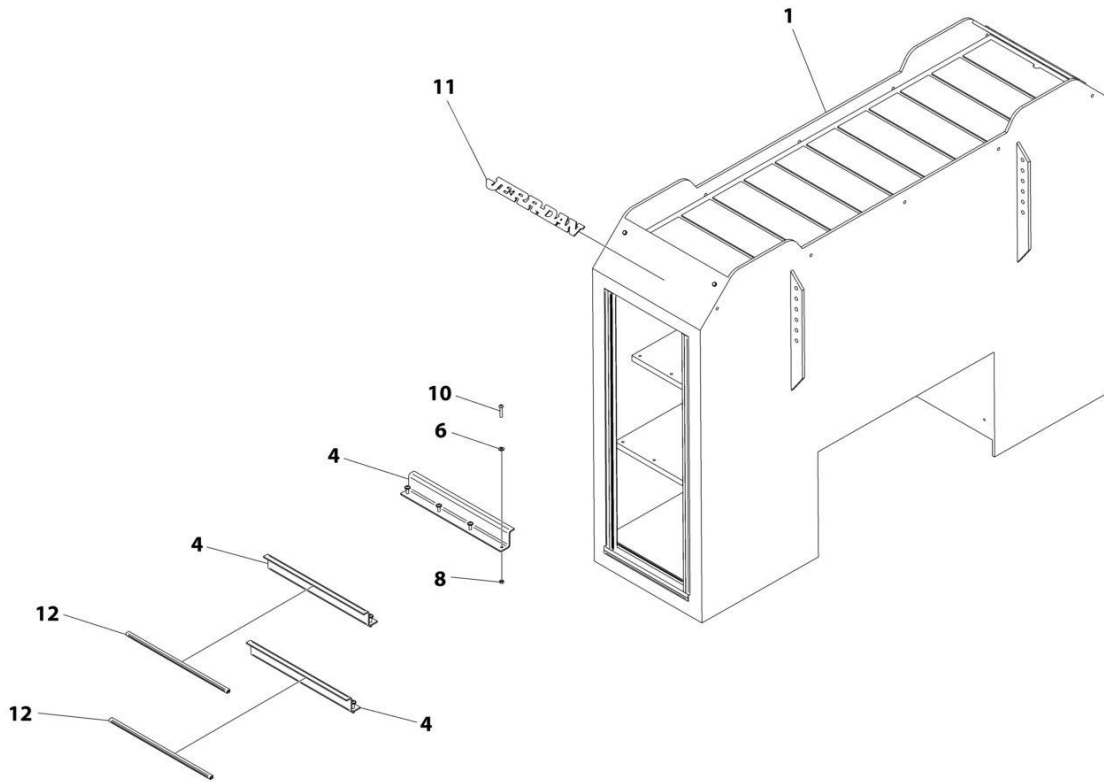
**SECTION 1 - SUBFRAME**

**FIGURE 1-58. TUNNEL (SIDE) TOOLBOX INSTALLATION - 24IN (DUAL COMPARTMENT)**

ITEM	PART NUMBER	QTY	DESCRIPTION	REV
	1001143228	Ref	TUNNEL TOOLBOX INSTALLATION - 24IN	B
1	1001143227	1	Toolbox Assembly (See Separate Breakdown in this Section)	
2	1001148455	2	Bracket	
3	7105201850	8	Capscrew 5/8 x 2-1/4	
4	7660202347	14	Nut 5/8	
5	7950200161	6	Washer 5/8	
6	7950200242	8	Washer 5/8	
7	7105202050	6	Capscrew 5/8 x 2-1/2	
8	1001148180	1	Bumper	
9	1001148385	1	Bracket	
10	7115181250	4	Capscrew 1/2 x 1-1/2	
11	7660182601	4	Nut 1/2	
12	7950180153	4	Washer 1/2	
13	7950200152	4	Washer 5/8	
14	7660200035	2	Nut 5/8	
15	7105201650	4	Capscrew 5/8	
16	4796000037	2	Gasket	
17	1001146552	1	Carrier Tunnel Harness (Not Shown)	

# SECTION 1 - SUBFRAME

FIGURE 1-59. TUNNEL (SIDE) TOOLBOX ASSEMBLY - 24IN (WITH DUAL COMPARTMENT TUNNEL)



ART\_1001143227

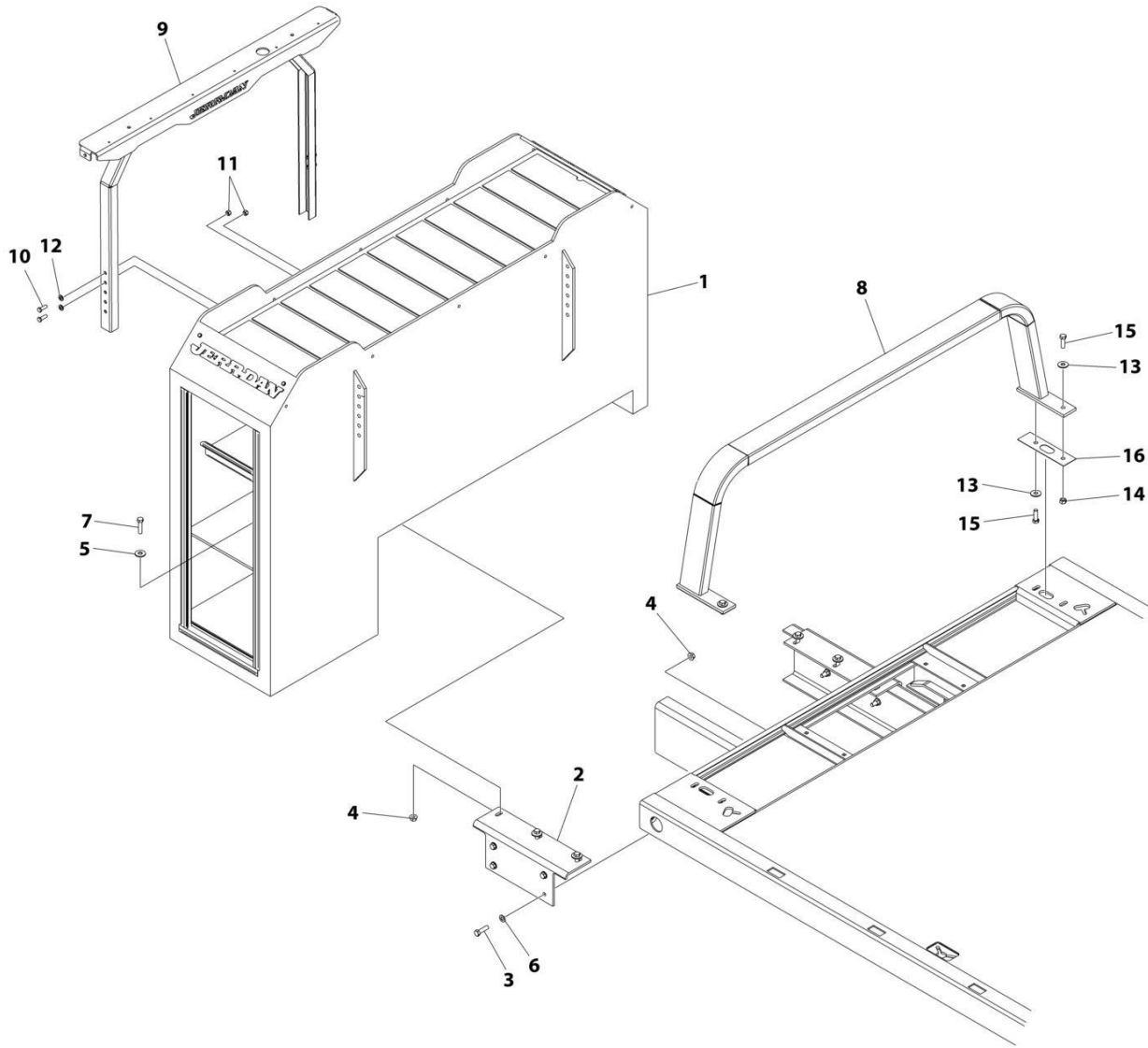
**SECTION 1 - SUBFRAME**

**FIGURE 1-59. TUNNEL (SIDE) TOOLBOX ASSEMBLY - 24IN (WITH DUAL COMPARTMENT TUNNEL)**

ITEM	PART NUMBER	QTY	DESCRIPTION	REV
	1001143227	Ref	TUNNEL TOOLBOX ASSEMBLY - 24IN	B
1	1001142430	1	Toolbox	
4	1001143257	6	Bracket	
6	7950160153	24	Washer 3/8	
8	7660162601	24	Nut 3/8	
10	7114161618	24	Capscrew 3/8	
11	7330000408	2	Decal, Jerr-dan Logo	
12	8632000002	7.5 ft	Trim	

# SECTION 1 - SUBFRAME

## FIGURE 1-60. TUNNEL (SIDE) TOOLBOX INSTALLATION - 24IN (SINGLE COMPARTMENT)



ART\_1001148035

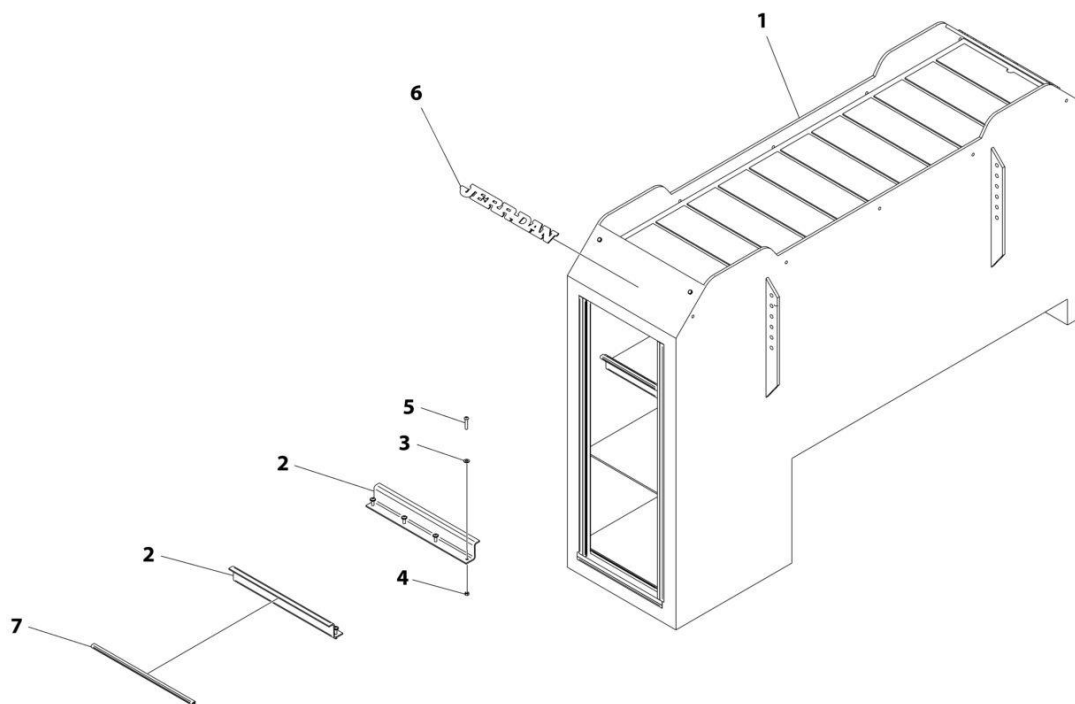
## SECTION 1 - SUBFRAME

**FIGURE 1-60. TUNNEL (SIDE) TOOLBOX INSTALLATION - 24IN (SINGLE COMPARTMENT)**

ITEM	PART NUMBER	QTY	DESCRIPTION	REV
	1001148035	Ref	SIDE TUNNEL TOOLBOX INSTALLATION - 24IN	A
1	1001147361	1	Toolbox Assembly (See Separate Breakdown in this Section)	
2	1001148455	2	Bracket	
3	7105201850	8	Capscrew 5/8 x 2-1/4	
4	7660202347	14	Nut 5/8	
5	7950200161	6	Washer 5/8	
6	7950200242	8	Washer 5/8	
7	7105202050	6	Capscrew 5/8	
8	1001148180	1	Bumper	
9	1001148385	1	Bracket	
10	7115181250	4	Capscrew 1/2 x 1-1/2	
11	7660182601	4	Nut 1/2	
12	7950180153	4	Washer 1/2	
13	7950200152	4	Washer 5/8	
14	7660200035	2	Nut 5/8	
15	7105201650	4	Capscrew 5/8 x 2	
16	4796000037	2	Gasket	
17	1001147362	1	Carrier Tunnel Harness (Not Shown)	

# SECTION 1 - SUBFRAME

FIGURE 1-61. TUNNEL (SIDE) TOOLBOX ASSEMBLY - 24IN (WITH SINGLE COMPARTMENT TUNNEL)



ART\_1001147361

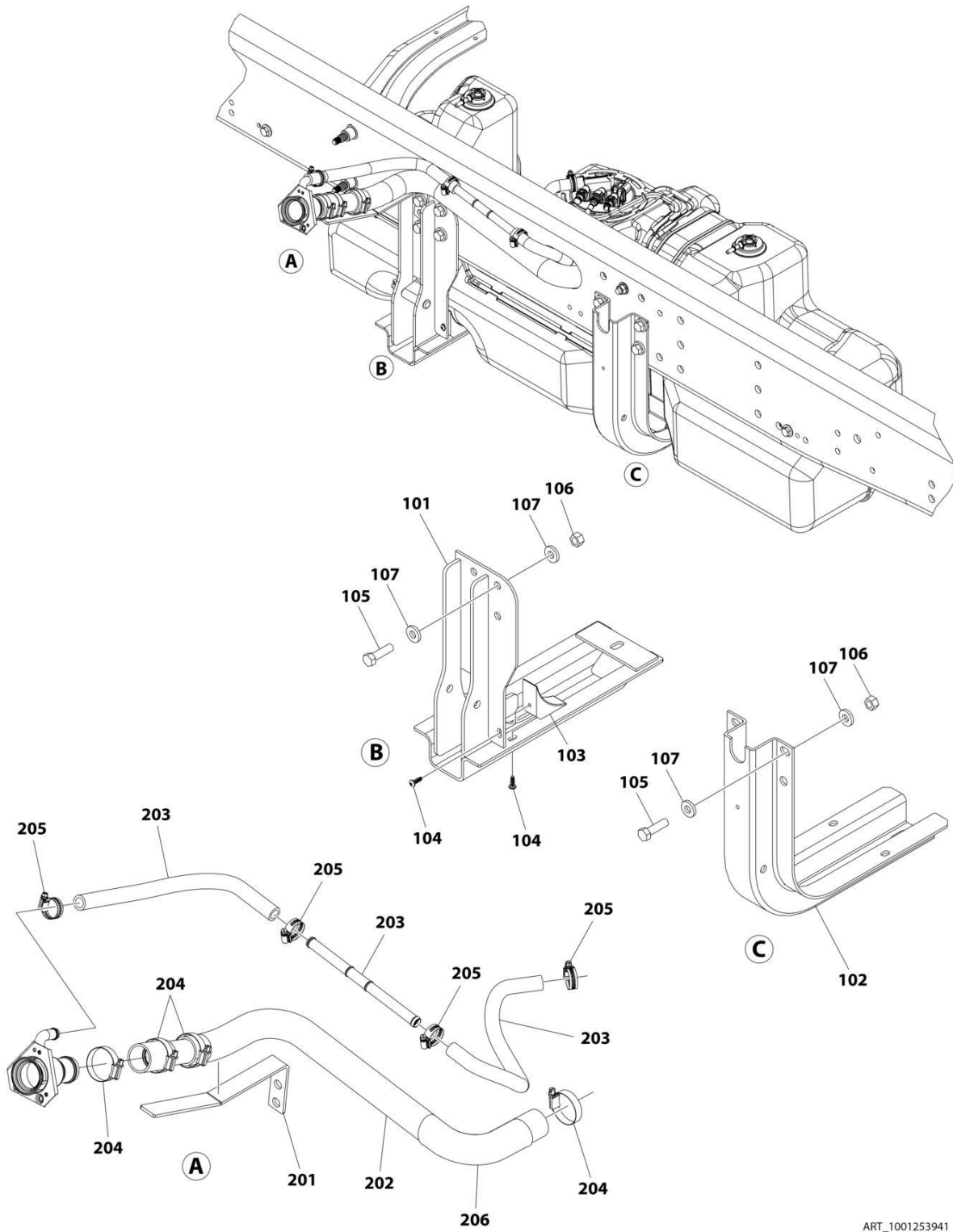
**SECTION 1 - SUBFRAME**

**FIGURE 1-61. TUNNEL (SIDE) TOOLBOX ASSEMBLY - 24IN (WITH SINGLE COMPARTMENT TUNNEL)**

<b>ITEM</b>	<b>PART NUMBER</b>	<b>QTY</b>	<b>DESCRIPTION</b>	<b>REV</b>
	1001147361	Ref	SIDE TUNNEL TOOLBOX ASSEMBLY - 24IN	A
1	1001147357	1	Toolbox	
2	1001143257	5	Bracket	
3	7950160153	20	Washer 3/8	
4	7660162601	20	Nut 3/8	
5	7114161618	20	Capscrew 3/8	
6	7330000408	2	Decal, Jerr-dan Logo	
7	8632000002	5.7 ft	Trim	

# SECTION 1 - SUBFRAME

## FIGURE 1-62. CHASSIS MOUNTING KIT, 2019+ CVC



ART\_1001253941



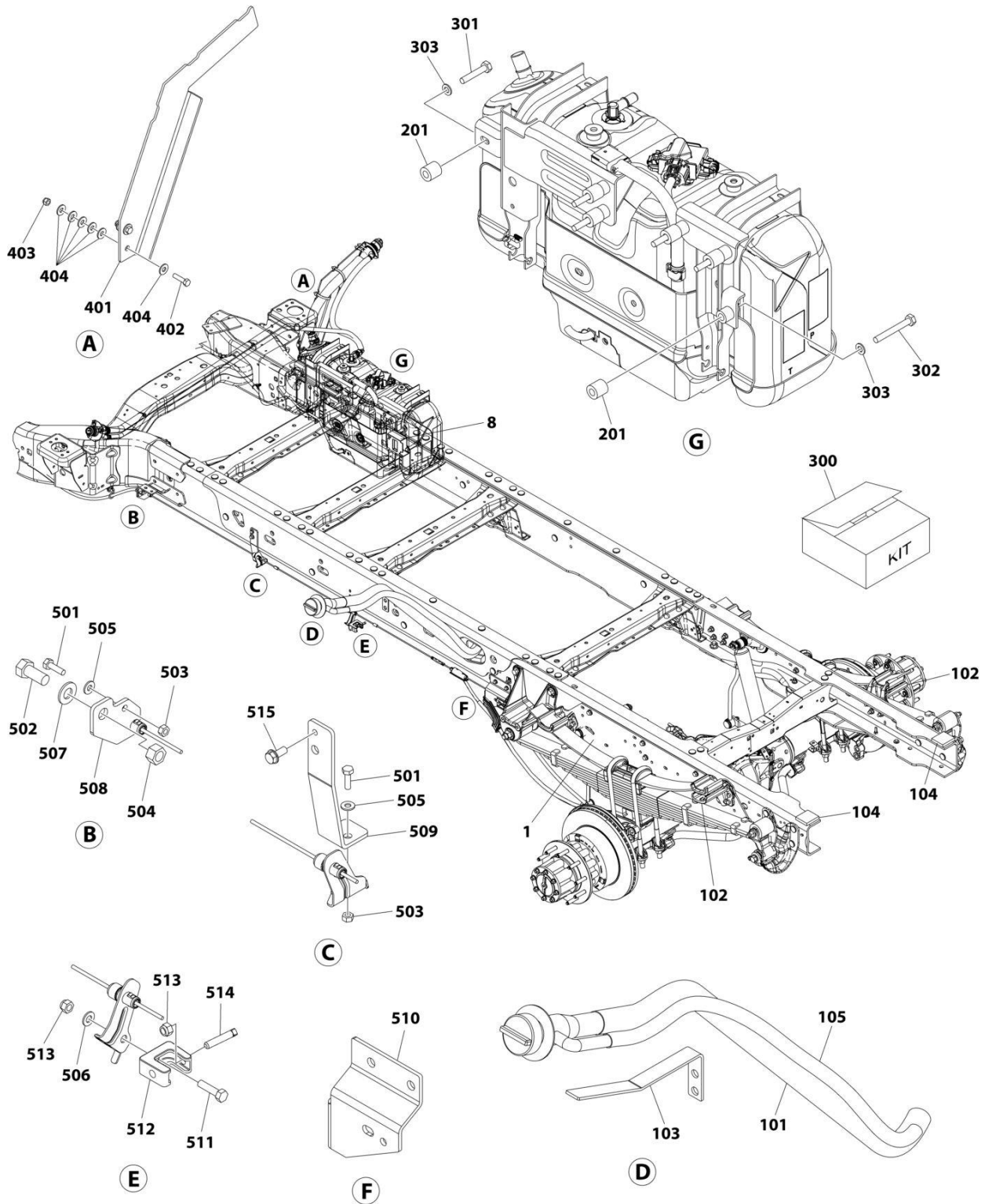
## SECTION 1 - SUBFRAME

**FIGURE 1-62. CHASSIS MOUNTING KIT, 2019+ CVC**

ITEM	PART NUMBER	QTY	DESCRIPTION	REV
	1001253941	Ref	CHASSIS MOUNTING KIT	A
1	1001253942	Ref	Fuel Tank Modification (Not Shown) (See Items 101-107)	
2	1001253943	Ref	Fuel Filler Modification (Not Shown) (See Item 201-207)	
3	1001254894	1	Electrical Chassis Installation (Not Shown)	
	1001253942	Ref	FUEL TANK MODIFICATION	B
101	1001252939	1	Support, Fuel Tank	
102	1001253659	1	Support, Fuel Tank	
103	1001254139	2	Support	
104	1001194676	4	Screw 1/4 x 3/4	
105	0681814	8	Bolt 1/2 x 1-3/4	
106	3271805	8	Nut 1/2	
107	4891800	16	Washer 1/2	
	1001253943	Ref	FUEL FILLER MODIFICATION	A
201	4178000283	1	Bracket	
202	1001151297	1	Hose (Fuel Fill)	
203	1001254553	1	Hose (Fuel Vent)	
204	7274000005	4	Clamp	
205	7274000122	4	Clamp	
206	4819000008	1	Sleeve, Hose	
207	7894000004	6	Tie-Strap (Not Shown)	

# SECTION 1 - SUBFRAME

## FIGURE 1-63. CHASSIS MOUNTING KIT, 2017+ FORD F550 (DIESEL)



ART\_1001220101

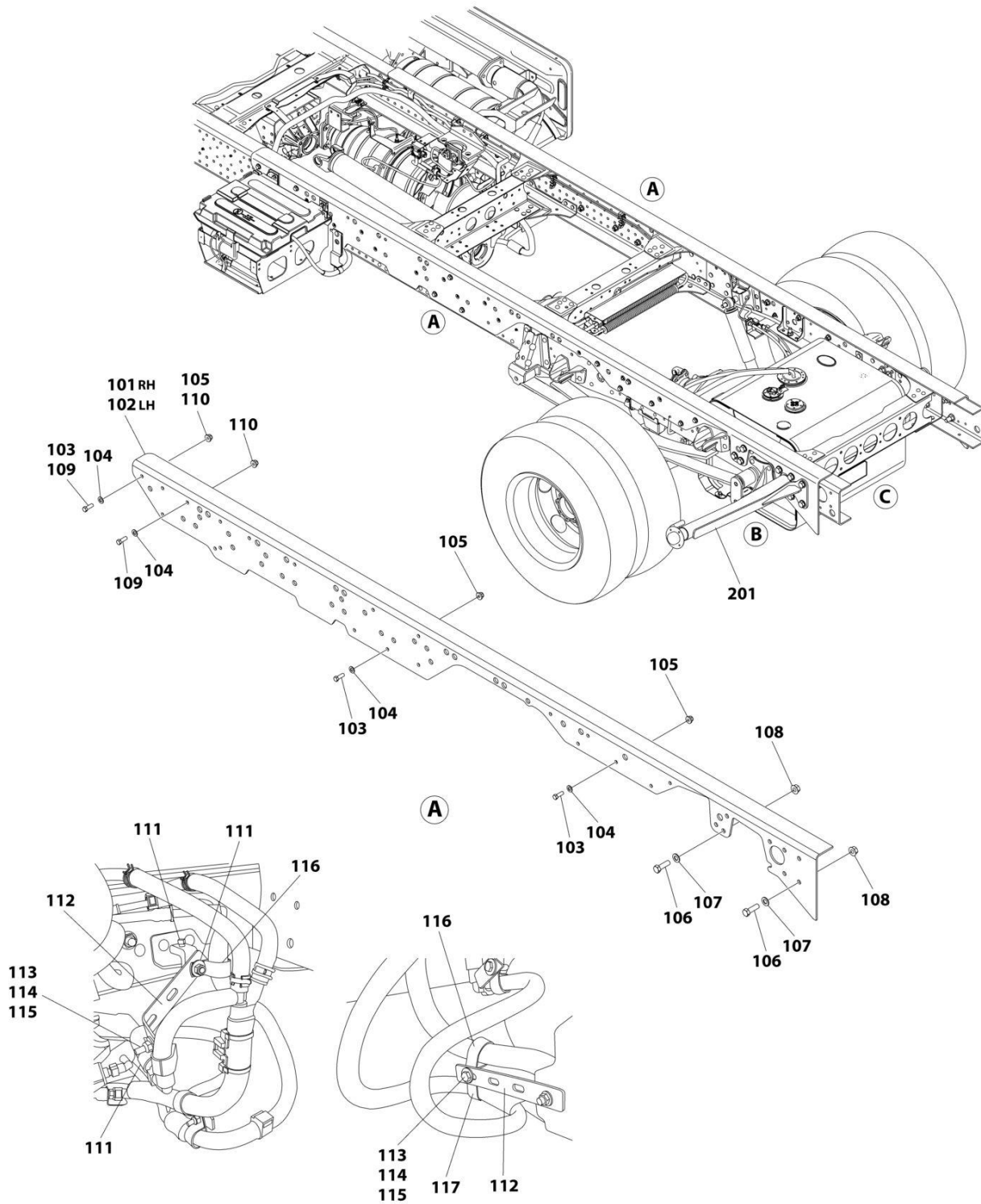
## SECTION 1 - SUBFRAME

**FIGURE 1-63. CHASSIS MOUNTING KIT, 2017+ FORD F550 (DIESEL)**

ITEM	PART NUMBER	QTY	DESCRIPTION	REV
	1001220101	Ref	CHASSIS MOUNTING KIT, 2017+ FORD	D
1	1001219801	1	Frame Reinforcement Installation	
2	1001220177	1	Subframe Modifications Installation (Not Shown) (See Items 101-105)	
3	7577000194	1	Kit Chassis Wiring Connector (Not Shown)	
4	1001220832	1	DEF Tank Installation (Not Shown) (See Items 201-303)	
5	1001220909	1	DEF Tank Filler Installation (Not Shown) (See Items 401-405)	
6	1001272551	1	Park Brake Cable Installation (Not Shown) (See Items 501-515)	
7	7949000019	4	Washer (Not Shown)	
8	1001223882	1	Module Spacer Installation	
	1001220177	Ref	SUBFRAME MODIFICATIONS INSTALLATION	C
101	1001151297	1	Hose, Fuel Filler	
102	1001151507	2	Bracket	
103	4178000283	1	Bracket	
104	1001291593	2	Plate	
105	7570000036	3.75 ft	Hose, Fuel Vent	
	1001220832	Ref	DEF TANK INSTALLATION	A
201	1001220833	6	Shim	
300	1001221065	1	DEF Tank Hardware Kit	
301	0701019	1	Bolt M10 x 55	
302	0701024	5	Bolt M10 x 80	
303	4812000	6	Washer M10	
	1001220909	Ref	DEF TANK FILLER INSTALLATION	B
401	1001221232	1	Bracket	
402	0641510	2	Bolt 5/16 x 1-1/4	
403	7660152601	2	Nut 5/16	
404	4751500	12	Washer 5/16	
405	5526000553	4	Tie-Strap (Not Shown)	
	1001272551	Ref	PARK BRAKE CABLE INSTALLATION	A
501	0641407	2	Bolt 1/4 x 7/8	
502	0641809	1	Bolt 1/2 x 1-1/8	
503	3311401	2	Nut 1/4	
504	3311801	1	Nut 1/2	
505	4711400	2	Washer 1/4	
506	4711500	1	Washer 5/16	
507	4711800	1	Washer 1/2	
508	1001272543	1	Plate	
509	1001272544	1	Bracket	
510	1001272545	1	Bracket	
511	7115151050	1	Bolt 5/16 x 1-1/4	
512	7274000076	1	Clamp	
513	7660152601	2	Nut 5/16	
514	7785152420	1	Setscrew 5/16 x 1-1/2	
515	7790151253	1	Screw 5/16 x 3/4	

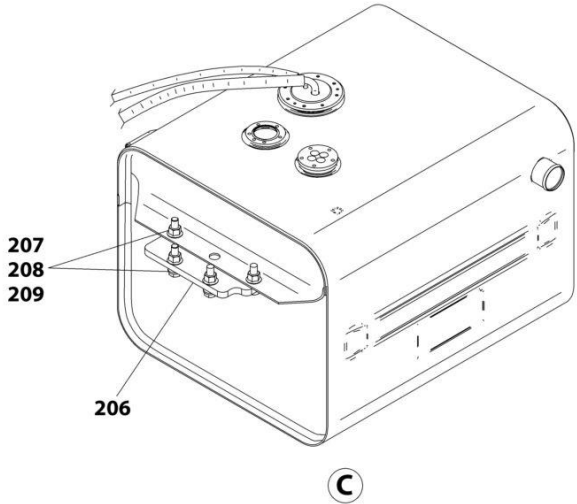
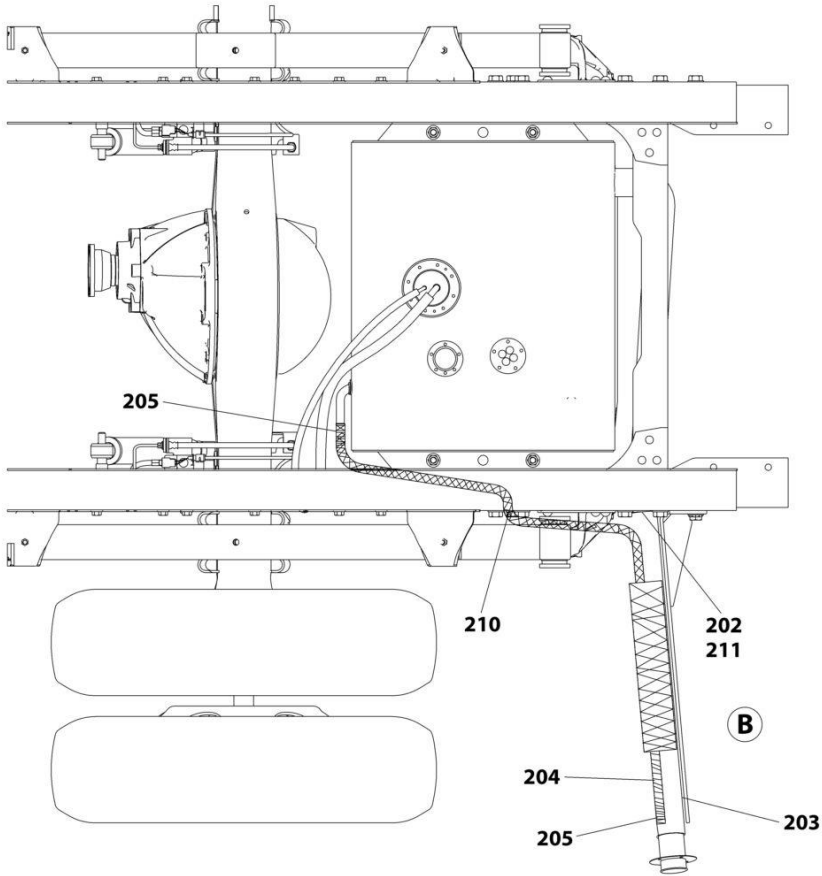
# SECTION 1 - SUBFRAME

## FIGURE 1-64. CHASSIS MOUNTING KIT, ISUZU 150WB



ART\_1001159638\_10F2

**SECTION 1 - SUBFRAME**



ART\_1001159638\_2OF2

## SECTION 1 - SUBFRAME

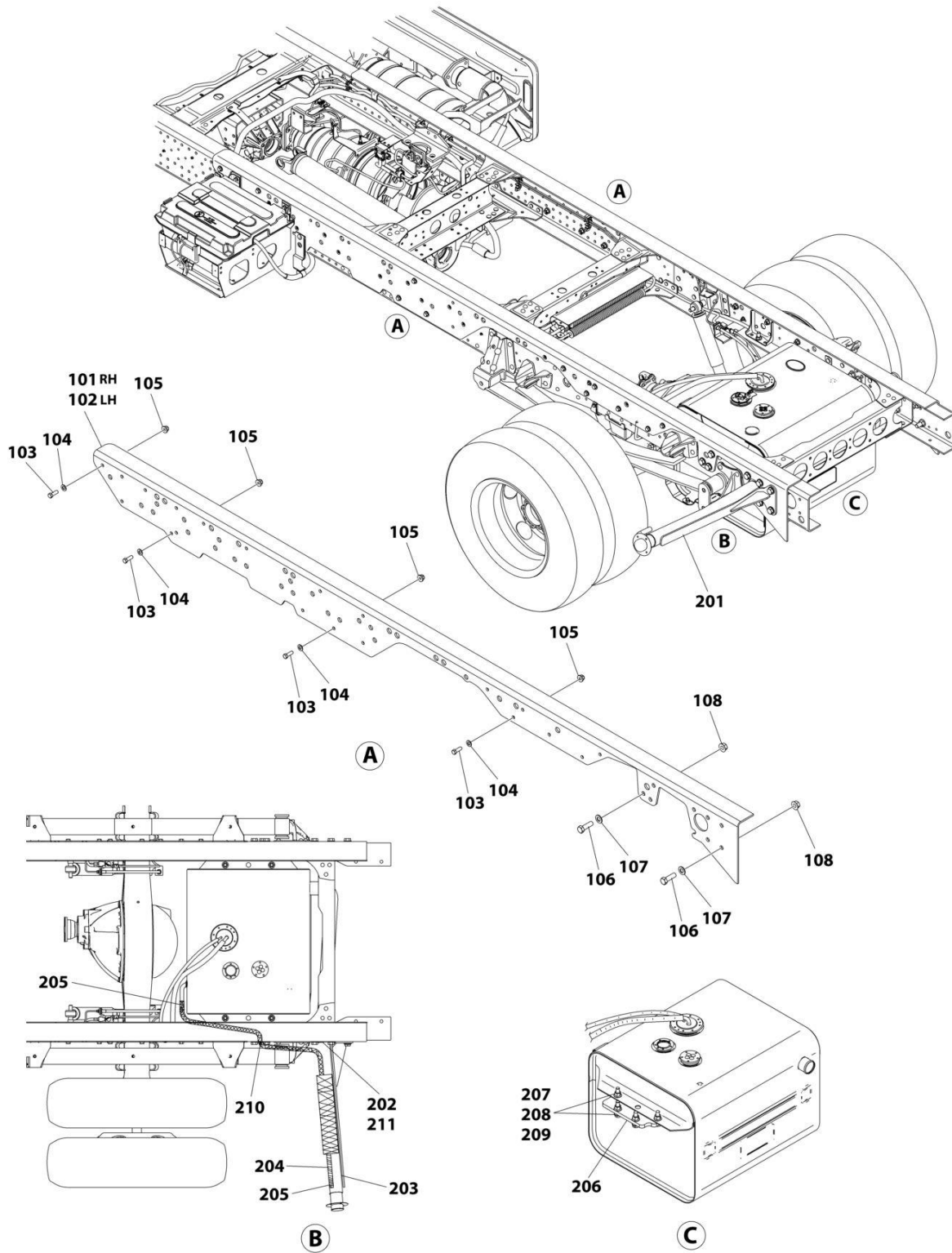
FIGURE 1-64. CHASSIS MOUNTING KIT, ISUZU 150WB

ITEM	PART NUMBER	QTY	DESCRIPTION	REV
	1001159638	Ref	CHASSIS MOUNTING KIT	A
1	1001156081	Ref	Frame Reinforcement Installation (Not Shown) (See Item 101-118)	
2	1001156392	Ref	Fuel Filler Installation (Not Shown) (See Item 201-212)	
3	7577000194	1	Kit Chassis Wiring Connector (Not Shown)	
	1001156081	Ref	FRAME REINFORCEMENT INSTALLATION	A
101	1001155971	1	Plate (LH)	
102	1001155972	1	Plate (RH)	
103	7105171050	22	Bolt 5/16 x 1-1/4	
104	7950170142	27	Washer 5/16	
105	7660172331	22	Nut 5/16	
106	7105201650	18	Bolt 5/8 x 2	
107	7950200242	18	Washer 5/8	
108	7660202347	18	Nut 5/8	
109	0761015	5	Bolt M10	
110	5261000	5	Nut	
111	1001132794	1	Clamp Kit	
112	4706003844	2	Plate	
113	7115151064	2	Bolt, Carriage 3/8 x 1-1/4	
114	7950150161	2	Washer 3/8	
115	7660152601	2	Nut 3/8	
116	7274000105	2	Clamp	
117	7274000040	1	Clamp	
118	7894000004	1	Tie-Strap (Not Shown)	
	1001156392	Ref	FUEL FILLER INSTALLATION	C
201	1001167098	1	Bracket	
202	1001156274	1	Pipe	
203	1001130587	1	Clamp	
204	1001169147	1	Hose (Fuel Vent)	
205	8405006	2	Clamp	
206	1001156437	2	Plate	
207	7105181650	8	Bolt 1/2 x 2	
208	7950180153	8	Washer 1/2	
209	7660182333	8	Nut 1/2	
210	5746491	1	Sleeve, Nylon	
211	1001159563	1	Sleeve, Nylon	
212	7894000004	4	Tie-Strap (Not Shown)	



# SECTION 1 - SUBFRAME

## FIGURE 1-65. CHASSIS MOUNTING KIT, ISUZU 176WB



ART\_1001159639



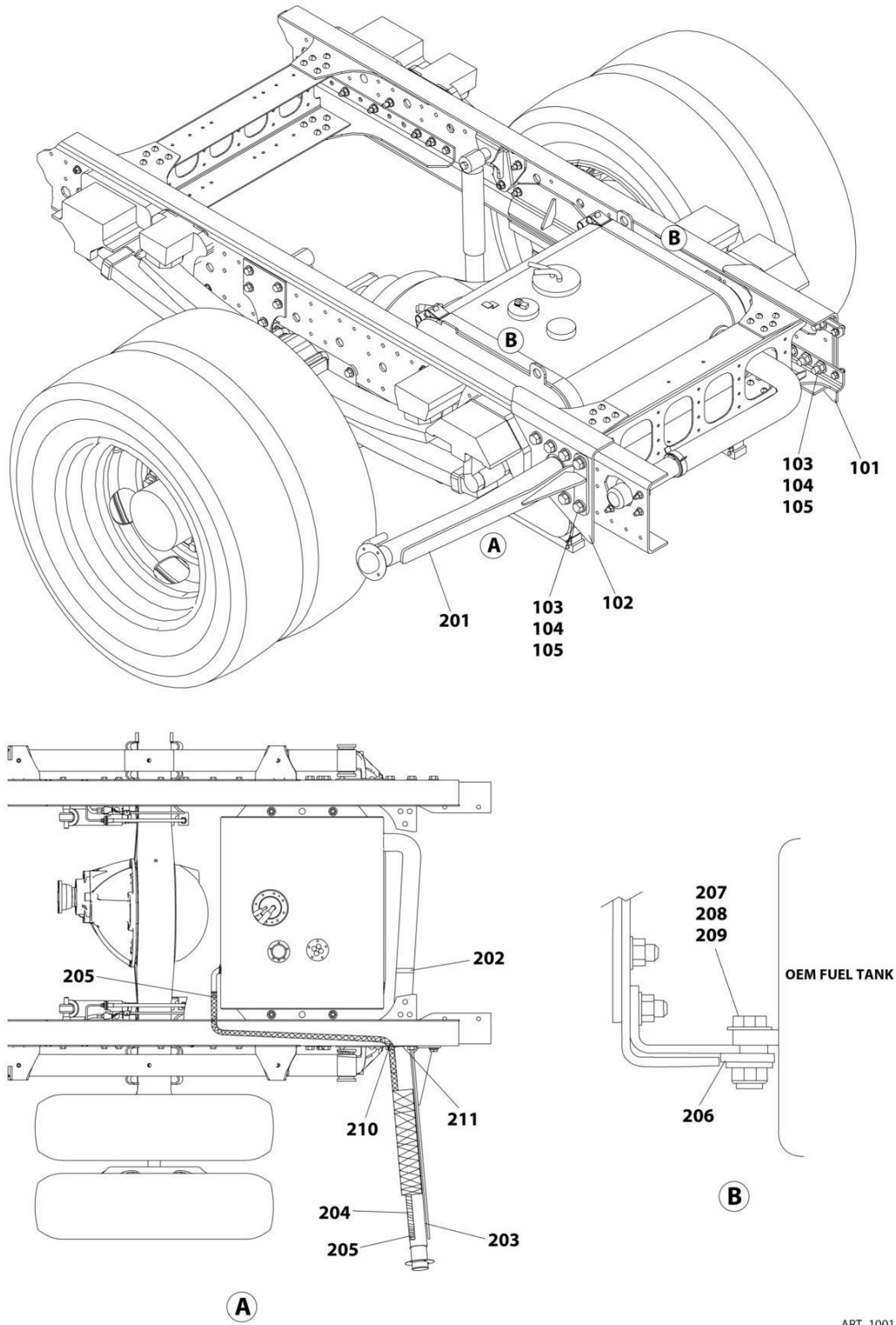
## SECTION 1 - SUBFRAME

**FIGURE 1-65. CHASSIS MOUNTING KIT, ISUZU 176WB**

ITEM	PART NUMBER	QTY	DESCRIPTION	REV
	1001159639	Ref	CHASSIS MOUNTING KIT	A
1	1001156082	Ref	Frame Reinforcement Installation (Not Shown) (See Item 101-108)	
2	1001156392	Ref	Fuel Filler Installation (Not Shown) (See Item 201-212)	
3	7577000194	1	Kit Chassis Wiring Connector (Not Shown)	
	1001156082	Ref	FRAME REINFORCEMENT INSTALLATION	A
101	1001155971	1	Plate, RH Side	
102	1001155972	1	Plate, LH Side	
103	7105171050	31	Bolt 5/16 x 1-1/4	
104	7950170142	31	Washer 5/16	
105	7660172331	31	Nut 5/16	
106	7105201650	18	Bolt 5/8 x 2	
107	7950200242	18	Washer 5/8	
108	7660202347	18	Nut 5/8	
	1001156392	Ref	FUEL FILLER INSTALLATION	C
201	1001167098	1	Bracket	
202	1001156274	1	Pipe	
203	1001130587	1	Clamp	
204	1001169147	1	Hose (Fuel Vent)	
205	8405006	2	Clamp	
206	1001156437	2	Plate	
207	7105181650	8	Bolt 1/2 x 2	
208	7950180153	8	Washer 1/2	
209	7660182333	8	Nut 1/2	
210	5746491	1	Sleeve, Nylon	
211	1001159563	1	Sleeve, Nylon	
212	7894000004	4	Tie-Strap (Not Shown)	

# SECTION 1 - SUBFRAME

## FIGURE 1-66. CHASSIS MOUNTING KIT, HINO



ART\_1001159908

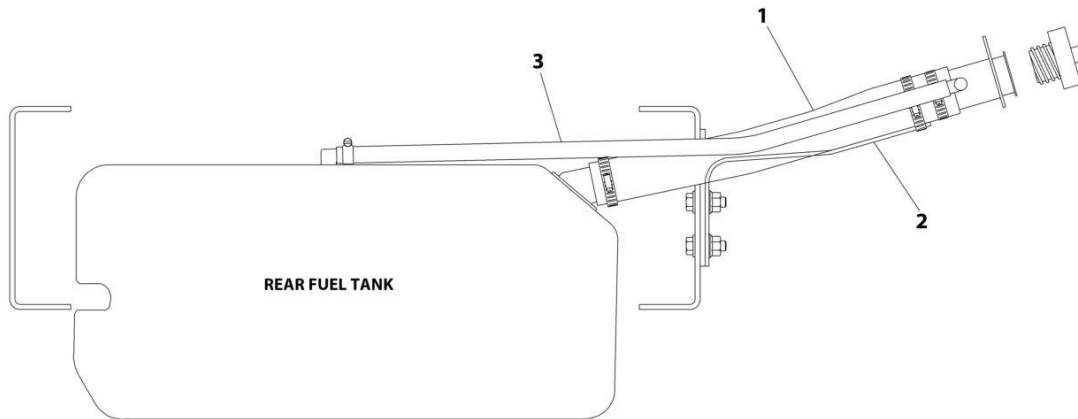
## SECTION 1 - SUBFRAME

**FIGURE 1-66. CHASSIS MOUNTING KIT, HINO**

ITEM	PART NUMBER	QTY	DESCRIPTION	REV
	1001159908	Ref	CHASSIS MOUNTING KIT	A
1	1001159909	Ref	Frame Reinforcement Installation (Not Shown) (See Items 101-105)	
2	1001159910	Ref	Fuel Filler Installation (Not Shown) (See Items 201-212)	
3	7577000194	1	Kit Chassis Wiring Connector (Not Shown)	
	1001159909	Ref	FRAME REINFORCEMENT INSTALLATION	A
101	1001159916	1	Plate (RH)	
102	1001159917	1	Plate (LH)	
103	7105201650	16	Bolt 5/8 x 2	
104	7950200242	16	Washer 5/8	
105	7660202347	16	Nut 5/8	
	1001159910	Ref	FUEL FILLER INSTALLATION	A
201	1001167244	1	Bracket	
202	1001156274	1	Pipe	
203	1001130587	1	Clamp	
204	1001169147	1	Hose (Fuel Vent)	
205	8405006	2	Clamp	
206	1001159918	2	Plate	
207	7105171450	8	Bolt 5/16 x 1-3/4	
208	7950170142	8	Washer 5/16	
209	7660172331	8	Nut 5/16	
210	5746491	1	Sleeve, Nylon	
211	1001159563	1	Sleeve, Nylon	
212	7894000004	4	Tie-Strap (Not Shown)	

# SECTION 1 - SUBFRAME

FIGURE 1-67. FUEL HOSE INSTALLATION - CHEVY/GMC 4500/5500 (2005 & EARLIER)



ART\_2570000120

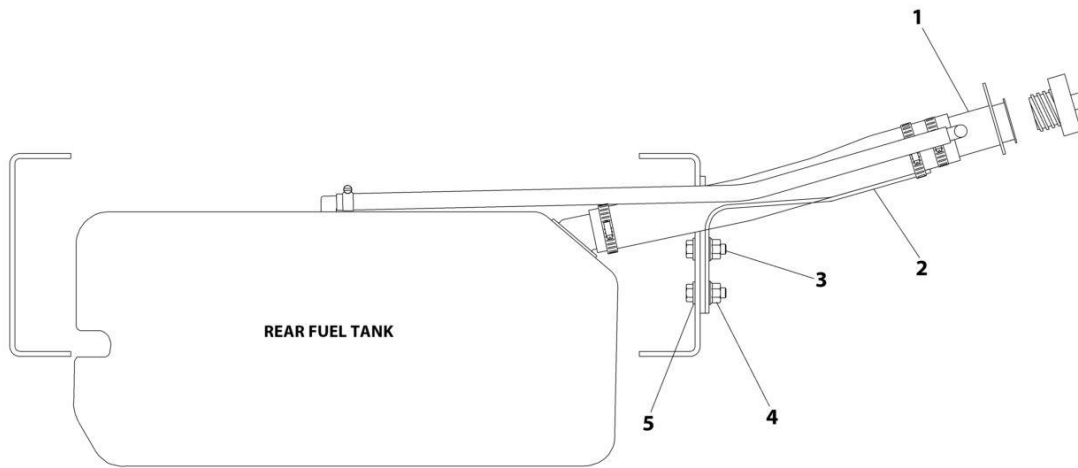
**SECTION 1 - SUBFRAME**

**FIGURE 1-67. FUEL HOSE INSTALLATION - CHEVY/GMC 4500/5500 (2005 & EARLIER)**

<b>ITEM</b>	<b>PART NUMBER</b>	<b>QTY</b>	<b>DESCRIPTION</b>	<b>REV</b>
	2570000120	Ref	HOSE INSTALLATION - CHEVY C4500/C5500 REAR FUEL	A
1	7570000025	1	Hose	
2	4178000421	1	Bracket	
3	4912000374	1	Tube	

# SECTION 1 - SUBFRAME

FIGURE 1-68. FUEL HOSE INSTALLATION - CHEVY/GMC 4500/5500 GAS (2006+)



ART\_2570000141

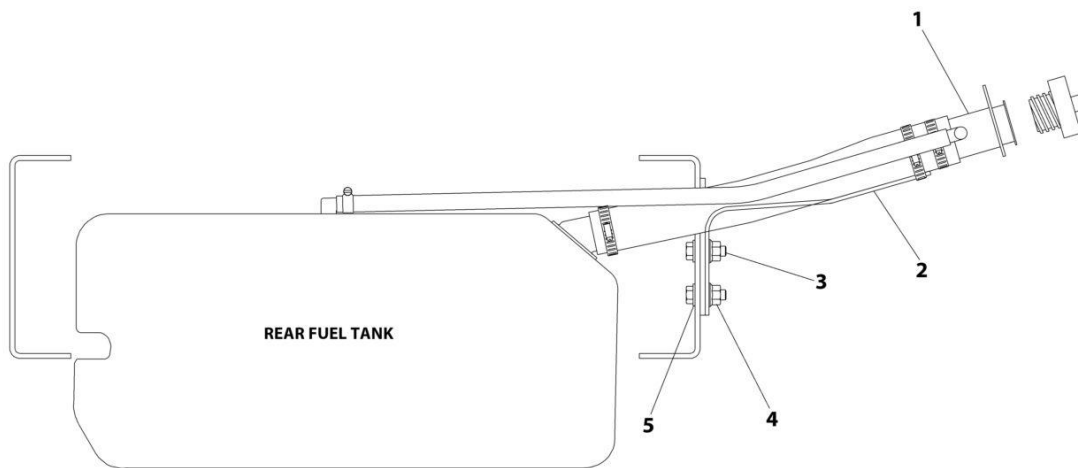
**SECTION 1 - SUBFRAME**

**FIGURE 1-68. FUEL HOSE INSTALLATION - CHEVY/GMC 4500/5500 GAS (2006+)**

<b>ITEM</b>	<b>PART NUMBER</b>	<b>QTY</b>	<b>DESCRIPTION</b>	<b>REV</b>
	2570000141	Ref	HOSE INSTALLATION - C4500/C5500 REAR FUEL GAS	A
1	7912000236	1	Tube	
2	4178000421	1	Bracket	
3	7105181650	2	Capscrew 1/2 x 2	
4	7660182333	2	Nut 1/2	
5	7950180153	2	Washer 1/2	

# SECTION 1 - SUBFRAME

FIGURE 1-69. FUEL HOSE INSTALLATION - CHEVY/GMC 4500/5500 DIESEL (2006+)



ART\_2570000142



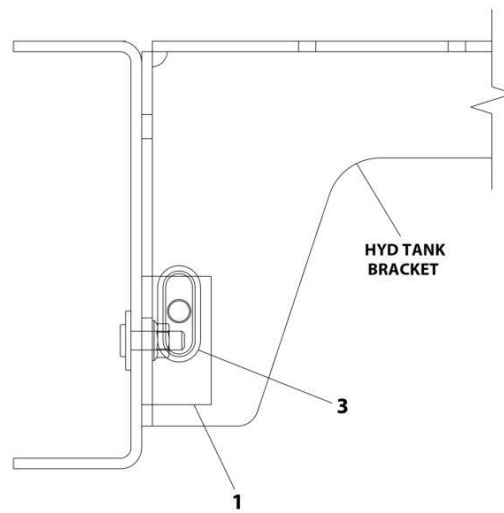
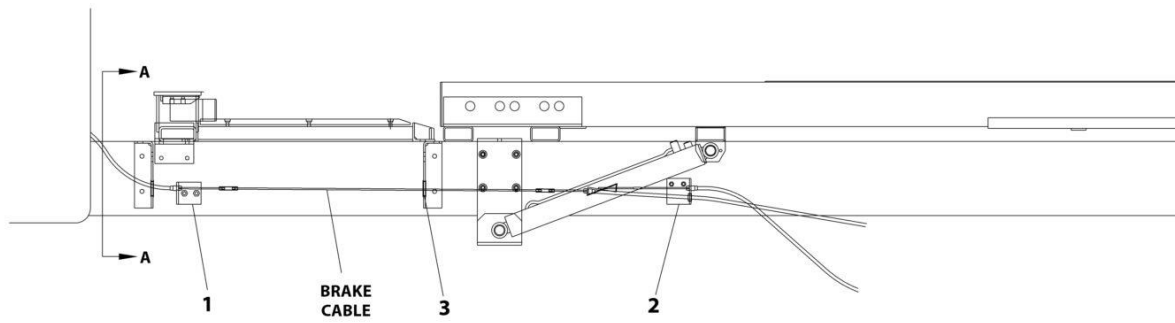
**SECTION 1 - SUBFRAME**

**FIGURE 1-69. FUEL HOSE INSTALLATION - CHEVY/GMC 4500/5500 DIESEL (2006+)**

<b>ITEM</b>	<b>PART NUMBER</b>	<b>QTY</b>	<b>DESCRIPTION</b>	<b>REV</b>
	2570000142	Ref	HOSE INSTALLATION - C4500/C5500 REAR FUEL DIES	A
1	7912000234	1	Tube	
2	4178000421	1	Bracket	
3	7105181650	2	Capscrew 1/2 x 2	
4	7660182333	2	Nut 1/2	
5	7950180153	2	Washer 1/2	

# SECTION 1 - SUBFRAME

## FIGURE 1-70. PARKING BRAKE REWORK - CHEVY/GMC 4500/5500



SECTION A-A

ART\_224800004

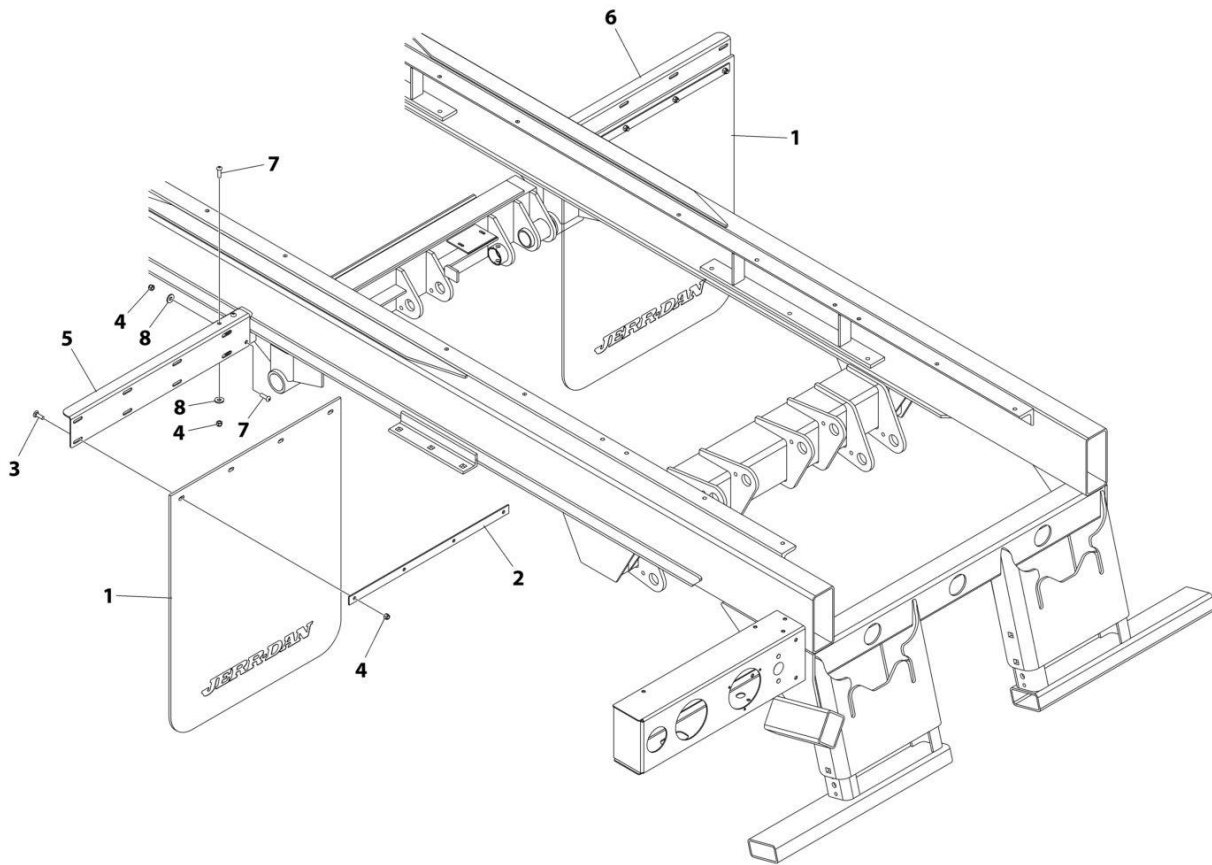
**SECTION 1 - SUBFRAME**

**FIGURE 1-70. PARKING BRAKE REWORK - CHEVY/GMC 4500/5500**

<b>ITEM</b>	<b>PART NUMBER</b>	<b>QTY</b>	<b>DESCRIPTION</b>	<b>REV</b>
	2248000004	Ref	CABLE REWORK C4500 C5000 PARK BRAKE	0
1	4178000474	1	Bracket	
2	4178000475	1	Bracket	
3	7493000011	2	Grommet	

# SECTION 1 - SUBFRAME

FIGURE 1-71. MUD FLAPS INSTALLATION - FACTORY SUPPLIED (2012+ DODGE D5500)



ART\_2638000017

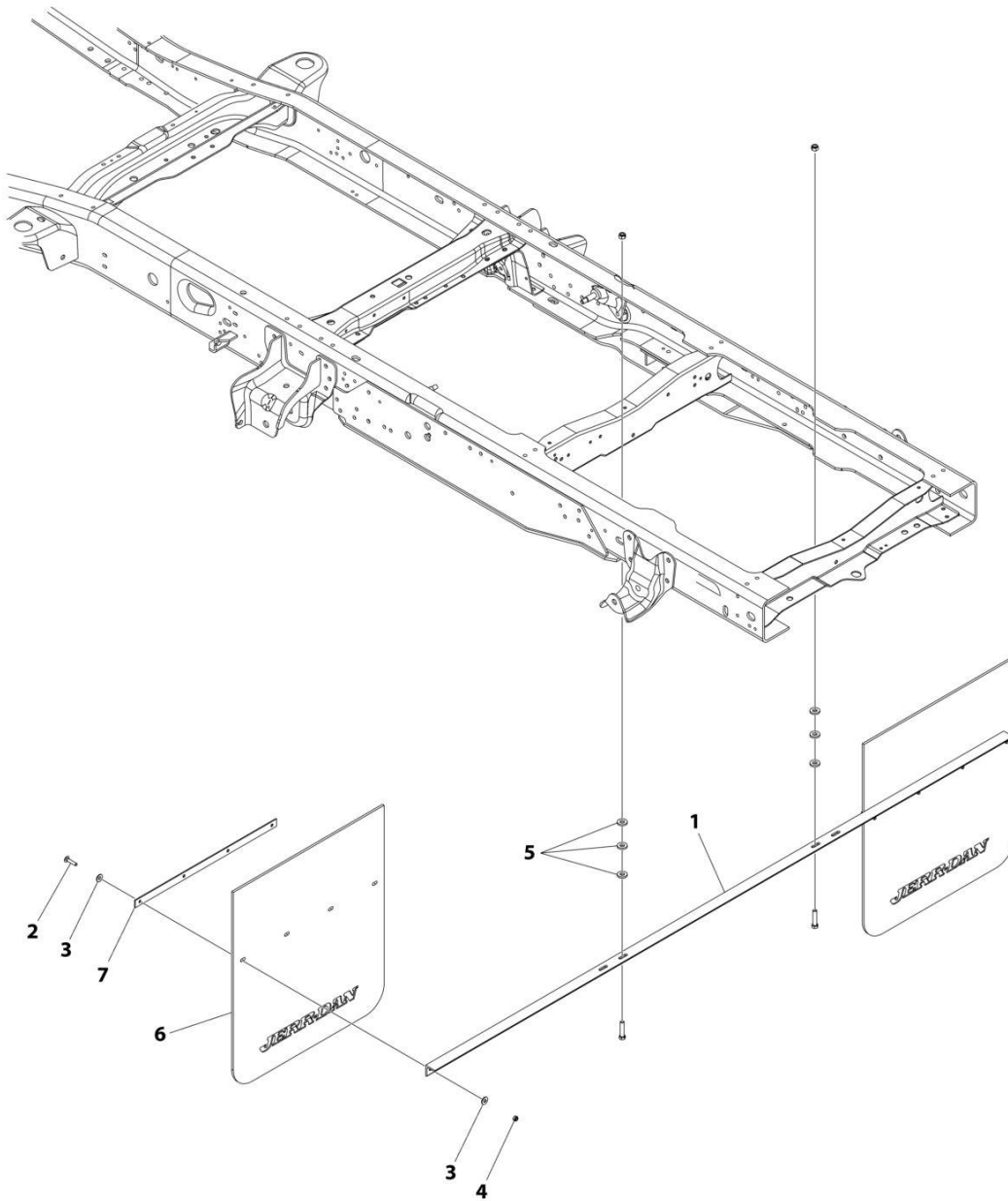
**SECTION 1 - SUBFRAME**

**FIGURE 1-71. MUD FLAPS INSTALLATION - FACTORY SUPPLIED (2012+ DODGE D5500)**

<b>ITEM</b>	<b>PART NUMBER</b>	<b>QTY</b>	<b>DESCRIPTION</b>	<b>REV</b>
	2638000017	Ref	Mud Flaps, Standard	B
1	7638000004	2	Mud Flaps with Jerr-Dan Logo	
2	4706006427	2	Plate, Galvanneal	
3	7111150864	8	Bolt 5/16 x 1	
4	7660152601	14	Nut 5/16	
5	4017001742	1	Angle LH, Galvanneal	
6	4017001743	1	Angle RH, Galvanneal	
7	7114150818	6	Capscrew 5/16 x 1	
8	7950150153	6	Washer 5/16	

# SECTION 1 - SUBFRAME

FIGURE 1-72. MUD FLAPS INSTALLATION - FACTORY SUPPLIED (2012+ FORD F550)



ART\_1001151490

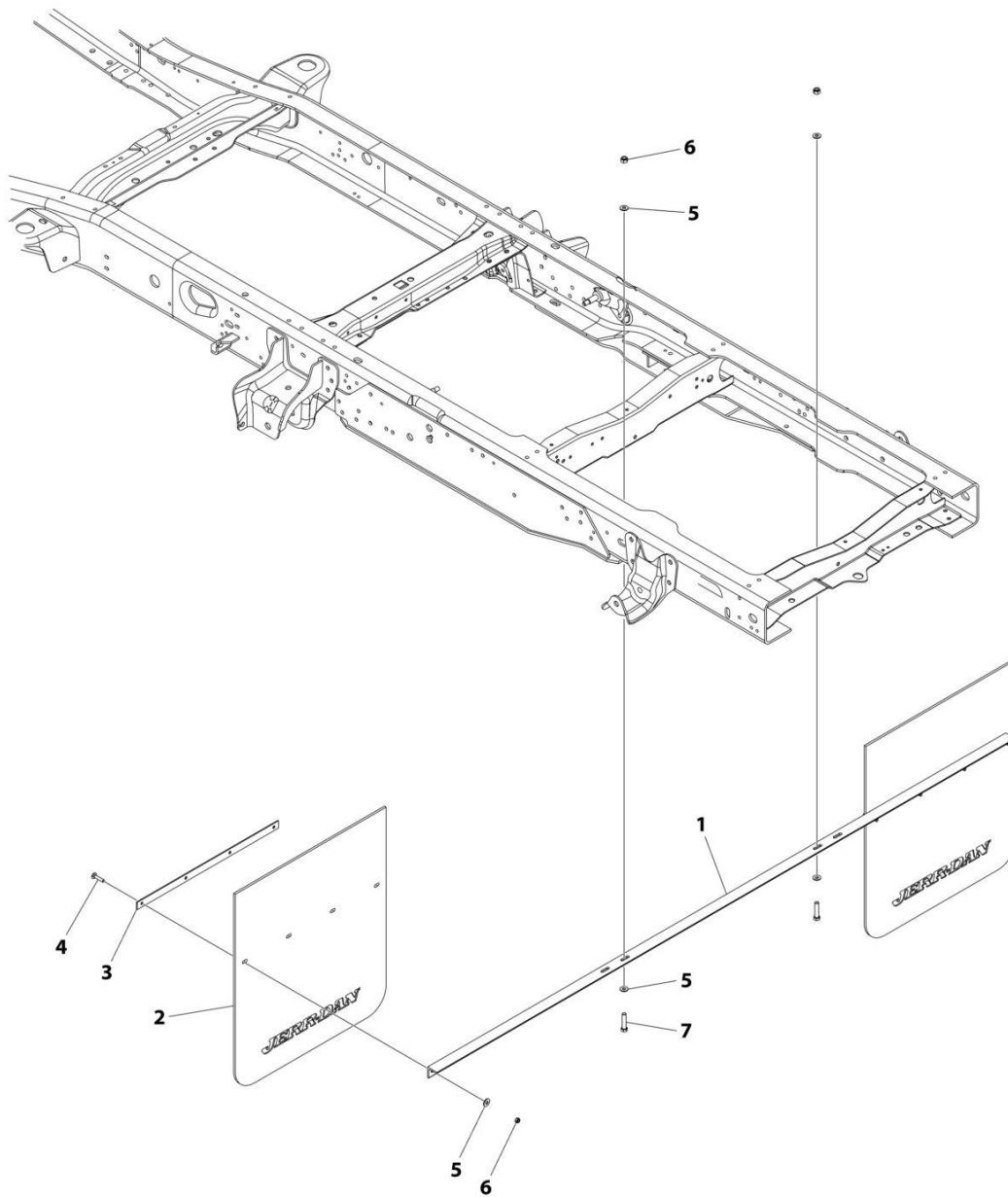
## SECTION 1 - SUBFRAME

**FIGURE 1-72. MUD FLAPS INSTALLATION - FACTORY SUPPLIED (2012+ FORD F550)**

ITEM	PART NUMBER	QTY	DESCRIPTION	REV
	1001151490	Ref	MUDFLAP INSTALLATION FORD F550	D
1	1001147117	1	Angle	
2	7115151264	8	Bolt 5/16 x 1-1/2	
3	7950150161	16	Washer 5/16	
4	7660152601	8	Nut 5/16	
5	4891800	6	Washer 1/2	
6	1001159566	2	Panel, Mud-flap	
7	4706006427	2	Plate	

# SECTION 1 - SUBFRAME

FIGURE 1-73. MUD FLAPS INSTALLATION - FACTORY SUPPLIED (ISUZU & HINO)



ART\_1001159565



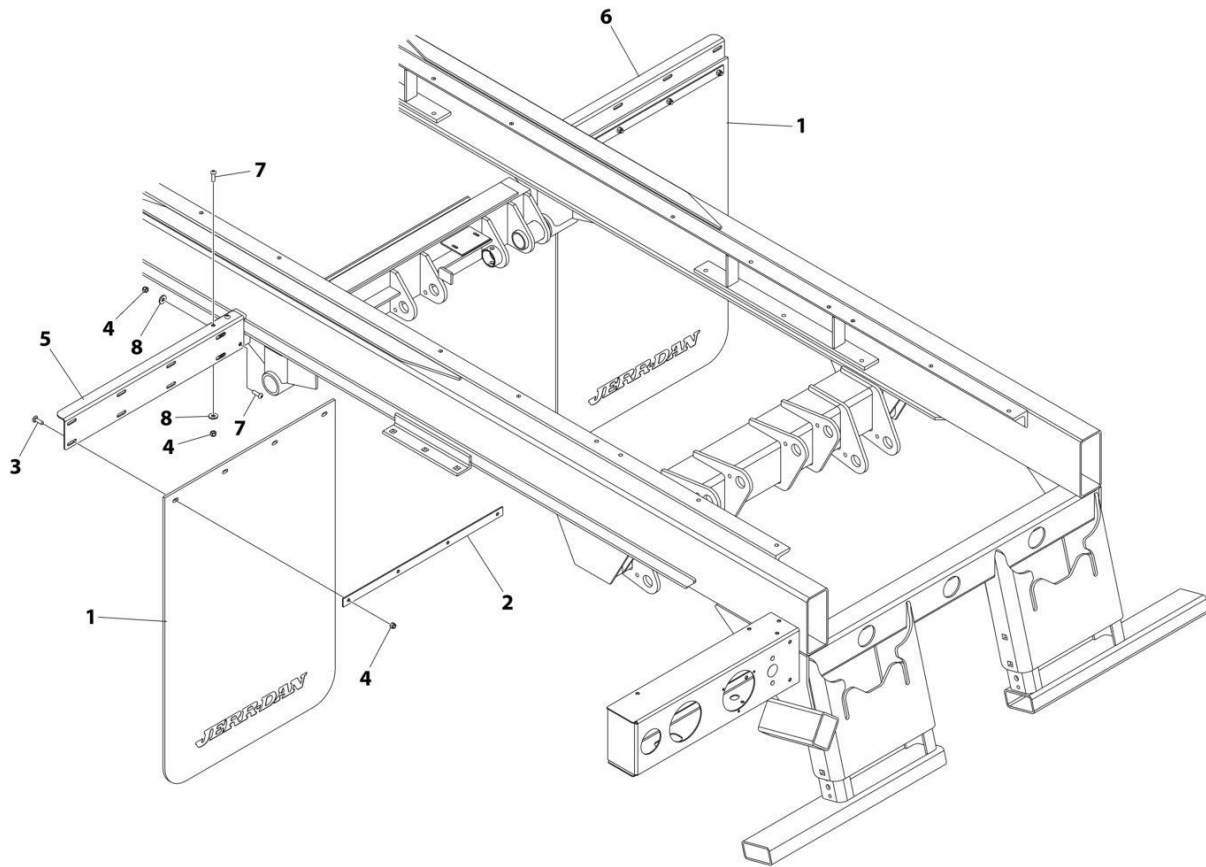
**SECTION 1 - SUBFRAME**

**FIGURE 1-73. MUD FLAPS INSTALLATION - FACTORY SUPPLIED (ISUZU & HINO)**

<b>ITEM</b>	<b>PART NUMBER</b>	<b>QTY</b>	<b>DESCRIPTION</b>	<b>REV</b>
	1001159565	Ref	MUDFLAP ISUZU NRR INSTALLATION	B
1	1001147117	1	Angle	
2	1001159566	2	Panel, Mud-flap	
3	4706006427	2	Plate	
4	7115151264	8	Bolt 5/16 x 1-1/2	
5	7950150161	12	Washer 5/16	
6	7660152601	10	Nut 5/16	
7	7115151050	2	Capscrew 5/16 x 1-1/4	

# SECTION 1 - SUBFRAME

FIGURE 1-74. MUD FLAPS INSTALLATION - FACTORY SUPPLIED (HIGH FRAME)



ART\_2638000019

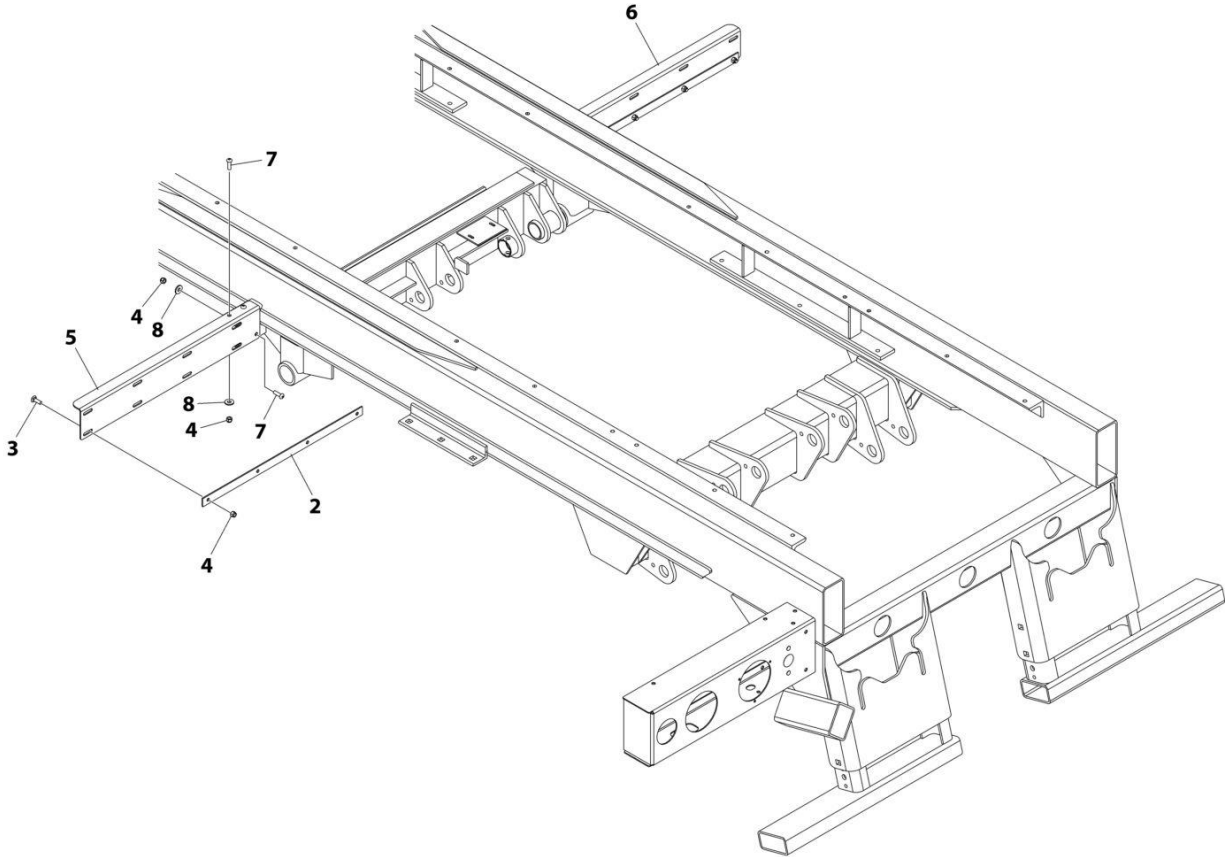
**SECTION 1 - SUBFRAME**

**FIGURE 1-74. MUD FLAPS INSTALLATION - FACTORY SUPPLIED (HIGH FRAME)**

<b>ITEM</b>	<b>PART NUMBER</b>	<b>QTY</b>	<b>DESCRIPTION</b>	<b>REV</b>
	2638000019	Ref	Mud Flap - High	D
1	7638000013	2	Mud Flap with Jerr-Dan Logo	
2	4706006427	2	Plate Galvanneal	
3	7111150864	8	Bolt 5/16 x 1	
4	7660152601	14	Nut 5/16	
5	4017001742	1	Angle LH Galvanneal	
6	4017001743	1	Angle RH Galvanneal	
7	7114150818	6	Capscrew 5/16 x 1	
8	7950150153	6	Washer 5/16	

**SECTION 1 - SUBFRAME**

**FIGURE 1-75. MUD FLAPS INSTALLATION - CUSTOMER SUPPLIED**



ART\_1001131724

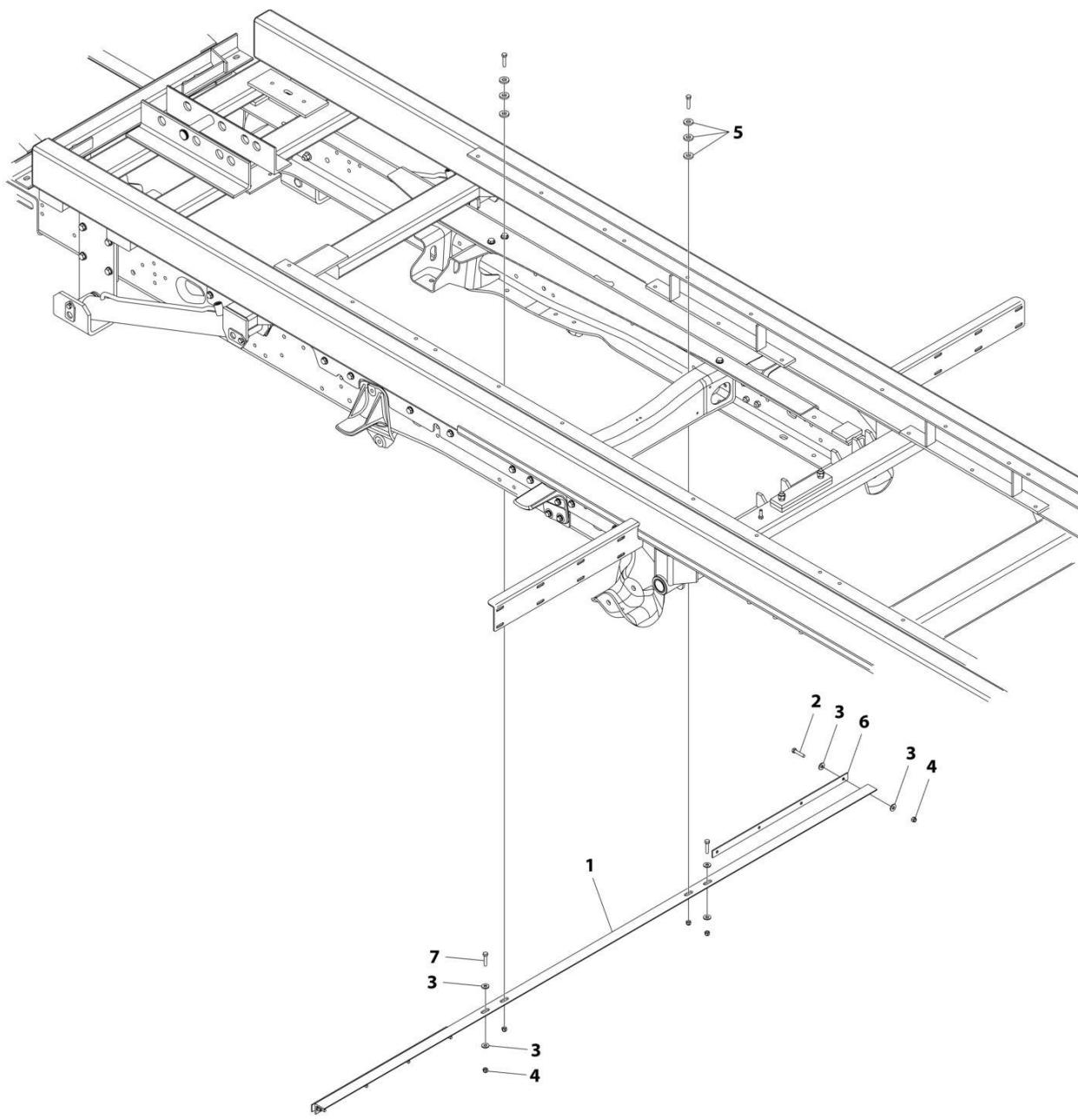
**SECTION 1 - SUBFRAME**

**FIGURE 1-75. MUD FLAPS INSTALLATION - CUSTOMER SUPPLIED**

<b>ITEM</b>	<b>PART NUMBER</b>	<b>QTY</b>	<b>DESCRIPTION</b>	<b>REV</b>
	1001131724	Ref	Mud Flaps, Customer Installation	0
2	4706006427	2	Plate Galvanneal	
3	7111150864	8	Bolt 5/16 x 1	
4	7660152601	14	Nut 5/16	
5	4017001742	1	Angle LH Galvanneal	
6	4017001743	1	Angle RH Galvanneal	
7	7114150818	6	Capscrew 5/16 x 1	
8	7950150153	6	Washer 5/16	

# SECTION 1 - SUBFRAME

FIGURE 1-76. MUD FLAPS INSTALLATION - CUSTOMER SUPPLIED (2012+ FORD F550, ISUZU & HINO)



ART\_1001151493

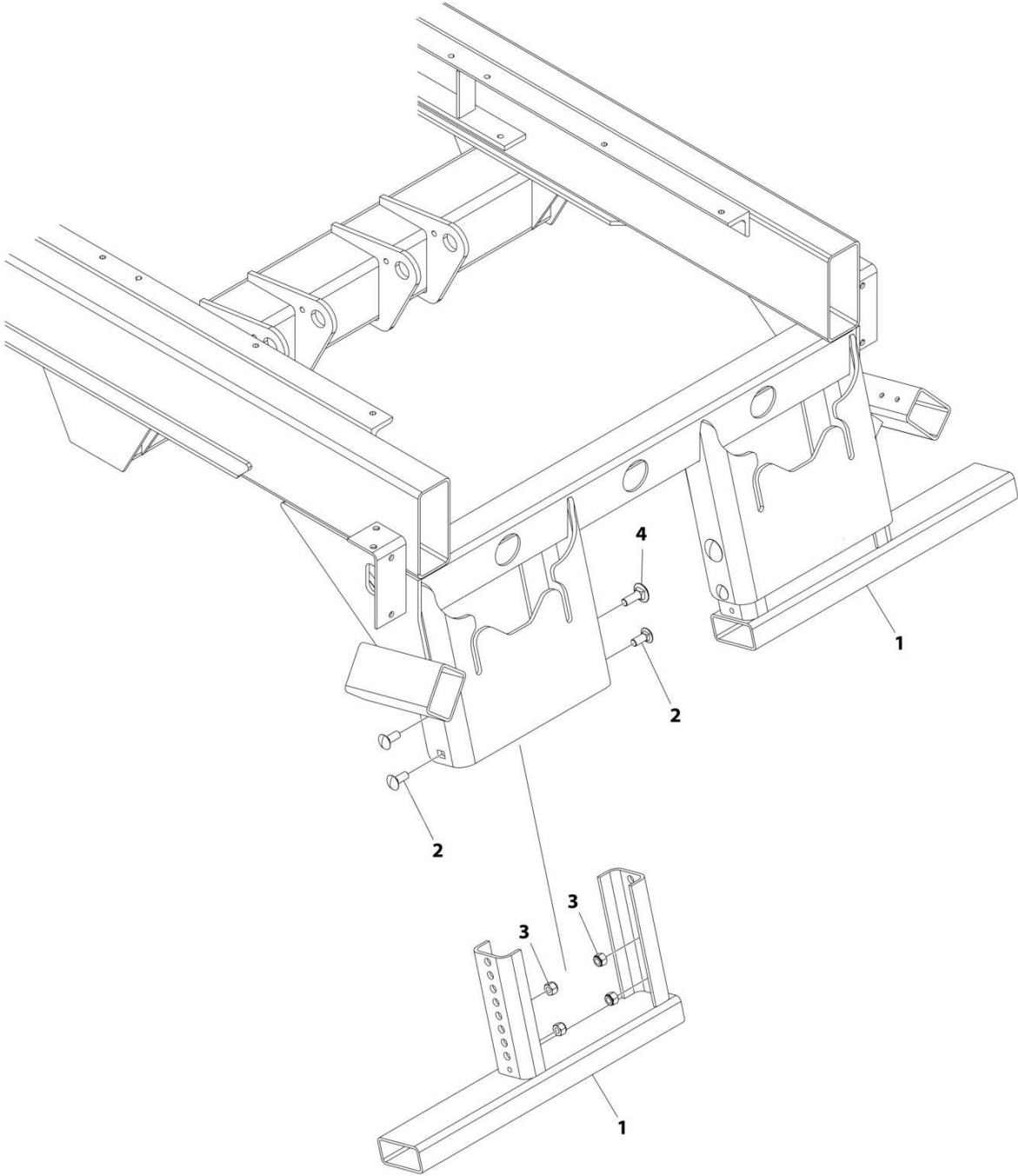
**SECTION 1 - SUBFRAME**

**FIGURE 1-76. MUD FLAPS INSTALLATION - CUSTOMER SUPPLIED (2012+ FORD F550, ISUZU & HINO)**

ITEM	PART NUMBER	QTY	DESCRIPTION	REV
	1001151493	Ref	MUDFLAPS INSTALLATION	C
1	1001147117	1	Angle	
2	7115151264	8	Bolt 5/16 x 1-1/2	
3	7950150161	20	Washer 5/16	
4	7660152601	10	Nut 5/16	
5	4891800	6	Washer	
6	4706006427	2	Plate	
7	7115151050	2	Bolt 5/16 x 1-1/4	

**SECTION 1 - SUBFRAME**

**FIGURE 1-77. REAR BUMPER, SHORT GALVANIZED**



ART\_1001177633



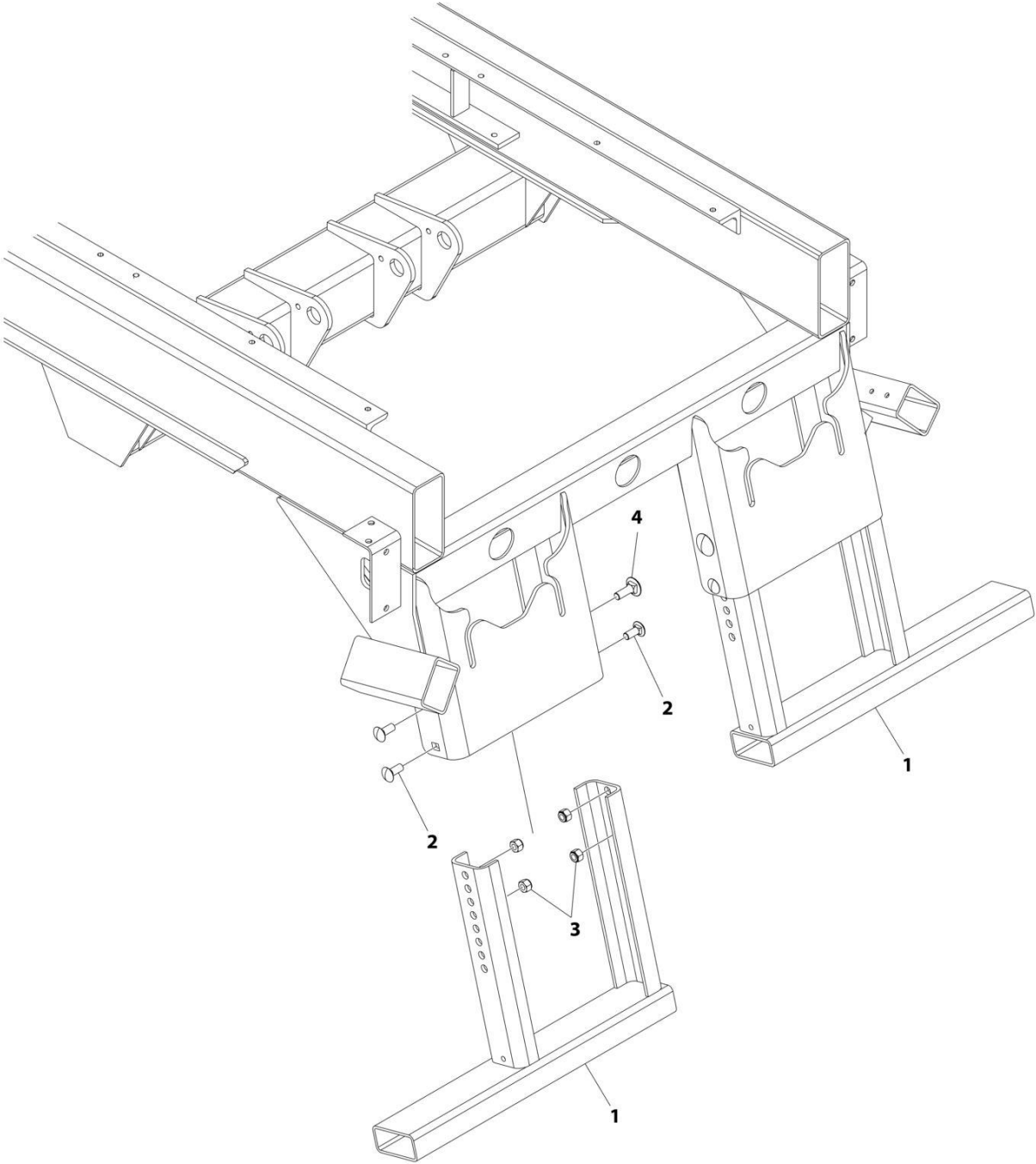
**SECTION 1 - SUBFRAME**

**FIGURE 1-77. REAR BUMPER, SHORT GALVANIZED**

<b>ITEM</b>	<b>PART NUMBER</b>	<b>QTY</b>	<b>DESCRIPTION</b>	<b>REV</b>
	1001177633	Ref	Rear Bumper - Short Galvanized	B
1	1001177603	2	Bumper	
2	7115181064	6	Bolt 1/2 x 1-1/4	
3	7660182601	8	Nut 1/2	
4	7115181664	2	Bolt 1/2 x 2	

**SECTION 1 - SUBFRAME**

**FIGURE 1-78. REAR BUMPER, LONG GALVANIZED**



ART\_1001177634

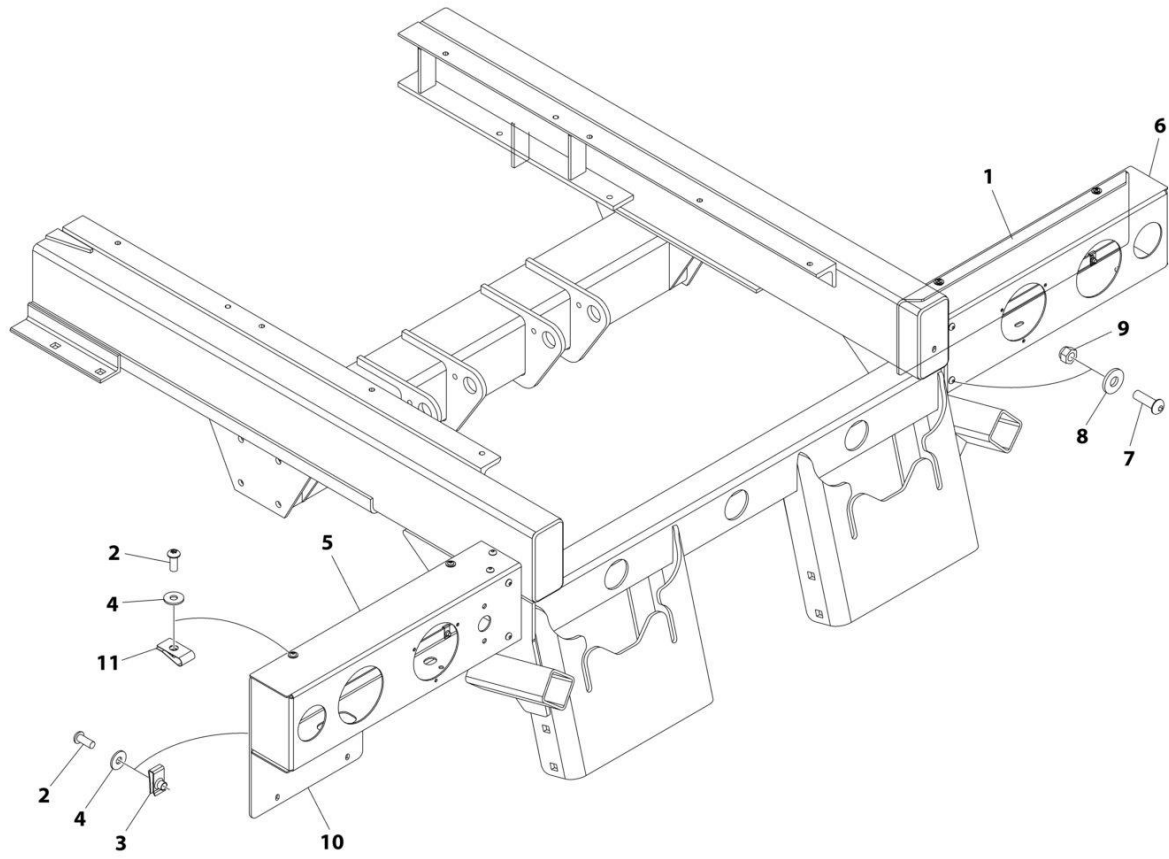
**SECTION 1 - SUBFRAME**

**FIGURE 1-78. REAR BUMPER, LONG GALVANIZED**

<b>ITEM</b>	<b>PART NUMBER</b>	<b>QTY</b>	<b>DESCRIPTION</b>	<b>REV</b>
	1001177634	Ref	Rear Bumper - Long Galvanized	B
1	1001177605	2	Bumper	
2	7115181064	6	Bolt 1/2 x 1-1/4	
3	7660182601	8	Nut 1/2	
4	7115181664	2	Bolt 1/2 x 2	

# SECTION 1 - SUBFRAME

## FIGURE 1-79. LIGHT BOX AND COVER INSTALLATION



ART\_1001173948

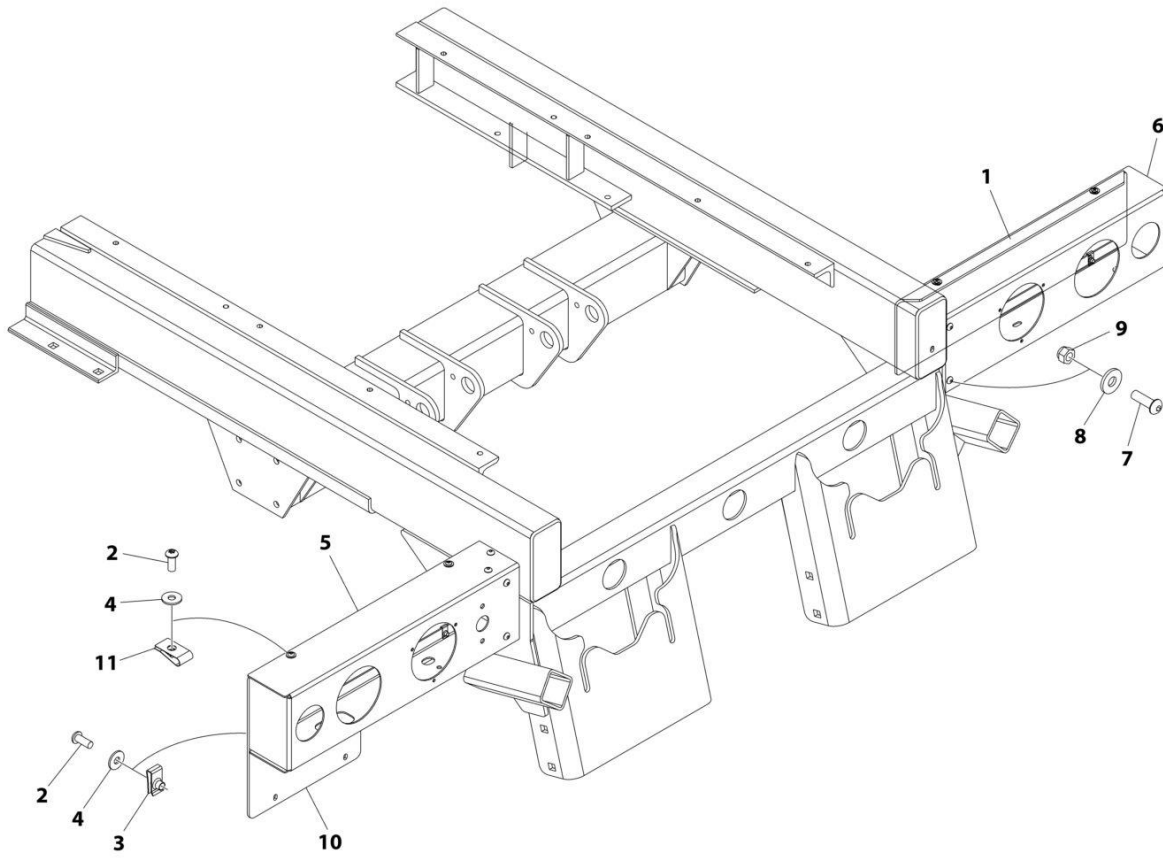
**SECTION 1 - SUBFRAME**

**FIGURE 1-79. LIGHT BOX AND COVER INSTALLATION**

<b>ITEM</b>	<b>PART NUMBER</b>	<b>QTY</b>	<b>DESCRIPTION</b>	<b>REV</b>
	1001173948	Ref	LIGHT BOX AND COVER INSTALLATION	B
1	1001188615	1	Cover, Light Box (RH)	
2	7114140529	8	Screw 1/4 x 5/8	
3	7661000042	4	U-Nut 1/4	
4	7949000023	8	Washer	
5	1001173945	1	Bracket, Light Box (LH)	
6	1001173944	1	Bracket, Light Box (RH)	
7	7114150818	8	Capscrew 3/8 x 1	
8	7950150153	8	Washer 3/8	
9	7660152601	8	Nut 3/8	
10	1001188616	1	Cover, Light Box (LH)	
11	7661000064	4	U-Nut 1/4	

# SECTION 1 - SUBFRAME

## FIGURE 1-80. LIGHT BOX AND COVER INSTALLATION (GALVANIZED)



ART\_1001173949

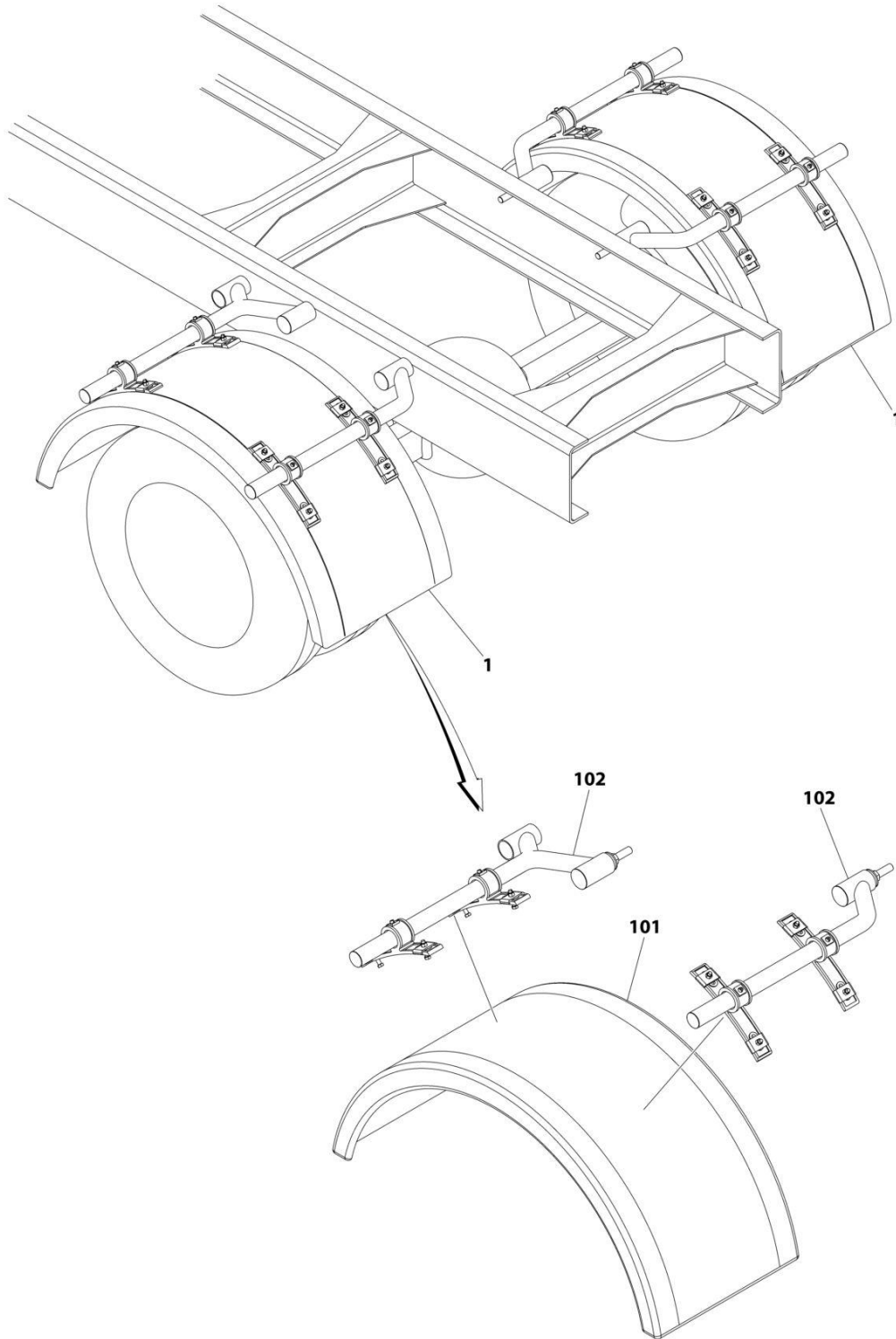
**SECTION 1 - SUBFRAME**

**FIGURE 1-80. LIGHT BOX AND COVER INSTALLATION (GALVANIZED)**

<b>ITEM</b>	<b>PART NUMBER</b>	<b>QTY</b>	<b>DESCRIPTION</b>	<b>REV</b>
	1001173949	Ref	LIGHT BOX AND COVER INSTALLATION	B
1	1001188615	1	Cover, Light Box (RH)	
2	7114140529	8	Screw 1/4 x 5/8	
3	7661000042	4	U-Nut 1/4	
4	7949000023	8	Washer	
5	1001173947	1	Bracket, Light Box (LH)	
6	1001173946	1	Bracket, Light Box (RH)	
7	7114150818	8	Screw 3/8 x 1	
8	7950150153	8	Washer 3/8	
9	7660152601	8	Nut 3/8	
10	1001188616	1	Cover, Light Box (LH)	
11	7661000064	4	U-Nut 1/4	

# SECTION 1 - SUBFRAME

## FIGURE 1-81. FENDERS INSTALLATION - POLY



ART\_1001169913



**SECTION 1 - SUBFRAME**

**FIGURE 1-81. FENDERS INSTALLATION - POLY**

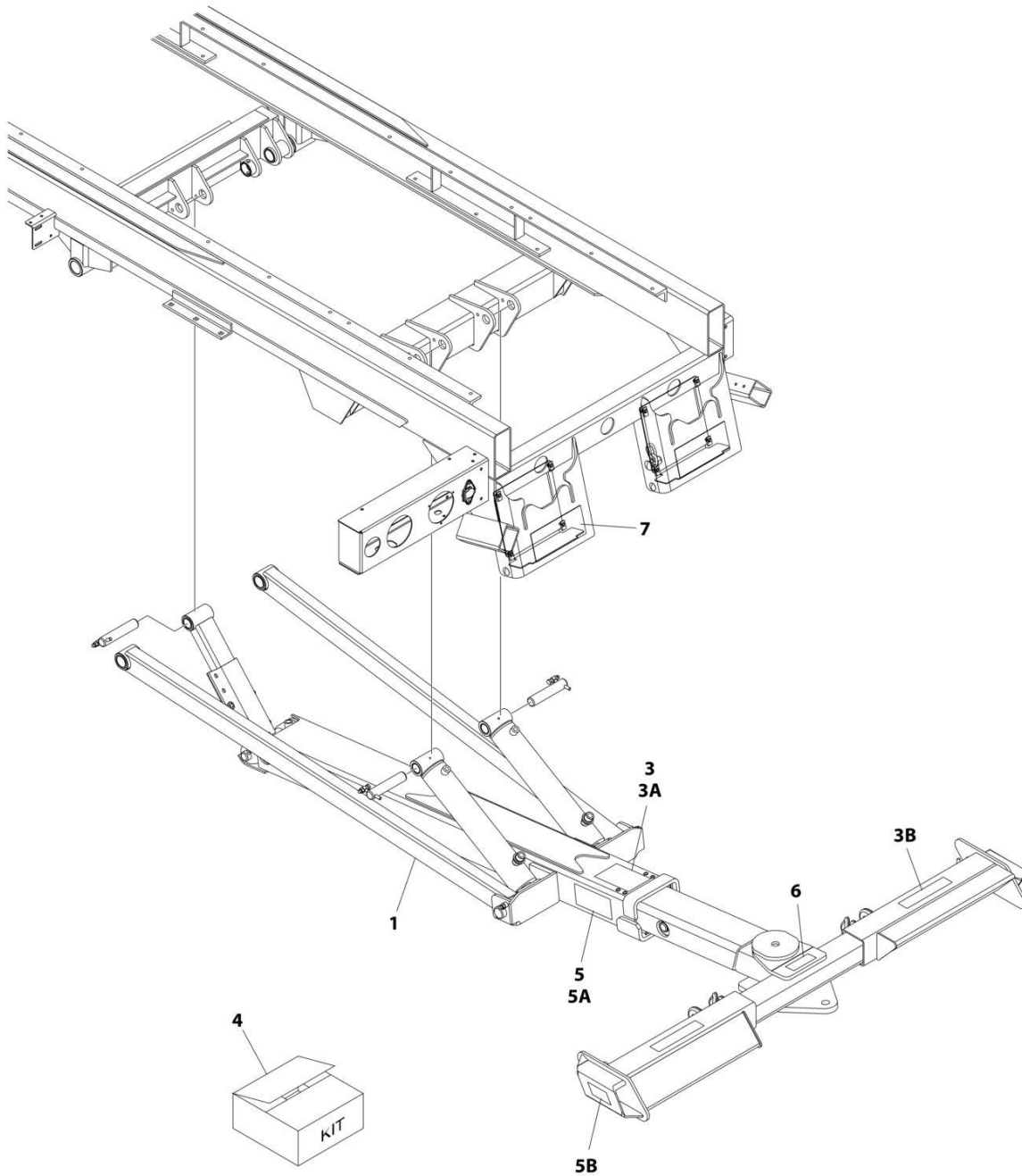
<b>ITEM</b>	<b>PART NUMBER</b>	<b>QTY</b>	<b>DESCRIPTION</b>	<b>REV</b>
	1001169913	Ref	POLY FENDERS INSTALLATION 19.5IN	A
1	1001170192	2	Accessory, Poly Fender Kit	
101	1001169958	1	Fender, Poly	
102	1001169959	1	Mount, Poly Fender	



**SECTION 2 - WHEEL LIFT**

# SECTION 2 - WHEEL LIFT

FIGURE 2-1. WHEEL LIFT - COMPLETE (3500 LBS - FIXED ARMS) (19FT DECK)



ART\_1001276329

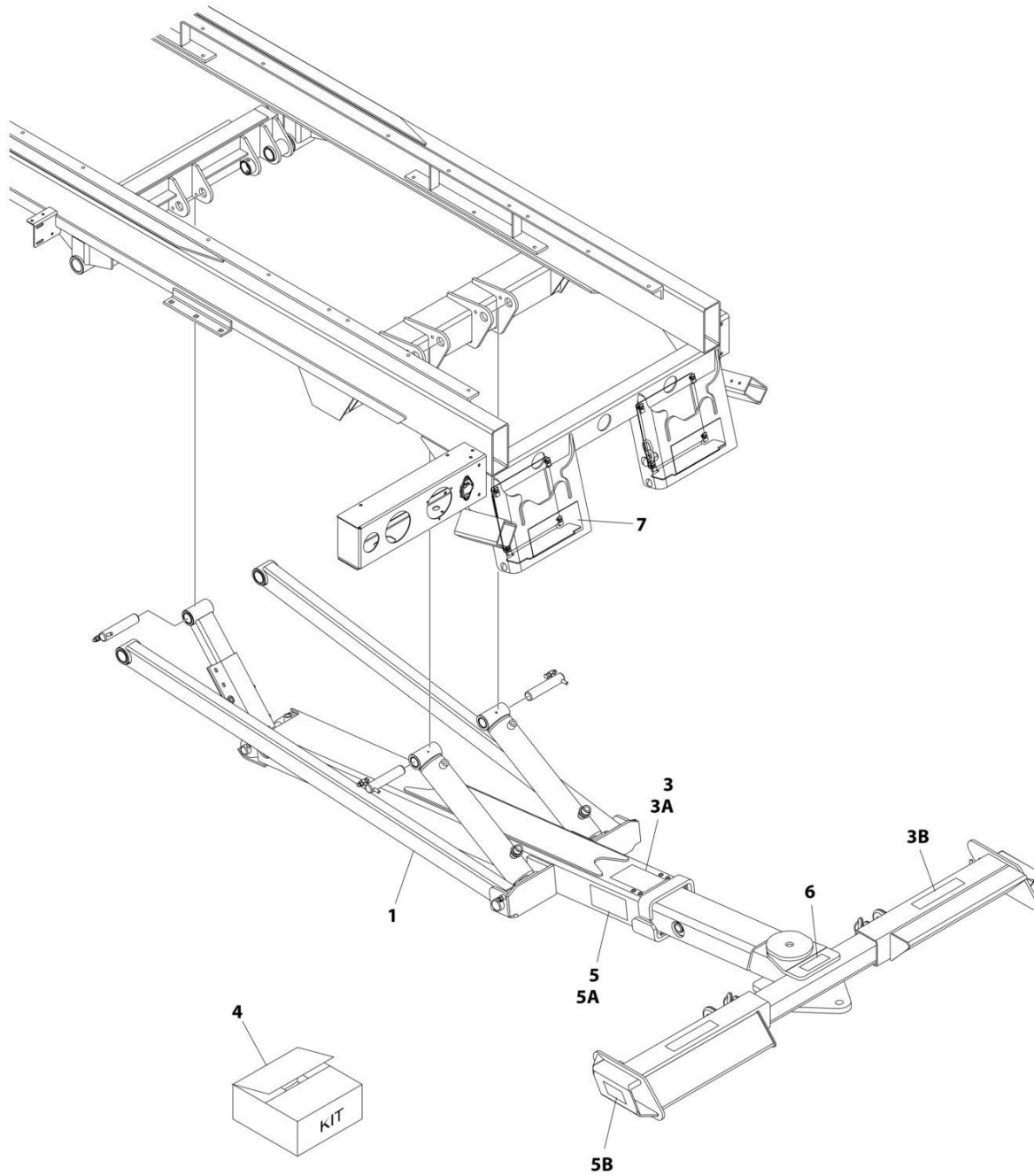
## SECTION 2 - WHEEL LIFT

**FIGURE 2-1. WHEEL LIFT - COMPLETE (3500 LBS - FIXED ARMS) (19FT DECK)**

ITEM	PART NUMBER	QTY	DESCRIPTION	REV
	1001274469	Ref	WHEEL LIFT - INSTALLATION (3500 LBS - FIXED) (XLP) - COMPLETE	A
1	1001274470	1	Wheel Lift Boom Installation - 3500 lbs (XLP) (See Separate Breakdown in this Section)	
2	1001136657	1	Hydraulic Installation (Not Shown - See Separate Breakdown in HYDRAULIC Section)	
3	2330000057	Ref	Decal Installation	
3A	7330000684	1	Decal - Safety	
3B	7330000683	2	Decal - Safety	
4	7577000242	1	Tie-Strap and Ratchet Kit (See Separate Breakdown in ACCESSORIES Section)	
5	2330000035	Ref	Wheel Lift Decal Installation	
5A	7330000419	2	Decal - Red Reflective (Boom)	
5B	7330000417	1	Decal - LH Red Reflective (Grid)	
5B	7330000418	1	Decal - RH Red Reflective (Grid)	
6	2330000065	Ref	Tow Hitch Decal Installation	
6	7330000060	1	Decal - Warning, Hitch on Wheel lift	
7	2262000011	1	Chain Box Installation (See Separate Breakdown in SUBFRAME Section)	

# SECTION 2 - WHEEL LIFT

FIGURE 2-2. WHEEL LIFT - COMPLETE (3500 LBS - FIXED ARMS) (20-22FT DECK)



ART\_1001158665

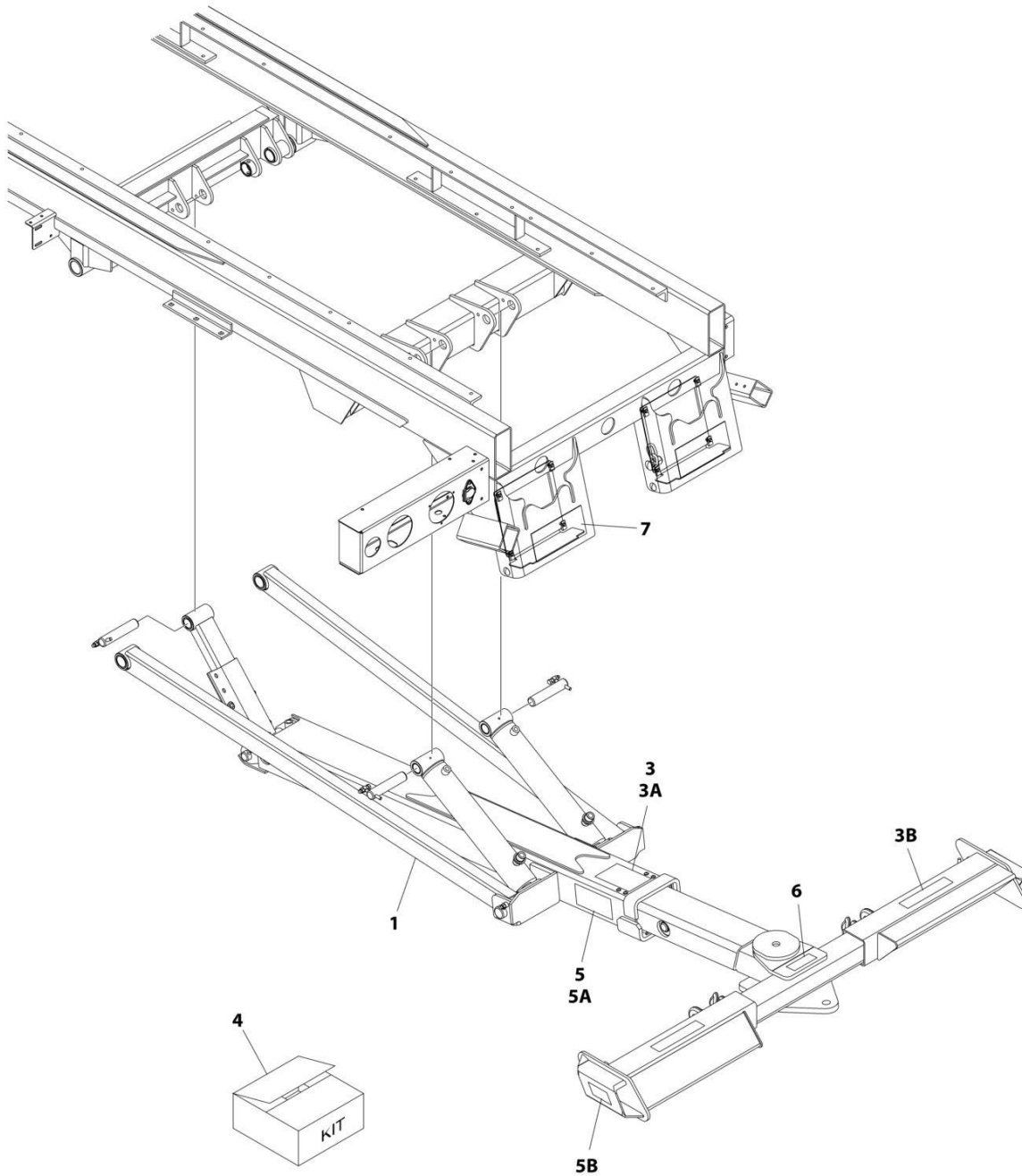
## SECTION 2 - WHEEL LIFT

**FIGURE 2-2. WHEEL LIFT - COMPLETE (3500 LBS - FIXED ARMS) (20-22FT DECK)**

ITEM	PART NUMBER	QTY	DESCRIPTION	REV
	1001158665	Ref	Wheel Lift Installation (3500 lbs - Fixed) - Complete	B
1	1001158648	1	Wheel Lift Boom Installation, 3500 lbs (See Separate Breakdown in this Section)	
2	1001136657	1	Hydraulic Installation (Not Shown - See Separate Breakdown in HYDRAULIC Section)	
3	2330000057	Ref	Decal Installation	
3A	7330000684	1	Decal - Safety	
3B	7330000683	2	Decal - Safety	
4	7577000242	1	Tie-Strap and Ratchet Kit (See Separate Breakdown in ACCESSORIES Section)	
5	2330000035	Ref	Wheel Lift Decal Installation	
5A	7330000419	2	Decal - Red Reflective (Boom)	
5B	7330000417	1	Decal - LH Red Reflective (Grid)	
5B	7330000418	1	Decal - RH Red Reflective (Grid)	
6	2330000065	Ref	Tow Hitch Decal Installation	
6	7330000060	1	Decal - Warning, Hitch on Wheel lift	
7	2262000011	1	Chain Box Installation (See Separate Breakdown in SUBFRAME Section)	

## SECTION 2 - WHEEL LIFT

FIGURE 2-3. WHEEL LIFT - COMPLETE (3500 LBS - FIXED ARMS) (GALVANIZED) (19FT DECK)



ART\_1001276329



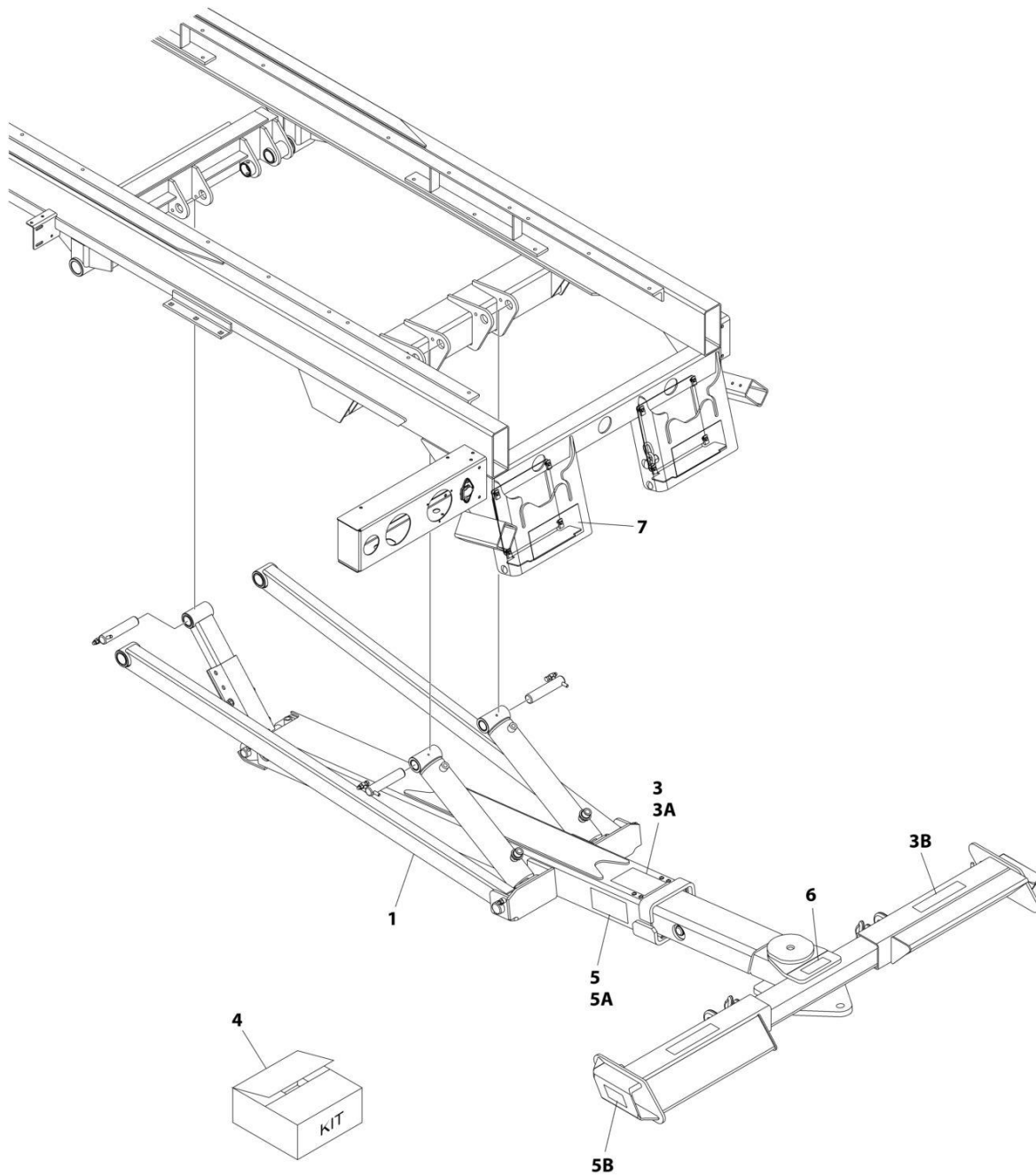
## SECTION 2 - WHEEL LIFT

**FIGURE 2-3. WHEEL LIFT - COMPLETE (3500 LBS - FIXED ARMS) (GALVANIZED) (19FT DECK)**

ITEM	PART NUMBER	QTY	DESCRIPTION	REV
	1001276329	Ref	WHEEL LIFT - INSTALLATION (3500 LBS - IRL) XLP GALVANIZED - COMPLETE	A
1	1001276330	1	Wheel Lift Boom Installation - 3500 lbs XLP Galvanized (See Separate Breakdown in this Section)	
2	1001136657	1	Hydraulic Installation (Not Shown - See Separate Breakdown in HYDRAULIC Section)	
3	2330000057	Ref	Decal Installation	
3A	7330000684	1	Decal - Safety	
3B	7330000683	2	Decal - Safety	
4	7577000242	1	Tie-Strap and Ratchet Kit (See Separate Breakdown in ACCESSORIES Section)	
5	2330000035	Ref	Wheel Lift Decal Installation	
5A	7330000419	2	Decal - Red Reflective (Boom)	
5B	7330000417	1	Decal - LH Red Reflective (Grid)	
5B	7330000418	1	Decal - RH Red Reflective (Grid)	
6	2330000065	Ref	Tow Hitch Decal Installation	
6	7330000060	1	Decal - Warning, Hitch on Wheel lift	
7	2262000011	1	Chain Box Installation (See Separate Breakdown in SUBFRAME Section)	

## SECTION 2 - WHEEL LIFT

FIGURE 2-4. WHEEL LIFT - COMPLETE (3500 LBS - FIXED ARMS) (GALVANIZED) (20-22FT DECK)



ART\_1001158666

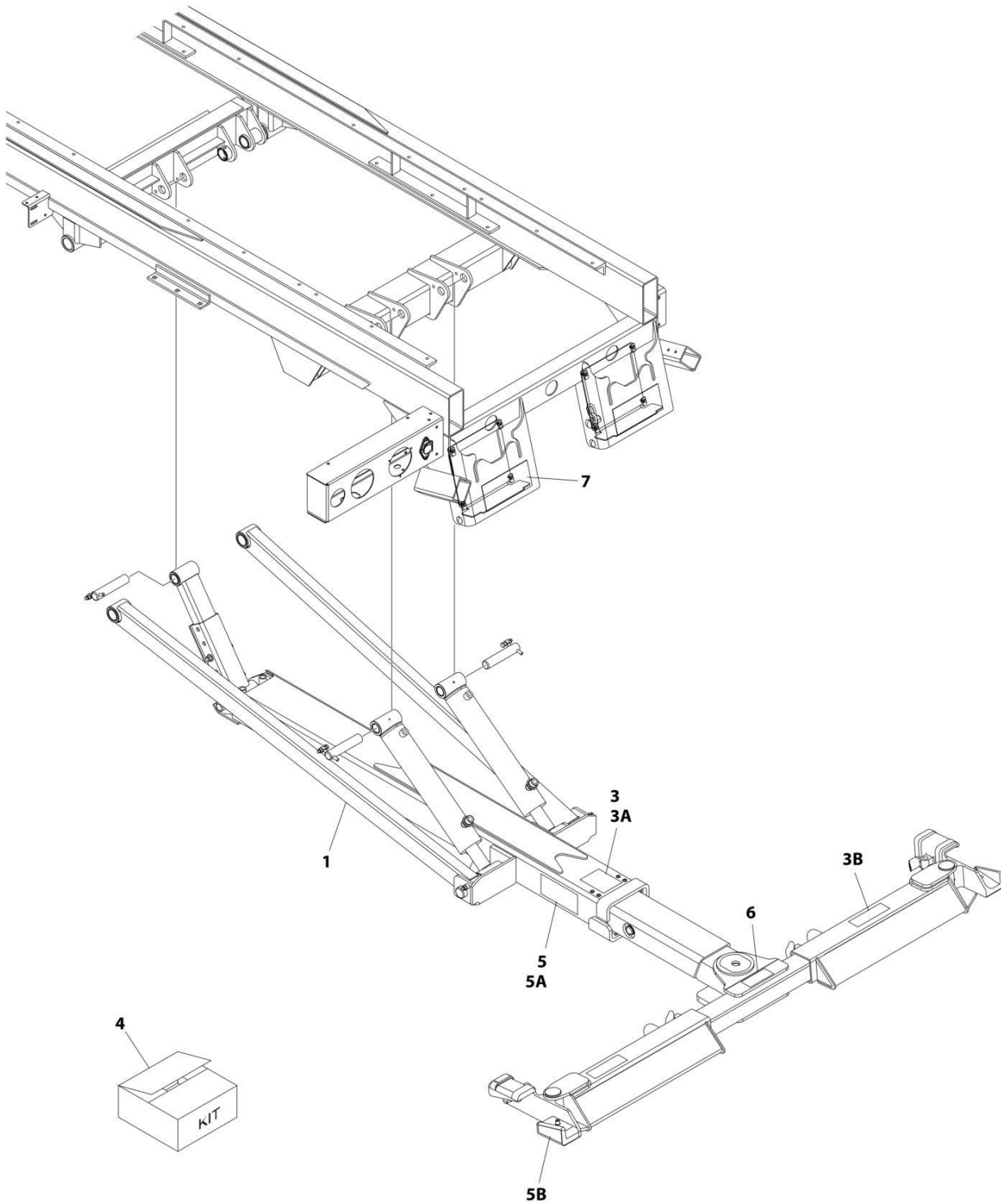
## SECTION 2 - WHEEL LIFT

**FIGURE 2-4. WHEEL LIFT - COMPLETE (3500 LBS - FIXED ARMS) (GALVANIZED) (20-22FT DECK)**

ITEM	PART NUMBER	QTY	DESCRIPTION	REV
	1001158666	Ref	Wheel Lift Installation - 3500 lbs Galvanized	B
1	1001158649	1	Wheel Lift Boom Installation - 3500 lbs Galvanized (See Separate Breakdown in this Section)	
2	1001136657	1	Hydraulic Installation (Not Shown - See Separate Breakdown in HYDRAULIC Section)	
3	2330000057	Ref	Decal Installation	
3A	7330000684	1	Decal - Safety	
3B	7330000683	2	Decal - Safety	
4	7577000242	1	Tie-Strap and Ratchet Kit (See Separate Breakdown in ACCESSORIES Section)	
5	2330000035	Ref	Wheel Lift Decal Installation	
5A	7330000419	2	Decal - Red Reflective (Boom)	
5B	7330000417	1	Decal - LH Red Reflective (Grid)	
5B	7330000418	1	Decal - RH Red Reflective (Grid)	
6	2330000065	Ref	Tow Hitch Decal Installation	
6	7330000060	1	Decal - Warning, Hitch on Wheel lift	
7	2262000011	1	Chain Box Installation (See Separate Breakdown in SUBFRAME Section)	

# SECTION 2 - WHEEL LIFT

FIGURE 2-5. WHEEL LIFT - COMPLETE (3500 LBS - T37 PIVOTING ARMS)



ART\_1001158667

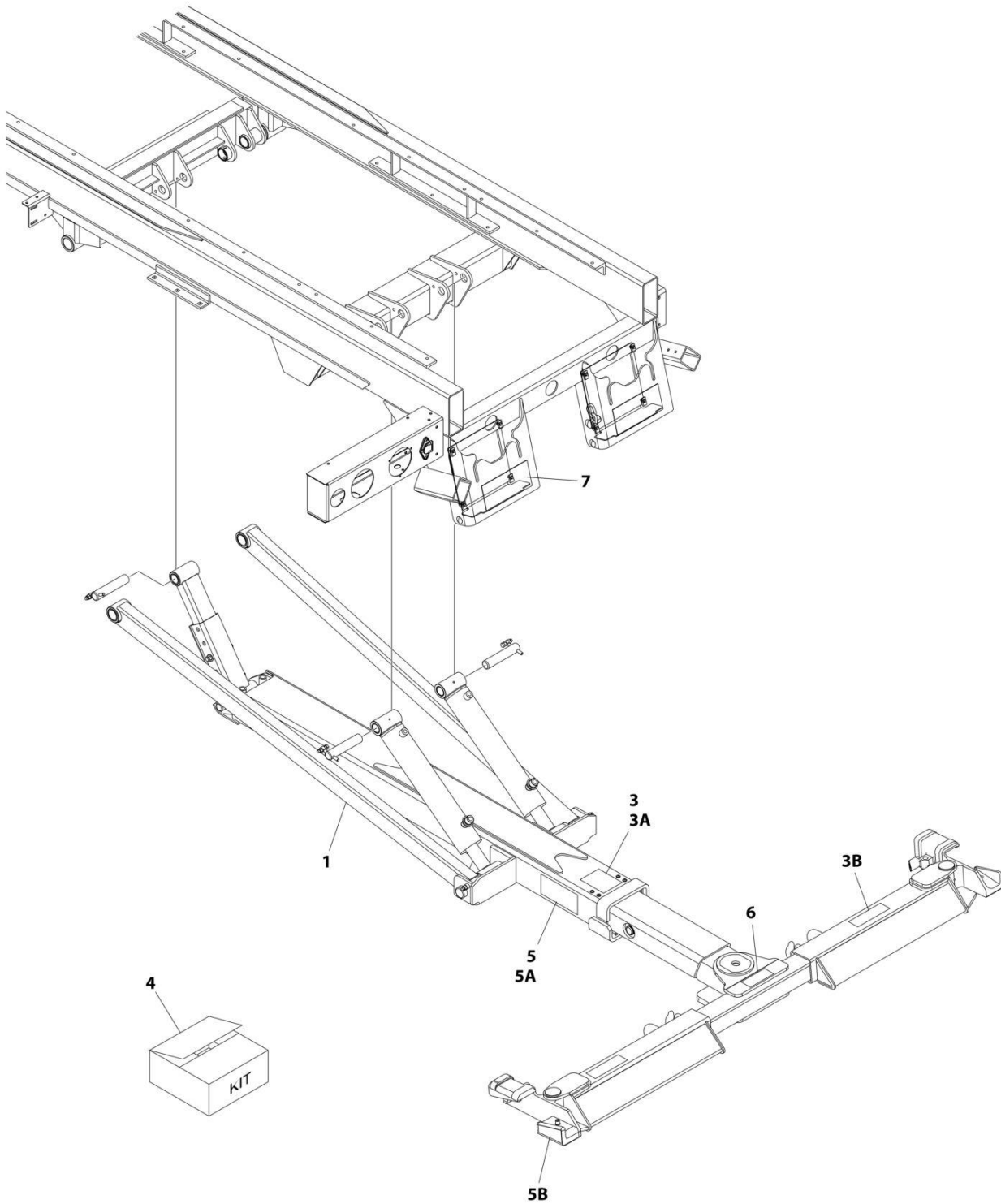
## SECTION 2 - WHEEL LIFT

**FIGURE 2-5. WHEEL LIFT - COMPLETE (3500 LBS - T37 PIVOTING ARMS)**

ITEM	PART NUMBER	QTY	DESCRIPTION	REV
	1001158667	Ref	Wheel Lift Installation (3500 lbs - T37) - Complete	A
1	1001158648	1	Wheel Lift Boom Installation (See Separate Breakdown in this Section)	
2	1001136657	1	Hydraulic Installation (Not Shown - See Separate Breakdown in HYDRAULIC Section)	
3	2330000057	Ref	Decal Installation	
3A	7330000684	1	Decal - Safety	
3B	7330000683	2	Decal - Safety	
4	7577000242	1	Tie-Strap and Ratchet Kit (See Separate Breakdown in ACCESSORIES Section)	
5	2330000036	Ref	Wheel Lift Decal Installation, T37	
5A	7330000419	2	Decal - Red Reflective (Boom)	
5B	7330000420	1	Decal - LH Red Reflective (T37 Grid)	
5B	7330000432	1	Decal - RH Red Reflective (T37 Grid)	
6	2330000065	Ref	Tow Hitch Decal Installation	
6	7330000060	1	Decal - Warning, Hitch on Wheel lift	
7	2262000011	1	Chain Box Installation (See Separate Breakdown in SUBFRAME Section)	

## SECTION 2 - WHEEL LIFT

FIGURE 2-6. WHEEL LIFT - COMPLETE (3500 LBS - T37 PIVOTING ARMS) (GALVANIZED)



ART\_1001158668

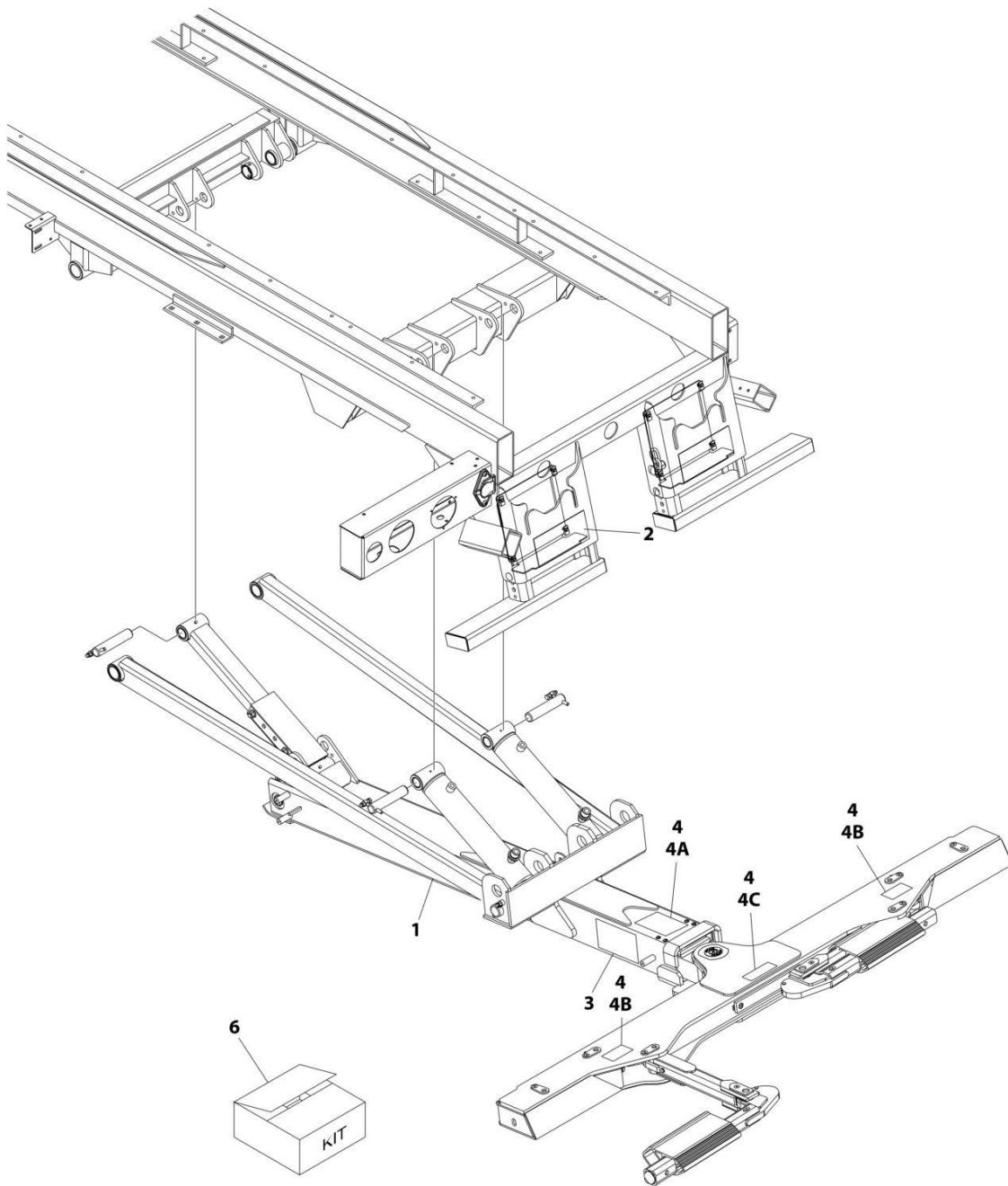
## SECTION 2 - WHEEL LIFT

**FIGURE 2-6. WHEEL LIFT - COMPLETE (3500 LBS - T37 PIVOTING ARMS) (GALVANIZED)**

ITEM	PART NUMBER	QTY	DESCRIPTION	REV
	1001158668	Ref	Wheel Lift Installation (3500 lbs - T37) Galvanized - Complete	B
1	1001158649	1	Wheel Lift Boom Installation - 3500 lbs Galvanized (See Separate Breakdown in this Section)	
2	1001136657	1	Hydraulic Installation (Not Shown - See Separate Breakdown in HYDRAULIC Section)	
3	2330000057	Ref	Decal Installation	
3A	7330000684	1	Decal - Safety	
3B	7330000683	2	Decal - Safety	
4	7577000242	1	Tie-Strap and Ratchet Kit (See Separate Breakdown in ACCESSORIES Section)	
5	2330000036	Ref	Wheel Lift Decal Installation, T37	
5A	7330000419	2	Decal - Red Reflective (Boom)	
5B	7330000420	1	Decal - LH Red Reflective (T37 Grid)	
5B	7330000432	1	Decal - RH Red Reflective (T37 Grid)	
6	2330000065	Ref	Tow Hitch Decal Installation	
6	7330000060	1	Decal - Warning, Hitch on Wheel lift	
7	2262000011	1	Chain Box Installation (See Separate Breakdown in SUBFRAME Section)	

## SECTION 2 - WHEEL LIFT

FIGURE 2-7. WHEEL LIFT - COMPLETE (3500 LBS - AUTO GRIDS HYDRAULIC ARMS)



ART\_1001158507



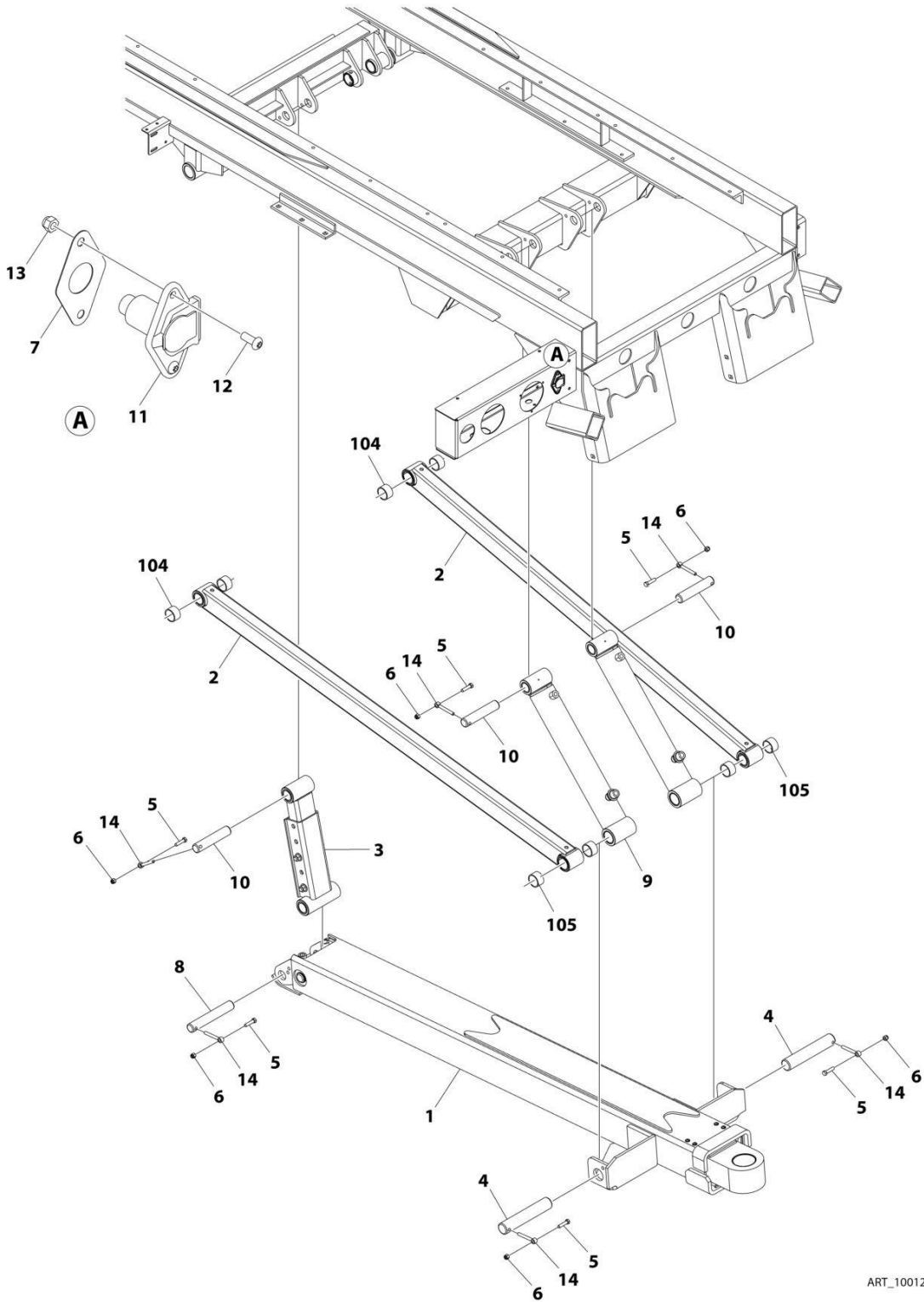
## SECTION 2 - WHEEL LIFT

**FIGURE 2-7. WHEEL LIFT - COMPLETE (3500 LBS - AUTO GRIDS HYDRAULIC ARMS)**

ITEM	PART NUMBER	QTY	DESCRIPTION	REV
	1001158507	Ref	IRL WHEEL LIFT INSTALLATION - 3500 LBS (AUTOGRID)	A
1	1001158508	1	Boom Installation (See Separate Breakdown in this Section)	
2	2262000011	1	Chain Installation (See Separate Breakdown in SUBFRAME Section)	
3	2330000051	Ref	Wheel Lift Decal Installation	
3	7330000419	2	Decal - Red Reflective (Boom)	
4	2330000057	Ref	Decal Installation	
4A	7330000684	1	Decal - Safety	
4B	7330000599	2	Decal - Safety	
4C	7330000036	1	Decal - Safety	
5	1001159670	1	Hydraulic Hose Installation (Not Shown - See Separate Breakdown in HYDRAULIC Section)	
6	7577000376	1	Tie-Strap and Ratchet Kit	

# SECTION 2 - WHEEL LIFT

## FIGURE 2-8. WHEEL LIFT BOOM INSTALLATION (3500 LBS) (19FT DECK)



ART\_1001274470

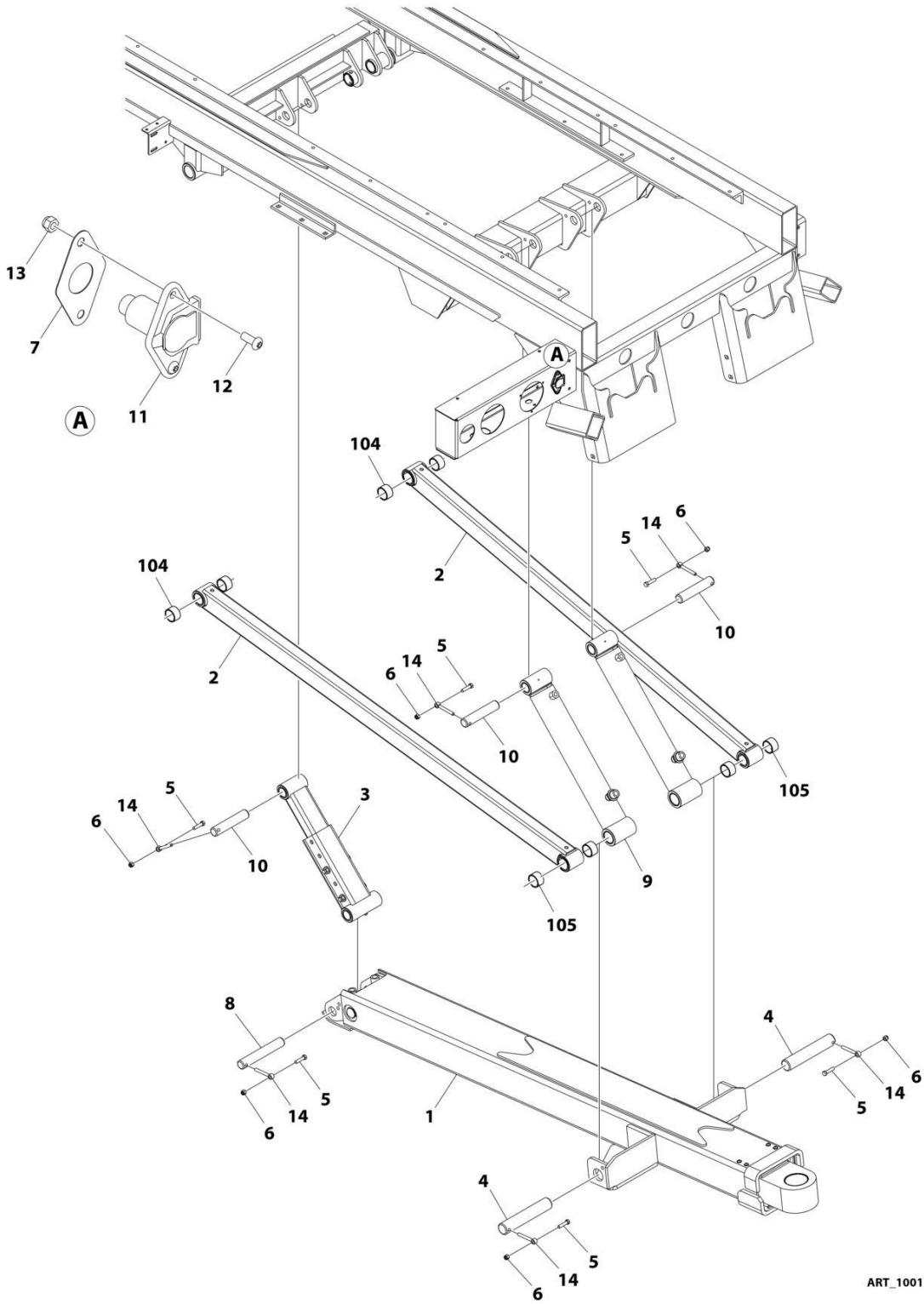
## SECTION 2 - WHEEL LIFT

**FIGURE 2-8. WHEEL LIFT BOOM INSTALLATION (3500 LBS) (19FT DECK)**

ITEM	PART NUMBER	QTY	DESCRIPTION	REV
	1001274470	Ref	WHEEL LIFT BOOM INSTALLATION - 3500 LBS XLP	A
1	1001274493	1	Boom Assembly Installation (See Separate Breakdown in this Section)	
2	3020000102	2	Arm Weldment	
3	3592000040	1	Link Assembly (See Separate Breakdown in this Section)	
4	1001188132	2	Pin	
5	0641612	6	Bolt 3/8 x 1-1/2	
6	3300492	6	Nut 3/8	
7	7796000048	1	Gasket	
8	1001188133	1	Pin	
9	1001166857	2	Wheel Lift Cylinder Assembly (See Separate Breakdown in CYLINDER Section)	
10	1001188129	3	Pin	
11	7291000010	1	Female Receptacle with Connector	
12	7114140528	2	Screw 1/4 x 5/8	
13	7660142601	2	Nut 1/4	
14	3841143	6	Keeper, Shaft	
104	7082000017	4	Bearing	
105	7082000018	4	Bearing	

# SECTION 2 - WHEEL LIFT

## FIGURE 2-9. WHEEL LIFT BOOM INSTALLATION (3500 LBS) (20-22FT DECK)



ART\_1001158648

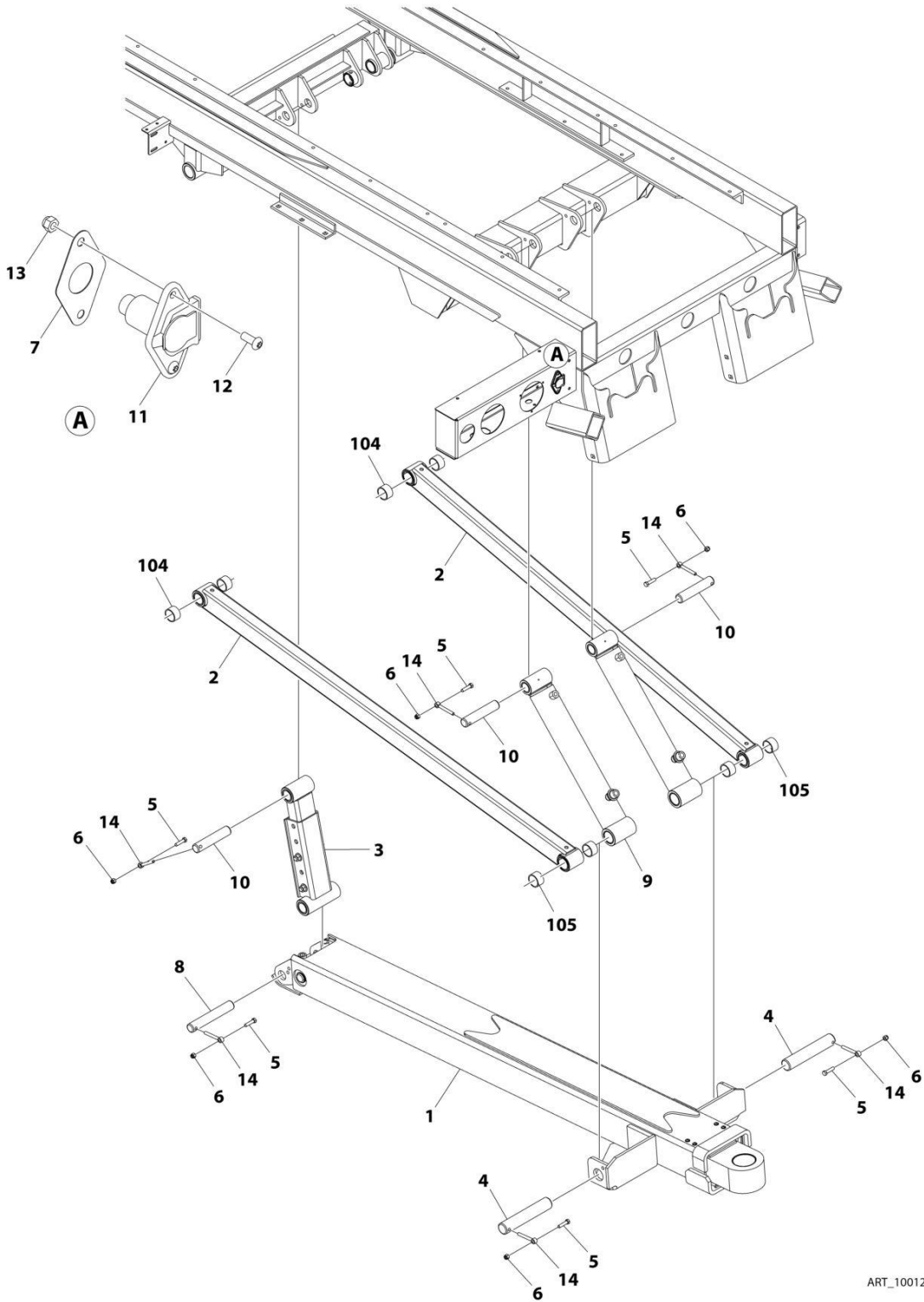
## SECTION 2 - WHEEL LIFT

**FIGURE 2-9. WHEEL LIFT BOOM INSTALLATION (3500 LBS) (20-22FT DECK)**

ITEM	PART NUMBER	QTY	DESCRIPTION	REV
	1001158648	Ref	Wheel Lift Boom Installation, 3500 lbs	B
1	1001158635	1	Boom Assembly (See Separate Breakdown in this Section)	
2	3020000102	2	Arm Weldment	
3	3592000040	1	Link Assembly (See Separate Breakdown in this Section)	
4	1001188132	2	Pin	
5	0641612	6	Bolt 3/8 x 1-1/2	
6	3300492	6	Nut 3/8	
7	7796000048	1	Gasket	
8	1001188133	1	Pin	
9	1001166857	2	Wheel Lift Cylinder Assembly (See Separate Breakdown in this Section)	
10	1001188129	3	Pin	
11	7291000010	1	Female Receptacle with Connector	
12	7114140528	2	Screw 1/4 x 5/8	
13	7660142601	2	Nut 1/4	
14	3841143	6	Keeper, Shaft	
104	7082000017	4	Bearing	
105	7082000018	4	Bearing	

# SECTION 2 - WHEEL LIFT

FIGURE 2-10. WHEEL LIFT BOOM INSTALLATION (3500 LBS GALVANIZED) (19FT DECK)



ART\_1001276330

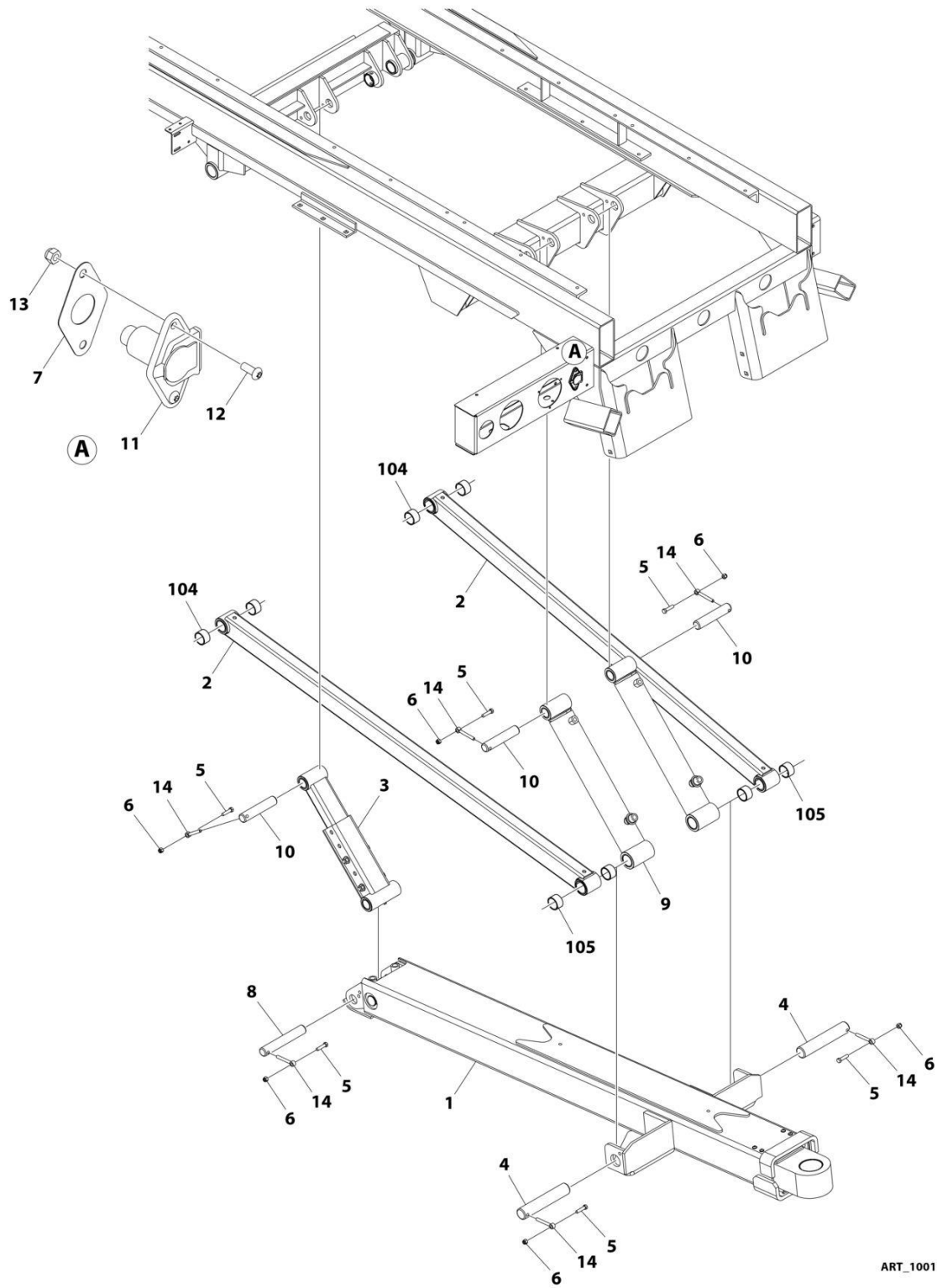
## SECTION 2 - WHEEL LIFT

**FIGURE 2-10. WHEEL LIFT BOOM INSTALLATION (3500 LBS GALVANIZED) (19FT DECK)**

ITEM	PART NUMBER	QTY	DESCRIPTION	REV
	1001276330	Ref	WHEEL LIFT BOOM INSTALLATION - 3500 LBS XLP GALVANIZED	A
1	1001276342	1	Boom Assembly Installation (See Separate Breakdown in this Section)	
2	3020000102	2	Arm Weldment	
3	3592000040	1	Link Assembly (See Separate Breakdown in this Section)	
4	1001188132	2	Pin	
5	0641612	6	Bolt 3/8 x 1-1/2	
6	3300492	6	Nut 3/8	
7	7796000048	1	Gasket	
8	1001188133	1	Pin	
9	1001166857	2	Wheel Lift Cylinder Assembly (See Separate Breakdown in CYLINDER Section)	
10	1001188129	3	Pin	
11	7291000010	1	Female Receptacle with Connector	
12	7114140528	2	Screw 1/4 x 5/8	
13	7660142601	2	Nut 1/4	
14	3841143	6	Keeper, Shaft	
104	7082000017	4	Bearing	
105	7082000018	4	Bearing	

# SECTION 2 - WHEEL LIFT

## FIGURE 2-11. WHEEL LIFT BOOM INSTALLATION (3500 LBS GALVANIZED) (20-22FT DECK)



ART\_1001158649



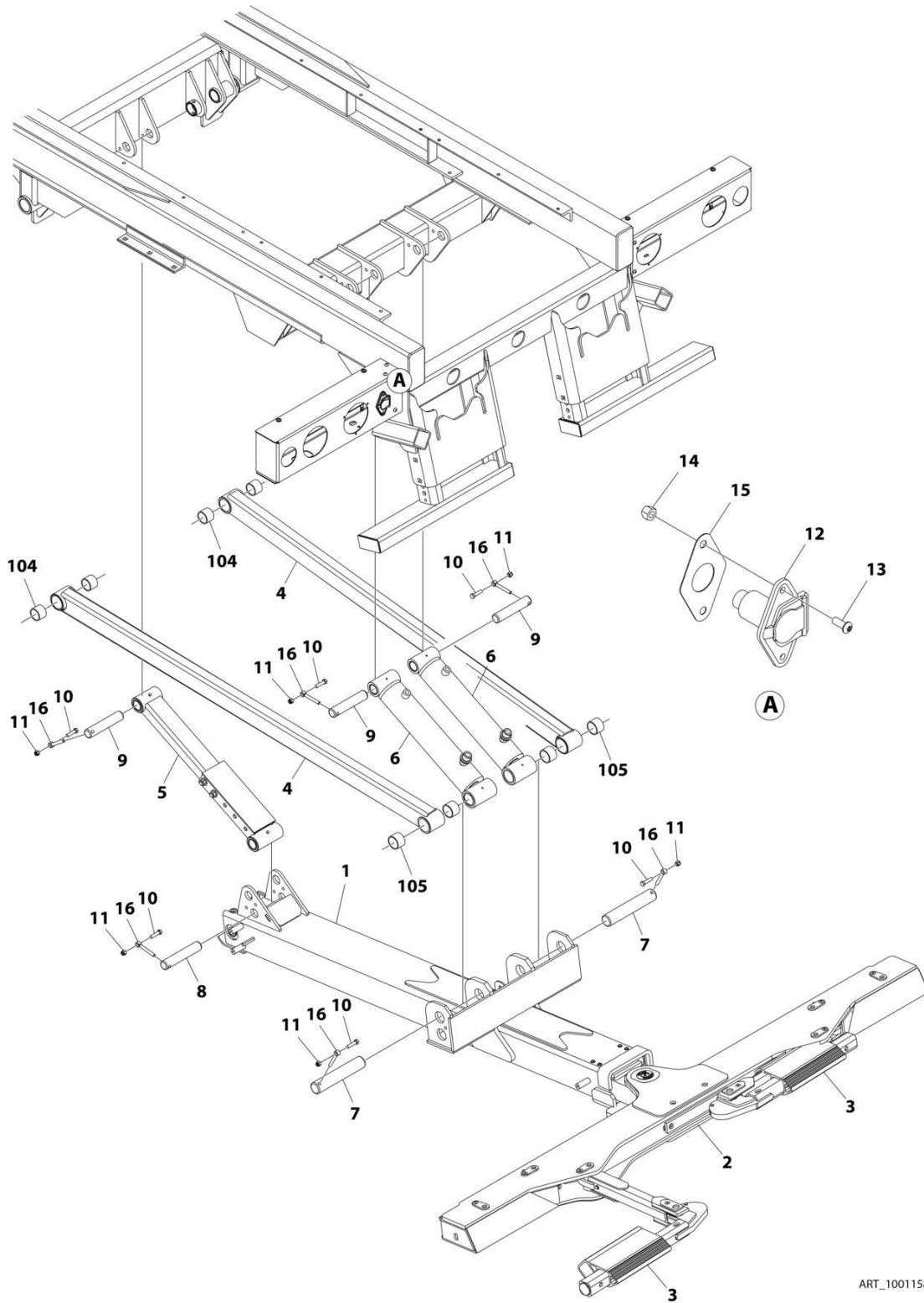
## SECTION 2 - WHEEL LIFT

**FIGURE 2-11. WHEEL LIFT BOOM INSTALLATION (3500 LBS GALVANIZED) (20-22FT DECK)**

ITEM	PART NUMBER	QTY	DESCRIPTION	REV
	1001158649	Ref	Wheel Lift Boom Installation, 3500 lbs Galvanized	B
1	1001158637	1	Boom Assembly (See Separate Breakdown in this Section)	
2	3020000131	2	Arm Weldment	
3	3592000066	1	Link Assembly (See Separate Breakdown in this Section)	
4	1001188132	2	Pin	
5	0641612	6	Bolt 3/8 x 1-1/2	
6	3300492	6	Nut 3/8	
7	7796000048	1	Gasket	
8	1001188133	1	Pin	
9	1001166857	2	Wheel Lift Cylinder Assembly (See Separate Breakdown in this Section)	
10	1001188129	3	Pin	
11	7291000010	1	Female Receptacle with Connector	
12	7114140528	2	Screw 1/4 x 5/8	
13	7660142601	2	Nut 1/4	
14	3841143	6	Keeper, Shaft	
104	7082000017	4	Bearing	
105	7082000018	4	Bearing	

# SECTION 2 - WHEEL LIFT

## FIGURE 2-12. WHEEL LIFT BOOM INSTALLATION (3500 LBS WITH AUTOGRIDS)



ART\_1001158508

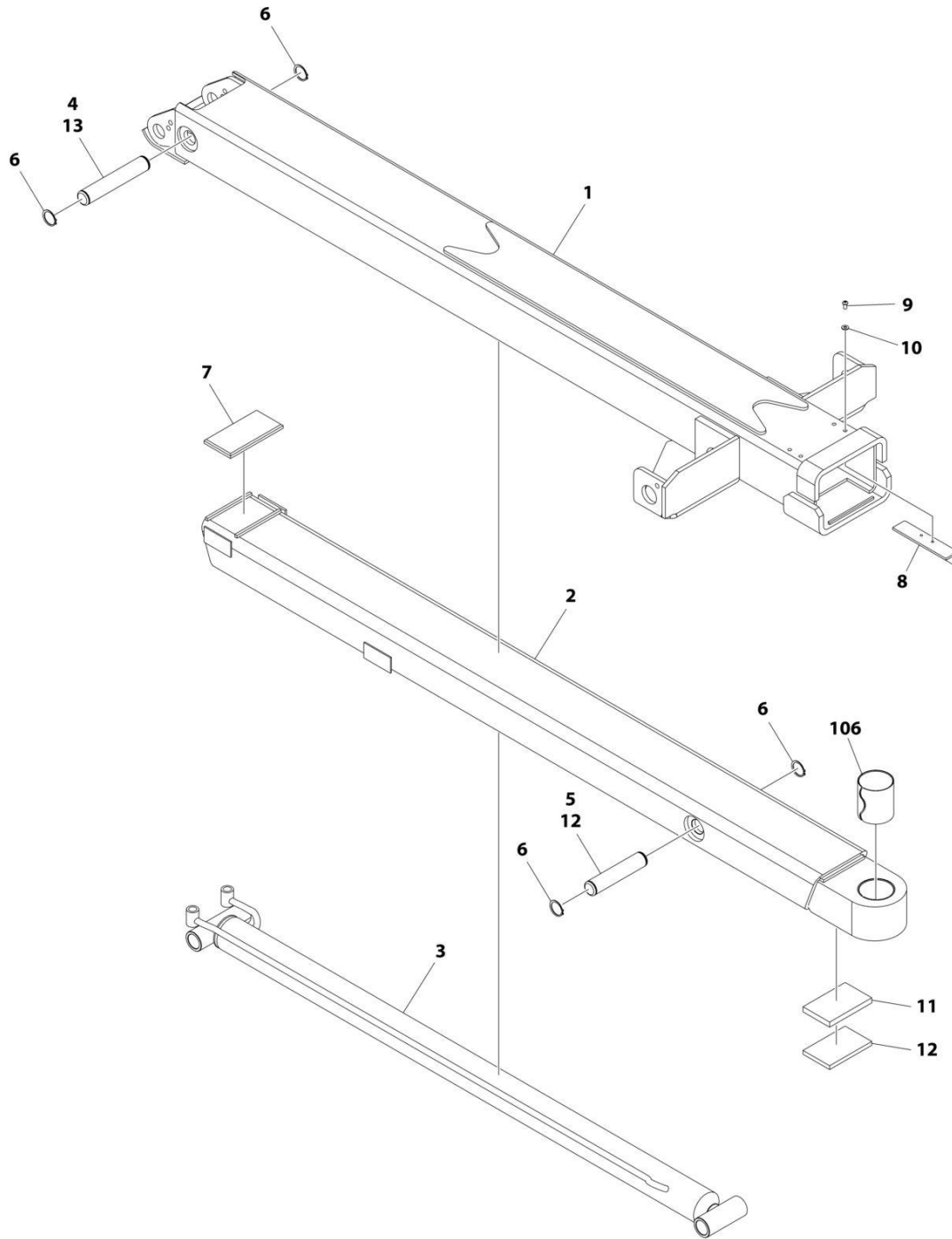
## SECTION 2 - WHEEL LIFT

**FIGURE 2-12. WHEEL LIFT BOOM INSTALLATION (3500 LBS WITH AUTOGRIDS)**

ITEM	PART NUMBER	QTY	DESCRIPTION	REV
	1001158508	Ref	IRL BOOM INSTALLATION - 3500 LBS (HYDRAULIC)	E
1	1001158630	1	Boom Assembly (See Separate Breakdown in this Section)	
2	1001228493	1	Auto Grid Installation (See Separate Breakdown in this Section)	
3	2484000008	1	Auto Grid Arm Installation (See Separate Breakdown in this Section)	
4	1001158509	2	Arm Weldment	
5	1001158510	1	Link Assembly (See Separate Breakdown in this Section)	
6	3320000134	2	Cylinder Assembly (See Separate Breakdown in this Section)	
7	1001188132	2	Pin	
8	1001188134	1	Pin	
9	1001188129	3	Pin	
10	0641612	6	Bolt 3/8 x 1-1/2	
11	3300492	6	Nut 3/8	
12	7291000010	1	Female Receptacle with Connector	
13	7114140528	2	Screw 1/4 x 5/8	
14	7660142601	2	Nut 1/4	
15	7796000048	1	Gasket	
16	3841143	6	Keeper	
104	7082000017	4	Bearing	
105	7082000018	4	Bearing	

# SECTION 2 - WHEEL LIFT

## FIGURE 2-13. BOOM ASSEMBLY (3500 LBS) (19FT DECK)



ART\_1001274493

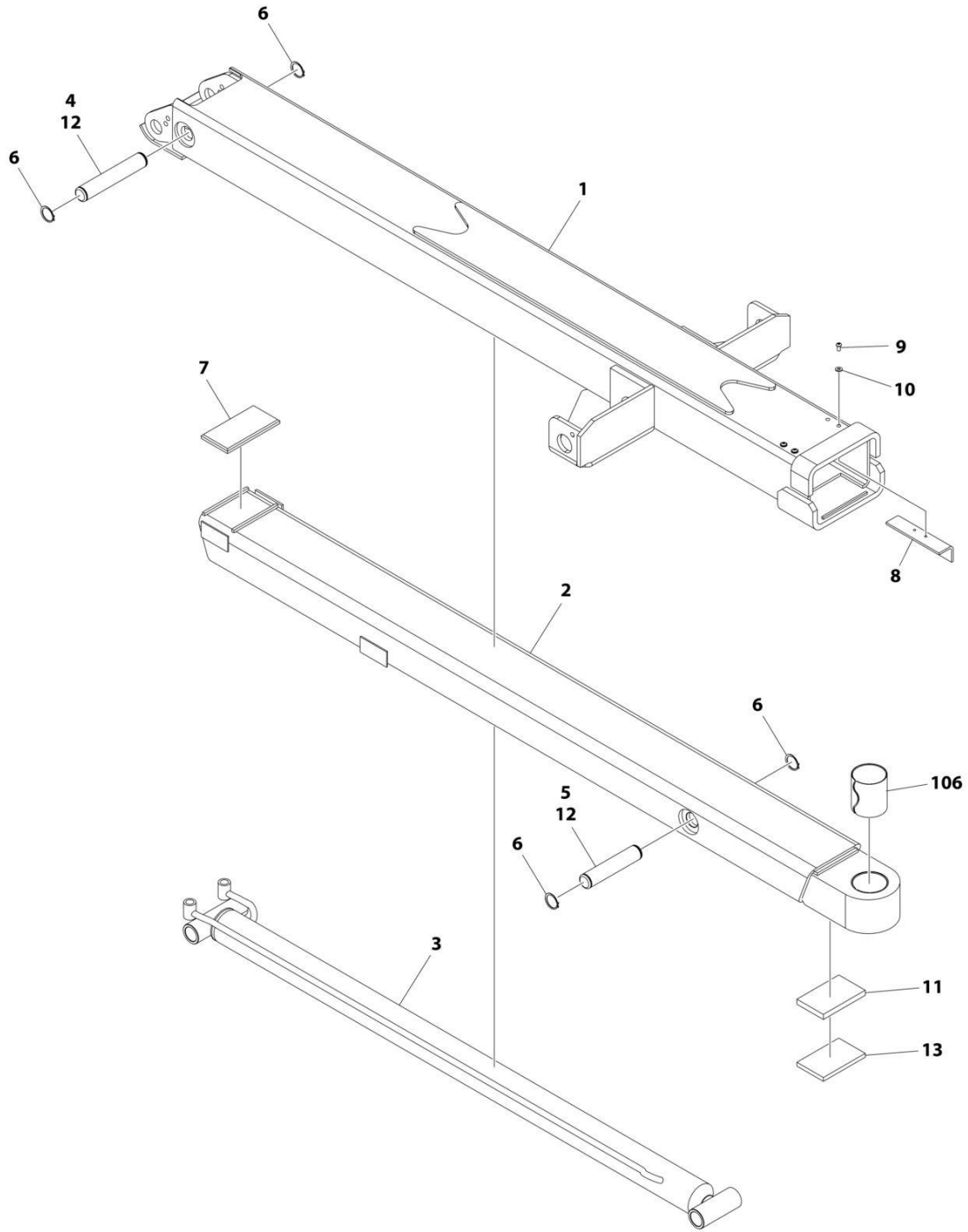
## SECTION 2 - WHEEL LIFT

**FIGURE 2-13. BOOM ASSEMBLY (3500 LBS) (19FT DECK)**

ITEM	PART NUMBER	QTY	DESCRIPTION	REV
	1001274493	1	BOOM ASSEMBLY INSTALLATION - 3500 LBS XLP	A
1	1001274496	1	Boom, Outer	
2	1001158627	1	Boom, Inner	
3	1001166858	1	Extend/Retract Cylinder Assembly (See Separate Breakdown in this Section)	
4	4691000296	1	Pin	
5	4691000268	1	Pin	
6	3760133	4	Ring	
7	4679000046	1	Pad	
8	4017000739	2	Angle	
9	7118140418	4	Capscrew 1/4 x 1/2	
10	4751300	4	Washer 3/16	
11	4679000211	1	Pad	
12	1001276938	AR	Pad	
13	3020039	AR	Lubricant	
106	7209000028	1	Bushing	

# SECTION 2 - WHEEL LIFT

## FIGURE 2-14. BOOM ASSEMBLY (3500 LBS) (20-22FT DECK)



ART\_1001158635

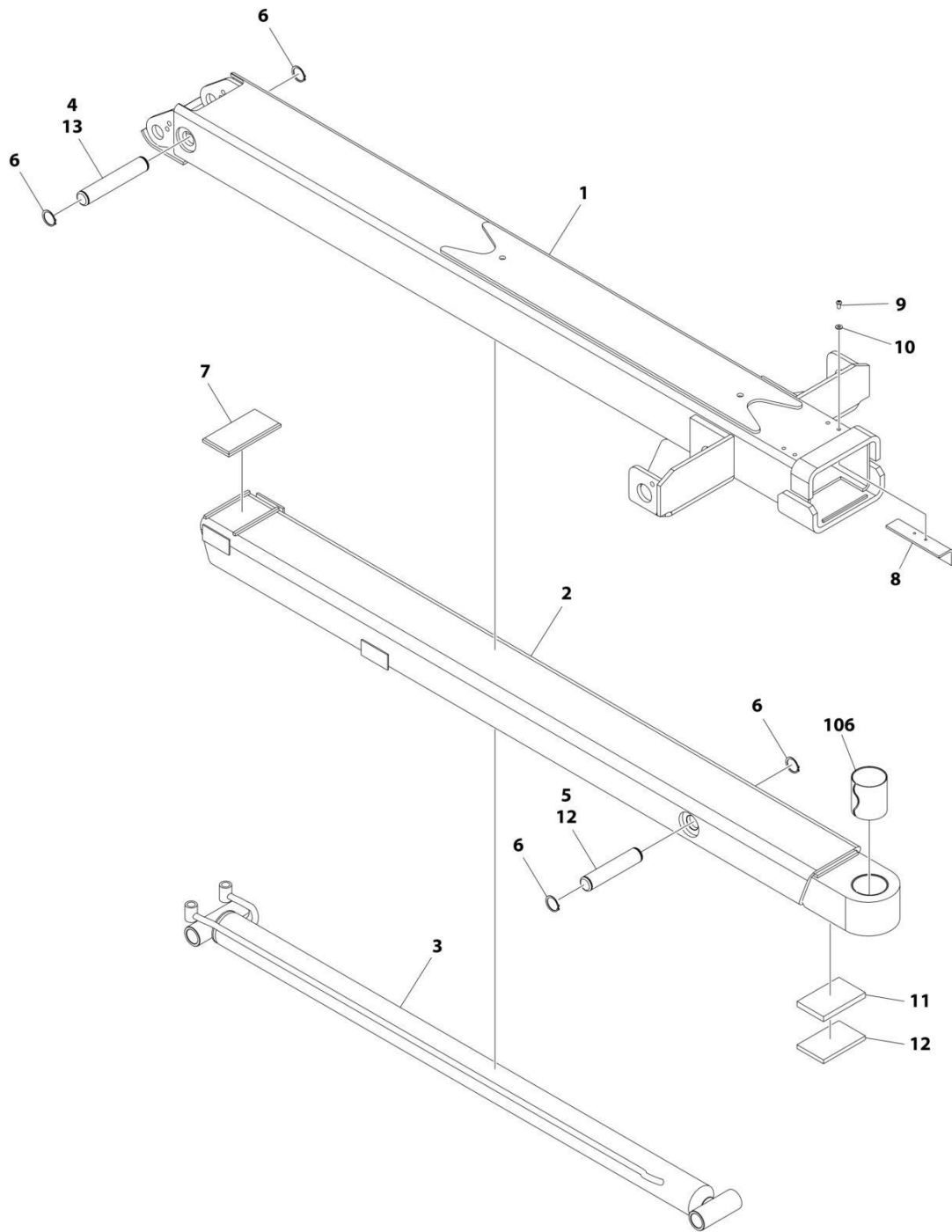
## SECTION 2 - WHEEL LIFT

**FIGURE 2-14. BOOM ASSEMBLY (3500 LBS) (20-22FT DECK)**

ITEM	PART NUMBER	QTY	DESCRIPTION	REV
	1001158635	Ref	BOOM ASSEMBLY - 3500 LBS	D
1	3170000162	1	Boom, Outer	
2	1001158627	1	Boom, Inner	
3	1001166858	1	Extend/Retract Cylinder Assembly (See Separate Breakdown in this Section)	
4	4691000296	1	Pin	
5	4691000268	1	Pin	
6	3760133	4	Ring	
7	4679000046	1	Pad	
8	4017000739	2	Angle	
9	7118140418	4	Capscrew 1/4 x 1/2	
10	4751300	4	Washer 3/16	
11	4679000211	AR	Pad	
12	3020039	AR	Lubricant	
13	1001276938	AR	Pad	
106	7209000028	1	Bushing	

# SECTION 2 - WHEEL LIFT

## FIGURE 2-15. BOOM ASSEMBLY (3500 LBS GALVANIZED) (19FT DECK)



ART\_1001276342



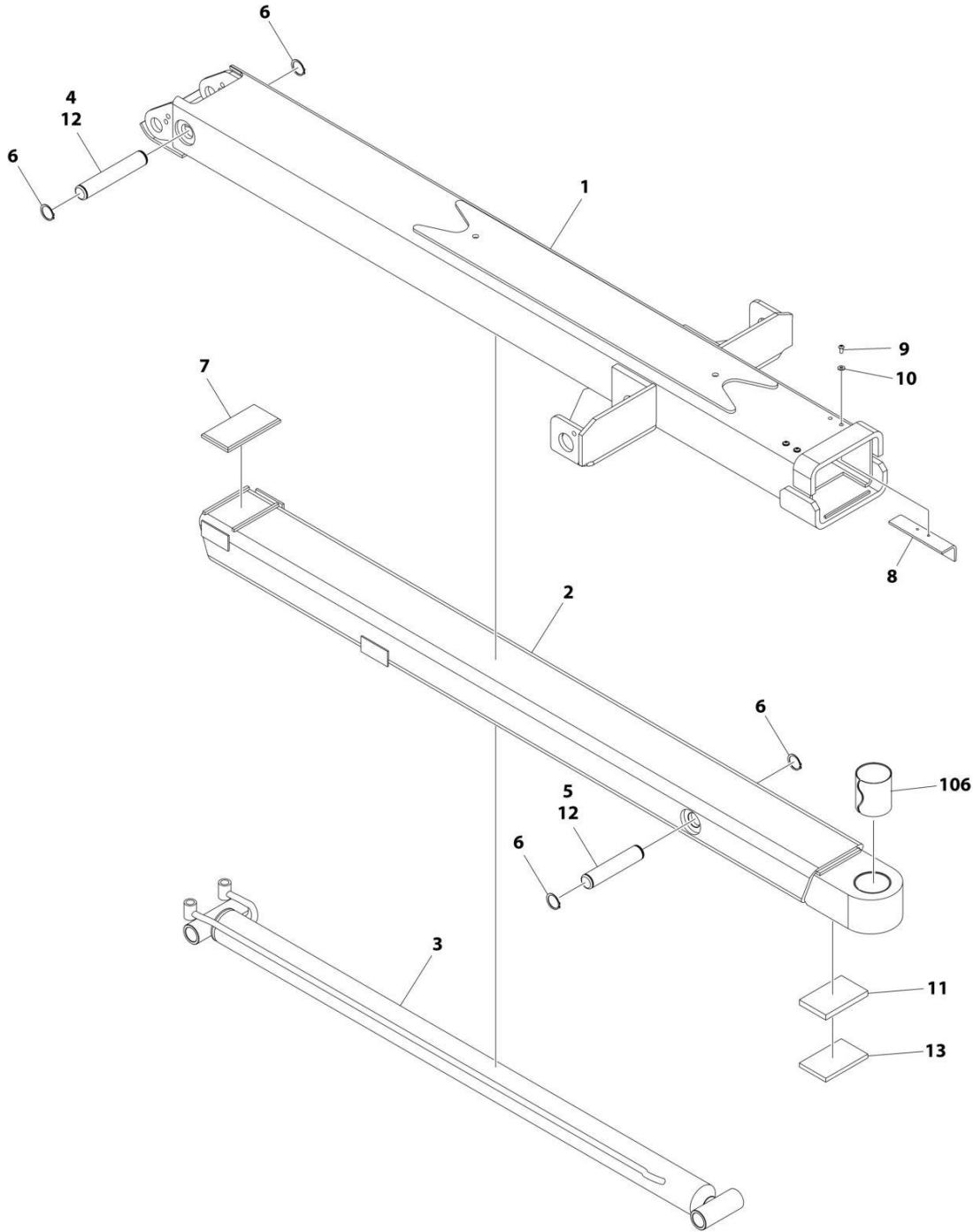
## SECTION 2 - WHEEL LIFT

**FIGURE 2-15. BOOM ASSEMBLY (3500 LBS GALVANIZED) (19FT DECK)**

ITEM	PART NUMBER	QTY	DESCRIPTION	REV
	1001276342	1	BOOM ASSEMBLY INSTALLATION - 3500 LBS	A
1	1001276343	1	Boom, Outer	
2	1001158627	1	Boom, Inner	
3	1001166858	1	Extend/Retract Cylinder Assembly (See Separate Breakdown in this Section)	
4	4691000296	1	Pin	
5	4691000268	1	Pin	
6	3760133	4	Ring	
7	4679000046	1	Pad	
8	4017000739	2	Angle	
9	7118140418	4	Capscrew 1/4 x 1/2	
10	4751300	4	Washer 3/16	
11	4679000211	1	Pad	
12	1001276938	AR	Pad	
13	3020039	AR	Lubricant	
106	7209000028	1	Bushing	

# SECTION 2 - WHEEL LIFT

FIGURE 2-16. BOOM ASSEMBLY (3500 LBS GALVANIZED) (20-22FT DECK)



ART\_1001158637

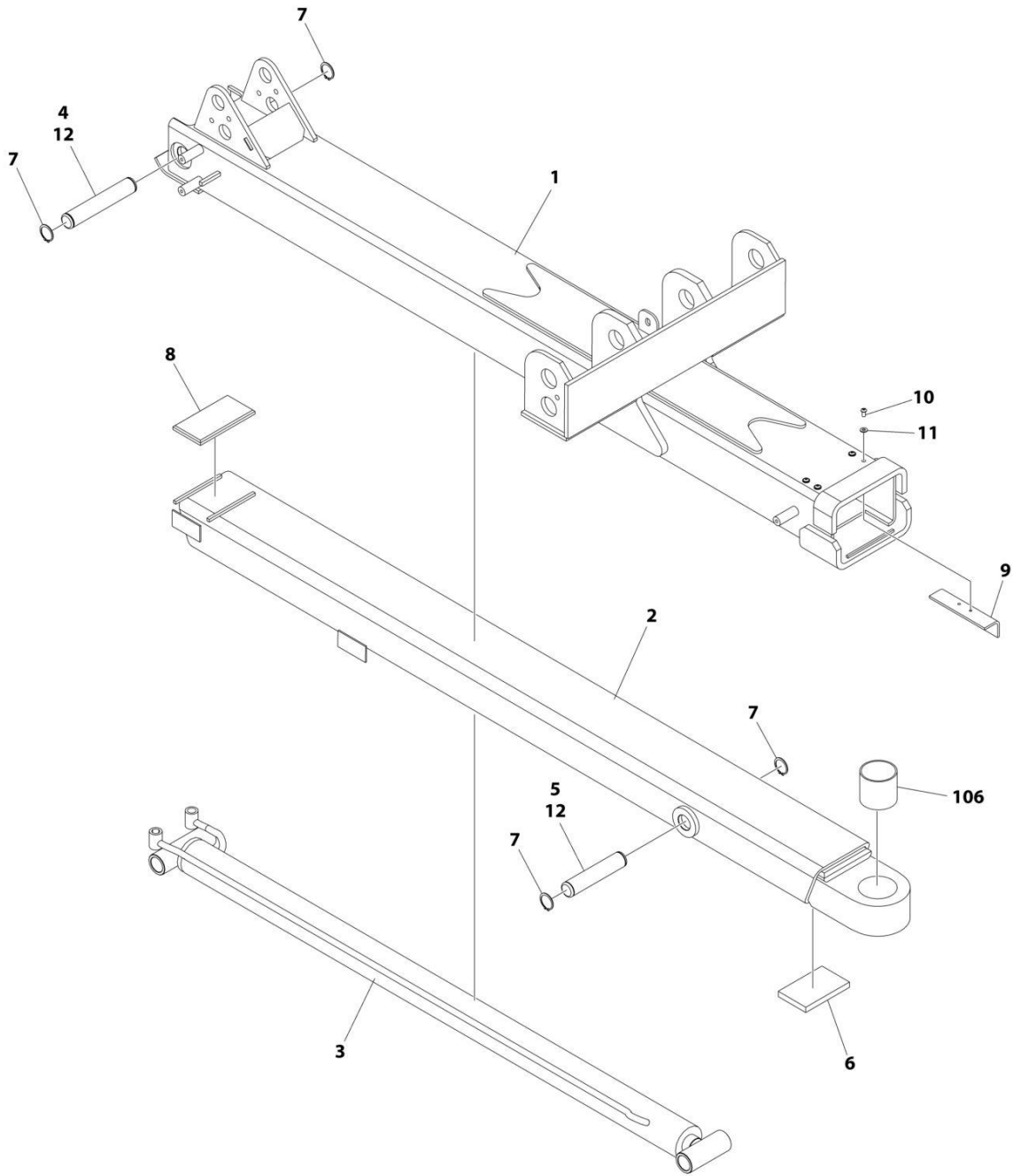
## SECTION 2 - WHEEL LIFT

**FIGURE 2-16. BOOM ASSEMBLY (3500 LBS GALVANIZED) (20-22FT DECK)**

ITEM	PART NUMBER	QTY	DESCRIPTION	REV
	1001158637	Ref	BOOM ASSEMBLY - 3500 LBS	D
1	3170000504	1	Boom, Outer	
2	1001158627	1	Boom, Inner	
3	1001166858	1	Extend/Retract Cylinder Assembly (See Separate Breakdown in this Section)	
4	4691000296	1	Pin	
5	4691000268	1	Pin	
6	3760133	4	Ring	
7	4679000046	1	Pad	
8	4017000739	2	Angle	
9	7118140418	4	Capscrew 1/4 x 1/2	
10	4751300	4	Washer 3/16	
11	4679000211	AR	Pad	
12	3020039	AR	Lubricant	
13	1001276938	AR	Pad	
106	7209000028	1	Bushing	

# SECTION 2 - WHEEL LIFT

## FIGURE 2-17. BOOM ASSEMBLY (3500 LBS WITH AUTO GRIDS)



ART\_1001158630

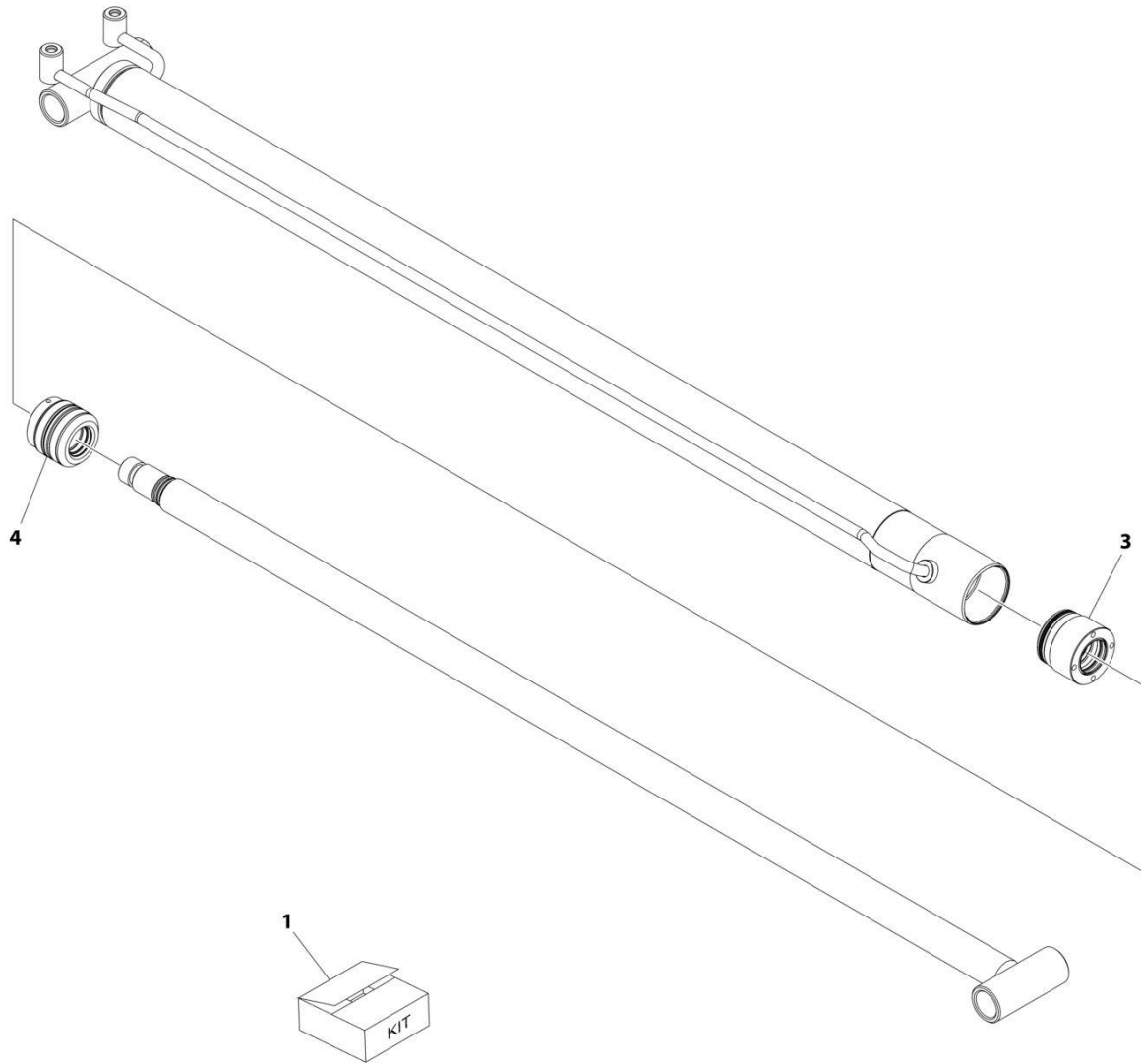
## SECTION 2 - WHEEL LIFT

**FIGURE 2-17. BOOM ASSEMBLY (3500 LBS WITH AUTO GRIDS)**

ITEM	PART NUMBER	QTY	DESCRIPTION	REV
	1001158630	Ref	BOOM ASSEMBLY - 3000 LBS (AUTOGRID, ZOD)	B
1	3170000428	1	Boom Weldment	
2	1001158626	1	Tube Weldment	
3	1001166858	1	Extend/Retract Cylinder Assembly (See Separate Breakdown in this Section)	
4	4691000296	1	Pin	
5	4691000268	1	Pin	
6	4679000211	1	Pad	
7	3760133	4	Ring	
8	4679000046	1	Pad	
9	4017000739	2	Angle	
10	7118140418	4	Capscrew 1/4 x 1/2	
11	4751300	4	Washer 3/16	
12	3020039	AR	Lubricant	
106	7209000030	1	Bushing	

## SECTION 2 - WHEEL LIFT

FIGURE 2-18. CYLINDER ASSEMBLY - WHEEL LIFT EXTEND/RETRACT (WITHOUT AUTO GRIDS)



ART\_1001166858

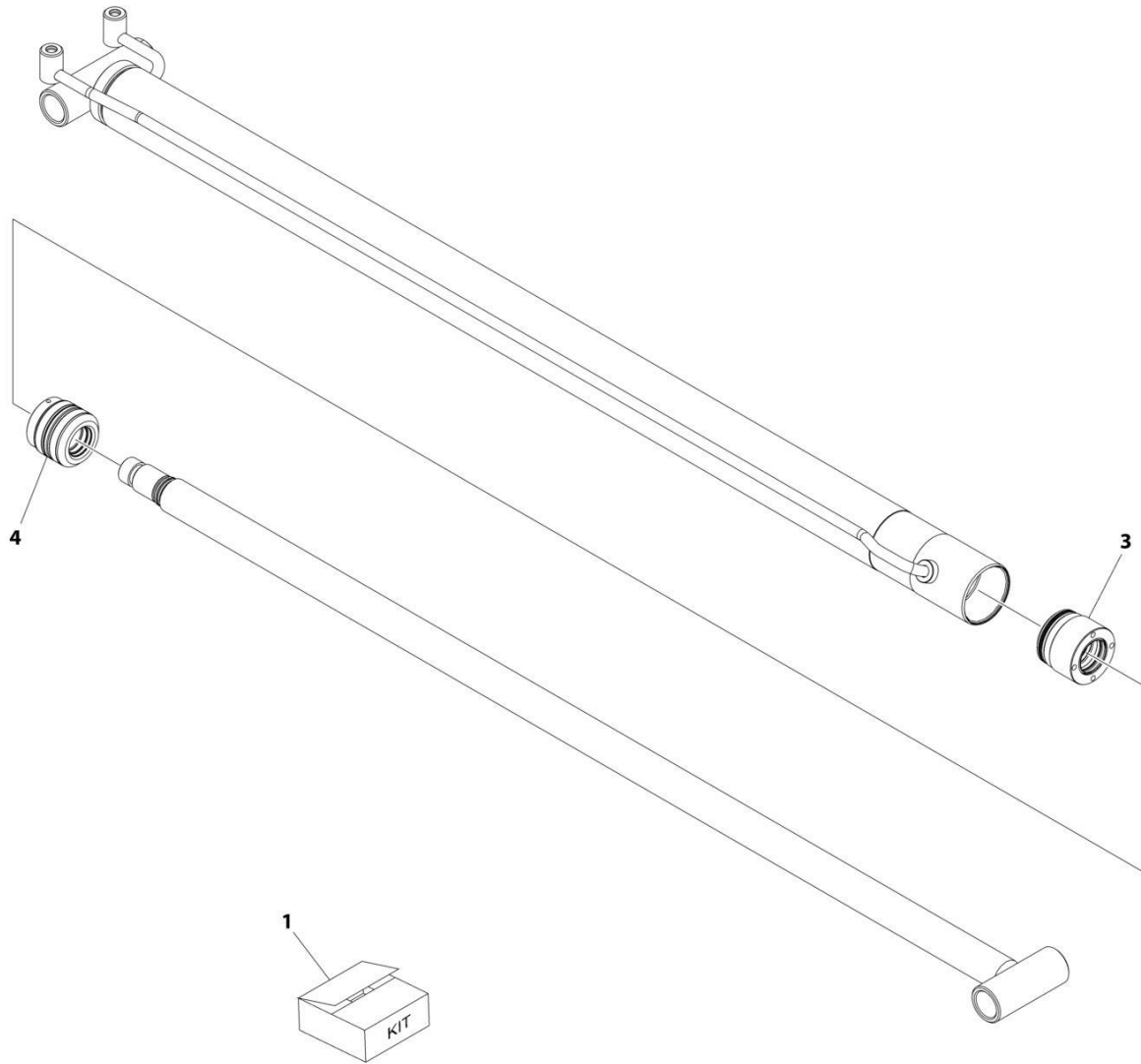
## SECTION 2 - WHEEL LIFT

**FIGURE 2-18. CYLINDER ASSEMBLY - WHEEL LIFT EXTEND/RETRACT (WITHOUT AUTO GRIDS)**

ITEM	PART NUMBER	QTY	DESCRIPTION	REV
	1001166858	Ref	EXTEND/RETRACT CYLINDER ASSEMBLY	D
1	70051169	1	Kit, Seal	
2	70051174	1	Instruction Assembly/Disassembly (not shown)	
3	70051175	1	Kit, Head	
4	70051176	1	Kit, Piston	

## SECTION 2 - WHEEL LIFT

FIGURE 2-19. CYLINDER ASSEMBLY - WHEEL LIFT EXTEND/RETRACT (WITH AUTO GRIDS)



ART\_1001166858



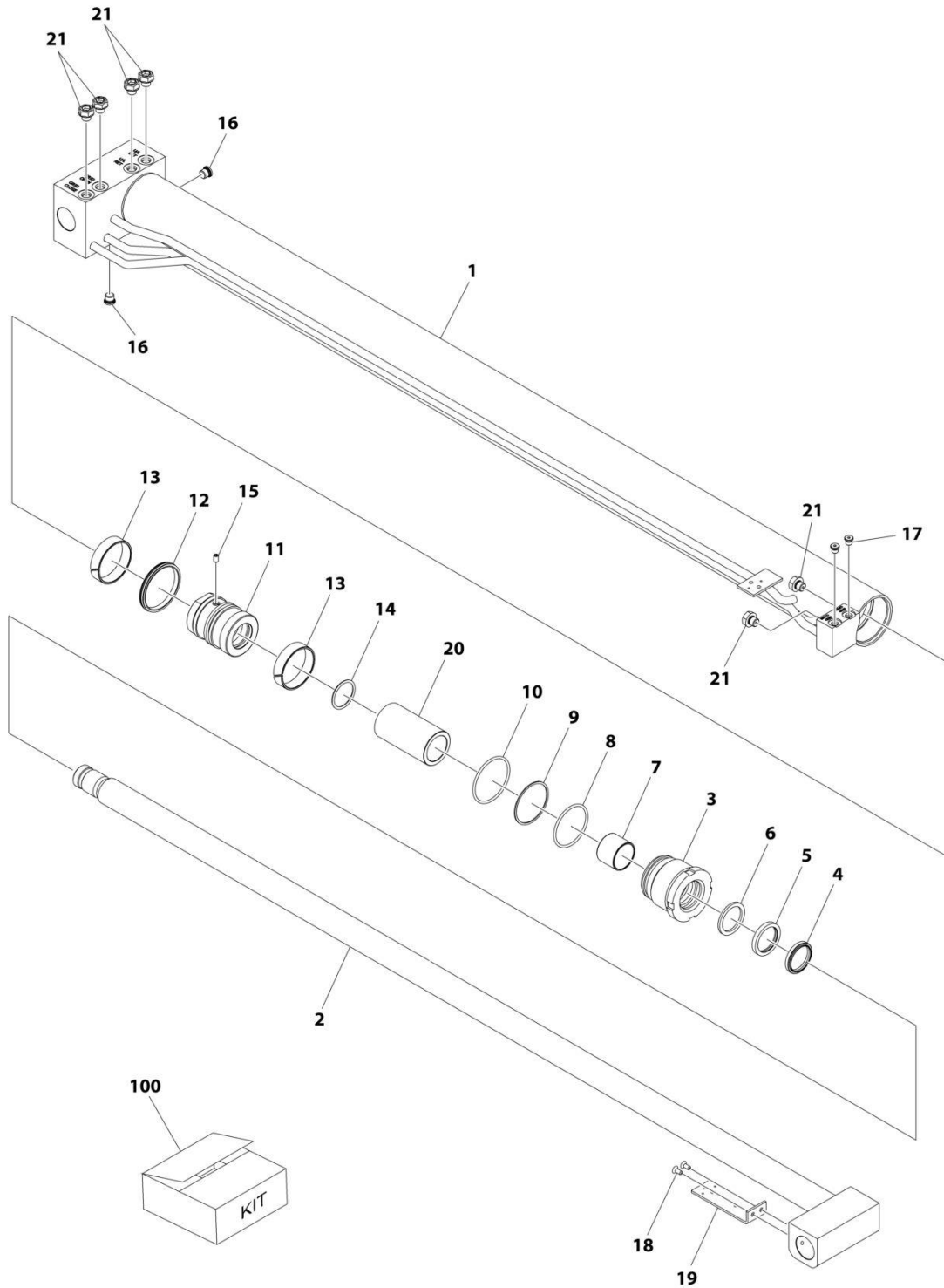
## SECTION 2 - WHEEL LIFT

**FIGURE 2-19. CYLINDER ASSEMBLY - WHEEL LIFT EXTEND/RETRACT (WITH AUTO GRIDS)**

ITEM	PART NUMBER	QTY	DESCRIPTION	REV
	1001166858	Ref	EXTEND/RETRACT CYLINDER ASSEMBLY	D
1	70051169	1	Kit, Seal	
2	70051174	1	Instruction Assembly/Disassembly (not shown)	
3	70051175	1	Kit, Head	
4	70051176	1	Kit, Piston	

# SECTION 2 - WHEEL LIFT

FIGURE 2-20. CYLINDER ASSEMBLY - WHEEL LIFT EXTEND/RETRACT (WITH AUTO GRIDS)



ART\_1001272225

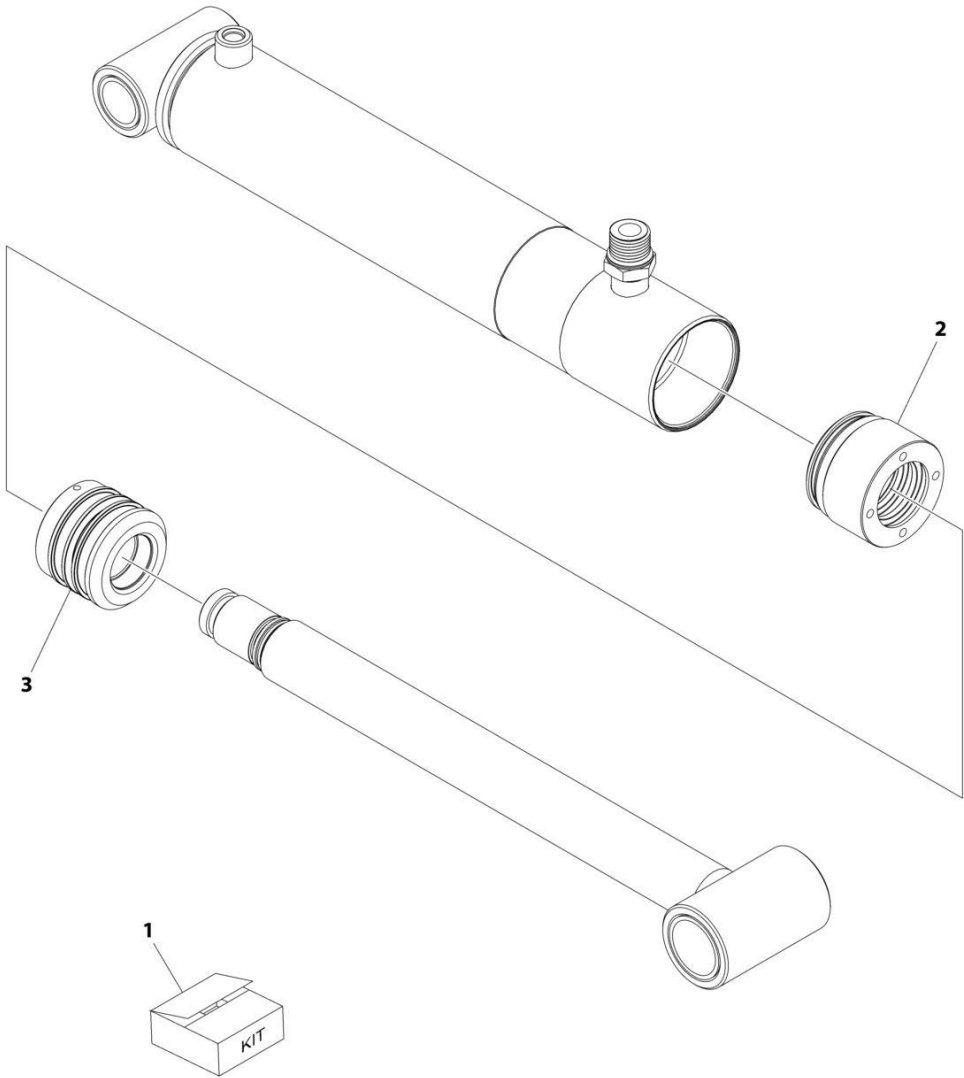
## SECTION 2 - WHEEL LIFT

**FIGURE 2-20. CYLINDER ASSEMBLY - WHEEL LIFT EXTEND/RETRACT (WITH AUTO GRIDS)**

ITEM	PART NUMBER	QTY	DESCRIPTION	REV
	1001272225	Ref	CYLINDER ASSEMBLY	D
		Ref	Note: Original Cylinder May Have Been Replaced with Service Replacement. Identify PN Stamped on Cylinder Before Ordering Parts.	
1	See Note	NSS	Barrel (Note: Use PN 1001272225)	
2	70070014	1	Rod	
3	70070015	1	Head	
4	See Note	NSS	Wiper (Note: Use Item 100)	
5	See Note	NSS	Seal, Rod (Note: Use Item 100)	
6	See Note	NSS	Ring, Backup (Note: Use Item 100)	
7	70070016	1	Bearing, Dry	
8	See Note	NSS	O-Ring (Note: Use Item 100)	
9	See Note	NSS	Ring, Backup (Note: Use Item 100)	
10	See Note	NSS	O-Ring (Note: Use Item 100)	
11	70070017	1	Piston	
12	See Note	NSS	Seal, Piston (Note: Use Item 100)	
13	See Note	NSS	Ring, Wear (Note: Use Item 100)	
14	See Note	NSS	O-Ring (Note: Use Item 100)	
15	70070018	1	Set Screw M6 x 10	
16	2220883	2	Plug 7/16	
17	2220881	2	Plug 5/16	
18	70070019	2	Bolt M5 x 11	
19	70070020	1	Plate	
20	70070021	1	Spacer	
21	2220883	6	Plug 7/16	
100	70070022	1	Seal Kit - 1001272225 Cylinder (Include Items 4-6, 8-10 & 12-14)	

**SECTION 2 - WHEEL LIFT**

**FIGURE 2-21. CYLINDER ASSEMBLY - WHEEL LIFT BOOM LIFT (WITHOUT AUTO GRIDS)**



ART\_1001166857

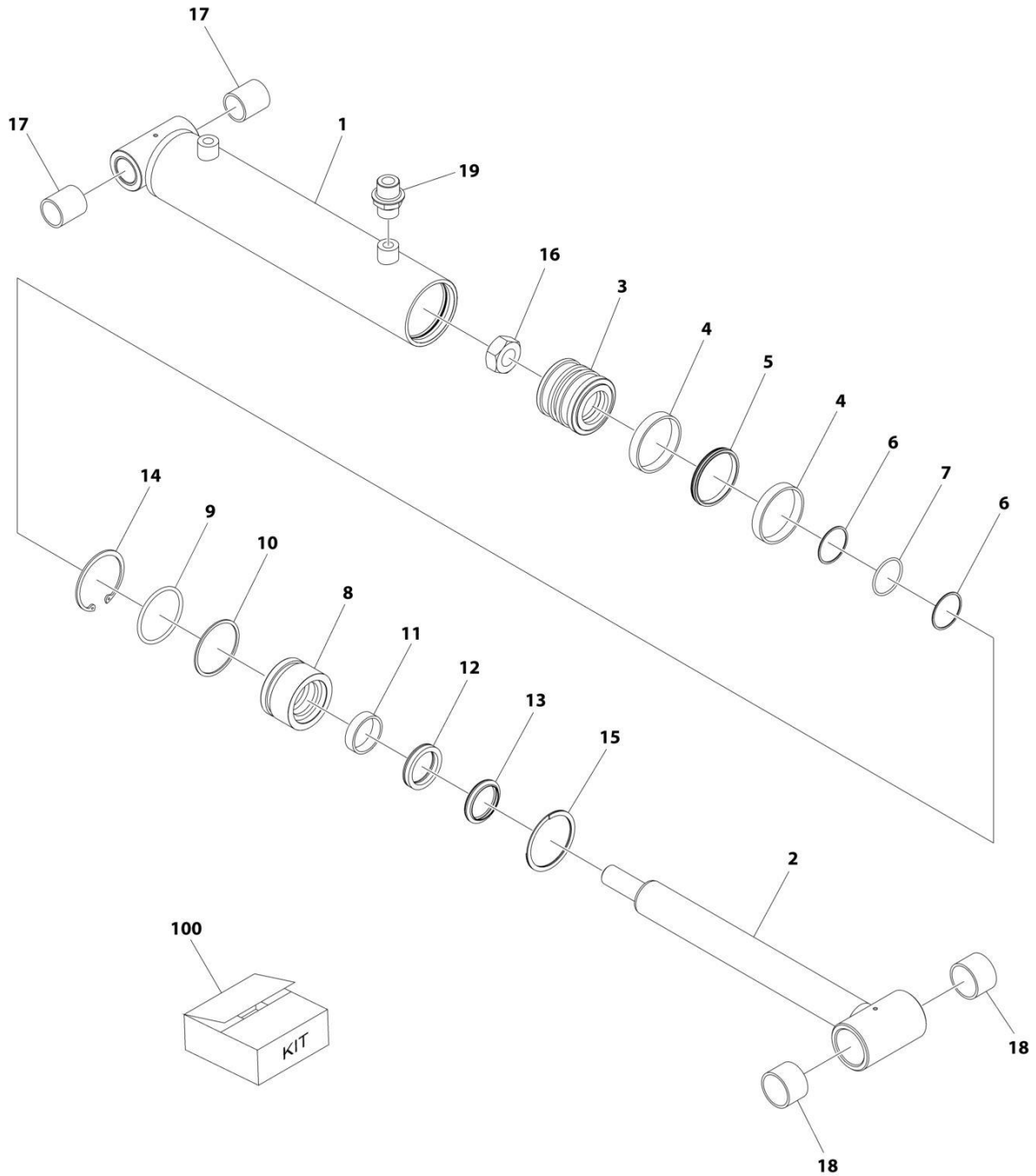
## SECTION 2 - WHEEL LIFT

**FIGURE 2-21. CYLINDER ASSEMBLY - WHEEL LIFT BOOM LIFT (WITHOUT AUTO GRIDS)**

ITEM	PART NUMBER	QTY	DESCRIPTION	REV
	1001166857	Ref	IRL CYLINDER ASSEMBLY	E
1	70051168	1	Kit, Seal	
2	70051172	1	Kit, Head	
3	70051173	1	Kit, Piston	

# SECTION 2 - WHEEL LIFT

## FIGURE 2-22. CYLINDER ASSEMBLY - WHEEL LIFT BOOM LIFT (WITH AUTO GRIDS)



ART\_3320000134\_C

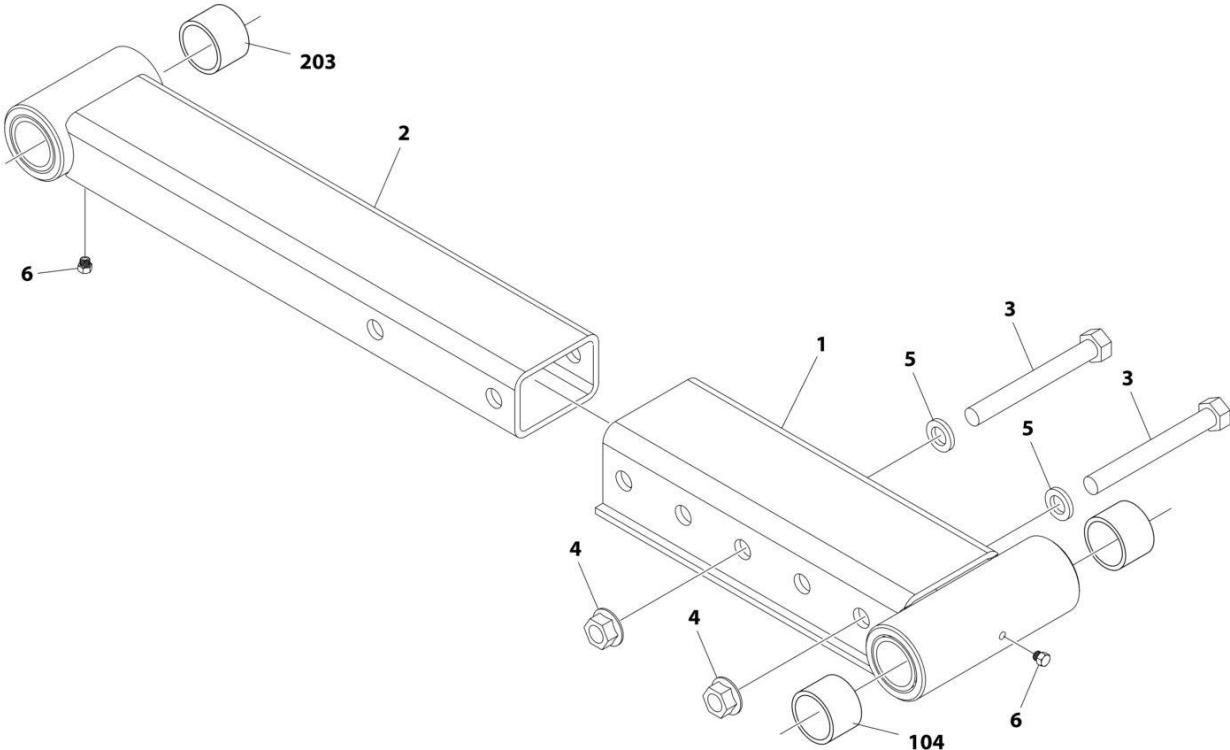
## SECTION 2 - WHEEL LIFT

**FIGURE 2-22. CYLINDER ASSEMBLY - WHEEL LIFT BOOM LIFT (WITH AUTO GRIDS)**

ITEM	PART NUMBER	QTY	DESCRIPTION	REV
	3320000134	Ref	CYLINDER ASSEMBLY - WHEEL LIFT (PRECISION BRAND)	C
1	3071000131	1	Barrel Weldment	
2	3763000139	1	Rod Weldment	
3	4698000007	1	Piston	
4	7754000003	2	Wear Ring	
5	7796000063	1	Piston Locking, T-Seal	
6	7755224609	2	Back-Up Ring	
7	7755224000	1	O-Ring	
8	4553000008	1	Head	
9	7755334000	1	O-Ring	
10	7755334609	1	Back-Up Ring	
11	7754000004	1	Wear Ring	
12	7796000024	1	Rod Seal	
13	7796000008	1	Rod Wiper Seal	
14	7754000002	1	Retaining Ring	
15	7754000026	1	Retaining Ring	
16	7661000034	1	Nut	
17	7082000016	2	Bearing	
18	7082000018	2	Bearing	
19	7443000245	1	Fitting, Straight	
100	7577250024	1	Service Kit (includes items 4-7 & 9-15)	

**SECTION 2 - WHEEL LIFT**

**FIGURE 2-23. LINK ASSEMBLY**



ART\_3592000040



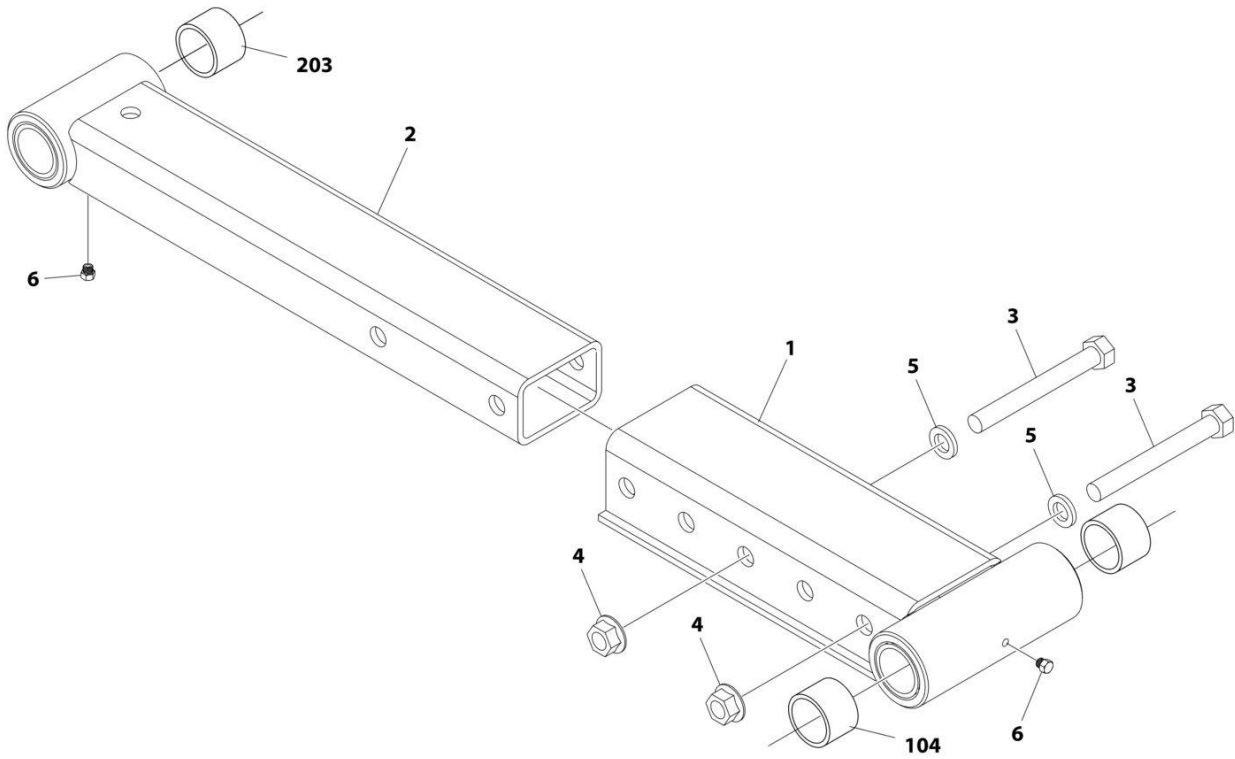
## SECTION 2 - WHEEL LIFT

### FIGURE 2-23. LINK ASSEMBLY

ITEM	PART NUMBER	QTY	DESCRIPTION	REV
	3592000040	Ref	Link Assembly, 4000 lbs	B
1	3592000058	1	Link, Outer	
2	3592000042	1	Link, Inner	
3	0641834	2	Bolt 1/2 x 4-1/4	
4	7660182301	2	Nut 1/2	
5	4761800	2	Washer 1/2	
6	1001204776	2	Fitting, Pipe	
104	7082000016	2	Bearing	
203	7082000016	2	Bearing	

# SECTION 2 - WHEEL LIFT

## FIGURE 2-24. LINK ASSEMBLY (GALVANIZED)



ART\_3592000066

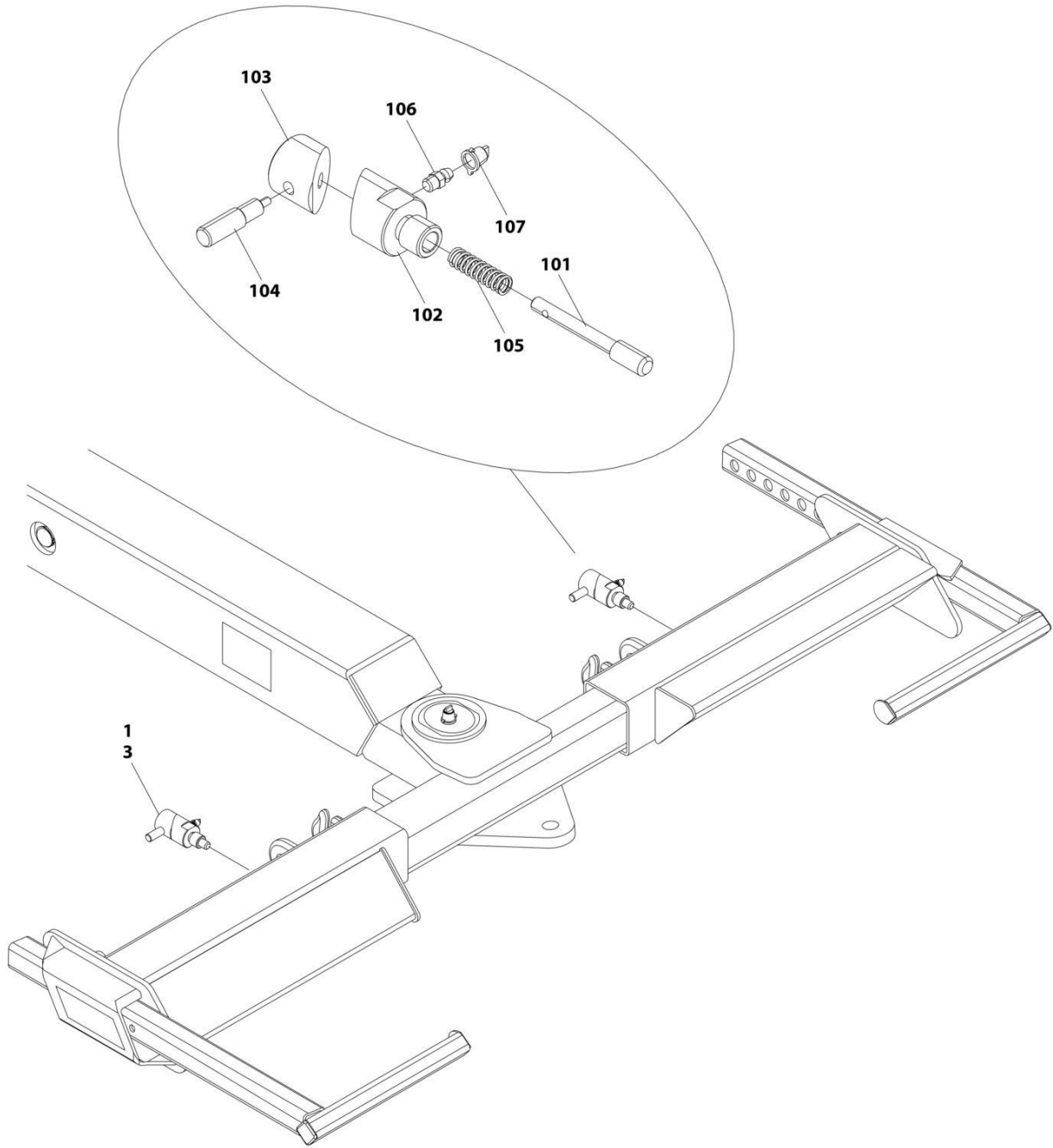
## SECTION 2 - WHEEL LIFT

**FIGURE 2-24. LINK ASSEMBLY (GALVANIZED)**

ITEM	PART NUMBER	QTY	DESCRIPTION	REV
	3592000066	Ref	Link Assembly, 4000 lbs Galvanized	B
1	3592000060	1	Link, Outer	
2	3592000065	1	Link, Inner	
3	0641834	2	Bolt 1/2 x 4-1/4	
4	7660182301	2	Nut 1/2	
5	4761800	2	Washer 1/2	
6	1001204776	2	Fitting, Pipe	
104	7082000016	2	Bearing	
203	7082000016	2	Bearing	

# SECTION 2 - WHEEL LIFT

## FIGURE 2-25. WHEEL LIFT CROSSBAR CAM-LOCK



ART\_1001160195

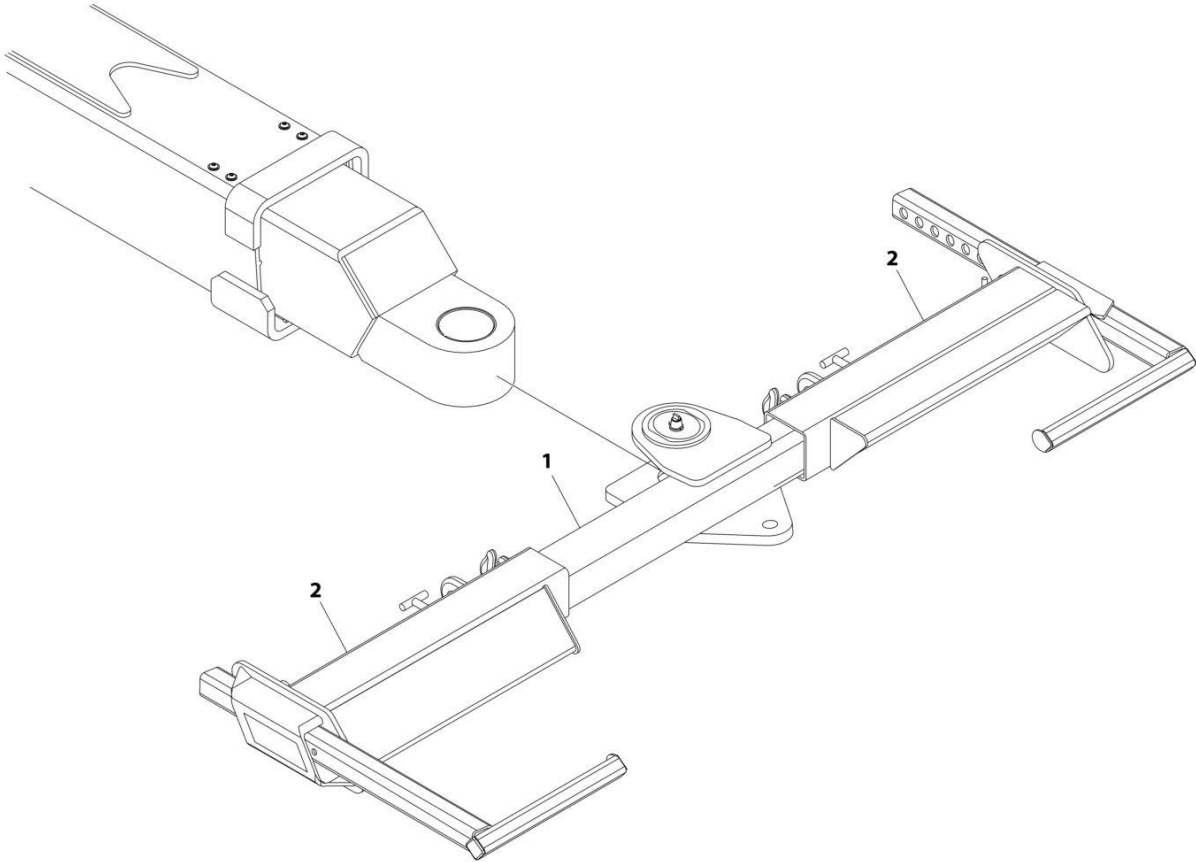
## SECTION 2 - WHEEL LIFT

### FIGURE 2-25. WHEEL LIFT CROSSBAR CAM-LOCK

ITEM	PART NUMBER	QTY	DESCRIPTION	REV
	1001160195	Ref	Wheel Lift Crossbar Cam-Lock	A
1	1001153950	2	Cam Lock (includes items 101 through 107)	
3	0100011	AR	Compound Locking	
101	1001153944	2	Pin	
102	1001153945	2	Cam-Lock Tube	
103	1001153946	2	Cam-Lock Cap	
104	1001153947	2	Handle	
105	1001153971	1	Spring	
106	7440030000	2	Fitting, Grease	
107	7253000002	2	Cap, Grease	

**SECTION 2 - WHEEL LIFT**

**FIGURE 2-26. WHEEL LIFT GRID - COMPLETE (3500 LBS - MANUAL) (BALL HITCH)**



ART\_1001158698

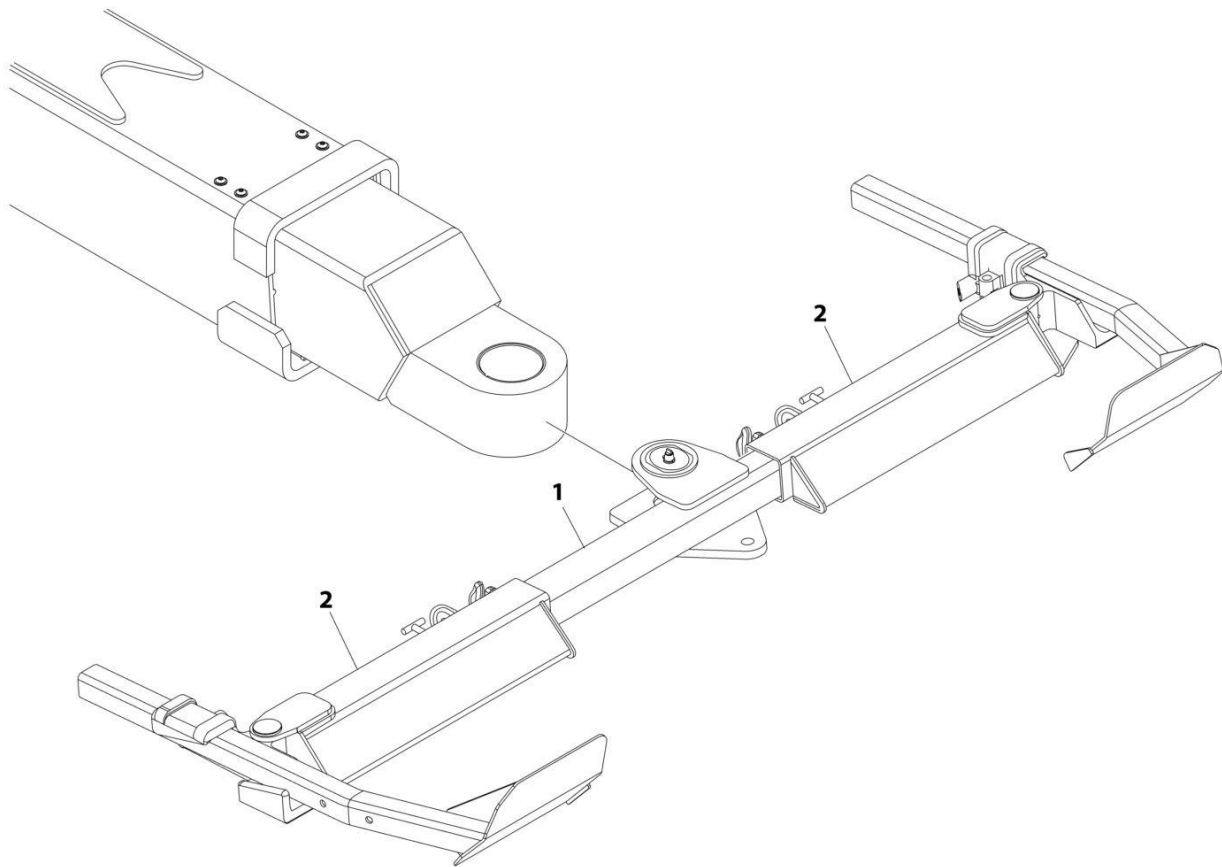
## SECTION 2 - WHEEL LIFT

**FIGURE 2-26. WHEEL LIFT GRID - COMPLETE (3500 LBS - MANUAL) (BALL HITCH)**

ITEM	PART NUMBER	QTY	DESCRIPTION	REV
	1001158698	Ref	IRL WHEEL LIFT (GRID) - (3500 LBS) (BALL) (GALVANIZED)	A
1	1001158674	1	Pivot Tube Installation (See Separate Breakdown in this Section)	
2	2484000014	1	Grid Wheel Installation (See Separate Breakdown in this Section)	

## SECTION 2 - WHEEL LIFT

FIGURE 2-27. WHEEL LIFT GRID - COMPLETE (3500 LBS - T37) (BALL HITCH)



ART\_1001158695



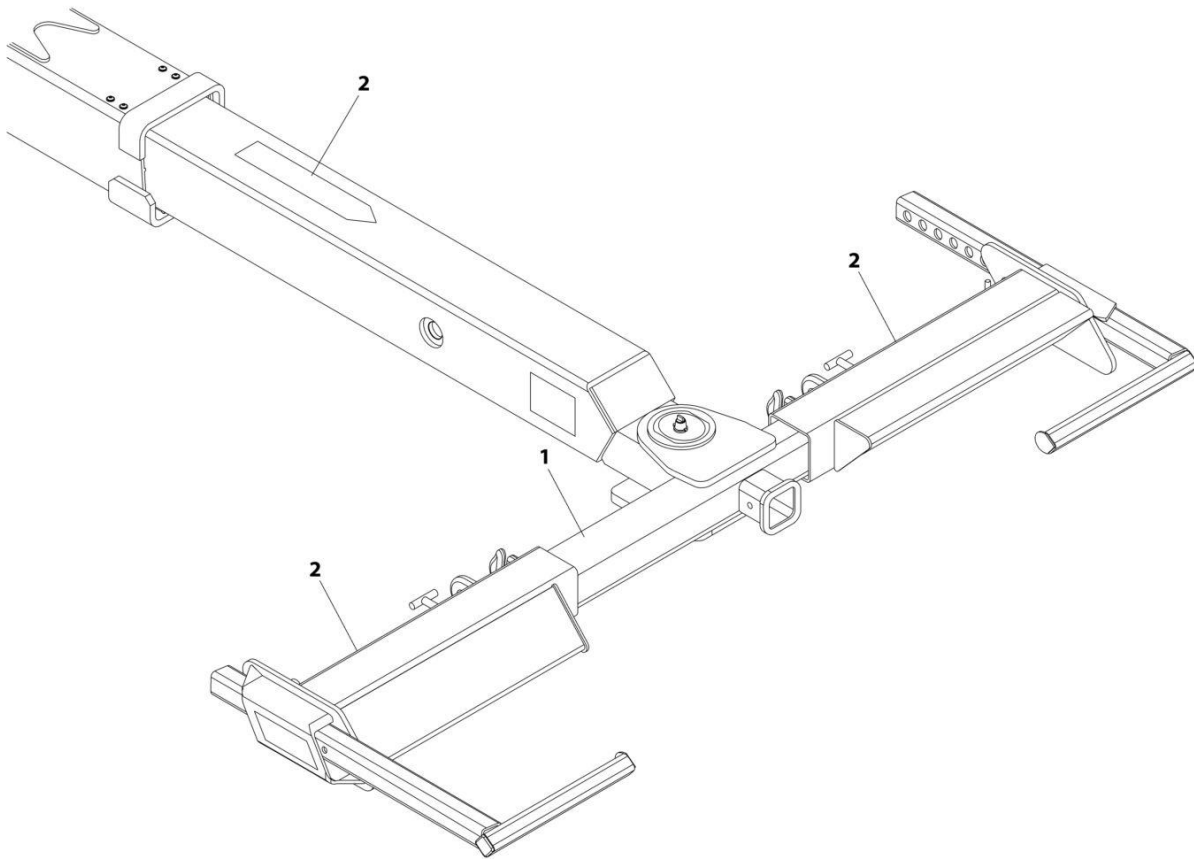
## SECTION 2 - WHEEL LIFT

**FIGURE 2-27. WHEEL LIFT GRID - COMPLETE (3500 LBS - T37) (BALL HITCH)**

ITEM	PART NUMBER	QTY	DESCRIPTION	REV
	1001158695	Ref	IRL WHEEL LIFT (GRID) - (3000 LBS - T37) (BALL)	A
1	1001158674	1	Pivot Tube Installation (See Separate Breakdown in this Section)	
2	2484000010	1	Grid Wheel Installation (See Separate Breakdown in this Section)	

## SECTION 2 - WHEEL LIFT

FIGURE 2-28. WHEEL LIFT GRID - COMPLETE (3500 LBS - MANUAL) (2IN TOW HITCH)



ART\_1001158699

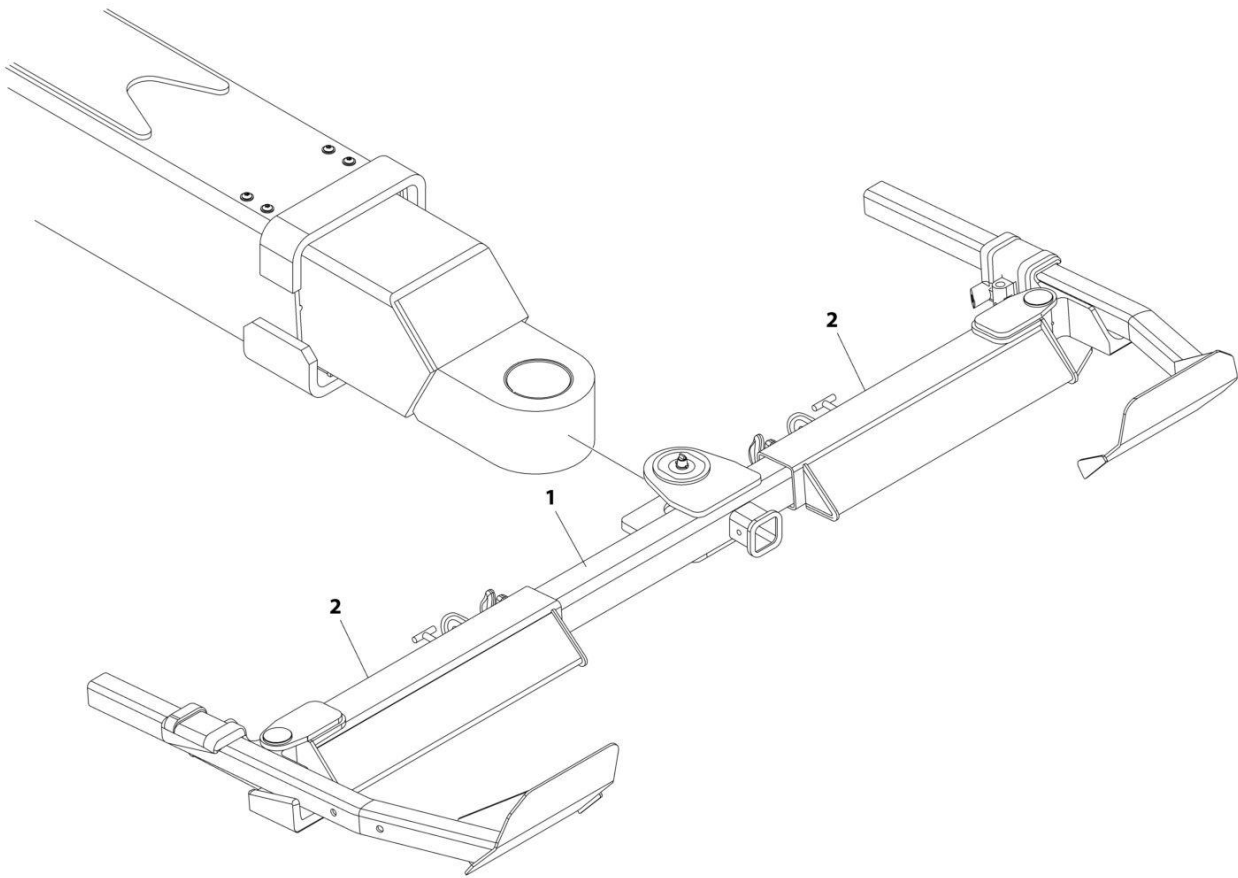
## SECTION 2 - WHEEL LIFT

**FIGURE 2-28. WHEEL LIFT GRID - COMPLETE (3500 LBS - MANUAL) (2IN TOW HITCH)**

ITEM	PART NUMBER	QTY	DESCRIPTION	REV
	1001158699	Ref	IRL WHEEL LIFT (GRID) - (3500 LBS) - GALVANIZED (2 IN TOW HITCH)	A
1	1001158677	1	Pivot Tube Installation (See Separate Breakdown in this Section)	
2	2484000014	1	Grid Wheel Installation (See Separate Breakdown in this Section)	

## SECTION 2 - WHEEL LIFT

FIGURE 2-29. WHEEL LIFT GRID - COMPLETE (GRID), (3500 LBS - T37) (2IN TOW HITCH)



ART\_1001158696

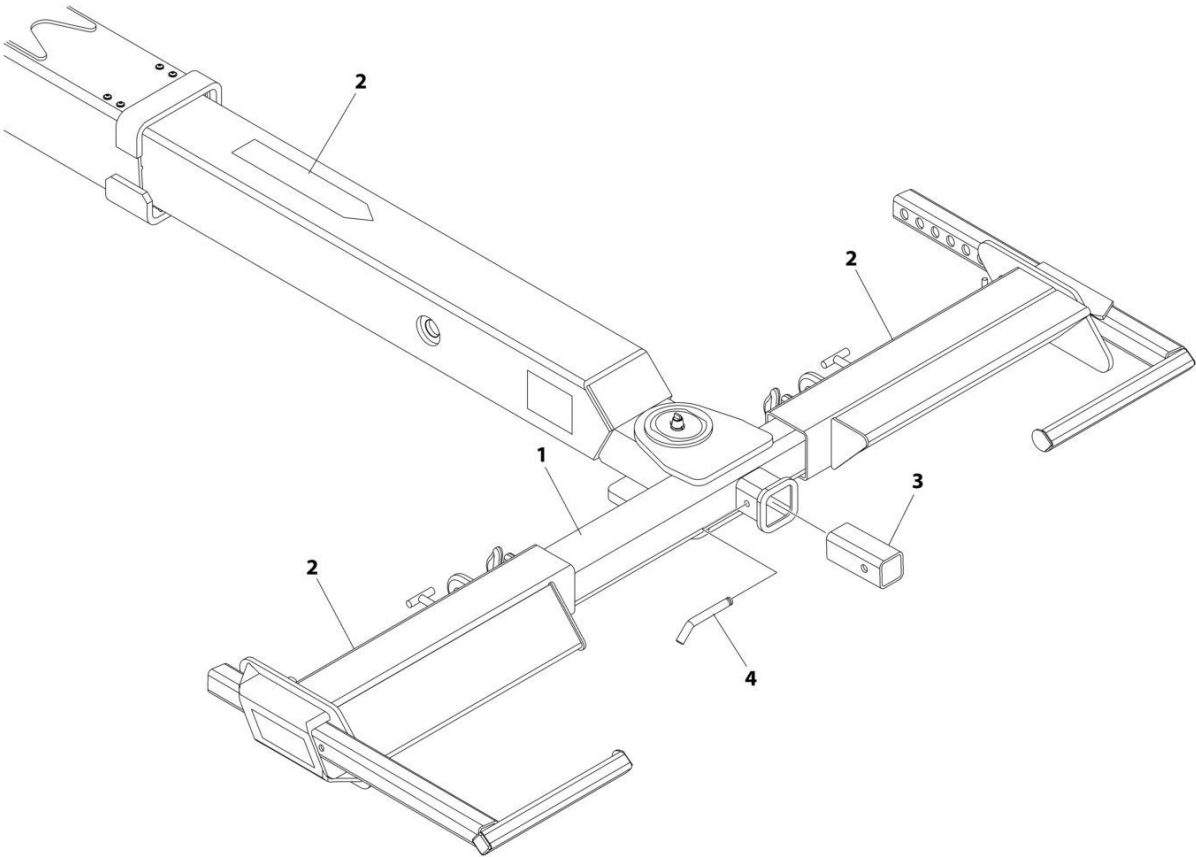
## SECTION 2 - WHEEL LIFT

**FIGURE 2-29. WHEEL LIFT GRID - COMPLETE (GRID), (3500 LBS - T37) (2IN TOW HITCH)**

ITEM	PART NUMBER	QTY	DESCRIPTION	REV
	1001158696	Ref	IRL WHEEL LIFT (GRID) - (3500 LBS - T37) (2 IN TOW HITCH)	A
1	1001158677	1	Pivot Tube Installation (See Separate Breakdown in this Section)	
2	2484000010	1	Grid Wheel Installation (See Separate Breakdown in this Section)	

**SECTION 2 - WHEEL LIFT**

**FIGURE 2-30. WHEEL LIFT GRID - COMPLETE (3500 LBS - MANUAL) (2.5IN TOW HITCH)**



ART\_1001158707

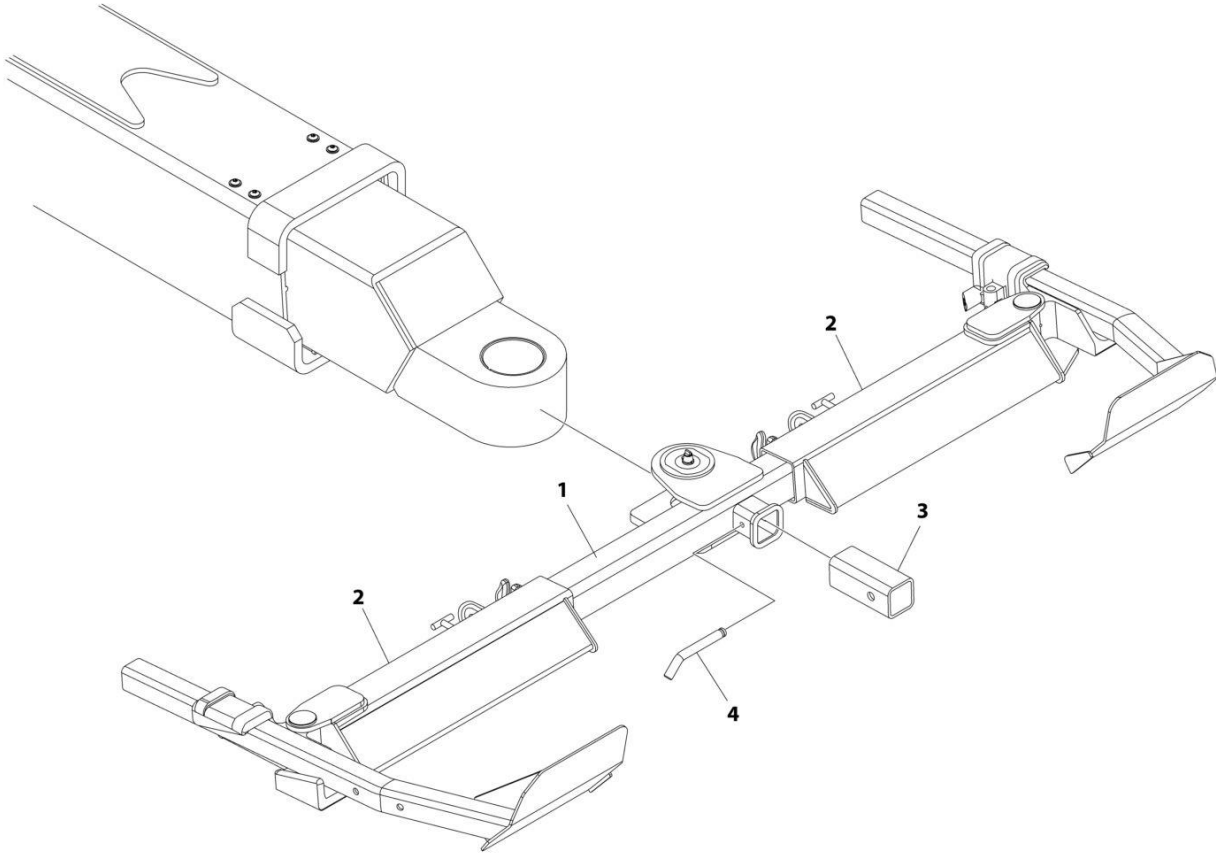
## SECTION 2 - WHEEL LIFT

**FIGURE 2-30. WHEEL LIFT GRID - COMPLETE (3500 LBS - MANUAL) (2.5IN TOW HITCH)**

ITEM	PART NUMBER	QTY	DESCRIPTION	REV
	1001158707	Ref	IRL WHEEL LIFT (GRID) - (3500 LBS) - GALVANIZED (2.5 IN TOW HITCH)	A
1	1001158678	1	Pivot Tube Installation (See Separate Breakdown in this Section)	
2	2484000014	1	Grid Wheel Installation (See Separate Breakdown in this Section)	
3	7913000006	1	Tube	
4	7691000033	1	Pin	

**SECTION 2 - WHEEL LIFT**

**FIGURE 2-31. WHEEL LIFT GRID - COMPLETE (3500 LBS - T37) (2.5IN TOW HITCH)**



ART\_1001158697



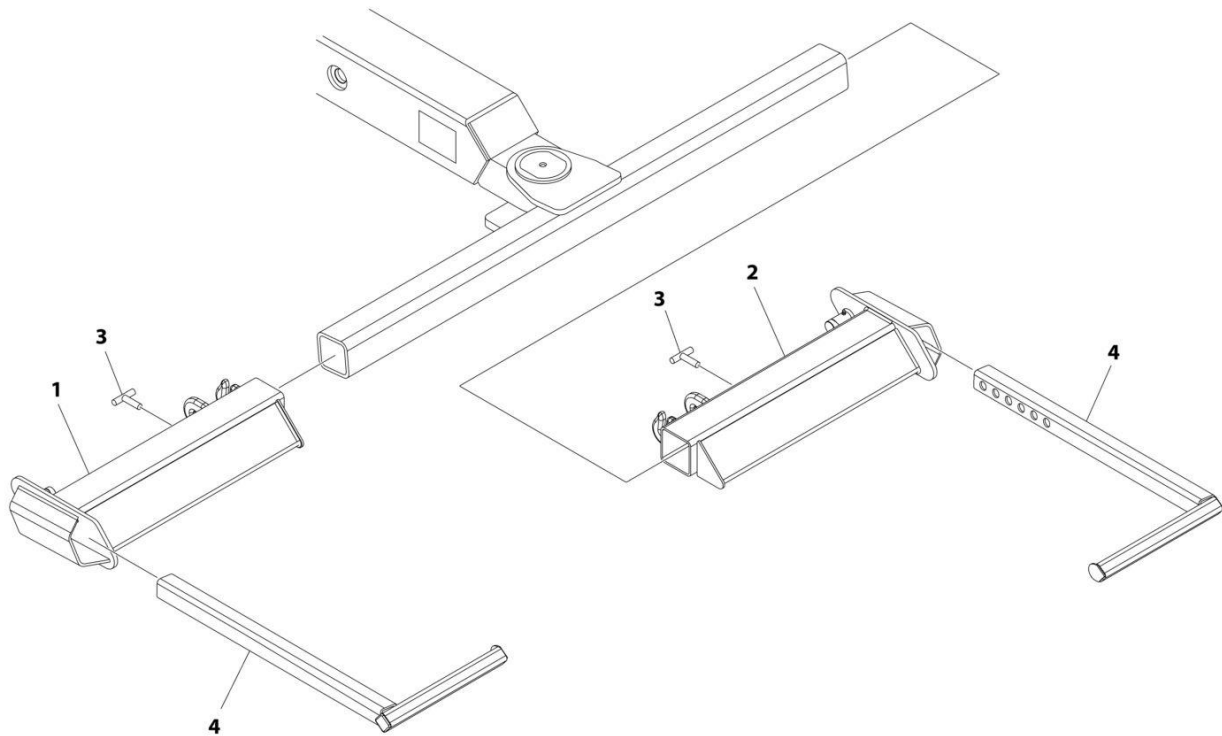
## SECTION 2 - WHEEL LIFT

**FIGURE 2-31. WHEEL LIFT GRID - COMPLETE (3500 LBS - T37) (2.5IN TOW HITCH)**

ITEM	PART NUMBER	QTY	DESCRIPTION	REV
	1001158697	Ref	IRL WHEEL LIFT (GRID) - (3500 LBS - T37) - BALL (2.5 IN TOW HITCH)	A
1	1001158678	1	Pivot Tube Installation (See Separate Breakdown in this Section)	
2	2484000010	1	Grid Wheel Installation (See Separate Breakdown in this Section)	
3	7913000006	1	Tube	
4	7691000033	1	Pin	

## SECTION 2 - WHEEL LIFT

FIGURE 2-32. WHEEL GRID INSTALLATION (3500 LBS MANUAL)



ART\_2484000014

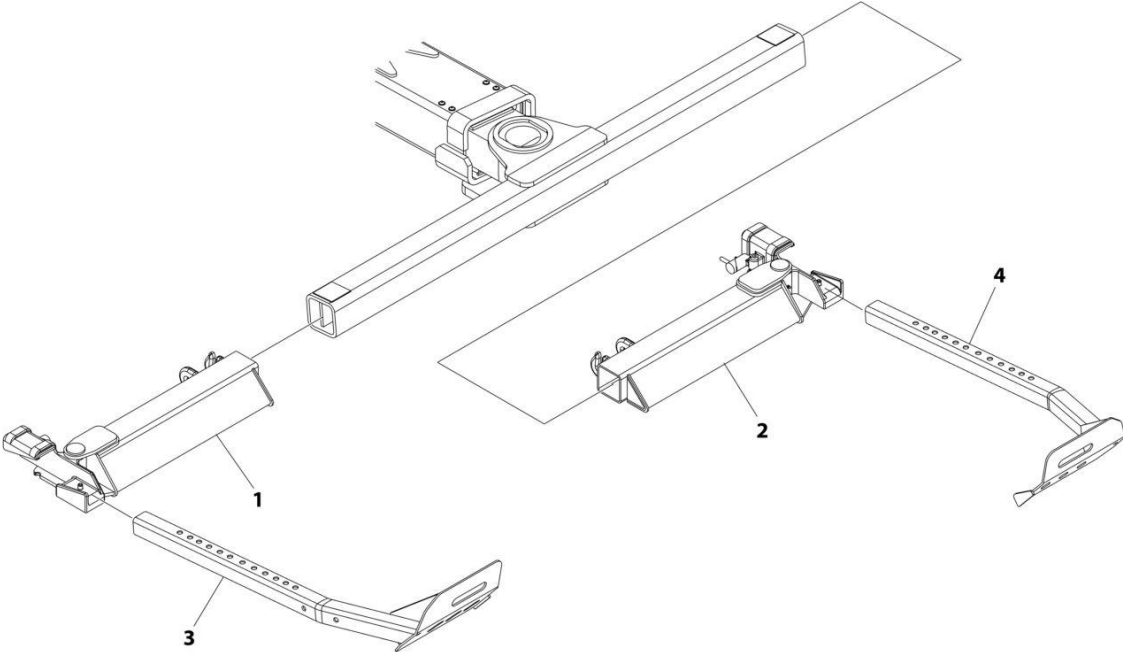
## SECTION 2 - WHEEL LIFT

**FIGURE 2-32. WHEEL GRID INSTALLATION (3500 LBS MANUAL)**

ITEM	PART NUMBER	QTY	DESCRIPTION	REV
	2484000014	Ref	WHEEL LIFT INSTALLATION (GRID), (3500 LBS)	0
1	3484000091	1	Grid Weldment LH	
2	3484000090	1	Grid Weldment RH	
3	3551000036	2	T-Handle	
4	3020000132	2	Arm Weldment	

**SECTION 2 - WHEEL LIFT**

**FIGURE 2-33. WHEEL GRID INSTALLATION (3500 LBS T-37)**



ART\_248400010

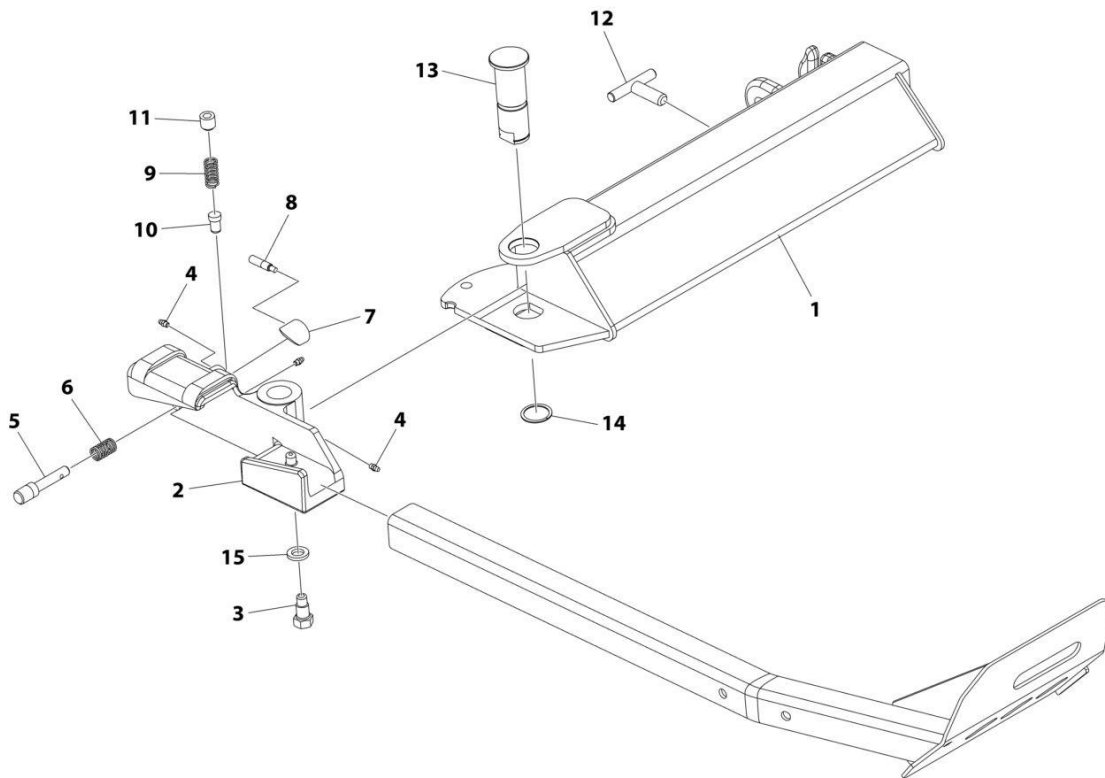
## SECTION 2 - WHEEL LIFT

**FIGURE 2-33. WHEEL GRID INSTALLATION (3500 LBS T-37)**

ITEM	PART NUMBER	QTY	DESCRIPTION	REV
	2484000010	Ref	WHEEL LIFT INSTALLATION (GRID) - (3500 LBS - T37)	0
1	3484000047	1	Pivoting Wheel Lift Assembly, LH (See Separate Breakdown in this Section)	
2	3484000046	1	Pivoting Wheel Lift Assembly, RH (See Separate Breakdown in this Section)	
3	3020000029	1	L-Arm Weldment, LH	
4	3020000030	1	L-Arm Weldment, RH	

# SECTION 2 - WHEEL LIFT

## FIGURE 2-34. WHEEL LIFT ASSEMBLY (GRID), LH



ART\_3484000047

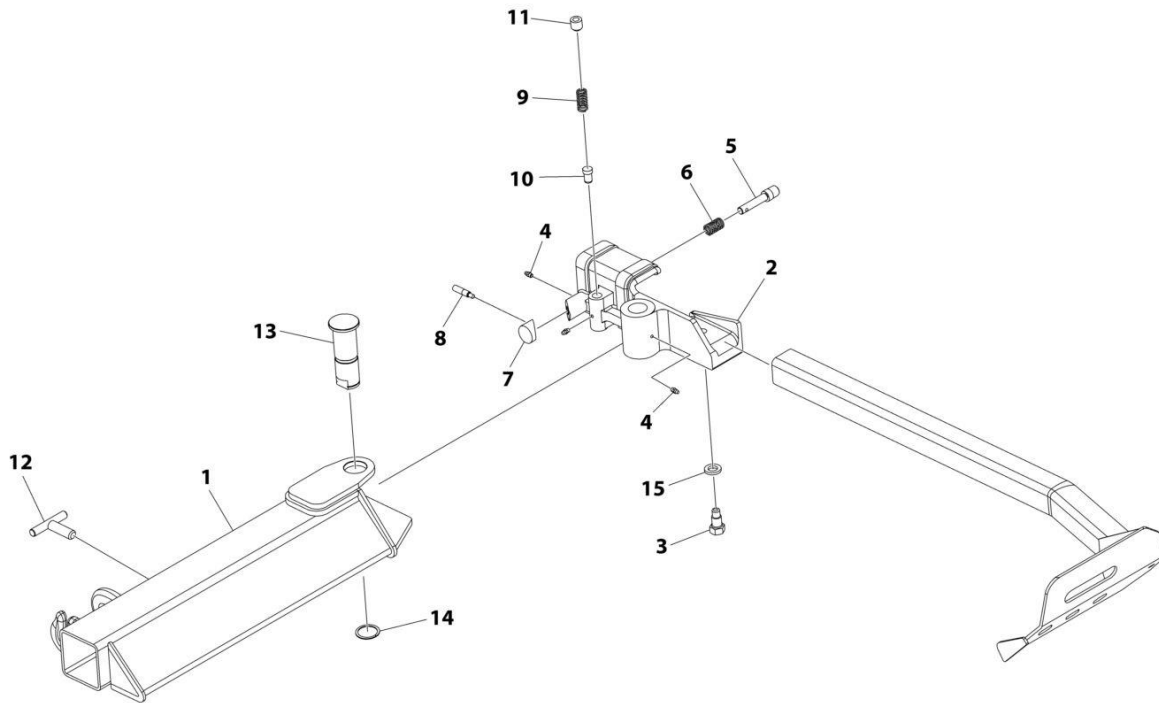
## SECTION 2 - WHEEL LIFT

**FIGURE 2-34. WHEEL LIFT ASSEMBLY (GRID), LH**

ITEM	PART NUMBER	QTY	DESCRIPTION	REV
	3484000047	Ref	WHEEL LIFT ASSEMBLY (GRID), LH	C
1	3484000017	1	Grid Weldment, LH	
2	4259000002	1	Pivot Weldment, LH	
3	4691000354	1	Pin	
4	7440030000	3	Fitting	
5	4691000186	1	Pin	
6	7843000006	1	Spring	
7	4254000005	1	Cap	
8	4763000184	1	Rod	
9	7843000016	1	Spring	
10	4691000183	1	Pin	
11	7786000006	1	Screw 3/4 x 5/8	
12	3551000036	1	T-Handle	
13	4691000357	1	Pin	
14	7754000037	1	Ring Retaining	
15	7950200000	1	Washer 5/8	

# SECTION 2 - WHEEL LIFT

## FIGURE 2-35. WHEEL LIFT ASSEMBLY (GRID), RH



ART\_348400046



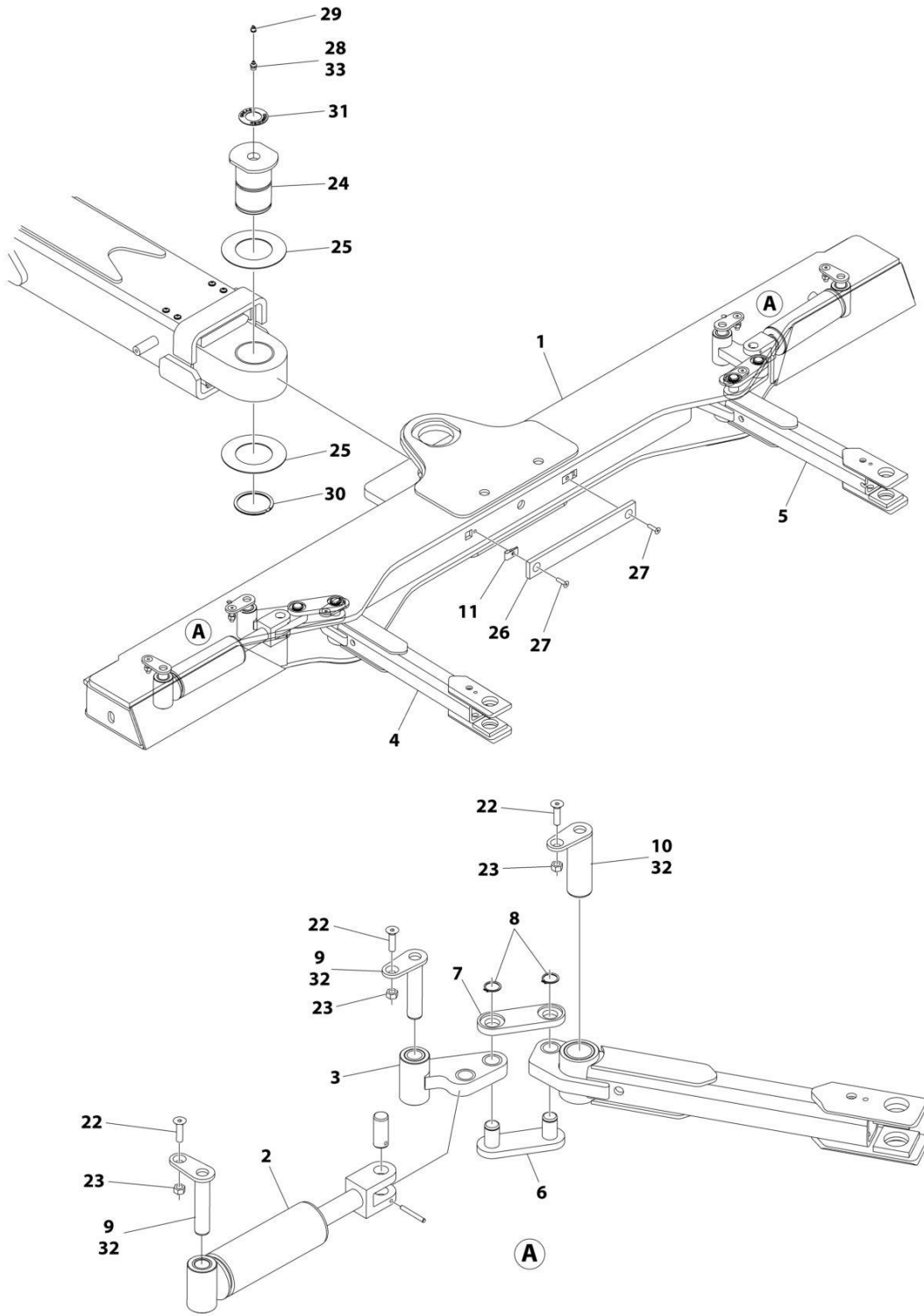
## SECTION 2 - WHEEL LIFT

**FIGURE 2-35. WHEEL LIFT ASSEMBLY (GRID), RH**

ITEM	PART NUMBER	QTY	DESCRIPTION	REV
	3484000046	Ref	WHEEL LIFT ASSEMBLY (GRID), RH	C
1	3484000016	1	Grid Weldment, RH	
2	4259000001	1	Pivot Weldment, RH	
3	4691000354	1	Pin	
4	7440030000	3	Fitting	
5	4691000186	1	Pin	
6	7843000006	1	Spring	
7	4254000005	1	Cap	
8	4763000184	1	Rod	
9	7843000016	1	Spring	
10	4691000183	1	Pin	
11	7786000006	1	Screw 3/4 x 5/8	
12	3551000036	1	T-Handle	
13	4691000357	1	Pin	
14	7754000037	1	Ring Retaining	
15	7950200000	1	Washer 5/8	

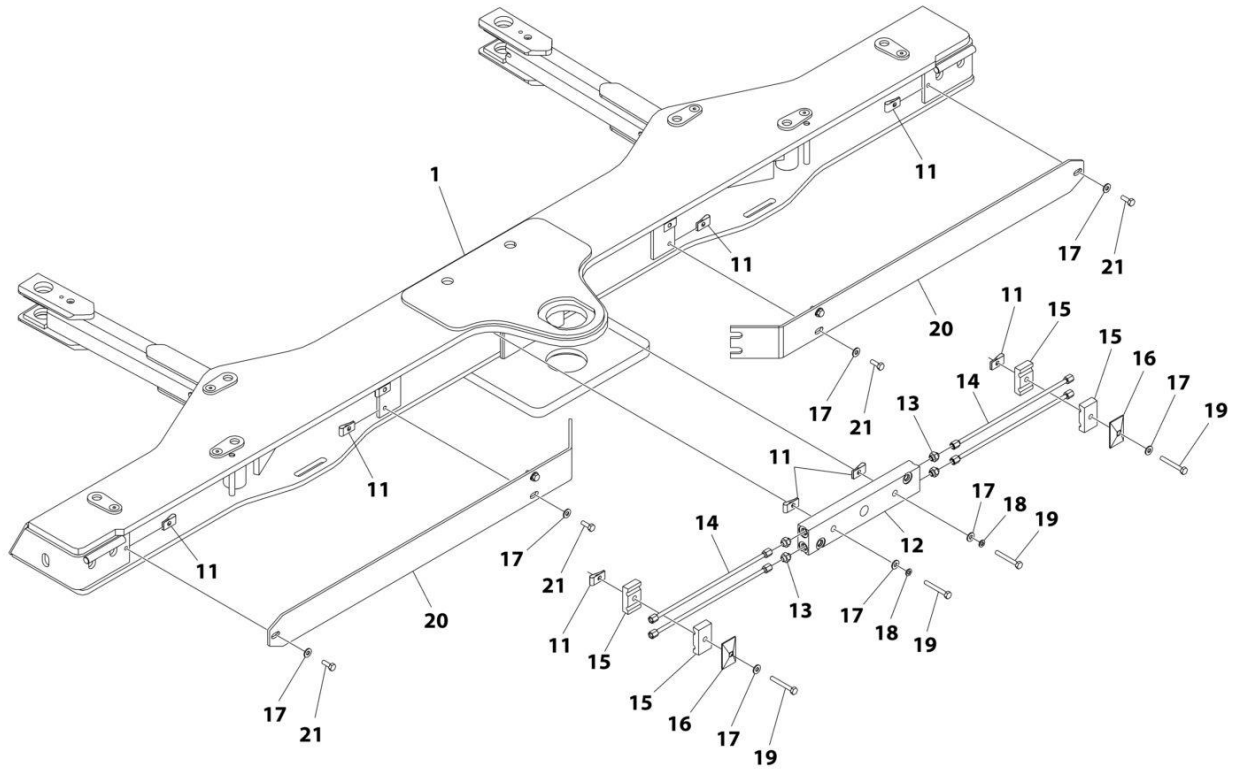
# SECTION 2 - WHEEL LIFT

## FIGURE 2-36. WHEEL LIFT GRID INSTALLATION (AUTO GRIDS)



ART\_1001228493\_10F2

# SECTION 2 - WHEEL LIFT



ART\_1001228493\_2OF2

## SECTION 2 - WHEEL LIFT

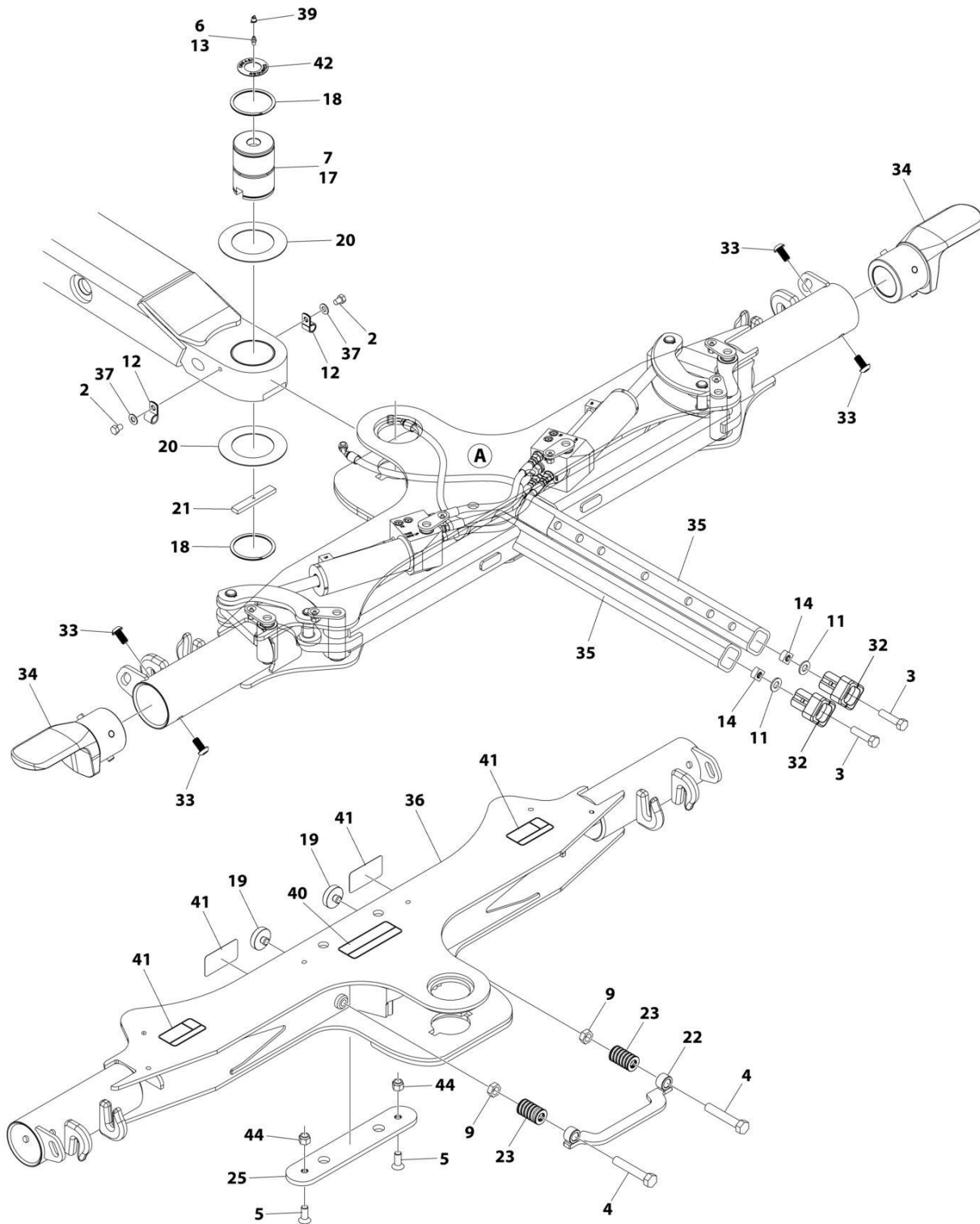
**FIGURE 2-36. WHEEL LIFT GRID INSTALLATION (AUTO GRIDS)**

ITEM	PART NUMBER	QTY	DESCRIPTION	REV
	1001228493	Ref	HYDRAULIC WHEEL LIFT GRID	A
1	1001228491	1	Plate	
2	7320000064	2	Cylinder Assembly - Hydraulic Grid (See Separate Breakdown in this Section)	
3	3592000052	2	Link	
4	3020000115	1	Arm (LH)	
5	3020000111	1	Arm (RH)	
6	3592000051	2	Link Weldment	
7	4706003497	2	Plate	
8	3760351	4	Ring, Retaining	
9	3691000229	4	Pin	
10	3691000230	2	Pin	
11	7661000064	12	Clip, U-Nut 1/4	
12	4619000013	1	Manifold	
13	7445040443	4	Fitting, Straight	
14	7912000184	4	Tube, Hydraulic	
15	7274000086	4	Clamp	
16	7274000039	2	Clamp Cover	
17	4711400	10	Washer 1/4	
18	4761400	2	Washer 1/4	
19	0641416	4	Bolt 1/4 x 2	
20	1001220280	2	Plate	
21	0641406	6	Bolt 1/4 x 3/4	
22	1001137904	6	Bolt 5/16 x 1-1/4	
23	3271505	6	Nut 5/16	
24	4691000198	1	Pin	
25	4949000047	2	Washer	
26	4679000268	1	Pad	
27	0741408	2	Flat	
28	88671001	1	Fitting, Straight	
29	7253000002	1	Cap, Grease	
30	7754000024	1	Retaining Ring	
31	7330000609	1	Decal, Grease Required	
32	3020039	AR	Lubricant	
33	3020029	AR	Lubricant	



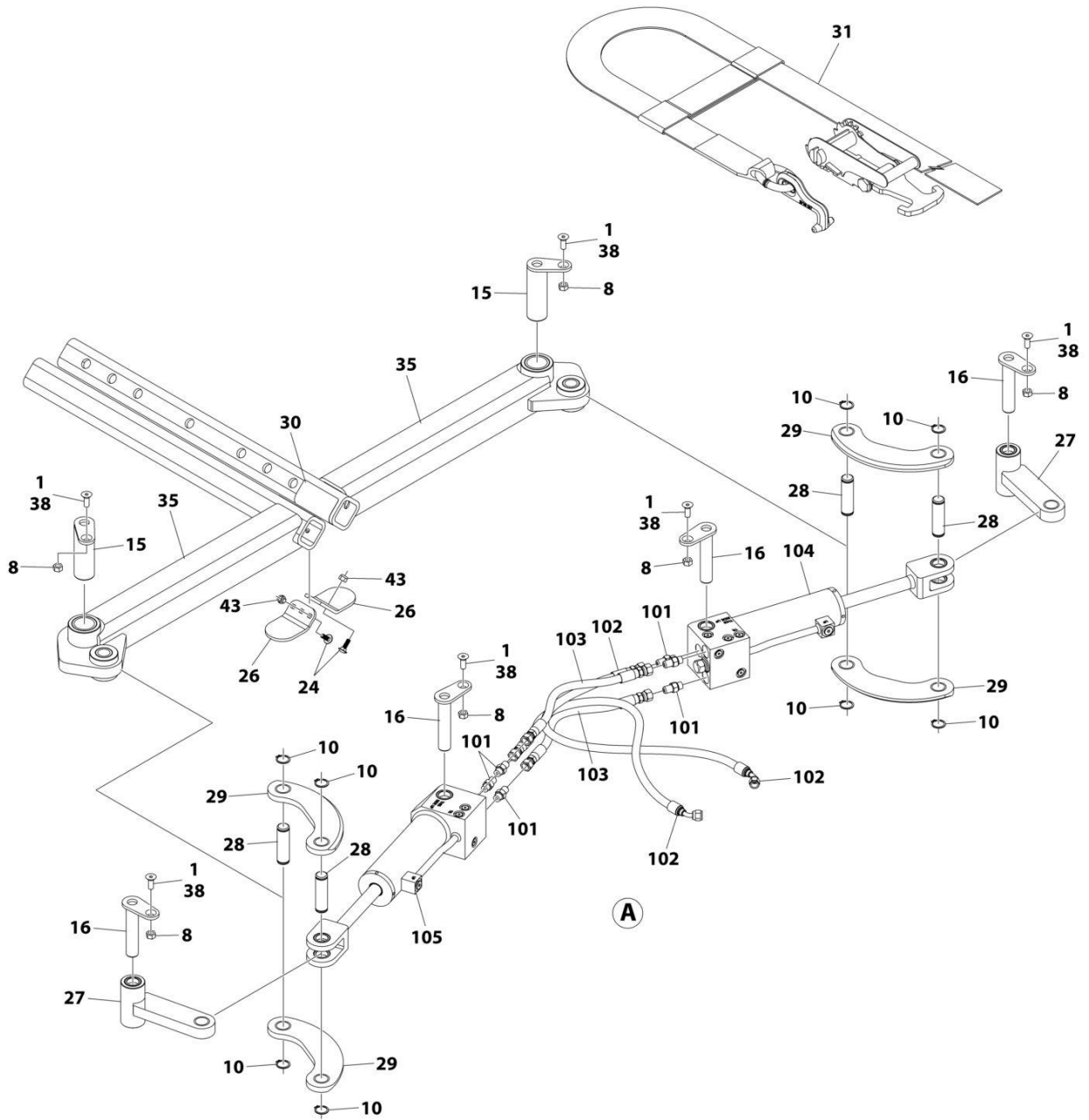
# SECTION 2 - WHEEL LIFT

## FIGURE 2-37. WHEEL LIFT GRID INSTALLATION - WHEEL LIFT (AUTO GRIDS) (GALVANIZED)



ART\_1001288414\_10F2

# SECTION 2 - WHEEL LIFT



ART\_1001288414\_2OF2

## SECTION 2 - WHEEL LIFT

**FIGURE 2-37. WHEEL LIFT GRID INSTALLATION - WHEEL LIFT (AUTO GRIDS) (GALVANIZED)**

ITEM	PART NUMBER	QTY	DESCRIPTION	REV
	1001288414	Ref	WHEEL LIFT GRID INSTALLATION	A
1	0100011	AR	Compound, Locking	
2	0641604	2	Bolt 3/8 x 1/2	
3	0641816	2	Bolt 1/2 x 2	
4	0642028	2	Bolt 5/8 x 3-1/2	
5	0741810	2	Screw 1/2 x 1-1/4	
6	3020029	AR	Lubricant	
7	3020039	AR	Lubricant	
8	3271505	6	Nut 5/16	
9	3312002	2	Nut 5/8	
10	3760351	8	Ring, Retaining	
11	4711800	2	Washer 1/2	
12	85941016	2	Clamp	
13	88671008	1	Fitting, Grease	
14	1001209867	2	Nut 1/2	
15	1001271716	2	Pin	
16	1001271717	4	Pin	
17	1001271725	1	Pin	
18	1001271726	2	Ring	
19	1001271727	2	Bumper	
20	1001272108	2	Plate	
21	1001272224	1	Keeper, Pin	
22	1001276427	1	Bracket	
23	1001276939	2	Spring	
24	1001286904	4	Bolt 1/4 x 7/8	
25	1001286927	1	Plate, Wear	
26	1001286928	2	Plate, Wear	
27	1001286929	2	Cam	
28	1001287713	4	Pin	
29	1001287714	4	Link	
29	1001272015	8	Bushing (ZPBR Link)	
30	1001287792	2	Decal - Grid L - Arm	
31	1001288002	1	Safety Strap Kit	
32	1001288073	4	Bracket	
33	1001288201	4	Screw 1/2 x 1	
34	1001288263	2	Bracket	
35	1001288402	2	Arm Grid	
36	1001288413	1	Plate	
37	4711600001	2	Washer 3/8	
38	7115150723	6	Screw 5/16 x 7/8	
39	7253000002	1	Cap, Grease	
40	7330000036	1	Decal - Wheel Lift Warning	
41	7330000599	4	Decal - Pinch Point	
42	7330000609	1	Decal - Grease Required	
43	7660142601	4	Nut 1/4	
44	7660182601	2	Nut 1/2	
100	1001287694	1	Grid Cylinder/Fitting Kit (Not Shown)	
101	2220415	6	Fitting, Straight ORB/JIC	
102	1001276988	2	Hose	
103	1001276989	2	Hose	

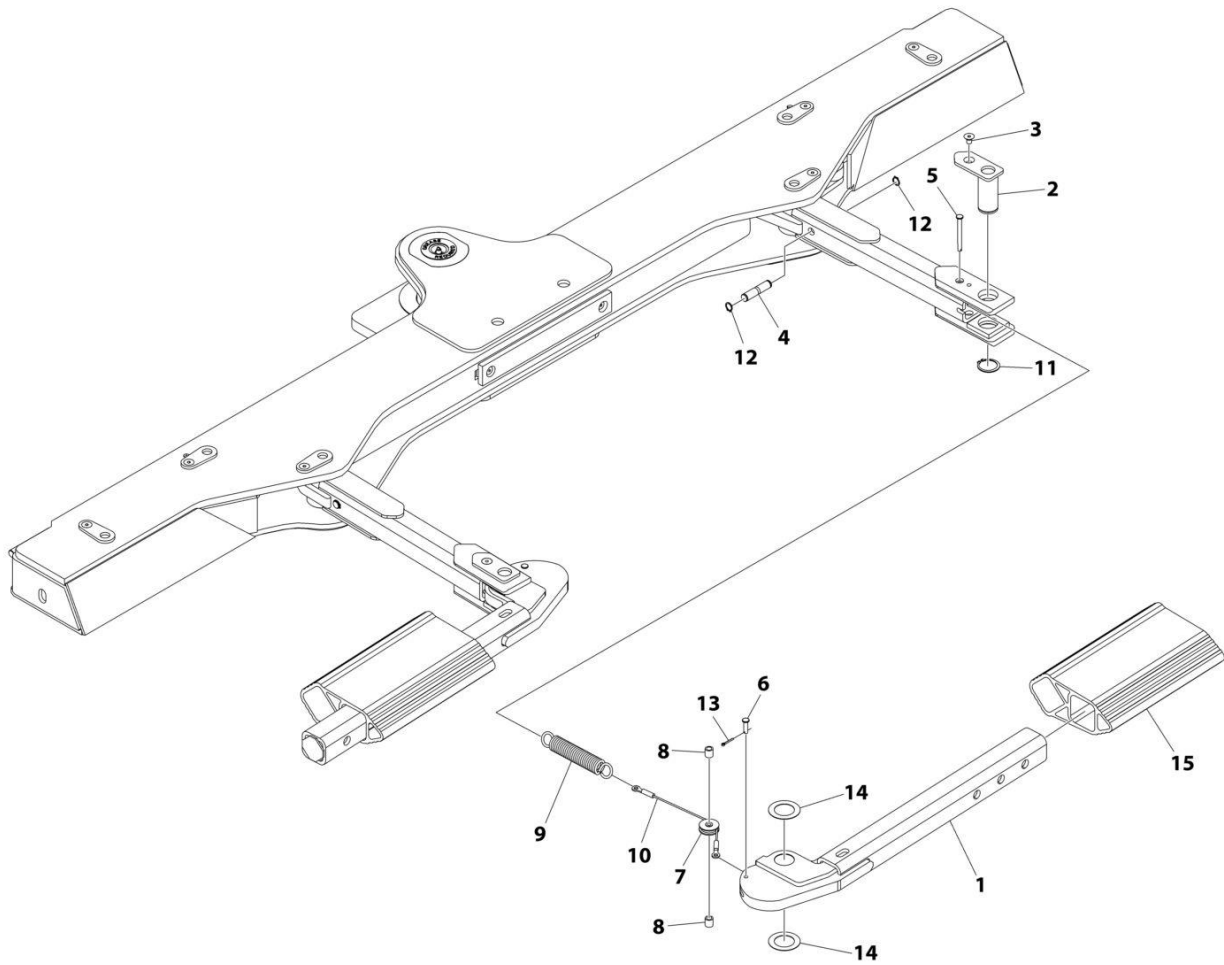


## SECTION 2 - WHEEL LIFT

ITEM	PART NUMBER	QTY	DESCRIPTION	REV
104	1001285818	1	Cylinder Assembly - Wheel Lift Grid (LH) (See Separate Breakdown in This Section)	
105	1001285819	1	Cylinder Assembly - Wheel Lift Grid (RH) (See Separate Breakdown in This Section)	

# SECTION 2 - WHEEL LIFT

## FIGURE 2-38. WHEEL LIFT ARM INSTALLATION (AUTO GRIDS)



ART\_248400008

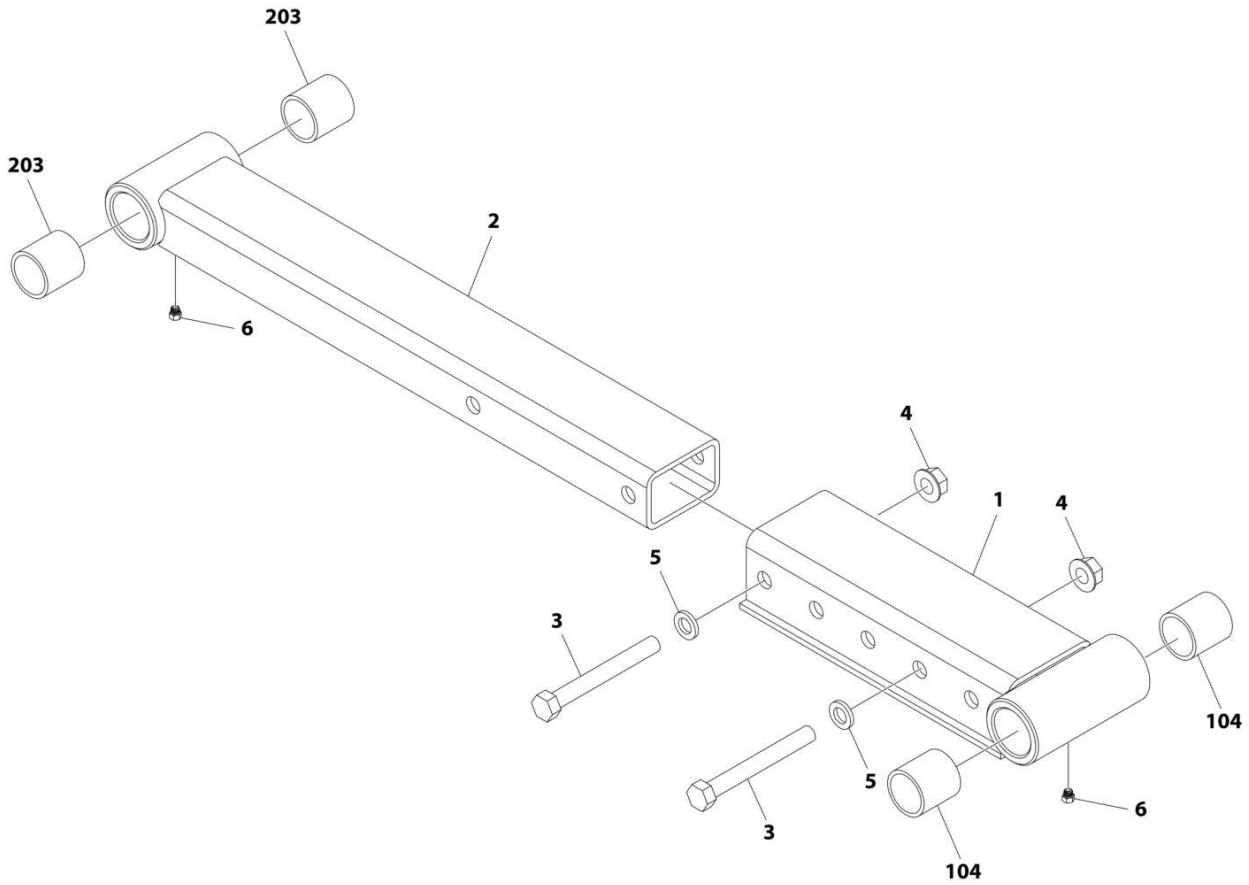
## SECTION 2 - WHEEL LIFT

**FIGURE 2-38. WHEEL LIFT ARM INSTALLATION (AUTO GRIDS)**

ITEM	PART NUMBER	QTY	DESCRIPTION	REV
	2484000008	Ref	GRID ARM INSTALLATION - AUTOGRID	C
1	3020000112	2	Arm Weldment	
2	3691000222	2	Pin	
3	0741504	2	Screw 5/16 x 1/2	
4	4691000527	2	Pin	
5	7690144005	2	Pin	
6	7690141600	2	Pin	
7	7719000005	2	Pulley	
8	4831000112	4	Spacer	
9	7843000043	2	Spring	
10	7248000115	2	Cable	
11	3760133	2	Retainer	
12	7754000087	4	Retainer	
13	7690021210	2	Pin	
14	4949000072	4	Washer	
15	8411080091	2	L-Arm Spacer	

# SECTION 2 - WHEEL LIFT

## FIGURE 2-39. WHEEL LIFT LINK INSTALLATION (AUTO GRIDS)



ART\_1001158510

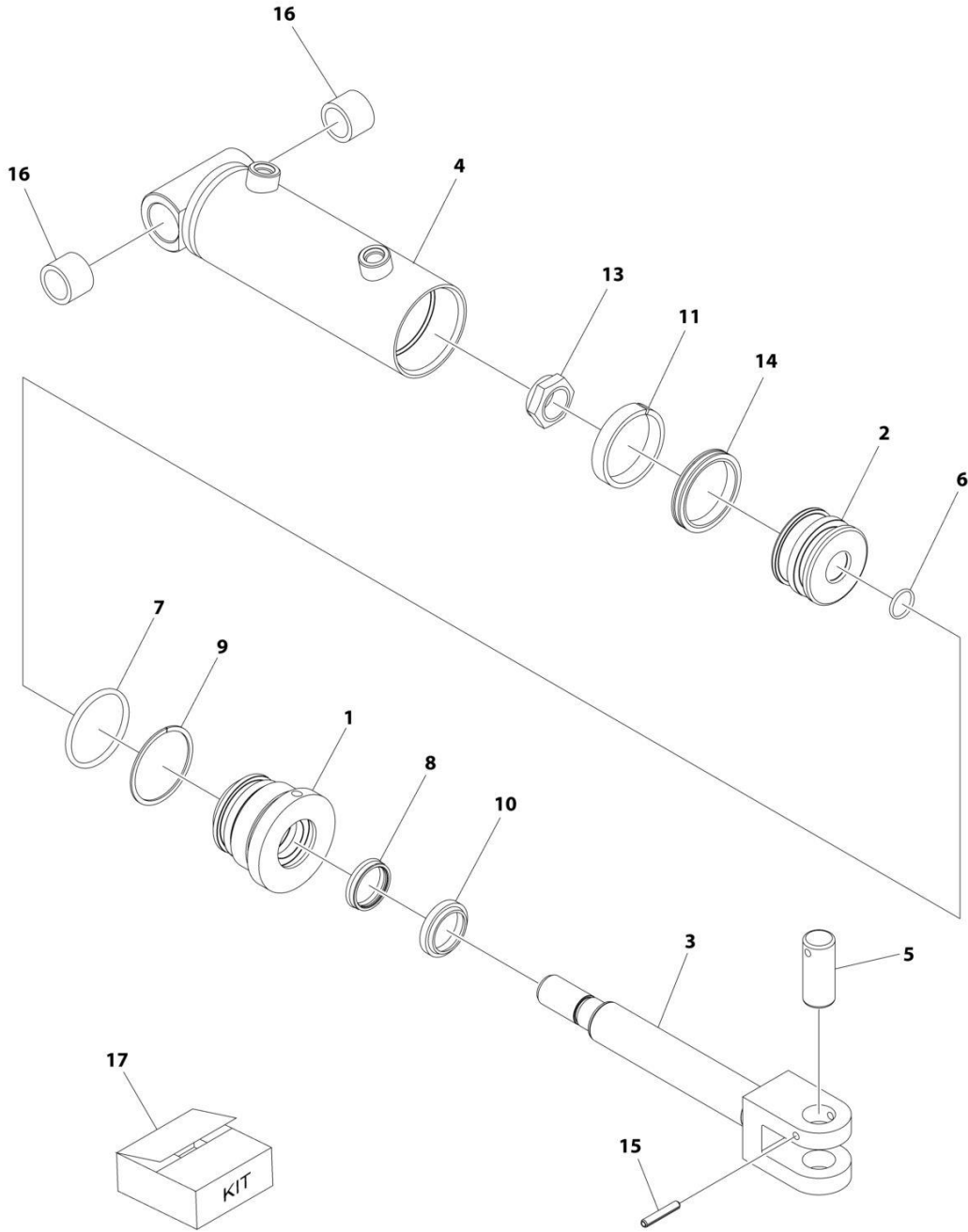
## SECTION 2 - WHEEL LIFT

**FIGURE 2-39. WHEEL LIFT LINK INSTALLATION (AUTO GRIDS)**

ITEM	PART NUMBER	QTY	DESCRIPTION	REV
	1001158510	Ref	LINK ASSEMBLY (AUTOGRID)	B
1	3592000059	1	Lower Link Weldment	
2	1001158512	1	Upper Link Weldment	
3	0641834	2	Bolt 1/2 x 4-1/4	
4	7660182301	2	Nut 1/2	
5	4761800	2	Washer 1/2	
6	1001204776	2	Fitting, Pipe	
104	7082000016	2	Bearing	
203	7082000016	2	Bearing	

# SECTION 2 - WHEEL LIFT

## FIGURE 2-40. CYLINDER ASSEMBLY - WHEEL LIFT GRID



ART\_732000064

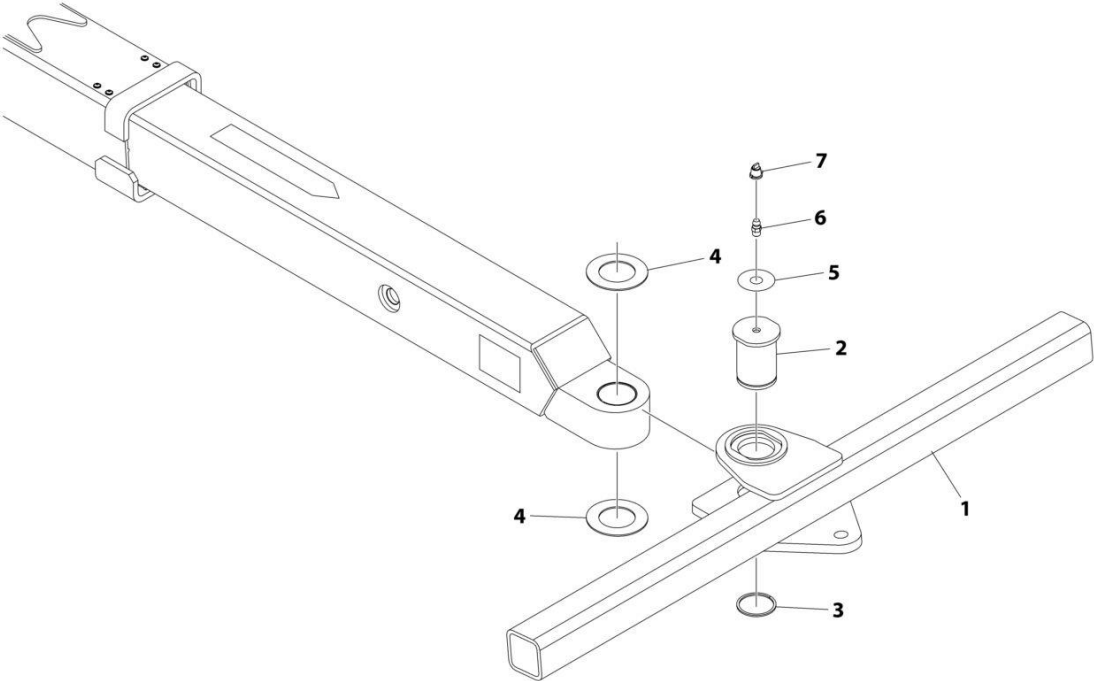
## SECTION 2 - WHEEL LIFT

**FIGURE 2-40. CYLINDER ASSEMBLY - WHEEL LIFT GRID**

ITEM	PART NUMBER	QTY	DESCRIPTION	REV
	732000064	Ref	CYLINDER ASSEMBLY	B
1	7027336	1	Gland	
2	7027338	1	Piston	
3	70050632	1	Rod Assembly	
4	70050633	1	Barrel Assembly	
5	70050634	1	Retention Pin	
6	70050635	1	O-Ring	
7	70050636	1	O-Ring	
8	70050637	1	Rod Seal	
9	70050638	1	Backup Ring	
10	70050639	1	Rod Wiper	
11	70050640	1	Wear Ring	
12	70050641	2	Plug	
13	70050642	1	Nut 3/4	
14	70050643	1	Piston Seal	
15	70050644	1	Roll Pin	
16	7082000026	2	Bearing	
17	7027341	1	Seal Kit (includes items 6-11)	

**SECTION 2 - WHEEL LIFT**

**FIGURE 2-41. PIVOT TUBE INSTALLATION (BALL HITCH)**



ART\_1001158674



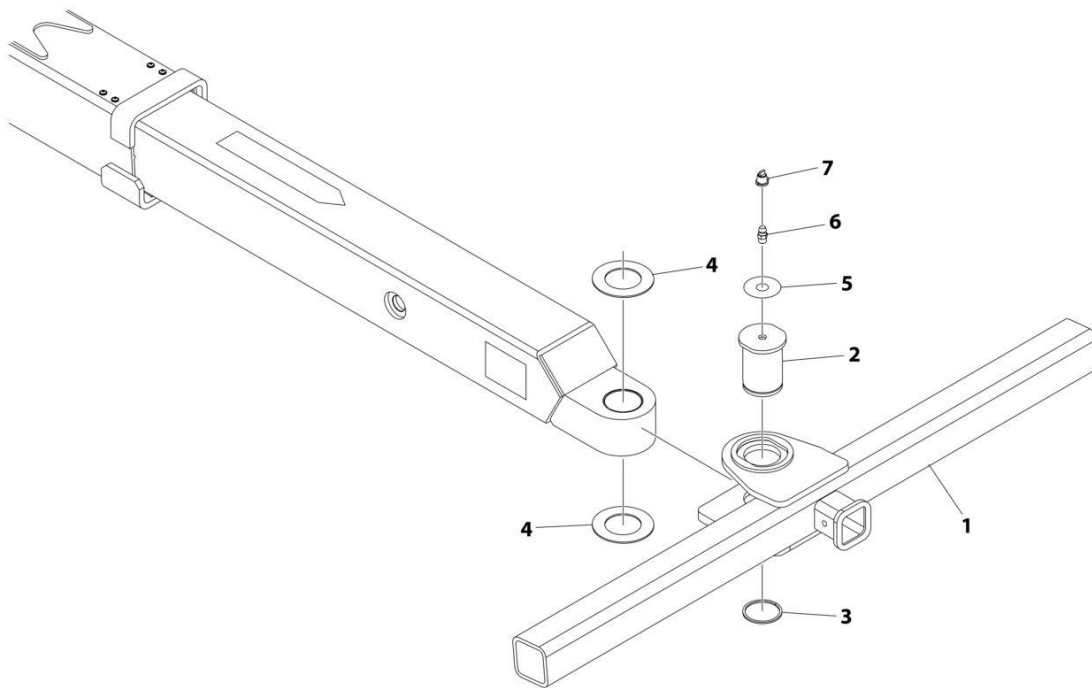
## SECTION 2 - WHEEL LIFT

### FIGURE 2-41. PIVOT TUBE INSTALLATION (BALL HITCH)

ITEM	PART NUMBER	QTY	DESCRIPTION	REV
	1001158674	Ref	PIVOT TUBE INSTALLATION 4000 LBS	A
1	3913000097	1	Tube	
2	4691000103	1	Pin	
3	7754000024	1	Ring	
4	4949000047	2	Washer	
5	7330000609	1	Decal - Grease Required	
6	7440030000	1	Fitting	
7	7253000002	1	Fitting, Cap	
8	3020039	AR	Lubricant (Not Shown)	
9	3020029	AR	Lube Bearing Grease (Not Shown)	

## SECTION 2 - WHEEL LIFT

FIGURE 2-42. PIVOT TUBE INSTALLATION (2 IN TOW HITCH RECEIVER)



ART\_1001158677

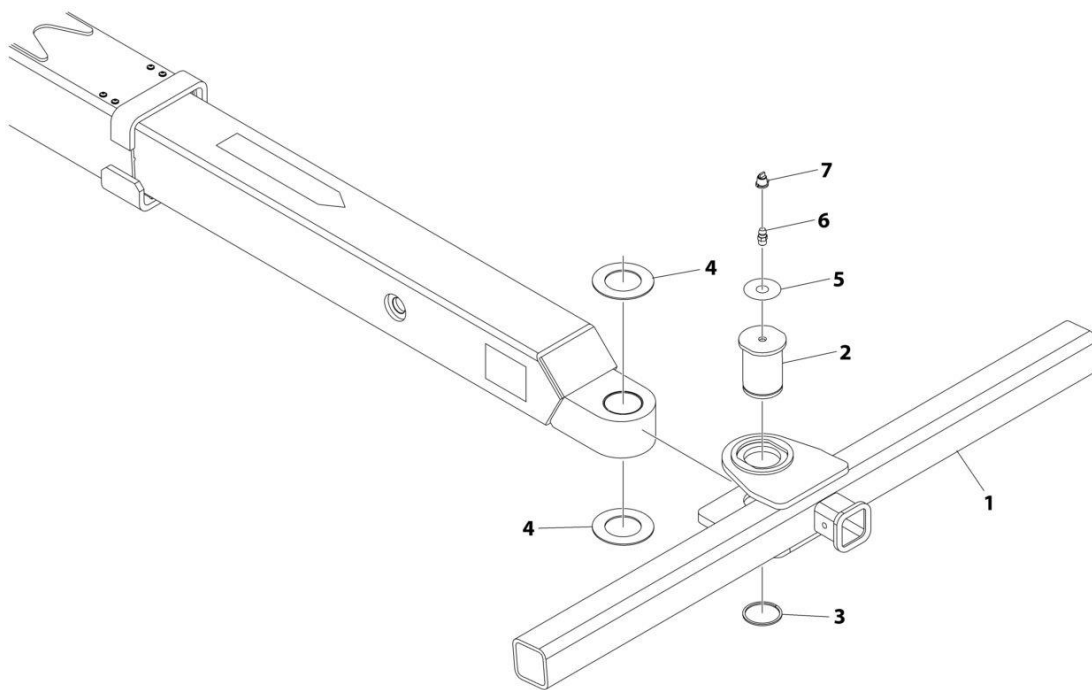
## SECTION 2 - WHEEL LIFT

**FIGURE 2-42. PIVOT TUBE INSTALLATION (2 IN TOW HITCH RECEIVER)**

ITEM	PART NUMBER	QTY	DESCRIPTION	REV
	1001158677	Ref	PIVOT TUBE INSTALLATION (4000 LBS) (2 IN TOW HITCH)	B
1	3913000100	1	Tube	
2	4691000103	1	Pin	
3	7754000024	1	Ring	
4	4949000047	2	Washer	
5	7330000609	1	Decal - Grease Required	
6	7440030000	1	Fitting	
7	7253000002	1	Fitting, Cap	
8	3020039	AR	Lubricant (Not Shown)	
9	3020029	AR	Lube Bearing Grease (Not Shown)	

## SECTION 2 - WHEEL LIFT

FIGURE 2-43. PIVOT TUBE INSTALLATION (2.5 IN TOW HITCH RECEIVER)



ART\_1001158678

## SECTION 2 - WHEEL LIFT

**FIGURE 2-43. PIVOT TUBE INSTALLATION (2.5 IN TOW HITCH RECEIVER)**

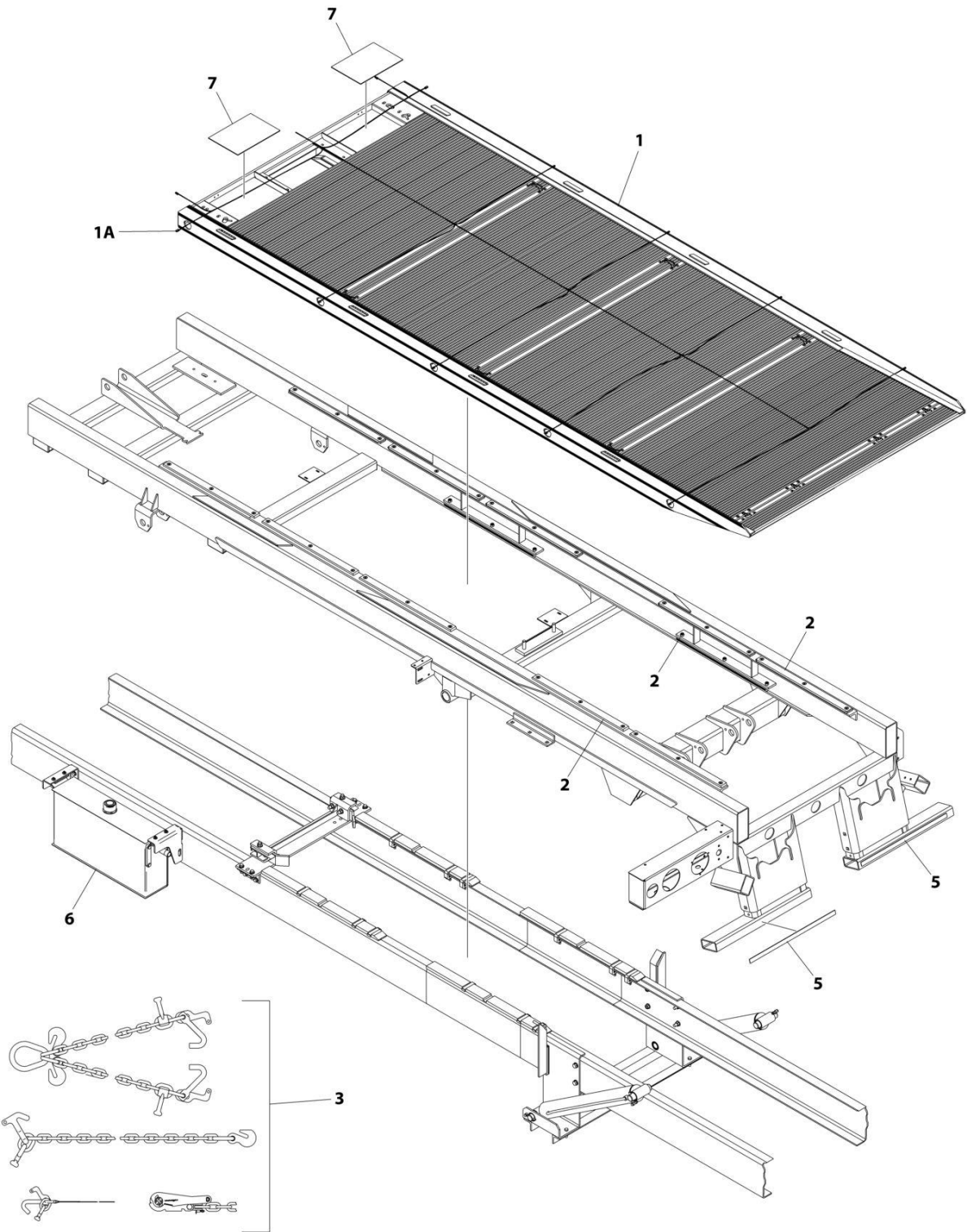
ITEM	PART NUMBER	QTY	DESCRIPTION	REV
	1001158678	Ref	PIVOT TUBE INSTALLATION (2.5 IN TOW HITCH)	A
1	3913000101	1	Tube	
2	4691000103	1	Pin	
3	7754000024	1	Ring	
4	4949000047	2	Washer	
5	7330000609	1	Decal - Grease Required	
6	7440030000	1	Fitting	
7	7253000002	1	Fitting, cap	
8	3020039	AR	Lubricant (Not Shown)	
9	3020029	AR	Lube Bearing Grease (Not Shown)	



**SECTION 3 - DECK**

# SECTION 3 - DECK

## FIGURE 3-1. DECK MODEL - ALUMINUM 19N X 96IN FIXED RAIL



ART\_1001274792



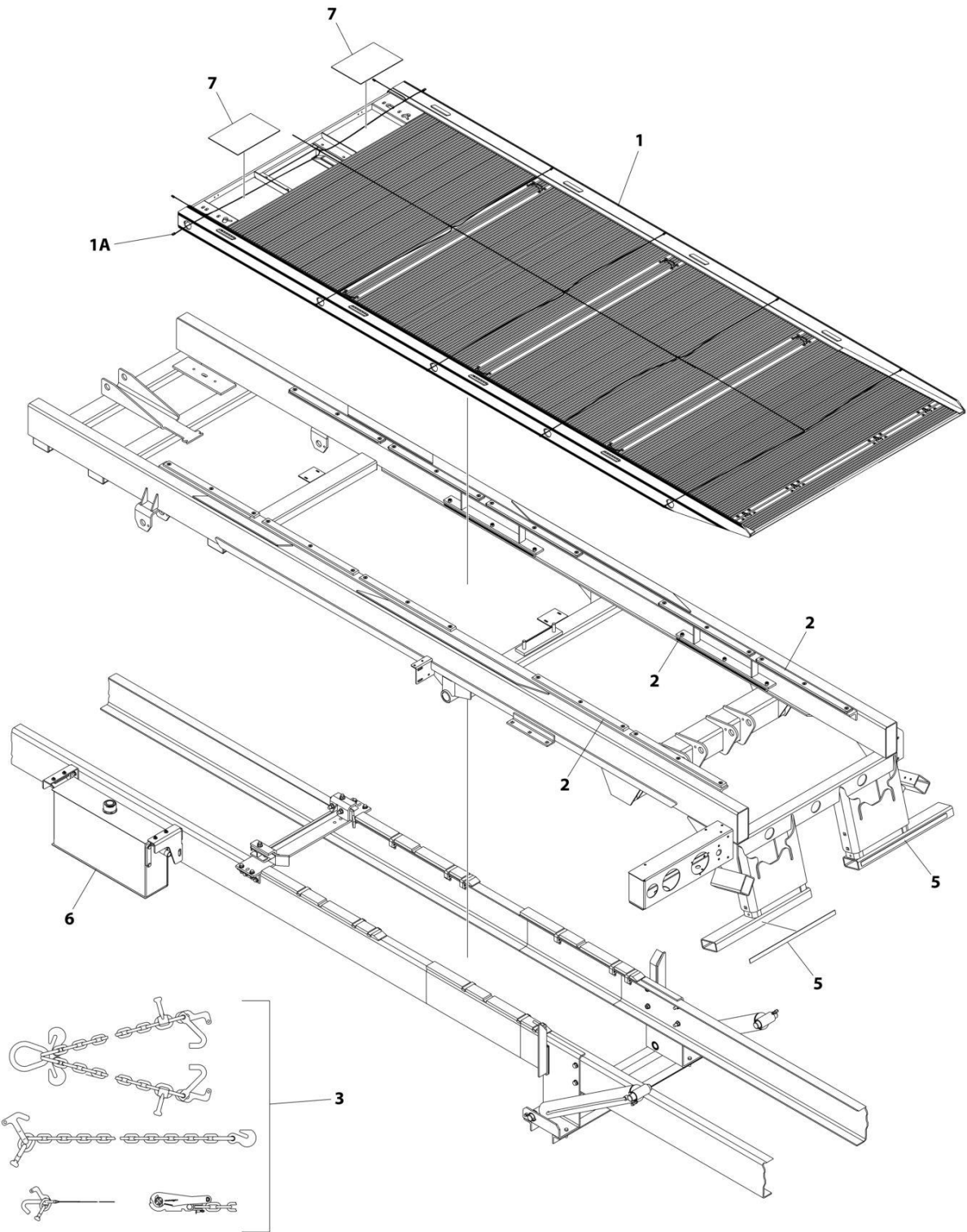
## SECTION 3 - DECK

**FIGURE 3-1. DECK MODEL - ALUMINUM 19N X 96IN FIXED RAIL**

ITEM	PART NUMBER	QTY	DESCRIPTION	REV
	1001274792	Ref	DECK INSTALLATION - 19FT X 96IN ALUMINIUM FIXED RAIL (NGAF6T-XLP)	A
1	3097000655	1	Deck Installation, 19ft (Aluminium)	
1A	7552000212	1	Harness	
2	2679000010	1	Main Subframe Pad Installation (See Separate Breakdown in SUBFRAME Section)	
3	7577000208	1	Chain/Tie-Down Kit	
4	2330000038	1	Standard Duty Decals Installation (Not Shown - See Separate Breakdown in DECAL Section)	
5	2330000055	Ref	Conspicuity Decal Installation	
5	7330000428	2	Decal - Red/White Reflective	
6	2750000008	1	Hydraulic Reservoir and Bracket Mount (See Separate Breakdown in HYDRAULIC Section)	
7	7679000017	2	Chain Tray Mat	

# SECTION 3 - DECK

## FIGURE 3-2. DECK MODEL - ALUMINUM 19IN X 96IN FIXED RAIL DUAL ANGLE



ART\_1001274790

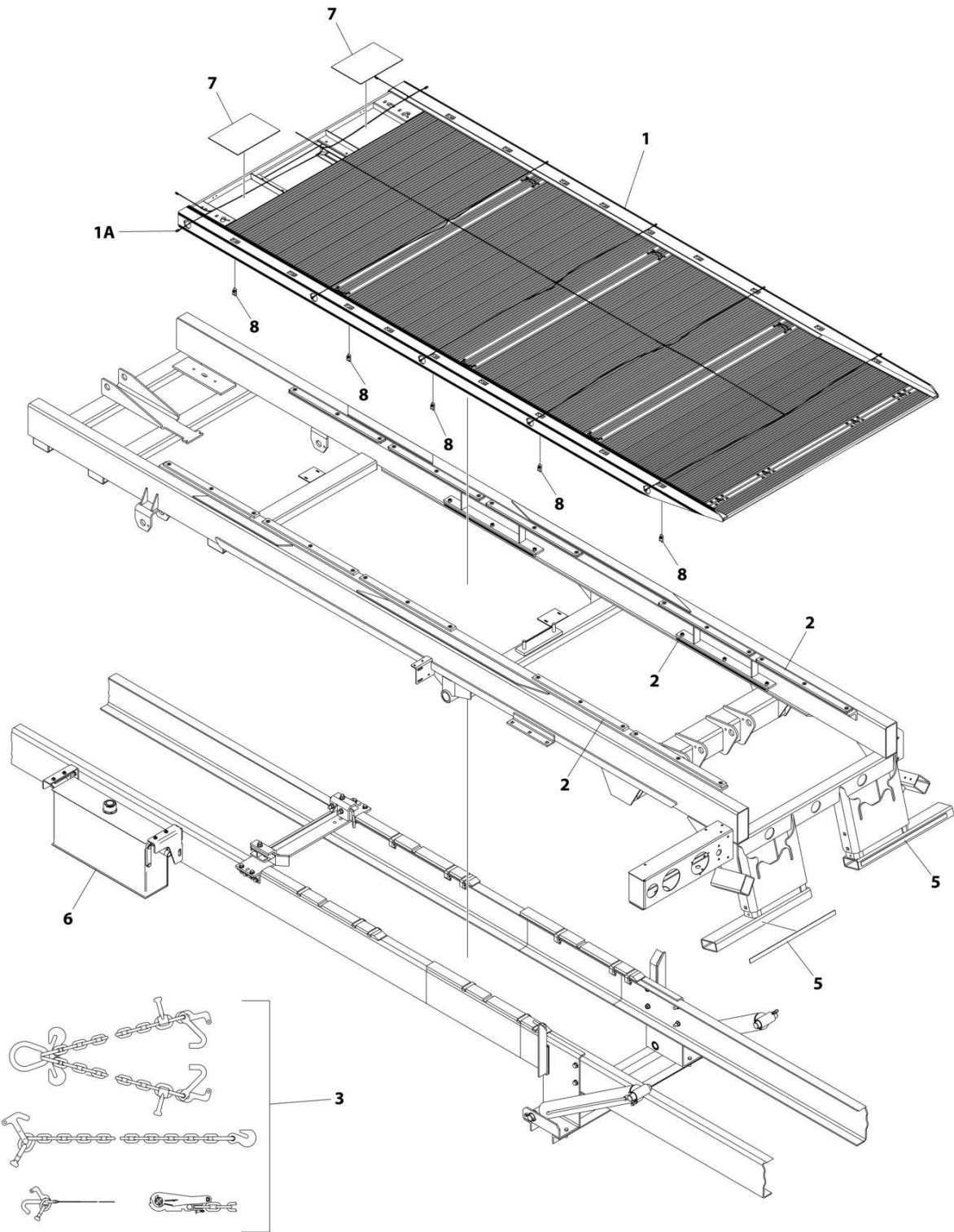
## SECTION 3 - DECK

**FIGURE 3-2. DECK MODEL - ALUMINUM 19IN X 96IN FIXED RAIL DUAL ANGLE**

ITEM	PART NUMBER	QTY	DESCRIPTION	REV
	1001274790	Ref	DECK INSTALLATION - 19FT X 96IN ALUMINIUM DUAL ANGLE FIXED RAIL (NGADF6T-XLP)	A
1	3097000661	1	Deck Installation, 19ft (Aluminium)	
1A	7552000212	1	Harness	
2	2679000010	1	Main Subframe Pad Installation (See Separate Breakdown in SUBFRAME Section)	
3	7577000208	1	Chain/Tie-Down Kit	
4	2330000038	1	Standard Duty Decals Installation (Not Shown - See Separate Breakdown in DECAL Section)	
5	2330000055	Ref	Conspicuity Decal Installation	
5	7330000428	2	Decal - Red/White Reflective	
6	2750000008	1	Hydraulic Reservoir and Bracket Mount (See Separate Breakdown in HYDRAULIC Section)	
7	7679000017	2	Chain Tray Mat	

# SECTION 3 - DECK

## FIGURE 3-3. DECK MODEL - ALUMINUM 19IN X 96IN REMOVABLE RAIL



ART\_1001274794

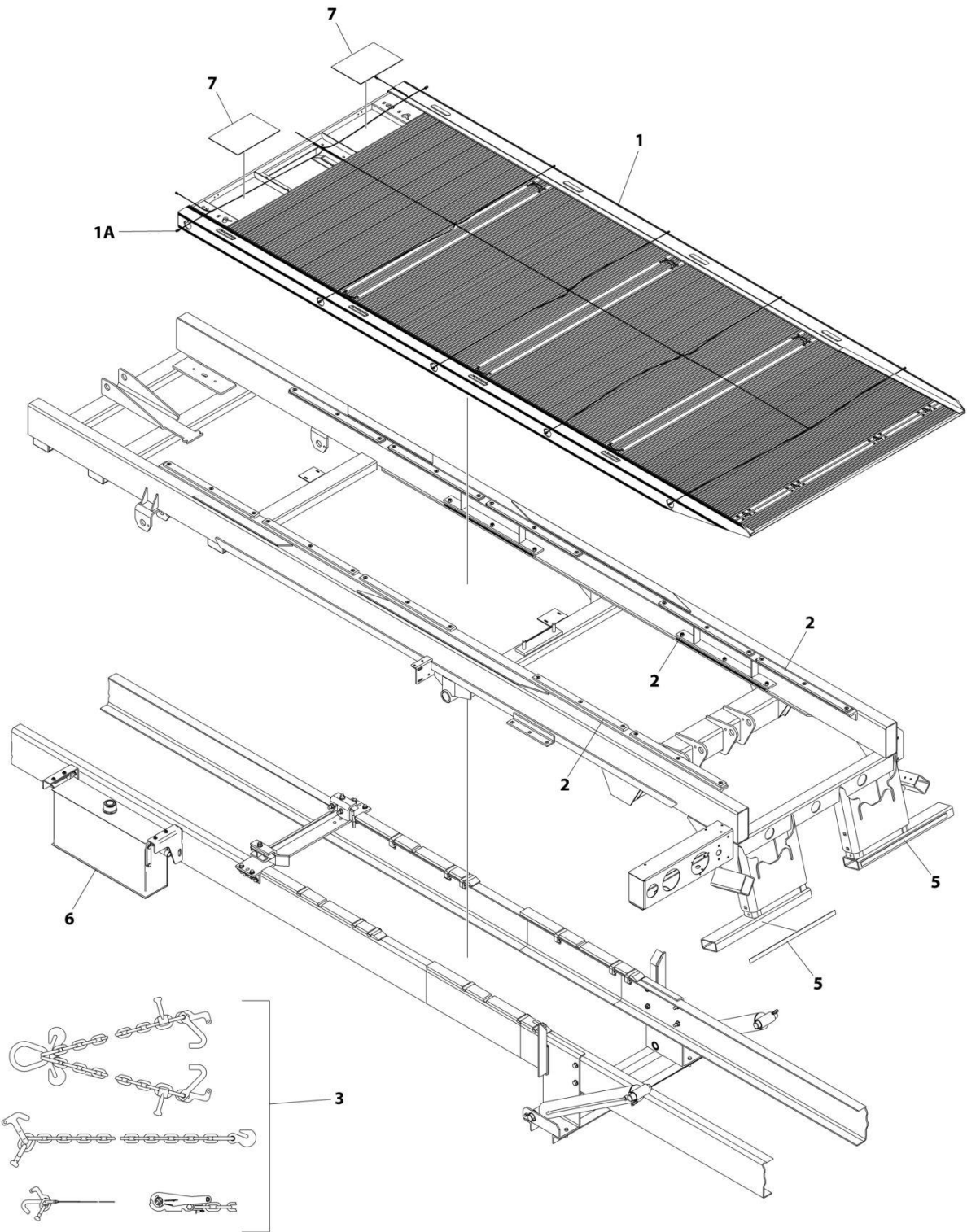
## SECTION 3 - DECK

**FIGURE 3-3. DECK MODEL - ALUMINUM 19IN X 96IN REMOVABLE RAIL**

ITEM	PART NUMBER	QTY	DESCRIPTION	REV
	1001274794	Ref	DECK INSTALLATION - 19FT X 96IN ALUMINIUM REMOVABLE RAIL (NGAR6T-XLP)	A
1	3097000653	1	Deck Installation, 19ft (Aluminium)	
1A	7552000212	1	Harness	
2	2679000010	1	Main Subframe Pad Installation (See Separate Breakdown in SUBFRAME Section)	
3	7577000208	1	Chain/Tie-Down Kit	
4	2330000038	1	Standard Duty Decals Installation (Not Shown - See Separate Breakdown in DECAL Section)	
5	2330000055	Ref	Conspicuity Decal Installation	
5	7330000428	2	Decal - Red/White Reflective	
6	2750000008	1	Hydraulic Reservoir and Bracket Mount (See Separate Breakdown in HYDRAULIC Section)	
7	7679000017	2	Chain Tray Mat	
8	7661000055	10	Nut 1/2	

# SECTION 3 - DECK

FIGURE 3-4. DECK MODEL - ALUMINUM 19N X 102IN FIXED RAIL



ART\_1001274793

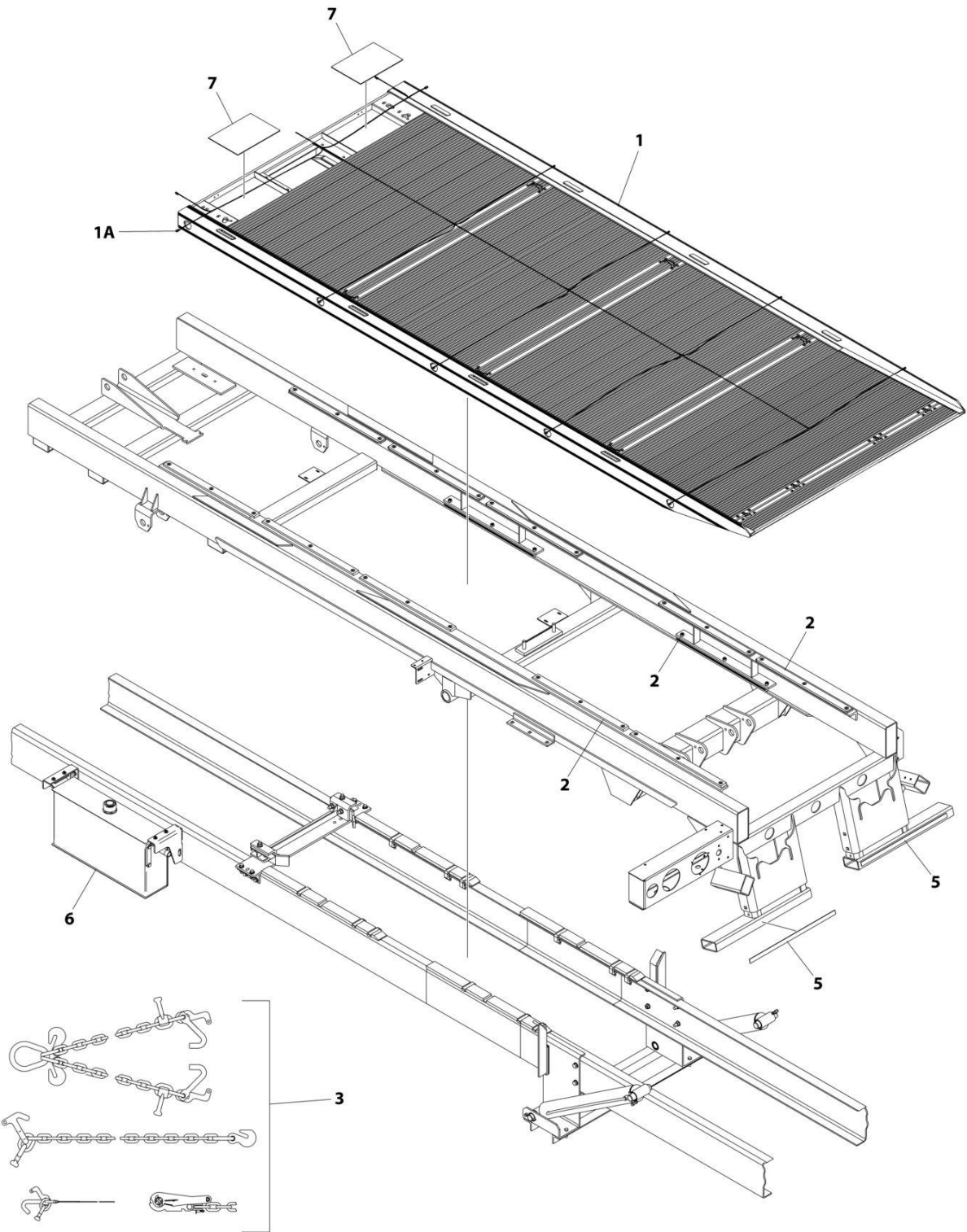
## SECTION 3 - DECK

**FIGURE 3-4. DECK MODEL - ALUMINUM 19N X 102IN FIXED RAIL**

ITEM	PART NUMBER	QTY	DESCRIPTION	REV
	1001274793	Ref	DECK INSTALLATION - 19FT X 102IN ALUMINIUM FIXED RAIL (NGAF6T-XLP)	A
1	3097000656	1	Deck Installation, 19ft (Aluminium)	
1A	7552000212	1	Harness	
2	2679000010	1	Main Subframe Pad Installation (See Separate Breakdown in SUBFRAME Section)	
3	7577000208	1	Chain/Tie-Down Kit	
4	2330000038	1	Standard Duty Decals Installation (Not Shown - See Separate Breakdown in DECAL Section)	
5	2330000055	Ref	Conspicuity Decal Installation	
5	7330000428	2	Decal - Red/White Reflective	
6	2750000008	1	Hydraulic Reservoir and Bracket Mount (See Separate Breakdown in HYDRAULIC Section)	
7	7679000017	2	Chain Tray Mat	

# SECTION 3 - DECK

FIGURE 3-5. DECK MODEL - ALUMINUM 19IN X 102IN FIXED RAIL DUAL ANGLE



ART\_1001274791



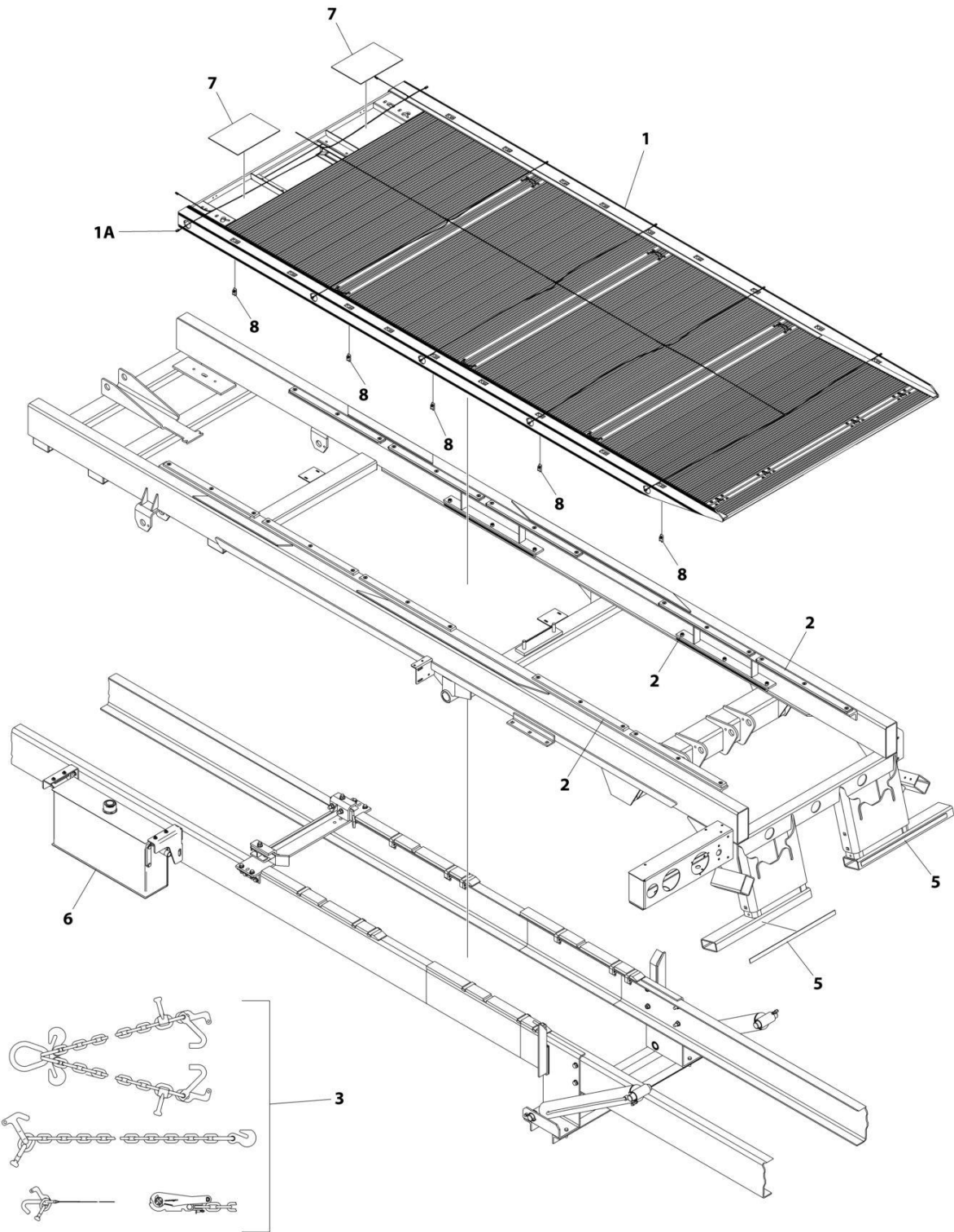
## SECTION 3 - DECK

**FIGURE 3-5. DECK MODEL - ALUMINUM 19IN X 102IN FIXED RAIL DUAL ANGLE**

ITEM	PART NUMBER	QTY	DESCRIPTION	REV
	1001274791	Ref	DECK INSTALLATION - 19FT X 102IN ALUMINIUM DUAL ANGLE FIXED RAIL (NGADF6T-XLP)	A
1	3097000662	1	Deck Installation, 19ft (Aluminium)	
1A	7552000212	1	Harness	
2	2679000010	1	Main Subframe Pad Installation (See Separate Breakdown in SUBFRAME Section)	
3	7577000208	1	Chain/Tie-Down Kit	
4	2330000038	1	Standard Duty Decals Installation (Not Shown - See Separate Breakdown in DECAL Section)	
5	2330000055	Ref	Conspicuity Decal Installation	
5	7330000428	2	Decal - Red/White Reflective	
6	2750000008	1	Hydraulic Reservoir and Bracket Mount (See Separate Breakdown in HYDRAULIC Section)	
7	7679000017	2	Chain Tray Mat	

# SECTION 3 - DECK

## FIGURE 3-6. DECK MODEL - ALUMINUM 19IN X 102IN REMOVABLE RAIL



ART\_1001274795

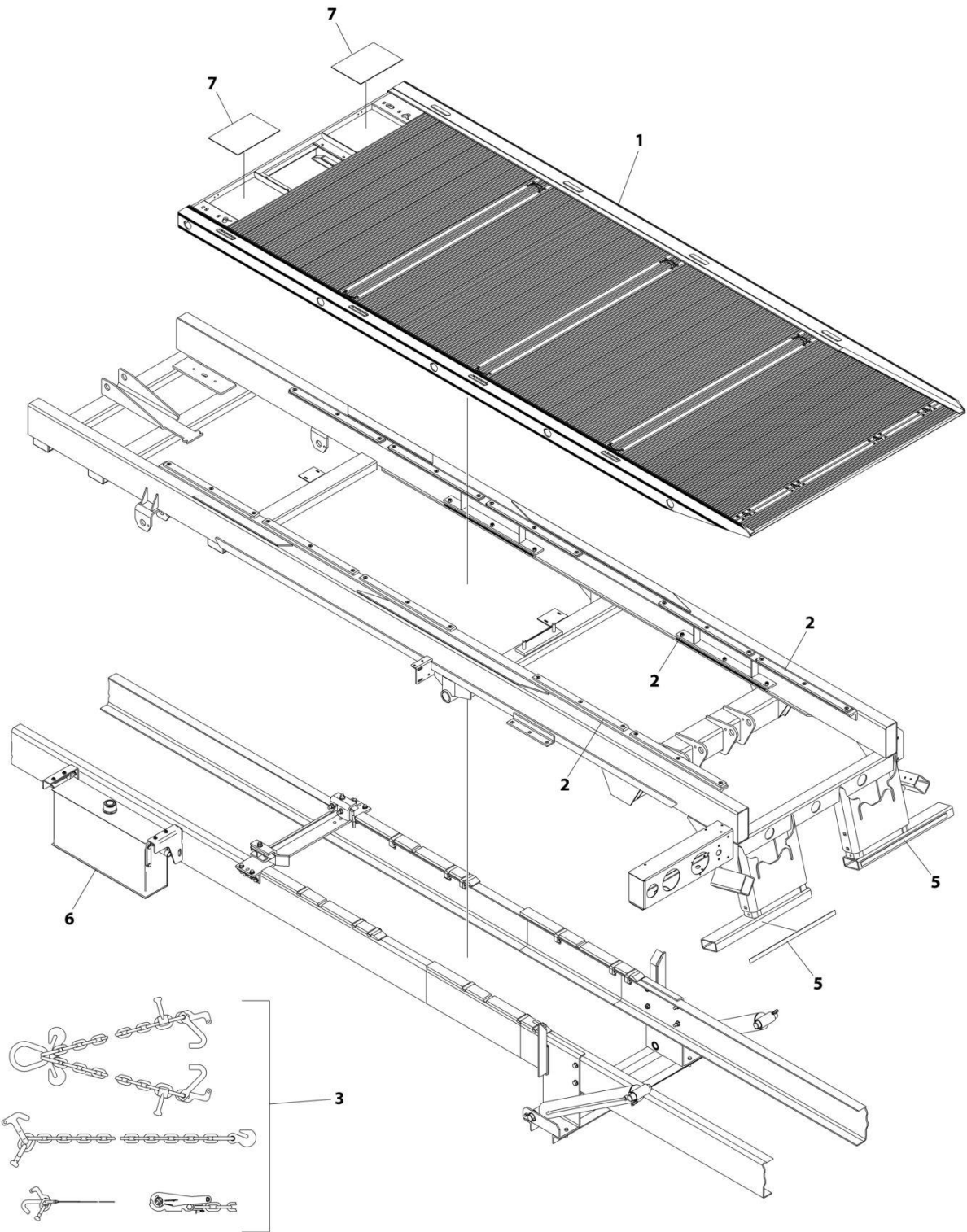
## SECTION 3 - DECK

**FIGURE 3-6. DECK MODEL - ALUMINUM 19IN X 102IN REMOVABLE RAIL**

ITEM	PART NUMBER	QTY	DESCRIPTION	REV
	1001274795	Ref	DECK INSTALLATION - 19FT X 102IN ALUMINIUM REMOVABLE RAIL (NGAR6T-XLP)	A
1	3097000654	1	Deck Installation, 19ft (Aluminium)	
1A	7552000212	1	Harness	
2	2679000010	1	Main Subframe Pad Installation (See Separate Breakdown in SUBFRAME Section)	
3	7577000208	1	Chain/Tie-Down Kit	
4	2330000038	1	Standard Duty Decals Installation (Not Shown - See Separate Breakdown in DECAL Section)	
5	2330000055	Ref	Conspicuity Decal Installation	
5	7330000428	2	Decal - Red/White Reflective	
6	2750000008	1	Hydraulic Reservoir and Bracket Mount (See Separate Breakdown in HYDRAULIC Section)	
7	7679000017	2	Chain Tray Mat	
8	7661000055	10	Nut 1/2	

# SECTION 3 - DECK

## FIGURE 3-7. DECK MODEL - ALUMINUM 20IN X 96IN FIXED RAIL



ART\_1001151772

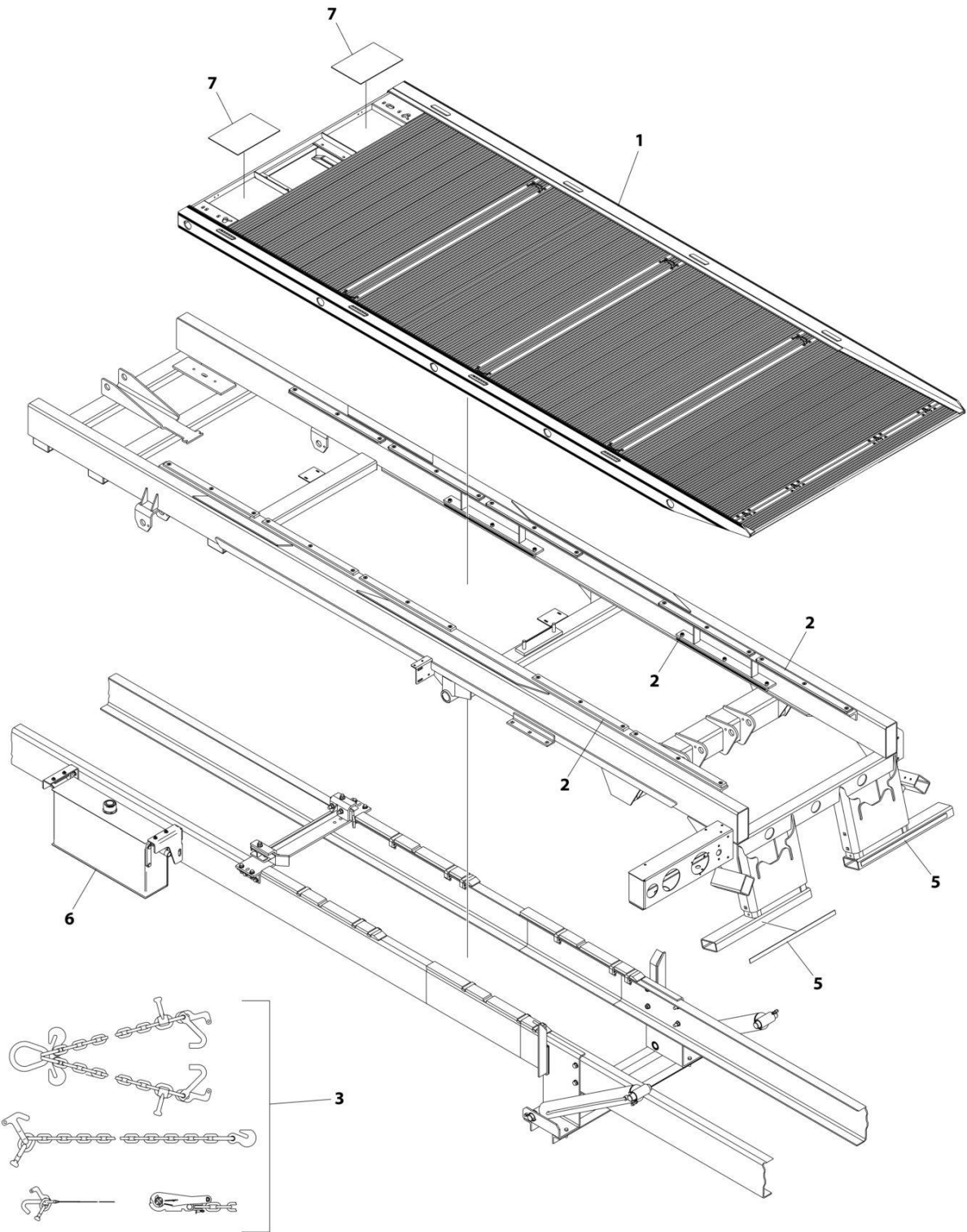
## SECTION 3 - DECK

**FIGURE 3-7. DECK MODEL - ALUMINUM 20IN X 96IN FIXED RAIL**

ITEM	PART NUMBER	QTY	DESCRIPTION	REV
	1001151772	Ref	DECK INSTALLATION - 20FTx96IN ALUMINIUM FIXED RAIL (NGAF6T-XLP)	B
1	3097000665	1	Deck Installation, 20ft (Aluminium)	
2	2679000010	1	Main Subframe Pad Installation (See Separate Breakdown in SUBFRAME Section)	
3	7577000208	1	Chain/Tie-Down Kit	
4	2330000038	1	Standard Duty Decals Installation (Not Shown - See Separate Breakdown in DECAL Section)	
5	2330000055	Ref	Conspicuity Decal Installation	
5	7330000428	2	Decal - Red/White Reflective	
6	2750000008	1	Hydraulic Reservoir and Bracket Mount (See Separate Breakdown in HYDRAULIC Section)	
7	7679000017	2	Chain Tray Mat	

# SECTION 3 - DECK

## FIGURE 3-8. DECK MODEL - ALUMINUM 20IN X 96IN FIXED RAIL DUAL ANGLE



ART\_1001151770

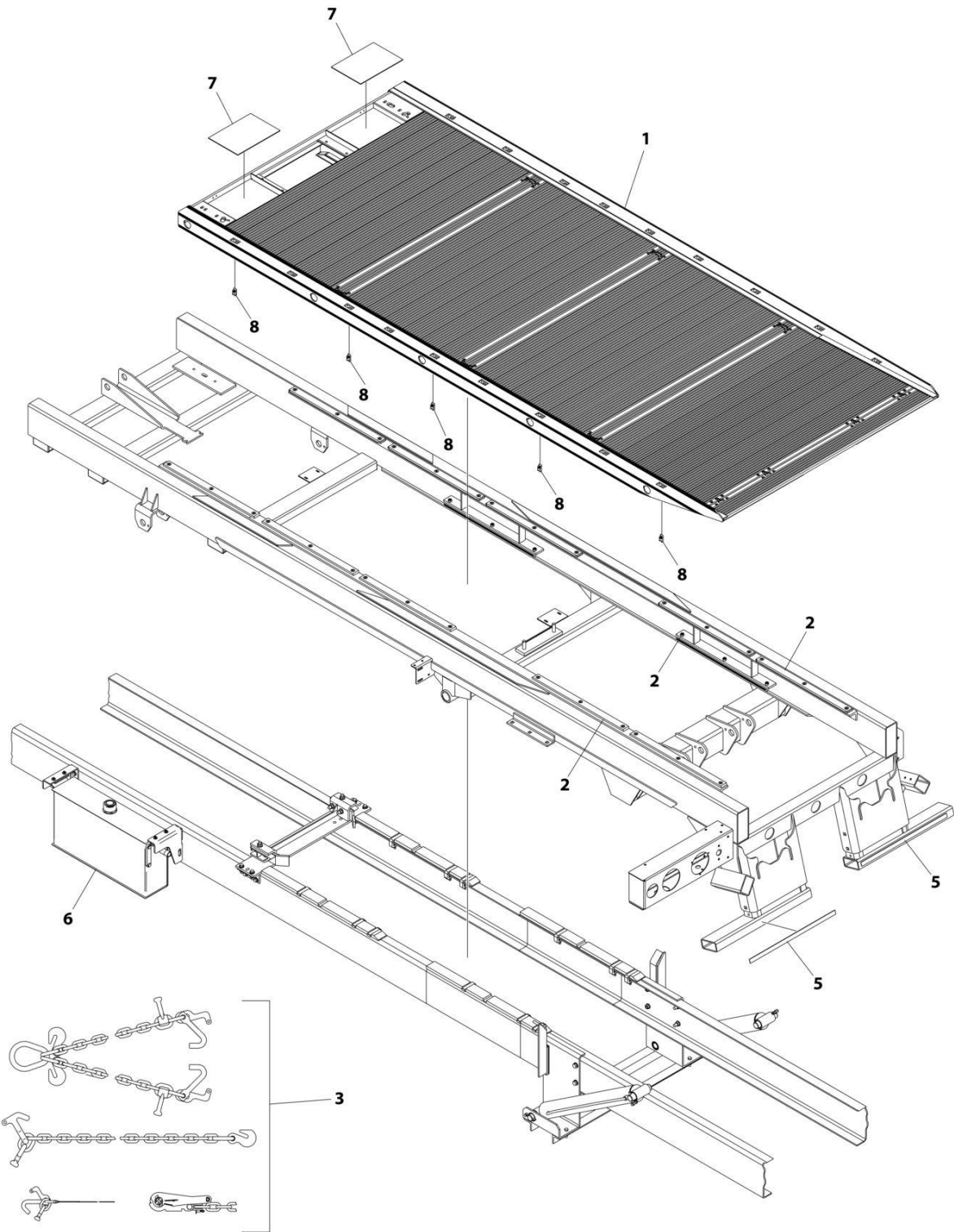
## SECTION 3 - DECK

**FIGURE 3-8. DECK MODEL - ALUMINUM 20IN X 96IN FIXED RAIL DUAL ANGLE**

ITEM	PART NUMBER	QTY	DESCRIPTION	REV
	1001151770	Ref	DECK INSTALLATION - 20FTx96IN ALUMINIUM DUAL ANGLE FIXED RAIL (NGADF6T-XLP)	B
1	3097000671	1	Deck Installation, 20ft (Aluminium)	
2	2679000010	1	Main Subframe Pad Installation (See Separate Breakdown in SUBFRAME Section)	
3	7577000208	1	Chain/Tie-Down Kit	
4	2330000038	1	Standard Duty Decals Installation (Not Shown - See Separate Breakdown in DECAL Section)	
5	2330000055	Ref	Conspicuity Decal Installation	
5	7330000428	2	Decal - Red/White Reflective	
6	2750000008	1	Hydraulic Reservoir and Bracket Mount (See Separate Breakdown in HYDRAULIC Section)	
7	7679000017	2	Chain Tray Mat	

# SECTION 3 - DECK

## FIGURE 3-9. DECK MODEL - ALUMINUM 20IN X 96IN REMOVABLE RAIL



ART\_1001151774



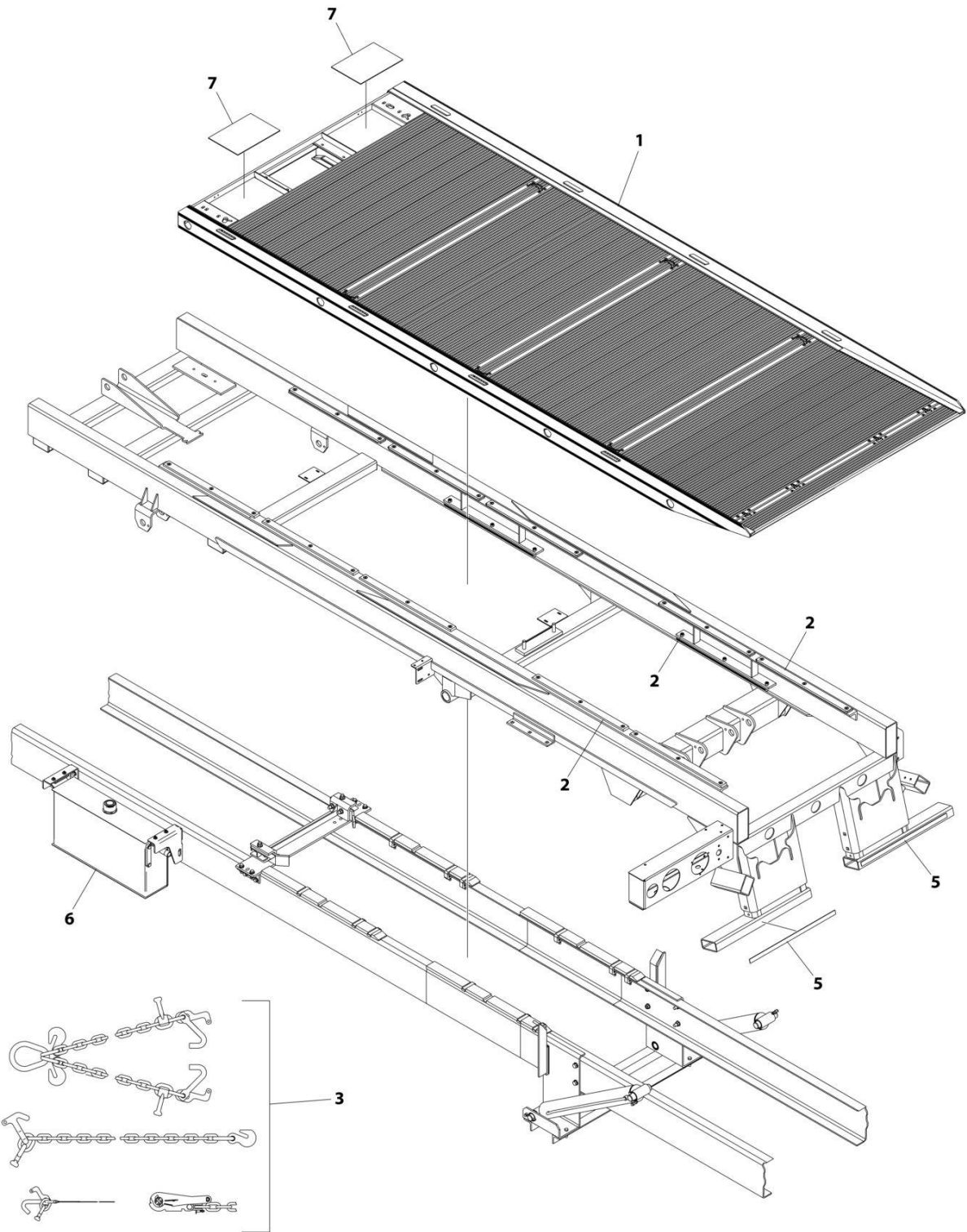
## SECTION 3 - DECK

**FIGURE 3-9. DECK MODEL - ALUMINUM 20IN X 96IN REMOVABLE RAIL**

ITEM	PART NUMBER	QTY	DESCRIPTION	REV
	1001151774	Ref	DECK INSTALLATION - 20FTx96IN ALUMINIUM REMOVABLE RAIL (NGAR6T-XLP)	B
1	3097000663	1	Deck Installation, 20ft (Aluminium)	
2	2679000010	1	Main Subframe Pad Installation (See Separate Breakdown in SUBFRAME Section)	
3	7577000208	1	Chain/Tie-Down Kit	
4	2330000038	1	Standard Duty Decals Installation (Not Shown - See Separate Breakdown in DECAL Section)	
5	2330000055	Ref	Conspicuity Decal Installation	
5	7330000428	2	Decal - Red/White Reflective	
6	2750000008	1	Hydraulic Reservoir and Bracket Mount (See Separate Breakdown in HYDRAULIC Section)	
7	7679000017	2	Chain Tray Mat	
8	7661000055	10	Nut 1/2	

# SECTION 3 - DECK

## FIGURE 3-10. DECK MODEL - ALUMINUM 20IN X 102IN FIXED RAIL



ART\_1001151773

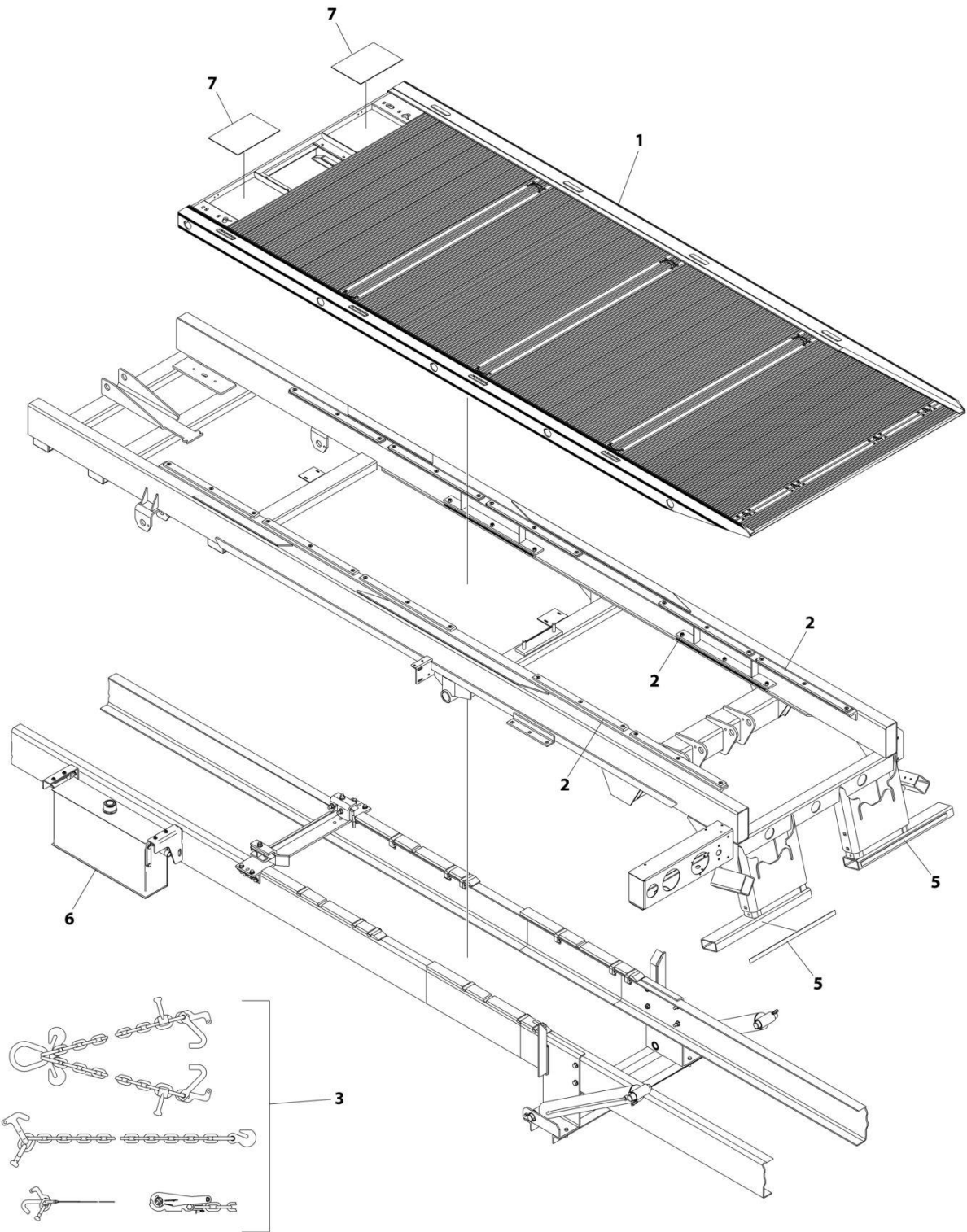
## SECTION 3 - DECK

**FIGURE 3-10. DECK MODEL - ALUMINUM 20IN X 102IN FIXED RAIL**

ITEM	PART NUMBER	QTY	DESCRIPTION	REV
	1001151773	Ref	DECK INSTALLATION - 20FTx102IN ALUMINIUM FIXED RAIL (NGAF6T-XLP)	B
1	3097000666	1	Deck Installation, 20ft (Aluminium)	
2	2679000010	1	Main Subframe Pad Installation (See Separate Breakdown in SUBFRAME Section)	
3	7577000208	1	Chain/Tie-Down Kit	
4	2330000038	1	Standard Duty Decals Installation (Not Shown - See Separate Breakdown in DECAL Section)	
5	2330000055	Ref	Conspicuity Decal Installation	
5	7330000428	2	Decal - Red/White Reflective	
6	2750000008	1	Hydraulic Reservoir and Bracket Mount (See Separate Breakdown in HYDRAULIC Section)	
7	7679000017	2	Chain Tray Mat	

# SECTION 3 - DECK

## FIGURE 3-11. DECK MODEL - ALUMINUM 20IN X 102IN FIXED RAIL DUAL ANGLE



ART\_1001151771

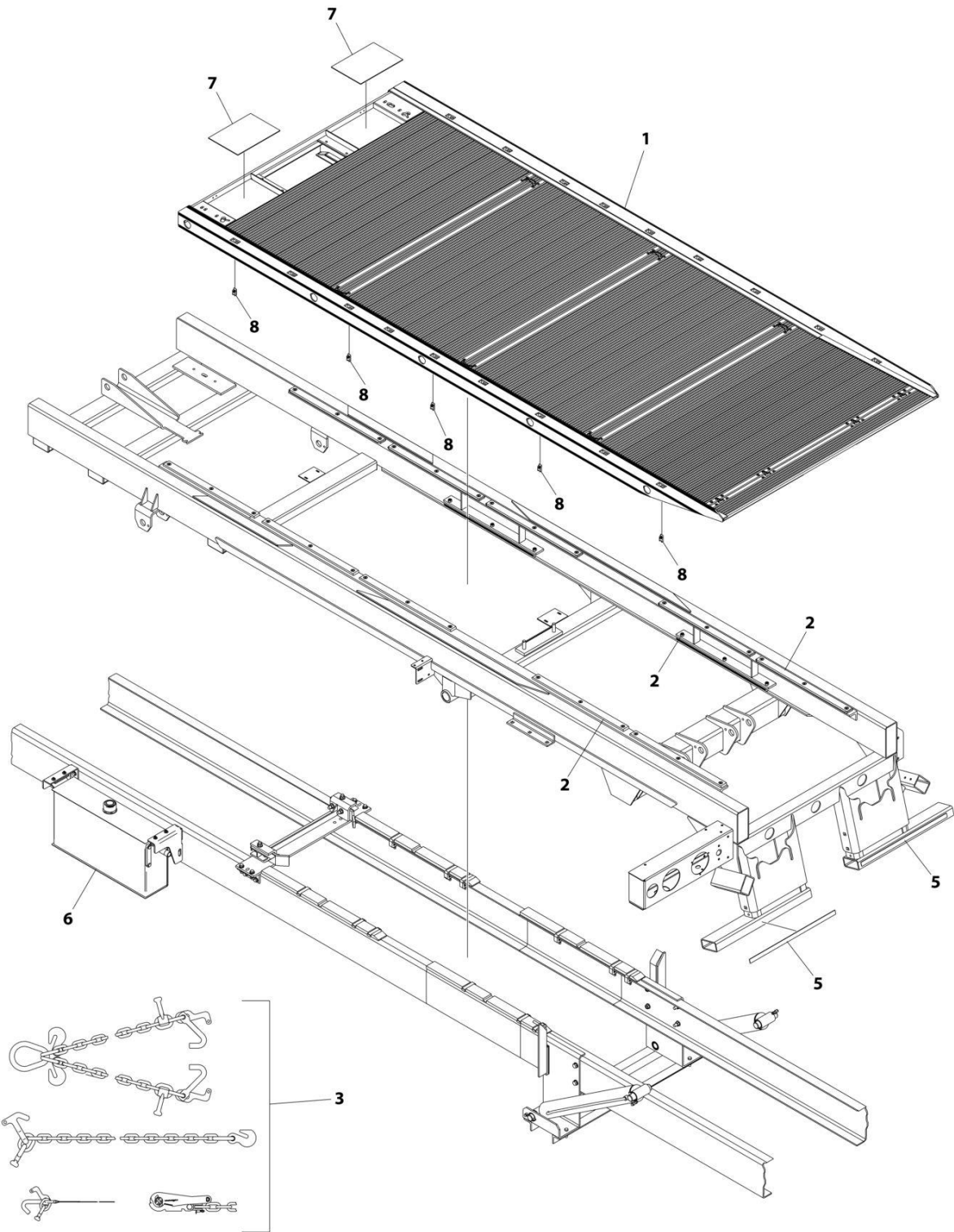
## SECTION 3 - DECK

**FIGURE 3-11. DECK MODEL - ALUMINUM 20IN X 102IN FIXED RAIL DUAL ANGLE**

ITEM	PART NUMBER	QTY	DESCRIPTION	REV
	1001151771	Ref	DECK INSTALLATION - 20FTx102IN ALUMINIUM DUAL ANGLE FIXED RAIL (NGADF6T-XLP)	B
1	3097000672	1	Deck Installation, 20ft (Aluminium)	
2	2679000010	1	Main Subframe Pad Installation (See Separate Breakdown in SUBFRAME Section)	
3	7577000208	1	Chain/Tie-Down Kit	
4	2330000038	1	Standard Duty Decals Installation (Not Shown - See Separate Breakdown in DECAL Section)	
5	2330000055	Ref	Conspicuity Decal Installation	
5	7330000428	2	Decal - Red/White Reflective	
6	2750000008	1	Hydraulic Reservoir and Bracket Mount (See Separate Breakdown in HYDRAULIC Section)	
7	7679000017	2	Chain Tray Mat	

# SECTION 3 - DECK

FIGURE 3-12. DECK MODEL - ALUMINUM 20IN X 102IN REMOVABLE RAIL



ART\_1001151775

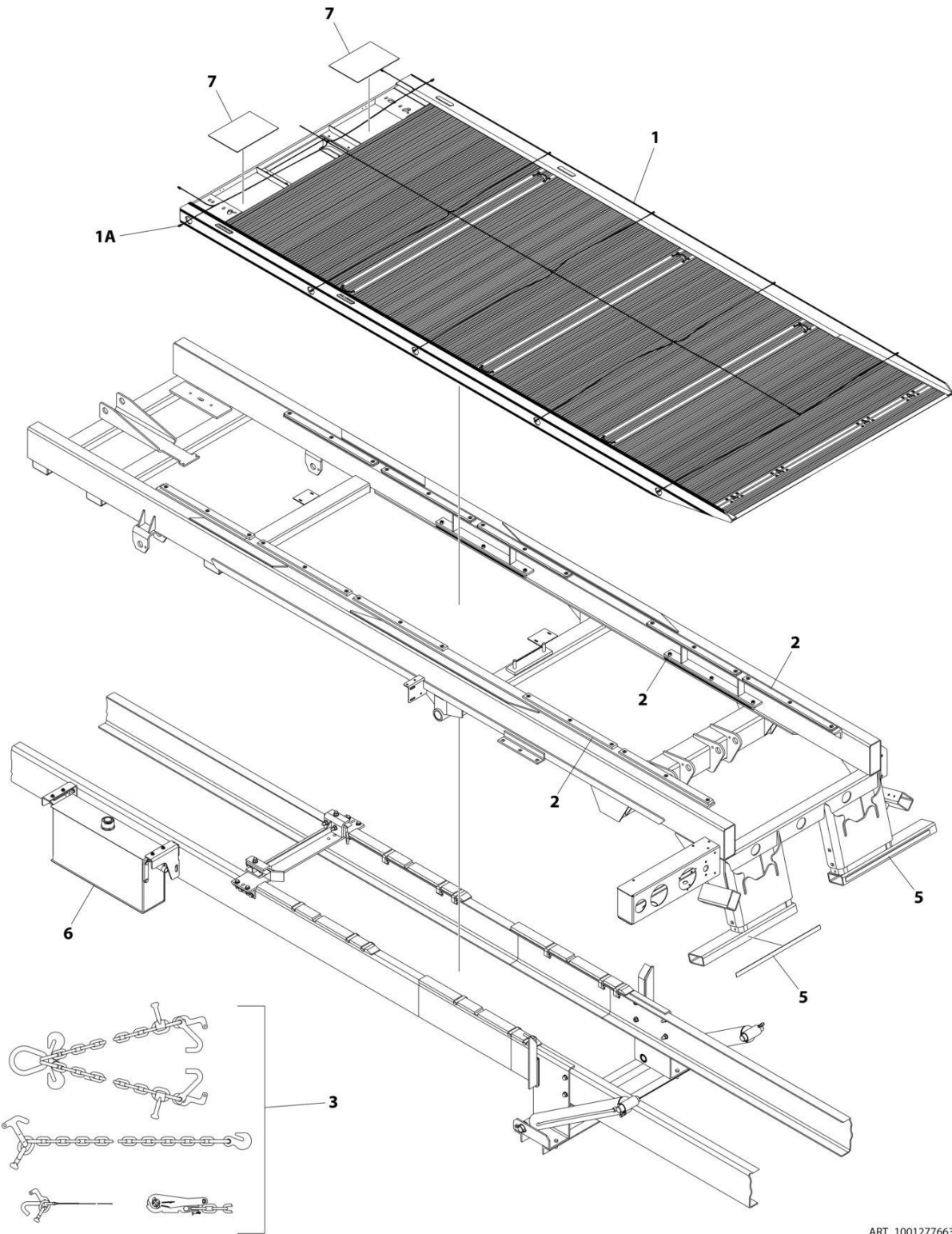
## SECTION 3 - DECK

**FIGURE 3-12. DECK MODEL - ALUMINUM 20IN X 102IN REMOVABLE RAIL**

ITEM	PART NUMBER	QTY	DESCRIPTION	REV
	1001151775	Ref	DECK INSTALLATION - 20FTx102IN ALUMINIUM REMOVABLE RAIL (NGAR6T-XLP)	B
1	3097000664	1	Deck Installation, 20ft (Aluminium)	
2	2679000010	1	Main Subframe Pad Installation (See Separate Breakdown in SUBFRAME Section)	
3	7577000208	1	Chain/Tie-Down Kit	
4	2330000038	1	Standard Duty Decals Installation (Not Shown - See Separate Breakdown in DECAL Section)	
5	2330000055	Ref	Conspicuity Decal Installation	
5	7330000428	2	Decal - Red/White Reflective	
6	2750000008	1	Hydraulic Reservoir and Bracket Mount (See Separate Breakdown in HYDRAULIC Section)	
7	7679000017	2	Chain Tray Mat	
8	7661000055	10	Nut 1/2	

# SECTION 3 - DECK

FIGURE 3-13. DECK MODEL - ALUMINUM 21IN X 90IN FIXED RAIL



ART\_1001277663



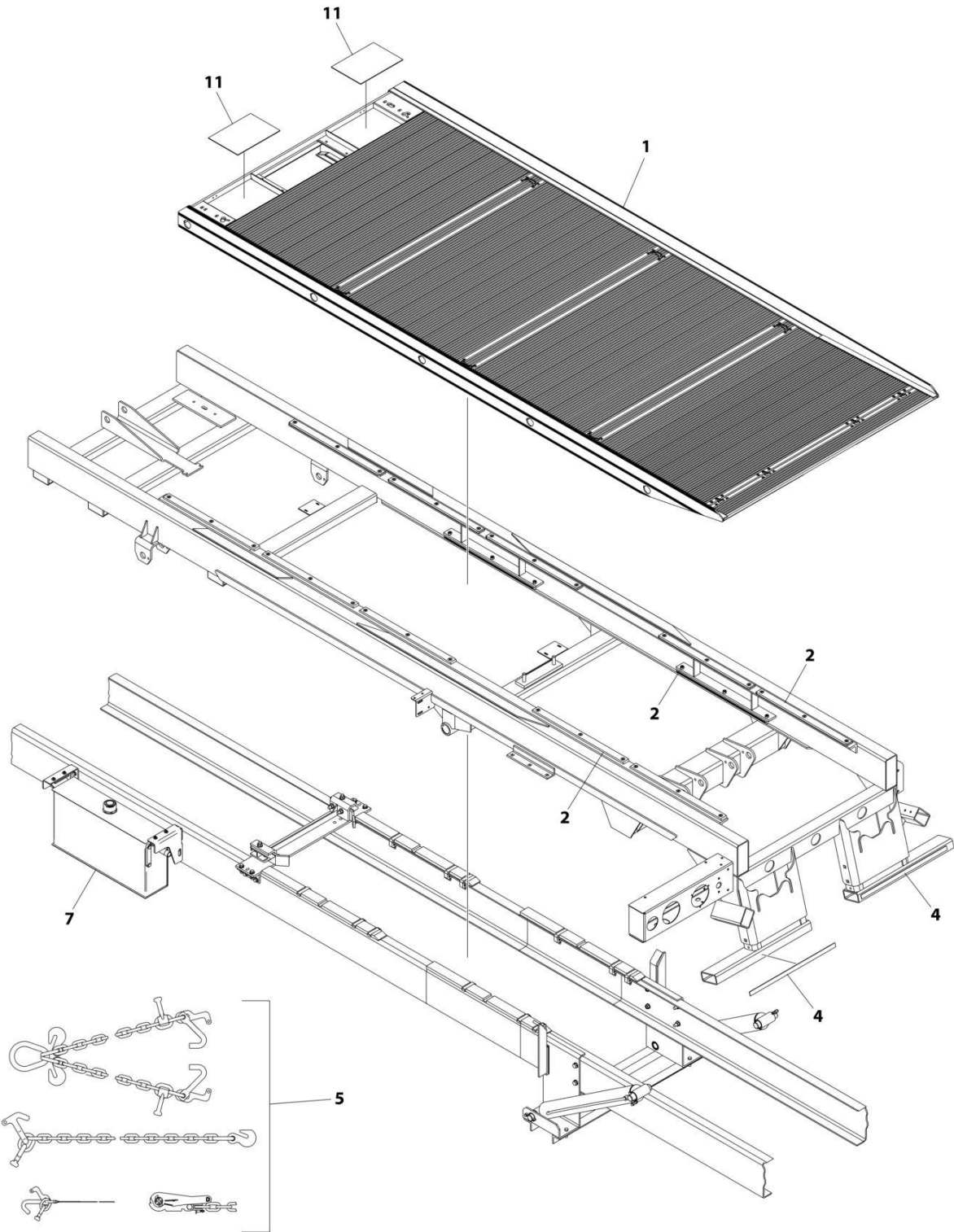
## SECTION 3 - DECK

**FIGURE 3-13. DECK MODEL - ALUMINUM 21IN X 90IN FIXED RAIL**

ITEM	PART NUMBER	QTY	DESCRIPTION	REV
	1001277663	Ref	DECK INSTALLATION - 21FT X 90IN ALUMINIUM FIXED RAIL (NGAF6T-LP)	A
1	1001128462	1	Deck Installation, 21ft (Aluminium)	
1A	7552000212	1	Harness	
2	2679000010	1	Main Subframe Pad Installation (See Separate Breakdown in SUBFRAME Section)	
3	7577000208	1	Chain/Tie-Down Kit	
4	2330000038	1	Standard Duty Decals Installation (Not Shown - See Separate Breakdown in DECAL Section)	
5	2330000055	Ref	Conspicuity Decal Installation	
5	7330000428	2	Decal - Red/White Reflective	
6	2750000008	1	Hydraulic Reservoir and Bracket Mount (See Separate Breakdown in HYDRAULIC Section)	
7	7679000017	2	Chain Tray Mat	

# SECTION 3 - DECK

FIGURE 3-14. DECK MODEL - ALUMINUM 21IN X 96IN FIXED RAIL



ART\_21NGAF6T-LP

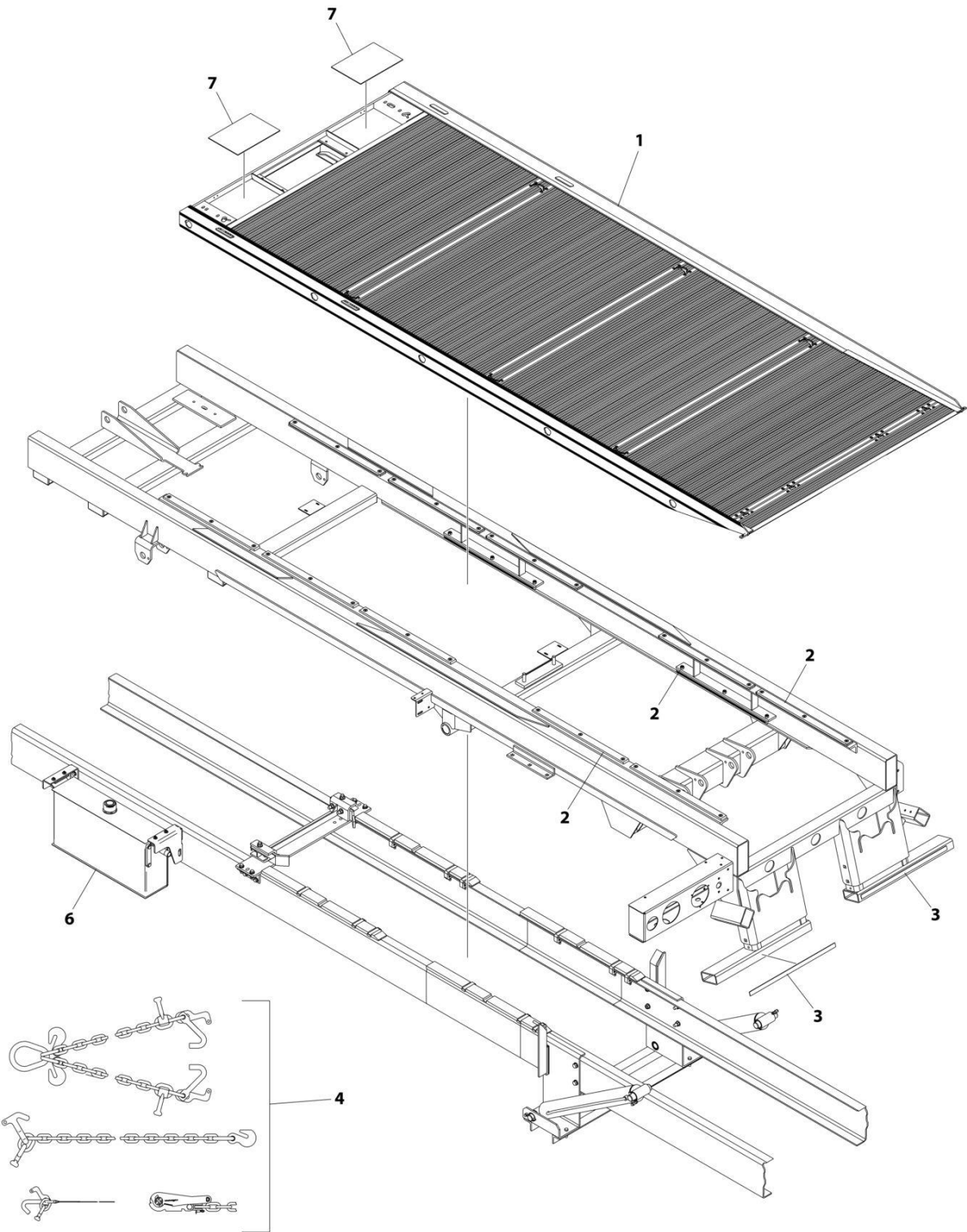
## SECTION 3 - DECK

**FIGURE 3-14. DECK MODEL - ALUMINUM 21IN X 96IN FIXED RAIL**

ITEM	PART NUMBER	QTY	DESCRIPTION	REV
	21NGAF6T-LP	Ref	DECK INSTALLATION - 21FTx96IN ALUMINIUM FIXED RAIL (NGAF6T-XLP)	D
1	3097000675	1	Deck Installation, 21ft (Aluminium)	
2	2679000010	1	Main Subframe Pad Installation (See Separate Breakdown in SUBFRAME Section)	
4	2330000055	Ref	Conspicuity Decal Installation	
4	7330000428	2	Decal - Red/White Reflective	
5	7577000208	1	Chain/Tie-Down Kit	
6	2330000038	1	Standard Duty Decals Installation (Not Shown - See Separate Breakdown in DECAL Section)	
7	2750000008	1	Hydraulic Reservoir and Bracket Mount (See Separate Breakdown in HYDRAULIC Section)	
11	7679000017	2	Chain Tray Mat	

# SECTION 3 - DECK

FIGURE 3-15. DECK MODEL - ALUMINUM 21IN X 96IN FIXED RAIL DUAL ANGLE



ART\_1001211145

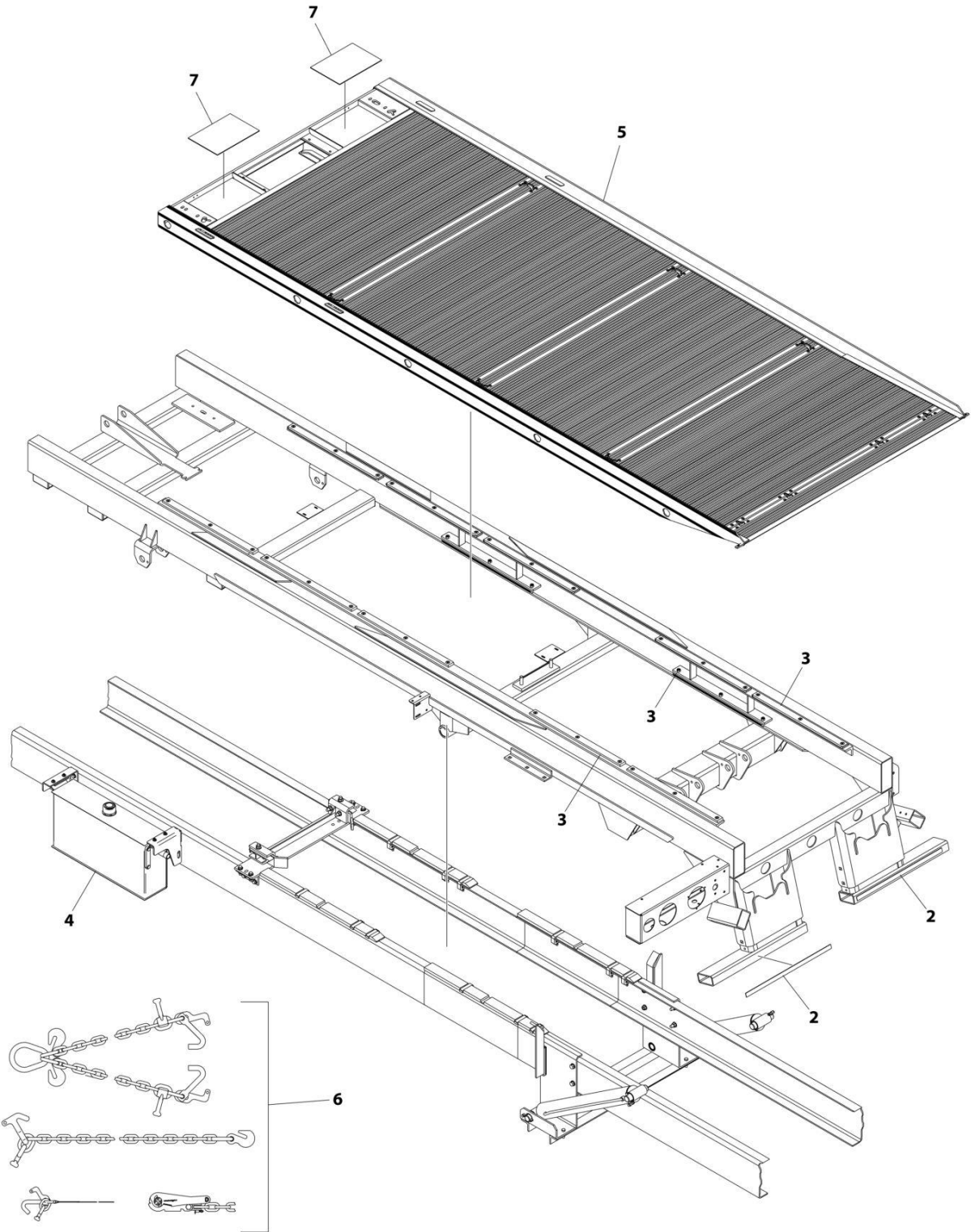
## SECTION 3 - DECK

**FIGURE 3-15. DECK MODEL - ALUMINUM 21IN X 96IN FIXED RAIL DUAL ANGLE**

ITEM	PART NUMBER	QTY	DESCRIPTION	REV
	1001211145	Ref	DECK INSTALLATION - 21FTx96IN ALUMINIUM DUAL ANGLE FIXED RAIL (NGADF6T-XLP)	B
1	3097000681	1	Deck Installation, 21ft (Aluminium)	
2	2679000010	1	Main Subframe Pad Installation (See Separate Breakdown in SUBFRAME Section)	
3	2330000055	Ref	Conspicuity Decal Installation	
3	7330000428	2	Decal - Red/White Reflective	
4	7577000208	1	Chain/Tie-Down Kit	
5	2330000038	1	Standard Duty Decals Installation (Not Shown - See Separate Breakdown in DECAL Section)	
6	2750000008	1	Hydraulic Reservoir and Bracket Mount (See Separate Breakdown in HYDRAULIC Section)	
7	7679000017	2	Chain Tray Mat	

# SECTION 3 - DECK

FIGURE 3-16. DECK MODEL - ALUMINUM 21IN X 96IN FIXED RAIL DUAL ANGLE CARGO HAULER



ART\_1001264442

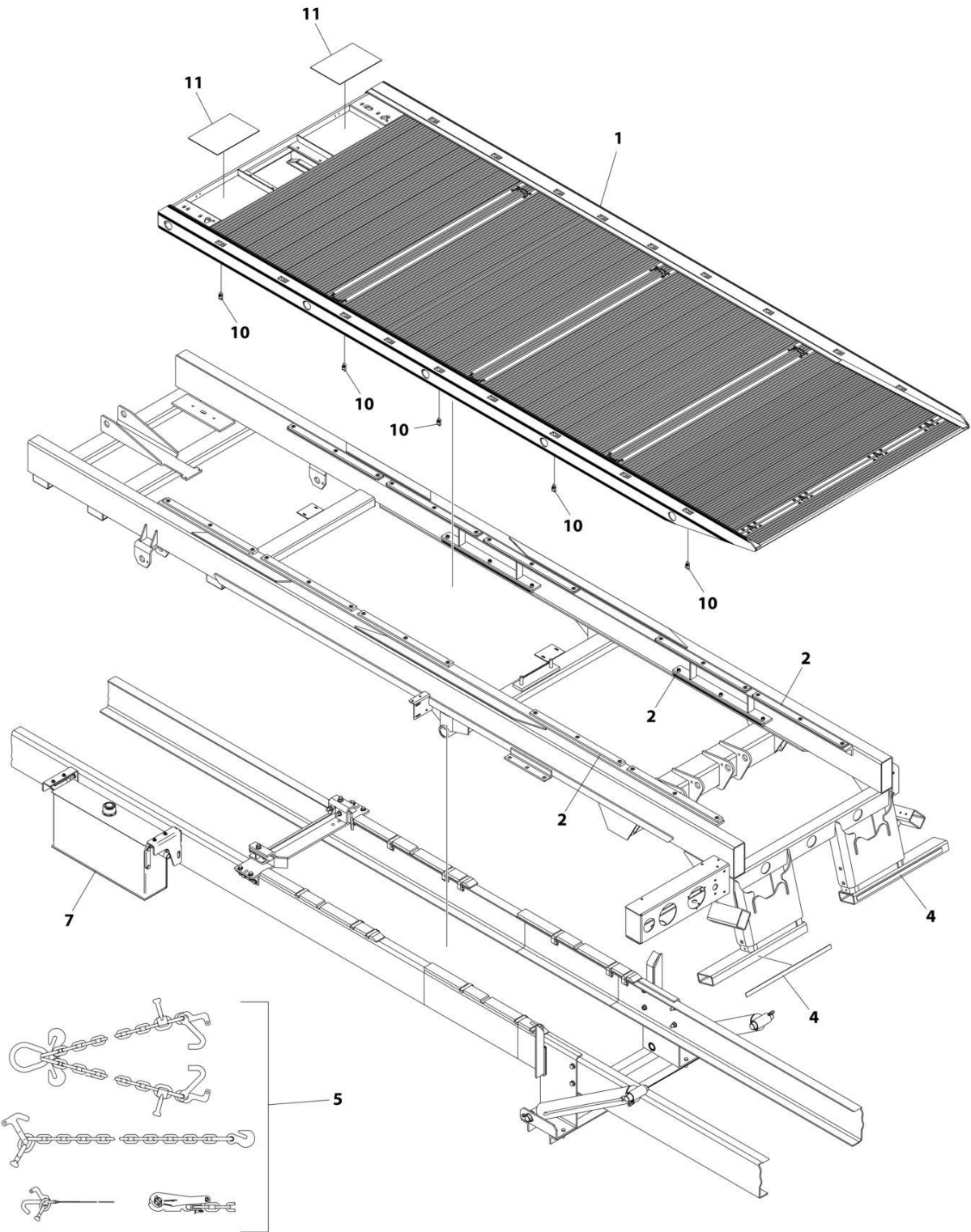
## SECTION 3 - DECK

**FIGURE 3-16. DECK MODEL - ALUMINUM 21IN X 96IN FIXED RAIL DUAL ANGLE CARGO HAULER**

ITEM	PART NUMBER	QTY	DESCRIPTION	REV
	1001264442	Ref	DECK INSTALLATION - 21FTx96IN ALUMINIUM DUAL ANGLE FIXED RAIL (NGADF6T-XLP), CARGO HAULER	A
1	1001264091	1	Standard Duty Decals Installation (Not Shown - See Separate Breakdown in DECAL Section)	
2	2330000055	Ref	Conspicuity Decal Installation	
2	7330000428	2	Decal - Red/White Reflective	
3	2679000010	1	Main Subframe Pad Installation (See Separate Breakdown in SUBFRAME Section)	
4	2750000008	1	Hydraulic Reservoir and Bracket Mount (See Separate Breakdown in HYDRAULIC Section)	
5	3097000681	1	Deck Installation, 21ft (Aluminium)	
6	7577000208	1	Chain/ Tie-Down Kit	
7	7679000017	2	Chain Tray Mat	

# SECTION 3 - DECK

## FIGURE 3-17. DECK MODEL - ALUMINUM 21IN X 96IN REMOVABLE RAIL



ART\_21NGAR6T-LP



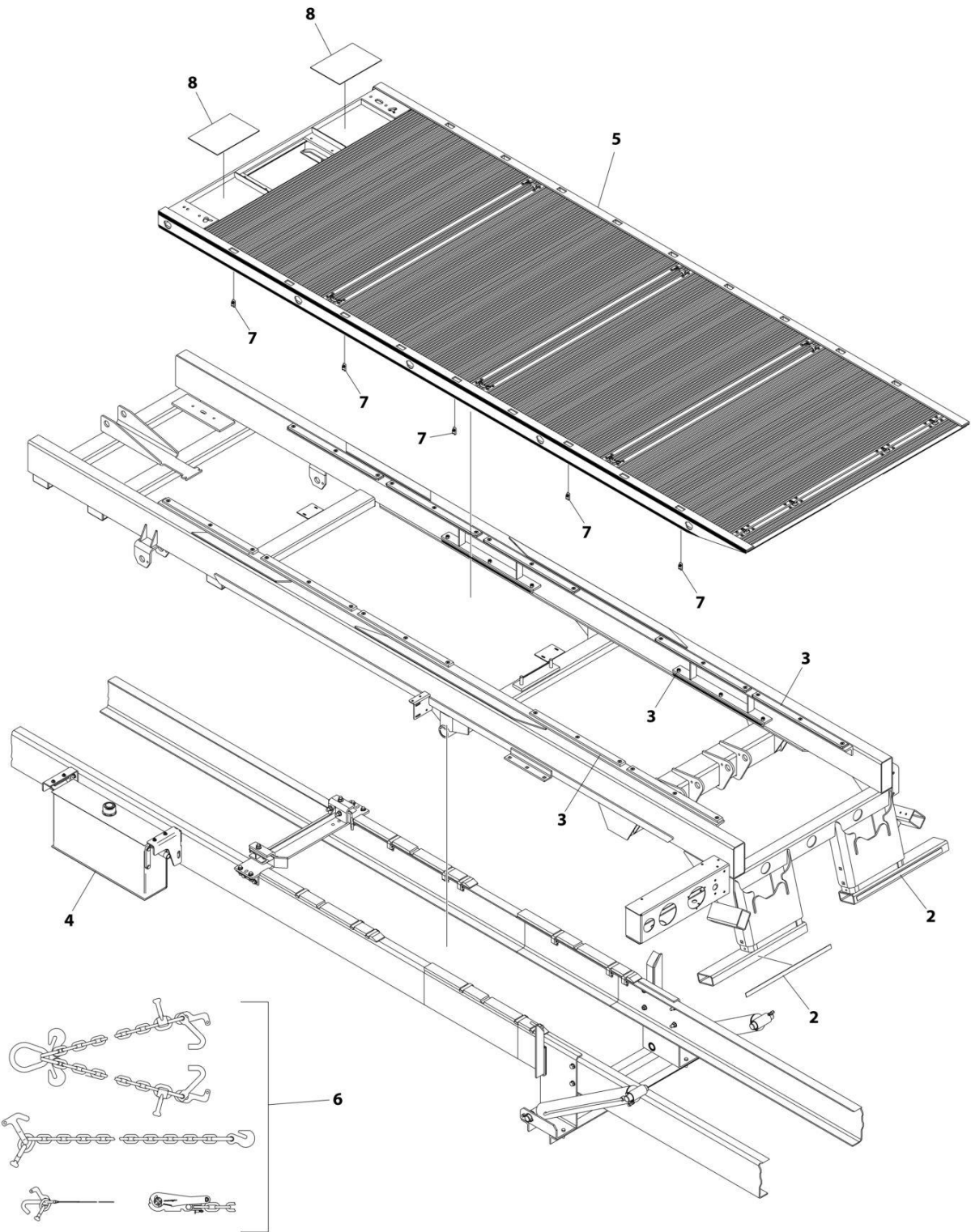
## SECTION 3 - DECK

**FIGURE 3-17. DECK MODEL - ALUMINUM 21IN X 96IN REMOVABLE RAIL**

ITEM	PART NUMBER	QTY	DESCRIPTION	REV
	21NGAR6T-LP	Ref	DECK INSTALLATION - 21FTx96IN ALUMINIUM REMOVABLE RAIL (NGAR6T-XLP)	C
1	3097000673	1	Deck Installation, 22ft (Aluminium)	
2	2679000010	1	Main Subframe Pad Installation (See Separate Breakdown in SUBFRAME Section)	
4	2330000055	Ref	Conspicuity Decal Installation	
4	7330000428	2	Decal - Red/White Reflective	
5	7577000208	1	Chain/Tie-Down Kit	
6	2330000038	1	Standard Duty Decals Installation (Not Shown - See Separate Breakdown in DECAL Section)	
7	2750000008	1	Hydraulic Reservoir and Bracket Mount (See Separate Breakdown in HYDRAULIC Section)	
10	7661000055	10	Nut 1/2	
11	7679000017	2	Chain Tray Mat	

# SECTION 3 - DECK

## FIGURE 3-18. DECK MODEL - ALUMINUM 21IN X 96IN REMOVABLE RAIL CARGO HAULER



ART\_1001264440

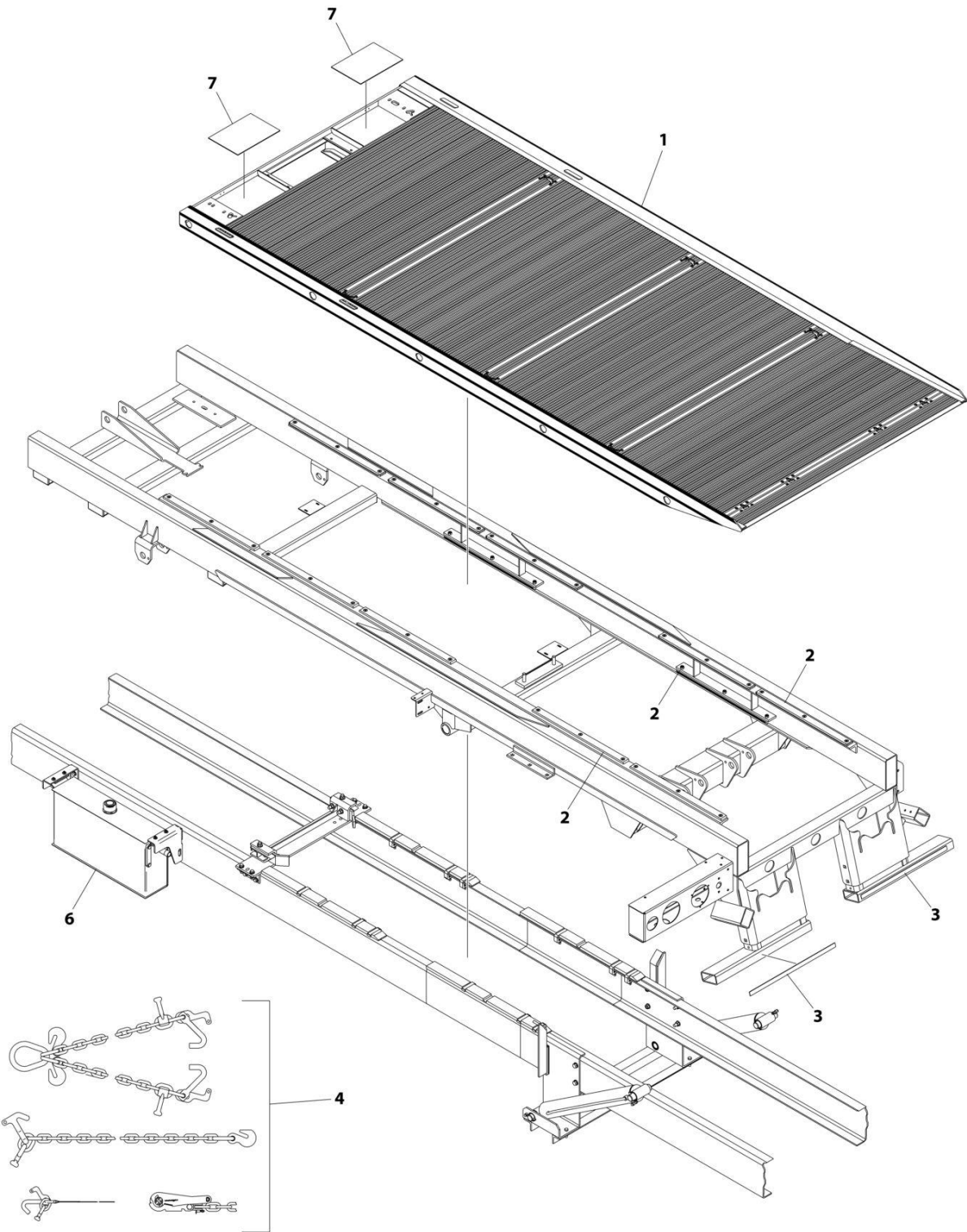
## SECTION 3 - DECK

**FIGURE 3-18. DECK MODEL - ALUMINUM 21IN X 96IN REMOVABLE RAIL CARGO HAULER**

ITEM	PART NUMBER	QTY	DESCRIPTION	REV
	1001264440	Ref	DECK INSTALLATION - 21FTx96IN ALUMINIUM REMOVABLE RAIL (NGAR6T-XLP), CARGO HAULER	A
1	1001264091	1	Standard Duty Decals Installation (Not Shown - See Separate Breakdown in DECAL Section)	
2	2330000055	Ref	Conspicuity Decal Installation	
2	7330000428	2	Decal - Red/White Reflective	
3	2679000010	1	Main Subframe Pad Installation (See Separate Breakdown in SUBFRAME Section)	
4	2750000008	1	Hydraulic Reservoir and Bracket Mount (See Separate Breakdown in HYDRAULIC Section)	
5	3097000673	1	Deck Installation, 21ft (Aluminium)	
6	7577000208	1	Chain/Tie-Down Kit	
7	7661000055	10	Nut 1/2	
8	7679000017	2	Chain Tray Mat	

# SECTION 3 - DECK

## FIGURE 3-19. DECK MODEL - ALUMINUM 21IN X 102IN FIXED RAIL



ART\_1001211148

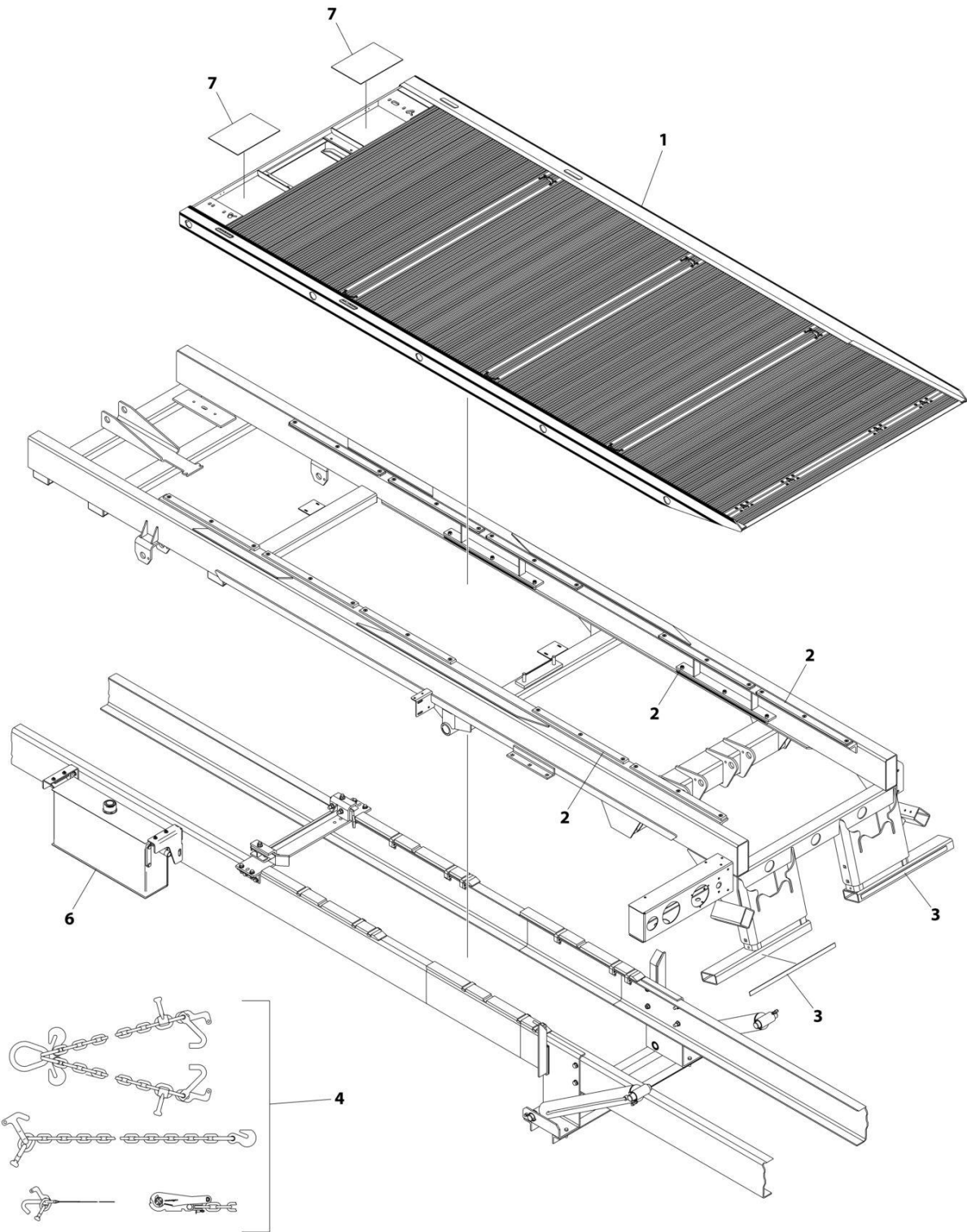
## SECTION 3 - DECK

**FIGURE 3-19. DECK MODEL - ALUMINUM 21IN X 102IN FIXED RAIL**

ITEM	PART NUMBER	QTY	DESCRIPTION	REV
	1001211148	Ref	DECK INSTALLATION - 21FTx102IN ALUMINIUM FIXED RAIL (NGAF6T-XLP)	B
1	3097000676	1	Deck Installation, 21ft (Aluminium)	
2	2679000010	1	Main Subframe Pad Installation (See Separate Breakdown in SUBFRAME Section)	
3	2330000055	Ref	Conspicuity Decal Installation	
3	7330000428	2	Decal - Red/White Reflective	
4	7577000208	1	Chain/Tie-Down Kit	
5	2330000038	1	Standard Duty Decals Installation (Not Shown - See Separate Breakdown in DECAL Section)	
6	2750000008	1	Hydraulic Reservoir and Bracket Mount (See Separate Breakdown in HYDRAULIC Section)	
7	7679000017	2	Chain Tray Mat	

# SECTION 3 - DECK

FIGURE 3-20. DECK MODEL - ALUMINUM 21IN X 102IN FIXED RAIL DUAL ANGLE



ART\_1001211147

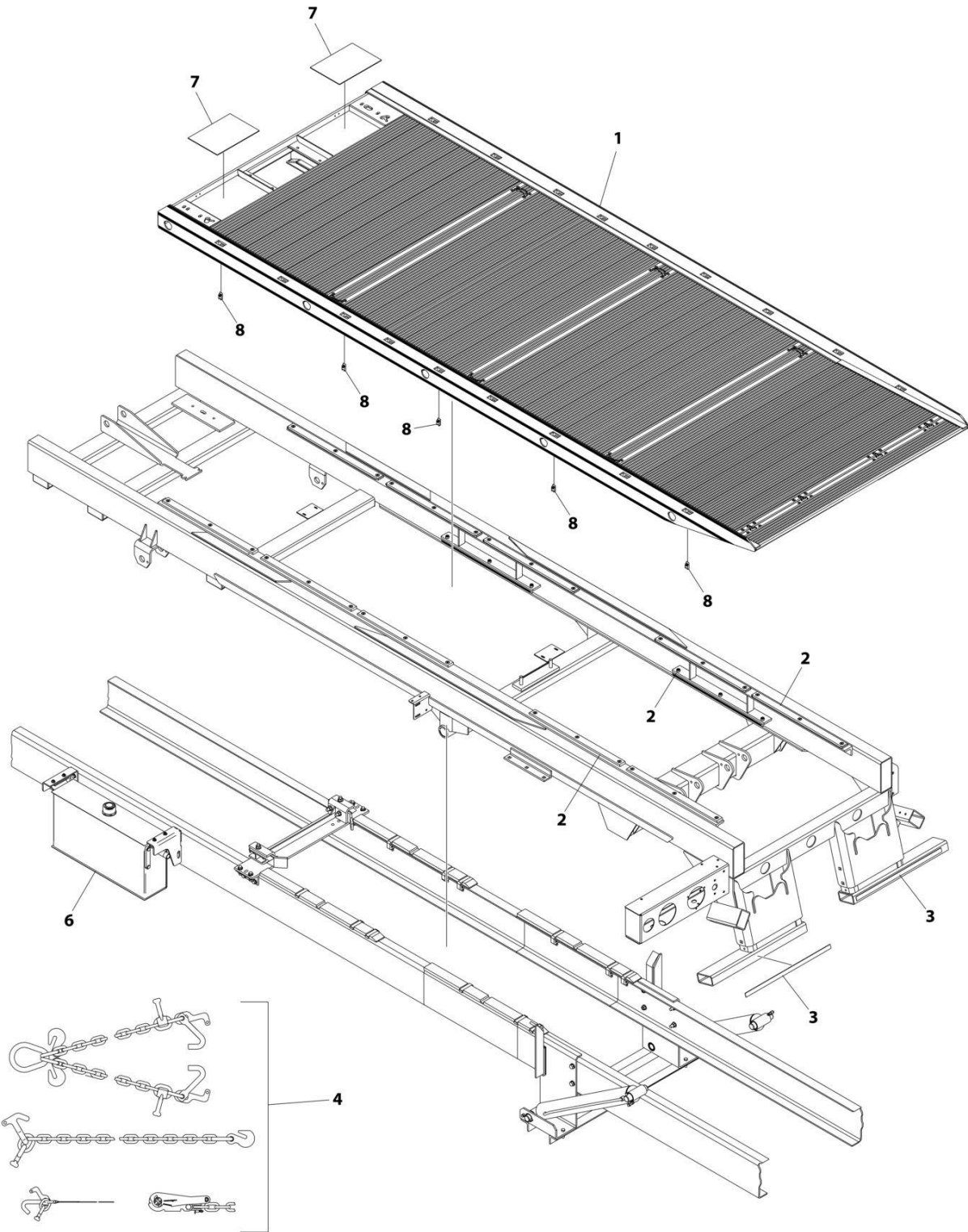
## SECTION 3 - DECK

**FIGURE 3-20. DECK MODEL - ALUMINUM 21IN X 102IN FIXED RAIL DUAL ANGLE**

ITEM	PART NUMBER	QTY	DESCRIPTION	REV
	1001211147	Ref	DECK INSTALLATION - 21FTx102IN ALUMINIUM DUAL ANGLE FIXED RAIL (NGADF6T-XLP)	B
1	3097000682	1	Deck Installation, 21ft (Aluminium)	
2	2679000010	1	Main Subframe Pad Installation (See Separate Breakdown in SUBFRAME Section)	
3	2330000055	Ref	Conspicuity Decal Installation	
3	7330000428	2	Decal - Red/White Reflective	
4	7577000208	1	Chain/Tie-Down Kit	
5	2330000038	1	Standard Duty Decals Installation (Not Shown - See Separate Breakdown in DECAL Section)	
6	2750000008	1	Hydraulic Reservoir and Bracket Mount (See Separate Breakdown in HYDRAULIC Section)	
7	7679000017	2	Chain Tray Mat	

# SECTION 3 - DECK

## FIGURE 3-21. DECK MODEL - ALUMINUM 21IN X 102IN REMOVABLE RAIL



ART\_1001211150



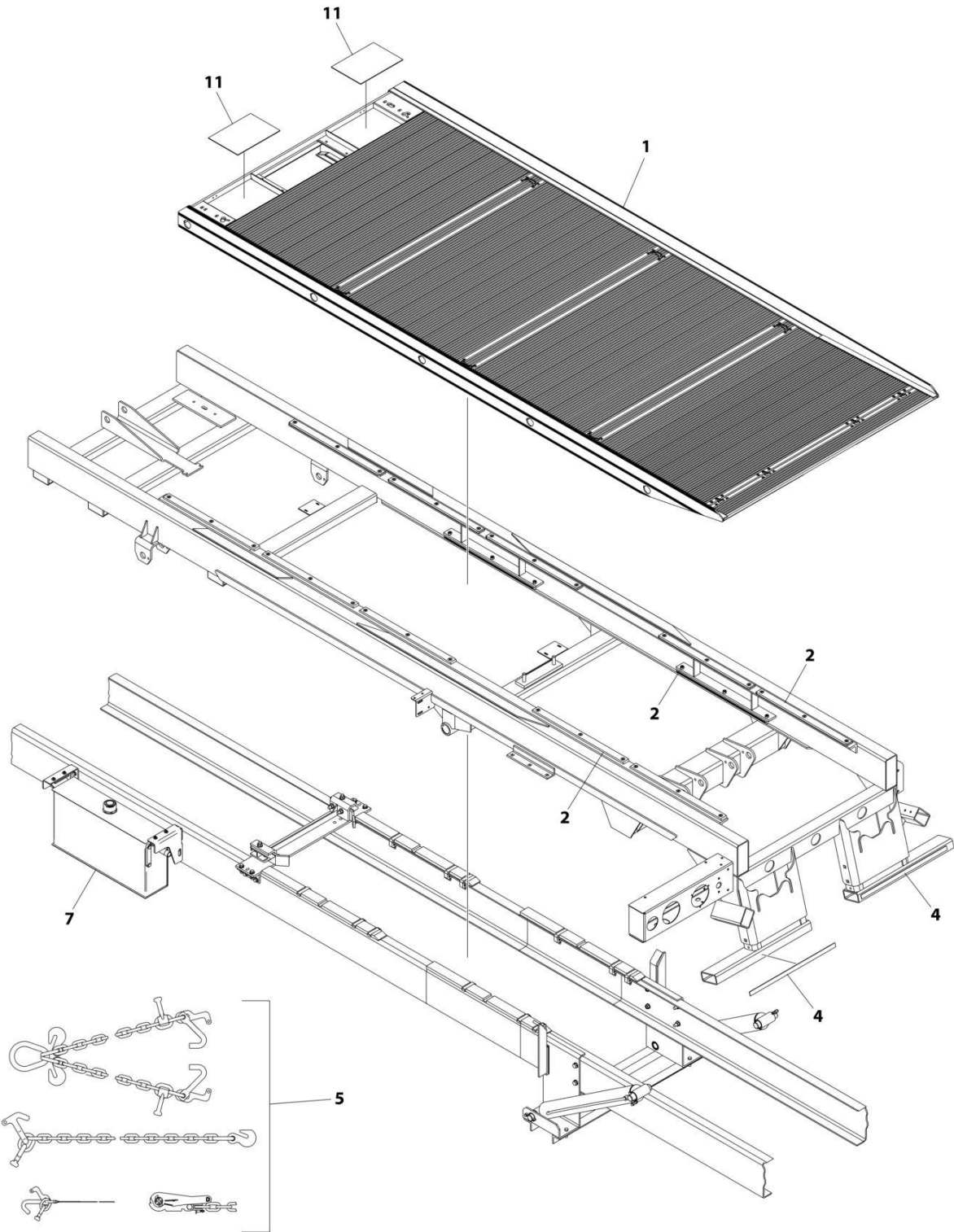
## SECTION 3 - DECK

**FIGURE 3-21. DECK MODEL - ALUMINUM 21IN X 102IN REMOVABLE RAIL**

ITEM	PART NUMBER	QTY	DESCRIPTION	REV
	1001211150	Ref	DECK INSTALLATION - 21FTx102IN ALUMINIUM REMOVABLE RAIL (NGAR6T-XLP)	B
1	3097000674	1	Deck Installation, 21ft (Aluminium)	
2	2679000010	1	Main Subframe Pad Installation (See Separate Breakdown in SUBFRAME Section)	
3	2330000055	Ref	Conspicuity Decal Installation	
3	7330000428	2	Decal - Red/White Reflective	
4	7577000208	1	Chain/Tie-Down Kit	
5	2330000038	1	Standard Duty Decals Installation (Not Shown - See Separate Breakdown in DECAL Section)	
6	2750000008	1	Hydraulic Reservoir and Bracket Mount (See Separate Breakdown in HYDRAULIC Section)	
7	7679000017	2	Chain Tray Mat	
8	7661000055	10	Nut 1/2	

# SECTION 3 - DECK

FIGURE 3-22. DECK MODEL - ALUMINUM 22IN X 96IN FIXED RAIL



ART\_22NGAF6T-LP

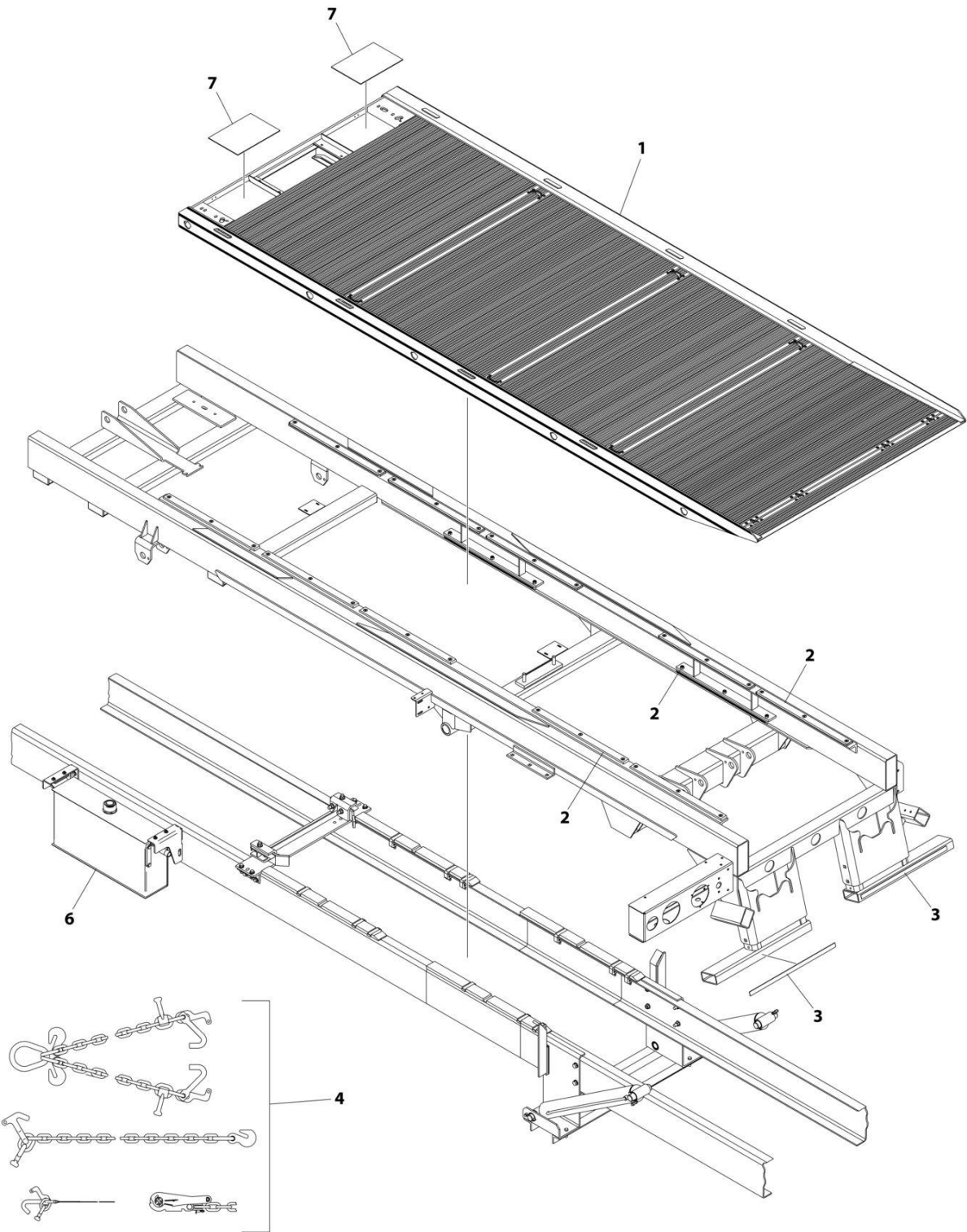
## SECTION 3 - DECK

**FIGURE 3-22. DECK MODEL - ALUMINUM 22IN X 96IN FIXED RAIL**

ITEM	PART NUMBER	QTY	DESCRIPTION	REV
	22NGAF6T-LP	Ref	DECK INSTALLATION - 22FTx96IN ALUMINIUM FIXED RAIL (NGAF6T-XLP)	D
1	3097000779	1	Deck Installation, 22ft (Aluminium)	
2	2679000010	1	Main Subframe Pad Installation (See Separate Breakdown in SUBFRAME Section)	
4	2330000055	Ref	Conspicuity Decal Installation	
4	7330000428	2	Decal - Red/White Reflective	
5	7577000208	1	Chain/Tie-Down Kit	
6	2330000038	1	Standard Duty Decals Installation (Not Shown - See Separate Breakdown in DECAL Section)	
7	2750000008	1	Hydraulic Reservoir and Bracket Mount (See Separate Breakdown in HYDRAULIC Section)	
11	7679000017	2	Chain Tray Mat	

# SECTION 3 - DECK

FIGURE 3-23. DECK MODEL - ALUMINUM 22IN X 96IN FIXED RAIL DUAL ANGLE



ART\_1001211162

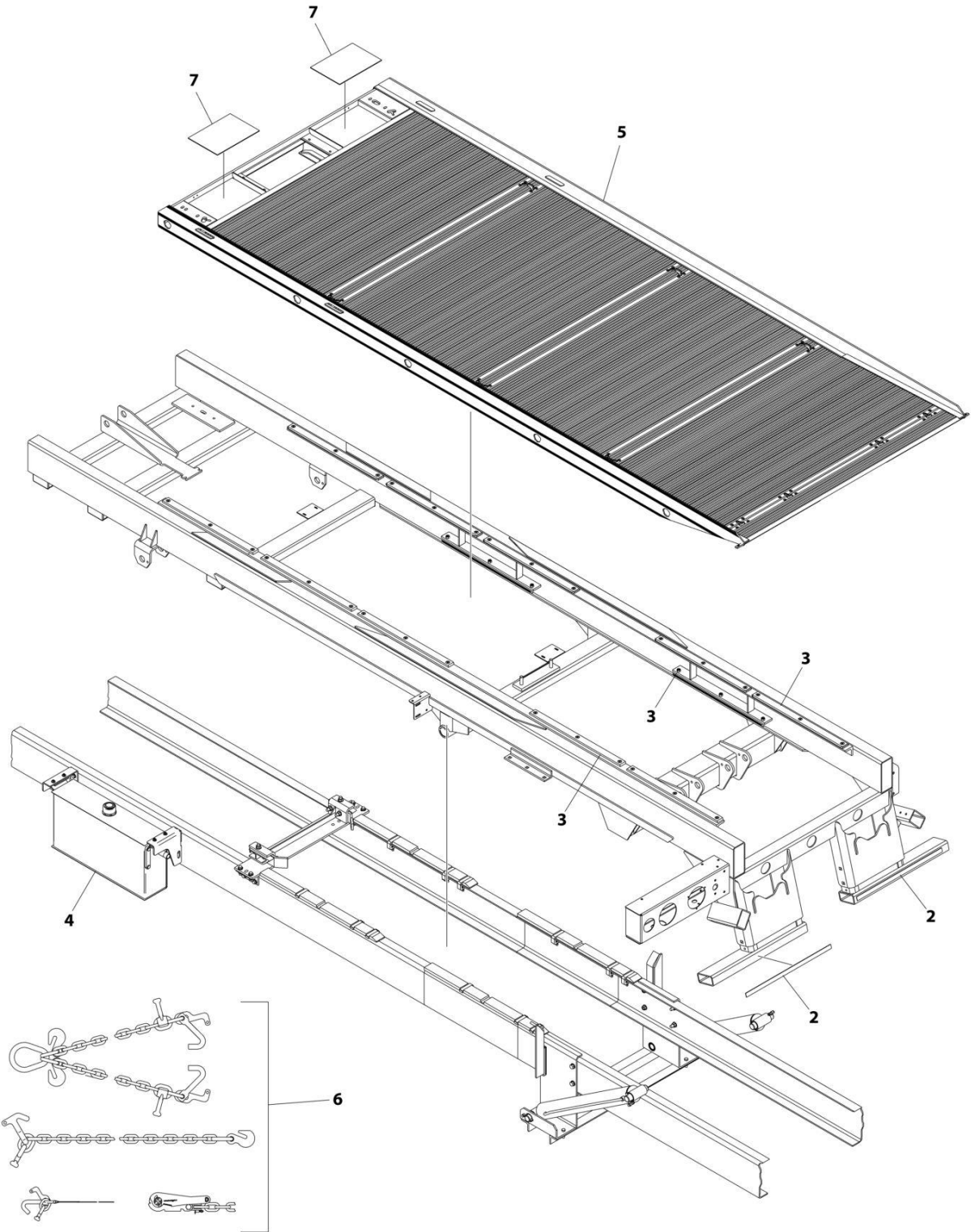
## SECTION 3 - DECK

**FIGURE 3-23. DECK MODEL - ALUMINUM 22IN X 96IN FIXED RAIL DUAL ANGLE**

ITEM	PART NUMBER	QTY	DESCRIPTION	REV
	1001211162	Ref	DECK INSTALLATION - 22FTx96IN ALUMINIUM DUAL ANGLE FIXED RAIL (NGADF6T-XLP)	B
1	3097000782	1	Deck Installation, 22ft (Aluminium)	
2	2679000010	1	Main Subframe Pad Installation (See Separate Breakdown in SUBFRAME Section)	
3	2330000055	Ref	Conspicuity Decal Installation	
3	7330000428	2	Decal - Red/White Reflective	
4	7577000208	1	Chain/Tie-Down Kit	
5	2330000038	1	Standard Duty Decals Installation (Not Shown - See Separate Breakdown in DECAL Section)	
6	2750000008	1	Hydraulic Reservoir and Bracket Mount (See Separate Breakdown in HYDRAULIC Section)	
7	7679000017	2	Chain Tray Mat	

# SECTION 3 - DECK

FIGURE 3-24. DECK MODEL - ALUMINUM 22IN X 96IN FIXED RAIL DUAL ANGLE CARGO HAULER



ART\_1001265040

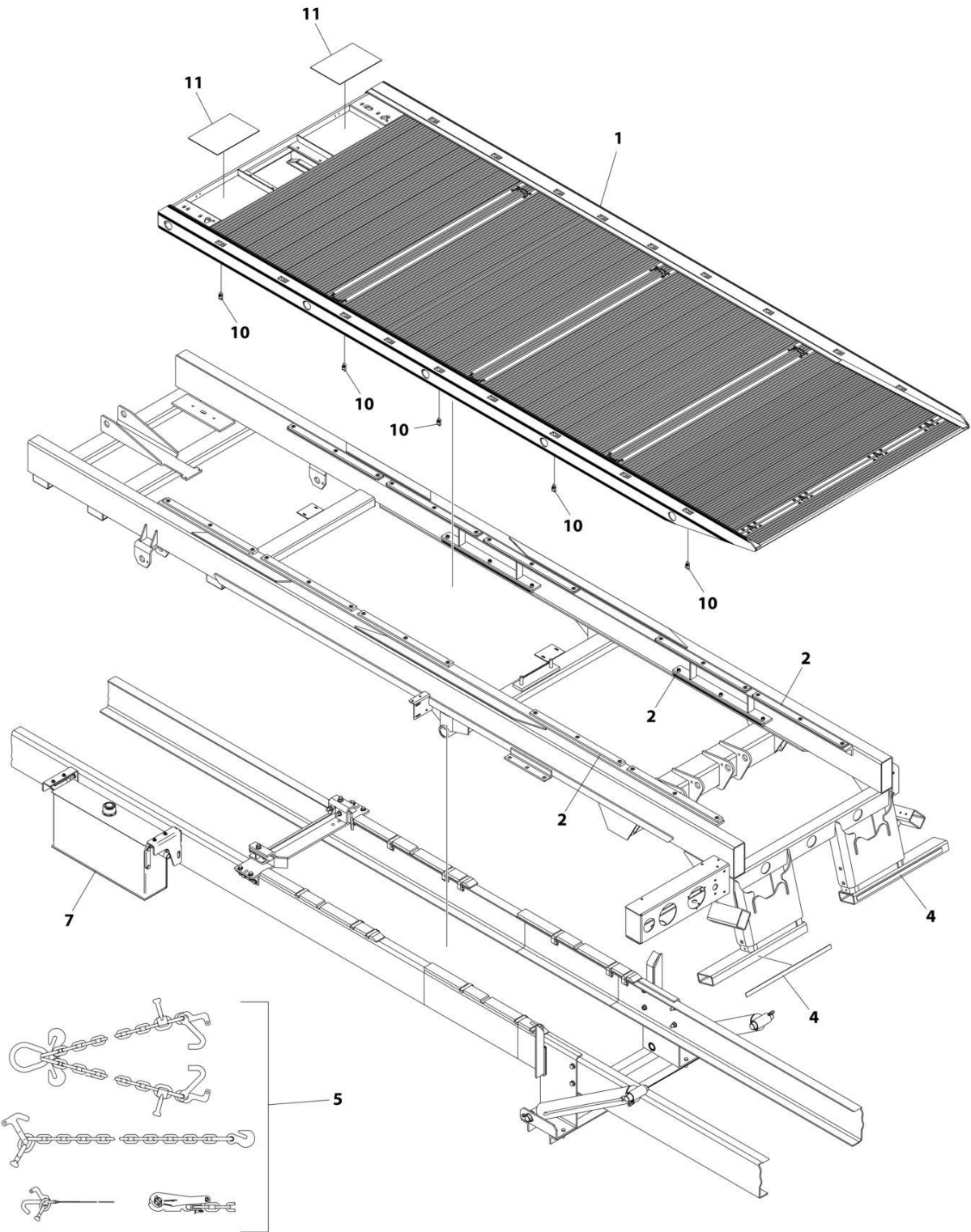
## SECTION 3 - DECK

**FIGURE 3-24. DECK MODEL - ALUMINUM 22IN X 96IN FIXED RAIL DUAL ANGLE CARGO HAULER**

ITEM	PART NUMBER	QTY	DESCRIPTION	REV
	1001265040	Ref	DECK INSTALLATION - 22FTx96IN ALUMINIUM DUAL ANGLE FIXED RAIL (NGADF6T-XLP), CARGO HAULER	A
1	1001264091	1	Standard Duty Decals Installation (Not Shown - See Separate Breakdown in DECAL Section)	
2	2330000055	Ref	Conspicuity Decal Installation	
2	7330000428	2	Decal - Red/White Reflective	
3	2679000010	1	Main Subframe Pad Installation (See Separate Breakdown in SUBFRAME Section)	
4	2750000008	1	Hydraulic Reservoir and Bracket Mount (See Separate Breakdown in HYDRAULIC Section)	
5	3097000782	1	Deck Installation, 22ft (Aluminium)	
6	7577000208	1	Chain/Tie-Down Kit	
7	7679000017	2	Chain Tray Mat	

# SECTION 3 - DECK

## FIGURE 3-25. DECK MODEL - ALUMINUM 22IN X 96IN REMOVABLE RAIL



ART\_22NGAR6T-LP



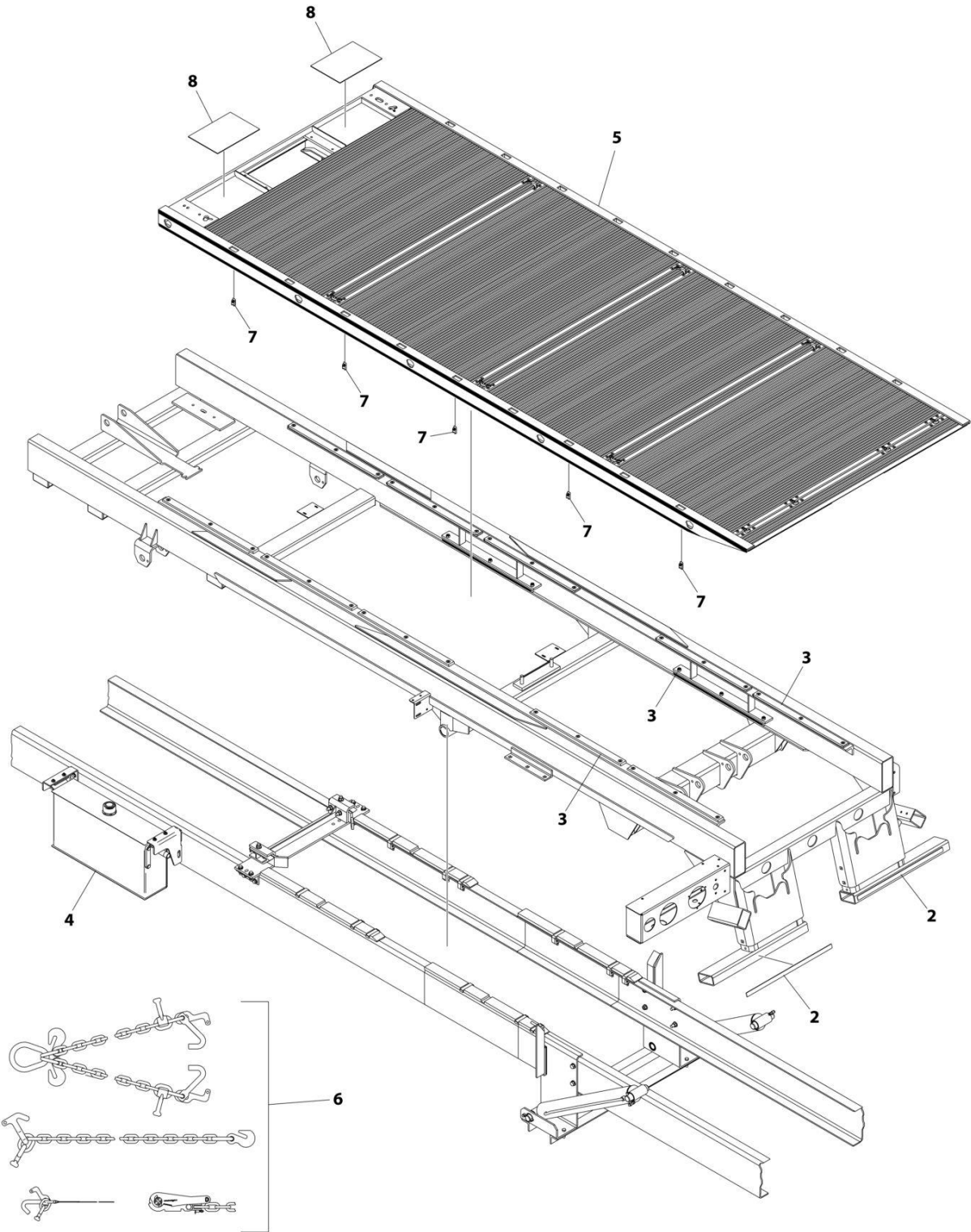
## SECTION 3 - DECK

**FIGURE 3-25. DECK MODEL - ALUMINUM 22IN X 96IN REMOVABLE RAIL**

ITEM	PART NUMBER	QTY	DESCRIPTION	REV
	22NGAR6T-LP	Ref	DECK INSTALLATION - 22FTx96IN ALUMINIUM REMOVABLE RAIL (NGAR6T-XLP)	C
1	3097000777	1	Deck Installation, 22ft (Aluminium)	
2	2679000010	1	Main Subframe Pad Installation (See Separate Breakdown in SUBFRAME Section)	
4	2330000055	Ref	Conspicuity Decal Installation	
4	7330000428	2	Decal - Red/White Reflective	
5	7577000208	1	Chain/Tie-Down Kit	
6	2330000038	1	Standard Duty Decals Installation (Not Shown - See Separate Breakdown in DECAL Section)	
7	2750000008	1	Hydraulic Reservoir and Bracket Mount (See Separate Breakdown in HYDRAULIC Section)	
10	7661000055	10	Nut 1/2	
11	7679000017	2	Chain Tray Mat	

# SECTION 3 - DECK

FIGURE 3-26. DECK MODEL - ALUMINUM 22IN X 96IN REMOVABLE RAIL CARGO HAULER



ART\_1001265039

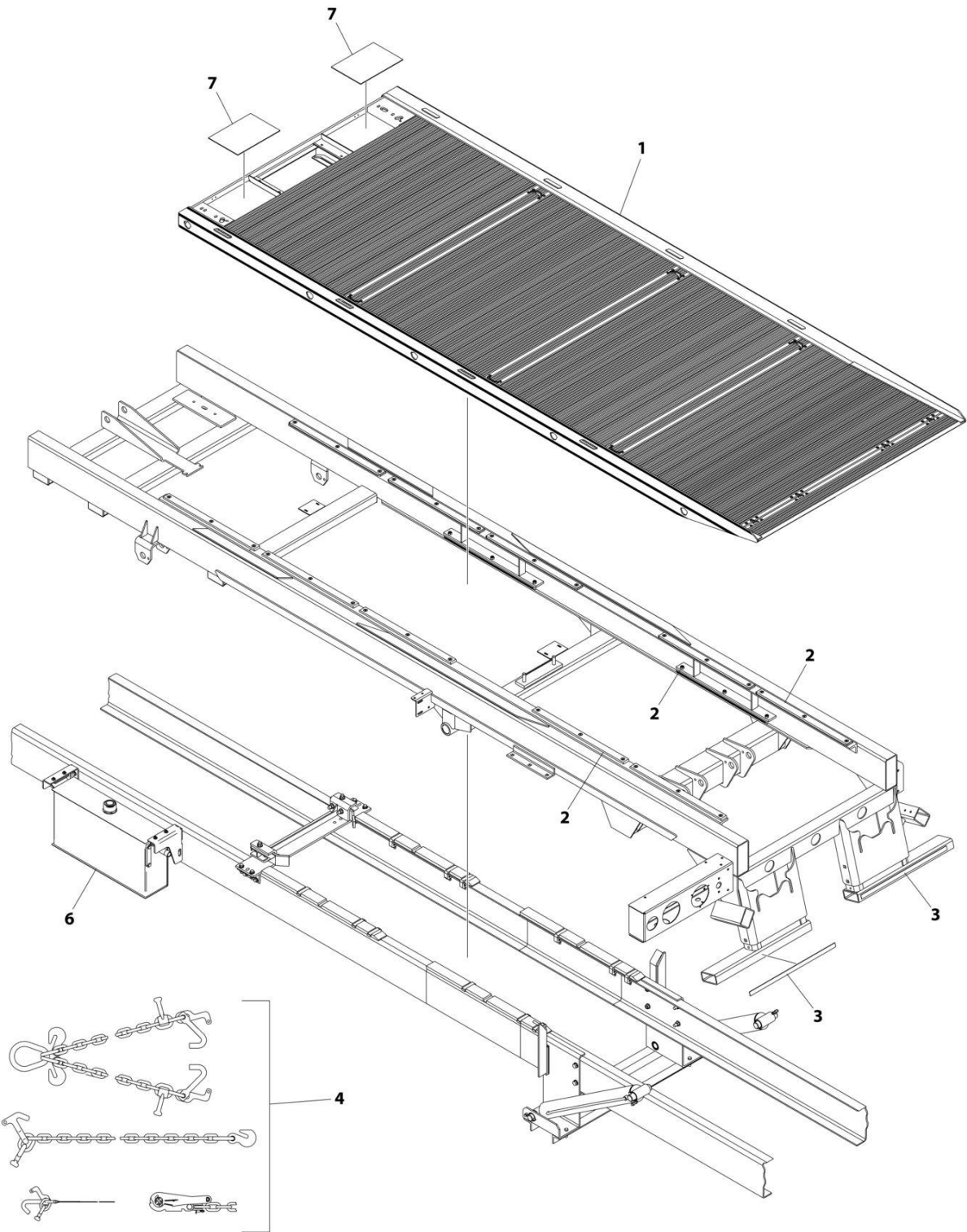
## SECTION 3 - DECK

**FIGURE 3-26. DECK MODEL - ALUMINUM 22IN X 96IN REMOVABLE RAIL CARGO HAULER**

ITEM	PART NUMBER	QTY	DESCRIPTION	REV
	1001265039	Ref	DECK INSTALLATION - 22FTx96IN ALUMINIUM REMOVABLE RAIL (NGAR6T-XLP), CARGO HAULER	A
1	1001264091	1	Standard Duty Decals Installation (Not Shown - See Separate Breakdown in DECAL Section)	
2	2330000055	Ref	Conspicuity Decal Installation	
2	7330000428	2	Decal - Red/White Reflective	
3	2679000010	1	Main Subframe Pad Installation (See Separate Breakdown in SUBFRAME Section)	
4	2750000008	1	Hydraulic Reservoir and Bracket Mount (See Separate Breakdown in HYDRAULIC Section)	
5	3097000777	1	Deck Installation, 22ft (Aluminium)	
6	7577000208	1	Chain/Tie-Down Kit	
7	7661000055	10	Nut U - 1/2	
8	7679000017	2	Chain Tray Mat	

# SECTION 3 - DECK

## FIGURE 3-27. DECK MODEL - ALUMINUM 22IN X 102IN FIXED RAIL



ART\_1001211164

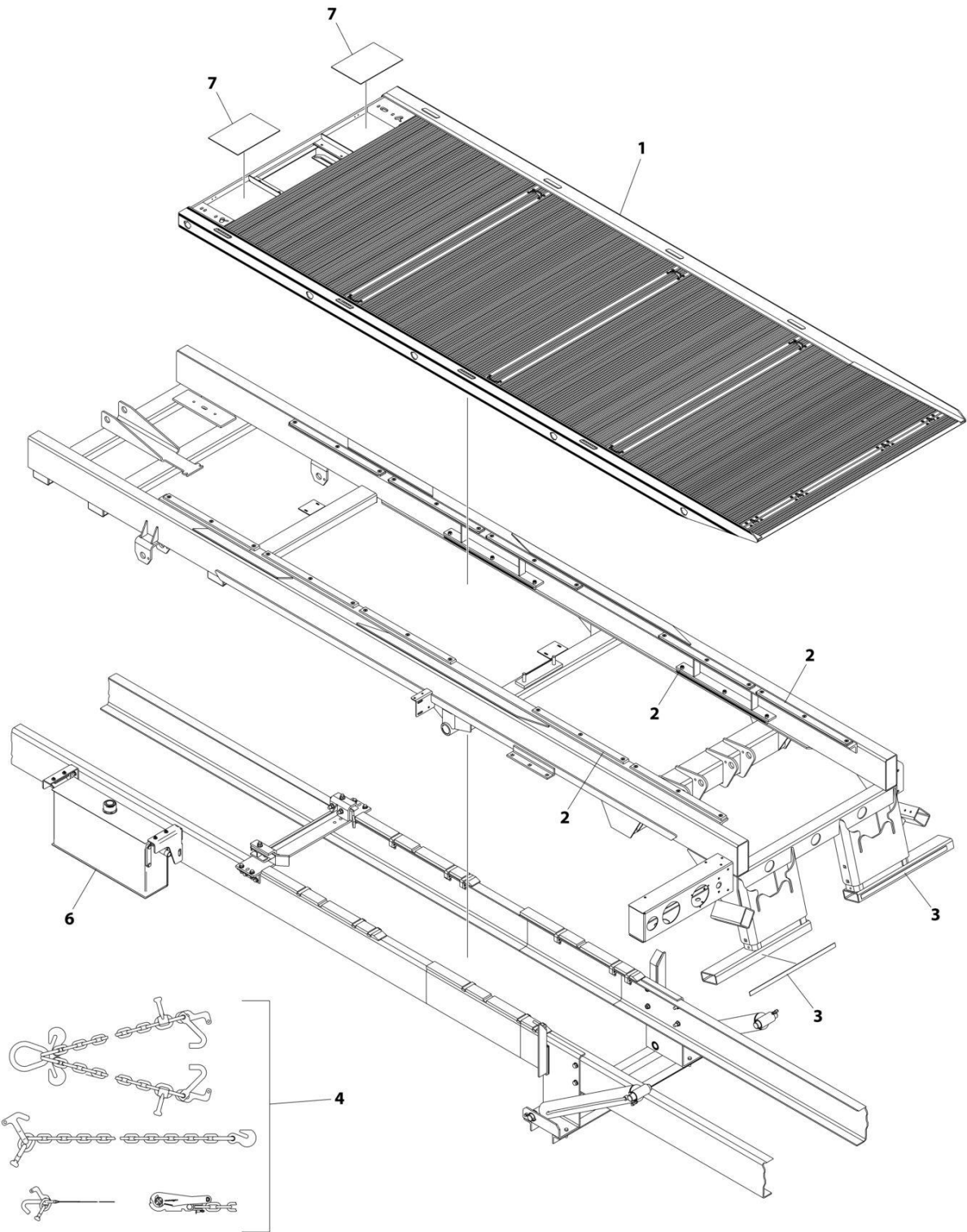
## SECTION 3 - DECK

**FIGURE 3-27. DECK MODEL - ALUMINUM 22IN X 102IN FIXED RAIL**

ITEM	PART NUMBER	QTY	DESCRIPTION	REV
	1001211164	Ref	DECK INSTALLATION - 22FTx102IN ALUMINIUM FIXED RAIL (NGAF6T-XLP)	B
1	3097000780	1	Deck Installation, 22ft (Aluminium)	
2	2679000010	1	Main Subframe Pad Installation (See Separate Breakdown in SUBFRAME Section)	
3	2330000055	Ref	Conspicuity Decal Installation	
3	7330000428	2	Decal - Red/White Reflective	
4	7577000208	1	Chain/Tie-Down Kit	
5	2330000038	1	Standard Duty Decals Installation (Not Shown - See Separate Breakdown in DECAL Section)	
6	2750000008	1	Hydraulic Reservoir and Bracket Mount (See Separate Breakdown in HYDRAULIC Section)	
7	7679000017	2	Chain Tray Mat	

# SECTION 3 - DECK

FIGURE 3-28. DECK MODEL - ALUMINUM 22IN X 102IN FIXED RAIL DUAL ANGLE



ART\_1001211163

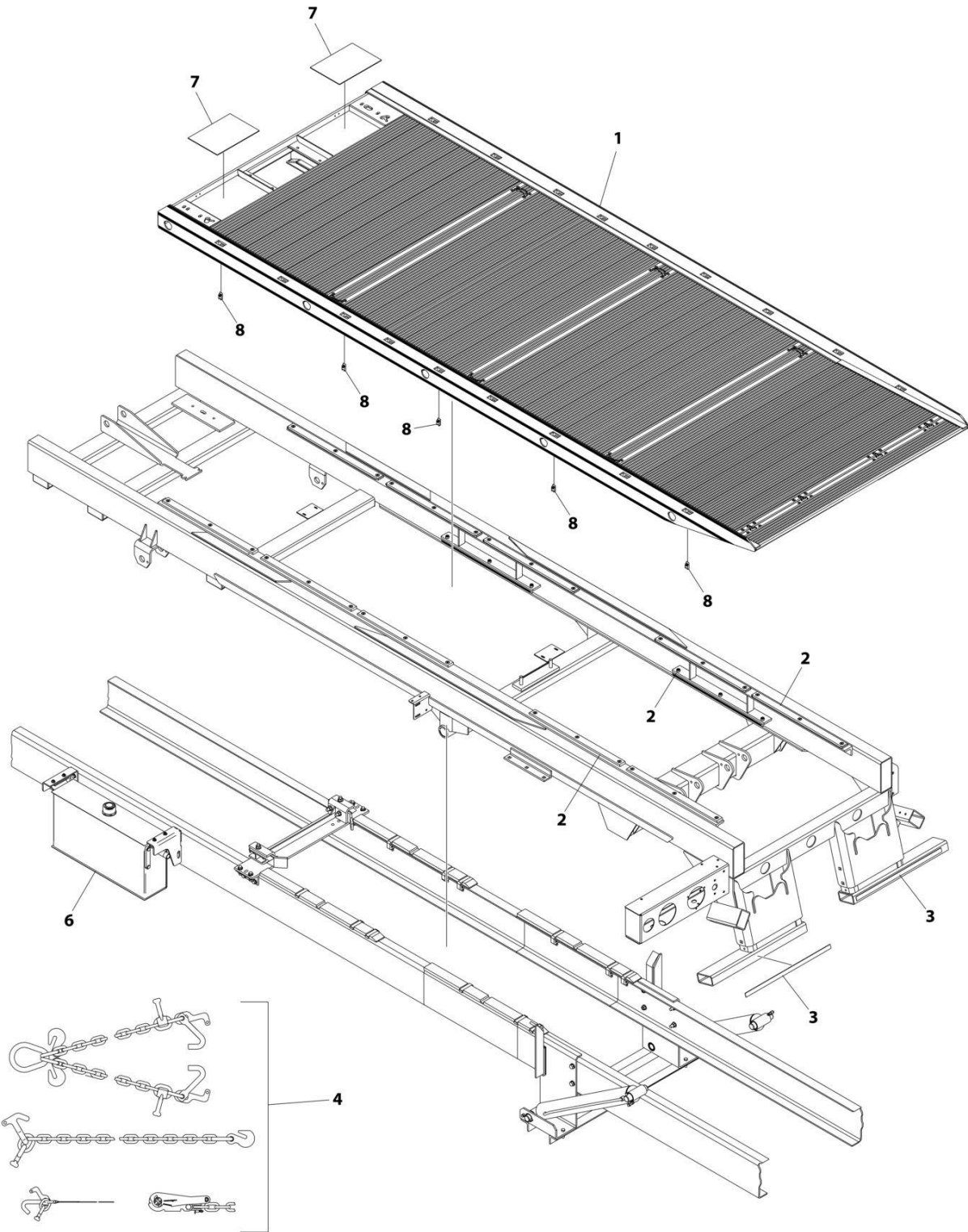
## SECTION 3 - DECK

**FIGURE 3-28. DECK MODEL - ALUMINUM 22IN X 102IN FIXED RAIL DUAL ANGLE**

ITEM	PART NUMBER	QTY	DESCRIPTION	REV
	1001211163	Ref	DECK INSTALLATION - 22FTx102IN ALUMINIUM DUAL ANGLE FIXED RAIL (NGADF6T-XLP)	B
1	3097000781	1	Deck Installation, 22ft (Aluminium)	
2	2679000010	1	Main Subframe Pad Installation (See Separate Breakdown in SUBFRAME Section)	
3	2330000055	Ref	Conspicuity Decal Installation	
3	7330000428	2	Decal - Red/White Reflective	
4	7577000208	1	Chain/Tie-Down Kit	
5	2330000038	1	Standard Duty Decals Installation (Not Shown - See Separate Breakdown in DECAL Section)	
6	2750000008	1	Hydraulic Reservoir and Bracket Mount (See Separate Breakdown in HYDRAULIC Section)	
7	7679000017	2	Chain Tray Mat	

# SECTION 3 - DECK

## FIGURE 3-29. DECK MODEL - ALUMINUM 22IN X 102IN REMOVABLE RAIL



ART\_1001211165



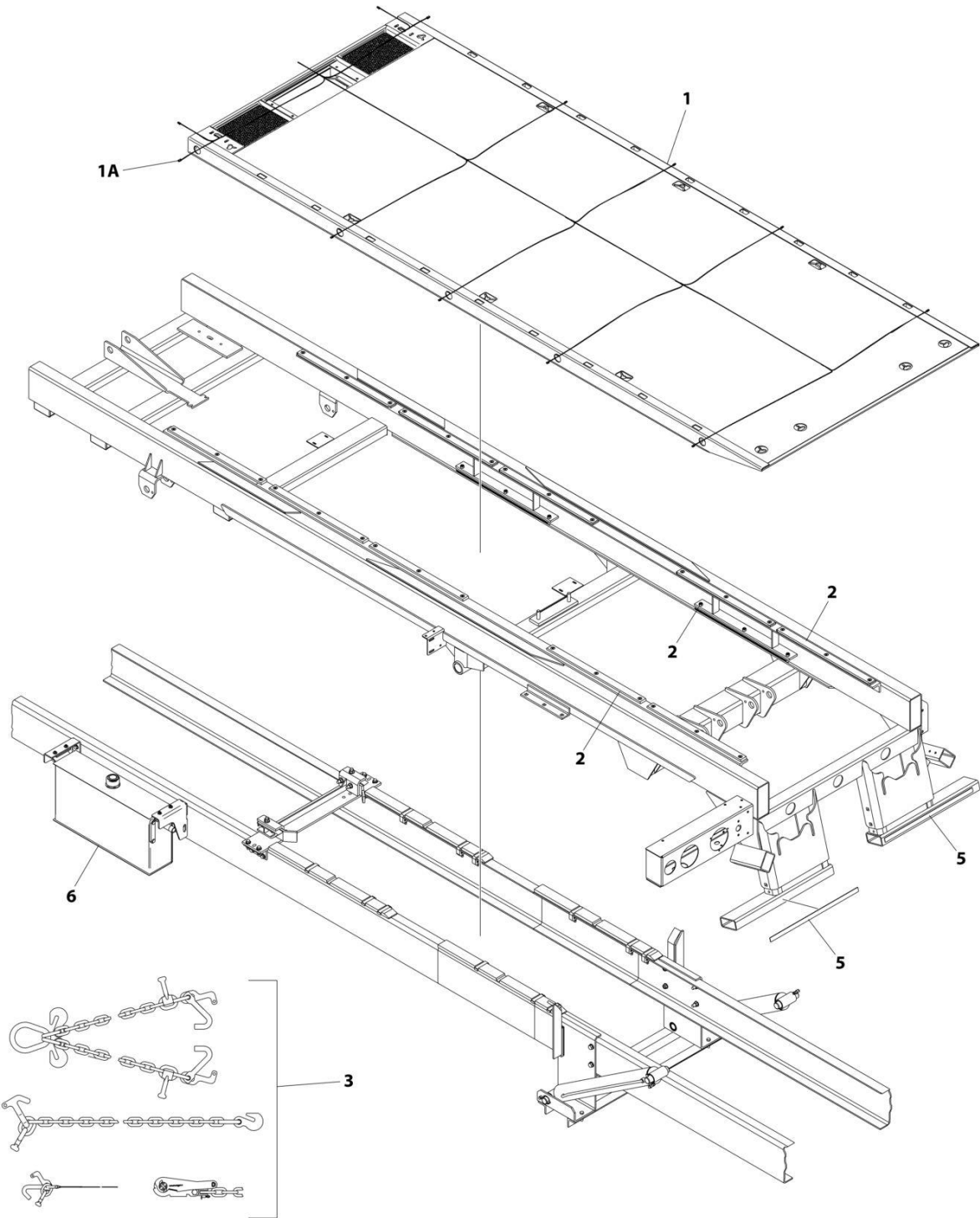
## SECTION 3 - DECK

**FIGURE 3-29. DECK MODEL - ALUMINUM 22IN X 102IN REMOVABLE RAIL**

ITEM	PART NUMBER	QTY	DESCRIPTION	REV
	1001211165	Ref	DECK INSTALLATION - 22FTx102IN ALUMINIUM REMOVABLE RAIL (NGAR6T-XLP)	B
1	3097000778	1	Deck Installation, 22ft (Aluminium)	
2	2679000010	1	Main Subframe Pad Installation (See Separate Breakdown in SUBFRAME Section)	
3	2330000055	Ref	Conspicuity Decal Installation	
3	7330000428	2	Decal - Red/White Reflective	
4	7577000208	1	Chain/Tie-Down Kit	
5	2330000038	1	Standard Duty Decals Installation (Not Shown - See Separate Breakdown in Decal Section)	
6	2750000008	1	Hydraulic Reservoir and Bracket Mount (See Separate Breakdown in HYDRAULIC Section)	
7	7679000017	2	Chain Tray Mat	
8	7661000055	10	Nut 1/2	

# SECTION 3 - DECK

## FIGURE 3-30. DECK MODEL - STEEL 19IN X 96IN REMOVABLE RAIL



ART\_1001274784

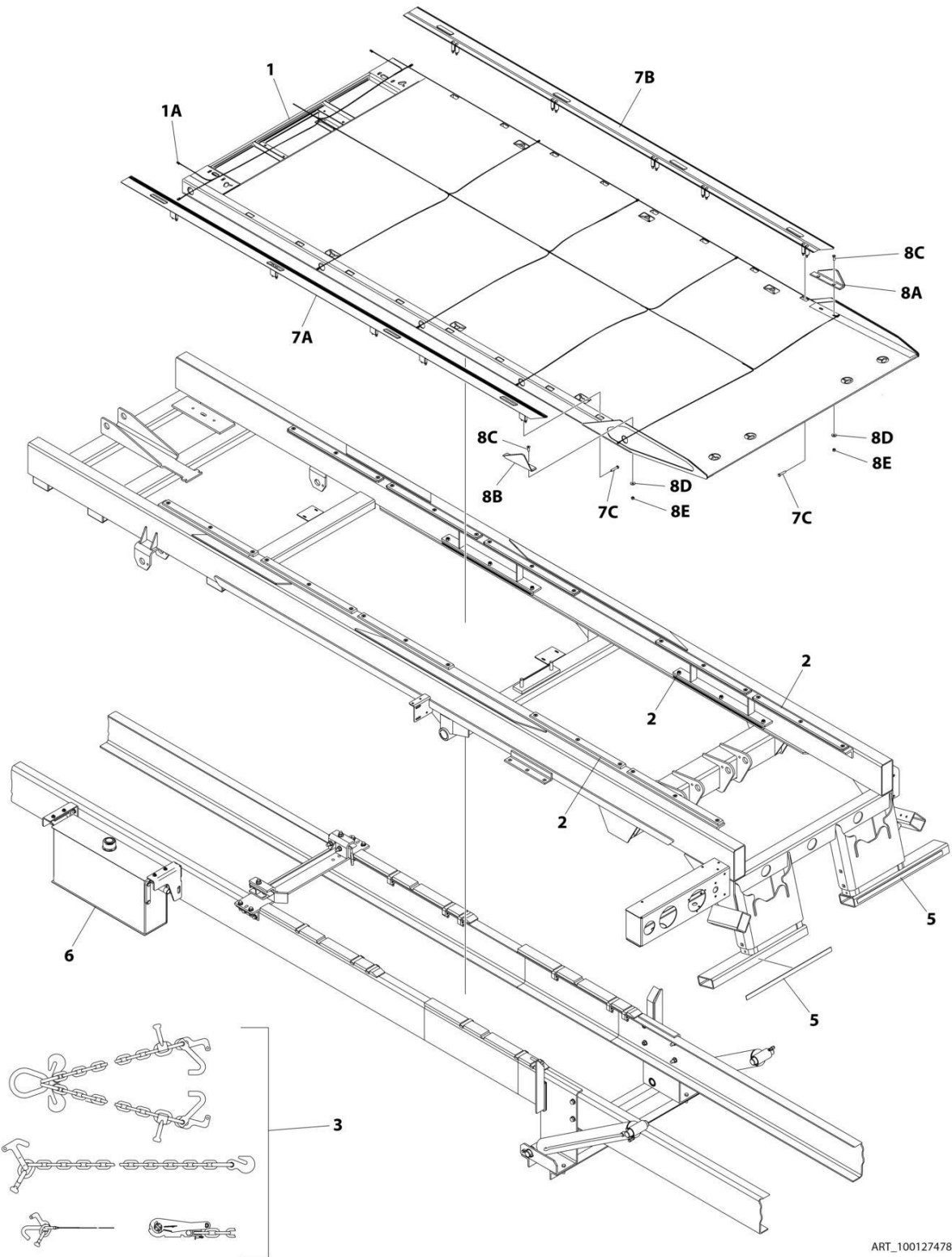
## SECTION 3 - DECK

**FIGURE 3-30. DECK MODEL - STEEL 19IN X 96IN REMOVABLE RAIL**

ITEM	PART NUMBER	QTY	DESCRIPTION	REV
	1001274784	Ref	DECK INSTALLATION - 19FT X 96IN STEEL REMOVABLE RAIL (SRR6T-LP)	A
1	3097000787	1	Deck Installation, 19ft (Steel)	
1A	7552000212	1	Harness	
2	2679000010	1	Main Subframe Pad Installation (See Separate Breakdown in SUBFRAME Section)	
3	7577000208	1	Chain/Tie-Down Kit	
4	2330000038	1	Standard Duty Decals Installation (Not Shown - See Separate Breakdown in DECAL Section)	
5	2330000055	Ref	Conspicuity Decal Installation	
5	7330000428	2	Decal - Red/White Reflective	
6	2750000008	1	Hydraulic Reservoir and Bracket Mount (See Separate Breakdown in HYDRAULIC Section)	

# SECTION 3 - DECK

FIGURE 3-31. DECK MODEL - STEEL 19IN X 96IN REMOVABLE RAIL DUAL ANGLE SHARK



ART\_1001274787

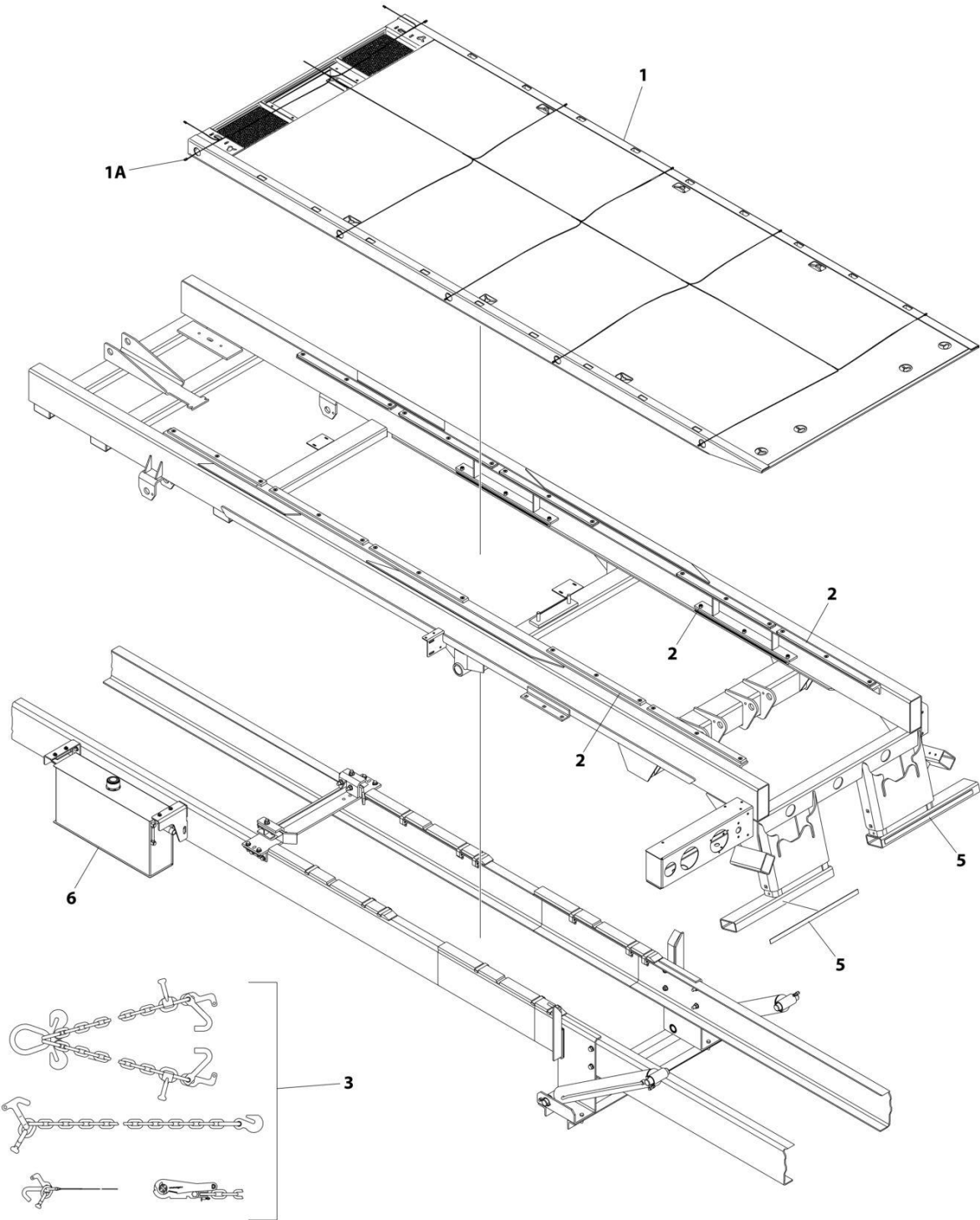
## SECTION 3 - DECK

**FIGURE 3-31. DECK MODEL - STEEL 19IN X 96IN REMOVABLE RAIL DUAL ANGLE SHARK**

ITEM	PART NUMBER	QTY	DESCRIPTION	REV
	1001274787	Ref	DECK INSTALLATION - 19FT X 96IN STEEL DUAL ANGLE REMOVABLE RAIL (SRRD6T-LP), SHARK	A
1	3097000795	1	Deck Installation, 19ft (Steel)	
1A	7552000212	1	Harness	
2	2679000010	1	Main Subframe Pad Installation (See Separate Breakdown in SUBFRAME Section)	
3	7577000208	1	Chain/Tie-Down Kit	
4	2330000038	1	Standard Duty Decals Installation (Not Shown - See Separate Breakdown in DECAL Section)	
5	2330000055	Ref	Conspicuity Decal Installation	
5	7330000428	2	Decal - Red/White Reflective	
6	2750000008	1	Hydraulic Reservoir and Bracket Mount (See Separate Breakdown in HYDRAULIC Section)	
7	2729000092	Ref	Rail Installation	
7A	3017000135	1	Angle Assembly LH	
7B	3017000136	1	Angle Assembly RH	
7C	7120000005	8	Capscrew 1/2 x 2-1/2	
8	2178000066	Ref	Bracket Installation	
8A	4178000873	1	Bracket, RH	
8B	4178000874	1	Bracket, LH	
8C	7115181223	4	Screw 1/2 x 1-1/2	
8D	7950180161	4	Washer 1/2	
8E	7660182601	4	Nut 1/2	

# SECTION 3 - DECK

## FIGURE 3-32. DECK MODEL - STEEL 19IN X 102IN REMOVABLE RAIL



ART\_1001274786

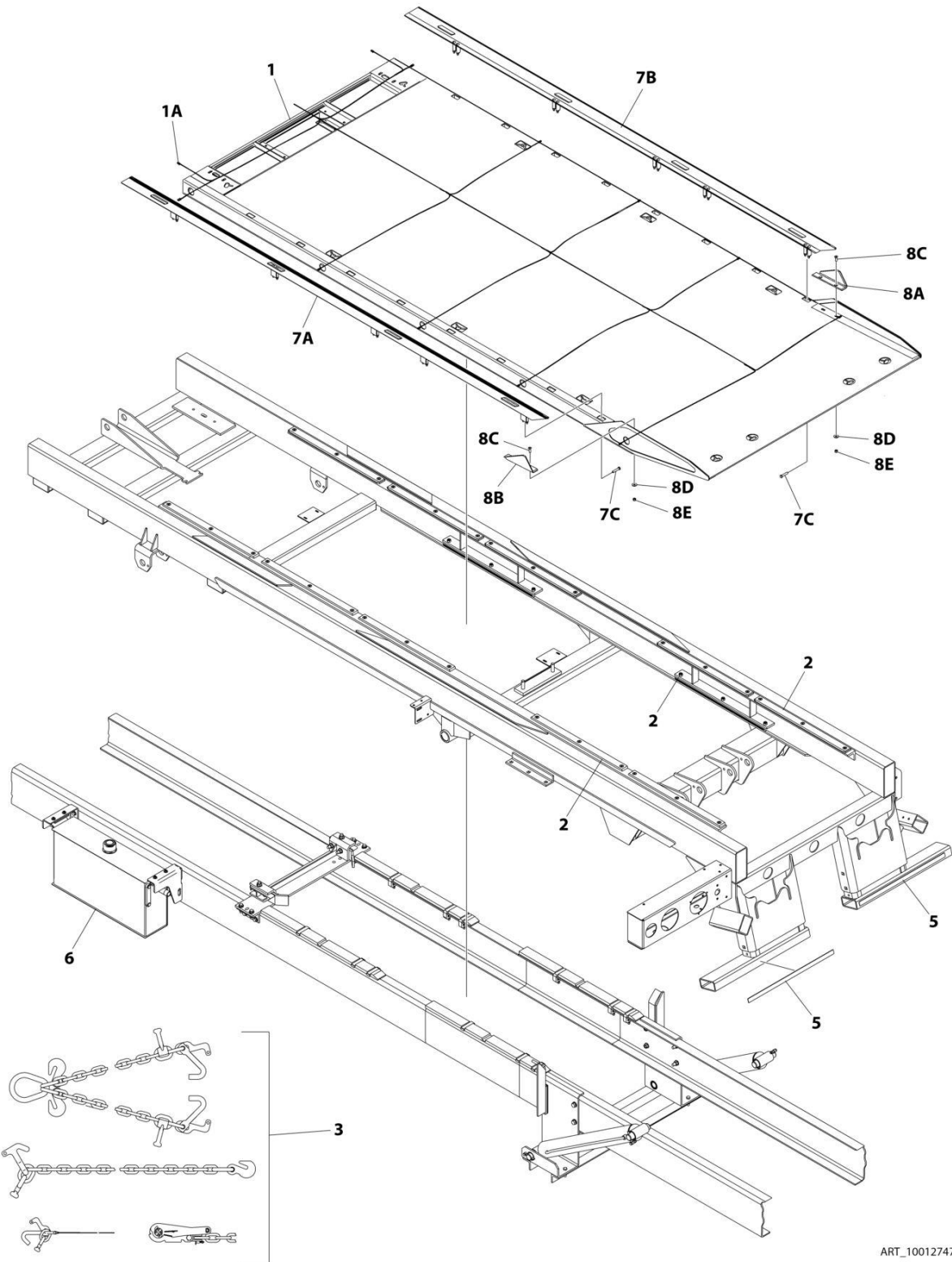
## SECTION 3 - DECK

**FIGURE 3-32. DECK MODEL - STEEL 19IN X 102IN REMOVABLE RAIL**

ITEM	PART NUMBER	QTY	DESCRIPTION	REV
	1001274786	Ref	DECK INSTALLATION - 19FT X 102IN STEEL REMOVABLE RAIL (SRR6T-LP)	A
1	3097000788	1	Deck Installation, 19ft (Steel)	
1A	7552000212	1	Harness	
2	2679000010	1	Main Subframe Pad Installation (See Separate Breakdown in SUBFRAME Section)	
3	7577000208	1	Chain/Tie-Down Kit	
4	2330000038	1	Standard Duty Decals Installation (Not Shown - See Separate Breakdown in DECAL Section)	
5	2330000055	Ref	Conspicuity Decal Installation	
5	7330000428	2	Decal - Red/White Reflective	
6	2750000008	1	Hydraulic Reservoir and Bracket Mount (See Separate Breakdown in HYDRAULIC Section)	

# SECTION 3 - DECK

FIGURE 3-33. DECK MODEL - STEEL 19IN X 102IN REMOVABLE RAIL DUAL ANGLE SHARK



ART\_1001274788



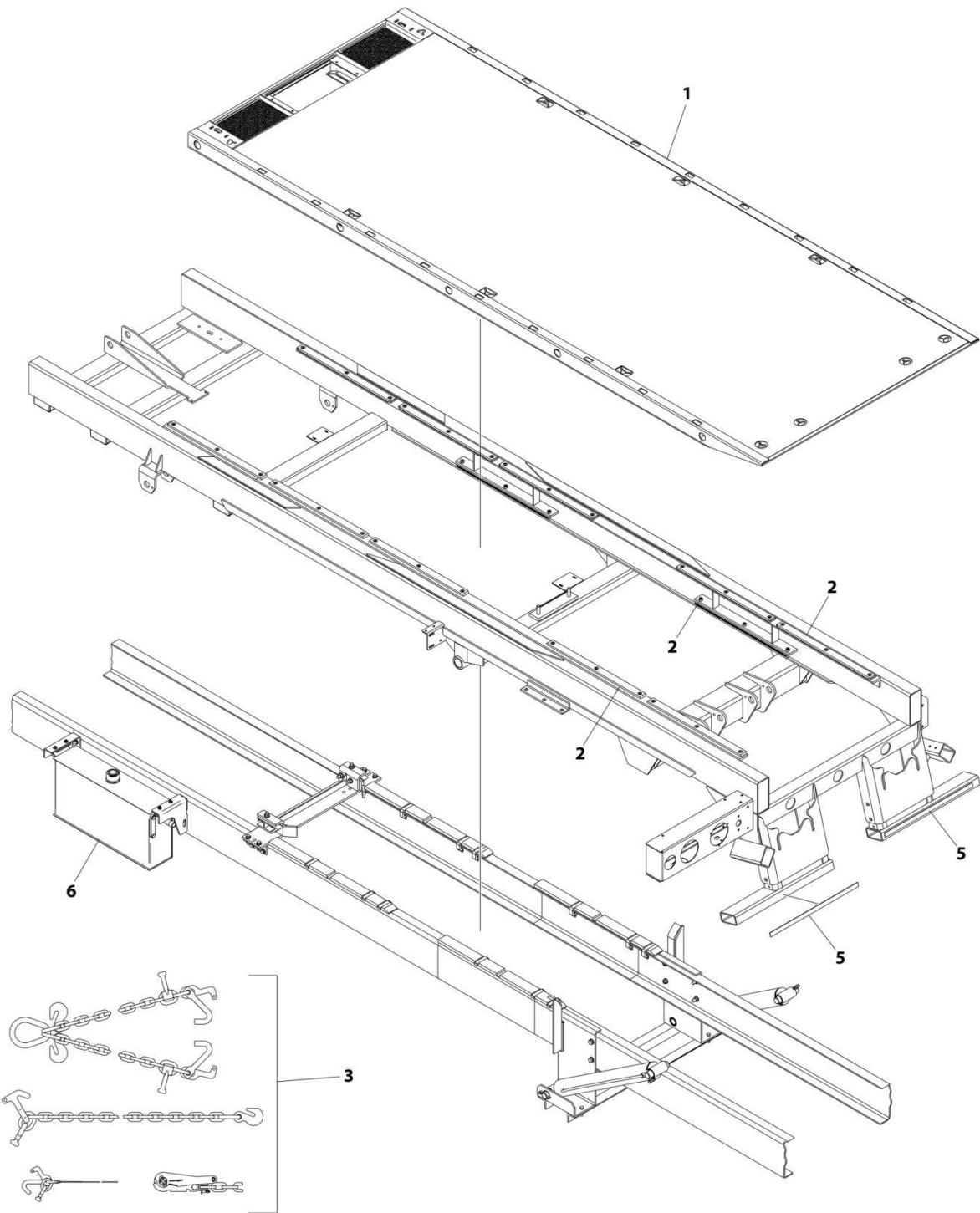
## SECTION 3 - DECK

**FIGURE 3-33. DECK MODEL - STEEL 19IN X 102IN REMOVABLE RAIL DUAL ANGLE SHARK**

ITEM	PART NUMBER	QTY	DESCRIPTION	REV
	1001274788	Ref	DECK INSTALLATION - 19FT X 102IN STEEL DUAL ANGLE REMOVABLE RAIL (SRRD6T-LP), SHARK	A
1	3097000796	1	Deck Installation, 19ft (Steel)	
1A	7552000212	1	Harness	
2	2679000010	1	Main Subframe Pad Installation (See Separate Breakdown in SUBFRAME Section)	
3	7577000208	1	Chain/Tie-Down Kit	
4	2330000038	1	Standard Duty Decals Installation (Not Shown - See Separate Breakdown in DECAL Section)	
5	2330000055	Ref	Conspicuity Decal Installation	
5	7330000428	2	Decal - Red/White Reflective	
6	2750000008	1	Hydraulic Reservoir and Bracket Mount (See Separate Breakdown in HYDRAULIC Section)	
7	2729000092	Ref	Rail Installation	
7A	3017000135	1	Angle Assembly LH	
7B	3017000136	1	Angle Assembly RH	
7C	7120000005	8	Capscrew 1/2 x 2-1/2	
8	2178000066	Ref	Bracket Installation	
8A	4178000873	1	Bracket, RH	
8B	4178000874	1	Bracket, LH	
8C	7115181223	4	Screw 1/2 x 1-1/2	
8D	7950180161	4	Washer 1/2	
8E	7660182601	4	Nut 1/2	

# SECTION 3 - DECK

## FIGURE 3-34. DECK MODEL - STEEL 20IN X 96IN REMOVABLE RAIL



ART\_1001151766

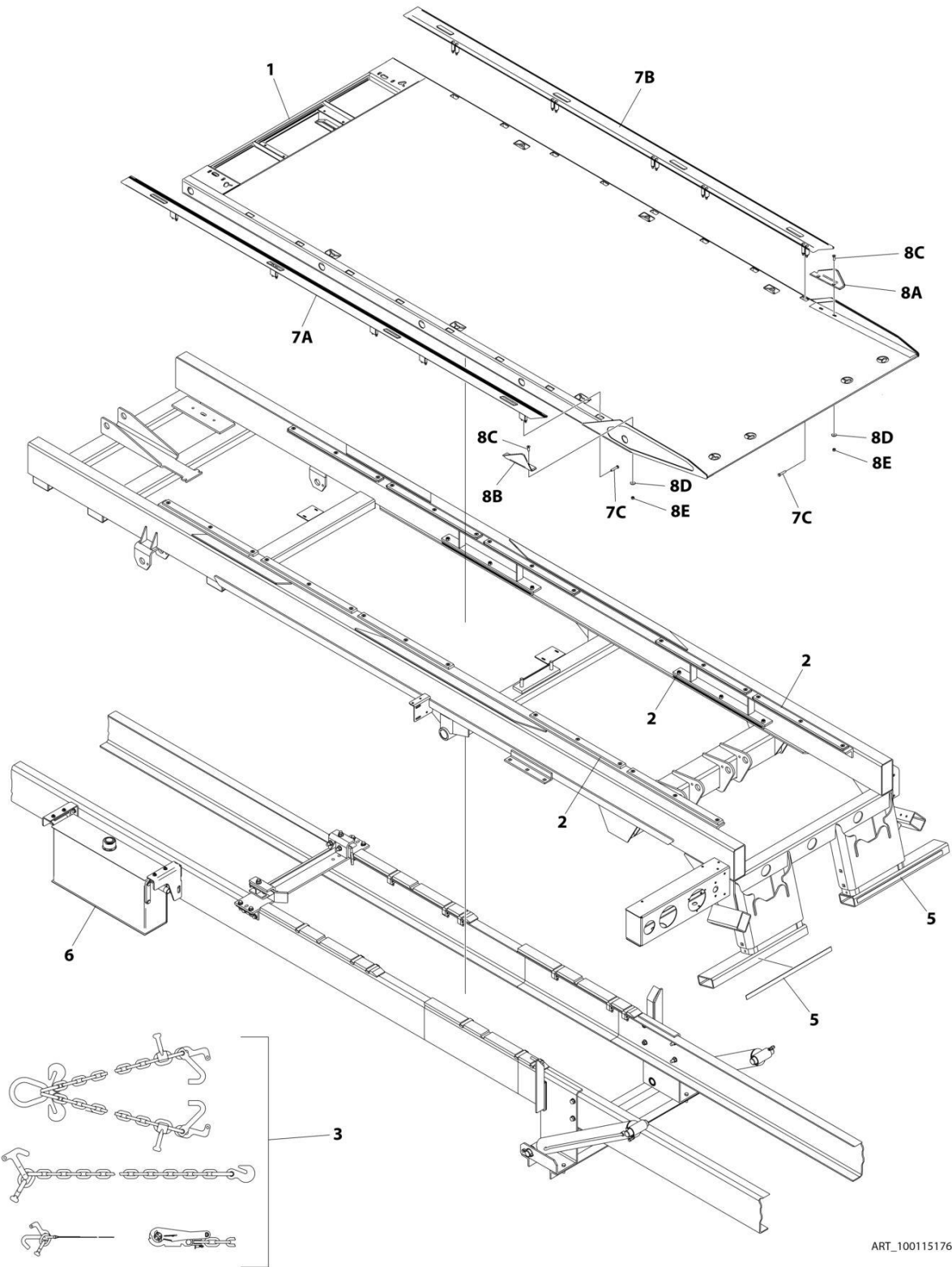
## SECTION 3 - DECK

**FIGURE 3-34. DECK MODEL - STEEL 20IN X 96IN REMOVABLE RAIL**

ITEM	PART NUMBER	QTY	DESCRIPTION	REV
	1001151766	Ref	DECK INSTALLATION - 20FTx96IN STEEL REMOVABLE RAIL (SRR6T-XLP)	A
1	3097000789	1	Deck Installation, 20ft (Steel)	
2	2679000010	1	Main Subframe Pad Installation (See Separate Breakdown in SUBFRAME Section)	
3	7577000208	1	Chain/Tie-Down Kit	
4	2330000038	1	Standard Duty Decals Installation (Not Shown - See Separate Breakdown in DECAL Section)	
5	2330000055	Ref	Conspicuity Decal Installation	
5	7330000428	2	Decal - Red/White Reflective	
6	2750000008	1	Hydraulic Reservoir and Bracket Mount (See Separate Breakdown in HYDRAULIC Section)	

# SECTION 3 - DECK

FIGURE 3-35. DECK MODEL - STEEL 20IN X 96IN REMOVABLE RAIL DUAL ANGLE SHARK



ART\_1001151768

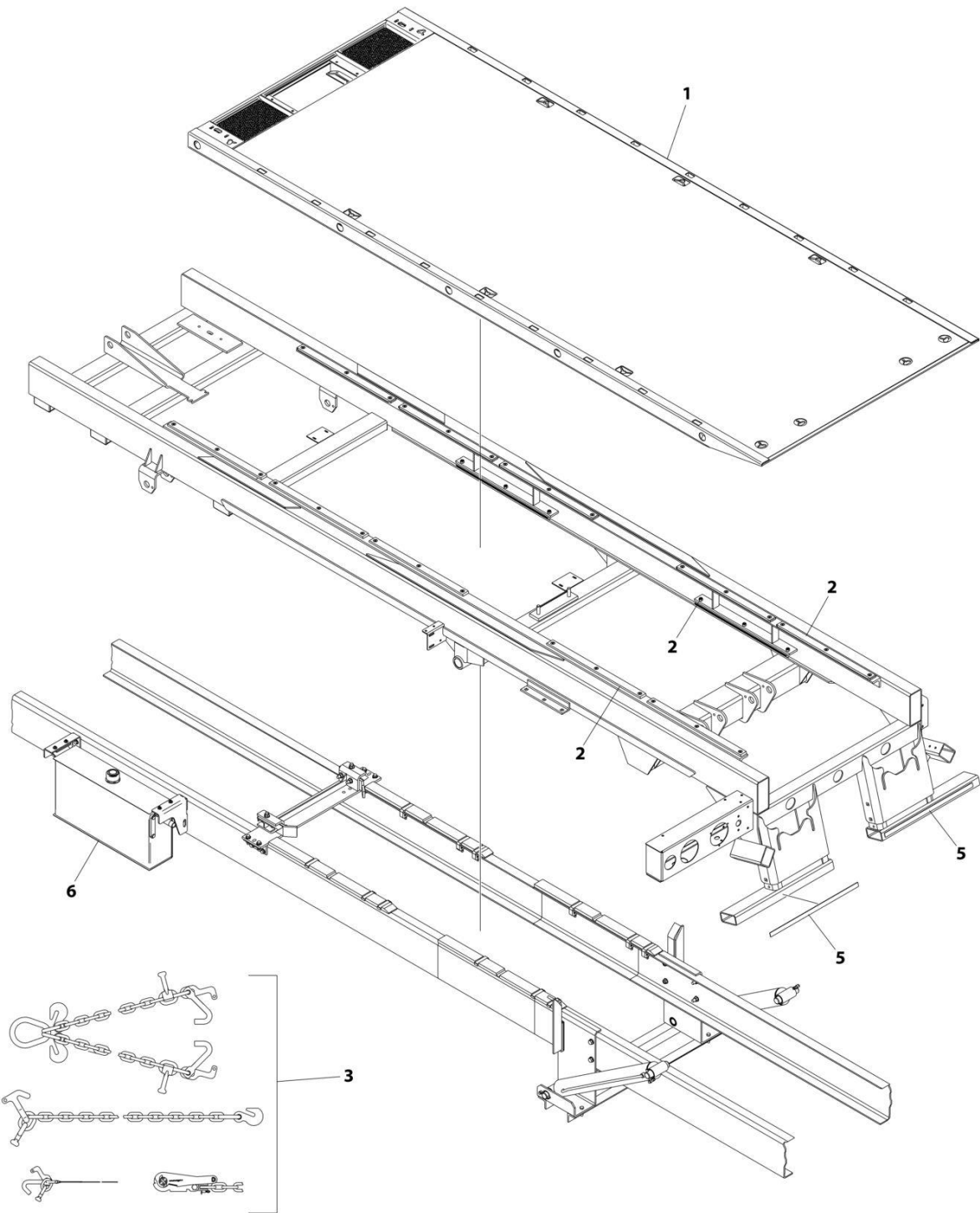
## SECTION 3 - DECK

**FIGURE 3-35. DECK MODEL - STEEL 20IN X 96IN REMOVABLE RAIL DUAL ANGLE SHARK**

ITEM	PART NUMBER	QTY	DESCRIPTION	REV
	1001151768	Ref	DECK INSTALLATION - 20FTx96IN STEEL DUAL ANGLE REMOVABLE RAIL (SRRD6T-XLP), SHARK	A
1	3097000797	1	Deck Installation, 20ft (Steel)	
2	2679000010	1	Main Subframe Pad Installation (See Separate Breakdown in SUBFRAME Section)	
3	7577000208	1	Chain/Tie-Down Kit	
4	2330000038	1	Standard Duty Decals Installation (Not Shown - See Separate Breakdown in DECAL Section)	
5	2330000055	Ref	Conspicuity Decal Installation	
5	7330000428	2	Decal - Red/White Reflective	
6	2750000008	1	Hydraulic Reservoir and Bracket Mount (See Separate Breakdown in HYDRAULIC Section)	
7	2729000093	Ref	Rail Installation	
7A	3017000137	1	Angle Assembly LH	
7B	3017000138	1	Angle Assembly RH	
7C	7120000005	8	Capscrew 1/2 x 2-1/2	
8	2178000066	Ref	Bracket Installation	
8A	4178000873	1	Bracket, RH	
8B	4178000874	1	Bracket, LH	
8C	7115181223	4	Screw 1/2 x 1-1/2	
8D	7950180161	4	Washer 1/2	
8E	7660182601	4	Nut 1/2	

# SECTION 3 - DECK

## FIGURE 3-36. DECK MODEL - STEEL 20IN X 102IN REMOVABLE RAIL



ART\_1001151767

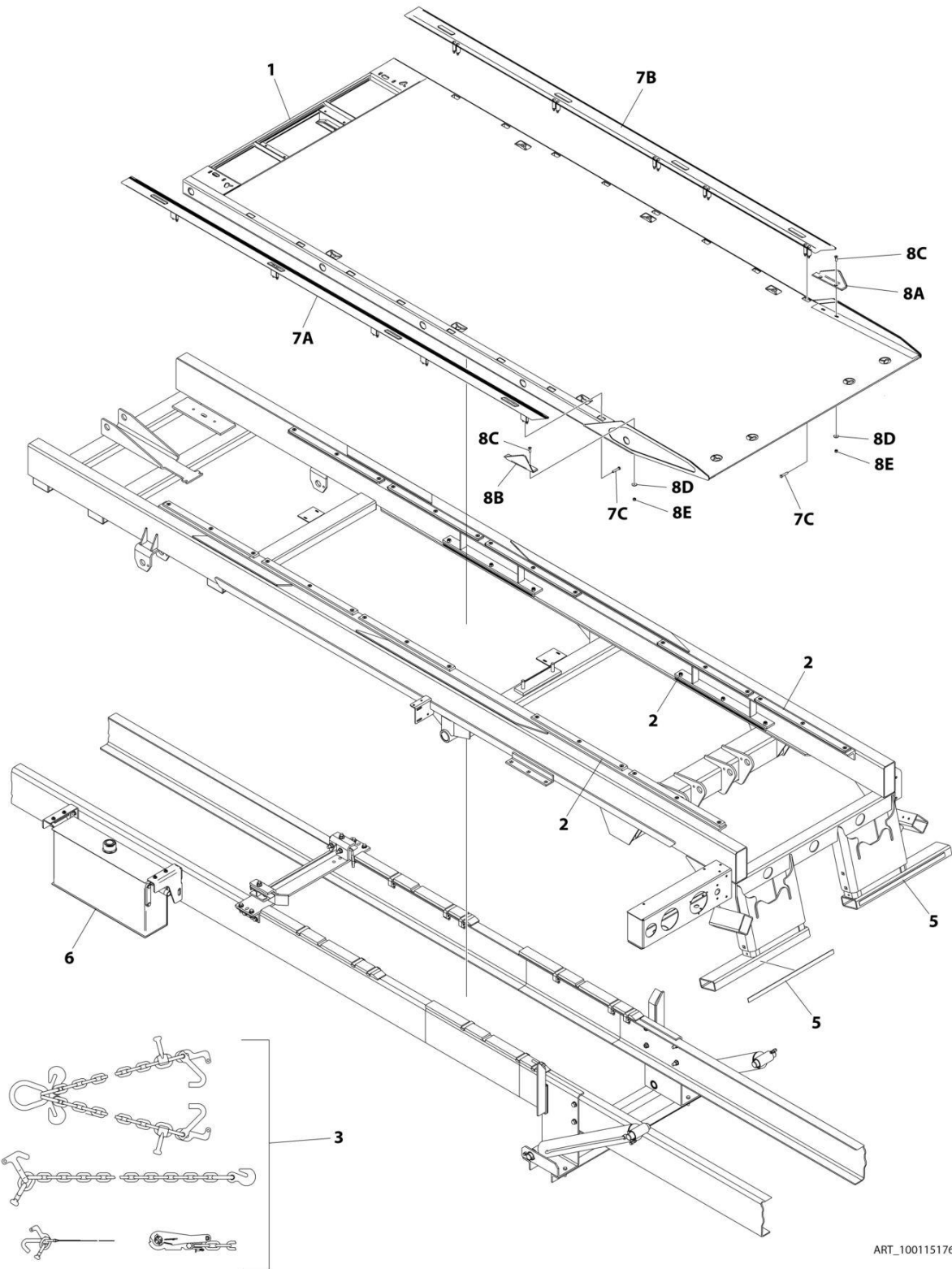
## SECTION 3 - DECK

**FIGURE 3-36. DECK MODEL - STEEL 20IN X 102IN REMOVABLE RAIL**

ITEM	PART NUMBER	QTY	DESCRIPTION	REV
	1001151767	Ref	DECK INSTALLATION - 20FTx102IN STEEL REMOVABLE RAIL (SRR6T-XLP)	A
1	3097000790	1	Deck Installation, 20ft (Steel)	
2	2679000010	1	Main Subframe Pad Installation (See Separate Breakdown in SUBFRAME Section)	
3	7577000208	1	Chain/Tie-Down Kit	
4	2330000038	1	Standard Duty Decals Installation (Not Shown - See Separate Breakdown in DECAL Section)	
5	2330000055	Ref	Conspicuity Decal Installation	
5	7330000428	2	Decal - Red/White Reflective	
6	2750000008	1	Hydraulic Reservoir and Bracket Mount (See Separate Breakdown in HYDRAULIC Section)	

# SECTION 3 - DECK

FIGURE 3-37. DECK MODEL - STEEL 20IN X 102IN REMOVABLE RAIL DUAL ANGLE SHARK



ART\_1001151769



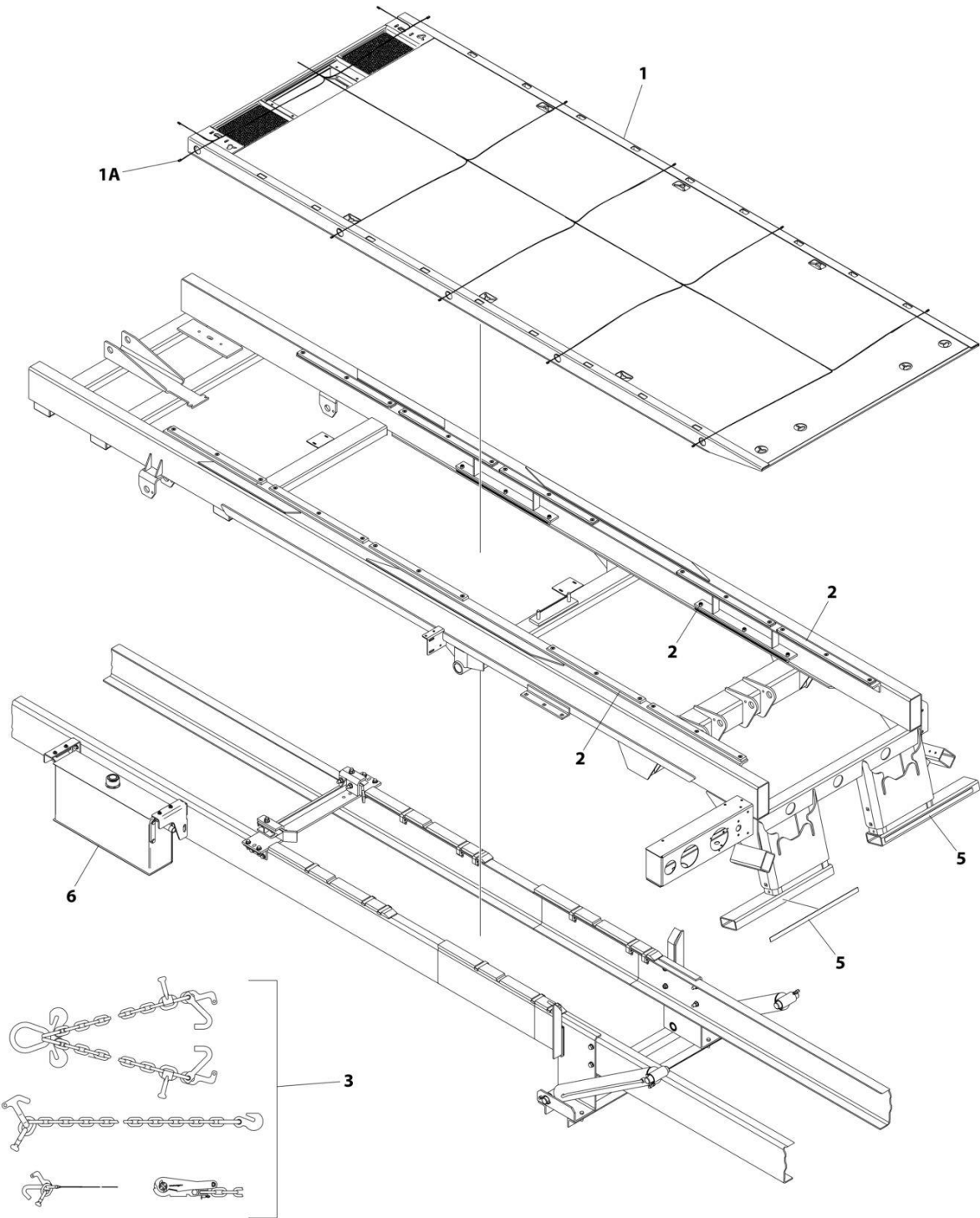
## SECTION 3 - DECK

**FIGURE 3-37. DECK MODEL - STEEL 20IN X 102IN REMOVABLE RAIL DUAL ANGLE SHARK**

ITEM	PART NUMBER	QTY	DESCRIPTION	REV
	1001151769	Ref	DECK INSTALLATION - 20FTx102IN STEEL DUAL ANGLE REMOVABLE RAIL (SRRD6T-XLP), SHARK	A
1	3097000798	1	Deck Installation, 20ft (Steel)	
2	2679000010	1	Main Subframe Pad Installation (See Separate Breakdown in SUBFRAME Section)	
3	7577000208	1	Chain/Tie-Down Kit	
4	2330000038	1	Standard Duty Decals Installation (Not Shown - See Separate Breakdown in DECAL Section)	
5	2330000055	Ref	Conspicuity Decal Installation	
5	7330000428	2	Decal - Red/White Reflective	
6	2750000008	1	Hydraulic Reservoir and Bracket Mount (See Separate Breakdown in HYDRAULIC Section)	
7	2729000093	Ref	Rail Installation	
7A	3017000137	1	Angle Assembly LH	
7B	3017000138	1	Angle Assembly RH	
7C	7120000005	8	Capscrew 1/2 x 2-1/2	
8	2178000066	Ref	Bracket Installation	
8A	4178000873	1	Bracket, RH	
8B	4178000874	1	Bracket, LH	
8C	7115181223	4	Screw 1/2 x 1-1/2	
8D	7950180161	4	Washer 1/2	
8E	7660182601	4	Nut 1/2	

# SECTION 3 - DECK

## FIGURE 3-38. DECK MODEL - STEEL 21IN X 90IN REMOVABLE RAIL



ART\_1001277664

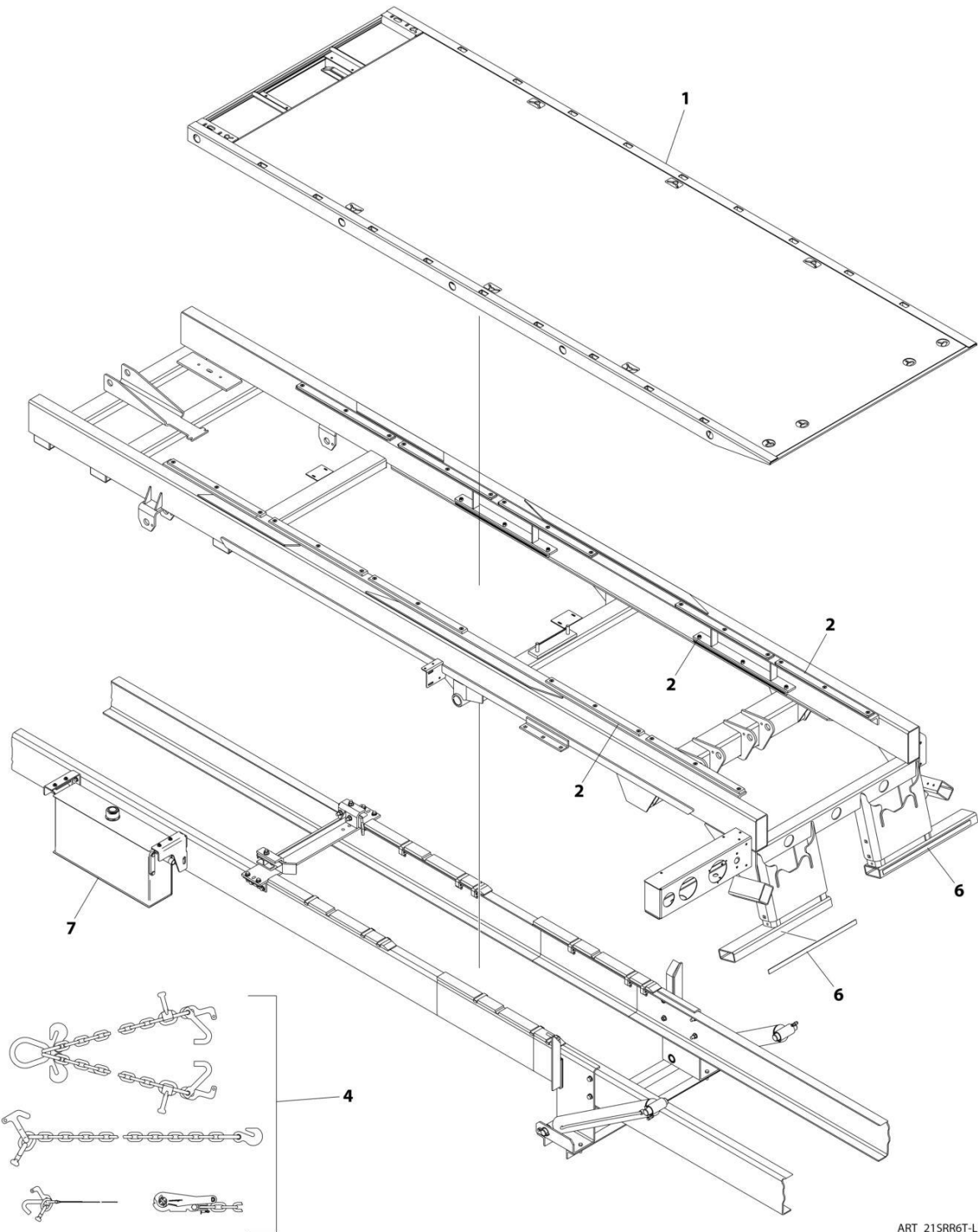
## SECTION 3 - DECK

**FIGURE 3-38. DECK MODEL - STEEL 21IN X 90IN REMOVABLE RAIL**

ITEM	PART NUMBER	QTY	DESCRIPTION	REV
	1001277664	Ref	DECK INSTALLATION - 21FT X 90IN STEEL REMOVABLE RAIL (SRR6T-LP)	A
1	1001131514	1	Deck Installation, 21ft (Steel)	
1A	7552000212	1	Harness	
2	2679000010	1	Main Subframe Pad Installation (See Separate Breakdown in SUBFRAME Section)	
3	7577000208	1	Chain/Tie-Down Kit	
4	2330000038	1	Standard Duty Decals Installation (Not Shown - See Separate Breakdown in DECAL Section)	
5	2330000055	Ref	Conspicuity Decal Installation	
5	7330000428	2	Decal - Red/White Reflective	
6	2750000008	1	Hydraulic Reservoir and Bracket Mount (See Separate Breakdown in HYDRAULIC Section)	

# SECTION 3 - DECK

## FIGURE 3-39. DECK MODEL - STEEL 21IN X 96IN REMOVABLE RAIL



ART\_215RR6T-LP

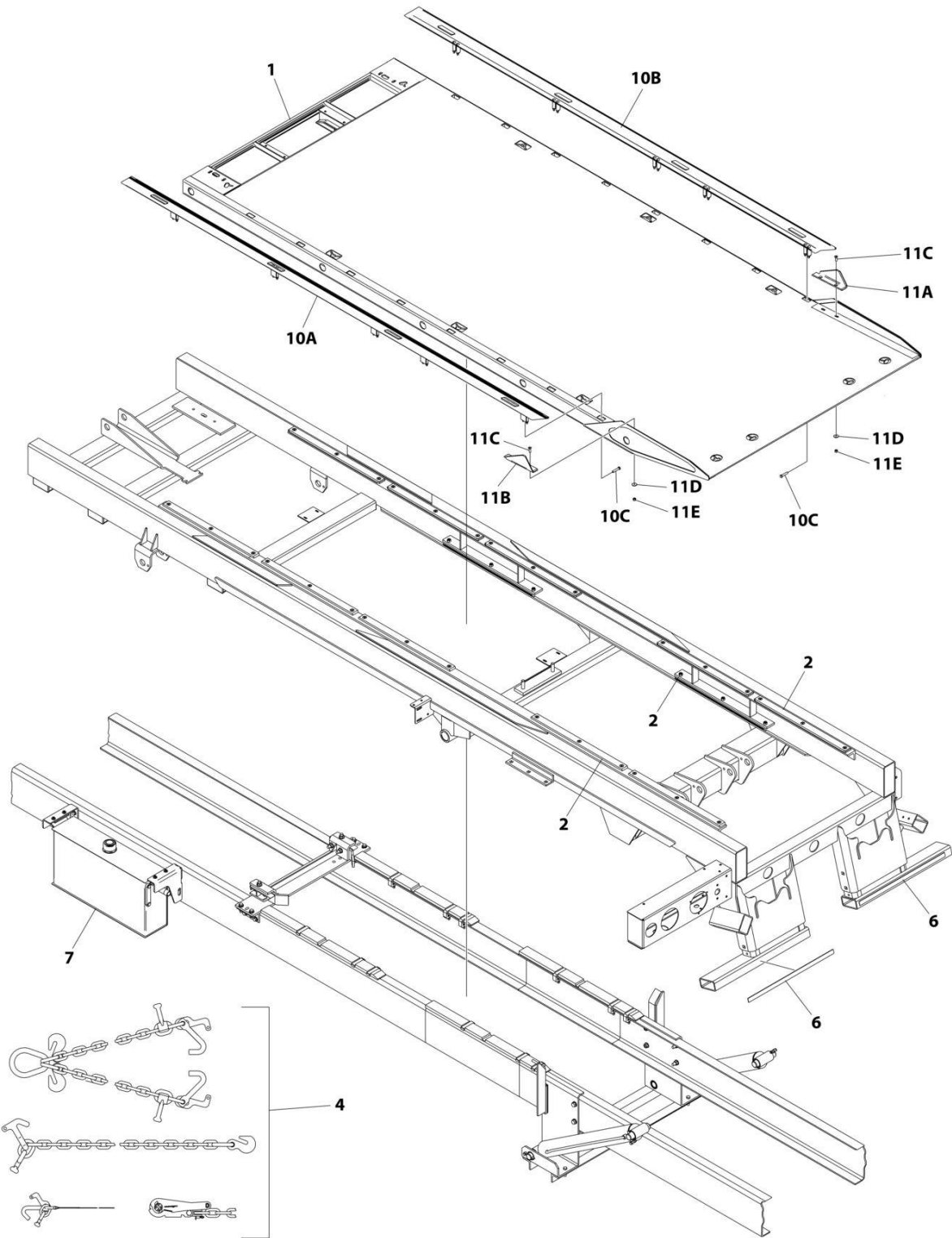
## SECTION 3 - DECK

**FIGURE 3-39. DECK MODEL - STEEL 21IN X 96IN REMOVABLE RAIL**

ITEM	PART NUMBER	QTY	DESCRIPTION	REV
	21SRR6T-LP	Ref	DECK INSTALLATION - 21FTx96IN STEEL REMOVABLE RAIL (SRR6T-XLP)	B
1	3097000791	1	Deck Installation, 21ft (Steel)	
2	2679000010	1	Main Subframe Pad Installation (See Separate Breakdown in SUBFRAME Section)	
4	7577000208	1	Chain/Tie-Down Kit	
5	2330000038	1	Standard Duty Decals Installation (Not Shown - See Separate Breakdown in DECAL Section)	
6	2330000055	Ref	Conspicuity Decal Installation	
6	7330000428	2	Decal - Red/White Reflective	
7	2750000008	1	Hydraulic Reservoir and Bracket Mount (See Separate Breakdown in HYDRAULIC Section)	

# SECTION 3 - DECK

FIGURE 3-40. DECK MODEL - STEEL 21IN X 96IN REMOVABLE RAIL DUAL ANGLE SHARK



ART\_21SRRD6T-LP

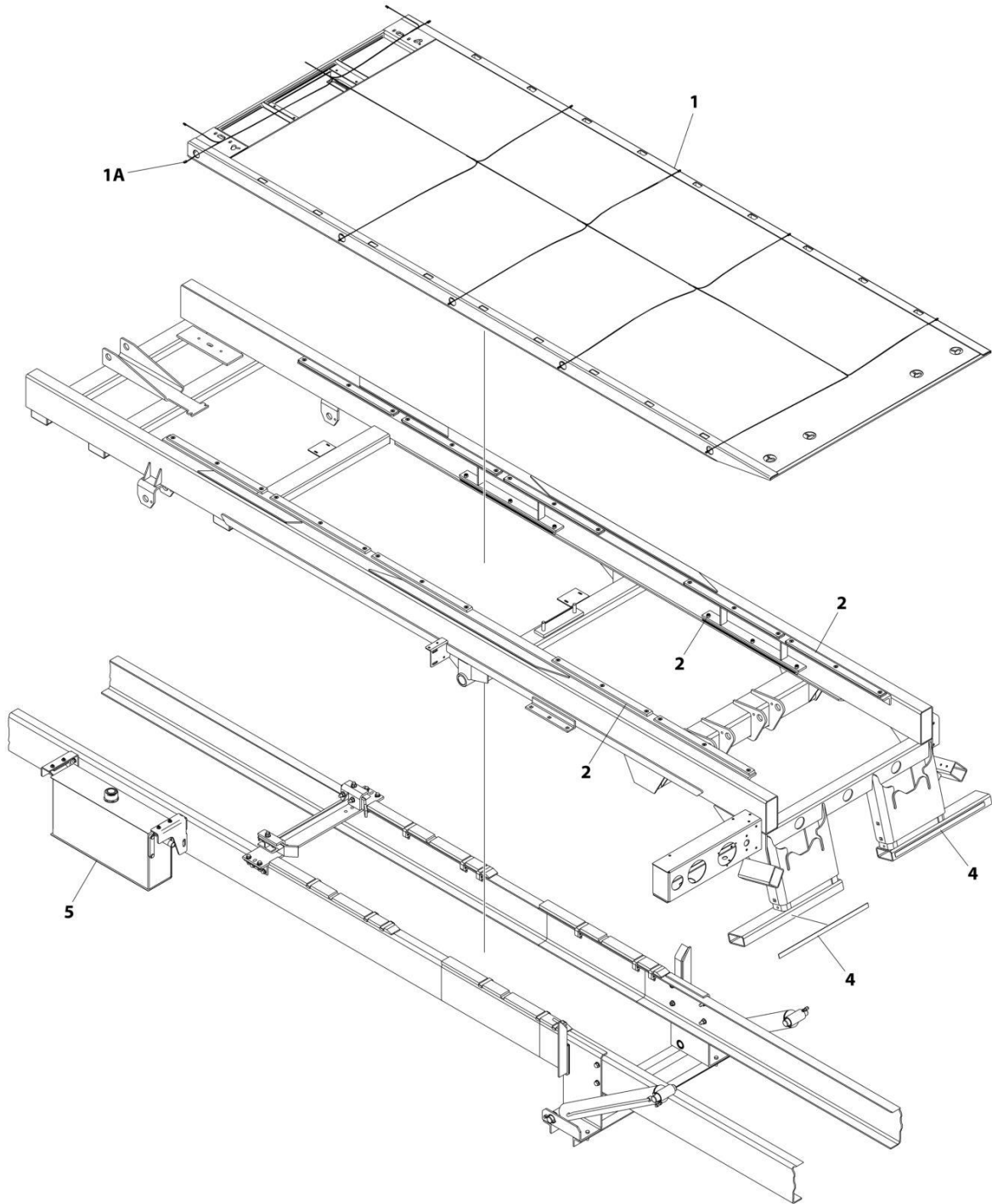
## SECTION 3 - DECK

**FIGURE 3-40. DECK MODEL - STEEL 21IN X 96IN REMOVABLE RAIL DUAL ANGLE SHARK**

ITEM	PART NUMBER	QTY	DESCRIPTION	REV
	21SRRD6T-LP	Ref	DECK INSTALLATION - 21FTx96IN STEEL DUAL ANGLE REMOVABLE RAIL (SRRD6T-XLP), SHARK	B
1	3097000799	1	Deck Installation, 21ft (Steel)	
2	2679000010	1	Main Subframe Pad Installation (See Separate Breakdown in SUBFRAME Section)	
4	7577000208	1	Chain/Tie-Down Kit	
5	2330000038	1	Standard Duty Decals Installation (Not Shown - See Separate Breakdown in DECAL Section)	
6	2330000055	Ref	Conspicuity Decal Installation	
6	7330000428	2	Decal - Red/White Reflective	
7	2750000008	1	Hydraulic Reservoir and Bracket Mount (See Separate Breakdown in HYDRAULIC Section)	
10	2729000094	Ref	Rail Installation	
10A	3017000139	1	Angle Assembly LH	
10B	3017000140	1	Angle Assembly RH	
10C	7120000005	8	Capscrew 1/2 x 2-1/2	
11	2178000066	Ref	Bracket Installation	
11A	4178000873	1	Bracket, RH	
11B	4178000874	1	Bracket, LH	
11C	7115181223	4	Screw 1/2 x 1-1/2	
11D	7950180161	4	Washer 1/2	
11E	7660182601	4	Nut 1/2	

# SECTION 3 - DECK

## FIGURE 3-41. DECK MODEL - STEEL 21IN X 96IN TRANSPORTER



ART\_1001277411



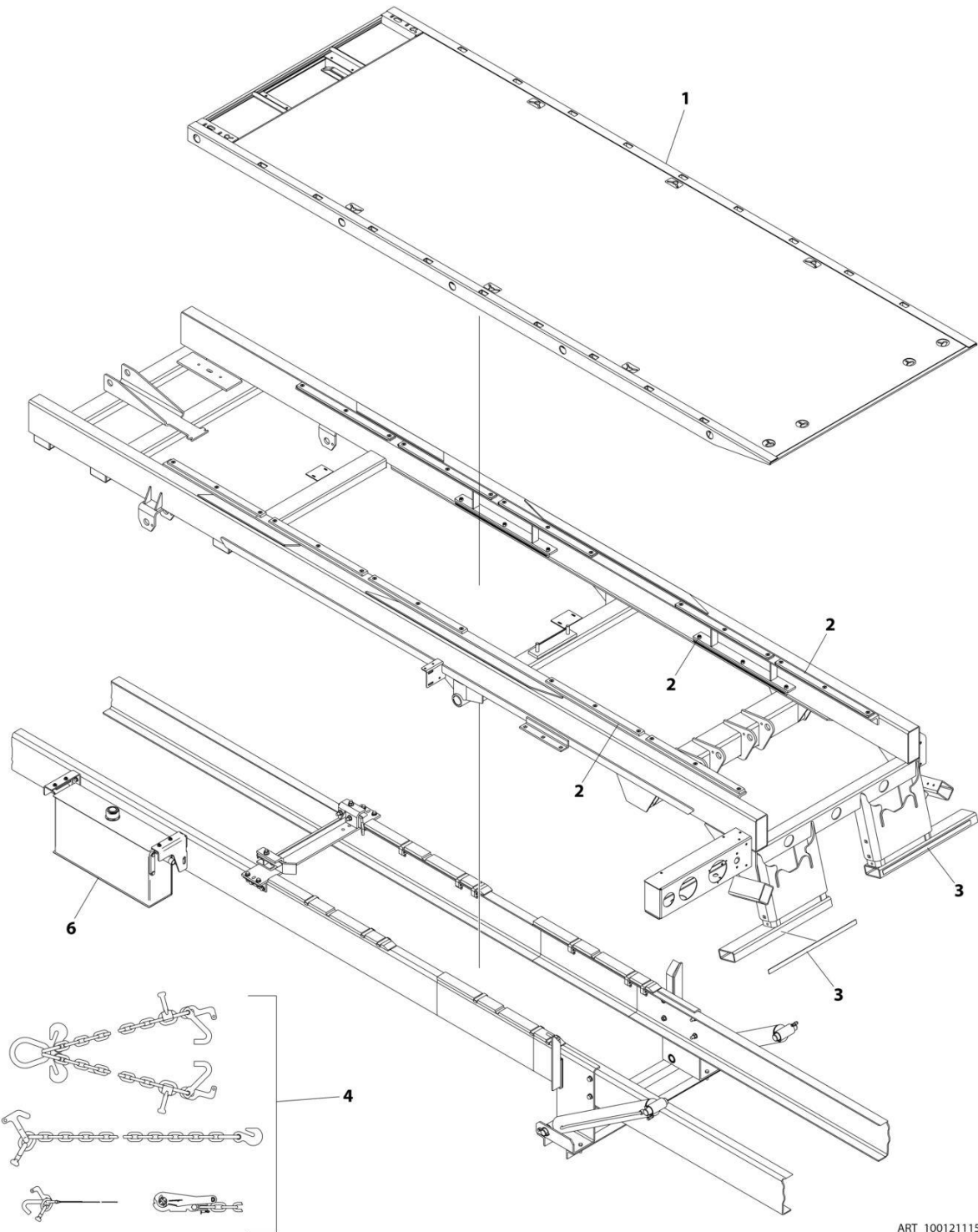
## SECTION 3 - DECK

**FIGURE 3-41. DECK MODEL - STEEL 21IN X 96IN TRANSPORTER**

ITEM	PART NUMBER	QTY	DESCRIPTION	REV
	1001277411	Ref	DECK INSTALLATION - 21FT X 96IN STEEL TRANSPORTER (STRB-LP)	A
1	3097000807	1	Deck Installation, 21ft (Steel)	
1A	7552000212	1	Harness	
2	2679000010	1	Main Subframe Pad Installation (See Separate Breakdown in SUBFRAME Section)	
3	2330000038	1	Standard Duty Decals Installation (Not Shown - See Separate Breakdown in DECAL Section)	
4	2330000055	Ref	Conspicuity Decal Installation	
4	7330000428	2	Decal - Red/White Reflective	
5	2750000008	1	Hydraulic Reservoir and Bracket Mount (See Separate Breakdown in HYDRAULIC Section)	

# SECTION 3 - DECK

## FIGURE 3-42. DECK MODEL - STEEL 21IN X 102IN REMOVABLE RAIL



ART\_1001211151

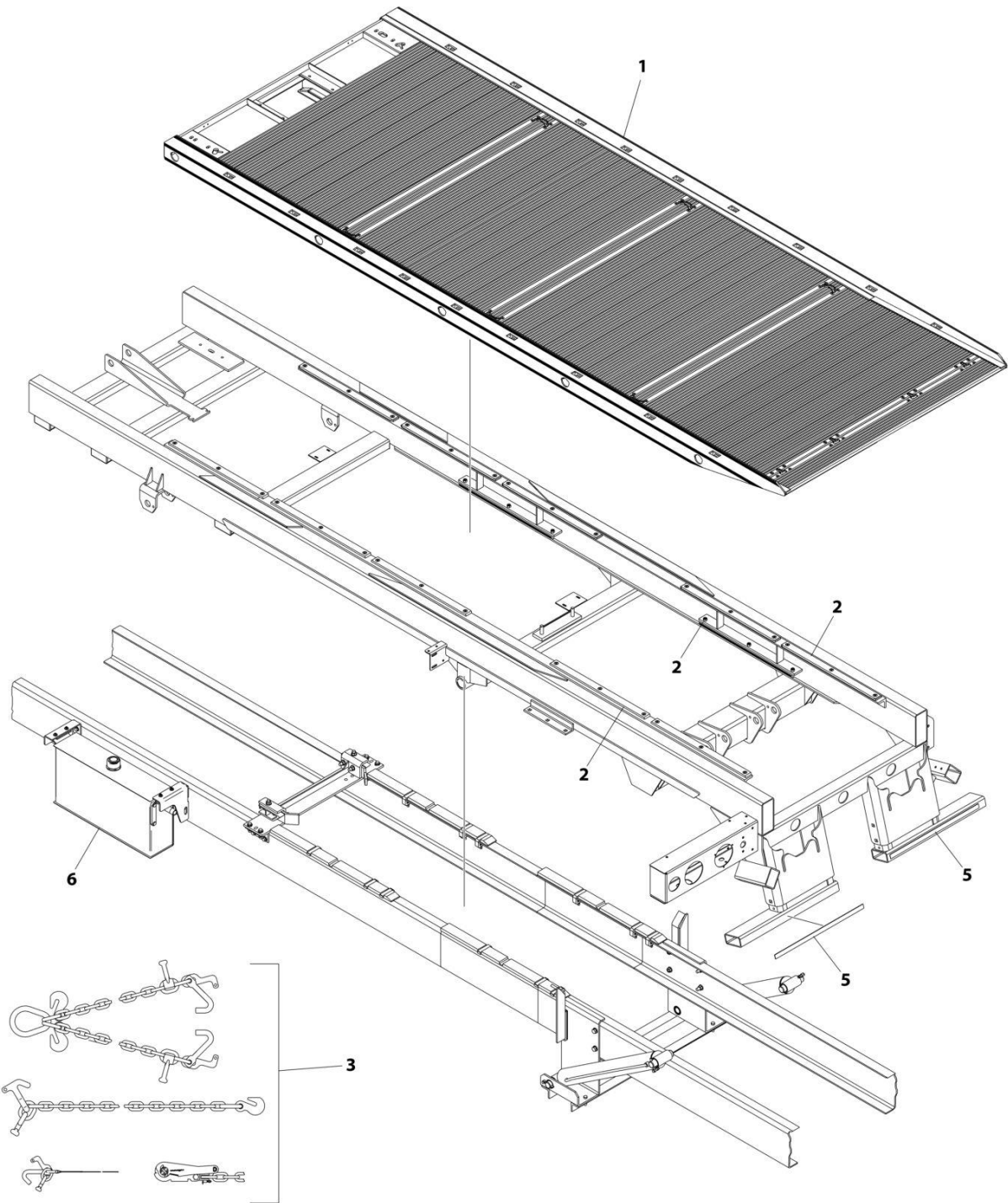
## SECTION 3 - DECK

**FIGURE 3-42. DECK MODEL - STEEL 21IN X 102IN REMOVABLE RAIL**

ITEM	PART NUMBER	QTY	DESCRIPTION	REV
	1001211151	Ref	DECK INSTALLATION - 21FTx102IN STEEL REMOVABLE RAIL (SRR6T-XLP)	A
1	3097000792	1	Deck Installation, 21ft (Steel)	
2	2679000010	1	Main Subframe Pad Installation (See Separate Breakdown in SUBFRAME Section)	
3	2330000055	Ref	Conspicuity Decal Installation	
3	7330000428	2	Decal - Red/White Reflective	
4	7577000208	1	Chain/Tie-Down Kit	
5	2330000038	1	Standard Duty Decals Installation (Not Shown - See Separate Breakdown in DECAL Section)	
6	2750000008	1	Hydraulic Reservoir and Bracket Mount (See Separate Breakdown in HYDRAULIC Section)	

# SECTION 3 - DECK

FIGURE 3-43. DECK MODEL - STEEL 21IN X 102IN REMOVABLE RAIL (GALVANIZED)



ART\_1001207107

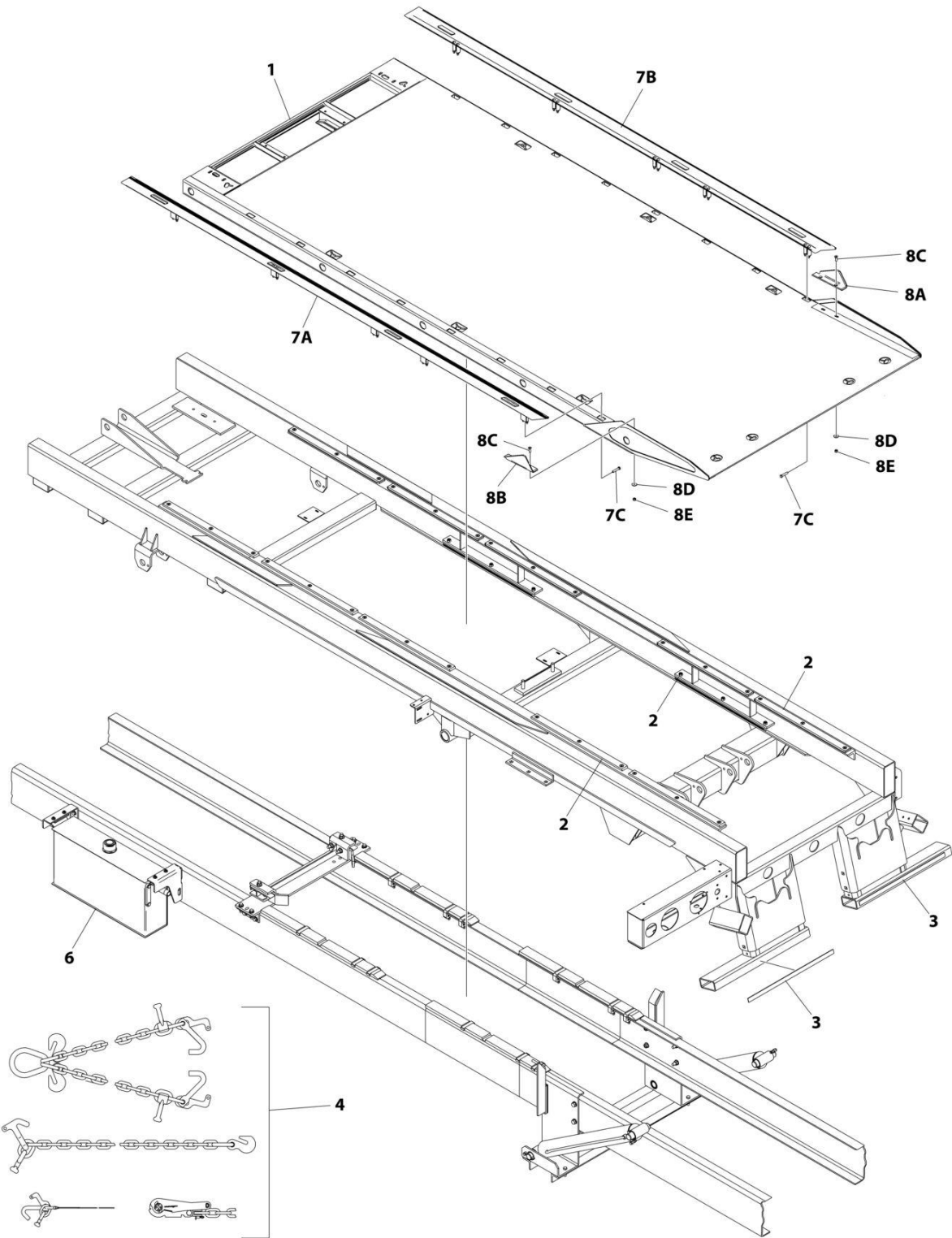
## SECTION 3 - DECK

**FIGURE 3-43. DECK MODEL - STEEL 21IN X 102IN REMOVABLE RAIL (GALVANIZED)**

ITEM	PART NUMBER	QTY	DESCRIPTION	REV
	1001207107	Ref	DECK INSTALLATION - 21FTx102IN STEEL REMOVABLE RAIL (SRR6T-XLP), GALVANIZED	A
1	1001203043	1	Deck Installation, 21ft (Steel)	
2	2679000010	1	Main Subframe Pad Installation (See Separate Breakdown in SUBFRAME Section)	
3	7577000208	1	Chain/Tie-Down Kit	
4	2330000038	1	Standard Duty Decals Installation (Not Shown - See Separate Breakdown in DECAL Section)	
5	2330000055	Ref	Conspicuity Decal Installation	
5	7330000428	2	Decal - Red/White Reflective	
6	2750000008	1	Hydraulic Reservoir and Bracket Mount (See Separate Breakdown in HYDRAULIC Section)	

# SECTION 3 - DECK

FIGURE 3-44. DECK MODEL - STEEL 21IN X 102IN REMOVABLE RAIL DUAL ANGLE SHARK



ART\_1001211152

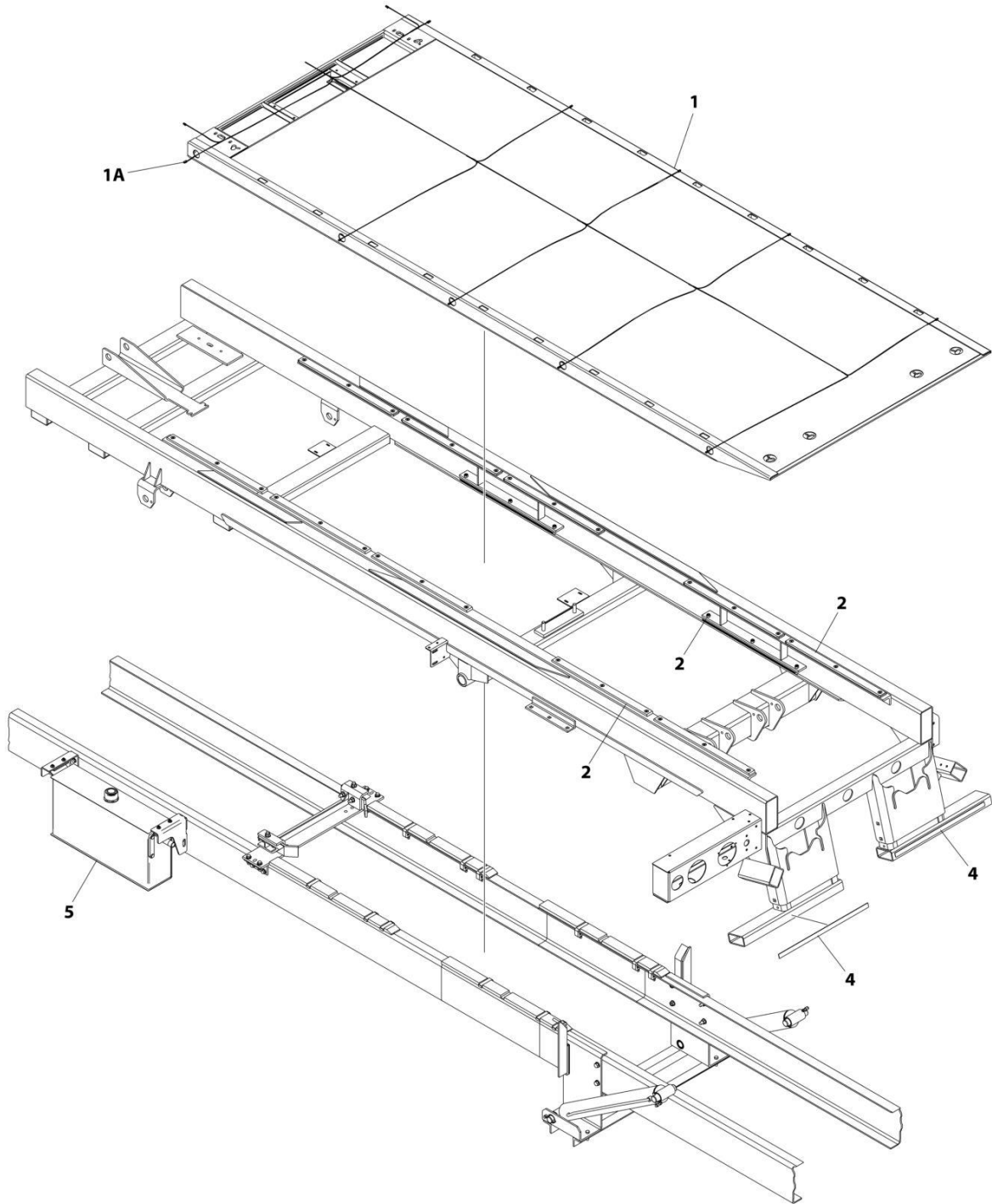
## SECTION 3 - DECK

**FIGURE 3-44. DECK MODEL - STEEL 21IN X 102IN REMOVABLE RAIL DUAL ANGLE SHARK**

ITEM	PART NUMBER	QTY	DESCRIPTION	REV
	1001211152	Ref	DECK INSTALLATION - 21FTx102IN STEEL DUAL ANGLE REMOVABLE RAIL (SRRD6T-XLP), SHARK	A
1	3097000800	1	Deck Installation, 21ft (Steel)	
2	2679000010	1	Main Subframe Pad Installation (See Separate Breakdown in SUBFRAME Section)	
3	2330000055	Ref	Conspicuity Decal Installation	
3	7330000428	2	Decal - Red/White Reflective	
4	7577000208	1	Chain/Tie-Down Kit	
5	2330000038	1	Standard Duty Decals Installation (Not Shown - See Separate Breakdown in DECAL Section)	
6	2750000008	1	Hydraulic Reservoir and Bracket Mount (See Separate Breakdown in HYDRAULIC Section)	
7	2729000094	Ref	Rail Installation	
7A	3017000139	1	Angle Assembly LH	
7B	3017000140	1	Angle Assembly RH	
7C	7120000005	8	Capscrew 1/2 x 2-1/2	
8	2178000066	Ref	Bracket Installation	
8A	4178000873	1	Bracket, RH	
8B	4178000874	1	Bracket, LH	
8C	7115181223	4	Screw 1/2 x 1-1/2	
8D	7950180161	4	Washer 1/2	
8E	7660182601	4	Nut 1/2	

# SECTION 3 - DECK

FIGURE 3-45. DECK MODEL - STEEL 21IN X 102IN TRANSPORTER



ART\_1001277412



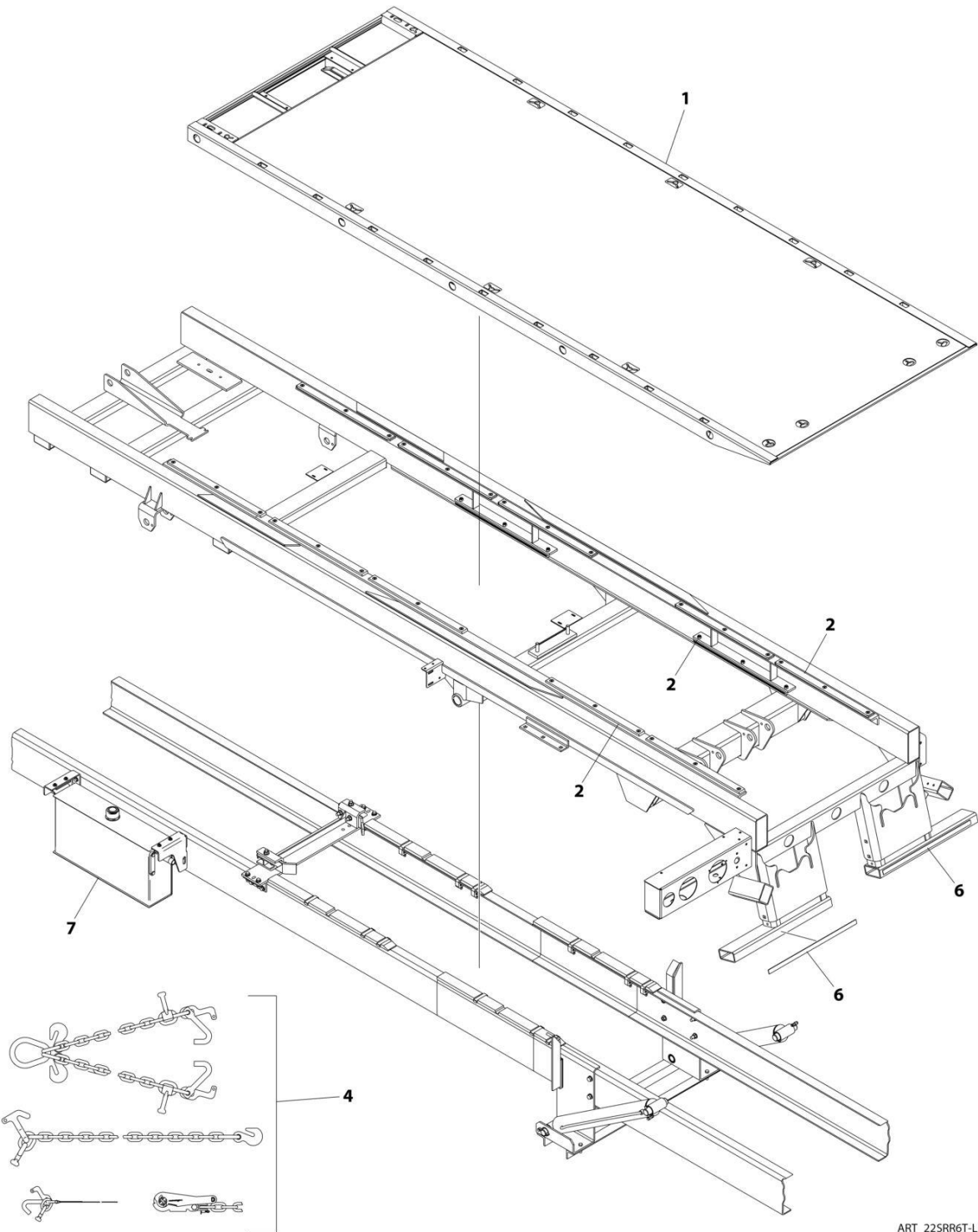
## SECTION 3 - DECK

**FIGURE 3-45. DECK MODEL - STEEL 21IN X 102IN TRANSPORTER**

ITEM	PART NUMBER	QTY	DESCRIPTION	REV
	1001277412	Ref	DECK INSTALLATION - 21FT X 102IN STEEL TRANSPORTER (STRB-LP)	A
1	3097000808	1	Deck Installation, 21ft (Steel)	
1A	7552000212	1	Harness	
2	2679000010	1	Main Subframe Pad Installation (See Separate Breakdown in SUBFRAME Section)	
3	2330000038	1	Standard Duty Decals Installation (Not Shown - See Separate Breakdown in DECAL Section)	
4	2330000055	Ref	Conspicuity Decal Installation	
4	7330000428	2	Decal - Red/White Reflective	
5	2750000008	1	Hydraulic Reservoir and Bracket Mount (See Separate Breakdown in HYDRAULIC Section)	

# SECTION 3 - DECK

FIGURE 3-46. DECK MODEL - STEEL 22IN X 96IN REMOVABLE RAIL



ART\_225RR6T-LP

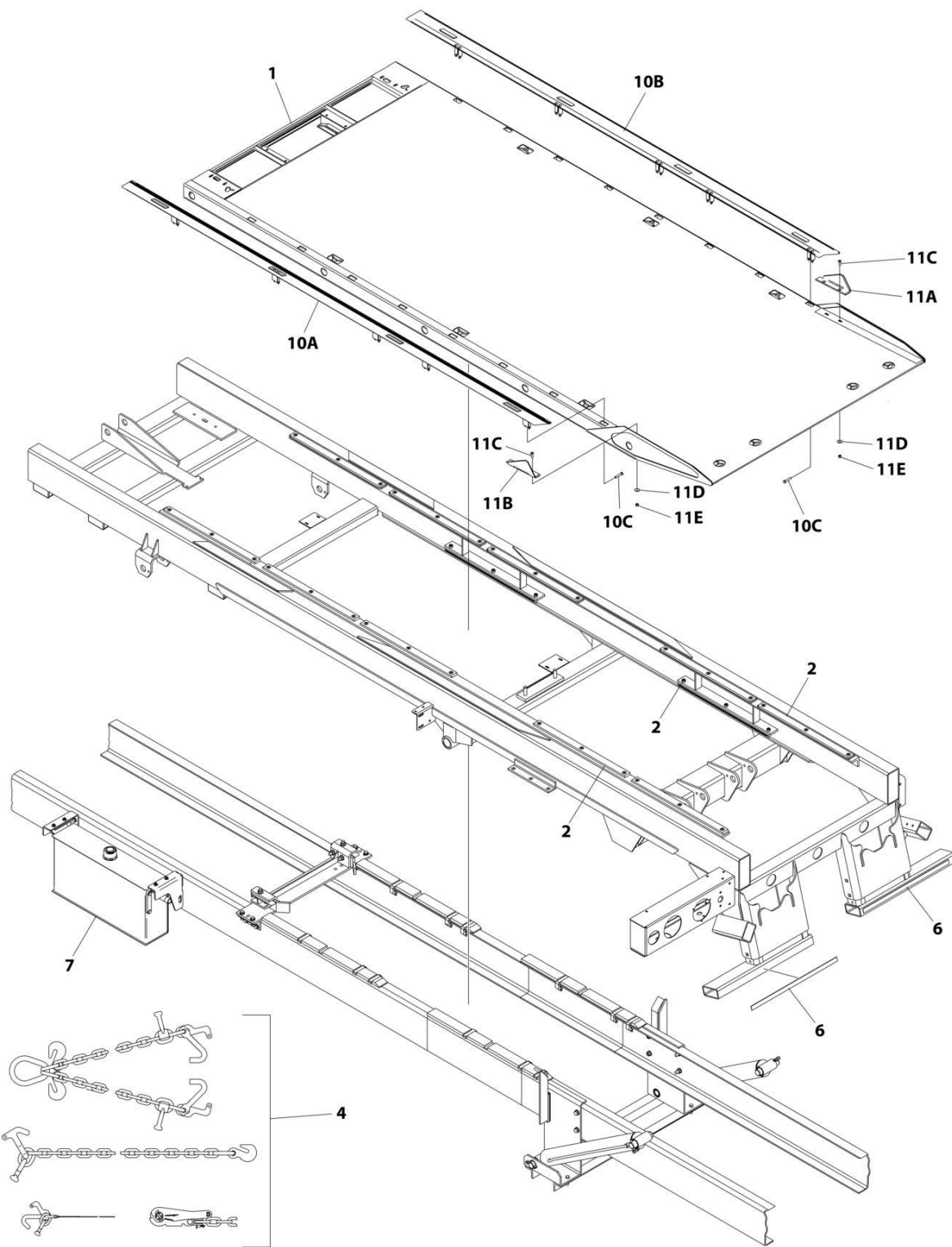
## SECTION 3 - DECK

**FIGURE 3-46. DECK MODEL - STEEL 22IN X 96IN REMOVABLE RAIL**

ITEM	PART NUMBER	QTY	DESCRIPTION	REV
	22SRR6T-LP	Ref	DECK INSTALLATION - 22FTx96IN STEEL REMOVABLE RAIL (SRR6T-XLP)	B
1	3097000793	1	Deck Installation, 22ft (Steel)	
2	2679000010	1	Main Subframe Pad Installation (See Separate Breakdown in SUBFRAME Section)	
4	7577000208	1	Chain/Tie-Down Kit	
5	2330000038	1	Standard Duty Decals Installation (Not Shown - See Separate Breakdown in DECAL Section)	
6	2330000055	Ref	Conspicuity Decal Installation	
6	7330000428	2	Decal - Red/White Reflective	
7	2750000008	1	Hydraulic Reservoir and Bracket Mount (See Separate Breakdown in HYDRAULIC Section)	

# SECTION 3 - DECK

## FIGURE 3-47. DECK MODEL - STEEL 22IN X 96IN REMOVABLE RAIL DUAL ANGLE SHARK



ART\_22SRRD6T-LP

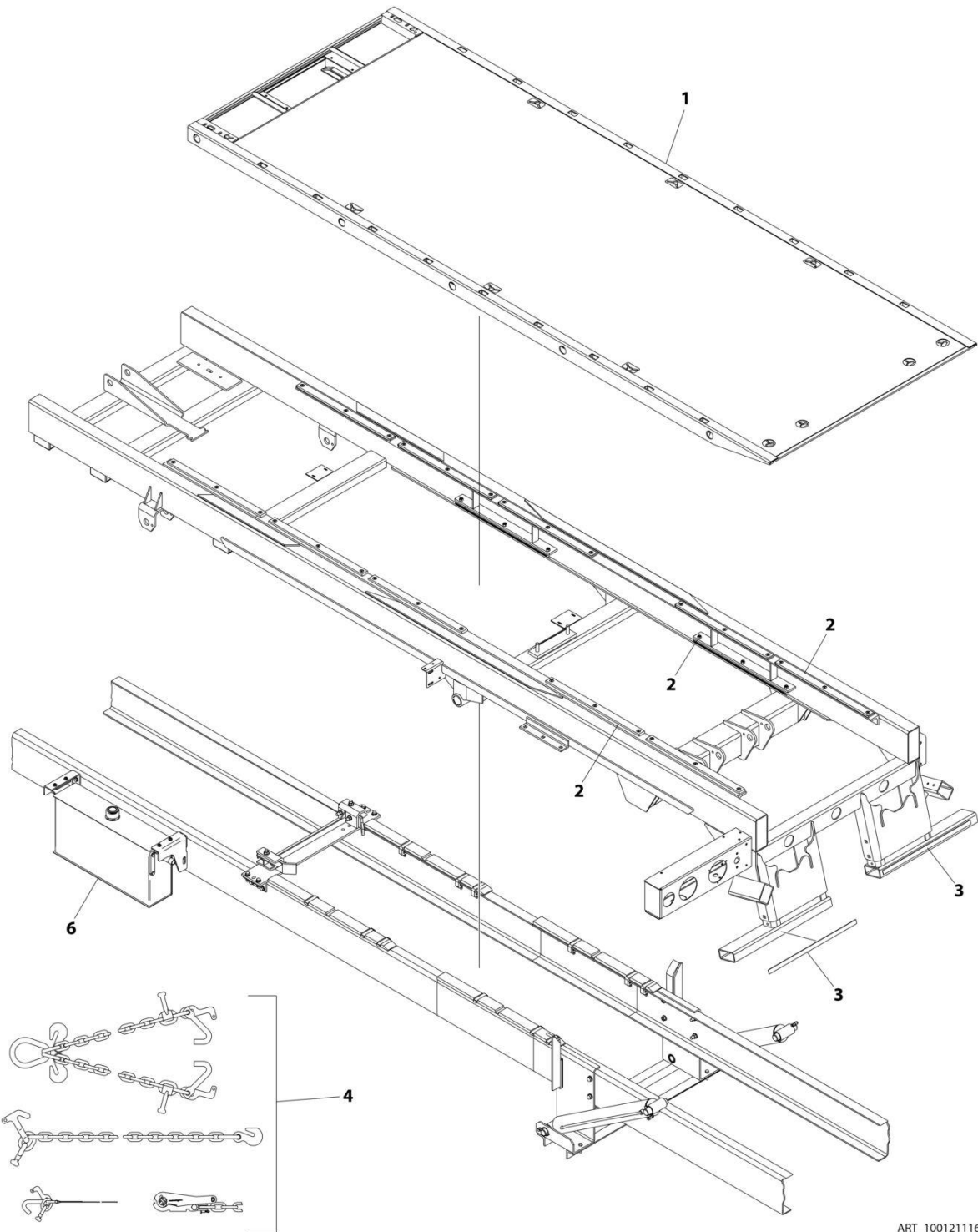
## SECTION 3 - DECK

**FIGURE 3-47. DECK MODEL - STEEL 22IN X 96IN REMOVABLE RAIL DUAL ANGLE SHARK**

ITEM	PART NUMBER	QTY	DESCRIPTION	REV
	22SRRD6T-LP	Ref	DECK INSTALLATION - 22FTx96IN STEEL DUAL ANGLE REMOVABLE RAIL (SRRD6T-XLP), SHARK	B
1	3097000801	1	Deck Installation, 22ft (Steel)	
2	2679000010	1	Main Subframe Pad Installation (See Separate Breakdown in SUBFRAME Section)	
4	7577000208	1	Chain/Tie-Down Kit	
5	2330000038	1	Standard Duty Decals Installation (Not Shown - See Separate Breakdown in DECAL Section)	
6	2330000055	Ref	Conspicuity Decal Installation	
6	7330000428	2	Decal - Red/White Reflective	
7	2750000008	1	Hydraulic Reservoir and Bracket Mount (See Separate Breakdown in HYDRAULIC Section)	
10	2729000103	Ref	Rail Installation	
10A	3017000142	1	Angle Assembly LH	
10B	3017000143	1	Angle Assembly RH	
10C	7120000005	10	Capscrew 1/2 x 2-1/2	
11	2178000066	Ref	Bracket Installation	
11A	4178000873	1	Bracket, RH	
11B	4178000874	1	Bracket, LH	
11C	7115181223	4	Screw 1/2 x 1-1/2	
11D	7950180161	4	Washer 1/2	
11E	7660182601	4	Nut 1/2	

# SECTION 3 - DECK

## FIGURE 3-48. DECK MODEL - STEEL 22IN X 102IN REMOVABLE RAIL



ART\_1001211166

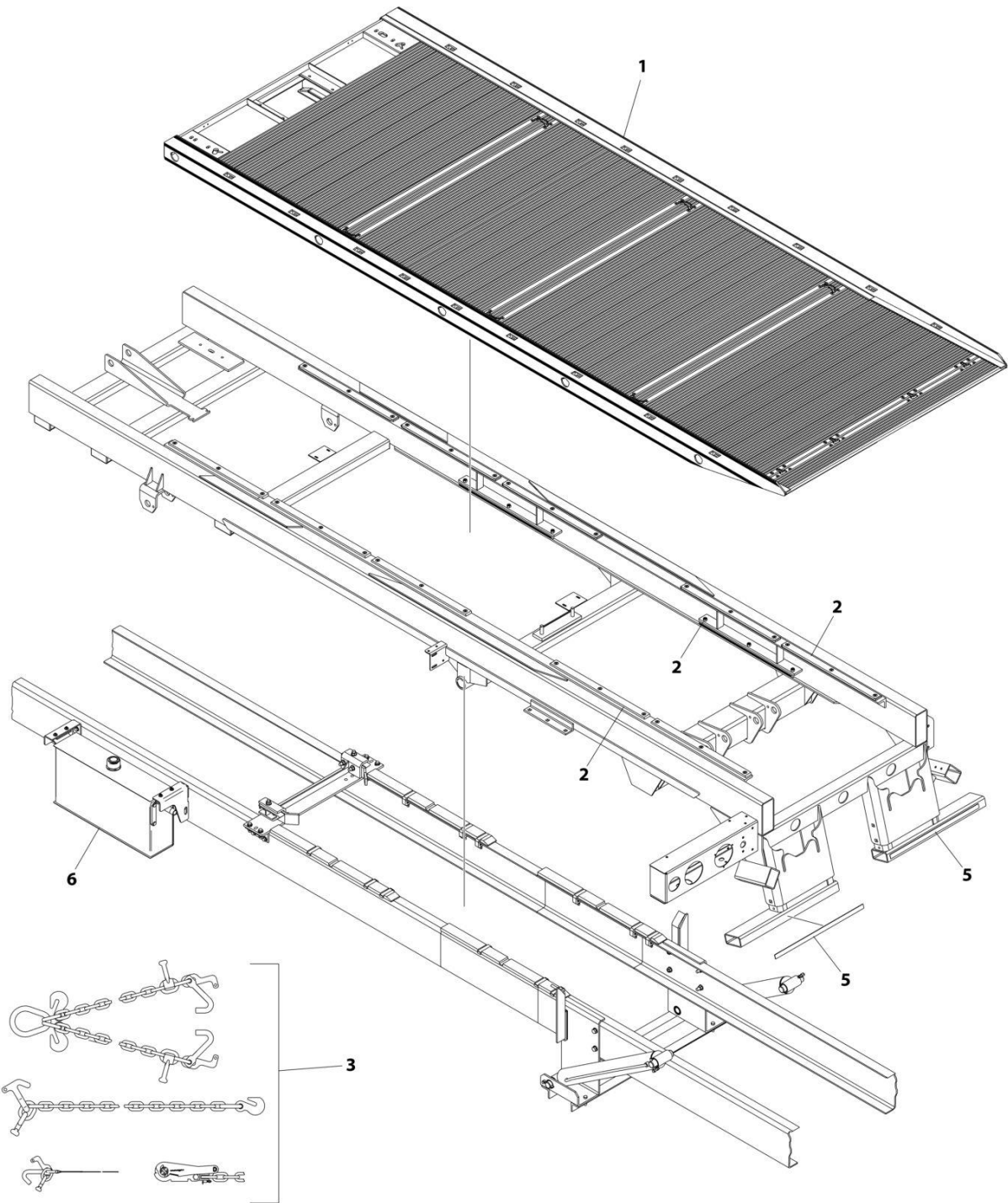
## SECTION 3 - DECK

**FIGURE 3-48. DECK MODEL - STEEL 22IN X 102IN REMOVABLE RAIL**

ITEM	PART NUMBER	QTY	DESCRIPTION	REV
	1001211166	Ref	DECK INSTALLATION - 22FTx102IN STEEL REMOVABLE RAIL (SRR6T-XLP)	A
1	3097000794	1	Deck Installation, 22ft (Steel)	
2	2679000010	1	Main Subframe Pad Installation (See Separate Breakdown in SUBFRAME Section)	
3	2330000055	Ref	Conspicuity Decal Installation	
3	7330000428	2	Decal - Red/White Reflective	
4	7577000208	1	Chain/Tie-Down Kit	
5	2330000038	1	Standard Duty Decals Installation (Not Shown - See Separate Breakdown in DECAL Section)	
6	2750000008	1	Hydraulic Reservoir and Bracket Mount (See Separate Breakdown in HYDRAULIC Section)	

# SECTION 3 - DECK

FIGURE 3-49. DECK MODEL - STEEL 22IN X 102IN REMOVABLE RAIL (GALVANIZED)



ART\_1001207108



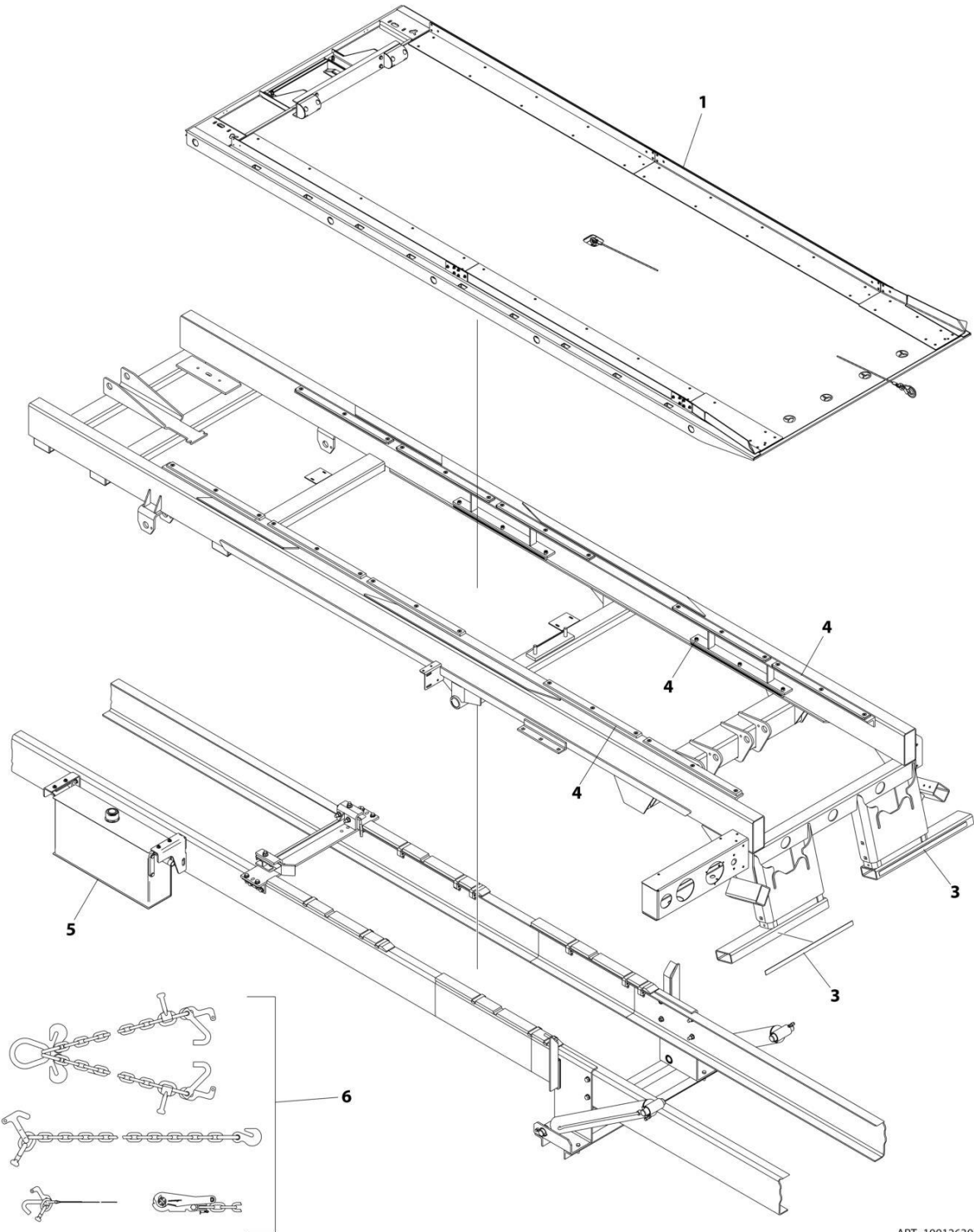
## SECTION 3 - DECK

**FIGURE 3-49. DECK MODEL - STEEL 22IN X 102IN REMOVABLE RAIL (GALVANIZED)**

ITEM	PART NUMBER	QTY	DESCRIPTION	REV
	1001207108	Ref	DECK INSTALLATION - 22FTx102IN STEEL REMOVABLE RAIL (SRR6T-XLP), GALVANIZED	A
1	1001203044	1	Deck Installation, 22ft (Steel)	
2	2679000010	1	Main Subframe Pad Installation (See Separate Breakdown in SUBFRAME Section)	
3	7577000208	1	Chain/Tie-Down Kit	
4	2330000038	1	Standard Duty Decals Installation (Not Shown - See Separate Breakdown in DECAL Section)	
5	2330000055	Ref	Conspicuity Decal Installation	
5	7330000428	2	Decal - Red/White Reflective	
6	2750000008	1	Hydraulic Reservoir and Bracket Mount (See Separate Breakdown in HYDRAULIC Section)	

# SECTION 3 - DECK

FIGURE 3-50. DECK MODEL - STEEL 22IN X 102IN REMOVABLE RAIL CONTAINER TRANSPORTER



ART\_1001263013

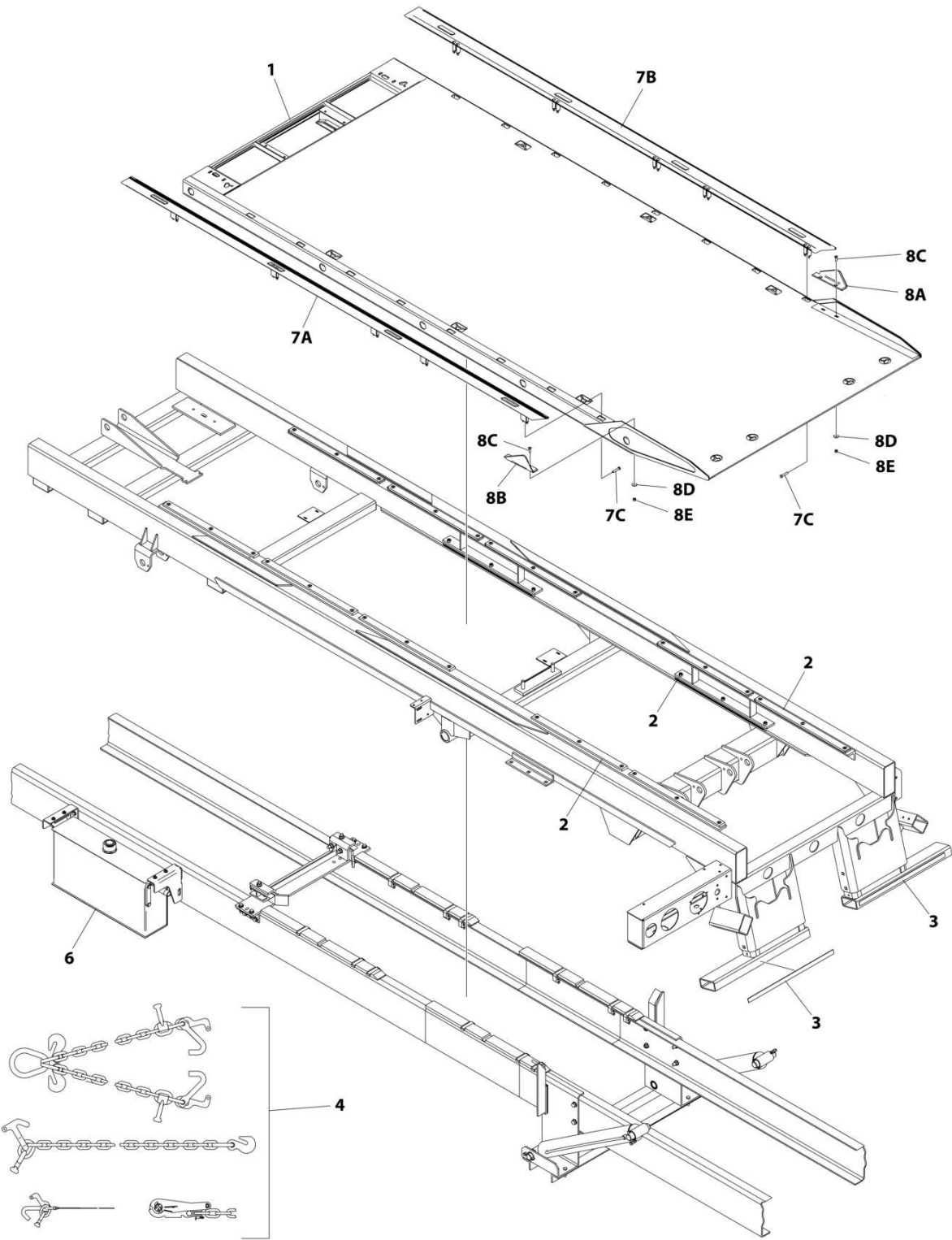
## SECTION 3 - DECK

**FIGURE 3-50. DECK MODEL - STEEL 22IN X 102IN REMOVABLE RAIL CONTAINER TRANSPORTER**

ITEM	PART NUMBER	QTY	DESCRIPTION	REV
	1001263013	Ref	DECK INSTALLATION - 22FT STEEL CONTAINER TRANSPORTER	A
1	1001263014	1	Rail-Bumper Container Transporter Installation (See Separate Breakdown in this Section)	
2	2330000038	1	Standard Duty Decals Installation (Not Shown - See Separate Breakdown in DECAL Section)	
3	2330000055	Ref	Conspicuity Decal Installation	
3	7330000428	2	Decal - Red/White Reflective	
4	2679000010	1	Main Subframe Pad Installation (See Separate Breakdown in SUBFRAME Section)	
5	2750000008	1	Hydraulic Reservoir and Bracket Mount (See Separate Breakdown in HYDRAULIC Section)	
6	7577000208	1	Chain/Tie-Down Kit	

# SECTION 3 - DECK

FIGURE 3-51. DECK MODEL - STEEL 22IN X 102IN REMOVABLE RAIL DUAL ANGLE SHARK



ART\_1001211167

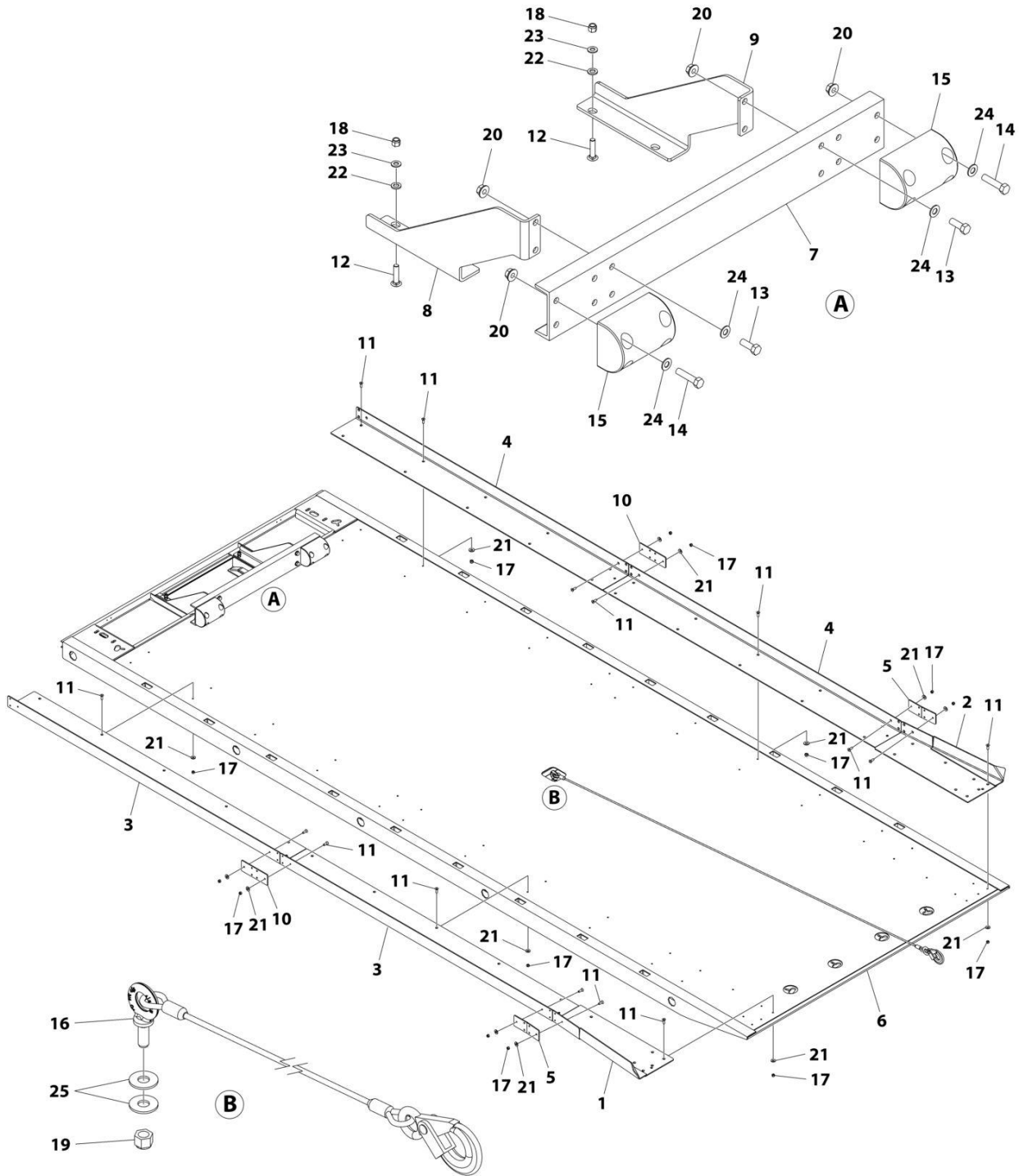
## SECTION 3 - DECK

**FIGURE 3-51. DECK MODEL - STEEL 22IN X 102IN REMOVABLE RAIL DUAL ANGLE SHARK**

ITEM	PART NUMBER	QTY	DESCRIPTION	REV
	1001211167	Ref	DECK INSTALLATION - 22FTx102IN STEEL DUAL ANGLE REMOVABLE RAIL (SRRD6T-XLP), SHARK	A
1	3097000802	1	Deck Installation, 22ft (Steel)	
2	2679000010	1	Main Subframe Pad Installation (See Separate Breakdown in SUBFRAME Section)	
3	2330000055	Ref	Conspicuity Decal Installation	
3	7330000428	2	Decal - Red/White Reflective	
4	7577000208	1	Chain/Tie-Down Kit	
5	2330000038	1	Standard Duty Decals Installation (Not Shown - See Separate Breakdown in DECAL Section)	
6	2750000008	1	Hydraulic Reservoir and Bracket Mount (See Separate Breakdown in HYDRAULIC Section)	
7	2729000103	Ref	Rail Installation	
7A	3017000142	1	Angle Assembly LH	
7B	3017000143	1	Angle Assembly RH	
7C	7120000005	10	Capscrew 1/2 x 2-1/2	
8	2178000066	Ref	Bracket Installation	
8A	4178000873	1	Bracket, RH	
8B	4178000874	1	Bracket, LH	
8C	7115181223	4	Screw 1/2 x 1-1/2	
8D	7950180161	4	Washer 1/2	
8E	7660182601	4	Nut 1/2	

# SECTION 3 - DECK

## FIGURE 3-52. RAIL-BUMPER CONTAINER TRANSPORTER INSTALLATION



ART\_1001263014

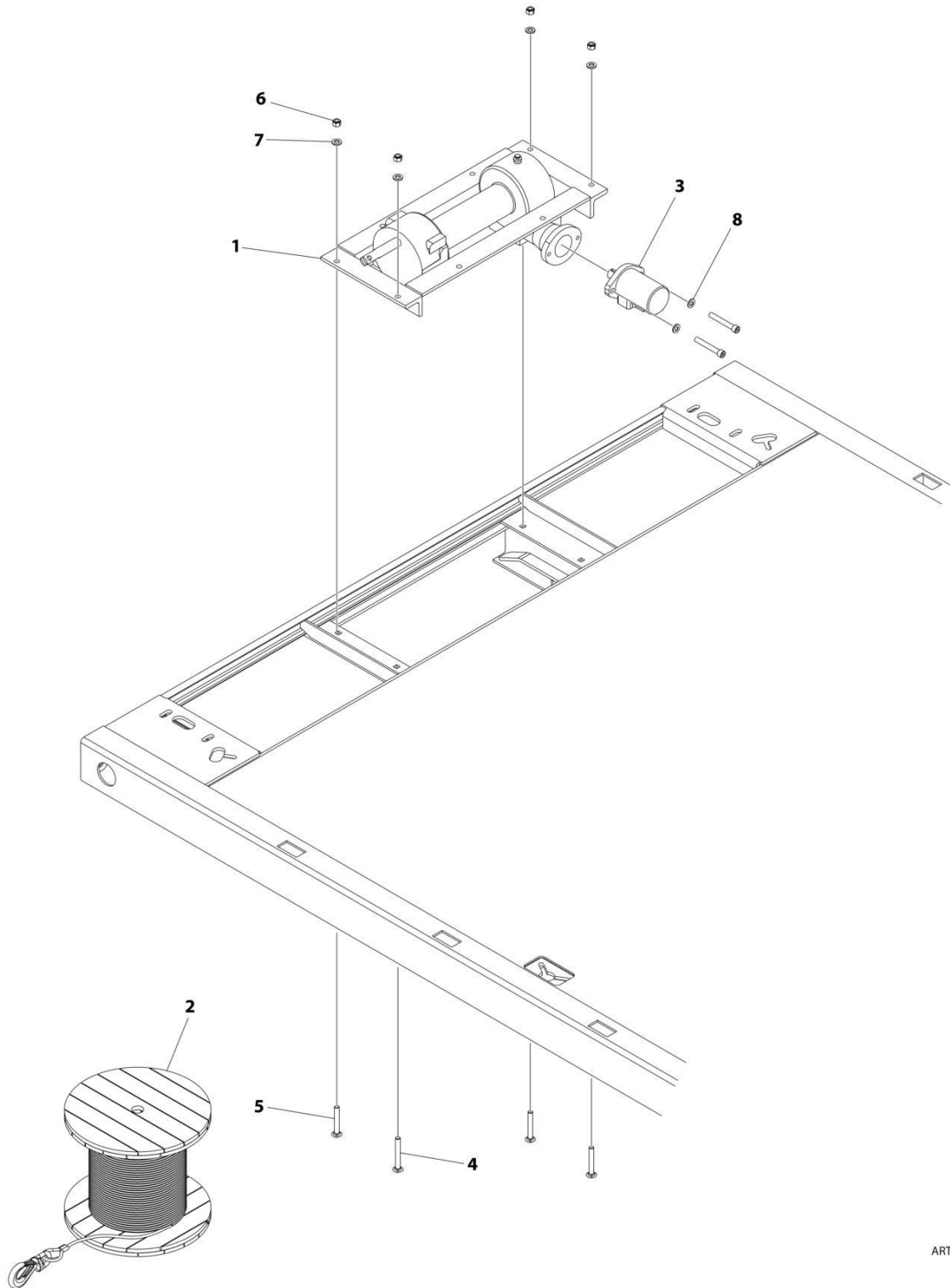
## SECTION 3 - DECK

**FIGURE 3-52. RAIL-BUMPER CONTAINER TRANSPORTER INSTALLATION**

ITEM	PART NUMBER	QTY	DESCRIPTION	REV
	1001263014	1	RAIL-BUMPER CONTAINER TRANSPORTER INSTALLATION	A
1	1001157422	1	Plate, Flare LH	
2	1001157423	1	Plate, Flare RH	
3	1001157424	2	Plate, Laminate LH	
4	1001157425	2	Plate, Laminate RH	
5	1001157651	2	Plate, Doubler Bend	
6	1001263012	1	Decl Weldment 22FT Steel	
7	1001263015	1	Channel	
8	1001263016	1	Bracket, Channel Support RH	
9	1001263017	1	Bracket, Channel Support LH	
10	4706005146	2	Plate	
11	7115150723	80	Screw 5/16 x 7/8	
12	7115181864	4	Bolt 1/2 x 2-1/4	
13	7115201450	4	Bolt 5/8 x 1-3/4	
14	7115202250	8	Bolt 5/8 x 2-3/4	
15	7189000020	2	Bumper, Rubber	
16	7248000125	1	Cable Assembly, Safety Hook and Eye Bolt	
17	7660162601	80	Nut 3/8	
18	7660182601	4	Nut 1/2	
19	7660222601	1	Nut 3/4	
20	7661000018	12	Nut 5/8	
21	7950160161	80	Washer 3/8	
22	7950180153	4	Washer 1/2	
23	7950180400	4	Washer 1/2	
24	7950200141	12	Washer 5/8	
25	7950220161	2	Washer 3/4	

# SECTION 3 - DECK

## FIGURE 3-53. WINCH INSTALLATION - 8000 LBS (ALUMINUM DECK)



ART\_W08WAL-SD



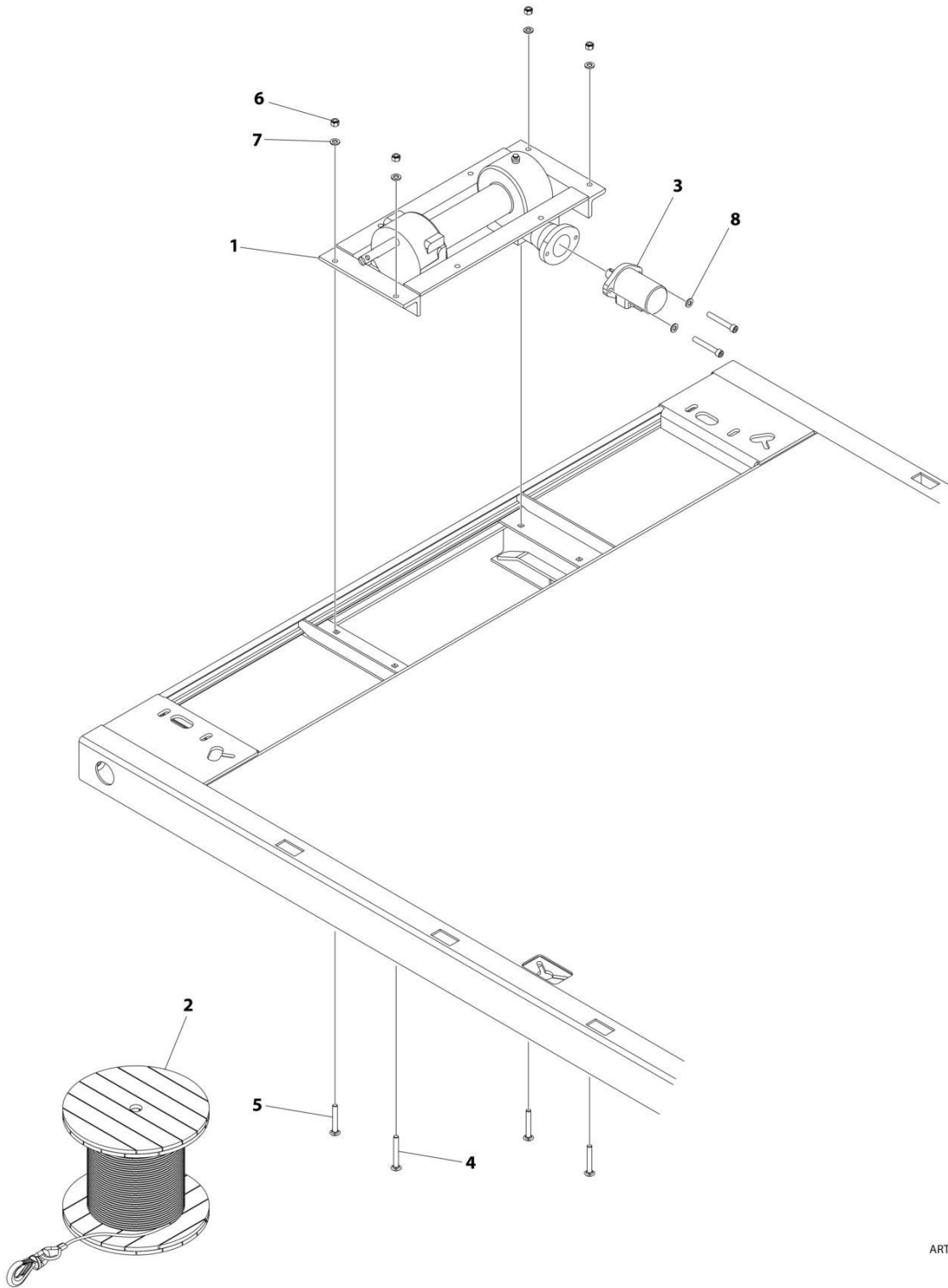
## SECTION 3 - DECK

**FIGURE 3-53. WINCH INSTALLATION - 8000 LBS (ALUMINUM DECK)**

ITEM	PART NUMBER	QTY	DESCRIPTION	REV
	W08WAL-SD	Ref	WINCH INSTALLATION	A
	2970000080	Ref	Winch Installation	D
1	7970000121	1	Winch Assembly, 8000 lbs (See Separate Breakdown in this Section)	
2	7248000063	1	Wire Rope	
3	7626000014	1	Motor	
4	1001138523	1	Bolt 1/2 x 2-3/4	
5	1001138522	3	Bolt 1/2 x 2-1/4	
6	7660182601	4	Nut 1/2	
7	7950180153	4	Washer 1/2	
8	7950180400	2	Washer 1/2	
20	2249000017	1	Cable Tensioner Assembly (Not Shown - See Separate Breakdown in this Section)	

# SECTION 3 - DECK

## FIGURE 3-54. WINCH INSTALLATION - 8000 LBS (STEEL DECK)



ART\_W08WST-SD

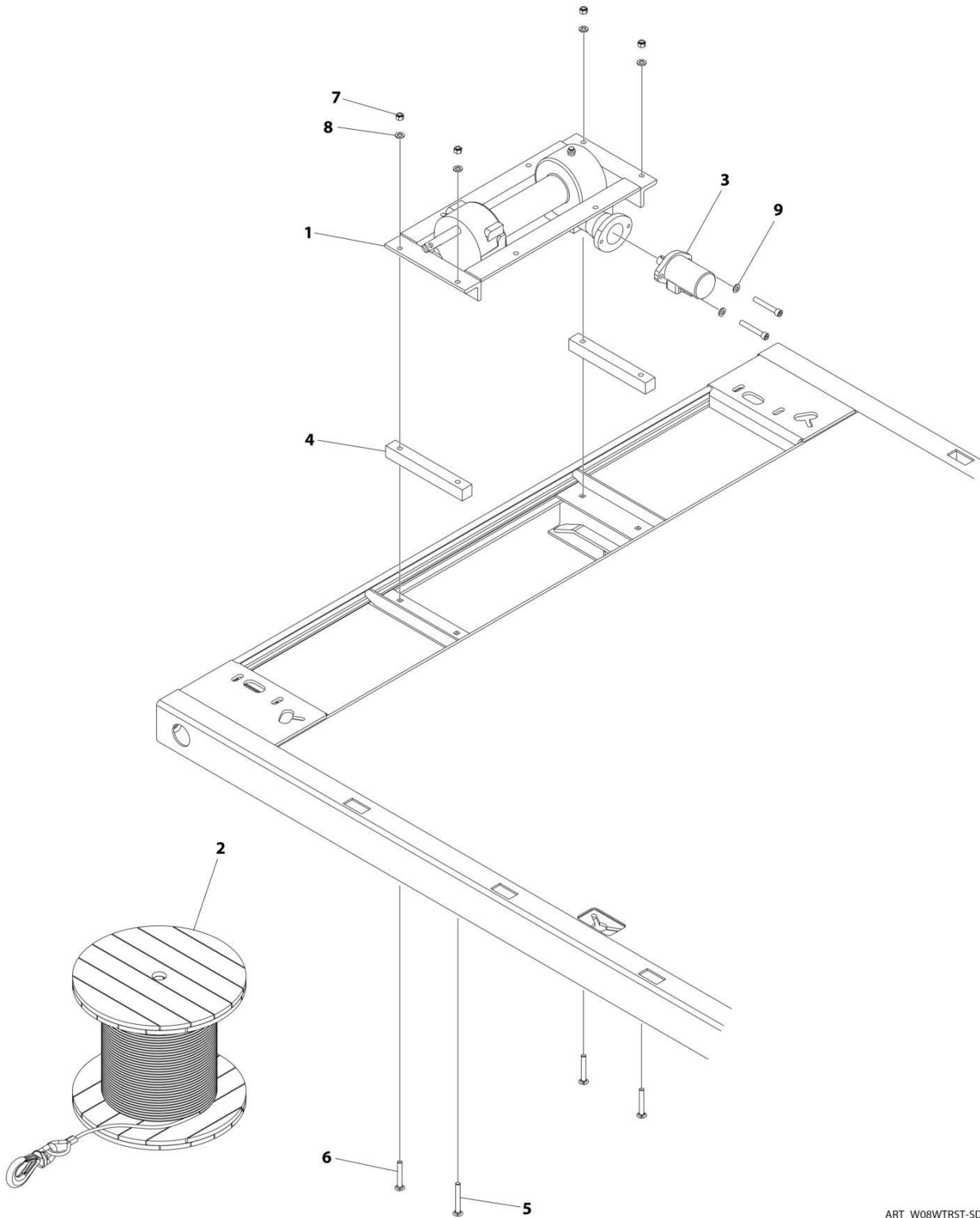
## SECTION 3 - DECK

**FIGURE 3-54. WINCH INSTALLATION - 8000 LBS (STEEL DECK)**

ITEM	PART NUMBER	QTY	DESCRIPTION	REV
	W08WST-SD	Ref	WINCH INSTALLATION	A
	2970000088	Ref	Winch Installation	C
1	7970000121	1	Winch Assembly, 8000 lbs (See Separate Breakdown in this Section)	
2	7248000063	1	Wire Rope	
3	7626000014	1	Motor	
4	7115181864	1	Bolt 1/2 x 2-1/4	
5	7115181464	3	Bolt 1/2 x 1-3/4	
6	7660182601	4	Nut 1/2	
7	7950180153	4	Washer 1/2	
8	7950180400	2	Washer 1/2	
20	2249000017	1	Cable Tensioner Assembly (Not Shown - See Separate Breakdown in this Section)	

# SECTION 3 - DECK

## FIGURE 3-55. WINCH INSTALLATION - 8000 LBS (TRANSPORTER)



ART\_W08WTRST-SD

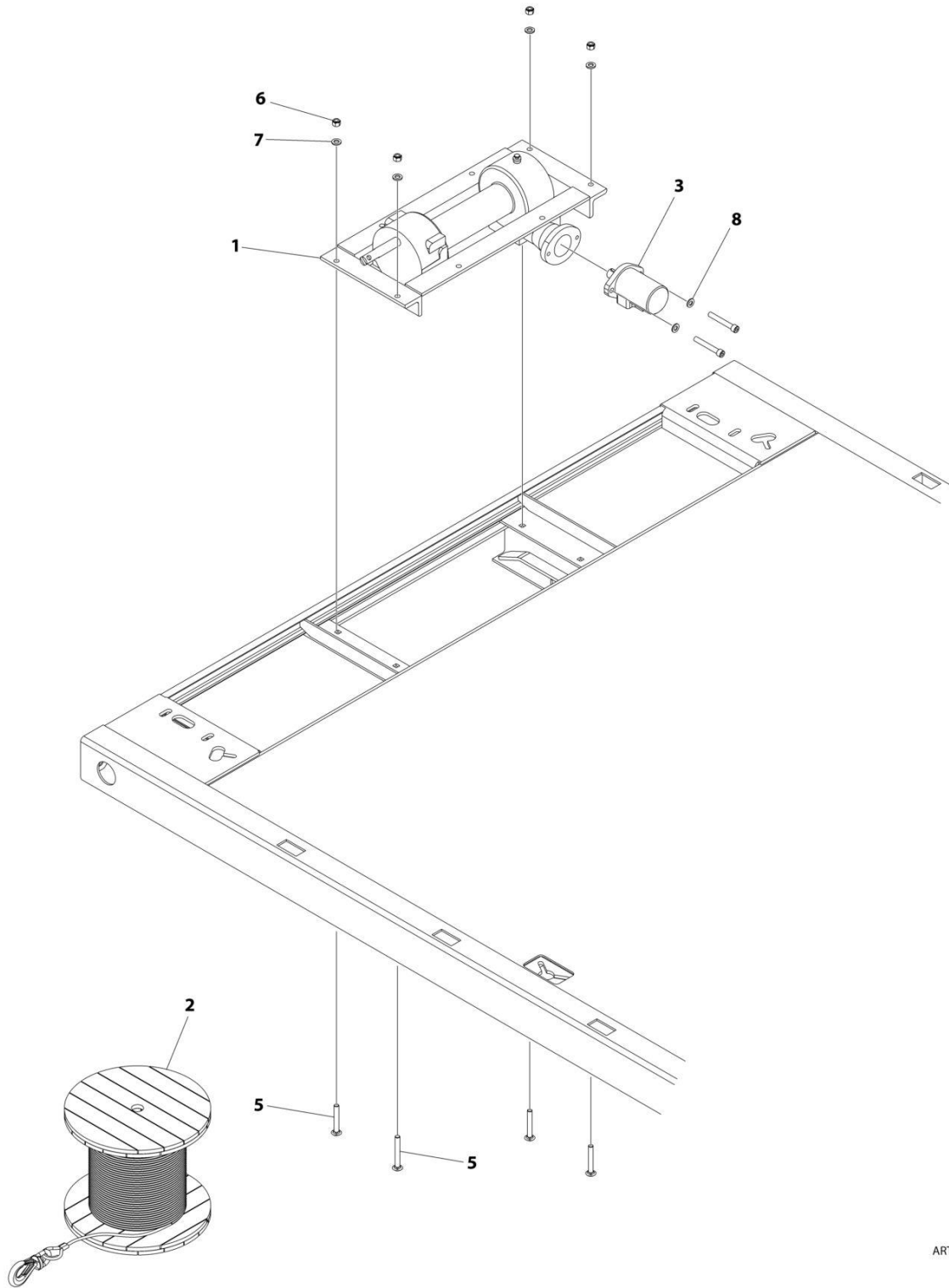
## SECTION 3 - DECK

**FIGURE 3-55. WINCH INSTALLATION - 8000 LBS (TRANSPORTER)**

ITEM	PART NUMBER	QTY	DESCRIPTION	REV
	W08WTRST-SD	Ref	WINCH INSTALLATION	A
	2970000089	Ref	Winch Installation	C
1	7970000121	1	Winch Assembly, 8000 lbs (See Separate Breakdown in this Section)	
2	7248000063	1	Wire Rope	
3	7626000014	1	Motor	
4	4062000318	2	Bar	
5	7115183264	1	Bolt 1/2 x 4	
6	7115182864	3	Bolt 1/2 x 3-1/2	
7	7660182601	4	Nut 1/2	
8	7950180153	4	Washer 1/2	
9	7950180400	2	Washer 1/2	
20	2249000017	1	Cable Tensioner Assembly (Not Shown - See Separate Breakdown in this Section)	

# SECTION 3 - DECK

FIGURE 3-56. WINCH INSTALLATION - 8000 LBS WITH AIR FREE SPOOL (ALUMINUM DECK)



ART\_1001220878

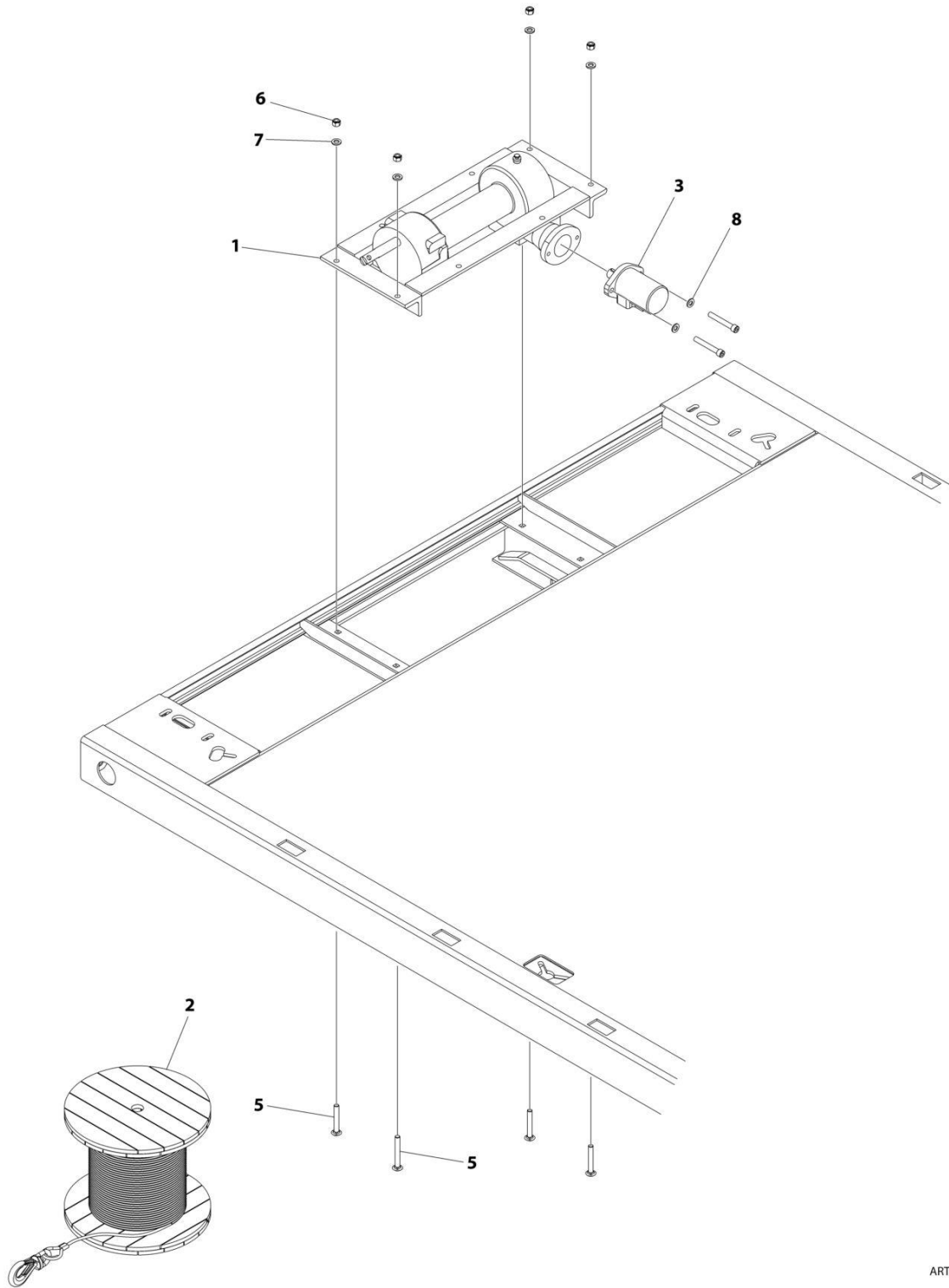
## SECTION 3 - DECK

**FIGURE 3-56. WINCH INSTALLATION - 8000 LBS WITH AIR FREE SPOOL (ALUMINUM DECK)**

ITEM	PART NUMBER	QTY	DESCRIPTION	REV
	1001220878	Ref	WINCH INSTALLATION	A
	2970000109	Ref	Winch Installation	B
1	7970000142	1	Winch Assembly, 8000 lbs (See Separate Breakdown in this Section)	
2	7248000063	1	Wire Rope	
3	7626000014	1	Motor	
5	1001138522	4	Bolt 1/2 x 2-1/4	
6	7660182601	4	Nut 1/2	
7	7950180153	4	Washer 1/2	
8	7950180400	2	Washer 1/2	
20	2249000017	1	Cable Tensioner Assembly (Not Shown - See Separate Breakdown in this Section)	

# SECTION 3 - DECK

FIGURE 3-57. WINCH INSTALLATION - 8000 LBS WITH AIR FREE SPOOL (STEEL DECK)



ART\_1001220879



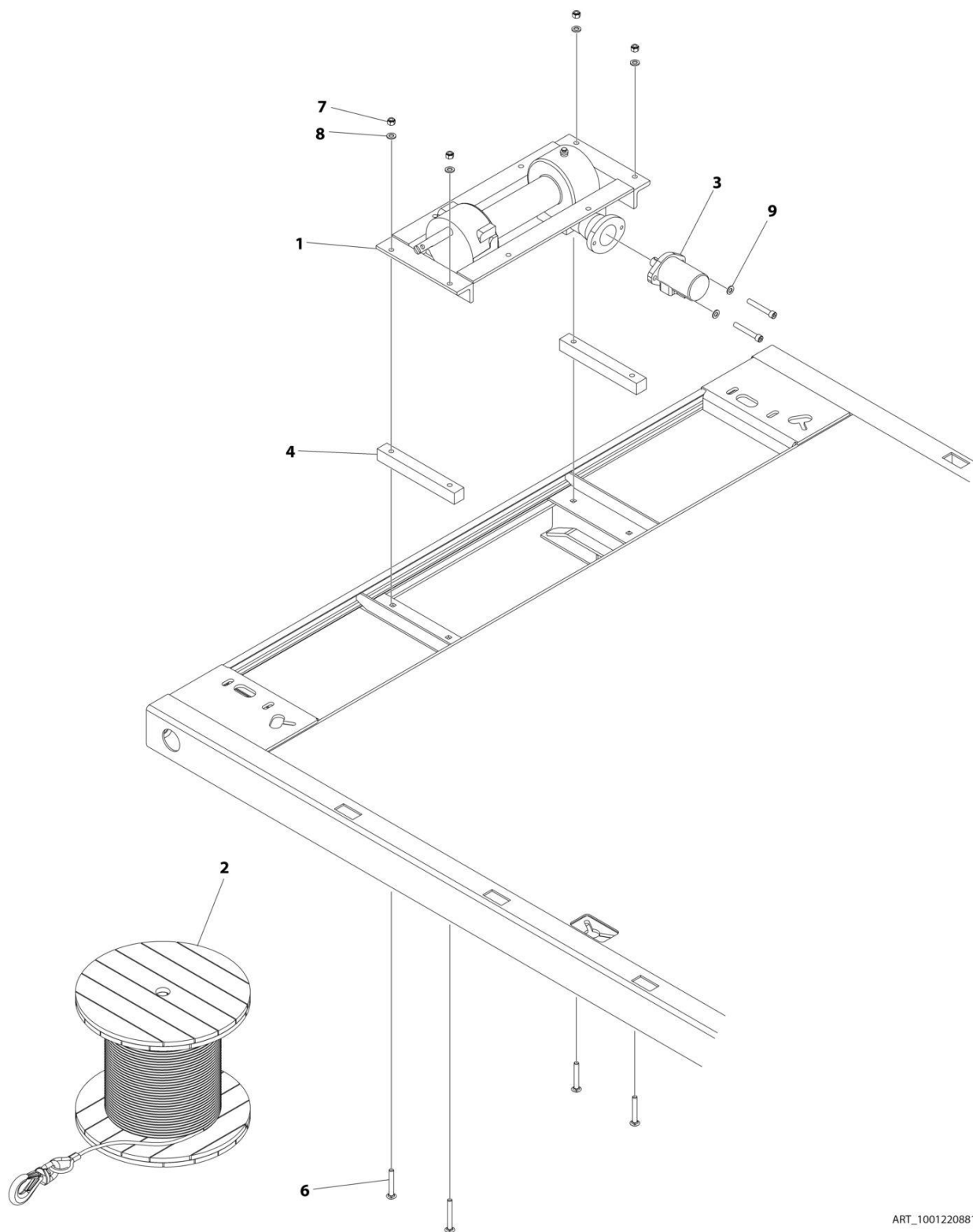
## SECTION 3 - DECK

**FIGURE 3-57. WINCH INSTALLATION - 8000 LBS WITH AIR FREE SPOOL (STEEL DECK)**

ITEM	PART NUMBER	QTY	DESCRIPTION	REV
	1001220879	Ref	WINCH INSTALLATION	A
	2970000107	Ref	Winch Installation	A
1	7970000142	1	Winch Assembly, 8000 lbs (See Separate Breakdown in this Section)	
2	7248000063	1	Wire Rope	
3	7626000014	1	Motor	
5	7115181464	4	Bolt 1/2 x 1-3/4	
6	7660182601	4	Nut 1/2	
7	7950180153	4	Washer 1/2	
8	7950180400	2	Washer 1/2	
20	2249000017	1	Cable Tensioner Assembly (Not Shown - See Separate Breakdown in this Section)	

# SECTION 3 - DECK

## FIGURE 3-58. WINCH INSTALLATION - 8000 LBS WITH AIR FREE SPOOL (STEEL DECK) (TRANSPORTER)



ART\_1001220881

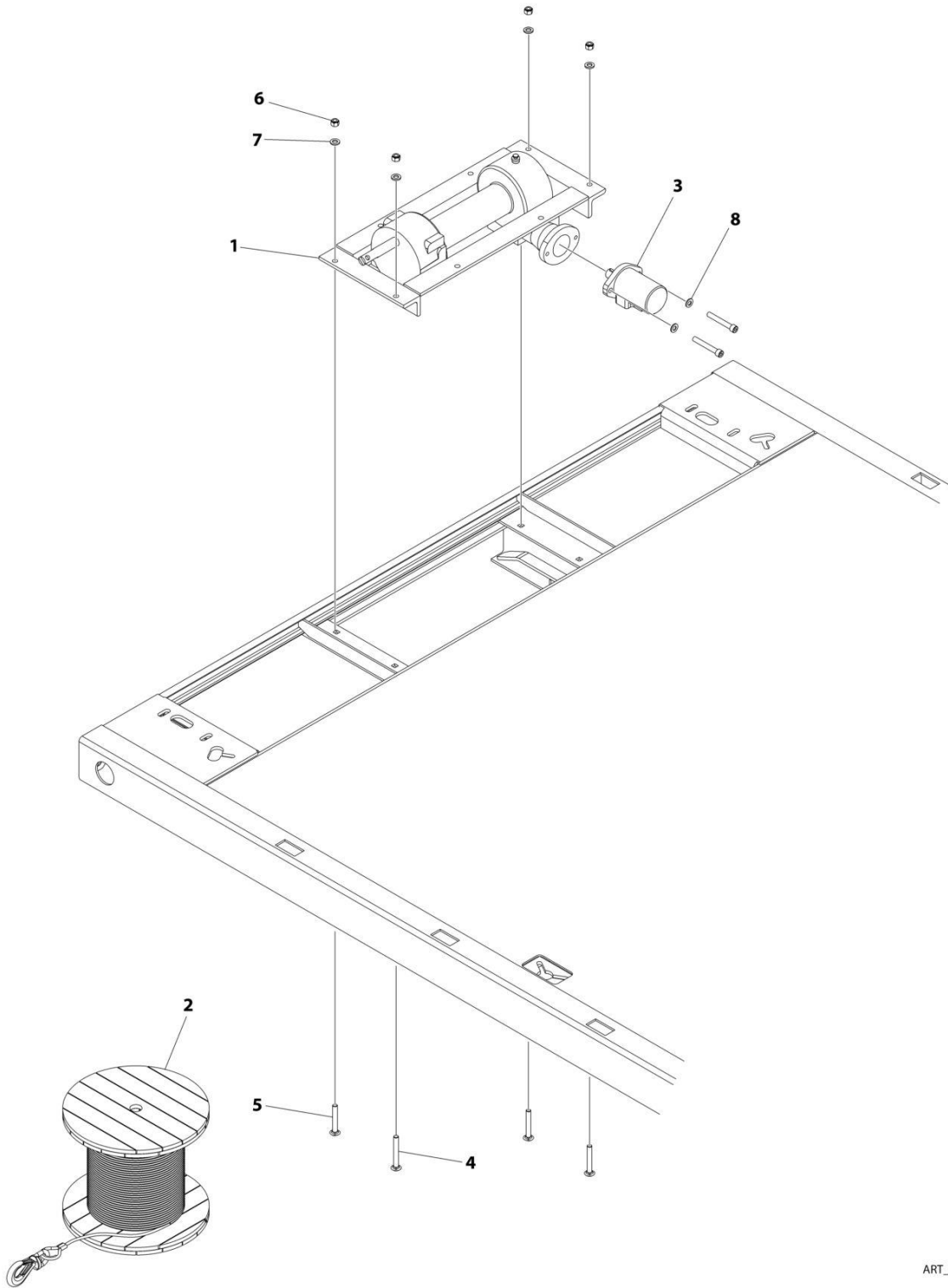
## SECTION 3 - DECK

**FIGURE 3-58. WINCH INSTALLATION - 8000 LBS WITH AIR FREE SPOOL (STEEL DECK)  
(TRANSPORTER)**

ITEM	PART NUMBER	QTY	DESCRIPTION	REV
	1001220881	Ref	WINCH INSTALLATION	A
	2970000111	Ref	Winch Installation	A
1	7970000142	1	Winch Assembly, 8000 lbs (See Separate Breakdown in this Section)	
2	7248000063	1	Wire Rope	
3	7626000014	1	Motor	
4	4062000318	2	Bar	
6	7115182864	4	Bolt 1/2 x 3-1/2	
7	7660182601	4	Nut 1/2	
8	7950180153	4	Washer 1/2	
9	7950180400	2	Washer 1/2	
20	2249000017	1	Cable Tensioner Assembly (Not Shown - See Separate Breakdown in this Section)	

# SECTION 3 - DECK

FIGURE 3-59. WINCH INSTALLATION - 10000 LBS WORM GEAR (ALUMINUM DECK)



ART\_WO10WAL-SD

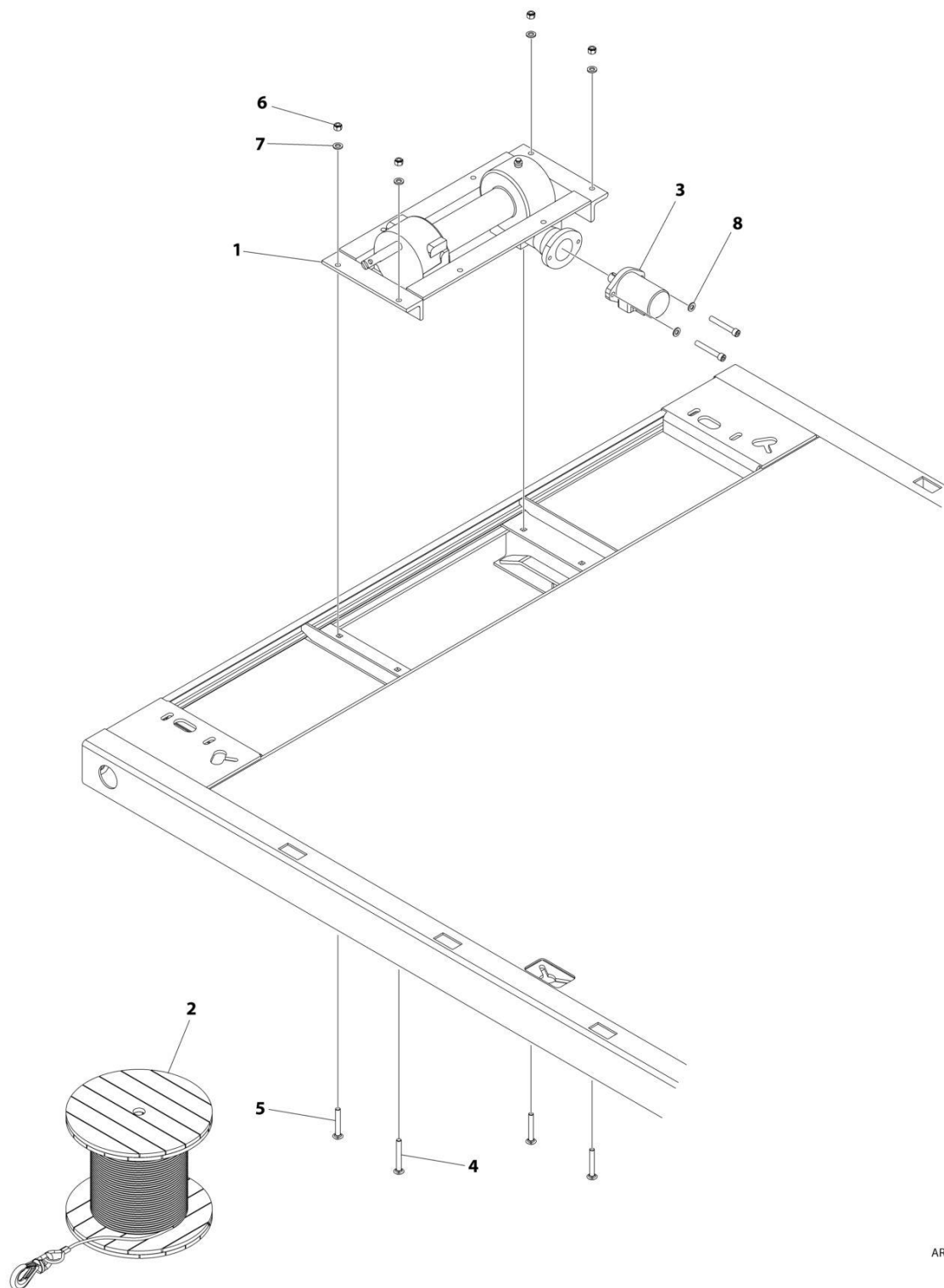
## SECTION 3 - DECK

**FIGURE 3-59. WINCH INSTALLATION - 10000 LBS WORM GEAR (ALUMINUM DECK)**

ITEM	PART NUMBER	QTY	DESCRIPTION	REV
	WO10WAL-SD	Ref	WINCH INSTALLATION	A
	2970000082	Ref	Winch Installation	D
1	7970000123	1	Winch Assembly, 10000 lbs (See Separate Breakdown in this Section)	
2	7248000064	1	Wire Rope	
3	7626000014	1	Motor	
4	1001138523	1	Bolt 1/2 x 2-3/4	
5	1001138522	3	Bolt 1/2 x 2-1/4	
6	7660182601	4	Nut 1/2	
7	7950180153	4	Washer 1/2	
8	7950180400	2	Washer 1/2	
20	2249000017	1	Cable Tensioner Assembly (Not Shown - See Separate Breakdown in this Section)	

# SECTION 3 - DECK

## FIGURE 3-60. WINCH INSTALLATION - 10000 LBS WORM GEAR (STEEL DECK)



ART\_WO10WST-5D

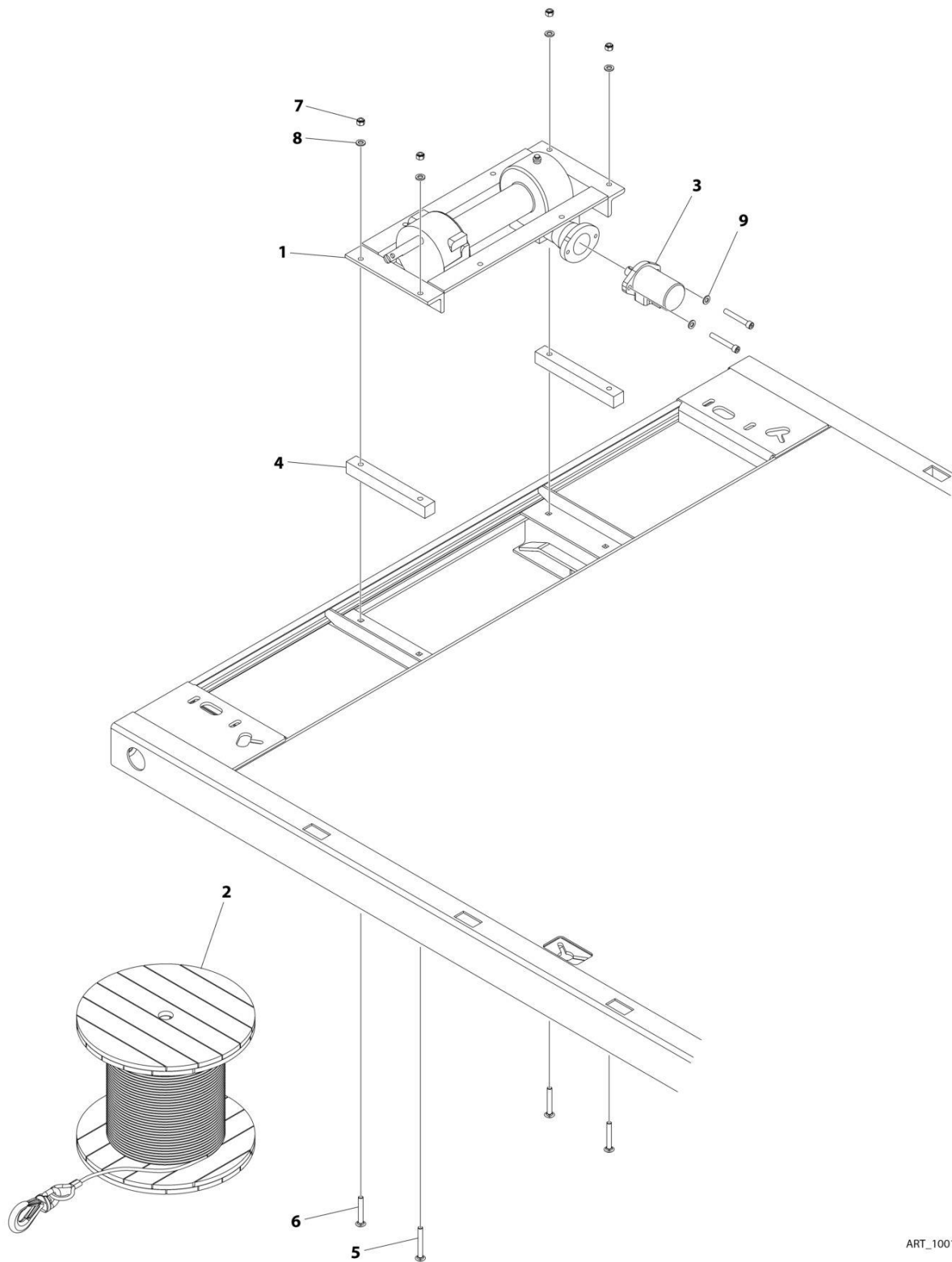
## SECTION 3 - DECK

**FIGURE 3-60. WINCH INSTALLATION - 10000 LBS WORM GEAR (STEEL DECK)**

ITEM	PART NUMBER	QTY	DESCRIPTION	REV
	WO10WST-SD	Ref	WINCH INSTALLATION	A
	2970000090	Ref	Winch Installation	C
1	7970000123	1	Winch Assembly, 10000 lbs (See Separate Breakdown in this Section)	
2	7248000064	1	Wire Rope	
3	7626000014	1	Motor	
4	7115181864	1	Bolt 1/2 x 2-1/4	
5	7115181464	3	Bolt 1/2 x 1-3/4	
6	7660182601	4	Nut 1/2	
7	7950180153	4	Washer 1/2	
8	7950180400	2	Washer 1/2	
20	2249000017	1	Cable Tensioner Assembly (Not Shown - See Separate Breakdown in this Section)	

# SECTION 3 - DECK

## FIGURE 3-61. WINCH INSTALLATION - 10000 LBS WORM GEAR (TRANSPORTER)



ART\_1001220877



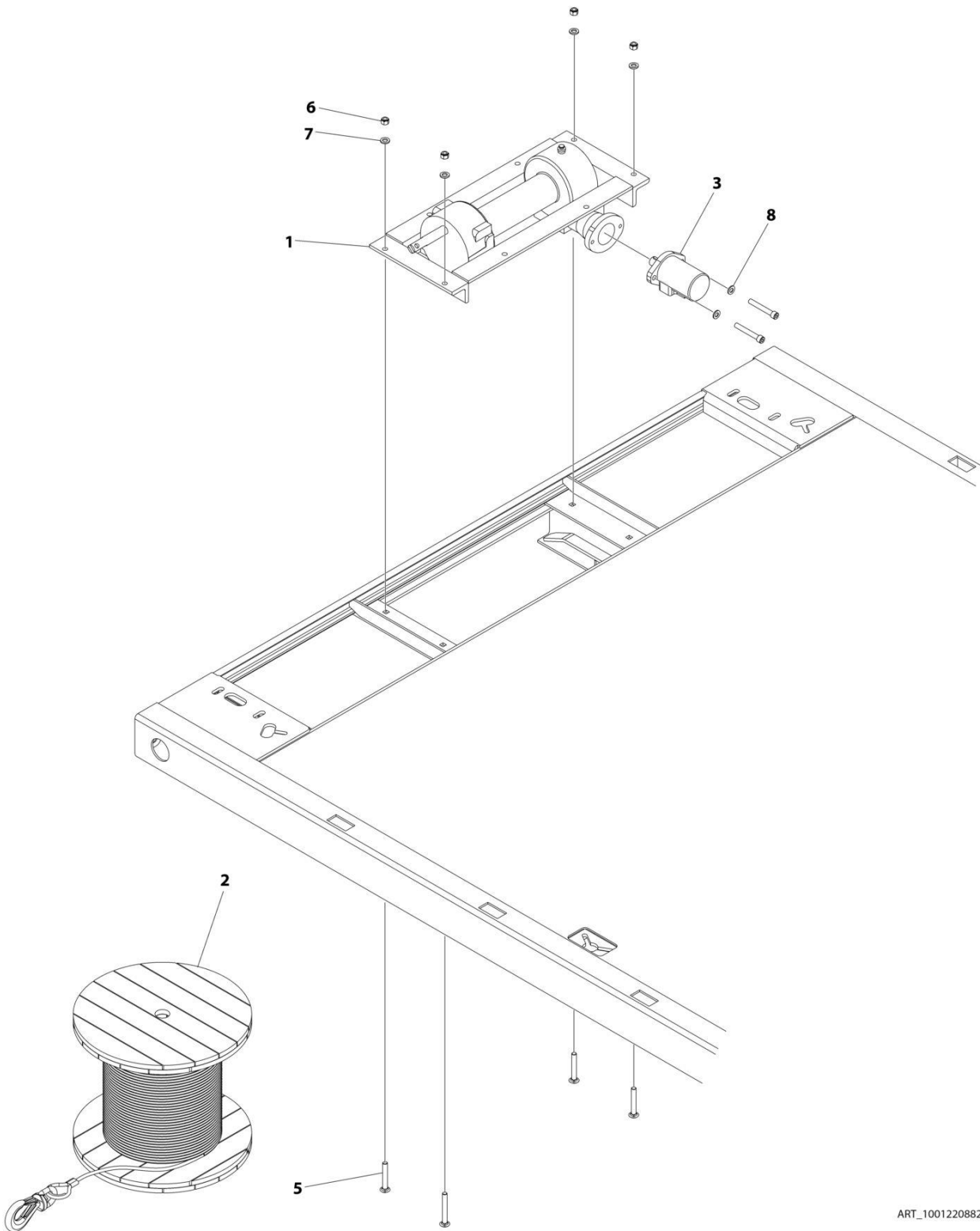
## SECTION 3 - DECK

**FIGURE 3-61. WINCH INSTALLATION - 10000 LBS WORM GEAR (TRANSPORTER)**

ITEM	PART NUMBER	QTY	DESCRIPTION	REV
	1001220877	Ref	WINCH INSTALLATION	A
	2970000091	Ref	Winch Installation	C
1	7970000123	1	Winch Assembly, 10000 lbs (See Separate Breakdown in this Section)	
2	7248000064	1	Wire Rope	
3	7626000014	1	Motor	
4	4062000318	2	Bar	
5	7115183264	1	Bolt 1/2 x 4	
6	7115182864	3	Bolt 1/2 x 3-1/2	
7	7660182601	4	Nut 1/2	
8	7950180153	4	Washer 1/2	
9	7950180400	2	Washer 1/2	
20	2249000017	1	Cable Tensioner Assembly (Not Shown - See Separate Breakdown in this Section)	

# SECTION 3 - DECK

FIGURE 3-62. WINCH INSTALLATION - 10000 LBS WORM GEAR & AIR FREE SPOOL (ALUMINUM DECK)



ART\_1001220882

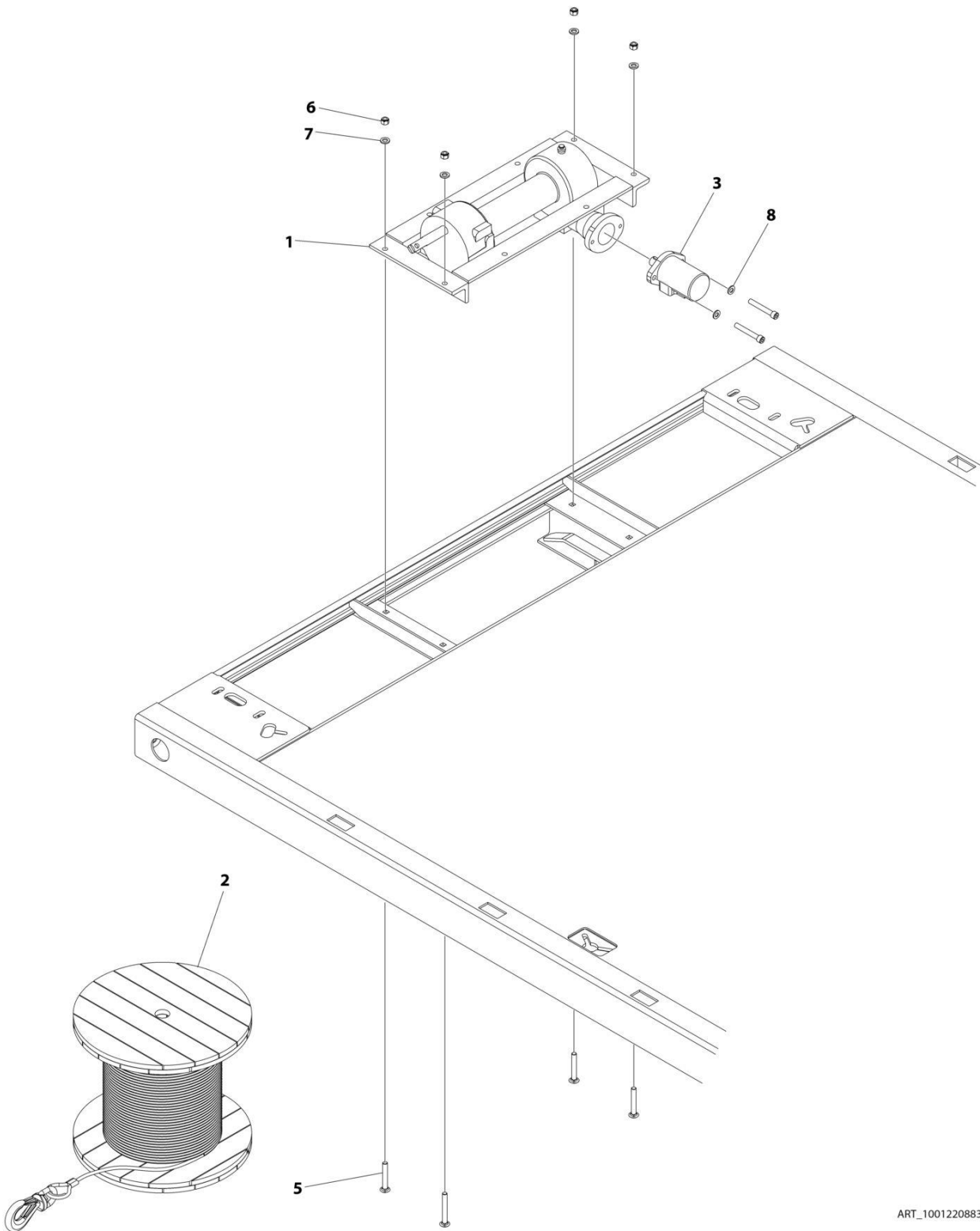
## SECTION 3 - DECK

**FIGURE 3-62. WINCH INSTALLATION - 10000 LBS WORM GEAR & AIR FREE SPOOL (ALUMINUM DECK)**

ITEM	PART NUMBER	QTY	DESCRIPTION	REV
	1001220882	Ref	WINCH INSTALLATION	A
	2970000110	Ref	Winch Installation	B
1	7970000140	1	Winch Assembly, 10000 lbs (See Separate Breakdown in this Section)	
2	7248000064	1	Wire Rope	
3	7626000014	1	Motor	
5	1001138522	3	Bolt 1/2 x 2-1/4	
6	7660182601	4	Nut 1/2	
7	7950180153	4	Washer 1/2	
8	7950180400	2	Washer 1/2	
20	2249000017	1	Cable Tensioner Assembly (Not Shown - See Separate Breakdown in this Section)	

# SECTION 3 - DECK

FIGURE 3-63. WINCH INSTALLATION - 10000 LBS WORM GEAR AND AIR FREE SPOOL (STEEL DECK)



ART\_1001220883

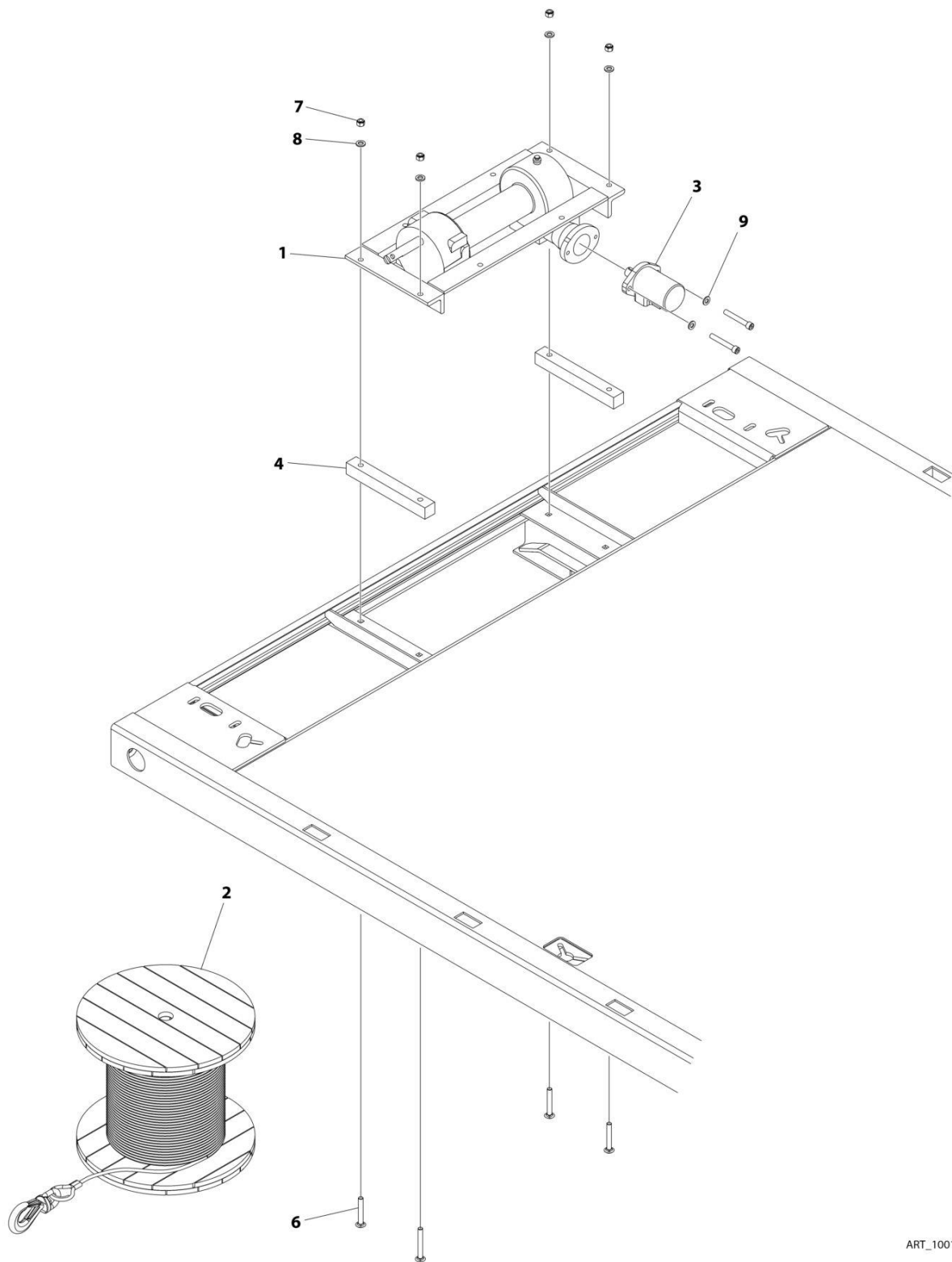
## SECTION 3 - DECK

**FIGURE 3-63. WINCH INSTALLATION - 10000 LBS WORM GEAR AND AIR FREE SPOOL (STEEL DECK)**

ITEM	PART NUMBER	QTY	DESCRIPTION	REV
	1001220883	Ref	WINCH INSTALLATION	A
	2970000108	Ref	Winch Installation	A
1	7970000140	1	Winch Assembly, 10000 lbs (See Separate Breakdown in this Section)	
2	7248000064	1	Wire Rope	
3	7626000014	1	Motor	
5	7115181464	3	Bolt 1/2 x 1-3/4	
6	7660182601	4	Nut 1/2	
7	7950180153	4	Washer 1/2	
8	7950180400	2	Washer 1/2	
20	2249000017	1	Cable Tensioner Assembly (Not Shown - See Separate Breakdown in this Section)	

# SECTION 3 - DECK

## FIGURE 3-64. WINCH INSTALLATION - 10000 LBS WORM GEAR AND AIR FREE SPOOL (TRANSPORTER)



ART\_1001220885

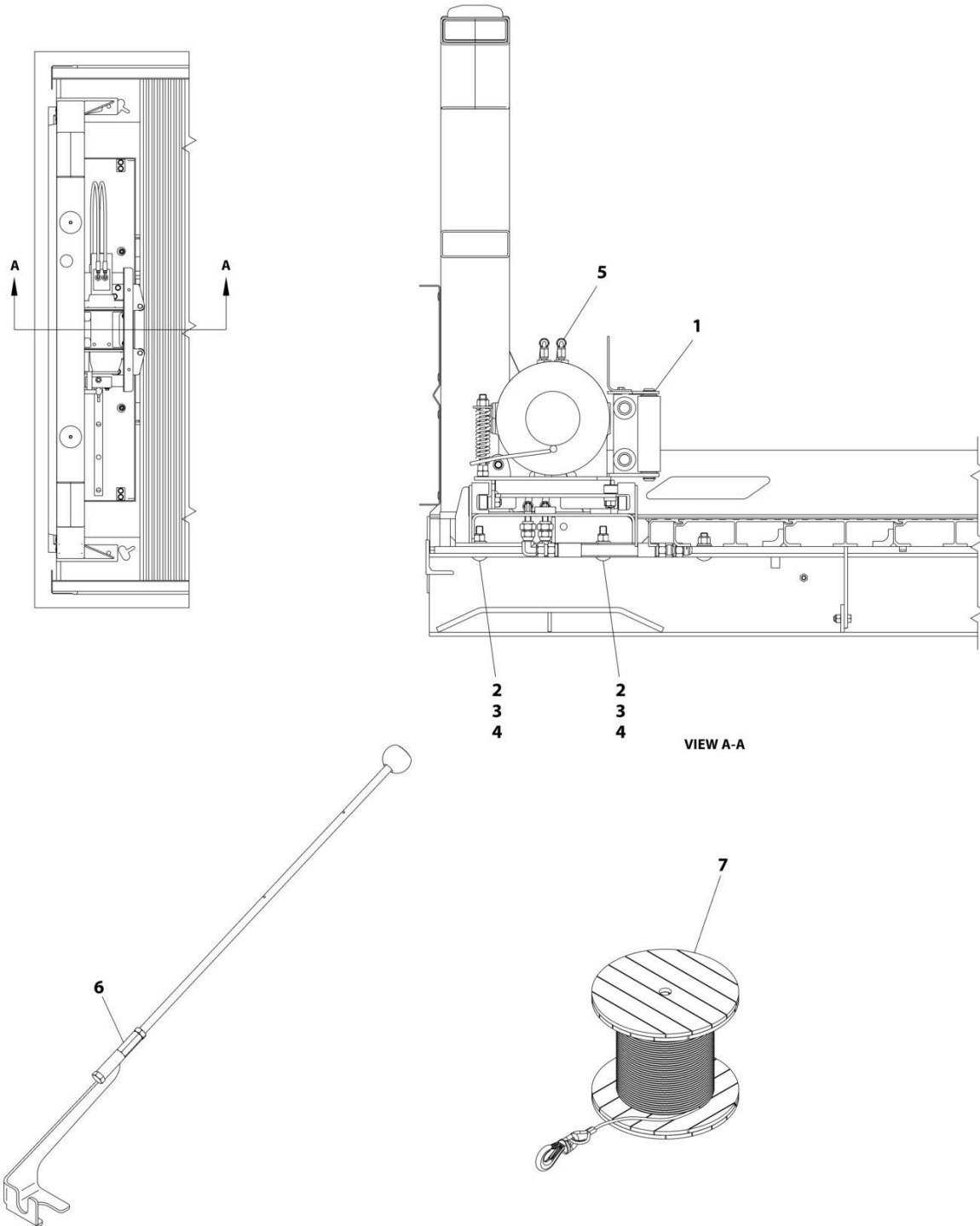
## SECTION 3 - DECK

**FIGURE 3-64. WINCH INSTALLATION - 10000 LBS WORM GEAR AND AIR FREE SPOOL  
(TRANSPORTER)**

ITEM	PART NUMBER	QTY	DESCRIPTION	REV
	1001220885	Ref	WINCH INSTALLATION	A
	2970000112	Ref	Winch Installation	A
1	7970000140	1	Winch Assembly, 10000 lbs (See Separate Breakdown in this Section)	
2	7248000064	1	Wire Rope	
3	7626000014	1	Motor	
4	4062000318	2	Bar	
6	7115182864	3	Bolt 1/2 x 3-1/2	
7	7660182601	4	Nut 1/2	
8	7950180153	4	Washer 1/2	
9	7950180400	2	Washer 1/2	
20	2249000017	1	Cable Tensioner Assembly (Not Shown - See Separate Breakdown in this Section)	

# SECTION 3 - DECK

## FIGURE 3-65. WINCH INSTALLATION - 10000 LBS SLIDING PLANETARY GEAR



ART\_1001142546



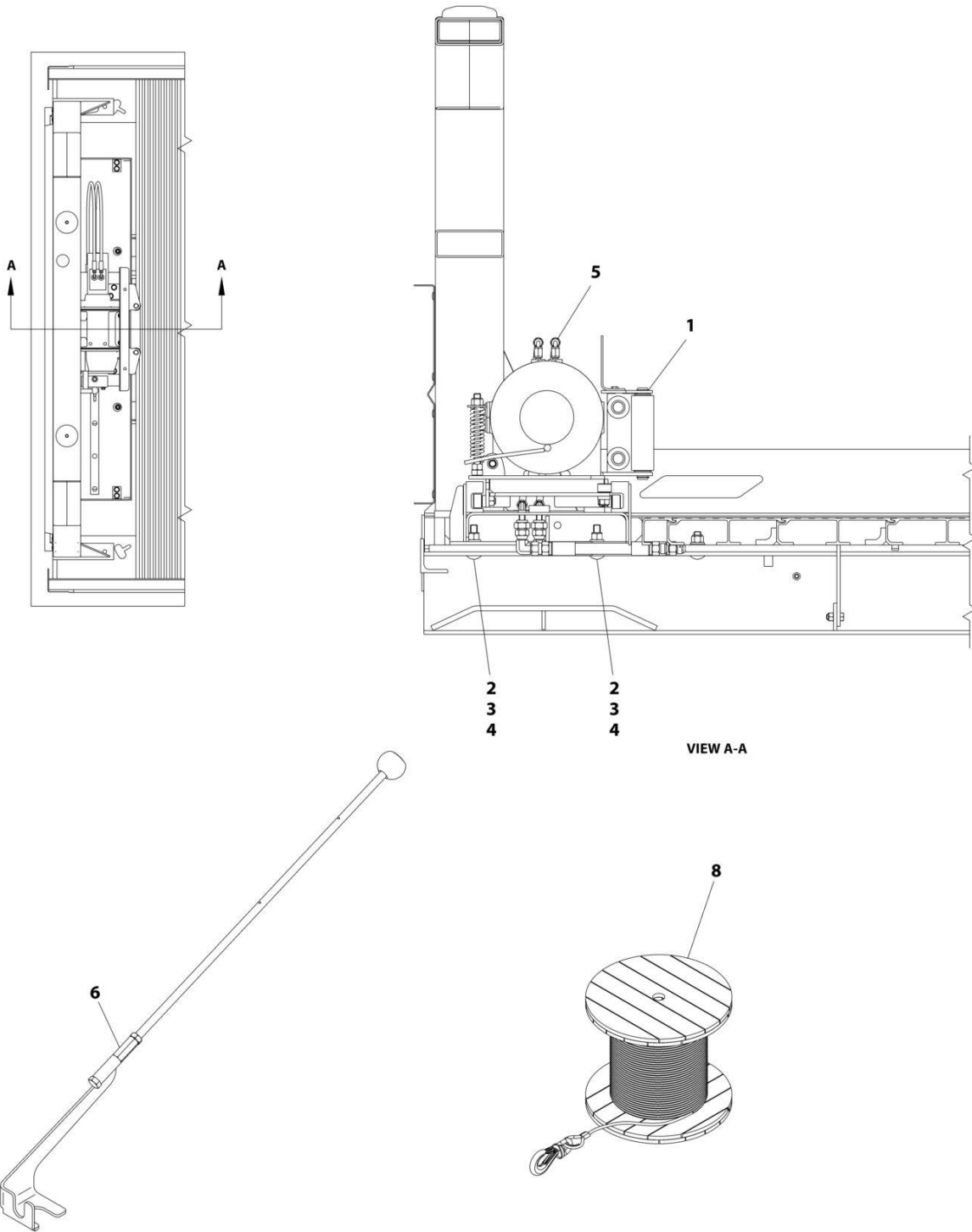
## SECTION 3 - DECK

### FIGURE 3-65. WINCH INSTALLATION - 10000 LBS SLIDING PLANETARY GEAR

ITEM	PART NUMBER	QTY	DESCRIPTION	REV
	1001142546	Ref	PLANETARY GEAR SLIDING WINCH - 10000 LBS	A
1	1001142544	1	Sliding Winch Assembly, 10000 lbs (See Separate Breakdown in this Section)	
2	1001138522	4	Bolt 1/2 x 2-1/4	
3	7950180153	4	Washer 1/2	
4	7660182601	4	Nut 1/2	
5	1001145934	1	Hose & Fitting Installation - Sliding Winch (See Separate Breakdown In Hydraulic Section)	
6	1001146028	1	Sliding Winch Handle, Accessory (See Separate Breakdown in this Section)	
7	7248000064	1	Wire Rope	

# SECTION 3 - DECK

FIGURE 3-66. WINCH INSTALLATION - 10000 LBS SLIDING PLANETARY GEAR & AIR FREE SPOOL



ART\_1001142545

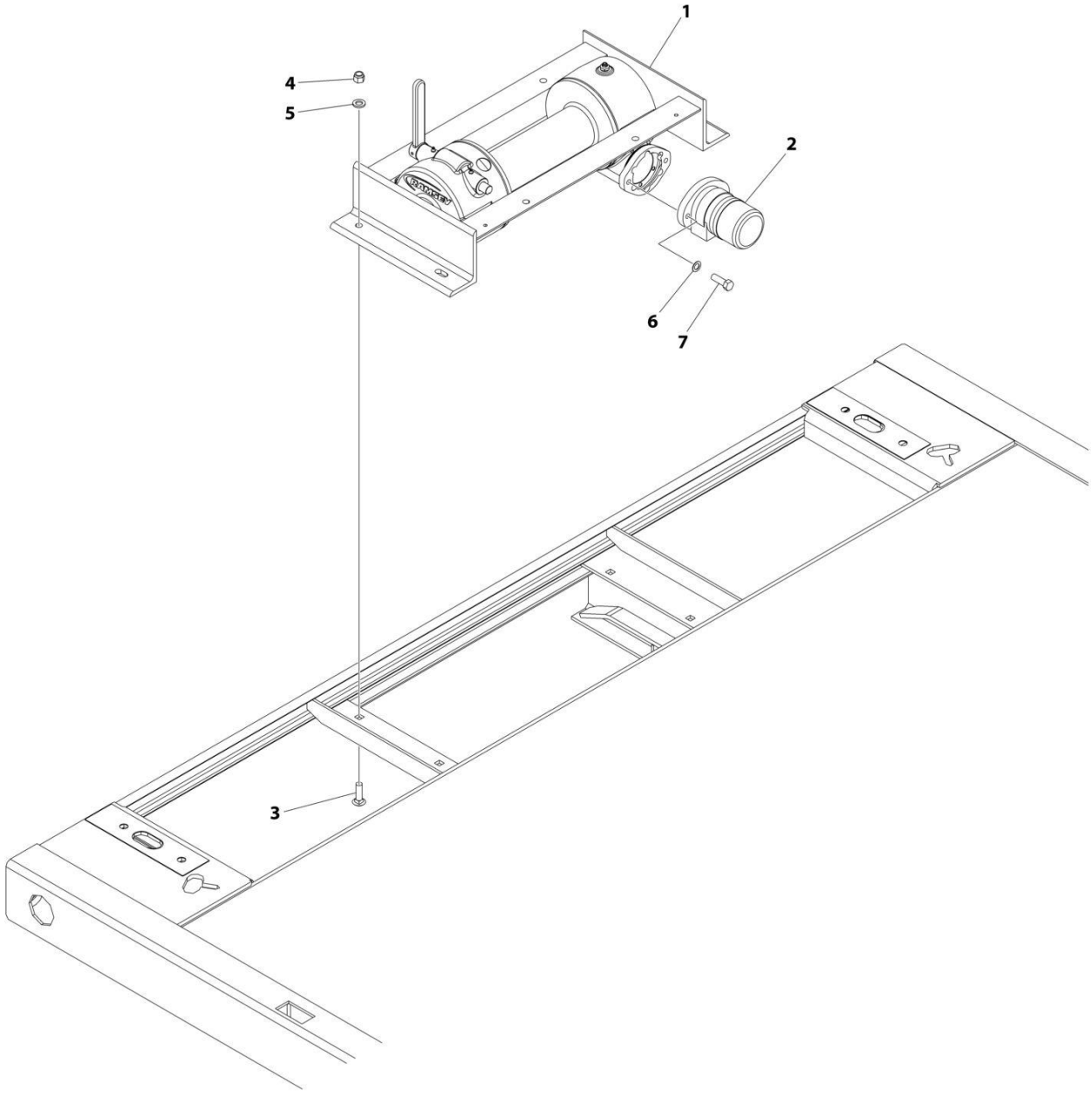
## SECTION 3 - DECK

**FIGURE 3-66. WINCH INSTALLATION - 10000 LBS SLIDING PLANETARY GEAR & AIR FREE SPOOL**

ITEM	PART NUMBER	QTY	DESCRIPTION	REV
	1001142545	Ref	PLANETARY GEAR SLIDING WINCH - 10000 LBS WITH AIR FREE SPOOL AT CONTROLS	A
1	1001142543	1	Sliding Winch Assembly, 10000 lbs (See Separate Breakdown in this Section)	
2	1001138522	4	Bolt 1/2 x 2-1/4	
3	7950180153	4	Washer 1/2	
4	7660182601	4	Nut 1/2	
5	1001145934	1	Hose & Fitting Installation - Sliding Winch (See Separate Breakdown In Hydraulic Section)	
6	1001146028	1	Sliding Winch Handle, Accessory (See Separate Breakdown in this Section)	
7	1001145935	1	Sliding Winch Air Free Spool, Installation ((Not Shown - See Separate Breakdown in this Section)	
8	7248000064	1	Wire Rope	

# SECTION 3 - DECK

FIGURE 3-67. WINCH INSTALLATION - 12000 LBS (STEEL DECK)



ART\_W012W-MD

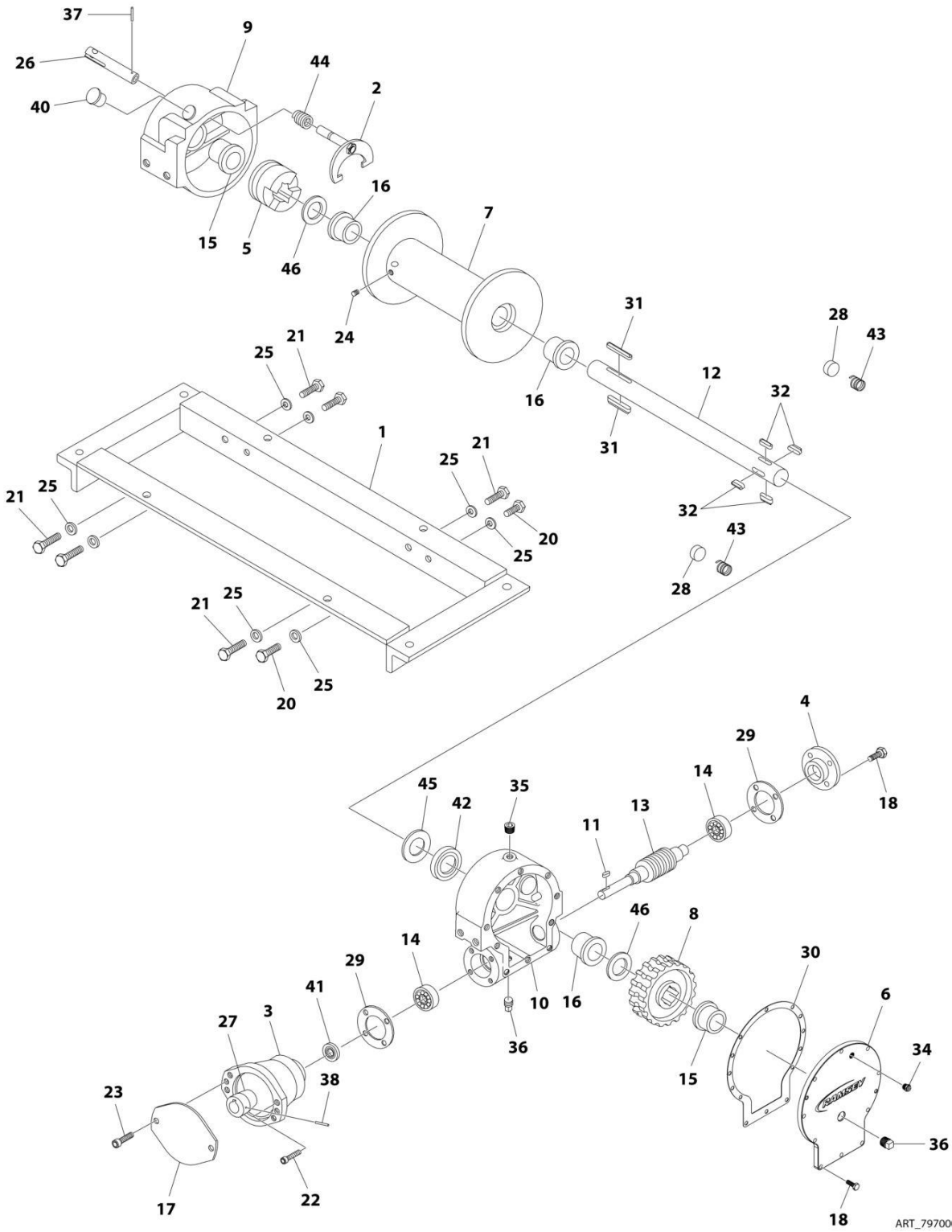
## SECTION 3 - DECK

**FIGURE 3-67. WINCH INSTALLATION - 12000 LBS (STEEL DECK)**

ITEM	PART NUMBER	QTY	DESCRIPTION	REV
	WO12W-MD	Ref	WINCH INSTALLATION	C
	2970000096	Ref	Winch Installation (See Separate Breakdown in this Section)	D
1	7970000083	1	Winch Assembly (See Separate Breakdown in this Section)	
2	7626000018	1	Motor	
3	7115181464	4	Bolt 1/2 x 1-3/4	
4	7660182601	4	Nut 1/2	
5	7950180153	4	Washer 1/2	
6	4771800	2	Washer 1/2	
7	0641812	2	Bolt 1/2 x 1-1/2	
8	7248000064	1	Wire Rope	
20	2249000018	1	Cable Tensioner Assembly (Not Shown - See Separate Breakdown in this Section)	

# SECTION 3 - DECK

## FIGURE 3-68. WINCH ASSEMBLY - 8000 LBS



ART\_7970000121

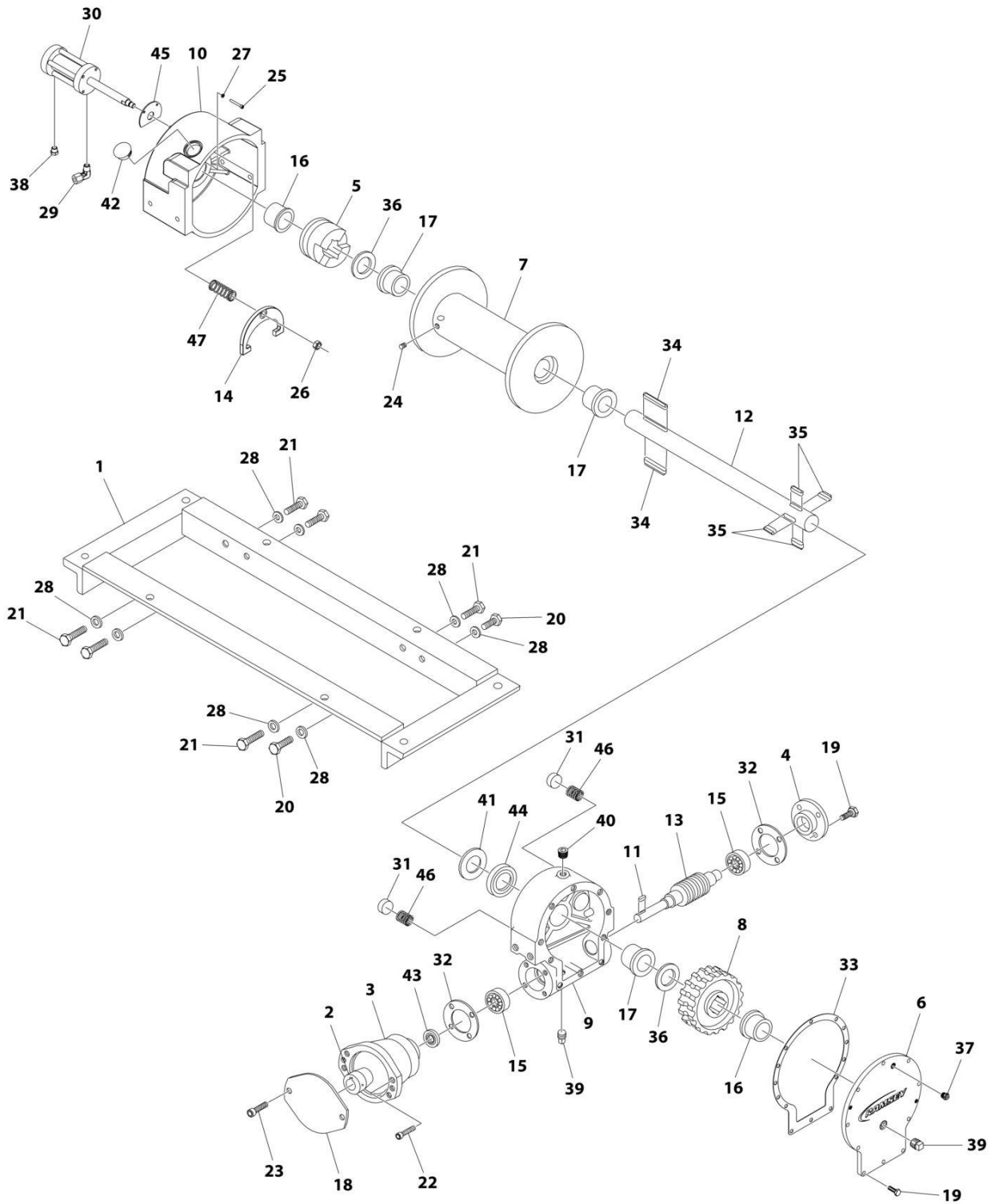
## SECTION 3 - DECK

**FIGURE 3-68. WINCH ASSEMBLY - 8000 LBS**

ITEM	PART NUMBER	QTY	DESCRIPTION	REV
	7970000121	Ref	WINCH ASSEMBLY - 8000 LBS	D
1	70050694	1	Frame Assembly	
2	70050678	1	Shifter Assembly	
3	9970300057	1	Adapter	
4	9970316083	1	Bearing Cap	
5	9970960060	1	Jaw Clutch	
6	9314960024	1	Cover	
7	9970960068	1	Drum "Std"	
8	9472960072	1	Gear RH	
9	9560960021	1	Housing-Clutch	
10	9560960011	1	Housing-Gear	
11	9970342027	1	Key	
12	9806960009	1	Shaft-Drum "Std"	
13	9970960062	1	Worm RH	
14	9970402002	2	Bearing-Ball	
15	9970412003	4	Bushing	
16	9970412045	4	Bushing	
17	70050679	1	Adapter Cover	
18	9970414045	14	Capscrew 1/4 x 7/8	
20	9120960034	2	Bolt 3/8 x 1	
21	9120960059	6	Capscrew 3/8 x 1-1/4	
22	70050682	4	Capscrew 1/4 x 1-3/4	
23	9120960061	2	Capscrew 1/2 x 1-1/2	
24	9786960015	1	Setscrew 3/8 x 1/2	
25	9970418177	8	Washer 3/8	
26	9007960003	1	Adapter-Rod	
27	9970431008	1	Coupling	
28	9970330010	2	Disc Brake	
29	9970442184	2	Gasket	
30	9970442205	1	Gasket	
31	9970450006	2	Barth Key	
32	9575960014	4	Barth Key	
34	9970456008	1	Fitting-Relief	
35	9701960015	1	Pipe Plug	
36	9970468011	2	Pipe Plug	
37	9691960035	1	Spirol Pin	
38	9691960001	1	Spirol Pin	
40	9970472013	1	Plastic Plug	
41	9970486009	1	Oil Seal	
42	9970486017	1	Oil Seal	
43	9970494002	2	Spring	
44	9970494053	1	Spring	
45	9970518014	1	Thrust Washer	
46	9970518015	2	Thrust Washer	

# SECTION 3 - DECK

## FIGURE 3-69. WINCH ASSEMBLY - 8000 LBS WITH FREE SPOOL



ART\_7970000142



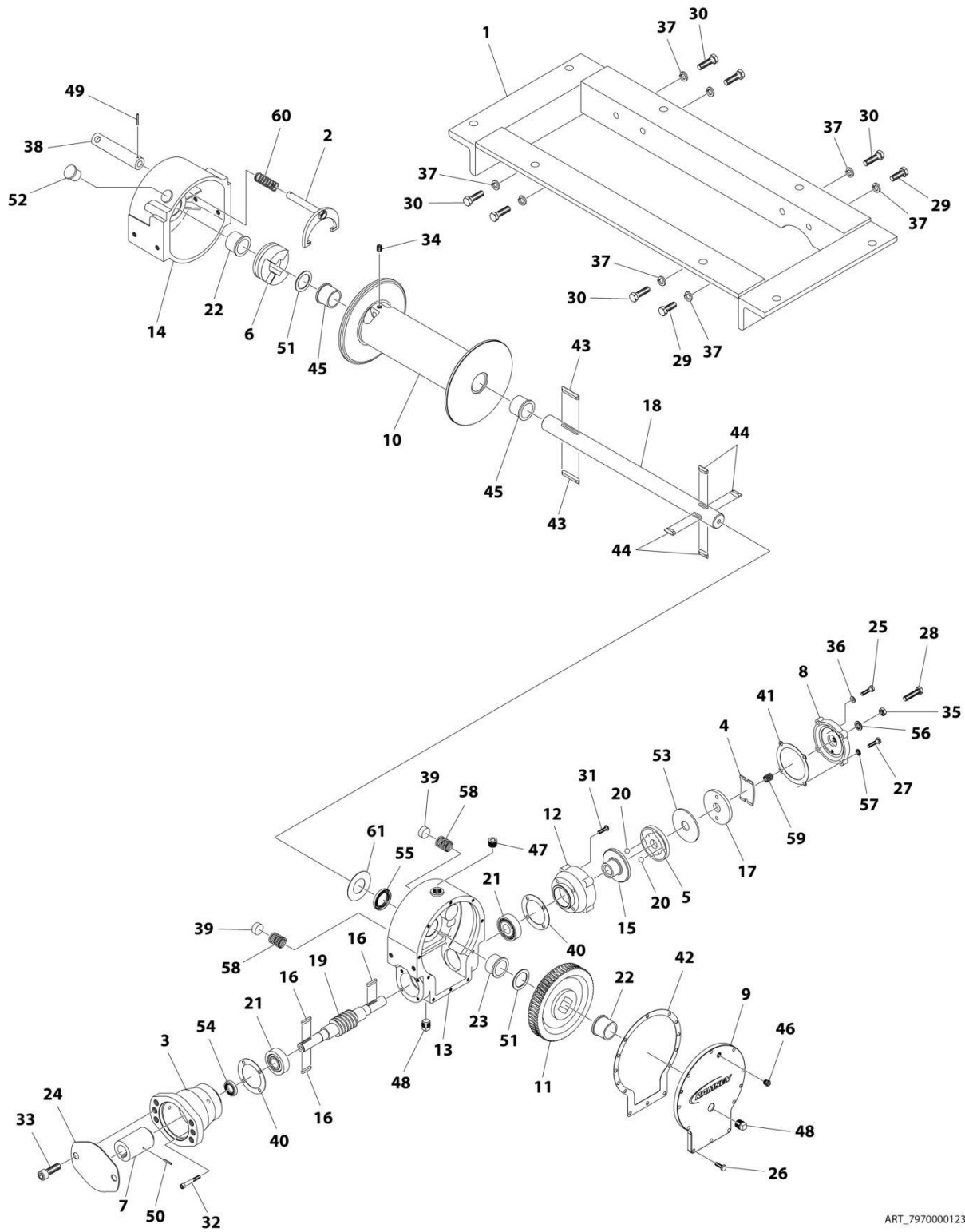
## SECTION 3 - DECK

**FIGURE 3-69. WINCH ASSEMBLY - 8000 LBS WITH FREE SPOOL**

ITEM	PART NUMBER	QTY	DESCRIPTION	REV
	7970000142	Ref	WINCH - 10,000 LBS WORM GEAR WITH AIR FREE SPOOL	B
1	70050694	1	Frame Assembly	
2	70050695	1	Coupling Assembly	
3	9970300057	1	Adapter	
4	9970316083	1	Bearing Cap	
5	9970960060	1	Jaw Clutch	
6	9314960024	1	Cover	
7	9970960068	1	Drum - Cable	
8	9472960072	1	Gear, Worm	
9	9560960011	1	Housing-Gear	
10	70050696	1	Housing - Clutch	
11	9970342027	3	Key	
12	9806960009	1	Shaft - Drum	
13	9970960062	1	Worm	
14	70050697	1	Yoke	
15	9970402002	2	Bearing-Ball	
16	9970412003	4	Bushing	
17	9970412045	3	Bushing	
18	70050679	1	Adapter Cover	
19	9970414045	14	Capscrew 1/4 x 7/8	
20	9120960034	2	Bolt 3/8 x 1	
21	9120960059	6	Capscrew 3/8 x 1-1/4	
22	70050682	4	Capscrew 1/4 x 1-3/4	
23	9120960061	2	Capscrew 1/2 x 1-1/2	
24	9786960015	1	Setscrew 3/8 x 1/2	
25	70050686	4	Screw #6 x 1	
26	70050687	1	Nut 3/8	
27	70050688	4	Washer #6	
28	9970415177	1	Washer 3/8	
29	70050698	1	Fitting, 90	
30	70050065	1	Cylinder, Air	
31	9970330010	2	Disc Brake	
32	9970442184	2	Gasket	
33	9970442205	1	Gasket	
34	9970450006	2	Barth Key	
35	9575960014	4	Barth Key	
36	9970518015	2	Thrust Washer	
37	9970456008	1	Fitting-Relief	
39	9183960002	1	Breather Vent	
39	9970468011	2	Pipe Plug	
40	9701960015	1	Pipe Plug	
41	9970518014	1	Thrust Washer	
42	9970472013	1	Plastic Plug	
43	9970486009	1	Oil Seal	
44	9970486017	1	Oil Seal	
45	70050689	1	Shim	
46	9970494002	2	Spring	
47	9970494053	1	Spring	

# SECTION 3 - DECK

## FIGURE 3-70. WINCH ASSEMBLY - 10000 LBS WORM GEAR



ART\_7970000123

## SECTION 3 - DECK

### FIGURE 3-70. WINCH ASSEMBLY - 10000 LBS WORM GEAR

ITEM	PART NUMBER	QTY	DESCRIPTION	REV
	7970000123	Ref	WINCH - 10000 LBS WORM GEAR WITH AIR FREE SPOOL	B
1	70050677	1	Frame Assembly	
2	70050678	1	Shifter Assembly	
3	9970300057	1	Adapter	
4	9970960036	1	Spring - Flat	
5	1001126187	1	Plate	
7	9970960060	1	Jaw Clutch	
6	9309960020	1	Coupling	
8	9970960034	1	Cover - Brake	
9	9314960024	1	Cover - Gear Housing	
10	9970960068	1	Drum - Cable	
11	9472960068	1	Gear R.H. 30:1	
12	9571960010	1	Housing - Brake	
13	9560960011	1	Housing-Gear	
14	9560960021	1	Housing - Clutch	
15	1001126188	1	Hub- Brake	
16	9970342027	3	Key	
17	1001126192	1	Plate - Retainer	
18	9970960051	1	Shaft - Drum	
19	9472960069	1	Worm R.H. 30:1	
20	9970400003	2	Ball	
21	9970402002	2	Bearing-Ball	
22	9970412003	4	Bushing	
23	9970960052	1	Bushing	
24	70050679	1	Adapter Cover	
25	9970960038	2	Capscrew 1/4 x 1	
26	9970414045	10	Capscrew 1/4 x 3/4	
27	70050680	4	Capscrew 1/4 x 1	
28	9120960075	1	Capscrew 3/8 x 1-1/2	
29	9120960034	2	Capscrew 3/8 x 1	
30	9120960059	6	Capscrew 3/8 x 1-1/4	
31	70050681	4	Capscrew 1/4 x 7/8	
32	70050682	4	Capscrew 1/4 x 1-3/4	
33	9120960061	2	Capscrew 1/2 x 1-1/2	
34	9786960015	1	Setscrew 3/8 x 1/2	
35	70050628	1	Nut 3/8	
36	9949960054	2	Washer 1/4	
37	9970418177	8	Washer 3/8	
38	9007960003	1	Adapter - Rod	
39	9970330010	2	Disc Brake	
40	9970442184	2	Gasket	
41	9796960139	1	Gasket	
42	9970442205	1	Gasket	
43	9970450006	2	Barth Key	
44	9575960014	4	Barth Key	
45	9970412045	2	Bushing	
46	9970456008	1	Fitting-Relief	
47	9701960015	1	Pipe Plug	
48	9970468011	2	Pipe Plug	
49	9691960035	1	Pin, Spiral	

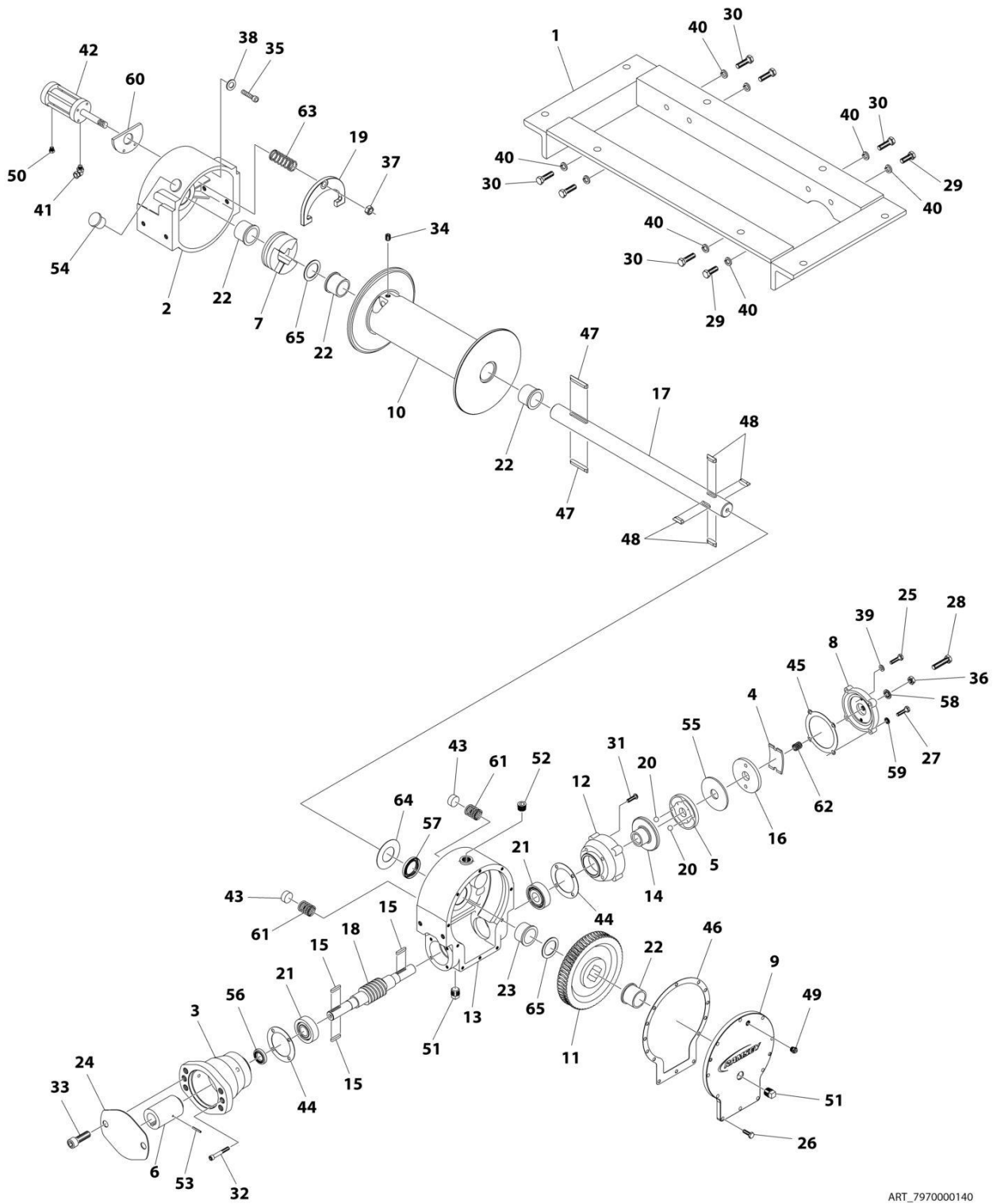
## SECTION 3 - DECK

ITEM	PART NUMBER	QTY	DESCRIPTION	REV
50	9691960001	1	Spirol Pin	
51	9970518015	2	Thrust Washer	
52	9970472013	1	Plastic Plug	
53	9970960037	1	Plate - Thrust	
54	9970486009	1	Oil Seal	
55	9970486017	1	Oil Seal	
56	9796960176	1	Seal, Thread	
57	9796960177	4	Seal, Thread	
58	9970494002	2	Spring	
59	9970960035	1	Spring	
60	9970494053	1	Spring	
61	9970518014	1	Thrust Washer	



# SECTION 3 - DECK

## FIGURE 3-71. WINCH ASSEMBLY, - 10000 LBS WORM GEAR WITH FREE SPOOL



ART\_7970000140

## SECTION 3 - DECK

**FIGURE 3-71. WINCH ASSEMBLY, - 10000 LBS WORM GEAR WITH FREE SPOOL**

ITEM	PART NUMBER	QTY	DESCRIPTION	REV
	7970000140	Ref	WINCH - 10000 LBS WORM GEAR WITH AIR FREE SPOOL	B
1	70050677	1	Frame Assembly	
2	70050684	1	Housing - Clutch	
3	9970300057	1	Adapter	
4	9970960036	1	Spring - Flat	
5	1001126187	1	Plate	
6	9309960020	1	Coupling	
7	9970960060	1	Jaw Clutch	
8	9970960034	1	Cover - Brake	
9	9314960024	1	Cover	
10	9970960068	1	Drum - Cable	
11	9472960068	1	Gear R.H. 30:1	
12	9571960010	1	Housing - Brake	
13	9560960011	1	Housing-Gear	
14	1001126188	1	HUB,BRAKE,#340002	
15	9970342027	3	Key	
16	1001126192	1	Plate	
17	9970960051	1	Shaft - Drum	
18	9472960069	1	Worm R.H. 30:1	
19	70050685	1	Yoke	
20	9970400003	2	Ball	
21	9970402002	2	Bearing-Ball	
22	9970412003	4	Bushing	
23	9970960052	1	Bushing	
24	70050679	1	Adapter Cover	
25	9970960038	2	Capscrew 1/4 x 1	
26	9970414045	10	Capscrew 1/4 x 7/8	
27	70050680	4	Capscrew 1/4 x 1	
28	9120960075	1	Capscrew 3/8 x 1-1/2	
29	9120960034	2	Bolt 3/8 x 1	
30	9120960059	6	Capscrew 3/8 x 1-1/4	
31	70050681	4	Capscrew 1/4 x 7/8	
32	70050682	4	Capscrew 1/4 x 1-3/4	
33	9120960061	2	Capscrew 1/2 x 1-1/2	
34	9786960015	1	Setscrew 3/8 x 1/2	
35	70050686	4	Screw #6 x 1	
36	70050628	1	Nut 3/8	
37	70050687	1	Nut 3/8	
38	70050688	4	Washer #6	
39	9949960054	2	Washer 1/4	
40	9970418177	8	Washer 3/8	
41	9443960021	1	Fitting	
42	70050065	1	Cylinder, Air	
43	9970330010	2	Disc Brake	
44	9970442184	2	Gasket	
45	9796960139	1	Gasket	
46	9970442205	1	Gasket	
47	9970450006	2	Barth Key	
48	9575960014	4	Barth Key	
49	9970456008	1	Fitting-Relief	

## SECTION 3 - DECK

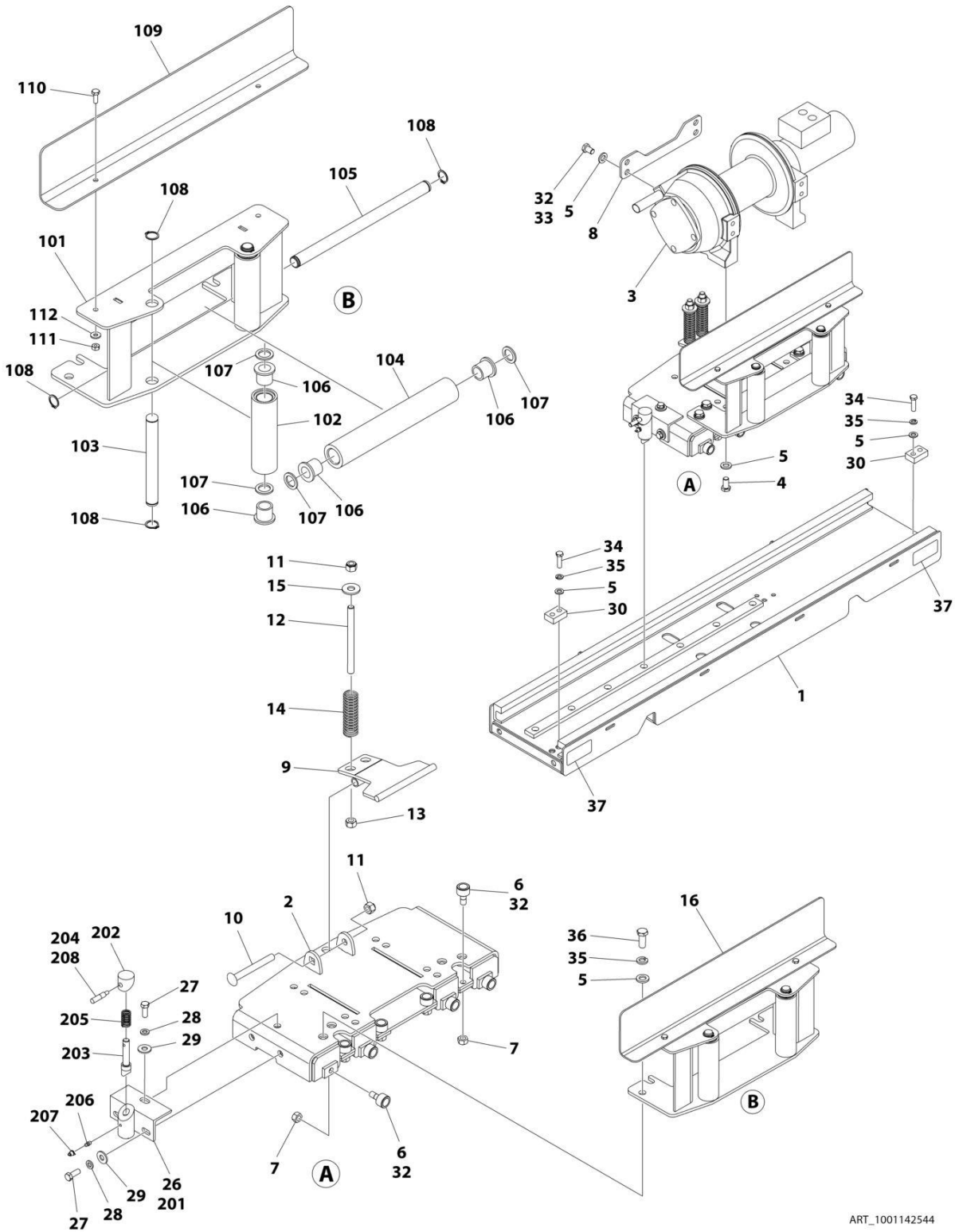
ITEM	PART NUMBER	QTY	DESCRIPTION	REV
50	9183960002	1	Breather Vent	
51	9970468011	2	Pipe Plug	
52	9701960015	1	Pipe Plug	
53	9691960001	1	Spirol Pin	
54	9970472013	1	Plastic Plug	
55	9970960037	1	Plate - Thrust	
56	9970486009	1	Oil Seal	
57	9970486017	1	Oil Seal	
58	9796960176	1	Seal, Thread	
59	9796960177	4	Seal, Thread	
60	70050689	1	Shim	
61	9970494002	2	Spring	
62	9970960035	1	Spring	
63	9970494053	1	Spring	
64	9970518014	1	Thrust Washer	
65	9970518015	2	Thrust Washer	
66	9970412045	2	Bushing (Not Shown)	





# SECTION 3 - DECK

## FIGURE 3-72. WINCH ASSEMBLY - 10000 LBS PLANETARY GEAR



ART\_1001142544

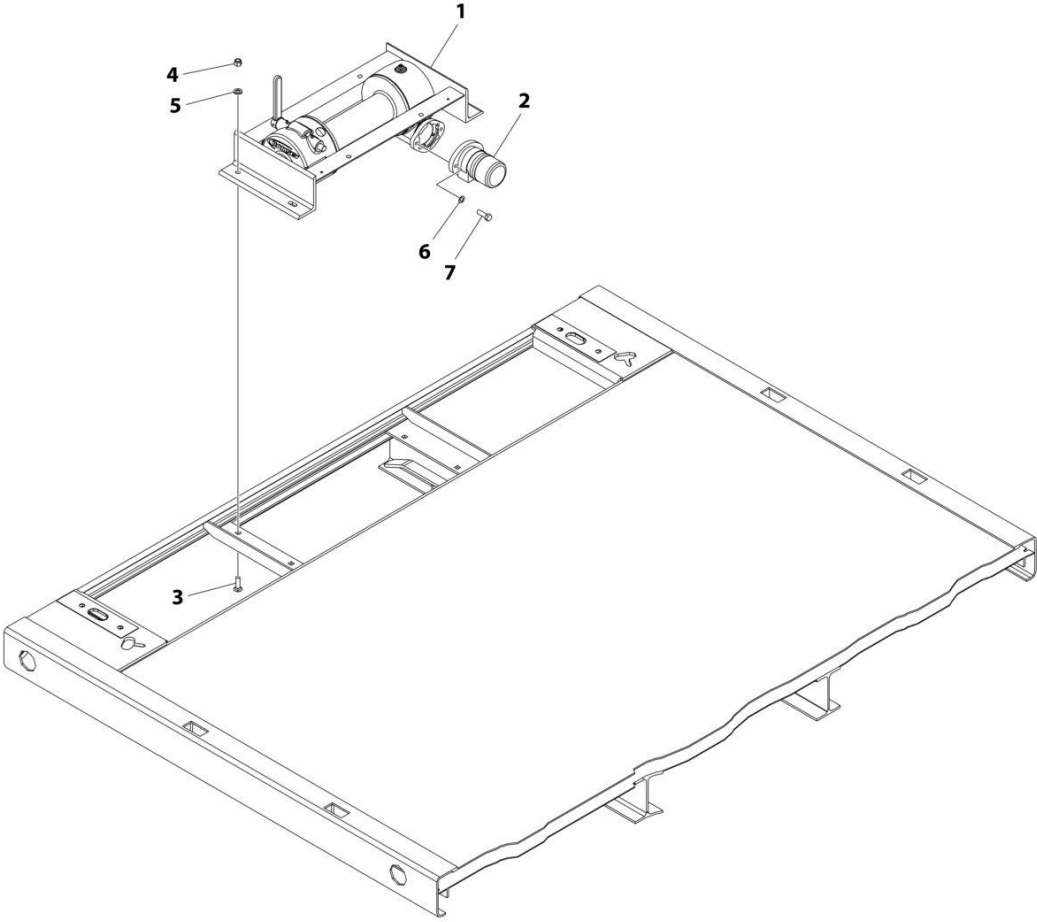
## SECTION 3 - DECK

**FIGURE 3-72. WINCH ASSEMBLY - 10000 LBS PLANETARY GEAR**

ITEM	PART NUMBER	QTY	DESCRIPTION	REV
	1001142544	Ref	SLIDING WINCH ASSEMBLY - 10000 LBS	C
1	1001144486	1	Base	
2	1001144491	1	Slider	
3	1001239119	1	Winch, Assembly - Sliding (See Separate Breakdown in this Section)	
4	7115180850	8	Capscrew 1/2 x 1	
5	7950180153	20	Washer 1/2	
6	0440287	12	Bearing	
7	3321701	12	Nut 7/16	
8	1001142550	1	Plate	
9	1001142461	1	Lever, Tensioner	
10	1001137970	1	Bolt 1/2 x 4-1/2	
11	7660182601	3	Nut 1/2	
12	1001142553	2	Rod	
13	7660180001	2	Nut 1/2	
14	7843000004	2	Spring	
15	7950180161	2	Washer 1/2	
16	1001145780	1	Roller Guide Assembly (Includes Items 101-112)	
26	1001144498	1	Cam Lock Assembly (Includes Item 201-208)	
27	1001138546	3	Bolt 3/8 x 1	
28	7950160000	3	Washer 1/3	
29	7950160162	3	Washer 1/3	
30	1001144543	2	Stop Block	
32	0100011	AR	Compound Locking	
33	7115180650	4	Capscrew 1/2 x 3/4	
34	1001139199	4	Bolt 1/2 x 1-3/4	
35	7950180000	8	Washer 19/32	
36	1001139343	4	Bolt 1/2 x 1-1/4	
37	1001142962	2	Decal	
101	1001145636	1	Mount	
102	4912000345	2	Tube	
103	4691000421	2	Pin	
104	4912000130	2	Tube	
105	4806000014	2	Shaft	
106	7209000011	8	Bushing	
107	7949000034	8	Spacer	
108	7754000022	8	Retaining Ring	
109	1001150704	1	Plate	
110	7115140650	2	Capscrew 1/4 x 3/4	
111	7660140001	2	Nut 1/4	
112	7950140143	2	Washer 1/4	
201	1001144499	1	Cam Weldment	
202	4254000005	1	Cap	
203	4691000186	1	Pin	
204	4763000184	1	Rod	
205	7843000006	1	Spring	
206	7440030000	1	Fitting	
207	7253000002	1	Fitting	
208	0100011	AR	Compound Locking	

**SECTION 3 - DECK**

**FIGURE 3-73. WINCH ASSEMBLY - 12000 LBS**



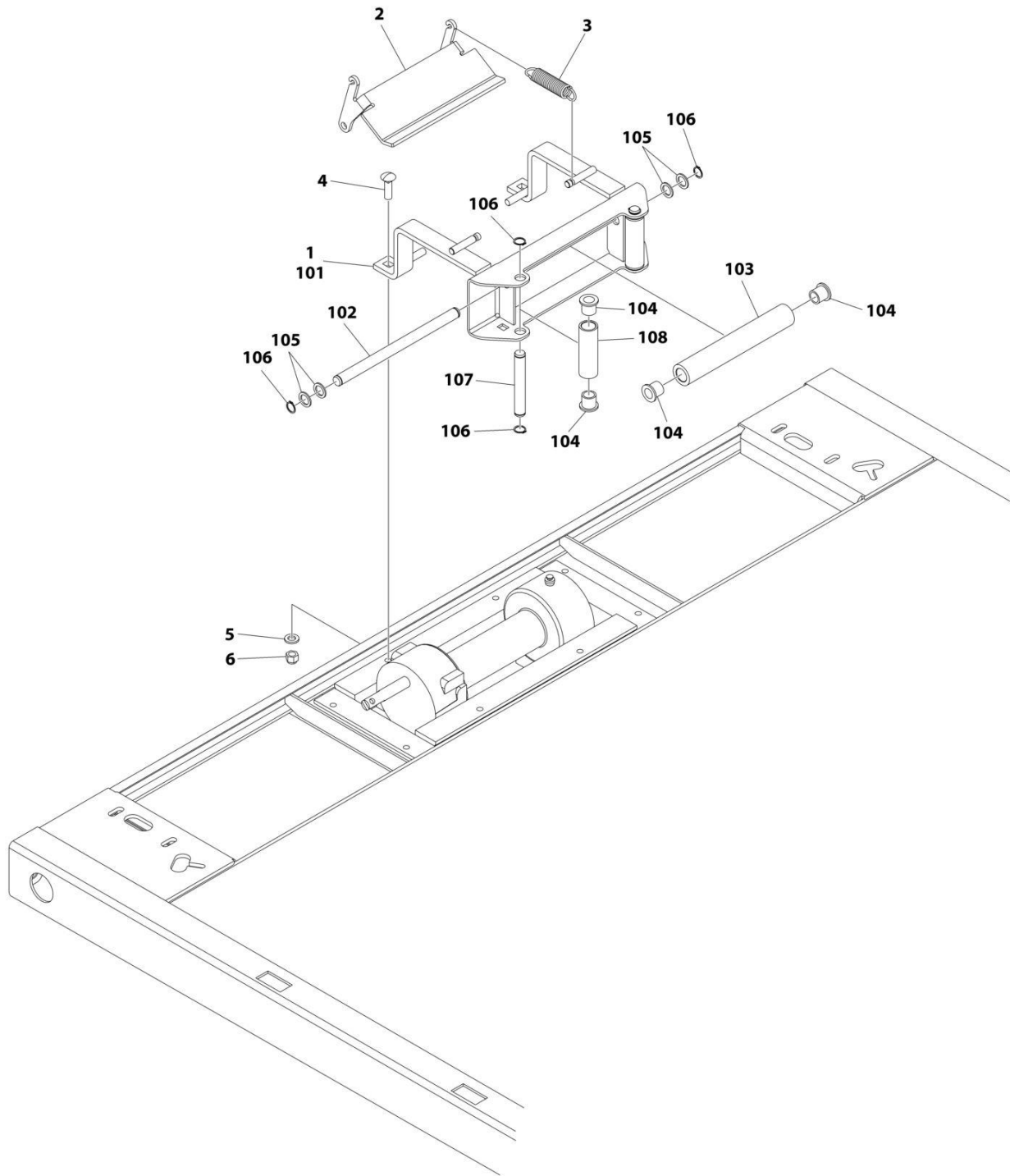
ART\_2970000096

**SECTION 3 - DECK****FIGURE 3-73. WINCH ASSEMBLY - 12000 LBS**

<b>ITEM</b>	<b>PART NUMBER</b>	<b>QTY</b>	<b>DESCRIPTION</b>	<b>REV</b>
	2970000096	Ref	WINCH INSTALLATION, WORM GEAR - 12000 LBS (STEEL)	D
1	7970000083	1	Winch Assembly (See Separate Breakdown in this Section)	
2	7626000018	1	Motor	
3	7115181464	4	Bolt 1/2 x 1-3/4	
4	7660182601	4	Nut 1/2	
5	7950180153	4	Washer 1/2	
6	4771800	2	Washer 1/2	
7	0641812	2	Bolt 1/2 x 1-1/2	
8	7248000064	1	Wire Rope Assembly	
9	1001167693	1	Deck	

# SECTION 3 - DECK

## FIGURE 3-74. CABLE TENSIONER INSTALLATION - 8000 LBS & /10000 LBS WORM GEAR WINCHES



ART\_2249000017

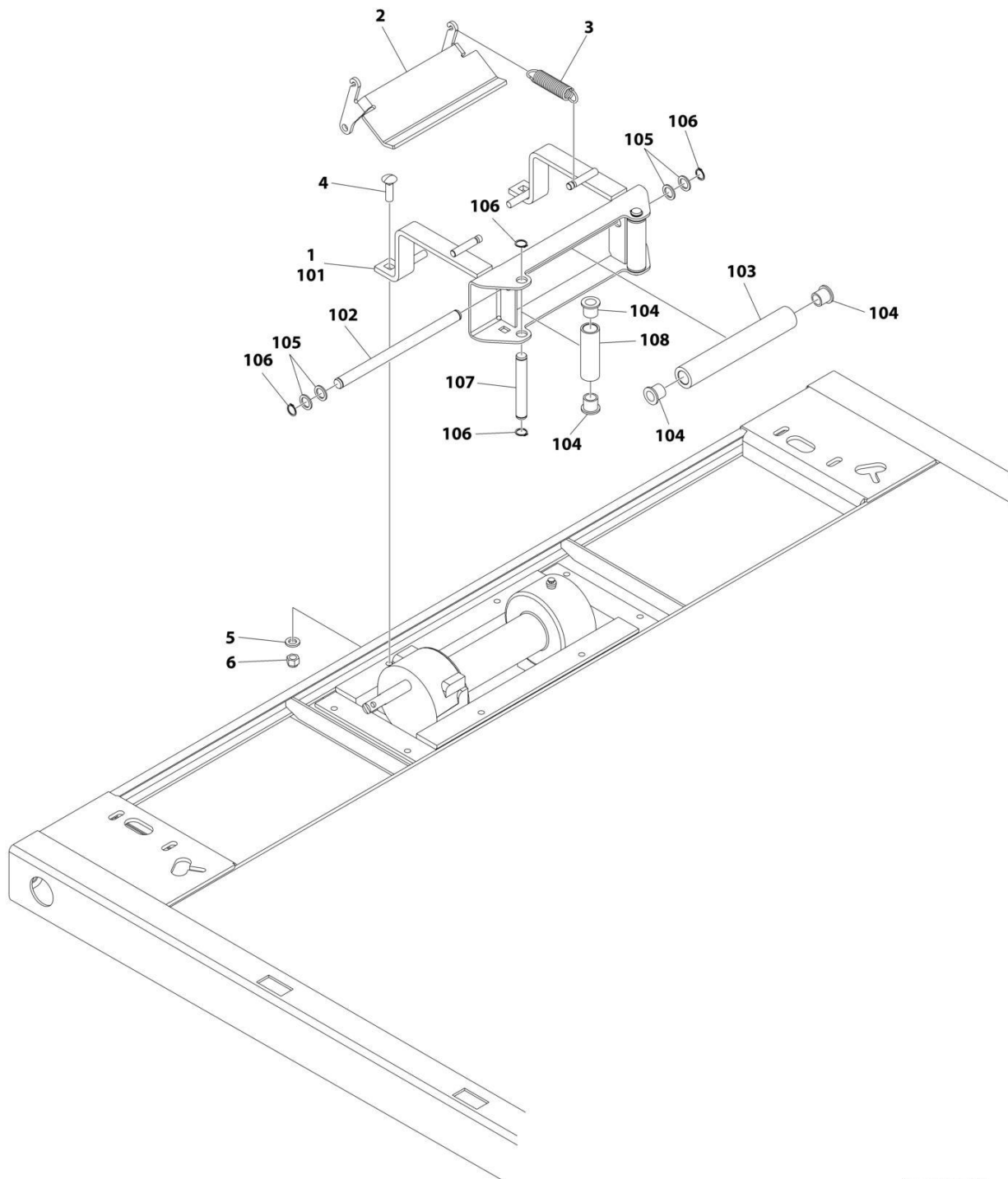
## SECTION 3 - DECK

**FIGURE 3-74. CABLE TENSIONER INSTALLATION - 8000 LBS & /10000 LBS WORM GEAR WINCHES**

ITEM	PART NUMBER	QTY	DESCRIPTION	REV
	2249000017	Ref	CABLE TENSIONER INSTALLATION, WORM GEAR - 8000/10000 LBS	0
1	3249000036	1	Cable Tensioner Assembly (Includes Items 101-108)	
2	4706003766	1	Plate	
3	7843000035	2	Spring	
4	7115181464	4	Bolt 1/2 x 1-3/4	
5	7950180153	4	Washer 1/2	
6	7660182601	4	Nut 1/2	
101	3178000433	1	Bracket Weld	
102	4806000014	1	Shaft	
103	4912000130	1	Roller	
104	7209000011	6	Bushing	
105	7949000034	4	Spacer	
106	7754000022	6	Retaining Ring	
107	4806000011	2	Shaft	
108	4912000394	2	Roller	

# SECTION 3 - DECK

## FIGURE 3-75. CABLE TENSIONER INSTALLATION - 12000 LBS WORM GEAR WINCHES



ART\_224900018



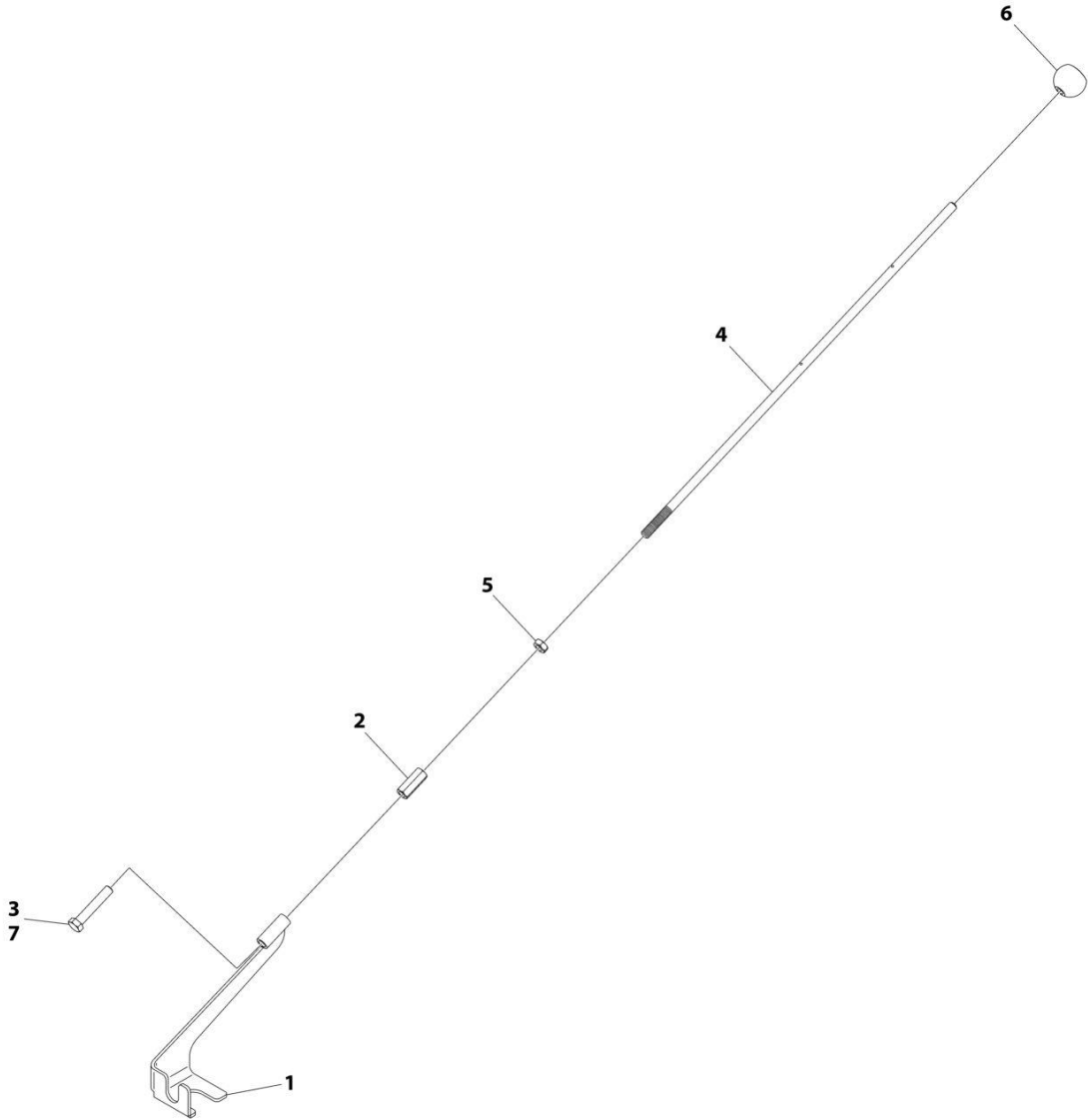
## SECTION 3 - DECK

**FIGURE 3-75. CABLE TENSIONER INSTALLATION - 12000 LBS WORM GEAR WINCHES**

ITEM	PART NUMBER	QTY	DESCRIPTION	REV
	2249000018	Ref	CABLE TENSIONER INSTALLATION, WORM GEAR - 12000 LBS	B
1	3249000036	1	Cable Tensioner Assembly (Includes Items 101-108)	
2	4706003857	1	Plate	
3	7843000035	2	Spring	
4	7115181464	4	Bolt 1/2 x 1-3/4	
5	7950180153	2	Washer 1/2	
6	7660182601	4	Nut 1/2	
101	3178000433	1	Bracket Weld	
102	4806000014	1	Shaft	
103	4912000130	1	Roller	
104	7209000011	6	Bushing	
105	7949000034	4	Spacer	
106	7754000022	6	Retaining Ring	
107	4806000011	2	Shaft	
108	4912000394	2	Roller	

**SECTION 3 - DECK**

**FIGURE 3-76. WINCH HANDLE (PLANETARY WGEAR WINCH)**



ART\_1001146028

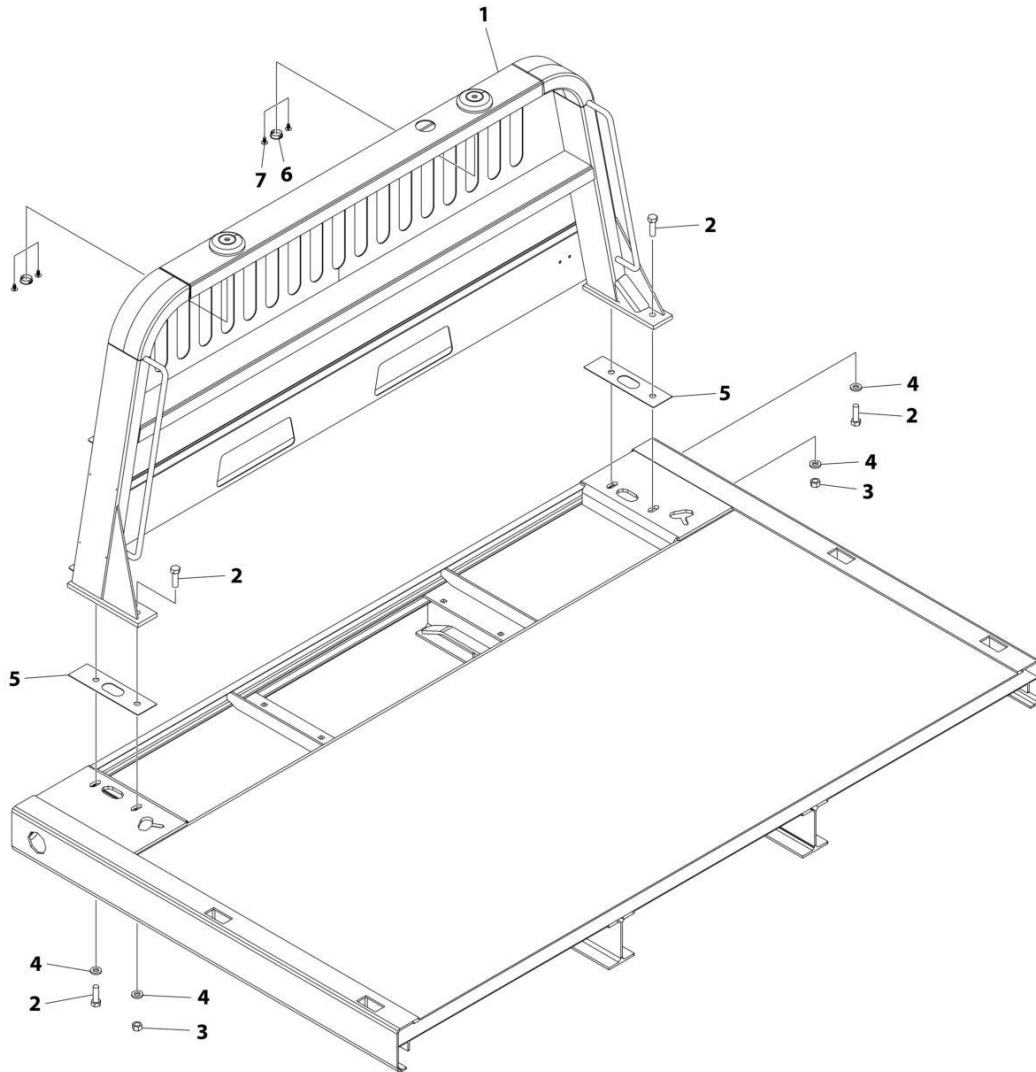
## SECTION 3 - DECK

### FIGURE 3-76. WINCH HANDLE (PLANETARY WGEAR WINCH)

ITEM	PART NUMBER	QTY	DESCRIPTION	REV
	1001146028	Ref	SLIDING WINCH HANDLE, ACCESSORY	A
1	1001146029	1	Handle	
2	1001146027	1	Nut 1/2	
3	0651822	1	Bolt 1/2 x 2-3/4	
4	4763000348	1	Rod	
5	7660180234	1	Nut 1/2	
6	7551000017	1	Knob	
7	0100011	AR	Compound Locking	

# SECTION 3 - DECK

## FIGURE 3-77. HEADBOARD INSTALLATION- 36.50IN (DELUXE BOLT-ON )



ART\_1001129111

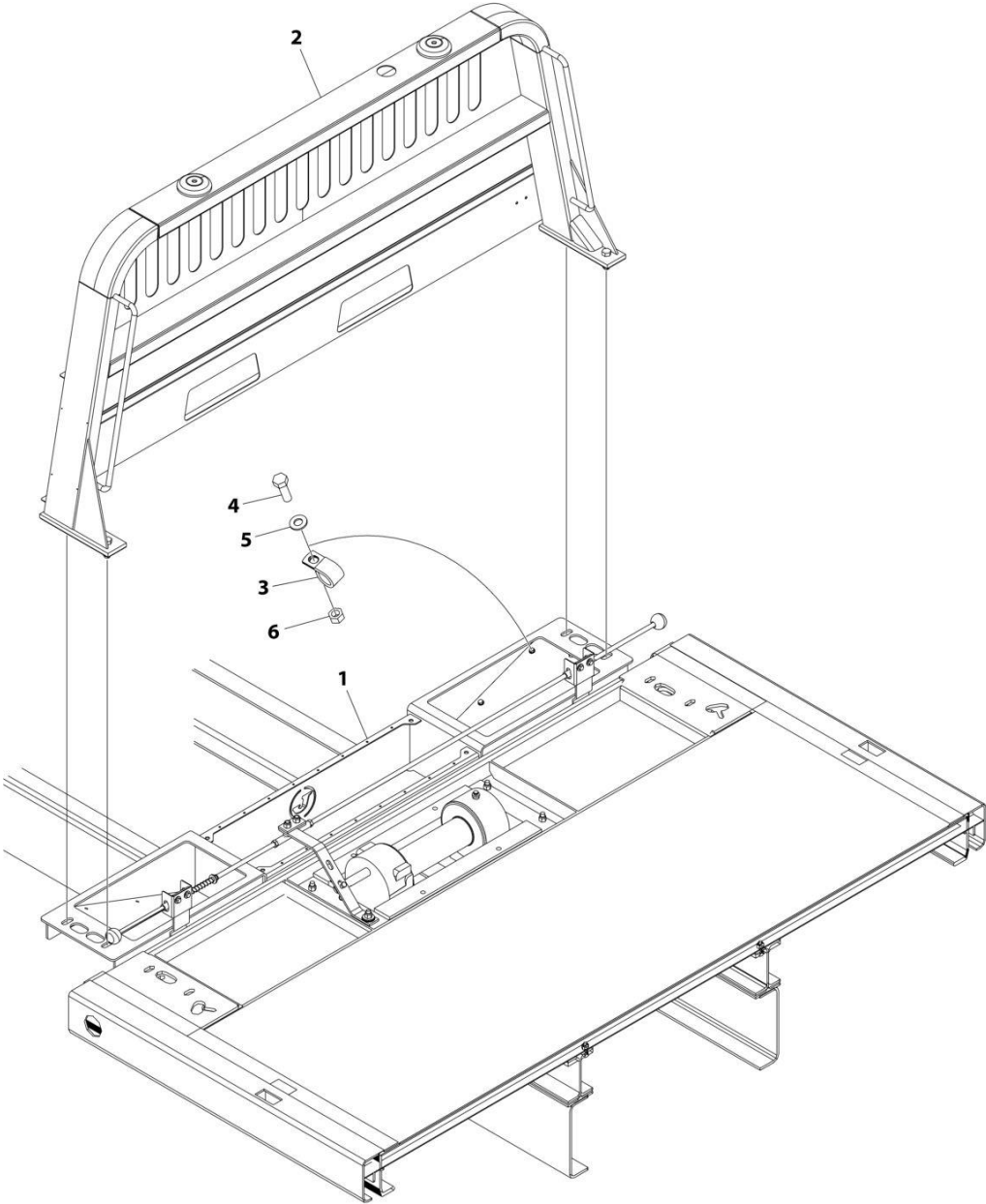
## SECTION 3 - DECK

**FIGURE 3-77. HEADBOARD INSTALLATION- 36.50IN (DELUXE BOLT-ON )**

ITEM	PART NUMBER	QTY	DESCRIPTION	REV
	1001129111	Ref	BUMPER HEADBOARD 36.50IN DELUXE	B
1	1001223266	1	Headboard Weldment	
2	0652016	4	Capscrew 5/8 x 2	
3	7660200035	2	Nut 5/8	
4	4712000	4	Washer 5/8	
5	4796000037	2	Gasket	
6	7701000049	2	Plug	
7	7413000013	4	Push-In Fastener	

**SECTION 3 - DECK**

**FIGURE 3-78. HEADBOARD INSTALLATION - 36.50IN (STATIONARY DELUXE BOLT-ON)**



ART\_1001226006

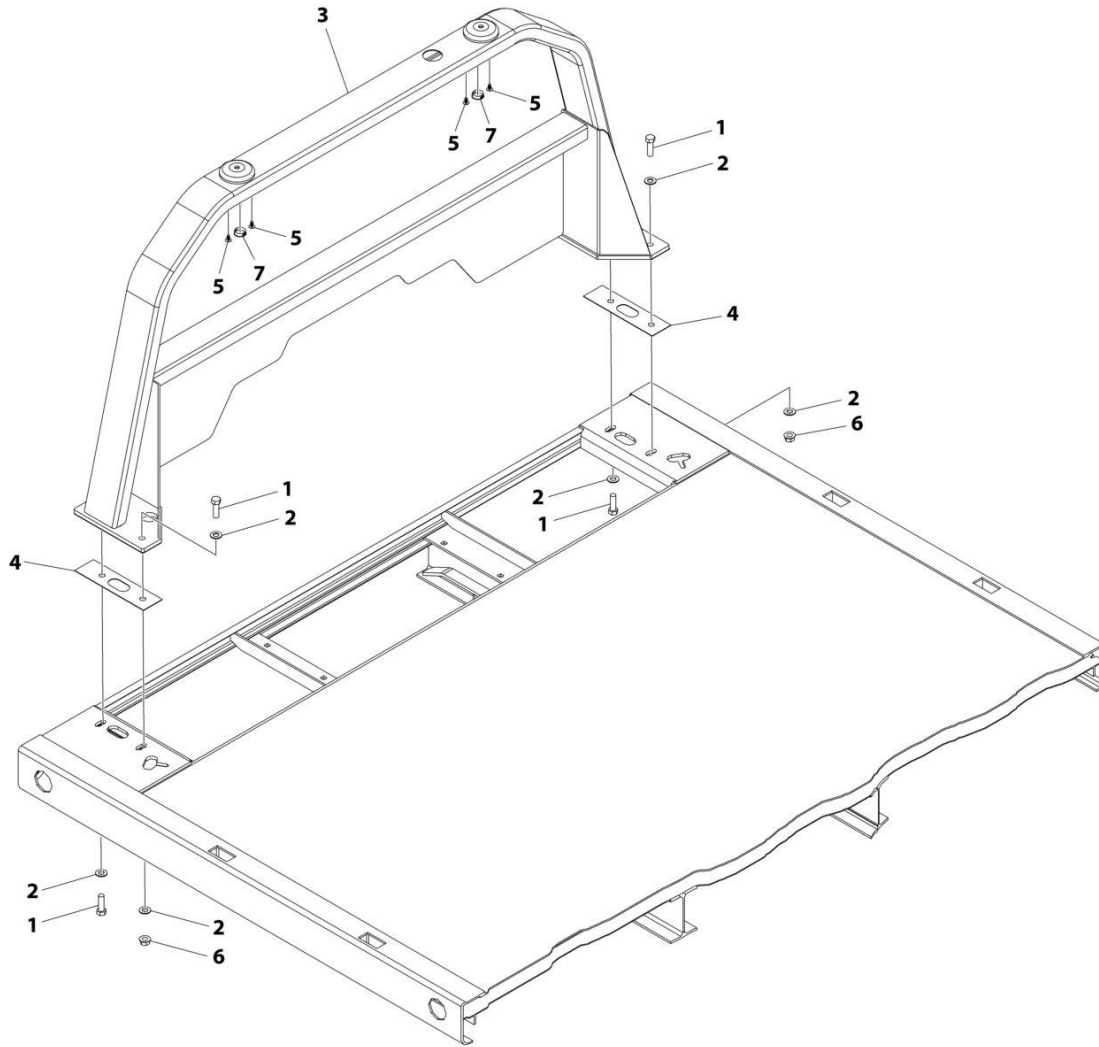
## SECTION 3 - DECK

**FIGURE 3-78. HEADBOARD INSTALLATION - 36.50IN (STATIONARY DELUXE BOLT-ON)**

ITEM	PART NUMBER	QTY	DESCRIPTION	REV
	1001226006	Ref	STATIONARY HEADBOARD 8.88 + 36.50IN DELUXE	B
1	1001225870	1	Headboard Base Installation (See Separate Breakdown in this Section)	
2	1001129111	1	Headboard Deluxe Installation (See Separate Breakdown in this Section)	
3	7274000063	3	Clamp	
4	0641508	3	Capscrew 5/16 x 1	
5	4711500	3	Washer 5/16	
6	3311505	3	Nut 5/16	

# SECTION 3 - DECK

FIGURE 3-79. HEADBOARD INSTALLATION - 37.38IN (STANDARD BOLT-ON)



ART\_1001192987



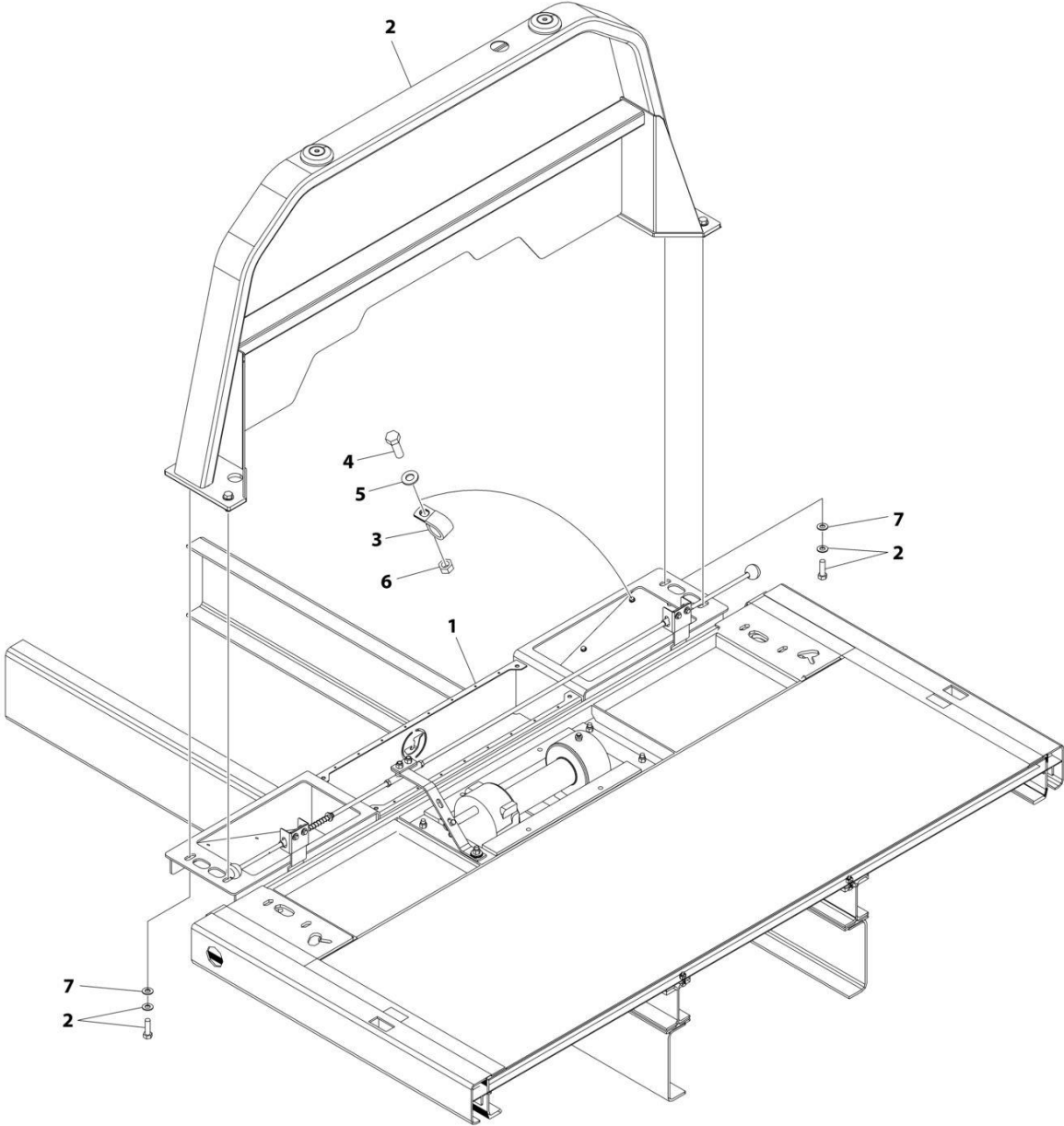
## SECTION 3 - DECK

**FIGURE 3-79. HEADBOARD INSTALLATION - 37.38IN (STANDARD BOLT-ON)**

ITEM	PART NUMBER	QTY	DESCRIPTION	REV
	1001192987	Ref	FIXED HEADBOARD INSTALLATION	A
1	0652016	4	Capscrew 5/8 x 2	
2	4712000	6	Washer 5/8	
3	1001187688	1	Bumper, Headboard	
4	4796000037	2	Gasket	
5	7413000013	4	Push-In Fastener	
6	7660202347	2	Nut 5/8	
7	7701000049	2	Plug	

**SECTION 3 - DECK**

**FIGURE 3-80. HEADBOARD INSTALLATION - 37.38IN (STATIONARY FIXED)**



ART\_1001226003

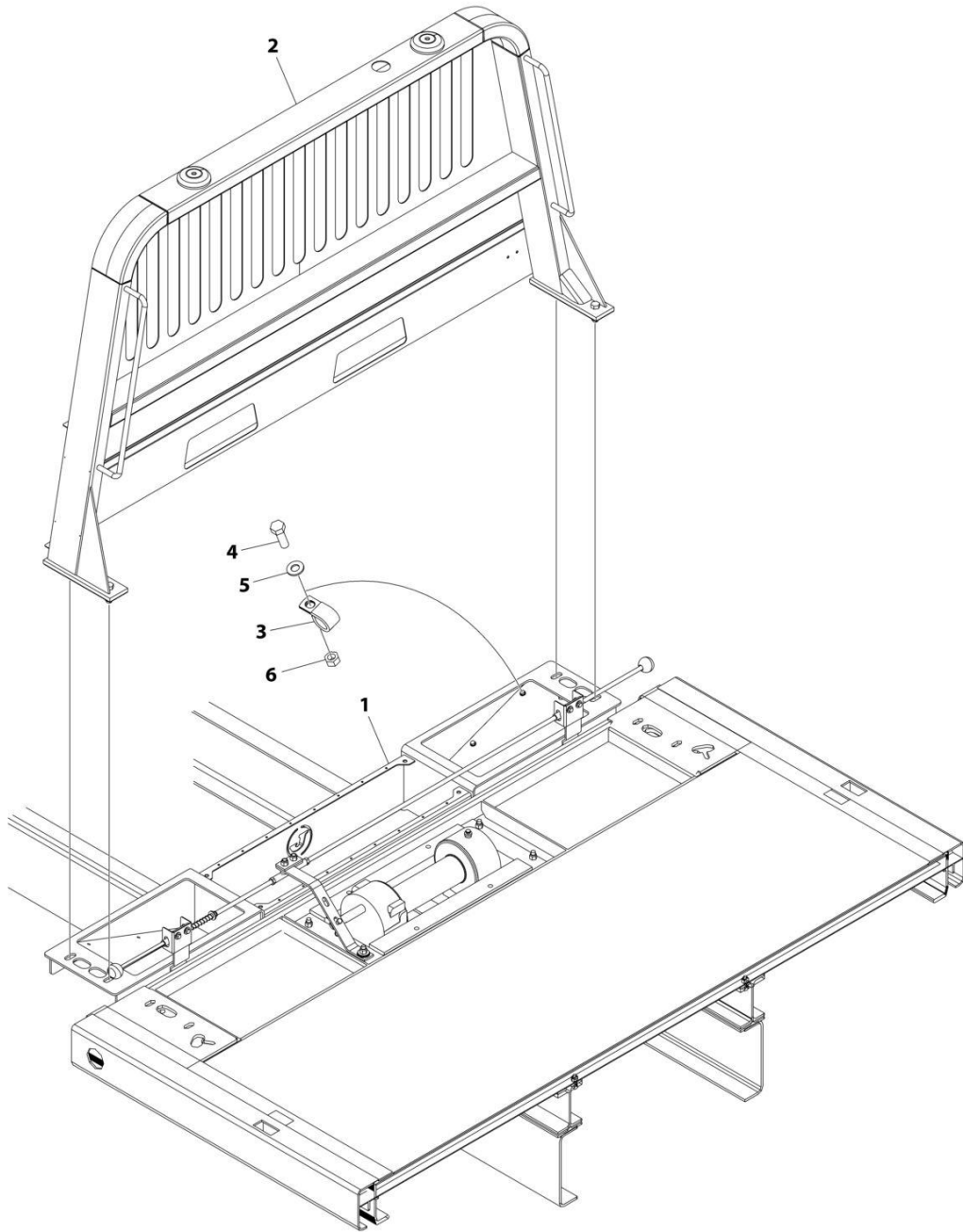
## SECTION 3 - DECK

**FIGURE 3-80. HEADBOARD INSTALLATION - 37.38IN (STATIONARY FIXED)**

ITEM	PART NUMBER	QTY	DESCRIPTION	REV
	1001226003	Ref	STATIONARY FIXED HEIGHT HEADBOARD INSTALLATION	A
1	1001225870	1	Headboard Base Installation (See Separate Breakdown in this Section)	
2	1001192987	1	Headboard Installation (See Separate Breakdown in this Section)	
3	7274000063	3	Clamp	
4	0641508	3	Bolt 5/16 x 1	
5	4711500	3	Washer 5/16	
6	3311505	3	Nut 5/16	
7	4712000	2	Washer 5/8	

# SECTION 3 - DECK

FIGURE 3-81. HEADBOARD INSTALLATION - 45.50IN (STATIONARY DELUXE BOLT-ON)



ART\_1001226007

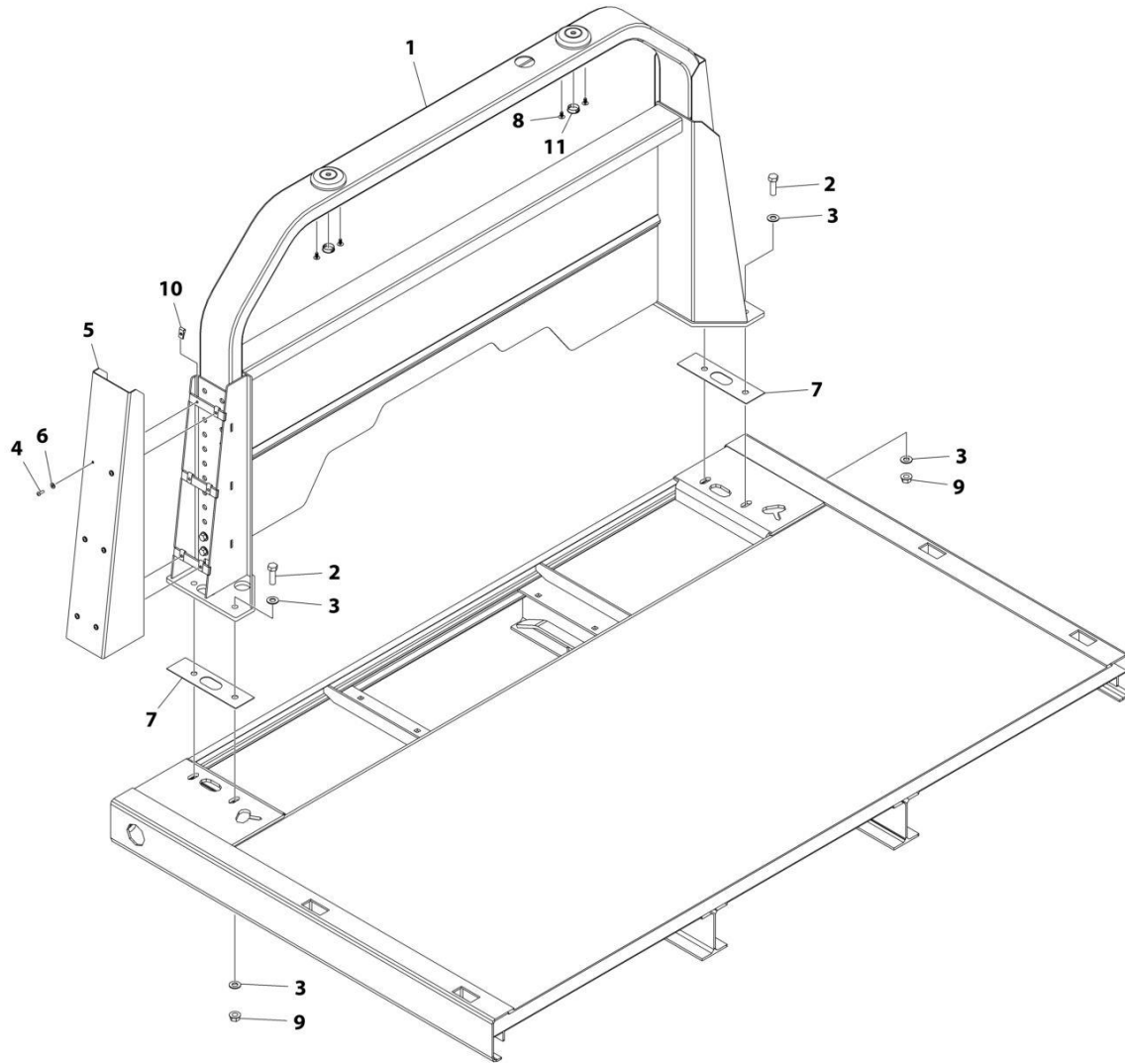
## SECTION 3 - DECK

**FIGURE 3-81. HEADBOARD INSTALLATION - 45.50IN (STATIONARY DELUXE BOLT-ON)**

ITEM	PART NUMBER	QTY	DESCRIPTION	REV
	1001226007	Ref	STATIONARY HEADBOARD 8.88 + 45.50IN DELUXE	B
1	1001225870	1	Headboard Base Installation (See Separate Breakdown in this Section)	
2	1001129114	1	Headboard Deluxe Installation (See Separate Breakdown in this Section)	
3	7274000063	3	Clamp	
4	0641508	3	Bolt 5/16 x 1	
5	4711500	3	Washer 5/16	
6	3311505	3	Nut 5/16	

# SECTION 3 - DECK

FIGURE 3-82. HEADBOARD INSTALLATION - 45.50IN- 65.50 (ADJUSTABLE BOLT-ON)



ART\_1001189544

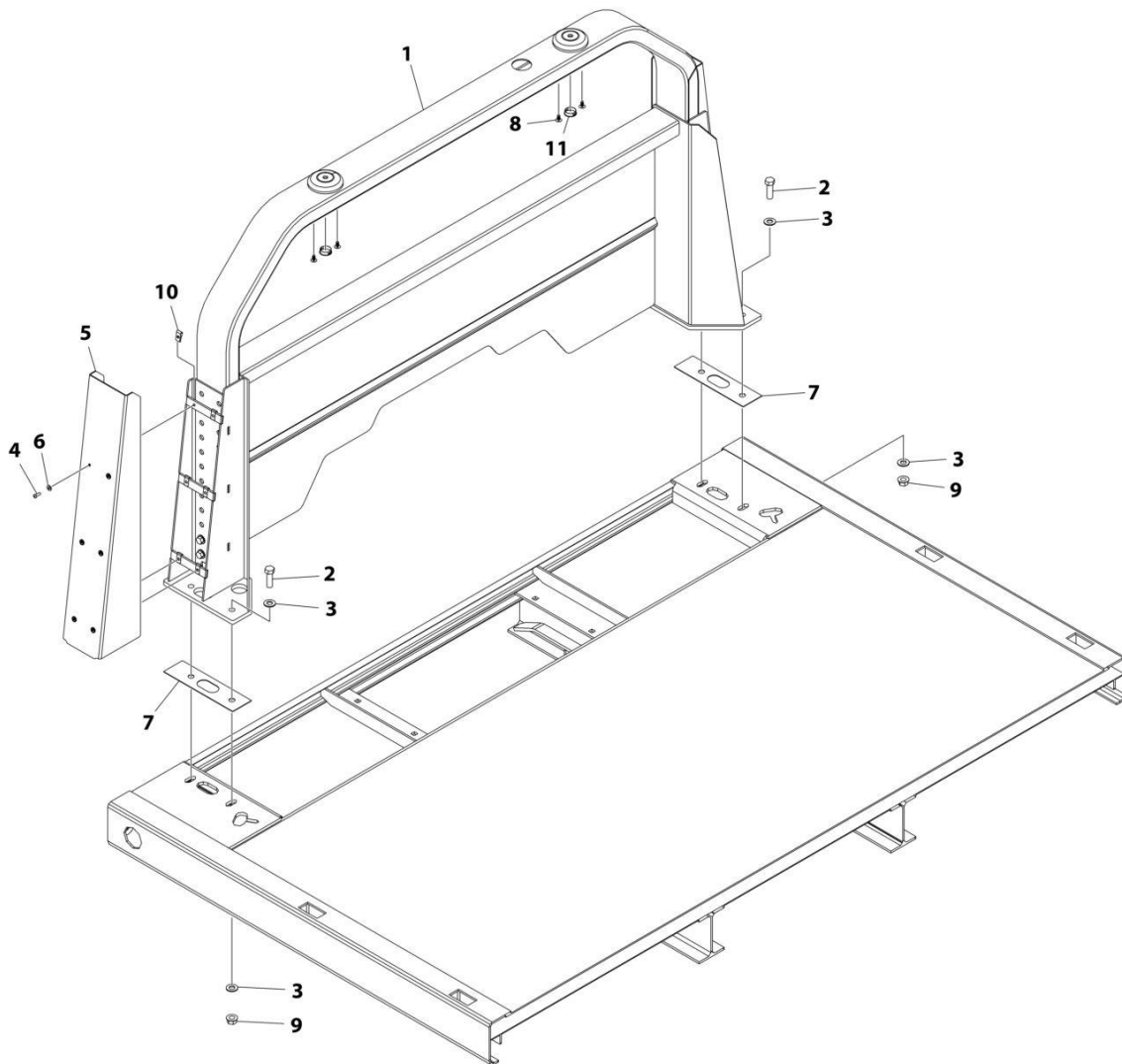
## SECTION 3 - DECK

**FIGURE 3-82. HEADBOARD INSTALLATION - 45.50IN- 65.50 (ADJUSTABLE BOLT-ON)**

ITEM	PART NUMBER	QTY	DESCRIPTION	REV
	1001189544	Ref	ADJUSTABLE HEADBOARD INSTALLATION 45.50 - 65.50IN	A
1	1001192132	1	Headboard Weldment	
2	0652016	4	Bolt 5/8 x 2	
3	4712000	8	Washer 5/8	
4	0630448001	12	Screw 1/4 x 3/4	
5	1001177459	2	Cover	
6	4711400001	12	Washer 1/4	
7	4796000037	2	Gasket	
8	7413000013	4	Push-In Fastener	
9	7660202347	4	Nut 5/8	
10	7661000064	12	Clip, U-Nut 1/4	
11	7701000049	2	Plug	

# SECTION 3 - DECK

FIGURE 3-83. HEADBOARD INSTALLATION - 45.50IN- 65.50 (ADJUSTABLE BOLT-ON - SPECIAL PAINT)



ART\_1001203834



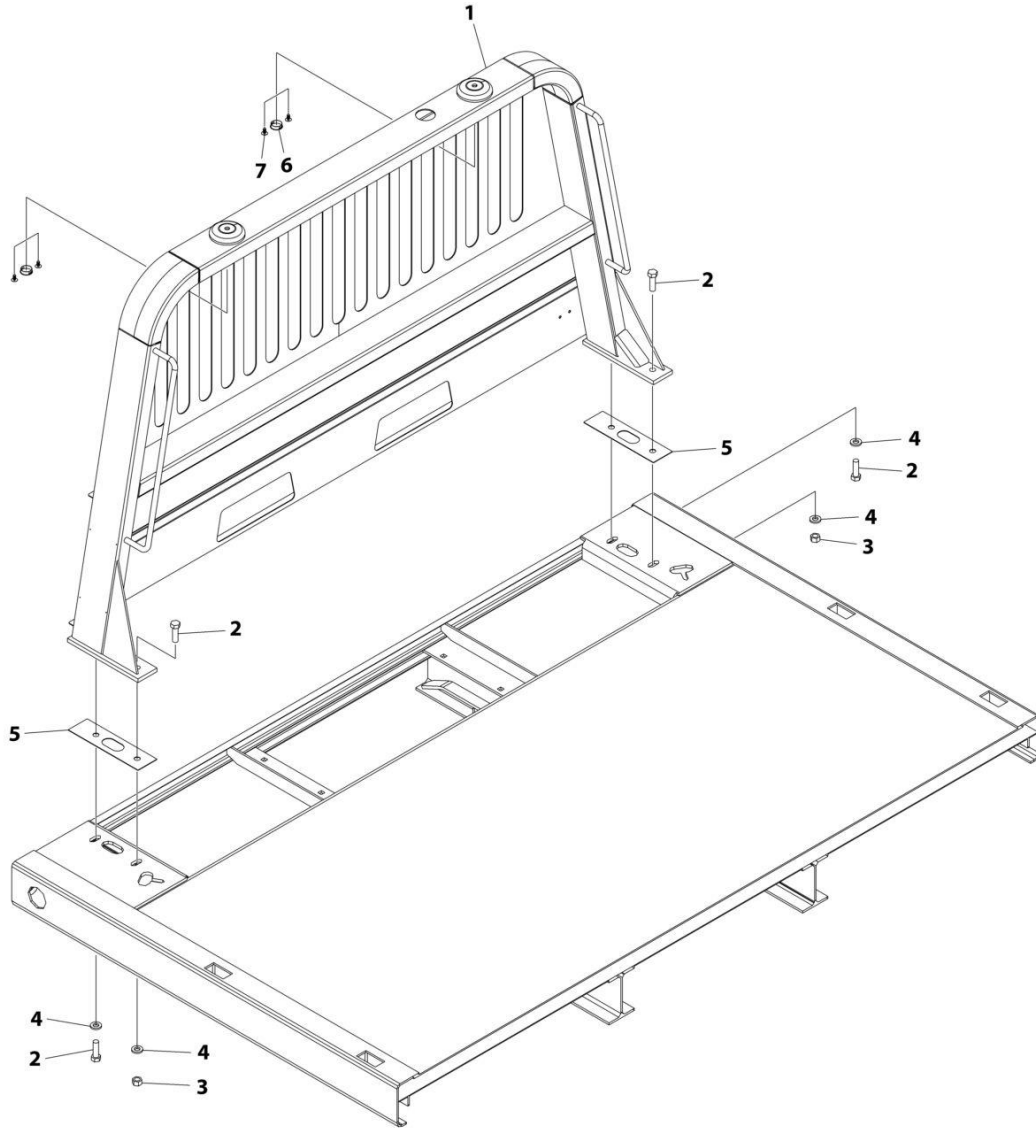
## SECTION 3 - DECK

**FIGURE 3-83. HEADBOARD INSTALLATION - 45.50IN- 65.50 (ADJUSTABLE BOLT-ON - SPECIAL PAINT)**

ITEM	PART NUMBER	QTY	DESCRIPTION	REV
	1001203834	Ref	ADJUSTABLE HEADBOARD INSTALLATION 45.50 - 65.50IN SPECIAL PAINT	B
1	1001203833	1	Headboard Weldment	
2	0652016	4	Bolt 5/8 x 2	
3	4712000	8	Washer 5/8	
4	0630448001	12	Screw 1/4 x 3/4	
5	1001203829	2	Cover	
6	4711400001	12	Washer 1/4	
7	4796000037	2	Gasket	
8	7413000013	4	Push-In Fastener	
9	7660202347	4	Nut 5/8	
10	7661000064	12	Clip, U-Nut 1/4	
11	7701000049	2	Plug	

# SECTION 3 - DECK

## FIGURE 3-84. HEADBOARD INSTALLATION - 45.50IN (DELUXE BOLT-ON)



ART\_1001129114

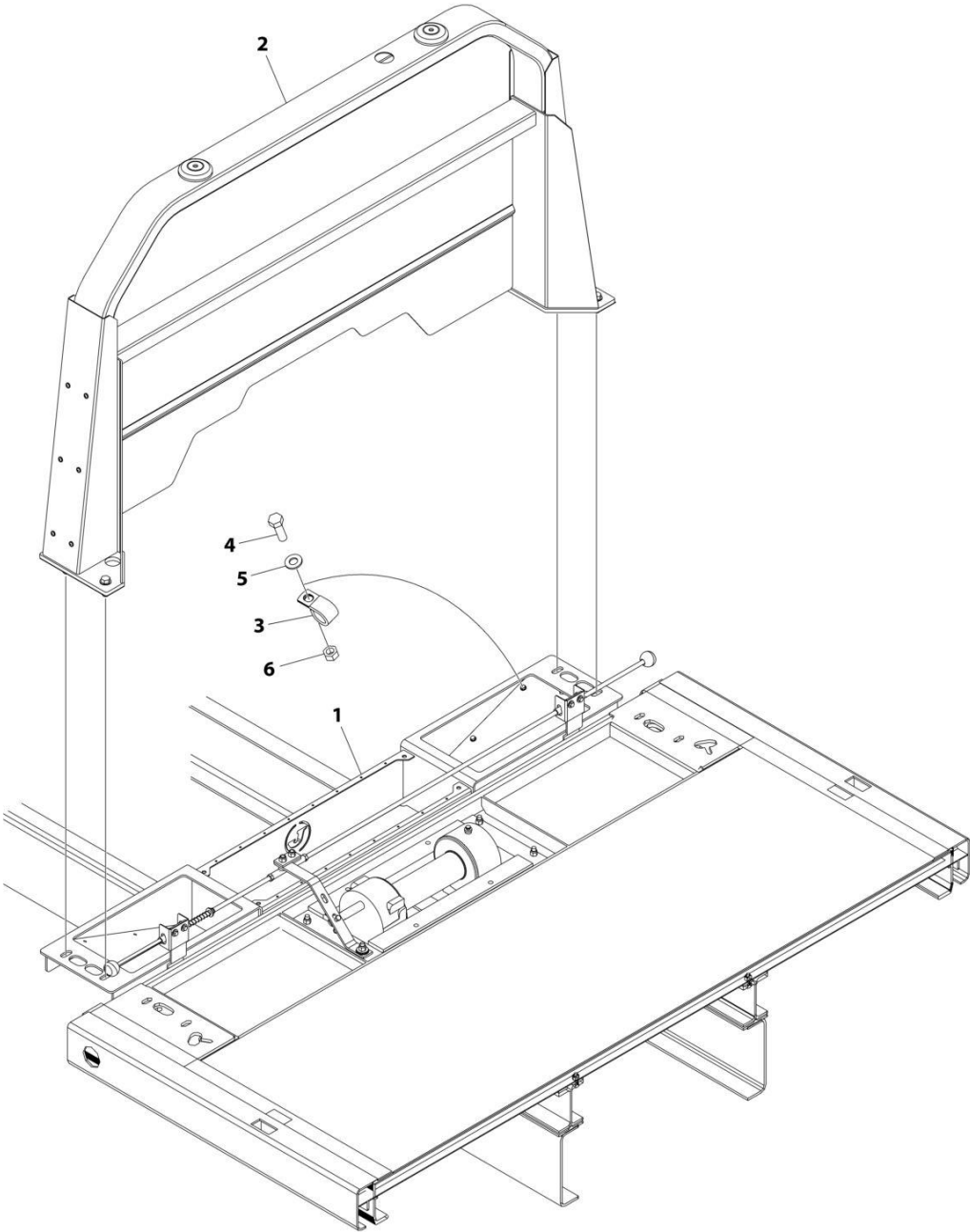
## SECTION 3 - DECK

**FIGURE 3-84. HEADBOARD INSTALLATION - 45.50IN (DELUXE BOLT-ON)**

ITEM	PART NUMBER	QTY	DESCRIPTION	REV
	1001129114	Ref	BUMPER HEADBOARD 45.50IN DELUXE	B
1	1001223267	1	Headboard Weldment	
2	0652016	4	Bolt 5/8 x 2	
3	7660200035	2	Nut 5/8	
4	4712000	4	Washer 5/8	
5	4796000037	2	Gasket	
6	7701000049	2	Plug	
7	7413000013	4	Push-In Fastener	

# SECTION 3 - DECK

FIGURE 3-85. HEADBOARD INSTALLATION - 45.50IN- 65.50 (STATIONARY ADJUSTABLE BOLT-ON)



ART\_1001226004

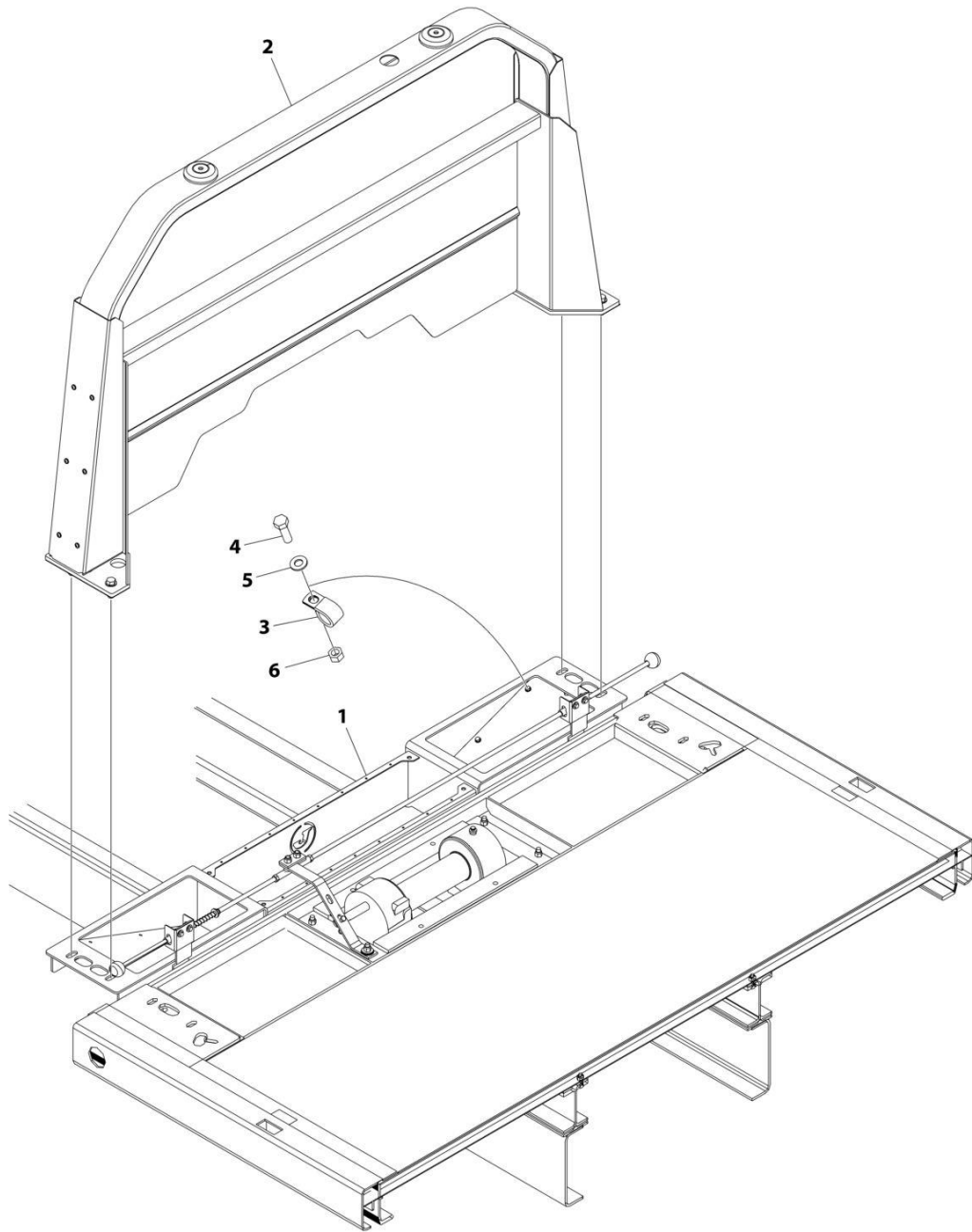
## SECTION 3 - DECK

**FIGURE 3-85. HEADBOARD INSTALLATION - 45.50IN- 65.50 (STATIONARY ADJUSTABLE BOLT-ON**

ITEM	PART NUMBER	QTY	DESCRIPTION	REV
	1001226004	Ref	STATIONARY ADJUSTABLE HEADBOARD 8.88IN	B
1	1001225870	1	Headboard Base Installation (See Separate Breakdown in this Section)	
2	1001189544	1	Headboard Installation (See Separate Breakdown in this Section)	
3	7274000063	3	Clamp	
4	0641508	3	Bolt 5/16 x 1	
5	4711500	3	Washer 5/16	
6	3311505	3	Nut 5/16	

## SECTION 3 - DECK

FIGURE 3-86. HEADBOARD INSTALLATION - 45.50IN- 65.50 (STATIONARY ADJUSTABLE BOLT-ON  
- SPECIAL PAINT)



ART\_1001226005

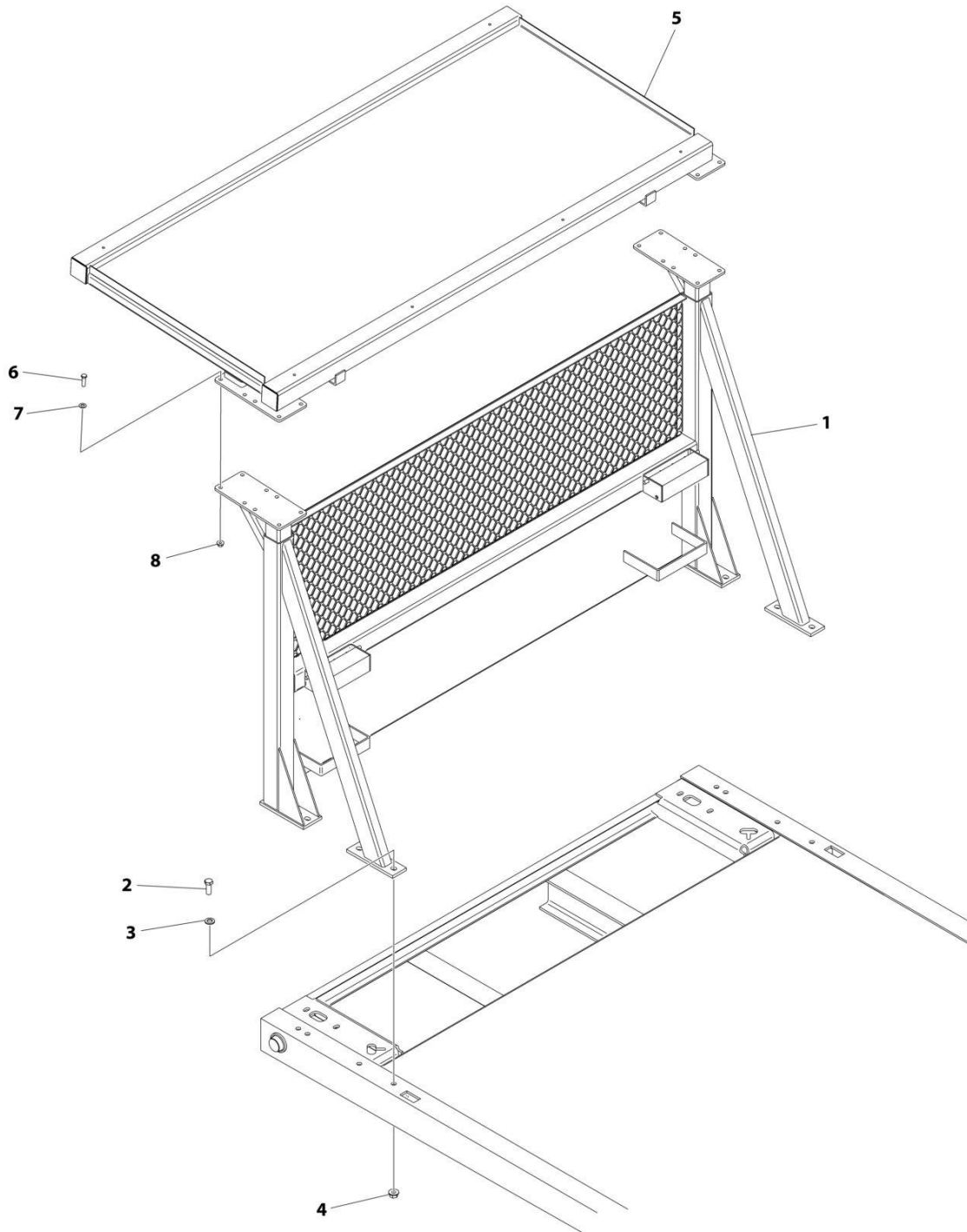
## SECTION 3 - DECK

**FIGURE 3-86. HEADBOARD INSTALLATION - 45.50IN- 65.50 (STATIONARY ADJUSTABLE BOLT-ON  
- SPECIAL PAINT)**

ITEM	PART NUMBER	QTY	DESCRIPTION	REV
	1001226005	Ref	STATIONARY ADJUSTABLE HEADBOARD 8.88IN SPECIAL PAINT	B
1	1001225870	1	Headboard Base Installation (See Separate Breakdown in this Section)	
2	1001203834	1	Headboard Installation (See Separate Breakdown in this Section)	
3	7274000063	3	Clamp	
4	0641508	3	Bolt 5/16 x 1	
5	4711500	3	Washer 5/16	
6	3311505	3	Nut 5/16	

# SECTION 3 - DECK

## FIGURE 3-87. HEADBOARD INSTALLATION - 50IN (BUCKET REST)



ART\_1001141922



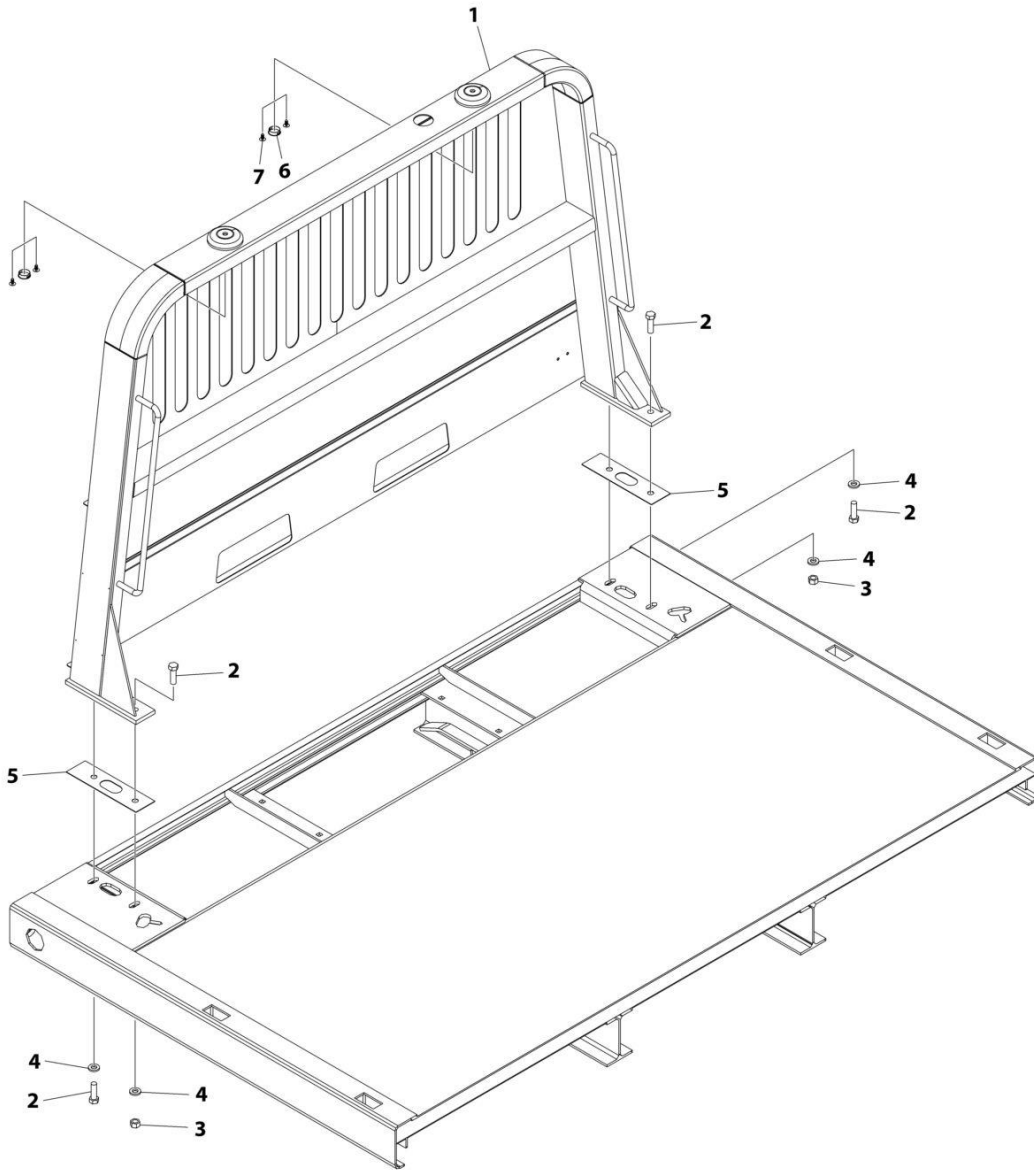
## SECTION 3 - DECK

### FIGURE 3-87. HEADBOARD INSTALLATION - 50IN (BUCKET REST)

ITEM	PART NUMBER	QTY	DESCRIPTION	REV
	1001141922	Ref	BUCKET REST HEADBOARD - 50IN	B
1	1001141918	1	Lower Headboard Weldment	
2	7115222050	8	Capscrew 3/4 x 2-1/2	
3	7950220141	8	Washer 3/4	
4	7660222308	8	Nut 3/4	
5	1001141875	1	Upper Headboard Weldment	
6	7115181450	16	Capscrew 1/2 x 1-3/4	
7	7950180143	16	Washer 1/2	
8	7660182304	16	Nut 1/2	
9	1001142381	1	Deck Modified (Not Shown)	
10	7894000042	30	Tie Strap (Not Shown)	
11	7701000058	16	Plug (Not Shown)	

# SECTION 3 - DECK

## FIGURE 3-88. HEADBOARD INSTALLATION - 50.50IN (DELUXE BOLT-ON)



ART\_1001129116

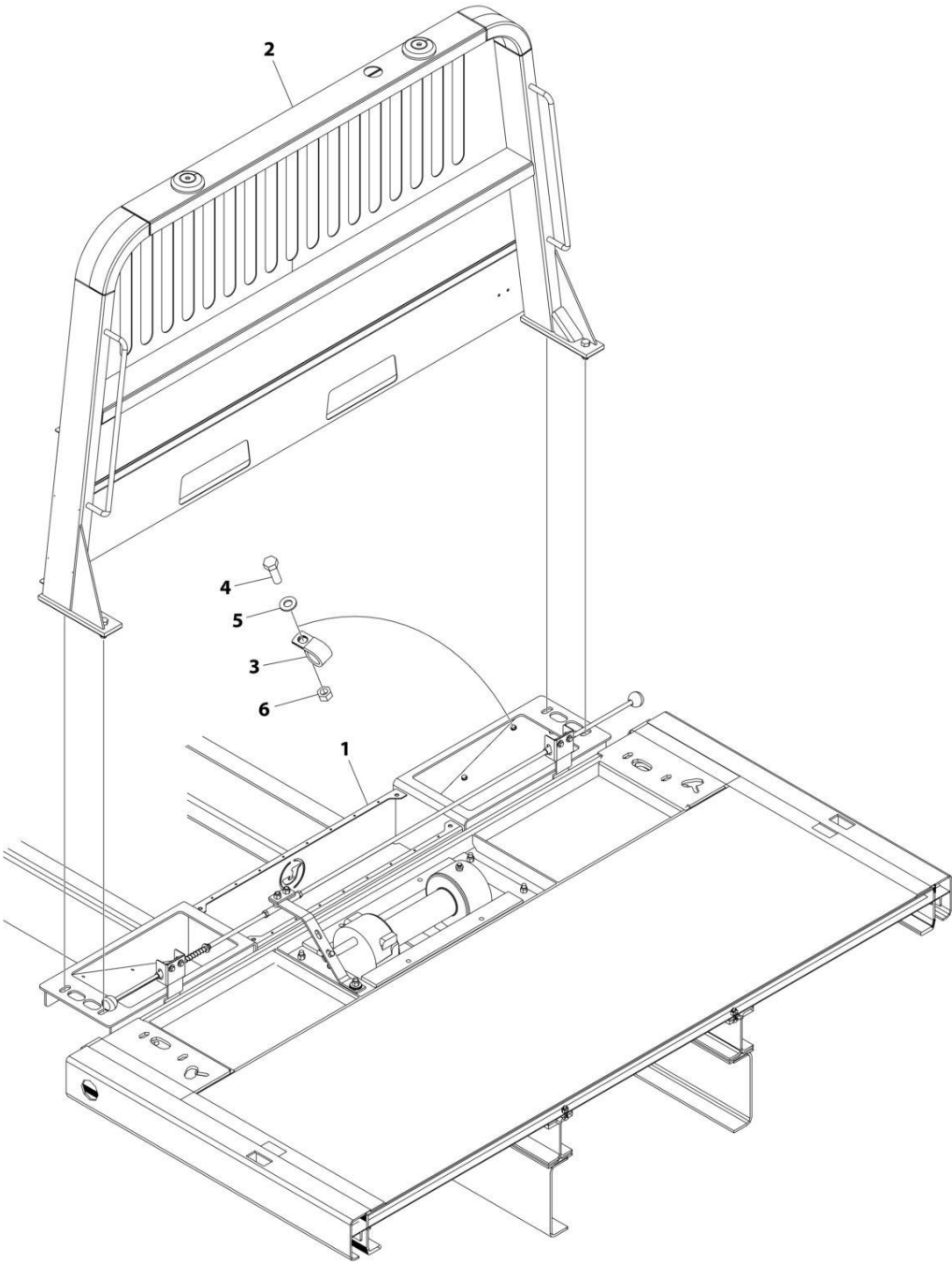
## SECTION 3 - DECK

**FIGURE 3-88. HEADBOARD INSTALLATION - 50.50IN (DELUXE BOLT-ON)**

ITEM	PART NUMBER	QTY	DESCRIPTION	REV
	1001129116	Ref	BUMPER HEADBOARD 50.50IN DELUXE	B
1	1001223268	1	Headboard Weldment	
2	0652016	4	Bolt 5/8 x 2	
3	7660200035	2	Nut 5/8	
4	4712000	4	Washer 5/8	
5	4796000037	2	Gasket	
6	7701000049	2	Plug	
7	7413000013	4	Push-In Fastener	

**SECTION 3 - DECK**

**FIGURE 3-89. HEADBOARD INSTALLATION - 50.50IN (STATIONARY DELUXE BOLT-ON))**



ART\_1001226008

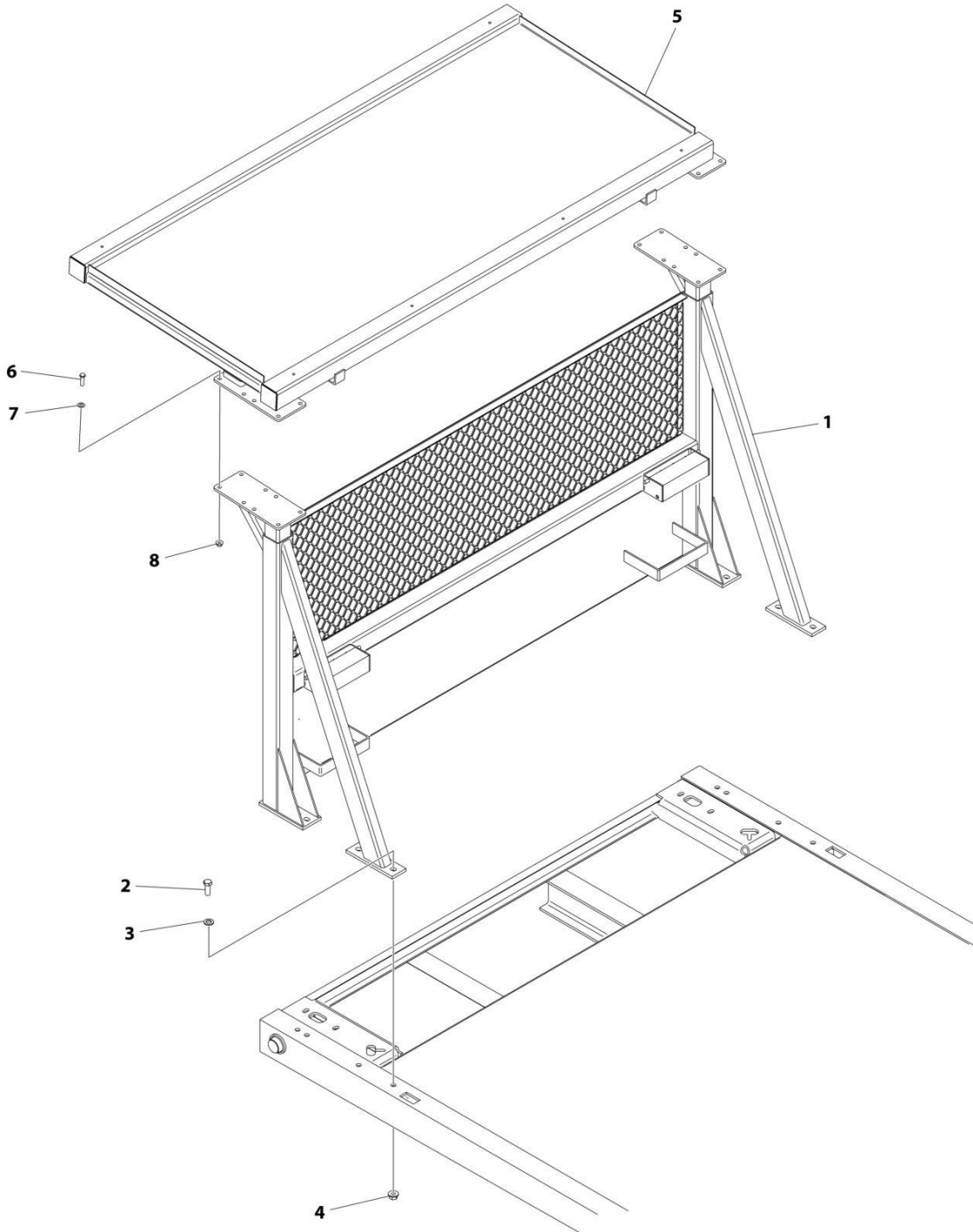
## SECTION 3 - DECK

**FIGURE 3-89. HEADBOARD INSTALLATION - 50.50IN (STATIONARY DELUXE BOLT-ON))**

ITEM	PART NUMBER	QTY	DESCRIPTION	REV
	1001226008	Ref	STATIONARY HEADBOARD 8.88 + 50.50IN DELUXE	B
1	1001225870	1	Headboard Base Installation (See Separate Breakdown in this Section)	
2	1001129116	1	Headboard Deluxe Installation (See Separate Breakdown in this Section)	
3	7274000063	3	Clamp	
4	0641508	3	Bolt 5/16 x 1	
5	4711500	3	Washer 5/16	
6	3311505	3	Nut 5/16	

# SECTION 3 - DECK

## FIGURE 3-90. HEADBOARD INSTALLATION - 54.75IN (BUCKET REST)



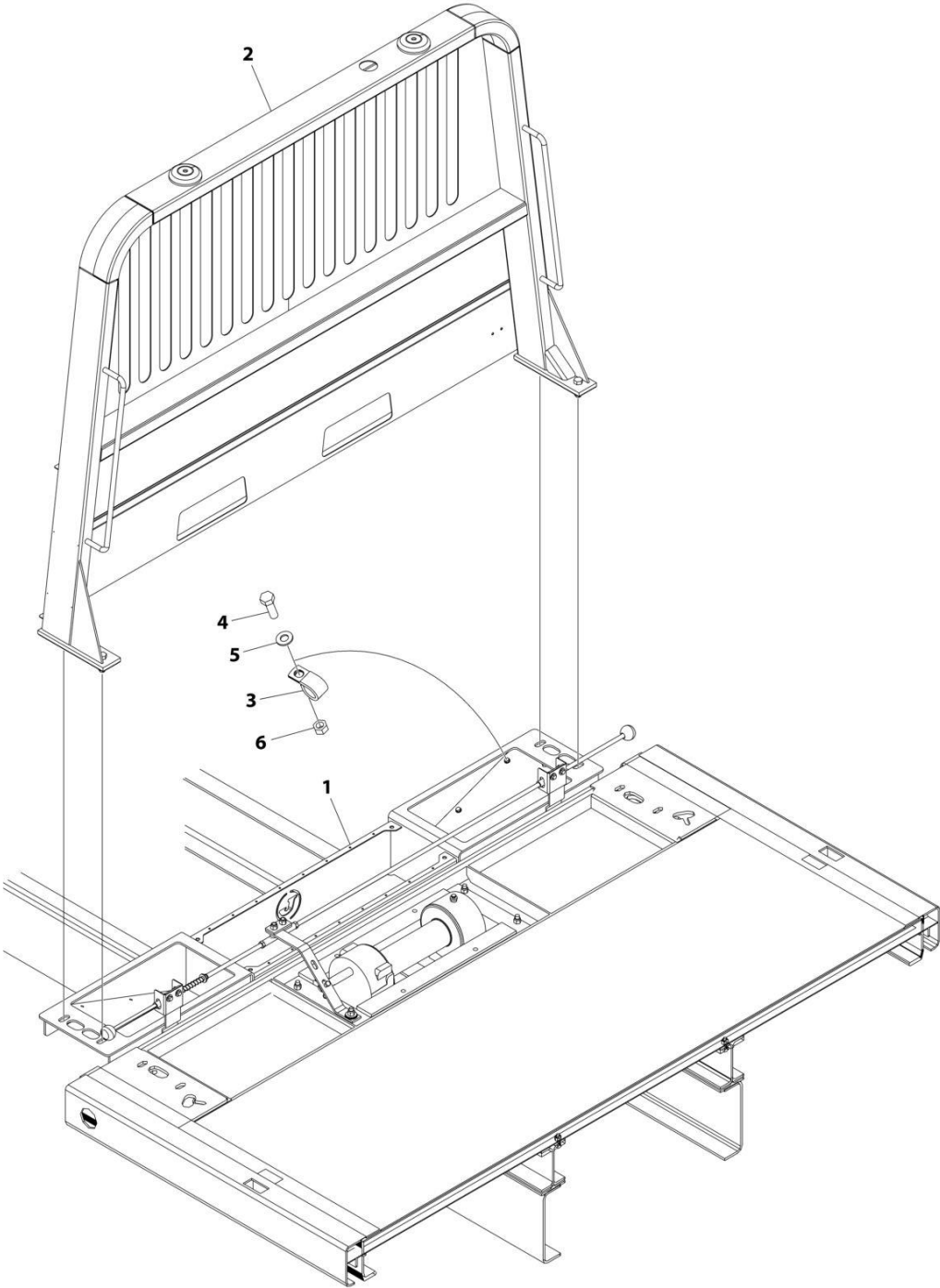
ART\_1001128443

**SECTION 3 - DECK****FIGURE 3-90. HEADBOARD INSTALLATION - 54.75IN (BUCKET REST)**

<b>ITEM</b>	<b>PART NUMBER</b>	<b>QTY</b>	<b>DESCRIPTION</b>	<b>REV</b>
	1001128443	Ref	BUCKET REST HEADBOARD - 54.75IN	D
1	1001132350	1	Lower Headboard Weldment	
2	7115222050	8	Capscrew 3/4 x 2-1/2	
3	7950220141	8	Washer 3/4	
4	7660222308	8	Nut 3/4	
5	1001141875	1	Upper Headboard Weldment	
6	7115181450	16	Capscrew 1/2 x 1-3/4	
7	7950180143	16	Washer 1/2	
8	7660182304	16	Nut 1/2	
9	1001142381	1	Deck Modified (Not Shown)	
10	7894000042	30	Tie Strap (Not Shown)	
11	7701000058	16	Plug (Not Shown)	

# SECTION 3 - DECK

## FIGURE 3-91. HEADBOARD INSTALLATION - 57.50IN (STATIONARY DELUXE BOLT-ON)



ART\_1001226009



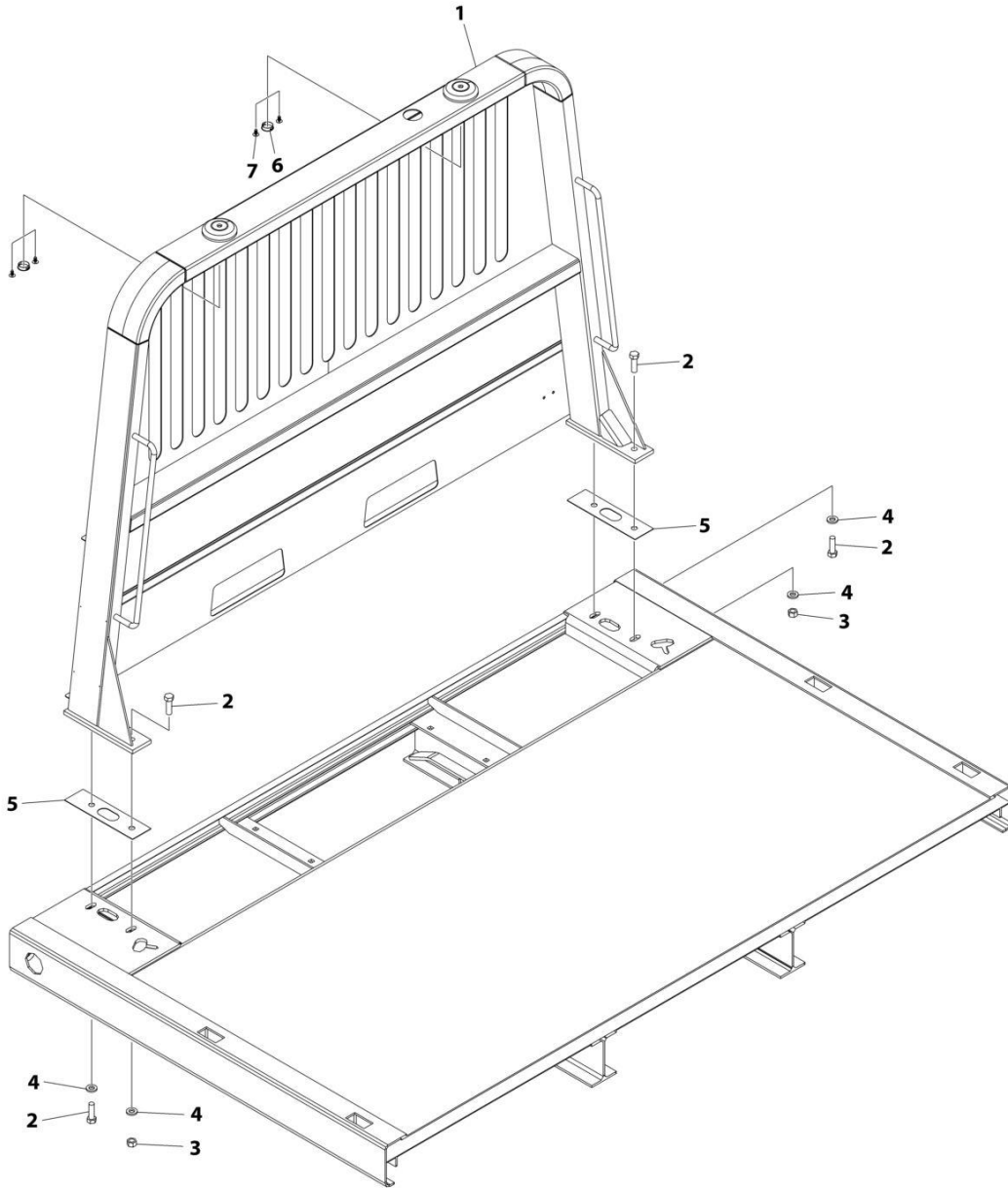
## SECTION 3 - DECK

**FIGURE 3-91. HEADBOARD INSTALLATION - 57.50IN (STATIONARY DELUXE BOLT-ON)**

ITEM	PART NUMBER	QTY	DESCRIPTION	REV
	1001226009	Ref	STATIONARY HEADBOARD 8.88 + 57.50IN DELUXE	B
1	1001225870	1	Headboard Base Installation (See Separate Breakdown in this Section)	
2	1001129118	1	Headboard Deluxe Installation (See Separate Breakdown in this Section)	
3	7274000063	3	Clamp	
4	0641508	3	Bolt 5/16 x 1	
5	4711500	3	Washer 5/16	
6	3311505	3	Nut 5/16	

# SECTION 3 - DECK

FIGURE 3-92. HEADBOARD INSTALLATION - 57.50IN (DELUXE BOLT-ON)



ART\_1001129118

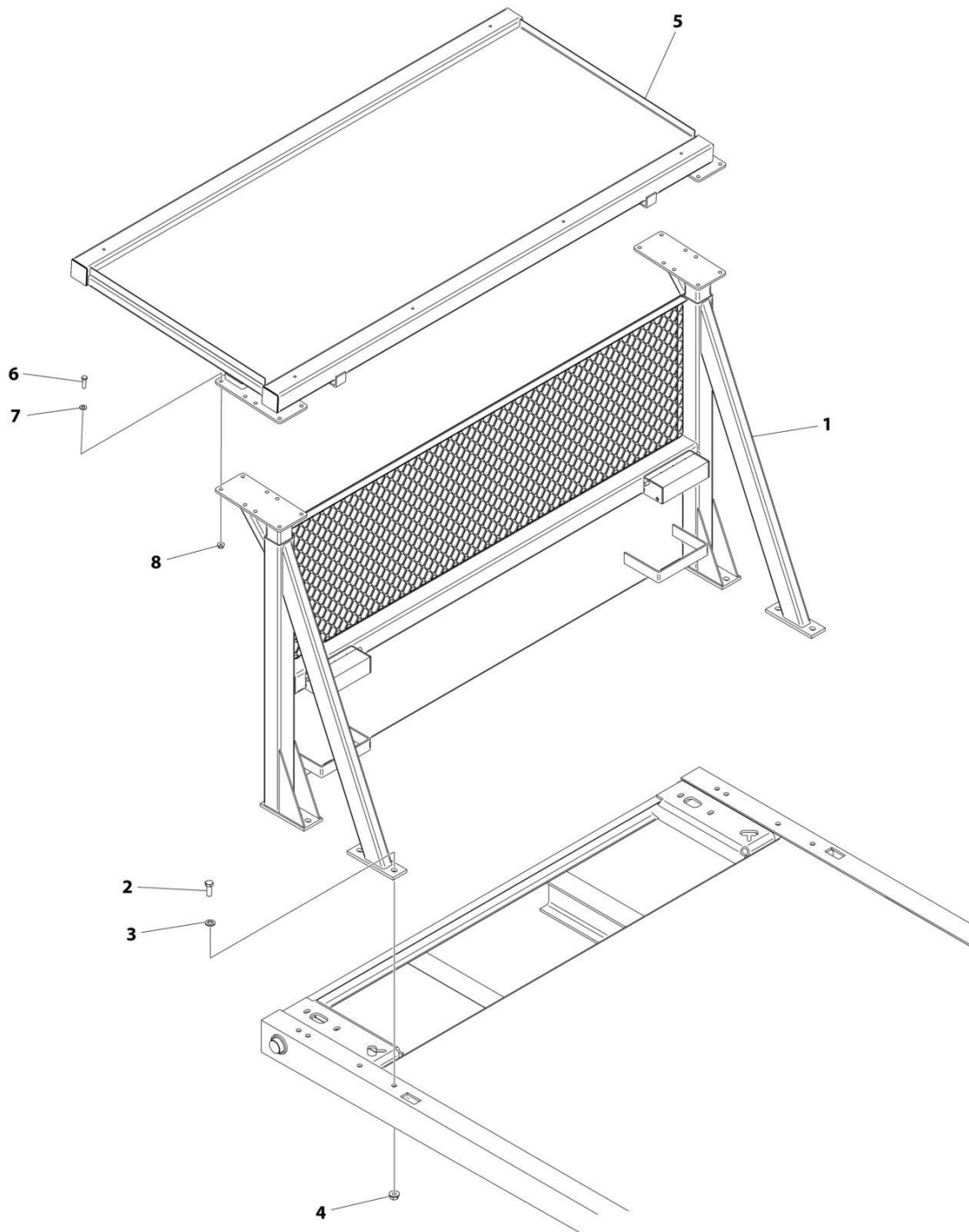
## SECTION 3 - DECK

**FIGURE 3-92. HEADBOARD INSTALLATION - 57.50IN (DELUXE BOLT-ON)**

ITEM	PART NUMBER	QTY	DESCRIPTION	REV
	1001129118	Ref	BUMPER HEADBOARD 57.50IN DELUXE	B
1	1001223269	1	Headboard Weldment	
2	0652016	4	Bolt 5/8 x 2	
3	7660200035	2	Nut 5/8	
4	4712000	4	Washer 5/8	
5	4796000037	2	Gasket	
6	7701000049	2	Plug	
7	7413000013	4	Push-In Fastener	

# SECTION 3 - DECK

## FIGURE 3-93. HEADBOARD INSTALLATION, 61.5IN (BUCKET REST)



ART\_1001139579

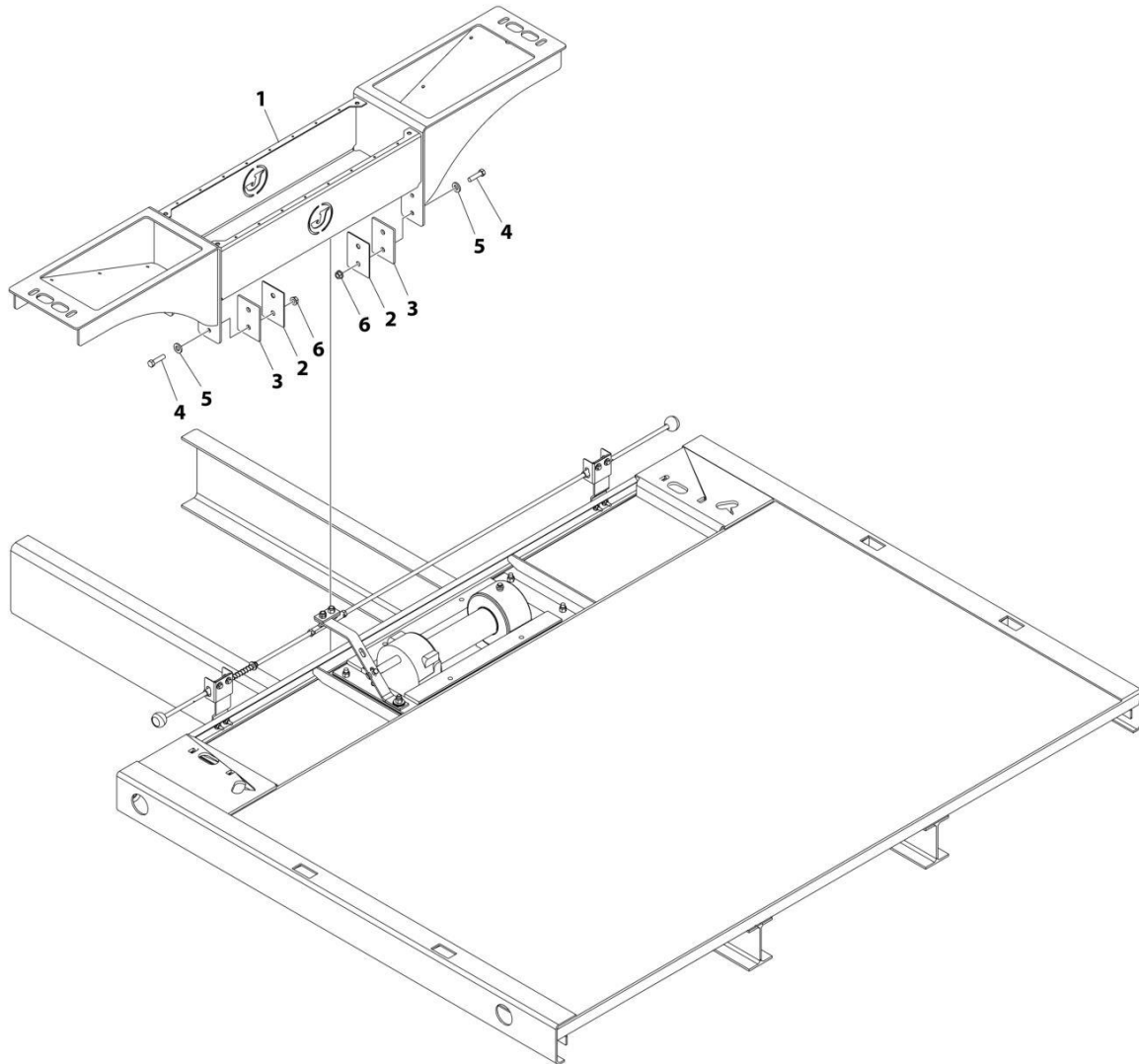
## SECTION 3 - DECK

**FIGURE 3-93. HEADBOARD INSTALLATION, 61.5IN (BUCKET REST)**

ITEM	PART NUMBER	QTY	DESCRIPTION	REV
	1001139579	Ref	BUCKET REST HEADBOARD - 61.5IN	C
1	1001139503	1	Lower Headboard Weldment	
2	7115222050	8	Capscrew 3/4 x 2-1/2	
3	7950220141	8	Washer 3/4	
4	7660222308	8	Nut 3/4	
5	1001141875	1	Upper Headboard Weldment	
6	7115181450	16	Capscrew 1/2 x 1-3/4	
7	7950180143	16	Washer 1/2	
8	7660182304	16	Nut 1/2	
9	1001142381	1	Deck Modified (Not Shown)	
10	7894000042	30	Tie Strap (Not Shown)	
11	7701000058	16	Plug (Not Shown)	

# SECTION 3 - DECK

## FIGURE 3-94. HEADBOARD BASE INSTALLATION



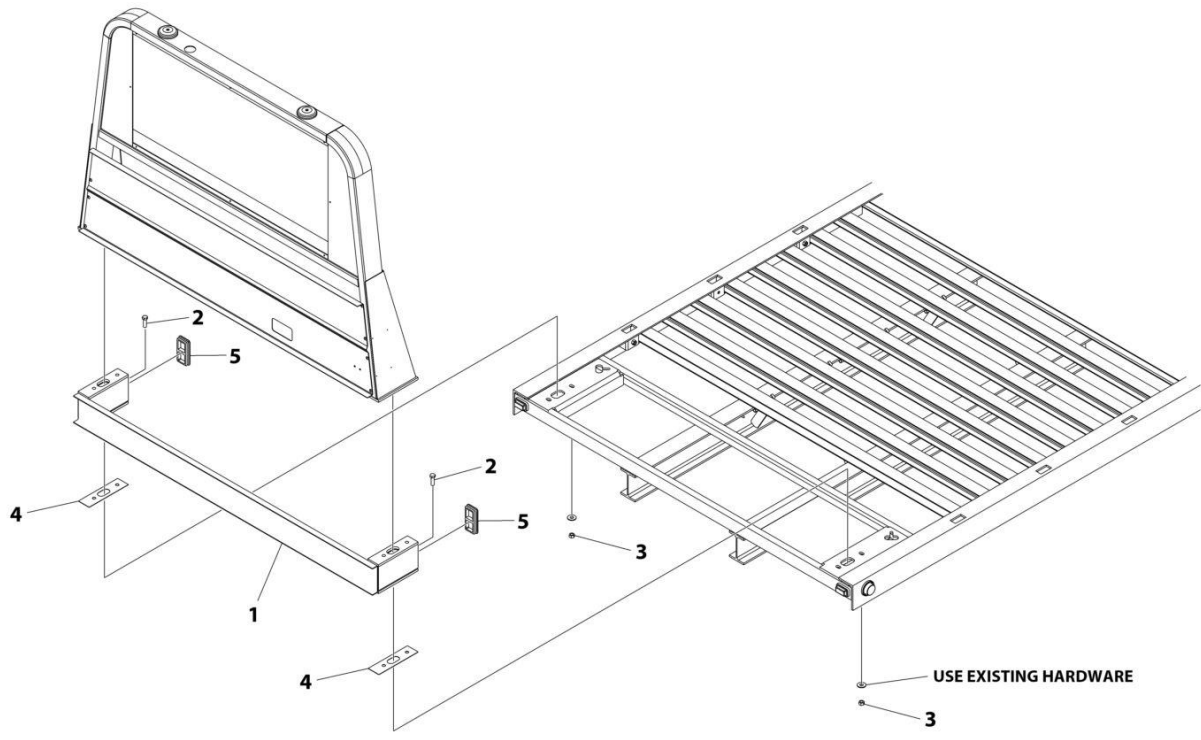
ART\_1001225870

FIGURE 3-94. HEADBOARD BASE INSTALLATION

ITEM	PART NUMBER	QTY	DESCRIPTION	REV
	1001225870	Ref	HEADBOARD BASE INSTALLATION	C
1	1001225869	1	Mount	
2	1001226847	4	Shim	
3	1001226848	4	Shim	
4	7105181650	8	Capscrew 1/2 x 2	
5	4892000	8	Washer 5/8	
6	7660182333	8	Nut 1/2	

# SECTION 3 - DECK

## FIGURE 3-95. HEADBOARD SPACER INSTALLATION, BOLT ON



ART\_1001134788



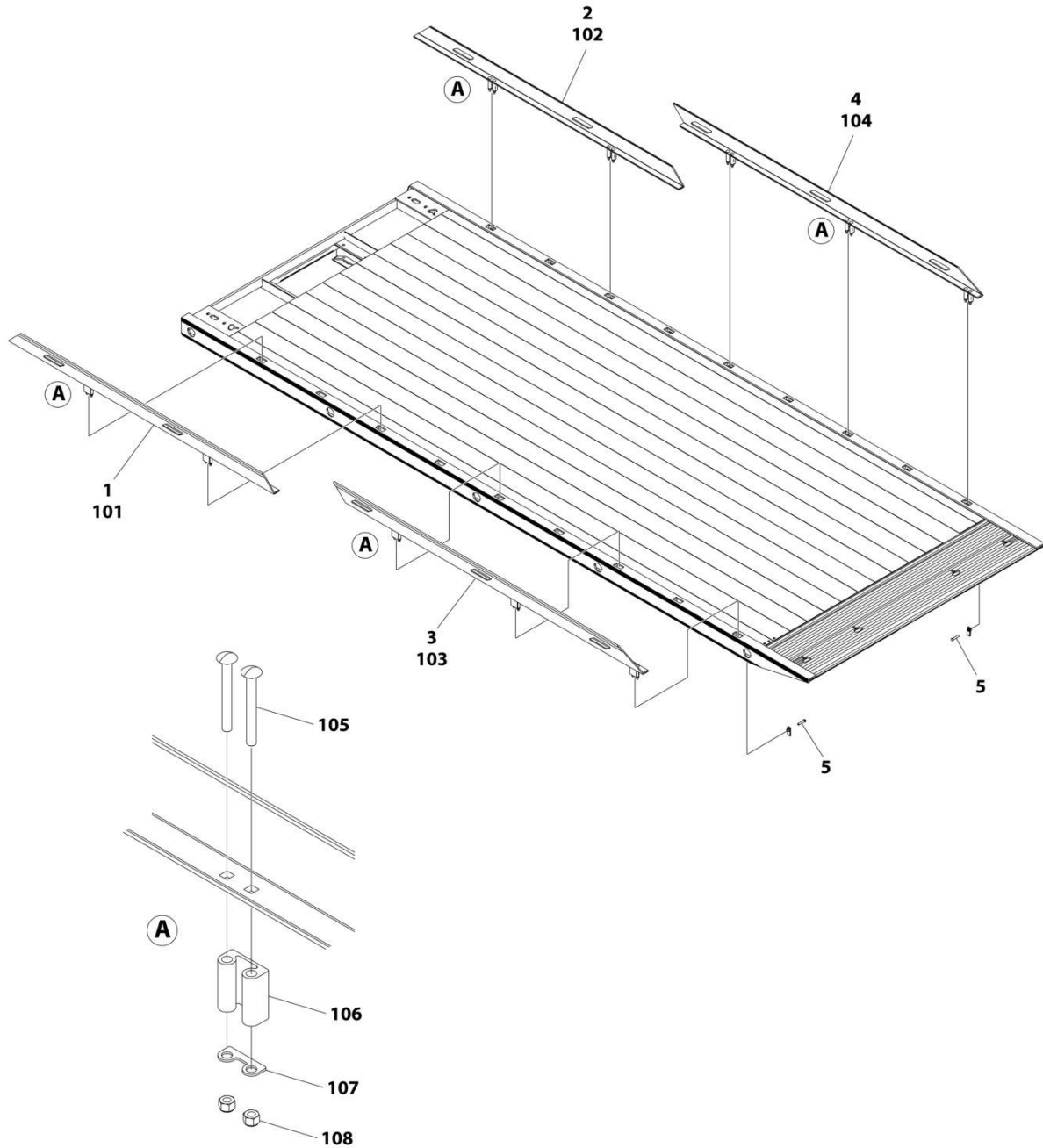
## SECTION 3 - DECK

### FIGURE 3-95. HEADBOARD SPACER INSTALLATION, BOLT ON

ITEM	PART NUMBER	QTY	DESCRIPTION	REV
	1001134788	Ref	SPACER BOLT ON HEADBOARD INSTALLATION	A
1	1001134776	1	Mount, Headboard	
2	7105201650	4	Screw M16 x 50	
3	7660200035	4	Nut M16	
4	4796000037	2	Gasket	
5	7701000048	2	Plug	

# SECTION 3 - DECK

## FIGURE 3-96. RAIL (REMOVABLE) INSTALLATION - 5IN ALUMINUM (19FT/20FT DECK)



ART\_2729000073

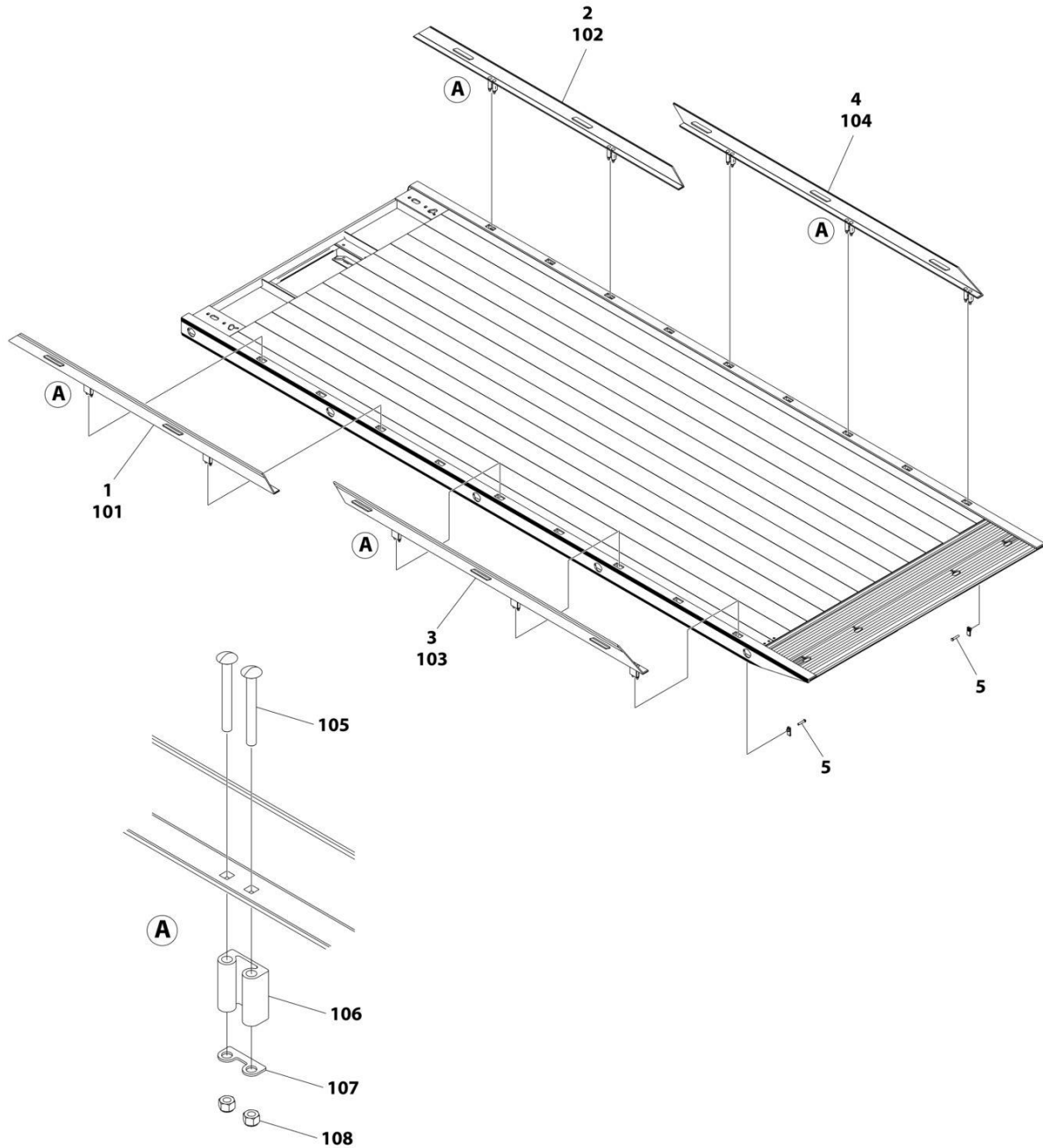
## SECTION 3 - DECK

**FIGURE 3-96. RAIL (REMOVABLE) INSTALLATION - 5IN ALUMINUM (19FT/20FT DECK)**

ITEM	PART NUMBER	QTY	DESCRIPTION	REV
	2729000073	Ref	RAISED RAILS INSTALLATION - 19-20IN	B
1	3017000121	1	Angle Assembly, Front LH (Includes Items 101 & 105-108)	
2	3017000122	1	Angle Assembly, Front RH (Includes Items 102 & 105-108)	
3	3017000127	1	Angle Assembly, Rear LH (Includes Items 103 & 105-108)	
4	3017000128	1	Angle Assembly, Rear RH (Includes Items 104-108)	
5	7120000005	10	Capscrew 1/2 x 2-1/2	
101	4017001699	1	Angle LH Front	
102	4017001700	1	Angle RH Front	
103	4017001705	1	Angle LH Rear	
104	4017001706	1	Angle RH Rear	
105	1001137970	20	Bolt 1/2 x 4-1/2	
106	8411080102	10	Extrusion	
107	4706006228	10	Plate	
108	7660182601	20	Nut 1/2	

# SECTION 3 - DECK

FIGURE 3-97. RAIL (REMOVABLE) INSTALLATION - 5IN ALUMINUM (21FT DECK)



ART\_2729000074

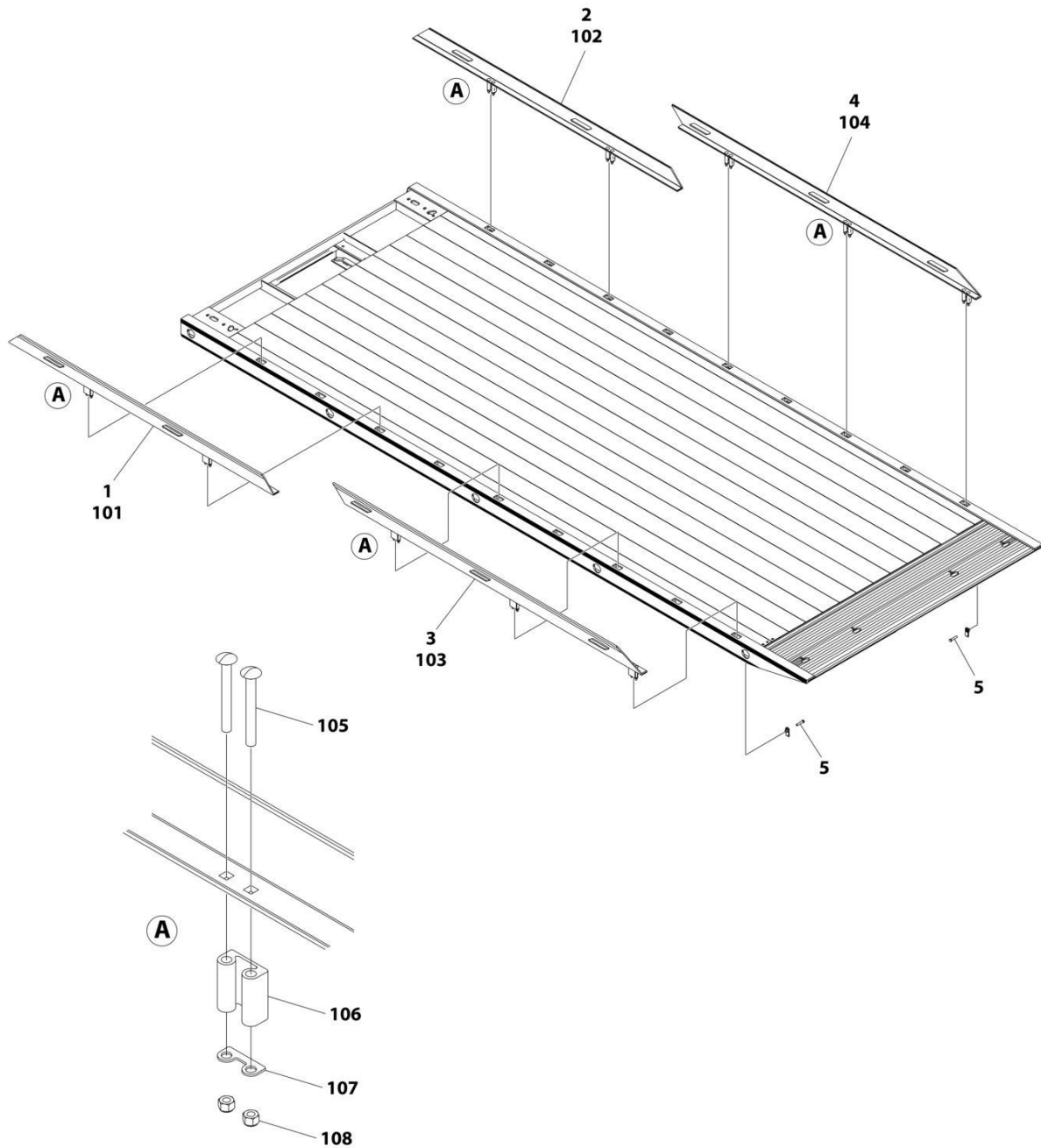
## SECTION 3 - DECK

**FIGURE 3-97. RAIL (REMOVABLE) INSTALLATION - 5IN ALUMINUM (21FT DECK)**

ITEM	PART NUMBER	QTY	DESCRIPTION	REV
	2729000074	Ref	RAISED RAILS INSTALLATION - 21IN	B
1	3017000121	1	Angle Assembly, Front LH (Includes Items 101 & 105-108)	
2	3017000122	1	Angle Assembly, Front RH (Includes Items 102 & 105-108)	
3	3017000129	1	Angle Assembly, Rear LH (Includes Items 103 & 105-108)	
4	3017000130	1	Angle Assembly, Rear RH (Includes Items 104-108)	
5	7120000005	12	Capscrew 1/2 x 2-1/2	
101	4017001699	1	Angle LH Front	
102	4017001700	1	Angle RH Front	
103	4017001707	1	Angle LH Rear	
104	4017001708	1	Angle RH Rear	
105	1001137970	20	Bolt 1/2 x 4-1/2	
106	8411080102	10	Extrusion	
107	4706006228	10	Plate	
108	7660182601	20	Nut 1/2	

# SECTION 3 - DECK

## FIGURE 3-98. RAIL (REMOVABLE) INSTALLATION - 5IN ALUMINUM (22FT DECK)



ART\_2729000075

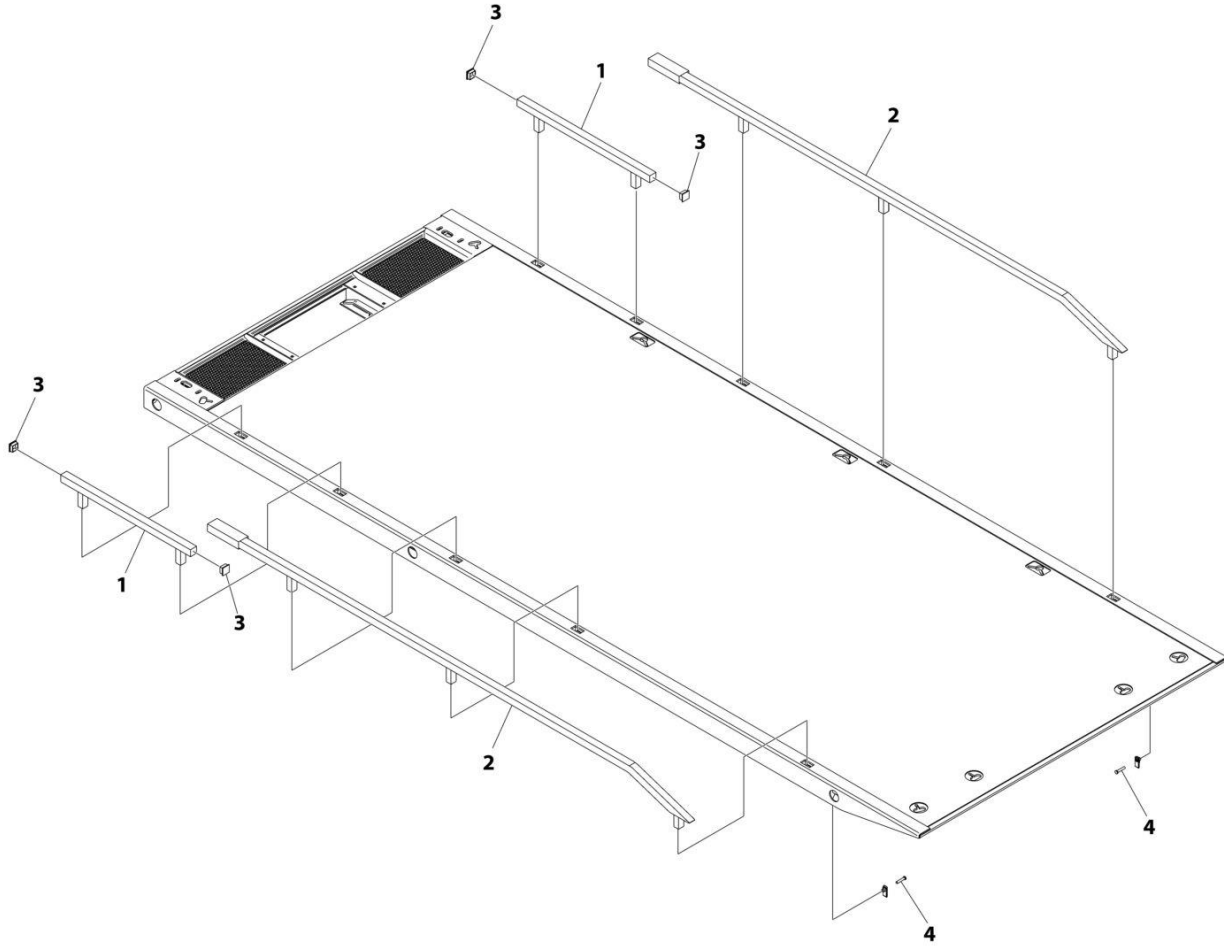
## SECTION 3 - DECK

**FIGURE 3-98. RAIL (REMOVABLE) INSTALLATION - 5IN ALUMINUM (22FT DECK)**

ITEM	PART NUMBER	QTY	DESCRIPTION	REV
	2729000075	Ref	RAISED RAILS INSTALLATION - 22FT	B
1	3017000121	1	Angle Assembly, Front LH (Includes Items 101 & 105-108)	
2	3017000122	1	Angle Assembly, Front RH (Includes Items 102 & 105-108)	
3	3017000131	1	Angle Assembly, Rear LH (Includes Items 103 & 105-108)	
4	3017000132	1	Angle Assembly, Rear RH (Includes Items 104-108)	
5	7120000005	10	Capscrew 1/2 x 2-1/2	
101	4017001699	1	Angle LH Front	
102	4017001700	1	Angle RH Front	
103	4017001709	1	Angle LH Rear	
104	4017001710	1	Angle RH Rear	
105	1001137970	22	Bolt 1/2 x 4-1/2	
106	8411080102	11	Extrusion	
107	4706006228	11	Plate	
108	7660182601	22	Nut 1/2	

# SECTION 3 - DECK

FIGURE 3-99. RAIL (REMOVABLE) INSTALLATION - 5IN STEEL (19FT/20FT DECK)



ART\_2729000104



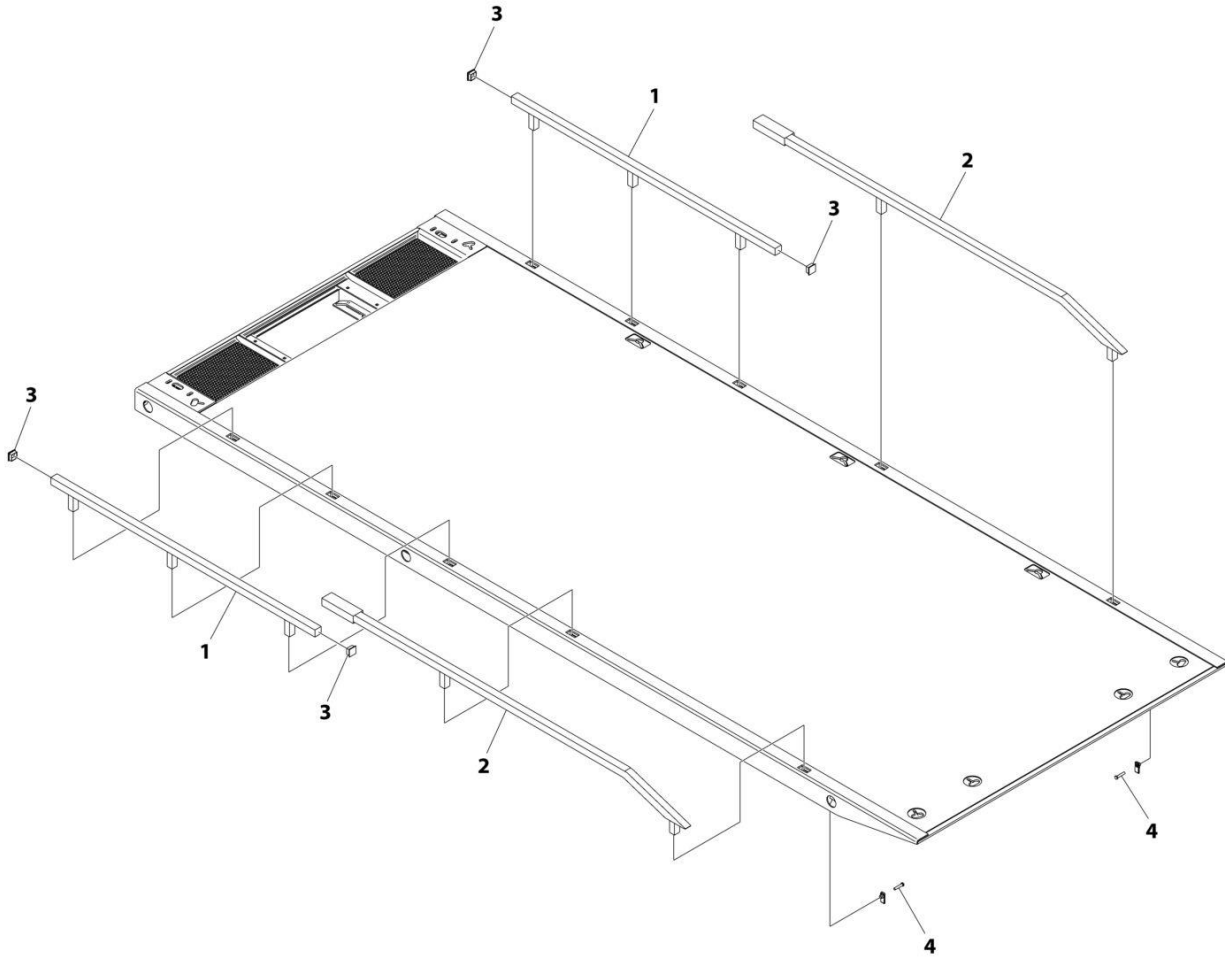
## SECTION 3 - DECK

**FIGURE 3-99. RAIL (REMOVABLE) INSTALLATION - 5IN STEEL (19FT/20FT DECK)**

ITEM	PART NUMBER	QTY	DESCRIPTION	REV
	2729000104	Ref	RAIL INSTALLATION	0
1	3729000281	2	Rail Weldment, Front	
2	3729000284	2	Rail Weldment, Rear	
3	7701000033	4	Plug	
4	7115181050	10	Capscrew 1/2 x 1-1/4	

# SECTION 3 - DECK

## FIGURE 3-100. RAIL (REMOVABLE) INSTALLATION - 5IN STEEL (21FT DECK)



ART\_2729000105

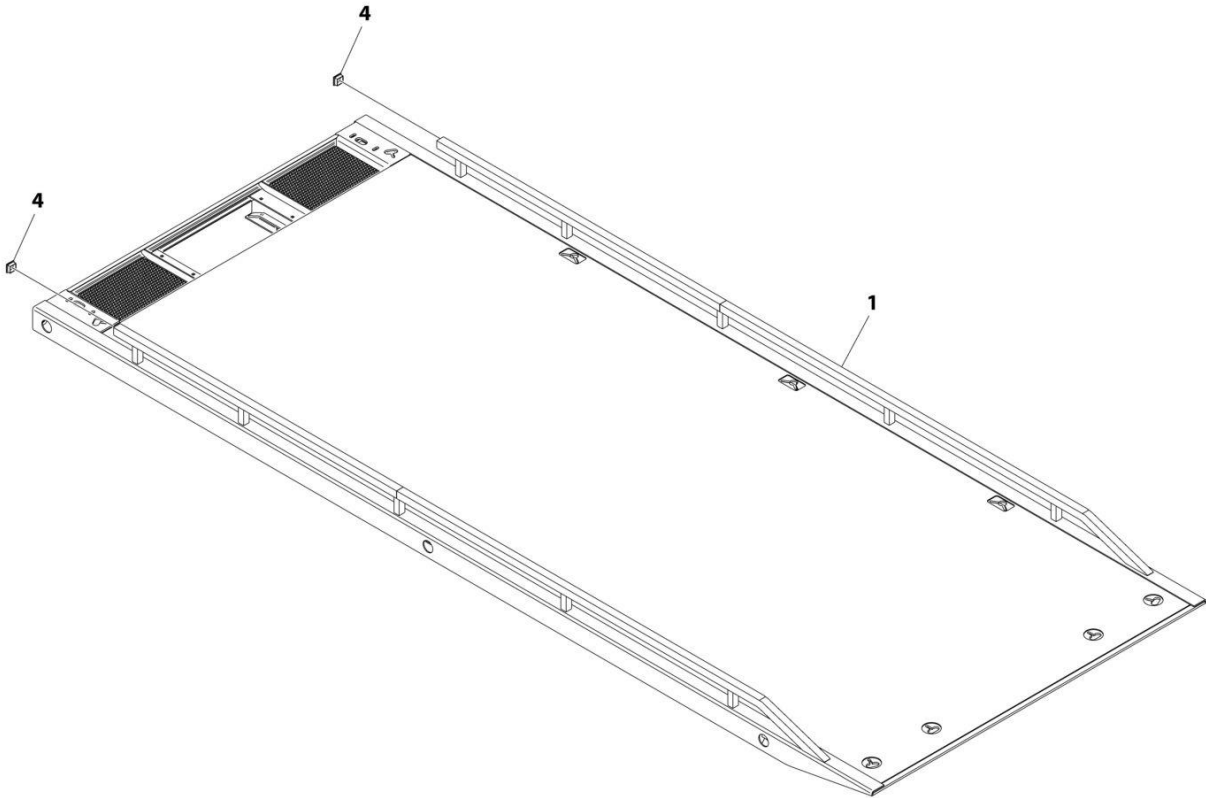
## SECTION 3 - DECK

**FIGURE 3-100. RAIL (REMOVABLE) INSTALLATION - 5IN STEEL (21FT DECK)**

ITEM	PART NUMBER	QTY	DESCRIPTION	REV
	2729000105	Ref	RAIL INSTALLATION	0
1	3729000282	2	Rail Weldment, Front	
2	3729000283	2	Rail Weldment, Rear	
3	7701000033	4	Plug	
4	7115181050	10	Capscrew 1/2 x 1-1/4	

**SECTION 3 - DECK**

**FIGURE 3-101. RAIL PLUG (PERMANENT) INSTALLATION - 6IN STEEL (19FT/20FT DECK)**



ART\_2729000038

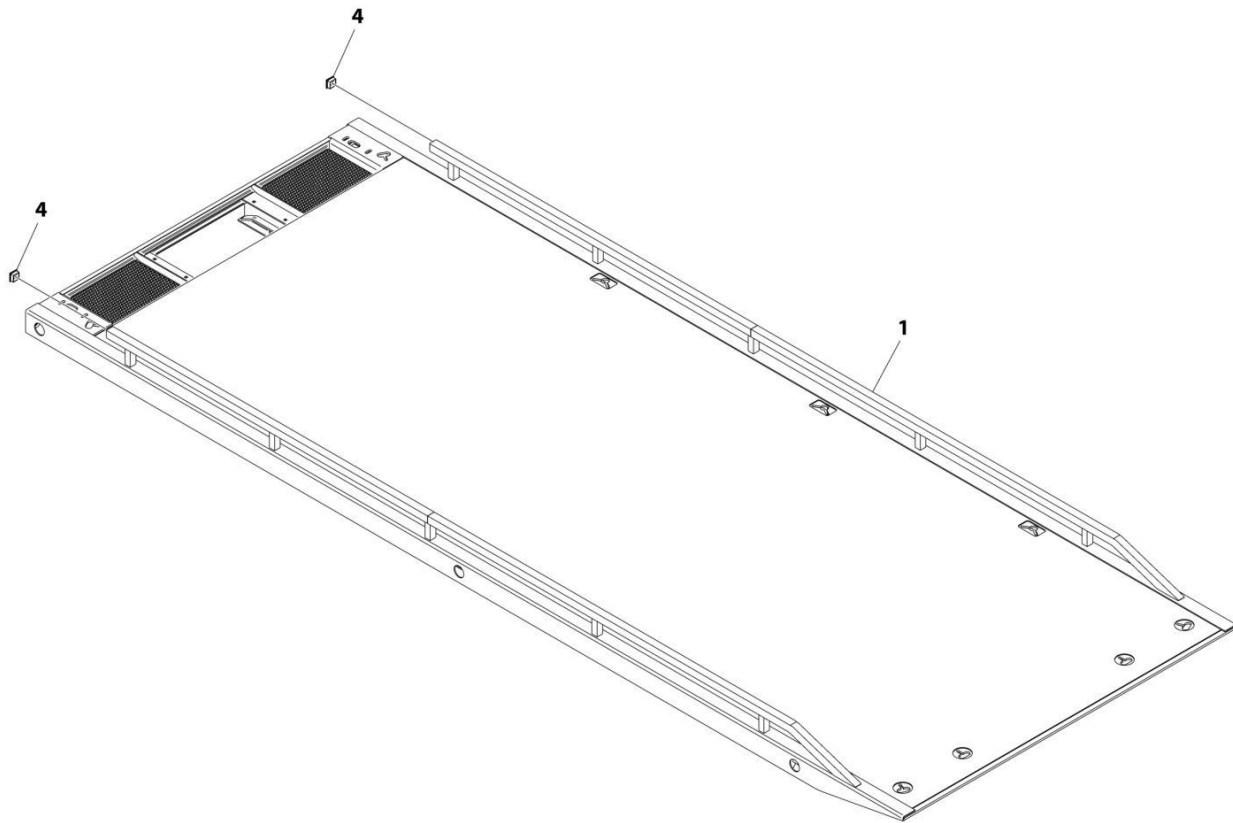
## SECTION 3 - DECK

**FIGURE 3-101. RAIL PLUG (PERMANENT) INSTALLATION - 6IN STEEL (19FT/20FT DECK)**

ITEM	PART NUMBER	QTY	DESCRIPTION	REV
1	2729000038	1	Permanent Raised Rail Installation - 19ft	A
4	7701000033	2	Plug	

# SECTION 3 - DECK

FIGURE 3-102. RAIL PLUG (PERMANENT) INSTALLATION - 6IN STEEL (21FT DECK)



ART\_2729000037

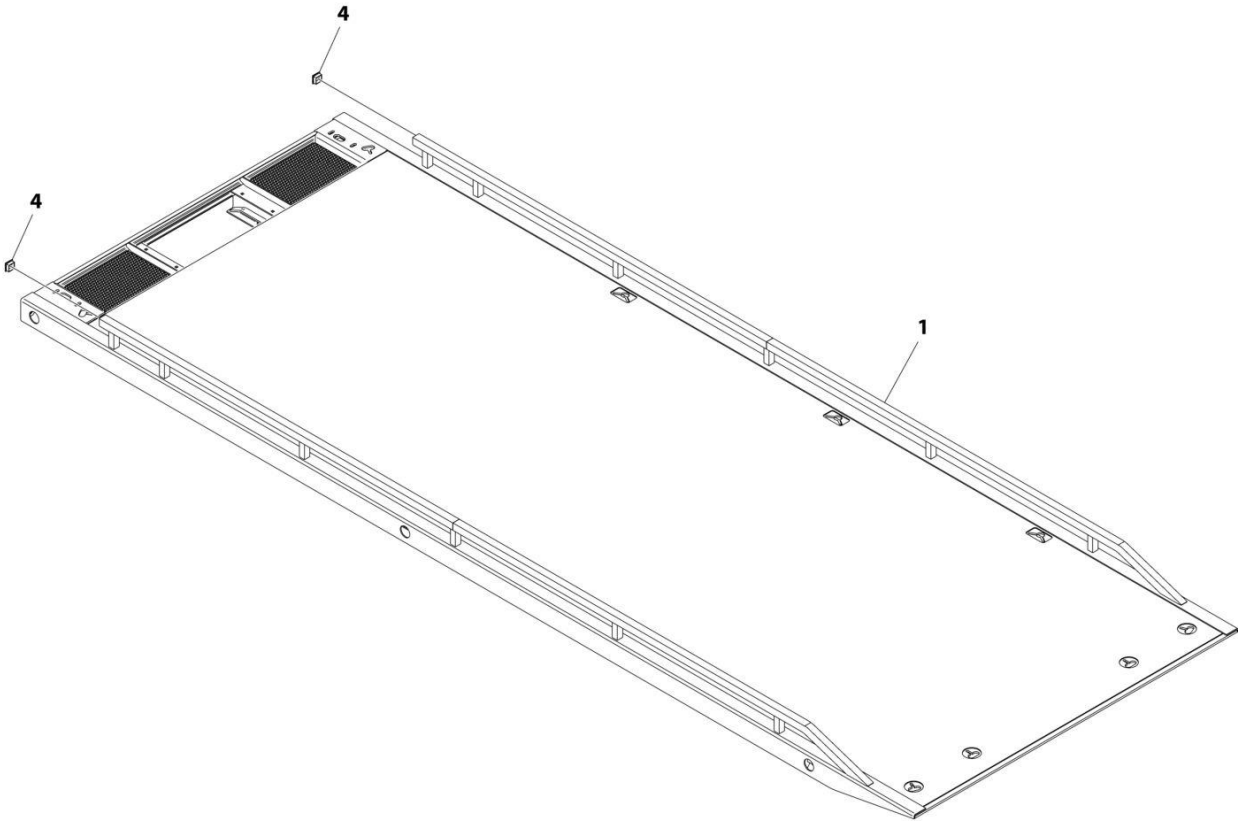
## SECTION 3 - DECK

**FIGURE 3-102. RAIL PLUG (PERMANENT) INSTALLATION - 6IN STEEL (21FT DECK)**

ITEM	PART NUMBER	QTY	DESCRIPTION	REV
1	2729000037	1	Permanent Raised Rail Installation - 21ft	A
4	7701000033	2	Plug	

**SECTION 3 - DECK**

**FIGURE 3-103. RAIL PLUG (PERMANENT) INSTALLATION - 6IN STEEL (22FT DECK)**



ART\_2729000036



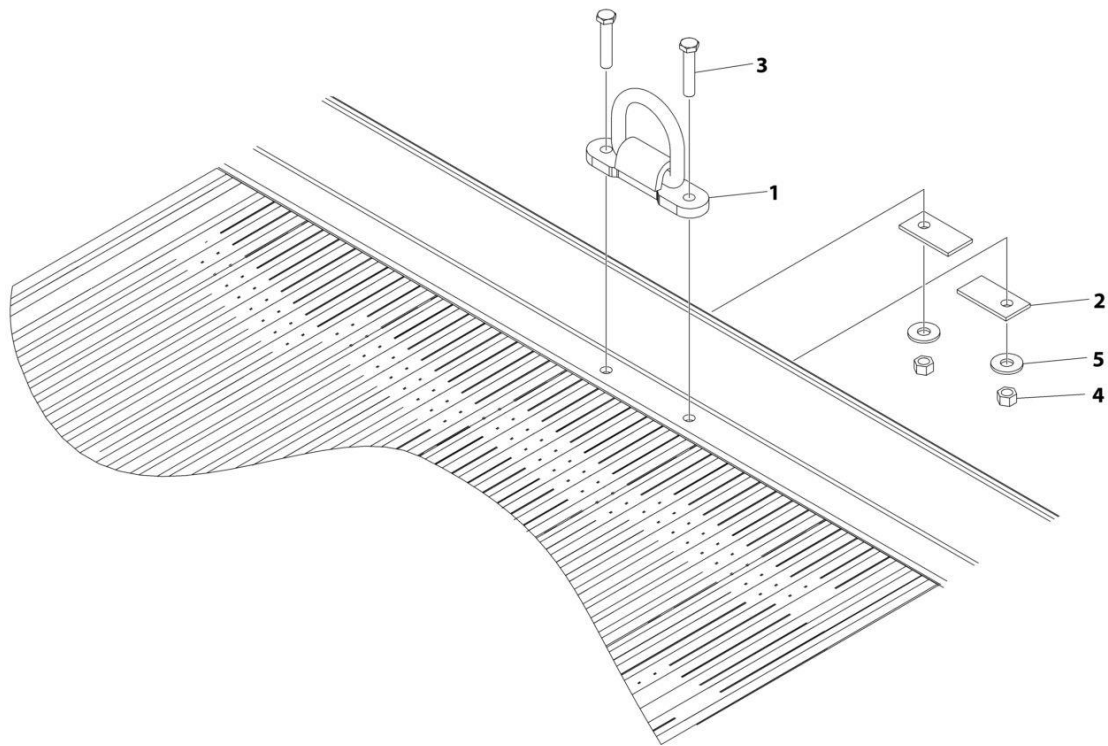
## SECTION 3 - DECK

**FIGURE 3-103. RAIL PLUG (PERMANENT) INSTALLATION - 6IN STEEL (22FT DECK)**

ITEM	PART NUMBER	QTY	DESCRIPTION	REV
1	2729000036	1	Permanent Raised Rail Installation - 22ft	A
4	7701000033	2	Plug	

# SECTION 3 - DECK

## FIGURE 3-104. D-RINGS INSTALLATION -1 PAIR (ALUMINIUM DECK)



ART\_1001171655

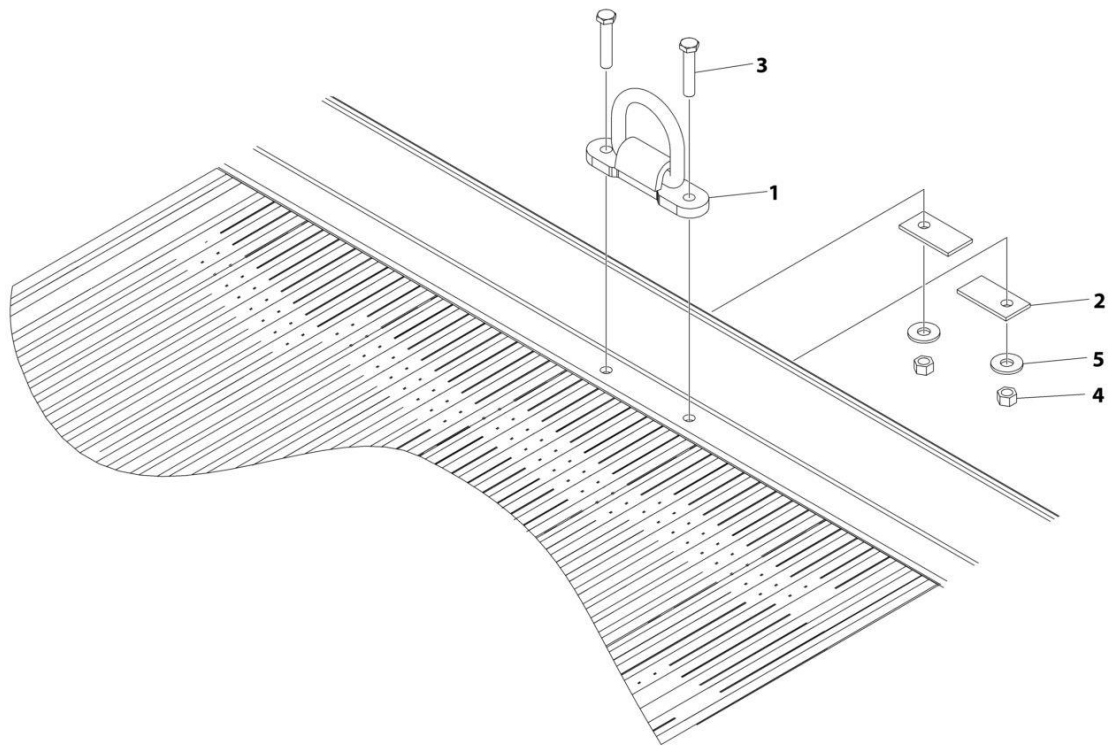
## SECTION 3 - DECK

**FIGURE 3-104. D-RINGS INSTALLATION -1 PAIR (ALUMINIUM DECK)**

ITEM	PART NUMBER	QTY	DESCRIPTION	REV
	1001171655	Ref	1 PAIR BOLT-ON D-RING ALUMINIUM DECK INSTALLATION	B
1	1001171652	2	D-Ring	
2	4706003374	4	Plate	
3	1001248245	4	Bolt 1/2 x 2-1/8	
4	3271805	4	Nut 1/2	
5	4711800	4	Washer 1/2	

# SECTION 3 - DECK

## FIGURE 3-105. D-RINGS INSTALLATION - 2 PAIR (ALUMINIUM DECK)



ART\_1001171656

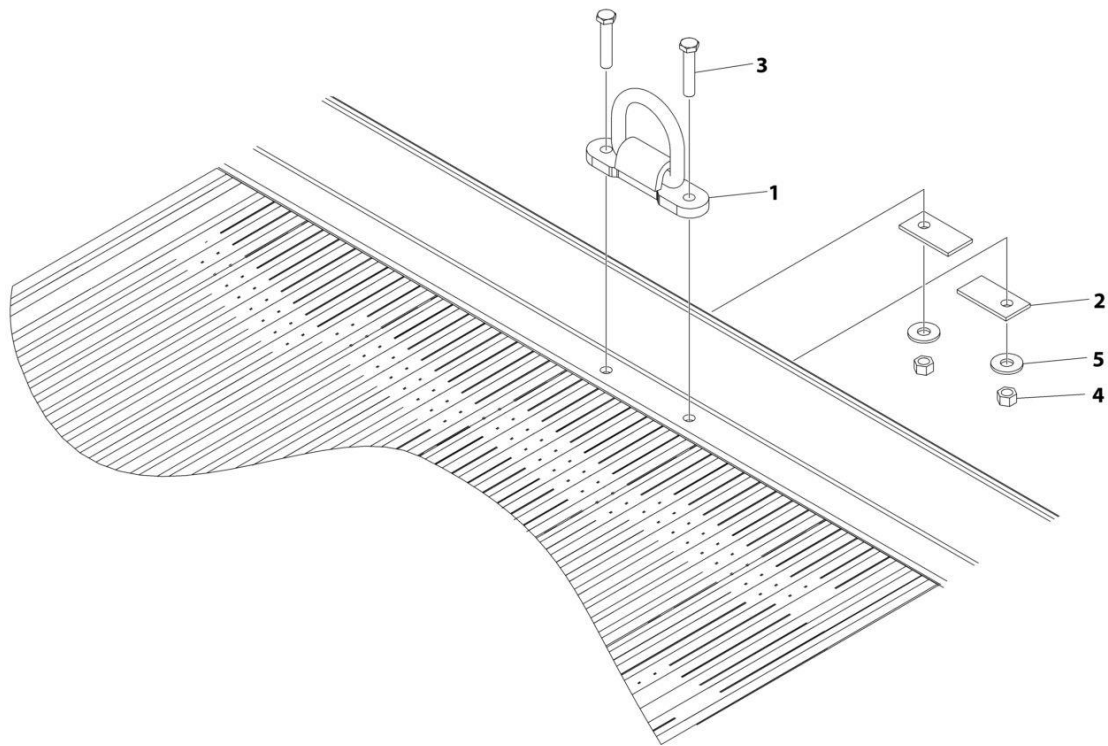
## SECTION 3 - DECK

**FIGURE 3-105. D-RINGS INSTALLATION - 2 PAIR (ALUMINIUM DECK)**

ITEM	PART NUMBER	QTY	DESCRIPTION	REV
	1001171656	Ref	2 PAIR BOLT-ON D-RING ALUMINIUM DECK INSTALLATION	B
1	1001171652	4	D-Ring	
2	4706003374	8	Plate	
3	1001248245	8	Bolt 1/2 x 2-1/8	
4	3271805	8	Nut 1/2	
5	4711800	8	Washer 1/2	

# SECTION 3 - DECK

## FIGURE 3-106. D-RINGS INSTALLATION - 3 PAIR (ALUMINIUM DECK)



ART\_1001171657

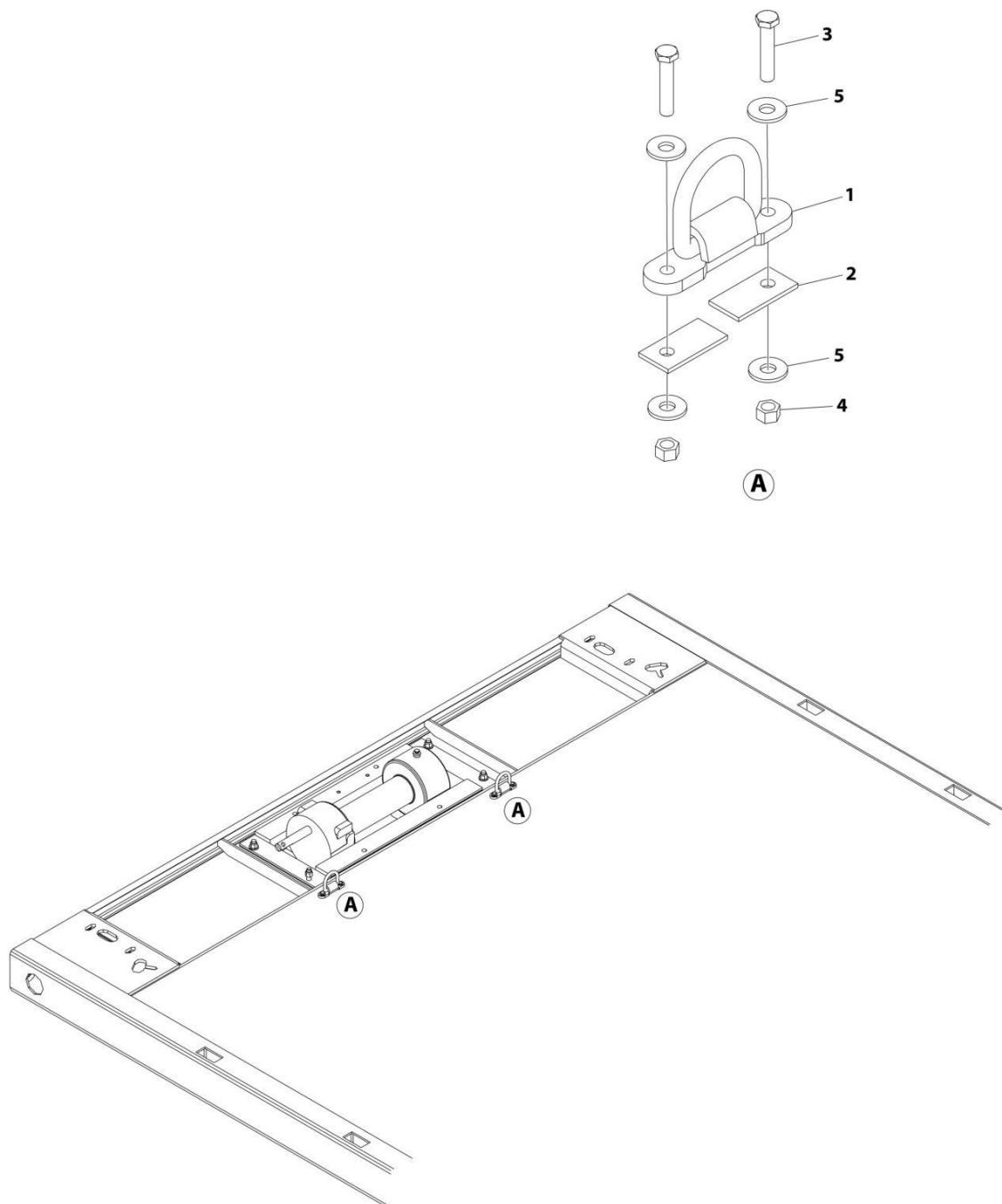
## SECTION 3 - DECK

**FIGURE 3-106. D-RINGS INSTALLATION - 3 PAIR (ALUMINIUM DECK)**

ITEM	PART NUMBER	QTY	DESCRIPTION	REV
	1001171657	Ref	D-RINGS INSTALLATION - BOLT-ON 3 PAIRS EQUALLY SPACED (ALUMINIUM DECK)	B
1	1001171652	6	D-Ring	
2	4706003374	12	Plate	
3	1001248245	12	Bolt 1/2 x 2-1/8	
4	3271805	12	Nut 1/2	
5	4711800	12	Washer 1/2	

# SECTION 3 - DECK

## FIGURE 3-107. D-RINGS INSTALLATION -1 PAIR (ALUMINIUM DECK NEAR WINCH)



ART\_1001188646



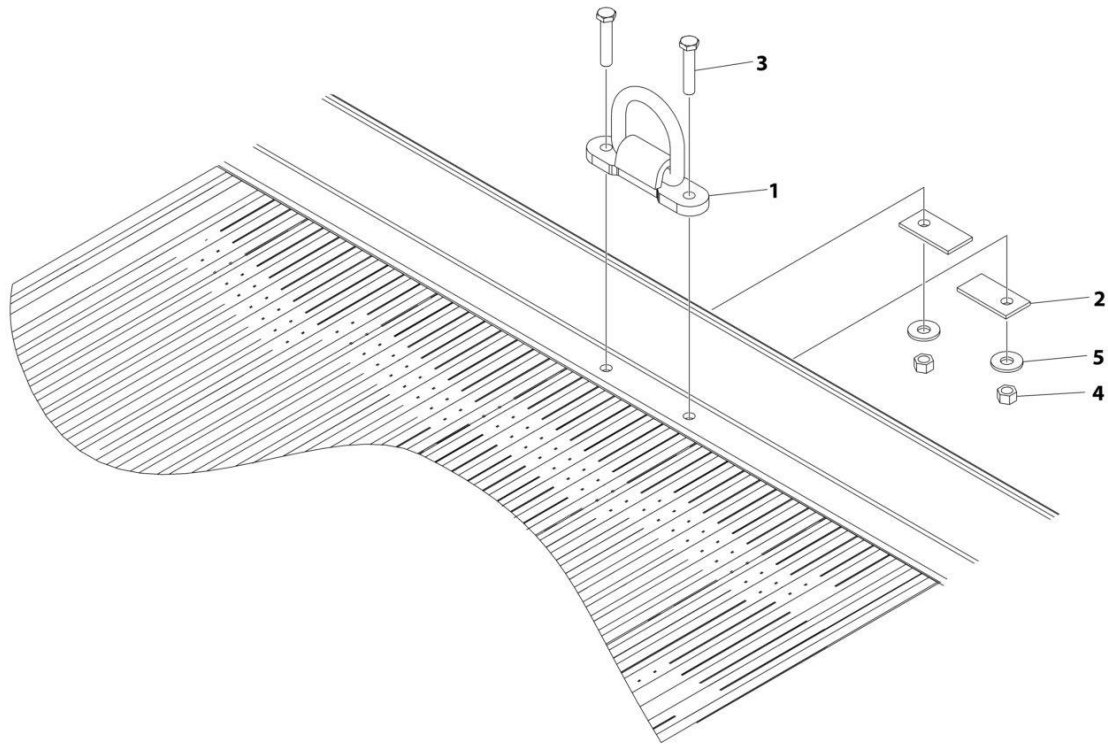
## SECTION 3 - DECK

**FIGURE 3-107. D-RINGS INSTALLATION -1 PAIR (ALUMINIUM DECK NEAR WINCH)**

ITEM	PART NUMBER	QTY	DESCRIPTION	REV
	1001188646	Ref	D-RINGS BOLT-ON AT WINCH ALUMINIUM DECK INSTALLATION	A
1	1001171652	2	D-Ring	
2	4706003374	4	Plate	
3	7115182250	4	Capscrew 1/2 x 2-3/4	
4	7660182601	4	Nut 1/2	
5	7950180141	8	Washer 1/2	

# SECTION 3 - DECK

## FIGURE 3-108. D-RINGS INSTALLATION - 4 PAIR (ALUMINIUM DECK)



ART\_1001171658

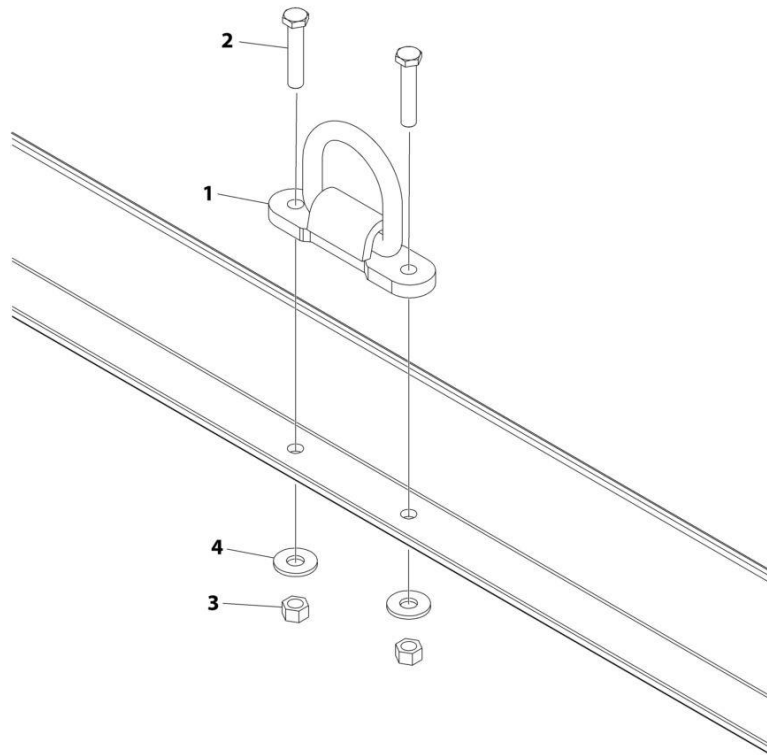
## SECTION 3 - DECK

**FIGURE 3-108. D-RINGS INSTALLATION - 4 PAIR (ALUMINIUM DECK)**

ITEM	PART NUMBER	QTY	DESCRIPTION	REV
	1001171658	Ref	D-RINGS INSTALLATION - BOLT-ON 4 PAIRS EQUALLY SPACED (ALUMINIUM DECK)	B
1	1001171652	8	D-Ring	
2	4706003374	16	Plate	
3	1001248245	16	Bolt 1/2 x 2-1/8	
4	3271805	16	Nut 1/2	
5	4711800	16	Washer 1/2	

# SECTION 3 - DECK

## FIGURE 3-109. D-RINGS INSTALLATION - 1 PAIR (STEEL DECK)



ART\_1001171659

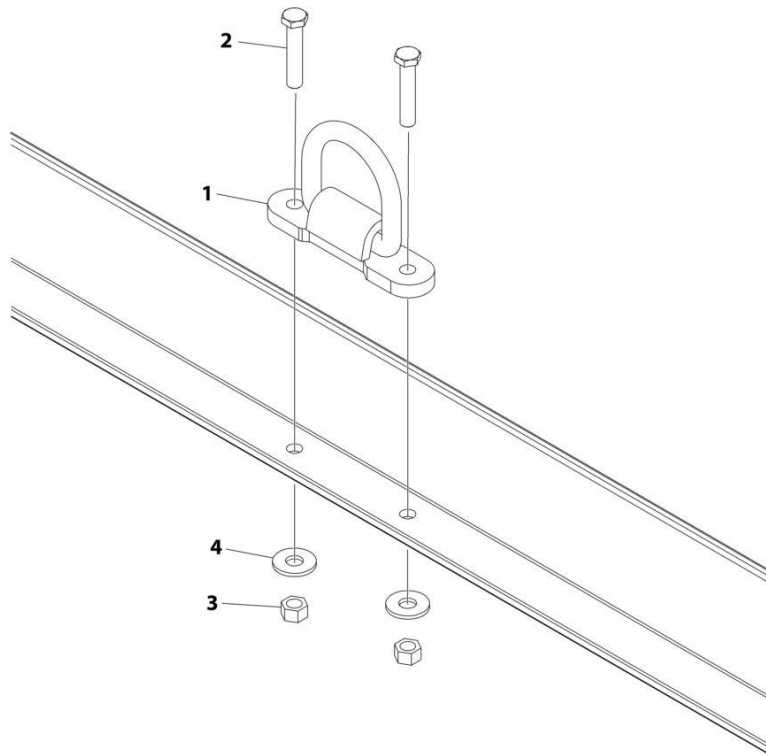
## SECTION 3 - DECK

### FIGURE 3-109. D-RINGS INSTALLATION - 1 PAIR (STEEL DECK)

ITEM	PART NUMBER	QTY	DESCRIPTION	REV
	1001171659	Ref	D-RINGS, 5/8IN BOLT-ON, 1 PAIR, STEEL DECK	B
1	1001171652	2	D-Ring	
2	1001248245	4	Bolt 1/2 x 2-1/8	
3	3271805	4	Nut 1/2	
4	4711800	4	Washer 1/2	

# SECTION 3 - DECK

## FIGURE 3-110. D-RINGS INSTALLATION - 2 PAIR (STEEL DECK)



ART\_1001171660

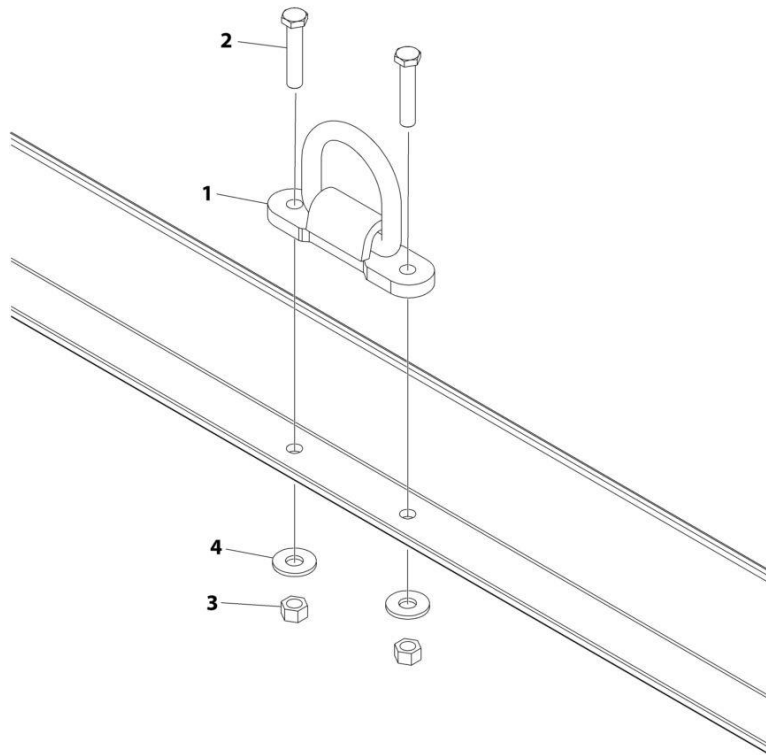
## SECTION 3 - DECK

### FIGURE 3-110. D-RINGS INSTALLATION - 2 PAIR (STEEL DECK)

ITEM	PART NUMBER	QTY	DESCRIPTION	REV
	1001171660	Ref	D-RINGS, 5/8IN BOLT-ON, 2 PAIR, STEEL	B
1	1001171652	4	D-Ring	
2	1001248245	8	Bolt 1/2 x 2-1/8	
3	3271805	8	Nut 1/2	
4	4711800	8	Washer 1/2	

# SECTION 3 - DECK

## FIGURE 3-111. D-RINGS INSTALLATION - 3 PAIR (STEEL DECK)



ART\_1001171661



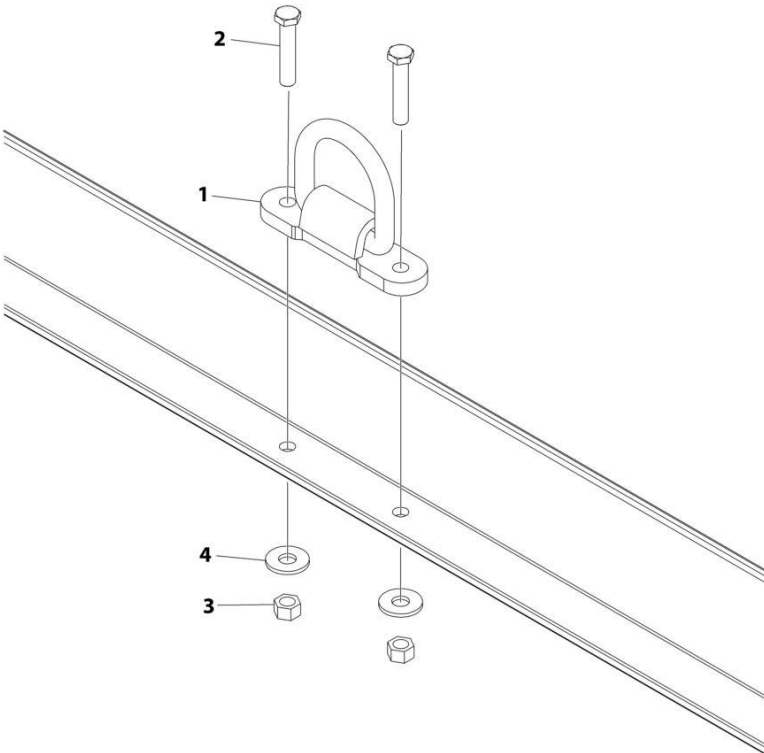
## SECTION 3 - DECK

### FIGURE 3-111. D-RINGS INSTALLATION - 3 PAIR (STEEL DECK)

ITEM	PART NUMBER	QTY	DESCRIPTION	REV
	1001171661	Ref	D-RINGS INSTALLATION - BOLT-ON 3 PAIRS EQUALLY SPACED (STEEL DECK)	B
1	1001171652	6	D-Ring	
2	1001248245	12	Bolt 1/2 x 2-1/8	
3	3271805	12	Nut 1/2	
4	4711800	12	Washer 1/2	

**SECTION 3 - DECK**

**FIGURE 3-112. D-RINGS INSTALLATION - 4 PAIR (STEEL DECK)**



ART\_1001171662

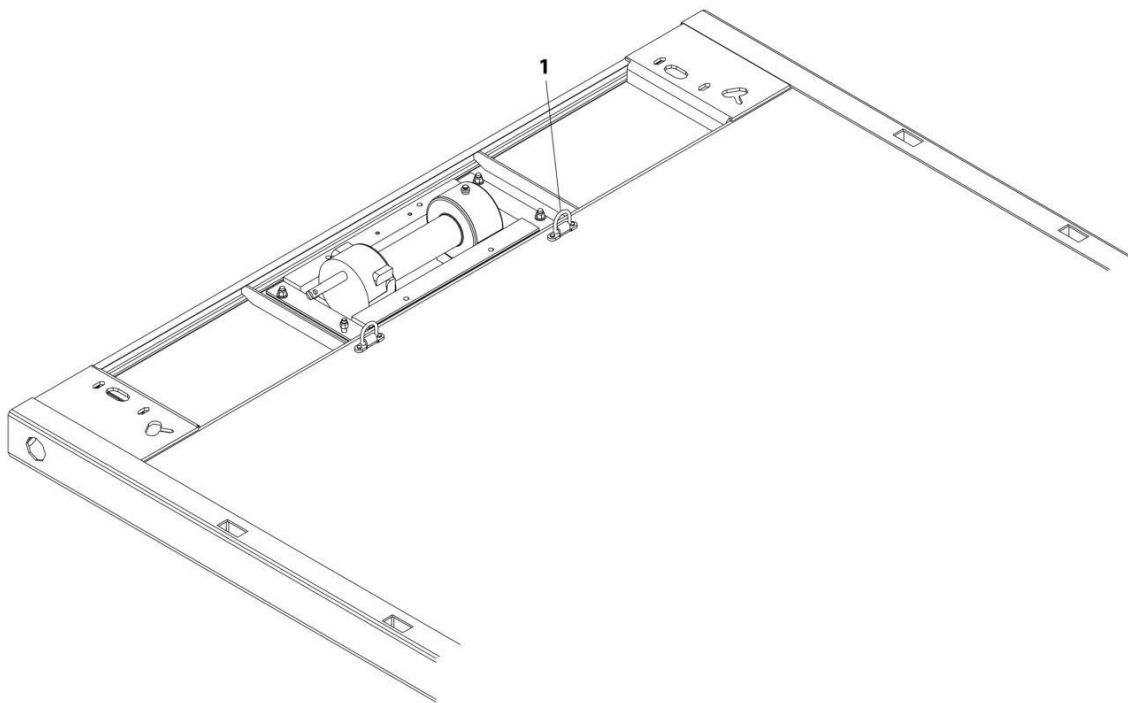
## SECTION 3 - DECK

**FIGURE 3-112. D-RINGS INSTALLATION - 4 PAIR (STEEL DECK)**

ITEM	PART NUMBER	QTY	DESCRIPTION	REV
	1001171662	Ref	D-RINGS INSTALLATION - BOLT-ON 4 PAIRS EQUALLY SPACED (STEEL DECK)	B
1	1001171652	8	D-Ring	
2	1001248245	16	Bolt 1/2 x 2-1/8	
3	3271805	16	Nut 1/2	
4	4711800	16	Washer 1/2	

## SECTION 3 - DECK

FIGURE 3-113. D-RINGS INSTALLATION -1 PAIR (STEEL DECK NEAR WINCH)



ART\_1001188647

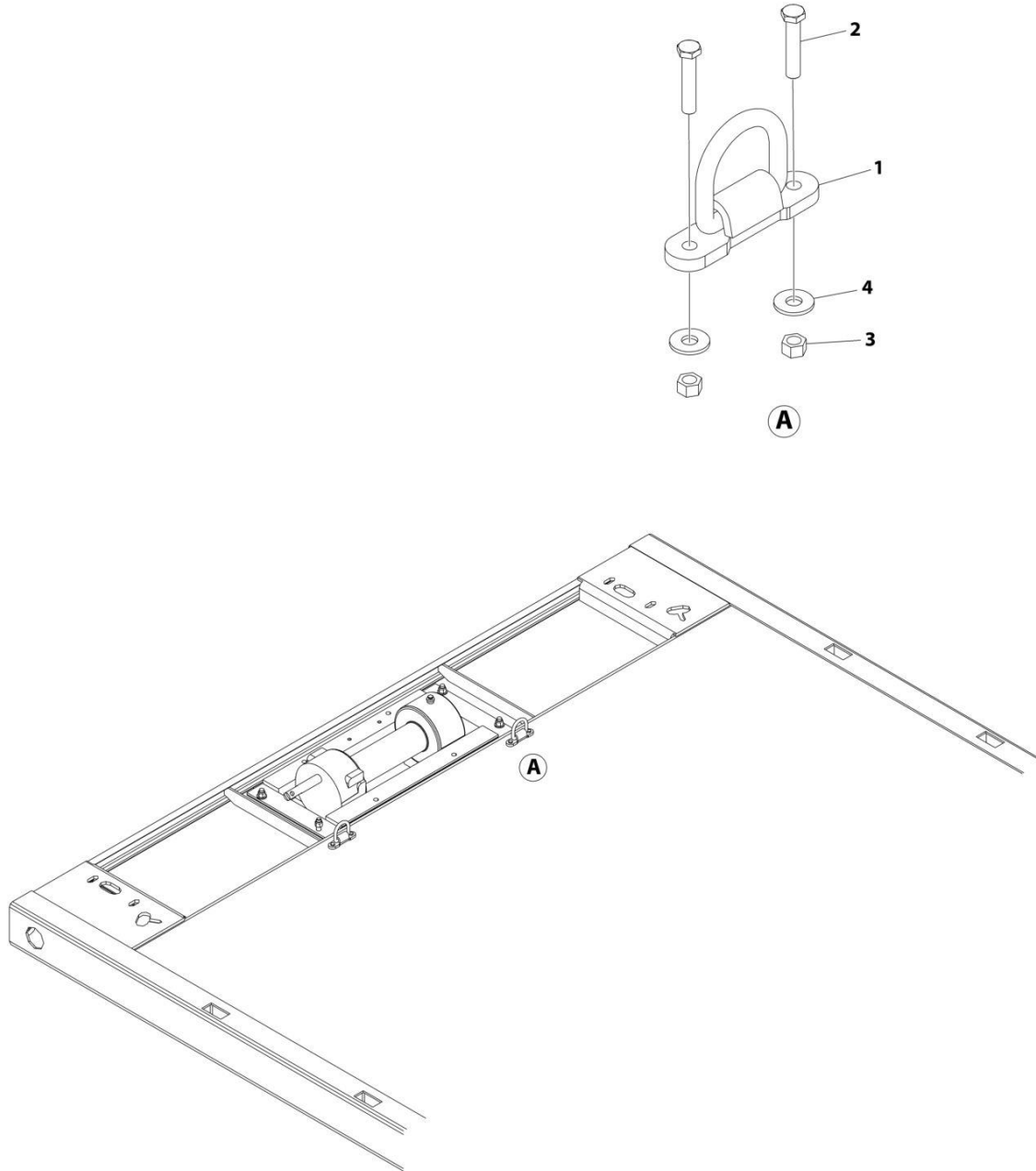
## SECTION 3 - DECK

**FIGURE 3-113. D-RINGS INSTALLATION -1 PAIR (STEEL DECK NEAR WINCH)**

ITEM	PART NUMBER	QTY	DESCRIPTION	REV
1	1001188647 7754000068	Ref 2	D-RINGS, 5/8IN WELD-ON NEAR WINCH, 1 PAIR, STEEL D-Ring	B

# SECTION 3 - DECK

FIGURE 3-114. D-RINGS INSTALLATION -1 PAIR (TRANSPORTER NEAR WINCH)



ART\_1001188648

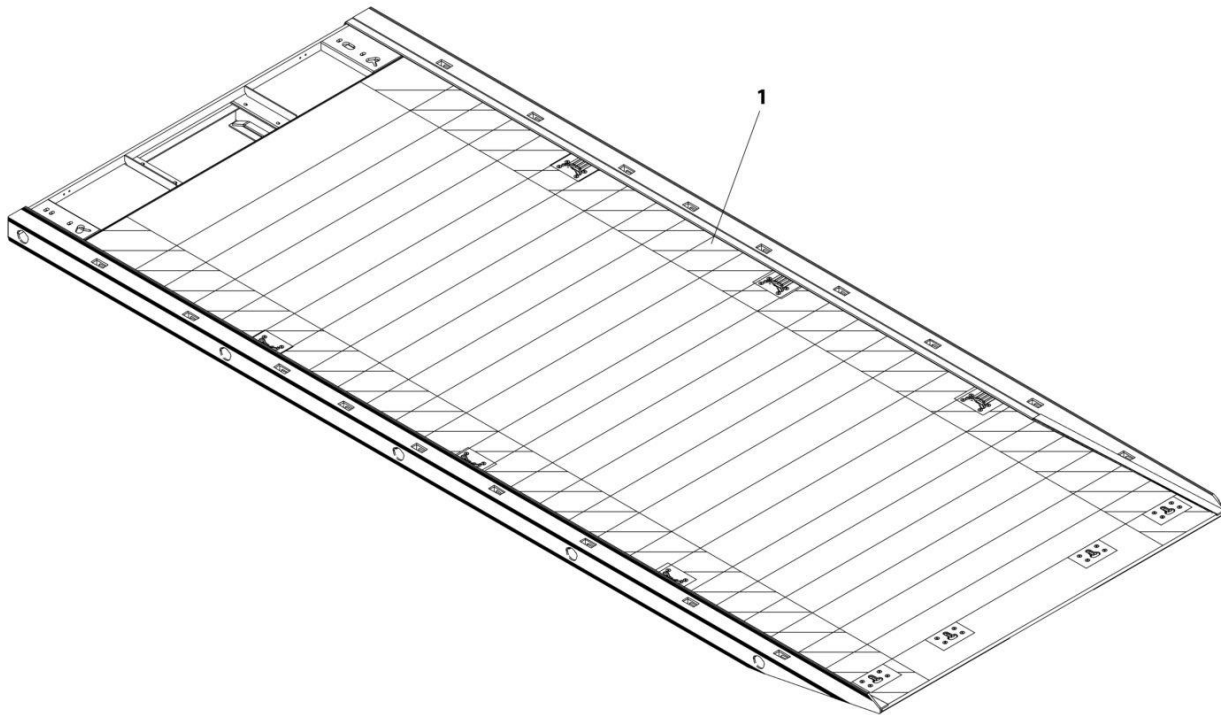
## SECTION 3 - DECK

**FIGURE 3-114. D-RINGS INSTALLATION -1 PAIR (TRANSPORTER NEAR WINCH)**

ITEM	PART NUMBER	QTY	DESCRIPTION	REV
	1001188648	Ref	D-RINGS, 5/8IN BOLT-ON NEAR WINCH, 1 PAIR, TRANSPORTER	B
1	1001171652	2	D-Ring	
2	7115182250	4	Capscrew 1/2 x 2-3/4	
3	7660182601	4	Nut 1/2	
4	7950180141	4	Washer 1/2	

# SECTION 3 - DECK

## FIGURE 3-115. ANTI-SLIP TAPE INSTALLATION (SIDES)



ART\_1001263057

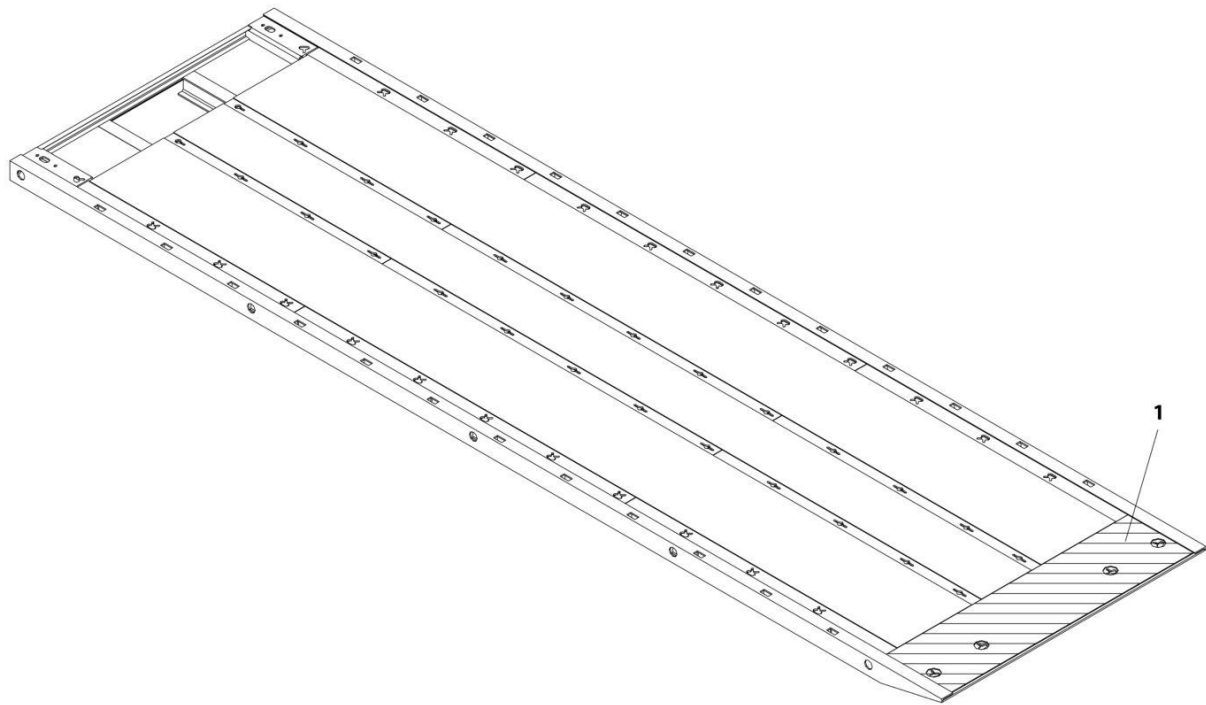


**FIGURE 3-115. ANTI-SLIP TAPE INSTALLATION (SIDES)**

<b>ITEM</b>	<b>PART NUMBER</b>	<b>QTY</b>	<b>DESCRIPTION</b>	<b>REV</b>
1	1001263057 1001263247	Ref 60 ft / 18.3m	ANTI-SLIP TAPE INSTALLATION (SIDES) Tape	A

# SECTION 3 - DECK

## FIGURE 3-116. ANTI-SLIP PAINT INSTALLATION (DECK APPROACH END)



ART\_1001232775

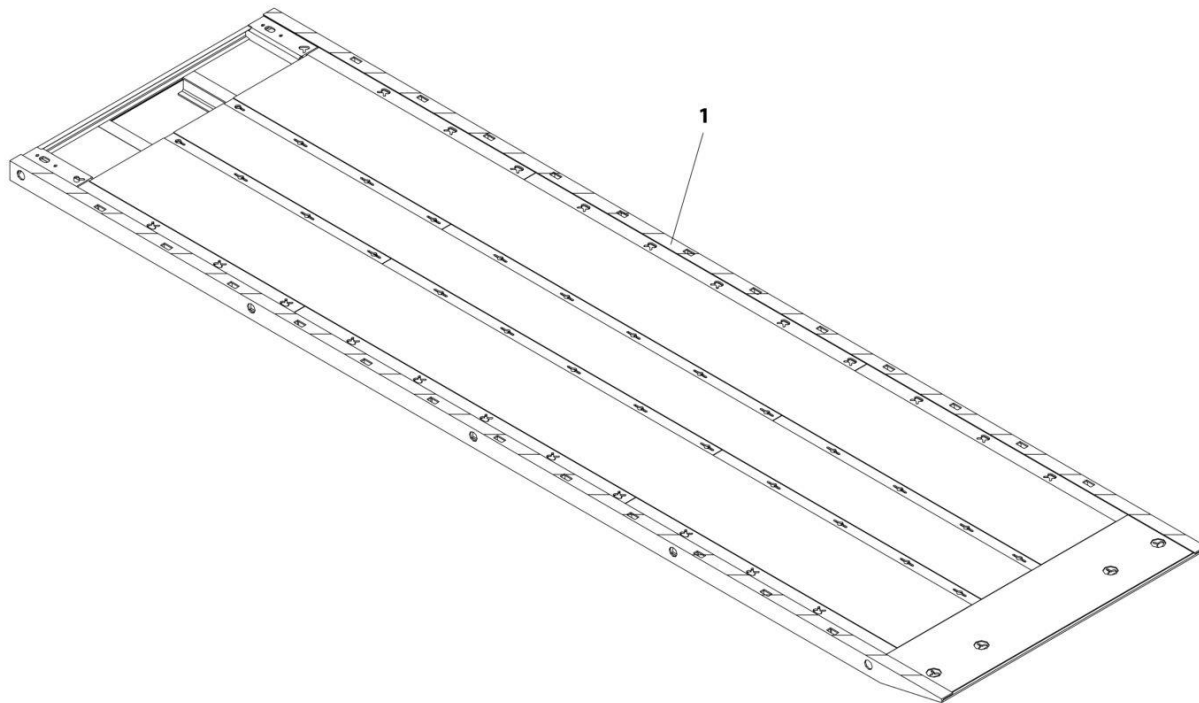
## SECTION 3 - DECK

**FIGURE 3-116. ANTI-SLIP PAINT INSTALLATION (DECK APPROACH END)**

ITEM	PART NUMBER	QTY	DESCRIPTION	REV
1	1001232775	Ref	ANTI-SLIP PAINT INSTALLATION (DECK APPROACH END)	B
	1001219737	AR	Paint, Non-Skid Yellow (1GAL Can)	

# SECTION 3 - DECK

FIGURE 3-117. ANTI-SLIP PAINT INSTALLATION (STEEL DECK SIDES)



ART\_1001228190

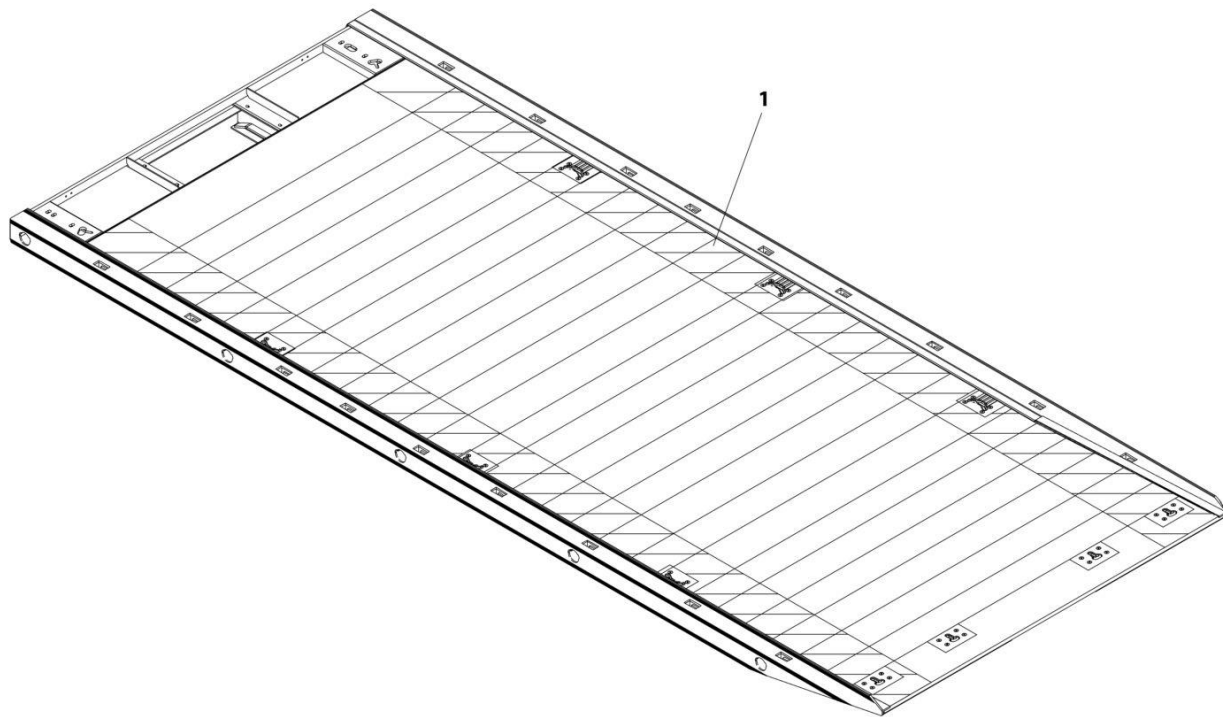
## SECTION 3 - DECK

**FIGURE 3-117. ANTI-SLIP PAINT INSTALLATION (STEEL DECK SIDES)**

ITEM	PART NUMBER	QTY	DESCRIPTION	REV
1	1001228190 1001219737	Ref AR	ANTI-SLIP PAINT INSTALLATION (STEEL DECK SIDES) Paint, Non-Skid Yellow (1GAL Can)	A

# SECTION 3 - DECK

FIGURE 3-118. ANTI-SLIP PAINT INSTALLATION (ALUMINUM DECK SIDES)



ART\_1001260335

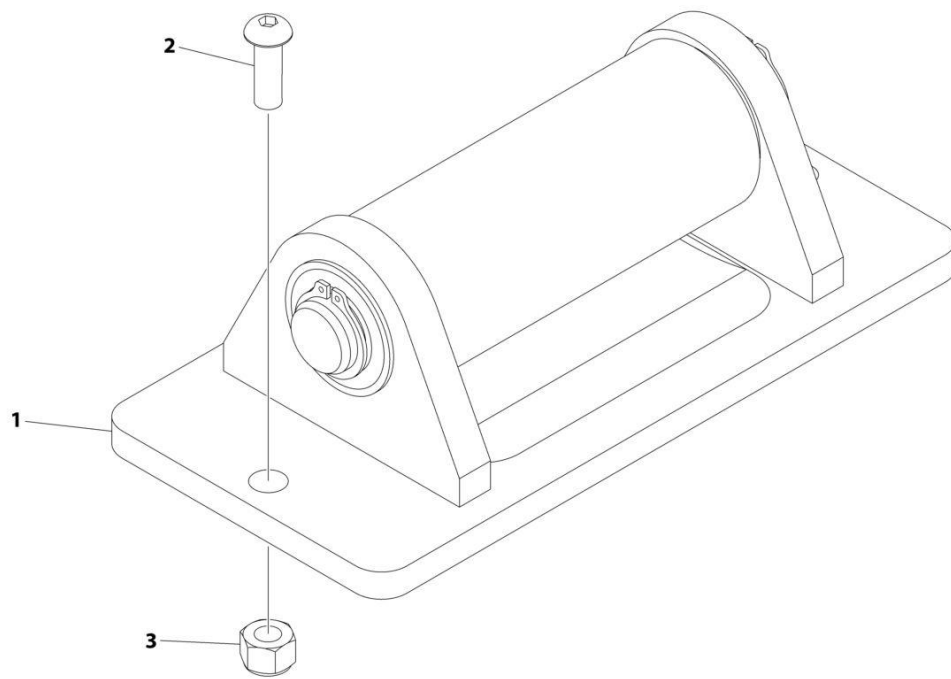
## SECTION 3 - DECK

**FIGURE 3-118. ANTI-SLIP PAINT INSTALLATION (ALUMINUM DECK SIDES)**

ITEM	PART NUMBER	QTY	DESCRIPTION	REV
1	1001260335 1001219737	Ref AR	ANTI-SLIP PAINT INSTALLATION (ALUMINUM DECK SIDES) Paint, Non-Skid Yellow (1GAL Can)	A

# SECTION 3 - DECK

## FIGURE 3-119. DECK ROLLERS AT APPROACH TIP



ART\_1001148999



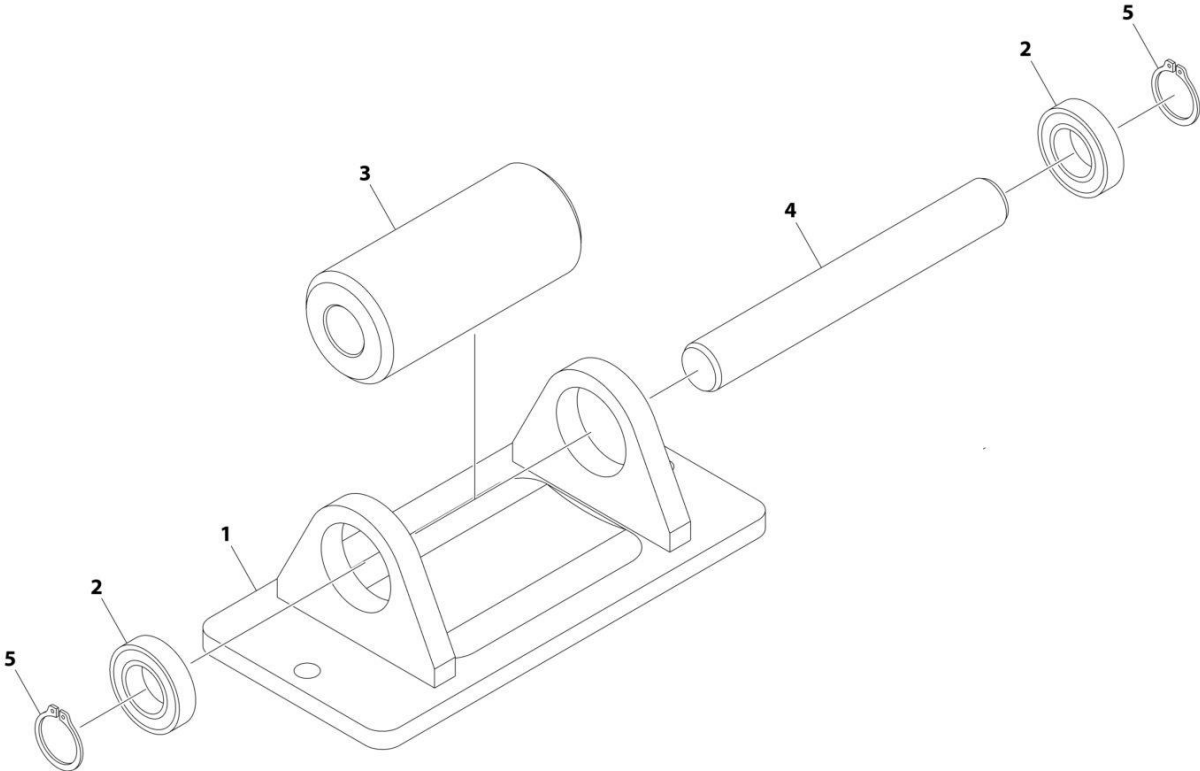
## SECTION 3 - DECK

### FIGURE 3-119. DECK ROLLERS AT APPROACH TIP

ITEM	PART NUMBER	QTY	DESCRIPTION	REV
1	1001148999 3550001913	Ref 2	Deck Rollers at Approach Tip Roller Bracket Assembly (See Separate Breakdown in this Section)	A
2	7114181218	4	Capscrew 1/2 x 1-1/2	
3	7660182601	4	Nut 1/2	

**SECTION 3 - DECK**

**FIGURE 3-120. ROLLER BRACKET ASSEMBLY**



ART\_3550001913

FIGURE 3-120. ROLLER BRACKET ASSEMBLY

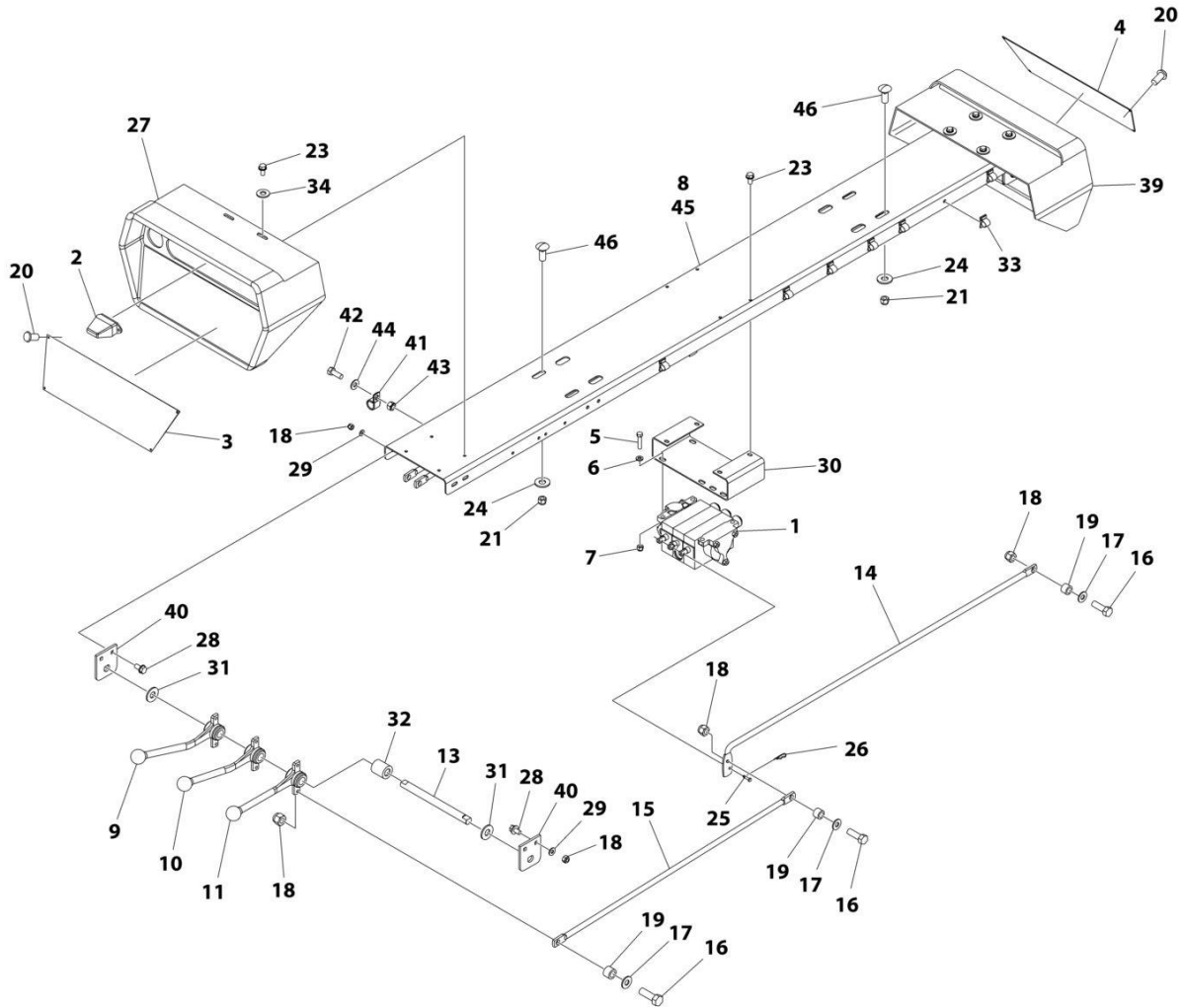
ITEM	PART NUMBER	QTY	DESCRIPTION	REV
	3550001913	Ref	Roller Bracket Assembly	B
1	3550001912	1	Bracket Weldment	
2	7550000074	2	Bearing	
3	7550000073	1	Roller	
4	4691000568	1	Pin	
5	7754000022	2	Retaining Ring	



**SECTION 4 - CONTROLS**

# SECTION 4 - CONTROLS

## FIGURE 4-1. 3 BANK VALVE CONTROLS INSTALLATION - NO/MANUAL TOW



ART\_2296000107

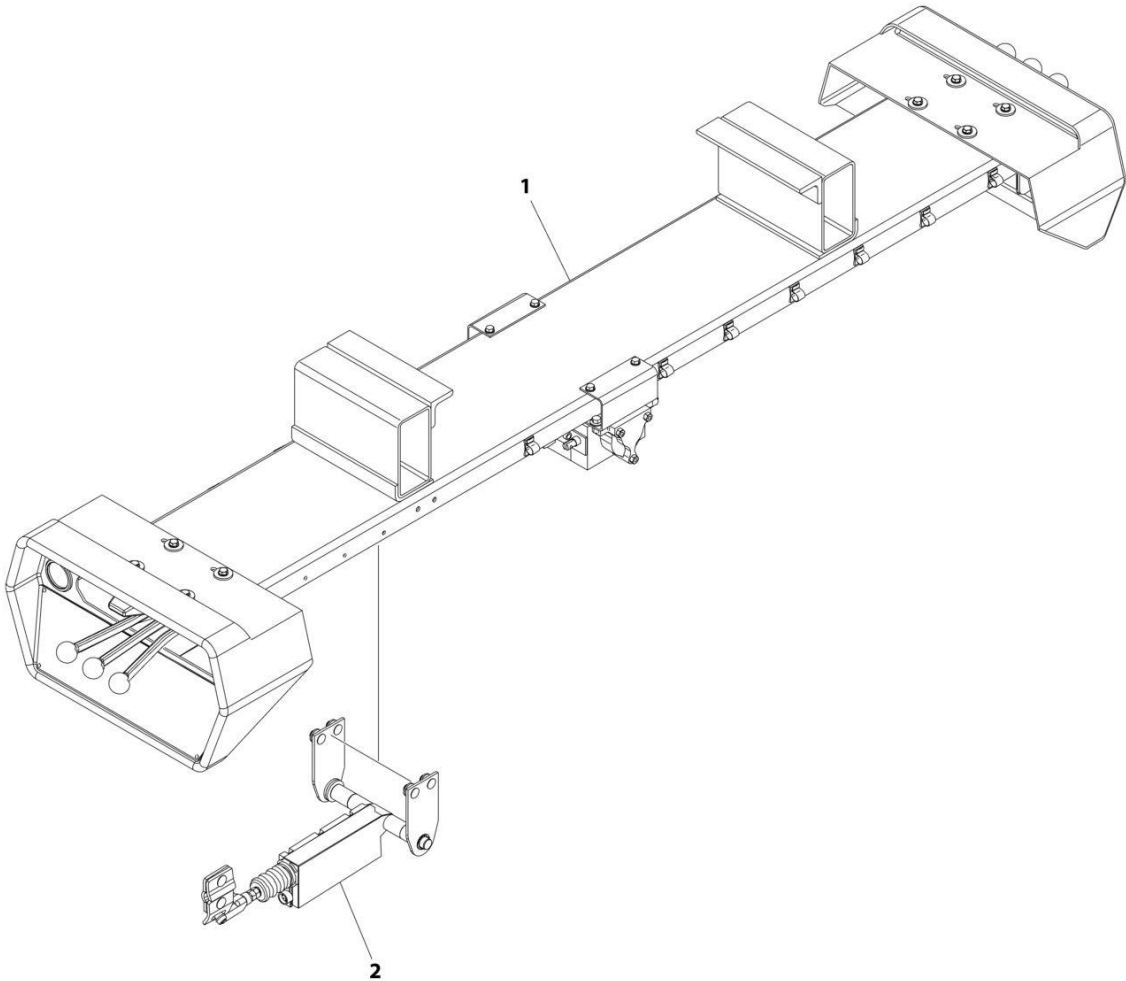
## SECTION 4 - CONTROLS

**FIGURE 4-1. 3 BANK VALVE CONTROLS INSTALLATION - NO/MANUAL TOW**

ITEM	PART NUMBER	QTY	DESCRIPTION	REV
	2296000107	Ref	3 BANK CONTROLS INSTALLATION - NO/MAN TOW	I
1	3935000115	1	Valve Assembly (See Separate Breakdown in this Section)	
2	1001143764	2	Lamp	
3	7330000648	1	Decal Control Panel, LH	
4	7330000649	1	Decal Control Panel, RH	
5	7111161050	4	Capscrew 3/8 x 1-1/4	
6	7950160161	4	Washer 3/8	
7	7660162601	4	Nut 3/8	
8	1001135273	1	Channel	
9	7551000021	2	Control Handle	
10	7551000020	2	Control Handle	
11	7551000018	2	Control Handle	
13	7691000064	2	Pin	
14	4763000280	3	Control Rod	
15	4763000279	3	Control Rod	
16	7115150850	9	Capscrew 5/16 x 1	
17	7949000011	9	Washer	
18	7660152601	17	Nut 5/16	
19	4831000069	9	Spacer	
20	7759000006	8	Rivet	
21	7660182601	4	Nut 1/2	
23	7790151253	12	Screw 5/16 x 3/4	
24	7950180161	4	Washer 1/2	
25	7690101200	3	Clevis Pin	
26	7691000056	3	Pin, Hairpin Cotter	
27	3560000010	1	Control Hood Assembly	
28	7115150664	8	Bolt 5/16 x 3/4	
29	7950150161	8	Washer 5/16	
30	1001135272	1	Channel	
31	7950220141	2	Washer 3/4	
32	4211000001	4	Bushing	
33	7280000007	11	Wire Clip	
34	7949000054	8	Washer	
39	7560000007	1	Control Hood, RH	
40	4606000217	4	Lug	
41	7274000063	1	Clamp	
42	7115140650	1	Capscrew 1/4 x 3/4	
43	7660142601	1	Nut 1/4	
44	7950140141	1	Washer 1/4	
45	8632000012	AR	Trim Lock	
46	7115181064	4	Bolt 1/2 x 1-1/4	

# SECTION 4 - CONTROLS

## FIGURE 4-2. 3 BANK VALVE INSTALLATION - NO/MANUAL TOW/REMOTE CONTROL



ART\_C3BNORC-TPR



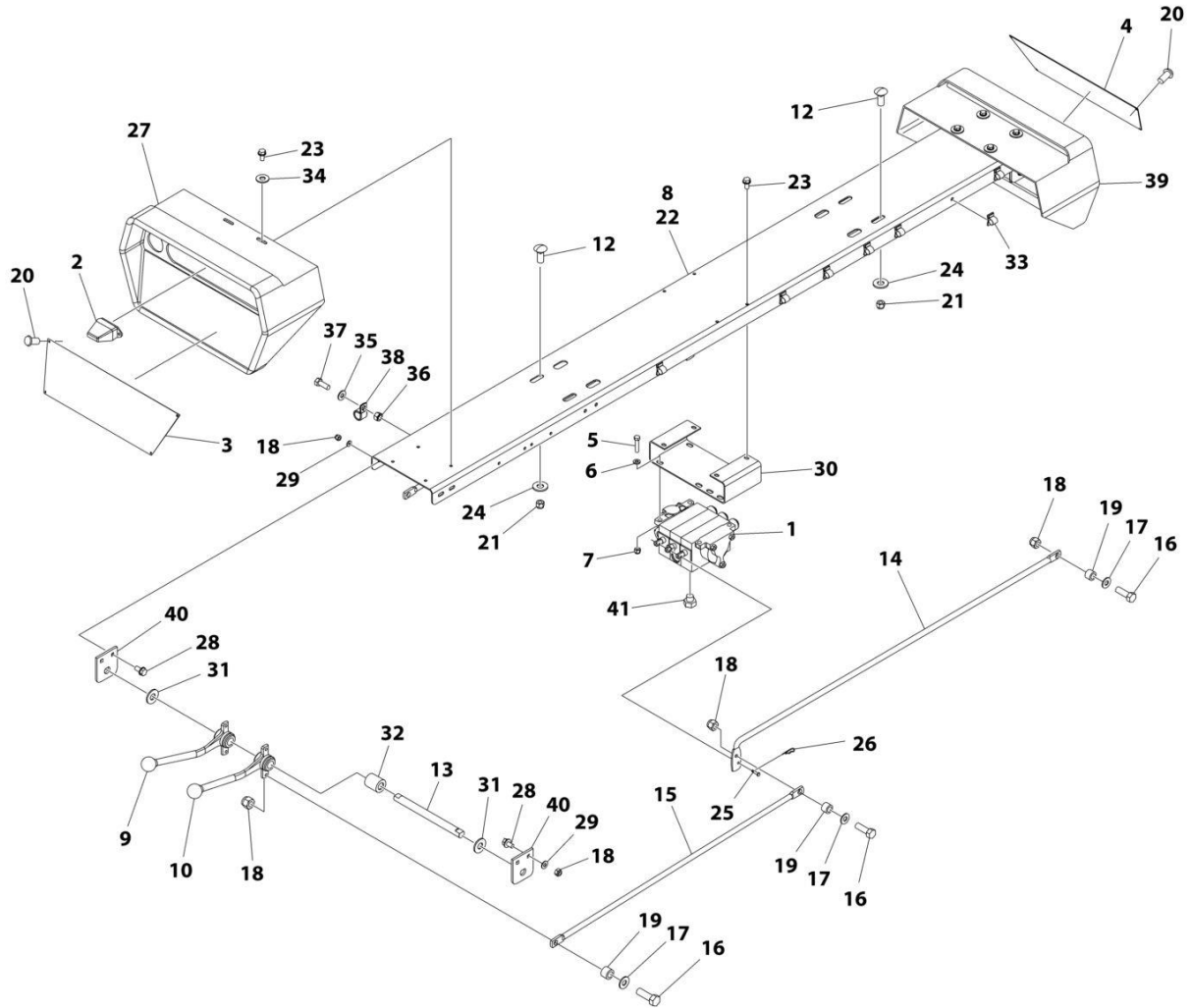
## SECTION 4 - CONTROLS

**FIGURE 4-2. 3 BANK VALVE INSTALLATION - NO/MANUAL TOW/REMOTE CONTROL**

ITEM	PART NUMBER	QTY	DESCRIPTION	REV
	C3BNORC-TPR	Ref	3 BANK VALVE INSTALLATION - NO/MANUAL TOW/REMOTE CONTROL	0
1	2296000107	1	3 Bank Controls Installation (See Separate Breakdown in this Section)	
2	2577000017	1	Linear Actuator Mount Kit (See Separate Breakdown in this Section)	

# SECTION 4 - CONTROLS

## FIGURE 4-3. 3 BANK VALVE CONTROLS INSTALLATION - NO/MANUAL TOW/NO WINCH



ART\_1001264092

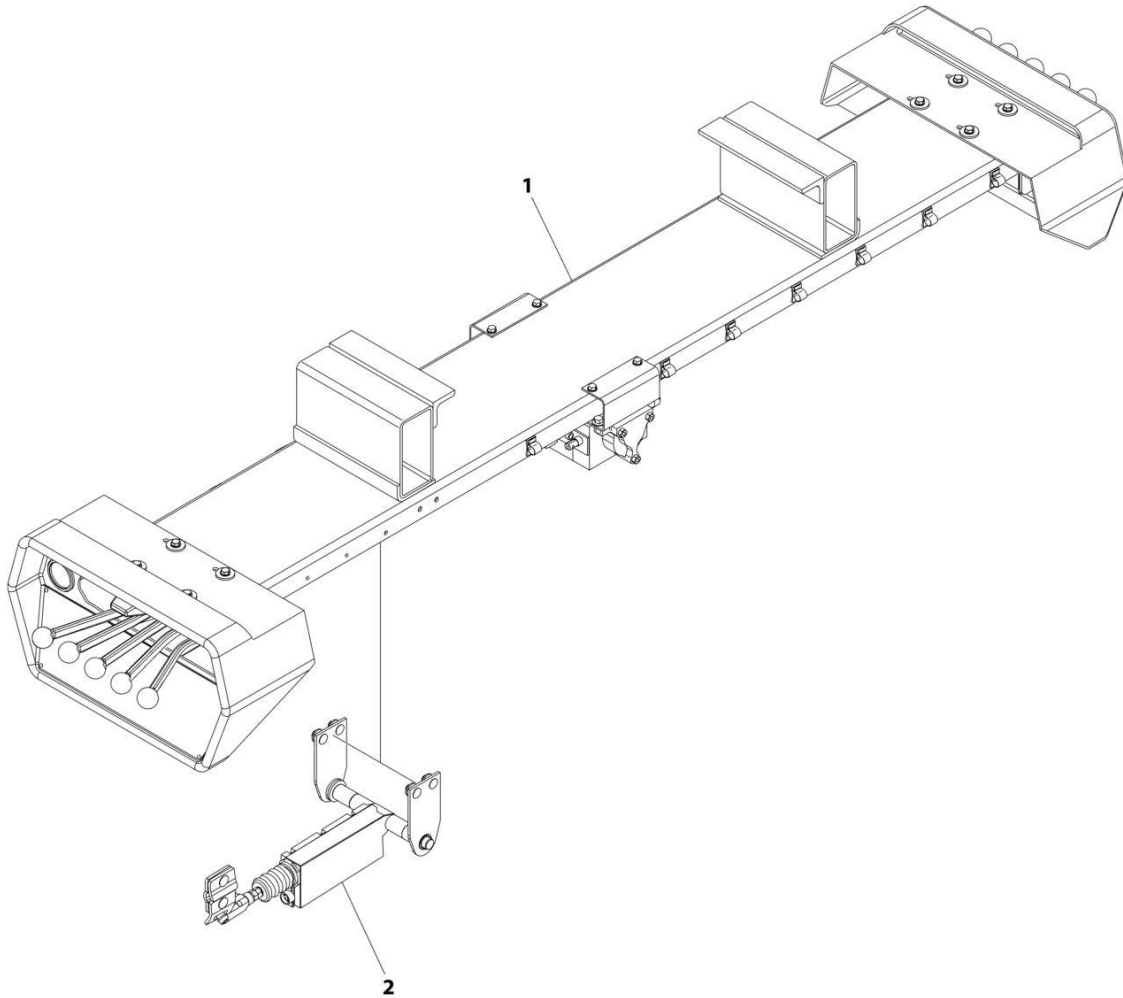
## SECTION 4 - CONTROLS

**FIGURE 4-3. 3 BANK VALVE CONTROLS INSTALLATION - NO/MANUAL TOW/NO WINCH**

ITEM	PART NUMBER	QTY	DESCRIPTION	REV
	1001264092	Ref	3 BANK CONTROLS INSTALLATION - WITHOUT WINCH MOTOR SPOOL	A
1	3935000115	1	Valve Assembly (See Separate Breakdown in this Section)	
2	1001143764	2	Lamp	
3	1001264086	1	Decal Control Panel, LH	
4	1001264087	1	Decal Control Panel, RH	
5	7111161050	2	Capscrew 3/8 x 1-1/4	
6	7950160161	2	Washer 3/8	
7	7660162601	2	Nut 3/8	
8	1001170189	1	Channel	
9	7551000021	2	Control Handle	
10	7551000020	2	Control Handle	
12	7115181064	4	Bolt 1/2 x 1-1/4	
13	7691000064	2	Pin	
14	1001170187	2	Control Rod	
15	1001170188	2	Control Rod	
16	7115150850	6	Capscrew 5/16 x 1	
17	7949000011	6	Washer	
18	7660152601	14	Nut 5/16	
19	4831000069	6	Spacer	
20	7759000006	8	Rivet	
21	7660182601	4	Nut 1/2	
22	8632000012	AR	Trim Lock	
23	7790151253	12	Screw 5/16 x 3/4	
24	7950180161	4	Washer 1/2	
25	7690101200	2	Clevis Pin	
26	7691000056	2	Pin, Hairpin Cotter	
27	3560000010	1	Control Hood Assembly	
28	7115150664	8	Bolt 5/16 x 3/4	
29	7950150161	8	Washer 5/16	
30	1001135272	1	Channel	
31	7950220141	2	Washer 3/4	
32	4211000001	6	Bushing	
33	7280000007	11	Wire Clip	
34	7949000054	8	Washer	
35	7950140141	1	Washer 1/4	
36	7660142601	1	Nut 1/4	
37	7115140650	1	Capscrew 1/4 x 3/4	
38	7274000063	1	Clamp	
39	7560000007	1	Control Hood, RH	
40	4606000217	4	Lug	
41	7443000048	2	Fitting Plug	

# SECTION 4 - CONTROLS

## FIGURE 4-4. 3 BANK VALVE CONTROLS INSTALLATION - NO/MANUAL TOW/WINCHMOTOR SPOOL



ART\_1001261141

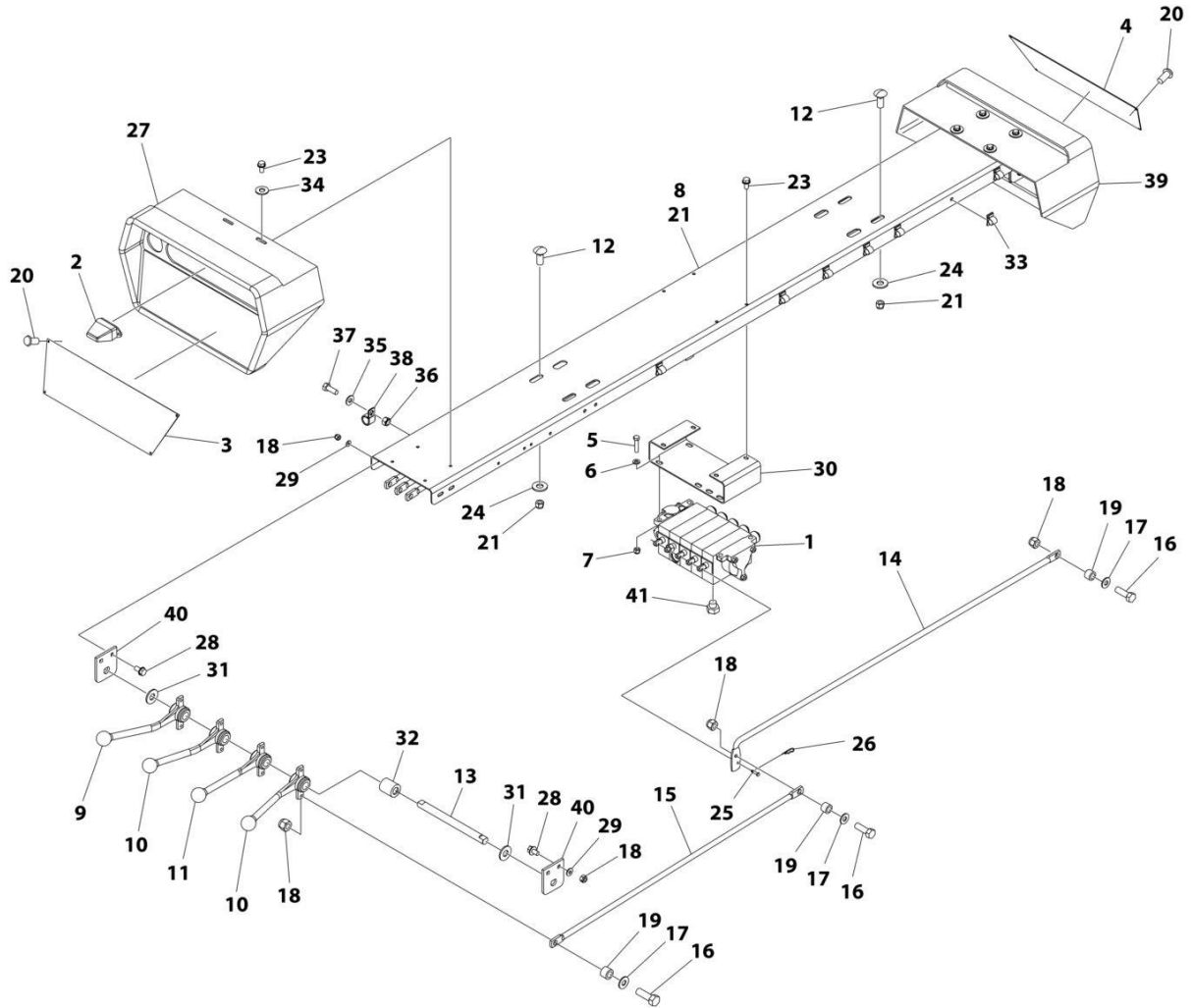
## SECTION 4 - CONTROLS

**FIGURE 4-4. 3 BANK VALVE CONTROLS INSTALLATION - NO/MANUAL TOW/WINCHMOTOR SPOOL**

ITEM	PART NUMBER	QTY	DESCRIPTION	REV
	1001261141	Ref	3 BANK CONTROLS INSTALLATION - WINCH MOTOR SPOOL, RADIO REMOTE	A
1	1001261140	Ref	3 Bank Controls Installation (See Separate Breakdown in this Section)	
2	2577000017	1	Linear Actuator Mount Kit (See Separate Breakdown in this Section)	

# SECTION 4 - CONTROLS

## FIGURE 4-5. 3 BANK VALVE CONTROLS INSTALLATION - NO/MANUAL TOW/WINCHMOTOR SPOOL



ART\_1001261140

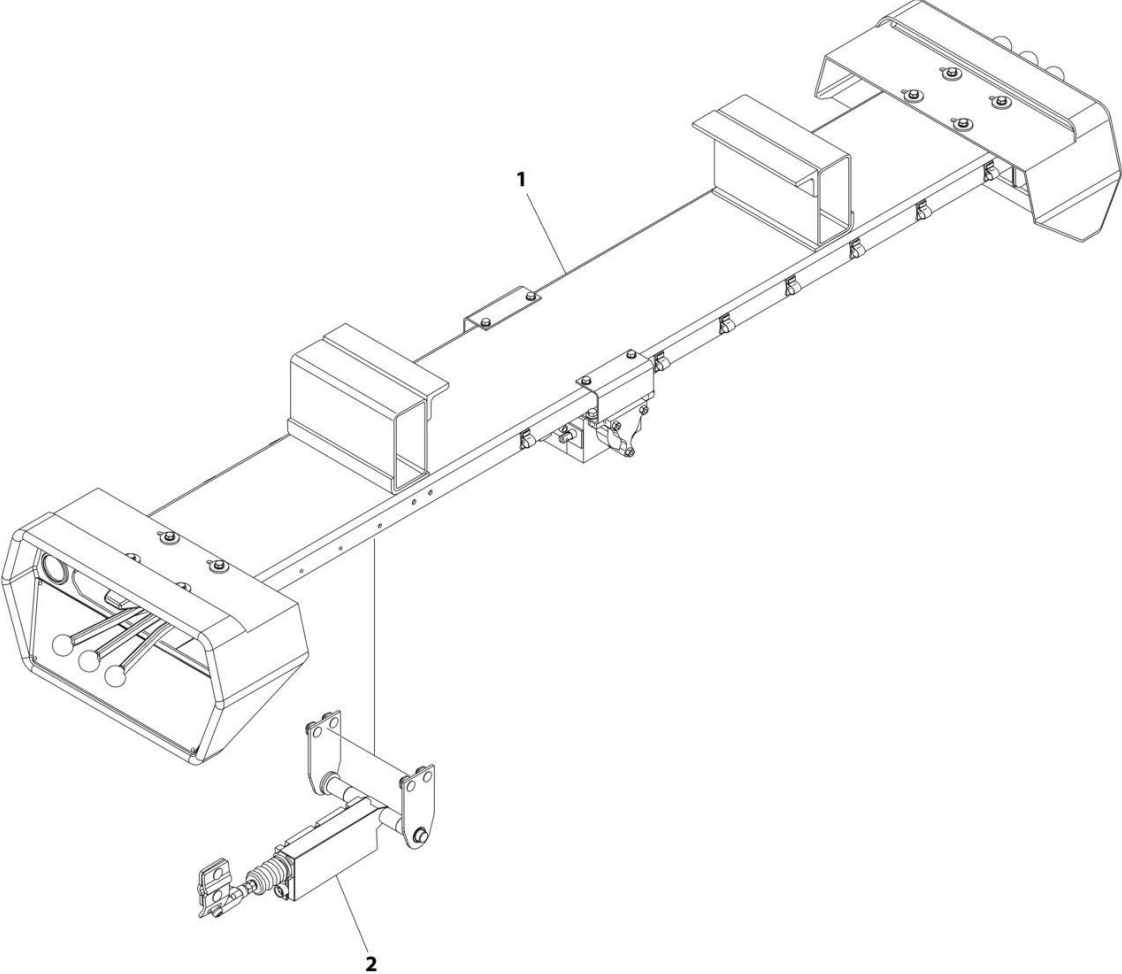
## SECTION 4 - CONTROLS

**FIGURE 4-5. 3 BANK VALVE CONTROLS INSTALLATION - NO/MANUAL TOW/WINCHMOTOR SPOOL**

ITEM	PART NUMBER	QTY	DESCRIPTION	REV
	1001261140	Ref	3 BANK CONTROLS INSTALLATION - WINCH MOTOR SPOOL	A
1	1001146603	1	Valve Assembly (See Separate Breakdown in this Section)	
2	1001143764	2	Lamp	
3	7330000648	1	Decal Control Panel, LH	
4	7330000649	1	Decal Control Panel, RH	
5	7111161050	4	Capscrew 3/8 x 1-1/4	
6	7950160161	4	Washer 3/8	
7	7660162601	4	Nut 3/8	
8	1001170189	1	Channel	
9	7551000021	2	Control Handle	
10	7551000020	2	Control Handle	
11	7551000018	2	Control Handle	
12	7115181064	2	Bolt 1/2 x 1-1/4	
13	7691000064	4	Pin	
14	1001170187	3	Control Rod	
15	1001170188	3	Control Rod	
16	7115150850	9	Capscrew 5/16 x 1	
17	7949000011	9	Washer	
18	7660152601	17	Nut 5/16	
19	4831000069	9	Sapcer	
20	7759000006	8	Rivet	
21	8632000012	AR	Trim Lock	
22	7660182601	4	Nut 1/2	
23	7790151253	12	Screw 5/16 x 3/4	
24	7950180161	4	Washer 1/2	
25	7690101200	3	Clevis Pin	
26	7691000056	3	Pin, Hairpin Cotter	
27	3560000010	1	Control Hood Assembly	
28	7115150664	8	Bolt 5/16 x 3/4	
29	7950150161	8	Washer 5/16	
30	1001135272	1	Channel	
31	7950220141	2	Washer 3/4	
32	4211000001	4	Bushing	
33	7280000007	11	Wire Clip	
34	7949000054	8	Washer	
35	7950140141	1	Washer 1/4	
36	7660142601	1	Nut 1/4	
37	7115140650	1	Capscrew 1/4 x 3/4	
38	7274000063	1	Clamp	
39	7560000007	1	Control Hood, RH	
40	4606000217	4	Lug	
41	7443000048	4	Fitting Plug	

# SECTION 4 - CONTROLS

FIGURE 4-6. 3 BANK VALVE CONTROLS INSTALLATION - NO/MANUAL TOW/REMOTE CONTROL



ART\_1001170381



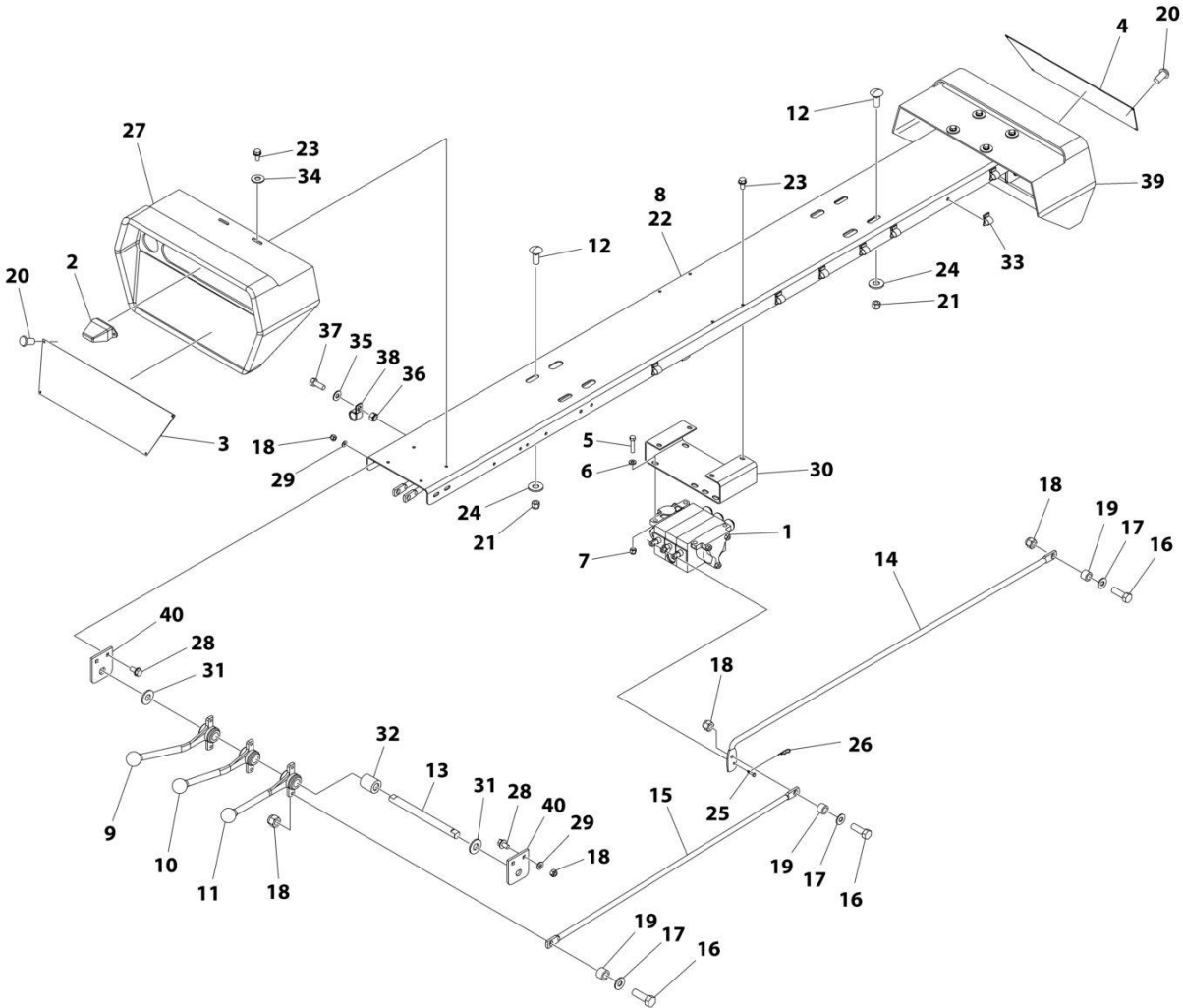
## SECTION 4 - CONTROLS

**FIGURE 4-6. 3 BANK VALVE CONTROLS INSTALLATION - NO/MANUAL TOW/REMOTE CONTROL**

ITEM	PART NUMBER	QTY	DESCRIPTION	REV
1	1001170381	Ref	3 BANK CONTROLS INSTALLATION - REMOTE CONTROL	A
	1001170378	Ref	3 Bank Controls Installation (See Separate Breakdown in this Section)	
2	2577000017	1	Linear Actuator Mount Kit (See Separate Breakdown in this Section)	

# SECTION 4 - CONTROLS

FIGURE 4-7. 3 BANK VALVE CONTROLS INSTALLATION - NO/MANUAL TOW/REMOTE CONTROL



ART\_1001170378

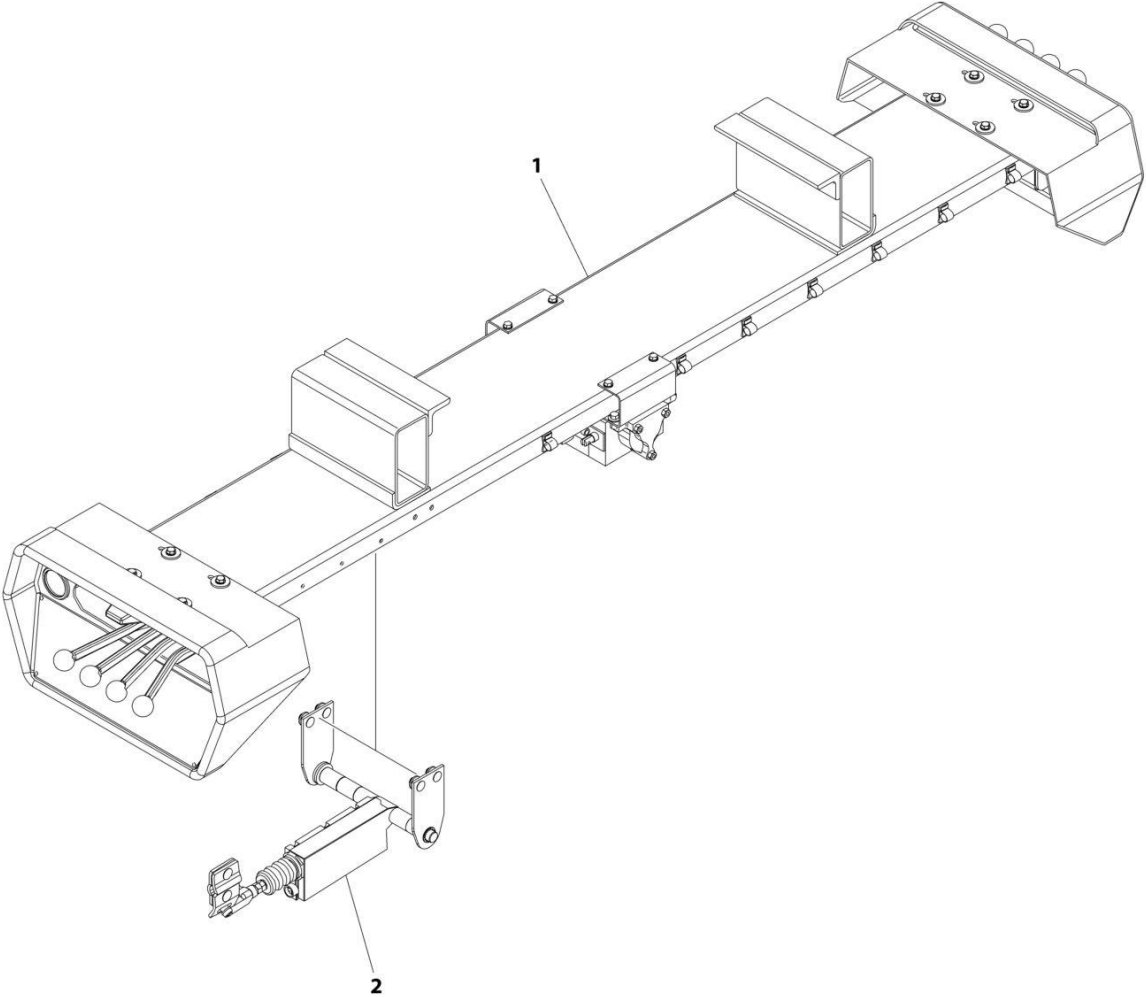
## SECTION 4 - CONTROLS

**FIGURE 4-7. 3 BANK VALVE CONTROLS INSTALLATION - NO/MANUAL TOW/REMOTE CONTROL**

ITEM	PART NUMBER	QTY	DESCRIPTION	REV
	1001170378	Ref	3 BANK CONTROLS INSTALLATION - NO/MAN TOW	A
1	3935000115	1	Valve Assembly (See Separate Breakdown in this Section)	
2	1001143764	2	Lamp	
3	7330000648	1	Decal, Control Panel, LH	
4	7330000649	1	Decal, Control Panel, RH	
5	7111161050	4	Capscrew 3/8 x 1-1/4	
6	7950160161	4	Washer 3/8	
7	7660162601	4	Nut 3/8	
8	1001170189	1	Channel	
9	7551000021	2	Control Handle	
10	7551000020	2	Control Handle	
11	7551000018	2	Control Handle	
12	7115181064	4	Bolt 1/2 x 1-1/4	
13	7691000064	2	Pin	
14	1001170187	3	Control Rod	
15	1001170188	3	Control Rod	
16	7115150850	9	Capscrew 5/16 x 1	
17	7949000011	9	Washer	
18	7660152601	17	Nut 5/16	
19	4831000069	9	Spacer	
20	7759000006	8	Rivet	
21	7660182601	4	Nut 1/2	
22	8632000012	AR	Trim Lock	
23	7790151253	12	Screw 5/16 x 3/4	
24	7950180161	4	Washer 1/2	
25	7690101200	3	Clevis Pin	
26	7691000056	3	Pin, Hairpin Cotter	
27	3560000010	1	Control Hood Assembly	
28	7115150664	8	Bolt 5/16 x 3/4	
29	7950150161	8	Washer 5/16	
30	1001135272	1	Channel	
31	7950220141	2	Washer 3/4	
32	4211000001	4	Bushing	
33	7280000007	11	Wire Clip	
34	7949000054	8	Washer	
35	7950140141	1	Washer 1/4	
36	7660142601	1	Nut 1/4	
37	7115140650	1	Capscrew 1/4 x 3/4	
38	7274000063	1	Clamp	
39	7560000007	1	Control Hood RH	
40	4606000217	4	Lug	

# SECTION 4 - CONTROLS

## FIGURE 4-8. 4 BANK VALVE INSTALLATION – HYDRAULIC TOW/REMOTE CONTROL



ART\_C4BHTRC-TPR

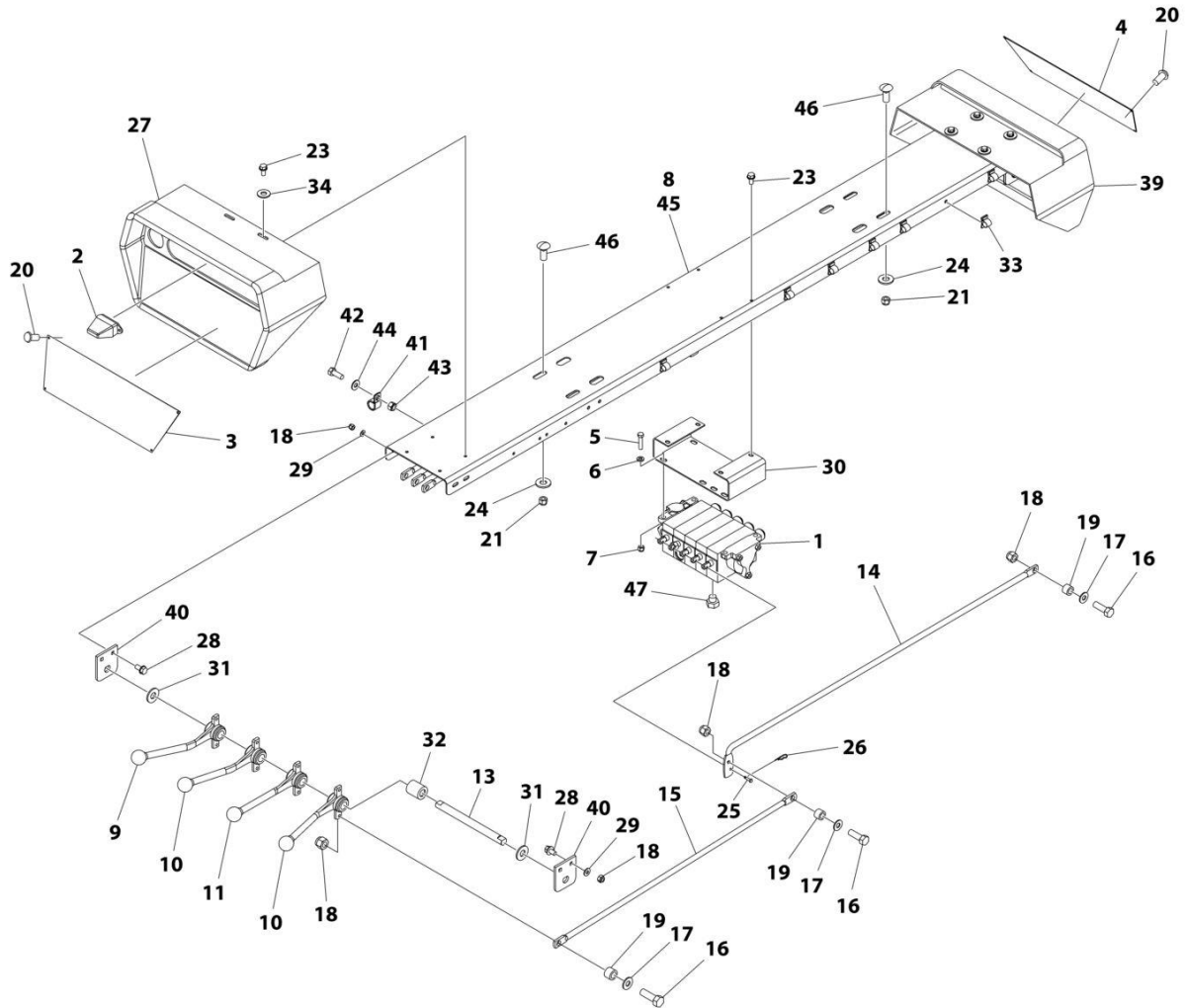
## SECTION 4 - CONTROLS

**FIGURE 4-8. 4 BANK VALVE INSTALLATION – HYDRAULIC TOW/REMOTE CONTROL**

ITEM	PART NUMBER	QTY	DESCRIPTION	REV
1	C4BHTRC-TPR 2296000112	Ref 1	4 BANK VALVE INSTALLATION - HYD TOW/REMOTE CONTROL 4 Bank Controls Installation (See Separate Breakdown in this Section)	0
2	2577000017	1	Linear Actuator Mount Kit (See Separate Breakdown in this Section)	

# SECTION 4 - CONTROLS

## FIGURE 4-9. 4 BANK VALVE CONTROLS INSTALLATION - HYDRAULIC TOW



ART\_2296000112

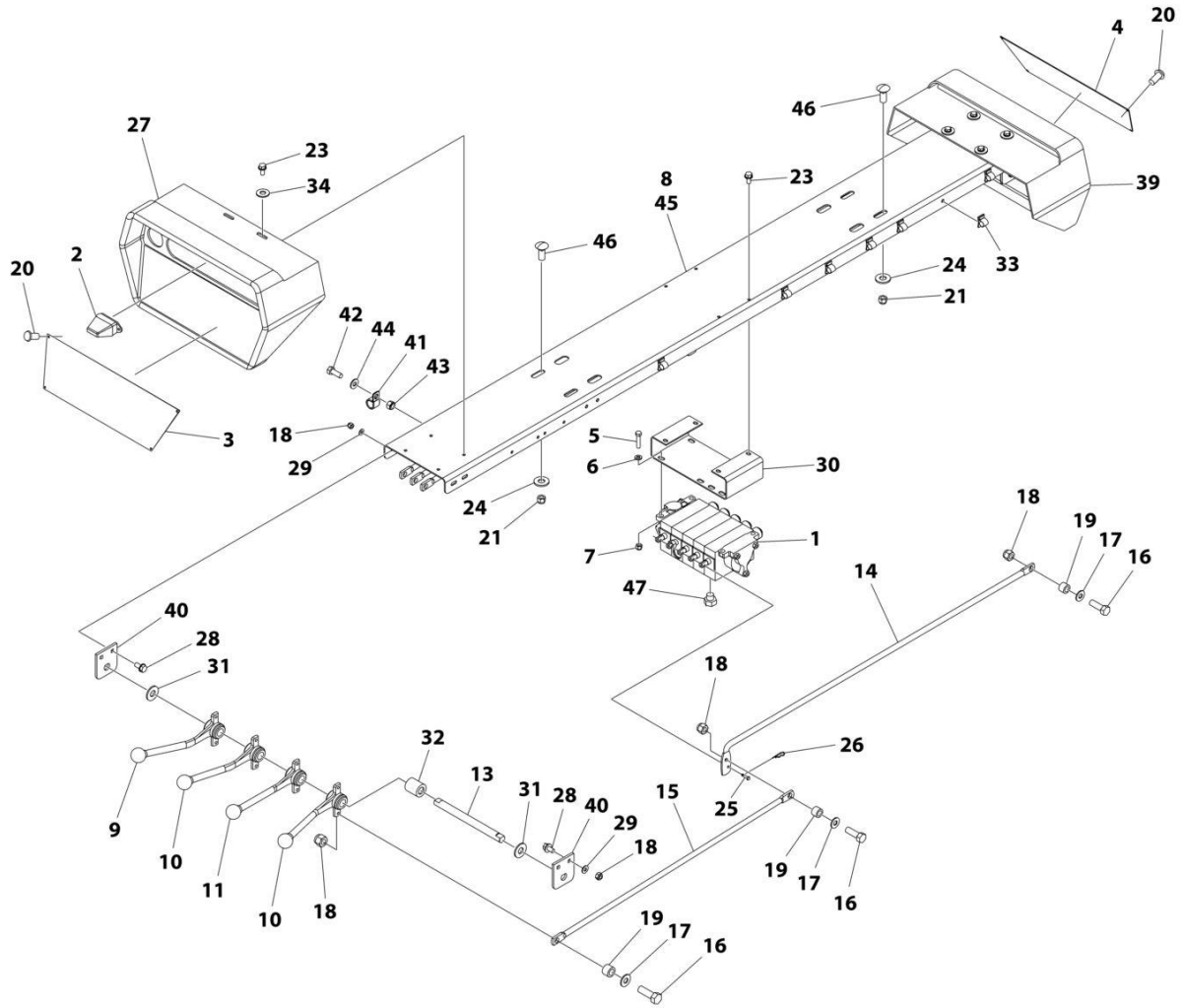
## SECTION 4 - CONTROLS

**FIGURE 4-9. 4 BANK VALVE CONTROLS INSTALLATION - HYDRAULIC TOW**

ITEM	PART NUMBER	QTY	DESCRIPTION	REV
	2296000112	Ref	4 BANK CONTROLS INSTALLATION WITH HITCH	K
1	3935000117	1	Valve Assembly (See Separate Breakdown in this Section)	
2	1001143764	2	Lamp	
3	7330000648	1	Decal Control Panel, LH	
4	7330000649	1	Decal Control Panel, RH	
5	7111161050	4	Capscrew 3/8 x 1-1/4	
6	7950160161	4	Washer 3/8	
7	7660162601	4	Nut 3/8	
8	1001135273	1	Channel	
9	7551000021	2	Control Handle	
10	7551000020	4	Control Handle	
11	7551000018	2	Control Handle	
13	7691000064	2	Pin	
14	4763000280	4	Control Rod	
15	4763000279	4	Control Rod	
16	7115150850	12	Capscrew 5/16 x 1	
17	7949000011	12	Washer	
18	7660152601	20	Nut 5/16	
19	4831000069	12	Spacer	
20	7759000006	8	Rivet	
21	7660182601	4	Nut 1/2	
23	7790151253	12	Screw 5/16 x 3/4	
24	7950180161	4	Washer 1/2	
25	7690101200	4	Clevis Pin	
26	7691000056	4	Pin, Hairpin Cotter	
27	3560000010	1	Control Hood Assembly	
28	7115150664	8	Bolt 5/16 x 3/4	
29	7950150161	8	Washer 5/16	
30	1001135272	1	Channel	
31	7950220141	2	Washer 3/4	
32	4211000001	2	Bushing	
33	7280000007	11	Wire Clip	
34	7949000054	8	Washer	
39	7560000007	1	Control Hood, RH	
40	4606000217	4	Lug	
41	7274000063	1	Clamp	
42	7115140650	1	Capscrew 1/4 x 3/4	
43	7660142601	1	Nut 1/4	
44	7950140141	1	Washer 1/4	
45	8632000012	AR	Trim Lock	
46	7115181064	4	Bolt 1/2 x 1-1/4	
47	7443000048	4	Fitting Plug	

# SECTION 4 - CONTROLS

## FIGURE 4-10. 4 BANK VALVE CONTROLS INSTALLATION - NO/MANUAL TOW/STABILIZERS



ART\_2296000108



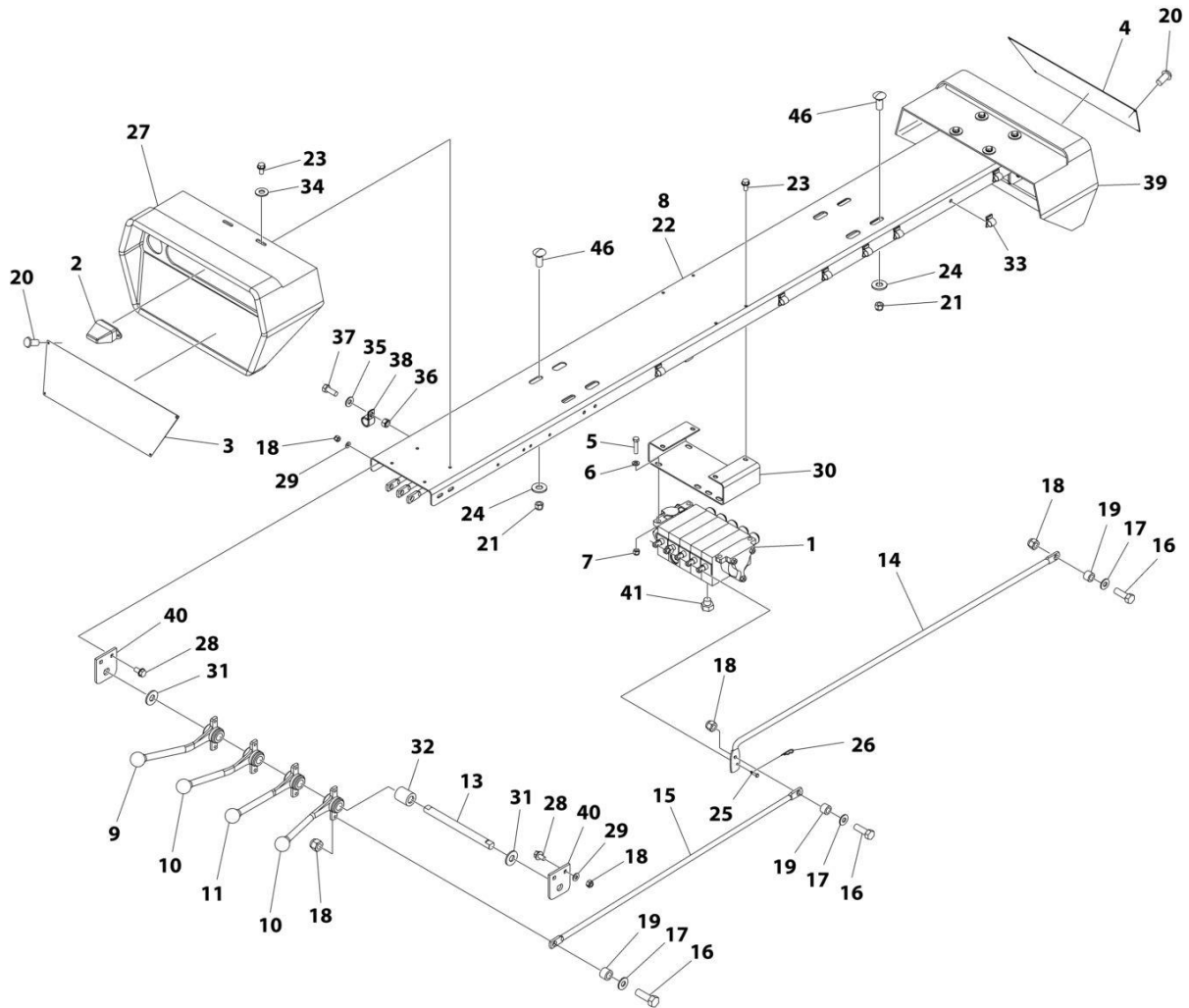
## SECTION 4 - CONTROLS

**FIGURE 4-10. 4 BANK VALVE CONTROLS INSTALLATION - NO/MANUAL TOW/STABILIZERS**

ITEM	PART NUMBER	QTY	DESCRIPTION	REV
	2296000108	Ref	4 BANK CONTROLS INSTALLATION - NO/MAN TOW, STABILIZER	J
1	3935000117	1	Valve Assembly (See Separate Breakdown in this Section)	
2	1001143764	2	Lamp	
3	7330000650	1	Decal, Control Panel Stabilizer, LH	
4	7330000651	1	Decal, Control Panel Stabilizer, RH	
5	7111161050	4	Capscrew 3/8 x 1-1/4	
6	7950160161	4	Washer 3/8	
7	7660162601	4	Nut 3/8	
8	1001135273	1	Channel	
9	7551000021	2	Control Handle	
10	7551000020	4	Control Handle	
11	7551000018	2	Control Handle	
13	7691000064	2	Pin	
14	4763000280	4	Control Rod	
15	4763000279	4	Control Rod	
16	7115150850	12	Capscrew 5/16 x 1	
17	7949000011	12	Washer	
18	7660152601	20	Nut 5/16	
19	4831000069	12	Spacer	
20	7759000006	8	Rivet	
21	7660182601	4	Nut 1/2	
23	7790151253	12	Screw 5/16 x 3/4	
24	7950180161	4	Washer 1/2	
25	7690101200	4	Clevis Pin	
26	7691000056	4	Pin, Hairpin Cotter	
27	3560000010	1	Control Hood Assembly	
28	7115150664	8	Bolt 5/16 x 3/4	
29	7950150161	8	Washer 5/16	
30	1001135272	1	Channel	
31	7950220141	2	Washer 3/4	
32	4211000001	2	Bushing	
33	7280000007	11	Wire Clip	
34	7949000054	8	Washer	
39	7560000007	1	Control Hood, RH	
40	4606000217	4	Lug	
41	7274000063	1	Clamp	
42	7115140650	1	Capscrew 1/4 x 3/4	
43	7660142601	1	Nut 1/4	
44	7950140141	1	Washer 1/4	
45	8632000012	AR	Trim Lock	
46	7115181064	4	Bolt 1/2 x 1-1/4	
47	7443000048	2	Fitting Plug	

# SECTION 4 - CONTROLS

## FIGURE 4-11. 4 BANK VALVE CONTROLS INSTALLATION - NO/MANUAL TOW/STABILIZERS



ART\_1001170391

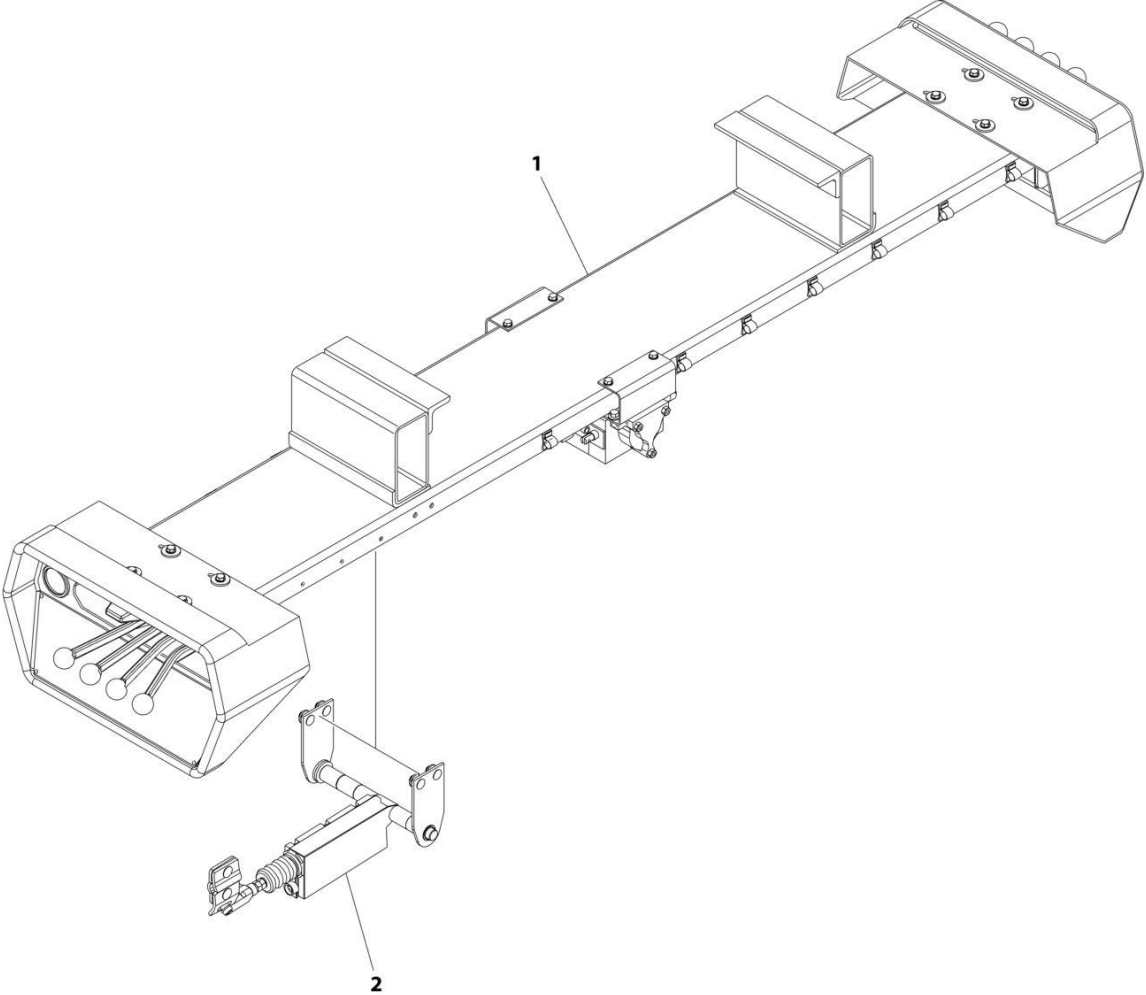
## SECTION 4 - CONTROLS

**FIGURE 4-11. 4 BANK VALVE CONTROLS INSTALLATION - NO/MANUAL TOW/STABILIZERS**

ITEM	PART NUMBER	QTY	DESCRIPTION	REV
	1001170391	Ref	4 BANK CONTROLS INSTALLATION WITH STABILIZER	B
1	3935000117	1	Valve Assembly (See Separate Breakdown in this Section)	
2	1001143764	2	Lamp	
3	7330000650	1	Decal, Control Panel Stabilizer, LH	
4	7330000651	1	Decal, Control Panel Stabilizer, RH	
5	7111161050	4	Capscrew 3/8 x 1-1/4	
6	7950160161	4	Washer 3/8	
7	7660162601	4	Nut 3/8	
8	1001170189	1	Channel	
9	7551000021	2	Control Handle	
10	7551000020	4	Control Handle	
11	7551000018	2	Control Handle	
12	7115181064	4	Bolt 1/2 x 1/4	
13	7691000064	2	Pin	
14	1001170187	4	Control Rod	
15	1001170188	4	Control Rod	
16	7115150850	12	Capscrew 5/16 x 1	
17	7949000011	12	Washer	
18	7660152601	20	Nut 5/16	
19	4831000069	12	Spacer	
20	7759000006	8	Rivet	
21	7660182601	4	Nut 1/2	
22	8632000012	AR	Trim lock	
23	7790151253	12	Screw 5/16 x 3/4	
24	7950180161	4	Washer 1/2	
25	7690101200	4	Clevis Pin	
26	7691000056	1	Pin, Hairpin Cotter	
27	3560000010	1	Control Hood Assembly	
28	7115150664	8	Bolt 5/16 x 3/4	
29	7950150161	8	Washer 5/16	
30	1001135272	1	Channel	
31	7950220141	2	Washer 3/4	
32	4211000001	2	Bushing	
33	7280000007	11	Wire Clip	
34	7949000054	8	Washer	
35	7950140141	1	Washer 1/4	
36	7660142601	1	Nut 1/4	
37	7115140650	1	Capscrew 1/4 x 3/4	
38	7274000063	1	Clamp	
39	7560000007	1	Control Hood, RH	
40	4606000217	4	Lug	
41	7443000048	2	Fitting Plug	

**SECTION 4 - CONTROLS**

**FIGURE 4-12. 4 BANK VALVE CONTROLS INSTALLATION - NO/MANUAL TOW/STABILIZERS/RMOTE CONTROL**



ART\_1001170392

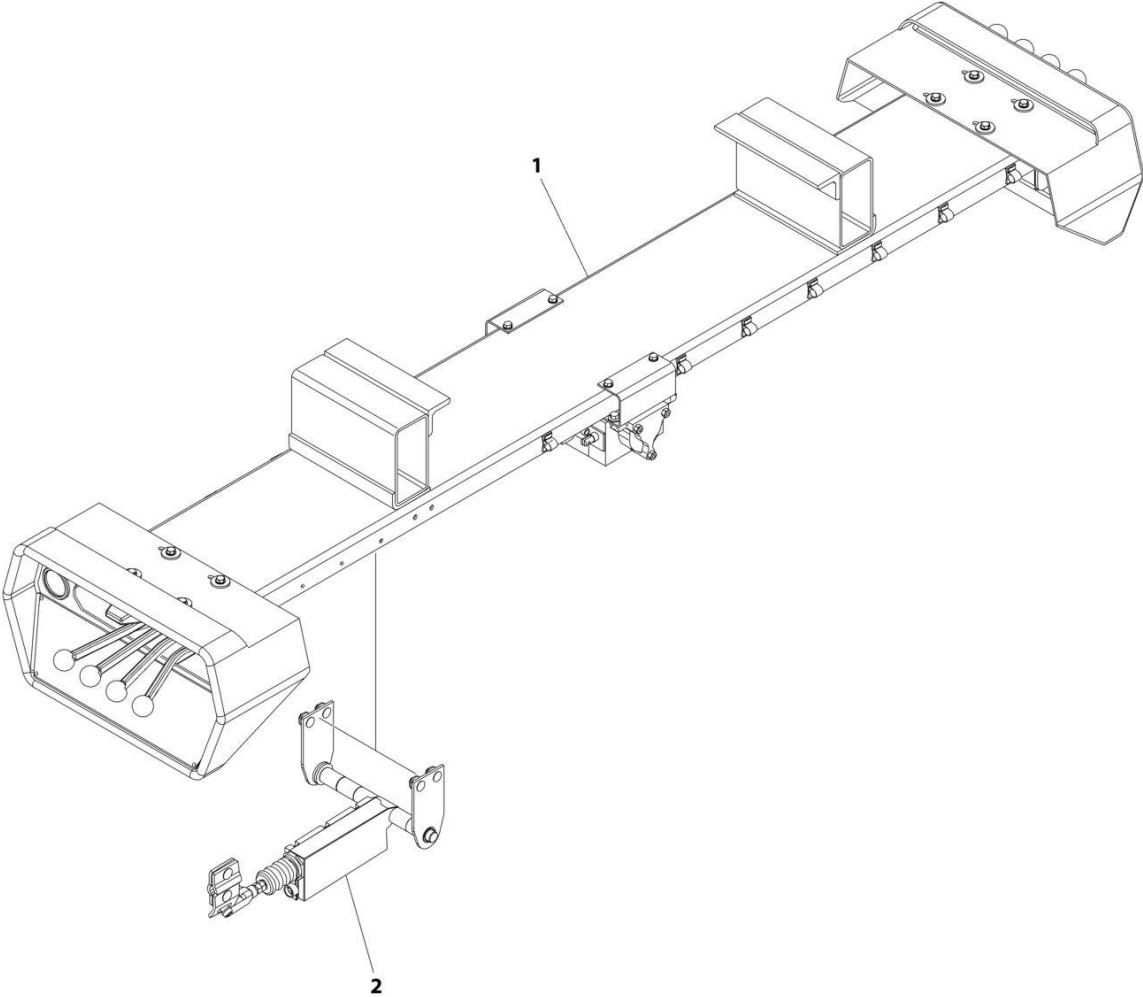
## SECTION 4 - CONTROLS

**FIGURE 4-12. 4 BANK VALVE CONTROLS INSTALLATION - NO/MANUAL TOW/STABILIZERS/REMOTE CONTROL**

ITEM	PART NUMBER	QTY	DESCRIPTION	REV
	1001170392	Ref	4 BANK CONTROLS INSTALLATION WITH STABILIZER - REMOTE CONTROL	A
1	1001170391	Ref	4 Bank Controls Installation (See Separate Breakdown in this Section)	
2	2577000017	1	Linear Actuator Mount Kit (See Separate Breakdown in this Section)	

**SECTION 4 - CONTROLS**

**FIGURE 4-13. 4 BANK VALVE INSTALLATION - NO/MANUAL TOW/STABILIZERS/REMOTE CONTROL**



ART\_C4B5TRC-TPR

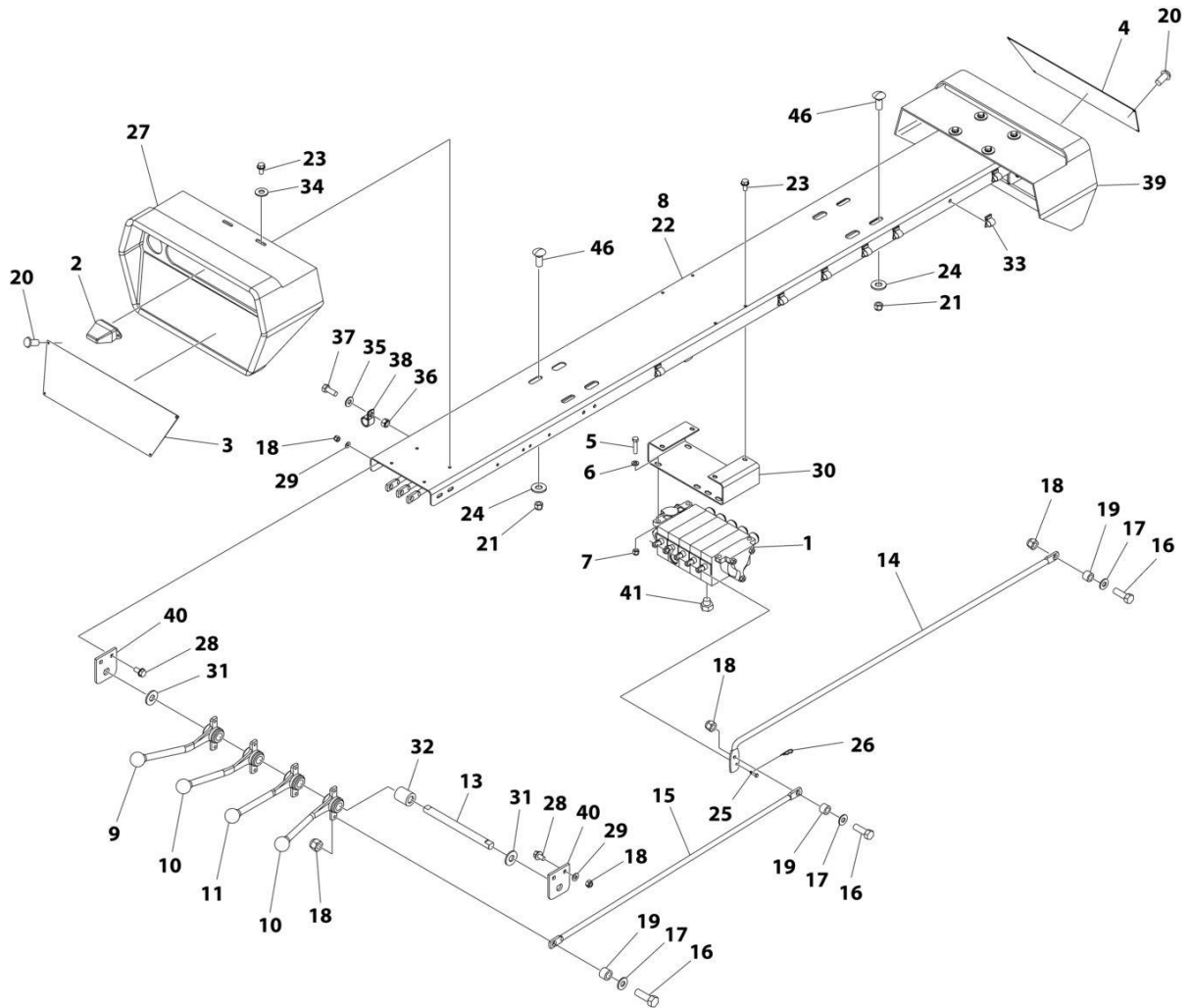
## SECTION 4 - CONTROLS

**FIGURE 4-13. 4 BANK VALVE INSTALLATION - NO/MANUAL TOW/STABILIZERS/REMOTE CONTROL**

ITEM	PART NUMBER	QTY	DESCRIPTION	REV
	C4BSTRC-TPR	Ref	4 BANK VALVE INSTALLATION - NO/MANUAL TOW/STABILIZERS/REMOTE CONTROL	0
1	2296000108	1	4 Bank Controls Installation (See Separate Breakdown in this Section)	
2	2577000017	1	Linear Actuator Mount Kit (See Separate Breakdown in this Section)	

# SECTION 4 - CONTROLS

## FIGURE 4-14. 4 BANK VALVE CONTROLS INSTALLATION - HYDRAULIC TOW



ART\_1001170390



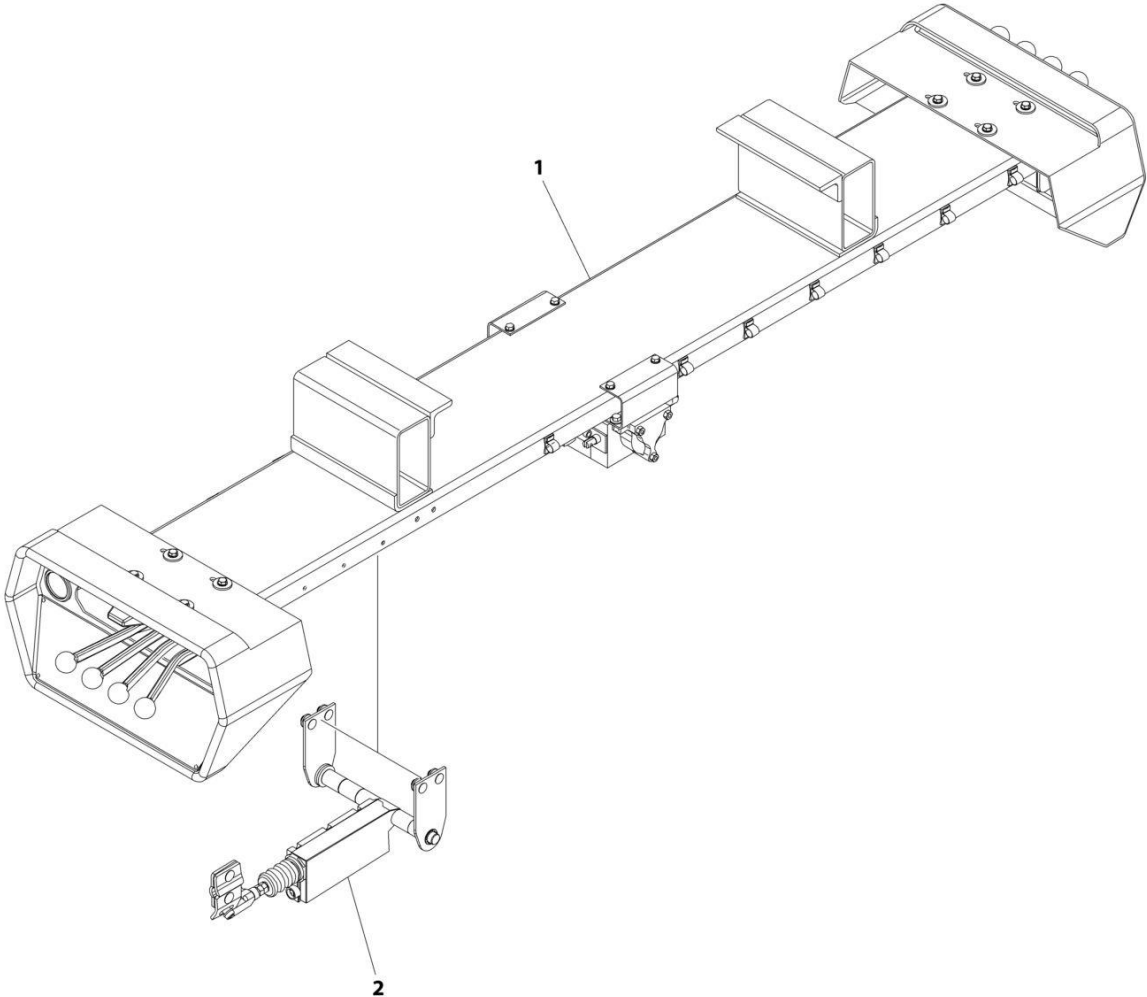
## SECTION 4 - CONTROLS

**FIGURE 4-14. 4 BANK VALVE CONTROLS INSTALLATION - HYDRAULIC TOW**

ITEM	PART NUMBER	QTY	DESCRIPTION	REV
	1001170390	Ref	4 BANK CONTROLS INSTALLATION WITH HITCH	B
1	3935000117	1	Valve Assembly (See Separate Breakdown in this Section)	
2	1001143764	2	Lamp	
3	7330000648	1	Decal Control Panel, LH	
4	7330000649	1	Decal Control Panel, RH	
5	7111161050	4	Capscrew 3/8 x 1-1/4	
6	7950160161	4	Washer 3/8	
7	7660162601	4	Nut 3/8	
8	1001170189	1	Channel	
9	7551000021	2	Control Handle	
10	7551000020	4	Control Handle	
11	7551000018	2	Control Handle	
12	7115181064	4	Bolt 1/2 x 1/4	
13	7691000064	2	Pin	
14	1001170187	4	Control Rod	
15	1001170188	4	Control Rod	
16	7115150850	12	Capscrew 5/16 x 1	
17	7949000011	12	Washer	
18	7660152601	20	Nut 5/16	
19	4831000069	12	Spacer	
20	7759000006	8	Rivet	
21	7660182601	4	Nut 1/2	
22	8632000012	AR	Trim lock	
23	7790151253	12	Screw 5/16 x 3/4	
24	7950180161	4	Washer 1/2	
25	7690101200	4	Clevis Pin	
26	7691000056	4	Pin, Hairpin Cotter	
27	3560000010	1	Control Hood Assembly	
28	7115150664	8	Bolt 5/16 x 3/4	
29	7950150161	8	Washer 5/16	
30	1001135272	1	Channel	
31	7950220141	2	Washer 3/4	
32	4211000001	2	Bushing	
33	7280000007	11	Wire Clip	
34	7949000054	8	Washer	
35	7950140141	1	Washer 1/4	
36	7660142601	1	Nut 1/4	
37	7115140650	1	Capscrew 1/4 x 3/4	
38	7274000063	1	Clamp	
39	7560000007	1	Control Hood, RH	
40	4606000217	4	Lug	
41	7443000048	2	Fitting Plug	

**SECTION 4 - CONTROLS**

**FIGURE 4-15. 4 BANK VALVE CONTROLS INSTALLATION - HYDRAULIC TOW/REMOTE CONTROL**



ART\_1001170385

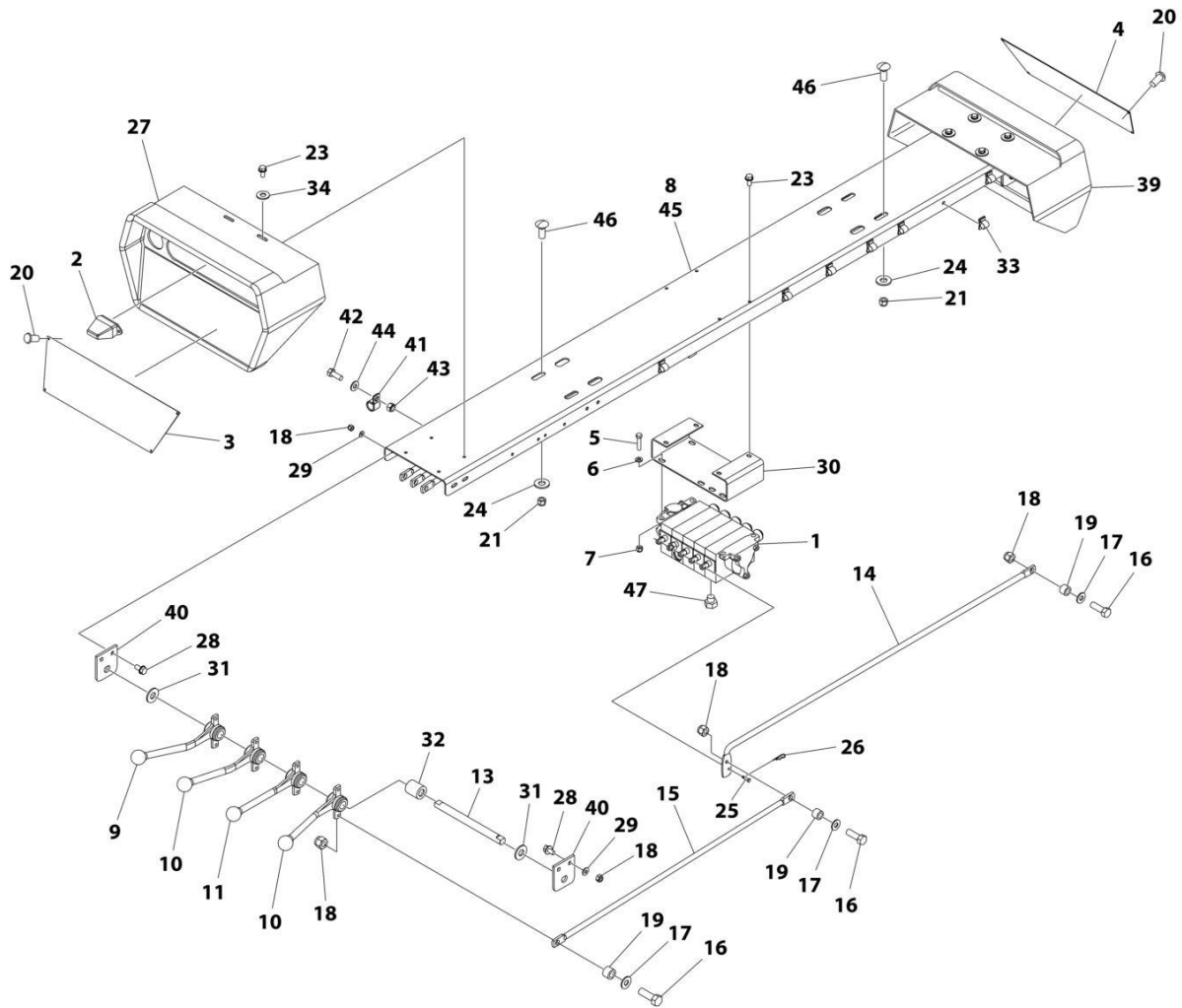
## SECTION 4 - CONTROLS

**FIGURE 4-15. 4 BANK VALVE CONTROLS INSTALLATION - HYDRAULIC TOW/REMOTE CONTROL**

ITEM	PART NUMBER	QTY	DESCRIPTION	REV
	1001170385	Ref	4 BANK CONTROLS INSTALLATION WITH HITCH - REMOTE CONTROL	A
1	1001170390	Ref	4 Bank Controls Installation (See Separate Breakdown in this Section)	
2	2577000017	1	Linear Actuator Mount Kit (See Separate Breakdown in this Section)	

# SECTION 4 - CONTROLS

## FIGURE 4-16. 4 BANK VALVE CONTROLS INSTALLATION - HYDRAULIC TOW/WINCH MOTOR SPOOL



ART\_1001145990

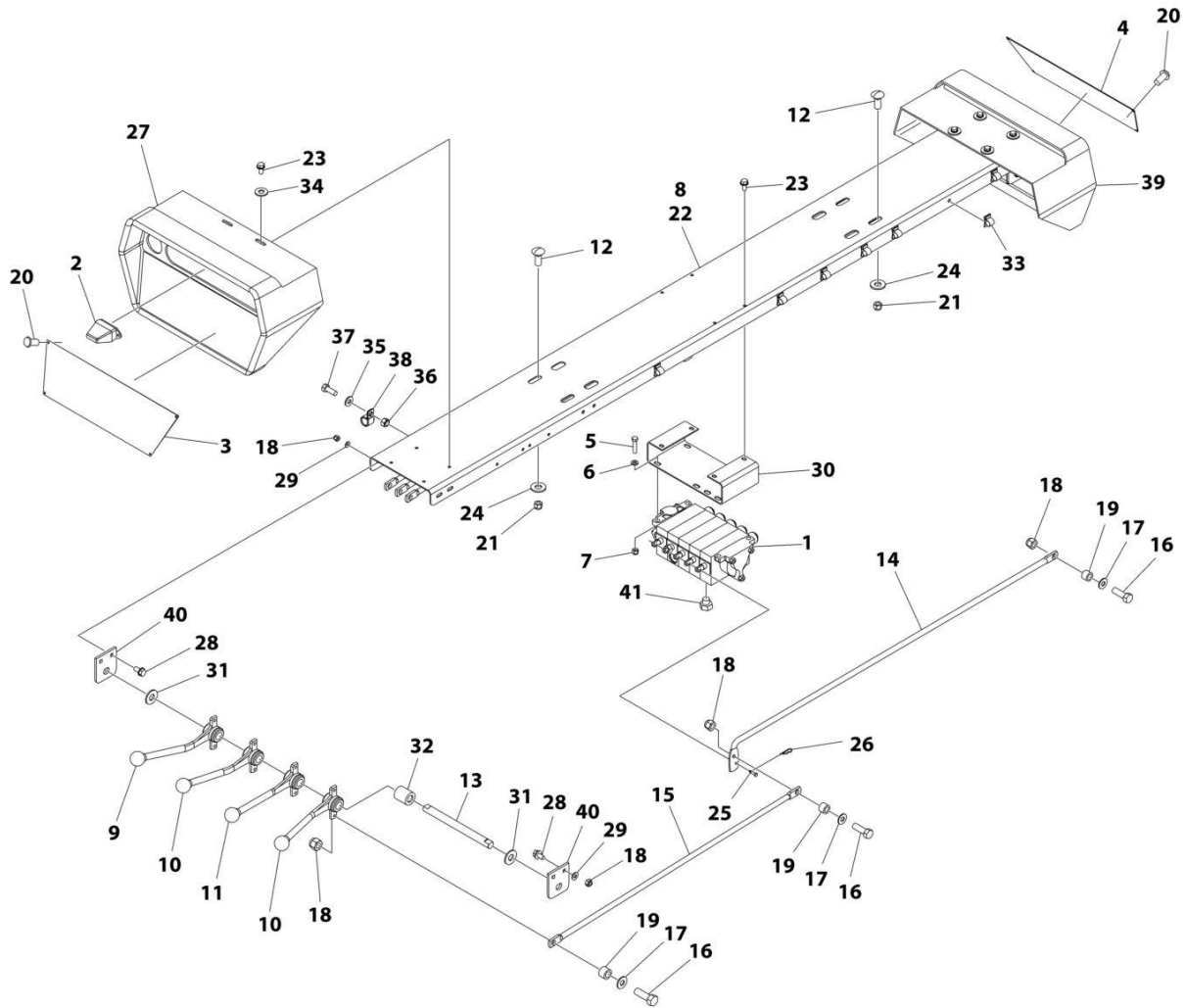
## SECTION 4 - CONTROLS

**FIGURE 4-16. 4 BANK VALVE CONTROLS INSTALLATION - HYDRAULIC TOW/WINCH MOTOR SPOOL**

ITEM	PART NUMBER	QTY	DESCRIPTION	REV
	1001145990	Ref	4 BANK CONTROLS INSTALLATION - HYDRAULIC TOW, WINCH MOTOR SPOOL	C
1	1001146603	1	Valve Assembly (See Separate Breakdown in this Section)	
2	1001143764	2	Lamp	
3	7330000650	1	Decal Control Panel Stabilizer, LH	
4	7330000651	1	Decal Control Panel Stabilizer, RH	
5	7111161050	4	Capscrew 3/8 x 1-1/4	
6	7950160161	4	Washer 3/8	
7	7660162601	4	Nut 3/8	
8	1001135273	1	Channel	
9	7551000021	2	Control Handle	
10	7551000020	4	Control Handle	
11	7551000018	2	Control Handle	
13	7691000064	2	Pin	
14	4763000280	4	Control Rod	
15	4763000279	4	Control Rod	
16	7115150850	12	Capscrew 5/16 x 1	
17	7949000011	12	Washer	
18	7660152601	20	Nut 5/16	
19	4831000069	12	Spacer	
20	7759000006	8	Rivet	
21	7660182601	4	Nut 1/2	
23	7790151253	12	Screw 5/16 x 3/4	
24	7950180161	4	Washer 1/2	
25	7690101200	4	Clevis Pin	
26	7691000056	1	Pin, Hairpin Cotter	
27	3560000010	8	Control Hood Assembly	
28	7115150664	8	Bolt 5/16 x 3/4	
29	7950150161	1	Washer 5/16	
30	1001135272	2	Channel	
31	7950220141	2	Washer 3/4	
32	4211000001	11	Bushing	
33	7280000007	8	Wire Clip	
34	7949000054	1	Washer	
39	7560000007	1	Control Hood, RH	
40	4606000217	4	Lug	
41	7274000063	1	Clamp	
42	7115140650	1	Capscrew 1/4 x 3/4	
43	7660142601	1	Nut 1/4	
44	7950140141	1	Washer 1/4	
45	8632000012	AR	Trim Lock	
46	7115181064	4	Bolt 1/2 x 1-1/4	
47	7443000048	2	Fitting Plug	

# SECTION 4 - CONTROLS

## FIGURE 4-17. 4 BANK VALVE CONTROLS INSTALLATION - HYDRAULIC TOW/WINCH MOTOR SPOOL



ART\_1001170423

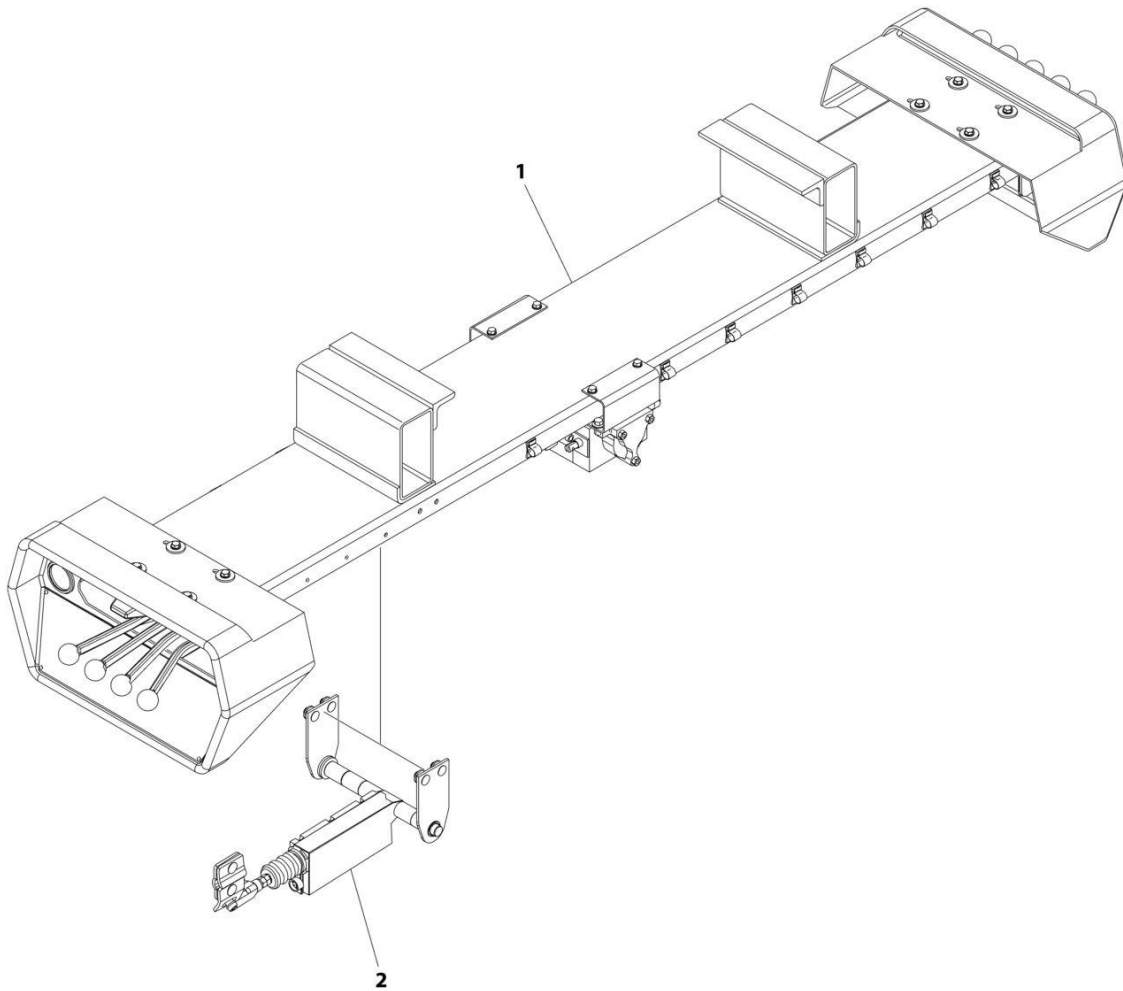
## SECTION 4 - CONTROLS

**FIGURE 4-17. 4 BANK VALVE CONTROLS INSTALLATION - HYDRAULIC TOW/WINCH MOTOR SPOOL**

ITEM	PART NUMBER	QTY	DESCRIPTION	REV
	1001170423	Ref	4 BANK CONTROLS INSTALLATION - HYDRAULIC TOW, WINCH MOTOR SPOOL	B
1	1001146603	1	Valve Assembly (See Separate Breakdown in this Section)	
2	1001143764	2	Lamp	
3	7330000650	1	Decal Control Panel, LH	
4	7330000651	1	Decal Control Panel, RH	
5	7111161050	4	Capscrew 3/8 x 1-1/4	
6	7950160161	4	Washer 3/8	
7	7660162601	4	Nut 3/8	
8	1001170189	1	Channel	
9	7551000021	2	Control Handle	
10	7551000020	4	Control Handle	
11	7551000018	2	Control Handle	
12	7115181064	4	Bolt 1/2 x 1/4	
13	7691000064	2	Pin	
14	1001170187	4	Control Rod	
15	1001170188	4	Control Rod	
16	7115150850	12	Capscrew 5/16 x 1	
17	7949000011	12	Washer	
18	7660152601	20	Nut 5/16	
19	4831000069	12	Spacer	
20	7759000006	8	Rivet	
21	7660182601	4	Nut 1/2	
22	8632000012	AR	Trim lock	
23	7790151253	12	Screw 5/16 x 3/4	
24	7950180161	4	Washer 1/2	
25	7690101200	4	Clevis Pin	
26	7691000056	4	Pin, Hairpin Cotter	
27	3560000010	1	Control Hood Assembly	
28	7115150664	8	Bolt 5/16 x 3/4	
29	7950150161	8	Washer 5/16	
30	1001135272	1	Channel	
31	7950220141	2	Washer 3/4	
32	4211000001	2	Bushing	
33	7280000007	11	Wire Clip	
34	7949000054	8	Washer	
35	7950140141	1	Washer 1/4	
36	7660142601	1	Nut 1/4	
37	7115140650	1	Capscrew 1/4 x 3/4	
38	7274000063	1	Clamp	
39	7560000007	1	Control Hood, RH	
40	4606000217	4	Lug	
41	7443000048	2	Fitting Plug	

## SECTION 4 - CONTROLS

FIGURE 4-18. 4 BANK VALVE CONTROLS INSTALLATION - HYDRAULIC TOW/WINCH MOTOR  
SPOOL/REMOTE CONTROL



ART\_1001153232



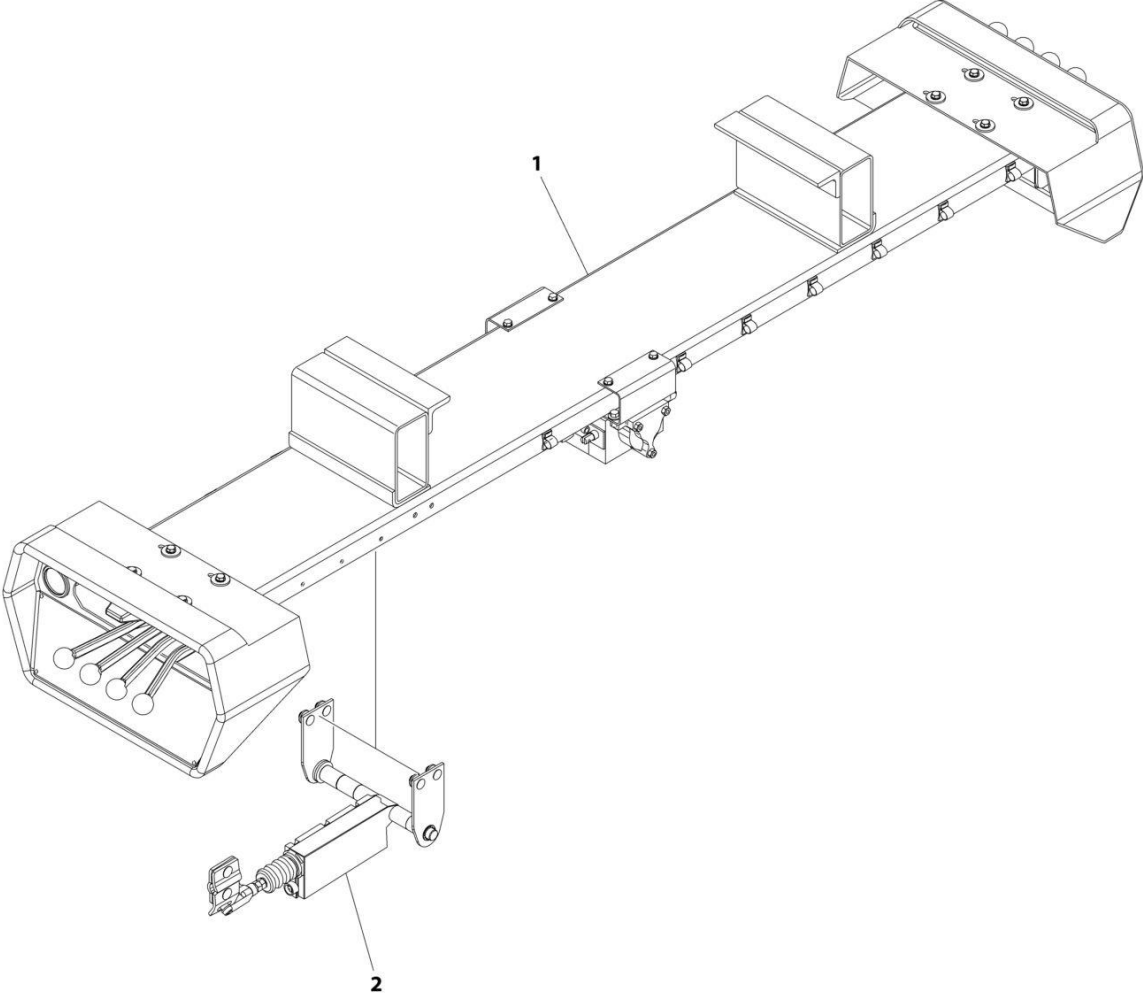
## SECTION 4 - CONTROLS

**FIGURE 4-18. 4 BANK VALVE CONTROLS INSTALLATION - HYDRAULIC TOW/WINCH MOTOR SPOOL/REMOTE CONTROL**

ITEM	PART NUMBER	QTY	DESCRIPTION	REV
1	1001153232	Ref	4 BANK CONTROLS - WINCH MOTOR SPOOL, RADIO REMOTE	A
	1001145990	1	4 Bank Controls Installation (See Separate Breakdown in this Section)	
2	2577000017	1	Linear Actuator Mount Kit (See Separate Breakdown in this Section)	

**SECTION 4 - CONTROLS**

**FIGURE 4-19. 4 BANK VALVE CONTROLS INSTALLATION - HYDRAULIC TOW/WINCH MOTOR SPOOL/REMOTE CONTROL**



ART\_1001170424

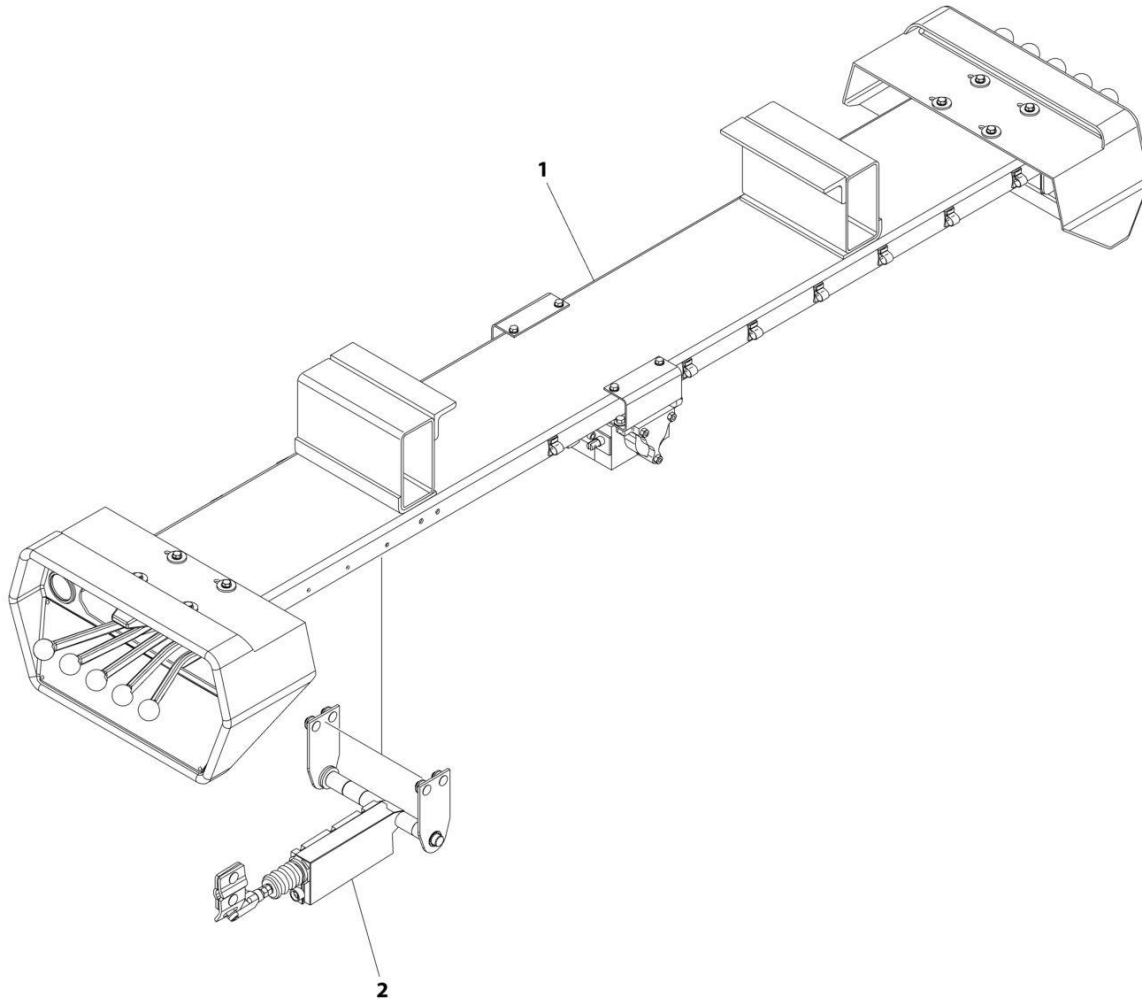
## SECTION 4 - CONTROLS

**FIGURE 4-19. 4 BANK VALVE CONTROLS INSTALLATION - HYDRAULIC TOW/WINCH MOTOR SPOOL/REMOTE CONTROL**

ITEM	PART NUMBER	QTY	DESCRIPTION	REV
	1001170424	Ref	4 BANK CONTROLS INSTALLATION - WINCH MOTOR SPOOL, RADIO REMOTE	A
1	1001170423	Ref	4 Bank Controls Installation (See Separate Breakdown in this Section)	
2	2577000017	1	Linear Actuator Mount Kit (See Separate Breakdown in this Section)	

# SECTION 4 - CONTROLS

## FIGURE 4-20. 5 BANK VALVE INSTALLATION - HYDRAULIC TOW/STABILIZERS/REMOTE CONTROL



ART\_C5BSTRC-TPR

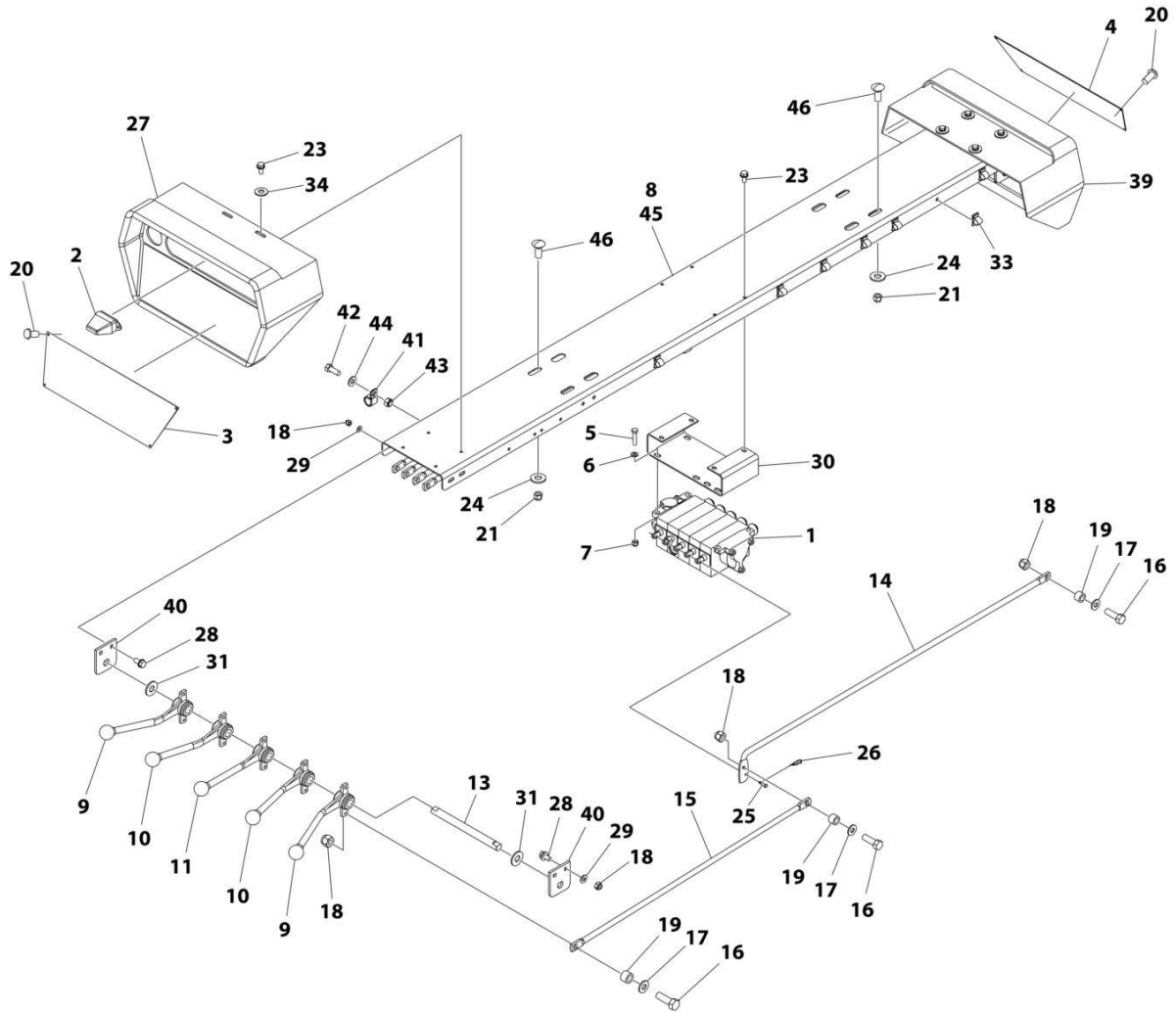
## SECTION 4 - CONTROLS

**FIGURE 4-20. 5 BANK VALVE INSTALLATION - HYDRAULIC TOW/STABILIZERS/REMOTE CONTROL**

ITEM	PART NUMBER	QTY	DESCRIPTION	REV
	C5BSTRC-TPR	Ref	5 BANK VALVE INSTALLATION - HYD TOW/STABILIZERS/REMOTE CONTROL	0
1	2296000111	1	5 Bank Controls Installation (See Separate Breakdown in this Section)	
2	2577000017	1	Linear Actuator Mount Kit (See Separate Breakdown in this Section)	

# SECTION 4 - CONTROLS

## FIGURE 4-21. 5 BANK VALVE CONTROLS INSTALLATION - HYDRAULIC TOW/STABILIZER



ART\_2296000111

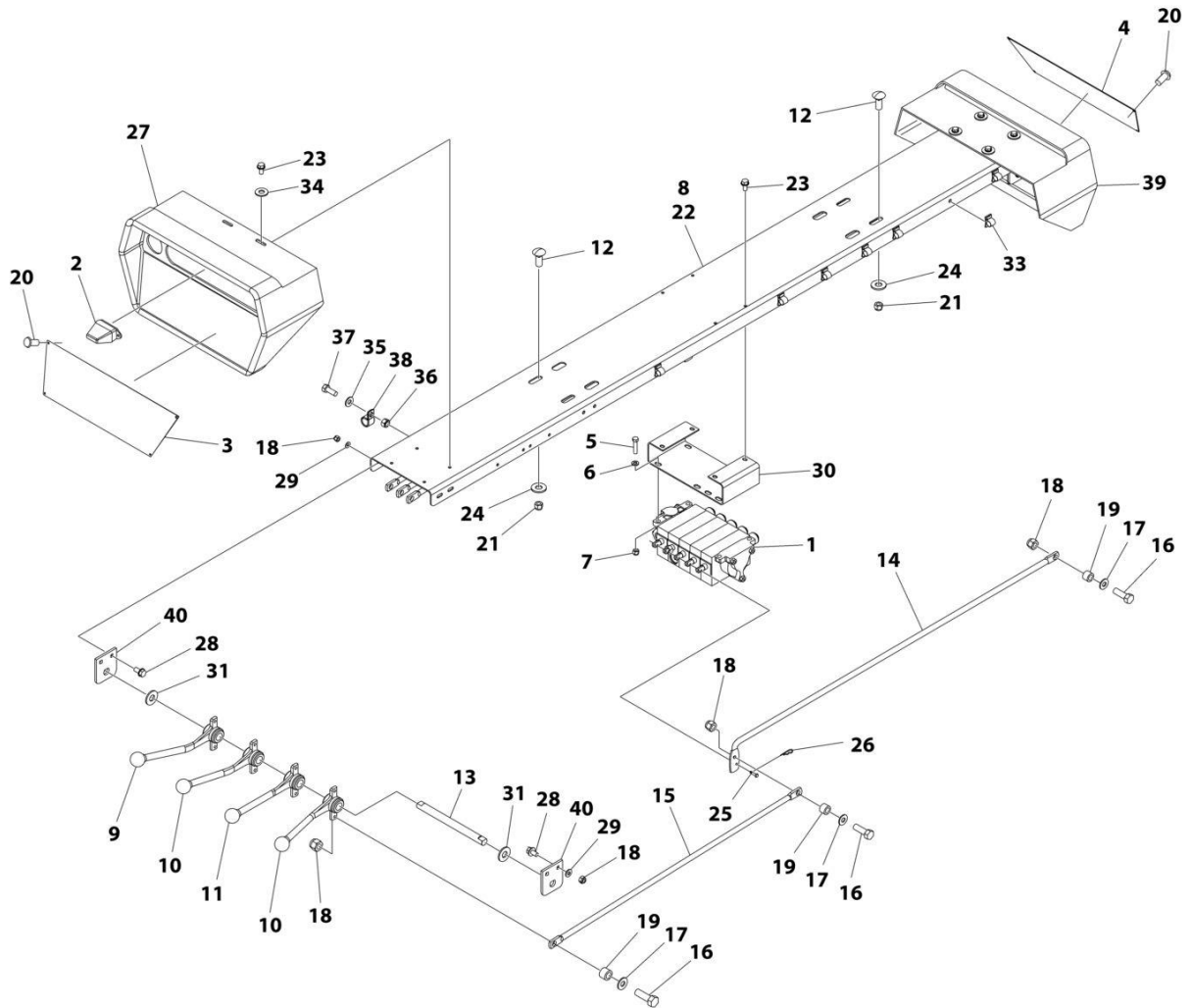
## SECTION 4 - CONTROLS

**FIGURE 4-21. 5 BANK VALVE CONTROLS INSTALLATION - HYDRAULIC TOW/STABILIZER**

ITEM	PART NUMBER	QTY	DESCRIPTION	REV
	2296000111	Ref	5 BANK CONTROLS INSTALLATION - HYDRAULIC TOW, STABILIZER	J
1	3935000117	1	Valve Assembly (See Separate Breakdown in this Section)	
2	1001143764	2	Lamp	
3	7330000650	1	Decal, Control Panel Stabilizer, LH	
4	7330000651	1	Decal, Control Panel Stabilizer, RH	
5	7111161050	4	Capscrew 3/8 x 1-1/4	
6	7950160161	4	Washer 3/8	
7	7660162601	4	Nut 3/8	
8	1001135273	1	Channel	
9	7551000021	2	Control Handle	
10	7551000020	4	Control Handle	
11	7551000018	2	Control Handle	
13	7691000064	2	Pin	
14	4763000280	5	Control Rod	
15	4763000279	5	Control Rod	
16	7115150850	15	Capscrew 5/16 x 1	
17	7949000011	15	Washer	
18	7660152601	23	Nut 5/16	
19	4831000069	15	Spacer	
20	7759000006	8	Rivet	
21	7660182601	4	Nut 1/2	
23	7790151253	12	Screw 5/16 x 3/4	
24	7950180161	4	Washer 1/2	
25	7690101200	5	Clevis Pin	
26	7691000056	5	Pin, Hairpin Cotter	
27	3560000010	1	Control Hood Assembly	
28	7115150664	8	Bolt 5/16 x 3/4	
29	7950150161	8	Washer 5/16	
30	1001135272	1	Channel	
31	7950220141	2	Washer 3/4	
33	7280000007	11	Wire Clip	
34	7949000054	8	Washer	
39	7560000007	1	Control Hood, RH	
40	4606000217	4	Lug	
41	7274000063	1	Clamp	
42	7115140650	1	Capscrew 1/4 x 3/4	
43	7660142601	1	Nut 1/4	
44	7950140141	1	Washer 1/4	
45	8632000012	AR	Trim Lock	
46	7115181064	4	Bolt 1/2 x 1-1/4	

# SECTION 4 - CONTROLS

## FIGURE 4-22. 5 BANK VALVE CONTROLS INSTALLATION - HYDRAULIC TOW/STABILIZER



ART\_1001170401



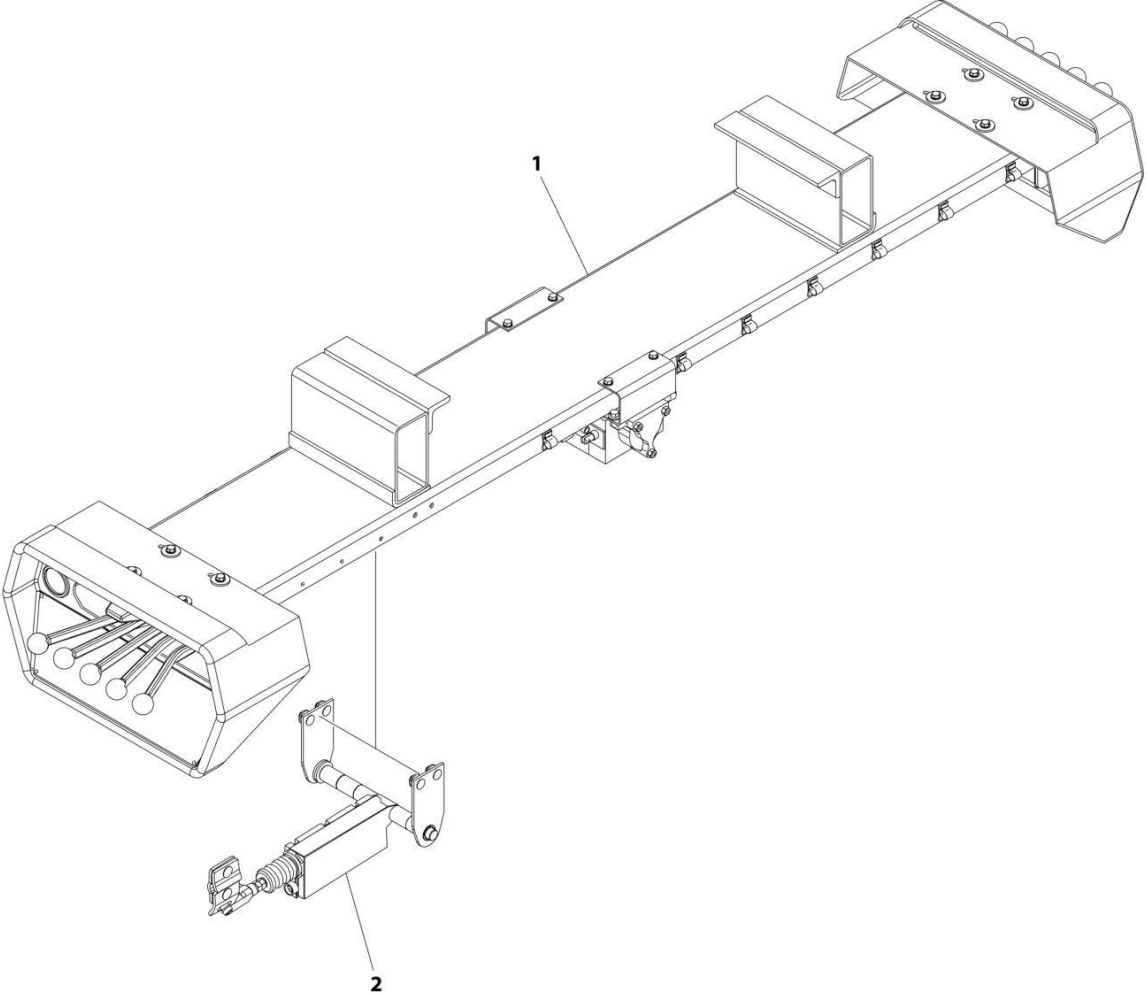
## SECTION 4 - CONTROLS

**FIGURE 4-22. 5 BANK VALVE CONTROLS INSTALLATION - HYDRAULIC TOW/STABILIZER**

ITEM	PART NUMBER	QTY	DESCRIPTION	REV
	1001170401	Ref	5 BANK CONTROLS INSTALLATION WITH STABILIZER - EXTEND	A
1	3935000117	1	Valve Assembly (See Separate Breakdown in this Section)	
2	1001143764	2	Lamp	
3	7330000650	1	Decal Control Panel Stabilizer, LH	
4	7330000651	1	Decal Control Panel Stabilizer, RH	
5	7111161050	4	Capscrew 3/8 x 1-1/4	
6	7950160161	4	Washer 3/8	
7	7660162601	4	Nut 3/8	
8	1001170189	1	Channel	
9	7551000021	4	Control Handle	
10	7551000020	4	Control Handle	
11	7551000018	2	Control Handle	
12	7115181064	4	Bolt 1/2 x 1/4	
13	7691000064	2	Pin	
14	1001170187	5	Control Rod	
15	1001170188	5	Control Rod	
16	7115150850	15	Capscrew 5/16 x 1	
17	7949000011	15	Washer	
18	7660152601	23	Nut 5/16	
19	4831000069	15	Spacer	
20	7759000006	8	Rivet	
21	7660182601	4	Nut 1/2	
22	8632000012	AR	Trim lock	
23	7790151253	12	Screw 5/16 x 3/4	
24	7950180161	4	Washer 1/2	
25	7690101200	5	Clevis Pin	
26	7691000056	5	Pin, Hairpin Cotter	
27	3560000010	1	Control Hood Assembly	
28	7115150664	8	Bolt 5/16 x 3/4	
29	7950150161	8	Washer 5/16	
30	1001135272	1	Channel	
31	7950220141	2	Washer 3/4	
33	7280000007	11	Wire Clip	
34	7949000054	8	Washer	
35	7950140141	1	Washer 1/4	
36	7660142601	1	Nut 1/4	
37	7115140650	1	Capscrew 1/4 x 3/4	
38	7274000063	1	Clamp	
39	7560000007	1	Control Hood, RH	
40	4606000217	4	Lug	

**SECTION 4 - CONTROLS**

**FIGURE 4-23. 5 BANK VALVE CONTROLS INSTALLATION - HYDRAULIC  
TOW/STABILIZER/REMOTE CONTROL**



ART\_1001170402

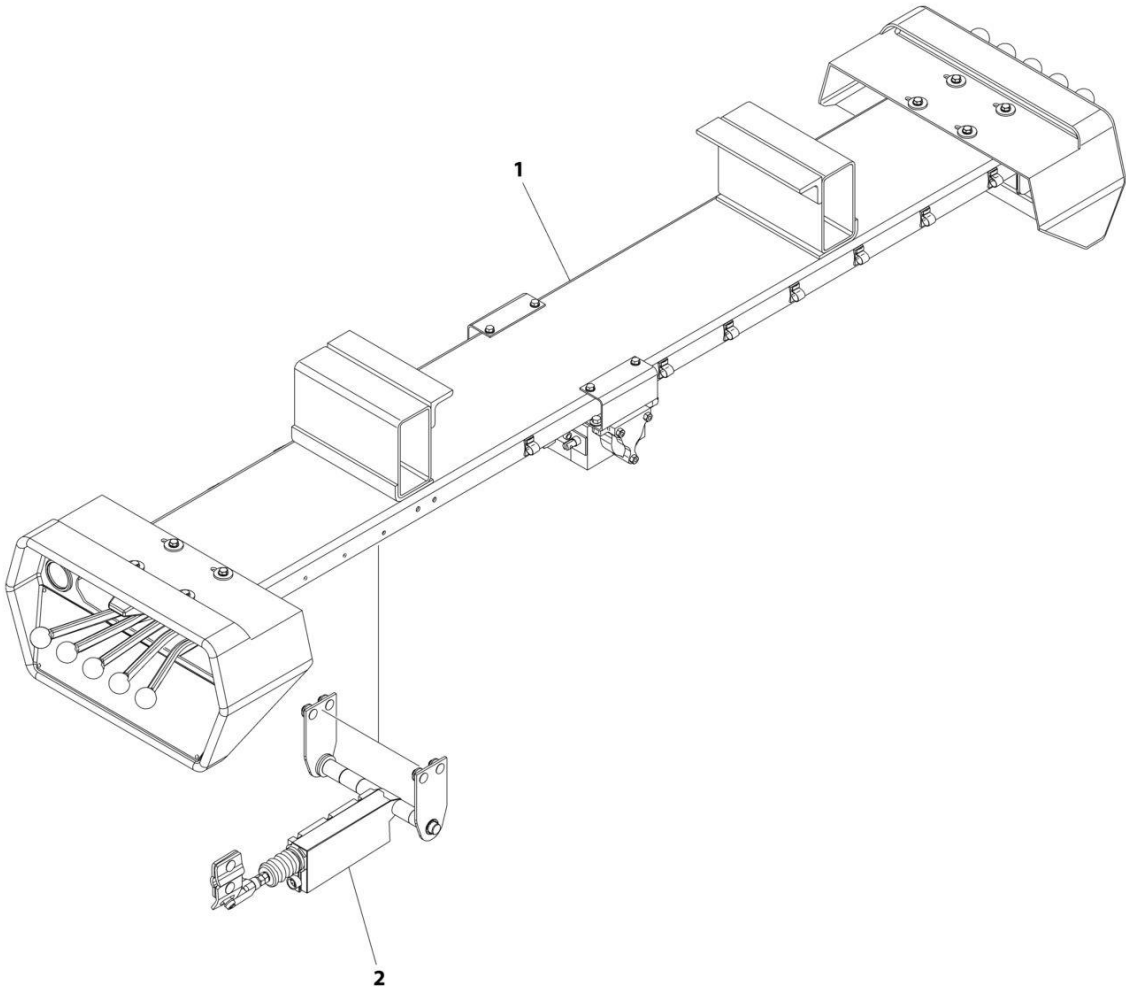
## SECTION 4 - CONTROLS

**FIGURE 4-23. 5 BANK VALVE CONTROLS INSTALLATION - HYDRAULIC  
TOW/STABILIZER/REMOTE CONTROL**

ITEM	PART NUMBER	QTY	DESCRIPTION	REV
	1001170402	Ref	5 BANK CONTROLS INSTALLATION WITH STABILIZER - REMOTE CONTROL	A
1	1001170401	1	5 Bank Controls Installation (See Separate Breakdown in this Section)	
2	2577000017	1	Linear Actuator Mount Kit (See Separate Breakdown in this Section)	

**SECTION 4 - CONTROLS**

**FIGURE 4-24. 5 BANK VALVE INSTALLATION – HYDRAULIC TOW/IRL/REMOTE CONTROL**



ART\_CSBITRC-TPR

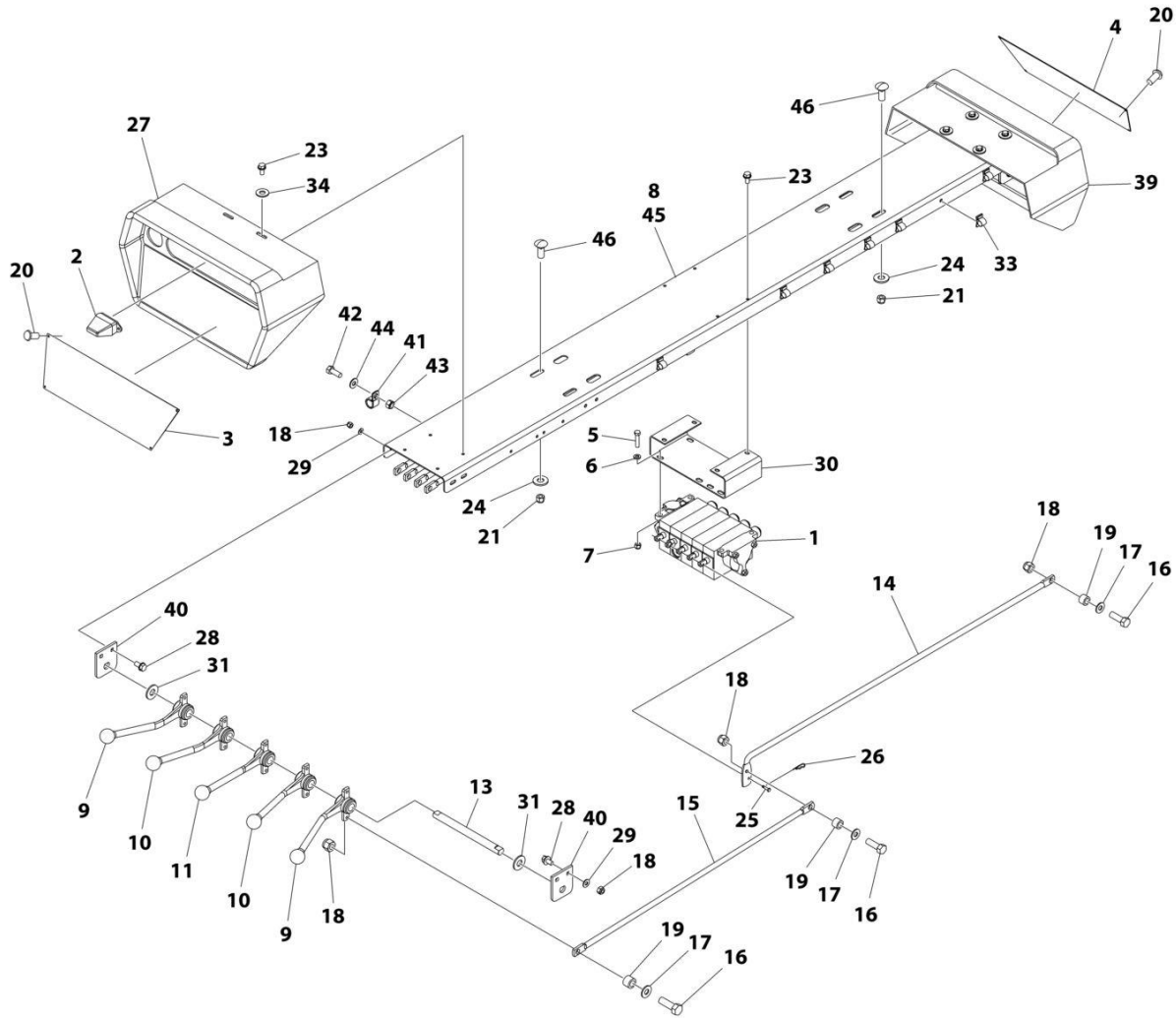
## SECTION 4 - CONTROLS

**FIGURE 4-24. 5 BANK VALVE INSTALLATION – HYDRAULIC TOW/IRL/REMOTE CONTROL**

ITEM	PART NUMBER	QTY	DESCRIPTION	REV
	C5BITRC-TPR	Ref	5 BANK VALVE INSTALLATION - HYD TOW/IRL/REMOTE CONTROL	0
1	2296000106	1	5 Bank Controls Installation (See Separate Breakdown in this Section)	
2	2577000017	1	Linear Actuator Mount Kit (See Separate Breakdown in this Section)	

# SECTION 4 - CONTROLS

## FIGURE 4-25. 5 BANK VALVE CONTROLS INSTALLATION - HYDRAULIC TOW/IRL



ART\_2296000106

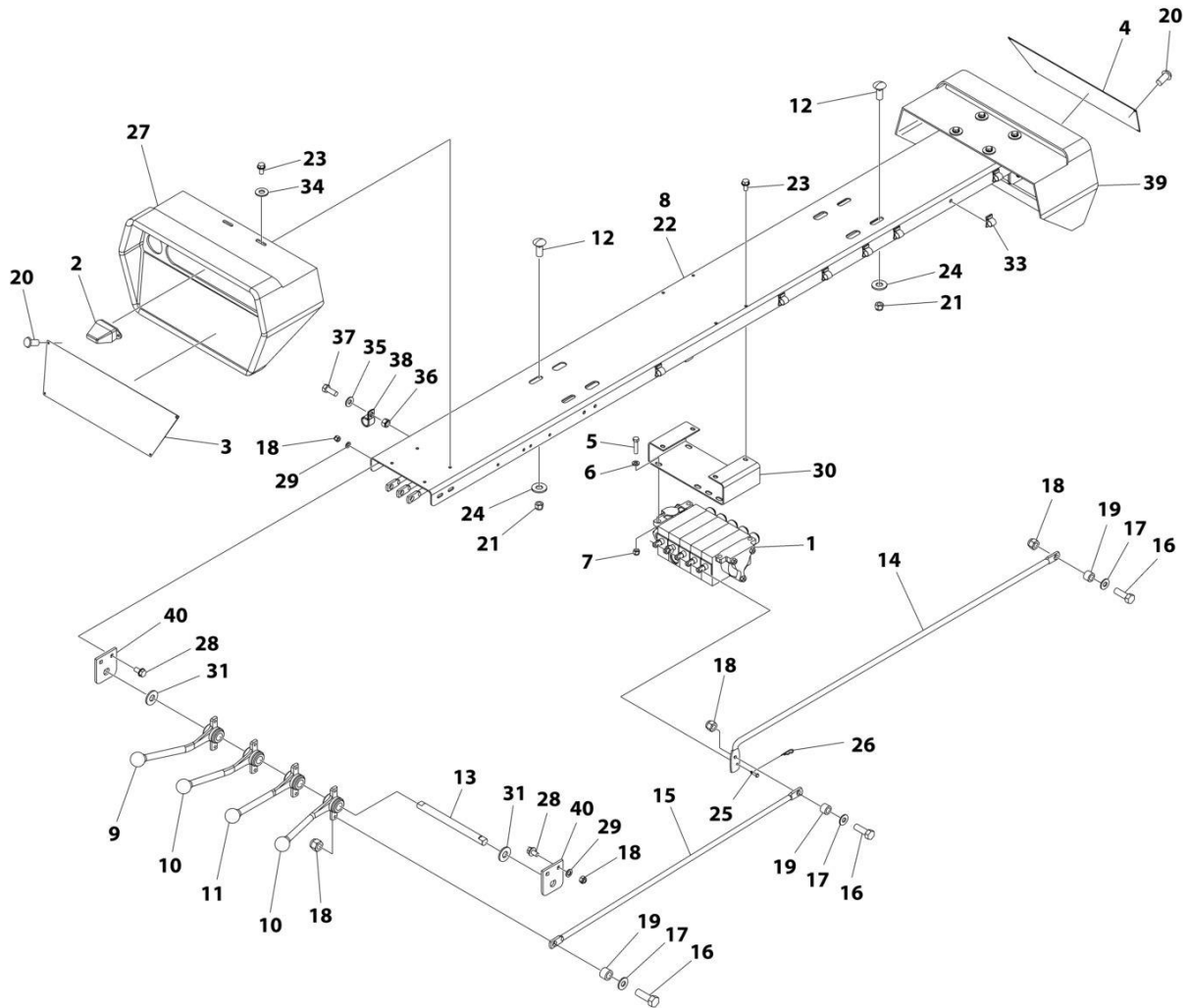
## SECTION 4 - CONTROLS

**FIGURE 4-25. 5 BANK VALVE CONTROLS INSTALLATION - HYDRAULIC TOW/IRL**

ITEM	PART NUMBER	QTY	DESCRIPTION	REV
	2296000106	Ref	5 BANK CONTROLS INSTALLATION - HYDRAULIC TOW, IRL	I
1	3935000117	1	Valve Assembly (See Separate Breakdown in this Section)	
2	1001143764	2	Lamp	
3	7330000648	1	Decal Control Panel, LH	
4	7330000649	1	Decal Control Panel, RH	
5	7111161050	4	Capscrew 3/8 x 1-1/4	
6	7950160161	4	Washer 3/8	
7	7660162601	4	Nut 3/8	
8	1001135273	1	Channel	
9	7551000021	4	Control Handle	
10	7551000020	4	Control Handle	
11	7551000018	2	Control Handle	
13	7691000064	2	Pin	
14	4763000280	5	Control Rod	
15	4763000279	5	Control Rod	
16	7115150850	15	Capscrew 5/16 x 1	
17	7949000011	15	Washer	
18	7660152601	23	Nut 5/16	
19	4831000069	15	Spacer	
20	7759000006	8	Rivet	
21	7660182601	4	Nut 1/2	
23	7790151253	12	Screw 5/16 x 3/4	
24	7950180161	4	Washer 1/2	
25	7690101200	5	Clevis Pin	
26	7691000056	5	Pin, Hairpin Cotter	
27	3560000010	1	Control Hood Assembly	
28	7115150664	8	Bolt 5/16 x 3/4	
29	7950150161	8	Washer 5/16	
30	1001135272	1	Channel	
31	7950220141	2	Washer 3/4	
33	7280000007	11	Wire Clip	
34	7949000054	8	Washer	
39	7560000007	1	Control Hood, RH	
40	4606000217	4	Lug	
41	7274000063	1	Clamp	
42	7115140650	1	Capscrew 1/4 x 3/4	
43	7660142601	1	Nut 1/4	
44	7950140141	1	Washer 1/4	
45	8632000012	AR	Trim Lock	
46	7115181064	4	Bolt 1/2 x 1-1/4	

# SECTION 4 - CONTROLS

## FIGURE 4-26. 5 BANK VALVE CONTROLS INSTALLATION - HYDRAULIC TOW/IRL



ART\_1001170393



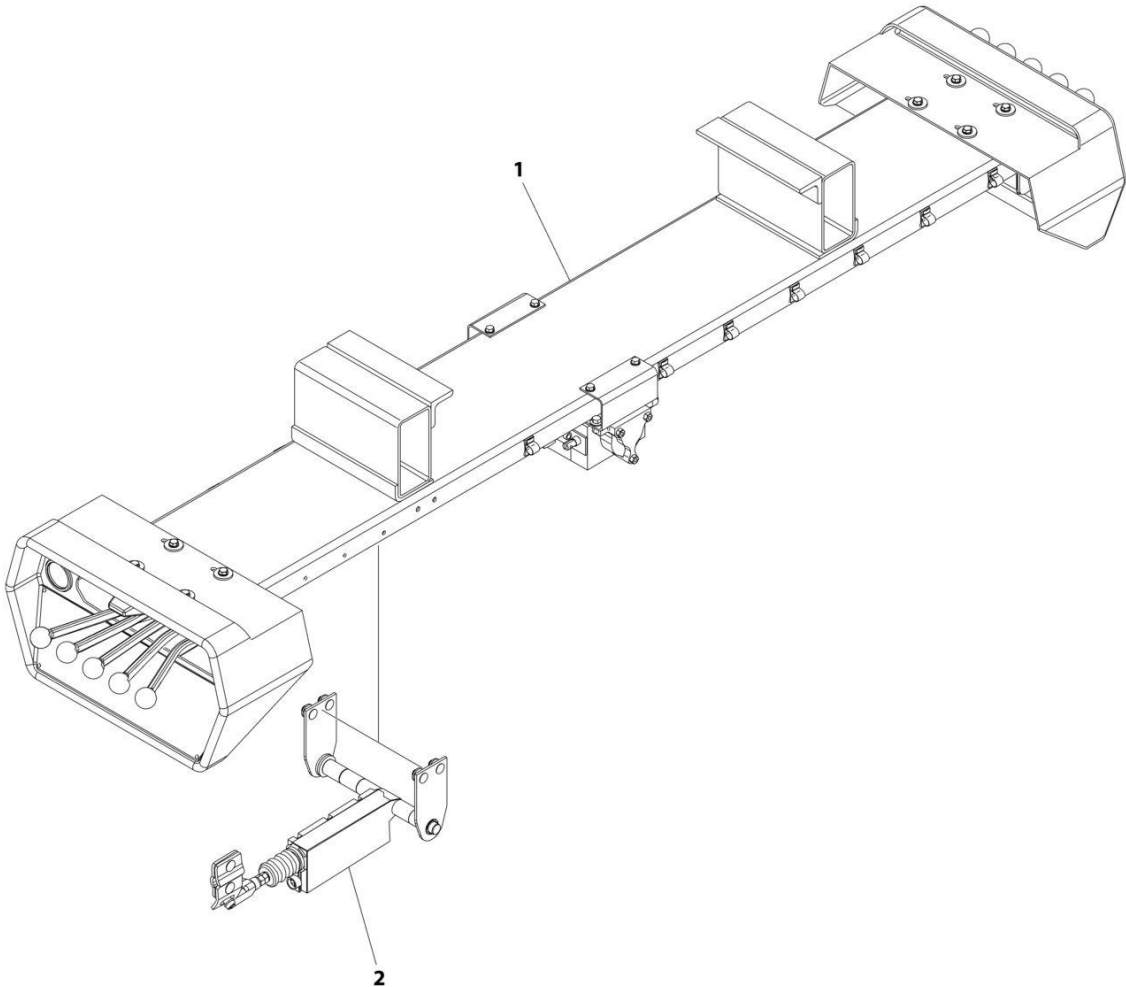
## SECTION 4 - CONTROLS

**FIGURE 4-26. 5 BANK VALVE CONTROLS INSTALLATION - HYDRAULIC TOW/IRL**

ITEM	PART NUMBER	QTY	DESCRIPTION	REV
	1001170393	Ref	5 BANK CONTROLS INSTALLATION - IRL	A
1	3935000117	1	Valve Assembly (See Separate Breakdown in this Section)	
2	1001143764	2	Lamp	
3	7330000648	1	Decal Control Panel, LH	
4	7330000649	1	Decal Control Panel, RH	
5	7111161050	4	Capscrew 3/8 x 1-1/4	
6	7950160161	4	Washer 3/8	
7	7660162601	4	Nut 3/8	
8	1001170189	1	Channel	
9	7551000021	4	Control Handle	
10	7551000020	4	Control Handle	
11	7551000018	2	Control Handle	
12	7115181064	4	Bolt 1/2 x 1-1/4	
13	7691000064	2	Pin	
14	1001170187	5	Control Rod	
15	1001170188	5	Control Rod	
16	7115150850	15	Capscrew 5/16 x 1	
17	7949000011	15	Washer	
18	7660152601	23	Nut 5/16	
19	4831000069	15	Sapcer	
20	7759000006	8	Rivet	
21	7660182601	4	Nut 1/2	
22	8632000012	AR	Trim Lock	
23	7790151253	12	Screw 5/16 x 3/4	
24	7950180161	4	Washer 1/2	
25	7690101200	5	Clevis Pin	
26	7691000056	5	Pin, Hairpin Cotter	
27	3560000010	1	Control Hood Assembly	
28	7115150664	8	Bolt 5/16 x 3/4	
29	7950150000	8	Washer 5/16	
30	1001135272	1	Channel	
31	7950220141	2	Washer 3/4	
33	7280000007	11	Wire Clip	
34	7949000054	8	Washer	
35	7950140141	1	Washer 1/4	
36	7660142601	1	Nut 1/4	
37	7115140650	1	Capscrew 1/4 x 3/4	
38	7274000063	1	Clamp	
39	7560000007	1	Control Hood, RH	
40	4606000217	4	Lug	

# SECTION 4 - CONTROLS

FIGURE 4-27. 5 BANK VALVE CONTROLS INSTALLATION - HYD TOW/IRL/REMOTE CONTROL



ART\_1001170397

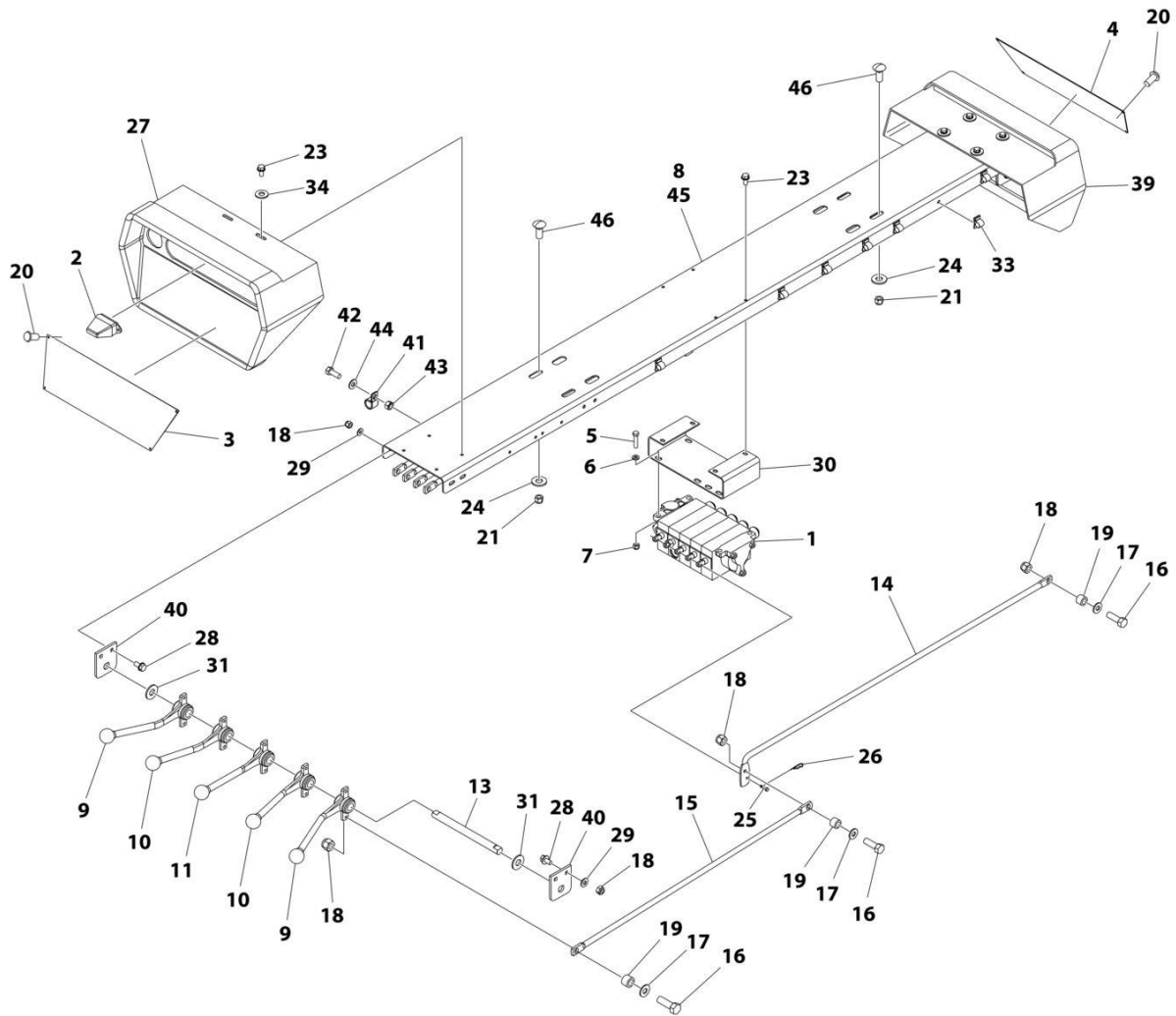
## SECTION 4 - CONTROLS

**FIGURE 4-27. 5 BANK VALVE CONTROLS INSTALLATION - HYD TOW/IRL/REMOTE CONTROL**

ITEM	PART NUMBER	QTY	DESCRIPTION	REV
	1001170397	Ref	5 BANK CONTROLS INSTALLATION - WINCH MOTOR SPOOL, RADIO REMOTE	A
1	1001170393	Ref	5 Bank Controls Installation (See Separate Breakdown in this Section)	
2	2577000017	1	Linear Actuator Mount Kit (See Separate Breakdown in this Section)	

# SECTION 4 - CONTROLS

## FIGURE 4-28. 5 BANK VALVE CONTROLS INSTALLATION - HYDRAULIC TOW/IRL/WINCH MOTOR SPOOL



ART\_1001146605

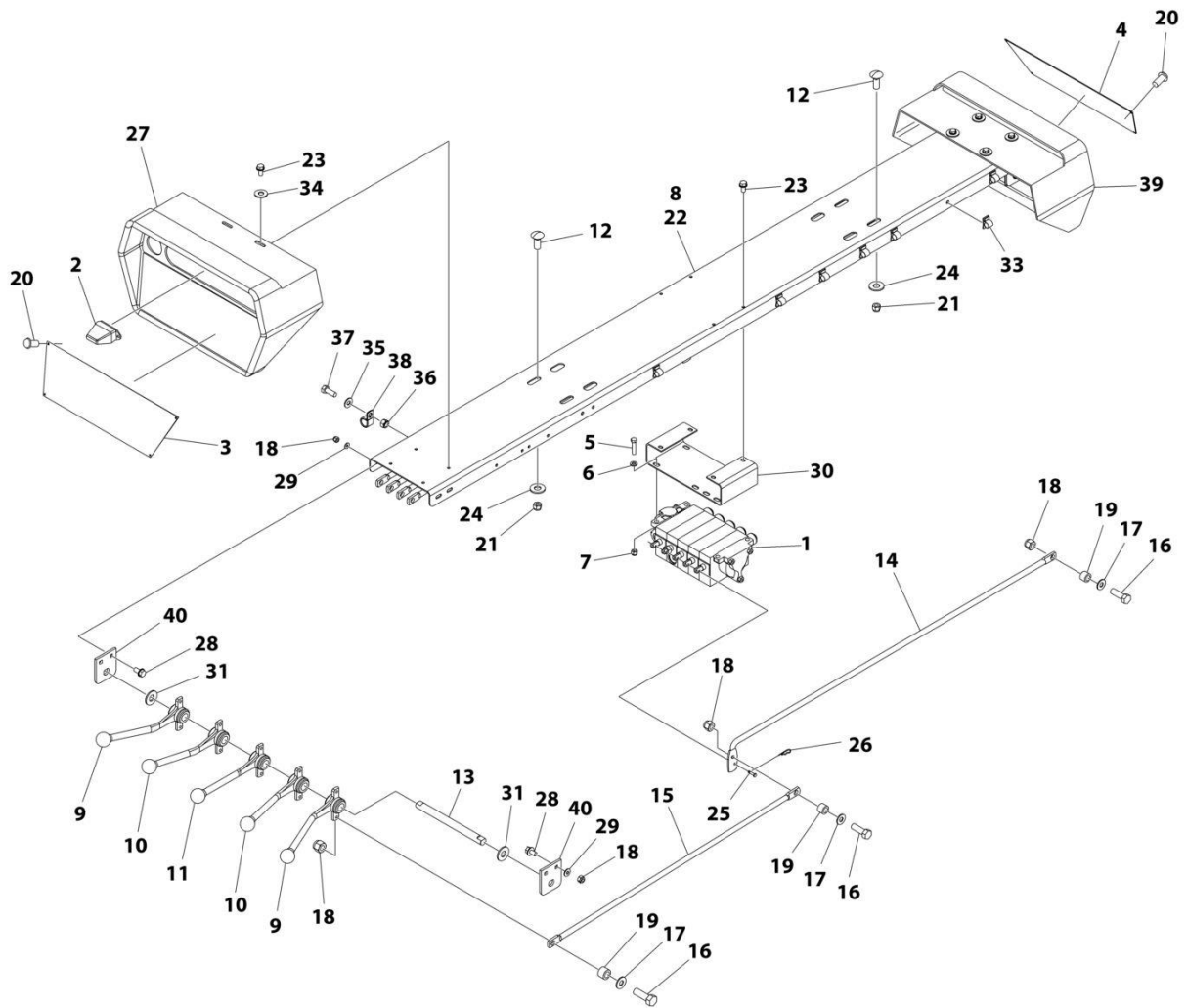
## SECTION 4 - CONTROLS

**FIGURE 4-28. 5 BANK VALVE CONTROLS INSTALLATION - HYDRAULIC TOW/IRL/WINCH MOTOR SPOOL**

ITEM	PART NUMBER	QTY	DESCRIPTION	REV
	1001146605	Ref	5 BANK CONTROLS INSTALLATION - HYDRAULIC TOW, IRL, WINCH MOTOR SPOOL	B
1	1001146603	1	Valve Assembly (See Separate Breakdown in this Section)	
2	1001143764	2	Lamp	
3	7330000648	1	Decal, Control Panel, LH	
4	7330000649	1	Decal, Control Panel, RH	
5	7111161050	4	Capscrew 3/8 x 1-1/4	
6	7950160161	4	Washer 3/8	
7	7660162601	4	Nut 3/8	
8	1001135273	1	Channel	
9	7551000021	4	Control Handle	
10	7551000020	4	Control Handle	
11	7551000018	2	Control Handle	
13	7691000064	2	Pin	
14	4763000280	5	Control Rod	
15	4763000279	5	Control Rod	
16	7115150850	15	Capscrew 5/16 x 1	
17	7949000011	15	Washer	
18	7660152601	23	Nut 5/16	
19	4831000069	15	Spacer	
20	7759000006	8	Rivet	
21	7660182601	4	Nut 1/2	
23	7790151253	12	Screw 5/16 x 3/4	
24	7950180161	4	Washer 1/2	
25	7690101200	5	Clevis Pin	
26	7691000056	5	Pin, Hairpin Cotter	
27	3560000010	1	Control Hood Assembly	
28	7115150664	8	Bolt 5/16 x 3/4	
29	7950150161	8	Washer 5/16	
30	1001135272	1	Channel	
31	7950220141	2	Washer 3/4	
33	7280000007	11	Wire Clip	
34	7949000054	8	Washer	
39	7560000007	1	Control Hood, RH	
40	4606000217	4	Lug	
41	7274000063	1	Clamp	
42	7115140650	1	Capscrew 1/4 x 3/4	
43	7660142601	1	Nut 1/4	
44	7950140141	1	Washer 1/4	
45	8632000012	AR	Trim Lock	
46	7115181064	4	Bolt 1/2 x 1-1/4	

# SECTION 4 - CONTROLS

## FIGURE 4-29. 5 BANK VALVE CONTROLS INSTALLATION - HYDRAULIC TOW/IRL/WINCH MOTOR SPOOL



ART\_1001170399

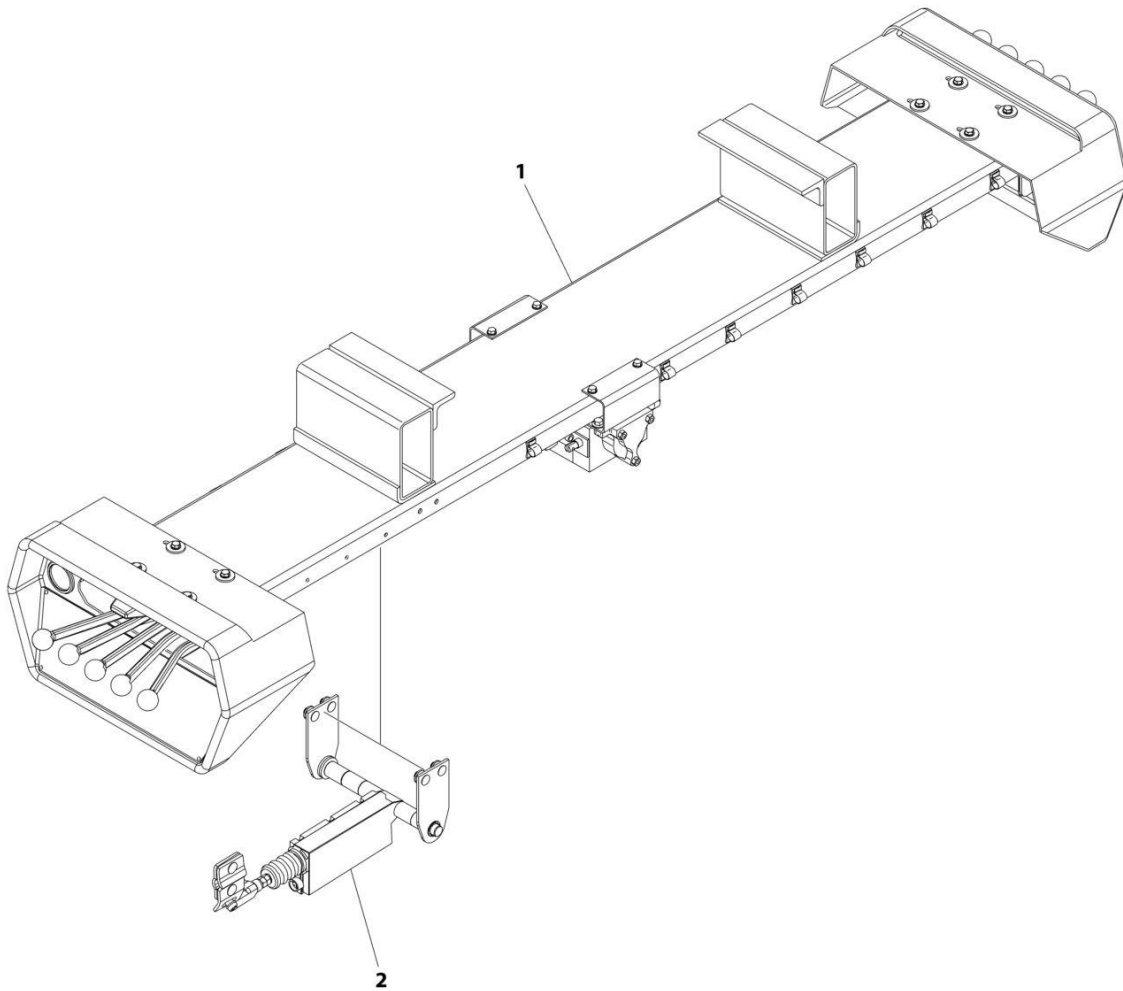
## SECTION 4 - CONTROLS

**FIGURE 4-29. 5 BANK VALVE CONTROLS INSTALLATION - HYDRAULIC TOW/IRL/WINCH MOTOR SPOOL**

ITEM	PART NUMBER	QTY	DESCRIPTION	REV
	1001170399	Ref	5 BANK CONTROLS INSTALLATION - HYDRAULIC TOW, IRL, WINCH MOTOR SPOOL	A
1	1001146603	1	Valve Assembly (See Separate Breakdown in this Section)	
2	1001143764	2	Lamp	
3	7330000648	1	Decal Control Panel, LH	
4	7330000649	1	Decal Control Panel, RH	
5	7111161050	4	Capscrew 3/8 x 1-1/4	
6	7950160161	4	Washer 3/8	
7	7660162601	4	Nut 3/8	
8	1001170189	1	Channel	
9	7551000021	4	Control Handle	
10	7551000020	4	Control Handle	
11	7551000018	2	Control Handle	
12	7115181064	4	Bolt 1/2 x 1-1/4	
13	7691000064	2	Pin	
14	1001170187	5	Control Rod	
15	1001170188	5	Control Rod	
16	7115150850	15	Capscrew 5/16 x 1	
17	7949000011	15	Washer	
18	7660152601	23	Nut 5/16	
19	4831000069	15	Sapcer	
20	7759000006	8	Rivet	
21	7660182601	4	Nut 1/2	
22	8632000012	AR	Trim Lock	
23	7790151253	12	Screw 5/16 x 3/4	
24	7950180161	4	Washer 1/2	
25	7690101200	5	Clevis Pin	
26	7691000056	5	Pin, Hairpin Cotter	
27	3560000010	1	Control Hood Assembly	
28	7115150664	8	Bolt 5/16 x 3/4	
29	7950150161	8	Washer 5/16	
30	1001135272	1	Channel	
31	7950220141	2	Washer 3/4	
33	7280000007	11	Wire Clip	
34	7949000054	8	Washer	
35	7950140141	1	Washer 1/4	
36	7660142601	1	Nut 1/4	
37	7115140650	1	Capscrew 1/4 x 3/4	
38	7274000063	1	Clamp	
39	7560000007	1	Control Hood, RH	
40	4606000217	4	Lug	

## SECTION 4 - CONTROLS

FIGURE 4-30. 5 BANK VALVE CONTROLS INSTALLATION - HYDRAULIC TOW/IRL/WINCH MOTOR SPOOL/REMOTE CONTROL



ART\_1001153233



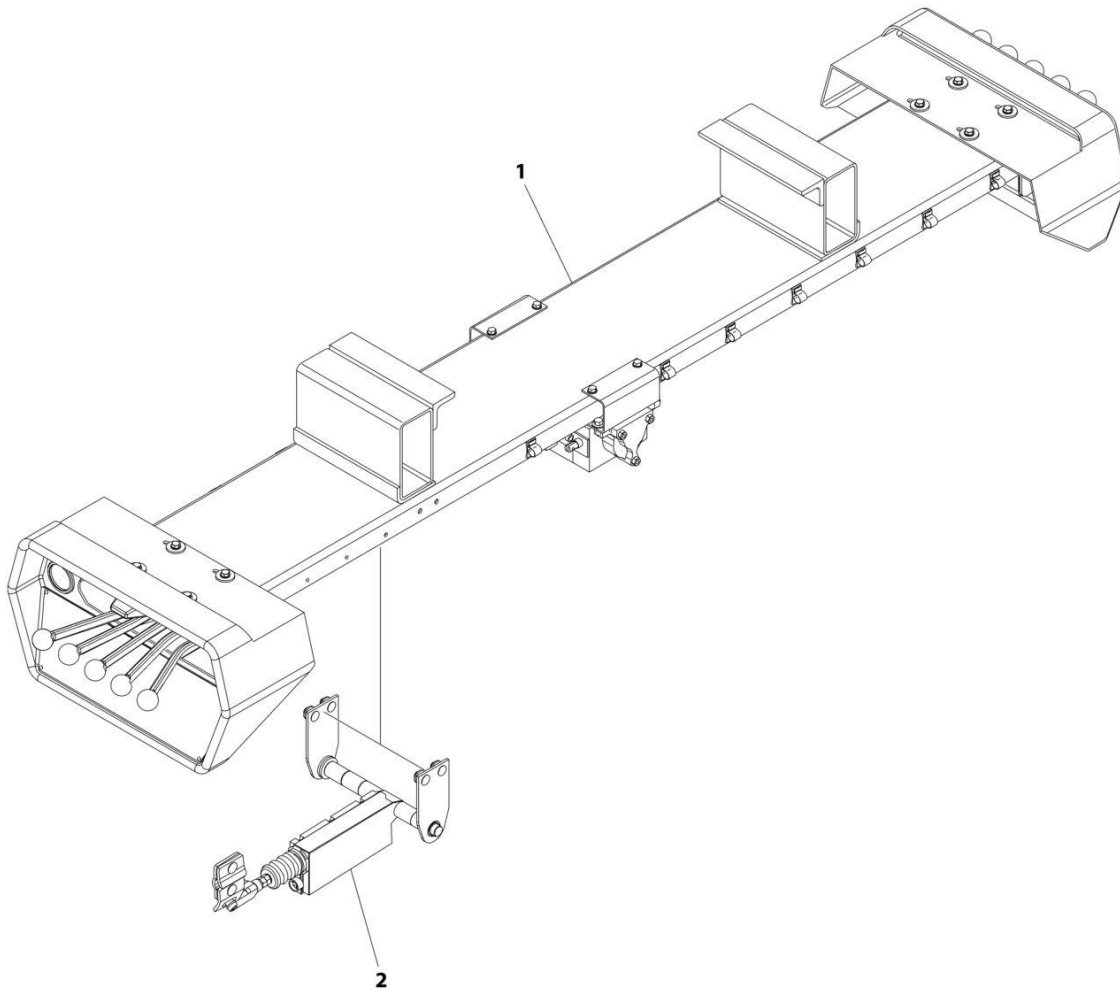
## SECTION 4 - CONTROLS

**FIGURE 4-30. 5 BANK VALVE CONTROLS INSTALLATION - HYDRAULIC TOW/IRL/WINCH MOTOR SPOOL/REMOTE CONTROL**

ITEM	PART NUMBER	QTY	DESCRIPTION	REV
1	1001153233	Ref	5 BANK CONTROLS - IRL, MOTOR SPOOL, RADIO REMOTE	B
	1001146605	Ref	5 Bank Controls Installation (See Separate Breakdown in this Section))	
2	2577000017	1	Linear Actuator Mount Kit (See Separate Breakdown in this Section)	

# SECTION 4 - CONTROLS

FIGURE 4-31. 5 BANK VALVE CONTROLS INSTALLATION - HYDRAULIC TOW/IRL/WINCH MOTOR SPOOL/REMOTE CONTROL



ART\_1001170400

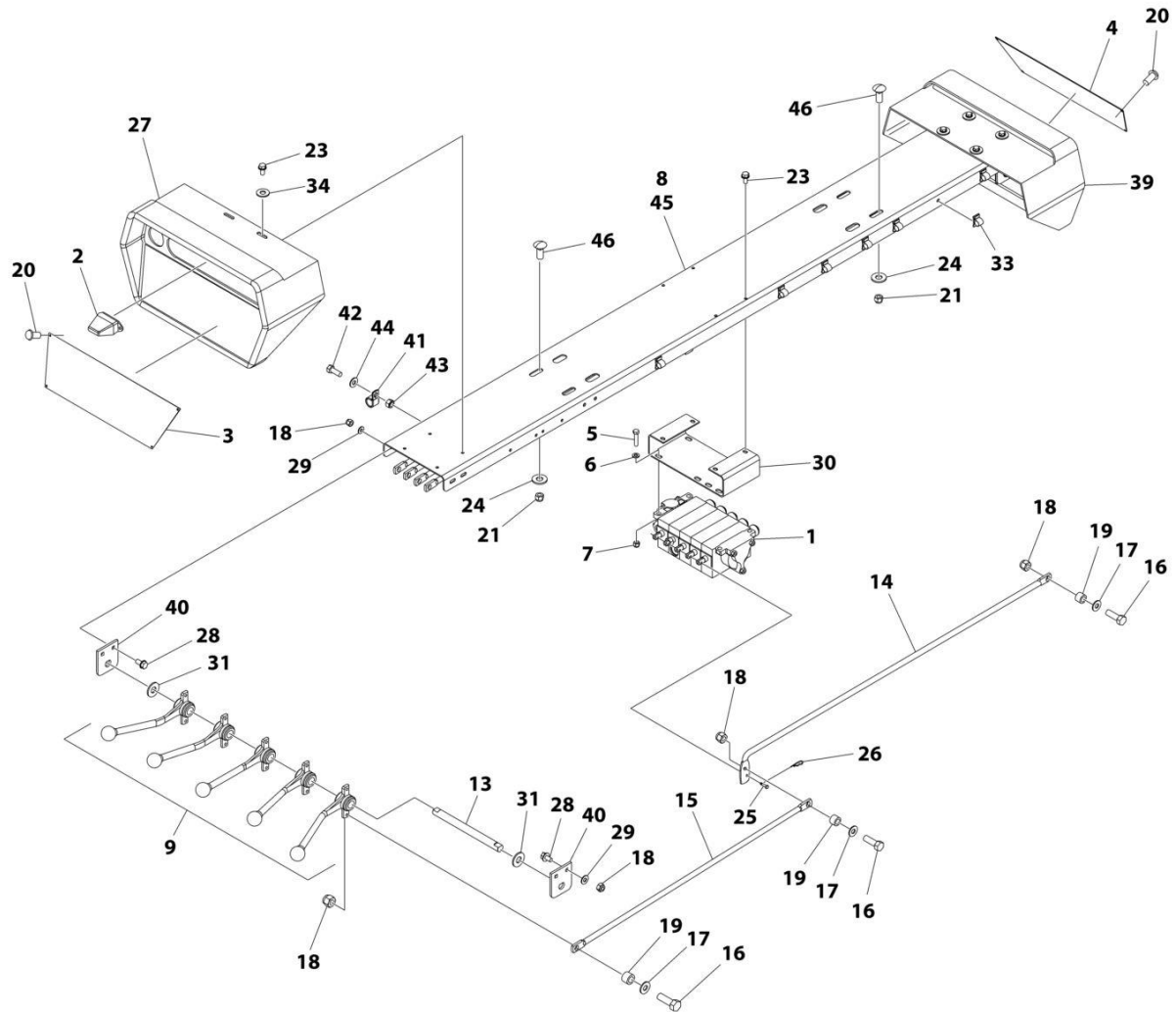
## SECTION 4 - CONTROLS

**FIGURE 4-31. 5 BANK VALVE CONTROLS INSTALLATION - HYDRAULIC TOW/IRL/WINCH MOTOR SPOOL/REMOTE CONTROL**

ITEM	PART NUMBER	QTY	DESCRIPTION	REV
1	1001170400	Ref	5 BANK CONTROLS INSTALLATION - IRL, RADIO REMOTE	A
	1001170399	1	5 Bank Controls Installation (See Separate Breakdown in this Section)	
2	2577000017	1	Linear Actuator Mount Kit (See Separate Breakdown in this Section)	

# SECTION 4 - CONTROLS

## FIGURE 4-32. 5 BANK VALVE CONTROLS INSTALLATION - HYDRAULIC TOW/IRL/COLOR HANDLES/RACEWAY



ART\_1001141629

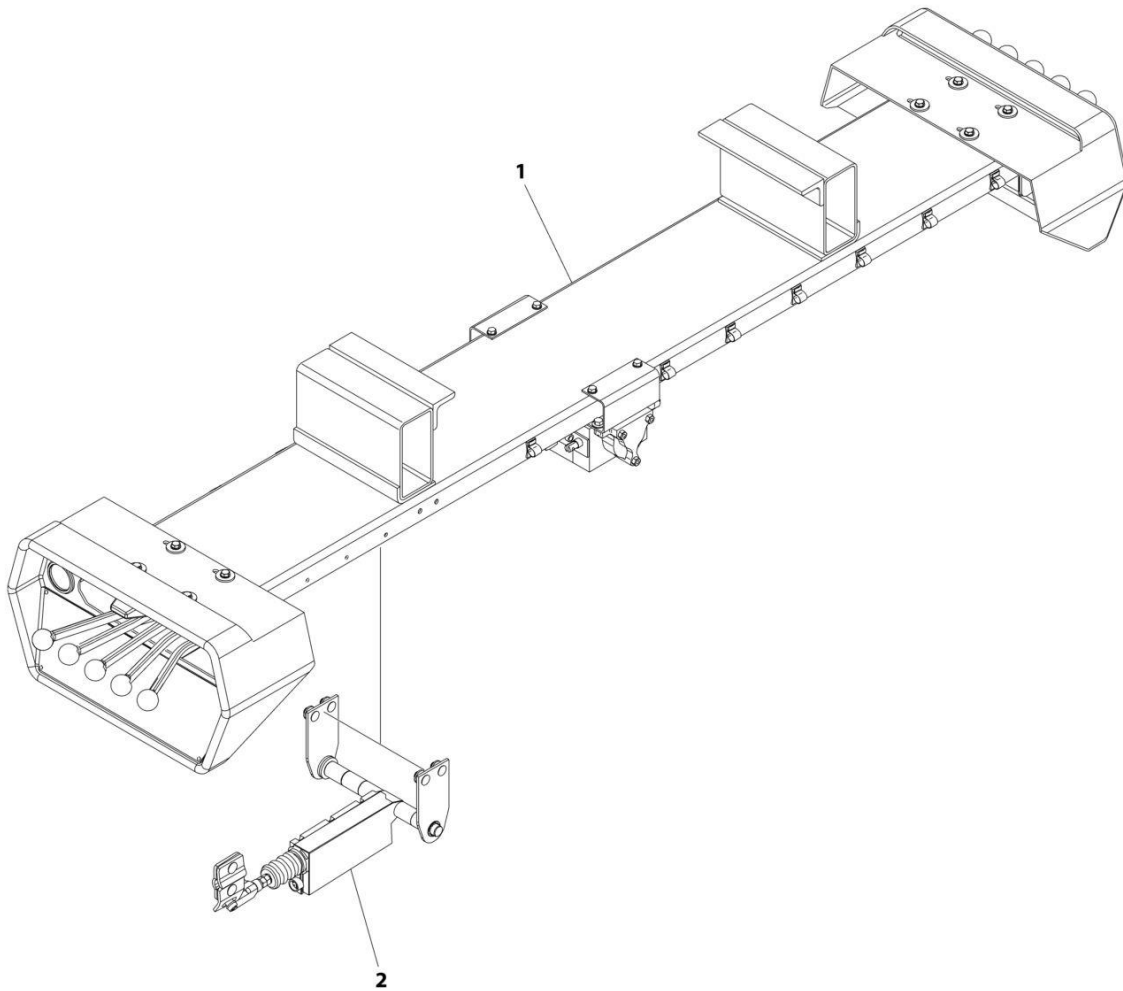
## SECTION 4 - CONTROLS

**FIGURE 4-32. 5 BANK VALVE CONTROLS INSTALLATION - HYDRAULIC TOW/IRL/COLOR HANDLES/RACEWAY**

ITEM	PART NUMBER	QTY	DESCRIPTION	REV
	1001141629	Ref	5 BANK CONTROLS INSTALLATION WITH IRL	C
1	3935000117	1	Valve Assembly (See Separate Breakdown in this Section)	
2	1001143764	2	Lamp	
3	7330000648	1	Decal Control Panel, LH	
4	7330000649	1	Decal Control Panel, RH	
5	7111161050	4	Capscrew 3/8 x 1-1/4	
6	7950160161	4	Washer 3/8	
7	7660162601	4	Nut 3/8	
8	1001135273	1	Channel	
9	1001141626	1	Control Handle	
13	7691000064	2	Pin	
14	4763000280	5	Control Rod	
15	4763000279	5	Control Rod	
16	7115150850	15	Capscrew 5/16 x 1	
17	7949000011	15	Washer	
18	7660152601	23	Nut 5/16	
19	4831000069	15	Spacer	
20	7759000006	8	Rivet	
21	7660182601	4	Nut 1/2	
23	7790151253	12	Screw 5/16 x 3/4	
24	7950180161	4	Washer 1/2	
25	7690101200	5	Clevis Pin	
26	7691000056	5	Pin, Hairpin Cotter	
27	3560000010	1	Control Hood Assembly	
28	7115150664	8	Bolt 5/16 x 3/4	
29	7950150161	8	Washer 5/16	
30	1001135272	1	Channel	
31	7950220141	2	Washer 3/4	
33	7280000007	11	Wire Clip	
34	7949000054	8	Washer	
39	7560000007	1	Control Hood, RH	
40	4606000217	4	Lug	
41	7274000063	1	Clamp	
42	7115140650	1	Capscrew 1/4 x 3/4	
43	7660142601	1	Nut 1/4	
44	7950140141	1	Washer 1/4	
45	8632000012	AR	Trim Lock	
46	7115181064	4	Bolt 1/2 x 1-1/4	

# SECTION 4 - CONTROLS

FIGURE 4-33. 5 BANK VALVE CONTROLS INSTALLATION - HYDRAULIC TOW/IRL/COLOR HANDLES/RACEWAY



ART\_1001141684

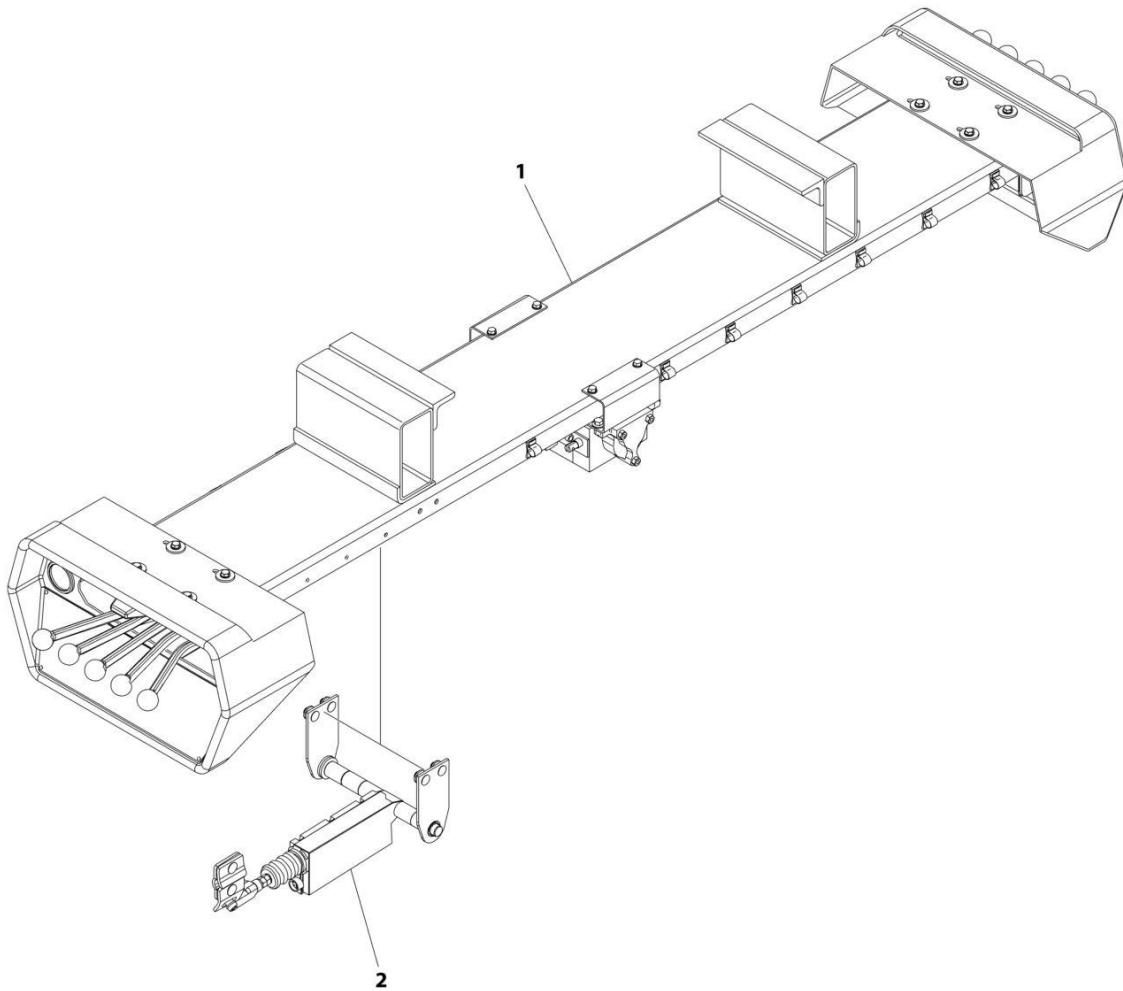
## SECTION 4 - CONTROLS

**FIGURE 4-33. 5 BANK VALVE CONTROLS INSTALLATION - HYDRAULIC TOW/IRL/COLOR HANDLES/RACEWAY**

ITEM	PART NUMBER	QTY	DESCRIPTION	REV
1	1001141684	Ref	5 BANK CONTROLS WITH IRL (TOW OPT)	A
	1001141629	Ref	5 Bank Controls Installation (See Separate Breakdown in this Section)	
2	2577000017	1	Linear Actuator Mount Kit (See Separate Breakdown in this Section)	

# SECTION 4 - CONTROLS

FIGURE 4-34. 5 BANK VALVE CONTROLS INSTALLATION - HYDRAULIC TOW/IRL/COLOR HANDLES/RACEWAY



ART\_1001170396



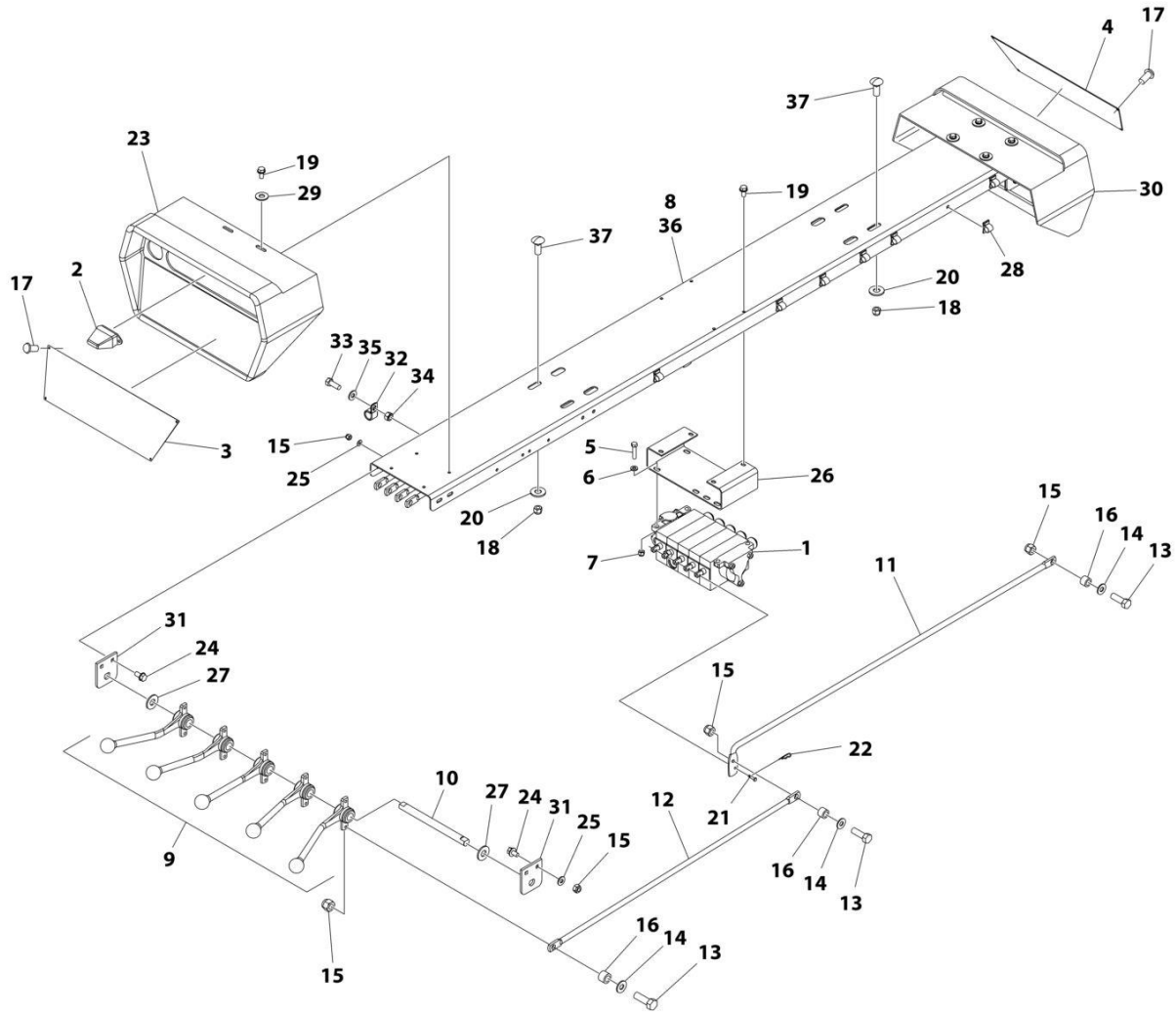
## SECTION 4 - CONTROLS

**FIGURE 4-34. 5 BANK VALVE CONTROLS INSTALLATION - HYDRAULIC TOW/IRL/COLOR HANDLES/RACEWAY**

ITEM	PART NUMBER	QTY	DESCRIPTION	REV
	1001170396	Ref	5 BANK CONTROLS INSTALLATION - IRL, RACEWAY, RADIO REMOTE	A
1	1001170395	1	5 Bank Controls Installation (See Separate Breakdown in this Section)	
2	2577000017	1	Linear Actuator Mount Kit (See Separate Breakdown in this Section)	

# SECTION 4 - CONTROLS

## FIGURE 4-35. 5 BANK VALVE CONTROLS INSTALLATION - HYDRAULIC TOW/IRL/COLOR HANDLES/RACEWAY



ART\_1001170395

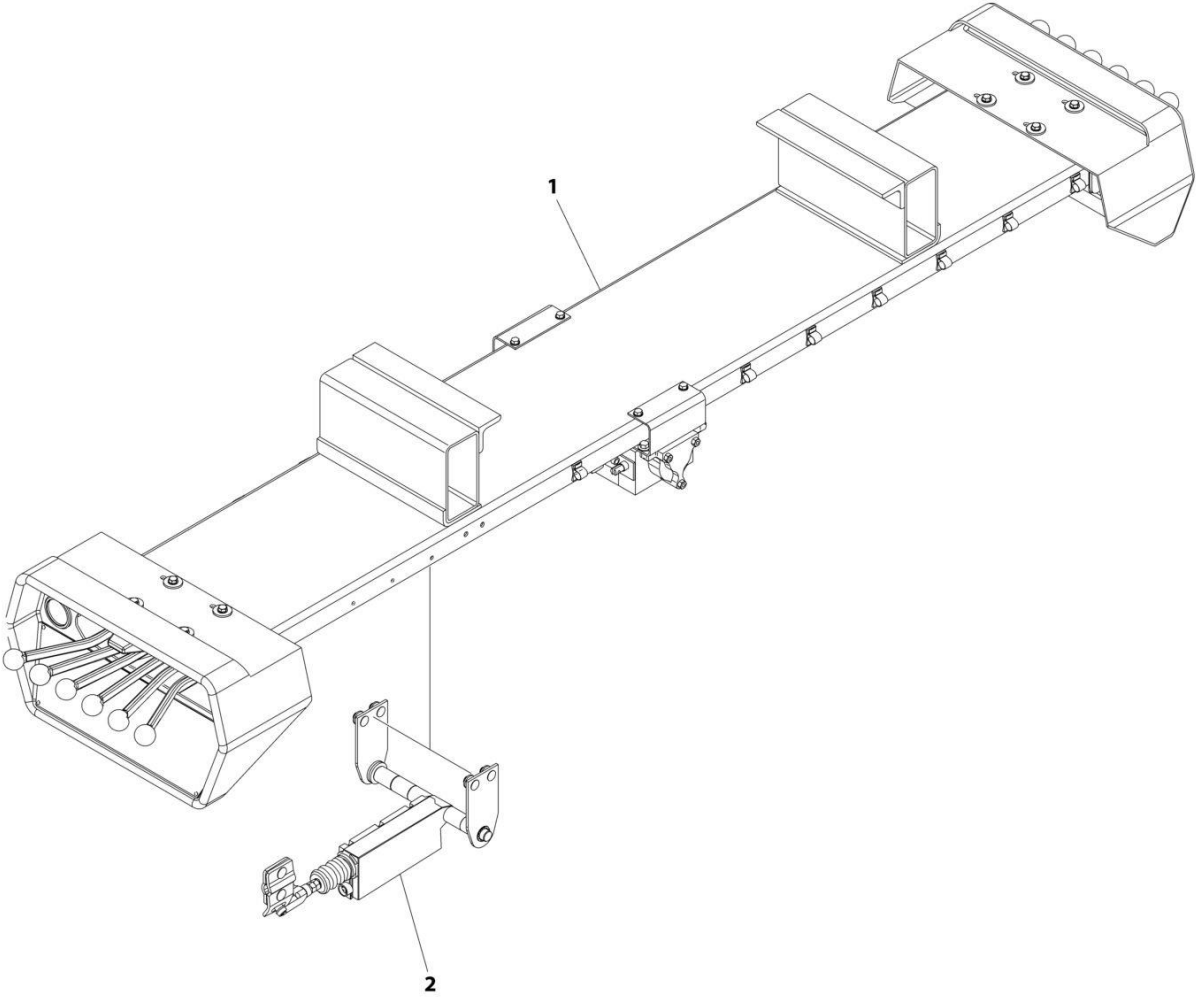
## SECTION 4 - CONTROLS

**FIGURE 4-35. 5 BANK VALVE CONTROLS INSTALLATION - HYDRAULIC TOW/IRL/COLOR HANDLES/RACEWAY**

ITEM	PART NUMBER	QTY	DESCRIPTION	REV
	1001170395	Ref	5 BANK CONTROLS INSTALLATION - IRL, RACEWAY	A
1	3935000117	1	Valve Assembly (See Separate Breakdown in this Section)	
2	1001143764	2	Lamp	
3	7330000648	1	Decal, Control Panel, LH	
4	7330000649	1	Decal, Control Panel, RH	
5	7111161050	4	Capscrew 3/8 x 1-1/4	
6	7950160161	4	Washer 3/8	
7	7660162601	4	Nut 3/8	
8	1001170189	1	Channel	
9	1001141626	1	Control Handle	
10	7691000064	2	Pin	
11	1001170187	5	Control Rod	
12	1001170188	5	Control Rod	
13	7115150850	15	Capscrew 5/16 x 1	
14	7949000011	15	Washer	
15	7660152601	23	Nut 5/16	
16	4831000069	15	Spacer	
17	7759000006	8	Rivet	
18	7660182601	4	Nut 1/2	
19	7790151253	12	Screw 5/16 x 3/4	
20	7950180161	4	Washer 1/2	
21	7690101200	5	Clevis Pin	
22	7691000056	5	Pin, Hairpin Cotter	
23	3560000010	1	Control Hood Assembly	
24	7115150664	8	Bolt 5/16 x 3/4	
25	7950150161	8	Washer 5/16	
26	1001135272	1	Channel	
27	7950220141	2	Washer 3/4	
28	7280000007	11	Wire Clip	
29	7949000054	8	Washer	
30	7560000007	1	Control Hood, RH	
31	4606000217	4	Lug	
32	7274000063	1	Clamp	
33	7115140650	1	Capscrew 1/4 x 3/4	
34	7660142601	1	Nut 1/4	
35	7950140141	1	Washer 1/4	
36	8632000012	AR	Trim Lock	
37	7115181064	4	Bolt 1/2 x 1-1/4	

# SECTION 4 - CONTROLS

FIGURE 4-36. 6 BANK VALVE INSTALLATION - HYDRAULIC TOW/IRL/HYDRAULIC GRID/REMOTE CONTROL



ART\_C6BITAGRC-TPR

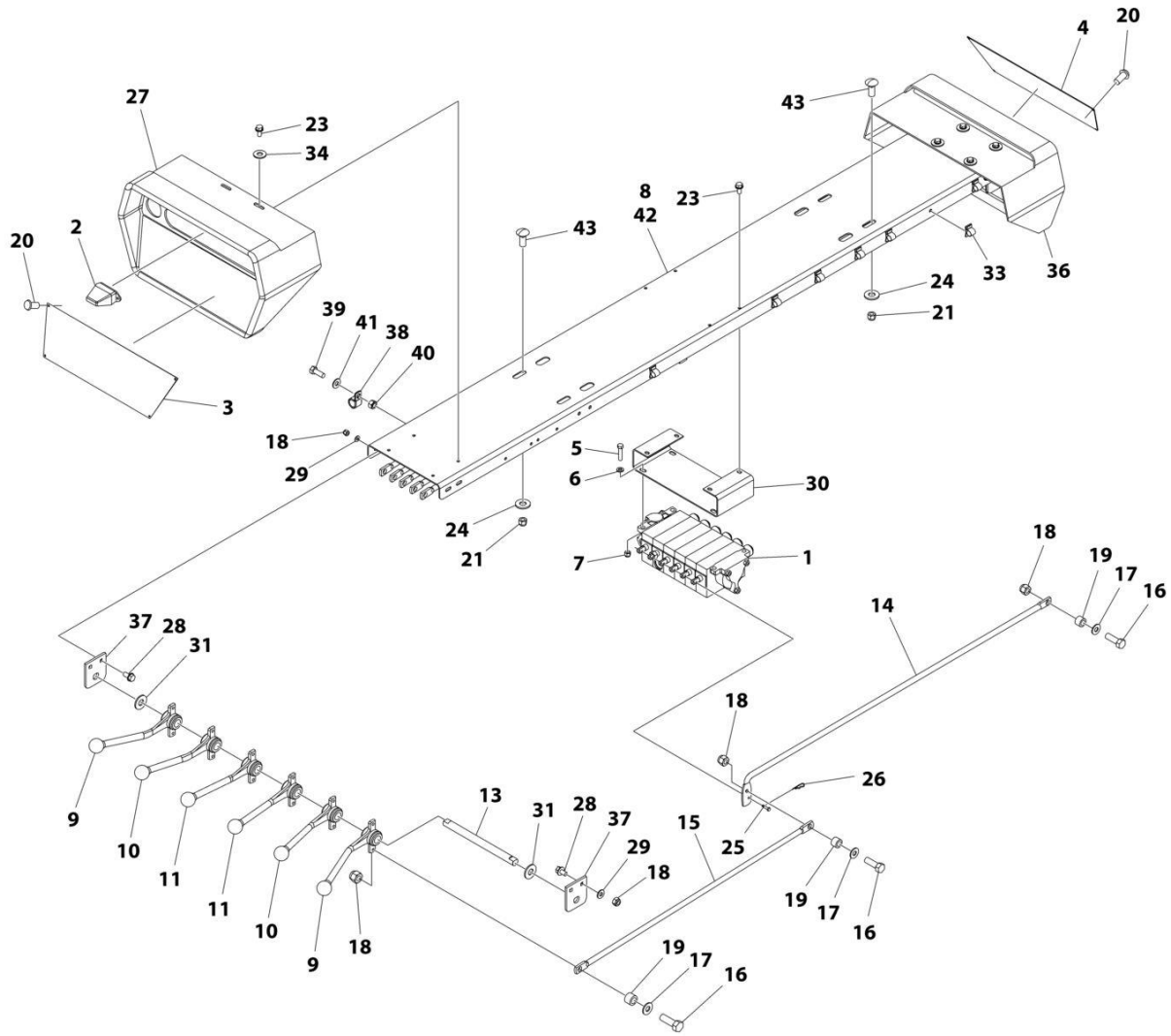
## SECTION 4 - CONTROLS

**FIGURE 4-36. 6 BANK VALVE INSTALLATION - HYDRAULIC TOW/IRL/HYDRAULIC GRID/REMOTE CONTROL**

ITEM	PART NUMBER	QTY	DESCRIPTION	REV
	C6BITAGRC-TPR	Ref	6 BANK VALVE INSTALLATION - HYD TOW/IRL/HYD GRID/REMOTE CONTROL	0
1	2296000144	1	6 Bank Controls Installation (See Separate Breakdown in this Section)	
2	2577000018	1	Linear Actuator Mount Kit (See Separate Breakdown in this Section)	

# SECTION 4 - CONTROLS

FIGURE 4-37. 6 BANK VALVE CONTROLS INSTALLATION - HYDRAULIC TOW/IRL/HYD GRID



ART\_2296000144

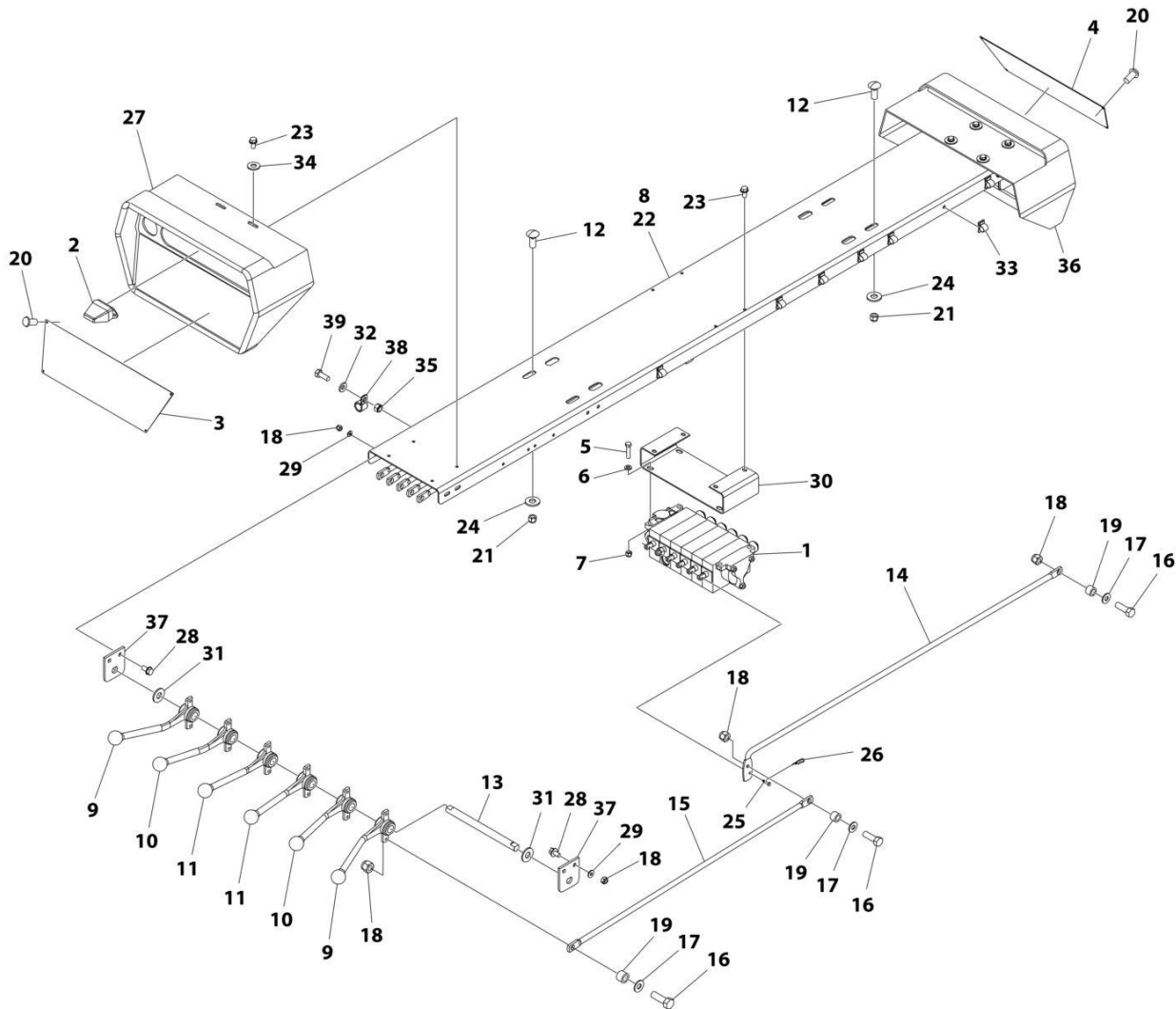
## SECTION 4 - CONTROLS

**FIGURE 4-37. 6 BANK VALVE CONTROLS INSTALLATION - HYDRAULIC TOW/IRL/HYD GRID**

ITEM	PART NUMBER	QTY	DESCRIPTION	REV
	2296000144	Ref	6 BANK CONTROLS INSTALLATION - HYDRAULIC TOW, IRL, HYDRAULIC GRILL	G
1	3935000166	1	Valve Assembly (See Separate Breakdown in this Section)	
2	1001143764	2	Lamp	
3	7330000657	1	Decal Control Panel, LH	
4	7330000658	1	Decal Control Panel, RH	
5	7111161050	4	Capscrew 3/8 x 1-1/4	
6	7950160161	4	Washer 3/8	
7	7660162601	4	Nut 3/8	
8	1001135330	1	Channel	
9	7551000021	4	Control Handle	
10	7551000020	4	Control Handle	
11	7551000019	4	Control Handle	
13	7691000065	2	Pin	
14	4763000280	6	Control Rod	
15	4763000279	6	Control Rod	
16	7115150850	18	Capscrew 5/16 x 1	
17	7949000011	18	Washer	
18	7660152601	26	Nut 5/16	
19	4831000069	18	Spacer	
20	7759000006	8	Rivet	
21	7660182601	4	Nut 1/2	
23	7790151253	12	Screw 5/16 x 3/4	
24	7950180161	4	Washer 1/2	
25	7690101200	6	Clevis Pin	
26	7691000056	6	Pin, Hairpin Cotter	
27	3560000010	1	Control Hood Assembly	
28	7115150664	8	Bolt 5/16 x 3/4	
29	7950150161	8	Washer 5/16	
30	1001135329	1	Channel	
31	7950220141	2	Washer 3/4	
33	7280000007	11	Wire Clip	
34	7949000054	8	Washer	
36	7560000007	1	Control Hood	
37	4606000217	4	Lug	
38	7274000063	1	Clamp	
39	7115140650	1	Capscrew 1/4 x 3/4	
40	7660142601	1	Nut 1/4	
41	7950140141	1	Washer 1/4	
42	8632000012	AR	Trim Lock	
43	7115181064	4	Bolt 1/2 x 1-1/4	

# SECTION 4 - CONTROLS

## FIGURE 4-38. 6 BANK VALVE CONTROLS INSTALLATION - HYDRAULIC TOW/IRL/HYD GRID



ART\_1001170411



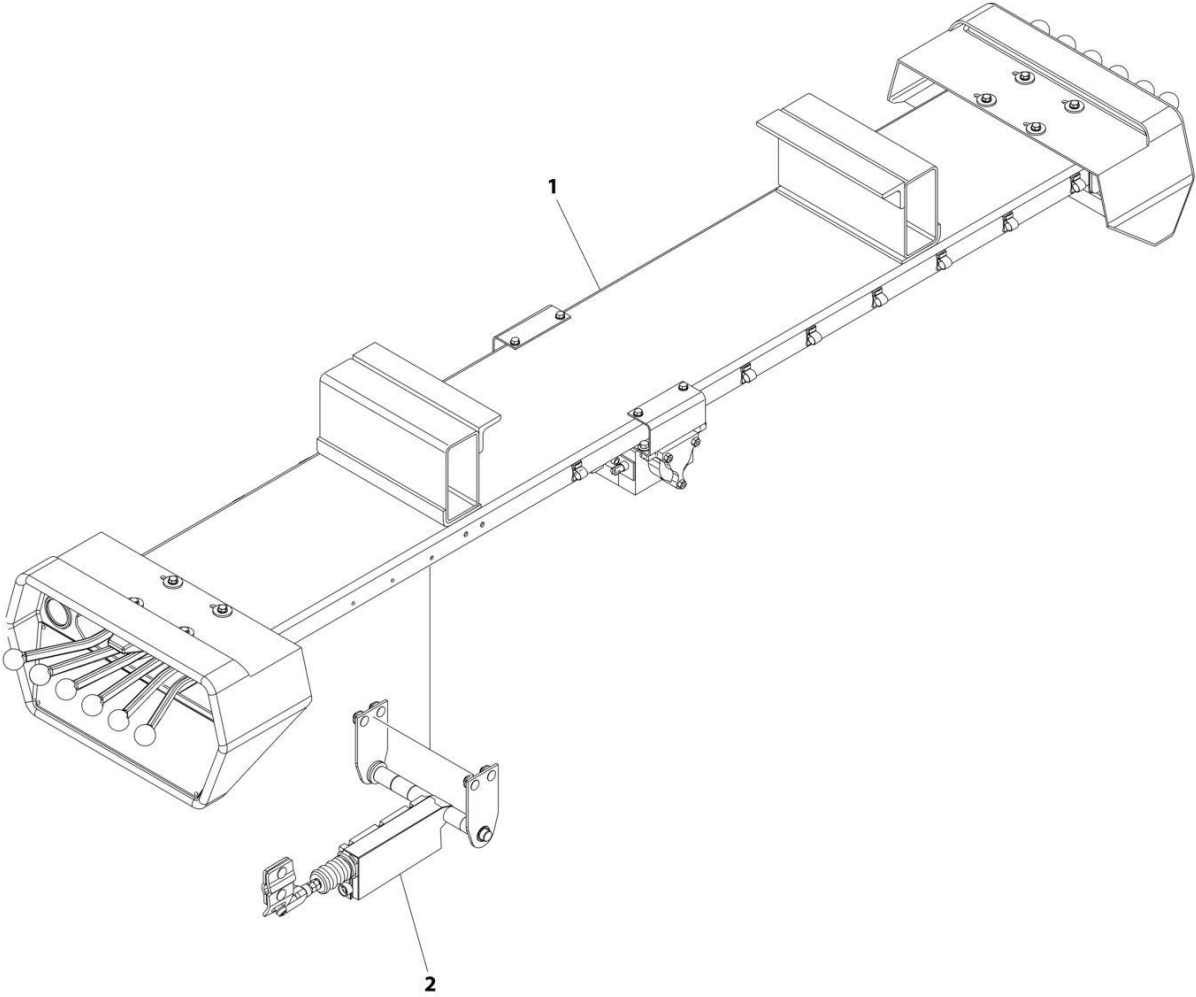
## SECTION 4 - CONTROLS

**FIGURE 4-38. 6 BANK VALVE CONTROLS INSTALLATION - HYDRAULIC TOW/IRL/HYD GRID**

ITEM	PART NUMBER	QTY	DESCRIPTION	REV
	1001170411	Ref	CONTROLS 6-BANK, IRL, HYDRAULIC GRID	A
1	3935000166	1	Valve Assembly (See Separate Breakdown in this Section)	
2	1001143764	2	Lamp	
3	7330000657	1	Decal Control Panel, LH	
4	7330000658	1	Decal Control Panel, RH	
5	7111161050	4	Capscrew 3/8 x 1-1/4	
6	7950160161	4	Washer 3/8	
7	7660162601	4	Nut 3/8	
8	1001170191	4	Channel	
9	7551000021	4	Control Handle	
10	7551000020	4	Control Handle	
11	7551000019	1	Control Handle	
12	7115181064	4	Bolt 1/2 x 1-1/4	
13	7691000065	2	Pin	
14	1001170187	6	Control Rod	
15	1001170188	6	Control Rod	
16	7115150850	18	Capscrew 5/16 x 1	
17	7949000011	18	Washer	
18	7660152601	26	Nut 5/16	
19	4831000069	18	Sapcer	
20	7759000006	8	Rivet	
21	7660182601	4	Nut 1/2	
22	8632000012	AR	Trim Lock	
23	7790151253	12	Screw 5/16 x 3/4	
24	7950180161	4	Washer 1/2	
25	7690101200	6	Clevis Pin	
26	7691000056	6	Pin, Hairpin Cotter	
27	3560000010	1	Control Hood Assembly	
28	7115150664	8	Bolt 5/16 x 3/4	
29	7950150161	8	Washer 5/16	
30	1001135329	1	Channel	
31	7950220141	2	Washer 3/4	
32	7950140141	1	Washer 1/4	
33	7280000007	11	Wire Clip	
34	7949000054	8	Washer	
35	7660142601	1	Nut 1/4	
36	7560000007	1	Control Hood, RH	
37	4606000217	4	Lug	
38	7274000063	1	Clamp	
39	7115140650	1	Capscrew 1/4 x 3/4	

# SECTION 4 - CONTROLS

## FIGURE 4-39. 6 BANK VALVE CONTROLS INSTALLATION - HYDRAULIC TOW/IRL/HYDRAULIC GRID/REMOTE CONTROL



ART\_1001170412

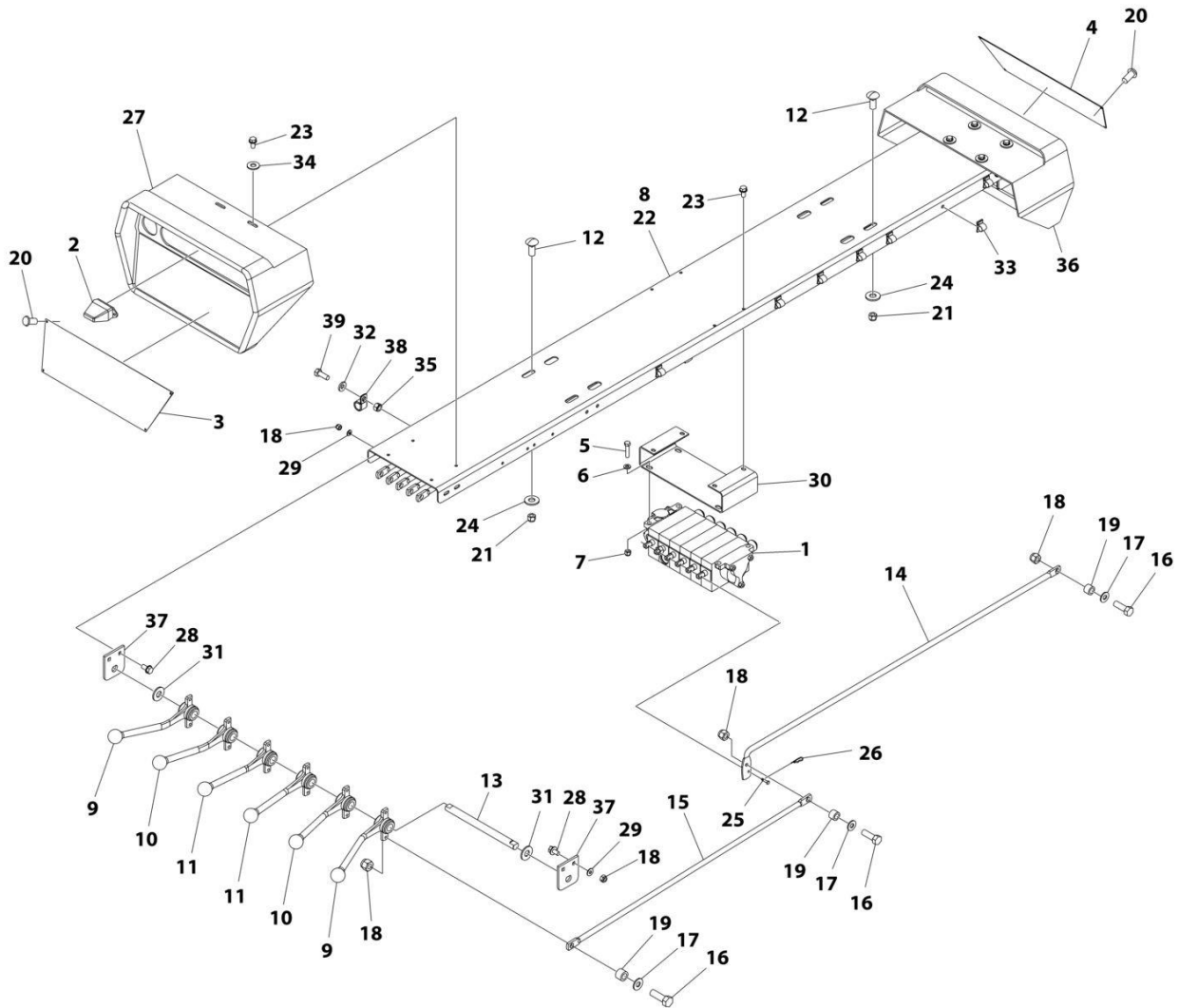
## SECTION 4 - CONTROLS

**FIGURE 4-39. 6 BANK VALVE CONTROLS INSTALLATION - HYDRAULIC TOW/IRL/HYDRAULIC GRID/REMOTE CONTROL**

ITEM	PART NUMBER	QTY	DESCRIPTION	REV
	1001170412	Ref	6 BANK CONTROLS INSTALLATION - IRL, HYDRAULIC GRID, RADIO REMOTE	A
1	1001170411	Ref	6 Bank Controls Installation (See Separate Breakdown in this Section)	
2	2577000018	1	Linear Actuator Mount Kit (See Separate Breakdown in this Section)	

# SECTION 4 - CONTROLS

## FIGURE 4-40. 6 BANK VALVE CONTROLS INSTALLATION - HYDRAULIC TOW/IRL/ZOD



ART\_1001170404

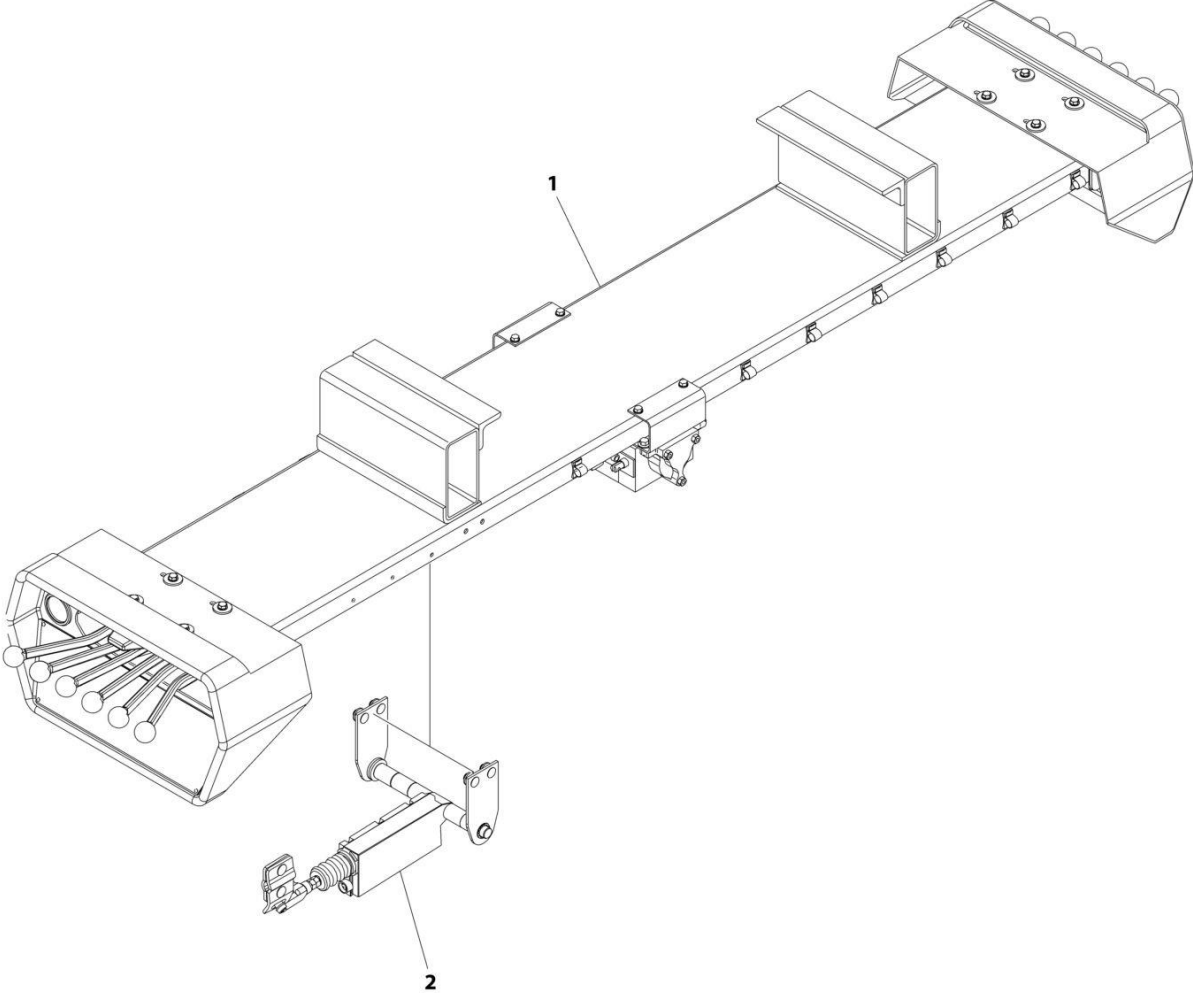
## SECTION 4 - CONTROLS

**FIGURE 4-40. 6 BANK VALVE CONTROLS INSTALLATION - HYDRAULIC TOW/IRL/ZOD**

ITEM	PART NUMBER	QTY	DESCRIPTION	REV
	1001170404	Ref	6 BANK CONTROLS INSTALLATION - IRL, HYDRAULIC GRID, ZOD	A
1	3935000118	1	Valve Assembly (See Separate Breakdown in this Section)	
2	1001143764	2	Lamp	
3	7330000652	1	Decal Control Panel, LH	
4	7330000653	1	Decal Control Panel, RH	
5	7111161050	4	Capscrew 3/8 x 1-1/4	
6	7950160161	4	Washer 3/8	
7	7660162601	4	Nut 3/8	
8	1001170191	1	Channel	
9	7551000021	4	Control Handle	
10	7551000020	4	Control Handle	
11	7551000019	4	Control Handle	
12	7115181064	4	Bolt 1/2 x 1-1/4	
13	7691000065	2	Pin	
14	1001170187	6	Control Rod	
15	1001170188	6	Control Rod	
16	7115150850	18	Capscrew 5/16 x 1	
17	7949000011	18	Washer	
18	7660152601	26	Nut 5/16	
19	4831000069	18	Sapcer	
20	7759000006	8	Rivet	
21	7660182601	4	Nut 1/2	
22	8632000012	AR	Trim Lock	
23	7790151253	12	Screw 5/16 x 3/4	
24	7950180161	4	Washer 1/2	
25	7690101200	6	Clevis Pin	
26	7691000056	6	Pin, Hairpin Cotter	
27	3560000010	1	Control Hood Assembly	
28	7115150664	8	Bolt 5/16 x 3/4	
29	7950150161	8	Washer 5/16	
30	1001135329	1	Channel	
31	7950220141	2	Washer 3/4	
32	7950140141	1	Washer 1/4	
33	7280000007	11	Wire Clip	
34	7949000054	8	Washer	
35	7660142601	1	Nut 1/4	
36	7560000007	1	Control Hood, RH	
37	4606000217	4	Lug	
38	7274000063	1	Clamp	
39	7115140650	1	Capscrew 1/4 x 3/4	

# SECTION 4 - CONTROLS

FIGURE 4-41. 6 BANK VALVE CONTROLS INSTALLATION - HYD TOW/IRL/ZOD/REMOTE CONTROL



ART\_1001170414

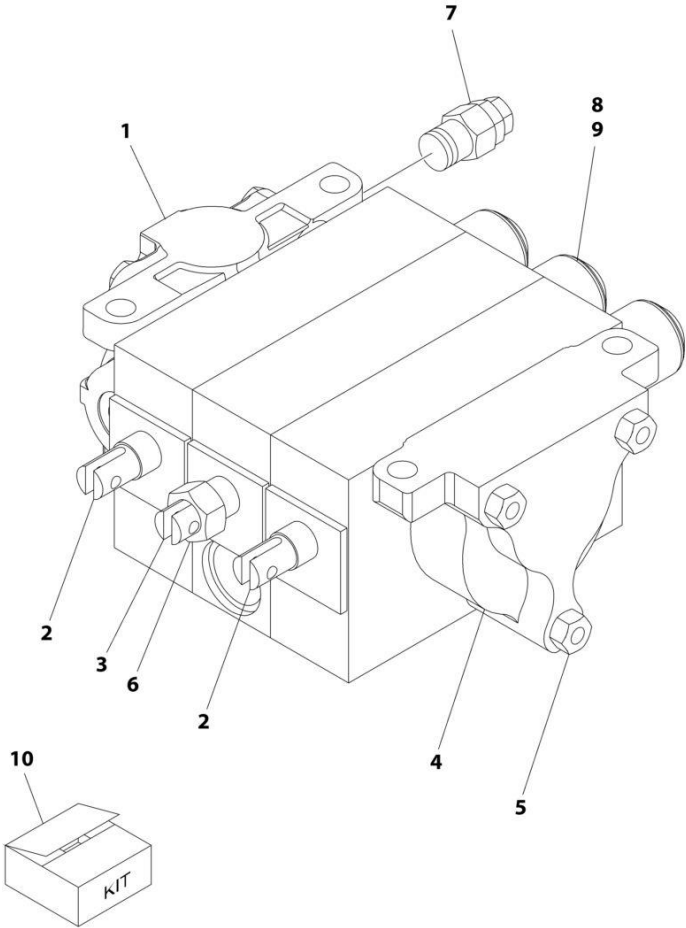
## SECTION 4 - CONTROLS

**FIGURE 4-41. 6 BANK VALVE CONTROLS INSTALLATION - HYD TOW/IRL/ZOD/REMOTE CONTROL**

ITEM	PART NUMBER	QTY	DESCRIPTION	REV
	1001170414	Ref	6 BANK CONTROLS INSTALLATION - IRL, HYDRAULIC TOW, ZOD	A
1	1001170404	Ref	6 Bank Controls Installation (See Separate Breakdown in this Section))	
2	2577000018	1	Linear Actuator Mount Kit (See Separate Breakdown in this Section)	

**SECTION 4 - CONTROLS**

**FIGURE 4-42. VALVE ASSEMBLY - 3 BANK**



ART\_3935000115



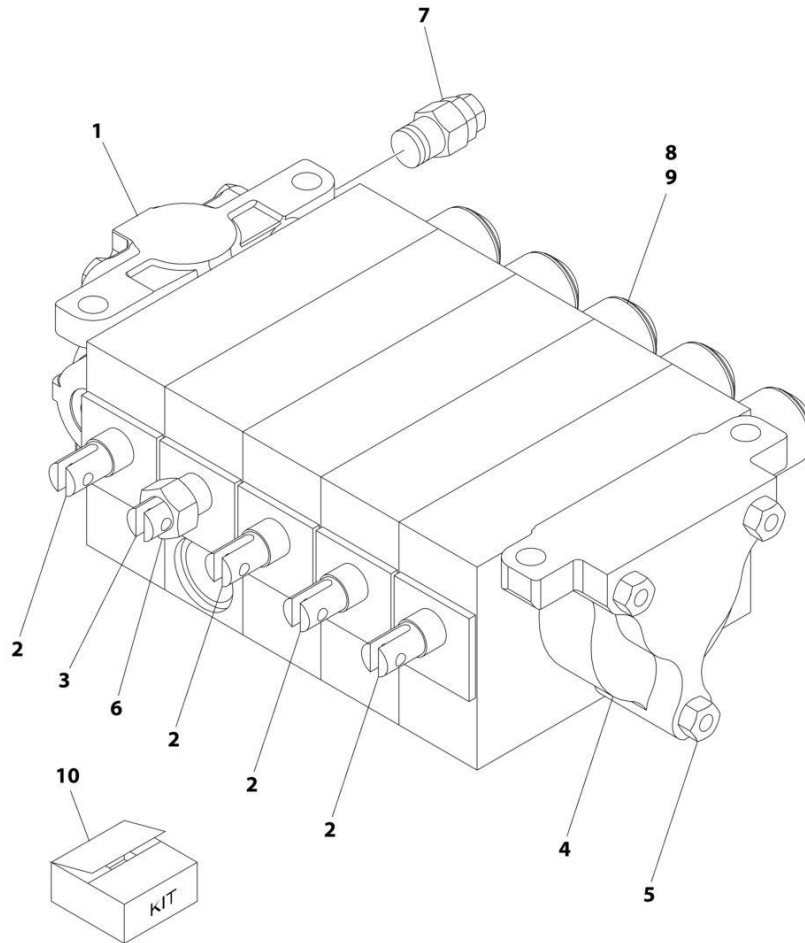
## SECTION 4 - CONTROLS

### FIGURE 4-42. VALVE ASSEMBLY - 3 BANK

ITEM	PART NUMBER	QTY	DESCRIPTION	REV
	3935000115	Ref	VALVE ASSEMBLY - 3 BANK	B
1	7935000369	1	Inlet/Outlet Valve	
2	7935000170	4	Single Clevis Valve	
3	7935000227	1	Relief Valve	
4	7935000173	1	End Valve	
5	7577000215	1	Bolt Kit	
6	7935000388	1	Relief Valve	
7	7935000174	1	Relief Valve	
8	9843930044	AR	Cap	
9	7577000343	AR	Cap	
10	9577930187	AR	Kit, Spool Seal	

# SECTION 4 - CONTROLS

FIGURE 4-43. VALVE ASSEMBLY - 5 BANK (WITHOUT WINCH MOTOR SPOOL)



ART\_3935000117

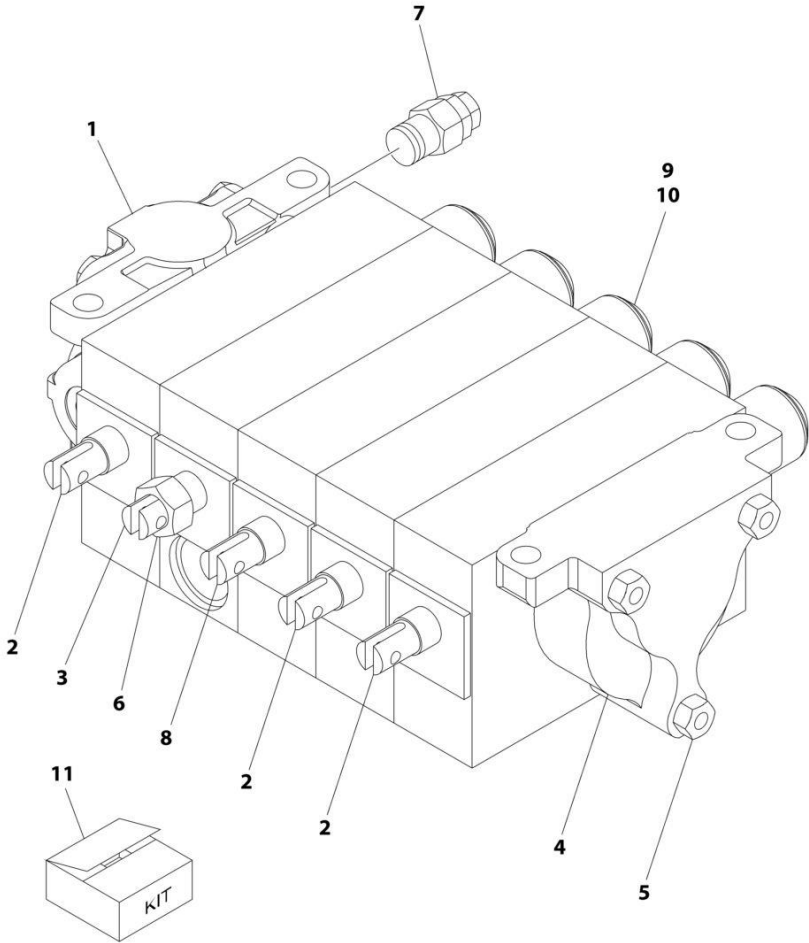
## SECTION 4 - CONTROLS

**FIGURE 4-43. VALVE ASSEMBLY - 5 BANK (WITHOUT WINCH MOTOR SPOOL)**

ITEM	PART NUMBER	QTY	DESCRIPTION	REV
	3935000117	Ref	VALVE ASSEMBLY - 5 BANK	B
1	7935000369	1	Inlet/Outlet Valve	
2	7935000170	4	Single Clevis Valve	
3	7935000227	1	Relief Valve	
4	7935000173	1	End Valve	
5	7577000217	1	Bolt Kit	
6	7935000388	1	Relief Valve	
7	7935000174	1	Relief Valve	
8	9843930044	AR	Cap	
9	7577000343	AR	Cap	
10	9577930187	AR	Kit, Spool Seal	

**SECTION 4 - CONTROLS**

**FIGURE 4-44. VALVE ASSEMBLY - 5 BANK (WITH WINCH MOTOR SPOOL)**



ART\_1001146603

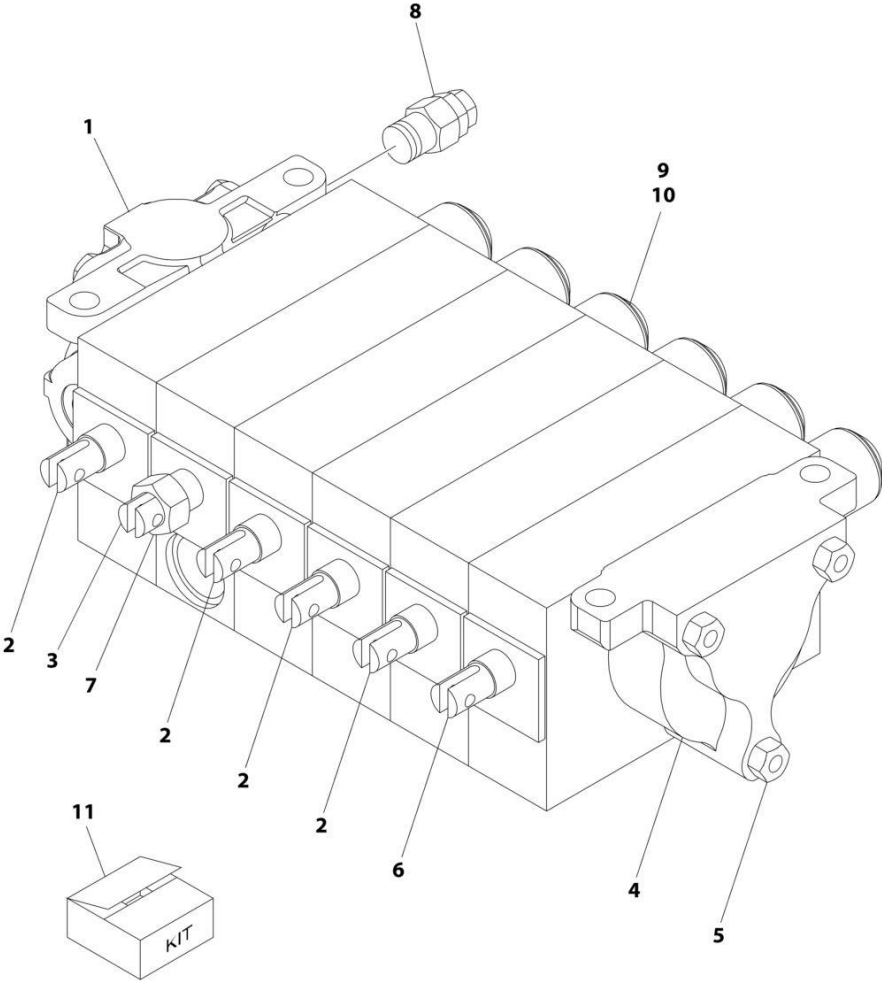
## SECTION 4 - CONTROLS

**FIGURE 4-44. VALVE ASSEMBLY - 5 BANK (WITH WINCH MOTOR SPOOL)**

ITEM	PART NUMBER	QTY	DESCRIPTION	REV
	1001146603	Ref	VALVE ASSEMBLY - 5 BANK	A
1	7935000369	1	Inlet/Outlet Valve	
2	7935000170	4	Single Clevis Valve	
3	7935000227	1	Relief Valve	
4	7935000173	1	End Valve	
6	7577000217	1	Bolt Kit	
6	7935000388	1	Relief Valve	
7	7935000174	1	Relief Valve	
8	1001133740	1	Single Clevis Motor	
9	9843930044	AR	Cap	
10	7577000343	AR	Cap	
11	9577930187	AR	Kit, Spool Seal	

**SECTION 4 - CONTROLS**

**FIGURE 4-45. VALVE ASSEMBLY - 6 BANK (WITH AUTO GRIDS)**



ART\_3935000166

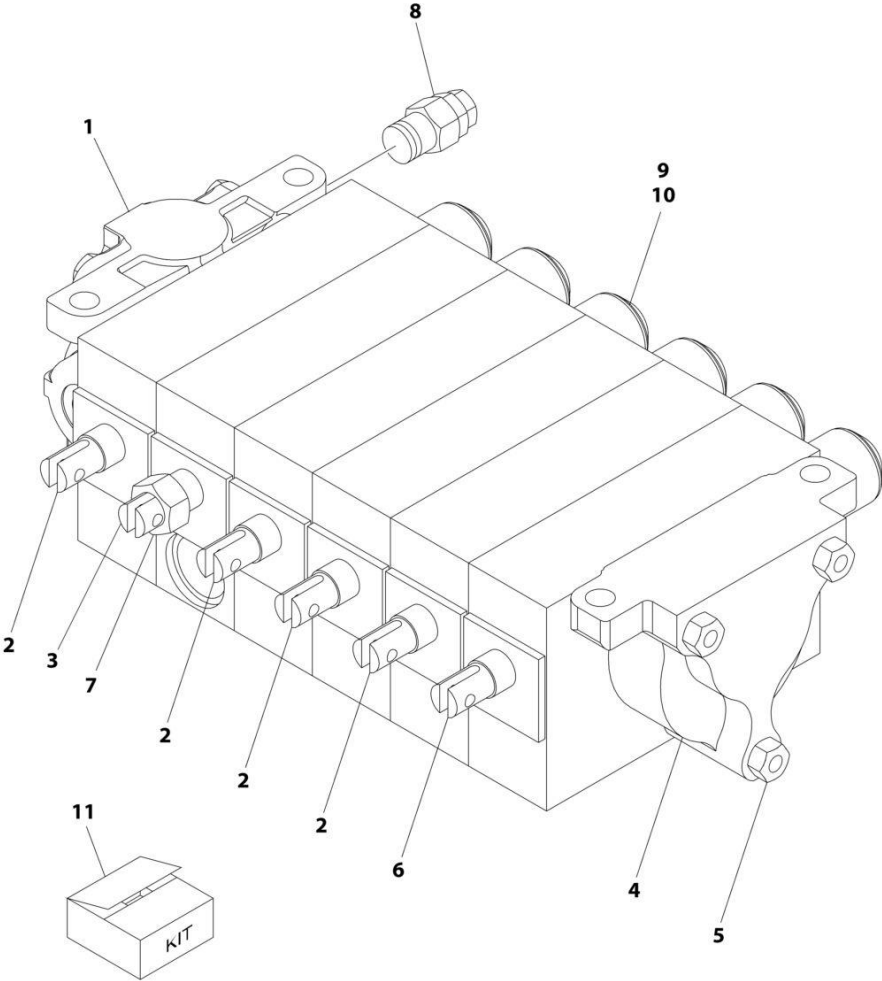
## SECTION 4 - CONTROLS

**FIGURE 4-45. VALVE ASSEMBLY - 6 BANK (WITH AUTO GRIDS)**

ITEM	PART NUMBER	QTY	DESCRIPTION	REV
	3935000166	Ref	VALVE ASSEMBLY - 6 BANK	B
1	7935000369	1	Inlet/Outlet Valve	
2	7935000170	4	Single Clevis Valve	
3	7935000227	1	Relief Valve	
4	7935000173	1	End Valve	
5	7577000218	1	Bolt Kit	
6	7935000265	1	Valve with PO Check	
7	7935000388	1	Relief Valve	
8	7935000174	1	Relief Valve	
9	9843930044	AR	Cap	
10	7577000343	AR	Cap	
11	9577930187	AR	Kit, Spool Seal	

**SECTION 4 - CONTROLS**

**FIGURE 4-46. VALVE ASSEMBLY - 6 BANK (WITH ZOD)**



ART\_3935000118



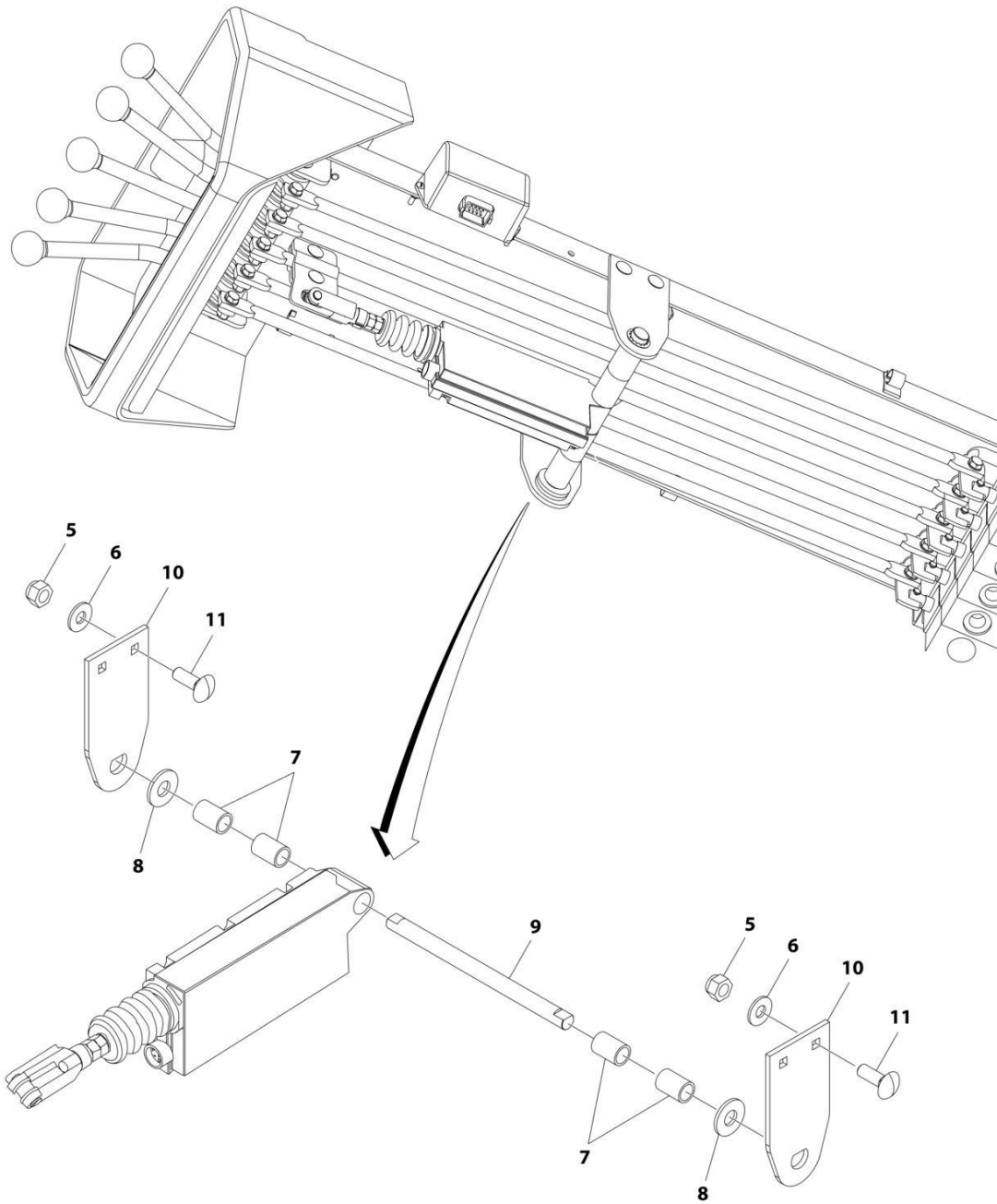
## SECTION 4 - CONTROLS

**FIGURE 4-46. VALVE ASSEMBLY - 6 BANK (WITH ZOD)**

ITEM	PART NUMBER	QTY	DESCRIPTION	REV
	3935000118	Ref	VALVE ASSEMBLY - 6 BANK	B
1	7935000369	1	Inlet/Outlet Valve	
2	7935000170	4	Single Clevis Valve	
3	7935000227	1	Relief Valve	
4	7935000173	1	End Valve	
5	7577000218	1	Bolt Kit	
6	7935000171	1	Valve with Counter Balance	
7	7935000388	1	Relief Valve	
8	7935000174	1	Relief Valve	
9	9843930044	AR	Cap	
10	7577000343	AR	Cap	
11	9577930187	AR	Kit, Spool Seal	

# SECTION 4 - CONTROLS

FIGURE 4-47. LINEAR ACTUATOR MOUNTING KIT - 3 4, & 5 BANK VALVE



ART\_2577000017

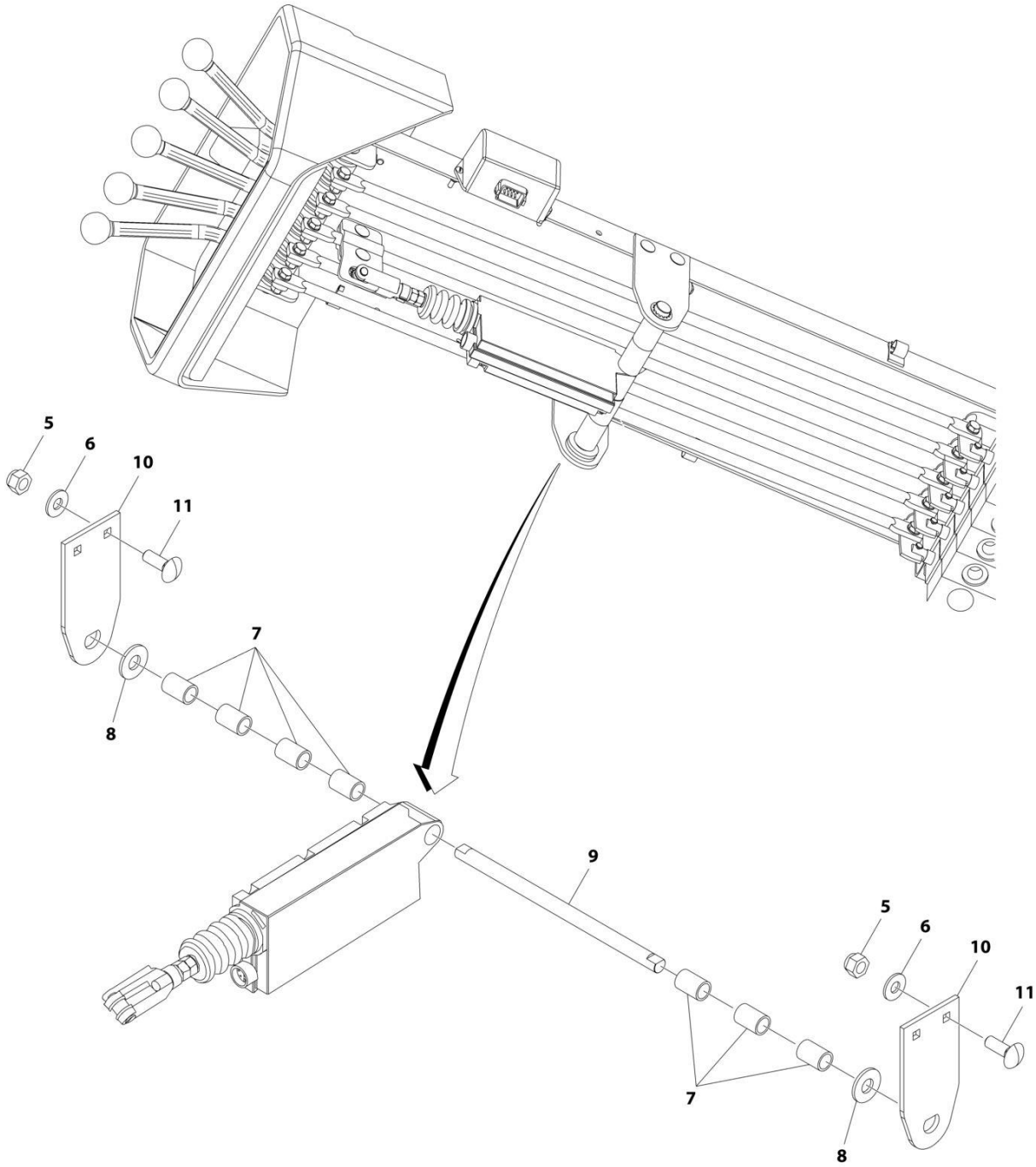
## SECTION 4 - CONTROLS

**FIGURE 4-47. LINEAR ACTUATOR MOUNTING KIT - 3 4, & 5 BANK VALVE**

ITEM	PART NUMBER	QTY	DESCRIPTION	REV
	2577000017	Ref	LINEAR ACTUATOR MOUNT KIT	B
5	7660152601	4	Nut 1/3	
6	7950150161	4	Washer 1/3	
7	4211000001	4	Bushing	
8	7950220141	2	Washer 3/4	
9	7691000064	1	Pin	
10	1001198871	2	Plate	
11	7115150664	4	Bolt 1/3 x 3/4	

# SECTION 4 - CONTROLS

## FIGURE 4-48. LINEAR ACTUATOR MOUNTING KIT - 6 BANK VALVE



ART\_2577000018

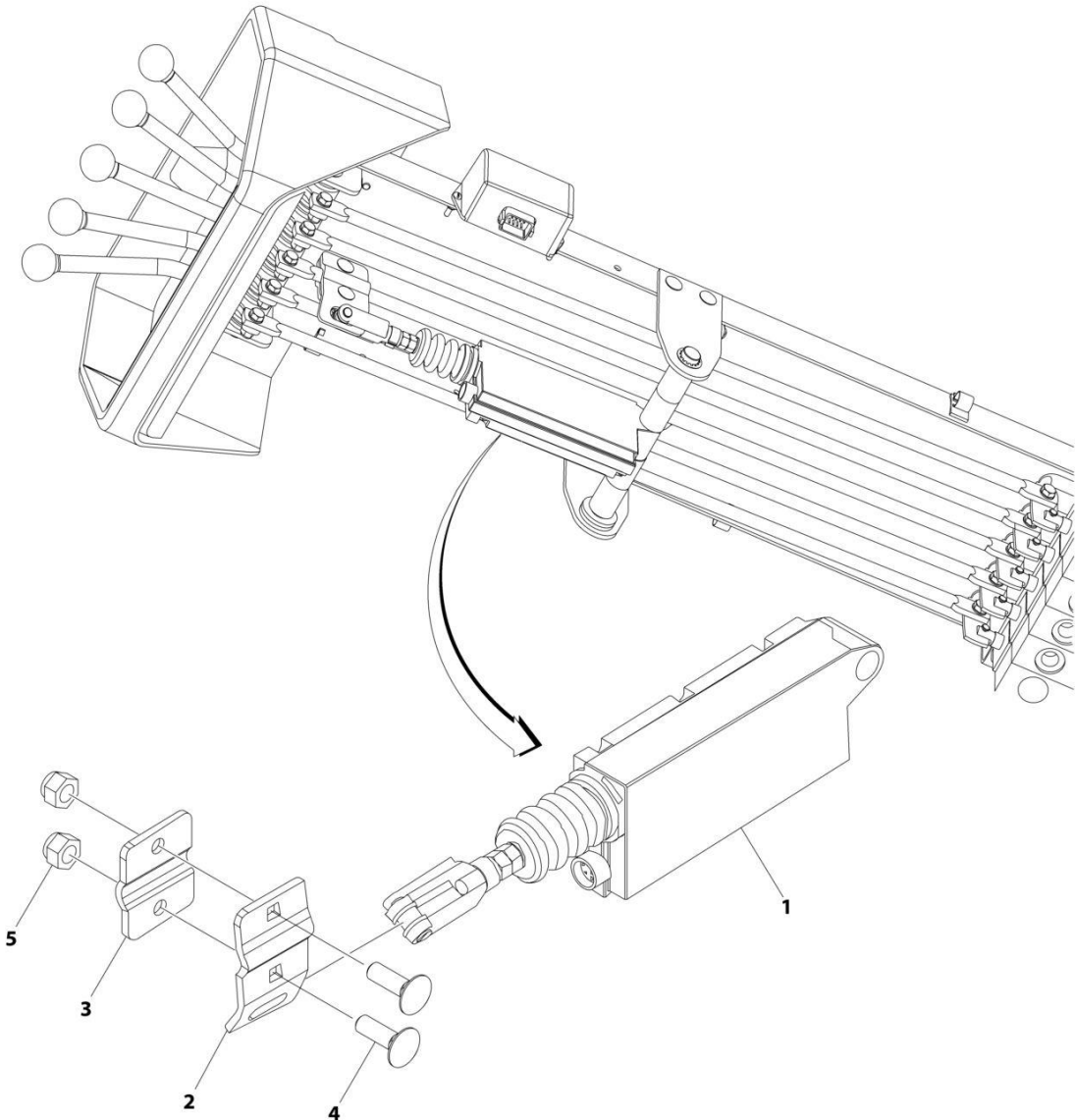
## SECTION 4 - CONTROLS

**FIGURE 4-48. LINEAR ACTUATOR MOUNTING KIT - 6 BANK VALVE**

ITEM	PART NUMBER	QTY	DESCRIPTION	REV
	2577000018	Ref	6 BANK LINEAR ACTUATOR MOUNT KIT	B
5	7660152601	4	Nut 5/16	
6	7950150161	4	Washer 5/16	
7	4211000001	5	Bushing	
8	7950220141	2	Washer 3/4	
9	7691000065	1	Pin	
10	1001198871	2	Plate	
11	7115150664	4	Bolt 5/16 x 3/4	

**SECTION 4 - CONTROLS**

**FIGURE 4-49. LINEAR ACTUATOR INSTALLATION KIT**



ART\_2577000016

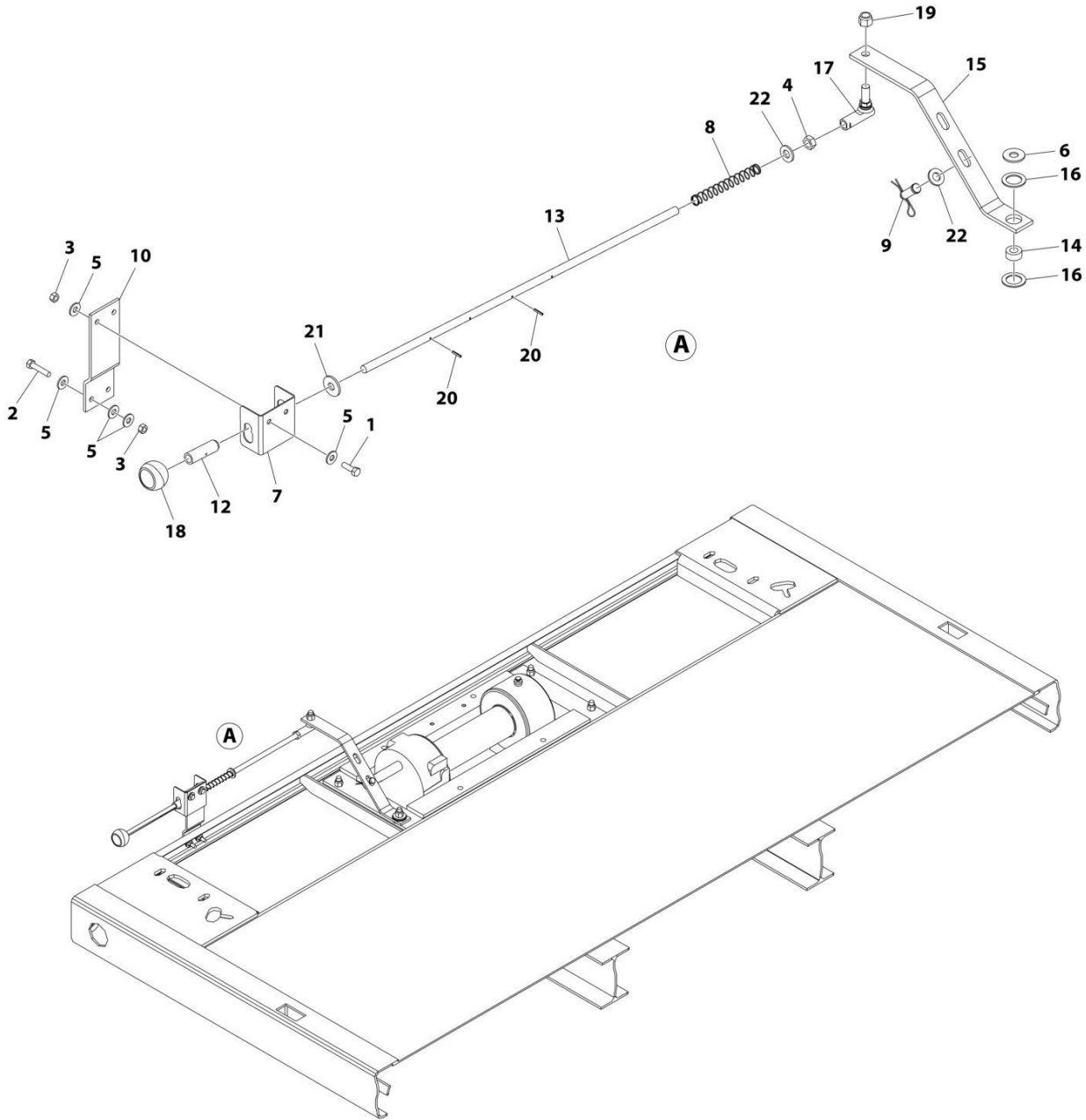
## SECTION 4 - CONTROLS

**FIGURE 4-49. LINEAR ACTUATOR INSTALLATION KIT**

ITEM	PART NUMBER	QTY	DESCRIPTION	REV
	2577000016	Ref	LINEAR ACTUATOR INSTALLATION KIT	A
1	7005000003	1	Linear Actuator 12V	
2	4178000664	1	Bracket	
3	4178000665	1	Bracket	
4	7115150864	2	Bolt 5/16 x 1	
5	7660152601	2	Nut 5/16	

# SECTION 4 - CONTROLS

FIGURE 4-50. FREE SPOOL INSTALLATION - SINGLE 8K/10K WINCH (STANDARD HEADBOARD)



ART\_1001187663



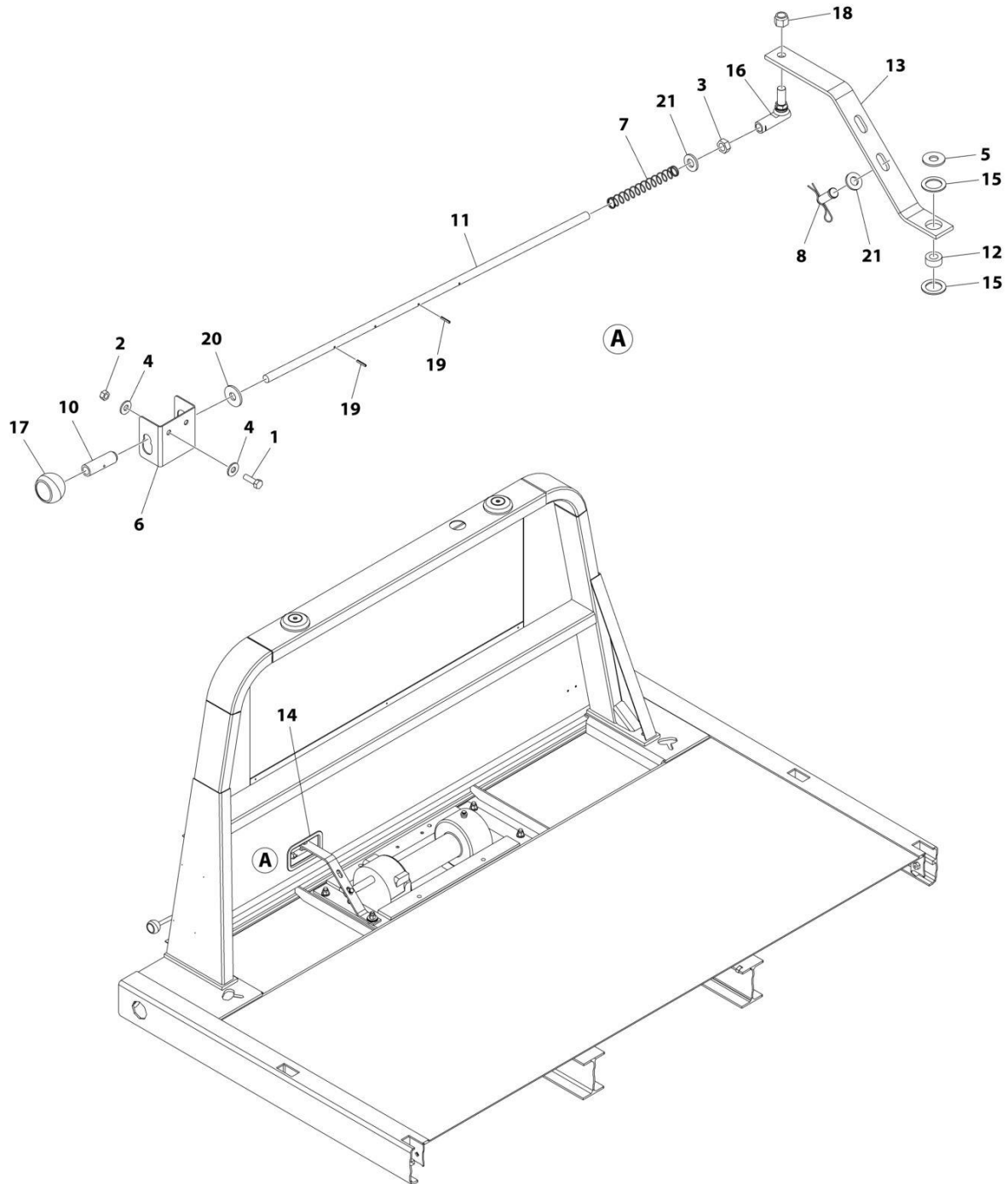
## SECTION 4 - CONTROLS

**FIGURE 4-50. FREE SPOOL INSTALLATION - SINGLE 8K/10K WINCH (STANDARD HEADBOARD)**

ITEM	PART NUMBER	QTY	DESCRIPTION	REV
	1001187663	Ref	HEADBOARD INSTALLATION, SINGLE FREE SPOOL - 8000/10000 LBS	B
1	0641508	2	Bolt 5/16 x 1	
2	0641512	2	Bolt 5/16 x 1-1/2	
3	3271505	4	Nut 5/16	
4	3321802	1	Nut 1/2	
5	4751500	10	Washer 5/16	
6	4751800	1	Washer 1/2	
7	1001156245	1	Bracket	
8	1001156249	1	Spring	
9	1001179025	1	Pin	
10	1001187347	1	Bracket	
11	1001156252	1	Decal (Not Shown)	
12	1001191516	1	Sleeve	
13	1001191985	1	Rod	
14	4209000146	1	Bushing	
15	4587000004	1	Lever	
16	7082000010	2	Washer 1-1/2 x 1	
17	7309000002	1	Coupling	
18	7551000017	1	Knob	
19	7660182631	1	Nut 1/2	
20	7690051274	2	Pin	
21	7949000030	1	Washer	
22	7950180143	2	Washer 1/2	

# SECTION 4 - CONTROLS

FIGURE 4-51. FREE SPOOL INSTALLATION - SINGLE 8K/10K WINCH (DELUXE HEADBOARD)



ART\_1001187664

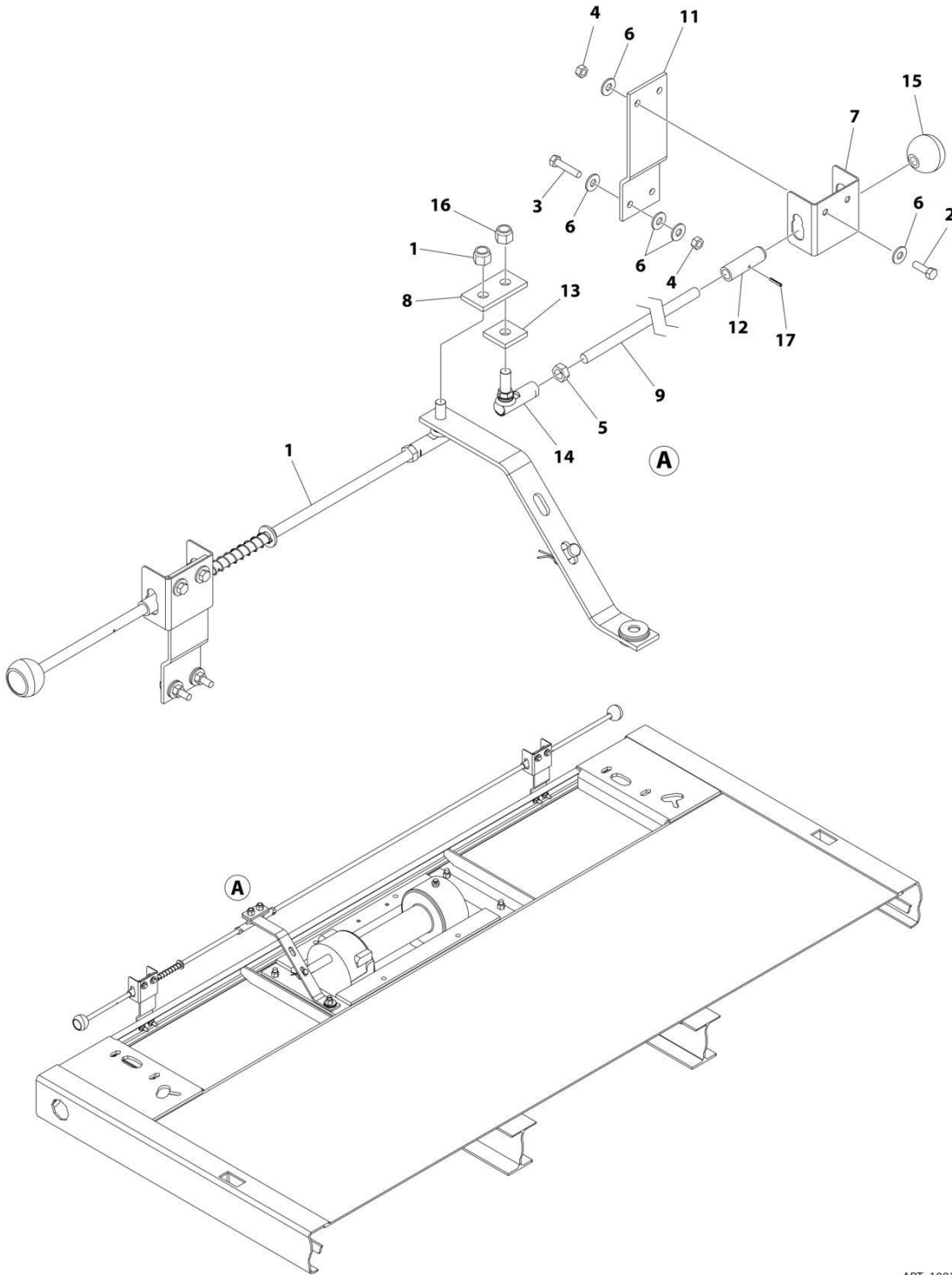
## SECTION 4 - CONTROLS

**FIGURE 4-51. FREE SPOOL INSTALLATION - SINGLE 8K/10K WINCH (DELUXE HEADBOARD)**

ITEM	PART NUMBER	QTY	DESCRIPTION	REV
	1001187664	Ref	DELUXE HEADBOARD INSTALLATION, SINGLE FREE SPOOL - 8000/10000 LBS	B
1	0641508	2	Bolt 5/16 x 1	
2	3271505	2	Nut 5/16	
3	3321802	1	Nut 1/2	
4	4751500	4	Washer 5/16	
5	4751800	1	Washer 1/2	
6	1001156245	1	Bracket	
7	1001156249	1	Spring	
8	1001179025	1	Pin	
9	1001156252	1	Decal (Not Shown)	
10	1001191516	1	Sleeve	
11	1001191985	1	Rod	
12	4209000146	1	Bushing	
13	4587000004	1	Lever	
14	4632000009	1	Trim Lock	
15	7082000010	2	Washer 1-1/2 x 1	
16	7309000002	1	Coupling	
17	7551000017	1	Knob	
18	7660182631	1	Nut 1/2	
19	7690051274	2	Pin	
20	7949000030	1	Washer	
21	7950180143	2	Washer 1/2	

# SECTION 4 - CONTROLS

FIGURE 4-52. FREE SPOOL INSTALLATION - DUAL 8K/10K WINCH (STANDARD HEADBOARD)



ART\_1001187665

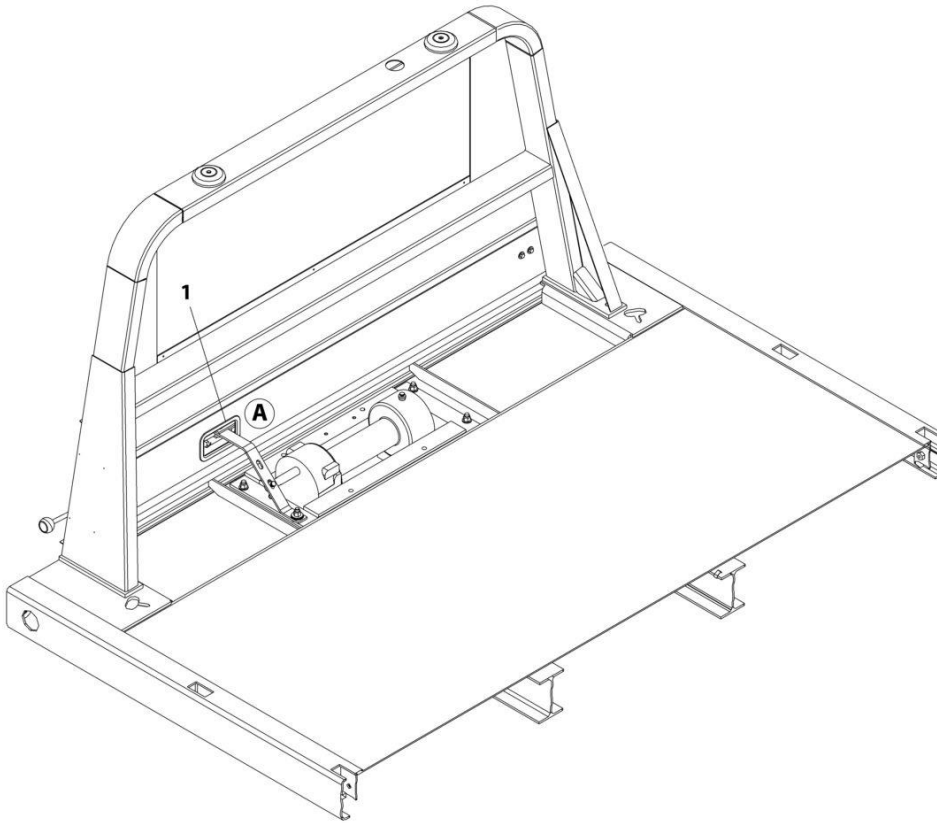
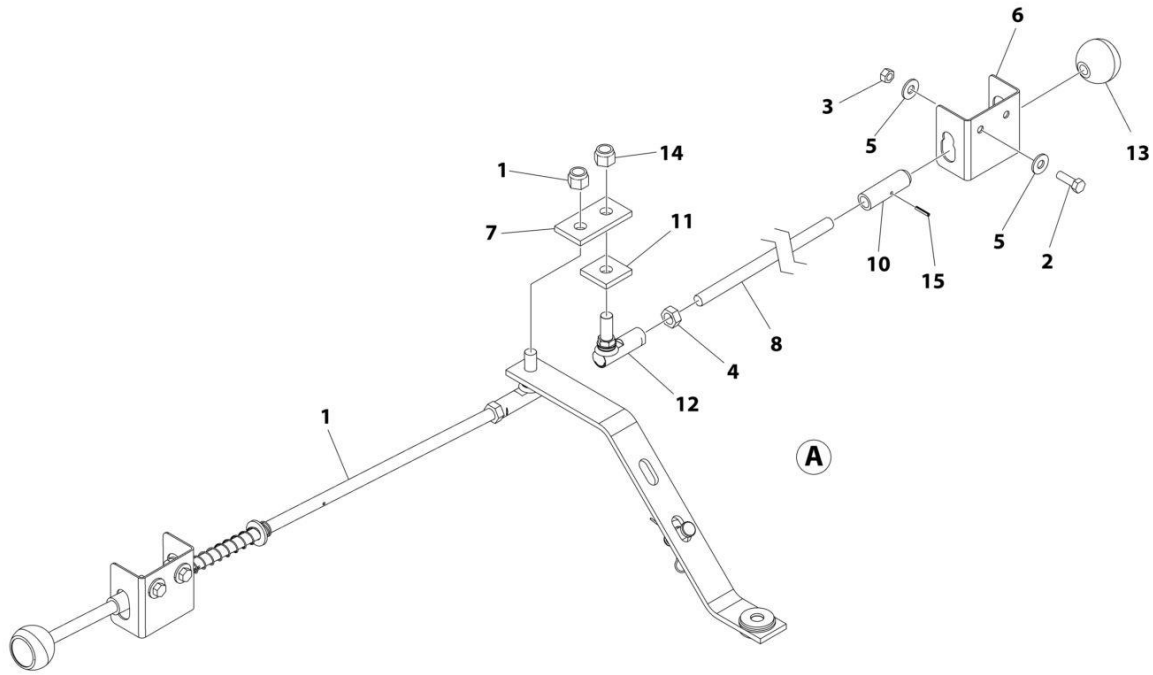
## SECTION 4 - CONTROLS

**FIGURE 4-52. FREE SPOOL INSTALLATION - DUAL 8K/10K WINCH (STANDARD HEADBOARD)**

ITEM	PART NUMBER	QTY	DESCRIPTION	REV
	1001187665	Ref	HEADBOARD INSTALLATION, DUAL FREE SPOOL - 8000/10000 LBS	C
1	1001187663	1	Single Free Spool Installation (See Separate Breakdown in this Section)	
2	0641508	2	Bolt 5/16 x 1	
3	0641512	2	Bolt 5/16 x 1-1/2	
4	3271505	4	Nut 5/16	
5	3321802	1	Nut 1/2	
6	4751500	10	Washer 5/16	
7	1001156245	1	Bracket	
8	1001156247	1	Bar	
9	1001156248	1	Rod	
10	1001156252	1	Decal (Not Shown)	
11	1001187347	1	Bracket	
12	1001191516	1	Sleeve	
13	4706000717	1	Plate	
14	7309000002	1	Coupling	
15	7551000017	1	Knob	
16	7660182631	1	Nut 1/2	
17	7690051274	1	Pin	

# SECTION 4 - CONTROLS

FIGURE 4-53. FREE SPOOL INSTALLATION - DUAL 8K/10K WINCH (DELUXE HEADBOARD)



ART\_1001187666

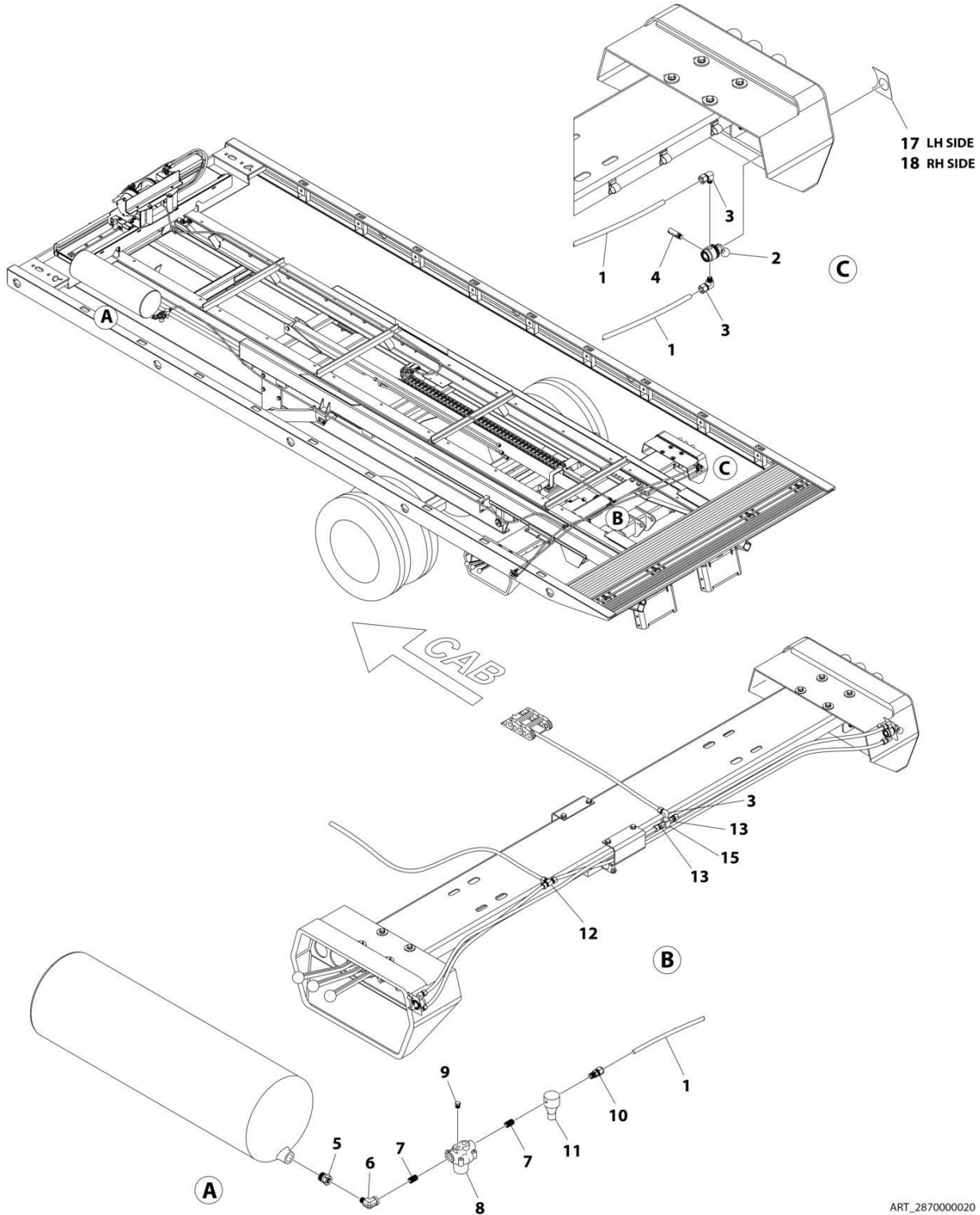
## SECTION 4 - CONTROLS

**FIGURE 4-53. FREE SPOOL INSTALLATION - DUAL 8K/10K WINCH (DELUXE HEADBOARD)**

ITEM	PART NUMBER	QTY	DESCRIPTION	REV
	1001187666	Ref	DELUX HEADBOARD INSTALLATION, DUAL FREE SPOOL - 8000/10000 LBS	B
1	1001187664	1	Single Free Spool, Deluxe Headboard Installation (See Separate Breakdown in this Section)	
2	0641508	2	Bolt 5/16 x 1	
3	3271505	2	Nut 5/16	
4	3321802	1	Nut 1/2	
5	4751500	4	Washer 5/16	
6	1001156245	1	Bracket	
7	1001156247	1	Bar	
8	1001156248	1	Rod	
9	1001156252	1	Decal (Not Shown)	
10	1001191516	1	Sleeve	
11	4706000717	1	Plate	
12	7309000002	1	Coupling	
13	7551000017	1	Knob	
14	7660182631	1	Nut 1/2	
15	7690051274	1	Pin	

# SECTION 4 - CONTROLS

FIGURE 4-54. FREE SPOOL INSTALLATION - 8K/10K WINCH (AIR) (STANDARD HEADBOARD)



ART\_287000020



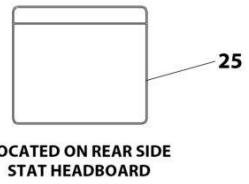
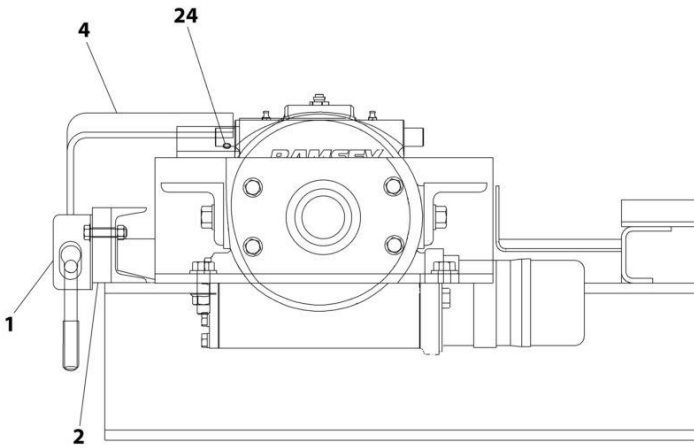
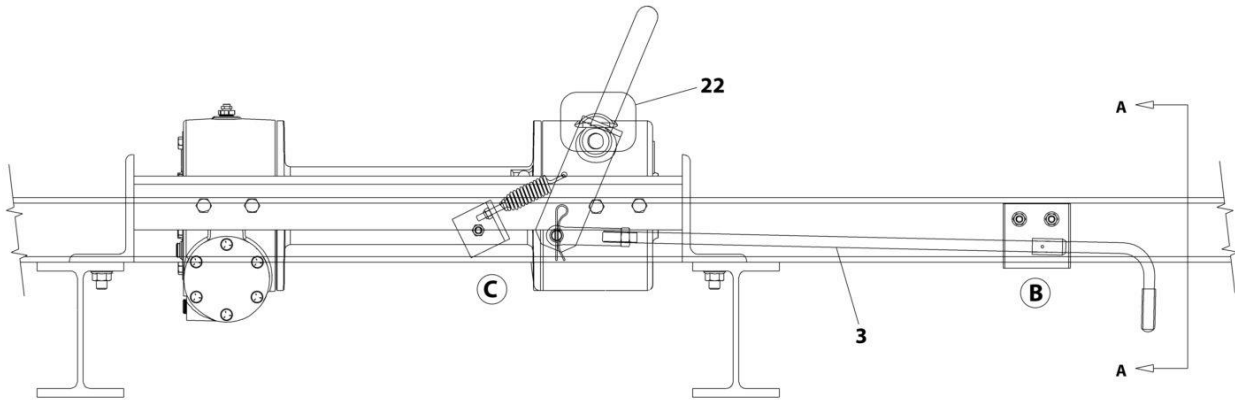
## SECTION 4 - CONTROLS

**FIGURE 4-54. FREE SPOOL INSTALLATION - 8K/10K WINCH (AIR) (STANDARD HEADBOARD)**

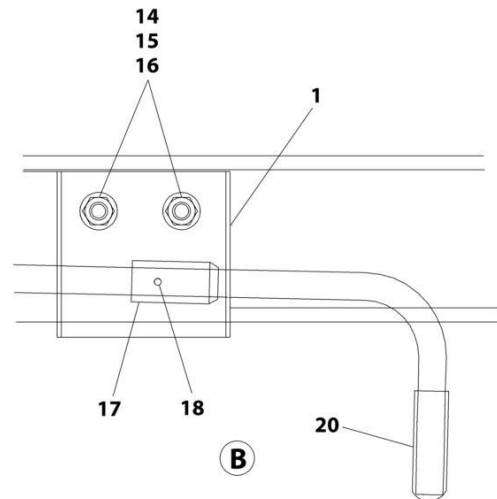
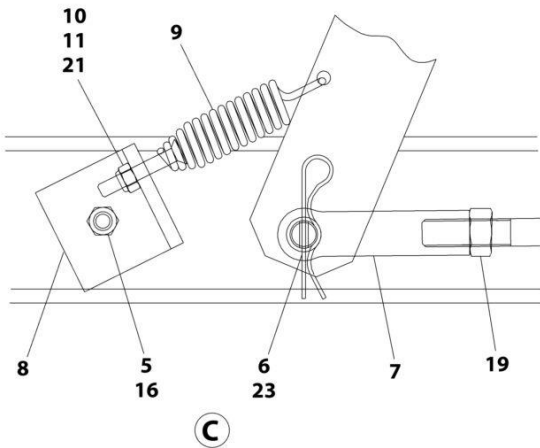
ITEM	PART NUMBER	QTY	DESCRIPTION	REV
	2870000020	Ref	DUAL AIR FREE SPOOL SWITCH INSTALLATION - 8000/10000 LBS	B
1	7565000014	AR	Airline Tube	
2	7935000182	2	Air Valve	
3	7443000364	5	Fitting,Tube	
4	7640000002	2	Air Exhaust Muffler	
5	7443000154	1	Fitting	
6	7443000155	1	Fitting 90	
7	7443000156	2	Fitting, Nipple	
8	7935000120	1	Pressure Protection Valve	
9	7443000152	1	Plug	
10	7443000366	1	Fitting,Tube	
11	7935000248	1	Air Regulator	
12	7443000371	1	Fitting, Tee	
13	7443000365	2	Fitting,Tube	
14	8597650001	1	Loom (Not Shown)	
15	7935000229	1	Shuttle Valve	
16	7894000004	8	Tie-Strap (Not Shown)	
17	7330000675	1	Decal LH	
18	7330000676	1	Decal RH	
19	7443000443	1	Fitting,Tube (Not Shown)	
20	7565000016	AR	Airline Tubing (Not Shown)	

# SECTION 4 - CONTROLS

FIGURE 4-55. FREE SPOOL INSTALLATION - 12K WINCH (BOLT-ON HEADBOARD)



VIEW A-A



ART\_2970000069

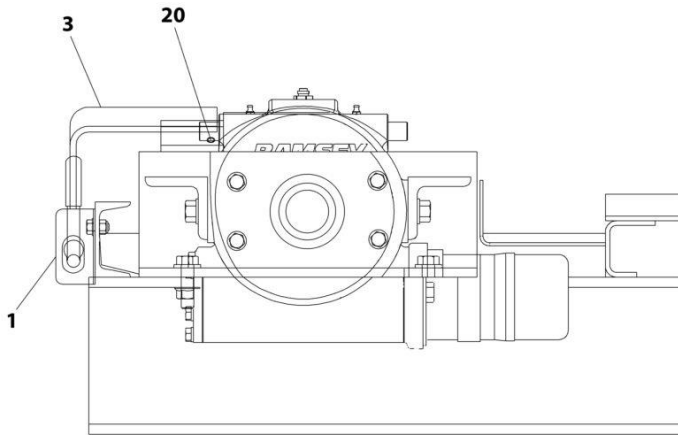
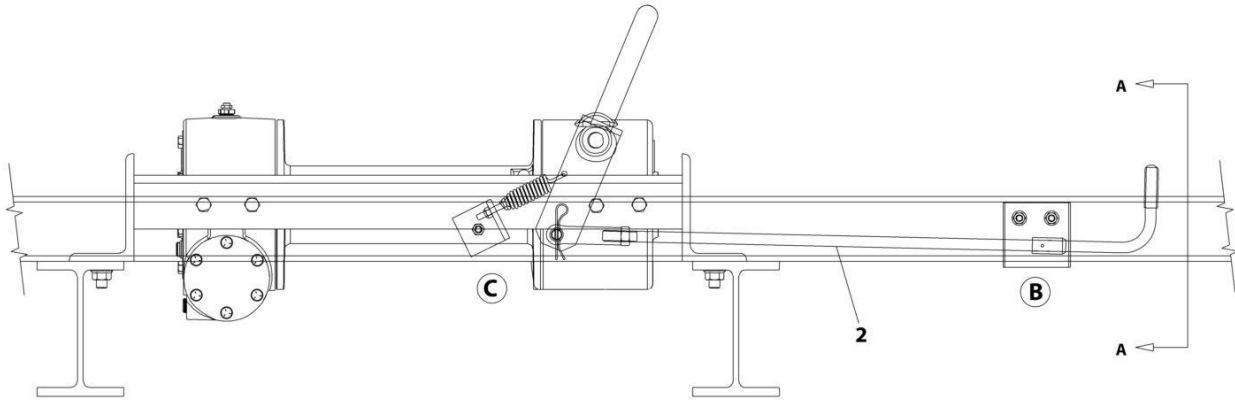
## SECTION 4 - CONTROLS

**FIGURE 4-55. FREE SPOOL INSTALLATION - 12K WINCH (BOLT-ON HEADBOARD)**

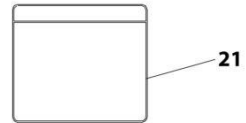
ITEM	PART NUMBER	QTY	DESCRIPTION	REV
	297000069	Ref	FREE SPOOL INSTALLATION	F
1	4178000673	1	Bracket	
2	4679000208	1	Pad	
3	4763000253	1	Rod	
4	3020000091	1	Arm Weldment Lever	
5	7115150850	1	Capscrew 5/16 x 1	
6	7950180143	2	Washer 1/2	
7	7990000011	1	Yoke	
8	4017001194	1	Angle	
9	7843000007	1	Spring	
10	7111141407	1	Bolt 1/4 x 1-3/4	
11	7660142601	1	Nut 1/4	
14	7950150161	2	Washer 5/16	
15	7115151250	2	Capscrew 5/16 x 1-1/2	
16	7660152601	3	Nut 5/16	
17	4209000212	1	Bushing	
18	7690051274	1	Pin	
19	7660180234	1	Nut 1/2	
20	7254000016	1	Cap	
21	7950140141	1	Washer 1/4	
22	4632000030	1	Moulding	
23	1001179025	1	Pin	
24	7785150500	1	Screw 5/16 x 5/16	
25	7330000242	1	Decal, Free Spool	

# SECTION 4 - CONTROLS

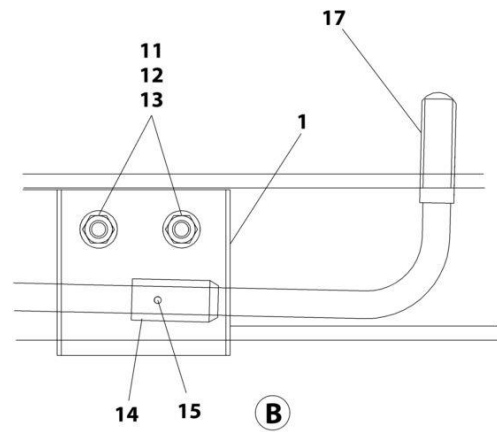
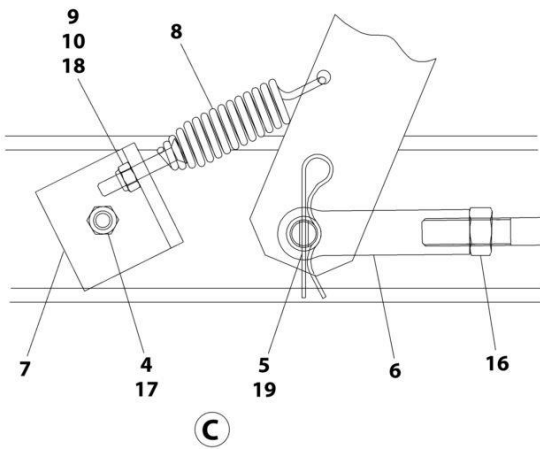
FIGURE 4-56. FREE SPOOL INSTALLATION - 12K WINCH (STATIONARY HEADBOARD)



VIEW A-A



LOCATED ON REAR SIDE  
STAT HEADBOARD



ART\_2970000105

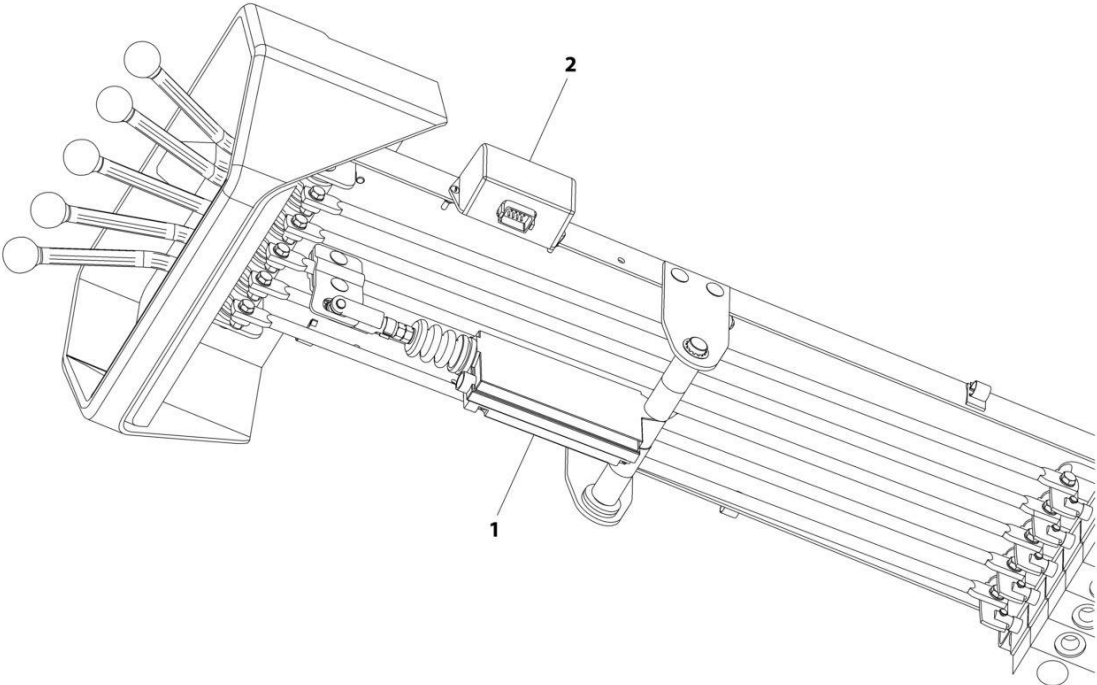
## SECTION 4 - CONTROLS

**FIGURE 4-56. FREE SPOOL INSTALLATION - 12K WINCH (STATIONARY HEADBOARD)**

ITEM	PART NUMBER	QTY	DESCRIPTION	REV
	2970000105	Ref	FREE SPOOL INSTALLATION	C
1	4178000673	1	Bracket	
2	4763000253	1	Rod	
3	3020000123	1	Arm Weldment Lever	
4	7115150850	1	Capscrew 5/16 x 1	
5	7950180143	2	Washer 1/2	
6	7990000011	1	Yoke	
7	4017001504	1	Angle	
8	7843000007	1	Spring	
9	7111141407	1	Bolt 1/4 x 1-3/4	
10	7660142601	1	Nut 1/4	
11	7950150161	2	Washer 5/16	
13	7115150850	3	Capscrew 5/16 x 1	
12	7660152601	2	Nut 5/16	
14	4209000212	1	Bushing	
15	7690051274	1	Pin	
16	7660180234	1	Nut	
17	7254000016	1	Cap	
18	7950140141	1	Washer 1/4	
19	1001179025	1	Pin	
20	7785150500	1	Screw 5/16 x 5/16	
21	7330000495	1	Decal, Free Spool	

**SECTION 4 - CONTROLS**

**FIGURE 4-57. REMOTE CONTROL, ONE FUNCTION, WINCHES PLUS**



ART\_RC-1

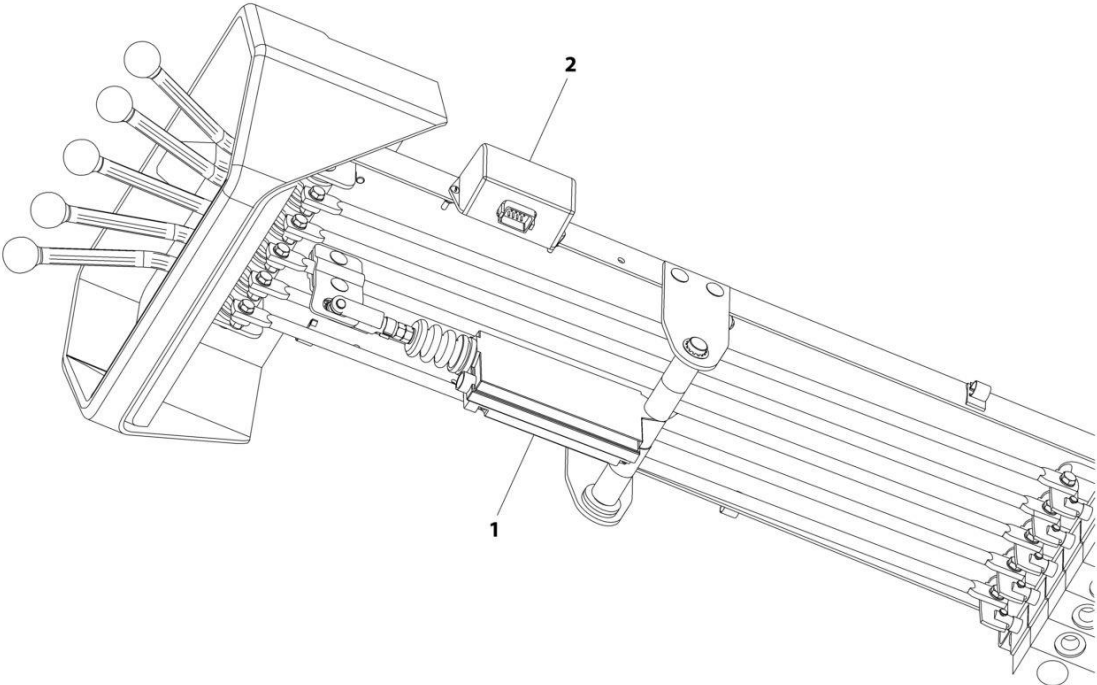
## SECTION 4 - CONTROLS

**FIGURE 4-57. REMOTE CONTROL, ONE FUNCTION, WINCHES PLUS**

ITEM	PART NUMBER	QTY	DESCRIPTION	REV
	RC-1	Ref	REMOTE CONTROL - ONE FUNCTION	0
1	2577000016	1	Linear Actuator Installation Kit (See Separate Breakdown in this Section)	
2	2577000029	1	Miratron Wireless Installation (See Separate Breakdown in this Section)	

**SECTION 4 - CONTROLS**

**FIGURE 4-58. REMOTE CONTROL, TWO FUNCTION, WINCHES PLUS**



ART\_RC-2



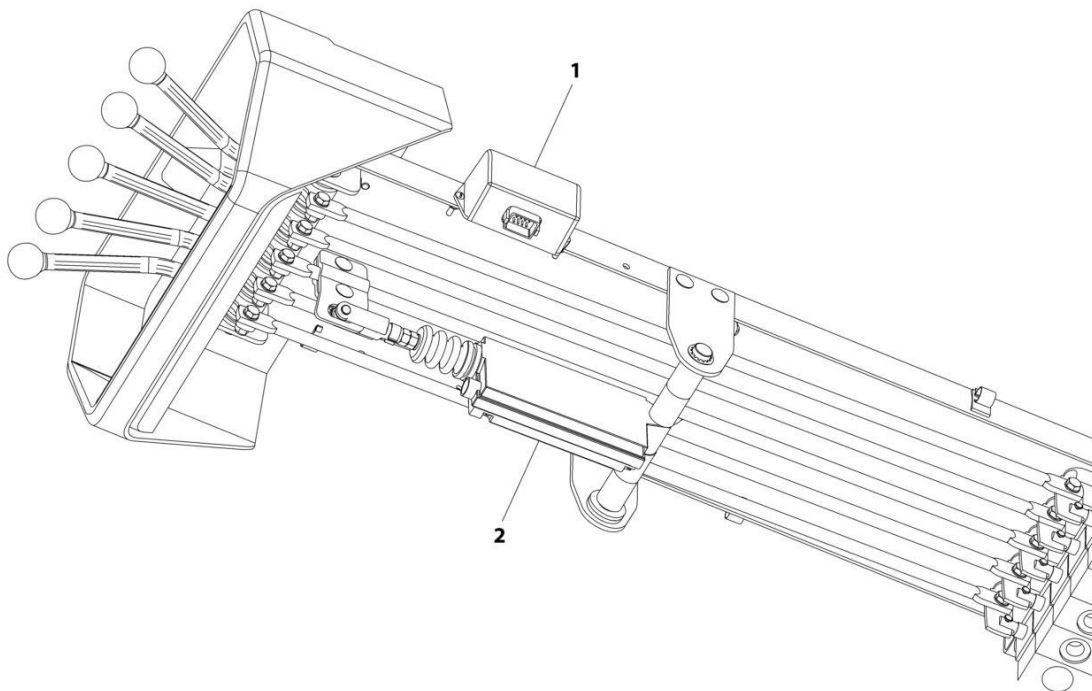
## SECTION 4 - CONTROLS

**FIGURE 4-58. REMOTE CONTROL, TWO FUNCTION, WINCHES PLUS**

ITEM	PART NUMBER	QTY	DESCRIPTION	REV
1	RC-2 2577000016	Ref 2	REMOTE CONTROL - TWO FUNCTION, WINCHES PLUS Linear Actuator Installation Kit (See Separate Breakdown in this Section)	0
2	2577000030	1	Miratron Wireless Installation (See Separate Breakdown in this Section)	

## SECTION 4 - CONTROLS

FIGURE 4-59. REMOTE CONTROL, THREE FUNCTION, WINCHES PLUS



ART\_RC-3

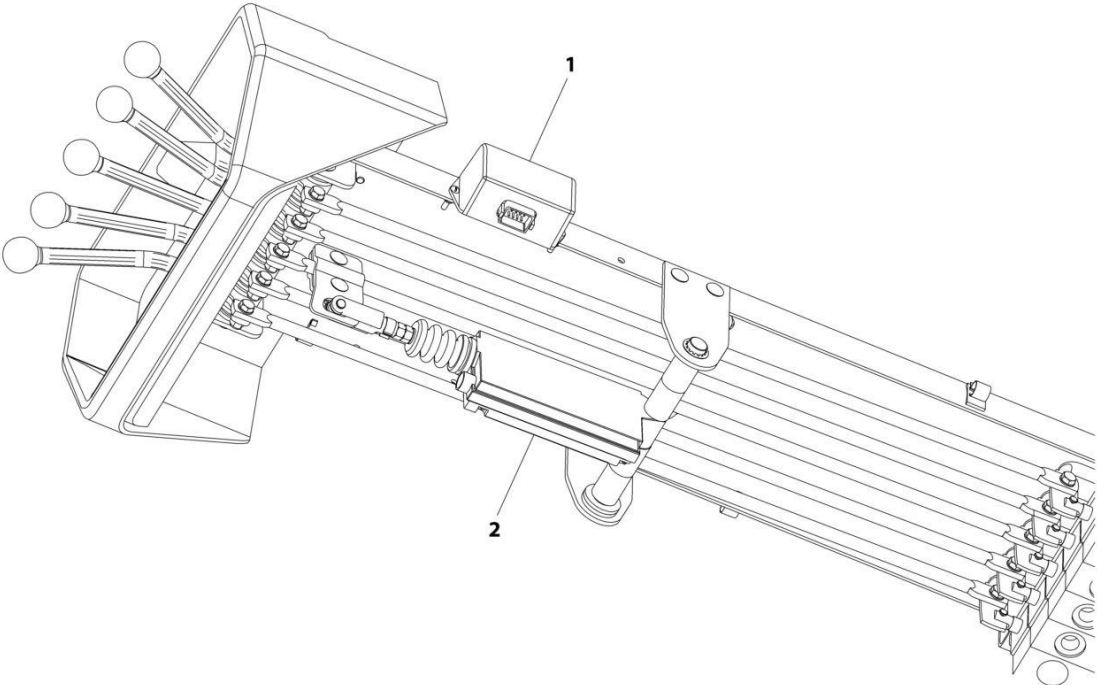
## SECTION 4 - CONTROLS

**FIGURE 4-59. REMOTE CONTROL, THREE FUNCTION, WINCHES PLUS**

ITEM	PART NUMBER	QTY	DESCRIPTION	REV
1	RC-3 2577000016	Ref 3	Remote Control, Three Function, Winches Plus Linear Actuator Installation Kit (See Separate Breakdown in this Section)	0
2	2577000031	1	Miratron Wireless Installation (See Separate Breakdown in this Section)	

**SECTION 4 - CONTROLS**

**FIGURE 4-60. REMOTE CONTROL, FOUR FUNCTION, WINCHES PLUS**



ART\_RC-4

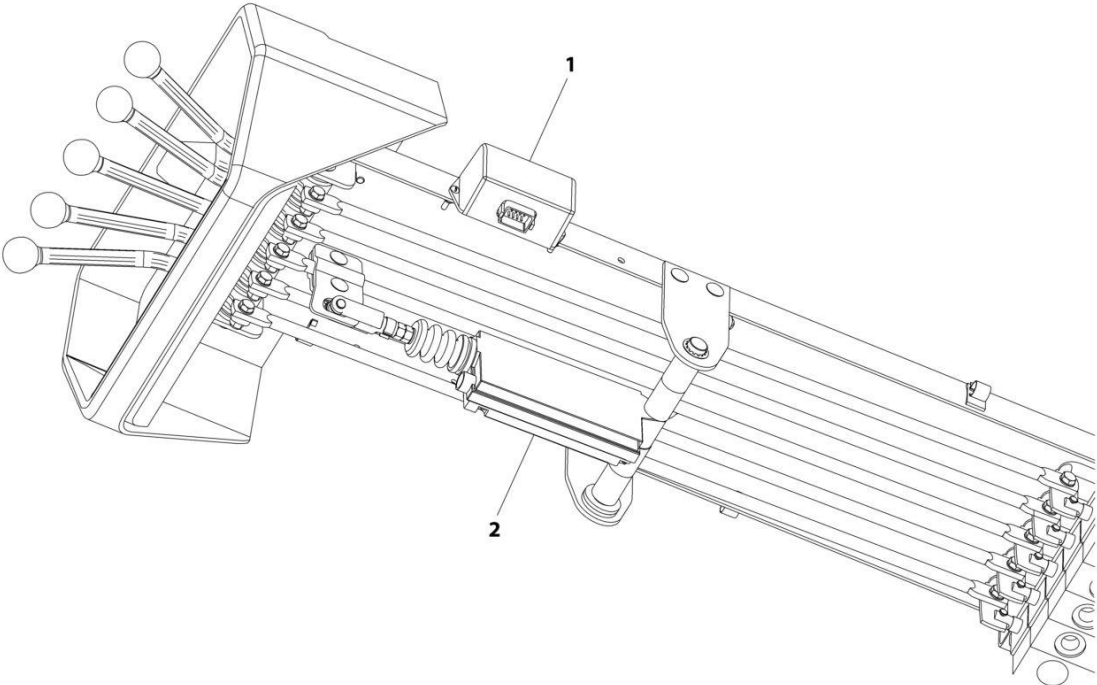
## SECTION 4 - CONTROLS

**FIGURE 4-60. REMOTE CONTROL, FOUR FUNCTION, WINCHES PLUS**

ITEM	PART NUMBER	QTY	DESCRIPTION	REV
1	RC-4 2577000016	Ref 4	Remote Control, Four Function, Winches Plus Linear Actuator Installation Kit (See Separate Breakdown in this Section)	0
2	2577000034	1	Miratron Wireless Installation (See Separate Breakdown in this Section)	

**SECTION 4 - CONTROLS**

**FIGURE 4-61. REMOTE CONTROL, FIVE FUNCTION, WINCHES PLUS**



ART\_RC-5

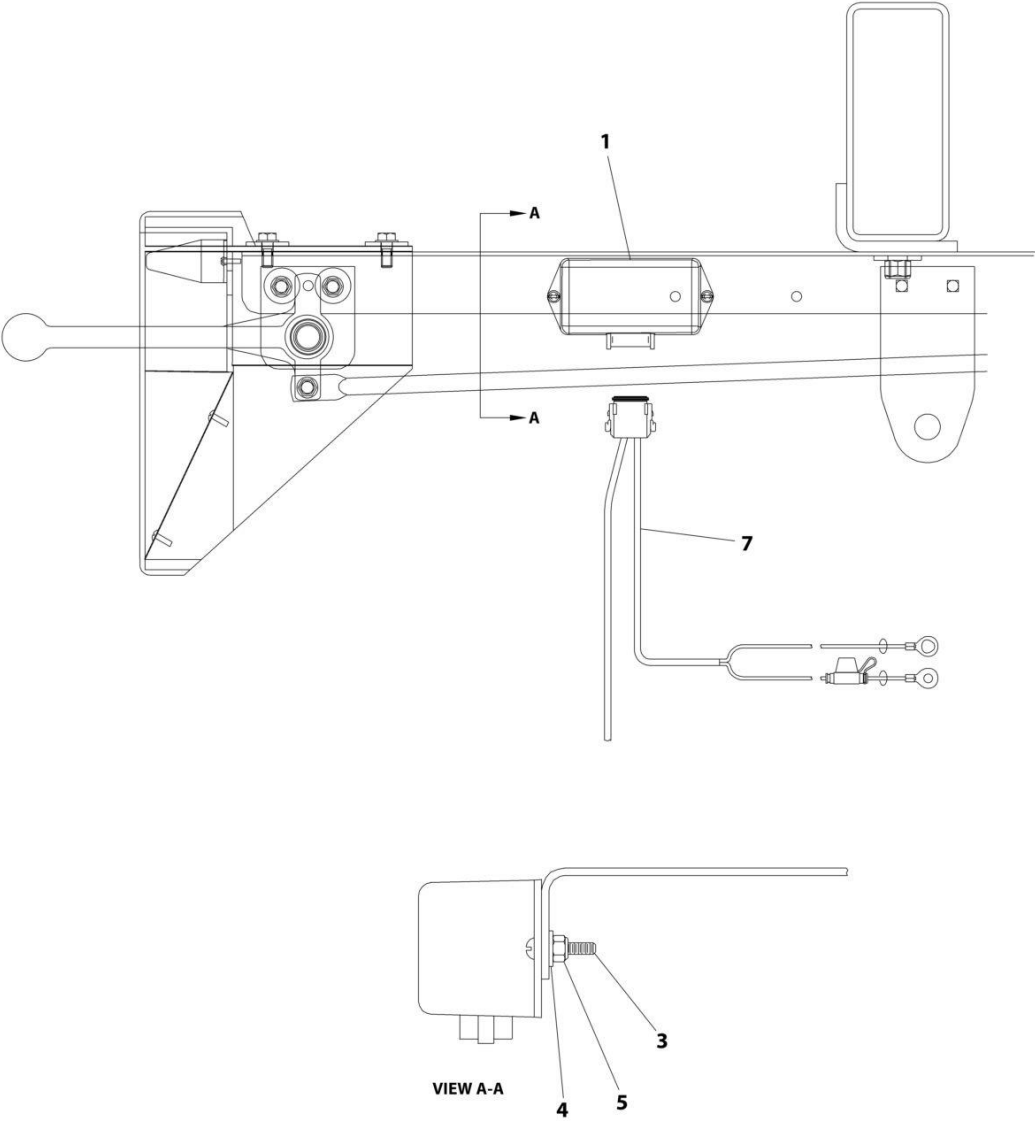
## SECTION 4 - CONTROLS

**FIGURE 4-61. REMOTE CONTROL, FIVE FUNCTION, WINCHES PLUS**

ITEM	PART NUMBER	QTY	DESCRIPTION	REV
1	RC-5 2577000016	Ref 5	Remote Control, Five Function, Winches Plus Linear Actuator Installation Kit (See Separate Breakdown in this Section)	0
2	2577000035	1	Miratron Wireless Installation (See Separate Breakdown in this Section)	

**SECTION 4 - CONTROLS**

**FIGURE 4-62. MIRATRON WIRELESS INSTALLATION, ONE FUNCTION**



ART\_2577000029



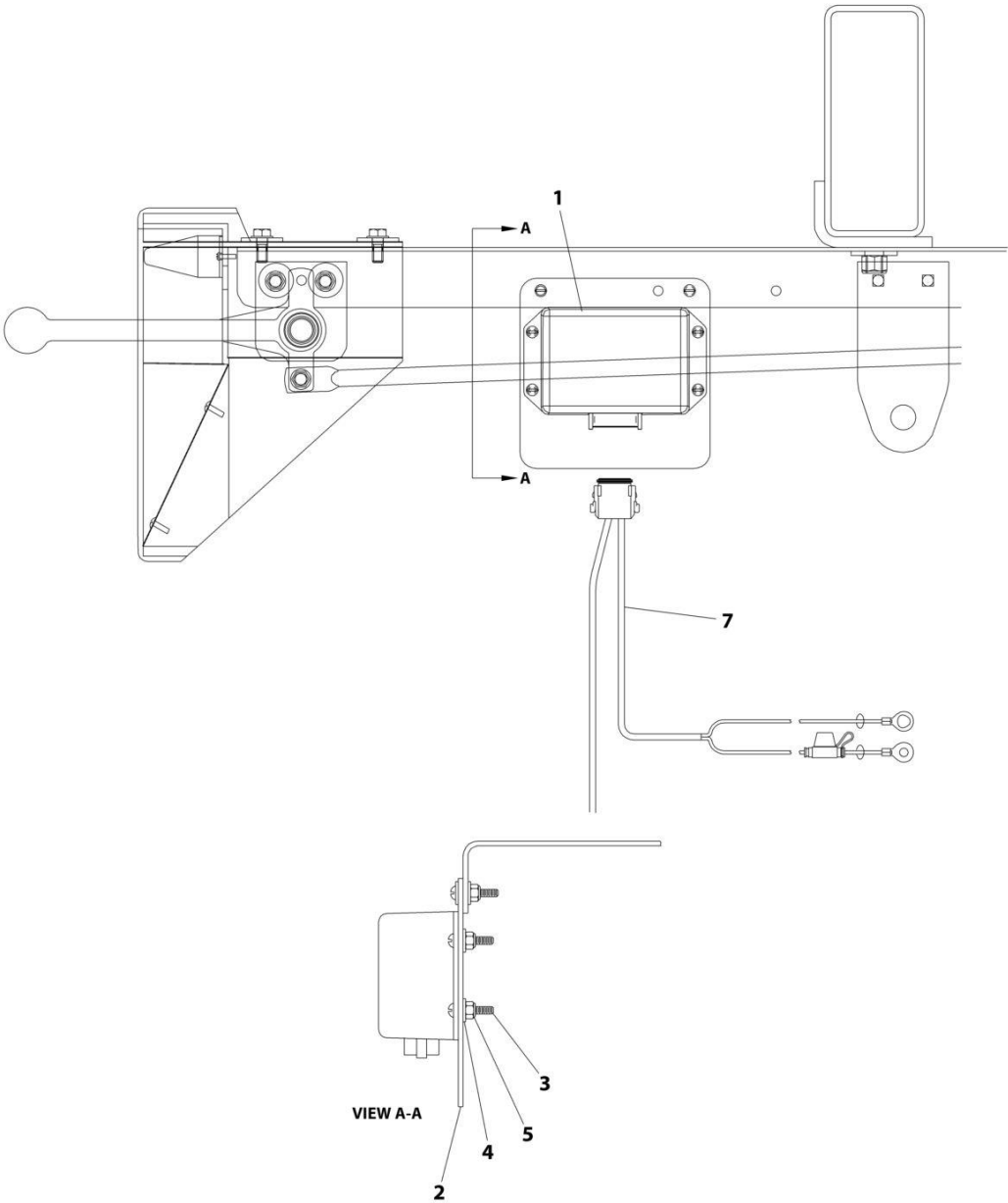
## SECTION 4 - CONTROLS

**FIGURE 4-62. MIRATRON WIRELESS INSTALLATION, ONE FUNCTION**

ITEM	PART NUMBER	QTY	DESCRIPTION	REV
	2577000029	Ref	CONT INST WIRELESS MIRATRON 2 FUNCT	0
1	7295000106	1	Wireless Cont 2 Function Miratron Rollback	
3	7114100810	2	Screw #10 x 1	
4	7950100151	2	Washer 3/16	
5	7660102604	2	Nut #10	
7	7552000391	1	Harness 2 Function Miratron Rollback	
7	4460930	1	Plug, Male - 8 Position	
7	4460465	6	Socket, Female	
7	4460955	2	Plug, Male - 2 Position	
7	4460842	4	Terminal	
7		Ref	Fuse - 10Amp ATO (Purchase Locally)	

**SECTION 4 - CONTROLS**

**FIGURE 4-63. MIRATRON WIRELESS INSTALLATION, TWO FUNCTION**



ART\_2577000030

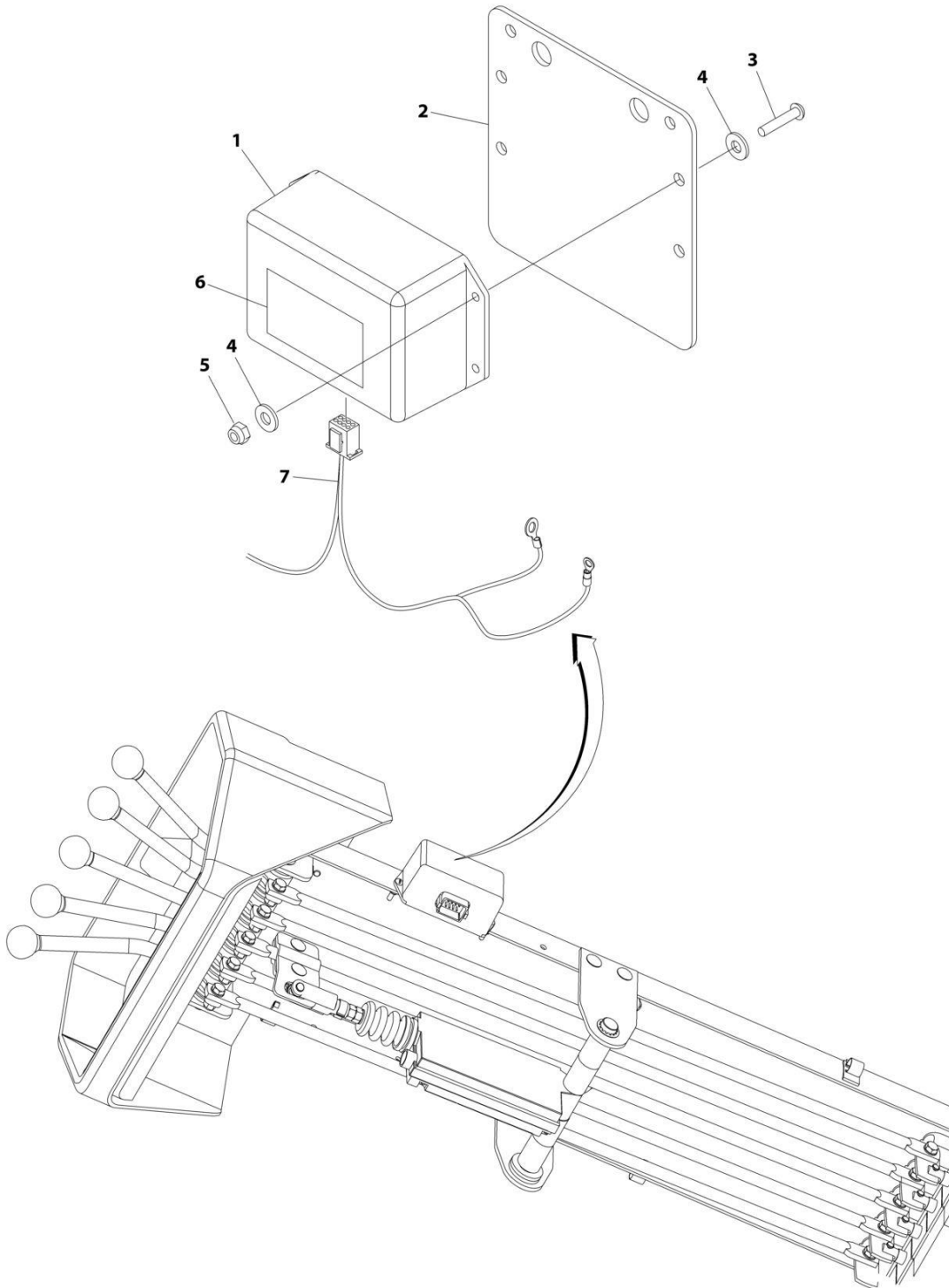
## SECTION 4 - CONTROLS

**FIGURE 4-63. MIRATRON WIRELESS INSTALLATION, TWO FUNCTION**

ITEM	PART NUMBER	QTY	DESCRIPTION	REV
	2577000030	Ref	MIRATRON WIRELESS INSTALLATION, FOUR FUNCTION	A
1	7295000108	1	Wireless Cont 4 Function Miratron Rollback	
2	4706005595	1	Plate	
3	7114100810	6	Screw #10 x 1	
4	7950100151	8	Washer 3/16	
5	7660102604	6	Nut #10	
7	7552000392	1	Harness 4 Function Miratron Rollback	
7	4460933	1	Plug, Male - 12 Position	
7	4460465	10	Socket, Female	
7	4460955	4	Plug, Male - 2 Position	
7	4460842	8	Terminal	
7		Ref	Fuse - 10AMP ATO (Purchase Locally)	

# SECTION 4 - CONTROLS

FIGURE 4-64. MIRATRON WIRELESS INSTALLATION, THREE FUNCTION



ART\_2577000031

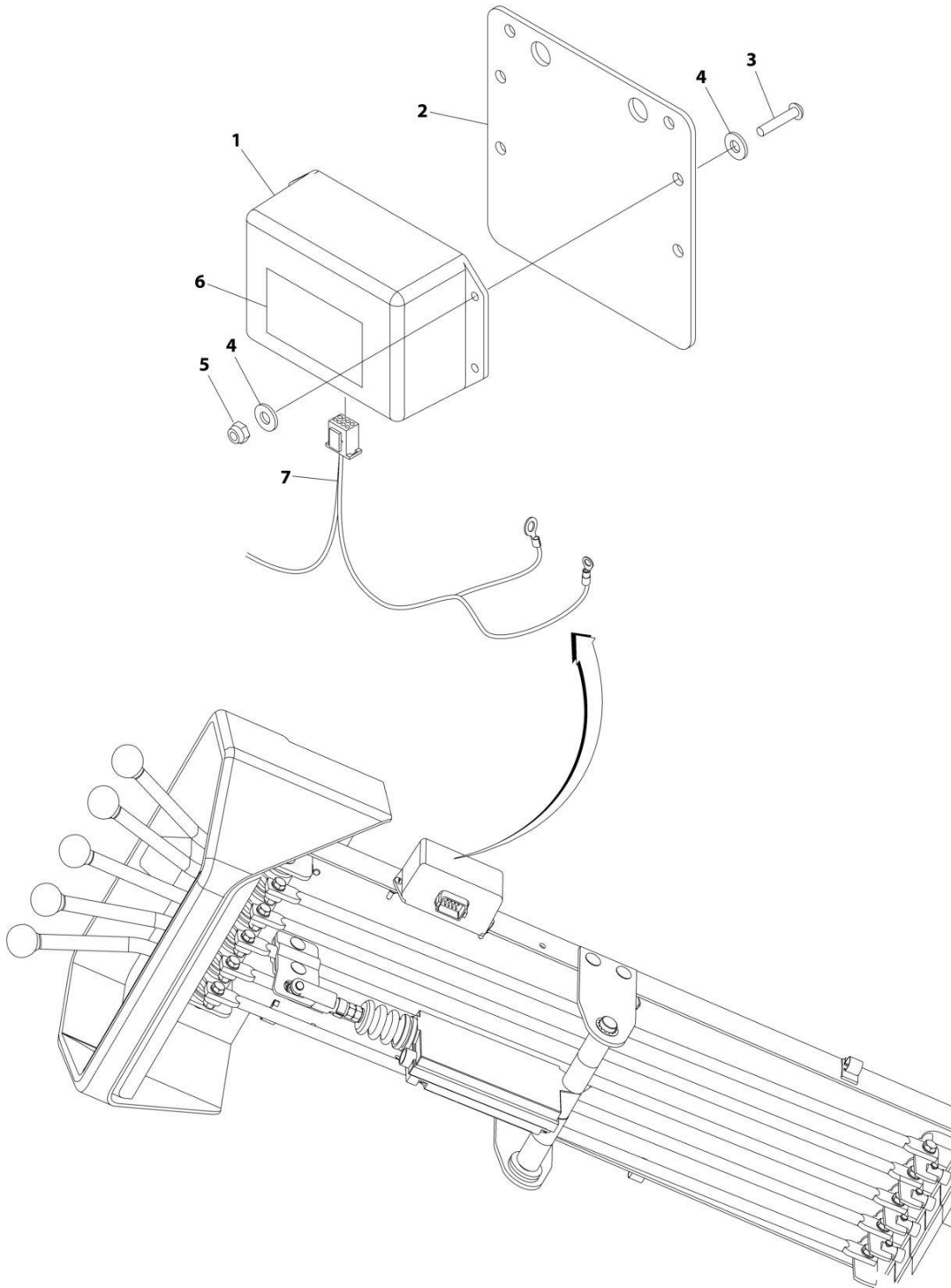
## SECTION 4 - CONTROLS

**FIGURE 4-64. MIRATRON WIRELESS INSTALLATION, THREE FUNCTION**

ITEM	PART NUMBER	QTY	DESCRIPTION	REV
	2577000031	Ref	Miratron Wireless Installation, Three Function	A
1	7295000109	1	Controller (3 remote operations)	
2	4706005595	1	Plate	
3	7114100810	6	Screw #10	
4	7950100151	8	Washer 3/16	
5	7660102604	6	Nut #10	
6	7330000696	1	Decal - Controller Functions	
7	7552000393	1	Harness - 6 Function	
7	4460933	1	Plug, Male - 12 Position	
7	4460465	8	Socket, Female	
7	4460955	6	Plug, Male - 2 Position	
7	4460842	12	Terminal	
7		Ref	Fuse - 10AMP ATO (Purchase Locally)	

# SECTION 4 - CONTROLS

## FIGURE 4-65. MIRATRON WIRELESS INSTALLATION, FOUR FUNCTION



ART\_2577000034

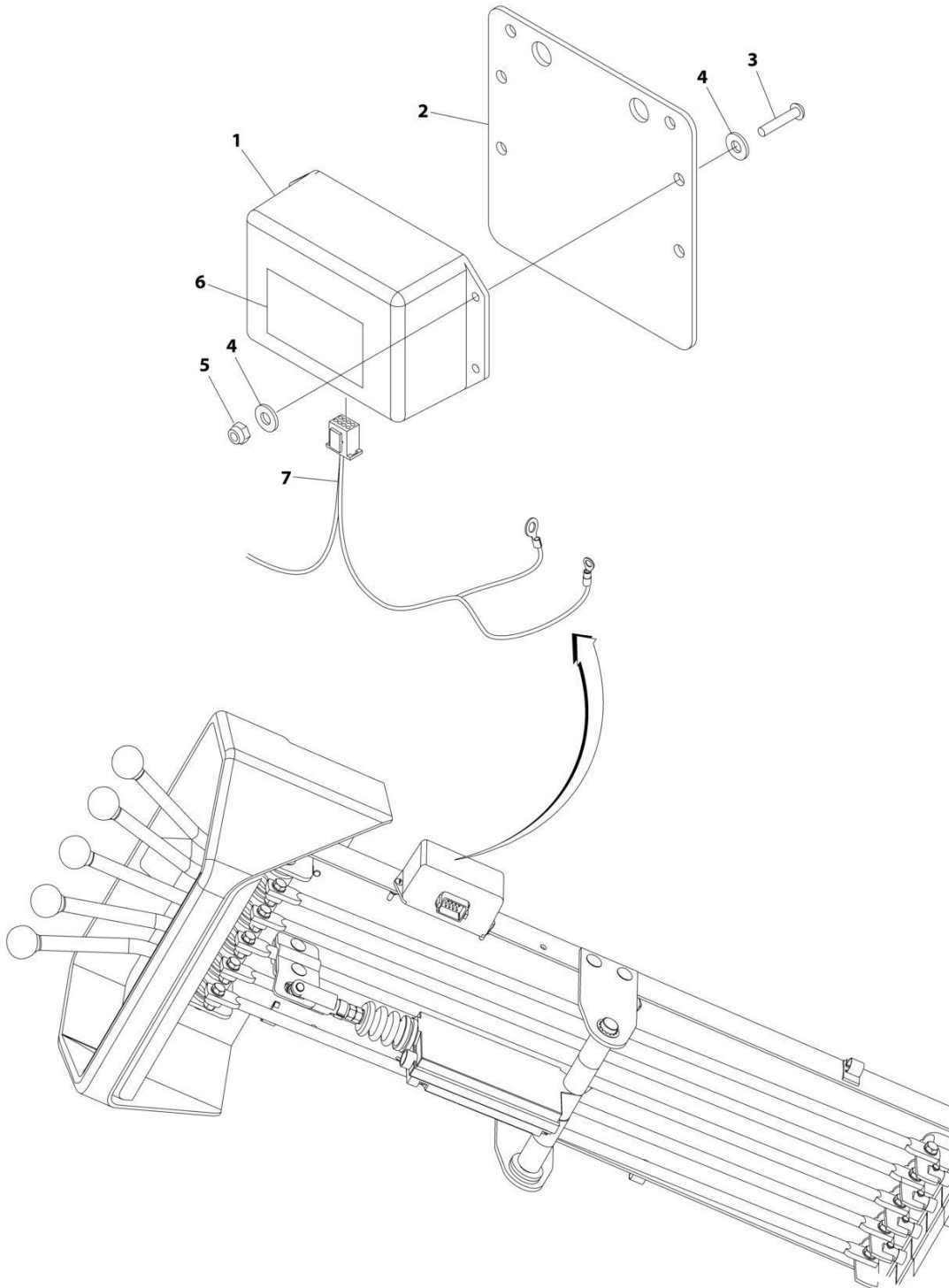
## SECTION 4 - CONTROLS

**FIGURE 4-65. MIRATRON WIRELESS INSTALLATION, FOUR FUNCTION**

ITEM	PART NUMBER	QTY	DESCRIPTION	REV
	2577000034	Ref	Miratron Wireless Installation, Four Function	0
1	7295000111	1	Controller (4 remote operations)	
2	4706005595	1	Plate	
3	7114100810	6	Screw #10	
4	7950100151	8	Washer 3/16	
5	7660102604	6	Nut #10	
6	7330000696	1	Decal - Controller Functions	
7	7552000426	1	Harness - 4 Function	
7	4460933	1	Plug, Male - 12 Position	
7	4460465	11	Socket, Female	
7	4460955	10	Plug, Male - 2 Position	
7	4460842	20	Terminal	
7		Ref	Fuse - 10Amp ATO (Purchase Locally)	
7		Ref	Connector - 1 Position	
7	4460850	1	Terminal	
7	4460458	1	Seal	

# SECTION 4 - CONTROLS

FIGURE 4-66. MIRATRON WIRELESS INSTALLATION, FIVE FUNCTION



ART\_2577000035



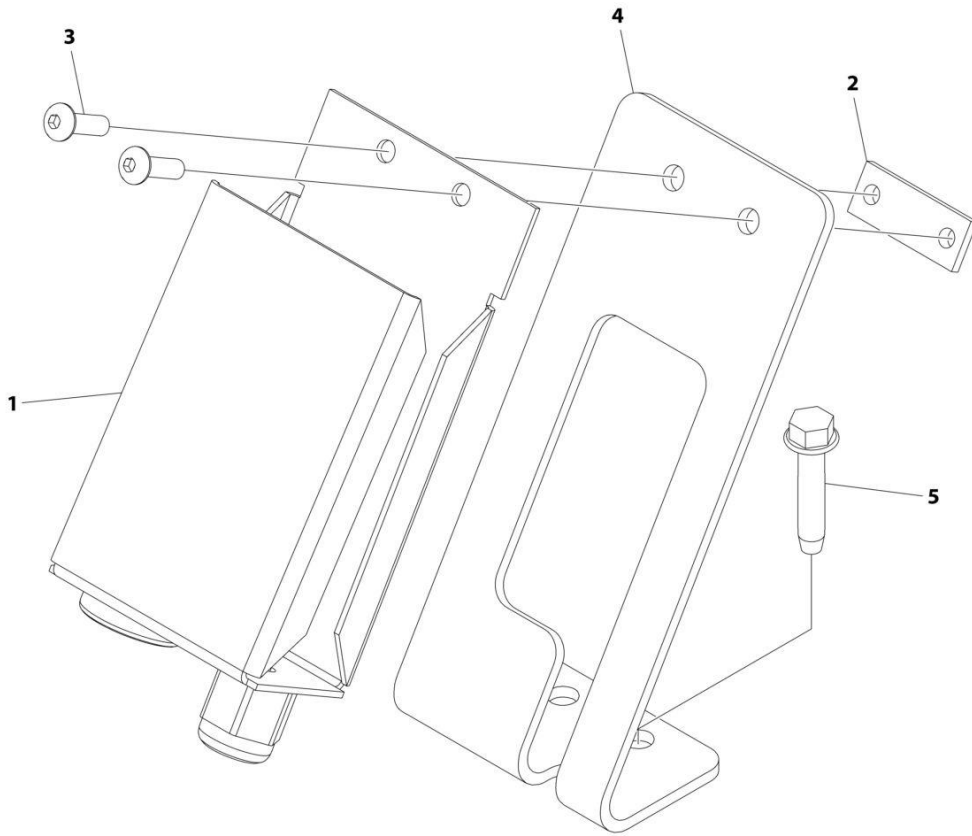
## SECTION 4 - CONTROLS

**FIGURE 4-66. MIRATRON WIRELESS INSTALLATION, FIVE FUNCTION**

ITEM	PART NUMBER	QTY	DESCRIPTION	REV
	2577000035	Ref	Miratron Wireless Installation, Five Function	0
1	7295000111	1	Controller (5 remote operations)	
2	4706005595	1	Plate	
3	7114100810	6	Screw #10	
4	7950100151	8	Washer 3/16	
5	7660102604	6	Nut #10	
6	7330000696	1	Decal - Controller Functions	
7	7552000426	1	Harness	
7	4460933	1	Plug, Male - 12 Position	
7	4460465	11	Socket, Female	
7	4460955	10	Plug, Male - 2 Position	
7	4460842	20	Terminal	
7		Ref	Fuse - 10Amp ATO (Purchase Locally)	
7		Ref	Connector - 1 Position	
7	4460850	1	Terminal	
7	4460458	1	Seal	

# SECTION 4 - CONTROLS

FIGURE 4-67. REMOTE CONTROL 6 FUNCTION U/L TRANSMITTER HOLDER



ART\_2002000031

## SECTION 4 - CONTROLS

**FIGURE 4-67. REMOTE CONTROL 6 FUNCTION U/L TRANSMITTER HOLDER**

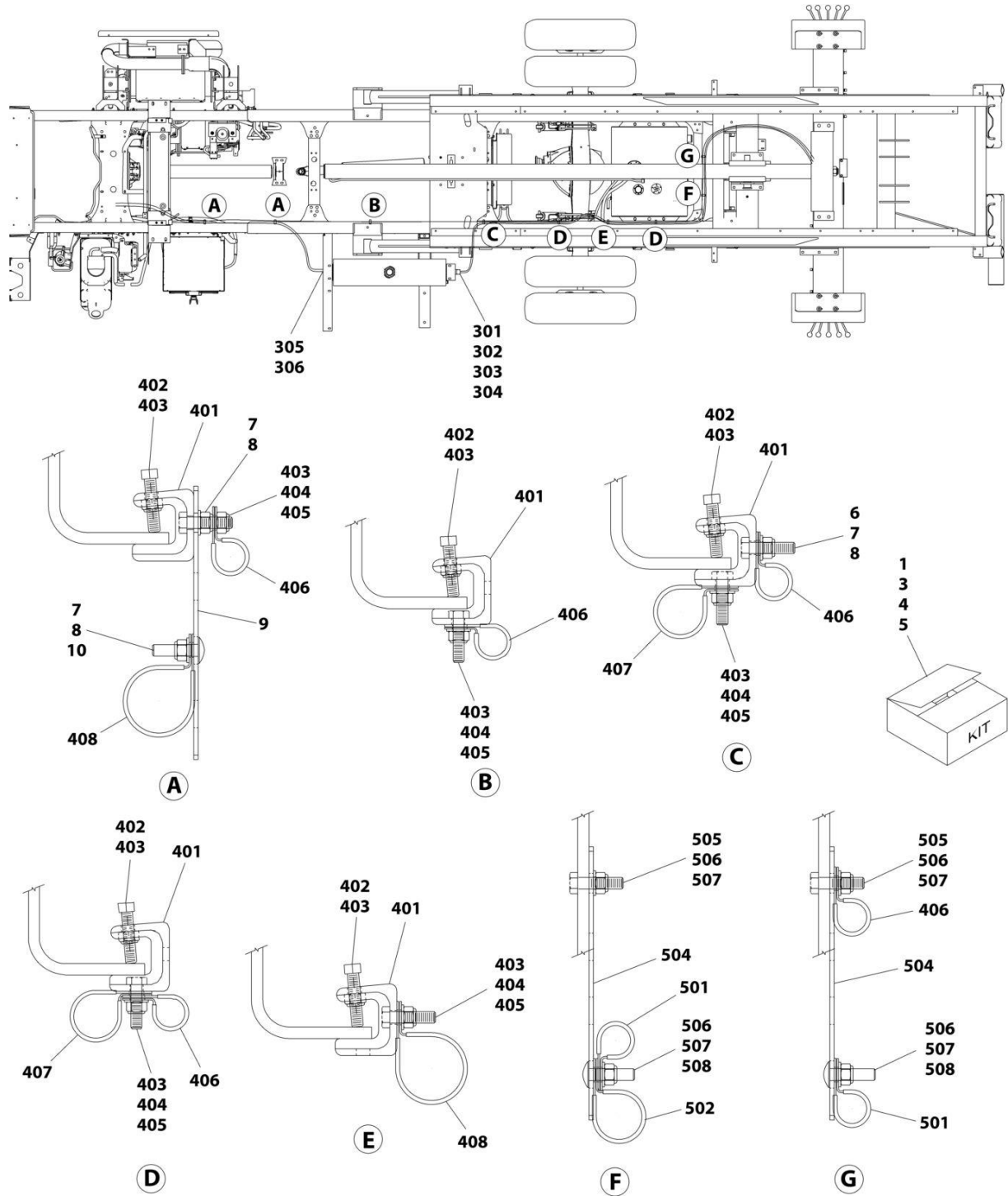
ITEM	PART NUMBER	QTY	DESCRIPTION	REV
	2002000031	Ref	Remote Control 6 Function U/L Transmitter Holder	D
1	7002000521	1	Accessory, Box	
2	7661000056	1	Nut #10	
3	7114100518	2	Screw #10 x 5/8	
4	1001230127	1	Mount	
5	7790142051	2	Screw 1/4 x 1-1/4	



**SECTION 5 - HYDRAULIC**

# SECTION 5 - HYDRAULIC

## FIGURE 5-1. HOSE INSTALLATION - ALL CA STD CAB (ISUZU)



ART\_1001158617

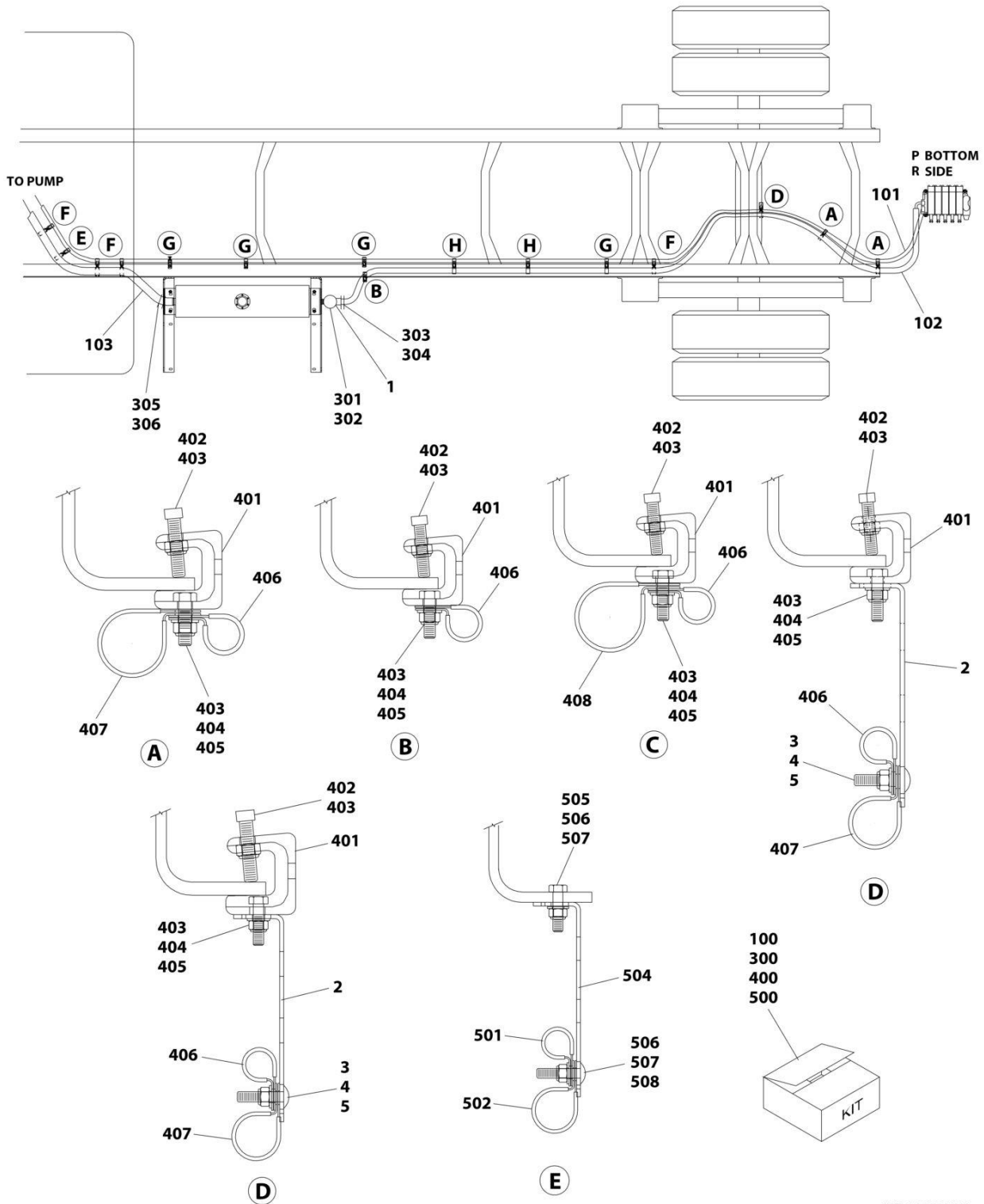
## SECTION 5 - HYDRAULIC

**FIGURE 5-1. HOSE INSTALLATION - ALL CA STD CAB (ISUZU)**

ITEM	PART NUMBER	QTY	DESCRIPTION	REV
	1001158617	Ref	HOSE INSTALLATION - ALL CA'S (STD CAB ISUZU NRR)	A
1	1001158618	1	Hose Kit (Includes Items 101-103)	
2	7430000003	1	Filter, Oil (Not Shown)	
3	1001132801	1	Clamp, Hose (Includes Items 301-306)	
4	1001132794	7	Clamp, Hose (Includes Items 401-408)	
5	1001132800	2	Clamp, Hose (Includes Items 501-508)	
6	7115151050	1	Capscrew 5/16 x 1-1/4	
7	7950150161	7	Washer 5/16	
8	7660152601	5	Nut 5/16	
9	4706003844	2	Plate	
10	7115151064	2	Bolt 5/16 x 1-1/4	
101	4567130205	1	Hose (Not Shown)	
102	4570000098	1	Hose (Not Shown)	
103	4570000099	1	Hose (Not Shown)	
301	7470000002	1	Gauge, Oil Filter Head	
302	7443000158	1	Fitting, 90	
303	7443000319	1	Fitting, 90	
304	7274000080	2	Clamp	
305	7443000013	1	Fitting, Nipple	
306	7274000002	2	Clamp	
401	7274000076	1	Clamp	
402	7785152420	1	Screw 5/16 x 1-1/2	
403	7660152601	2	Nut 5/16	
404	7115151050	1	Capscrew 5/16 x 1-1/4	
405	7950150161	1	Washer 5/16	
406	7274000040	1	Clamp	
407	7274000041	1	Clamp	
408	7274000042	1	Clamp	
501	7274000040	1	Clamp	
502	7274000041	1	Clamp	
503	7274000042	1	Clamp (Not Shown)	
504	4706003844	1	Plate	
505	7115151050	1	Capscrew 5/16 x 1-1/4	
506	7950150161	3	Washer 5/16	
507	7660152601	2	Nut 5/16	
508	7115151064	1	Bolt 5/16 x 1-1/4	

# SECTION 5 - HYDRAULIC

## FIGURE 5-2. HOSE INSTALLATION - 120IN CA STD CAB (2017+ FORD)



ART\_1001222487



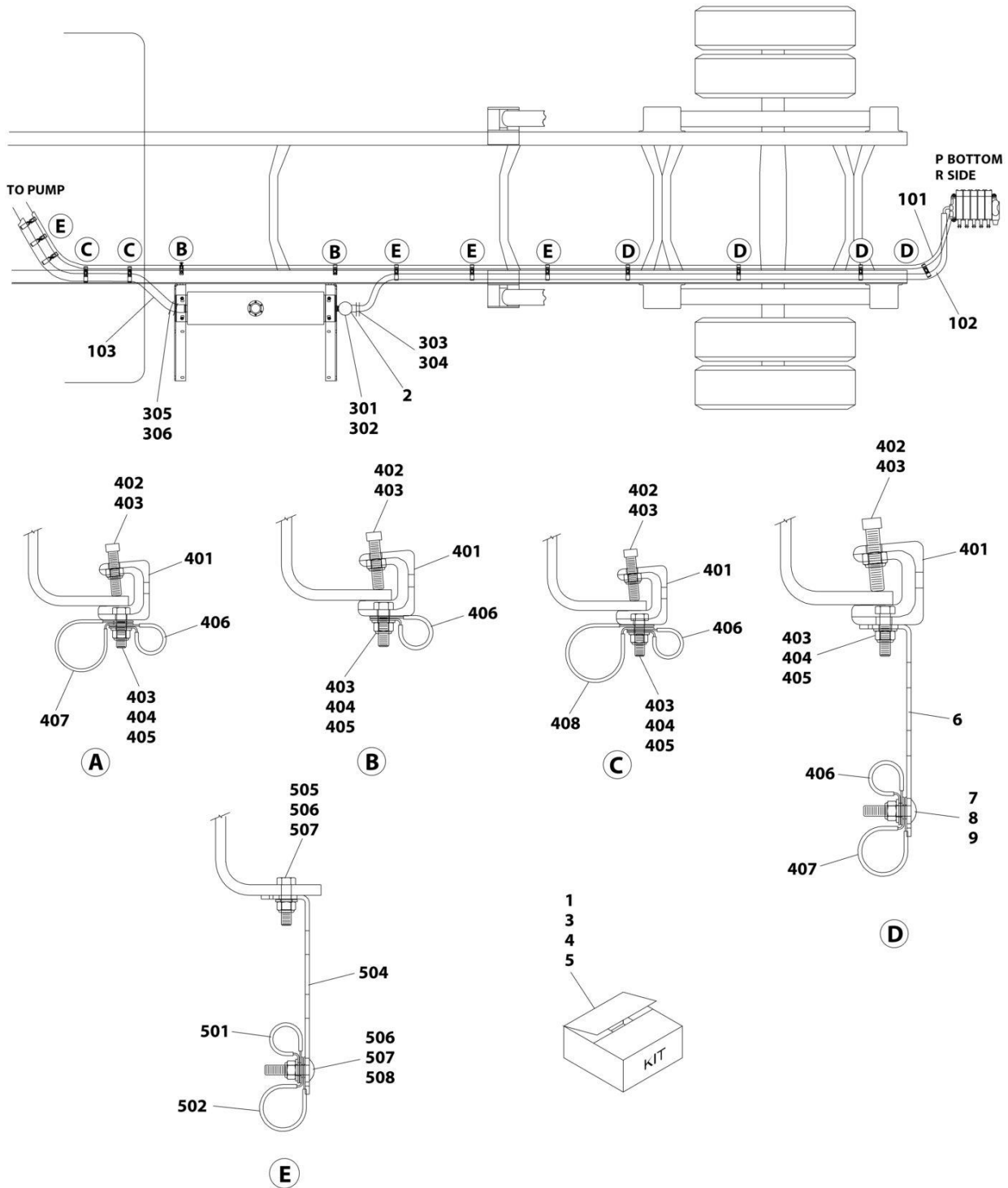
## SECTION 5 - HYDRAULIC

**FIGURE 5-2. HOSE INSTALLATION - 120IN CA STD CAB (2017+ FORD)**

ITEM	PART NUMBER	QTY	DESCRIPTION	REV
	1001222487	Ref	HOSE INSTALLATION - 120IN CA (STD CAB 2017+ FORD)	B
1	7430000003	1	Filter, Oil	
2	4706003844	8	Plate	
3	7115151064	8	Bolt 5/16 x 1-1/4	
4	7950150161	8	Washer 5/16	
5	7660152601	8	Nut 5/16	
100	1001223152	1	Hose Kit	
101	4567130251	1	Hose	
102	1001130132	1	Hose	
103	1001130130	1	Hose	
300	1001132801	1	Clamp Kit	
301	7470000002	1	Gauge, Oil Filter Head	
302	7443000158	1	Fitting, 90	
303	7443000319	1	Fitting, 90	
304	7274000080	2	Clamp	
305	7443000013	1	Fitting, Nipple	
306	7274000002	2	Clamp	
400	1001132794	13	Clamp Kit	
401	7274000076	1	Clamp	
402	7785152420	1	Screw 5/16 x 1-1/2	
403	7660152601	2	Nut 5/16	
404	7115151050	1	Capscrew 5/16 x 1-1/4	
405	7950150161	1	Washer 5/16	
406	7274000040	1	Clamp	
407	7274000041	1	Clamp	
408	7274000042	1	Clamp	
500	1001132800	2	Clamp Kit	
501	7274000040	1	Clamp	
502	7274000041	1	Clamp	
503	7274000042	1	Clamp (Not Shown)	
504	4706003844	1	Plate	
505	7115151050	1	Capscrew 5/16 x 1-1/4	
506	7950150161	3	Washer 5/16	
507	7660152601	2	Nut 5/16	
508	7115151064	1	Bolt 5/16 x 1-1/4	

# SECTION 5 - HYDRAULIC

FIGURE 5-3. HOSE INSTALLATION - 120IN CA STD CAB (DODGE)



ART\_1001132752

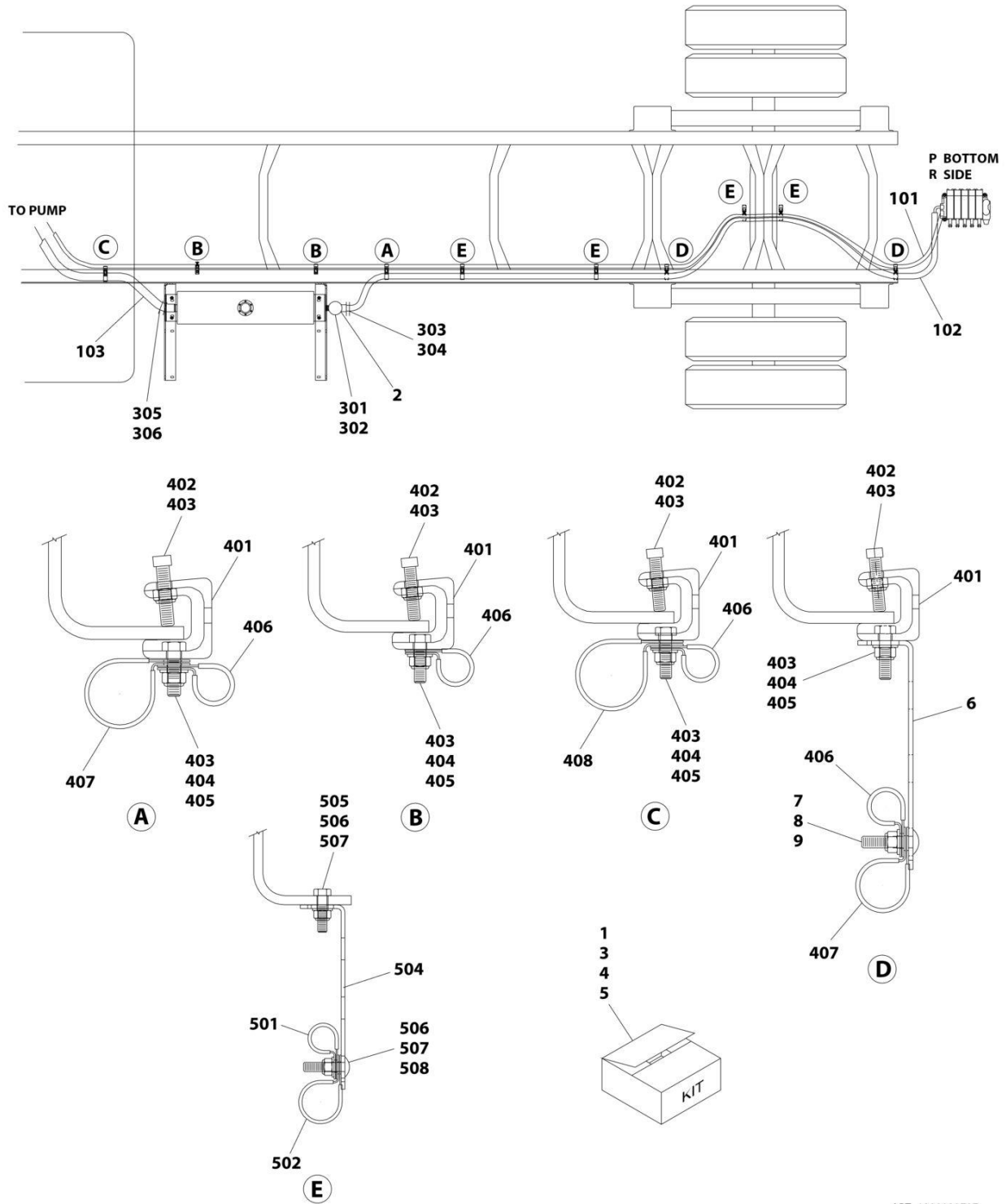
## SECTION 5 - HYDRAULIC

**FIGURE 5-3. HOSE INSTALLATION - 120IN CA STD CAB (DODGE)**

ITEM	PART NUMBER	QTY	DESCRIPTION	REV
	1001132752	Ref	HOSE INSTALLATION - 120IN CA (STD CAB DODGE)	0
1	1001132722	1	Hose Kit (Include Items 101-103)	
2	7430000003	1	Filter, Oil	
3	1001132801	1	Clamp, Hose Kit (Includes Items 301-306)	
4	1001132794	8	Clamp, Hose Kit (Includes Items 401-408)	
5	1001132800	6	Clamp, Hose Kit (Includes Items 501-508)	
6	4706003844	4	Plate	
7	7115151064	4	Capscrew 5/16 x 1-1/4	
8	7950150161	4	Washer 5/16	
9	7660152601	4	Nut 5/16	
101	4567130256	1	Hose	
102	4570000115	1	Hose	
103	1001132609	1	Hose	
301	7470000002	1	Gauge, Oil Filter Head	
302	7443000158	1	Fitting, 90	
303	7443000319	1	Fitting, 90	
304	7274000080	2	Clamp	
305	7443000013	1	Fitting, Nipple	
306	7274000002	2	Clamp	
401	7274000076	1	Clamp	
402	7785152420	1	Screw 5/16 x 1-1/2	
403	7660152601	2	Nut 5/16	
404	7115151050	1	Capscrew 5/16 x 1-1/4	
405	7950150161	1	Washer 5/16	
406	7274000040	1	Clamp	
407	7274000041	1	Clamp	
408	7274000042	1	Clamp	
501	7274000040	1	Clamp	
502	7274000041	1	Clamp	
503	7274000042	1	Clamp (Not Shown)	
504	4706003844	1	Plate	
505	7115151050	1	Capscrew 5/16 x 1-1/4	
506	7950150161	3	Washer 5/16	
507	7660152601	2	Nut 5/16	
508	7115151064	1	Bolt 5/16 x 1-1/4	

# SECTION 5 - HYDRAULIC

## FIGURE 5-4. HOSE INSTALLATION - 120IN CA STD CAB (FORD)



ART\_1001132737

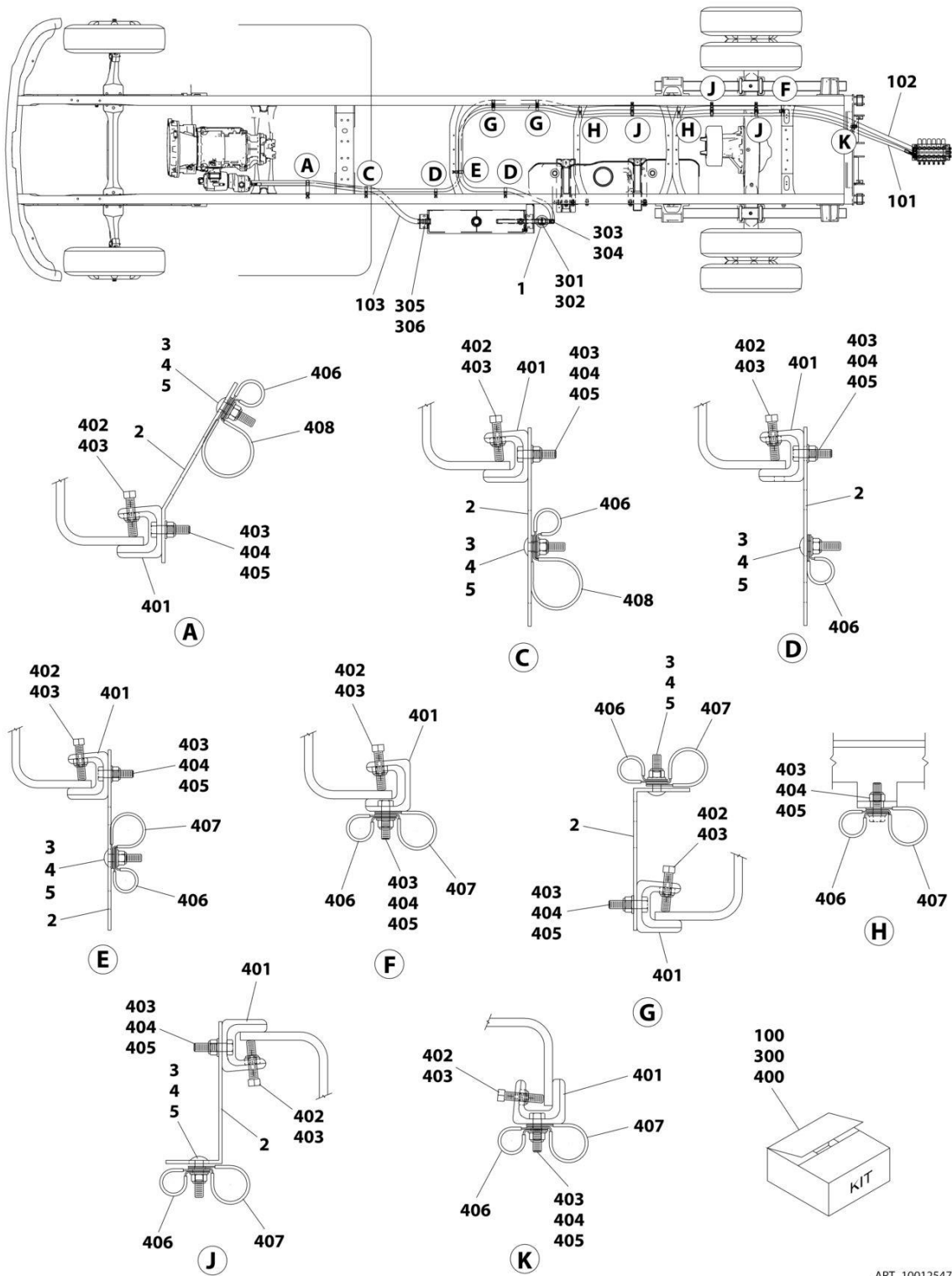
## SECTION 5 - HYDRAULIC

**FIGURE 5-4. HOSE INSTALLATION - 120IN CA STD CAB (FORD)**

ITEM	PART NUMBER	QTY	DESCRIPTION	REV
	1001132737	Ref	HOSE INSTALLATION - 120IN CA (STD CAB FORD)	0
1	1001132706	1	Hose Kit (Include Items 101-103)	
2	7430000003	1	Filter, Oil	
3	1001132801	1	Clamp, Hose Kit (Includes Items 301-306)	
4	1001132794	11	Clamp, Hose Kit (Includes Items 401-408)	
5	1001132800	4	Clamp, Hose Kit (Includes Items 501-508)	
6	4706003844	2	Plate	
7	7115151064	2	Bolt 5/16 x 1-1/4	
8	7950150161	2	Washer 5/16	
9	7660152601	2	Nut 5/16	
101	4567130235	1	Hose	
102	1001130132	1	Hose	
103	1001130130	1	Hose	
301	7470000002	1	Gauge, Oil Filter Head	
302	7443000158	1	Fitting, 90	
303	7443000319	1	Fitting, 90	
304	7274000080	2	Clamp	
305	7443000013	1	Fitting, Nipple	
306	7274000002	2	Clamp	
401	7274000076	1	Clamp	
402	7785152420	1	Screw 5/16 x 1-1/2	
403	7660152601	2	Nut 5/16	
404	7115151050	1	Capscrew 5/16 x 1-1/4	
405	7950150161	1	Washer 5/16	
406	7274000040	1	Clamp	
407	7274000041	1	Clamp	
408	7274000042	1	Clamp	
501	7274000040	1	Clamp	
502	7274000041	1	Clamp	
503	7274000042	1	Clamp	
504	4706003844	1	Plate	
505	7115151050	1	Capscrew 5/16 x 1-1/4	
506	7950150161	3	Washer 5/16	
507	7660152601	2	Nut 5/16	
508	7115151064	1	Bolt 5/16 x 1-1/4	

# SECTION 5 - HYDRAULIC

FIGURE 5-5. HOSE INSTALLATION - 120IN CA, 201IN WB



ART\_1001254710

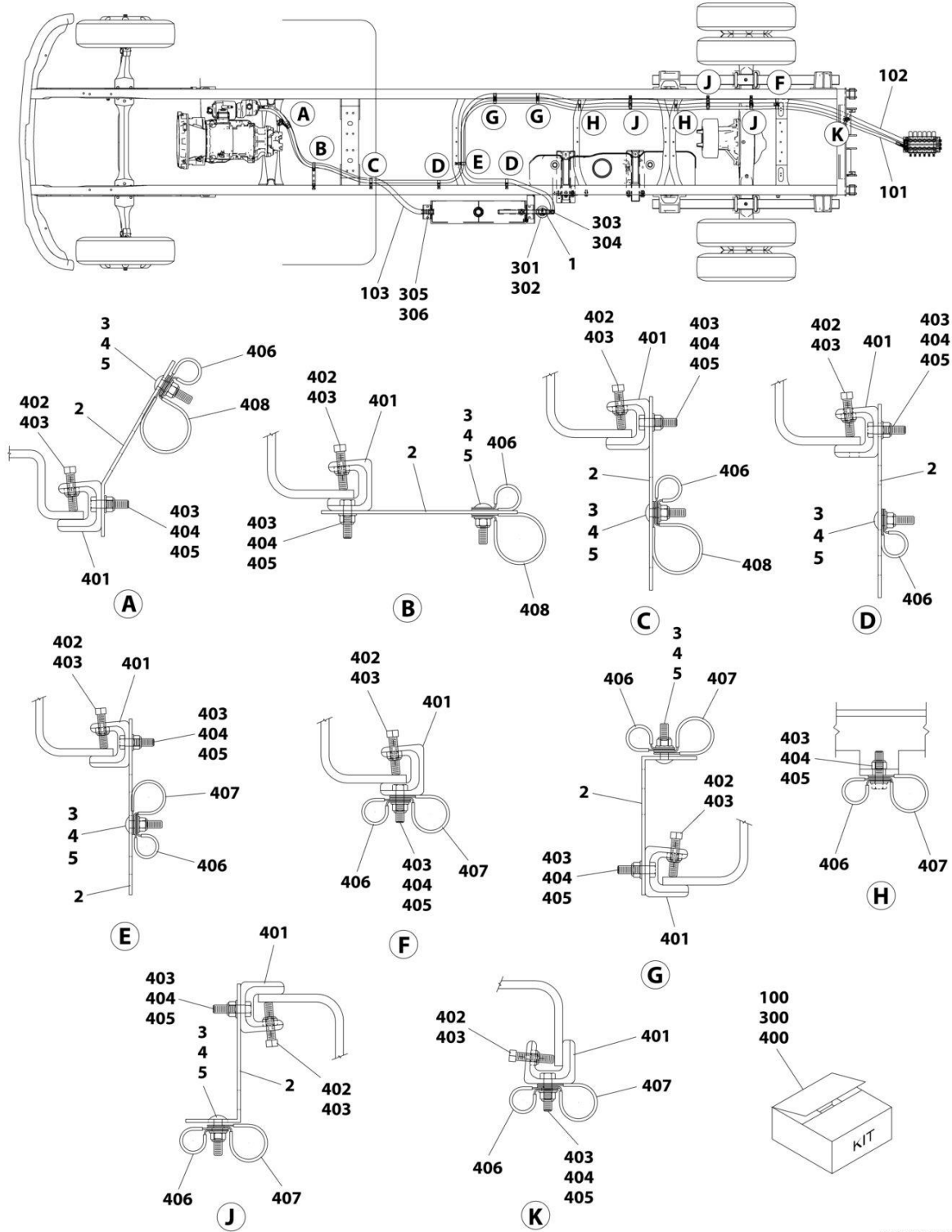
## SECTION 5 - HYDRAULIC

**FIGURE 5-5. HOSE INSTALLATION - 120IN CA, 201IN WB**

ITEM	PART NUMBER	QTY	DESCRIPTION	REV
	1001254710	Ref	HOSE INSTALLATION - 120IN CA (RC, DS PTO)	A
1	7430000003	1	Filter, Oil	
2	4706003844	11	Plate	
3	7115151064	11	Bolt 5/16 x 1-1/4	
4	7950150161	11	Washer 5/16	
5	7660152601	11	Nut 5/16	
100	1001254729	1	Hose Kit	
101	4567130241	1	Hose	
102	4570000118	1	Hose	
103	4570000373	1	Hose	
300	1001132801	1	Clamp Kit	
301	7470000002	1	Gauge, Oil Filter Head	
302	7443000158	1	Fitting, 90	
303	7443000319	1	Fitting, 90	
304	7274000080	2	Clamp	
305	7443000013	1	Fitting, Nipple	
306	7274000002	2	Clamp	
400	1001132794	1	Clamp Kit	
401	7274000076	1	Clamp	
402	7785152420	1	Screw 5/16 x 1-1/2	
403	7660152601	2	Nut 5/16	
404	7115151050	1	Capscrew 5/16 x 1-1/4	
405	7950150161	1	Washer 5/16	
406	7274000040	1	Clamp	
407	7274000041	1	Clamp	
408	7274000042	1	Clamp (Not Shown)	

# SECTION 5 - HYDRAULIC

FIGURE 5-6. HOSE INSTALLATION - 120IN CA, 201IN WB



ART\_1001254705



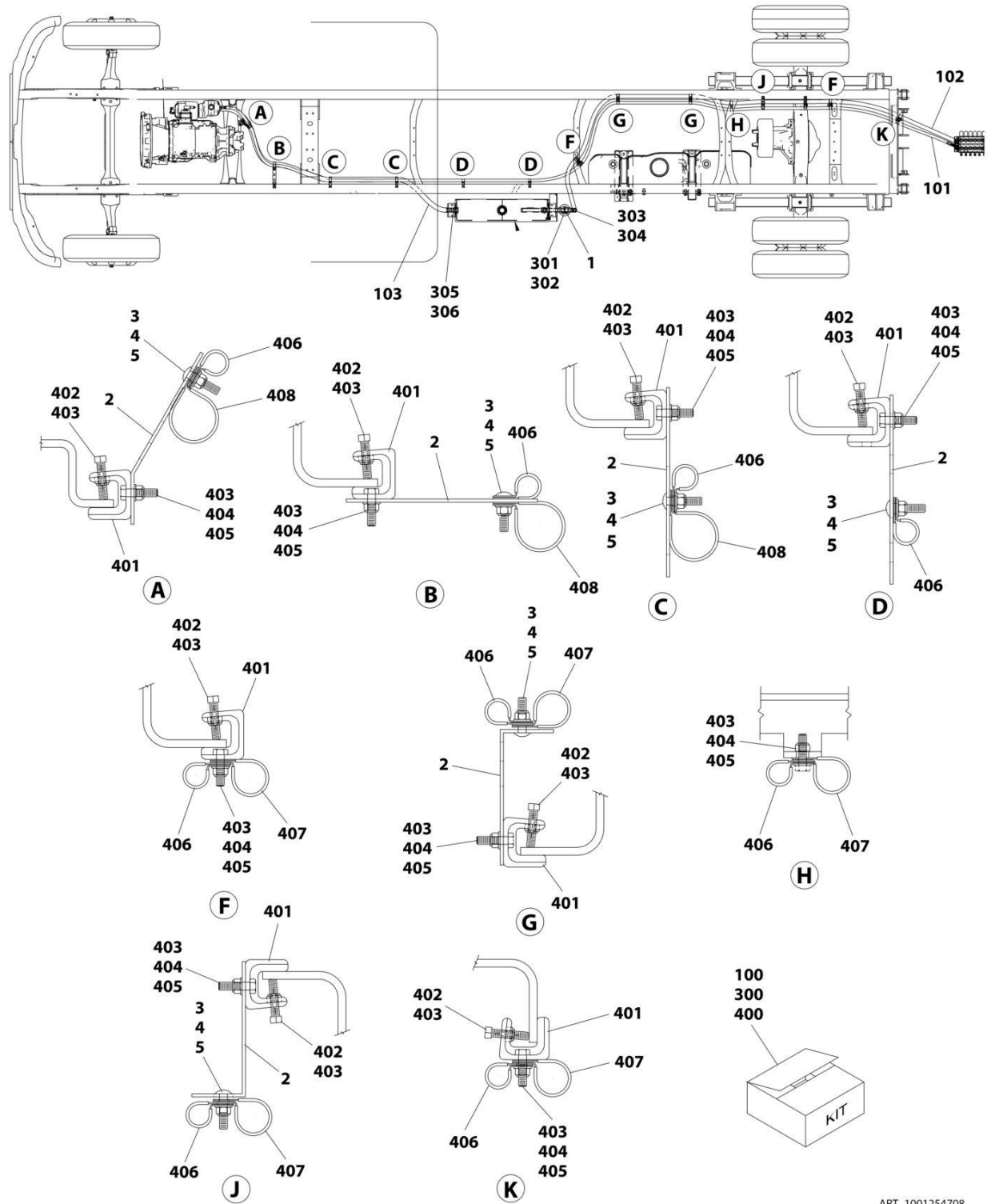
## SECTION 5 - HYDRAULIC

**FIGURE 5-6. HOSE INSTALLATION - 120IN CA, 201IN WB**

ITEM	PART NUMBER	QTY	DESCRIPTION	REV
	1001254705	Ref	HOSE INSTALLATION - 120IN CA (RC, PS PTO)	A
1	7430000003	1	Filter, Oil	
2	4706003844	11	Plate	
3	7115151064	11	Bolt 5/16 x 1-1/4	
4	7950150161	11	Washer 5/16	
5	7660152601	11	Nut 5/16	
6	7819000013	1	Sleeve (Not Shown)	
100	1001254723	1	Hose Kit	
101	4567130251	1	Hose	
102	4570000118	1	Hose	
103	1001132602	1	Hose	
300	1001132801	1	Clamp Kit	
301	7470000002	1	Gauge, Oil Filter Head	
302	7443000158	1	Fitting, 90	
303	7443000319	1	Fitting, 90	
304	7274000080	2	Clamp	
305	7443000013	1	Nipple	
306	7274000002	2	Clamp	
400	1001132794	1	Clamp Kit	
401	7274000076	1	Clamp	
402	7785152420	1	Screw 5/16 x 1-1/2	
403	7660152601	2	Nut 5/16	
404	7115151050	1	Capscrew 5/16 x 1-1/4	
405	7950150161	1	Washer 5/16	
406	7274000040	1	Clamp	
407	7274000041	1	Clamp	
408	7274000042	1	Clamp (Not Shown)	

# SECTION 5 - HYDRAULIC

FIGURE 5-7. HOSE INSTALLATION - 120IN CA, 235IN WB



ART\_1001254708

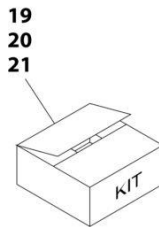
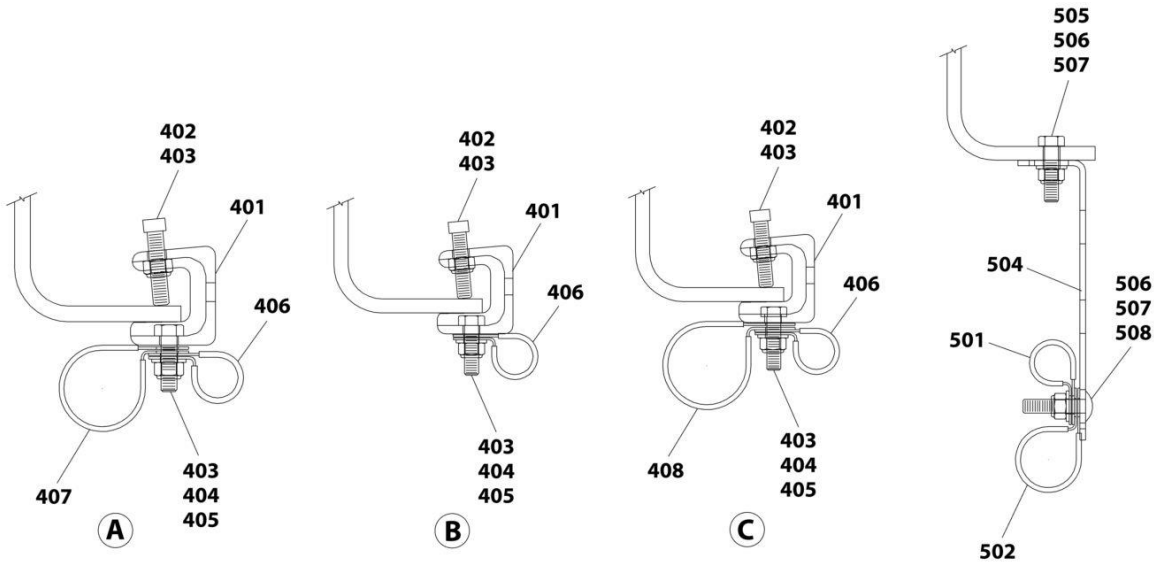
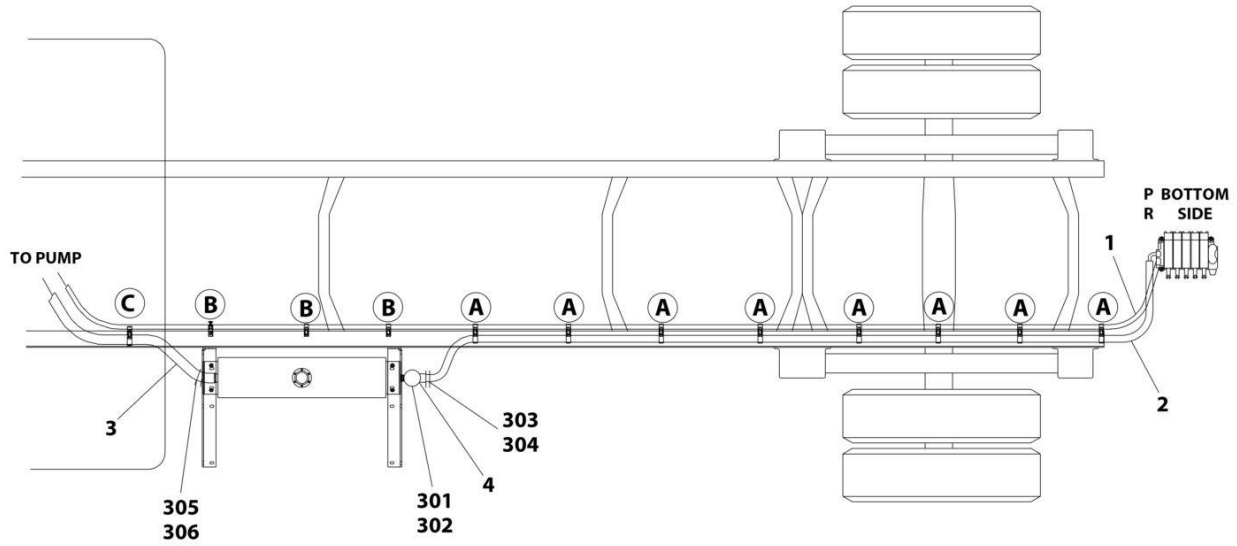
## SECTION 5 - HYDRAULIC

**FIGURE 5-7. HOSE INSTALLATION - 120IN CA, 235IN WB**

ITEM	PART NUMBER	QTY	DESCRIPTION	REV
	1001254708	Ref	HOSE INSTALLATION - 120IN CA (CS, PS PTO)	A
1	7430000003	1	Filter, Oil	
2	4706003844	10	Plate	
3	7115151064	10	Bolt 5/16 x 1-1/4	
4	7950150161	10	Washer 5/16	
5	7660152601	10	Nut 5/16	
6	7819000013	1	Sleeve (Not Shown)	
100	1001254727	1	Hose Kit	
101	4567130287	1	Hose	
102	1001132680	1	Hose	
103	1001132609	1	Hose	
300	1001132801	1	Clamp Kit	
301	7470000002	1	Gauge, Oil Filter Head	
302	7443000158	1	Fitting, 90	
303	7443000319	1	Fitting, 90	
304	7274000080	2	Clamp	
305	7443000013	1	Nipple	
306	7274000002	2	Clamp	
400	1001132794	1	Clamp Kit	
401	7274000076	1	Clamp	
402	7785152420	1	Screw 5/16 x 1-1/2	
403	7660152601	2	Nut 5/16	
404	7115151050	1	Capscrew 5/16 x 1-1/4	
405	7950150161	1	Washer 5/16	
406	7274000040	1	Clamp	
407	7274000041	1	Clamp	
408	7274000042	1	Clamp (Not Shown)	

# SECTION 5 - HYDRAULIC

FIGURE 5-8. HOSE INSTALLATION - 120IN CT STD CAB (INTERNATIONAL)



ART\_2570000091

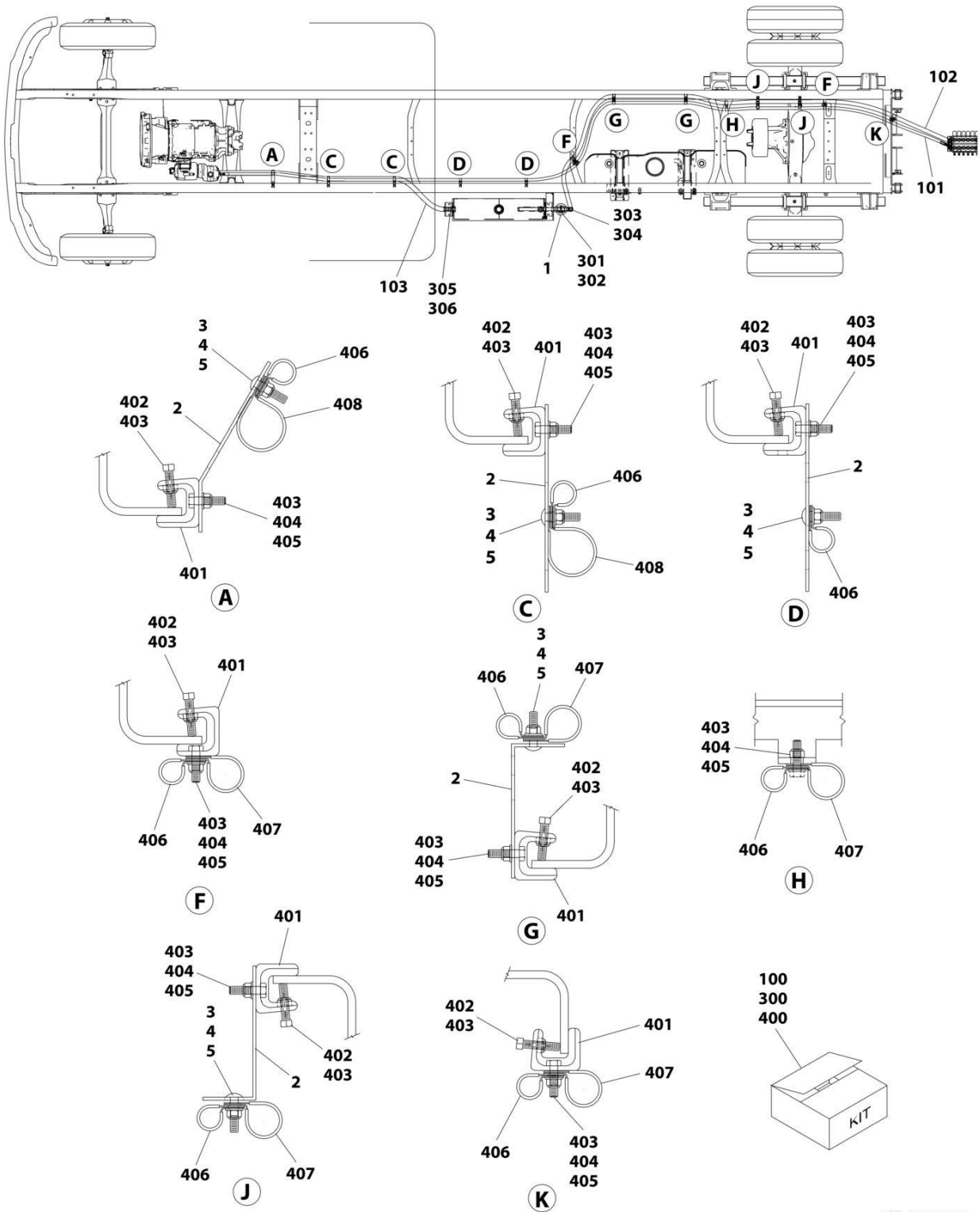
## SECTION 5 - HYDRAULIC

**FIGURE 5-8. HOSE INSTALLATION - 120IN CT STD CAB (INTERNATIONAL)**

ITEM	PART NUMBER	QTY	DESCRIPTION	REV
	2570000091	Ref	HOSE INSTALLATION - 120IN CA (STD CAB IHC NGV)	2
1	4567130208	1	Hose	
2	4570000193	1	Hose, Return	
3	4570000091	1	Hose, Supply	
4	7430000003	1	Filter, Oil	
19	1001132801	1	Clamp, Hose Kit (Includes Items 301-306)	
20	1001132794	11	Clamp, Hose Kit (Includes Items 401-408)	
21	1001132800	5	Clamp, Hose Kit (Includes Items 501-508)	
301	7470000002	1	Gauge, Oil Filter Head	
302	7443000158	1	Fitting, 90	
303	7443000319	1	Fitting, 90	
304	7274000080	2	Clamp	
305	7443000013	1	Fitting, Nipple	
306	7274000002	2	Clamp	
401	7274000076	1	Clamp	
402	7785152420	1	Screw 5/16 x 1-1/2	
403	7660152601	2	Nut 5/16	
404	7115151050	1	Capscrew 5/16 x 1-1/4	
405	7950150161	1	Washer 5/16	
406	7274000040	1	Clamp	
407	7274000041	1	Clamp	
408	7274000042	1	Clamp	
501	7274000040	1	Clamp	
502	7274000041	1	Clamp	
503	7274000042	1	Clamp	
504	4706003844	1	Plate	
505	7115151050	1	Capscrew 5/16 x 1-1/4	
506	7950150161	3	Washer 5/16	
507	7660152601	2	Nut 5/16	
508	7115151064	1	Bolt 5/16 x 1-1/4	

# SECTION 5 - HYDRAULIC

FIGURE 5-9. HOSE INSTALLATION - 120N CA, 235IN WB



ART\_1001254713

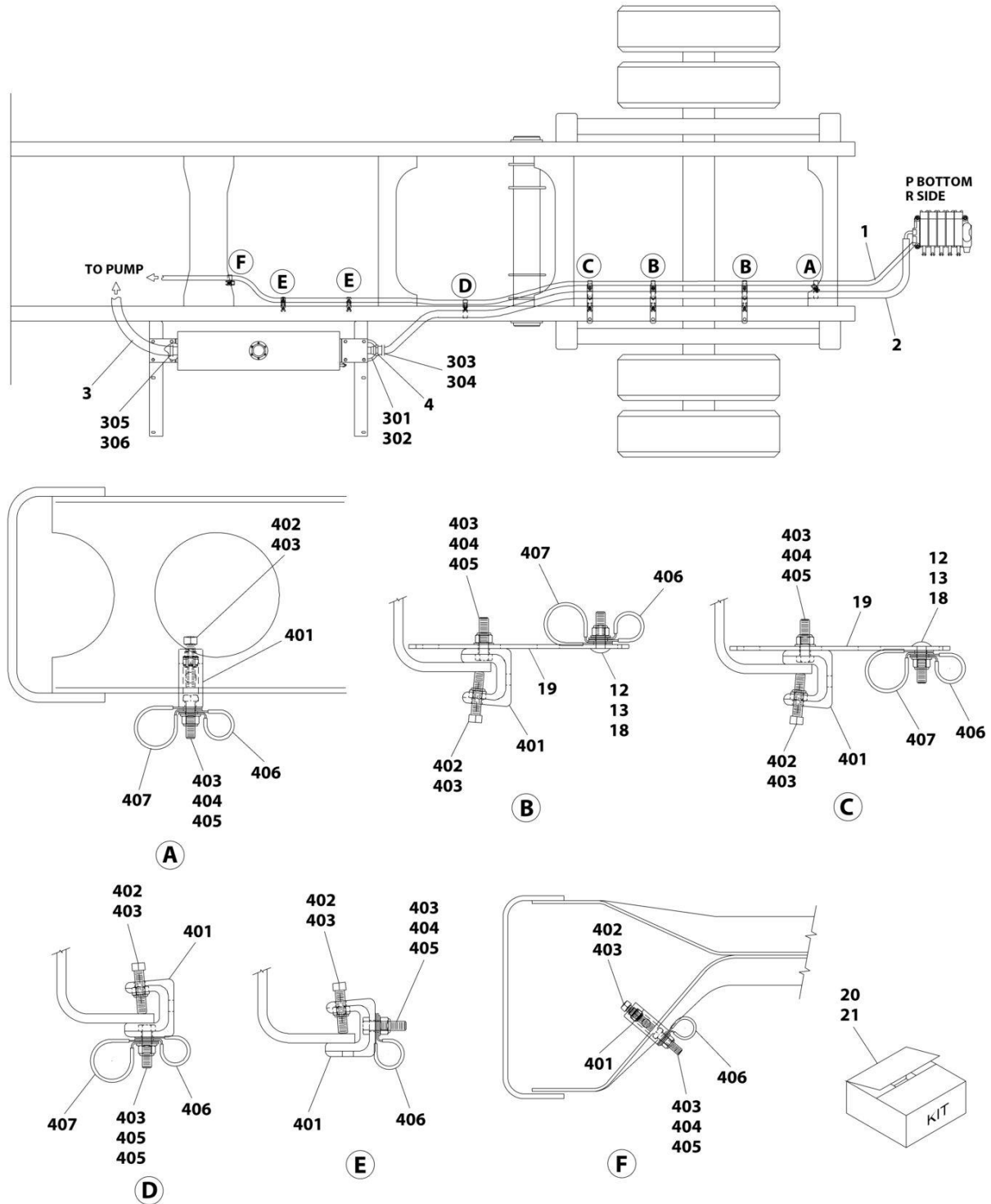
## SECTION 5 - HYDRAULIC

**FIGURE 5-9. HOSE INSTALLATION - 120N CA, 235IN WB**

ITEM	PART NUMBER	QTY	DESCRIPTION	REV
	1001254713	Ref	HOSE INSTALLATION - 120IN CA (CC, DS PTO)	A
1	7430000003	1	Filter, Oil	
2	4706003844	10	Plate	
3	7115151064	10	Bolt 5/16 x 1-1/4	
4	7950150161	10	Washer 5/16	
5	7660152601	10	Nut 5/16	
100	1001254732	1	Hose Kit	
101	4567130278	1	Hose	
102	1001132680	1	Hose	
103	1001132605	1	Hose	
300	1001132801	1	Clamp Kit	
301	7470000002	1	Gauge, Oil Filter Head	
302	7443000158	1	Fitting, 90	
303	7443000319	1	Fitting, 90	
304	7274000080	2	Clamp	
305	7443000013	1	Nipple	
306	7274000002	2	Clamp	
400	1001132794	1	Clamp Kit	
401	7274000076	1	Clamp	
402	7785152420	1	Screw 5/16 x 1-1/2	
403	7660152601	2	Nut 5/16	
404	7115151050	1	Capscrew 5/16 x 1-1/4	
405	7950150161	1	Washer 5/16	
406	7274000040	1	Clamp	
407	7274000041	1	Clamp	
408	7274000042	1	Clamp (Not Shown)	

# SECTION 5 - HYDRAULIC

## FIGURE 5-10. HOSE INSTALLATION - 138IN CA STD CAB



ART\_257000092



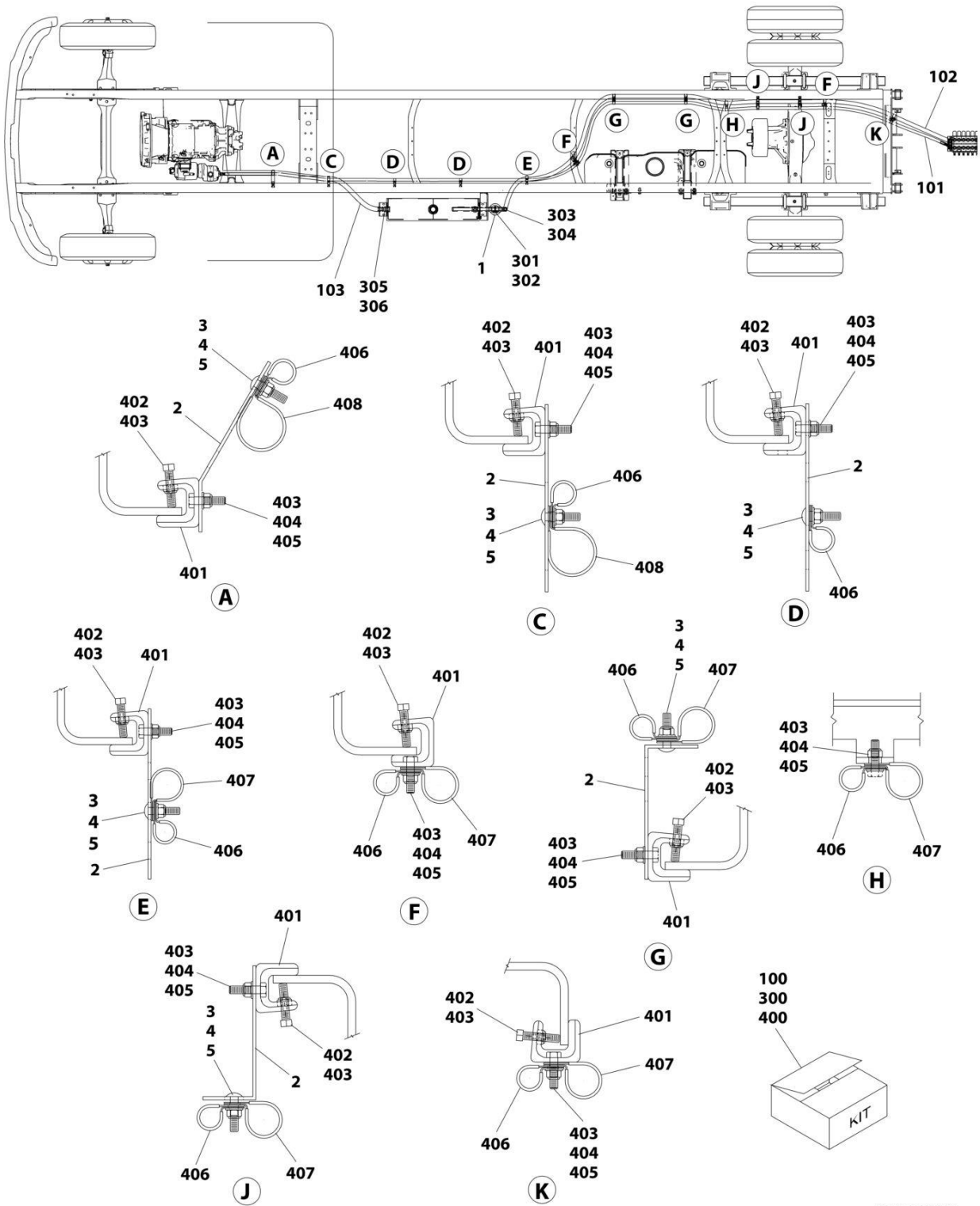
## SECTION 5 - HYDRAULIC

**FIGURE 5-10. HOSE INSTALLATION - 138IN CA STD CAB**

ITEM	PART NUMBER	QTY	DESCRIPTION	REV
	2570000092	Ref	HOSE INSTALLATION - 138IN CA (STD CAB UD)	2
1	4567130165	1	Hose	
2	4570000104	1	Hose	
3	4570000105	1	Hose	
4	7430000003	1	Filter, Oil	
12	7950150161	3	Washer 5/16	
13	7660152601	3	Nut 5/16	
18	7115151064	3	Bolt 5/16 x 1-1/4	
19	4706003844	3	Plate	
20	1001132801	1	Clamp, Hose Kit (Includes Items 301-306)	
21	1001132794	8	Clamp, Hose Kit (Includes Items 401-408)	
301	7470000002	1	Gauge, Oil Filter Head	
302	7443000158	1	Fitting, 90	
303	7443000319	1	Fitting, 90	
304	7274000080	2	Clamp	
305	7443000013	1	Nipple	
306	7274000002	2	Clamp	
401	7274000076	1	Clamp	
402	7785152420	1	Screw 5/16 x 1-1/2	
403	7660152601	2	Nut 5/16	
404	7115151050	1	Capscrew 5/16 x 1-1/4	
405	7950150161	1	Washer 5/16	
406	7274000040	1	Clamp	
407	7274000041	1	Clamp	
408	7274000042	1	Clamp (Not Shown)	

# SECTION 5 - HYDRAULIC

FIGURE 5-11. HOSE INSTALLATION - 138IN CA, 219IN WB



ART\_1001254711

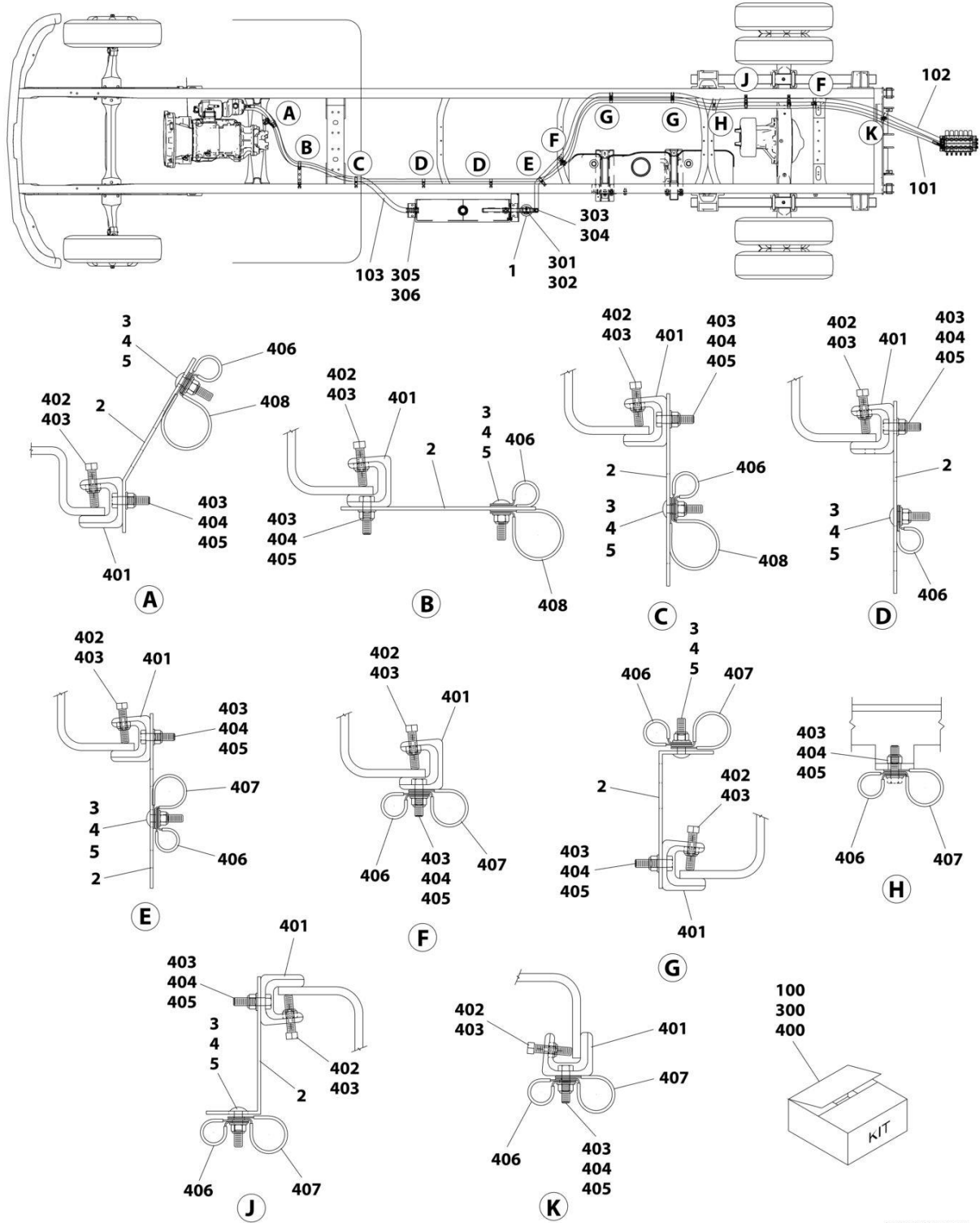
## SECTION 5 - HYDRAULIC

**FIGURE 5-11. HOSE INSTALLATION - 138IN CA, 219IN WB**

ITEM	PART NUMBER	QTY	DESCRIPTION	REV
	1001254711	Ref	HOSE INSTALLATION - 138IN CA (RC, DS PTO)	A
1	7430000003	1	Filter, Oil	
2	4706003844	10	Plate	
3	7115151064	10	Bolt 5/16 x 1-1/4	
4	7950150161	10	Washer 5/16	
5	7660152601	10	Nut 5/16	
100	1001254730	1	Hose Kit	
101	4567130262	1	Hose	
102	4570000118	1	Hose	
103	1001132603	1	Hose	
300	1001132801	1	Clamp Kit	
301	7470000002	1	Gauge, Oil Filter Head	
302	7443000158	1	Fitting, 90	
303	7443000319	1	Fitting, 90	
304	7274000080	2	Clamp	
305	7443000013	1	Nipple	
306	7274000002	2	Clamp	
400	1001132794	1	Clamp Kit	
401	7274000076	1	Clamp	
402	7785152420	1	Screw 5/16 x 1-1/2	
403	7660152601	2	Nut 5/16	
404	7115151050	1	Capscrew 5/16 x 1-1/4	
405	7950150161	1	Washer 5/16	
406	7274000040	1	Clamp	
407	7274000041	1	Clamp	
408	7274000042	1	Clamp (Not Shown)	

# SECTION 5 - HYDRAULIC

FIGURE 5-12. HOSE INSTALLATION - 138IN CA, 219IN WB



ART\_1001254706

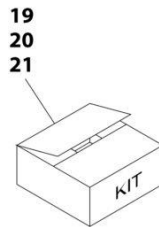
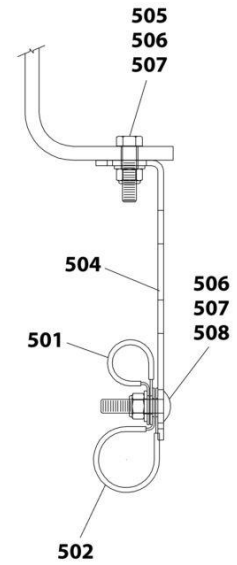
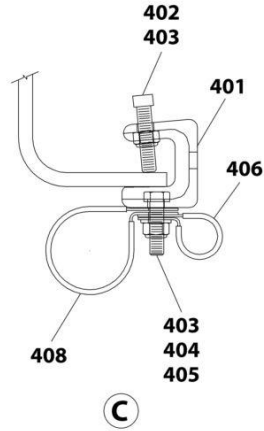
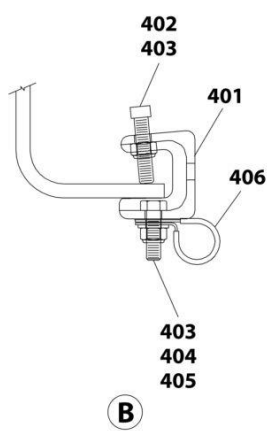
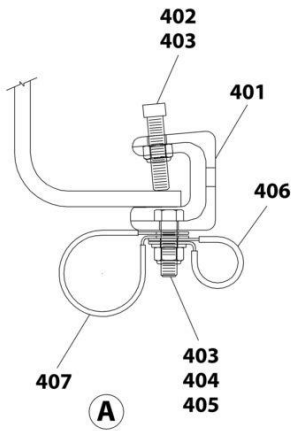
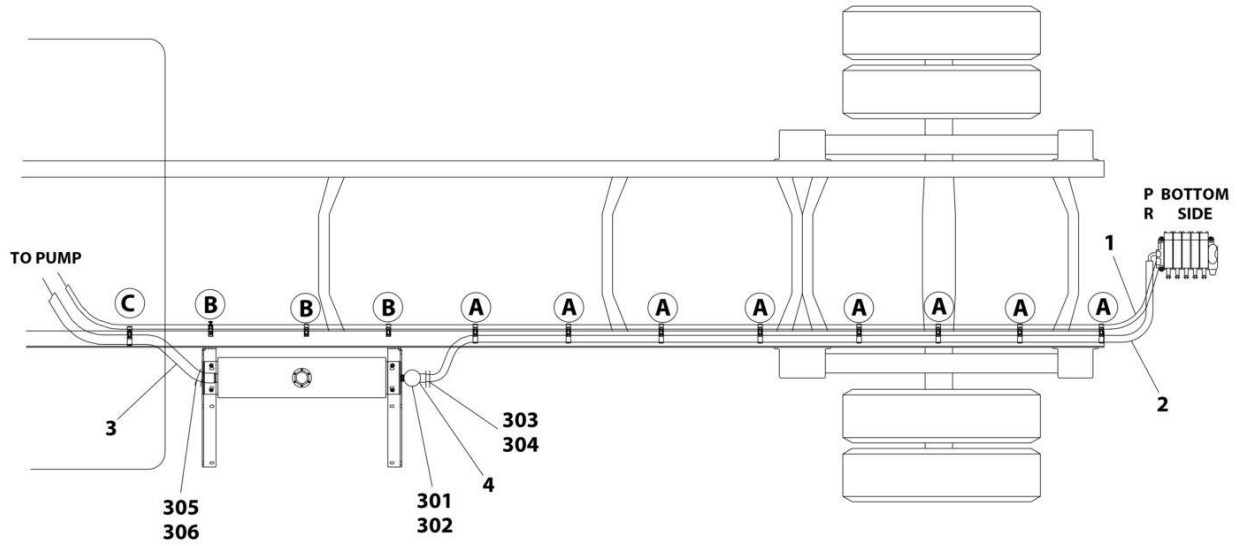
## SECTION 5 - HYDRAULIC

**FIGURE 5-12. HOSE INSTALLATION - 138IN CA, 219IN WB**

ITEM	PART NUMBER	QTY	DESCRIPTION	REV
	1001254706	Ref	HOSE INSTALLATION - 138IN CA (RC, PS PTO)	A
1	7430000003	1	Filter, Oil	
2	4706003844	10	Plate	
3	7115151064	10	Bolt 5/16 x 1-1/4	
4	7950150161	10	Washer 5/16	
5	7660152601	10	Nut 5/16	
6	7819000013	1	Sleeve (Not Shown)	
100	1001254725	1	Hose Kit	
101	4567130270	1	Hose	
102	4570000118	1	Hose	
103	4570000352	1	Hose	
300	1001132801	1	Clamp Kit	
301	7470000002	1	Gauge, Oil Filter Head	
302	7443000158	1	Fitting, 90	
303	7443000319	1	Fitting, 90	
304	7274000080	2	Clamp	
305	7443000013	1	Fitting, Nipple	
306	7274000002	2	Clamp	
400	1001132794	1	Clamp Kit	
401	7274000076	1	Clamp	
402	7785152420	1	Screw 5/16 x 1-1/2	
403	7660152601	2	Nut 5/16	
404	7115151050	1	Capscrew 5/16 x 1-1/4	
405	7950150161	1	Washer 5/16	
406	7274000040	1	Clamp	
407	7274000041	1	Clamp	
408	7274000042	1	Clamp (Not Shown)	

# SECTION 5 - HYDRAULIC

FIGURE 5-13. HOSE INSTALLATION - 138IN CT STD CAB (INTERNATIONAL)



ART\_2570000093

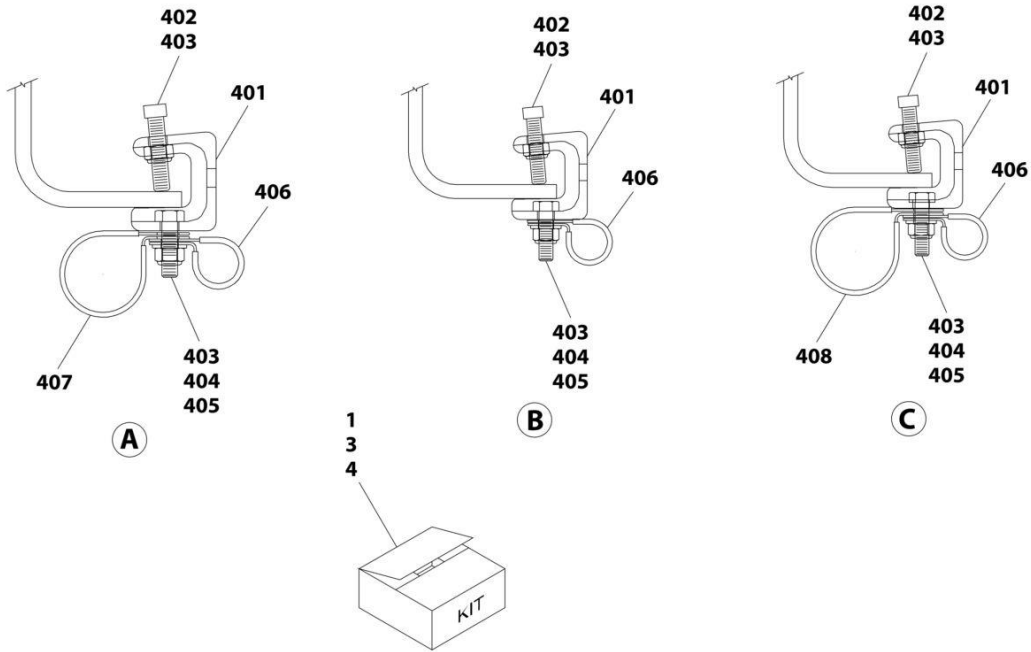
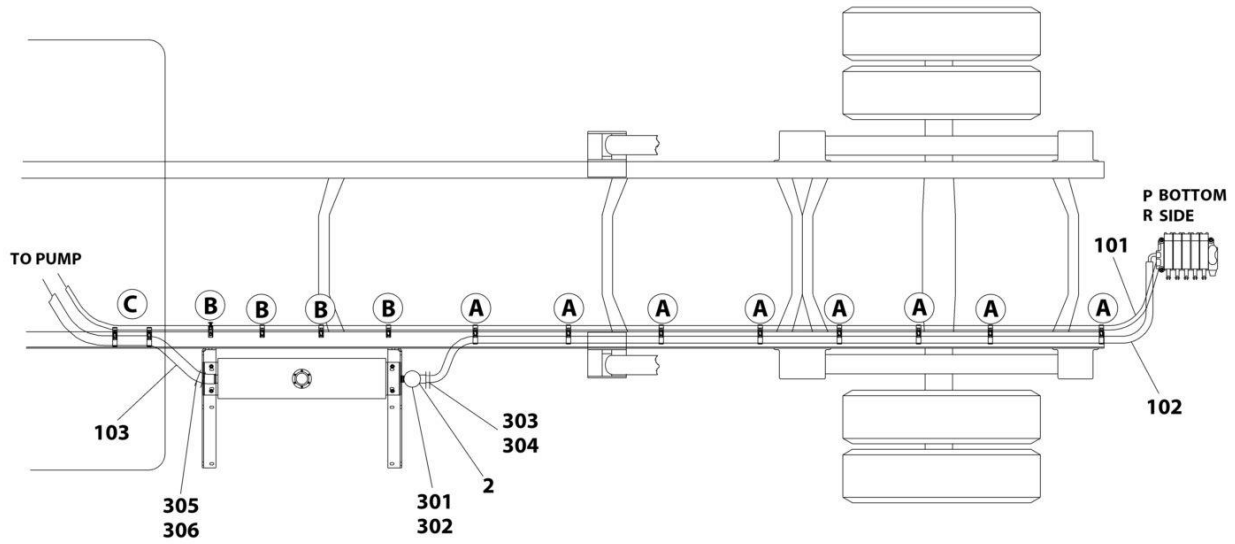
## SECTION 5 - HYDRAULIC

**FIGURE 5-13. HOSE INSTALLATION - 138IN CT STD CAB (INTERNATIONAL)**

ITEM	PART NUMBER	QTY	DESCRIPTION	REV
	2570000093	Ref	HOSE INSTALLATION - 138IN CA (STD CAB IHC NGV)	2
1	4567130223	1	Hose	
2	4570000101	1	Hose, Return	
3	4570000091	1	Hose, Supply	
4	7430000003	1	Filter, Oil	
19	1001132801	1	Clamp, Hose Kit (Includes Items 301-306)	
20	1001132794	11	Clamp, Hose Kit (Includes Items 401-408)	
21	1001132800	5	Clamp, Hose Kit (Includes Items 501-508)	
301	7470000002	1	Gauge, Oil Filter Head	
302	7443000158	1	Fitting, 90	
303	7443000319	1	Fitting, 90	
304	7274000080	2	Clamp	
305	7443000013	1	Fitting, Nipple	
306	7274000002	2	Clamp	
401	7274000076	1	Clamp	
402	7785152420	1	Screw 5/16 x 1-1/2	
403	7660152601	2	Nut 5/16	
404	7115151050	1	Capscrew 5/16 x 1-1/4	
405	7950150161	1	Washer 5/16	
406	7274000040	1	Clamp	
407	7274000041	1	Clamp	
408	7274000042	1	Clamp	
501	7274000040	1	Clamp	
502	7274000041	1	Clamp	
503	7274000042	1	Clamp	
504	4706003844	1	Plate	
505	7115151050	1	Capscrew 5/16 x 1-1/4	
506	7950150161	3	Washer 5/16	
507	7660152601	2	Nut 5/16	
508	7115151064	1	Bolt 5/16 x 1-1/4	

# SECTION 5 - HYDRAULIC

## FIGURE 5-14. HOSE INSTALLATION - 144IN CA STD CAB (HINO)



ART\_1001132761



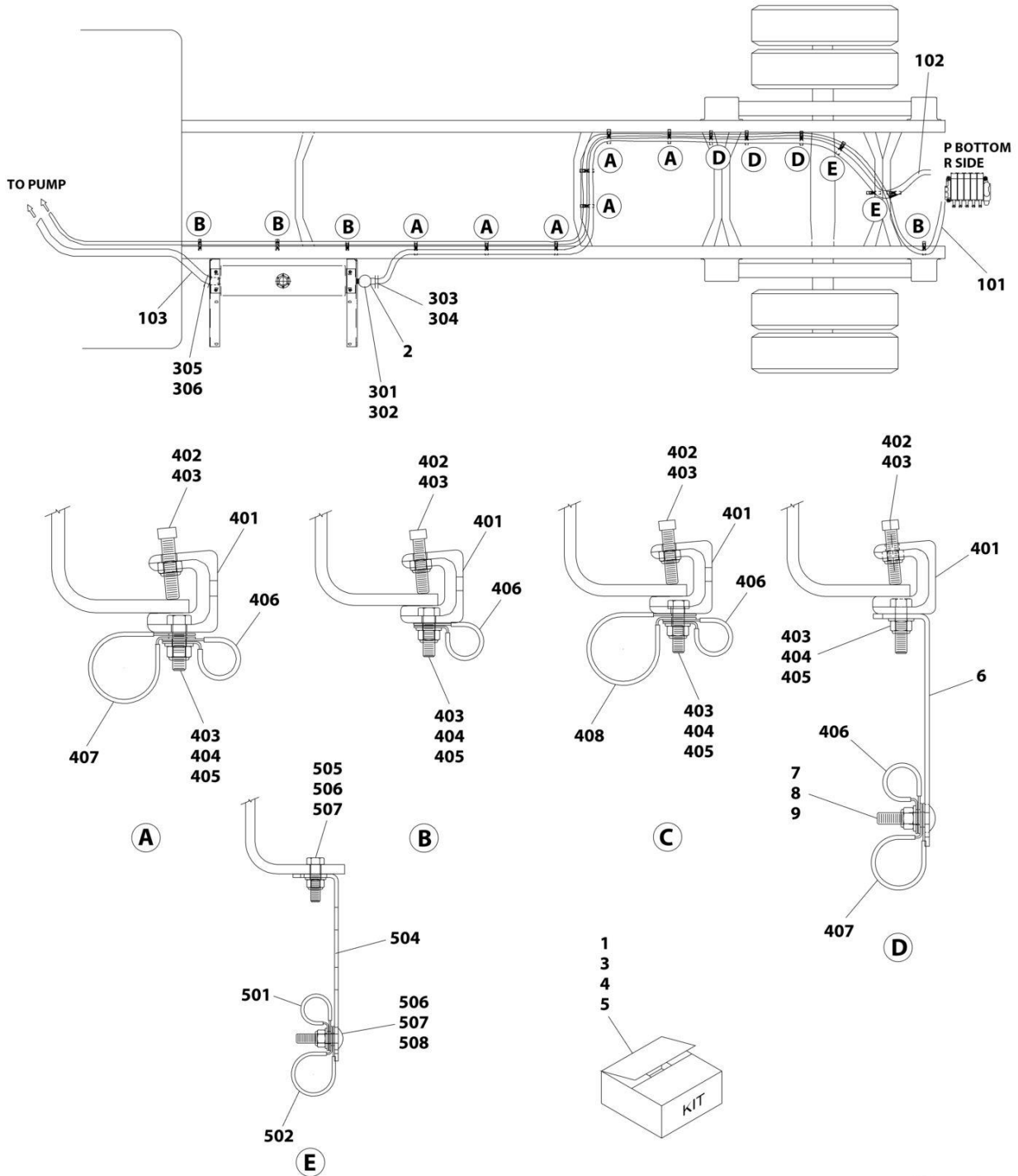
## SECTION 5 - HYDRAULIC

**FIGURE 5-14. HOSE INSTALLATION - 144IN CA STD CAB (HINO)**

ITEM	PART NUMBER	QTY	DESCRIPTION	REV
	1001132761	Ref	HOSE INSTALLATION - 144IN CA (STD CAB HINO)	0
1	1001132760	1	Hose Kit (Include Items 101-103)	
2	7430000003	1	Filter, Oil	
3	1001132801	1	Clamp, Hose Kit (Includes Items 301-306)	
4	1001132794	13	Clamp, Hose Kit (Includes Items 401-408)	
101	4567130241	1	Hose	
102	4570000102	1	Hose	
103	4570000099	1	Hose	
301	7470000002	1	Gauge, Oil Filter Head	
302	7443000158	1	Fitting, 90	
303	7443000319	1	Fitting, 90	
304	7274000080	2	Clamp	
305	7443000013	1	Nipple	
306	7274000002	2	Clamp	
401	7274000076	1	Clamp	
402	7785152420	1	Screw 5/16 x 1-1/2	
403	7660152601	2	Nut 5/16	
404	7115151050	1	Capscrew 5/16 x 1-1/4	
405	7950150161	1	Washer 5/16	
406	7274000040	1	Clamp	
407	7274000041	1	Clamp	
408	7274000042	1	Clamp	

# SECTION 5 - HYDRAULIC

## FIGURE 5-15. HOSE INSTALLATION - 144IN CT STD CAB (INTERNATIONAL)



ART\_1001132743

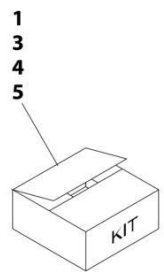
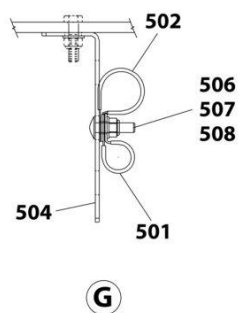
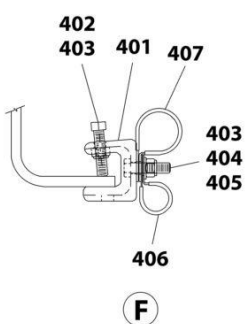
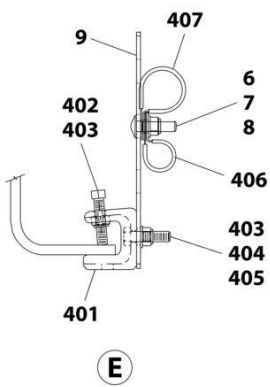
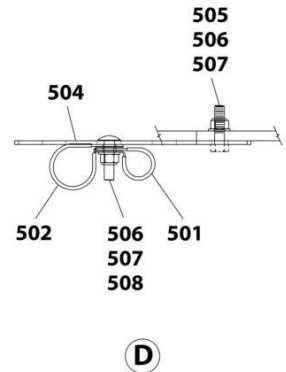
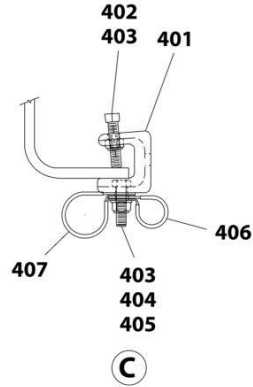
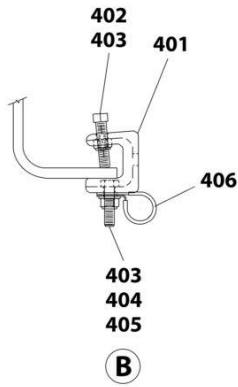
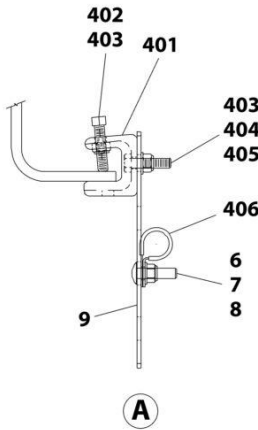
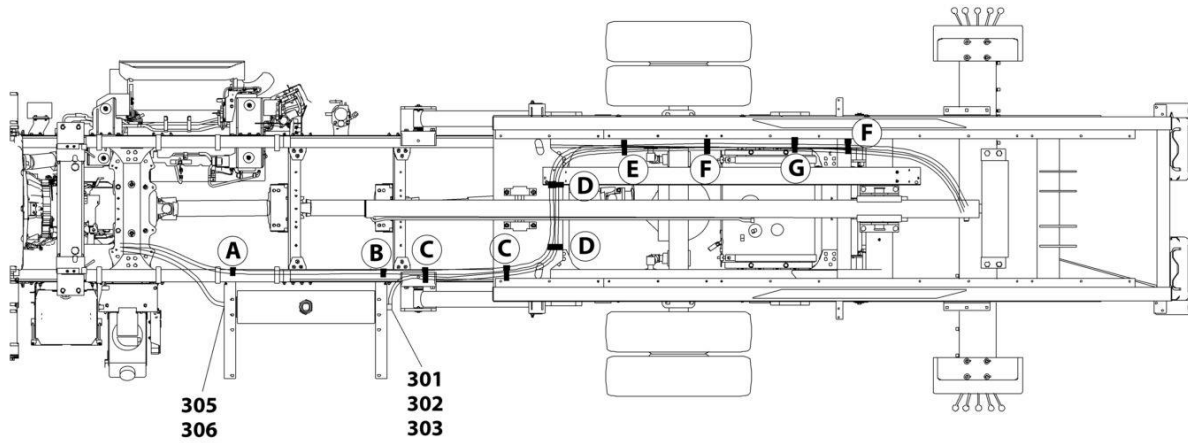
## SECTION 5 - HYDRAULIC

**FIGURE 5-15. HOSE INSTALLATION - 144IN CT STD CAB (INTERNATIONAL)**

ITEM	PART NUMBER	QTY	DESCRIPTION	REV
	1001132743	Ref	HOSE INSTALLATION - 144IN CA (STD CAB IHC NGV)	0
1	1001132712	1	Hose Kit (Include Items 101-103)	
2	7430000003	1	Filter, Oil	
3	1001132801	1	Clamp, Hose Kit (Includes Items 301-306)	
4	1001132794	14	Clamp, Hose Kit (Includes Items 401-408)	
5	1001132800	3	Clamp, Hose Kit (Includes Items 501-508)	
6	4706003844	3	Plate	
7	7115151064	3	Bolt 5/16 x 1-1/4	
8	7950150161	3	Washer 5/16	
9	7660152601	3	Nut 5/16	
101	4567130264	1	Hose	
102	1001132684	1	Hose	
103	4570000042	1	Hose	
301	7470000002	1	Gauge, Oil Filter Head	
302	7443000158	1	Fitting, 90	
303	7443000319	1	Fitting, 90	
304	7274000080	2	Clamp	
305	7443000013	1	Fitting, Nipple	
306	7274000002	2	Clamp	
401	7274000076	1	Clamp	
402	7785152420	1	Screw 5/16 x 1-1/2	
403	7660152601	2	Nut 5/16	
404	7115151050	1	Capscrew 5/16 x 1-1/4	
405	7950150161	1	Washer 5/16	
406	7274000040	1	Clamp	
407	7274000041	1	Clamp	
408	7274000042	1	Clamp	
501	7274000040	1	Clamp	
502	7274000041	1	Clamp	
503	7274000042	1	Clamp	
504	4706003844	1	Plate	
505	7115151050	1	Capscrew 5/16 x 1-1/4	
506	7950150161	3	Washer 5/16	
507	7660152601	2	Nut 5/16	
508	7115151064	1	Bolt 5/16 x 1-1/4	

# SECTION 5 - HYDRAULIC

FIGURE 5-16. HOSE INSTALLATION - 145IN CA STD CAB (HINO)



ART\_1001159911

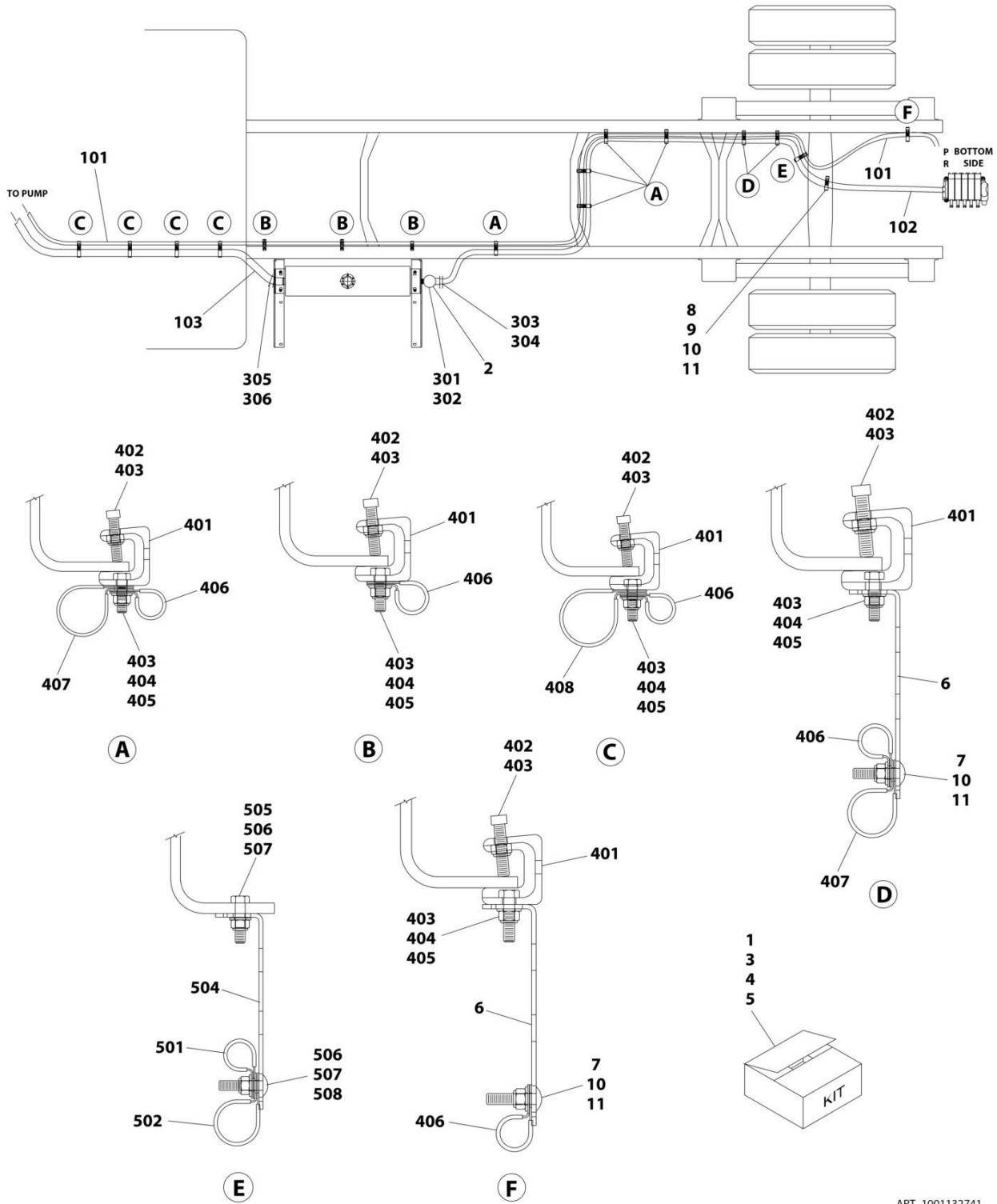
## SECTION 5 - HYDRAULIC

**FIGURE 5-16. HOSE INSTALLATION - 145IN CA STD CAB (HINO)**

ITEM	PART NUMBER	QTY	DESCRIPTION	REV
	1001159911	Ref	HOSE INSTALLATION - 145IN CA (STD HINO)	A
1	1001159912	1	Hose Kit (Includes Items 101-103)	
2	7430000003	1	Filter, Oil (Not Shown)	
3	1001132801	1	Clamp, Hose (Includes Items 301-306)	
4	1001132794	7	Clamp, Hose (Includes Items 401-408)	
5	1001132800	3	Clamp, Hose (Includes Items 501-508)	
6	7115151064	2	Bolt 5/16 x 1-1/4	
7	7950150161	2	Washer 5/16	
8	7660152601	2	Nut 5/16	
9	4706003844	2	Plate	
101	4567130216	1	Hose (Not Shown)	
102	4570000113	1	Hose (Not Shown)	
103	4570000099	1	Hose (Not Shown)	
301	7470000002	1	Gauge, Oil Filter Head	
302	7443000158	1	Fitting, 90	
303	7443000319	1	Fitting, 90	
304	7274000080	2	Clamp (Not Shown)	
305	7443000013	1	Fitting, Nipple	
306	7274000002	2	Clamp	
401	7274000076	1	Clamp	
402	7785152420	1	Screw 5/16 x 1-1/2	
403	7660152601	2	Nut 5/16	
404	7115151050	1	Capscrew 5/16 x 1-1/4	
405	7950150161	1	Washer 5/16	
406	7274000040	1	Clamp	
407	7274000041	1	Clamp	
408	7274000042	1	Clamp (Not Shown)	
501	7274000040	1	Clamp	
502	7274000041	1	Clamp	
503	7274000042	1	Clamp (Not Shown)	
504	4706003844	1	Plate	
505	7115151050	1	Capscrew 5/16 x 1-1/4	
506	7950150161	3	Washer 5/16	
507	7660152601	2	Nut 5/16	
508	7115151064	1	Bolt 5/16 x 1-1/4	

# SECTION 5 - HYDRAULIC

## FIGURE 5-17. HOSE INSTALLATION - 150IN CA CREW CAB (FORD - CREW CAB)



ART\_1001132741

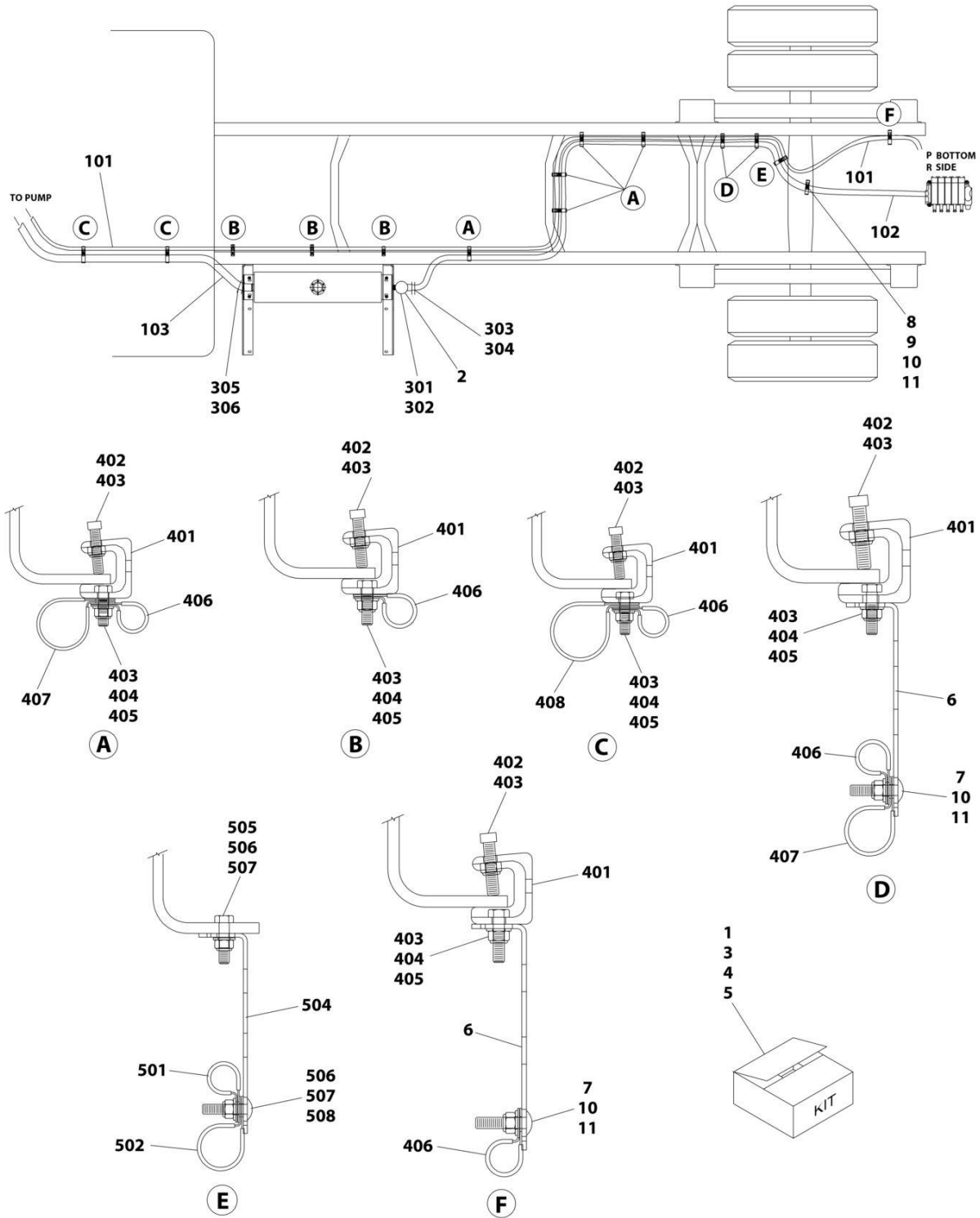
## SECTION 5 - HYDRAULIC

**FIGURE 5-17. HOSE INSTALLATION - 150IN CA CREW CAB (FORD - CREW CAB)**

ITEM	PART NUMBER	QTY	DESCRIPTION	REV
	1001132741	Ref	HOSE & CLAMP INSTALLATION - 150IN CA CREW CAB (FORD - CREW CAB)	0
1	1001132710	1	Hose Kit (Include Items 101-103)	
2	7430000003	1	Filter, Oil	
3	1001132801	1	Clamp, Hose (Includes Items 301-306)	
4	1001132794	15	Clamp, Hose (Includes Items 401-408)	
5	1001132800	1	Clamp, Hose (Includes items 501-508)	
6	4706003844	3	Plate	
7	7115151064	3	Bolt 5/16 x 1-1/4	
8	7274000041	1	Clamp, Hose	
9	7115151050	1	Capscrew 5/16 x 1-1/4	
10	7950150161	4	Washer 5/16	
11	7660152601	4	Nut 5/16	
101	4567130320	1	Hose	
102	4570000160	1	Hose	
103	1001132613	1	Hose	
301	7470000002	1	Gauge, Oil Filter Head	
302	7443000158	1	Fitting, 90	
303	7443000319	1	Fitting, 90	
304	7274000080	2	Clamp	
305	7443000013	1	Fitting, Nipple	
306	7274000002	2	Clamp	
401	7274000076	1	Clamp	
402	7785152420	1	Screw 5/16 x 1-1/2	
403	7660152601	2	Nut 5/16	
404	7115151050	1	Capscrew 5/16 x 1-1/4	
405	7950150161	1	Washer 5/16	
406	7274000040	1	Clamp	
407	7274000041	1	Clamp	
408	7274000042	1	Clamp	
501	7274000040	1	Clamp	
502	7274000041	1	Clamp	
503	7274000042	1	Clamp (Not Shown)	
504	4706003844	1	Plate	
505	7115151050	1	Capscrew 5/16 x 1-1/4	
506	7950150161	3	Washer 5/16	
507	7660152601	2	Nut 5/16	
508	7115151064	1	Bolt 5/16 x 1-1/4	

# SECTION 5 - HYDRAULIC

FIGURE 5-18. HOSE INSTALLATION - 150IN CA STD CAB (FORD/HINO)



ART\_1001132738



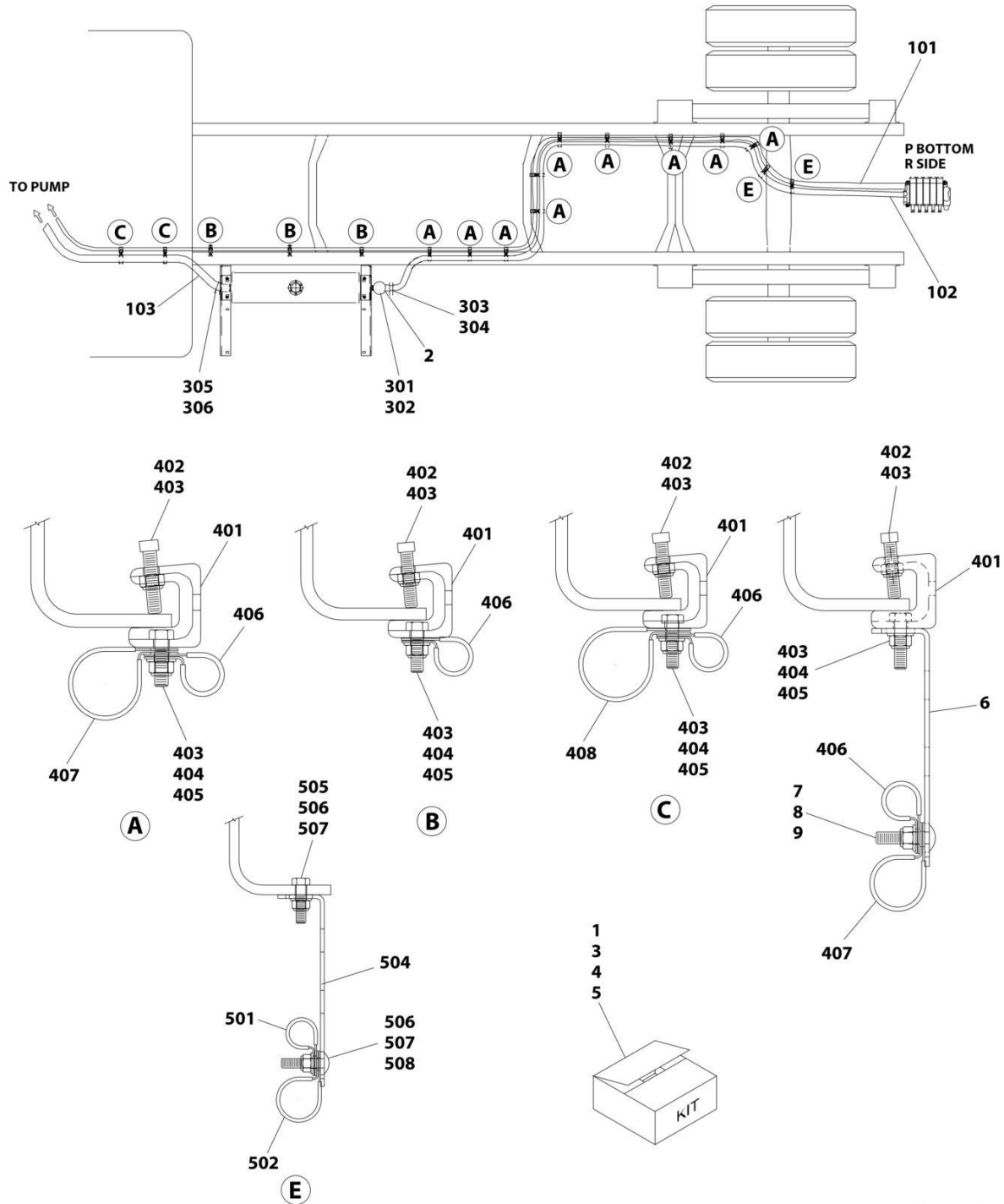
## SECTION 5 - HYDRAULIC

**FIGURE 5-18. HOSE INSTALLATION - 150IN CA STD CAB (FORD/HINO)**

ITEM	PART NUMBER	QTY	DESCRIPTION	REV
	1001132738	Ref	HOSE INSTALLATION - 150IN CA (STD CAB FORD/HINO AIR)	0
1	1001132707	1	Hose Kit (Include Items 101-103)	
2	7430000003	1	Filter, Oil	
3	1001132801	1	Clamp, Hose Kit (Includes Items 301-306)	
4	1001132794	13	Clamp, Hose Kit (Includes Items 401-408)	
5	1001132800	1	Clamp, Hose Kit (Includes Items 501-508)	
6	4706003844	3	Plate	
7	7115151064	3	Bolt 5/16 x 1-1/4	
8	7274000041	1	Clamp	
9	7115151050	1	Capscrew 5/16 x 1-1/4	
10	7950150161	4	Washer 5/16	
11	7660152601	4	Nut 5/16	
101	4567130268	1	Hose	
102	1001132679	1	Hose	
103	4570000099	1	Hose	
301	7470000002	1	Gauge, Oil Filter Head	
302	7443000158	1	Fitting, 90	
303	7443000319	1	Fitting, 90	
304	7274000080	2	Clamp	
305	7443000013	1	Fitting, Nipple	
306	7274000002	2	Clamp	
401	7274000076	1	Clamp	
402	7785152420	1	Screw 5/16 x 1-1/2	
403	7660152601	2	Nut 5/16	
404	7115151050	1	Capscrew 5/16 x 1-1/4	
405	7950150161	1	Washer 5/16	
406	7274000040	1	Clamp	
407	7274000041	1	Clamp	
408	7274000042	1	Clamp	
501	7274000040	1	Clamp	
502	7274000041	1	Clamp	
503	7274000042	1	Clamp	
504	4706003844	1	Plate	
505	7115151050	1	Capscrew 5/16 x 1-1/4	
506	7950150161	3	Washer 5/16	
507	7660152601	2	Nut 5/16	
508	7115151064	1	Bolt 5/16 x 1-1/4	

# SECTION 5 - HYDRAULIC

FIGURE 5-19. HOSE INSTALLATION - 150IN CA STD CAB (PETERBILT)



ART\_1001132746

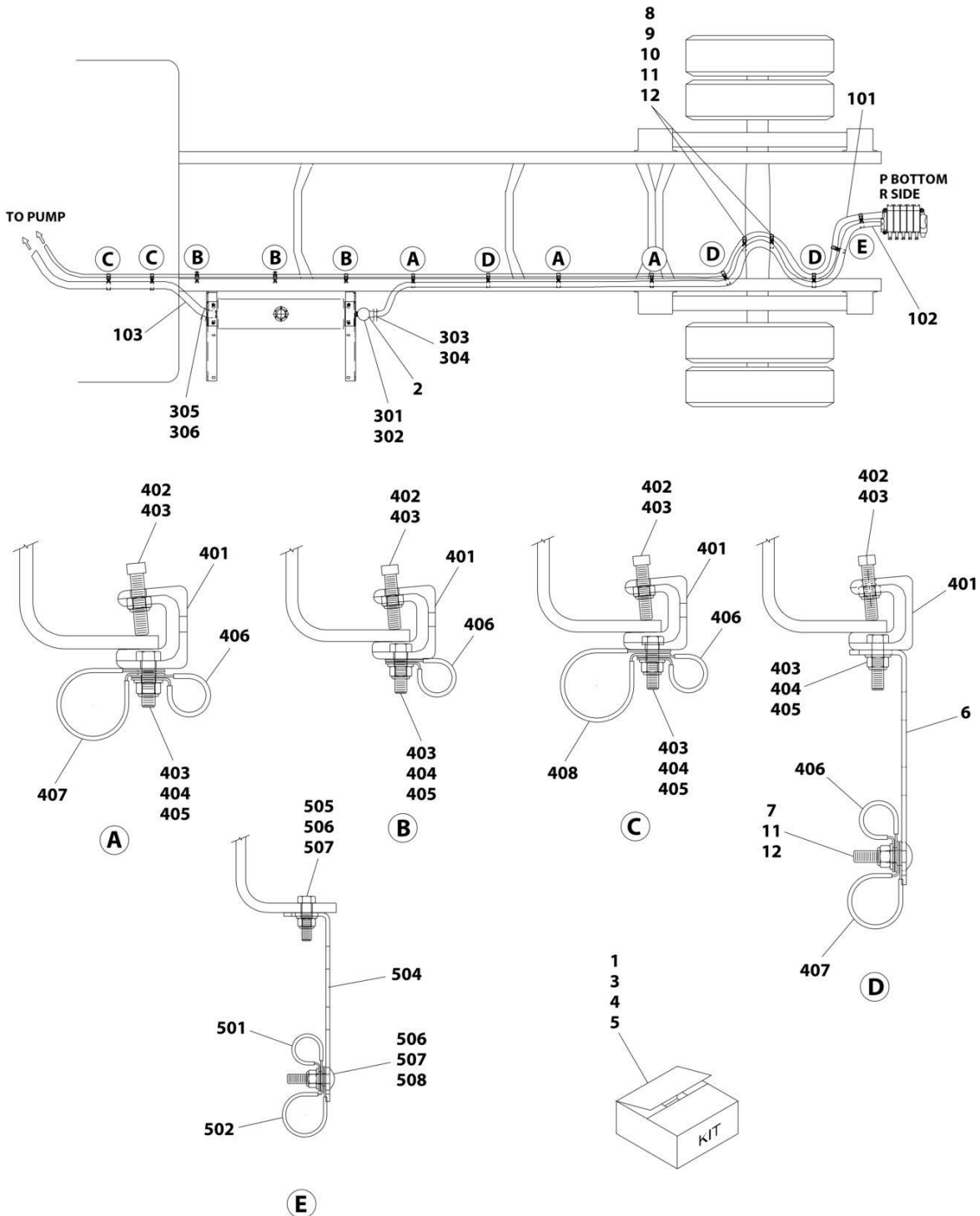
## SECTION 5 - HYDRAULIC

**FIGURE 5-19. HOSE INSTALLATION - 150IN CA STD CAB (PETERBILT)**

ITEM	PART NUMBER	QTY	DESCRIPTION	REV
	1001132746	Ref	HOSE INSTALLATION - 150IN CA (STD CAB PETERBILT)	0
1	1001132715	1	Hose Kit (Include Items 101-103)	
2	7430000003	1	Filter, Oil	
3	1001132801	1	Clamp, Hose Kit (Includes Items 301-306)	
4	1001132794	15	Clamp, Hose Kit (Includes Items 401-408)	
5	1001132800	4	Clamp, Hose Kit (Includes Items 501-508)	
6	4706003844	4	Plate	
7	7115151064	4	Bolt 5/16 x 1-1/4	
8	7950150161	4	Washer 5/16	
9	7660152601	4	Nut 5/16	
101	4567130247	1	Hose	
102	4570000113	1	Hose	
103	1001132601	1	Hose	
301	7470000002	1	Gauge, Oil Filter Head	
302	7443000158	1	Fitting, 90	
303	7443000319	1	Fitting, 90	
304	7274000080	2	Clamp	
305	7443000013	1	Fitting, Nipple	
306	7274000002	2	Clamp	
401	7274000076	1	Clamp	
402	7785152420	1	Screw 5/16 x 1-1/2	
403	7660152601	2	Nut 5/16	
404	7115151050	1	Capscrew 5/16 x 1-1/4	
405	7950150161	1	Washer 5/16	
406	7274000040	1	Clamp	
407	7274000041	1	Clamp	
408	7274000042	1	Clamp	
501	7274000040	1	Clamp	
502	7274000041	1	Clamp	
503	7274000042	1	Clamp	
504	4706003844	1	Plate	
505	7115151050	1	Capscrew 5/16 x 1-1/4	
506	7950150161	3	Washer 5/16	
507	7660152601	2	Nut 5/16	
508	7115151064	1	Bolt 5/16 x 1-1/4	

# SECTION 5 - HYDRAULIC

FIGURE 5-20. HOSE INSTALLATION - 150IN CA STD CAB (PETERBILT)



ART\_1001132747

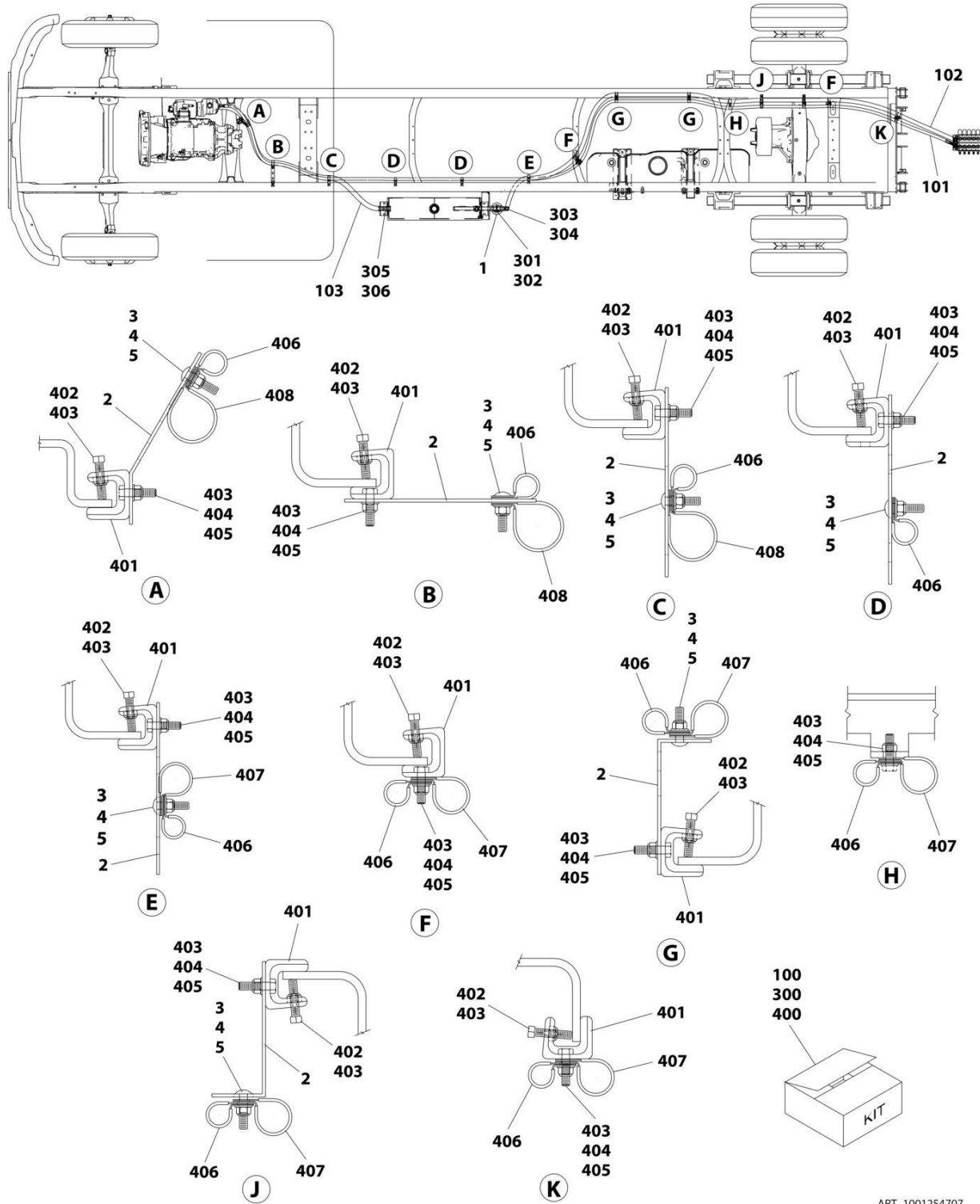
## SECTION 5 - HYDRAULIC

**FIGURE 5-20. HOSE INSTALLATION - 150IN CA STD CAB (PETERBILT)**

ITEM	PART NUMBER	QTY	DESCRIPTION	REV
	1001132747	Ref	HOSE INSTALLATION - 162IN CA (STD CAB PETERBILT)	0
1	1001132716	1	Hose Kit (Include Items 101-103)	
2	7430000003	1	Filter, Oil	
3	1001132801	1	Clamp, Hose Kit (Includes Items 301-306)	
4	1001132794	11	Clamp, Hose Kit (Includes Items 401-408)	
5	1001132800	2	Clamp, Hose Kit (Includes Items 501-508)	
6	4706003844	3	Plate	
7	7115151064	3	Bolt 5/16 x 1-1/4	
8	7274000040	2	Clamp	
9	7274000041	2	Clamp	
10	7115151050	2	Capscrew 5/16 x 1-1/4	
11	7950150161	5	Washer 5/16	
12	7660152601	5	Nut 5/16	
101	4567130262	1	Hose	
102	1001132679	1	Hose	
103	1001132599	1	Hose	
301	7470000002	1	Gauge, Oil Filter Head	
302	7443000158	1	Fitting, 90	
303	7443000319	1	Fitting, 90	
304	7274000080	2	Clamp	
305	7443000013	1	Fitting, Nipple	
306	7274000002	2	Clamp	
401	7274000076	1	Clamp	
402	7785152420	1	Screw 5/16 x 1-1/2	
403	7660152601	2	Nut 5/16	
404	7115151050	1	Capscrew 5/16 x 1-1/4	
405	7950150161	1	Washer 5/16	
406	7274000040	1	Clamp	
407	7274000041	1	Clamp	
408	7274000042	1	Clamp	
501	7274000040	1	Clamp	
502	7274000041	1	Clamp	
503	7274000042	1	Clamp	
504	4706003844	1	Plate	
505	7115151050	1	Capscrew 5/16 x 1-1/4	
506	7950150161	3	Washer 5/16	
507	7660152601	2	Nut 5/16	
508	7115151064	1	Bolt 5/16 x 1-1/4	

# SECTION 5 - HYDRAULIC

FIGURE 5-21. HOSE INSTALLATION - 150IN CA, 231IN WB



ART\_1001254707

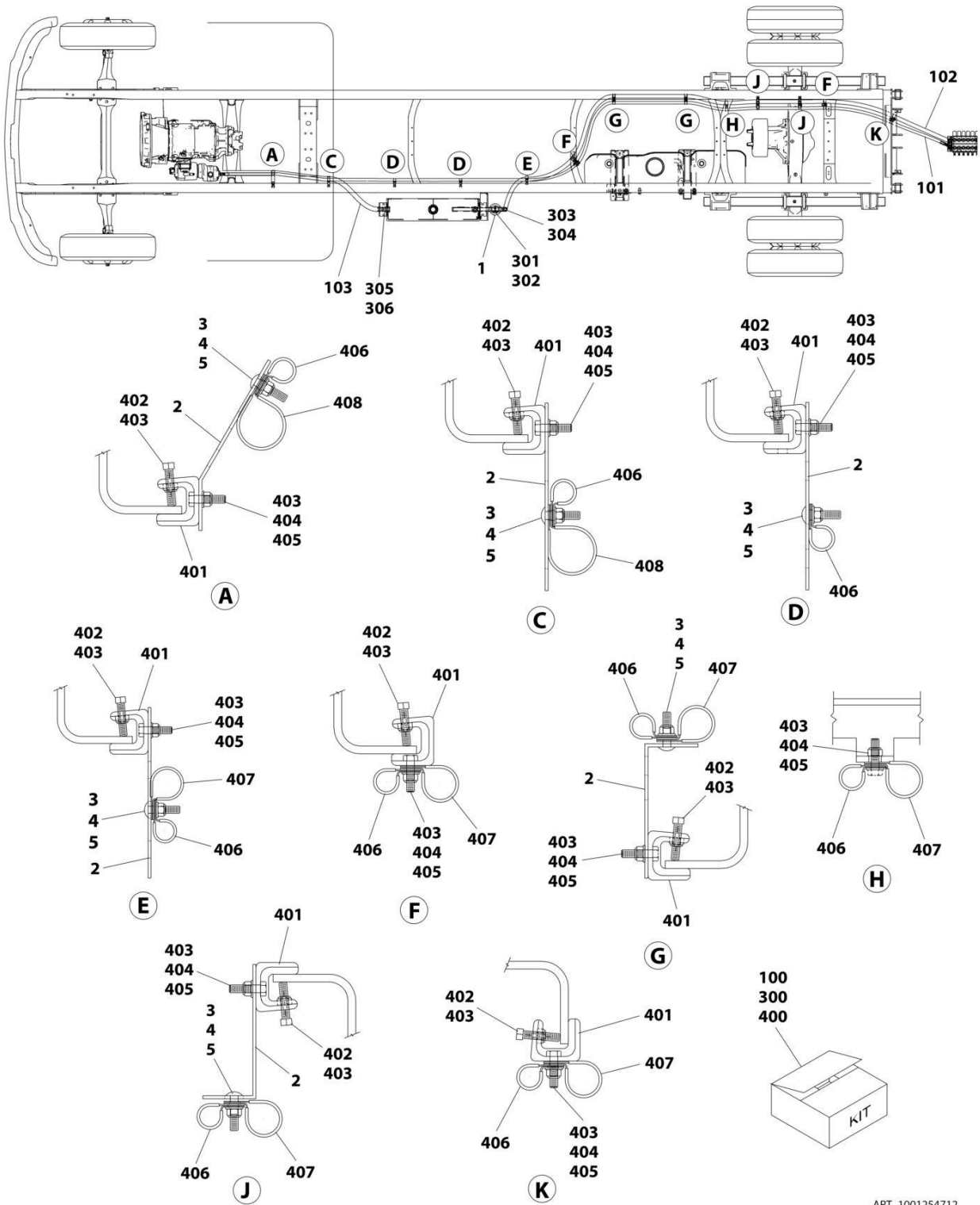
## SECTION 5 - HYDRAULIC

**FIGURE 5-21. HOSE INSTALLATION - 150IN CA, 231IN WB**

ITEM	PART NUMBER	QTY	DESCRIPTION	REV
	1001254707	Ref	HOSE INSTALLATION - 150IN CA (RC, PS PTO)	B
1	7430000003	1	Filter, Oil	
2	4706003844	10	Plate	
3	7115151064	10	Bolt 5/16 x 1-1/4	
4	7950150161	10	Washer 5/16	
5	7660152601	10	Nut 5/16	
6	7819000013	1	Sleeve (Not Shown)	
100	1001254726	1	Hose Kit	
101	4567130283	1	Hose	
102	1001132680	1	Hose	
103	4570000352	1	Hose	
300	1001132801	1	Clamp Kit	
301	7470000002	1	Gauge, Oil Filter Head	
302	7443000158	1	Fitting, 90	
303	7443000319	1	Fitting, 90	
304	7274000080	2	Clamp	
305	7443000013	1	Fitting, Nipple	
306	7274000002	2	Clamp	
400	1001132794	1	Clamp Kit	
401	7274000076	1	Clamp	
402	7785152420	1	Screw 5/16 x 1-1/2	
403	7660152601	2	Nut 5/16	
404	7115151050	1	Capscrew 5/16 x 1-1/4	
405	7950150161	1	Washer 5/16	
406	7274000040	1	Clamp	
407	7274000041	1	Clamp	
408	7274000042	1	Clamp (Not Shown)	

# SECTION 5 - HYDRAULIC

FIGURE 5-22. HOSE INSTALLATION - 150IN CA, 231N WB



ART\_1001254712



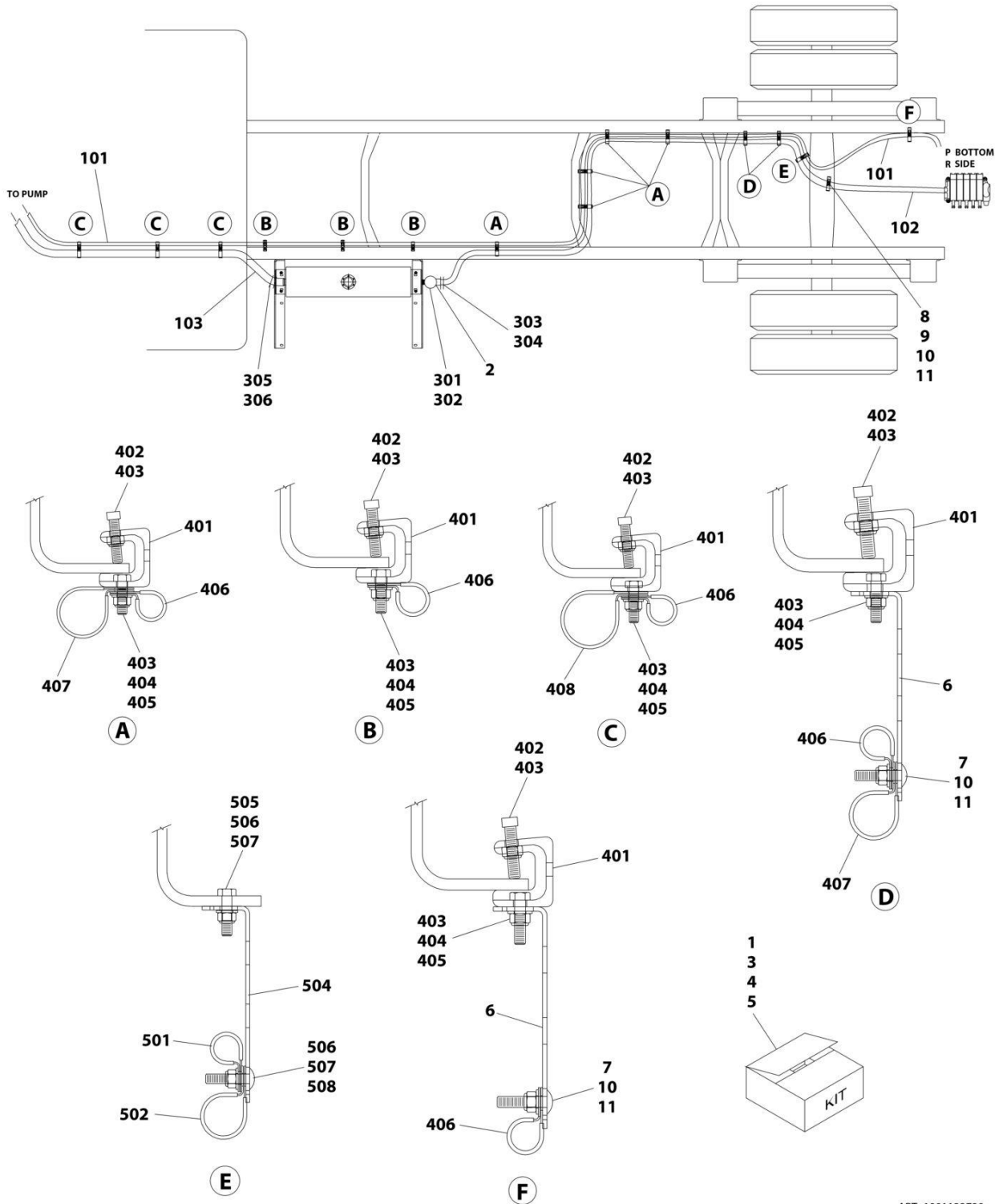
## SECTION 5 - HYDRAULIC

**FIGURE 5-22. HOSE INSTALLATION - 150IN CA, 231N WB**

ITEM	PART NUMBER	QTY	DESCRIPTION	REV
	1001254712	Ref	HOSE INSTALLATION - 150IN CA (RC, DS PTO)	A
1	7430000003	1	Filter, Oil	
2	4706003844	10	Plate	
3	7115151064	10	Bolt 5/16 x 1-1/4	
4	7950150161	10	Washer 5/16	
5	7660152601	10	Nut 5/16	
100	1001254731	1	Hose Kit	
101	4567130276	1	Hose	
102	1001132680	1	Hose	
103	1001132603	1	Hose	
300	1001132801	1	Clamp Kit	
301	7470000002	1	Gauge, Oil Filter Head	
302	7443000158	1	Fitting, 90	
303	7443000319	1	Fitting, 90	
304	7274000080	2	Clamp	
305	7443000013	1	Fitting, Nipple	
306	7274000002	2	Clamp	
400	1001132794	1	Clamp Kit	
401	7274000076	1	Clamp	
402	7785152420	1	Screw 5/16 x 1-1/2	
403	7660152601	2	Nut 5/16	
404	7115151050	1	Capscrew 5/16 x 1-1/4	
405	7950150161	1	Washer 5/16	
406	7274000040	1	Clamp	
407	7274000041	1	Clamp	
408	7274000042	1	Clamp (Not Shown)	

# SECTION 5 - HYDRAULIC

## FIGURE 5-23. HOSE INSTALLATION - 150IN CT EXT CAB (FORD)



ART\_1001132739

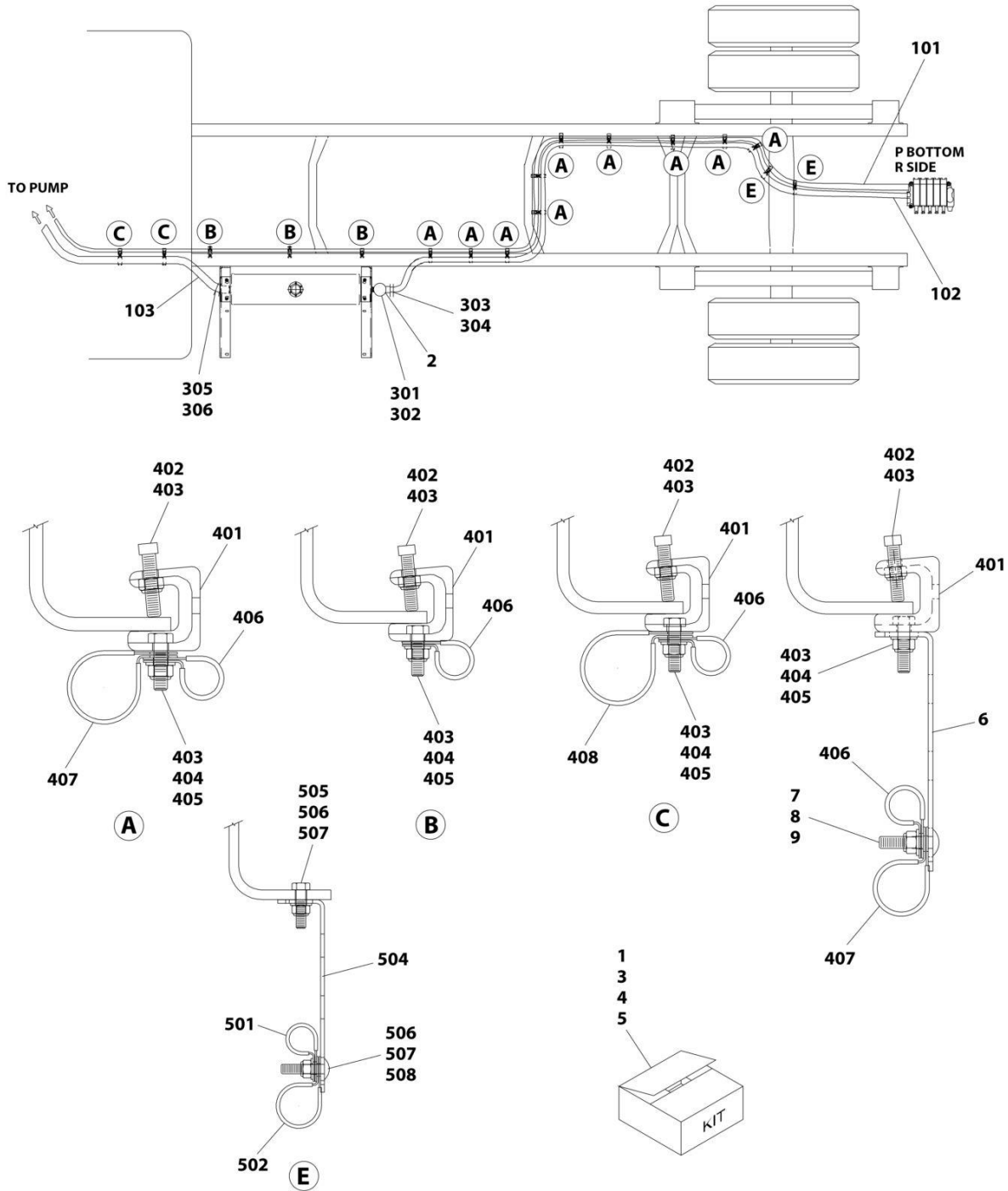
## SECTION 5 - HYDRAULIC

**FIGURE 5-23. HOSE INSTALLATION - 150IN CT EXT CAB (FORD)**

ITEM	PART NUMBER	QTY	DESCRIPTION	REV
	1001132739	Ref	HOSE INSTALLATION - 150IN CA (EXT CAB FORD)	0
1	1001132708	1	Hose Kit (Include Items 101-103)	
2	7430000003	1	Filter, Oil	
3	1001132801	1	Clamp, Hose Kit (Includes Items 301-306)	
4	1001132794	14	Clamp, Hose Kit (Includes Items 401-408)	
5	1001132800	1	Clamp, Hose Kit (Includes Items 501-508)	
6	4706003844	3	Plate	
7	7115151064	3	Bolt 5/16 x 1-1/4	
8	7274000041	1	Clamp	
9	7115151050	1	Capscrew 5/16 x 1-1/4	
10	7950150161	4	Washer 5/16	
11	7660152601	4	Nut 5/16	
101	4567130290	1	Hose	
102	1001132679	1	Hose	
103	4570000352	1	Hose	
301	7470000002	1	Gauge, Oil Filter Head	
302	7443000158	1	Fitting, 90	
303	7443000319	1	Fitting, 90	
304	7274000080	2	Clamp	
305	7443000013	1	Fitting, Nipple	
306	7274000002	2	Clamp	
401	7274000076	1	Clamp	
402	7785152420	1	Screw 5/16 x 1-1/2	
403	7660152601	2	Nut 5/16	
404	7115151050	1	Capscrew 5/16 x 1-1/4	
405	7950150161	1	Washer 5/16	
406	7274000040	1	Clamp	
407	7274000041	1	Clamp	
408	7274000042	1	Clamp	
501	7274000040	1	Clamp	
502	7274000041	1	Clamp	
503	7274000042	1	Clamp	
504	4706003844	1	Plate	
505	7115151050	1	Capscrew 5/16 x 1-1/4	
506	7950150161	3	Washer 5/16	
507	7660152601	2	Nut 5/16	
508	7115151064	1	Bolt 5/16 x 1-1/4	

# SECTION 5 - HYDRAULIC

FIGURE 5-24. HOSE INSTALLATION - 150IN CT EXT CAB (INTERNATIONAL)



ART\_1001132744

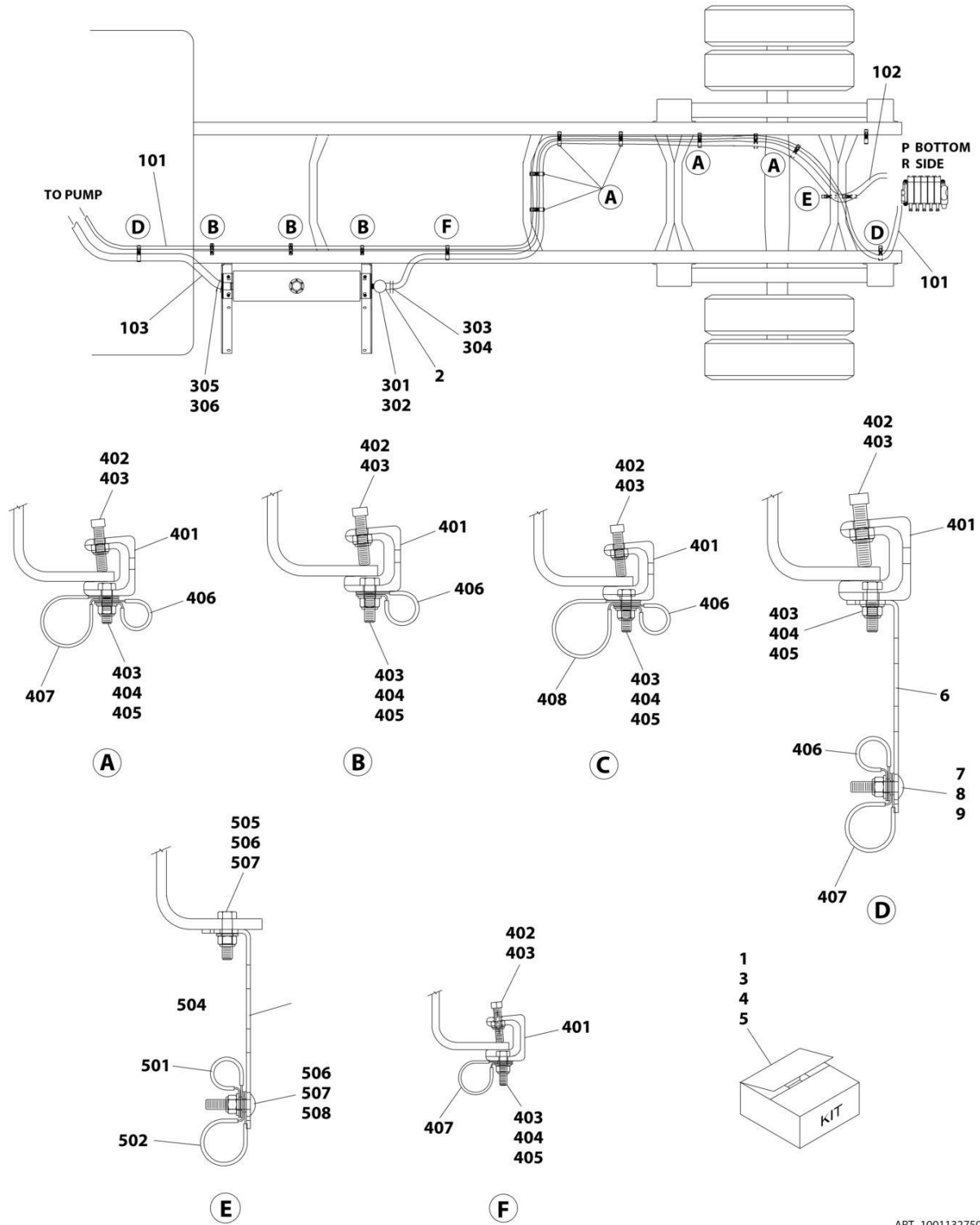
## SECTION 5 - HYDRAULIC

**FIGURE 5-24. HOSE INSTALLATION - 150IN CT EXT CAB (INTERNATIONAL)**

ITEM	PART NUMBER	QTY	DESCRIPTION	REV
	1001132744	Ref	HOSE INSTALLATION - 150IN CA (EXT CAB IHC NGV)	0
1	1001132713	1	Hose Kit (Include Items 101-103)	
2	7430000003	1	Filter, Oil	
3	1001132801	1	Clamp, Hose Kit (Includes Items 301-306)	
4	1001132794	15	Clamp, Hose Kit (Includes Items 401-408)	
5	1001132800	2	Clamp, Hose Kit (Includes Items 501-508)	
6	4706003844	1	Plate	
7	7115151064	1	Bolt 5/16 x 1-1/4	
8	7950150161	1	Washer 5/16	
9	7660152601	1	Nut 5/16	
101	4567130300	1	Hose	
102	1001132684	1	Hose	
103	1001132599	1	Hose	
301	7470000002	1	Gauge, Oil Filter Head	
302	7443000158	1	Fitting, 90	
303	7443000319	1	Fitting, 90	
304	7274000080	2	Clamp	
305	7443000013	1	Fitting, Nipple	
306	7274000002	2	Clamp	
401	7274000076	1	Clamp	
402	7785152420	1	Screw 5/16 x 1-1/2	
403	7660152601	2	Nut 5/16	
404	7115151050	1	Capscrew 5/16 x 1-1/4	
405	7950150161	1	Washer 5/16	
406	7274000040	1	Clamp	
407	7274000041	1	Clamp	
408	7274000042	1	Clamp	
501	7274000040	1	Clamp	
502	7274000041	1	Clamp	
503	7274000042	1	Clamp	
504	4706003844	1	Plate	
505	7115151050	1	Capscrew 5/16 x 1-1/4	
506	7950150161	3	Washer 5/16	
507	7660152601	2	Nut 5/16	
508	7115151064	1	Bolt 5/16 x 1-1/4	

# SECTION 5 - HYDRAULIC

## FIGURE 5-25. HOSE INSTALLATION - 150IN CT STD CAB (FREIGHLINER)



ART\_1001132750

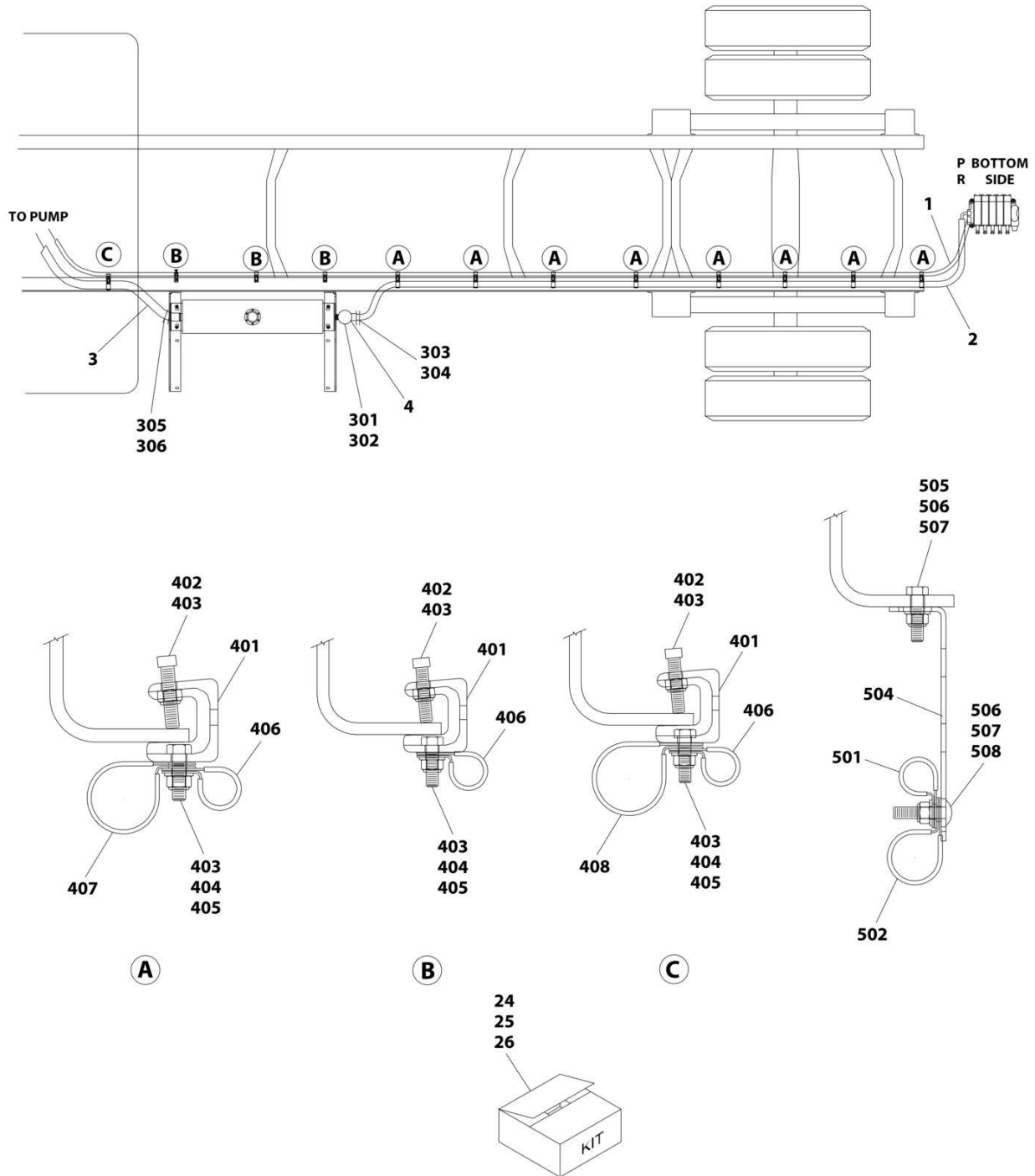
## SECTION 5 - HYDRAULIC

**FIGURE 5-25. HOSE INSTALLATION - 150IN CT STD CAB (FREIGHLINER)**

ITEM	PART NUMBER	QTY	DESCRIPTION	REV
	1001132750	Ref	HOSE INSTALLATION - 150IN CA (STD CAB FREIGHLINER)	0
1	1001132719	1	Hose Kit (Include Items 101-103)	
2	7430000003	1	Filter, Oil	
3	1001132801	1	Clamp, Hose Kit (Includes Items 301-306)	
4	1001132794	13	Clamp, Hose Kit (Includes Items 401-408)	
5	1001132800	2	Clamp, Hose Kit (Includes Items 501-508)	
6	4706003844	1	Plate	
7	7115151064	1	Bolt 5/16 x 1-1/4	
8	7950150161	1	Washer 5/16	
9	7660152601	1	Nut 5/16	
101	4567130241	1	Hose	
102	1001132675	1	Hose	
103	4570000099	1	Hose	
301	7470000002	1	Gauge, Oil Filter Head	
302	7443000158	1	Fitting, 90	
303	7443000319	1	Fitting, 90	
304	7274000080	2	Clamp	
305	7443000013	1	Fitting, Nipple	
306	7274000002	2	Clamp	
401	7274000076	1	Clamp	
402	7785152420	1	Screw 5/16 x 1-1/2	
403	7660152601	2	Nut 5/16	
404	7115151050	1	Capscrew 5/16 x 1-1/4	
405	7950150161	1	Washer 5/16	
406	7274000040	1	Clamp	
407	7274000041	1	Clamp	
408	7274000042	1	Clamp	
501	7274000040	1	Clamp	
502	7274000041	1	Clamp	
503	7274000042	1	Clamp	
504	4706003844	1	Plate	
505	7115151050	1	Capscrew 5/16 x 1-1/4	
506	7950150161	3	Washer 5/16	
507	7660152601	2	Nut 5/16	
508	7115151064	1	Bolt 5/16 x 1-1/4	

# SECTION 5 - HYDRAULIC

FIGURE 5-26. HOSE INSTALLATION - 150IN CT STD CAB (INTERNATIONAL)



ART\_2570000094



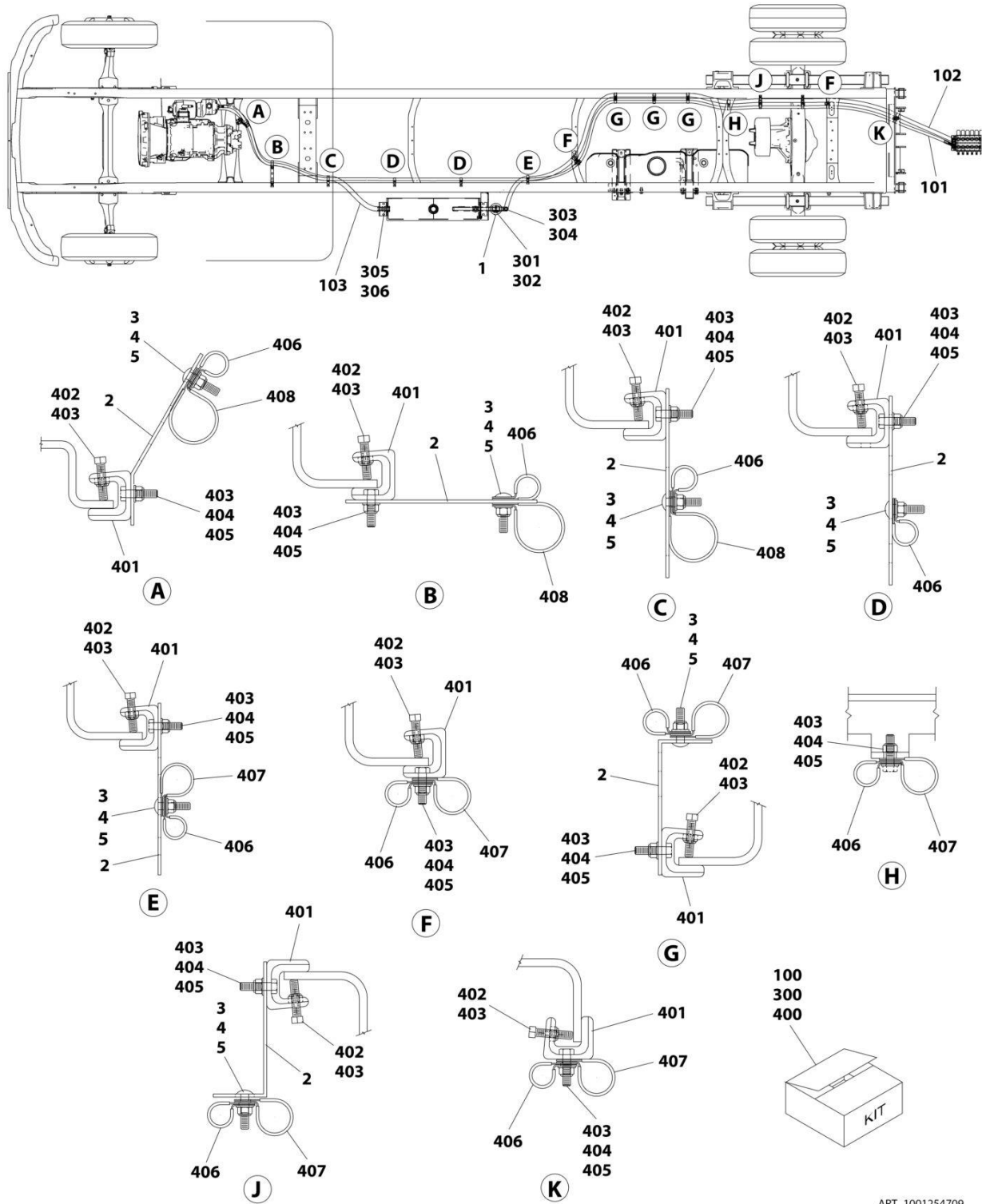
## SECTION 5 - HYDRAULIC

**FIGURE 5-26. HOSE INSTALLATION - 150IN CT STD CAB (INTERNATIONAL)**

ITEM	PART NUMBER	QTY	DESCRIPTION	REV
	2570000094	Ref	HOSE INSTALLATION - 150IN CA (STD CAB IHC NGV)	D
1	4567130270	1	Hose	
2	1001132685	1	Hose	
3	4570000091	1	Hose	
4	7430000003	1	Filter Assembly	
24	1001132801	1	Clamp, Hose Kit (Includes Items 301-306)	
25	1001132794	12	Clamp, Hose Kit (Includes Items 401-408)	
26	1001132800	6	Clamp, Hose Kit (Includes Items 501-508)	
301	7470000002	1	Gauge, Oil Filter Head	
302	7443000158	1	Fitting, 90	
303	7443000319	1	Fitting, 90	
304	7274000080	2	Clamp	
305	7443000013	1	Fitting, Nipple	
306	7274000002	2	Clamp	
401	7274000076	1	Clamp	
402	7785152420	1	Screw 5/16 x 1-1/2	
403	7660152601	2	Nut 5/16	
404	7115151050	1	Capscrew 5/16 x 1-1/4	
405	7950150161	1	Washer 5/16	
406	7274000040	1	Clamp	
407	7274000041	1	Clamp	
408	7274000042	1	Clamp	
501	7274000040	1	Clamp	
502	7274000041	1	Clamp	
503	7274000042	1	Clamp	
504	4706003844	1	Plate	
505	7115151050	1	Capscrew 5/16 x 1-1/4	
506	7950150161	3	Washer 5/16	
507	7660152601	2	Nut 5/16	
508	7115151064	1	Bolt 5/16 x 1-1/4	

# SECTION 5 - HYDRAULIC

FIGURE 5-27. HOSE INSTALLATION - 162IN CA, 243IN WB



ART\_1001254709

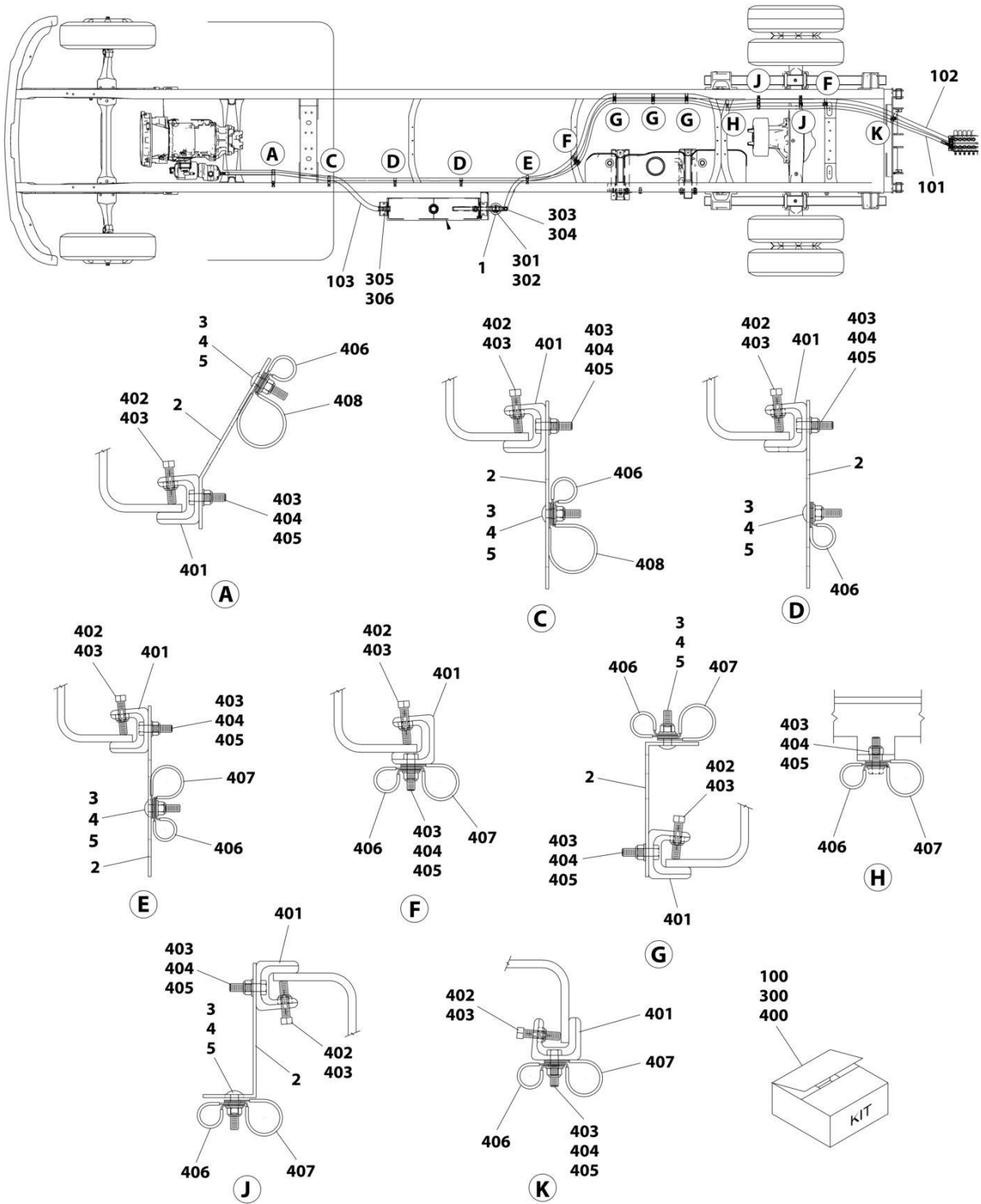
## SECTION 5 - HYDRAULIC

**FIGURE 5-27. HOSE INSTALLATION - 162IN CA, 243IN WB**

ITEM	PART NUMBER	QTY	DESCRIPTION	REV
	1001254709	Ref	HOSE INSTALLATION - 162IN CA (RC, PS PTO)	A
1	7430000003	1	Filter, Oil	
2	4706003844	11	Plate	
3	7115151064	11	Bolt 5/16 x 1-1/4	
4	7950150161	11	Washer 5/16	
5	7660152601	11	Nut 5/16	
6	7819000013	1	Sleeve (Not Shown)	
100	1001254728	1	Hose Kit	
101	4567130295	1	Hose	
102	4570000121	1	Hose	
103	4570000352	1	Hose	
300	1001132801	1	Clamp Kit	
301	7470000002	1	Gauge, Oil Filter Head	
302	7443000158	1	Fitting, 90	
303	7443000319	1	Fitting, 90	
304	7274000080	2	Clamp	
305	7443000013	1	Fitting, Nipple	
306	7274000002	2	Clamp	
400	1001132794	1	Clamp Kit	
401	7274000076	1	Clamp	
402	7785152420	1	Screw 5/16 x 1-1/2	
403	7660152601	2	Nut 5/16	
404	7115151050	1	Capscrew 5/16 x 1-1/4	
405	7950150161	1	Washer 5/16	
406	7274000040	1	Clamp	
407	7274000041	1	Clamp	
408	7274000042	1	Clamp (Not Shown)	

# SECTION 5 - HYDRAULIC

FIGURE 5-28. HOSE INSTALLATION - 162IN CA, 243IN WB



ART\_1001254714

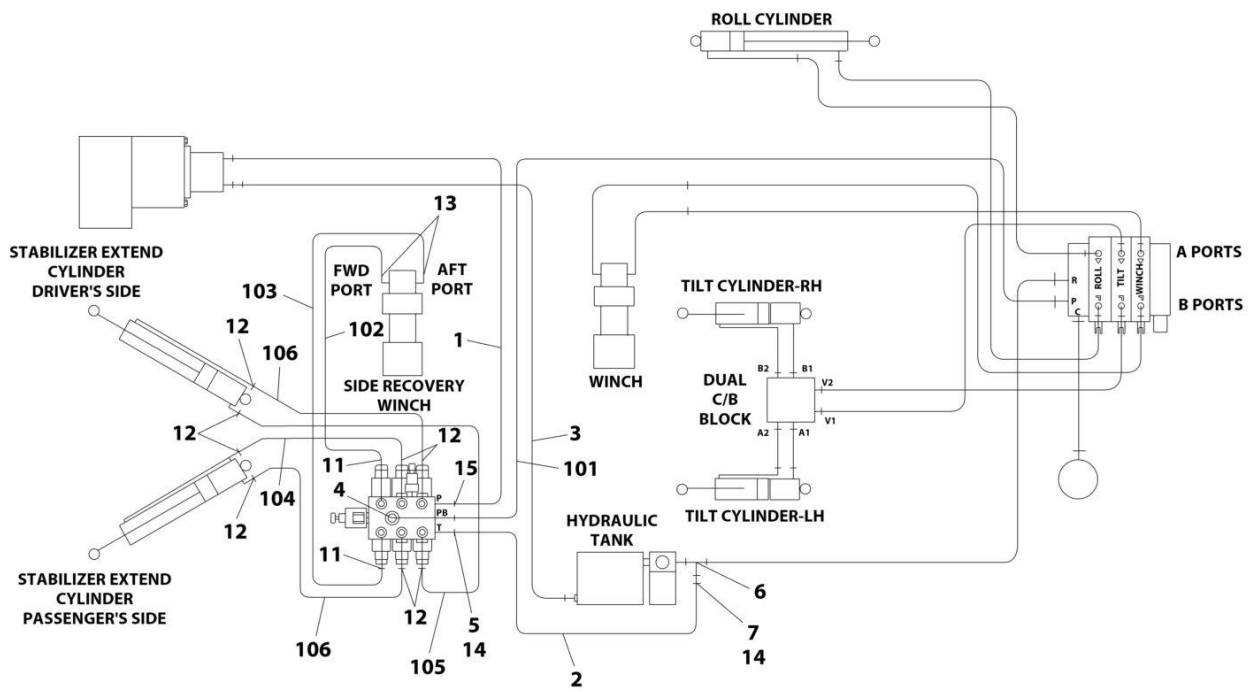
## SECTION 5 - HYDRAULIC

**FIGURE 5-28. HOSE INSTALLATION - 162IN CA, 243IN WB**

ITEM	PART NUMBER	QTY	DESCRIPTION	REV
	1001254714	Ref	HOSE INSTALLATION - 162IN CA (RC, DS PTO)	A
1	7430000003	1	Filter, Oil	
2	4706003844	11	Plate	
3	7115151064	11	Bolt 5/16 x 1-1/4	
4	7950150161	11	Washer 5/16	
5	7660152601	11	Nut 5/16	
100	1001254733	1	Hose Kit	
101	4567130287	1	Hose	
102	4570000121	1	Hose	
103	1001132603	1	Hose	
300	1001132801	1	Clamp Kit	
301	7470000002	1	Gauge, Oil Filter Head	
302	7443000158	1	Fitting, 90	
303	7443000319	1	Fitting, 90	
304	7274000080	2	Clamp	
305	7443000013	1	Fitting, Nipple	
306	7274000002	2	Clamp	
400	1001132794	1	Clamp Kit	
401	7274000076	1	Clamp	
402	7785152420	1	Screw 5/16 x 1-1/2	
403	7660152601	2	Nut 5/16	
404	7115151050	1	Capscrew 5/16 x 1-1/4	
405	7950150161	1	Washer 5/16	
406	7274000040	1	Clamp	
407	7274000041	1	Clamp	
408	7274000042	1	Clamp (Not Shown)	

# SECTION 5 - HYDRAULIC

FIGURE 5-29. HOSE INSTALLATION - SIDE RECOVERY SYSTEM (SRS)



ART\_2570000152

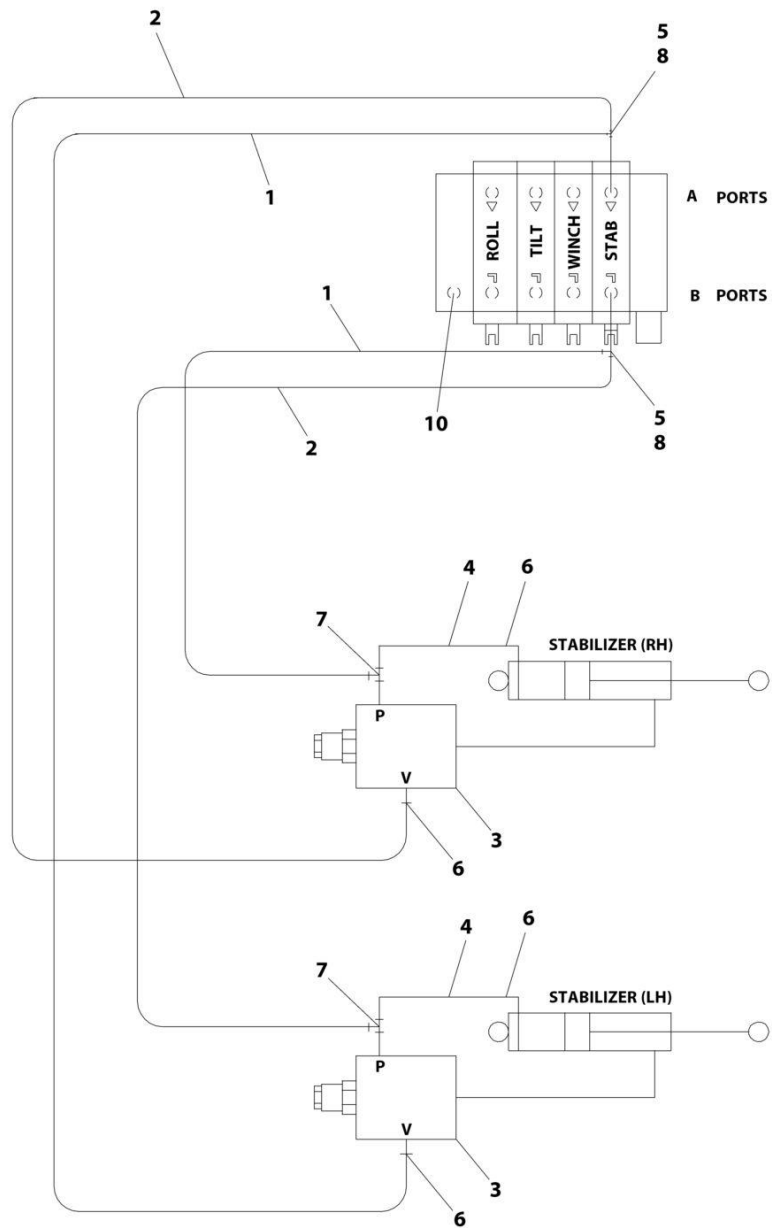
## SECTION 5 - HYDRAULIC

**FIGURE 5-29. HOSE INSTALLATION - SIDE RECOVERY SYSTEM (SRS)**

ITEM	PART NUMBER	QTY	DESCRIPTION	REV
	2570000152	Ref	HOSE INSTALLATION SPR/HLF (SRS)	C
1	4567133058	1	Hose	
2	4570000104	1	Hose	
3	4570000099	1	Hose	
4	7445081043	1	Fitting, Straight	
5	7443000446	1	Fitting, Straight	
6	7443000445	1	Fitting, Tee	
7	7443000374	1	Fitting, Straight	
8	4577000006	1	Hose, Kit (Not Shown) (Includes Items 101-106)	
9	7819000005	1	Sleeve (Not Shown)	
10	7894000004	8	Tie-Strap (Not Shown)	
11	7445060643	2	Fitting, Straight	
12	7445060645	8	Fitting, 90	
13	7445061043	2	Fitting, Straight	
14	7274000080	2	Clamp	
15	7445081045	1	Fitting, 90	
16	7445080818	1	Nut #8 (Not Shown)	
101	4569142018	1	Hose	
102	4567123023	1	Hose	
103	4567122022	1	Hose	
104	4567122034	1	Hose	
105	4567122032	1	Hose	
106	4567122030	1	Hose	

# SECTION 5 - HYDRAULIC

## FIGURE 5-30. HOSE INSTALLATION - STABILIZER



ART\_2570000049



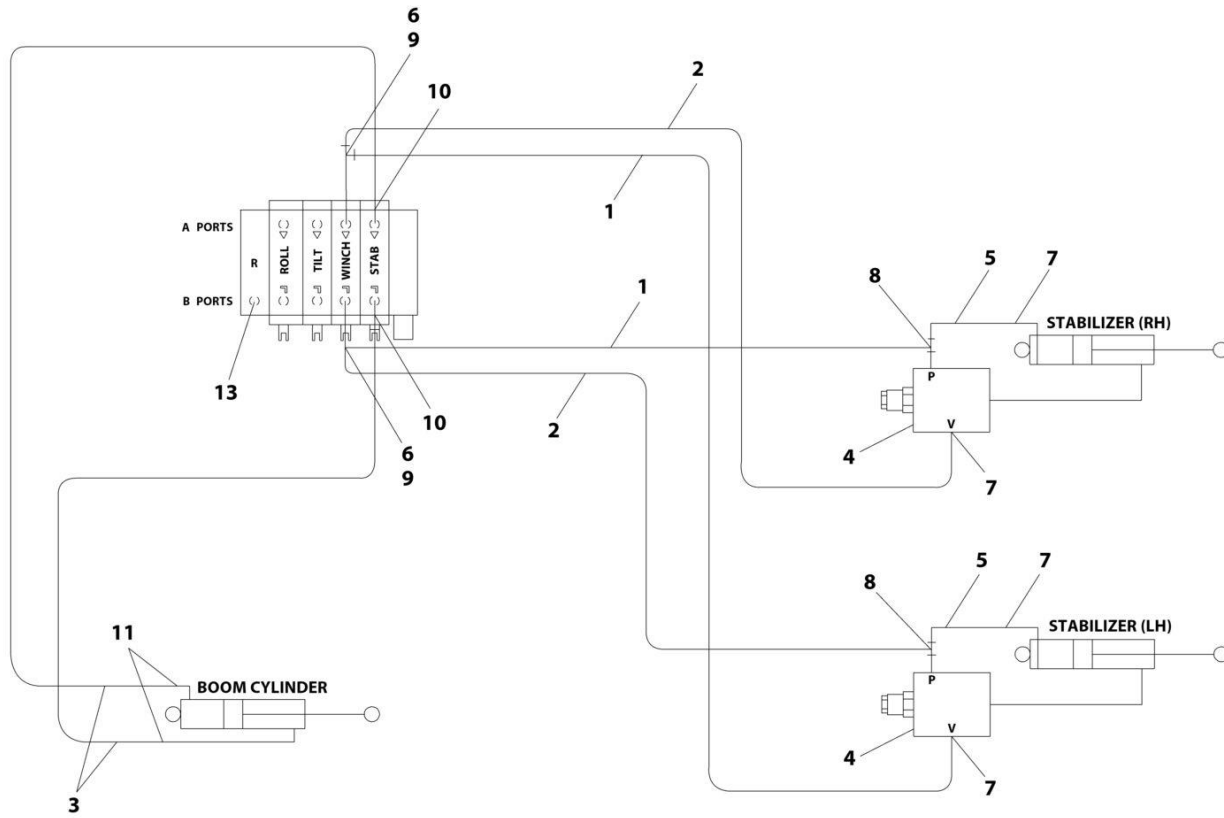
## SECTION 5 - HYDRAULIC

### FIGURE 5-30. HOSE INSTALLATION - STABILIZER

ITEM	PART NUMBER	QTY	DESCRIPTION	REV
	2570000049	Ref	Stabilizer Hydraulic Installation	E
1	4567122050	2	Hose	
2	4567123051	2	Hose	
3	7935000305	2	Valve Assembly - Counter Balance	
3	900115	2	Valve, Counter Balance Cartridge (1 Per Assembly)	
3	960006	2	Seal Kit - 900115 Cartridge Valve (1 Per Cartridge)	
4	4567122016	2	Hose	
5	7445060845	2	Fitting, 90	
6	7445060645	4	Fitting, 90	
7	7445060648	2	Fitting, Tee	
8	7443000030	2	Fitting, Tee	
10	7445081046	1	Fitting, 45	

# SECTION 5 - HYDRAULIC

## FIGURE 5-31. HOSE INSTALLATION - STABILIZER (REAR DECK)



ART\_2570000032

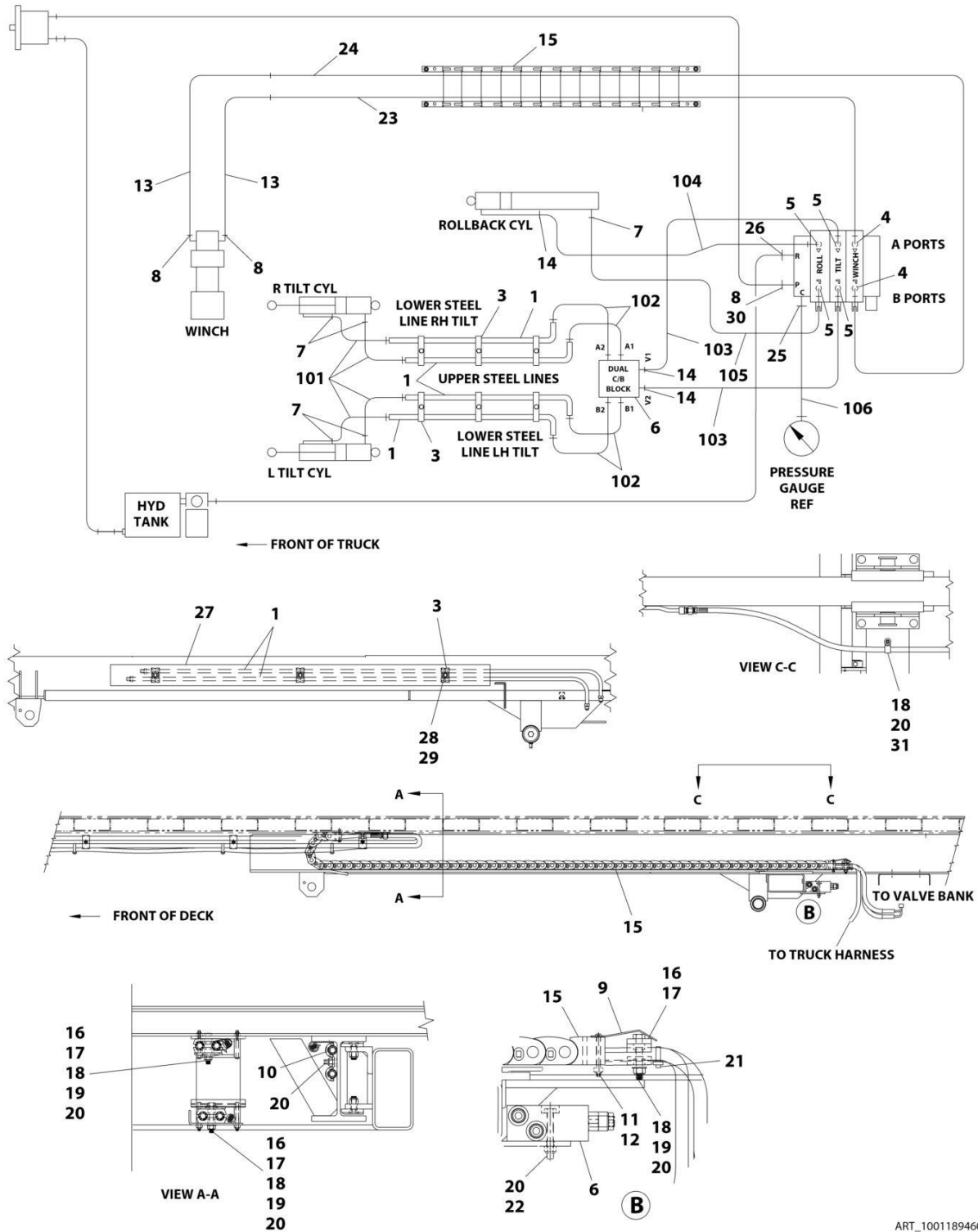
## SECTION 5 - HYDRAULIC

**FIGURE 5-31. HOSE INSTALLATION - STABILIZER (REAR DECK)**

ITEM	PART NUMBER	QTY	DESCRIPTION	REV
	2570000032	Ref	Stabilizer with Hydraulic Extend Hydraulic Installation	E
1	4567122050	2	Hose	
2	4567123051	2	Hose	
3	4567123036	2	Hose	
4	7935000305	2	Valve Assembly	
4	900115	2	Valve, Counterbalance Cartridge(1 Per Assembly)	
4	960006	2	Seal Kit - 900115 Cartridge Valve (1 Per Cartridge)	
5	4567122016	2	Hose	
6	7445060845	2	Fitting, 90	
7	7445060645	4	Fitting, 90	
8	7445060648	2	Fitting, Tee	
9	7443000030	2	Fitting, Tee	
10	7445060843	2	Fitting, Straight	
11	7445060646	2	Fitting, 45	
13	7445081046	1	Fitting, 45	

# SECTION 5 - HYDRAULIC

## FIGURE 5-32. HOSE INSTALLATION - SUBFRAME (20FT DECK)



ART\_1001189460

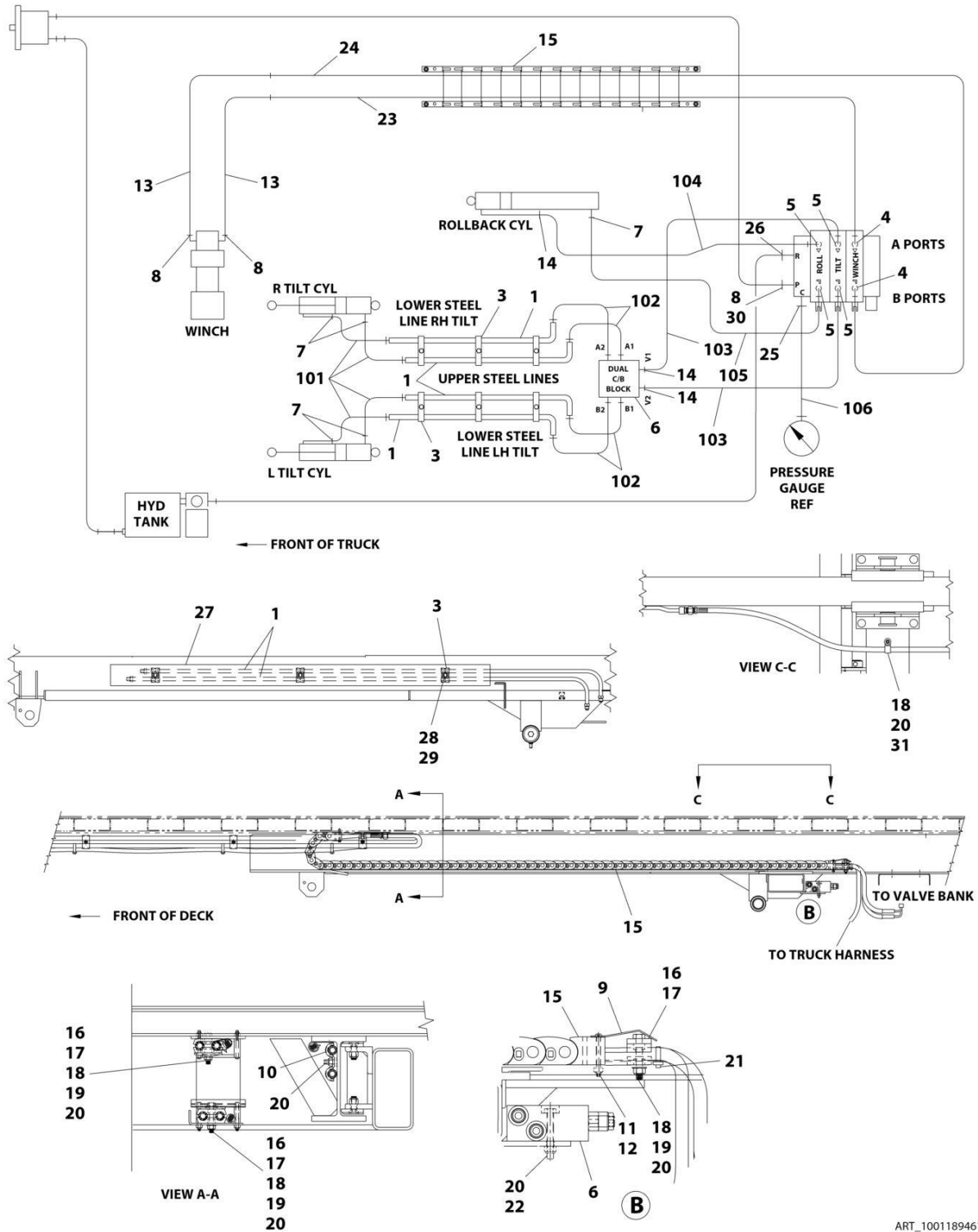
## SECTION 5 - HYDRAULIC

**FIGURE 5-32. HOSE INSTALLATION - SUBFRAME (20FT DECK)**

ITEM	PART NUMBER	QTY	DESCRIPTION	REV
	1001189460	Ref	HOSE INSTALLATION HLF STANDARD DUTY XLP	A
1	7912000349	4	Tube	
2	4577000013	1	Hose Kit (Not Shown) (Includes Items 101-106)	
3	7274000064	6	Clamp	
4	7445080843	2	Fitting, Straight	
5	7445060843	4	Fitting, Straight	
6	7935000306	1	Valve Assembly	
7	7445060645	5	Fitting, 90	
8	7445081045	3	Fitting, 90	
9	4706003038	1	Plate	
10	7274000066	5	Clamp	
11	7114101618	4	Capscrew #10 x 2	
12	3300455	4	Nut #10	
13	4567430118	2	Hose	
14	7445060643	3	Fitting, Straight	
15	7904000001	1	Cable Track	
16	7274000038	4	Clamp	
17	7274000039	2	Cover	
18	4751500	3	Washer	
19	0641516	2	Bolt 5/16 x 2	
20	7660152601	10	Nut 5/16	
21	7894000004	10	Tie-Strap	
22	0641518	2	Bolt 5/16 x 2-1/4	
23	4569433122	1	Hose	
24	4569432122	1	Hose	
25	7445040443	1	Fitting, Straight	
26	7443000446	1	Fitting, Straight	
27	1001189466	2	Cover	
28	0641504	6	Bolt 5/16 x 1/2	
29	4711500	12	Washer 5/16	
30	7445080818	1	Nut #8	
31	7274000040	1	Clamp	
101	4570000376	4	Hose	
102	4570000379	4	Hose	
103	4567122019	2	Hose	
104	4567123051	1	Hose	
105	4567122024	1	Hose	
106	4567122042	1	Hose	

# SECTION 5 - HYDRAULIC

## FIGURE 5-33. HOSE INSTALLATION - SUBFRAME (21FT/22FT DECK)



ART\_1001189461

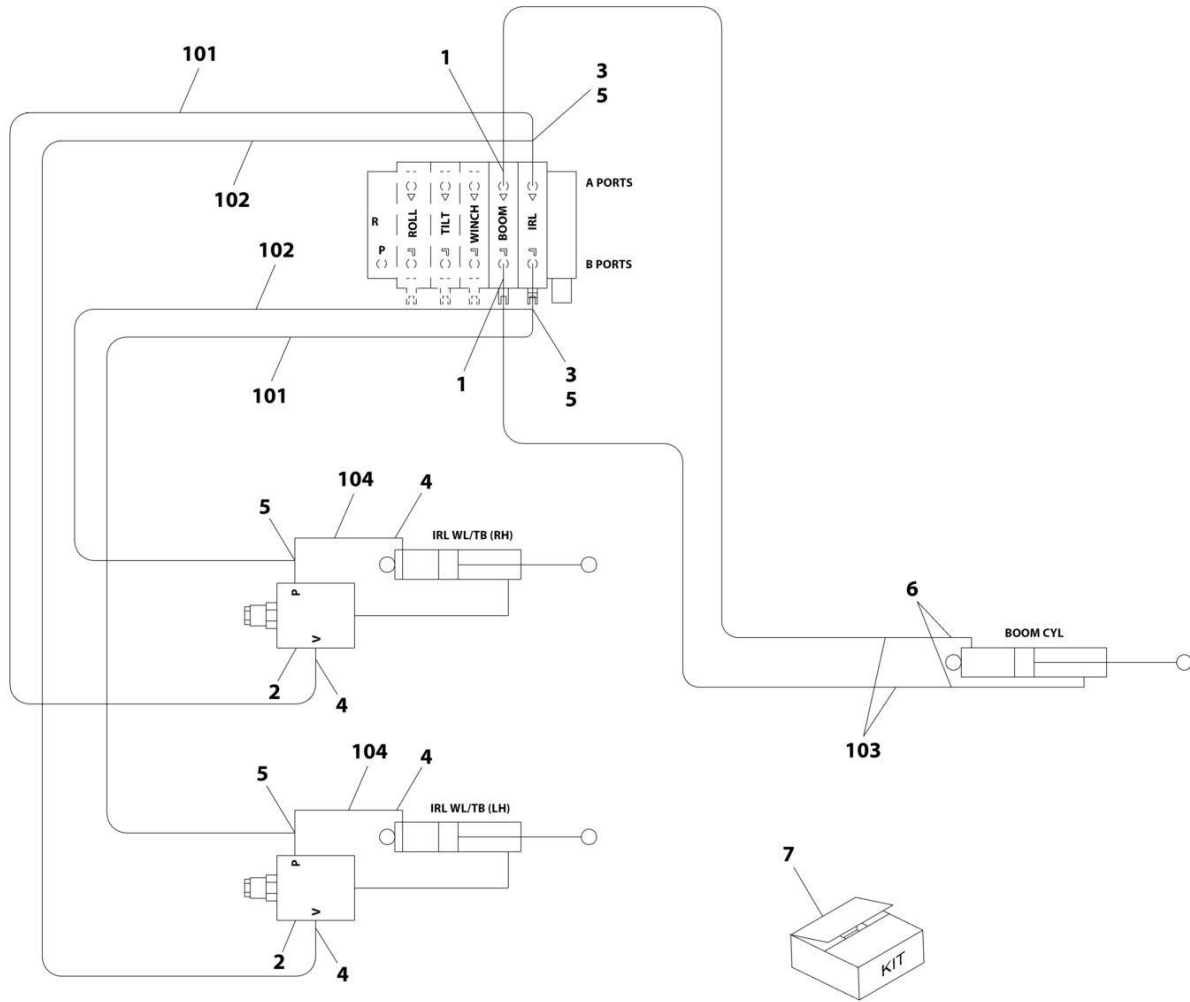
## SECTION 5 - HYDRAULIC

**FIGURE 5-33. HOSE INSTALLATION - SUBFRAME (21FT/22FT DECK)**

ITEM	PART NUMBER	QTY	DESCRIPTION	REV
	1001189461	Ref	HOSE INSTALLATION STANDARD DUTY XLP	A
1	7912000349	4	Tube	
2	4577000013	1	Hose Kit (Not Shown) (Includes Items 101-106)	
3	7274000064	6	Clamp	
4	7445080843	2	Fitting, Straight	
5	7445060843	4	Fitting, Straight	
6	7935000306	1	Valve Assembly	
7	7445060645	5	Fitting, 90	
8	7445081045	3	Fitting, 90	
9	4706003038	1	Plate	
10	7274000066	5	Clamp	
11	7114101618	4	Capscrew #10 x 2	
12	3300455	4	Nut #10	
13	4567430133	2	Hose	
14	7445060643	3	Fitting, Straight	
15	7904000001	1	Cable Track	
16	7274000038	4	Clamp	
17	7274000039	2	Cover	
18	4751500	3	Washer	
19	0641516	2	Bolt 5/16 x 2	
20	7660152601	10	Nut 5/16	
21	7894000004	10	Tie-Strap	
22	0641518	2	Bolt 5/16 x 2-1/4	
23	4569433122	1	Hose	
24	4569432122	1	Hose	
25	7445040443	1	Fitting, Straight	
26	7443000446	1	Fitting, Straight	
27	1001189466	2	Cover	
28	0641504	6	Bolt 5/16 x 1/2	
29	4711500	12	Washer 5/16	
30	7445080818	1	Nut #8	
31	7274000040	1	Clamp	
101	4570000376	4	Hose	
102	4570000379	4	Hose	
103	4567122019	2	Hose	
104	4567123051	1	Hose	
105	4567122024	1	Hose	
106	4567112042	1	Hose	

# SECTION 5 - HYDRAULIC

## FIGURE 5-34. HOSE INSTALLATION - WHEEL LIFT 3500 LBS



ART\_1001136657



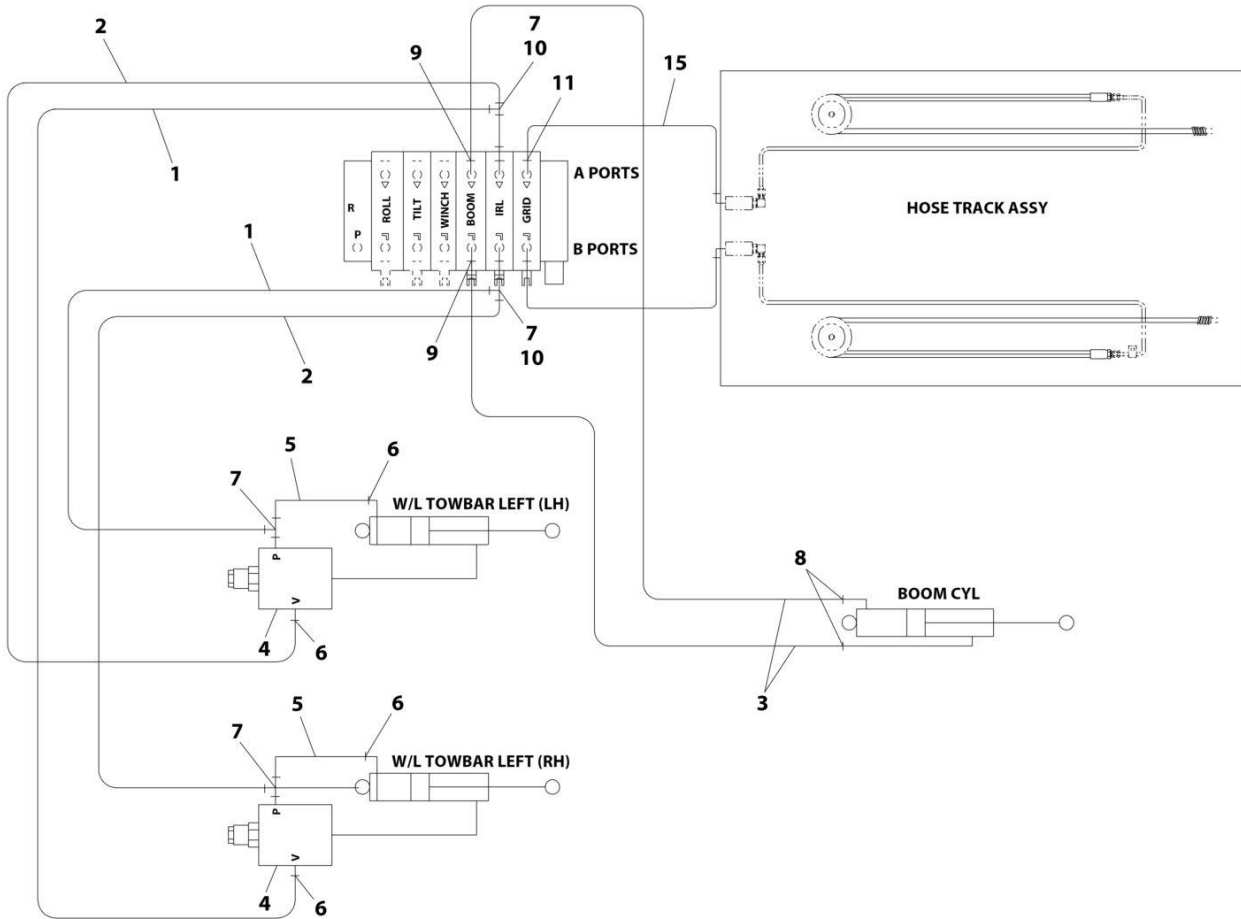
## SECTION 5 - HYDRAULIC

**FIGURE 5-34. HOSE INSTALLATION - WHEEL LIFT 3500 LBS**

ITEM	PART NUMBER	QTY	DESCRIPTION	REV
	1001136657	Ref	Wheel Lift Hydraulic Installation (IRL 3500LBS)	E
1	7445040843	2	Fitting, Straight	
2	7935000305	2	Valve Assembly	
2	900115	2	Valve, Counterbalance Cartridge (1 Per Assembly)	
2	960006	2	Seal Kit - 900115 Cartridge Valve (1 Per Cartridge)	
3	7443000129	2	Reducer	
4	7445060645	4	Fitting, 90	
5	7445060648	4	Fitting, Tee	
6	7445040446	2	Fitting, 45	
7	1001136658	1	Hose Kit (includes items 101-104)	
8	5526000553	12	Tie-Strap (Not Shown)	
101	4567122043	2	Hose	
102	4567123045	2	Hose	
103	4567110034	2	Hose	
104	4567122014	2	Hose	

# SECTION 5 - HYDRAULIC

FIGURE 5-35. HOSE INSTALLATION - WHEEL LIFT (AUTO GRIDS)



ART\_1001159670

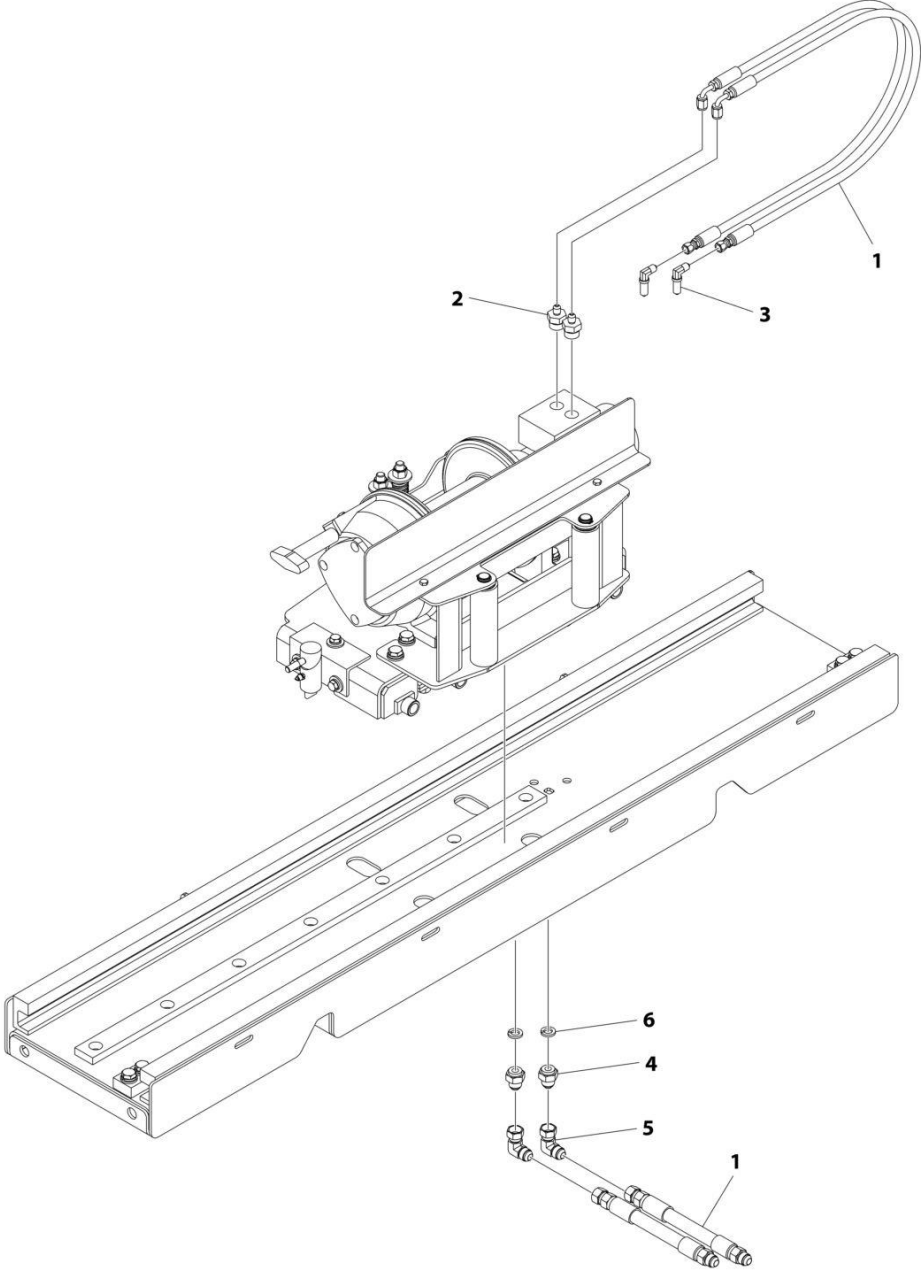
## SECTION 5 - HYDRAULIC

**FIGURE 5-35. HOSE INSTALLATION - WHEEL LIFT (AUTO GRIDS)**

ITEM	PART NUMBER	QTY	DESCRIPTION	REV
	1001159670	Ref	HOSE INSTALLATION (HLF AUTOGRID)	B
1	4567122038	2	Hose	
2	4567123040	2	Hose	
3	4567110034	2	Hose	
4	7935000305	2	Valve Assembly	
5	4567122012	2	Hose	
6	7445060645	4	Fitting, 90	
7	7445060648	4	Fitting, Tee	
8	7445040446	2	Fitting, 45	
9	7445040843	2	Fitting, Straight	
10	7443000129	2	Reducer	
11	7443040843	2	Fitting, Straight	
12	5526000553	12	Tie-Strap (Not Shown)	
13	3904000002	1	Track Assembly (Not Shown)	
14	2570000140	1	Hose (Not Shown)	
15	4567110041	2	Hose	

**SECTION 5 - HYDRAULIC**

**FIGURE 5-36. HOSE INSTALLATION - WINCH (PLANETARY GEAR)**



ART\_1001145934

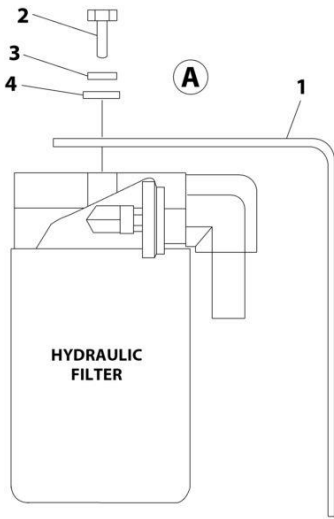
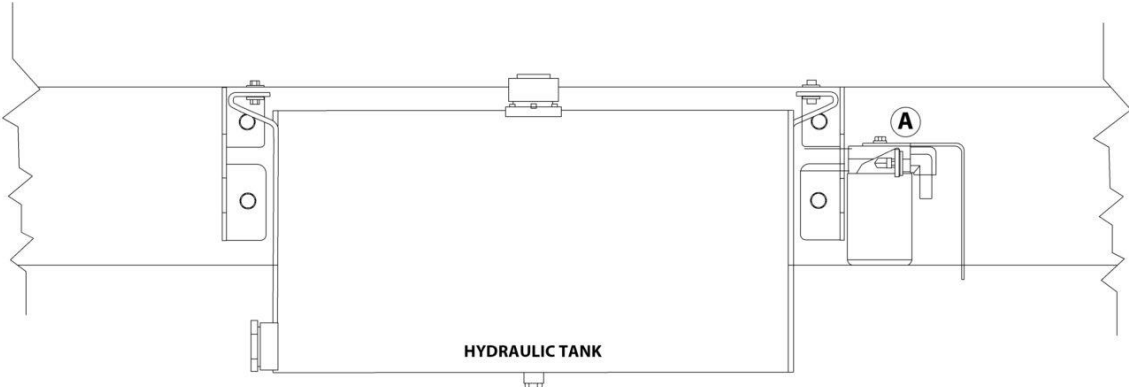
## SECTION 5 - HYDRAULIC

**FIGURE 5-36. HOSE INSTALLATION - WINCH (PLANETARY GEAR)**

ITEM	PART NUMBER	QTY	DESCRIPTION	REV
	1001145934	Ref	SLIDING WINCH HLF INSTALLATION	B
1	1001145963	1	Hose Sliding Winch	
2	7445041043	2	Fitting, Straight	
3	7445040431	2	Fitting, 90	
4	1001144448	2	Fitting, Straight	
5	7445080872	2	Fitting, 90	
6	7950170000	2	Washer 1/2	

**SECTION 5 - HYDRAULIC**

**FIGURE 5-37. HYDRAULIC FILTER COVER PLATE**



ART\_1001168319

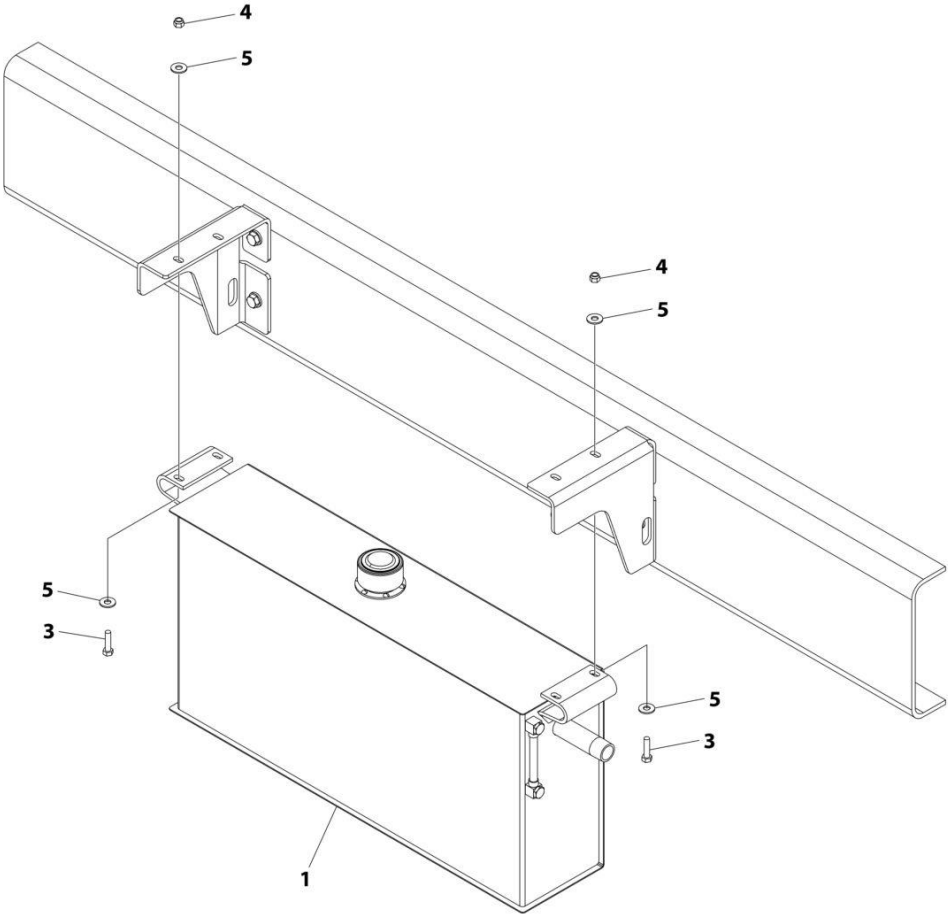
## SECTION 5 - HYDRAULIC

### FIGURE 5-37. HYDRAULIC FILTER COVER PLATE

ITEM	PART NUMBER	QTY	DESCRIPTION	REV
	1001168319	Ref	Filter (Hydraulic) Cover Plate Installation	B
1	1001181417	1	Cover	
2	7115140450	2	Capscrew 1/4 x 1/2	
3	7950140000	2	Washer 1/4	
4	7950140141	2	Washer 1/4	

# SECTION 5 - HYDRAULIC

## FIGURE 5-38. TANK (HYDRAULIC) AND BRACKET MOUNT INSTALLATION



ART\_275000008



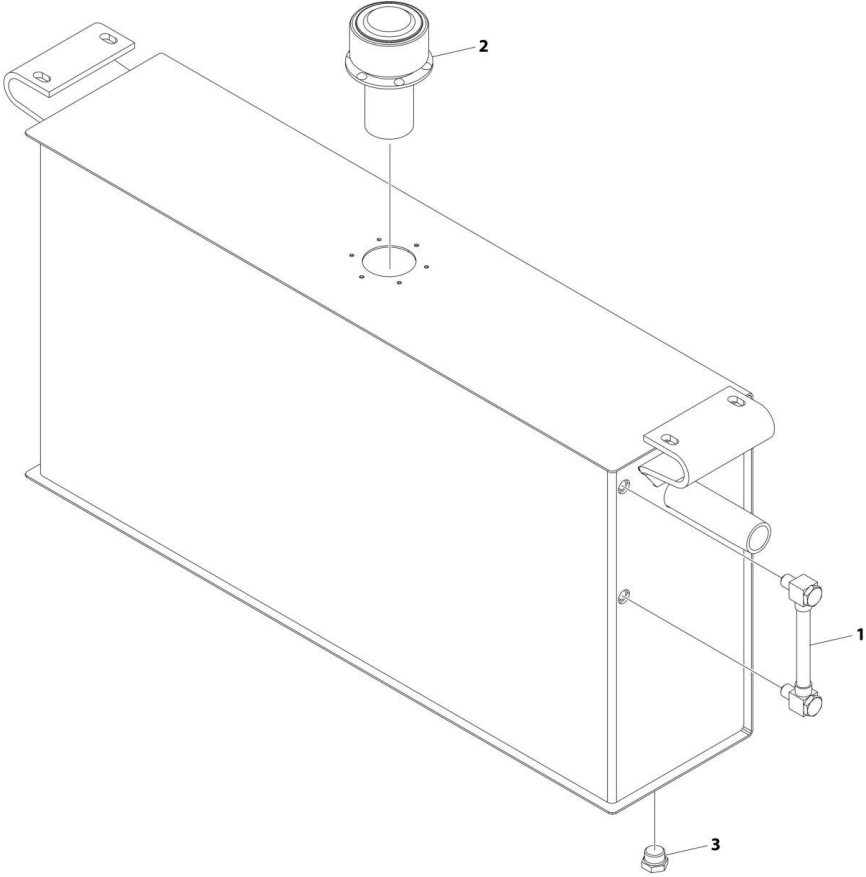
## SECTION 5 - HYDRAULIC

**FIGURE 5-38. TANK (HYDRAULIC) AND BRACKET MOUNT INSTALLATION**

ITEM	PART NUMBER	QTY	DESCRIPTION	REV
	2750000008	Ref	Hydraulic Reservoir and Bracket Mount	C
1	3750000018	1	Hydraulic Tank Assembly (See Seperate Breakdown in HYDRAULIC Section)	
3	7115151050	4	Capscrew 5/8 x 1-1/4	
4	7660152601	4	Nut 5/8	
5	7950150161	8	Washer 5/8	

**SECTION 5 - HYDRAULIC**

**FIGURE 5-39. TANK (HYDRAULIC) ASSEMBLY**



ART\_375000018

## SECTION 5 - HYDRAULIC

### FIGURE 5-39. TANK (HYDRAULIC) ASSEMBLY

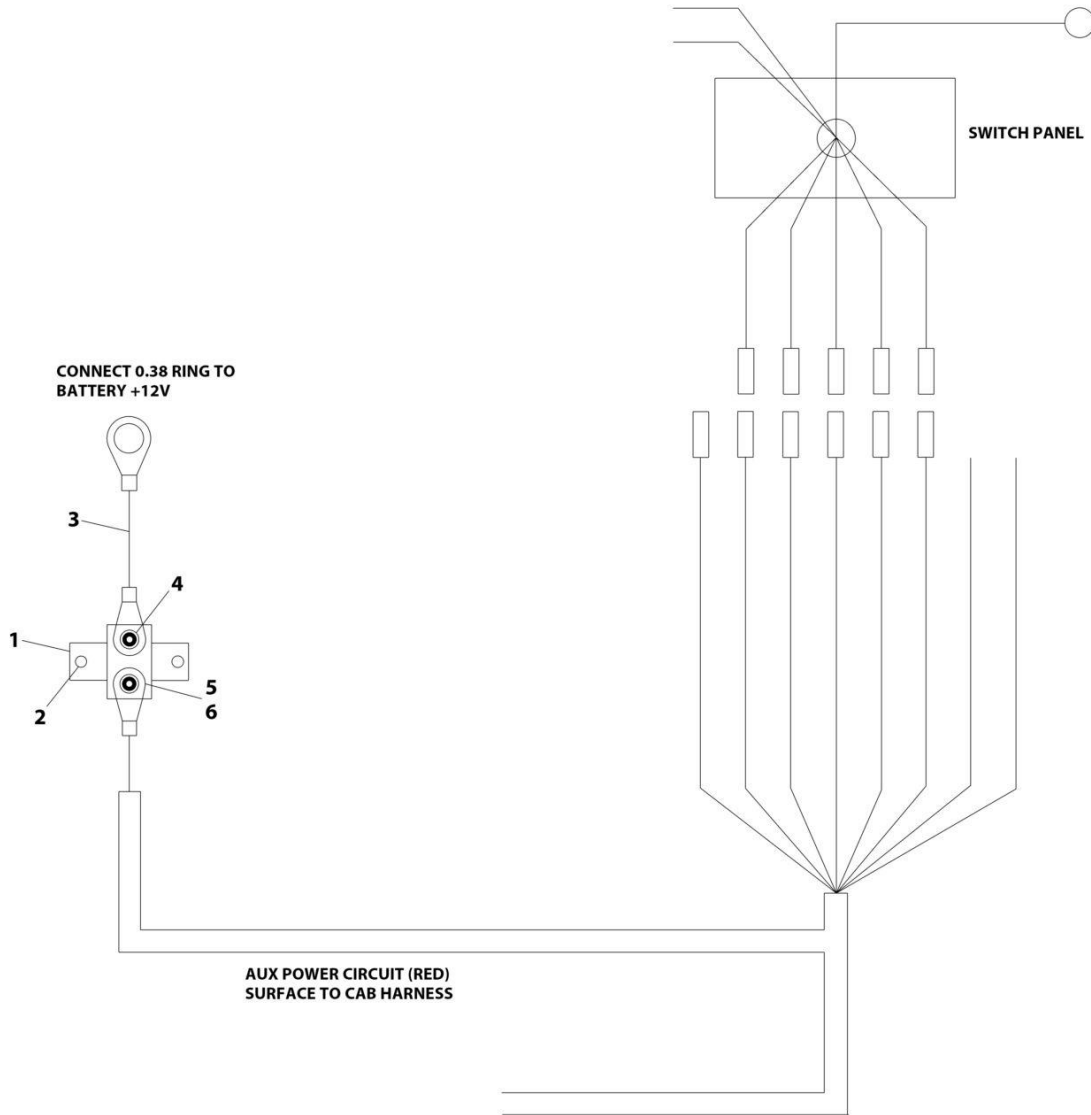
ITEM	PART NUMBER	QTY	DESCRIPTION	REV
	375000018	1	Hydraulic Assembly - Tank	I
1	747000027	1	Oil Level Gauge	
2	718300004	1	Breather Filter	
3	770100031	1	Plug w/O-ring	



**SECTION 6 - ELECTRICAL**

# SECTION 6 - ELECTRICAL

## FIGURE 6-1. BREAKER INSTALLATION - 50AMP



ART\_1001129883

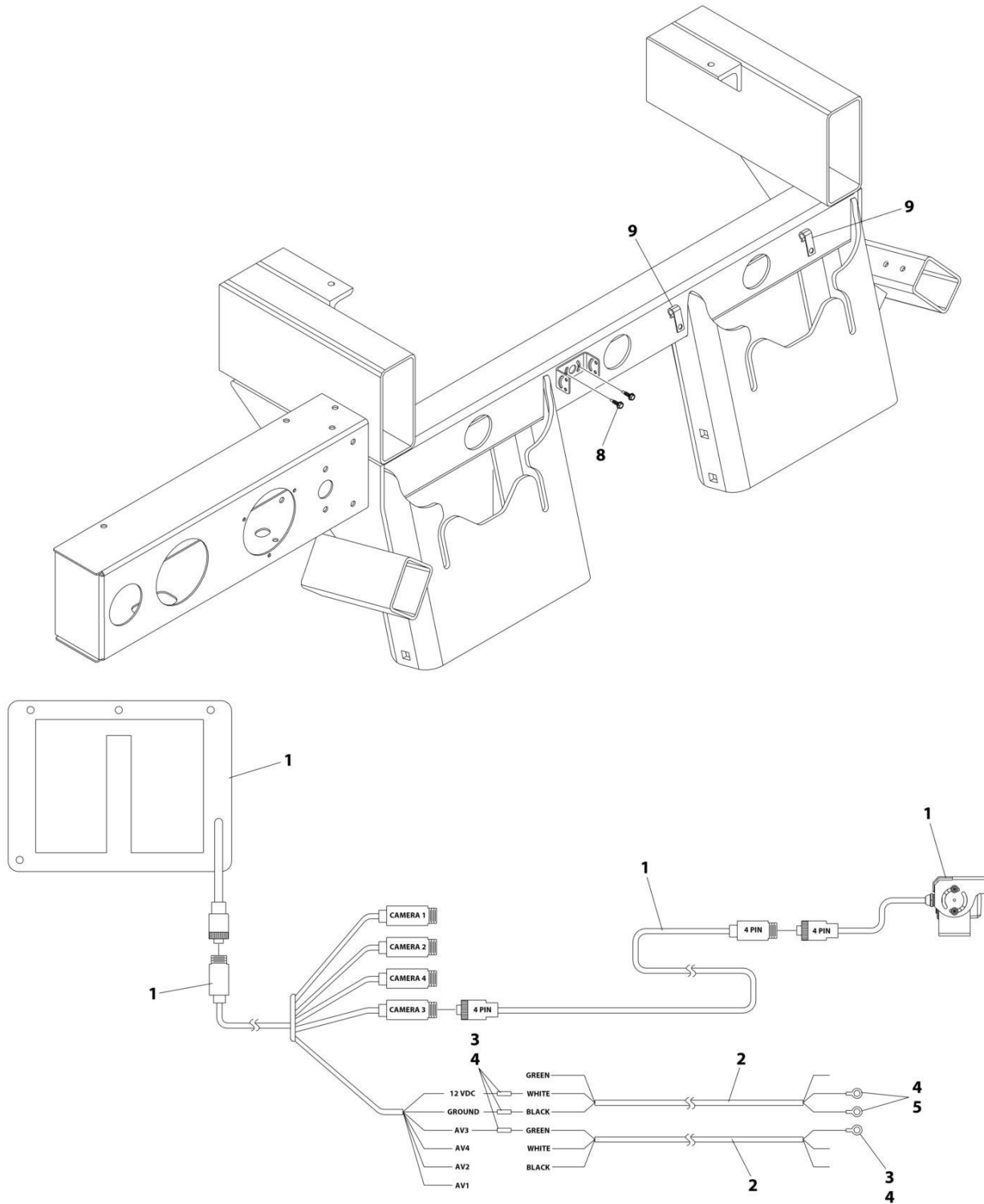
## SECTION 6 - ELECTRICAL

### FIGURE 6-1. BREAKER INSTALLATION - 50AMP

ITEM	PART NUMBER	QTY	DESCRIPTION	REV
	1001129883	Ref	50A BREAKER INSTALLATION	C
1	7457000004	1	Breaker, 50A	
2	7120000034	2	Screw #10 x 3/4	
3	1001129882	1	Harness	
4	7950100151	2	Washer 3/16	
5	7345221902	1	Terminal	
6	4346000005	1	Heat Shrink	

# SECTION 6 - ELECTRICAL

## FIGURE 6-2. CAMERA (BACKUP) CARRIER INSTALLATION



ART\_1001219321



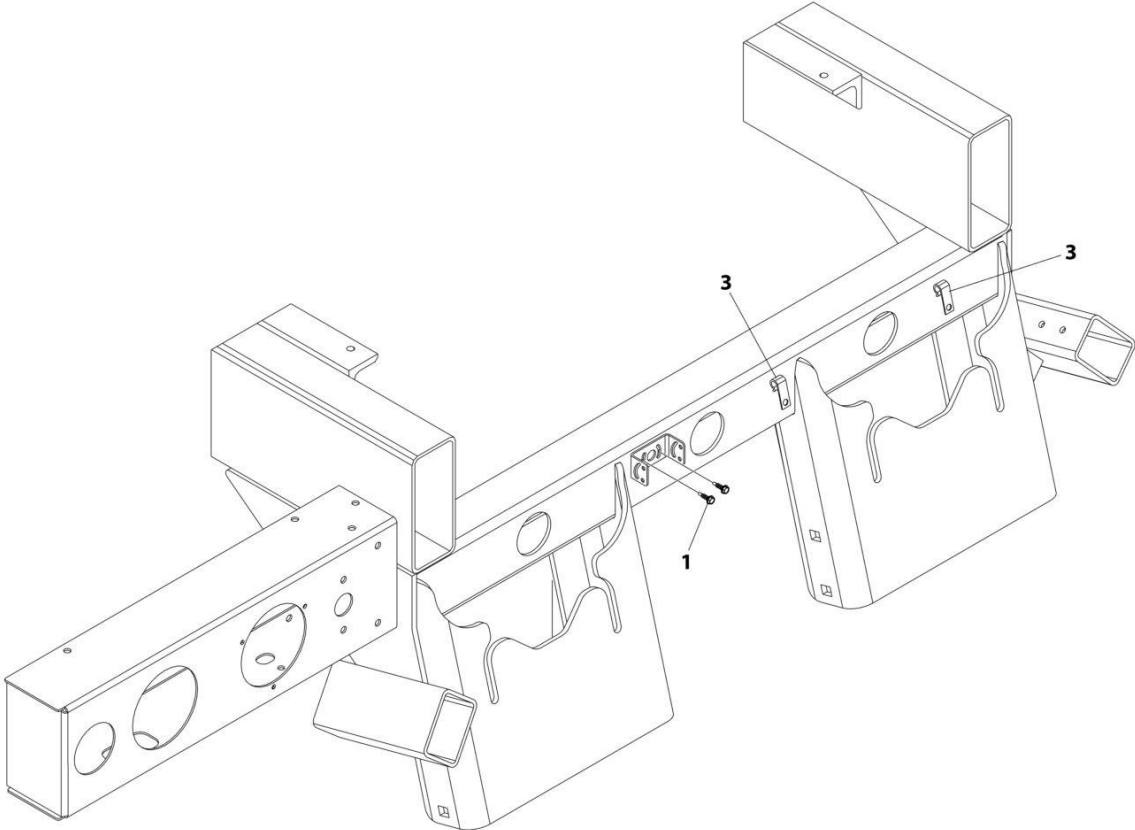
## SECTION 6 - ELECTRICAL

### FIGURE 6-2. CAMERA (BACKUP) CARRIER INSTALLATION

ITEM	PART NUMBER	QTY	DESCRIPTION	REV
	1001219321	Ref	Backup Camera Carrier Installation	E
1	1001219309	1	Backup Camera	
2	5525000537	AR	Wire	
3	7345001714	4	Terminal	
4	7346000039	AR	Tubing	
5	7345211702	3	Terminal	
6	8597650002	AR	Wire (Not Shown)	
7	7894000010	40	Tie Strap (Not Shown)	
8	7120000034	2	Screw #10 x 3/4	
9	7280000018	2	Clip	

**SECTION 6 - ELECTRICAL**

**FIGURE 6-3. CAMERA (BACKUP) CARRIER INSTALLATION - OEM**



ART\_1001220181

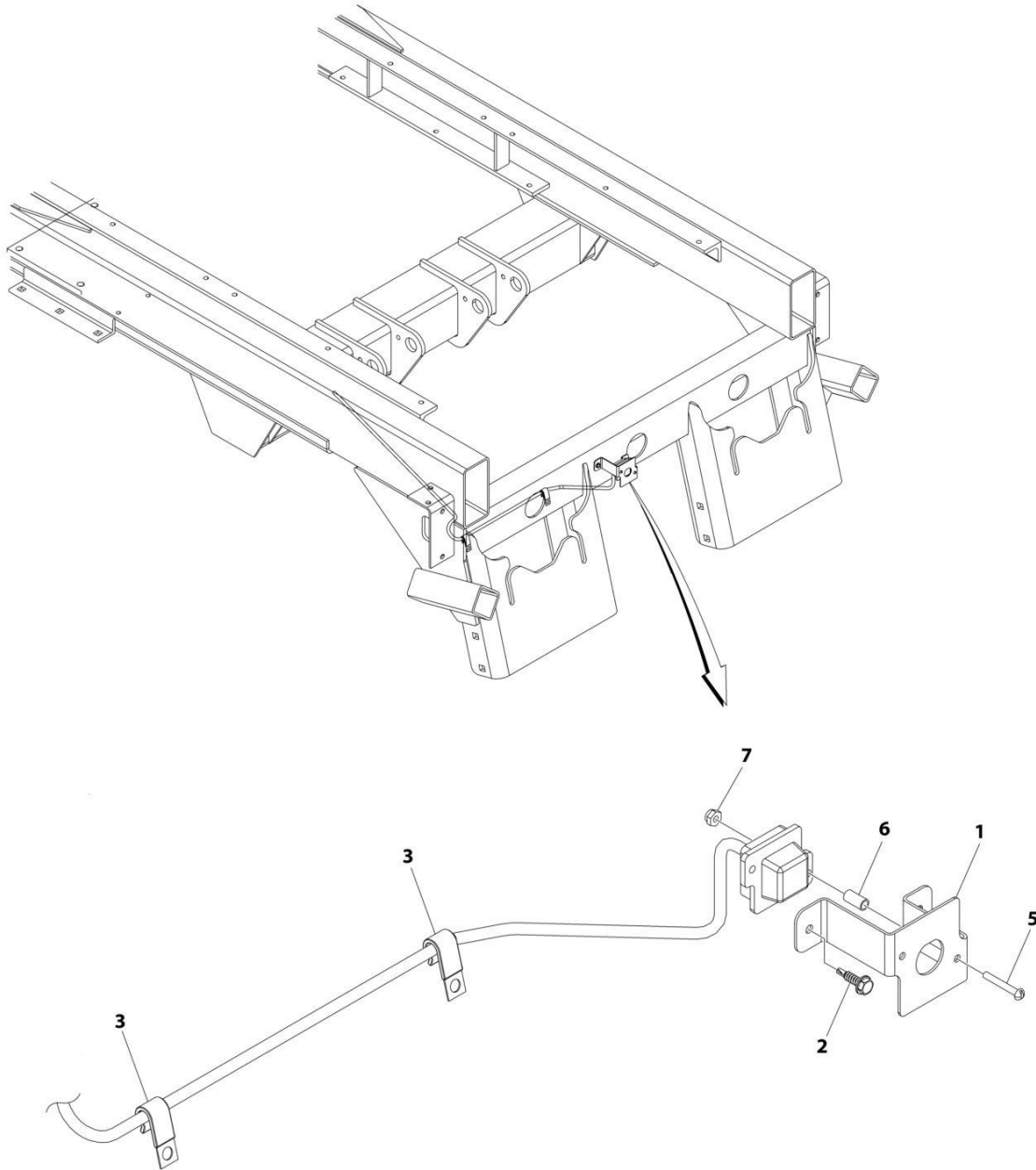
## SECTION 6 - ELECTRICAL

**FIGURE 6-3. CAMERA (BACKUP) CARRIER INSTALLATION - OEM**

ITEM	PART NUMBER	QTY	DESCRIPTION	REV
	1001220181	Ref	Backup Camera Installation - Chassis (OEM Supplied)	B
1	7120000034	2	Screw #10 x 3/4	
2	5526000553	40	Tie Strap	
3	7280000018	2	Clip	

# SECTION 6 - ELECTRICAL

## FIGURE 6-4. CAMERA (BACKUP) CARRIER INSTALLATION - OEM (CV515)



ART\_1001254978

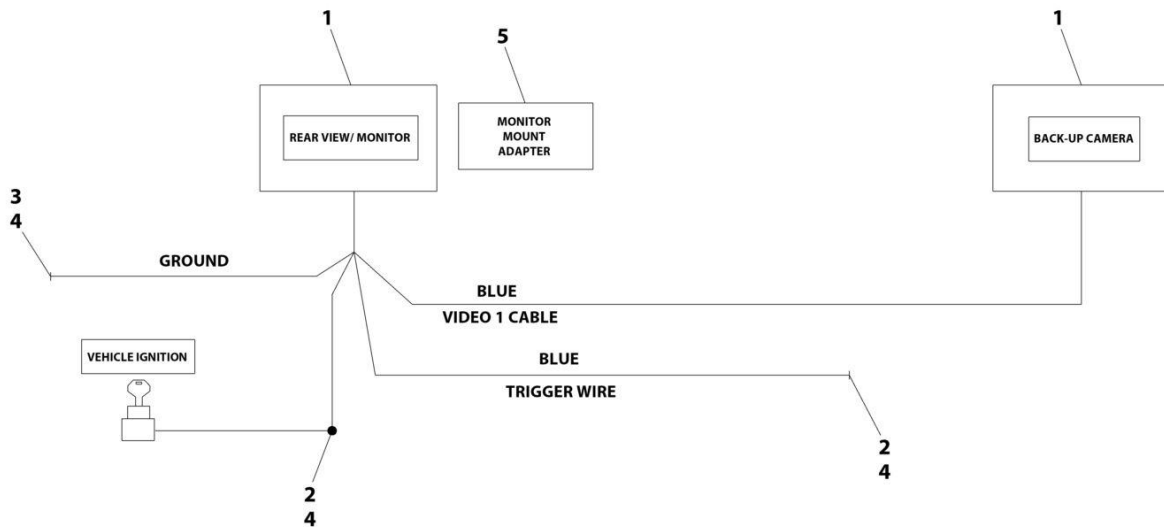
## SECTION 6 - ELECTRICAL

**FIGURE 6-4. CAMERA (BACKUP) CARRIER INSTALLATION - OEM (CV515)**

ITEM	PART NUMBER	QTY	DESCRIPTION	REV
	1001254978	Ref	BACKUP CAMERA, OEM CV515, INSTALLATION	A
1	1001254977	1	Bracket	
2	7120000034	2	Screw #10 x 3/4	
3	7280000018	2	Clip	
4	5526000553	40	Tie-Strap (Not Shown)	
5	7114060810	2	Capscrew #6 x 1	
6	4564088	2	Spacer	
7	7660062604	2	Nut #6	

# SECTION 6 - ELECTRICAL

## FIGURE 6-5. CAMERA (BACKUP) IN REAR VIEW MIRROR INSTALLATION



ART\_1001142974

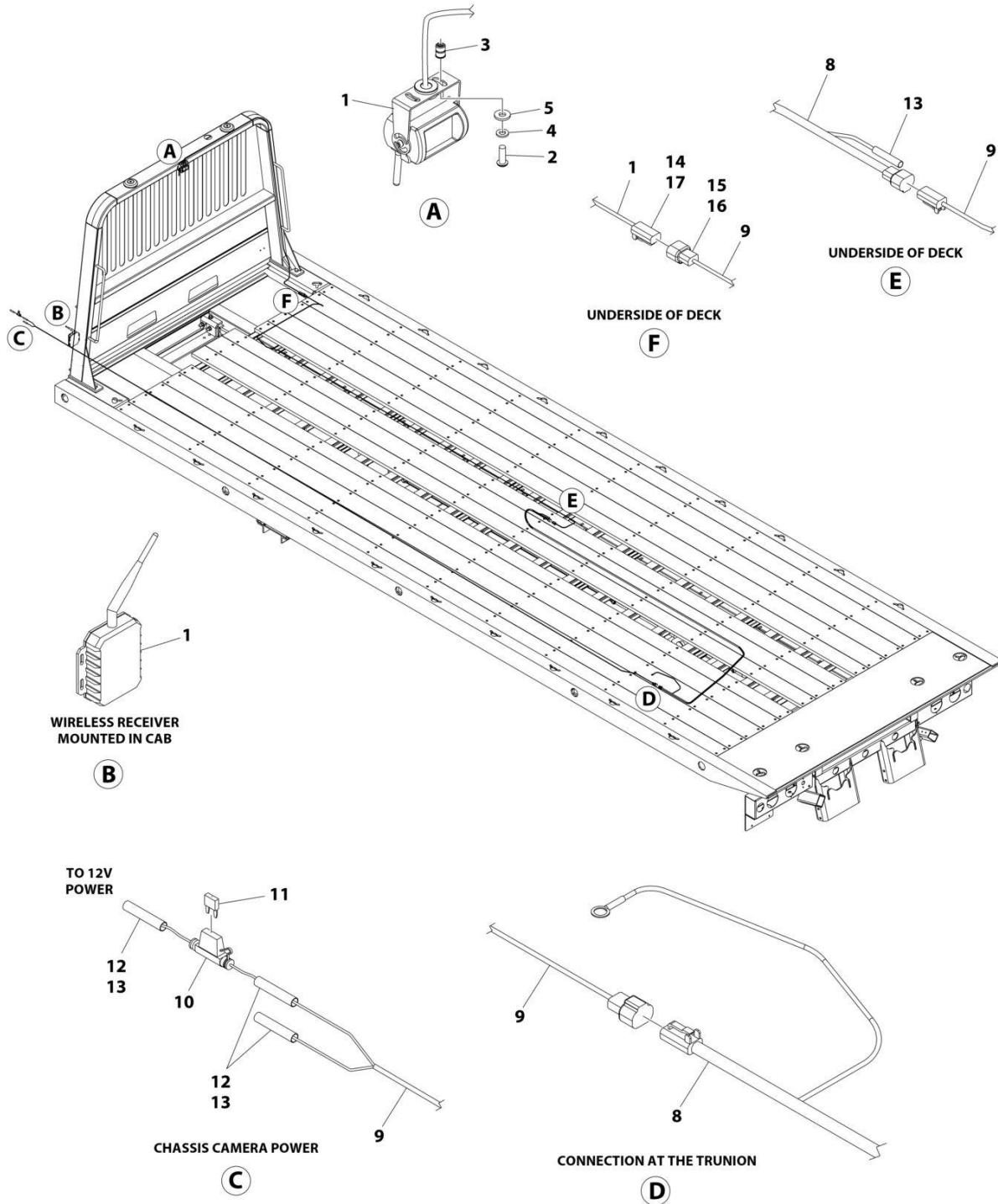
## SECTION 6 - ELECTRICAL

**FIGURE 6-5. CAMERA (BACKUP) IN REAR VIEW MIRROR INSTALLATION**

ITEM	PART NUMBER	QTY	DESCRIPTION	REV
	1001142974	Ref	BACKUP CAMERA IN REAR VIEW MIRROR INSTALLATION	B
1	1001139909	1	Camera System	
2	7345001914	2	Terminal	
3	7345221902	1	Terminal	
4	7346000039	AR	Tubing	
5	1001229606	1	Monitor Mount Adapter	

# SECTION 6 - ELECTRICAL

## FIGURE 6-6. CAMERA (CARGO) INSTALLATION - HEADBOARD MOUNTED



ART\_1001257876



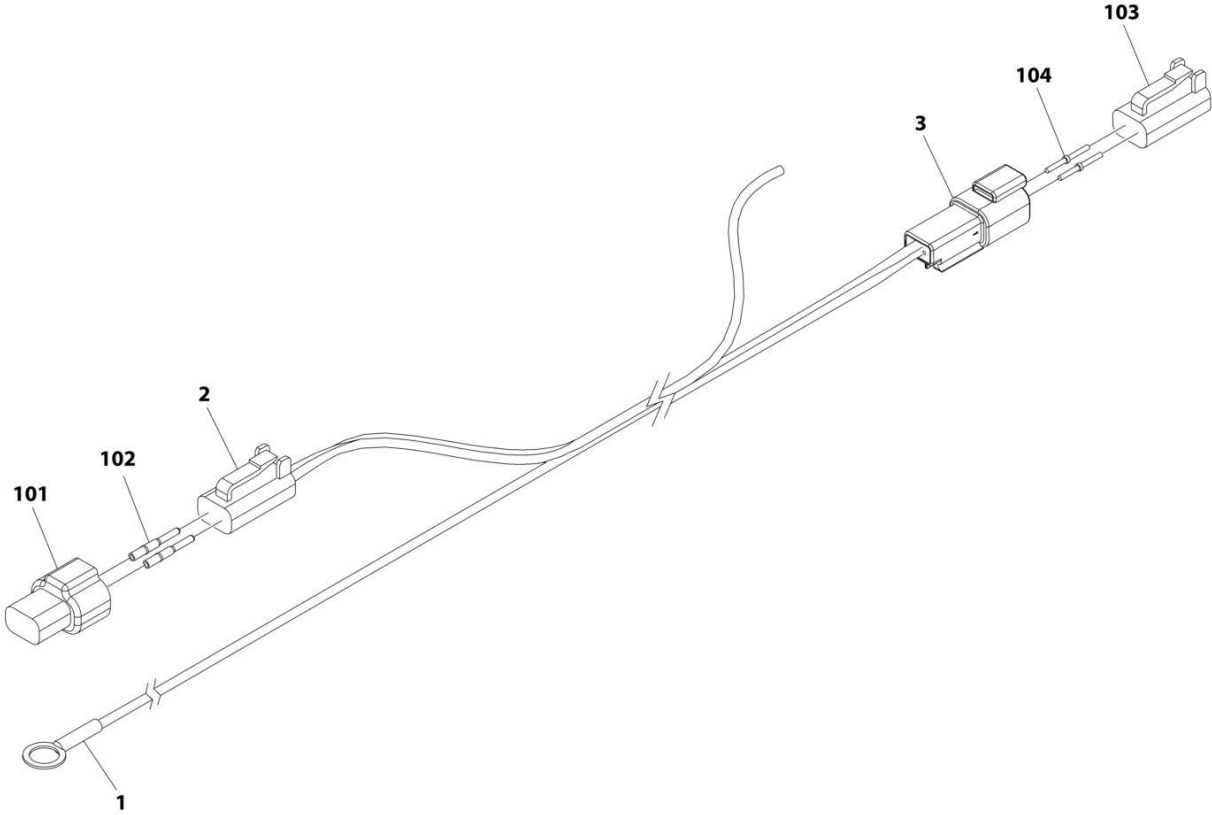
## SECTION 6 - ELECTRICAL

**FIGURE 6-6. CAMERA (CARGO) INSTALLATION - HEADBOARD MOUNTED**

ITEM	PART NUMBER	QTY	DESCRIPTION	REV
	1001257876	Ref	CARGO CAMERA, WIRELESS HEADBOARD, INSTALLATION	B
1	1001237244	1	Accessory, Wireless Backup Camera Kit	
2	7114140618	2	Screw 1/4 x 3/4	
3	7413000002	2	Nut 1/4	
4	7950140003	2	Washer 1/4	
5	7950140143	2	Washer 1/4	
8	1001280899	1	Camera Harness (See Separate Breakdown in this Section)	
9	8977010103	1	Wire #16 GA 2-Conductor	
10	2400066	1	Fuse, Holder	
11	1001228388	1	Fuse, Lamp	
12	7345001714	3	Terminal	
13	4346000005	4	Heat Shrink	
14	4460891	1	Plug, 2 Position	
15	4460897	1	Receptacle, 2 Position	
16	4460464	2	Pin, Male	
17	4460465	2	Socket, Female	

**SECTION 6 - ELECTRICAL**

**FIGURE 6-7. CAMERA HARNESS**



ART\_1001280899

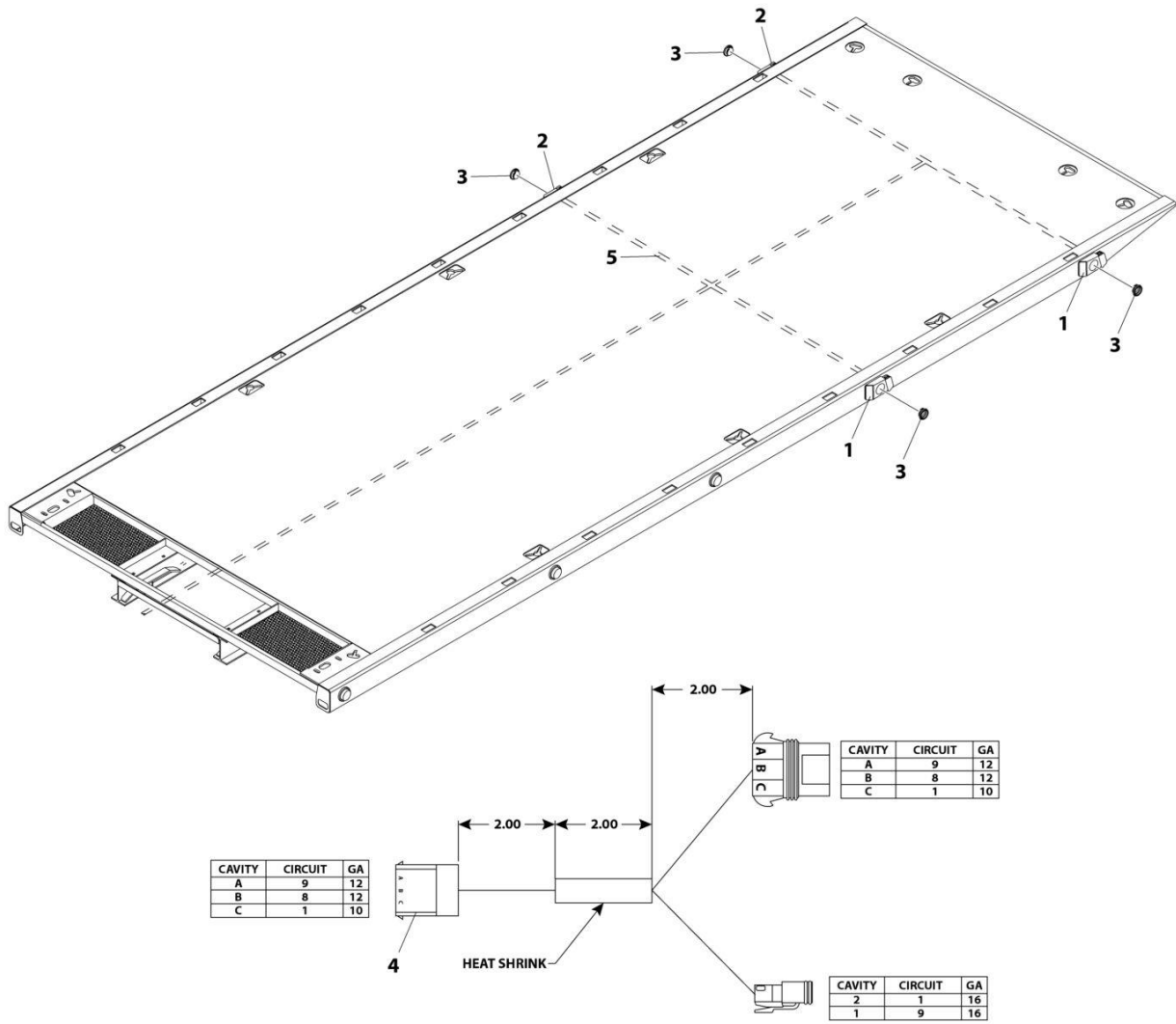
## SECTION 6 - ELECTRICAL

### FIGURE 6-7. CAMERA HARNESS

ITEM	PART NUMBER	QTY	DESCRIPTION	REV
	1001280899	Ref	CAMERA HARNESS	A
1	4460256	1	Terminal, Ring	
2	4460891	1	Plug, Male - 2 Position	
2	4460942	2	Socket, Female	
3	4460897	1	Receptacle, Female - 2 Position	
3	4460941	2	Pin, Male	
101	4460897	1	Receptacle, Female - 2 Position	
102	4460464	2	Pin, Male	
103	4460891	1	Plug, Male - 2 Position	
104	4460465	2	Socket, Female	

# SECTION 6 - ELECTRICAL

## FIGURE 6-8. DECK FLASHER REAR ILLUMINATION



ART\_1001145076

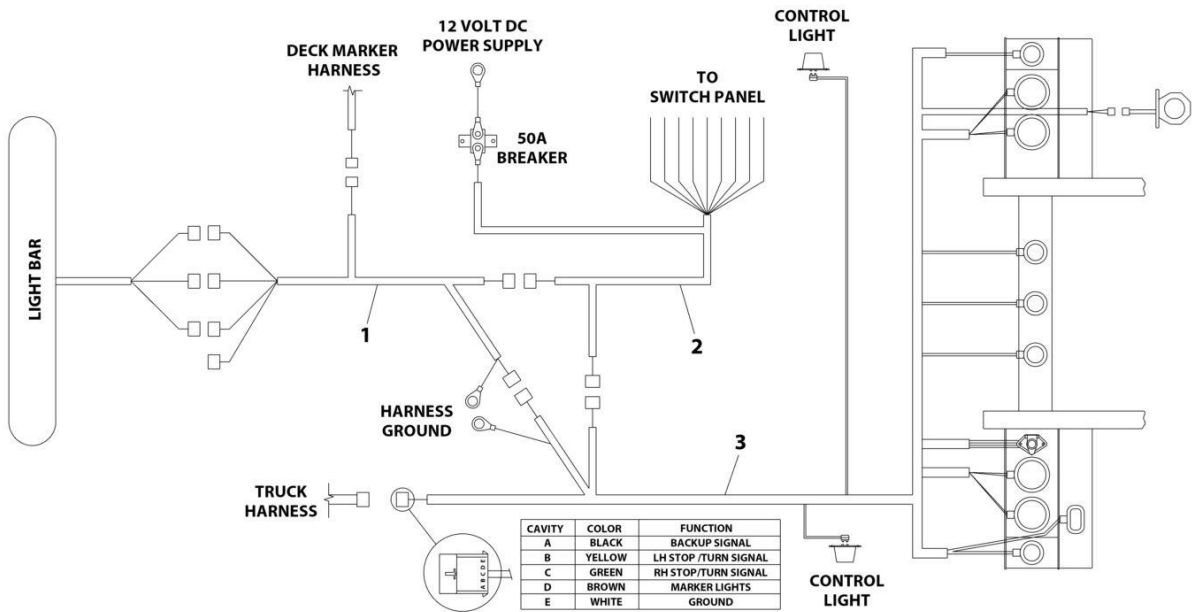
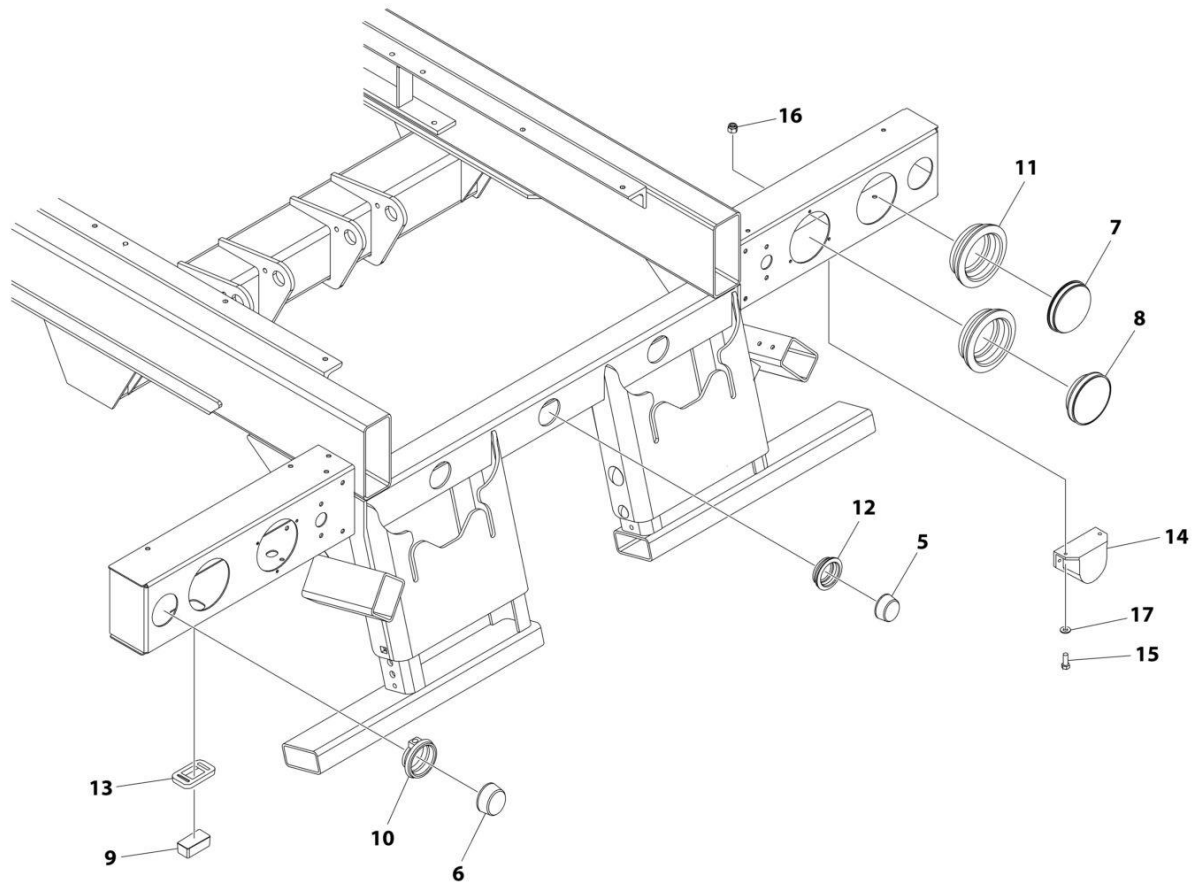
## SECTION 6 - ELECTRICAL

**FIGURE 6-8. DECK FLASHER REAR ILLUMINATION**

ITEM	PART NUMBER	QTY	DESCRIPTION	REV
	1001145076	Ref	Deck Flasher Rear Illumination	B
1	1001145074	2	Bracket, LH Whelen Flash	
2	1001145075	2	Bracket, RH Whelen Flash	
3	7493000009	4	Grommet	
4	1001144986	1	Flashers Jumper Wire Harness	
4	8220934	1	Receptacle, Female - 3 Position	
4	8220936	1	Lock	
4	1001277282	3	Terminal	
4	1001277283	3	Seal	
4	4460891	1	Plug, Male - 2 Position	
4	4460465	2	Socket, Female	
4	8220935	1	Plug, Male - 3 Position	
4	8220936	1	Lock	
4	8220099	1	Terminal	
4	1001277283	1	Seal	
5	1001145077	Ref	Flasher Harness Installation	
5	1001143842	1	Flasher Harness	
5	4460897	5	Receptacle, Female - 2 Position	
5	4460464	10	Pin, Male	

# SECTION 6 - ELECTRICAL

## FIGURE 6-9. LIGHTS AND WIRING INSTALLATION - BOLTED-ON HEADBOARD



ART\_1001260346

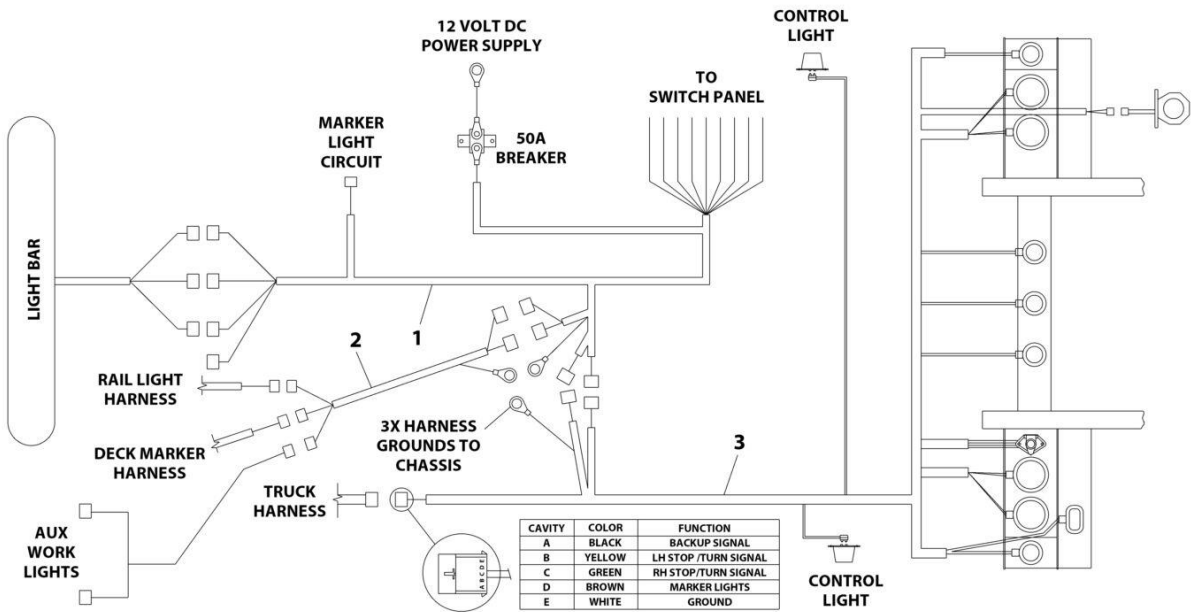
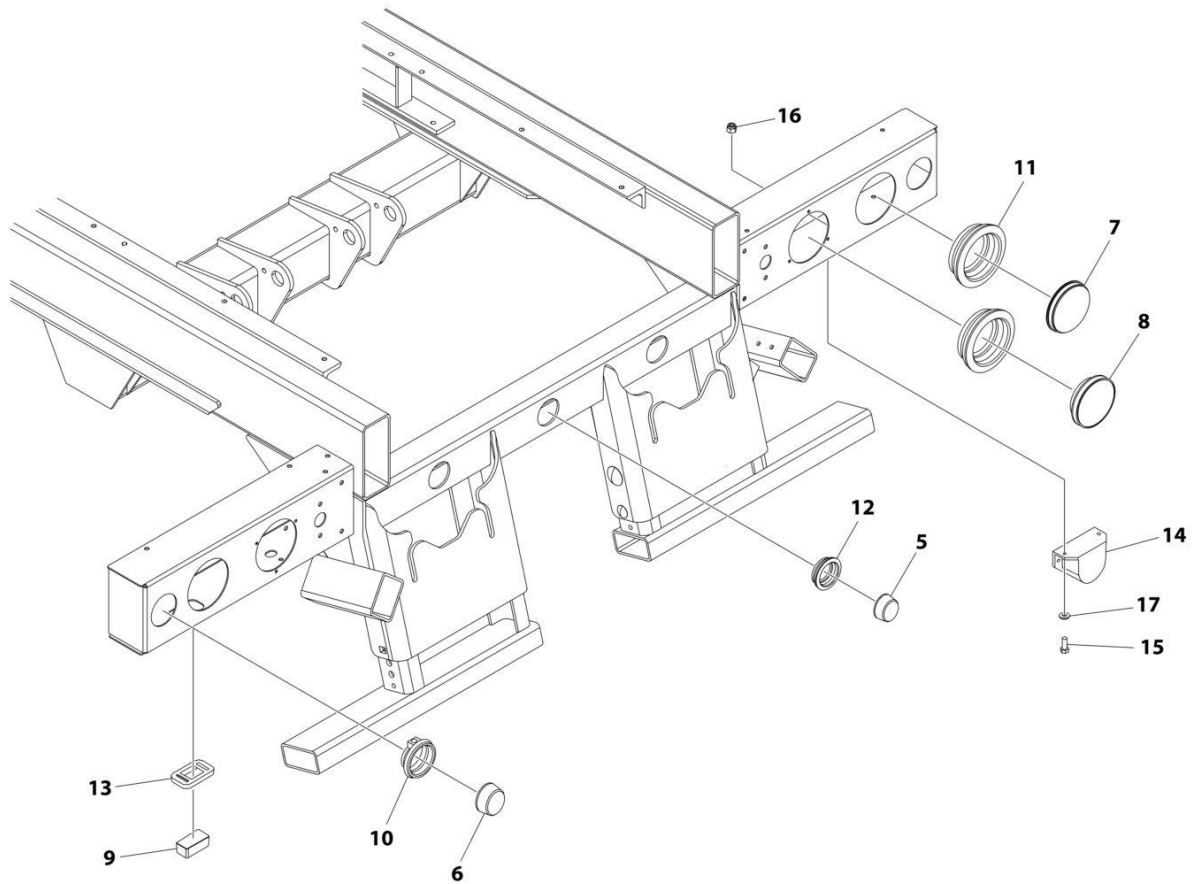
## SECTION 6 - ELECTRICAL

**FIGURE 6-9. LIGHTS AND WIRING INSTALLATION - BOLTED-ON HEADBOARD**

ITEM	PART NUMBER	QTY	DESCRIPTION	REV
	1001260346	Ref	LIGHTS AND WIRING INSTALLATION - BOLT-ON HEADBOARD	A
1	1001260349	1	Subframe to Deck Wiring Harness (See Separate Breakdown in this Section)	
2	7552000074	1	Subframe to Cab Wiring Harness (See Separate Breakdown in this Section)	
3	1001173952	1	Subframe Harness (See Separate Breakdown in this Section)	
4	4346000005	5	Heat Shrink (Not Shown)	
5	7590000340	3	Marker Light - Red (LED)	
6	7590000343	2	Marker Light - Red (LED)	
7	7590000341	2	Marker Light - Red (LED)	
8	1001142769	2	Light	
9	1001142771	1	Lamp	
10	7493000009	2	Grommet	
11	7493000002	4	Grommet	
12	7493000023	3	Grommet	
13	7493000010	1	Grommet	
14	7011000006	1	Backup Alarm	
15	7114140528	2	Screw 1/4 x 5/8	
16	7660142601	2	Nut 1/4	
17	7949000023	2	Washer	

# SECTION 6 - ELECTRICAL

## FIGURE 6-10. LIGHTS AND WIRING INSTALLATION - STATIONARY HEADBOARD



ART\_1001260345



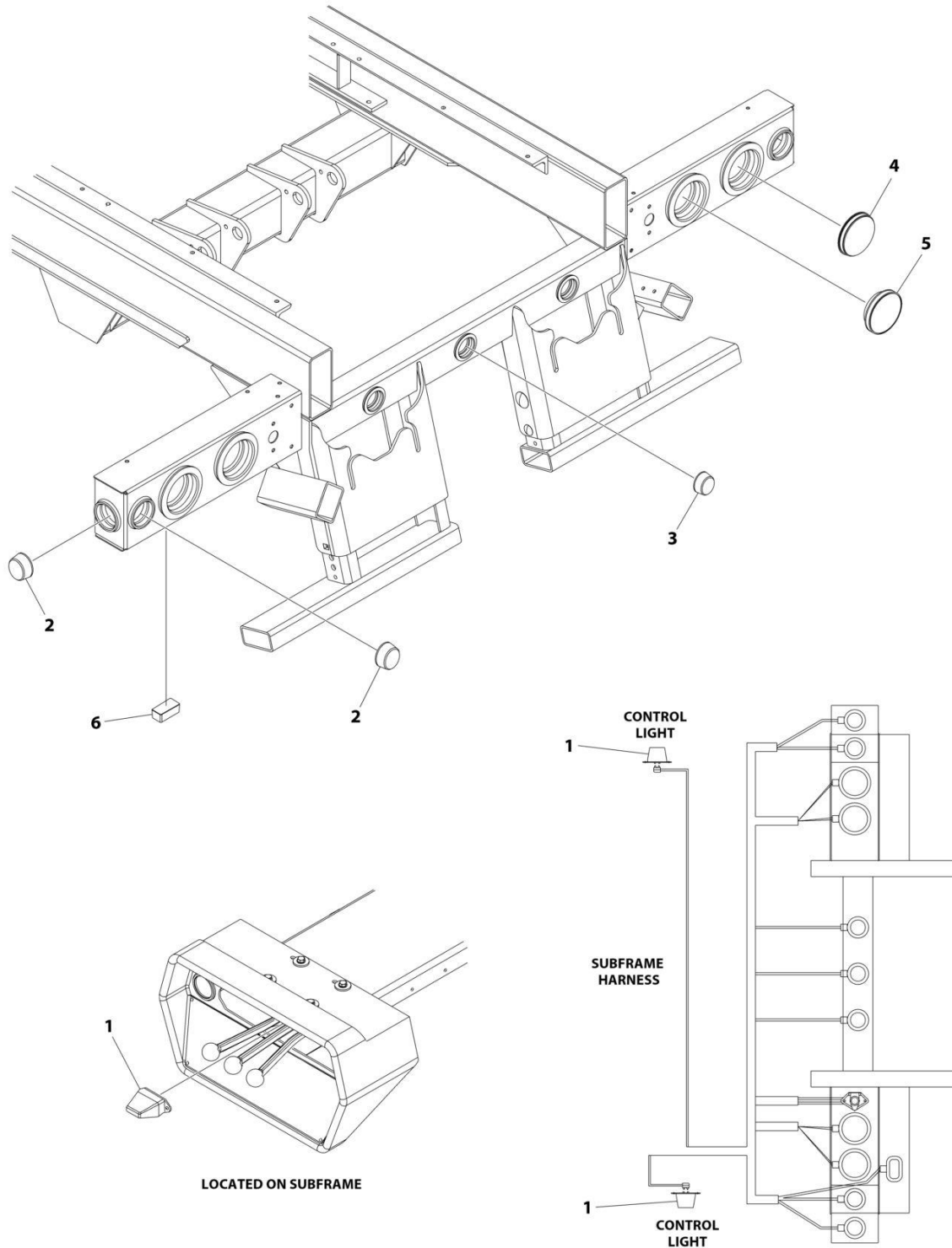
## SECTION 6 - ELECTRICAL

**FIGURE 6-10. LIGHTS AND WIRING INSTALLATION - STATIONARY HEADBOARD**

ITEM	PART NUMBER	QTY	DESCRIPTION	REV
	1001260345	Ref	LIGHTS AND WIRING INSTALLATION - STATIONARY HEADBOARD	A
1	1001260060	1	Subframe to Cab Wiring Harness (See Separate Breakdown in this Section)	
2	1001152350	1	Subframe to Deck Wiring Harness (See Separate Breakdown in this Section)	
3	1001173952	1	Subframe Harness (See Separate Breakdown in this Section)	
4	4346000005	5	Heat Shrink (Not Shown)	
5	7590000340	3	Marker Light - Red (LED)	
6	7590000343	2	Marker Light - Red (LED)	
7	7590000341	2	Marker Light - Red (LED)	
8	1001142769	2	Backup Alarm	
9	1001142771	1	Lamp	
10	7493000009	2	Grommet	
11	7493000002	4	Grommet	
12	7493000023	3	Grommet	
13	7493000010	1	Grommet	
14	7011000006	1	Backup Alarm	
15	7114140528	2	Screw 1/4 x 5/8	
16	7660142601	2	Nut 1/4	
17	7949000023	2	Washer	

# SECTION 6 - ELECTRICAL

## FIGURE 6-11. LIGHTS - 24 VOLT LIGHT SWAP INSTALLATION



ART\_1001161526

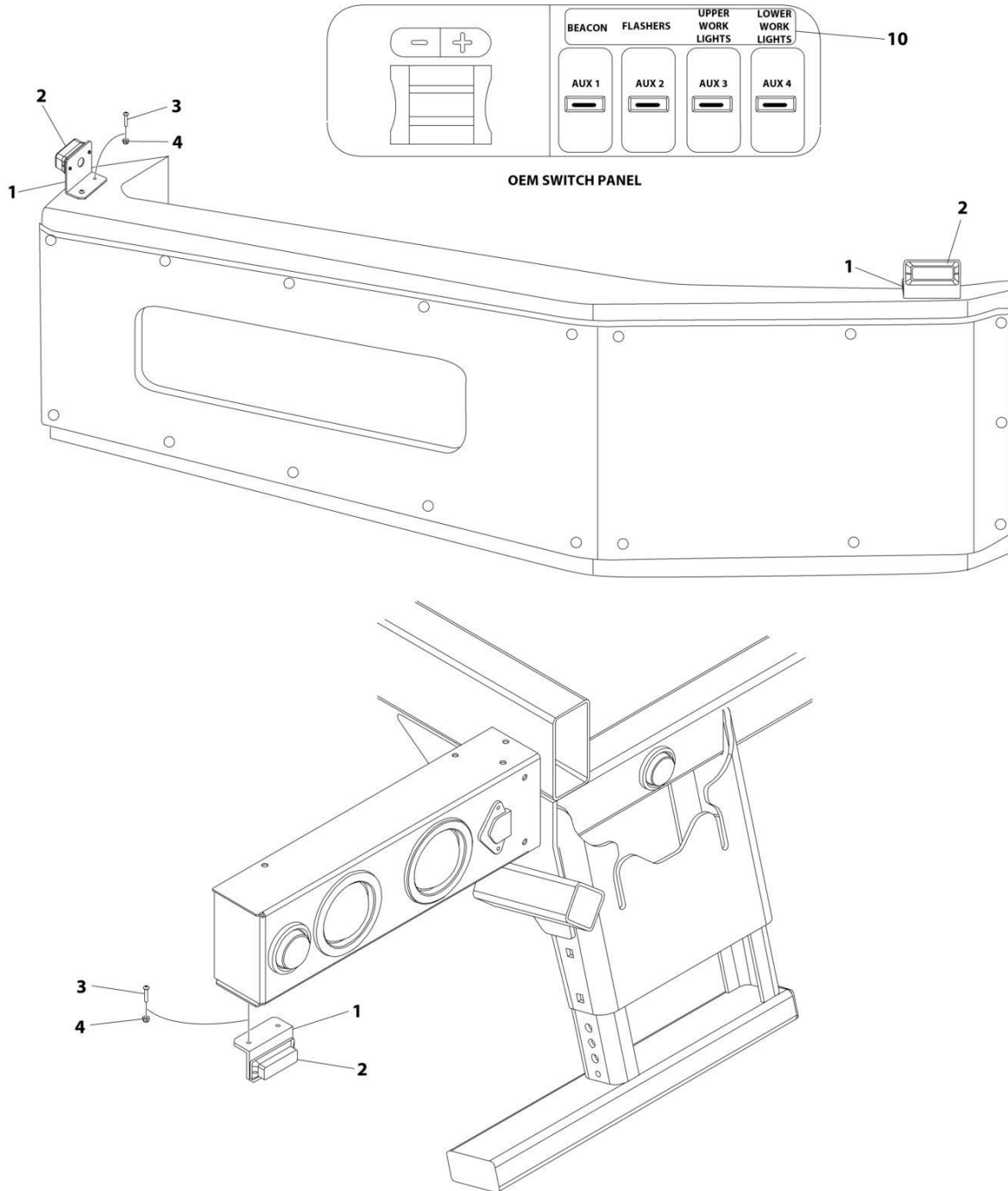
## SECTION 6 - ELECTRICAL

### FIGURE 6-11. LIGHTS - 24 VOLT LIGHT SWAP INSTALLATION

ITEM	PART NUMBER	QTY	DESCRIPTION	REV
	1001161526	Ref	LIGHT CONVERSION - 24 VOLT	A
1	7590000143	2	Light, Courtesy	
2	7590000132	4	Marker Light - Red (LED)	
3	7590000142	3	Marker Light with Grommet - Red (LED)	
4	7590000135	2	Stop Light	
5	7590000134	2	Backup Light	
6	7590000138	1	Lamp	

# SECTION 6 - ELECTRICAL

## FIGURE 6-12. LIGHTS - BUMPER STROBE INSTALLATION



ART\_1001140607

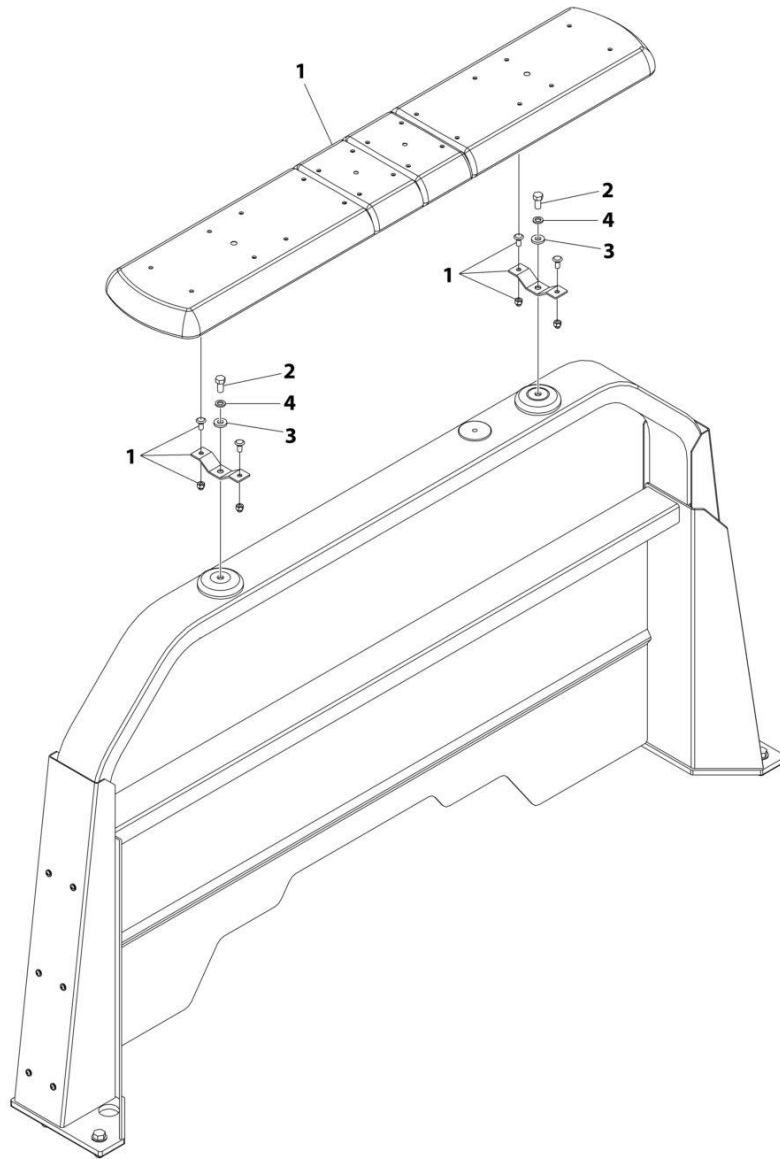
## SECTION 6 - ELECTRICAL

### FIGURE 6-12. LIGHTS - BUMPER STROBE INSTALLATION

ITEM	PART NUMBER	QTY	DESCRIPTION	REV
	1001140607	Ref	BUMPER STROBE LIGHTS INSTALLATION	C
1	1001140536	4	Bracket	
2	7590000291	4	Light 3-LED Flash (Amber)	
3	7114100818	8	Bolt #10 x 1	
4	7660102604	8	Nut #10	
10	1001129461	1	Decal-Switch	

# SECTION 6 - ELECTRICAL

FIGURE 6-13. LIGHTS - LIGHTBAR INSTALLATION (STANDARD MOUNT) (ECCO BRAND)  
(STANDARD MOUNT)



ART\_1001259575

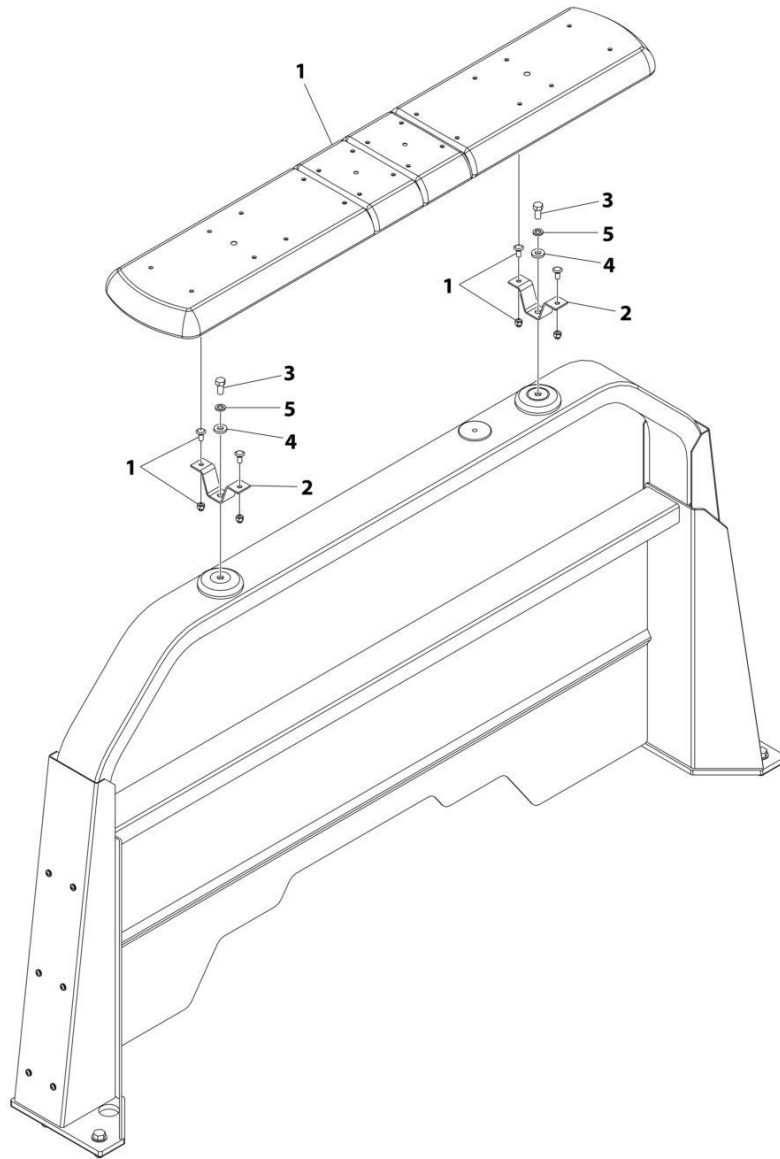
## SECTION 6 - ELECTRICAL

**FIGURE 6-13. LIGHTS - LIGHTBAR INSTALLATION (STANDARD MOUNT) (ECCO BRAND)  
(STANDARD MOUNT)**

ITEM	PART NUMBER	QTY	DESCRIPTION	REV
	1001259575	Ref	EMERGENCY LIGHTBAR AMBER ECCO 12+ 60 STD MOUNT INSTALLATION	A
1	1001247138	1	Lightbar Assembly (See Separate Breakdown in this Section)	
2	0641808	2	Bolt 1/2 x 1	
3	4891800	2	Washer 1/2	
4	4761800	2	Washer 1/2	

# SECTION 6 - ELECTRICAL

FIGURE 6-14. LIGHTS - LIGHTBAR INSTALLATION (STANDARD MOUNT) (ECCO BRAND) (HIGH MOUNT)



ART\_1001261039



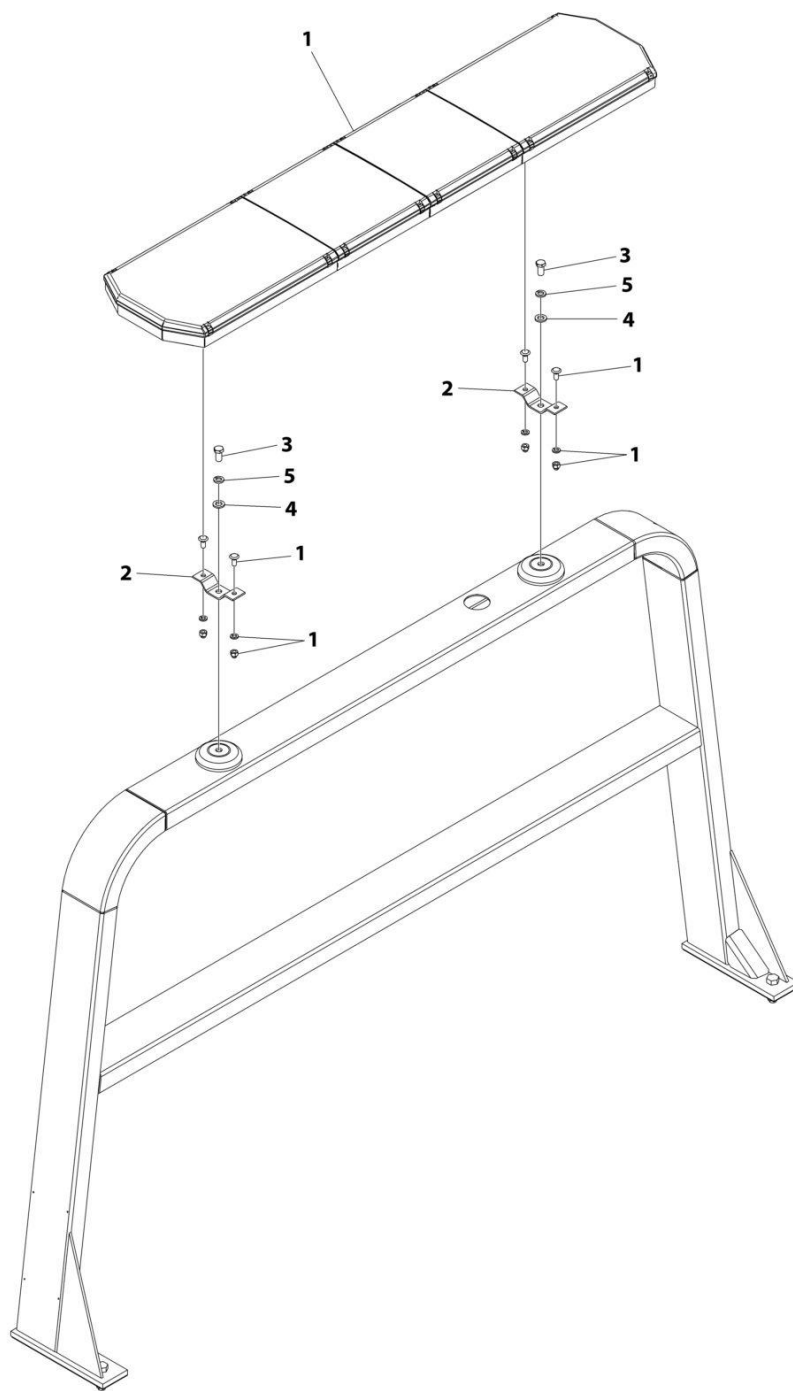
## SECTION 6 - ELECTRICAL

**FIGURE 6-14. LIGHTS - LIGHTBAR INSTALLATION (STANDARD MOUNT) (ECCO BRAND) (HIGH MOUNT)**

ITEM	PART NUMBER	QTY	DESCRIPTION	REV
	1001261039	Ref	EMERGENCY LIGHTBAR AMBER ECCO 12+ 60 HIGH MOUNT INSTALLATION	A
1	1001247138	1	Lightbar Assembly (See Separate Breakdown in this Section)	
2	1001262106	2	Bracket	
3	0641808	2	Bolt 1/2 x 1	
4	4891800	2	Washer 1/2	
5	4761800	2	Washer 1/2	

# SECTION 6 - ELECTRICAL

## FIGURE 6-15. LIGHTS - LIGHTBAR INSTALLATION (STANDARD MOUNT) (WHELEN BRAND)



ART\_1001137524

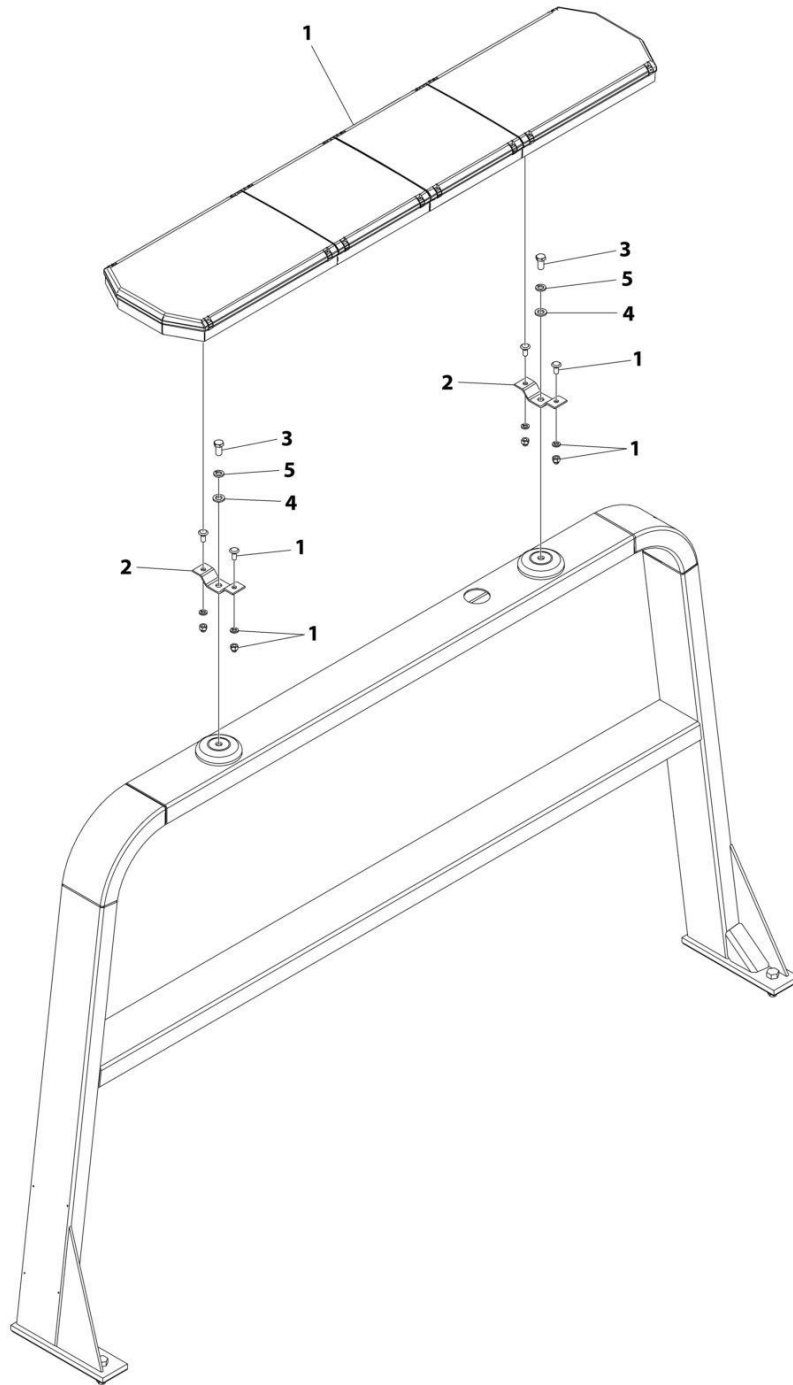
## SECTION 6 - ELECTRICAL

**FIGURE 6-15. LIGHTS - LIGHTBAR INSTALLATION (STANDARD MOUNT) (WHELEN BRAND)**

ITEM	PART NUMBER	QTY	DESCRIPTION	REV
	1001137524	Ref	EMERGENCY LIGHTBAR, AMBER, WHELEN, STANDARD MOUNT	C
1	1001199476	1	Lightbar Assembly (See Separate Breakdown in this Section)	
2	4178000402	2	Bracket	
3	7115180850	2	Capscrew 1/2 x 1	
4	7950180252	2	Washer 1/2	
5	7950180000	2	Washer 19/32	

# SECTION 6 - ELECTRICAL

## FIGURE 6-16. LIGHTS - LIGHTBAR INSTALLATION (HIGH MOUNT) (WHELEN BRAND)



ART\_1001137525

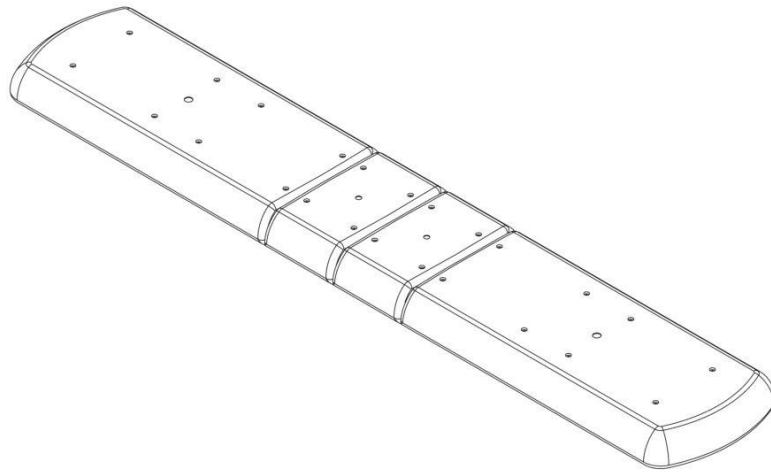
## SECTION 6 - ELECTRICAL

**FIGURE 6-16. LIGHTS - LIGHTBAR INSTALLATION (HIGH MOUNT) (WHELEN BRAND)**

ITEM	PART NUMBER	QTY	DESCRIPTION	REV
	1001137525	Ref	EMERGENCY LIGHTBAR, AMBER, WHELEN, HIGH MOUNT	C
1	1001199476	1	Lamp, Lightbar (See Separate Breakdown in this Section)	
2	4178000437	2	Bracket	
3	7115180850	2	Capscrew 1/2 x 1	
4	7950180252	2	Washer 1/2	
5	7950180000	2	Washer 19/32	

## SECTION 6 - ELECTRICAL

FIGURE 6-17. LIGHTS - LIGHTBAR ASSEMBLY (ECCO BRAND)



ART\_1001247138

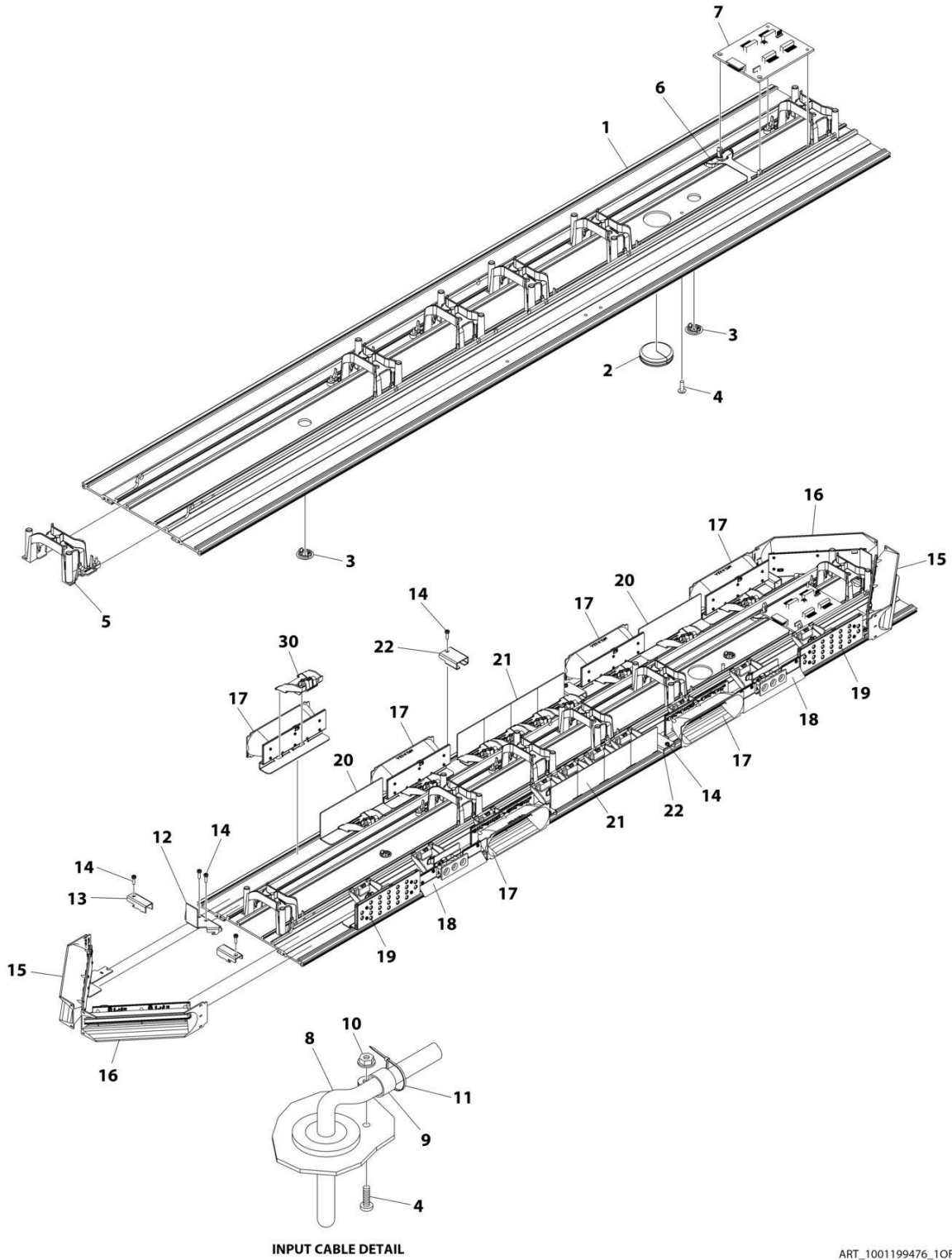
## SECTION 6 - ELECTRICAL

### FIGURE 6-17. LIGHTS - LIGHTBAR ASSEMBLY (ECCO BRAND)

ITEM	PART NUMBER	QTY	DESCRIPTION	REV
	1001247138	Ref	LIGHTBAR ASSEMBLY (ECCO BRAND)	A
		Ref	Replacement Amber Module	
		Ref	Work/Alley Light (Pair)	
		Ref	Stop/Turn/Taillight Kit (Includes 2 Modules, Harness and STT Cable)	
		Ref	Replacement Driver Board	

# SECTION 6 - ELECTRICAL

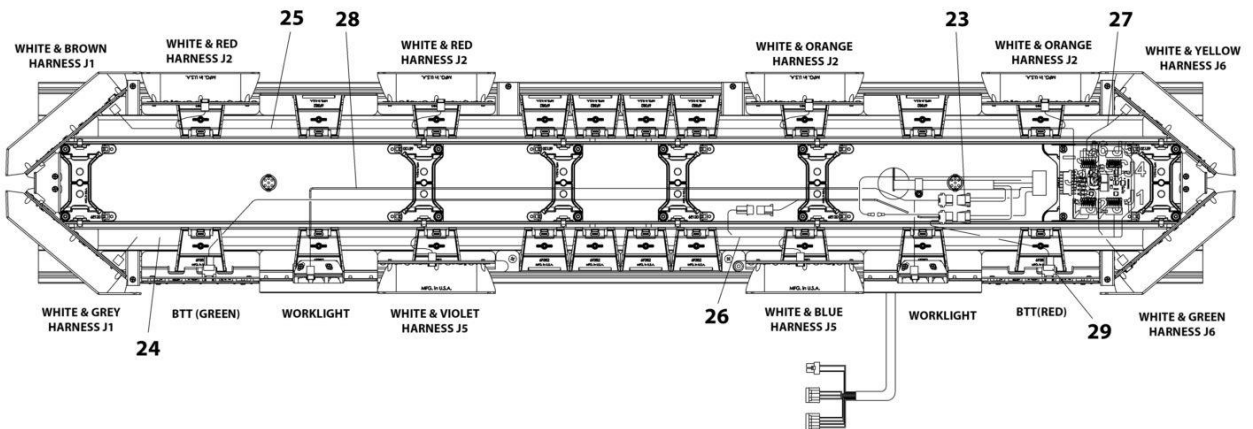
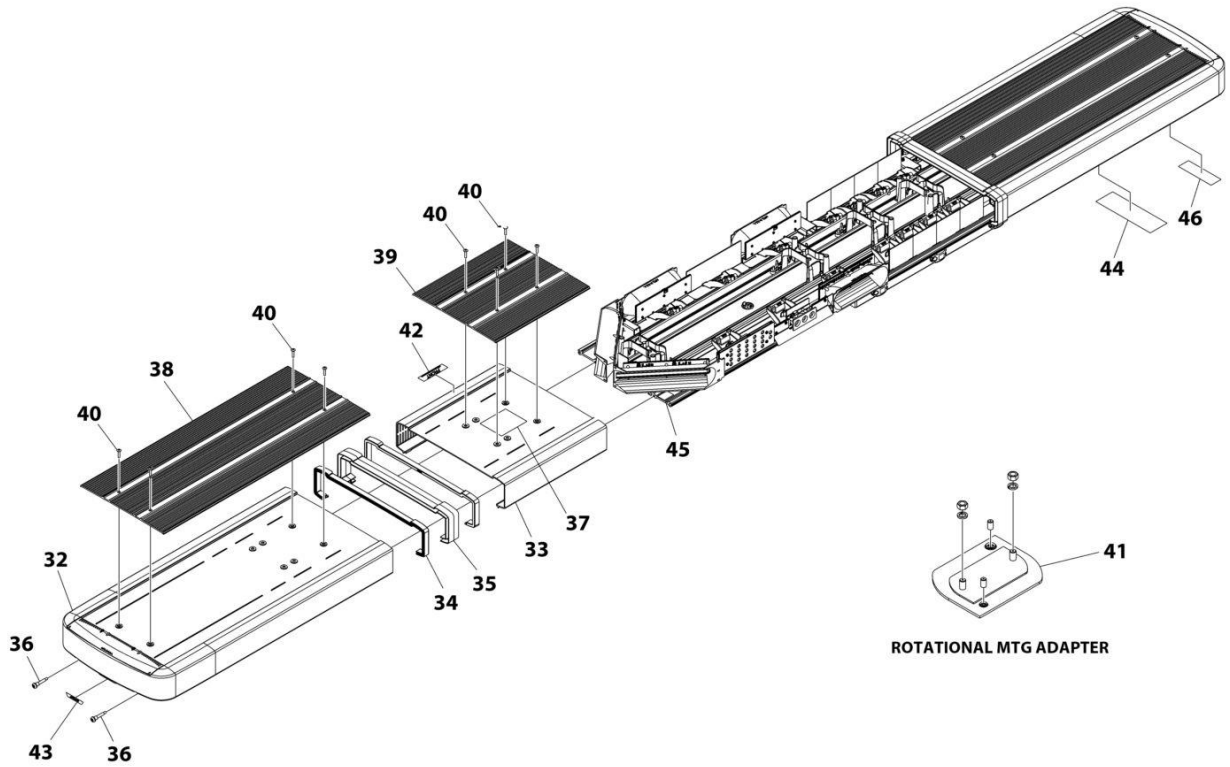
## FIGURE 6-18. LIGHTS - LIGHTBAR ASSEMBLY (WHELEN BRAND)



ART\_1001199476\_10F2



# SECTION 6 - ELECTRICAL



ART\_1001199476\_2OF2

## SECTION 6 - ELECTRICAL

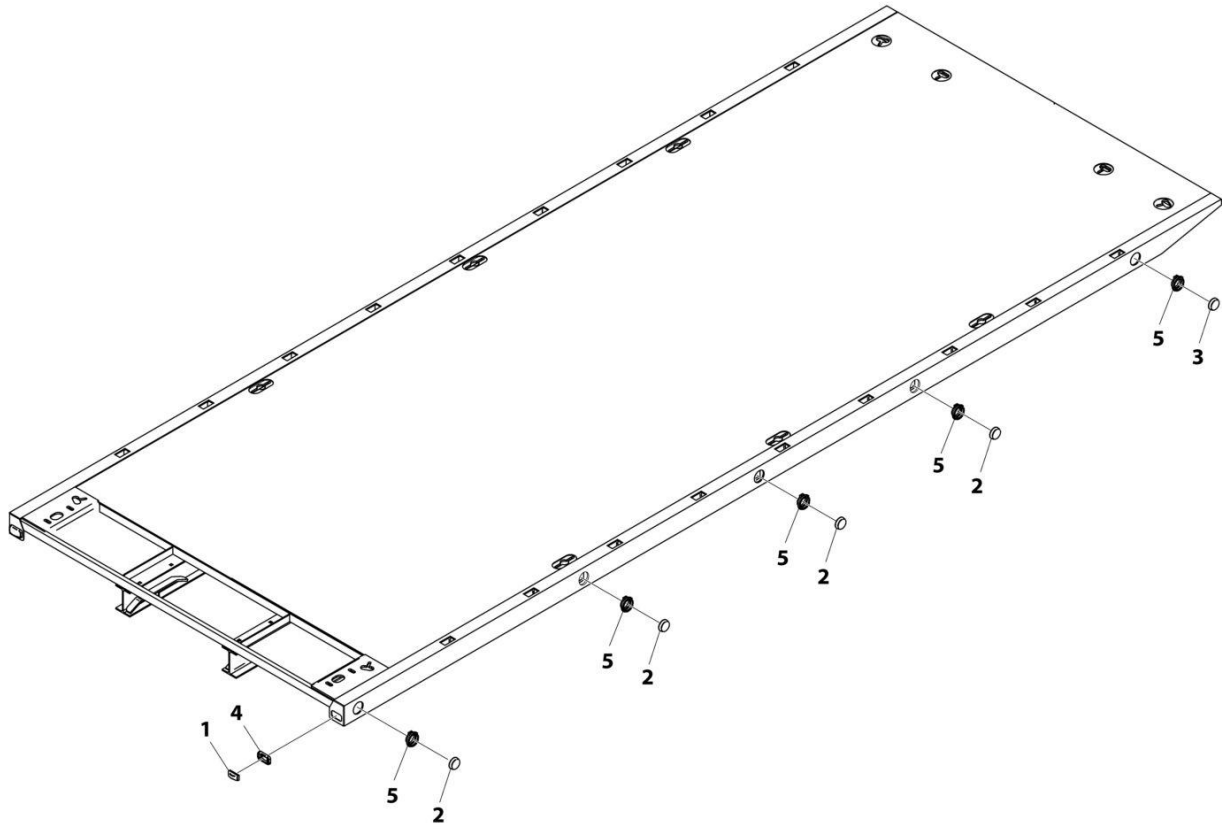
**FIGURE 6-18. LIGHTS - LIGHTBAR ASSEMBLY (WHELEN BRAND)**

ITEM	PART NUMBER	QTY	DESCRIPTION	REV
	1001199476	Ref	LAMP LIGHTBAR WHELEN LIB2 60 CARR	B
1		Ref	Base, Extruded	
2		Ref	Grommet	
3		Ref	Plug	
4		Ref	Screw 10 x 5/8	
5		Ref	Bracket	
6		Ref	Bracket	
7		Ref	Board Assembly	
8		Ref	Cable Assembly	
9		Ref	Clamp	
10		Ref	Nut 10	
11		Ref	Tie-Strap (Not Shown)	
12		Ref	Bracket	
13		Ref	Bracket	
14		Ref	Screw 6 x 1/2	
15		Ref	Corner Assembly, L-Front/R-Rear	
16		Ref	Corner Assembly, L-Rear/R-Front	
17		Ref	Sub Assembly, Full Directional Liberty	
18		Ref	Sub Assembly, Single 3 Led Full T-D Liberty	
19		Ref	Sub Assembly, 12V Stop/Turn, Tail LC Liberty	
20		Ref	Bracket	
21		Ref	Bracket	
22		Ref	Bracket	
23		Ref	Housing, 6-Position Socket Motor	
24		Ref	Harness, Driver Corner J1	
25		Ref	Harness, Front Inboard J2	
26		Ref	Harness, Rear In Boards J5	
27		Ref	Harness, Pass Corners J6	
28		Ref	Harness, Work Light	
29		Ref	Harness, B/T/T W/Dot LTS	
30		Ref	Bracket	
31		Ref	Tie-Strap (Not Shown)	
32		Ref	Sub Assembly, Full Lens	
33		Ref	Lens, Clear Optic Cut Center	
34		Ref	Seal, Lens Divider	
35		Ref	Divider, Lens Independence Lightbar	
36		Ref	Screw 10 x 1-1/4	
37		Ref	Label, Center Dome Removal Instructions	
38		Ref	Cover, Top Extruded	
39		Ref	Cover, Top Extruded	
40		Ref	Screw 10 x 7/8	
41		Ref	Kit, Rotational	
42		Ref	Label, "Front" Lightbar Assembly	
43		Ref	Label, Jerr-Dan Liberty	
44		Ref	Label, MN/SN	
45		Ref	Label, Serial Number	
46		Ref	Label, "Pre-Production"	



# SECTION 6 - ELECTRICAL

## FIGURE 6-19. LIGHTS - MARKER LIGHT INSTALLATION, CARRIER DECK



ART\_2590000215

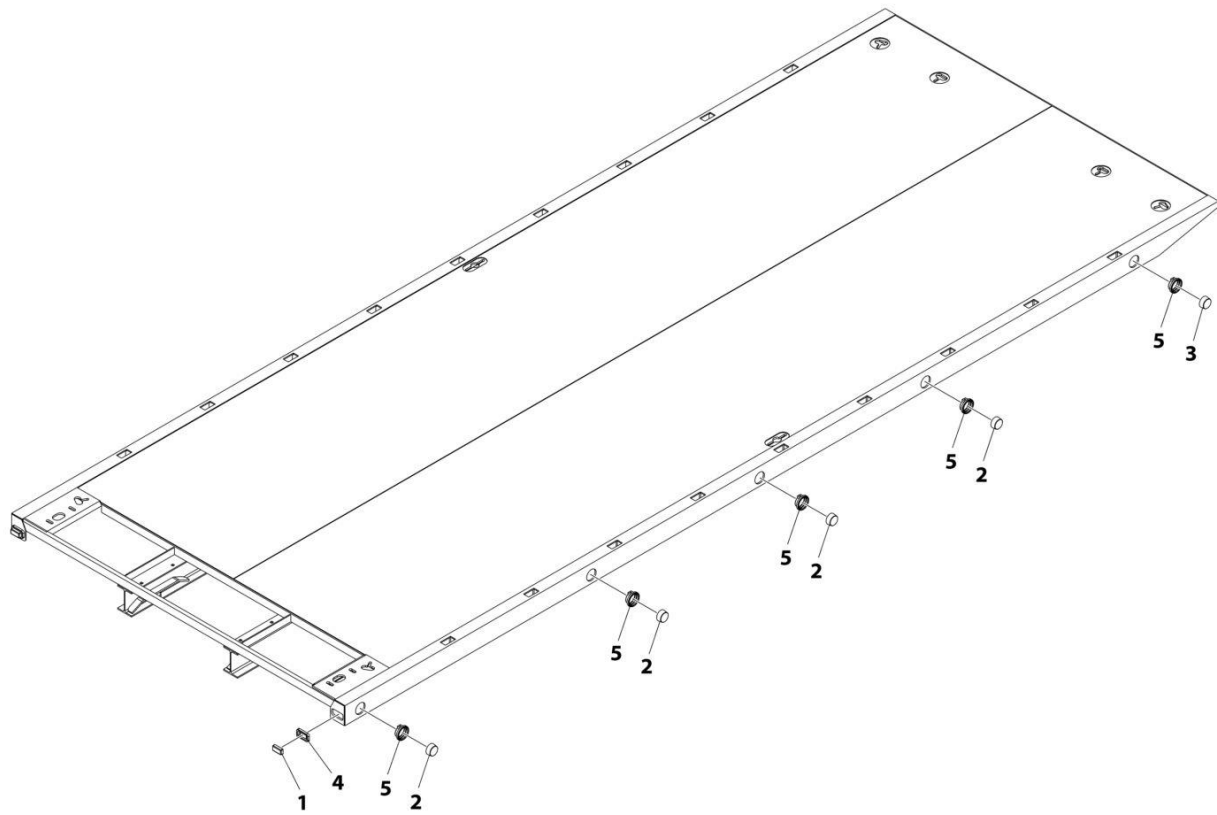
## SECTION 6 - ELECTRICAL

**FIGURE 6-19. LIGHTS - MARKER LIGHT INSTALLATION, CARRIER DECK**

ITEM	PART NUMBER	QTY	DESCRIPTION	REV
	2590000215	Ref	LIGHTS INSTALLATION - STANDARD CARRIER DECK	B
1	7590000339	2	Marker Light - Amber (LED)	
2	7590000342	8	Marker Light - Amber (LED)	
3	7590000343	2	Marker Light - Red (LED)	
4	7493000010	2	Grommet	
5	7493000009	10	Grommet	

# SECTION 6 - ELECTRICAL

FIGURE 6-20. LIGHTS - MARKER LIGHT INSTALLATION, CARRIER DECK - 24V



ART\_1001131570

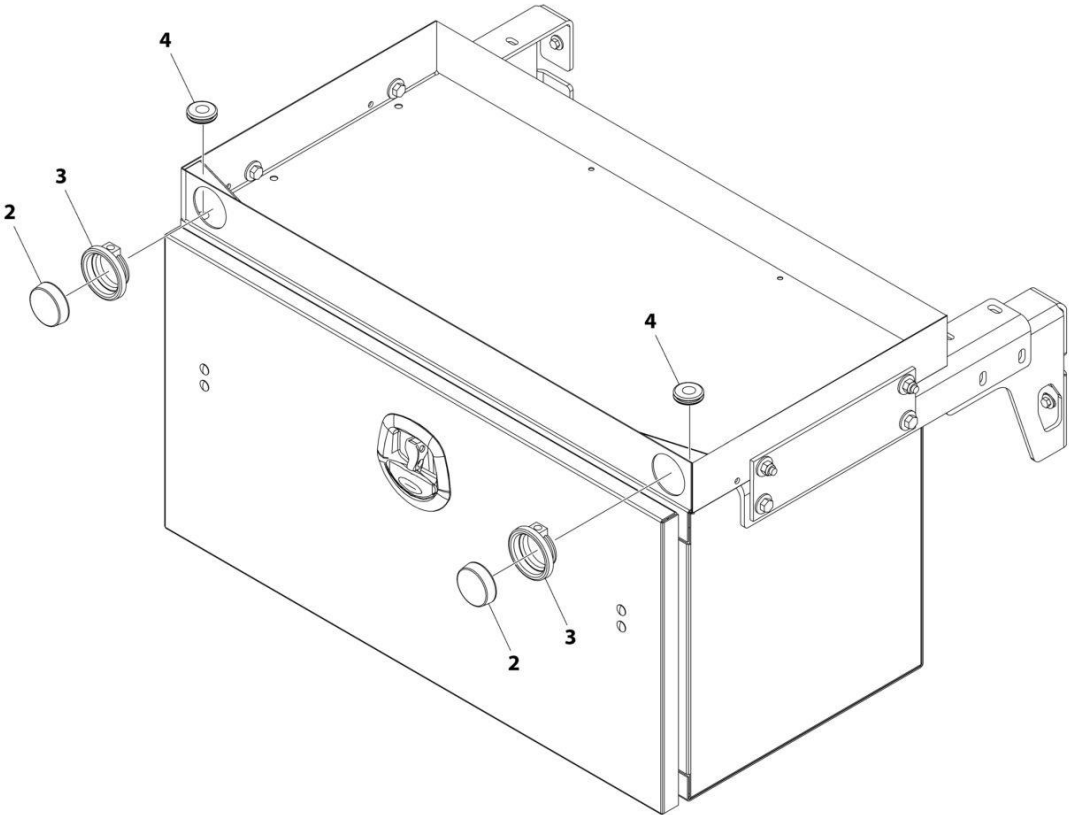
## SECTION 6 - ELECTRICAL

**FIGURE 6-20. LIGHTS - MARKER LIGHT INSTALLATION, CARRIER DECK - 24V**

ITEM	PART NUMBER	QTY	DESCRIPTION	REV
	1001131570	Ref	DECK MARKER LIGHTS	B
1	7590000148	2	Marker Light - Amber	
2	7590000133	8	Light, Round - Amber - 24V	
3	7590000132	2	Light, Round - Red - 24V	
4	7493000010	2	Grommet	
5	7493000009	10	Grommet	

**SECTION 6 - ELECTRICAL**

**FIGURE 6-21. LIGHTS - MARKER LIGHT, TOOL BOX TOP STORAGE TRAY**



ART\_2590000261



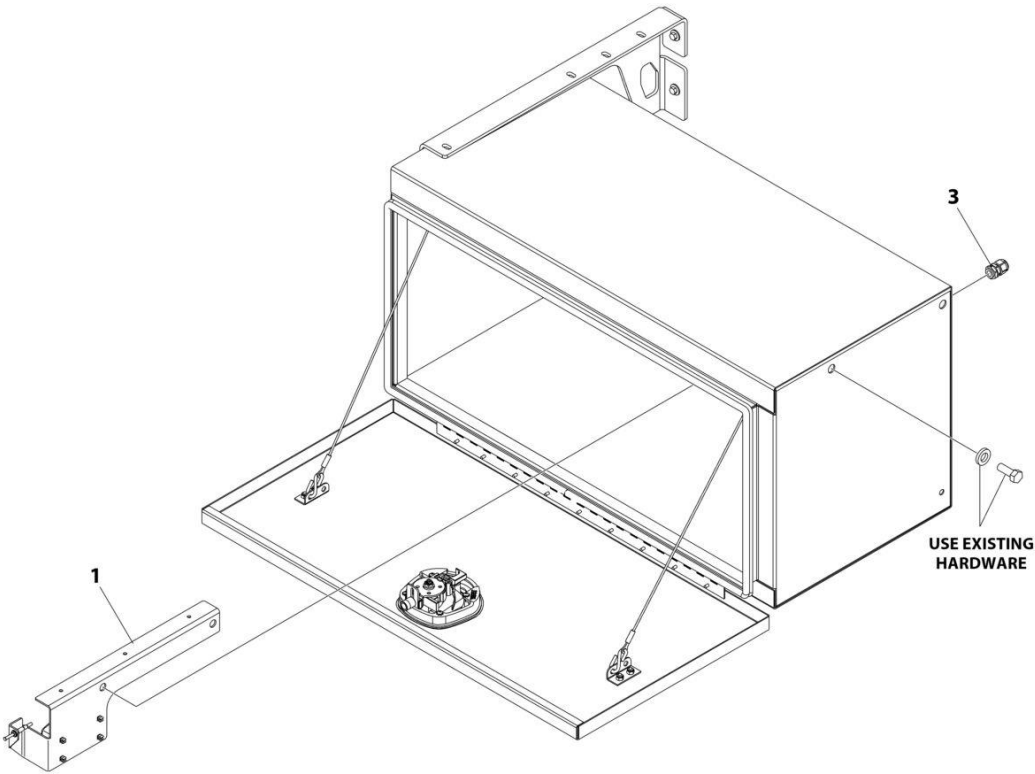
## SECTION 6 - ELECTRICAL

**FIGURE 6-21. LIGHTS - MARKER LIGHT, TOOL BOX TOP STORAGE TRAY**

ITEM	PART NUMBER	QTY	DESCRIPTION	REV
1	2590000261	Ref	Marker Light, Tool Box Top Storage Tray	C
	7552000451	1	Harness Toolbox Marker Light (Not Shown)	
	1001121727	1	Receptacle - 5 Position Female	
	1001116729	5	Terminal	
	1001121726	1	Plug, Male - 5 Position	
	1001116747	5	Terminal	
	4460746	AR	Terminal, Square	
		Ref	<b>Connecotr, Truck Light</b>	
2	7590000342	2	Marker Light - Amber (LED)	
3	7493000009	2	Grommet	
4	7493000031	2	Grommet	
5	7894000004	6	Tie Strap (Not Shown)	

**SECTION 6 - ELECTRICAL**

**FIGURE 6-22. LIGHTS - TOOLBOX LIGHT INSTALLATION**



ART\_217800031

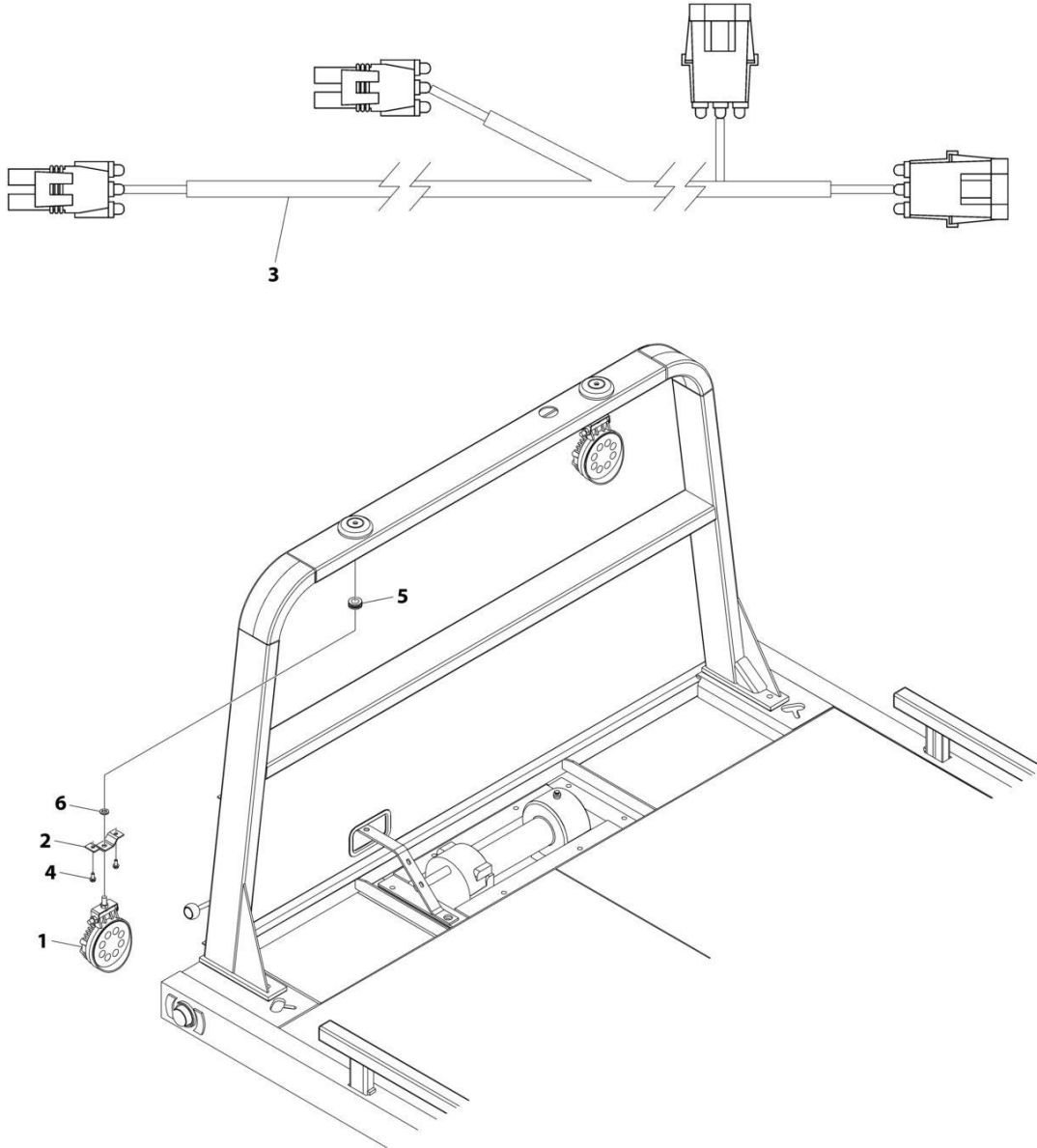
## SECTION 6 - ELECTRICAL

### FIGURE 6-22. LIGHTS - TOOLBOX LIGHT INSTALLATION

ITEM	PART NUMBER	QTY	DESCRIPTION	REV
	2178000031	Ref	Toolbox Light Installation	0
1	3178000437	1	Bracket Assembly (See Separate Breakdown in this Section)	
2	7552000297	1	Harness, Tool Box Light (Not Shown)	
2	4460742	1	Plug, Male - 2 Position	
2	4460457	2	Socket, Female	
3	7443000377	1	Fitting	

# SECTION 6 - ELECTRICAL

## FIGURE 6-23. LIGHTS - WORK LIGHTS INSTALLATION - HEADBOARD



ART\_1001176428

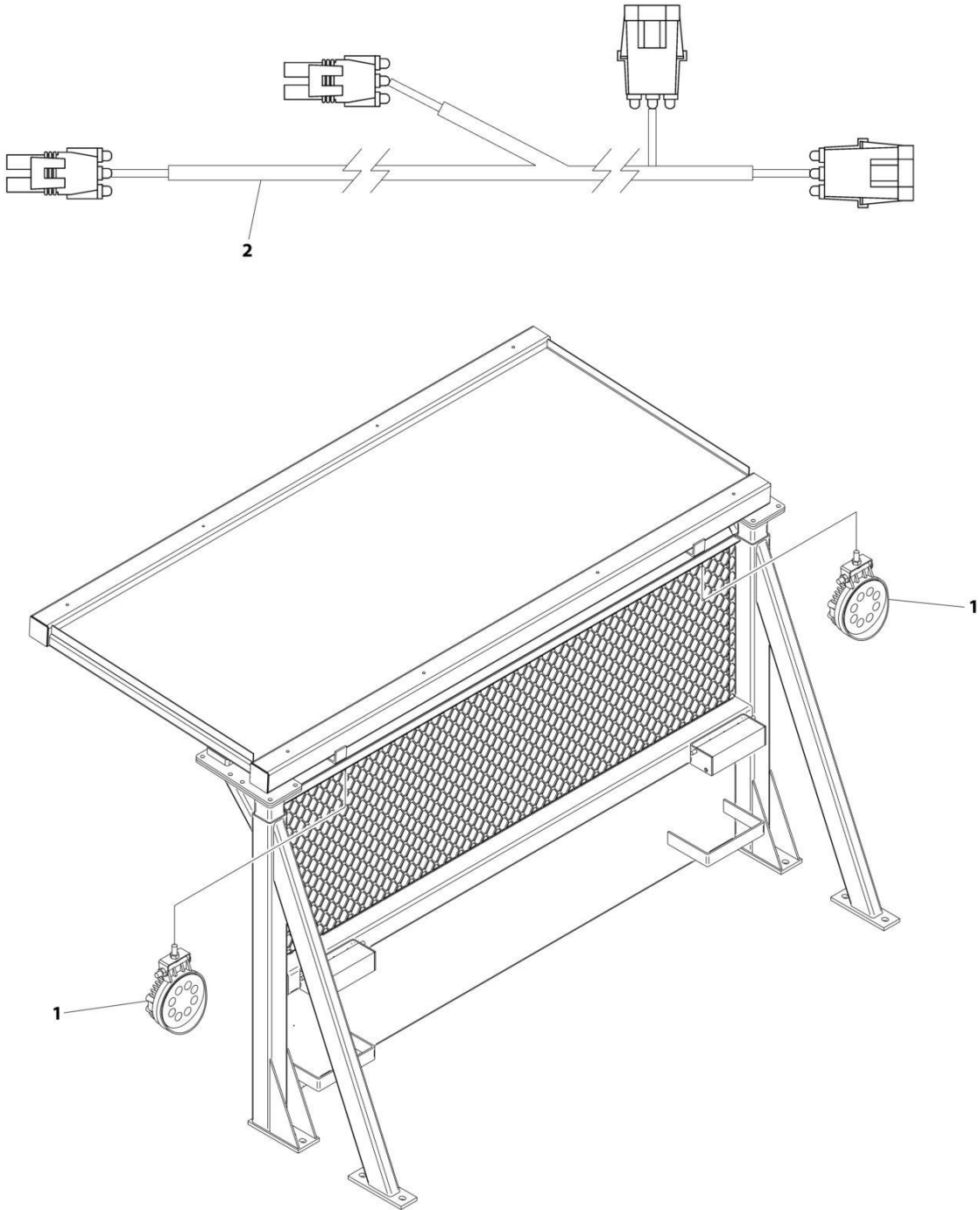
## SECTION 6 - ELECTRICAL

**FIGURE 6-23. LIGHTS - WORK LIGHTS INSTALLATION - HEADBOARD**

ITEM	PART NUMBER	QTY	DESCRIPTION	REV
	1001176428	Ref	LED WORK LIGHTS REAR HEADBOARD INSTALLATION	B
1	1001176337	2	Lamp, LED Work Light 10V-30V <b>(Prior to SN 0220026465)</b>	
1	1001273634	2	Lamp, LED Work Light 10V-30V <b>(SN 0220026465 to Present)</b>	
2	4178000402	2	Bracket	
3	7552000222	1	Harness, Headboard Work Light	
3	4460742	3	Plug, Male - 2 Position	
3	4461157	1	Receptacle, Female - 2 Position	
3	4460457	8	Terminal	
3	8220081	8	Seal	
4	7790151253	4	Screw 5/16 x 3/4	
5	7493000003	2	Grommet	
6	7950150161	2	Washer 5/16	
7	5526000553	4	Tie-Strap (Not Shown)	

# SECTION 6 - ELECTRICAL

## FIGURE 6-24. LIGHTS - WORK LIGHTS INSTALLATION - HEADBOARD (BUCKET REST)



ART\_1001176427

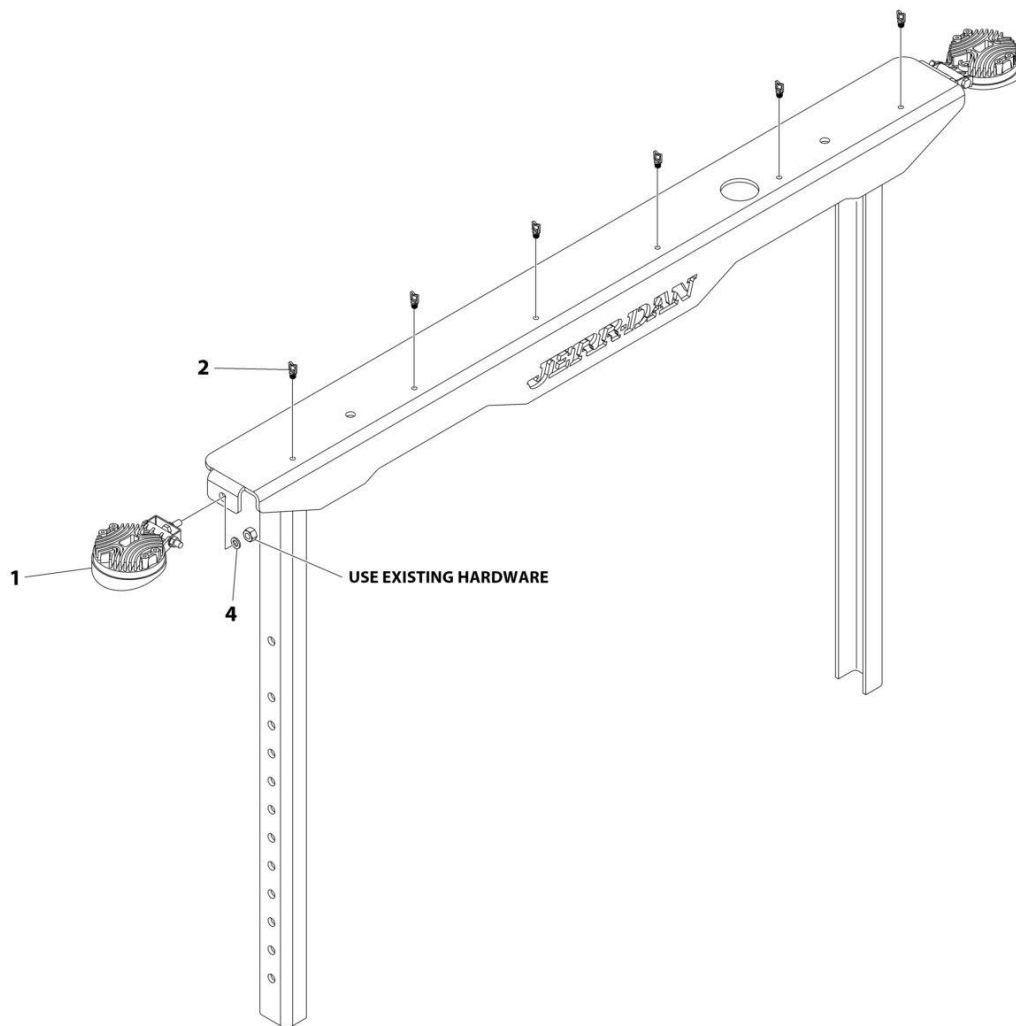
## SECTION 6 - ELECTRICAL

**FIGURE 6-24. LIGHTS - WORK LIGHTS INSTALLATION - HEADBOARD (BUCKET REST)**

ITEM	PART NUMBER	QTY	DESCRIPTION	REV
	1001176427	Ref	LED WORK LIGHTS BRACKET HEADBOARD INSTALLATION	B
1	1001176337	2	Lamp, LED Work Light 10V-30V <b>(Prior to SN 0220026465)</b>	
1	1001273634	2	Lamp, LED Work Light 10V-30V <b>(SN 0220026465 to Present)</b>	
2	7552000360	1	Harness, Deck Work Light	
2	4460742	3	Plug, Male - 2 Position	
2	4461157	2	Receptacle, Female - 2 Postion	
2	4460457	8	Terminal	
2	8220081	6	Seal	
2	4460748	2	Plug, Cavity	
3	5526000553	4	Tie-Strap (Not Shown)	

# SECTION 6 - ELECTRICAL

## FIGURE 6-25. LIGHTS - WORK LIGHTS INSTALLATION - HEADBOARD (SRS)



ART\_1001176429



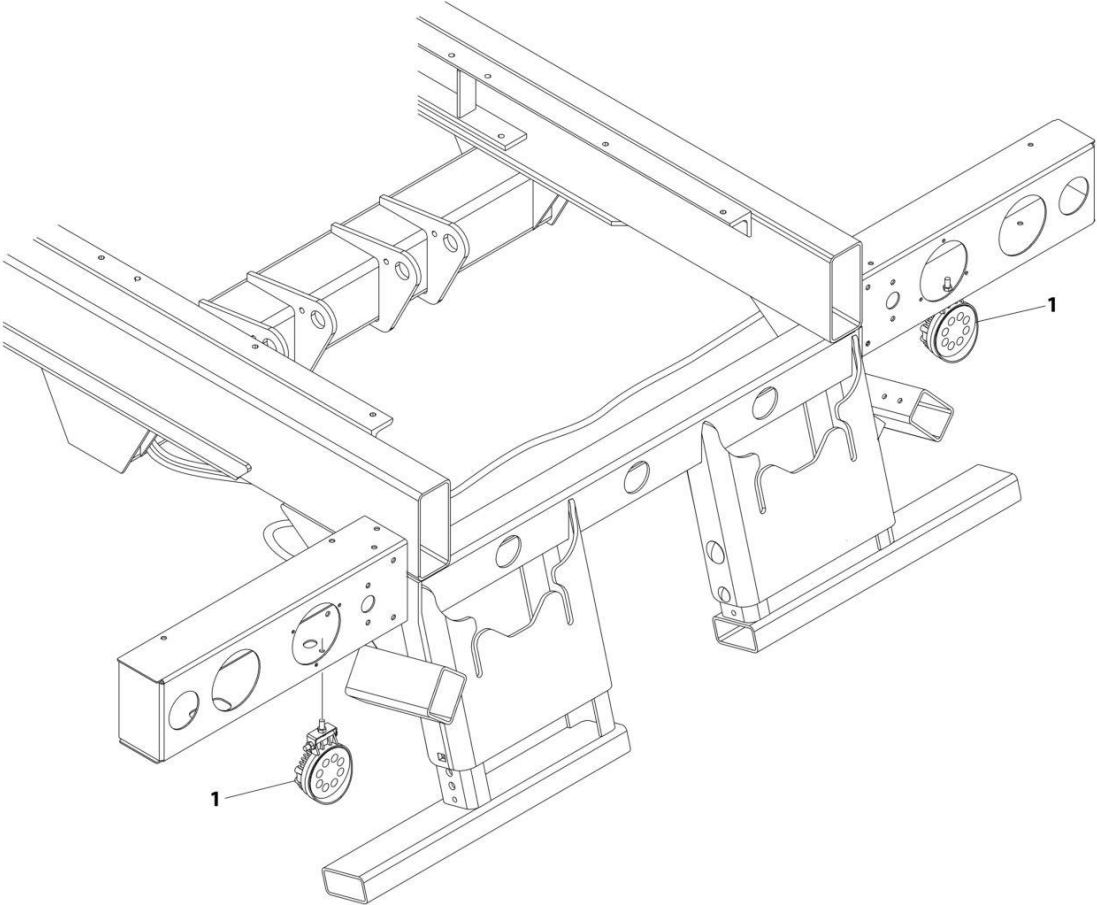
## SECTION 6 - ELECTRICAL

**FIGURE 6-25. LIGHTS - WORK LIGHTS INSTALLATION - HEADBOARD (SRS)**

ITEM	PART NUMBER	QTY	DESCRIPTION	REV
	1001176429	Ref	LED WORK LIGHTS HEADBOARD INSTALLATION - SRS	B
1	1001176337	2	Lamp, LED Work Light 10V-30V <b>(Prior to SN 0220026465)</b>	
1	1001273634	2	Lamp, LED Work Light 10V-30V <b>(SN 0220026465 to Present)</b>	
2	7280000011	6	Clip	
3	7552000397	1	Harness, Deck Work Light (Not Shown)	
3	4460742	2	Plug, Male - 2 Position	
3	4460457	4	Terminal	
4	7950150161	2	Washer 5/16	

**SECTION 6 - ELECTRICAL**

**FIGURE 6-26. LIGHTS - WORKLIGHTS INSTALLATION (REAR)**



ART\_1001176430

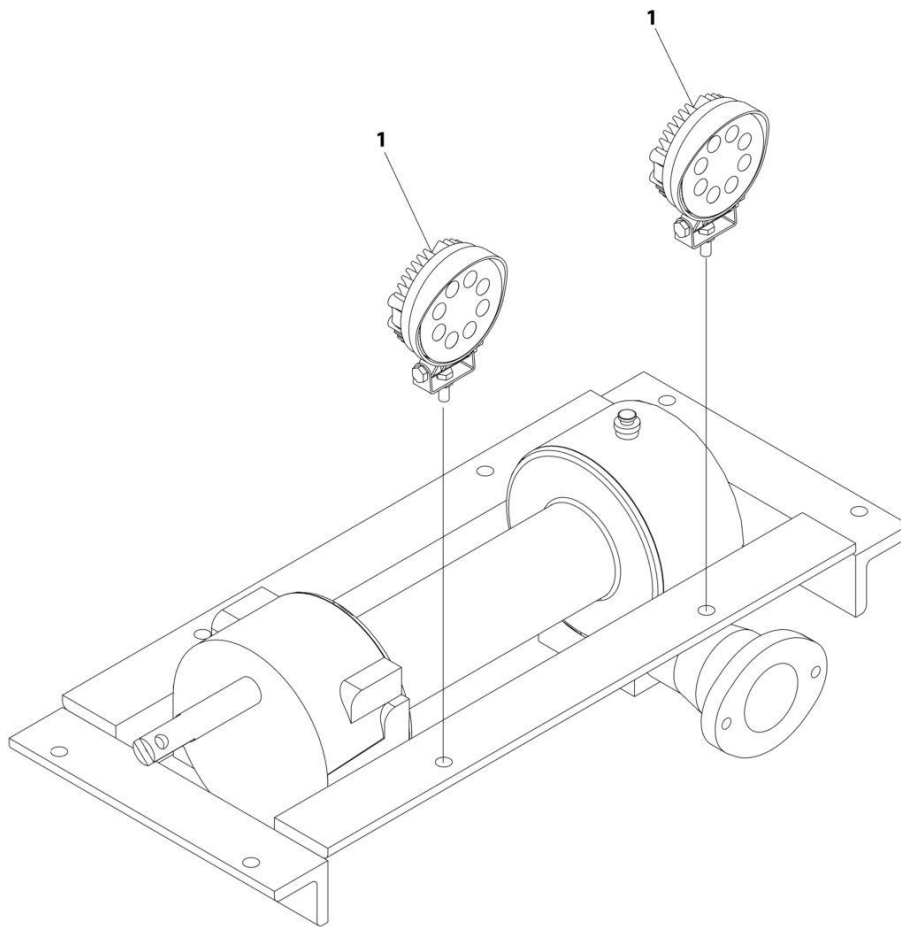
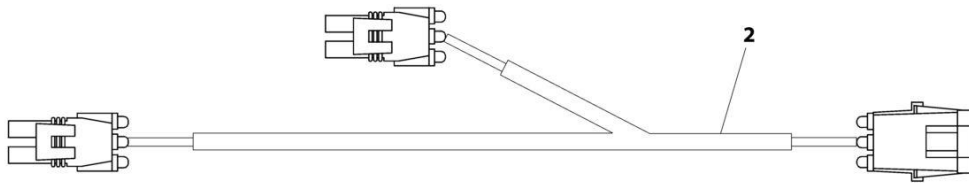
## SECTION 6 - ELECTRICAL

**FIGURE 6-26. LIGHTS - WORKLIGHTS INSTALLATION (REAR)**

ITEM	PART NUMBER	QTY	DESCRIPTION	REV
	1001176430	Ref	LED WORK LIGHTS REAR INSTALLATION	B
1	1001176337	2	Lamp, LED Work Light 10V-30V <b>(Prior to SN 0220026465)</b>	
1	1001273634	2	Lamp, LED Work Light 10V-30V <b>(SN 0220026465 to Present)</b>	

## SECTION 6 - ELECTRICAL

FIGURE 6-27. LIGHTS - WORKLIGHTS INSTALLATION (WINCH)



ART\_1001176431

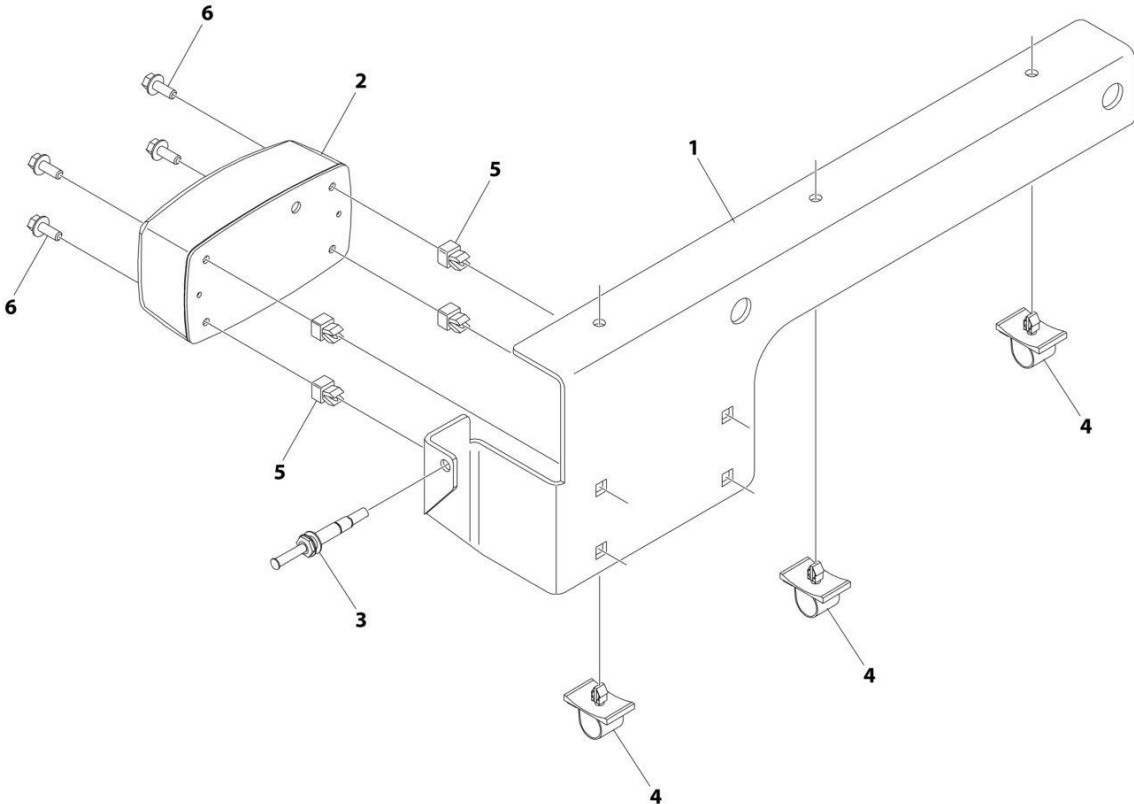
## SECTION 6 - ELECTRICAL

**FIGURE 6-27. LIGHTS - WORKLIGHTS INSTALLATION (WINCH)**

ITEM	PART NUMBER	QTY	DESCRIPTION	REV
	1001176431	Ref	LED WORK LIGHTS WINCH INSTALLATION	C
1	1001176337	2	Lamp, LED Work Light 10V-30V <b>(Prior to SN 0220026465)</b>	
1	1001273634	2	Lamp, LED Work Light 10V-30V <b>(SN 0220026465 to Present)</b>	
2	7552000166	1	Harness, Deck Work Light	
2	4460742	2	Plug, Male - 2 Position	
2	4461157	1	Receptacle, Female - 2 Position	
2	4460457	6	Terminal	
2	8220081	6	Seal	
3	5526000553	4	Tie-Strap (Not Shown)	

**SECTION 6 - ELECTRICAL**

**FIGURE 6-28. LIGHT BRACKET ASSEMBLY - TOOLBOX**



ART\_3178000437

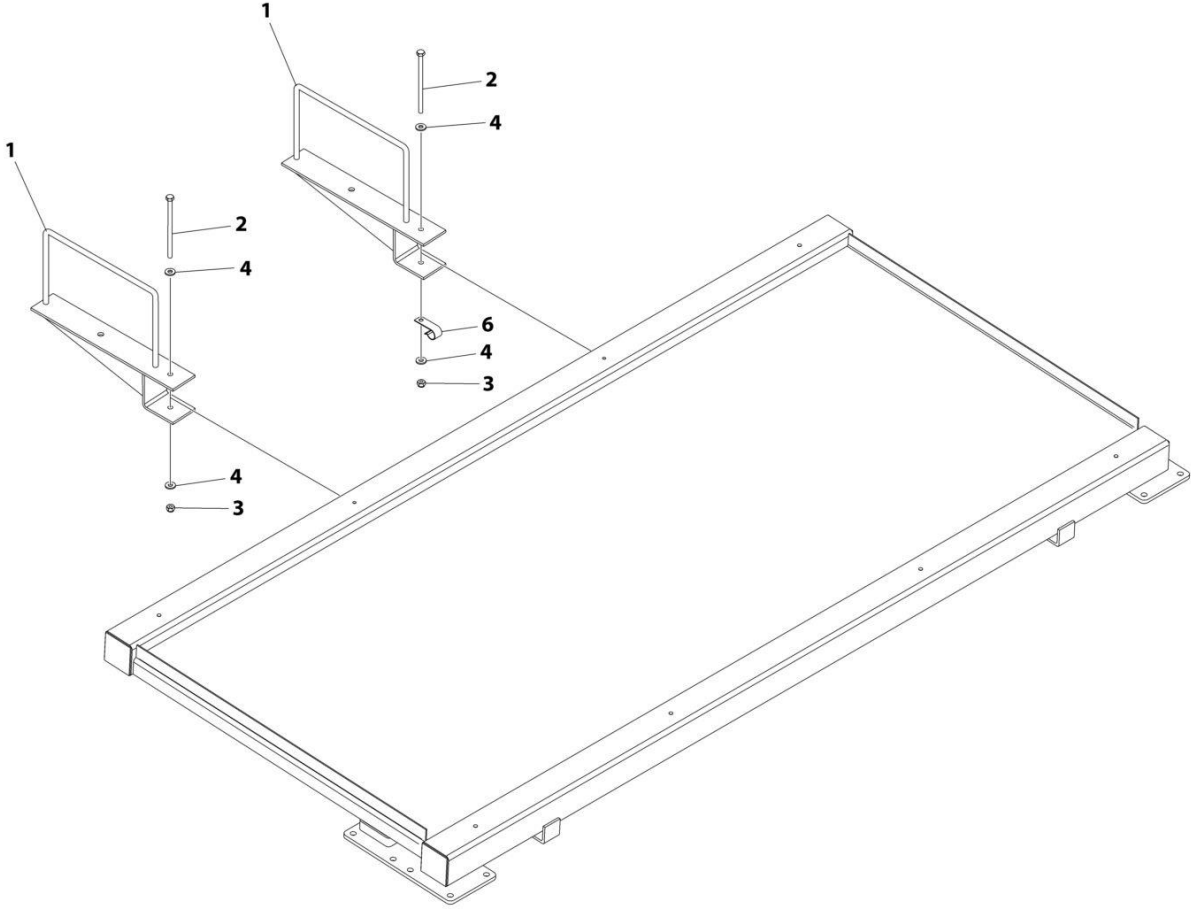
## SECTION 6 - ELECTRICAL

**FIGURE 6-28. LIGHT BRACKET ASSEMBLY - TOOLBOX**

ITEM	PART NUMBER	QTY	DESCRIPTION	REV
	3178000437	Ref	Toolbox Light Bracket Assembly	0
1	4178000578	1	Bracket	
2	7590000273	1	Light Dome Lamp	
3	7870000115	1	Switch	
4	7280000007	3	Clip	
5	7661000047	4	Nut #10 x 1/8	
6	7790100856	4	Screw #10 x 1/2	

**SECTION 6 - ELECTRICAL**

**FIGURE 6-29. LIGHT MOUNTING BAR IINSTALLATION (BUCKET REST)**



ART\_1001141894



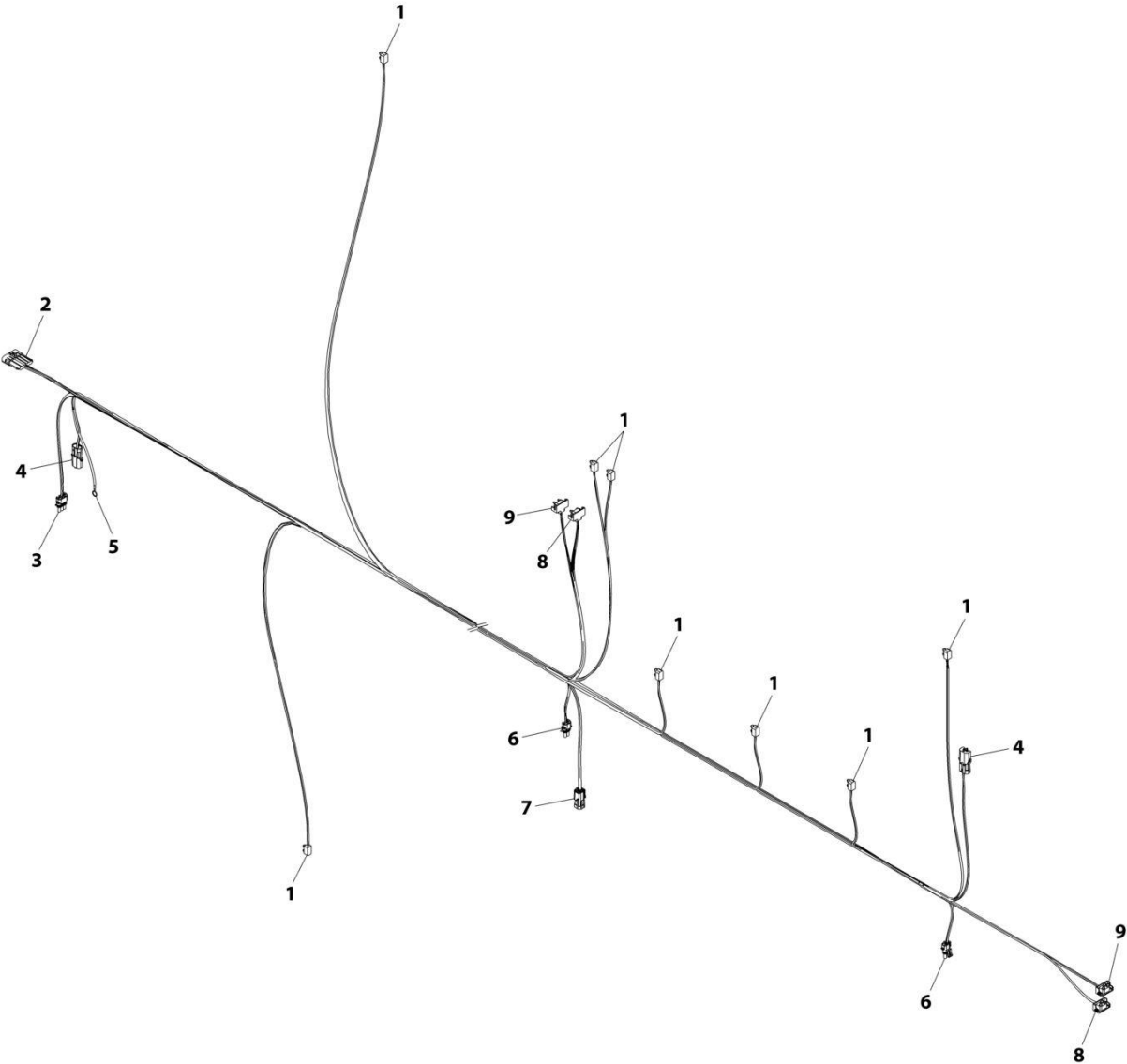
## SECTION 6 - ELECTRICAL

**FIGURE 6-29. LIGHT MOUNTING BAR IINSTALLATION (BUCKET REST)**

ITEM	PART NUMBER	QTY	DESCRIPTION	REV
	1001141894	Ref	LIGHT MOUNTING BRACKET INSTALLATION	A
1	1001141889	2	Light Bar Bracket	
2	0641436	2	Bolt 1/4 x 4-1/2	
3	7660142601	2	Nut 1/4	
4	7950140143	4	Washer 1/4	
5	7660142601	2	Nut 1/2 (Not Shown)	
6	7280000019	1	Clip	

**SECTION 6 - ELECTRICAL**

**FIGURE 6-30. SUBFRAME HARNESS**



ART\_1001173952

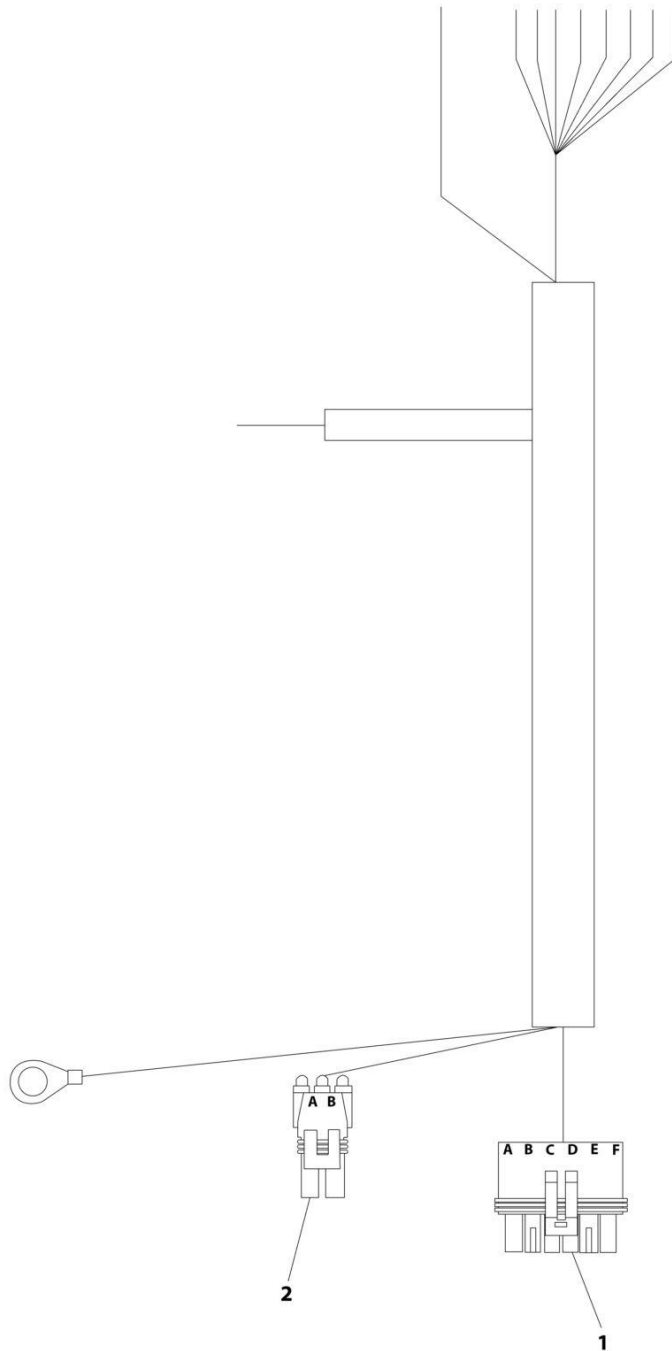
## SECTION 6 - ELECTRICAL

### FIGURE 6-30. SUBFRAME HARNESS

ITEM	PART NUMBER	QTY	DESCRIPTION	REV
	1001173952	Ref	SUBFRAME HARNESS	C
1	1001275791	8	Connector & Lead Wire - 2 Position (Marker Lights)	
2	1001121727	1	Connector - 5 Position	
2	1001116729	5	Terminal	
2	1001190037	5	Seal	
3	4460459	1	Plug, Male - 3 Position	
3	4460457	3	Terminal	
3	1001190037	3	Seal	
4	4461157	2	Plug, Male - 2 Position	
4	4460457	4	Terminal	
4	1001190037	4	Seal	
5	4460019	1	Terminal, Ring	
6	4460742	2	Plug, Male - 2 Position	
6	4460457	4	Terminal	
7	80963062	1	Plug, Male - 4 Position	
7	4460457	4	Terminal	
7	1001190037	4	Seal	
8	1001275792	2	Connector & Lead Wire - 2 Position (Stop/Turn/Taillights)	
9	1001275793	2	Connector & Lead Wire - 2 Position (Stop/Turn/Taillights)	

# SECTION 6 - ELECTRICAL

FIGURE 6-31. SUBFRAME TO CAB HARNESS (BOLT-ON HEADBOARD)



ART\_7552000074

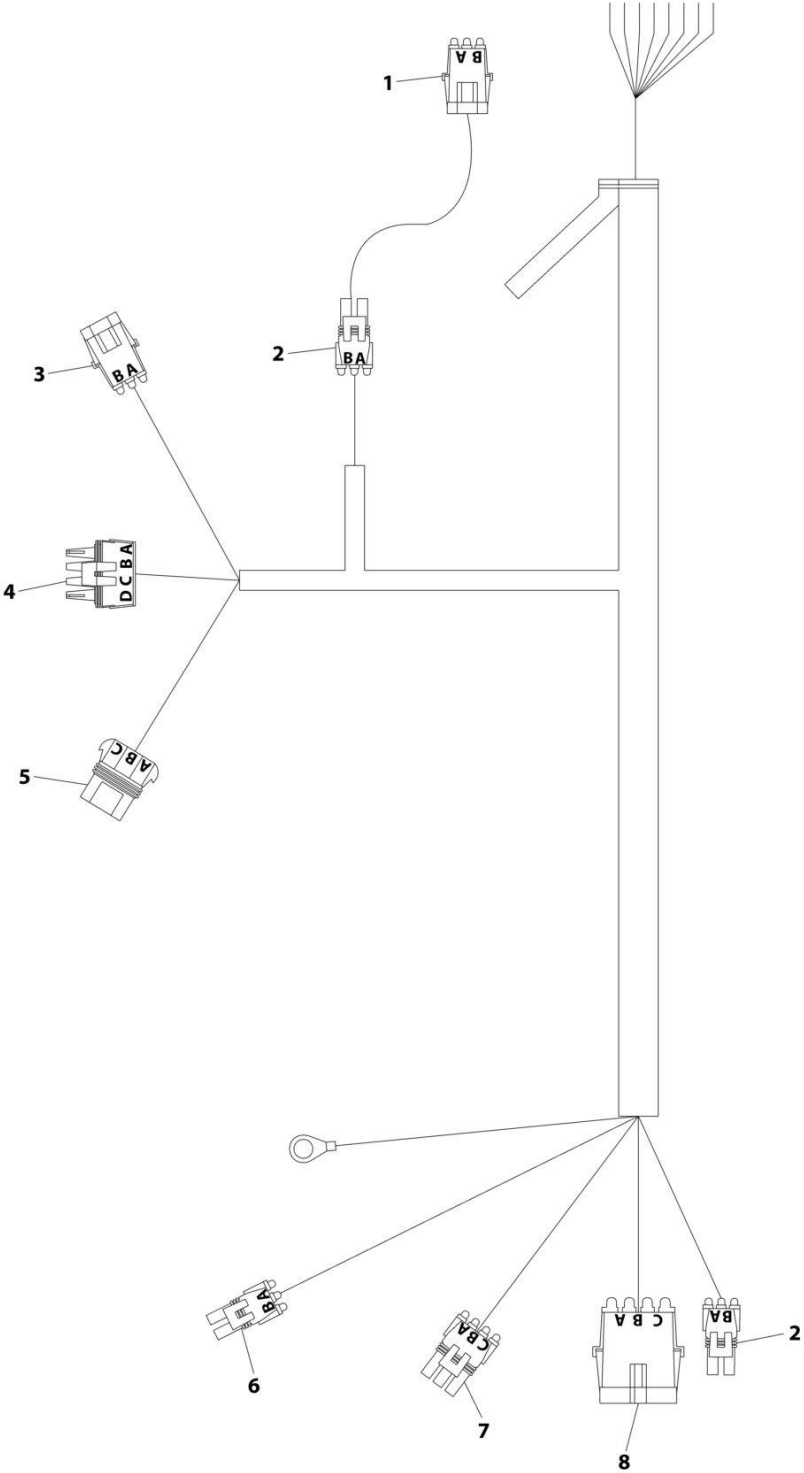
## SECTION 6 - ELECTRICAL

**FIGURE 6-31. SUBFRAME TO CAB HARNESS (BOLT-ON HEADBOARD)**

ITEM	PART NUMBER	QTY	DESCRIPTION	REV
	7552000074	Ref	SUBFRAME TO CAB HARNESS	4
1	4460461	1	Plug, Male - 6 Position	
1	4460790	5	Socket, Female	
1	NPN	6	Seal	
1	1001116727	1	Plug, Terminal	
2	4460742	1	Plug, Male - 2 Position	
2	4460457	2	Terminal	
2	NPN	2	Seal	

**SECTION 6 - ELECTRICAL**

**FIGURE 6-32. SUBFRAME TO CAB HARNESS (STATIONARY HEADBOARD)**



ART\_1001260060

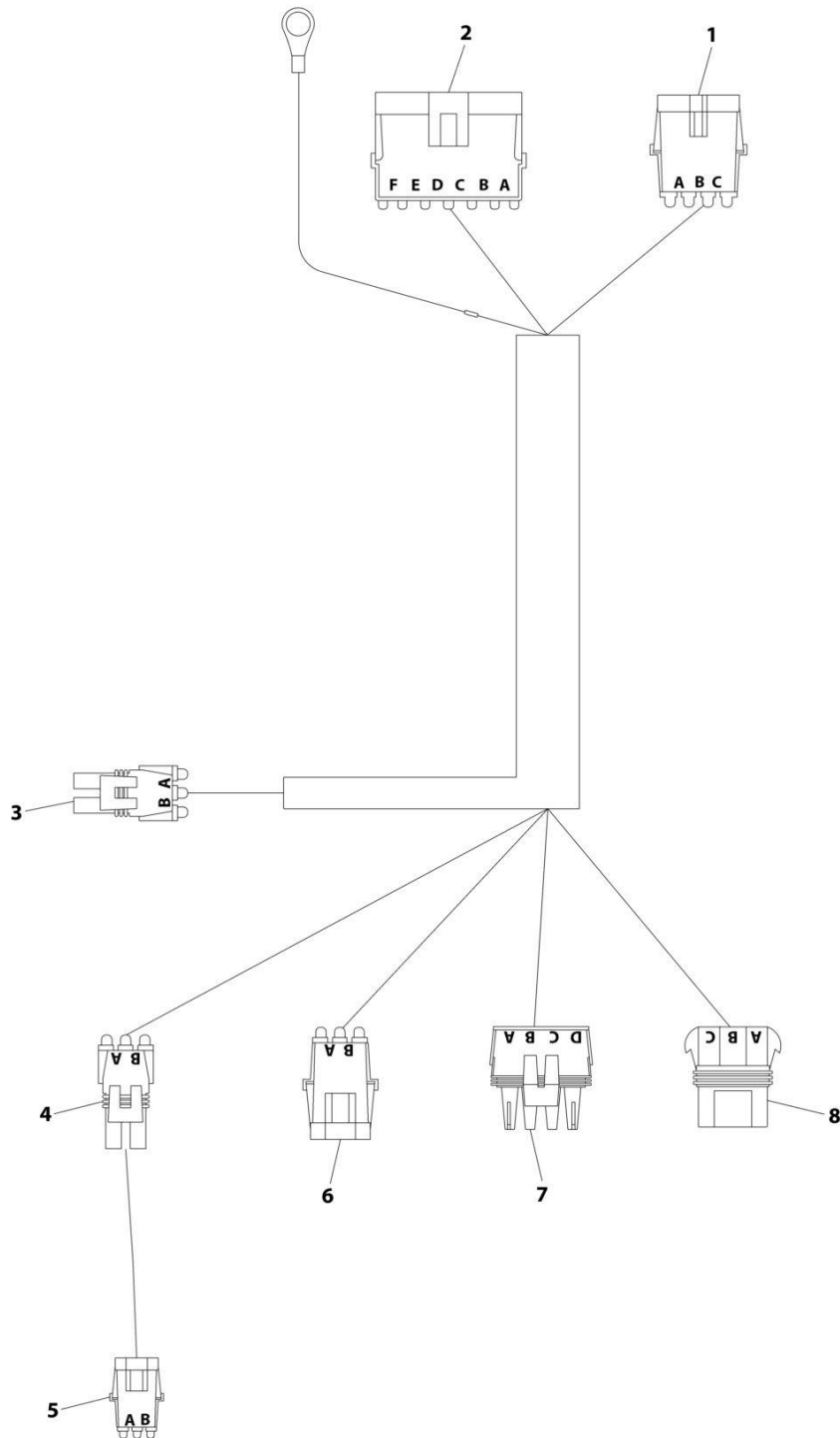
## SECTION 6 - ELECTRICAL

**FIGURE 6-32. SUBFRAME TO CAB HARNESS (STATIONARY HEADBOARD)**

ITEM	PART NUMBER	QTY	DESCRIPTION	REV
	1001260060	Ref	SUBFRAME TO CAB HARNESS	A
1	4460867	1	Receptacle, Female - 2 Position	
1	1001116727	2	Plug, Terminal	
2	4460742	2	Plug, Male - 2 Position	
2	4460457	4	Terminal	
2	NPN	4	Seal	
2	80963064	1	Connector - 6 Position	
2	4460850	5	Terminal	
2	NPN	3	Seal	
2	1001116727	1	Plug, Terminal	
3	4460867	1	Receptacle, Female - 2 Position	
3	4460850	2	Terminal	
3	NPN	2	Seal	
4	4460460	1	Receptacle, Female - 4 Position	
4	4460790	4	Terminal	
4	NPN	4	Seal	
5	8220935	1	Connector - 3 Position	
5	7346000108	1	Lock	
5	8220099	3	Terminal	
5	NPN	2	Seal	
5	NPN	1	Seal	
6	4460742	1	Plug, Male - 2 Position	
6	4460790	2	Terminal	
6	NPN	2	Seal	
7	4460459	1	Plug, Male - 3 Position	
7	4460743	2	Socket, Female	
7	1001116727	1	Plug, Terminal	
7	NPN	3	Seal	
8	4460476	1	Receptacle, Female - 3 Position	
8	4460850	3	Terminal	
8	NPN	3	Seal	

# SECTION 6 - ELECTRICAL

## FIGURE 6-33. SUBFRAME TO DECK HARNESS (BOLT-ON HEADBOARD)



ART\_1001260349



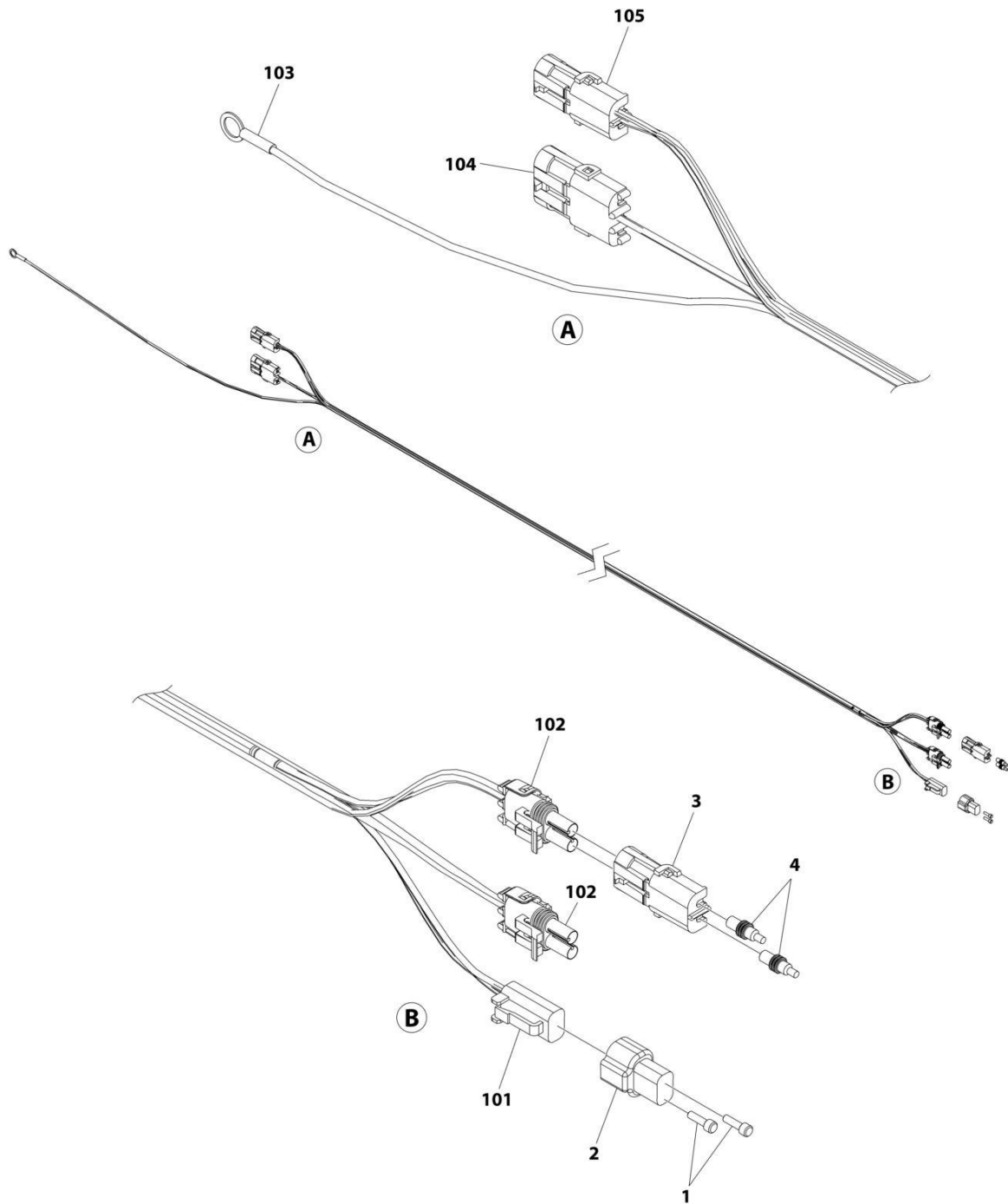
## SECTION 6 - ELECTRICAL

**FIGURE 6-33. SUBFRAME TO DECK HARNESS (BOLT-ON HEADBOARD)**

ITEM	PART NUMBER	QTY	DESCRIPTION	REV
	1001260349	Ref	SUBFRAME TO DECK HARNESS	A
1	4460476	1	Connector - 3 Position	
1	4460850	3	Terminal	
1	NPN	3	Seal	
2	80963064	1	Connector - 6 Position	
2	4460850	5	Terminal	
2	NPN	3	Seal	
2	1001116727	1	Plug, Terminal	
3	4460742	1	Plug, Male - 2 Position	
3	4460457	2	Terminal	
3	NPN	2	Seal	
4	4460742	1	Plug, Male - 2 Position	
4	4460790	2	Terminal	
4	NPN	2	Seal	
5	4460867	1	Receptacle, Female - 2 Position	
5	1001116727	2	Plug, Terminal	
6	4460867	1	Receptacle, Female - 2 Position	
6	4460850	2	Terminal	
6	NPN	2	Seal	
7	4460460	1	Plug, Male - 4 Position	
7	4460790	4	Terminal	
7	NPN	4	Seal	
8	8220935	1	Connector - 3 Position	
8	7346000108	1	Lock	
8	8220099	3	Terminal	
8	NPN	2	Seal	
8	NPN	1	Seal	

# SECTION 6 - ELECTRICAL

## FIGURE 6-34. SUBFRAME TO DECK HARNESS (STATIONARY HEADBOARD)



ART\_1001152350

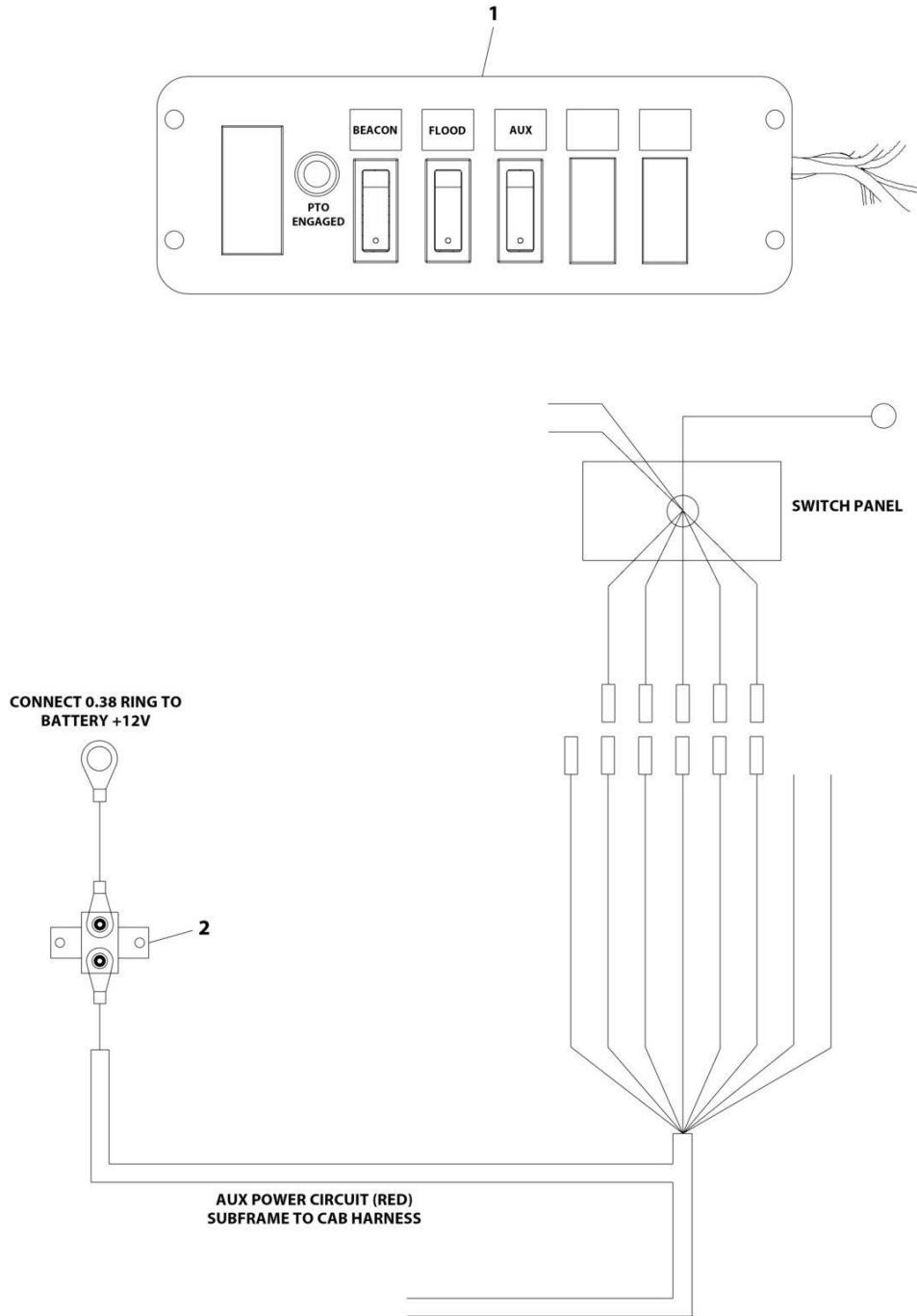
## SECTION 6 - ELECTRICAL

**FIGURE 6-34. SUBFRAME TO DECK HARNESS (STATIONARY HEADBOARD)**

ITEM	PART NUMBER	QTY	DESCRIPTION	REV
	1001152350	Ref	SUBFRAME TO DECK HARNESS	C
1	4460466	2	Plug, Terminal	
2	4460897	1	Receptacle, Female - 2 Position	
3	4461157	1	Receptacle, Female - 2 Position	
4	1001116727	2	Plug, Terminal	
101	4460891	1	Plug, Male - 2 Position	
101	4460942	2	Socket, Female	
102	4460742	2	Plug, Male - 2 Position	
102	4460457	4	Terminal	
103	4460256	1	Terminal, Ring	
104	4460476	1	Receptacle, Female - 3 Position	
104	4460850	1	Terminal	
104	1001116727	2	Plug, Terminal	
105	4461157	1	Plug, Male - 2 Position	
105	4460850	2	Terminal	
105	8220089	2	Seal	

# SECTION 6 - ELECTRICAL

## FIGURE 6-35. SWITCH PANEL INSTALLATION - 3 FUNCTION (IN-DASH COMPACT)



ART\_1001262046

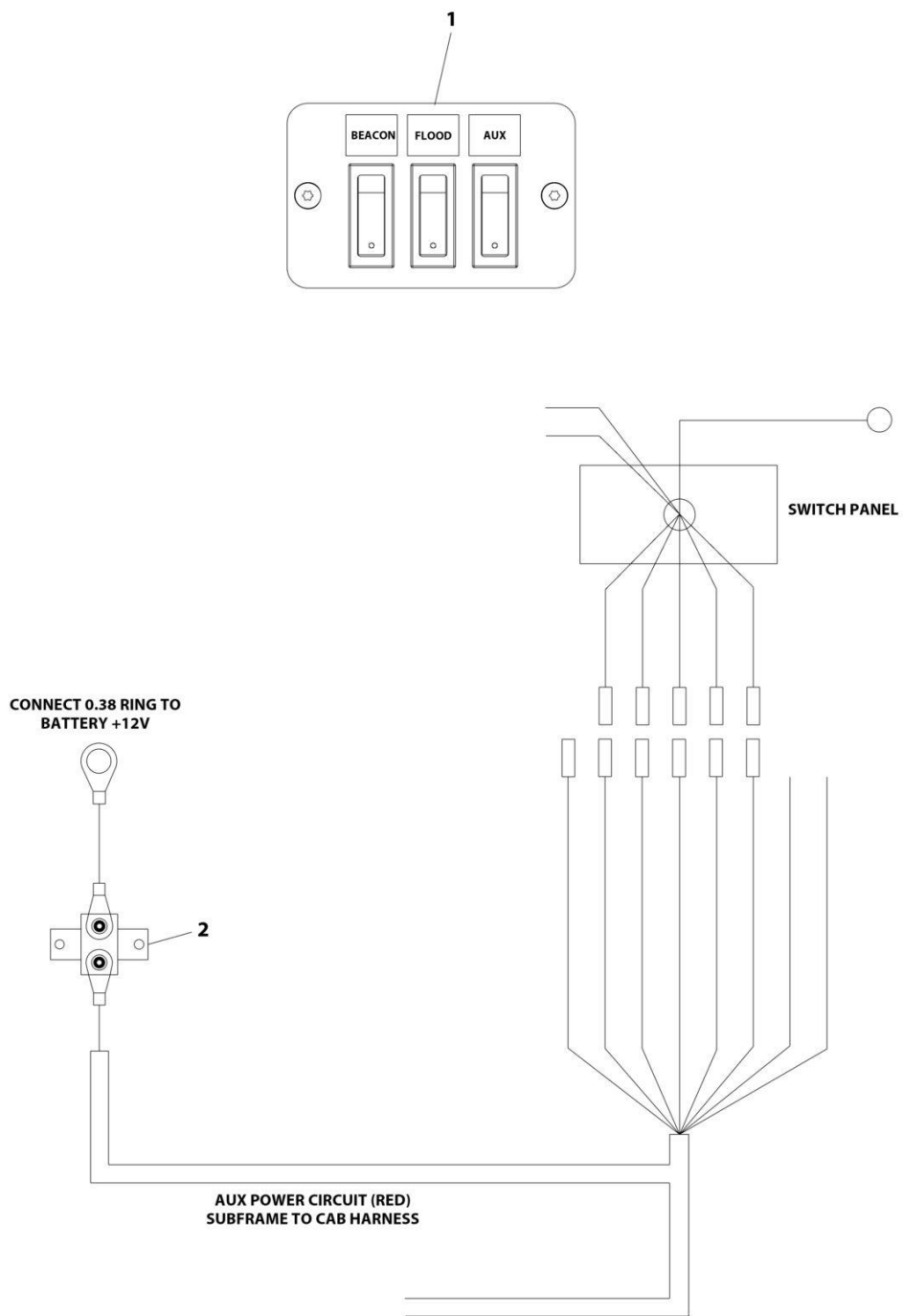
## SECTION 6 - ELECTRICAL

**FIGURE 6-35. SWITCH PANEL INSTALLATION - 3 FUNCTION (IN-DASH COMPACT)**

ITEM	PART NUMBER	QTY	DESCRIPTION	REV
1	1001262046	Ref	3 FUNCTION IN-DASH COMPACT SWITCH PANEL	A
	1001261002	1	3 Function In-Dash Compact Installation (See Separate Breakdown in this Section)	
2	1001129883	1	Breaker Installation (See Separate Breakdown in this Section)	

# SECTION 6 - ELECTRICAL

## FIGURE 6-36. SWITCH PANEL INSTALLATION - 3 FUNCTION (IN-DASH MINI)



ART\_1001262045

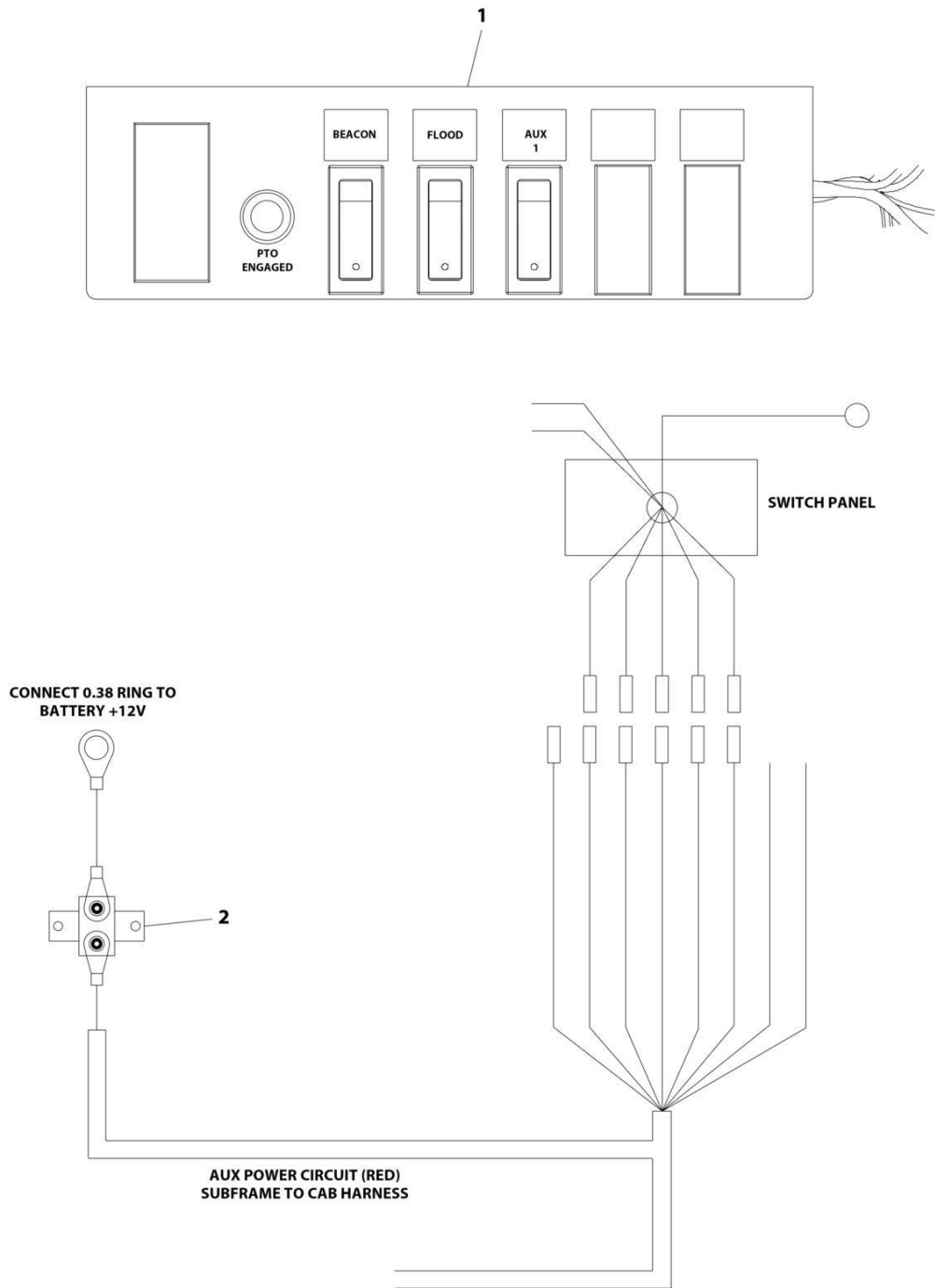
## SECTION 6 - ELECTRICAL

**FIGURE 6-36. SWITCH PANEL INSTALLATION - 3 FUNCTION (IN-DASH MINI)**

ITEM	PART NUMBER	QTY	DESCRIPTION	REV
	1001262045	Ref	3 FUNCTION IN-DASH MINI SWITCH PANEL	A
1	1001260898	1	3 Function In-Dash Mini Installation	
2	1001129883	1	Breaker Installation (See Separate Breakdown in this Section)	

# SECTION 6 - ELECTRICAL

## FIGURE 6-37. SWITCH PANEL INSTALLATION - 3 FUNCTION (UNDER-DASH COMPACT)



ART\_1001262048



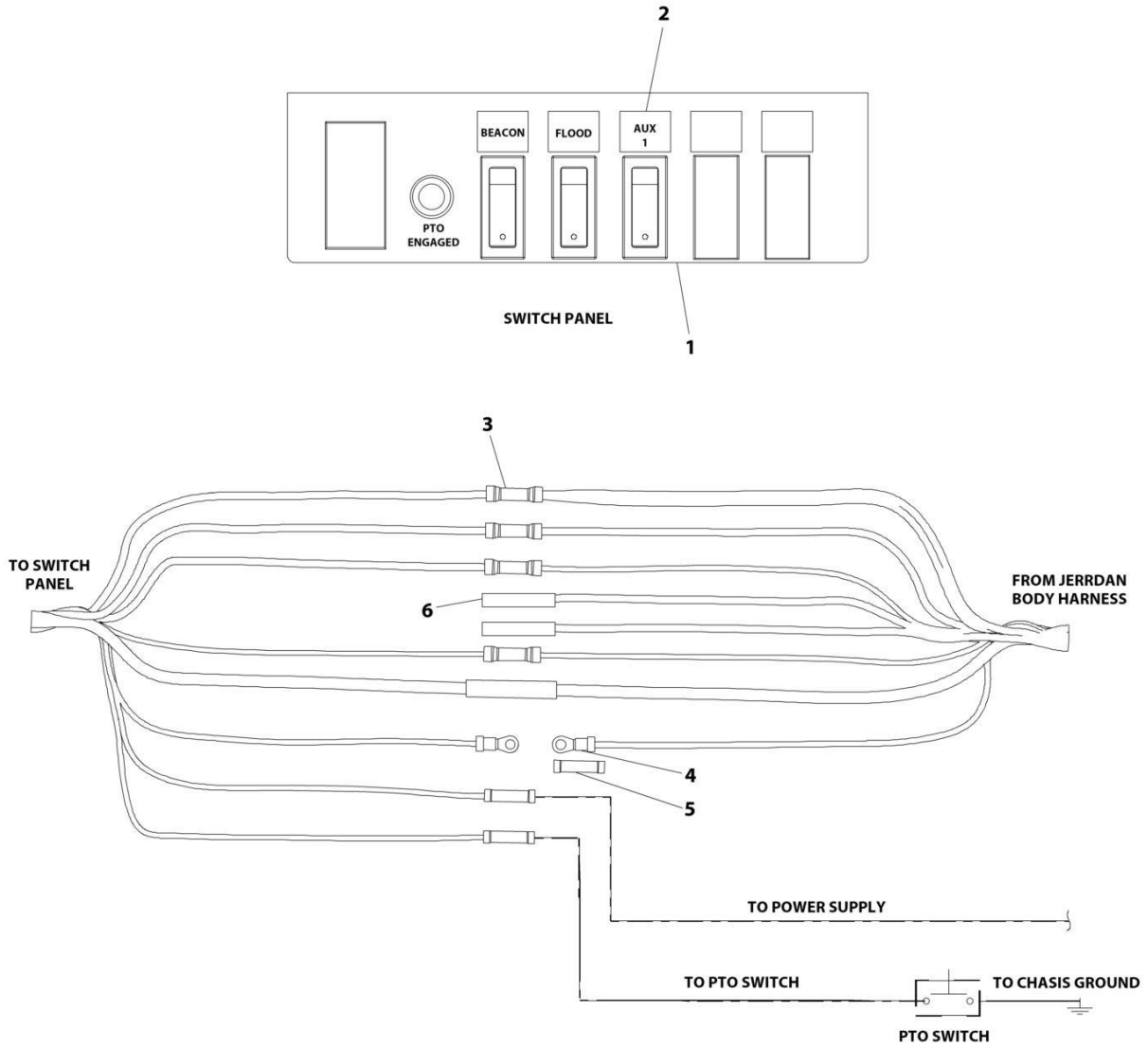
## SECTION 6 - ELECTRICAL

**FIGURE 6-37. SWITCH PANEL INSTALLATION - 3 FUNCTION (UNDER-DASH COMPACT)**

ITEM	PART NUMBER	QTY	DESCRIPTION	REV
1	1001262048	Ref	3 FUNCTION UNDER-DASH COMPACT SWITCH PANEL	A
	1001261004	1	3 Function Under-Dash Compact Switch Installation (See Separate Breakdown in this Section)	
2	1001129883	1	Breaker Installation (See Separate Breakdown in this Section)	

# SECTION 6 - ELECTRICAL

## FIGURE 6-38. SWITCH PANEL ASSEMBLY - 3 FUNCTION (UNDER-DASH COMPACT)



ART\_1001261004

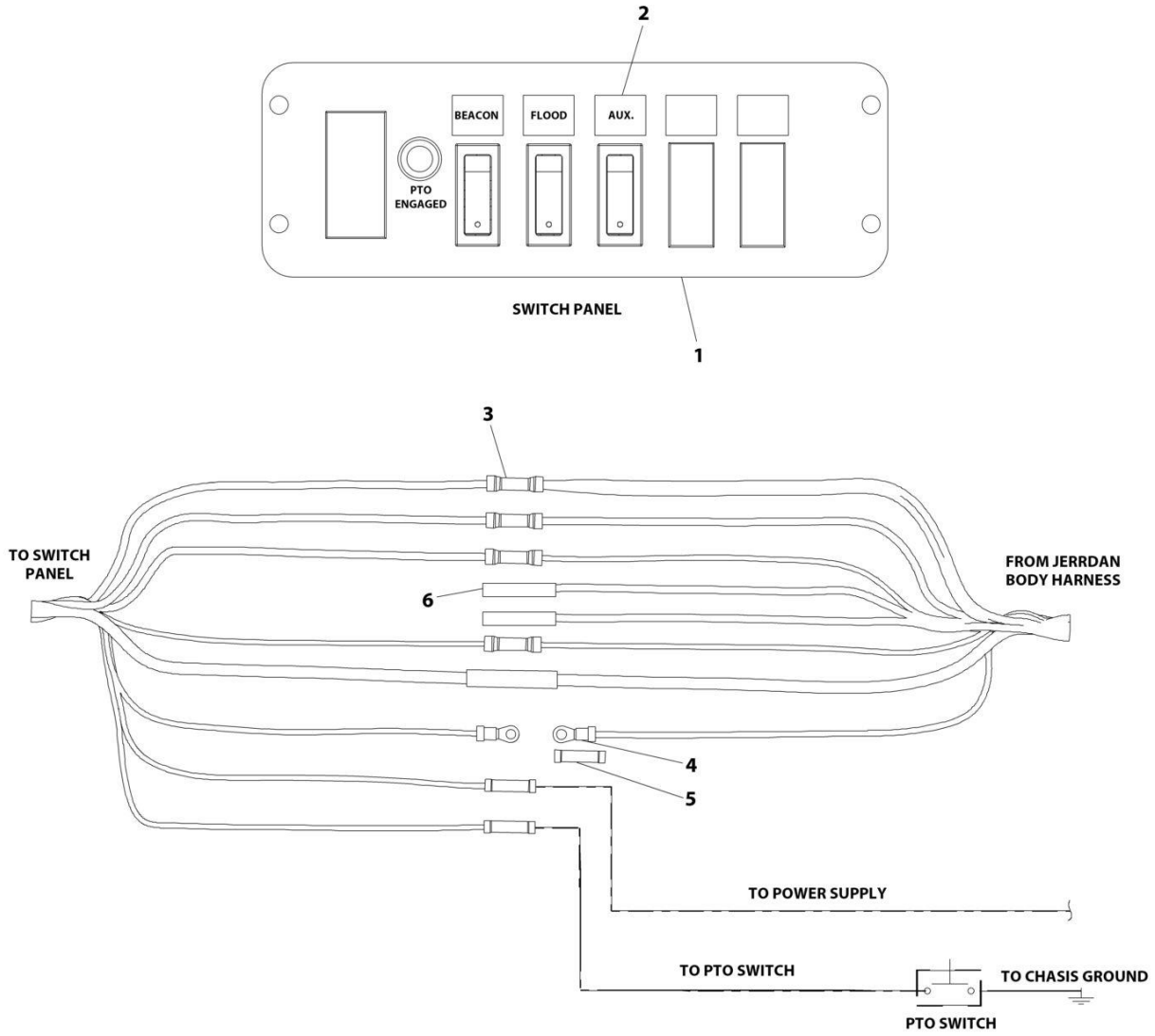
## SECTION 6 - ELECTRICAL

**FIGURE 6-38. SWITCH PANEL ASSEMBLY - 3 FUNCTION (UNDER-DASH COMPACT)**

ITEM	PART NUMBER	QTY	DESCRIPTION	REV
	1001261004	Ref	3 FUNCTION UNDER-DASH COMPACT INSTALLATION	B
1	7870000134	1	Switch Panel	
2	7330000288	1	Decal	
3	4460018	4	Connector	
4	4460042	1	Terminal, Ring	
5	4460035	1	Connector	
6	4346000005	2	Heat Shrink	

# SECTION 6 - ELECTRICAL

## FIGURE 6-39. SWITCH PANEL ASSEMBLY - 3 FUNCTION (IN-DASH COMPACT)



ART\_1001261002

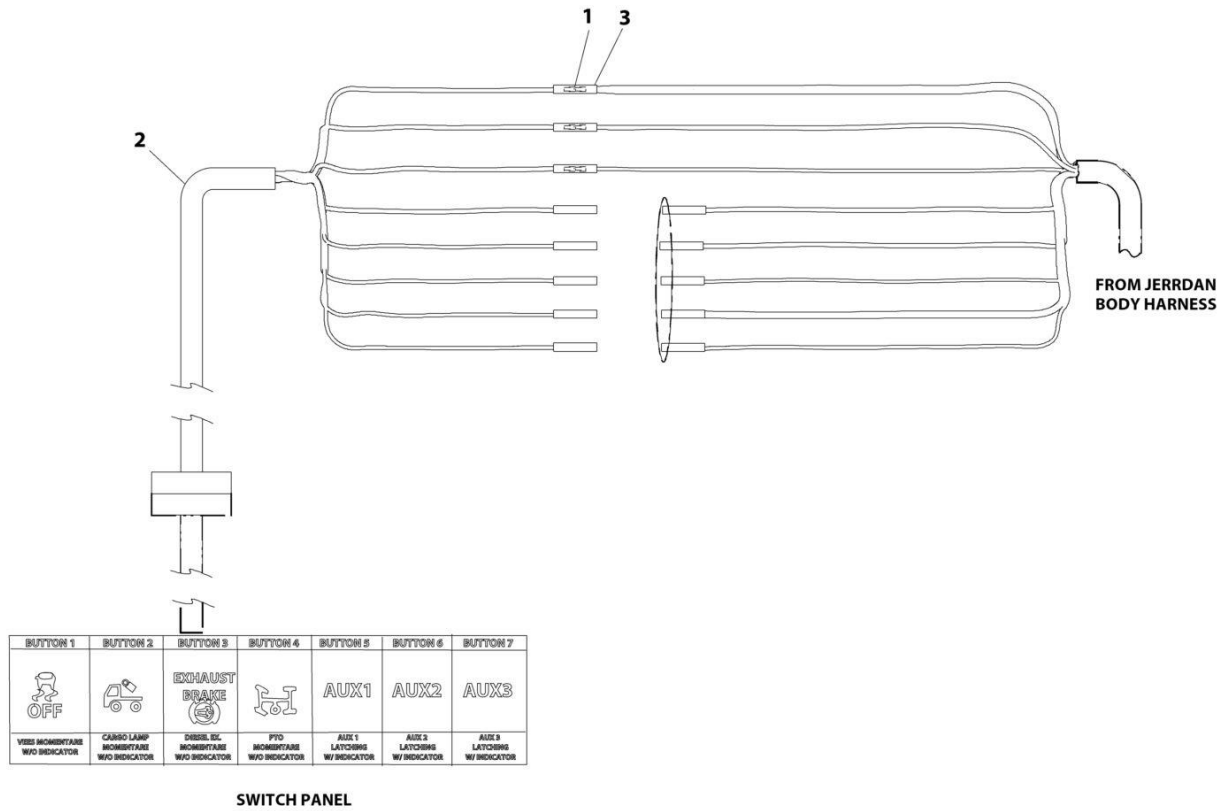
## SECTION 6 - ELECTRICAL

**FIGURE 6-39. SWITCH PANEL ASSEMBLY - 3 FUNCTION (IN-DASH COMPACT)**

ITEM	PART NUMBER	QTY	DESCRIPTION	REV
	1001261002	Ref	3 FUNCTION IN-DASH COMPACT SWITCH PANEL INSTALLATION	B
1	7870000100	1	Switch Panel	
2	7330000288	1	Decal	
3	4460018	4	Connector	
4	4460042	1	Terminal, Ring	
5	4460035	1	Connector	
6	4346000005	2	Heat Shrink	

# SECTION 6 - ELECTRICAL

FIGURE 6-40. SWITCH PANEL ASSEMBLY - 3 FUNCTION (OEM)



ART\_1001261028

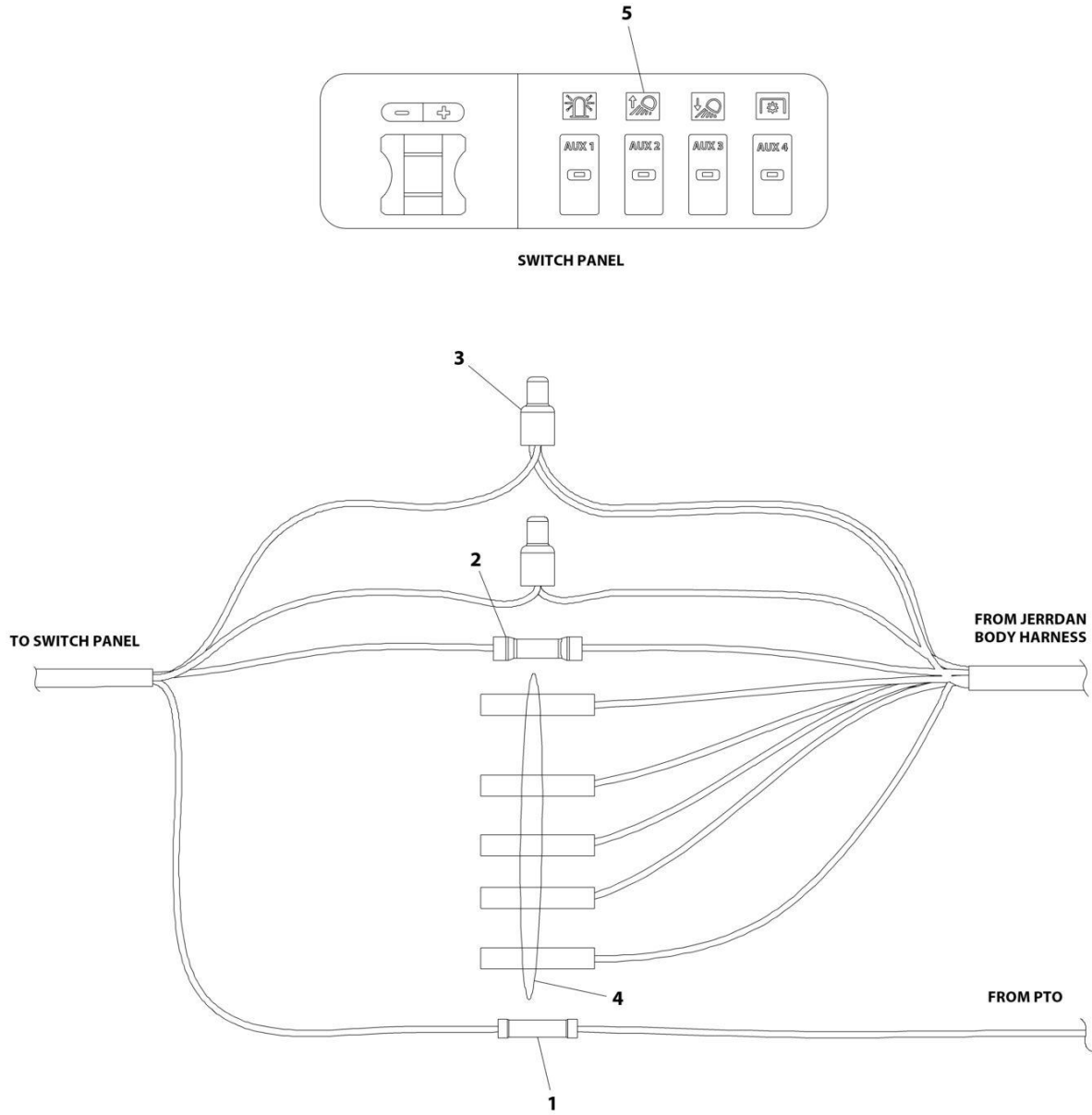
## SECTION 6 - ELECTRICAL

**FIGURE 6-40. SWITCH PANEL ASSEMBLY - 3 FUNCTION (OEM)**

ITEM	PART NUMBER	QTY	DESCRIPTION	REV
	1001261028	Ref	3 FUNCTION SWITCH PANEL, CV515 OEM 2019+	A
1	7345001914	3	Terminal	
2	1001254044	1	Harness	
3	4346000005	8	Heat Shrink, Tubing	

# SECTION 6 - ELECTRICAL

FIGURE 6-41. SWITCH PANEL INSTALLATION - 4 FUNCTION (IN-DASH) (FORD 2008-2016 F550 OEM)



ART\_1001261007



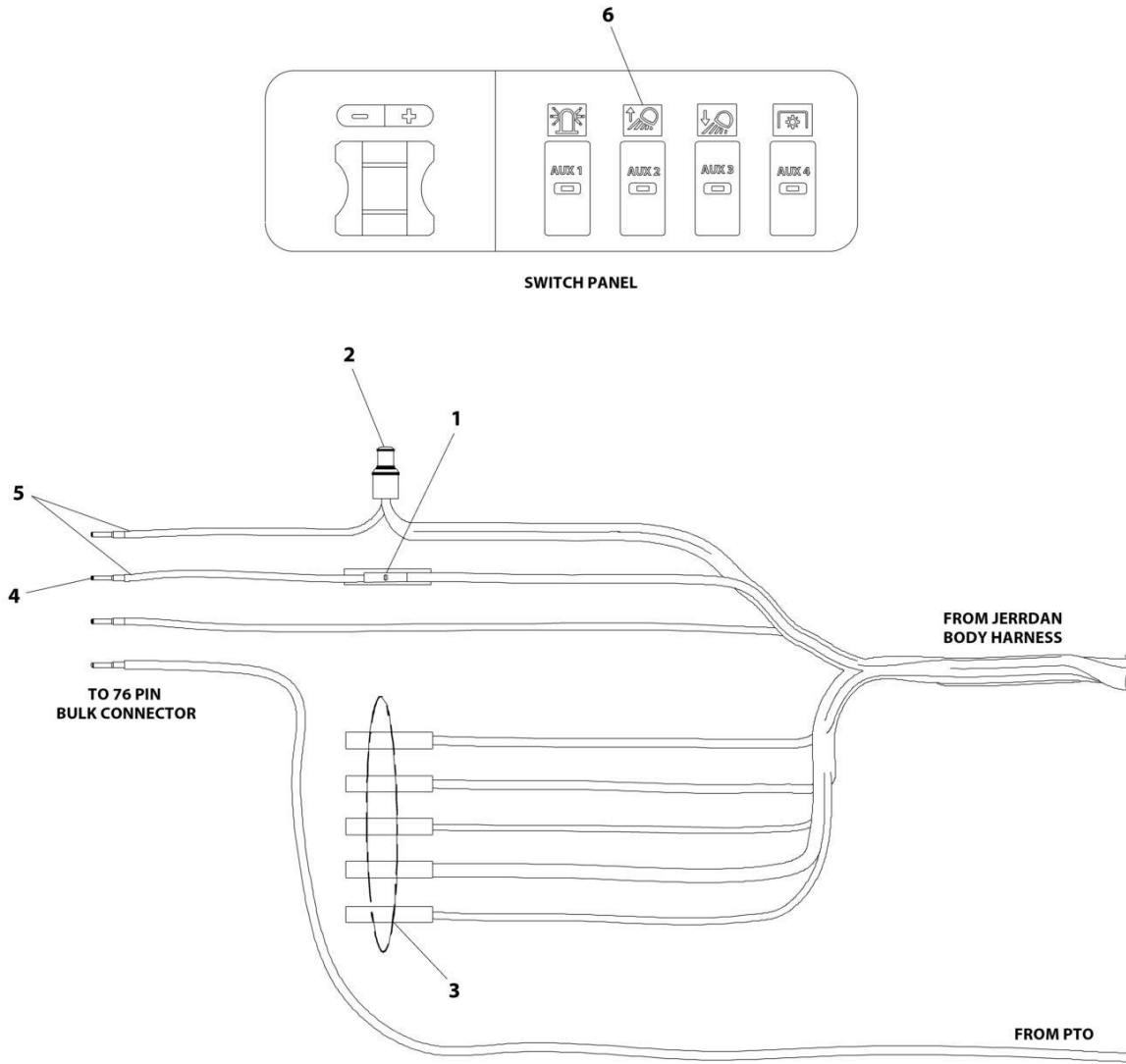
## SECTION 6 - ELECTRICAL

**FIGURE 6-41. SWITCH PANEL INSTALLATION - 4 FUNCTION (IN-DASH) (FORD 2008-2016 F550 OEM)**

ITEM	PART NUMBER	QTY	DESCRIPTION	REV
	1001261007	Ref	4 FUNCTION IN-DASH SWITCH PANEL FORD F550 OEM 2008-2016	A
1	4460035	1	Terminal	
2	4460018	1	Terminal	
3	7346000242	2	Connector	
4	4346000005	5	Heat Shrink, Tubing	
5	1001221375	AR	Decal	

# SECTION 6 - ELECTRICAL

## FIGURE 6-42. SWITCH PANEL INSTALLATION - 4 FUNCTION (IN-DASH) (FORD 2011+ F650/750 OEM)



ART\_1001261008

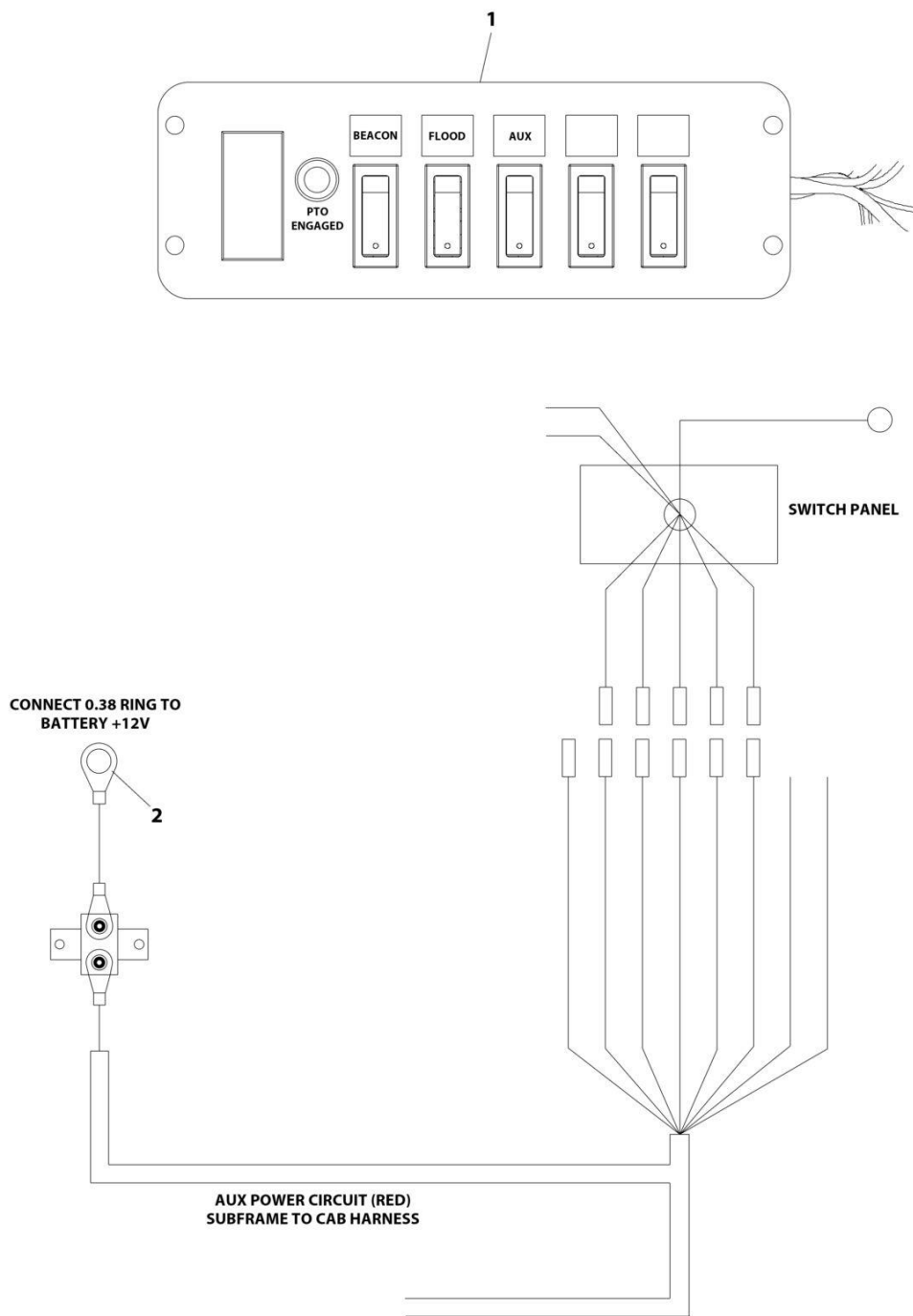
## SECTION 6 - ELECTRICAL

**FIGURE 6-42. SWITCH PANEL INSTALLATION - 4 FUNCTION (IN-DASH) (FORD 2011+ F650/750 OEM)**

ITEM	PART NUMBER	QTY	DESCRIPTION	REV
	1001261008	Ref	4 FUNCTION IN-DASH SWITCH PANEL, FORD F650/750 OEM 2011+	A
1	7345001914	1	Terminal	
2	7346000242	1	Connector	
3	4346000005	7	Heat Shrink, Tubing	
4	1001129095	4	Terminal	
5	7978000020	AR	Wire	
6	1001221375	AR	Decal	

# SECTION 6 - ELECTRICAL

## FIGURE 6-43. SWITCH PANEL INSTALLATION - 5 FUNCTION (IN-DASH COMPACT)



ART\_1001262049

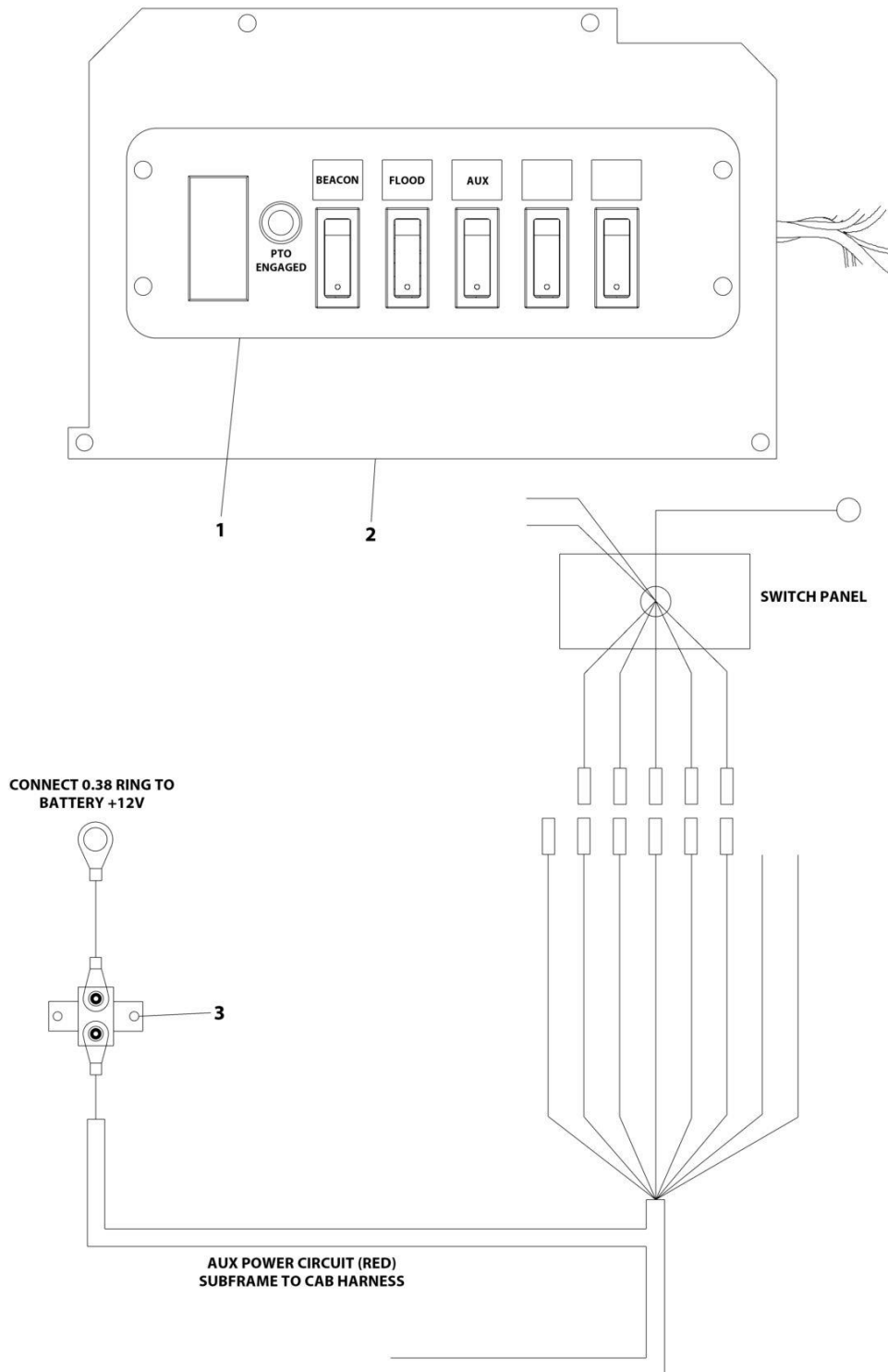
## SECTION 6 - ELECTRICAL

**FIGURE 6-43. SWITCH PANEL INSTALLATION - 5 FUNCTION (IN-DASH COMPACT)**

ITEM	PART NUMBER	QTY	DESCRIPTION	REV
1	1001262049	Ref	5 FUNCTION IN-DASH COMPACT SWITCH PANEL	A
	1001261005	1	5 Function In-Dash Switch Panel Installation (See Separate Breakdown in this Section)	
2	1001129883	1	Breaker Installation (See Separate Breakdown in this Section)	

# SECTION 6 - ELECTRICAL

FIGURE 6-44. SWITCH PANEL INSTALLATION - 5 FUNCTION (IN-DASH COMPACT) (IHC WITHOUT OEM)



ART\_1001262053

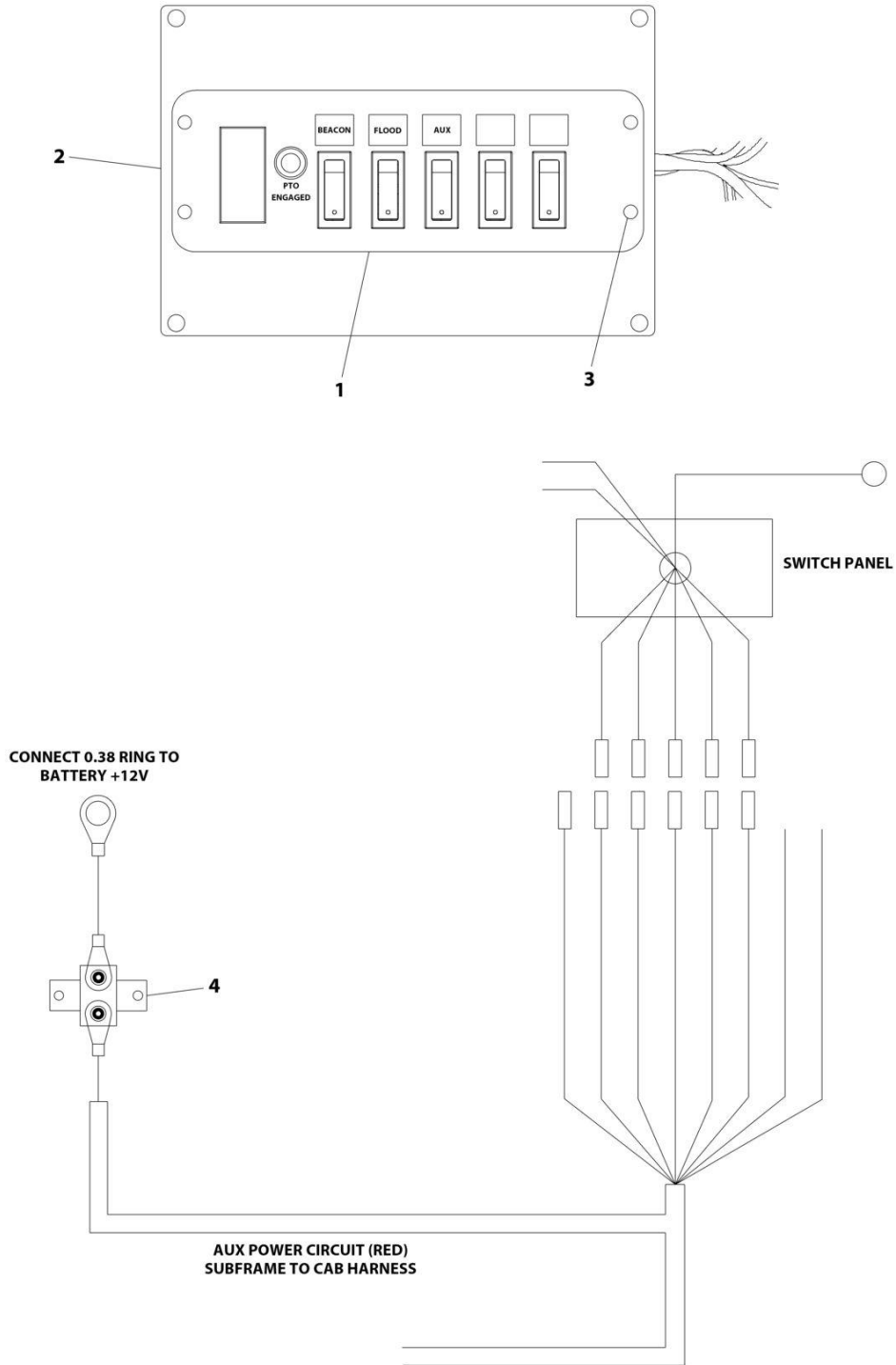
## SECTION 6 - ELECTRICAL

**FIGURE 6-44. SWITCH PANEL INSTALLATION - 5 FUNCTION (IN-DASH COMPACT) (IHC WITHOUT OEM)**

ITEM	PART NUMBER	QTY	DESCRIPTION	REV
	1001262053	Ref	5 FUNCTION IN-DASH SWITCH PANEL, IHC WITHOUT OEM	A
1	1001261005	1	5 Function In-Dash Switch Panel Installation (See Separate Breakdown in this Section)	
2	1001135813	1	Switch Panel	
3	1001129883	1	Breaker Installation (See Separate Breakdown in this Section)	

# SECTION 6 - ELECTRICAL

## FIGURE 6-45. SWITCH PANEL INSTALLATION - 5 FUNCTION (IN-DASH) (PETERBILT)



ART\_1001262052



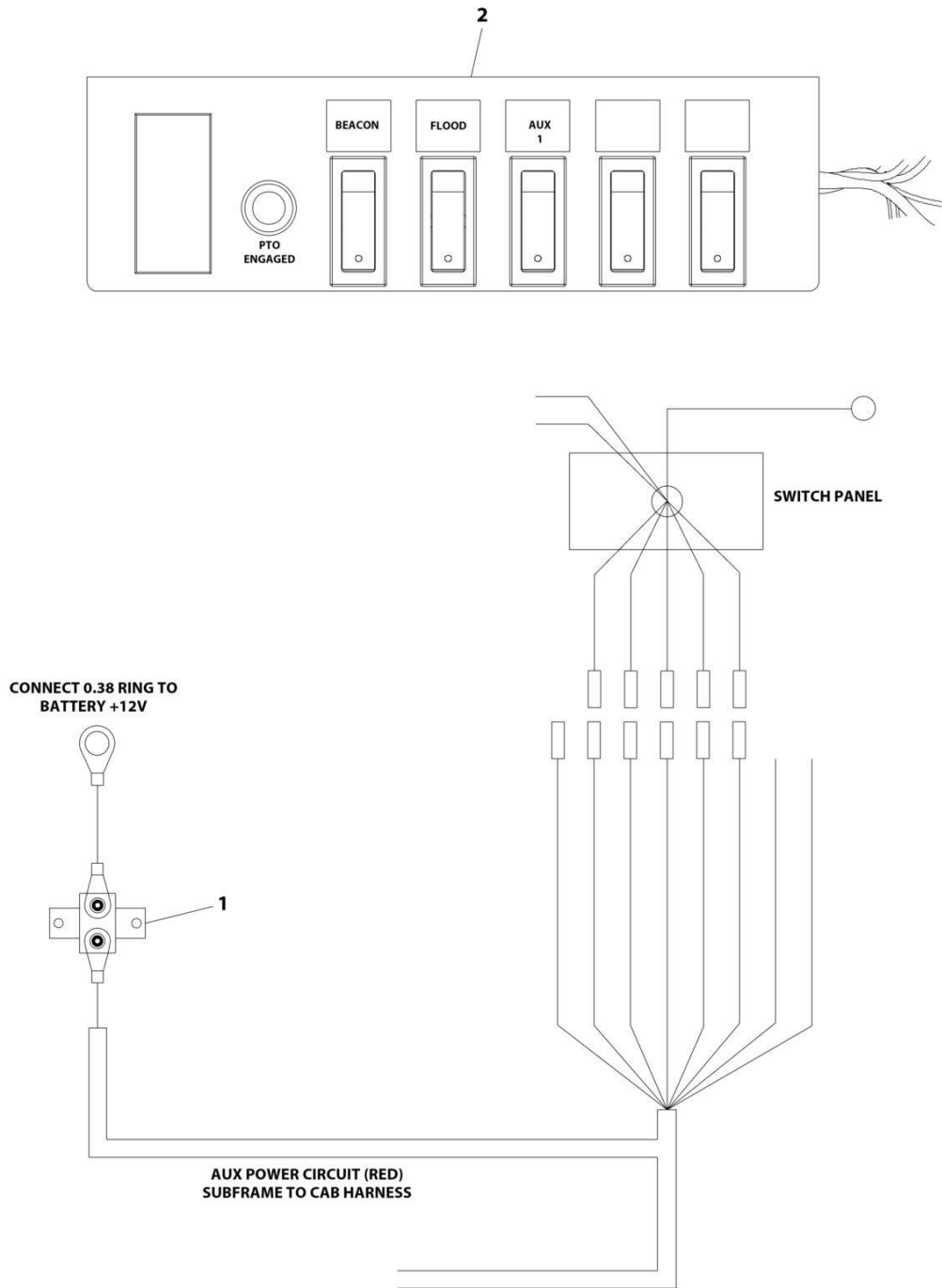
## SECTION 6 - ELECTRICAL

**FIGURE 6-45. SWITCH PANEL INSTALLATION - 5 FUNCTION (IN-DASH) (PETERBILT)**

ITEM	PART NUMBER	QTY	DESCRIPTION	REV
	1001262052	Ref	5 FUNCTION IN-DASH SWITCH PANEL, PETERBILT	A
1	1001261005	1	5 Function In-Dash Switch Panel Installation (See Separate Breakdown in this Section)	
2	1001135814	1	Switch Panel	
3	1001135815	1	Screw #8 x 3/8	
4	1001129883	1	Breaker Installation (See Separate Breakdown in this Section)	

# SECTION 6 - ELECTRICAL

## FIGURE 6-46. SWITCH PANEL INSTALLATION - 5 FUNCTION (UNDER-DASH COMPACT)



ART\_1001262050

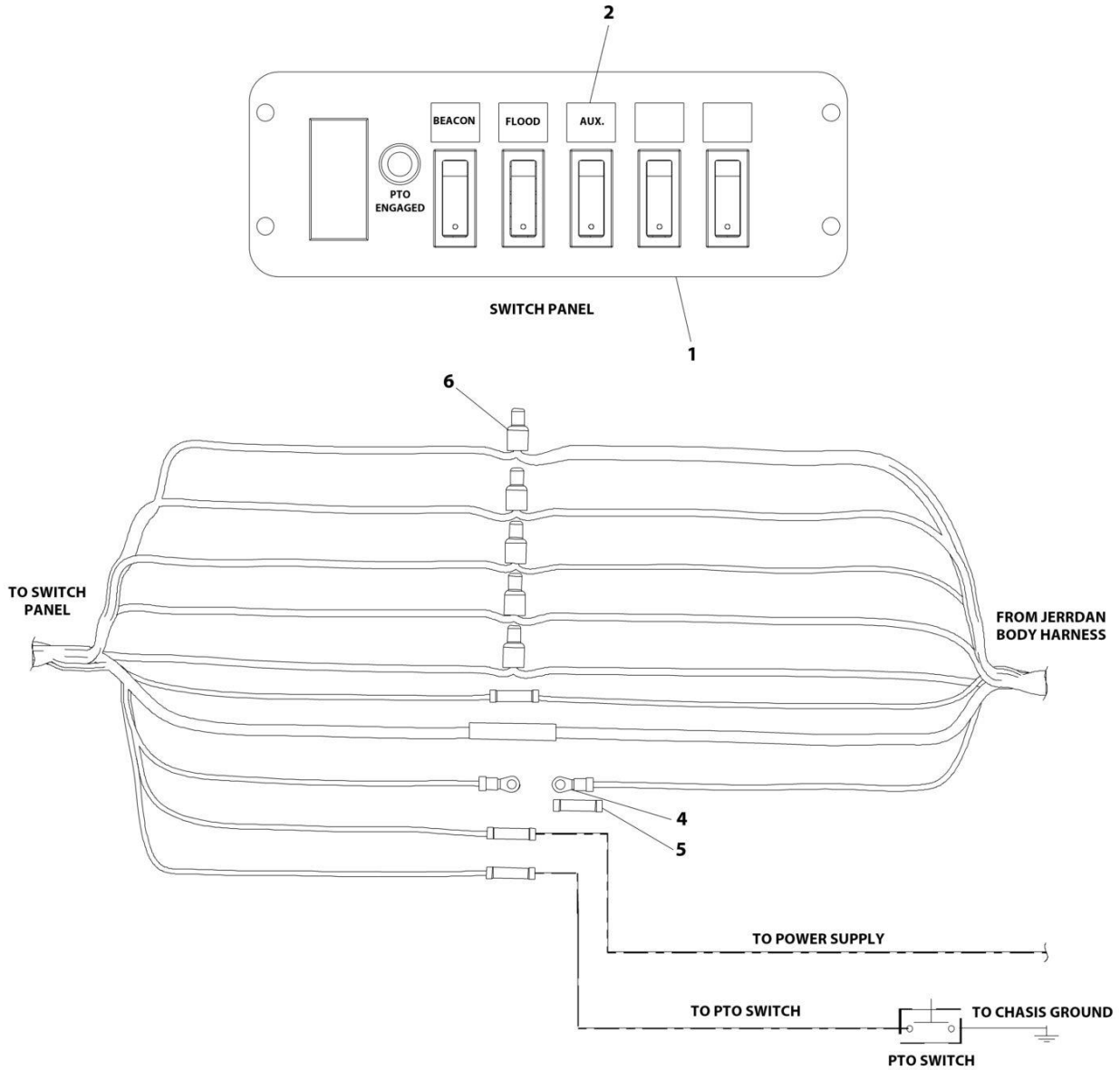
## SECTION 6 - ELECTRICAL

**FIGURE 6-46. SWITCH PANEL INSTALLATION - 5 FUNCTION (UNDER-DASH COMPACT)**

ITEM	PART NUMBER	QTY	DESCRIPTION	REV
	1001262050	Ref	5 FUNCTION UNDER-DASH COMPACT SWITCH PANEL	A
1	1001129883	1	Breaker Installation (See Separate Breakdown in this Section)	
2	1001261006	1	5 Function Under-Dash Switch Panel Installation (See Separate Breakdown in this Section)	

# SECTION 6 - ELECTRICAL

## FIGURE 6-47. SWITCH PANEL ASSEMBLY - 5 FUNCTION (IN-DASH)



ART\_1001261005

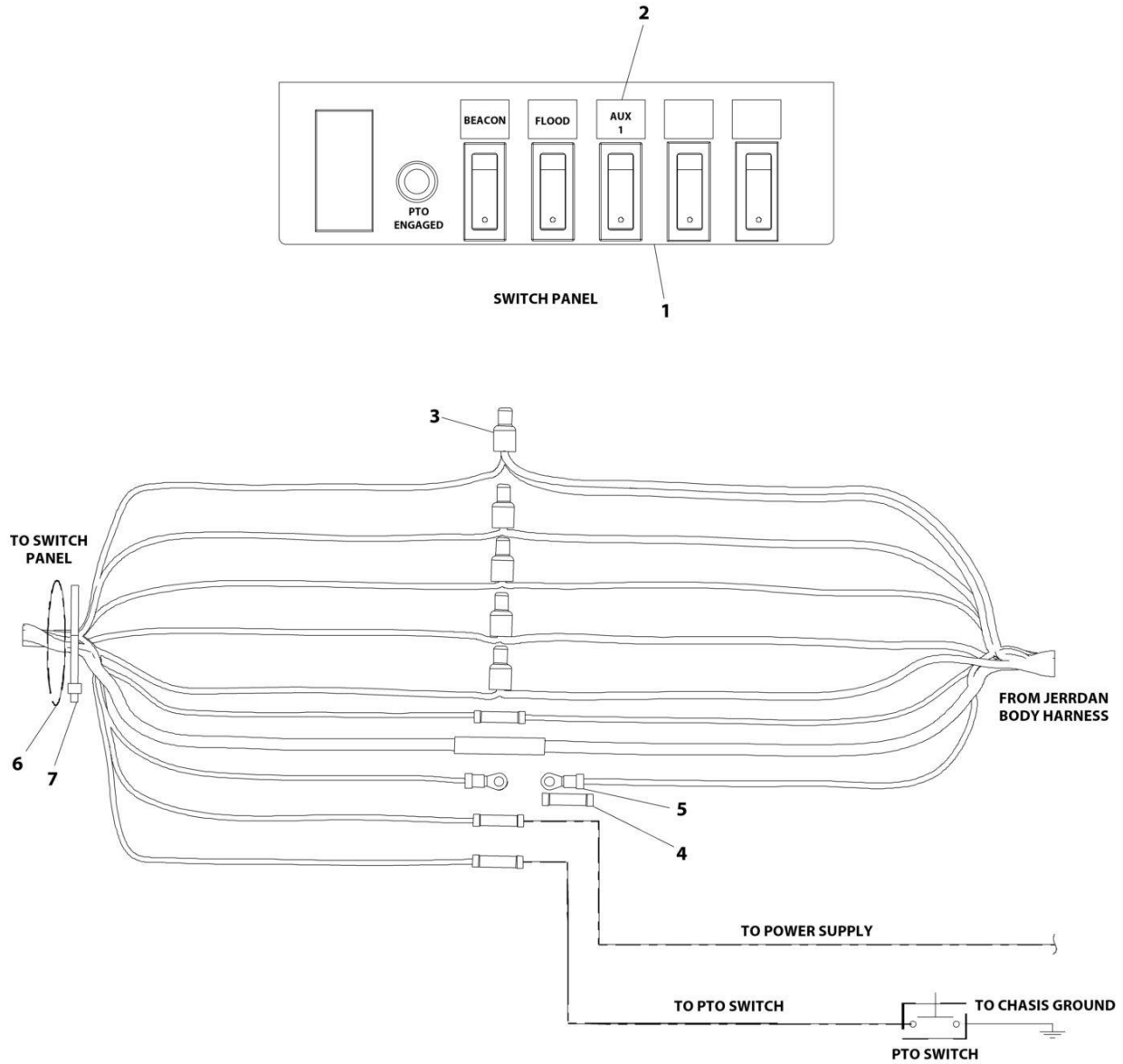
## SECTION 6 - ELECTRICAL

**FIGURE 6-47. SWITCH PANEL ASSEMBLY - 5 FUNCTION (IN-DASH)**

ITEM	PART NUMBER	QTY	DESCRIPTION	REV
	1001261005	Ref	5 FUNCTION IN-DASH COMPACT SWITCH PANEL INSTALLATION	B
1	7870000106	1	Switch Panel	
2	7330000288	1	Decal	
4	4460042	1	Terminal, Ring	
5	4460035	2	Connector	
6	7346000242	5	Connector	

# SECTION 6 - ELECTRICAL

## FIGURE 6-48. SWITCH PANEL ASSEMBLY - 5 FUNCTION UNDER-DASH (COMPACT)



ART\_1001261006

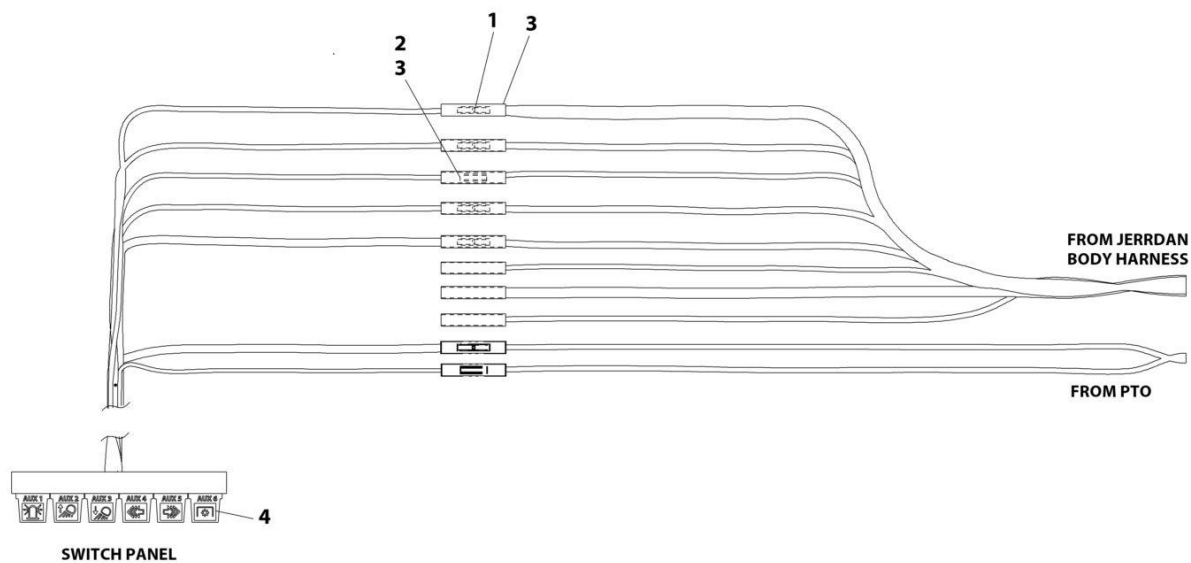
## SECTION 6 - ELECTRICAL

**FIGURE 6-48. SWITCH PANEL ASSEMBLY - 5 FUNCTION UNDER-DASH (COMPACT)**

ITEM	PART NUMBER	QTY	DESCRIPTION	REV
	1001261006	Ref	5 FUNCTION UNDER-DASH COMPACT SWITCH PANEL INSTALLATION	B
1	7870000137	1	Switch Panel	
2	7330000288	1	Decal	
3	7346000242	5	Connector	
4	4460035	2	Connector	
5	4460042	1	Terminal, Ring	
6	8597650003	2	Wire	
7	5526000553	6	Tie Strap	

# SECTION 6 - ELECTRICAL

## FIGURE 6-49. SWITCH PANEL INSTALLATION - 6 FUNCTION (FORD F550 2017+ OEM)



ART\_1001261023



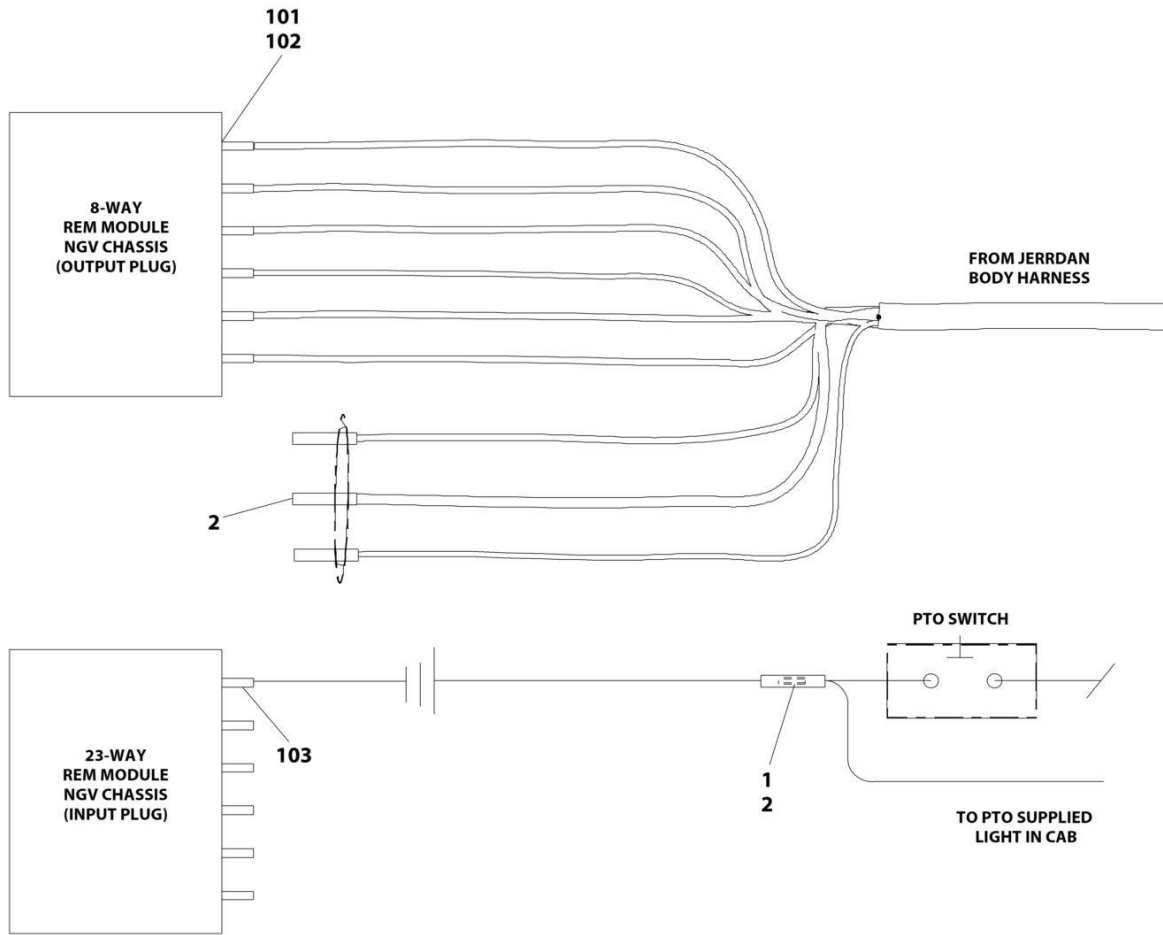
## SECTION 6 - ELECTRICAL

**FIGURE 6-49. SWITCH PANEL INSTALLATION - 6 FUNCTION (FORD F550 2017+ OEM)**

ITEM	PART NUMBER	QTY	DESCRIPTION	REV
	1001261023	Ref	6 FUNCTION SWITCH PANEL, FORD F550 OEM 2017+	A
1	7345001914	4	Terminal	
2	7345001714	1	Terminal	
3	4346000005	8	Heat Shrink, Tubing	
4	1001221375	1	Decal	
5	1001225218	1	Electrical Assembly (Not Shown)	

# SECTION 6 - ELECTRICAL

FIGURE 6-50. SWITCH PANEL INSTALLATION - 6 FUNCTION (IN-DASH COMPACT) (IHC WITH OEM)



ART\_1001261016

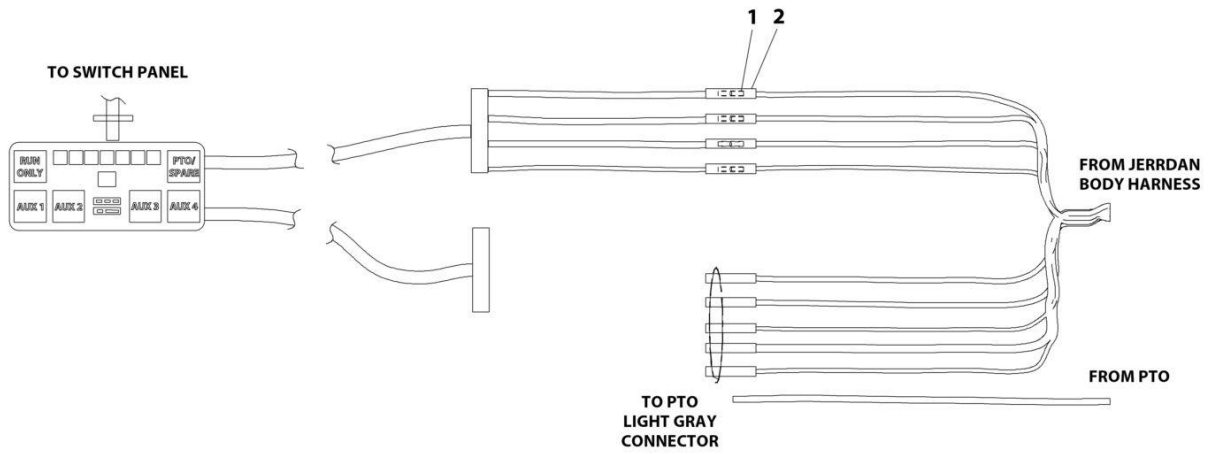
## SECTION 6 - ELECTRICAL

**FIGURE 6-50. SWITCH PANEL INSTALLATION - 6 FUNCTION (IN-DASH COMPACT) (IHC WITH OEM)**

ITEM	PART NUMBER	QTY	DESCRIPTION	REV
	1001261016	Ref	6 FUNCTION IN-DASH SWITCH PANEL, IHC OEM	A
1	7345001714	1	Terminal	
2	4346000005	4	Heat Shrink, Tubing	
100	7577000329	1	Seal, Kit (Not Shown)	
101	7346000122	AR	Terminal	
102	7346000123	AR	Seal	
103	7346000125	AR	Terminal	

# SECTION 6 - ELECTRICAL

## FIGURE 6-51. SWITCH PANEL INSTALLATION - 6 FUNCTION (RAM 2013+)



ART\_1001261022

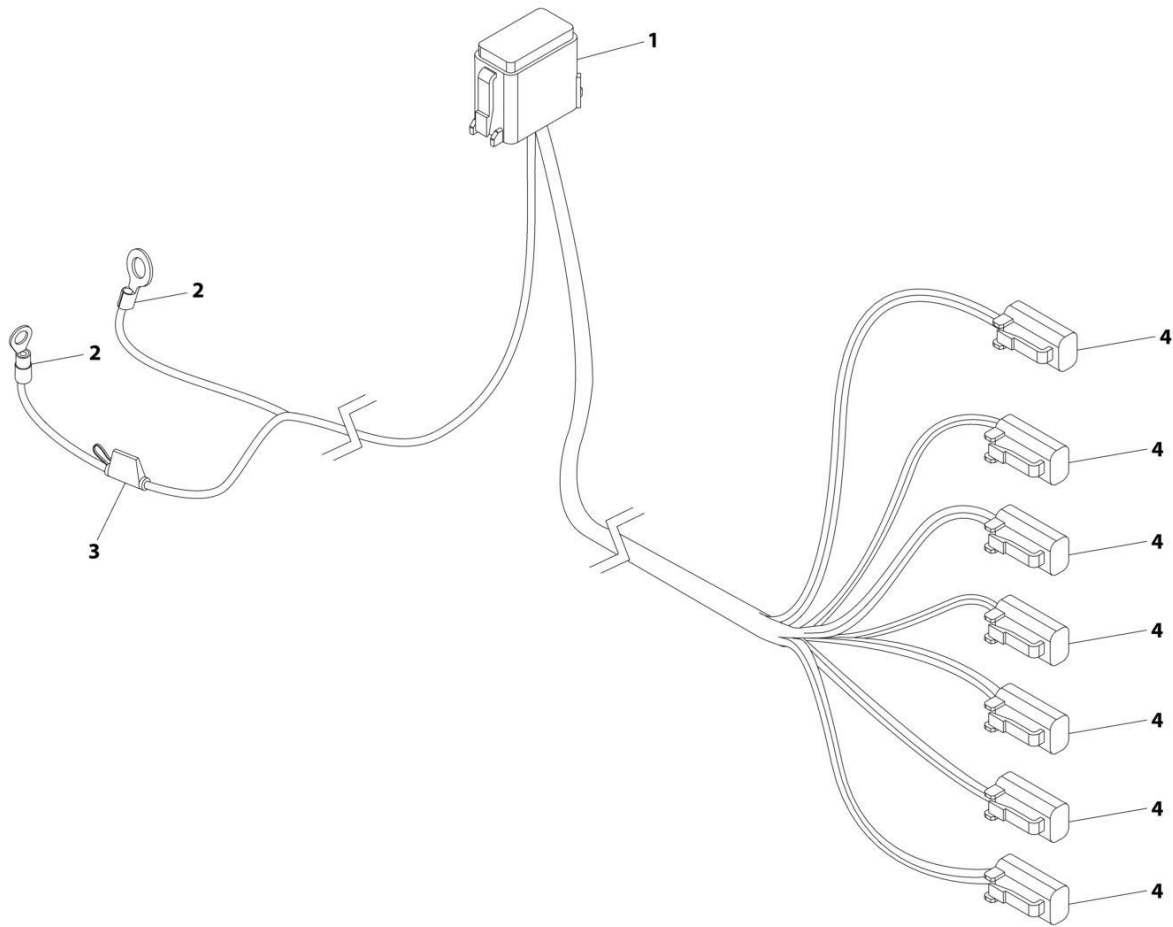
## SECTION 6 - ELECTRICAL

**FIGURE 6-51. SWITCH PANEL INSTALLATION - 6 FUNCTION (RAM 2013+)**

ITEM	PART NUMBER	QTY	DESCRIPTION	REV
	1001261022	Ref	6 FUNCTION SWITCH PANEL RAM 2013+	A
1	7345001914	5	Terminal	
2	4346000005	9	Heat Shrink	

# SECTION 6 - ELECTRICAL

FIGURE 6-52. SIDE RECOVERY SYSTEM (SRS) HARNESS (WITHOUT REMOTE CONTROL)



ART\_7552000385

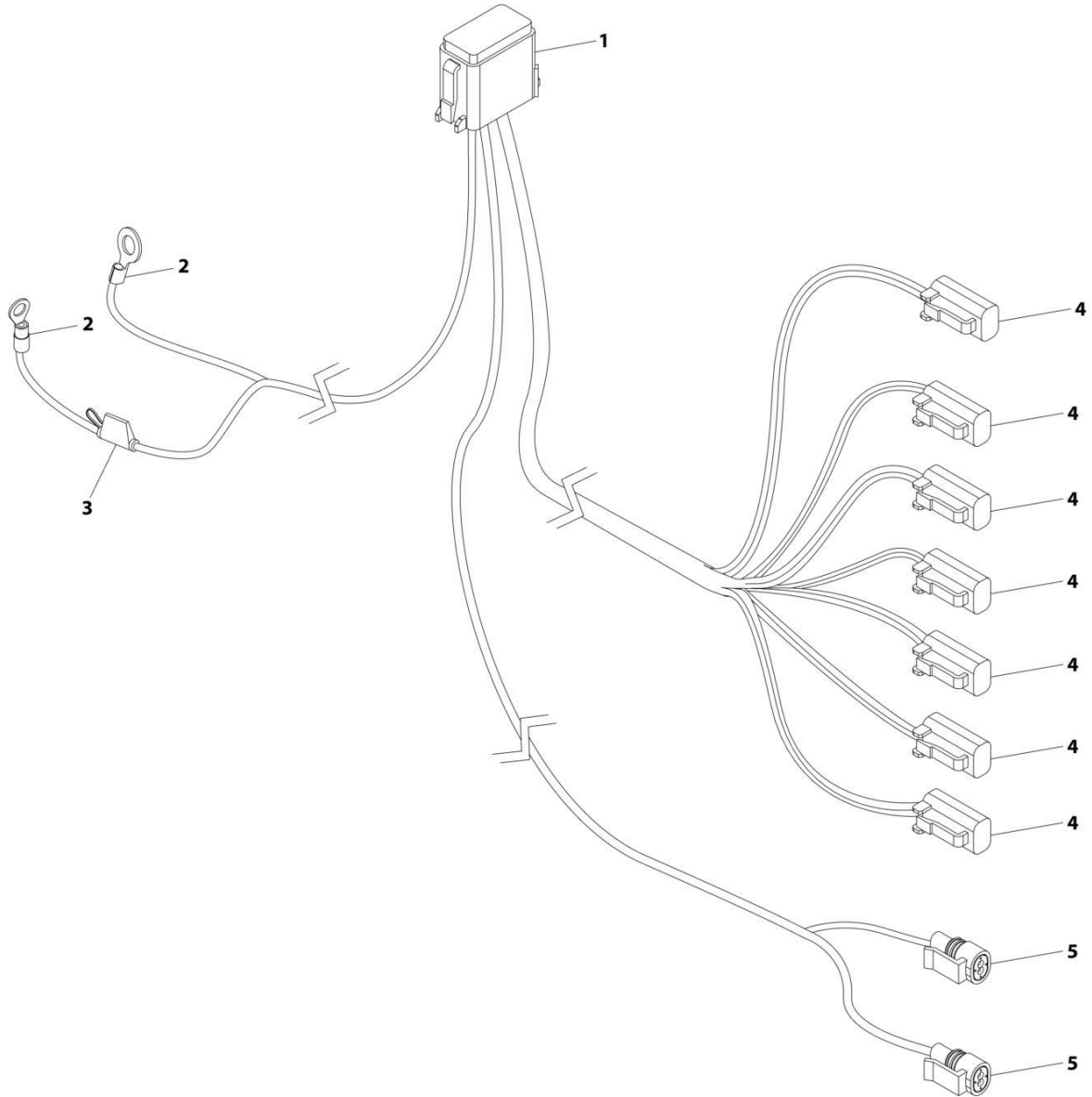
## SECTION 6 - ELECTRICAL

**FIGURE 6-52. SIDE RECOVERY SYSTEM (SRS) HARNESS (WITHOUT REMOTE CONTROL)**

ITEM	PART NUMBER	QTY	DESCRIPTION	REV
	7552000385	Ref	SIDE RECOVERY SYSTEM HARNESS (WITHOUT REMOTE CONTROL)	2
1	4460933	1	Plug, Male - 12 Position	
1	4460465	9	Socket, Female	
1	4460466	3	Plug, Terminal	
2		Ref	Terminal, Ring	
3		Ref	Fuseholder	
3		Ref	Fuse - 10Amp ATO	
4	4460891	7	Plug, Male - 2 Position	
4	4460465	14	Socket, Female	

# SECTION 6 - ELECTRICAL

## FIGURE 6-53. SIDE RECOVERY SYSTEM (SRS) HARNESS (WITH REMOTE CONTROL)



ART\_7552000413



## SECTION 6 - ELECTRICAL

**FIGURE 6-53. SIDE RECOVERY SYSTEM (SRS) HARNESS (WITH REMOTE CONTROL)**

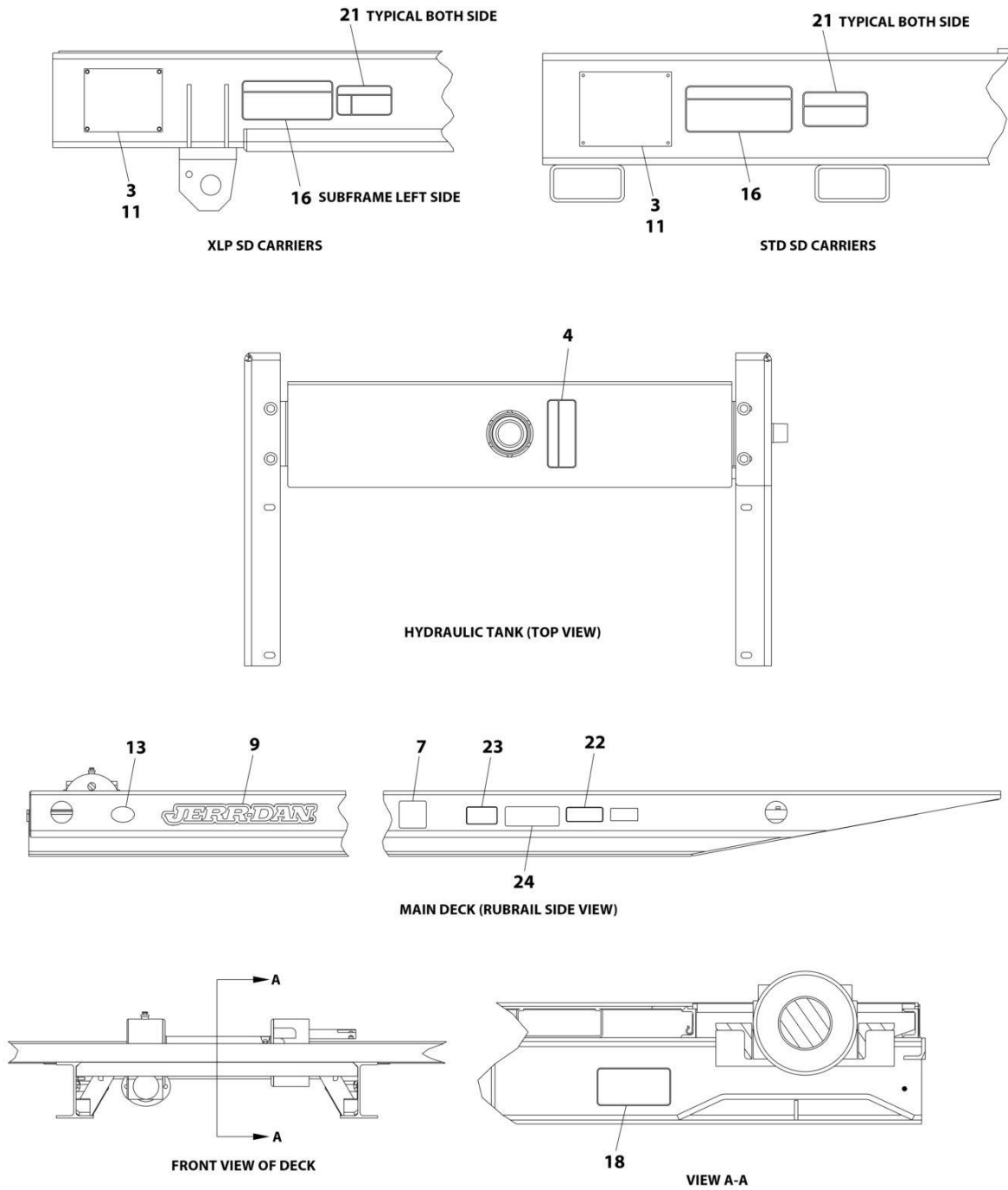
ITEM	PART NUMBER	QTY	DESCRIPTION	REV
	7552000413	Ref	SIDE RECOVERY SYSTEM (SRS) HARNESS (WITH REMOTE CONTROL)	0
1	4460933	1	Plug, Male - 12 position	
1	4460465	11	Socket, Female	
1	4460466	1	Plug, Terminal	
2		Ref	Terminal, Ring	
3		Ref	Fuseholder	
3		Ref	Fuse - 10Amp ATO	
4	4460891	7	Plug, Male - 2 Position	
4	4460465	14	Socket, Female	
5	4460955	2	Plug, Male - 2 Position	
5	4460842	4	Socket, Female	



**SECTION 7 - DECALS**

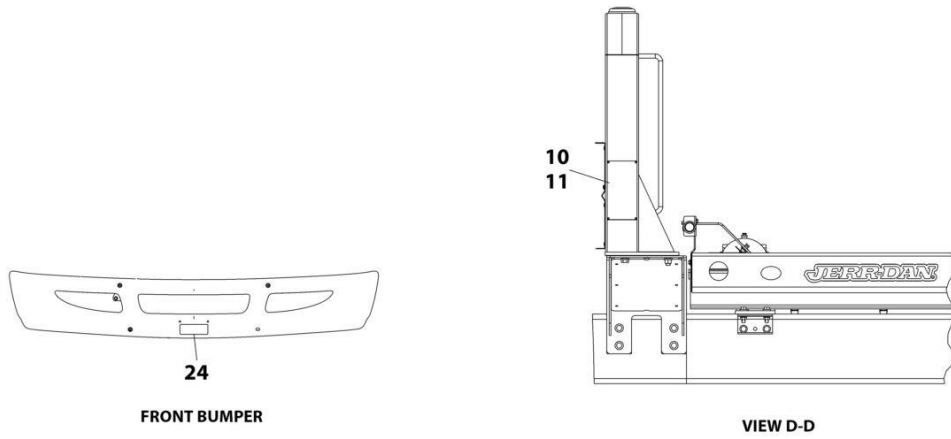
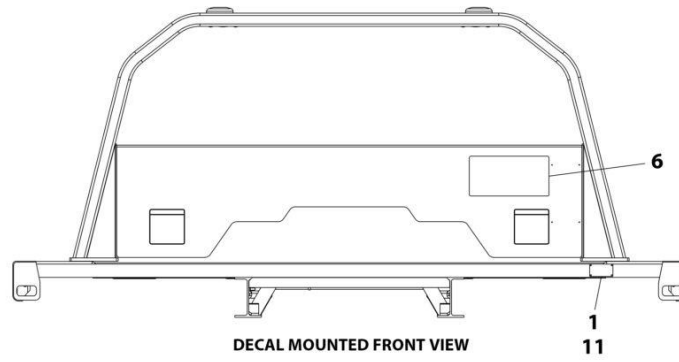
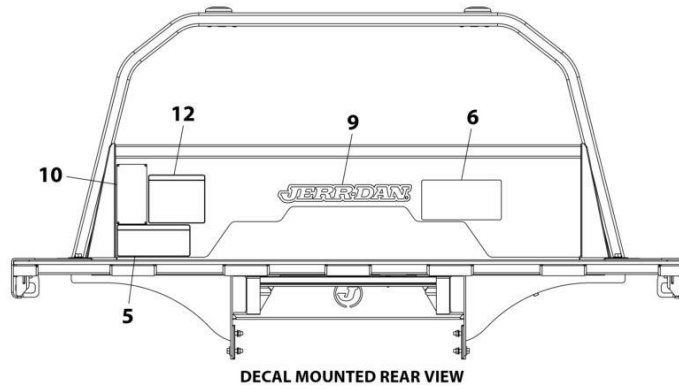
# SECTION 7 - DECALS

## FIGURE 7-1. STANDARD DUTY DECALS INSTALLATION



ART\_2330000038\_1OF2

# SECTION 7 - DECALS



ART\_2330000038\_2OF2

## SECTION 7 - DECALS

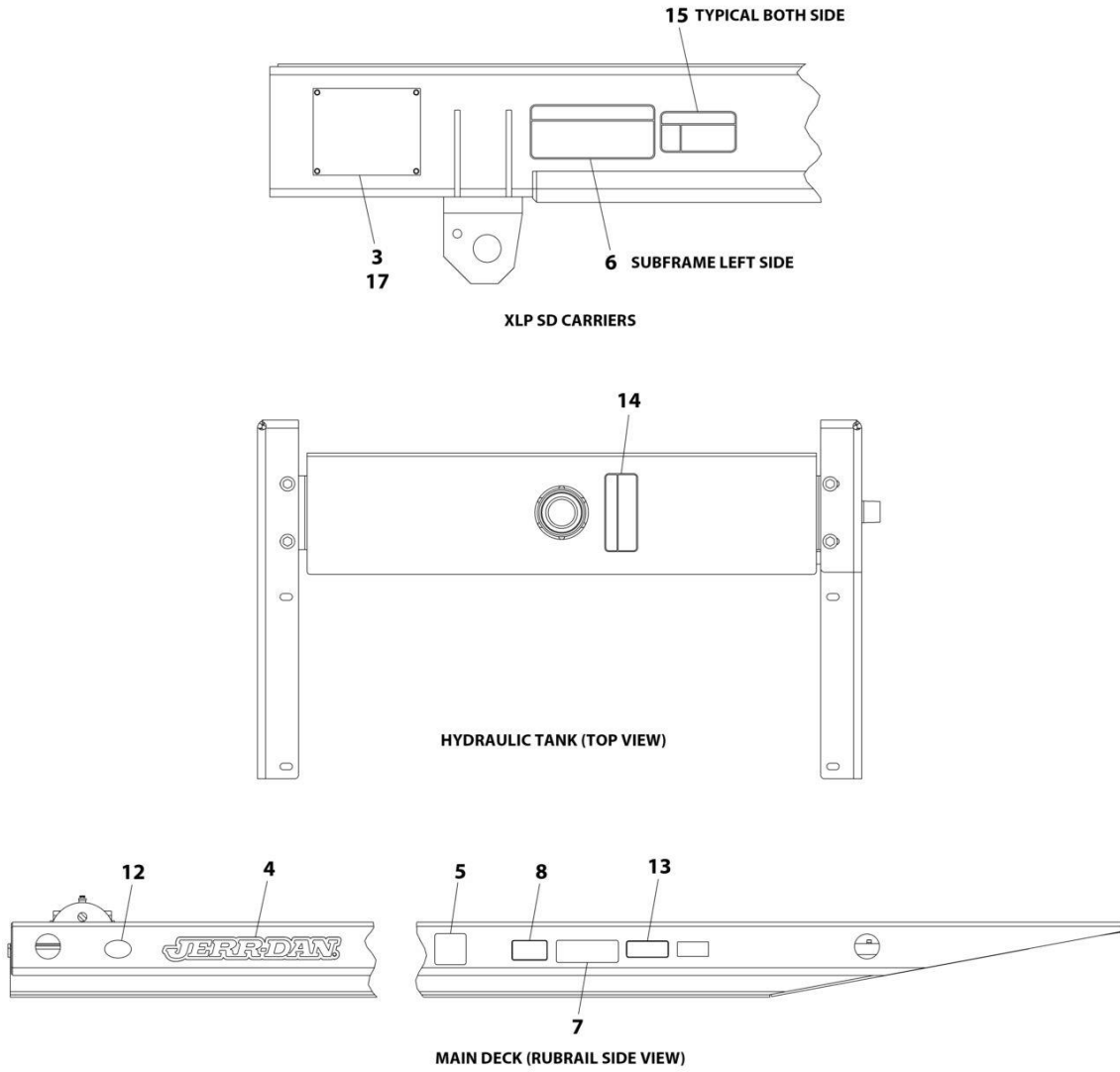
FIGURE 7-1. STANDARD DUTY DECALS INSTALLATION

ITEM	PART NUMBER	QTY	DESCRIPTION	REV
	2330000038	Ref	STANDARD DUTY DECALS, INSTALLATION	O
1	1001127221	1	Decal - Ident Tag	
2	7330000689	1	Decal - Certification (Not Shown)	
3	1001132766	1	Decal - Patent/Subframe	
4	7330000272	1	Decal - Oil Level	
5	1001190626	1	Decal - Winch Warning	
6	7330000478	1	Decal - Lub Chart Bic	
7	1001154689	2	Decal - Arrow Rollback Tilt	
9	1001153789	3	Decal - Amber Reflect	
10	1001132764	1	Decal - S.T.A.R. Placard Carrier	
11	7759000004	12	Rivet	
12	1001190625	1	Decal - Checklist	
13	7330000143	1	Decal - Made in the USA	
14	7330000139	1	Decal - Wheel Lift (Not Shown)	
16	1001168591	1	Decal - Slide Pad Lubrication	
18	7330000330	1	Decal - Hose Track Carrier	
21	7330000599	2	Decal - Pinch Point	
22	7330000176	3	Decal - Air Suspension	
23	1001231801	2	Decal - Warning Prop 65 Diesel	
24	1001230968	3	Decal - Electrocution Hazard	



# SECTION 7 - DECALS

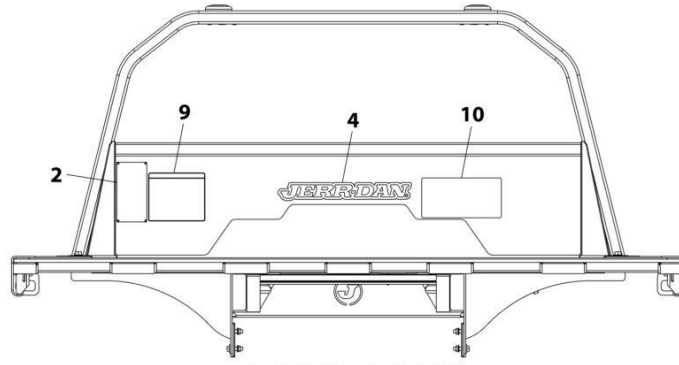
## FIGURE 7-2. STANDARD DUTY DECALS INSTALLATION (CARGO HAULER)



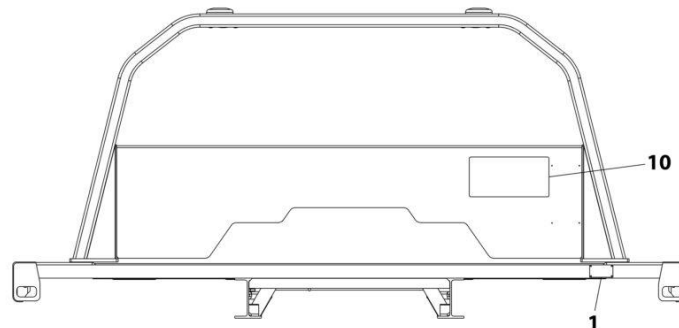
ART\_1001264091\_1OF2



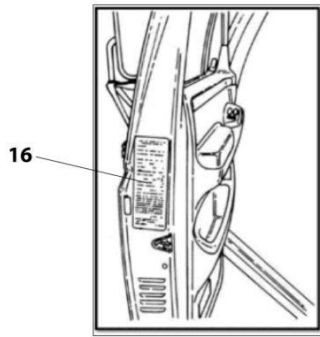
# SECTION 7 - DECALS



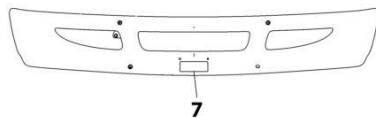
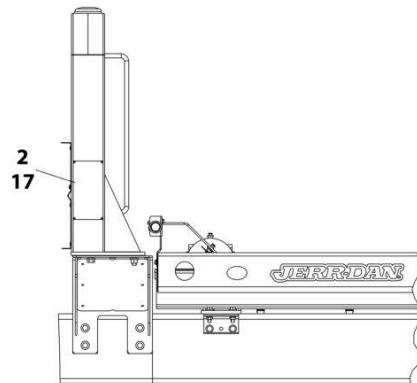
DECAL MOUNTED REAR VIEW



DECAL MOUNTED FRONT VIEW



CAB DOOR



FRONT BUMPER

ART\_1001264091\_2OF2

## SECTION 7 - DECALS

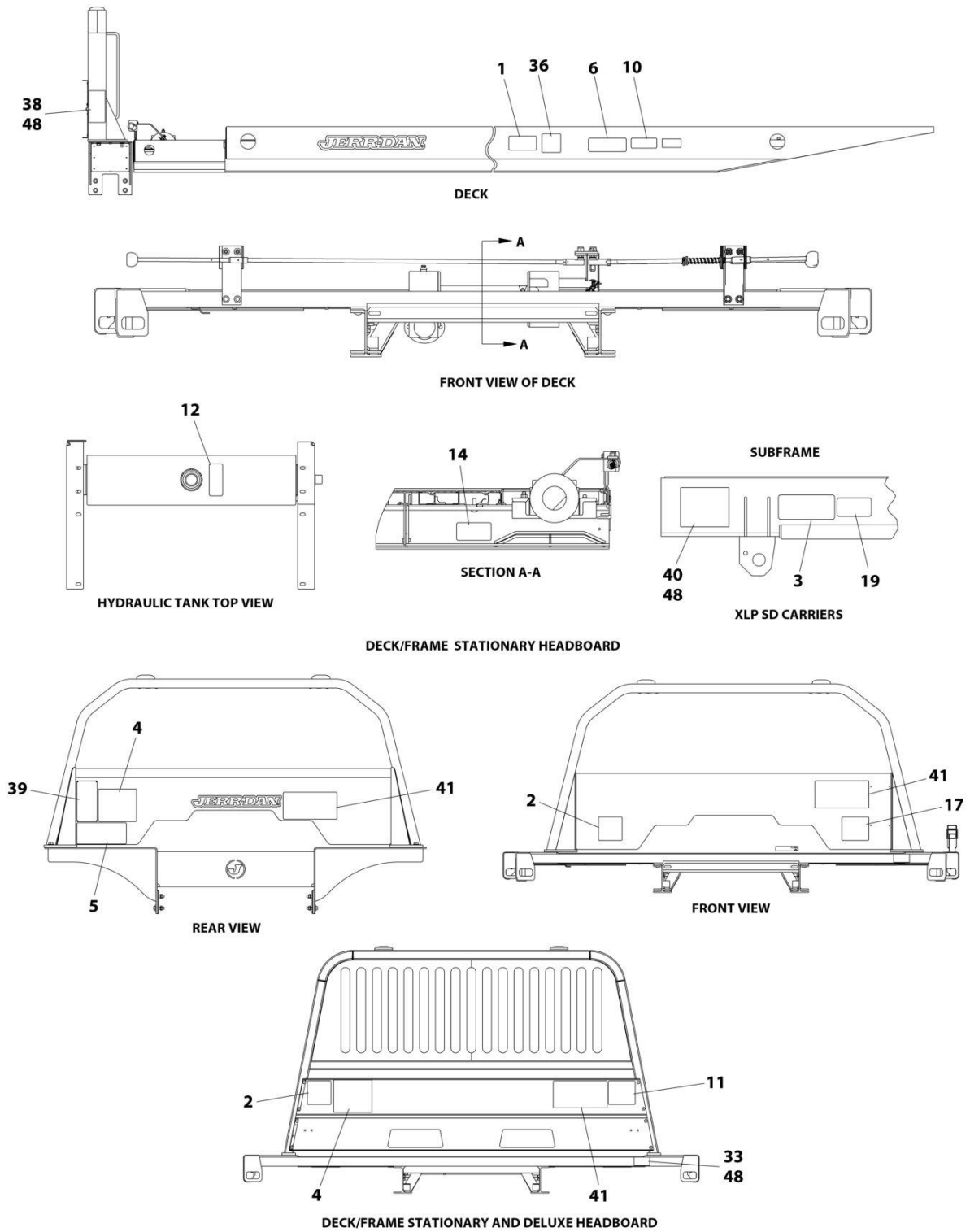
**FIGURE 7-2. STANDARD DUTY DECALS INSTALLATION (CARGO HAULER)**

ITEM	PART NUMBER	QTY	DESCRIPTION	REV
	1001264091	Ref	DECALS INSTALLATION - CARGO HAULER	A
1	1001127221	1	Decal - Ident Tag	
2	1001132764	1	Decal - S.T.A.R. Placard Carrier	
3	1001132766	1	Decal - Patent/Subframe	
4	1001153789	3	Decal - Amber Reflect	
5	1001154689	2	Decal - Arrow Rollback Tilt	
6	1001168591	1	Decal - Slide Pad Lubrication	
7	1001230968	3	Decal - Electrocution Hazard	
8	1001231801	2	Decal - Warning Prop 65 Diesel	
9	1001264084	1	Decal - Checklist	
10	1001264085	1	Decal - Lub Chart Bic	
11	7330000139	1	Decal - Wheel Lift (Not Shown)	
12	7330000143	1	Decal - Made in the USA	
13	7330000176	3	Decal - Air Suspension	
14	7330000272	1	Decal - Oil Level	
15	7330000599	2	Decal - Pinch Point	
16	7330000689	1	Decal - Certification	
17	7759000004	12	Rivet	
50	1001265236	1	Decal Kit - Cargo Hauler (Not Shown - Includes items 9,10 & PNs 1001264086, 1001264087 & 1001263057)	



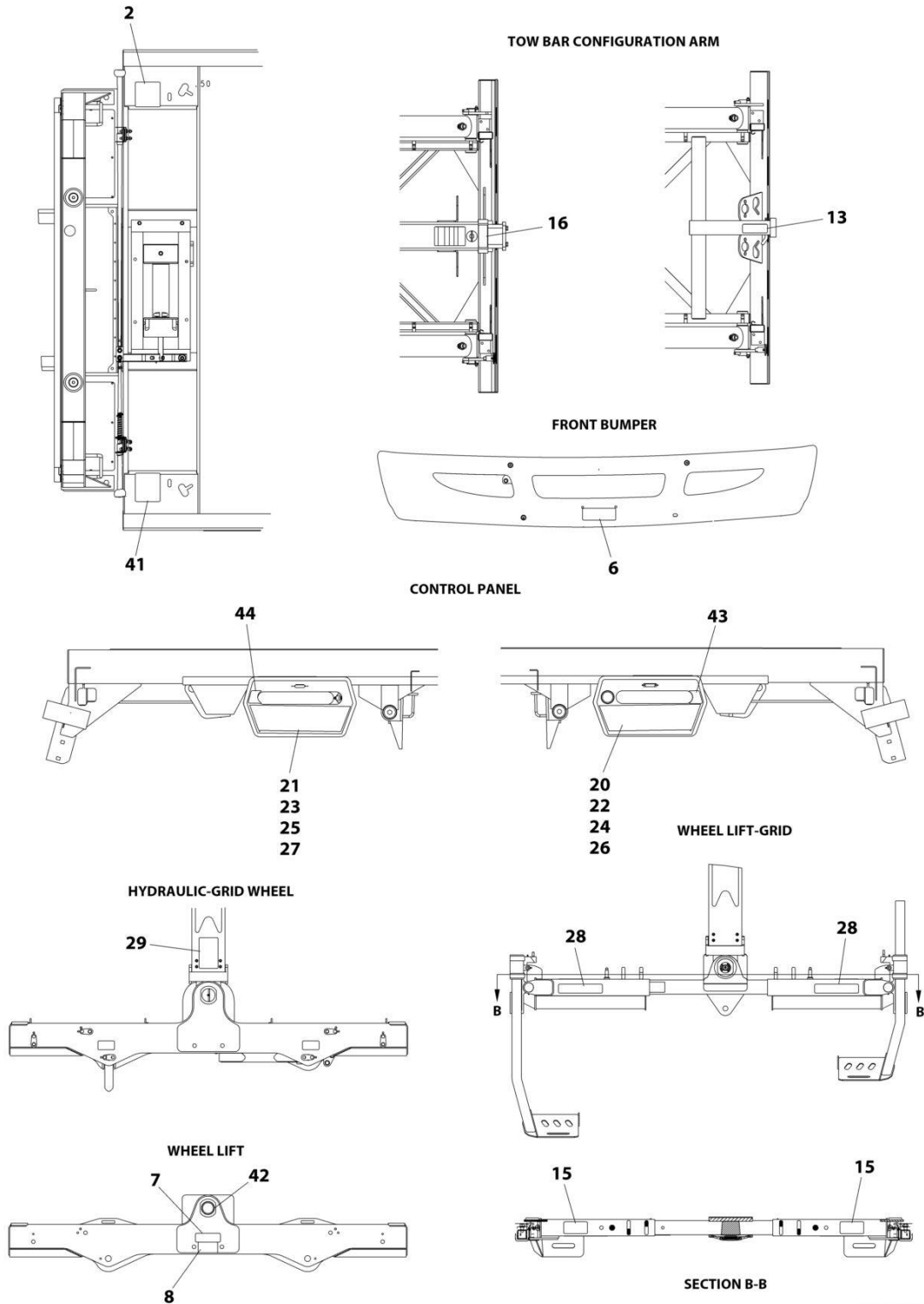
# SECTION 7 - DECALS

## FIGURE 7-3. CARRIER DECAL INSTALLATION, SPANISH



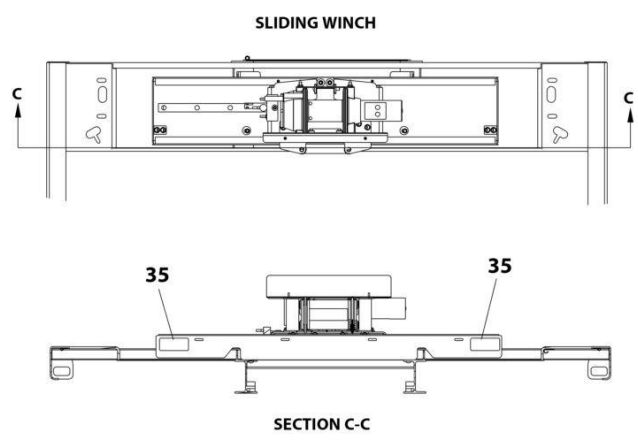
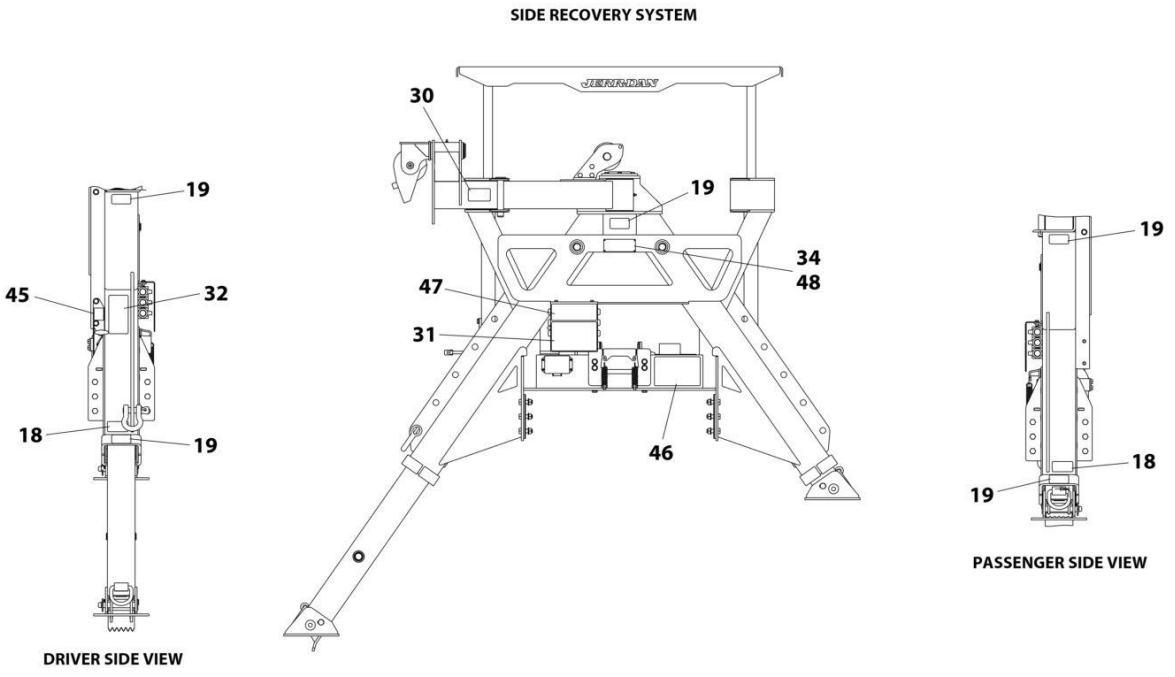
ART\_1001270138\_10F3

# SECTION 7 - DECALS



ART\_1001270138\_20F3

# SECTION 7 - DECALS



ART\_1001270138\_30F3

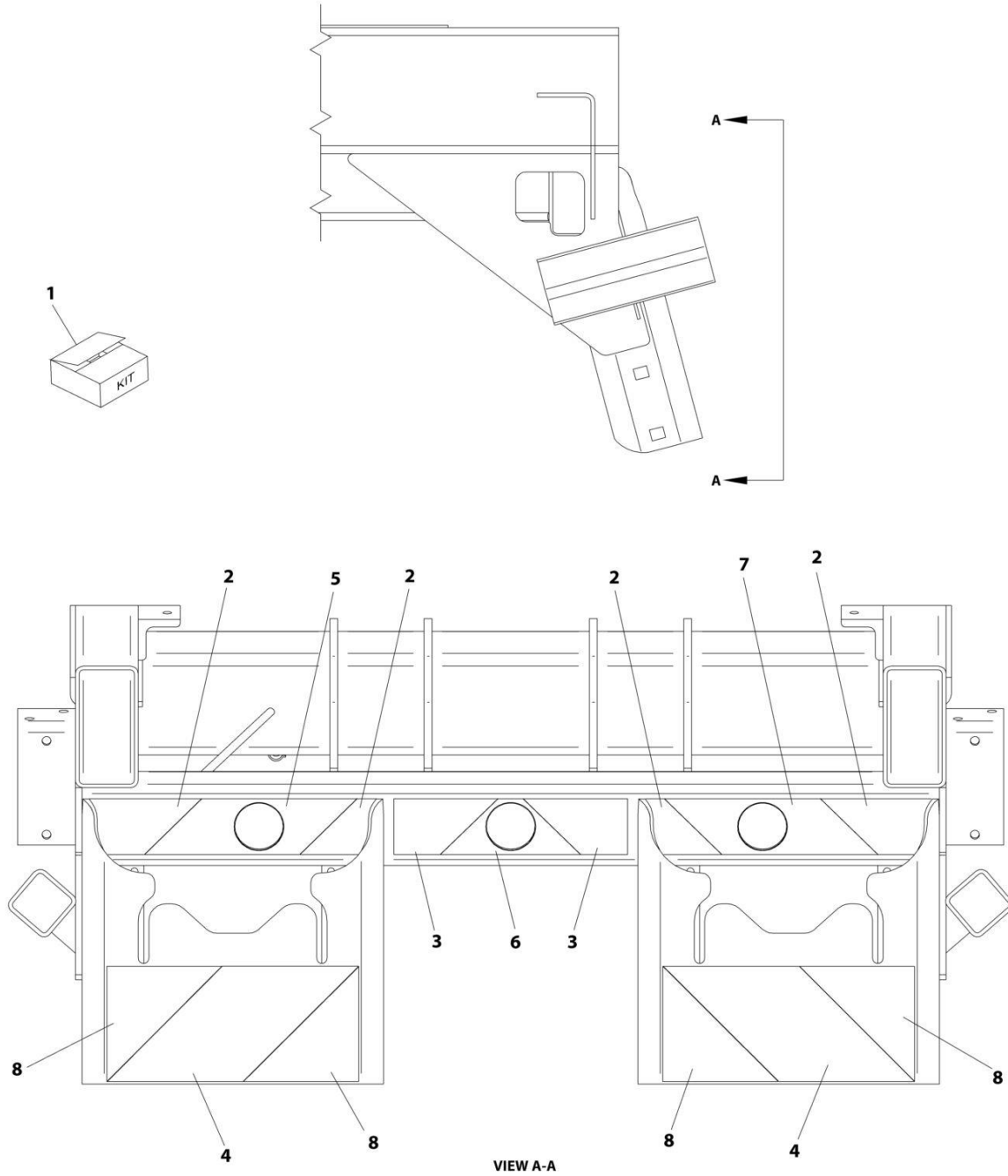
## SECTION 7 - DECALS

**FIGURE 7-3. CARRIER DECAL INSTALLATION, SPANISH**

ITEM	PART NUMBER	QTY	DESCRIPTION	REV
	1001270138	Ref	CARRIER DECAL INSTALLATION - SPANISH	B
1	1001268618	2	Decal - Ladder Carrier	
2	1001268619	1	Decal - Dual Free Spool Release	
3	1001268620	1	Decal - Slide Pad Lubrication	
4	1001268621	1	Decal - Winch Warning	
5	1001268622	1	Decal - Winch Warning	
6	1001268623	3	Decal - Electrocutation Hazard	
7	1001268624	1	Decal - Wheel Lift	
8	1001268625	1	Decal - Hitch on Wheel lift	
9	1001268626	1	Decal - Wheel Lift (Not Shown)	
10	1001268627	3	Decal - Air Suspension	
11	1001268628	1	Decal - Free Spool Release	
12	1001268629	1	Decal - Oil Level	
13	1001268630	1	Decal - Wheel Lift	
14	1001268631	1	Decal - Hose Track Carrier	
15	1001268635	2	Decal - T37 Patent 3-1/2 in	
16	1001268636	1	Decal - Tow Boom Configuration	
17	1001268637	1	Decal - Free Spool Release Stat Hybrid	
18	1001268638	2	Decal - Outrigger/Stabilizer	
19	1001268639	7	Decal - Pinch Point	
20	1001268640	1	Decal - Control Panel 5 Bank	
21	1001268641	1	Decal - Control Panel 5 Bank	
22	1001268642	1	Decal - Control Panel Stabilizer	
23	1001268643	1	Decal - Control Panel Stabilizer	
24	1001268644	1	Decal - Control Panel 6 Bank	
25	1001268645	1	Decal - Control Panel 6 Bank	
26	1001268646	1	Decal - Control Panel 6 Bank	
27	1001268647	1	Decal - Control Panel 6 Bank	
28	1001268648	2	Decal - Safety	
29	1001268649	1	Decal - Safety	
30	1001268650	2	Decal - Pivoting Boom	
31	1001268651	1	Decal - Winch Warning	
32	1001268652	1	Decal - Safety	
33	1001268654	1	Decal - Ident Tag	
34	1001268655	1	Decal - Ident Tag	
35	1001268656	2	Decal - Sliding Winch Warning	
36	1001268657	2	Decal - Arrow Rollback Tilt	
37	1001268658	1	Decal - Lub Chart Greased Option (Not Shown)	
38	1001268659	1	Decal - Placard Carrier	
39	1001268660	1	Decal - Structural Capacity	
40	1001268661	1	Decal - Patent/Subframe I.D.	
41	1001268662	1	Decal - Lube Chart (Lube Free Joints)	
42	1001268663	1	Decal - Grease Required	
43	1001268664	1	Decal - Air Free Spool Control Hood LH	
44	1001268665	1	Decal - Air Free Spool Control Hood RH	
45	1001268666	1	Decal - Winch Free Spool (T-Handle)	
46	1001268667	1	Decal - Lubrication (SRS)	
47	1001268668	1	Decal - Valve Manual Override	
48	7759000004	16	Pop Rivet	

# SECTION 7 - DECALS

## FIGURE 7-4. HIGH VISIBILITY REFLECTIVE TAPE



ART\_1001203303



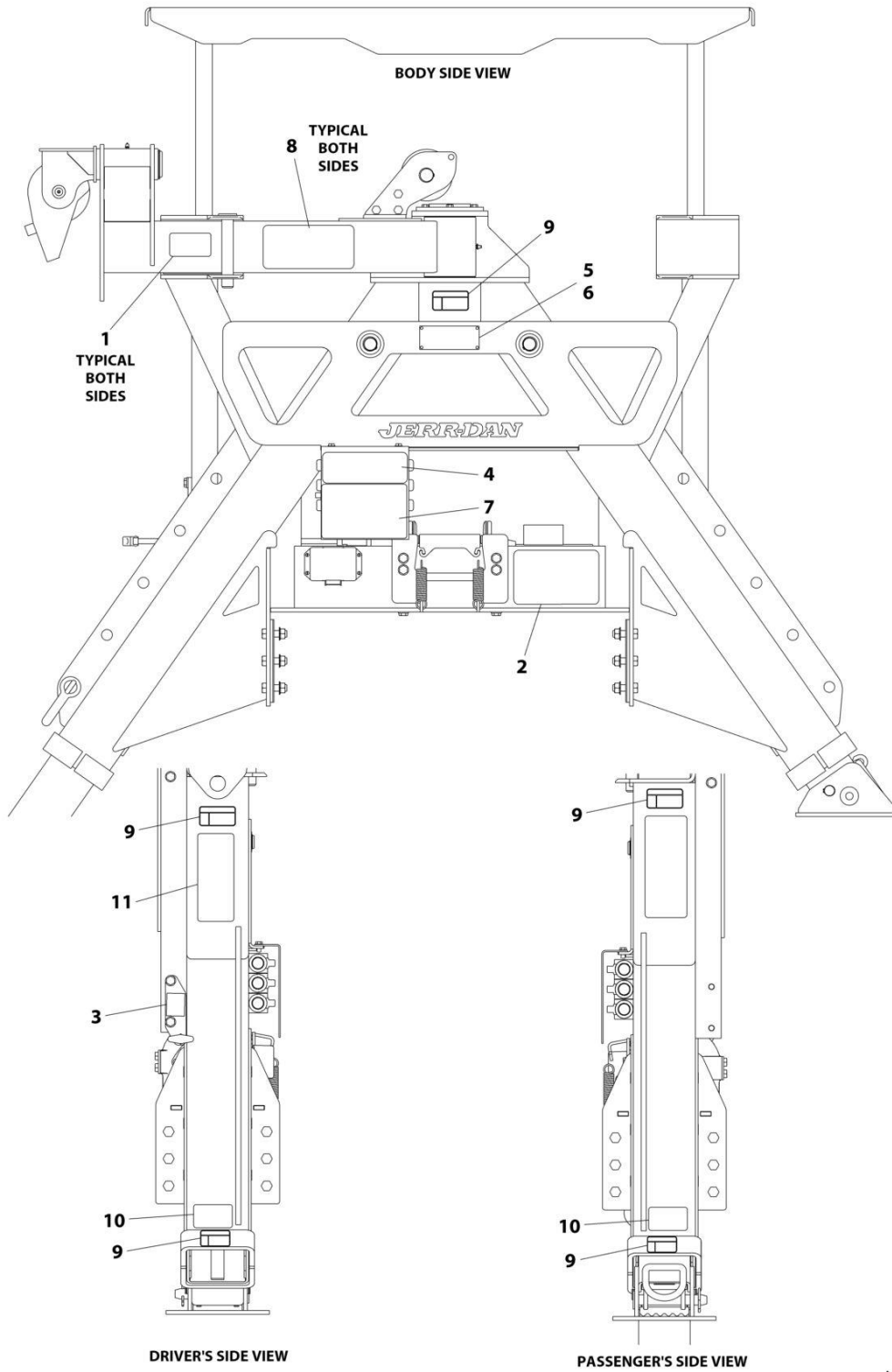
## SECTION 7 - DECALS

### FIGURE 7-4. HIGH VISIBILITY REFLECTIVE TAPE

ITEM	PART NUMBER	QTY	DESCRIPTION	REV
	1001203303	Ref	High Visibility Reflective Tape Intallation	A
1	1001203302	1	Decal - Conspicuity Tape Kit (Includes Items 2-8)	
2	1001203295	1	Tape, Yellow	
3	1001203296	1	Tape, Yellow	
4	1001203297	1	Tape, Yellow	
5	1001203298	1	Tape, Red	
6	1001203299	1	Tape, Red	
7	1001203300	1	Tape, Red	
8	1001203301	1	Tape, Red	

# SECTION 7 - DECALS

## FIGURE 7-5. DECAL INSTALLATION AND RELOCATION



ART\_233000068

## SECTION 7 - DECALS

**FIGURE 7-5. DECAL INSTALLATION AND RELOCATION**

ITEM	PART NUMBER	QTY	DESCRIPTION	REV
	2330000068	Ref	DECAL INSTALLATION - SIDE RECOVERY SYSTEM	A
1	7330000708	2	Decal, Warning	
2	7330000709	1	Decal, Lubrication	
3	7330000707	1	Decal, Winch Free Spool	
4	7330000711	1	Decal, Valve Manual Override	
5	7330000710	1	Decal, Seal	
6	7759000004	4	Rivet	
7	7330000713	1	Decal, Winch Warning	
8	7330000714	2	Decal, SRS Logo	
9	7330000599	5	Decal, Pinch Point	
10	7330000580	2	Decal, Outrigger	
11	7330000723	1	Decal, Safety	



**SECTION 8 - ACCESSORIES**

## SECTION 8 - ACCESSORIES

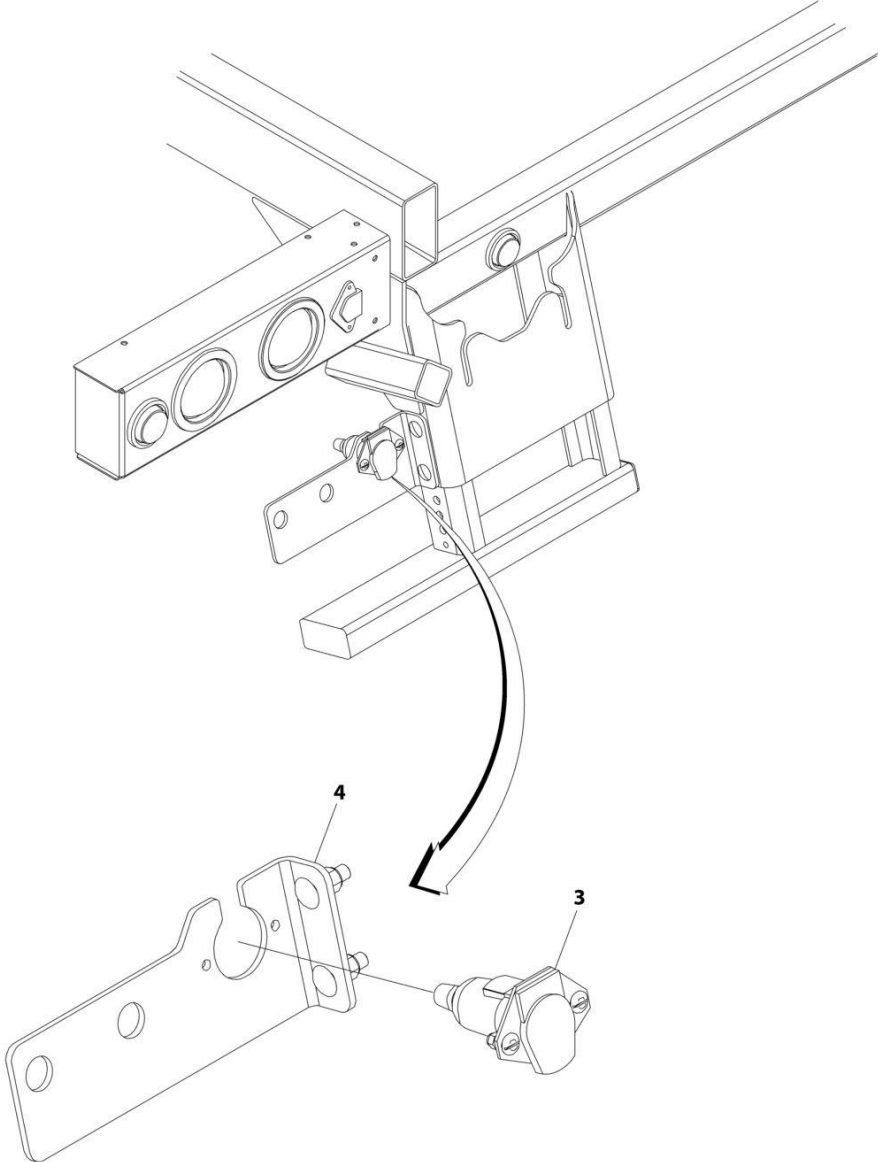
**FIGURE 8-1. KITS LIST**

ITEM	PART NUMBER	QTY	DESCRIPTION	REV
	1001241870	Ref	KITS LIST	K
		Ref	Note: Contact JERR-DAN Parts Department for exact contents of kit:	
	1001262545	Ref	Chain Rack Kit - Non-Locking (Standard Headboard) (Includes Rack & Attaching Hardware)	
	1001262546	Ref	Chain Rack Kit - Non-Locking (Deluxe Headboard) (Includes Rack & Attaching Hardware)	
	1001265255	Ref	Chain Rack Kit - Locking (Standard Headboard) (Includes Rack & Attaching Hardware)	
	1001262544	Ref	Chain Rack Kit - Locking (Deluxe Headboard) (Includes Rack & Attaching Hardware)	
	1001265236	Ref	Decal Kit - Cargo Hauler	
	1001187663S	Ref	Free Spool Kit - Single Winch (8000-10000 LBS)	
	1001266452	Ref	Maintenance Kit - 9FT Carrier (Includes Hydraulic Filter Element, Wheel Lift Wear Pads, Slide Pads, Hold Down Wear Pads, Arrow Decals, Controls Placards & Attaching Hardware)	
	1001266453	Ref	Maintenance Kit -19-22FT Carrier Low Profile (Includes Hydraulic Filter Element, Wheel Lift Wear Pads, Slide Pads, Hold Down Wear Pads, Arrow Decals, Controls Placards & Attaching Hardware)	
	1001266454	Ref	Maintenance Kit - 20-21FT Carrier (Includes Hydraulic Filter Element, Wheel Lift Wear Pads, Slide Pads, Hold Down Wear Pads, Arrow Decals, Controls Placards & Attaching Hardware)	
	1001269378	Ref	Pin Kit (Provides Greaseable Pivot Pin)	
	3249000004S	Ref	Roller Cable Guide Kit	
	9577000226	Ref	Slide Pad Kit - 19FT Carrier	
	9577000227	Ref	Slide Pad Kit - 20-21FT Carrier	
	1001257906	Ref	Subframe Saddle Bracket Kit (Includes Saddle Bracket, Shims & Attaching Hardware)	



**SECTION 8 - ACCESSORIES**

**FIGURE 8-2. 7-WAY ELECTRICAL CONNECTOR**



ART\_A7WCON



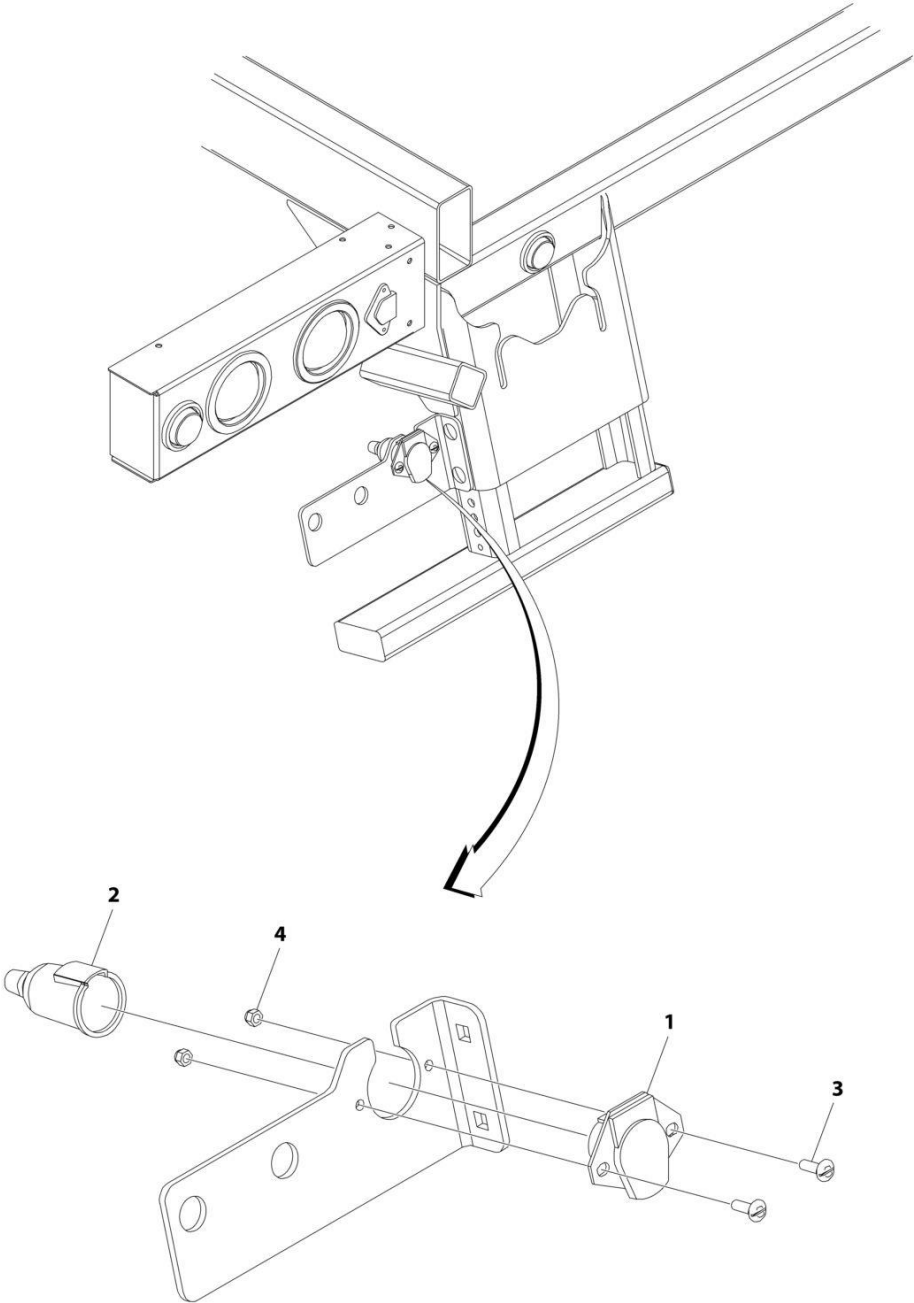
## SECTION 8 - ACCESSORIES

### FIGURE 8-2. 7-WAY ELECTRICAL CONNECTOR

ITEM	PART NUMBER	QTY	DESCRIPTION	REV
	A7WCON	Ref	7 Way Electric Connector Installation	0
1	7346000132	1	Electrical Adapter 7 to 4 way (Not Shown)	
2	7346000157	1	Electrical Adapter 7 to 6 way (Not Shown)	
3	2346000008	1	7-Way Electrical Connector (See Separate Breakdown in this Section)	
4	2178000037	Ref	Glad Hands Bracket Installation	
4	4178000666	1	Bracket	
4	7115181464	2	Bolt 1/2 x 1-3/4	
4	7660182601	2	Nut 1/2	

**SECTION 8 - ACCESSORIES**

**FIGURE 8-3. 7-WAY ELECTRICAL INSTALLATION**



ART\_2346000008

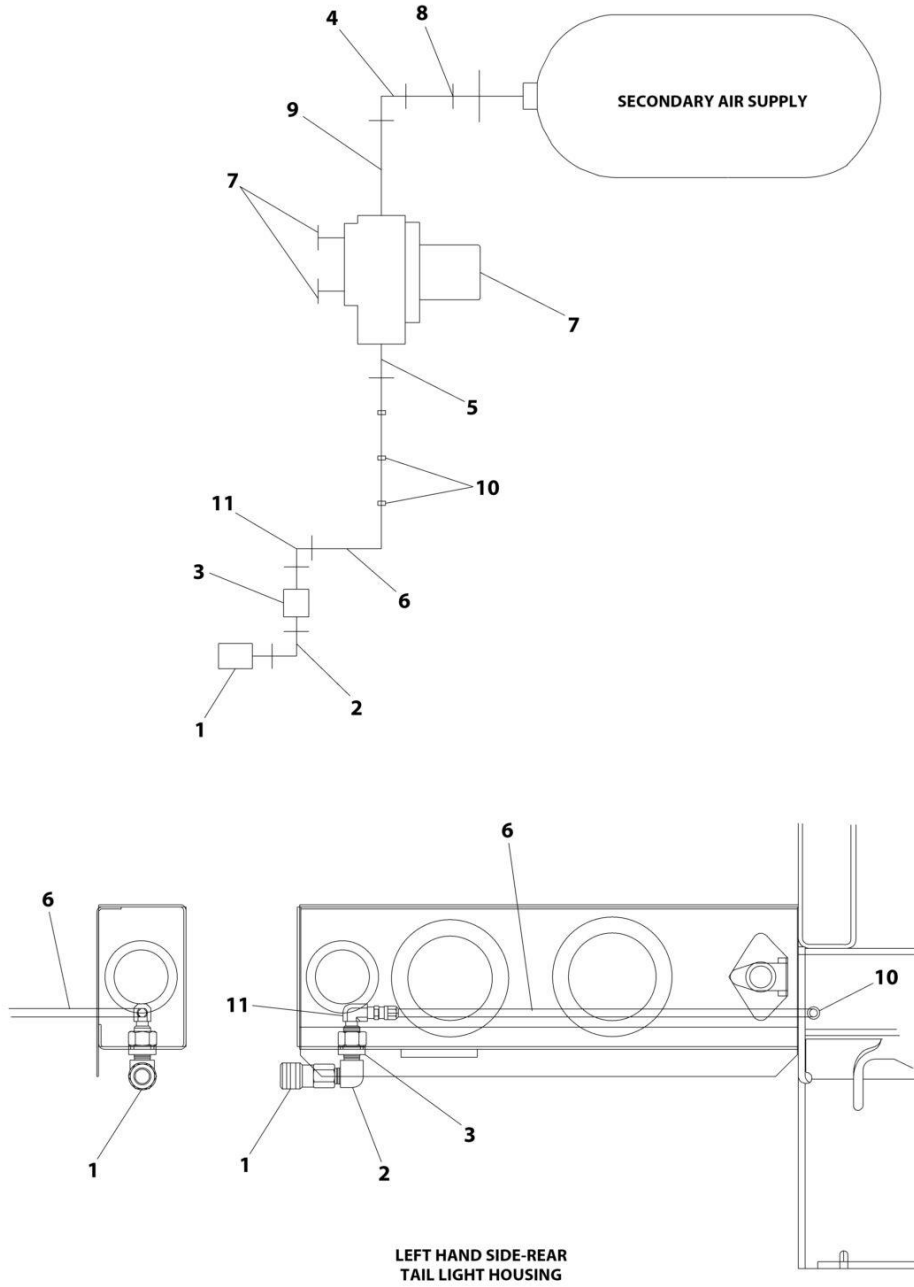
## SECTION 8 - ACCESSORIES

### FIGURE 8-3. 7-WAY ELECTRICAL INSTALLATION

ITEM	PART NUMBER	QTY	DESCRIPTION	REV
	2346000008	Ref	7-Way Electrical Connector	0
1	7346000055	1	Electrical Receptacle 7-way Connect	
2	7346000078	1	Electrical Boot	
3	7111150813	2	Screw 5/16 x 1	
4	7660152601	2	Nut 5/16	

# SECTION 8 - ACCESSORIES

## FIGURE 8-4. AIR SUPPLY DISCONNECT



ART\_2002000009

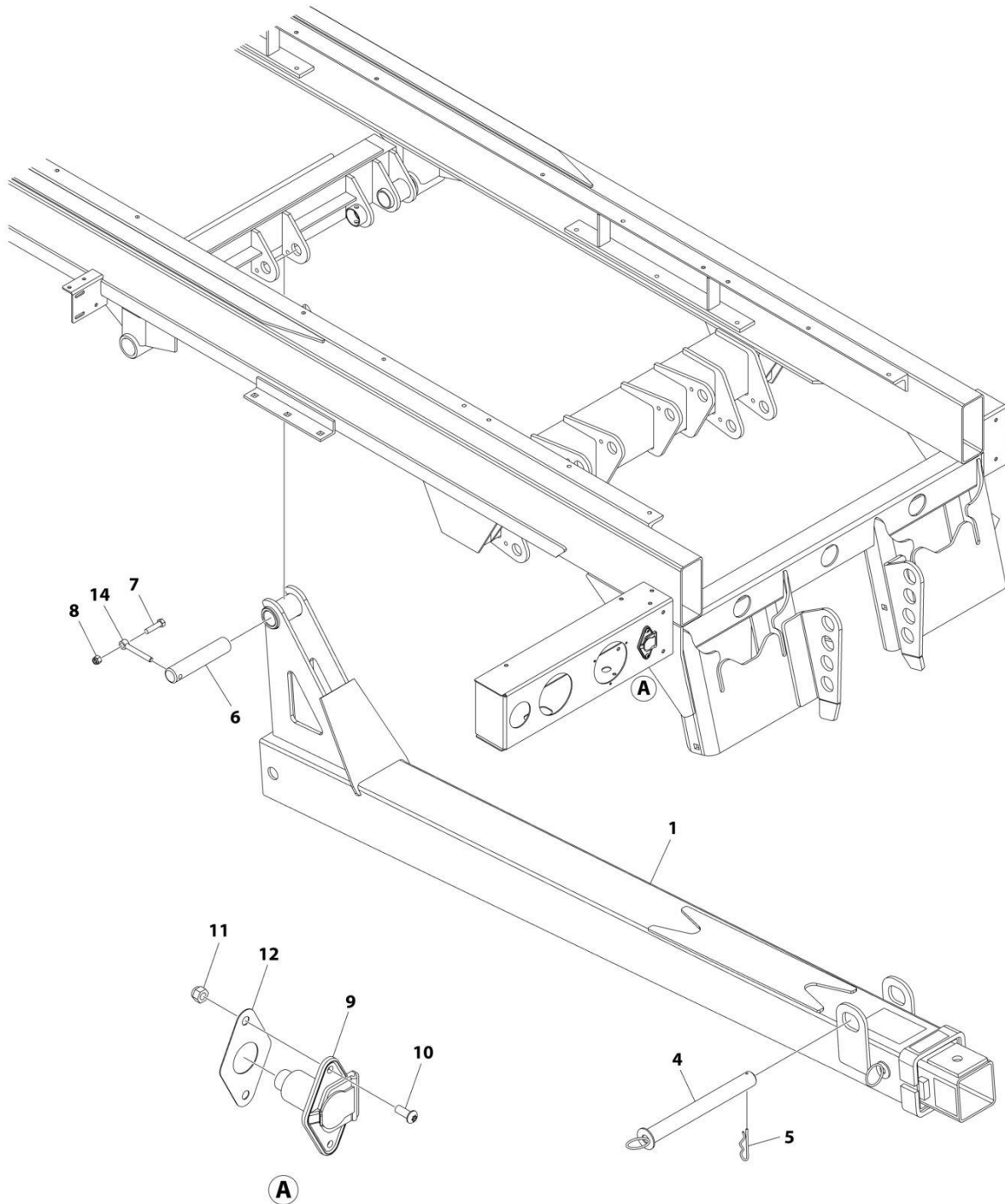
## SECTION 8 - ACCESSORIES

### FIGURE 8-4. AIR SUPPLY DISCONNECT

ITEM	PART NUMBER	QTY	DESCRIPTION	REV
	2002000009	Ref	AIR SUPPLY DISCONNECT	E
1	7312000017	1	Coupling	
2	7445080853	1	Fitting, 90	
3	7446502518	1	Fitting	
4	7443000155	1	Fitting, 90	
5	7446060435	2	Tube	
6	7565000014	32	Airline Tubing	
7	7935000120	1	Valve Pressure Protection	
8	7443000154	1	Bushing	
9	7443000156	1	Nipple	
10	7894000031	6	Cable Tie	
11	7443000366	1	Fitting, Tube	

# SECTION 8 - ACCESSORIES

## FIGURE 8-5. BOOM INSTALLATION - BALL HITCH (HYDRAULIC)



ART\_217000087

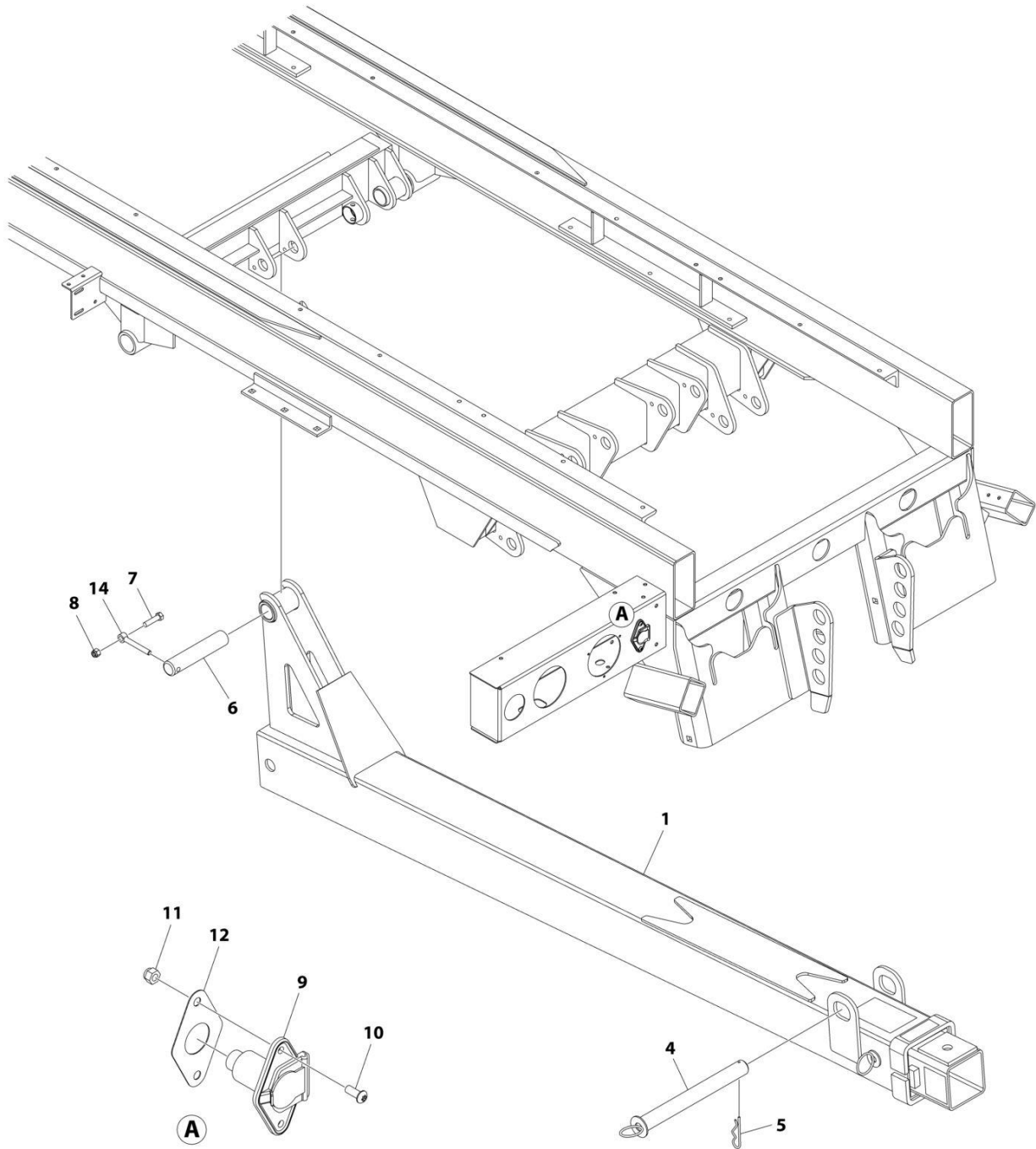
## SECTION 8 - ACCESSORIES

**FIGURE 8-5. BOOM INSTALLATION - BALL HITCH (HYDRAULIC)**

ITEM	PART NUMBER	QTY	DESCRIPTION	REV
	2170000087	Ref	TOW HITCH BOOM INSTALLATION - BALL HITCH (HYDRAULIC)	D
1	3170000308	1	Boom Assembly (See Separate Breakdown in this Section)	
4	3691000097	1	Pin	
5	7691000001	1	Hairpin	
6	1001188129	1	Pin	
7	0641612	1	Bolt 3/8 x 1-1/2	
8	3300492	1	Nut 3/8	
9	7291000010	1	Female Receptacle	
10	7114140528	2	Screw 1/4 x 5/8	
11	7660142601	2	Nut 1/4	
12	7796000048	1	Gasket	
14	3841143	1	Keeper	

# SECTION 8 - ACCESSORIES

## FIGURE 8-6. BOOM INSTALLATION - BALL HITCH (MANUAL)



ART\_217000088



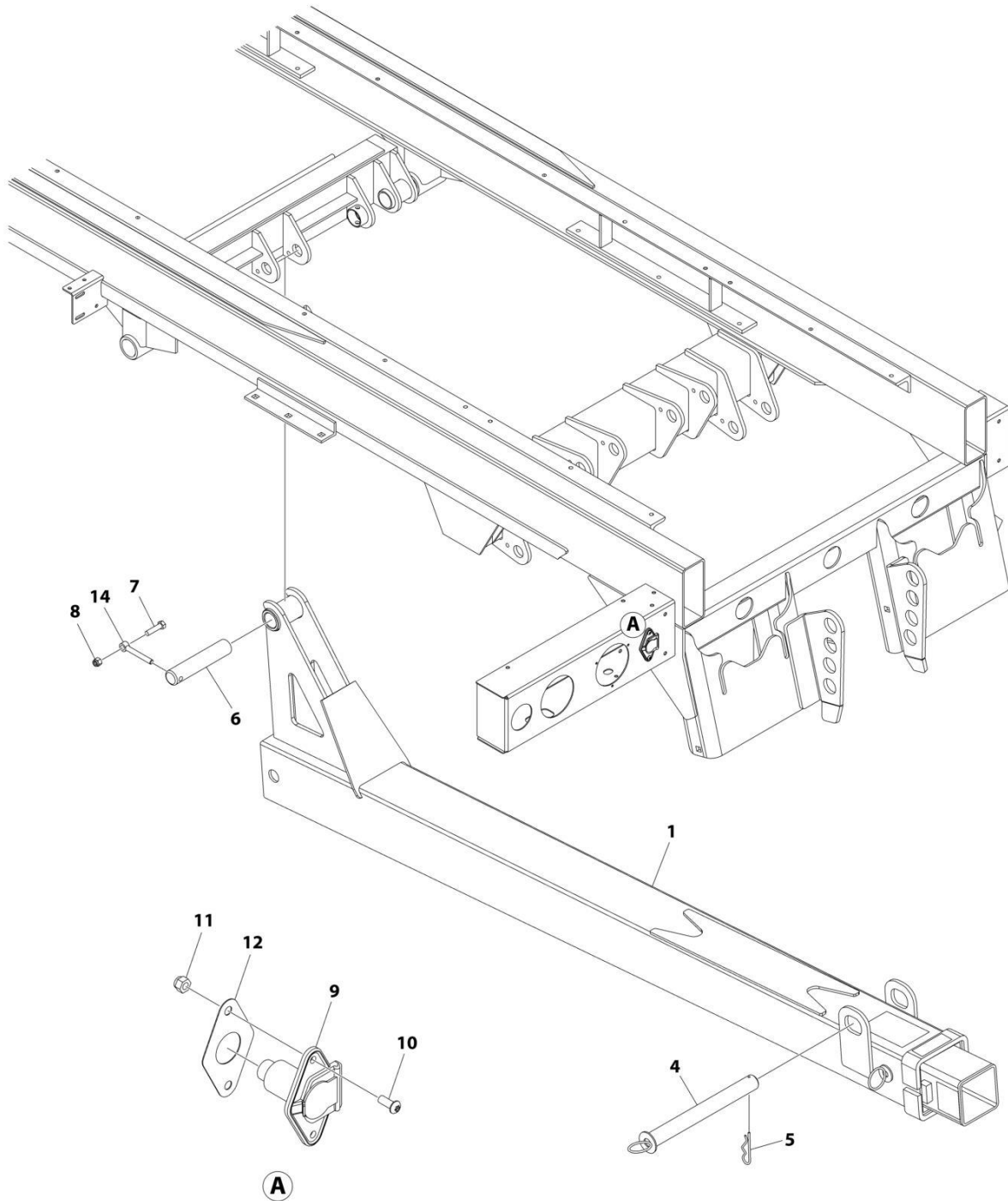
## SECTION 8 - ACCESSORIES

**FIGURE 8-6. BOOM INSTALLATION - BALL HITCH (MANUAL)**

ITEM	PART NUMBER	QTY	DESCRIPTION	REV
	2170000088	Ref	TOW HITCH BOOM INSTALLATION - BALL HITCH (MANUAL)	D
1	3170000309	1	Boom Assembly (See Separate Breakdown in this Section)	
4	3691000097	1	Pin	
5	7691000001	1	Hairpin	
6	1001188129	1	Pin	
7	0641612	1	Bolt 3/8 x 1-1/2	
8	3300492	1	Nut 3/8	
9	7291000010	1	Female Receptacle	
10	7114140528	2	Screw 1/4 x 5/8	
11	7660142601	2	Nut 1/4	
12	7796000048	1	Gasket	
14	3841143	1	Keeper	

# SECTION 8 - ACCESSORIES

## FIGURE 8-7. BOOM INSTALLATION - PINTLE HITCH (HYDRAULIC)



ART\_217000089

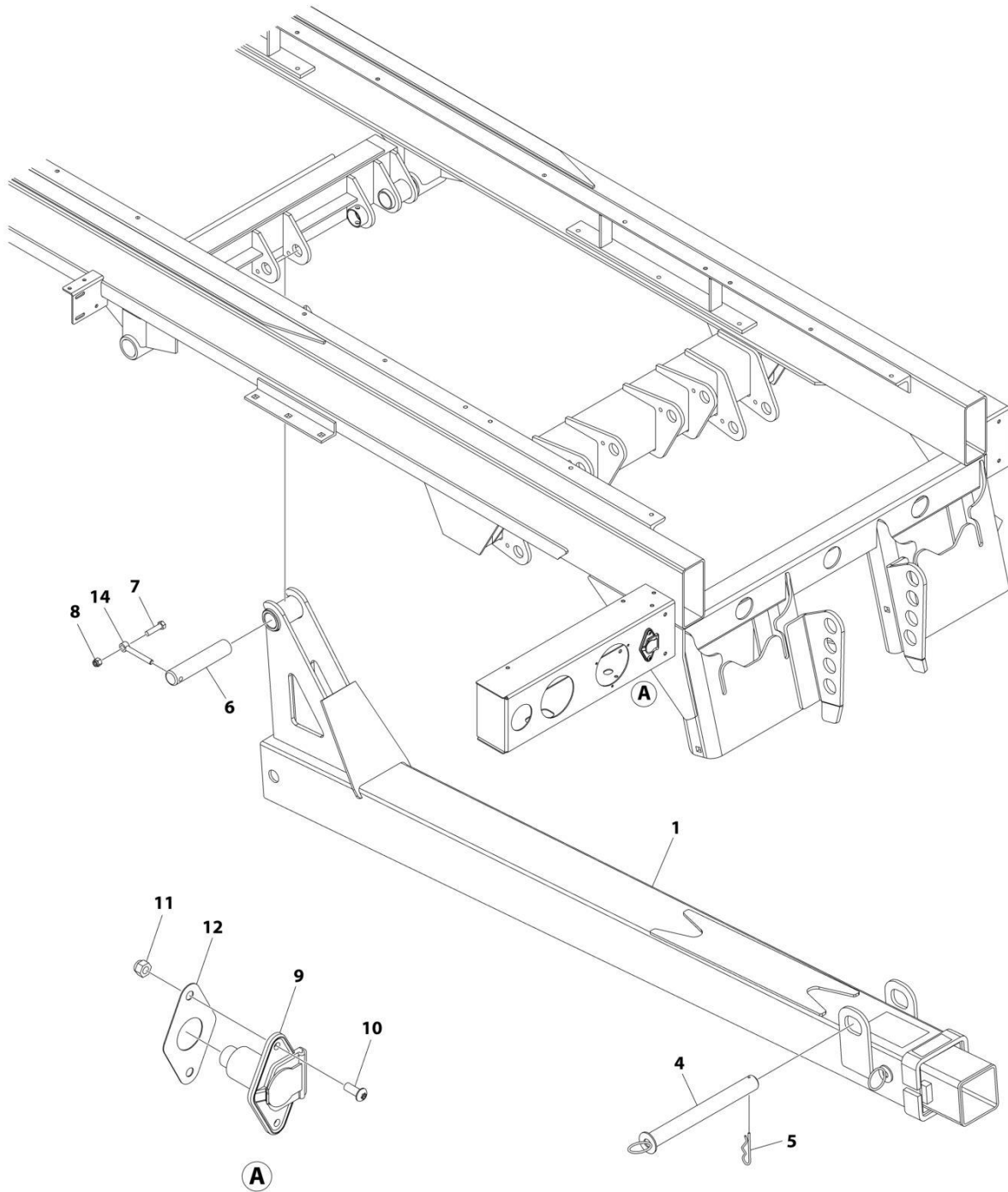
## SECTION 8 - ACCESSORIES

**FIGURE 8-7. BOOM INSTALLATION - PINTLE HITCH (HYDRAULIC)**

ITEM	PART NUMBER	QTY	DESCRIPTION	REV
	2170000089	Ref	TOW HITCH BOOM INSTALLATION - PINTLE HITCH (HYDRAULIC)	D
1	3170000311	1	Boom Assembly (See Separate Breakdown in this Section)	
4	3691000097	1	Pin	
5	7691000001	1	Hiarpin	
6	1001188129	1	Pin	
7	0641612	1	Bolt 3/8 x 1-1/2	
8	3300492	1	Nut 3/8	
9	7291000010	1	Female Receptacle	
10	7114140528	2	Screw 1/4 x 5/8	
11	7660142601	2	Nut 1/4	
12	7796000048	1	Gasket	
14	3841143	1	Keeper	

# SECTION 8 - ACCESSORIES

## FIGURE 8-8. BOOM INSTALLATION, PINTLE HITCH (MANUAL)



ART\_217000090

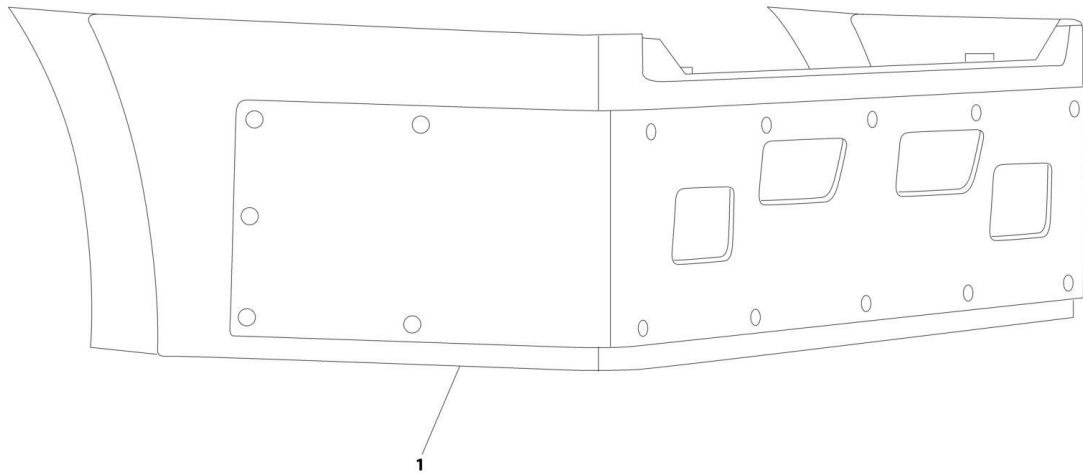
## SECTION 8 - ACCESSORIES

**FIGURE 8-8. BOOM INSTALLATION, PINTLE HITCH (MANUAL)**

ITEM	PART NUMBER	QTY	DESCRIPTION	REV
	2170000090	Ref	TOW HITCH BOOM INSTALLATION - PINTLE HITCH (MANUAL)	D
1	3170000312	1	Boom Assembly (See Separate Breakdown in this Section)	
4	3691000097	1	Pin	
5	7691000001	1	Hairpin	
6	1001188129	1	Pin	
7	0641612	1	Bolt 3/8 x 1-1/2	
8	3300492	1	Nut 3/8	
9	7291000010	1	Female Receptacle	
10	7114140528	2	Screw 1/4 x 5/8	
11	7660142601	2	Nut 1/4	
12	7796000048	1	Gasket	
14	3841143	1	Keeper	

## SECTION 8 - ACCESSORIES

FIGURE 8-9. BUMPER INSTALLATION - PUSH (FRONT) (NO GRILLE GUARD (DODGE 2011+))



ART\_1001155476

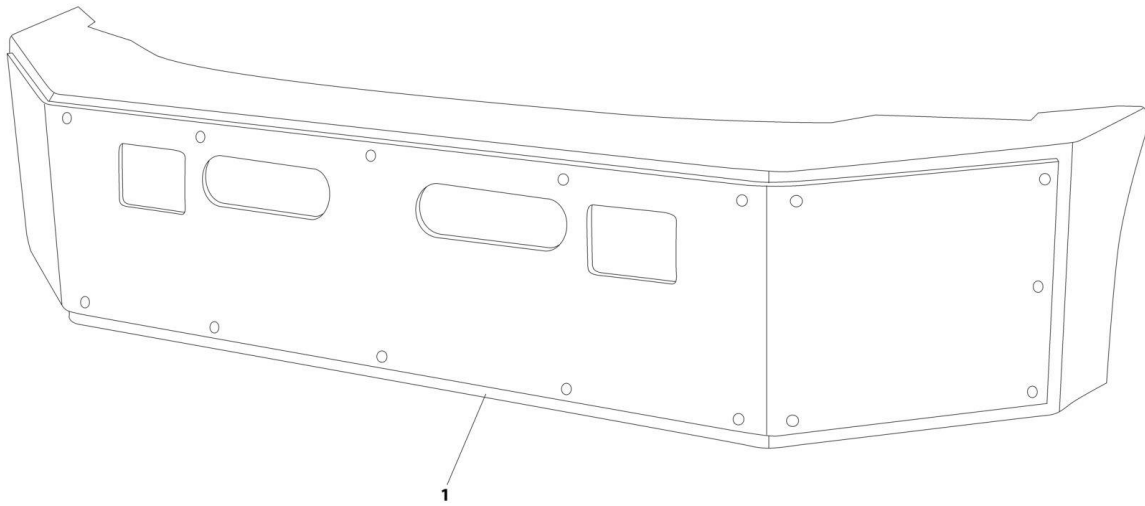
## SECTION 8 - ACCESSORIES

**FIGURE 8-9. BUMPER INSTALLATION - PUSH (FRONT) (NO GRILLE GUARD (DODGE 2011+))**

ITEM	PART NUMBER	QTY	DESCRIPTION	REV
	1001155476	Ref	BUMPER INSTALLATION - PUSH (FRONT) (NO GRILLE GUARD (DODGE 2011+))	A
1	1001155475	1	Bumper	

## SECTION 8 - ACCESSORIES

FIGURE 8-10. BUMPER INSTALLATION - PUSH (FRONT) (NO GRILLE GUARD (FORD F550 2011-2016))



ART\_1001134181



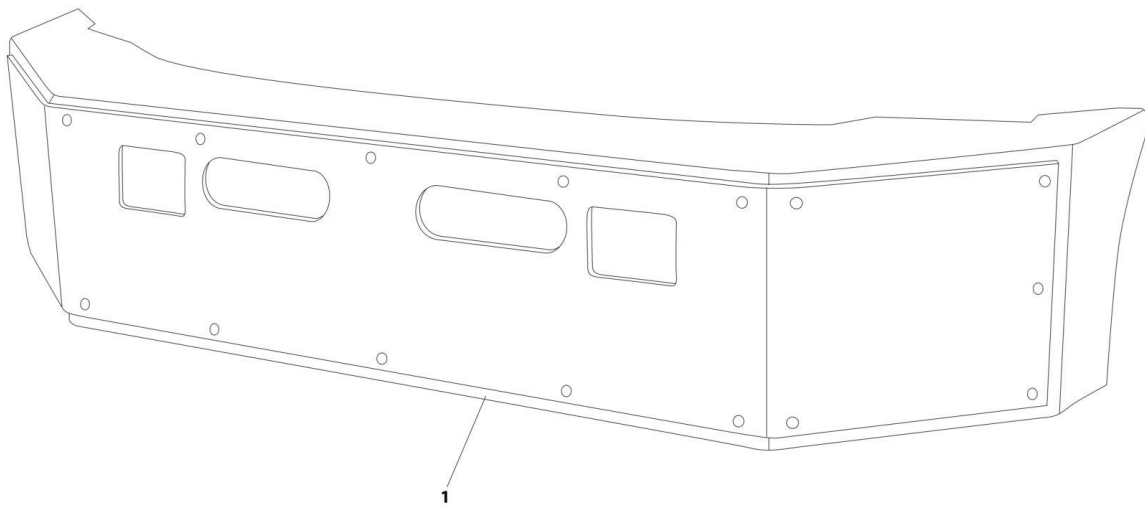
## SECTION 8 - ACCESSORIES

**FIGURE 8-10. BUMPER INSTALLATION - PUSH (FRONT) (NO GRILLE GUARD (FORD F550 2011-2016))**

ITEM	PART NUMBER	QTY	DESCRIPTION	REV
	1001134181	Ref	BUMPER INSTALLATION - PUSH (FRONT) (NO GRILLE GUARD) (FORD 2011-2016)	B
1	1001134178	1	Bumper	

## SECTION 8 - ACCESSORIES

FIGURE 8-11. BUMPER INSTALLATION - PUSH (FRONT) (NO GRILLE GUARD (FORD F550 2017+))



ART\_1001221466

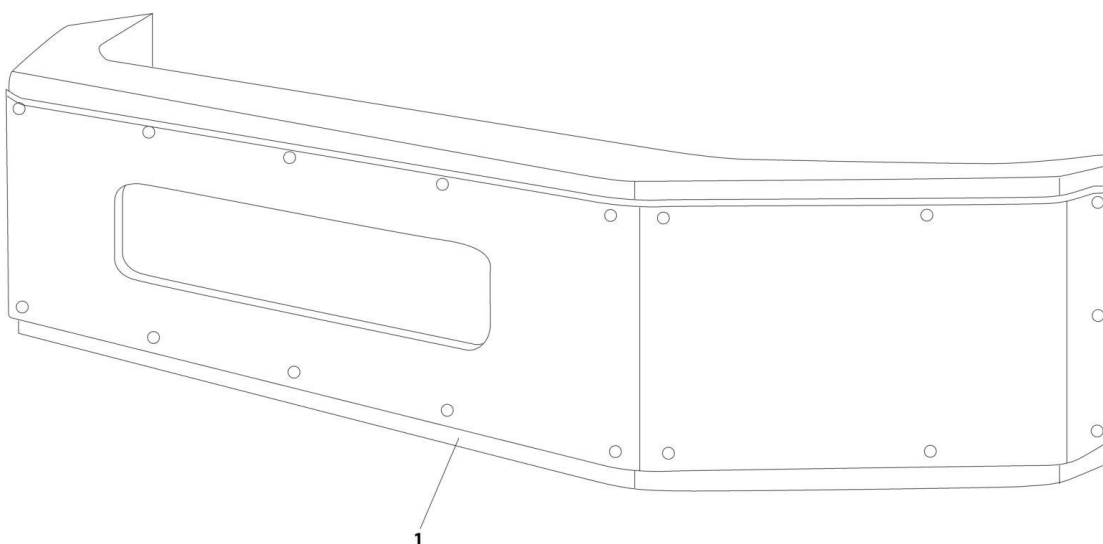
## SECTION 8 - ACCESSORIES

**FIGURE 8-11. BUMPER INSTALLATION - PUSH (FRONT) (NO GRILLE GUARD (FORD F550 2017+))**

ITEM	PART NUMBER	QTY	DESCRIPTION	REV
	1001221466	Ref	BUMPER INSTALLATION - PUSH (FRONT) (NO GRILLE GUARD) (FORD 2017+)	A
1	1001226914	1	Bumper	

## SECTION 8 - ACCESSORIES

FIGURE 8-12. BUMPER INSTALLATION - PUSH (FRONT) (NO GRILLE GUARD (FREIGHTLINER 2008+))



ART\_1001146879

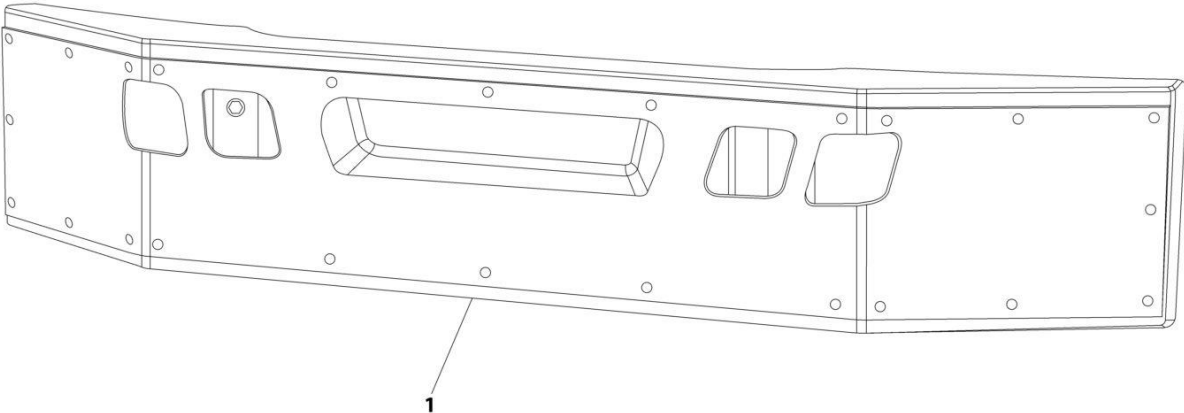
## SECTION 8 - ACCESSORIES

**FIGURE 8-12. BUMPER INSTALLATION - PUSH (FRONT) (NO GRILLE GUARD (FREIGHTLINER 2008+))**

ITEM	PART NUMBER	QTY	DESCRIPTION	REV
	1001146879	Ref	BUMPER INSTALLATION - PUSH (FRONT) (NO GRILLE GUARD) (FREIGHTLINER 2008+)	A
1	1001146878	1	Bumper	

**SECTION 8 - ACCESSORIES**

**FIGURE 8-13. BUMPER INSTALLATION - PUSH (FRONT) (NO GRILLE GUARD) (FORD F650 2011-2016)**



ART\_1001133674

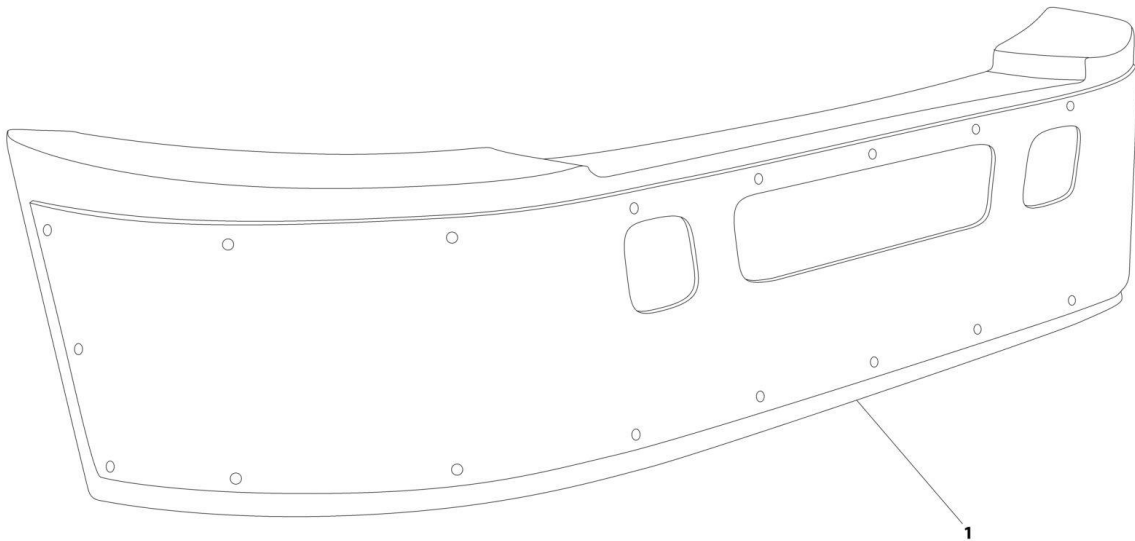
## SECTION 8 - ACCESSORIES

**FIGURE 8-13. BUMPER INSTALLATION - PUSH (FRONT) (NO GRILLE GUARD) (FORD F650 2011-2016)**

ITEM	PART NUMBER	QTY	DESCRIPTION	REV
	1001133674	Ref	BUMPER INSTALLATION - PUSH (FRONT) (NO GRILLE GUARD) (FORD F650 2011-2016)	A
1	1001129909	1	Bumper	

## SECTION 8 - ACCESSORIES

FIGURE 8-14. BUMPER INSTALLATION - PUSH (FRONT) (NO GRILLE GUARD) (HINO)



ART\_1001242699



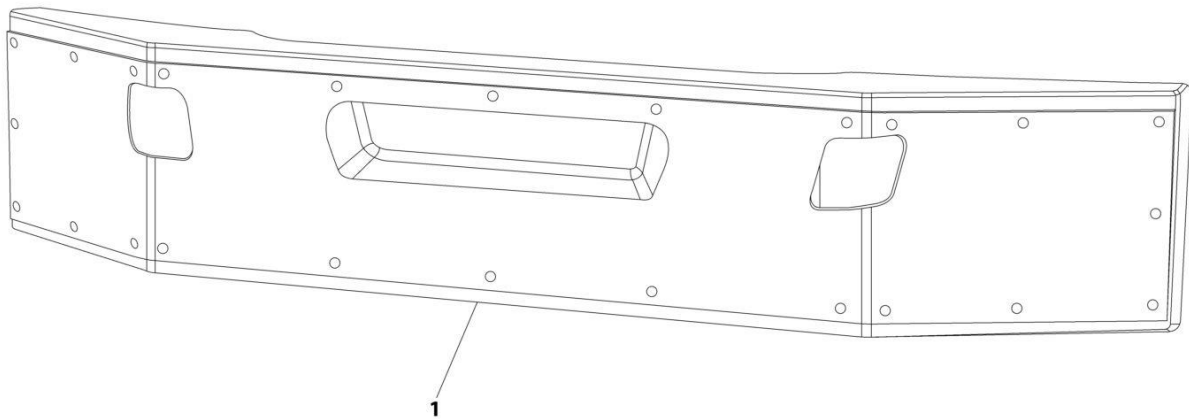
## SECTION 8 - ACCESSORIES

**FIGURE 8-14. BUMPER INSTALLATION - PUSH (FRONT) (NO GRILLE GUARD) (HINO)**

ITEM	PART NUMBER	QTY	DESCRIPTION	REV
	1001242699	Ref	BUMPER INSTALLATION - PUSH (FRONT) (WITHOUT GRILLE GUARD) (HINO)	A
1	1001225228	1	Bumper	

## SECTION 8 - ACCESSORIES

FIGURE 8-15. BUMPER INSTALLATION - PUSH (FRONT) (NO GRILLE GUARD) (IHC 4300)



ART\_1001144805

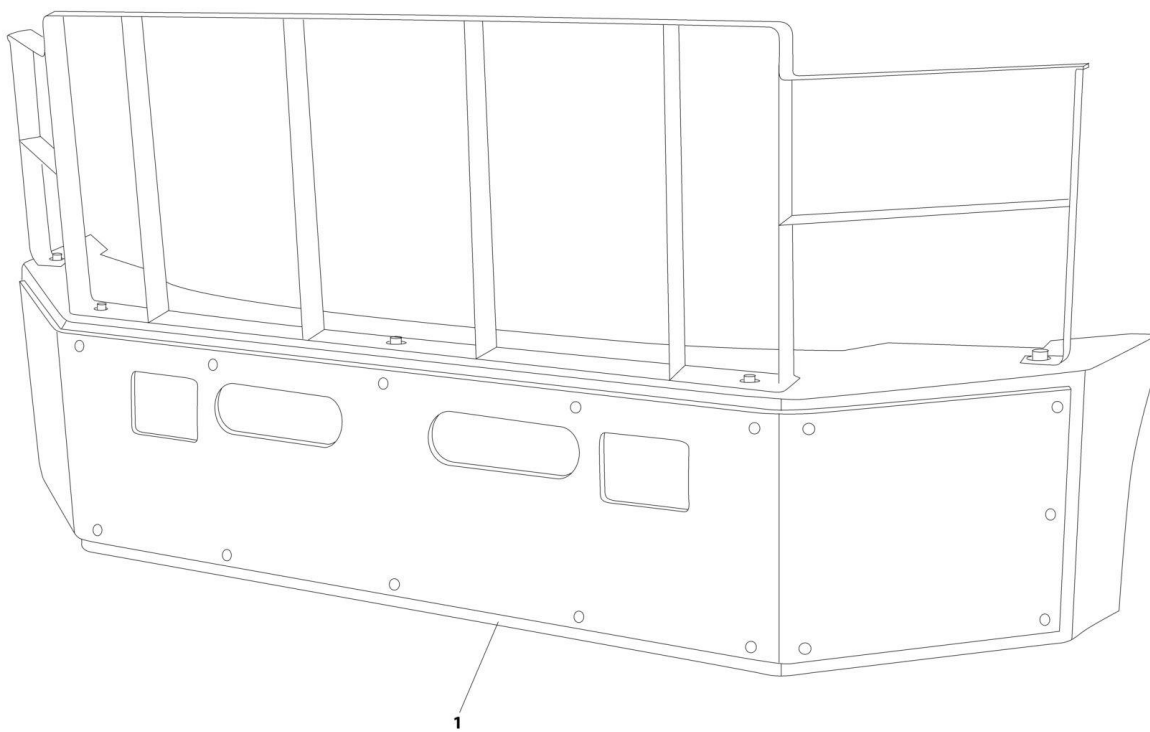
## SECTION 8 - ACCESSORIES

**FIGURE 8-15. BUMPER INSTALLATION - PUSH (FRONT) (NO GRILLE GUARD) (IHC 4300)**

ITEM	PART NUMBER	QTY	DESCRIPTION	REV
	1001144805	Ref	BUMPER INSTALLATION - PUSH (FRONT) (NO GRILLE GUARD) (IHC 4300)	A
1	1001144804	1	Bumper	

## SECTION 8 - ACCESSORIES

FIGURE 8-16. BUMPER INSTALLATION - PUSH (FRONT) (WITH GRILLE GUARD (FORD F550 2011-2016))



ART\_1001123179

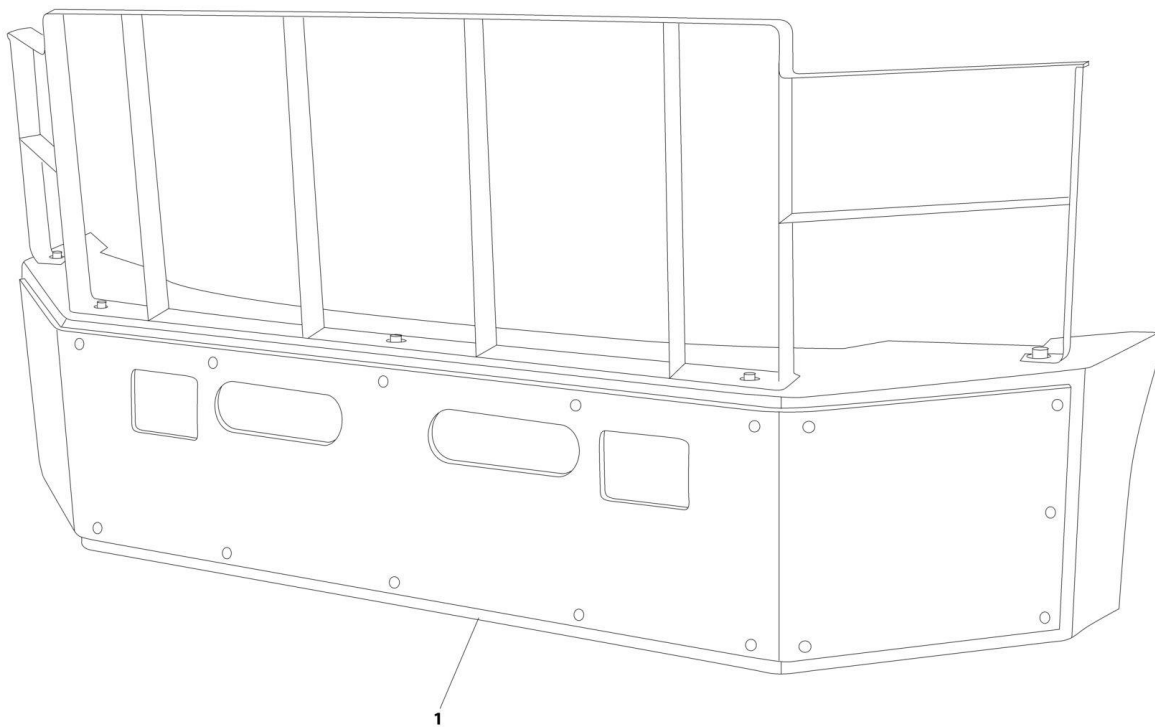
## SECTION 8 - ACCESSORIES

**FIGURE 8-16. BUMPER INSTALLATION - PUSH (FRONT) (WITH GRILLE GUARD (FORD F550 2011-2016))**

ITEM	PART NUMBER	QTY	DESCRIPTION	REV
	1001123179	Ref	BUMPER INSTALLATION - PUSH (FRONT) (WITH GRILLE GUARD) (FORD 2011-2016)	B
1	7190000066	1	Bumper	

## SECTION 8 - ACCESSORIES

FIGURE 8-17. BUMPER INSTALLATION - PUSH (FRONT) (WITH GRILLE GUARD (FORD F550 2017+))



ART\_1001221467

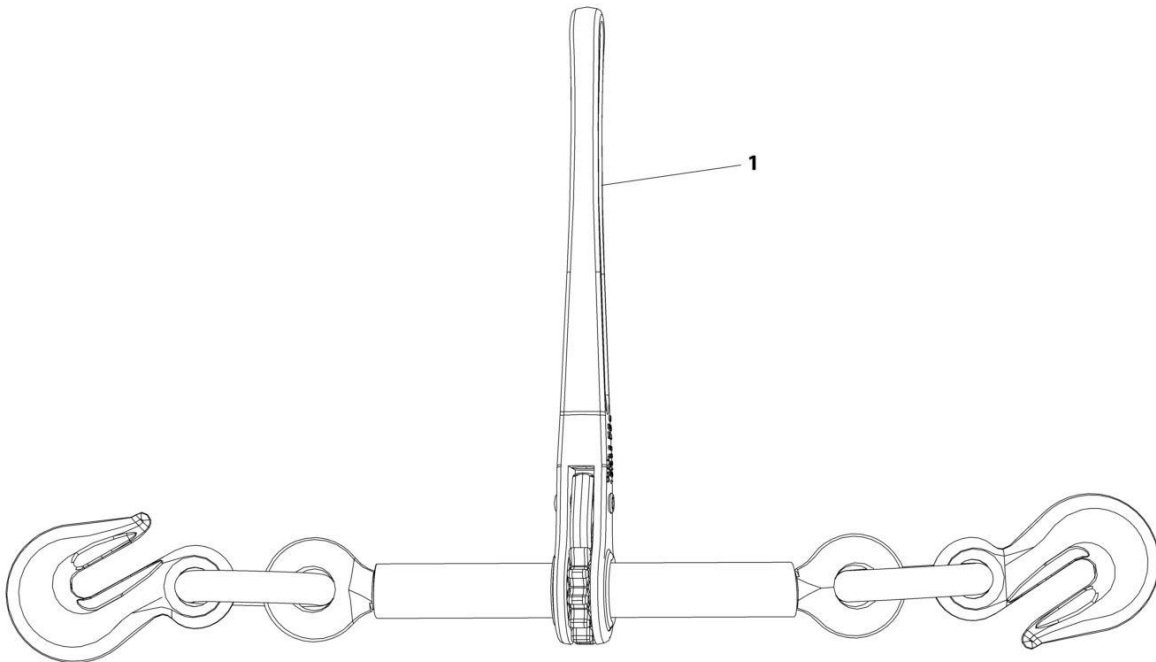
## SECTION 8 - ACCESSORIES

**FIGURE 8-17. BUMPER INSTALLATION - PUSH (FRONT) (WITH GRILLE GUARD (FORD F550 2017+))**

ITEM	PART NUMBER	QTY	DESCRIPTION	REV
	1001221467	Ref	BUMPER INSTALLATION - PUSH (FRONT) (WITH GRILLE GUARD) (FORD 2017+)	A
1	1001226915	1	Bumper	

# SECTION 8 - ACCESSORIES

FIGURE 8-18. CHAIN BINDER, 1/2IN CHAIN



ART\_CHB50



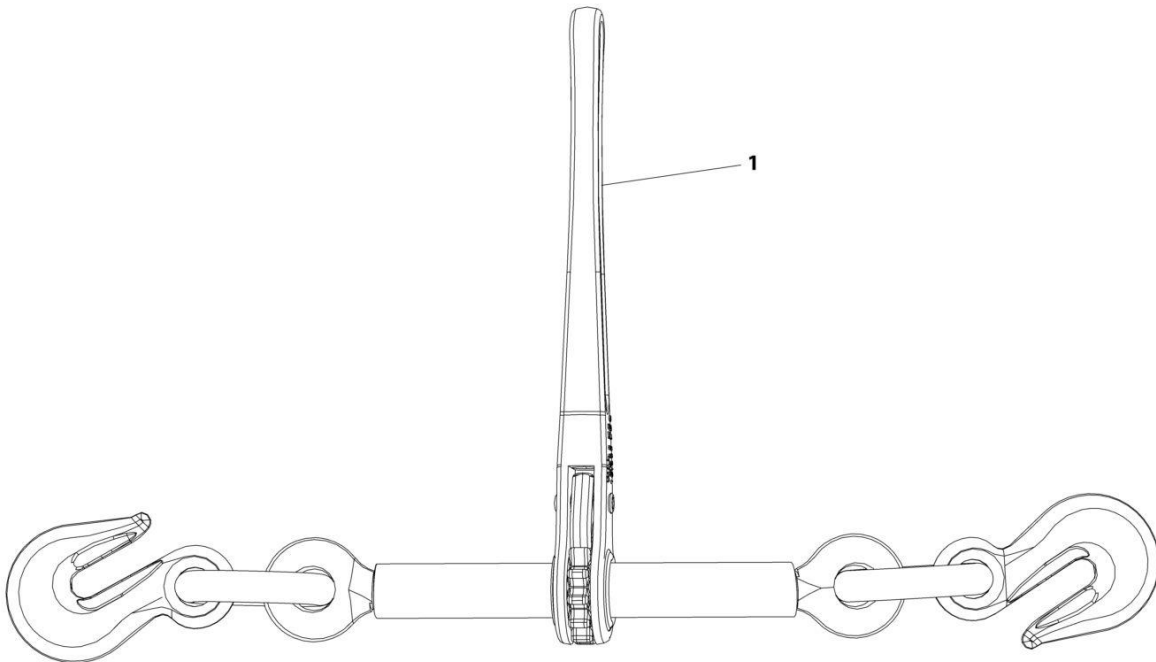
## SECTION 8 - ACCESSORIES

FIGURE 8-18. CHAIN BINDER, 1/2IN CHAIN

ITEM	PART NUMBER	QTY	DESCRIPTION	REV
1	CHB50 7002000450	Ref 1	CHAIN BINDER 1/2IN Load Binder	0

# SECTION 8 - ACCESSORIES

FIGURE 8-19. CHAIN BINDER, 3/8IN CHAIN



ART\_CHB38

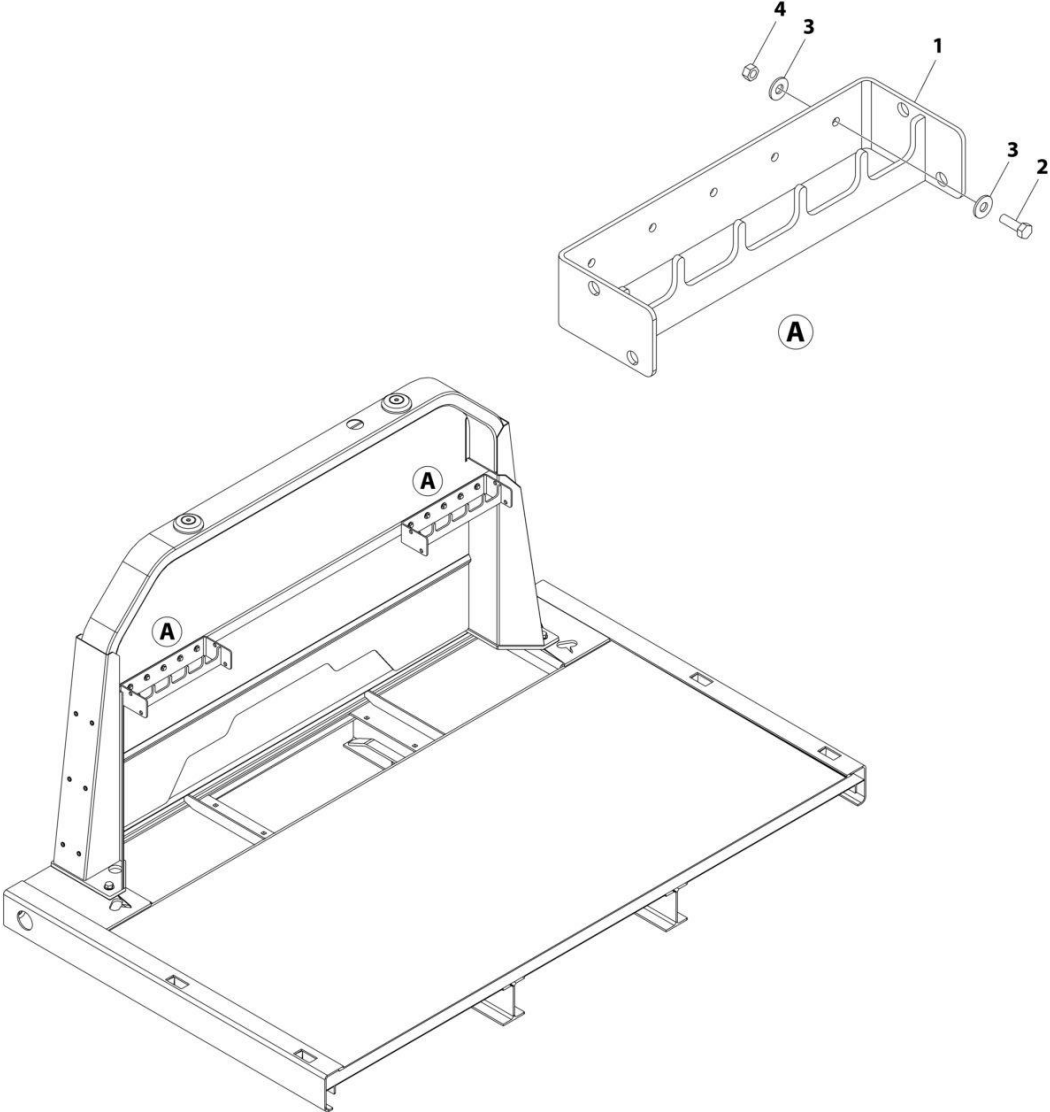
## SECTION 8 - ACCESSORIES

**FIGURE 8-19. CHAIN BINDER, 3/8IN CHAIN**

ITEM	PART NUMBER	QTY	DESCRIPTION	REV
1	CHB38 7002000451	Ref 1	CHAIN BINDER 3/8IN Load Binder	0

**SECTION 8 - ACCESSORIES**

**FIGURE 8-20. CHAIN RACKS (ADJUSTABLE/FIXED HEADBOARD)**



ART\_1001232526

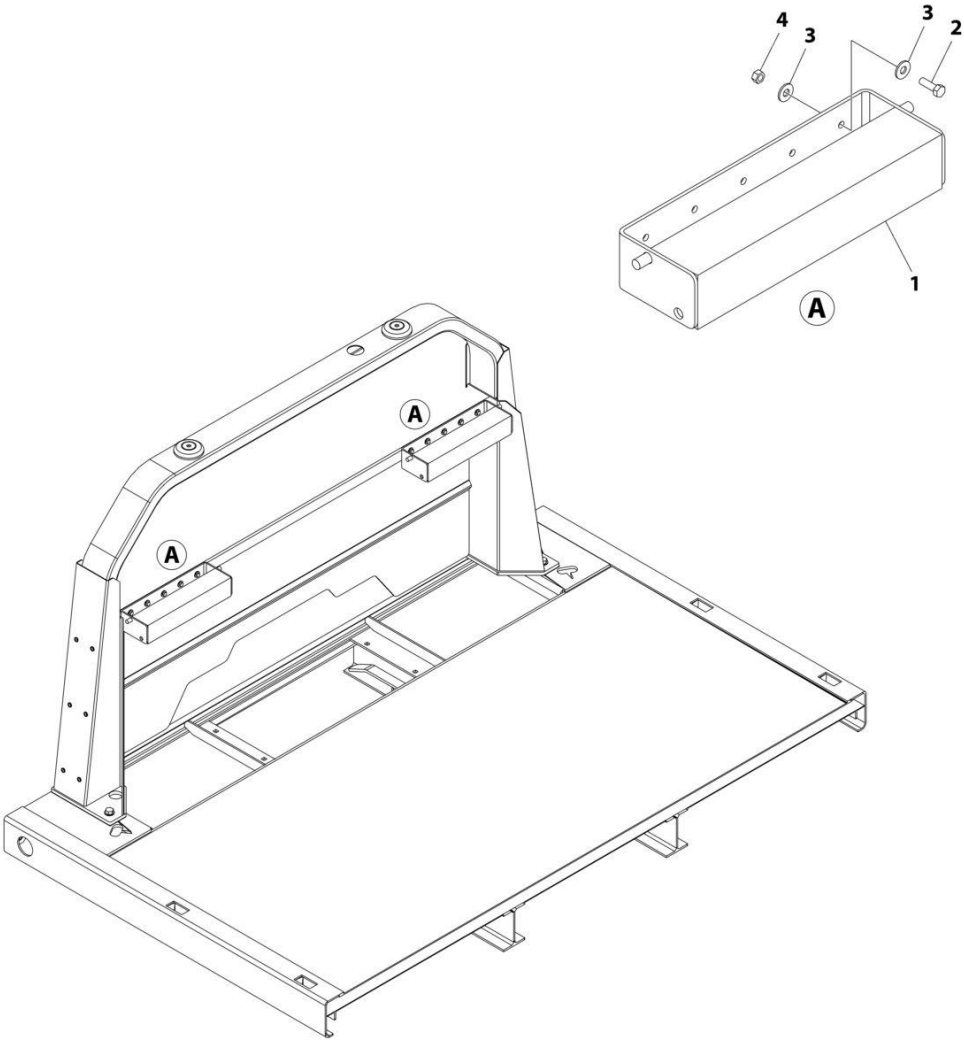
## SECTION 8 - ACCESSORIES

**FIGURE 8-20. CHAIN RACKS (ADJUSTABLE/FIXED HEADBOARD)**

ITEM	PART NUMBER	QTY	DESCRIPTION	REV
	1001232526	Ref	CHAIN RACKS ADJUSTABLE/FIXED HEIGHT, HEADBOARD INSTALLATION	A
1	1001232524	2	Bracket	
2	0641508	10	Bolt 5/16 x 1	
3	4751500	20	Washer 5/16	
4	3271505	10	Nut 5/16	

# SECTION 8 - ACCESSORIES

FIGURE 8-21. CHAIN RACKS (ADJUSTABLE/FIXED HEADBOARD) (LOCKING)



ART\_1001232527

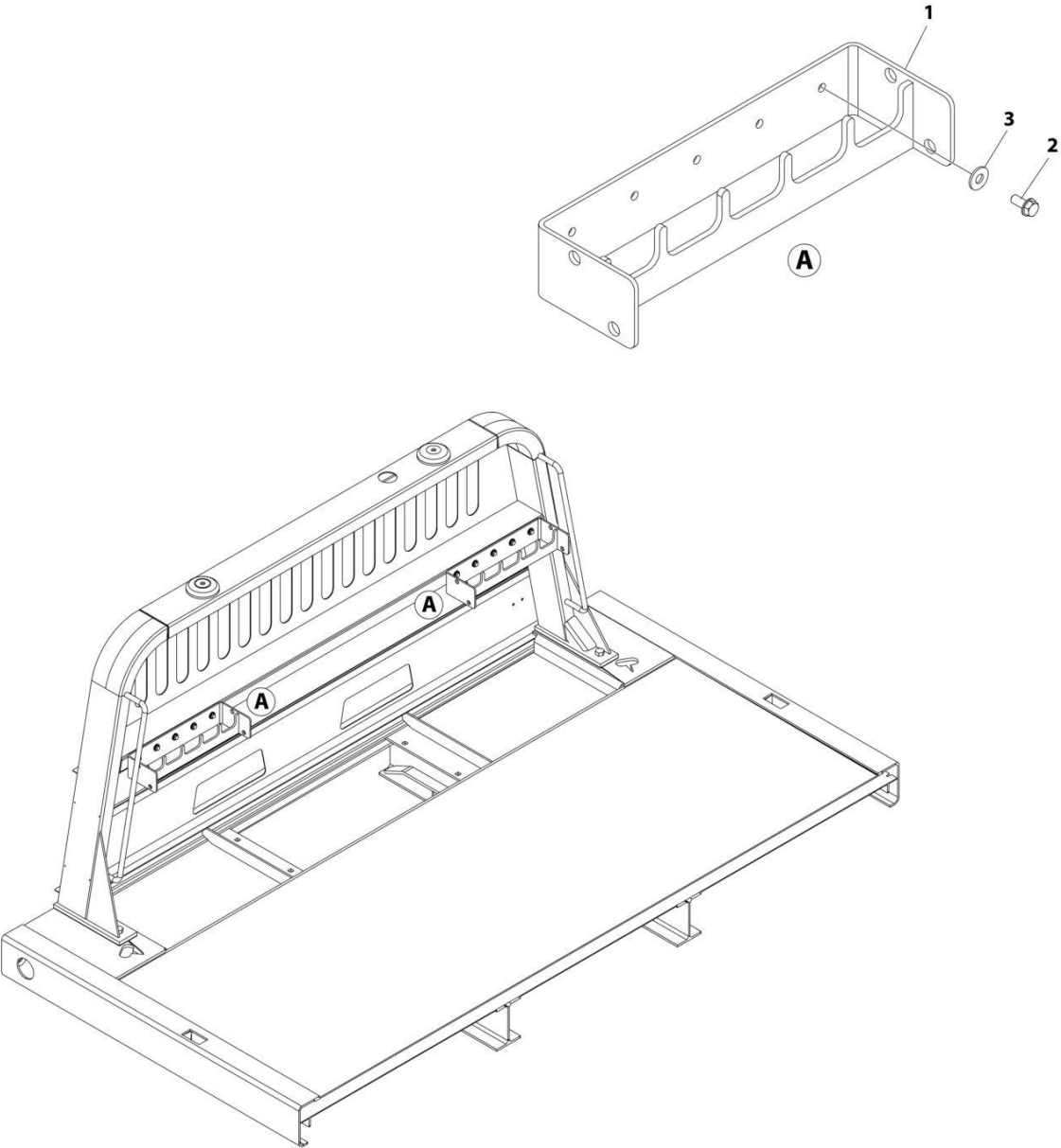
## SECTION 8 - ACCESSORIES

**FIGURE 8-21. CHAIN RACKS (ADJUSTABLE/FIXED HEADBOARD) (LOCKING)**

ITEM	PART NUMBER	QTY	DESCRIPTION	REV
	1001232527	Ref	LOCKING CHAIN RACKS, ADJUSTABLE/FIXED HEIGHT, HEADBOARD INSTALLATION	A
1	1001232525	2	Bracket	
2	0641508	10	Bolt 5/16 x 1	
3	4751500	20	Washer 5/16	
4	3271505	10	Nut 5/16	

**SECTION 8 - ACCESSORIES**

**FIGURE 8-22. CHAIN RACKS (DELUXE HEADBOARD)**



ART\_1001232621



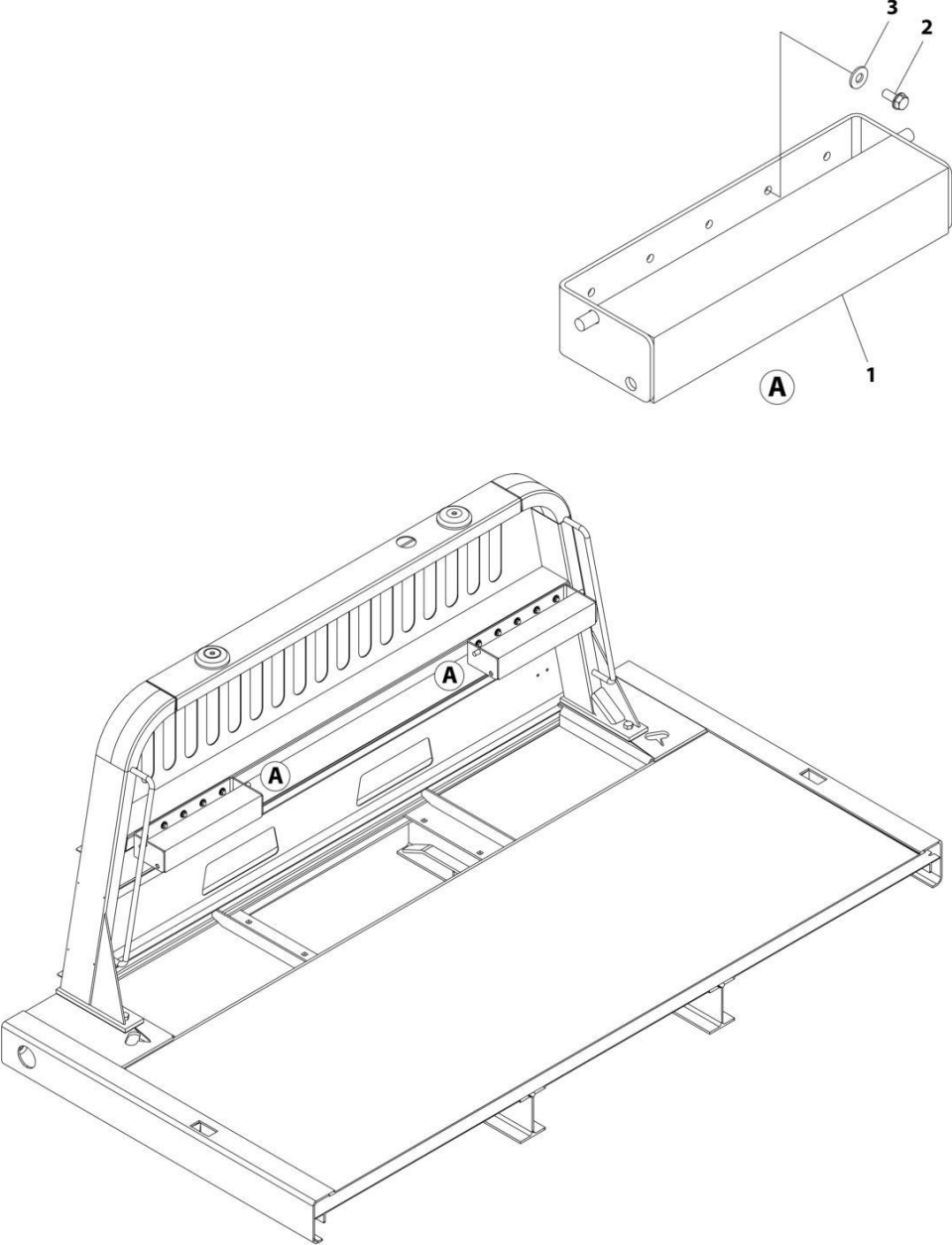
## SECTION 8 - ACCESSORIES

**FIGURE 8-22. CHAIN RACKS (DELUXE HEADBOARD)**

ITEM	PART NUMBER	QTY	DESCRIPTION	REV
	1001232621	Ref	CHAIN RACKS, DELUXE HEADBOARD INSTALLATION	A
1	1001232524	2	Bracket	
2	7790151253	10	Screw 5/16 x 3/4	
3	4751500	10	Washer 5/16	

**SECTION 8 - ACCESSORIES**

**FIGURE 8-23. CHAIN RACKS (DELUXE HEADBOARD) (LOCKING)**



ART\_1001232620

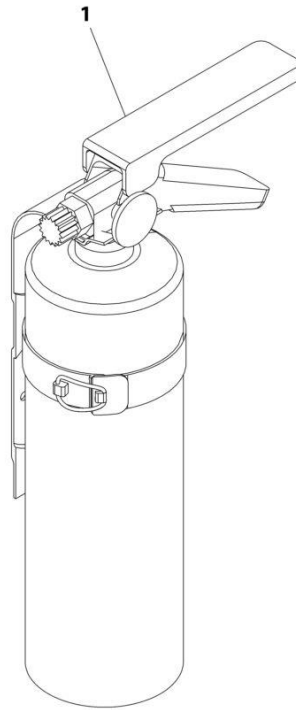
## SECTION 8 - ACCESSORIES

**FIGURE 8-23. CHAIN RACKS (DELUXE HEADBOARD) (LOCKING)**

ITEM	PART NUMBER	QTY	DESCRIPTION	REV
	1001232620	Ref	LOCKING CHAIN RACKS, DELUXE HEADBOARD INSTALLATION	A
1	1001232525	2	Bracket	
2	7790151253	10	Screw 5/16 x 3/4	
3	4751500	10	Washer 5/16	

## SECTION 8 - ACCESSORIES

FIGURE 8-24. FIRE EXTINGUISHER ACCESSORY



ART\_2002000028

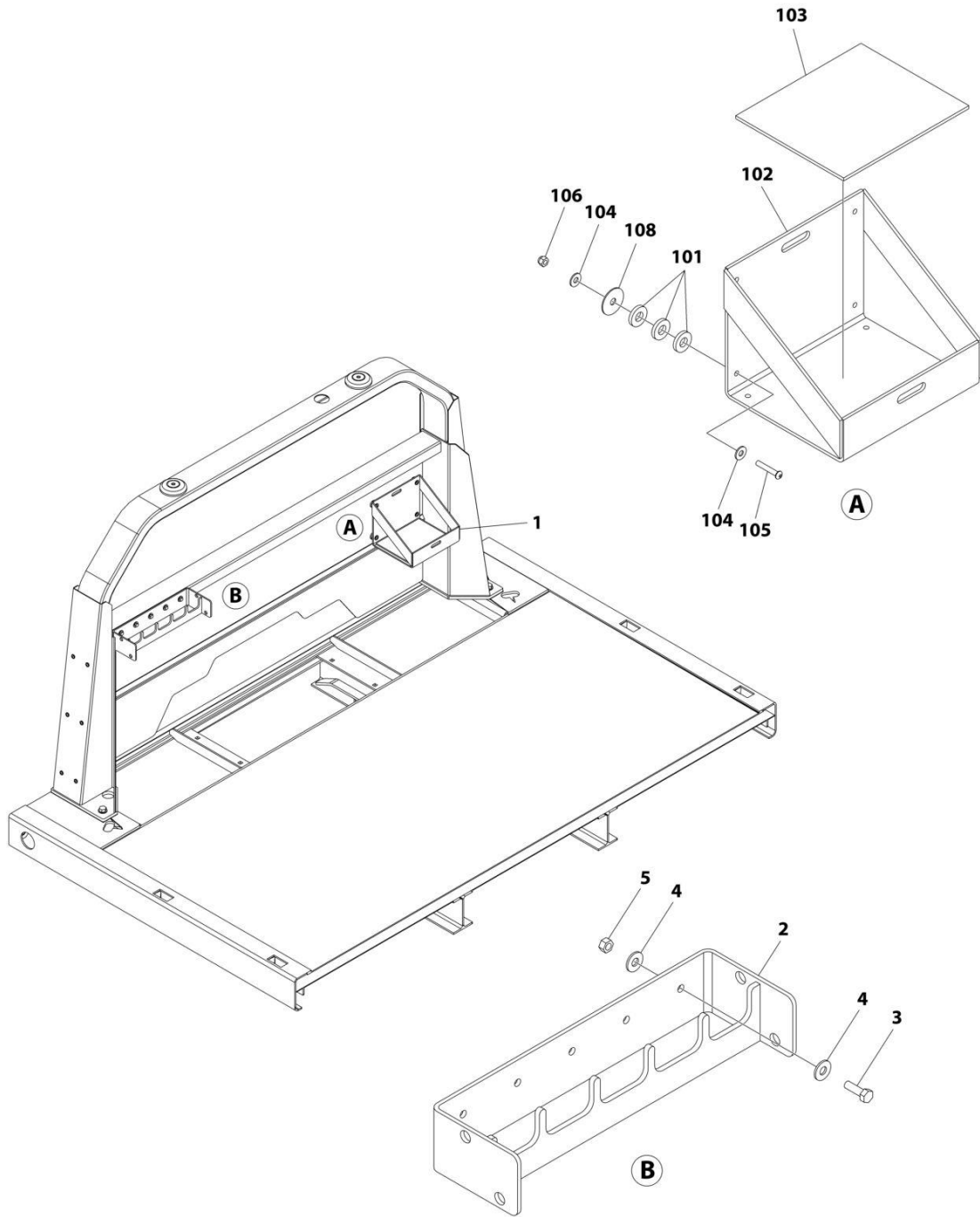
## SECTION 8 - ACCESSORIES

**FIGURE 8-24. FIRE EXTINGUISHER ACCESSORY**

ITEM	PART NUMBER	QTY	DESCRIPTION	REV
1	2002000028	Ref	Fire Extinguisher Accessory	0
	7002000404	1	Fire Extinguisher	

# SECTION 8 - ACCESSORIES

## FIGURE 8-25. FUEL CAN HOLDER & CHAIN RACK INSTALLATION (HEADBOARD)



ART\_1001232555

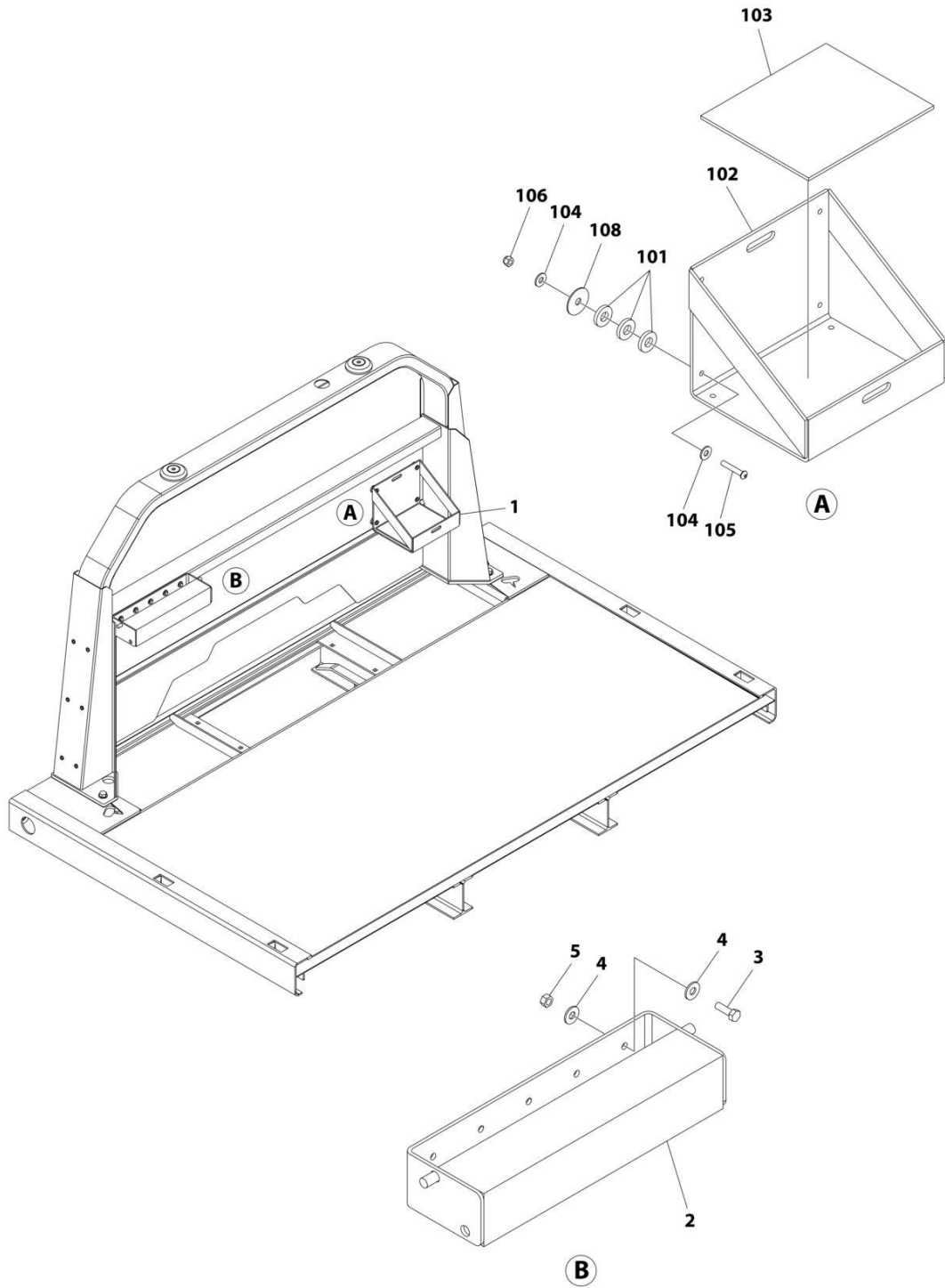
## SECTION 8 - ACCESSORIES

**FIGURE 8-25. FUEL CAN HOLDER & CHAIN RACK INSTALLATION (HEADBOARD)**

ITEM	PART NUMBER	QTY	DESCRIPTION	REV
	1001232555	Ref	FUEL CAN HOLDER AND CHAIN RACK INSTALLATION	A
1	1001190184	1	Fuel Can Holder Installation (Includes Items 101-108)	
2	1001232524	1	Bracket	
3	0641508	5	Bolt 5/16	
4	4751500	10	Washer 5/16	
5	3271505	5	Nut 5/16	
101	4891800	12	Washer 1/2	
102	3178000471	1	Bracket	
103	4679000274	1	Pad	
104	4751400001	8	Washer 1/4	
105	7114141218	4	Capscrew 1/4-20 x 1-1/2	
106	7660142601	4	Nut 1/4	
107	7894000063	1	Tie-Strap (Not Shown)	
108	7949000055	4	Washer	

# SECTION 8 - ACCESSORIES

FIGURE 8-26. FUEL CAN HOLDER & LOCKING CHAIN RACK INSTALLATION (HEADBOARD)



ART\_1001232554



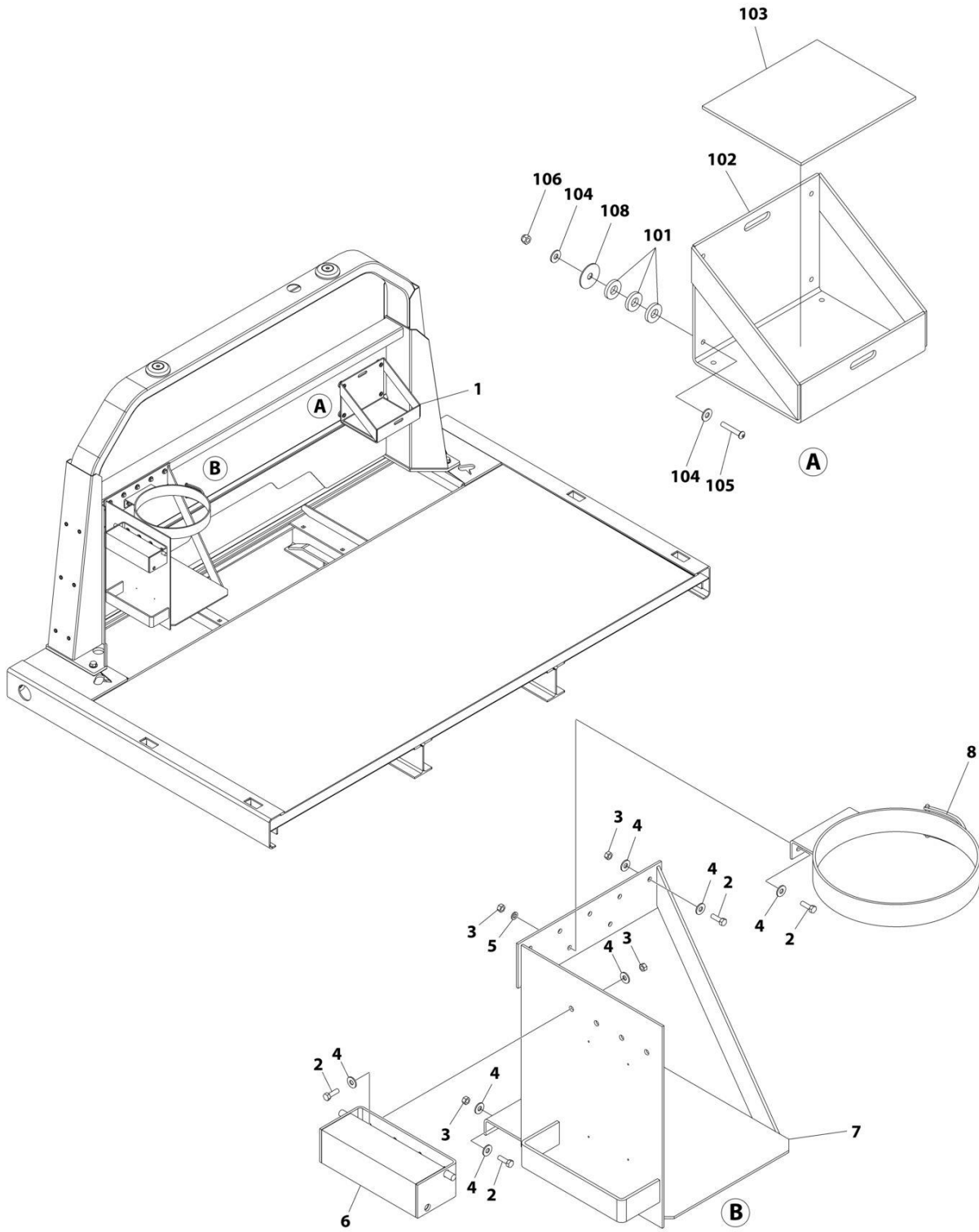
## SECTION 8 - ACCESSORIES

**FIGURE 8-26. FUEL CAN HOLDER & LOCKING CHAIN RACK INSTALLATION (HEADBOARD)**

ITEM	PART NUMBER	QTY	DESCRIPTION	REV
	1001232554	Ref	FUEL CAN HOLDER AND LOCKING CHAIN RACK INSTALLATION	A
1	1001190184	1	Fuel Can Holder Installation (Includes Items 101-108)	
2	1001232525	1	Bracket	
3	0641508	5	Bolt 5/16	
4	4751500	10	Washer 5/16	
5	3271505	5	Nut 5/16	
101	4891800	12	Washer 1/2	
102	3178000471	1	Bracket	
103	4679000274	1	Pad	
104	4751400001	8	Washer 1/4	
105	7114141218	4	Capscrew 1/4-20 x 1-1/2	
106	7660142601	4	Nut 1/4	
107	7894000063	1	Tie-Strap (Not Shown)	
108	7949000055	4	Washer	

# SECTION 8 - ACCESSORIES

FIGURE 8-27. FUEL CAN HOLDER & PROPANE TANK HOLDER (ADJUSTABLE HEADBOARD)



ART\_1001191543

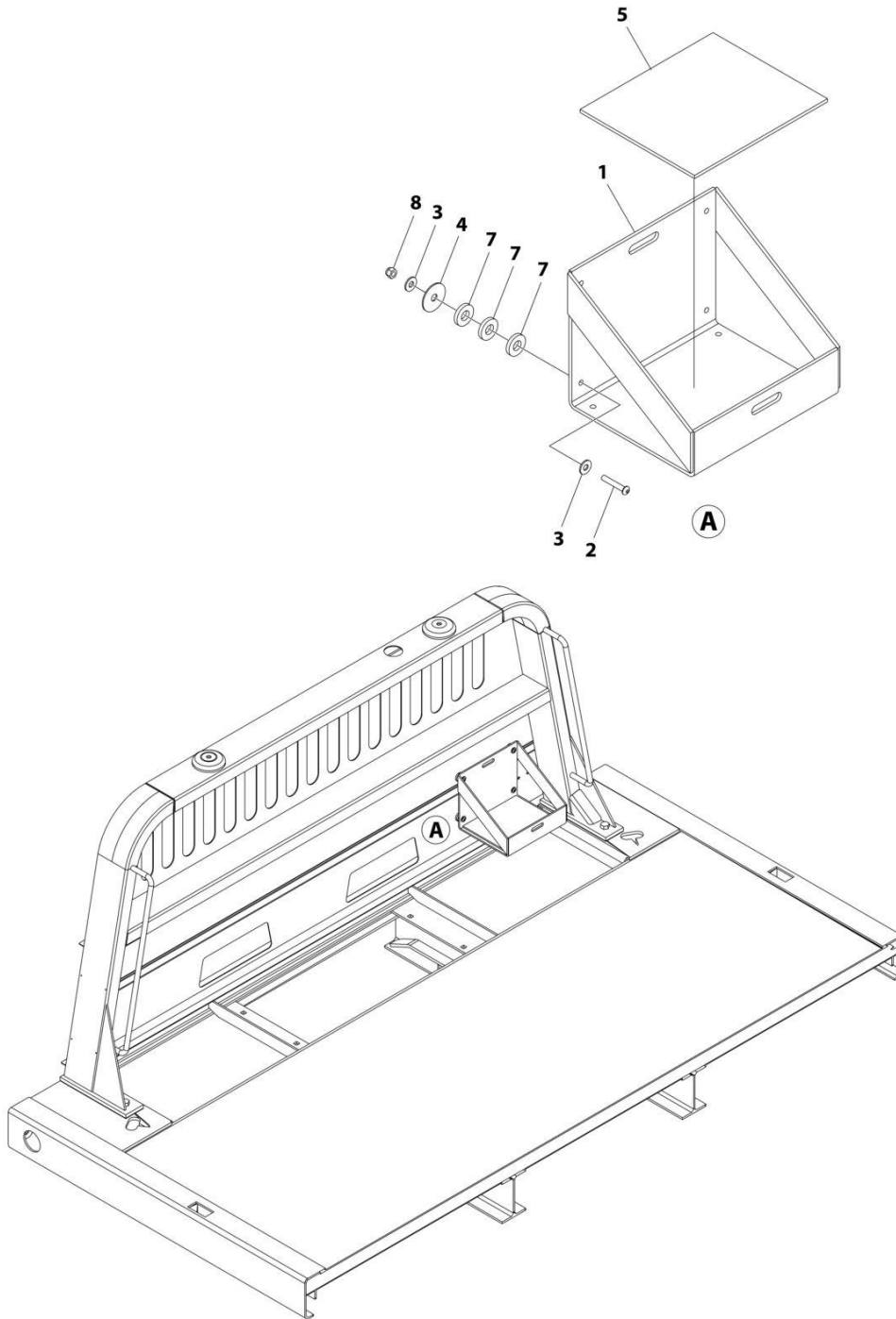
## SECTION 8 - ACCESSORIES

**FIGURE 8-27. FUEL CAN HOLDER & PROPANE TANK HOLDER (ADJUSTABLE HEADBOARD)**

ITEM	PART NUMBER	QTY	DESCRIPTION	REV
	1001191543	Ref	FUEL CAN HOLDER AND PROPANE TANK INSTALLATION	D
1	1001190184	1	Fuel Can Holder Installation (Includes Items 101-108)	
2	0641508	15	Bolt 5/16 x 1	
3	3271505	15	Nut 5/16	
4	4751500	28	Washer 5/16	
5	4761500	2	Washer 5/16	
6	1001129537	1	Bracket	
7	1001190131	1	Support, LH	
8	7178000029	1	Bracket	
101	4891800	12	Washer 1/2	
102	3178000471	1	Bracket	
103	4679000274	1	Pad	
104	4751400001	8	Washer 1/4	
105	7114141218	4	Capscrew 1/4-20 x 1-1/2	
106	7660142601	4	Nut 1/4	
107	7894000063	1	Tie-Strap (Not Shown)	
108	7949000055	4	Washer	

# SECTION 8 - ACCESSORIES

FIGURE 8-28. FUEL CAN HOLDER INSTALLATION (DELUXE HEADBOARD)



ART\_1001129332

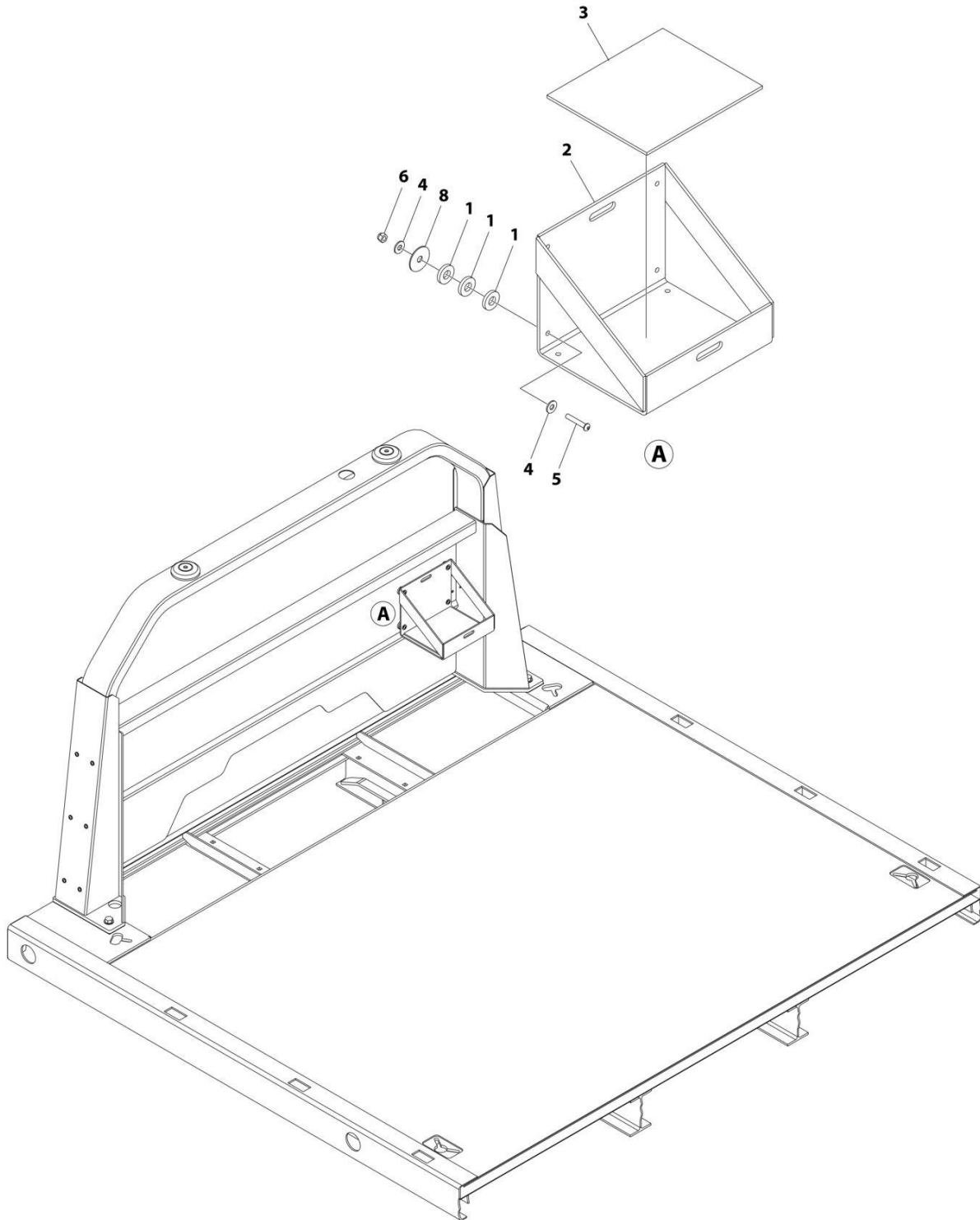
## SECTION 8 - ACCESSORIES

**FIGURE 8-28. FUEL CAN HOLDER INSTALLATION (DELUXE HEADBOARD)**

ITEM	PART NUMBER	QTY	DESCRIPTION	REV
	1001129332	Ref	FUEL CAN HOLDER INSTALLATION	F
1	3178000471	1	Bracket	
2	7114141218	4	Capscrew 1/4	
3	4751400001	8	Washer 1/4	
4	7949000055	4	Washer	
5	4679000274	1	Pad	
6	7894000063	1	Tie-Strap (Not Shown)	
7	4891800	12	Washer 1/2	
8	7660142601	4	Nut 1/4	

# SECTION 8 - ACCESSORIES

FIGURE 8-29. FUEL CAN HOLDER INSTALLATION (FIXED & ADJUSTABLE HEADBOARD)



ART\_1001190184

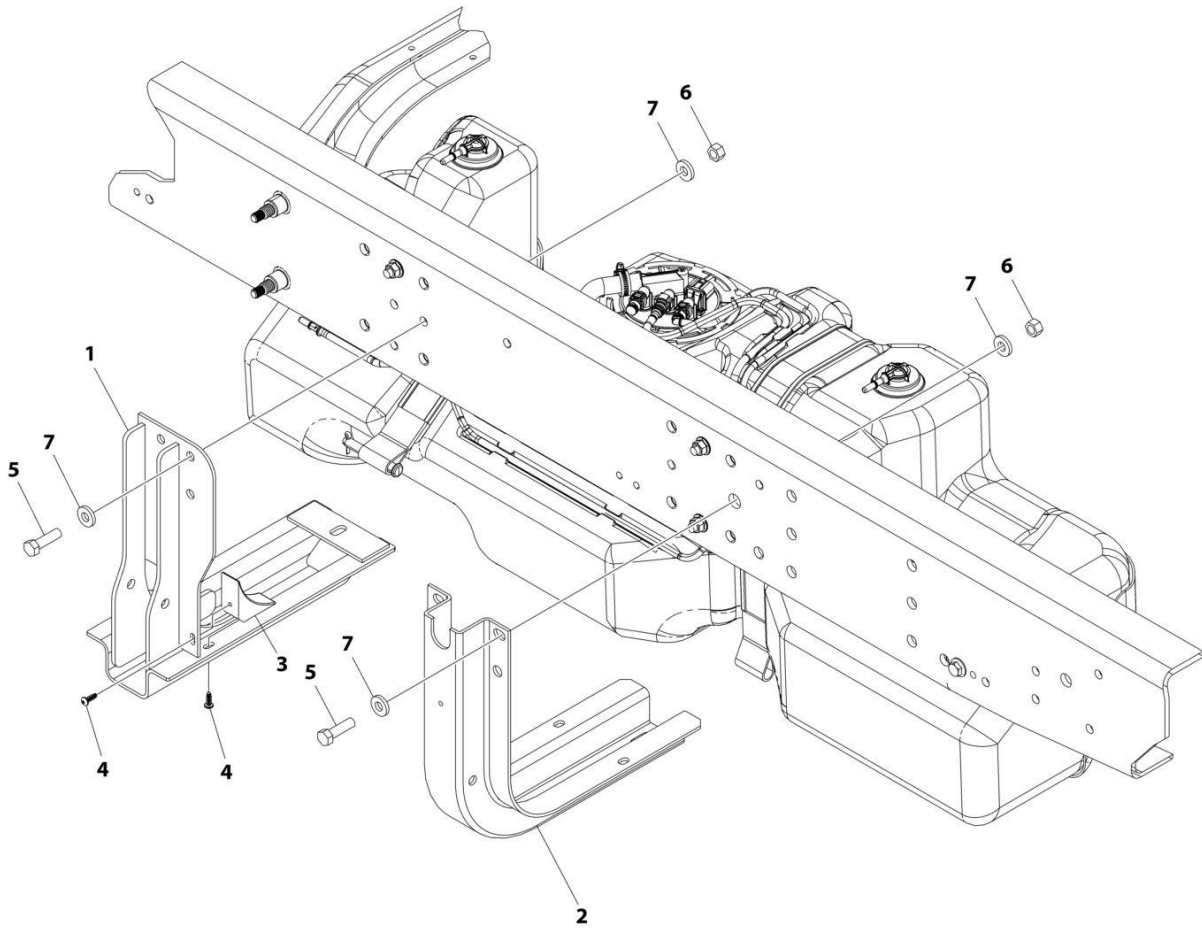
## SECTION 8 - ACCESSORIES

**FIGURE 8-29. FUEL CAN HOLDER INSTALLATION (FIXED & ADJUSTABLE HEADBOARD)**

ITEM	PART NUMBER	QTY	DESCRIPTION	REV
	1001190184	Ref	FUEL CAN HOLDER INSTALLATION	C
1	4891800	12	Washer 1/2	
2	3178000471	1	Bracket	
3	4679000274	1	Pad	
4	4751400001	8	Washer 1/4	
5	7114141218	4	Capscrew 1/4	
6	7660142601	4	Nut 1/4	
7	7894000063	1	Tie Strap (Not Shown)	
8	7949000055	4	Washer	

# SECTION 8 - ACCESSORIES

## FIGURE 8-30. FUEL TANK MODIFICATION INSTALLATION



ART\_1001253942



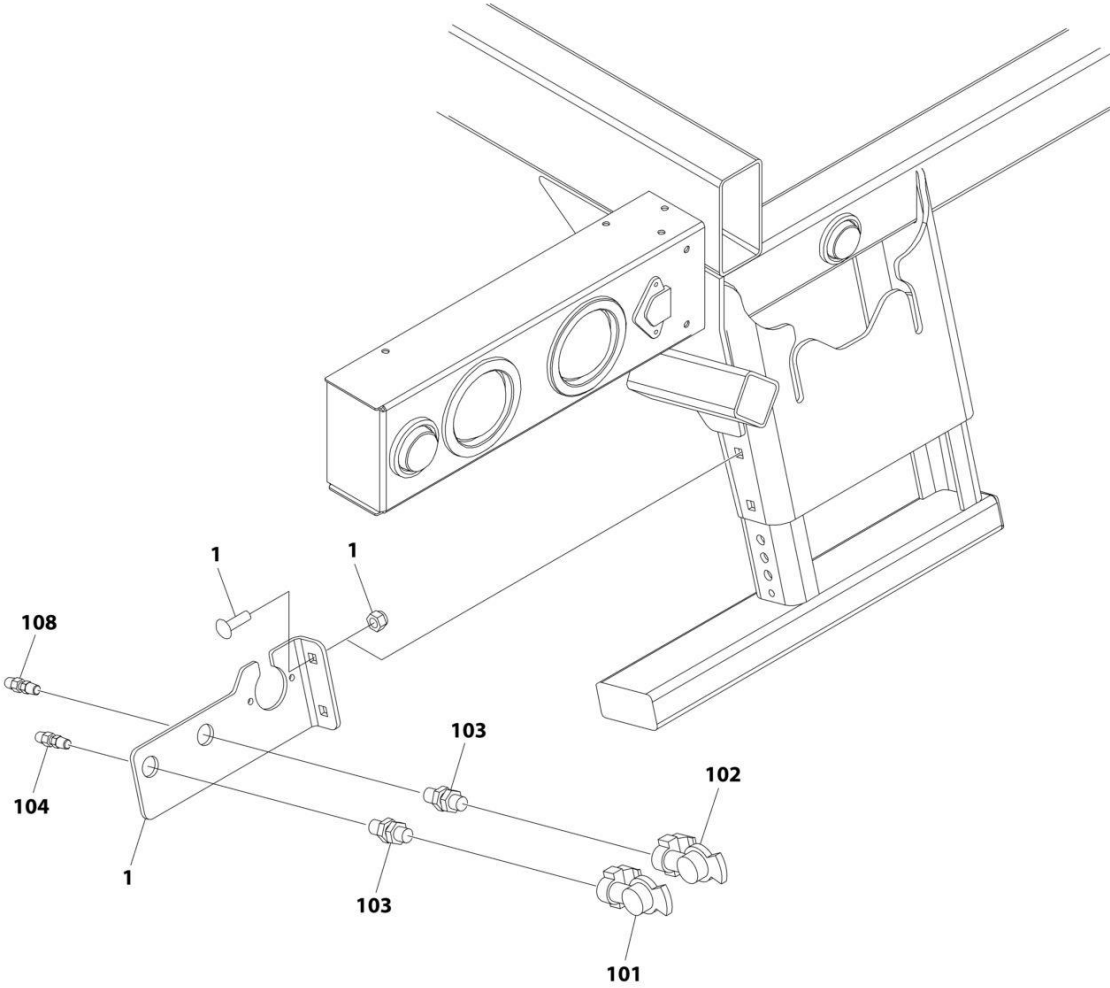
## SECTION 8 - ACCESSORIES

**FIGURE 8-30. FUEL TANK MODIFICATION INSTALLATION**

ITEM	PART NUMBER	QTY	DESCRIPTION	REV
	1001253942	Ref	FUEL TANK MODIFICATION INSTALLATION	B
1	1001252939	1	Fuel Tank Support Mount	
2	1001253659	1	Fuel Tank Support Modification	
3	1001254139	2	Support	
4	1001194676	4	Screw 1/4 x 3/4	
5	0681814	8	Bolt 1/2 x 3/4	
6	3271805	8	Nut 1/2	
7	4891800	16	Washer 1/2	

**SECTION 8 - ACCESSORIES**

**FIGURE 8-31. GLAD HAND INSTALLATION WITH MTG BRACKET**



ART\_1001270102

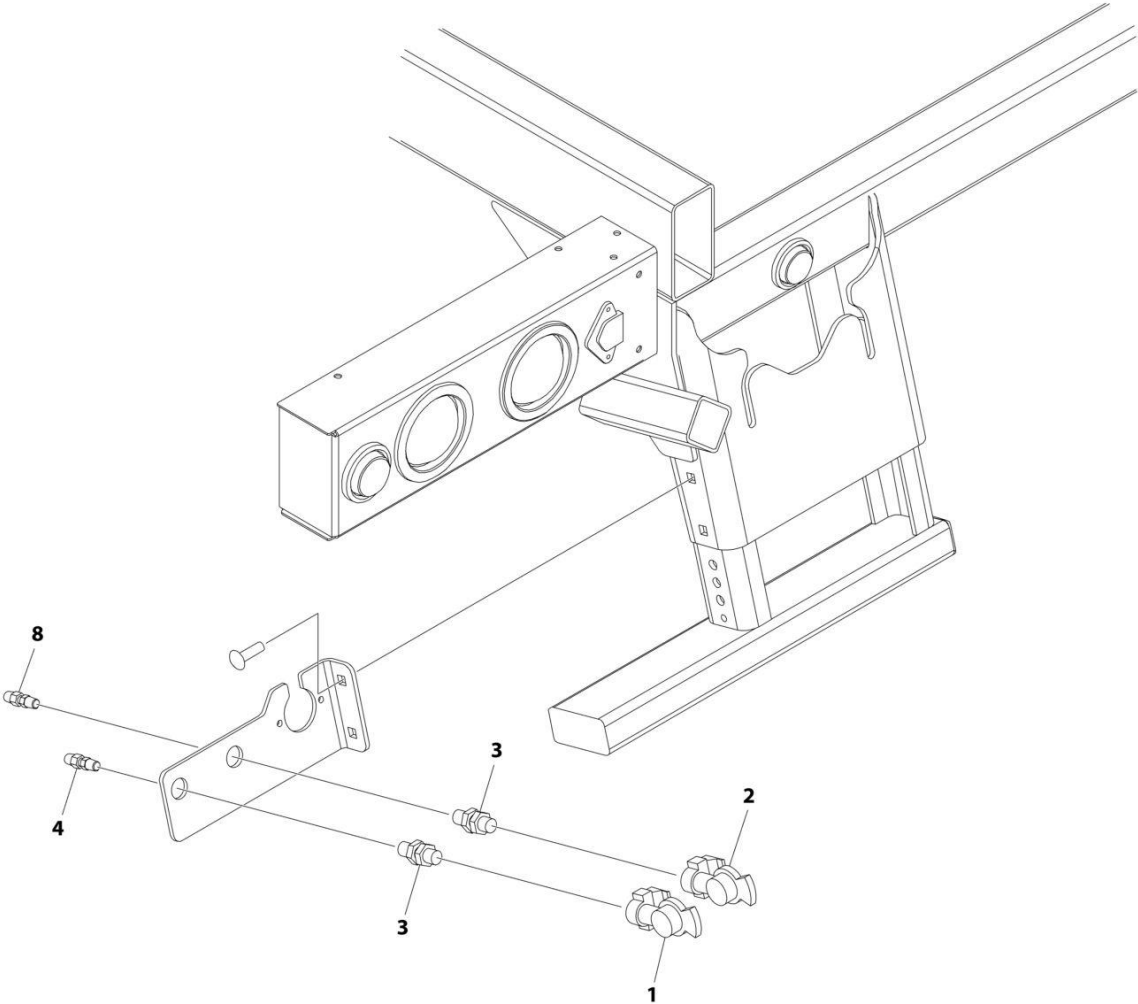
## SECTION 8 - ACCESSORIES

**FIGURE 8-31. GLAD HAND INSTALLATION WITH MTG BRACKET**

ITEM	PART NUMBER	QTY	DESCRIPTION	REV
	1001270102	Ref	GLAND HAND INSTALLATION WITH MOUNTING BRACKET	A
1	2178000037	Ref	Glad Hand Bracket Installation	
1	4178000666	1	Bracket	
1	7115181464	2	Bolt 1/2 x 1-3/4	
1	7660182601	2	Nut 1/2	
101	7312000016	1	Gladhand	
102	7312000015	1	Gladhand	
103	7446502518	2	Fitting, Straight	
104	7446060435	1	Fitting, Straight	
106	7565000014	50 ft	Airline Tubing (Not Shown)	
107	7312000013	2	Union (Not Shown)	
108	7446502506	1	Connector	

**SECTION 8 - ACCESSORIES**

**FIGURE 8-32. GLAD HAND INSTALLATION WITHOUT MTG BRACKET**



ART\_2002000016

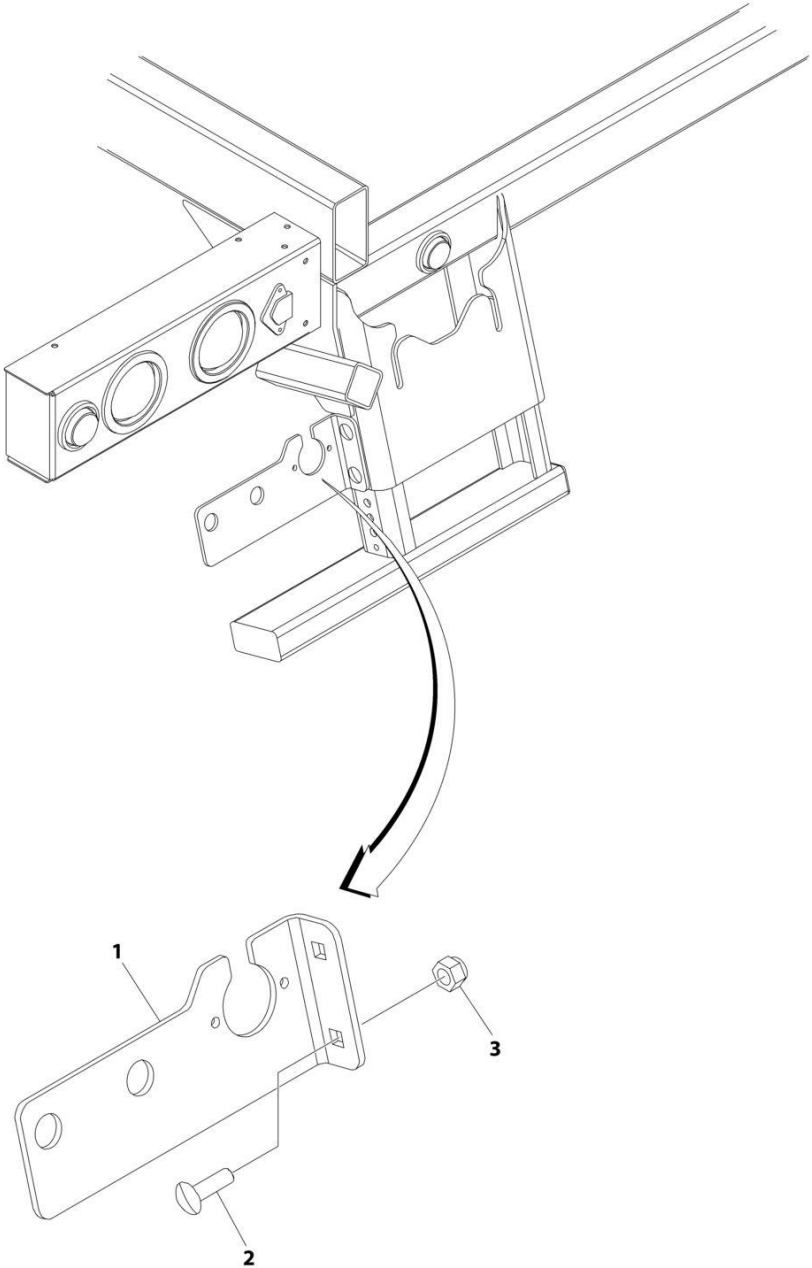
## SECTION 8 - ACCESSORIES

**FIGURE 8-32. GLAD HAND INSTALLATION WITHOUT MTG BRACKET**

ITEM	PART NUMBER	QTY	DESCRIPTION	REV
	2002000016	Ref	Glad Hands Installation	D
1	7312000016	1	Gladhand	
2	7312000015	1	Gladhand	
3	7446502518	2	Fitting, Straight	
4	7446060435	1	Fitting, Straight	
6	7565000014	50 ft	Airline Tubing (Not Shown)	
7	7312000013	2	Union (Not Shown)	
8	7446502506	1	Connector	

**SECTION 8 - ACCESSORIES**

**FIGURE 8-33. GLADHANDS BRACKET INSTALLATION**



ART\_2178000037

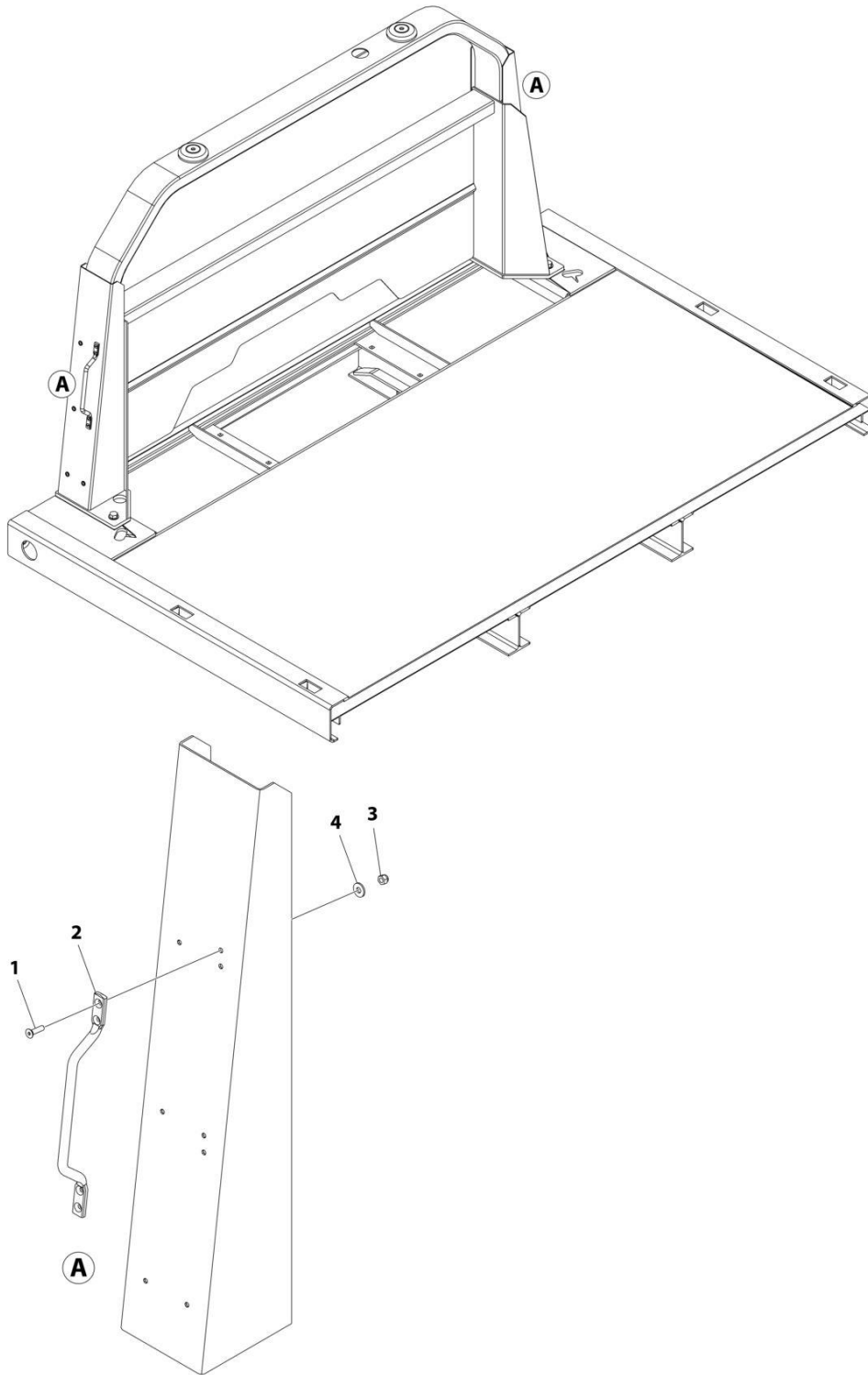
## SECTION 8 - ACCESSORIES

**FIGURE 8-33. GLADHANDS BRACKET INSTALLATION**

ITEM	PART NUMBER	QTY	DESCRIPTION	REV
	2178000037	Ref	GLAD HAND BRACKET INSTALLATION	0
1	4178000666	1	Bracket	
2	7115181464	2	Bolt 1/2 x 1-3/4	
3	7660182601	2	Nut 1/2	

# SECTION 8 - ACCESSORIES

FIGURE 8-34. GRAB HANDLES (ADJUSTABLE HEADBOARD)



ART\_1001189548



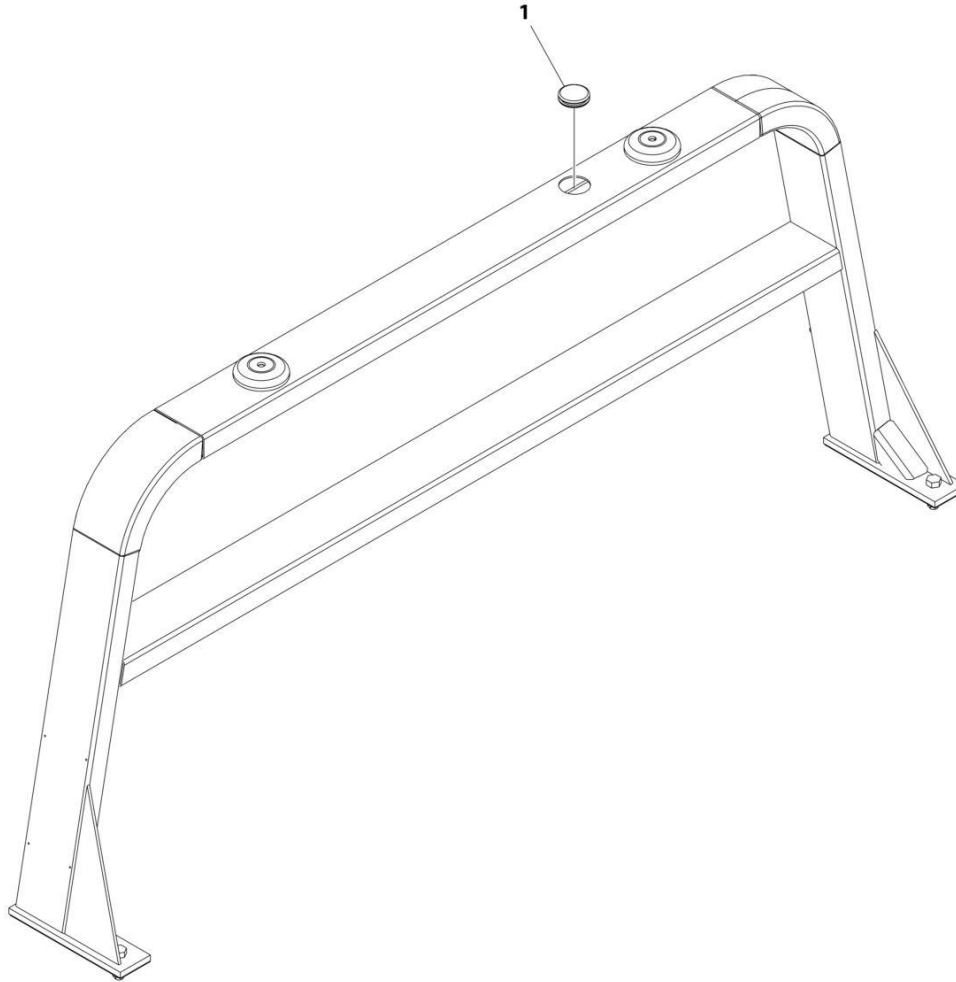
## SECTION 8 - ACCESSORIES

**FIGURE 8-34. GRAB HANDLES (ADJUSTABLE HEADBOARD)**

ITEM	PART NUMBER	QTY	DESCRIPTION	REV
	1001189548	Ref	GRAB HANDLES ADJUSTABLE HEADBOARD INSTALLATION	A
1	7114140823	8	Capscrew 1/4 x 1	
2	7550000070	2	Handle	
3	7660142601	4	Nut 5/16	
4	7950140153	4	Washer 5/16	

## SECTION 8 - ACCESSORIES

FIGURE 8-35. HEADBOARD PLUG INSTALLATION - NO EMERGENCY LIGHTBAR



ART\_1001156677

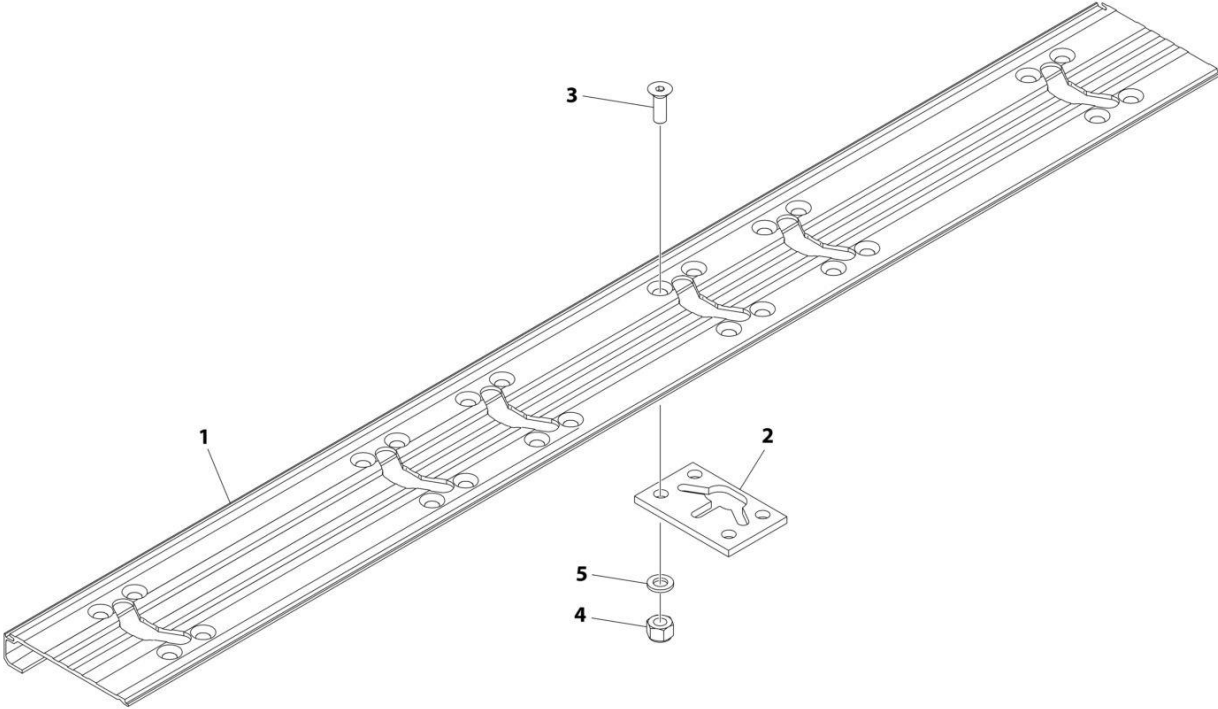
## SECTION 8 - ACCESSORIES

**FIGURE 8-35. HEADBOARD PLUG INSTALLATION - NO EMERGENCY LIGHTBAR**

ITEM	PART NUMBER	QTY	DESCRIPTION	REV
1	1001156677 7493000015	Ref 1	NO EMERGENCY LIGHTBAR INSTALLATION Grommet	A

**SECTION 8 - ACCESSORIES**

**FIGURE 8-36. KEYSLOT INSTALLATION - EXTRUDED**



ART\_1001152461

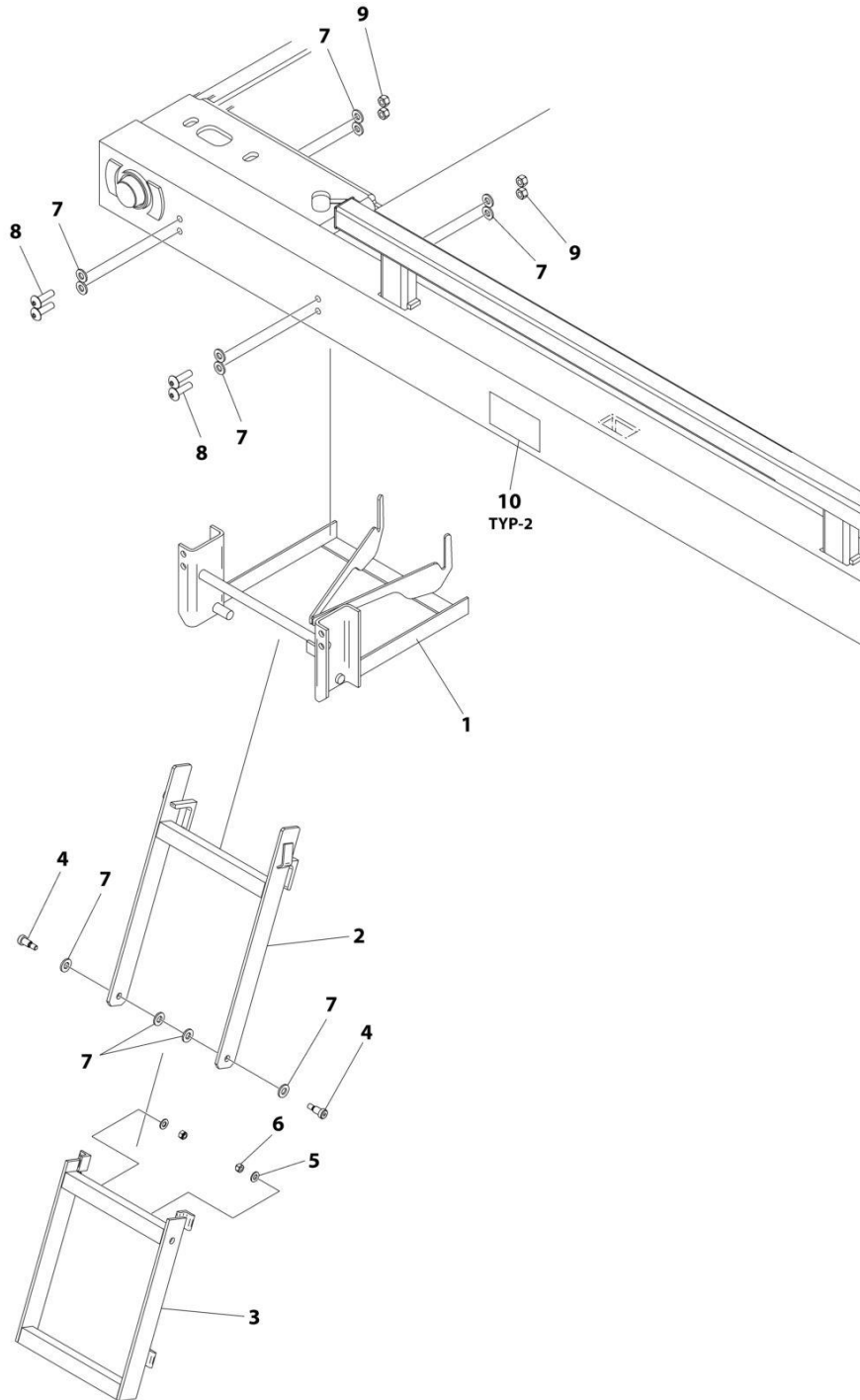
## SECTION 8 - ACCESSORIES

**FIGURE 8-36. KEYSLOT INSTALLATION - EXTRUDED**

ITEM	PART NUMBER	QTY	DESCRIPTION	REV
	1001152461	Ref	Extrusion Keyslot Installation	B
1	1001152460	1	Keyslot Channel	
2	4706005551	6	Keyslot Plate	
3	1001138460	24	Bolt 1/2 x 1-1/2	
4	7660182601	24	Nut 1/2	
5	7950180153	24	Washer 1/2	

# SECTION 8 - ACCESSORIES

## FIGURE 8-37. LADDER, 3-STEP FOLDING (LEFT & RIGHT)



ART\_1001142330

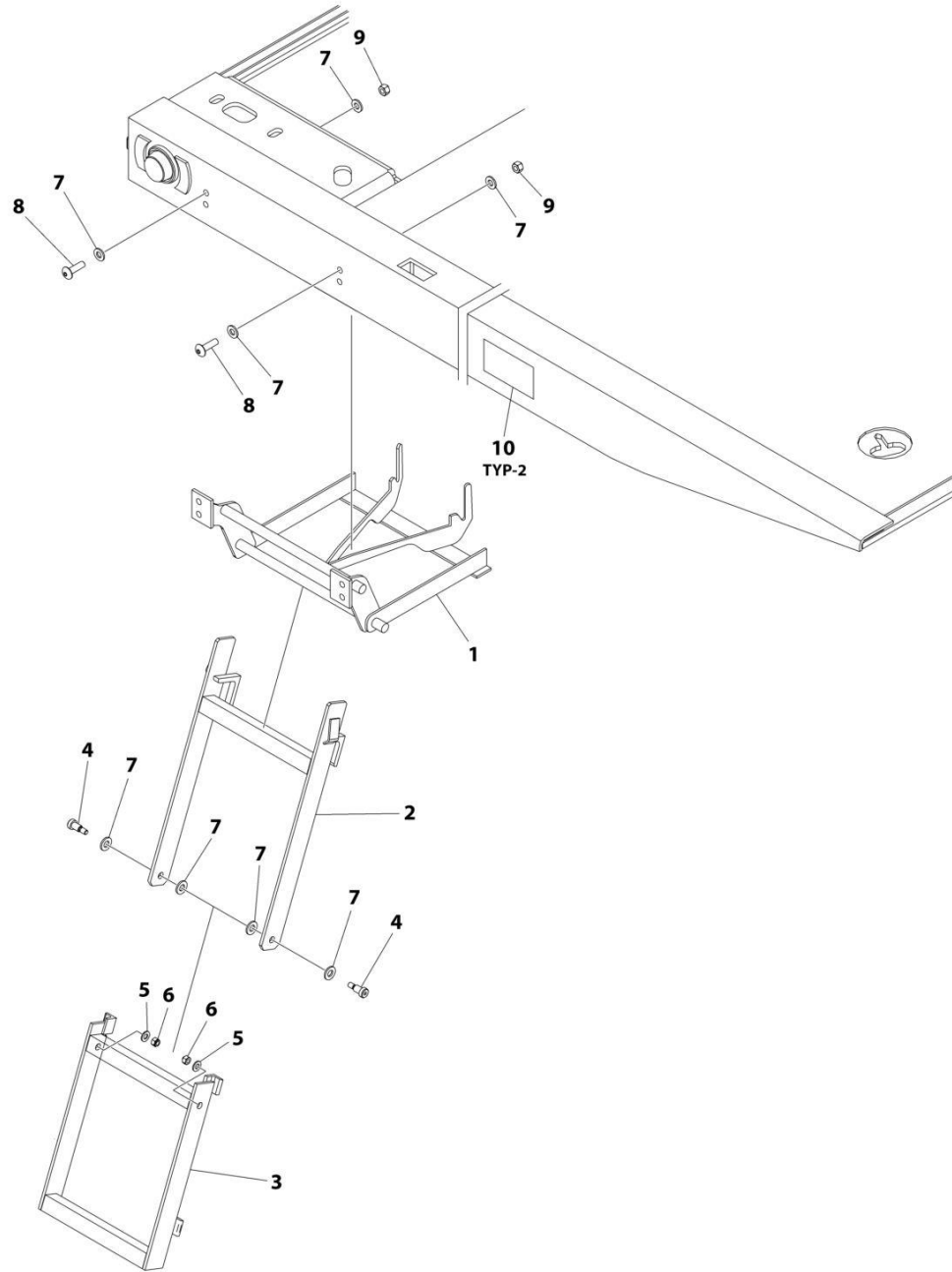
## SECTION 8 - ACCESSORIES

**FIGURE 8-37. LADDER, 3-STEP FOLDING (LEFT & RIGHT)**

ITEM	PART NUMBER	QTY	DESCRIPTION	REV
	1001142330	Ref	FOLDING DECK LADDER	B
1	3178000555	2	Bracket Weldment	
2	3002000009	2	Ladder Top Weldment	
3	3002000008	2	Ladder Bottom Weldment	
4	7115180606	4	Bolt 1/2 x 3/4	
5	7950160161	4	Washer 3/8	
6	7660162601	4	Nut	
7	7950180141	24	Washer 1/2	
8	7114181418	8	Capscrew 1/2 x 1- 3/4	
9	7660182601	8	Nut 1/2	
10	1001131998	2	Decal	
11	1001142334	1	Front Left/Right Drill, Ladder, Specification (Not Shown)	

# SECTION 8 - ACCESSORIES

## FIGURE 8-38. LADDER, 3-STEP FOLDING (LEFT)



ART\_1001142329



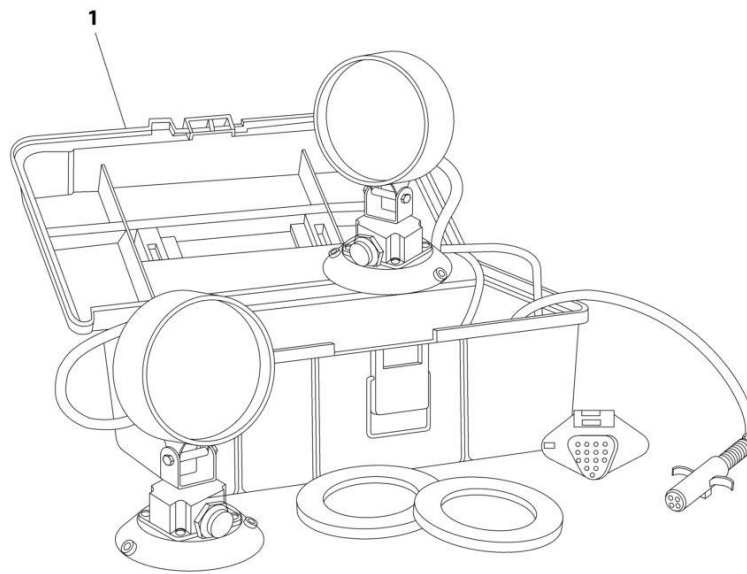
## SECTION 8 - ACCESSORIES

**FIGURE 8-38. LADDER, 3-STEP FOLDING (LEFT)**

ITEM	PART NUMBER	QTY	DESCRIPTION	REV
	1001142329	Ref	LADDER, FOLDING 3-STEP, FRONT LEFT INSTALLATION	B
1	3178000555	1	Bracket	
2	3002000009	1	Top Ladder Weld, Accessory	
3	3002000008	1	Bottom Ladder Weld, Accessory	
4	7115180606	2	Bolt 1/2 x 3/4	
5	7950160161	2	Washer	
6	7660162601	2	Nut	
7	7950180141	12	Washer 1/2	
8	7114181418	4	Capscrew 1/2 x 1- 3/4	
9	7660182601	4	Nut 1/2	
10	1001131998	2	Decal	
11	1001142333	1	Front Left Drill, Ladder, Specification (Not Shown)	

## SECTION 8 - ACCESSORIES

FIGURE 8-39. MAGNETIC MOUNTED TOW LIGHT KIT



ART\_LMT

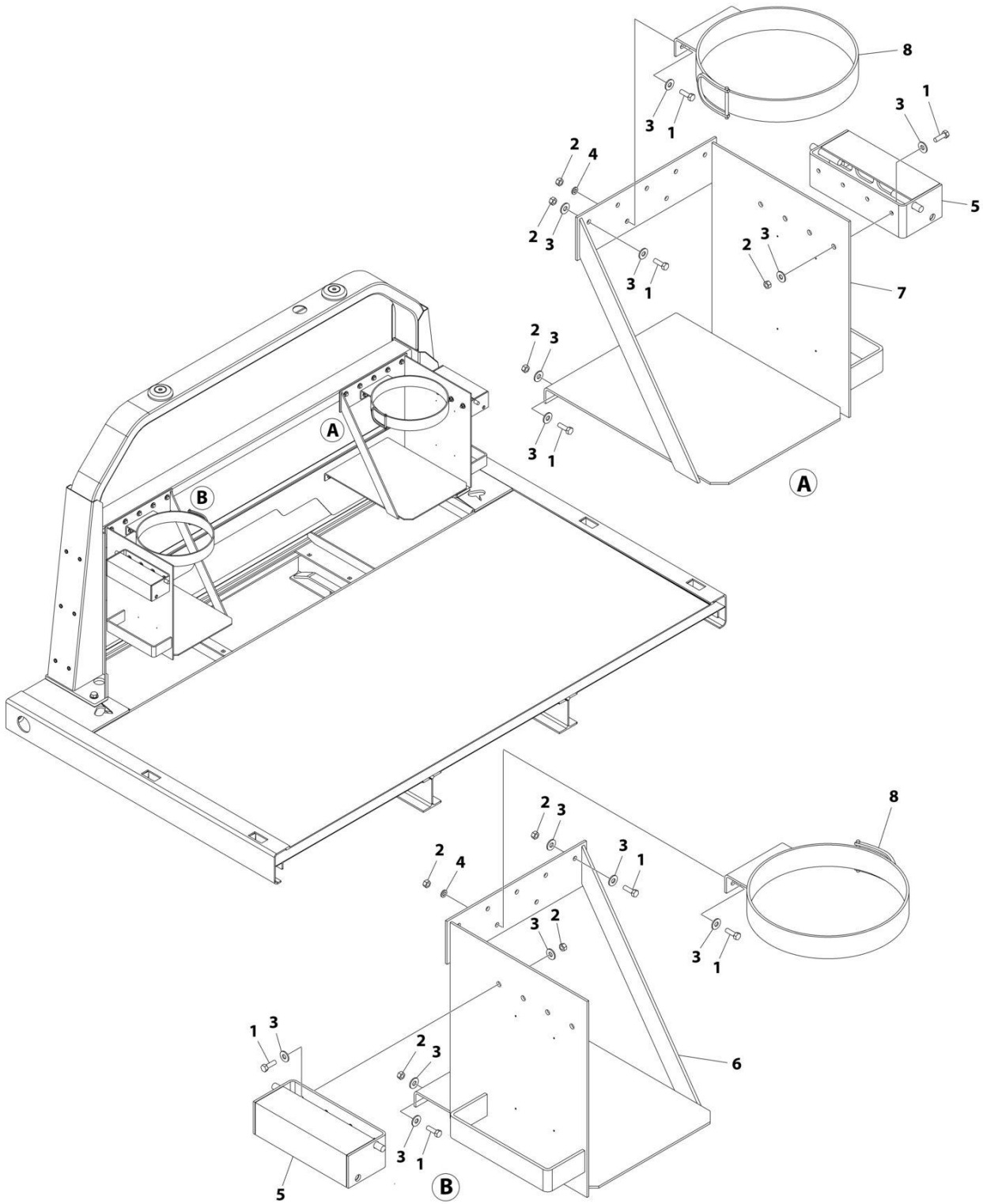
## SECTION 8 - ACCESSORIES

**FIGURE 8-39. MAGNETIC MOUNTED TOW LIGHT KIT**

ITEM	PART NUMBER	QTY	DESCRIPTION	REV
1	LMT 5525000752	Ref 1	TOW LIGHT KIT - MAGNETIC MOUNTED Magnetic Light Kit Towing - with Case	0

# SECTION 8 - ACCESSORIES

## FIGURE 8-40. PROPANE TANK HOLDERS (ADJUSTABLE HEADBOARD)



ART\_1001189550

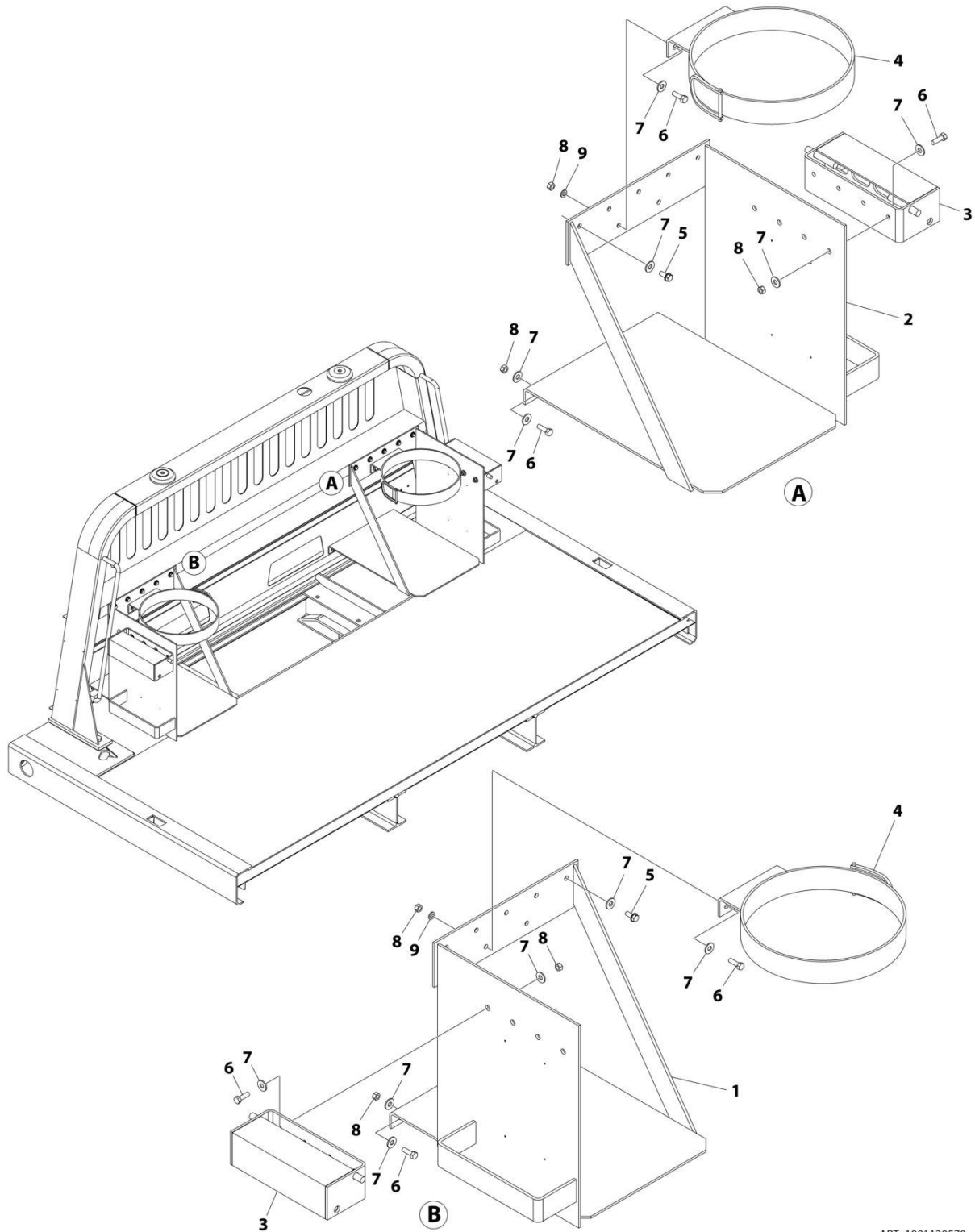
## SECTION 8 - ACCESSORIES

**FIGURE 8-40. PROPANE TANK HOLDERS (ADJUSTABLE HEADBOARD)**

ITEM	PART NUMBER	QTY	DESCRIPTION	REV
	1001189550	Ref	PROPANE TANK HOLDERS, ADJUSTABLE HEADBOARD INSTALLATION	D
1	0641508	30	Bolt 5/16 x 1	
2	3271505	30	Nut 5/16	
3	4751500	56	Washer 5/16	
4	4761500	4	Washer 5/16	
5	1001129537	2	Bracket	
6	1001190131	1	Propane Tank Support Weld, LH	
7	1001190140	1	Propane Tank Support Weld, RH	
8	7178000029	1	Bracket	

# SECTION 8 - ACCESSORIES

## FIGURE 8-41. PROPANE TANK HOLDERS (FIXED HEADBOARD)



ART\_1001129570

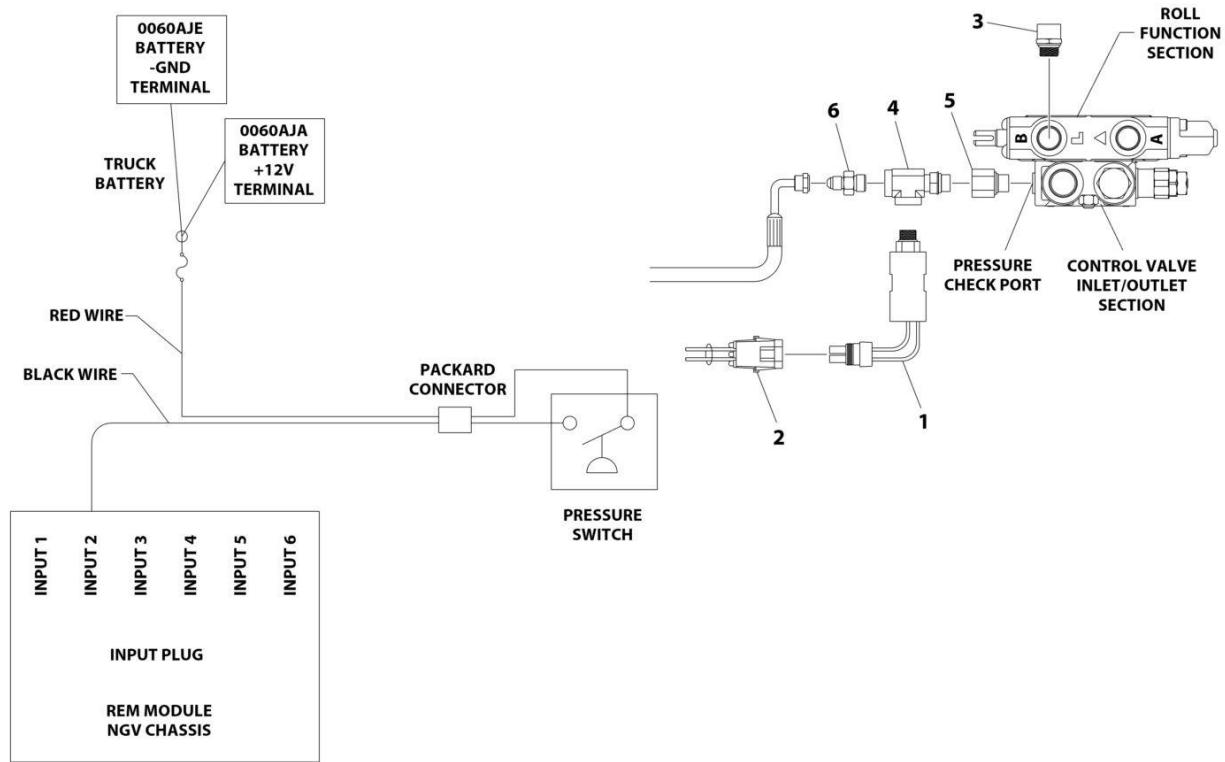
## SECTION 8 - ACCESSORIES

### FIGURE 8-41. PROPANE TANK HOLDERS (FIXED HEADBOARD)

ITEM	PART NUMBER	QTY	DESCRIPTION	REV
	1001129570	Ref	PROPANE TANK HOLDERS, HEADBOARD INSTALLATION	E
1	1001129573	1	Propane Tank Support Weld, LH	
2	1001129576	1	Propane Tank Support Weld, RH	
3	1001129537	2	Bracket	
4	7178000029	1	Bracket	
5	7790151253	10	Screw 5/16 x 3/4	
6	0641508	20	Bolt 5/16 x 1	
7	4751500	46	Washer 5/16	
8	3271505	20	Nut 5/16	
9	4761500	4	Washer 5/16	

# SECTION 8 - ACCESSORIES

## FIGURE 8-42. REMOTE THROTTLE CONTROL



ART\_2870000013



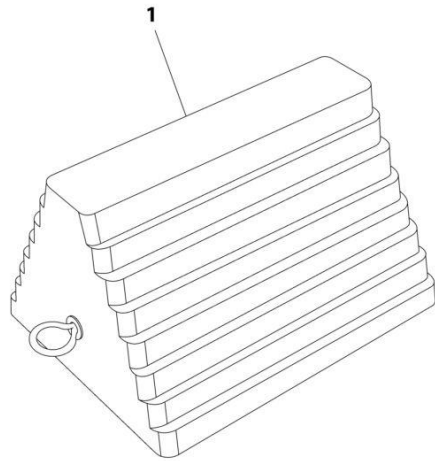
## SECTION 8 - ACCESSORIES

**FIGURE 8-42. REMOTE THROTTLE CONTROL**

ITEM	PART NUMBER	QTY	DESCRIPTION	REV
	2870000013	Ref	REMOTE THROTTLE CONTROL	D
1	7346000208	1	Pressure Switch	
2	7552000241	1	Harness, Throttle Control	
2	4460867	1	Plug, Male - 2 Position	
2	4460850	2	Terminal	
2		Ref	Seal	
2		Ref	Fuse - 5 Amp ATO (Purchase Locally)	
3	7443000428	1	Valve, Check	
4	7443000432	1	Fitting, Tee	
5	7443000469	1	Fitting, Straight	
6	7445040643	1	Fitting, Straight	

## SECTION 8 - ACCESSORIES

FIGURE 8-43. RUBBER WHEEL CHOCKS



ART\_RWC

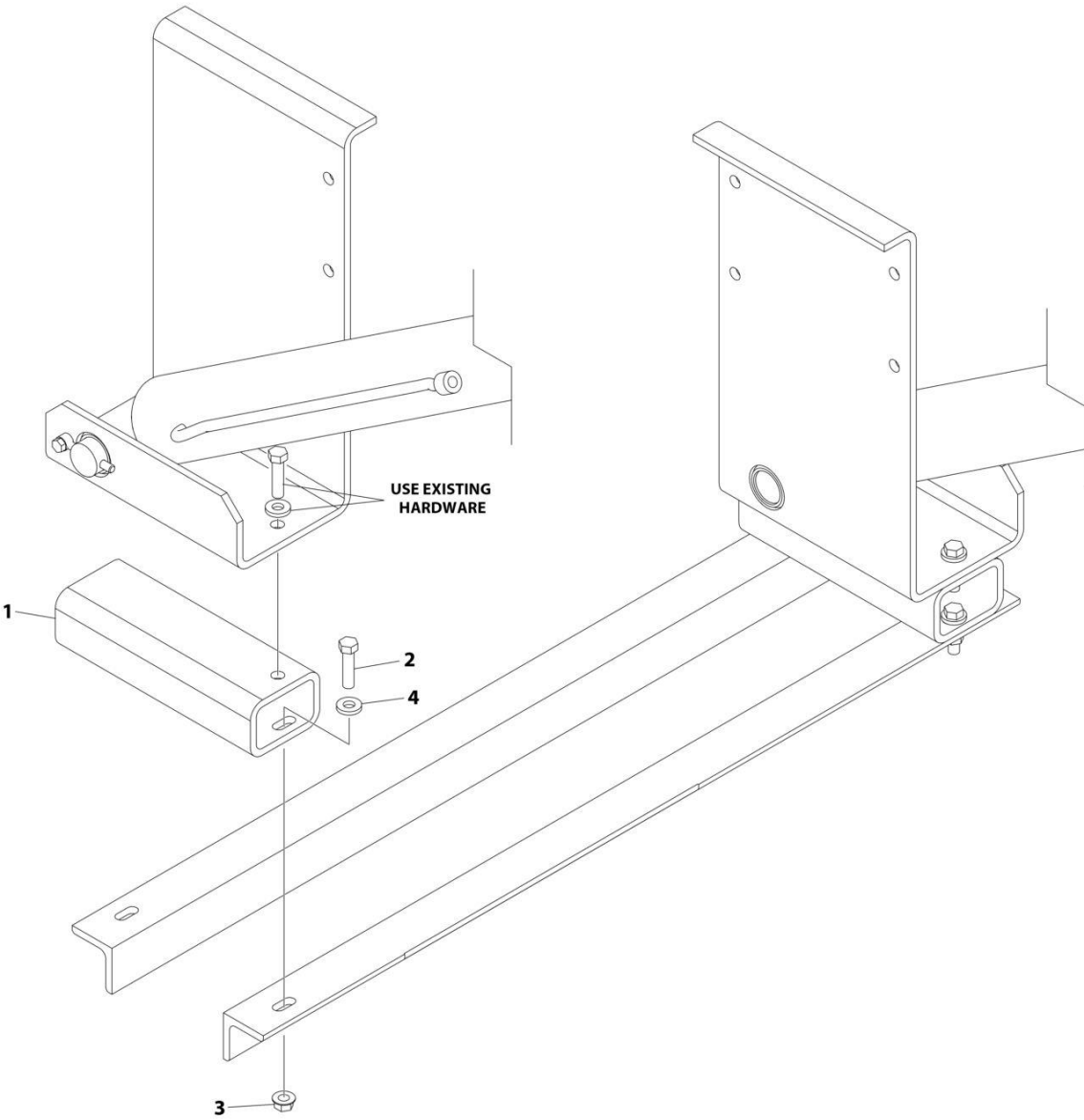
## SECTION 8 - ACCESSORIES

### FIGURE 8-43. RUBBER WHEEL CHOCKS

ITEM	PART NUMBER	QTY	DESCRIPTION	REV
1	RWC 7002000448	Ref 2	WHEEL CHOCKS Wheel Chock - Rubber	0

# SECTION 8 - ACCESSORIES

## FIGURE 8-44. SADDLE SPACERS INSTALLATION



ART\_1001175532

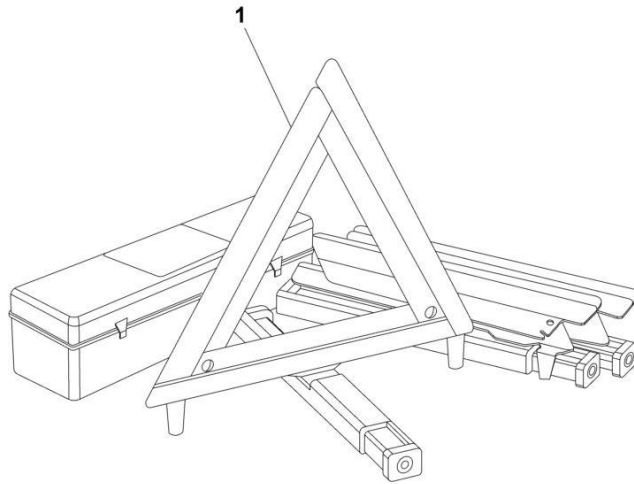
## SECTION 8 - ACCESSORIES

**FIGURE 8-44. SADDLE SPACERS INSTALLATION**

ITEM	PART NUMBER	QTY	DESCRIPTION	REV
	1001175532	Ref	Saddle Spacer Installation	A
1	1001175531	2	Saddle Spacer	
2	7105181650	4	Capscrew 1/2 x 2	
3	7660182333	4	Nut 1/2	
4	7950180153	4	Washer 1/2	

## SECTION 8 - ACCESSORIES

FIGURE 8-45. SAFETY TRIANGLE KIT



ART\_STK

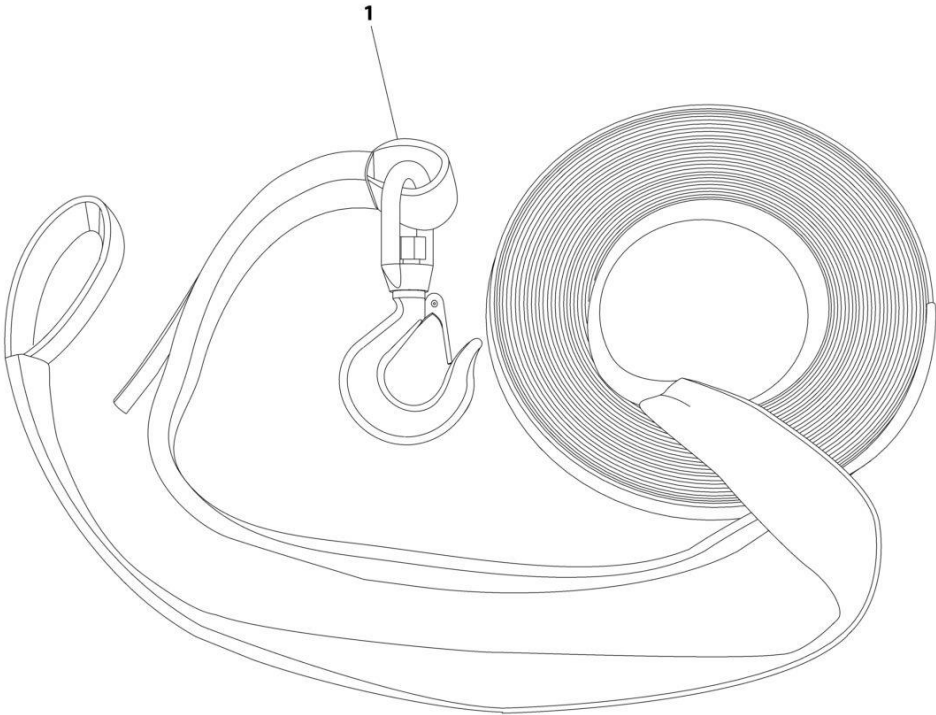
## SECTION 8 - ACCESSORIES

**FIGURE 8-45. SAFETY TRIANGLE KIT**

ITEM	PART NUMBER	QTY	DESCRIPTION	REV
1	STK 7002000285	Ref 1	Safety Triangle Kit Reflective Triangles	0

**SECTION 8 - ACCESSORIES**

**FIGURE 8-46. STRAP EXTENSION WITH SWIVEL HOOK - 50FT**



ART\_STRAP50



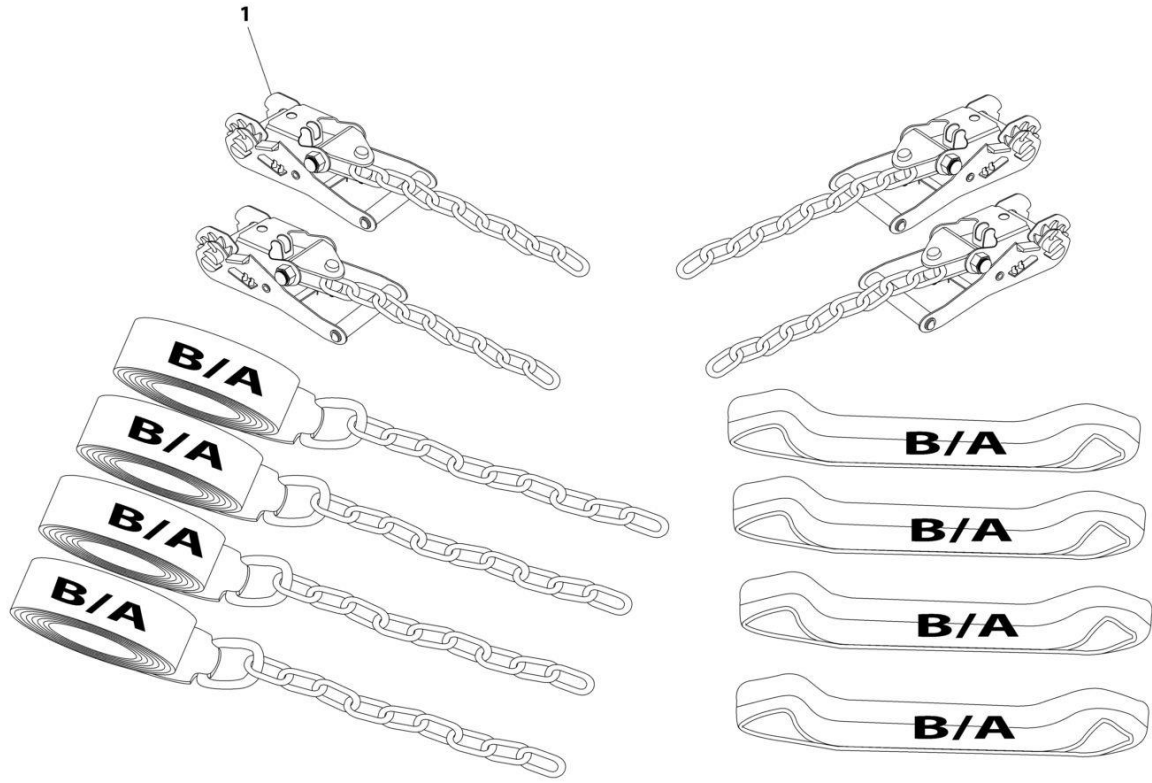
## SECTION 8 - ACCESSORIES

**FIGURE 8-46. STRAP EXTENSION WITH SWIVEL HOOK - 50FT**

ITEM	PART NUMBER	QTY	DESCRIPTION	REV
1	STRAP50 7894000071	Ref 1	50FT STRAP EXTENSION WITH SWIVEL HOOK Strap Extension with Swivel Hook	0

# SECTION 8 - ACCESSORIES

FIGURE 8-47. STRAP KIT - CARRIER 8 POINT TIRE TIE DOWN



ART\_CAR8PTTD

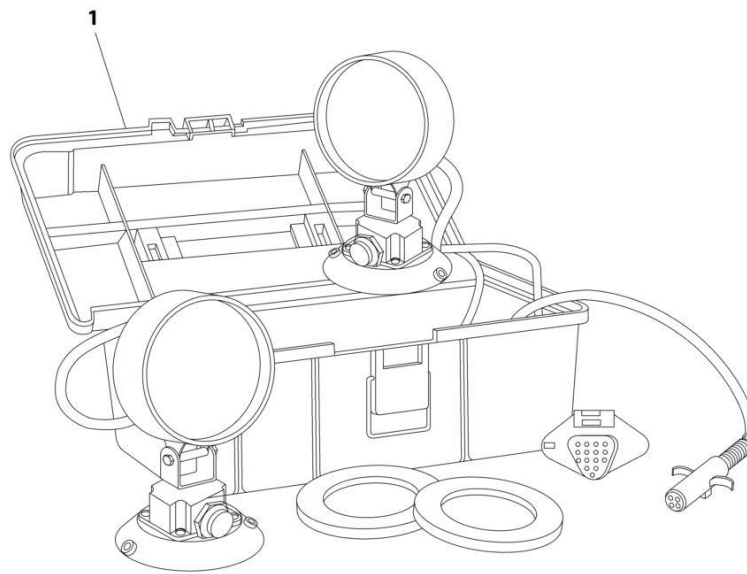
## SECTION 8 - ACCESSORIES

**FIGURE 8-47. STRAP KIT - CARRIER 8 POINT TIRE TIE DOWN**

ITEM	PART NUMBER	QTY	DESCRIPTION	REV
1	CAR8PTTD 7894000073	Ref 1	STRAP/TIE DOWN KIT - 8-POINT TIRE STRAP Chain Strap and Chain Tyre Tie-Down	0

## SECTION 8 - ACCESSORIES

FIGURE 8-48. SUCTION MOUNTED TOW LIGHT KIT



ART\_LST

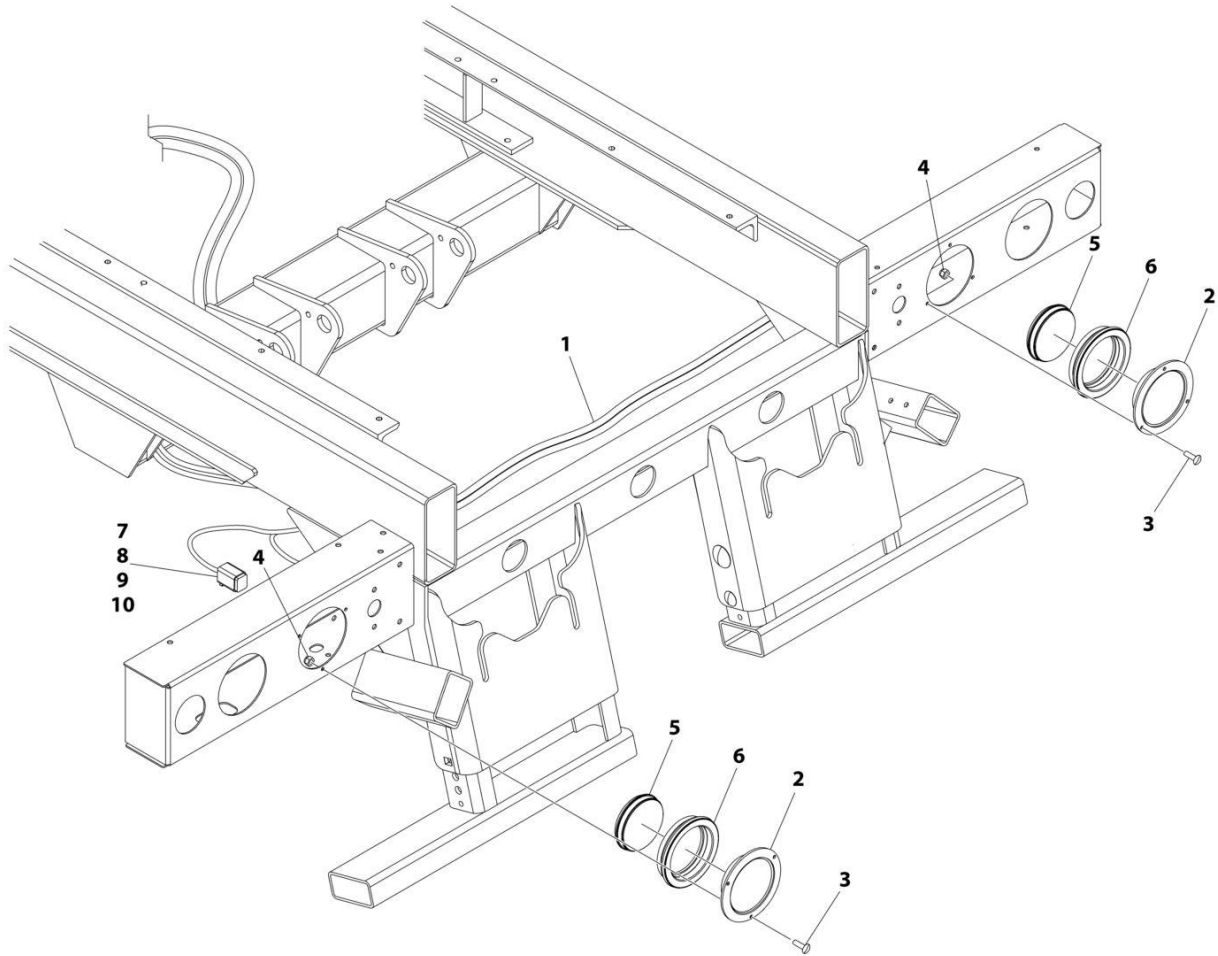
## SECTION 8 - ACCESSORIES

**FIGURE 8-48. SUCTION MOUNTED TOW LIGHT KIT**

ITEM	PART NUMBER	QTY	DESCRIPTION	REV
1	LST 7002000449	Ref 1	SUCTION MOUNTED TOW LIGHT KIT Tow Lights Suction	0

# SECTION 8 - ACCESSORIES

## FIGURE 8-49. TAIL LIGHT CONVERSION KIT, SPLIT STOP/TURN



ART\_2590000292

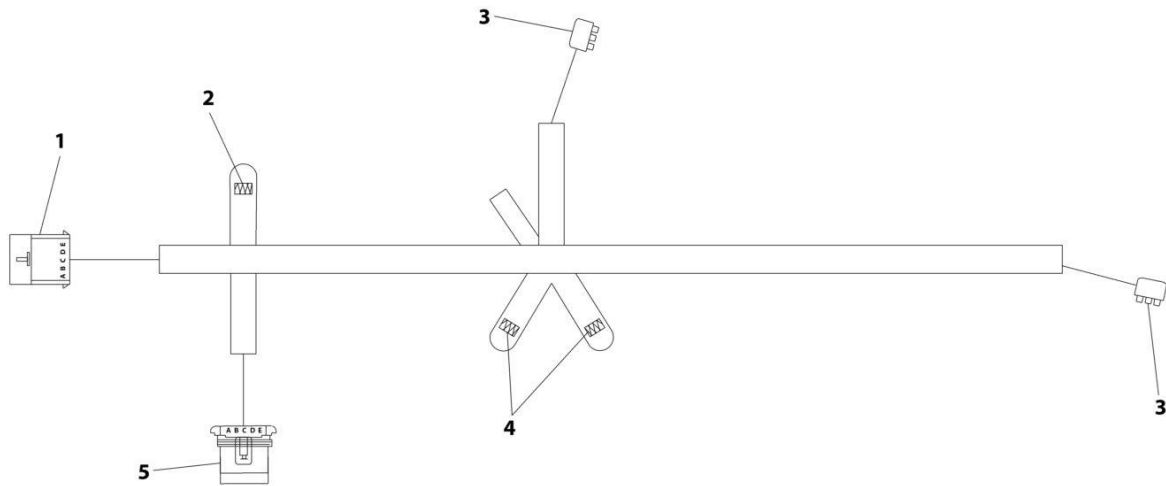
## SECTION 8 - ACCESSORIES

**FIGURE 8-49. TAIL LIGHT CONVERSION KIT, SPLIT STOP/TURN**

ITEM	PART NUMBER	QTY	DESCRIPTION	REV
	2590000292	Ref	TAIL LIGHT CONVERSION KIT, SPLIT STOP/TURN	E
1	7552000472	1	Harness, Tail Light (See Separate Breakdown in this Section)	
2	7590000432	2	Light	
3	7114101018	6	Capscrew #10 x 1-1/4	
4	7660102604	6	Nut #10	
5	1001142769	2	Lamp	
6	7493000002	2	Grommet	
7	1001159336	1	Electrical Assembly, Tail Light Converter	
8	7345001714	6	Terminal	
9	7346000039	AR	Heat Shrink 1/4IN	
10	1001100949	1	Diode - IN5400, 50V, 3.0Amp	

# SECTION 8 - ACCESSORIES

## FIGURE 8-50. TAIL LIGHT CONVERSION HARNESS



ART\_7552000472



## SECTION 8 - ACCESSORIES

**FIGURE 8-50. TAIL LIGHT CONVERSION HARNESS**

ITEM	PART NUMBER	QTY	DESCRIPTION	REV
	7552000472	Ref	TAILLIGHT HARNESS	B
1		Ref	Connector - 5 Position	
1	1001116720	5	Terminal	
1		Ref	Seal	
2	7346000220	1	Resistor 100 Ohm/10 Watt	
3		Ref	Connector - 3 Position	
4	7346000231	2	Resistor 10 Ohm/50 Watt	
5	1001121726	1	Connector - 5 Position	
5	1001116747	5	Terminal	
5		Ref	Seal	

## **SECTION 8 - ACCESSORIES**

### **FIGURE 8-51. TIE DOWN STRAP/RACHET STRAP KIT**

**INFORMATION NOT AVAILABLE AT THE TIME OF PRINTING**

ART\_7577000242

## SECTION 8 - ACCESSORIES

FIGURE 8-51. TIE DOWN STRAP/RACHET STRAP KIT

ITEM	PART NUMBER	QTY	DESCRIPTION	REV
	7577000242	Ref Ref	Tie Down Strap/Ratchet Strap Kit Note: No Service Parts Available at Time of Printing.	0

## SECTION 8 - ACCESSORIES

### FIGURE 8-52. TIE DOWN STRAP/RACHET STRAP KIT (AUTO GRIDS)

INFORMATION NOT AVAILABLE AT THE TIME OF PRINTING

ART\_7577000376

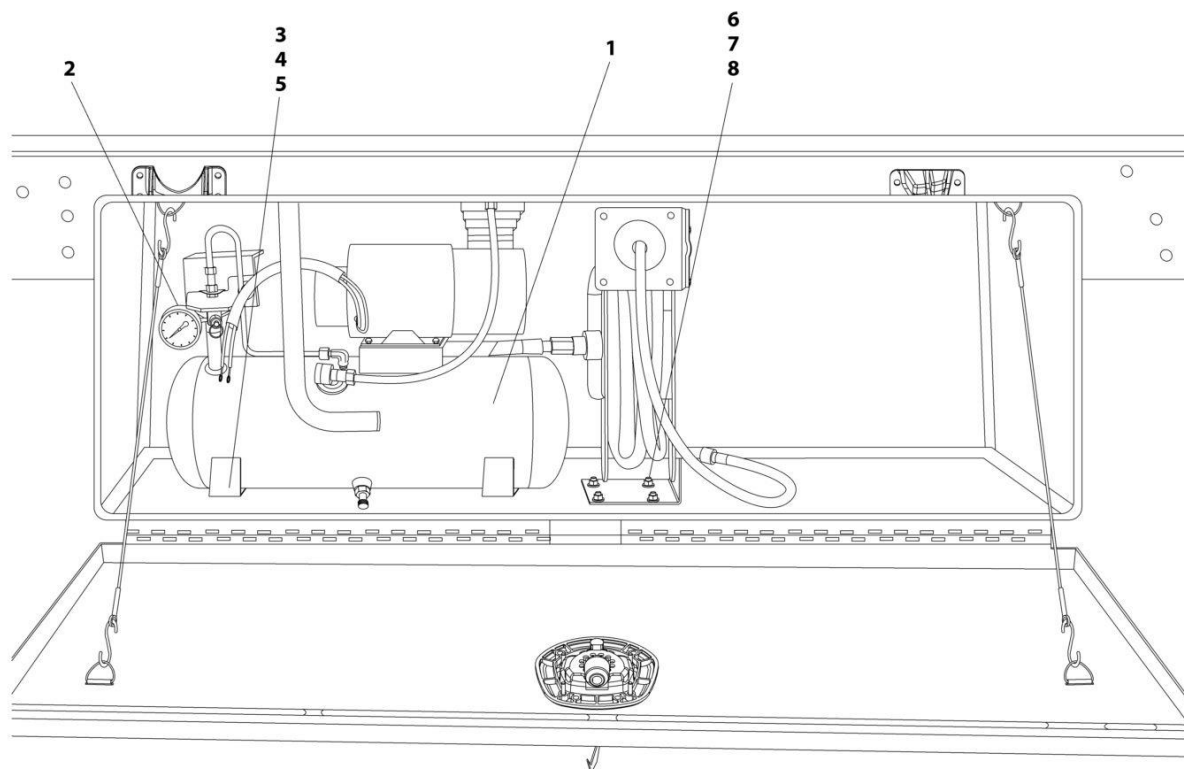
## SECTION 8 - ACCESSORIES

**FIGURE 8-52. TIE DOWN STRAP/RACHET STRAP KIT (AUTO GRIDS)**

ITEM	PART NUMBER	QTY	DESCRIPTION	REV
	7577000376	Ref Ref	TIE-STRAP, RATCHET KIT, AUTOGRID Note: No Service Parts Available at Time of Printing.	00

# SECTION 8 - ACCESSORIES

## FIGURE 8-53. TOOLBOX AIR COMPRESSOR/HOSE REEL



SHOWN MOUNTED INSIDE 48IN TOOLBOX

ART\_2002000030

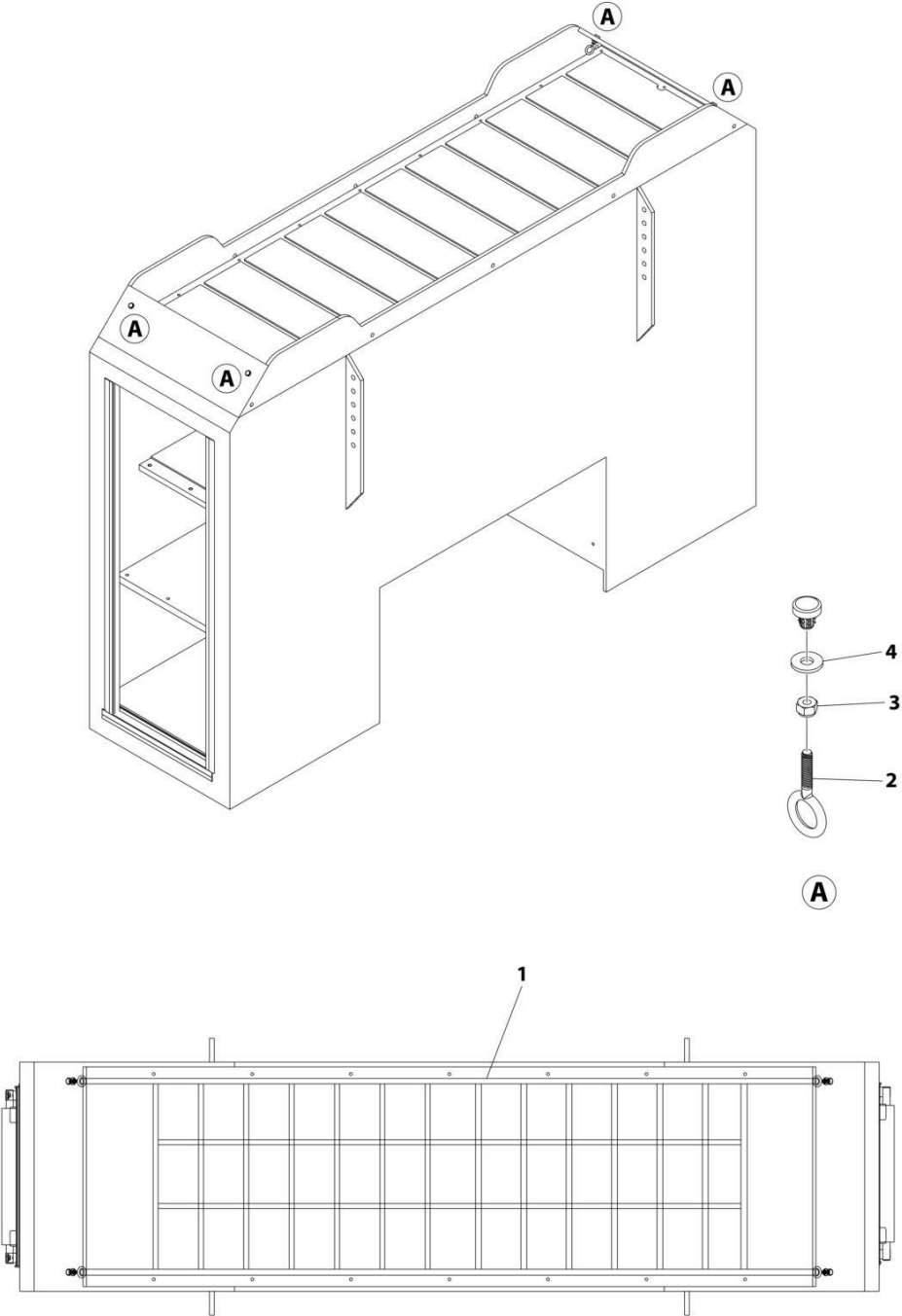
## SECTION 8 - ACCESSORIES

FIGURE 8-53. TOOLBOX AIR COMPRESSOR/HOSE REEL

ITEM	PART NUMBER	QTY	DESCRIPTION	REV
	2002000030	Ref	Toolbox Air Compressor/Hose Reel	B
1	7002000503	1	Air Compressor with Hose Reel	
2	7443000155	1	Fitting, 90	
3	7115161050	4	Capscrew 3/8 x 1-1/4	
4	7950150161	4	Washer 3/8	
5	7660162601	4	Nut 3/8	
6	7115181050	4	Capscrew 1/2 x 1-1/4	
7	7950180153	8	Washer 1/2	
8	7660182601	4	Nut 1/2	

**SECTION 8 - ACCESSORIES**

**FIGURE 8-54. TOOLBOX TRAY CARGO NET INSTALLATION**



ART\_1001148490



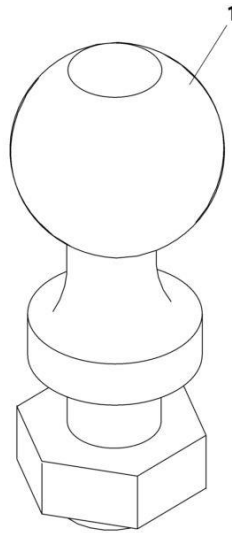
## SECTION 8 - ACCESSORIES

**FIGURE 8-54. TOOLBOX TRAY CARGO NET INSTALLATION**

ITEM	PART NUMBER	QTY	DESCRIPTION	REV
	1001148490	Ref	CARGO NET TOOLBOX TRAY INSTALLATION	A
1	1001148489	1	Accessory, Toolbox Tray	
2	1001148920	4	Hook	
3	7660142604	4	Nut 1/4	
4	7950140153	4	Washer 1/4	

## SECTION 8 - ACCESSORIES

FIGURE 8-55. TOW BALL - SS CONVERT-A-BALL KIT



ART\_1001133675

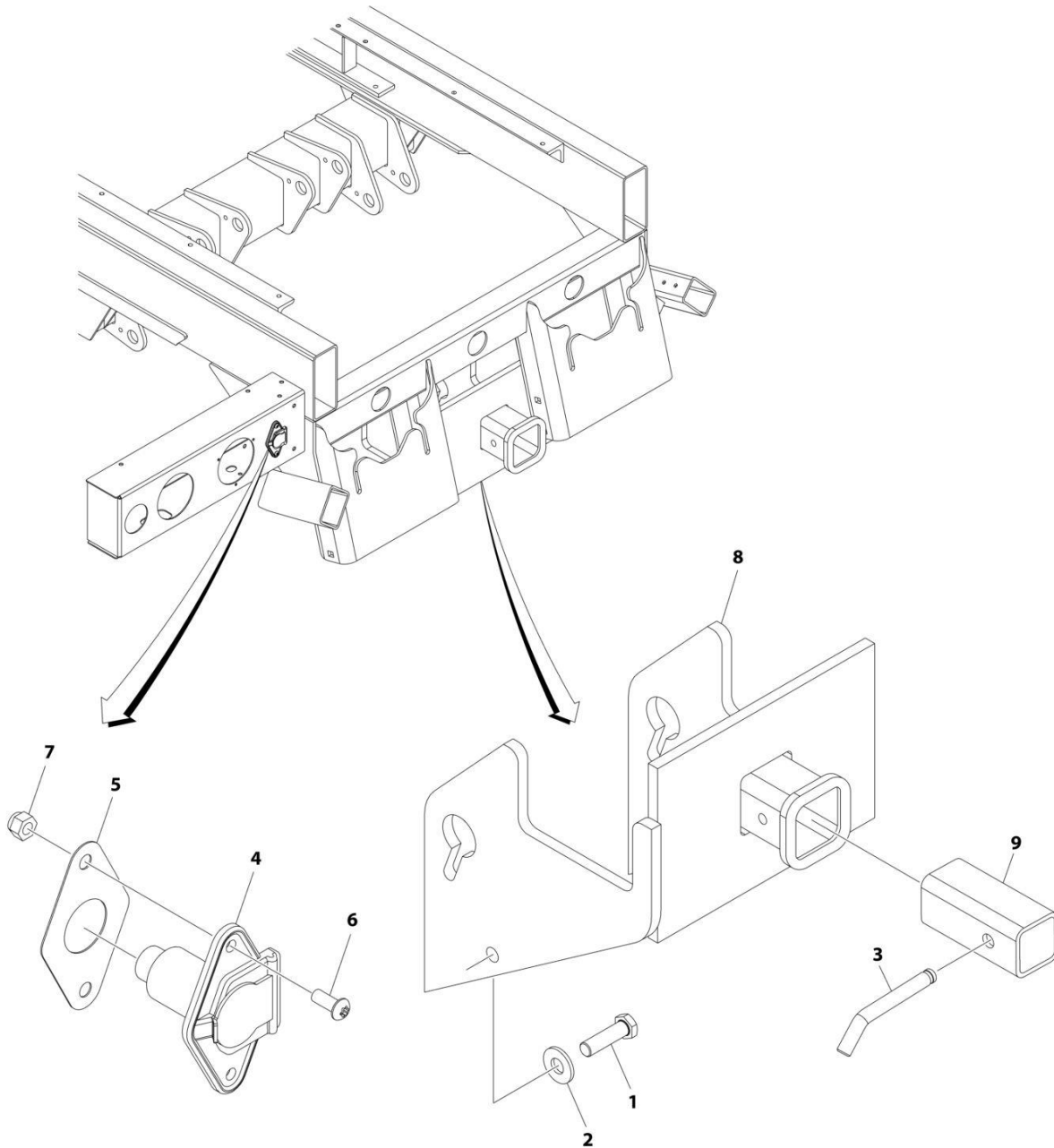
## SECTION 8 - ACCESSORIES

FIGURE 8-55. TOW BALL - SS CONVERT-A-BALL KIT

ITEM	PART NUMBER	QTY	DESCRIPTION	REV
1	1001133675 7002000458	Ref 1	TRAILER BALL - SS CONVERT-A-BALL KIT Ball	A

# SECTION 8 - ACCESSORIES

## FIGURE 8-56. TOW HITCH RECEIVER INSTALLATION - 2.5IN BALL (STATIONARY)



ART\_1001137581

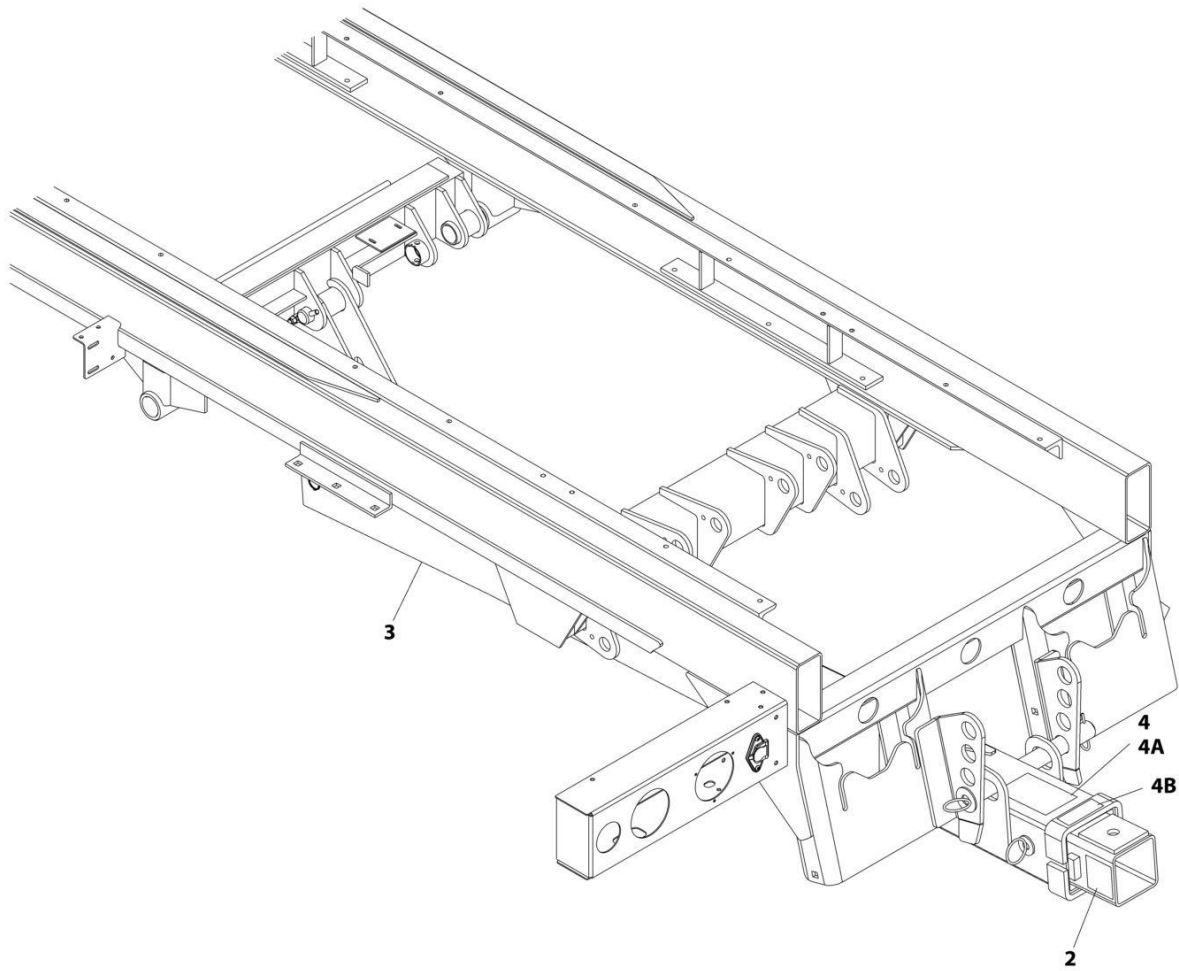
## SECTION 8 - ACCESSORIES

**FIGURE 8-56. TOW HITCH RECEIVER INSTALLATION - 2.5IN BALL (STATIONARY)**

ITEM	PART NUMBER	QTY	DESCRIPTION	REV
	1001137581	Ref	TOW HITCH INSTALLATION, 2.5 IN	B
1	7115181450	2	Capscrew 1/2 x 1-3/4	
2	7950180150	2	Washer 1/2	
3	7691000033	1	Cotter Pin	
4	7291000010	1	Connector	
5	7796000048	1	Gasket	
6	7114140528	2	Screw 1/4 x 5/8	
7	7660142601	2	Nut 1/4	
8	1001180289	1	Hitch Receiver	
9	7913000006	1	Tube	

# SECTION 8 - ACCESSORIES

FIGURE 8-57. TOW HITCH - BALL HITCH PLATE (MANUAL/HYDRAULIC)



ART\_BHH35-MD

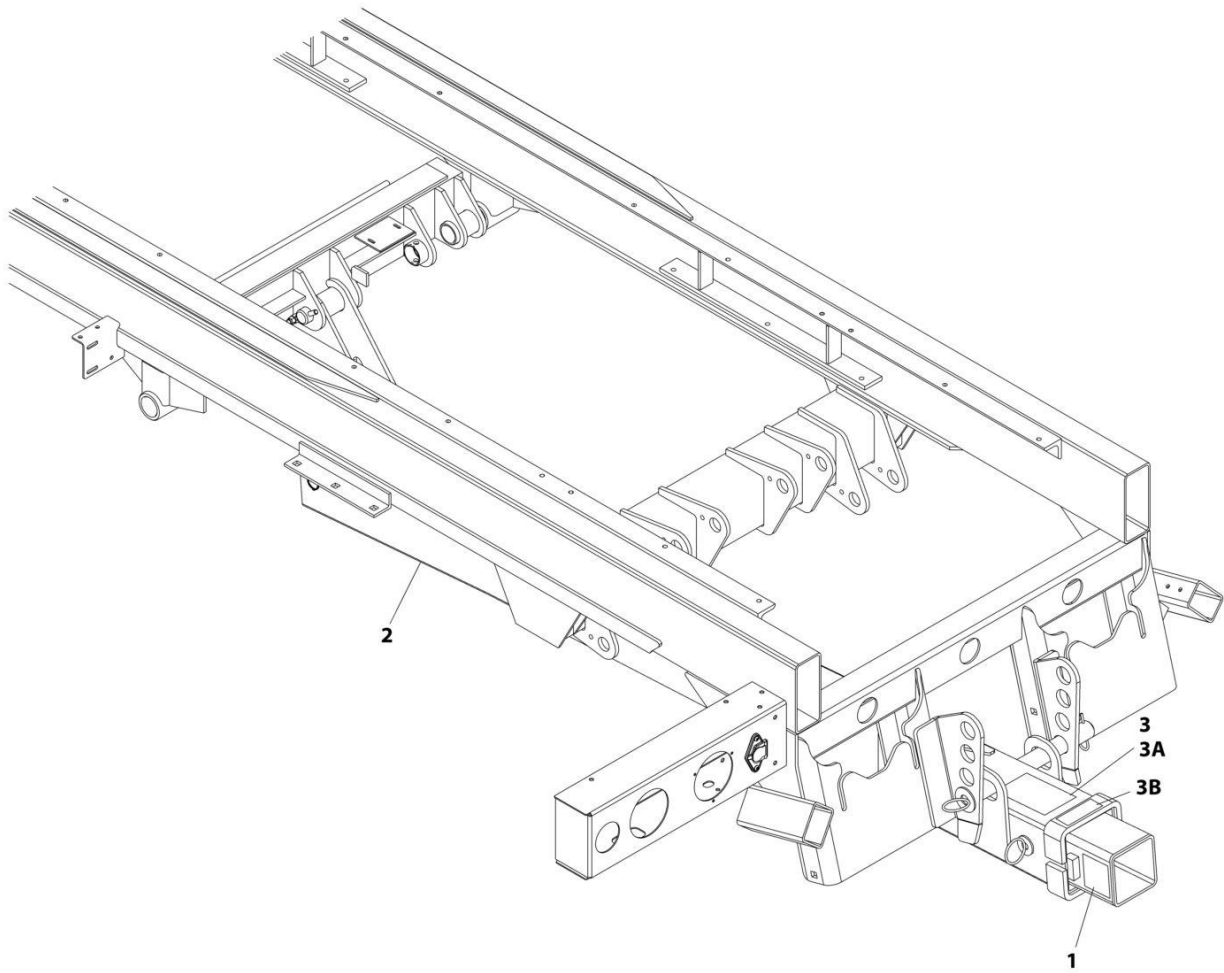
## SECTION 8 - ACCESSORIES

**FIGURE 8-57. TOW HITCH - BALL HITCH PLATE (MANUAL/HYDRAULIC)**

ITEM	PART NUMBER	QTY	DESCRIPTION	REV
	BHH35-MD	Ref	TOW HITCH INSTALLATION - MANUAL/HYDRAULIC BALL HITCH PLATE	0
1	2570000055	1	Hose Installation (Not Shown - See Separate Breakdown in HYDRAULIC Section)	
2	2330000040	Ref	Hitch Decal Installation, Ball	
2	4330000002	2	Decal - Red Reflective	
3	2170000087	1	Boom Installation, Ball Hitch (Hydraulic) (See Separate Breakdown in this Section)	
4	2330000060	Ref	Ball Hitch Decal Installation, Tow Option	
4A	7330000684	1	Decal - Safety	
4B	7330000391	1	Decal - Warning, Tow Boom Configuration	

# SECTION 8 - ACCESSORIES

FIGURE 8-58. TOW HITCH - PINTLE HITCH PLATE (MANUAL)



ART\_PHM35-MD



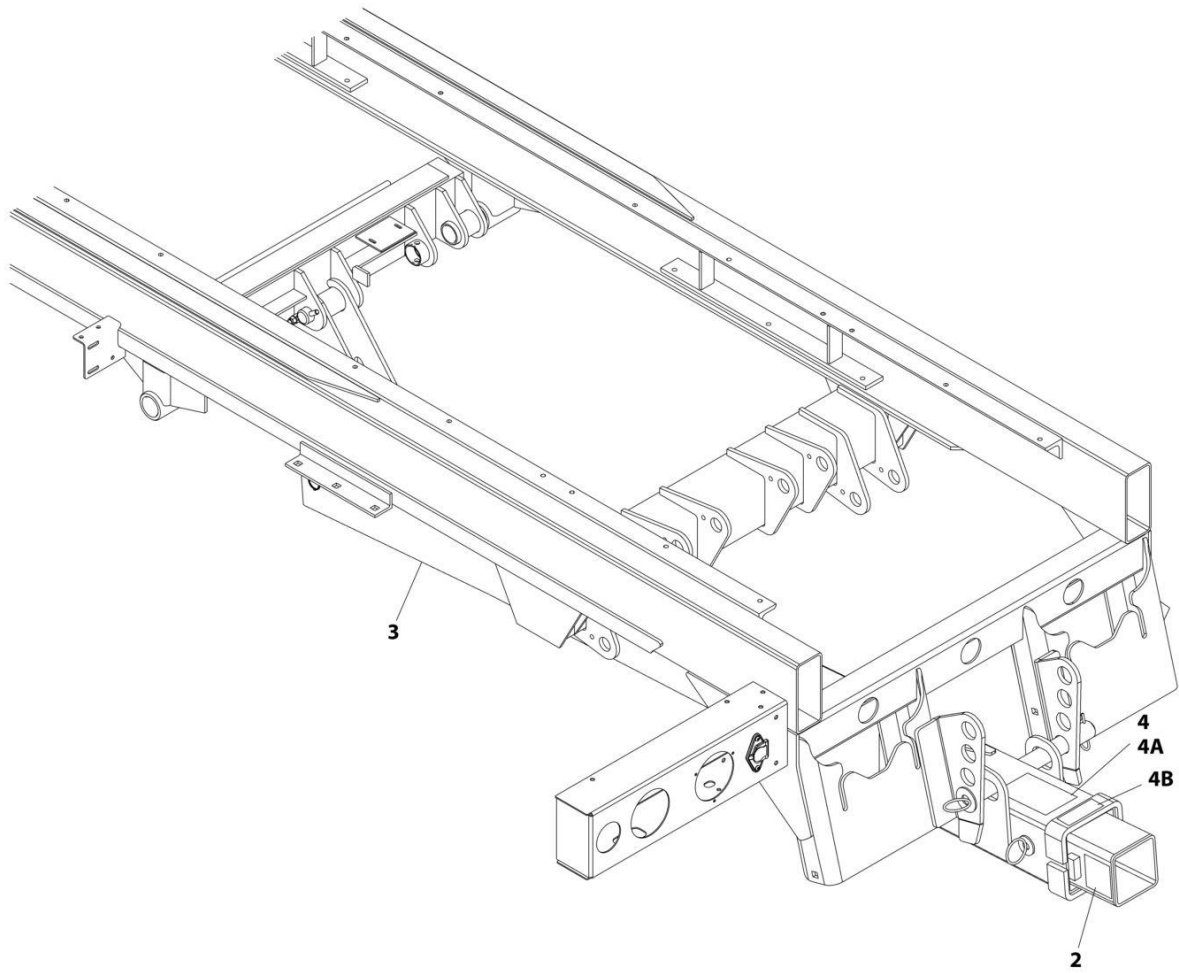
## SECTION 8 - ACCESSORIES

**FIGURE 8-58. TOW HITCH - PINTLE HITCH PLATE (MANUAL)**

ITEM	PART NUMBER	QTY	DESCRIPTION	REV
	PHM35-MD	Ref	TOW HITCH BOOM INSTALLATION - PINTLE HITCH (HYDRAULIC)	0
1	2330000041	Ref	Reflective Tape Installation	
1	7330000645	1	Decal - Red, Retro-reflective LH	
1	7330000646	1	Decal - Red, Retro-reflective RH	
2	2170000090	1	Boom Installation, Pintle Hitch (Manual) (See Separate Breakdown in this Section)	
3	2330000060	Ref	Ball Hitch Decal Installation, Tow Option	
3A	7330000684	1	Decal - Safety	
3B	7330000391	1	Decal - Warning, Tow Boom Configuration	

# SECTION 8 - ACCESSORIES

FIGURE 8-59. TOW HITCH - PINTLE HITCH PLATE (MANUAL/HYDRAULIC)



ART\_PHH35-MD

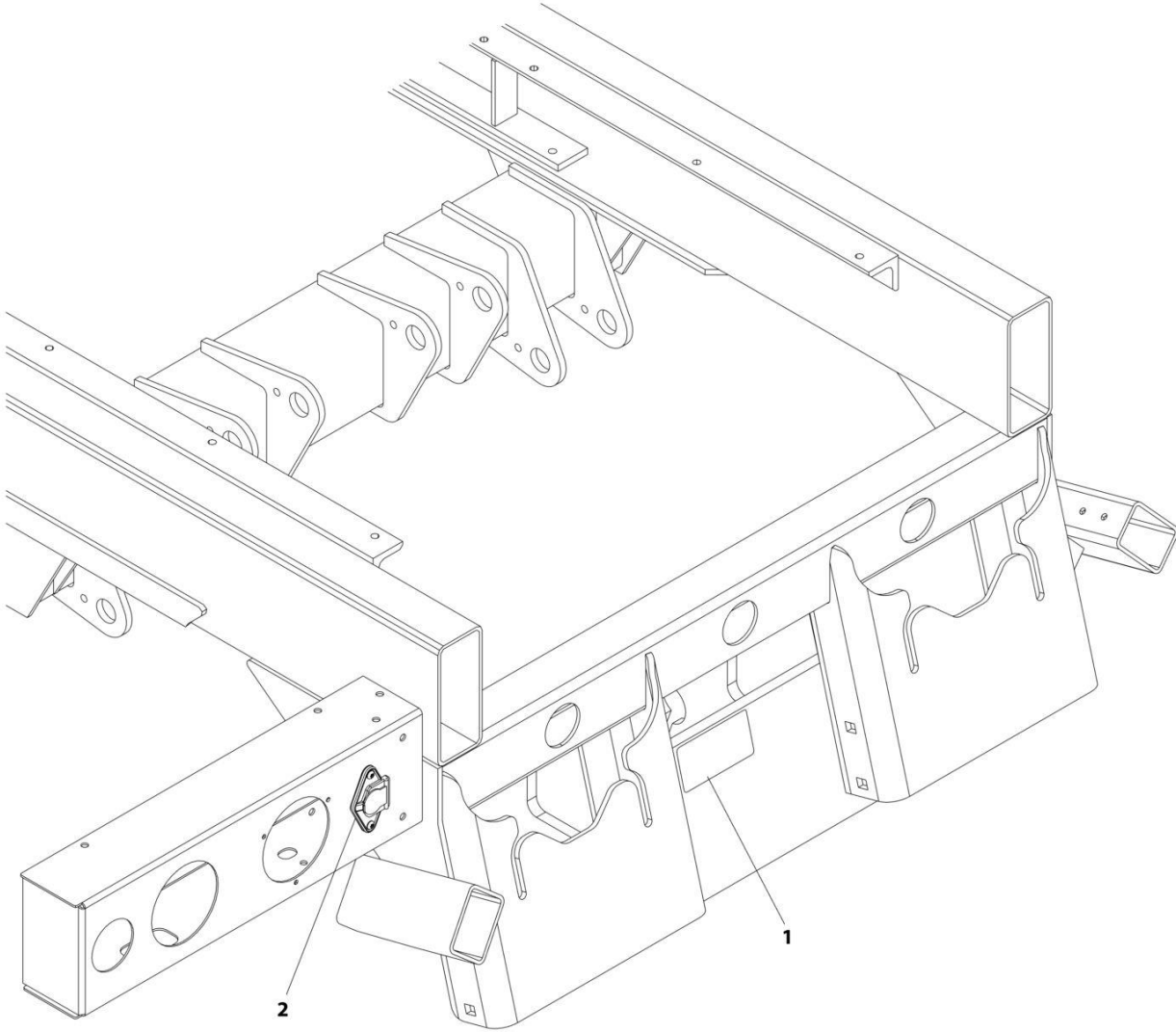
## SECTION 8 - ACCESSORIES

**FIGURE 8-59. TOW HITCH - PINTLE HITCH PLATE (MANUAL/HYDRAULIC)**

ITEM	PART NUMBER	QTY	DESCRIPTION	REV
	PHH35-MD	Ref	TOW HITCH INSTALLATION - MANUAL /HYDRAULIC PINTLE HITCH PLATE	0
1	2570000055	1	Hose Installation (Not Shown - See Separate Breakdown in HYDRAULIC Section)	
2	2330000041	Ref	Reflective Tape Installation	
2	7330000645	1	Decal - Red, Retro-reflective LH	
2	7330000646	1	Decal - Red, Retro-reflective RH	
3	2170000089	1	Boom Installation, Pintle Hitch (Hydraulic) (See Separate Breakdown in this Section)	
4	2330000060	Ref	Ball Hitch Decal Installation, Tow Option	
4A	7330000684	1	Decal - Safety	
4B	7330000391	1	Decal - Warning, Tow Boom Configuratio	

**SECTION 8 - ACCESSORIES**

**FIGURE 8-60. TOW HITCH - PINTLE HITCH PLATE (STATIONARY)**



ART\_PHS40-MD

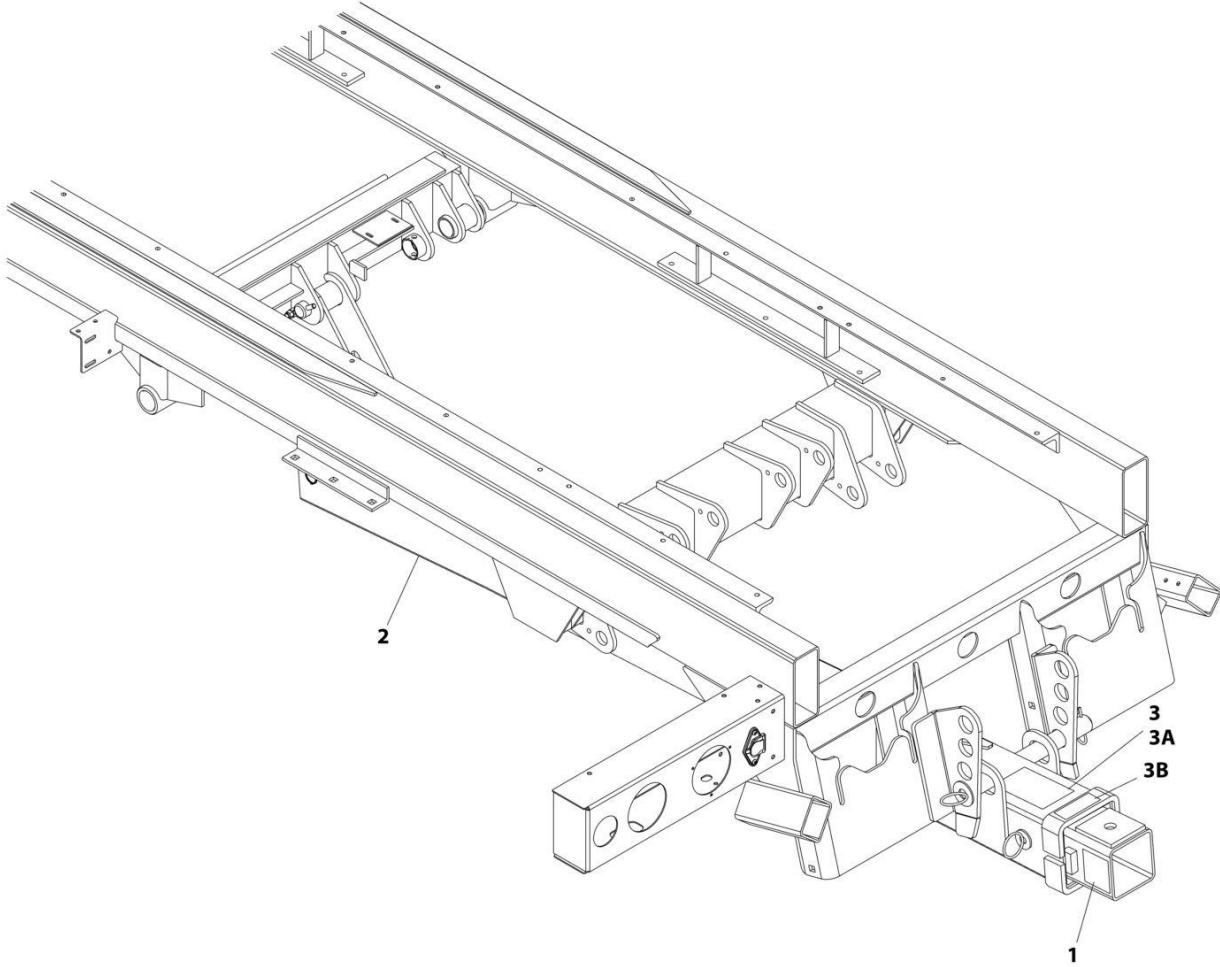
## SECTION 8 - ACCESSORIES

**FIGURE 8-60. TOW HITCH - PINTLE HITCH PLATE (STATIONARY)**

ITEM	PART NUMBER	QTY	DESCRIPTION	REV
	PHS40-MD	Ref	TOW HITCH INSTALLATION - STATIONARY PINTLE HITCH PLATE	0
1	2330000062	1	Tow Hitch Decal Installation	
1	7330000274	1	Decal - Warning	
2	3556000040	1	Stationary Pintle Hitch (See Separate Breakdown in this Section)	

**SECTION 8 - ACCESSORIES**

**FIGURE 8-61. TOW HITCH - BALL HITCH PLATE (MANUAL)**



ART\_BHM35-MD

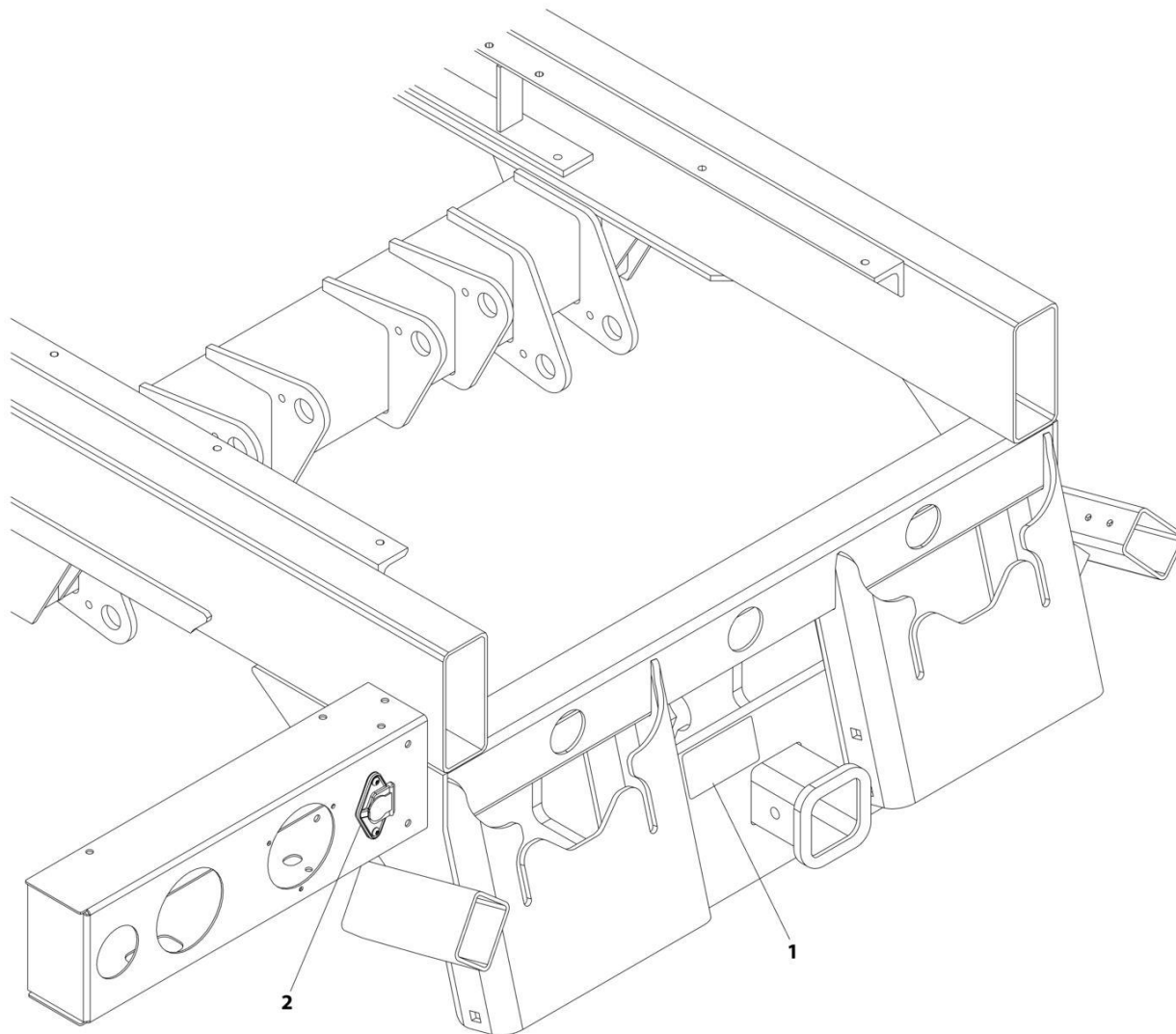
## SECTION 8 - ACCESSORIES

**FIGURE 8-61. TOW HITCH - BALL HITCH PLATE (MANUAL)**

ITEM	PART NUMBER	QTY	DESCRIPTION	REV
	BHM35-MD	Ref	TOW HITCH INSTALLATION - MANUAL BALL HITCH PLATE	0
1	2330000040	Ref	Hitch Decal Installation, Ball	
1	4330000002	2	Decal - Red Reflective	
2	2170000088	1	Boom Installation, Ball Hitch (Manual) (See Separate Breakdown in this Section)	
3	2330000060	Ref	Ball Hitch Decal Installation, Tow Option	
3A	7330000684	1	Decal - Safety	
3B	7330000391	1	Decal - Warning, Tow Boom Configuration	

## SECTION 8 - ACCESSORIES

FIGURE 8-62. TOW HITCH - STATIONARY 2 IN TOW HITCH RECEIVER



ART\_RHS05-MD



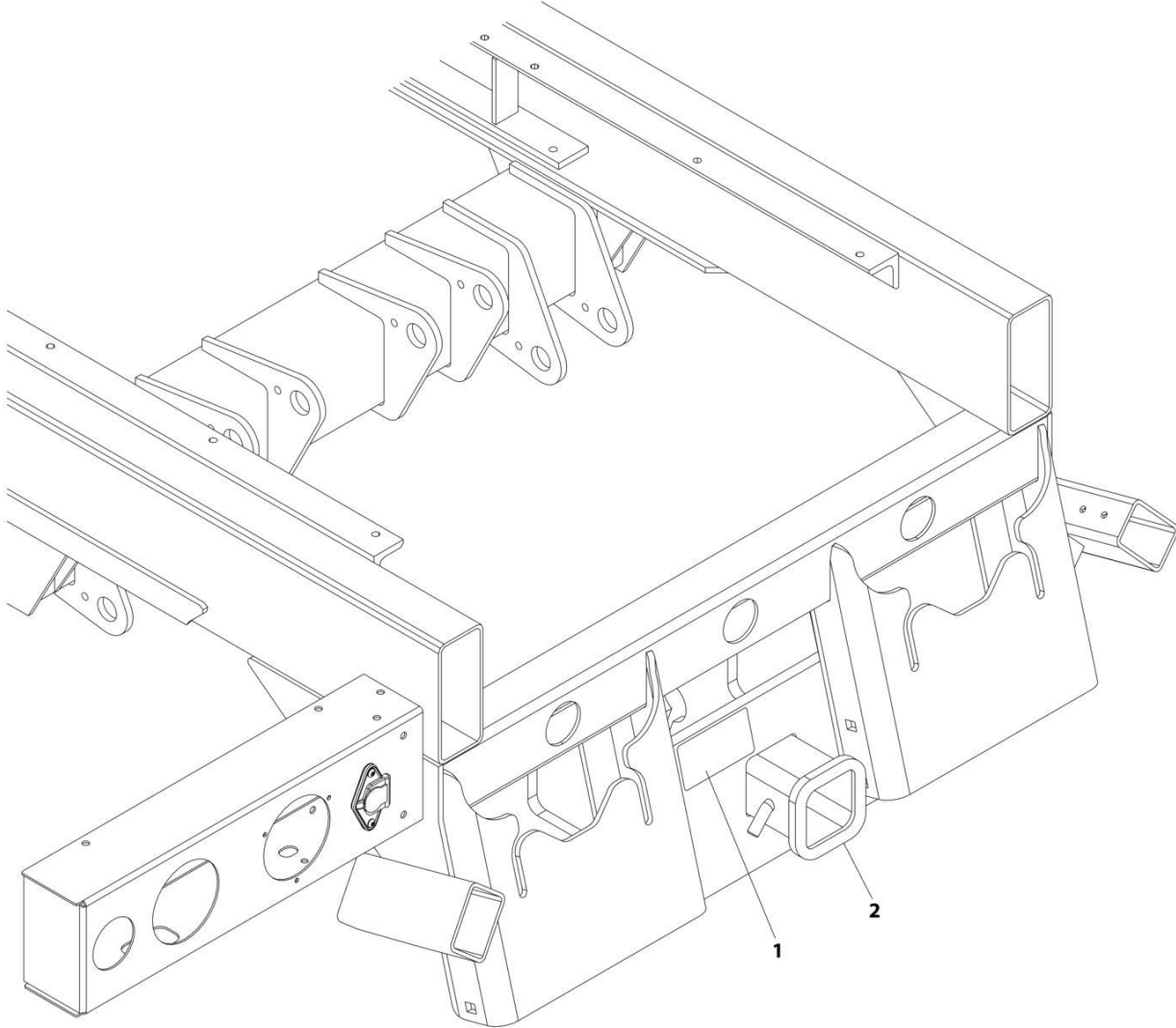
## SECTION 8 - ACCESSORIES

**FIGURE 8-62. TOW HITCH - STATIONARY 2 IN TOW HITCH RECEIVER**

ITEM	PART NUMBER	QTY	DESCRIPTION	REV
	RHS05-MD	Ref	TOW HITCH INSTALLATION - STATIONARY 2 IN TOW HITCH RECEIVER	0
1	2330000062	Ref	Tow Hitch Decal Installation	
1	7330000274	1	Decal Warning	
2	3556000041	1	Stationary Tow Hitch (See Separate Breakdown in this Section)	

**SECTION 8 - ACCESSORIES**

**FIGURE 8-63. TOW HITCH - STATIONARY 2.5 IN TOW HITCH RECEIVER**



ART\_1001137580

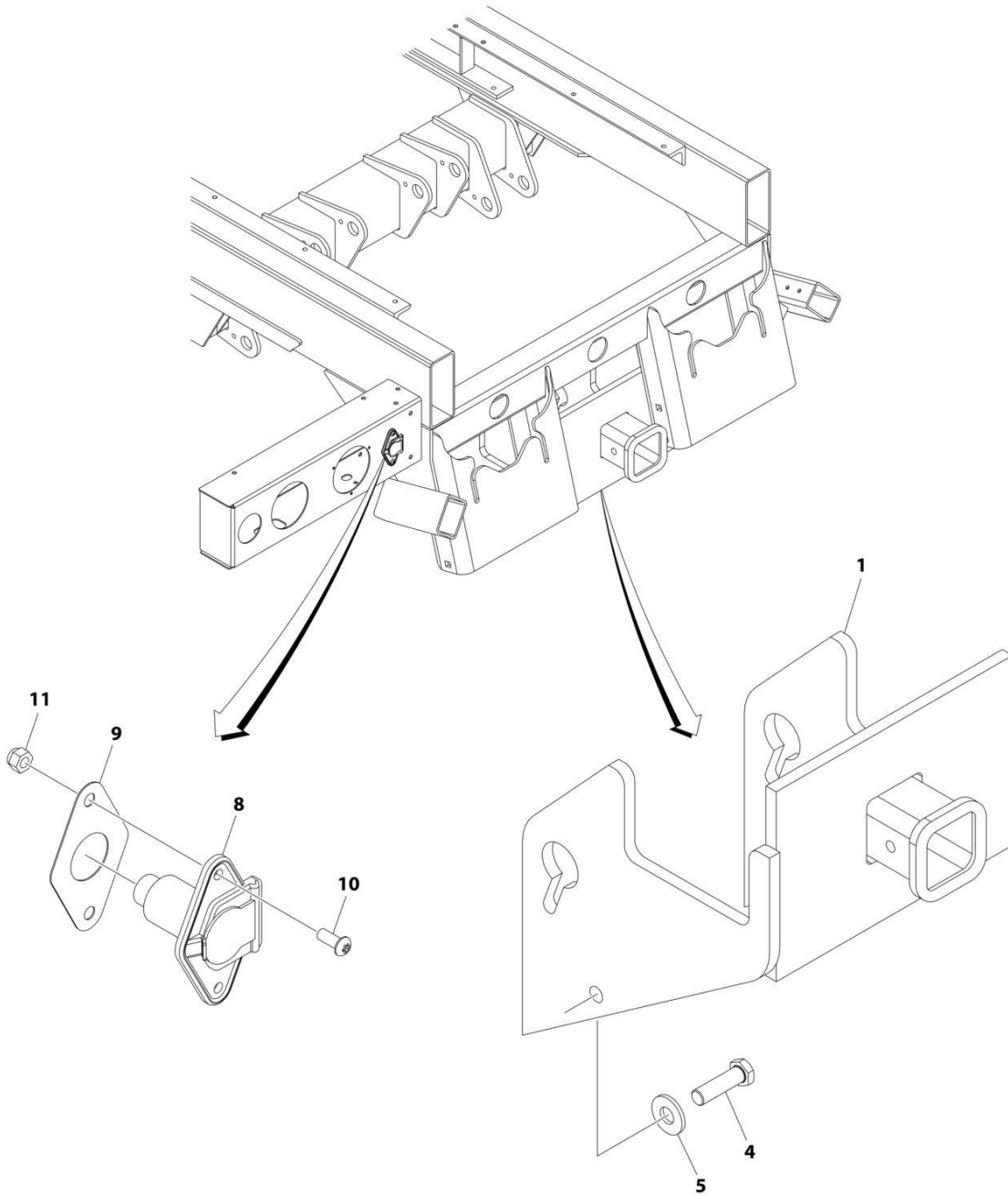
## SECTION 8 - ACCESSORIES

**FIGURE 8-63. TOW HITCH - STATIONARY 2.5 IN TOW HITCH RECEIVER**

ITEM	PART NUMBER	QTY	DESCRIPTION	REV
	1001137580	Ref	TOW HITCH INSTALLATION - STATIONARY 2.5 IN TOW HITCH RECEIVER	A
1	2330000062	Ref	Tow Hitch Decal Installation	
1	7330000274	1	Decal - Warning Overloading	
2	1001137581	1	Tow Hitch Installation (See Separate Breakdown in this Section)	

# SECTION 8 - ACCESSORIES

FIGURE 8-64. TOW HITCH RECEIVER INSTALLATION - 2IN BALL (STATIONARY)



ART\_3556000041

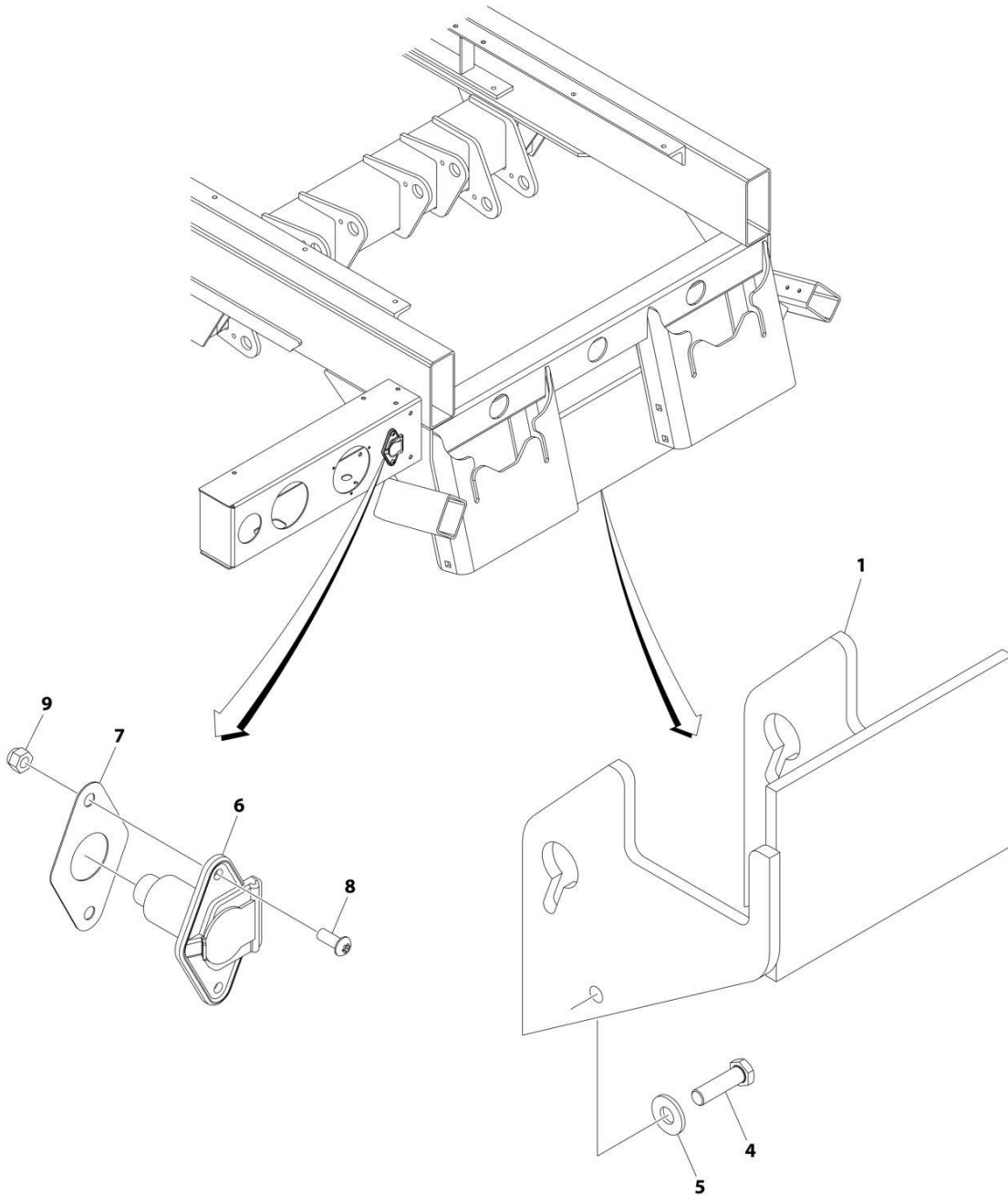
## SECTION 8 - ACCESSORIES

**FIGURE 8-64. TOW HITCH RECEIVER INSTALLATION - 2IN BALL (STATIONARY)**

ITEM	PART NUMBER	QTY	DESCRIPTION	REV
	3556000041	Ref	TOW HITCH - STATIONARY	C
1	1001180288	1	Receiver, Hitch	
4	7115181450	2	Capscrew 1/2 x 1-3/4	
5	7950180150	2	Washer 1/2	
8	7291000010	1	Female Receptacle with Connector	
9	7796000048	1	Gasket	
10	7114140528	2	Screw 1/4 x 5/8	
11	7660142601	2	Nut 1/4	

# SECTION 8 - ACCESSORIES

## FIGURE 8-65. TOW HITCH RECEIVER INSTALLATION - PINTLE (STATIONARY)



ART\_3556000040

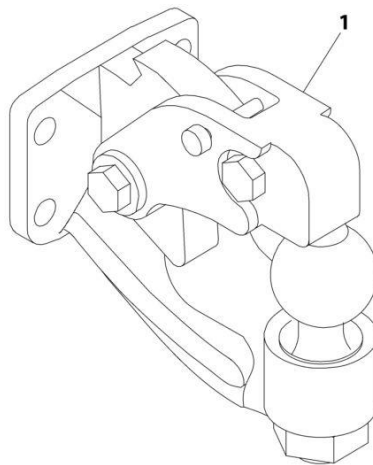
## SECTION 8 - ACCESSORIES

**FIGURE 8-65. TOW HITCH RECEIVER INSTALLATION - PINTLE (STATIONARY)**

ITEM	PART NUMBER	QTY	DESCRIPTION	REV
	3556000040	Ref	TOW HITCH - STATIONARY PINTLE	C
1	1001180290	1	Hitch Receiver	
4	7115181450	2	Capscrew 1/2 x 1-3/4	
5	7950180150	2	Washer 1/2	
6	7291000010	1	Female Receptacle	
7	7796000048	1	Gasket	
8	7114140528	2	Screw 1/4 x 5/8	
9	7660142601	2	Nut 1/4	

## SECTION 8 - ACCESSORIES

FIGURE 8-66. TOW PINTLE - DUPLEX PINTLE HITCH



ART\_DPH-16B



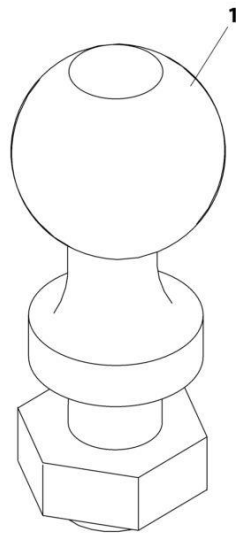
## SECTION 8 - ACCESSORIES

FIGURE 8-66. TOW PINTLE - DUPLEX PINTLE HITCH

ITEM	PART NUMBER	QTY	DESCRIPTION	REV
1	DPH-16B 7556000003	Ref 1	TRAILER PINTLE WITH BALL Pintle Hitch	B

# SECTION 8 - ACCESSORIES

FIGURE 8-67. TRAILER ACC, 2.31IN DIA BALL



ART\_TB256

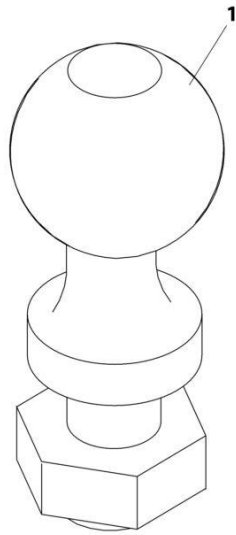
## SECTION 8 - ACCESSORIES

FIGURE 8-67. TRAILER ACC, 2.31IN DIA BALL

ITEM	PART NUMBER	QTY	DESCRIPTION	REV
1	TB256 7056000009	Ref 1	TRAILER BALL - 2-5/16IN DIA BALL Ball	0

## SECTION 8 - ACCESSORIES

FIGURE 8-68. TRAILER ACC, 1.88IN DIA BALL



ART\_TB178

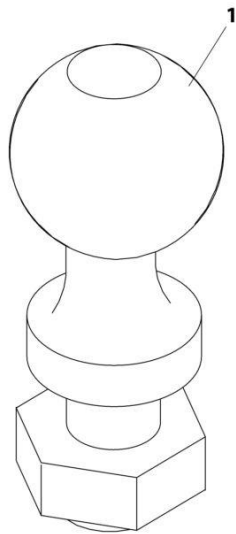
## SECTION 8 - ACCESSORIES

**FIGURE 8-68. TRAILER ACC, 1.88IN DIA BALL**

ITEM	PART NUMBER	QTY	DESCRIPTION	REV
1	TB178 7056000007	Ref 1	TRAILER BALL - 1.88IN DIA BALL Ball	0

## SECTION 8 - ACCESSORIES

FIGURE 8-69. TRAILER ACC, 2IN DIA BALL



ART\_TB200

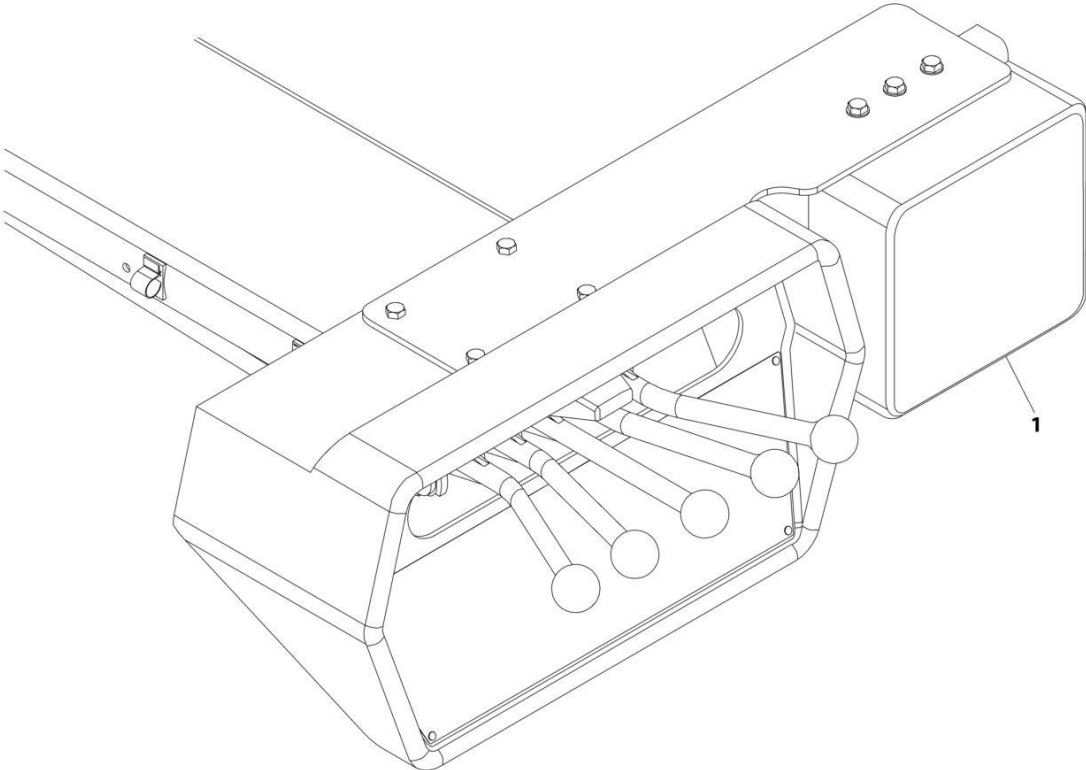
## SECTION 8 - ACCESSORIES

FIGURE 8-69. TRAILER ACC, 2IN DIA BALL

ITEM	PART NUMBER	QTY	DESCRIPTION	REV
1	TB200 7056000008	Ref 1	TRAILER BALL - 2IN DIA BALL Ball	0

**SECTION 8 - ACCESSORIES**

**FIGURE 8-70. TRUCK SCALES - ON BOARD (AIR WEIGHT) (DEALER INSTALLED)**



ART\_1001133721



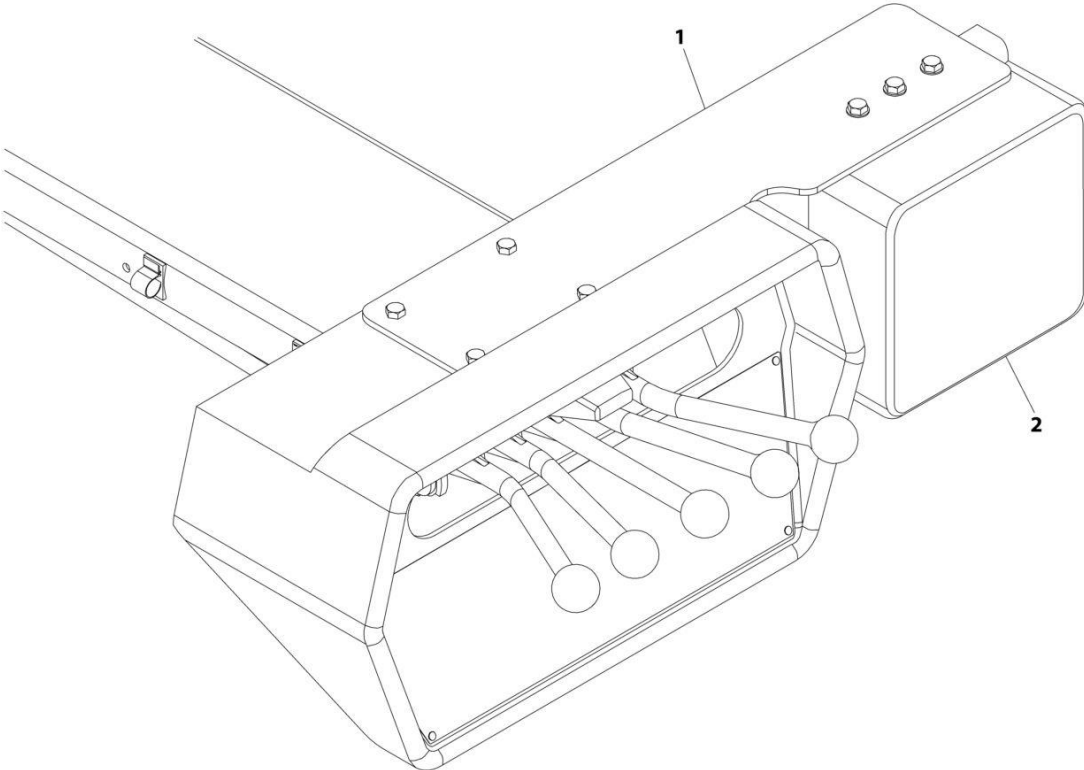
## SECTION 8 - ACCESSORIES

**FIGURE 8-70. TRUCK SCALES - ON BOARD (AIR WEIGHT) (DEALER INSTALLED)**

ITEM	PART NUMBER	QTY	DESCRIPTION	REV
	1001133721	Ref	TRUCK SCALES - ON BOARD (AIR WEIGH) (DEALER INSTALLED)	A
1	7577000442	1	Truck Scales - On Board (Air Weigh) Add - On Kit	

**SECTION 8 - ACCESSORIES**

**FIGURE 8-71. TRUCK SCALES - ON BOARD (RIGHT WEIGHT) (DEALER INSTALLED)**



ART\_1001130142

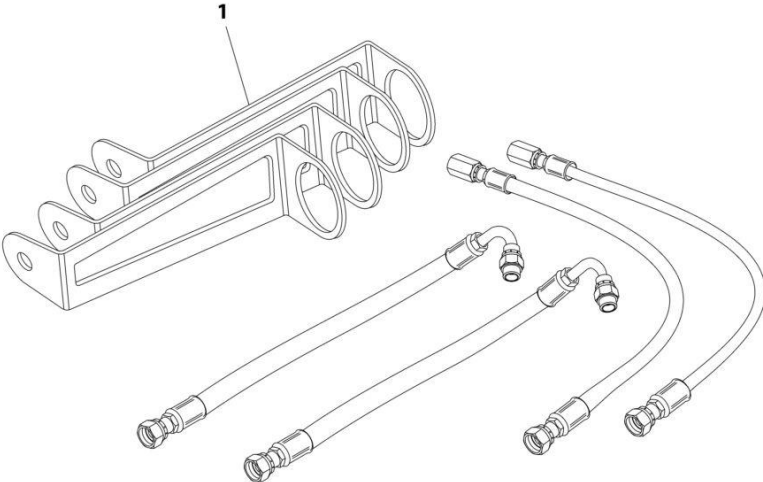
## SECTION 8 - ACCESSORIES

**FIGURE 8-71. TRUCK SCALES - ON BOARD (RIGHT WEIGHT) (DEALER INSTALLED)**

ITEM	PART NUMBER	QTY	DESCRIPTION	REV
	1001130142	Ref	TRUCK SCALES - ONBOARD (RIGHT WEIGHT, DEALER INSTALLED)	0
1	1001130151	1	Plate Weight Mount	
2	1001129875	1	Accessory Weight Load Scale	

**SECTION 8 - ACCESSORIES**

**FIGURE 8-72. VALVE STEM EXTENSION KIT**



ART\_2002000029

## SECTION 8 - ACCESSORIES

FIGURE 8-72. VALVE STEM EXTENSION KIT

ITEM	PART NUMBER	QTY	DESCRIPTION	REV
1	2002000029 7002000447	Ref 1	Valve System Extension Kit Valve Stem	0



**SECTION 9 - BUILD DOCUMENTS**

# SECTION 9 - BUILD DOCUMENTS

FIGURE 9-1. BUILD DOC\_5376000238

ITEM	PART NUMBER	QTY	DESCRIPTION	REV
	Note	Ref	<b>Note: This list is for build tracking purposes only. Parts in this list are not available at this inventory stocking level. Parts in this list may not be applicable to all models. For more specific parts information contact Jerr-Dan Parts Department</b>	
	1001241870	Ref	Service/Aftermarket Kit List	H
	BSKT-2	Ref	Basket, Storage (Standard) (Qty 2 of PN 2899000030)	
	BSKT24-2	Ref	Basket, Storage (Deep) (Qty 2 of PN 2899000041)	
	CMKSTD-SD	Ref	Chassis Mounting Kit - Standard	
	1001160796	Ref	Chassis Mounting Kit - 2013-2018 Dodge	
	1001260337	Ref	Chassis Mounting Kit - 2019+ Dodge	
	1001151534	Ref	Chassis Mounting Kit - 2011-2016 Ford F550 Diesel	
	1001151533	Ref	Chassis Mounting Kit - 2011-2016 Ford F550 Gas	
	1001220100	Ref	Chassis Mounting Kit - 2017+ Ford F550 Gas	
	1001134107	Ref	Chassis Mounting Kit - 2011-2015 Ford F650/F750	
	1001220105	Ref	Chassis Mounting Kit - 2016 Ford F650/F750	
	1001141768	Ref	Chassis Mounting Kit - 2012 Hino	
	1001134108	Ref	Chassis Mounting Kit - 2011+ IHC	
	1001133075	Ref	Chassis Mounting Kit - 2012 IHC Terrastar	
	2754000001	Ref	D-Rings, Welded-on 5/8IN 1 PR	
	1001188647	Ref	D-Rings, Welded-on 5/8IN 1 PR (at Winch)	
	DR063W-2	Ref	D-Rings, Welded-on 5/8IN 2 PR	
	1001130902	Ref	D-Rings, Welded-on 5/8IN 3 PR	
	2754000002	Ref	D-Rings, Welded-on 1IN 1 PR	
	2811000001	Ref	Decking Material 19FT x 96IN (Smooth Steel)	
	2811000004	Ref	Decking Material 19FT x 96IN (Diamond Plate Steel)	
	1001131949	Ref	Decking Material 19FT x 102IN (Smooth Steel)	
	2811000005	Ref	Decking Material 19FT x 102IN (Diamond Plate Steel)	
	1001131950	Ref	Decking Material 20FT x 102IN (Smooth Steel)	
	2811000002	Ref	Decking Material 20FT x 96IN (Smooth Steel)	
	1001131743	Ref	Decking Material 21FT x 90IN (Diamond Plate Steel)	
	2811000003	Ref	Decking Material 21FT x 96IN (Smooth Steel)	
	1001131951	Ref	Decking Material 21FT x 102IN (Smooth Steel)	
	1001152713	Ref	Decking Material 21FT x 96IN (Diamond Plate over Wood)	
	1001152997	Ref	Decking Material 21FT x 96IN (Diamond Plate over Wood with Keyslots)	
	1001152714	Ref	Decking Material 21FT x 102IN (Diamond Plate over Wood)	
	1001152998	Ref	Decking Material 21FT x 102IN (Diamond Plate over Wood with Keyslots)	
	1001131948	Ref	Decking Material 22FT x 96IN (Smooth Steel)	
	1001131952	Ref	Decking Material 22FT x 102IN (Smooth Steel)	
	2811000006	Ref	Decking Material 20FT x 96IN (Diamond Plate Steel)	
	2811000007	Ref	Decking Material 20FT x 102IN (Diamond Plate Steel)	
	2811000008	Ref	Decking Material 21FT x 96IN (Diamond Plate Steel)	
	2811000009	Ref	Decking Material 21FT x 102IN (Diamond Plate Steel)	
	2811000010	Ref	Decking Material 22FT x 96IN (Diamond Plate Steel)	
	2811000011	Ref	Decking Material 22FT x 102IN (Diamond Plate Steel)	
	1001125848	Ref	Decking Material 21FT x 96IN (Wood)	
	1001125849	Ref	Decking Material 21FT x 102IN (Wood)	
	1001128868	Ref	Deck Modification - Bucket Rest Headboard (102IN Wide Deck)	



## SECTION 9 - BUILD DOCUMENTS

ITEM	PART NUMBER	QTY	DESCRIPTION	REV
	1001228185	Ref	Deck Seam Sealer Installation	
	2002000008	Ref	Faceplate Accessory Installation Kit	
	SSQF-21	Ref	Fender, Quarter 19.50IN Wheels (SS)	
	SSQF-24	Ref	Fender, Quarter 22.50IN Wheels (SS)	
	1001230202	Ref	Key Slots (Mid Section - Dual 180 Degree)	
	2706000013	Ref	Key Slots (Rubrails - Dual 90 Degree)	
	KSD120-AL	Ref	Key Slots (Pair of Dual1 20 Degree) (Std Width Decks)	
	KSD120-AL-2	Ref	Key Slots (Pair of Dual1 20 Degree) (Std Width Decks) (Qty 2)	
	KSD120W-AL	Ref	Key Slots (Pair of Dual1 20 Degree) (Wide Width Decks)	
	KSD120W-AL-2	Ref	Key Slots (Pair of Dual1 20 Degree) (Wide Width Decks) (Qty 2)	
	1001211686	Ref	Light Bar Channel (96W Deck)	
	1001133677	Ref	Light Bar Channel (102W Deck)	
	ML-TBTST-2	Ref	Light, Marker for Toolbox Storage Tray (Qty 2 of PN 2590000261)	
	1001181867	Ref	Light, Marker for Toolbox Storage Tray (Qty 3 of PN 2590000261)	
	1001181868	Ref	Light, Marker for Toolbox Storage Tray (Qty 4 of PN 2590000261)	
	1001161142	Ref	Lubrication Installation	
	1001210267	Ref	Pivot Grease Joint Option, Subframe Only	
	1001207209	Ref	Pivot Grease Joint Option, Subframe and Wheelift	
		Ref	<b>PTO (Installation and replacement is based on individual characteristics of the unit - Contact Jerr-Dan Parts Dept.)</b>	
		Ref	<b>Pump (Installation and replacement is based on individual characteristics of the unit - Contact Jerr-Dan Parts Dept.)</b>	
	2706000036	Ref	Rubrail 6IN (19FT/20FT Decks)	
	2706000037	Ref	Rubrail 6IN (21FT/22FT Decks)	
	2706000039	Ref	Rubrail 8IN (19FT/20FT Decks)	
	2706000040	Ref	Rubrail 8IN (21FT/22FT Decks)	
	2706000042	Ref	Rubrail 10IN (19FT/20FT Decks)	
	2706000043	Ref	Rubrail 10IN (21FT/22FT Decks)	
	RCTH-2	Ref	Remote Control 6 Function U/L Transmitter Holder (Duplicate of PN 2002000031)	
	1001142066	Ref	Saddle Brackets without Holes	
	SRS-8	Ref	Side Recovery System - 8 K Winch	
	SRS-8-CRC	Ref	Side Recovery System - 8 K Winch with Combo Remote	
	SRS-10	Ref	Side Recovery System - 10 K Winch ( <b>SN 0220022847 through 0220024465</b> )	
	1001271987	Ref	Side Recovery System - 10 K Winch with 3 Function Remote Control (Manual) ( <b>SN 0220024466 through 02200025491</b> )	
	SRS-10-CRC	Ref	Side Recovery System - 10 K Winch with Remote Conbol ( <b>SN 0220022847 through 0220024465</b> )	
	1001271989	Ref	Side Recovery System - 10 K Winch with 4 Function Remote Control (Manual) ( <b>SN 0220024466 through 02200025491</b> )	
	SRS-10-AFS	Ref	Side Recovery System - 10 K Winch with Air Free Spool ( <b>SN 0220022847 through 0220024465</b> )	
	1001271988	Ref	Side Recovery System - 10 K Winch with 3 Function Remote Control (Air Free Spool) ( <b>SN 0220024466 through 02200025491</b> )	
	1001211215	Ref	Side Recovery System - 10 K Winch with Air Free Spool & Remote Conbo ( <b>SN 0220022847 through 0220024465</b> )	
	1001271990	Ref	Side Recovery System - 10 K Winch with 4 Function Remote Control (Air Free Spool) ( <b>SN 0220024466 through 02200025491</b> )	
	TBSA36-2	Ref	Shelf, Toolbox 36IN (Qty 2 of PN 2899000059)	
	TBSA36-3	Ref	Shelf, Toolbox 36IN (Qty 3 of PN 2899000059)	
	TBSA36-4	Ref	Shelf, Toolbox 36IN (Qty 4 of PN 2899000059)	
	TBSA48-2	Ref	Shelf, Toolbox 48IN (Qty 2 of PN 2899000060)	
	1001181855	Ref	Shelf, Toolbox 48IN (Qty 3 of PN 2899000060)	

## SECTION 9 - BUILD DOCUMENTS

ITEM	PART NUMBER	QTY	DESCRIPTION	REV
	TBSA48-4	Ref	Shelf, Toolbox 48IN (Qty 4 of PN 2899000060)	
	TBSA60-2	Ref	Shelf, Toolbox 60IN (Qty 2 of PN 2899000061)	
	1001135795	Ref	Stakes & Rubrails 19FT Aluminum	
	1001148397	Ref	Stakes & Rubrails 20FT Aluminum	
	1001135796	Ref	Stakes & Rubrails 21FT Aluminum	
	1001154649	Ref	Stakes & Rubrails 22FT Aluminum	
	1001135792	Ref	Stakes & Rubrails & Pipes 19FT Steel	
	1001135793	Ref	Stakes & Rubrails & Pipes 20FT Steel	
	1001135794	Ref	Stakes & Rubrails & Pipes 21FT Steel	
	1001136271	Ref	Stakes & Rubrails & Pipes 22FT Steel	
	1001151547	Ref	Subframe - 19FT/20FT Outboard (2012+ Dodge 5500 & 2012+ Ford F550)	
	1001151548	Ref	Subframe - 19FT/20FT Outboard (2012+ Dodge 5500 & 2012+ Ford F550) (Galvanized)	
	1001254624	Ref	Subframe - 20FT Outboard (2019+ CVC515)	
	1001254625	Ref	Subframe - 20FT Outboard (2019+ CVC515) (Galvanized)	
	1001159627	Ref	Subframe - 20FT Outboard (Isuzu)	
	1001159628	Ref	Subframe - 20FT Outboard (Isuzu) (Galvanized)	
	1001211218	Ref	Subframe - 21FT/22FT Outboard	
	1001254626	Ref	Subframe - 21FT/22FT Outboard (2019+ CVC515) (Galvanized)	
	1001254627	Ref	Subframe - 21FT/22FT Outboard (2019+ CVC515) (Galvanized)	
	1001211219	Ref	Subframe - 21FT/22FT Outboard (Galvanized)	
	1001159902	Ref	Subframe - 22FT Outboard (Hino 195)	
	1001159904	Ref	Subframe - 22FT Outboard (Hino 195) (Galvanized)	
	1001159635	Ref	Subframe - 22FT Outboard (Isuzu)	
	1001159636	Ref	Subframe - 22FT Outboard (Isuzu) (Galvanized)	
	TB36-2	Ref	Toolbox 36IN (Qty 2 of PN 2899000055)	
	TB36-3	Ref	Toolbox 36IN (Qty 3 of PN 2899000055)	
	TB36-4	Ref	Toolbox 36IN (Qty 4 of PN 2899000055)	
	TB48-2	Ref	Toolbox 48IN (Qty 2 of PN 2899000057)	
	1001181841	Ref	Toolbox 48IN Underbox Mount (Qty 2 of PN 1001137931)	
	TB48-3	Ref	Toolbox 48IN (Qty 3 of PN 2899000057)	
	TB48-4	Ref	Toolbox 48IN (Qty 4 of PN 2899000057)	
	TB60-2	Ref	Toolbox 60IN (Qty 2 of PN 2899000058)	
	1001181843	Ref	Toolbox 60IN Underbox Mount (Qty 2 of PN 1001137566)	
	TB78-2	Ref	Toolbox 78IN (Qty 2 of PN 2899000075)	
	2178000027	Ref	ToolBox Brackets Installation (Standard Mounts) (Duplicate of Brackets Included Toolbox Installations/Hydraulic Tank Uses Same Parts)	
	MBK-STD-2	Ref	ToolBox Brackets Installation (QTY 2 of PN 2178000027) (Duplicate of Brackets Included Toolbox Installations/Hydraulic Tank Uses Same Parts)	
	MBK-STD-3	Ref	ToolBox Brackets Installation (QTY 3 of PN 2178000027) (Duplicate of Brackets Included Toolbox Installations/Hydraulic Tank Uses Same Parts)	
	MBK-STD-4	Ref	ToolBox Brackets Installation (QTY 4 of PN 2178000027) (Duplicate of Brackets Included Toolbox Installations/Hydraulic Tank Uses Same Parts)	
	2178000028	Ref	ToolBox Brackets Installation (Short Mounts) (Duplicate of Brackets Included Toolbox Installations/Hydraulic Tank Uses Same Parts)	
	2178000025	Ref	ToolBox Brackets Installation (Long Mounts) (Duplicate of Brackets Included Toolbox Installations/Hydraulic Tank Uses Same Parts)	

## SECTION 9 - BUILD DOCUMENTS

ITEM	PART NUMBER	QTY	DESCRIPTION	REV
	2178000068	Ref	ToolBox Brackets Installation (High Mounts) (Duplicate of Brackets Included Toolbox Installations/Hydraulic Tank Uses Same Parts)	
	MBK-HM-2	Ref	ToolBox Brackets Installation (High Mounts) (QTY 2 of PN 2178000027) (Duplicate of Brackets Included Toolbox Installations/Hydraulic Tank Uses Same Parts)	
	2178000067	Ref	ToolBox Brackets Installation (Alternative for 78IN Toolbox) (Duplicate of Brackets Included Toolbox Installations)	
	TBL-2	Ref	ToolBox Lights (QTY 2 of PN 2178000031)	
	TBL-3	Ref	ToolBox Lights (QTY 3 of PN 2178000031)	
	TBL-4	Ref	ToolBox Lights (QTY 4 of PN 2178000031)	
	SP-D5500TOOLB	Ref	Toolbox Shims - 2011 Dodge 5500	
	SP-D5500TOOLB-2	Ref	Toolbox Shims - 2011 Dodge 5500 (QTY 2 of SP-D5500TOOLB)	
	TBTST36-2	Ref	Tray, Storage (Top of Toolbox) (Qty 2 of PN 2002000048)	
	TBTST36-3	Ref	Tray, Storage (Top of Toolbox) (Qty 3 of PN 2002000048)	
	TBTST36-4	Ref	Tray, Storage (Top of Toolbox) (Qty 4 of PN 2002000048)	
	TBTST48-2	Ref	Tray, Storage (Top of Toolbox) (Qty 2 of PN 2002000049)	
	1001181859	Ref	Tray, Storage (Top of Toolbox) (Qty 3 of PN 2002000049)	
	1001181860	Ref	Tray, Storage (Top of Toolbox) (Qty 4 of PN 2002000049)	
	TBTST60-2	Ref	Tray, Storage (Top of Toolbox) (Qty 2 of PN 2002000050)	
	TBTST78-2	Ref	Tray, Storage (Top of Toolbox) (Qty 2 of PN 2002000051)	
	1001147364	Ref	Tunnel Drawer, Toolbox 24IN (Qty 2 of PN 1001147363)	
	1001127744	Ref	Wheel Lift Prep Installation	



**PART NUMBER INDEX**

## SECTION 9 - BUILD DOCUMENTS

0100011.....279, 306, 469, 477	0691810..... 135	1001131743 ..... 1058	749, 751, 753, 755, 757, 759
0100071.....71, 75, 79, 83, 87, 91, 95, 99, 103, 107	0701019 ..... 189	1001131948 ..... 1058	1001133075..... 1058
0440287.....469	0701024 ..... 189	1001131949 ..... 1058	1001133674..... 937
0630448001.....489, 491	0741408 ..... 302	1001131950 ..... 1058	1001133675..... 1021
0641406.....302	0741504 ..... 309	1001131951 ..... 1058	1001133677..... 1059
0641407.....189	0741610 ... 15, 20, 23, 27, 31, 35, 39, 43, 47, 51, 55, 59	1001131952 ..... 1058	1001133721..... 1051
0641416.....302	0741810 ..... 306	1001131998 ..... 985, 987	1001133740..... 655
0641436.....843	0761015 ..... 56, 60, 192	1001132350 ..... 505	1001134107..... 1058
0641504.....767, 769	1001095650 ... 71, 75, 79, 83, 87, 91, 95, 99, 103, 107	1001132599 ..... 743, 751	1001134108..... 1058
0641508....71, 75, 79, 83, 87, 91, 95, 99, 103, 107, 143, 147, 149, 153, 157, 481, 485, 487, 495, 497, 503, 507, 667, 669, 671, 673, 951, 953, 961, 963, 965, 991, 993	1001100949 ..... 1009	1001132601 ..... 741	1001134178..... 931
0641510.....189	1001116720 ..... 1011	1001132602 ..... 715	1001134181..... 931
0641512.....667, 671	1001116727 .... 847, 849, 851, 853	1001132603 .... 725, 747, 759	1001134776..... 515
0641516.....767, 769	1001116729 ..... 827, 845	1001132605 ..... 721	1001134788..... 515
0641518.....767, 769	1001116747 .... 827, 1011	1001132609 ..... 709, 717	1001135272..... 569, 573, 577, 581, 585, 587, 589, 595, 599, 601, 609, 611, 617, 619, 623, 625, 631, 637
0641604.....306	1001121726 .... 827, 1011	1001132613 ..... 737	1001135273..... 569, 585, 587, 599, 609, 617, 623, 631
0641606....70, 74, 78, 82, 86, 90, 94, 98, 102, 106	1001121727 ..... 827, 845	1001132613 ..... 737	1001135329..... 641, 643, 647
0641612....15, 19, 23, 27, 31, 35, 39, 43, 47, 51, 55, 59, 131, 133, 135, 245, 247, 249, 251, 253, 921, 923, 925, 927	1001123179 ..... 943	1001132675 ..... 753	1001135330..... 641
0641624....15, 19, 23, 27, 31, 35, 39, 43, 47, 51, 55, 59	1001125848 ..... 1058	1001132679 .... 739, 743, 749	1001135792..... 1060
0641806....15, 19, 23, 27, 31, 35, 39, 43, 47, 51, 55, 59	1001125849 ..... 1058	1001132680 .... 717, 721, 745, 747	1001135793..... 1060
0641808.....809, 811	1001126187 ..... 461, 465	1001132684 ..... 733, 751	1001135794..... 1060
0641809.....189	1001126188 ..... 461, 465	1001132685 ..... 755	1001135795..... 1060
0641812....15, 70, 74, 78, 82, 86, 90, 94, 98, 102, 106, 455, 471	1001126192 ..... 461, 465	1001132706 ..... 711	1001135796..... 1060
0641814....19, 23, 27, 31, 35, 39, 43, 47, 51, 55, 59	1001127221 ..... 896, 900	1001132707 ..... 739	1001135813..... 873
0641816.....306	1001127297 ..... 135	1001132708 ..... 749	1001135814..... 875
0641820....70, 74, 78, 82, 86, 90, 94, 98, 102, 106	1001127744 ..... 1061	1001132710 ..... 737	1001135815..... 875
0641834.....275, 277, 311	1001128443 ..... 505	1001132711 ..... 733	1001136271..... 1060
0642028.....306	1001128462 ..... 347	1001132712 ..... 733	1001136657..... 231, 233, 235, 237, 239, 241, 771
0642216....15, 19, 23, 27, 31, 35, 39, 43, 47, 51, 55, 59	1001128868 ..... 1058	1001132713 ..... 751	1001136658..... 771
0651606....71, 75, 79, 83, 87, 91, 95, 99, 103, 107	1001129095 ..... 869	1001132715 ..... 741	1001137524..... 813
0651816....15, 19, 23, 27, 31, 35, 39, 43, 47, 51, 55, 59, 141, 143, 145, 147, 149, 151, 153, 155, 157	1001129111 ..... 479, 481	1001132716 ..... 743	1001137525..... 815
0651822.....56, 60, 477	1001129114 ..... 487, 493	1001132719 ..... 753	1001137566..... 155
0652016....71, 75, 79, 83, 87, 91, 95, 99, 103, 107, 479, 483, 489, 491, 493, 501, 509	1001129116 ..... 501, 503	1001132722 ..... 709	1001137580..... 1037
0681814.....187, 971	1001129118 ..... 507, 509	1001132737 ..... 711	1001137581... 1023, 1037
	1001129332 ..... 967	1001132738 ..... 739	1001137904..... 302
	1001129461 ..... 807	1001132739 ..... 749	1001137931..... 151
	1001129537 .... 965, 991, 993	1001132741 ..... 737	1001137970..... 469, 517, 519, 521
	1001129570 ..... 993	1001132743 ..... 733	1001138460..... 983
	1001129573 ..... 993	1001132744 ..... 751	1001138522..... 427, 433, 439, 445, 451, 453
	1001129576 ..... 993	1001132746 ..... 741	1001138523..... 427, 439
	1001129875 ..... 1053	1001132747 ..... 743	1001138546..... 469
	1001129882 ..... 785	1001132750 ..... 753	1001139199..... 469
	1001129883 .... 785, 855, 857, 859, 871, 873, 875, 877	1001132752 ..... 709	1001139343.... 70, 74, 78, 82, 86, 90, 94, 98, 102, 106, 469
	1001129909 ..... 937	1001132753 ..... 709	1001139503..... 511
	1001130053 ..... 125	1001132754 ..... 731	1001139579..... 511
	1001130054 ..... 127	1001132761 ..... 731	1001139909..... 793
	1001130130 ..... 707, 711	1001132764 ..... 896, 900	1001140536..... 807
	1001130132 ..... 707, 711	1001132766 ..... 896, 900	1001140607..... 807
	1001130142 ..... 1053	1001132794 .... 192, 705, 707, 709, 711, 713, 715, 717, 719, 721, 723, 725, 727, 729, 731, 733, 735, 737, 739, 741, 743, 745, 747, 749, 751, 753, 755, 757, 759	1001141626..... 631, 637
	1001130151 ..... 1053	1001132800 .... 705, 707, 709, 711, 719, 729, 733, 735, 737, 739, 741, 743, 749, 751, 753, 755	1001141629..... 631, 633
	1001130587 .... 192, 195, 197	1001132801 .... 705, 707, 709, 711, 713, 715, 717, 719, 721, 723, 725, 727, 729, 731, 733, 735, 737, 739, 741, 743, 745, 747,	1001141684..... 633
	1001130902 ..... 1058		1001141768..... 1058
	1001131230 ..... 129, 135		1001141875..... 499, 505, 511
	1001131255 ..... 135		
	1001131295 ..... 129		
	1001131514 ..... 397		
	1001131570 ..... 825		
	1001131724 ..... 215		

## SECTION 9 - BUILD DOCUMENTS

1001141889 .....	843	1001147116.....	16, 20	1001156082.....	195	1001159822 ...	32, 36, 56, 60
1001141894 .....	843	1001147117.....	209, 211, 217	1001156245.....	667, 669, 671, 673	1001159902 .....	1060
1001141918 .....	499	1001147357.....	185	1001156247.....	671, 673	1001159903 .....	55
1001141922 .....	499	1001147361.....	183, 185	1001156248.....	671, 673	1001159904 .....	1060
1001142062 ...	23, 27, 31, 35, 43, 47, 55, 59	1001147362.....	183	1001156249.....	667, 669	1001159905 .....	59
1001142066 .....	1059	1001147363.....	159	1001156252.....	667, 669, 671, 673	1001159908 .....	197
1001142329 .....	987	1001147364.....	1061	1001156274.....	192, 195, 197	1001159909 .....	197
1001142330 .....	985	1001148035.....	183	1001156357.....	147	1001159910 .....	197
1001142333 .....	987	1001148180.....	179, 183	1001156358.....	145	1001159911 .....	735
1001142334 .....	985	1001148385.....	179, 183	1001156359.....	31	1001159912 .....	735
1001142381 ....	499, 505, 511	1001148397.....	1060	1001156392.....	192, 195	1001159913 ...	31, 35, 55, 59
1001142430 .....	181	1001148455.....	179, 183	1001156437.....	192, 195	1001159914 .....	56, 60
1001142461 .....	469	1001148489.....	1019	1001156677.....	981	1001159915 ...	23, 27, 43, 47, 56, 60
1001142543 .....	453	1001148490.....	1019	1001157422.....	425	1001159916 .....	197
1001142544 ....	451, 469	1001148920.....	1019	1001157423.....	425	1001159917 .....	197
1001142545 .....	453	1001148999.....	563	1001157424.....	425	1001159918 .....	197
1001142546 .....	451	1001150704.....	469	1001157425.....	425	1001160195 .....	279
1001142550 .....	469	1001151248....	15, 19, 23, 27	1001157651.....	425	1001160796 .....	1058
1001142553 .....	469	1001151297.....	187, 189	1001158507.....	243	1001161142 .....	1059
1001142769 ....	801, 803, 1009	1001151462.....	15	1001158508.....	243, 253	1001161526 .....	805
1001142771 ....	801, 803	1001151490.....	209	1001158509.....	253	1001162403 ...	15, 19, 23, 27, 31, 35, 39, 43, 47, 51, 55, 59
1001142962 .....	469	1001151493.....	217	1001158510.....	253, 311	1001162798 ...	15, 19, 23, 27, 31, 35, 39, 43, 47, 51, 55, 59
1001142974 .....	793	1001151505.....	19	1001158512.....	311	1001166855 ...	15, 19, 23, 27, 31, 35, 39, 43, 47, 51, 55, 59, 63
1001143227 ....	179, 181	1001151507.....	189	1001158617.....	705	1001166857 ....	131, 133, 135, 137, 245, 247, 249, 251, 271
1001143228 .....	179	1001151533.....	1058	1001158618.....	705	1001166858 ....	255, 257, 259, 261, 263, 265, 267
1001143233 .....	159	1001151534.....	1058	1001158626.....	263	1001167098 .....	192, 195
1001143257 .....	181, 185	1001151547.....	1060	1001158627 .....	255, 257, 259, 261	1001167244 .....	197
1001143764 ....	569, 573, 577, 581, 585, 587, 589, 595, 599, 601, 609, 611, 617, 619, 623, 625, 631, 637, 641, 643, 647	1001151548.....	1060	1001158649.....	237, 241, 251	1001167693 .....	471
1001143842 .....	799	1001151766.....	389	1001158665.....	233	1001168319 .....	777
1001144448 .....	775	1001151767.....	393	1001158666.....	237	1001168591 .....	896, 900
1001144486 .....	469	1001151768.....	391	1001158667.....	239	1001169147 ....	192, 195, 197
1001144491 .....	469	1001151769.....	395	1001158668.....	241	1001169913 .....	227
1001144498 .....	469	1001151770.....	337	1001158674.....	281, 283, 315	1001169958 .....	227
1001144499 .....	469	1001151771.....	343	1001158677 .....	285, 287, 317	1001169959 .....	227
1001144543 .....	469	1001151772.....	335	1001158678.....	289, 291, 319	1001170187 ....	573, 577, 581, 589, 595, 601, 611, 619, 625, 637, 643, 647
1001144804 .....	941	1001151773.....	341	1001158695.....	283	1001170188 ....	573, 577, 581, 589, 595, 601, 611, 619, 625, 637, 643, 647
1001144805 .....	941	1001151774.....	339	1001158696.....	287	1001170189 ....	573, 577, 581, 589, 595, 601, 611, 619, 625, 637
1001144986 .....	799	1001151775.....	345	1001158697.....	291	1001170191 .....	643, 647
1001145074 .....	799	1001152350.....	803, 853	1001158698.....	281	1001170192 .....	227
1001145075 .....	799	1001152460.....	983	1001158699.....	285	1001170378 .....	579, 581
1001145076 .....	799	1001152461.....	983	1001158707.....	289	1001170381 .....	579
1001145077 .....	799	1001152713.....	1058	1001159336.....	1009	1001170385 .....	597
1001145636 .....	469	1001152714.....	1058	1001159563.....	192, 195, 197	1001170390 .....	595, 597
1001145780 .....	469	1001152977.....	1058	1001159565.....	211	1001170391 .....	589, 591
1001145934 ....	451, 453, 775	1001152997.....	1058	1001159566.....	209, 211	1001170392 .....	591
1001145935 .....	453	1001152998.....	1058	1001159625.....	35	1001170393 .....	619, 621
1001145963 .....	775	1001153232.....	603	1001159627.....	1060		
1001145990 ....	599, 603	1001153233.....	627	1001159628.....	1060		
1001146027 .....	477	1001153789.....	896, 900	1001159635.....	1060		
1001146028 ....	451, 453, 477	1001153944.....	279	1001159636.....	1060		
1001146029 .....	477	1001153945.....	279	1001159638.....	192		
1001146552 .....	179	1001153946.....	279	1001159639.....	195		
1001146603 ....	577, 599, 601, 623, 625, 655	1001153947.....	279	1001159670.....	243, 773		
1001146605 ....	623, 627	1001153950.....	279				
1001146878 .....	935	1001153951.....	279				
1001146879 .....	935	1001153971.....	279				
		1001154649.....	1060				
		1001154689.....	896, 900				
		1001155475.....	929				
		1001155476.....	929				
		1001155971.....	192, 195				
		1001155972.....	192, 195				
		1001155975.....	147, 171, 173, 175				
		1001156006.....	145, 147, 151, 155				
		1001156081.....	192				

## SECTION 9 - BUILD DOCUMENTS

1001170395.....635, 637	1001187347 ..... 667, 671	1001206161 ... 70, 74, 78,	1001223266.....479
1001170396.....635	1001187663..... 667, 671	82, 86, 90, 94, 98, 102,	1001223267.....493
1001170397.....621	1001187663S..... 912	106	1001223268.....501
1001170399.....625, 629	1001187664..... 669, 673	1001206167 ... 70, 74, 78,	1001223269.....509
1001170400.....629	1001187665..... 671	82, 86, 90, 94, 98, 102,	1001223814..... 141, 143,
1001170401..... 611, 613	1001187666..... 673	106	145, 147, 149, 151,
1001170402..... 613	1001187688..... 483	1001206171 ... 70, 74, 78,	153, 155, 157
1001170404..... 647, 649	1001188129 .... 131, 133,	82, 86, 90, 94, 98, 102,	1001223815..... 141, 143,
1001170411..... 643, 645	135, 245, 247, 249,	106	145, 147
1001170412..... 645	251, 253, 921, 923,	1001206388 ... 70, 74, 78,	1001223816..... 149, 151
1001170414..... 649	925, 927	82, 86, 90, 94, 98, 102,	1001223817..... 153, 155
1001170423..... 601, 605	1001188132 .... 245, 247,	106	1001223818..... 157
1001170424..... 605	249, 251, 253	1001207107 ..... 407	1001223819..... 141, 143,
1001171652..... 533, 535,	1001188133 .... 245, 247,	1001207108 ..... 419	145, 147
537, 539, 541, 543,	249, 251	1001207209 ..... 1059	1001223820..... 149, 151
545, 547, 549, 553	1001188134 ... 15, 19, 23,	1001208769 ..... 141, 145	1001223821..... 153, 155
1001171655..... 533	27, 31, 35, 39, 43, 47,	1001208772 ..... 143, 147	1001223822..... 157
1001171656..... 535	51, 55, 59, 253	1001208776 ..... 149, 151	1001223882..... 189
1001171657..... 537	1001188139 ... 15, 19, 23,	1001208780 ..... 153, 155	1001225218..... 883
1001171658..... 541	27, 31, 35, 39, 43, 47,	1001208785 ..... 157	1001225228..... 939
1001171659..... 543	51, 55, 59	1001209867 ..... 306	1001225869..... 513
1001171660..... 545	1001188141 .... 131, 133,	1001210267 ..... 1059	1001225870..... 481, 485,
1001171661..... 547	135	1001211145 ..... 351	487, 495, 497, 503,
1001171662..... 549	1001188615 ..... 223, 225	1001211147 ..... 361	507, 513
1001173944..... 223	1001188616 ..... 223, 225	1001211148 ..... 359	1001226003..... 485
1001173945..... 223	1001188646 ..... 539	1001211150 ..... 363	1001226004..... 495
1001173946..... 225	1001188647 ... 551, 1058	1001211151 ..... 405	1001226005..... 497
1001173947..... 225	1001188648 ..... 553	1001211152 ..... 409	1001226006..... 481
1001173948.... 16, 24, 32,	1001189460 ..... 767	1001211162 ..... 367	1001226007..... 487
40, 44, 52, 56, 223	1001189461 ..... 769	1001211163 ..... 377	1001226008..... 503
1001173949.... 20, 28, 36,	1001189466 ..... 767, 769	1001211164 ..... 375	1001226009..... 507
48, 60, 225	1001189544 ..... 489, 495	1001211165 ..... 379	1001226847..... 513
1001173952..... 801, 803,	1001189548 ..... 979	1001211166 ..... 417	1001226848..... 513
845	1001189550 ..... 991	1001211167 ..... 423	1001226914..... 933
1001175531..... 999	1001190037 ..... 845	1001211215 ..... 1059	1001226915..... 945
1001175532..... 999	1001190131 ..... 965, 991	1001211218 ..... 1060	1001228185..... 1059
1001176337..... 831, 833,	1001190140 ..... 991	1001211219 ..... 1060	1001228190..... 559
835, 837, 839	1001190184 .... 961, 963,	1001211686 ..... 1059	1001228388..... 795
1001176427..... 833	965, 969	1001219309 ..... 787	1001228491..... 302
1001176428..... 831	1001190625 ..... 896	1001219321 ..... 787	1001228493..... 253, 302
1001176429..... 835	1001190626 ..... 896	1001219737 .... 557, 559,	1001229606..... 793
1001176430..... 837	1001191516 .... 667, 669,	561	1001230127 ..... 701
1001176431..... 839	671, 673	1001219801 ..... 189	1001230202..... 1059
1001177459..... 489	1001191543 ..... 965	1001220100 ..... 1058	1001230968..... 896, 900
1001177601..... 123	1001191985 ..... 667, 669	1001220101 ..... 189	1001231801..... 896, 900
1001177603..... 219	1001192132 ..... 489	1001220105 ..... 1058	1001232524..... 951, 955,
1001177605..... 221	1001192987 ..... 483, 485	1001220177 ..... 189	961
1001177633..... 219	1001194676 ..... 187, 971	1001220181 ..... 789	1001232525..... 953, 957,
1001177634..... 221	1001198871 ..... 661, 663	1001220280 ..... 302	963
1001177719.... 15, 23, 31,	1001199476 .... 813, 815,	1001220832 ..... 189	1001232526..... 951
39, 43, 55	820	1001220833 ..... 189	1001232527..... 953
1001177720.... 19, 27, 35,	1001203043 ..... 407	1001220877 ..... 443	1001232554..... 963
47, 51, 59	1001203044 ..... 419	1001220878 ..... 433	1001232555..... 961
1001179025..... 667, 669,	1001203295 ..... 907	1001220879 ..... 435	1001232620..... 957
677, 679	1001203296 ..... 907	1001220881 ..... 437	1001232621..... 955
1001180288..... 1039	1001203297 ..... 907	1001220882 ..... 445	1001232775..... 557
1001180289..... 1023	1001203298 ..... 907	1001220883 ..... 447	1001237244..... 795
1001180290..... 1041	1001203299 ..... 907	1001220885 ..... 449	1001239119..... 469
1001181417 ..... 777	1001203300 ..... 907	1001220909 ..... 189	1001241870..... 912, 1058
1001181841..... 1060	1001203301 ..... 907	1001221065 ..... 189	1001242699..... 939
1001181843..... 1060	1001203302 ..... 907	1001221232 ..... 189	1001247138..... 809, 811,
1001181855..... 1059	1001203303 ..... 907	1001221375 .... 867, 869,	817
1001181859..... 1061	1001203829 ..... 491	883	1001248245..... 533, 535,
1001181860..... 1061	1001203833 ..... 491	1001221466 ..... 933	537, 541, 543, 545,
1001181867..... 1059	1001203834 ..... 491, 497	1001221467 ..... 945	547, 549
1001181868..... 1059	1001204776 65, 275, 277,	1001222487 ..... 707	1001252939..... 187, 971
1001183326..... 135, 139	311	1001223152 ..... 707	1001253659..... 187, 971



## SECTION 9 - BUILD DOCUMENTS

1001253907 ..... 23	1001262053..... 873	1001268660..... 905	1001276939 ..... 306
1001253908 ..... 43	1001262106..... 811	1001268661 ..... 905	1001276988 ..... 306
1001253909 ..... 27	1001262544..... 912	1001268662 ..... 905	1001276989 ..... 306
1001253910 ..... 47	1001262545..... 912	1001268663 ..... 905	1001277282 ..... 799
1001253941 ..... 187	1001262546..... 912	1001268664 ..... 905	1001277283 ..... 799
1001253942 ..... 187, 971	1001263012..... 425	1001268665 ..... 905	1001277411 ..... 403
1001253943 ..... 187	1001263013..... 421	1001268666 ..... 905	1001277412 ..... 411
1001254044 ..... 865	1001263014..... 421, 425	1001268667 ..... 905	1001277663 ..... 347
1001254139 ..... 187, 971	1001263015..... 425	1001268668 ..... 905	1001277664 ..... 397
1001254553 ..... 187	1001263016..... 425	1001269378..... 912	1001280899 ..... 795, 797
1001254624 ..... 1060	1001263017..... 425	1001270102..... 973	1001285818 ..... 307
1001254625 ..... 1060	1001263057..... 555	1001270138..... 905	1001285819 ..... 307
1001254626 ..... 1060	1001263247..... 555	1001270175.... 15, 19, 23,	1001286904 ..... 306
1001254627 ..... 1060	1001264084..... 900	27, 31, 35, 39, 43, 47,	1001286927 ..... 306
1001254705 ..... 715	1001264085..... 900	51, 55, 59, 65	1001286928 ..... 306
1001254706 ..... 727	1001264086..... 573	1001271716 ..... 306	1001286929 ..... 306
1001254707 ..... 745	1001264087..... 573	1001271717 ..... 306	1001287694 ..... 306
1001254708 ..... 717	1001264091..... 353, 357,	1001271725 ..... 306	1001287713 ..... 306
1001254709 ..... 757	369, 373, 900	1001271726 ..... 306	1001287714 ..... 306
1001254710 ..... 713	1001264092..... 573	1001271727 ..... 306	1001287792 ..... 306
1001254711 ..... 725	1001264440..... 357	1001271775.... 82, 90, 98,	1001288002 ..... 306
1001254712 ..... 747	1001264442..... 353	106	1001288073 ..... 306
1001254713 ..... 721	1001265039..... 373	1001271842.... 82, 90, 98,	1001288201 ..... 306
1001254714 ..... 759	1001265040..... 369	106	1001288263 ..... 306
1001254723 ..... 715	1001265236..... 900, 912	1001271983..... 82	1001288402 ..... 306
1001254725 ..... 727	1001265255..... 912	1001271984..... 98	1001288413 ..... 306
1001254726 ..... 745	1001266452..... 912	1001271985..... 90	1001288414 ..... 306
1001254727 ..... 717	1001266453..... 912	1001271986..... 106	1001291593 ..... 189
1001254728 ..... 757	1001266454..... 912	1001271987..... 1059	2002000008 .... 161, 163,
1001254729 ..... 713	1001268618..... 905	1001271988..... 1059	1059
1001254730 ..... 725	1001268619..... 905	1001271989..... 1059	2002000009 ..... 919
1001254731 ..... 747	1001268620..... 905	1001271990..... 1059	2002000016 ..... 975
1001254732 ..... 721	1001268621..... 905	1001272015..... 306	2002000028 ..... 959
1001254733 ..... 759	1001268622..... 905	1001272108..... 306	2002000029 ..... 1055
1001254894 ..... 187	1001268623..... 905	1001272224 ..... 306	2002000030 ..... 1017
1001254977 ..... 791	1001268624..... 905	1001272225 ..... 269	2002000031 ..... 701
1001254978 ..... 791	1001268625..... 905	1001272543 ..... 189	2002000048 ..... 171
1001257876 ..... 795	1001268626..... 905	1001272544 ..... 189	2002000049 ..... 173
1001257906 ..... 912	1001268627..... 905	1001272545 ..... 189	2002000050 ..... 175
1001259575 ..... 809	1001268628..... 905	1001272550 ..... 15, 19	2002000051 ..... 177
1001260060 ..... 803, 849	1001268629..... 905	1001272551 ..... 189	2170000087 ... 921, 1025
1001260335 ..... 561	1001268630..... 905	1001273634.... 831, 833,	2170000088 ... 923, 1033
1001260337 ..... 1058	1001268631..... 905	835, 837, 839	2170000089 ... 925, 1029
1001260345 ..... 803	1001268635..... 905	1001274469..... 231	2170000090 ... 927, 1027
1001260346 ..... 801	1001268636..... 905	1001274470.... 231, 245	2178000025 ..... 1060
1001260349 ..... 801, 851	1001268637..... 905	1001274493.... 245, 255	2178000027 ..... 1060
1001260898 ..... 857	1001268638..... 905	1001274496..... 255	2178000028 ..... 1060
1001261002 ..... 855, 863	1001268639..... 905	1001274784..... 381	2178000031 ..... 829
1001261004 ..... 859, 861	1001268640..... 905	1001274786..... 385	2178000037 .... 915, 973,
1001261005 ..... 871, 873,	1001268641..... 905	1001274787 ..... 383	977
875, 879	1001268642..... 905	1001274788 ..... 387	2178000066 .... 383, 387,
1001261006 ..... 877, 881	1001268643..... 905	1001274790 ..... 325	391, 395, 401, 409,
1001261007 ..... 867	1001268644..... 905	1001274791 ..... 331	415, 423
1001261008 ..... 869	1001268645..... 905	1001274792 ..... 323	2178000067 ..... 1061
1001261016 ..... 885	1001268646..... 905	1001274793 ..... 329	2178000068 ..... 1061
1001261022 ..... 887	1001268647..... 905	1001274794 ..... 327	21NGAF6T-LP ..... 349
1001261023 ..... 883	1001268648..... 905	1001274795 ..... 333	21NGAR6T-LP ..... 355
1001261028 ..... 865	1001268649..... 905	1001275791 ..... 845	21SRR6T-LP ..... 399
1001261039 ..... 811	1001268650..... 905	1001275792 ..... 845	21SRRD6T-LP ..... 401
1001261140 ..... 575, 577	1001268651..... 905	1001275793 ..... 845	2220415 ..... 306
1001261141 ..... 575	1001268652..... 905	1001276329 ..... 235	2220881 ..... 269
1001262045 ..... 857	1001268654..... 905	1001276330 ..... 235, 249	2220883 ..... 269
1001262046 ..... 855	1001268655..... 905	1001276342 ..... 249, 259	2248000004 ..... 205
1001262048 ..... 859	1001268656..... 905	1001276343 ..... 259	2249000017 .... 427, 429,
1001262049 ..... 871	1001268657..... 905	1001276427 ..... 306	431, 433, 435, 437,
1001262050 ..... 877	1001268658..... 905	1001276938.... 255, 257,	439, 441, 443, 445,
1001262052 ..... 875	1001268659..... 905	259, 261	447, 449, 473

## SECTION 9 - BUILD DOCUMENTS

2249000018.....455, 475	2570000049 ..... 125, 127, 763	343, 345, 347, 349, 351, 353, 355, 357, 359, 361, 363, 365, 367, 369, 371, 373, 375, 377, 379, 381, 383, 385, 387, 389, 391, 393, 395, 397, 399, 401, 403, 405, 407, 409, 411, 413, 415, 417, 419, 421, 423, 779	3017000128.....517
2262000011.....123, 231, 233, 235, 237, 239, 241, 243	2570000055 .. 1025, 1029	2754000001 ..... 1058	3017000129.....519
2296000106.....615, 617	2570000091 ..... 719	2754000002 ..... 1058	3017000130.....519
2296000107.....569, 571	2570000092 ..... 723	2811000001 ..... 1058	3017000131.....521
2296000108.....587, 593	2570000093 ..... 729	2811000002 ..... 1058	3017000132.....521
2296000111.....607, 609	2570000094 ..... 755	2811000003 ..... 1058	3017000135.....383, 387
2296000112.....583, 585	2570000120 ..... 199	2811000004 ..... 1058	3017000136.....383, 387
2296000144.....639, 641	2570000140 ..... 773	2811000005 ..... 1058	3017000137.....391, 395
22NGAF6T-LP .....365	2570000141 ..... 201	2811000006 ..... 1058	3017000138.....391, 395
22NGAR6T-LP.....371	2570000142 ..... 203	2811000007 ..... 1058	3017000139.....401, 409
22SRR6T-LP .....413	2570000152 ..... 761	2811000008 ..... 1058	3017000140.....401, 409
22SRRD6T-LP.....415	2577000016... 75, 87, 91, 103, 107, 665, 681, 683, 685, 687, 689	2811000009 ..... 1058	3017000142.....415, 423
2330000035.....231, 233, 235, 237	2577000017 ..... 571, 575, 579, 583, 591, 593, 597, 603, 605, 607, 613, 615, 621, 627, 629, 633, 635, 661	2811000010 ..... 1058	3017000143.....415, 423
2330000036.....239, 241	2577000018 ..... 639, 645, 649, 663	2811000011 ..... 1058	3020000029.....295
2330000038.....323, 325, 327, 329, 331, 333, 335, 337, 339, 341, 343, 345, 347, 349, 351, 355, 359, 361, 363, 365, 367, 371, 375, 377, 379, 381, 383, 385, 387, 389, 391, 393, 395, 397, 399, 401, 403, 405, 407, 409, 411, 413, 415, 417, 419, 421, 423, 896	2577000029 ..... 681, 691	2811000012 ..... 1058	3020000030.....295
2330000040...1025, 1033	2577000030 ..... 683, 693	2811000013 ..... 1058	3020000091.....677
2330000041 .....129, 1027, 1029	2577000031 ..... 685, 695	2849000052 ..... 125, 131	3020000102.....245, 247, 249
2330000051 .....243	2577000034 ..... 687, 697	2849000053 ..... 127, 133	3020000111.....302
2330000055.....323, 325, 327, 329, 331, 333, 335, 337, 339, 341, 343, 345, 347, 349, 351, 353, 355, 357, 359, 361, 363, 365, 367, 369, 371, 373, 375, 377, 379, 381, 383, 385, 387, 389, 391, 393, 395, 397, 399, 401, 403, 405, 407, 409, 411, 413, 415, 417, 419, 421, 423	2590000215 ..... 823	2868000146 ..... 39	3020000112.....309
2330000057 .....231, 233, 235, 237, 239, 241, 243	2590000261 ..... 827	2868000148 ..... 51	3020000115.....302
2330000060..1025, 1027, 1029, 1033	2590000292 ..... 1009	2870000013 ..... 995	3020000123.....679
2330000061 .....129	2638000017 ..... 207	2870000020 ..... 675	3020000131.....251
2330000062..1031, 1035, 1037	2638000019 ..... 213	2870000023 .95, 99, 103, 107	3020000132.....293
2330000063.....127	267900001067, 323, 325, 327, 329, 331, 333, 335, 337, 339, 341, 343, 345, 347, 349, 351, 353, 355, 357, 359, 361, 363, 365, 367, 369, 371, 373, 375, 377, 379, 381, 383, 385, 387, 389, 391, 393, 395, 397, 399, 401, 403, 405, 407, 409, 411, 413, 415, 417, 419, 421, 423	2889000030 ..... 161	3020029.....71, 75, 79, 83, 87, 91, 95, 99, 103, 107, 302, 306, 315, 317, 319
2330000064.....125	2706000013 ..... 1059	2889000041 ..... 163	3020039.... 16, 20, 24, 28, 32, 36, 40, 44, 48, 52, 56, 60, 71, 75, 79, 83, 87, 91, 95, 99, 103, 107, 135, 255, 257, 259, 261, 263, 302, 306, 315, 317, 319
2330000065.....231, 233, 235, 237, 239, 241	2706000036 ..... 1059	2889000055 ..... 141	3071000131.....273
2330000068 .....909	2706000037 ..... 1059	2889000057 ..... 149	3071000213.....121
2346000008.....915, 917	2706000039 ..... 1059	2889000058 ..... 153	3097000653.....327
2400066.....795	2706000040 ..... 1059	2889000059 ..... 165	3097000654.....333
2484000008.....253, 309	2706000042 ..... 1059	2889000060 ..... 167	3097000655.....323
2484000010.....283, 287, 291, 295	2706000043 ..... 1059	2889000061 ..... 169	3097000656.....329
2484000014.....281, 285, 289, 293	2706000044 ..... 1059	2889000065 ..... 143	3097000661.....325
2570000032.....129, 765	2729000036 ..... 531	2889000075 ..... 157	3097000662.....331
	2729000037 ..... 529	2970000069 ..... 677	3097000663.....339
	2729000038 ..... 527	2970000080 ..... 427	3097000664.....345
	2729000073 ..... 517	2970000082 ..... 439	3097000665.....335
	2729000074 ..... 519	2970000088 ..... 429	3097000666.....341
	2729000075 ..... 521	2970000089 ..... 431	3097000671.....337
	2729000092 ..... 383, 387	2970000090 ..... 441	3097000672.....343
	2729000093 ..... 391, 395	2970000091 ..... 443	3097000673.....355, 357
	2729000094 ..... 401, 409	2970000096 ..... 455, 471	3097000674.....363
	2729000103 ..... 415, 423	2970000105 ..... 679	3097000675.....349
	2729000104 ..... 523	2970000107 ..... 435	3097000676.....359
	2729000105 ..... 525	2970000108 ..... 447	3097000681.....351, 353
	2750000008 ..... 323, 325, 327, 329, 331, 333, 335, 337, 339, 341,	2970000109 ..... 433	3097000682.....361
		2970000110 ..... 445	3097000687.....371, 373
		2970000111 ..... 437	3097000778.....379
		2970000112 ..... 449	3097000779.....365
		3002000008 ..... 985, 987	3097000780.....375
		3002000009 ..... 985, 987	3097000781.....377
		3017000104 ... 15, 19, 23, 27, 31, 35, 39, 43, 47, 51, 55, 59	3097000782.....367, 369
		3017000121 ..... 517, 519, 521	3097000787.....381
		3017000122 ..... 517, 519, 521	3097000788.....385
		3017000127 ..... 517	3097000789.....389
			3097000790.....393
			3097000791.....399
			3097000792.....405

## SECTION 9 - BUILD DOCUMENTS

<p>3097000793 ..... 413          3097000794 ..... 417          3097000795 ..... 383          3097000796 ..... 387          3097000797 ..... 391          3097000798 ..... 395          3097000799 ..... 401          3097000800 ..... 409          3097000801 ..... 415          3097000802 ..... 423          3097000807 ..... 403          3097000808 ..... 411          3170000162 ..... 257          3170000308 ..... 921          3170000309 ..... 923          3170000311 ..... 925          3170000312 ..... 927          3170000428 ..... 263          3170000473 ... 70, 74, 78,                    82, 86, 90, 94, 98, 102,                    106          3170000504 ..... 261          3178000433 ..... 473, 475          3178000437 ..... 829, 841          3178000471 ..... 961, 963,                    965, 967, 969          3178000517 ... 70, 74, 78,                    82, 86, 90, 94, 98, 102,                    106          3178000518 ... 70, 74, 78,                    82, 86, 90, 94, 98, 102,                    106          3178000555 ..... 985, 987          3178000566 ..... 157          3241000208 ... 70, 74, 78,                    82, 86, 90, 94, 98, 102,                    106          3249000004S ..... 912          3249000036 ..... 473, 475          3271505 ... 302, 306, 667,                    669, 671, 673, 951,                    953, 961, 963, 965,                    991, 993          3271601 ... 16, 20, 23, 27,                    31, 35, 39, 43, 47, 51,                    55, 59          3271805 ... 187, 533, 535,                    537, 541, 543, 545,                    547, 549, 971          3300455 ... 15, 19, 23, 27,                    31, 35, 39, 43, 47, 51,                    55, 59, 767, 769          3300492 ... 15, 19, 23, 27,                    31, 35, 39, 43, 47, 51,                    55, 59, 131, 133, 135,                    245, 247, 249, 251,                    253, 921, 923, 925, 927          3311401 ..... 189          3311505 ... 481, 485, 487,                    495, 497, 503, 507          3311801 ..... 189          3312002 ..... 306          3316000051 ..... 131, 133,                    135          3320000134 ..... 253, 273</p>	<p>3320000229.... 70, 74, 78,                    82, 86, 90, 94, 98, 102,                    106, 121          3321701 ..... 469          3321802 ... 667, 669, 671,                    673          3340898 ... 16, 20, 31, 35,                    55, 59          3455000058.... 70, 74, 78,                    82, 86, 90, 94, 98, 102,                    106          3455000059..... 70          3455000060..... 78          3455000063..... 94          3455000064..... 74          3455000065..... 86          3455000066..... 102          3484000016..... 299          3484000017..... 297          3484000046..... 295, 299          3484000047..... 295, 297          3484000090..... 293          3484000091..... 293          3550001912..... 565          3550001913..... 563, 565          3551000036..... 293, 297,                    299          3553000011..... 121          3556000040... 1031, 1041          3556000041... 1035, 1039          3558000019.... 15, 19, 23,                    27, 31, 35, 39, 43, 47,                    51, 55, 59          3560000010..... 569, 573,                    577, 581, 585, 587,                    589, 595, 599, 601,                    609, 611, 617, 619,                    623, 625, 631, 637,                    641, 643, 647          3592000040..... 245, 247,                    249, 275          3592000042..... 275          3592000051..... 302          3592000052..... 302          3592000058..... 275          3592000059..... 311          3592000060..... 277          3592000065..... 277          3592000066..... 251, 277          3619000010.... 70, 74, 78,                    82, 86, 90, 94, 98, 102,                    106          3636000144.... 15, 19, 23,                    27, 31, 35, 39, 43, 47,                    51, 55, 59          3691000064.... 70, 74, 78,                    82, 86, 90, 94, 98, 102,                    106, 135          3691000097..... 921, 923,                    925, 927          3691000222..... 309          3691000229..... 302          3691000230..... 302          3691000259.... 70, 74, 78,                    82, 86, 90, 94, 98, 102,                    106</p>	<p>3691000260.... 70, 74, 78,                    82, 86, 90, 94, 98, 102,                    106          3698000001..... 121          3706000363.... 70, 74, 78,                    82, 86, 90, 94, 98, 102,                    106          3706000364.... 70, 74, 78,                    82, 86, 90, 94, 98, 102,                    106          3729000281..... 523          3729000282..... 525          3729000283..... 525          3729000284..... 523          3750000018..... 779, 781          3760133.... 70, 74, 78, 82,                    86, 90, 94, 98, 102,                    106, 135, 255, 257,                    259, 261, 263, 309          3760351..... 302, 306          3763000139..... 273          3763000187..... 121          3763000188.... 70, 74, 78,                    82, 86, 90          3811000053..... 171          3811000054..... 173          3811000055..... 175          3811000057..... 177          3841143.... 16, 20, 24, 28,                    32, 36, 39, 44, 48, 51,                    56, 60, 71, 75, 79, 83,                    87, 91, 95, 99, 103,                    107, 131, 133, 135,                    245, 247, 249, 251,                    253, 921, 923, 925, 927          3849000043..... 131          3849000044..... 133          3899000053..... 161          3899000075..... 163          3899000125..... 141, 145          3899000126..... 143, 147          3899000127..... 149, 151          3899000128..... 153, 155          3899000173..... 157          3904000002..... 773          3913000097..... 315          3913000100..... 317          3913000101..... 319          3935000115..... 569, 573,                    581, 651          3935000117..... 585, 587,                    589, 595, 609, 611,                    617, 619, 631, 637, 653          3935000118..... 647, 659          3935000166..... 641, 643,                    657          4017000739..... 255, 257,                    259, 261, 263          4017001194..... 677          4017001271.... 15, 19, 23,                    27, 39, 43, 47, 51          4017001403..... 165, 167,                    169          4017001504..... 679          4017001699..... 517, 519,                    521</p>	<p>4017001700 ..... 517, 519,                    521          4017001705 ..... 517          4017001706 ..... 517          4017001707 ..... 519          4017001708 ..... 519          4017001709 ..... 521          4017001710 ..... 521          4017001742 .... 207, 213,                    215          4017001743 .... 207, 213,                    215          4062000318 .... 431, 437,                    443, 449          4178000283 ..... 187, 189          4178000290 .... 141, 149,                    153, 157, 161, 163          4178000291 .... 141, 145,                    149, 151, 153, 155,                    157, 161, 163          4178000330 .... 149, 153,                    157          4178000338 ..... 143          4178000339 ..... 143, 147          4178000402 ..... 813, 831          4178000421 .... 199, 201,                    203          4178000437 ..... 815          4178000474 ..... 205          4178000475 ..... 205          4178000578 ..... 841          4178000599 .... 141, 143,                    145, 147, 149, 151,                    153, 155, 157          4178000664 ..... 665          4178000665 ..... 665          4178000666 .... 915, 973,                    977          4178000673 ..... 677, 679          4178000805 ... 15, 19, 39,                    51          4178000873 .... 383, 387,                    391, 395, 401, 409,                    415, 423          4178000874 .... 383, 387,                    391, 395, 401, 409,                    415, 423          4178000912 ... 15, 19, 23,                    27, 31, 35, 39, 43, 47,                    51, 55, 59          4209000146 ..... 667, 669          4209000212 ..... 677, 679          4209000336 ... 70, 74, 78,                    82, 86, 90, 94, 98, 102,                    106          4209000358 ... 15, 19, 23,                    27, 31, 35, 39, 43, 47,                    51, 55, 59          4211000001 .... 569, 573,                    577, 581, 585, 587,                    589, 595, 599, 601,                    661, 663          4254000005 .... 297, 299,                    469          4259000001 ..... 299          4259000002 ..... 297</p>
--	--	---	--

## SECTION 9 - BUILD DOCUMENTS

4314000167 .... 70, 75, 79, 82, 87, 90, 94, 98, 102, 106	4567122038 ..... 773	609, 611, 617, 619, 623, 625, 631, 637, 641, 643, 647	741, 743, 745, 747, 749, 751, 753, 755, 757, 759
4330000002 ... 1025, 1033	4567122042 ..... 767	4619000013 ..... 302	4706003857 ..... 475
4346000005 ..... 785, 795, 801, 803, 861, 863, 865, 867, 869, 883, 885, 887	4567122043 ..... 771	4632000009 ..... 669	4706005146 ..... 425
4460018 ..... 861, 863, 867	4567122050 ..... 763, 765	4632000015 ..... 161	4706005551 ..... 983
4460019 ..... 845	4567123023 ..... 761	4632000030 ..... 677	4706005595 ..... 693, 695, 697, 699
4460035 ..... 861, 863, 867, 879, 881	4567123036 ..... 765	4632000048 ..... 163	4706005650 .... 70, 74, 78, 82, 86, 90, 94, 98, 102, 106
4460042 ..... 861, 863, 879, 881	4567123040 ..... 773	4679000046 ..... 255, 257, 259, 261, 263	4706005651 .... 70, 74, 78, 86, 94, 102
4460256 ..... 797, 853	4567123045 ..... 771	4679000145 ..... 67	4706005672 .... 70, 74, 78, 82, 86, 90
4460457 ..... 829, 831, 833, 835, 839, 845, 847, 849, 851, 853	4567123051 ..... 763, 765, 767, 769	4679000208 ..... 677	4706005752 .... 71, 75, 79, 83, 87, 91, 95, 99, 103, 107
4460458 ..... 697, 699	4567130165 ..... 723	4679000211 ..... 255, 257, 259, 261, 263	4706006211 .. 94, 98, 102, 106
4460459 ..... 845, 849	4567130205 ..... 705	4679000256 ..... 141, 145	4706006216 ..... 171, 173, 175, 177
4460460 ..... 849, 851	4567130208 ..... 719	4679000257 ..... 143, 147	4706006228 ..... 517, 519, 521
4460461 ..... 847	4567130216 ..... 735	4679000258 ..... 149, 151	4706006427 ..... 207, 209, 211, 213, 215, 217
4460464 ..... 795, 797, 799	4567130223 ..... 729	4679000268 ..... 302	4711400 ..... 189, 302
4460465 ..... 691, 693, 695, 697, 699, 795, 797, 799, 889, 891	4567130235 ..... 711	4679000274 ..... 961, 963, 965, 967, 969	4711400001 ..... 489, 491
4460466 ..... 853, 889, 891	4567130241 ..... 713, 731, 753	4679000322 ..... 157	4711500 ..... 189, 481, 485, 487, 495, 497, 503, 507, 767, 769
4460476 ..... 849, 851, 853	4567130247 ..... 741	4679000332 ... 31, 35, 39, 43, 47, 51, 55, 59	4711600 .... 71, 75, 79, 83, 87, 91, 95, 99, 103, 107
4460742 ..... 829, 831, 833, 835, 839, 845, 847, 849, 851, 853	4567130251 ..... 707, 715	4691000103 ..... 315, 317, 319	4711600001 ..... 306
4460743 ..... 849	4567130256 ..... 709	4691000183 ..... 297, 299	4711700 ..... 56, 60
4460746 ..... 827	4567130262 ..... 725, 743	4691000186 ..... 297, 299, 469	4711800 .... 189, 306, 533, 535, 537, 541, 543, 545, 547, 549
4460748 ..... 833	4567130264 ..... 733	4691000198 ..... 302	4712000 .... 479, 483, 485, 489, 491, 493, 501, 509
4460790 ..... 847, 849, 851	4567130268 ..... 739	4691000268 ..... 255, 257, 259, 261, 263	4751300 .... 15, 19, 23, 27, 31, 35, 39, 43, 47, 51, 55, 59, 255, 257, 259, 261, 263
4460842 ..... 691, 693, 695, 697, 699, 891	4567130270 ..... 727, 755	4691000296 ... 70, 74, 78, 82, 86, 90, 94, 98, 102, 106, 255, 257, 259, 261, 263	4751400001 ..... 961, 963, 965, 967, 969
4460850 ..... 697, 699, 849, 851, 853, 995	4567130276 ..... 747	4691000354 ..... 297, 299	4751500 .... 71, 75, 79, 83, 87, 91, 95, 99, 103, 107, 143, 147, 149, 153, 157, 189, 667, 669, 671, 673, 767, 769, 951, 953, 955, 957, 961, 963, 965, 991, 993
4460867 ..... 849, 851, 995	4567130278 ..... 721	4691000357 ..... 297, 299	4751600 .... 16, 20, 23, 27, 31, 35, 39, 43, 47, 51, 55, 59
4460891 ..... 795, 797, 799, 853, 889, 891	4567130283 ..... 745	4691000421 ..... 469	4751800 ..... 667, 669
4460897 ..... 795, 797, 799, 853	4567130287 ..... 717, 759	4691000429 ... 70, 74, 78, 82, 86, 90, 94, 98, 102, 106, 135	4761400 ..... 302
4460930 ..... 691	4567130290 ..... 749	4691000430 ..... 135	4761500 .... 965, 991, 993
4460933 ..... 693, 695, 697, 699, 889, 891	4567130295 ..... 757	4691000495 ... 70, 74, 78, 82, 86, 90, 94, 98, 102, 106	4761800 .... 135, 275, 277, 311, 809, 811
4460941 ..... 797	4567130300 ..... 751	4691000513 ... 70, 74, 78, 86, 94, 102	4763000184 ..... 297, 299, 469
4460942 ..... 797, 853	4567130320 ..... 737	4691000527 ..... 309	4763000253 ..... 677, 679
4460955 ..... 691, 693, 695, 697, 699, 891	4567133058 ..... 761	4691000568 ..... 565	
4461157 ..... 831, 833, 839, 845, 853	4567430118 ..... 767	4691000573 ... 15, 19, 23, 27, 31, 35, 39, 43, 47, 51, 55, 59	
4553000008 ..... 121, 273	4567430133 ..... 769	4698000007 ..... 121, 273	
4564088 ..... 791	4569142018 ..... 761	4706000717 ..... 671, 673	
4567110034 ..... 771, 773	4569432122 ..... 767, 769	4706002361 ..... 143, 147, 149, 153, 157	
4567110041 ..... 773	4569433122 ..... 767, 769	4706003038 ..... 767, 769	
4567112042 ..... 769	4570000042 ..... 733	4706003374 ..... 533, 535, 537, 539, 541	
4567122012 ..... 773	4570000091 ..... 719, 729, 755	4706003497 ..... 302	
4567122014 ..... 771	4570000098 ..... 705	4706003766 ..... 473	
4567122016 ..... 763, 765	4570000099 ..... 705, 731, 735, 739, 753, 761	4706003844 ..... 192, 705, 707, 709, 711, 713, 715, 717, 719, 721, 723, 725, 727, 729, 733, 735, 737, 739,	
4567122019 ..... 767, 769	4570000101 ..... 729		
4567122022 ..... 761	4570000102 ..... 731		
4567122024 ..... 767, 769	4570000104 ..... 723, 761		
4567122030 ..... 761	4570000105 ..... 723		
4567122032 ..... 761	4570000113 ..... 735, 741		
4567122034 ..... 761	4570000115 ..... 709		
	4570000118 ..... 713, 715, 725, 727		
	4570000121 ..... 757, 759		
	4570000160 ..... 737		
	4570000193 ..... 719		
	4570000352 ..... 727, 745, 749, 757		
	4570000373 ..... 713		
	4570000376 ..... 767, 769		
	4570000379 ..... 767, 769		
	4577000006 ..... 761		
	4577000013 ..... 767, 769		
	4587000004 ..... 667, 669		
	4606000217 ..... 569, 573, 577, 581, 585, 587, 589, 595, 599, 601,		

## SECTION 9 - BUILD DOCUMENTS

4763000279 ..... 569, 585, 587, 599, 609, 617, 623, 631, 641	7002000404..... 959	70050686..... 459, 465	7111150864 ..... 207, 213, 215
4763000280 ..... 569, 585, 587, 599, 609, 617, 623, 631, 641	7002000447..... 1055	70050687..... 459, 465	7111161050 ..... 569, 573, 577, 581, 585, 587, 589, 595, 599, 601, 609, 611, 617, 619, 623, 625, 631, 637, 641, 643, 647
4763000348 ..... 477	7002000448..... 997	70050688..... 459, 465	7114060810 ..... 791
4771800 ..... 455, 471	7002000449..... 1007	70050689..... 459, 466	7114100518 ..... 701
4796000009 ..... 141, 143, 145, 147	7002000450..... 947	70050694..... 457, 459	7114100810 ..... 691, 693, 695, 697, 699
4796000010 ..... 149, 151	7002000451..... 949	70050695..... 459	7114100818 ... 15, 19, 23, 27, 31, 35, 39, 43, 47, 51, 55, 59, 807
4796000011 ..... 153, 155	7002000458..... 1021	70050696..... 459	7114101018 ..... 1009
4796000012 ..... 157	7002000503..... 1017	70050697..... 459	7114101618 ..... 767, 769
4796000037 ..... 179, 183, 479, 483, 489, 491, 493, 501, 509, 515	7002000519.... 71, 75, 79, 83, 87, 91, 95, 99, 103, 107	70050698..... 459	7114140465 ..... 141, 143, 145, 147, 149, 151, 153, 155, 157
4806000011 ..... 473, 475	7002000521..... 701	70050701..... 118	7114140528 ..... 133, 135, 245, 247, 249, 251, 253, 801, 803, 921, 923, 925, 927, 1023, 1039, 1041
4806000014 ..... 469, 473, 475	7005000003..... 665	70051167..... 63	7114140529 ..... 223, 225
4811000841 ..... 165	70050065 ..... 459, 465	70051168.... 65, 137, 271	7114140618 ..... 795
4811000868 ..... 167, 169	70050100 ..... 117	70051169..... 265, 267	7114140823 ..... 979
4812000 ..... 189	70050456 .. 109, 113, 117	70051170..... 63	7114141218 ..... 961, 963, 965, 967, 969
4819000008 ..... 187	70050457 .. 109, 113, 117	70051171..... 63	7114141450 ... 15, 19, 23, 27, 31, 35, 39, 43, 47, 51, 55, 59
4831000069 ..... 569, 573, 577, 581, 585, 587, 589, 595, 599, 601, 609, 611, 617, 619, 623, 625, 631, 637, 641, 643, 647	70050458 .. 109, 113, 117	70051172.... 65, 137, 271	7114150818 ..... 207, 213, 215, 223, 225
4831000112 ..... 309	70050459 .. 109, 113, 117	70051173.... 65, 137, 271	7114161618 ..... 181, 185
4831000126 ... 71, 75, 79, 83, 87, 91, 95, 99, 103, 107	70050460 .. 109, 113, 117	70051174.... 63, 265, 267	7114181218 ..... 563
4831000127 ... 71, 75, 79, 83, 87, 91, 95, 99, 103, 107	70050461 .. 109, 113, 117	70051175..... 265, 267	7114181418 ..... 985, 987
4891800 ... 15, 19, 23, 27, 31, 35, 39, 43, 47, 51, 55, 59, 70, 74, 78, 82, 86, 90, 94, 98, 102, 106, 141, 143, 145, 147, 149, 151, 153, 155, 157, 187, 209, 217, 809, 811, 961, 963, 965, 967, 969, 971	70050462 .. 109, 113, 117	70051176..... 265, 267	7115140450 ..... 777
4892000 ... 15, 19, 23, 27, 31, 35, 39, 43, 47, 51, 55, 59, 513	70050463 .. 109, 113, 117	70051394..... 63	7115140650 ..... 469, 569, 573, 577, 581, 585, 587, 589, 595, 599, 601, 609, 611, 617, 619, 623, 625, 631, 637, 641, 643, 647
4912000130 ..... 469, 473, 475	70050464 .. 109, 113, 117	70051395..... 63	7115140850 ..... 123
4912000345 ..... 469	70050465 .. 109, 113, 117	70052741..... 65	7115150664 ..... 569, 573, 577, 581, 585, 587, 589, 595, 599, 601, 609, 611, 617, 619, 623, 625, 631, 637, 641, 643, 647, 661, 663
4912000374 ..... 199	70050466 .. 109, 113, 117	70070014..... 269	7115150723 ..... 306, 425
4912000394 ..... 473, 475	70050525 ..... 113, 117	70070015..... 269	7115150850 ..... 161, 163, 165, 167, 169, 569, 573, 577, 581, 585, 587, 589, 595, 599, 601, 609, 611, 617, 619, 623, 625, 631, 637, 641, 643, 647, 677, 679
4949000047 ..... 302, 315, 317, 319	70050612 .. 109, 113, 117	70070016..... 269	7115150864 ..... 665
4949000059 ... 70, 74, 78, 82, 86, 90, 94, 98, 102, 106	70050613 .. 109, 113, 117	70070017..... 269	7115151050 ..... 189, 211, 217, 705, 707, 709, 711, 713, 715, 717, 719, 721, 723, 725, 727, 729, 731, 733,
4949000072 ..... 309	70050614 .. 109, 113, 117	70070018..... 269	
5261000 ..... 56, 60, 192	70050615 .. 109, 113, 117	70070019..... 269	
5525000537 ..... 787	70050616 .. 109, 113, 117	70070020..... 269	
5525000752 ..... 989	70050617 .. 109, 113, 117	70070021..... 269	
5526000553 ..... 189, 771, 773, 789, 791, 831, 833, 839, 881	70050618 .. 109, 113, 117	70070022..... 269	
5746491 .... 192, 195, 197	70050619 .. 109, 113, 117	7011000006..... 801, 803	
7002000285 ..... 1001	70050620 ..... 113, 117	7027336..... 313	
	70050621 ..... 113, 117	7027338..... 313	
	70050622 .. 109, 113, 117	7027341..... 313	
	70050625 .. 109, 113, 117	7056000007 ..... 1047	
	70050626 .. 109, 113, 117	7056000008 ..... 1049	
	70050627 .. 109, 113, 117	7056000009 ..... 1045	
	70050628 .. 109, 113, 117, 461, 465	7082000010 ..... 667, 669	
	70050632 ..... 313	7082000016 65, 273, 275, 277, 311	
	70050633 ..... 313	7082000017 .... 16, 20, 23, 28, 31, 35, 39, 43, 48, 51, 55, 59, 131, 133, 135, 245, 247, 249, 251, 253	
	70050634 ..... 313	7082000018 ..... 245, 247, 249, 251, 253, 273	
	70050635 ..... 313	7082000026 ..... 313	
	70050636 ..... 313	7104100613 .... 70, 74, 78, 82, 86, 90, 94, 98, 102, 106	
	70050637 ..... 313	7105171050 ..... 192, 195	
	70050638 ..... 313	7105171450 ..... 197	
	70050639 ..... 313	7105181650 ..... 161, 163, 192, 195, 201, 203, 513, 999	
	70050640 ..... 313	7105201650 ..... 179, 183, 192, 195, 197, 515	
	70050641 ..... 313	7105201850 .... 31, 35, 39, 51, 179, 183	
	70050642 ..... 313	7105202050 .... 15, 19, 23, 27, 43, 47, 55, 59, 179, 183	
	70050643 ..... 313	7111141407 ..... 677, 679	
	70050644 ..... 313	7111150813 ..... 917	
	70050647 ..... 117		
	70050677 ..... 461, 465		
	70050678 ..... 457, 461		
	70050679 . 457, 459, 461, 465		
	70050680 ..... 461, 465		
	70050681 ..... 461, 465		
	70050682 . 109, 457, 459, 461, 465		
	70050684 ..... 465		
	70050685 ..... 465		

## SECTION 9 - BUILD DOCUMENTS

735, 737, 739, 741, 743, 745, 747, 749, 751, 753, 755, 757, 759, 779	7178000029 ..... 965, 991, 993	741, 743, 745, 747, 749, 751, 753, 755, 757, 759	7330000036.....243, 306
7115151064.....192, 705, 707, 709, 711, 713, 715, 717, 719, 721, 723, 725, 727, 729, 733, 735, 737, 739, 741, 743, 745, 747, 749, 751, 753, 755, 757, 759	7183000004 ..... 781	7274000053 ... 71, 75, 79, 83, 87, 91, 95, 99, 103, 107	7330000060.....231, 233, 235, 237, 239, 241
7115151250.....677	7189000020 ..... 425	7274000063 ..... 481, 485, 487, 495, 497, 503, 507, 569, 573, 577, 581, 585, 587, 589, 595, 599, 601, 609, 611, 617, 619, 623, 625, 631, 637, 641, 643, 647	7330000139.....896, 900
7115151264.....209, 211, 217	7189000026 ... 15, 19, 23, 27, 31, 35, 39, 43, 47, 51, 55, 59	7274000076 ..... 189, 705, 707, 709, 711, 713, 715, 717, 719, 721, 723, 725, 727, 729, 731, 733, 735, 737, 739, 741, 743, 745, 747, 749, 751, 753, 755, 757, 759	7330000143.....896, 900
7115160950.....171, 173, 175, 177	7190000066 ..... 943	7274000086 ..... 705, 707, 709, 711, 713, 715, 717, 719, 721, 723, 725, 727, 729, 731, 733, 735, 737, 739, 741, 743, 745, 747, 749, 751, 753, 755, 757, 759, 761	7330000176.....896, 900
7115161050.....1017	7209000011 ..... 469, 473, 475	7274000105 ..... 192	7330000242.....677
7115161650.....159	7209000028 ..... 255, 257, 259, 261	7274000122 ..... 187	7330000272.....896, 900
7115180606.....985, 987	7209000030 ..... 263	7274000125 ... 15, 19, 23, 27, 31, 35, 39, 43, 47, 51, 55, 59	7330000274.....127, 1031, 1035, 1037
7115180650.....469	7248000063 ..... 427, 429, 431, 433, 435, 437	7280000018 ..... 787, 789, 791	7330000288.....861, 863, 879, 881
7115180850.....469, 813, 815	7248000064 ..... 439, 441, 443, 445, 447, 449, 451, 453, 455, 471	7280000019 ..... 843	7330000330.....896
7115181050.....523, 525, 1017	7248000070 ... 79, 87, 95, 103	7291000010 ..... 133, 135, 245, 247, 249, 251, 253, 921, 923, 925, 927, 1023, 1039, 1041	7330000391.... 129, 1025, 1027, 1029, 1033
7115181064.....219, 221, 569, 573, 577, 581, 585, 587, 589, 595, 599, 601, 609, 611, 617, 619, 623, 625, 631, 637, 641, 643, 647	7248000077 ... 71, 75, 83, 91, 99, 107	7295000106 ..... 691	7330000408..... 181, 185
7115181223.....383, 387, 391, 395, 401, 409, 415, 423	7248000114 ..... 141, 143, 145, 147, 149, 151, 153, 155	7295000108 ..... 693	7330000418.....231, 233, 235, 237
7115181250.....179, 183	7248000115 ..... 309	7295000109 ..... 695	7330000419.....231, 233, 235, 237, 239, 241, 243
7115181450.....499, 505, 511, 1023, 1039, 1041	7248000125 ..... 425	7295000111 ..... 697, 699	7330000420.....239, 241
7115181464....15, 19, 23, 27, 31, 35, 39, 43, 47, 51, 55, 59, 429, 435, 441, 447, 455, 471, 473, 475, 915, 973, 977	7248000155 ..... 157	7295000118 ... 70, 78, 82, 94, 98	7330000428.....323, 325, 327, 329, 331, 333, 335, 337, 339, 341, 343, 345, 347, 349, 351, 353, 355, 357, 359, 361, 363, 365, 367, 369, 371, 373, 375, 377, 379, 381, 383, 385, 387, 389, 391, 393, 395, 397, 399, 401, 403, 405, 407, 409, 411, 413, 415, 417, 419, 421, 423
7115181664.....219, 221	7253000002 ... 70, 74, 78, 82, 86, 90, 94, 98, 102, 106, 279, 302, 306, 315, 317, 319, 469	7295000130 ... 74, 86, 90, 102, 106	7330000478.....896
7115181864.....425, 429, 441	7254000016 ..... 677, 679	7309000002 ..... 667, 669, 671, 673	7330000495.....679
7115182250.....539, 553	7262000040 ..... 123	7312000013 ..... 973, 975	7330000580.....909
7115182864.....431, 437, 443, 449	7274000002 ..... 705, 707, 709, 711, 713, 715, 717, 719, 721, 723, 725, 727, 729, 731, 733, 735, 737, 739, 741, 743, 745, 747, 749, 751, 753, 755, 757, 759	7312000015 ..... 973, 975	7330000599..... 125, 127, 243, 306, 896, 900, 909
7115183264.....431, 443	7274000004 ..... 192, 705, 707, 709, 711, 713, 715, 717, 719, 721, 723, 725, 727, 729, 731, 733, 735, 737, 739, 741, 743, 745, 747, 749, 751, 753, 755, 757, 759, 767, 769	7312000016 ..... 973, 975	7330000609.....302, 306, 315, 317, 319
7115201450.....425	7274000005 ..... 187	7320000064 ..... 302, 313	7330000645.... 129, 1027, 1029
7115202250.....425	7274000038 ..... 767, 769		7330000646.... 129, 1027, 1029
7115222050.....499, 505, 511	7274000039 ..... 302, 767, 769		7330000648.....569, 577, 581, 585, 595, 617, 619, 623, 625, 631, 637
7118140418.....255, 257, 259, 261, 263	7274000041 ..... 705, 707, 709, 711, 713, 715, 717, 719, 721, 723, 725, 727, 729, 731, 733, 735, 737, 739, 741, 743, 745, 747, 749, 751, 753, 755, 757, 759		7330000649.....569, 577, 581, 585, 595, 617, 619, 623, 625, 631, 637
7118161026.....67	7274000042 ..... 705, 707, 709, 711, 713, 715, 717, 719, 721, 723, 725, 727, 729, 731, 733, 735, 737, 739, 741, 743, 745, 747, 749, 751, 753, 755, 757, 759		7330000650.....587, 589, 599, 601, 609, 611
7118181216.....141, 143, 145, 147, 149, 151, 153, 155, 157			7330000651.....587, 589, 599, 601, 609, 611
7120000005.....383, 387, 391, 395, 401, 409, 415, 423, 517, 519, 521			7330000652.....647
7120000032.... 15, 19, 23, 27, 31, 35, 39, 43, 47, 51, 55, 59			7330000653.....647
7120000034.....785, 787, 789, 791			7330000657.....641, 643
			7330000658.....641, 643
			7330000675.....675
			7330000676.....675
			7330000683.....231, 233, 235, 237, 239, 241

## SECTION 9 - BUILD DOCUMENTS

7330000684 ..... 129, 231, 233, 235, 237, 239, 241, 243, 1025, 1027, 1029, 1033	7443000158.....705, 707, 709, 711, 713, 715, 717, 719, 721, 723, 725, 727, 729, 731, 733, 735, 737, 739, 741, 743, 745, 747, 749, 751, 753, 755, 757, 759	725, 727, 729, 731, 733, 735, 737, 739, 741, 743, 745, 747, 749, 751, 753, 755, 757, 759	623, 625, 631, 637, 641, 643, 647
7330000689 ..... 896, 900	7443000245.....273	7470000027 .....781	7565000014 ..... 675, 919, 973, 975
7330000696 ..... 695, 697, 699	7443000319..... 705, 707, 709, 711, 713, 715, 717, 719, 721, 723, 725, 727, 729, 731, 733, 735, 737, 739, 741, 743, 745, 747, 749, 751, 753, 755, 757, 759	7493000002.....801, 803, 1009	7565000016 ..... 675
7330000707 ..... 909	7443000364..... 675	7493000003.....831	7570000025 ..... 199
7330000708 ..... 909	7443000365..... 675	7493000009.....799, 801, 803, 823, 825, 827	7570000036 ..... 189
7330000709 ..... 909	7443000366..... 675, 919	7493000010.....801, 803, 823, 825	7577000194 ..... 189, 192, 195, 197
7330000710 ..... 909	7443000371..... 675	7493000011.....205	7577000208 ..... 323, 325, 327, 329, 331, 333, 335, 337, 339, 341, 343, 345, 347, 349, 351, 353, 355, 357, 359, 361, 363, 365, 367, 369, 371, 373, 375, 377, 379, 381, 383, 385, 387, 389, 391, 393, 395, 397, 399, 401, 405, 407, 409, 413, 415, 417, 419, 421, 423
7330000711 ..... 909	7443000377..... 829	7493000015.....981	7577000215 ..... 651
7330000713 ..... 909	7443000428..... 995	7493000023..... 801, 803	7577000217 ..... 653, 655
7330000714 ..... 909	7443000432..... 995	7493000031.....827	7577000218 ..... 657, 659
7330000723 ..... 909	7443000443..... 675	7550000070.....979	7577000242 ..... 231, 233, 235, 237, 239, 241, 1013
7345001714 ..... 787, 795, 883, 885, 1009	7443000445..... 761	7550000073.....565	7577000329 ..... 885
7345001914 ..... 793, 865, 869, 883, 887	7443000446..... 761, 767, 769	7550000074.....565	7577000343 ..... 651, 653, 655, 657, 659
7345211702 ..... 787	7443000469..... 995	7551000017.....477, 667, 669, 671, 673	7577000376 ..... 243, 1015
7345221902 ..... 785, 793	7443040843..... 773	7551000018.....569, 577, 581, 585, 587, 589, 595, 599, 601, 609, 611, 617, 619, 623, 625	7577000442 ..... 1051
7346000039 ..... 787, 793, 1009	7445040431..... 775	7551000019.....641, 643, 647	7577250024 ..... 121, 273
7346000055 ..... 917	7445040443..... 302, 767, 769	7551000020.....569, 573, 577, 581, 585, 587, 589, 595, 599, 601, 609, 611, 617, 619, 623, 625, 641, 643, 647	7590000132 ..... 805, 825
7346000078 ..... 917	7445040446..... 771, 773	7551000021.....569, 573, 577, 581, 585, 587, 589, 595, 599, 601, 609, 611, 617, 619, 623, 625, 641, 643, 647	7590000133 ..... 825
7346000108 ..... 849, 851	7445040643..... 995	7552000074..... 801, 847	7590000134 ..... 805
7346000122 ..... 885	7445040843..... 771, 773	7552000166.....839	7590000135 ..... 805
7346000123 ..... 885	7445041043..... 775	7552000212.....323, 325, 327, 329, 331, 333, 347, 381, 383, 385, 387, 397, 403, 411	7590000138 ..... 805
7346000125 ..... 885	7445060643..... 761, 767, 769	7552000222..... 831	7590000142 ..... 805
7346000132 ..... 915	7445060645..... 761, 763, 765, 767, 769, 771, 773	7552000241..... 995	7590000143 ..... 805
7346000157 ..... 915	7445060646..... 765	7552000297..... 829	7590000148 ..... 825
7346000208 ..... 995	7445060648..... 763, 765, 771, 773	7552000360..... 833	7590000273 ..... 841
7346000220 ..... 1011	7445060843..... 765, 767, 769	7552000385.....70, 78, 82, 94, 98, 889	7590000291 ..... 807
7346000231 ..... 1011	7445060845..... 763, 765	7552000391.....691	7590000339 ..... 823
7346000242 ..... 867, 869, 879, 881	7445061043..... 761	7552000392.....693	7590000340 ..... 801, 803
7413000002 ..... 795	7445080818..... 761, 767, 769	7552000393.....695	7590000341 ..... 801, 803
7413000013 ..... 479, 483, 489, 491, 493, 501, 509	7445080843..... 767, 769	7552000397..... 835	7590000342 ..... 823, 827
7430000003 ..... 705, 707, 709, 711, 713, 715, 717, 719, 721, 723, 725, 727, 729, 731, 733, 735, 737, 739, 741, 743, 745, 747, 749, 751, 753, 755, 757, 759	7445080853..... 919	7552000413.....74, 86, 90, 102, 106, 891	7590000343 ..... 801, 803, 823
7440030000 ..... 279, 297, 299, 315, 317, 319, 469	7445080872..... 775	7552000426.....697, 699	7590000432 ..... 1009
7443000013 ..... 705, 707, 709, 711, 713, 715, 717, 719, 721, 723, 725, 727, 729, 731, 733, 735, 737, 739, 741, 743, 745, 747, 749, 751, 753, 755, 757, 759	7445081043..... 761	7552000451..... 827	7592000005 ..... 141, 143, 145, 147, 149, 151, 153, 155, 157
7443000030 ..... 763, 765	7445081045..... 761, 767, 769	7552000472... 1009, 1011	7626000014 ..... 427, 429, 431, 433, 435, 437, 439, 441, 443, 445, 447, 449
7443000048 ..... 573, 577, 585, 587, 589, 595, 599, 601	7445081046..... 763, 765	7555000015..... 149, 151	7660000018 ..... 455, 471
7443000129 ..... 771, 773	7446060435..... 919, 973, 975	7555000016..... 141, 143, 145, 147, 153, 155, 157	7638000004 ..... 207
7443000152 ..... 675	7446502506..... 973, 975	7556000003..... 1043	7638000013 ..... 213
7443000154 ..... 675, 919	7446502518..... 919, 973, 975	7560000007.....569, 573, 577, 581, 585, 587, 589, 595, 599, 601, 609, 611, 617, 619,	7640000002 ..... 675
7443000155 ..... 675, 919, 1017	7457000004..... 785		7660062604 ..... 791
7443000156 ..... 675, 919	7470000002..... 705, 707, 709, 711, 713, 715, 717, 719, 721, 723,		7660102604 ..... 141, 143, 145, 147, 149, 151, 153, 155, 157, 691,

## SECTION 9 - BUILD DOCUMENTS

693, 695, 697, 699, 807, 1009	153, 155, 157, 161, 163, 192, 195, 201, 203, 513, 999	7690101200 ..... 569, 573, 577, 581, 585, 587, 589, 595, 599, 601, 609, 611, 617, 619, 623, 625, 631, 637, 641, 643, 647	7759000004..... 896, 900, 905, 909
7660140001 ..... 469	7660182601 ... 15, 19, 23, 27, 31, 35, 39, 43, 47, 51, 55, 59, 70, 74, 78, 82, 86, 90, 94, 98, 102, 106, 123, 179, 183, 219, 221, 306, 383, 387, 391, 395, 401, 409, 415, 423, 425, 427, 429, 431, 433, 435, 437, 439, 441, 443, 445, 447, 449, 451, 453, 455, 469, 471, 473, 475, 517, 519, 521, 539, 553, 563, 569, 573, 577, 581, 585, 587, 589, 595, 599, 601, 609, 611, 617, 619, 623, 625, 631, 637, 641, 643, 647, 915, 973, 977, 983, 985, 987, 1017	7690141600 ..... 309 7690144005 ..... 309 7691000001 ... 70, 74, 78, 82, 86, 90, 94, 98, 102, 106, 135, 921, 923, 925, 927 7691000033 ..... 133, 289, 291, 1023 7691000056 ..... 569, 573, 577, 581, 585, 587, 589, 595, 599, 601, 609, 611, 617, 619, 623, 625, 631, 637, 641, 643, 647 7691000064 ..... 569, 573, 577, 581, 585, 587, 589, 595, 599, 601, 609, 611, 617, 619, 623, 625, 631, 637, 661 7691000065 ..... 641, 643, 647, 663 7701000031 ..... 781 7701000033 ..... 523, 525, 527, 529, 531 7701000048 ... 15, 19, 23, 27, 31, 35, 39, 43, 47, 51, 55, 59, 515 7701000049 ..... 131, 479, 483, 489, 491, 493, 501, 509 7701000051 ..... 157 7701000055 ..... 131 7701000058 ..... 499, 505, 511 7701000063 ... 15, 19, 23, 27, 31, 35, 39, 43, 47, 51, 55, 59 7701000074 ..... 157 7719000005 ..... 309 7754000002 ..... 121, 273 7754000003 ..... 121, 273 7754000004 ..... 121, 273 7754000005 ... 70, 74, 78, 82, 86, 90, 94, 98, 102, 106 7754000019 ... 70, 74, 78, 82, 86, 90, 94, 98, 102, 106 7754000022 ..... 469, 473, 475, 565 7754000024 ..... 302, 315, 317, 319 7754000026 ..... 121, 273 7754000037 ..... 297, 299 7754000068 ..... 551 7754000087 ..... 309 7755224000 ..... 121, 273 7755224609 ..... 121, 273 7755334000 ..... 121, 273 7755334609 ..... 121, 273	7759000006..... 569, 573, 577, 581, 585, 587, 589, 595, 599, 601, 609, 611, 617, 619, 623, 625, 631, 637, 641, 643, 647 7759000020..... 141, 143, 145, 147, 149, 151, 153, 155, 157 7785140404..... 109, 113, 117 7785150500..... 677, 679 7785152420..... 189, 705, 707, 709, 711, 713, 715, 717, 719, 721, 723, 725, 727, 729, 731, 733, 735, 737, 739, 741, 743, 745, 747, 749, 751, 753, 755, 757, 759 7786000006..... 297, 299 7790100856..... 841 7790142051..... 701 7790151253..... 189, 569, 573, 577, 581, 585, 587, 589, 595, 599, 601, 609, 611, 617, 619, 623, 625, 631, 637, 641, 643, 647, 831, 955, 957, 993 7790161253.... 71, 75, 79, 83, 87, 91, 95, 98, 103, 106 7796000008..... 121, 273 7796000024..... 121, 273 7796000048..... 133, 135, 245, 247, 249, 251, 253, 921, 923, 925, 927, 1023, 1039, 1041 7796000063..... 121, 273 7804000007.... 71, 75, 79, 83, 87, 91, 95, 99, 103, 107 7809000001.... 70, 74, 78, 82, 86, 90, 94, 98, 102, 106 7809000021.... 70, 74, 78, 86, 94, 102 7819000005..... 761 7819000013..... 715, 717, 727, 745, 757 7843000004..... 469 7843000006..... 297, 299, 469 7843000007..... 677, 679 7843000016..... 297, 299 7843000035.... 70, 74, 78, 82, 86, 90, 94, 98, 102, 106, 473, 475 7843000043..... 309 7870000100..... 863 7870000106..... 879 7870000115..... 841 7870000134..... 861 7870000137..... 881
7660142601 ..... 133, 135, 245, 247, 249, 251, 253, 306, 569, 573, 577, 581, 585, 587, 589, 595, 599, 601, 609, 611, 617, 619, 623, 625, 631, 637, 641, 643, 647, 677, 679, 801, 803, 843, 921, 923, 925, 927, 961, 963, 965, 967, 969, 979, 1023, 1039, 1041	7660142604 .... 15, 19, 23, 27, 31, 35, 39, 43, 47, 51, 55, 59, 141, 143, 145, 147, 149, 151, 153, 155, 157, 1019	7660152601 .... 71, 75, 79, 83, 87, 91, 95, 99, 103, 107, 143, 147, 149, 153, 157, 161, 163, 165, 167, 169, 189, 192, 207, 209, 211, 213, 215, 217, 223, 225, 569, 573, 577, 581, 585, 587, 589, 595, 599, 601, 609, 611, 617, 619, 623, 625, 631, 637, 641, 643, 647, 661, 663, 665, 677, 679, 705, 707, 709, 711, 713, 715, 717, 719, 721, 723, 725, 727, 729, 731, 733, 735, 737, 739, 741, 743, 745, 747, 749, 751, 753, 755, 757, 759, 767, 769, 779, 917	7759000000..... 896, 900, 905, 909
7660162601 67, 171, 173, 175, 177, 181, 185, 425, 569, 573, 577, 581, 585, 587, 589, 595, 599, 601, 609, 611, 617, 619, 623, 625, 631, 637, 641, 643, 647, 985, 987, 1017	7660172331 ..... 192, 195, 197 7660180001 ..... 123, 469 7660180234 ..... 477, 677, 679 7660182301 ..... 141, 143, 145, 147, 149, 151, 153, 155, 157, 275, 277, 311 7660182304 ..... 499, 505, 511 7660182333 .... 15, 19, 23, 27, 31, 35, 39, 43, 47, 51, 55, 59, 141, 143, 145, 147, 149, 151,	7661000018 ..... 425 7661000034 ..... 121, 273 7661000042 ..... 223, 225 7661000047 ..... 841 7661000055 ..... 327, 333, 339, 345, 355, 357, 363, 371, 373, 379 7661000056 ..... 701 7661000064 ..... 123, 223, 225, 302, 489, 491 7679000017 ..... 323, 325, 327, 329, 331, 333, 335, 337, 339, 341, 343, 345, 347, 349, 351, 353, 355, 357, 359, 361, 363, 365, 367, 369, 371, 373, 375, 377, 379 7679000020 ..... 123 7690021210 ..... 309 7690051274 ..... 667, 669, 671, 673, 677, 679 7690051641 ... 71, 75, 79, 83, 87, 91	7759000000..... 896, 900, 905, 909
7660182304 ..... 499, 505, 511	7660182333 .... 15, 19, 23, 27, 31, 35, 39, 43, 47, 51, 55, 59, 141, 143, 145, 147, 149, 151,	7690021210 ..... 309 7690051274 ..... 667, 669, 671, 673, 677, 679 7690051641 ... 71, 75, 79, 83, 87, 91	7759000000..... 896, 900, 905, 909



## SECTION 9 - BUILD DOCUMENTS

<p>7894000004 ..... 187, 192, 195, 197, 675, 761, 767, 769, 827</p> <p>7894000010 ..... 787</p> <p>7894000031 ..... 919</p> <p>7894000042 ..... 499, 505, 511</p> <p>7894000063 ..... 961, 963, 965, 967, 969</p> <p>7894000071 ..... 1003</p> <p>7894000073 ..... 1005</p> <p>7904000001 ..... 767, 769</p> <p>7912000184 ..... 302</p> <p>7912000234 ..... 203</p> <p>7912000236 ..... 201</p> <p>7912000349 ..... 767, 769</p> <p>7913000006 ..... 133, 289, 291, 1023</p> <p>7935000120 ..... 675, 919</p> <p>7935000170 ..... 651, 653, 655, 657, 659</p> <p>7935000171 ..... 659</p> <p>7935000173 ..... 651, 653, 655, 657, 659</p> <p>7935000174 ..... 651, 653, 655, 657, 659</p> <p>7935000182 ..... 675</p> <p>7935000227 ..... 651, 653, 655, 657, 659</p> <p>7935000229 ..... 675</p> <p>7935000248 ..... 675</p> <p>7935000265 ..... 657</p> <p>7935000305 ..... 763, 765, 771, 773</p> <p>7935000306 ..... 767, 769</p> <p>7935000369 ..... 651, 653, 655, 657, 659</p> <p>7935000388 ..... 651, 653, 655, 657, 659</p> <p>7949000008 ... 15, 19, 23, 27, 31, 35, 39, 43, 47, 51, 55, 59</p> <p>7949000011 ..... 569, 573, 577, 581, 585, 587, 589, 595, 599, 601, 609, 611, 617, 619, 623, 625, 631, 637, 641, 643, 647</p> <p>7949000015 ..... 159</p> <p>7949000019 ..... 189</p> <p>7949000023 ..... 123, 223, 225, 801, 803</p> <p>7949000030 ..... 667, 669</p> <p>7949000034 ..... 469, 473, 475</p> <p>7949000054 ..... 569, 573, 577, 581, 585, 587, 589, 595, 599, 601, 609, 611, 617, 619, 623, 625, 631, 637, 641, 643, 647</p> <p>7949000055 ..... 961, 963, 965, 967, 969</p> <p>7949000072 ... 15, 19, 23, 27, 31, 35, 39, 43, 47, 51, 55, 59</p>	<p>7950100143..... 141, 143, 145, 147, 149, 151, 153, 155, 157</p> <p>7950100151..... 691, 693, 695, 697, 699, 785</p> <p>7950140000..... 123, 777</p> <p>7950140003..... 795</p> <p>7950140141..... 569, 573, 577, 581, 585, 587, 589, 595, 599, 601, 609, 611, 617, 619, 623, 625, 631, 637, 641, 643, 647, 677, 679, 777</p> <p>7950140143.... 15, 19, 23, 27, 31, 35, 39, 43, 47, 51, 55, 59, 469, 795, 843</p> <p>7950140153..... 979, 1019</p> <p>7950150000..... 619</p> <p>7950150153..... 207, 213, 215, 223, 225</p> <p>7950150161..... 161, 163, 165, 167, 169, 171, 173, 175, 177, 192, 209, 211, 217, 569, 573, 577, 581, 585, 587, 589, 595, 599, 601, 609, 611, 617, 623, 625, 631, 637, 641, 643, 647, 661, 663, 677, 679, 705, 707, 709, 711, 713, 715, 717, 719, 721, 723, 725, 727, 729, 731, 733, 735, 737, 739, 741, 743, 745, 747, 749, 751, 753, 755, 757, 759, 779, 831, 835, 1017</p> <p>7950160000..... 70, 74, 78, 82, 86, 90, 94, 98, 102, 106, 469</p> <p>7950160153..... 159, 181, 185</p> <p>7950160161..... 425, 569, 573, 577, 581, 585, 587, 589, 595, 599, 601, 609, 611, 617, 619, 623, 625, 631, 637, 641, 643, 647, 985, 987</p> <p>7950160162..... 469</p> <p>7950170000..... 775</p> <p>7950170142..... 192, 195, 197</p> <p>7950180000..... 469, 813, 815</p> <p>7950180141..... 539, 553, 985, 987</p> <p>7950180143..... 499, 505, 511, 667, 669, 677, 679</p> <p>7950180150.. 1023, 1039, 1041</p> <p>7950180153..... 161, 163, 179, 183, 192, 195, 201, 203, 425, 427,</p>	<p>429, 431, 433, 435, 437, 439, 441, 443, 445, 447, 449, 451, 453, 455, 469, 471, 473, 475, 983, 999, 1017</p> <p>7950180161..... 383, 387, 391, 395, 401, 409, 415, 423, 469, 569, 573, 577, 581, 585, 587, 589, 595, 599, 601, 609, 611, 617, 619, 623, 625, 631, 637, 641, 643, 647</p> <p>7950180252..... 813, 815</p> <p>7950180400..... 425, 427, 429, 431, 433, 435, 437, 439, 441, 443, 445, 447, 449</p> <p>7950200000..... 297, 299</p> <p>7950200141 ..... 425</p> <p>7950200152..... 179, 183</p> <p>7950200161 ..... 179, 183</p> <p>7950200242..... 179, 183, 192, 195, 197</p> <p>7950220141 ..... 499, 505, 511, 569, 573, 577, 581, 585, 587, 589, 595, 599, 601, 609, 611, 617, 619, 623, 625, 631, 637, 641, 643, 647, 661, 663</p> <p>7950220161 ..... 425</p> <p>7970000083..... 455, 471</p> <p>7970000121 ..... 427, 429, 431, 457</p> <p>7970000123..... 439, 441, 443, 461</p> <p>7970000140..... 445, 447, 449, 465</p> <p>7970000142..... 433, 435, 437, 459</p> <p>7970000157... 70, 74, 109</p> <p>7970000158.... 78, 82, 86, 90, 113</p> <p>7970000166.. 94, 98, 102, 106, 117</p> <p>7978000020 ..... 869</p> <p>7990000011 ..... 677, 679</p> <p>80963062 ..... 845</p> <p>80963064 ..... 849, 851</p> <p>8220081 ..... 831, 833, 839</p> <p>8220089 ..... 853</p> <p>8220099 ..... 799, 849, 851</p> <p>8220934 ..... 799</p> <p>8220935 ..... 799, 849, 851</p> <p>8220936 ..... 799</p> <p>8405006 ..... 192, 195, 197</p> <p>8411080091 ..... 309</p> <p>8411080102..... 517, 519, 521</p> <p>85941016 ..... 306</p> <p>8597650001 ..... 675</p> <p>8597650002 ..... 787</p> <p>8597650003 ..... 881</p> <p>8632000002 ..... 181, 185</p>	<p>8632000012 ..... 569, 573, 577, 581, 585, 587, 589, 595, 599, 601, 609, 611, 617, 619, 623, 625, 631, 637, 641, 643, 647</p> <p>88671001 ..... 302</p> <p>88671008. 70, 74, 78, 82, 86, 90, 94, 98, 102, 106, 306</p> <p>8977010103 ..... 795</p> <p>900115 ..... 763, 765, 771</p> <p>9007960003 ..... 457, 461</p> <p>9120960025 ..... 109, 113, 117</p> <p>9120960034 ..... 457, 459, 461, 465</p> <p>9120960059 ..... 457, 459, 461, 465</p> <p>9120960061 ..... 457, 459, 461, 465</p> <p>9120960075 ..... 461, 465</p> <p>9120960081 ..... 109, 113, 117</p> <p>9183960002 ..... 109, 113, 117, 459, 466</p> <p>9209960023 ..... 109, 113, 117</p> <p>9309960009 ..... 109</p> <p>9309960020 ..... 461, 465</p> <p>9314960024 ..... 457, 459, 461, 465</p> <p>9443960010 ..... 109, 113, 117</p> <p>9443960021 ..... 465</p> <p>9472960042 ..... 109, 113</p> <p>9472960043 ..... 109, 113, 117</p> <p>9472960068 ..... 461, 465</p> <p>9472960069 ..... 461, 465</p> <p>9472960072 ..... 457, 459</p> <p>9551960018 ..... 109, 113</p> <p>9560960011 ..... 457, 459, 461, 465</p> <p>9560960021 ..... 457, 461</p> <p>9571960010 ..... 461, 465</p> <p>9575960014 ..... 457, 459, 461, 465</p> <p>9577000226 ..... 912</p> <p>9577000227 ..... 912</p> <p>9577930187 ..... 651, 653, 655, 657, 659</p> <p>960006 ..... 763, 765, 771</p> <p>9626960012 ..... 109</p> <p>9626960027 ..... 113, 117</p> <p>9691960001 ..... 109, 113, 117, 457, 462, 466</p> <p>9691960035 ..... 457, 461</p> <p>9701960015 ..... 457, 459, 461, 466</p> <p>9701960016 ..... 109, 113, 117</p> <p>9742960064 ..... 117</p> <p>9754960039 ..... 109, 113, 117</p> <p>9786960006 ..... 109, 113, 117</p>
---	---	--	--

## SECTION 9 - BUILD DOCUMENTS

9786960015.....457, 459, 461, 465	9970418177 ..... 457, 461, 465	BHH35-MD ..... 1025	SRS-10-AFS ..... 1059
9796960047 ..... 110, 113, 117	9970431008 ..... 457	BHM35-MD ..... 1033	SRS-10-CRC ..... 1059
9796960049 ..... 109, 113, 117	9970442184 ..... 457, 459, 461, 465	BSKT-2 ..... 1058	SRS-8 ..... 1059
9796960139 ..... 461, 465	9970442205 ..... 457, 459, 461, 465	BSKT24-2 ..... 1058	SRS-8-CRC ..... 1059
9796960176 ..... 462, 466	9970450006 ..... 457, 459, 461, 465	C3BNORC-TPR ..... 571	SSQF-21 ..... 1059
9796960177 ..... 462, 466	9970456008 ..... 457, 459, 461, 465	C4BHTRC-TPR ..... 583	SSQF-24 ..... 1059
9806960009 ..... 457, 459	9970468011 ..... 457, 459, 461, 466	C4BSTRC-TPR ..... 593	STK ..... 1001
9812960005 ..... 109, 113, 117	9970472013 ..... 457, 459, 462, 466	C5BITRC-TPR ..... 615	STRAP50 ..... 1003
9843930044 ..... 651, 653, 655, 657, 659	9970486009 ..... 457, 459, 462, 466	C5BSTRC-TPR ..... 607	TB178 ..... 1047
9912960035 ..... 109, 113, 117	9970486017 ..... 457, 459, 462, 466	C6BITAGRC-TPR ..... 639	TB200 ..... 1049
9935960142 ..... 109, 113	9970494002 ..... 457, 459, 462, 466	CAR8PTTD ..... 1005	TB256 ..... 1045
9949960016 ..... 109	9970494053 ..... 457, 459, 462, 466	CHB38 ..... 949	TB36-2 ..... 1060
9949960017 ..... 109, 114, 117	9970518014 ..... 457, 459, 462, 466	CHB50 ..... 947	TB36-3 ..... 1060
9949960031 ..... 113, 117	9970518015 ..... 457, 459, 462, 466	CMKSTD-SD ..... 1058	TB36-4 ..... 1060
9949960054 ..... 461, 465	9970960027 ..... 109	DPH-16B ..... 1043	TB48-2 ..... 1060
9970300057 ..... 457, 459, 461, 465	9970960034 ..... 461, 465	DR063W-2 ..... 1058	TB48-3 ..... 1060
9970316083 ..... 457, 459	9970960035 ..... 462, 466	KSD120-AL ..... 1059	TB48-4 ..... 1060
9970330010 ..... 457, 459, 461, 465	9970960036 ..... 461, 465	KSD120-AL-2 ..... 1059	TB60-2 ..... 1060
9970342027 ..... 457, 459, 461, 465	9970960037 ..... 462, 466	KSD120W-AL ..... 1059	TB78-2 ..... 1060
9970400003 ..... 461, 465	9970960038 ..... 461, 465	KSD120W-AL-2 ..... 1059	TBL-2 ..... 1061
9970402002 ..... 457, 459, 461, 465	9970960051 ..... 461, 465	LMT ..... 989	TBL-3 ..... 1061
9970412003 ..... 457, 459, 461, 465	9970960052 ..... 461, 465	LST ..... 1007	TBL-4 ..... 1061
9970412045 ..... 457, 459, 461, 466	9970960060 ..... 457, 459, 461, 465	MBK-HM-2 ..... 1061	TBSA36-2 ..... 1059
9970414045 ..... 457, 459, 461, 465	9970960062 ..... 457, 459	MBK-STD-2 ..... 1060	TBSA36-3 ..... 1059
9970415177 ..... 459	9970960068 ..... 457, 459, 461, 465	MBK-STD-3 ..... 1060	TBSA36-4 ..... 1059
9970418163 ..... 109, 113, 117	A7WCON ..... 915	MBK-STD-4 ..... 1060	TBSA48-2 ..... 1059
		ML-TBTST-2 ..... 1059	TBSA48-4 ..... 1060
		PHH35-MD ..... 1029	TBSA60-2 ..... 1060
		PHM35-MD ..... 1027	TBTST36-2 ..... 1061
		PHS40-MD ..... 1031	TBTST36-3 ..... 1061
		RC-1 ..... 681	TBTST36-4 ..... 1061
		RC-2 ..... 683	TBTST48-2 ..... 1061
		RC-3 ..... 685	TBTST60-2 ..... 1061
		RC-4 ..... 687	TBTST78-2 ..... 1061
		RC-5 ..... 689	W08WAL-SD ..... 427
		RCTH-2 ..... 1059	W08WST-SD ..... 429
		RHS05-MD ..... 1035	W08WTRST-SD ..... 431
		RWC ..... 997	WO10WAL-SD ..... 439
		SP-D5500TOOLB.... 1061	WO10WST-SD ..... 441
		SP-D5500TOOLB-2 1061	WO12W-MD ..... 455
		SRS-10 ..... 1059	



# ***JERR-DAN***<sup>®</sup>

***Corporate Office  
13224 Fountainhead Plaza  
Hagerstown, MD 21742 USA***

***☎ (717) 597-7111 (Corporate)  
☎ (800) 926-9666 (Customer Support)***

***Visit our website  
[www.jerrdan.com](http://www.jerrdan.com)***



**OSHKOSH™**