

JERR-DAN[®]

Illustrated Parts Manual

Model 8.5 TON XLP CARRIER

SN 0220017154 to 02200026736

**P/N
5376000242**

September 1, 2022 - Rev B

JERR-DAN[®]

An Oshkosh Corporation Company

REVISION LOG

August 6, 2021 - A - Original Release (Edited to 1001135693 Revision W - X)

September 1, 2022 - B - Revised Manual (Edited to 1001135693 Revision W - AC)

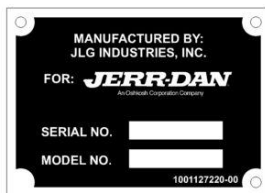
GENERAL INFORMATION

JerrDan, LLC (Jerr-Dan) strives to provide information that is accurate, complete and useful. Descriptions and illustrative material contained within this manual are as accurate as known at the time of publication and are subject to change, without notice, as a result of continuous product improvements. Jerr-Dan reserves the right to amend the information in this document at any time without prior notice.

Information contained in this manual reflects how this vehicle was built at the factory. Modifications or additions by the distributor or owner are not reflected in this manual.

This parts manual does not include service parts information for the commercial chassis (IHC, Ford, GM, etc.). That information is provided by the chassis manufacturer.

When ordering parts, please refer to your unit's Serial Number and Model Number. This information is be found on the aluminum tag riveted to the inside of the driver's side rear compartment of the main body.



Additional or replacement manuals can be ordered by calling Jerr-Dan Parts at 717-597-7111. Price and availability will be quoted at time of the request.

Please report comments and/or errors by contacting Jerr-Dan. Contact numbers are located on rear cover of Manual.

Manufactured under one or more of the following patents: 5,575,606; 5,672,042; 5,697,741; 5,713,714; 5,722,810; 5,782,596; 5,839,775 and 6,315,515 B1 with other Patents Pending.

Jerr-Dan and the Jerr-Dan logo are registered trademarks and Run Hard is a service mark of JerrDan, LLC, Hagerstown, MD USA.

The material in this document is confidential and the property of Jerr-Dan. No part of this document may be photocopied, reproduced or translated to another language without the express written consent of Jerr-Dan.

TABLE OF CONTENTS

SECTION 1 - SUBFRAME	13
FIGURE 1-1. SUBFRAME INSTALLATION - 22/24 FT	14
FIGURE 1-2. SUBFRAME INSTALLATION - 22/24 FT (GALVANIZED)	16
FIGURE 1-3. SUBFRAME INSTALLATION - 26/28/30 FT	20
FIGURE 1-4. SUBFRAME INSTALLATION - 26/28/30 FT (GALVANIZED)	22
FIGURE 1-5. CYLINDER ASSEMBLY - ROLL	24
FIGURE 1-6. CYLINDER ASSEMBLY - TILT (22/24 FT)	26
FIGURE 1-7. CYLINDER ASSEMBLY - TILT (26/28/30 FT)	28
FIGURE 1-8. PAD INSTALLATION - SUBFRAME (22/24 FT)	30
FIGURE 1-9. PAD INSTALLATION - SUBFRAME (26/28/30 FT)	32
FIGURE 1-10. HOLD DOWN INSTALLATION, 26FT DECK	34
FIGURE 1-11. HOLD DOWN INSTALLATION, 28FT DECK	36
FIGURE 1-12. HOLD DOWN INSTALLATION, 30FT DECK	38
FIGURE 1-13. SIDE RECOVERY SYSTEM - 8000 LBS WINCH (SN 0220017154 through 0220026090)	40
FIGURE 1-14. SIDE RECOVERY SYSTEM - 8000 LBS WINCH WITH COMBO REMOTE (SN 0220017154 through 0220026090)	44
FIGURE 1-15. SIDE RECOVERY SYSTEM - 10000 LBS WINCH (SN 0220017154 through 0220026090)	48
FIGURE 1-16. SIDE RECOVERY SYSTEM - 10000 LBS WINCH WITH COMBO REMOTE (SN 0220017154 through 0220026090)	52
FIGURE 1-17. SIDE RECOVERY SYSTEM - 10000 LBS WINCH WITH AIR FREE SPOOL (SN 0220017154 through 0220026090)	56
FIGURE 1-18. SIDE RECOVERY SYSTEM - 10000 LBS WINCH WITH AIR FREE SPOOL & COMBO REMOTE (SN 0220017154 through 0220026090)	60
FIGURE 1-19. SIDE RECOVERY SYSTEM - 10000 LBS WINCH (MANUAL FREE SPOOL / 3 FUNCTION REMOTE) (SN 0220026090 through 0220026736)	64
FIGURE 1-20. SIDE RECOVERY SYSTEM - 10000 LBS WINCH (MANUAL FREE SPOOL / 4 FUNCTION REMOTE)	68
FIGURE 1-21. SIDE RECOVERY SYSTEM - 10000 LBS WINCH (AIR FREE SPOOL / 3 FUNCTION REMOTE)	72
FIGURE 1-22. SIDE RECOVERY SYSTEM - 10000 LBS WINCH (AIR FREE SPOOL / 4 FUNCTION REMOTE)	76
FIGURE 1-23. CYLINDER ASSEMBLY - SIDE RECOVERY SYSTEM	80
FIGURE 1-24. WINCH ASSEMBLY - 8000 LBS (SN 0220017154 through 0220026090)	82
FIGURE 1-25. WINCH ASSEMBLY - 10000 LBS	86
FIGURE 1-26. WINCH ASSEMBLY - 10000 LBS WITH AIR FREE SPOOL	90
FIGURE 1-27. LIGHTBOX AND COVER INSTALLATION	94
FIGURE 1-28. LIGHTBOX AND COVER INSTALLATION - GALVANIZED	96
FIGURE 1-29. REAR BUMPER INSTALLATION - SHORT GALVANIZED	98
FIGURE 1-30. REAR BUMPER INSTALLATION - LONG GALVANIZED	100
FIGURE 1-31. REAR STABILIZER - COMPLETE (WITHOUT TOW HITCH)	102
FIGURE 1-32. REAR STABILIZER - COMPLETE (2 IN TOW HITCH)	104
FIGURE 1-33. REAR STABILIZER - COMPLETE (2.5 IN TOW HITCH)	106
FIGURE 1-34. REAR STABILIZER - COMPLETE WITH MANUAL EXTEND PINTLE MOUNTING - COMPLETE	108
FIGURE 1-35. REAR STABILIZER - COMPLETE WITH HYDRAULIC EXTEND	110
FIGURE 1-36. REAR STABILIZER INSTALLATION (WITHOUT TOW HITCH)	112
FIGURE 1-37. REAR STABILIZER INSTALLATION (2 IN TOW HITCH)	114
FIGURE 1-38. REAR STABILIZER INSTALLATION (2.5 IN TOW HITCH)	116
FIGURE 1-39. REAR STABILIZER INSTALLATION WITH MANUAL EXTEND PINTLE MOUNTING	118
FIGURE 1-40. REAR STABILIZER INSTALLATION WITH HYDRAULIC EXTEND	120
FIGURE 1-41. STABILIZER CYLINDER ASSEMBLY - LIFT (STABILIZER)	122
FIGURE 1-42. CYLINDER ASSEMBLY - EXTENT/RETRACT (HYDRAULIC TOW HITCH)	124
FIGURE 1-43. CHAIN BOX INSTALLATION	126
FIGURE 1-44. TOOLBOX INSTALLATION - 24IN SIDE TUNNEL (SINGLE COMPARTMENT)	128
FIGURE 1-45. TOOLBOX ASSEMBLY - 24IN SIDE TUNNEL (SINGLE COMPARTMENT)	130
FIGURE 1-46. TOOLBOX INSTALLATION - 24IN SIDE TUNNEL (DUAL COMPARTMENT)	132
FIGURE 1-47. TOOLBOX ASSEMBLY - 24IN SIDE TUNNEL (DUAL COMPARTMENT)	134
FIGURE 1-48. TOOLBOX INSTALLATION - 36IN	136
FIGURE 1-49. TOOLBOX INSTALLATION - 36IN NARROW	138
FIGURE 1-50. TOOLBOX INSTALLATION - 36IN UNDERBOX MOUNT	140
FIGURE 1-51. TOOLBOX INSTALLATION - 36IN UNDERBOX MOUNT NARROW	142
FIGURE 1-52. TOOLBOX INSTALLATION - 48IN	144
FIGURE 1-53. TOOLBOX INSTALLATION - 48IN UNDERBOX MOUNT	146
FIGURE 1-54. TOOLBOX INSTALLATION - 60IN	148
FIGURE 1-55. TOOLBOX INSTALLATION - 60IN UNDERBOX MOUNT	150
FIGURE 1-56. TOOLBOX INSTALLATION - 78IN	152
FIGURE 1-57. TOOL BOX SHELF INSTALLATION - 36IN	154
FIGURE 1-58. TOOL BOX SHELF INSTALLATION - 48IN	156
FIGURE 1-59. TOOL BOX SHELF INSTALLATION - 60IN	158

TABLE OF CONTENTS

FIGURE 1-60. TOOL BOX TOP STORAGE TRAY INSTALLATION - 36IN	160
FIGURE 1-61. TOOL BOX TOP STORAGE TRAY INSTALLATION - 48IN	162
FIGURE 1-62. TOOL BOX TOP STORAGE TRAY INSTALLATION - 60IN	164
FIGURE 1-63. TOOL BOX TOP STORAGE TRAY INSTALLATION - 78IN	166
FIGURE 1-64. STORAGE BASKET INSTALLATION	168
FIGURE 1-65. STORAGE BASKET INSTALLATION - DEEP	170
FIGURE 1-66. TOOLBOX DRAWER INSTALLATION - 24IN	172
FIGURE 1-67. MUD FLAPS INSTALLATION - STANDARD	174
FIGURE 1-68. MUD FLAPS INSTALLATION - HIGH	176
FIGURE 1-69. MUD FLAPS INSTALLATION - CUSTOMER INSTALLATION	178
SECTION 2 - WHEEL LIFT	181
FIGURE 2-1. WHEEL LIFT - COMPLETE (3500 LBS - FIXED ARMS)	182
FIGURE 2-2. WHEEL LIFT - COMPLETE (3500 LBS - FIXED ARMS) (GALVANIZED)	184
FIGURE 2-3. WHEEL LIFT - COMPLETE (3500 LBS - T37 PIVOTING ARMS)	186
FIGURE 2-4. WHEEL LIFT - COMPLETE (3500 LBS - T37 PIVOTING ARMS) (GALVANIZED)	188
FIGURE 2-5. WHEEL LIFT - COMPLETE (3500 LBS - AUTO GRIDS HYDRAULIC ARMS)	190
FIGURE 2-6. WHEEL LIFT - COMPLETE (4000 LBS - T37)	192
FIGURE 2-7. WHEEL LIFT - COMPLETE (4000 LBS - T37) GALVANIZED	194
FIGURE 2-8. WHEEL LIFT - COMPLETE (4000 LBS - FIXED)	196
FIGURE 2-9. WHEEL LIFT - COMPLETE (4000 LBS - FIXED) GALVANIZED	198
FIGURE 2-10. WHEEL LIFT BOOM INSTALLATION (3500 LBS)	200
FIGURE 2-11. WHEEL LIFT BOOM INSTALLATION (3500 LBS GALVANIZED)	202
FIGURE 2-12. WHEEL LIFT BOOM INSTALLATION (3500 LBS - AUTO GRIDS HYDRAULIC ARMS)	204
FIGURE 2-13. WHEEL LIFT BOOM INSTALLATION (4000 LBS)	206
FIGURE 2-14. WHEEL LIFT BOOM INSTALLATION (4000LBS GALVANIZED)	208
FIGURE 2-15. WHEEL LIFT BOOM ASSEMBLY (3500 LBS)	210
FIGURE 2-16. WHEEL LIFT BOOM ASSEMBLY (3500 LBS GALVANIZED)	212
FIGURE 2-17. WHEEL LIFT BOOM ASSEMBLY (3500 LBS HYDRAULIC ARMS)	214
FIGURE 2-18. WHEEL LIFT BOOM ASSEMBLY (4000 LBS)	216
FIGURE 2-19. WHEEL LIFT BOOM ASSEMBLY (4000 LBS (GALVANIZED)	218
FIGURE 2-20. CYLINDER ASSEMBLY - EXTEND/RETRACT (WHEEL LIFT BOOM) (WITHOUT AUTO GRIDS)	220
FIGURE 2-21. CYLINDER ASSEMBLY - EXTEND/RETRACT (WHEEL LIFT BOOM) (WITH AUTO GRIDS)	222
FIGURE 2-22. CYLINDER ASSEMBLY - WHEEL LIFT (3500 LBS WHEEL LIFT)	224
FIGURE 2-23. CYLINDER ASSEMBLY - WHEEL LIFT (4000 LBS WHEEL LIFT)	226
FIGURE 2-24. CYLINDER ASSEMBLY - WHEEL LIFT (3500 LBS WHEEL LIFT WITH AUTO GRIDS HYDRAULIC ARMS)	228
FIGURE 2-25. LINK ASSEMBLY (3500/4000 LBS WHEEL LIFT)	230
FIGURE 2-26. LINK ASSEMBLY (3500/4000 LBS WHEEL LIFT) (GALVANIZED)	232
FIGURE 2-27. LINK ASSEMBLY (3500 LBS WHEEL LIFT WITH HYDRAULIC ARMS)	234
FIGURE 2-28. AUTOGRID INSTALLATION	236
FIGURE 2-29. AUTOGRID INSTALLATION	238
FIGURE 2-30. AUTOGRID CYLINDER ASSEMBLY	240
FIGURE 2-31. AUTOGRID ARM INSTALLATION	242
FIGURE 2-32. WHEEL LIFT GRID - COMPLETE (3500 LBS - FIXED) (GALVANIZED)	244
FIGURE 2-33. WHEEL LIFT GRID - COMPLETE (3500 LBS - FIXED) (2.5 IN TOW HITCH)	246
FIGURE 2-34. WHEEL LIFT GRID - COMPLETE (3500 LBS - FIXED) (2 IN TOW HITCH)	248
FIGURE 2-35. WHEEL LIFT GRID - COMPLETE (4000 LBS - FIXED) (2 IN TOW HITCH)	250
FIGURE 2-36. IWHEEL LIFT GRID - COMPLETE (4000 LBS - FIXED) (2.5 IN TOW HITCH)	252
FIGURE 2-37. WHEEL LIFT GRID - COMPLETE (4000 LBS - T37)	254
FIGURE 2-38. WHEEL LIFT GRID - COMPLETE (4000 LBS - T37) (2 IN TOW HITCH)	256
FIGURE 2-39. WHEEL LIFT GRID - COMPLETE(4000 LBS - T37) (2.5 IN TOW HITCH)	258
FIGURE 2-40. WHEEL LIFT GRID - COMPLETE (5000 LBS - MANUAL)	260
FIGURE 2-41. GRID PIVOT TUBE INSTALATION (3500 LBS- FIXED & 4000 LBS T-37)	262
FIGURE 2-42. GRID PIVOT TUBE INSTALATION (3500 LBS/4000 LBS WITH 2 IN TOW HITCH)	264
FIGURE 2-43. GRID PIVOT TUBE INSTALATION (3500 LBS/4000 LBS WITH 2.5 IN TOW HITCH)	266
FIGURE 2-44. GRID L-ARMS INSTALLATION (3500 LBS - FIXED) - GALVANIZED)	268
FIGURE 2-45. GRID L-ARMS INSTALLATION (4000 LBS - FIXED & 5000LBS - MANUAL)	270
FIGURE 2-46. GRID L-ARMS INSTALLATION (4000 LBS - T-37)	272
FIGURE 2-47. GRID ASSEMBLY (LH) (T-37)	274
FIGURE 2-48. GRID ASSEMBLY (RH) (T-37)	276
FIGURE 2-49. CROSSBAR CAM-LOCK INSTALLATION	278
SECTION 3 - DECK	281
FIGURE 3-1. DECK MODEL,INSTALLATION - ALUMINIUM 22FT X 96IN SINGLE WINCH	282
FIGURE 3-2. DECK MODEL,INSTALLATION - ALUMINIUM 22FT X 102IN SINGLE WINCH	284

TABLE OF CONTENTS

FIGURE 3-3. DECK MODEL,INSTALLATION - ALUMINIUM 24FT X 96IN SINGLE WINCH	286
FIGURE 3-4. DECK MODEL,INSTALLATION - ALUMINIUM 24FT X 102IN SINGLE WINCH	288
FIGURE 3-5. DECK MODEL,INSTALLATION - ALUMINIUM 28FT X 96IN SINGLE WINCH	290
FIGURE 3-6. DECK MODEL,INSTALLATION - ALUMINIUM 28FT X 102IN SINGLE WINCH	292
FIGURE 3-7. DECK MODEL,INSTALLATION - ALUMINIUM 28FT X 96IN DUAL WINCH	294
FIGURE 3-8. DECK MODEL,INSTALLATION - ALUMINIUM 28FT X 102IN DUAL WINCH	296
FIGURE 3-9. DECK MODEL,INSTALLATION - ALUMINIUM 30FT X 96IN DUAL WINCH	298
FIGURE 3-10. DECK MODEL,INSTALLATION - ALUMINIUM 30FT X 102IN DUAL WINCH	300
FIGURE 3-11. DECK MODEL,INSTALLATION - STEEL 22FT X 96IN SINGLE WINCH	302
FIGURE 3-12. DECK MODEL,INSTALLATION - STEEL 22FT X 102IN SINGLE WINCH	304
FIGURE 3-13. DECK MODEL,INSTALLATION - STEEL 24FT X 96IN SINGLE WINCH	306
FIGURE 3-14. DECK MODEL,INSTALLATION - STEEL 24FT X 102IN SINGLE WINCH	308
FIGURE 3-15. DECK MODEL,INSTALLATION - STEEL 26FT X 96IN SINGLE WINCH	310
FIGURE 3-16. DECK MODEL,INSTALLATION - STEEL 26FT X 102IN SINGLE WINCH	312
FIGURE 3-17. DECK MODEL,INSTALLATION - STEEL 28FT X 96IN SINGLE WINCH	314
FIGURE 3-18. DECK MODEL,INSTALLATION - STEEL 28FT X 102IN SINGLE WINCH	316
FIGURE 3-19. DECK MODEL,INSTALLATION - STEEL 28FT X 96IN DUAL WINCH	318
FIGURE 3-20. DECK MODEL,INSTALLATION - STEEL 28FT X 102IN DUAL WINCH	320
FIGURE 3-21. DECK MODEL,INSTALLATION - STEEL 30FT X 96IN DUAL WINCH	322
FIGURE 3-22. DECK MODEL,INSTALLATION - STEEL 30FT X 102IN DUAL WINCH	324
FIGURE 3-23. DECK MODEL,INSTALLATION - STEEL 22FT X 96IN TRANSPORTER	326
FIGURE 3-24. DECK MODEL,INSTALLATION - STEEL 22FT X 102IN TRANSPORTER	328
FIGURE 3-25. DECK MODEL,INSTALLATION - STEEL 24FT X 96IN TRANSPORTER	330
FIGURE 3-26. DECK MODEL,INSTALLATION - STEEL 24FT X 102IN TRANSPORTER	332
FIGURE 3-27. WINCH COMPLETE - 8000 LBS (ALUMINUM DECK)	334
FIGURE 3-28. WINCH COMPLETE - 8000 LBS (STEEL DECK)	336
FIGURE 3-29. WINCH COMPLETE - 8000/12000 LBS (DUAL) (STEEL DECK)	338
FIGURE 3-30. WINCH COMPLETE - 10000 LBS (ALUMINUM DECK)	340
FIGURE 3-31. WINCH COMPLETE - 10000 LBS (STEEL DECK)	342
FIGURE 3-32. WINCH COMPLETE - 10000 LBS (TRANSPORTER)	344
FIGURE 3-33. WINCH COMPLETE - 10000 LBS (ALUMINUM DECK) (WITH AIR FREE SPOOL AT CONTROLS)	346
FIGURE 3-34. WINCH COMPLETE - 10000 LBS (STEEL DECK). (WITH AIR FREE SPOOL AT CONTROLS)	348
FIGURE 3-35. WINCH COMPLETE - 10000 LBS (TRANSPORTER). (WITH AIR FREE SPOOL AT CONTROLS)	350
FIGURE 3-36. WINCH COMPLETE - 10000 LBS (SLIDING WITHOUT AIR FREE SPOOL AT CONTROLS)	352
FIGURE 3-37. WINCH COMPLETE - 10000 LBS/ (SINGLE) (SLIDING WITH AIR FREE SPOOL AT CONTROLS)	354
FIGURE 3-38. WINCH COMPLETE - 12000 LBS (STEEL DECK)	356
FIGURE 3-39. WINCH COMPLETE - 12000 LBS (TRANSPORTER)	358
FIGURE 3-40. WINCH INSTALLATION - 8000 LBS (ALUMINUM DECK)	360
FIGURE 3-41. WINCH INSTALLATION - 8000 LBS (STEEL DECK)	362
FIGURE 3-42. WINCH INSTALLATION, - 8000/12000 LBS (DUAL)	364
FIGURE 3-43. WINCH INSTALLATION - 10000 LBS (WORM GEAR) (ALUMINUM DECK)	366
FIGURE 3-44. WINCH INSTALLATION - 10000 LBS (WORM GEAR) (STEEL DECK)	368
FIGURE 3-45. WINCH INSTALLATION - 10000 LBS (WORM GEAR) (TRANSPORTER)	370
FIGURE 3-46. WINCH INSTALLATION - 10000 LBS (WORM GEAR) (ALUMINUM DECK) (WITH AIR FREE SPOOL AT CONTROLS)	372
FIGURE 3-47. WINCH INSTALLATION - 10000 LBS (WORM GEAR) (STEEL DECK) (WITH AIR FREE SPOOL AT CONTROLS)	374
FIGURE 3-48. WINCH INSTALLATION - 10000 LBS (WORM GEAR) (TRANSPORTER) (WITH AIR FREE SPOOL AT CONTROLS)	376
FIGURE 3-49. WINCH INSTALLATION - 10000 LBS (SLIDING PLANETARY) (WITHOUT FREE SPOOL AT CONTROLS)	378
FIGURE 3-50. WINCH INSTALLATION - 10000 LBS (SLIDING PLANETARY) (WITH FREE SPOOL AT CONTROLS)	380
FIGURE 3-51. WINCH INSTALLATION - 12000 LBS	382
FIGURE 3-52. WINCH ASSEMBLY - 8000 LBS	384
FIGURE 3-53. WINCH ASSEMBLY - 10000 LBS	386
FIGURE 3-54. WINCH ASSEMBLY - 10000 LBS WITH FREE SPOOL	390
FIGURE 3-55. WINCH ASSEMBLY - 10000 LBS SLIDING WINCH	394
FIGURE 3-56. WINCH ASSEMBLY - 10000 LBS SLIDING WINCH WITH FREE SPOOL	396
FIGURE 3-57. WINCH ASSEMBLY - 12000 LBS	398
FIGURE 3-58. WINCH COVER PLATE INSTALLATION - DUAL WINCH (ALUMINUM DECK)	400
FIGURE 3-59. WINCH COVER PLATE INSTALLATION - DUAL WINCH (STEEL DECK)	402
FIGURE 3-60. CABLE TENSIONER ASSEMBLY - DUAL WINCH	404
FIGURE 3-61. CABLE GUIDE TENSIONER ASSEMBLY - 8000 LBS DUAL WINCH & 10000 LBS TRANSPORTER	406
FIGURE 3-62. CABLE GUIDE TENSIONER ASSEMBLY - 8000/12000 LBS DUAL WINCH & 12000 LBS TRANSPORTER	408
FIGURE 3-63. WINCH RELEASE INSTALLATION - 8000 LBS DUAL WINCH (ALUMINUM DECK)	410
FIGURE 3-64. WINCH RELEASE INSTALLATION - 8000 LBS DUAL WINCH (STEEL DECK)	412
FIGURE 3-65. SLIDING WINCH HANDLE, ACCESSORY	414
FIGURE 3-66. FREE SPOOL INSTALLATION - 8000/10000 LBS WORM GEAR AIR	416

TABLE OF CONTENTS

FIGURE 3-67. FREE SPOOL INSTALLATION - 8000/10000 LBS SINGLE FREE SPOOL	418
FIGURE 3-68. FREE SPOOL INSTALLATION - 8000/10000 LBS SINGLE FREE SPOOL (ALUMINUM DECK)	420
FIGURE 3-69. FREE SPOOL INSTALLATION - 8000/10000 LBS SINGLE FREE SPOOL WITH DELUXE HEADBOARD	422
FIGURE 3-70. FREE SPOOL INSTALLATION - 8000/10000 LBS DUAL FREE SPOOL	424
FIGURE 3-71. FREE SPOOL INSTALLATION - 8000/10000 LBS DUAL FREE SPOOL (ALUMINUM DECK)	426
FIGURE 3-72. FREE SPOOL INSTALLATION - 8000/10000 LBS DUAL FREE SPOOL WITH DELUXE HEADBOARD	428
FIGURE 3-73. FREE SPOOL INSTALLATION - 12000 LBS MANUAL WORM GEAR MANUL WITH BOLT-ON HEADBOARD	430
FIGURE 3-74. FREE SPOOL INSTALLATION - 12000 LBS MANUAL WORM GEAR MANUL WITH STATIONARY HEADBOARD	432
FIGURE 3-75. HEADBOARD INSTALLATION - BOLT-ON ADJUSTABLE 45.5IN - 65.5IN	434
FIGURE 3-76. HEADBOARD INSTALLATION - BOLT-ON ADJUSTABLE 45.5 - 65.5IN SPECIAL PAINT	436
FIGURE 3-77. HEADBOARD INSTALLATION - BOLT-ON DELUXE 45.5IN	438
FIGURE 3-78. HEADBOARD INSTALLATION - BOLT-ON DELUXE 50.5IN	440
FIGURE 3-79. HEADBOARD INSTALLATION - BOLT-ON DELUXE 57.5IN	442
FIGURE 3-80. HEADBOARD INSTALLATION - BOLT-ON BUCKET REST	444
FIGURE 3-81. HEADBOARD INSTALLATION - BOLT-ON BUCKET REST 54.75IN	446
FIGURE 3-82. HEADBOARD INSTALLATION - BOLT-ON BUCKET REST 61.5IN	448
FIGURE 3-83. HEADBOARD INSTALLATION - BOLT-ON BUCKET REST 72.5IN	450
FIGURE 3-84. HEADBOARD INSTALLATION - STATIONARY ADJUSTABLE 45.5IN - 65.5IN	452
FIGURE 3-85. HEADBOARD INSTALLATION - STATIONARY ADJUSTABLE 45.5 - 65.5IN SPECIAL PAINT	454
FIGURE 3-86. HEADBOARD INSTALLATION - STATIONARY DELUXE 45.5IN	456
FIGURE 3-87. HEADBOARD INSTALLATION - STATIONARY DELUXE 50.5IN	458
FIGURE 3-88. HEADBOARD INSTALLATION - STATIONARY DELUXE 57.5IN	460
FIGURE 3-89. HEADBOARD BASE INSTALLATION	462
FIGURE 3-90. HEADBOARD SPACER INSTALLATION, BOLT ON	464
FIGURE 3-91. RAISED RAILS INSTALLATION - 5IN HIGH REMOVEABLE BLADE (ALUMINUM 22FT)	466
FIGURE 3-92. RAISED RAILS INSTALLATION - 5IN HIGH REMOVEABLE BLADE (ALUMINUM 24FT)	468
FIGURE 3-93. RAISED RAILS INSTALLATION - 5IN HIGH REMOVEABLE BLADE (ALUMINUM 26FT)	470
FIGURE 3-94. RAISED RAILS INSTALLATION - 5IN HIGH REMOVEABLE BLADE (ALUMINUM 28FT)	472
FIGURE 3-95. RAISED RAILS INSTALLATION - 5IN HIGH REMOVEABLE BLADE (ALUMINUM 30FT)	474
FIGURE 3-96. RAISED RAILS INSTALLATION - 5IN HIGH REMOVEABLE TUBE RAIL (STEEL 22FT)	476
FIGURE 3-97. RAISED RAILS INSTALLATION - 5IN HIGH REMOVEABLE TUBE RAIL (STEEL 24FT)	478
FIGURE 3-98. RAISED RAILS INSTALLATION - 5IN HIGH REMOVEABLE TUBE RAIL (STEEL 26FT)	480
FIGURE 3-99. RAISED RAILS INSTALLATION - 5IN HIGH REMOVEABLE TUBE RAIL (STEEL 28FT)	482
FIGURE 3-100. RAISED RAILS INSTALLATION - 5IN HIGH REMOVEABLE TUBE RAIL (STEEL 30FT)	484
FIGURE 3-101. RAISED RAILS INSTALLATION - 6IN HIGH PERMANENT TUBE RAIL (STEEL 22FT)	486
FIGURE 3-102. RAISED RAILS INSTALLATION - 6IN HIGH PERMANENT TUBE RAIL (STEEL 24FT)	488
FIGURE 3-103. RAISED RAILS INSTALLATION - 6IN HIGH PERMANENT TUBE RAIL (STEEL 30FT)	490
FIGURE 3-104. D-RINGS INSTALLATION - 5/8IN BOLT-ON - 1 PAIR (ALUMINUM DECK)	492
FIGURE 3-105. D-RINGS INSTALLATION - 5/8IN BOLT-ON - 1 PAIR (ALUMINUM DECK AT WINCH)	494
FIGURE 3-106. D-RINGS INSTALLATION - 5/8IN BOLT-ON - 1 PAIR (STEEL DECK)	496
FIGURE 3-107. D-RINGS INSTALLATION - 5/8IN BOLT-ON - 1 PAIR (STEEL DECK AT WINCH)	498
FIGURE 3-108. D-RINGS INSTALLATION - 5/8IN BOLT-ON - 2 PAIR (ALUMINUM DECK)	500
FIGURE 3-109. D-RINGS INSTALLATION - 5/8IN BOLT-ON - 2 PAIR (STEEL DECK)	502
FIGURE 3-110. D-RINGS INSTALLATION - 5/8IN BOLT-ON - 3 PAIR (ALUMINUM DECK)	504
FIGURE 3-111. D-RINGS INSTALLATION - 5/8IN BOLT-ON - 3 PAIR (STEEL DECK)	506
FIGURE 3-112. D-RINGS INSTALLATION - 5/8IN BOLT-ON - 4 PAIR (ALUMINUM DECK)	508
FIGURE 3-113. D-RINGS INSTALLATION - 5/8IN BOLT-ON - 4 PAIR (STEEL DECK)	510
FIGURE 3-114. DECK ROLLERS INSTALLATION (DECK APPROACH TIP)	512
FIGURE 3-115. DECK ROLLER ASSEMBLY	514
FIGURE 3-116. ANTI-SLIP PAINT INSTALLATION (STEEL DECK SIDES)	516
FIGURE 3-117. ANTI-SLIP PAINT INSTALLATION (DECK APPROACH END)	518
SECTION 4 - CONTROLS	521
FIGURE 4-1. 3 BANK VALVE CONTROLS INSTALLATION - NO/MANUAL TOW	522
FIGURE 4-2. 3 BANK VALVE CONTROLS INSTALLATION - NO/MANUAL TOW / REMOTE CONTROL	524
FIGURE 4-3. 4 BANK VALVE CONTROLS INSTALLATION - NO/MANUAL TOW / STABILIZERS	526
FIGURE 4-4. 4 BANK VALVE CONTROLS INSTALLATION - NO/MANUAL TOW / STABILIZERS / REMOTE CONTROL	528
FIGURE 4-5. 4 BANK VALVE CONTROLS INSTALLATION - HYDRAULIC TOW	530
FIGURE 4-6. 4 BANK VALVE CONTROLS INSTALLATION - HYDRAULIC TOW / REMOTE CONTROL	532
FIGURE 4-7. 4 BANK VALVE CONTROLS INSTALLATION - HYDRAULIC TOW / MOTOR SPOOL WINCH	534
FIGURE 4-8. 4 BANK VALVE CONTROLS INSTALLATION - HYDRAULIC TOW / MOTOR SPOOL WINCH / RADIO REMOTE	536
FIGURE 4-9. 5 BANK VALVE CONTROLS INSTALLATION - HYDRAULIC TOW / STABILIZER	538
FIGURE 4-10. 5 BANK VALVE CONTROLS INSTALLATION - HYDRAULIC TOW / STABILIZER / REMOTE CONTROL	540
FIGURE 4-11. 5 BANK VALVE CONTROLS INSTALLATION - HYDRAULIC TOW / IRL	542

TABLE OF CONTENTS

FIGURE 4-12. 5 BANK VALVE CONTROLS INSTALLATION - HYDRAULIC TOW / IRL / REMOTE CONTROL	544
FIGURE 4-13. 5 BANK VALVE CONTROLS INSTALLATION - HYDRAULIC TOW / IRL / MOTOR SPOOL WINCH	546
FIGURE 4-14. 5 BANK VALVE CONTROLS INSTALLATION - HYDRAULIC TOW / IRL / MOTOR SPOOL WINCH / REMOTE CONTROL	548
FIGURE 4-15. 6 BANK VALVE CONTROLS INSTALLATION - HYDRAULIC TOW / IRL / ZO6	550
FIGURE 4-16. 6 BANK VALVE CONTROLS INSTALLATION - HYDRAULIC TOW / IRL / ZOD / RADIO REMOTE	552
FIGURE 4-17. 6 BANK VALVE CONTROLS INSTALLATION - HYDRAULIC TOW / IRL / DUAL WINCH	554
FIGURE 4-18. 6 BANK VALVE CONTROLS INSTALLATION - HYDRAULIC TOW / IRL / DUAL WINCH / RADIO REMOTE	556
FIGURE 4-19. 6 BANK VALVE CONTROLS INSTALLATION - HYDRAULIC TOW / IRL / BUMPER WINCH MOTOR SPOOL PREP	558
FIGURE 4-20. VALVE ASSEMBLY - 3 BANK	560
FIGURE 4-21. VALVE ASSEMBLY - 5 BANK (USED FOR 4 BANK REQUIREMENTS ALSO)	562
FIGURE 4-22. VALVE ASSEMBLY - 5 BANK WITH MOTOR SPOOL WINCH (USED FOR 4 BANK REQUIREMENTS ALSO)	564
FIGURE 4-23. VALVE ASSEMBLY - 6 BANK	566
FIGURE 4-24. VALVE ASSEMBLY - 6 BANK WITH BUMPER WINCH MOTOR CONTROLS	568
FIGURE 4-25. VALVE ASSEMBLY - 8 BANK (USED FOR 6 BANK REQUIREMENTS WITH DUAL WINCH)	570
FIGURE 4-26. LINEAR ACTUATOR MOUNT KIT (3, 4, AND 5 BANK)	572
FIGURE 4-27. LINEAR ACTUATOR MOUNT KIT (6 BANK)	574
FIGURE 4-28. LINEAR ACTUATOR INSTALLATION (WITH REMOTE CONTROL)	576
FIGURE 4-29. REMOTE CONTROL INSTALLATION - ONE FUNCTION	578
FIGURE 4-30. REMOTE CONTROL INSTALLATION - TWO FUNCTION	580
FIGURE 4-31. REMOTE CONTROL INSTALLATION - THREE FUNCTION	582
FIGURE 4-32. REMOTE CONTROL INSTALLATION - FOUR FUNCTION	584
FIGURE 4-33. REMOTE CONTROL INSTALLATION - FIVE FUNCTION	586
FIGURE 4-34. REMOTE CONTROL INSTALLATION - TRANSMITTER HOLDER	588
FIGURE 4-35. MIRATRON WIRELESS INSTALLATION - ONE FUNCTION	590
FIGURE 4-36. MIRATRON WIRELESS INSTALLATION - TWO FUNCTION	592
FIGURE 4-37. MIRATRON WIRELESS INSTALLATION - THREE FUNCTION	594
FIGURE 4-38. MIRATRON WIRELESS INSTALLATION - FOUR FUNCTION	596
FIGURE 4-39. MIRATRON WIRELESS INSTALLATION - FIVE FUNCTION	598
SECTION 5 - HYDRAULIC	601
FIGURE 5-1. HOSE INSTALLATION - 138IN CA STD CAB (GENERIC)	602
FIGURE 5-2. HOSE INSTALLATION - 138IN CA STD CAB (INTERNATIONAL)	604
FIGURE 5-3. HOSE INSTALLATION - 138IN CA STD CAB	606
FIGURE 5-4. HOSE INSTALLATION - 144IN CA STD CAB (INTERNATIONAL)	608
FIGURE 5-5. HOSE INSTALLATION - 144IN CA STD CAB (HINO)	610
FIGURE 5-6. HOSE INSTALLATION - 150IN CA (GENERIC)	612
FIGURE 5-7. HOSE INSTALLATION - 150IN CA STD CAB (INTERNATIONAL)	614
FIGURE 5-8. HOSE INSTALLATION - 150IN CA EXT CAB (INTERNATIONAL)	616
FIGURE 5-9. HOSE INSTALLATION - 150IN CA STD CAB (FREIGHTLINER)	618
FIGURE 5-10. HOSE INSTALLATION - 150IN CA STD CAB (FORD)	620
FIGURE 5-11. HOSE INSTALLATION - 150IN CA CREW CAB (FORD)	622
FIGURE 5-12. HOSE INSTALLATION - 150IN CA STD CAB (PETERBILT)	624
FIGURE 5-13. HOSE INSTALLATION - 156IN CA (GENERIC)	626
FIGURE 5-14. HOSE INSTALLATION - 160IN CA (GENERIC)	628
FIGURE 5-15. HOSE INSTALLATION - 162IN CA STD CAB (PETERBILT)	630
FIGURE 5-16. HOSE INSTALLATION - 168IN CA (GENERIC)	632
FIGURE 5-17. HOSE INSTALLATION - 168IN CA STD CAB (FORD)	634
FIGURE 5-18. HOSE INSTALLATION - 192IN CA (GENERIC)	636
FIGURE 5-19. HOSE INSTALLATION - 196IN CT STD CAB (INTERNATIONAL)	638
FIGURE 5-20. HOSE INSTALLATION - 196IN CT STD CAB (FREIGHTLINER)	640
FIGURE 5-21. HOSE INSTALLATION - 218IN CA (GENERIC)	642
FIGURE 5-22. HOSE INSTALLATION - 242IN CA (GENERIC)	644
FIGURE 5-23. HOSE INSTALLATION - HITCH	646
FIGURE 5-24. HOSE INSTALLATION - SIDE RECOVERY	648
FIGURE 5-25. HOSE INSTALLATION - STABILIZER (REAR DECK)	650
FIGURE 5-26. HOSE INSTALLATION - STABILIZER (REAR DECK WITH HYDRAULIC EXTEND)	652
FIGURE 5-27. HOSE INSTALLATION - WHEEL LIFT (3500LBS)	654
FIGURE 5-28. HOSE INSTALLATION - WHEEL LIFT (3500LBS) (HYDRAULIC L-ARMS)	656
FIGURE 5-29. HOSE INSTALLATION - WHEEL LIFT (4000LBS)	658
FIGURE 5-30. HOSE INSTALLATION - WINCH (22FT DECK)	660
FIGURE 5-31. HOSE INSTALLATION - WINCH (24FT DECK)	662
FIGURE 5-32. HOSE INSTALLATION - WINCH (26FT DECK)	664
FIGURE 5-33. HOSE INSTALLATION - WINCH (28FT DECK)	666
FIGURE 5-34. HOSE INSTALLATION - WINCH (SLIDING)	668

TABLE OF CONTENTS

FIGURE 5-35. HOSE INSTALLATION - WINCH (SLIDING FREE SPOOL)	670
FIGURE 5-36. HOSE INSTALLATION - WINCH (DUAL WINCH) (28FT DECK)	672
FIGURE 5-37. HOSE INSTALLATION - WINCH (DUAL WINCH) (30FT DECK)	674
FIGURE 5-38. FILTER (HYDRAULIC) COVER PLATE INSTALLATION	676
FIGURE 5-39. PUMP FITTINGS INSTALLATION	678
FIGURE 5-40. TANK (HYDRAULIC) AND BRACKET MOUNT INSTALLATION (STANDARD)	680
FIGURE 5-41. TANK (HYDRAULIC) ASSEMBLY (STANDARD)	682
SECTION 6 - ELECTRICAL	685
FIGURE 6-1. BREAKER INSTALLATION	686
FIGURE 6-2. CAMERA INSTALLATION - BACKUP (J-D SUPPLIED)	688
FIGURE 6-3. CAMERA INSTALLATION - BACKUP (OEM CHASSIS SUPPLIED)	690
FIGURE 6-4. CAMERA INSTALLATION - BACKUP (REAR VIEW MIRROR)	692
FIGURE 6-5. CAMERA INSTALLATION - CARGO CAMERA, (WIRELESS HEADBOARD MOUNTED)	694
FIGURE 6-6. CAMERA HARNESS	696
FIGURE 6-7. LIGHTS - BUCKET REST HDB LIGHT BAR MOUNT	698
FIGURE 6-8. LIGHTS - DECK FLASHER REAR ILLUMINATION, 12 VOLT	700
FIGURE 6-9. LIGHTS - HEADBOARD LIGHTS INSTALLATION - BOLT-ON HEADBOARD (19-21FT) (SN 0220017154 through 0220022646)	702
FIGURE 6-10. LIGHTS - HEADBOARD LIGHTS INSTALLATION - BOLT-ON HEADBOARD (19-21FT) (SN 020022646 through 0220026736)	704
FIGURE 6-11. LIGHTS - HEADBOARD LIGHTS INSTALLATION - BOLT-ON HEADBOARD (24-30FT) (SN 0220017154 through 0220022646)	706
FIGURE 6-12. LIGHTS - HEADBOARD LIGHTS INSTALLATION - BOLT-ON HEADBOARD (24-30FT) (SN 020022646 through 0220026736)	708
FIGURE 6-13. LIGHTS - HEADBOARD LIGHTS INSTALLATION - STATIONARY HEADBOARD (22-24FT) (SN 0220017154 through 0220022646)	710
FIGURE 6-14. LIGHTS - HEADBOARD LIGHTS INSTALLATION - STATIONARY HEADBOARD (22-24FT) (SN 0220022646 through 0220026736)	712
FIGURE 6-15. LIGHTS - HEADBOARD LIGHTS INSTALLATION - STATIONARY HEADBOARD (26-30FT) (SN 0220017154 through 0220022646)	714
FIGURE 6-16. LIGHTS - HEADBOARD LIGHTS INSTALLATION - STATIONARY HEADBOARD (26-30FT) (SN 0220022646 through 0220026736)	716
FIGURE 6-17. LIGHTS - HEADBOARD WORK LIGHTS, LED, 10V-30V	718
FIGURE 6-18. LIGHTS - HEADBOARD WORK LIGHTS, SRS, LED, 10V-30V	720
FIGURE 6-19. LIGHTS - HEADBOARD WORK LIGHTS/ BUCKET REST HDB, LED, 10V-30V	722
FIGURE 6-20. LIGHTS - LIGHTBAR INSTALLATION - AMBER (CODE 3) (STD MOUNT) (SN 0220017154 through 0220022646)	724
FIGURE 6-21. LIGHTS - LIGHTBAR INSTALLATION - AMBER (CODE 3 PRIZM) (STD MOUNT) (SN 0220017154 through 0220022646)	726
FIGURE 6-22. LIGHTS - LIGHTBAR INSTALLATION - AMBER (CODE 3) (HIGH MOUNT) (SN 0220017154 through 0220022646)	728
FIGURE 6-23. LIGHTS - LIGHTBAR INSTALLATION - AMBER (CODE 3 PRIZM) (HIGH MOUNT) (SN 0220017154 through 0220022646)	730
FIGURE 6-24. LIGHTS - LIGHTBAR INSTALLATION - AMBER (ECCO) (STD MOUNT)	732
FIGURE 6-25. LIGHTS - LIGHTBAR INSTALLATION - AMBER (ECCO) (HIGH MOUNT)	734
FIGURE 6-26. LIGHTS - LIGHTBAR INSTALLATION - AMBER (WHELEN) (STD MOUNT)	736
FIGURE 6-27. LIGHTS - LIGHTBAR INSTALLATION - AMBER (WHELEN) (HIGH MOUNT)	738
FIGURE 6-28. LIGHTS - LIGHTBAR INSTALLATION - RED (CODE 3) (STD MOUNT) (SN 0220017154 through 0220022646)	740
FIGURE 6-29. LIGHTS - LIGHTBAR ASSEMBLY - AMBER (CODE 3 STD BRAND)	742
FIGURE 6-30. LIGHTS - LIGHTBAR ASSEMBLY - AMBER (CODE 3 PRIZM BRAND)	744
FIGURE 6-31. LIGHTS - LIGHTBAR ASSEMBLY - AMBER (ECCO)	746
FIGURE 6-32. LIGHTS - LIGHTBAR ASSEMBLY - AMBER (WHELEN)	748
FIGURE 6-33. LIGHTS - LIGHTBAR ASSEMBLY - RED (CODE 3 BRAND)	752
FIGURE 6-34. LIGHTS - MARKER LIGHT, TOOL BOX TOP STORAGE TRAY	754
FIGURE 6-35. LIGHTS - MARKER LIGHTS, CARRIER DECK	756
FIGURE 6-36. LIGHTS - MARKER LIGHTS, CARRIER DECK, 24V	758
FIGURE 6-37. LIGHTS - REAR WORK LIGHTS, LED, 10V-30V	760
FIGURE 6-38. LIGHTS - TAILLIGHT CONVERSION KIT (SPLIT STOP/TURN)	762
FIGURE 6-39. LIGHTS - TAILLIGHT HARNESS	764
FIGURE 6-40. LIGHTS - TOOLBOX LIGHT	766
FIGURE 6-41. LIGHTS - TOOLBOX LIGHT BRACKET ASSEMBLY	768
FIGURE 6-42. LIGHTS - WORK LIGHTS AT WINCH, LED, 10V-30V	770
FIGURE 6-43. LIGHTS - 24 VOLT CONVERSION	772
FIGURE 6-44. SIDE RECOVERY SYSTEM (SRS) HARNESS (WITH REMOTE CONTROL)	774

TABLE OF CONTENTS

FIGURE 6-45. SIDE RECOVERY SYSTEM HARNESS (WITHOUT REMOTE CONTROL).....	776
FIGURE 6-46. SWITCH PANEL INSTALLATION - 3 FUNCTION IN-DASH COMPACT (SN 0220017154 through 0220022646).....	778
FIGURE 6-47. SWITCH PANEL INSTALLATION - 3 FUNCTION IN-DASH COMPACT (SN 0220022646 through 0220026736).....	780
FIGURE 6-48. SWITCH PANEL INSTALLATION - 3 FUNCTION IN-DASH MINI (SN 0220017154 through 0220022646).....	782
FIGURE 6-49. SWITCH PANEL INSTALLATION - 3 FUNCTION IN-DASH MINI (SN 0220022646 through 0220026736).....	784
FIGURE 6-50. SWITCH PANEL INSTALLATION - 3 FUNCTION UNDER-DASH COMPACT (SN 0220017154 through 0220022646).....	786
FIGURE 6-51. SWITCH PANEL INSTALLATION - 3 FUNCTION UNDER-DASH COMPACT (SN 0220022646 through 0220026736).....	788
FIGURE 6-52. SWITCH PANEL INSTALLATION - 4 FUNCTION IN-DASH SWITCH PANEL, FORD F650/750 OEM 2011+ (SN 0220017154 through 0220022646).....	790
FIGURE 6-53. SWITCH PANEL INSTALLATION - 4 FUNCTION IN-DASH SWITCH PANEL, FORD F650/750 OEM 2011+ (SN 0220022646 through 0220026736).....	792
FIGURE 6-54. SWITCH PANEL INSTALLATION - 5 FUNCTION IN-DASH COMPACT (SN 0220017154 through 0220022646).....	794
FIGURE 6-55. SWITCH PANEL INSTALLATION - 5 FUNCTION IN-DASH COMPACT (SN 0220022646 through 0220026736).....	796
FIGURE 6-56. SWITCH PANEL INSTALLATION - 5 FUNCTION IN-DASH SWITCH PANEL, IHC WITHOUT OEM (SN 0220017154 through 0220022646).....	798
FIGURE 6-57. SWITCH PANEL INSTALLATION - 5 FUNCTION IN-DASH SWITCH PANEL, IHC WITHOUT OEM (SN 0220022646 through 0220026736).....	800
FIGURE 6-58. SWITCH PANEL INSTALLATION - 5 FUNCTION IN-DASH SWITCH PANEL, PETERBILT (SN 0220017154 through 0220022646).....	802
FIGURE 6-59. SWITCH PANEL INSTALLATION - 5 FUNCTION IN-DASH SWITCH PANEL, PETERBILT (SN 0220022646 through 0220026736).....	804
FIGURE 6-60. SWITCH PANEL INSTALLATION - 5 FUNCTION UNDER-DASH COMPACT (SN 0220017154 through 0220022646).....	806
FIGURE 6-61. SWITCH PANEL INSTALLATION - 5 FUNCTION UNDER-DASH COMPACT (SN 0220022646 through 0220026736).....	808
FIGURE 6-62. SWITCH PANEL INSTALLATION - 6 FUNCTION IN-DASH SWITCH PANEL, IHC OEM (SN 0220017154 through 0220022646).....	810
FIGURE 6-63. SWITCH PANEL INSTALLATION - 6 FUNCTION IN-DASH SWITCH PANEL, IHC OEM (SN 0220022646 through 0220026736).....	812
FIGURE 6-64. SWITCH PANEL ASSEMBLY - 3 FUNCTION IN-DASH COMPACT (SN 0220017154 through 0220022646).....	814
FIGURE 6-65. SWITCH PANEL ASSEMBLY - 3 FUNCTION IN-DASH COMPACT (SN 0220022646 through 0220026736).....	816
FIGURE 6-66. SWITCH PANEL ASSEMBLY - 3 FUNCTION IN-DASH MINI (SN 0220022646 through 0220026736).....	818
FIGURE 6-67. SWITCH PANEL ASSEMBLY - 3 FUNCTION UNDER-DASH COMPACT (SN 0220017154 through 0220022646).....	820
FIGURE 6-68. SWITCH PANEL ASSEMBLY - 3 FUNCTION UNDER-DASH COMPACT (SN 0220022646 through 0220026736).....	822
FIGURE 6-69. SWITCH PANEL ASSEMBLY - 5 FUNCTION IN-DASH (SN 0220017154 through 0220022646).....	824
FIGURE 6-70. SWITCH PANEL ASSEMBLY - 5 FUNCTION IN-DASH (SN 0220022646 through 0220026736).....	826
FIGURE 6-71. SWITCH PANEL ASSEMBLY - 5 FUNCTION UNDER-DASH COMPACT (SN 0220017154 through 0220022646).....	828
FIGURE 6-72. SWITCH PANEL ASSEMBLY - 5 FUNCTION UNDER-DASH COMPACT (SN 0220022646 through 0220026736).....	830
FIGURE 6-73. SUBFRAME HARNESS.....	832
FIGURE 6-74. SUBFRAME TO CAB HARNESS (WITH BOLT-ON HEADBOARD) (22-24FT DECK).....	834
FIGURE 6-75. SUBFRAME TO CAB HARNESS (WITH BOLT-ON HEADBOARD) (26-30FT DECK).....	836
FIGURE 6-76. SUBFRAME TO CAB HARNESS (WITH STATIONARY HEADBOARD).....	838
FIGURE 6-77. SUBFRAME TO DECK HARNESS (WITH BOLT-ON HEADBOARD) (22-24FT DECK).....	840
FIGURE 6-78. SUBFRAME TO DECK HARNESS (WITH BOLT-ON HEADBOARD) (26-30FT DECK).....	842
FIGURE 6-79. SUBFRAME TO DECK HARNESS (WITH STATIONARY HEADBOARD) (SN 0220017154 through 0220022646).....	844
FIGURE 6-80. SUBFRAME TO DECK HARNESS (WITH STATIONARY HEADBOARD) (SN 0220022646 through 0220026736).....	846
FIGURE 6-81. SUBFRAME TO WINCH HARNESS (WITH BOLT-ON HEADBOARD) (22-24FT DECK).....	848
FIGURE 6-82. SUBFRAME TO WINCH HARNESS (WITH STATIONARY HEADBOARD) (22-24FT DECK).....	850
FIGURE 6-83. SUBFRAME TO WINCH HARNESS (WITH STATIONARY HEADBOARD) (26-30FT DECK).....	852
SECTION 7 - DECALS.....	855
FIGURE 7-1. DECAL INSTALLATION - CARRIER.....	856
FIGURE 7-2. DECAL INSTALLATION - HIGH VISIBILITY.....	860
FIGURE 7-3. DECALS INSTALLATION - SIDE RECOVERY SYSTEM.....	862

TABLE OF CONTENTS

SECTION 8 - ACCESSORIES	865
FIGURE 8-1. KITS LIST	866
FIGURE 8-2. 7-WAY ELECTRICAL CONNECTOR INSTALLATION	868
FIGURE 8-3. 7-WAY ELECTRICAL CONNECTOR	870
FIGURE 8-4. AIR COMPRESSOR/HOSE REEL (INSIDE TOOLBOX)	872
FIGURE 8-5. AIR SUPPLY DISCONNECT	874
FIGURE 8-6. BUMPER INSTALLATION - FL M2 2008+	876
FIGURE 8-7. BUMPER INSTALLATION - FORD 2011 F650/F750	878
FIGURE 8-8. BUMPER INSTALLATION - HINO 2005+ (WITHOUT GUARD)	880
FIGURE 8-9. BUMPER INSTALLATION - IHC 2011	882
FIGURE 8-10. CHAIN BINDER, 3/8IN CHAIN	884
FIGURE 8-11. CHAIN BINDER, 1/2IN CHAIN	886
FIGURE 8-12. CHAIN RACKS ADJUSTABLE/FIXED HEIGHT HEADBOARD INSTALLATION	888
FIGURE 8-13. CHAIN RACKS ADJUSTABLE/FIXED HEIGHT HEADBOARD INSTALLATION	890
FIGURE 8-14. CHAIN RACKS, DELUXE HEADBOARD INSTALLATION	892
FIGURE 8-15. CHAIN RACKS, DELUXE HEADBOARD INSTALLATION	894
FIGURE 8-16. FIRE EXTINGUISHER	896
FIGURE 8-17. FUEL CAN HOLDER INSTALLATION, HEADBOARD	898
FIGURE 8-18. FUEL CAN HOLDER INSTALLATION, DELUXE HEADBOARD	900
FIGURE 8-19. FUEL CAN HOLDER & CHAIN RACK INSTALLATION, HEADBOARD	902
FIGURE 8-20. FUEL CAN HOLDER & LOCKING CHAIN RACK INSTALLATION, HEADBOARD	904
FIGURE 8-21. FUEL CAN HOLDER & PROPANE TANK HOLDER, ADJUSTABLE HEADBOARD	906
FIGURE 8-22. GLAD HANDS INSTALLATION (WITHOUT MOUNTING BRACKET)	908
FIGURE 8-23. GLAD HANDS INSTALLATION (WITH MOUNTING BRACKET)	910
FIGURE 8-24. GLAD HAND BRACKET INSTALLATION	912
FIGURE 8-25. GRAB HANDLES ADJUSTABLE HEADBOARD INSTALLATION	914
FIGURE 8-26. LADDER, FOLDING 3-STEP, FRONT LEFT INSTALLATION	916
FIGURE 8-27. LADDER, FOLDING 3-STEP, FRONT LEFT/RIGHT INSTALLATION	918
FIGURE 8-28. NO EMERGENCY LIGHTBAR INSTALLATION	920
FIGURE 8-29. PROPANE TANK HOLDERS ADJUSTABLE HEADBOARD INSTALLATION	922
FIGURE 8-30. PROPANE TANK HOLDERS, BOLT-ON HEADBOARD INSTALLATION	924
FIGURE 8-31. SADDLE SPACERS INSTALLATION	926
FIGURE 8-32. SAFETY TRIANGLE KIT	928
FIGURE 8-33. SCALES - ON BOARD TRUCK SCALES, AIR WEIGHT, VENDOR INSTALLED	930
FIGURE 8-34. SCALES - ON BOARD TRUCK SCALES, RIGHT WEIGHT, VENDOR INSTALLED	932
FIGURE 8-35. STRAP EXTENSION, 50FT (NYLON)	934
FIGURE 8-36. STRAP TIE DOWN KIT - CARRIER 8 POINT TIRE	936
FIGURE 8-37. STRAP/RATCHET STRAP KIT (TIE DOWN)	938
FIGURE 8-38. TOOLBOX TRAY CARGO NET INSTALLATION	940
FIGURE 8-39. TOW BALL - 1.88IN DIA BALL	942
FIGURE 8-40. TOW BALL - 2IN DIA BALL	944
FIGURE 8-41. TOW BALL - 2.31IN DIA BALL	946
FIGURE 8-42. TOW BALL - SS CONVERT-A-BALL KIT	948
FIGURE 8-43. TOW PINTLE - DUPLEX PINTLE HITCH	950
FIGURE 8-44. TOW HITCH - BALL HITCH PLATE (MANUAL)	952
FIGURE 8-45. TOW HITCH - BALL HITCH PLATE (HYDRAULIC)	954
FIGURE 8-46. TOW HITCH - PINTLE HITCH PLATE (MANUAL)	956
FIGURE 8-47. TOW HITCH - PINTLE HITCH PLATE (HYDRAULIC)	958
FIGURE 8-48. TOW HITCH - STATIONARY 2IN TOW HITCH RECEIVER	960
FIGURE 8-49. TOW HITCH - STATIONARY 2.5IN TOW HITCH RECEIVER	962
FIGURE 8-50. TOW HITCH - STATIONARY PINTLE HITCH PLATE	964
FIGURE 8-51. TOW HITCH INSTALLATION- STATIONARY 2IN	966
FIGURE 8-52. TOW HITCH INSTALLATION - STATIONARY 2.5IN	968
FIGURE 8-53. TOW HITCH INSTALLATION - STATIONARY PINTLE HITCH	970
FIGURE 8-54. TOW HITCH BOOM INSTALLATION - BALL HITCH (MANUAL)	972
FIGURE 8-55. TOW HITCH BOOM INSTALLATION - BALL HITCH (HYDRAULIC)	974
FIGURE 8-56. TOW HITCH BOOM INSTALLATION - PINTLE HITCH (MANUAL)	976
FIGURE 8-57. TOW HITCH BOOM INSTALLATION, PINTLE HITCH (HYDRAULIC)	978
FIGURE 8-58. TOW HITCH BOOM ASSEMBLY - BALL HITCH PLATE (MANUAL)	980
FIGURE 8-59. TOW HITCH BOOM ASSEMBLY - BALL HITCH PLATE (HYDRAULIC)	982
FIGURE 8-60. TOW HITCH BOOM ASSEMBLY - PINTLE HITCH PLATE (MANUAL)	984
FIGURE 8-61. TOW HITCH BOOM ASSEMBLY - PINTLE HITCH PLATE (HYDRAULIC)	986
FIGURE 8-62. TOW HITCH CYLINDER ASSEMBLY - EXTEND/RETRACT	988
FIGURE 8-63. TOW LIGHT KIT (MAGNETIC MOUNTED)	990
FIGURE 8-64. TOW LIGHT KIT (SUCTION MOUNTED)	992
FIGURE 8-65. THROTTLE CONTROL - REMOTE	994

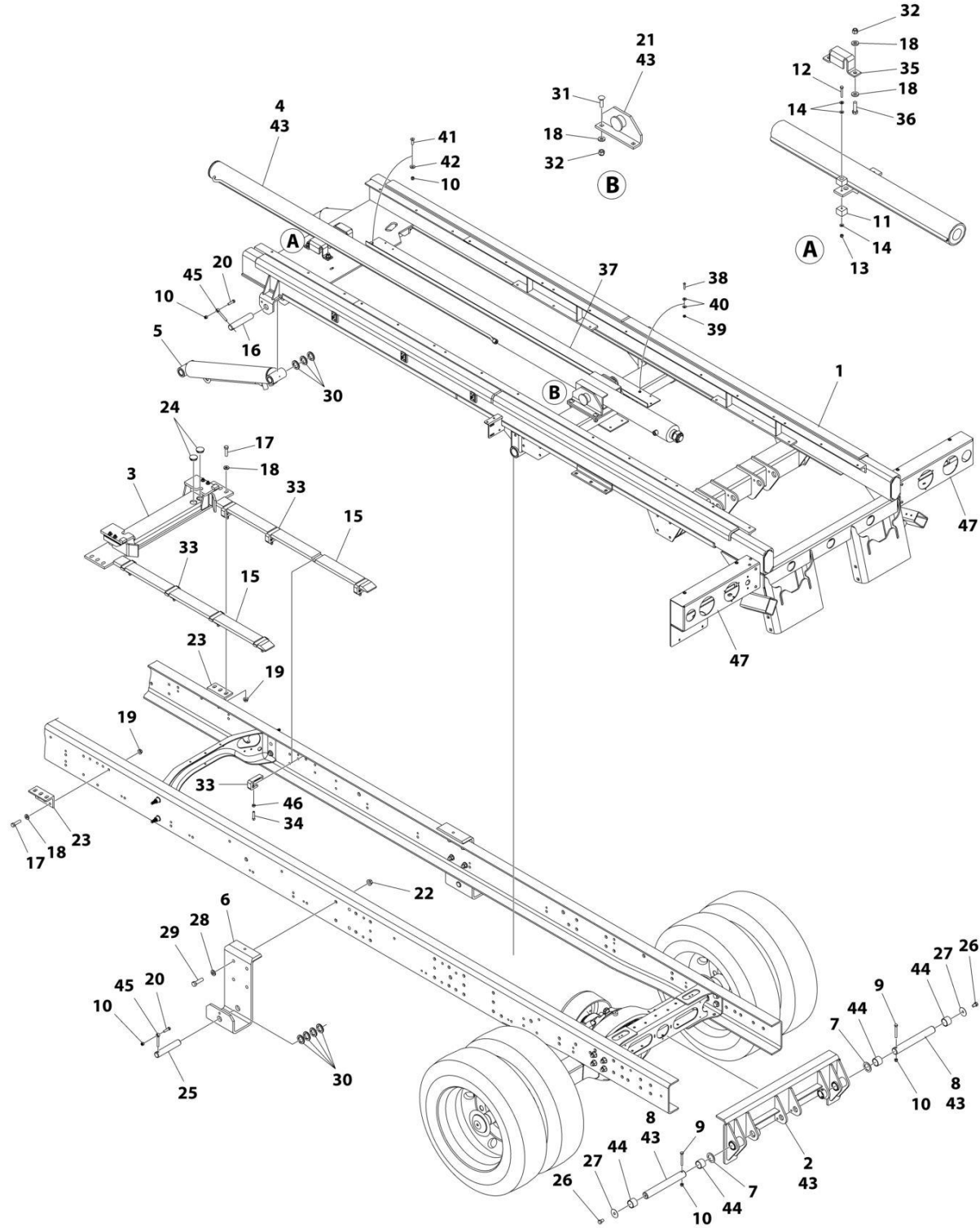
TABLE OF CONTENTS

FIGURE 8-66. VALVE STEM EXTENSION KIT 996
FIGURE 8-67. WHEEL CHOCKS (RUBBER) 998
SECTION 9 - BUILD DOCUMENTS 1001
 FIGURE 9-1. BUILD DOC_5376000242 1002
PART NUMBER INDEX 1005

SECTION 1 - SUBFRAME

SECTION 1 - SUBFRAME

FIGURE 1-1. SUBFRAME INSTALLATION - 22/24 FT



ART_T001161505

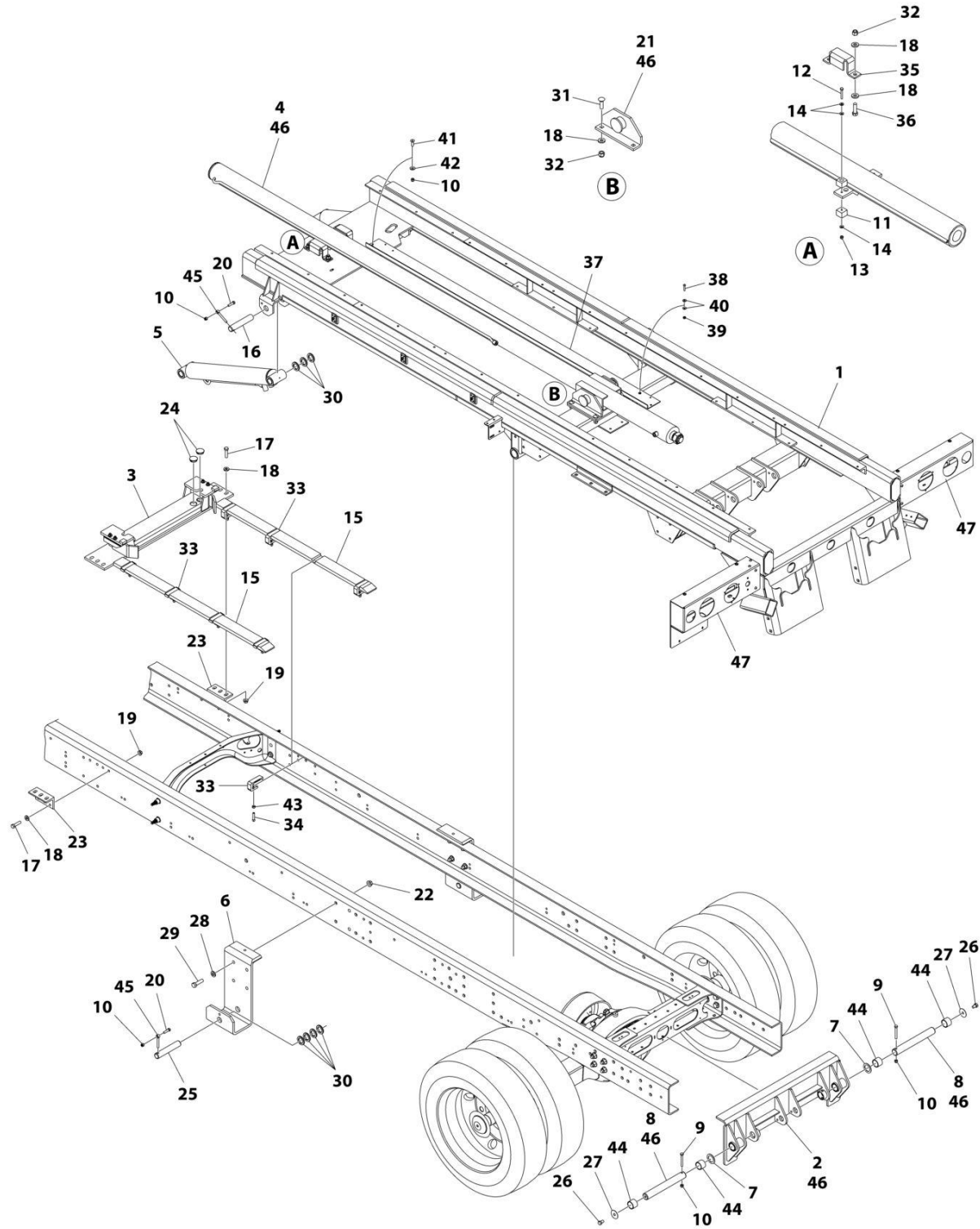
SECTION 1 - SUBFRAME

FIGURE 1-1. SUBFRAME INSTALLATION - 22/24 FT

ITEM	PART NUMBER	QTY	DESCRIPTION	REV
	1001161505	Ref	SUBFRAME INSTALLATION XLP OUTBOARD - 22/24FT	F
1	1001178186	1	Frame Weldment	
2	1001162403	1	Trunnion	
3	3558000019	1	Hold Down Assembly	
4	1001166855	1	Roll Cylinder Assembly (See Separate Breakdown in this Section)	
5	1001270175	2	Tilt Cylinder Assembly (See Separate Breakdown in this Section)	
6	4178000805	2	Bracket	
7	7949000008	2	Washer 2-1/4	
8	4691000573	2	Pin	
9	0641624	2	Bolt 3/8 x 3	
10	3300492	7	Nut 3/8	
11	7189000026	4	Bumper	
12	7114141450	2	Capscrew 1/4 x 1-3/4	
13	7660142604	2	Nut 1/4	
14	7950140143	6	Washer 1/4	
15	4679000332	2	Pad	
16	1001188129	2	Pin	
17	0651816	8	Bolt 1/2 x 2	
18	4891800	20	Washer 1/2	
19	7660182333	8	Nut 1/2	
20	0641612	4	Bolt 3/8 x 1-1/2	
21	3636000144	2	Trunnion	
22	7660202347	8	Nut 5/8	
23	4017001271	2	Angle	
24	7701000063	4	Plug	
25	1001188139	2	Pin	
26	0641806	2	Bolt 1/2 x 3/4	
27	7949000072	2	Washer 2	
28	4892000	8	Washer 5/8	
29	7105201850	8	Capscrew 5/8 x 2-1/4	
30	4209000358	12	Bushing	
31	7115181464	4	Bolt 1/2 x 1-3/4	
32	7660182601	8	Nut 1/2	
33	7274000125	8	Clamp	
34	7120000032	8	Bolt 3/8 x 1-3/4	
35	4178000912	2	Bracket	
36	0641814	4	Bolt 1/2 x 1-3/4	
37	1001162798	1	Plate	
38	7114100818	2	Capscrew #10 x 1	
39	3300455	2	Nut 10	
40	4751300	4	Washer 3/16	
41	0741610	1	Bolt 3/8 x 1-1/4	
42	4751600	1	Washer 3/8	
43	3020039	AR	Lubricant	
44	7082000017	4	Bearing	
45	3841143	4	Keeper, Shaft	
46	3271601	8	Nut 3/8	
47	1001173948	1	Light Box and Cover Installation (See Separate Breakdown in this Section)	

SECTION 1 - SUBFRAME

FIGURE 1-2. SUBFRAME INSTALLATION - 22/24 FT (GALVANIZED)



ART_1001161511

SECTION 1 - SUBFRAME

FIGURE 1-2. SUBFRAME INSTALLATION - 22/24 FT (GALVANIZED)

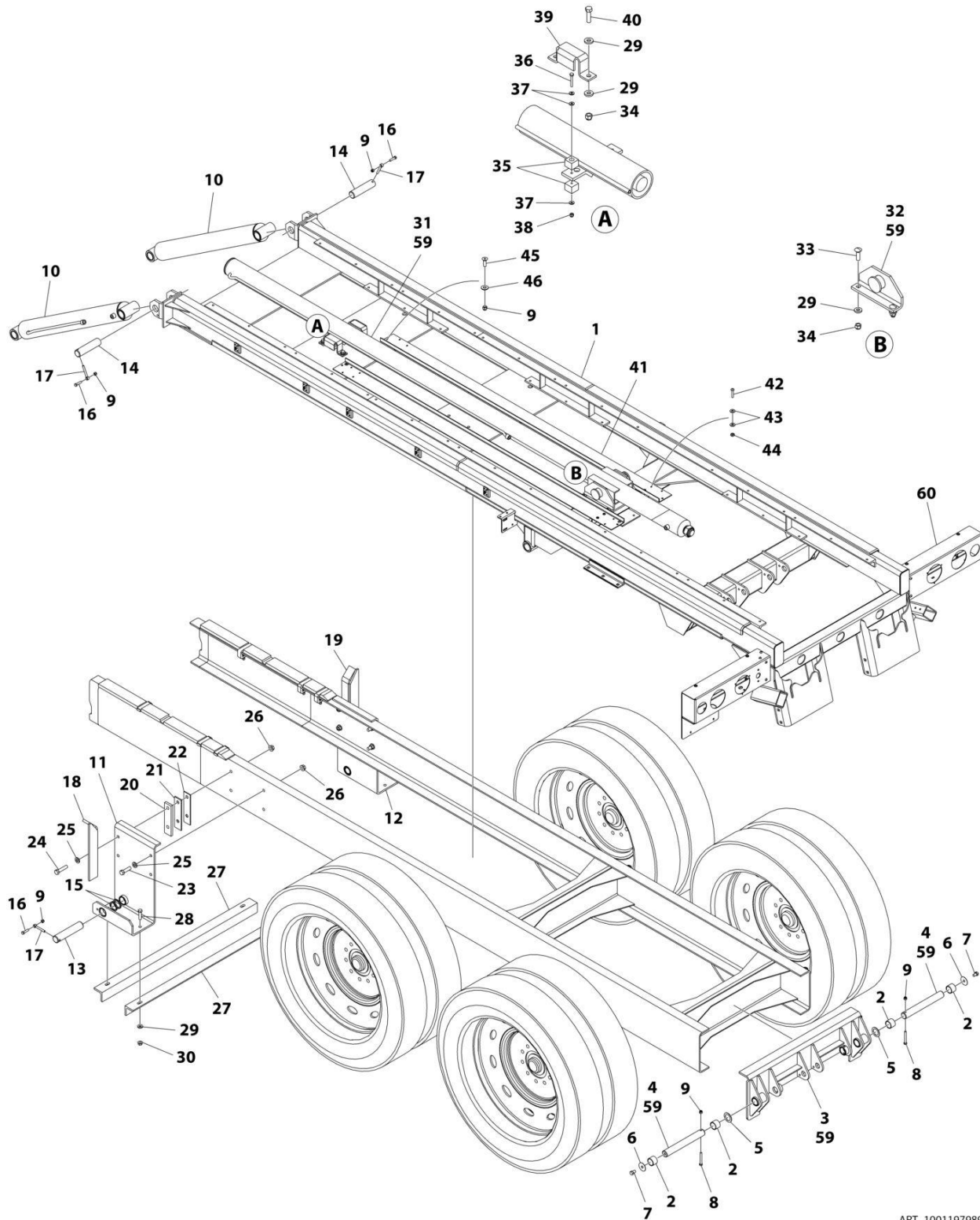
ITEM	PART NUMBER	QTY	DESCRIPTION	REV
	1001161511	Ref	SUBFRAME INSTALLATION XLP OUTBOARD GALVANIZED - 22/24FT	F
1	1001178187	1	Frame Weldment	
2	1001162403	1	Trunnion	
3	3558000019	1	Hold Down Assembly	
4	1001166855	1	Roll Cylinder Assembly (See Separate Breakdown in CYLINDER Section)	
5	1001270175	2	Tilt Cylinder Assembly (See Separate Breakdown in CYLINDER Section)	
6	4178000805	2	Bracket	
7	7949000008	2	Washer 2-1/4	
8	4691000573	2	Pin	
9	0641624	2	Bolt 3/8 x 3	
10	3300492	7	Nut 3/8	
11	7189000026	4	Bumper	
12	7114141450	2	Capscrew 1/4 x 1-3/4	
13	7660142604	2	Nut 1/4	
14	7950140143	6	Washer 1/4	
15	4679000332	2	Pad	
16	1001188129	2	Pin	
17	0651816	8	Bolt 1/2 x 2	
18	4891800	20	Washer 1/2	
19	7660182333	8	Nut 1/2	
20	0641612	4	Bolt 3/8 x 1-1/2	
21	3636000144	2	Trunnion	
22	7660202347	8	Nut 5/8	
23	4017001271	2	Angle	
24	7701000063	4	Plug	
25	1001188139	2	Pin	
26	0641806	2	Bolt 1/2 x 3/4	
27	7949000072	2	Washer 2	
28	4892000	8	Washer 5/8	
29	7105201850	8	Capscrew 5/8 x 2-1/4	
30	4209000358	12	Bushing	
31	7115181464	4	Bolt 1/2 x 1-3/4	
32	7660182601	8	Nut 1/2	
33	7274000125	8	Clamp	
34	7120000032	8	Bolt 3/8 x 1-3/4	
35	4178000912	2	Bracket	
36	0641814	4	Bolt 1/2 x 1-3/4	
37	1001162798	1	Plate	
38	7114100818	2	Capscrew #10 x 1	
39	3300455	2	Nut 10	
40	4751300	4	Washer 3/16	
41	0741610	1	Bolt 3/8 x 1-1/4	
42	4751600	1	Washer 3/8	
43	3271601	8	Nut 3/8	
44	7082000017	4	Bearing	
45	3841143	4	Keeper, Shaft	
46	3020039	AR	Lubricant	

SECTION 1 - SUBFRAME

ITEM	PART NUMBER	QTY	DESCRIPTION	REV
47	1001173949	1	Light Box and Cover Installation (See Separate Breakdown in this Section)	

SECTION 1 - SUBFRAME

FIGURE 1-3. SUBFRAME INSTALLATION - 26/28/30 FT



ART_1001197989

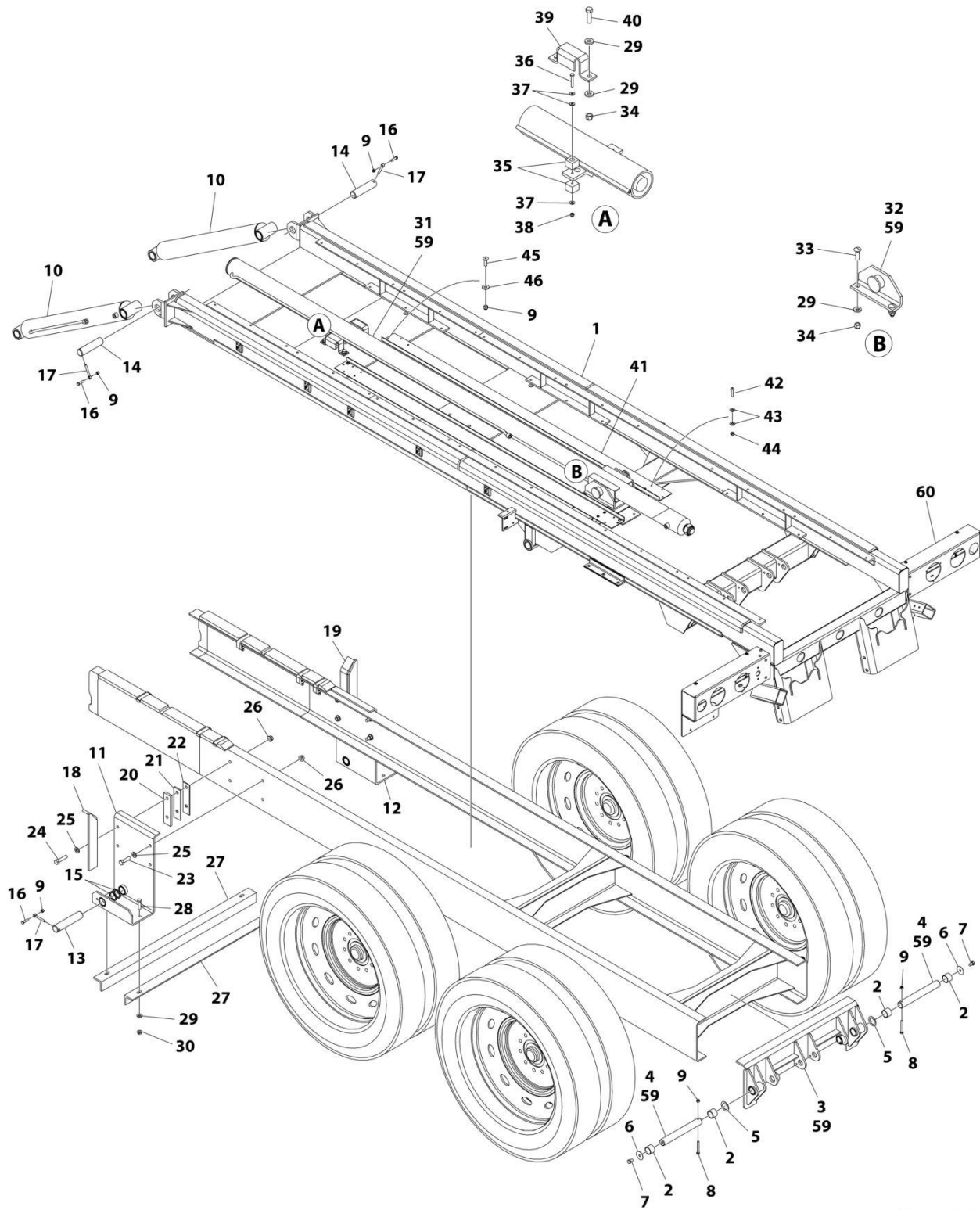
SECTION 1 - SUBFRAME

FIGURE 1-3. SUBFRAME INSTALLATION - 26/28/30 FT

ITEM	PART NUMBER	QTY	DESCRIPTION	REV
	1001197989	Ref	MAIN DECK SUBFRAME INSTALLATION	D
1	1001197990	1	Sub-Frame	
2	7082000017	4	Bearing	
3	1001162403	1	Mount, Trunnion Service/Aftermarket Kits List	
4	4691000573	2	Pin	
5	7949000008	2	Washer 2-1/4	
6	7949000072	2	Washer 2	
7	0641806	2	Bolt 1/2 x 3/4	
8	0641624	2	Bolt 3/8 x 3	
9	3300492	8	Nut 3/8	
10	1001167764	2	Tilt Cylinder Assembly (See Separate Breakdown in this Section)	
11	3178000288	1	Bracket (LH)	
12	3178000289	1	Bracket (RH)	
13	1001188206	2	Pin	
14	1001188141	2	Pin	
15	4209000204	4	Bushing	
16	0641612	4	Bolt 3/8 x 1-1/2	
17	3841143	4	Keeper, Shaft	
18	3062000015	1	Bar, Body Guide (LH)	
19	3062000014	1	Bar, Body Guide (RH)	
20	4831000079	AR	Spacer	
21	4831000083	AR	Spacer	
22	4831000084	AR	Spacer	
23	7105201850	4	Capscrew 5/8 x 2-1/4	
24	7105202250	4	Capscrew 5/8 x 2-3/4	
25	4892000	8	Washer 5/8	
26	7660202347	8	Nut 5/8	
27	4017001093	2	Angle	
28	0651816	4	Bolt 1/2 x 2	
29	4891800	16	Washer 1/2	
30	7660182333	4	Nut 1/2	
31	1001166855	1	Roll Cylinder Assembly (See Separate Breakdown in this Section)	
32	3636000144	2	Mount, Trunnion	
33	7115181464	4	Bolt 1/2 x 1-3/4	
34	7660182601	8	Nut 1/2	
35	7189000026	4	Bumper	
36	7114141450	2	Capscrew 1/4 x 1-3/4	
37	7950140143	6	Washer 1/4	
38	7660142604	2	Nut 1/4	
39	4178000912	2	Bracket	
40	0641814	4	Bolt 1/2 x 1-3/4	
41	1001162798	2	Plate, Hose	
42	7114100818	4	Capscrew #10 x 1	
43	4751300	8	Washer 3/16	
44	3300455	4	Nut #10	
45	0741610	2	Screw 3/8 x 1-1/4	
46	4751600	2	Washer 3/8	
59	3020039	AR	Lubricant	
60	1001173948	1	Lightbox and Cover Installation (See Separate Breakdown in this Section)	

SECTION 1 - SUBFRAME

FIGURE 1-4. SUBFRAME INSTALLATION - 26/28/30 FT (GALVANIZED)



ART_100119785

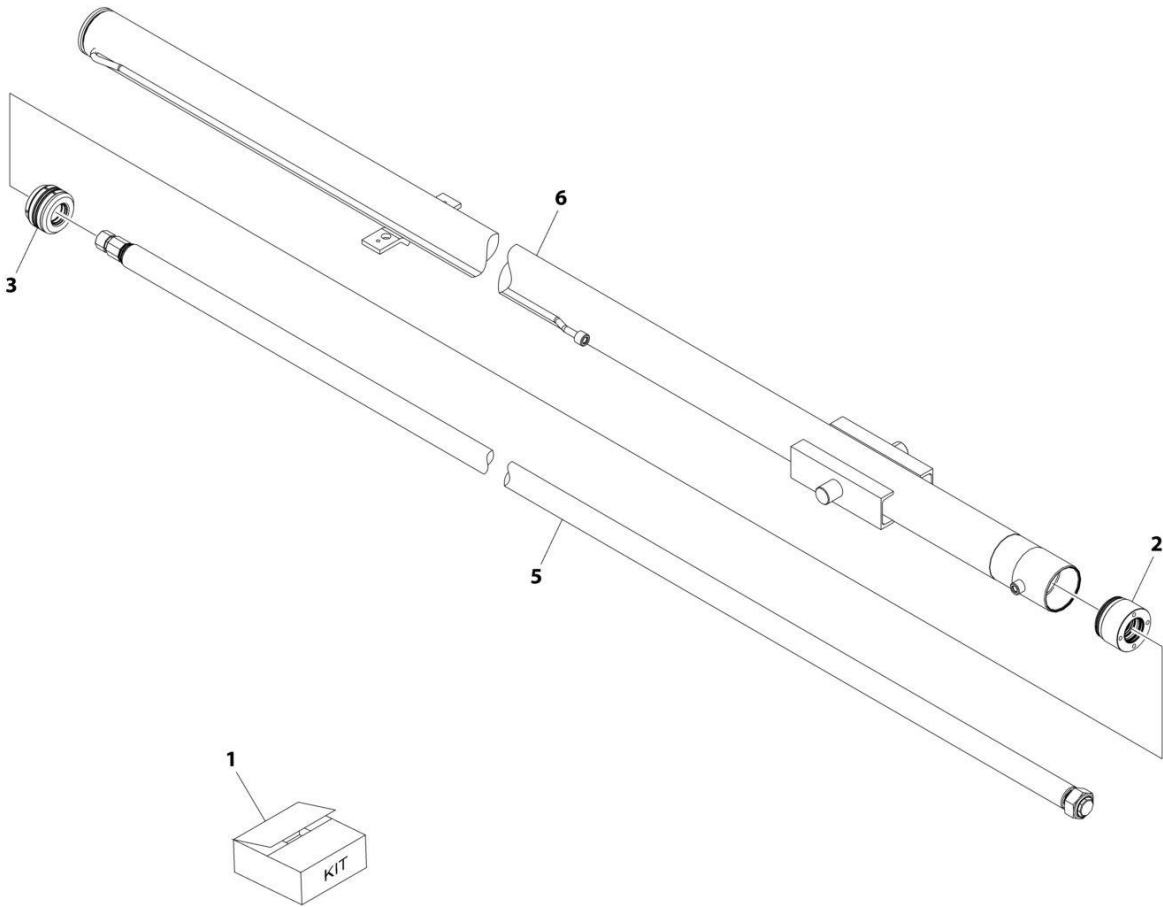
SECTION 1 - SUBFRAME

FIGURE 1-4. SUBFRAME INSTALLATION - 26/28/30 FT (GALVANIZED)

ITEM	PART NUMBER	QTY	DESCRIPTION	REV
	1001197785	Ref	MAIN DECK SUBFRAME INSTALLATION (GALVANIZED)	D
1	1001197270	1	Sub-Frame	
2	7082000017	4	Bearing	
3	1001162403	1	Mount, Trunnion	
4	4691000573	2	Pin	
5	7949000008	2	Washer 2-1/4	
6	7949000072	2	Washer 2	
7	0641806	2	Bolt 1/2 x 3/4	
8	0641624	2	Bolt 3/8 x 3	
9	3300492	8	Nut 3/8	
10	1001167764	2	Tilt Cylinder Assembly (See Separate Breakdown in this Section)	
11	3178000288	1	Bracket (LH)	
12	3178000289	1	Bracket (RH)	
13	1001188206	2	Pin	
14	1001188141	2	Pin	
15	4209000204	4	Bushing	
16	0641612	4	Bolt 3/8 x 1-1/2	
17	3841143	4	Keeper, Shaft	
18	3062000015	1	Bar, Body Guide (LH)	
19	3062000014	1	Bar, Body Guide (RH)	
20	4831000079	AR	Spacer	
21	4831000083	AR	Spacer	
22	4831000084	AR	Spacer	
23	7105201850	4	Capscrew 5/8 x 2-1/4	
24	7105202250	4	Capscrew 5/8 x 2-3/4	
25	4892000	8	Washer 5/8	
26	7660202347	8	Nut 5/8	
27	4017001093	2	Angle	
28	0651816	4	Bolt 1/2 x 2	
29	4891800	16	Washer 1/2	
30	7660182333	4	Nut 1/2	
31	1001166855	1	Roll Cylinder Assembly (See Separate Breakdown in this Section)	
32	3636000144	2	Mount Weldment, Trunnion	
33	7115181464	4	Bolt 1/2 x 1-3/4	
34	7660182601	8	Nut 1/2	
35	7189000026	4	Bumper	
36	7114141450	2	Capscrew 1/4 x 1-3/4	
37	7950140143	6	Washer 1/4	
38	7660142604	2	Nut 1/4	
39	4178000912	2	Bracket	
40	0641814	4	Bolt 1/2 x 1-3/4	
41	1001162798	2	Plate, Hose	
42	7114100818	4	Capscrew #10 x 1	
43	4751300	8	Washer 3/16	
44	3300455	4	Nut #10	
45	0741610	2	Screw 3/8 x 1-1/4	
46	4751600	2	Washer 3/8	
59	3020039	AR	Lubricant	
60	1001173949	1	Lightbox and Cover Installation (See Separate Breakdown in this Section)	

SECTION 1 - SUBFRAME

FIGURE 1-5. CYLINDER ASSEMBLY - ROLL



ART_1001166855

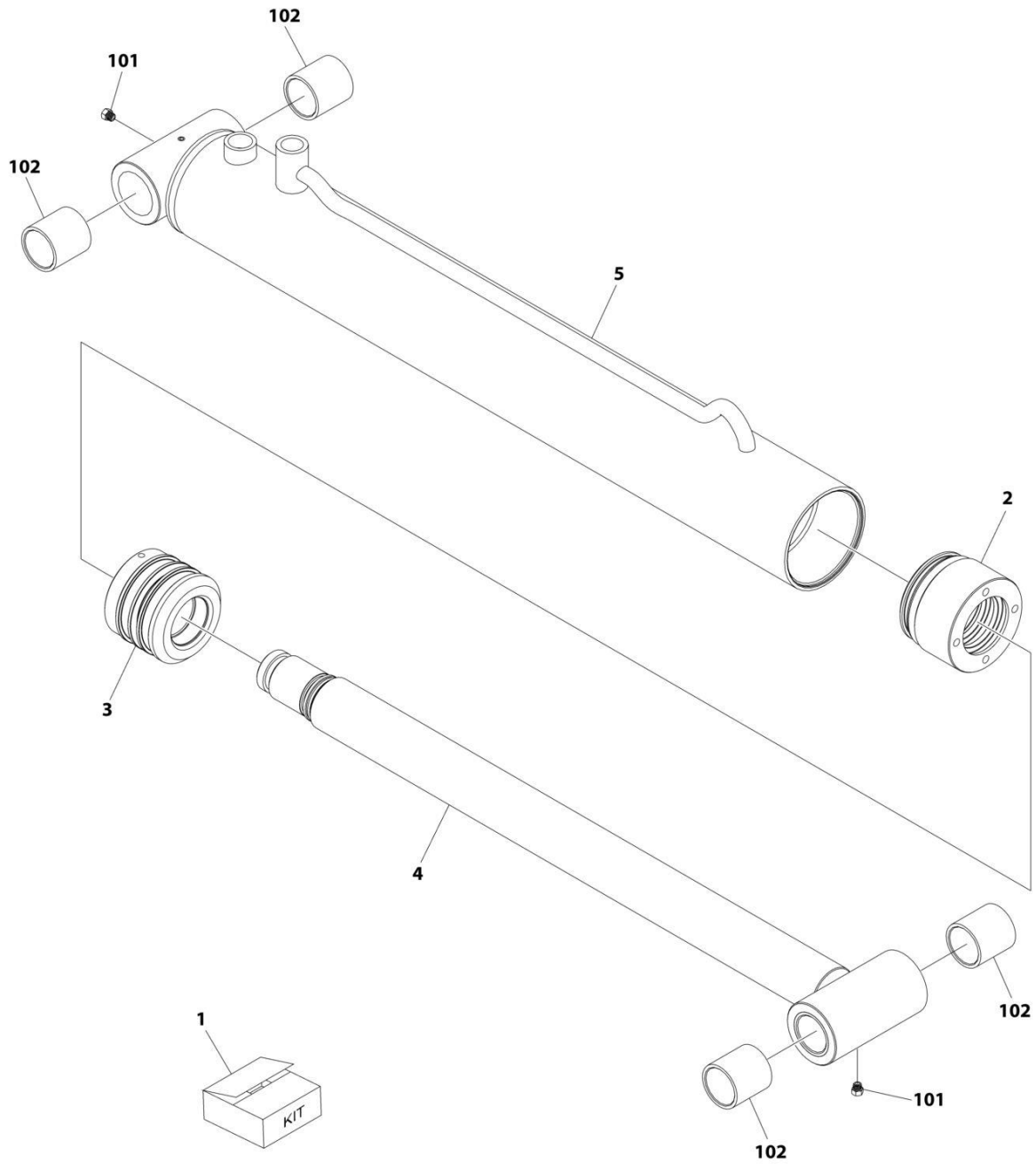
SECTION 1 - SUBFRAME

FIGURE 1-5. CYLINDER ASSEMBLY - ROLL

ITEM	PART NUMBER	QTY	DESCRIPTION	REV
	1001166855	Ref	Roll Cylinder Assembly	C
1	70051167	1	Kit, Seal	
2	70051170	1	Kit, Head	
3	70051171	1	Kit, Piston	
4	70051174	1	Instruction Assembly/Disassembly (not shown)	
5	70051394	1	Rod	
6	70051395	1	Shell Assembly	

SECTION 1 - SUBFRAME

FIGURE 1-6. CYLINDER ASSEMBLY - TILT (22/24 FT)



ART_1001270175

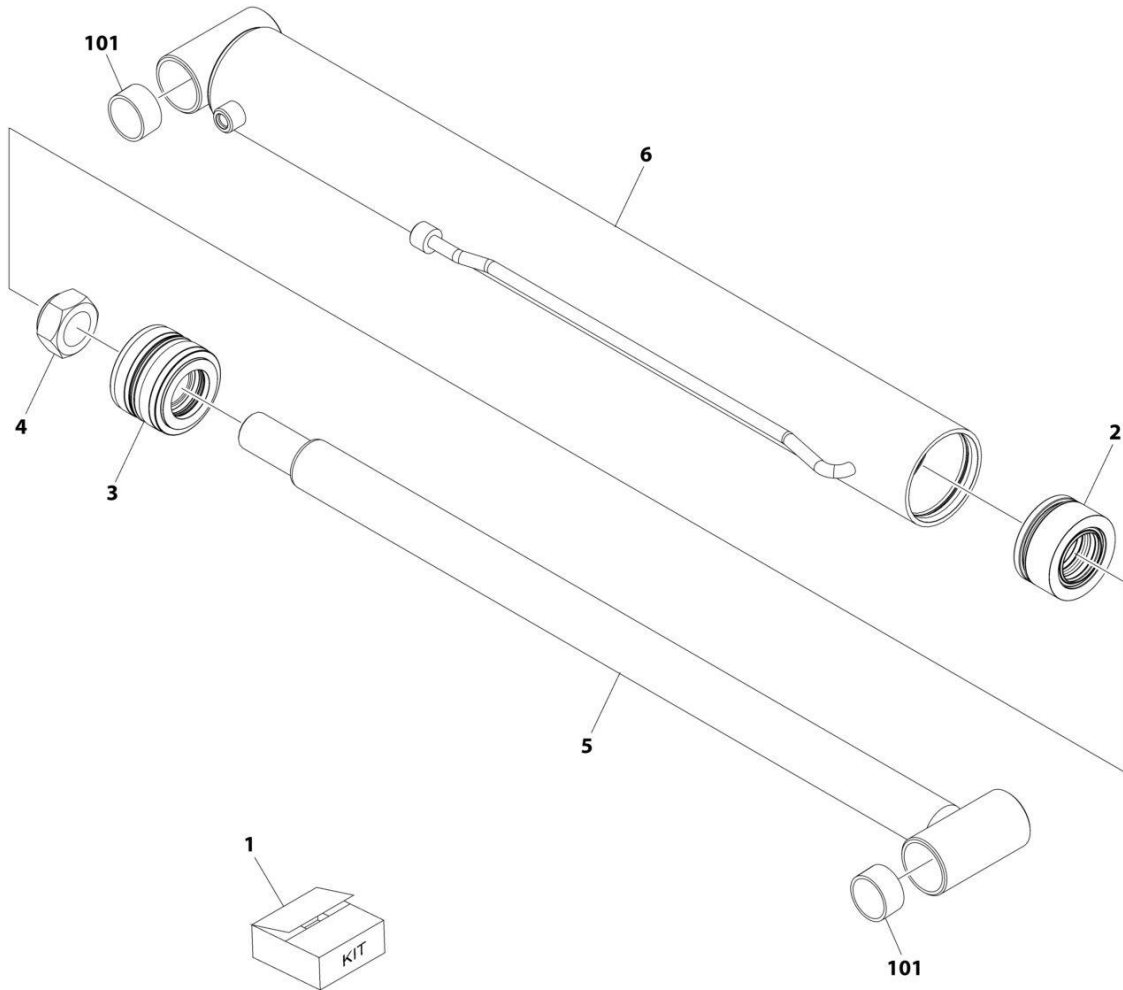
SECTION 1 - SUBFRAME

FIGURE 1-6. CYLINDER ASSEMBLY - TILT (22/24 FT)

ITEM	PART NUMBER	QTY	DESCRIPTION	REV
	1001270175	Ref	TILT CYLINDER ASSEMBLY	B
1	70051168	1	Kit, Seal	
1	See Note	NSS	Ring, Back Up (Note: Use PN 70051168)	
1	See Note	NSS	O-Ring (Note: Use PN 70051168)	
1	See Note	NSS	Buffer Ring (Note: Use PN 70051168)	
1	See Note	NSS	Bushing (Note: Use PN 70051168)	
1	See Note	NSS	Rod Seal (Note: Use PN 70051168)	
1	See Note	NSS	Wiper (Note: Use PN 70051168)	
1	See Note	NSS	Piston Seal (Note: Use PN 70051168)	
1	See Note	NSS	Wearing (Note: Use PN 70051168)	
2	70051172	1	Head Kit	
2	See Note	NSS	Back Up Ring (Note: Use PN 70051172)	
2	See Note	NSS	Buffer Ring (Note: Use PN 70051172)	
2	See Note	NSS	Bushing (Note: Use PN 70051172)	
2	See Note	NSS	O-Ring (Note: Use PN 70051172)	
2	See Note	NSS	Retainer (Note: Use PN 70051172)	
2	See Note	NSS	Rod Seal (Note: Use PN 70051172)	
2	See Note	NSS	Wiper (Note: Use PN 70051172)	
3	70051173	1	Piston Kit	
3	See Note	NSS	Piston (Note: Use PN 70051173)	
3	See Note	NSS	Piston Seal (Note: Use PN 70051173)	
3	See Note	NSS	Setscrew (Note: Use PN 70051173)	
3	See Note	NSS	Wear Ring (Note: Use PN 70051173)	
4	70052741	1	Rod	
5	See Note	NSS	Barrel (Note: Use PN 1001270175)	
101	1001204776	2	Fitting	
102	7082000016	4	Bearing	

SECTION 1 - SUBFRAME

FIGURE 1-7. CYLINDER ASSEMBLY - TILT (26/28/30 FT)



ART_1001167764

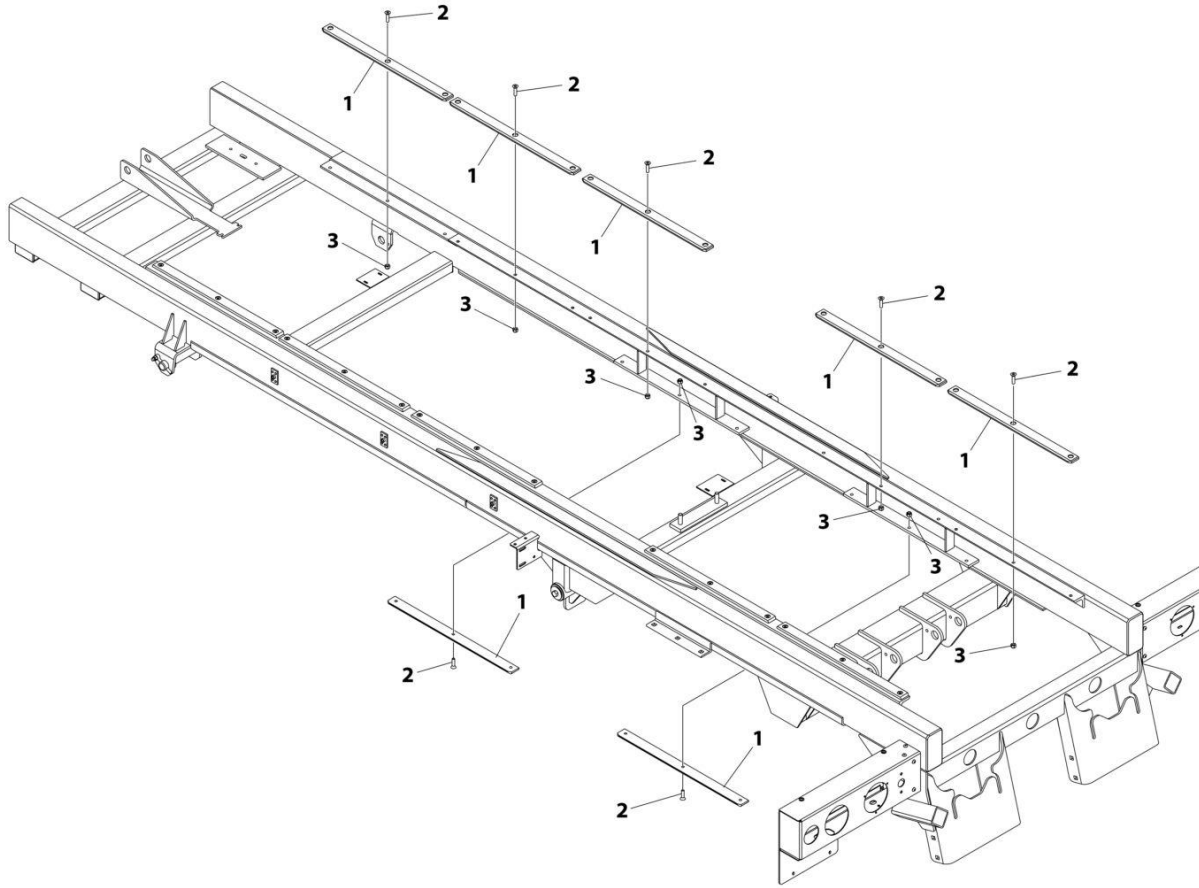
SECTION 1 - SUBFRAME

FIGURE 1-7. CYLINDER ASSEMBLY - TILT (26/28/30 FT)

ITEM	PART NUMBER	QTY	DESCRIPTION	REV
	1001167764	Ref	Tilt Cylinder Assembly	C
1	70051167	1	Kit, Seal	
2	70051170	1	Kit, Head	
3	70051171	1	Kit, Piston	
4	70051391	1	Rod End	
5	70051392	1	Rod	
6	70051393	1	Shell Assembly	
101	7082000018	4	Bushing	

SECTION 1 - SUBFRAME

FIGURE 1-8. PAD INSTALLATION - SUBFRAME (22/24 FT)



ART_267900007

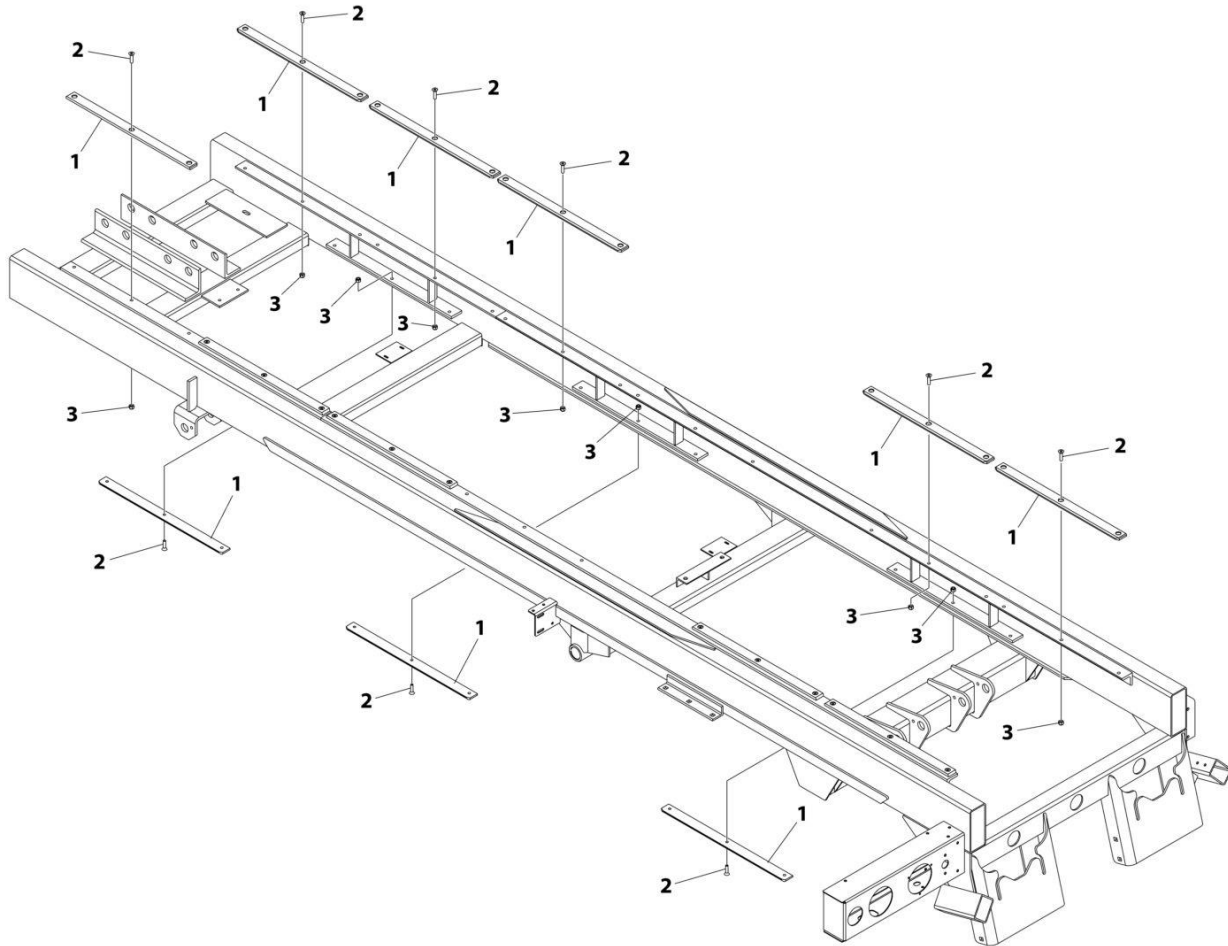
SECTION 1 - SUBFRAME

FIGURE 1-8. PAD INSTALLATION - SUBFRAME (22/24 FT)

ITEM	PART NUMBER	QTY	DESCRIPTION	REV
	2679000007	Ref	MAIN SUBFRAME PAD INSTALLATION - MEDIUM DUTY	B
1	4679000145	14	Pad	
2	7118161026	42	Capscrew 3/8 x 1-1/4	
3	7660162601	42	Nut 3/8	

SECTION 1 - SUBFRAME

FIGURE 1-9. PAD INSTALLATION - SUBFRAME (26/28/30 FT)



ART_2679000005

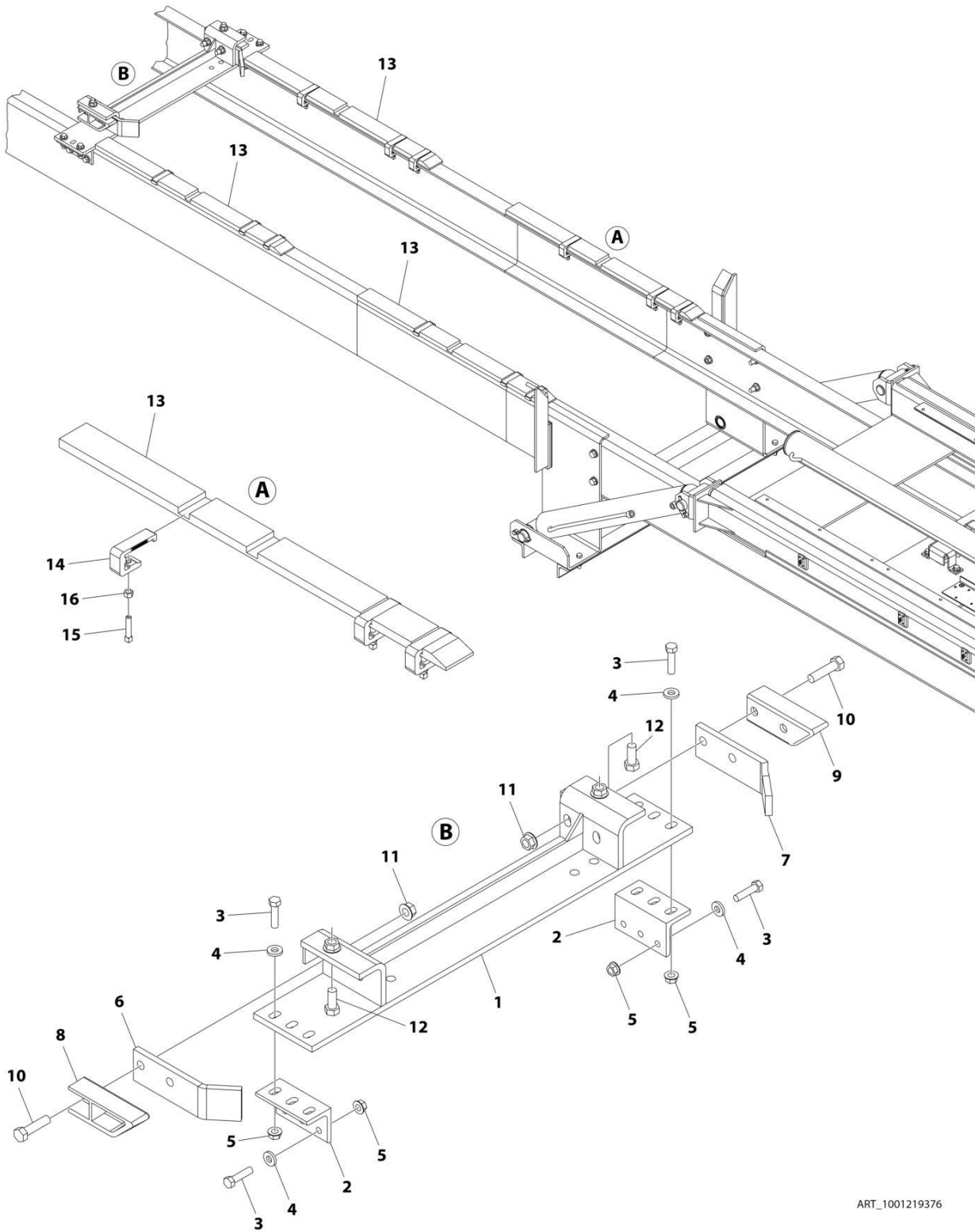
SECTION 1 - SUBFRAME

FIGURE 1-9. PAD INSTALLATION - SUBFRAME (26/28/30 FT)

ITEM	PART NUMBER	QTY	DESCRIPTION	REV
	2679000005	Ref	MAIN SUBFRAME PAD INSTALLATION	B
1	4679000145	16	Pad	
2	7118161026	48	Capscrew 3/8 x 1-1/4	
3	7660162601	48	Nut 3/8	

SECTION 1 - SUBFRAME

FIGURE 1-10. HOLD DOWN INSTALLATION, 26FT DECK



ART_1001219376

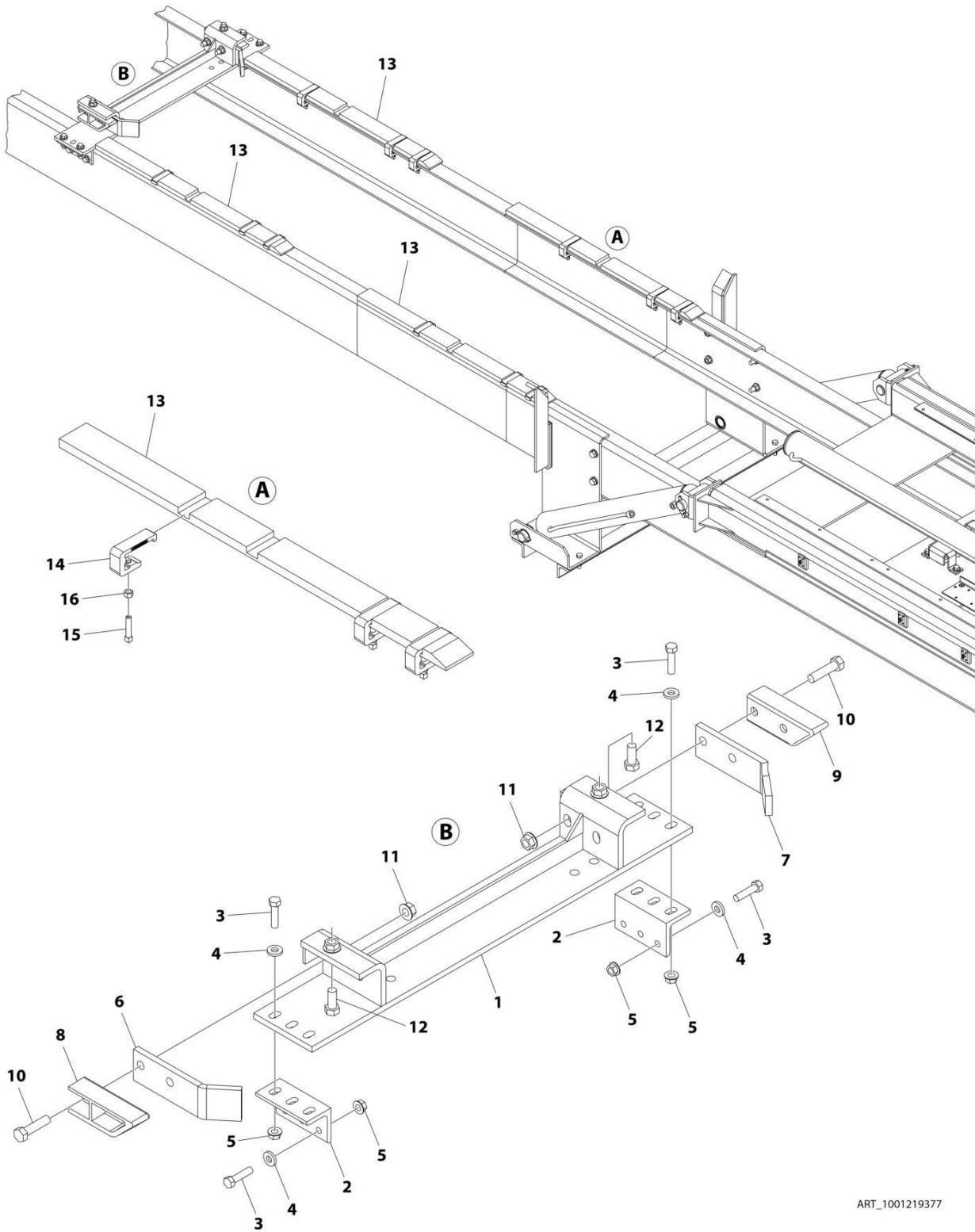
SECTION 1 - SUBFRAME

FIGURE 1-10. HOLD DOWN INSTALLATION, 26FT DECK

ITEM	PART NUMBER	QTY	DESCRIPTION	REV
	1001219376	Ref	HOLD DOWN WELDMENT INSTALLATION - 26FT DECK	D
1	3558000021	1	Hold Down Weldment	
2	4017001271	2	Angle	
3	0651816	8	Bolt 1/2 x 2	
4	4891800	8	Washer 1/2	
5	7660182333	8	Nut 1/2	
6	4706003025	1	Plate, LH	
7	4706003026	1	Plate, RH	
8	7259000015	1	Hold Down, LH	
9	7259000016	1	Hold Down, RH	
10	7105202050	4	Capscrew 5/8 x 2-1/2	
11	7660202347	4	Nut 5/8	
12	7105201250	2	Capscrew 5/8 x 1-1/2	
13	1001151248	4	Pad	
14	7274000125	12	Clamp	
15	7120000032	12	Screw 3/8 x 1-3/4	
16	3271601	12	Nut 3/8	

SECTION 1 - SUBFRAME

FIGURE 1-11. HOLD DOWN INSTALLATION, 28FT DECK



ART_1001219377

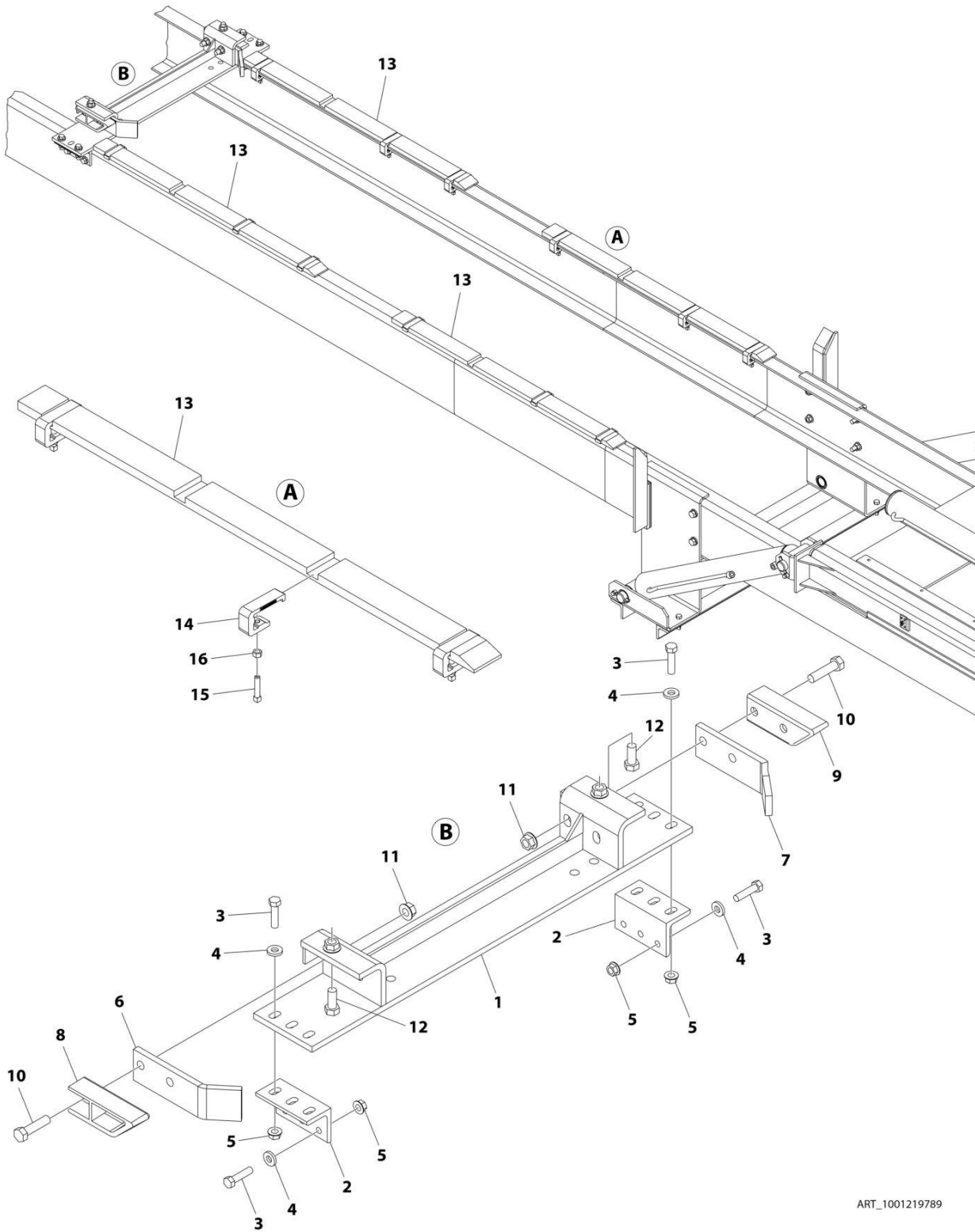
SECTION 1 - SUBFRAME

FIGURE 1-11. HOLD DOWN INSTALLATION, 28FT DECK

ITEM	PART NUMBER	QTY	DESCRIPTION	REV
	1001219377	Ref	HOLD DOWN WELD INSTALLATION - 28FT DECK	D
1	3558000021	1	Hold Down Weldment	
2	4017001271	2	Angle	
3	0651816	8	Bolt 1/2 x 2	
4	4891800	8	Washer 1/2	
5	7660182333	8	Nut 1/2	
6	4706003025	1	Plate, LH	
7	4706003026	1	Plate, RH	
8	7259000015	1	Hold Down, LH	
9	7259000016	1	Hold Down, RH	
10	7105202050	4	Capscrew 5/8 x 2-1/2	
11	7660202347	4	Nut 5/8	
12	7105201250	2	Capscrew 5/8 x 1-1/2	
13	1001151248	4	Pad	
14	7274000125	12	Clamp	
15	7120000032	12	Screw 3/8 x 1-3/4	
16	3271601	12	Nut 3/8	

SECTION 1 - SUBFRAME

FIGURE 1-12. HOLD DOWN INSTALLATION, 30FT DECK



ART_1001219789

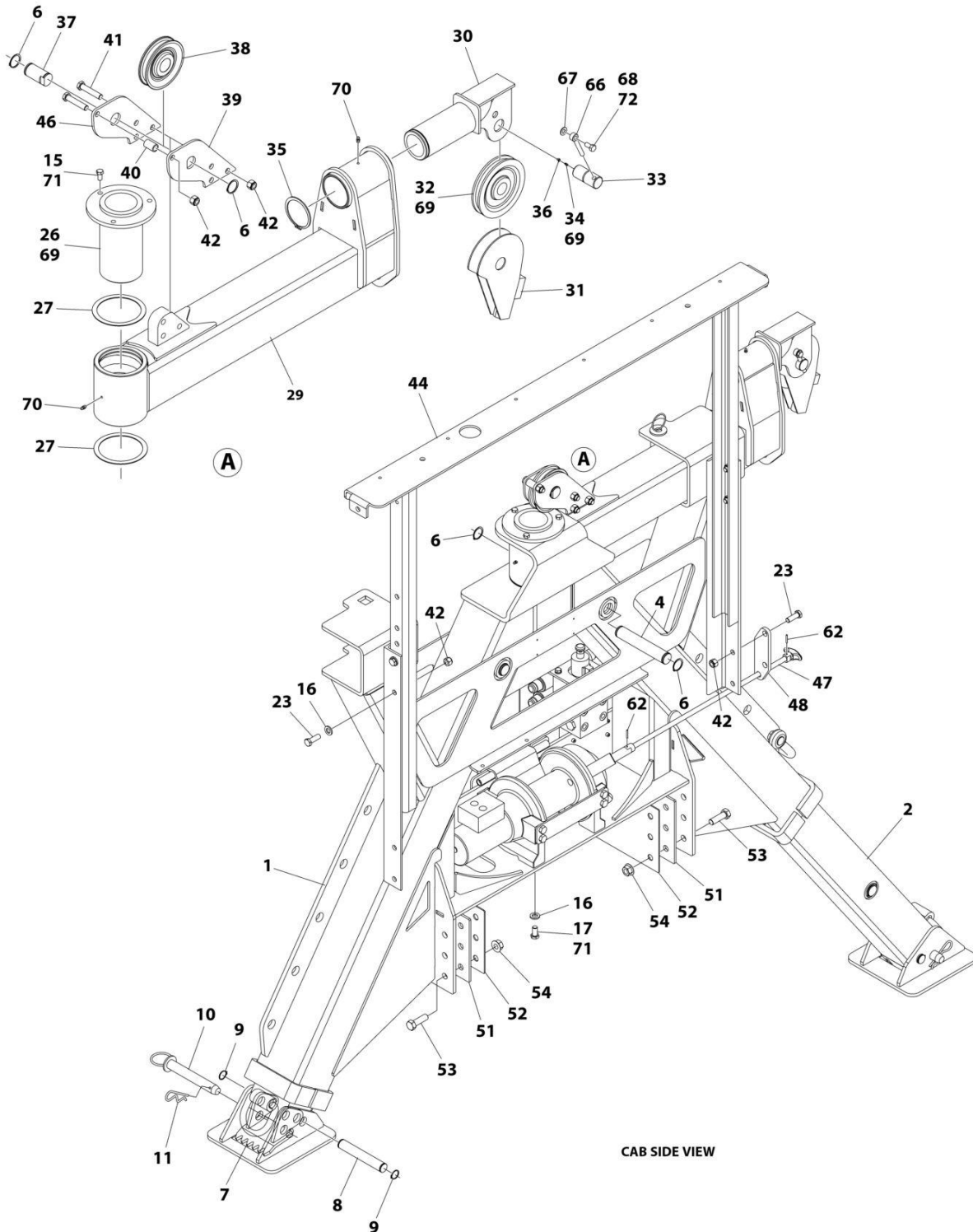
SECTION 1 - SUBFRAME

FIGURE 1-12. HOLD DOWN INSTALLATION, 30FT DECK

ITEM	PART NUMBER	QTY	DESCRIPTION	REV
	1001219789	Ref	HOLD DOWN WELDMENT INSTALLATION - 30FT DECK	D
1	3558000021	1	Hold Down Weldment	
2	4017001271	2	Angle	
3	0651816	8	Bolt 1/2 x 2	
4	4891800	8	Washer 1/2	
5	7660182333	8	Nut 1/2	
6	4706003025	1	Plate, LH	
7	4706003026	1	Plate, RH	
8	7259000015	1	Hold Down Shoe, LH	
9	7259000016	1	Hold Down Shoe, RH	
10	7105202050	4	Capscrew 5/8 x 2-1/2	
11	7660202347	4	Nut 5/8	
12	7105201250	2	Capscrew 5/8 x 1-1/2	
13	4679000332	4	Pad	
14	7274000125	12	Clamp	
15	7120000032	12	Screw 3/8 x 1-3/4	
16	3271601	12	Nut 3/8	

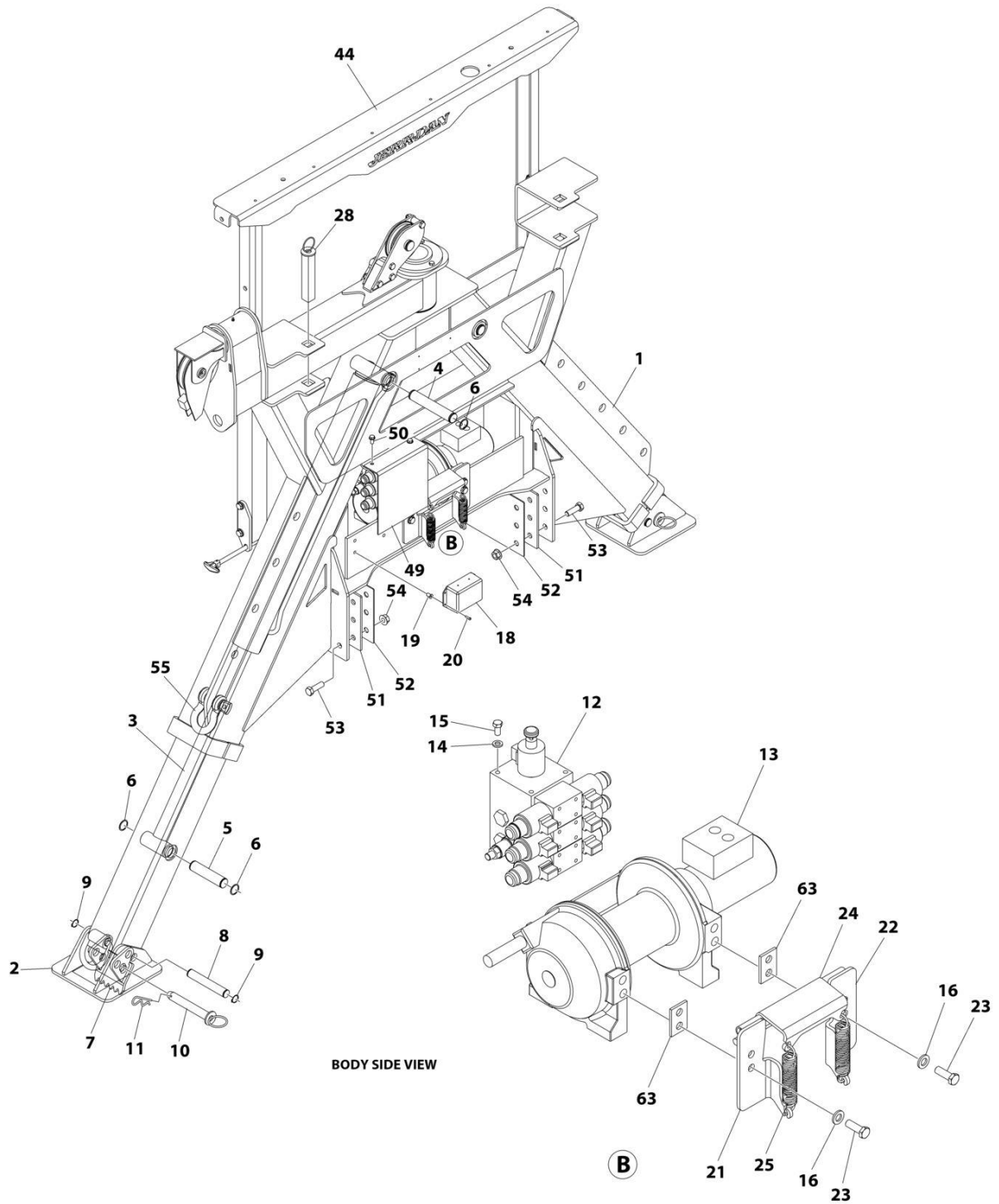
SECTION 1 - SUBFRAME

FIGURE 1-13. SIDE RECOVERY SYSTEM - 8000 LBS WINCH (SN 0220017154 through 0220026090)



ART_3455000059_10F2

SECTION 1 - SUBFRAME



BODY SIDE VIEW

ART_3455000059_20F2

SECTION 1 - SUBFRAME

FIGURE 1-13. SIDE RECOVERY SYSTEM - 8000 LBS WINCH (SN 0220017154 through 0220026090)

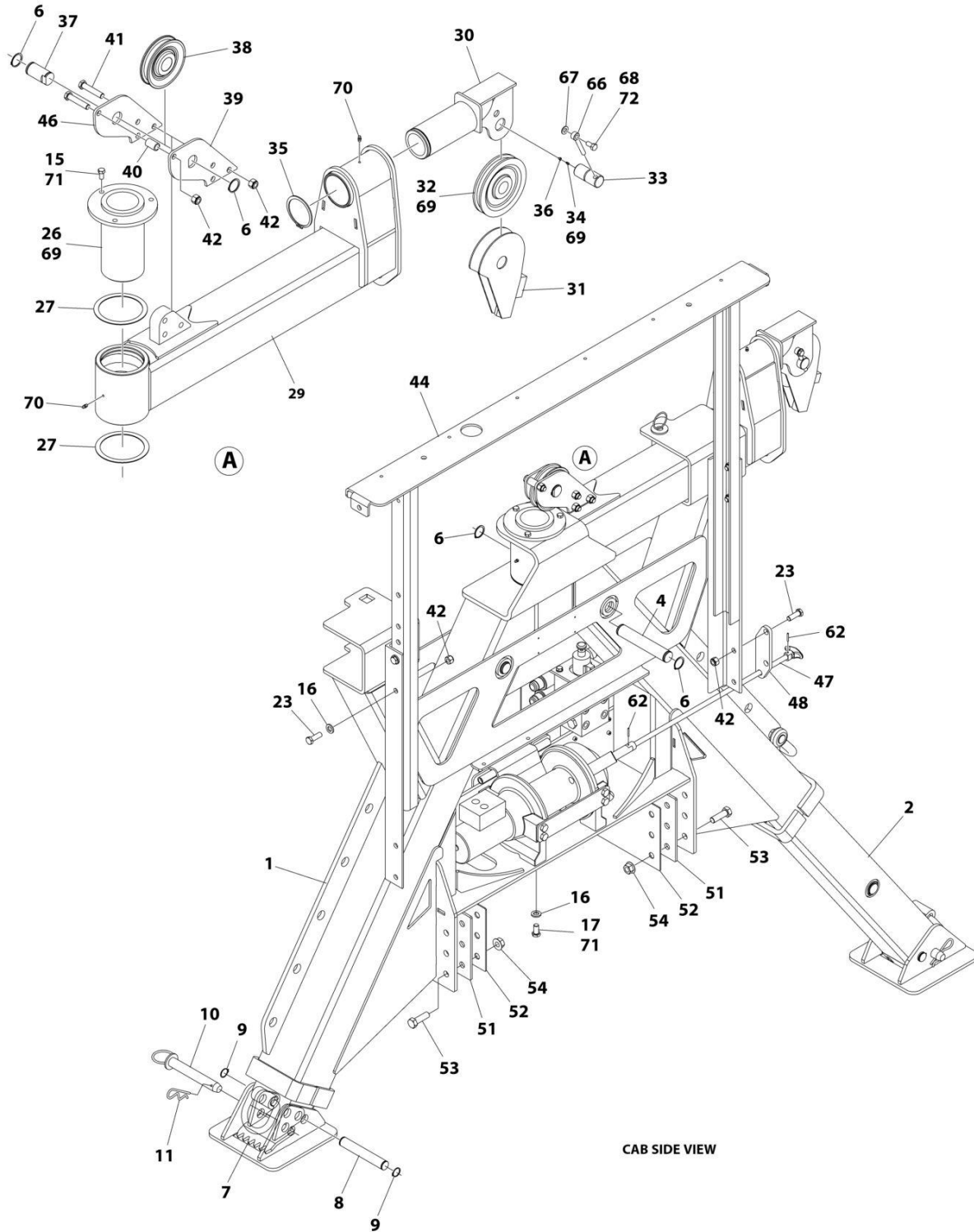
ITEM	PART NUMBER	QTY	DESCRIPTION	REV
	3455000059	Ref	FRAME ASSEMBLY (SRS-8)	D
1	3455000058	1	Frame Weldment	
2	3170000473	2	Boom Weldment	
3	3320000229	2	Cylinder Assembly (See Separate Breakdown in this Section)	
4	4691000296	2	Pin	
5	4691000429	2	Pin	
6	3760133	9	Ring	
7	3706000363	2	Plate	
8	4691000495	2	Pin	
9	7754000019	6	Ring	
10	3691000064	2	Pin	
11	7691000001	2	Hair Pin	
12	3619000010	1	Manifold Assembly	
13	7970000157	1	Winch Assembly (See Separate Breakdown in this Section)	
14	7950160000	3	Lockwasher	
15	0641606	6	Bolt 3/8 x 3/4	
16	4891800	20	Washer 1/2	
17	1001139343	8	Bolt 1/2 x 1-1/4	
18	7295000118	1	Controller	
19	7661000007	4	Nut #10	
20	7104100613	4	Screw #10	
21	3178000517	1	Bracket	
22	3178000518	1	Bracket	
23	0641812	10	Bolt 1/2 1-1/2	
24	3706000364	1	Plate	
25	7843000035	2	Spring	
26	3691000259	1	Pin	
27	4949000059	2	Washer 5 x 4-1/2	
28	3691000260	1	Pin	
29	1001206388	1	Boom	
30	1001206161	1	Support	
31	1001206167	1	Support	
32	7809000001	1	Sheave	
33	1001206171	1	Pin	
34	88671008	1	Fitting, Straight	
35	7754000005	1	Ring	
36	7253000002	1	Fitting	
37	4691000513	1	Pin	
38	7809000021	1	Sheave	
39	4706005651	1	Plate	
40	4209000336	1	Bushing	
41	0641820	4	Bolt 1/2 x 2	
42	7660182601	12	Nut 1/2	
44	3241000208	1	Headboard	
45	7552000385	1	Side Recovery System Harness (Not Shown - See Separate Breakdown in ELECTRICAL Section)	
46	4706005650	1	Plate	
47	3763000188	1	Rod	
48	4706005672	1	Plate	
49	4314000167	1	Cover	

SECTION 1 - SUBFRAME

ITEM	PART NUMBER	QTY	DESCRIPTION	REV
50	7790161253	2	Screw 3/8 x 3/4	
51	4831000126	2	Spacer	
52	4831000127	2	Spacer	
53	0652016	12	Bolt 5/8 x 2	
54	7660202347	12	Nut 1/6	
55	7804000007	1	Shackle	
56	7248000077	1	Wire Rope (Not Shown)	
57	7274000053	4	Clamp (Not Shown)	
58	0641508	4	Bolt 5/16 x 1 (Not Shown)	
59	4751500	4	Washer 5/16 (Not Shown)	
60	7660152601	4	Nut 1/3 (Not Shown)	
61	7002000519	1	Snatch (Not Shown)	
62	7690051641	1	Pin	
63	4706005752	2	Plate	
66	3841143	1	Keeper	
67	4711600	1	Washer	
68	0651606	1	Bolt 3/8 x 3/4	
69	3020039	AR	Lubricant	
70	3020029	AR	Lube	
71	0100071	AR	Adhesive	
72	1001095650	AR	Adhesive	

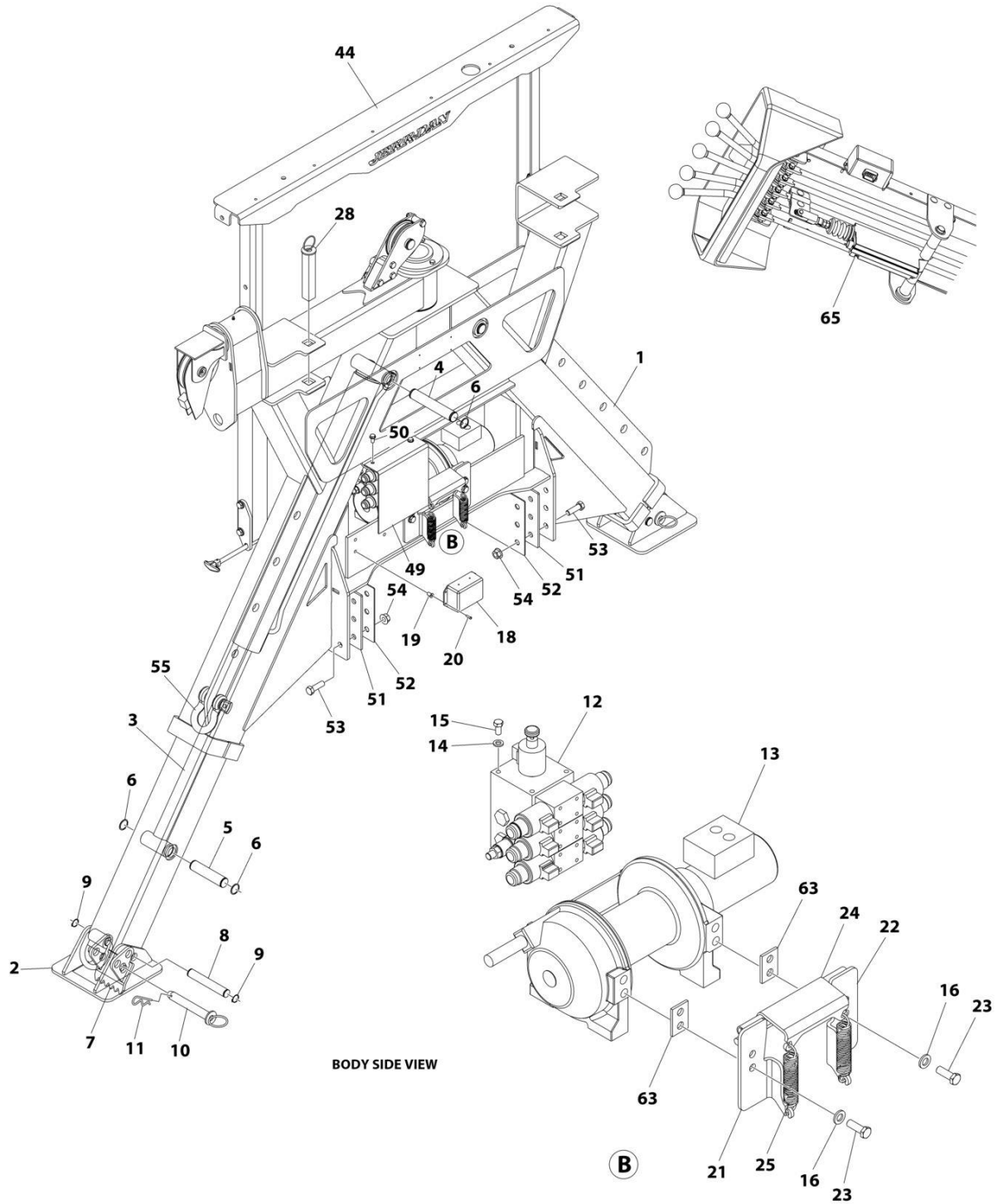
SECTION 1 - SUBFRAME

FIGURE 1-14. SIDE RECOVERY SYSTEM - 8000 LBS WINCH WITH COMBO REMOTE (SN 0220017154 through 0220026090)



ART_3455000064_10F2

SECTION 1 - SUBFRAME



BODY SIDE VIEW

ART_345500064_20F2

SECTION 1 - SUBFRAME

FIGURE 1-14. SIDE RECOVERY SYSTEM - 8000 LBS WINCH WITH COMBO REMOTE (SN 0220017154 through 0220026090)

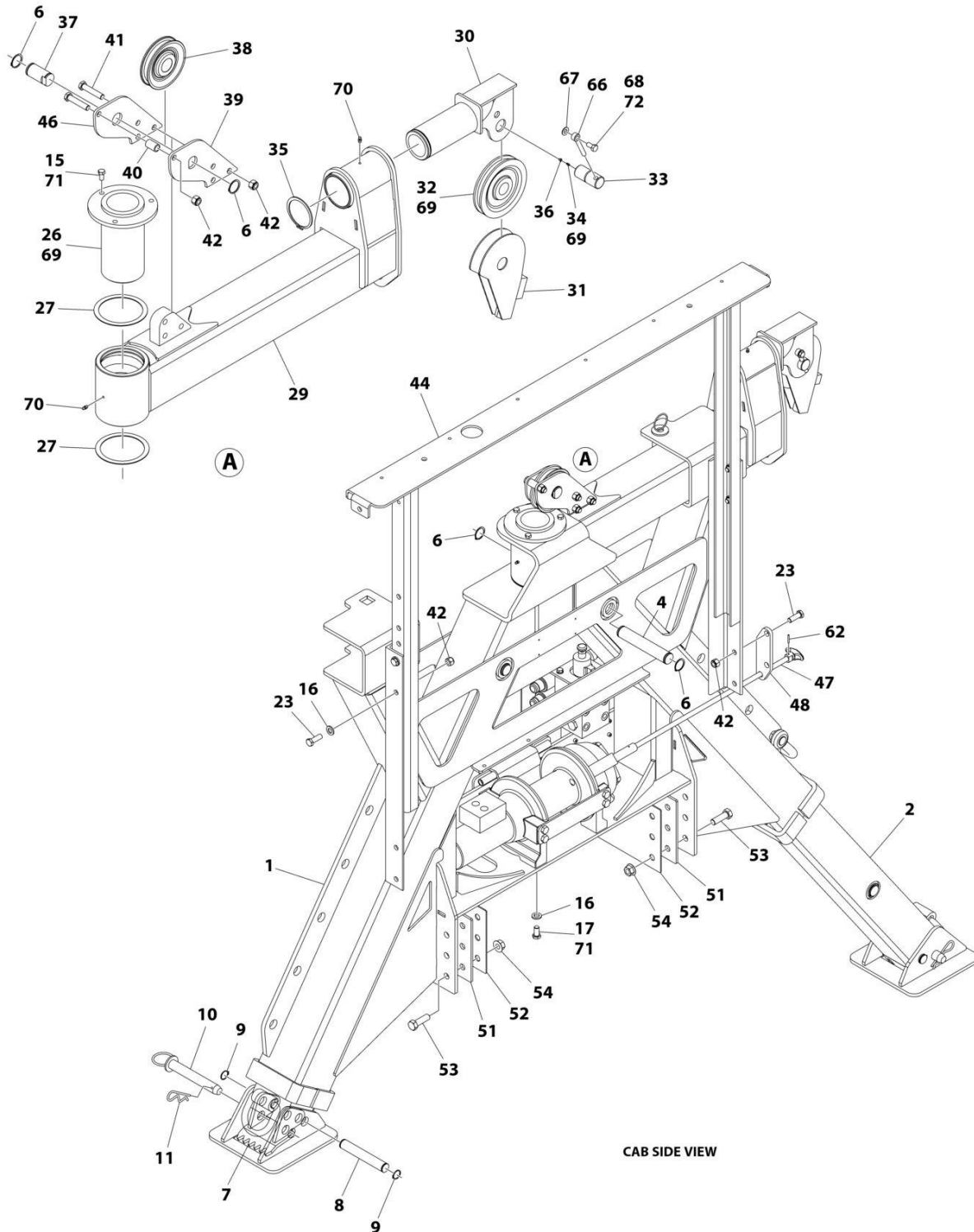
ITEM	PART NUMBER	QTY	DESCRIPTION	REV
	3455000064	Ref	FRAME ASSEMBLY (SRS-8), 3+1 REMOTE	C
1	3455000058	1	Frame Weldment	
2	3170000473	2	Boom Weldment	
3	3320000229	2	Cylinder Assembly (See Separate Breakdown in this Section)	
4	4691000296	2	Pin	
5	4691000429	2	Pin	
6	3760133	9	Ring	
7	3706000363	2	Plate	
8	4691000495	2	Pin	
9	7754000019	6	Ring	
10	3691000064	2	Pin	
11	7691000001	2	Hair Pin	
12	3619000010	1	Manifold Assembly	
13	7970000157	1	Winch Assembly (See Separate Breakdown in this Section)	
14	7950160000	3	Lockwasher	
15	0641606	6	Bolt 3/8 x 3/4	
16	4891800	20	Washer 1/2	
17	1001139343	8	Bolt 1/2 x 1-1/4	
18	7295000130	1	Controller	
19	7661000007	4	Nut #10	
20	7104100613	4	Screw #10	
21	3178000517	1	Bracket	
22	3178000518	1	Bracket	
23	0641812	10	Bolt 1/2 1-1/2	
24	3706000364	1	Plate	
25	7843000035	2	Spring	
26	3691000259	1	Pin	
27	4949000059	2	Washer 5 x 4-1/2	
28	3691000260	1	Pin	
29	1001206388	1	Boom	
30	1001206161	1	Support	
31	1001206167	1	Support	
32	7809000001	1	Sheave	
33	1001206171	1	Pin	
34	88671008	1	Fitting, Straight	
35	7754000005	1	Ring	
36	7253000002	1	Fitting	
37	4691000513	1	Pin	
38	7809000021	1	Sheave	
39	4706005651	1	Plate	
40	4209000336	1	Bushing	
41	0641820	4	Bolt 1/2 x 2	
42	7660182601	12	Nut 1/2	
44	3241000208	1	Headboard	
45	7552000413	1	Side Recovery System Harness (Not Shown - See Separate Breakdown in ELECTRICAL Section)	
46	4706005650	1	Plate	
47	3763000188	1	Rod	
48	4706005672	1	Plate	

SECTION 1 - SUBFRAME

ITEM	PART NUMBER	QTY	DESCRIPTION	REV
49	4314000167	1	Cover	
50	7790161253	2	Screw 3/8 x 3/4	
51	4831000126	2	Spacer	
52	4831000127	2	Spacer	
53	0652016	12	Bolt 5/8 x 2	
54	7660202347	12	Nut 1/6	
55	7804000007	1	Shackle	
56	7248000077	1	Wire Rope (Not Shown)	
57	7274000053	4	Clamp (Not Shown)	
58	0641508	4	Bolt 5/16 x 1 (Not Shown)	
59	4751500	4	Washer 5/16 (Not Shown)	
60	7660152601	4	Nut 1/3 (Not Shown)	
61	7002000519	1	Snatch (Not Shown)	
62	7690051641	1	Pin	
63	4706005752	2	Plate	
65	2577000016	1	Actuator	
66	3841143	1	Keeper	
67	4711600	1	Washer	
68	0651606	1	Bolt 3/8 x 3/4	
69	3020039	AR	Lubricant	
70	3020029	AR	Lube	
71	0100071	AR	Compound Locking	
72	1001095650	AR	Compound Locking	

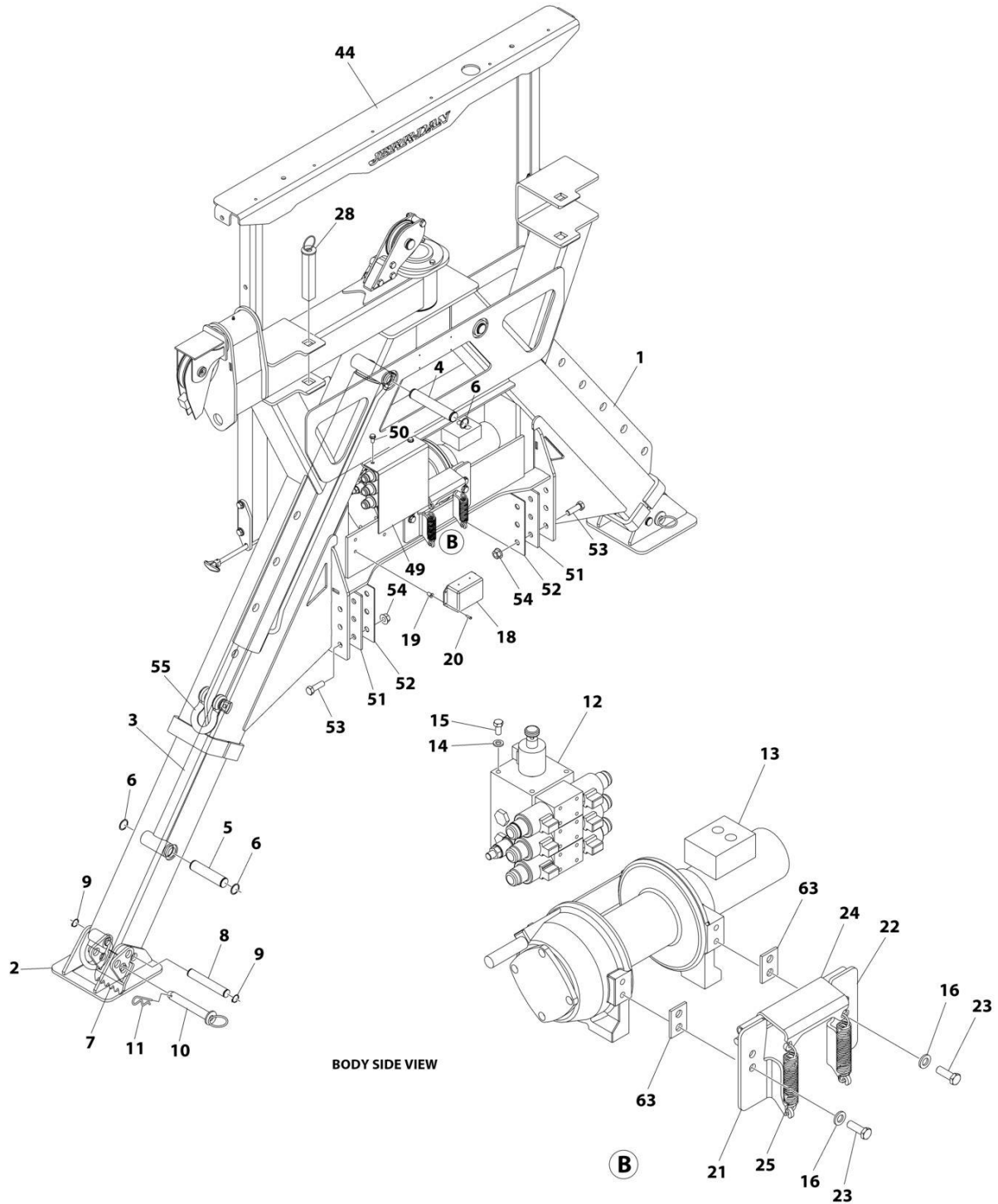
SECTION 1 - SUBFRAME

FIGURE 1-15. SIDE RECOVERY SYSTEM - 10000 LBS WINCH (SN 0220017154 through 0220026090)



ART_3455000060_10F2

SECTION 1 - SUBFRAME



ART_345500060_20F2

SECTION 1 - SUBFRAME

FIGURE 1-15. SIDE RECOVERY SYSTEM - 10000 LBS WINCH (SN 0220017154 through 0220026090)

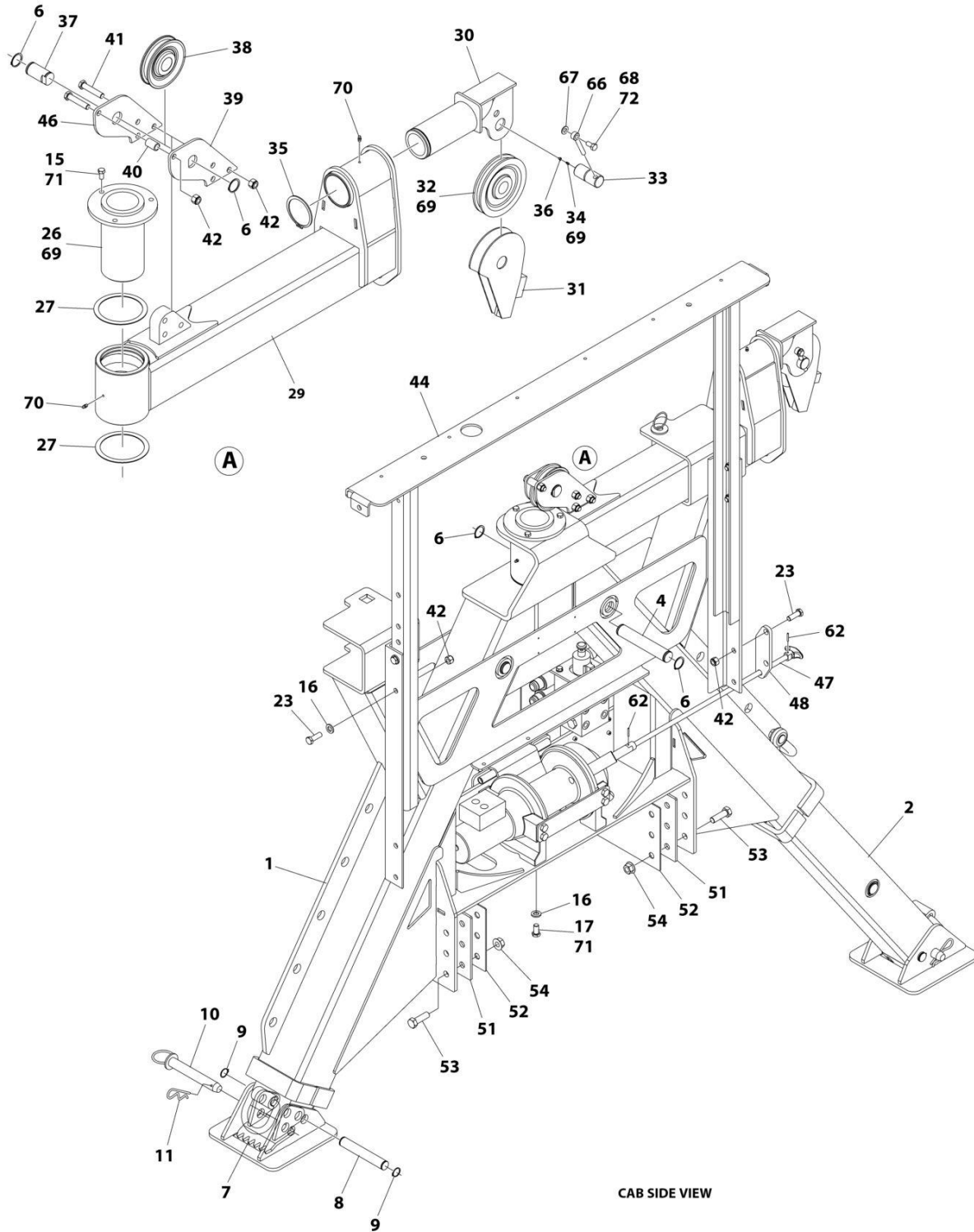
ITEM	PART NUMBER	QTY	DESCRIPTION	REV
	3455000060	Ref	FRAME ASSEMBLY (SRS-10)	D
1	3455000058	1	Frame Weldment	
2	3170000473	2	Boom Weldment	
3	3320000229	2	Cylinder Assembly (See Separate Breakdown in this Section)	
4	4691000296	2	Pin	
5	4691000429	2	Pin	
6	3760133	9	Ring	
7	3706000363	2	Plate	
8	4691000495	2	Pin	
9	7754000019	6	Ring	
10	3691000064	2	Pin	
11	7691000001	2	Hair Pin	
12	3619000010	1	Manifold Assembly	
13	7970000158	1	Winch Assembly (See Separate Breakdown in this Section)	
14	7950160000	3	Lockwasher	
15	0641606	6	Bolt 3/8 x 3/4	
16	4891800	20	Washer 1/2	
17	1001139343	8	Bolt 1/2 x 1-1/4	
18	7295000118	1	Controller	
19	7661000007	4	Nut #10	
20	7104100613	4	Screw #10	
21	3178000517	1	Bracket	
22	3178000518	1	Bracket	
23	0641812	10	Bolt 1/2 1-1/2	
24	3706000364	1	Plate	
25	7843000035	2	Spring	
26	3691000259	1	Pin	
27	4949000059	2	Washer 5 x 4-1/2	
28	3691000260	1	Pin	
29	1001206388	1	Boom	
30	1001206161	1	Support	
31	1001206167	1	Support	
32	7809000001	1	Sheave	
33	1001206171	1	Pin	
34	88671008	1	Fitting, Straight	
35	7754000005	1	Ring	
36	7253000002	1	Fitting	
37	4691000513	1	Pin	
38	7809000021	1	Sheave	
39	4706005651	1	Plate	
40	4209000336	1	Bushing	
41	0641820	4	Bolt 1/2 x 2	
42	7660182601	14	Nut 1/2	
44	3241000208	1	Headboard	
45	7552000385	1	Side Recovery System Harness (Not Shown - See Separate Breakdown in ELECTRICAL Section)	
46	4706005650	1	Plate	
47	3763000188	1	Rod	
48	4706005672	1	Plate	
49	4314000167	1	Cover	

SECTION 1 - SUBFRAME

ITEM	PART NUMBER	QTY	DESCRIPTION	REV
50	7790161253	2	Screw 3/8 x 3/4	
51	4831000126	2	Spacer	
52	4831000127	2	Spacer	
53	0652016	12	Bolt 5/8 x 2	
54	7660202347	12	Nut 1/6	
55	7804000007	1	Shackle	
56	7248000070	1	Wire Rope (Not Shown)	
57	7274000053	4	Clamp (Not Shown)	
58	0641508	4	Bolt 5/16 x 1 (Not Shown)	
59	4751500	4	Washer 5/16 (Not Shown)	
60	7660152601	4	Nut 1/3 (Not Shown)	
61	7002000519	1	Snatch (Not Shown)	
62	7690051641	1	Pin	
63	4706005752	2	Plate	
66	3841143	1	Keeper	
67	4711600	1	Washer	
68	0651606	1	Bolt 3/8 x 3/4	
69	3020039	AR	Lubricant	
70	3020029	AR	Lube	
71	0100071	AR	Adhesive	
72	1001095650	AR	Adhesive	

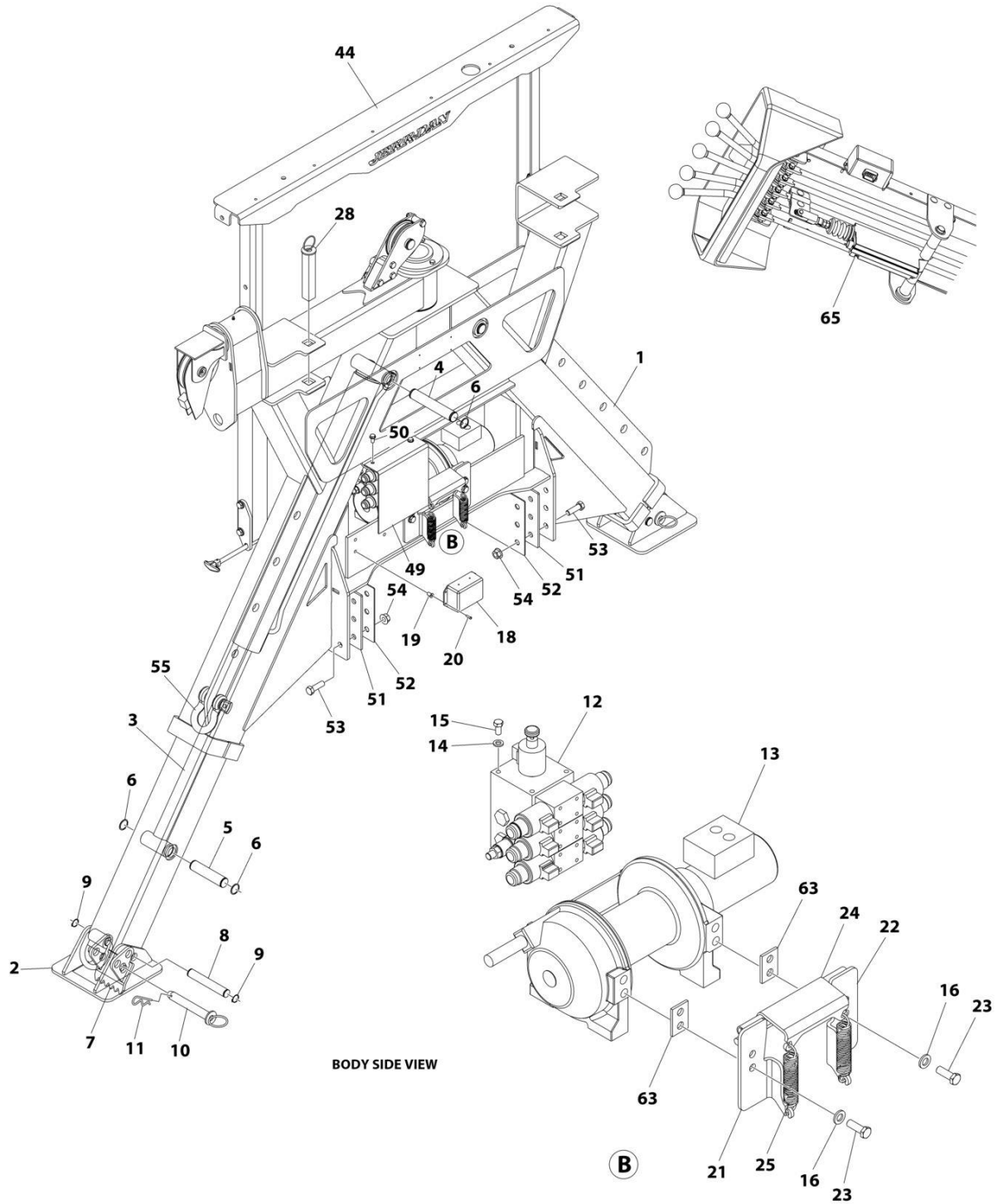
SECTION 1 - SUBFRAME

FIGURE 1-16. SIDE RECOVERY SYSTEM - 10000 LBS WINCH WITH COMBO REMOTE (SN 0220017154 through 0220026090)



ART_3455000065_10F2

SECTION 1 - SUBFRAME



ART_345500065_20F2

SECTION 1 - SUBFRAME

FIGURE 1-16. SIDE RECOVERY SYSTEM - 10000 LBS WINCH WITH COMBO REMOTE (SN 0220017154 through 0220026090)

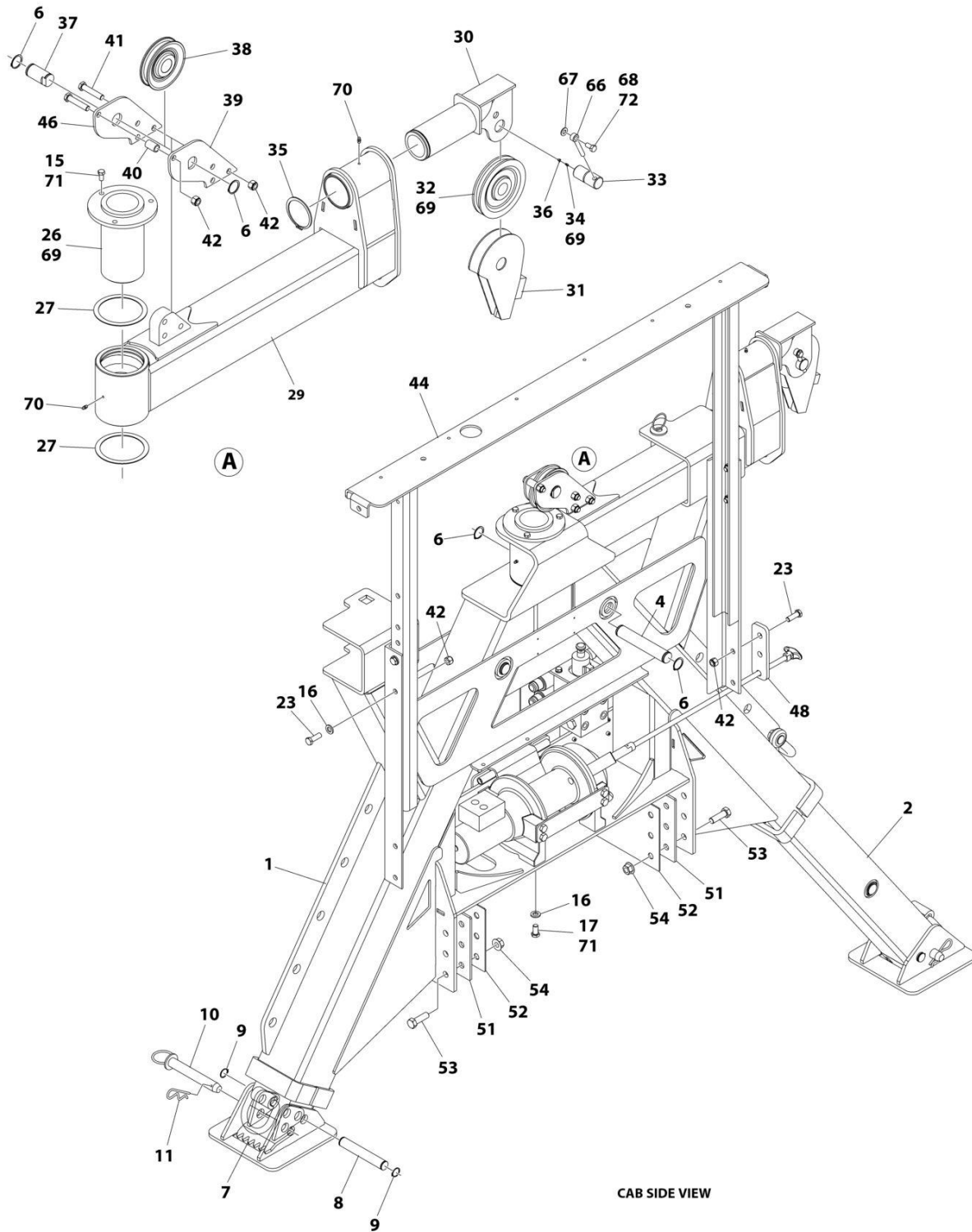
ITEM	PART NUMBER	QTY	DESCRIPTION	REV
	3455000065	Ref	FRAME ASSEMBLY (SRS-10), 3+1 REMOTE	C
1	3455000058	1	Frame Weldment	
2	3170000473	2	Boom Weldment	
3	3320000229	2	Cylinder Assembly (See Separate Breakdown in this Section)	
4	4691000296	2	Pin	
5	4691000429	2	Pin	
6	3760133	9	Ring	
7	3706000363	2	Plate	
8	4691000495	2	Pin	
9	7754000019	6	Ring	
10	3691000064	2	Pin	
11	7691000001	2	Hair Pin	
12	3619000010	1	Manifold Assembly	
13	7970000158	1	Winch Assembly (See Separate Breakdown in this Section)	
14	7950160000	3	Lockwasher	
15	0641606	6	Bolt 3/8 x 3/4	
16	4891800	20	Washer 1/2	
17	1001139343	8	Bolt 1/2 x 1-1/4	
18	7295000130	1	Controller	
19	7661000007	4	Nut #10	
20	7104100613	4	Screw #10	
21	3178000517	1	Bracket	
22	3178000518	1	Bracket	
23	0641812	10	Bolt 1/2 1-1/2	
24	3706000364	1	Plate	
25	7843000035	2	Spring	
26	3691000259	1	Pin	
27	4949000059	2	Washer 5 x 4-1/2	
28	3691000260	1	Pin	
29	1001206388	1	Boom	
30	1001206161	1	Support	
31	1001206167	1	Support	
32	7809000001	1	Sheave	
33	1001206171	1	Pin	
34	88671008	1	Fitting, Straight	
35	7754000005	1	Ring	
36	7253000002	1	Fitting	
37	4691000513	1	Pin	
38	7809000021	1	Sheave	
39	4706005651	1	Plate	
40	4209000336	1	Bushing	
41	0641820	4	Bolt 1/2 x 2	
42	7660182601	12	Nut 1/2	
44	3241000208	1	Headboard	
45	7552000413	1	Side Recovery System Harness (Not Shown - See Separate Breakdown in ELECTRICAL Section)	
46	4706005650	1	Plate	
47	3763000188	1	Rod	
48	4706005672	1	Plate	

SECTION 1 - SUBFRAME

ITEM	PART NUMBER	QTY	DESCRIPTION	REV
49	4314000167	1	Cover	
50	7790161253	2	Screw 3/8 x 3/4	
51	4831000126	2	Spacer	
52	4831000127	2	Spacer	
53	0652016	12	Bolt 5/8 x 2	
54	7660202347	12	Nut 1/6	
55	7804000007	1	Shackle	
56	7248000070	1	Wire Rope (Not Shown)	
57	7274000053	4	Clamp (Not Shown)	
58	0641508	4	Bolt 5/16 x 1 (Not Shown)	
59	4751500	4	Washer 5/16 (Not Shown)	
60	7660152601	4	Nut 1/3 (Not Shown)	
61	7002000519	1	Snatch (Not Shown)	
62	7690051641	1	Pin	
63	4706005752	2	Plate	
65	2577000016	1	Linear Actuator Kit	
66	3841143	1	Keeper	
67	4711600	1	Washer	
68	0651606	1	Bolt 3/8 x 3/4	
69	3020039	AR	Lubricant	
70	3020029	AR	Lube	
71	0100071	AR	Adhesive	
72	1001095650	AR	Adhesive	

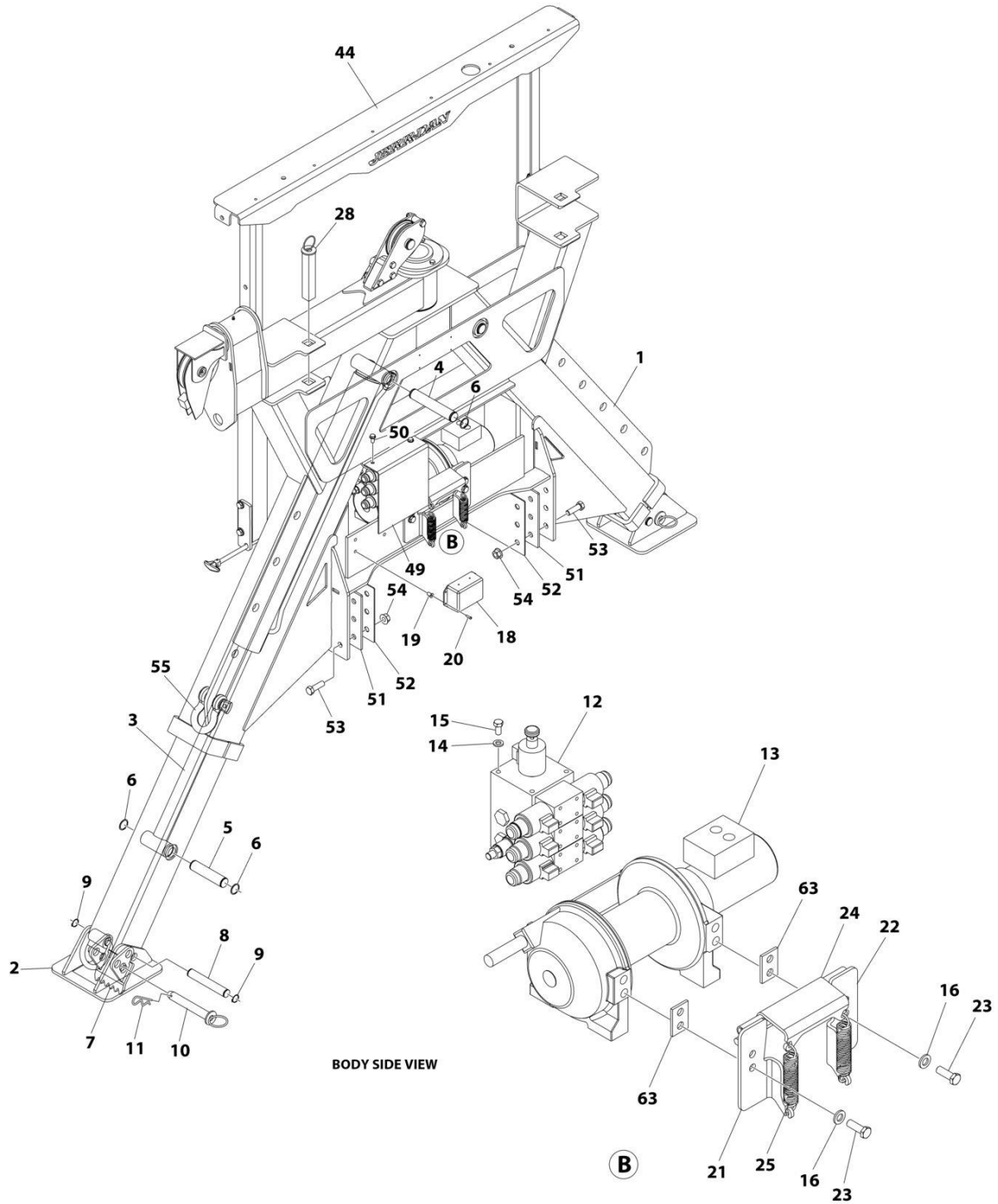
SECTION 1 - SUBFRAME

FIGURE 1-17. SIDE RECOVERY SYSTEM - 10000 LBS WINCH WITH AIR FREE SPOOL (SN 0220017154 through 0220026090)



ART_3455000063_10F2

SECTION 1 - SUBFRAME



ART_345500063_2OF2

SECTION 1 - SUBFRAME

FIGURE 1-17. SIDE RECOVERY SYSTEM - 10000 LBS WINCH WITH AIR FREE SPOOL (SN 0220017154 through 0220026090)

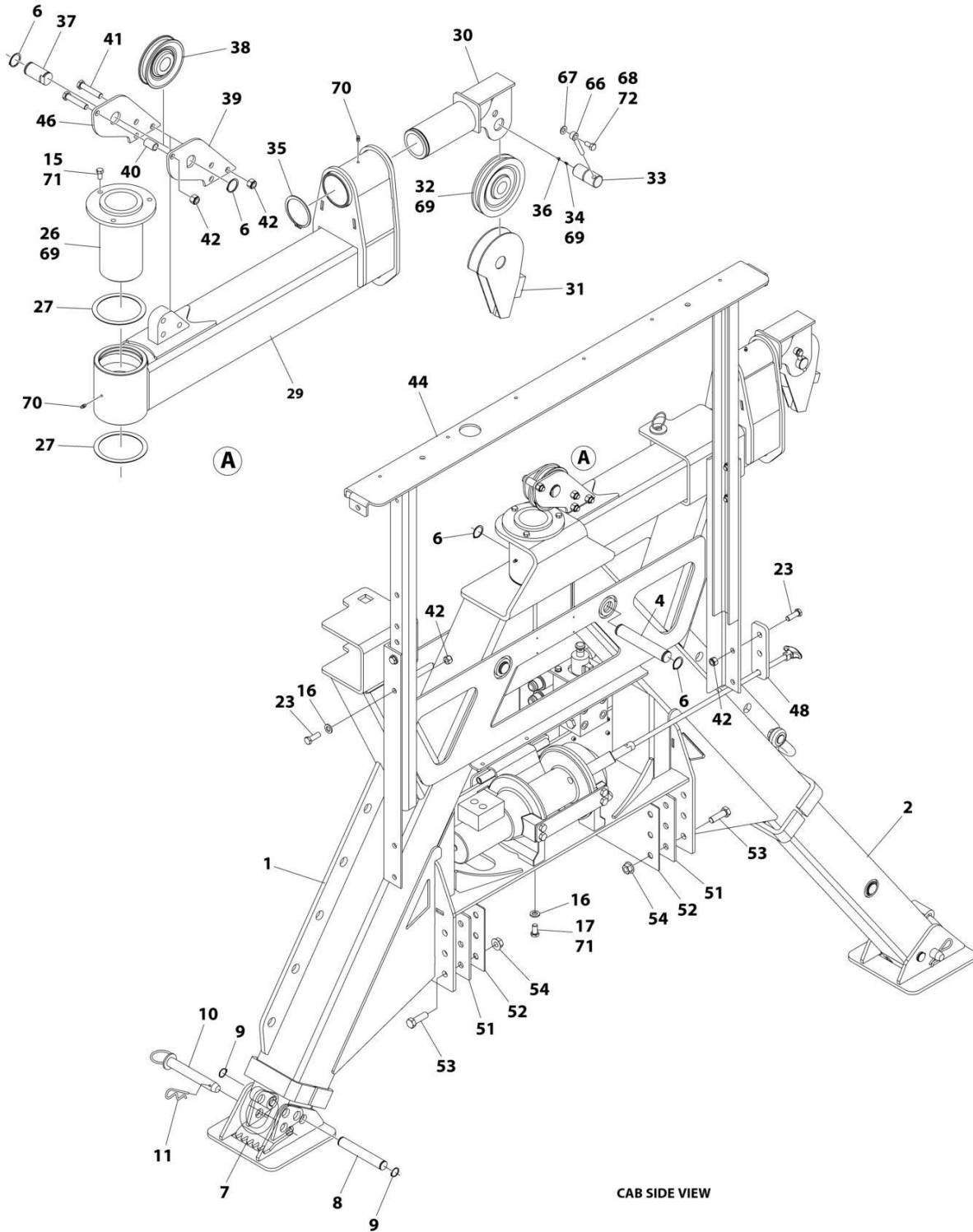
ITEM	PART NUMBER	QTY	DESCRIPTION	REV
	3455000063	Ref	FRAME ASSEMBLY (SRS-10), AIR F/S	C
1	3455000058	1	Frame Weldment	
2	3170000473	2	Boom Weldment	
3	3320000229	2	Cylinder Assembly (See Separate Breakdown in this Section)	
4	4691000296	2	Pin	
5	4691000429	2	Pin	
6	3760133	9	Ring	
7	3706000363	2	Plate	
8	4691000495	2	Pin	
9	7754000019	6	Ring	
10	3691000064	2	Pin	
11	7691000001	2	Hair Pin	
12	3619000010	1	Manifold Assembly	
13	7970000166	1	Winch Assembly (See Separate Breakdown in this Section)	
14	7950160000	3	Lockwasher	
15	0641606	6	Bolt 3/8 x 3/4	
16	4891800	20	Washer 1/2	
17	1001139343	8	Bolt 1/2 x 1-1/4	
18	7295000118	1	Controller	
19	7661000007	4	Nut #10	
20	7104100613	4	Screw #10	
21	3178000517	1	Bracket	
22	3178000518	1	Bracket	
23	0641812	12	Bolt 1/2 1-1/2	
24	3706000364	1	Plate	
25	7843000035	2	Spring	
26	3691000259	1	Pin	
27	4949000059	2	Washer 5 x 4-1/2	
28	3691000260	1	Pin	
29	1001206388	1	Boom	
30	1001206161	1	Support	
31	1001206167	1	Support	
32	7809000001	1	Sheave	
33	1001206171	1	Pin	
34	88671008	1	Fitting, Straight	
35	7754000005	1	Ring	
36	7253000002	1	Fitting	
37	4691000513	1	Pin	
38	7809000021	1	Sheave	
39	4706005651	1	Plate	
40	4209000336	1	Bushing	
41	0641820	4	Bolt 1/2 x 2	
42	7660182601	14	Nut 1/2	
44	3241000208	1	Headboard	
45	7552000385	1	Side Recovery System Harness (Not Shown - See Separate Breakdown in ELECTRICAL Section)	
46	4706005650	1	Plate	
48	4706006211	2	Plate	
49	4314000167	1	Cover	

SECTION 1 - SUBFRAME

ITEM	PART NUMBER	QTY	DESCRIPTION	REV
50	7790161253	2	Screw 3/8 x 3/4	
51	4831000126	2	Spacer	
52	4831000127	2	Spacer	
53	0652016	12	Bolt 5/8 x 2	
54	7660202347	12	Nut 1/6	
55	7804000007	1	Shackle	
56	7248000070	1	Wire Rope (Not Shown)	
57	7274000053	4	Clamp (Not Shown)	
58	0641508	4	Bolt 5/16 x 1 (Not Shown)	
59	4751500	4	Washer 5/16 (Not Shown)	
60	7660152601	4	Nut 1/3 (Not Shown)	
61	7002000519	1	Snatch (Not Shown)	
63	4706005752	2	Plate	
64	2870000023	1	Switch Installation (Not Shown)	
66	3841143	1	Keeper	
67	4711600	1	Washer	
68	0651606	1	Bolt 3/8 x 3/4	
69	3020039	AR	Lubricant	
70	3020029	AR	Lube	
71	0100071	AR	Adhesive	
72	1001095650	AR	Adhesive	

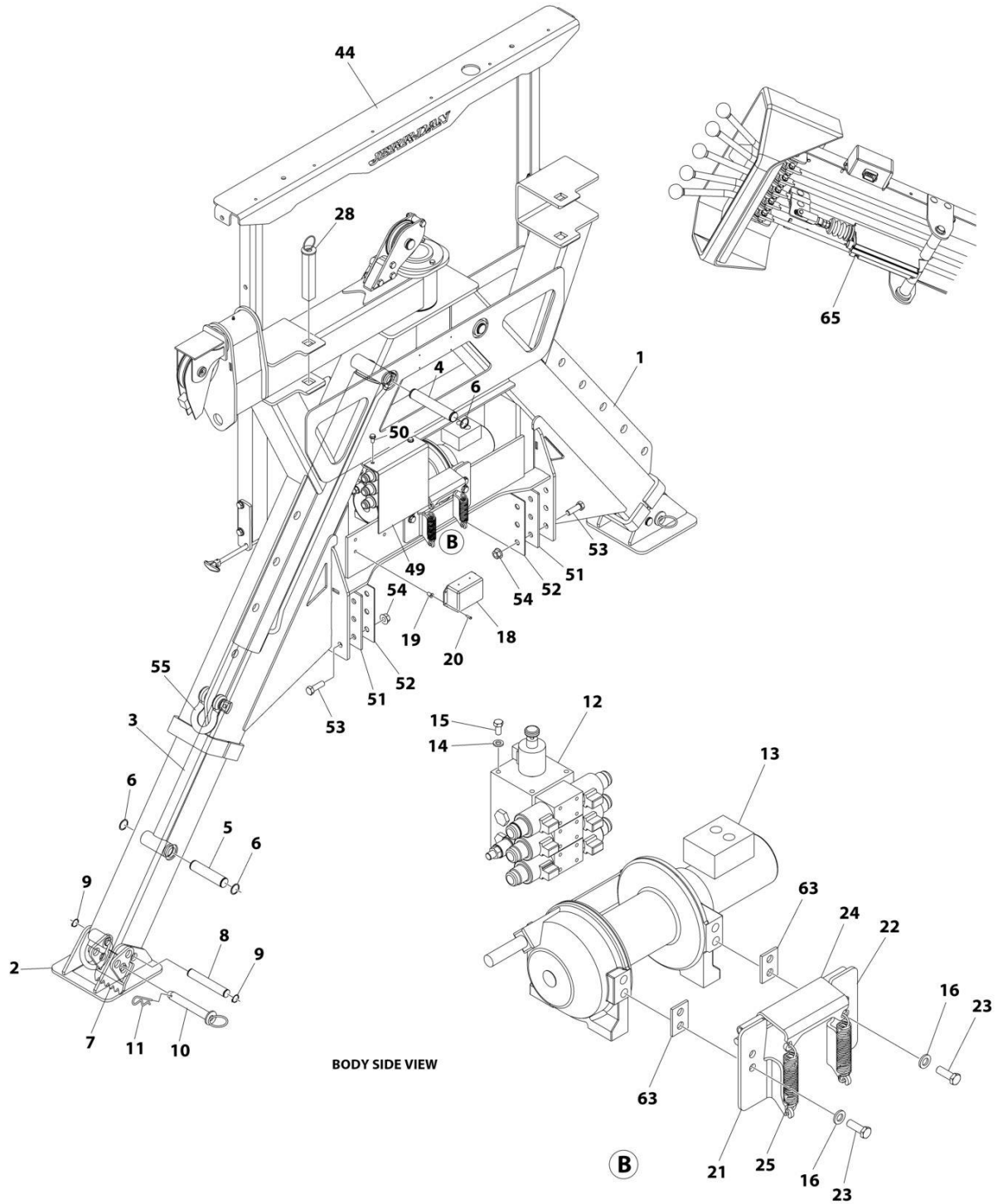
SECTION 1 - SUBFRAME

FIGURE 1-18. SIDE RECOVERY SYSTEM - 10000 LBS WINCH WITH AIR FREE SPOOL & COMBO REMOTE (SN 0220017154 through 0220026090)



ART_3455000066_10F2

SECTION 1 - SUBFRAME



ART_345500066_20F2

SECTION 1 - SUBFRAME

FIGURE 1-18. SIDE RECOVERY SYSTEM - 10000 LBS WINCH WITH AIR FREE SPOOL & COMBO REMOTE (SN 0220017154 through 0220026090)

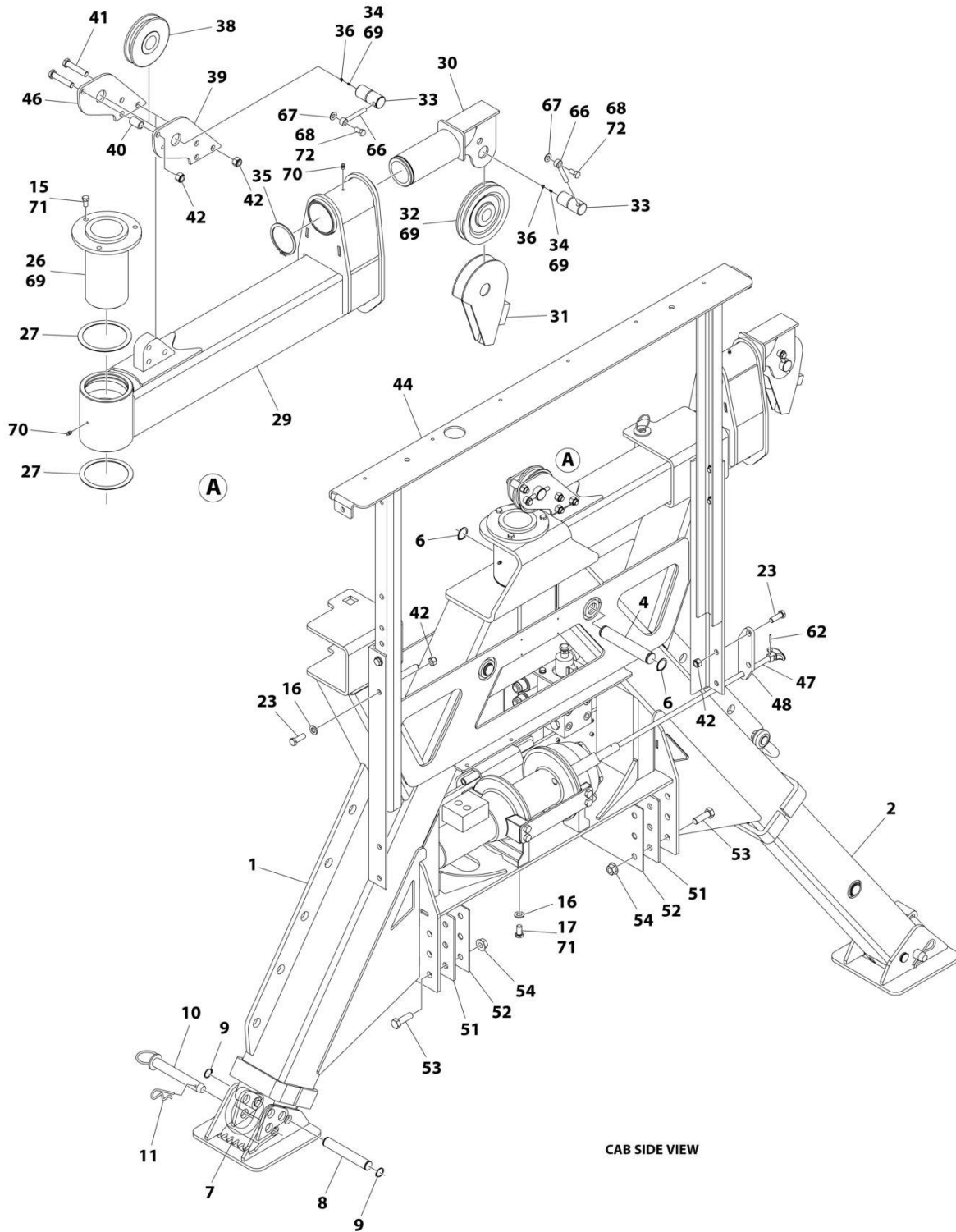
ITEM	PART NUMBER	QTY	DESCRIPTION	REV
	3455000066	Ref	FRAME ASSEMBLY (SRS-10), AIR F/S, 3+1 REMOTE	C
1	3455000058	1	Frame	
2	3170000473	2	Boom Weldment	
3	3320000229	2	Cylinder Assembly (See Separate Breakdown in this Section)	
4	4691000296	2	Pin	
5	4691000429	2	Pin	
6	3760133	9	Ring	
7	3706000363	2	Plate	
8	4691000495	2	Pin	
9	7754000019	6	Ring	
10	3691000064	2	Pin	
11	7691000001	2	Hair Pin	
12	3619000010	1	Manifold Assembly	
13	7970000166	1	Winch Assembly (See Separate Breakdown in this Section)	
14	7950160000	3	Lockwasher	
15	0641606	6	Bolt 3/8 x 3/4	
16	4891800	20	Washer 1/2	
17	1001139343	8	Bolt 1/2 x 1-1/4	
18	7295000130	1	Controller	
19	7661000007	4	Nut #10	
20	7104100613	4	Screw #10	
21	3178000517	1	Bracket	
22	3178000518	1	Bracket	
23	0641812	12	Bolt 1/2 1-1/2	
24	3706000364	1	Plate	
25	7843000035	2	Spring	
26	3691000259	1	Pin	
27	4949000059	2	Washer 5 x 4-1/2	
28	3691000260	1	Pin	
29	1001206388	1	Boom	
30	1001206161	1	Support	
31	1001206167	1	Support	
32	7809000001	1	Sheave	
33	1001206171	1	Pin	
34	88671008	1	Fitting, Straight	
35	7754000005	1	Ring	
36	7253000002	1	Fitting	
37	4691000513	1	Pin	
38	7809000021	1	Sheave	
39	4706005651	1	Plate	
40	4209000336	1	Bushing	
41	0641820	4	Bolt 1/2 x 2	
42	7660182601	14	Nut 1/2	
44	3241000208	1	Headboard	
45	7552000413	1	Side Recovery System Harness (Not Shown - See Separate Breakdown in ELECTRICAL Section)	
46	4706005650	1	Plate	
48	4706006211	2	Plate	
49	4314000167	1	Cover	

SECTION 1 - SUBFRAME

ITEM	PART NUMBER	QTY	DESCRIPTION	REV
50	7790161253	2	Screw 3/8 x 3/4	
51	4831000126	2	Spacer	
52	4831000127	2	Spacer	
53	0652016	12	Bolt 5/8 x 2	
54	7660202347	12	Nut 1/6	
55	7804000007	1	Shackle	
56	7248000070	1	Wire Rope (Not Shown)	
57	7274000053	4	Clamp (Not Shown)	
58	0641508	4	Bolt 5/16 x 1 (Not Shown)	
59	4751500	4	Washer 5/16 (Not Shown)	
60	7660152601	4	Nut 1/3 (Not Shown)	
61	7002000519	1	Snatch (Not Shown)	
63	4706005752	2	Plate	
64	2870000023	1	Switch Installation (Not Shown)	
65	2577000016	1	Linear Actuator Kit	
66	3841143	1	Keeper	
67	4711600	1	Washer	
68	0651606	1	Bolt 3/8 x 3/4	
69	3020039	AR	Lubricant	
70	3020029	AR	Lube	
71	0100071	AR	Adhesive	
72	1001095650	AR	Adhesive	

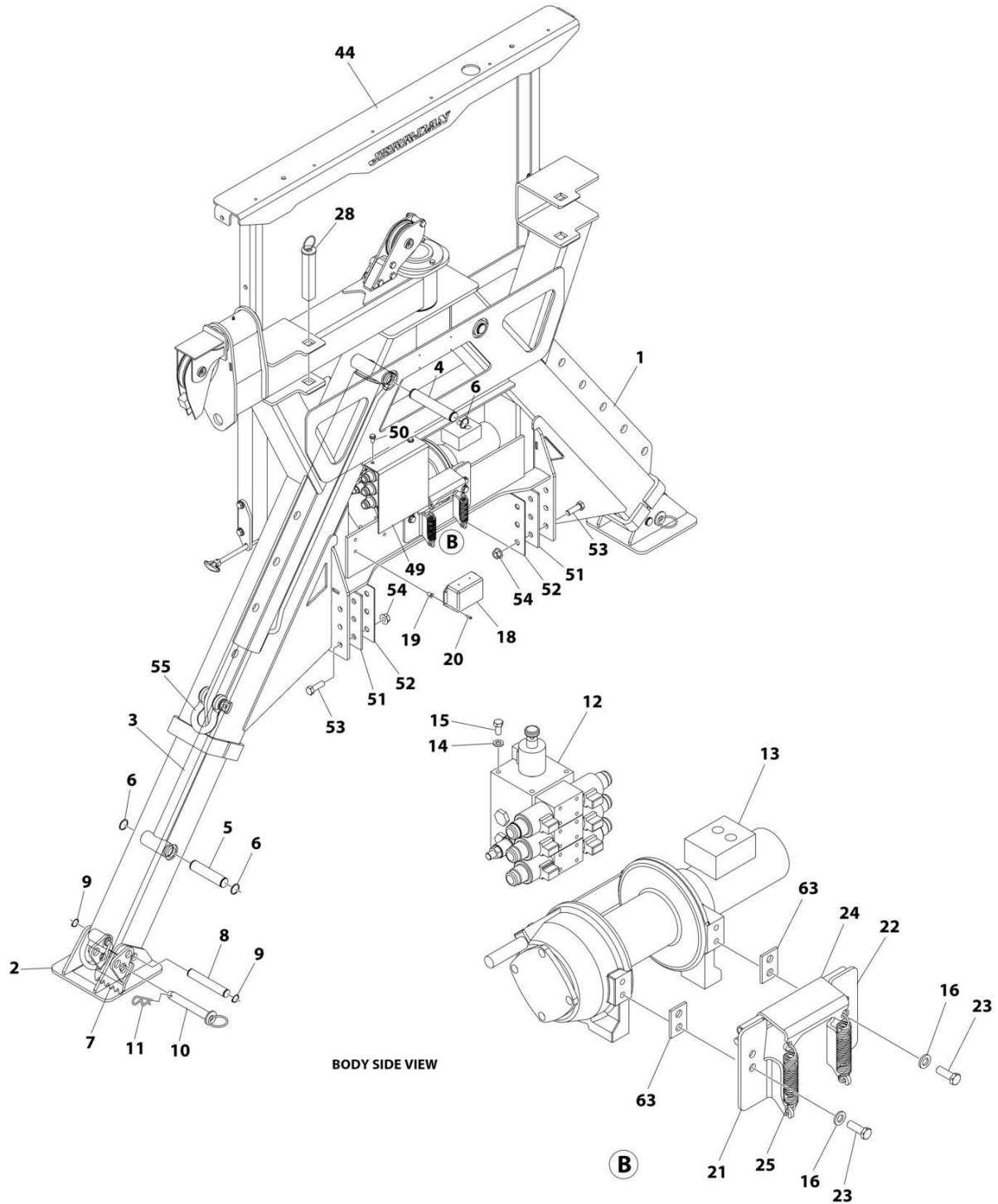
SECTION 1 - SUBFRAME

FIGURE 1-19. SIDE RECOVERY SYSTEM - 10000 LBS WINCH (MANUAL FREE SPOOL / 3 FUNCTION REMOTE) (SN 0220026090 through 0220026736)



ART_1001271983_10F2

SECTION 1 - SUBFRAME



BODY SIDE VIEW

ART_1001271983_2OF2

SECTION 1 - SUBFRAME

FIGURE 1-19. SIDE RECOVERY SYSTEM - 10000 LBS WINCH (MANUAL FREE SPOOL / 3 FUNCTION REMOTE) (SN 0220026090 through 0220026736)

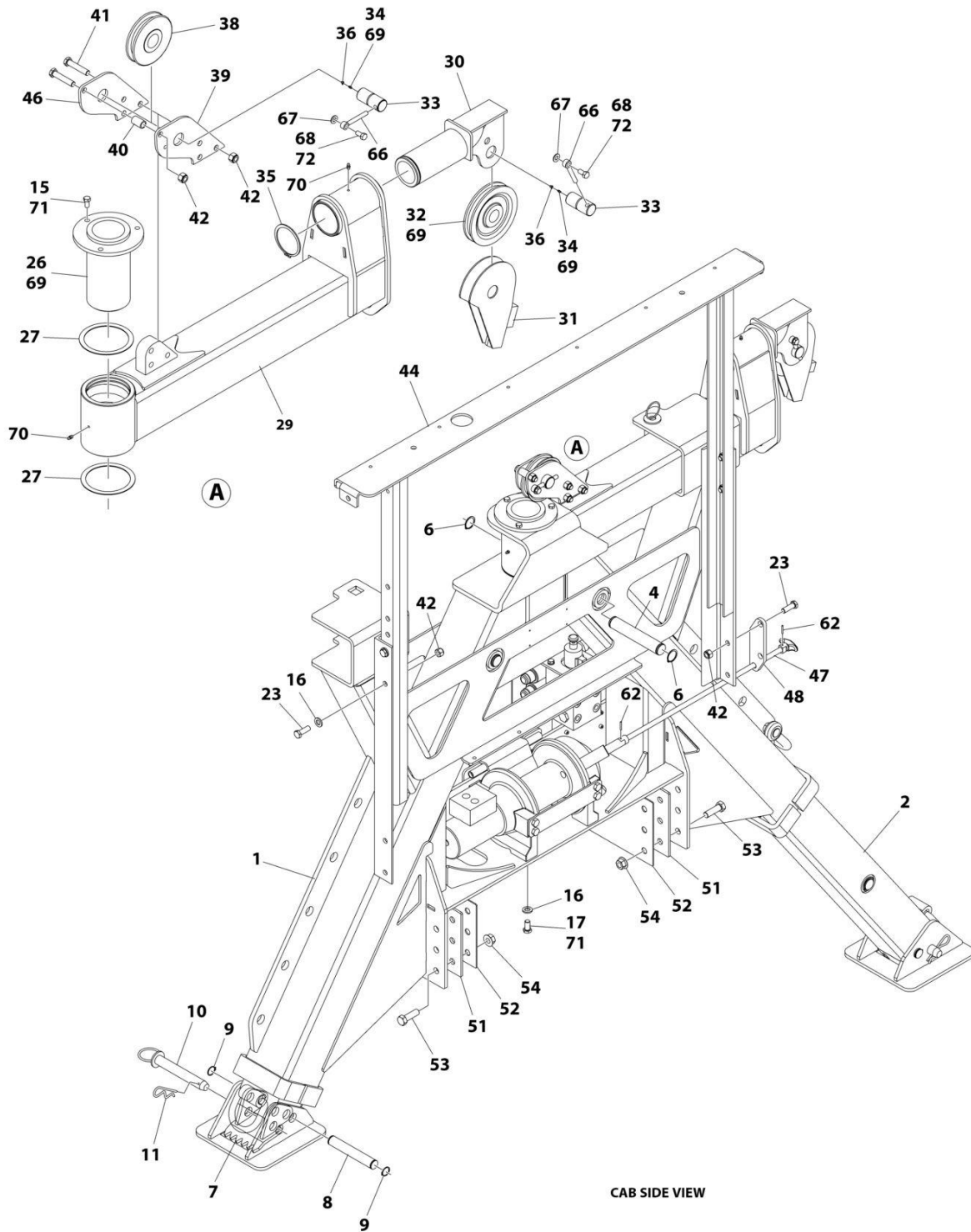
ITEM	PART NUMBER	QTY	DESCRIPTION	REV
	1001271983	Ref	FRAME ASSEMBLY (SRS-10), MAN F/S, 3 REMOTE	A
1	3455000058	1	Frame Weldment	
2	3170000473	2	Boom Weldment	
3	3320000229	2	Cylinder Assembly (See Separate Breakdown in this Section)	
4	4691000296	2	Pin	
5	4691000429	2	Pin	
6	3760133	7	Ring	
7	3706000363	2	Plate	
8	4691000495	2	Pin	
9	7754000019	6	Ring	
10	3691000064	2	Pin	
11	7691000001	2	Hair Pin	
12	3619000010	1	Manifold Assembly	
13	7970000158	1	Winch assembly (See Separate Breakdown in this Section)	
14	7950160000	3	Lockwasher	
15	0641606	6	Bolt 3/8 x 3/4	
16	4891800	20	Washer 1/2	
17	1001139343	8	Bolt 1/2 x 1-1/4	
18	7295000118	1	Controller	
19	7661000007	4	Nut #10	
20	7104100613	4	Screw #10	
21	3178000517	1	Bracket	
22	3178000518	1	Bracket	
23	0641812	10	Bolt 1/2 1-1/2	
24	3706000364	1	Plate	
25	7843000035	2	Spring	
26	3691000259	1	Pin	
27	4949000059	2	Washer 5 x 4-1/2	
28	3691000260	1	Pin	
29	1001206388	1	Boom	
30	1001206161	1	Support	
31	1001206167	1	Support	
32	7809000001	1	Sheave	
33	1001206171	2	Pin	
34	88671008	2	Fitting, Straight	
35	7754000005	1	Ring	
36	7253000002	2	Fitting	
38	1001271775	1	Sheave	
39	1001271842	1	Plate	
40	4209000336	1	Bushing	
41	0641820	4	Bolt 1/2 x 2	
42	7660182601	14	Nut 1/2	
44	3241000208	1	Headboard	
45	7552000385	1	Side Recovery System Harness (Not Shown - See Separate Breakdown in ELECTRICAL Section)	
46	4706005650	1	Plate	
47	3763000188	1	Rod	
48	4706005672	1	Plate	
49	4314000167	1	Cover	

SECTION 1 - SUBFRAME

ITEM	PART NUMBER	QTY	DESCRIPTION	REV
50	7790161253	2	Screw 3/8 x 3/4	
51	4831000126	2	Spacer	
52	4831000127	2	Spacer	
53	0652016	12	Bolt 5/8 x 2	
54	7660202347	12	Nut 1/6	
55	7804000007	1	Shackle	
56	7248000077	1	Wire Rope (Not Shown)	
57	7274000053	4	Clamp (Not Shown)	
58	0641508	4	Bolt 5/16 x 1 (Not Shown)	
59	4751500	4	Washer 5/16 (Not Shown)	
60	7660152601	4	Nut 1/3 (Not Shown)	
61	7002000519	1	Snatch (Not Shown)	
62	7690051641	1	Pin	
63	4706005752	2	Plate	
66	3841143	2	Keeper	
67	4711600	2	Washer	
68	0651606	2	Bolt 3/8 x 3/4	
69	3020039	AR	Lubricant	
70	3020029	AR	Lube	
71	0100071	AR	Adhesive	
72	1001095650	AR	Adhesive	

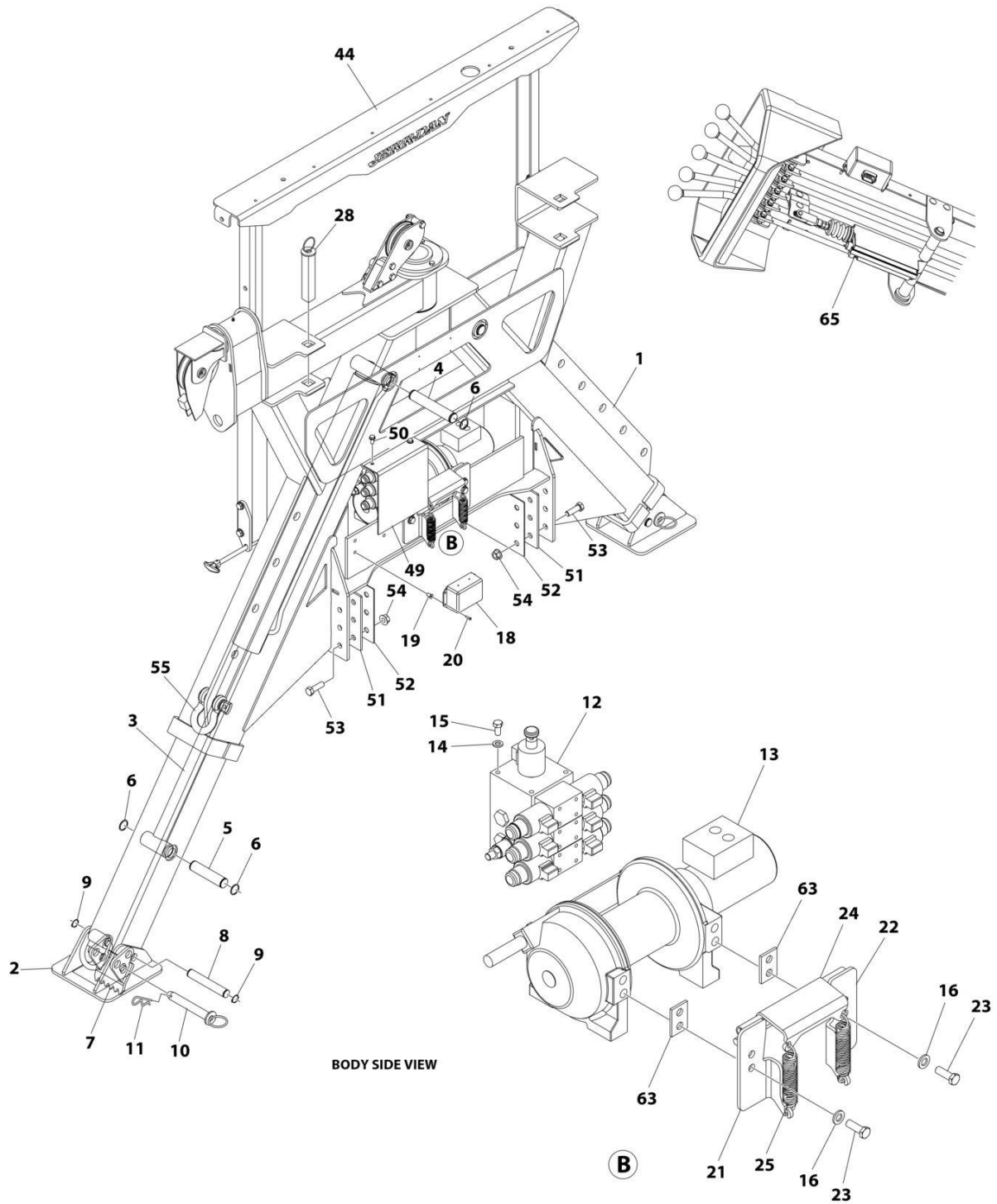
SECTION 1 - SUBFRAME

FIGURE 1-20. SIDE RECOVERY SYSTEM - 10000 LBS WINCH (MANUAL FREE SPOOL / 4 FUNCTION REMOTE)



ART_1001271985_10F2

SECTION 1 - SUBFRAME



BODY SIDE VIEW

ART_1001271985_20F2

SECTION 1 - SUBFRAME

FIGURE 1-20. SIDE RECOVERY SYSTEM - 10000 LBS WINCH (MANUAL FREE SPOOL / 4 FUNCTION REMOTE)

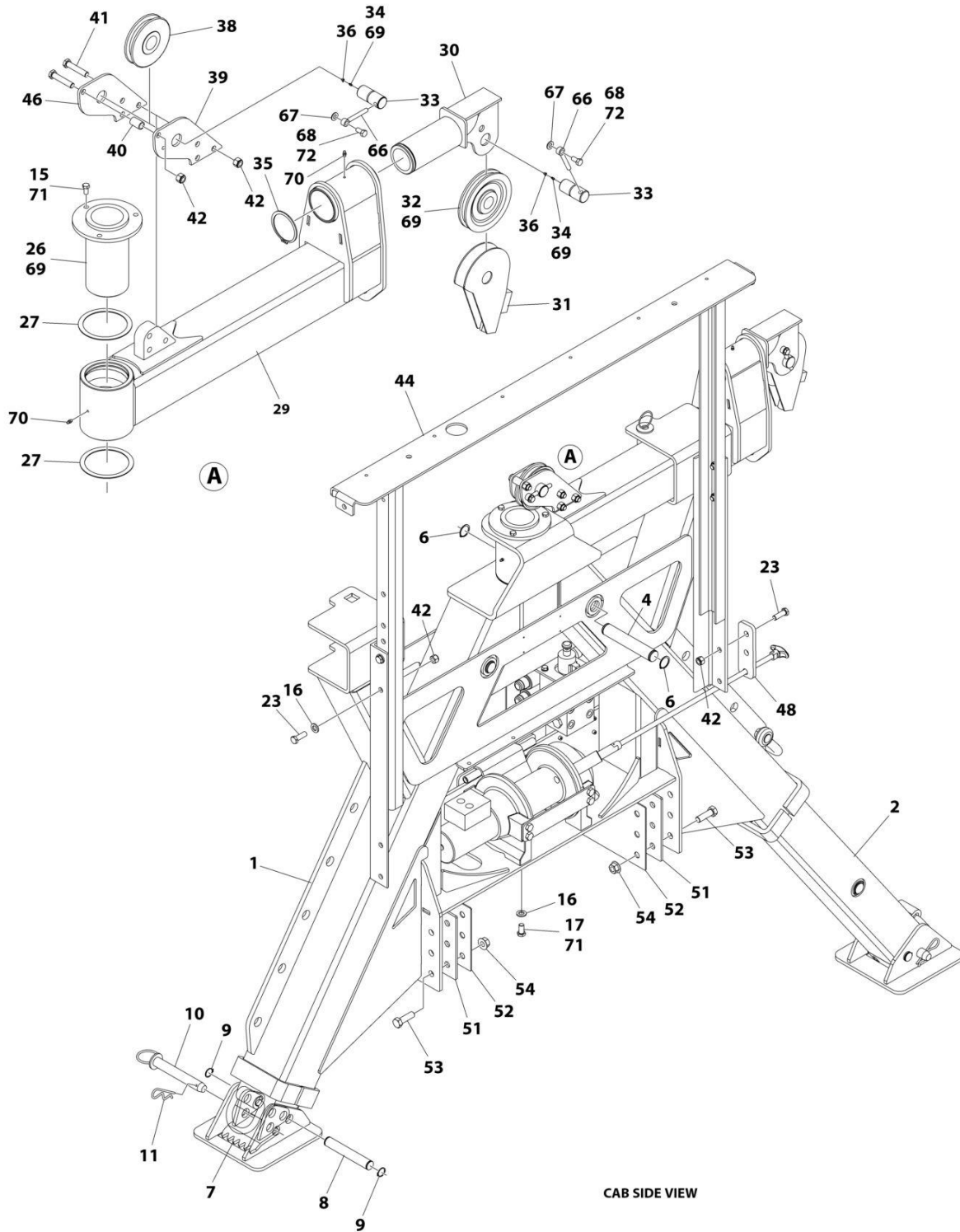
ITEM	PART NUMBER	QTY	DESCRIPTION	REV
	1001271985	Ref	FRAME ASSEMBLY (SRS-10), MAN F/S, 4 REMOTE	A
1	3455000058	1	Frame Weldment	
2	3170000473	2	Boom Weldment	
3	3320000229	2	Cylinder Assembly (See Separate Breakdown in this Section)	
4	4691000296	2	Pin	
5	4691000429	2	Pin	
6	3760133	7	Ring	
7	3706000363	2	Plate	
8	4691000495	2	Pin	
9	7754000019	6	Ring	
10	3691000064	2	Pin	
11	7691000001	2	Hair Pin	
12	3619000010	1	Manifold Assembly	
13	7970000158	1	Winch Assembly (See Separate Breakdown in this Section)	
14	7950160000	3	Lockwasher	
15	0641606	6	Bolt 3/8 x 3/4	
16	4891800	20	Washer 1/2	
17	1001139343	8	Bolt 1/2 x 1-1/4	
18	7295000130	1	Controller	
19	7661000007	4	Nut #10	
20	7104100613	4	Screw #10	
21	3178000517	1	Bracket	
22	3178000518	1	Bracket	
23	0641812	10	Bolt 1/2 1-1/2	
24	3706000364	1	Plate	
25	7843000035	2	Spring	
26	3691000259	1	Pin	
27	4949000059	2	Washer 5 x 4-1/2	
28	3691000260	1	Pin	
29	1001206388	1	Boom	
30	1001206161	1	Support	
31	1001206167	1	Support	
32	7809000001	1	Sheave	
33	1001206171	2	Pin	
34	88671008	2	Fitting, Straight	
35	7754000005	1	Ring	
36	7253000002	2	Fitting	
38	1001271775	1	Sheave	
39	1001271842	1	Plate	
40	4209000336	1	Bushing	
41	0641820	4	Bolt 1/2 x 2	
42	7660182601	12	Nut 1/2	
44	3241000208	1	Headboard	
45	7552000413	1	Harness Side Recovery System Harness (Not Shown - See Separate Breakdown in ELECTRICAL Section)	
46	4706005650	1	Plate	
47	3763000188	1	Rod	
48	4706005672	1	Plate	
49	4314000167	1	Cover	

SECTION 1 - SUBFRAME

ITEM	PART NUMBER	QTY	DESCRIPTION	REV
50	7790161253	2	Screw 3/8 x 3/4	
51	4831000126	2	Spacer	
52	4831000127	2	Spacer	
53	0652016	12	Bolt 5/8 x 2	
54	7660202347	12	Nut 1/6	
55	7804000007	1	Shackle	
56	7248000077	1	Wire Rope (Not Shown)	
57	7274000053	4	Clamp (Not Shown)	
58	0641508	4	Bolt 5/16 x 1 (Not Shown)	
59	4751500	4	Washer 5/16 (Not Shown)	
60	7660152601	4	Nut 1/3 (Not Shown)	
61	7002000519	1	Snatch (Not Shown)	
62	7690051641	1	Pin	
63	4706005752	2	Plate	
65	2577000016	1	Linear Actuator Kit	
66	3841143	2	Keeper	
67	4711600	2	Washer	
68	0651606	2	Bolt 3/8 x 3/4	
69	3020039	AR	Lubricant	
70	3020029	AR	Lube	
71	0100071	AR	Adhesive	
72	1001095650	AR	Adhesive	

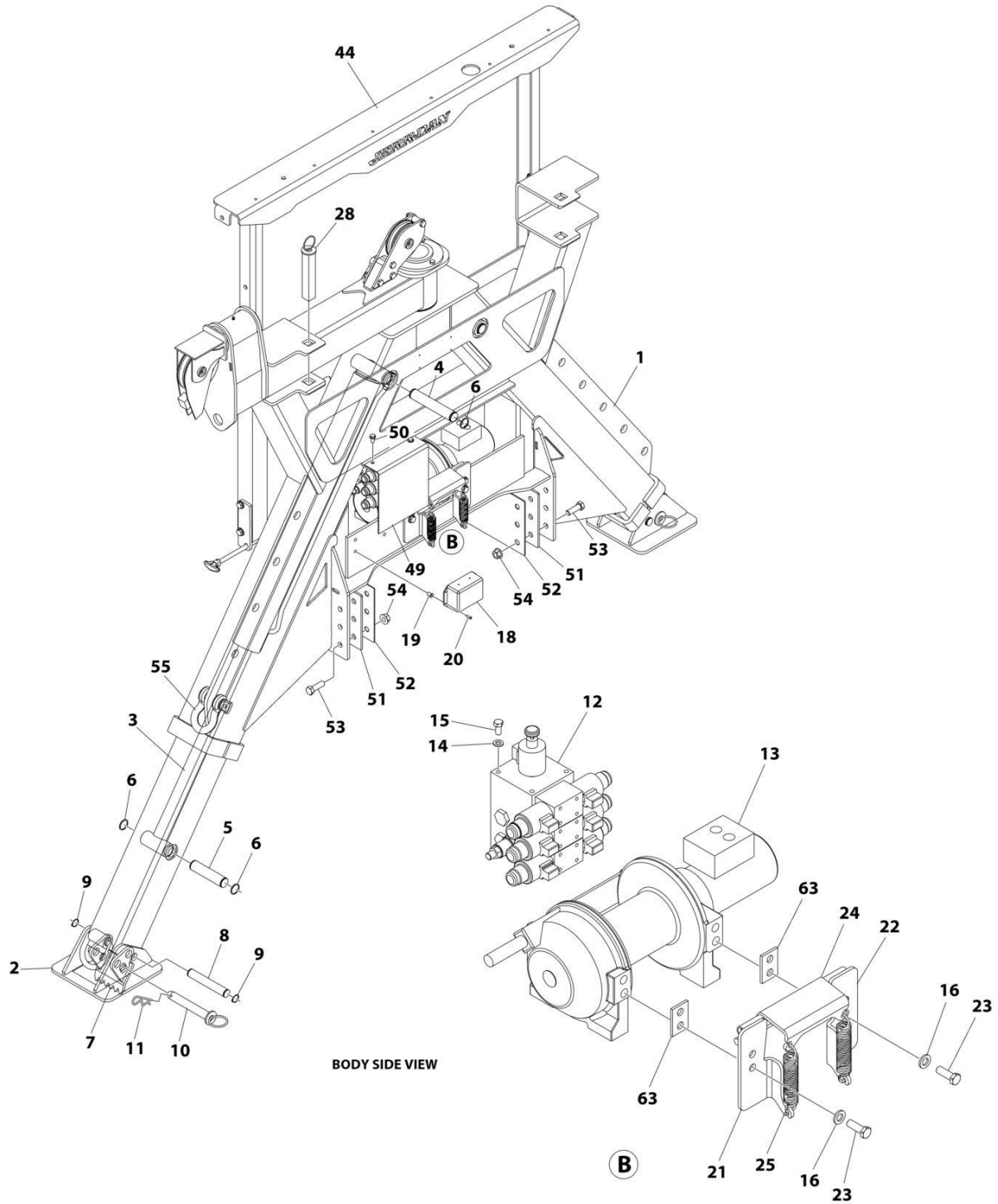
SECTION 1 - SUBFRAME

FIGURE 1-21. SIDE RECOVERY SYSTEM - 10000 LBS WINCH (AIR FREE SPOOL / 3 FUNCTION REMOTE)



ART_1001271984_10F2

SECTION 1 - SUBFRAME



ART_1001271984_2OF2

SECTION 1 - SUBFRAME

FIGURE 1-21. SIDE RECOVERY SYSTEM - 10000 LBS WINCH (AIR FREE SPOOL / 3 FUNCTION REMOTE)

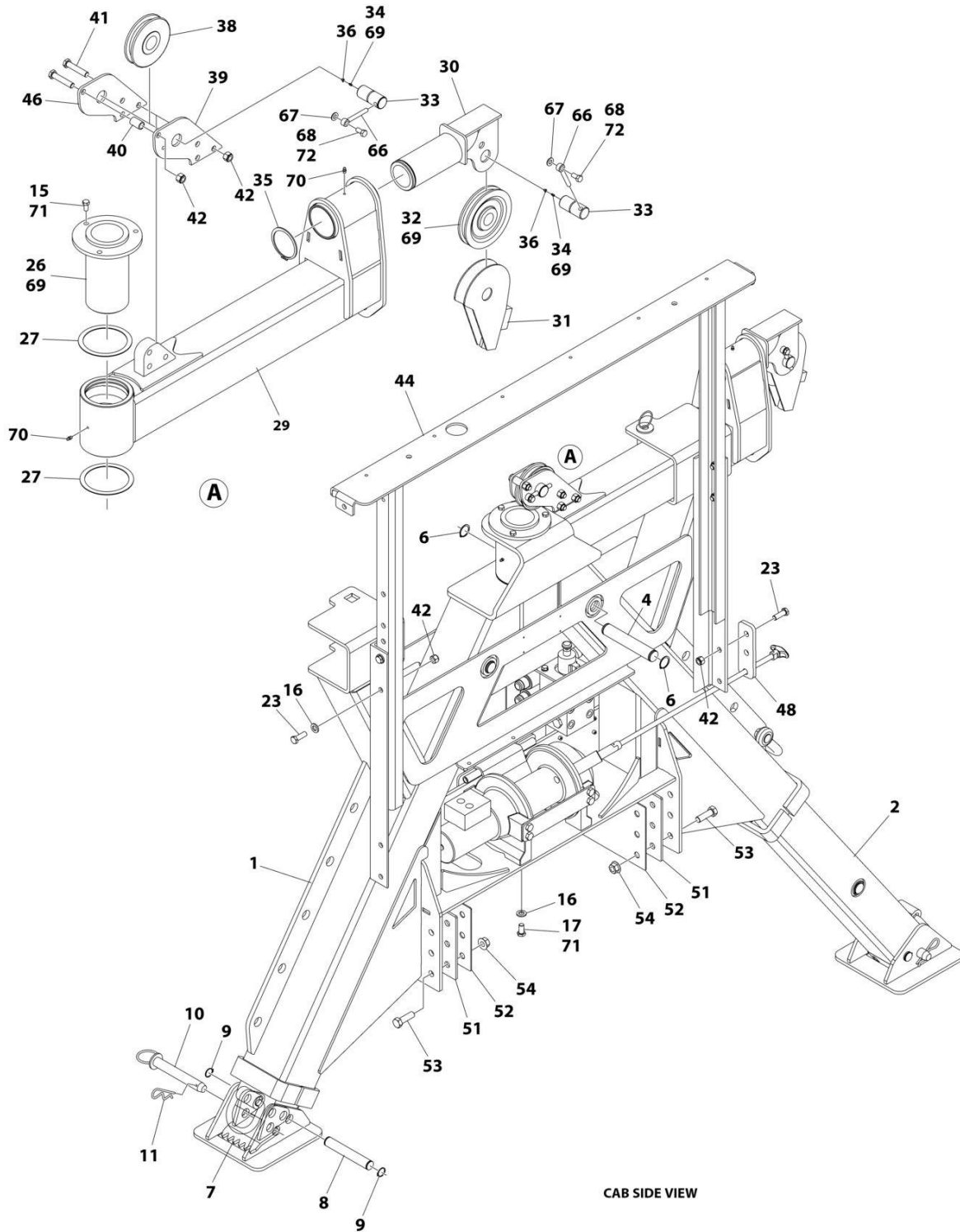
ITEM	PART NUMBER	QTY	DESCRIPTION	REV
	1001271984	Ref	FRAME ASSEMBLY (SRS-10), AIR F/S, 3 REMOTE	A
1	3455000058	1	Frame Weldment	
2	3170000473	2	Boom Weldment	
3	3320000229	2	Cylinder Assembly (See Separate Breakdown in this Section)	
4	4691000296	2	Pin	
5	4691000429	2	Pin	
6	3760133	7	Ring	
7	3706000363	2	Plate	
8	4691000495	2	Pin	
9	7754000019	6	Ring	
10	3691000064	2	Pin	
11	7691000001	2	Hair Pin	
12	3619000010	1	Manifold Assembly	
13	7970000166	1	Winch Assembly (See Separate Breakdown in this Section)	
14	7950160000	3	Lockwasher	
15	0641606	6	Bolt 3/8 x 3/4	
16	4891800	20	Washer 1/2	
17	1001139343	8	Bolt 1/2 x 1-1/4	
18	7295000118	1	Controller	
19	7661000007	4	Nut #10	
20	7104100613	4	Screw #10	
21	3178000517	1	Bracket	
22	3178000518	1	Bracket	
23	0641812	12	Bolt 1/2 1-1/2	
24	3706000364	1	Plate	
25	7843000035	2	Spring	
26	3691000259	1	Pin	
27	4949000059	2	Washer 5 x 4-1/2	
28	3691000260	1	Pin	
29	1001206388	1	Boom	
30	1001206161	1	Support	
31	1001206167	1	Support	
32	7809000001	1	Sheave	
33	1001206171	2	Pin	
34	88671008	2	Fitting, Straight	
35	7754000005	1	Ring	
36	7253000002	2	Fitting	
38	1001271775	1	Sheave	
39	1001271842	1	Plate	
40	4209000336	1	Bushing	
41	0641820	4	Bolt 1/2 x 2	
42	7660182601	14	Nut 1/2	
44	3241000208	1	Headboard	
45	7552000385	1	Side Recovery System Harness (Not Shown - See Separate Breakdown in ELECTRICAL Section)	
46	4706005650	1	Plate	
48	4706006211	2	Plate	
49	4314000167	1	Cover	
50	7790161253	2	Screw 3/8 x 3/4	

SECTION 1 - SUBFRAME

ITEM	PART NUMBER	QTY	DESCRIPTION	REV
51	4831000126	2	Spacer	
52	4831000127	2	Spacer	
53	0652016	12	Bolt 5/8 x 2	
54	7660202347	12	Nut 1/6	
55	7804000007	1	Shackle	
56	7248000077	1	Wire Rope (Not Shown)	
57	7274000053	4	Clamp (Not Shown)	
58	0641508	4	Bolt 5/16 x 1 (Not Shown)	
59	4751500	4	Washer 5/16 (Not Shown)	
60	7660152601	4	Nut 1/3 (Not Shown)	
61	7002000519	1	Snatch (Not Shown)	
63	4706005752	2	Plate	
64	2870000023	1	Switch Installation (Not Shown)	
66	3841143	2	Keeper	
67	4711600	2	Washer	
68	0651606	2	Bolt 3/8 x 3/4	
69	3020039	AR	Lubricant	
70	3020029	AR	Lube	
71	0100071	AR	Adhesive	
72	1001095650	AR	Adhesive	

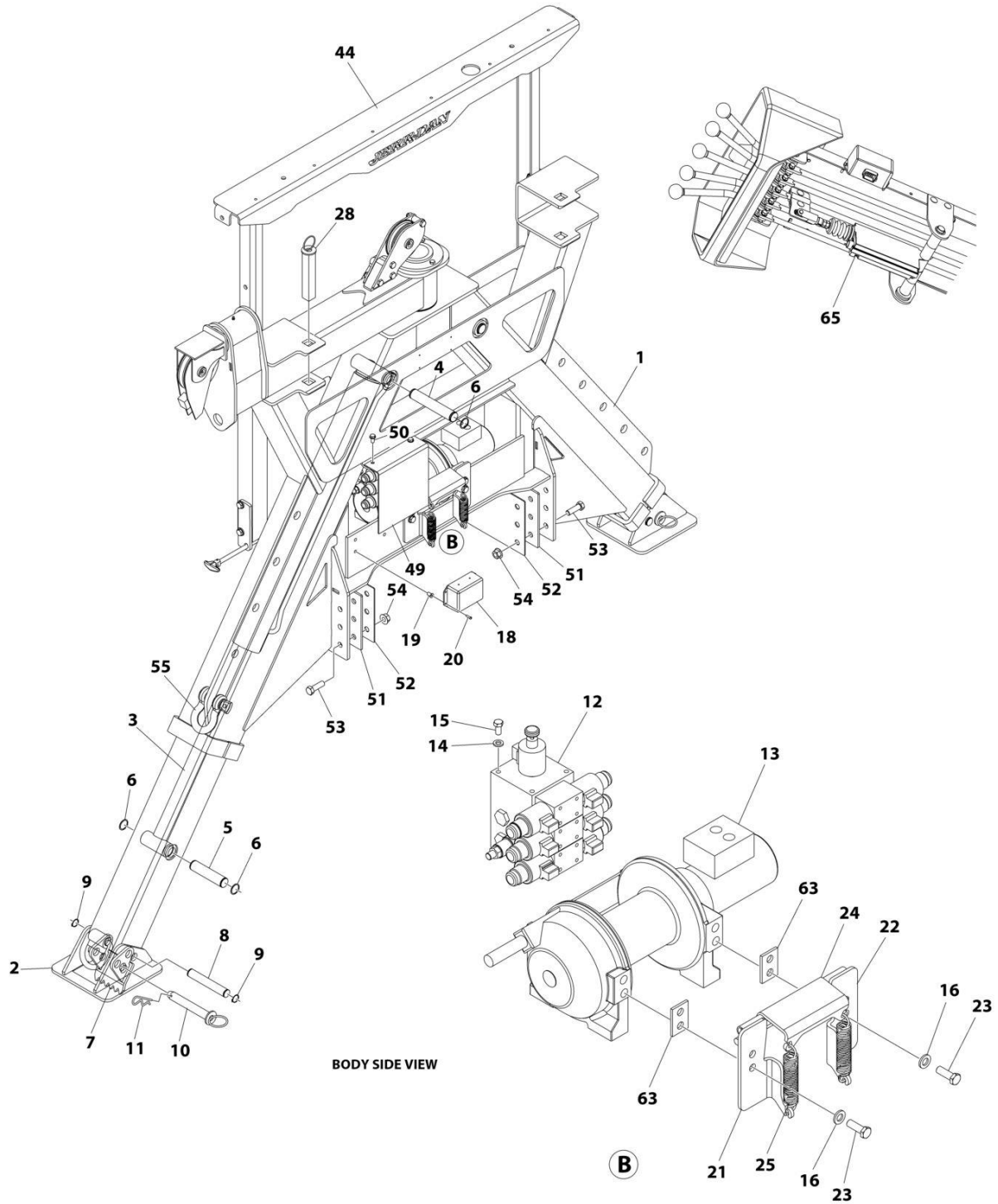
SECTION 1 - SUBFRAME

FIGURE 1-22. SIDE RECOVERY SYSTEM - 10000 LBS WINCH (AIR FREE SPOOL / 4 FUNCTION REMOTE)



ART_1001271986_10F2

SECTION 1 - SUBFRAME



BODY SIDE VIEW

ART_1001271986_20F2

SECTION 1 - SUBFRAME

FIGURE 1-22. SIDE RECOVERY SYSTEM - 10000 LBS WINCH (AIR FREE SPOOL / 4 FUNCTION REMOTE)

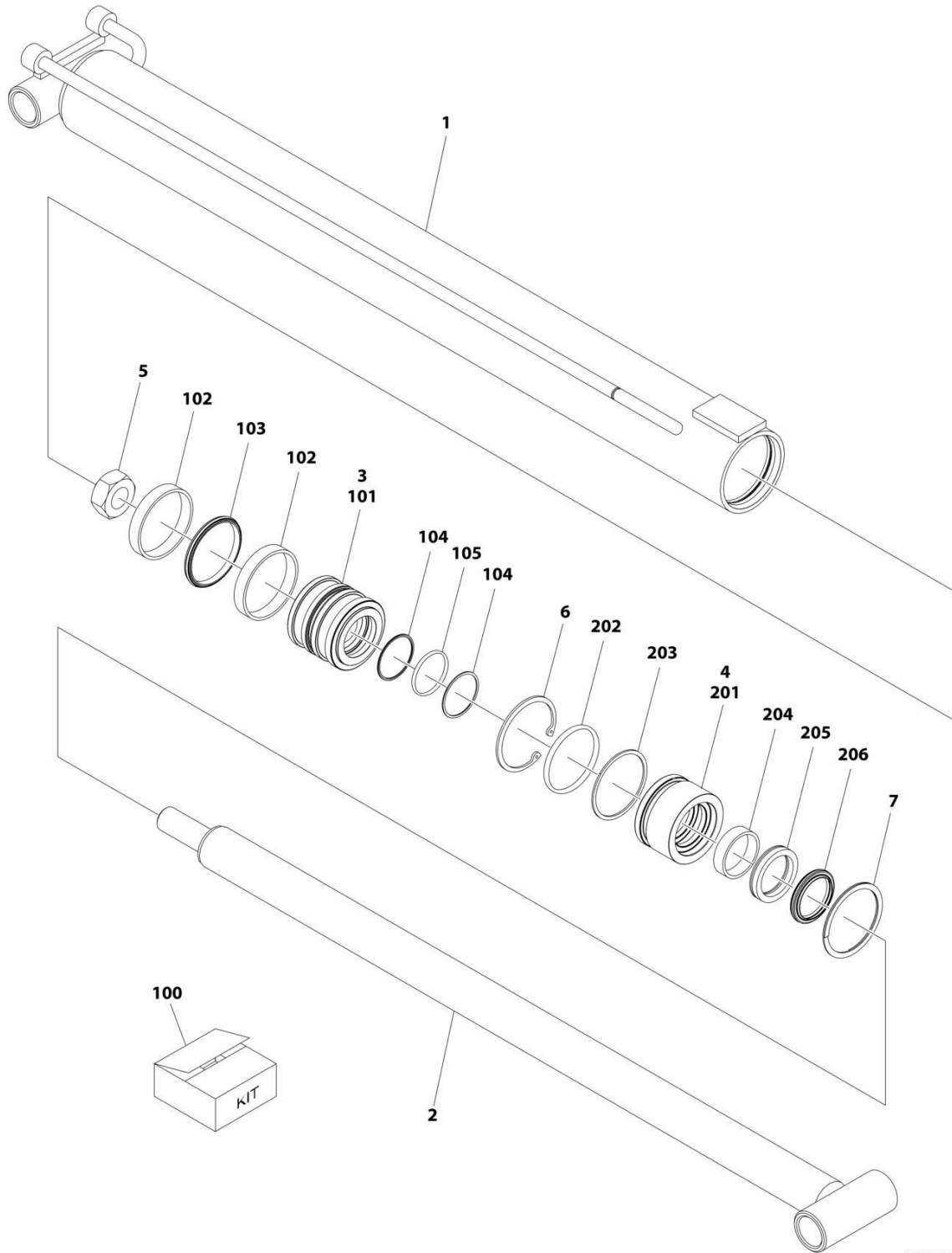
ITEM	PART NUMBER	QTY	DESCRIPTION	REV
	1001271986	Ref	FRAME ASSEMBLY (SRS-10), AIR F/S, 4 REMOTE	A
1	3455000058	1	Frame	
2	3170000473	2	Boom Weldment	
3	3320000229	2	Cylinder Assembly (See Separate Breakdown in this Section)	
4	4691000296	2	Pin	
5	4691000429	2	Pin	
6	3760133	7	Ring	
7	3706000363	2	Plate	
8	4691000495	2	Pin	
9	7754000019	6	Ring	
10	3691000064	2	Pin	
11	7691000001	2	Hair Pin	
12	3619000010	1	Manifold Assembly	
13	7970000166	1	Winch Assembly (See Separate Breakdown in this Section)	
14	7950160000	3	Lockwasher	
15	0641606	6	Bolt 3/8 x 3/4	
16	4891800	20	Washer 1/2	
17	1001139343	8	Bolt 1/2 x 1-1/4	
18	7295000130	1	Controller	
19	7661000007	4	Nut #10	
20	7104100613	4	Screw #10	
21	3178000517	1	Bracket	
22	3178000518	1	Bracket	
23	0641812	12	Bolt 1/2 1-1/2	
24	3706000364	1	Plate	
25	7843000035	2	Spring	
26	3691000259	1	Pin	
27	4949000059	2	Washer 5 x 4-1/2	
28	3691000260	1	Pin	
29	1001206388	1	Boom	
30	1001206161	1	Support	
31	1001206167	1	Support	
32	7809000001	1	Sheave	
33	1001206171	2	Pin	
34	88671008	2	Fitting	
35	7754000005	1	Ring	
36	7253000002	2	Fitting	
38	1001271775	1	Sheave	
39	1001271842	1	Plate	
40	4209000336	1	Bushing	
41	0641820	4	Bolt 1/2 x 2	
42	7660182601	14	Nut 1/2	
44	3241000208	1	Headboard	
45	7552000413	1	Side Recovery System Harness (Not Shown - See Separate Breakdown in ELECTRICAL Section)	
46	4706005650	1	Plate	
48	4706006211	2	Plate	
49	4314000167	1	Cover	
50	7790161253	2	Screw 3/8 x 3/4	

SECTION 1 - SUBFRAME

ITEM	PART NUMBER	QTY	DESCRIPTION	REV
51	4831000126	2	Spacer	
52	4831000127	2	Spacer	
53	0652016	12	Bolt 5/8 x 2	
54	7660202347	12	Nut 1/6	
55	7804000007	1	Shackle	
56	7248000077	1	Wire Rope (Not Shown)	
57	7274000053	4	Clamp (Not Shown)	
58	0641508	4	Bolt 5/16 x 1 (Not Shown)	
59	4751500	4	Washer 5/16 (Not Shown)	
60	7660152601	4	Nut 1/3 (Not Shown)	
61	7002000519	1	Snatch (Not Shown)	
63	4706005752	2	Plate	
64	2870000023	1	Switch Installation (Not Shown)	
65	2577000016	1	Linear Actuator Kit	
66	3841143	2	Keeper	
67	4711600	2	Washer	
68	0651606	2	Bolt 3/8 x 3/4	
69	3020039	AR	Lubricant	
70	3020029	AR	Lube	
71	0100071	AR	Adhesive	
72	1001095650	AR	Adhesive	

SECTION 1 - SUBFRAME

FIGURE 1-23. CYLINDER ASSEMBLY - SIDE RECOVERY SYSTEM



ART_3320000229

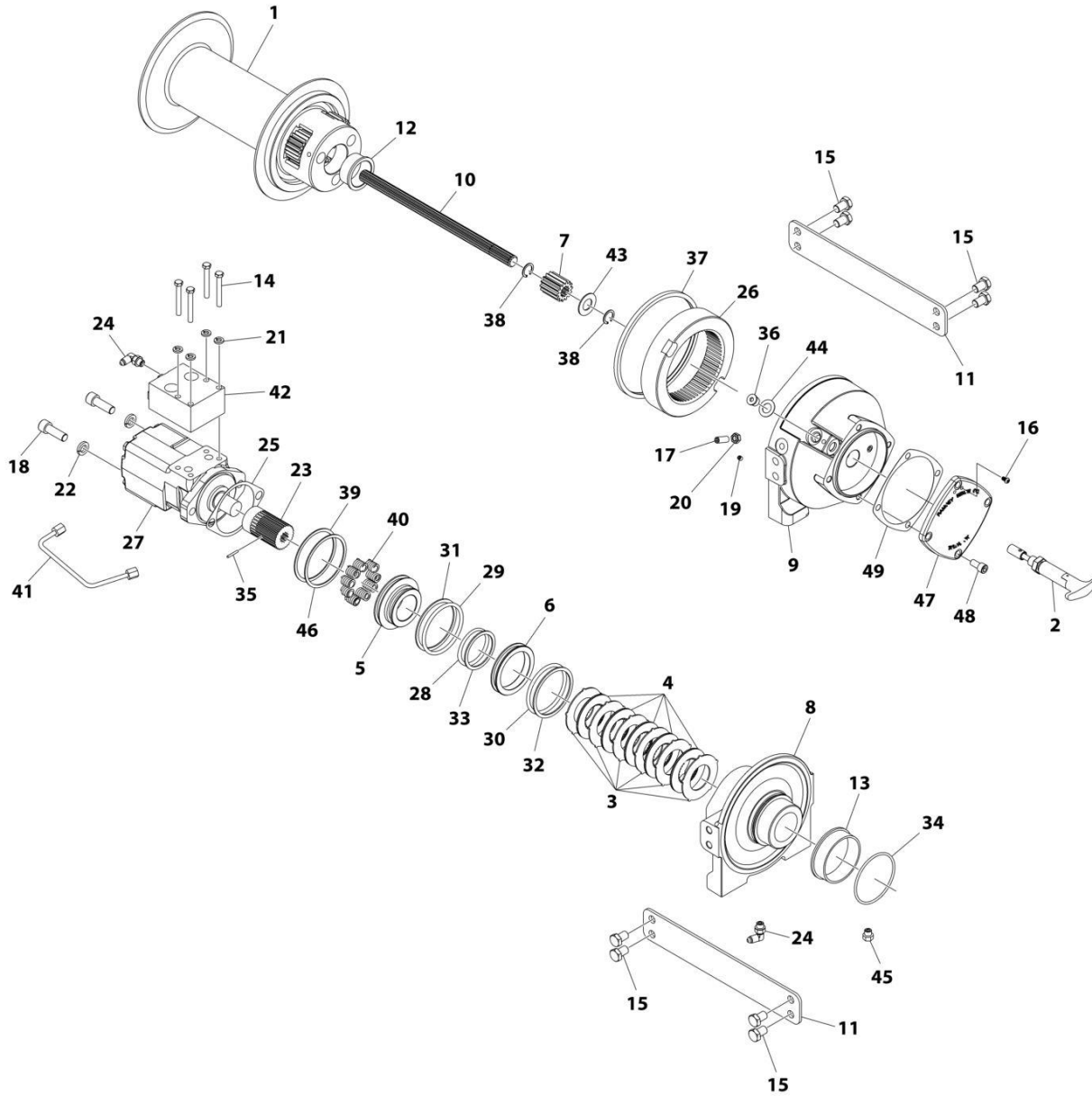
SECTION 1 - SUBFRAME

FIGURE 1-23. CYLINDER ASSEMBLY - SIDE RECOVERY SYSTEM

ITEM	PART NUMBER	QTY	DESCRIPTION	REV
	3320000229	Ref	CYLINDER ASSEMBLY - SIDE RECOVERY SYSTEM	A
1	3071000213	1	Barrel	
2	3763000187	1	Rod	
3	3698000001	1	Piston Assembly (Includes Items 101-105)	
4	3553000011	1	Head Assembly (Includes Items 201-206)	
5	7661000034	1	Nut	
6	7754000002	1	Ring, Retaining	
7	7754000026	1	Ring, Retaining	
100	7577250024	1	Seal Kit (Includes Items 102-105 & 202-206)	
	3698000001	Ref	PISTON ASSEMBLY	
101	4698000007	1	Piston	
102	7754000003	2	Ring, Wear	
103	7796000063	1	Seal	
104	7755224609	2	Ring, Back-up	
105	7755224000	1	O-Ring	
	3553000011	Ref	HEAD ASSEMBLY	
201	4553000008	1	Head	
202	7755334000	1	O-Ring	
203	7755334609	1	Ring, Back-up	
204	7754000004	1	Ring, Wear	
205	7796000024	1	Seal	
206	7796000008	1	Wiper	

SECTION 1 - SUBFRAME

FIGURE 1-24. WINCH ASSEMBLY - 8000 LBS (SN 0220017154 through 0220026090)



ART_7970000157

SECTION 1 - SUBFRAME

FIGURE 1-24. WINCH ASSEMBLY - 8000 LBS (SN 0220017154 through 0220026090)

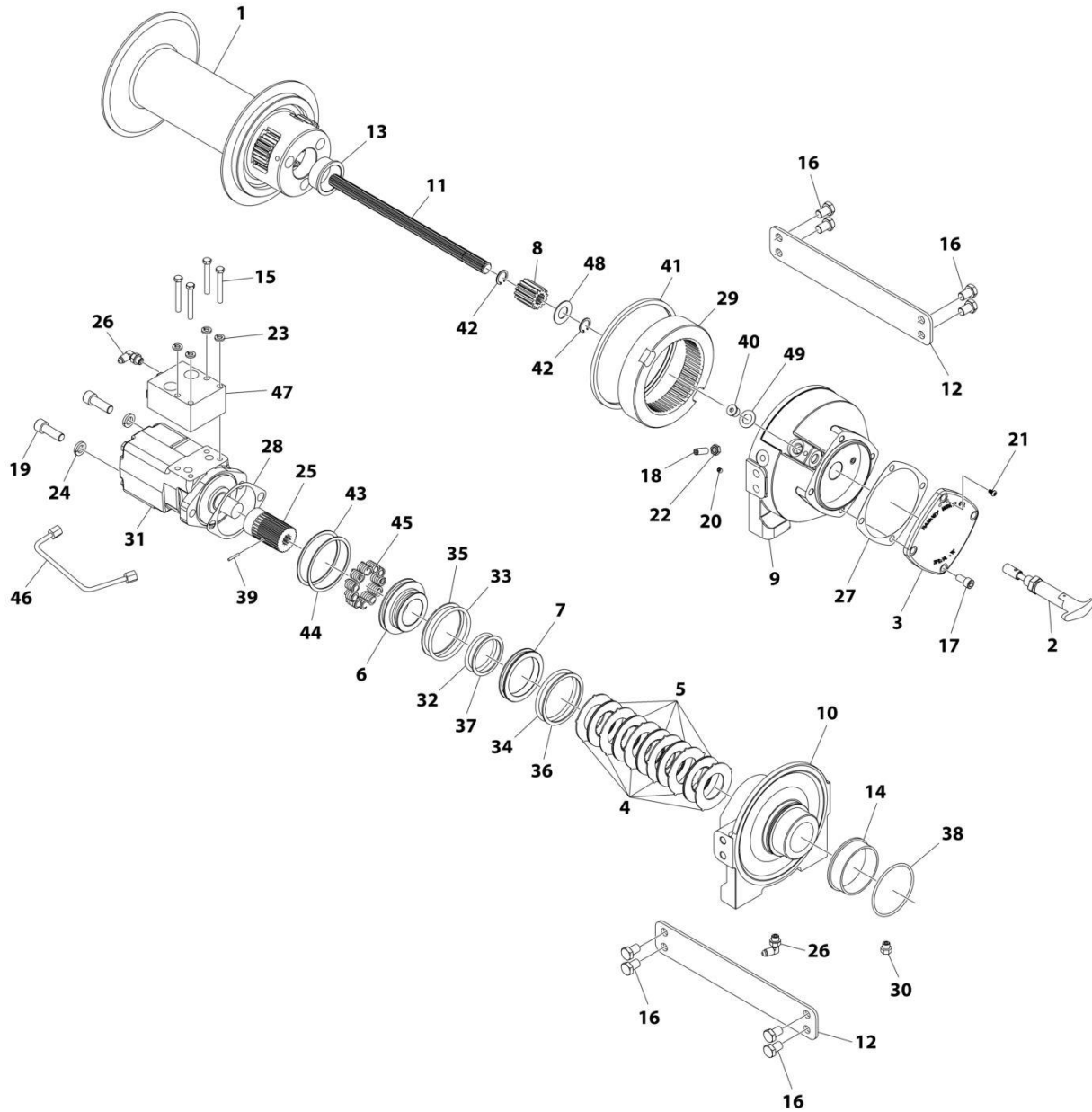
ITEM	PART NUMBER	QTY	DESCRIPTION	REV
	7970000157	Ref	WINCH - 8000 LBS PLANETARY GEAR WITH MANUAL FREE SPOOL	B
1	9970960027	1	Drum Assembly "Y"	
2	9551960018	1	Shifter Assembly	
3	70050612	6	Stator - Brake	
4	70050613	5	Disc Brake	
5	70050614	1	Piston Brake	
6	70050615	1	Piston Brake Backup	
7	9472960042	1	Gear - Output, Sun	
8	70050456	1	End Bearing - Motor	
9	70050616	1	End Bearing - Gear housing	
10	70050617	1	Shaft - Input "Y" Drum	
11	70050618	2	Plate - Tie "Y" Drum	
12	9209960023	1	Bushing - Drum	
13	70050457	1	Bushing - Drum, Motor End	
14	70050619	4	Capscrew 5/16 x 2-1/2	
15	9120960025	8	Capscrew 1/2 x 3/4	
16	70050682	2	Screw 1/4 x 1-2	
17	9786960006	1	Setscrew 3/8 x 1	
18	70050627	2	Capscrew 1/2 x 1-3/4	
19	7785140404	1	Setscrew 1/4 x 1/4	
20	70050628	1	Nut 3/8	
21	9970418163	4	Washer 5/16	
22	9949960016	2	Washer 1/2	
23	9309960009	1	Coupling - Motor	
24	9443960010	2	Fitting	
25	70050458	1	Gasket	
26	9472960043	1	Gear - Ring	
27	9626960012	1	Motor - Hydraulic	
28	70050459	1	O-Ring	
29	70050460	1	O-Ring	
30	70050461	1	O-Ring	
31	70050462	1	Ring - Backup	
32	70050463	1	Ring - Backup	
33	70050464	1	Ring - Backup	
34	70050465	1	O-Ring	
35	9691960001	1	Spirol Pin	
36	9701960016	1	Plug	
37	9796960049	1	Seal	
38	9754960039	2	Snap Ring	
39	70050466	1	Ring - Internal Retaining	
40	70050622	9	Spring - Brake	
41	9912960035	1	Tube - Brake Release (Ports Up)	
42	9935960142	1	Valve - Motor Control "B" Rotation	
43	9812960005	1	Washer - Thrust	
44	9949960017	1	Washer - Thrust	
45	9183960002	1	Fitting, Vent	
46	70050626	1	Ring - Internal Retaining	
47	70050625	1	Cover - Gear Housing	
48	9120960081	4	Capscrew 3/8 x 3/4	

SECTION 1 - SUBFRAME

ITEM	PART NUMBER	QTY	DESCRIPTION	REV
49	9796960047	1	Gasket	

SECTION 1 - SUBFRAME

FIGURE 1-25. WINCH ASSEMBLY - 10000 LBS



ART_7970000158

SECTION 1 - SUBFRAME

FIGURE 1-25. WINCH ASSEMBLY - 10000 LBS

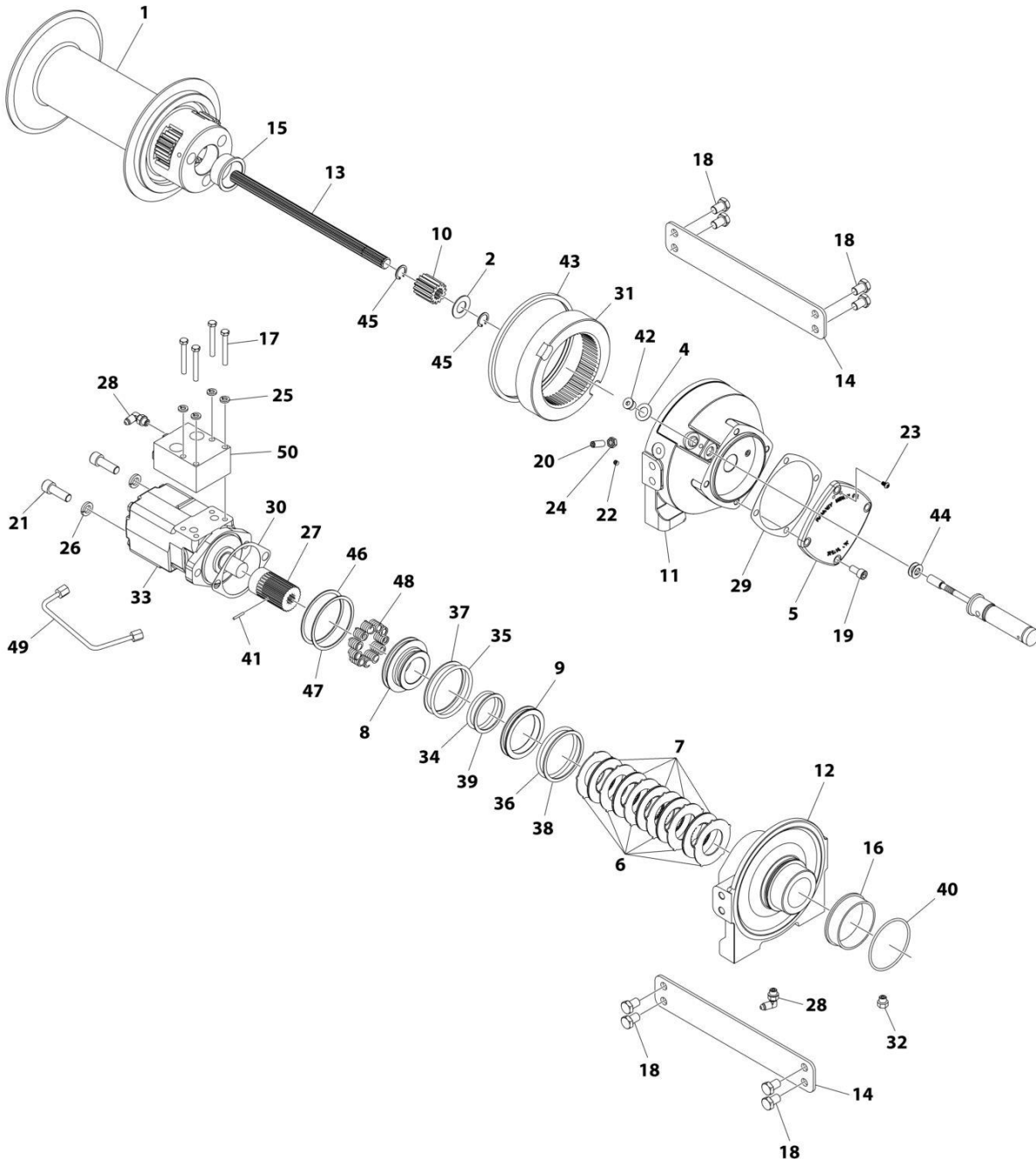
ITEM	PART NUMBER	QTY	DESCRIPTION	REV
	7970000158	Ref	WINCH - 10000 LBS PLANETARY GEAR WITH MANUAL FREE SPOOL	B
1	70050525	1	Drum Assembly "Y"	
2	9551960018	1	Shifter Assembly	
3	70050625	1	Cover - Gear Housing	
4	70050612	6	Stator - Brake	
5	70050613	5	Disc Brake	
6	70050614	1	Piston Brake	
7	70050615	1	Piston Brake Backup	
8	9472960042	1	Gear - Output, Sun	
9	70050616	1	End Bearing - Gear housing	
10	70050456	1	End Bearing - Motor	
11	70050617	1	Shaft - Input "Y" Drum	
12	70050618	2	Plate - Tie "Y" Drum	
13	9209960023	1	Bushing - Drum	
14	70050457	1	Bushing - Drum, Motor End	
15	70050619	4	Capscrew 5/16 x 2-1/2	
16	9120960025	8	Capscrew 1/2 x 3/4	
17	9120960081	4	Capscrew 3/8 x 3/4	
18	9786960006	1	Setscrew 3/8 x 1	
19	70050627	2	Capscrew 1/2 x 1-3/4	
20	7785140404	1	Setscrew 1/4 x 1/4	
21	70050620	2	Screw #10 x 3/8	
22	70050628	1	Nut 3/8	
23	9970418163	4	Washer 5/16	
24	9949960031	2	Washer 1/2	
25	70050621	1	Coupling - Motor	
26	9443960010	2	Fitting	
27	9796960047	1	Gasket	
28	70050458	1	Gasket	
29	9472960043	1	Gear - Ring	
30	9183960002	1	Fitting, Vent	
31	9626960027	1	Motor - Hydraulic	
32	70050459	1	O-Ring	
33	70050460	1	O-Ring	
34	70050461	1	O-Ring	
35	70050462	1	Ring - Backup	
36	70050463	1	Ring - Backup	
37	70050464	1	Ring - Backup	
38	70050465	1	O-Ring	
39	9691960001	1	Spirol Pin	
40	9701960016	1	Plug	
41	9796960049	1	Seal	
42	9754960039	2	Snap Ring	
43	70050466	2	Ring - Internal Retaining	
44	70050626	1	Ring - Internal Retaining	
45	70050622	11	Spring - Brake	
46	9912960035	1	Tube - Brake Release (Ports Up)	
47	9935960142	1	Valve - Motor Control "B" Rotation	
48	9812960005	1	Washer - Thrust	

SECTION 1 - SUBFRAME

ITEM	PART NUMBER	QTY	DESCRIPTION	REV
49	9949960017	1	Washer - Thrust	

SECTION 1 - SUBFRAME

FIGURE 1-26. WINCH ASSEMBLY - 10000 LBS WITH AIR FREE SPOOL



ART_7970000166

SECTION 1 - SUBFRAME

FIGURE 1-26. WINCH ASSEMBLY - 10000 LBS WITH AIR FREE SPOOL

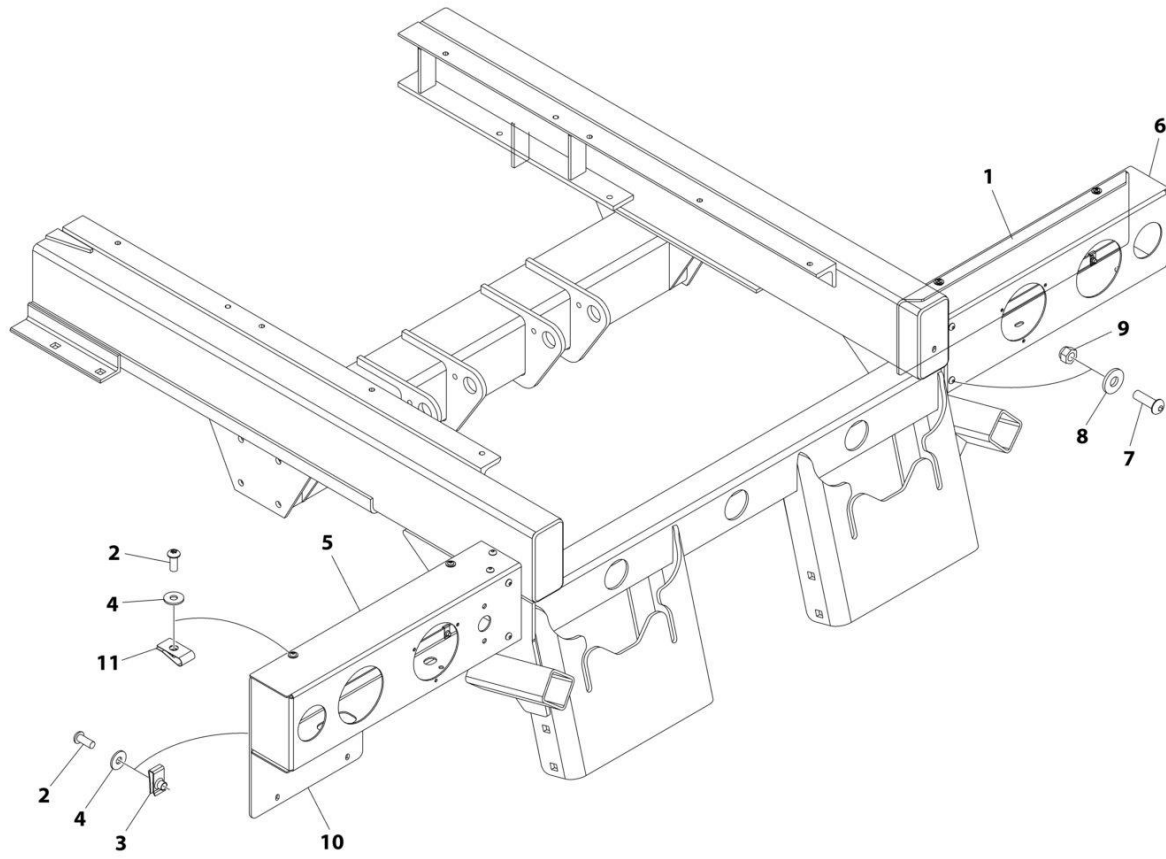
ITEM	PART NUMBER	QTY	DESCRIPTION	REV
	7970000166	Ref	WINCH - 10000 LBS PLANETARY GEAR WITH AIR FREE SPOOL	B
1	70050525	1	Drum Assembly "Y"	
2	9812960005	1	Washer - Thrust	
3	70050662	1	Decal - Slide Pad / Pivot Joint (Not Shown)	
4	9949960017	1	Washer - Thrust	
5	70050625	1	Cover - Gear Housing	
60	70050612	6	Stator - Brake	
7	70050613	5	Disc Brake	
8	70050614	1	Piston Brake	
9	70050615	1	Piston Brake Backup	
10	9742960064	1	Gear - Output, Sun	
11	70050616	1	End Bearing - Gear housing	
12	70050456	1	End Bearing - Motor	
13	70050617	1	Shaft - Input "Y" Drum	
14	70050618	2	Plate - Tie "Y" Drum	
15	9209960023	1	Bushing - Drum	
16	70050457	1	Bushing - Drum, Motor End	
17	70050619	4	Capscrew 5/16 x 2-1/2	
18	9120960025	8	Capscrew 1/2 x 3/4	
19	9120960081	4	Capscrew 3/8 x 3/4	
20	9786960006	1	Setscrew 3/8 x 1	
21	70050627	2	Capscrew 1/2 x 1-3/4	
22	7785140404	1	Setscrew 1/4 x 1/4	
23	70050620	2	Screw #10 x 3/8	
24	70050628	1	Nut 3/8	
25	9970418163	4	Washer 5/16	
26	9949960031	2	Washer 1/2	
27	70050621	1	Coupling - Motor	
28	9443960010	2	Fitting	
29	9796960047	1	Gasket	
30	70050458	1	Gasket	
31	9472960043	1	Gear - Ring	
32	9183960002	1	Fitting, Vent	
33	9626960027	1	Motor - Hydraulic	
34	70050459	1	O-Ring	
35	70050460	1	O-Ring	
36	70050461	1	O-Ring	
37	70050462	1	Ring - Backup	
38	70050463	1	Ring - Backup	
39	70050464	1	Ring - Backup	
40	70050465	1	O-Ring	
41	9691960001	1	Spirol Pin	
42	9701960016	1	Plug	
43	9796960049	1	Seal	
44	70050100	1	Shim	
45	9754960039	2	Snap Ring	
46	70050466	2	Ring - Internal Retaining	
47	70050626	1	Ring - Internal Retaining	
48	70050622	11	Spring - Brake	
49	9912960035	1	Tube - Brake Release (Ports Up)	

SECTION 1 - SUBFRAME

ITEM	PART NUMBER	QTY	DESCRIPTION	REV
50	70050701	1	Valve - Motor Control "A" Rotation	

SECTION 1 - SUBFRAME

FIGURE 1-27. LIGHTBOX AND COVER INSTALLATION



ART_1001173948

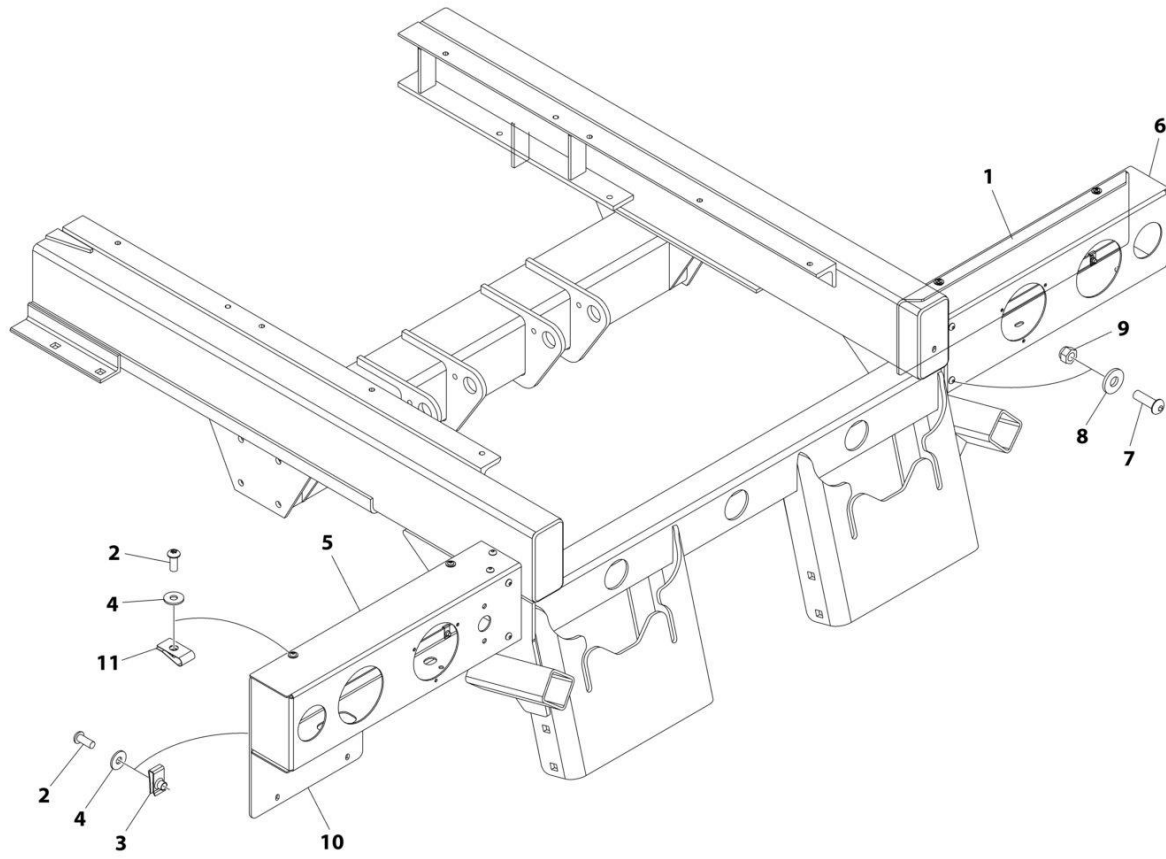
SECTION 1 - SUBFRAME

FIGURE 1-27. LIGHTBOX AND COVER INSTALLATION

ITEM	PART NUMBER	QTY	DESCRIPTION	REV
	1001173948	Ref	LIGHT BOX AND COVER INSTALLATION	B
1	1001188615	1	Cover, Light Box (RH)	
2	7114140529	8	Screw 1/4 x 5/8	
3	7661000042	4	U-Nut 1/4	
4	7949000023	8	Washer	
5	1001173945	1	Bracket, Light Box (LH)	
6	1001173944	1	Bracket, Light Box (RH)	
7	7114150818	8	Capscrew 3/8 x 1	
8	7950150153	8	Washer 3/8	
9	7660152601	8	Nut 3/8	
10	1001188616	1	Cover, Light Box (LH)	
11	7661000064	4	U-Nut 1/4	

SECTION 1 - SUBFRAME

FIGURE 1-28. LIGHTBOX AND COVER INSTALLATION - GALVANIZED



ART_1001173949

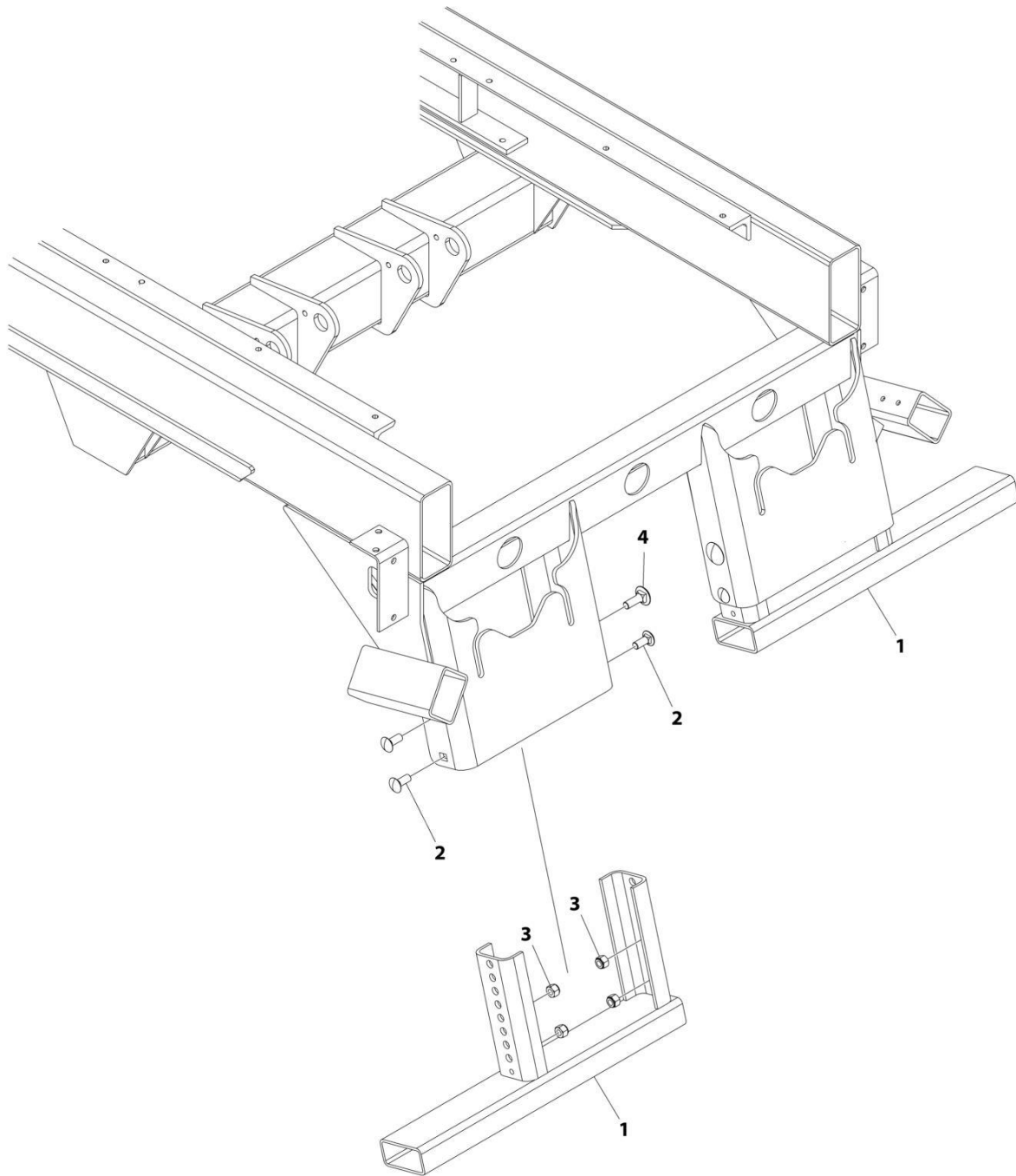
SECTION 1 - SUBFRAME

FIGURE 1-28. LIGHTBOX AND COVER INSTALLATION - GALVANIZED

ITEM	PART NUMBER	QTY	DESCRIPTION	REV
	1001173949	Ref	LIGHT BOX AND COVER INSTALLATION	B
1	1001188615	1	Cover, Light Box (RH)	
2	7114140529	8	Screw 1/4 x 5/8	
3	7661000042	4	U-Nut 1/4	
4	7949000023	8	Washer	
5	1001173947	1	Bracket, Light Box (LH)	
6	1001173946	1	Bracket, Light Box (RH)	
7	7114150818	8	Screw 3/8 x 1	
8	7950150153	8	Washer 3/8	
9	7660152601	8	Nut 3/8	
10	1001188616	1	Cover, Light Box (LH)	
11	7661000064	4	U-Nut 1/4	

SECTION 1 - SUBFRAME

FIGURE 1-29. REAR BUMPER INSTALLATION - SHORT GALVANIZED



ART_1001177633

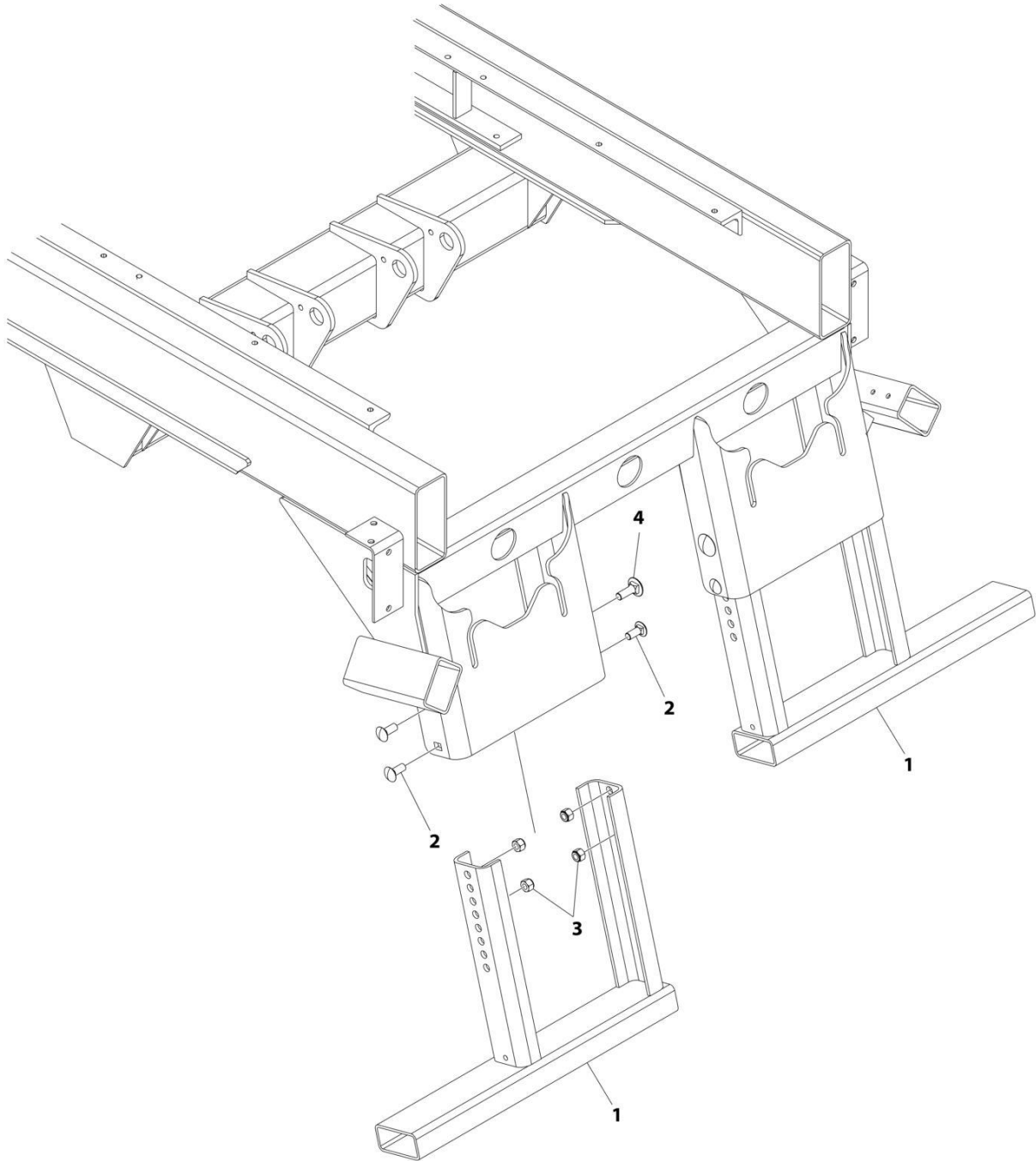
SECTION 1 - SUBFRAME

FIGURE 1-29. REAR BUMPER INSTALLATION - SHORT GALVANIZED

ITEM	PART NUMBER	QTY	DESCRIPTION	REV
	1001177633	Ref	Rear Bumper - Short Galvanized	B
1	1001177603	2	Bumper	
2	7115181064	6	Bolt 1/2 x 1-1/4	
3	7660182601	8	Nut 1/2	
4	7115181664	2	Bolt 1/2 x 2	

SECTION 1 - SUBFRAME

FIGURE 1-30. REAR BUMPER INSTALLATION - LONG GALVANIZED



ART_1001177634

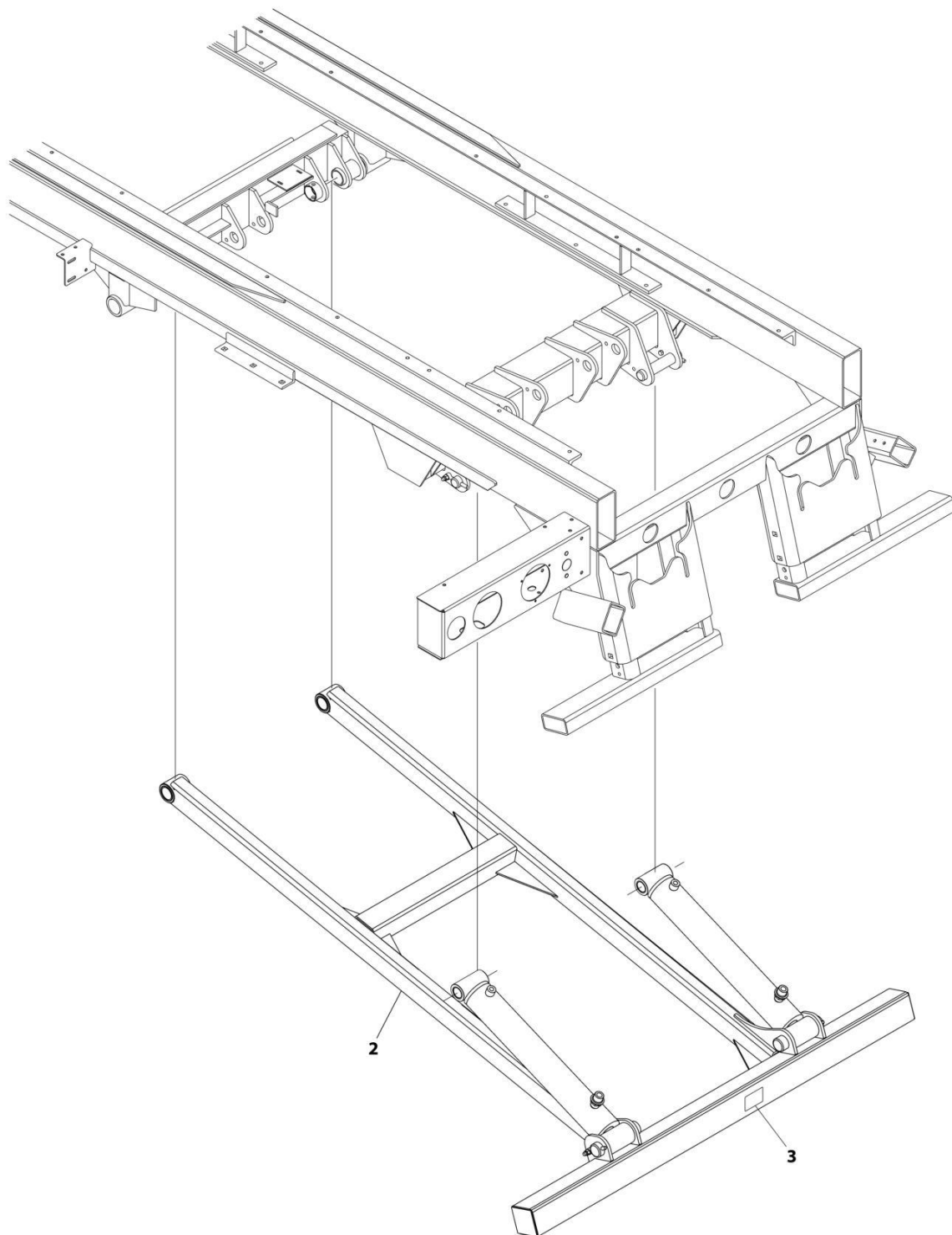
SECTION 1 - SUBFRAME

FIGURE 1-30. REAR BUMPER INSTALLATION - LONG GALVANIZED

ITEM	PART NUMBER	QTY	DESCRIPTION	REV
	1001177634	Ref	Rear Bumper - Long Galvanized	B
1	1001177605	2	Bumper	
2	7115181064	6	Bolt 1/2 x 1-1/4	
3	7660182601	8	Nut 1/2	
4	7115181664	2	Bolt 1/2 x 2	

SECTION 1 - SUBFRAME

FIGURE 1-31. REAR STABILIZER - COMPLETE (WITHOUT TOW HITCH)



ART_STAB-MD

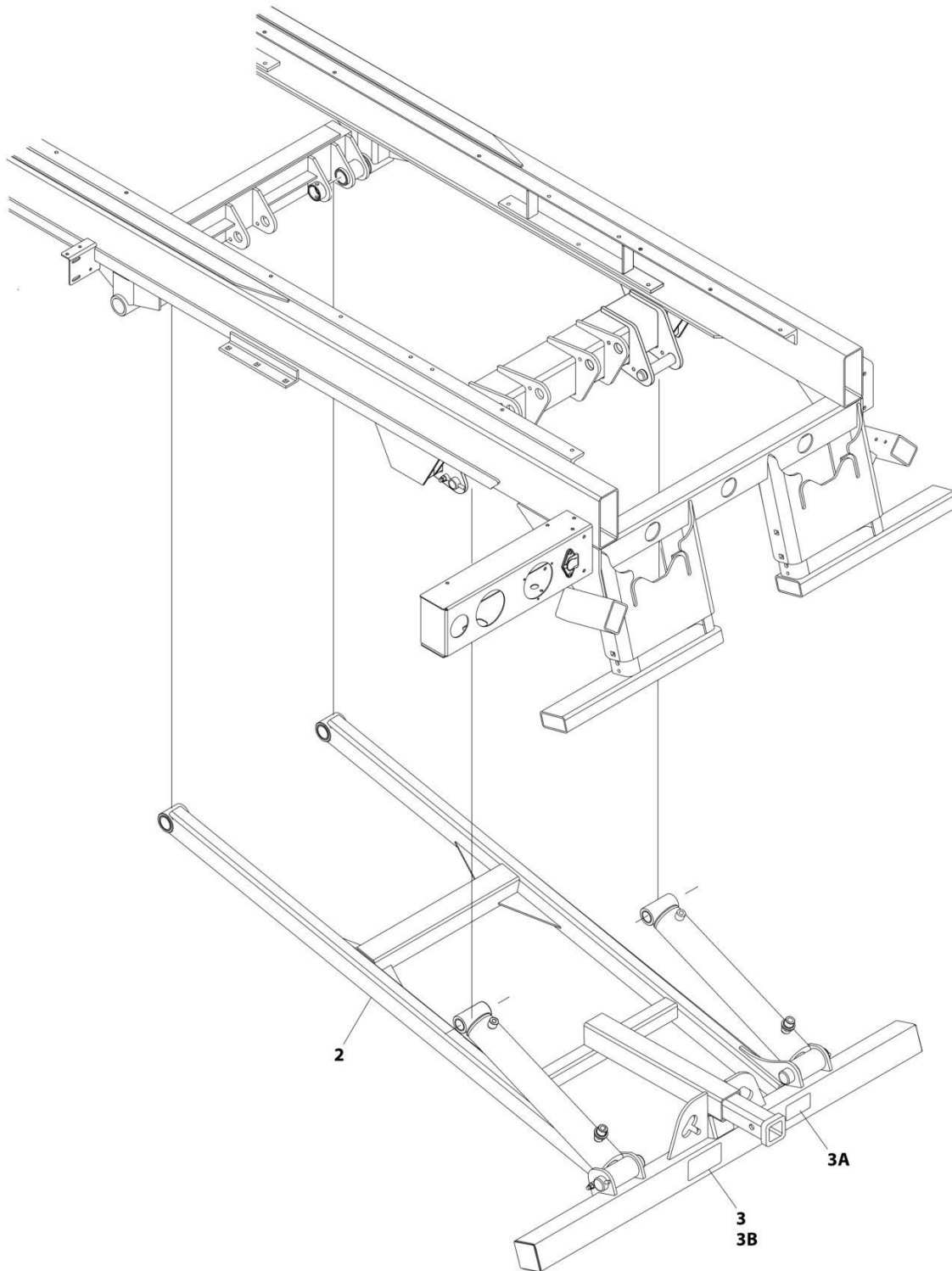
SECTION 1 - SUBFRAME

FIGURE 1-31. REAR STABILIZER - COMPLETE (WITHOUT TOW HITCH)

ITEM	PART NUMBER	QTY	DESCRIPTION	REV
1	STAB-MD 2570000049	Ref 1	Rear Stabilizer Stabilizer Hydraulics (Not Shown - See Separate Breakdown in HYDRAULIC Section)	B
2	2849000038	1	Rear Stabilizer Installation (See Separate Breakdown in this Section)	
3	2330000064	Ref	Decal Installation	
3	7330000599	1	Decal - Warning Pinch Point	

SECTION 1 - SUBFRAME

FIGURE 1-32. REAR STABILIZER - COMPLETE (2 IN TOW HITCH)



ART_SRHS-MD

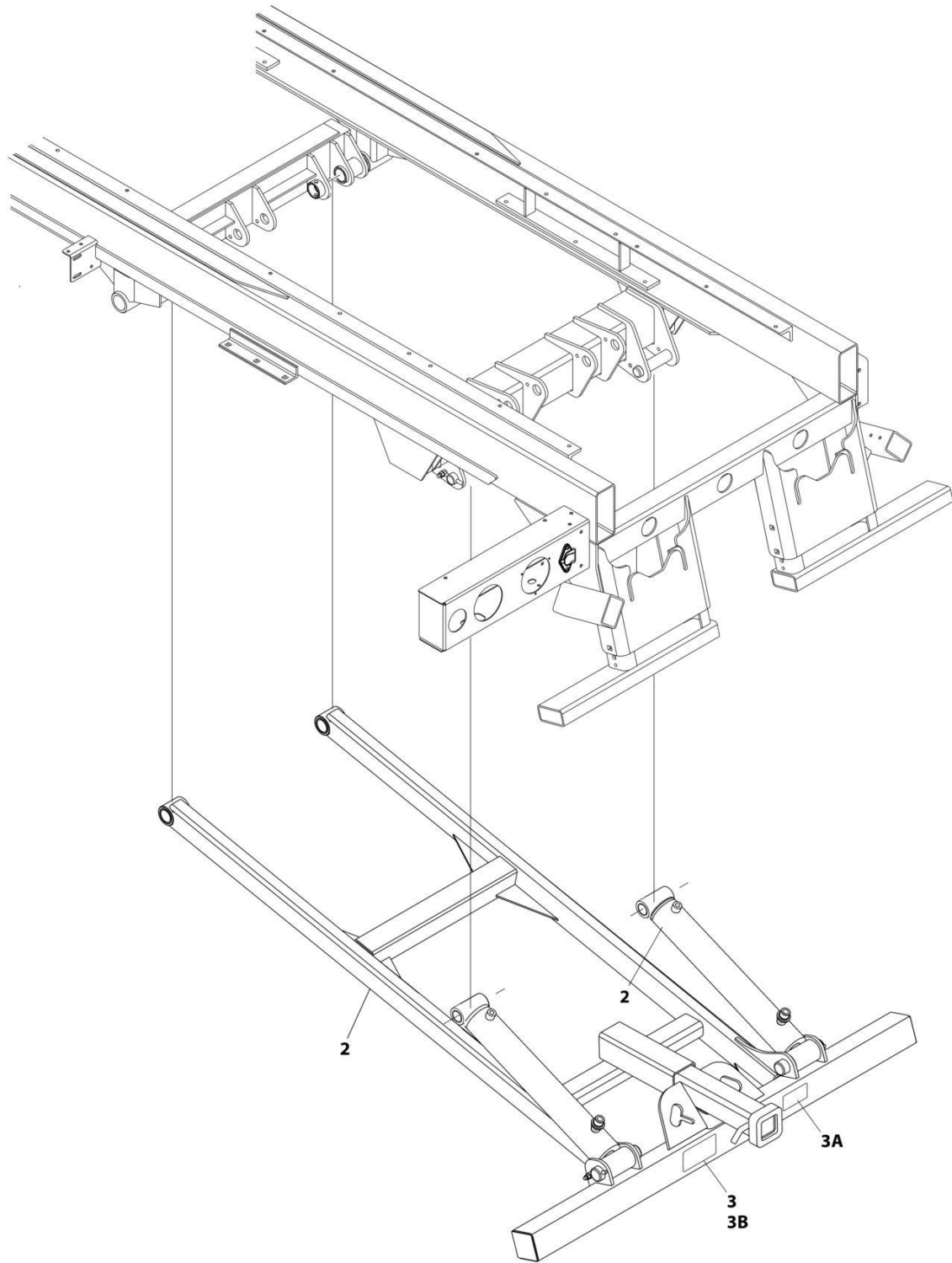
SECTION 1 - SUBFRAME

FIGURE 1-32. REAR STABILIZER - COMPLETE (2 IN TOW HITCH)

ITEM	PART NUMBER	QTY	DESCRIPTION	REV
	SRHS-MD	Ref	Rear Stabilizer - Complete (2 in Tow Hitch)	0
1	2570000049	1	Stabilizer Hydraulics (Not Shown - See Separate Breakdown in HYDRAULICS Section)	
2	2849000041	1	Rear Stabilizer Installation (See Separate Breakdown in this Section)	
3	2330000063	Ref	Decal Installation	
3A	7330000599	1	Decal - Warning Pinch Point	
3B	7330000274	1	Decal - Warning Overload	

SECTION 1 - SUBFRAME

FIGURE 1-33. REAR STABILIZER - COMPLETE (2.5 IN TOW HITCH)



ART_SRHSH-MD

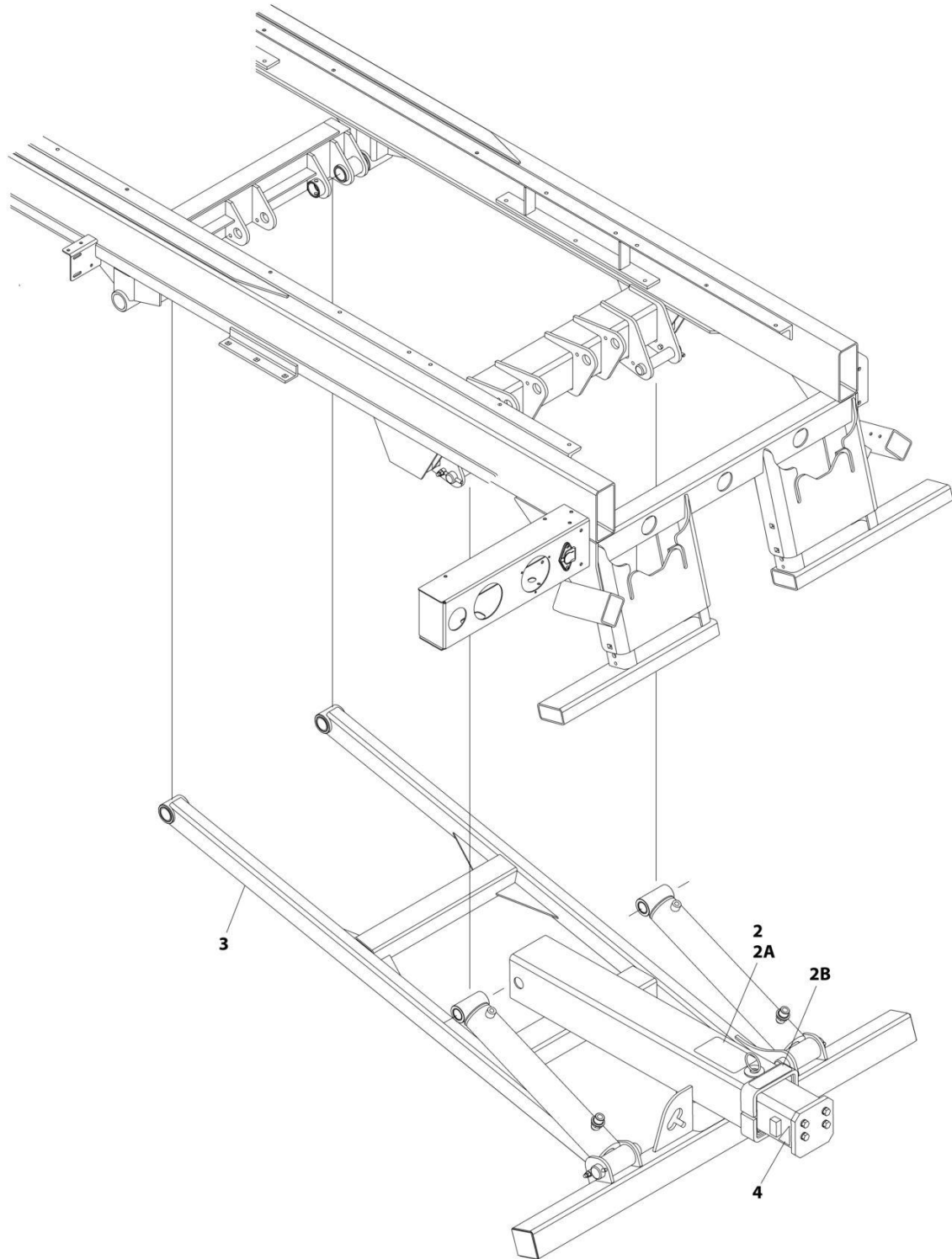
SECTION 1 - SUBFRAME

FIGURE 1-33. REAR STABILIZER - COMPLETE (2.5 IN TOW HITCH)

ITEM	PART NUMBER	QTY	DESCRIPTION	REV
	SRHSH-MD	Ref	Rear Stabilizer - Complete (2.5 in Tow Hitch)	0
1	2570000049	1	Stabilizer Hydraulics (Not Shown - See Separate Breakdown in HYDRAULICS Section)	
2	2849000049	1	Rear Stabilizer Installation (See Separate Breakdown in this Section)	
3	2330000063	Ref	Decal Installation	
3A	7330000599	1	Decal - Warning Pinch Point	
3B	7330000274	1	Decal - Warning Overloading	

SECTION 1 - SUBFRAME

FIGURE 1-34. REAR STABILIZER - COMPLETE WITH MANUAL EXTEND PINTLE MOUNTING - COMPLETE



ART_SPHM-MD

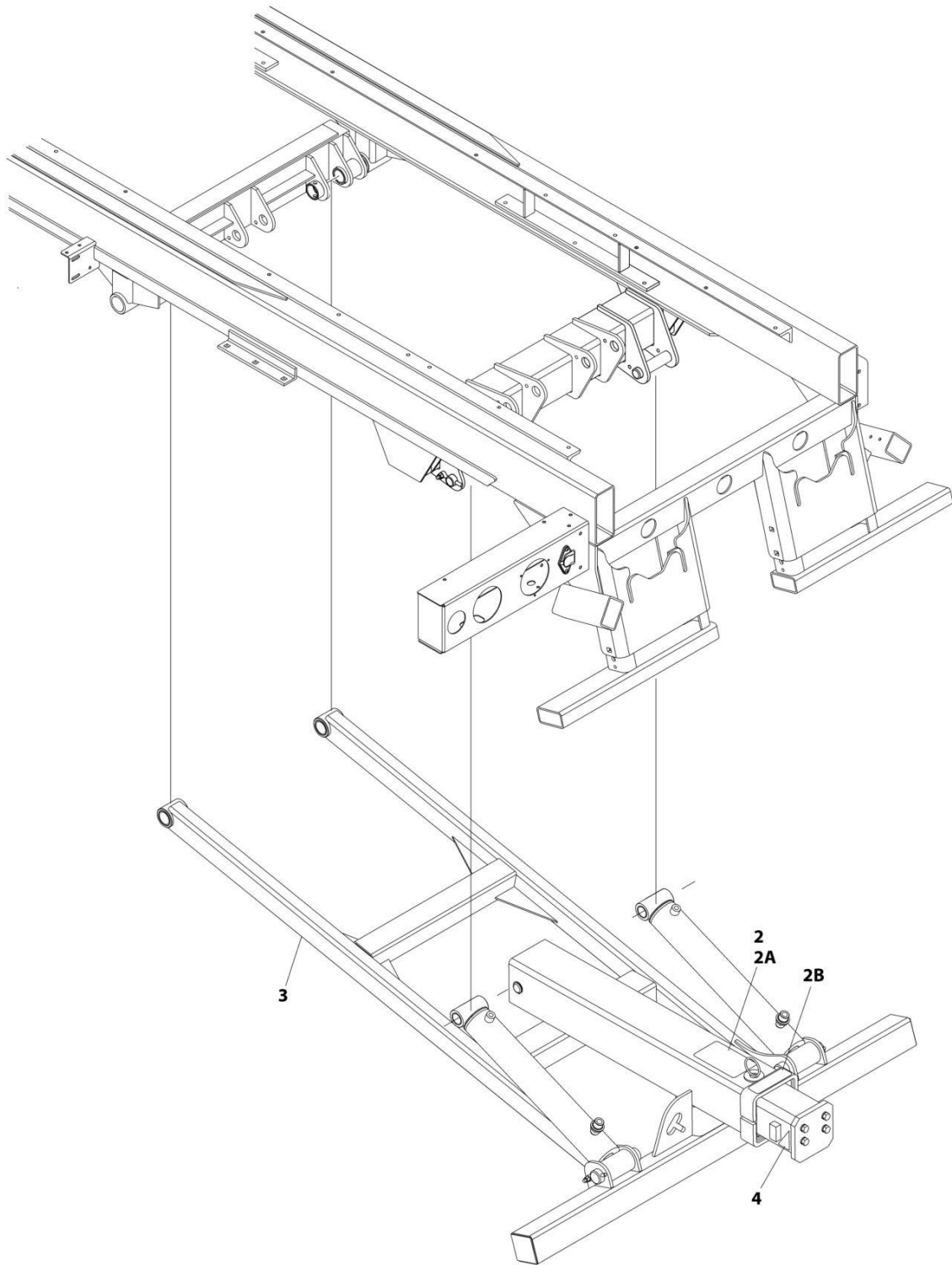
SECTION 1 - SUBFRAME

FIGURE 1-34. REAR STABILIZER - COMPLETE WITH MANUAL EXTEND PINTLE MOUNTING - COMPLETE

ITEM	PART NUMBER	QTY	DESCRIPTION	REV
1	SPHM-MD 2570000049	Ref 1	Rear Stabilizer With Manual Extend Pintle Mounting - Complete Stabilizer Hydraulics (Not Shown - See Separate Breakdown in HYDRAULICS Section)	0
2	2330000061	Ref	Decal Installation	
2A	7330000684	1	Decal - Safety	
2B	7330000391	1	Decal - Warning, Tow Boom Configuration	
3	2849000040	1	Rear Stabilizer Installation (See Separate Breakdown in this Section)	
4	2330000041	Ref	Decal Installation, Pintle Hitch	
4	7330000645	1	Decal - Red, Retro-reflective LH	
4	7330000646	1	Decal - Red, Retro-reflective RH	

SECTION 1 - SUBFRAME

FIGURE 1-35. REAR STABILIZER - COMPLETE WITH HYDRAULIC EXTEND



ART_SPHH-MD

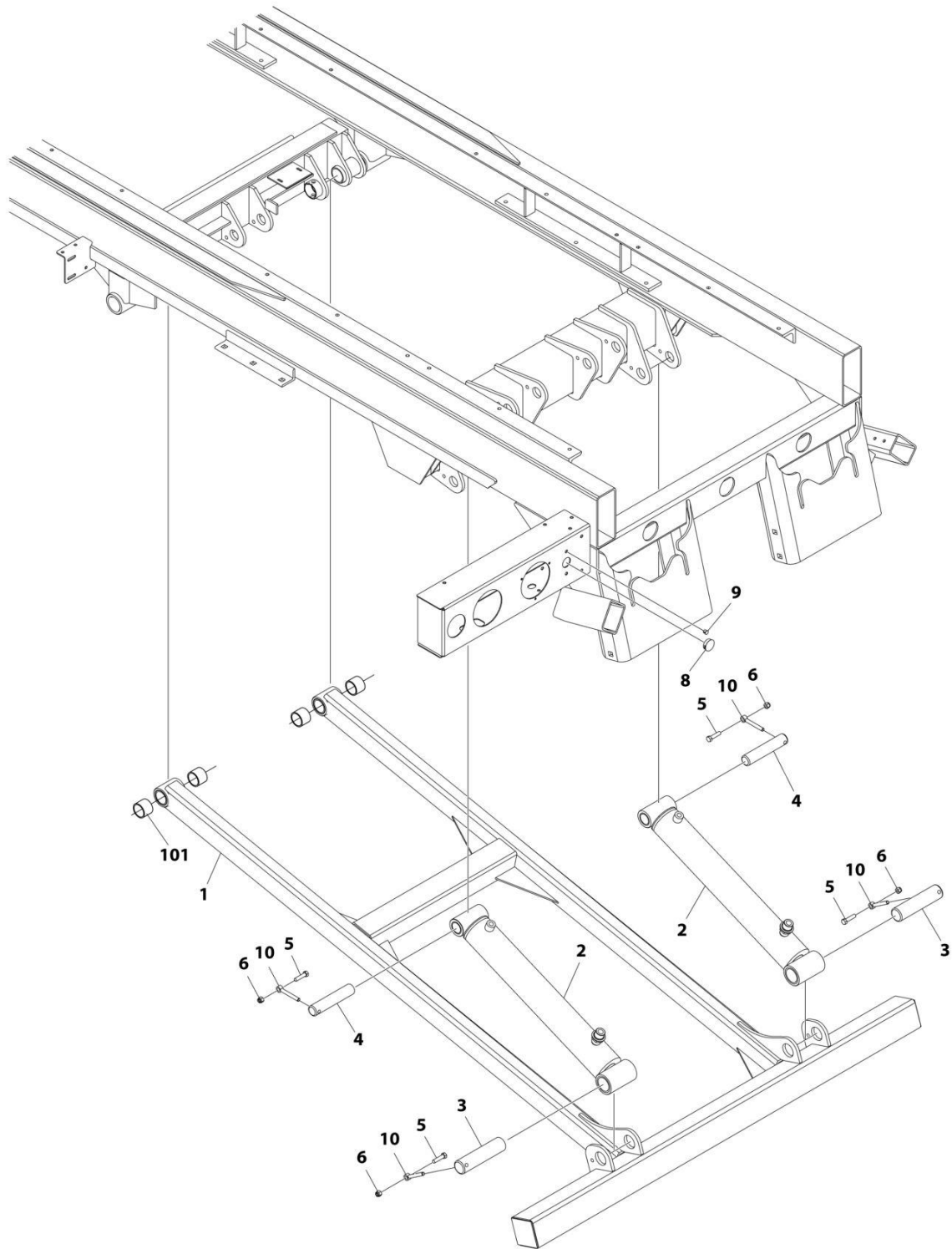
SECTION 1 - SUBFRAME

FIGURE 1-35. REAR STABILIZER - COMPLETE WITH HYDRAULIC EXTEND

ITEM	PART NUMBER	QTY	DESCRIPTION	REV
1	SPHH-MD	Ref	Rear Stabilizer With Hydraulic Extend - Complete	0
	2570000032	1	Stabilizer Hydraulics (Not Shown - See Separate Breakdown in HYDRAULIC Section)	
2	2330000061	Ref	Decal Installation	
2A	7330000684	1	Decal - Safety	
2B	7330000391	1	Decal - Warning, Tow Boom Configuration	
3	2849000039	1	Rear Stabilizer Installation (See Separate Breakdown in this Section)	
4	2330000041	Ref	Reflective Tape Installation	
4	7330000645	1	Decal - Red, Retro-reflective LH	
4	7330000646	1	Decal - Red, Retro-reflective RH	

SECTION 1 - SUBFRAME

FIGURE 1-36. REAR STABILIZER INSTALLATION (WITHOUT TOW HITCH)



ART_2849000038

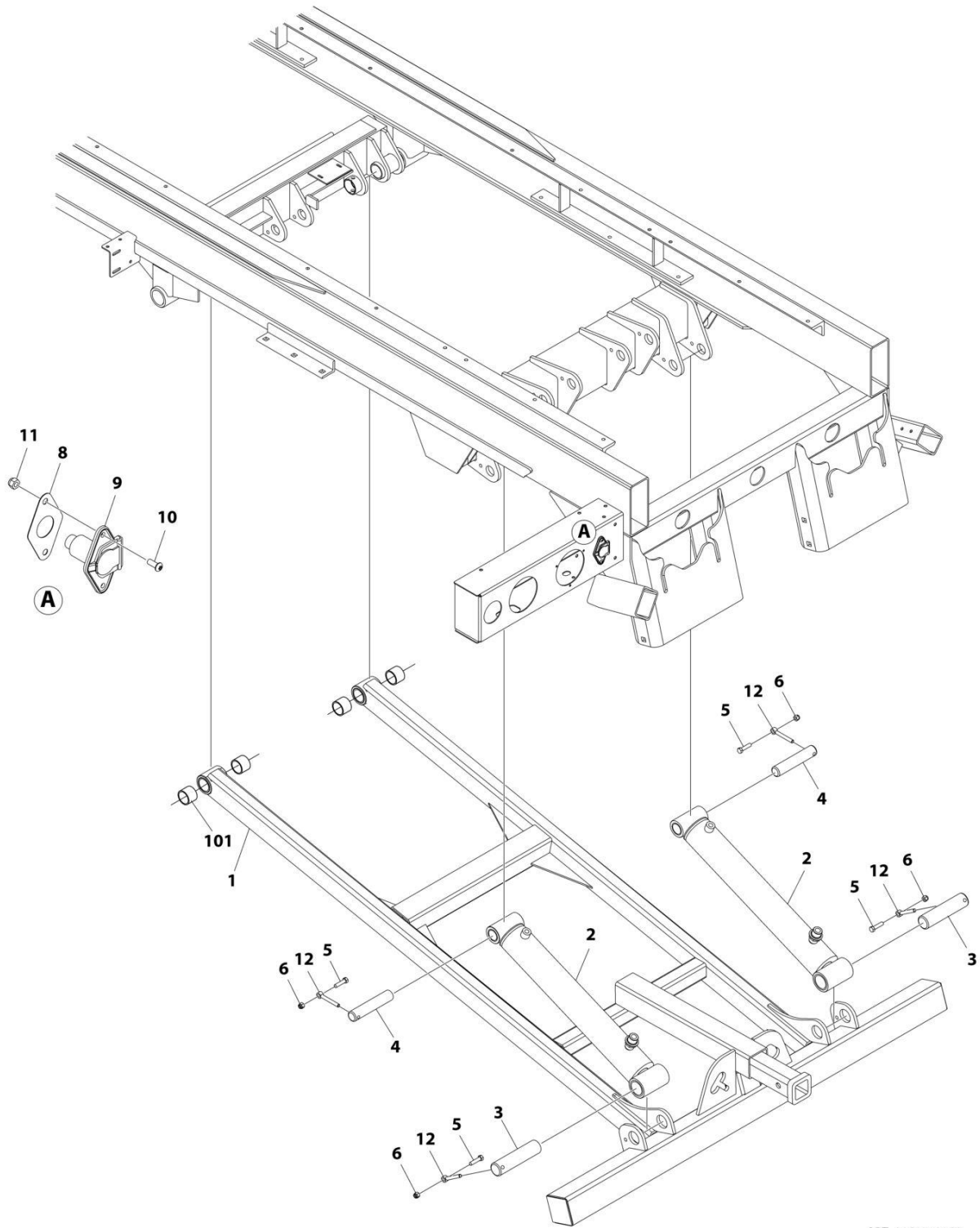
SECTION 1 - SUBFRAME

FIGURE 1-36. REAR STABILIZER INSTALLATION (WITHOUT TOW HITCH)

ITEM	PART NUMBER	QTY	DESCRIPTION	REV
	2849000038	Ref	Rear Stabilizer Installation	E
1	3849000027	1	Rear Stabilizer Dock Weldment	
2	1001167767	2	Cylinder Assembly - Stabilizer Lift (See Separate Breakdown in this Section)	
3	1001188141	2	Pin	
4	1001188129	2	Pin	
5	0641612	4	Bolt 3/8 x 1-1/2	
6	3300492	4	Nut 3/8	
8	7701000049	1	Plug	
9	7701000055	2	Plug	
10	3841143	4	Keeper, Shaft	
101	7082000017	4	Bearing	

SECTION 1 - SUBFRAME

FIGURE 1-37. REAR STABILIZER INSTALLATION (2 IN TOW HITCH)



ART_2849000041

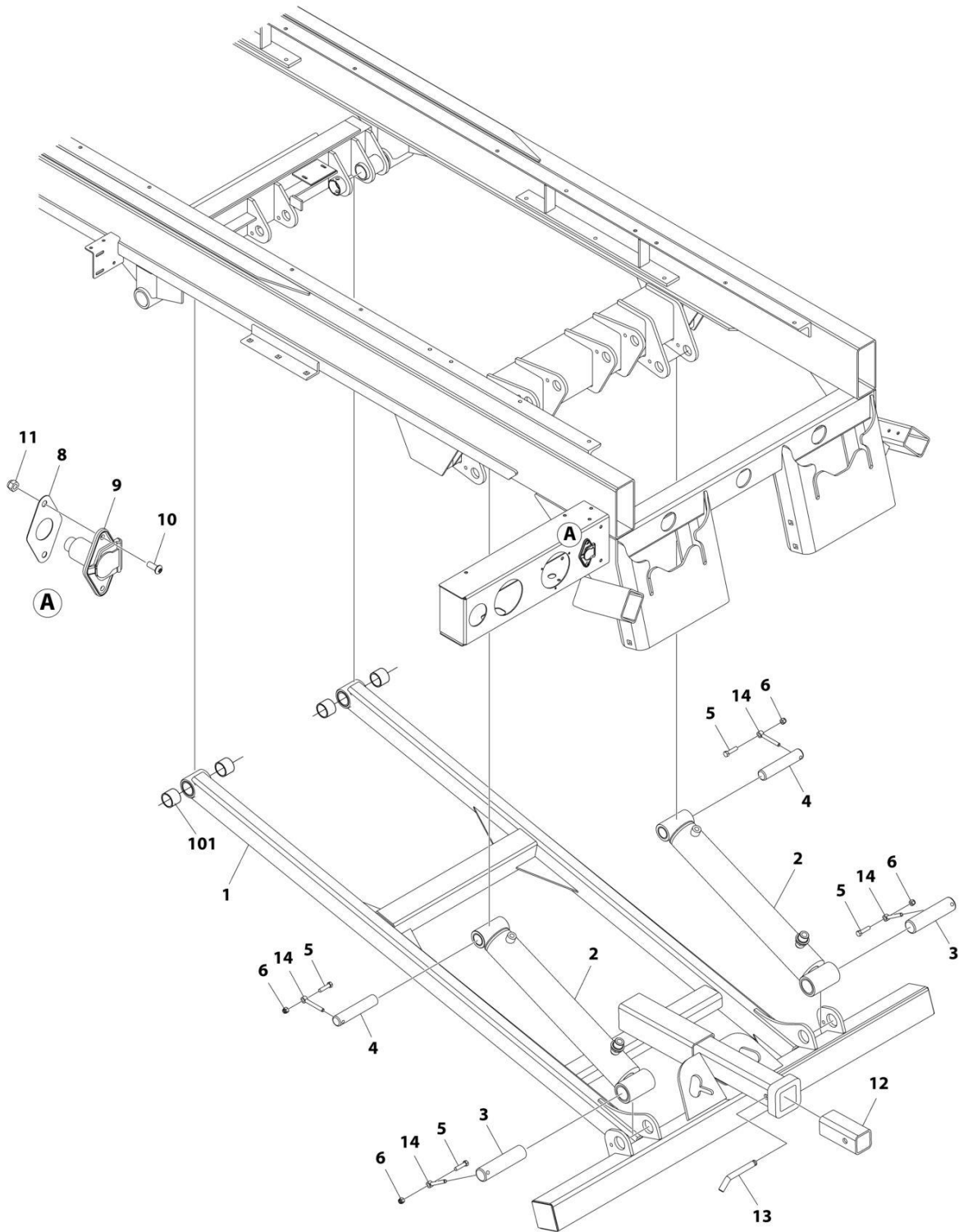
SECTION 1 - SUBFRAME

FIGURE 1-37. REAR STABILIZER INSTALLATION (2 IN TOW HITCH)

ITEM	PART NUMBER	QTY	DESCRIPTION	REV
	2849000041	Ref	Rear Stabilizer Installation (2 in Tow Hitch)	D
1	3849000029	1	Stabilizer Weldment	
2	1001167767	2	Cylinder Assembly - Stabilizer Lift (See Separate Breakdown in this Section)	
3	1001188141	2	Pin	
4	1001188129	2	Pin	
5	0641612	4	Bolt 3/8 x 1-1/2	
6	3300492	4	Nut 3/8	
8	7796000048	1	Gasket	
9	7291000010	1	Receptacle, Female Connector	
10	7114140528	2	Screw 1/4 x 5/8	
11	7660142601	2	Nut 1/4	
12	3841143	4	Keeper, Shaft	
101	7082000017	4	Bearing	

SECTION 1 - SUBFRAME

FIGURE 1-38. REAR STABILIZER INSTALLATION (2.5 IN TOW HITCH)



ART_2849000049

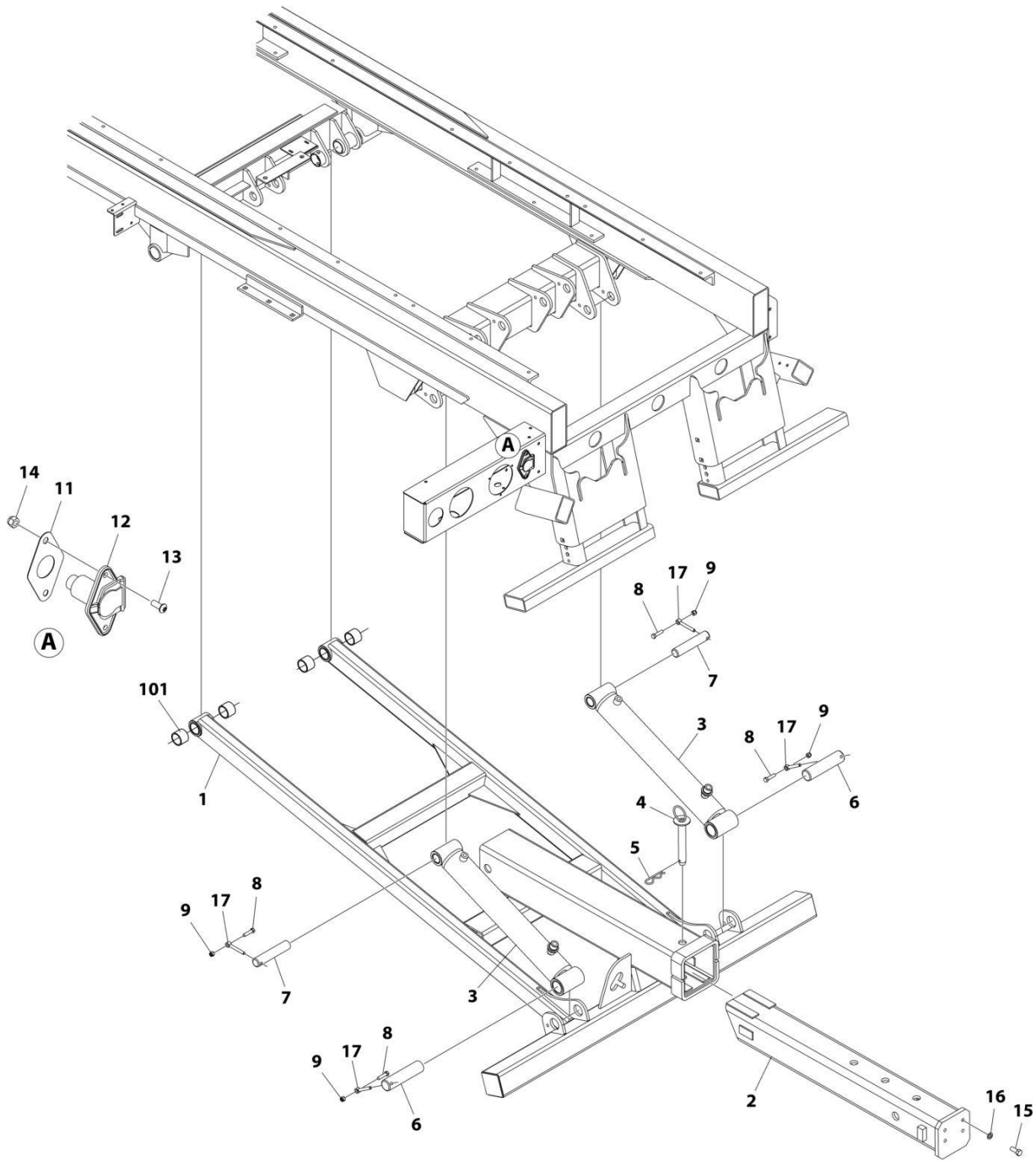
SECTION 1 - SUBFRAME

FIGURE 1-38. REAR STABILIZER INSTALLATION (2.5 IN TOW HITCH)

ITEM	PART NUMBER	QTY	DESCRIPTION	REV
	2849000049	Ref	Rear Stabilizer Installation (2.5 in Tow Hitch)	D
1	3849000042	1	Stabilizer Weldment with HD Reese Tube	
2	1001167767	2	Cylinder Assembly - Stabilizer Lift (See Separate Breakdown in this Section)	
3	1001188141	2	Pin	
4	1001188129	2	Pin	
5	0641612	4	Bolt 3/8 x 1-1/2	
6	3300492	4	Nut 3/8	
8	7796000048	1	Gasket	
9	7291000010	1	Receptacle, Female Connector	
10	7114140528	2	Screw 1/4 x 5/8	
11	7660142601	2	Nut 1/4	
12	7913000006	1	Tube	
13	7691000033	1	Pin	
14	3841143	4	Keeper, Shaft	
101	7082000017	4	Bearing	

SECTION 1 - SUBFRAME

FIGURE 1-39. REAR STABILIZER INSTALLATION WITH MANUAL EXTEND PINTLE MOUNTING



ART_2849000040

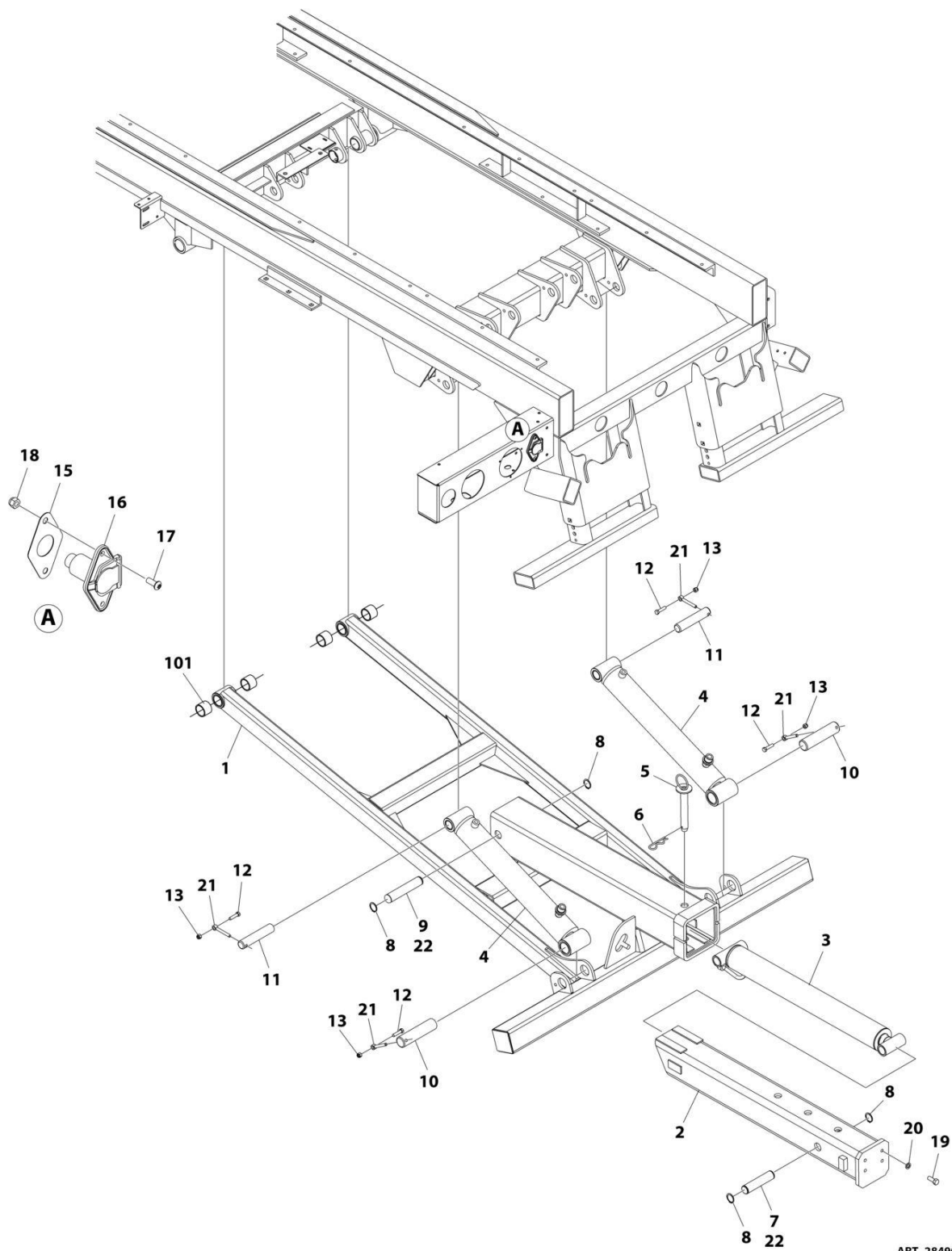
SECTION 1 - SUBFRAME

FIGURE 1-39. REAR STABILIZER INSTALLATION WITH MANUAL EXTEND PINTLE MOUNTING

ITEM	PART NUMBER	QTY	DESCRIPTION	REV
	2849000040	Ref	Rear Stabilizer Installation With Manual Extend Pintle Mounting	E
1	3849000028	1	Stabilizer Weldment	
2	1001127297	1	Boom Weldment	
3	1001167767	2	Stabilizer Cylinder Assembly (See Separate Breakdown in CYLINDER Section)	
4	3691000064	1	Pin	
5	7691000001	1	Hair Pin	
6	1001188140	2	Pin	
7	1001188129	2	Pin	
8	0641612	4	Bolt 3/8 x 1-1/2	
9	3300492	4	Nut 3/8	
11	7796000048	1	Gasket	
12	7291000010	1	Connector, Receptacle Female	
13	7114140528	2	Screw 1/4 x 5/8	
14	7660142601	2	Nut 1/4	
15	0691810	4	Capscrew 1/2 x 1-1/4	
16	4761800	4	Washer 1/2	
17	3841143	4	Keeper, Shaft	
101	7082000017	4	Bearing	

SECTION 1 - SUBFRAME

FIGURE 1-40. REAR STABILIZER INSTALLATION WITH HYDRAULIC EXTEND



ART_284900039

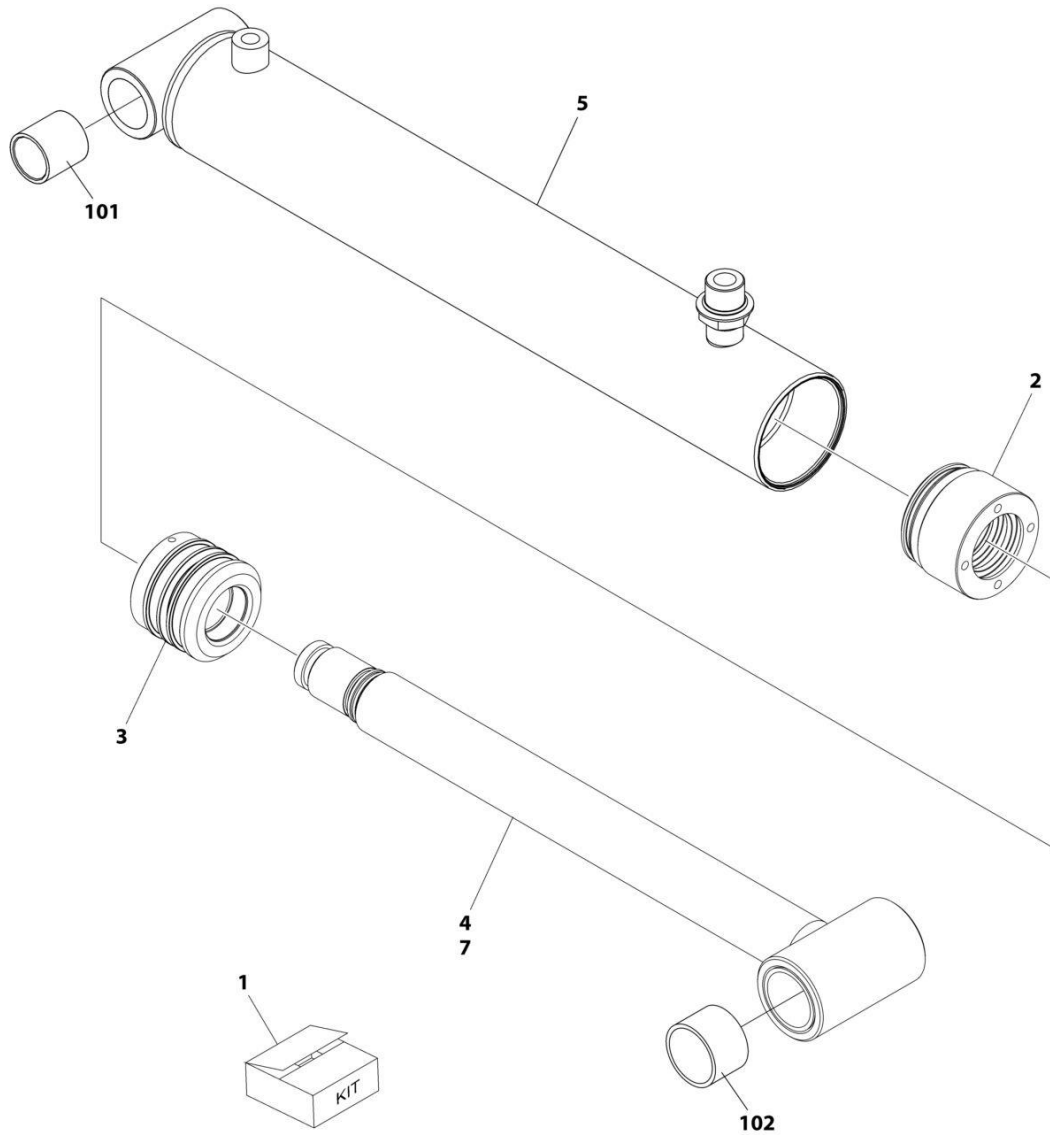
SECTION 1 - SUBFRAME

FIGURE 1-40. REAR STABILIZER INSTALLATION WITH HYDRAULIC EXTEND

ITEM	PART NUMBER	QTY	DESCRIPTION	REV
	2849000039	Ref	Rear Stabilizer Installation With Hydraulic Extend	F
1	3849000028	1	Stabilizer Weldment	
2	1001127297	1	Boom Weldment	
3	1001183326	1	Cylinder Assembly - Extent/Retract (See Separate Breakdown in this Section)	
4	1001167767	2	Cylinder Assembly - Stabilizer Lift (See Separate Breakdown in this Section)	
5	3691000064	1	Pin, Weldment	
6	7691000001	1	Hair Pin	
7	4691000429	1	Pin	
8	3760133	4	Ring, Retaining	
9	4691000430	1	Pin	
10	1001188141	2	Pin	
11	1001188129	2	Pin	
12	0641612	4	Bolt 3/8 x 1-1/2	
13	3300492	4	Nut 3/8	
15	7796000048	1	Gasket	
16	7291000010	1	Receptacle, Female	
17	7114140528	2	Screw 1/4 x 5/8	
18	7660142601	2	Nut 1/4	
19	0691810	4	Capscrew 1/2 x 1-1/4	
20	4761800	4	Washer 1/2	
21	3841143	4	Keeper, Shaft	
22	3020039	AR	Lubricant	
101	7082000017	4	Bearing	

SECTION 1 - SUBFRAME

FIGURE 1-41. STABILIZER CYLINDER ASSEMBLY - LIFT (STABILIZER)



ART_1001167767

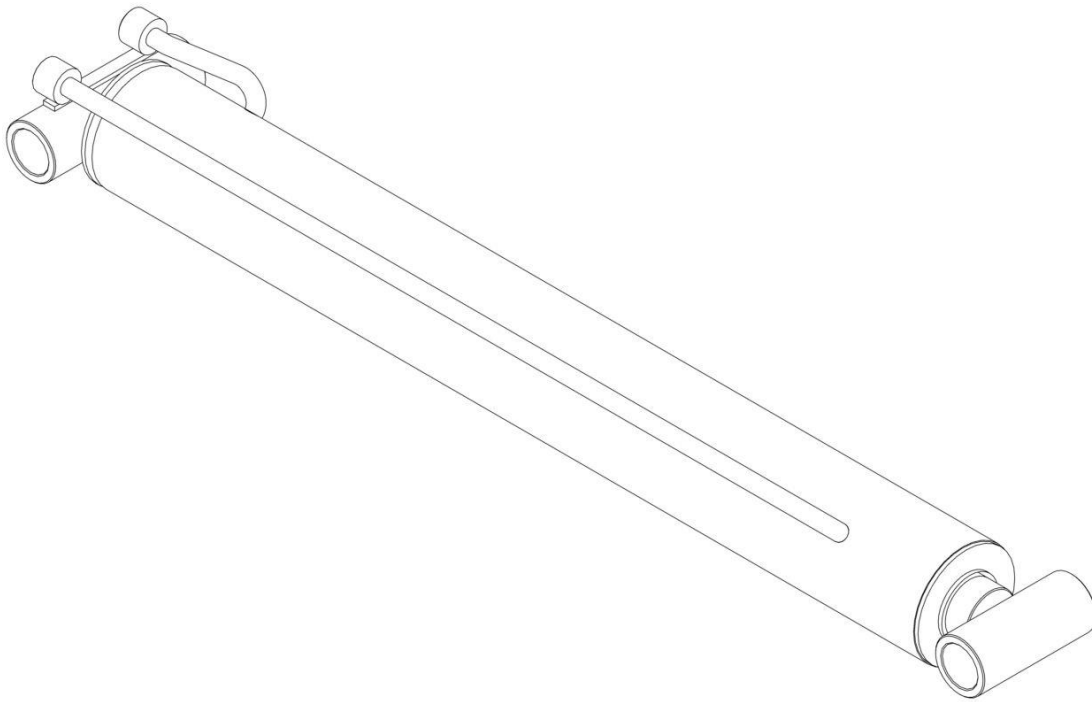
SECTION 1 - SUBFRAME

FIGURE 1-41. STABILIZER CYLINDER ASSEMBLY - LIFT (STABILIZER)

ITEM	PART NUMBER	QTY	DESCRIPTION	REV
	1001167767	Ref	Stabilizer Cylinder Assembly	C
1	70051168	1	Kit, Seal	
2	70051172	1	Kit, Head	
3	70051173	1	Kit, Piston	
4	70051388	1	Rod	
5	70051389	1	Shell Assembly	
6	70051390	1	Head Bushing (not shown)	
7	70051391	1	Rod End	
101	7082000016	2	Bearing	
102	7082000018	2	Bearing	

SECTION 1 - SUBFRAME

FIGURE 1-42. CYLINDER ASSEMBLY - EXTENT/RETRACT (HYDRAULIC TOW HITCH)



ART_1001183326

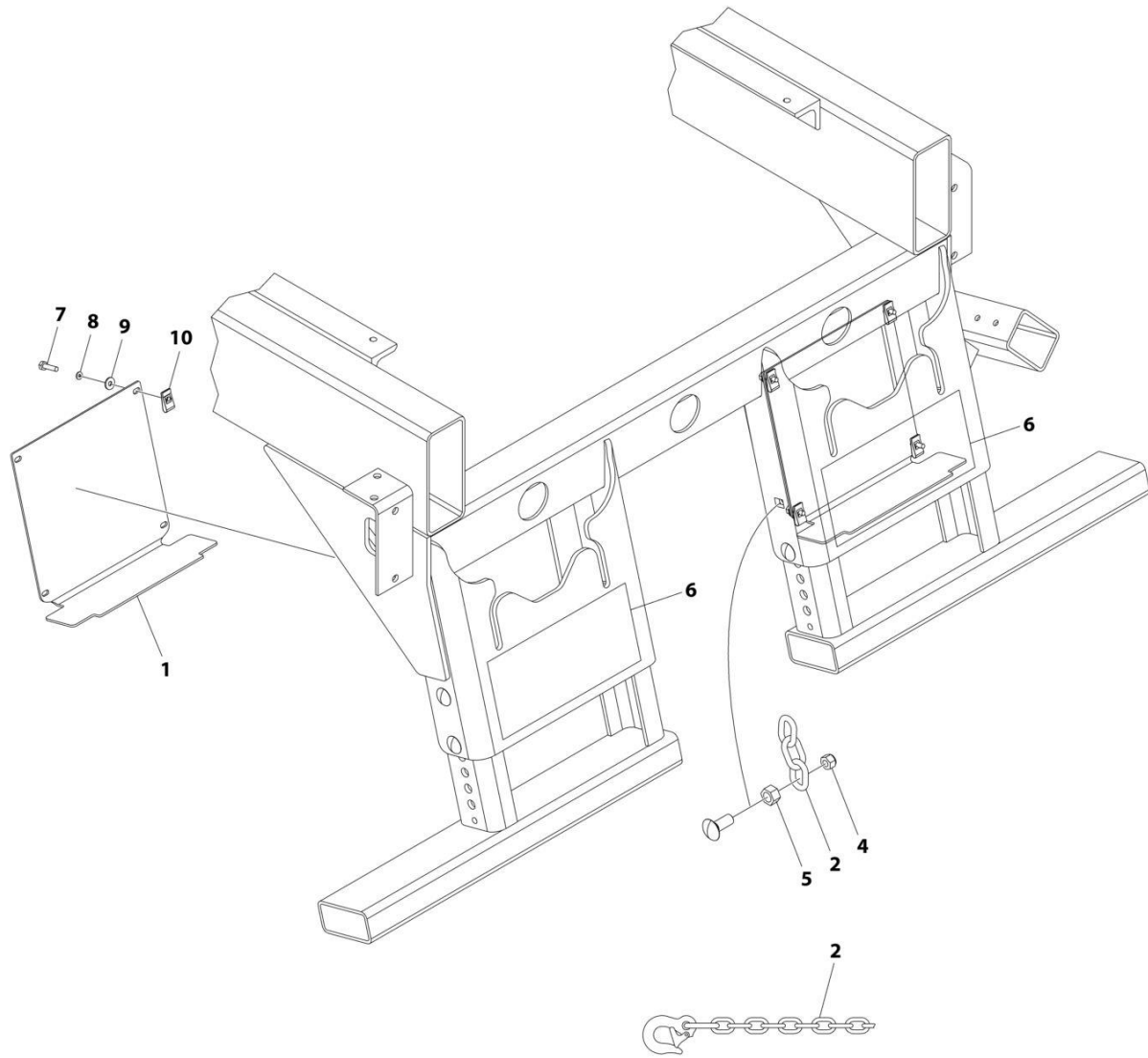
SECTION 1 - SUBFRAME

FIGURE 1-42. CYLINDER ASSEMBLY - EXTENT/RETRACT (HYDRAULIC TOW HITCH)

ITEM	PART NUMBER	QTY	DESCRIPTION	REV
	1001183326	Ref	Pintle Extend Cylinder Assembly	D
		Ref	Note: No Service Parts Available at Time of Printing.	

SECTION 1 - SUBFRAME

FIGURE 1-43. CHAIN BOX INSTALLATION



ART_2262000011

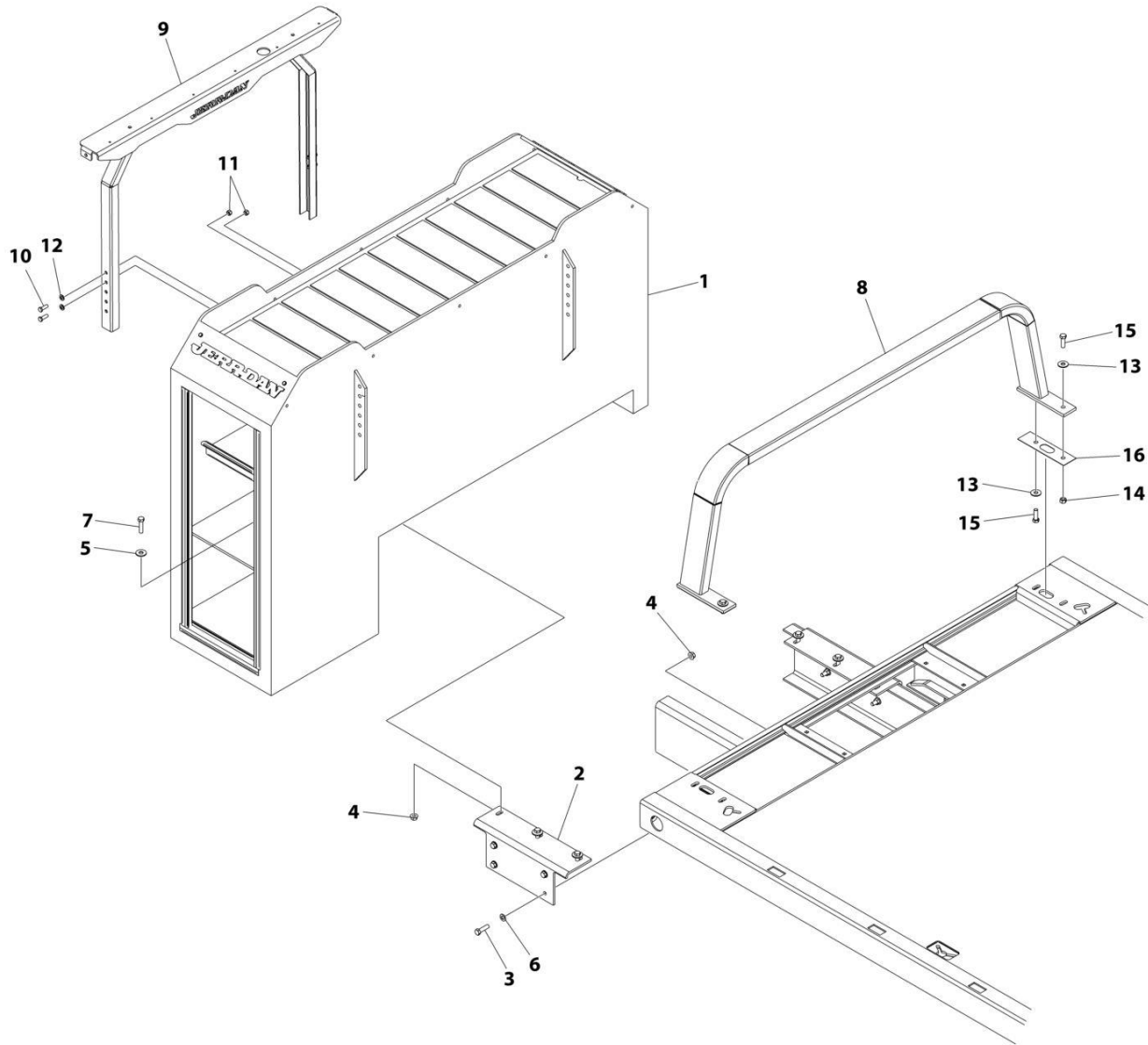
SECTION 1 - SUBFRAME

FIGURE 1-43. CHAIN BOX INSTALLATION

ITEM	PART NUMBER	QTY	DESCRIPTION	REV
	2262000011	Ref	CHAIN BOX INSTALLATION	C
1	1001177601	2	Panel	
2	7262000040	2	Chain	
4	7660182601	2	Nut 1/2	
5	7660180001	2	Nut 1/2	
6	7679000020	2	Pad	
7	7115140850	8	Capscrew 1/4 x 1	
8	7950140000	8	Washer 1/4	
9	7949000023	8	Washer	
10	7661000064	8	Clip, U-Nut 1/4	

SECTION 1 - SUBFRAME

FIGURE 1-44. TOOLBOX INSTALLATION - 24IN SIDE TUNNEL (SINGLE COMPARTMENT)



ART_1001148035

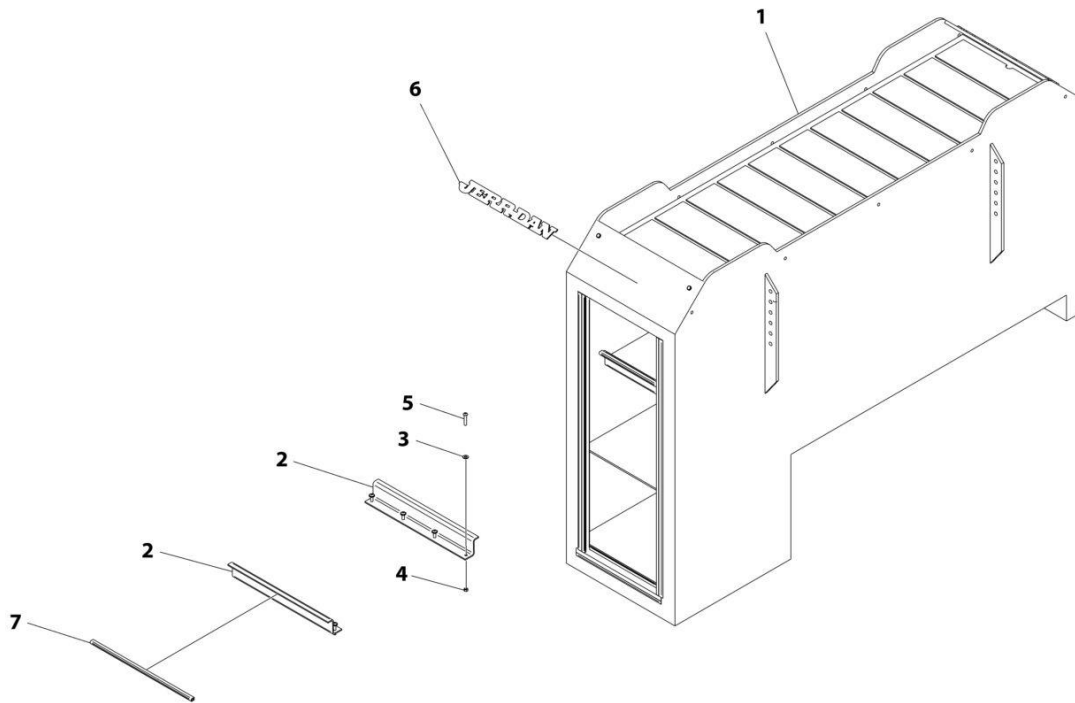
SECTION 1 - SUBFRAME

FIGURE 1-44. TOOLBOX INSTALLATION - 24IN SIDE TUNNEL (SINGLE COMPARTMENT)

ITEM	PART NUMBER	QTY	DESCRIPTION	REV
	1001148035	Ref	SIDE TUNNEL TOOLBOX INSTALLATION - 24IN	A
1	1001147361	1	Toolbox Assembly (See Separate Breakdown in this Section)	
2	1001148455	2	Bracket	
3	7105201850	8	Capscrew 5/8 x 2-1/4	
4	7660202347	14	Nut 5/8	
5	7950200161	6	Washer 5/8	
6	7950200242	8	Washer 5/8	
7	7105202050	6	Capscrew 5/8	
8	1001148180	1	Bumper	
9	1001148385	1	Bracket	
10	7115181250	4	Capscrew 1/2 x 1-1/2	
11	7660182601	4	Nut 1/2	
12	7950180153	4	Washer 1/2	
13	7950200152	4	Washer 5/8	
14	7660200035	2	Nut 5/8	
15	7105201650	4	Capscrew 5/8 x 2	
16	4796000037	2	Gasket	
17	1001147362	1	Carrier Tunnel Harness (Not Shown)	

SECTION 1 - SUBFRAME

FIGURE 1-45. TOOLBOX ASSEMBLY - 24IN SIDE TUNNEL (SINGLE COMPARTMENT)



ART_1001147361

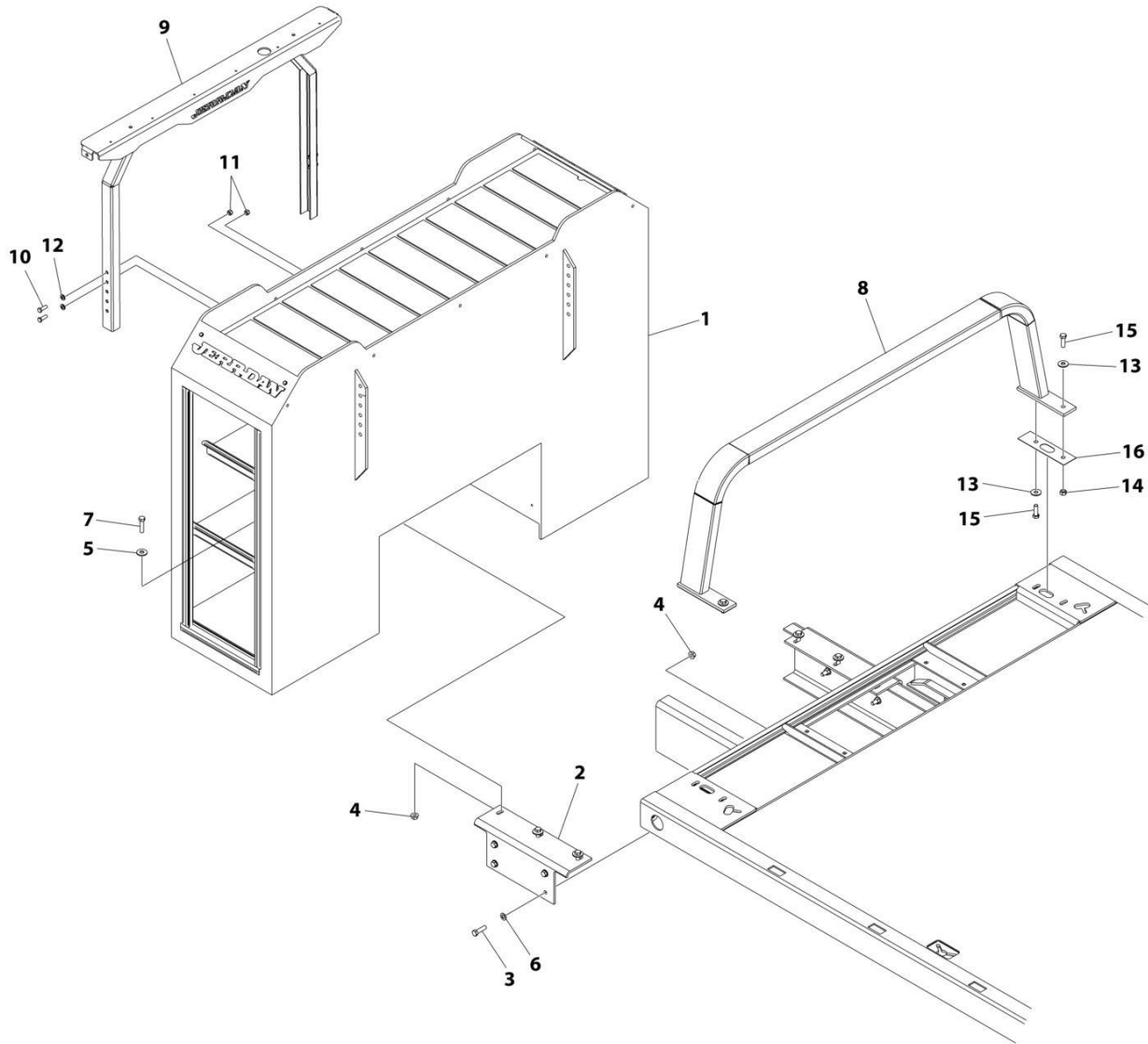
SECTION 1 - SUBFRAME

FIGURE 1-45. TOOLBOX ASSEMBLY - 24IN SIDE TUNNEL (SINGLE COMPARTMENT)

ITEM	PART NUMBER	QTY	DESCRIPTION	REV
	1001147361	Ref	SIDE TUNNEL TOOLBOX ASSEMBLY - 24IN	A
1	1001147357	1	Toolbox	
2	1001143257	5	Bracket	
3	7950160153	20	Washer 3/8	
4	7660162601	20	Nut 3/8	
5	7114161618	20	Capscrew 3/8	
6	7330000408	2	Decal, Jerr-dan Logo	
7	8632000002	5.7 ft	Trim	

SECTION 1 - SUBFRAME

FIGURE 1-46. TOOLBOX INSTALLATION - 24IN SIDE TUNNEL (DUAL COMPARTMENT)



ART_1001143228

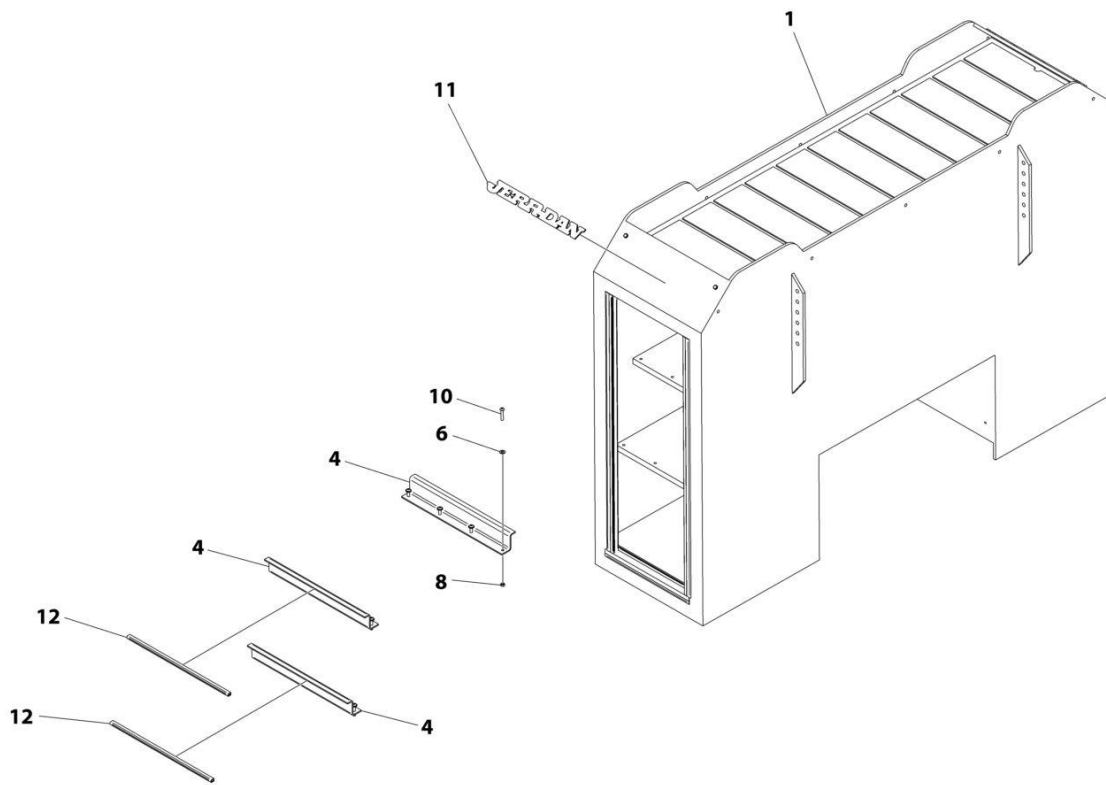
SECTION 1 - SUBFRAME

FIGURE 1-46. TOOLBOX INSTALLATION - 24IN SIDE TUNNEL (DUAL COMPARTMENT)

ITEM	PART NUMBER	QTY	DESCRIPTION	REV
	1001143228	Ref	TUNNEL TOOLBOX INSTALLATION - 24IN	B
1	1001143227	1	Toolbox Assembly (See Separate Breakdown in this Section)	
2	1001148455	2	Bracket	
3	7105201850	8	Capscrew 5/8 x 2-1/4	
4	7660202347	14	Nut 5/8	
5	7950200161	6	Washer 5/8	
6	7950200242	8	Washer 5/8	
7	7105202050	6	Capscrew 5/8 x 2-1/2	
8	1001148180	1	Bumper	
9	1001148385	1	Bracket	
10	7115181250	4	Capscrew 1/2 x 1-1/2	
11	7660182601	4	Nut 1/2	
12	7950180153	4	Washer 1/2	
13	7950200152	4	Washer 5/8	
14	7660200035	2	Nut 5/8	
15	7105201650	4	Capscrew 5/8	
16	4796000037	2	Gasket	
17	1001146552	1	Carrier Tunnel Harness (Not Shown)	

SECTION 1 - SUBFRAME

FIGURE 1-47. TOOLBOX ASSEMBLY - 24IN SIDE TUNNEL (DUAL COMPARTMENT)



ART_1001143227

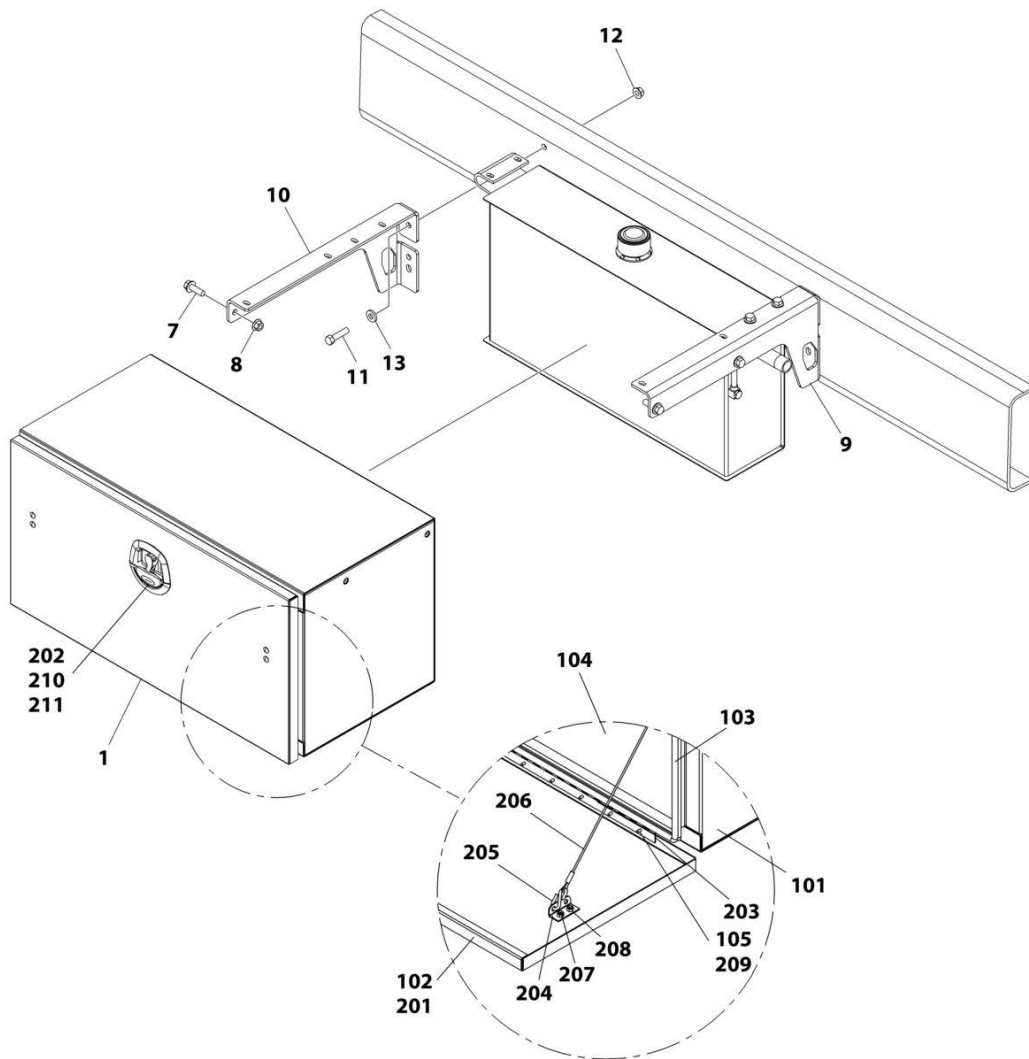
SECTION 1 - SUBFRAME

FIGURE 1-47. TOOLBOX ASSEMBLY - 24IN SIDE TUNNEL (DUAL COMPARTMENT)

ITEM	PART NUMBER	QTY	DESCRIPTION	REV
	1001143227	Ref	TUNNEL TOOLBOX ASSEMBLY - 24IN	B
1	1001142430	1	Toolbox	
4	1001143257	6	Bracket	
6	7950160153	24	Washer 3/8	
8	7660162601	24	Nut 3/8	
10	7114161618	24	Capscrew 3/8	
11	7330000408	2	Decal, Jerr-dan Logo	
12	8632000002	7.5 ft	Trim	

SECTION 1 - SUBFRAME

FIGURE 1-48. TOOLBOX INSTALLATION - 36IN



ART_289900055

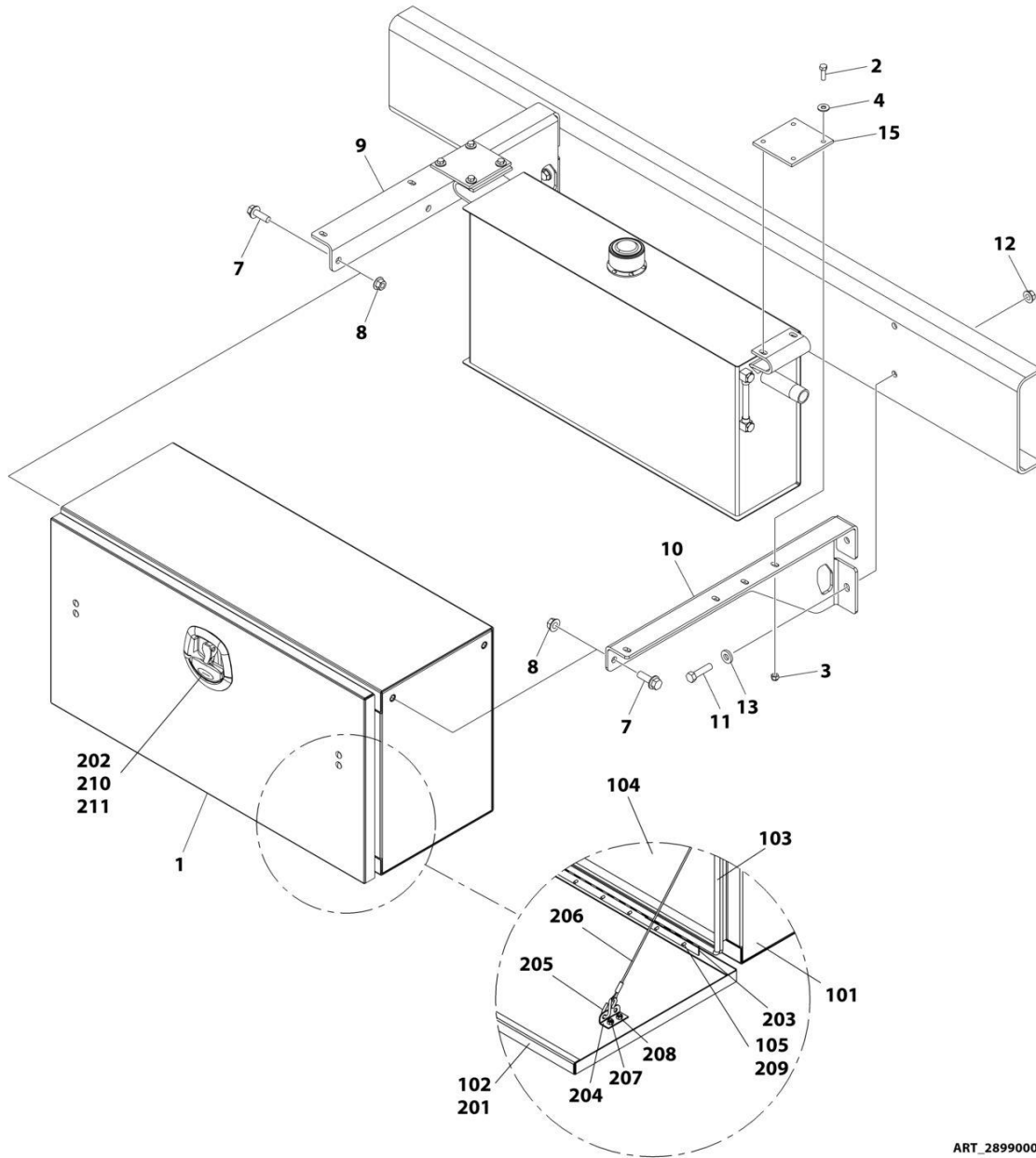
SECTION 1 - SUBFRAME

FIGURE 1-48. TOOLBOX INSTALLATION - 36IN

ITEM	PART NUMBER	QTY	DESCRIPTION	REV
	2899000055	Ref	TOOLBOX, 36IN	F
1	1001208769	1	Toolbox Assembly (includes items 101 through 105)	A
7	7118181216	4	Capscrew 1/2 x 1-1/2	
8	7660182301	4	Nut 1/2	
9	4178000290	1	Bracket	
10	4178000291	1	Bracket	
11	0651816	4	Bolt 1/2 x 2	
12	7660182333	4	Nut 1/2	
13	4891800	4	Washer 1/2	
101	3899000125	1	Toolbox Weldment	
102	1001223819	1	Toolbox Door Assembly (includes items 201 through 211)	A
103	4796000009	1	Gasket	
104	4679000256	1	Pad	
105	7759000020	9	Rivet	
201	1001223815	1	Door Weldment	
202	1001223814	1	Latch	
203	7555000016	1	Hinge	
204	4178000599	2	Bracket	
205	7592000005	4	S-Link	
206	7248000114	2	Cable	
207	7114140465	4	Bolt 0.25-20X0.50	
208	7660142604	4	Locknut 0.25-20	
209	7759000020	9	Rivet	
210	7950100143	4	Washer 0.19	
211	7660102604	4	Locknut #10-24	

SECTION 1 - SUBFRAME

FIGURE 1-49. TOOLBOX INSTALLATION - 36IN NARROW



ART_289900065

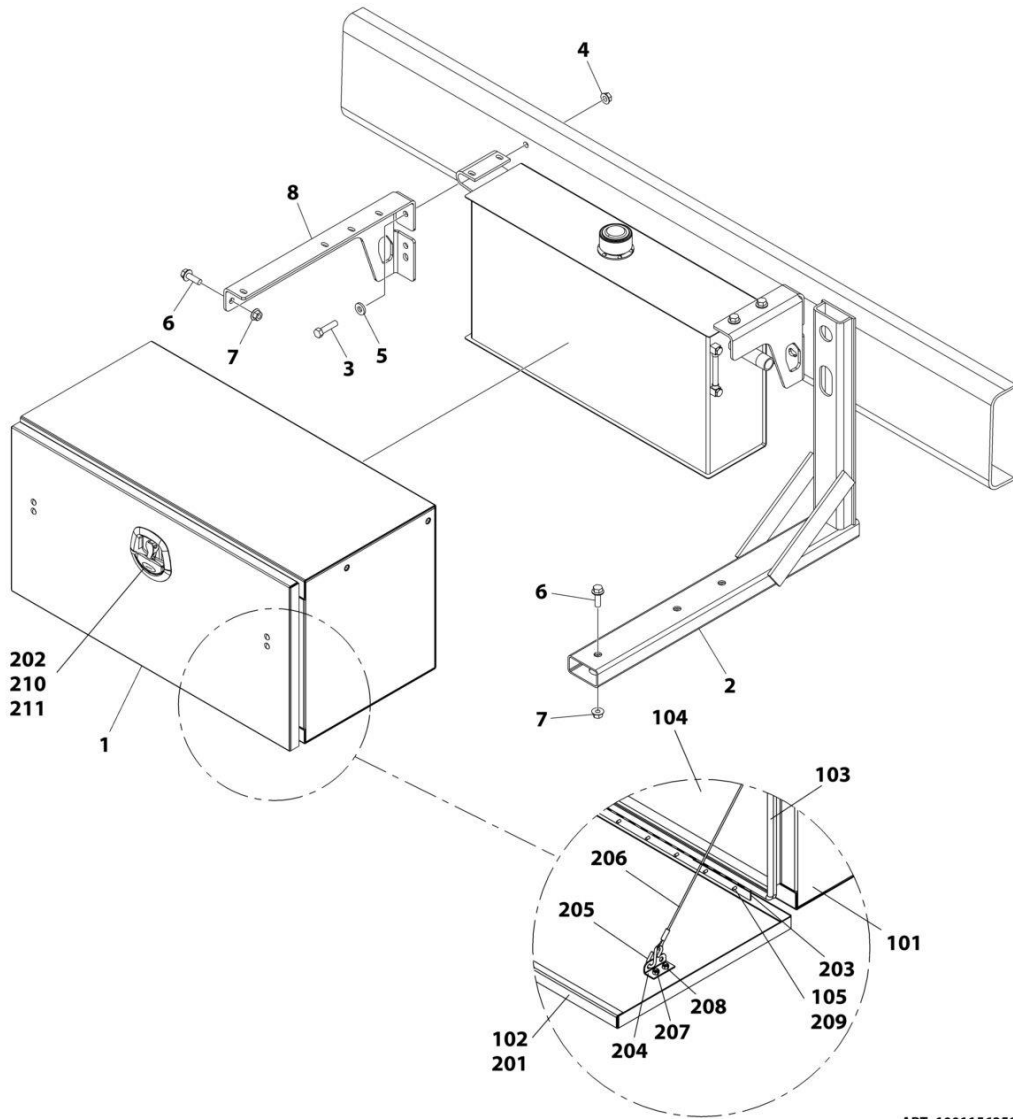
SECTION 1 - SUBFRAME

FIGURE 1-49. TOOLBOX INSTALLATION - 36IN NARROW

ITEM	PART NUMBER	QTY	DESCRIPTION	REV
	2899000065	Ref	TOOLBOX, 36IN NARROW	F
1	1001208772	1	Toolbox Assembly (includes items 101 through 105)	A
2	0641508	4	Bolt 5/16 x 1	
3	7660152601	4	Nut 5/16	
4	4751500	8	Washer 5/16	
7	7118181216	4	Capscrew 1/2 x 1-1/2	
8	7660182301	4	Nut 1/2	
9	4178000338	1	Bracket	
10	4178000339	1	Bracket	
11	0651816	4	Bolt 1/2 x 2	
12	7660182333	4	Nut 1/2	
13	4891800	4	Washer 1/2	
15	4706002361	2	Plate	
101	3899000126	1	Toolbox Weldment	
102	1001223819	1	Toolbox Door Assembly (includes items 201 through 211)	A
103	4796000009	1	Gasket	
104	4679000257	1	Pad	
105	7759000020	9	Rivet	
201	1001223815	1	Toolbox Door	
202	1001223814	1	Latch	
203	7555000016	1	Hinge	
204	4178000599	2	Bracket	
205	7592000005	4	S-Link	
206	7248000114	2	Cable	
207	7114140465	4	Bolt 0.25-20X.050	
208	7660142604	4	Locknut 0.25-20	
209	7759000020	9	Rivet	
210	7950100143	4	Washer 0.19	
211	7660102604	4	Locknut #10-24	

SECTION 1 - SUBFRAME

FIGURE 1-50. TOOLBOX INSTALLATION - 36IN UNDERBOX MOUNT



ART_1001156358

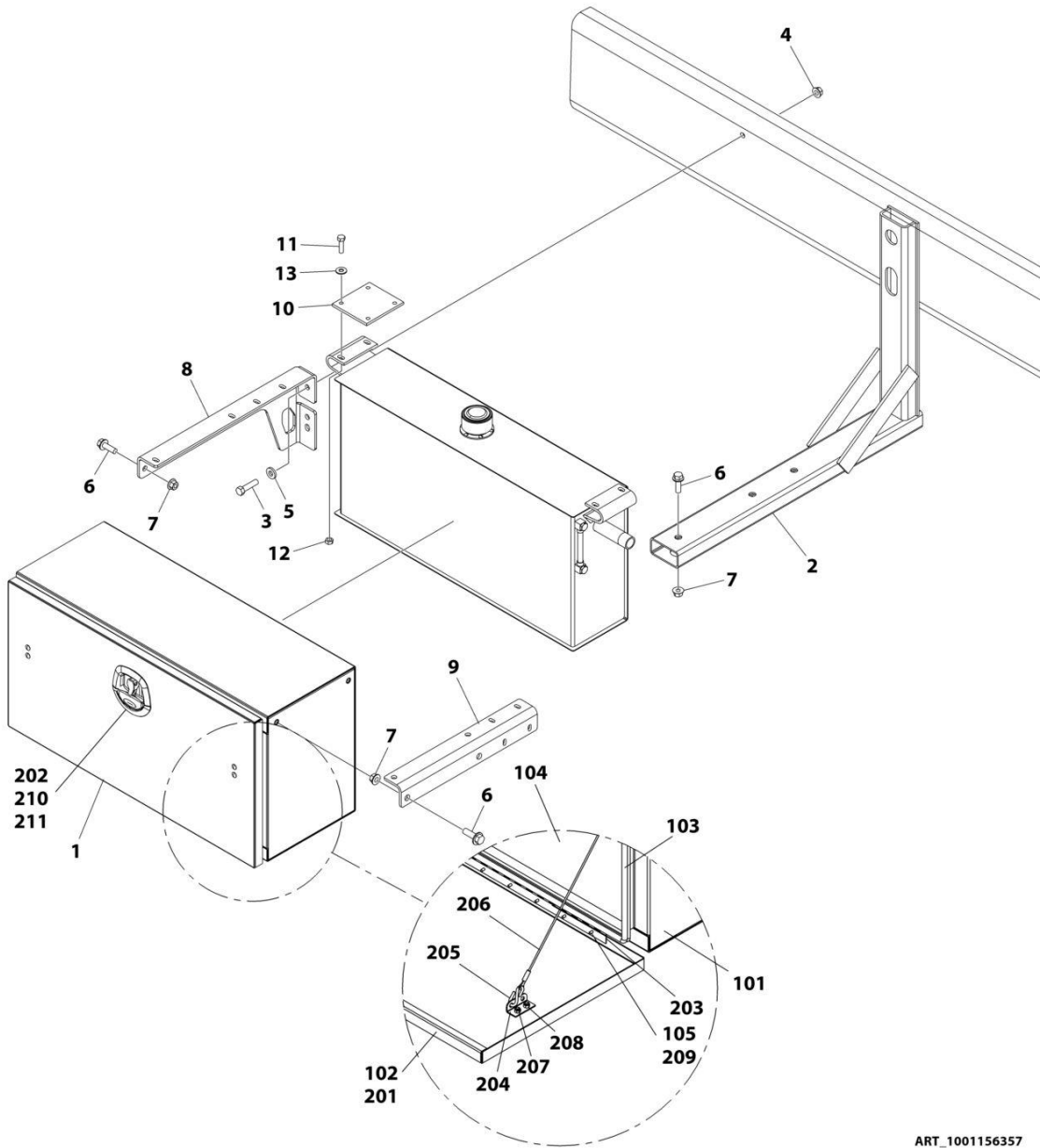
SECTION 1 - SUBFRAME

FIGURE 1-50. TOOLBOX INSTALLATION - 36IN UNDERBOX MOUNT

ITEM	PART NUMBER	QTY	DESCRIPTION	REV
	1001156358	Ref	TOOLBOX, 36IN UNDERBOX MOUNT	B
1	1001208769	1	Toolbox Assembly (includes items 101 through 105)	A
2	1001156006	1	Frame Weldment	
3	0651816	4	Bolt 1/2 x 2	
4	7660182333	4	Nut 1/2	
5	4891800	4	Washer 1/2	
6	7118181216	4	Capscrew 1/2 x 1-1/2	
7	7660182301	4	Nut 1/2	
8	4178000291	1	Bracket	
101	3899000125	1	Toolbox Weldment	
102	1001223819	1	Toolbox Door Assembly (includes items 201 through 211)	A
103	4796000009	1	Gasket	
104	4679000256	1	Pad	
105	7759000020	1	Rivet	
201	1001223815	1	Toolbox Door	
202	1001223814	1	Latch	
203	7555000016	1	Hinge	
204	4178000599	2	Bracket	
205	7592000005	4	S-Link	
206	7248000114	2	Cable	
207	7114140465	4	Bolt 0.25-20X0.50	
208	7660142604	4	Locknut 0.25-20	
209	7759000020	9	Rivet	
210	7950100143	4	Washer 0.19	
211	7660102604	4	Locknut #10-24	

SECTION 1 - SUBFRAME

FIGURE 1-51. TOOLBOX INSTALLATION - 36IN UNDERBOX MOUNT NARROW



ART_1001156357

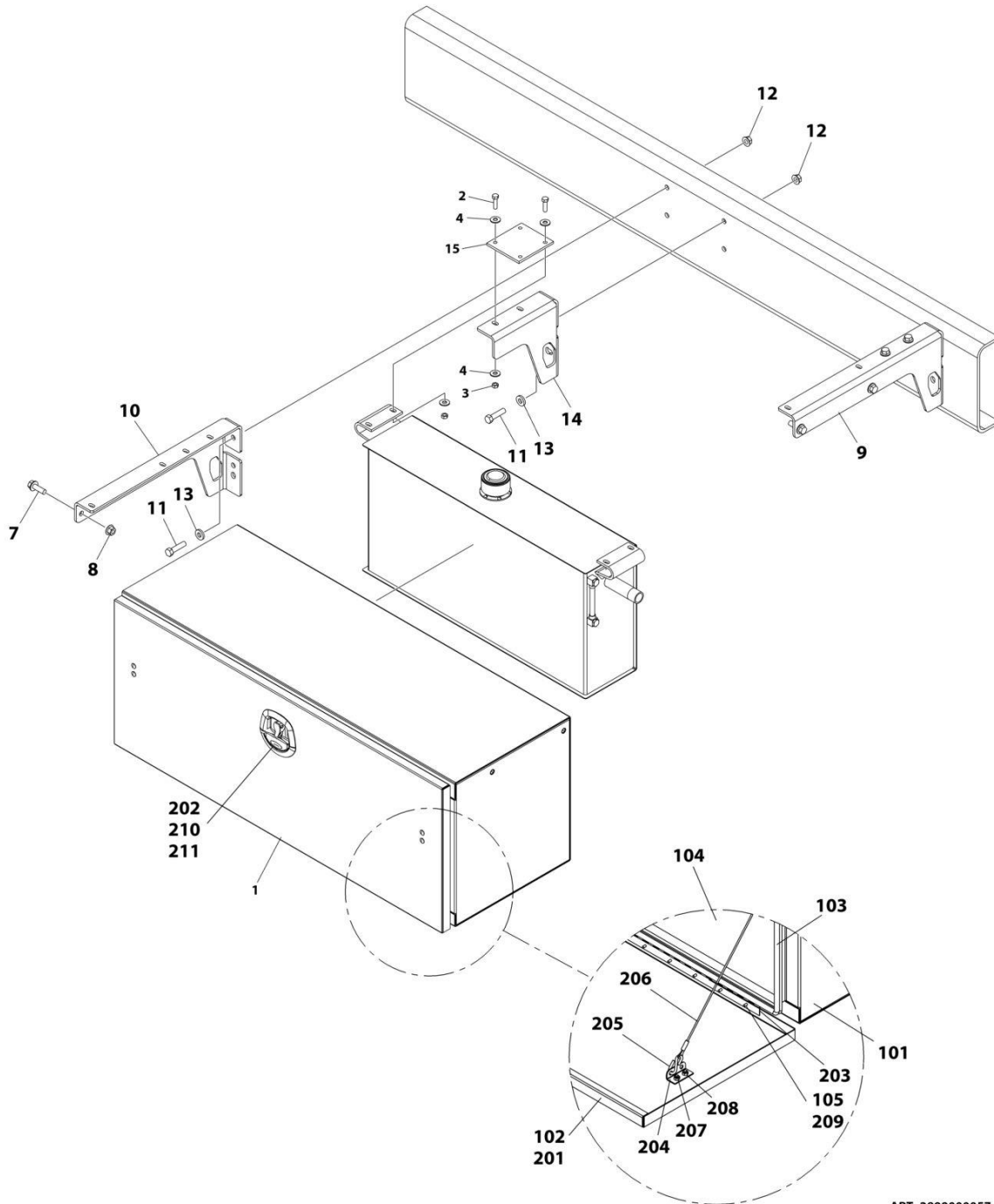
SECTION 1 - SUBFRAME

FIGURE 1-51. TOOLBOX INSTALLATION - 36IN UNDERBOX MOUNT NARROW

ITEM	PART NUMBER	QTY	DESCRIPTION	REV
	1001156357	Ref	TOOLBOX, 36IN UNDERBOX MOUNT NARROW	B
1	1001208772	1	Toolbox Assembly (includes items 101 through 105)	A
2	1001156006	1	Frame Weldment	
3	0651816	4	Bolt 1/2 x 2	
4	7660182333	4	Nut 1/2	
5	4891800	4	Washer 1/2	
6	7118181216	6	Capscrew 1/2 x 1-1/2	
7	7660182301	6	Nut 1/2	
8	4178000339	1	Bracket	
9	1001155975	1	Bracket	
10	4706002361	1	Plate	
11	0641508	2	Bolt 5/16 x 1	
12	7660152601	2	Nut 5/16	
13	4751500	4	Washer 5/16	
101	3899000126	1	Toolbox Weldment	
102	1001223819	1	Toolbox Door Assembly (includes items 201 through 211)	A
103	4796000009	1	Gasket	
104	4679000257	1	Pad	
105	7759000020	9	Rivet	
201	1001223815	1	Toolbox Door	
202	1001223814	1	Latch	
203	7555000016	1	Hinge	
204	4178000599	2	Bracket	
205	7592000005	4	S-Link	
206	7248000114	2	Cable	
207	7114140465	4	Bolt 0.25-20X0.50	
208	7660142604	4	Locknut 0.25-20	
209	7759000020	9	Rivet	
210	7950100143	4	Washer 0.19	
211	7660102604	4	Locknut #10-24	

SECTION 1 - SUBFRAME

FIGURE 1-52. TOOLBOX INSTALLATION - 48IN



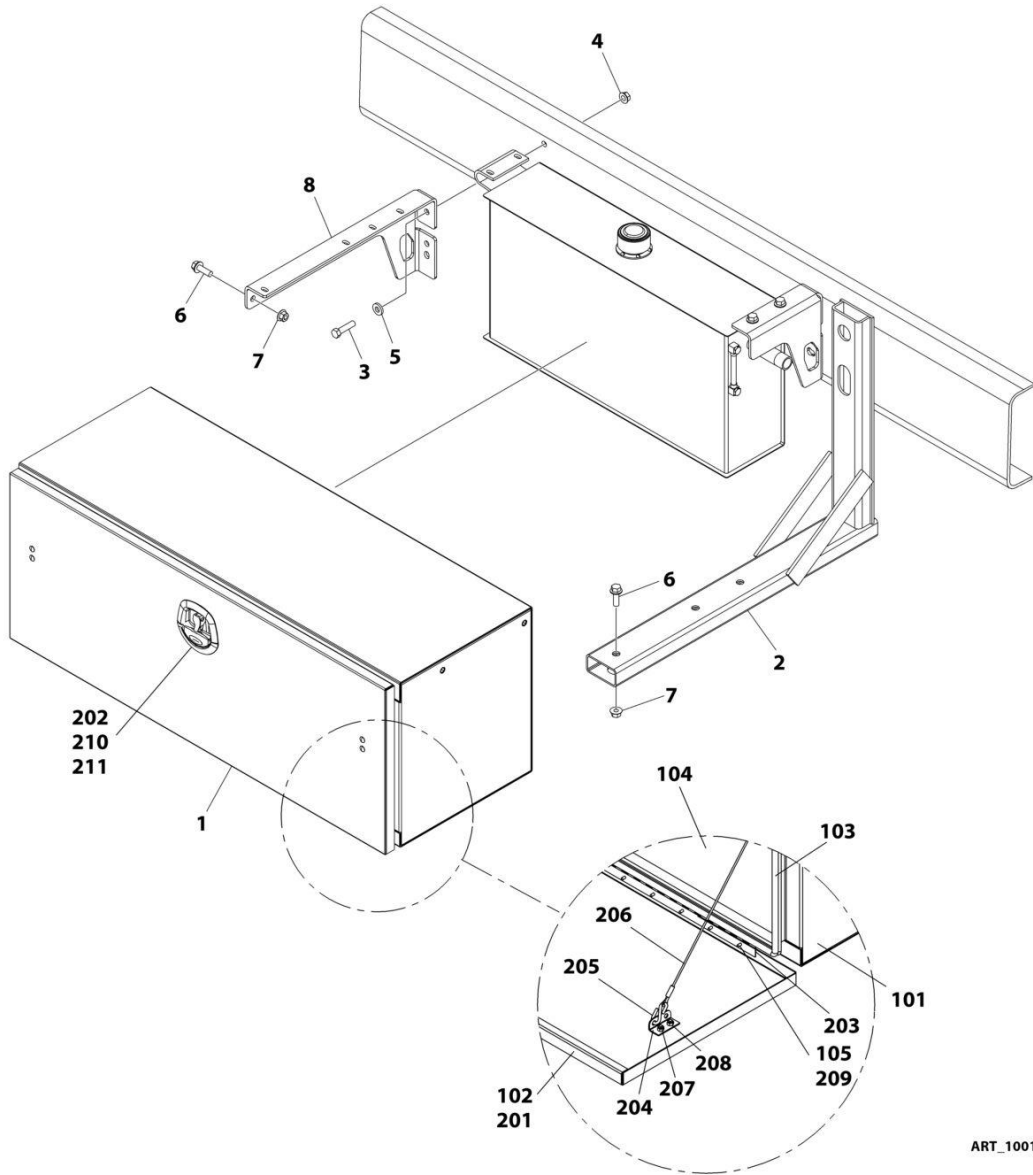
SECTION 1 - SUBFRAME

FIGURE 1-52. TOOLBOX INSTALLATION - 48IN

ITEM	PART NUMBER	QTY	DESCRIPTION	REV
	2899000057	Ref	TOOLBOX, 48IN	E
1	1001208776	1	Toolbox Assembly (includes iotemss 101 through 105)	A
2	0641508	4	Bolt 5/16 x 1	
3	7660152601	4	Nut 5/16	
4	4751500	8	Washer 5/16	
7	7118181216	4	Capscrew 1/2 x 1-1/2	
8	7660182301	4	Nut 1/2	
9	4178000290	1	Bracket	
10	4178000291	1	Bracket	
11	0651816	6	Bolt 1/2 x 2	
12	7660182333	6	Nut 1/2	
13	4891800	6	Washer 1/2	
14	4178000330	1	Bracket	
15	4706002361	1	Plate	
101	3899000127	1	Toolbox Weldment	
102	1001223820	1	Toolbox Door Assembly (includes items 201 through 211)	A
103	4796000010	1	Gasket	
104	4679000258	1	Pad	
105	7759000020	14	Rivet	
201	1001223816	1	Toolbox Door	
202	1001223814	1	Latch	
203	7555000015	2	Hinge	
204	4178000599	2	Braclet	
205	7592000005	4	S-Link	
206	7248000114	2	Cable	
207	7114140465	4	Bolt 0.25-20X0.50	
208	7660142604	4	Locknut 0.25-20	
209	7759000020	14	Rivet	
210	7950100143	4	Washer 0.19	
211	7660102604	4	Locknut #10-24	

SECTION 1 - SUBFRAME

FIGURE 1-53. TOOLBOX INSTALLATION - 48IN UNDERBOX MOUNT



ART_1001137931

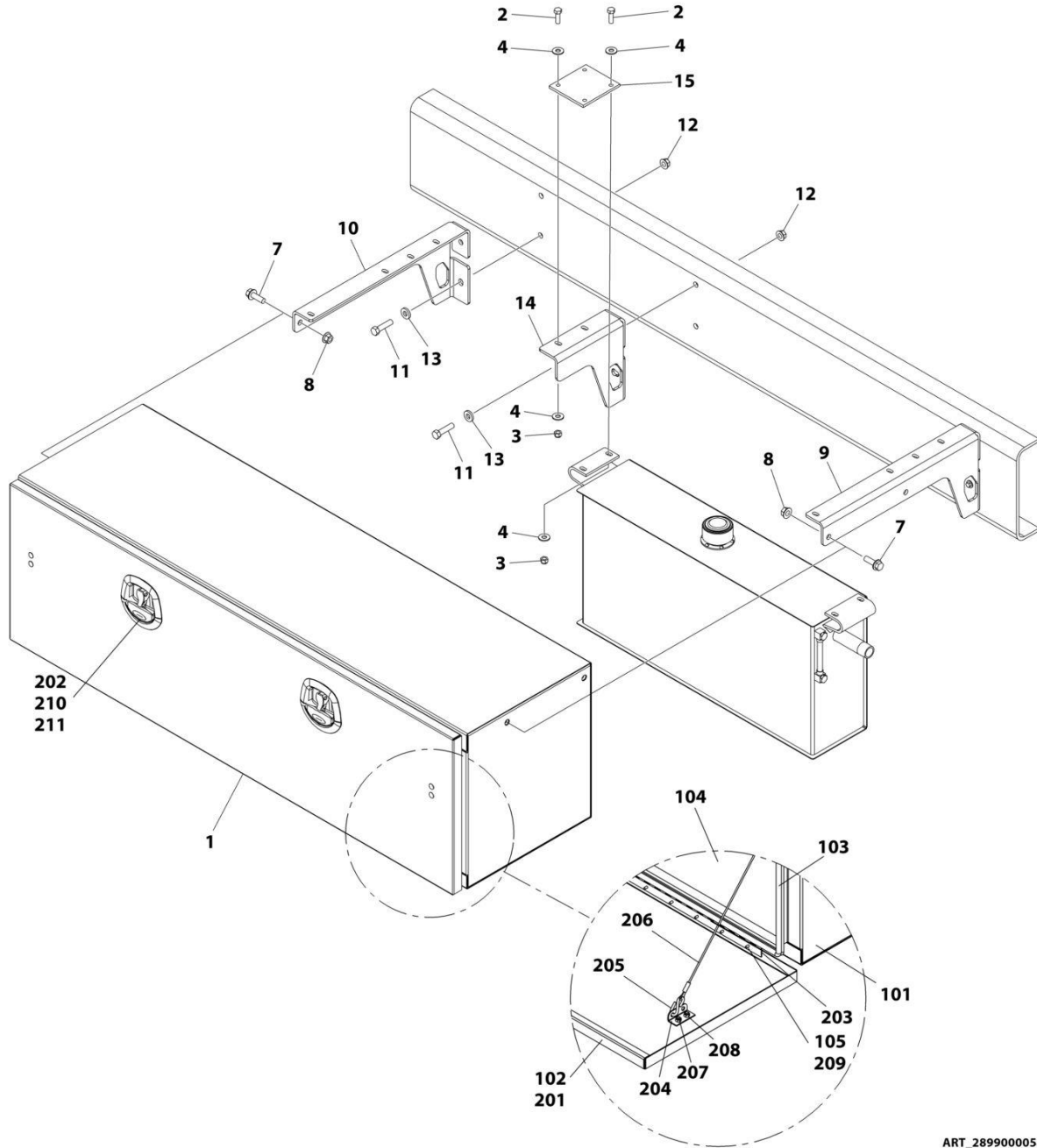
SECTION 1 - SUBFRAME

FIGURE 1-53. TOOLBOX INSTALLATION - 48IN UNDERBOX MOUNT

ITEM	PART NUMBER	QTY	DESCRIPTION	REV
	1001137931	Ref	TOOLBOX, 48IN UNDERBOX MOUNT	D
1	1001208776	1	Toolbox Assembly (includes items 101 through 105)	A
2	1001156006	1	Frame Weldment	
3	0651816	4	Bolt 1/2 x 2	
4	7660182333	4	Nut 1/2	
5	4891800	4	Washer 1/2	
6	7118181216	6	Capscrew 1/2 x 1-1/2	
7	7660182301	6	Nut 1/2	
8	4178000291	1	Bracket	
101	3899000127	1	Toolbox Weldment	
102	1001223820	1	Toolbox Door Assembly (includes items 201 through 211)	
103	4796000010	1	Gasket	
104	4679000258	1	Pad	
105	7759000020	14	Rivet	
201	1001223816	1	Toolbox Door	
202	1001223814	1	Latch	
203	7555000015	2	Hinge	
204	4178000599	2	Bracket	
205	7592000005	4	S-Link	
206	7248000114	2	Cable	
207	7114140465	4	Bolt 0.25-20X0.50	
208	7660142604	4	Locknut 0.25-20	
209	7759000020	14	Rivet	
210	7950100143	4	Washer 0.19	
211	7660102604	4	Locknut #10-24	

SECTION 1 - SUBFRAME

FIGURE 1-54. TOOLBOX INSTALLATION - 60IN



ART_2899000058

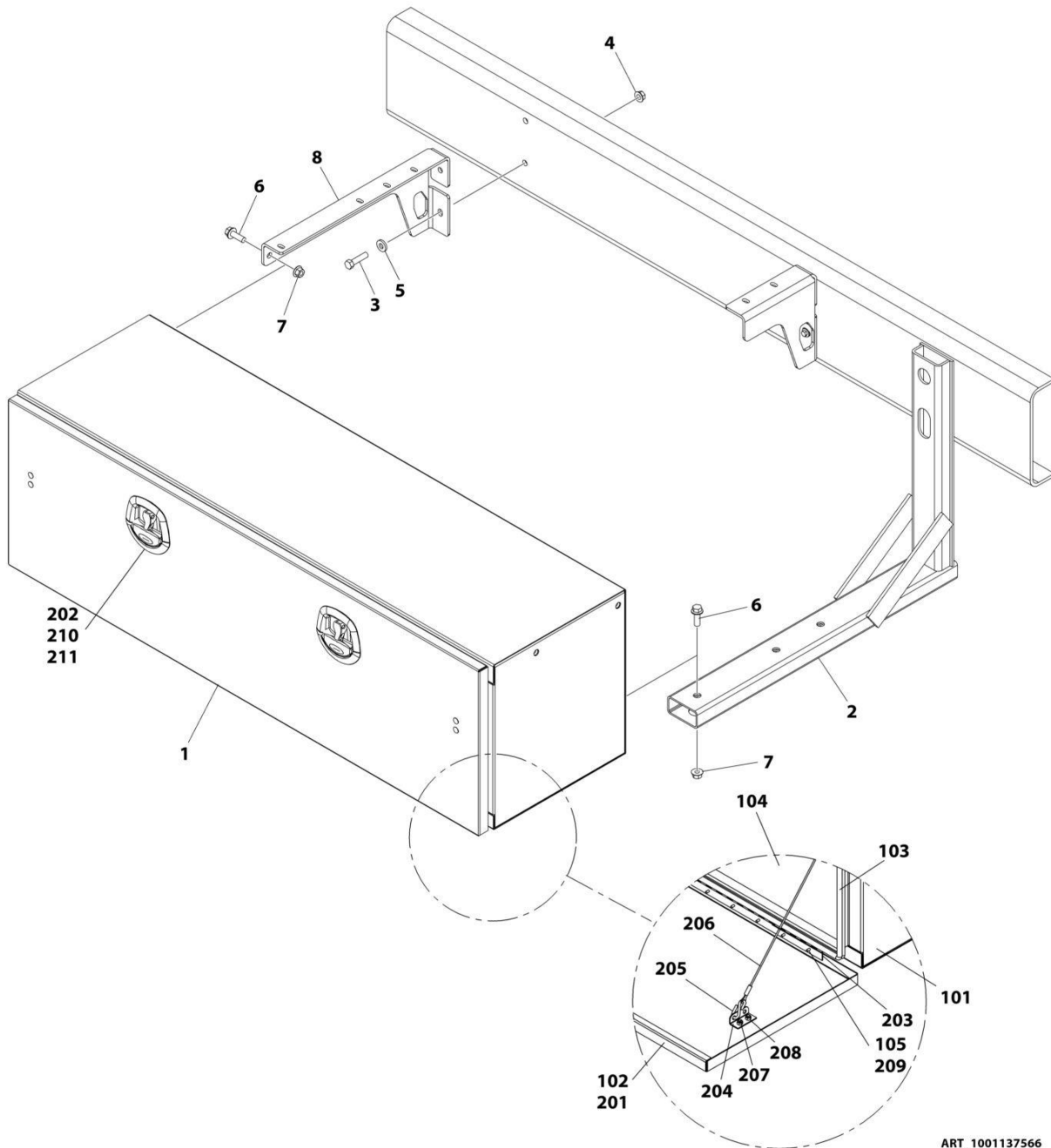
SECTION 1 - SUBFRAME

FIGURE 1-54. TOOLBOX INSTALLATION - 60IN

ITEM	PART NUMBER	QTY	DESCRIPTION	REV
	2899000058	Ref	TOOLBOX, 60IN	E
1	1001208780	1	Toolbox Assembly (includes items 101 through 105)	A
2	0641508	4	Bolt 5/16 x 1	
3	7660152601	4	Nut 5/16	
4	4751500	8	Washer 5/16	
7	7118181216	4	Capscrew 1/2 x 1-1/2	
8	7660182301	4	Nut 1/2	
9	4178000290	1	Bracket	
10	4178000291	1	Bracket	
11	0651816	6	Bolt 1/2 x 2	
12	7660182333	6	Nut 1/2	
13	4891800	6	Washer 1/2	
14	4178000330	1	Bracket	
15	4706002361	1	Plate	
101	3899000128	1	Toolbox Weldment	
102	1001223821	1	Toolbox Door Assembly (includes items 201 through 211)	A
103	4796000011	1	Gasket	
104	4679000259	1	Pad	
105	7759000020	18	Rivet	
201	1001223817	1	Toolbox Door	
202	1001223814	2	Latch	
203	7555000016	2	Hinge	
204	4178000599	2	Bracket	
205	7592000005	4	S-Link	
206	7248000114	2	Cable	
207	7114140465	4	Bolt 0.25-20X.050	
208	7660142604	4	Locknut 0.25-20	
209	7759000020	18	Rivet	
210	7950100143	8	Washer 0.191	
211	7660102604	8	Locknut #10-24	

SECTION 1 - SUBFRAME

FIGURE 1-55. TOOLBOX INSTALLATION - 60IN UNDERBOX MOUNT



ART_1001137566

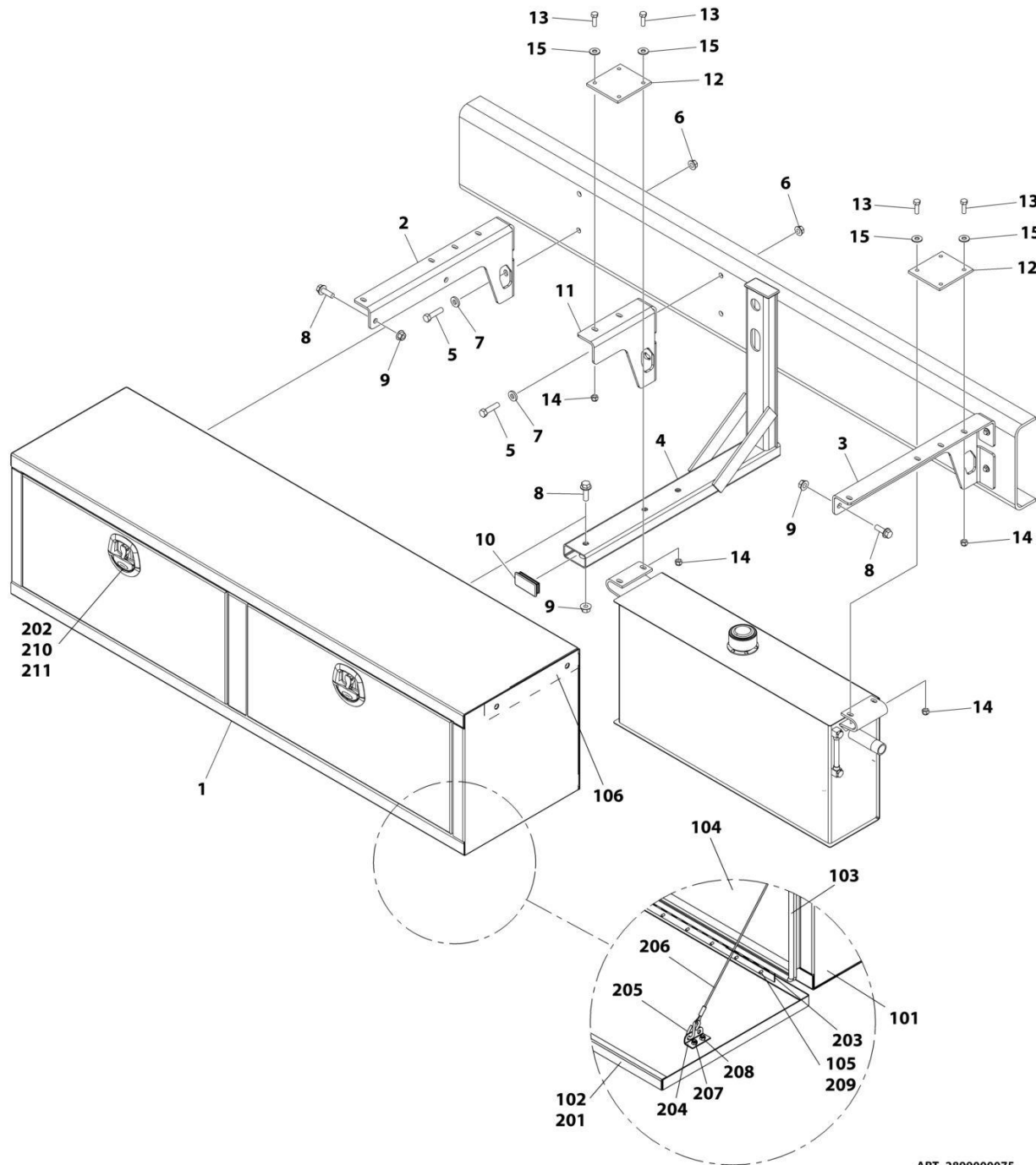
SECTION 1 - SUBFRAME

FIGURE 1-55. TOOLBOX INSTALLATION - 60IN UNDERBOX MOUNT

ITEM	PART NUMBER	QTY	DESCRIPTION	REV
	1001137566	Ref	TOOLBOX, 60IN UNDERBOX MOUNT	D
1	1001208780	1	Toolbox Assembly (includes items 101 through 105)	A
2	1001156006	1	Frame Weldment	
3	0651816	4	Bolt 1/2 x 2	
4	7660182333	4	Nut 1/2	
5	4891800	4	Washer 1/2	
6	7118181216	6	Capscrew 1/2 x 1-1/2	
7	7660182301	6	Nut 1/2	
8	4178000291	1	Bracket	
101	3899000128	1	Toolbox Weldment	
102	1001223821	1	Toolbox Door Assembly (includes items 201 through 211)	A
103	4796000011	1	Gasket	
104	4679000259	1	Pad	
105	7759000020	18	Rivet	
201	1001223817	1	Toolbox Door	
202	1001223814	2	Latch	
203	7555000016	2	Hinge	
204	4178000599	2	Bracket	
205	7592000005	4	S-Link	
206	7248000114	2	Cable	
207	7114140465	4	Bolt 0.25-20X0.50	
208	7660142604	4	Locknut 0.25-20	
209	7759000020	18	Rivet	
210	7950100143	8	Washer 0.19	
211	7660102604	8	Locknut #10-24	

SECTION 1 - SUBFRAME

FIGURE 1-56. TOOLBOX INSTALLATION - 78IN



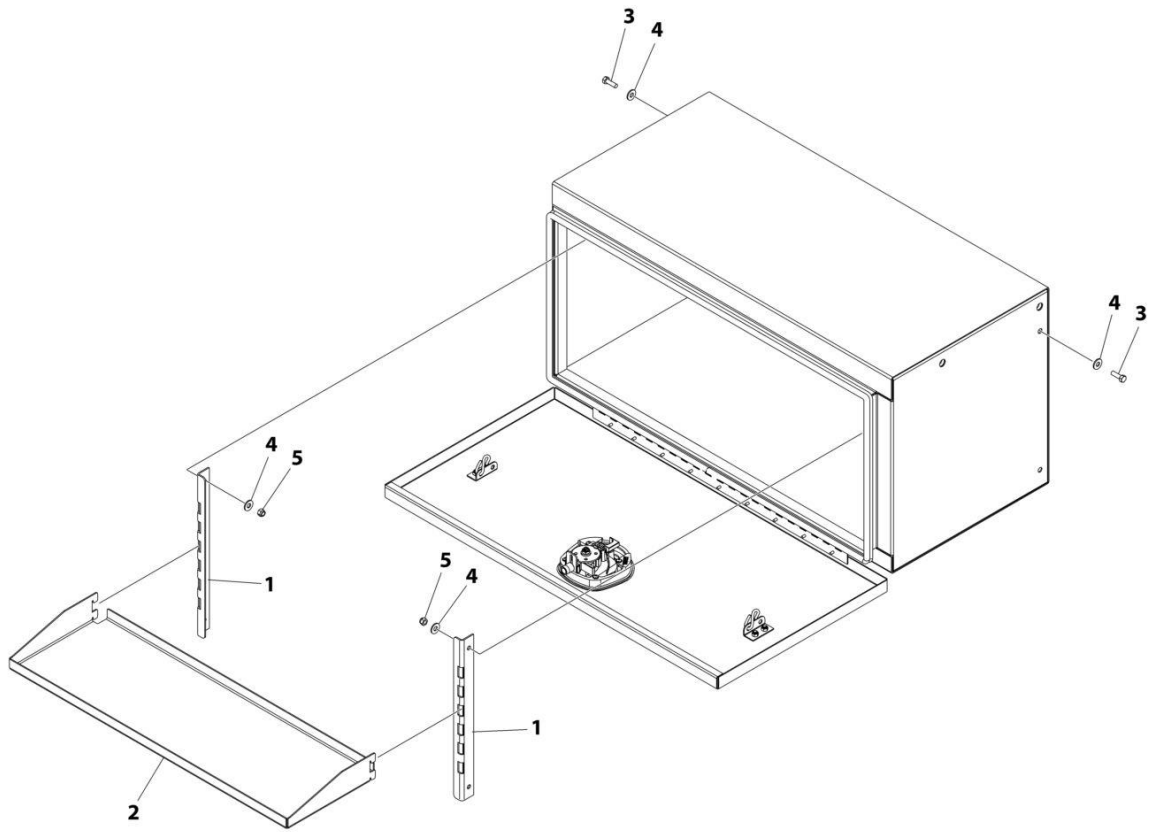
SECTION 1 - SUBFRAME

FIGURE 1-56. TOOLBOX INSTALLATION - 78IN

ITEM	PART NUMBER	QTY	DESCRIPTION	REV
	2899000075	Ref	TOOLBOX, 78IN	C
1	1001208785	1	Toolbox Assembly (includes items 101 through 106)	A
2	4178000291	1	Bracket	
3	4178000290	1	Bracket	
4	3178000566	1	Bracket	
5	0651816	8	Bolt 1/2 x 2	
6	7660182333	8	Nut 1/2	
7	4891800	8	Washer 1/2	
8	7118181216	6	Capscrew 1/2 x 1-1/2	
9	7660182301	6	Nut 1/2	
10	7701000051	2	Plug	
11	4178000330	1	Bracket	
12	4706002361	2	Plate	
13	0641508	4	Bolt 5/16 x 1	
14	7660152601	4	Nut 5/16	
15	4751500	8	Washer 5/16	
101	3899000173	1	Toolbox Weldment	
102	1001223822	2	Toolbox Door Assembly (includes items 201 through 211)	A
103	4796000012	2	Gasket	
104	4679000322	1	Pad	
105	7759000020	18	Rivet	
106	7701000074	2	Plug	
201	1001223818	1	Toolbox Door	
202	1001223814	1	Latch	
203	7555000016	1	Hinge	
204	4178000599	2	Bracket	
205	7592000005	4	S-Link	
206	7248000155	2	Cable	
207	7114140465	4	Bolt 0.25-20X0.50	
208	7660142604	4	Locknut 0.25-20	
209	7759000020	9	Rivet	
210	7950100143	4	Washer 0.19	
211	7660102604	4	Locknut #10-24	

SECTION 1 - SUBFRAME

FIGURE 1-57. TOOL BOX SHELF INSTALLATION - 36IN



ART_2899000059

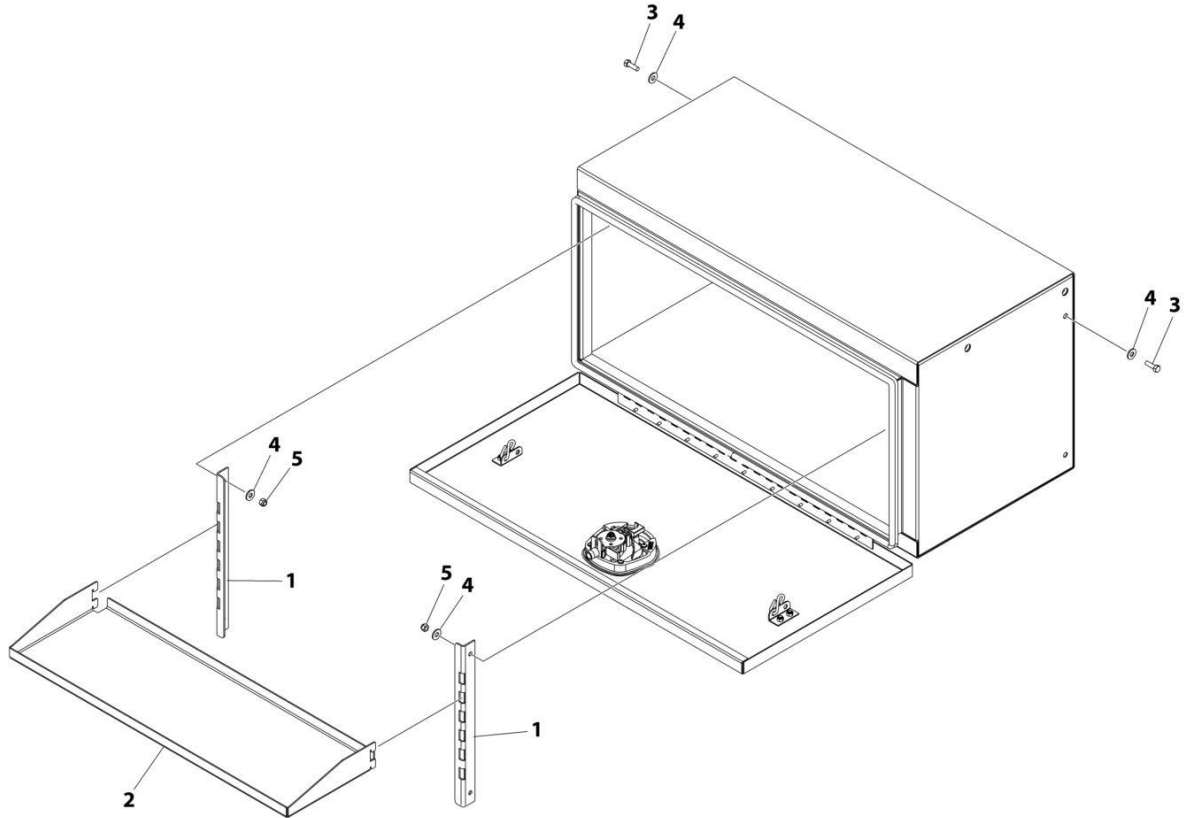
SECTION 1 - SUBFRAME

FIGURE 1-57. TOOL BOX SHELF INSTALLATION - 36IN

ITEM	PART NUMBER	QTY	DESCRIPTION	REV
	2899000059	Ref	TOOL BOX SHELF, 36IN	B
1	4017001403	2	Angle	
2	4811000841	1	Sheet	
3	7115150850	4	Capscrew 5/16 x 1	
4	7950150161	8	Washer 5/16	
5	7660152601	4	Nut 5/16	

SECTION 1 - SUBFRAME

FIGURE 1-58. TOOL BOX SHELF INSTALLATION - 48IN



ART_2899000060

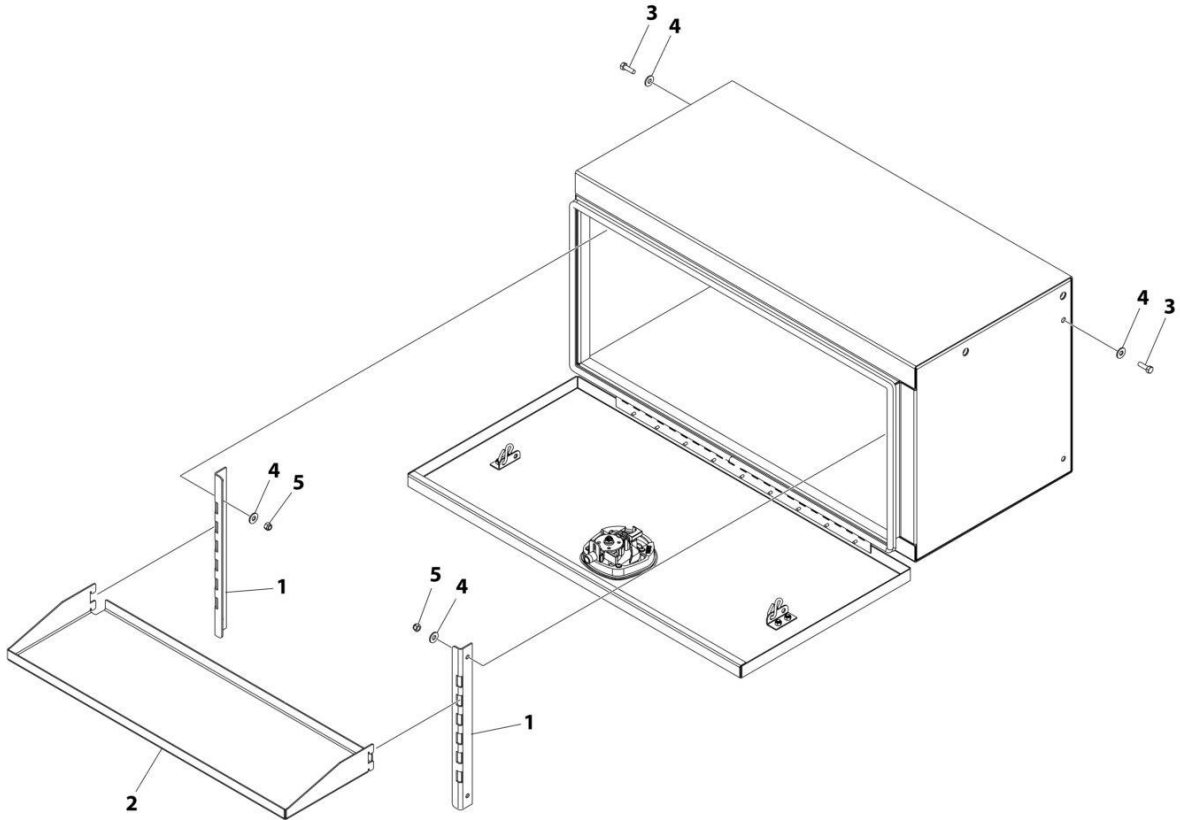
SECTION 1 - SUBFRAME

FIGURE 1-58. TOOL BOX SHELF INSTALLATION - 48IN

ITEM	PART NUMBER	QTY	DESCRIPTION	REV
	2899000060	Ref	TOOL BOX SHELF, 48IN	B
1	4017001403	2	Angle	
2	4811000868	1	Sheet	
3	7115150850	4	Capscrew 5/16 x 1	
4	7950150161	8	Washer 5/16	
5	7660152601	4	Nut 5/16	

SECTION 1 - SUBFRAME

FIGURE 1-59. TOOL BOX SHELF INSTALLATION - 60IN



ART_289900061

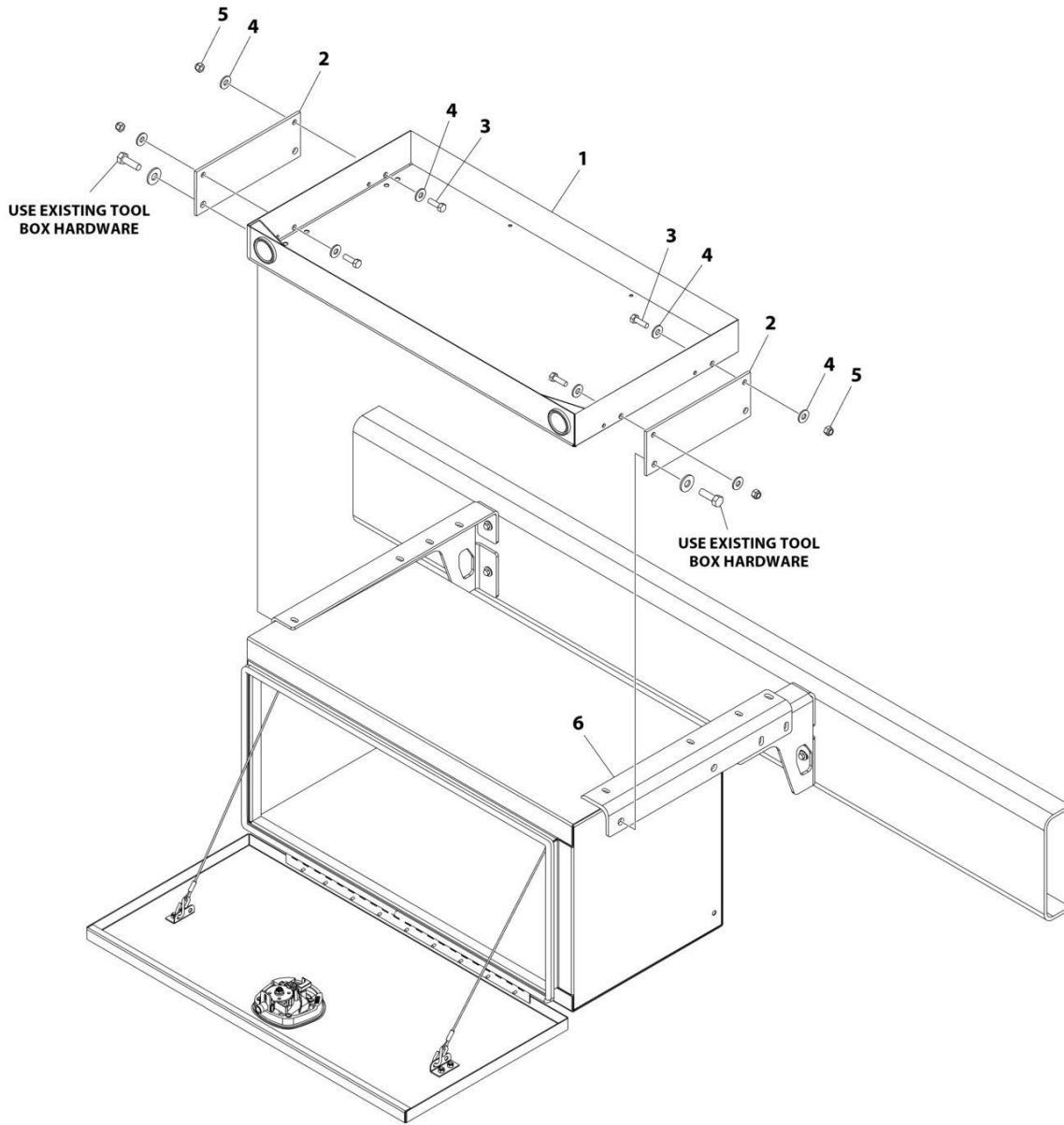
SECTION 1 - SUBFRAME

FIGURE 1-59. TOOL BOX SHELF INSTALLATION - 60IN

ITEM	PART NUMBER	QTY	DESCRIPTION	REV
	2899000061	Ref	TOOL BOX SHELF, 60IN	B
1	4017001403	2	Angle	
2	4811000868	1	Sheet	
3	7115150850	4	Capscrew 5/16 x 1	
4	7950150161	8	Washer 5/16	
5	7660152601	4	Nut 5/16	

SECTION 1 - SUBFRAME

FIGURE 1-60. TOOL BOX TOP STORAGE TRAY INSTALLATION - 36IN



ART_2002000048

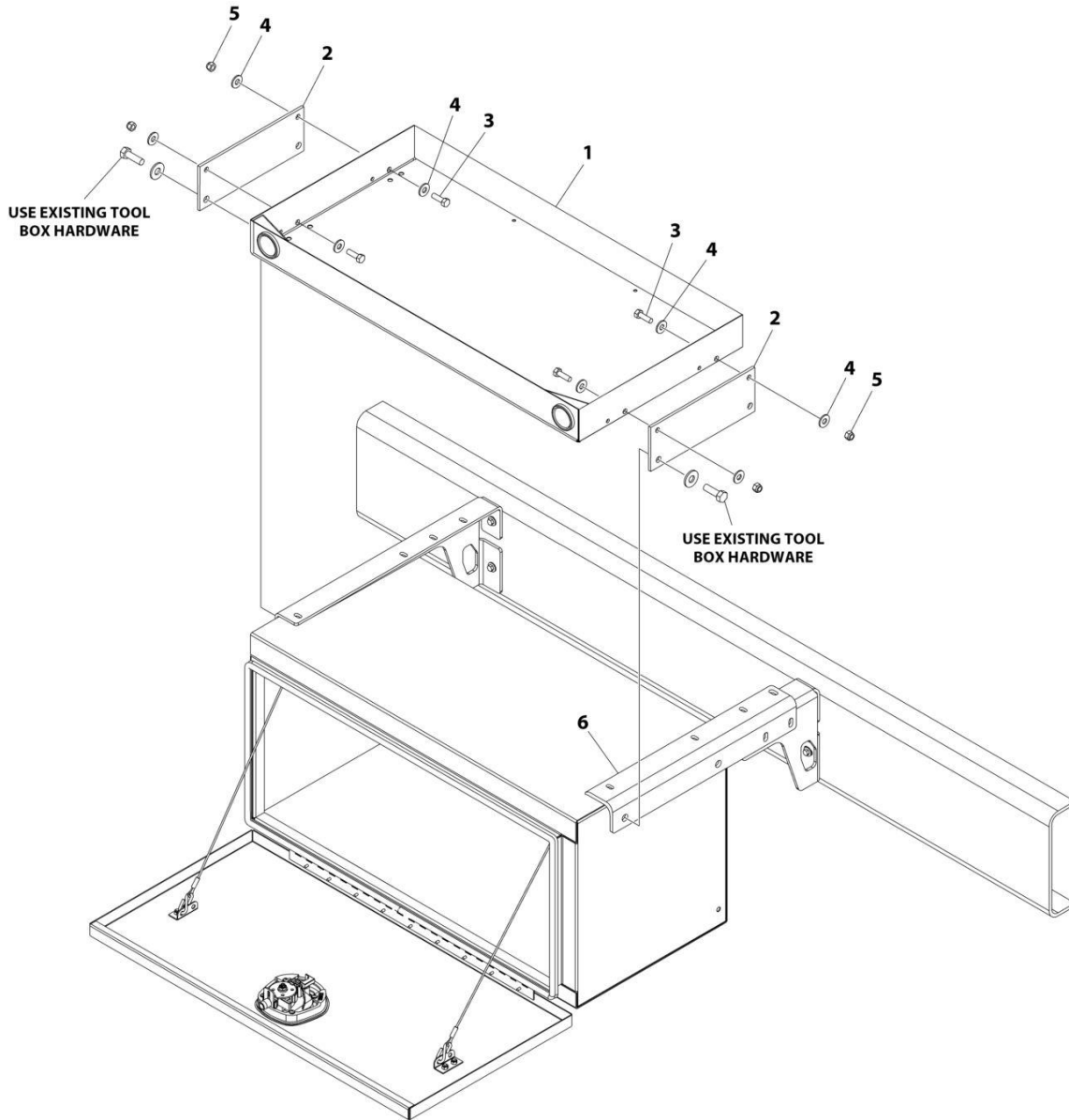
SECTION 1 - SUBFRAME

FIGURE 1-60. TOOL BOX TOP STORAGE TRAY INSTALLATION - 36IN

ITEM	PART NUMBER	QTY	DESCRIPTION	REV
	2002000048	Ref	TOOL BOX TOP STORAGE TRAY, 36IN	B
1	3811000053	1	Sheet Weldment	
2	4706006216	1	Plate	
3	7115160950	4	Bolt 3/8 x 1-1/8	
4	7950150161	8	Washer 5/16	
5	7660162601	4	Nut 3/8	
6	1001155975	1	Bracket	

SECTION 1 - SUBFRAME

FIGURE 1-61. TOOL BOX TOP STORAGE TRAY INSTALLATION - 48IN



ART_2002000049

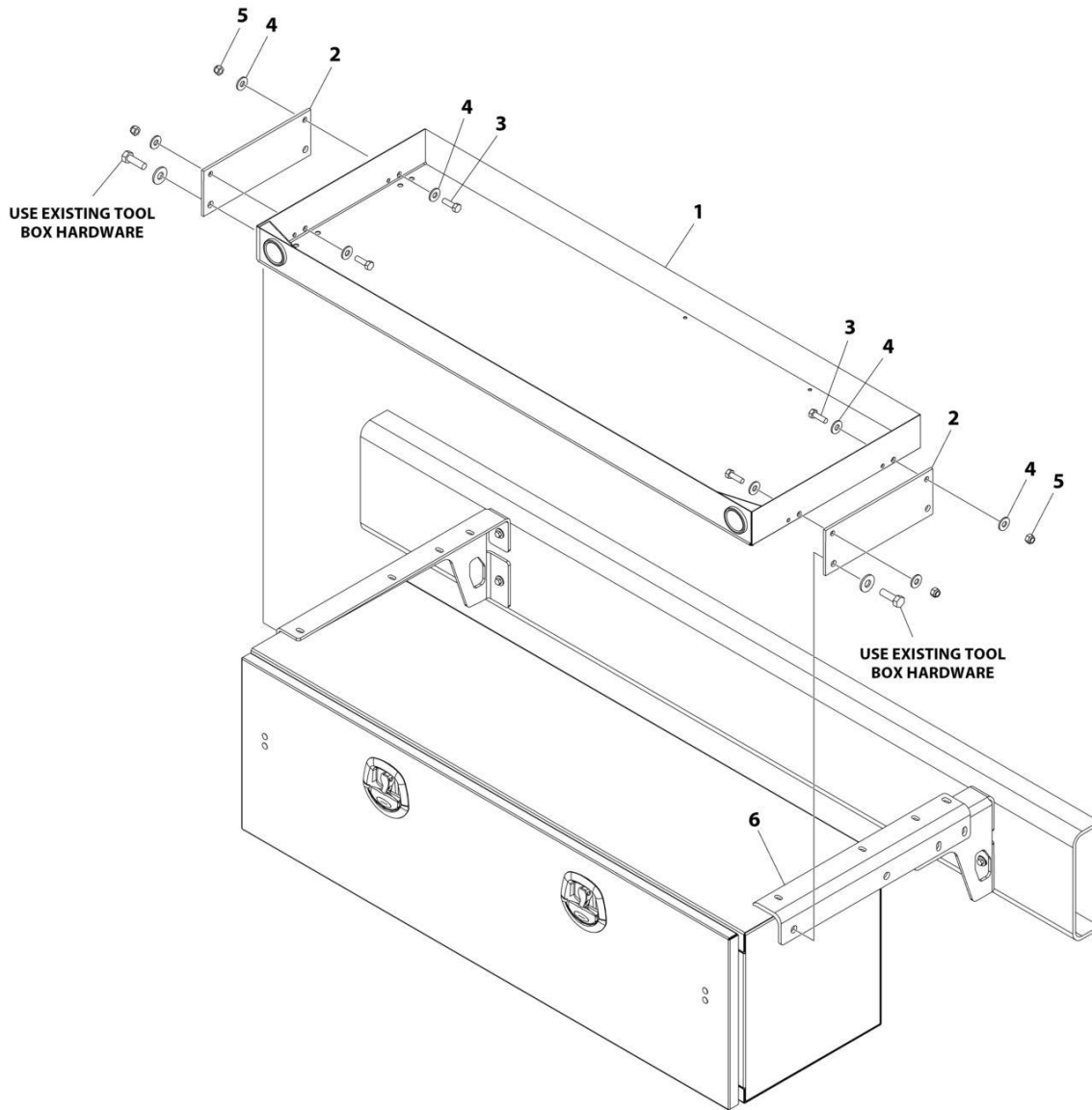
SECTION 1 - SUBFRAME

FIGURE 1-61. TOOL BOX TOP STORAGE TRAY INSTALLATION - 48IN

ITEM	PART NUMBER	QTY	DESCRIPTION	REV
	2002000049	Ref	TOOL BOX TOP STORAGE TRAY, 48IN	B
1	3811000054	1	Sheet Weldment	
2	4706006216	2	Plate	
3	7115160950	1	Bolt 3/8 x 1-1/8	
4	7950150161	8	Washer 5/16	
5	7660162601	4	Nut 3/8	
6	1001155975	1	Bracket	

SECTION 1 - SUBFRAME

FIGURE 1-62. TOOL BOX TOP STORAGE TRAY INSTALLATION - 60IN



ART_2002000050

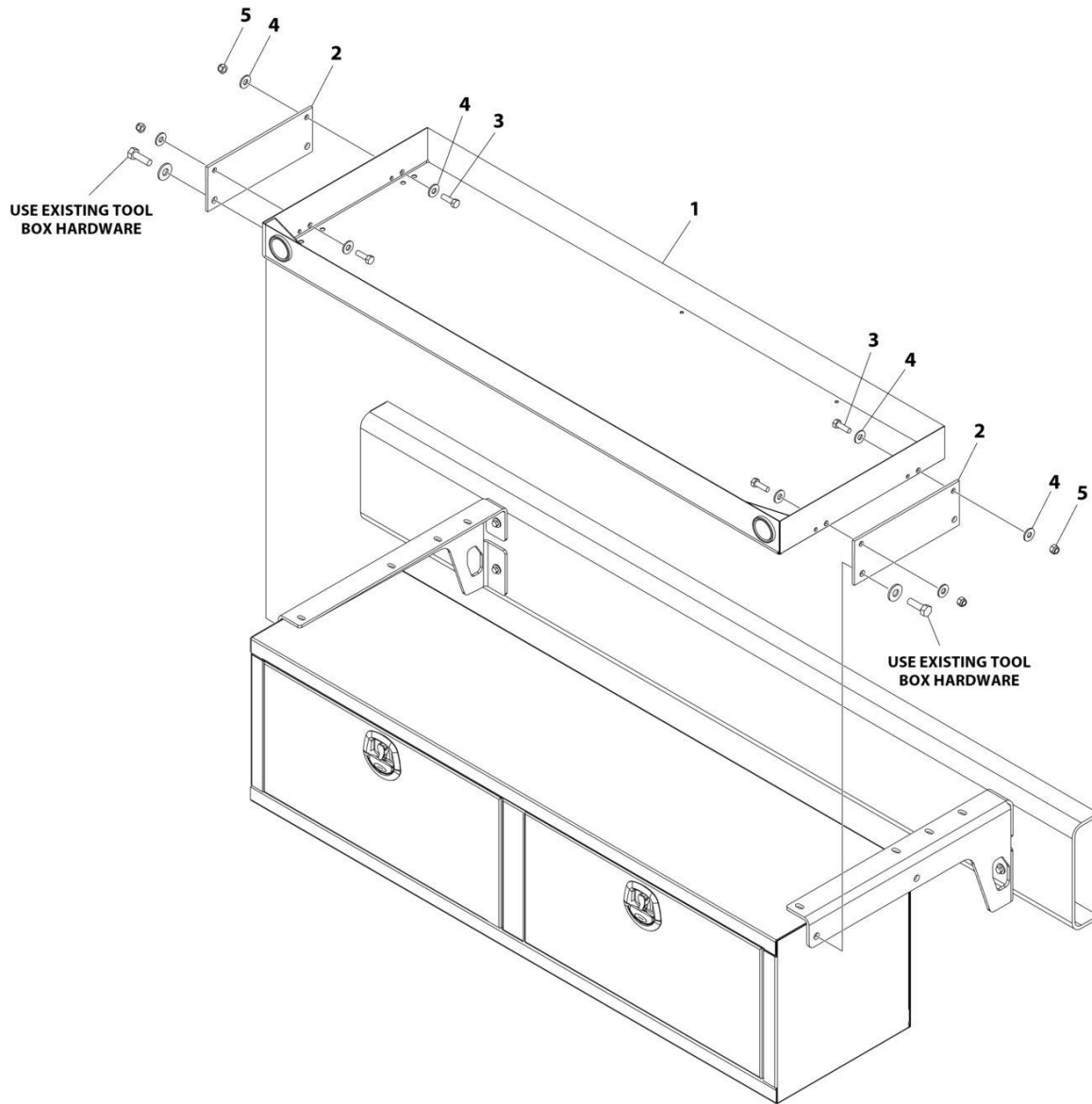
SECTION 1 - SUBFRAME

FIGURE 1-62. TOOL BOX TOP STORAGE TRAY INSTALLATION - 60IN

ITEM	PART NUMBER	QTY	DESCRIPTION	REV
	2002000050	Ref	TOOL BOX TOP STORAGE TRAY, 60IN	B
1	3811000055	1	Sheet	
2	4706006216	2	Plate	
3	7115160950	4	Bolt 3/8 x 1-1/8	
4	7950150161	8	Washer 5/16	
5	7660162601	4	Nut 3/8	
6	1001155975	1	Bracket	

SECTION 1 - SUBFRAME

FIGURE 1-63. TOOL BOX TOP STORAGE TRAY INSTALLATION - 78IN



ART_2002000051

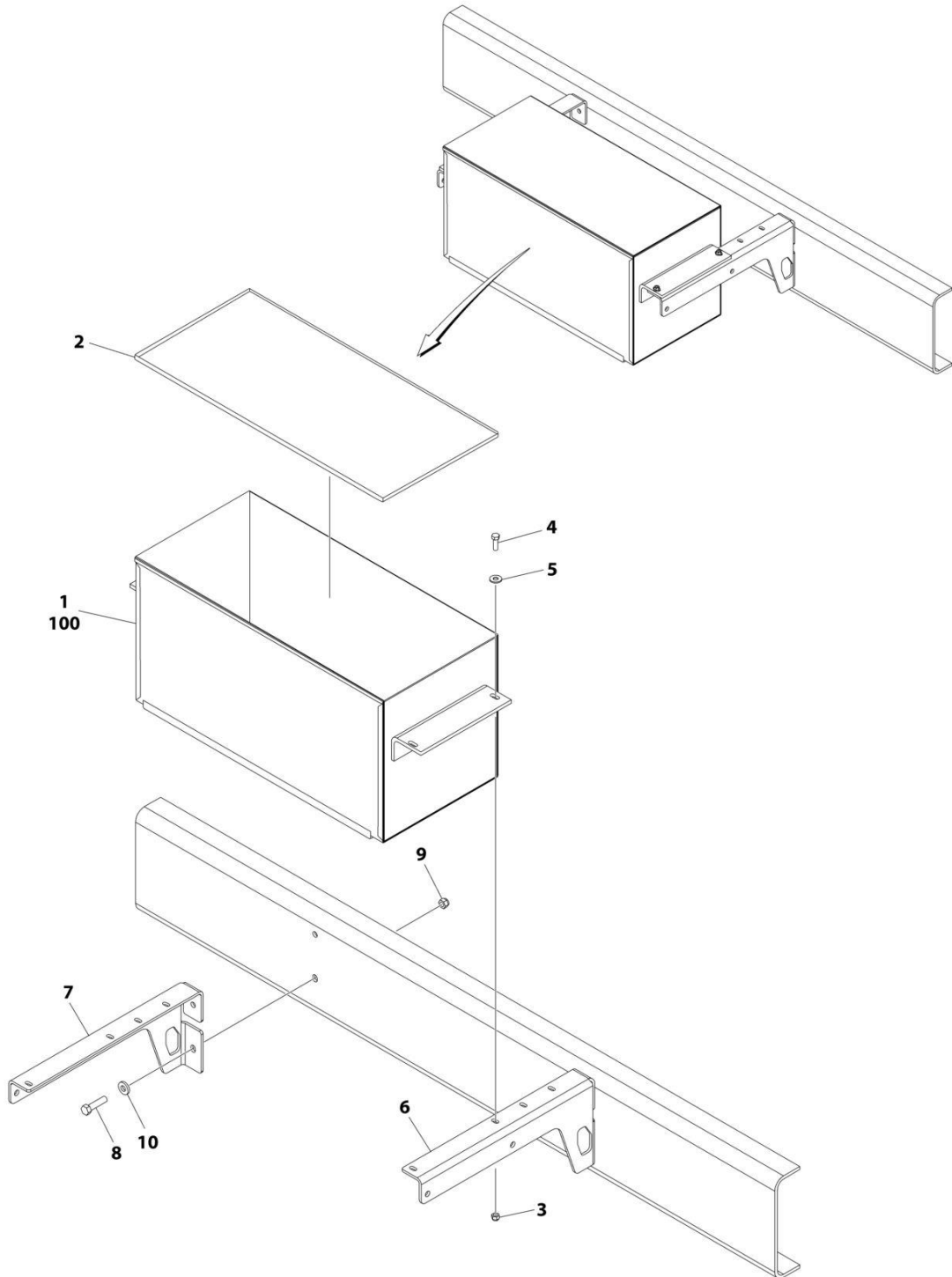
SECTION 1 - SUBFRAME

FIGURE 1-63. TOOL BOX TOP STORAGE TRAY INSTALLATION - 78IN

ITEM	PART NUMBER	QTY	DESCRIPTION	REV
	2002000051	Ref	TOOL BOX TOP STORAGE TRAY, 78IN	B
1	3811000057	1	Sheet	
2	4706006216	2	Plate	
3	7115160950	4	Bolt 3/8 x 1-1/8	
4	7950150161	8	Washer 5/16	
5	7660162601	1	Nut 3/8	

SECTION 1 - SUBFRAME

FIGURE 1-64. STORAGE BASKET INSTALLATION



ART_2899000030

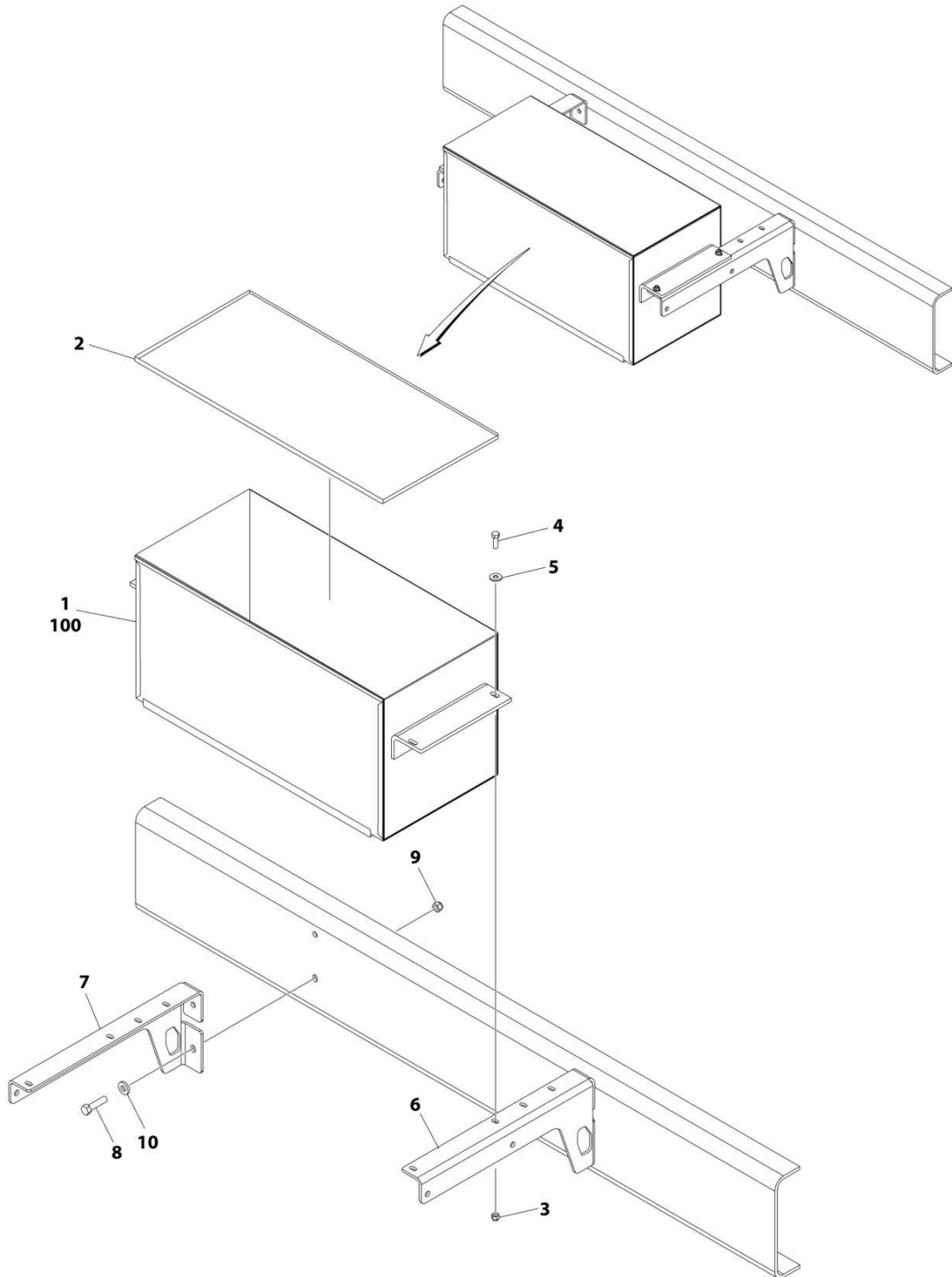
SECTION 1 - SUBFRAME

FIGURE 1-64. STORAGE BASKET INSTALLATION

ITEM	PART NUMBER	QTY	DESCRIPTION	REV
	2899000030	Ref	STORAGE BASKET	C
1	3899000053	1	Basket Weldment	
2	4632000015	1	Moulding	
3	7660152601	4	Nut 5/16	
4	7115150850	4	Capscrew 5/16 x 1	
5	7950150161	4	Washer 5/16	
6	4178000290	1	Bracket	
7	4178000291	1	Bracket	
8	7105181650	4	Capscrew 1/2 x 2	
9	7660182333	4	Nut 1/2	
10	7950180153	4	Washer 1/2	
100	2002000008	1	Cover Kit – Storage Basket (SS) (Includes SS Cover Face Plate and Rivets)	

SECTION 1 - SUBFRAME

FIGURE 1-65. STORAGE BASKET INSTALLATION - DEEP



ART_289900041

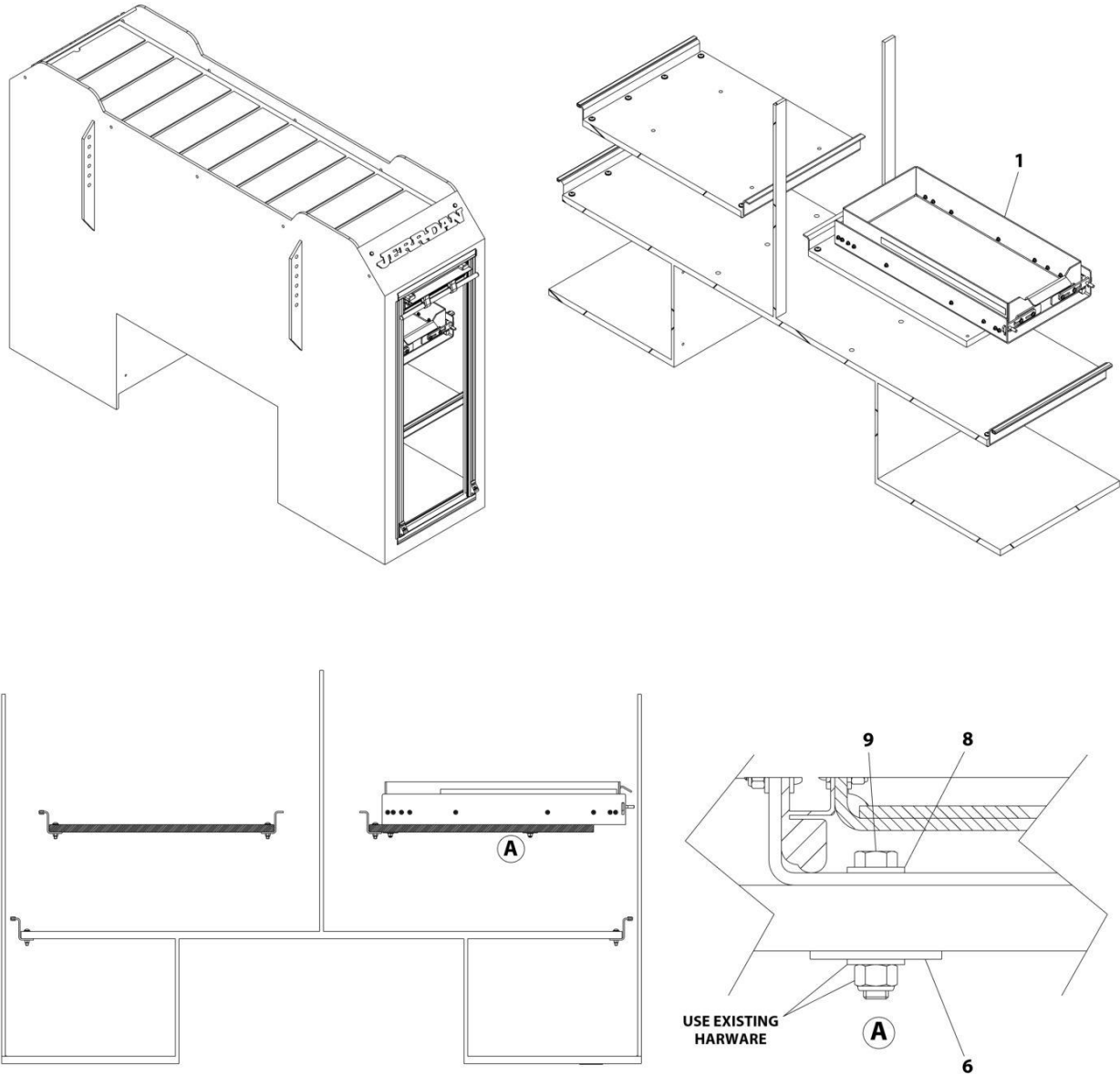
SECTION 1 - SUBFRAME

FIGURE 1-65. STORAGE BASKET INSTALLATION - DEEP

ITEM	PART NUMBER	QTY	DESCRIPTION	REV
	2899000041	Ref	STORAGE BASKET, DEEP	B
1	3899000075	1	Basket Weldment	
2	4632000048	1	Moulding	
3	7660152601	4	Nut 5/16	
4	7115150850	4	Capscrew 5/16 x 1	
5	7950150161	4	Washer 5/16	
6	4178000290	1	Bracket	
7	4178000291	1	Bracket	
8	7105181650	4	Capscrew 1/2 x 2	
9	7660182333	4	Nut 1/2	
10	7950180153	4	Washer 1/2	
100	2002000008	1	Cover Kit – Storage Basket (SS) (Includes SS Cover Face Plate and Rivets)	

SECTION 1 - SUBFRAME

FIGURE 1-66. TOOLBOX DRAWER INSTALLATION - 24IN



ART_1001147363

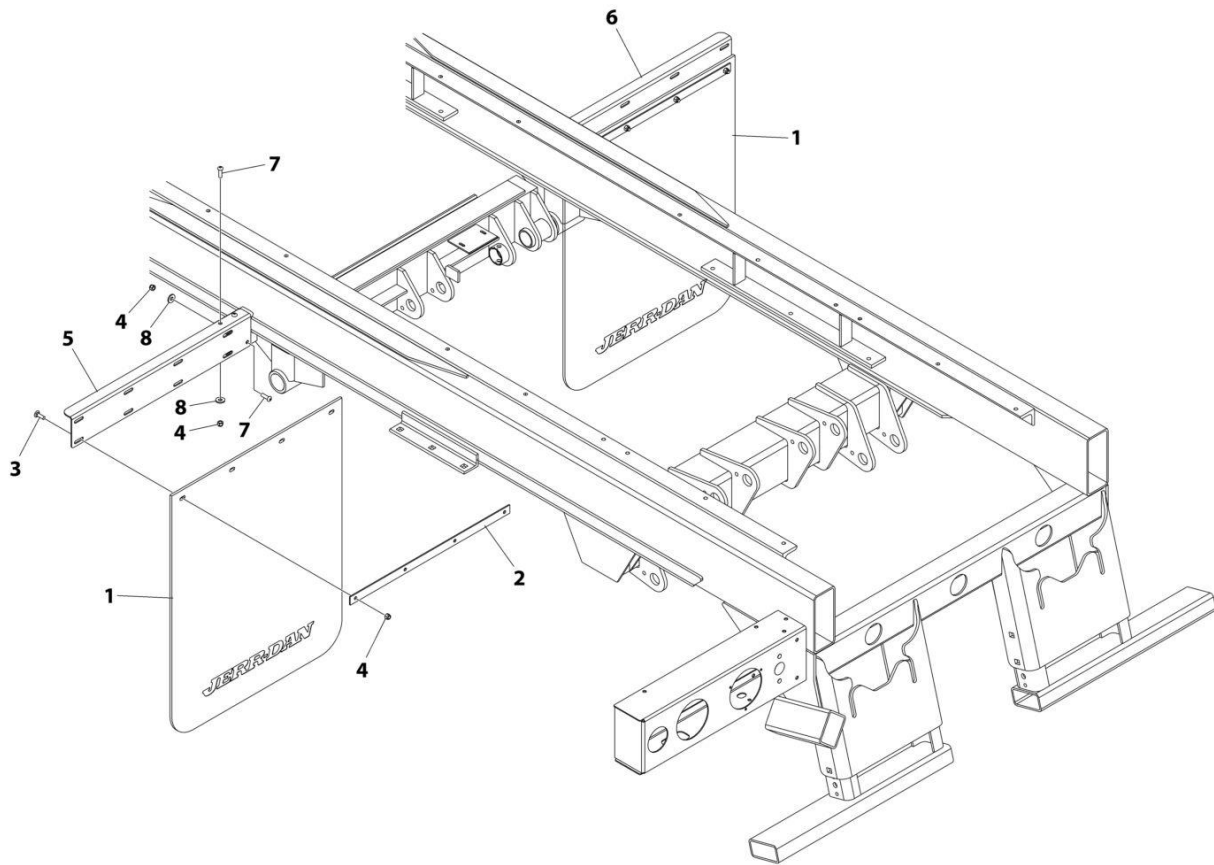
SECTION 1 - SUBFRAME

FIGURE 1-66. TOOLBOX DRAWER INSTALLATION - 24IN

ITEM	PART NUMBER	QTY	DESCRIPTION	REV
	1001147363	Ref	TOOLBOX DRAWER INSTALLATION - 24IN	B
1	1001143233	1	Drawer Assembly	
6	7949000015	4	Washer	
8	7950160153	4	Washer 3/8	
9	7115161650	4	Bolt 3/8 x 2	

SECTION 1 - SUBFRAME

FIGURE 1-67. MUD FLAPS INSTALLATION - STANDARD



ART_263800017

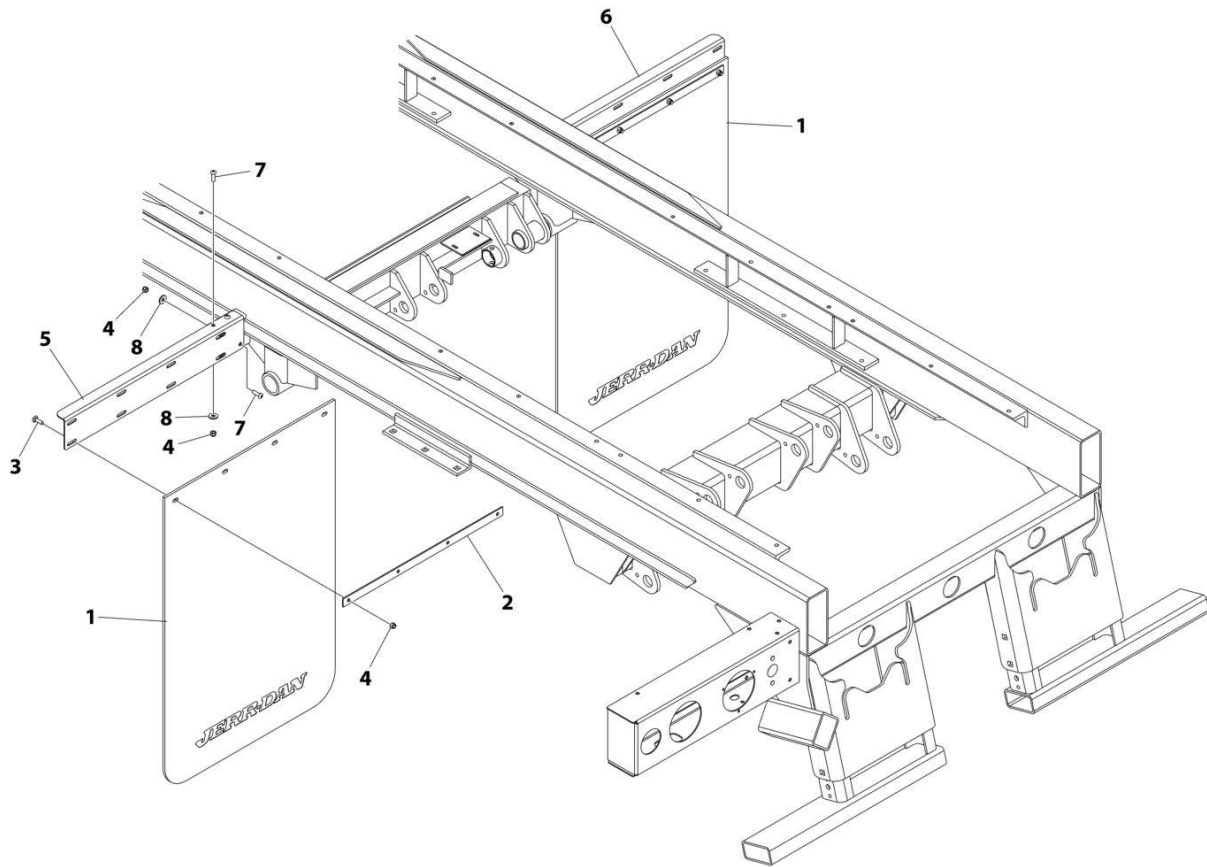
SECTION 1 - SUBFRAME

FIGURE 1-67. MUD FLAPS INSTALLATION - STANDARD

ITEM	PART NUMBER	QTY	DESCRIPTION	REV
	2638000017	Ref	Mud Flaps, Standard	B
1	7638000004	2	Mud Flaps with Jerr-Dan Logo	
2	4706006427	2	Plate, Galvanneal	
3	7111150864	8	Bolt 5/16 x 1	
4	7660152601	14	Nut 5/16	
5	4017001742	1	Angle LH, Galvanneal	
6	4017001743	1	Angle RH, Galvanneal	
7	7114150818	6	Capscrew 5/16 x 1	
8	7950150153	6	Washer 5/16	

SECTION 1 - SUBFRAME

FIGURE 1-68. MUD FLAPS INSTALLATION - HIGH



ART_263800019

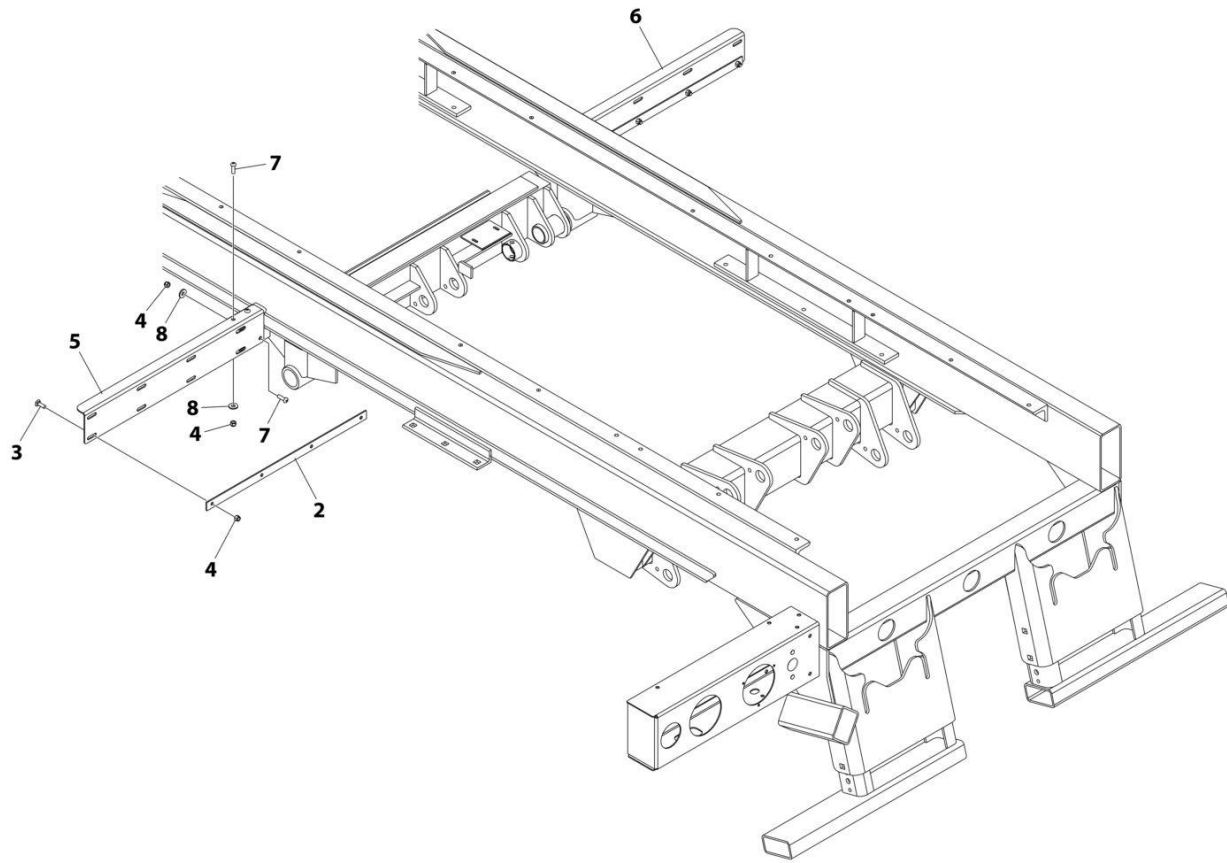
SECTION 1 - SUBFRAME

FIGURE 1-68. MUD FLAPS INSTALLATION - HIGH

ITEM	PART NUMBER	QTY	DESCRIPTION	REV
	2638000019	Ref	Mud Flap - High	D
1	7638000013	2	Mud Flap with Jerr-Dan Logo	
2	4706006427	2	Plate Galvanneal	
3	7111150864	8	Bolt 5/16 x 1	
4	7660152601	14	Nut 5/16	
5	4017001742	1	Angle LH Galvanneal	
6	4017001743	1	Angle RH Galvanneal	
7	7114150818	6	Capscrew 5/16 x 1	
8	7950150153	6	Washer 5/16	

SECTION 1 - SUBFRAME

FIGURE 1-69. MUD FLAPS INSTALLATION - CUSTOMER INSTALLATION



ART_1001131724

SECTION 1 - SUBFRAME

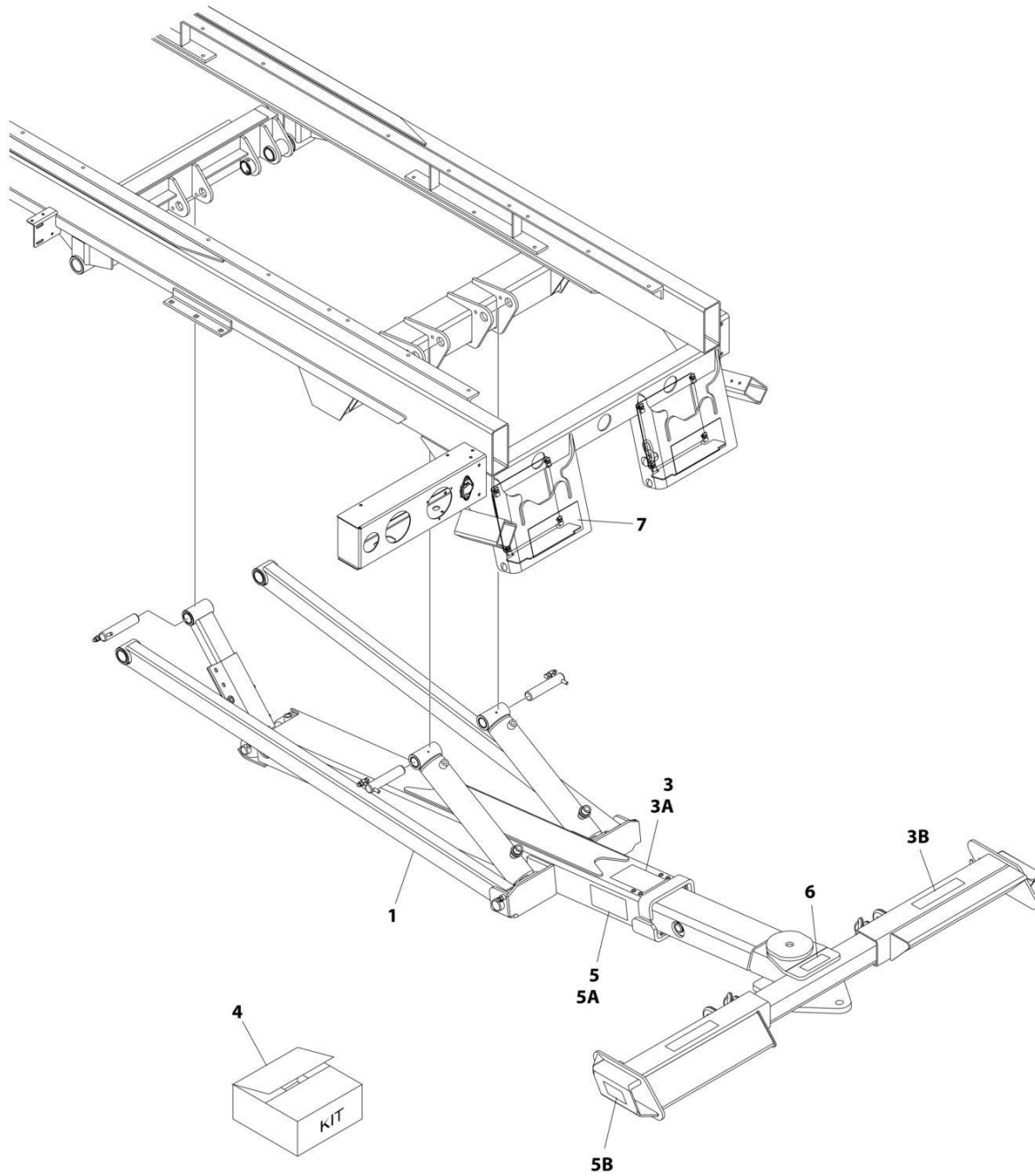
FIGURE 1-69. MUD FLAPS INSTALLATION - CUSTOMER INSTALLATION

ITEM	PART NUMBER	QTY	DESCRIPTION	REV
	1001131724	Ref	Mud Flaps, Customer Installation	0
2	4706006427	2	Plate Galvanneal	
3	7111150864	8	Bolt 5/16 x 1	
4	7660152601	14	Nut 5/16	
5	4017001742	1	Angle LH Galvanneal	
6	4017001743	1	Angle RH Galvanneal	
7	7114150818	6	Capscrew 5/16 x 1	
8	7950150153	6	Washer 5/16	

SECTION 2 - WHEEL LIFT

SECTION 2 - WHEEL LIFT

FIGURE 2-1. WHEEL LIFT - COMPLETE (3500 LBS - FIXED ARMS)



ART_1001158665

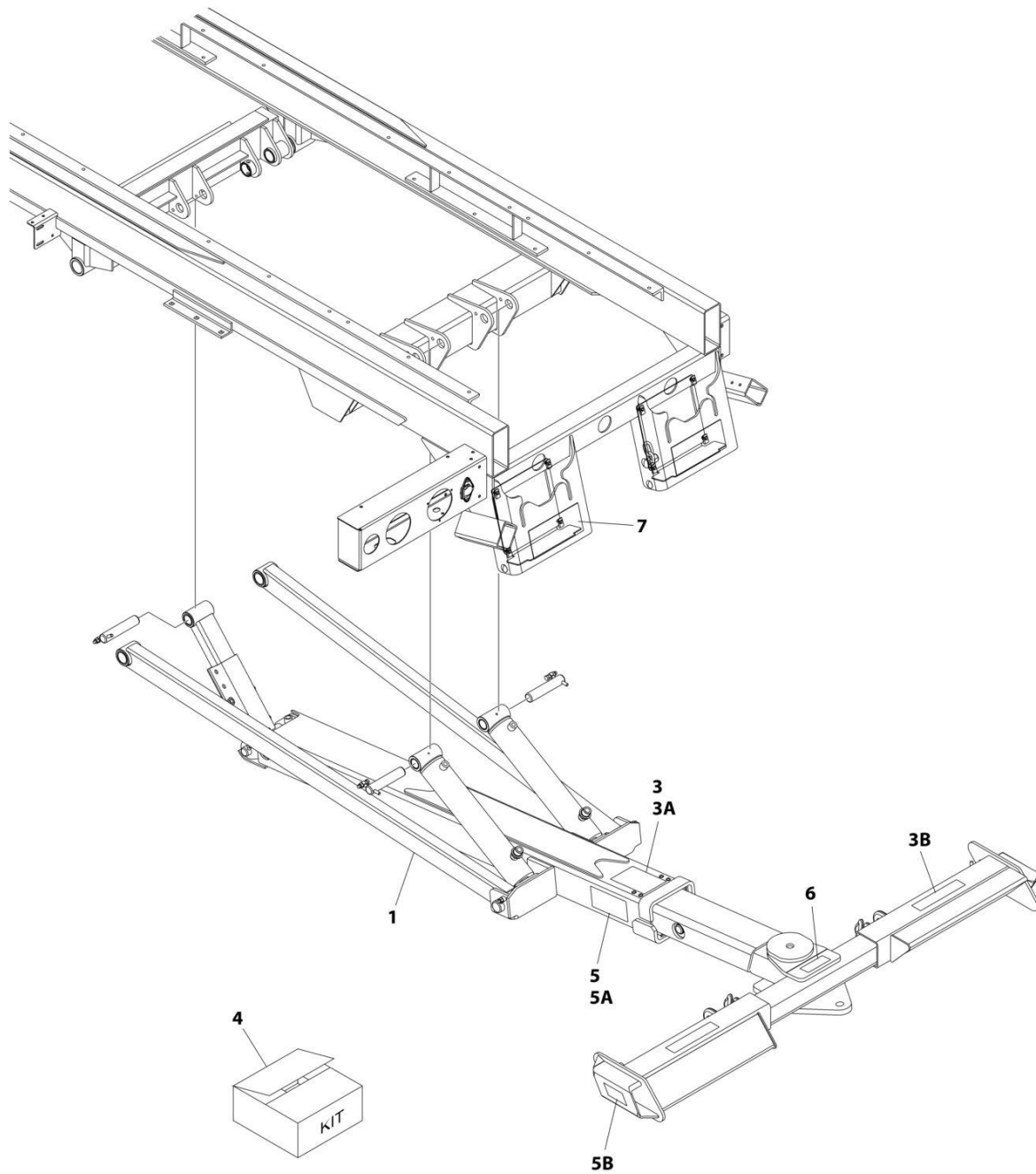
SECTION 2 - WHEEL LIFT

FIGURE 2-1. WHEEL LIFT - COMPLETE (3500 LBS - FIXED ARMS)

ITEM	PART NUMBER	QTY	DESCRIPTION	REV
	1001158665	Ref	Wheel Lift Installation (3500 lbs - Fixed) - Complete	B
1	1001158648	1	Wheel Lift Boom Installation, 3500 lbs (See Separate Breakdown in this Section)	
2	1001136657	1	Hydraulic Installation (Not Shown - See Separate Breakdown in HYDRAULIC Section)	
3	2330000057	Ref	Decal Installation	
3A	7330000684	1	Decal - Safety	
3B	7330000683	2	Decal - Safety	
4	7577000242	1	Tie-Strap and Ratchet Kit (See Separate Breakdown in ACCESSORIES Section)	
5	2330000035	Ref	Wheel Lift Decal Installation	
5A	7330000419	2	Decal - Red Reflective (Boom)	
5B	7330000417	1	Decal - LH Red Reflective (Grid)	
5B	7330000418	1	Decal - RH Red Reflective (Grid)	
6	2330000065	Ref	Tow Hitch Decal Installation	
6	7330000060	1	Decal - Warning, Hitch on Wheel lift	
7	2262000011	1	Chain Box Installation (See Separate Breakdown in SUBFRAME Section)	

SECTION 2 - WHEEL LIFT

FIGURE 2-2. WHEEL LIFT - COMPLETE (3500 LBS - FIXED ARMS) (GALVANIZED)



ART_1001158666

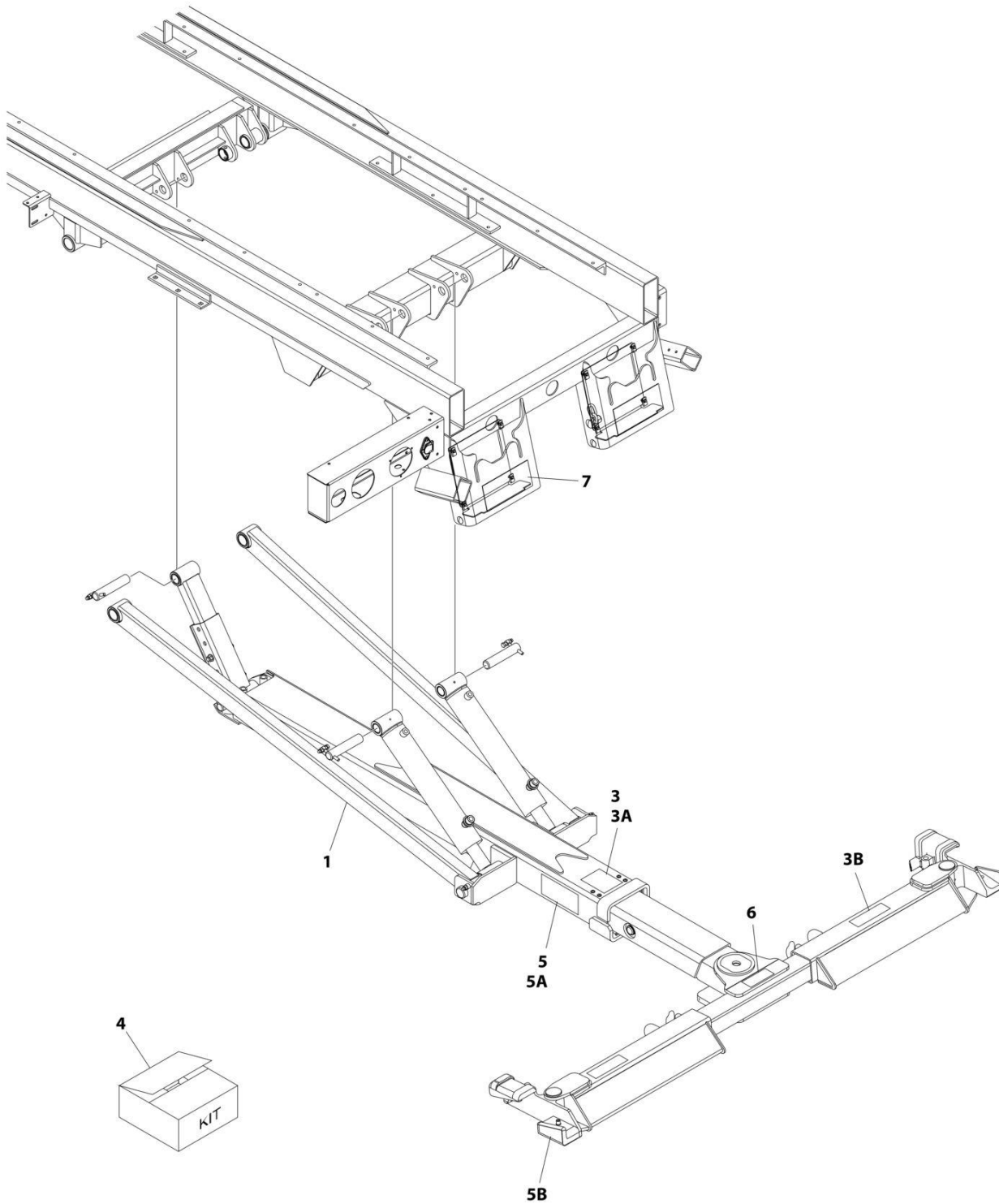
SECTION 2 - WHEEL LIFT

FIGURE 2-2. WHEEL LIFT - COMPLETE (3500 LBS - FIXED ARMS) (GALVANIZED)

ITEM	PART NUMBER	QTY	DESCRIPTION	REV
	1001158666	Ref	Wheel Lift Installation - 3500 lbs Galvanized	B
1	1001158649	1	Wheel Lift Boom Installation - 3500 lbs Galvanized (See Separate Breakdown in this Section)	
2	1001136657	1	Hydraulic Installation (Not Shown - See Separate Breakdown in HYDRAULIC Section)	
3	2330000057	Ref	Decal Installation	
3A	7330000684	1	Decal - Safety	
3B	7330000683	2	Decal - Safety	
4	7577000242	1	Tie-Strap and Ratchet Kit (See Separate Breakdown in ACCESSORIES Section)	
5	2330000035	Ref	Wheel Lift Decal Installation	
5A	7330000419	2	Decal - Red Reflective (Boom)	
5B	7330000417	1	Decal - LH Red Reflective (Grid)	
5B	7330000418	1	Decal - RH Red Reflective (Grid)	
6	2330000065	Ref	Tow Hitch Decal Installation	
6	7330000060	1	Decal - Warning, Hitch on Wheel lift	
7	2262000011	1	Chain Box Installation (See Separate Breakdown in SUBFRAME Section)	

SECTION 2 - WHEEL LIFT

FIGURE 2-3. WHEEL LIFT - COMPLETE (3500 LBS - T37 PIVOTING ARMS)



ART_1001158667

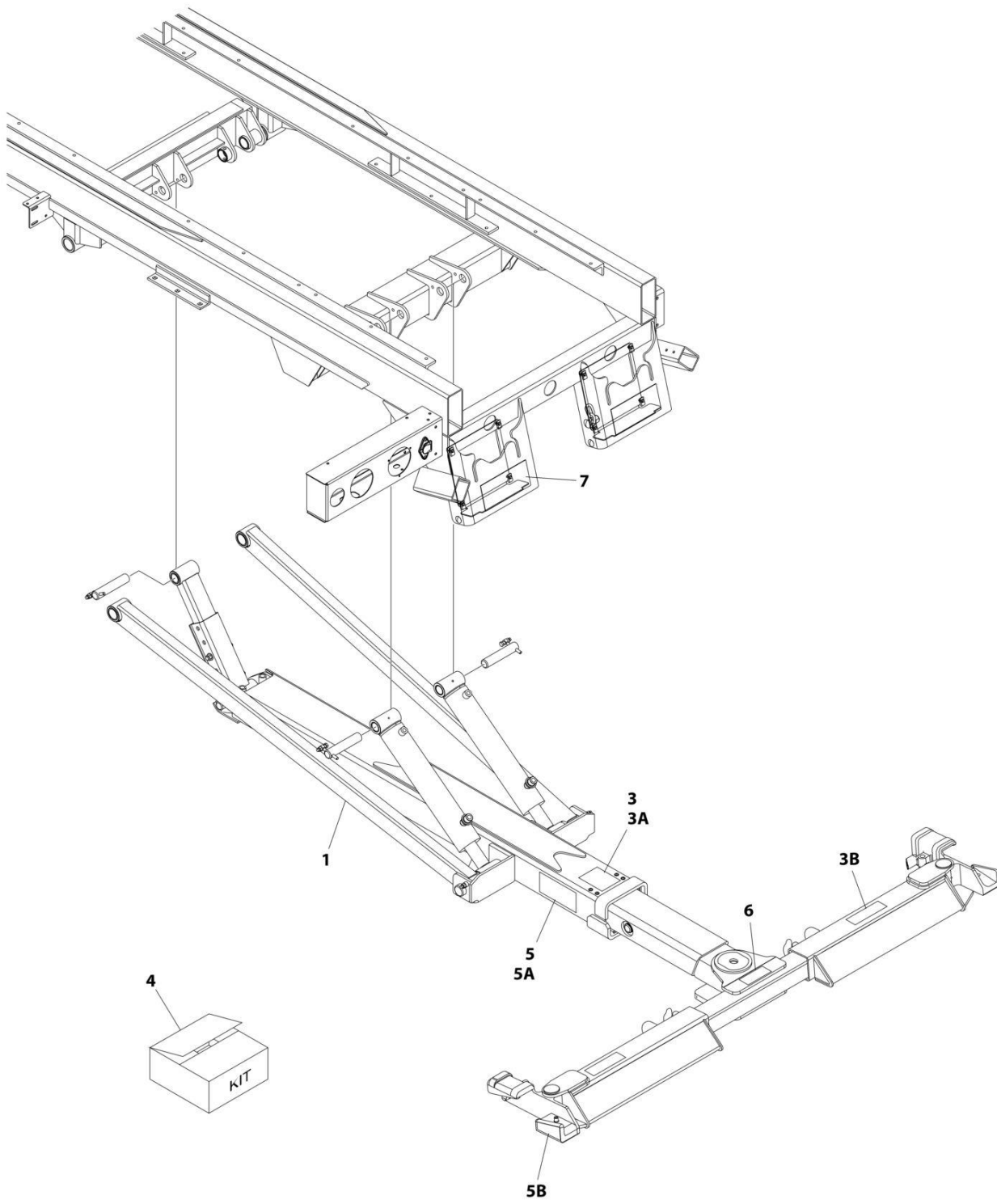
SECTION 2 - WHEEL LIFT

FIGURE 2-3. WHEEL LIFT - COMPLETE (3500 LBS - T37 PIVOTING ARMS)

ITEM	PART NUMBER	QTY	DESCRIPTION	REV
	1001158667	Ref	Wheel Lift Installation (3500 lbs - T37) - Complete	A
1	1001158648	1	Wheel Lift Boom Installation (See Separate Breakdown in this Section)	
2	1001136657	1	Hydraulic Installation (Not Shown - See Separate Breakdown in HYDRAULIC Section)	
3	2330000057	Ref	Decal Installation	
3A	7330000684	1	Decal - Safety	
3B	7330000683	2	Decal - Safety	
4	7577000242	1	Tie-Strap and Ratchet Kit (See Separate Breakdown in ACCESSORIES Section)	
5	2330000036	Ref	Wheel Lift Decal Installation, T37	
5A	7330000419	2	Decal - Red Reflective (Boom)	
5B	7330000420	1	Decal - LH Red Reflective (T37 Grid)	
5B	7330000432	1	Decal - RH Red Reflective (T37 Grid)	
6	2330000065	Ref	Tow Hitch Decal Installation	
6	7330000060	1	Decal - Warning, Hitch on Wheel lift	
7	2262000011	1	Chain Box Installation (See Separate Breakdown in SUBFRAME Section)	

SECTION 2 - WHEEL LIFT

FIGURE 2-4. WHEEL LIFT - COMPLETE (3500 LBS - T37 PIVOTING ARMS) (GALVANIZED)



ART_1001158668

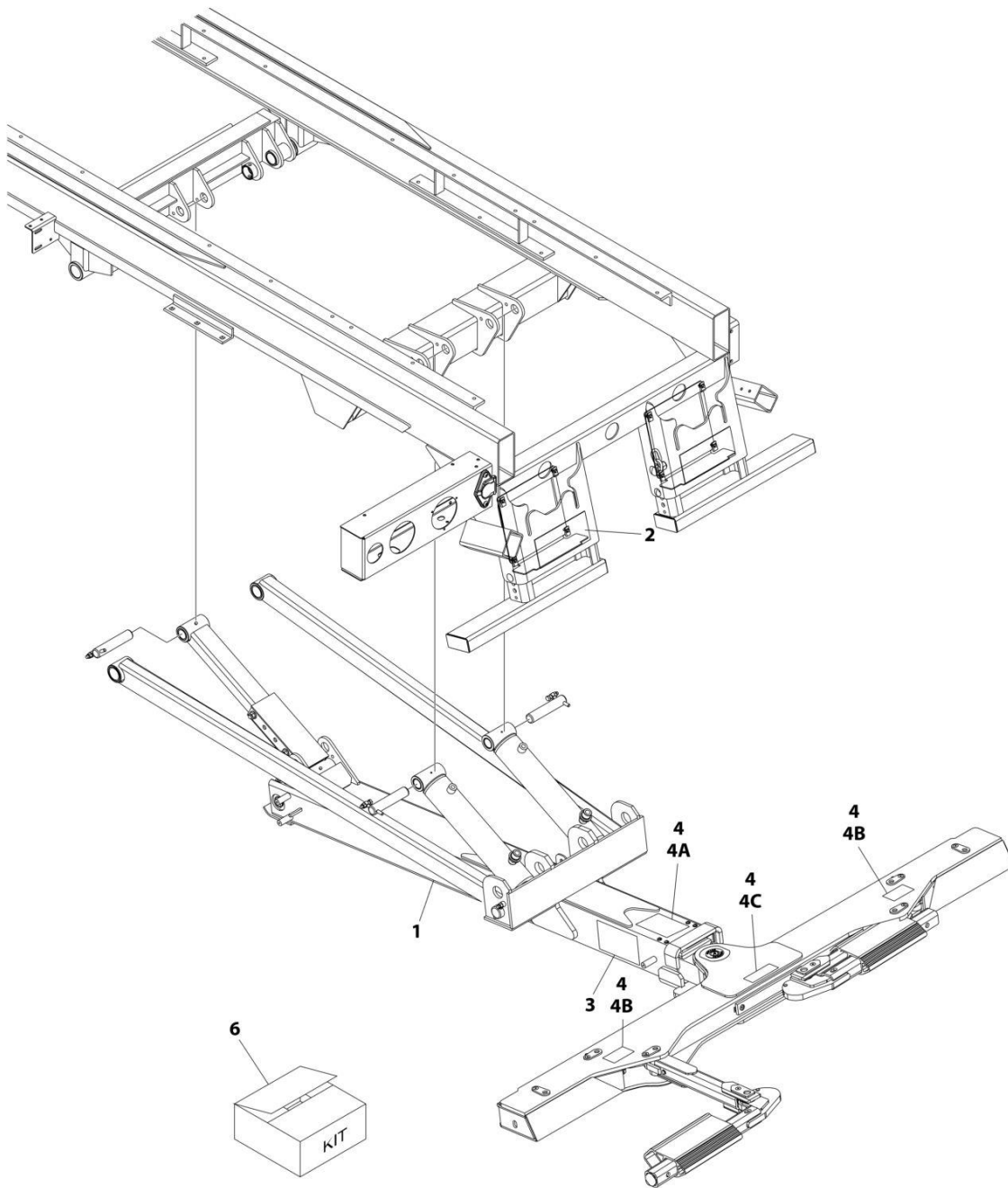
SECTION 2 - WHEEL LIFT

FIGURE 2-4. WHEEL LIFT - COMPLETE (3500 LBS - T37 PIVOTING ARMS) (GALVANIZED)

ITEM	PART NUMBER	QTY	DESCRIPTION	REV
	1001158668	Ref	Wheel Lift Installation (3500 lbs - T37) Galvanized - Complete	B
1	1001158649	1	Wheel Lift Boom Installation - 3500 lbs Galvanized (See Separate Breakdown in this Section)	
2	1001136657	1	Hydraulic Installation (Not Shown - See Separate Breakdown in HYDRAULIC Section)	
3	2330000057	Ref	Decal Installation	
3A	7330000684	1	Decal - Safety	
3B	7330000683	2	Decal - Safety	
4	7577000242	1	Tie-Strap and Ratchet Kit (See Separate Breakdown in ACCESSORIES Section)	
5	2330000036	Ref	Wheel Lift Decal Installation, T37	
5A	7330000419	2	Decal - Red Reflective (Boom)	
5B	7330000420	1	Decal - LH Red Reflective (T37 Grid)	
5B	7330000432	1	Decal - RH Red Reflective (T37 Grid)	
6	2330000065	Ref	Tow Hitch Decal Installation	
6	7330000060	1	Decal - Warning, Hitch on Wheel lift	
7	2262000011	1	Chain Box Installation (See Separate Breakdown in SUBFRAME Section)	

SECTION 2 - WHEEL LIFT

FIGURE 2-5. WHEEL LIFT - COMPLETE (3500 LBS - AUTO GRIDS HYDRAULIC ARMS)



ART_1001158507

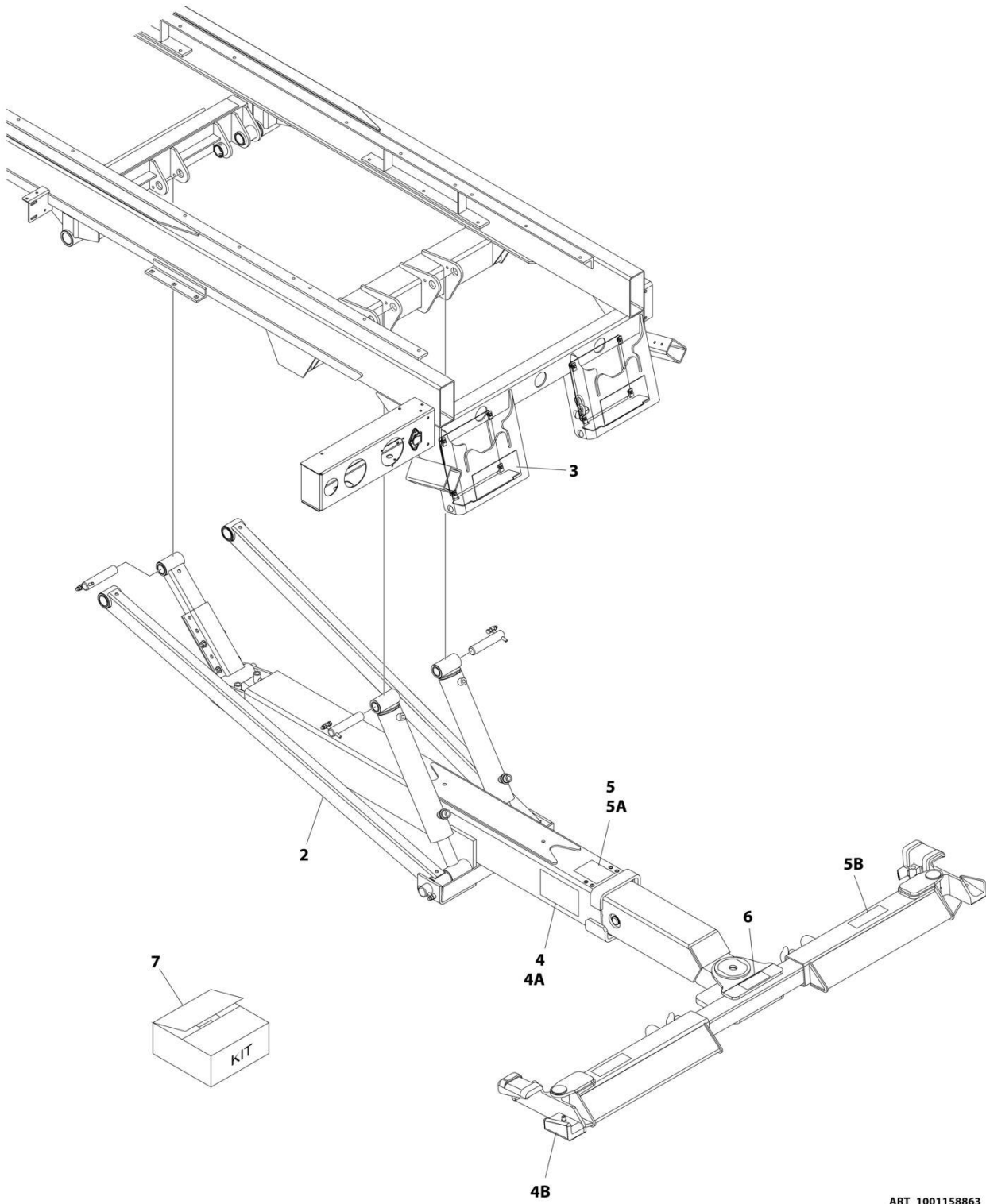
SECTION 2 - WHEEL LIFT

FIGURE 2-5. WHEEL LIFT - COMPLETE (3500 LBS - AUTO GRIDS HYDRAULIC ARMS)

ITEM	PART NUMBER	QTY	DESCRIPTION	REV
	1001158507	Ref	IRL WHEEL LIFT INSTALLATION - 3500 LBS (AUTOGRID)	A
1	1001158508	1	Boom Installation (See Separate Breakdown in this Section)	
2	2262000011	1	Chain Installation (See Separate Breakdown in SUBFRAME Section)	
3	2330000051	Ref	Wheel Lift Decal Installation	
3	7330000419	2	Decal - Red Reflective (Boom)	
4	2330000057	Ref	Decal Installation	
4A	7330000684	1	Decal - Safety	
4B	7330000599	2	Decal - Safety	
4C	7330000036	1	Decal - Safety	
5	1001159670	1	Hydraulic Hose Installation (Not Shown - See Separate Breakdown in HYDRAULIC Section)	
6	7577000376	1	Tie-Strap and Ratchet Kit	

SECTION 2 - WHEEL LIFT

FIGURE 2-6. WHEEL LIFT - COMPLETE (4000 LBS - T37)



ART_1001158863

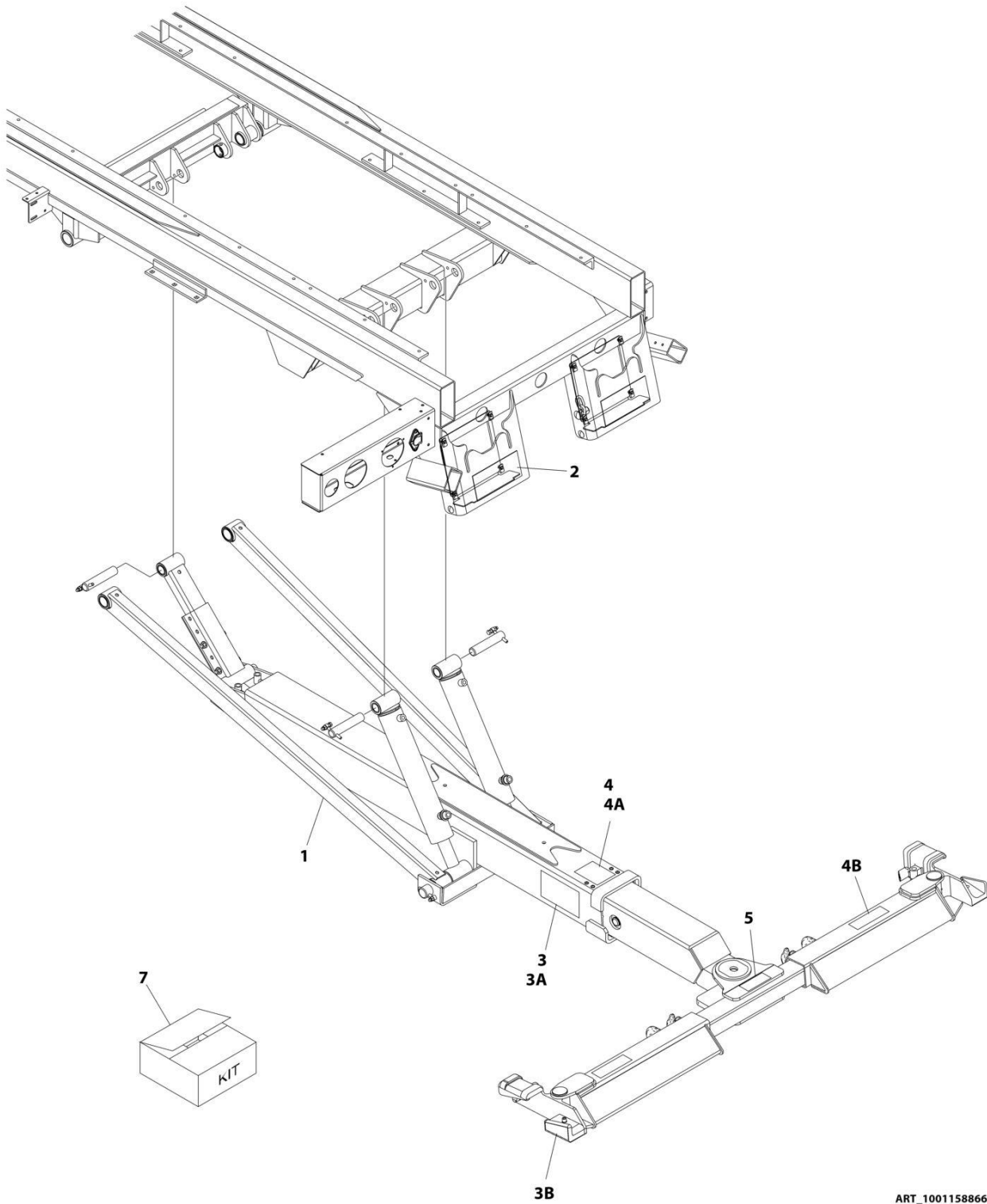
SECTION 2 - WHEEL LIFT

FIGURE 2-6. WHEEL LIFT - COMPLETE (4000 LBS - T37)

ITEM	PART NUMBER	QTY	DESCRIPTION	REV
	1001158863	Ref	Wheel Lift Installation (4000 lbs - T37) - Complete	A
1	1001130062	1	Hydraulic Installation (Not Shown - See Separate Breakdown in HYDRAULIC Section)	
2	1001158873	1	Wheel Lift Boom Installation, 4000 lbs (See Separate Breakdown in this Section)	
3	2262000011	1	Chain Box Installation (See Separate Breakdown in SUBFRAME Section)	
4	2330000036	Ref	Wheel Lift Decal Installation, T37	
4A	7330000419	2	Decal - Red Reflective (Boom)	
4B	7330000420	1	Decal - LH Red Reflective (T37 Grid)	
4B	7330000432	1	Decal - RH Red Reflective (T37 Grid)	
5	2330000057	Ref	Decal Installation	
5A	7330000684	1	Decal - Safety	
5B	7330000683	2	Decal - Safety	
6	2330000065	Ref	Tow Hitch Decal Installation	
6	7330000060	1	Decal - Warning, Hitch on Wheel lift	
7	7577000242	1	Tie-Strap and Ratchet Kit (See Separate Breakdown in ACCESSORIES Section)	

SECTION 2 - WHEEL LIFT

FIGURE 2-7. WHEEL LIFT - COMPLETE (4000 LBS - T37) GALVANIZED



ART_1001158866

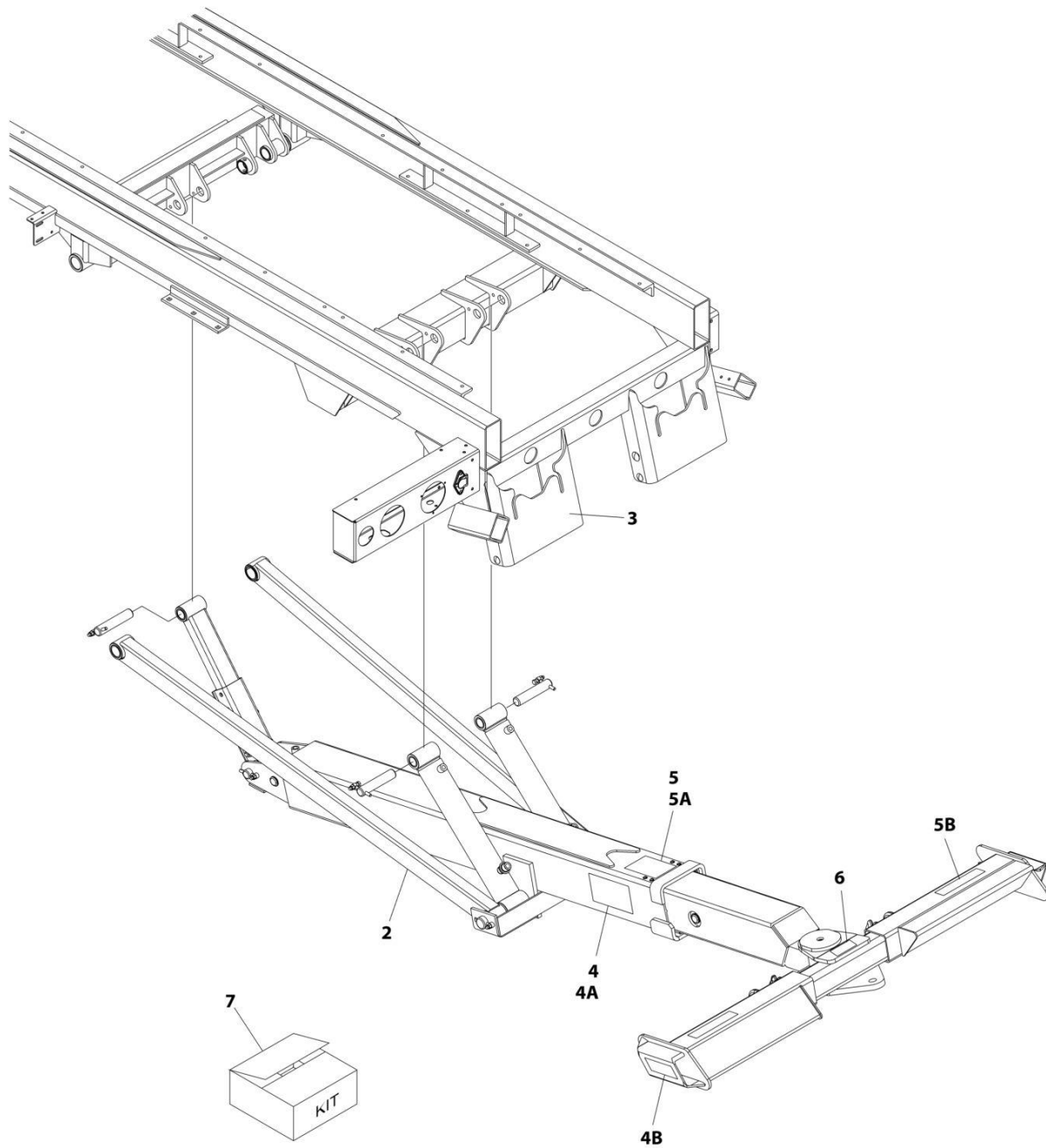
SECTION 2 - WHEEL LIFT

FIGURE 2-7. WHEEL LIFT - COMPLETE (4000 LBS - T37) GALVANIZED

ITEM	PART NUMBER	QTY	DESCRIPTION	REV
	1001158866	Ref	Wheel Lift Installation (4000 lbs - T37) Galvanized - Complete	B
1	1001158874	1	Wheel Lift Boom Installation, Galvanized (See Separate Breakdown in this Section)	
2	2262000011	1	Chain Box Installation (See Separate Breakdown in SUBFRAME Section)	
3	2330000036	Ref	Wheel Lift Decal Installation, T37	
3A	7330000419	2	Decal - Red Reflective (Boom)	
3B	7330000420	1	Decal - LH Red Reflective (T37 Grid)	
3B	7330000432	1	Decal - RH Red Reflective (T37 Grid)	
4	2330000057	Ref	Decal Installation	
4A	7330000684	1	Decal - Safety	
4B	7330000683	2	Decal - Safety	
5	2330000065	Ref	Tow Hitch Decal Installation	
5	7330000060	1	Decal - Warning, Hitch on Wheel lift	
6	1001130062	1	Hydraulic Installation (Not Shown - See Separate Breakdown in HYDRAULIC Section)	
7	7577000242	1	Tie-Strap and Ratchet Kit (See Separate Breakdown in ACCESSORIES Section)	

SECTION 2 - WHEEL LIFT

FIGURE 2-8. WHEEL LIFT - COMPLETE (4000 LBS - FIXED)



ART_1001158861

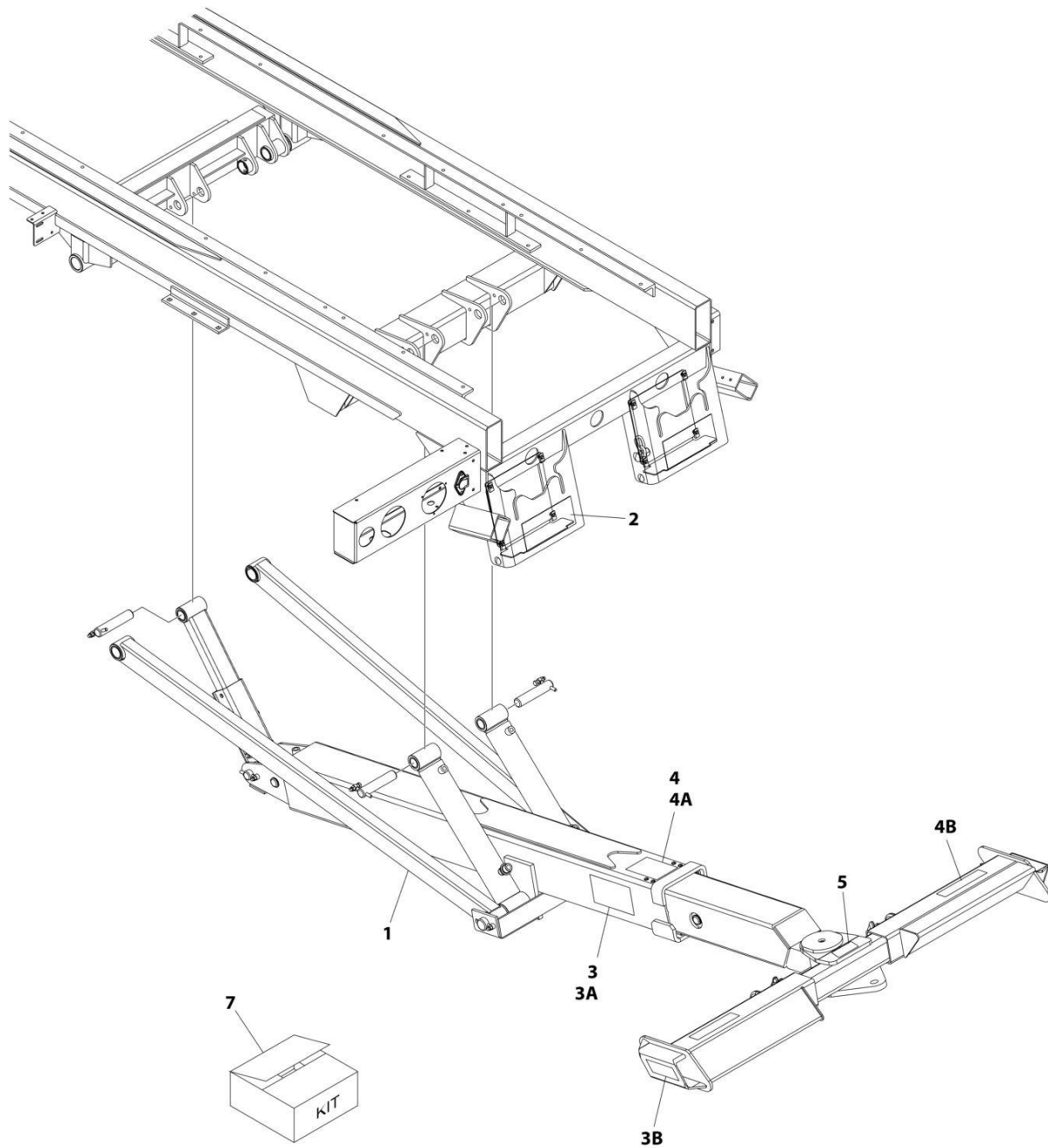
SECTION 2 - WHEEL LIFT

FIGURE 2-8. WHEEL LIFT - COMPLETE (4000 LBS - FIXED)

ITEM	PART NUMBER	QTY	DESCRIPTION	REV
	1001158861	Ref	Wheel Lift Installation (4000 lbs - Fixed) - Complete	A
1	1001130062	1	Hydraulic Installation (Not Shown - See Separate Breakdown in HYDRAULIC Section)	
2	1001158873	1	Wheel Lift Boom Installation, 4000 lbs (See Separate Breakdown in this Section)	
3	2262000011	1	Chain Box Installation (See Separate Breakdown in SUBFRAME Section)	
4	2330000035	Ref	Wheel Lift Decal Installation	
4A	7330000419	2	Decal - Red Reflective (Boom)	
4B	7330000417	1	Decal - LH Red Reflective (Grid)	
4B	7330000418	1	Decal - RH Red Reflective (Grid)	
5	2330000057	Ref	Decal Installation	
5A	7330000684	1	Decal - Safety	
5B	7330000683	2	Decal - Safety	
6	2330000065	Ref	Tow Hitch Decal Installation	
6	7330000060	1	Decal - Warning, Hitch on Wheel lift	
7	7577000242	1	Tie-Strap and Ratchet Kit (See Separate Breakdown in ACCESSORIES Section)	

SECTION 2 - WHEEL LIFT

FIGURE 2-9. WHEEL LIFT - COMPLETE (4000 LBS - FIXED) GALVANIZED



ART_1001158862

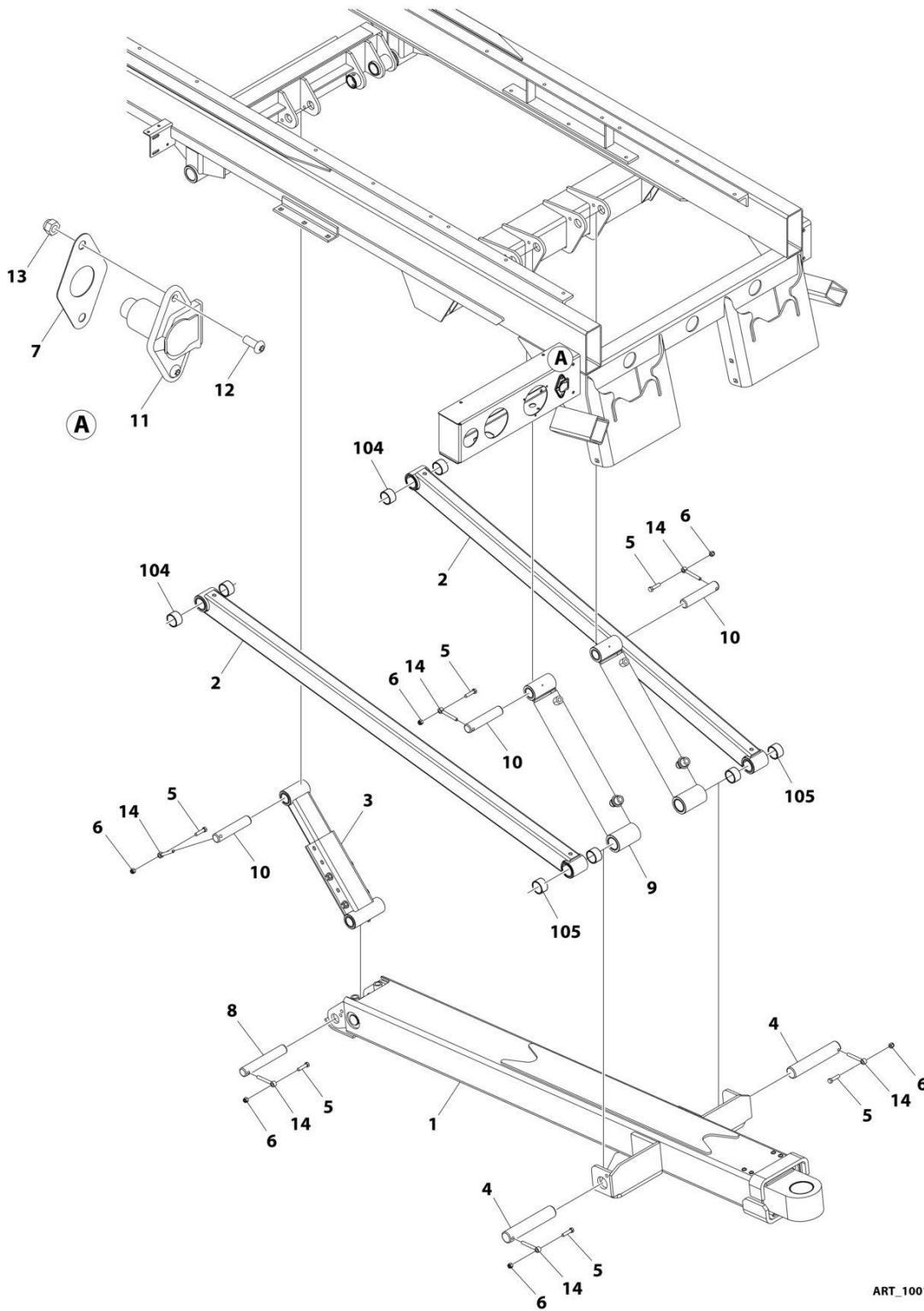
SECTION 2 - WHEEL LIFT

FIGURE 2-9. WHEEL LIFT - COMPLETE (4000 LBS - FIXED) GALVANIZED

ITEM	PART NUMBER	QTY	DESCRIPTION	REV
	1001158862	Ref	Wheel Lift Installation (4000 lbs - Fixed) Galvanized - Complete	B
1	1001158874	1	Wheel Lift Boom Installation, Galvanized, 4000 lbs (See Separate Breakdown in this Section)	
2	2262000011	1	Chain Box Installation (See Separate Breakdown in SUBFRAME Section)	
3	2330000035	Ref	Wheel Lift Decal Installation	
3A	7330000419	2	Decal - Red Reflective (Boom)	
3B	7330000417	1	Decal - LH Red Reflective (Grid)	
3B	7330000418	1	Decal - RH Red Reflective (Grid)	
4	2330000057	Ref	Decal Installation	
4A	7330000684	1	Decal - Safety	
4B	7330000683	2	Decal - Safety	
5	2330000065	Ref	Tow Hitch Decal Installation	
5	7330000060	1	Decal - Warning, Hitch on Wheel lift	
6	1001130062	1	Hydraulic Installation (Not Shown - See Separate Breakdown in HYDRAULIC Section)	
7	7577000242	1	Tie-Strap and Ratchet Kit (See Separate Breakdown in ACCESSORIES Section)	

SECTION 2 - WHEEL LIFT

FIGURE 2-10. WHEEL LIFT BOOM INSTALLATION (3500 LBS)



ART_1001158648

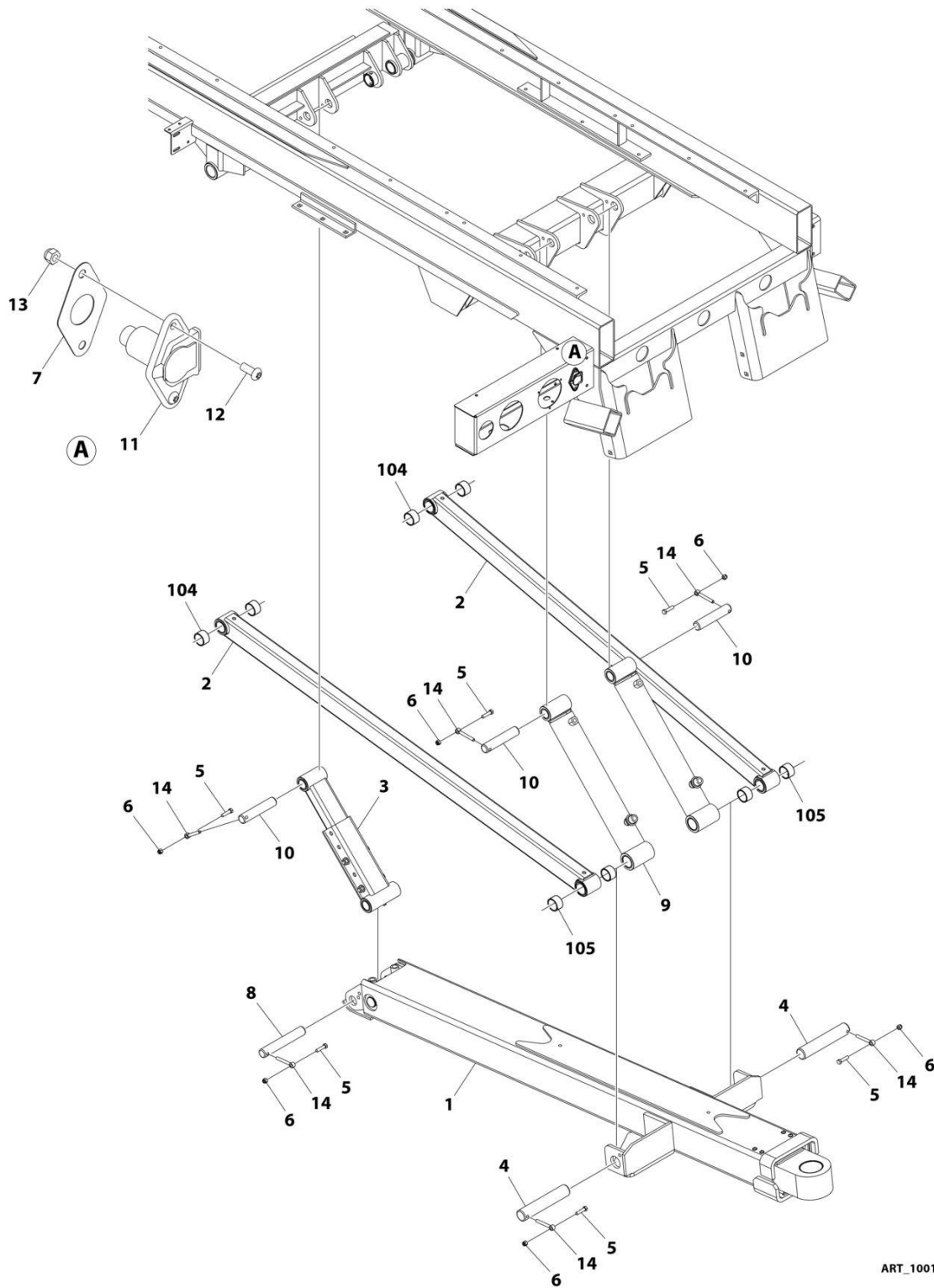
SECTION 2 - WHEEL LIFT

FIGURE 2-10. WHEEL LIFT BOOM INSTALLATION (3500 LBS)

ITEM	PART NUMBER	QTY	DESCRIPTION	REV
	1001158648	Ref	Wheel Lift Boom Installation, 3500 lbs	B
1	1001158635	1	Boom Assembly (See Separate Breakdown in this Section)	
2	3020000102	2	Arm Weldment	
3	3592000040	1	Link Assembly (See Separate Breakdown in this Section)	
4	1001188132	2	Pin	
5	0641612	6	Bolt 3/8 x 1-1/2	
6	3300492	6	Nut 3/8	
7	7796000048	1	Gasket	
8	1001188133	1	Pin	
9	1001166857	2	Wheel Lift Cylinder Assembly (See Separate Breakdown in this Section)	
10	1001188129	3	Pin	
11	7291000010	1	Female Receptacle with Connector	
12	7114140528	2	Screw 1/4 x 5/8	
13	7660142601	2	Nut 1/4	
14	3841143	6	Keeper, Shaft	
104	7082000017	4	Bearing	
105	7082000018	4	Bearing	

SECTION 2 - WHEEL LIFT

FIGURE 2-11. WHEEL LIFT BOOM INSTALLATION (3500 LBS GALVANIZED)



ART_1001158649

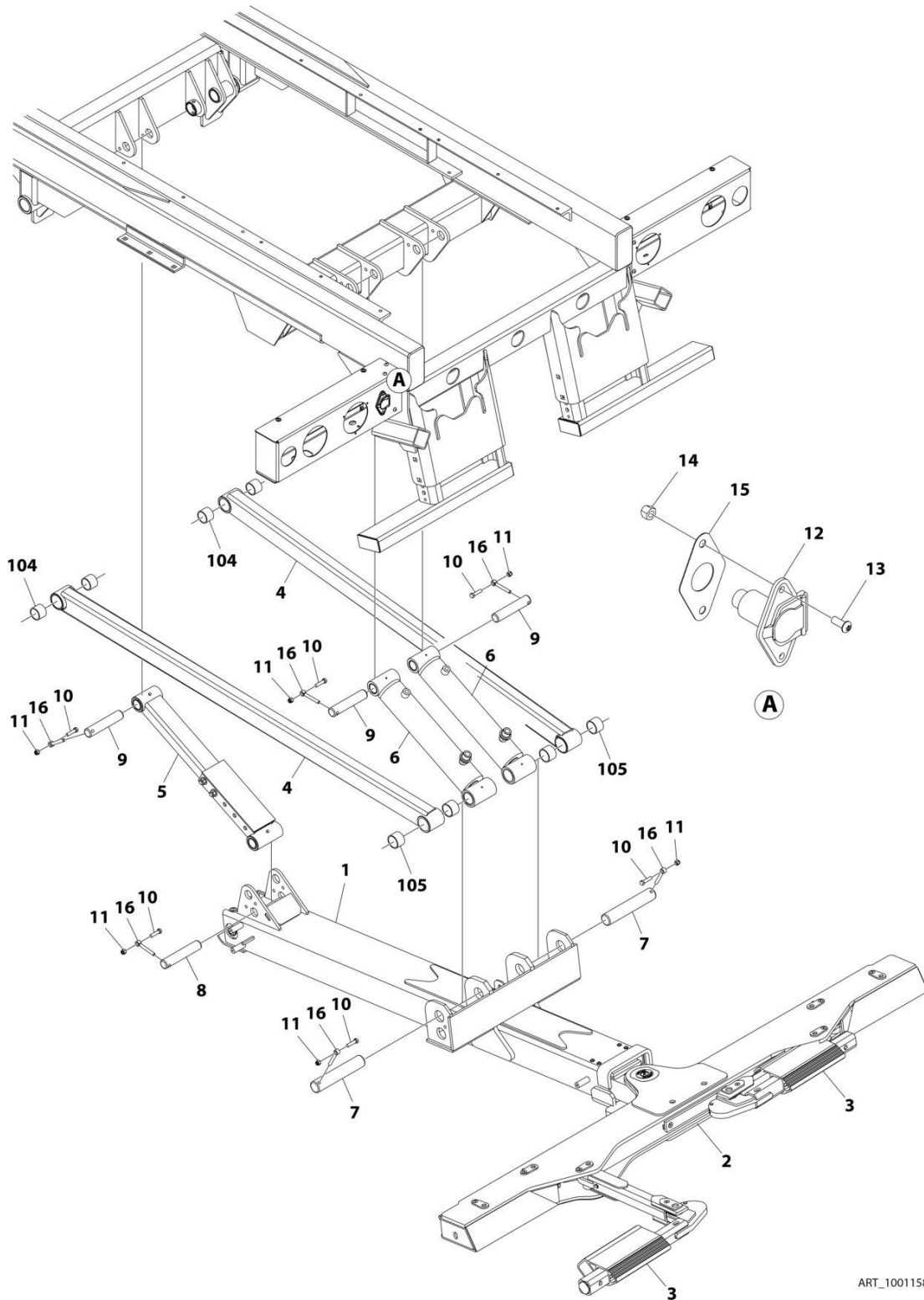
SECTION 2 - WHEEL LIFT

FIGURE 2-11. WHEEL LIFT BOOM INSTALLATION (3500 LBS GALVANIZED)

ITEM	PART NUMBER	QTY	DESCRIPTION	REV
	1001158649	Ref	Wheel Lift Boom Installation, 3500 lbs Galvanized	B
1	1001158637	1	Boom Assembly (See Separate Breakdown in this Section)	
2	3020000131	2	Arm Weldment	
3	3592000066	1	Link Assembly (See Separate Breakdown in this Section)	
4	1001188132	2	Pin	
5	0641612	6	Bolt 3/8 x 1-1/2	
6	3300492	6	Nut 3/8	
7	7796000048	1	Gasket	
8	1001188133	1	Pin	
9	1001166857	2	Wheel Lift Cylinder Assembly (See Separate Breakdown in this Section)	
10	1001188129	3	Pin	
11	7291000010	1	Female Receptacle with Connector	
12	7114140528	2	Screw 1/4 x 5/8	
13	7660142601	2	Nut 1/4	
14	3841143	6	Keeper, Shaft	
104	7082000017	4	Bearing	
105	7082000018	4	Bearing	

SECTION 2 - WHEEL LIFT

FIGURE 2-12. WHEEL LIFT BOOM INSTALLATION (3500 LBS - AUTO GRIDS HYDRAULIC ARMS)



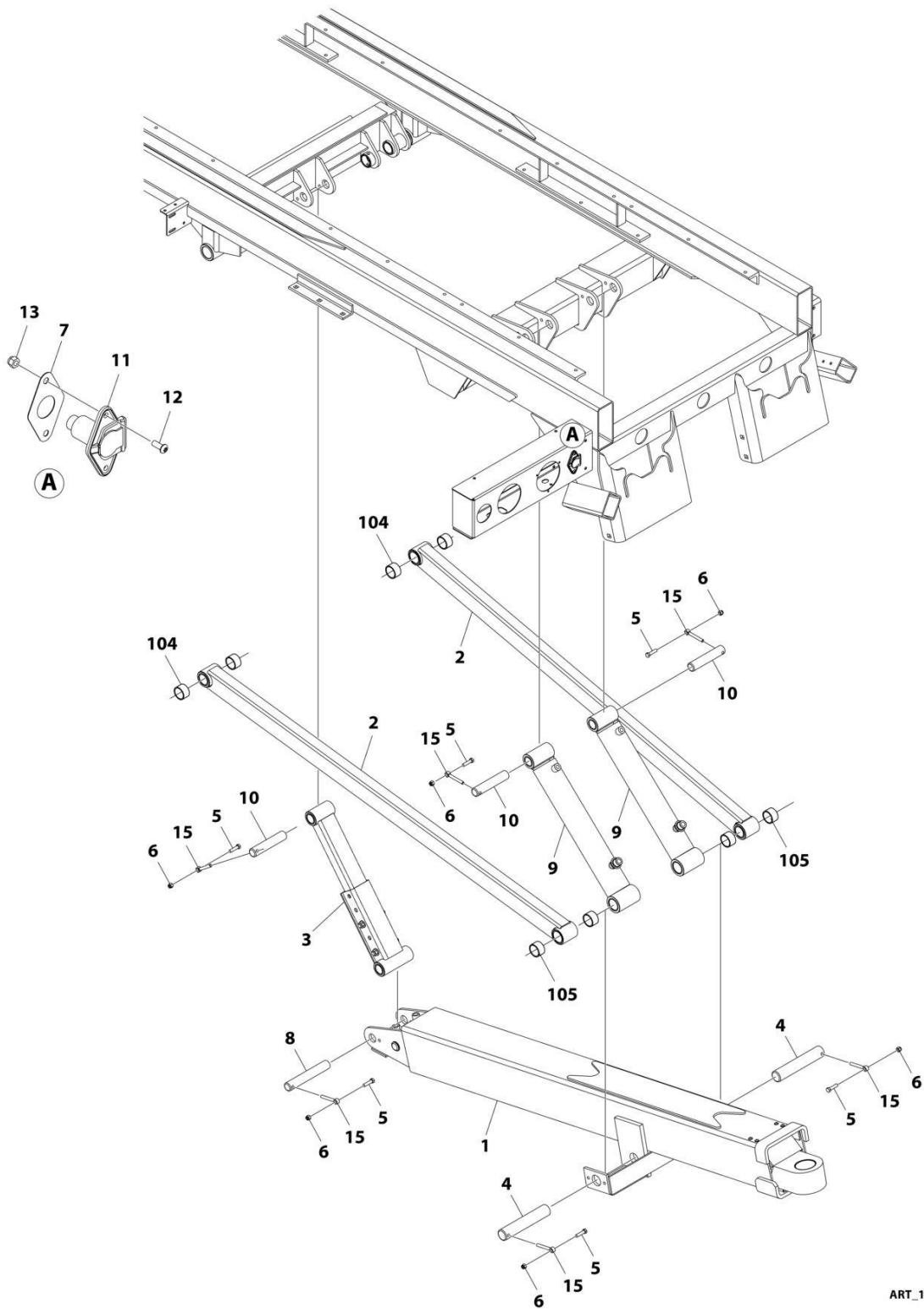
SECTION 2 - WHEEL LIFT

FIGURE 2-12. WHEEL LIFT BOOM INSTALLATION (3500 LBS - AUTO GRIDS HYDRAULIC ARMS)

ITEM	PART NUMBER	QTY	DESCRIPTION	REV
	1001158508	Ref	IRL BOOM INSTALLATION - 3500 LBS (HYDRAULIC)	E
1	1001158630	1	Boom Assembly (See Separate Breakdown in this Section)	
2	1001228493	1	Auto Grid Installation (See Separate Breakdown in this Section)	
3	2484000008	1	Auto Grid Arm Installation (See Separate Breakdown in this Section)	
4	1001158509	2	Arm Weldment	
5	1001158510	1	Link Assembly (See Separate Breakdown in this Section)	
6	3320000134	2	Cylinder Assembly (See Separate Breakdown in this Section)	
7	1001188132	2	Pin	
8	1001188134	1	Pin	
9	1001188129	3	Pin	
10	0641612	6	Bolt 3/8 x 1-1/2	
11	3300492	6	Nut 3/8	
12	7291000010	1	Female Receptacle with Connector	
13	7114140528	2	Screw 1/4 x 5/8	
14	7660142601	2	Nut 1/4	
15	7796000048	1	Gasket	
16	3841143	6	Keeper	
104	7082000017	4	Bearing	
105	7082000018	4	Bearing	

SECTION 2 - WHEEL LIFT

FIGURE 2-13. WHEEL LIFT BOOM INSTALLATION (4000 LBS)



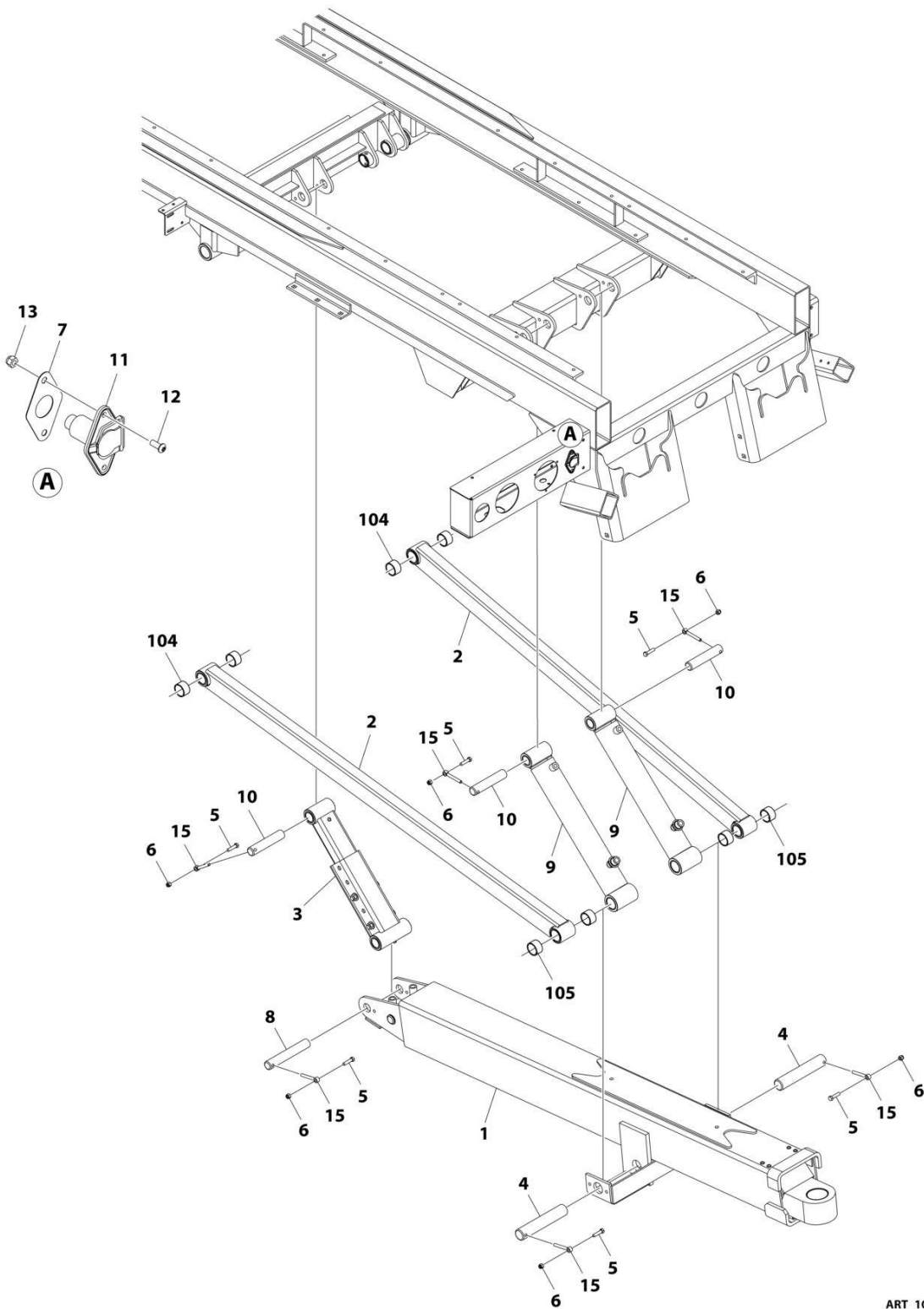
SECTION 2 - WHEEL LIFT

FIGURE 2-13. WHEEL LIFT BOOM INSTALLATION (4000 LBS)

ITEM	PART NUMBER	QTY	DESCRIPTION	REV
	1001158873	Ref	Wheel Lift Boom Installation, 4000 lbs	D
1	1001158870	1	Boom Assembly, 4000 lbs (See Separate Breakdown in this Section)	
2	3020000102	2	Arm Weldment	
3	3592000040	1	Link Assembly, 4000 lbs (See Separate Breakdown in this Section)	
4	1001188132	2	Pin	
5	0641612	6	Bolt 38 x 1-1/2	
6	3300492	6	Nut 3/8	
7	7796000048	1	Gasket	
8	1001188133	1	Pin	
9	1001167766	2	Wheel Lift Cylinder Assembly (See Separate Breakdown in this Section)	
10	1001188129	3	Pin	
11	7291000010	1	Female Receptacle with Connector	
12	7114140528	2	Screw 1/4 x 5/8	
13	7660142601	2	Nut 1/4	
15	3841143	6	Keeper, Shaft	
104	7082000017	4	Bearing	
105	7082000018	4	Bearing	

SECTION 2 - WHEEL LIFT

FIGURE 2-14. WHEEL LIFT BOOM INSTALLATION (4000LBS GALVANIZED)



ART_1001158874

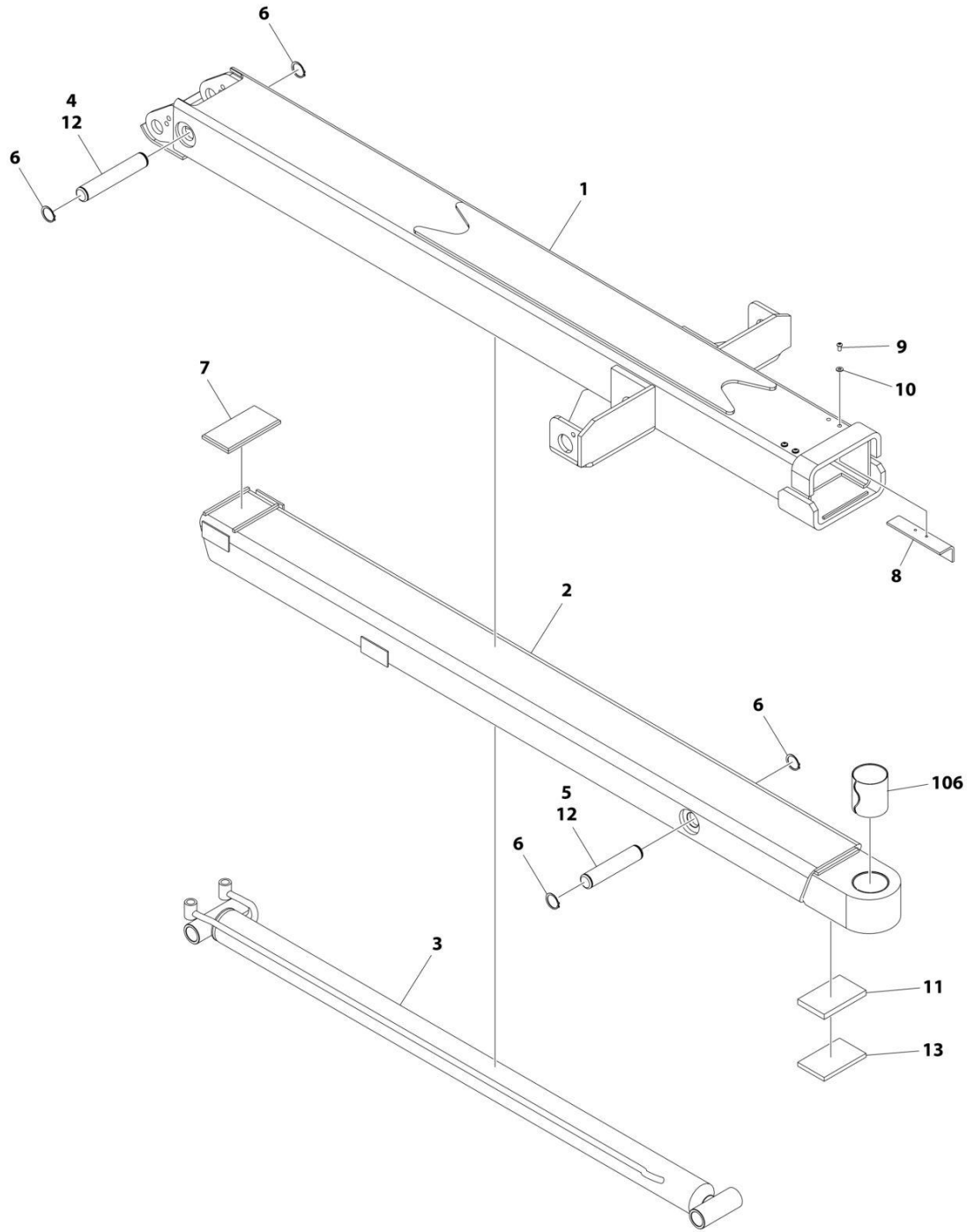
SECTION 2 - WHEEL LIFT

FIGURE 2-14. WHEEL LIFT BOOM INSTALLATION (4000LBS GALVANIZED)

ITEM	PART NUMBER	QTY	DESCRIPTION	REV
	1001158874	Ref	Wheel Lift Boom Installation, 4000LBS Galvanized	E
1	1001158869	1	Boom Assembly, 4000 lbs Galvanized (See Separate Breakdown in this Section)	
2	3020000131	2	Arm Weldment	
3	3592000066	1	Link Assembly, 4000 lbs Galvanized (See Separate Breakdown in this Section)	
4	1001188132	2	Pin	
5	0641612	6	Bolt 3/8 x 1-1/2	
6	3300492	6	Nut 3/8	
7	7796000048	1	Gasket	
8	1001188133	1	Pin	
9	1001167766	2	Wheel Lift Cylinder Assembly (See Separate Breakdown in this Section)	
10	1001188129	3	Pin	
11	7291000010	1	Female Receptacle with Connector	
12	7114140528	2	Screw 1/4 x 5/8	
13	7660142601	2	Nut 1/4	
15	3841143	6	Keeper, Shaft	
104	7082000017	4	Bearing	
105	7082000018	4	Bearing	

SECTION 2 - WHEEL LIFT

FIGURE 2-15. WHEEL LIFT BOOM ASSEMBLY (3500 LBS)



ART_1001158635

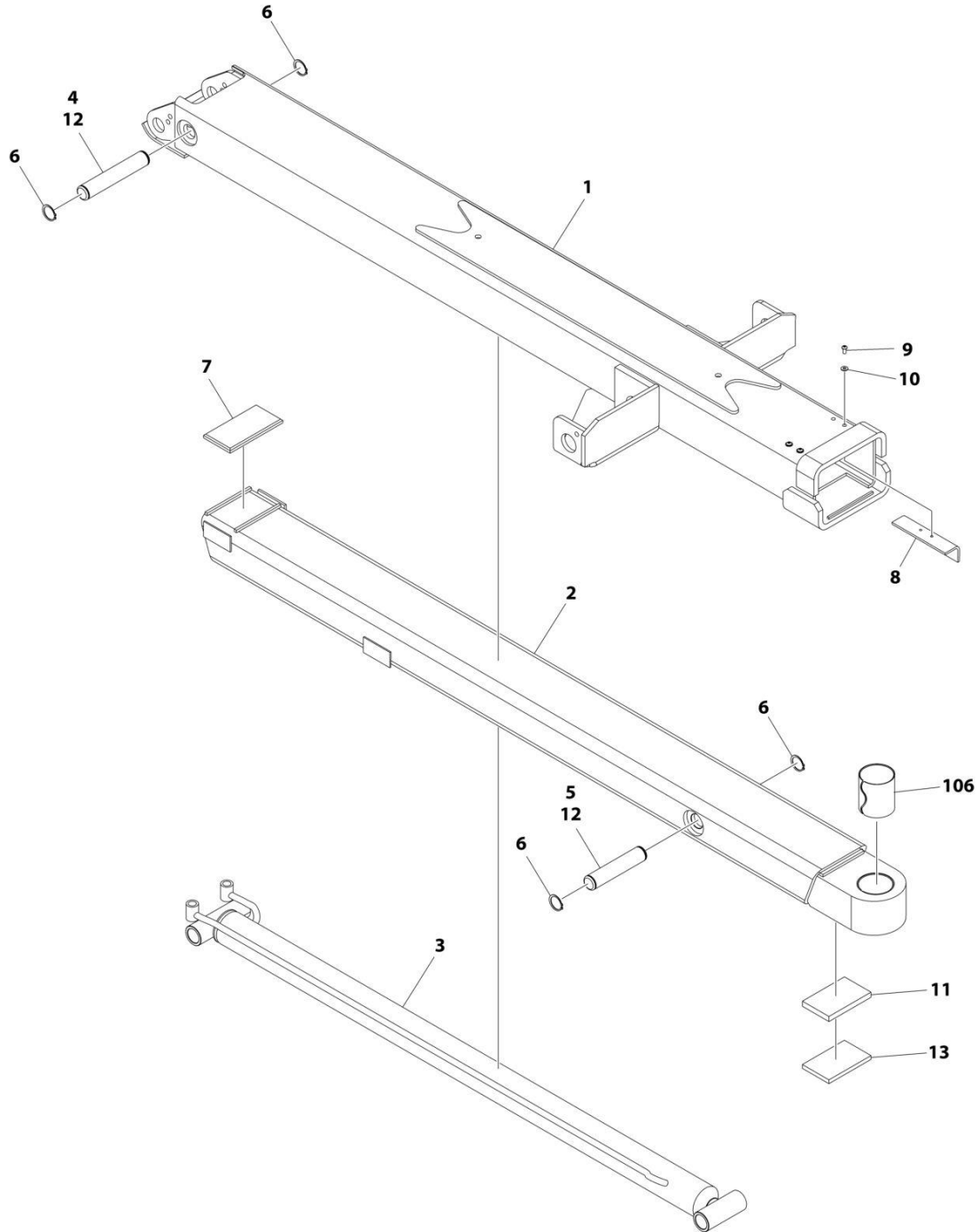
SECTION 2 - WHEEL LIFT

FIGURE 2-15. WHEEL LIFT BOOM ASSEMBLY (3500 LBS)

ITEM	PART NUMBER	QTY	DESCRIPTION	REV
	1001158635	Ref	BOOM ASSEMBLY - 3500 LBS	D
1	3170000162	1	Boom, Outer	
2	1001158627	1	Boom, Inner	
3	1001166858	1	Extend/Retract Cylinder Assembly (See Separate Breakdown in this Section)	
4	4691000296	1	Pin	
5	4691000268	1	Pin	
6	3760133	4	Ring	
7	4679000046	1	Pad	
8	4017000739	2	Angle	
9	7118140418	4	Capscrew 1/4 x 1/2	
10	4751300	4	Washer 3/16	
11	4679000211	AR	Pad	
12	3020039	AR	Lubricant	
13	1001276938	AR	Pad	
106	7209000028	1	Bushing	

SECTION 2 - WHEEL LIFT

FIGURE 2-16. WHEEL LIFT BOOM ASSEMBLY (3500 LBS GALVANIZED)



ART_1001158637

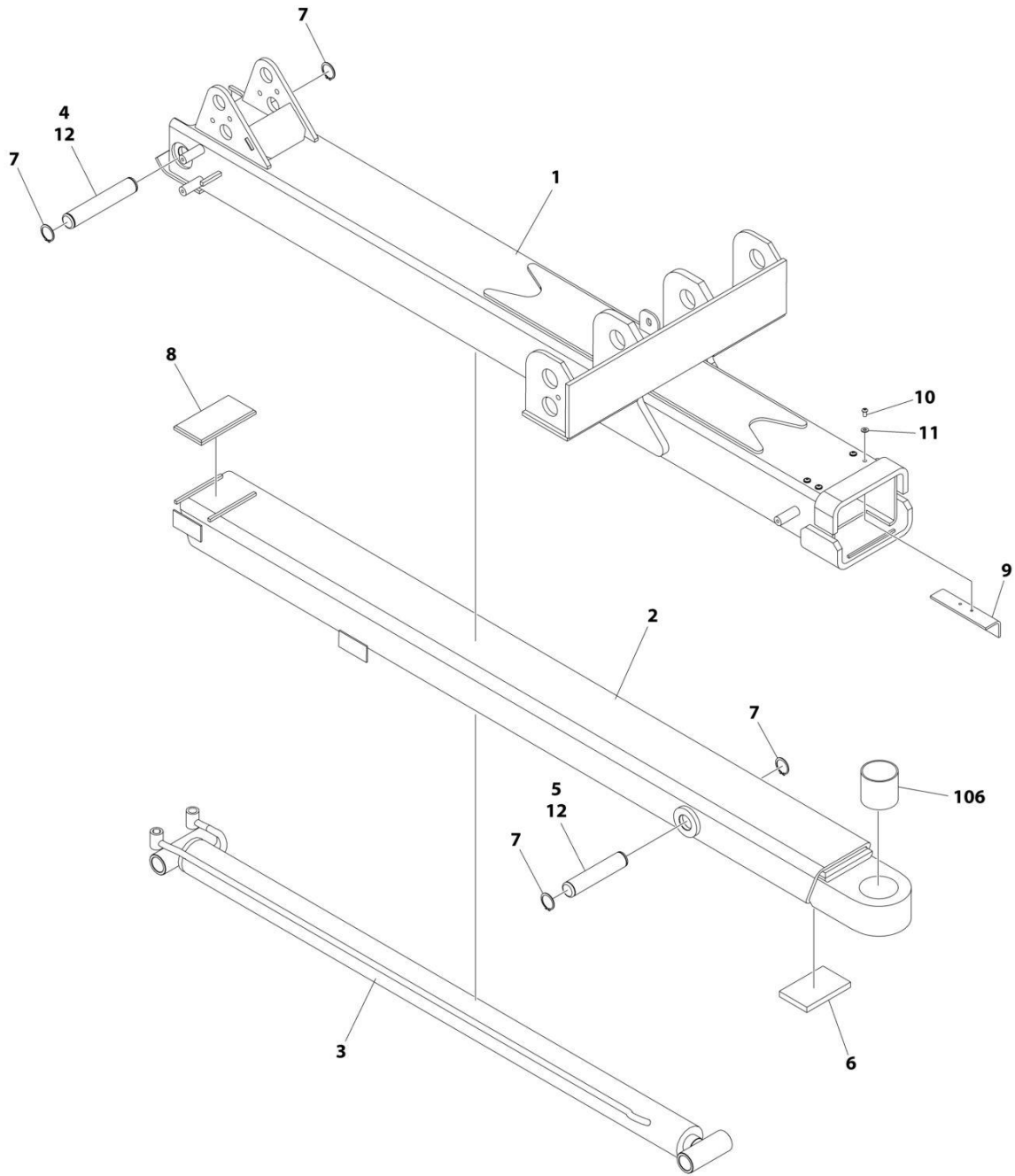
SECTION 2 - WHEEL LIFT

FIGURE 2-16. WHEEL LIFT BOOM ASSEMBLY (3500 LBS GALVANIZED)

ITEM	PART NUMBER	QTY	DESCRIPTION	REV
	1001158637	Ref	BOOM ASSEMBLY - 3500 LBS	D
1	3170000504	1	Boom, Outer	
2	1001158627	1	Boom, Inner	
3	1001166858	1	Extend/Retract Cylinder Assembly (See Separate Breakdown in this Section)	
4	4691000296	1	Pin	
5	4691000268	1	Pin	
6	3760133	4	Ring	
7	4679000046	1	Pad	
8	4017000739	2	Angle	
9	7118140418	4	Capscrew 1/4 x 1/2	
10	4751300	4	Washer 3/16	
11	4679000211	AR	Pad	
12	3020039	AR	Lubricant	
13	1001276938	AR	Pad	
106	7209000028	1	Bushing	

SECTION 2 - WHEEL LIFT

FIGURE 2-17. WHEEL LIFT BOOM ASSEMBLY (3500 LBS HYDRAULIC ARMS)



ART_1001158630

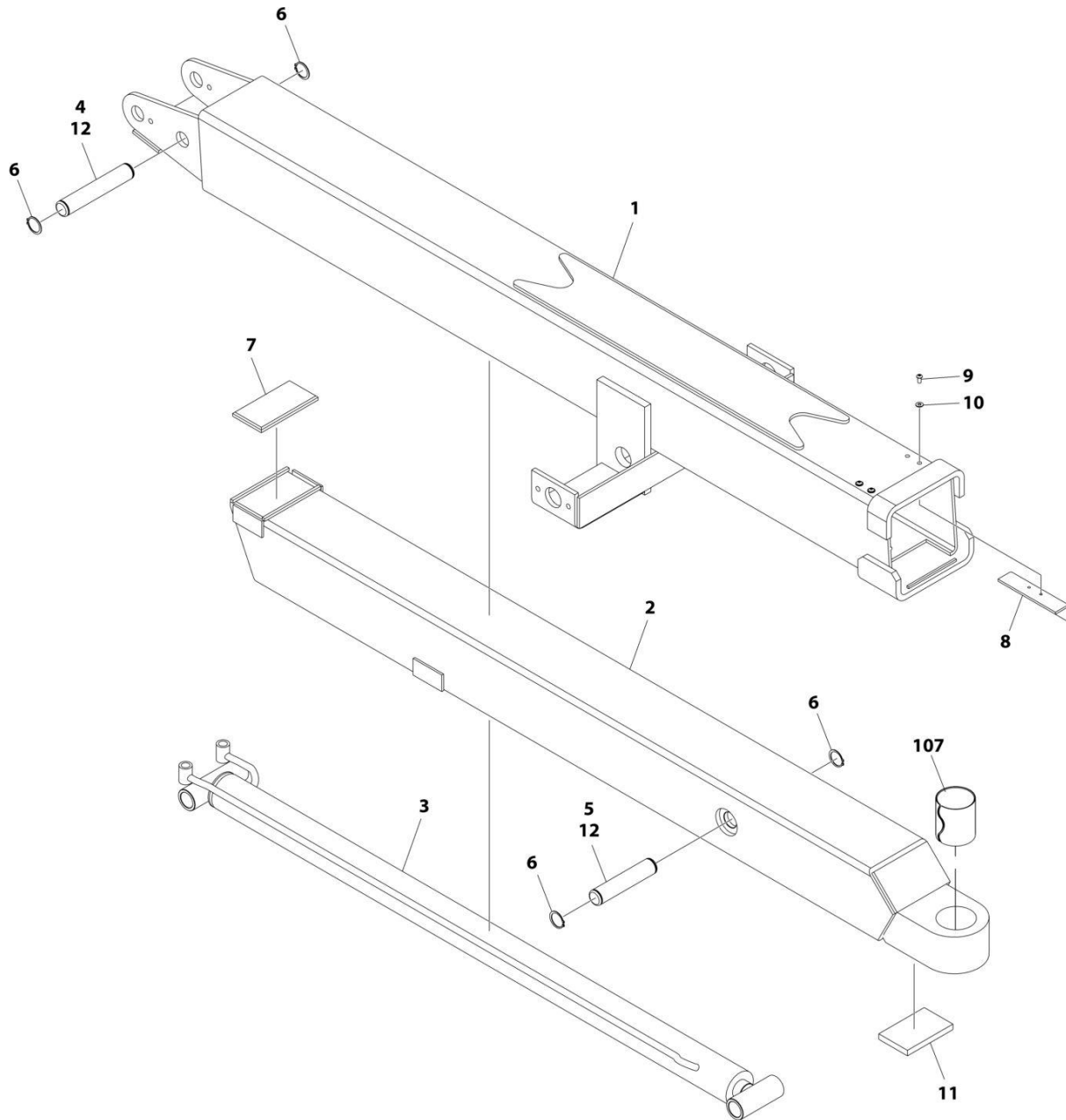
SECTION 2 - WHEEL LIFT

FIGURE 2-17. WHEEL LIFT BOOM ASSEMBLY (3500 LBS HYDRAULIC ARMS)

ITEM	PART NUMBER	QTY	DESCRIPTION	REV
	1001158630	Ref	BOOM ASSEMBLY - 3000 LBS (AUTOGRID, ZOD)	B
1	3170000428	1	Boom Weldment	
2	1001158626	1	Tube Weldment	
3	1001166858	1	Extend/Retract Cylinder Assembly (See Separate Breakdown in this Section)	
4	4691000296	1	Pin	
5	4691000268	1	Pin	
6	4679000211	1	Pad	
7	3760133	4	Ring	
8	4679000046	1	Pad	
9	4017000739	2	Angle	
10	7118140418	4	Capscrew 1/4 x 1/2	
11	4751300	4	Washer 3/16	
12	3020039	AR	Lubricant	
106	7209000030	1	Bushing	

SECTION 2 - WHEEL LIFT

FIGURE 2-18. WHEEL LIFT BOOM ASSEMBLY (4000 LBS)



ART_1001158870

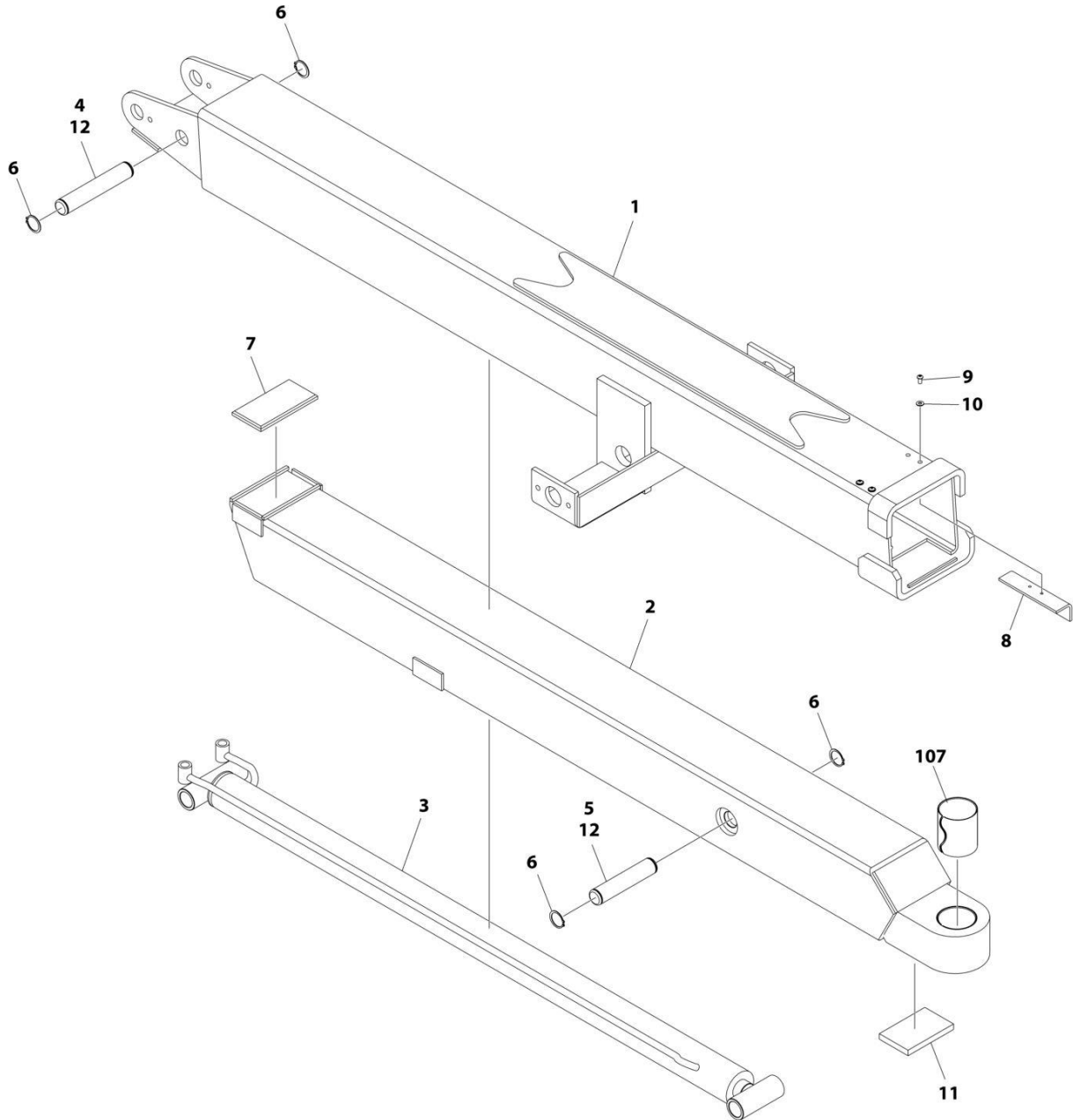
SECTION 2 - WHEEL LIFT

FIGURE 2-18. WHEEL LIFT BOOM ASSEMBLY (4000 LBS)

ITEM	PART NUMBER	QTY	DESCRIPTION	REV
	1001158870	Ref	Boom Assembly, 4000 lbs	B
1	3170000163	1	Boom, Outer	
2	1001158876	1	Boom, Inner	
3	1001166858	1	Wheel Lift Boom Extend/Retract Cylinder Assembly (See Separate Breakdown in this Section)	
4	4691000296	1	Pin	
5	4691000268	1	Pin	
6	3760133	4	Ring	
7	4679000046	1	Pad	
8	4017000739	2	Angle	
9	7118140418	4	Capscrew 1/4 x 1/2	
10	4751300	4	Washer 3/16	
11	4679000211	1	Pad	
12	3020039	AR	Lubricant	
107	7209000028	1	Bushing	

SECTION 2 - WHEEL LIFT

FIGURE 2-19. WHEEL LIFT BOOM ASSEMBLY (4000 LBS (GALVANIZED))



ART_1001158869

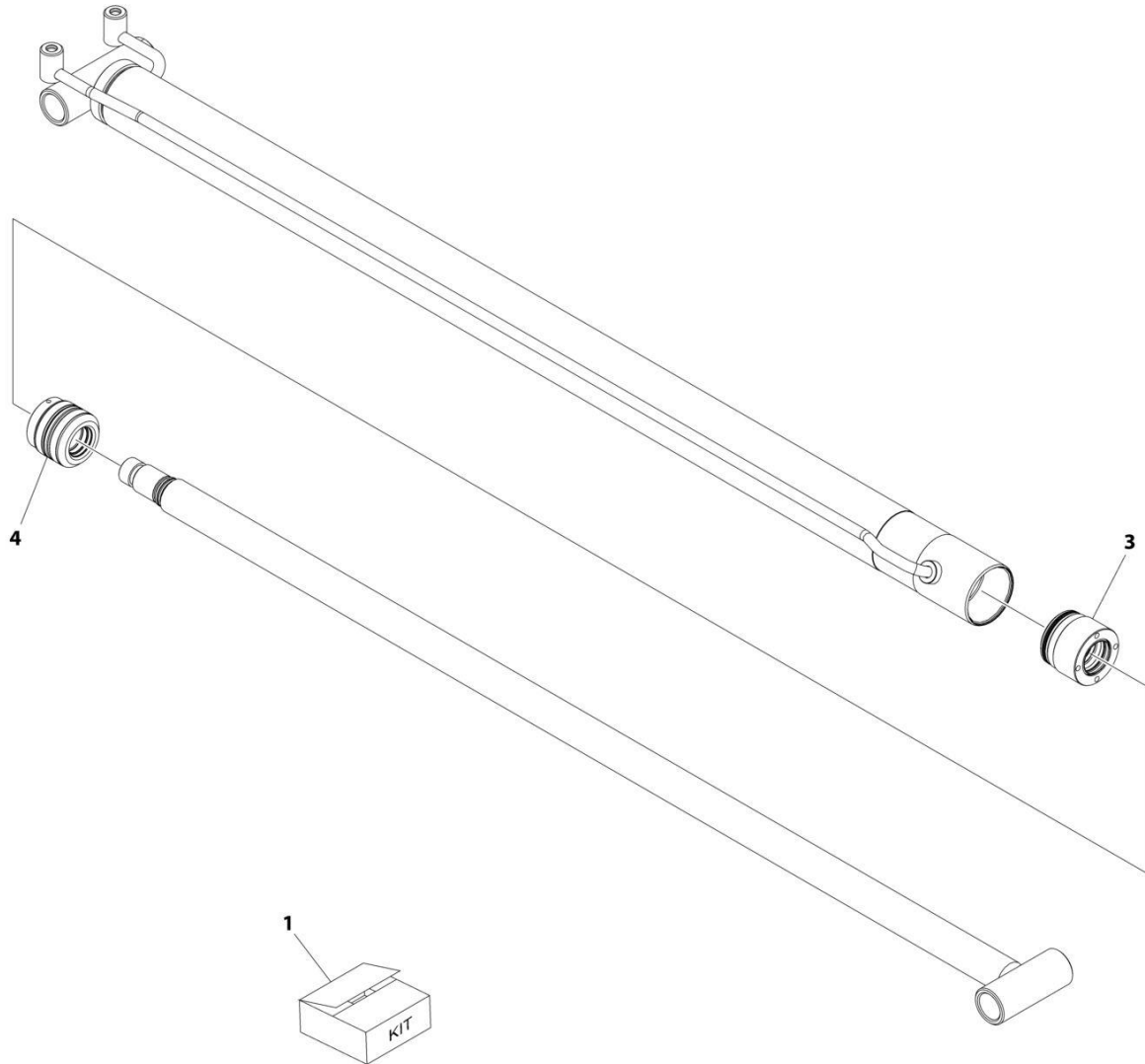
SECTION 2 - WHEEL LIFT

FIGURE 2-19. WHEEL LIFT BOOM ASSEMBLY (4000 LBS (GALVANIZED))

ITEM	PART NUMBER	QTY	DESCRIPTION	REV
	1001158869	Ref	Boom Assembly, 4000 lbs Galvanized	B
1	3170000492	1	Boom, Outer	
2	1001158876	1	Boom, Inner	
3	1001166858	1	Wheel Lift Boom Extend/Retract Cylinder Assembly (See Separate Breakdown in this Section)	
4	4691000296	1	Pin	
5	4691000268	1	Pin	
6	3760133	4	Ring	
7	4679000046	1	Pad	
8	4017000739	2	Angle	
9	7118140418	4	Capscrew 1/4 x 1/2	
10	4751300	4	Washer 3/16	
11	4679000211	1	Pad	
12	3020039	AR	Lubricant	
107	7209000028	1	Bushing	

SECTION 2 - WHEEL LIFT

FIGURE 2-20. CYLINDER ASSEMBLY - EXTEND/RETRACT (WHEEL LIFT BOOM) (WITHOUT AUTO GRIDS)



ART_1001166858

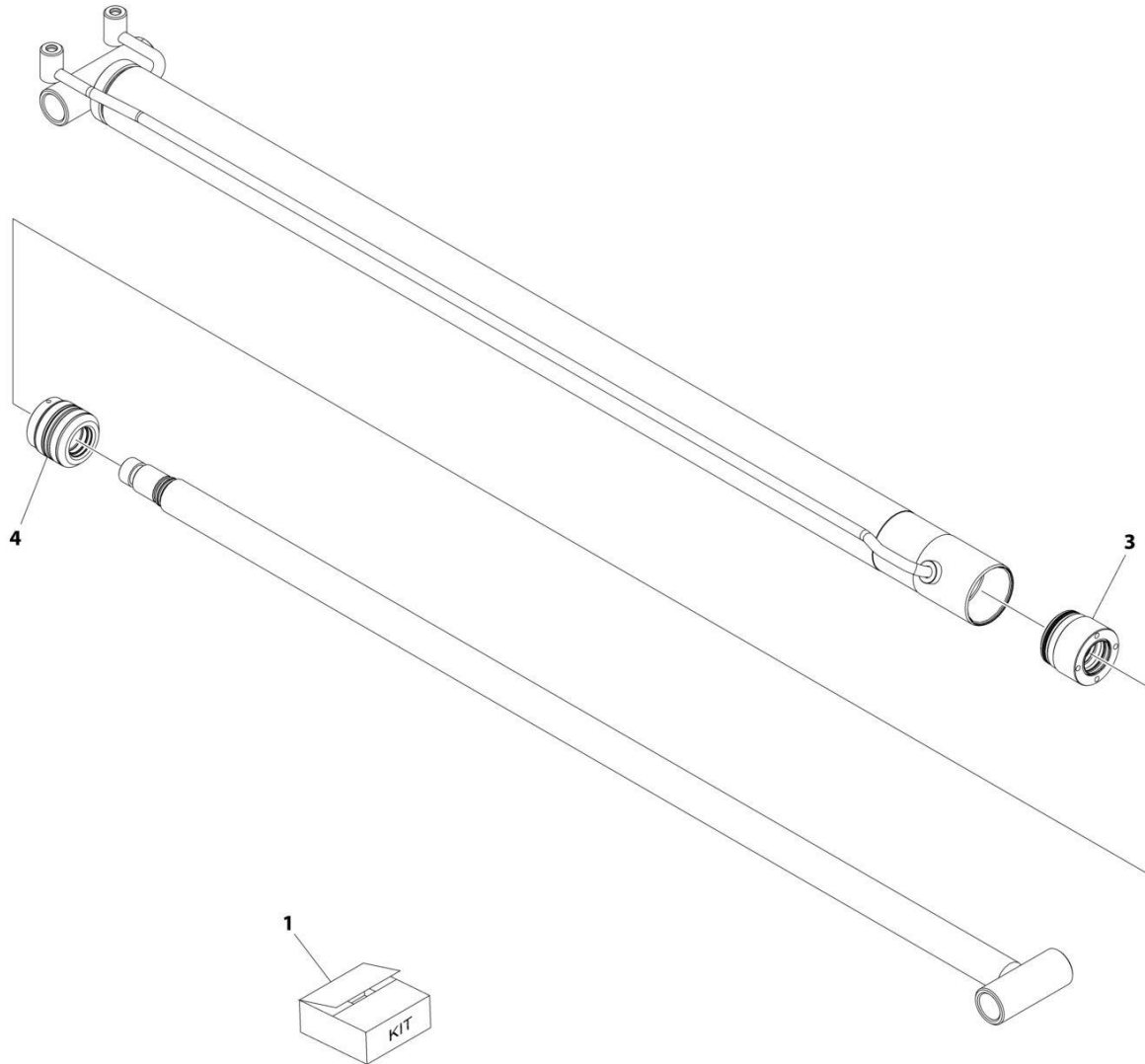
SECTION 2 - WHEEL LIFT

FIGURE 2-20. CYLINDER ASSEMBLY - EXTEND/RETRACT (WHEEL LIFT BOOM) (WITHOUT AUTO GRIDS)

ITEM	PART NUMBER	QTY	DESCRIPTION	REV
	1001166858	Ref	EXTEND/RETRACT CYLINDER ASSEMBLY	D
1	70051169	1	Kit, Seal	
2	70051174	1	Instruction Assembly/Disassembly (not shown)	
3	70051175	1	Kit, Head	
4	70051176	1	Kit, Piston	

SECTION 2 - WHEEL LIFT

FIGURE 2-21. CYLINDER ASSEMBLY - EXTEND/RETRACT (WHEEL LIFT BOOM) (WITH AUTO GRIDS)



ART_1001166858

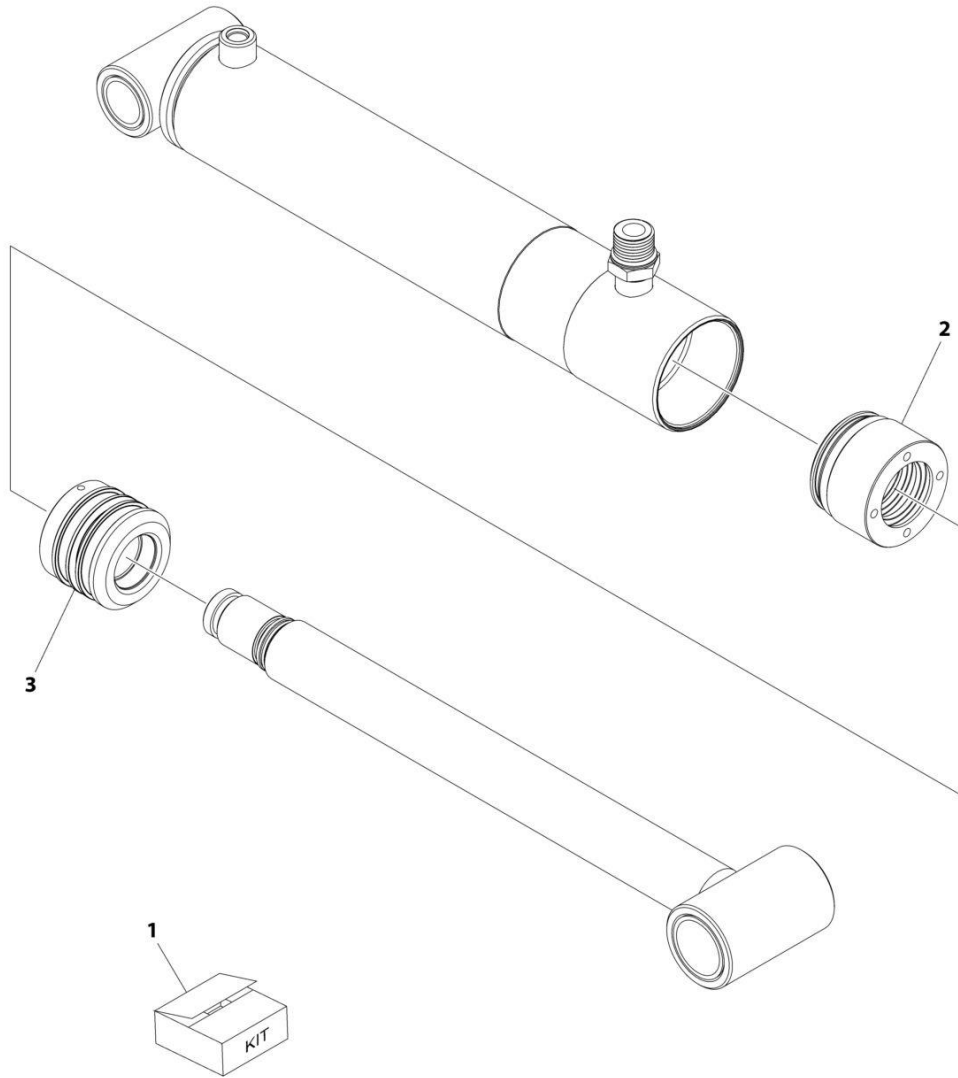
SECTION 2 - WHEEL LIFT

FIGURE 2-21. CYLINDER ASSEMBLY - EXTEND/RETRACT (WHEEL LIFT BOOM) (WITH AUTO GRIDS)

ITEM	PART NUMBER	QTY	DESCRIPTION	REV
	1001166858	Ref	EXTEND/RETRACT CYLINDER ASSEMBLY	D
1	70051169	1	Kit, Seal	
2	70051174	1	Instruction Assembly/Disassembly (not shown)	
3	70051175	1	Kit, Head	
4	70051176	1	Kit, Piston	

SECTION 2 - WHEEL LIFT

FIGURE 2-22. CYLINDER ASSEMBLY - WHEEL LIFT (3500 LBS WHEEL LIFT)



ART_1001166857

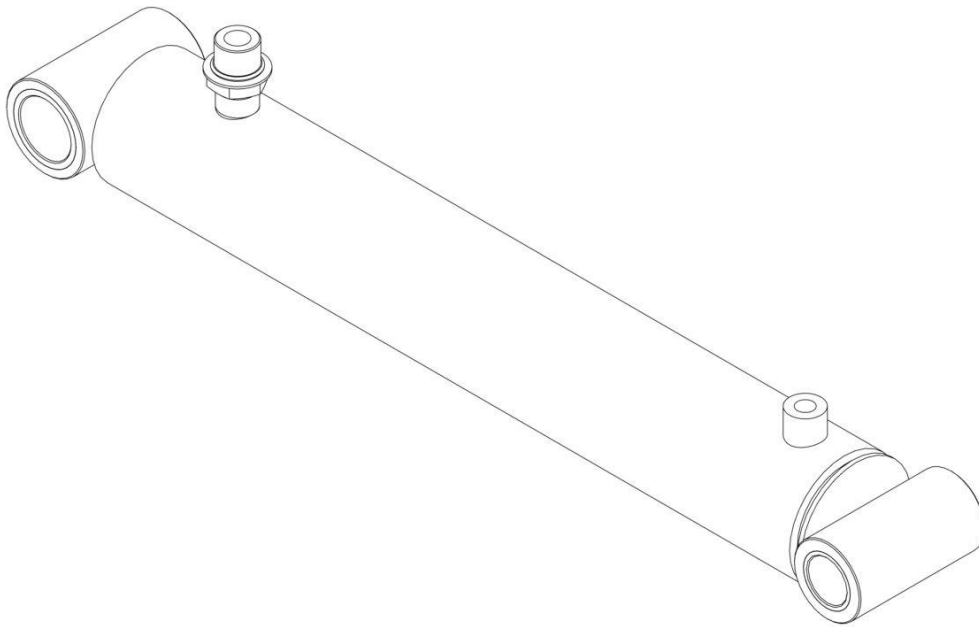
SECTION 2 - WHEEL LIFT

FIGURE 2-22. CYLINDER ASSEMBLY - WHEEL LIFT (3500 LBS WHEEL LIFT)

ITEM	PART NUMBER	QTY	DESCRIPTION	REV
	1001166857	Ref	IRL CYLINDER ASSEMBLY	E
1	70051168	1	Kit, Seal	
2	70051172	1	Kit, Head	
3	70051173	1	Kit, Piston	

SECTION 2 - WHEEL LIFT

FIGURE 2-23. CYLINDER ASSEMBLY - WHEEL LIFT (4000 LBS WHEEL LIFT)



ART_1001167766

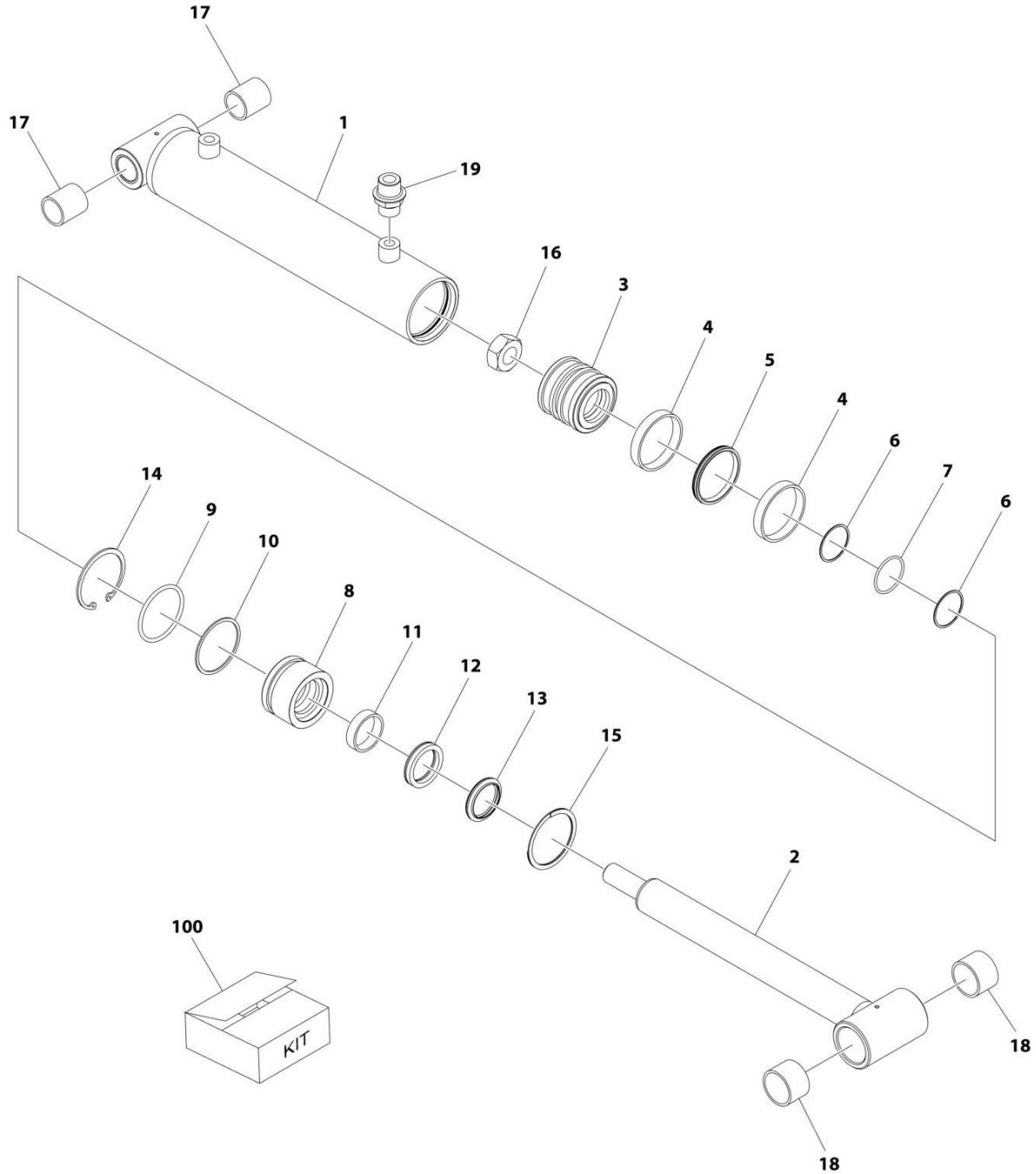
SECTION 2 - WHEEL LIFT

FIGURE 2-23. CYLINDER ASSEMBLY - WHEEL LIFT (4000 LBS WHEEL LIFT)

ITEM	PART NUMBER	QTY	DESCRIPTION	REV
	1001167766	Ref	Boom Extend Cylinder Assembly, 4000 lbs	C
		Ref	Note: No Service Parts Available at Time of Printing.	

SECTION 2 - WHEEL LIFT

FIGURE 2-24. CYLINDER ASSEMBLY - WHEEL LIFT (3500 LBS WHEEL LIFT WITH AUTO GRIDS HYDRAULIC ARMS)



ART_3320000134_C

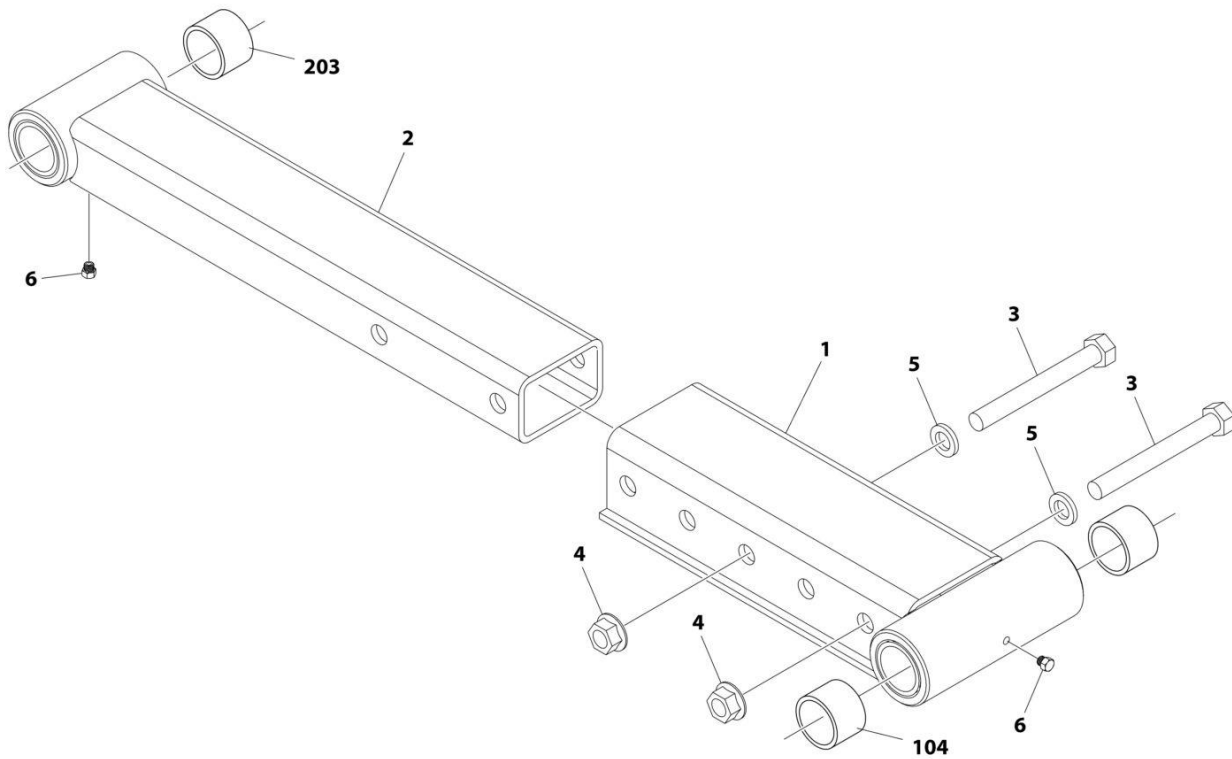
SECTION 2 - WHEEL LIFT

FIGURE 2-24. CYLINDER ASSEMBLY - WHEEL LIFT (3500 LBS WHEEL LIFT WITH AUTO GRIDS HYDRAULIC ARMS)

ITEM	PART NUMBER	QTY	DESCRIPTION	REV
	3320000134	Ref	CYLINDER ASSEMBLY - WHEEL LIFT (PRECISION BRAND)	C
1	3071000131	1	Barrel Weldment	
2	3763000139	1	Rod Weldment	
3	4698000007	1	Piston	
4	7754000003	2	Wear Ring	
5	7796000063	1	Piston Locking, T-Seal	
6	7755224609	2	Back-Up Ring	
7	7755224000	1	O-Ring	
8	4553000008	1	Head	
9	7755334000	1	O-Ring	
10	7755334609	1	Back-Up Ring	
11	7754000004	1	Wear Ring	
12	7796000024	1	Rod Seal	
13	7796000008	1	Rod Wiper Seal	
14	7754000002	1	Retaining Ring	
15	7754000026	1	Retaining Ring	
16	7661000034	1	Nut	
17	7082000016	2	Bearing	
18	7082000018	2	Bearing	
19	7443000245	1	Fitting, Straight	
100	7577250024	1	Service Kit (includes items 4-7 & 9-15)	

SECTION 2 - WHEEL LIFT

FIGURE 2-25. LINK ASSEMBLY (3500/4000 LBS WHEEL LIFT)



ART_3592000040

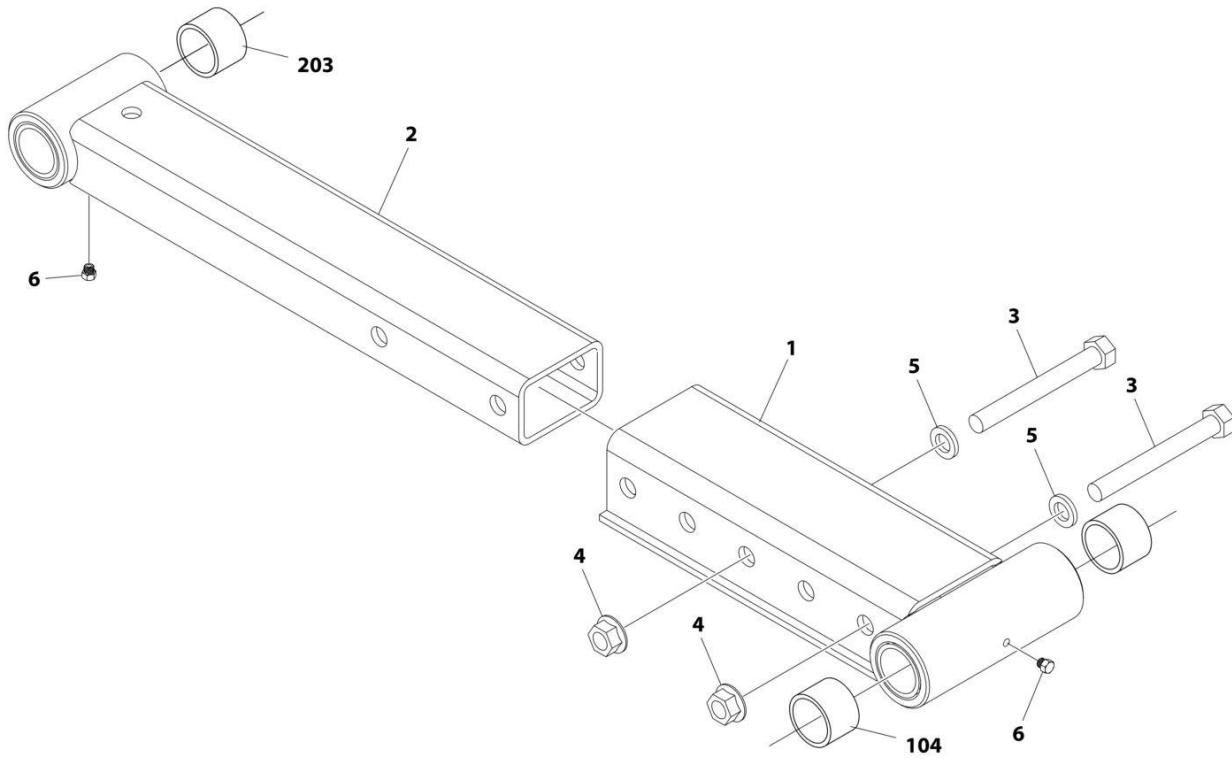
SECTION 2 - WHEEL LIFT

FIGURE 2-25. LINK ASSEMBLY (3500/4000 LBS WHEEL LIFT)

ITEM	PART NUMBER	QTY	DESCRIPTION	REV
	3592000040	Ref	Link Assembly, 4000 lbs	B
1	3592000058	1	Link, Outer	
2	3592000042	1	Link, Inner	
3	0641834	2	Bolt 1/2 x 4-1/4	
4	7660182301	2	Nut 1/2	
5	4761800	2	Washer 1/2	
6	1001204776	2	Fitting, Pipe	
104	7082000016	2	Bearing	
203	7082000016	2	Bearing	

SECTION 2 - WHEEL LIFT

FIGURE 2-26. LINK ASSEMBLY (3500/4000 LBS WHEEL LIFT) (GALVANIZED)



ART_3592000066

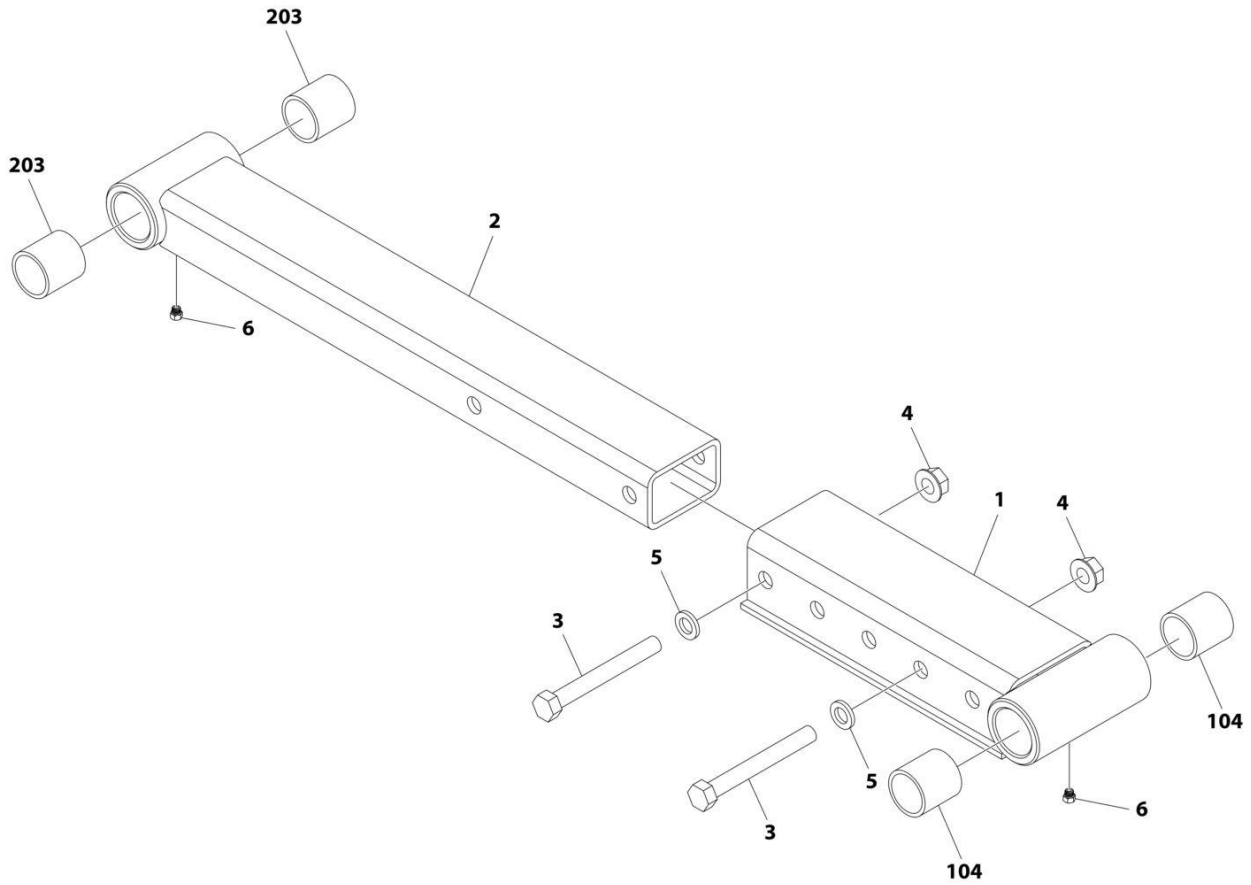
SECTION 2 - WHEEL LIFT

FIGURE 2-26. LINK ASSEMBLY (3500/4000 LBS WHEEL LIFT) (GALVANIZED)

ITEM	PART NUMBER	QTY	DESCRIPTION	REV
	3592000066	Ref	Link Assembly, 4000 lbs Galvanized	B
1	3592000060	1	Link, Outer	
2	3592000065	1	Link, Inner	
3	0641834	2	Bolt 1/2 x 4-1/4	
4	7660182301	2	Nut 1/2	
5	4761800	2	Washer 1/2	
6	1001204776	2	Fitting, Pipe	
104	7082000016	2	Bearing	
203	7082000016	2	Bearing	

SECTION 2 - WHEEL LIFT

FIGURE 2-27. LINK ASSEMBLY (3500 LBS WHEEL LIFT WITH HYDRAULIC ARMS)



ART_1001158510

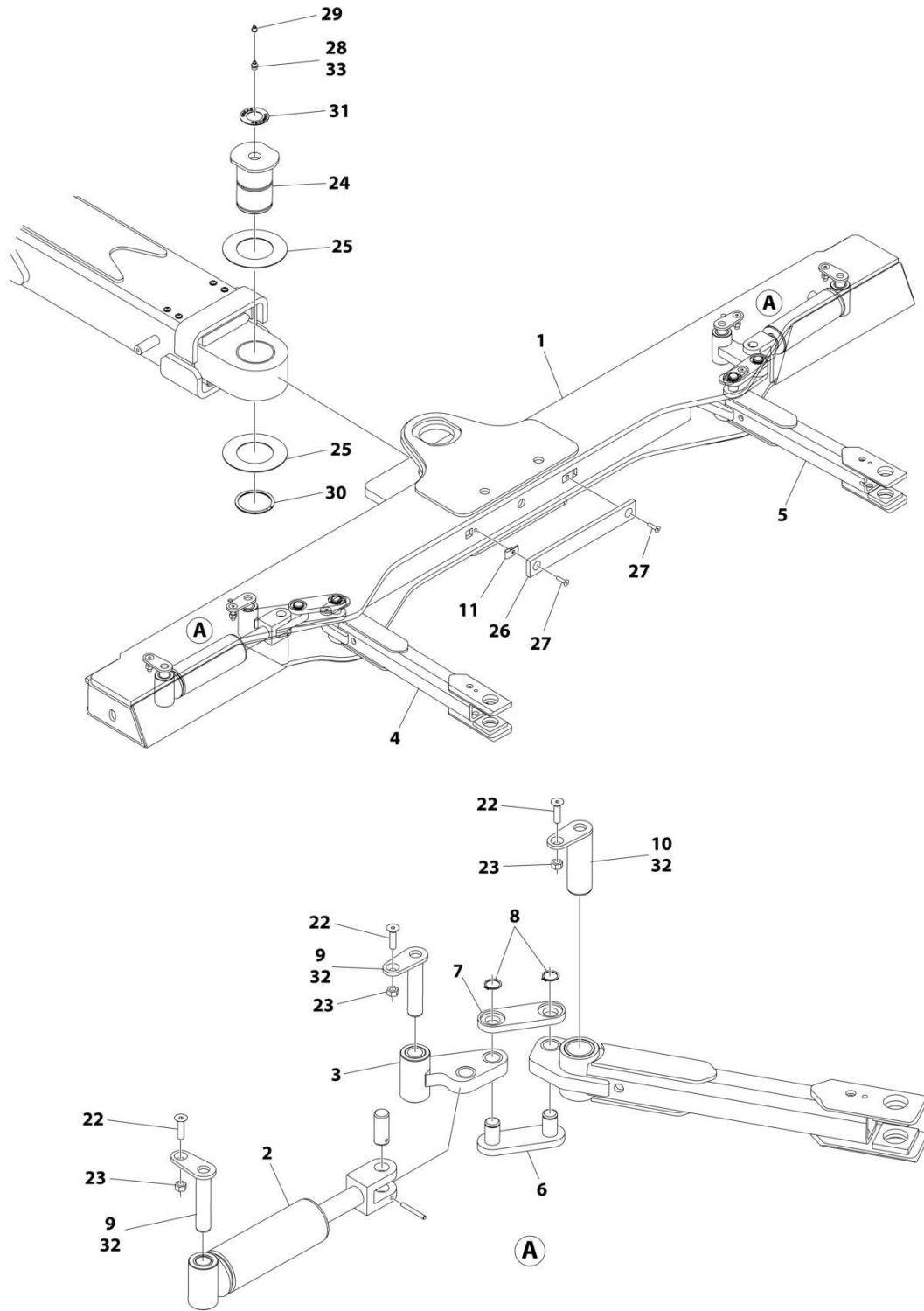
SECTION 2 - WHEEL LIFT

FIGURE 2-27. LINK ASSEMBLY (3500 LBS WHEEL LIFT WITH HYDRAULIC ARMS)

ITEM	PART NUMBER	QTY	DESCRIPTION	REV
	1001158510	Ref	LINK ASSEMBLY (AUTOGRID)	B
1	3592000059	1	Lower Link Weldment	
2	1001158512	1	Upper Link Weldment	
3	0641834	2	Bolt 1/2 x 4-1/4	
4	7660182301	2	Nut 1/2	
5	4761800	2	Washer 1/2	
6	1001204776	2	Fitting, Pipe	
104	7082000016	2	Bearing	
203	7082000016	2	Bearing	

SECTION 2 - WHEEL LIFT

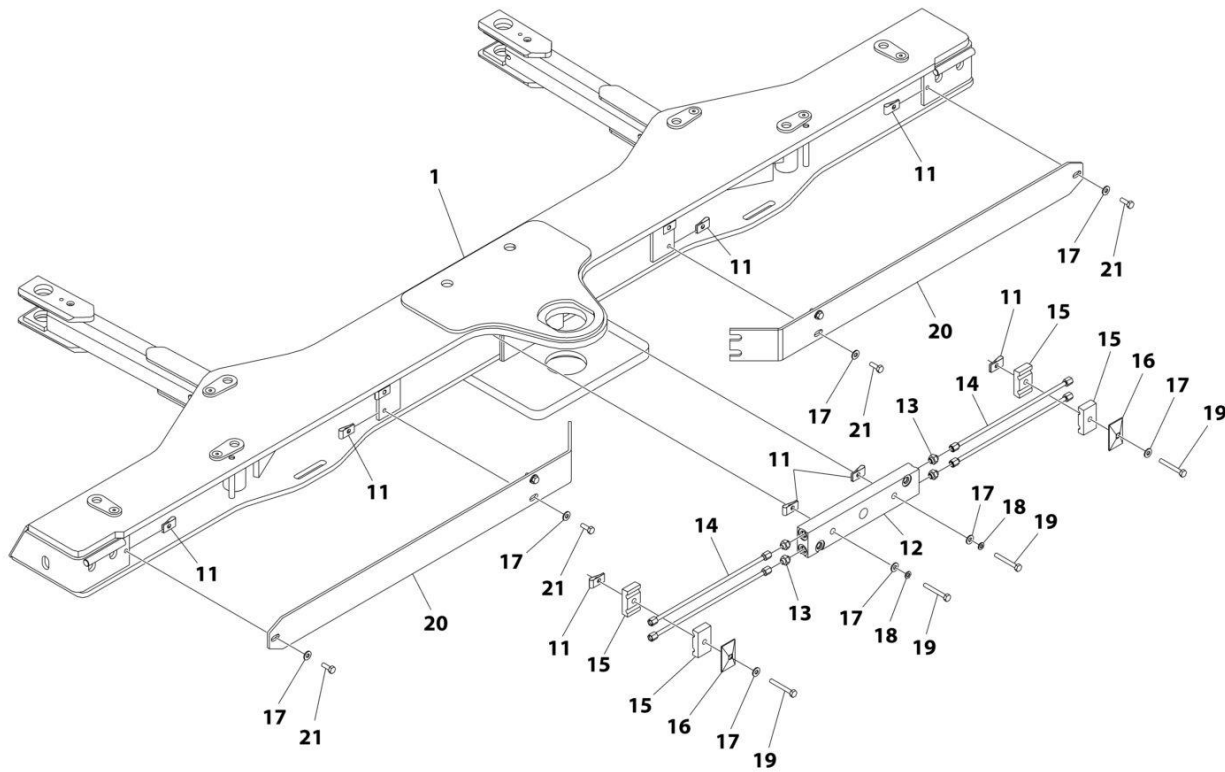
FIGURE 2-28. AUTOGRID INSTALLATION



ART_1001228493_10F2

SECTION 2 - WHEEL LIFT

FIGURE 2-29. AUTOGRID INSTALLATION



ART_1001228493_2OF2

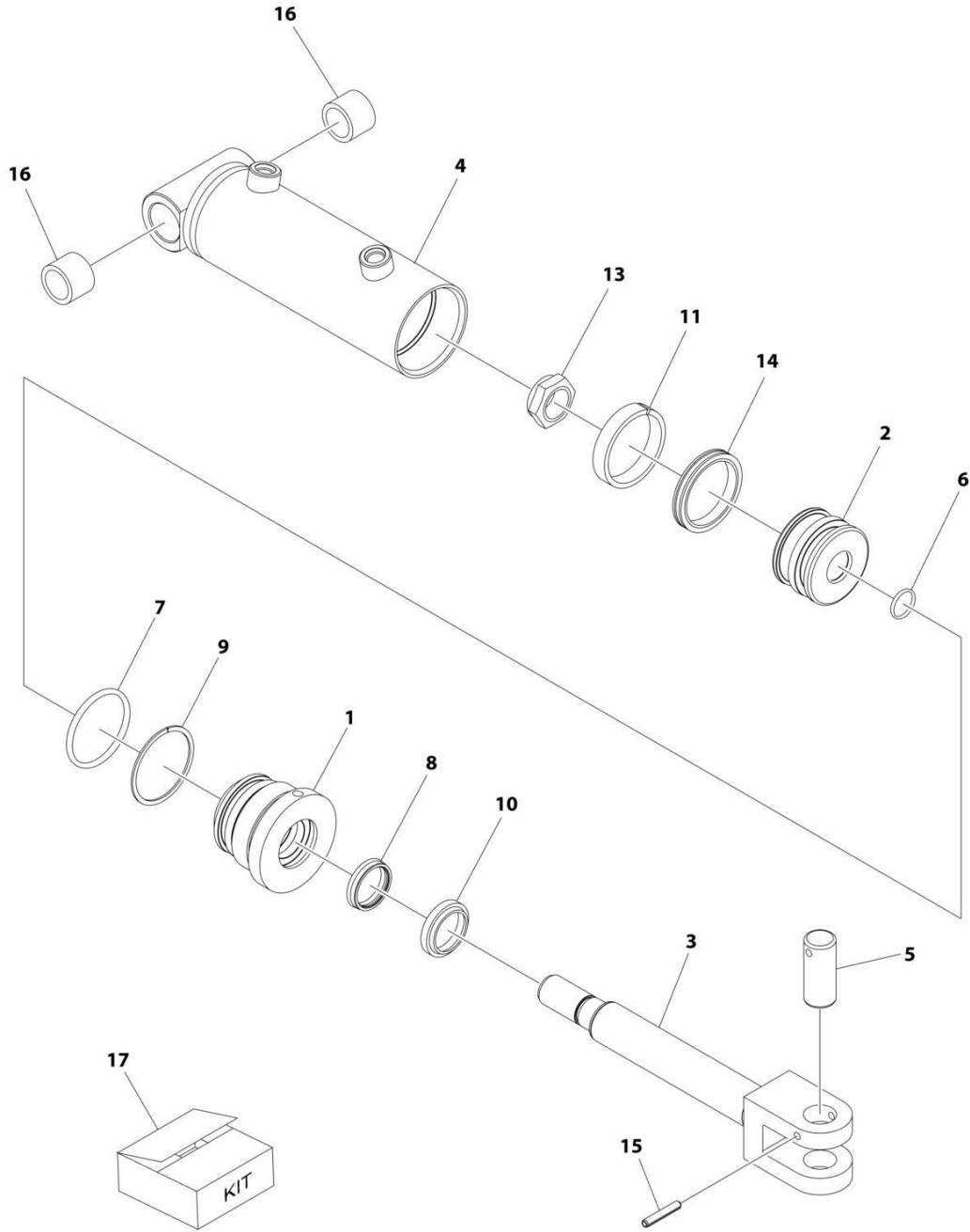
SECTION 2 - WHEEL LIFT

FIGURE 2-29. AUTOGRID INSTALLATION

ITEM	PART NUMBER	QTY	DESCRIPTION	REV
	1001228493	Ref	HYDRAULIC WHEEL LIFT GRID	A
1	1001228491	1	Plate	
2	732000064	2	Cylinder Assembly - Hydraulic Grid (See Separate Breakdown in this Section)	
3	3592000052	2	Link	
4	3020000115	1	Arm (LH)	
5	3020000111	1	Arm (RH)	
6	3592000051	2	Link Weldment	
7	4706003497	2	Plate	
8	3760351	4	Ring, Retaining	
9	3691000229	4	Pin	
10	3691000230	2	Pin	
11	7661000064	12	Clip, U-Nut 1/4	
12	4619000013	1	Manifold	
13	7445040443	4	Fitting, Straight	
14	7912000184	4	Tube, Hydraulic	
15	7274000086	4	Clamp	
16	7274000039	2	Clamp Cover	
17	4711400	10	Washer 1/4	
18	4761400	2	Washer 1/4	
19	0641416	4	Bolt 1/4 x 2	
20	1001220280	2	Plate	
21	0641406	6	Bolt 1/4 x 3/4	
22	1001137904	6	Bolt 5/16 x 1-1/4	
23	3271505	6	Nut 5/16	
24	4691000198	1	Pin	
25	4949000047	2	Washer	
26	4679000268	1	Pad	
27	0741408	2	Flat	
28	88671001	1	Fitting, Straight	
29	7253000002	1	Cap, Grease	
30	7754000024	1	Retaining Ring	
31	7330000609	1	Decal, Grease Required	
32	3020039	AR	Lubricant	
33	3020029	AR	Lubricant	

SECTION 2 - WHEEL LIFT

FIGURE 2-30. AUTOGRID CYLINDER ASSEMBLY



ART_732000064

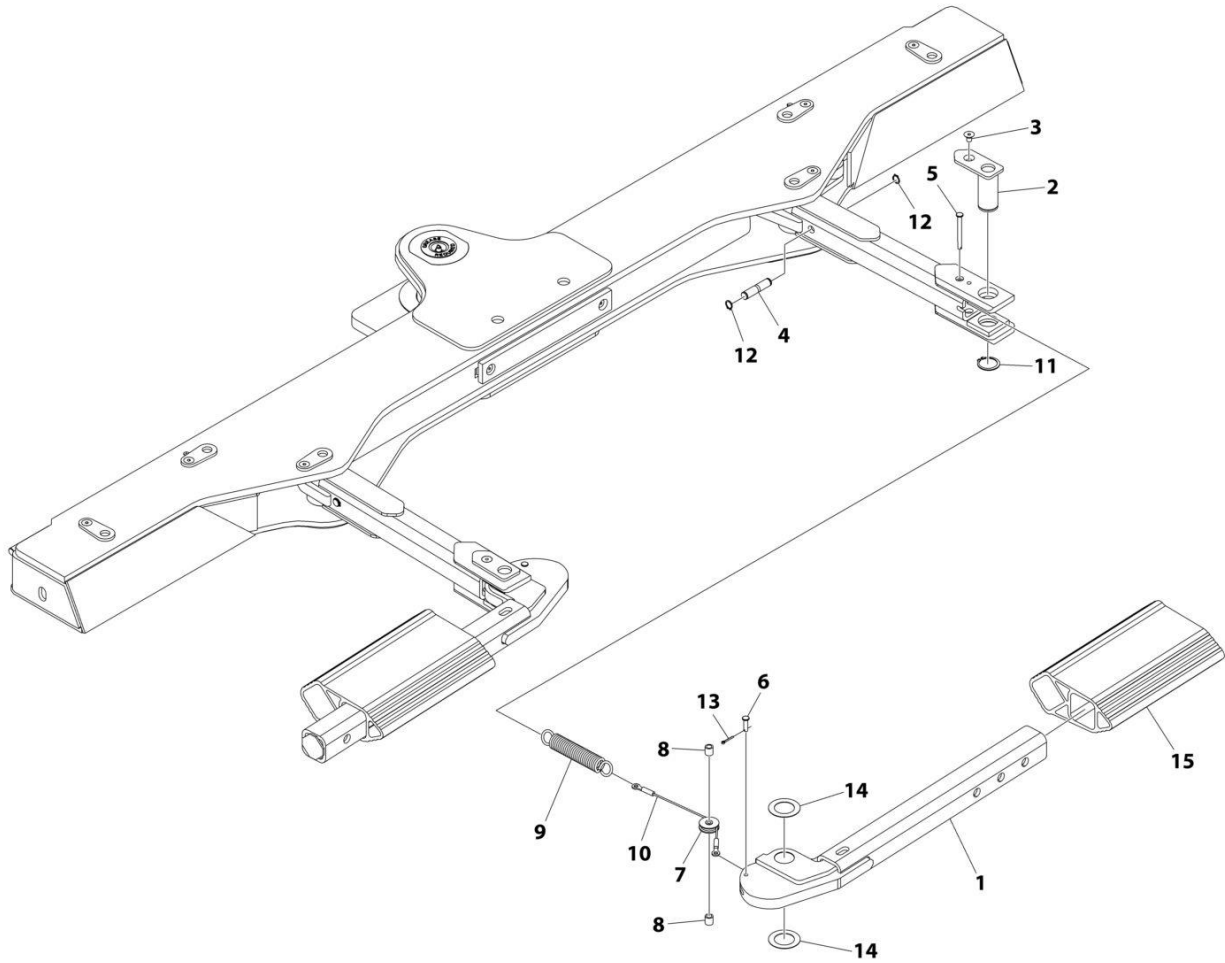
SECTION 2 - WHEEL LIFT

FIGURE 2-30. AUTOGRID CYLINDER ASSEMBLY

ITEM	PART NUMBER	QTY	DESCRIPTION	REV
	732000064	Ref	CYLINDER ASSEMBLY	B
1	7027336	1	Gland	
2	7027338	1	Piston	
3	70050632	1	Rod Assembly	
4	70050633	1	Barrel Assembly	
5	70050634	1	Retention Pin	
6	70050635	1	O-Ring	
7	70050636	1	O-Ring	
8	70050637	1	Rod Seal	
9	70050638	1	Backup Ring	
10	70050639	1	Rod Wiper	
11	70050640	1	Wear Ring	
12	70050641	2	Plug	
13	70050642	1	Nut 3/4	
14	70050643	1	Piston Seal	
15	70050644	1	Roll Pin	
16	7082000026	2	Bearing	
17	7027341	1	Seal Kit (includes items 6-11)	

SECTION 2 - WHEEL LIFT

FIGURE 2-31. AUTOGRID ARM INSTALLATION



ART_248400008

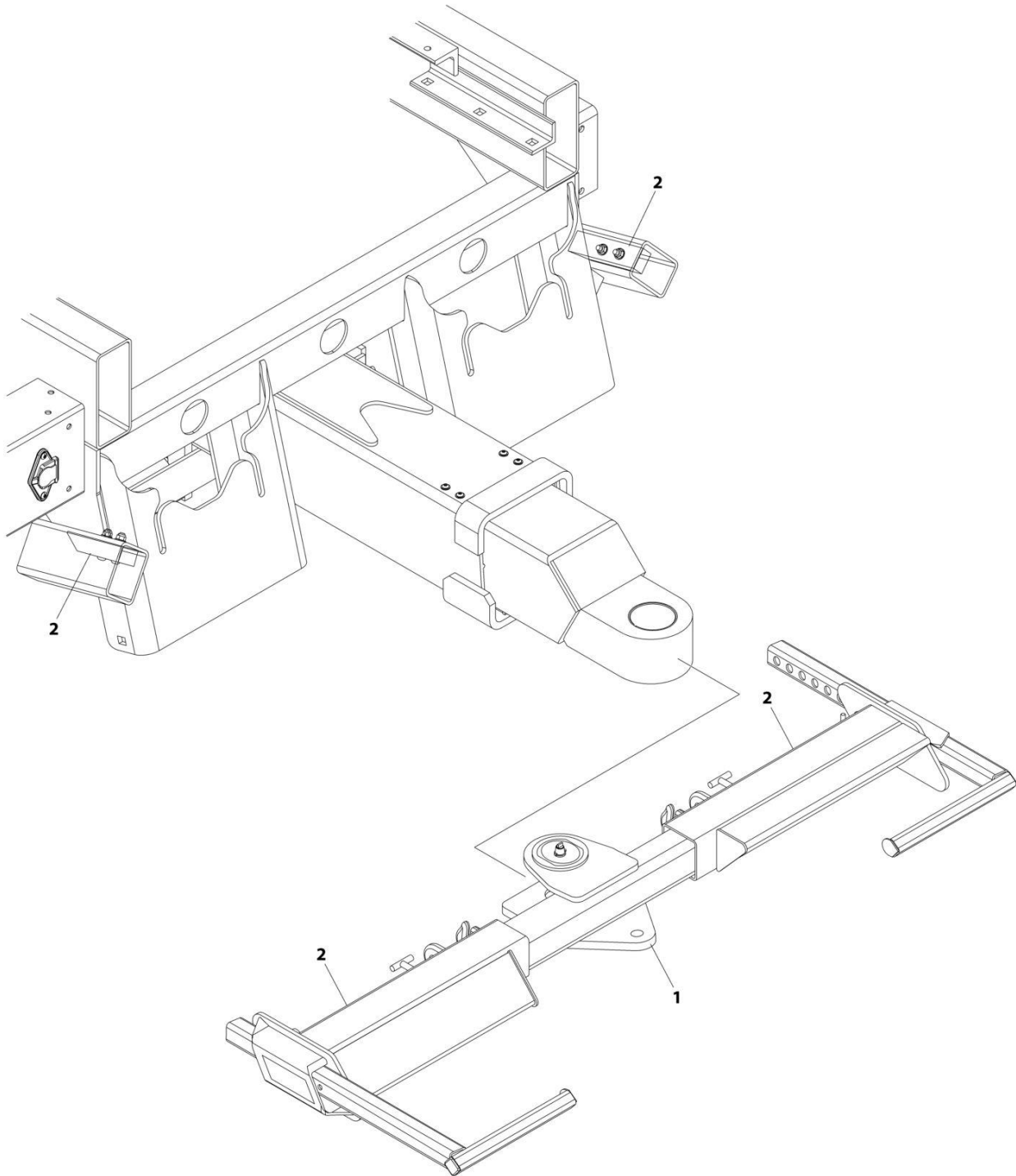
SECTION 2 - WHEEL LIFT

FIGURE 2-31. AUTOGRID ARM INSTALLATION

ITEM	PART NUMBER	QTY	DESCRIPTION	REV
	2484000008	Ref	GRID ARM INSTALLATION - AUTOGRID	C
1	3020000112	2	Arm Weldment	
2	3691000222	2	Pin	
3	0741504	2	Screw 5/16 x 1/2	
4	4691000527	2	Pin	
5	7690144005	2	Pin	
6	7690141600	2	Pin	
7	7719000005	2	Pulley	
8	4831000112	4	Spacer	
9	7843000043	2	Spring	
10	7248000115	2	Cable	
11	3760133	2	Retainer	
12	7754000087	4	Retainer	
13	7690021210	2	Pin	
14	4949000072	4	Washer	
15	8411080091	2	L-Arm Spacer	

SECTION 2 - WHEEL LIFT

FIGURE 2-32. WHEEL LIFT GRID - COMPLETE (3500 LBS - FIXED) (GALVANIZED)



ART_1001170182

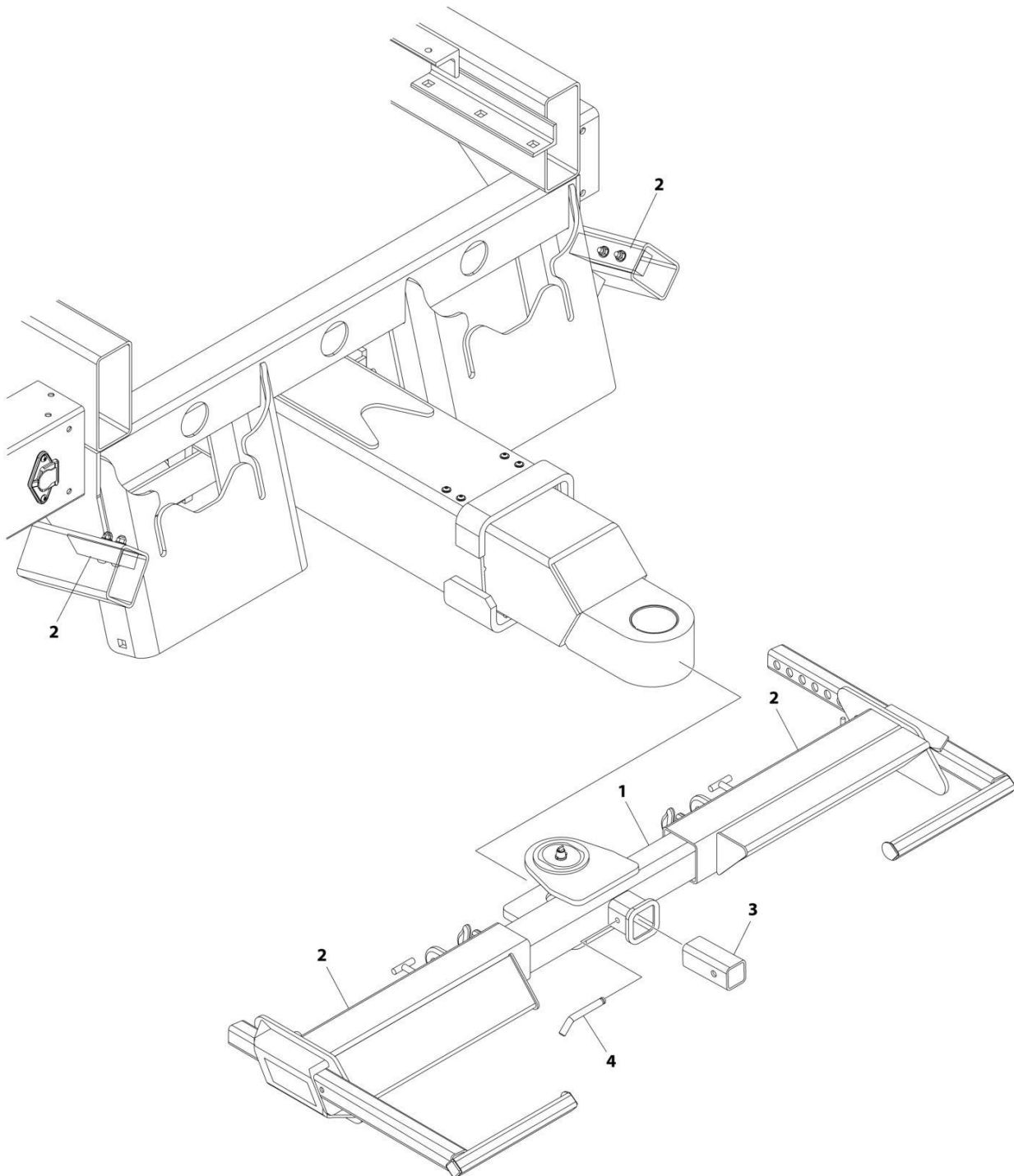
SECTION 2 - WHEEL LIFT

FIGURE 2-32. WHEEL LIFT GRID - COMPLETE (3500 LBS - FIXED) (GALVANIZED)

ITEM	PART NUMBER	QTY	DESCRIPTION	REV
	1001170182	Ref	WHEEL LIFT GRID INSTALLATION (3500 LBS - FIXED ARMS) (NO TOW HITCH)	A
1	1001158674	1	Pivot Tube Installation (See Separate Breakdown in this Section)	
2	1001170175	1	L-Arms Grid Installation (See Separate Breakdown in this Section)	

SECTION 2 - WHEEL LIFT

FIGURE 2-33. WHEEL LIFT GRID - COMPLETE (3500 LBS - FIXED) (2.5 IN TOW HITCH)



ART_1001170184

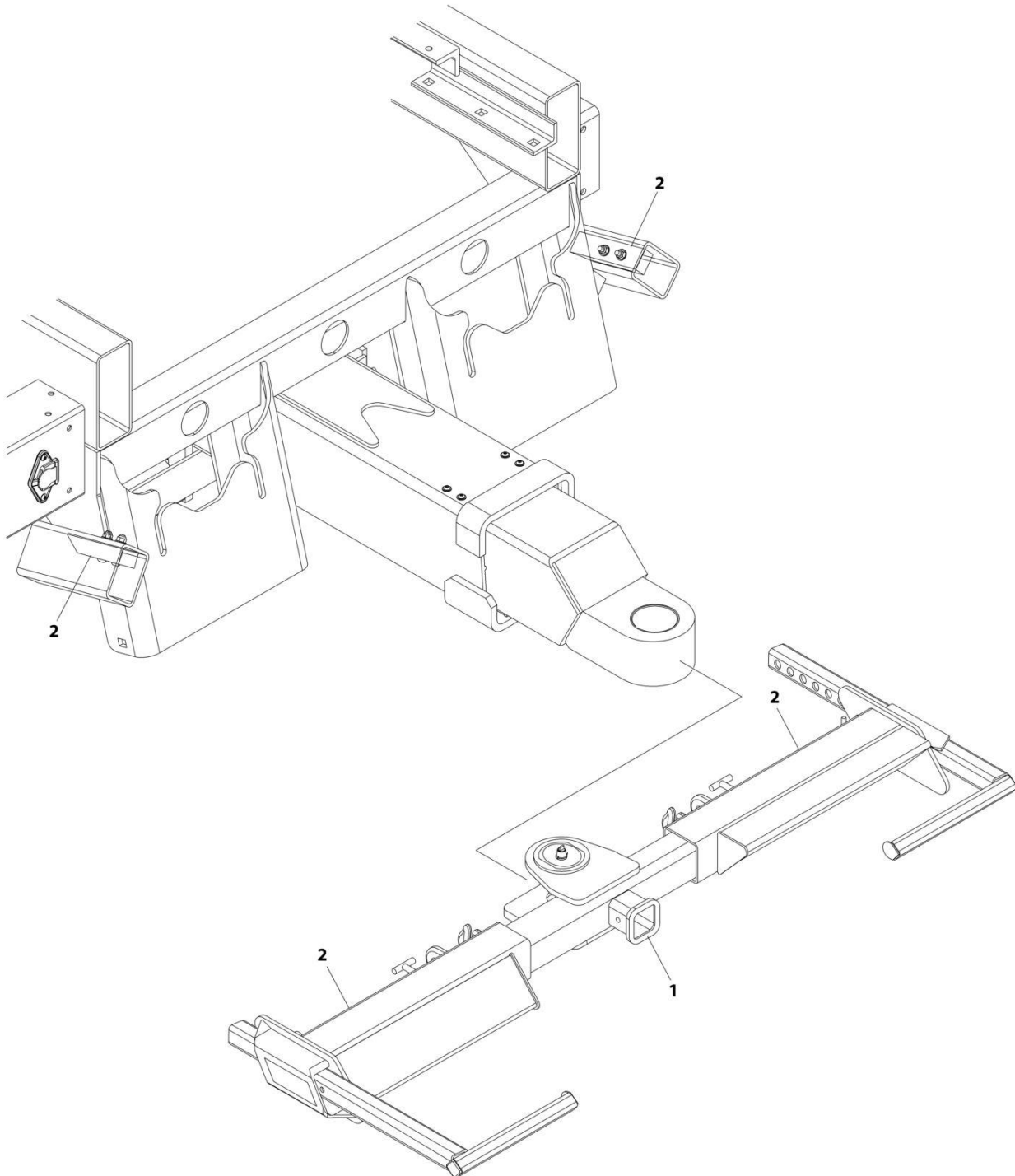
SECTION 2 - WHEEL LIFT

FIGURE 2-33. WHEEL LIFT GRID - COMPLETE (3500 LBS - FIXED) (2.5 IN TOW HITCH)

ITEM	PART NUMBER	QTY	DESCRIPTION	REV
	1001170184	Ref	WHEEL LIFT GRID INSTALLATION (3500 LBS - FIXED ARMS) (2.5IN TOW HITCH)	A
1	1001158678	1	Pivot Tube Installation (2.5in Tow Hitch) (See Separate Breakdown in this Section)	
2	1001170175	1	L-Arm Grid Installation (See Separate Breakdown in this Section)	
3	7913000006	1	Tube Reese Reducer	
4	7691000033	1	Cotter Pin	

SECTION 2 - WHEEL LIFT

FIGURE 2-34. WHEEL LIFT GRID - COMPLETE (3500 LBS - FIXED) (2 IN TOW HITCH)



ART_1001170183

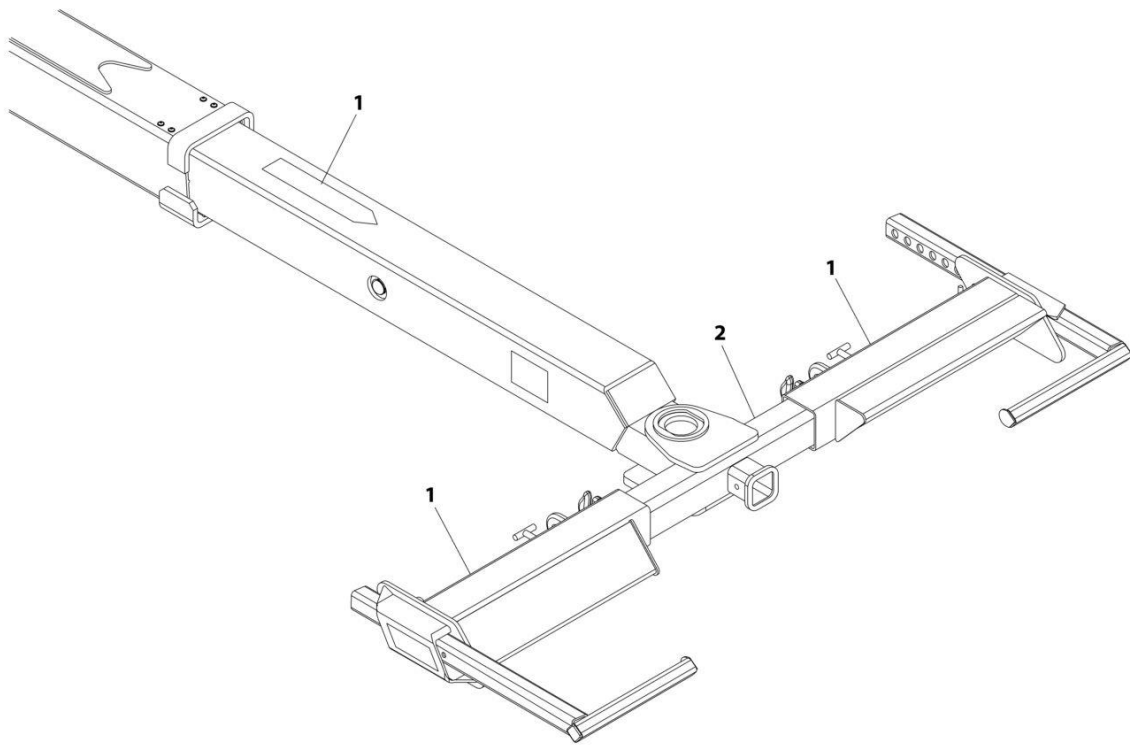
SECTION 2 - WHEEL LIFT

FIGURE 2-34. WHEEL LIFT GRID - COMPLETE (3500 LBS - FIXED) (2 IN TOW HITCH)

ITEM	PART NUMBER	QTY	DESCRIPTION	REV
	1001170183	Ref	WHEEL LIFT GRID INSTALLATION (3500 LBS - FIXED ARMS) (2IN TOW HITCH)	A
1	1001158677	1	Pivot Tube Installation (2in Tow Hitch) (See Separate Breakdown in this Section)	
2	1001170175	1	Manual L-Arm Wheel Lift Grid Installation (See Separate Breakdown in this Section)	

SECTION 2 - WHEEL LIFT

FIGURE 2-35. WHEEL LIFT GRID - COMPLETE (4000 LBS - FIXED) (2 IN TOW HITCH)



ART_1001158886

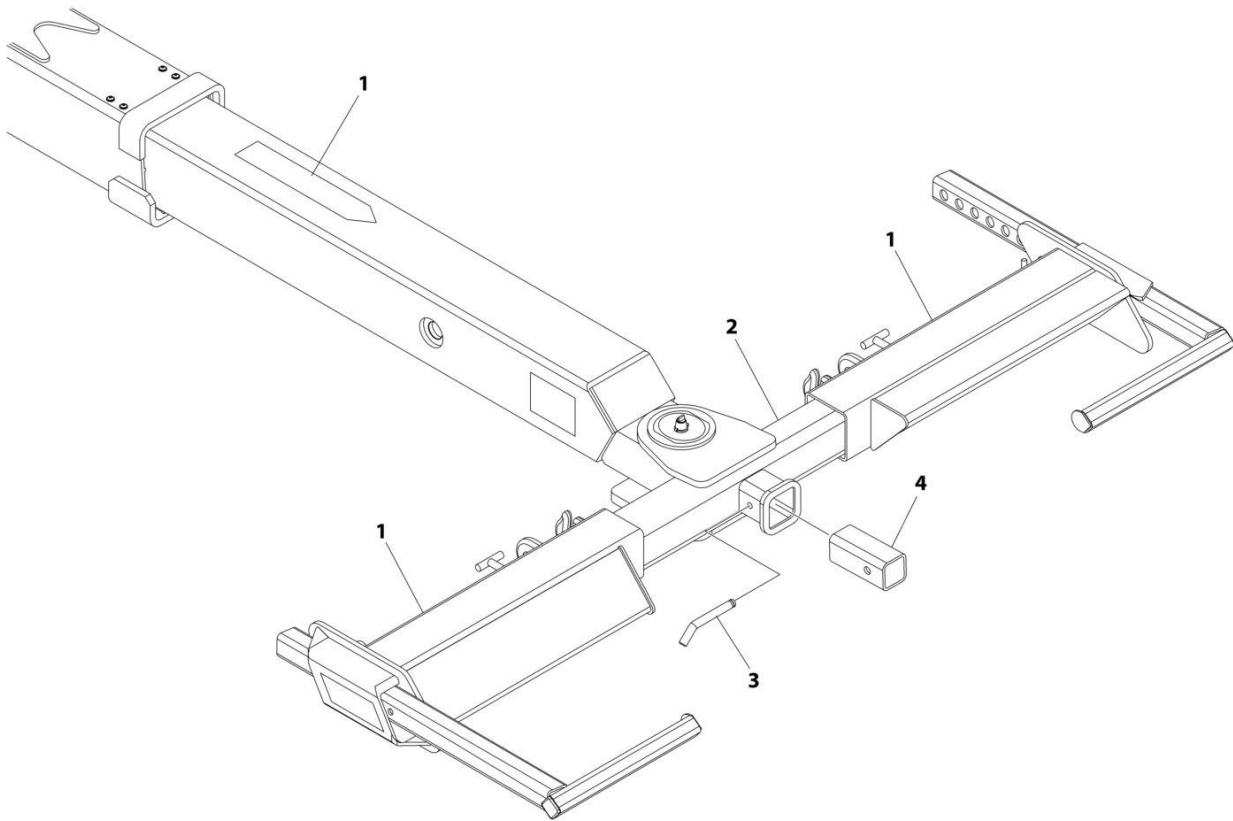
SECTION 2 - WHEEL LIFT

FIGURE 2-35. WHEEL LIFT GRID - COMPLETE (4000 LBS - FIXED) (2 IN TOW HITCH)

ITEM	PART NUMBER	QTY	DESCRIPTION	REV
	1001158886	Ref	WHEEL LIFT GRID INSTALLATION (4000 LBS - FIXED ARMS) (2IN TOW HITCH)	A
1	2484000004	1	L-Arm Grid Installation (See Separate Breakdown in this Section)	
2	1001158677	1	Pivot Tube Installation (2in Tow Hitch) (See Separate Breakdown in this Section)	

SECTION 2 - WHEEL LIFT

FIGURE 2-36. IWHEEL LIFT GRID - COMPLETE (4000 LBS - FIXED) (2.5 IN TOW HITCH)



ART_1001158887

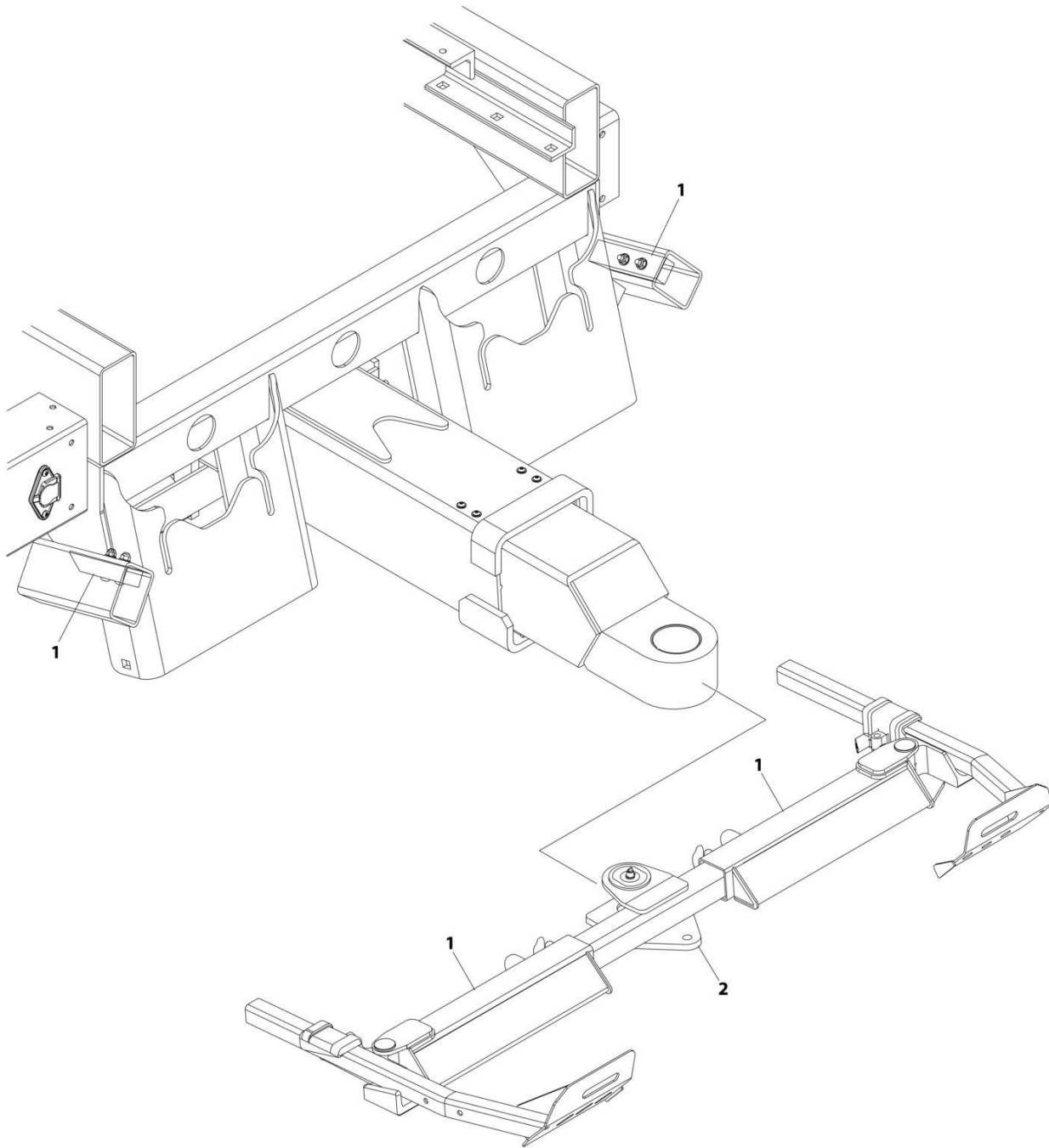
SECTION 2 - WHEEL LIFT

FIGURE 2-36. IWHEEL LIFT GRID - COMPLETE (4000 LBS - FIXED) (2.5 IN TOW HITCH)

ITEM	PART NUMBER	QTY	DESCRIPTION	REV
	1001158887	Ref	WHEEL LIFT GRID INSTALLATION (4000 LBS - FIXED ARMS) (2.5IN TOW HITCH)	A
1	2484000004	1	L-Arm Grid Installation (See Separate Breakdown in this Section)	
2	1001158678	1	Pivot Tube Installation (2.5 in Tow Hitch) (See Separate Breakdown in this Section)	
3	7691000033	1	Pin	
4	7913000006	1	Tube Reese Reducer	

SECTION 2 - WHEEL LIFT

FIGURE 2-37. WHEEL LIFT GRID - COMPLETE (4000 LBS - T37)



ART_100115888

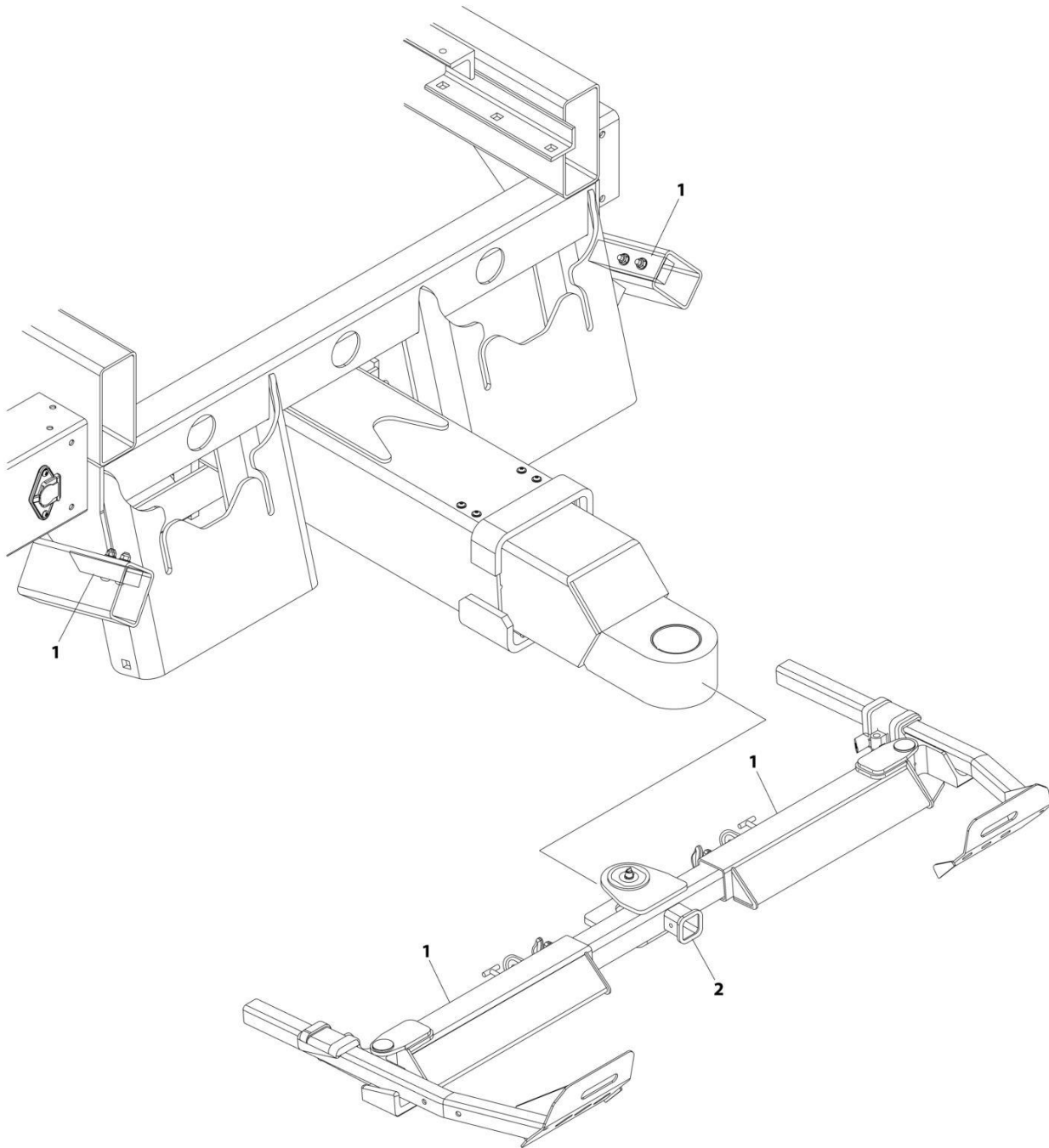
SECTION 2 - WHEEL LIFT

FIGURE 2-37. WHEEL LIFT GRID - COMPLETE (4000 LBS - T37)

ITEM	PART NUMBER	QTY	DESCRIPTION	REV
	1001158888	Ref	WHEEL LIFT GRID INSTALLATION (4000 LBS - T37 PIVOTING ARMS) (NO TOW HITCH)	A
1	2484000006	1	L-Arms Grid Installation (T37 Pivoting Arms) (See Separate Breakdown in this Section)	
2	1001158674	1	Pivot Tube Installation (See Separate Breakdown in this Section)	

SECTION 2 - WHEEL LIFT

FIGURE 2-38. WHEEL LIFT GRID - COMPLETE (4000 LBS - T37) (2 IN TOW HITCH)



ART_100115889

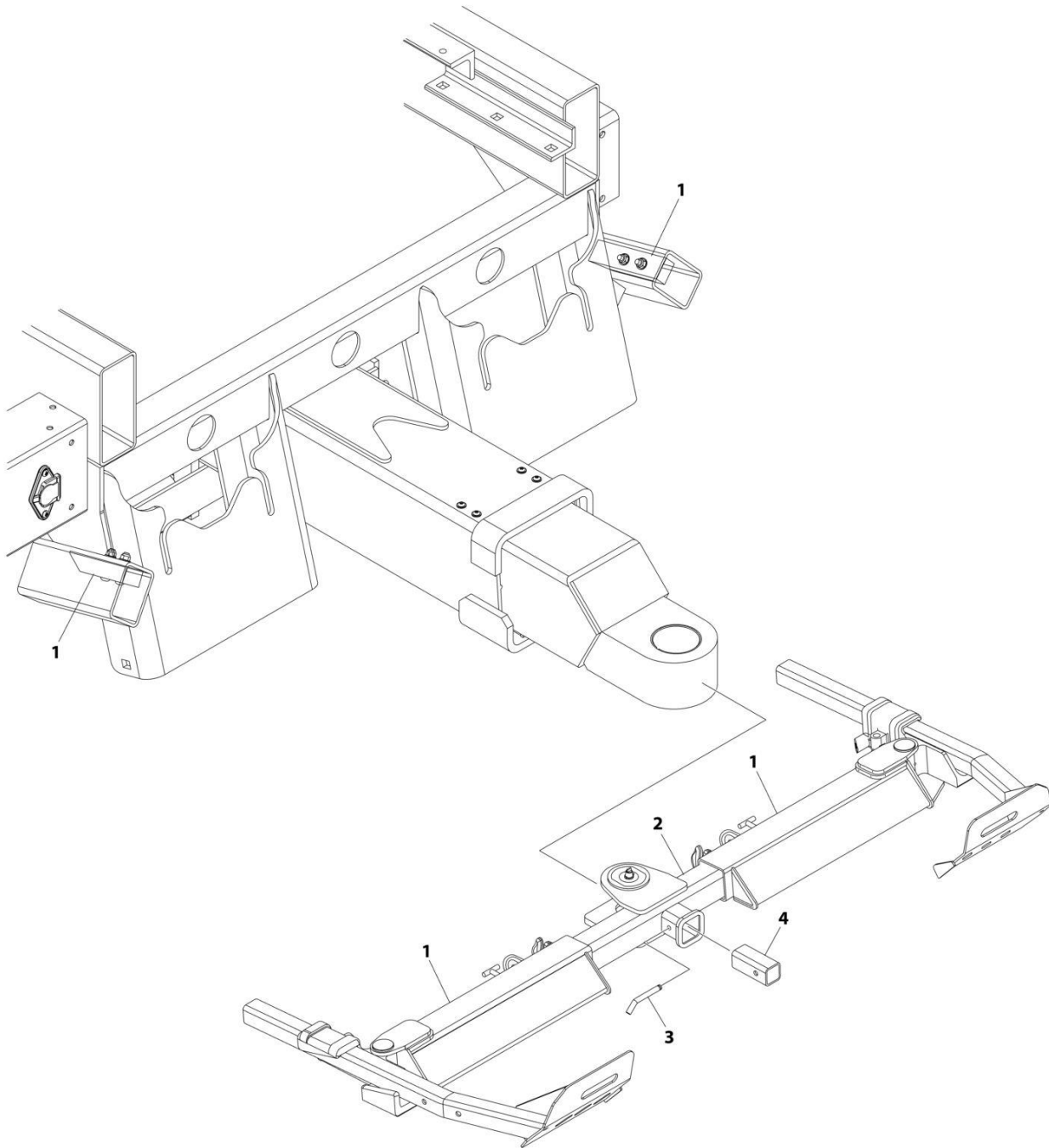
SECTION 2 - WHEEL LIFT

FIGURE 2-38. WHEEL LIFT GRID - COMPLETE (4000 LBS - T37) (2 IN TOW HITCH)

ITEM	PART NUMBER	QTY	DESCRIPTION	REV
	1001158889	Ref	WHEEL LIFT GRID INSTALLATION (4000 LBS - T37 PIVOTING ARMS) (2IN TOW HITCH)	A
1	2484000006	1	L-Arms Grid Installation, (T37 Pivoting Arms) (See Separate Breakdown in this Section)	
2	1001158677	1	Pivot Tube Installation (2in Tow Hitch) (See Separate Breakdown in this Section)	

SECTION 2 - WHEEL LIFT

FIGURE 2-39. WHEEL LIFT GRID - COMPLETE(4000 LBS - T37) (2.5 IN TOW HITCH)



ART_1001158890

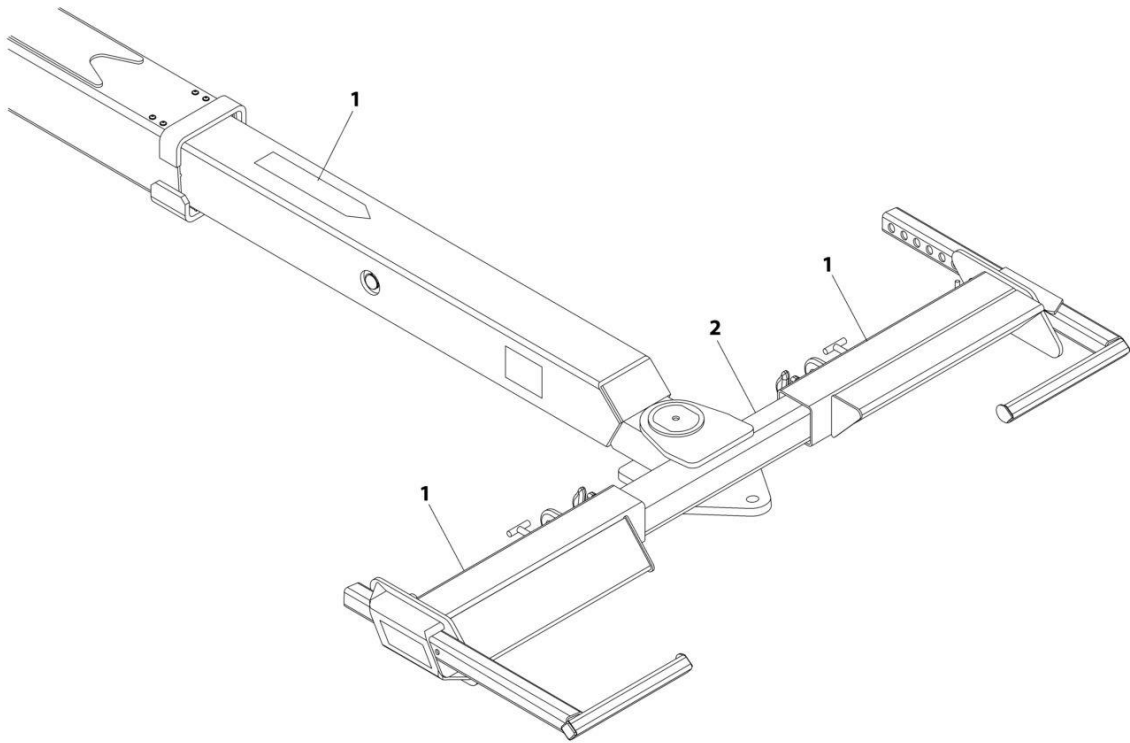
SECTION 2 - WHEEL LIFT

FIGURE 2-39. WHEEL LIFT GRID - COMPLETE(4000 LBS - T37) (2.5 IN TOW HITCH)

ITEM	PART NUMBER	QTY	DESCRIPTION	REV
	1001158890	Ref	WHEEL LIFT GRID INSTALLATION (4000 LBS - T37 PIVOTING ARMS) (2.5IN TOW HITCH)	A
1	2484000006	1	L-Arms Grid Installation (T-37 Pivoting Arm) (See Separate Breakdown in this Section)	
2	1001158678	1	Pivot Tube Installation (2.5in Tow Hitch) (See Separate Breakdown in this Section)	
3	7691000033	1	Pin	
4	7913000006	1	Tube, Reducer	

SECTION 2 - WHEEL LIFT

FIGURE 2-40. WHEEL LIFT GRID - COMPLETE (5000 LBS - MANUAL)



ART_100115885

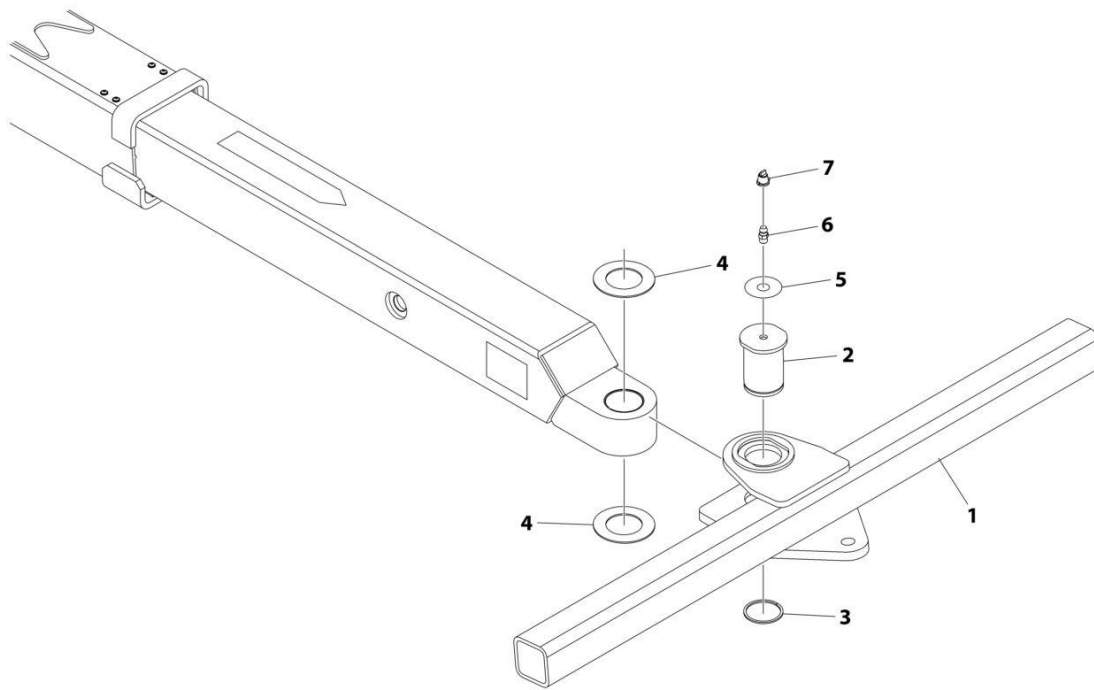
SECTION 2 - WHEEL LIFT

FIGURE 2-40. WHEEL LIFT GRID - COMPLETE (5000 LBS - MANUAL)

ITEM	PART NUMBER	QTY	DESCRIPTION	REV
	1001158885	Ref	WHEEL LIFT GRID INSTALLATION (4000 LBS - FIXED ARMS) (NO TOW HITCH)	A
1	2484000004	1	L-Arm Grid Installation (See Separate Breakdown in this Section)	
2	1001158674	1	Pivot Tube Installation (See Separate Breakdown in this Section)	

SECTION 2 - WHEEL LIFT

FIGURE 2-41. GRID PIVOT TUBE INSTALLATION (3500 LBS- FIXED & 4000 LBS T-37)



ART_1001158674

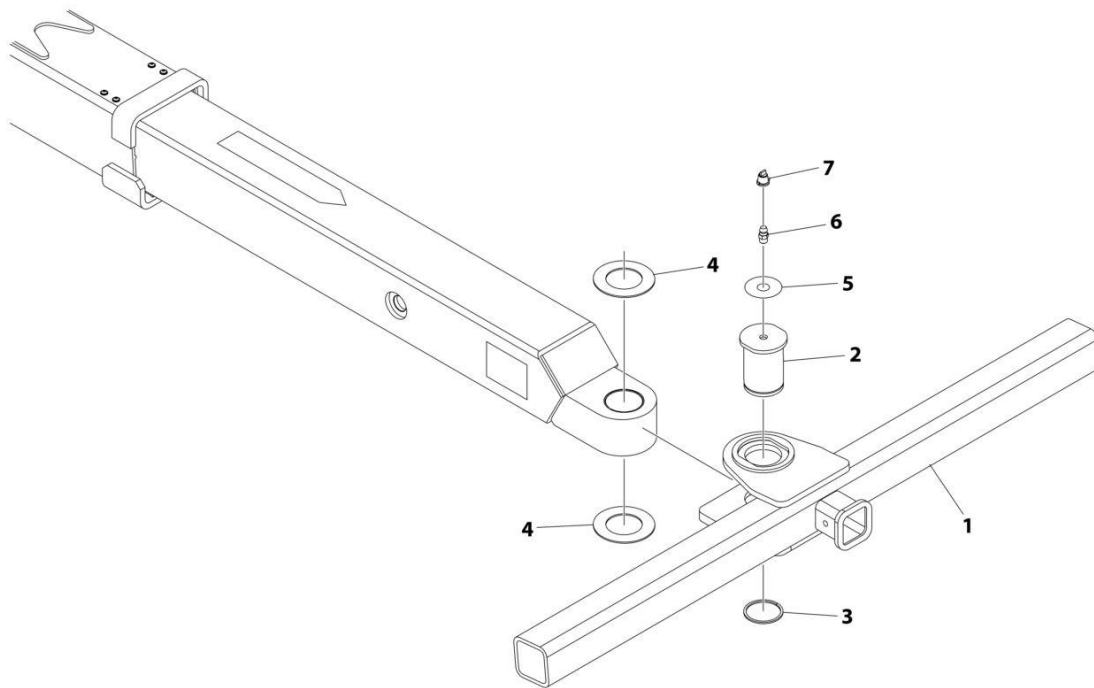
SECTION 2 - WHEEL LIFT

FIGURE 2-41. GRID PIVOT TUBE INSTALLATION (3500 LBS- FIXED & 4000 LBS T-37)

ITEM	PART NUMBER	QTY	DESCRIPTION	REV
	1001158674	Ref	PIVOT TUBE INSTALLATION 4000 LBS	A
1	3913000097	1	Tube	
2	4691000103	1	Pin	
3	7754000024	1	Ring	
4	4949000047	2	Washer	
5	7330000609	1	Decal - Grease Required	
6	7440030000	1	Fitting	
7	7253000002	1	Fitting, Cap	
8	3020039	AR	Lubricant (Not Shown)	
9	3020029	AR	Lube Bearing Grease (Not Shown)	

SECTION 2 - WHEEL LIFT

FIGURE 2-42. GRID PIVOT TUBE INSTALLATION (3500 LBS/4000 LBS WITH 2 IN TOW HITCH)



ART_1001158677

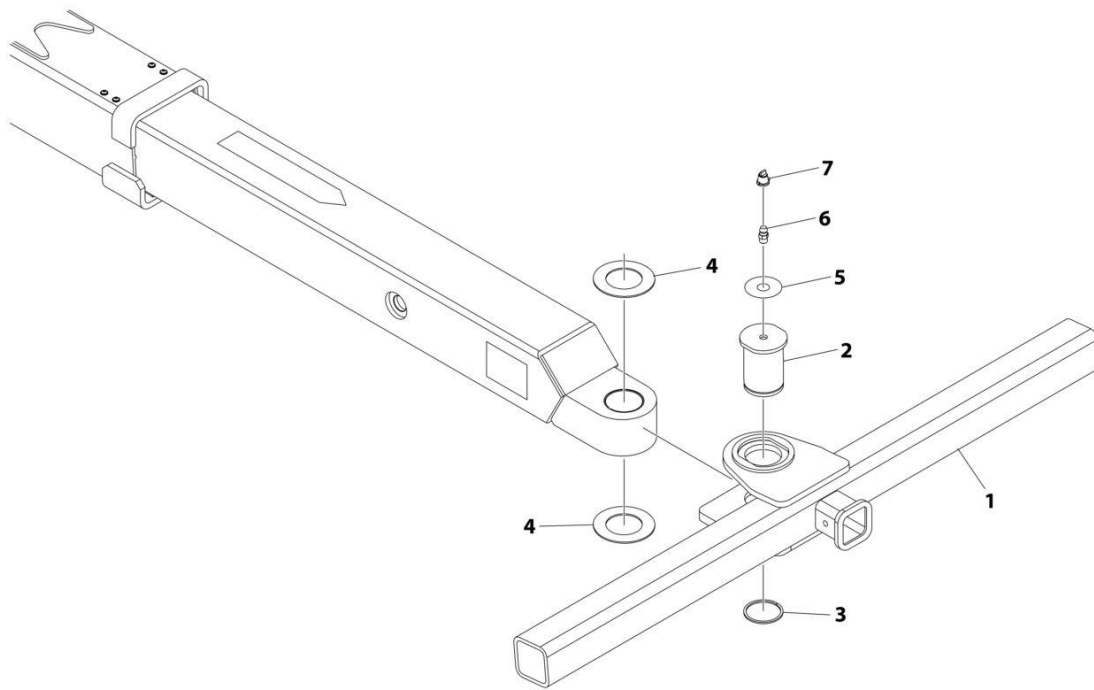
SECTION 2 - WHEEL LIFT

FIGURE 2-42. GRID PIVOT TUBE INSTALLATION (3500 LBS/4000 LBS WITH 2 IN TOW HITCH)

ITEM	PART NUMBER	QTY	DESCRIPTION	REV
	1001158677	Ref	PIVOT TUBE INSTALLATION (4000 LBS) (2 IN TOW HITCH)	B
1	3913000100	1	Tube	
2	4691000103	1	Pin	
3	7754000024	1	Ring	
4	4949000047	2	Washer	
5	7330000609	1	Decal - Grease Required	
6	7440030000	1	Fitting	
7	7253000002	1	Fitting, Cap	
8	3020039	AR	Lubricant (Not Shown)	
9	3020029	AR	Lube Bearing Grease (Not Shown)	

SECTION 2 - WHEEL LIFT

FIGURE 2-43. GRID PIVOT TUBE INSTALLATION (3500 LBS/4000 LBS WITH 2.5 IN TOW HITCH)



ART_1001158678

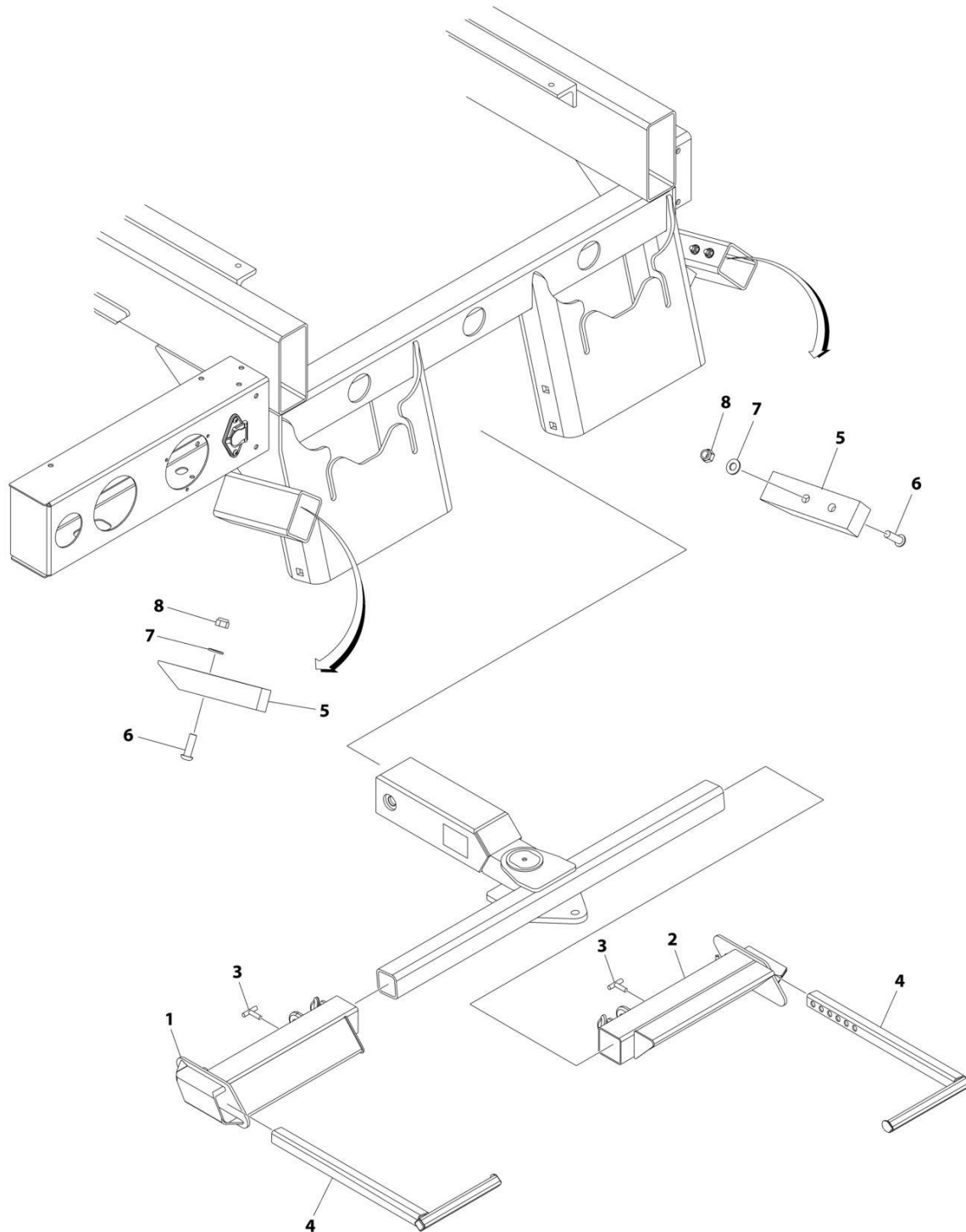
SECTION 2 - WHEEL LIFT

FIGURE 2-43. GRID PIVOT TUBE INSTALLATION (3500 LBS/4000 LBS WITH 2.5 IN TOW HITCH)

ITEM	PART NUMBER	QTY	DESCRIPTION	REV
	1001158678	Ref	PIVOT TUBE INSTALLATION (2.5 IN TOW HITCH)	A
1	3913000101	1	Tube	
2	4691000103	1	Pin	
3	7754000024	1	Ring	
4	4949000047	2	Washer	
5	7330000609	1	Decal - Grease Required	
6	7440030000	1	Fitting	
7	7253000002	1	Fitting, cap	
8	3020039	AR	Lubricant (Not Shown)	
9	3020029	AR	Lube Bearing Grease (Not Shown)	

SECTION 2 - WHEEL LIFT

FIGURE 2-44. GRID L-ARMS INSTALLATION (3500 LBS - FIXED) - GALVANIZED



ART_1001170175

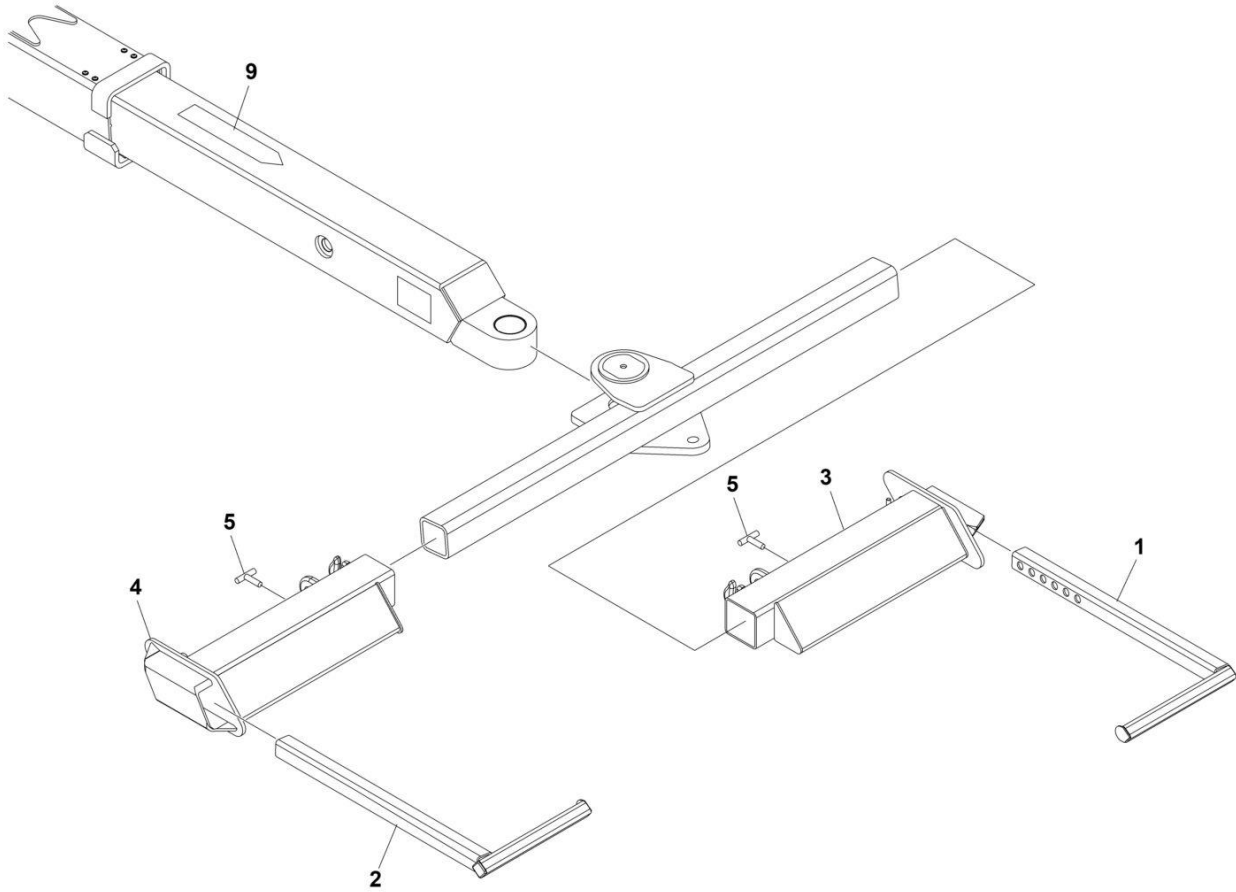
SECTION 2 - WHEEL LIFT

FIGURE 2-44. GRID L-ARMS INSTALLATION (3500 LBS - FIXED) - GALVANIZED)

ITEM	PART NUMBER	QTY	DESCRIPTION	REV
	1001170175	Ref	L-ARM GRID INSTALLATION (3500 LBS FIXED ARMS)	A
1	3484000091	1	Grid (LH)	
2	3484000090	1	Grid (RH)	
3	3551000036	2	T-Handle	
4	3020000132	2	Arm	
5	4679000221	2	Pad	
6	7114150818	4	Capscrew 5/16 x1	
7	7950150141	4	Washer 5/16	
8	7660152601	4	Nut 5/16	

SECTION 2 - WHEEL LIFT

FIGURE 2-45. GRID L-ARMS INSTALLATION (4000 LBS - FIXED & 5000LBS - MANUAL)



ART_248400004

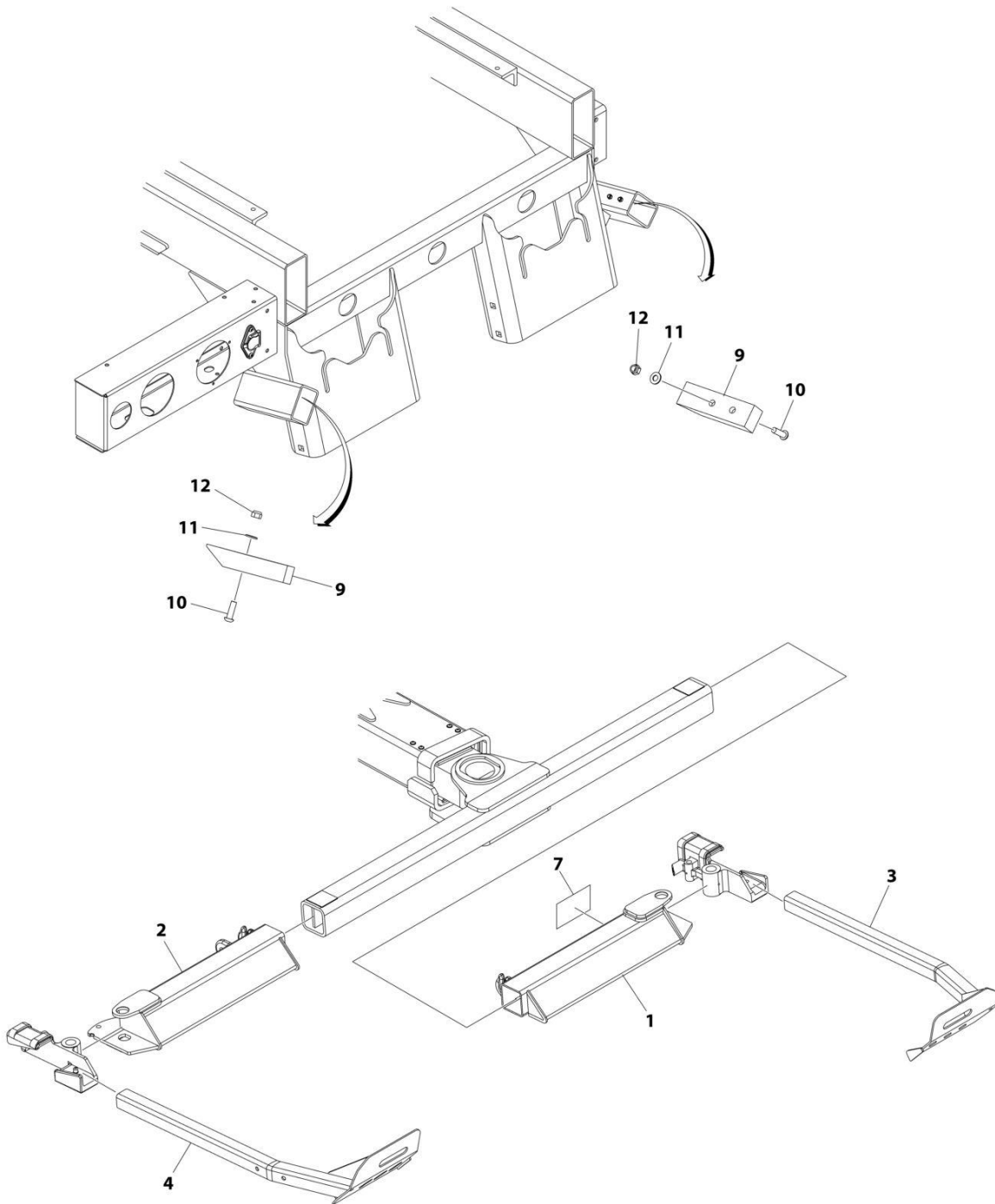
SECTION 2 - WHEEL LIFT

FIGURE 2-45. GRID L-ARMS INSTALLATION (4000 LBS - FIXED & 5000LBS - MANUAL)

ITEM	PART NUMBER	QTY	DESCRIPTION	REV
	2484000004	Ref	L-ARM GRID INSTALLATION (4000 LBS FIXED ARMS)	E
1	3020000038	1	Arm (RH)	
2	3020000037	1	Arm (LH)	
3	3484000030	1	Grid (RH)	
4	3484000031	1	Grid (LH)	
5	3551000036	2	T-Handle	
9	1001166071	1	Decal - Wheel Lift Rating	

SECTION 2 - WHEEL LIFT

FIGURE 2-46. GRID L-ARMS INSTALLATION (4000 LBS - T-37)



ART_248400006

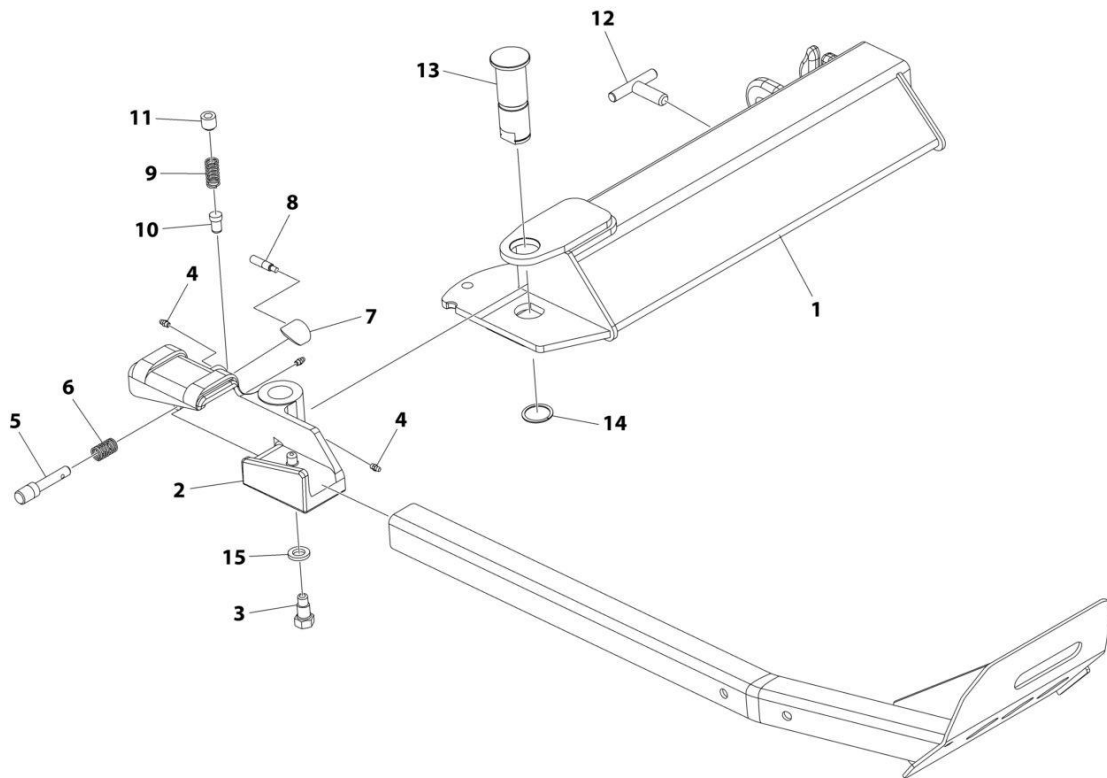
SECTION 2 - WHEEL LIFT

FIGURE 2-46. GRID L-ARMS INSTALLATION (4000 LBS - T-37)

ITEM	PART NUMBER	QTY	DESCRIPTION	REV
	2484000006	Ref	L-ARMS GRID INSTALLATION (4000 LBS - T37 PIVOTING ARMS)	E
1	3484000046	1	Pivot Assembly (RH) (See Separate Breakdown in this Section)	
2	3484000047	1	Pivot Assembly (LH) (See Separate Breakdown in this Section)	
3	3020000030	1	L-Arm (RH)	
4	3020000029	1	L-Arm (LH)	
7	7330000384	2	Decal - T37 Patent	
9	4679000221	2	Pad	
10	7114150818	4	Capscrew 5/16	
11	7950150141	4	Washer 5/16	
12	7660152601	4	Nut 5/16	

SECTION 2 - WHEEL LIFT

FIGURE 2-47. GRID ASSEMBLY (LH) (T-37)



ART_3484000047

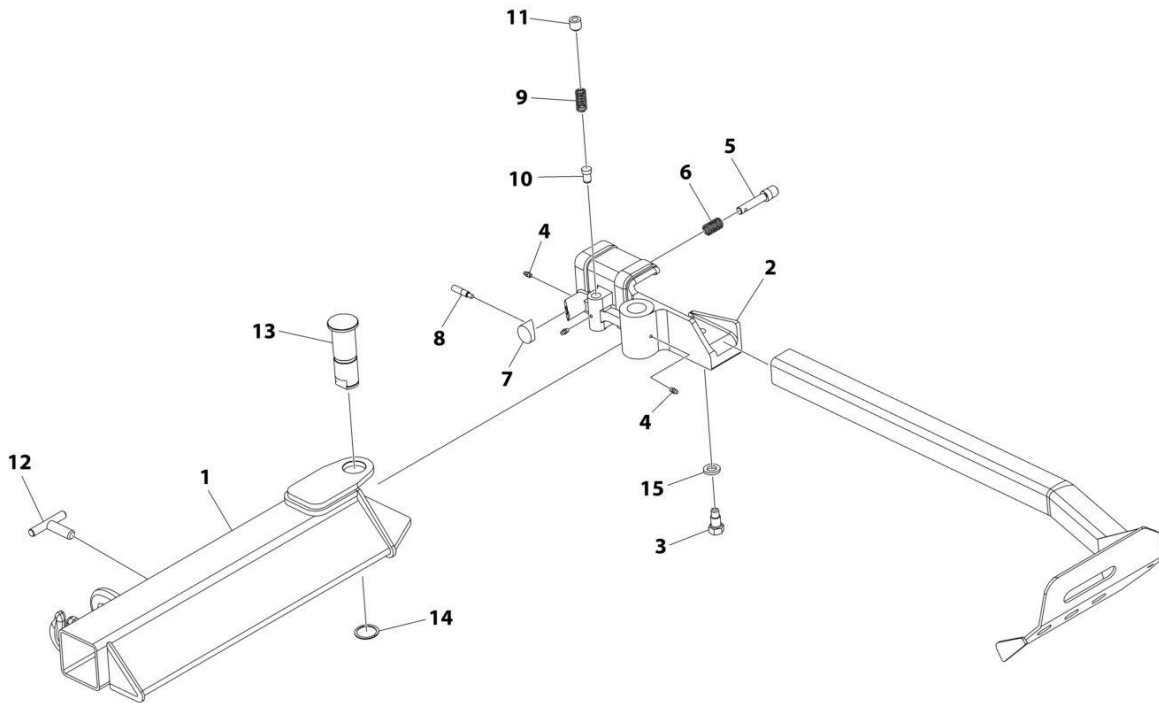
SECTION 2 - WHEEL LIFT

FIGURE 2-47. GRID ASSEMBLY (LH) (T-37)

ITEM	PART NUMBER	QTY	DESCRIPTION	REV
	3484000047	Ref	WHEEL LIFT ASSEMBLY (GRID), LH	C
1	3484000017	1	Grid Weldment, LH	
2	4259000002	1	Pivot Weldment, LH	
3	4691000354	1	Pin	
4	7440030000	3	Fitting	
5	4691000186	1	Pin	
6	7843000006	1	Spring	
7	4254000005	1	Cap	
8	4763000184	1	Rod	
9	7843000016	1	Spring	
10	4691000183	1	Pin	
11	7786000006	1	Screw 3/4 x 5/8	
12	3551000036	1	T-Handle	
13	4691000357	1	Pin	
14	7754000037	1	Ring Retaining	
15	7950200000	1	Washer 5/8	

SECTION 2 - WHEEL LIFT

FIGURE 2-48. GRID ASSEMBLY (RH) (T-37)



ART_3484000046

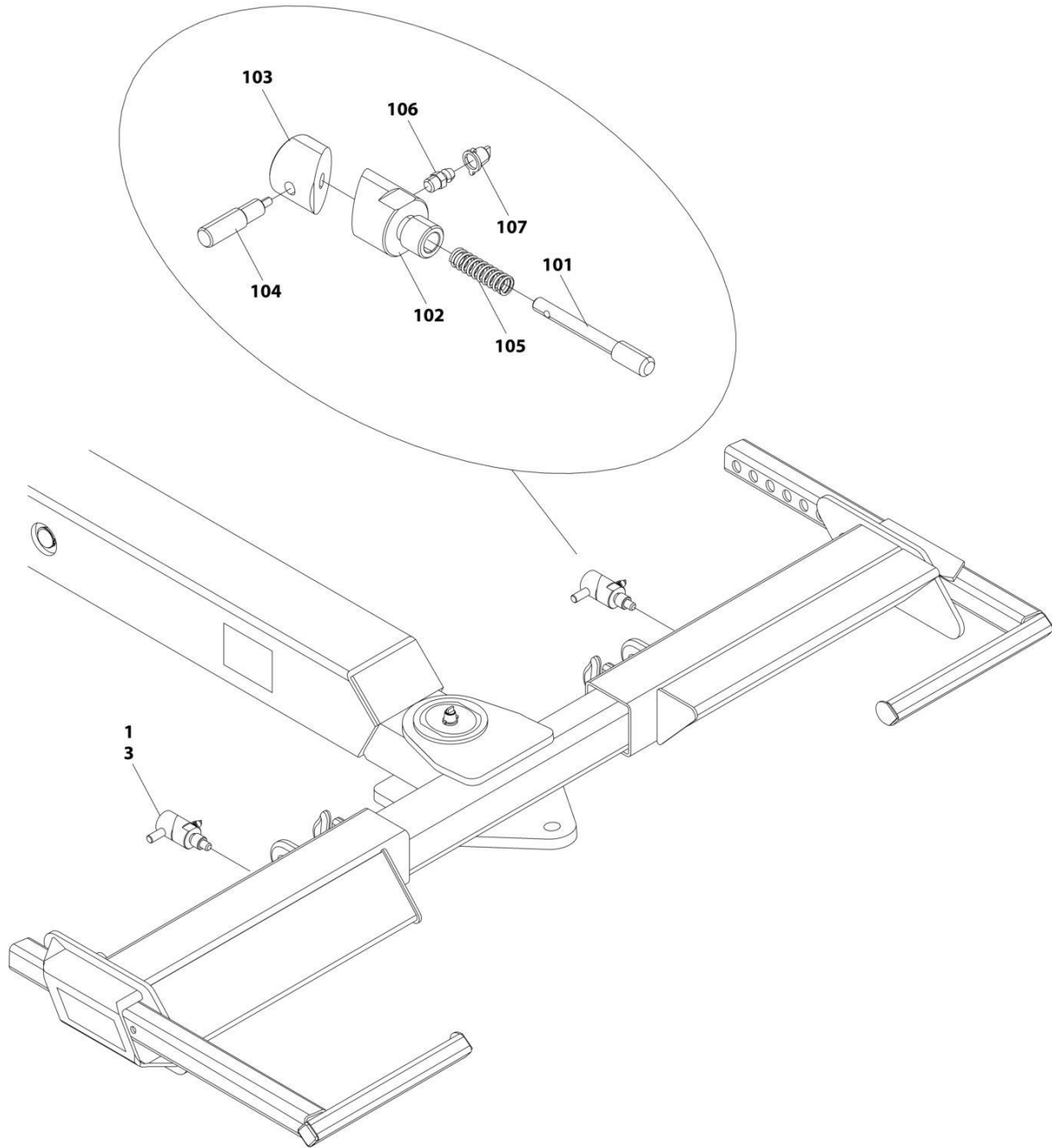
SECTION 2 - WHEEL LIFT

FIGURE 2-48. GRID ASSEMBLY (RH) (T-37)

ITEM	PART NUMBER	QTY	DESCRIPTION	REV
	3484000046	Ref	WHEEL LIFT ASSEMBLY (GRID), RH	C
1	3484000016	1	Grid Weldment, RH	
2	4259000001	1	Pivot Weldment, RH	
3	4691000354	1	Pin	
4	7440030000	3	Fitting	
5	4691000186	1	Pin	
6	7843000006	1	Spring	
7	4254000005	1	Cap	
8	4763000184	1	Rod	
9	7843000016	1	Spring	
10	4691000183	1	Pin	
11	7786000006	1	Screw 3/4 x 5/8	
12	3551000036	1	T-Handle	
13	4691000357	1	Pin	
14	7754000037	1	Ring Retaining	
15	7950200000	1	Washer 5/8	

SECTION 2 - WHEEL LIFT

FIGURE 2-49. CROSSBAR CAM-LOCK INSTALLATION



ART_1001160195

SECTION 2 - WHEEL LIFT

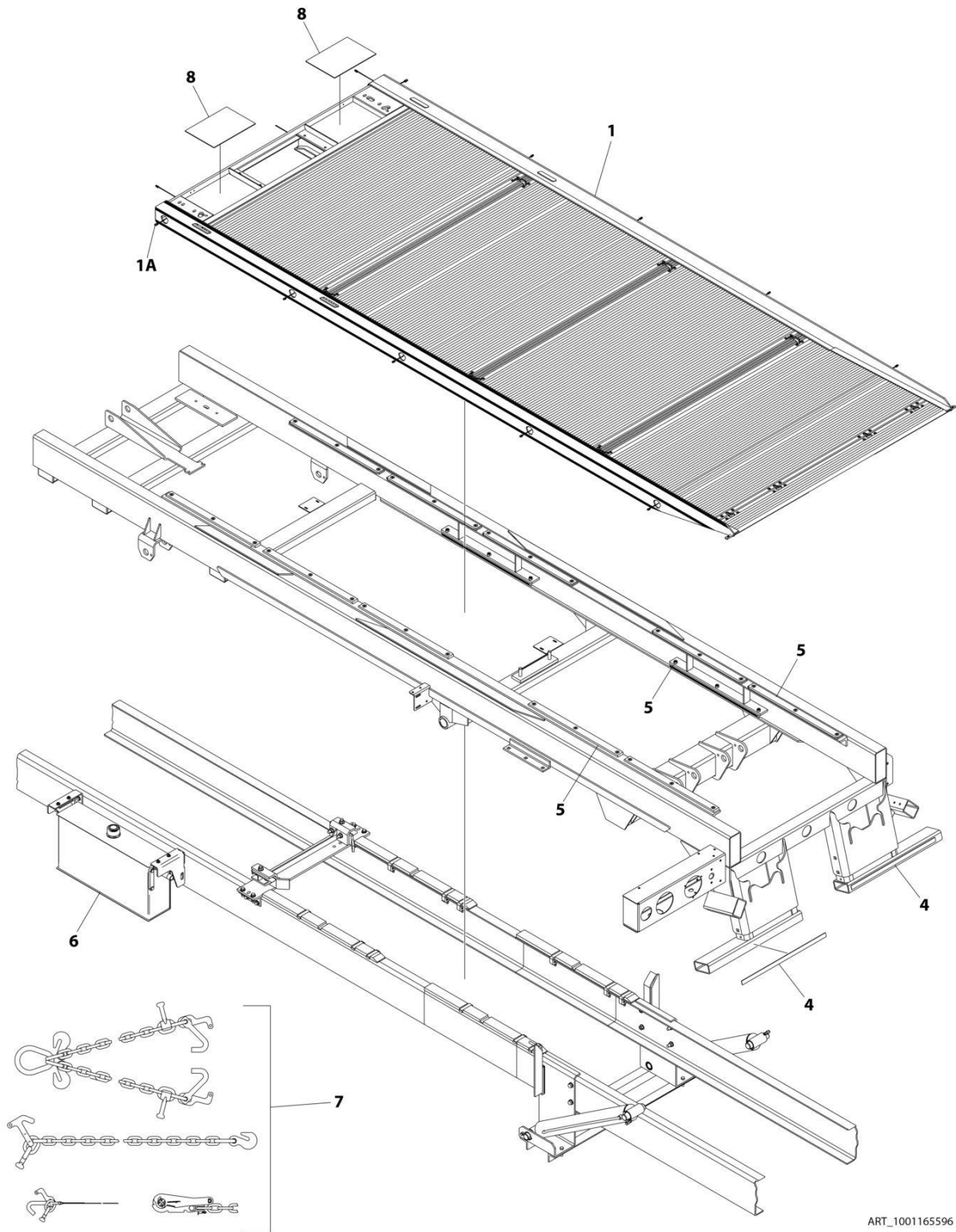
FIGURE 2-49. CROSSBAR CAM-LOCK INSTALLATION

ITEM	PART NUMBER	QTY	DESCRIPTION	REV
	1001160195	Ref	Wheel Lift Crossbar Cam-Lock	A
1	1001153950	2	Cam Lock (includes items 101 through 107)	
3	0100011	AR	Compound Locking	
101	1001153944	2	Pin	
102	1001153945	2	Cam-Lock Tube	
103	1001153946	2	Cam-Lock Cap	
104	1001153947	2	Handle	
105	1001153971	1	Spring	
106	7440030000	2	Fitting, Grease	
107	7253000002	2	Cap, Grease	

SECTION 3 - DECK

SECTION 3 - DECK

FIGURE 3-1. DECK MODEL, INSTALLATION - ALUMINIUM 22FT X 96IN SINGLE WINCH



ART_1001165596

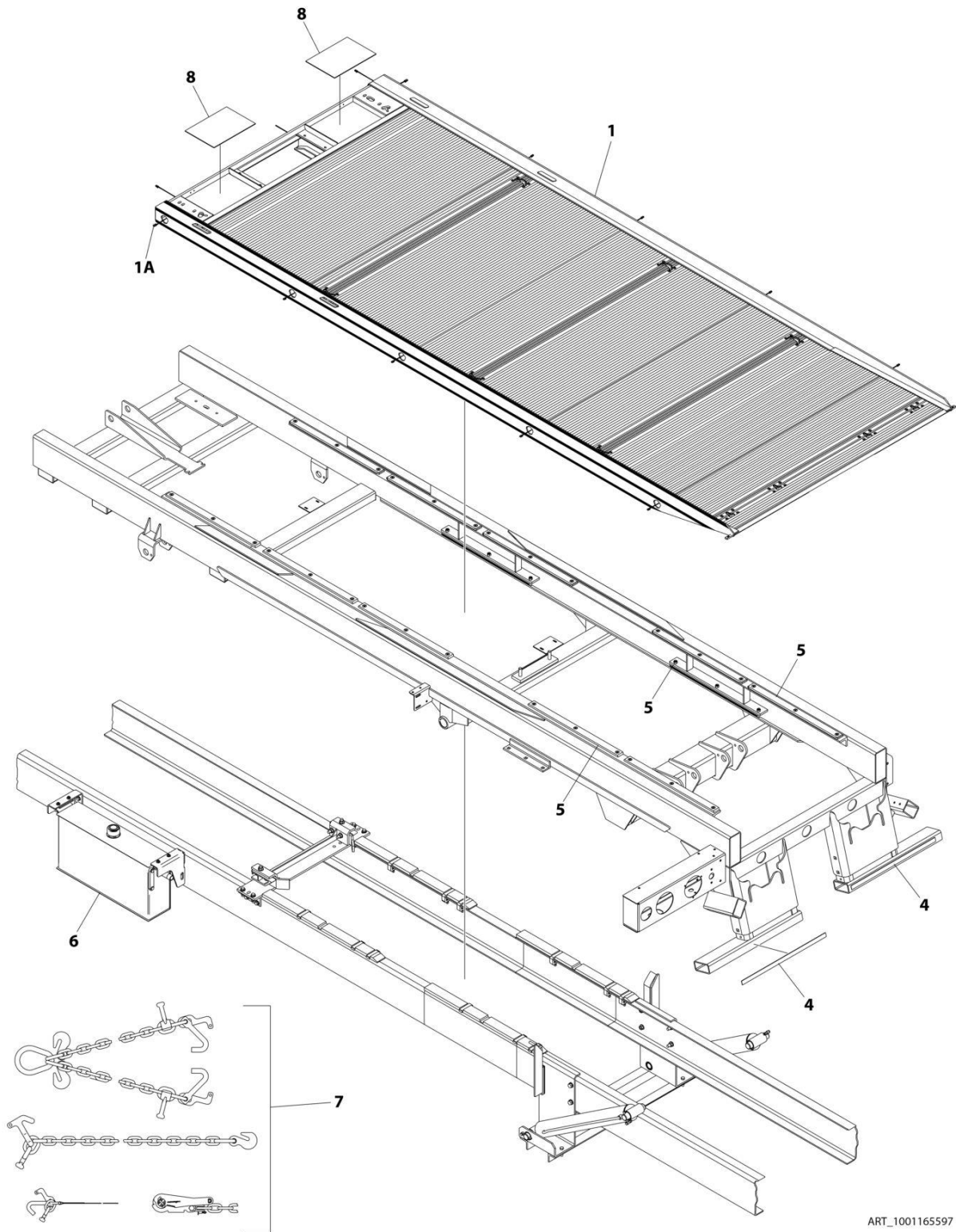
SECTION 3 - DECK

FIGURE 3-1. DECK MODEL, INSTALLATION - ALUMINIUM 22FT X 96IN SINGLE WINCH

ITEM	PART NUMBER	QTY	DESCRIPTION	REV
	1001165596	Ref	DECK INSTALLATION - 22FTx96IN ALUMINIUM (XLP)	C
1	3097000587	1	Deck Installation, 22ft (Aluminum)	
1A	7552000212	1	Harness	
2	1001189463	1	Winch Hydraulic Installation, 22ft Deck (Not Shown - See Separate Breakdown in Hydraulic Section)	
3	2330000044	1	Standard Duty Decals Installation (Not Shown - See Separate Breakdown in DECAL Section)	
4	2330000055	Ref	Conspicuity Decal Installation	
4	7330000428	2	Decal - Red/White Reflective	
5	2679000007	1	Main Subframe Pad Installation (See Separate Breakdown in SUBFRAME Section)	
6	2750000008	1	Hydraulic Reservoir and Bracket Mount (See Separate Breakdown in HYDRAULIC Section)	
7	7577000223	1	Chain/Tie-Down Kit	
8	7679000017	2	Chain Tray Mat	

SECTION 3 - DECK

FIGURE 3-2. DECK MODEL, INSTALLATION - ALUMINIUM 22FT X 102IN SINGLE WINCH



ART_1001165597

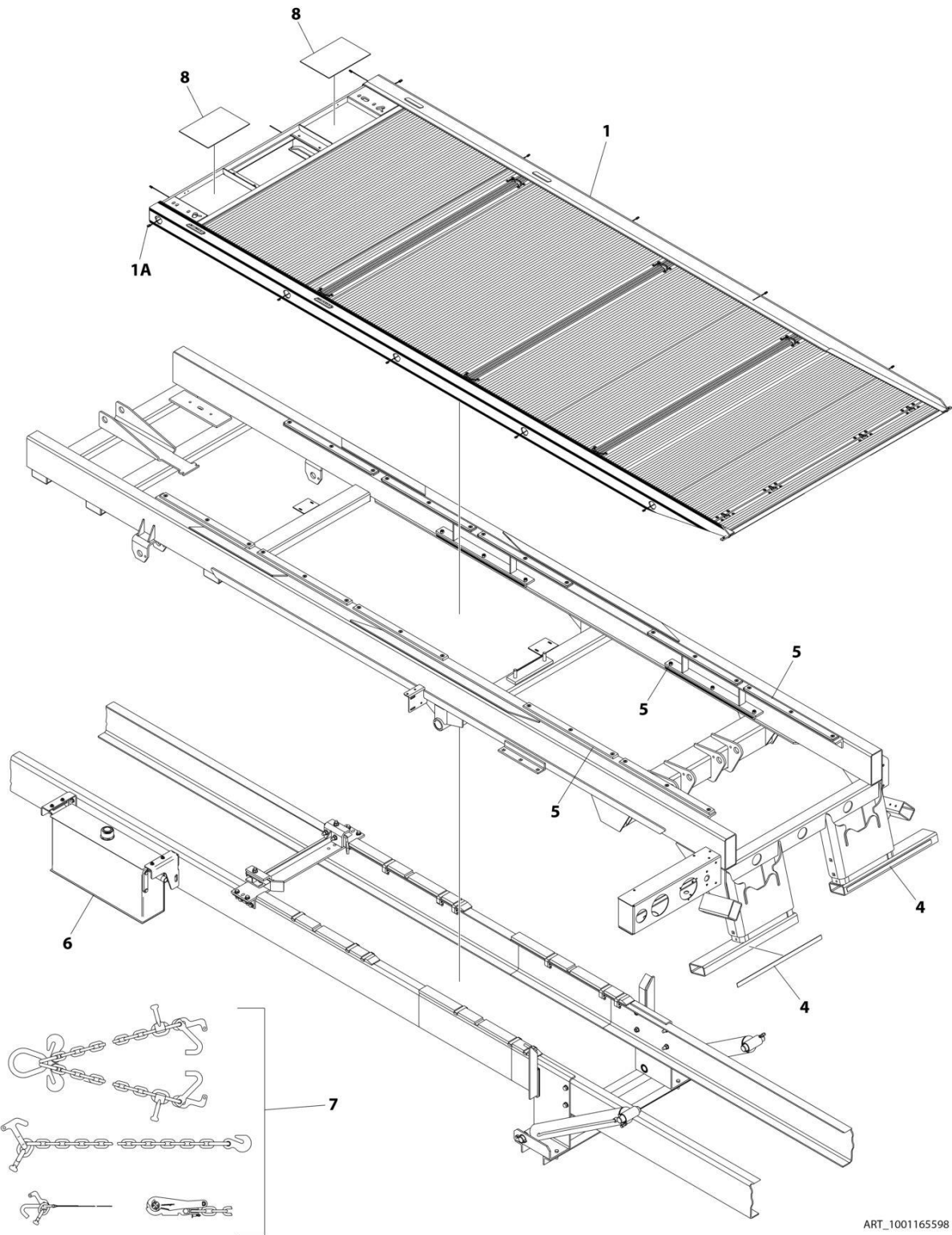
SECTION 3 - DECK

FIGURE 3-2. DECK MODEL, INSTALLATION - ALUMINIUM 22FT X 102IN SINGLE WINCH

ITEM	PART NUMBER	QTY	DESCRIPTION	REV
	1001165597	Ref	DECK INSTALLATION - 22FTx102IN ALUMINIUM (XLP)	C
1	3097000589	1	Deck Installation, 22ft (Wide) (Aluminum)	
1A	7552000212	1	Harness	
2	1001189463	1	Winch Hydraulic Installation, 22ft Deck (Not Shown - See Separate Breakdown in this Section)	
3	2330000044	1	Standard Duty Decals Installation (Not Shown - See Separate Breakdown in DECAL Section)	
4	2330000055	Ref	Conspicuity Decal Installation	
4	7330000428	2	Decal - Red/White Reflective	
5	2679000007	1	Main Subframe Pad Installation (See Separate Breakdown in SUBFRAME Section)	
6	2750000008	1	Hydraulic Reservoir and Bracket Mount (See Separate Breakdown in HYDRAULIC Section)	
7	7577000223	1	Chain/Tie-Down Kit	
8	7679000017	2	Chain Tray Mat	

SECTION 3 - DECK

FIGURE 3-3. DECK MODEL, INSTALLATION - ALUMINIUM 24FT X 96IN SINGLE WINCH



ART_1001165598

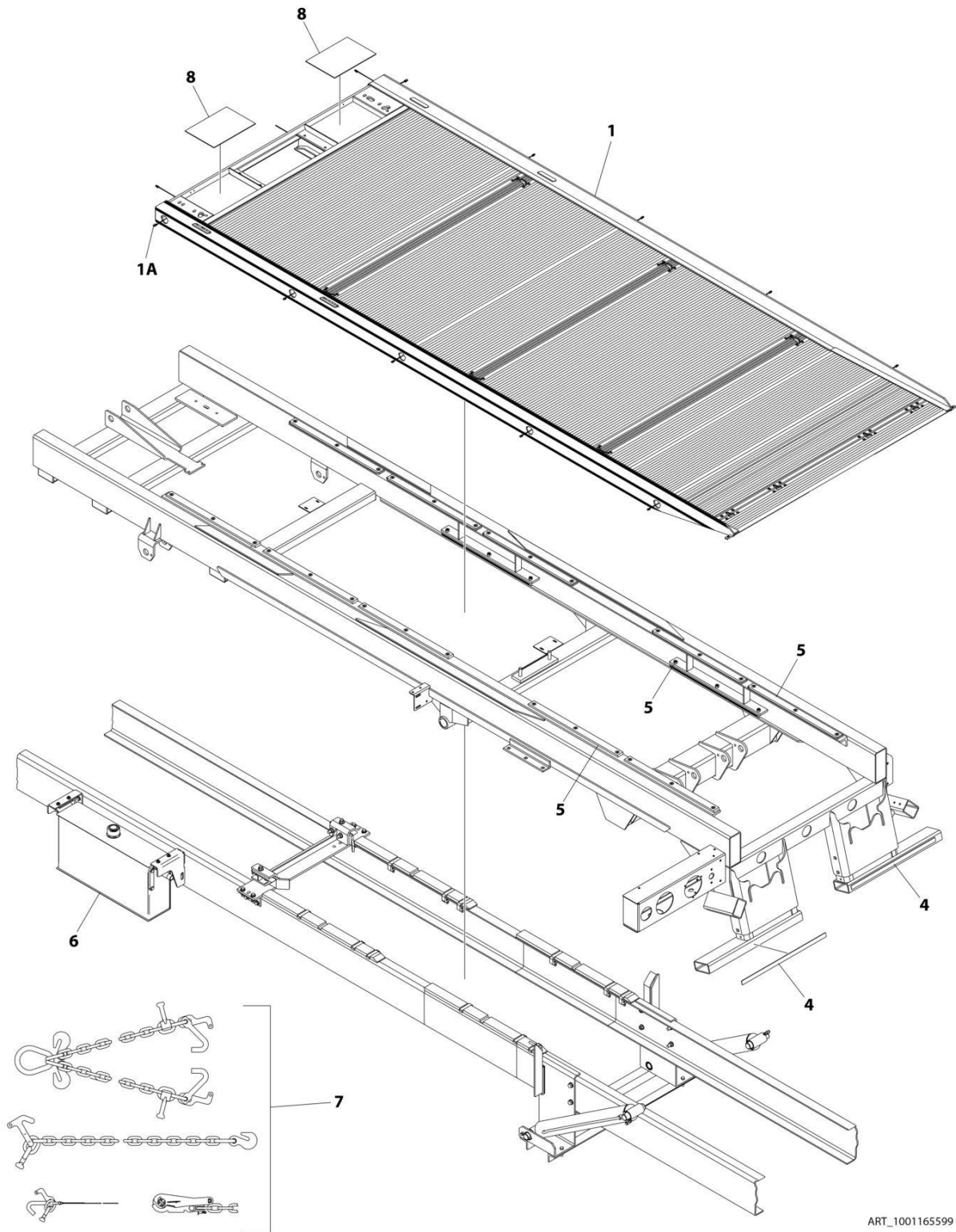
SECTION 3 - DECK

FIGURE 3-3. DECK MODEL, INSTALLATION - ALUMINIUM 24FT X 96IN SINGLE WINCH

ITEM	PART NUMBER	QTY	DESCRIPTION	REV
	1001165598	Ref	DECK INSTALLATION - 24FTx96IN ALUMINIUM (XLP)	C
1	3097000588	1	Deck Installation, 24ft (Aluminum)	
1A	7552000212	1	Harness	
2	1001189464	1	Winch Hydraulic Installation, 24ft Deck (Not Shown - See Separate Breakdown in Hydraulic Section)	
3	2330000044	1	Standard Duty Decals Installation (Not Shown - See Separate Breakdown in DECAL Section)	
4	2330000055	Ref	Conspicuity Decal Installation	
4	7330000428	2	Decal - Red/White Reflective	
5	2679000007	1	Main Subframe Pad Installation (See Separate Breakdown in SUBFRAME Section)	
6	2750000008	1	Hydraulic Reservoir and Bracket Mount (See Separate Breakdown in HYDRAULIC Section)	
7	7577000223	1	Chain/Tie-Down Kit	
8	7679000017	2	Chain Tray Mat	

SECTION 3 - DECK

FIGURE 3-4. DECK MODEL, INSTALLATION - ALUMINIUM 24FT X 102IN SINGLE WINCH



ART_1001165599

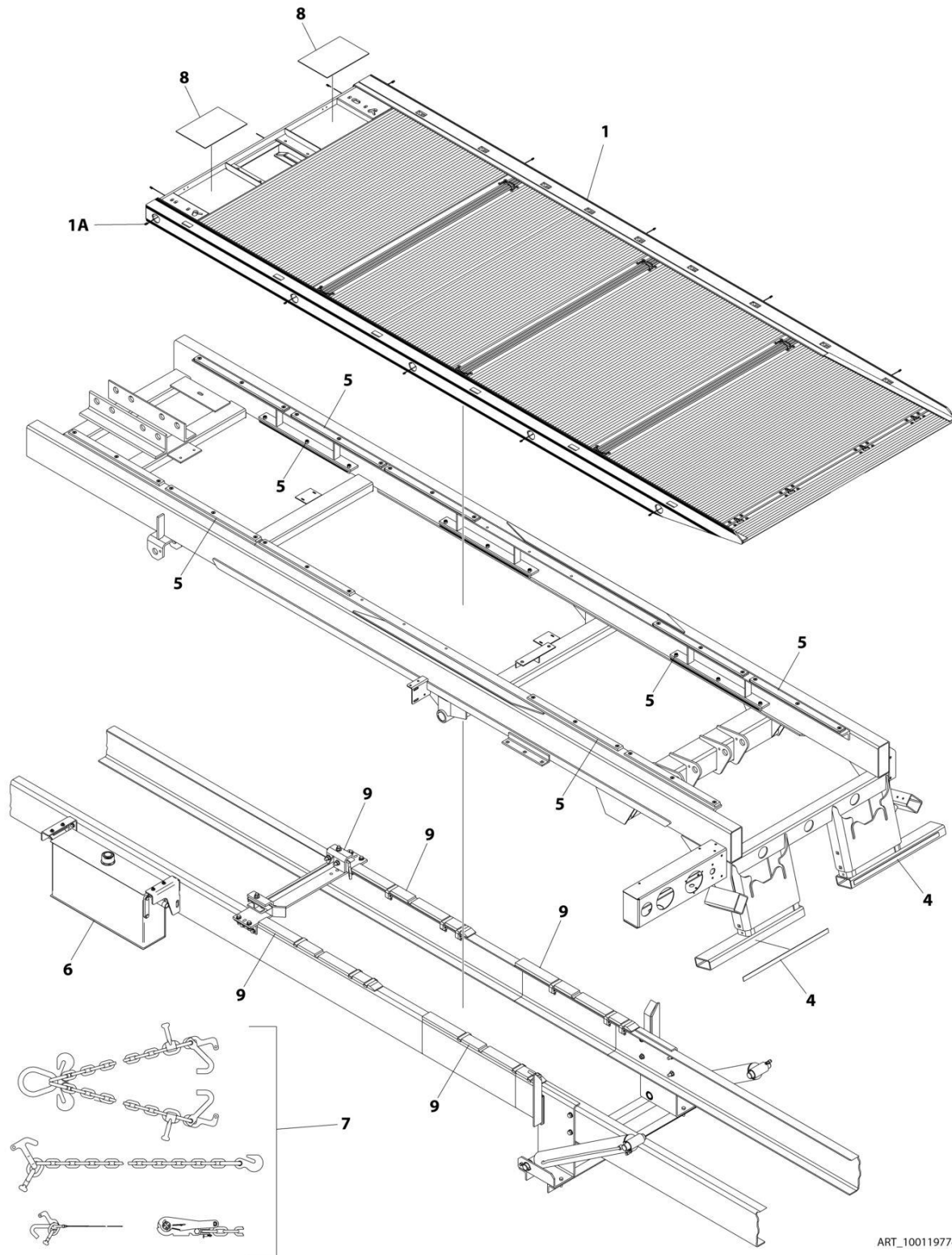
SECTION 3 - DECK

FIGURE 3-4. DECK MODEL, INSTALLATION - ALUMINIUM 24FT X 102IN SINGLE WINCH

ITEM	PART NUMBER	QTY	DESCRIPTION	REV
	1001165599	Ref	DECK INSTALLATION - 24FTx102IN ALUMINIUM (XLP)	C
1	3097000590	1	Deck Installation, 24ft (Wide) (Aluminum)	
1A	7552000212	1	Harness	
2	1001189464	1	Winch Hydraulic Installation, 24ft Deck (Not Shown - See Separate Breakdown in Hydraulic Section)	
3	2330000044	1	Standard Duty Decals Installation (Not Shown - See Separate Breakdown in DECAL Section)	
4	2330000055	Ref	Conspicuity Decal Installation	
4	7330000428	2	Decal - Red/White Reflective	
5	2679000007	1	Main Subframe Pad Installation (See Separate Breakdown in SUBFRAME Section)	
6	2750000008	1	Hydraulic Reservoir and Bracket Mount (See Separate Breakdown in HYDRAULIC Section)	
7	7577000223	1	Chain/Tie-Down Kit	
8	7679000017	2	Chain Tray Mat	

SECTION 3 - DECK

FIGURE 3-5. DECK MODEL, INSTALLATION - ALUMINIUM 28FT X 96IN SINGLE WINCH



ART_1001197747

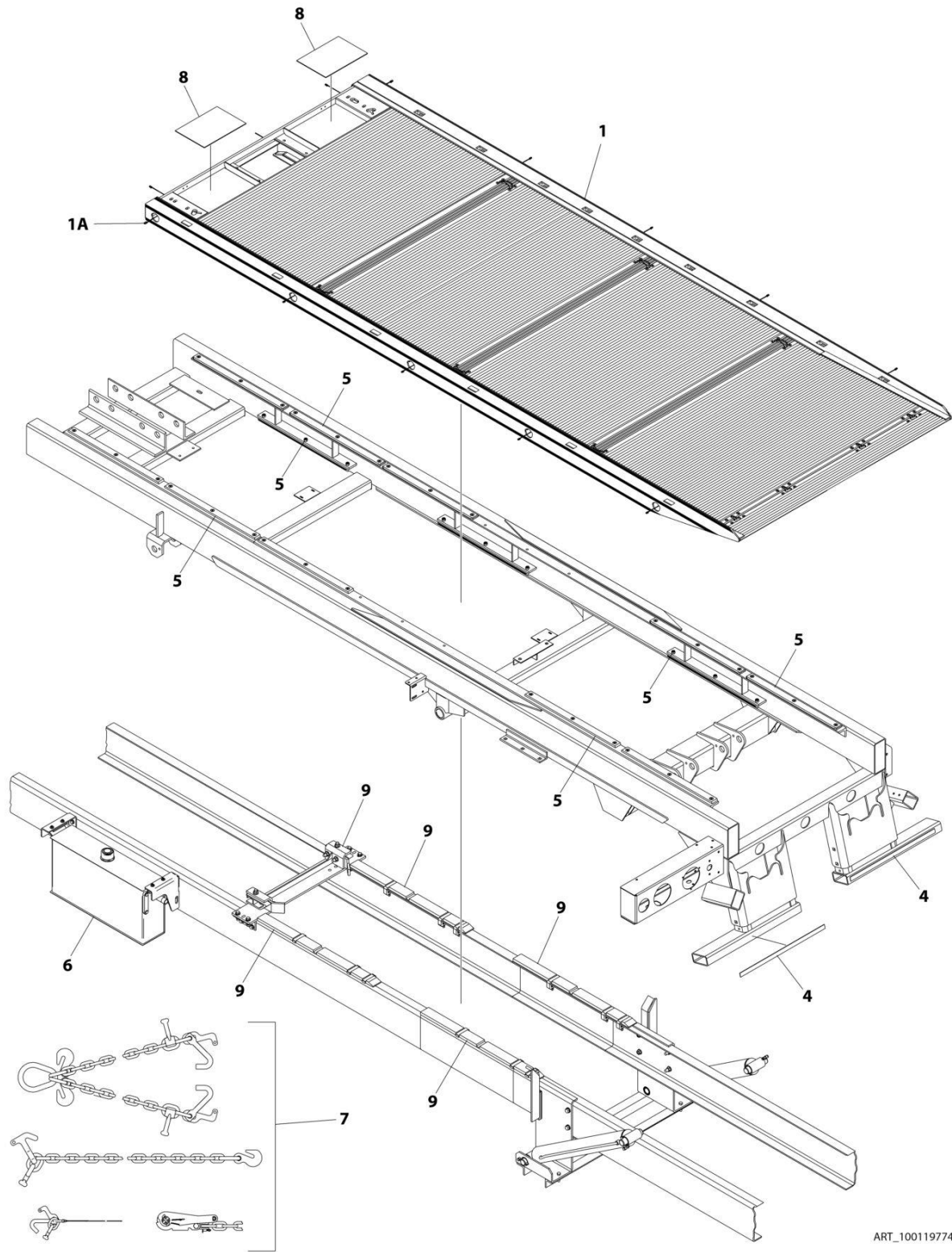
SECTION 3 - DECK

FIGURE 3-5. DECK MODEL, INSTALLATION - ALUMINIUM 28FT X 96IN SINGLE WINCH

ITEM	PART NUMBER	QTY	DESCRIPTION	REV
	1001197747	Ref	DECK INSTALLATION - 28FTx96IN ALUMINUM (XLP)	C
1	1001142355	1	Deck Installation, 28ft (Aluminum)	
1A	7552000212	1	Harness	
2	1001197778	1	Winch Hydraulic Installation, 28ft Deck (Not Shown - See Separate Breakdown in Hydraulic Section)	
3	2330000044	1	Standard Duty Decals Installation (Not Shown - See Separate Breakdown in DECAL Section)	
4	2330000055	Ref	Conspicuity Decal Installation	
4	7330000428	2	Decal - Red/White Reflective	
5	2679000005	1	Main Subframe Pad Installation (See Separate Breakdown in SUBFRAME Section)	
6	2750000008	1	Hydraulic Reservoir and Bracket Mount (See Separate Breakdown in HYDRAULIC Section)	
7	7577000223	1	Chain/Tie-Down Kit	
8	7679000017	2	Chain Tray Mat	
9	1001219377	1	Hold Down Weld Installation (See Separate Breakdown in SUBFRAME Section)	

SECTION 3 - DECK

FIGURE 3-6. DECK MODEL, INSTALLATION - ALUMINIUM 28FT X 102IN SINGLE WINCH



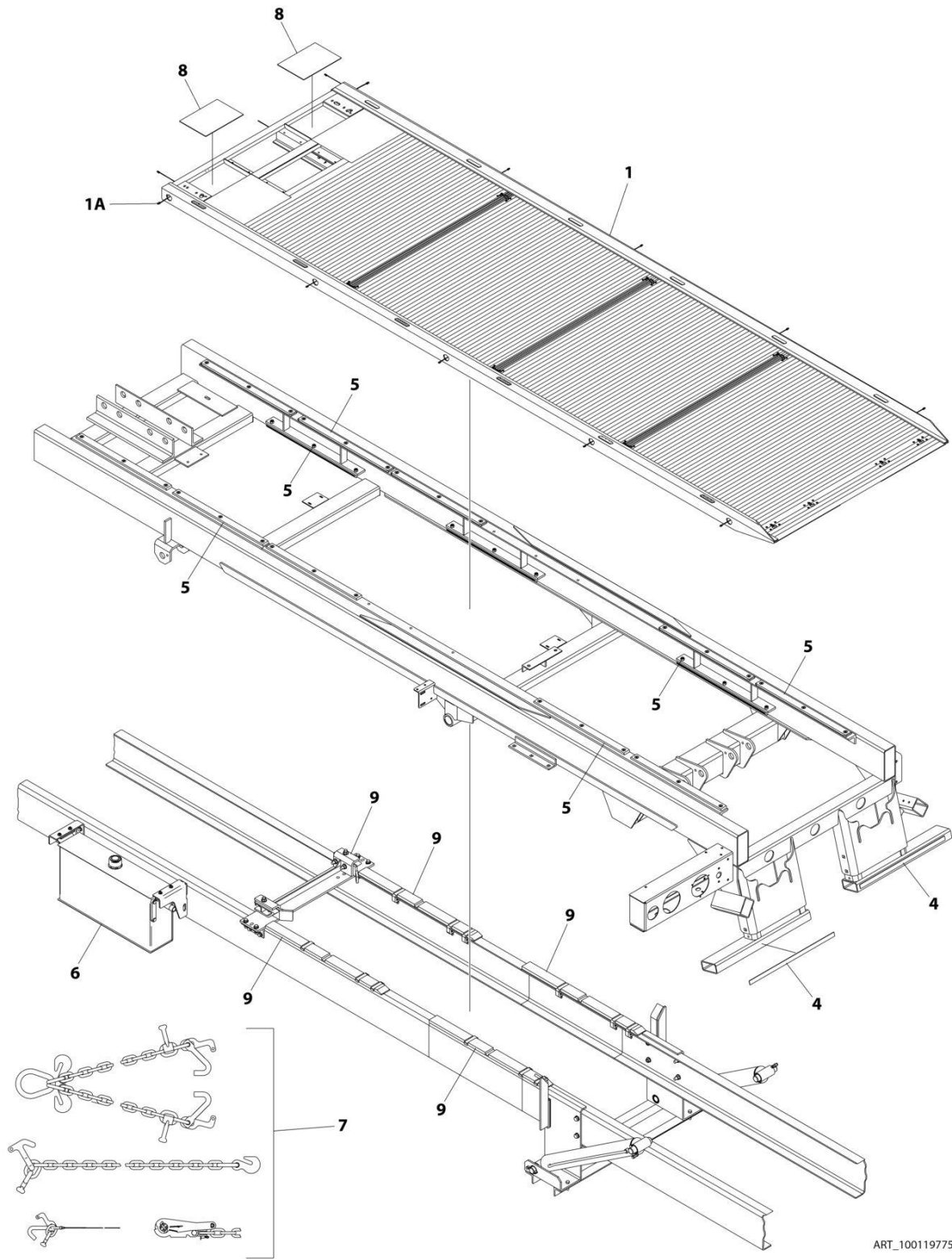
SECTION 3 - DECK

FIGURE 3-6. DECK MODEL, INSTALLATION - ALUMINIUM 28FT X 102IN SINGLE WINCH

ITEM	PART NUMBER	QTY	DESCRIPTION	REV
	1001197748	Ref	DECK INSTALLATION - 28FTx102IN ALUMINIUM (XLP)	C
1	1001142356	1	Deck Installation, 28ft (Aluminum)	
1A	7552000212	1	Harness	
2	1001197778	1	Winch Hydraulic Installation, 28ft Deck (Not Shown - See Separate Breakdown in Hydraulic Section)	
3	2330000044	1	Standard Duty Decals Installation (Not Shown - See Separate Breakdown in DECAL Section)	
4	2330000055	Ref	Conspicuity Decal Installation	
4	7330000428	2	Decal - Red/White Reflective	
5	2679000005	1	Main Subframe Pad Installation (See Separate Breakdown in SUBFRAME Section)	
6	2750000008	1	Hydraulic Reservoir and Bracket Mount (See Separate Breakdown in HYDRAULIC Section)	
7	7577000223	1	Chain/Tie-Down Kit	
8	7679000017	2	Chain Tray Mat	
9	1001219377	1	Hold Down Weld Installation (See Separate Breakdown in SUBFRAME Section)	

SECTION 3 - DECK

FIGURE 3-7. DECK MODEL, INSTALLATION - ALUMINIUM 28FT X 96IN DUAL WINCH



ART_1001197753

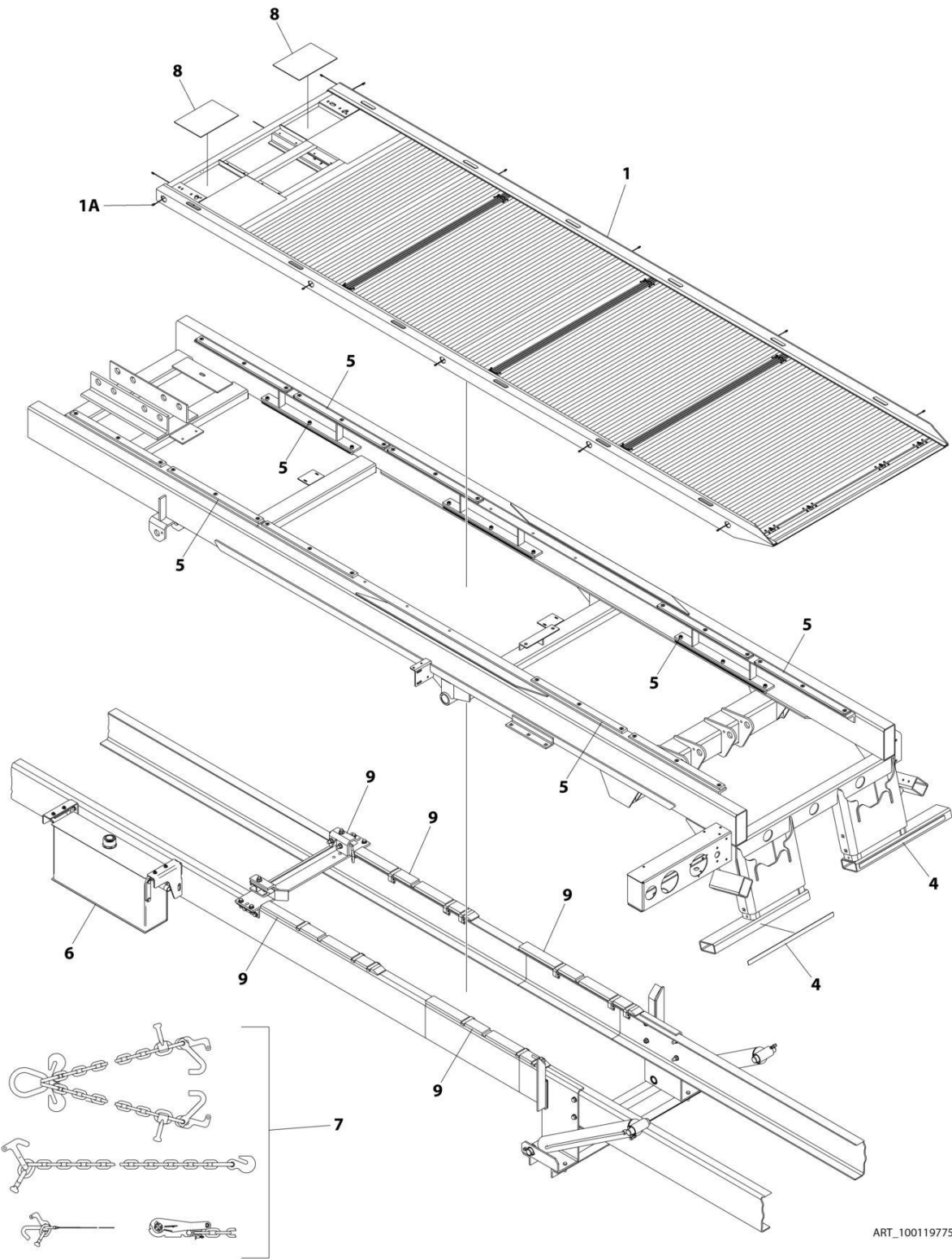
SECTION 3 - DECK

FIGURE 3-7. DECK MODEL, INSTALLATION - ALUMINIUM 28FT X 96IN DUAL WINCH

ITEM	PART NUMBER	QTY	DESCRIPTION	REV
	1001197753	Ref	DECK INSTALLATION - 28FTx96IN ALUMINIUM (DUAL WINCH XLP)	C
1	1001142142	1	Deck Installation, 28ft (Aluminum)	
1A	7552000212	1	Harness	
2	1001197779	1	Dual Winch Hydraulic Installation, 28ft Deck (Not Shown - See Separate Breakdown in Hydraulic Section)	
3	2330000044	1	Standard Duty Decals Installation (Not Shown - See Separate Breakdown in DECAL Section)	
4	2330000055	Ref	Conspicuity Decal Installation	
4	7330000428	2	Decal - Red/White Reflective	
5	2679000005	1	Main Subframe Pad Installation (See Separate Breakdown in SUBFRAME Section)	
6	2750000008	1	Hydraulic Reservoir and Bracket Mount (See Separate Breakdown in HYDRAULIC Section)	
7	7577000223	2	Chain/Tie-Down Kit	
8	7679000017	2	Chain Tray Mat	
9	1001219377	1	Hold Down Weld Installation (See Separate Breakdown in SUBFRAME Section)	

SECTION 3 - DECK

FIGURE 3-8. DECK MODEL, INSTALLATION - ALUMINIUM 28FT X 102IN DUAL WINCH



ART_1001197754

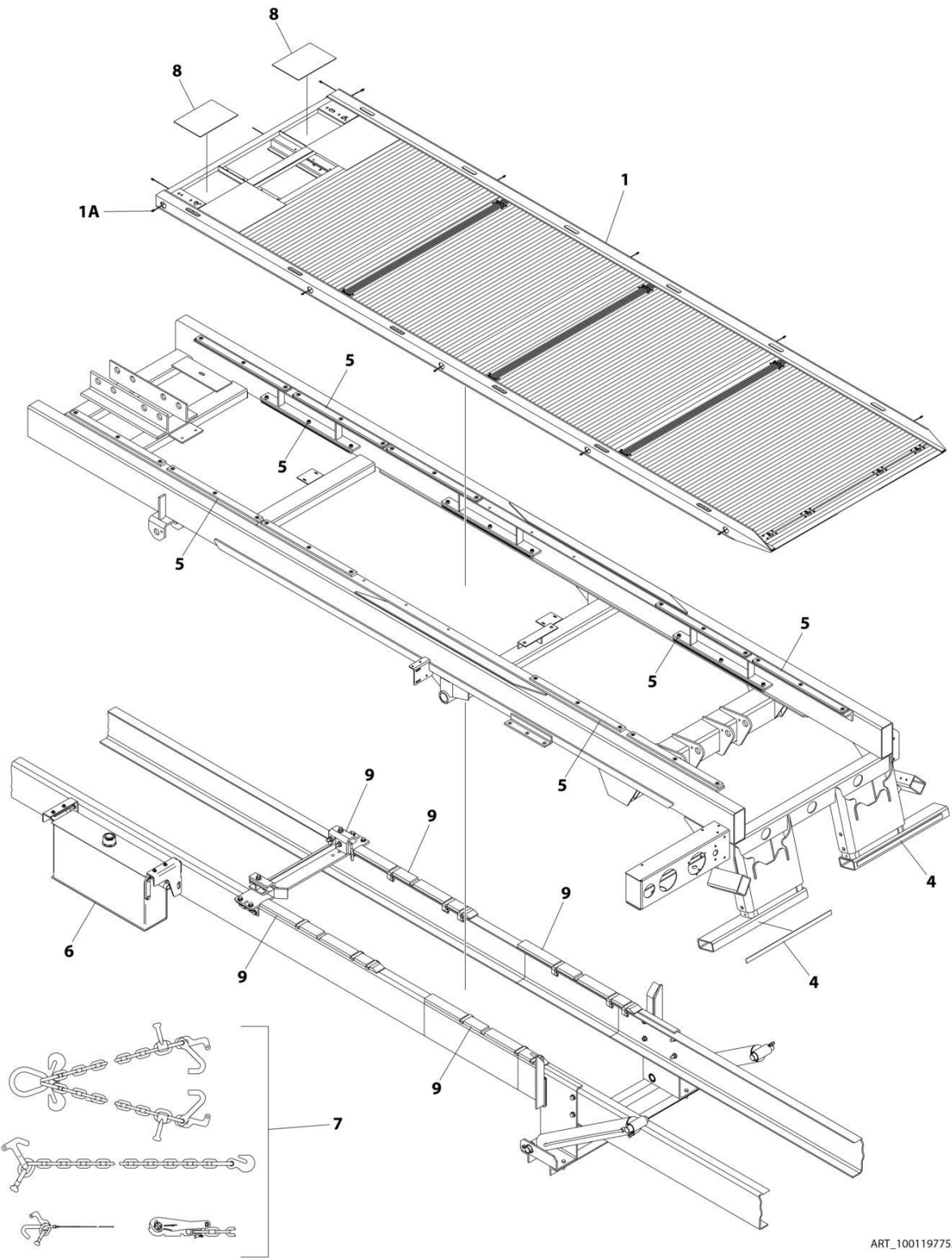
SECTION 3 - DECK

FIGURE 3-8. DECK MODEL, INSTALLATION - ALUMINIUM 28FT X 102IN DUAL WINCH

ITEM	PART NUMBER	QTY	DESCRIPTION	REV
	1001197754	Ref	DECK INSTALLATION - 28FTx102IN ALUMINIUM (DUAL WINCH XLP)	C
1	1001142143	1	Deck Installation, 28ft (Wide) (Aluminum)	
1A	7552000212	1	Harness	
2	1001197779	1	Dual Winch Hydraulic Installation, 28ft Deck (Not Shown - See Separate Breakdown in Hydraulic Section)	
3	2330000044	1	Standard Duty Decals Installation (Not Shown - See Separate Breakdown in DECAL Section)	
4	2330000055	Ref	Conspicuity Decal Installation	
4	7330000428	2	Decal - Red/White Reflective	
5	2679000005	1	Main Subframe Pad Installation (See Separate Breakdown in SUBFRAME Section)	
6	2750000008	1	Hydraulic Reservoir and Bracket Mount (See Separate Breakdown in HYDRAULIC Section)	
7	7577000223	2	Chain/Tie-Down Kit	
8	7679000017	2	Chain Tray Mat	
9	1001219377	1	Hold Down Weld Installation (See Separate Breakdown in SUBFRAME Section)	

SECTION 3 - DECK

FIGURE 3-9. DECK MODEL, INSTALLATION - ALUMINIUM 30FT X 96IN DUAL WINCH



ART_1001197755

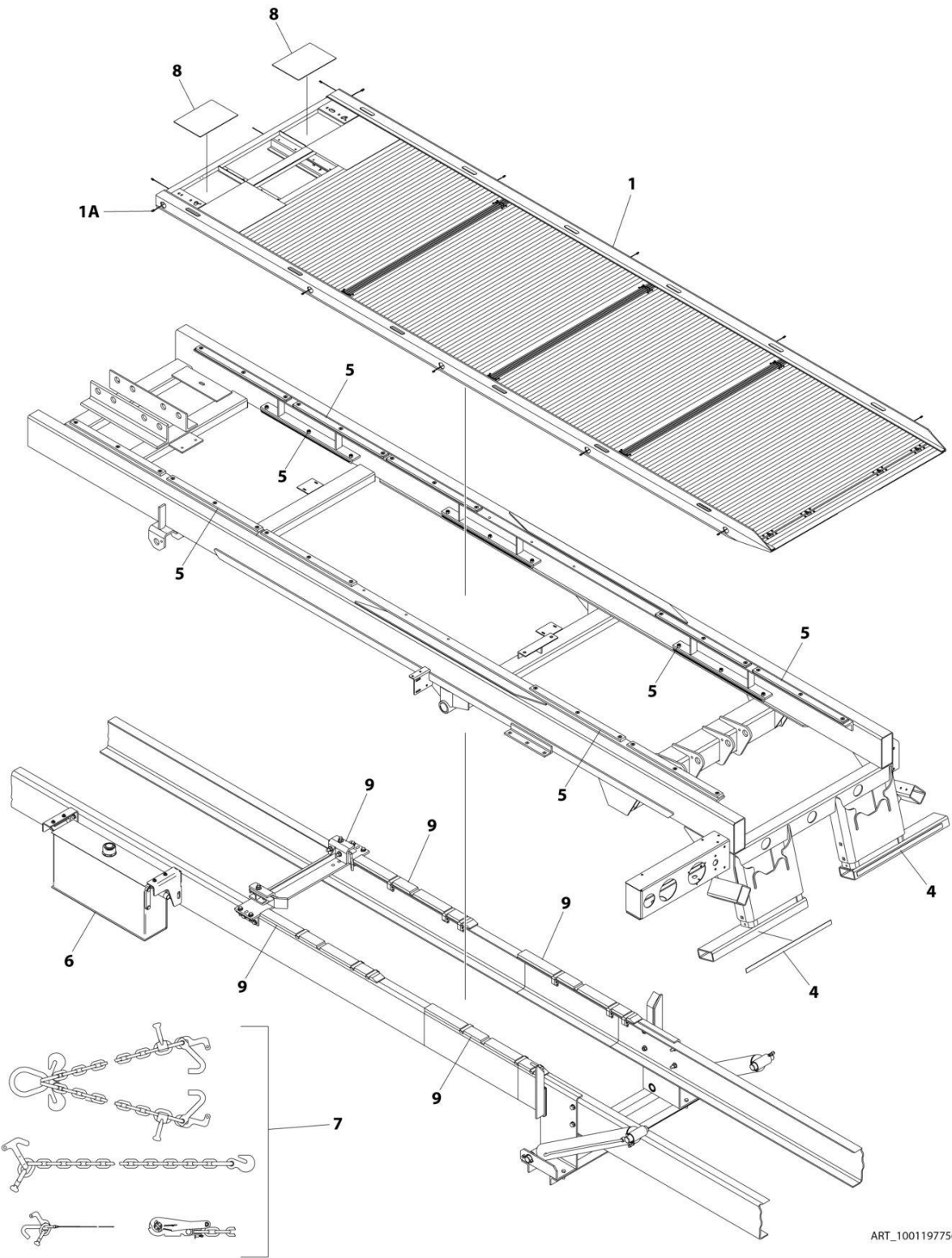
SECTION 3 - DECK

FIGURE 3-9. DECK MODEL, INSTALLATION - ALUMINIUM 30FT X 96IN DUAL WINCH

ITEM	PART NUMBER	QTY	DESCRIPTION	REV
	1001197755	Ref	DECK INSTALLATION - 30FTx96IN ALUMINIUM (DUAL WINCH XLP)	C
1	1001157641	1	Deck Installation, 30ft (Aluminum)	
1A	7552000212	1	Harness	
2	1001197780	1	Dual Winch Hydraulic Installation, 30ft Deck (Not Shown - See Separate Breakdown in Hydraulic Section)	
3	2330000044	1	Standard Duty Decals Installation (Not Shown - See Separate Breakdown in DECAL Section)	
4	2330000055	Ref	Conspicuity Decal Installation	
4	7330000428	2	Decal - Red/White Reflective	
5	2679000005	1	Main Subframe Pad Installation (See Separate Breakdown in SUBFRAME Section)	
6	2750000008	1	Hydraulic Reservoir and Bracket Mount (See Separate Breakdown in HYDRAULIC Section)	
7	7577000223	2	Chain/Tie-Down Kit	
8	7679000017	2	Chain Tray Mat	
9	1001219789	1	Hold Down Weld Installation (See Separate Breakdown in SUBFRAME Section)	

SECTION 3 - DECK

FIGURE 3-10. DECK MODEL, INSTALLATION - ALUMINIUM 30FT X 102IN DUAL WINCH



ART_1001197756

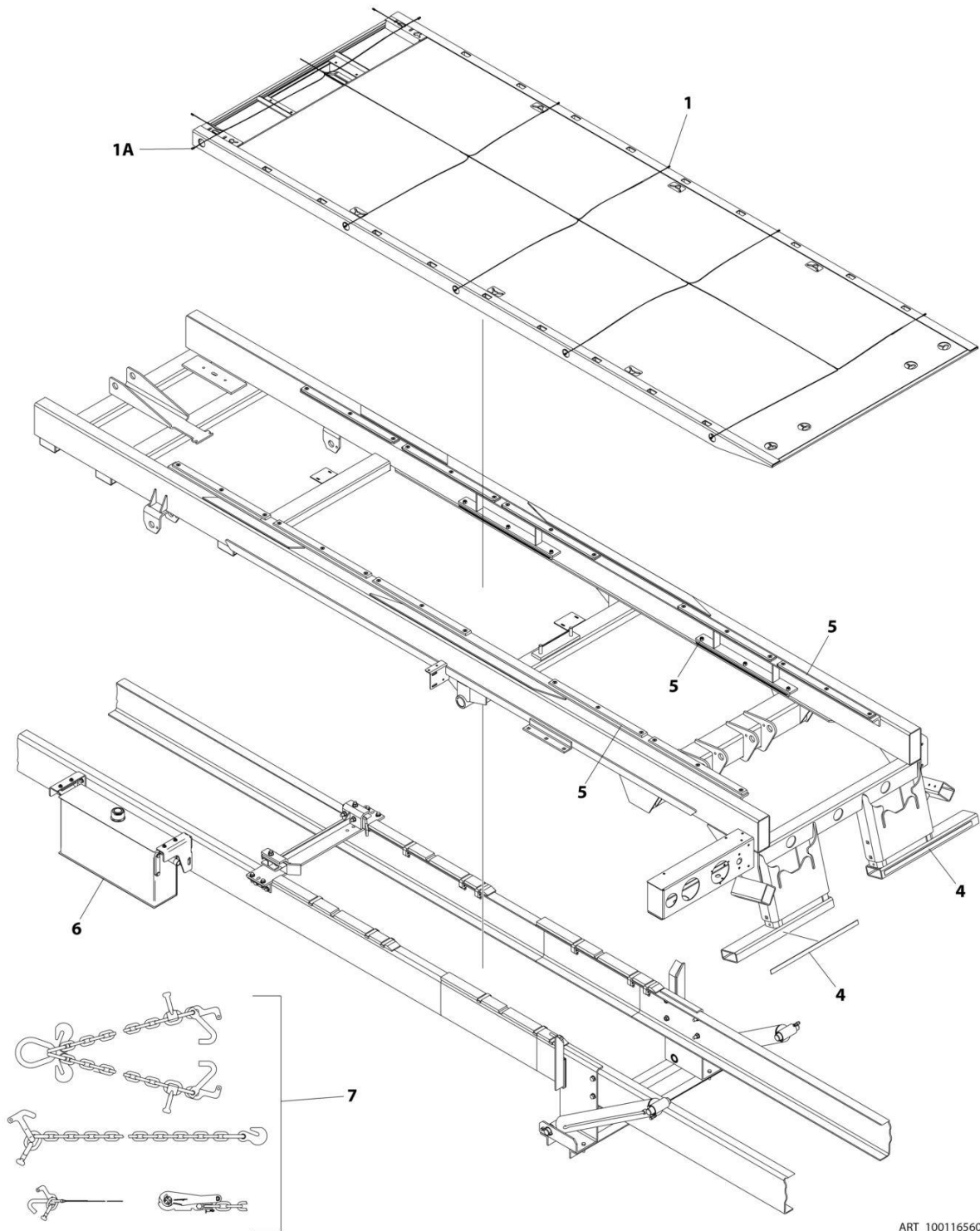
SECTION 3 - DECK

FIGURE 3-10. DECK MODEL, INSTALLATION - ALUMINIUM 30FT X 102IN DUAL WINCH

ITEM	PART NUMBER	QTY	DESCRIPTION	REV
	1001197756	Ref	DECK INSTALLATION - 30FTx102IN ALUMINIUM (DUAL WINCH XLP)	C
1	1001157642	1	Deck Installation, 30ft (Wide) (Aluminum)	
1A	7552000212	1	Harness	
2	1001197780	1	Dual Winch Hydraulic Installation, 30ft Deck (Not Shown - See Separate Breakdown in Hydraulic Section)	
3	2330000044	1	Standard Duty Decals Installation (Not Shown - See Separate Breakdown in DECAL Section)	
4	2330000055	Ref	Conspicuity Decal Installation	
4	7330000428	2	Decal - Red/White Reflective	
5	2679000005	1	Main Subframe Pad Installation (See Separate Breakdown in SUBFRAME Section)	
6	2750000008	1	Hydraulic Reservoir and Bracket Mount (See Separate Breakdown in HYDRAULIC Section)	
7	7577000223	2	Chain/Tie-Down Kit	
8	7679000017	2	Chain Tray Mat	
9	1001219789	1	Hold Down Weld Installation (See Separate Breakdown in SUBFRAME Section)	

SECTION 3 - DECK

FIGURE 3-11. DECK MODEL, INSTALLATION - STEEL 22FT X 96IN SINGLE WINCH



ART_1001165600

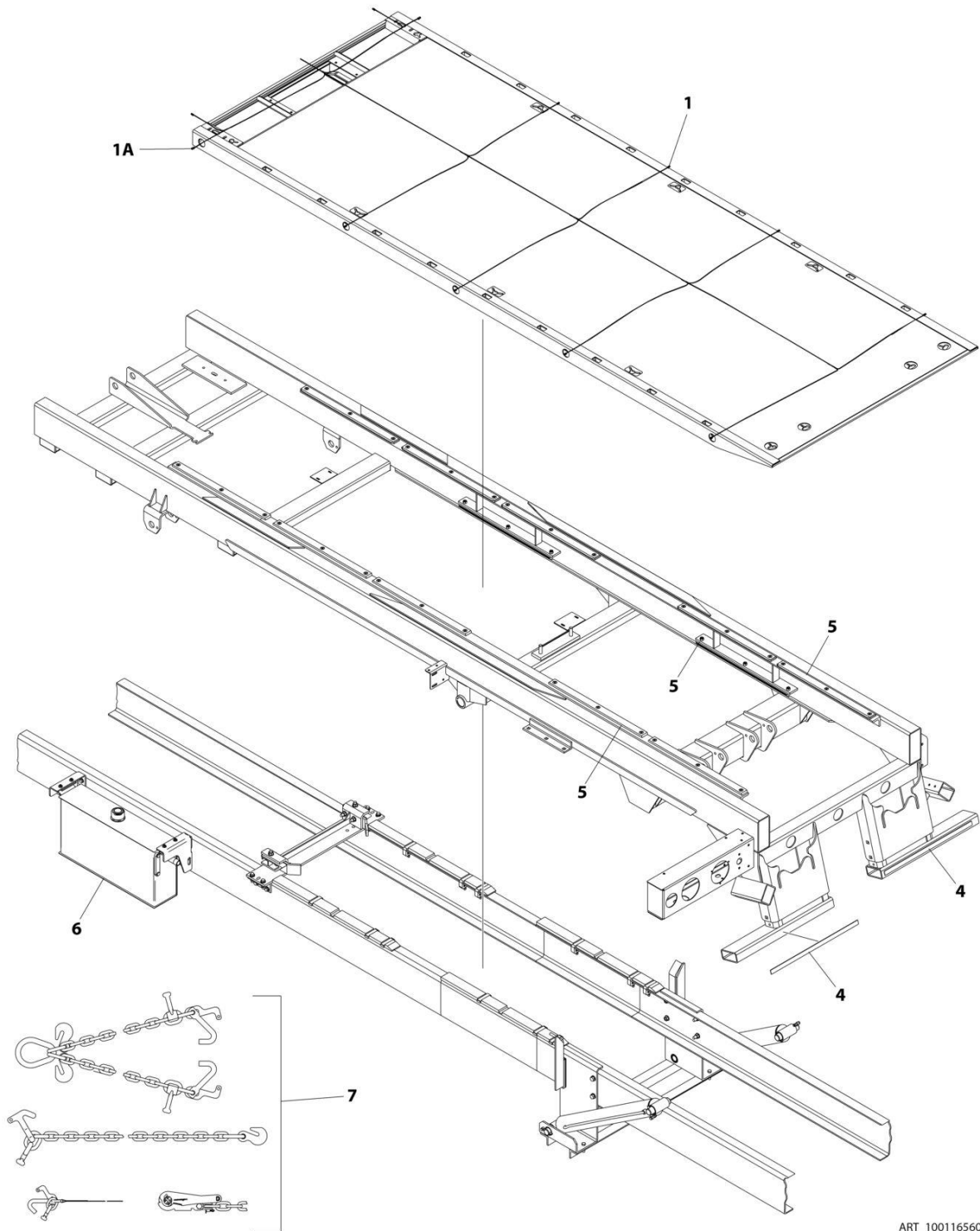
SECTION 3 - DECK

FIGURE 3-11. DECK MODEL, INSTALLATION - STEEL 22FT X 96IN SINGLE WINCH

ITEM	PART NUMBER	QTY	DESCRIPTION	REV
	1001165600	Ref	DECK INSTALLATION - 22FTx96IN STEEL (XLP)	B
1	3097000829	1	Deck Installation, 22ft (Steel)	
1A	7552000212	1	Harness	
2	1001189463	1	Winch Hydraulic Installation, 22ft Deck (Not Shown - See Separate Breakdown in Hydraulic Section)	
3	2330000044	1	Standard Duty Decals Installation (Not Shown - See Separate Breakdown in DECAL Section)	
4	2330000055	Ref	Conspicuity Decal Installation	
4	7330000428	2	Decal - Red/White Reflective	
5	2679000007	1	Main Subframe Pad Installation (See Separate Breakdown in SUBFRAME Section)	
6	2750000008	1	Hydraulic Reservoir and Bracket Mount (See Separate Breakdown in HYDRAULIC Section)	
7	7577000223	1	Chain/Tie-Down Kit	

SECTION 3 - DECK

FIGURE 3-12. DECK MODEL, INSTALLATION - STEEL 22FT X 102IN SINGLE WINCH



ART_1001165601

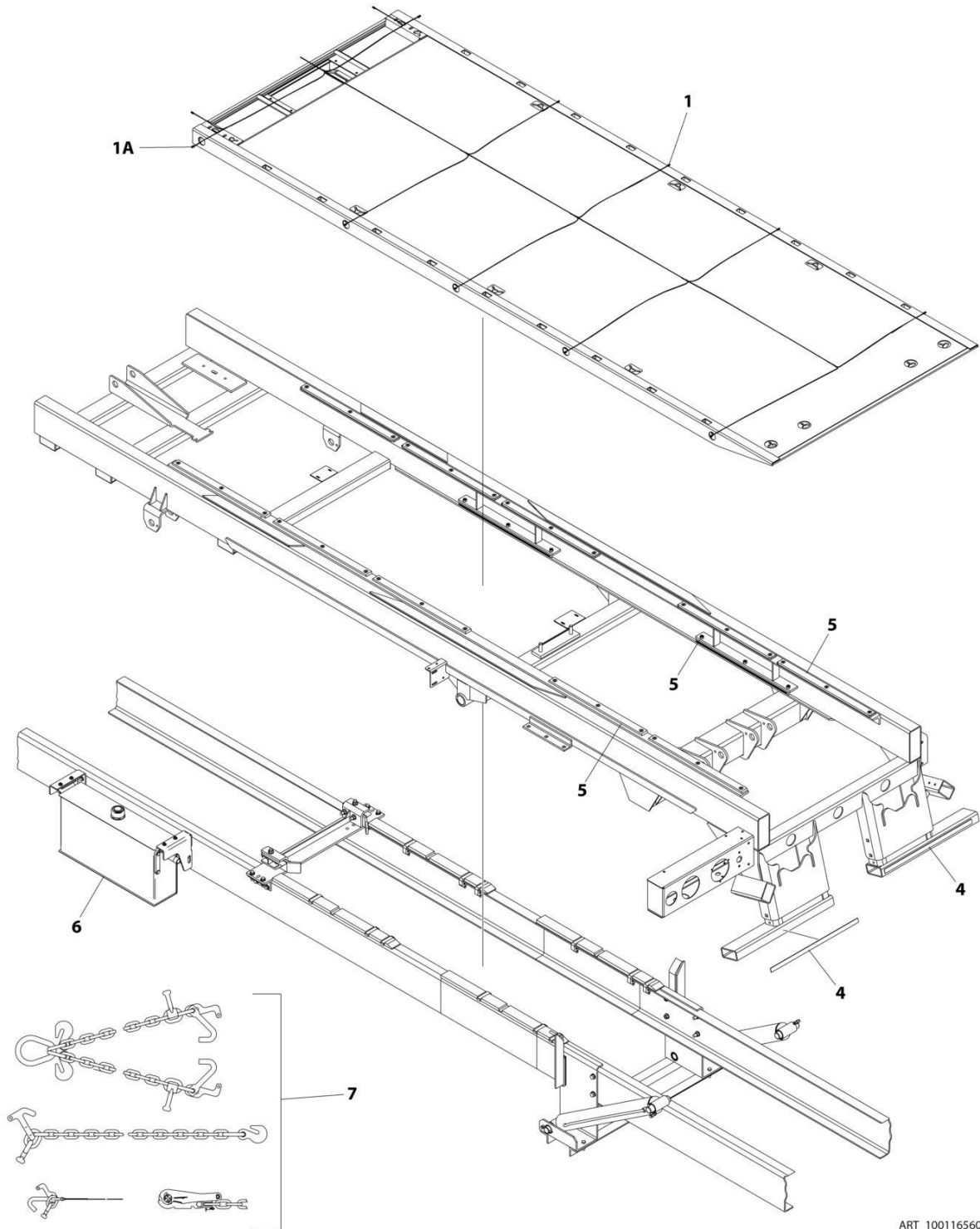
SECTION 3 - DECK

FIGURE 3-12. DECK MODEL, INSTALLATION - STEEL 22FT X 102IN SINGLE WINCH

ITEM	PART NUMBER	QTY	DESCRIPTION	REV
	1001165601	Ref	DECK INSTALLATION - 22FTx102IN STEEL (XLP)	B
1	3097000830	1	Deck Installation, 22ft (Wide) (Steel)	
1A	7552000212	1	Harness	
2	1001189463	1	Winch Hydraulic Installation, 22ft Deck (Not Shown - See Separate Breakdown in Hydraulic Section)	
3	2330000044	1	Standard Duty Decals Installation (Not Shown - See Separate Breakdown in DECAL Section)	
4	2330000055	Ref	Conspicuity Decal Installation	
4	7330000428	2	Decal - Red/White Reflective	
5	2679000007	1	Main Subframe Pad Installation (See Separate Breakdown in SUBFRAME Section)	
6	2750000008	1	Hydraulic Reservoir and Bracket Mount (See Separate Breakdown in HYDRAULIC Section)	
7	7577000223	1	Chain/Tie-Down Kit	

SECTION 3 - DECK

FIGURE 3-13. DECK MODEL, INSTALLATION - STEEL 24FT X 96IN SINGLE WINCH



ART_1001165602

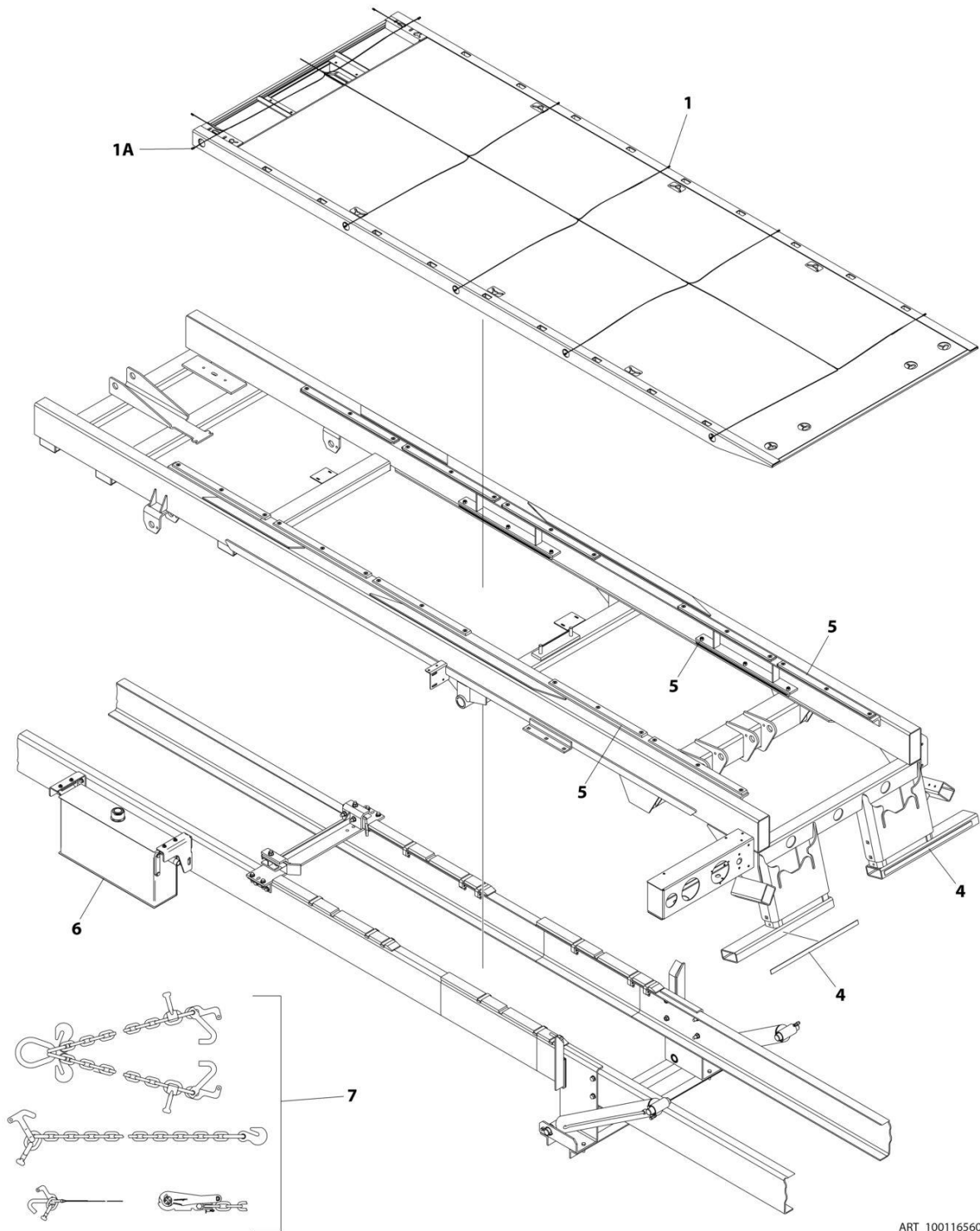
SECTION 3 - DECK

FIGURE 3-13. DECK MODEL, INSTALLATION - STEEL 24FT X 96IN SINGLE WINCH

ITEM	PART NUMBER	QTY	DESCRIPTION	REV
	1001165602	Ref	DECK INSTALLATION - 24FTx96IN STEEL (XLP)	B
1	3097000831	1	Deck Installation, 24ft (Steel)	
1A	7552000212	1	Harness	
2	1001189464	1	Winch Hydraulic Installation, 24ft Deck (Not Shown - See Separate Breakdown in Hydraulic Section)	
3	2330000044	1	Standard Duty Decals Installation (Not Shown - See Separate Breakdown in DECAL Section)	
4	2330000055	Ref	Conspicuity Decal Installation	
4	7330000428	2	Decal - Red/White Reflective	
5	2679000007	1	Main Subframe Pad Installation (See Separate Breakdown in SUBFRAME Section)	
6	2750000008	1	Hydraulic Reservoir and Bracket Mount (See Separate Breakdown in SUBFRAME Section)	
7	7577000223	1	Chain/Tie-Down Kit	

SECTION 3 - DECK

FIGURE 3-14. DECK MODEL, INSTALLATION - STEEL 24FT X 102IN SINGLE WINCH



ART_1001165603

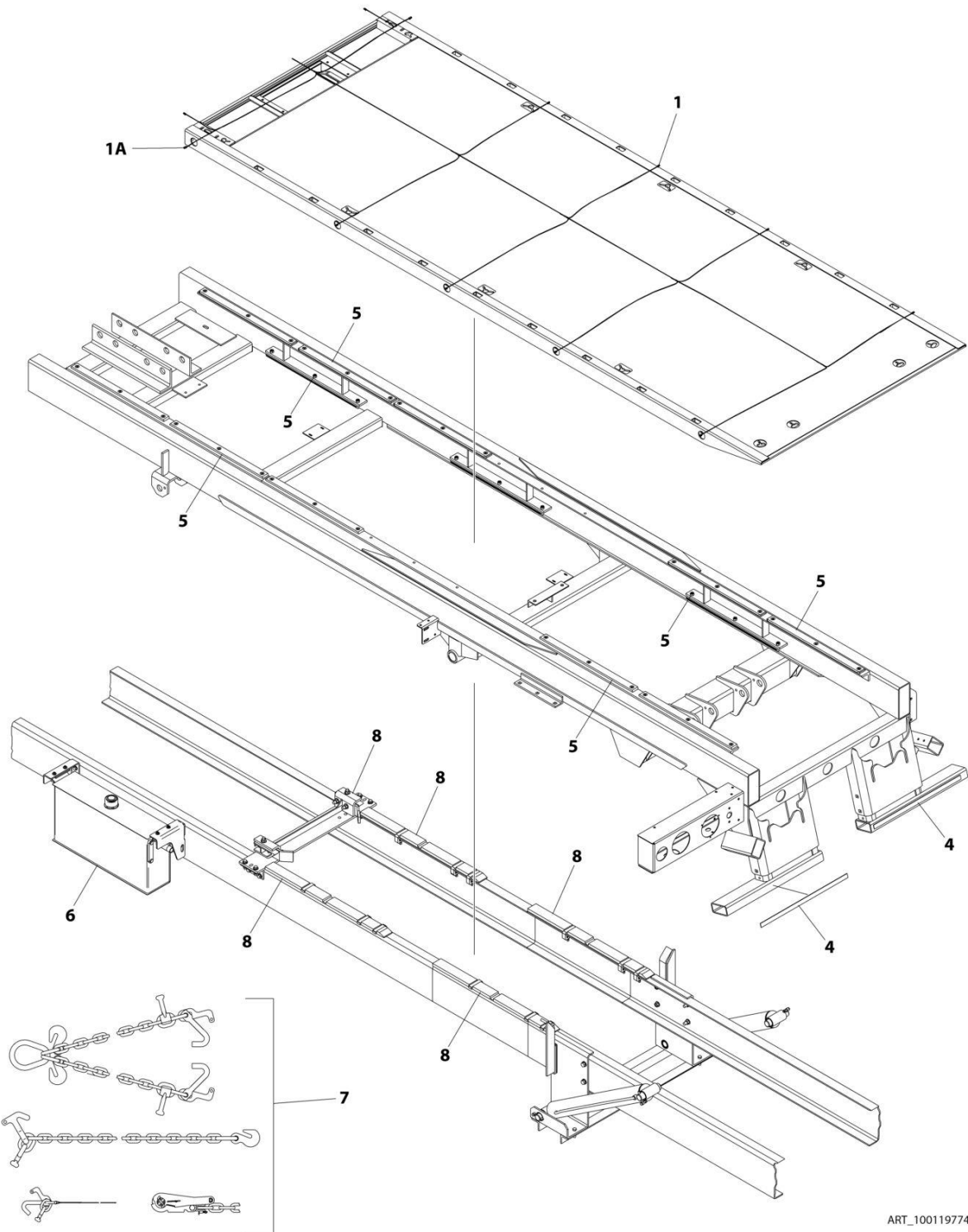
SECTION 3 - DECK

FIGURE 3-14. DECK MODEL, INSTALLATION - STEEL 24FT X 102IN SINGLE WINCH

ITEM	PART NUMBER	QTY	DESCRIPTION	REV
	1001165603	Ref	DECK INSTALLATION - 24FTx102IN STEEL (XLP)	B
1	3097000832	1	Deck Installation, 24ft (Wide) (Steel)	
1A	7552000212	1	Harness	
2	1001189464	1	Winch Hydraulic Installation, 24ft Deck (Not Shown - See Separate Breakdown in Hydraulic Section)	
3	2330000044	1	Standard Duty Decals Installation (Not Shown - See Separate Breakdown in DECAL Section)	
4	2330000055	Ref	Conspicuity Decal Installation	
4	7330000428	2	Decal - Red/White Reflective	
5	2679000007	1	Main Subframe Pad Installation (See Separate Breakdown in SUBFRAME Section)	
6	2750000008	1	Hydraulic Reservoir and Bracket Mount (See Separate Breakdown in HYDRAULIC Section)	
7	7577000223	1	Chain/Tie-Down Kit	

SECTION 3 - DECK

FIGURE 3-15. DECK MODEL, INSTALLATION - STEEL 26FT X 96IN SINGLE WINCH



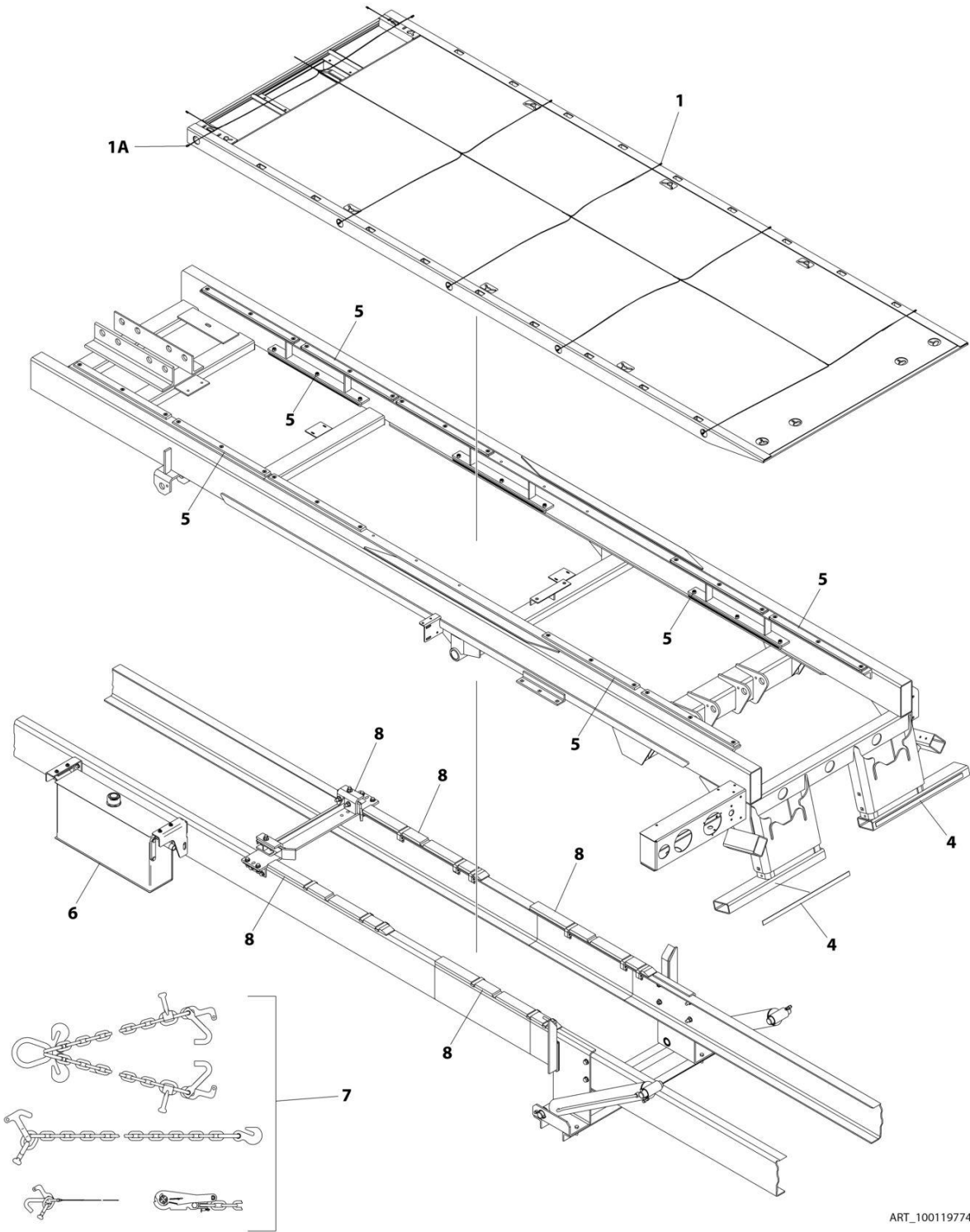
SECTION 3 - DECK

FIGURE 3-15. DECK MODEL, INSTALLATION - STEEL 26FT X 96IN SINGLE WINCH

ITEM	PART NUMBER	QTY	DESCRIPTION	REV
	1001197741	Ref	DECK INSTALLATION - 26FTx96IN STEEL (XLP)	B
1	3097000833	1	Deck Installation, 26ft (Steel)	
1A	7552000212	1	Harness	
2	1001197777	1	Winch Hydraulic Installation, 26ft Deck (Not Shown - See Separate Breakdown in Hydraulic Section)	
3	2330000044	1	Standard Duty Decals Installation (Not Shown - See Separate Breakdown in DECAL Section)	
4	2330000055	Ref	Conspicuity Decal Installation	
4	7330000428	2	Decal - Red/White Reflective	
5	2679000005	1	Main Subframe Pad Installation (See Separate Breakdown in SUBFRAME Section)	
6	2750000008	1	Hydraulic Reservoir and Bracket Mount (See Separate Breakdown in HYDRAULIC Section)	
7	7577000223	1	Chain/Tie-Down Kit	
8	1001219376	1	Hold Down Weld Installation (See Separate Breakdown in SUBFRAME Section)	

SECTION 3 - DECK

FIGURE 3-16. DECK MODEL, INSTALLATION - STEEL 26FT X 102IN SINGLE WINCH



ART_1001197742

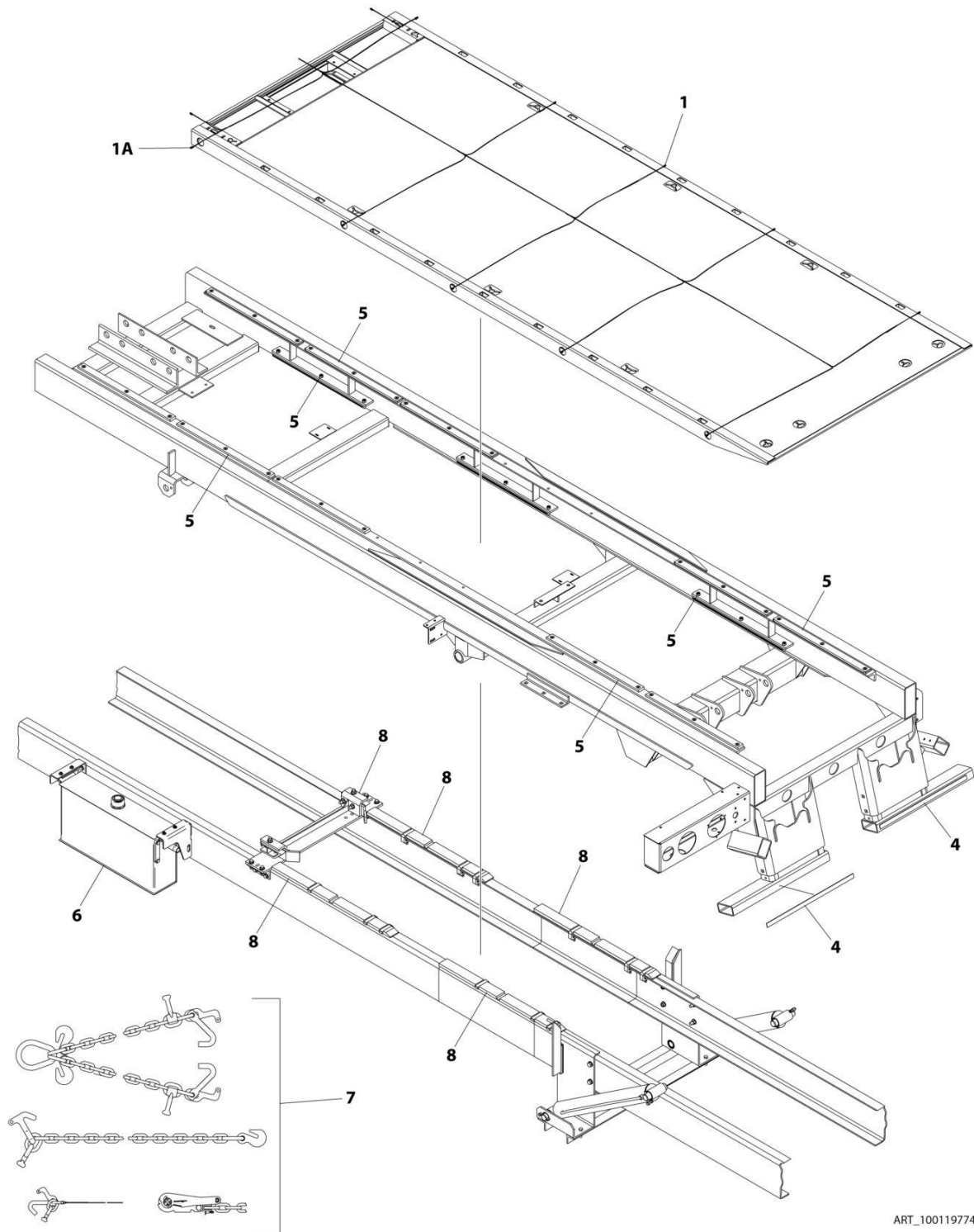
SECTION 3 - DECK

FIGURE 3-16. DECK MODEL, INSTALLATION - STEEL 26FT X 102IN SINGLE WINCH

ITEM	PART NUMBER	QTY	DESCRIPTION	REV
	1001197742	Ref	DECK INSTALLATION - 26FTx102IN STEEL (XLP)	B
1	3097000834	1	Deck Installation, 26ft (Wide) (Steel)	
1A	7552000212	1	Harness	
2	1001197777	1	Winch Hydraulic Installation, 26ft Deck (Not Shown - See Separate Breakdown in Hydraulic Section)	
3	2330000044	1	Standard Duty Decals Installation (Not Shown - See Separate Breakdown in DECAL Section)	
4	2330000055	Ref	Conspicuity Decal Installation	
4	7330000428	2	Decal - Red/White Reflective	
5	2679000005	1	Main Subframe Pad Installation (See Separate Breakdown in SUBFRAME Section)	
6	2750000008	1	Hydraulic Reservoir and Bracket Mount (See Separate Breakdown in HYDRAULIC Section)	
7	7577000223	1	Chain/Tie-Down Kit	
8	1001219376	1	Hold Down Weld Installation (See Separate Breakdown in SUBFRAME Section)	

SECTION 3 - DECK

FIGURE 3-17. DECK MODEL, INSTALLATION - STEEL 28FT X 96IN SINGLE WINCH



ART_1001197743

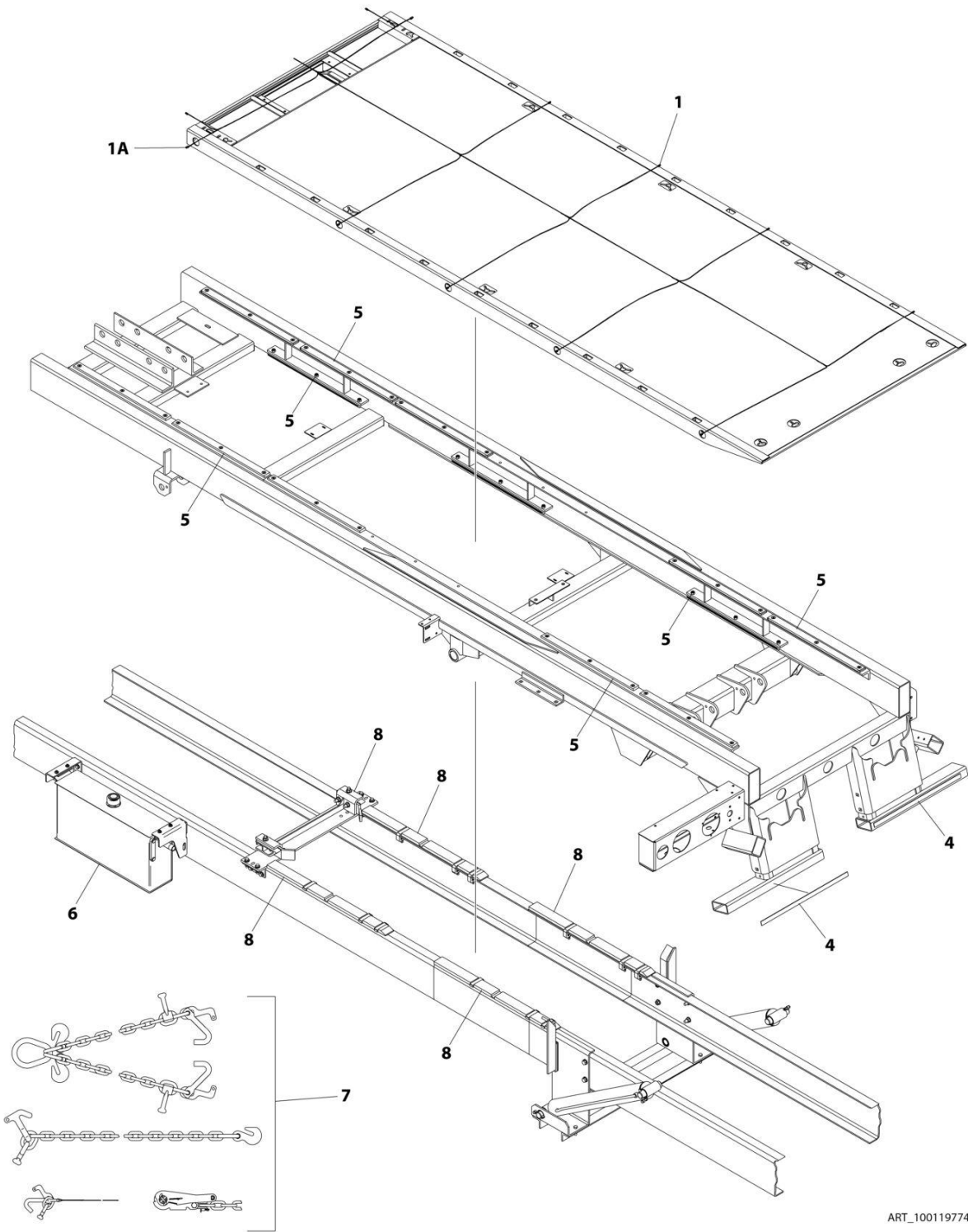
SECTION 3 - DECK

FIGURE 3-17. DECK MODEL, INSTALLATION - STEEL 28FT X 96IN SINGLE WINCH

ITEM	PART NUMBER	QTY	DESCRIPTION	REV
	1001197743	Ref	DECK INSTALLATION - 28FTx96IN STEEL (XLP)	B
1	3097000835	1	Deck Installation, 28ft (Steel)	
1A	7552000212	1	Harness	
2	1001197778	1	Winch Hydraulic Installation, 28ft Deck (Not Shown - See Separate Breakdown in Hydraulic Section)	
3	2330000044	1	Standard Duty Decals Installation (Not Shown - See Separate Breakdown in DECAL Section)	
4	2330000055	Ref	Conspicuity Decal Installation	
4	7330000428	2	Decal - Red/White Reflective	
5	2679000005	1	Main Subframe Pad Installation (See Separate Breakdown in SUBFRAME Section)	
6	2750000008	1	Hydraulic Reservoir and Bracket Mount (See Separate Breakdown in HYDRAULIC Section)	
7	7577000223	1	Chain/Tie-Down Kit	
8	1001219377	1	Hold Down Weld Installation (See Separate Breakdown in SUBFRAME Section)	

SECTION 3 - DECK

FIGURE 3-18. DECK MODEL, INSTALLATION - STEEL 28FT X 102IN SINGLE WINCH



ART_1001197744

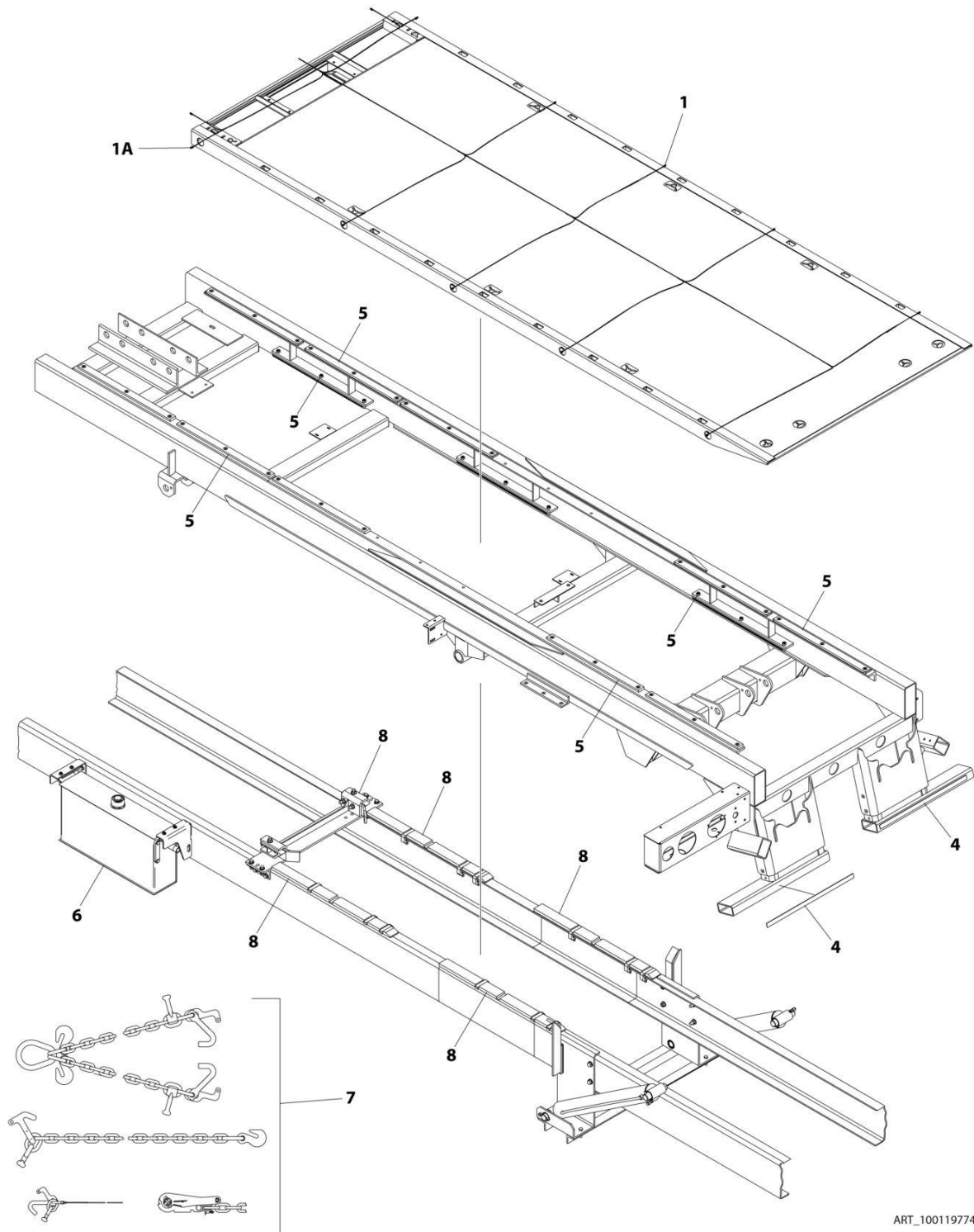
SECTION 3 - DECK

FIGURE 3-18. DECK MODEL, INSTALLATION - STEEL 28FT X 102IN SINGLE WINCH

ITEM	PART NUMBER	QTY	DESCRIPTION	REV
	1001197744	Ref	DECK INSTALLATION - 28FTx102IN STEEL (XLP)	B
1	3097000836	1	Deck Installation, 28ft (Steel)	
1A	7552000212	1	Harness	
2	1001197778	1	Winch Hydraulic Installation, 28ft Deck (Not Shown - See Separate Breakdown in Hydraulic Section)	
3	2330000044	1	Standard Duty Decals Installation (Not Shown - See Separate Breakdown in DECAL Section)	
4	2330000055	Ref	Conspicuity Decal Installation	
4	7330000428	2	Decal - Red/White Reflective	
5	2679000005	1	Main Subframe Pad Installation (See Separate Breakdown in SUBFRAME Section)	
6	2750000008	1	Hydraulic Reservoir and Bracket Mount (See Separate Breakdown in HYDRAULIC Section)	
7	7577000223	1	Chain/Tie-Down Kit	
8	1001219377	1	Hold Down Weld Installation (See Separate Break down in SUBFRAME Section)	

SECTION 3 - DECK

FIGURE 3-19. DECK MODEL, INSTALLATION - STEEL 28FT X 96IN DUAL WINCH



ART_1001197749

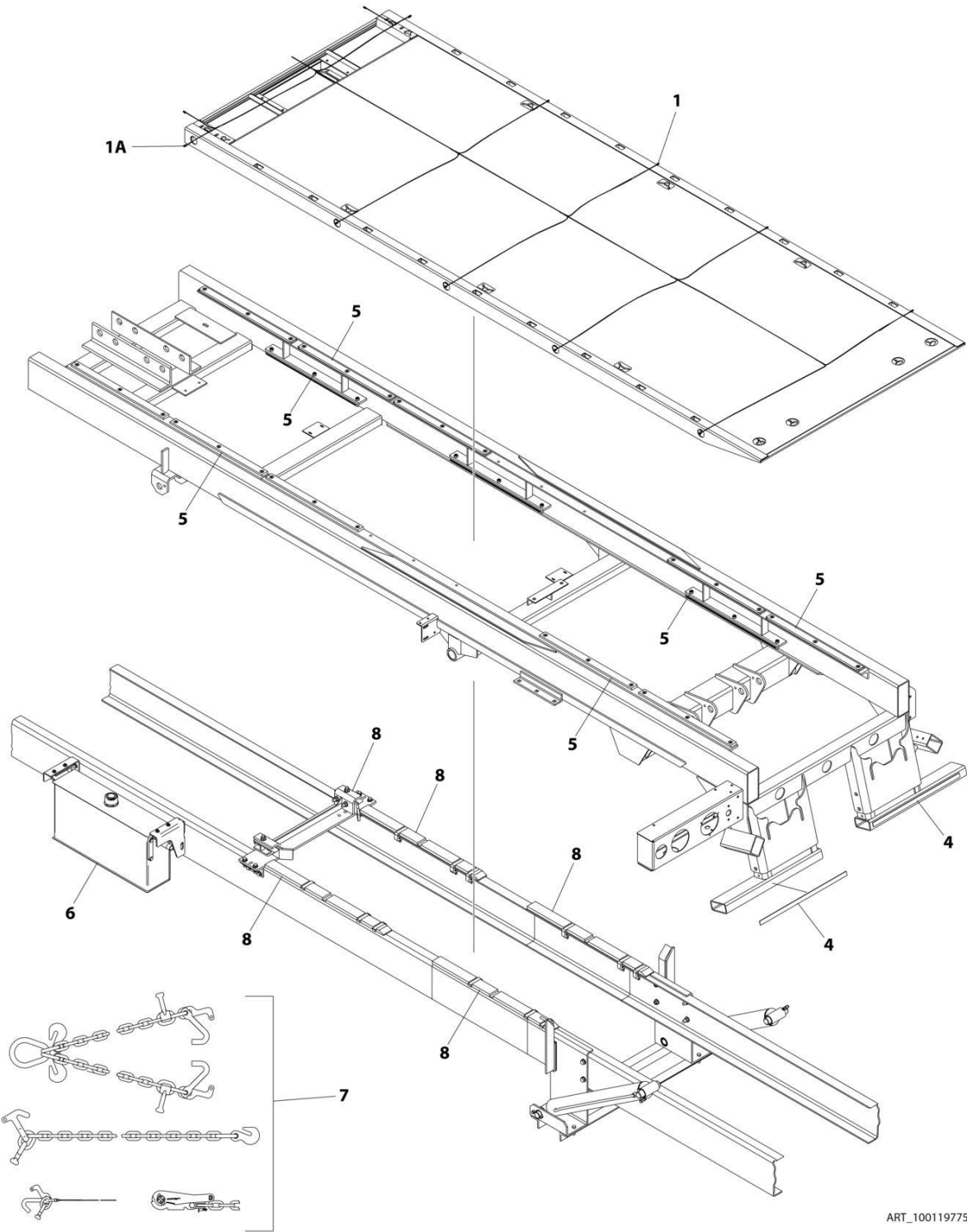
SECTION 3 - DECK

FIGURE 3-19. DECK MODEL, INSTALLATION - STEEL 28FT X 96IN DUAL WINCH

ITEM	PART NUMBER	QTY	DESCRIPTION	REV
	1001197749	Ref	DECK INSTALLATION - 28FTx96IN STEEL (DUAL WINCH XLP)	B
1	1001142396	1	Deck Installation, 28ft (Steel)	
1A	7552000212	1	Harness	
2	1001197779	1	Dual Winch Hydraulic Installation, 28ft Deck (Not Shown - See Separate Breakdown in Hydraulic Section)	
3	2330000044	1	Standard Duty Decals Installation (Not Shown - See Separate Breakdown in DECAL Section)	
4	2330000055	Ref	Conspicuity Decal Installation	
4	7330000428	2	Decal - Red/White Reflective	
5	2679000005	1	Main Subframe Pad Installation (See Separate Breakdown in SUBFRAME Section)	
6	2750000008	1	Hydraulic Reservoir and Bracket Mount (See Separate Breakdown in HYDRAULIC Section)	
7	7577000223	2	Chain/Tie-Down Kit	
8	1001219377	1	Hold Down Weld Installation (See Separate Breakdown in SUBFRAME Section)	

SECTION 3 - DECK

FIGURE 3-20. DECK MODEL, INSTALLATION - STEEL 28FT X 102IN DUAL WINCH



ART_1001197750

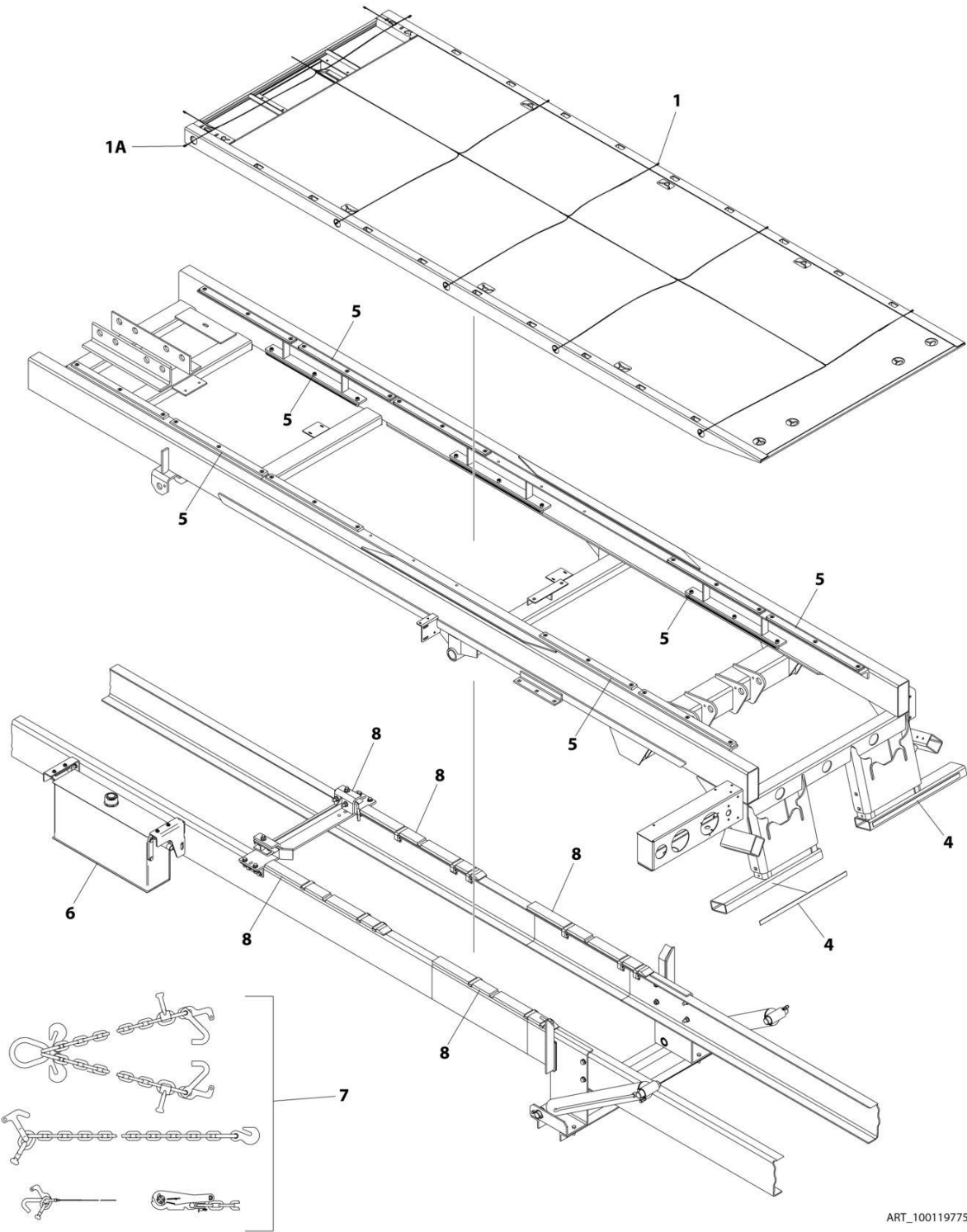
SECTION 3 - DECK

FIGURE 3-20. DECK MODEL, INSTALLATION - STEEL 28FT X 102IN DUAL WINCH

ITEM	PART NUMBER	QTY	DESCRIPTION	REV
	1001197750	Ref	DECK INSTALLATION - 28FTx102IN STEEL (DUAL WINCH XLP)	B
1	1001142397	1	Deck Installation, 28ft (Wide) (Steel)	
1A	7552000212	1	Harness	
2	1001197779	1	Dual Winch Hydraulic Installation, 28ft Deck (Not Shown - See Separate Breakdown in Hydraulic Section)	
3	2330000044	1	Standard Duty Decals Installation (Not Shown - See Separate Breakdown in DECAL Section)	
4	2330000055	Ref	Conspicuity Decal Installation	
4	7330000428	2	Decal - Red/White Reflective	
5	2679000005	1	Main Subframe Pad Installation (See Separate Breakdown in SUBFRAME Section)	
6	2750000008	1	Hydraulic Reservoir and Bracket Mount (See Separate Breakdown in HYDRAULIC Section)	
7	7577000223	2	Chain/Tie-Down Kit	
8	1001219377	1	Hold Down Weld Installation (See Separate Breakdown in SUBFRAME Section)	

SECTION 3 - DECK

FIGURE 3-21. DECK MODEL, INSTALLATION - STEEL 30FT X 96IN DUAL WINCH



ART_1001197751

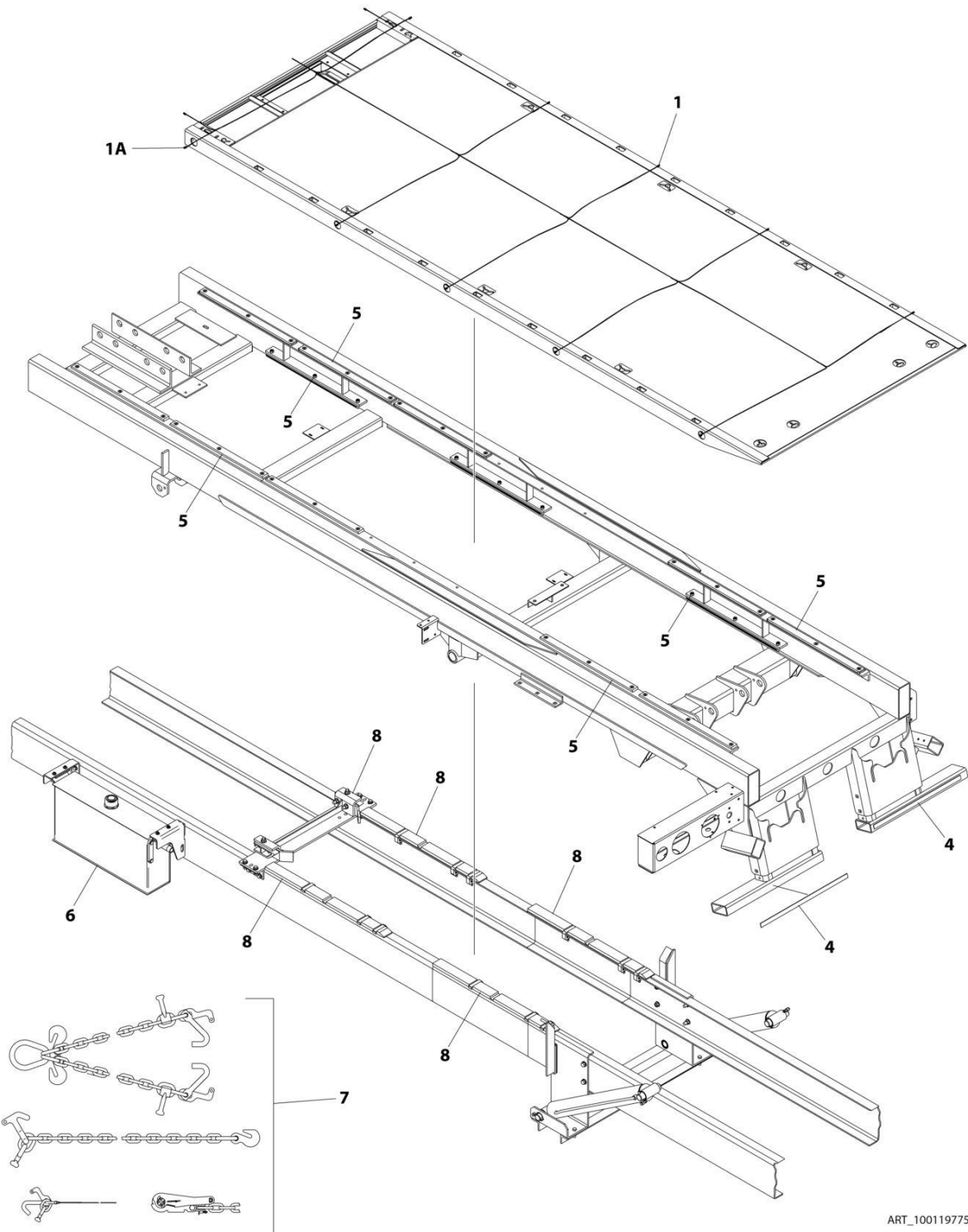
SECTION 3 - DECK

FIGURE 3-21. DECK MODEL, INSTALLATION - STEEL 30FT X 96IN DUAL WINCH

ITEM	PART NUMBER	QTY	DESCRIPTION	REV
	1001197751	Ref	DECK INSTALLATION - 30FTx96IN STEEL (DUAL WINCH XLP)	B
1	1001150327	1	Deck Installation, 30ft (Steel)	
1A	7552000212	1	Harness	
2	1001197780	1	Dual Winch Hydraulic Installation, 30ft Deck (Not Shown - See Separate Breakdown in Hydraulic Section)	
3	2330000044	1	Standard Duty Decals Installation (Not Shown - See Separate Breakdown in DECAL Section)	
4	2330000055	Ref	Conspicuity Decal Installation	
4	7330000428	2	Decal - Red/White Reflective	
5	2679000005	1	Main Subframe Pad Installation (See Separate Breakdown in SUBFRAME Section)	
6	2750000008	1	Hydraulic Reservoir and Bracket Mount (See Separate Breakdown in HYDRAULIC Section)	
7	7577000223	2	Chain/Tie-Down Kit	
8	1001219789	1	Hold Down Weld Installation (See Separate Breakdown in SUBFRAME Section)	

SECTION 3 - DECK

FIGURE 3-22. DECK MODEL, INSTALLATION - STEEL 30FT X 102IN DUAL WINCH



ART_1001197752

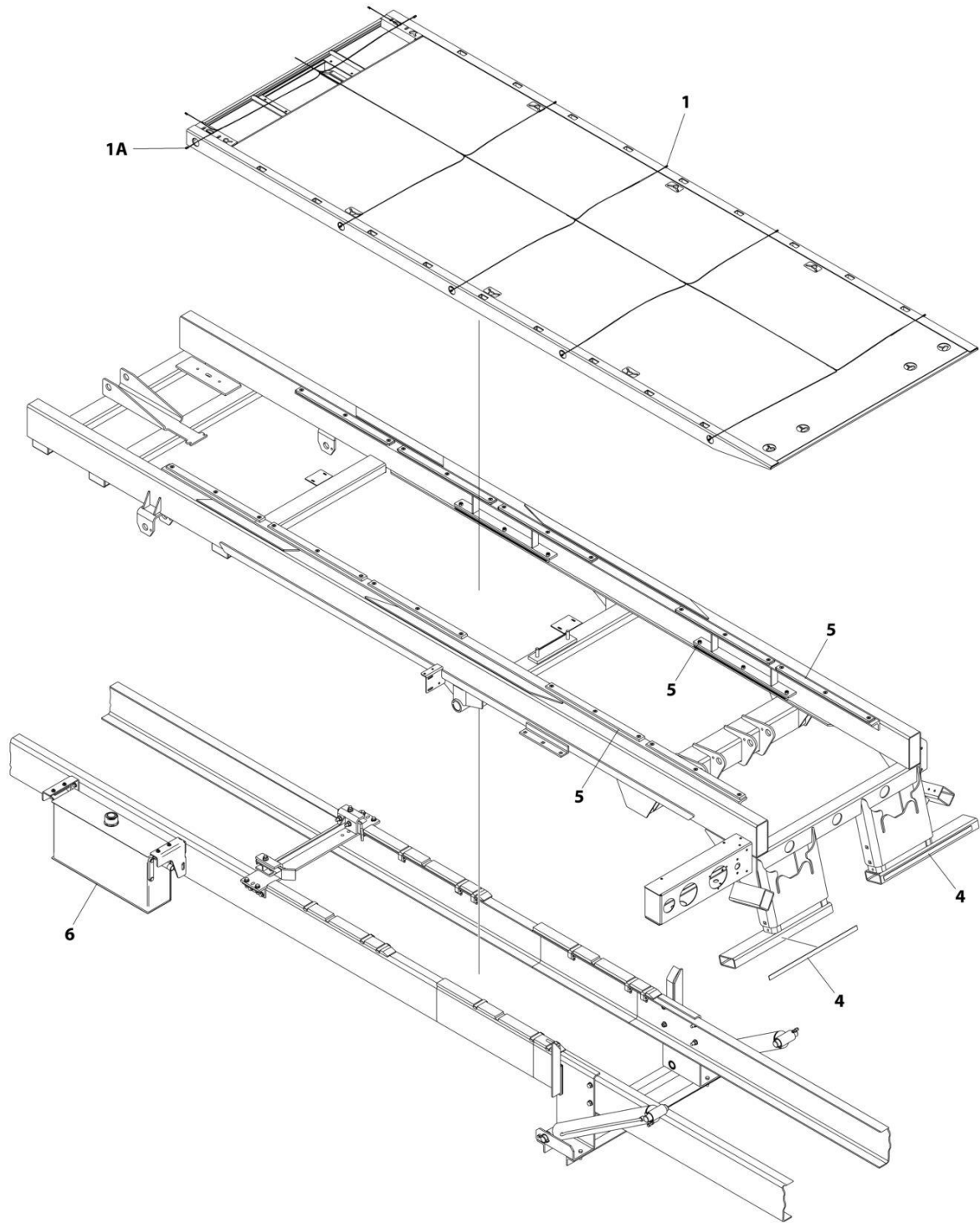
SECTION 3 - DECK

FIGURE 3-22. DECK MODEL, INSTALLATION - STEEL 30FT X 102IN DUAL WINCH

ITEM	PART NUMBER	QTY	DESCRIPTION	REV
	1001197752	Ref	DECK INSTALLATION - 30FTx102IN STEEL (DUAL WINCH XLP)	B
1	1001150328	1	Deck Installation, 30ft (Wide) (Steel)	
1A	7552000212	1	Harness	
2	1001197780	1	Dual Winch Hydraulic Installation, 30ft Deck (Not Shown - See Separate Breakdown in Hydraulic Section)	
3	2330000044	1	Standard Duty Decals Installation (Not Shown - See Separate Breakdown in DECAL Section)	
4	2330000055	Ref	Conspicuity Decal Installation	
4	7330000428	2	Decal - Red/White Reflective	
5	2679000005	1	Main Subframe Pad Installation (See Separate Breakdown in SUBFRAME Section)	
6	2750000008	1	Hydraulic Reservoir and Bracket Mount (See Separate Breakdown in HYDRAULIC Section)	
7	7577000223	2	Chain/Tie-Down Kit	
8	1001219789	1	Hold Down Weld Installation (See Separate Breakdown in SUBFRAME Section)	

SECTION 3 - DECK

FIGURE 3-23. DECK MODEL, INSTALLATION - STEEL 22FT X 96IN TRANSPORTER



ART_1001213541

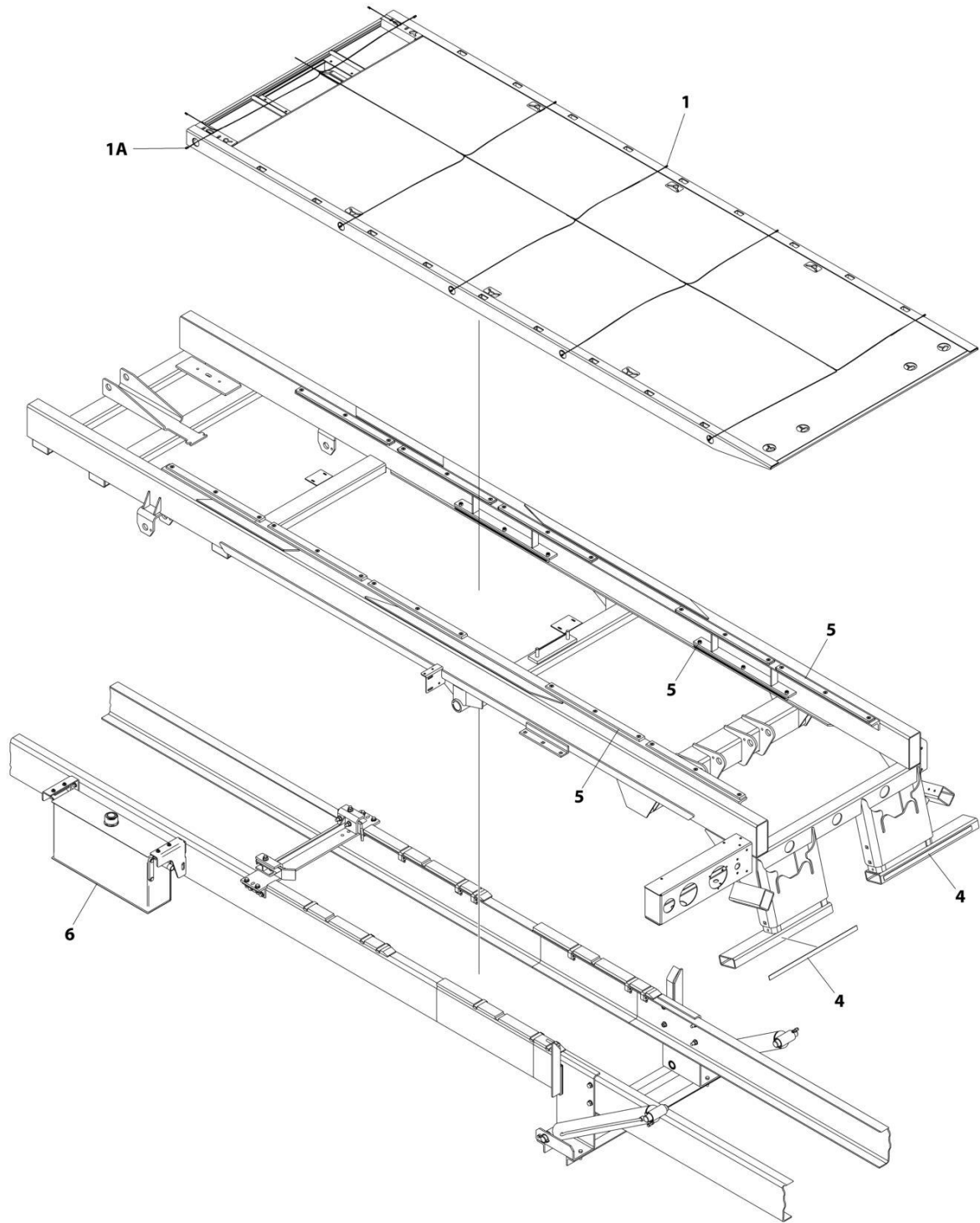
SECTION 3 - DECK

FIGURE 3-23. DECK MODEL, INSTALLATION - STEEL 22FT X 96IN TRANSPORTER

ITEM	PART NUMBER	QTY	DESCRIPTION	REV
	1001213541	Ref	DECK INSTALLATION - 22FTx96IN STEEL TRANSPORTER (XLP)	A
1	3097000837	1	Deck Installation, 22ft (Steel)	
1A	7552000212	1	Harness	
2	1001189463	1	Winch Hydraulic Installation, 22ft Deck (Not Shown - See Separate Breakdown in Hydraulic Section)	
3	2330000044	1	Standard Duty Decals Installation (Not Shown - See Separate Breakdown in DECAL Section)	
4	2330000055	Ref	Conspicuity Decal Installation	
4	7330000428	2	Decal - Red/White Reflective	
5	2679000007	1	Main Subframe Pad Installation (See Separate Breakdown in SUBFRAME Section)	
6	2750000008	1	Hydraulic Reservoir and Bracket Mount (See Separate Breakdown in HYDRAULIC Section)	

SECTION 3 - DECK

FIGURE 3-24. DECK MODEL, INSTALLATION - STEEL 22FT X 102IN TRANSPORTER



ART_1001213542

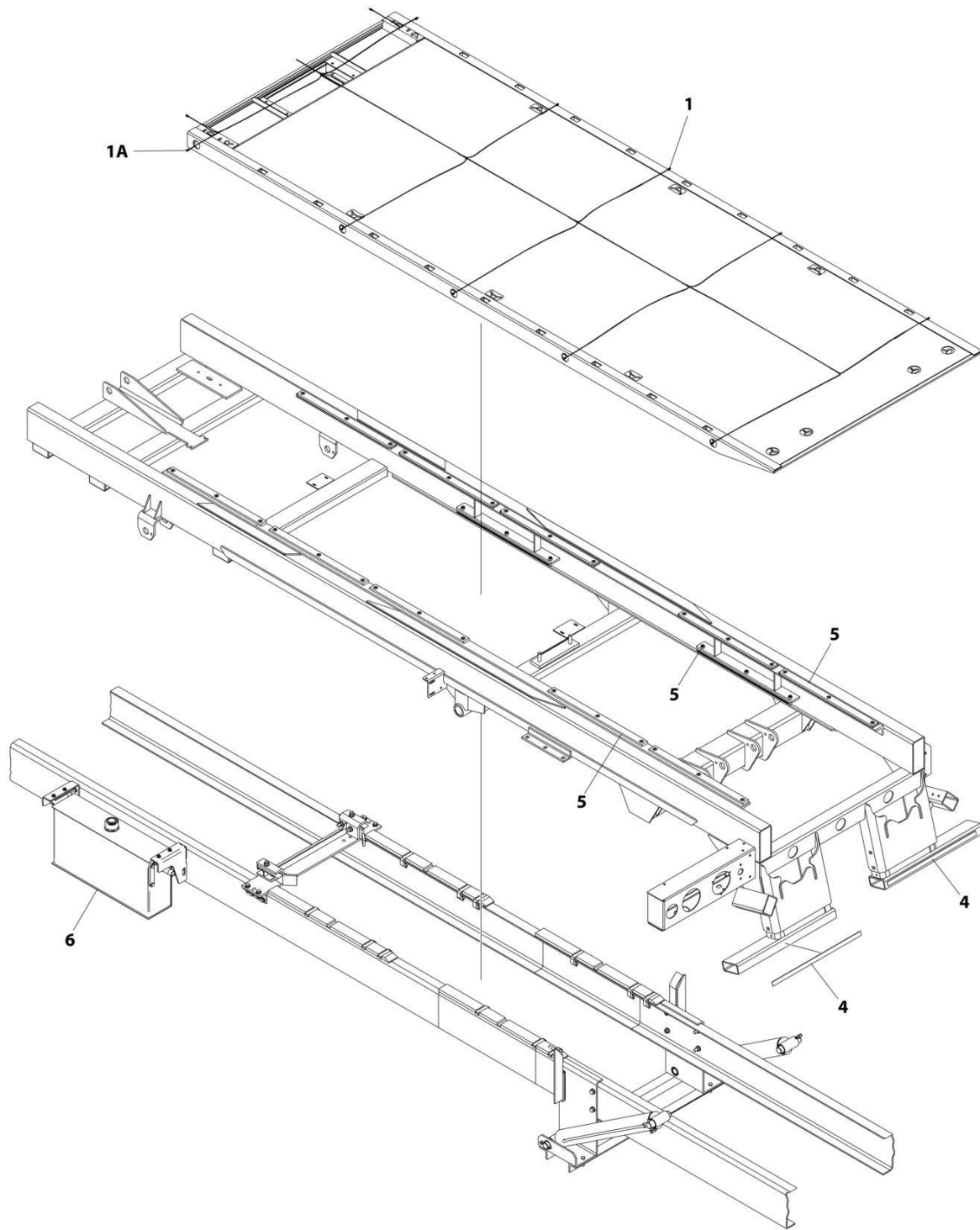
SECTION 3 - DECK

FIGURE 3-24. DECK MODEL, INSTALLATION - STEEL 22FT X 102IN TRANSPORTER

ITEM	PART NUMBER	QTY	DESCRIPTION	REV
	1001213542	Ref	DECK INSTALLATION - 22FTx102IN STEEL TRANSPORTER (XLP)	A
1	3097000838	1	Deck Installation, 22ft (Wide) (Steel)	
1A	7552000212	1	Harness	
2	1001189463	1	Winch Hydraulic Installation, 22ft Deck (Not Shown - See Separate Breakdown in Hydraulic Section)	
3	2330000044	1	Standard Duty Decals Installation (Not Shown - See Separate Breakdown in DECAL Section)	
4	2330000055	Ref	Conspicuity Decal Installation	
4	7330000428	2	Decal - Red/White Reflective	
5	2679000007	1	Main Subframe Pad Installation (See Separate Breakdown in SUBFRAME Section)	
6	2750000008	1	Hydraulic Reservoir and Bracket Mount (See Separate Breakdown in HYDRAULIC Section)	

SECTION 3 - DECK

FIGURE 3-25. DECK MODEL, INSTALLATION - STEEL 24FT X 96IN TRANSPORTER



ART_1001213539

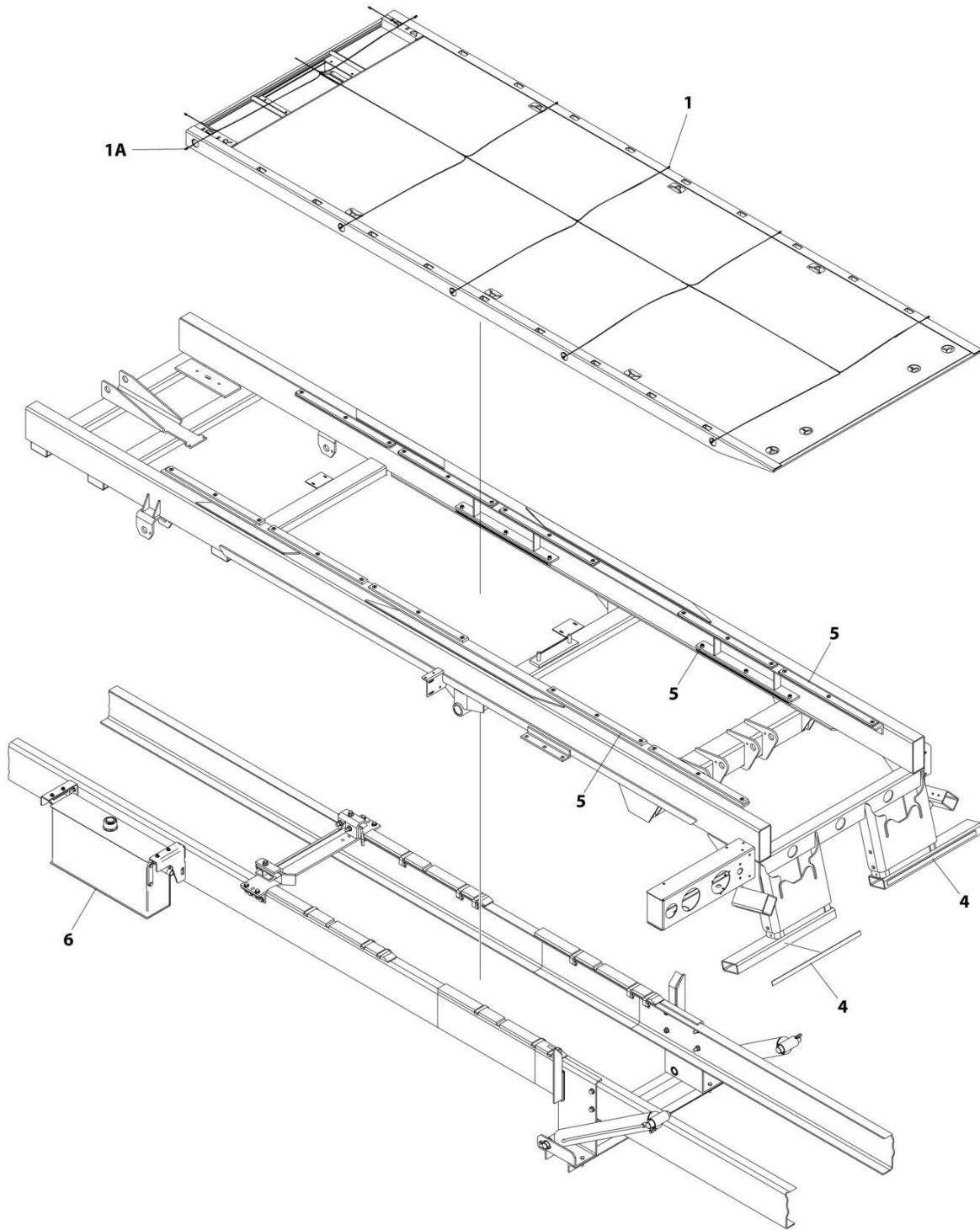
SECTION 3 - DECK

FIGURE 3-25. DECK MODEL, INSTALLATION - STEEL 24FT X 96IN TRANSPORTER

ITEM	PART NUMBER	QTY	DESCRIPTION	REV
	1001213539	Ref	DECK INSTALLATION - 24FTx96IN STEEL TRANSPORTER (XLP)	A
1	3097000839	1	Deck Installation, 24ft (Steel)	
1A	7552000212	1	Harness	
2	1001189464	1	Winch Hydraulic Installation, 24ft Deck (Not Shown - See Separate Breakdown in Hydraulic Section)	
3	2330000044	1	Standard Duty Decals Installation (Not Shown - See Separate Breakdown in DECAL Section)	
4	2330000055	Ref	Conspicuity Decal Installation	
4	7330000428	2	Decal - Red/White Reflective	
5	2679000007	1	Main Subframe Pad Installation (See Separate Breakdown in SUBFRAME Section)	
6	2750000008	1	Hydraulic Reservoir and Bracket Mount (See Separate Breakdown in HYDRAULIC Section)	

SECTION 3 - DECK

FIGURE 3-26. DECK MODEL, INSTALLATION - STEEL 24FT X 102IN TRANSPORTER



ART_1001212201

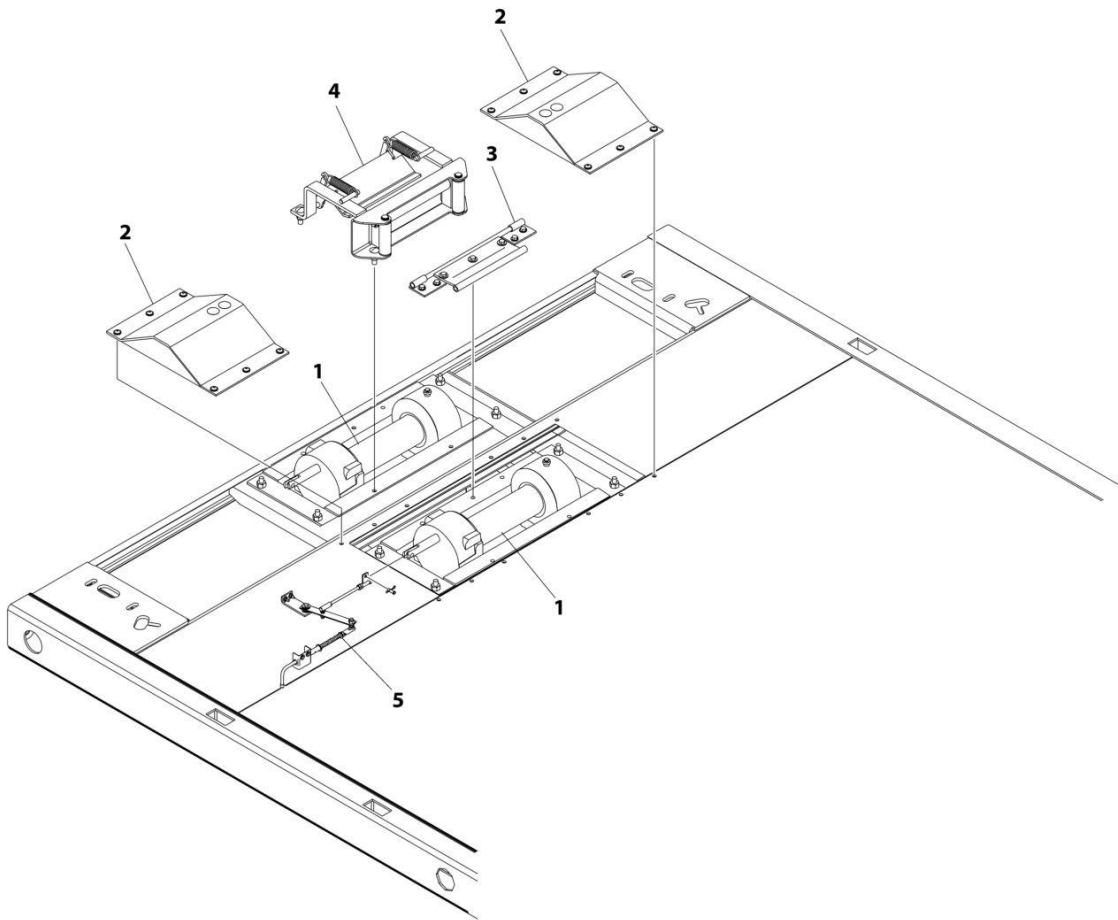
SECTION 3 - DECK

FIGURE 3-26. DECK MODEL, INSTALLATION - STEEL 24FT X 102IN TRANSPORTER

ITEM	PART NUMBER	QTY	DESCRIPTION	REV
	1001212201	Ref	DECK INSTALLATION - 24FTx102IN STEEL TRANSPORTER (XLP)	A
1	3097000840	1	Deck Installation, 24ft (Wide) (Steel)	
1A	7552000212	1	Harness	
2	1001189464	1	Winch Hydraulic Installation, 24ft Deck (Not Shown - See Separate Breakdown in Hydraulic Section)	
3	2330000044	1	Standard Duty Decals Installation (Not Shown - See Separate Breakdown in DECAL Section)	
4	2330000055	Ref	Conspicuity Decal Installation	
4	7330000428	2	Decal - Red/White Reflective	
5	2679000007	1	Main Subframe Pad Installation (See Separate Breakdown in SUBFRAME Section)	
6	2750000008	1	Hydraulic Reservoir and Bracket Mount (See Separate Breakdown in HYDRAULIC Section)	

SECTION 3 - DECK

FIGURE 3-27. WINCH COMPLETE - 8000 LBS (ALUMINUM DECK)



ART_1001142220

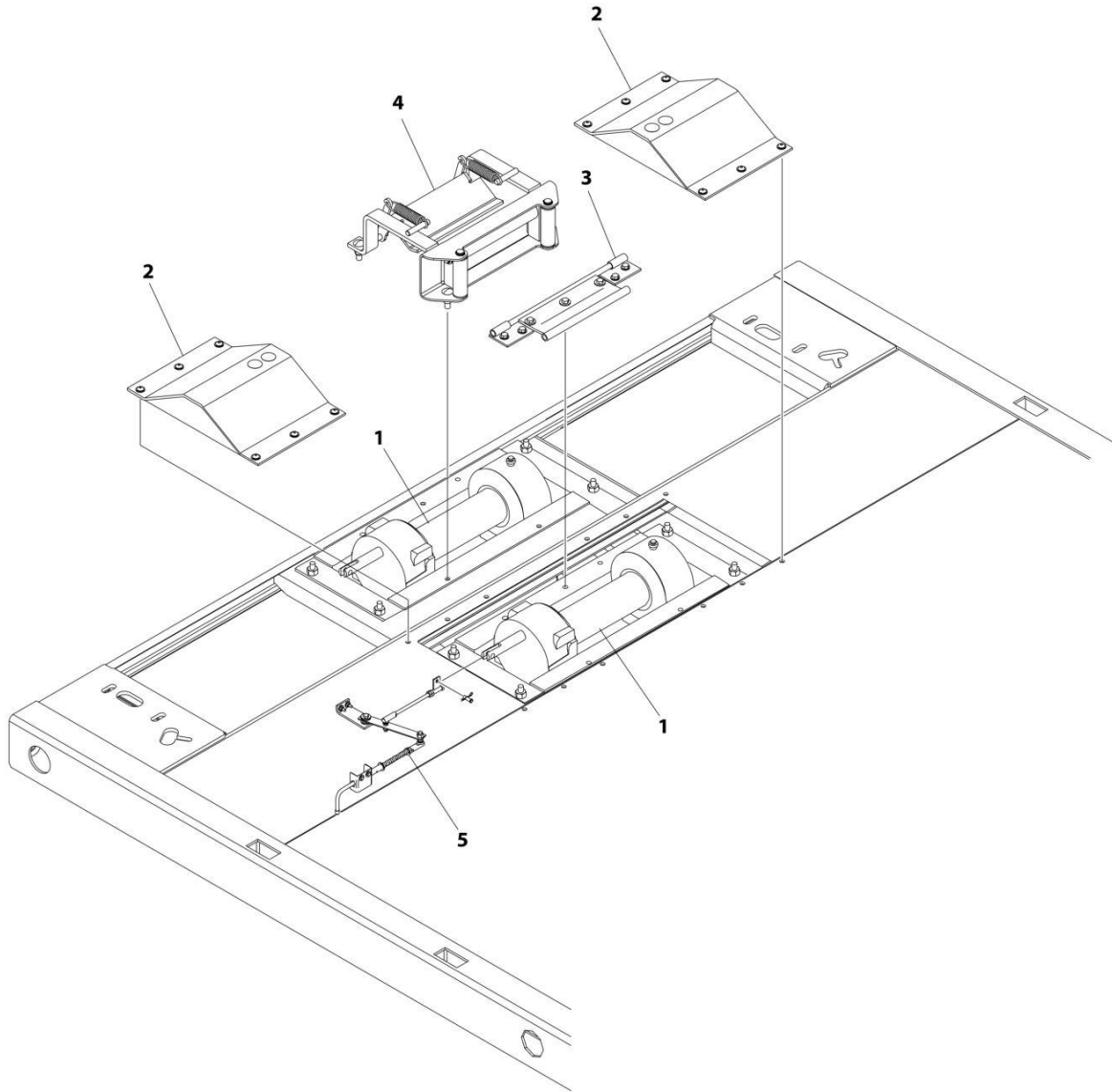
SECTION 3 - DECK

FIGURE 3-27. WINCH COMPLETE - 8000 LBS (ALUMINUM DECK)

ITEM	PART NUMBER	QTY	DESCRIPTION	REV
	1001142220	Ref	WINCH COMPLETE - 8000 LBS (ALUMINUM DECK)	B
1	1001142175	1	Winch Installation, Dual Winch (Aluminum) (See Separate Breakdown in this Section)	
2	2550000197	1	Cover Plate Installation, Dual Winch (See Separate Breakdown in this Section)	
3	2249000009	1	Cable Tensioner (See Separate Breakdown in this Section)	
4	2249000017	1	Cable Guide Tensioner (See Separate Breakdown in this Section)	
5	1001142132	1	Winch Release Installation (Aluminum) (See Separate Breakdown in this Section)	

SECTION 3 - DECK

FIGURE 3-28. WINCH COMPLETE - 8000 LBS (STEEL DECK)



ART_1001142402

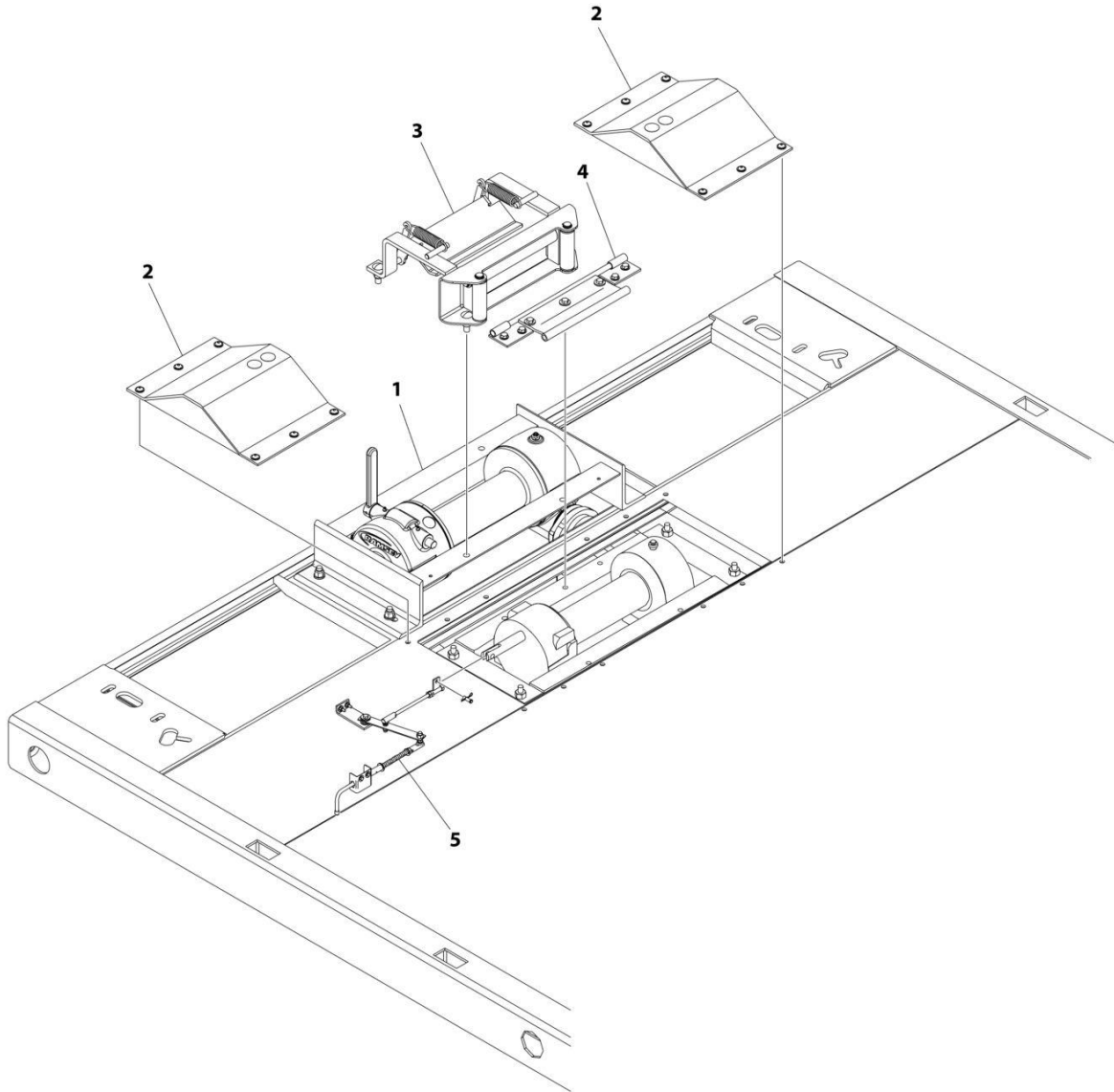
SECTION 3 - DECK

FIGURE 3-28. WINCH COMPLETE - 8000 LBS (STEEL DECK)

ITEM	PART NUMBER	QTY	DESCRIPTION	REV
	1001142402	Ref	WORM GEAR DUAL WINCHES, MAIN DECK - 8000 LBS (STEEL)	C
1	2970000098	1	Winch Installation, Dual Winch (Steel) (See Separate Breakdown in this Section)	
2	1001142009	1	Cover Plate Installation, Dual Winch (See Separate Breakdown in this Section)	
3	2249000009	1	Cable Tensioner (See Separate Breakdown in this Section)	
4	2249000017	1	Cable Guide Tensioner (See Separate Breakdown in this Section)	
5	1001142131	1	Winch Release Installation (Steel) (See Separate Breakdown in this Section)	
6	N.S.S.	1	Winch Hole (Not Shown)	

SECTION 3 - DECK

FIGURE 3-29. WINCH COMPLETE - 8000/12000 LBS (DUAL) (STEEL DECK).



ART_1001142012

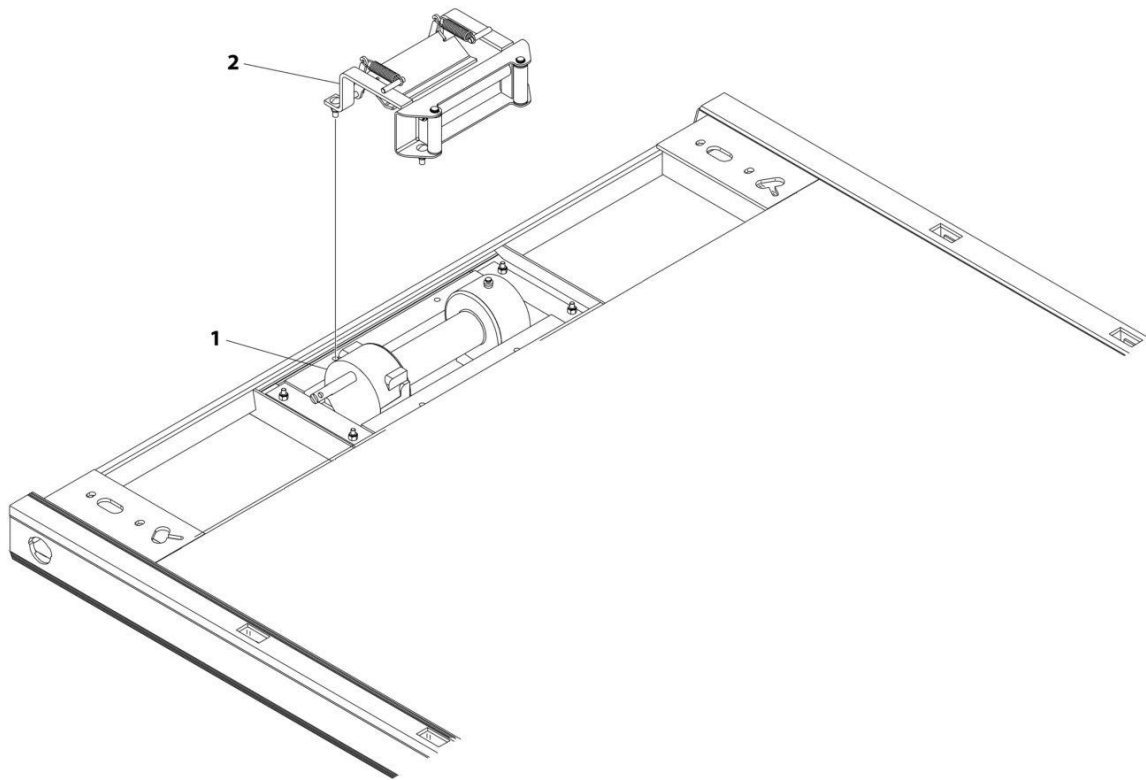
SECTION 3 - DECK

FIGURE 3-29. WINCH COMPLETE - 8000/12000 LBS (DUAL) (STEEL DECK).

ITEM	PART NUMBER	QTY	DESCRIPTION	REV
1	1001142012	Ref	Worm Gear Dual Winches, Main Deck - 8000/12000 LBS (Steel)	C
	1001141992	1	Winch Installation, Dual Winch (Steel) (See Separate Breakdown in this Section)	
2	1001142009	1	Cover Plate Installation, Dual Winch (See Separate Breakdown in this Section)	
3	2249000018	1	Cable Guide Tensioner (See Separate Breakdown in this Section)	
4	2249000009	1	Cable Tensioner (See Separate Breakdown in this Section)	
5	1001142131	1	Winch Release Installation (Steel) (See Separate Breakdown in this Section)	
6	N.S.S.	1	Winch Hole (Not Shown)	

SECTION 3 - DECK

FIGURE 3-30. WINCH COMPLETE - 10000 LBS (ALUMINUM DECK)



ART_W10WAL-MD

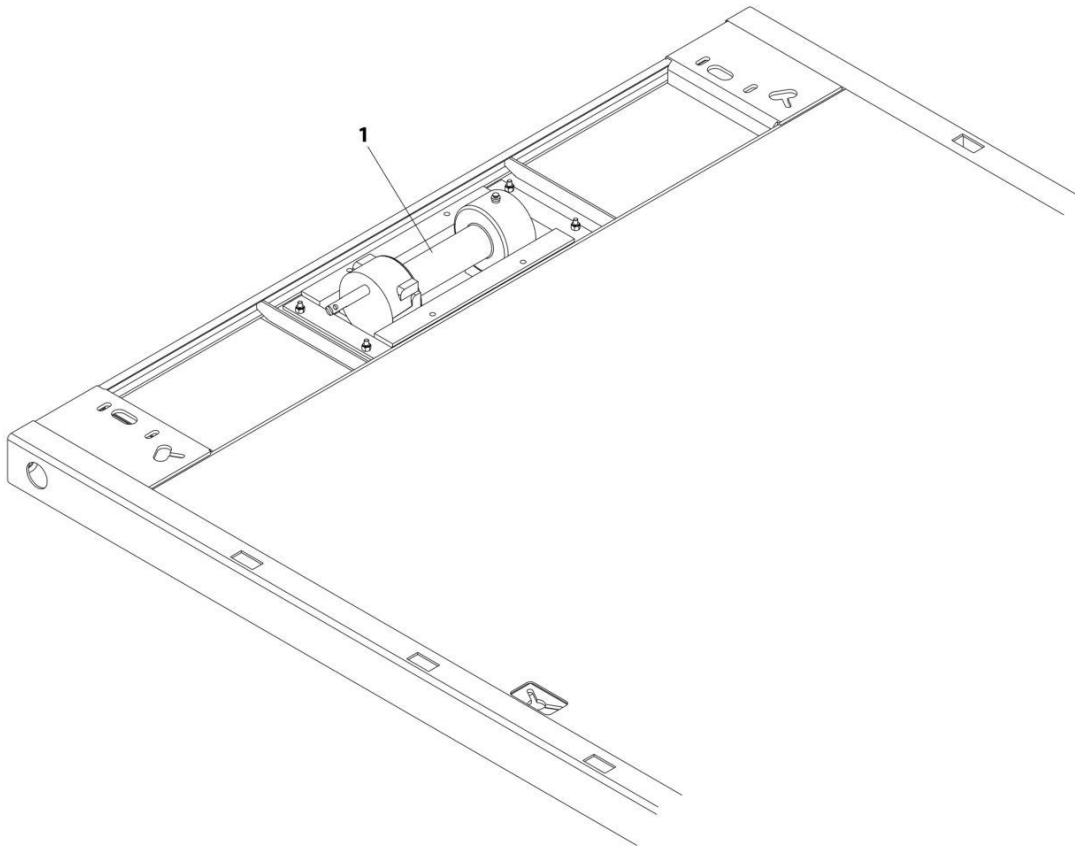
SECTION 3 - DECK

FIGURE 3-30. WINCH COMPLETE - 10000 LBS (ALUMINUM DECK)

ITEM	PART NUMBER	QTY	DESCRIPTION	REV
	W10WAL-MD	Ref	WINCH COMPLETE - 10000 LBS (ALUMINUM DECK)	B
1	2970000082	1	Winch Installation (See Separate Breakdown in this Section)	
2	2249000017	1	Cable Guide Tensioner (See Separate Breakdown in this Section)	

SECTION 3 - DECK

FIGURE 3-31. WINCH COMPLETE - 10000 LBS (STEEL DECK)



ART_W10W-MD

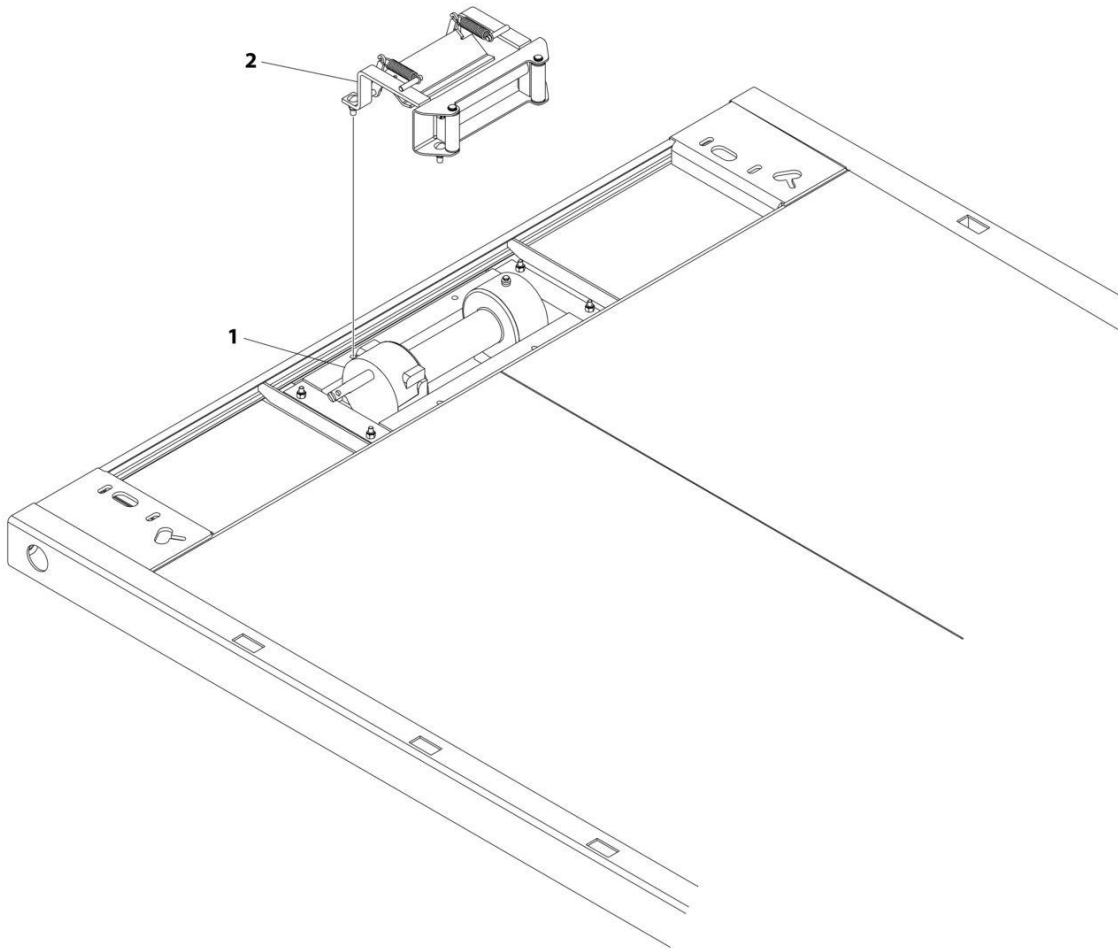
SECTION 3 - DECK

FIGURE 3-31. WINCH COMPLETE - 10000 LBS (STEEL DECK)

ITEM	PART NUMBER	QTY	DESCRIPTION	REV
	W10W-MD	Ref	WORM GEAR WINCH - 10000 LBS	C
1	2970000090	1	Winch Installation (See Separate Breakdown in this Section)	
3	N.S.S.	1	Winch Hole (Not Shown)	

SECTION 3 - DECK

FIGURE 3-32. WINCH COMPLETE - 10000 LBS (TRANSPORTER)



ART_W10WTR-MD

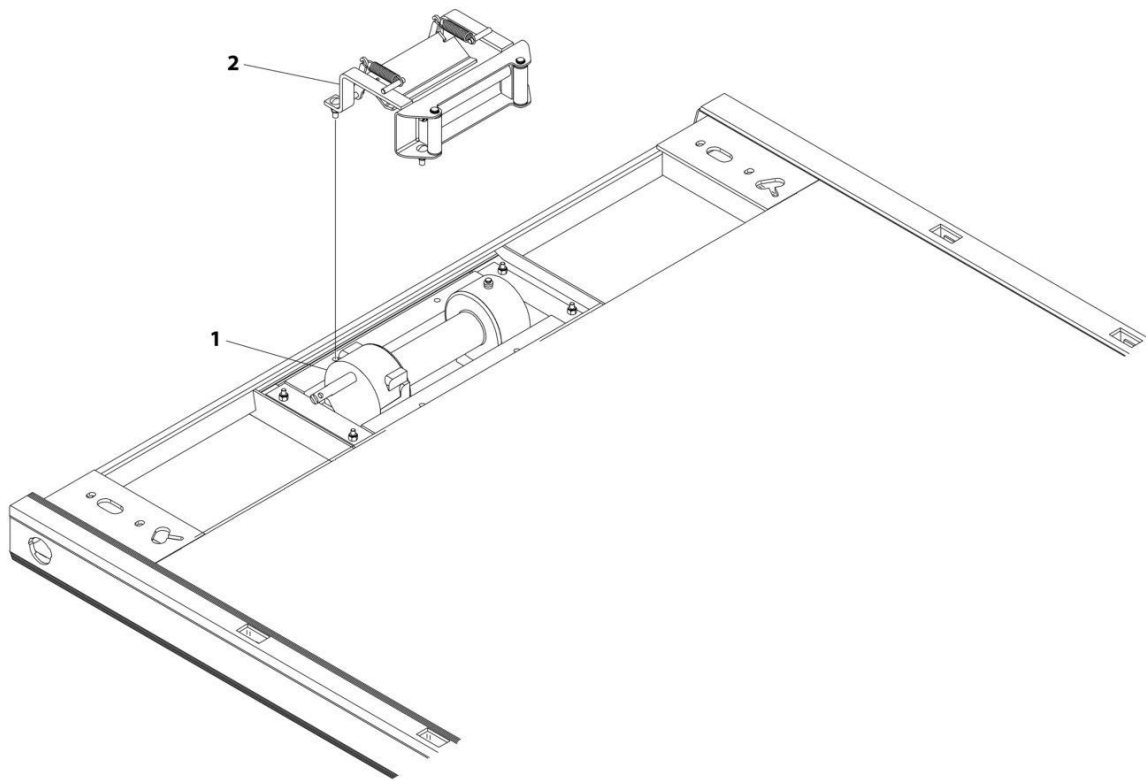
SECTION 3 - DECK

FIGURE 3-32. WINCH COMPLETE - 10000 LBS (TRANSPORTER)

ITEM	PART NUMBER	QTY	DESCRIPTION	REV
	W10WTR-MD	Ref	WORM GEAR WINCH - 10000 LBS	B
1	2970000091	1	Winch Installation (See Separate Breakdown in this Section)	
2	2249000017	1	Cable Guide Tensioner (See Separate Breakdown in this Section)	
3	N.S.S.	1	Winch Hole (Not Shown)	

SECTION 3 - DECK

FIGURE 3-33. WINCH COMPLETE - 10000 LBS (ALUMINUM DECK) (WITH AIR FREE SPOOL AT CONTROLS)



ART_WO10WALAF-MD

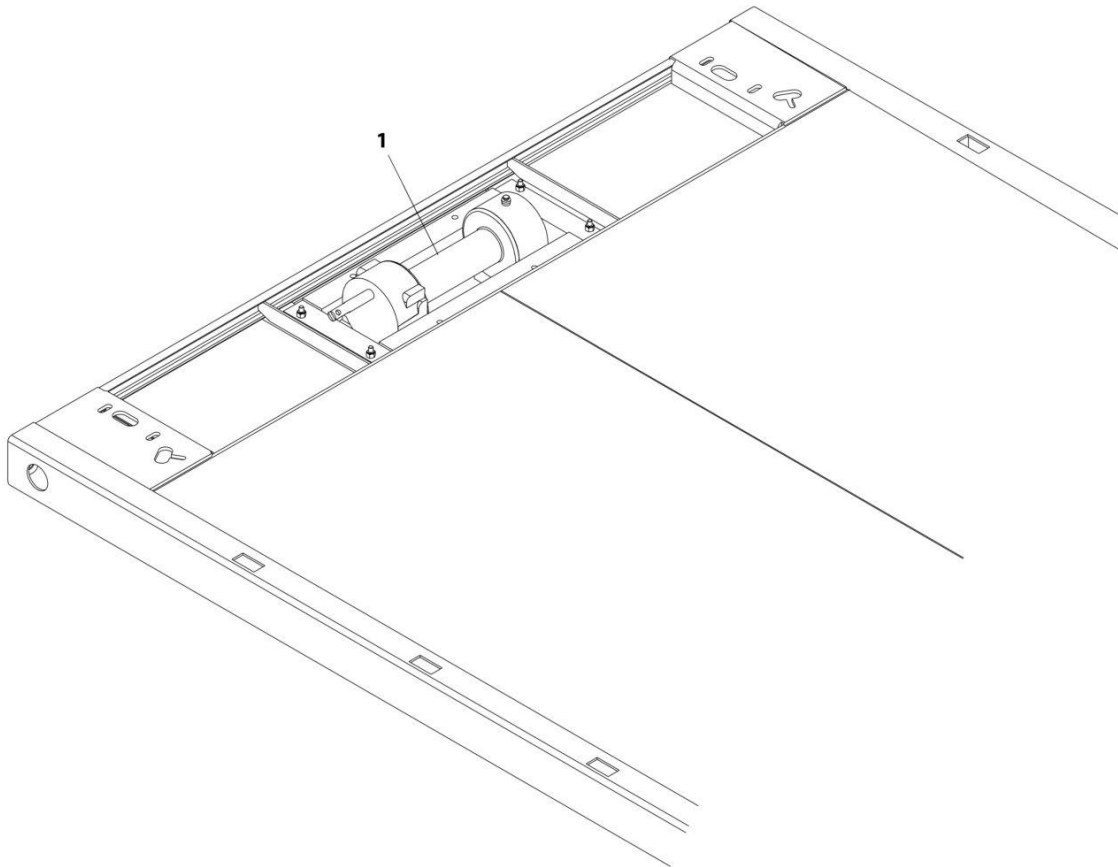
SECTION 3 - DECK

FIGURE 3-33. WINCH COMPLETE - 10000 LBS (ALUMINUM DECK) (WITH AIR FREE SPOOL AT CONTROLS)

ITEM	PART NUMBER	QTY	DESCRIPTION	REV
	WO10WALAF-MD	Ref	WINCH COMPLETE - 10000 LBS (ALUMINUM DECK)	B
1	2970000110	1	Winch Installation (See Separate Breakdown in this Section)	
2	2249000017	1	Cable Guide Tensioner (See Separate Breakdown in this Section)	

SECTION 3 - DECK

FIGURE 3-34. WINCH COMPLETE - 10000 LBS (STEEL DECK). (WITH AIR FREE SPOOL AT CONTROLS)



ART_WO10WAF-MD

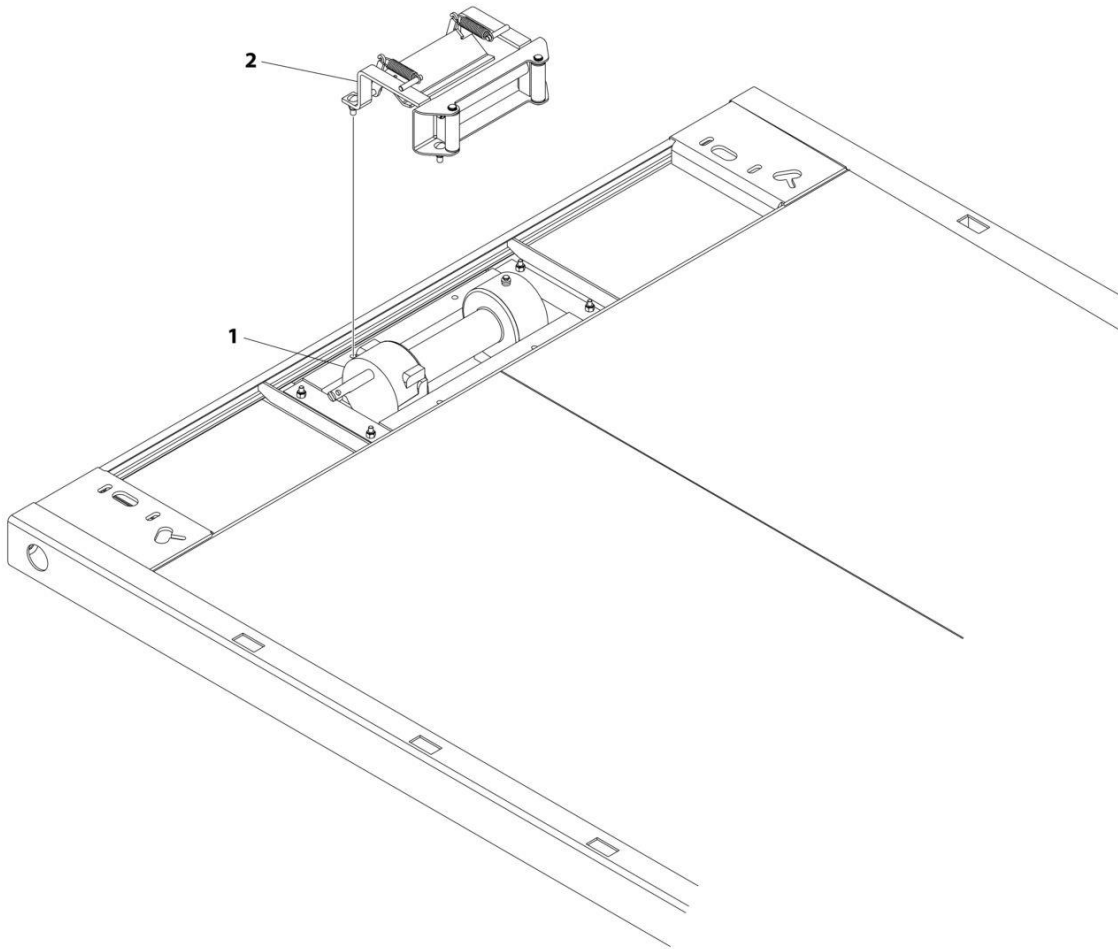
SECTION 3 - DECK

FIGURE 3-34. WINCH COMPLETE - 10000 LBS (STEEL DECK). (WITH AIR FREE SPOOL AT CONTROLS)

ITEM	PART NUMBER	QTY	DESCRIPTION	REV
	WO10WAF-MD	Ref	WORM GEAR WINCH - 10000 LBS WITH AIR FREE SPOOL AT CONTROLS	C
1	2970000108	1	Winch Installation (See Separate Breakdown in this Section)	
3	N.S.S.	1	Winch Hole (Not Shown)	

SECTION 3 - DECK

FIGURE 3-35. WINCH COMPLETE - 10000 LBS (TRANSPORTER). (WITH AIR FREE SPOOL AT CONTROLS)



ART_WO10WTRAF-MD

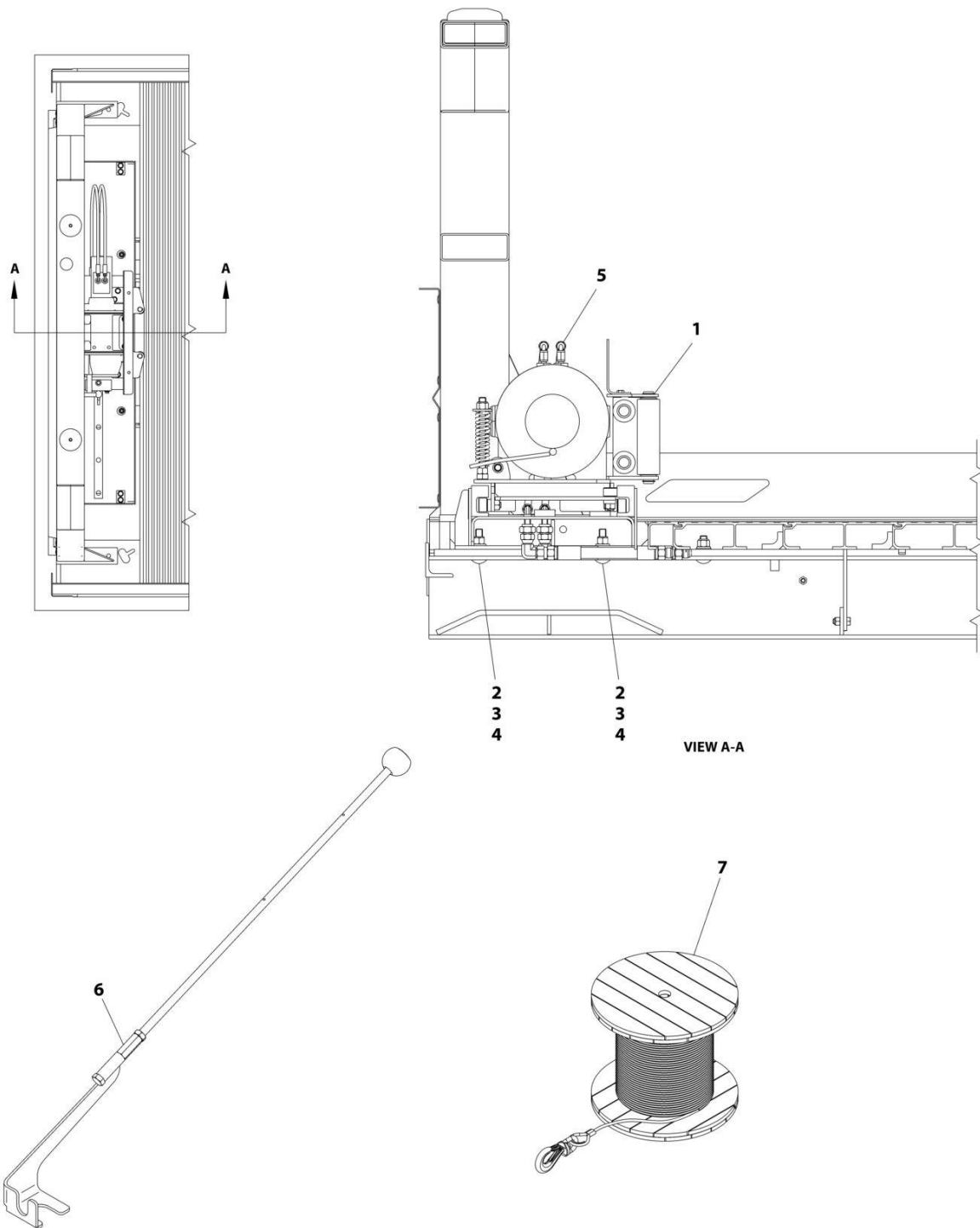
SECTION 3 - DECK

FIGURE 3-35. WINCH COMPLETE - 10000 LBS (TRANSPORTER). (WITH AIR FREE SPOOL AT CONTROLS)

ITEM	PART NUMBER	QTY	DESCRIPTION	REV
	WO10WTRAF-MD	Ref	WORM GEAR WINCH - 10000 LBS WITH AIR FREE SPOOL AT CONTROLS	B
1	2970000112	1	Winch Installation (See Separate Breakdown in this Section)	
2	2249000017	1	Cable Guide Tensioner (See Separate Breakdown in this Section)	
3	N.S.S.	1	Winch Hole (Not Shown)	

SECTION 3 - DECK

FIGURE 3-36. WINCH COMPLETE - 10000 LBS (SLIDING WITHOUT AIR FREE SPOOL AT CONTROLS)



ART_1001142546

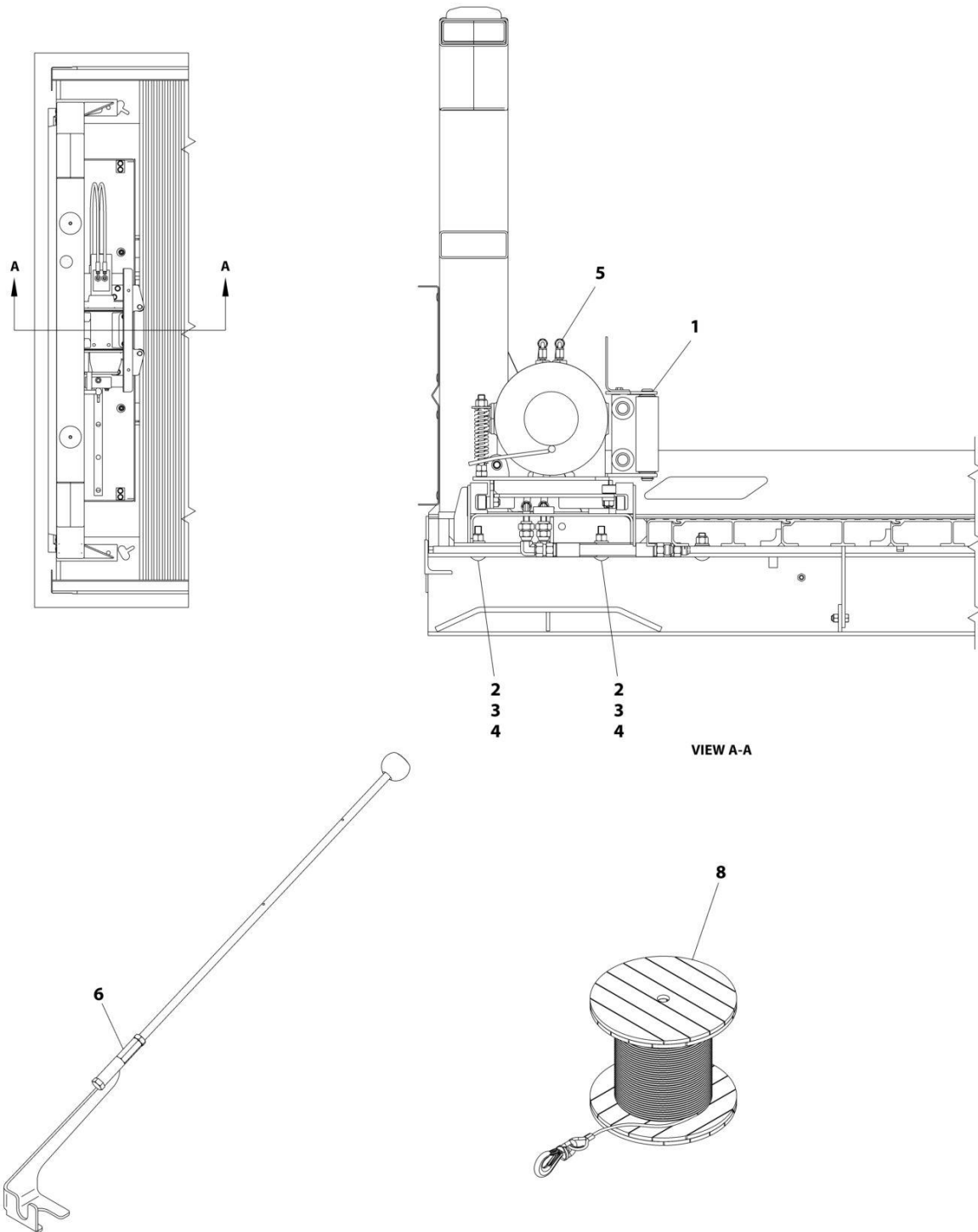
SECTION 3 - DECK

FIGURE 3-36. WINCH COMPLETE - 10000 LBS (SLIDING WITHOUT AIR FREE SPOOL AT CONTROLS)

ITEM	PART NUMBER	QTY	DESCRIPTION	REV
	1001142546	Ref	PLANETARY GEAR SLIDING WINCH - 10000 LBS	A
1	1001142544	1	Sliding Winch Assembly, 10000 lbs (See Separate Breakdown in this Section)	
2	1001138522	4	Bolt 1/2 x 2-1/4	
3	7950180153	4	Washer 1/2	
4	7660182601	4	Nut 1/2	
5	1001145934	1	Hose & Fitting Installation - Sliding Winch (See Separate Breakdown In Hydraulic Section)	
6	1001146028	1	Sliding Winch Handle, Accessory (See Separate Breakdown in this Section)	
7	7248000064	1	Wire Rope	

SECTION 3 - DECK

FIGURE 3-37. WINCH COMPLETE - 10000 LBS/ (SINGLE) (SLIDING WITH AIR FREE SPOOL AT CONTROLS)



ART_1001142545

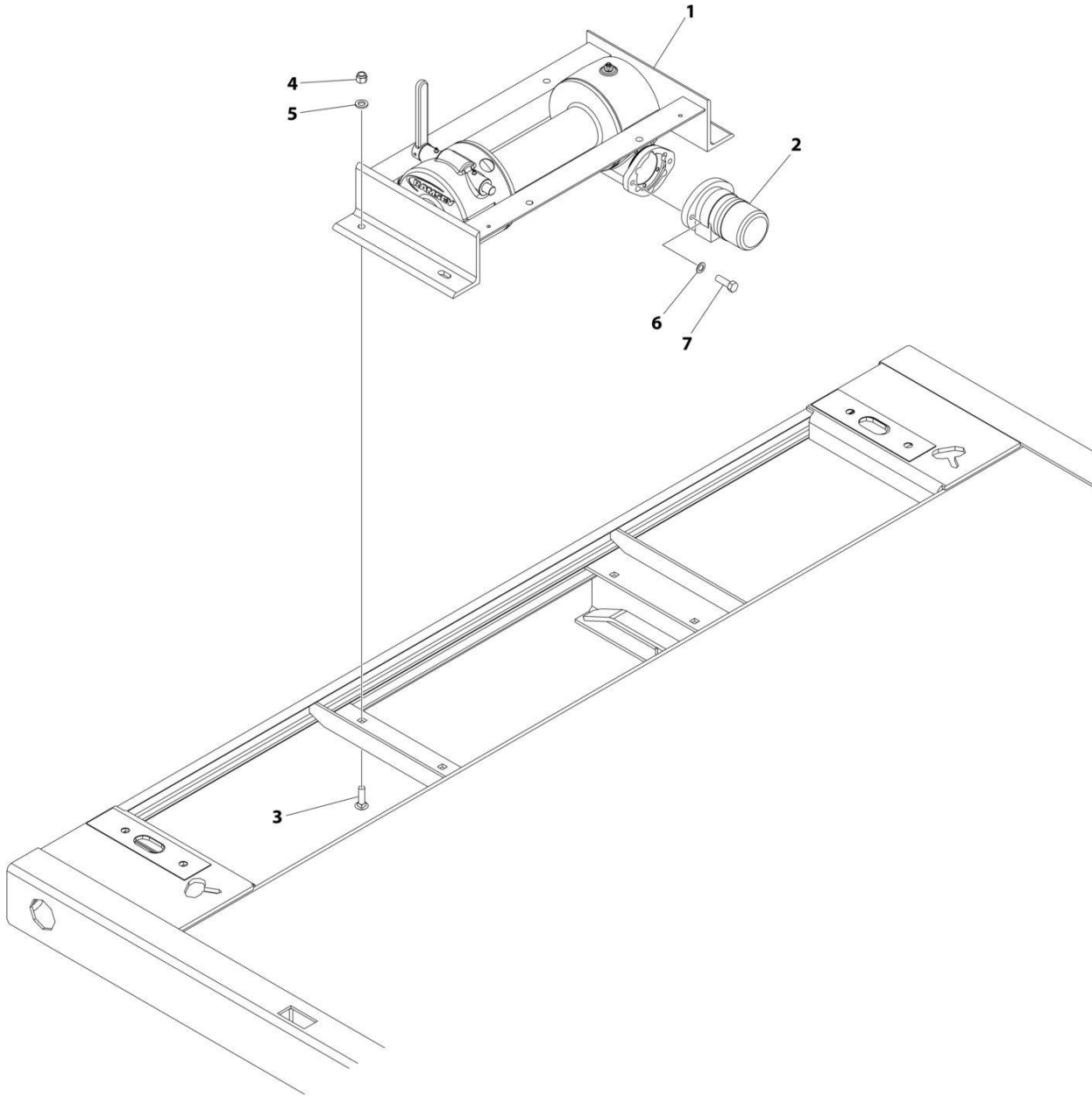
SECTION 3 - DECK

FIGURE 3-37. WINCH COMPLETE - 10000 LBS/ (SINGLE) (SLIDING WITH AIR FREE SPOOL AT CONTROLS)

ITEM	PART NUMBER	QTY	DESCRIPTION	REV
	1001142545	Ref	PLANETARY GEAR SLIDING WINCH - 10000 LBS WITH AIR FREE SPOOL AT CONTROLS	A
1	1001142543	1	Sliding Winch Assembly, 10000 lbs (See Separate Breakdown in this Section)	
2	1001138522	4	Bolt 1/2 x 2-1/4	
3	7950180153	4	Washer 1/2	
4	7660182601	4	Nut 1/2	
5	1001145934	1	Hose & Fitting Installation - Sliding Winch (See Separate Breakdown In Hydraulic Section)	
6	1001146028	1	Sliding Winch Handle, Accessory (See Separate Breakdown in this Section)	
7	1001145935	1	Sliding Winch Air Free Spool, Installation ((Not Shown - See Separate Breakdown in this Section)	
8	7248000064	1	Wire Rope	

SECTION 3 - DECK

FIGURE 3-38. WINCH COMPLETE - 12000 LBS (STEEL DECK)



ART_W012W-MD

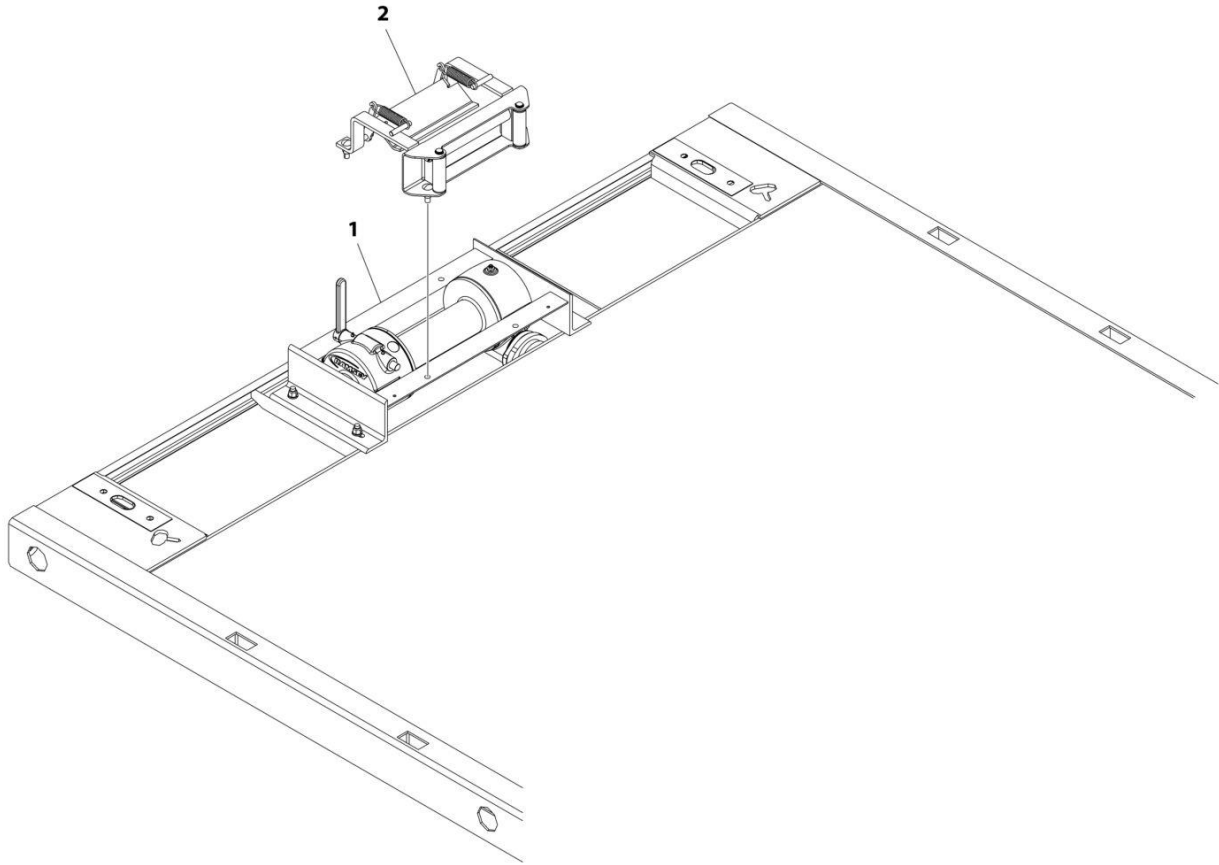
SECTION 3 - DECK

FIGURE 3-38. WINCH COMPLETE - 12000 LBS (STEEL DECK)

ITEM	PART NUMBER	QTY	DESCRIPTION	REV
	WO12W-MD	Ref	WINCH INSTALLATION	C
	2970000096	Ref	Winch Installation (See Separate Breakdown in this Section)	D
1	7970000083	1	Winch Assembly (See Separate Breakdown in this Section)	
2	7626000018	1	Motor	
3	7115181464	4	Bolt 1/2 x 1-3/4	
4	7660182601	4	Nut 1/2	
5	7950180153	4	Washer 1/2	
6	4771800	2	Washer 1/2	
7	0641812	2	Bolt 1/2 x 1-1/2	
8	7248000064	1	Wire Rope	
20	2249000018	1	Cable Tensioner Assembly (Not Shown - See Separate Breakdown in this Section)	

SECTION 3 - DECK

FIGURE 3-39. WINCH COMPLETE - 12000 LBS (TRANSPORTER)



ART_WO12WTR-MD

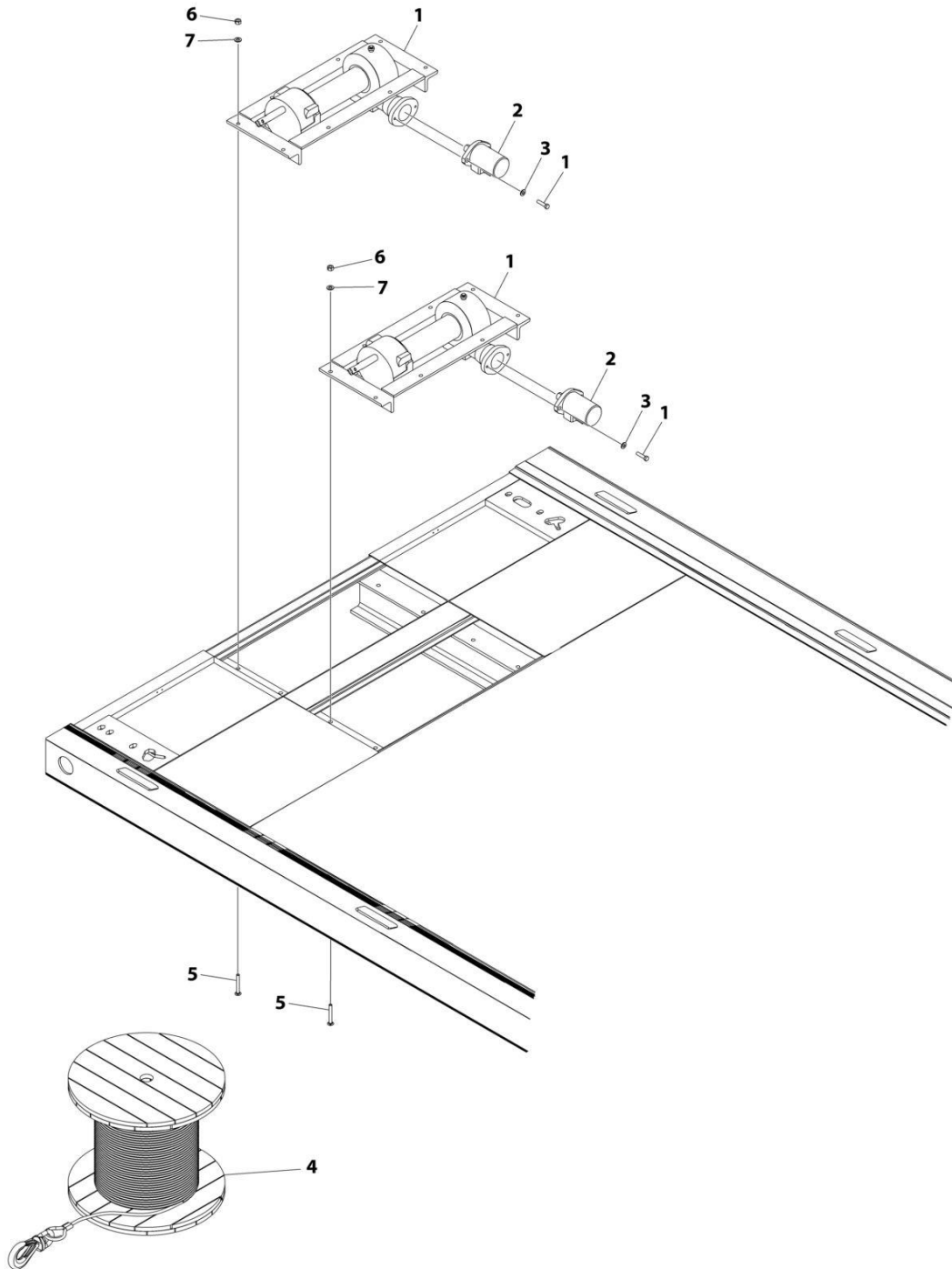
SECTION 3 - DECK

FIGURE 3-39. WINCH COMPLETE - 12000 LBS (TRANSPORTER)

ITEM	PART NUMBER	QTY	DESCRIPTION	REV
	WO12WTR-MD	Ref	WORM GEAR WINCH - 12000 LBS	C
1	2970000096	1	Winch Installation (See Separate Breakdown in this Section)	
2	2249000018	1	Cable Guide Tensioner (See Separate Breakdown in this Section)	
3	N.S.S.	1	Winch Hole (Not Shown)	

SECTION 3 - DECK

FIGURE 3-40. WINCH INSTALLATION - 8000 LBS (ALUMINUM DECK)



ART_1001142175

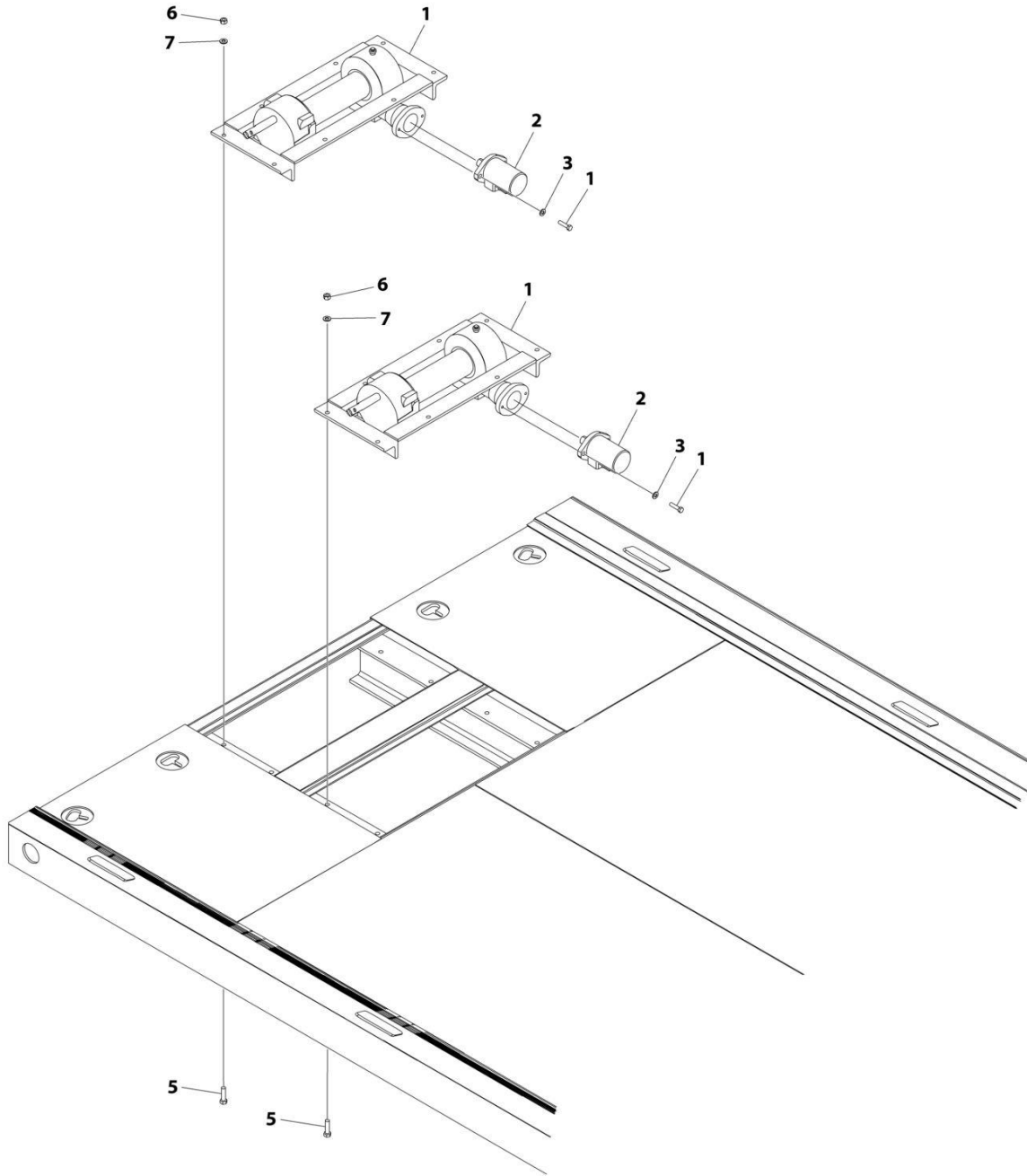
SECTION 3 - DECK

FIGURE 3-40. WINCH INSTALLATION - 8000 LBS (ALUMINUM DECK)

ITEM	PART NUMBER	QTY	DESCRIPTION	REV
	1001142175	Ref	WINCH INSTALLATION - 8000 LBS (ALUMINUM DECK)	C
1	7970000121	2	Winch Assembly, 8000 lbs (See Separate Breakdown in this Section)	
2	7626000014	2	Orbit Motor	
3	7950180400	4	Washer 1/2	
4	7248000063	2	Wire Rope	
5	1001138523	8	Bolt 1/2 x 2-3/4	
6	7660182601	8	Nut 1/2	
7	7950180153	8	Washer 1/2	

SECTION 3 - DECK

FIGURE 3-41. WINCH INSTALLATION - 8000 LBS (STEEL DECK)



ART_2970000098

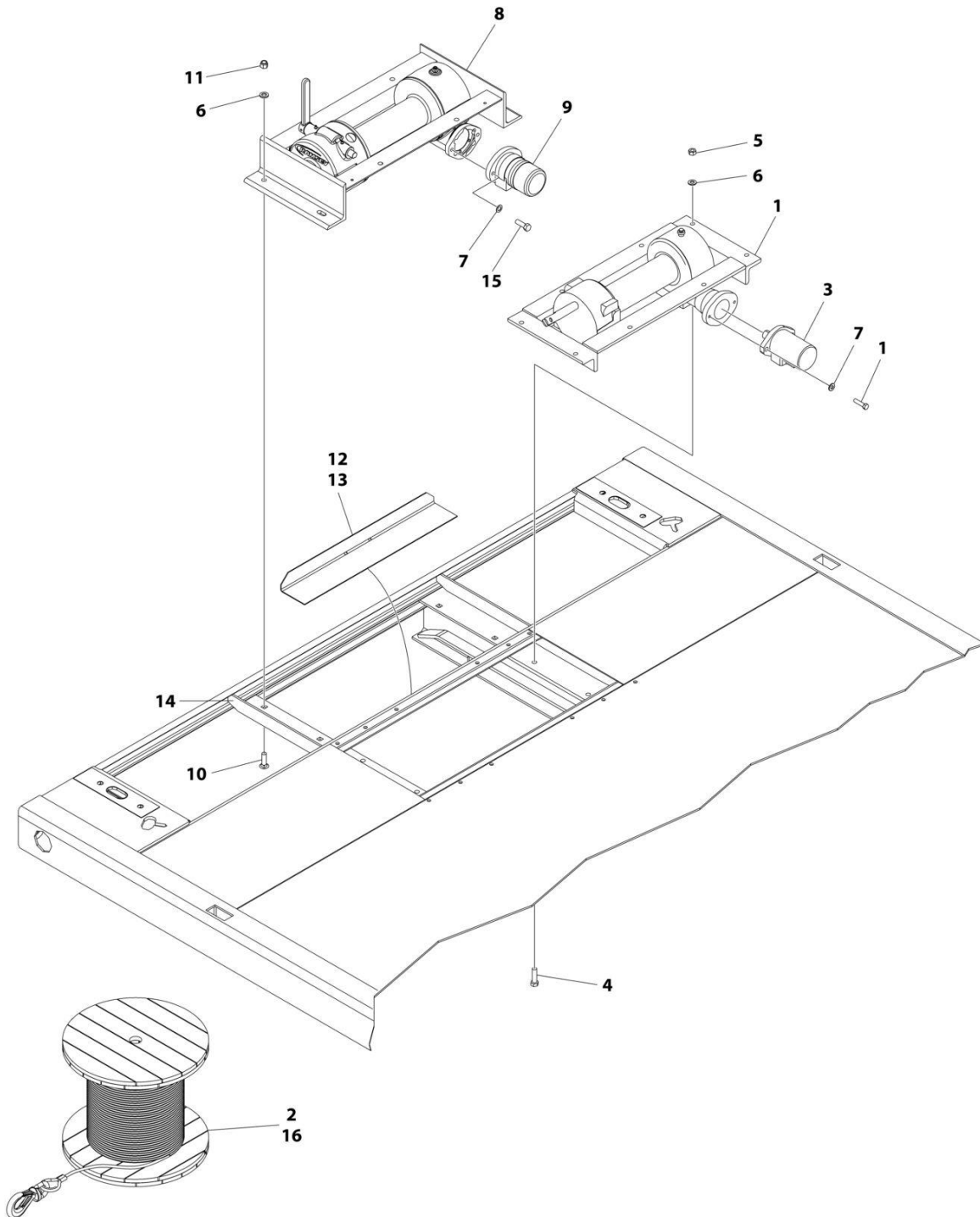
SECTION 3 - DECK

FIGURE 3-41. WINCH INSTALLATION - 8000 LBS (STEEL DECK)

ITEM	PART NUMBER	QTY	DESCRIPTION	REV
	2970000098	Ref	WINCHES & COVERS INSTALLATION - MAIN DECK DUAL 8000 LBS (STEEL DECK)	F
1	7970000121	2	Winch Assembly, 8000 lbs (See Separate Breakdown in this Section)	
2	7626000014	2	Orbit Motor	
3	7950180400	4	Washer 1/2	
5	7115181864	8	Bolt 1/2 x 2-1/4	
6	7660182601	8	Nut 1/2	
7	7950180153	8	Washer 1/2	
8	7248000063	2	Wire Rope (Not Shown)	

SECTION 3 - DECK

FIGURE 3-42. WINCH INSTALLATION, - 8000/12000 LBS (DUAL)



ART_1001141992

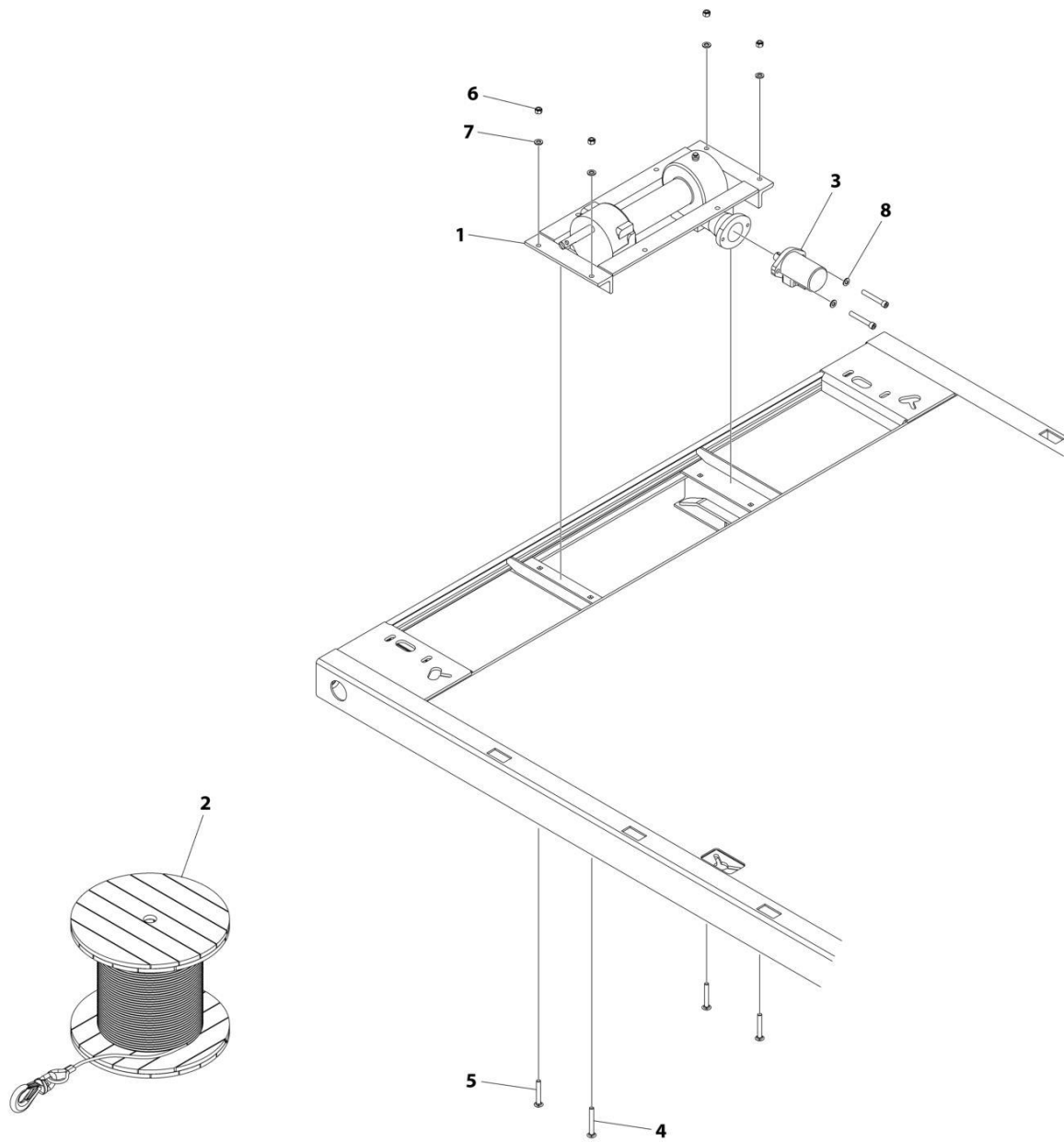
SECTION 3 - DECK

FIGURE 3-42. WINCH INSTALLATION, - 8000/12000 LBS (DUAL)

ITEM	PART NUMBER	QTY	DESCRIPTION	REV
	1001141992	Ref	DUAL WINCH INSTALLATION - 12000/8000 LBS (STEEL)	B
1	7970000121	1	Winch Assembly, 8000lbs (See Separate Breakdown in this Section)	
2	7248000063	1	Wire Rope	
3	7626000014	1	Orbit Motor	
4	7115181864	4	Bolt 1/2 x 2-1/4	
5	7660182601	4	Nut 1/2	
6	7950180153	8	Washer 1/2	
7	7950180400	4	Washer 1/2	
8	7970000083	1	Winch Assembly, 12000 lbs (See Separate Breakdown in this Section)	
9	7626000018	1	Motor	
10	7115181464	4	Bolt 1/2 x 1-3/4	
11	7660182301	4	Nut 1/2	
12	4314000061	1	Cover Plate	
13	4632000004	1	Moulding Trim Lock	
14	4062000394	2	Bar	
15	7115181250	2	Capscrew 1/2 x 1-1/2	
16	7248000064	1	Wire Rope	

SECTION 3 - DECK

FIGURE 3-43. WINCH INSTALLATION - 10000 LBS (WORM GEAR) (ALUMINUM DECK)



ART_297000082

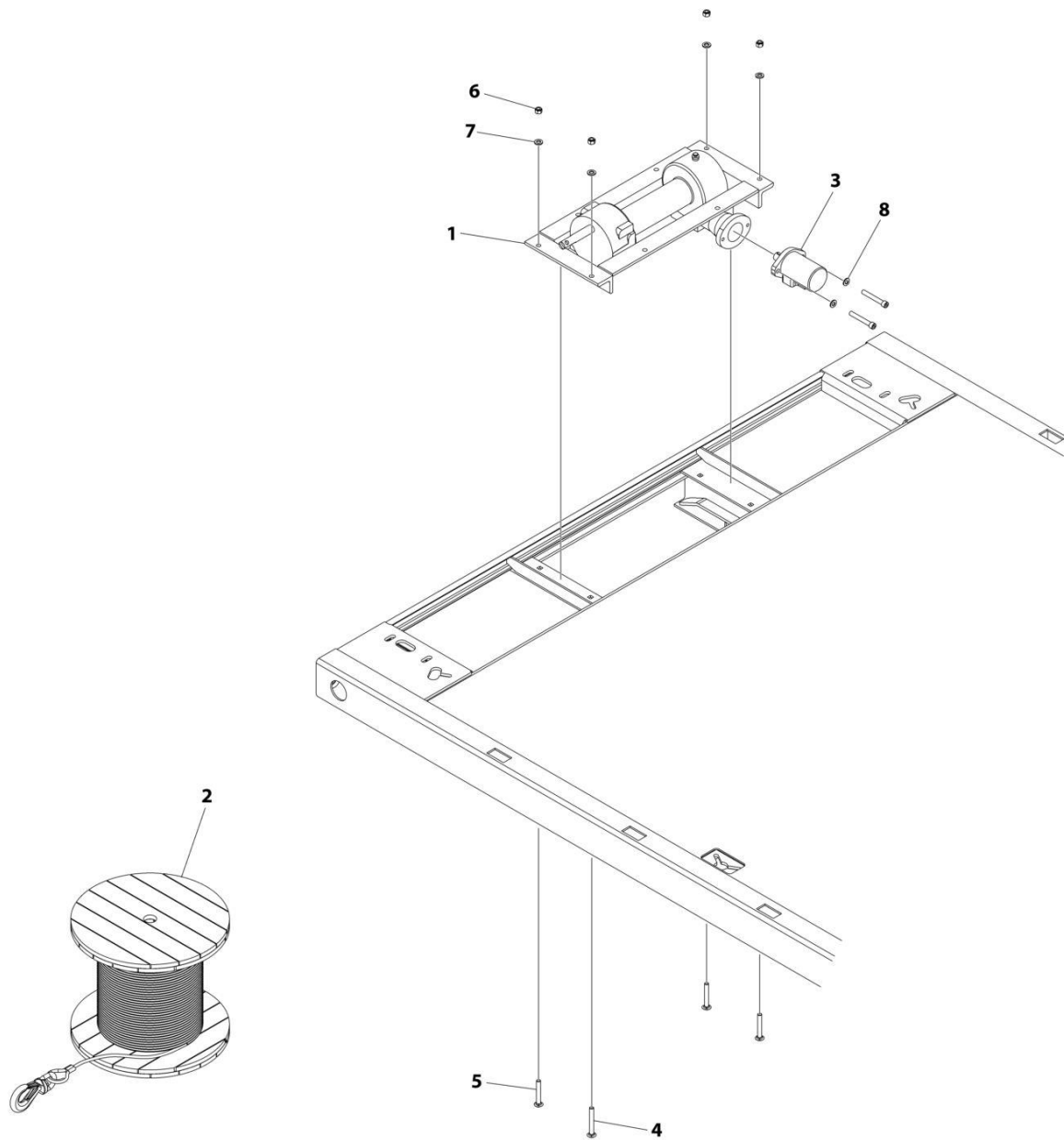
SECTION 3 - DECK

FIGURE 3-43. WINCH INSTALLATION - 10000 LBS (WORM GEAR) (ALUMINUM DECK)

ITEM	PART NUMBER	QTY	DESCRIPTION	REV
	2970000082	Ref	WINCH ASSEMBLY - 10000 LBS (WORM GEAR) (ALUMINUM DECK)	D
1	7970000123	1	Winch Assembly, 10000 lbs (see Separate Breakdown in this Section)	
2	7248000064	1	Wire Rope	
3	7626000014	1	Orbit Motor	
4	1001138523	1	Bolt 1/2 x 2-3/4	
5	1001138522	3	Bolt 1/2 x 2-1/4	
6	7660182601	4	Nut 1/2	
7	7950180153	4	Washer 1/2	
8	7950180400	2	Washer 1/2	

SECTION 3 - DECK

FIGURE 3-44. WINCH INSTALLATION - 10000 LBS (WORM GEAR) (STEEL DECK)



ART_297000090

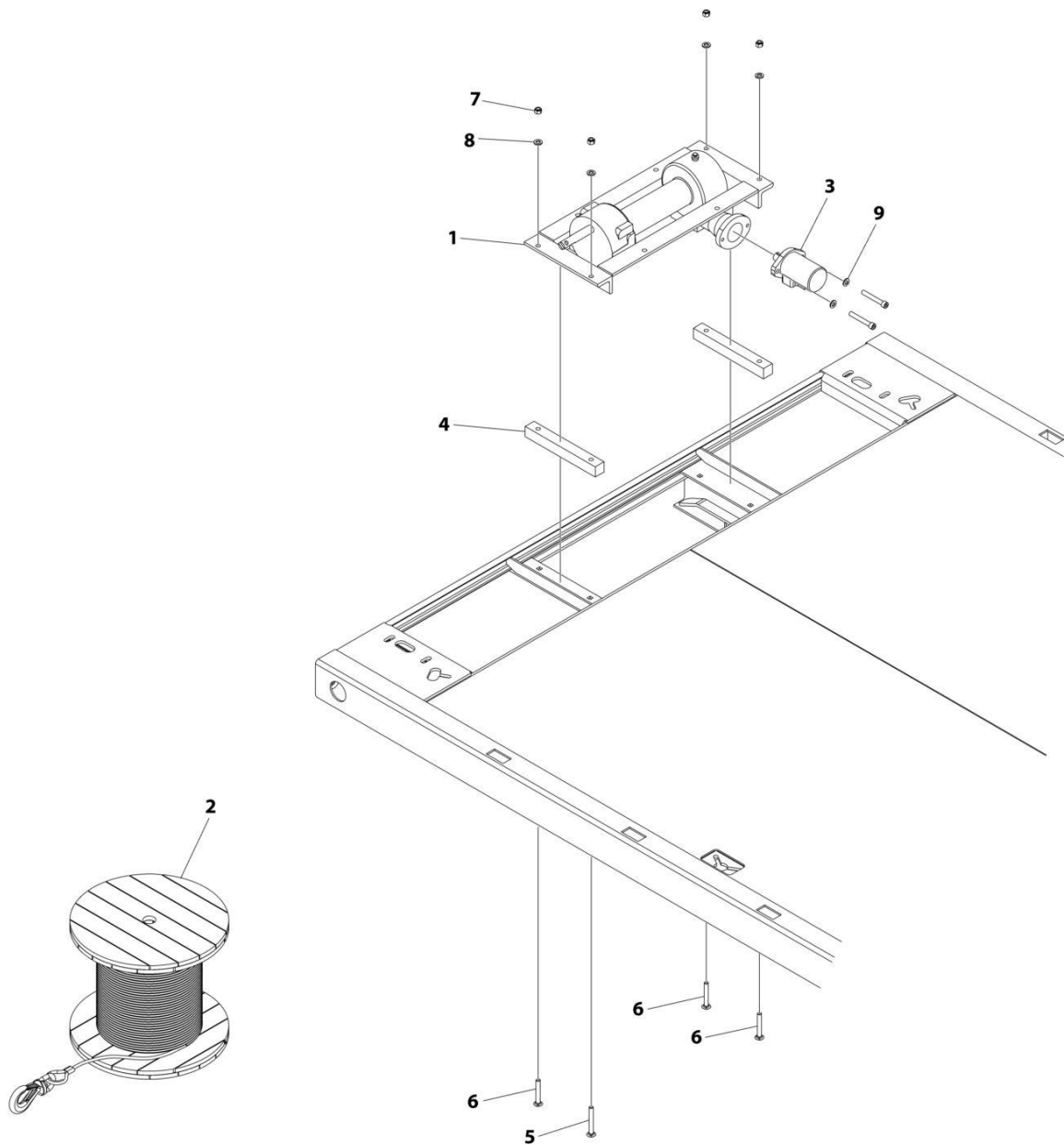
SECTION 3 - DECK

FIGURE 3-44. WINCH INSTALLATION - 10000 LBS (WORM GEAR) (STEEL DECK)

ITEM	PART NUMBER	QTY	DESCRIPTION	REV
	2970000090	Ref	WINCH INSTALLATION, WORM GEAR - 10000 LBS, STANDARD (STEEL)	C
1	7970000123	1	Winch Assembly, 10000 lbs (See Separate Breakdown in this Section)	
2	7248000064	1	Wire Rope	
3	7626000014	1	Orbit Motor	
4	7115181864	1	Bolt 1/2 x 2-1/4	
5	7115181464	3	Bolt 1/2 x 1-3/4	
6	7660182601	4	Nut 1/2	
7	7950180153	4	Washer 1/2	
8	7950180400	2	Washer 1/2	

SECTION 3 - DECK

FIGURE 3-45. WINCH INSTALLATION - 10000 LBS (WORM GEAR) (TRANSPORTER)



ART_2970000091

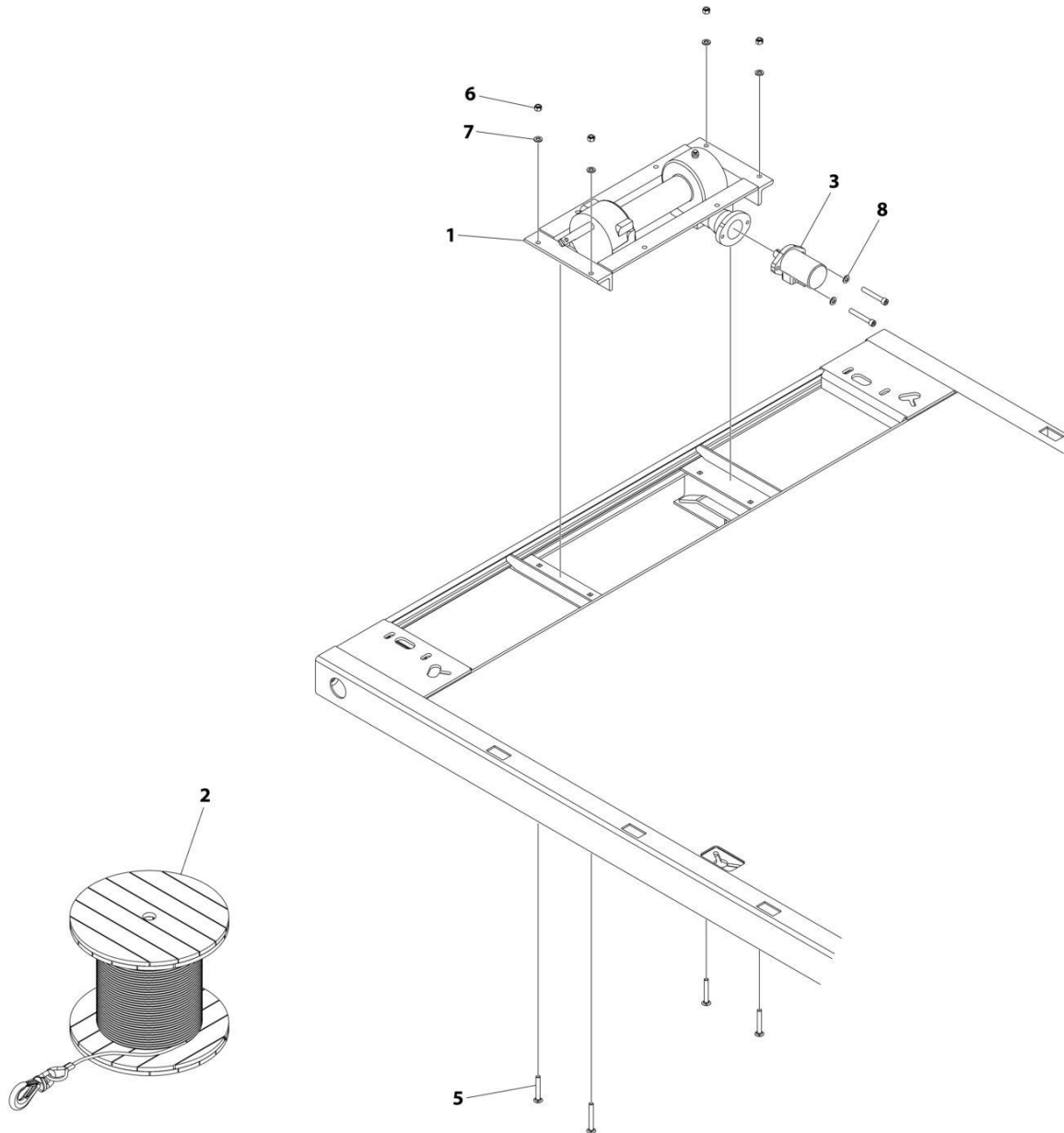
SECTION 3 - DECK

FIGURE 3-45. WINCH INSTALLATION - 10000 LBS (WORM GEAR) (TRANSPORTER)

ITEM	PART NUMBER	QTY	DESCRIPTION	REV
	2970000091	Ref	WINCH INSTALLATION, WORM GEAR - 10000 LBS (STEEL)	C
1	7970000123	1	Winch Assembly, 10000 lbs (See Separate Breakdown in this Section)	
2	7248000064	1	Wire Rope	
3	7626000014	1	Orbit Motor	
4	4062000318	2	Bar	
5	7115183264	1	Bolt 1/2 x 4	
6	7115182864	3	Bolt 1/2 x 3-1/2	
7	7660182601	4	Nut 1/2	
8	7950180153	4	Washer 1/2	
9	7950180400	2	Washer 1/2	

SECTION 3 - DECK

FIGURE 3-46. WINCH INSTALLATION - 10000 LBS (WORM GEAR) (ALUMINUM DECK) (WITH AIR FREE SPOOL AT CONTROLS)



ART_2970000110

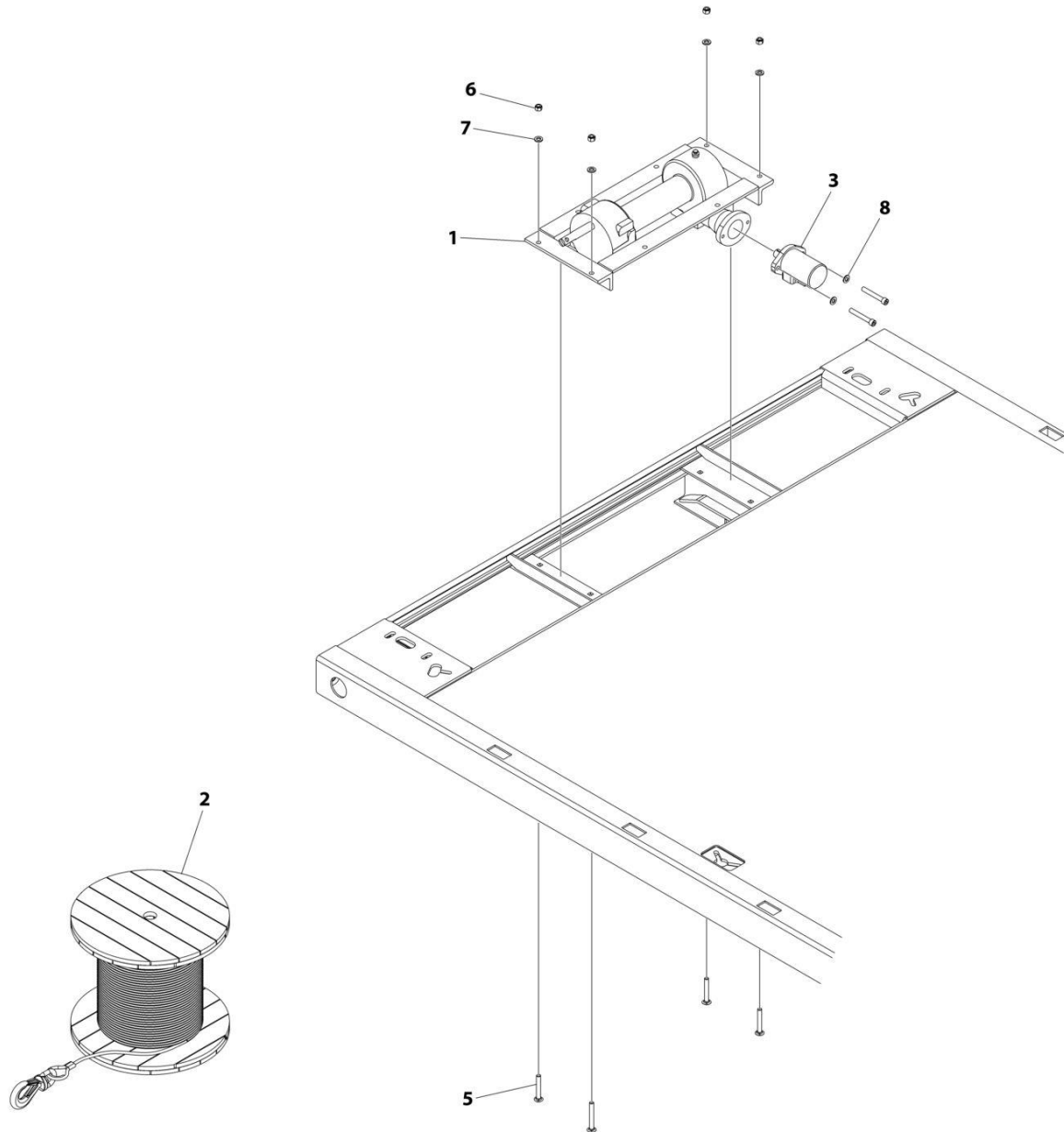
SECTION 3 - DECK

FIGURE 3-46. WINCH INSTALLATION - 10000 LBS (WORM GEAR) (ALUMINUM DECK) (WITH AIR FREE SPOOL AT CONTROLS)

ITEM	PART NUMBER	QTY	DESCRIPTION	REV
	2970000110	Ref	WINCH INSTALLATION, WORM GEAR - 10000 LBS (ALUMINIUM)	B
1	7970000140	1	Winch Assembly, 10000 lbs (See Separate Breakdown in this Section)	
2	7248000064	1	Wire Rope	
3	7626000014	1	Orbit Motor	
5	1001138522	4	Bolt 1/2 x 2-1/4	
6	7660182601	4	Nut 1/2	
7	7950180153	4	Washer 1/2	
8	7950180400	2	Washer 1/2	

SECTION 3 - DECK

FIGURE 3-47. WINCH INSTALLATION - 10000 LBS (WORM GEAR) (STEEL DECK) (WITH AIR FREE SPOOL AT CONTROLS)



ART_2970000108

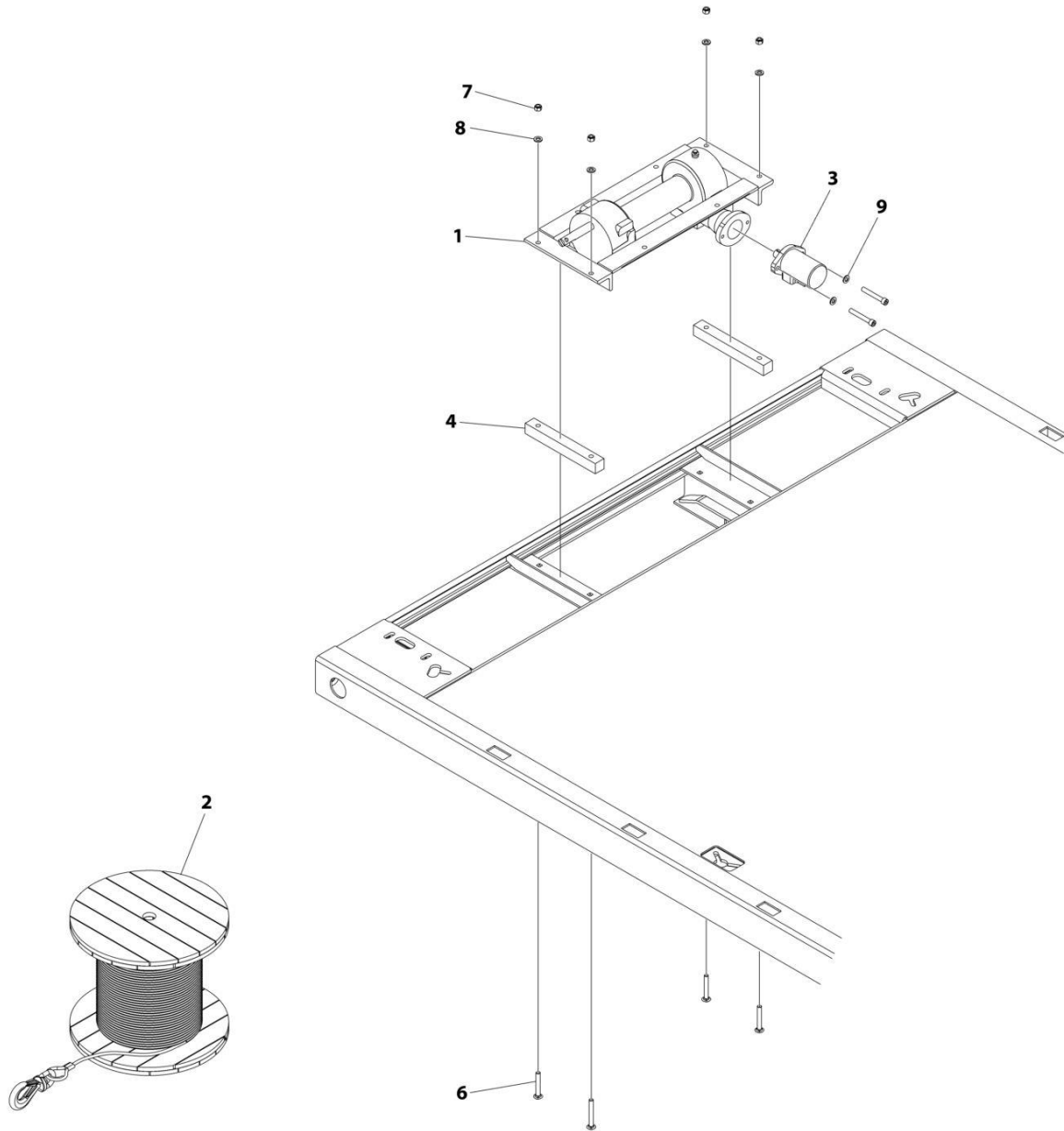
SECTION 3 - DECK

FIGURE 3-47. WINCH INSTALLATION - 10000 LBS (WORM GEAR) (STEEL DECK) (WITH AIR FREE SPOOL AT CONTROLS)

ITEM	PART NUMBER	QTY	DESCRIPTION	REV
	2970000108	Ref	WINCH INSTALLATION, WORM GEAR - 10000 LBS (STEEL)	A
1	7970000140	1	Winch Assembly, 10000 lbs (See Separate Breakdown in this Section)	
2	7248000064	1	Wire Rope	
3	7626000014	1	Orbit Motor	
5	7115181464	4	Bolt 1/2 x 1-3/4	
6	7660182601	4	Nut 1/2	
7	7950180153	4	Washer 1/2	
8	7950180400	2	Washer 1/2	

SECTION 3 - DECK

FIGURE 3-48. WINCH INSTALLATION - 10000 LBS (WORM GEAR) (TRANSPORTER) (WITH AIR FREE SPOOL AT CONTROLS)



ART_2970000112

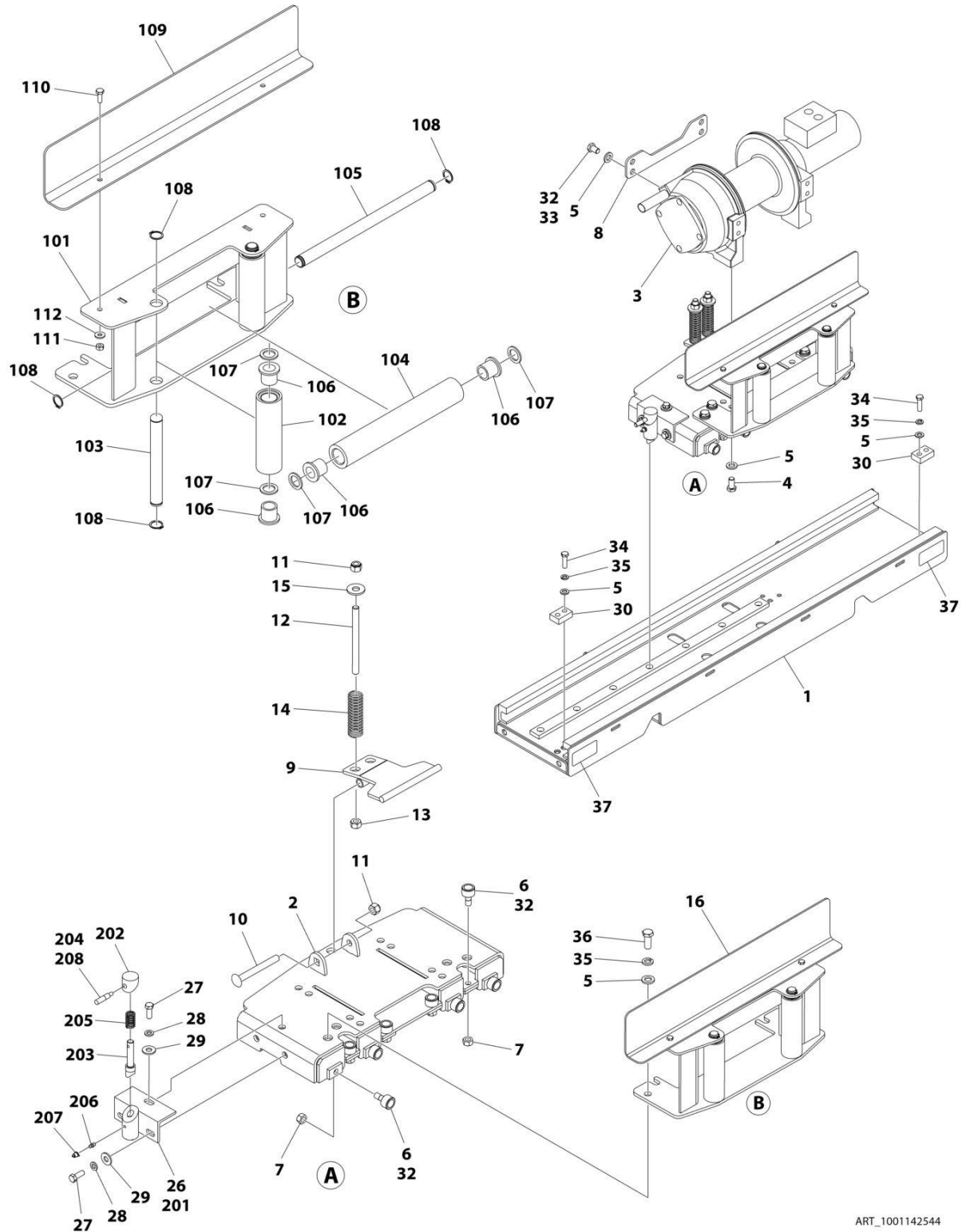
SECTION 3 - DECK

FIGURE 3-48. WINCH INSTALLATION - 10000 LBS (WORM GEAR) (TRANSPORTER) (WITH AIR FREE SPOOL AT CONTROLS)

ITEM	PART NUMBER	QTY	DESCRIPTION	REV
	2970000112	Ref	WINCH INSTALLATION, WORM GEAR - 10000 LBS (STEEL)	A
1	7970000140	1	Winch Assembly, 10000 lbs (See Separate Breakdown in this Section)	
2	7248000064	1	Wire Rope	
3	7626000014	1	Orbit Motor	
4	4062000318	2	Bar	
6	7115182864	4	Bolt 1/2 x 3-1/2	
7	7660182601	4	Nut 1/2	
8	7950180153	4	Washer 1/2	
9	7950180400	2	Washer 1/2	

SECTION 3 - DECK

FIGURE 3-49. WINCH INSTALLATION - 10000 LBS (SLIDING PLANETARY) (WITHOUT FREE SPOOL AT CONTROLS)



ART_1001142544

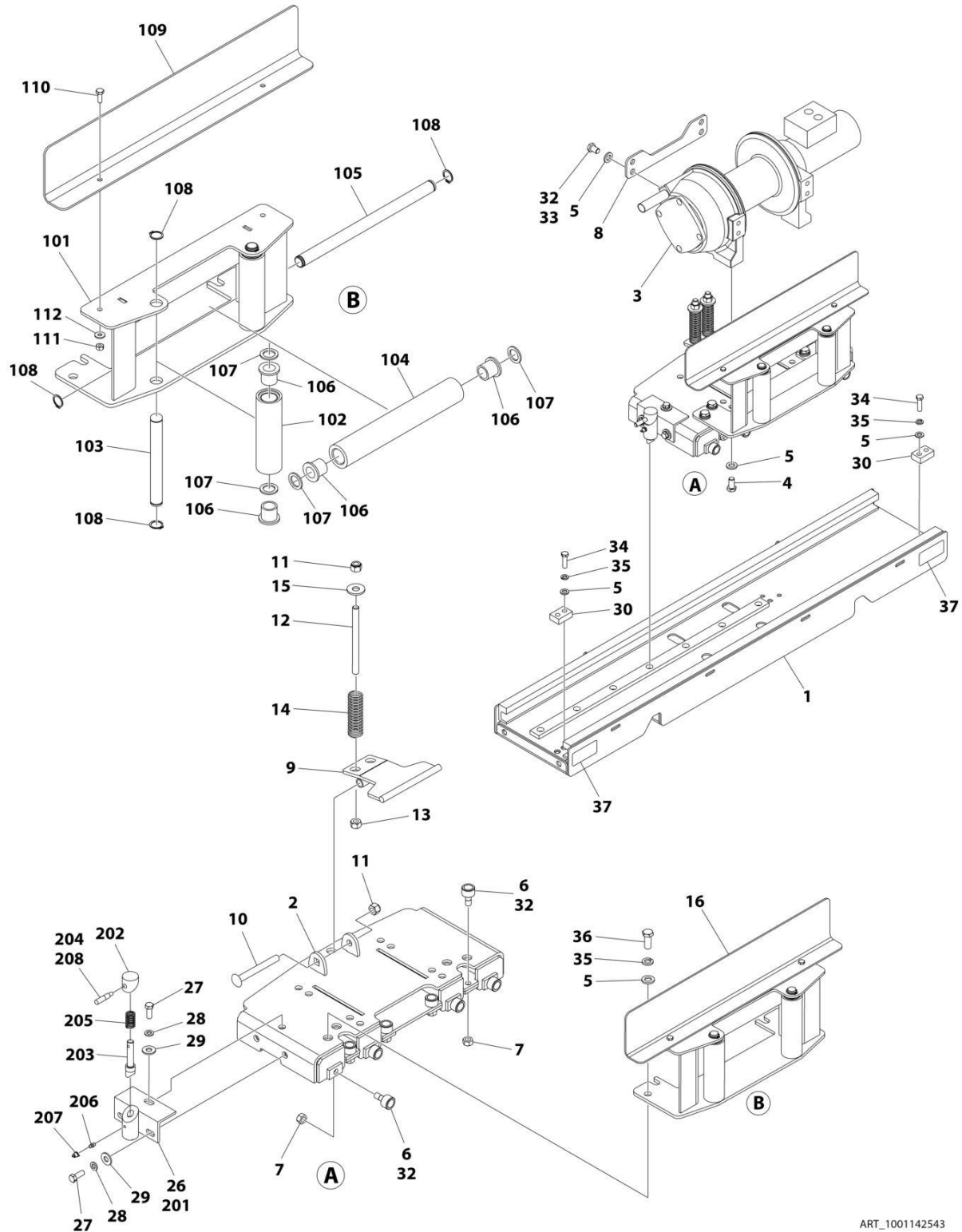
SECTION 3 - DECK

FIGURE 3-49. WINCH INSTALLATION - 10000 LBS (SLIDING PLANETARY) (WITHOUT FREE SPOOL AT CONTROLS)

ITEM	PART NUMBER	QTY	DESCRIPTION	REV
	1001142544	Ref	SLIDING WINCH ASSEMBLY - 10000 LBS	C
1	1001144486	1	Base	
2	1001144491	1	Slider	
3	1001239119	1	Winch, Assembly - Sliding (See Separate Breakdown in this Section)	
4	7115180850	8	Capscrew 1/2 x 1	
5	7950180153	20	Washer 1/2	
6	0440287	12	Bearing	
7	3321701	12	Nut 7/16	
8	1001142550	1	Plate	
9	1001142461	1	Lever, Tensioner	
10	1001137970	1	Bolt 1/2 x 4-1/2	
11	7660182601	3	Nut 1/2	
12	1001142553	2	Rod	
13	7660180001	2	Nut 1/2	
14	7843000004	2	Spring	
15	7950180161	2	Washer 1/2	
16	1001145780	1	Roller Guide Assembly (Includes Items 101-112)	
26	1001144498	1	Cam Lock Assembly (Includes Item 201-208)	
27	1001138546	3	Bolt 3/8 x 1	
28	7950160000	3	Washer 1/3	
29	7950160162	3	Washer 1/3	
30	1001144543	2	Stop Block	
32	0100011	AR	Compound Locking	
33	7115180650	4	Capscrew 1/2 x 3/4	
34	1001139199	4	Bolt 1/2 x 1-3/4	
35	7950180000	8	Washer 19/32	
36	1001139343	4	Bolt 1/2 x 1-1/4	
37	1001142962	2	Decal	
101	1001145636	1	Mount	
102	4912000345	2	Tube	
103	4691000421	2	Pin	
104	4912000130	2	Tube	
105	4806000014	2	Shaft	
106	7209000011	8	Bushing	
107	7949000034	8	Spacer	
108	7754000022	8	Retaining Ring	
109	1001150704	1	Plate	
110	7115140650	2	Capscrew 1/4 x 3/4	
111	7660140001	2	Nut 1/4	
112	7950140143	2	Washer 1/4	
201	1001144499	1	Cam Weldment	
202	4254000005	1	Cap	
203	4691000186	1	Pin	
204	4763000184	1	Rod	
205	7843000006	1	Spring	
206	7440030000	1	Fitting	
207	7253000002	1	Fitting	
208	0100011	AR	Compound Locking	

SECTION 3 - DECK

FIGURE 3-50. WINCH INSTALLATION - 10000 LBS (SLIDING PLANETARY) (WITH FREE SPOOL AT CONTROLS)



ART_1001142543

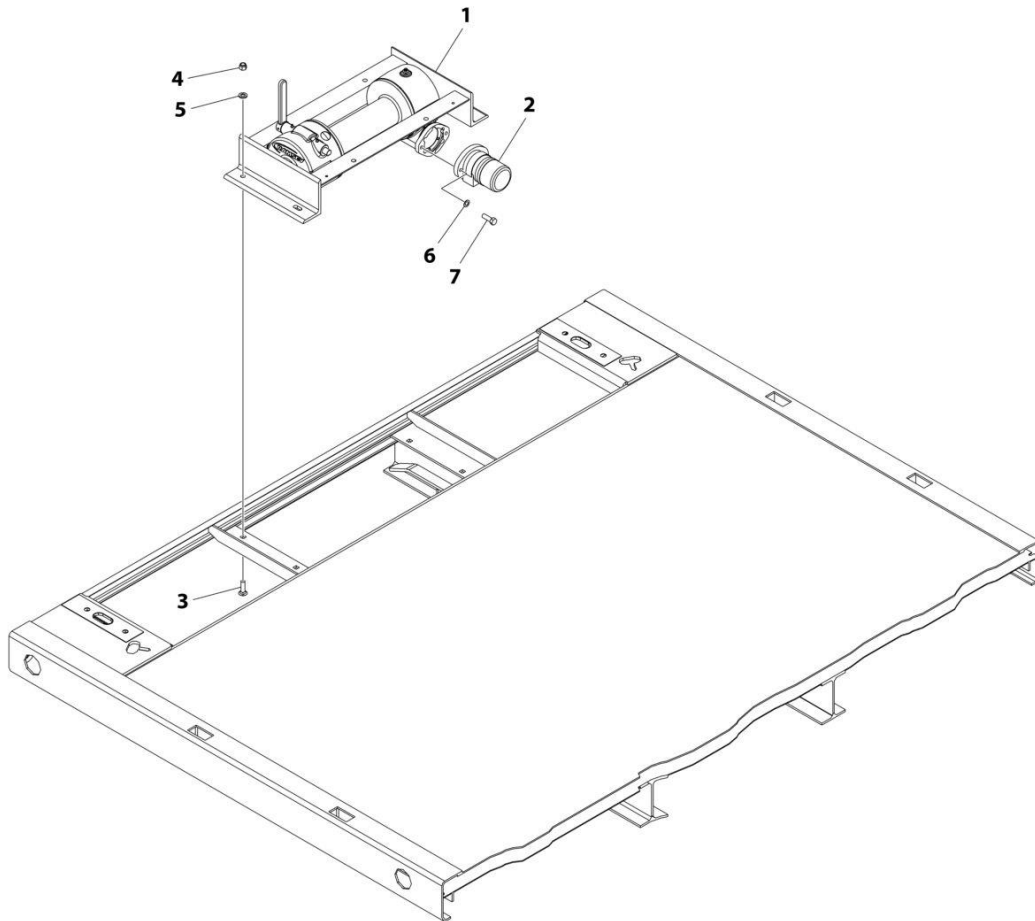
SECTION 3 - DECK

FIGURE 3-50. WINCH INSTALLATION - 10000 LBS (SLIDING PLANETARY) (WITH FREE SPOOL AT CONTROLS)

ITEM	PART NUMBER	QTY	DESCRIPTION	REV
	1001142543	Ref	SLIDING WINCH ASSEMBLY - 10000 LBS	C
1	1001144486	1	Base	
2	1001144491	1	Slider	
3	1001239120	1	Winch, Assembly - Sliding (See Separate Breakdown in this Section)	
4	7115180850	8	Capscrew 1/2 x 1	
5	7950180153	20	Washer 1/2	
6	0440287	12	Bearing	
7	3321701	12	Nut 7/16	
8	1001142550	1	Plate	
9	1001142461	1	Lever, Tensioner	
10	1001137970	1	Bolt 1/2 x 4-1/2	
11	7660182601	3	Nut 1/2	
12	1001142553	2	Rod	
13	7660180001	2	Nut 1/2	
14	7843000004	2	Spring	
15	7950180161	2	Washer 1/2	
16	1001145780	1	Roller Guide Assembly (Includes Items 101-112)	
26	1001144498	1	Cam Lock Assembly (Includes Item 201-208)	
27	1001138546	3	Bolt 3/8 x 1	
28	7950160000	3	Washer 1/3	
29	7950160162	3	Washer 1/3	
30	1001144543	2	Stop Block	
32	0100011	AR	Compound Locking	
33	7115180650	4	Capscrew 1/2 x 3/4	
34	1001139199	4	Bolt 1/2 x 1-3/4	
35	7950180000	8	Washer 19/32	
36	1001139343	4	Bolt 1/2 x 1-1/4	
37	1001142962	2	Decal	
101	1001145636	1	Mount	
102	4912000345	2	Tube	
103	4691000421	2	Pin	
104	4912000130	2	Tube	
105	4806000014	2	Shaft	
106	7209000011	8	Bushing	
107	7949000034	8	Bushing	
108	7754000022	8	Retaining Ring	
109	1001150704	1	Plate	
110	7115140650	2	Capscrew 1/4 x 3/4	
111	7660140001	2	Nut 1/4	
112	7950140143	2	Washer 1/4	
201	1001144499	1	Cam Weldment	
202	4254000005	1	Cap	
203	4691000186	1	Pin	
204	4763000184	1	Rod	
205	7843000006	1	Spring	
206	7440030000	1	Fitting	
207	7253000002	1	Fitting	
208	0100011	AR	Compound Locking	

SECTION 3 - DECK

FIGURE 3-51. WINCH INSTALLATION - 12000 LBS



ART_2970000096

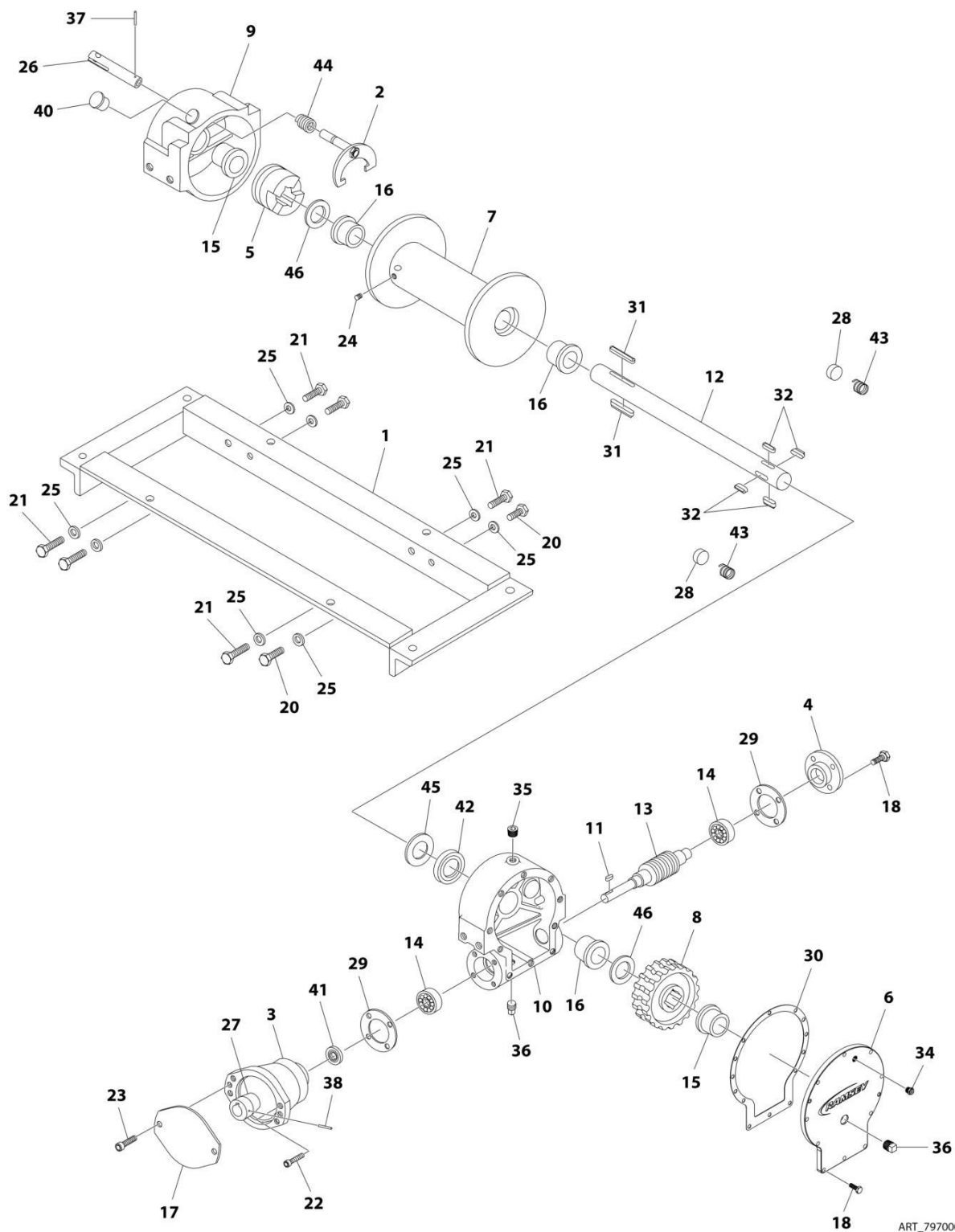
SECTION 3 - DECK

FIGURE 3-51. WINCH INSTALLATION - 12000 LBS

ITEM	PART NUMBER	QTY	DESCRIPTION	REV
	2970000096	Ref	WINCH INSTALLATION, WORM GEAR - 12000 LBS (STEEL)	D
1	7970000083	1	Winch Assembly (See Separate Breakdown in this Section)	
2	7626000018	1	Motor	
3	7115181464	4	Bolt 1/2 x 1-3/4	
4	7660182601	4	Nut 1/2	
5	7950180153	4	Washer 1/2	
6	4771800	2	Washer 1/2	
7	0641812	2	Bolt 1/2 x 1-1/2	
8	7248000064	1	Wire Rope Assembly	
9	1001167693	1	Deck	

SECTION 3 - DECK

FIGURE 3-52. WINCH ASSEMBLY - 8000 LBS



ART_797000121

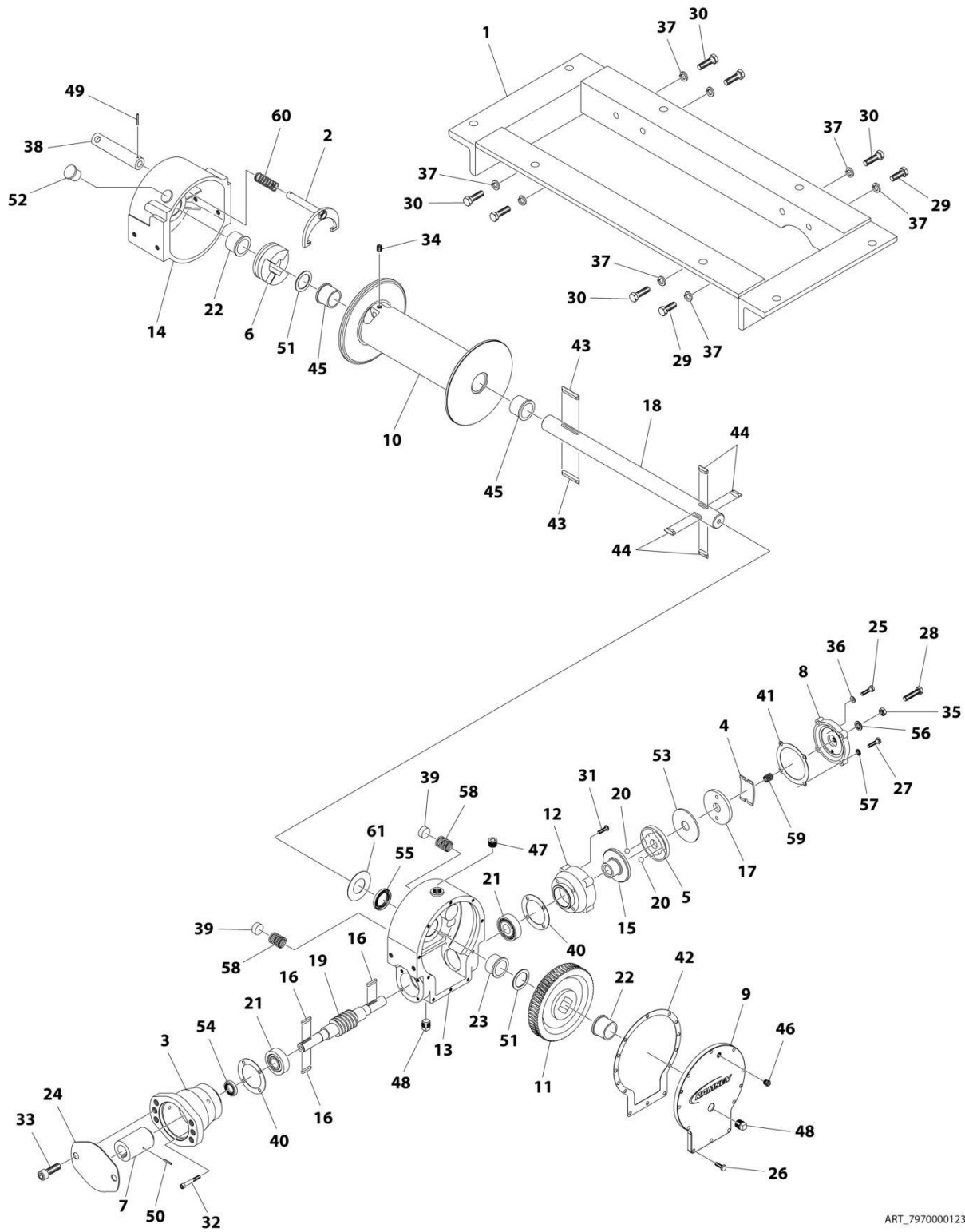
SECTION 3 - DECK

FIGURE 3-52. WINCH ASSEMBLY - 8000 LBS

ITEM	PART NUMBER	QTY	DESCRIPTION	REV
	7970000121	Ref	WINCH ASSEMBLY - 8000 LBS	D
1	70050694	1	Frame Assembly	
2	70050678	1	Shifter Assembly	
3	9970300057	1	Adapter	
4	9970316083	1	Bearing Cap	
5	9970960060	1	Jaw Clutch	
6	9314960024	1	Cover	
7	9970960068	1	Drum "Std"	
8	9472960072	1	Gear RH	
9	9560960021	1	Housing-Clutch	
10	9560960011	1	Housing-Gear	
11	9970342027	1	Key	
12	9806960009	1	Shaft-Drum "Std"	
13	9970960062	1	Worm RH	
14	9970402002	2	Bearing-Ball	
15	9970412003	4	Bushing	
16	9970412045	4	Bushing	
17	70050679	1	Adapter Cover	
18	9970414045	14	Capscrew 1/4 x 7/8	
20	9120960034	2	Bolt 3/8 x 1	
21	9120960059	6	Capscrew 3/8 x 1-1/4	
22	70050682	4	Capscrew 1/4 x 1-3/4	
23	9120960061	2	Capscrew 1/2 x 1-1/2	
24	9786960015	1	Setscrew 3/8 x 1/2	
25	9970418177	8	Washer 3/8	
26	9007960003	1	Adapter-Rod	
27	9970431008	1	Coupling	
28	9970330010	2	Disc Brake	
29	9970442184	2	Gasket	
30	9970442205	1	Gasket	
31	9970450006	2	Barth Key	
32	9575960014	4	Barth Key	
34	9970456008	1	Fitting-Relief	
35	9701960015	1	Pipe Plug	
36	9970468011	2	Pipe Plug	
37	9691960035	1	Spirol Pin	
38	9691960001	1	Spirol Pin	
40	9970472013	1	Plastic Plug	
41	9970486009	1	Oil Seal	
42	9970486017	1	Oil Seal	
43	9970494002	2	Spring	
44	9970494053	1	Spring	
45	9970518014	1	Thrust Washer	
46	9970518015	2	Thrust Washer	

SECTION 3 - DECK

FIGURE 3-53. WINCH ASSEMBLY - 10000 LBS



ART_7970000123

SECTION 3 - DECK

FIGURE 3-53. WINCH ASSEMBLY - 10000 LBS

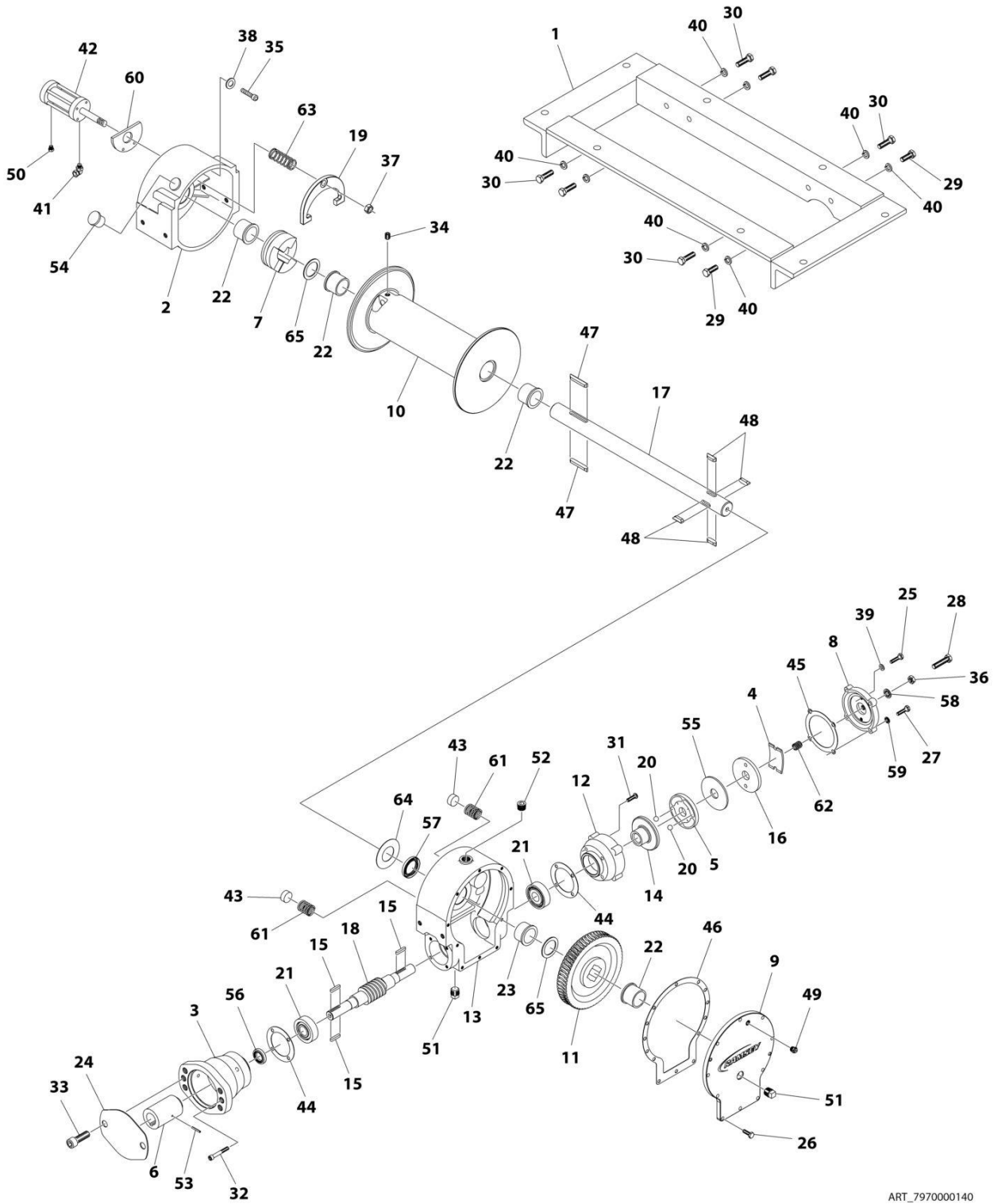
ITEM	PART NUMBER	QTY	DESCRIPTION	REV
	7970000123	Ref	WINCH - 10000 LBS WORM GEAR WITH AIR FREE SPOOL	B
1	70050677	1	Frame Assembly	
2	70050678	1	Shifter Assembly	
3	9970300057	1	Adapter	
4	9970960036	1	Spring - Flat	
5	1001126187	1	Plate	
7	9970960060	1	Jaw Clutch	
6	9309960020	1	Coupling	
8	9970960034	1	Cover - Brake	
9	9314960024	1	Cover - Gear Housing	
10	9970960068	1	Drum - Cable	
11	9472960068	1	Gear R.H. 30:1	
12	9571960010	1	Housing - Brake	
13	9560960011	1	Housing-Gear	
14	9560960021	1	Housing - Clutch	
15	1001126188	1	Hub- Brake	
16	9970342027	3	Key	
17	1001126192	1	Plate - Retainer	
18	9970960051	1	Shaft - Drum	
19	9472960069	1	Worm R.H. 30:1	
20	9970400003	2	Ball	
21	9970402002	2	Bearing-Ball	
22	9970412003	4	Bushing	
23	9970960052	1	Bushing	
24	70050679	1	Adapter Cover	
25	9970960038	2	Capscrew 1/4 x 1	
26	9970414045	10	Capscrew 1/4 x 3/4	
27	70050680	4	Capscrew 1/4 x 1	
28	9120960075	1	Capscrew 3/8 x 1-1/2	
29	9120960034	2	Capscrew 3/8 x 1	
30	9120960059	6	Capscrew 3/8 x 1-1/4	
31	70050681	4	Capscrew 1/4 x 7/8	
32	70050682	4	Capscrew 1/4 x 1-3/4	
33	9120960061	2	Capscrew 1/2 x 1-1/2	
34	9786960015	1	Setscrew 3/8 x 1/2	
35	70050628	1	Nut 3/8	
36	9949960054	2	Washer 1/4	
37	9970418177	8	Washer 3/8	
38	9007960003	1	Adapter - Rod	
39	9970330010	2	Disc Brake	
40	9970442184	2	Gasket	
41	9796960139	1	Gasket	
42	9970442205	1	Gasket	
43	9970450006	2	Barth Key	
44	9575960014	4	Barth Key	
45	9970412045	2	Bushing	
46	9970456008	1	Fitting-Relief	
47	9701960015	1	Pipe Plug	
48	9970468011	2	Pipe Plug	
49	9691960035	1	Pin, Spiral	

SECTION 3 - DECK

ITEM	PART NUMBER	QTY	DESCRIPTION	REV
50	9691960001	1	Spirol Pin	
51	9970518015	2	Thrust Washer	
52	9970472013	1	Plastic Plug	
53	9970960037	1	Plate - Thrust	
54	9970486009	1	Oil Seal	
55	9970486017	1	Oil Seal	
56	9796960176	1	Seal, Thread	
57	9796960177	4	Seal, Thread	
58	9970494002	2	Spring	
59	9970960035	1	Spring	
60	9970494053	1	Spring	
61	9970518014	1	Thrust Washer	

SECTION 3 - DECK

FIGURE 3-54. WINCH ASSEMBLY - 10000 LBS WITH FREE SPOOL



ART_7970000140

SECTION 3 - DECK

FIGURE 3-54. WINCH ASSEMBLY - 10000 LBS WITH FREE SPOOL

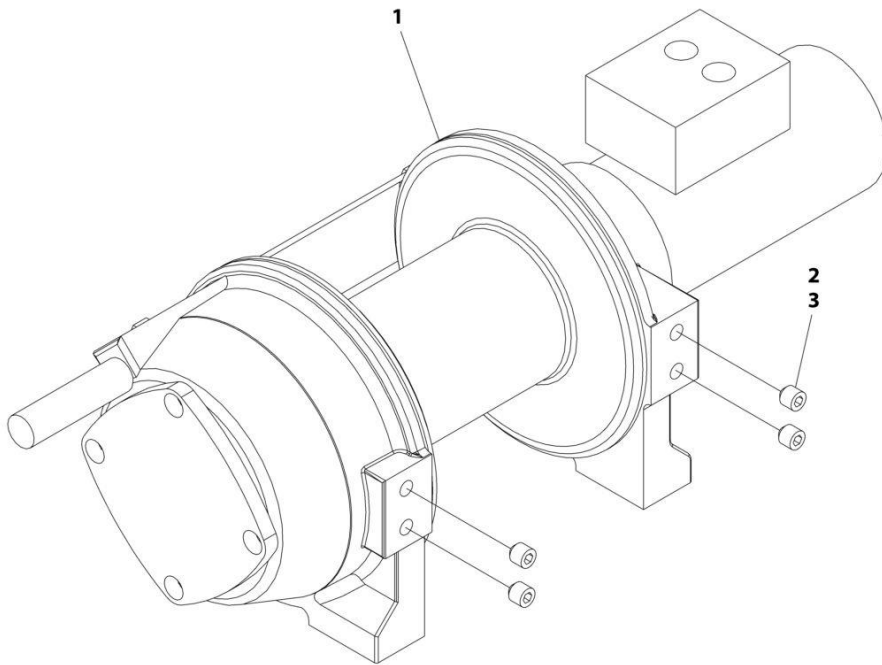
ITEM	PART NUMBER	QTY	DESCRIPTION	REV
	7970000140	Ref	WINCH - 10000 LBS WORM GEAR WITH AIR FREE SPOOL	B
1	70050677	1	Frame Assembly	
2	70050684	1	Housing - Clutch	
3	9970300057	1	Adapter	
4	9970960036	1	Spring - Flat	
5	1001126187	1	Plate	
6	9309960020	1	Coupling	
7	9970960060	1	Jaw Clutch	
8	9970960034	1	Cover - Brake	
9	9314960024	1	Cover	
10	9970960068	1	Drum - Cable	
11	9472960068	1	Gear R.H. 30:1	
12	9571960010	1	Housing - Brake	
13	9560960011	1	Housing-Gear	
14	1001126188	1	HUB,BRAKE,#340002	
15	9970342027	3	Key	
16	1001126192	1	Plate	
17	9970960051	1	Shaft - Drum	
18	9472960069	1	Worm R.H. 30:1	
19	70050685	1	Yoke	
20	9970400003	2	Ball	
21	9970402002	2	Bearing-Ball	
22	9970412003	4	Bushing	
23	9970960052	1	Bushing	
24	70050679	1	Adapter Cover	
25	9970960038	2	Capscrew 1/4 x 1	
26	9970414045	10	Capscrew 1/4 x 7/8	
27	70050680	4	Capscrew 1/4 x 1	
28	9120960075	1	Capscrew 3/8 x 1-1/2	
29	9120960034	2	Bolt 3/8 x 1	
30	9120960059	6	Capscrew 3/8 x 1-1/4	
31	70050681	4	Capscrew 1/4 x 7/8	
32	70050682	4	Capscrew 1/4 x 1-3/4	
33	9120960061	2	Capscrew 1/2 x 1-1/2	
34	9786960015	1	Setscrew 3/8 x 1/2	
35	70050686	4	Screw #6 x 1	
36	70050628	1	Nut 3/8	
37	70050687	1	Nut 3/8	
38	70050688	4	Washer #6	
39	9949960054	2	Washer 1/4	
40	9970418177	8	Washer 3/8	
41	9443960021	1	Fitting	
42	70050065	1	Cylinder, Air	
43	9970330010	2	Disc Brake	
44	9970442184	2	Gasket	
45	9796960139	1	Gasket	
46	9970442205	1	Gasket	
47	9970450006	2	Barth Key	
48	9575960014	4	Barth Key	
49	9970456008	1	Fitting-Relief	

SECTION 3 - DECK

ITEM	PART NUMBER	QTY	DESCRIPTION	REV
50	9183960002	1	Breather Vent	
51	9970468011	2	Pipe Plug	
52	9701960015	1	Pipe Plug	
53	9691960001	1	Spirol Pin	
54	9970472013	1	Plastic Plug	
55	9970960037	1	Plate - Thrust	
56	9970486009	1	Oil Seal	
57	9970486017	1	Oil Seal	
58	9796960176	1	Seal, Thread	
59	9796960177	4	Seal, Thread	
60	70050689	1	Shim	
61	9970494002	2	Spring	
62	9970960035	1	Spring	
63	9970494053	1	Spring	
64	9970518014	1	Thrust Washer	
65	9970518015	2	Thrust Washer	
66	9970412045	2	Bushing (Not Shown)	

SECTION 3 - DECK

FIGURE 3-55. WINCH ASSEMBLY - 10000 LBS SLIDING WINCH



ART_1001239119

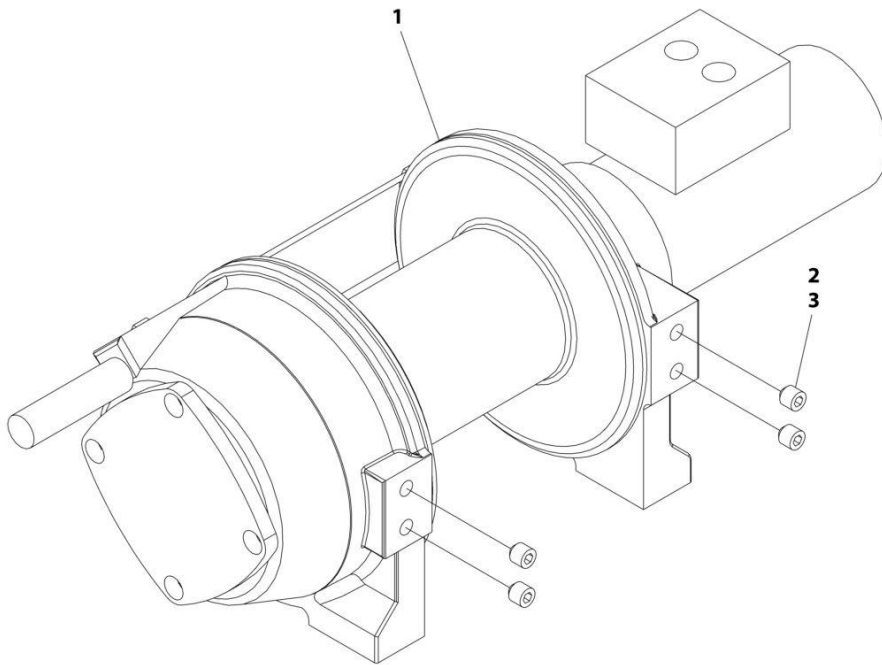
SECTION 3 - DECK

FIGURE 3-55. WINCH ASSEMBLY - 10000 LBS SLIDING WINCH

ITEM	PART NUMBER	QTY	DESCRIPTION	REV
	1001239119	Ref	WINCH ASSEMBLY - 10000 LBS SLIDING	A
1	7970000158	1	Winch - 10000 lbs (See Separate Breakdown in this Section)	
2	3951804	4	Screw 1/2 x 1-1/2	
3	0100011	AR	Compound Locking	

SECTION 3 - DECK

FIGURE 3-56. WINCH ASSEMBLY - 10000 LBS SLIDING WINCH WITH FREE SPOOL



ART_1001239120

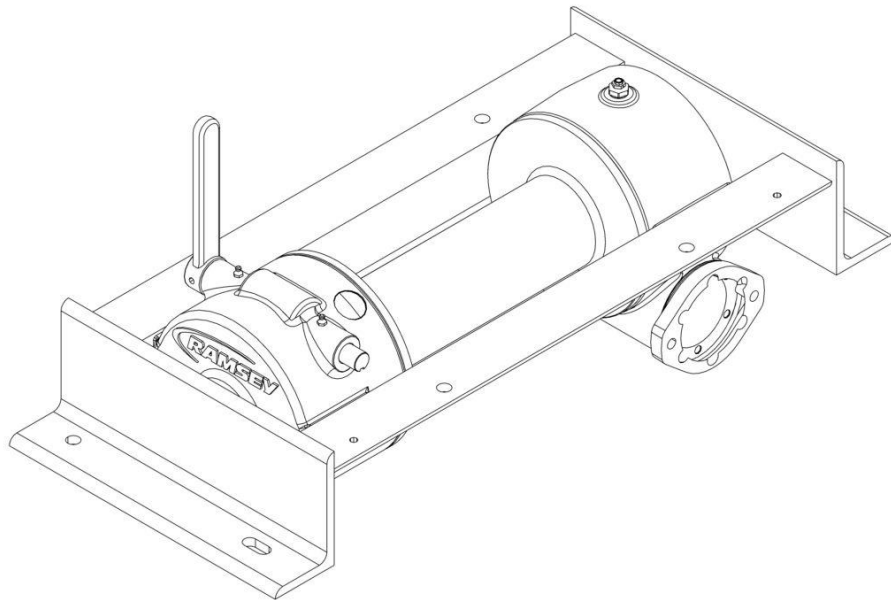
SECTION 3 - DECK

FIGURE 3-56. WINCH ASSEMBLY - 10000 LBS SLIDING WINCH WITH FREE SPOOL

ITEM	PART NUMBER	QTY	DESCRIPTION	REV
	1001239120	Ref	WINCH ASSEMBLY - 10000 LBS SLIDING AIR FREESPOOL	A
1	7970000166	1	Winch - 10000 lbs (See Separate Breakdown in this Section)	
2	3951804	4	Screw 1/2 x 1-1/2	
3	0100011	AR	Compound Locking	

SECTION 3 - DECK

FIGURE 3-57. WINCH ASSEMBLY - 12000 LBS



ART_7970000083

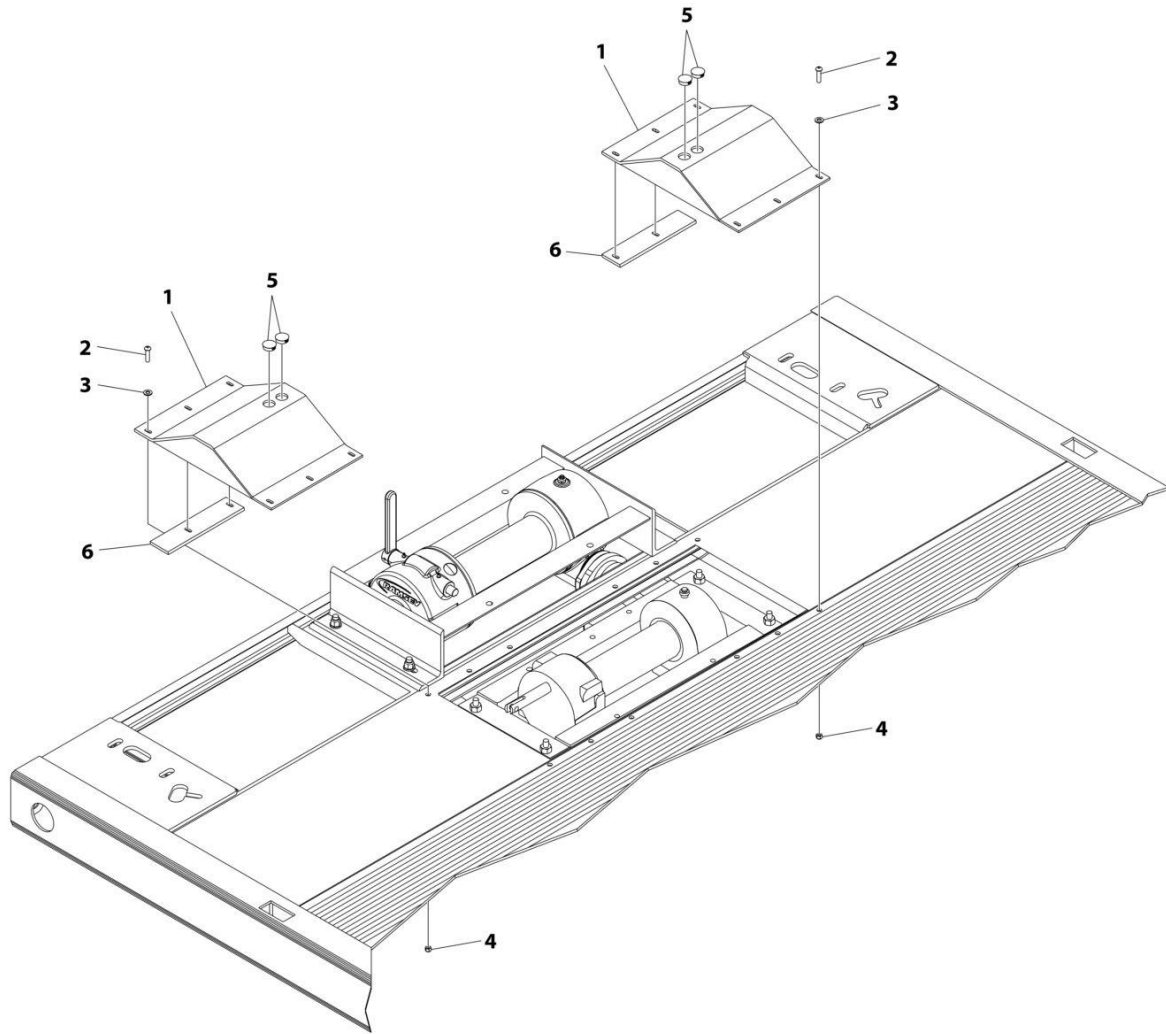
SECTION 3 - DECK

FIGURE 3-57. WINCH ASSEMBLY - 12000 LBS

ITEM	PART NUMBER	QTY	DESCRIPTION	REV
	7970000083	Ref	WINCH ASSEMBLY - 12000 LBS	D
		Ref	Note: No Service Components Available at Time of Printing.	

SECTION 3 - DECK

FIGURE 3-58. WINCH COVER PLATE INSTALLATION - DUAL WINCH (ALUMINUM DECK)



ART_2550000197

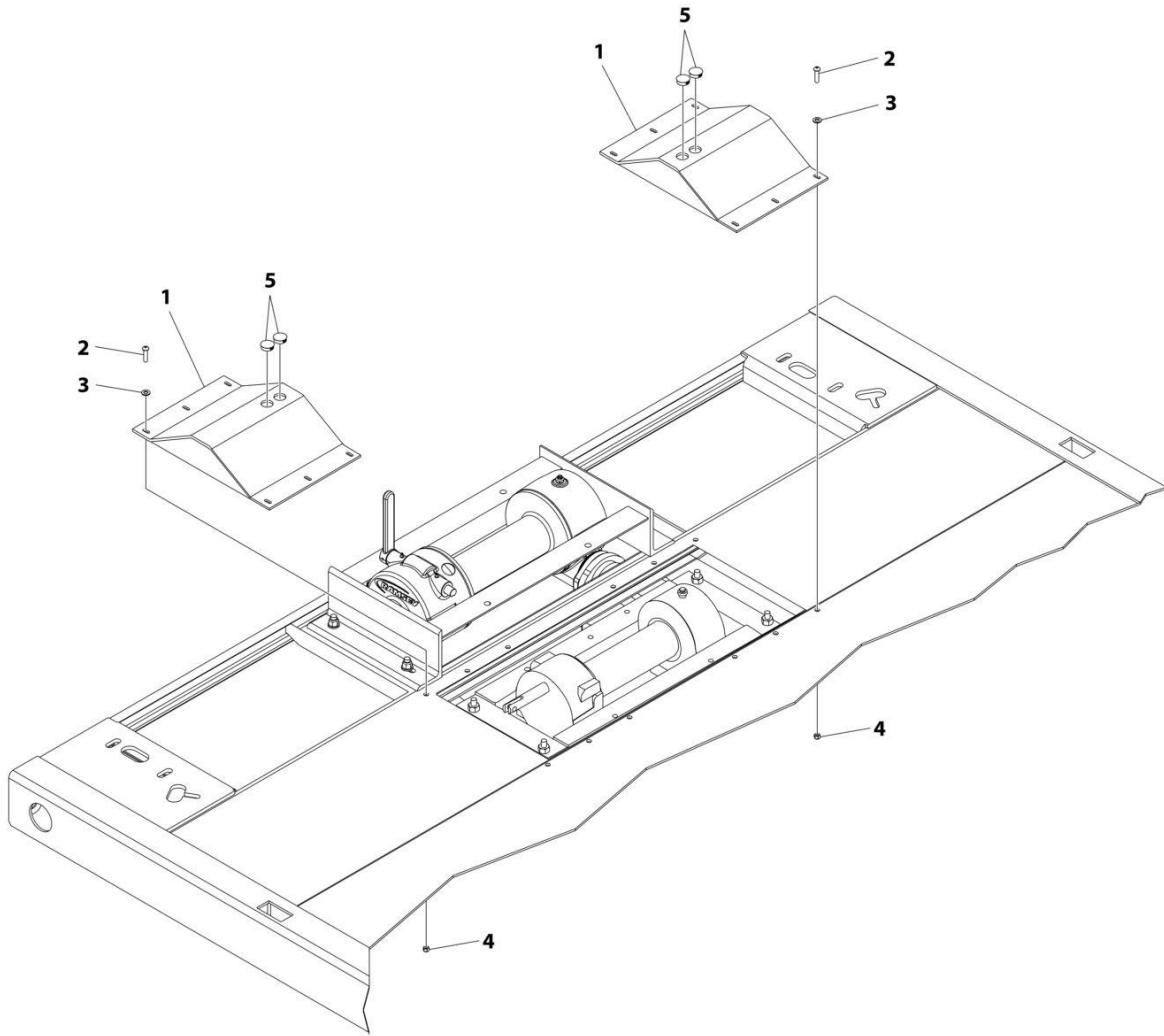
SECTION 3 - DECK

FIGURE 3-58. WINCH COVER PLATE INSTALLATION - DUAL WINCH (ALUMINUM DECK)

ITEM	PART NUMBER	QTY	DESCRIPTION	REV
	2550000197	Ref	WINCH COVER PLATE INSTALLATION - DUAL WINCH (ALUMINUM DECK)	B
1	3550000903	2	Cover Plate Weldment Dual Winch	
2	7114161218	12	Capscrew 3/8 x 1-1/2	
3	7950150161	12	Washer 3/8	
4	7660162601	12	Nut 3/8	
5	7701000049	4	Plug	
6	4812000061	2	Shim	

SECTION 3 - DECK

FIGURE 3-59. WINCH COVER PLATE INSTALLATION - DUAL WINCH (STEEL DECK)



ART_1001142009

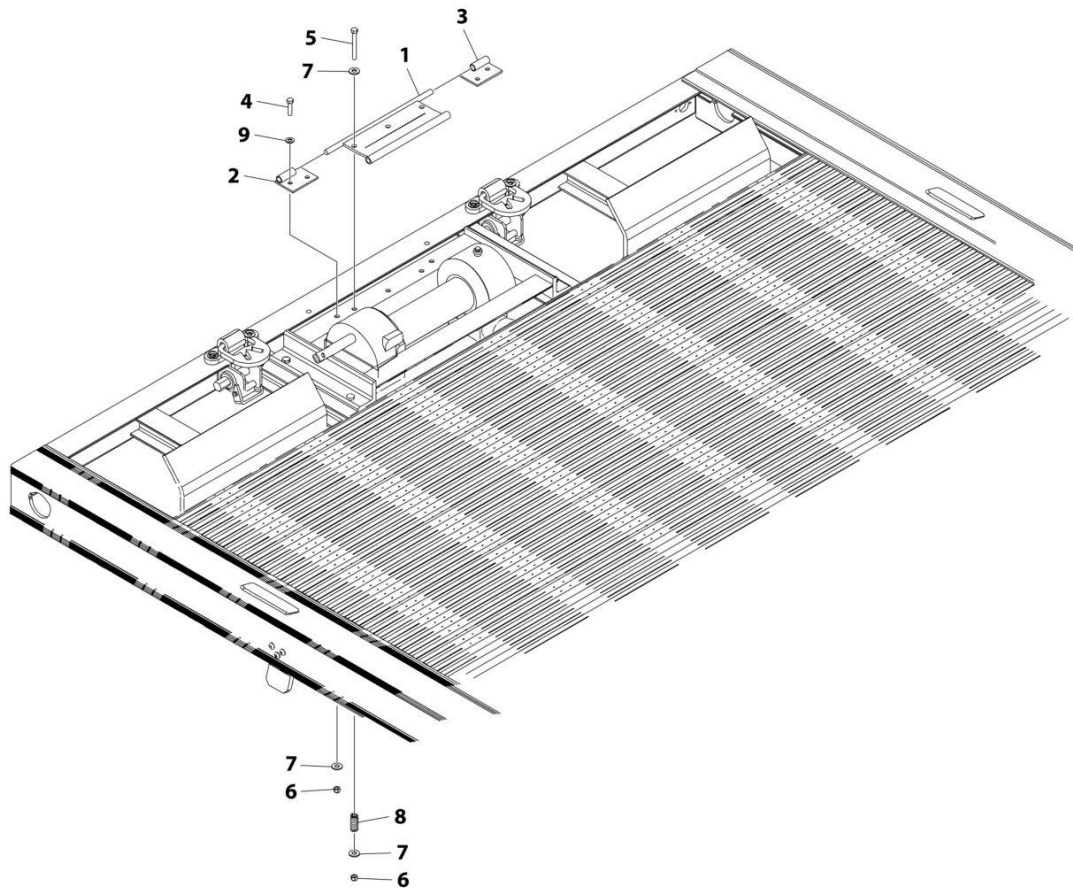
SECTION 3 - DECK

FIGURE 3-59. WINCH COVER PLATE INSTALLATION - DUAL WINCH (STEEL DECK)

ITEM	PART NUMBER	QTY	DESCRIPTION	REV
	1001142009	Ref	COVER PLATE DUAL WINCH INSTALLATION - 8000 LBS	A
1	3314000055	2	Cover Plate Weldment Single Winch	
2	7114161218	12	Capscrew 3/8 x 1-1/2	
3	7950150161	12	Capscrew 3/8 x 1-1/2	
4	7660162601	12	Nut 3/8	
5	7701000049	4	Plug	

SECTION 3 - DECK

FIGURE 3-60. CABLE TENSIONER ASSEMBLY - DUAL WINCH



ART_2249000009

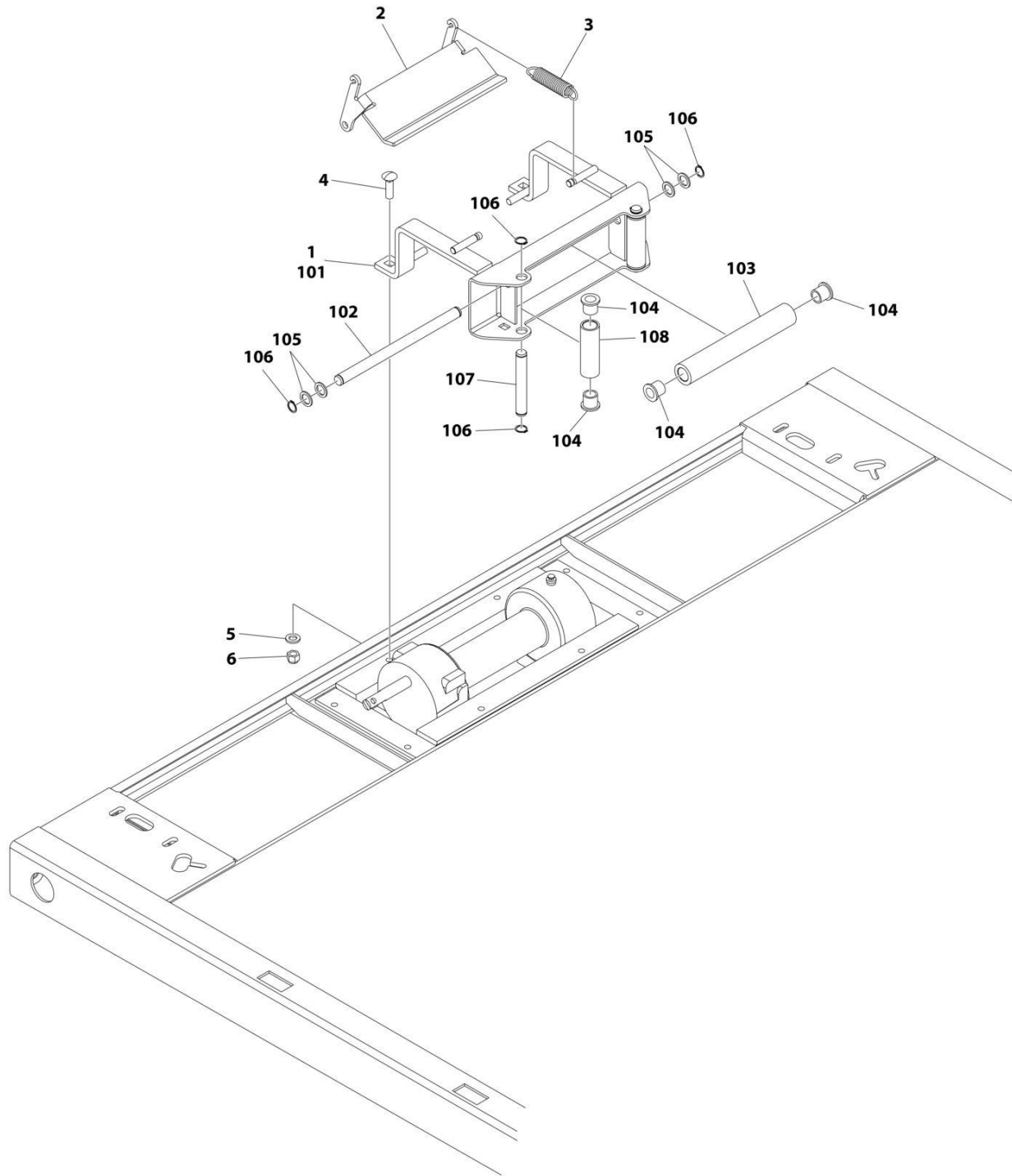
SECTION 3 - DECK

FIGURE 3-60. CABLE TENSIONER ASSEMBLY - DUAL WINCH

ITEM	PART NUMBER	QTY	DESCRIPTION	REV
	2249000009	Ref	CABLE TENSIONER INSTALLATION	A
1	3706000213	1	Plate	
2	3706000214	1	Plate	
3	3706000215	1	Plate	
4	7115161250	2	Capscrew 3/8 x 1-1/2	
5	7115162650	3	Capscrew 3/8 x 3-1/4	
6	7660162601	5	Nut 3/8	
7	7950160161	8	Washer 3/8	
8	7843000034	3	Spring	
9	7950160141	2	Washer 3/8	

SECTION 3 - DECK

FIGURE 3-61. CABLE GUIDE TENSIONER ASSEMBLY - 8000 LBS DUAL WINCH & 10000 LBS TRANSPORTER



ART_2249000017

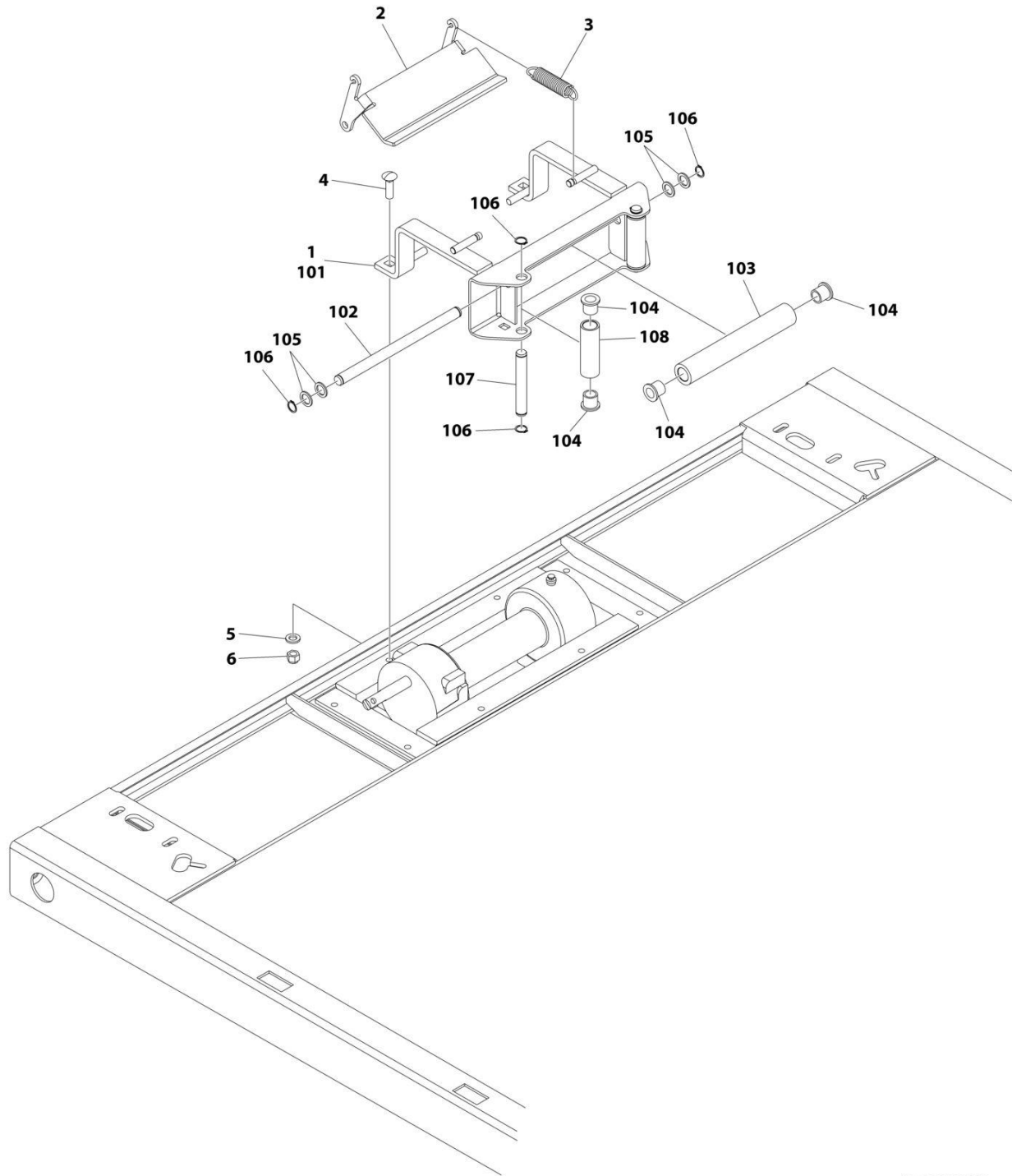
SECTION 3 - DECK

FIGURE 3-61. CABLE GUIDE TENSIONER ASSEMBLY - 8000 LBS DUAL WINCH & 10000 LBS TRANSPORTER

ITEM	PART NUMBER	QTY	DESCRIPTION	REV
	2249000017	Ref	CABLE TENSIONER INSTALLATION, WORM GEAR - 8000/10000 LBS	0
1	3249000036	1	Cable Tensioner Assembly (Includes Items 101-108)	
2	4706003766	1	Plate	
3	7843000035	2	Spring	
4	7115181464	4	Bolt 1/2 x 1-3/4	
5	7950180153	4	Washer 1/2	
6	7660182601	4	Nut 1/2	
101	3178000433	1	Bracket Weld	
102	4806000014	1	Shaft	
103	4912000130	1	Roller	
104	7209000011	6	Bushing	
105	7949000034	4	Spacer	
106	7754000022	6	Retaining Ring	
107	4806000011	2	Shaft	
108	4912000394	2	Roller	

SECTION 3 - DECK

FIGURE 3-62. CABLE GUIDE TENSIONER ASSEMBLY - 8000/12000 LBS DUAL WINCH & 12000 LBS TRANSPORTER



ART_2249000018

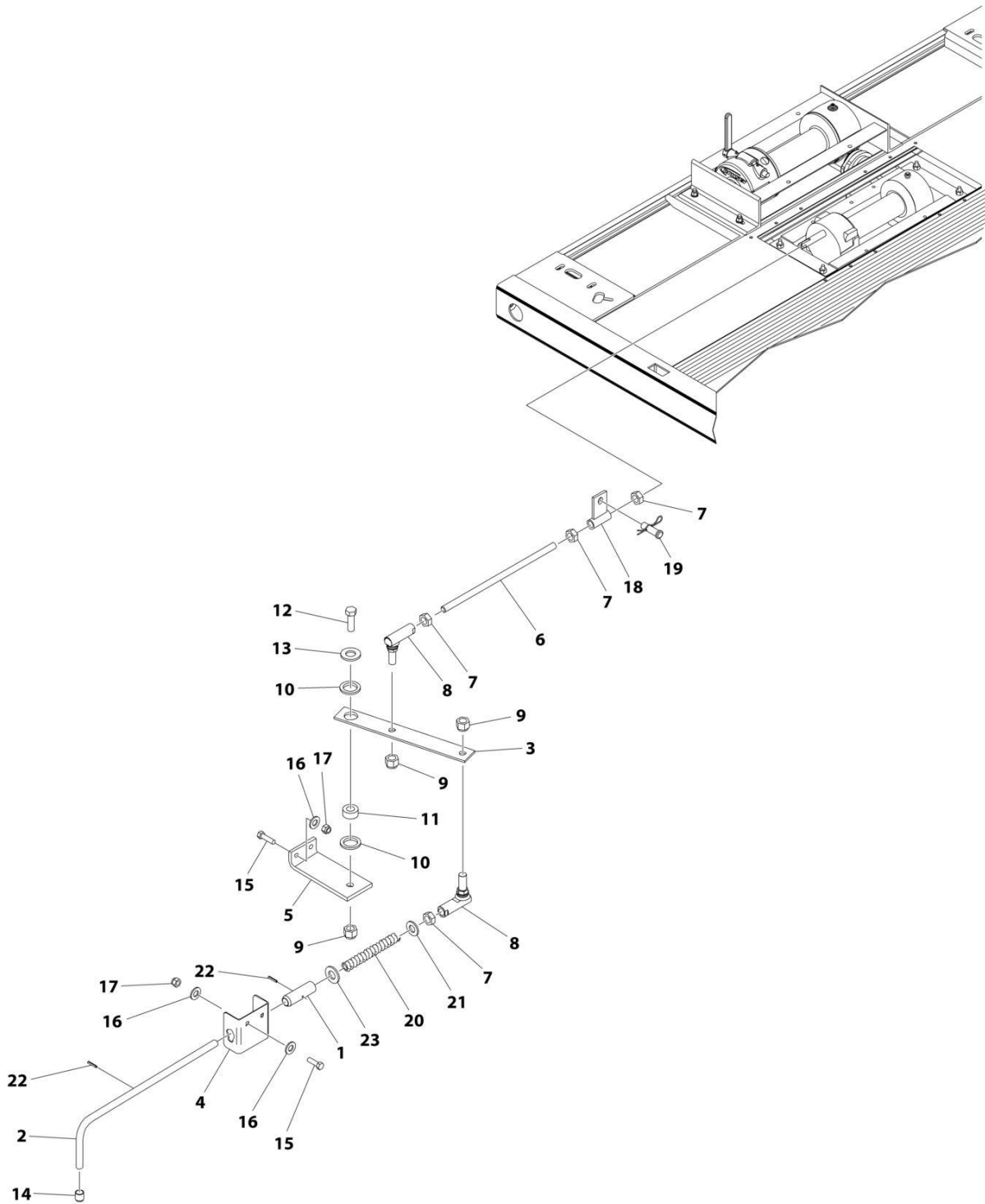
SECTION 3 - DECK

FIGURE 3-62. CABLE GUIDE TENSIONER ASSEMBLY - 8000/12000 LBS DUAL WINCH & 12000 LBS TRANSPORTER

ITEM	PART NUMBER	QTY	DESCRIPTION	REV
	2249000018	Ref	CABLE TENSIONER INSTALLATION, WORM GEAR - 12000 LBS	B
1	3249000036	1	Cable Tensioner Assembly (Includes Items 101-108)	
2	4706003857	1	Plate	
3	7843000035	2	Spring	
4	7115181464	4	Bolt 1/2 x 1-3/4	
5	7950180153	2	Washer 1/2	
6	7660182601	4	Nut 1/2	
101	3178000433	1	Bracket Weld	
102	4806000014	1	Shaft	
103	4912000130	1	Roller	
104	7209000011	6	Bushing	
105	7949000034	4	Spacer	
106	7754000022	6	Retaining Ring	
107	4806000011	2	Shaft	
108	4912000394	2	Roller	

SECTION 3 - DECK

FIGURE 3-63. WINCH RELEASE INSTALLATION - 8000 LBS DUAL WINCH (ALUMINUM DECK)



ART_1001142132

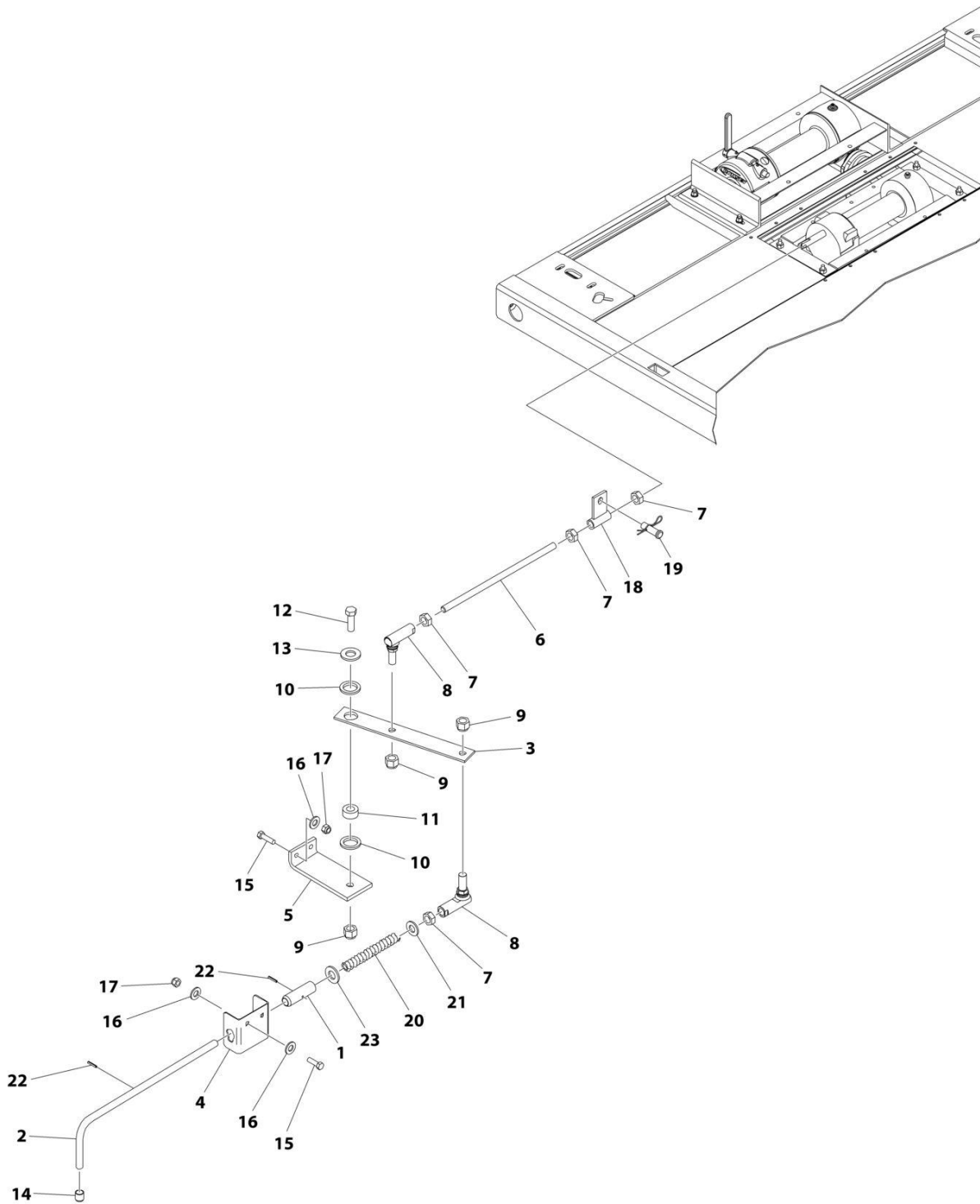
SECTION 3 - DECK

FIGURE 3-63. WINCH RELEASE INSTALLATION - 8000 LBS DUAL WINCH (ALUMINUM DECK)

ITEM	PART NUMBER	QTY	DESCRIPTION	REV
	1001142132	Ref	REAR WINCH INSTALLATION FREE SPOOL (ALUMINUM)	E
1	1001191516	1	Sleeve	
2	4763000414	1	Rod	
3	4587000003	1	Lever	
4	4178000673	1	Bracket	
5	4178000757	1	Bracket	
6	4763000413	1	Rod	
7	7660180234	4	Nut 1/2	
8	7309000002	2	Coupling	
9	7660182631	3	Nut 1/2	
10	7082000010	3	Washer 1-1/2	
11	4209000146	1	Bushing	
12	7105181250	1	Capscrew 1/2 x 1-1/2	
13	7950180161	1	Washer 1/2	
14	7254000016	1	Cap	
15	7115151050	4	Capscrew 5/16 x 1-1/4	
16	7950150161	8	Washer 5/16	
17	7660152601	4	Nut 5/16	
18	3606000028	1	Lug	
19	1001179025	1	Pin	
20	7843000027	1	Sping	
21	7950180143	1	Washer 1/2	
22	7690051274	2	Pin	
23	7949000030	1	Washer 1-3/8	

SECTION 3 - DECK

FIGURE 3-64. WINCH RELEASE INSTALLATION - 8000 LBS DUAL WINCH (STEEL DECK)



ART_1001142131

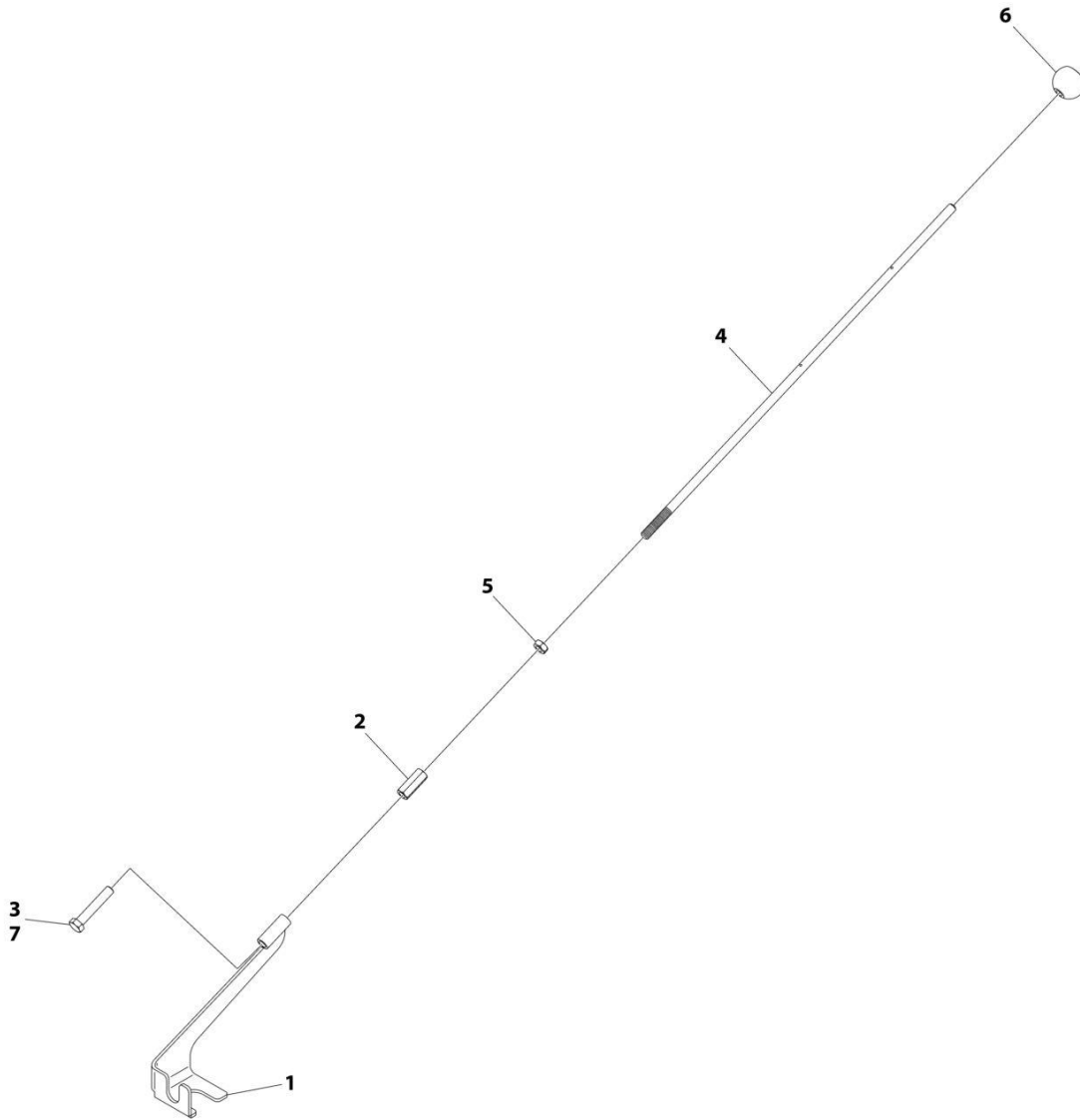
SECTION 3 - DECK

FIGURE 3-64. WINCH RELEASE INSTALLATION - 8000 LBS DUAL WINCH (STEEL DECK)

ITEM	PART NUMBER	QTY	DESCRIPTION	REV
	1001142131	Ref	REAR WINCH INSTALLATION FREE SPOOL (STEEL)	D
1	1001191516	1	Sleeve	
2	4763000414	1	Rod	
3	4587000003	1	Lever	
4	4178000673	1	Bracket	
5	4178000752	1	Bracket	
6	4763000413	1	Rod	
7	7660180234	4	Nut 1/2	
8	7309000002	2	Coupling	
9	7660182631	3	Nut 1/2	
10	7082000010	3	Washer 1-1/2 x 1	
11	4209000146	1	Bushing	
12	7105181250	1	Capscrew 1/2 x 1-1/2	
13	7950180161	1	Washer 1/2	
14	7254000016	1	Cap	
15	7115151050	4	Capscrew 5/16 x 1-1/4	
16	7950150161	8	Washer 5/16	
17	7660152601	4	Nut 5/16	
18	3606000028	1	Lug	
19	1001179025	1	Pin	
20	7843000027	1	Sping	
21	7950180143	1	Washer 1/2	
22	7690051274	2	Pin	
23	7949000030	1	Washer 1-3/8	

SECTION 3 - DECK

FIGURE 3-65. SLIDING WINCH HANDLE, ACCESSORY



ART_1001146028

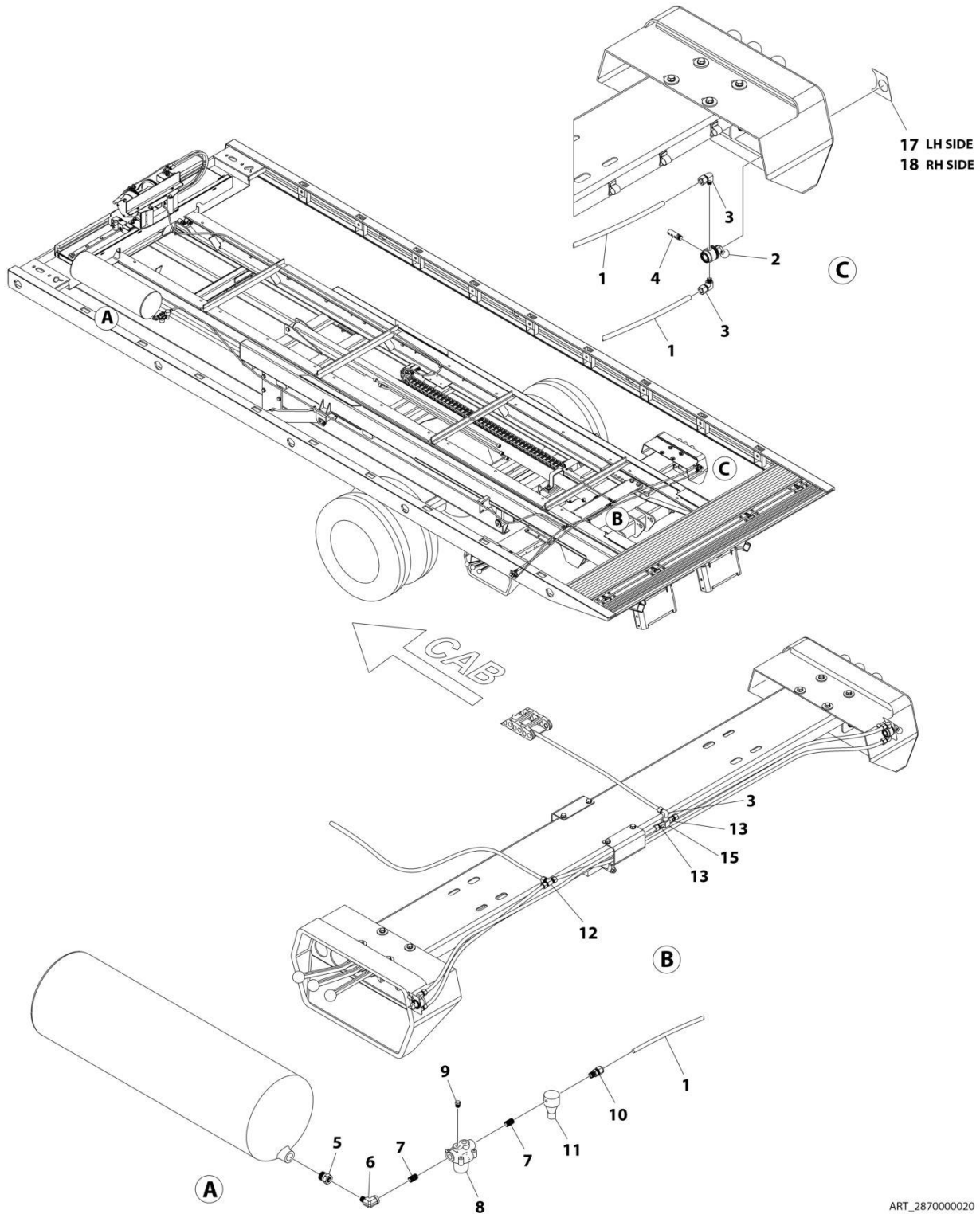
SECTION 3 - DECK

FIGURE 3-65. SLIDING WINCH HANDLE, ACCESSORY

ITEM	PART NUMBER	QTY	DESCRIPTION	REV
	1001146028	Ref	SLIDING WINCH HANDLE, ACCESSORY	A
1	1001146029	1	Handle	
2	1001146027	1	Nut 1/2	
3	0651822	1	Bolt 1/2 x 2-3/4	
4	4763000348	1	Rod	
5	7660180234	1	Nut 1/2	
6	7551000017	1	Knob	
7	0100011	AR	Compound Locking	

SECTION 3 - DECK

FIGURE 3-66. FREE SPOOL INSTALLATION - 8000/10000 LBS WORM GEAR AIR



ART_287000020

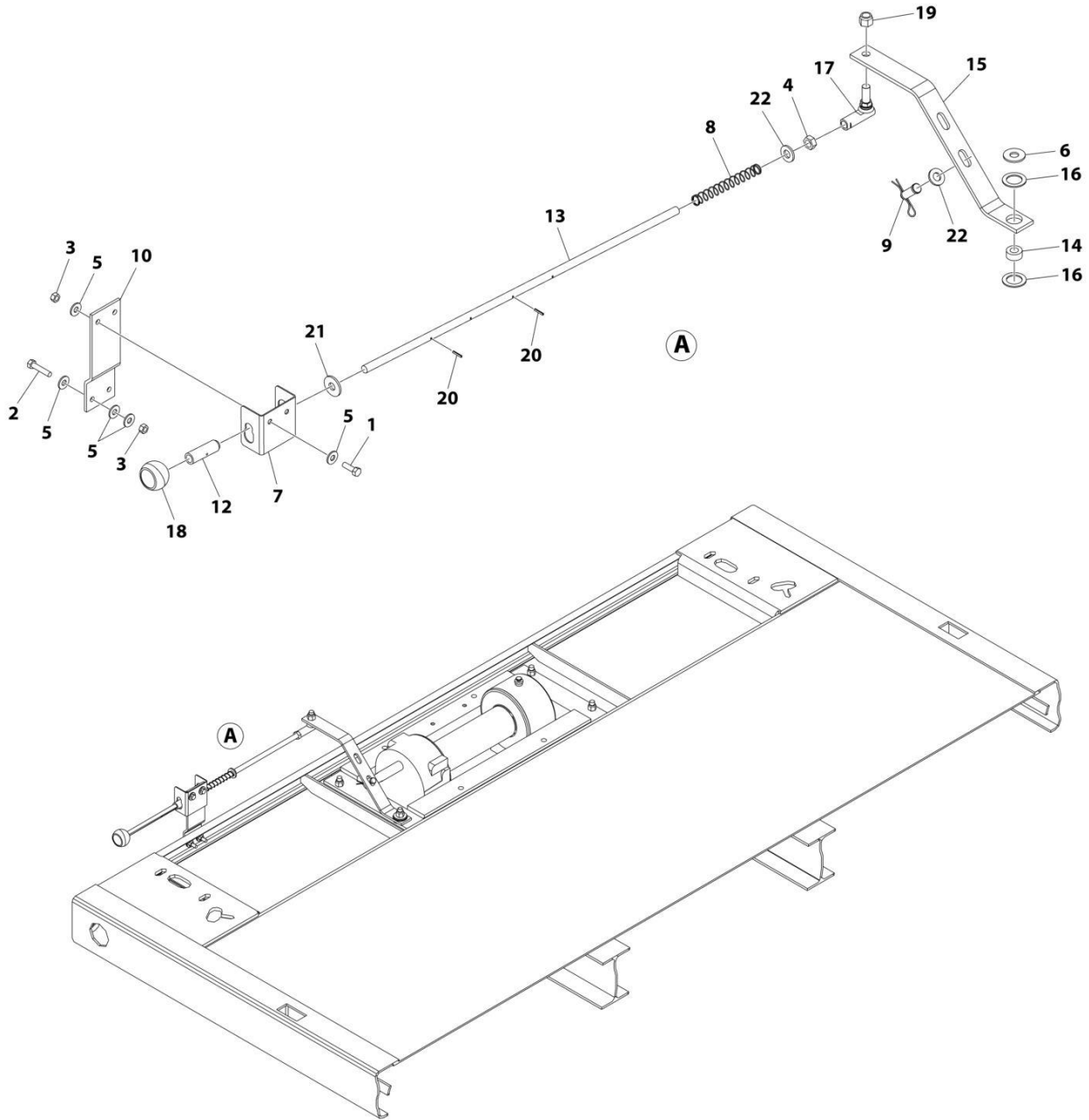
SECTION 3 - DECK

FIGURE 3-66. FREE SPOOL INSTALLATION - 8000/10000 LBS WORM GEAR AIR

ITEM	PART NUMBER	QTY	DESCRIPTION	REV
	287000020	Ref	DUAL AIR FREE SPOOL SWITCH INSTALLATION - 8000/10000 LBS	B
1	7565000014	AR	Airline Tube	
2	7935000182	2	Air Valve	
3	7443000364	5	Fitting, Tube	
4	7640000002	2	Air Exhaust Muffler	
5	7443000154	1	Fitting	
6	7443000155	1	Fitting 90	
7	7443000156	2	Fitting, Nipple	
8	7935000120	1	Pressure Protection Valve	
9	7443000152	1	Plug	
10	7443000366	1	Fitting, Tube	
11	7935000248	1	Air Regulator	
12	7443000371	1	Fitting, Tee	
13	7443000365	2	Fitting, Tube	
14	8597650001	1	Loom (Not Shown)	
15	7935000229	1	Shuttle Valve	
16	7894000004	8	Tie-Strap (Not Shown)	
17	7330000675	1	Decal LH	
18	7330000676	1	Decal RH	
19	7443000443	1	Fitting, Tube (Not Shown)	
20	7565000016	AR	Airline Tubing (Not Shown)	

SECTION 3 - DECK

FIGURE 3-67. FREE SPOOL INSTALLATION - 8000/10000 LBS SINGLE FREE SPOOL



ART_1001187663

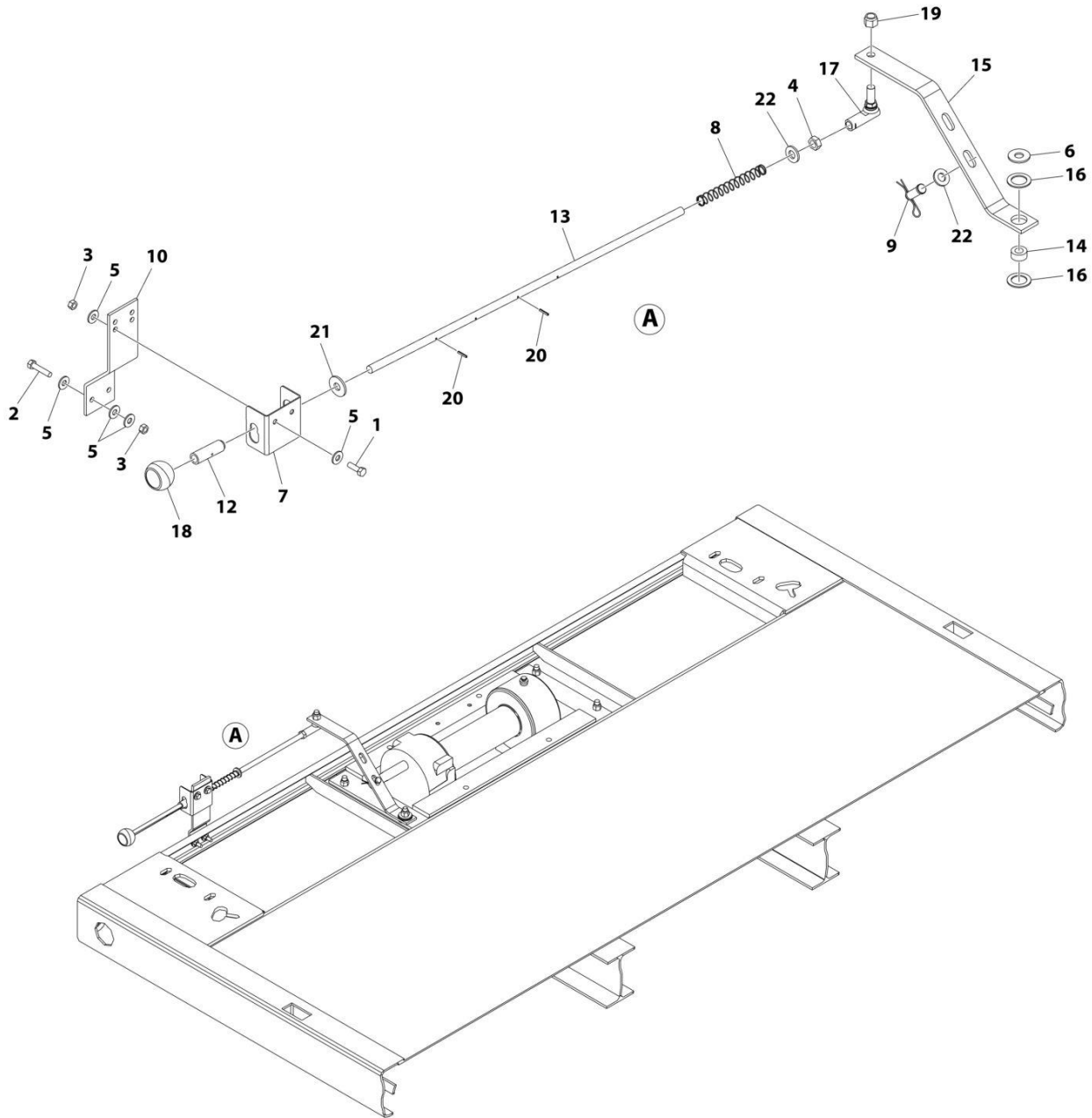
SECTION 3 - DECK

FIGURE 3-67. FREE SPOOL INSTALLATION - 8000/10000 LBS SINGLE FREE SPOOL

ITEM	PART NUMBER	QTY	DESCRIPTION	REV
	1001187663	Ref	HEADBOARD INSTALLATION, SINGLE FREE SPOOL - 8000/10000 LBS	B
1	0641508	2	Bolt 5/16 x 1	
2	0641512	2	Bolt 5/16 x 1-1/2	
3	3271505	4	Nut 5/16	
4	3321802	1	Nut 1/2	
5	4751500	10	Washer 5/16	
6	4751800	1	Washer 1/2	
7	1001156245	1	Bracket	
8	1001156249	1	Spring	
9	1001179025	1	Pin	
10	1001187347	1	Bracket	
11	1001156252	1	Decal (Not Shown)	
12	1001191516	1	Sleeve	
13	1001191985	1	Rod	
14	4209000146	1	Bushing	
15	4587000004	1	Lever	
16	7082000010	2	Washer 1-1/2 x 1	
17	7309000002	1	Coupling	
18	7551000017	1	Knob	
19	7660182631	1	Nut 1/2	
20	7690051274	2	Pin	
21	7949000030	1	Washer	
22	7950180143	2	Washer 1/2	

SECTION 3 - DECK

FIGURE 3-68. FREE SPOOL INSTALLATION - 8000/10000 LBS SINGLE FREE SPOOL (ALUMINUM DECK)



ART_1001201524

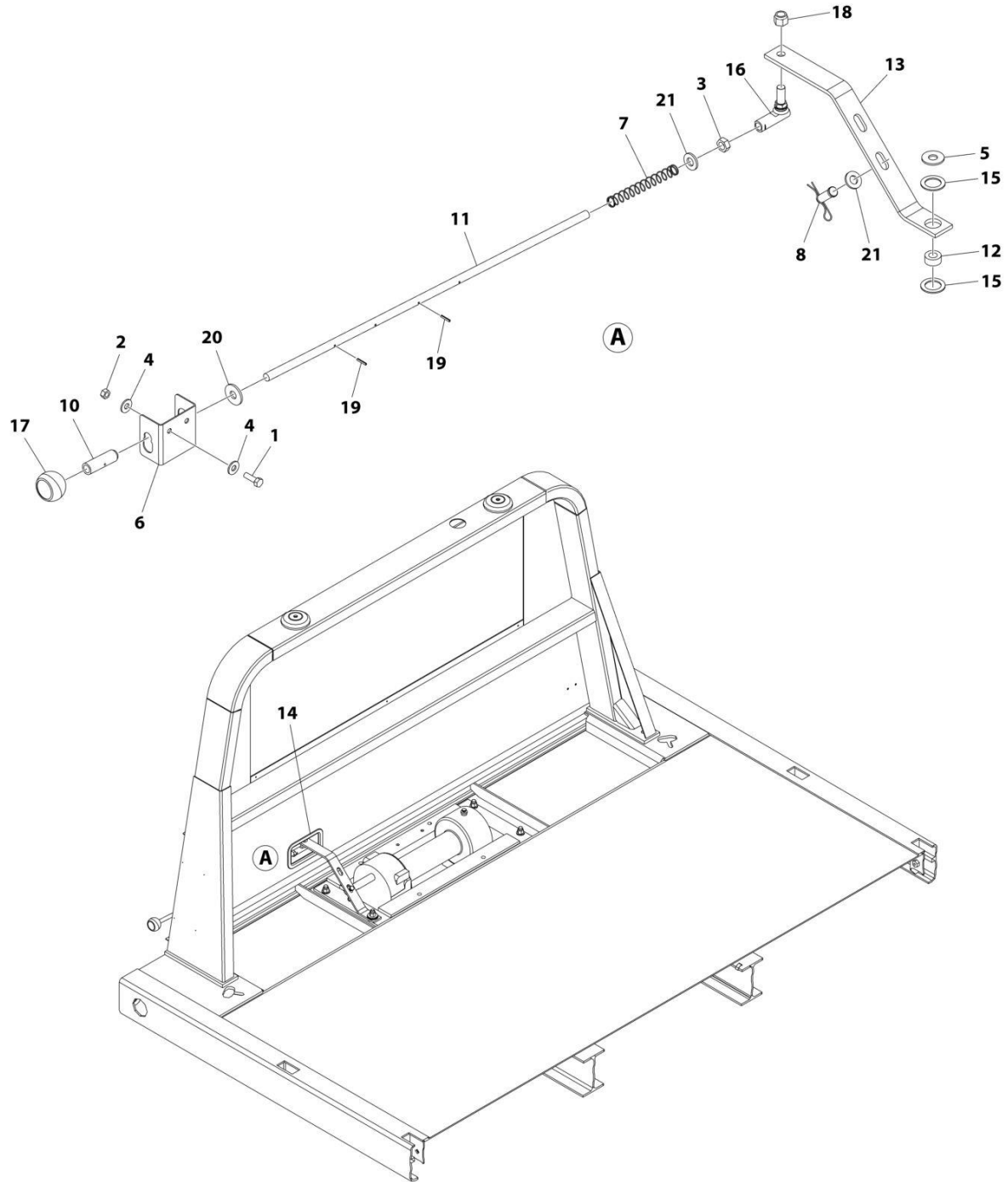
SECTION 3 - DECK

FIGURE 3-68. FREE SPOOL INSTALLATION - 8000/10000 LBS SINGLE FREE SPOOL (ALUMINUM DECK)

ITEM	PART NUMBER	QTY	DESCRIPTION	REV
	1001201524	Ref	HEADBOARD INSTALLATION, SINGLE FREE SPOOL - 8000/10000 LBS	B
1	0641508	2	Bolt 5/16 x 1	
2	0641512	2	Bolt 5/16 x 1-1/2	
3	3271505	4	Nut 5/16	
4	3321802	1	Nut 1/2	
5	4751500	10	Washer 5/16	
6	4751800	1	Washer 1/2	
7	1001156245	1	Bracket	
8	1001156249	1	Spring	
9	1001179025	1	Pin	
10	4178000674	1	Bracket	
11	1001156252	1	Decal (Not Shown)	
12	1001191516	1	Sleeve	
13	1001191985	1	Rod	
14	4209000146	1	Bushing	
15	4587000004	1	Lever	
16	7082000010	2	Washer 1-1/2 x 1	
17	7309000002	1	Coupling	
18	7551000017	1	Knob	
19	7660182631	1	Nut 1/2	
20	7690051274	2	Pin	
21	7949000030	1	Washer	
22	7950180143	2	Washer 1/2	

SECTION 3 - DECK

FIGURE 3-69. FREE SPOOL INSTALLATION - 8000/10000 LBS SINGLE FREE SPOOL WITH DELUXE HEADBOARD



ART_1001187664

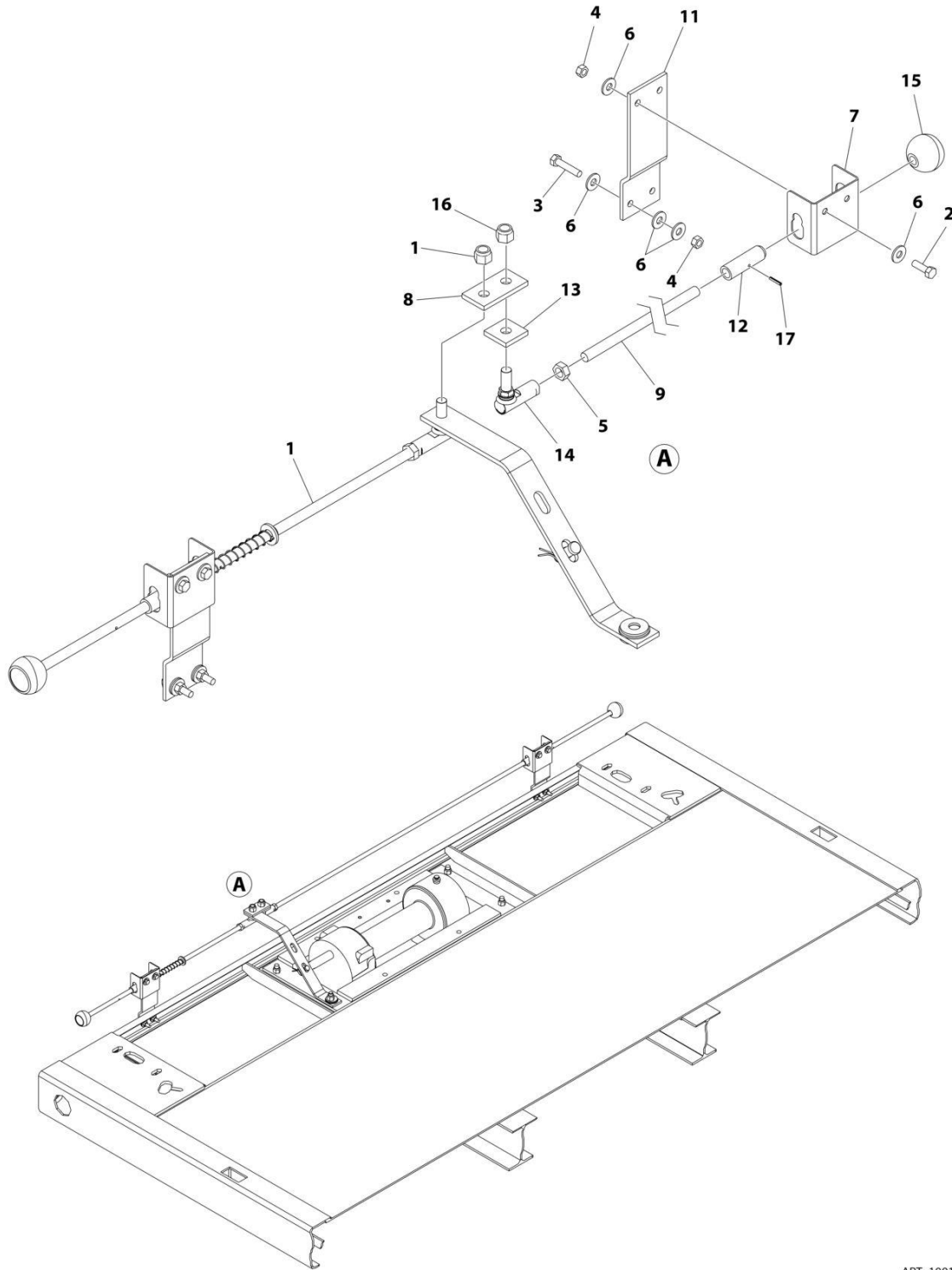
SECTION 3 - DECK

FIGURE 3-69. FREE SPOOL INSTALLATION - 8000/10000 LBS SINGLE FREE SPOOL WITH DELUXE HEADBOARD

ITEM	PART NUMBER	QTY	DESCRIPTION	REV
	1001187664	Ref	DELUXE HEADBOARD INSTALLATION, SINGLE FREE SPOOL - 8000/10000 LBS	B
1	0641508	2	Bolt 5/16 x 1	
2	3271505	2	Nut 5/16	
3	3321802	1	Nut 1/2	
4	4751500	4	Washer 5/16	
5	4751800	1	Washer 1/2	
6	1001156245	1	Bracket	
7	1001156249	1	Spring	
8	1001179025	1	Pin	
9	1001156252	1	Decal (Not Shown)	
10	1001191516	1	Sleeve	
11	1001191985	1	Rod	
12	4209000146	1	Bushing	
13	4587000004	1	Lever	
14	4632000009	1	Trim Lock	
15	7082000010	2	Washer 1-1/2 x 1	
16	7309000002	1	Coupling	
17	7551000017	1	Knob	
18	7660182631	1	Nut 1/2	
19	7690051274	2	Pin	
20	7949000030	1	Washer	
21	7950180143	2	Washer 1/2	

SECTION 3 - DECK

FIGURE 3-70. FREE SPOOL INSTALLATION - 8000/10000 LBS DUAL FREE SPOOL



ART_1001187665

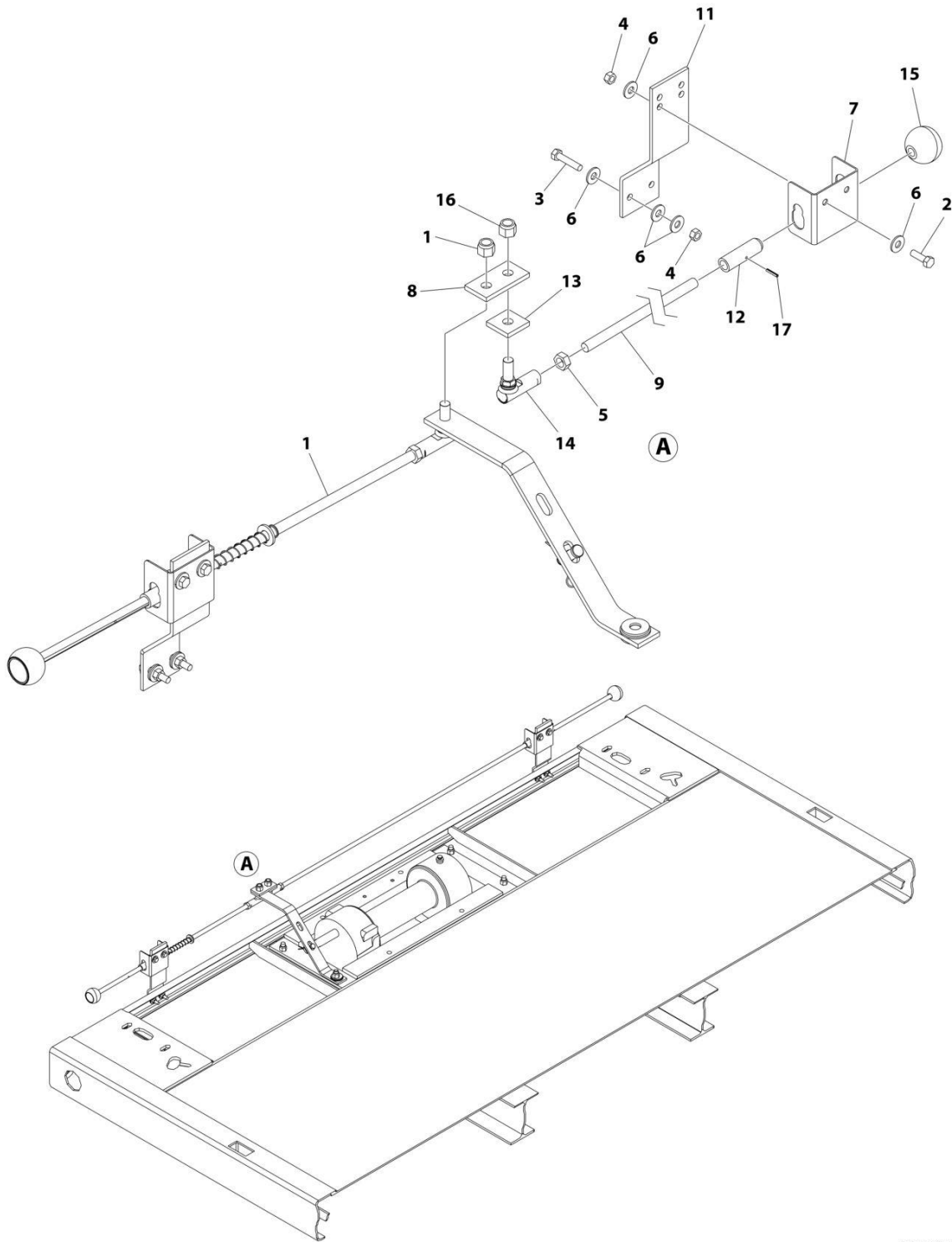
SECTION 3 - DECK

FIGURE 3-70. FREE SPOOL INSTALLATION - 8000/10000 LBS DUAL FREE SPOOL

ITEM	PART NUMBER	QTY	DESCRIPTION	REV
	1001187665	Ref	HEADBOARD INSTALLATION, DUAL FREE SPOOL - 8000/10000 LBS	C
1	1001187663	1	Single Free Spool Installation (See Separate Breakdown in this Section)	
2	0641508	2	Bolt 5/16 x 1	
3	0641512	2	Bolt 5/16 x 1-1/2	
4	3271505	4	Nut 5/16	
5	3321802	1	Nut 1/2	
6	4751500	10	Washer 5/16	
7	1001156245	1	Bracket	
8	1001156247	1	Bar	
9	1001156248	1	Rod	
10	1001156252	1	Decal (Not Shown)	
11	1001187347	1	Bracket	
12	1001191516	1	Sleeve	
13	4706000717	1	Plate	
14	7309000002	1	Coupling	
15	7551000017	1	Knob	
16	7660182631	1	Nut 1/2	
17	7690051274	1	Pin	

SECTION 3 - DECK

FIGURE 3-71. FREE SPOOL INSTALLATION - 8000/10000 LBS DUAL FREE SPOOL (ALUMINUM DECK)



ART_1001201525

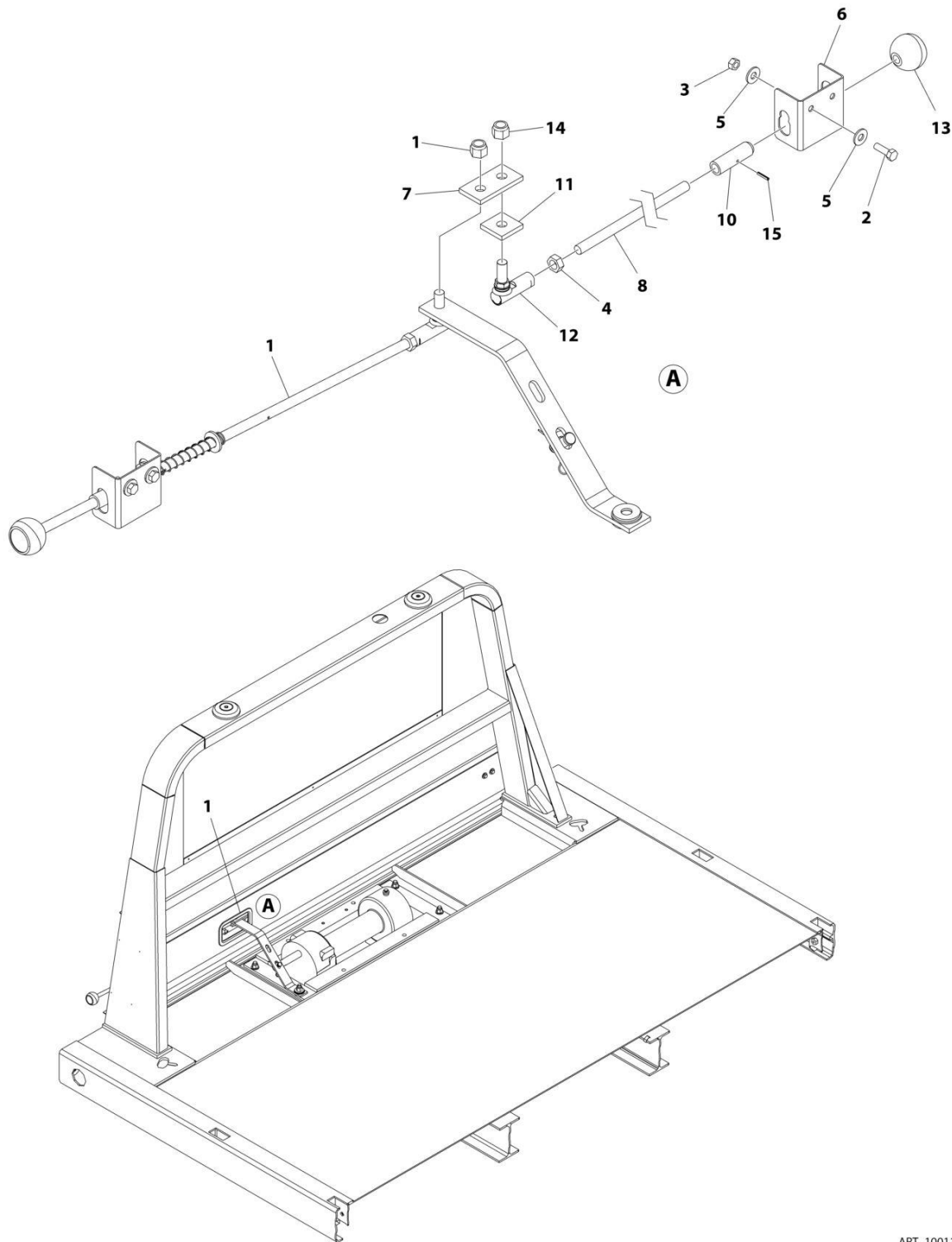
SECTION 3 - DECK

FIGURE 3-71. FREE SPOOL INSTALLATION - 8000/10000 LBS DUAL FREE SPOOL (ALUMINUM DECK)

ITEM	PART NUMBER	QTY	DESCRIPTION	REV
	1001201525	Ref	HEADBOARD INSTALLATION, DUAL FREE SPOOL - 8000/10000 LBS	A
1	1001201524	1	Single Free Spool Installation (See Separate Breakdown in this Section)	
2	0641508	2	Bolt 5/16 x 1	
3	0641512	2	Bolt 5/16 x 1-1/2	
4	3271505	4	Nut 5/16	
5	3321802	1	Nut 1/2	
6	4751500	10	Washer 5/16	
7	1001156245	1	Bracket	
8	1001156247	1	Bar	
9	1001156248	1	Rod	
10	1001156252	2	Decal (Not Shown)	
11	4178000674	1	Bracket	
12	1001191516	1	Sleeve	
13	4706000717	1	Plate	
14	7309000002	1	Coupling	
15	7551000017	1	Knob	
16	7660182601	1	Nut 1/2	
17	7690051274	1	Pin	

SECTION 3 - DECK

FIGURE 3-72. FREE SPOOL INSTALLATION - 8000/10000 LBS DUAL FREE SPOOL WITH DELUXE HEADBOARD



ART_1001187666

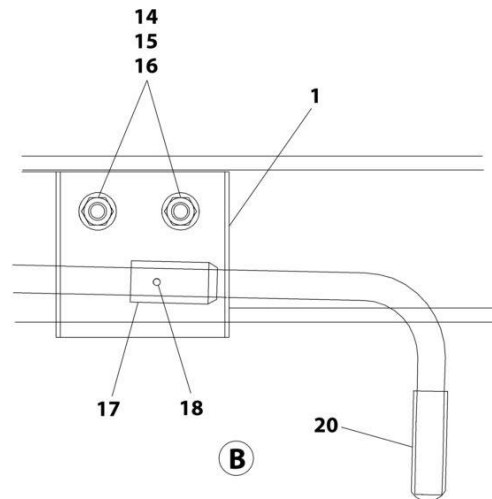
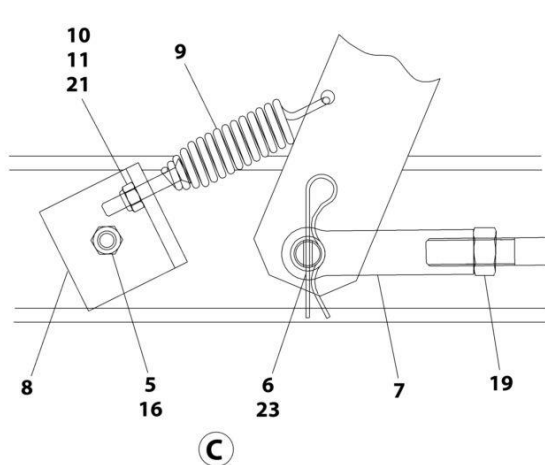
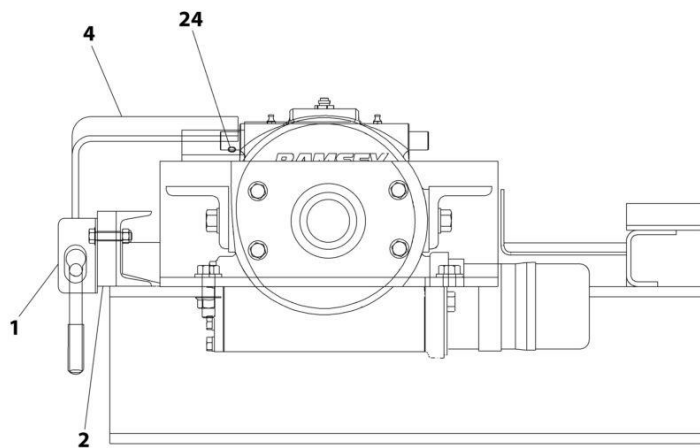
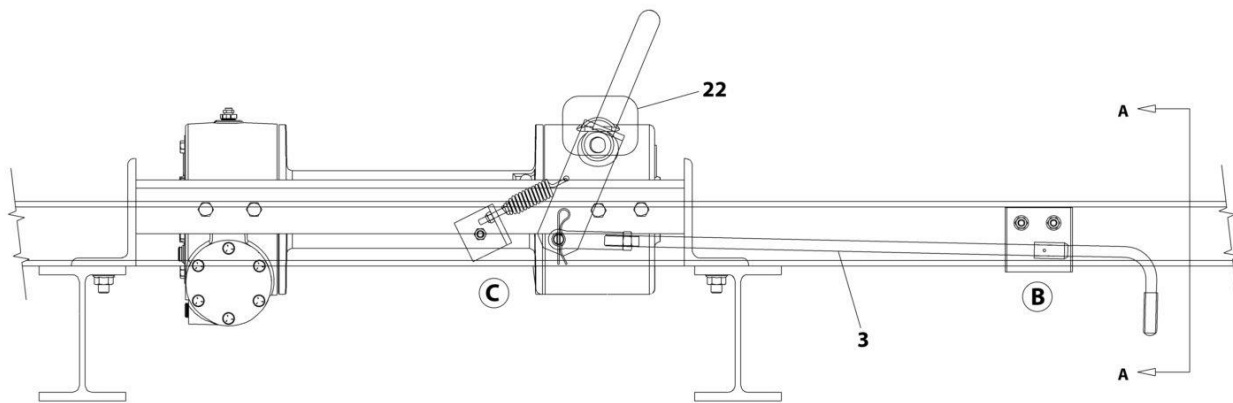
SECTION 3 - DECK

FIGURE 3-72. FREE SPOOL INSTALLATION - 8000/10000 LBS DUAL FREE SPOOL WITH DELUXE HEADBOARD

ITEM	PART NUMBER	QTY	DESCRIPTION	REV
	1001187666	Ref	DELUX HEADBOARD INSTALLATION, DUAL FREE SPOOL - 8000/10000 LBS	B
1	1001187664	1	Single Free Spool, Deluxe Headboard Installation (See Separate Breakdown in this Section)	
2	0641508	2	Bolt 5/16 x 1	
3	3271505	2	Nut 5/16	
4	3321802	1	Nut 1/2	
5	4751500	4	Washer 5/16	
6	1001156245	1	Bracket	
7	1001156247	1	Bar	
8	1001156248	1	Rod	
9	1001156252	1	Decal (Not Shown)	
10	1001191516	1	Sleeve	
11	4706000717	1	Plate	
12	7309000002	1	Coupling	
13	7551000017	1	Knob	
14	7660182631	1	Nut 1/2	
15	7690051274	1	Pin	

SECTION 3 - DECK

FIGURE 3-73. FREE SPOOL INSTALLATION - 12000 LBS MANUAL WORM GEAR MANUL WITH BOLT-ON HEADBOARD



ART_2970000069

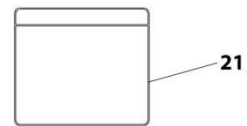
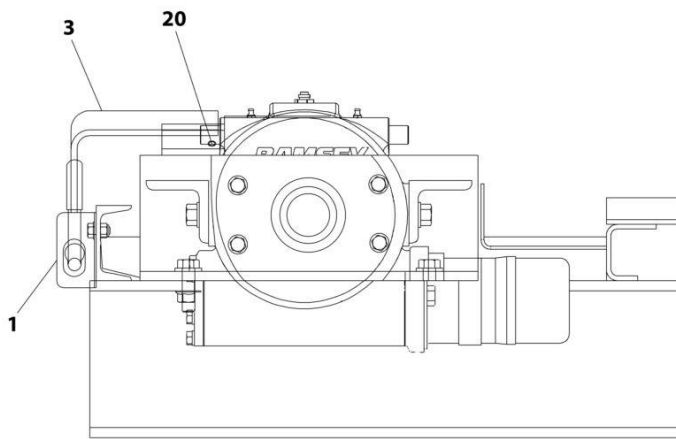
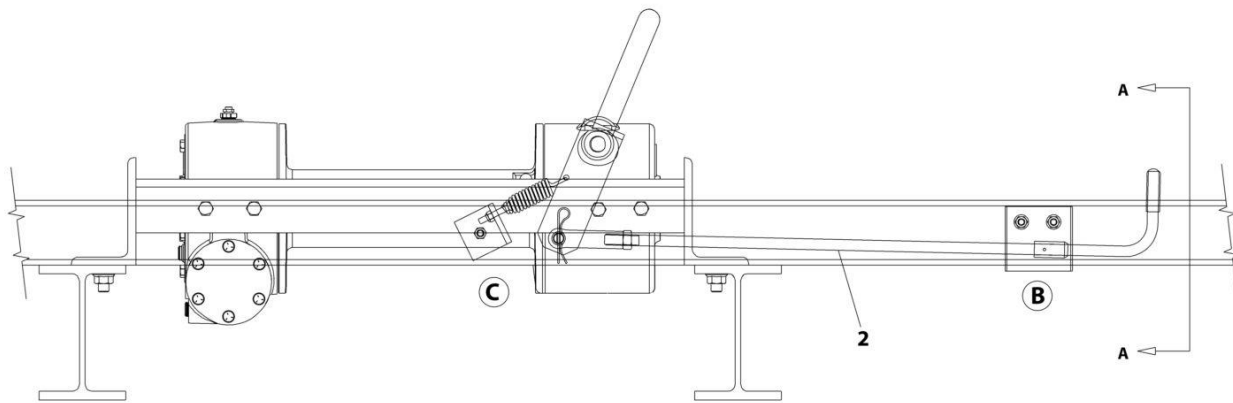
SECTION 3 - DECK

FIGURE 3-73. FREE SPOOL INSTALLATION - 12000 LBS MANUAL WORM GEAR MANUL WITH BOLT-ON HEADBOARD

ITEM	PART NUMBER	QTY	DESCRIPTION	REV
	2970000069	Ref	FREE SPOOL INSTALLATION	F
1	4178000673	1	Bracket	
2	4679000208	1	Pad	
3	4763000253	1	Rod	
4	3020000091	1	Arm Weldment Lever	
5	7115150850	1	Capscrew 5/16 x 1	
6	7950180143	2	Washer 1/2	
7	7990000011	1	Yoke	
8	4017001194	1	Angle	
9	7843000007	1	Spring	
10	7111141407	1	Bolt 1/4 x 1-3/4	
11	7660142601	1	Nut 1/4	
14	7950150161	2	Washer 5/16	
15	7115151250	2	Capscrew 5/16 x 1-1/2	
16	7660152601	3	Nut 5/16	
17	4209000212	1	Bushing	
18	7690051274	1	Pin	
19	7660180234	1	Nut 1/2	
20	7254000016	1	Cap	
21	7950140141	1	Washer 1/4	
22	4632000030	1	Moulding	
23	1001179025	1	Pin	
24	7785150500	1	Screw 5/16 x 5/16	
25	7330000242	1	Decal, Free Spool	

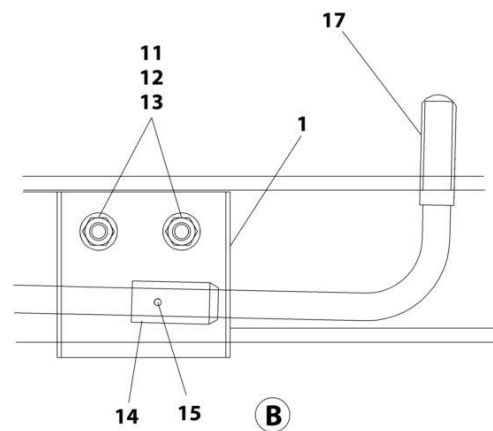
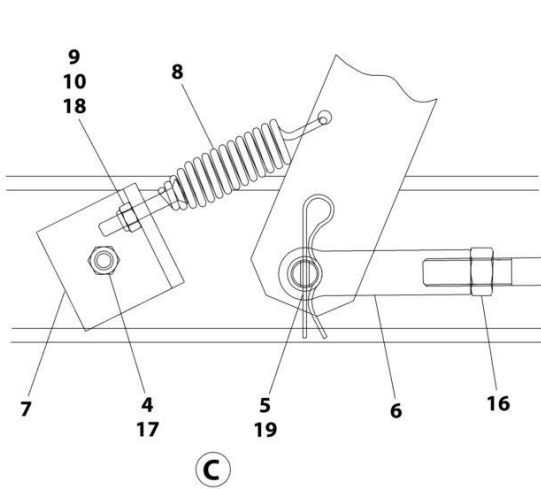
SECTION 3 - DECK

FIGURE 3-74. FREE SPOOL INSTALLATION - 12000 LBS MANUAL WORM GEAR MANUL WITH STATIONARY HEADBOARD



LOCATED ON REAR SIDE
STAT HEADBOARD

VIEW A-A



ART_2970000105

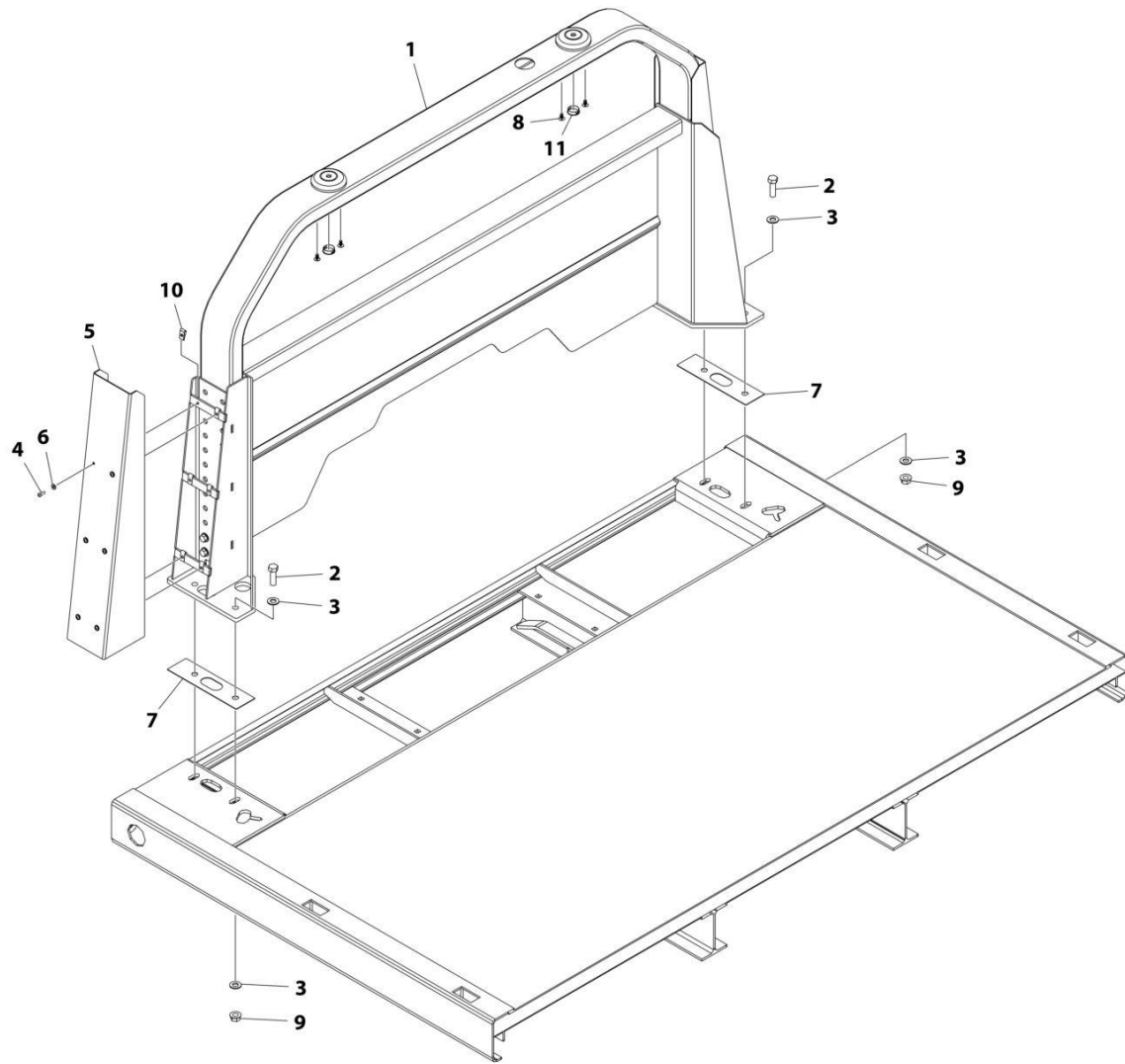
SECTION 3 - DECK

FIGURE 3-74. FREE SPOOL INSTALLATION - 12000 LBS MANUAL WORM GEAR MANUL WITH STATIONARY HEADBOARD

ITEM	PART NUMBER	QTY	DESCRIPTION	REV
	2970000105	Ref	FREE SPOOL INSTALLATION	C
1	4178000673	1	Bracket	
2	4763000253	1	Rod	
3	3020000123	1	Arm Weldment Lever	
4	7115150850	1	Capscrew 5/16 x 1	
5	7950180143	2	Washer 1/2	
6	7990000011	1	Yoke	
7	4017001504	1	Angle	
8	7843000007	1	Spring	
9	7111141407	1	Bolt 1/4 x 1-3/4	
10	7660142601	1	Nut 1/4	
11	7950150161	2	Washer 5/16	
13	7115150850	3	Capscrew 5/16 x 1	
12	7660152601	2	Nut 5/16	
14	4209000212	1	Bushing	
15	7690051274	1	Pin	
16	7660180234	1	Nut	
17	7254000016	1	Cap	
18	7950140141	1	Washer 1/4	
19	1001179025	1	Pin	
20	7785150500	1	Screw 5/16 x 5/16	
21	7330000495	1	Decal, Free Spool	

SECTION 3 - DECK

FIGURE 3-75. HEADBOARD INSTALLATION - BOLT-ON ADJUSTABLE 45.5IN - 65.5IN



ART_1001189544

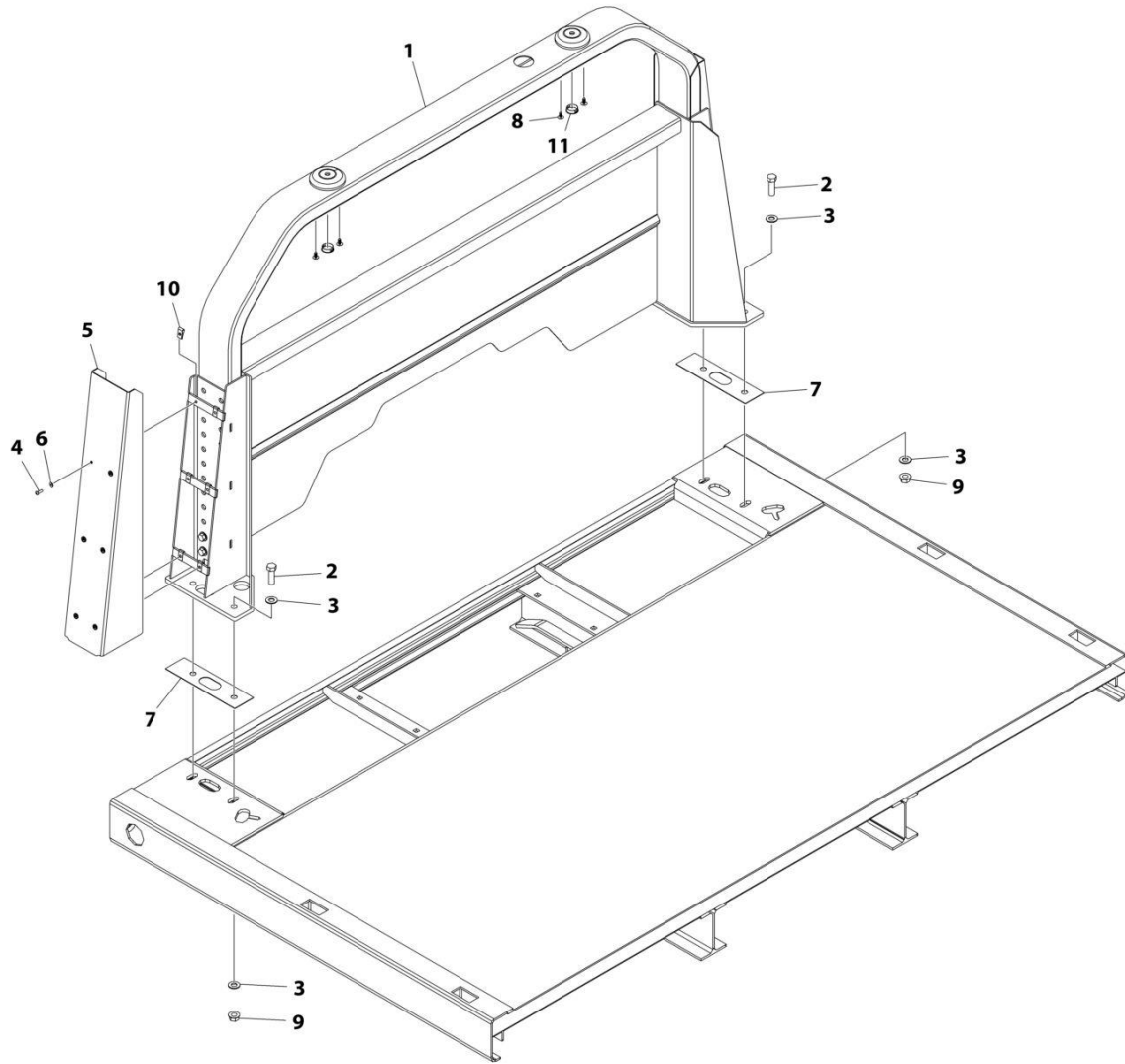
SECTION 3 - DECK

FIGURE 3-75. HEADBOARD INSTALLATION - BOLT-ON ADJUSTABLE 45.5IN - 65.5IN

ITEM	PART NUMBER	QTY	DESCRIPTION	REV
	1001189544	Ref	ADJUSTABLE HEADBOARD INSTALLATION 45.50 - 65.50IN	A
1	1001192132	1	Headboard Weldment	
2	0652016	4	Bolt 5/8 x 2	
3	4712000	8	Washer 5/8	
4	0630448001	12	Screw 1/4 x 3/4	
5	1001177459	2	Cover	
6	4711400001	12	Washer 1/4	
7	4796000037	2	Gasket	
8	7413000013	4	Push-In Fastener	
9	7660202347	4	Nut 5/8	
10	7661000064	12	Clip, U-Nut 1/4	
11	7701000049	2	Plug	

SECTION 3 - DECK

FIGURE 3-76. HEADBOARD INSTALLATION - BOLT-ON ADJUSTABLE 45.5 - 65.5IN SPECIAL PAINT



ART_1001203834

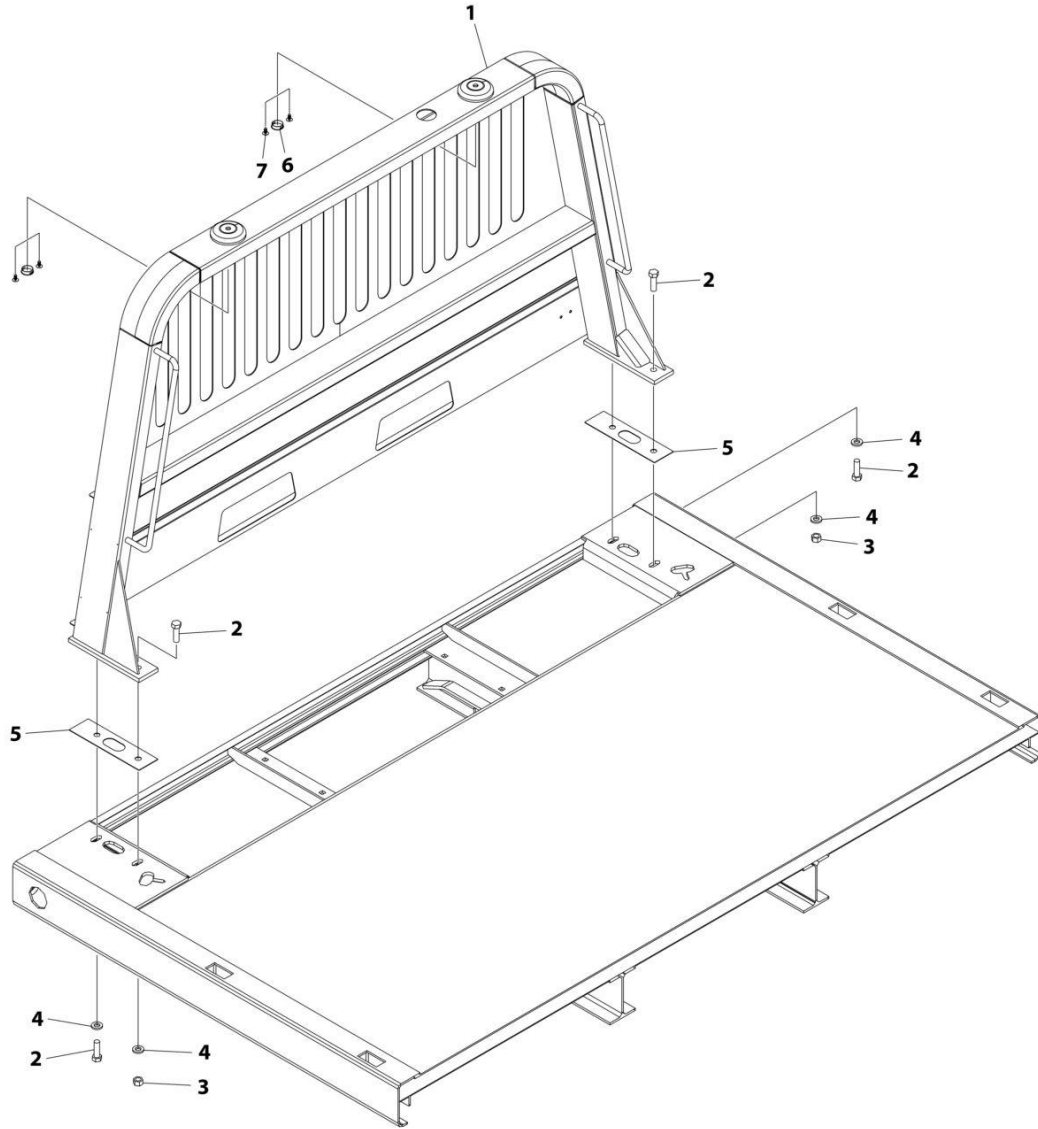
SECTION 3 - DECK

FIGURE 3-76. HEADBOARD INSTALLATION - BOLT-ON ADJUSTABLE 45.5 - 65.5IN SPECIAL PAINT

ITEM	PART NUMBER	QTY	DESCRIPTION	REV
	1001203834	Ref	ADJUSTABLE HEADBOARD INSTALLATION 45.50 - 65.50IN SPECIAL PAINT	B
1	1001203833	1	Headboard Weldment	
2	0652016	4	Bolt 5/8 x 2	
3	4712000	8	Washer 5/8	
4	0630448001	12	Screw 1/4 x 3/4	
5	1001203829	2	Cover	
6	4711400001	12	Washer 1/4	
7	4796000037	2	Gasket	
8	7413000013	4	Push-In Fastener	
9	7660202347	4	Nut 5/8	
10	7661000064	12	Clip, U-Nut 1/4	
11	7701000049	2	Plug	

SECTION 3 - DECK

FIGURE 3-77. HEADBOARD INSTALLATION - BOLT-ON DELUXE 45.5IN



ART_1001129114

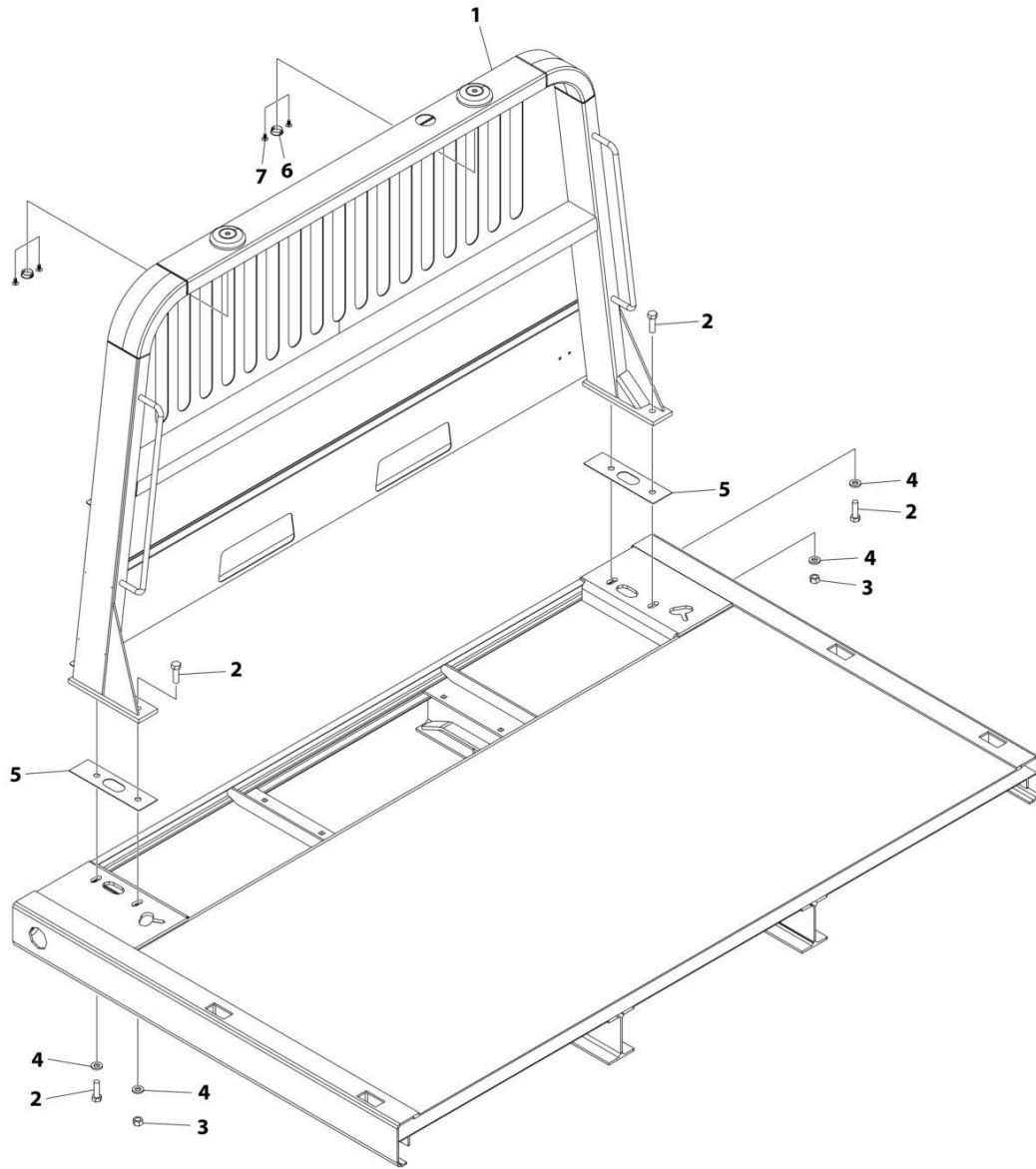
SECTION 3 - DECK

FIGURE 3-77. HEADBOARD INSTALLATION - BOLT-ON DELUXE 45.5IN

ITEM	PART NUMBER	QTY	DESCRIPTION	REV
	1001129114	Ref	BUMPER HEADBOARD 45.50IN DELUXE	B
1	1001223267	1	Headboard Weldment	
2	0652016	4	Bolt 5/8 x 2	
3	7660200035	2	Nut 5/8	
4	4712000	4	Washer 5/8	
5	4796000037	2	Gasket	
6	7701000049	2	Plug	
7	7413000013	4	Push-In Fastener	

SECTION 3 - DECK

FIGURE 3-78. HEADBOARD INSTALLATION - BOLT-ON DELUXE 50.5IN



ART_1001129116

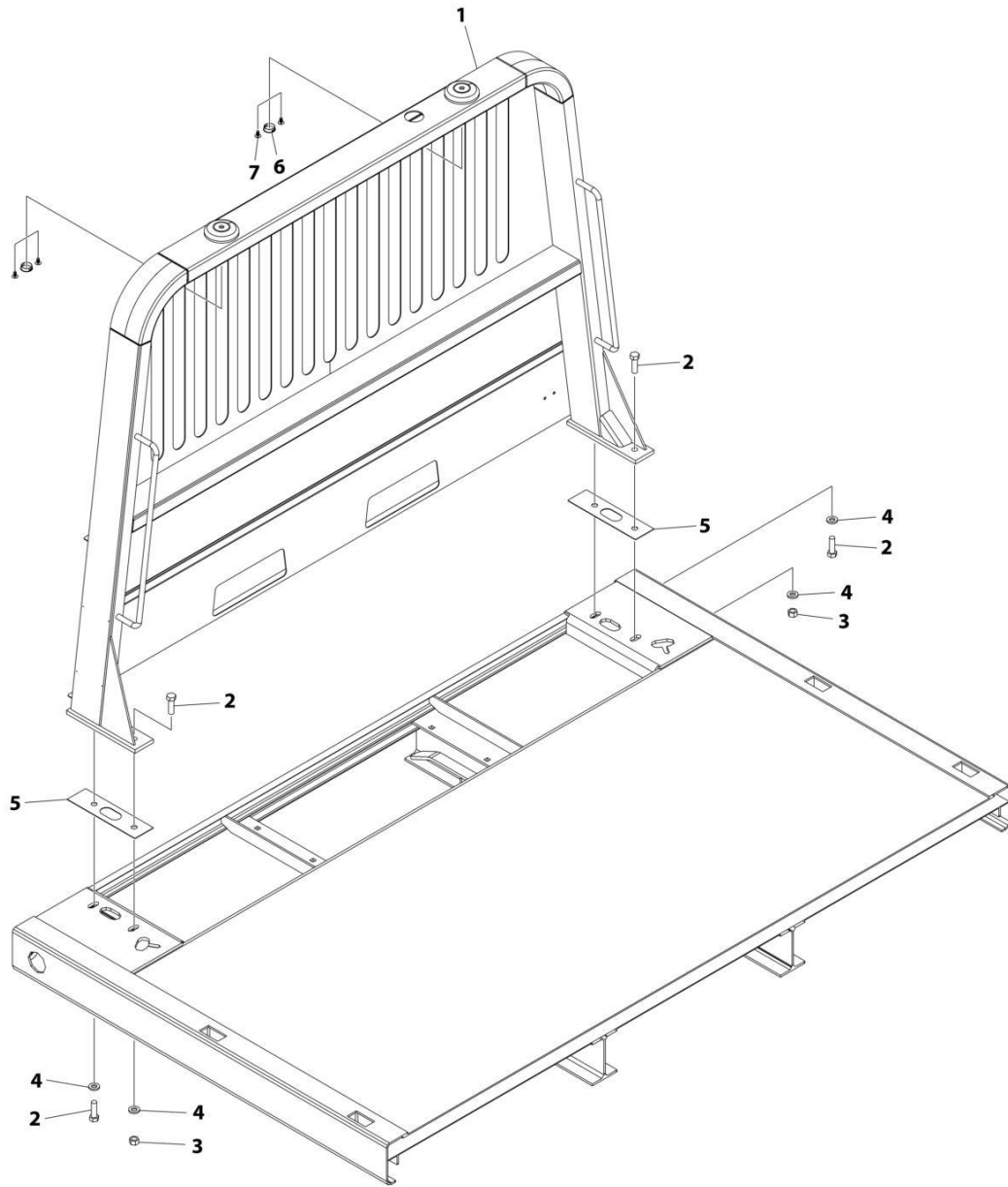
SECTION 3 - DECK

FIGURE 3-78. HEADBOARD INSTALLATION - BOLT-ON DELUXE 50.5IN

ITEM	PART NUMBER	QTY	DESCRIPTION	REV
	1001129116	Ref	BUMPER HEADBOARD 50.50IN DELUXE	B
1	1001223268	1	Headboard Weldment	
2	0652016	4	Bolt 5/8 x 2	
3	7660200035	2	Nut 5/8	
4	4712000	4	Washer 5/8	
5	4796000037	2	Gasket	
6	7701000049	2	Plug	
7	7413000013	4	Push-In Fastener	

SECTION 3 - DECK

FIGURE 3-79. HEADBOARD INSTALLATION - BOLT-ON DELUXE 57.5IN



ART_1001129118

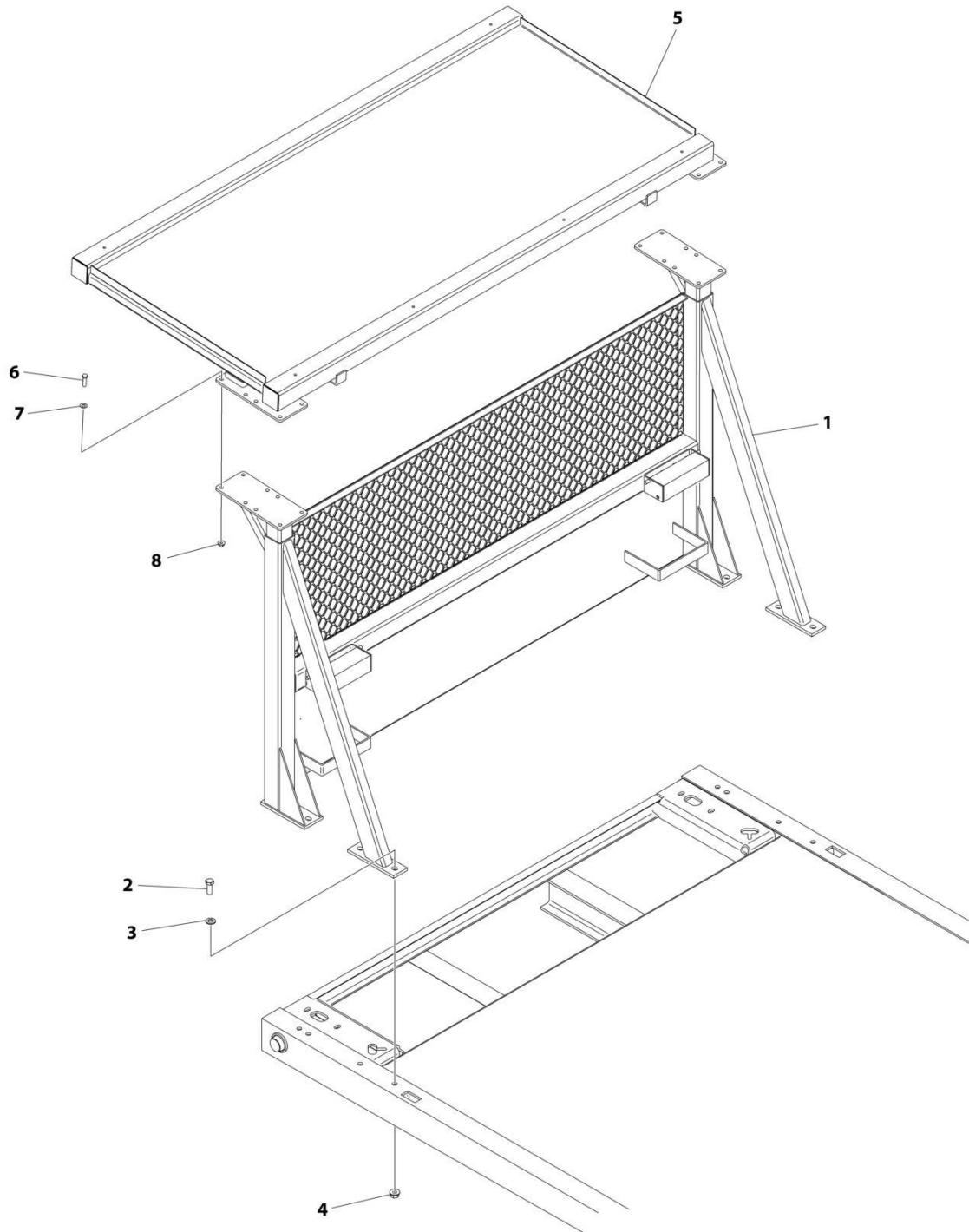
SECTION 3 - DECK

FIGURE 3-79. HEADBOARD INSTALLATION - BOLT-ON DELUXE 57.5IN

ITEM	PART NUMBER	QTY	DESCRIPTION	REV
	1001129118	Ref	BUMPER HEADBOARD 57.50IN DELUXE	B
1	1001223269	1	Headboard Weldment	
2	0652016	4	Bolt 5/8 x 2	
3	7660200035	2	Nut 5/8	
4	4712000	4	Washer 5/8	
5	4796000037	2	Gasket	
6	7701000049	2	Plug	
7	7413000013	4	Push-In Fastener	

SECTION 3 - DECK

FIGURE 3-80. HEADBOARD INSTALLATION - BOLT-ON BUCKET REST



ART_1001141922

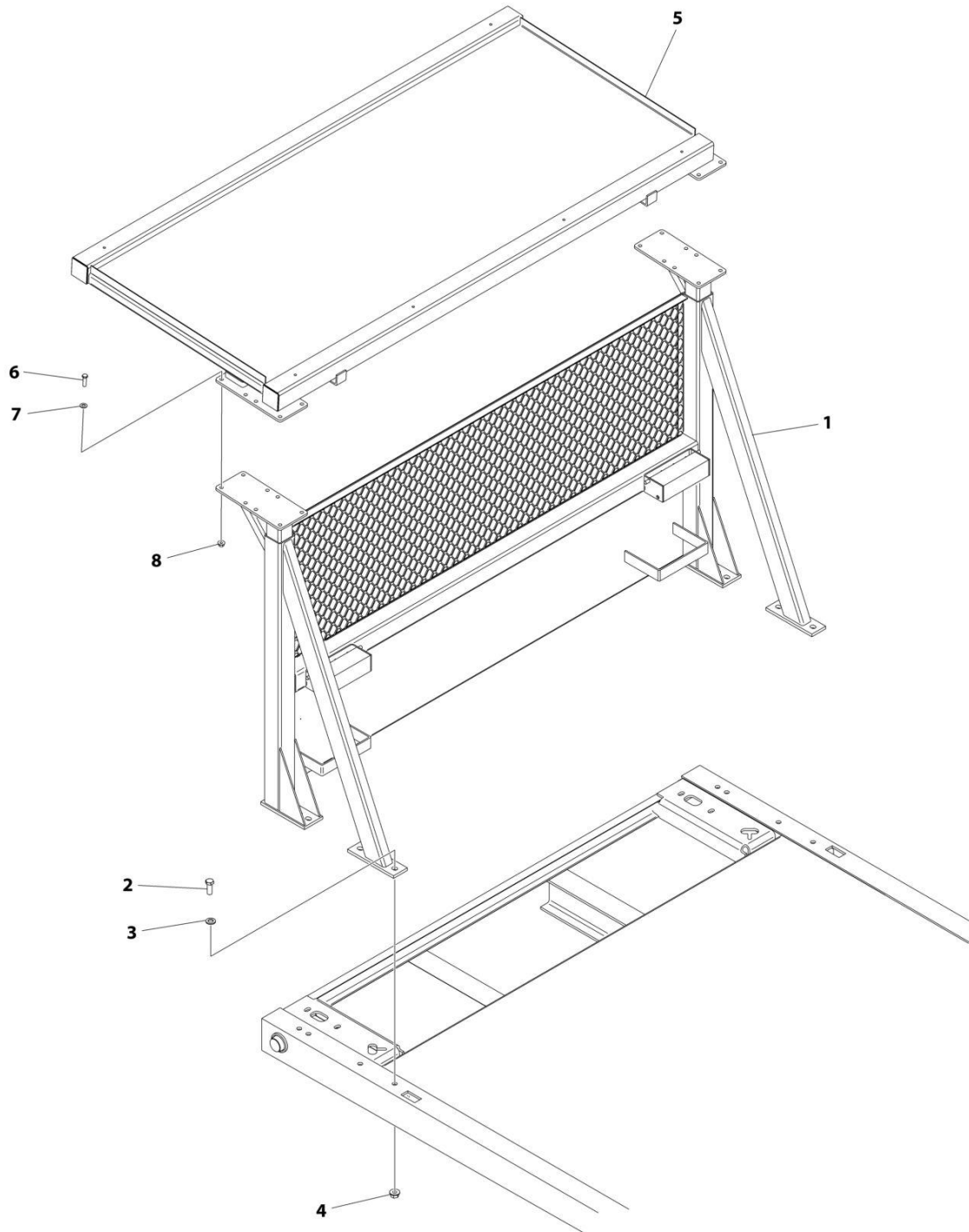
SECTION 3 - DECK

FIGURE 3-80. HEADBOARD INSTALLATION - BOLT-ON BUCKET REST

ITEM	PART NUMBER	QTY	DESCRIPTION	REV
	1001141922	Ref	BUCKET REST HEADBOARD - 50IN	B
1	1001141918	1	Lower Headboard Weldment	
2	7115222050	8	Capscrew 3/4 x 2-1/2	
3	7950220141	8	Washer 3/4	
4	7660222308	8	Nut 3/4	
5	1001141875	1	Upper Headboard Weldment	
6	7115181450	16	Capscrew 1/2 x 1-3/4	
7	7950180143	16	Washer 1/2	
8	7660182304	16	Nut 1/2	
9	1001142381	1	Deck Modified (Not Shown)	
10	7894000042	30	Tie Strap (Not Shown)	
11	7701000058	16	Plug (Not Shown)	

SECTION 3 - DECK

FIGURE 3-81. HEADBOARD INSTALLATION - BOLT-ON BUCKET REST 54.75IN



ART_1001128443

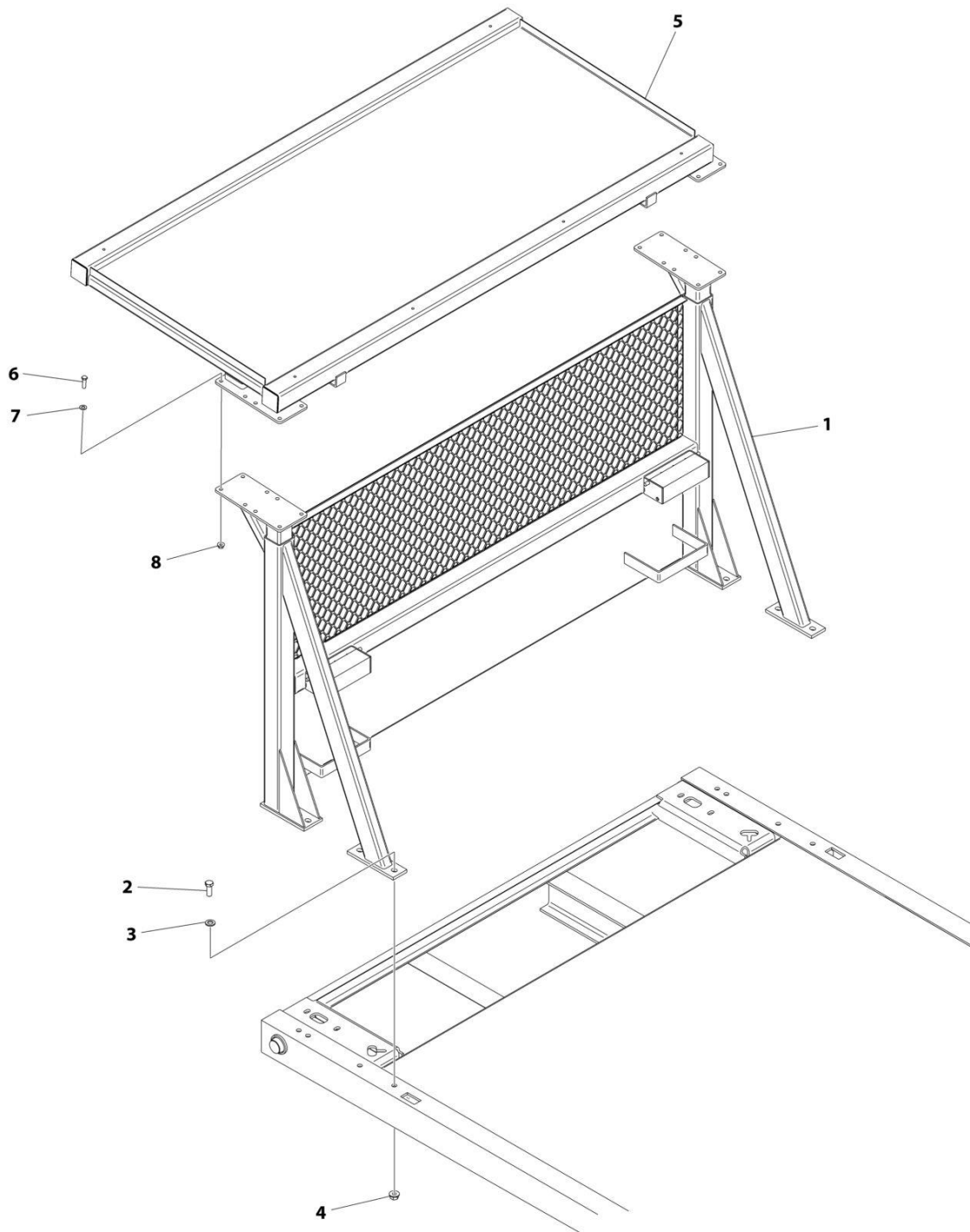
SECTION 3 - DECK

FIGURE 3-81. HEADBOARD INSTALLATION - BOLT-ON BUCKET REST 54.75IN

ITEM	PART NUMBER	QTY	DESCRIPTION	REV
	1001128443	Ref	BUCKET REST HEADBOARD - 54.75IN	D
1	1001132350	1	Lower Headboard Weldment	
2	7115222050	8	Capscrew 3/4 x 2-1/2	
3	7950220141	8	Washer 3/4	
4	7660222308	8	Nut 3/4	
5	1001141875	1	Upper Headboard Weldment	
6	7115181450	16	Capscrew 1/2 x 1-3/4	
7	7950180143	16	Washer 1/2	
8	7660182304	16	Nut 1/2	
9	1001142381	1	Deck Modified (Not Shown)	
10	7894000042	30	Tie Strap (Not Shown)	
11	7701000058	16	Plug (Not Shown)	

SECTION 3 - DECK

FIGURE 3-82. HEADBOARD INSTALLATION - BOLT-ON BUCKET REST 61.5IN



ART_1001139579

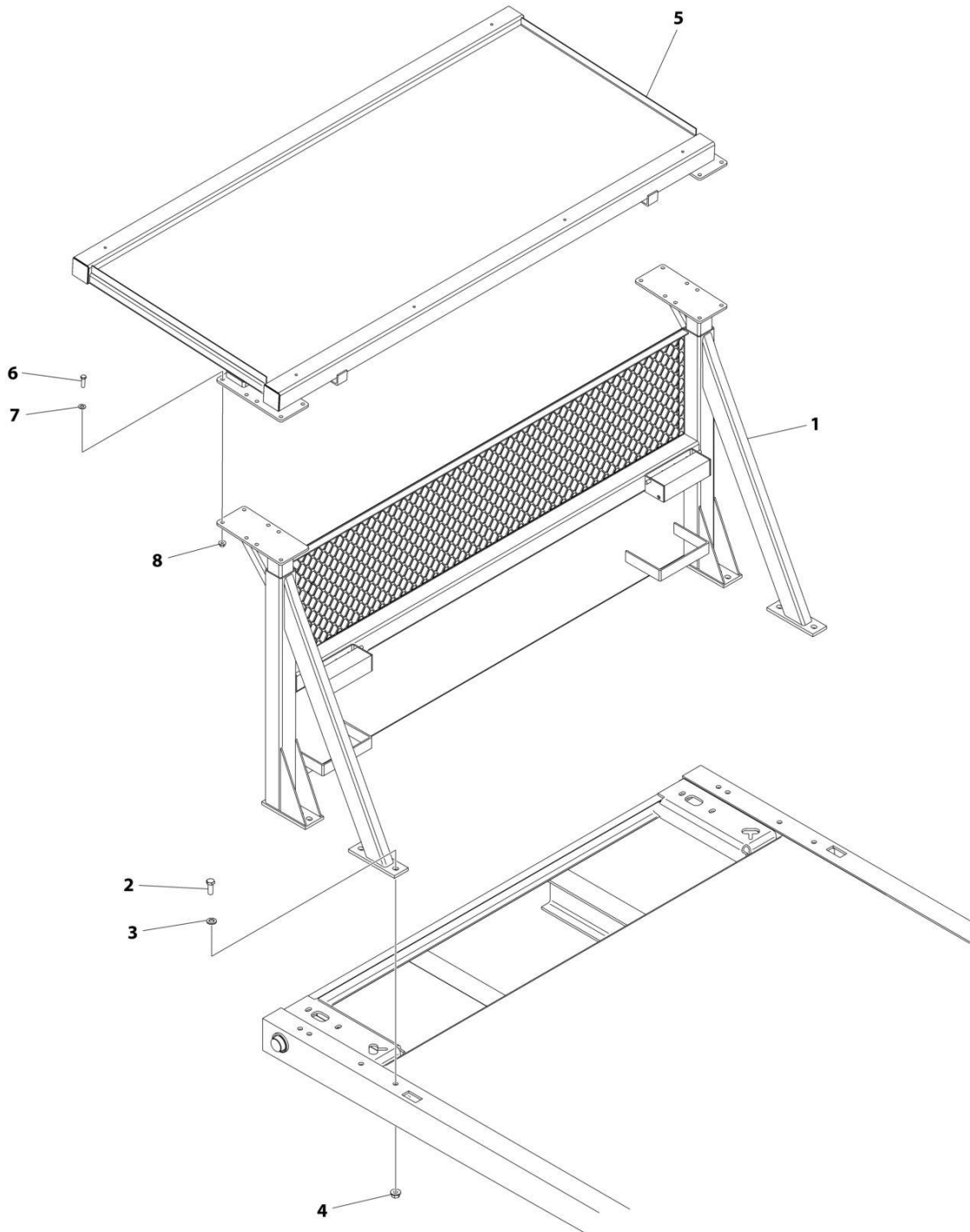
SECTION 3 - DECK

FIGURE 3-82. HEADBOARD INSTALLATION - BOLT-ON BUCKET REST 61.5IN

ITEM	PART NUMBER	QTY	DESCRIPTION	REV
	1001139579	Ref	BUCKET REST HEADBOARD - 61.5IN	C
1	1001139503	1	Lower Headboard Weldment	
2	7115222050	8	Capscrew 3/4 x 2-1/2	
3	7950220141	8	Washer 3/4	
4	7660222308	8	Nut 3/4	
5	1001141875	1	Upper Headboard Weldment	
6	7115181450	16	Capscrew 1/2 x 1-3/4	
7	7950180143	16	Washer 1/2	
8	7660182304	16	Nut 1/2	
9	1001142381	1	Deck Modified (Not Shown)	
10	7894000042	30	Tie Strap (Not Shown)	
11	7701000058	16	Plug (Not Shown)	

SECTION 3 - DECK

FIGURE 3-83. HEADBOARD INSTALLATION - BOLT-ON BUCKET REST 72.5IN



ART_1001141753

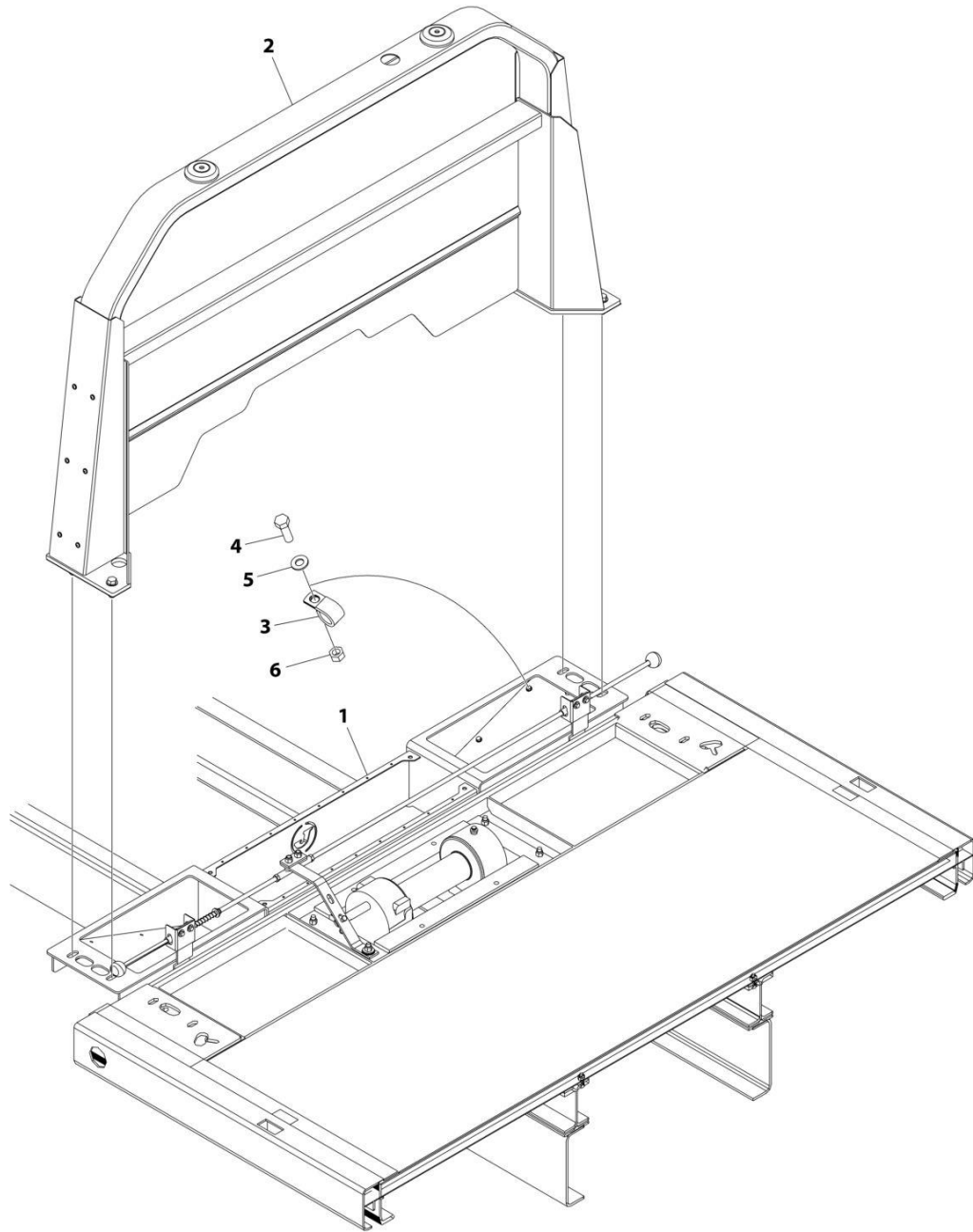
SECTION 3 - DECK

FIGURE 3-83. HEADBOARD INSTALLATION - BOLT-ON BUCKET REST 72.5IN

ITEM	PART NUMBER	QTY	DESCRIPTION	REV
	1001141753	Ref	BUCKET REST HEADBOARD - 72.5IN	C
1	1001141752	1	Lower Headboard Weldment	
2	7115222050	8	Capscrew 3/4 x 2-1/2	
3	7950220141	8	Washer 3/4	
4	7660222308	8	Nut 3/4	
5	1001141875	1	Upper Headboard Weldment	
6	7115181450	16	Capscrew 1/2 x 1-3/4	
7	7950180143	16	Washer 1/2	
8	7660182304	16	Nut 1/2	
9	1001142381	1	Deck Modified (Not Shown)	
10	7894000042	30	Tie Strap (Not Shown)	
11	7701000058	16	Plug (Not Shown)	

SECTION 3 - DECK

FIGURE 3-84. HEADBOARD INSTALLATION - STATIONARY ADJUSTABLE 45.5IN - 65.5IN



ART_1001226004

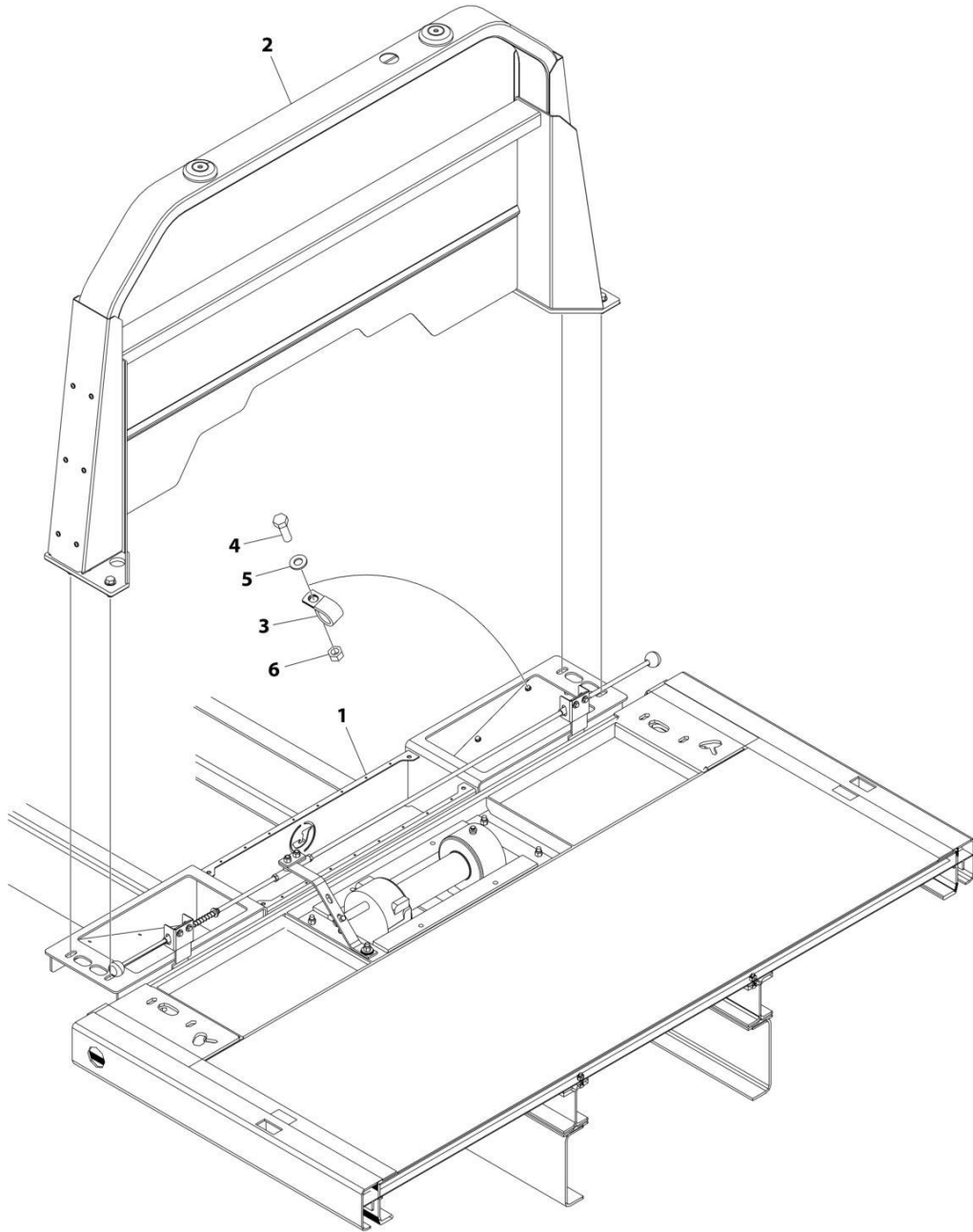
SECTION 3 - DECK

FIGURE 3-84. HEADBOARD INSTALLATION - STATIONARY ADJUSTABLE 45.5IN - 65.5IN

ITEM	PART NUMBER	QTY	DESCRIPTION	REV
	1001226004	Ref	STATIONARY ADJUSTABLE HEADBOARD 8.88IN	B
1	1001225870	1	Headboard Base Installation (See Separate Breakdown in this Section)	
2	1001189544	1	Headboard Installation (See Separate Breakdown in this Section)	
3	7274000063	3	Clamp	
4	0641508	3	Bolt 5/16 x 1	
5	4711500	3	Washer 5/16	
6	3311505	3	Nut 5/16	

SECTION 3 - DECK

FIGURE 3-85. HEADBOARD INSTALLATION - STATIONARY ADJUSTABLE 45.5 - 65.5IN SPECIAL PAINT



ART_1001226005

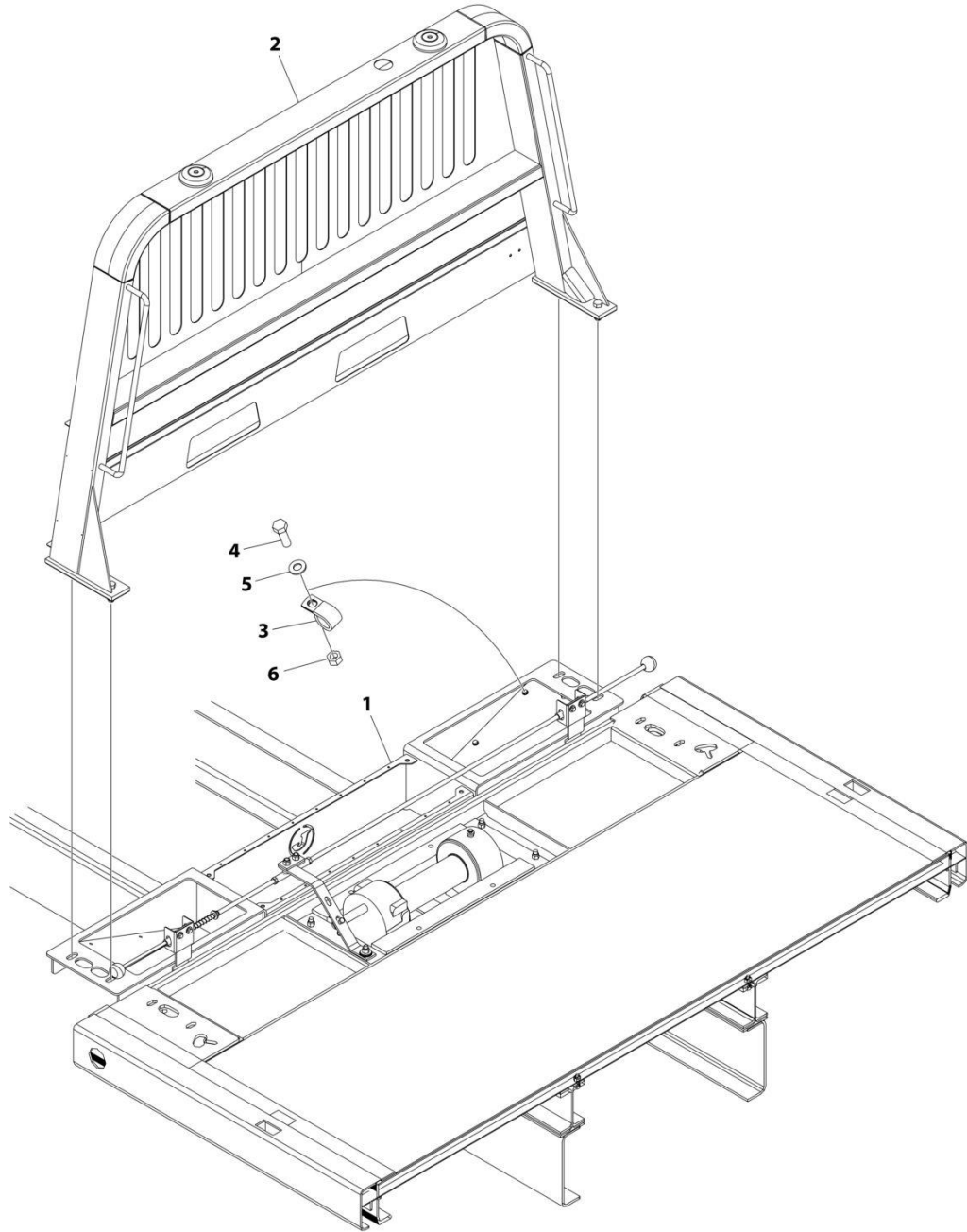
SECTION 3 - DECK

FIGURE 3-85. HEADBOARD INSTALLATION - STATIONARY ADJUSTABLE 45.5 - 65.5IN SPECIAL PAINT

ITEM	PART NUMBER	QTY	DESCRIPTION	REV
	1001226005	Ref	STATIONARY ADJUSTABLE HEADBOARD 8.88IN SPECIAL PAINT	B
1	1001225870	1	Headboard Base Installation (See Separate Breakdown in this Section)	
2	1001203834	1	Headboard Installation (See Separate Breakdown in this Section)	
3	7274000063	3	Clamp	
4	0641508	3	Bolt 5/16 x 1	
5	4711500	3	Washer 5/16	
6	3311505	3	Nut 5/16	

SECTION 3 - DECK

FIGURE 3-86. HEADBOARD INSTALLATION - STATIONARY DELUXE 45.5IN



ART_1001226007

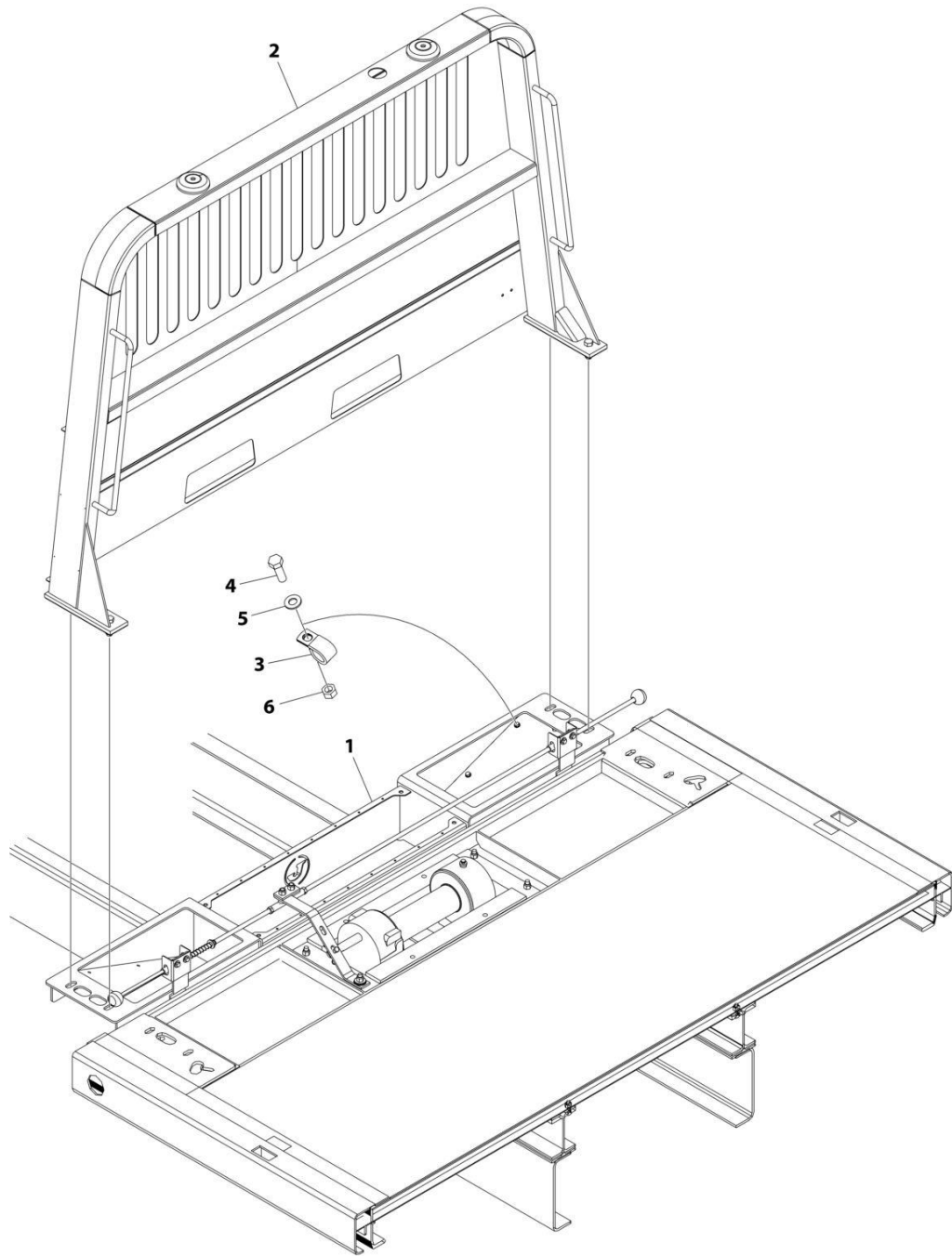
SECTION 3 - DECK

FIGURE 3-86. HEADBOARD INSTALLATION - STATIONARY DELUXE 45.5IN

ITEM	PART NUMBER	QTY	DESCRIPTION	REV
	1001226007	Ref	STATIONARY HEADBOARD 8.88 + 45.50IN DELUXE	B
1	1001225870	1	Headboard Base Installation (See Separate Breakdown in this Section)	
2	1001129114	1	Headboard Deluxe Installation (See Separate Breakdown in this Section)	
3	7274000063	3	Clamp	
4	0641508	3	Bolt 5/16 x 1	
5	4711500	3	Washer 5/16	
6	3311505	3	Nut 5/16	

SECTION 3 - DECK

FIGURE 3-87. HEADBOARD INSTALLATION - STATIONARY DELUXE 50.5IN



ART_1001226008

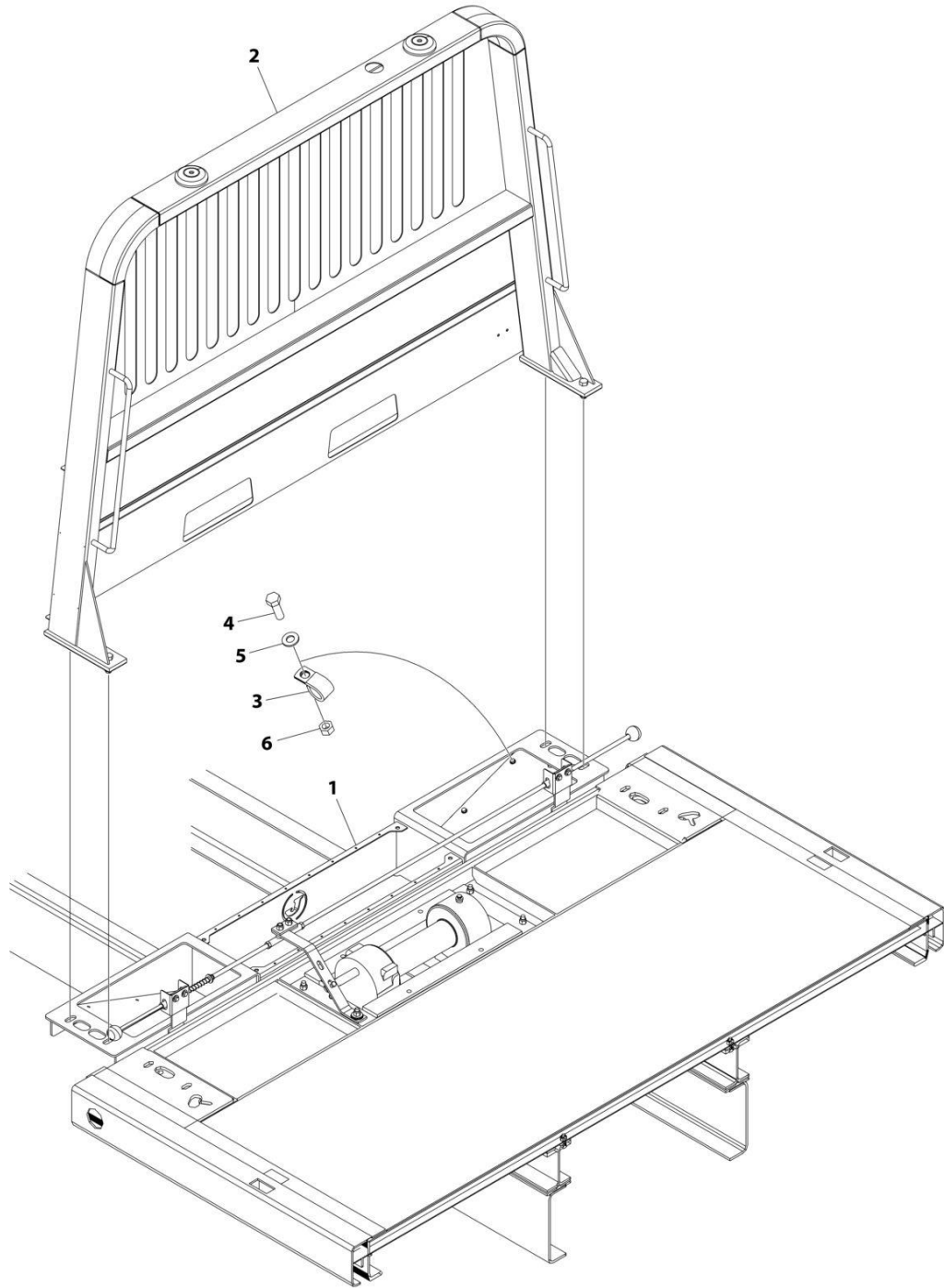
SECTION 3 - DECK

FIGURE 3-87. HEADBOARD INSTALLATION - STATIONARY DELUXE 50.5IN

ITEM	PART NUMBER	QTY	DESCRIPTION	REV
	1001226008	Ref	STATIONARY HEADBOARD 8.88 + 50.50IN DELUXE	B
1	1001225870	1	Headboard Base Installation (See Separate Breakdown in this Section)	
2	1001129116	1	Headboard Deluxe Installation (See Separate Breakdown in this Section)	
3	7274000063	3	Clamp	
4	0641508	3	Bolt 5/16 x 1	
5	4711500	3	Washer 5/16	
6	3311505	3	Nut 5/16	

SECTION 3 - DECK

FIGURE 3-88. HEADBOARD INSTALLATION - STATIONARY DELUXE 57.5IN



ART_1001226009

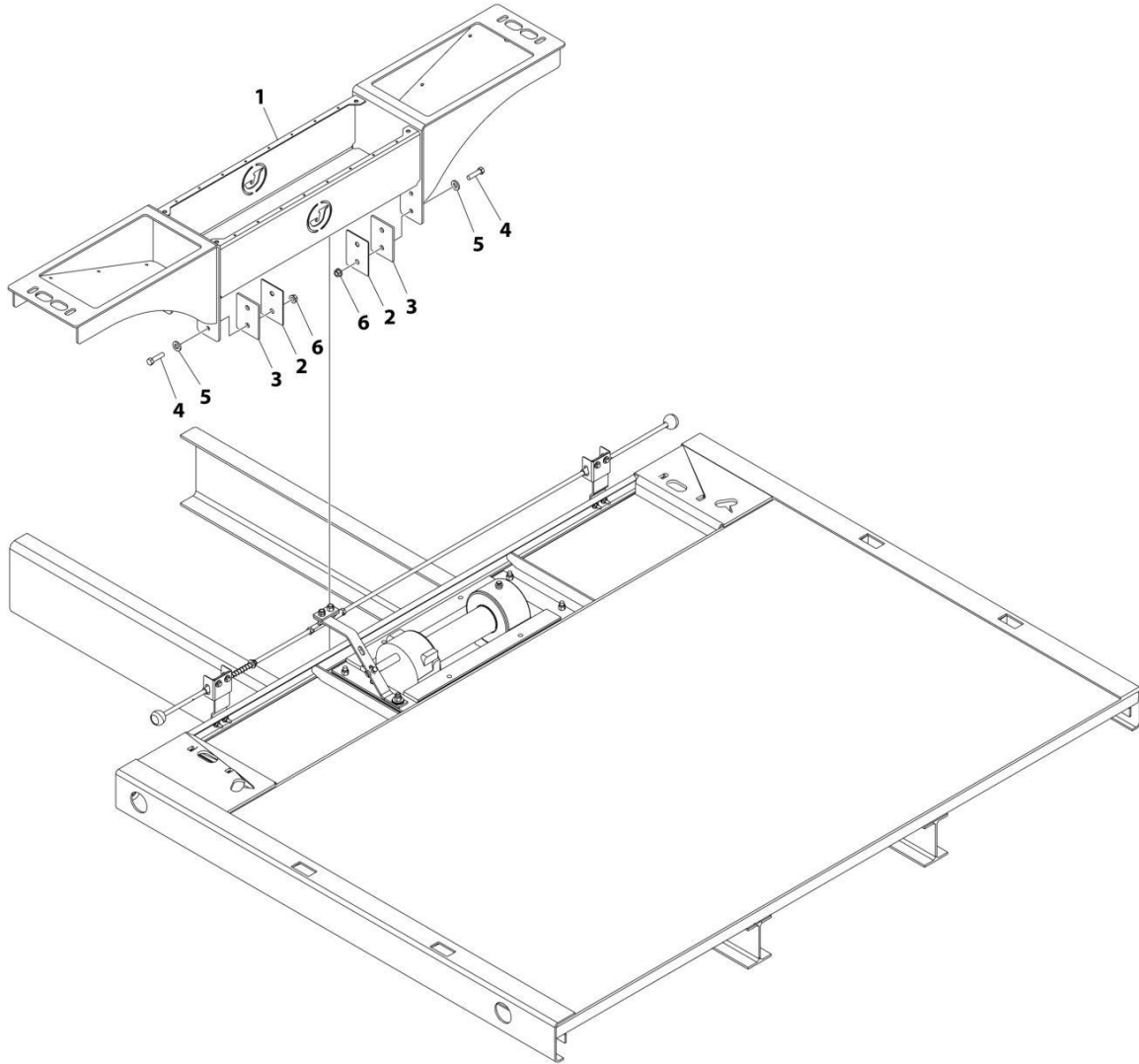
SECTION 3 - DECK

FIGURE 3-88. HEADBOARD INSTALLATION - STATIONARY DELUXE 57.5IN

ITEM	PART NUMBER	QTY	DESCRIPTION	REV
	1001226009	Ref	STATIONARY HEADBOARD 8.88 + 57.50IN DELUXE	B
1	1001225870	1	Headboard Base Installation (See Separate Breakdown in this Section)	
2	1001129118	1	Headboard Deluxe Installation (See Separate Breakdown in this Section)	
3	7274000063	3	Clamp	
4	0641508	3	Bolt 5/16 x 1	
5	4711500	3	Washer 5/16	
6	3311505	3	Nut 5/16	

SECTION 3 - DECK

FIGURE 3-89. HEADBOARD BASE INSTALLATION



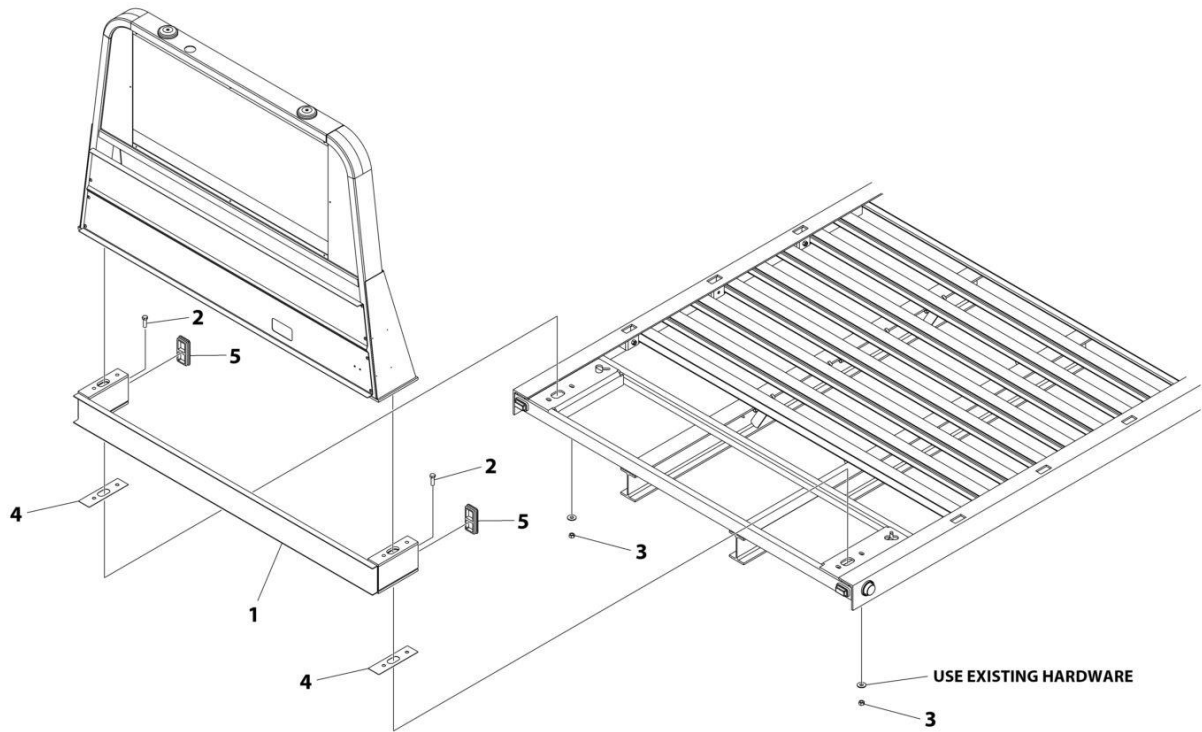
ART_1001225870

FIGURE 3-89. HEADBOARD BASE INSTALLATION

ITEM	PART NUMBER	QTY	DESCRIPTION	REV
	1001225870	Ref	HEADBOARD BASE INSTALLATION	C
1	1001225869	1	Mount	
2	1001226847	4	Shim	
3	1001226848	4	Shim	
4	7105181650	8	Capscrew 1/2 x 2	
5	4892000	8	Washer 5/8	
6	7660182333	8	Nut 1/2	

SECTION 3 - DECK

FIGURE 3-90. HEADBOARD SPACER INSTALLATION, BOLT ON



ART_1001134788

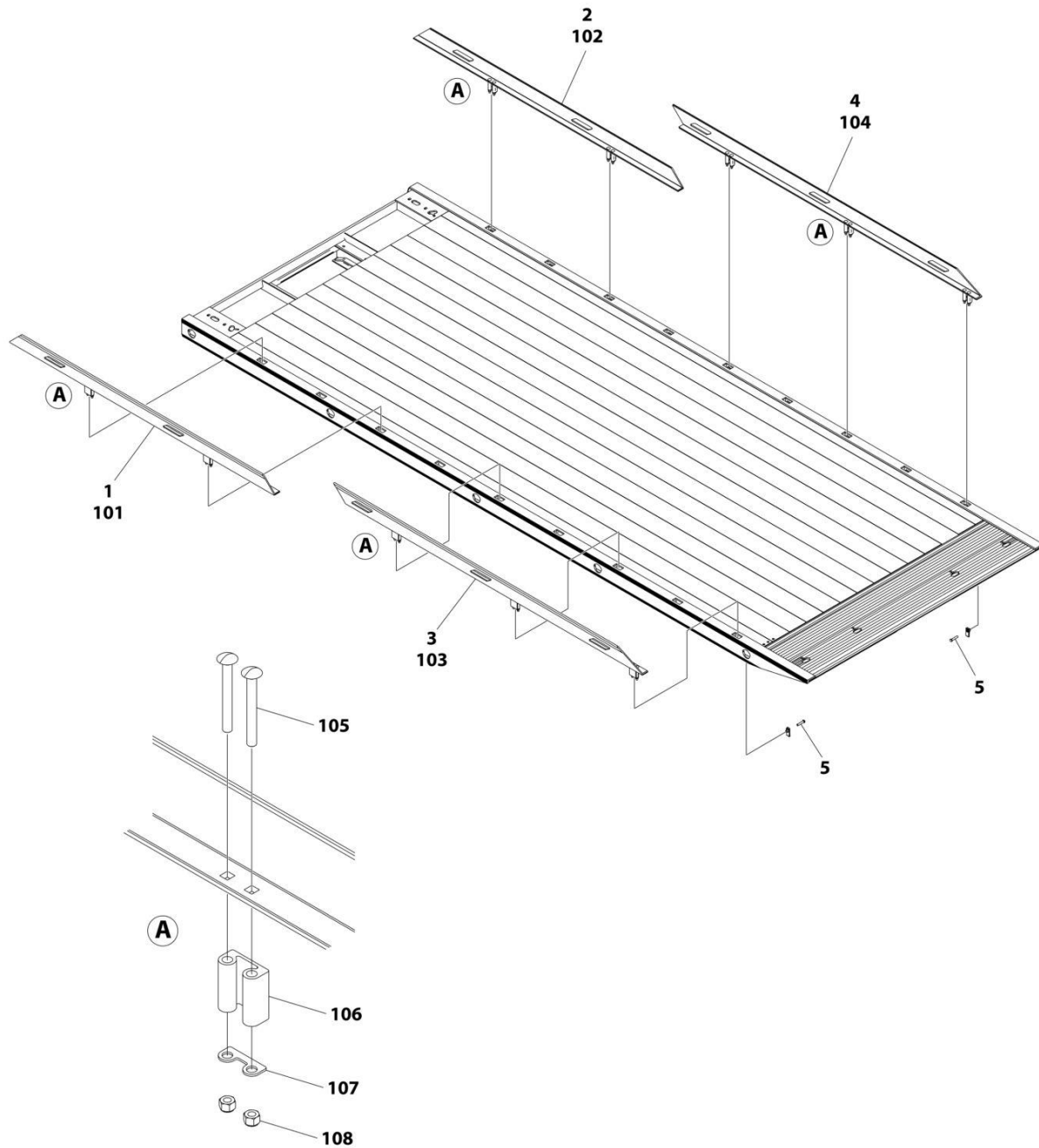
SECTION 3 - DECK

FIGURE 3-90. HEADBOARD SPACER INSTALLATION, BOLT ON

ITEM	PART NUMBER	QTY	DESCRIPTION	REV
	1001134788	Ref	SPACER BOLT ON HEADBOARD INSTALLATION	A
1	1001134776	1	Mount, Headboard	
2	7105201650	4	Screw M16 x 50	
3	7660200035	4	Nut M16	
4	4796000037	2	Gasket	
5	7701000048	2	Plug	

SECTION 3 - DECK

FIGURE 3-91. RAISED RAILS INSTALLATION - 5IN HIGH REMOVEABLE BLADE (ALUMINUM 22FT)



ART_2729000075

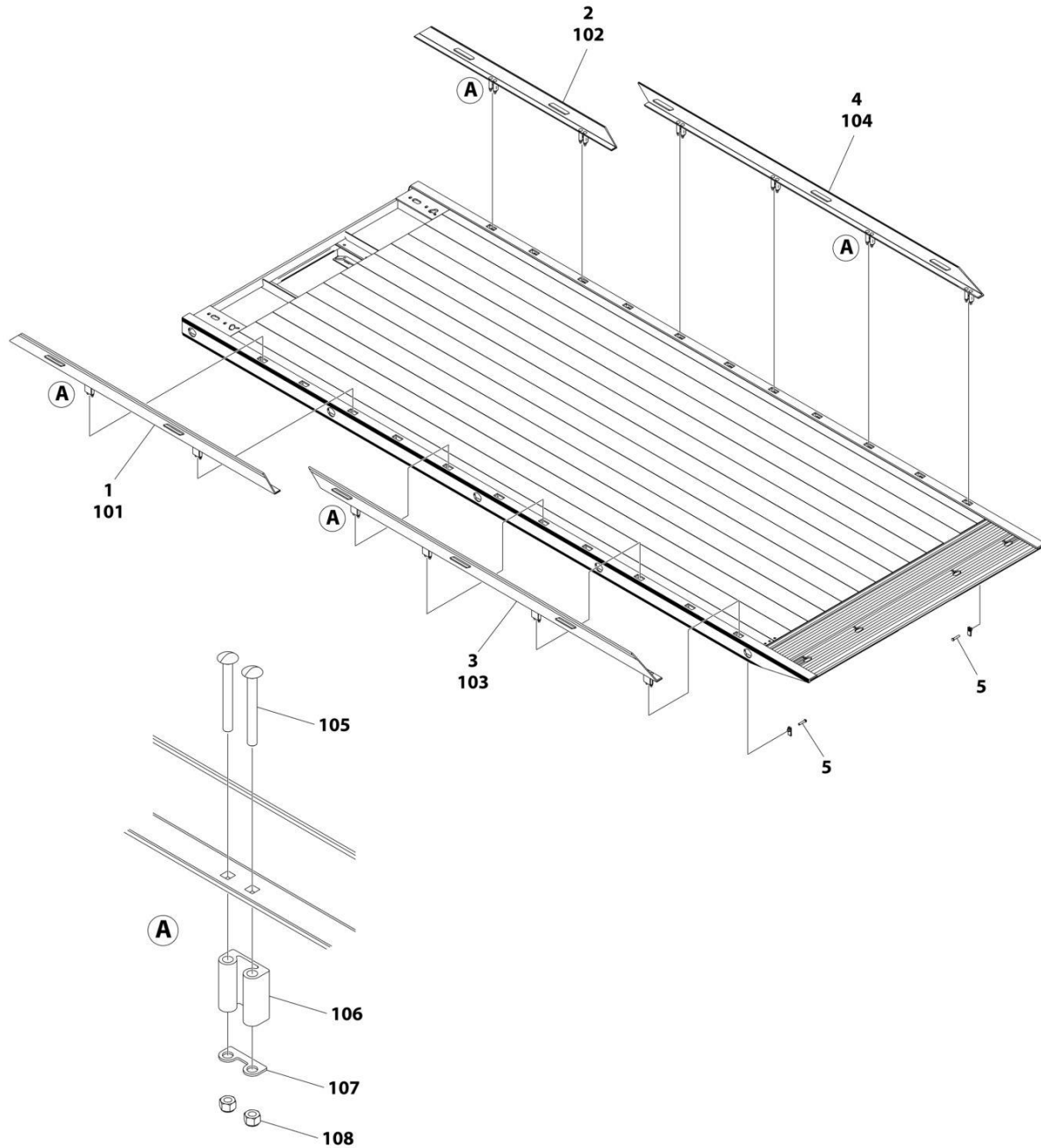
SECTION 3 - DECK

FIGURE 3-91. RAISED RAILS INSTALLATION - 5IN HIGH REMOVEABLE BLADE (ALUMINUM 22FT)

ITEM	PART NUMBER	QTY	DESCRIPTION	REV
	2729000075	Ref	RAISED RAILS INSTALLATION - 22FT	B
1	3017000121	1	Angle Assembly, Front LH (Includes Items 101 & 105-108)	
2	3017000122	1	Angle Assembly, Front RH (Includes Items 102 & 105-108)	
3	3017000131	1	Angle Assembly, Rear LH (Includes Items 103 & 105-108)	
4	3017000132	1	Angle Assembly, Rear RH (Includes Items 104-108)	
5	7120000005	10	Capscrew 1/2 x 2-1/2	
101	4017001699	1	Angle LH Front	
102	4017001700	1	Angle RH Front	
103	4017001709	1	Angle LH Rear	
104	4017001710	1	Angle RH Rear	
105	1001137970	22	Bolt 1/2 x 4-1/2	
106	8411080102	11	Extrusion	
107	4706006228	11	Plate	
108	7660182601	22	Nut 1/2	

SECTION 3 - DECK

FIGURE 3-92. RAISED RAILS INSTALLATION - 5IN HIGH REMOVEABLE BLADE (ALUMINUM 24FT)



ART_2729000076

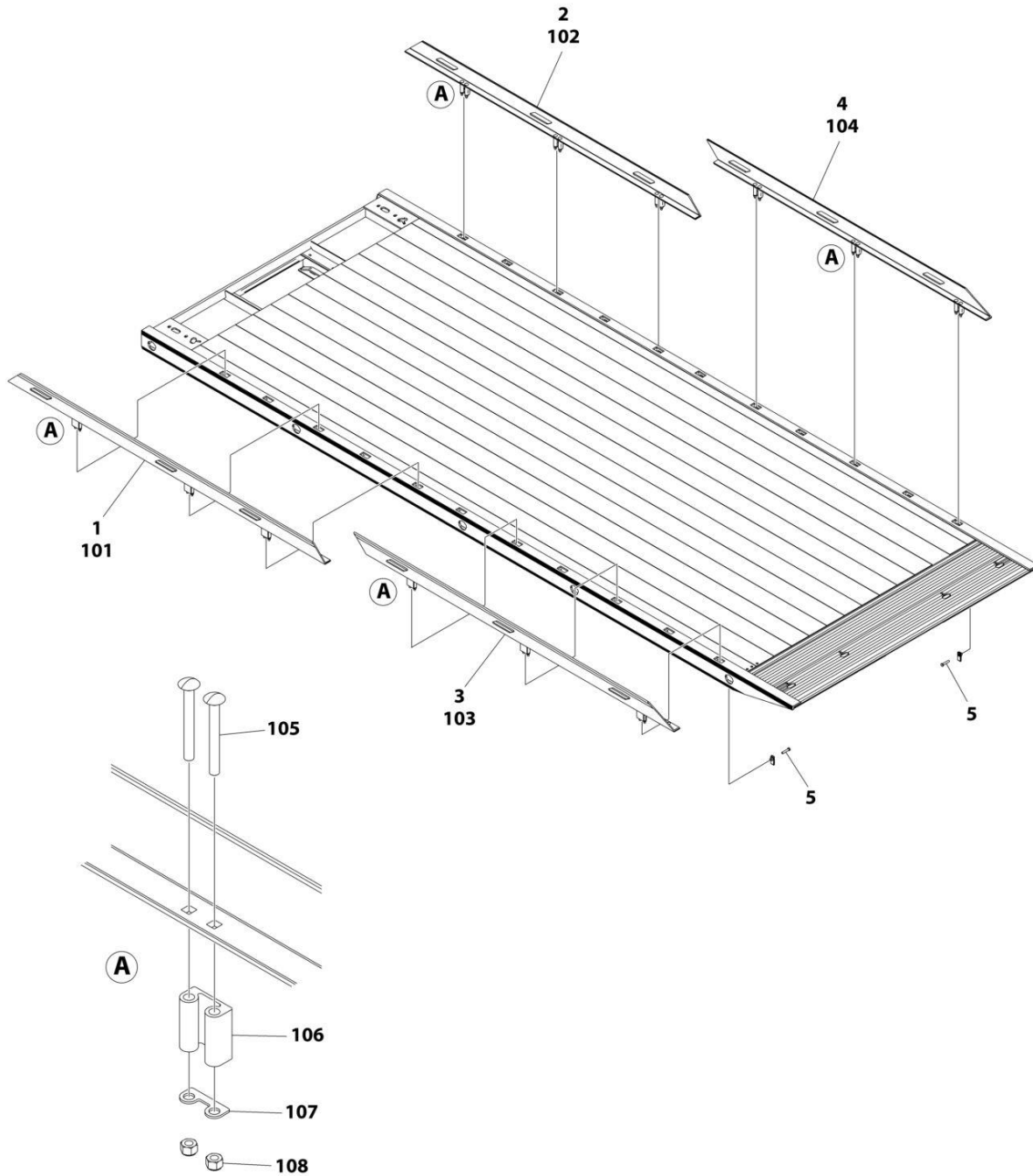
SECTION 3 - DECK

FIGURE 3-92. RAISED RAILS INSTALLATION - 5IN HIGH REMOVEABLE BLADE (ALUMINUM 24FT)

ITEM	PART NUMBER	QTY	DESCRIPTION	REV
	2729000076	Ref	RAISED RAILS INSTALLATION - 24FT	B
1	3017000121	1	Angle Assembly, Front LH (Includes Items 101 & 105-108)	
2	3017000122	1	Angle Assembly, Front RH (Includes Items 102 & 105-108)	
3	3017000133	1	Angle Assembly, Rear LH (Includes Items 103 & 105-108)	
4	3017000134	1	Angle Assembly, Rear RH (Includes Items 104-108)	
5	7120000005	12	Capscrew 1/2 x 2-1/2	
101	4017001699	1	Angle LH Front	
102	4017001700	1	Angle RH Front	
103	4017001711	1	Angle LH Rear	
104	4017001712	1	Angle RH Rear	
105	1001137970	24	Bolt 1/2 x 4-1/2	
106	8411080102	12	Extrusion	
107	4706006228	12	Plate	
108	7660182601	24	Nut 1/2	

SECTION 3 - DECK

FIGURE 3-93. RAISED RAILS INSTALLATION - 5IN HIGH REMOVEABLE BLADE (ALUMINUM 26FT)



ART_2729000077

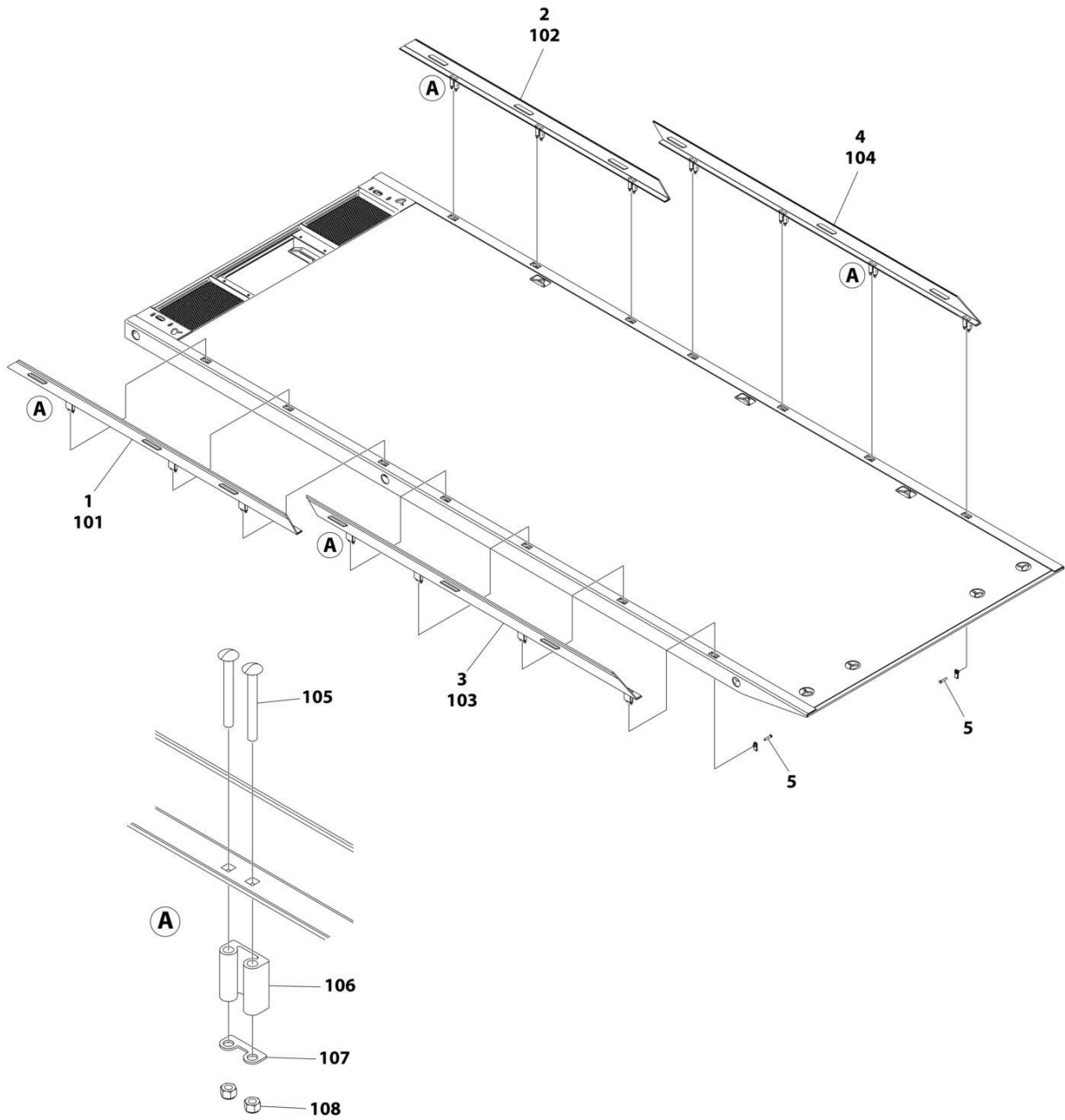
SECTION 3 - DECK

FIGURE 3-93. RAISED RAILS INSTALLATION - 5IN HIGH REMOVEABLE BLADE (ALUMINUM 26FT)

ITEM	PART NUMBER	QTY	DESCRIPTION	REV
	2729000077	Ref	RAISED RAILS INSTALLATION - 26FT	B
1	3017000123	1	Angle Assembly, Front LH (Includes Items 101 & 105-108)	
2	3017000124	1	Angle Assembly, Front RH (Includes Items 102 & 105-108)	
3	3017000131	1	Angle Assembly, Rear LH (Includes Items 103 & 105-108)	
4	3017000132	1	Angle Assembly, Rear RH (Includes Items 104-108)	
5	7120000005	12	Capscrew 1/2 x 2-1/2	
101	4017001701	1	Angle LH Front	
102	4017001702	1	Angle RH Front	
103	4017001709	1	Angle LH Rear	
104	4017001710	1	Angle RH Rear	
105	1001137970	26	Bolt 1/2 x 4-1/2	
106	8411080102	13	Extrusion	
107	4706006228	13	Plate	
108	7660182601	26	Nut 1/2	

SECTION 3 - DECK

FIGURE 3-94. RAISED RAILS INSTALLATION - 5IN HIGH REMOVEABLE BLADE (ALUMINUM 28FT)



ART_2729000078

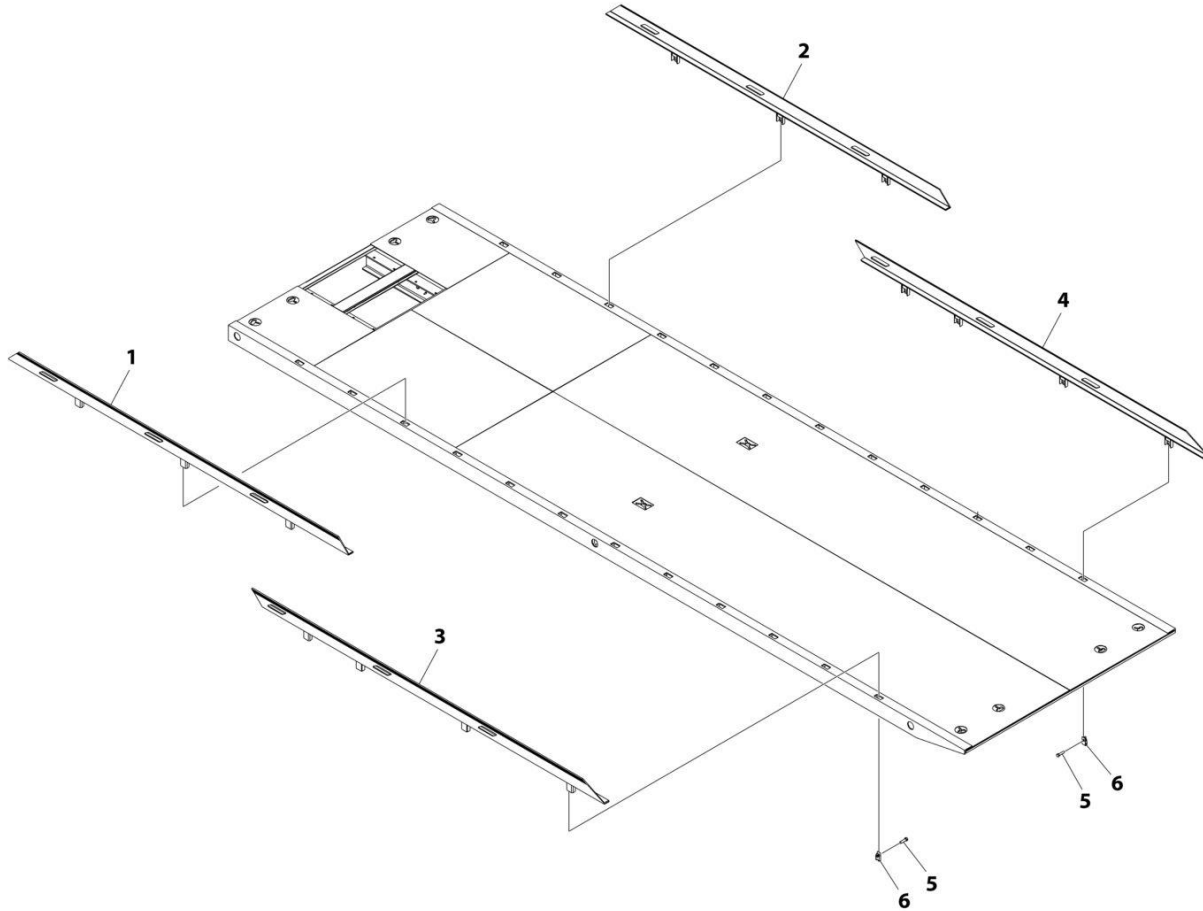
SECTION 3 - DECK

FIGURE 3-94. RAISED RAILS INSTALLATION - 5IN HIGH REMOVEABLE BLADE (ALUMINUM 28FT)

ITEM	PART NUMBER	QTY	DESCRIPTION	REV
	2729000078	Ref	RAISED RAILS INSTALLATION - 28FT	B
1	3017000123	1	Angle Assembly, Front LH (Includes Items 101 & 105-108)	
2	3017000124	1	Angle Assembly, Front RH (Includes Items 102 & 105-108)	
3	3017000133	1	Angle Assembly, Rear LH (Includes Items 103 & 105-108)	
4	3017000134	1	Angle Assembly, Rear RH (Includes Items 104-108)	
5	7120000005	14	Capscrew 1/2 x 2-1/2	
101	4017001701	1	Angle LH Front	
102	4017001702	1	Angle RH Front	
103	4017001709	1	Angle LH Rear	
104	4017001710	1	Angle RH Rear	
105	1001137970	28	Bolt 1/2 x 4-1/2	
106	8411080102	14	Extrusion	
107	4706006228	14	Plate	
108	7660182601	28	Nut 1/2	

SECTION 3 - DECK

FIGURE 3-95. RAISED RAILS INSTALLATION - 5IN HIGH REMOVEABLE BLADE (ALUMINUM 30FT)



ART_2729000079

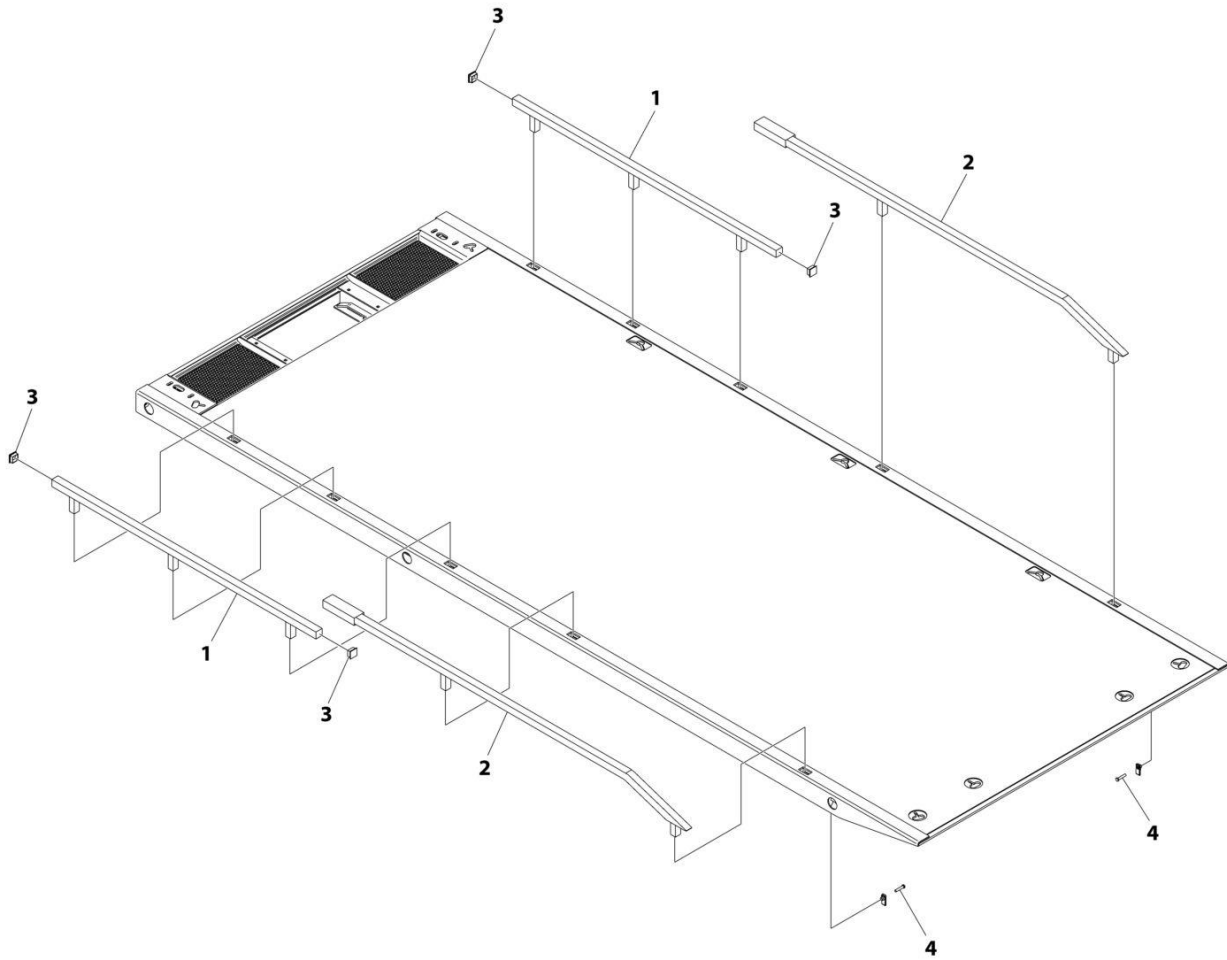
SECTION 3 - DECK

FIGURE 3-95. RAISED RAILS INSTALLATION - 5IN HIGH REMOVEABLE BLADE (ALUMINUM 30FT)

ITEM	PART NUMBER	QTY	DESCRIPTION	REV
	2729000079	Ref	RAISED RAILS, MAIN, 5IN HIGH REM BLADE ALUMINIUM, 30FT	B
1	3017000125	1	Angle Assembly, Front LH (See Separate Breakdown in this Section)	
2	3017000126	1	Angle Assembly, Front RH (See Separate Breakdown in this Section)	
3	3017000131	1	Angle Assembly, Rear LH (See Separate Breakdown in this Section)	
4	3017000132	1	Angle Assembly Rear RH (See Separate Breakdown in this Section)	
5	7120000005	14	Capscrew 1/2 x 2-1/2	
6	7661000055	14	U-Nut 1/2	

SECTION 3 - DECK

FIGURE 3-96. RAISED RAILS INSTALLATION - 5IN HIGH REMOVEABLE TUBE RAIL (STEEL 22FT)



ART_2729000105

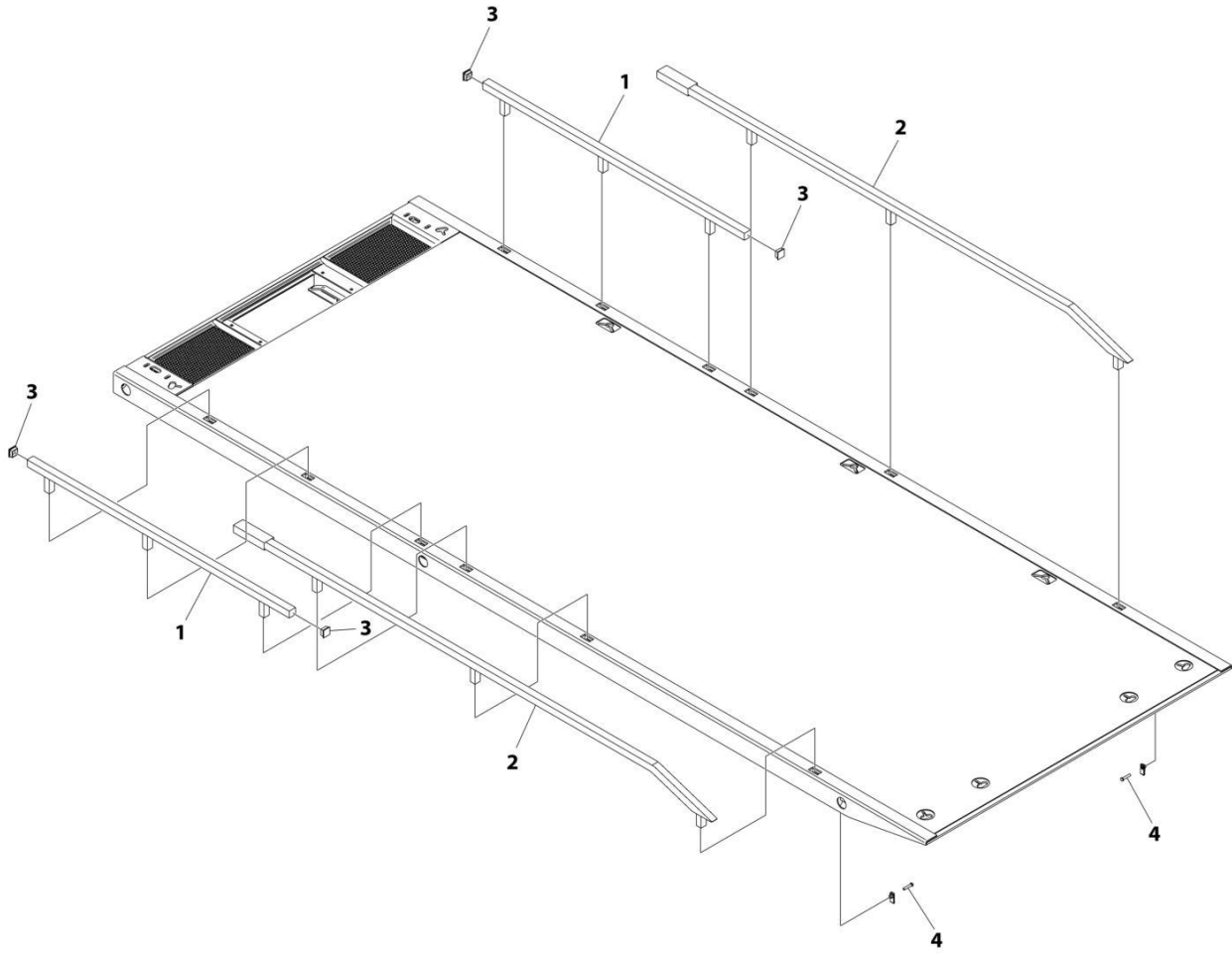
SECTION 3 - DECK

FIGURE 3-96. RAISED RAILS INSTALLATION - 5IN HIGH REMOVEABLE TUBE RAIL (STEEL 22FT)

ITEM	PART NUMBER	QTY	DESCRIPTION	REV
	2729000105	Ref	RAIL INSTALLATION	0
1	3729000282	2	Rail Weldment, Front	
2	3729000283	2	Rail Weldment, Rear	
3	7701000033	4	Plug	
4	7115181050	10	Capscrew 1/2 x 1-1/4	

SECTION 3 - DECK

FIGURE 3-97. RAISED RAILS INSTALLATION - 5IN HIGH REMOVEABLE TUBE RAIL (STEEL 24FT)



ART_2729000106

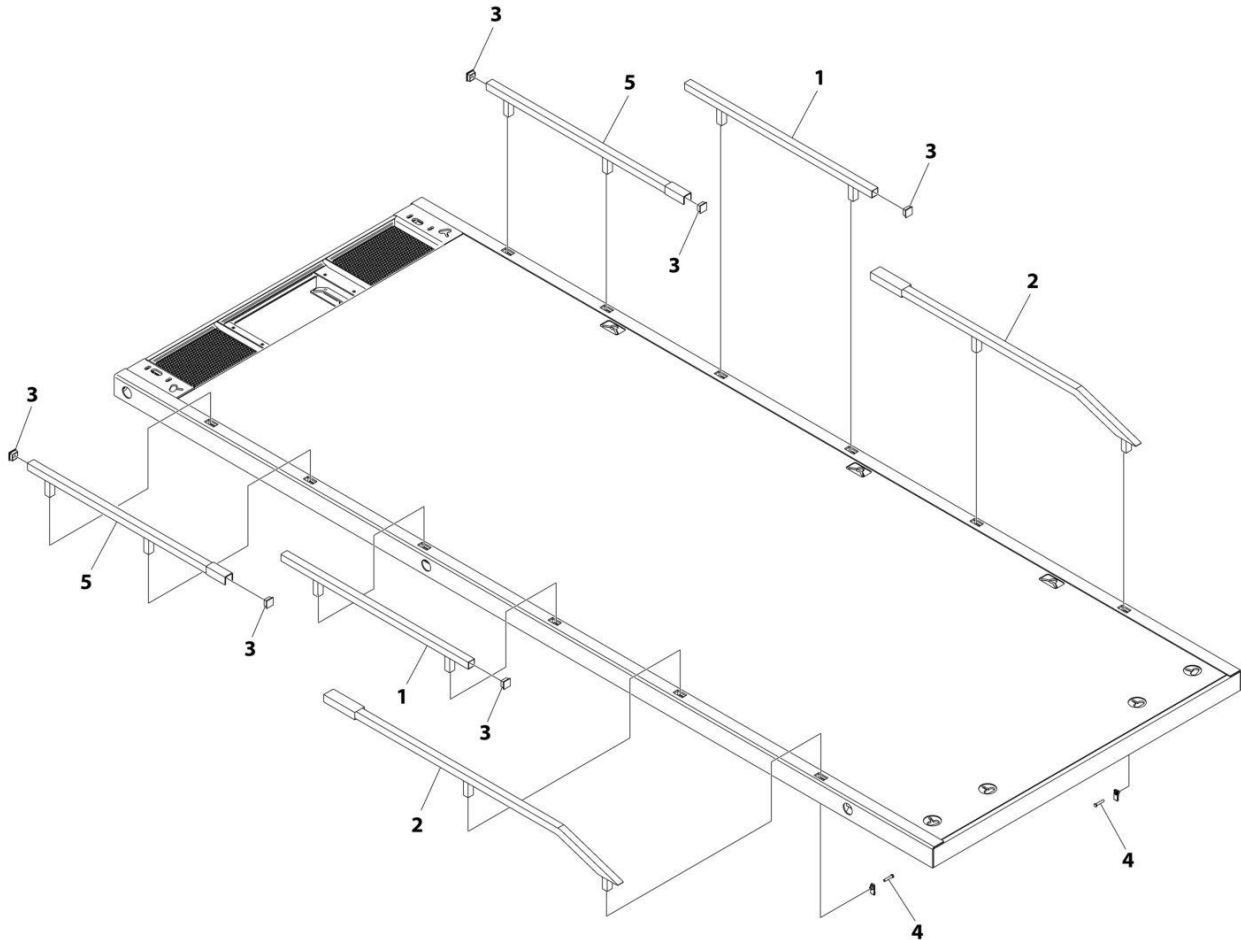
SECTION 3 - DECK

FIGURE 3-97. RAISED RAILS INSTALLATION - 5IN HIGH REMOVEABLE TUBE RAIL (STEEL 24FT)

ITEM	PART NUMBER	QTY	DESCRIPTION	REV
	2729000106	Ref	RAIL INSTALLATION	0
1	3729000282	2	Rail Weldment, Front	
2	3729000284	2	Rail Weldment, Rear	
3	7701000033	4	Plug	
4	7115181050	10	Capscrew 1/2 x 1-1/4	

SECTION 3 - DECK

FIGURE 3-98. RAISED RAILS INSTALLATION - 5IN HIGH REMOVEABLE TUBE RAIL (STEEL 26FT)



ART_2729000107

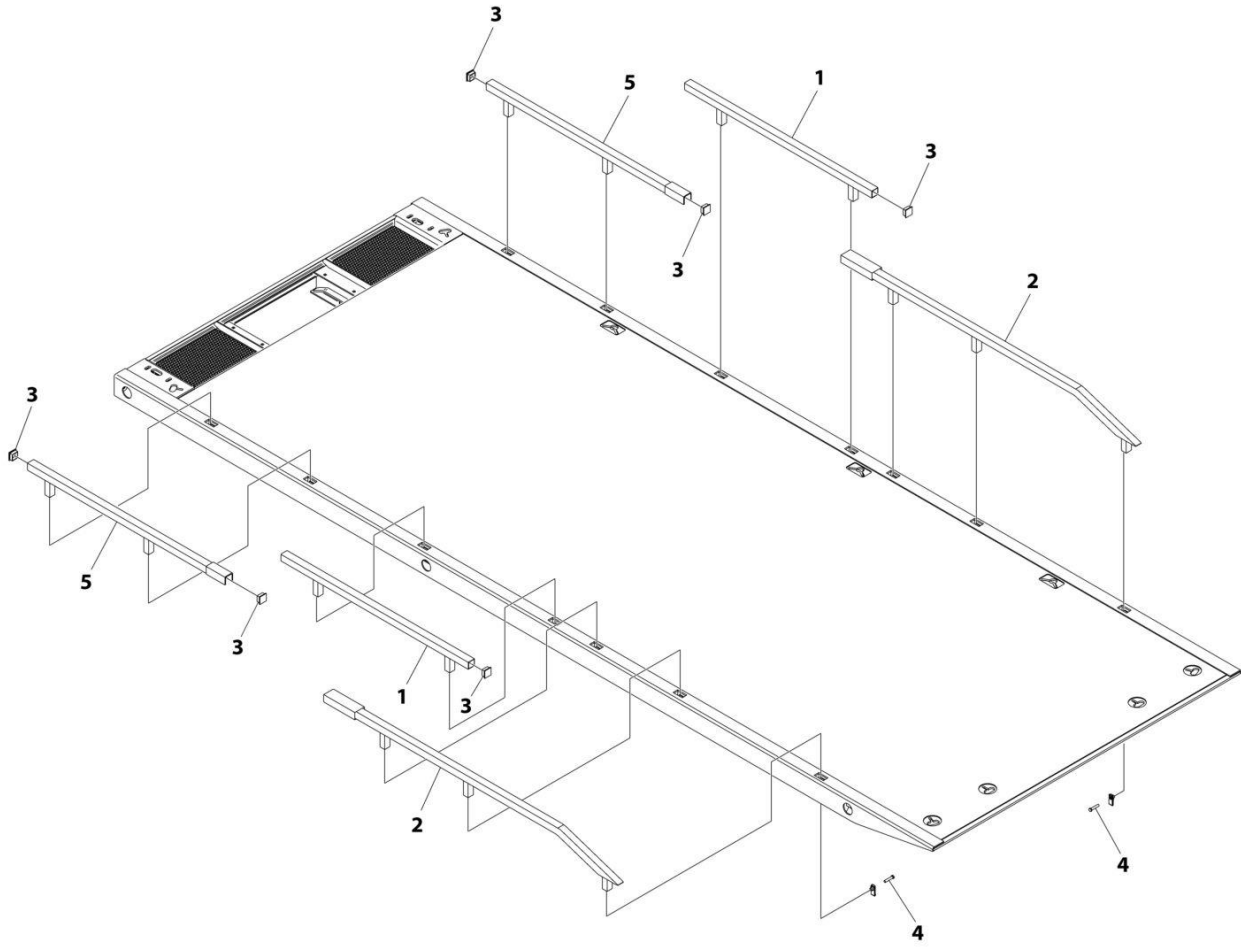
SECTION 3 - DECK

FIGURE 3-98. RAISED RAILS INSTALLATION - 5IN HIGH REMOVEABLE TUBE RAIL (STEEL 26FT)

ITEM	PART NUMBER	QTY	DESCRIPTION	REV
	2729000107	Ref	RAISED RAILS INSTALLATION - 5IN HIGH REMOVEABLE TUBE RAIL (STEEL 26FT)	B
1	3729000281	2	Rail Weldment, Front	
2	3729000283	2	Rail Weldment, Rear	
3	7701000033	6	Plug	
4	1001139343	12	Bolt 1/2 x 1-1/4	
5	3729000285	2	Rail Weldment, Front	

SECTION 3 - DECK

FIGURE 3-99. RAISED RAILS INSTALLATION - 5IN HIGH REMOVEABLE TUBE RAIL (STEEL 28FT)



ART_2729000108

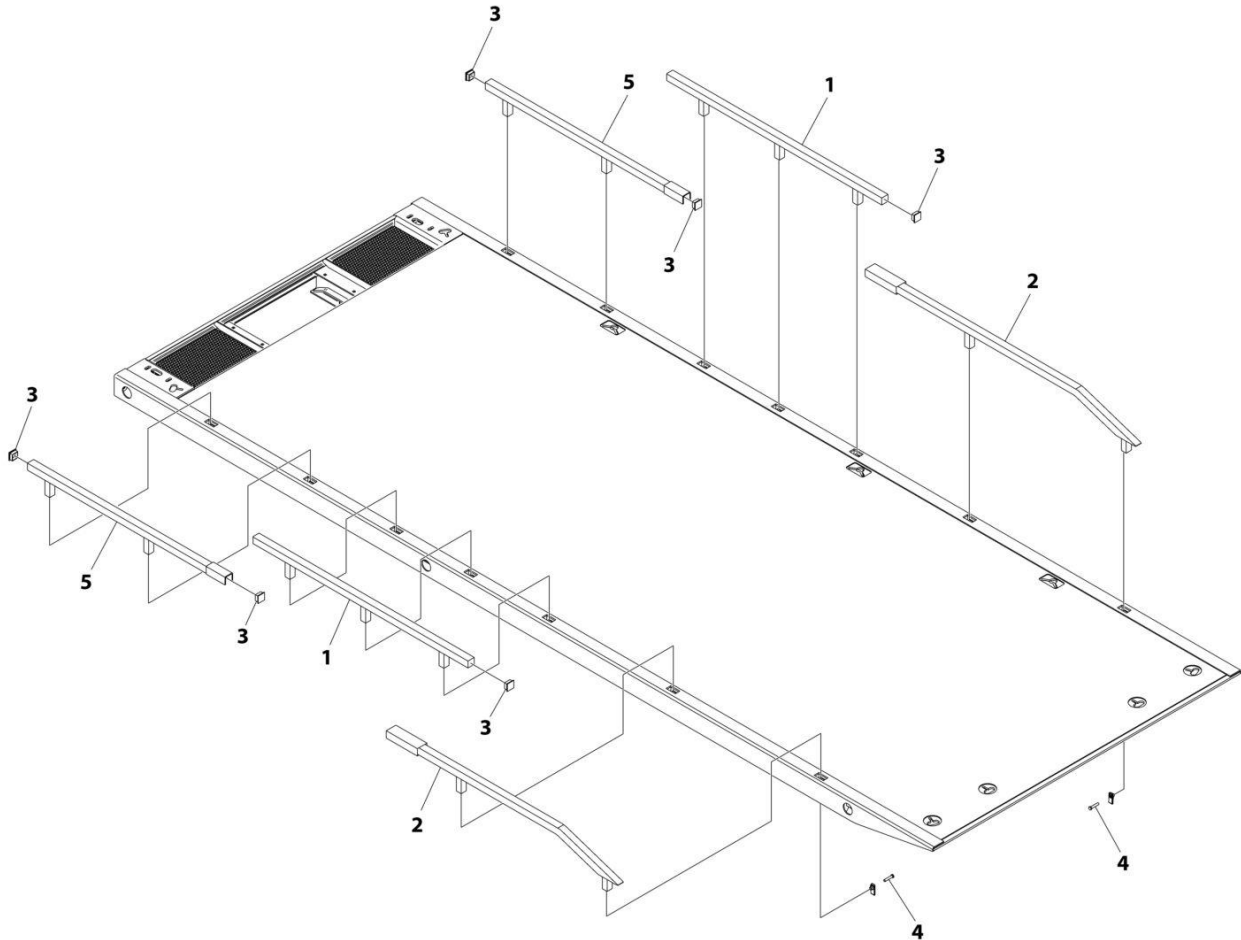
SECTION 3 - DECK

FIGURE 3-99. RAISED RAILS INSTALLATION - 5IN HIGH REMOVEABLE TUBE RAIL (STEEL 28FT)

ITEM	PART NUMBER	QTY	DESCRIPTION	REV
	2729000108	Ref	RAISED RAILS INSTALLATION - 5IN HIGH REMOVEABLE TUBE RAIL (STEEL 28FT)	B
1	3729000281	2	Rail Weldment, Front	
2	3729000283	2	Rail Weldment, Rear	
3	7701000033	6	Plug	
4	1001139343	14	Bolt 1/2 x 1-1/4	
5	3729000285	2	Rail Weldment, Front	

SECTION 3 - DECK

FIGURE 3-100. RAISED RAILS INSTALLATION - 5IN HIGH REMOVEABLE TUBE RAIL (STEEL 30FT)



ART_2729000109

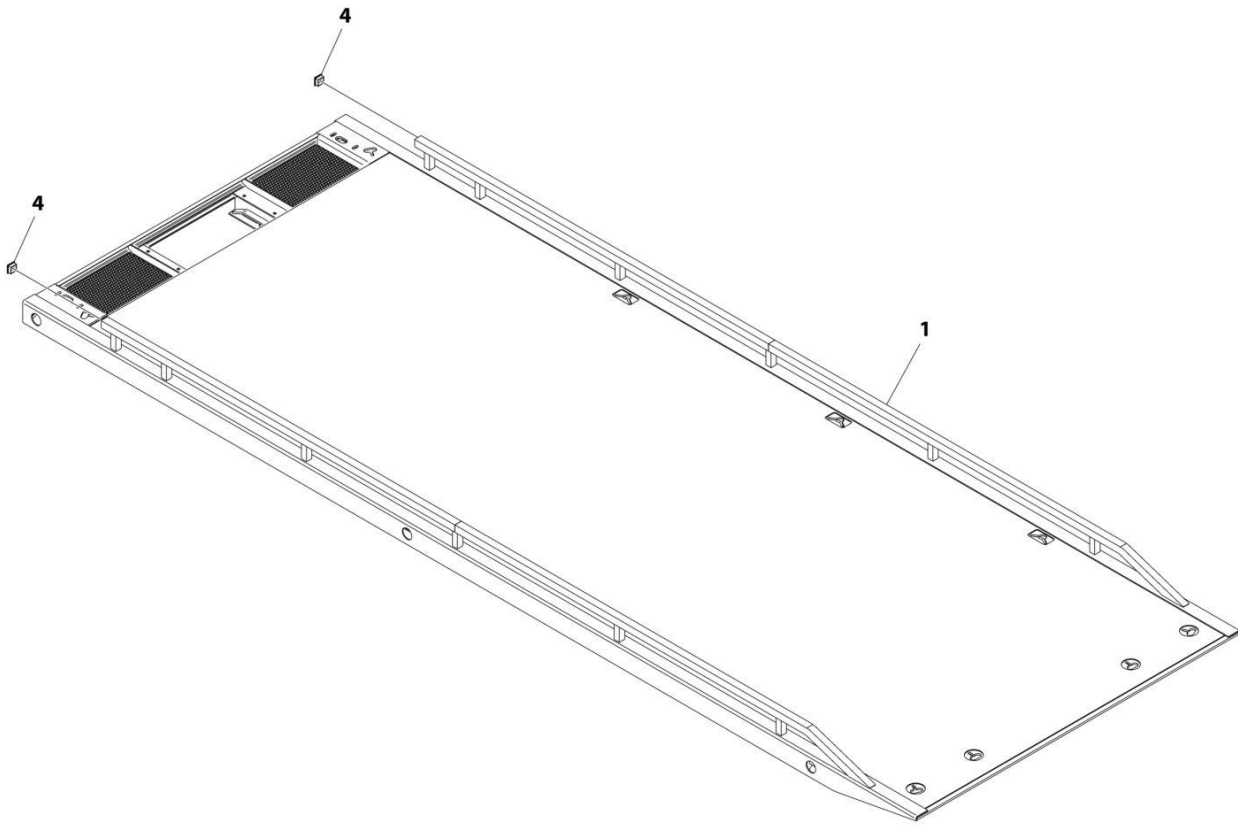
SECTION 3 - DECK

FIGURE 3-100. RAISED RAILS INSTALLATION - 5IN HIGH REMOVEABLE TUBE RAIL (STEEL 30FT)

ITEM	PART NUMBER	QTY	DESCRIPTION	REV
	2729000109	Ref	RAISED RAILS INSTALLATION - 5IN HIGH REMOVEABLE TUBE RAIL (STEEL 30FT)	B
1	3729000282	2	Rail Weldment, Front	
2	3729000283	2	Rail Weldment, Rear	
3	7701000033	6	Plug	
4	1001139343	14	Bolt 1/2 x 1-1/4	
5	3729000285	2	Rail Weldment, Front	

SECTION 3 - DECK

FIGURE 3-101. RAISED RAILS INSTALLATION - 6IN HIGH PERMANENT TUBE RAIL (STEEL 22FT)



ART_2729000036

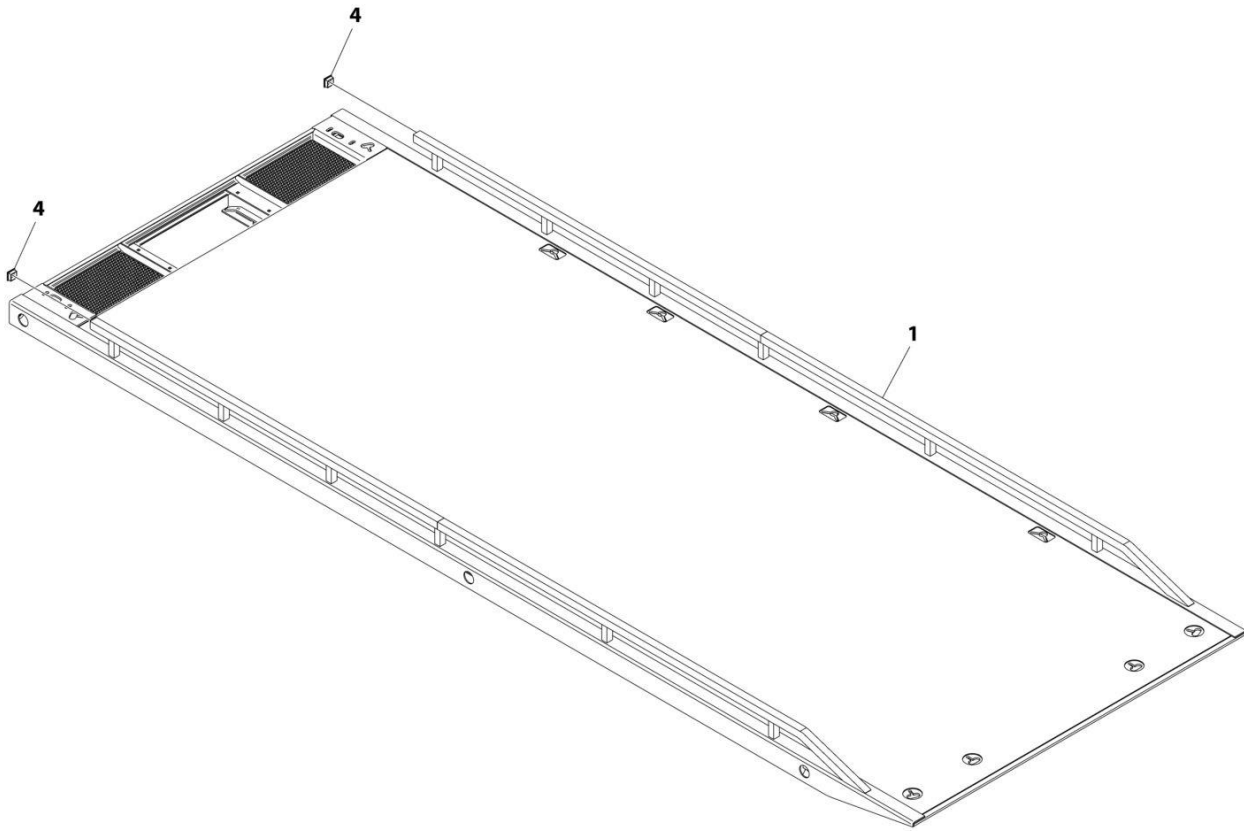
SECTION 3 - DECK

FIGURE 3-101. RAISED RAILS INSTALLATION - 6IN HIGH PERMANENT TUBE RAIL (STEEL 22FT)

ITEM	PART NUMBER	QTY	DESCRIPTION	REV
1	2729000036	1	Permanent Raised Rail Installation - 22ft	A
4	7701000033	2	Plug	

SECTION 3 - DECK

FIGURE 3-102. RAISED RAILS INSTALLATION - 6IN HIGH PERMANENT TUBE RAIL (STEEL 24FT)



ART_2729000035

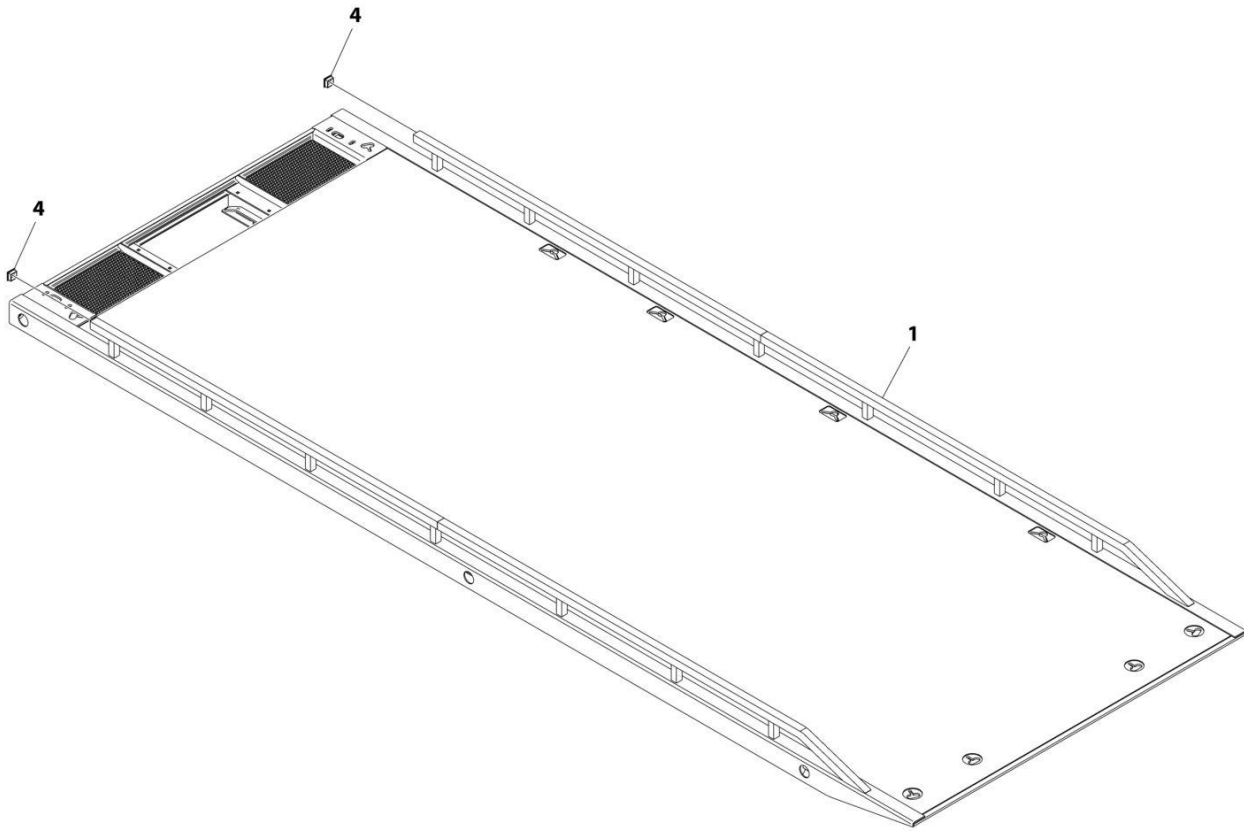
SECTION 3 - DECK

FIGURE 3-102. RAISED RAILS INSTALLATION - 6IN HIGH PERMANENT TUBE RAIL (STEEL 24FT)

ITEM	PART NUMBER	QTY	DESCRIPTION	REV
1	2729000035	1	Permanent Raised Rail Installation - 24ft	A
4	7701000033	2	Plug	

SECTION 3 - DECK

FIGURE 3-103. RAISED RAILS INSTALLATION - 6IN HIGH PERMANENT TUBE RAIL (STEEL 30FT)



ART_2729000045

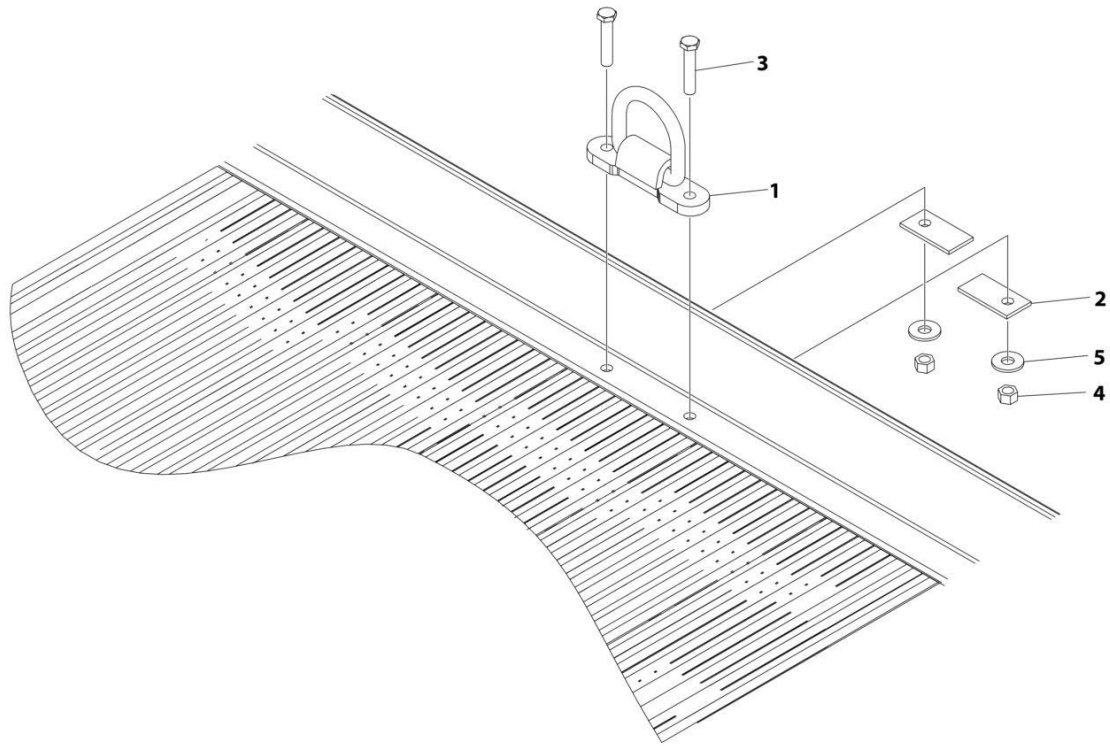
SECTION 3 - DECK

FIGURE 3-103. RAISED RAILS INSTALLATION - 6IN HIGH PERMANENT TUBE RAIL (STEEL 30FT)

ITEM	PART NUMBER	QTY	DESCRIPTION	REV
1	2729000045	1	RAISED RAILS INSTALLATION - 6IN HIGH PERMANENT TUBE RAIL (STEEL 30FT)	0
4	7701000033	2	Plug	

SECTION 3 - DECK

FIGURE 3-104. D-RINGS INSTALLATION - 5/8IN BOLT-ON - 1 PAIR (ALUMINUM DECK)



ART_1001171655

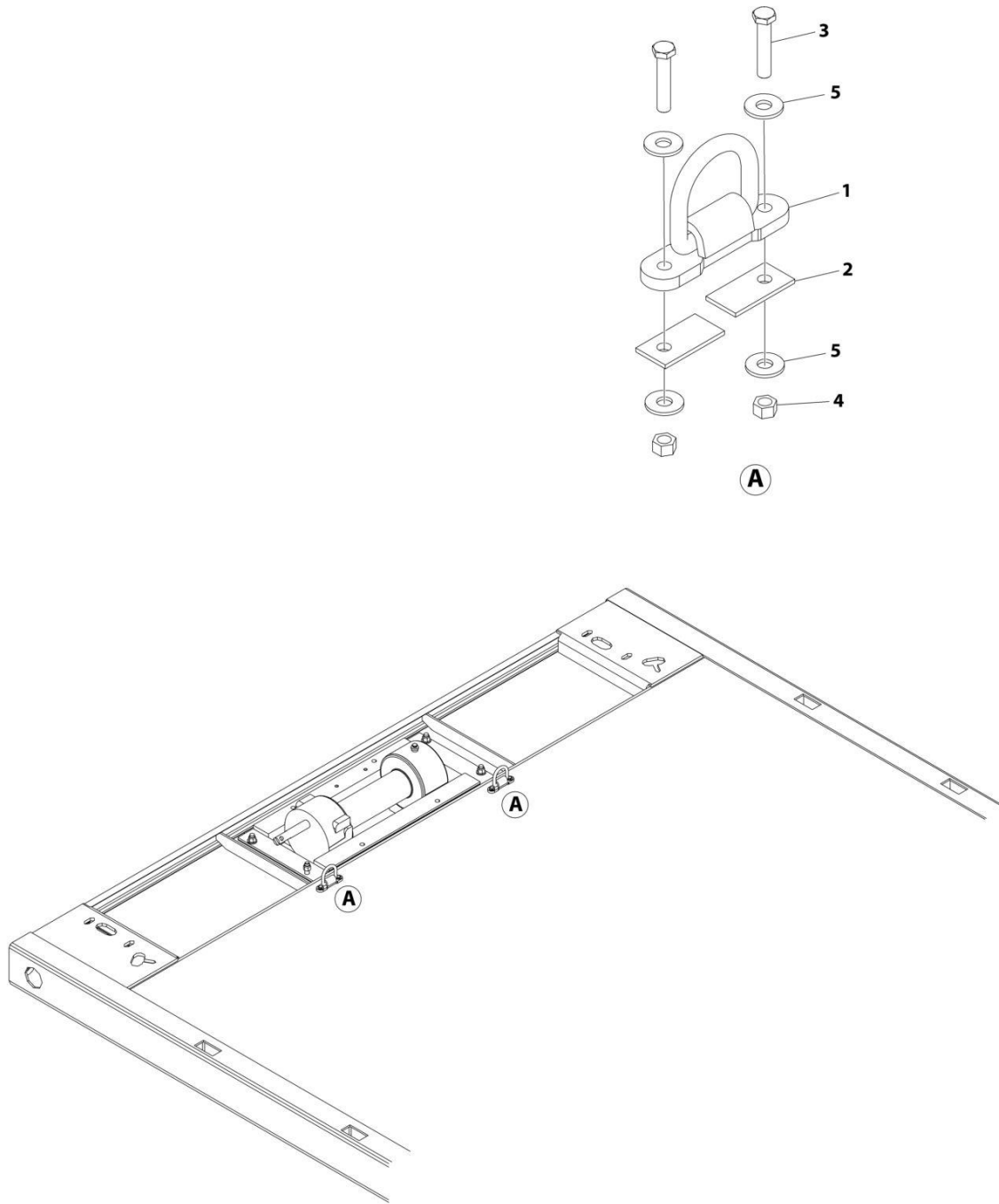
SECTION 3 - DECK

FIGURE 3-104. D-RINGS INSTALLATION - 5/8IN BOLT-ON - 1 PAIR (ALUMINUM DECK)

ITEM	PART NUMBER	QTY	DESCRIPTION	REV
	1001171655	Ref	1 PAIR BOLT-ON D-RING ALUMINIUM DECK INSTALLATION	B
1	1001171652	2	D-Ring	
2	4706003374	4	Plate	
3	1001248245	4	Bolt 1/2 x 2-1/8	
4	3271805	4	Nut 1/2	
5	4711800	4	Washer 1/2	

SECTION 3 - DECK

FIGURE 3-105. D-RINGS INSTALLATION - 5/8IN BOLT-ON - 1 PAIR (ALUMINUM DECK AT WINCH)



ART_1001188646

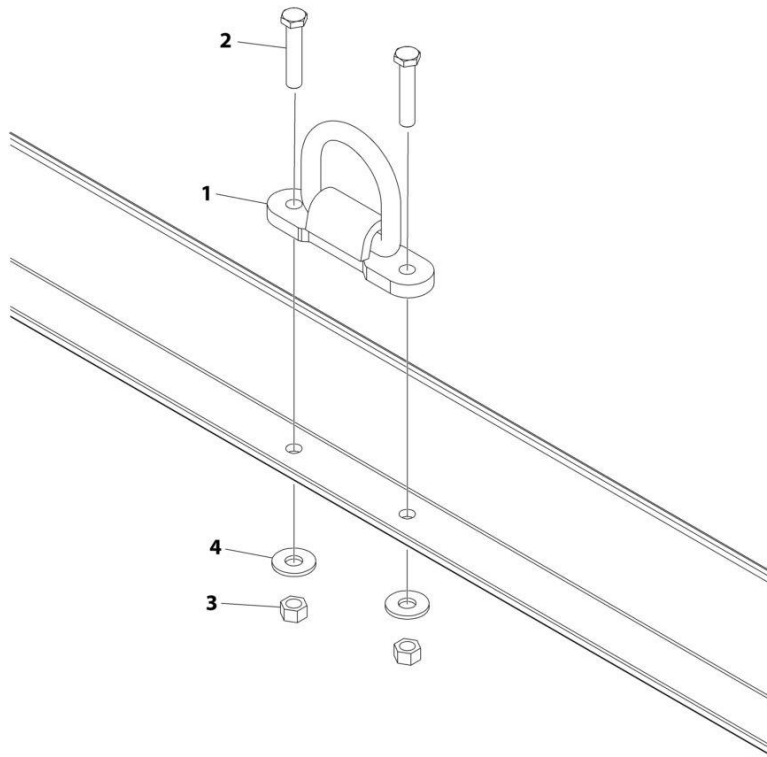
SECTION 3 - DECK

FIGURE 3-105. D-RINGS INSTALLATION - 5/8IN BOLT-ON - 1 PAIR (ALUMINUM DECK AT WINCH)

ITEM	PART NUMBER	QTY	DESCRIPTION	REV
	1001188646	Ref	D-RINGS BOLT-ON AT WINCH ALUMINIUM DECK INSTALLATION	A
1	1001171652	2	D-Ring	
2	4706003374	4	Plate	
3	7115182250	4	Capscrew 1/2 x 2-3/4	
4	7660182601	4	Nut 1/2	
5	7950180141	8	Washer 1/2	

SECTION 3 - DECK

FIGURE 3-106. D-RINGS INSTALLATION - 5/8IN BOLT-ON - 1 PAIR (STEEL DECK)



ART_1001171659

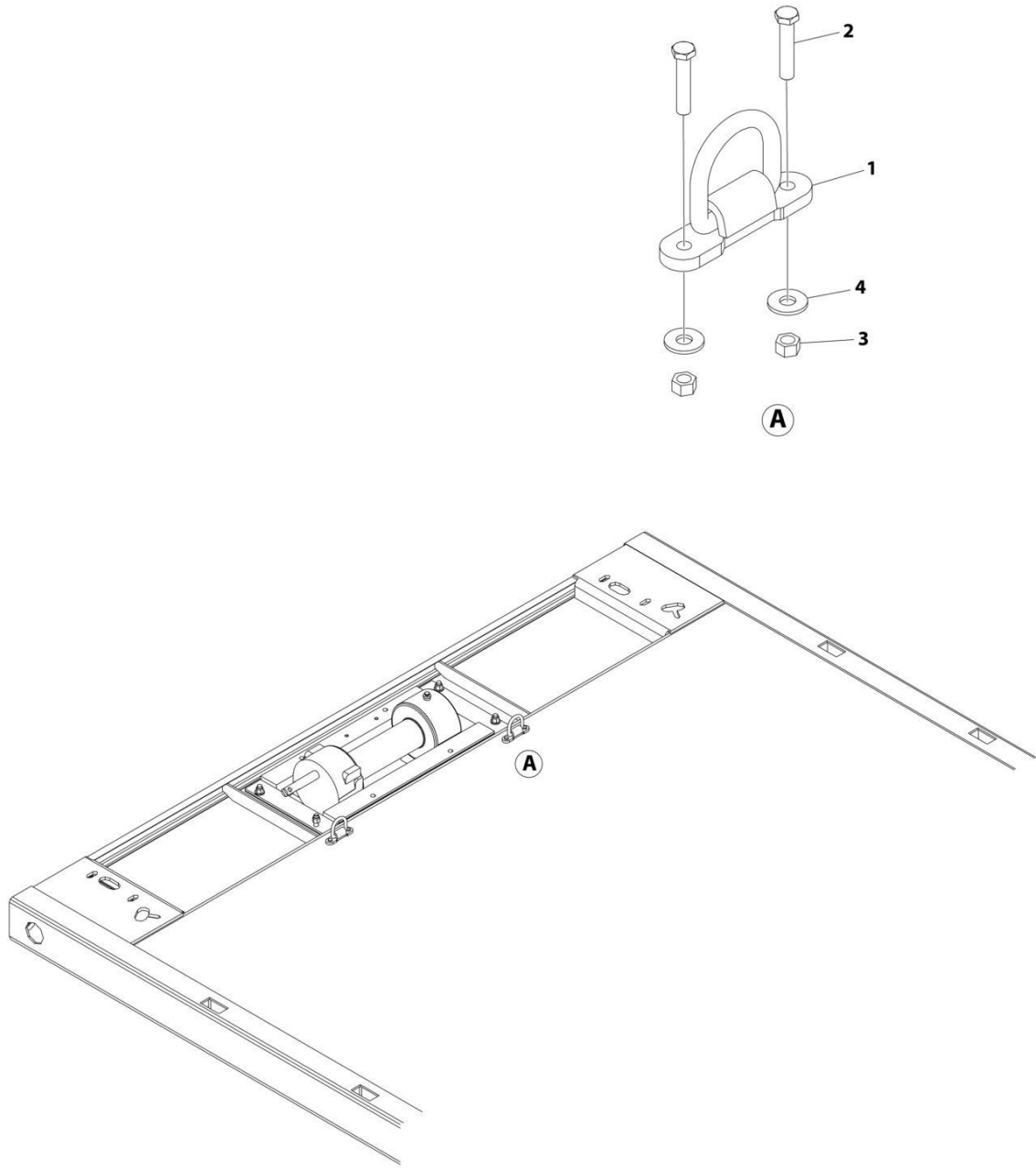
SECTION 3 - DECK

FIGURE 3-106. D-RINGS INSTALLATION - 5/8IN BOLT-ON - 1 PAIR (STEEL DECK)

ITEM	PART NUMBER	QTY	DESCRIPTION	REV
	1001171659	Ref	D-RINGS, 5/8IN BOLT-ON, 1 PAIR, STEEL DECK	B
1	1001171652	2	D-Ring	
2	1001248245	4	Bolt 1/2 x 2-1/8	
3	3271805	4	Nut 1/2	
4	4711800	4	Washer 1/2	

SECTION 3 - DECK

FIGURE 3-107. D-RINGS INSTALLATION - 5/8IN BOLT-ON - 1 PAIR (STEEL DECK AT WINCH)



ART_1001188648

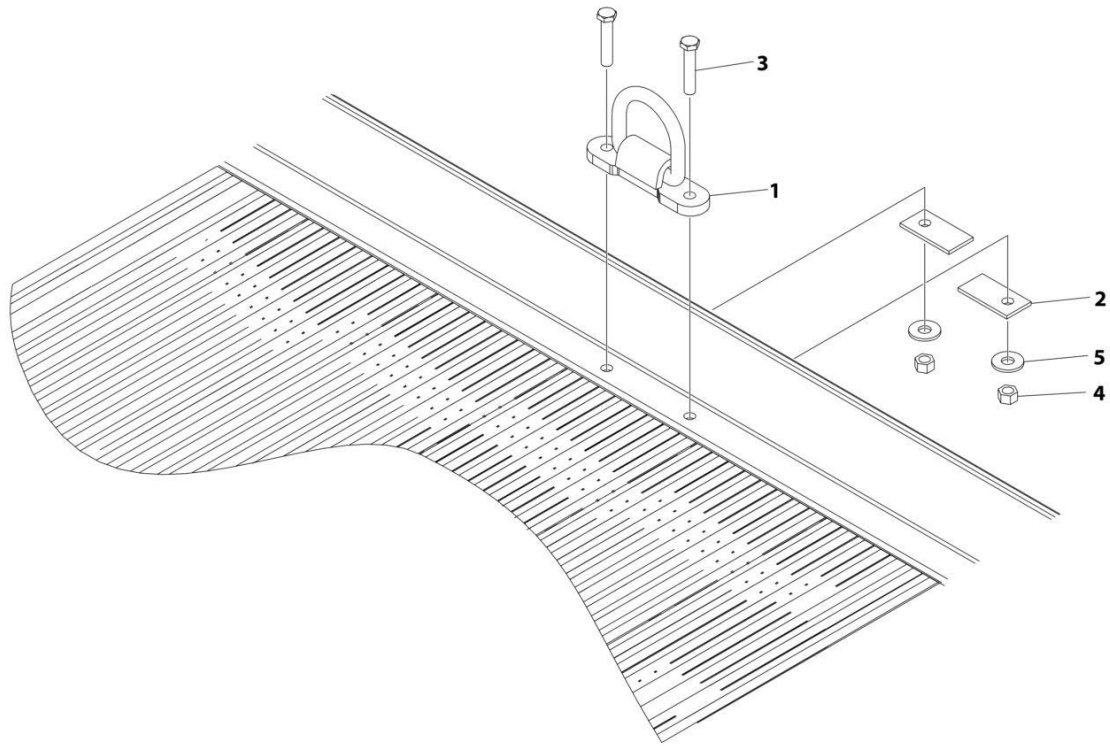
SECTION 3 - DECK

FIGURE 3-107. D-RINGS INSTALLATION - 5/8IN BOLT-ON - 1 PAIR (STEEL DECK AT WINCH)

ITEM	PART NUMBER	QTY	DESCRIPTION	REV
	1001188648	Ref	D-RINGS, 5/8IN BOLT-ON NEAR WINCH, 1 PAIR, TRANSPORTER	B
1	1001171652	2	D-Ring	
2	7115182250	4	Capscrew 1/2 x 2-3/4	
3	7660182601	4	Nut 1/2	
4	7950180141	4	Washer 1/2	

SECTION 3 - DECK

FIGURE 3-108. D-RINGS INSTALLATION - 5/8IN BOLT-ON - 2 PAIR (ALUMINUM DECK)



ART_1001171656

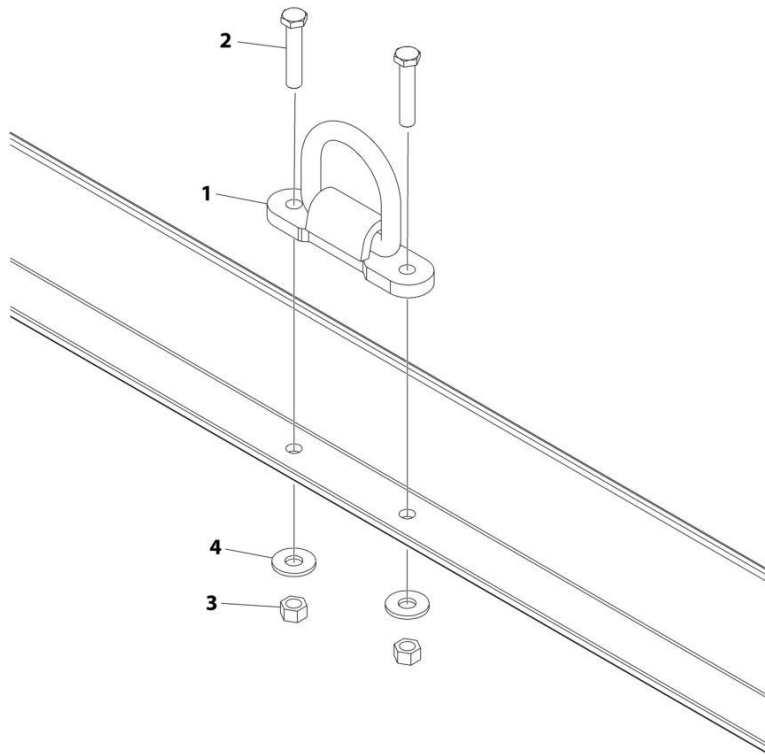
SECTION 3 - DECK

FIGURE 3-108. D-RINGS INSTALLATION - 5/8IN BOLT-ON - 2 PAIR (ALUMINUM DECK)

ITEM	PART NUMBER	QTY	DESCRIPTION	REV
	1001171656	Ref	2 PAIR BOLT-ON D-RING ALUMINIUM DECK INSTALLATION	B
1	1001171652	4	D-Ring	
2	4706003374	8	Plate	
3	1001248245	8	Bolt 1/2 x 2-1/8	
4	3271805	8	Nut 1/2	
5	4711800	8	Washer 1/2	

SECTION 3 - DECK

FIGURE 3-109. D-RINGS INSTALLATION - 5/8IN BOLT-ON - 2 PAIR (STEEL DECK)



ART_1001171660

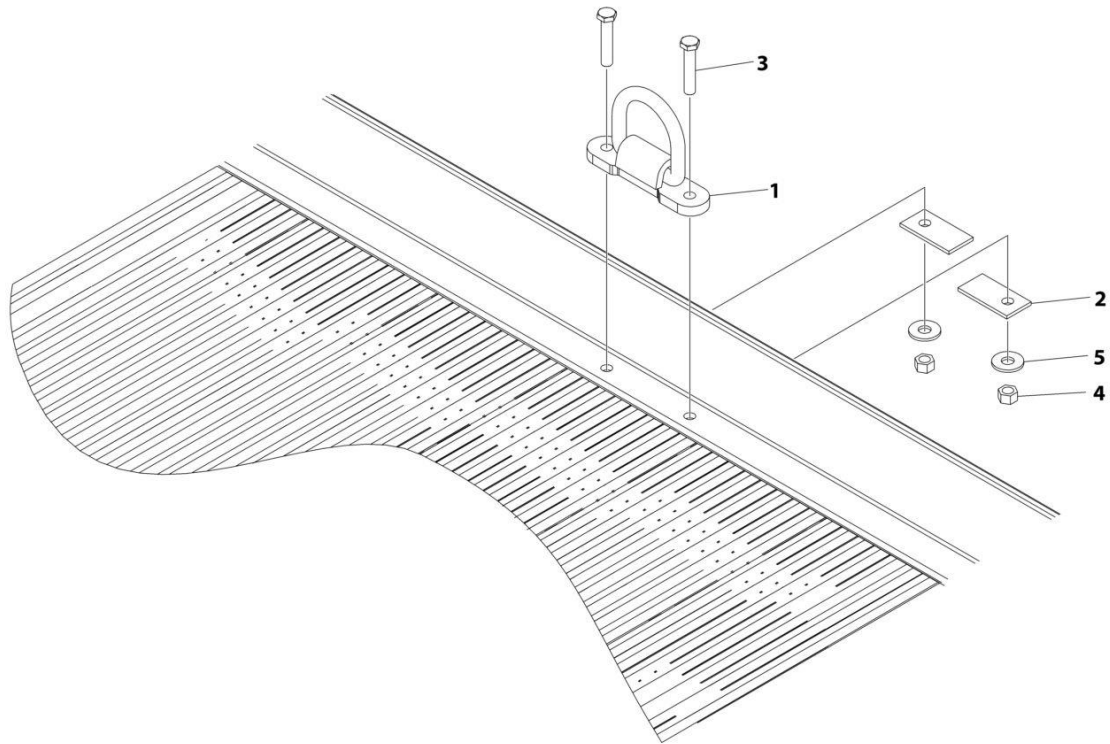
SECTION 3 - DECK

FIGURE 3-109. D-RINGS INSTALLATION - 5/8IN BOLT-ON - 2 PAIR (STEEL DECK)

ITEM	PART NUMBER	QTY	DESCRIPTION	REV
	1001171660	Ref	D-RINGS, 5/8IN BOLT-ON, 2 PAIR, STEEL	B
1	1001171652	4	D-Ring	
2	1001248245	8	Bolt 1/2 x 2-1/8	
3	3271805	8	Nut 1/2	
4	4711800	8	Washer 1/2	

SECTION 3 - DECK

FIGURE 3-110. D-RINGS INSTALLATION - 5/8IN BOLT-ON - 3 PAIR (ALUMINUM DECK)



ART_1001171657

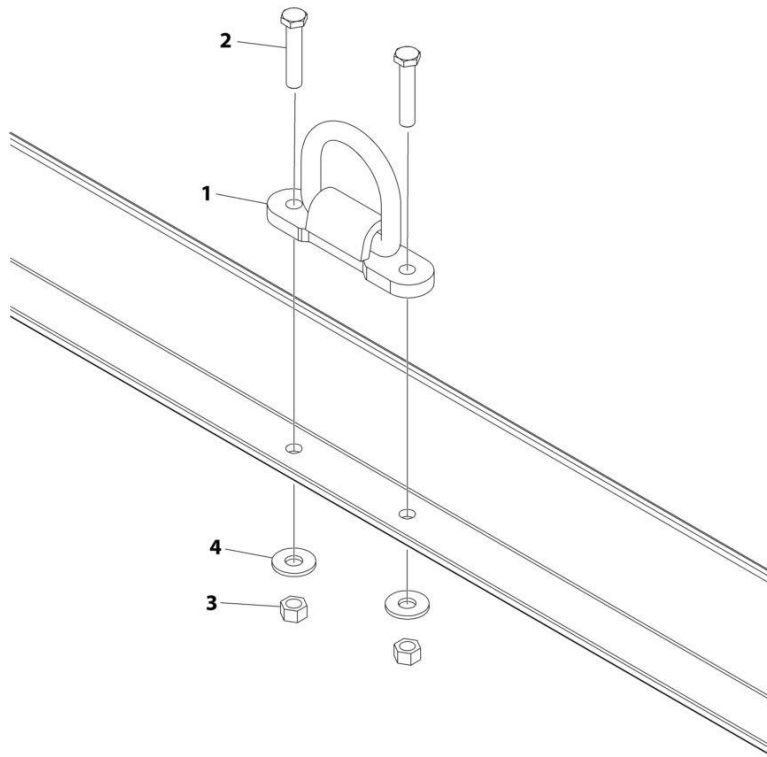
SECTION 3 - DECK

FIGURE 3-110. D-RINGS INSTALLATION - 5/8IN BOLT-ON - 3 PAIR (ALUMINUM DECK)

ITEM	PART NUMBER	QTY	DESCRIPTION	REV
	1001171657	Ref	D-RINGS INSTALLATION - BOLT-ON 3 PAIRS EQUALLY SPACED (ALUMINIUM DECK)	B
1	1001171652	6	D-Ring	
2	4706003374	12	Plate	
3	1001248245	12	Bolt 1/2 x 2-1/8	
4	3271805	12	Nut 1/2	
5	4711800	12	Washer 1/2	

SECTION 3 - DECK

FIGURE 3-111. D-RINGS INSTALLATION - 5/8IN BOLT-ON - 3 PAIR (STEEL DECK)



ART_1001171661

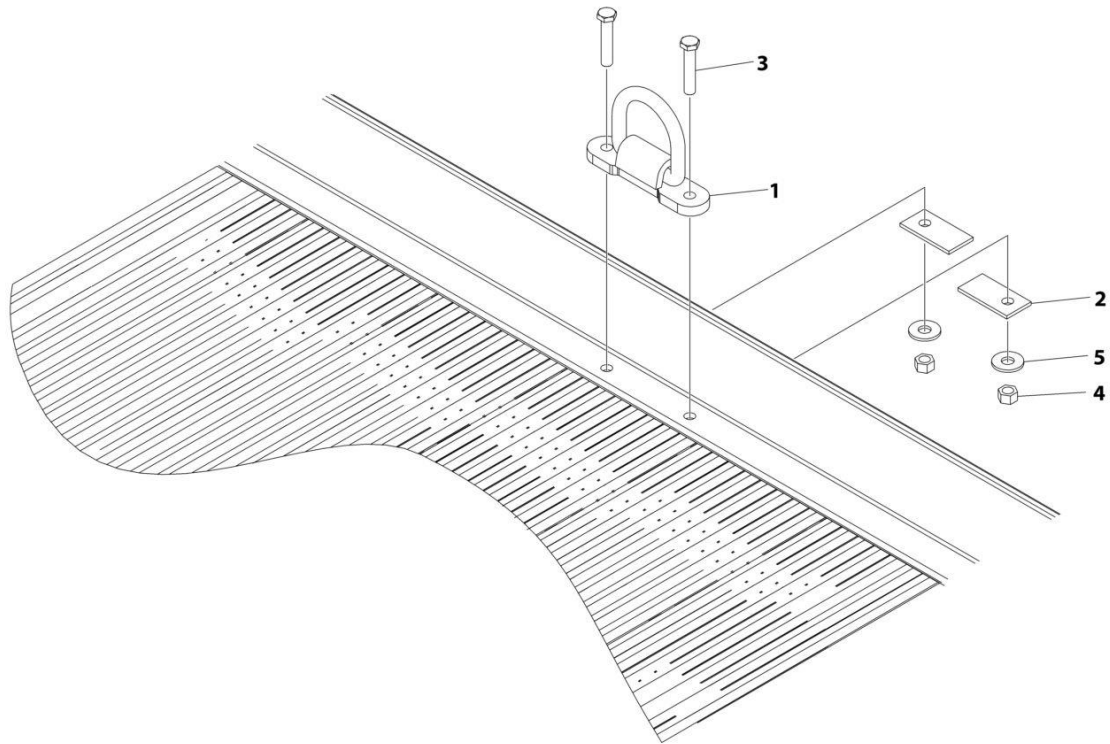
SECTION 3 - DECK

FIGURE 3-111. D-RINGS INSTALLATION - 5/8IN BOLT-ON - 3 PAIR (STEEL DECK)

ITEM	PART NUMBER	QTY	DESCRIPTION	REV
	1001171661	Ref	D-RINGS INSTALLATION - BOLT-ON 3 PAIRS EQUALLY SPACED (STEEL DECK)	B
1	1001171652	6	D-Ring	
2	1001248245	12	Bolt 1/2 x 2-1/8	
3	3271805	12	Nut 1/2	
4	4711800	12	Washer 1/2	

SECTION 3 - DECK

FIGURE 3-112. D-RINGS INSTALLATION - 5/8IN BOLT-ON - 4 PAIR (ALUMINUM DECK)



ART_1001171658

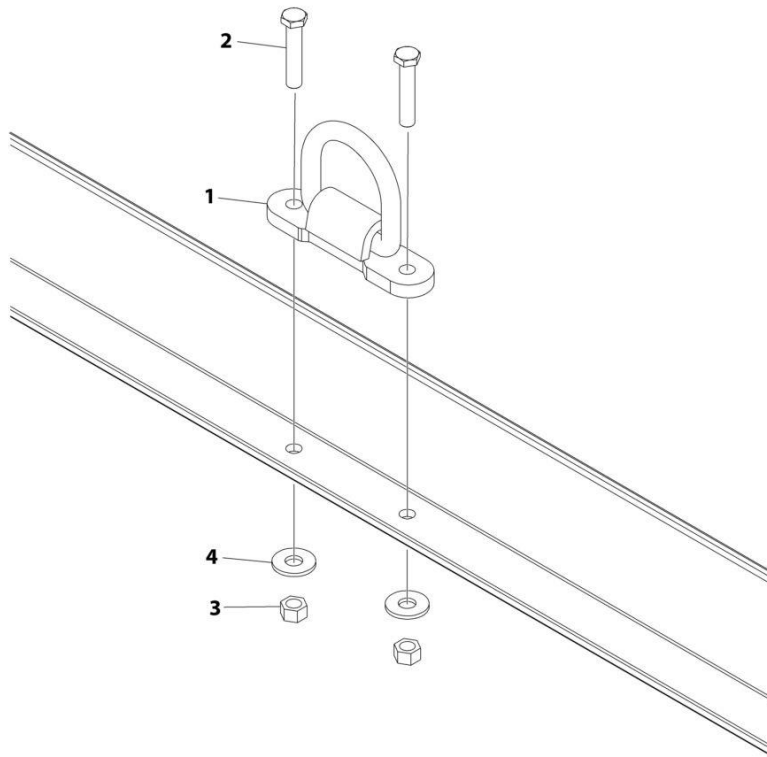
SECTION 3 - DECK

FIGURE 3-112. D-RINGS INSTALLATION - 5/8IN BOLT-ON - 4 PAIR (ALUMINUM DECK)

ITEM	PART NUMBER	QTY	DESCRIPTION	REV
	1001171658	Ref	D-RINGS INSTALLATION - BOLT-ON 4 PAIRS EQUALLY SPACED (ALUMINIUM DECK)	B
1	1001171652	8	D-Ring	
2	4706003374	16	Plate	
3	1001248245	16	Bolt 1/2 x 2-1/8	
4	3271805	16	Nut 1/2	
5	4711800	16	Washer 1/2	

SECTION 3 - DECK

FIGURE 3-113. D-RINGS INSTALLATION - 5/8IN BOLT-ON - 4 PAIR (STEEL DECK)



ART_1001171662

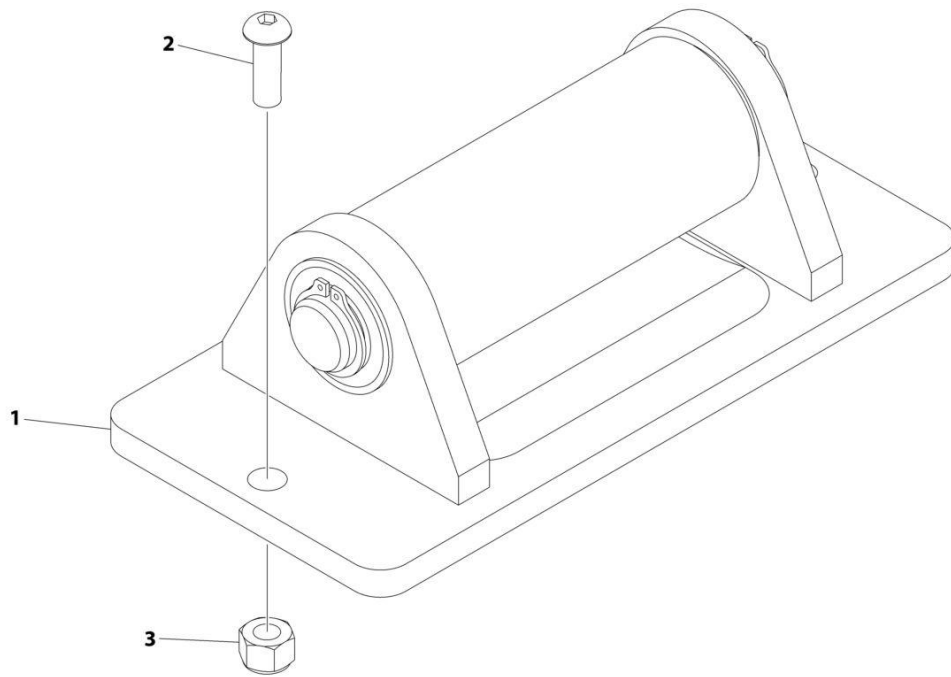
SECTION 3 - DECK

FIGURE 3-113. D-RINGS INSTALLATION - 5/8IN BOLT-ON - 4 PAIR (STEEL DECK)

ITEM	PART NUMBER	QTY	DESCRIPTION	REV
	1001171662	Ref	D-RINGS INSTALLATION - BOLT-ON 4 PAIRS EQUALLY SPACED (STEEL DECK)	B
1	1001171652	8	D-Ring	
2	1001248245	16	Bolt 1/2 x 2-1/8	
3	3271805	16	Nut 1/2	
4	4711800	16	Washer 1/2	

SECTION 3 - DECK

FIGURE 3-114. DECK ROLLERS INSTALLATION (DECK APPROACH TIP)



ART_1001148999

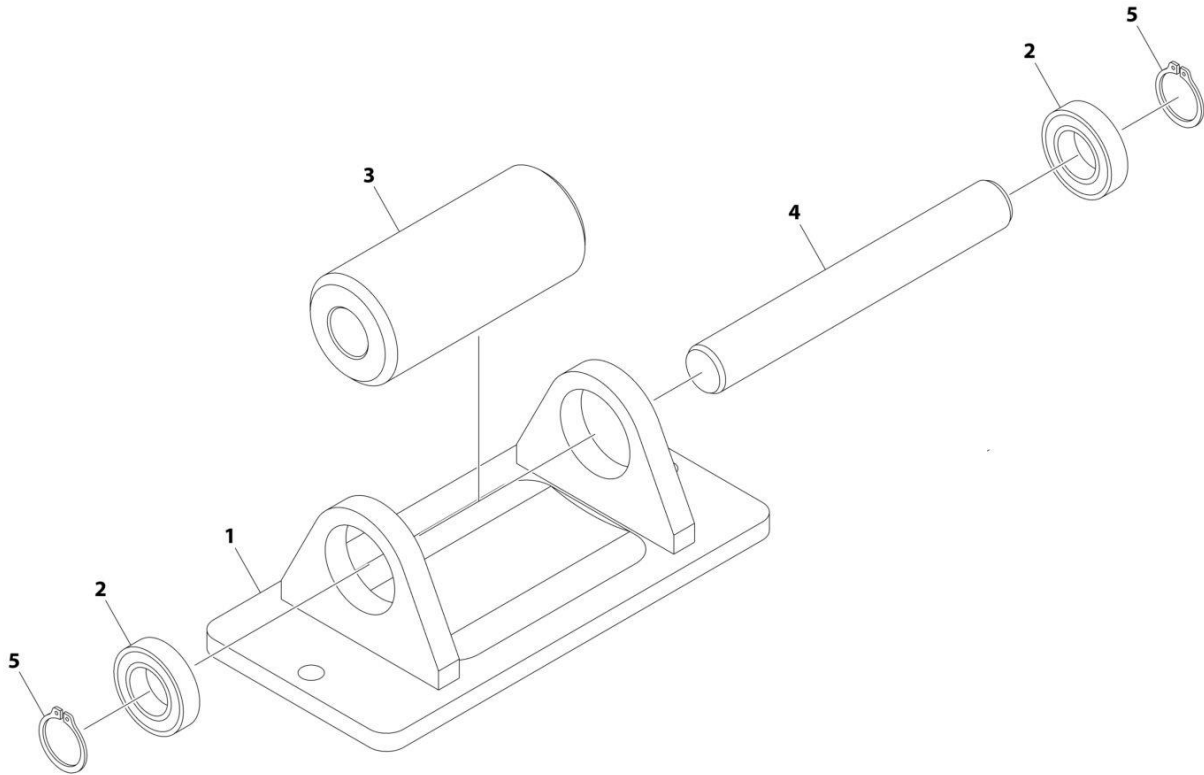
SECTION 3 - DECK

FIGURE 3-114. DECK ROLLERS INSTALLATION (DECK APPROACH TIP)

ITEM	PART NUMBER	QTY	DESCRIPTION	REV
1	1001148999	Ref	Deck Rollers at Approach Tip	A
	3550001913	2	Roller Bracket Assembly (See Separate Breakdown in this Section)	
2	7114181218	4	Capscrew 1/2 x 1-1/2	
3	7660182601	4	Nut 1/2	

SECTION 3 - DECK

FIGURE 3-115. DECK ROLLER ASSEMBLY



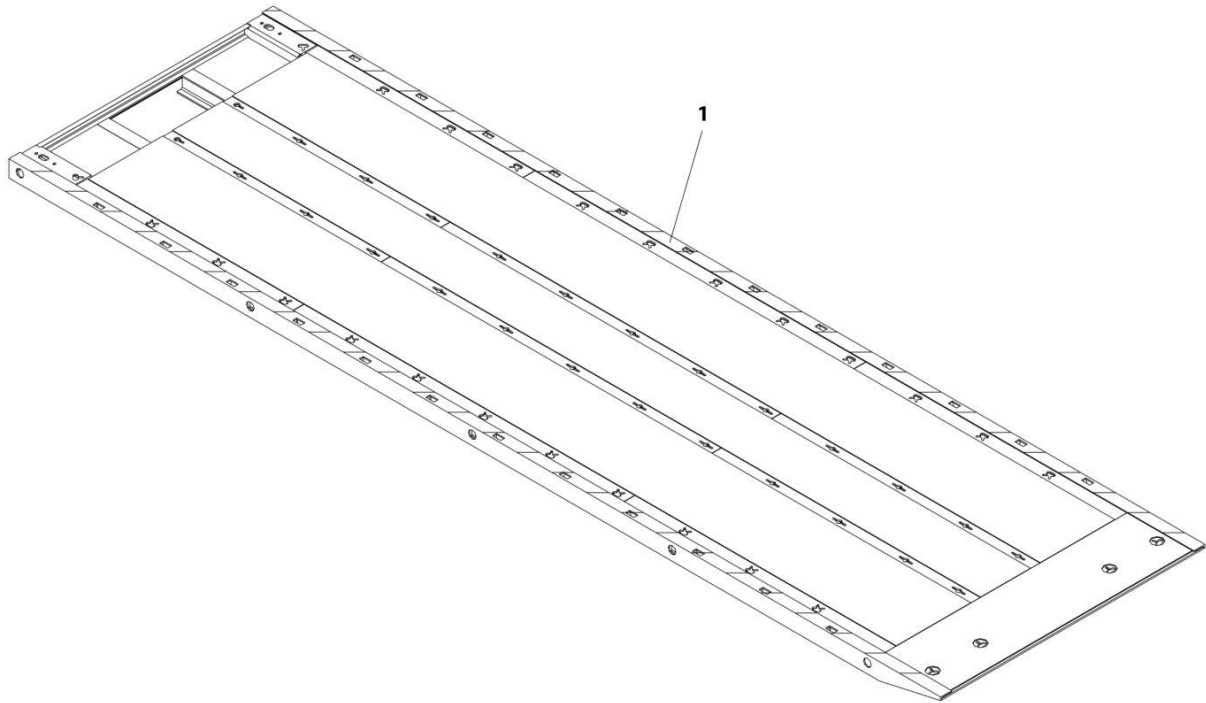
ART_3550001913

FIGURE 3-115. DECK ROLLER ASSEMBLY

ITEM	PART NUMBER	QTY	DESCRIPTION	REV
	3550001913	Ref	Roller Bracket Assembly	B
1	3550001912	1	Bracket Weldment	
2	7550000074	2	Bearing	
3	7550000073	1	Roller	
4	4691000568	1	Pin	
5	7754000022	2	Retaining Ring	

SECTION 3 - DECK

FIGURE 3-116. ANTI-SLIP PAINT INSTALLATION (STEEL DECK SIDES)



ART_1001228190

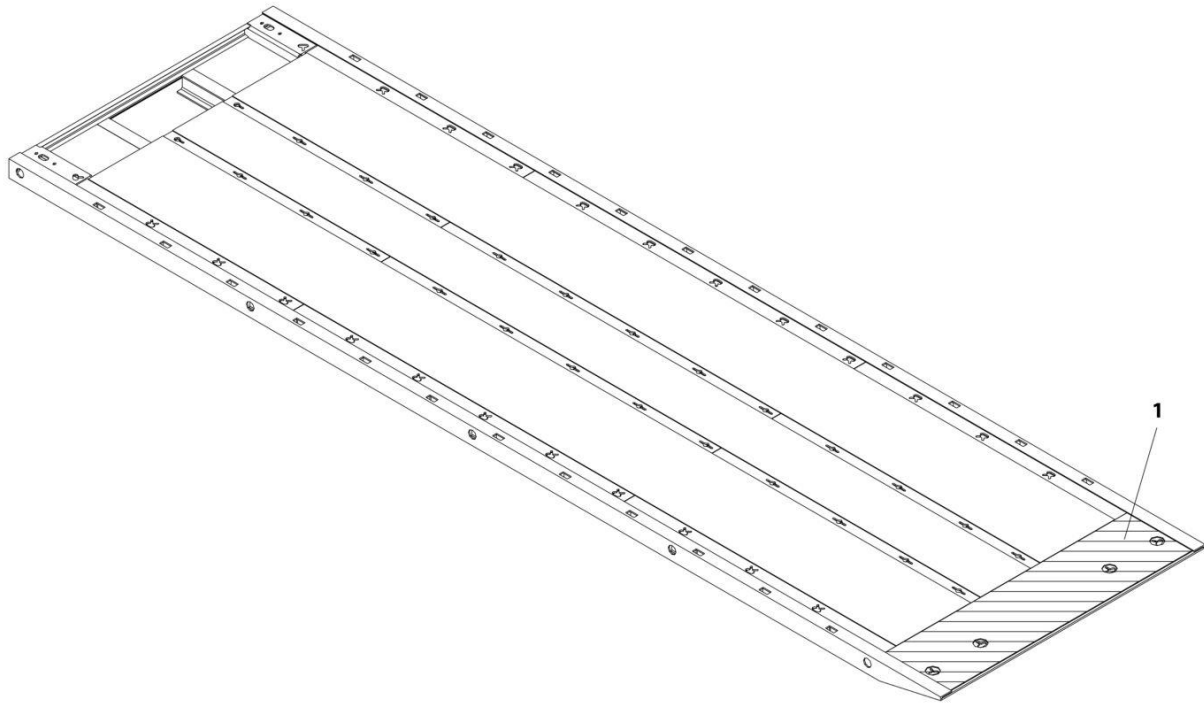
SECTION 3 - DECK

FIGURE 3-116. ANTI-SLIP PAINT INSTALLATION (STEEL DECK SIDES)

ITEM	PART NUMBER	QTY	DESCRIPTION	REV
1	1001228190	Ref	ANTI-SLIP PAINT INSTALLATION (STEEL DECK SIDES)	A
	1001219737	AR	Paint, Non-Skid Yellow (1GAL Can)	

SECTION 3 - DECK

FIGURE 3-117. ANTI-SLIP PAINT INSTALLATION (DECK APPROACH END)



ART_1001232775

SECTION 3 - DECK

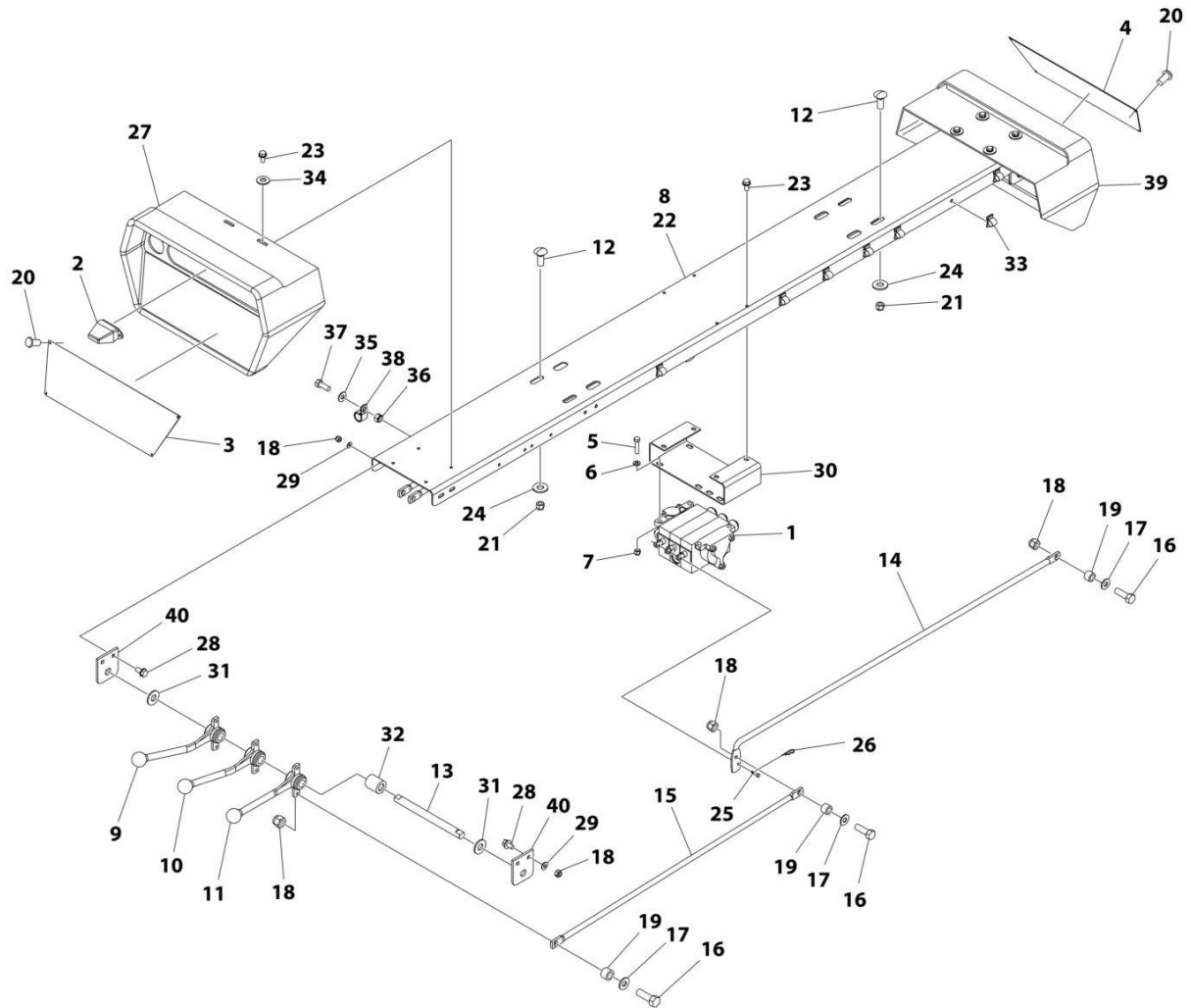
FIGURE 3-117. ANTI-SLIP PAINT INSTALLATION (DECK APPROACH END)

ITEM	PART NUMBER	QTY	DESCRIPTION	REV
1	1001232775	Ref	ANTI-SLIP PAINT INSTALLATION (DECK APPROACH END)	B
	1001219737	AR	Paint, Non-Skid Yellow (1GAL Can)	

SECTION 4 - CONTROLS

SECTION 4 - CONTROLS

FIGURE 4-1. 3 BANK VALVE CONTROLS INSTALLATION - NO/MANUAL TOW



ART_1001170378

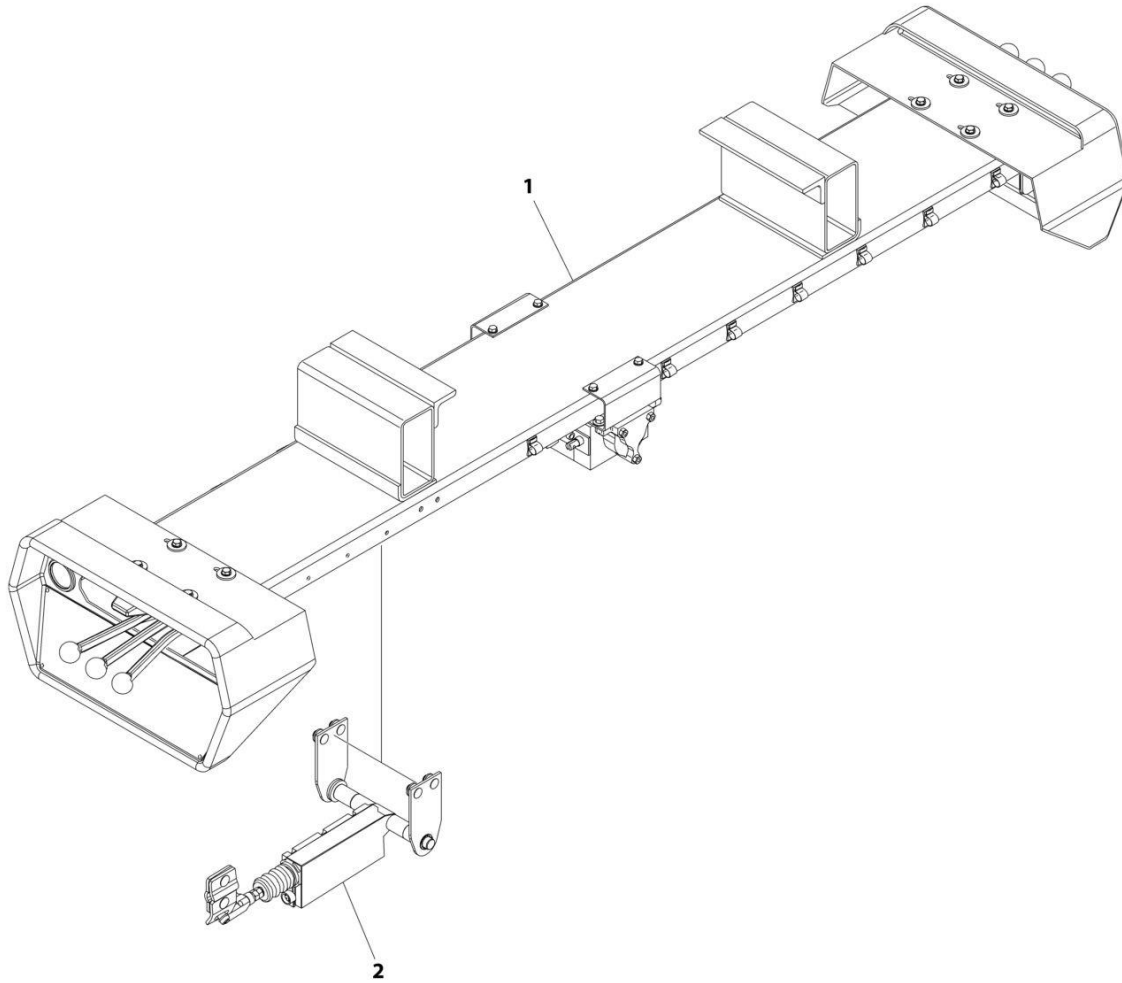
SECTION 4 - CONTROLS

FIGURE 4-1. 3 BANK VALVE CONTROLS INSTALLATION - NO/MANUAL TOW

ITEM	PART NUMBER	QTY	DESCRIPTION	REV
	1001170378	Ref	3 BANK CONTROLS INSTALLATION - NO/MAN TOW	A
1	3935000115	1	Valve Assembly (See Separate Breakdown in this Section)	
2	1001143764	2	Lamp	
3	7330000648	1	Decal, Control Panel, LH	
4	7330000649	1	Decal, Control Panel, RH	
5	7111161050	4	Capscrew 3/8 x 1-1/4	
6	7950160161	4	Washer 3/8	
7	7660162601	4	Nut 3/8	
8	1001170189	1	Channel	
9	7551000021	2	Control Handle	
10	7551000020	2	Control Handle	
11	7551000018	2	Control Handle	
12	7115181064	4	Bolt 1/2 x 1-1/4	
13	7691000064	2	Pin	
14	1001170187	3	Control Rod	
15	1001170188	3	Control Rod	
16	7115150850	9	Capscrew 5/16 x 1	
17	7949000011	9	Washer	
18	7660152601	17	Nut 5/16	
19	4831000069	9	Spacer	
20	7759000006	8	Rivet	
21	7660182601	4	Nut 1/2	
22	8632000012	AR	Trim Lock	
23	7790151253	12	Screw 5/16 x 3/4	
24	7950180161	4	Washer 1/2	
25	7690101200	3	Clevis Pin	
26	7691000056	3	Pin, Hairpin Cotter	
27	3560000010	1	Control Hood Assembly	
28	7115150664	8	Bolt 5/16 x 3/4	
29	7950150161	8	Washer 5/16	
30	1001135272	1	Channel	
31	7950220141	2	Washer 3/4	
32	4211000001	4	Bushing	
33	7280000007	11	Wire Clip	
34	7949000054	8	Washer	
35	7950140141	1	Washer 1/4	
36	7660142601	1	Nut 1/4	
37	7115140650	1	Capscrew 1/4 x 3/4	
38	7274000063	1	Clamp	
39	7560000007	1	Control Hood RH	
40	4606000217	4	Lug	

SECTION 4 - CONTROLS

FIGURE 4-2. 3 BANK VALVE CONTROLS INSTALLATION - NO/MANUAL TOW / REMOTE CONTROL



ART_1001170381

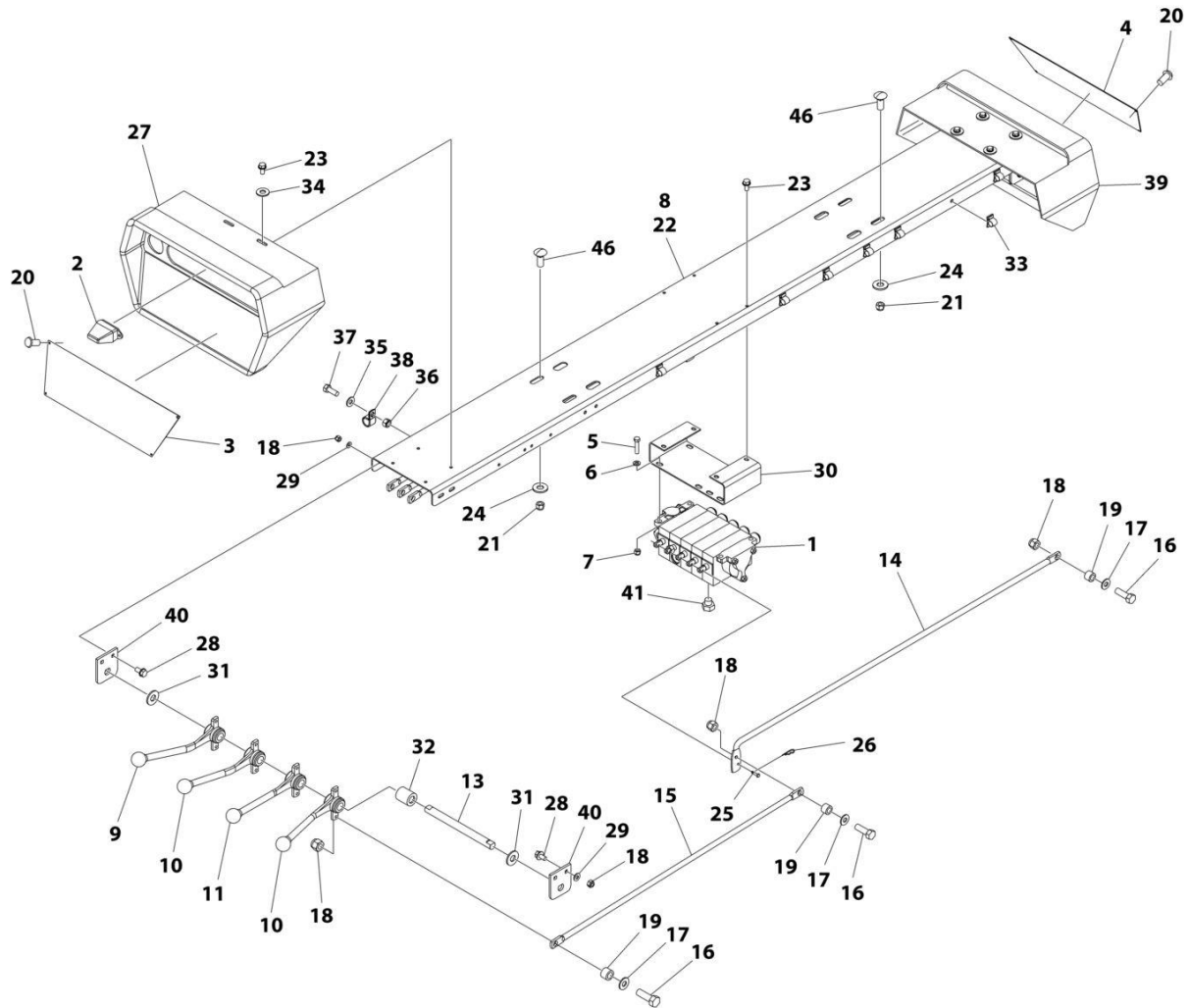
SECTION 4 - CONTROLS

FIGURE 4-2. 3 BANK VALVE CONTROLS INSTALLATION - NO/MANUAL TOW / REMOTE CONTROL

ITEM	PART NUMBER	QTY	DESCRIPTION	REV
1	1001170381	Ref	3 BANK CONTROLS INSTALLATION - REMOTE CONTROL	A
	1001170378	Ref	3 Bank Controls Installation (See Separate Breakdown in this Section)	
2	2577000017	1	Linear Actuator Mount Kit (See Separate Breakdown in this Section)	

SECTION 4 - CONTROLS

FIGURE 4-3. 4 BANK VALVE CONTROLS INSTALLATION - NO/MANUAL TOW / STABILIZERS



ART_1001170391

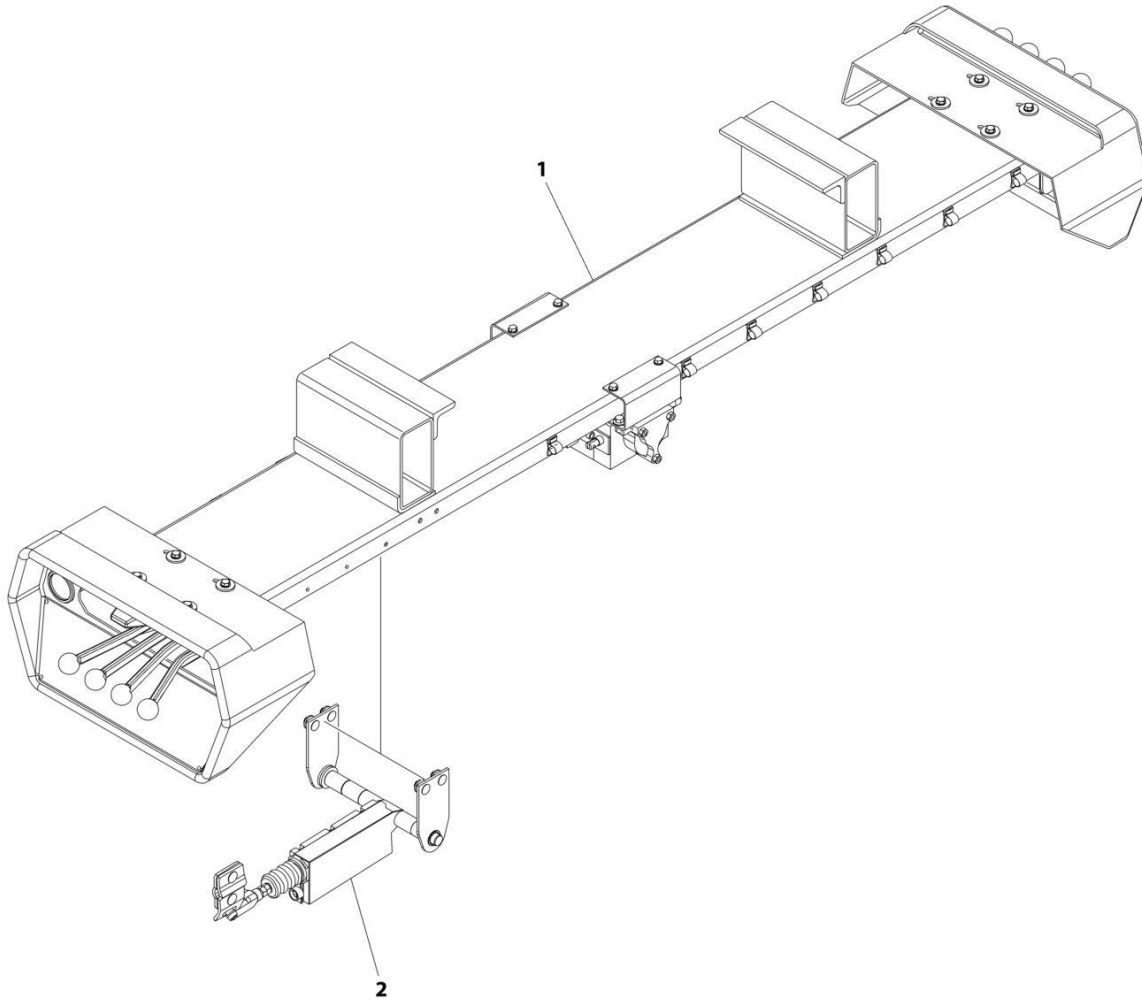
SECTION 4 - CONTROLS

FIGURE 4-3. 4 BANK VALVE CONTROLS INSTALLATION - NO/MANUAL TOW / STABILIZERS

ITEM	PART NUMBER	QTY	DESCRIPTION	REV
	1001170391	Ref	4 BANK CONTROLS INSTALLATION WITH STABILIZER	B
1	3935000117	1	Valve Assembly (See Separate Breakdown in this Section)	
2	1001143764	2	Lamp	
3	7330000650	1	Decal, Control Panel Stabilizer, LH	
4	7330000651	1	Decal, Control Panel Stabilizer, RH	
5	7111161050	4	Capscrew 3/8 x 1-1/4	
6	7950160161	4	Washer 3/8	
7	7660162601	4	Nut 3/8	
8	1001170189	1	Channel	
9	7551000021	2	Control Handle	
10	7551000020	4	Control Handle	
11	7551000018	2	Control Handle	
12	7115181064	4	Bolt 1/2 x 1/4	
13	7691000064	2	Pin	
14	1001170187	4	Control Rod	
15	1001170188	4	Control Rod	
16	7115150850	12	Capscrew 5/16 x 1	
17	7949000011	12	Washer	
18	7660152601	20	Nut 5/16	
19	4831000069	12	Spacer	
20	7759000006	8	Rivet	
21	7660182601	4	Nut 1/2	
22	8632000012	AR	Trim lock	
23	7790151253	12	Screw 5/16 x 3/4	
24	7950180161	4	Washer 1/2	
25	7690101200	4	Clevis Pin	
26	7691000056	1	Pin, Hairpin Cotter	
27	3560000010	1	Control Hood Assembly	
28	7115150664	8	Bolt 5/16 x 3/4	
29	7950150161	8	Washer 5/16	
30	1001135272	1	Channel	
31	7950220141	2	Washer 3/4	
32	4211000001	2	Bushing	
33	7280000007	11	Wire Clip	
34	7949000054	8	Washer	
35	7950140141	1	Washer 1/4	
36	7660142601	1	Nut 1/4	
37	7115140650	1	Capscrew 1/4 x 3/4	
38	7274000063	1	Clamp	
39	7560000007	1	Control Hood, RH	
40	4606000217	4	Lug	
41	7443000048	2	Fitting Plug	

SECTION 4 - CONTROLS

FIGURE 4-4. 4 BANK VALVE CONTROLS INSTALLATION - NO/MANUAL TOW / STABILIZERS / REMOTE CONTROL



ART_1001170392

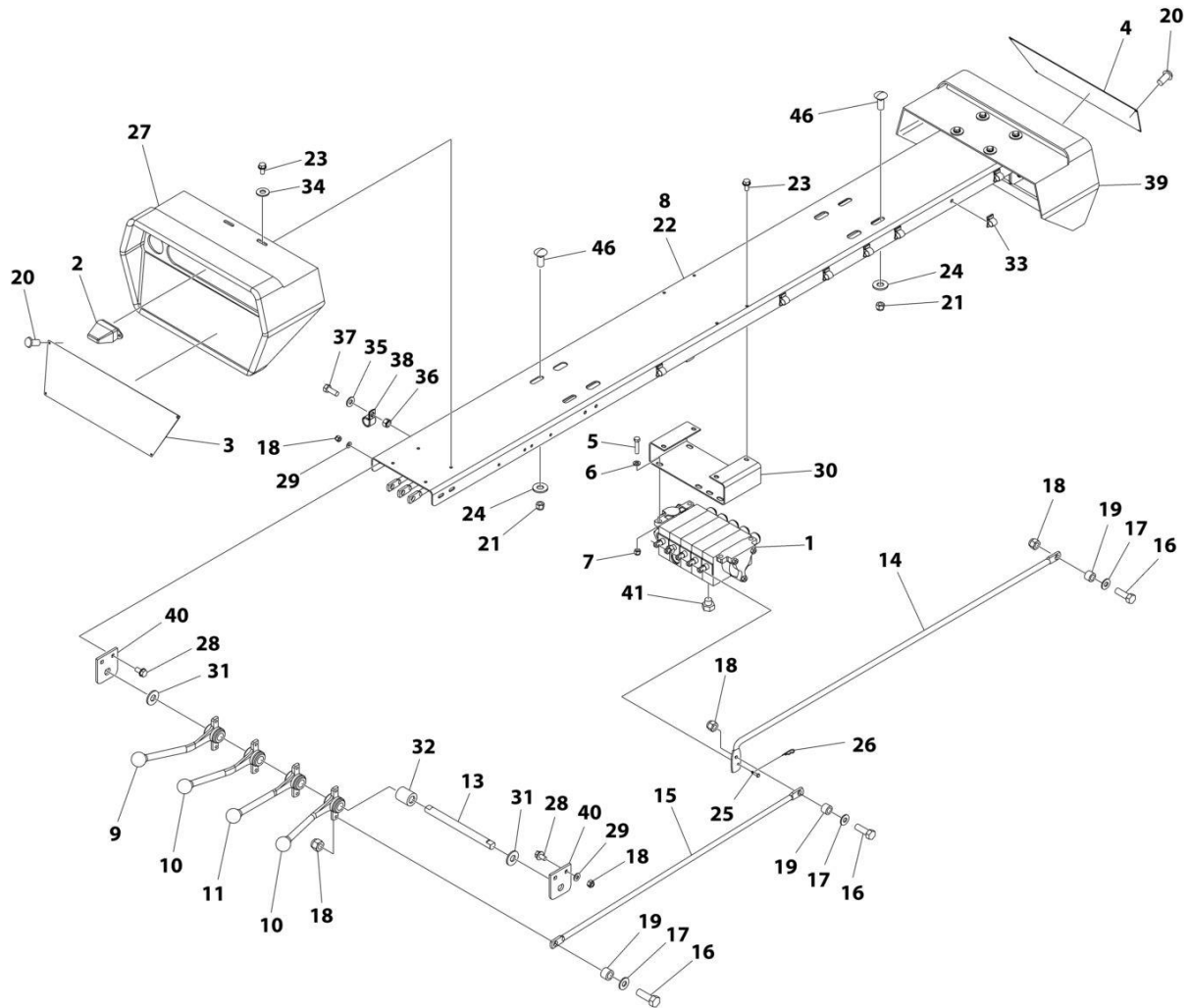
SECTION 4 - CONTROLS

FIGURE 4-4. 4 BANK VALVE CONTROLS INSTALLATION - NO/MANUAL TOW / STABILIZERS / REMOTE CONTROL

ITEM	PART NUMBER	QTY	DESCRIPTION	REV
	1001170392	Ref	4 BANK CONTROLS INSTALLATION WITH STABILIZER - REMOTE CONTROL	A
1	1001170391	Ref	4 Bank Controls Installation (See Separate Breakdown in this Section)	
2	2577000017	1	Linear Actuator Mount Kit (See Separate Breakdown in this Section)	

SECTION 4 - CONTROLS

FIGURE 4-5. 4 BANK VALVE CONTROLS INSTALLATION - HYDRAULIC TOW



ART_1001170390

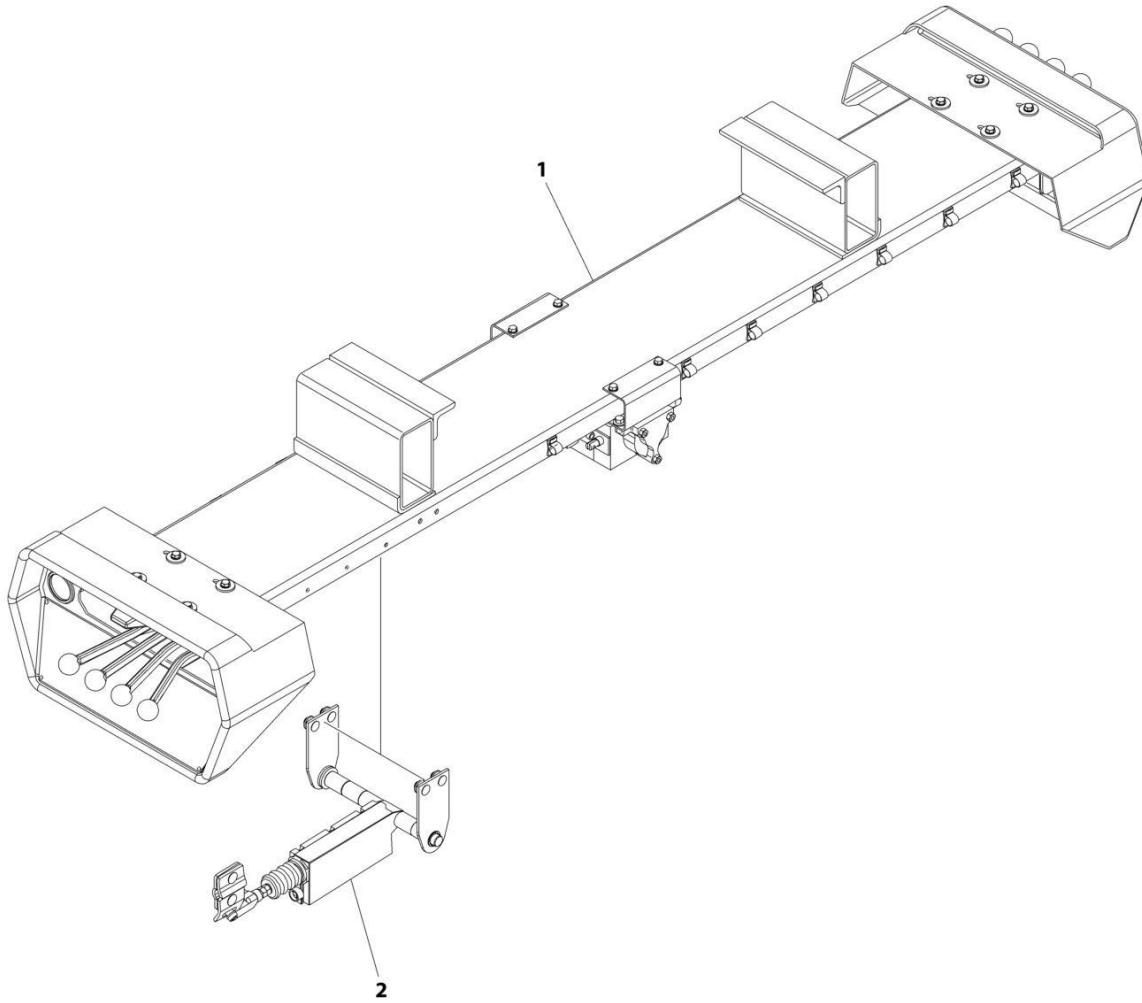
SECTION 4 - CONTROLS

FIGURE 4-5. 4 BANK VALVE CONTROLS INSTALLATION - HYDRAULIC TOW

ITEM	PART NUMBER	QTY	DESCRIPTION	REV
	1001170390	Ref	4 BANK CONTROLS INSTALLATION WITH HITCH	B
1	3935000117	1	Valve Assembly (See Separate Breakdown in this Section)	
2	1001143764	2	Lamp	
3	7330000648	1	Decal Control Panel, LH	
4	7330000649	1	Decal Control Panel, RH	
5	7111161050	4	Capscrew 3/8 x 1-1/4	
6	7950160161	4	Washer 3/8	
7	7660162601	4	Nut 3/8	
8	1001170189	1	Channel	
9	7551000021	2	Control Handle	
10	7551000020	4	Control Handle	
11	7551000018	2	Control Handle	
12	7115181064	4	Bolt 1/2 x 1/4	
13	7691000064	2	Pin	
14	1001170187	4	Control Rod	
15	1001170188	4	Control Rod	
16	7115150850	12	Capscrew 5/16 x 1	
17	7949000011	12	Washer	
18	7660152601	20	Nut 5/16	
19	4831000069	12	Spacer	
20	7759000006	8	Rivet	
21	7660182601	4	Nut 1/2	
22	8632000012	AR	Trim lock	
23	7790151253	12	Screw 5/16 x 3/4	
24	7950180161	4	Washer 1/2	
25	7690101200	4	Clevis Pin	
26	7691000056	4	Pin, Hairpin Cotter	
27	3560000010	1	Control Hood Assembly	
28	7115150664	8	Bolt 5/16 x 3/4	
29	7950150161	8	Washer 5/16	
30	1001135272	1	Channel	
31	7950220141	2	Washer 3/4	
32	4211000001	2	Bushing	
33	7280000007	11	Wire Clip	
34	7949000054	8	Washer	
35	7950140141	1	Washer 1/4	
36	7660142601	1	Nut 1/4	
37	7115140650	1	Capscrew 1/4 x 3/4	
38	7274000063	1	Clamp	
39	7560000007	1	Control Hood, RH	
40	4606000217	4	Lug	
41	7443000048	2	Fitting Plug	

SECTION 4 - CONTROLS

FIGURE 4-6. 4 BANK VALVE CONTROLS INSTALLATION - HYDRAULIC TOW / REMOTE CONTROL



ART_1001170385

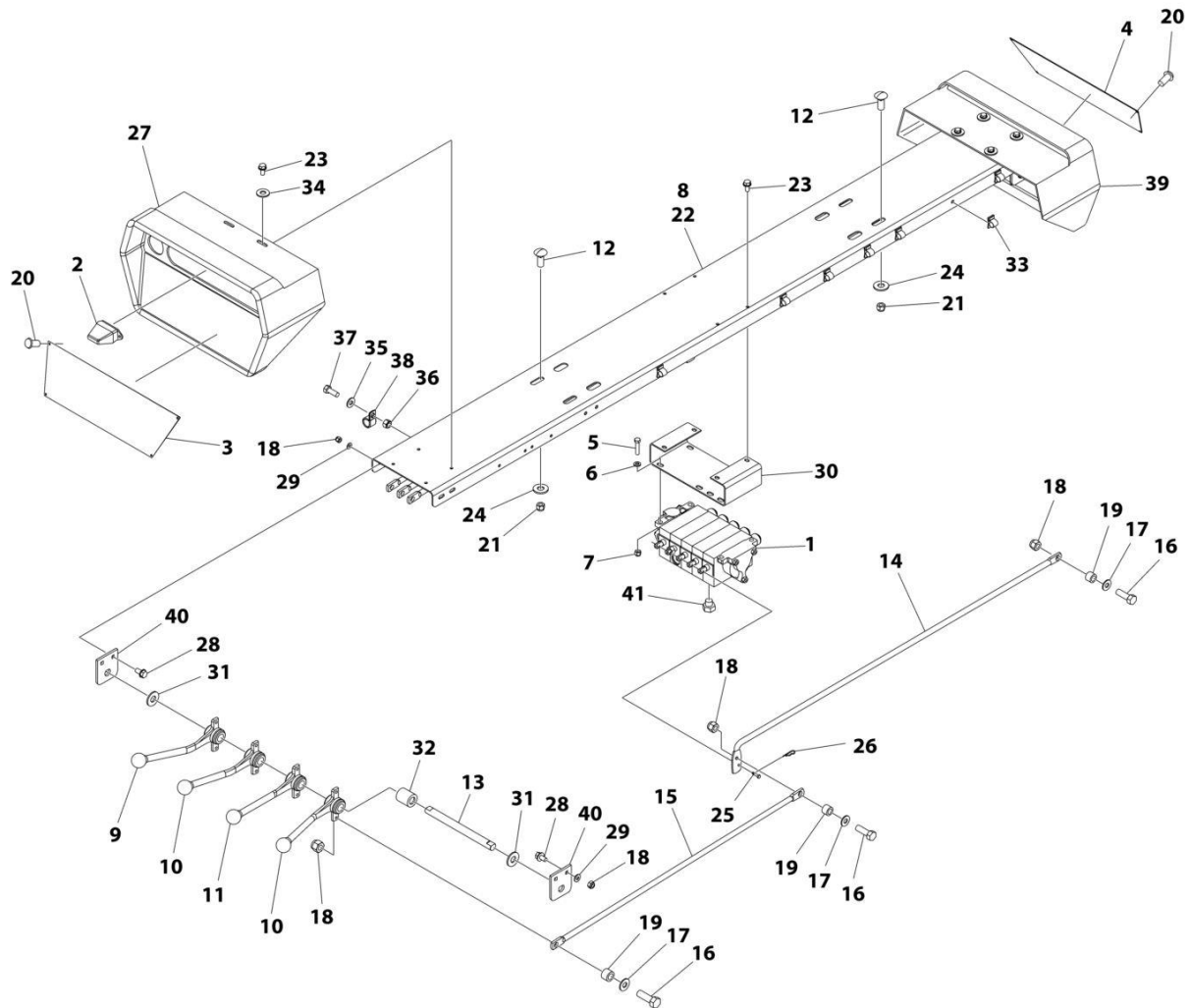
SECTION 4 - CONTROLS

FIGURE 4-6. 4 BANK VALVE CONTROLS INSTALLATION - HYDRAULIC TOW / REMOTE CONTROL

ITEM	PART NUMBER	QTY	DESCRIPTION	REV
	1001170385	Ref	4 BANK CONTROLS INSTALLATION WITH HITCH - REMOTE CONTROL	A
1	1001170390	Ref	4 Bank Controls Installation (See Separate Breakdown in this Section)	
2	2577000017	1	Linear Actuator Mount Kit (See Separate Breakdown in this Section)	

SECTION 4 - CONTROLS

FIGURE 4-7. 4 BANK VALVE CONTROLS INSTALLATION - HYDRAULIC TOW / MOTOR SPOOL WINCH



ART_1001170423

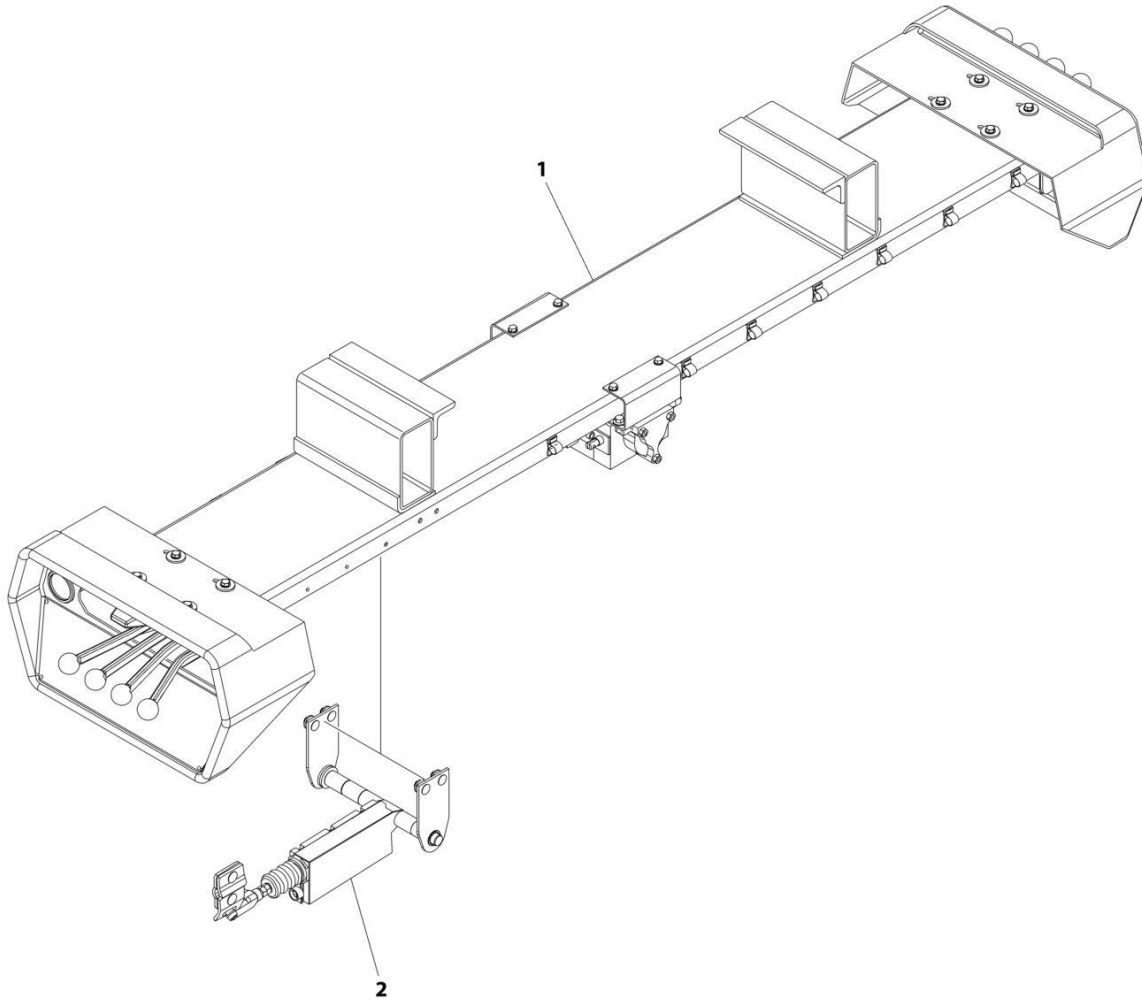
SECTION 4 - CONTROLS

FIGURE 4-7. 4 BANK VALVE CONTROLS INSTALLATION - HYDRAULIC TOW / MOTOR SPOOL WINCH

ITEM	PART NUMBER	QTY	DESCRIPTION	REV
	1001170423	Ref	4 BANK CONTROLS INSTALLATION - HYDRAULIC TOW, WINCH MOTOR SPOOL	B
1	1001146603	1	Valve Assembly (See Separate Breakdown in this Section)	
2	1001143764	2	Lamp	
3	7330000650	1	Decal Control Panel, LH	
4	7330000651	1	Decal Control Panel, RH	
5	7111161050	4	Capscrew 3/8 x 1-1/4	
6	7950160161	4	Washer 3/8	
7	7660162601	4	Nut 3/8	
8	1001170189	1	Channel	
9	7551000021	2	Control Handle	
10	7551000020	4	Control Handle	
11	7551000018	2	Control Handle	
12	7115181064	4	Bolt 1/2 x 1/4	
13	7691000064	2	Pin	
14	1001170187	4	Control Rod	
15	1001170188	4	Control Rod	
16	7115150850	12	Capscrew 5/16 x 1	
17	7949000011	12	Washer	
18	7660152601	20	Nut 5/16	
19	4831000069	12	Spacer	
20	7759000006	8	Rivet	
21	7660182601	4	Nut 1/2	
22	8632000012	AR	Trim lock	
23	7790151253	12	Screw 5/16 x 3/4	
24	7950180161	4	Washer 1/2	
25	7690101200	4	Clevis Pin	
26	7691000056	4	Pin, Hairpin Cotter	
27	3560000010	1	Control Hood Assembly	
28	7115150664	8	Bolt 5/16 x 3/4	
29	7950150161	8	Washer 5/16	
30	1001135272	1	Channel	
31	7950220141	2	Washer 3/4	
32	4211000001	2	Bushing	
33	7280000007	11	Wire Clip	
34	7949000054	8	Washer	
35	7950140141	1	Washer 1/4	
36	7660142601	1	Nut 1/4	
37	7115140650	1	Capscrew 1/4 x 3/4	
38	7274000063	1	Clamp	
39	7560000007	1	Control Hood, RH	
40	4606000217	4	Lug	
41	7443000048	2	Fitting Plug	

SECTION 4 - CONTROLS

FIGURE 4-8. 4 BANK VALVE CONTROLS INSTALLATION - HYDRAULIC TOW / MOTOR SPOOL WINCH / RADIO REMOTE



ART_1001170424

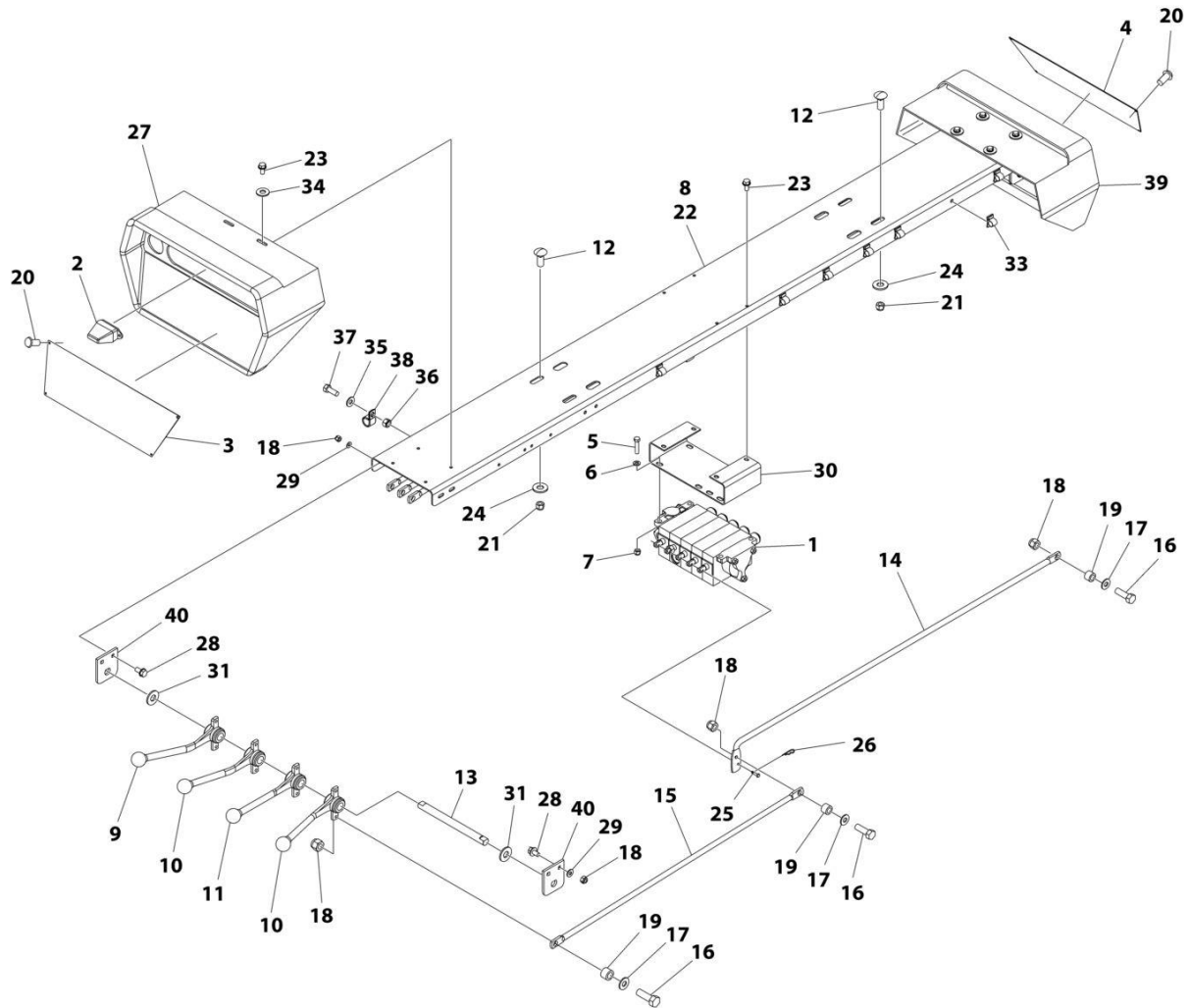
SECTION 4 - CONTROLS

FIGURE 4-8. 4 BANK VALVE CONTROLS INSTALLATION - HYDRAULIC TOW / MOTOR SPOOL WINCH / RADIO REMOTE

ITEM	PART NUMBER	QTY	DESCRIPTION	REV
	1001170424	Ref	4 BANK CONTROLS INSTALLATION - WINCH MOTOR SPOOL, RADIO REMOTE	A
1	1001170423	Ref	4 Bank Controls Installation (See Separate Breakdown in this Section)	
2	2577000017	1	Linear Actuator Mount Kit (See Separate Breakdown in this Section)	

SECTION 4 - CONTROLS

FIGURE 4-9. 5 BANK VALVE CONTROLS INSTALLATION - HYDRAULIC TOW / STABILIZER



ART_1001170401

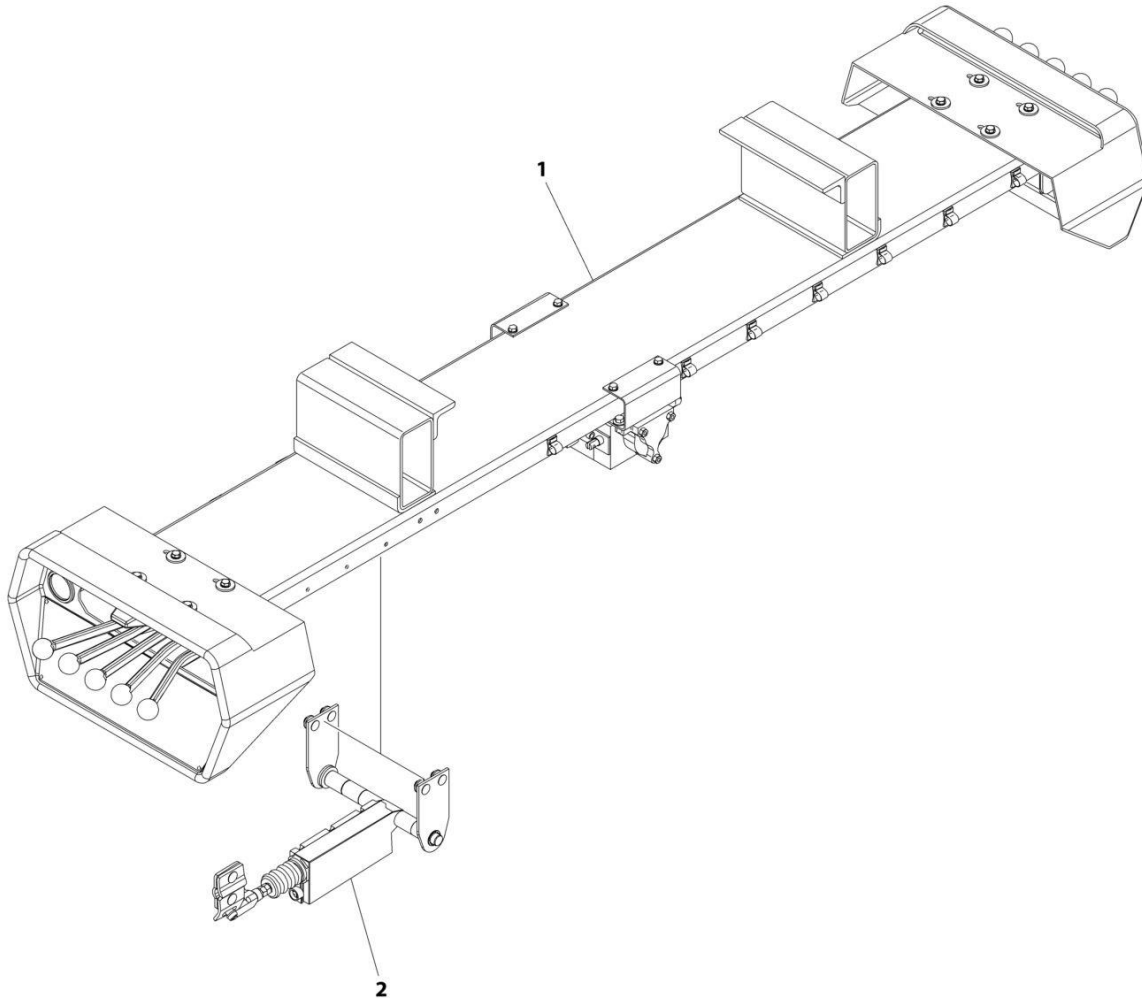
SECTION 4 - CONTROLS

FIGURE 4-9. 5 BANK VALVE CONTROLS INSTALLATION - HYDRAULIC TOW / STABILIZER

ITEM	PART NUMBER	QTY	DESCRIPTION	REV
	1001170401	Ref	5 BANK CONTROLS INSTALLATION WITH STABILIZER - EXTEND	A
1	3935000117	1	Valve Assembly (See Separate Breakdown in this Section)	
2	1001143764	2	Lamp	
3	7330000650	1	Decal Control Panel Stabilizer, LH	
4	7330000651	1	Decal Control Panel Stabilizer, RH	
5	7111161050	4	Capscrew 3/8 x 1-1/4	
6	7950160161	4	Washer 3/8	
7	7660162601	4	Nut 3/8	
8	1001170189	1	Channel	
9	7551000021	4	Control Handle	
10	7551000020	4	Control Handle	
11	7551000018	2	Control Handle	
12	7115181064	4	Bolt 1/2 x 1/4	
13	7691000064	2	Pin	
14	1001170187	5	Control Rod	
15	1001170188	5	Control Rod	
16	7115150850	15	Capscrew 5/16 x 1	
17	7949000011	15	Washer	
18	7660152601	23	Nut 5/16	
19	4831000069	15	Spacer	
20	7759000006	8	Rivet	
21	7660182601	4	Nut 1/2	
22	8632000012	AR	Trim lock	
23	7790151253	12	Screw 5/16 x 3/4	
24	7950180161	4	Washer 1/2	
25	7690101200	5	Clevis Pin	
26	7691000056	5	Pin, Hairpin Cotter	
27	3560000010	1	Control Hood Assembly	
28	7115150664	8	Bolt 5/16 x 3/4	
29	7950150161	8	Washer 5/16	
30	1001135272	1	Channel	
31	7950220141	2	Washer 3/4	
33	7280000007	11	Wire Clip	
34	7949000054	8	Washer	
35	7950140141	1	Washer 1/4	
36	7660142601	1	Nut 1/4	
37	7115140650	1	Capscrew 1/4 x 3/4	
38	7274000063	1	Clamp	
39	7560000007	1	Control Hood, RH	
40	4606000217	4	Lug	

SECTION 4 - CONTROLS

FIGURE 4-10. 5 BANK VALVE CONTROLS INSTALLATION - HYDRAULIC TOW / STABILIZER / REMOTE CONTROL



ART_1001170402

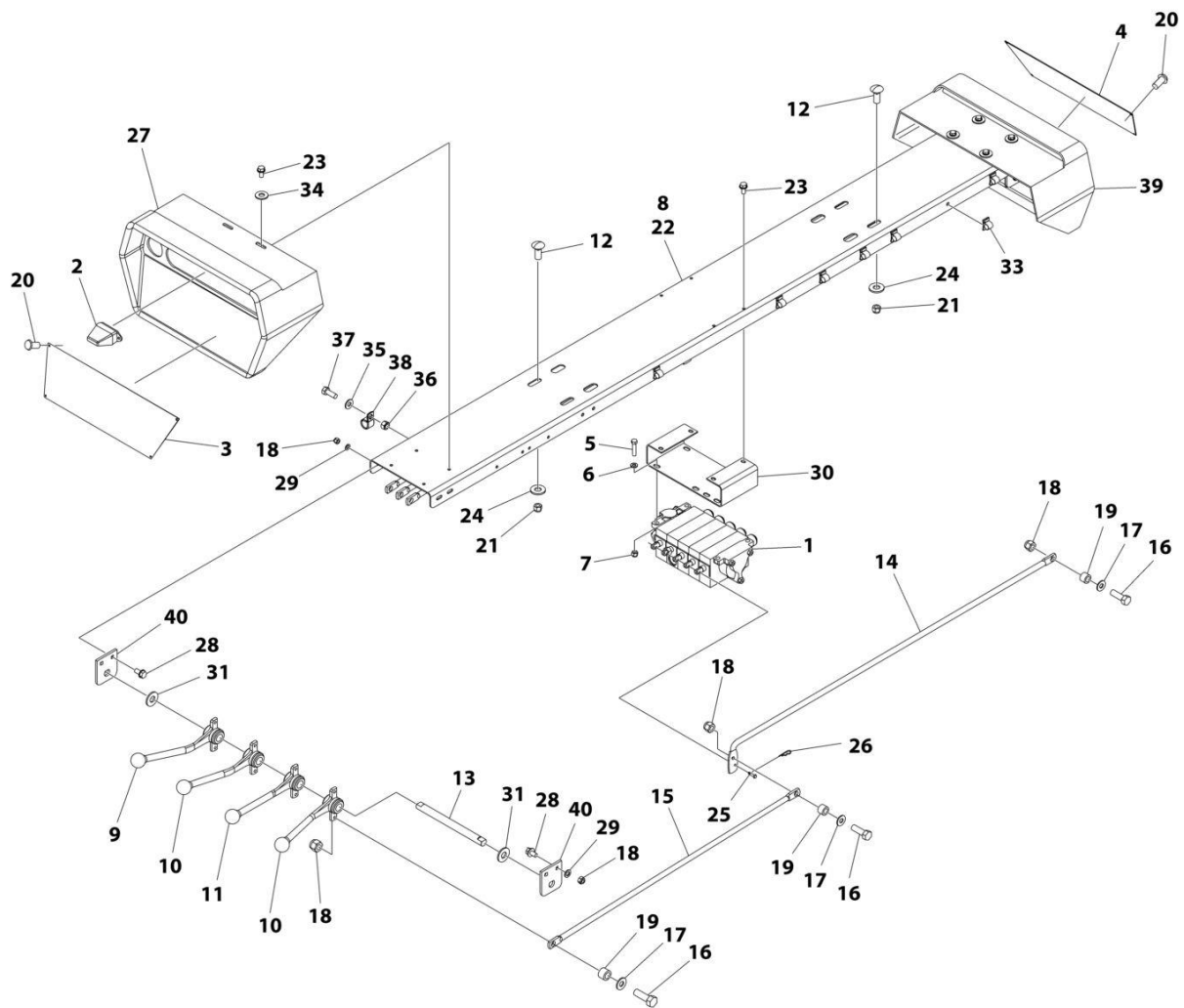
SECTION 4 - CONTROLS

FIGURE 4-10. 5 BANK VALVE CONTROLS INSTALLATION - HYDRAULIC TOW / STABILIZER / REMOTE CONTROL

ITEM	PART NUMBER	QTY	DESCRIPTION	REV
	1001170402	Ref	5 BANK CONTROLS INSTALLATION WITH STABILIZER - REMOTE CONTROL	A
1	1001170401	1	5 Bank Controls Installation (See Separate Breakdown in this Section)	
2	2577000017	1	Linear Actuator Mount Kit (See Separate Breakdown in this Section)	

SECTION 4 - CONTROLS

FIGURE 4-11. 5 BANK VALVE CONTROLS INSTALLATION - HYDRAULIC TOW / IRL



ART_1001170393

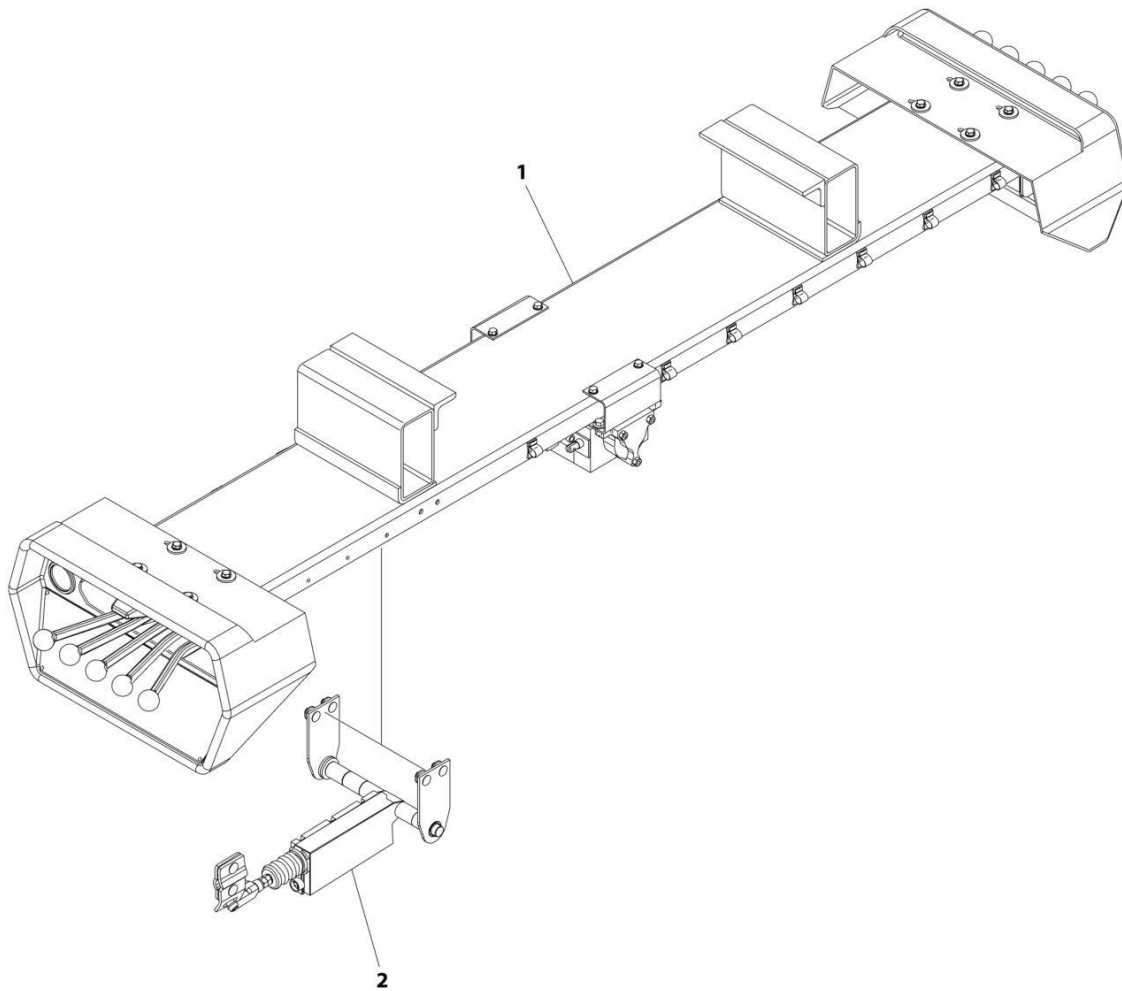
SECTION 4 - CONTROLS

FIGURE 4-11. 5 BANK VALVE CONTROLS INSTALLATION - HYDRAULIC TOW / IRL

ITEM	PART NUMBER	QTY	DESCRIPTION	REV
	1001170393	Ref	5 BANK CONTROLS INSTALLATION - IRL	A
1	3935000117	1	Valve Assembly (See Separate Breakdown in this Section)	
2	1001143764	2	Lamp	
3	7330000648	1	Decal Control Panel, LH	
4	7330000649	1	Decal Control Panel, RH	
5	7111161050	4	Capscrew 3/8 x 1-1/4	
6	7950160161	4	Washer 3/8	
7	7660162601	4	Nut 3/8	
8	1001170189	1	Channel	
9	7551000021	4	Control Handle	
10	7551000020	4	Control Handle	
11	7551000018	2	Control Handle	
12	7115181064	4	Bolt 1/2 x 1-1/4	
13	7691000064	2	Pin	
14	1001170187	5	Control Rod	
15	1001170188	5	Control Rod	
16	7115150850	15	Capscrew 5/16 x 1	
17	7949000011	15	Washer	
18	7660152601	23	Nut 5/16	
19	4831000069	15	Sapcer	
20	7759000006	8	Rivet	
21	7660182601	4	Nut 1/2	
22	8632000012	AR	Trim Lock	
23	7790151253	12	Screw 5/16 x 3/4	
24	7950180161	4	Washer 1/2	
25	7690101200	5	Clevis Pin	
26	7691000056	5	Pin, Hairpin Cotter	
27	3560000010	1	Control Hood Assembly	
28	7115150664	8	Bolt 5/16 x 3/4	
29	7950150000	8	Washer 5/16	
30	1001135272	1	Channel	
31	7950220141	2	Washer 3/4	
33	7280000007	11	Wire Clip	
34	7949000054	8	Washer	
35	7950140141	1	Washer 1/4	
36	7660142601	1	Nut 1/4	
37	7115140650	1	Capscrew 1/4 x 3/4	
38	7274000063	1	Clamp	
39	7560000007	1	Control Hood, RH	
40	4606000217	4	Lug	

SECTION 4 - CONTROLS

FIGURE 4-12. 5 BANK VALVE CONTROLS INSTALLATION - HYDRAULIC TOW / IRL / REMOTE CONTROL



ART_1001170397

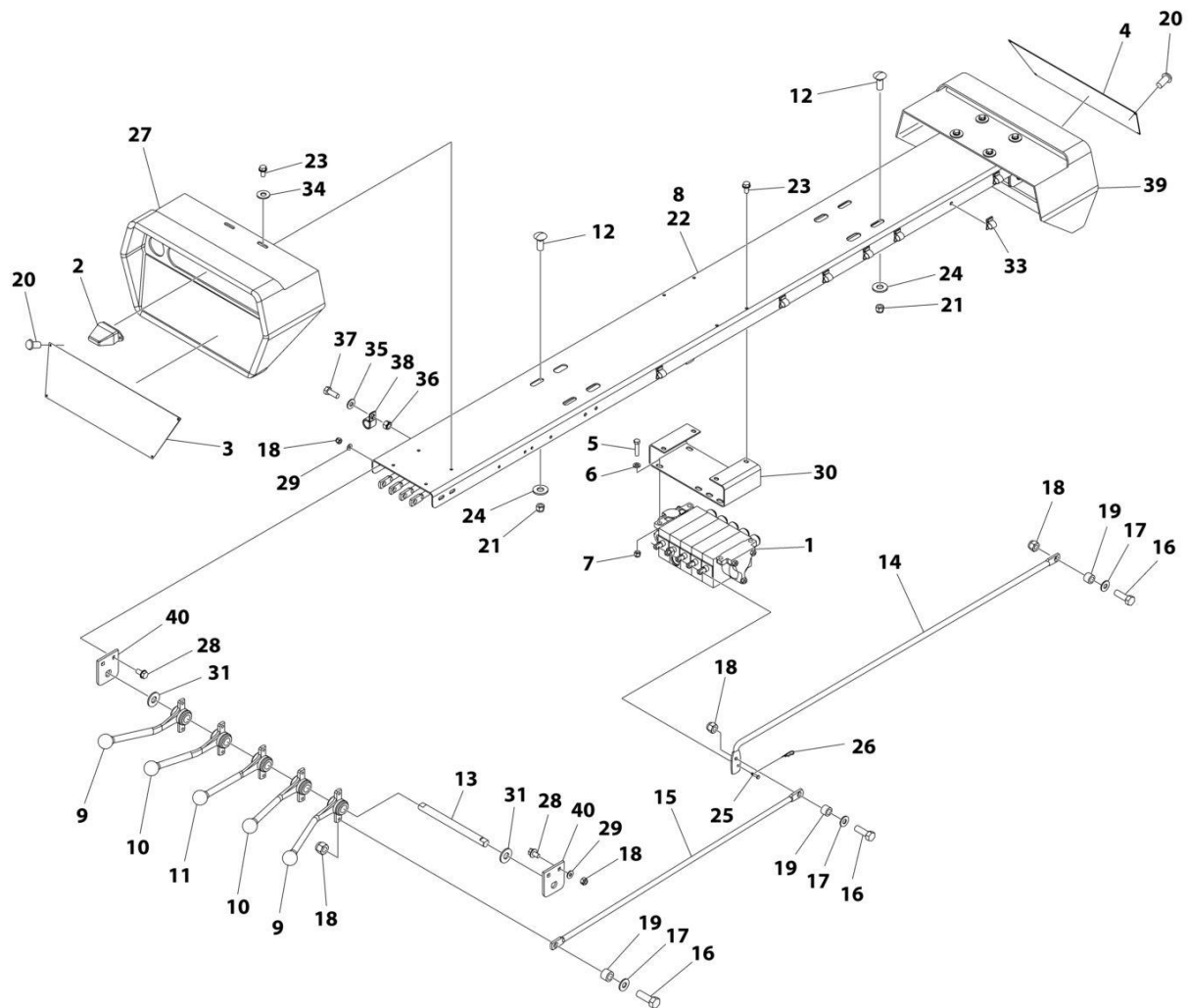
SECTION 4 - CONTROLS

FIGURE 4-12. 5 BANK VALVE CONTROLS INSTALLATION - HYDRAULIC TOW / IRL / REMOTE CONTROL

ITEM	PART NUMBER	QTY	DESCRIPTION	REV
	1001170397	Ref	5 BANK CONTROLS INSTALLATION - WINCH MOTOR SPOOL, RADIO REMOTE	A
1	1001170393	Ref	5 Bank Controls Installation (See Separate Breakdown in this Section)	
2	2577000017	1	Linear Actuator Mount Kit (See Separate Breakdown in this Section)	

SECTION 4 - CONTROLS

FIGURE 4-13. 5 BANK VALVE CONTROLS INSTALLATION - HYDRAULIC TOW/IRL / MOTOR SPOOL WINCH



ART_1001170399

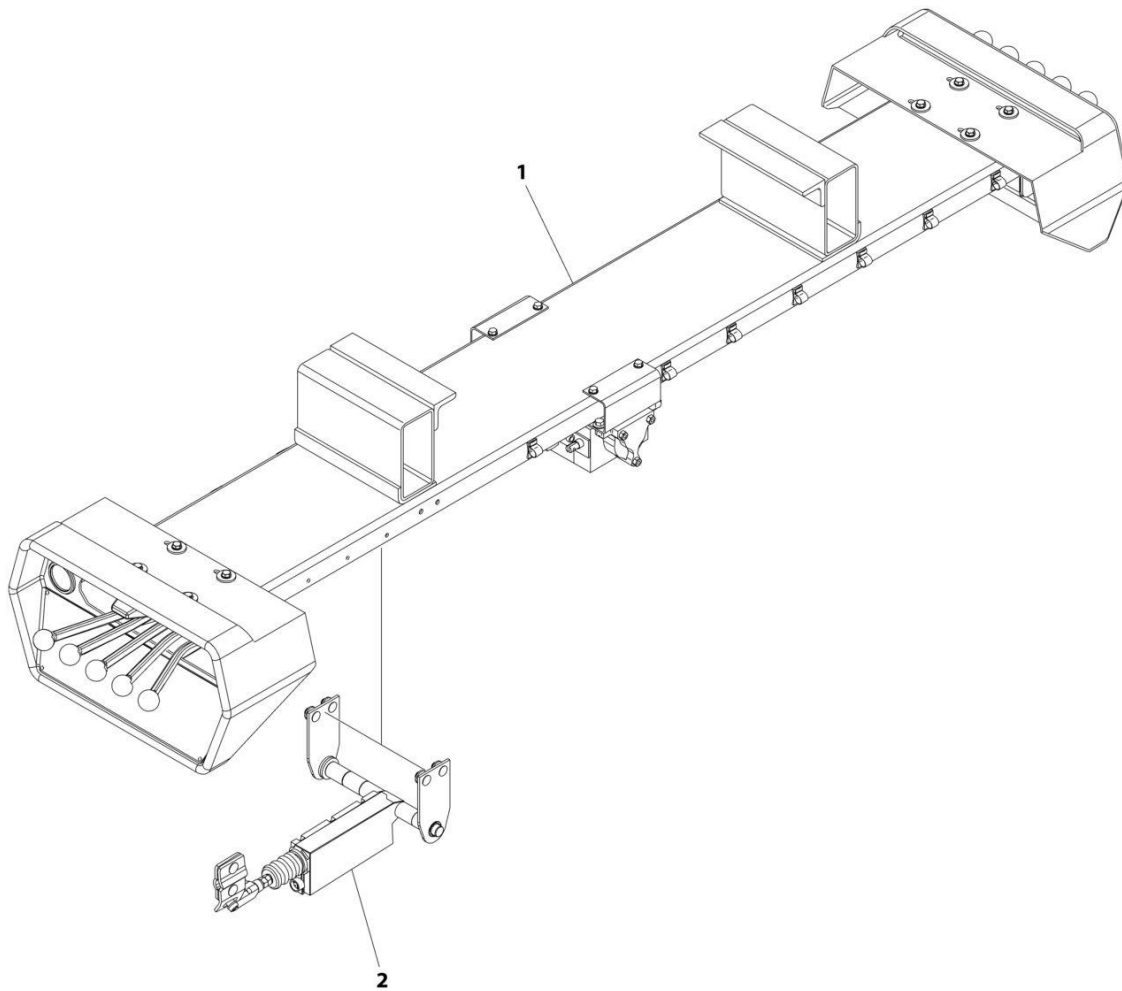
SECTION 4 - CONTROLS

FIGURE 4-13. 5 BANK VALVE CONTROLS INSTALLATION - HYDRAULIC TOW / IRL / MOTOR SPOOL WINCH

ITEM	PART NUMBER	QTY	DESCRIPTION	REV
	1001170399	Ref	5 BANK CONTROLS INSTALLATION - HYDRAULIC TOW, IRL, WINCH MOTOR SPOOL	A
1	1001146603	1	Valve Assembly (See Separate Breakdown in this Section)	
2	1001143764	2	Lamp	
3	7330000648	1	Decal Control Panel, LH	
4	7330000649	1	Decal Control Panel, RH	
5	7111161050	4	Capscrew 3/8 x 1-1/4	
6	7950160161	4	Washer 3/8	
7	7660162601	4	Nut 3/8	
8	1001170189	1	Channel	
9	7551000021	4	Control Handle	
10	7551000020	4	Control Handle	
11	7551000018	2	Control Handle	
12	7115181064	4	Bolt 1/2 x 1-1/4	
13	7691000064	2	Pin	
14	1001170187	5	Control Rod	
15	1001170188	5	Control Rod	
16	7115150850	15	Capscrew 5/16 x 1	
17	7949000011	15	Washer	
18	7660152601	23	Nut 5/16	
19	4831000069	15	Sapcer	
20	7759000006	8	Rivet	
21	7660182601	4	Nut 1/2	
22	8632000012	AR	Trim Lock	
23	7790151253	12	Screw 5/16 x 3/4	
24	7950180161	4	Washer 1/2	
25	7690101200	5	Clevis Pin	
26	7691000056	5	Pin, Hairpin Cotter	
27	3560000010	1	Control Hood Assembly	
28	7115150664	8	Bolt 5/16 x 3/4	
29	7950150161	8	Washer 5/16	
30	1001135272	1	Channel	
31	7950220141	2	Washer 3/4	
33	7280000007	11	Wire Clip	
34	7949000054	8	Washer	
35	7950140141	1	Washer 1/4	
36	7660142601	1	Nut 1/4	
37	7115140650	1	Capscrew 1/4 x 3/4	
38	7274000063	1	Clamp	
39	7560000007	1	Control Hood, RH	
40	4606000217	4	Lug	

SECTION 4 - CONTROLS

FIGURE 4-14. 5 BANK VALVE CONTROLS INSTALLATION - HYDRAULIC TOW/IRL/ MOTOR SPOOL WINCH/ REMOTE CONTROL



ART_1001170400

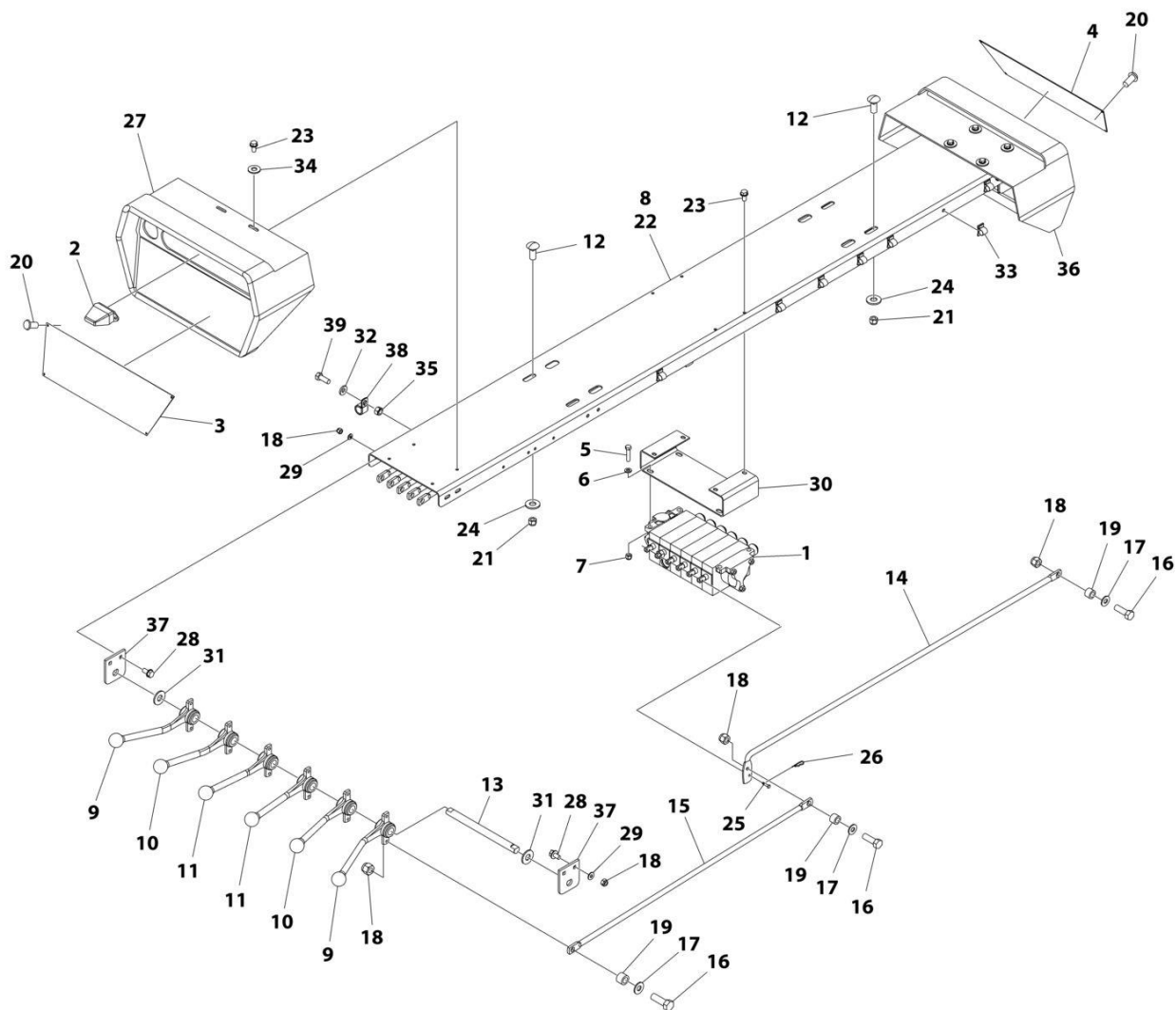
SECTION 4 - CONTROLS

FIGURE 4-14. 5 BANK VALVE CONTROLS INSTALLATION - HYDRAULIC TOW / IRL / MOTOR SPOOL WINCH / REMOTE CONTROL

ITEM	PART NUMBER	QTY	DESCRIPTION	REV
1	1001170400	Ref	5 BANK CONTROLS INSTALLATION - IRL, RADIO REMOTE	A
	1001170399	1	5 Bank Controls Installation (See Separate Breakdown in this Section)	
2	2577000017	1	Linear Actuator Mount Kit (See Separate Breakdown in this Section)	

SECTION 4 - CONTROLS

FIGURE 4-15. 6 BANK VALVE CONTROLS INSTALLATION - HYDRAULIC TOW / IRL / ZO6



ART_1001170404

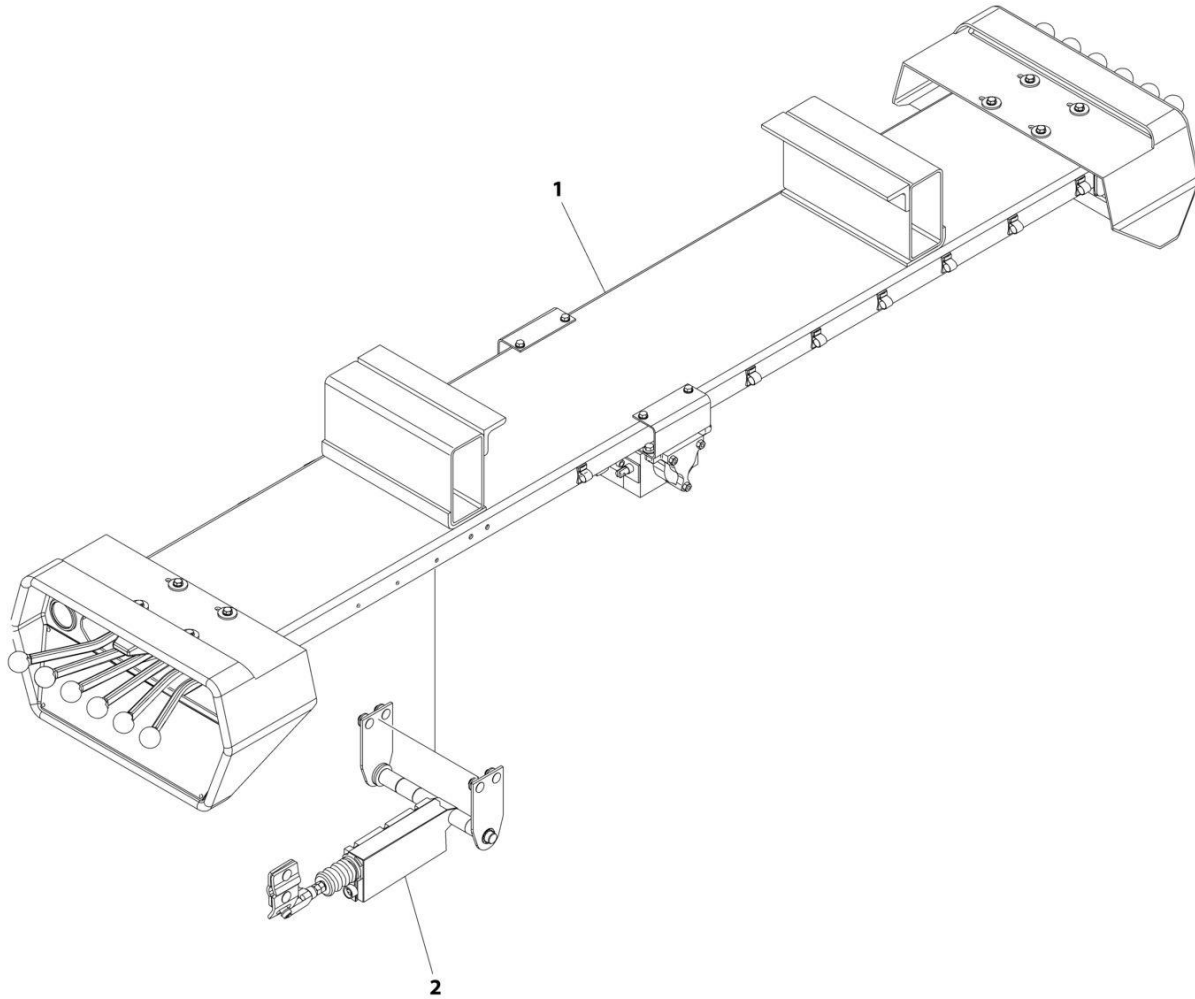
SECTION 4 - CONTROLS

FIGURE 4-15. 6 BANK VALVE CONTROLS INSTALLATION - HYDRAULIC TOW / IRL / ZO6

ITEM	PART NUMBER	QTY	DESCRIPTION	REV
	1001170404	Ref	6 BANK CONTROLS INSTALLATION - IRL, HYDRAULIC GRID, ZOD	A
1	3935000118	1	Valve Assembly (See Separate Breakdown in this Section)	
2	1001143764	2	Lamp	
3	7330000652	1	Decal Control Panel, LH	
4	7330000653	1	Decal Control Panel, RH	
5	7111161050	4	Capscrew 3/8 x 1-1/4	
6	7950160161	4	Washer 3/8	
7	7660162601	4	Nut 3/8	
8	1001170191	1	Channel	
9	7551000021	4	Control Handle	
10	7551000020	4	Control Handle	
11	7551000019	4	Control Handle	
12	7115181064	4	Bolt 1/2 x 1-1/4	
13	7691000065	2	Pin	
14	1001170187	6	Control Rod	
15	1001170188	6	Control Rod	
16	7115150850	18	Capscrew 5/16 x 1	
17	7949000011	18	Washer	
18	7660152601	26	Nut 5/16	
19	4831000069	18	Sapcer	
20	7759000006	8	Rivet	
21	7660182601	4	Nut 1/2	
22	8632000012	AR	Trim Lock	
23	7790151253	12	Screw 5/16 x 3/4	
24	7950180161	4	Washer 1/2	
25	7690101200	6	Clevis Pin	
26	7691000056	6	Pin, Hairpin Cotter	
27	3560000010	1	Control Hood Assembly	
28	7115150664	8	Bolt 5/16 x 3/4	
29	7950150161	8	Washer 5/16	
30	1001135329	1	Channel	
31	7950220141	2	Washer 3/4	
32	7950140141	1	Washer 1/4	
33	7280000007	11	Wire Clip	
34	7949000054	8	Washer	
35	7660142601	1	Nut 1/4	
36	7560000007	1	Control Hood, RH	
37	4606000217	4	Lug	
38	7274000063	1	Clamp	
39	7115140650	1	Capscrew 1/4 x 3/4	

SECTION 4 - CONTROLS

FIGURE 4-16. 6 BANK VALVE CONTROLS INSTALLATION - HYDRAULIC TOW / IRL / ZOD / RADIO REMOTE



ART_1001170414

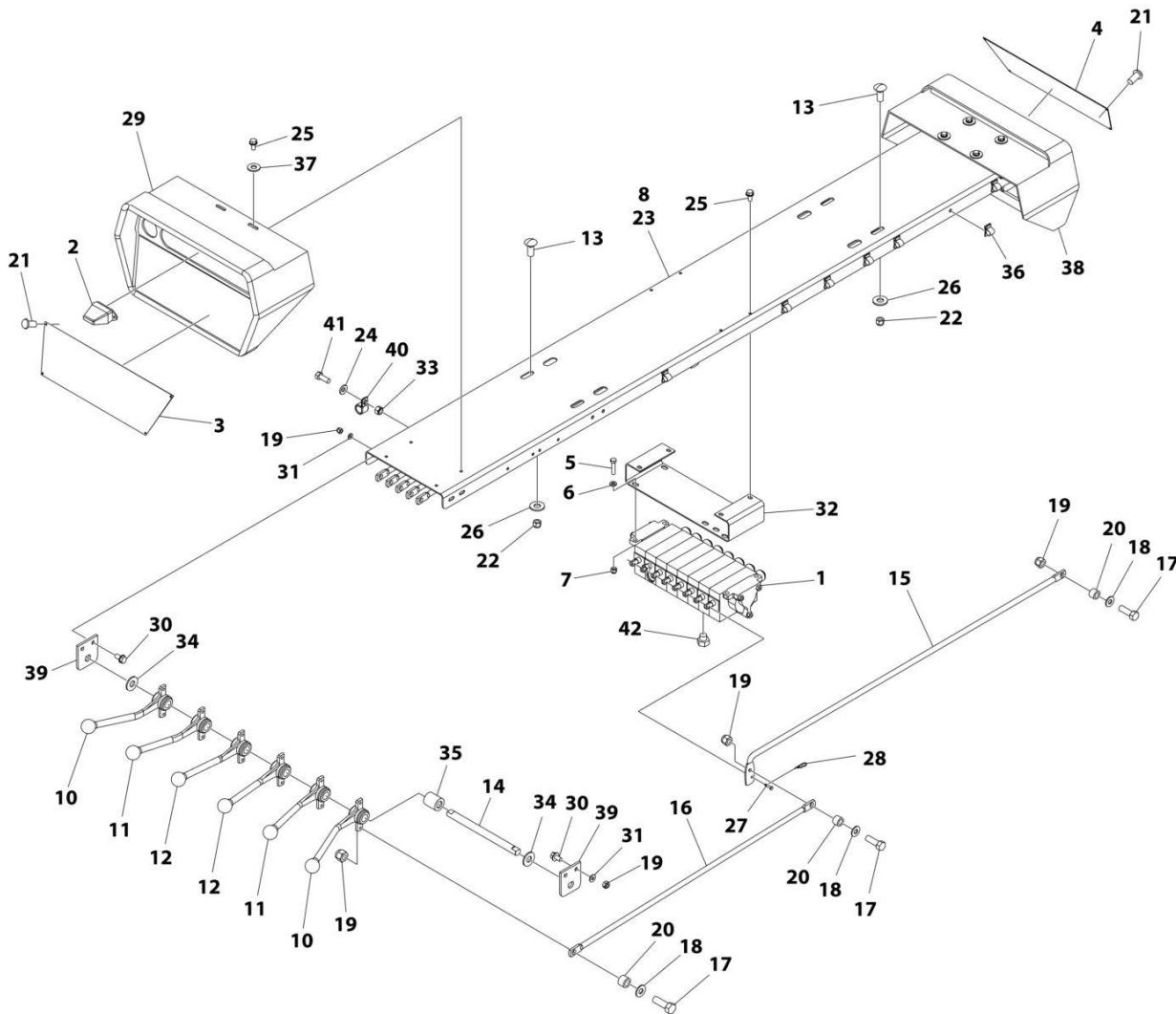
SECTION 4 - CONTROLS

FIGURE 4-16. 6 BANK VALVE CONTROLS INSTALLATION - HYDRAULIC TOW / IRL / ZOD / RADIO REMOTE

ITEM	PART NUMBER	QTY	DESCRIPTION	REV
	1001170414	Ref	6 BANK CONTROLS INSTALLATION - IRL, HYDRAULIC TOW, ZOD	A
1	1001170404	Ref	6 Bank Controls Installation (See Separate Breakdown in this Section))	
2	2577000018	1	Linear Actuator Mount Kit (See Separate Breakdown in this Section)	

SECTION 4 - CONTROLS

FIGURE 4-17. 6 BANK VALVE CONTROLS INSTALLATION - HYDRAULIC TOW / IRL / DUAL WINCH



ART_1001170409

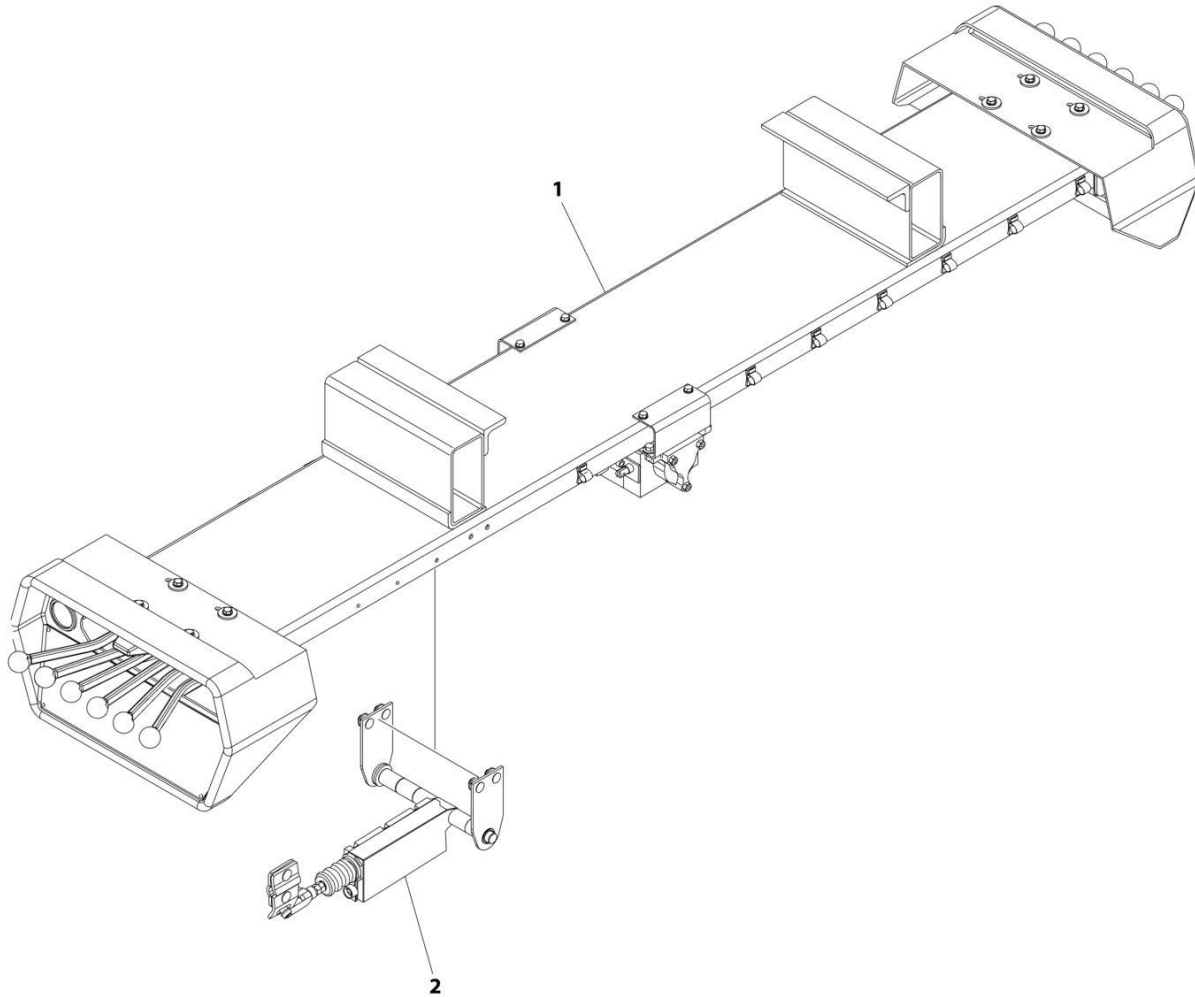
SECTION 4 - CONTROLS

FIGURE 4-17. 6 BANK VALVE CONTROLS INSTALLATION - HYDRAULIC TOW / IRL / DUAL WINCH

ITEM	PART NUMBER	QTY	DESCRIPTION	REV
	1001170409	Ref	6 BANK DUAL WINCH CONTROLS INSTALLATION	C
1	3935000124	1	Valve Assembly (See Separate Breakdown in this Section)	
2	1001143764	2	Lamp	
3	7330000864	1	Decal Control Panel	
4	7330000865	1	Decal Control Panel	
5	7111161050	3	Capscrew 3/8 x 1-1/4	
6	7950160161	4	Washer 3/8	
7	7660162601	4	Nut 3/8	
8	1001170190	1	Channel	
10	7551000021	4	Control Handle	
11	7551000020	4	Control Handle	
12	7551000019	4	Control Handle	
13	7115181064	6	Bolt 1/2 x 1-1/4	
14	7691000066	2	Pin	
15	1001170187	6	Control Rod	
16	1001170188	6	Control Rod	
17	7115150850	18	Capscrew 5/16 x 1	
18	7949000011	18	Washer	
19	7660152601	26	Nut 5/16	
20	4831000069	18	Sapcer	
21	7759000006	8	Rivet	
22	7660182601	6	Nut 1/2	
23	8632000012	AR	Trim Lock	
24	7950140141	1	Washer 1/4	
25	7790151253	12	Screw 5/16 x 3/4	
26	7950180161	6	Washer 1/2	
27	7690101200	6	Clevis Pin	
28	7691000056	6	Pin, Hairpin Cotter	
29	3560000010	1	Control Hood Assembly	
30	7115150664	8	Bolt 5/16 x 3/4	
31	7950150161	8	Washer 5/16	
32	4263000464	1	Channel	
33	7660142601	1	Nut 1/4	
34	7950220141	4	Washer 3/4	
35	4211000001	4	Bushing	
36	7280000007	11	Wire Clip	
37	7949000054	8	Washer	
38	7560000007	1	Control Hood, RH	
39	4606000217	4	Lug	
40	7274000063	1	Clamp	
41	7115140650	1	Capscrew 1/4 x 3/4	
42	7443000048	4	Fitting Plug	

SECTION 4 - CONTROLS

FIGURE 4-18. 6 BANK VALVE CONTROLS INSTALLATION - HYDRAULIC TOW / IRL / DUAL WINCH / RADIO REMOTE



ART_1001170410

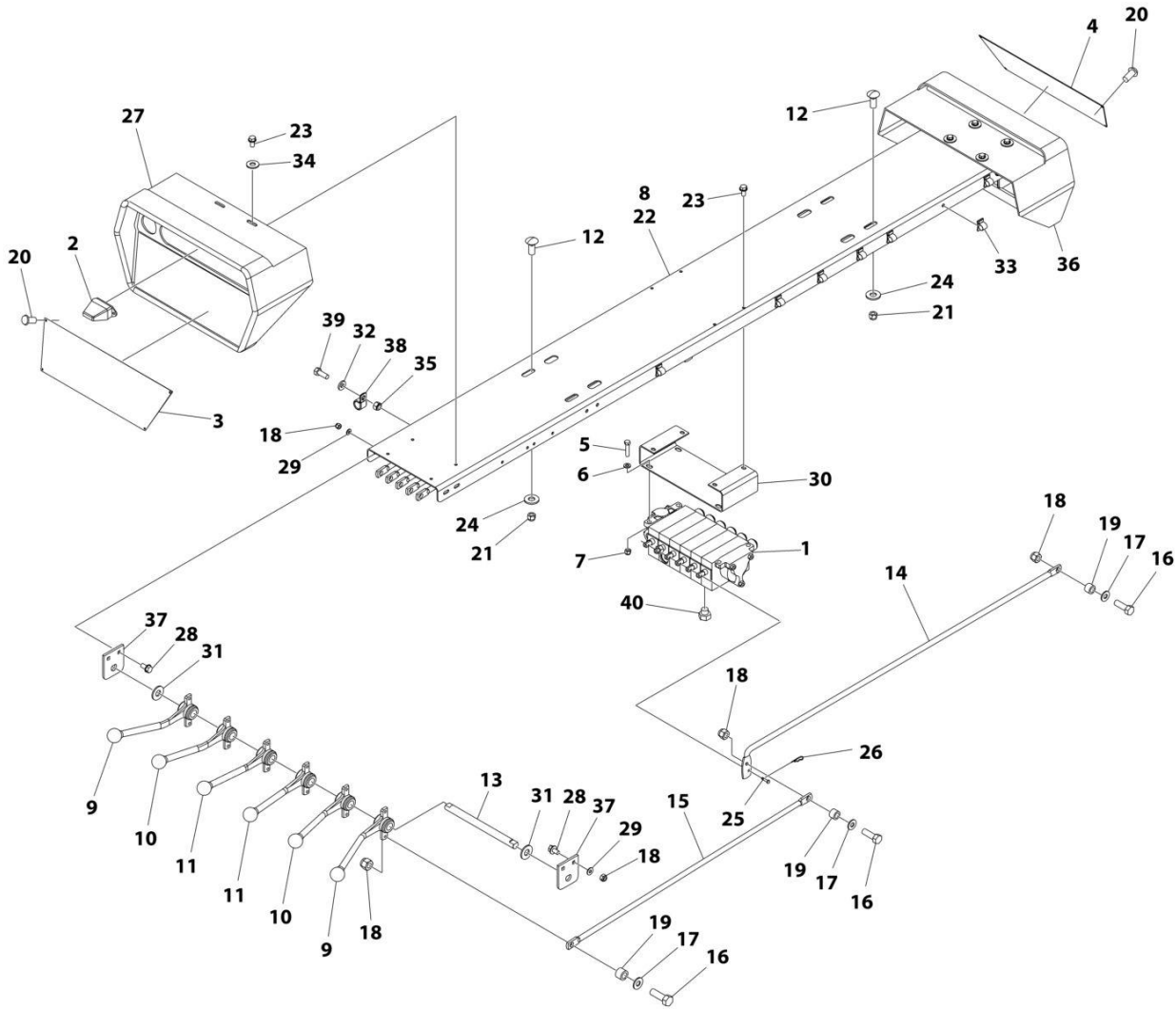
SECTION 4 - CONTROLS

FIGURE 4-18. 6 BANK VALVE CONTROLS INSTALLATION - HYDRAULIC TOW / IRL / DUAL WINCH / RADIO REMOTE

ITEM	PART NUMBER	QTY	DESCRIPTION	REV
	1001170410	Ref	6 BANK DUAL WINCH CONTROLS INSTALLATION - IRL, HYDRAULIC GRID - RADIO REMOTE	A
1	1001170409	1	6 Bank Controls Installation (See Separate Breakdown in this Section)	
2	2577000018	1	Linear Actuator Mount Kit (See Separate Breakdown in this Section)	

SECTION 4 - CONTROLS

FIGURE 4-19. 6 BANK VALVE CONTROLS INSTALLATION - HYDRAULIC TOW / IRL / BUMPER WINCH MOTOR SPOOL PREP



ART_1001170406

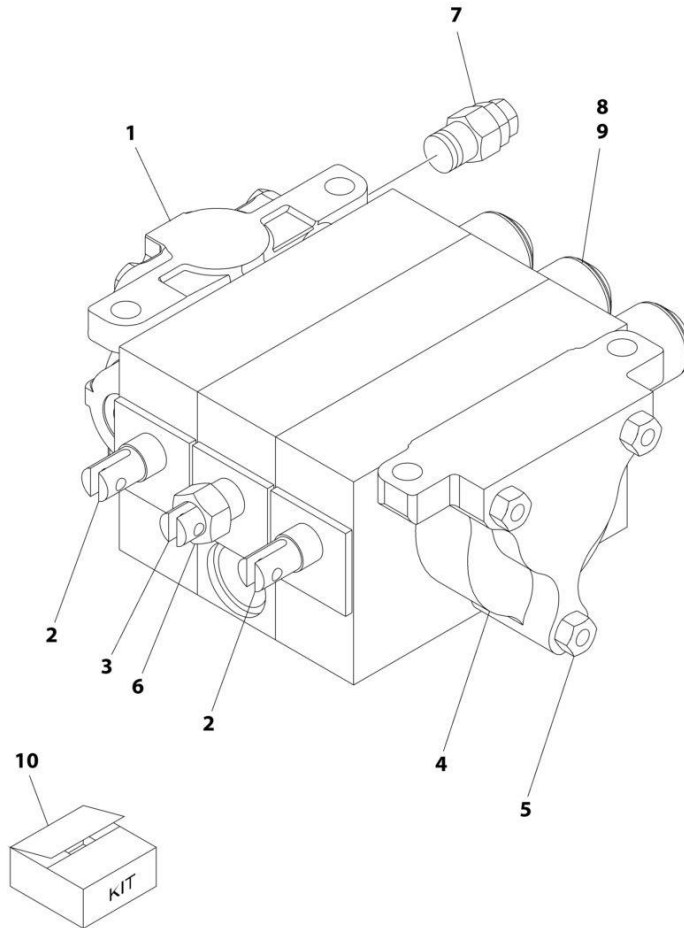
SECTION 4 - CONTROLS

**FIGURE 4-19. 6 BANK VALVE CONTROLS INSTALLATION - HYDRAULIC TOW / IRL / BUMPER
WINCH MOTOR SPOOL PREP**

ITEM	PART NUMBER	QTY	DESCRIPTION	REV
	1001170406	Ref	6 BANK BUMPER WINCH MOTOR CONTROLS INSTALLATION	B
1	1001133741	1	Valve Assembly (See Separate Breakdown in this Section)	
2	1001143764	2	Lamp	
3	7330000873	1	Decal Control Panel	
4	7330000874	1	Decal Control Panel	
5	7111161050	4	Capscrew 3/8 x 1-1/4	
6	7950160161	4	Washer 3/8	
7	7660162601	4	Nut 3/8	
8	1001170191	1	Channel	
9	7551000021	4	Control Handle	
10	7551000020	4	Control Handle	
11	7551000019	4	Control Handle	
12	7115181064	4	Bolt 1/2 x 1-1/4	
13	7691000065	2	Pin	
14	1001170187	6	Control Rod	
15	1001170188	6	Control Rod	
16	7115150850	18	Capscrew 5/16 x 1	
17	7949000011	18	Washer	
18	7660152601	26	Nut 5/16	
19	4831000069	18	Sapcer	
20	7759000006	8	Rivet	
21	7660182601	4	Nut 1/2	
22	8632000012	AR	Trim Lock	
23	7790151253	12	Screw 5/16 x 3/4	
24	7950180161	4	Washer 1/2	
25	7690101200	6	Clevis Pin	
26	7691000056	6	Pin, Hairpin Cotter	
27	3560000010	1	Control Hood Assembly	
28	7115150664	8	Bolt 5/16 x 3/4	
29	7950150161	8	Washer 5/16	
30	1001135329	1	Channel	
31	7950220141	2	Washer 3/4	
32	7950140141	1	Washer 1/4	
33	7280000007	11	Wire Clip	
34	7949000054	8	Washer	
35	7660142601	1	Nut 1/4	
36	7560000007	1	Control Hood, RH	
37	4606000217	4	Lug	
38	7274000063	1	Clamp	
39	7115140650	1	Capscrew 1/4 x 3/4	
40	7443000048	2	Fitting Plug	

SECTION 4 - CONTROLS

FIGURE 4-20. VALVE ASSEMBLY - 3 BANK



ART_3935000115

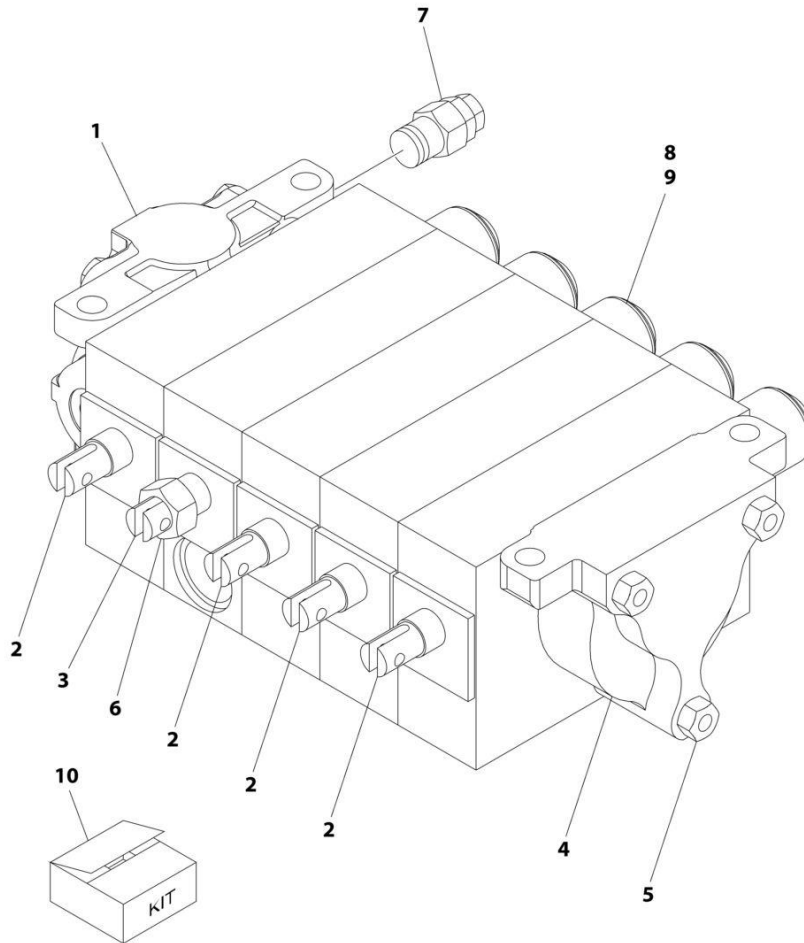
SECTION 4 - CONTROLS

FIGURE 4-20. VALVE ASSEMBLY - 3 BANK

ITEM	PART NUMBER	QTY	DESCRIPTION	REV
	3935000115	Ref	VALVE ASSEMBLY - 3 BANK	B
1	7935000369	1	Inlet/Outlet Valve	
2	7935000170	4	Single Clevis Valve	
3	7935000227	1	Relief Valve	
4	7935000173	1	End Valve	
5	7577000215	1	Bolt Kit	
6	7935000388	1	Relief Valve	
7	7935000174	1	Relief Valve	
8	9843930044	AR	Cap	
9	7577000343	AR	Cap	
10	9577930187	AR	Kit, Spool Seal	

SECTION 4 - CONTROLS

FIGURE 4-21. VALVE ASSEMBLY - 5 BANK (USED FOR 4 BANK REQUIREMENTS ALSO)



ART_3935000117

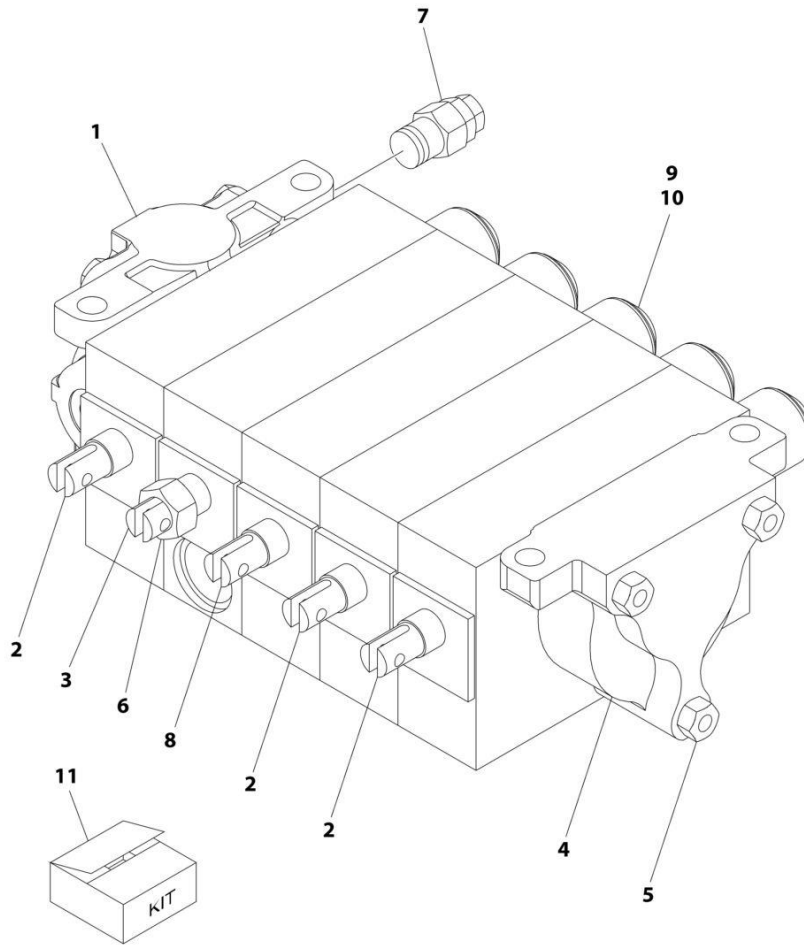
SECTION 4 - CONTROLS

FIGURE 4-21. VALVE ASSEMBLY - 5 BANK (USED FOR 4 BANK REQUIREMENTS ALSO)

ITEM	PART NUMBER	QTY	DESCRIPTION	REV
	3935000117	Ref	VALVE ASSEMBLY - 5 BANK	B
1	7935000369	1	Inlet/Outlet Valve	
2	7935000170	4	Single Clevis Valve	
3	7935000227	1	Relief Valve	
4	7935000173	1	End Valve	
5	7577000217	1	Bolt Kit	
6	7935000388	1	Relief Valve	
7	7935000174	1	Relief Valve	
8	9843930044	AR	Cap	
9	7577000343	AR	Cap	
10	9577930187	AR	Kit, Spool Seal	

SECTION 4 - CONTROLS

FIGURE 4-22. VALVE ASSEMBLY - 5 BANK WITH MOTOR SPOOL WINCH (USED FOR 4 BANK REQUIREMENTS ALSO)



ART_1001146603

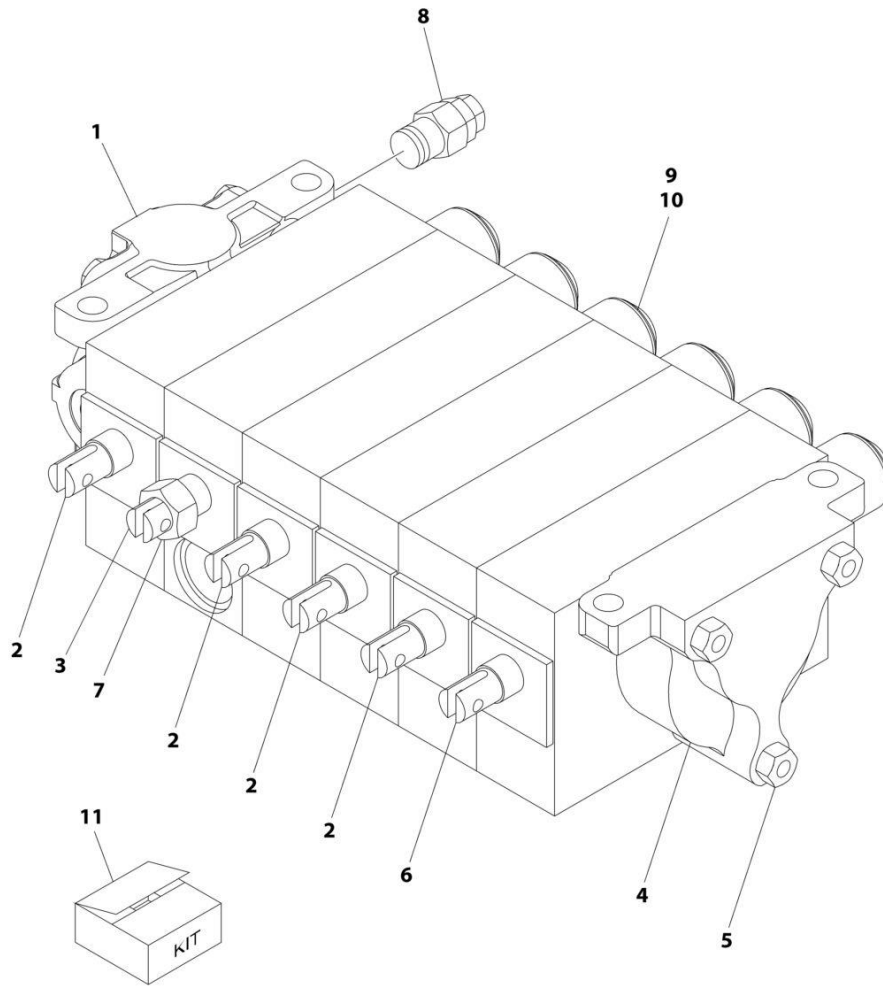
SECTION 4 - CONTROLS

FIGURE 4-22. VALVE ASSEMBLY - 5 BANK WITH MOTOR SPOOL WINCH (USED FOR 4 BANK REQUIREMENTS ALSO)

ITEM	PART NUMBER	QTY	DESCRIPTION	REV
	1001146603	Ref	VALVE ASSEMBLY - 5 BANK	A
1	7935000369	1	Inlet/Outlet Valve	
2	7935000170	4	Single Clevis Valve	
3	7935000227	1	Relief Valve	
4	7935000173	1	End Valve	
6	7577000217	1	Bolt Kit	
6	7935000388	1	Relief Valve	
7	7935000174	1	Relief Valve	
8	1001133740	1	Single Clevis Motor	
9	9843930044	AR	Cap	
10	7577000343	AR	Cap	
11	9577930187	AR	Kit, Spool Seal	

SECTION 4 - CONTROLS

FIGURE 4-23. VALVE ASSEMBLY - 6 BANK



ART_3935000118

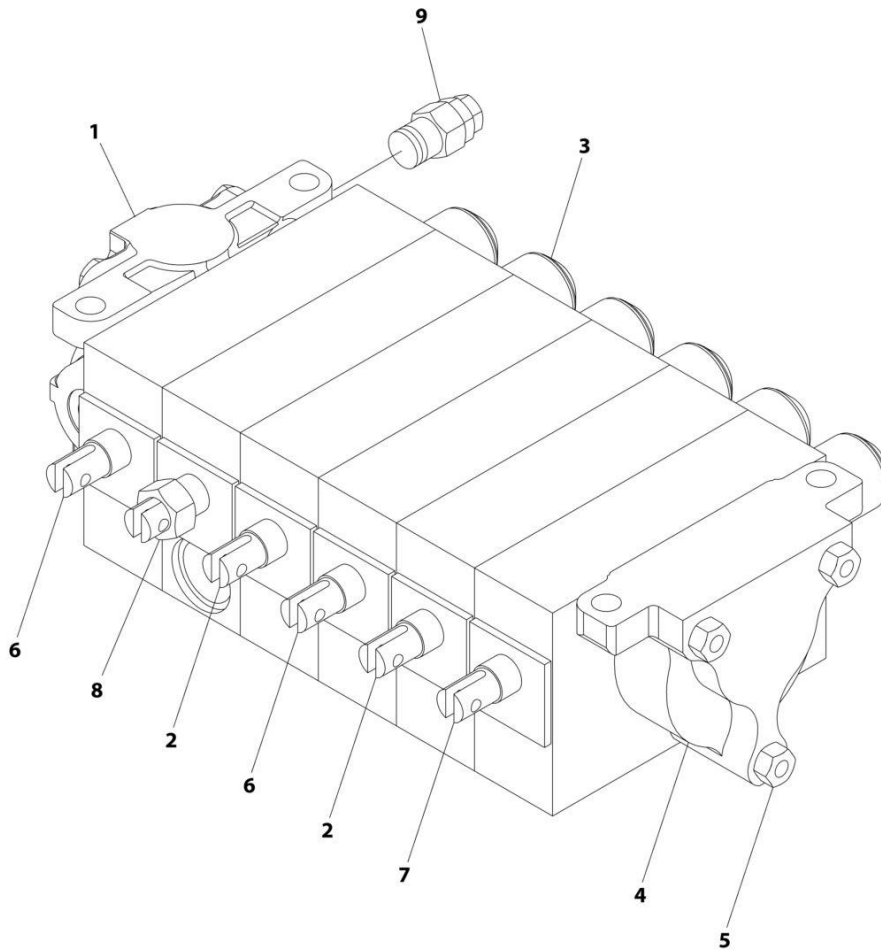
SECTION 4 - CONTROLS

FIGURE 4-23. VALVE ASSEMBLY - 6 BANK

ITEM	PART NUMBER	QTY	DESCRIPTION	REV
	3935000118	Ref	VALVE ASSEMBLY - 6 BANK	B
1	7935000369	1	Inlet/Outlet Valve	
2	7935000170	4	Single Clevis Valve	
3	7935000227	1	Relief Valve	
4	7935000173	1	End Valve	
5	7577000218	1	Bolt Kit	
6	7935000171	1	Valve with Counter Balance	
7	7935000388	1	Relief Valve	
8	7935000174	1	Relief Valve	
9	9843930044	AR	Cap	
10	7577000343	AR	Cap	
11	9577930187	AR	Kit, Spool Seal	

SECTION 4 - CONTROLS

FIGURE 4-24. VALVE ASSEMBLY - 6 BANK WITH BUMPER WINCH MOTOR CONTROLS



ART_1001133741

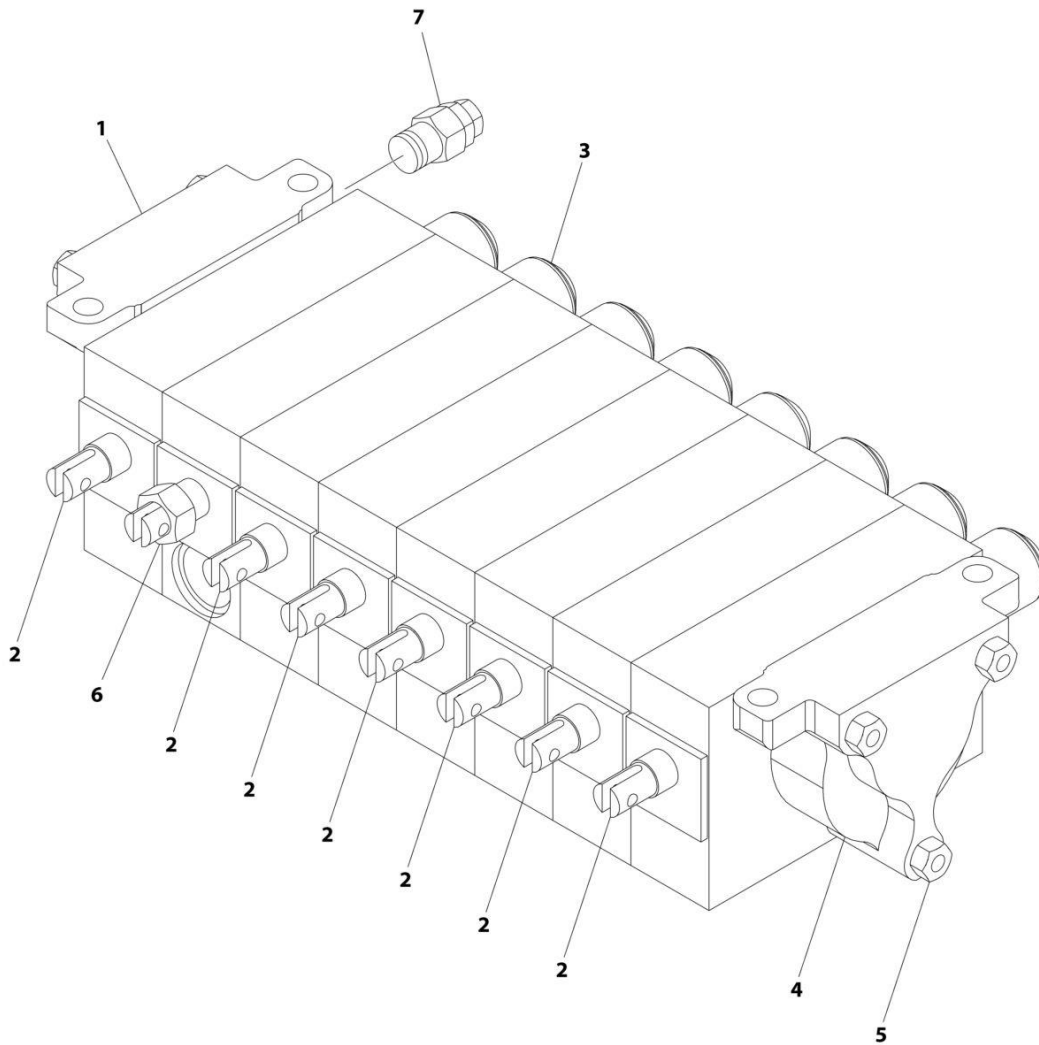
SECTION 4 - CONTROLS

FIGURE 4-24. VALVE ASSEMBLY - 6 BANK WITH BUMPER WINCH MOTOR CONTROLS

ITEM	PART NUMBER	QTY	DESCRIPTION	REV
	1001133741	Ref	VALVE ASSEMBLY - 6 BANK	B
1	7935000369	1	Inlet/Outlet Valve	
2	7935000170	2	Single Clevis Valve	
3	7935000227	1	Relief Valve	
4	7935000173	1	End Valve	
5	7577000218	1	Bolt Kit	
6	7935000171	2	Valve with Counterbalance	
7	1001133740	1	Valve, Motor Spool	
8	7935000388	1	Relief Valve	
9	7935000174	1	Relief Valve	

SECTION 4 - CONTROLS

FIGURE 4-25. VALVE ASSEMBLY - 8 BANK (USED FOR 6 BANK REQUIREMENTS WITH DUAL WINCH)



ART_3935000124

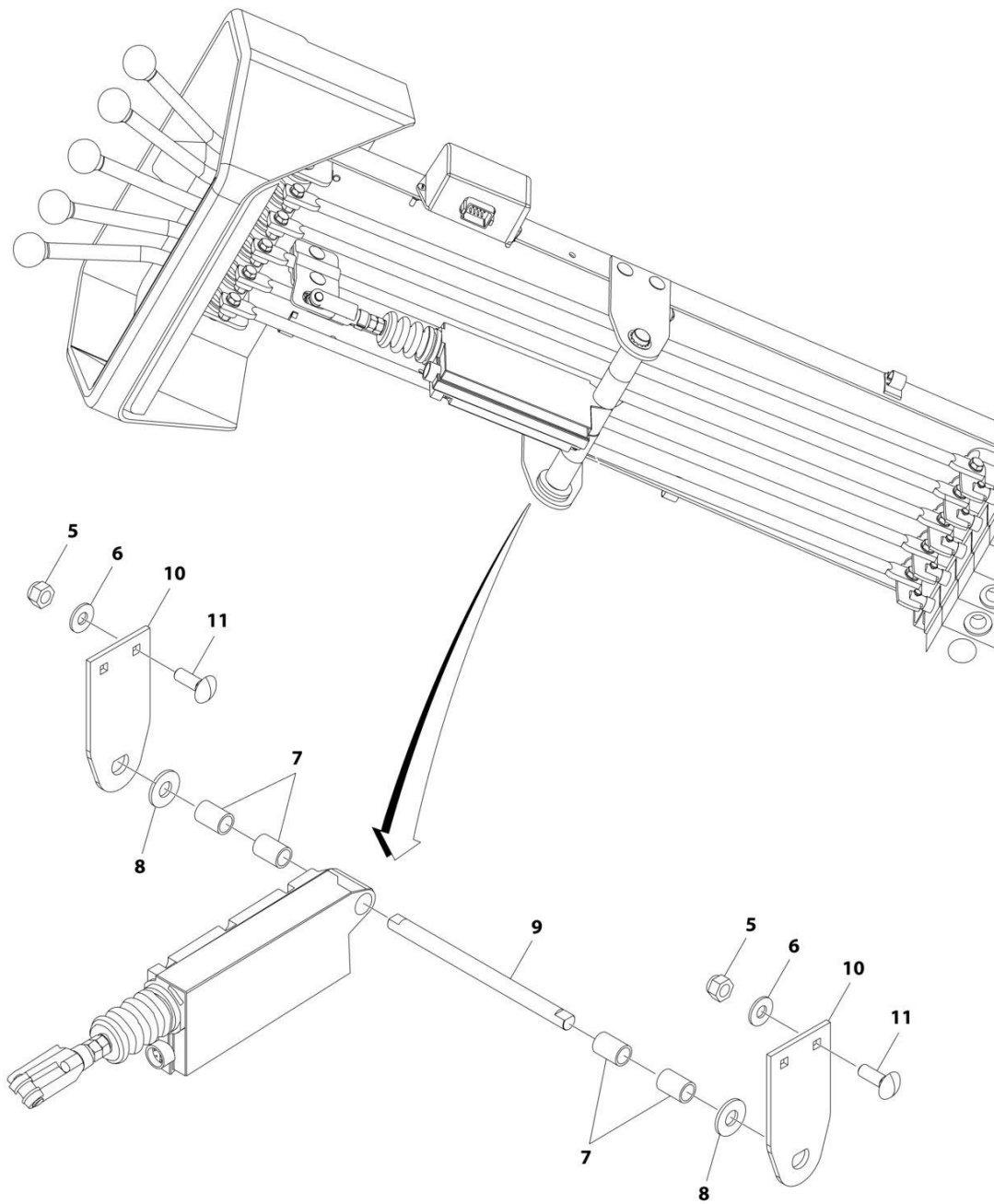
SECTION 4 - CONTROLS

FIGURE 4-25. VALVE ASSEMBLY - 8 BANK (USED FOR 6 BANK REQUIREMENTS WITH DUAL WINCH)

ITEM	PART NUMBER	QTY	DESCRIPTION	REV
	3935000124	Ref	Valve Assembly	B
1	7935000369	1	Inlet/Outlet Valve	
2	7935000170	7	Single Clevis Valve	
3	7935000227	1	Relief Valve	
4	7935000173	1	End Valve	
5	7577000239	1	Bolt Kit	
6	7935000388	1	Relief Valve	
7	7935000174	1	Relief Valve	

SECTION 4 - CONTROLS

FIGURE 4-26. LINEAR ACTUATOR MOUNT KIT (3, 4, AND 5 BANK)



ART_2577000017

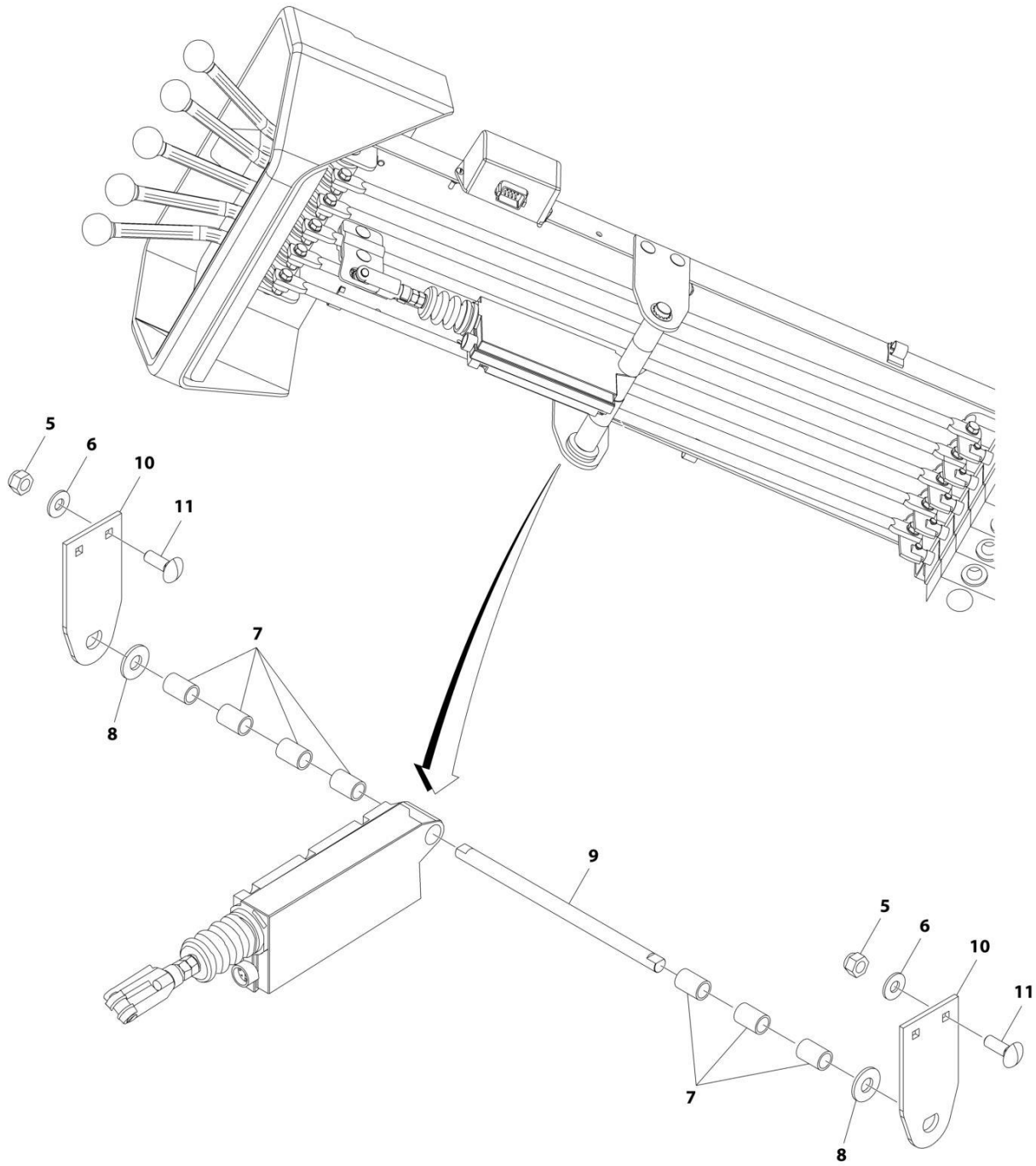
SECTION 4 - CONTROLS

FIGURE 4-26. LINEAR ACTUATOR MOUNT KIT (3, 4, AND 5 BANK)

ITEM	PART NUMBER	QTY	DESCRIPTION	REV
	2577000017	Ref	LINEAR ACTUATOR MOUNT KIT	B
5	7660152601	4	Nut 1/3	
6	7950150161	4	Washer 1/3	
7	4211000001	4	Bushing	
8	7950220141	2	Washer 3/4	
9	7691000064	1	Pin	
10	1001198871	2	Plate	
11	7115150664	4	Bolt 1/3 x 3/4	

SECTION 4 - CONTROLS

FIGURE 4-27. LINEAR ACTUATOR MOUNT KIT (6 BANK)



ART_2577000018

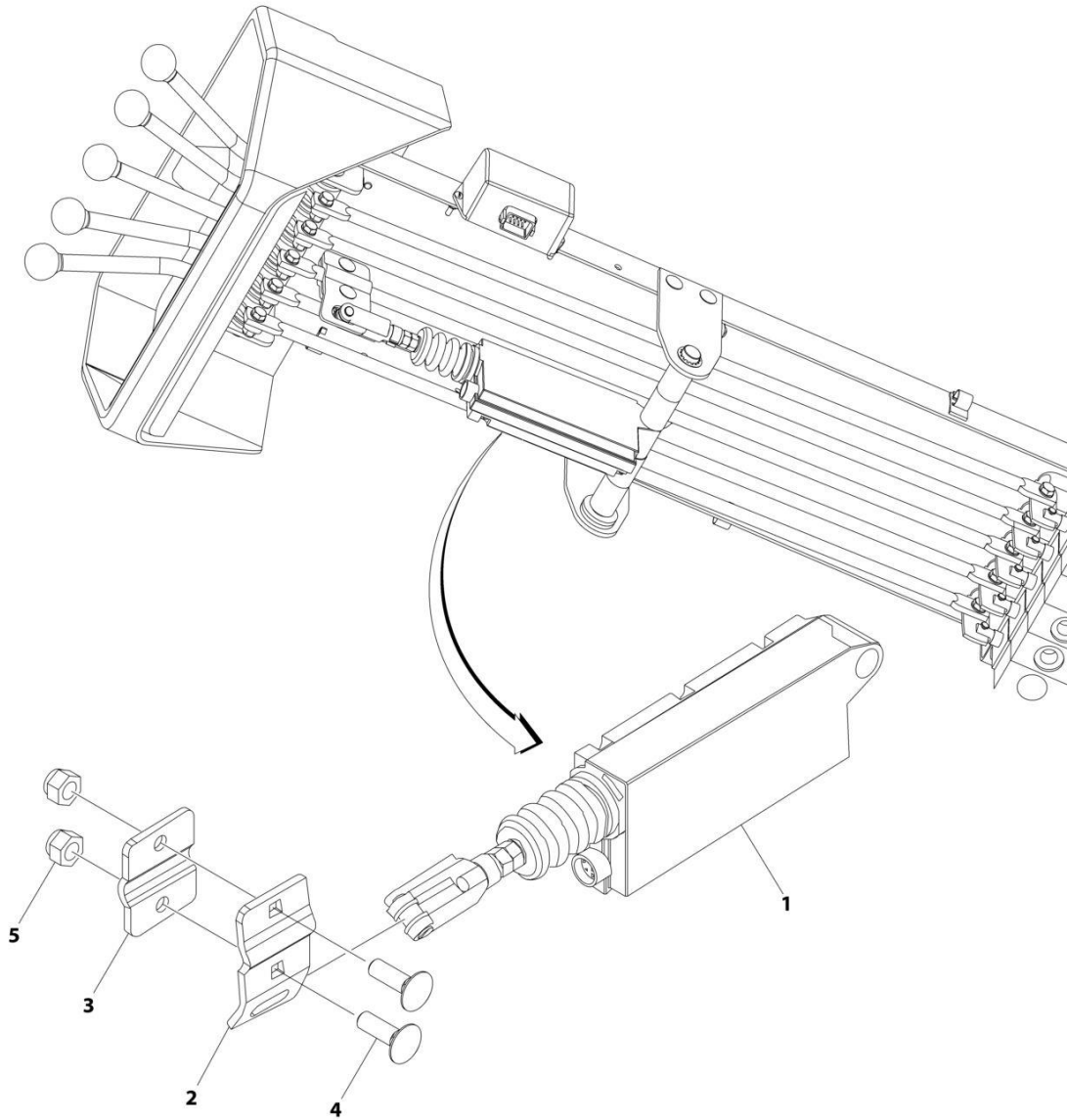
SECTION 4 - CONTROLS

FIGURE 4-27. LINEAR ACTUATOR MOUNT KIT (6 BANK)

ITEM	PART NUMBER	QTY	DESCRIPTION	REV
	2577000018	Ref	6 BANK LINEAR ACTUATOR MOUNT KIT	B
5	7660152601	4	Nut 5/16	
6	7950150161	4	Washer 5/16	
7	4211000001	5	Bushing	
8	7950220141	2	Washer 3/4	
9	7691000065	1	Pin	
10	1001198871	2	Plate	
11	7115150664	4	Bolt 5/16 x 3/4	

SECTION 4 - CONTROLS

FIGURE 4-28. LINEAR ACTUATOR INSTALLATION (WITH REMOTE CONTROL)



ART_2577000016

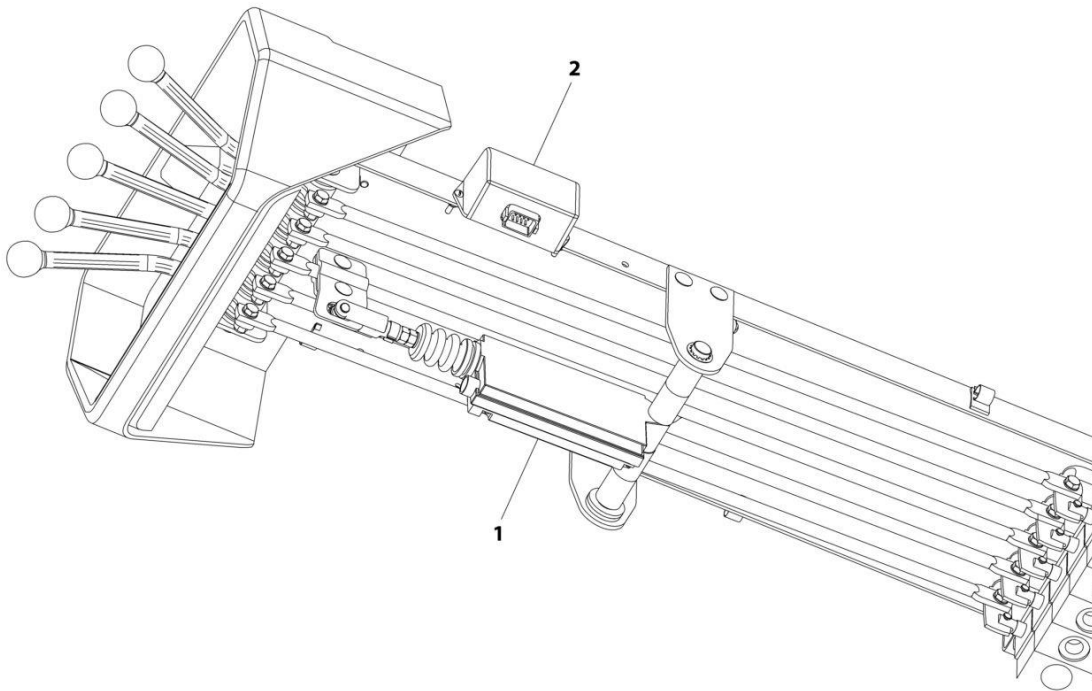
SECTION 4 - CONTROLS

FIGURE 4-28. LINEAR ACTUATOR INSTALLATION (WITH REMOTE CONTROL)

ITEM	PART NUMBER	QTY	DESCRIPTION	REV
	2577000016	Ref	LINEAR ACTUATOR INSTALLATION KIT	A
1	7005000003	1	Linear Actuator 12V	
2	4178000664	1	Bracket	
3	4178000665	1	Bracket	
4	7115150864	2	Bolt 5/16 x 1	
5	7660152601	2	Nut 5/16	

SECTION 4 - CONTROLS

FIGURE 4-29. REMOTE CONTROL INSTALLATION - ONE FUNCTION



ART_RC-1

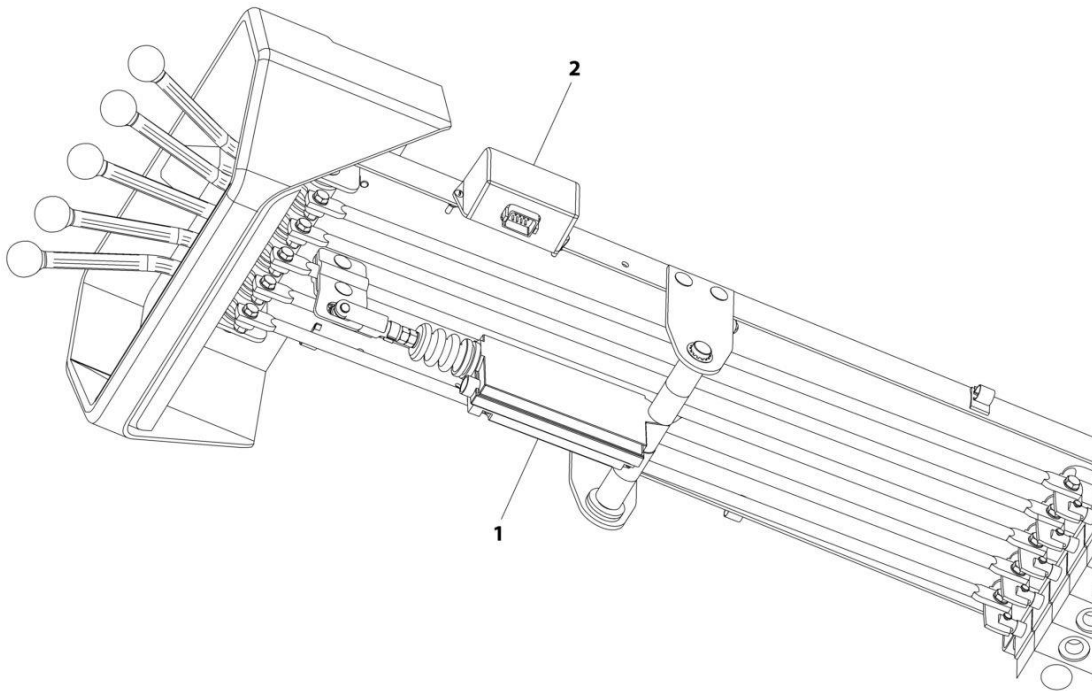
SECTION 4 - CONTROLS

FIGURE 4-29. REMOTE CONTROL INSTALLATION - ONE FUNCTION

ITEM	PART NUMBER	QTY	DESCRIPTION	REV
	RC-1	Ref	REMOTE CONTROL - ONE FUNCTION	0
1	2577000016	1	Linear Actuator Installation Kit (See Separate Breakdown in this Section)	
2	2577000029	1	Miratron Wireless Installation (See Separate Breakdown in this Section)	

SECTION 4 - CONTROLS

FIGURE 4-30. REMOTE CONTROL INSTALLATION - TWO FUNCTION



ART_RC-2

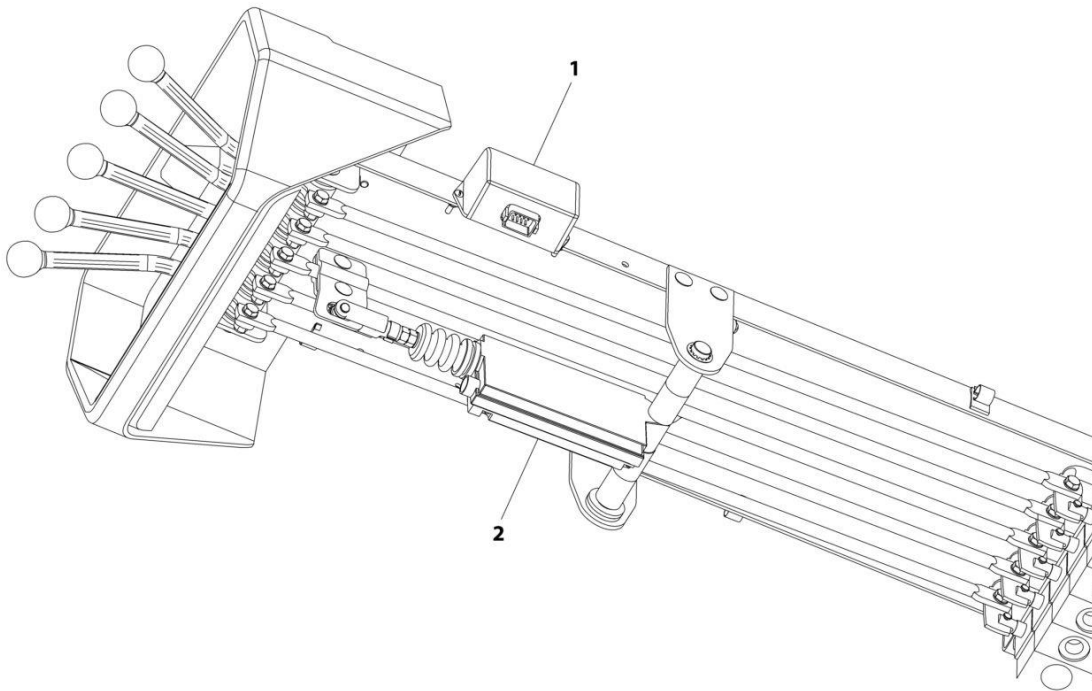
SECTION 4 - CONTROLS

FIGURE 4-30. REMOTE CONTROL INSTALLATION - TWO FUNCTION

ITEM	PART NUMBER	QTY	DESCRIPTION	REV
1	RC-2 2577000016	Ref 2	REMOTE CONTROL - TWO FUNCTION, WINCHES PLUS Linear Actuator Installation Kit (See Separate Breakdown in this Section)	O
2	2577000030	1	Miratron Wireless Installation (See Separate Breakdown in this Section)	

SECTION 4 - CONTROLS

FIGURE 4-31. REMOTE CONTROL INSTALLATION - THREE FUNCTION



ART_RC-3

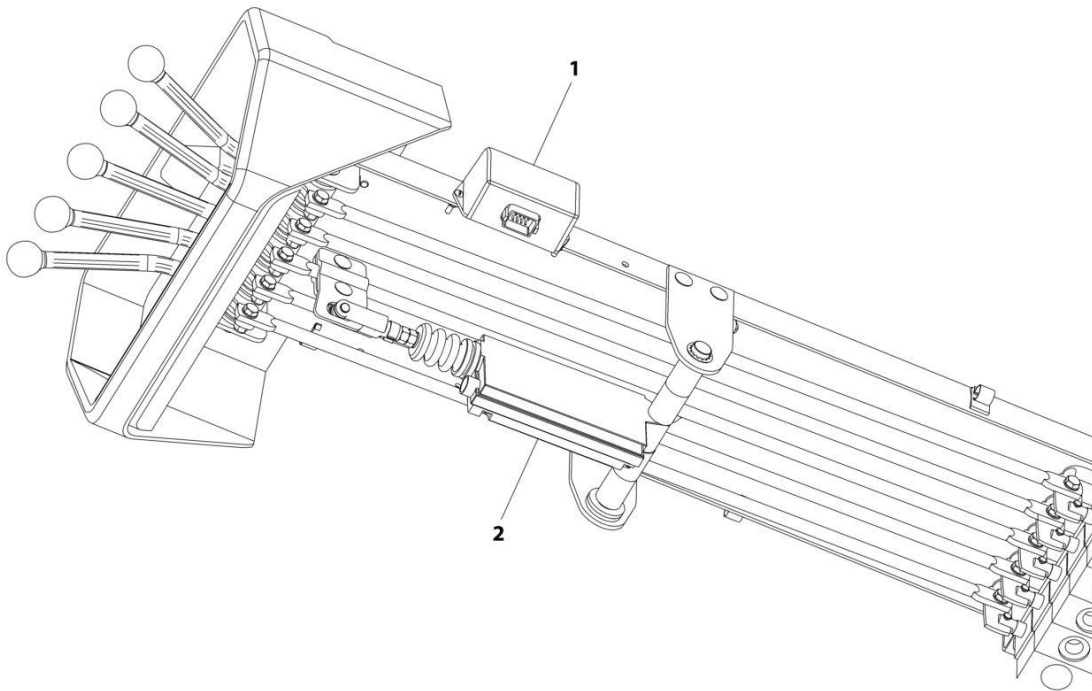
SECTION 4 - CONTROLS

FIGURE 4-31. REMOTE CONTROL INSTALLATION - THREE FUNCTION

ITEM	PART NUMBER	QTY	DESCRIPTION	REV
1	RC-3 2577000016	Ref 3	Remote Control, Three Function, Winches Plus Linear Actuator Installation Kit (See Separate Breakdown in this Section)	0
2	2577000031	1	Miratron Wireless Installation (See Separate Breakdown in this Section)	

SECTION 4 - CONTROLS

FIGURE 4-32. REMOTE CONTROL INSTALLATION - FOUR FUNCTION



ART_RC-4

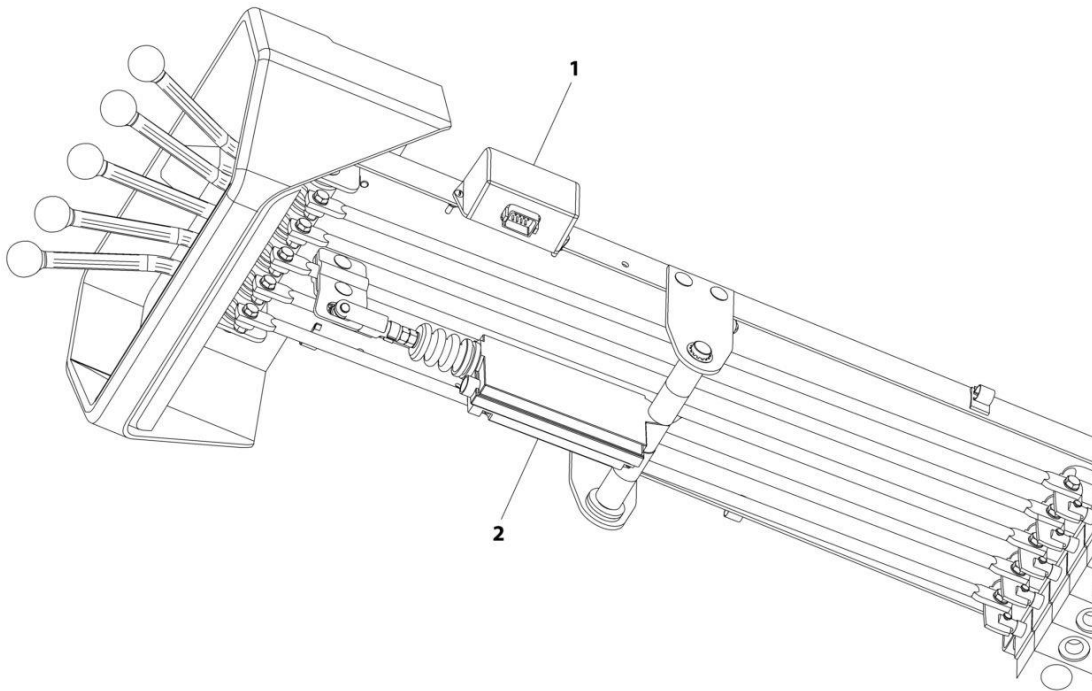
SECTION 4 - CONTROLS

FIGURE 4-32. REMOTE CONTROL INSTALLATION - FOUR FUNCTION

ITEM	PART NUMBER	QTY	DESCRIPTION	REV
1	RC-4 2577000016	Ref 4	Remote Control, Four Function, Winches Plus Linear Actuator Installation Kit (See Separate Breakdown in this Section)	0
2	2577000034	1	Miratron Wireless Installation (See Separate Breakdown in this Section)	

SECTION 4 - CONTROLS

FIGURE 4-33. REMOTE CONTROL INSTALLATION - FIVE FUNCTION



ART_RC-5

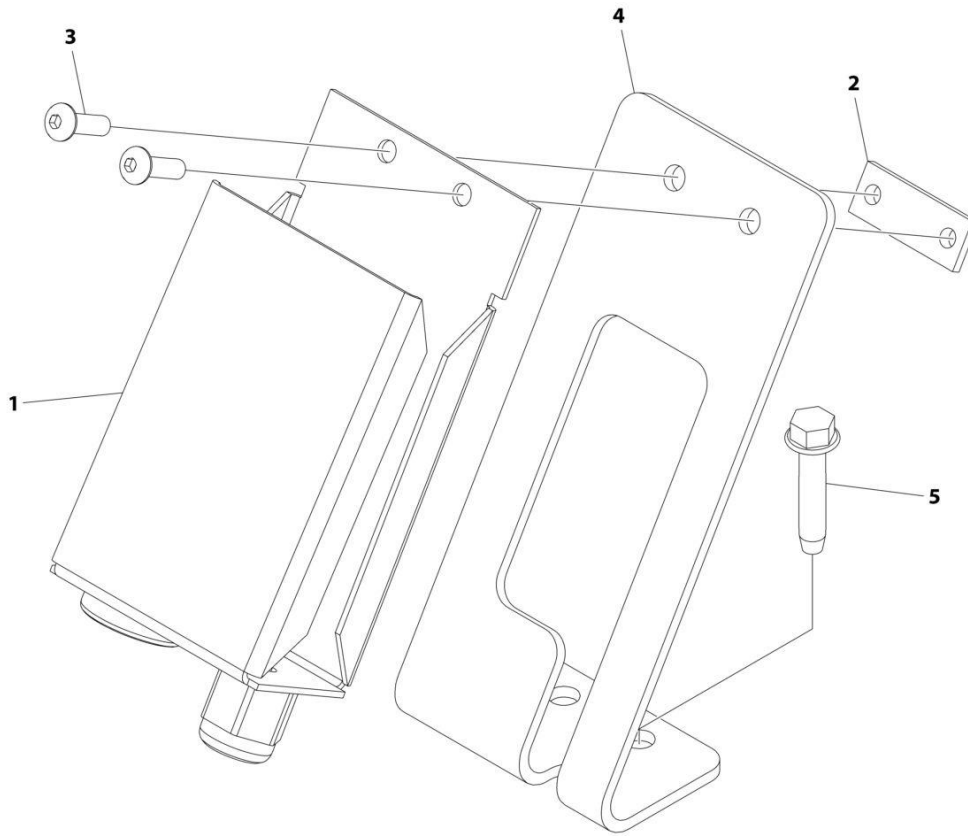
SECTION 4 - CONTROLS

FIGURE 4-33. REMOTE CONTROL INSTALLATION - FIVE FUNCTION

ITEM	PART NUMBER	QTY	DESCRIPTION	REV
1	RC-5 2577000016	Ref 5	Remote Control, Five Function, Winches Plus Linear Actuator Installation Kit (See Separate Breakdown in this Section)	0
2	2577000035	1	Miratron Wireless Installation (See Separate Breakdown in this Section)	

SECTION 4 - CONTROLS

FIGURE 4-34. REMOTE CONTROL INSTALLATION - TRANSMITTER HOLDER



ART_2002000031

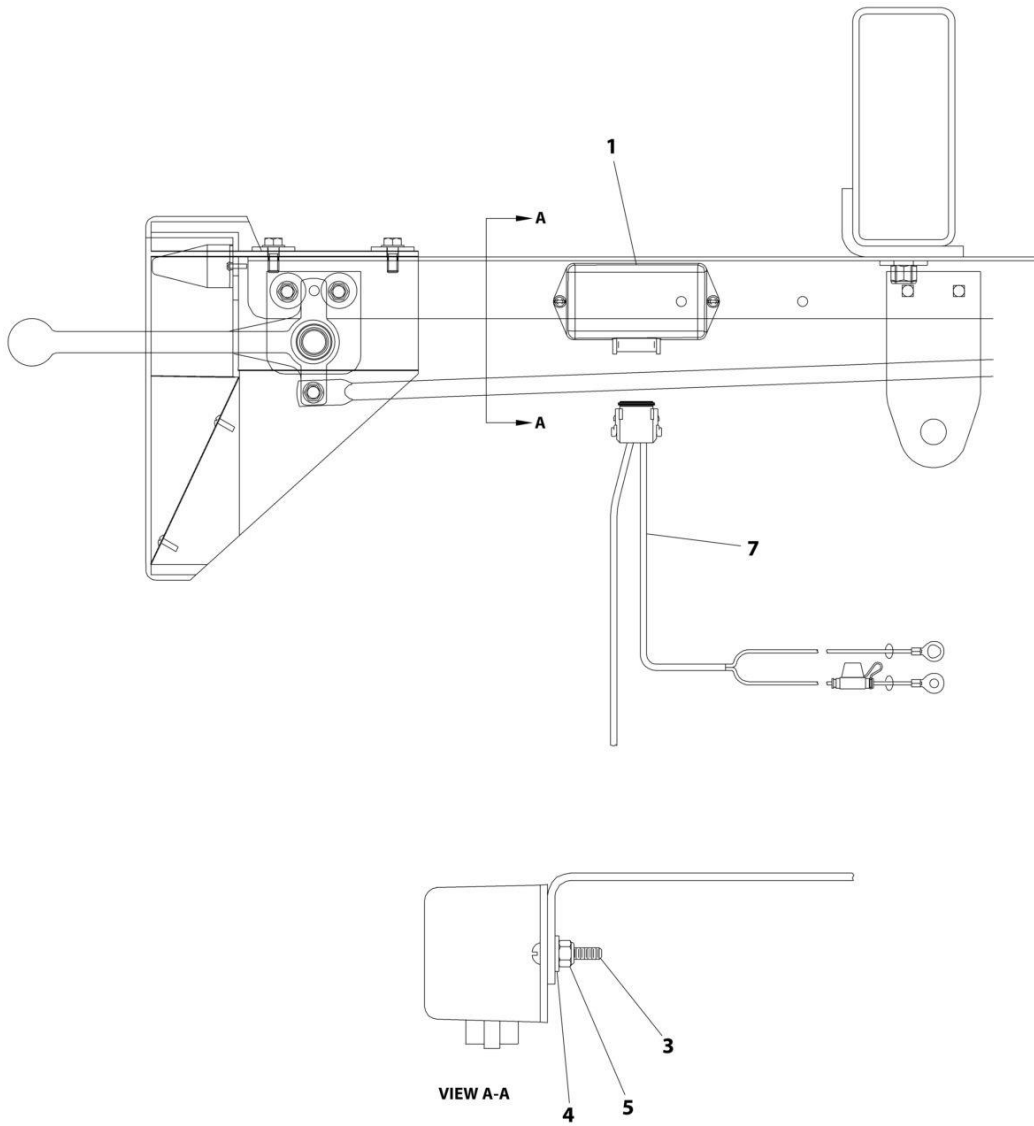
SECTION 4 - CONTROLS

FIGURE 4-34. REMOTE CONTROL INSTALLATION - TRANSMITTER HOLDER

ITEM	PART NUMBER	QTY	DESCRIPTION	REV
	2002000031	Ref	Remote Control 6 Function U/L Transmitter Holder	D
1	7002000521	1	Accessory, Box	
2	7661000056	1	Nut #10	
3	7114100518	2	Screw #10 x 5/8	
4	1001230127	1	Mount	
5	7790142051	2	Screw 1/4 x 1-1/4	

SECTION 4 - CONTROLS

FIGURE 4-35. MIRATRON WIRELESS INSTALLATION - ONE FUNCTION



ART_2577000029

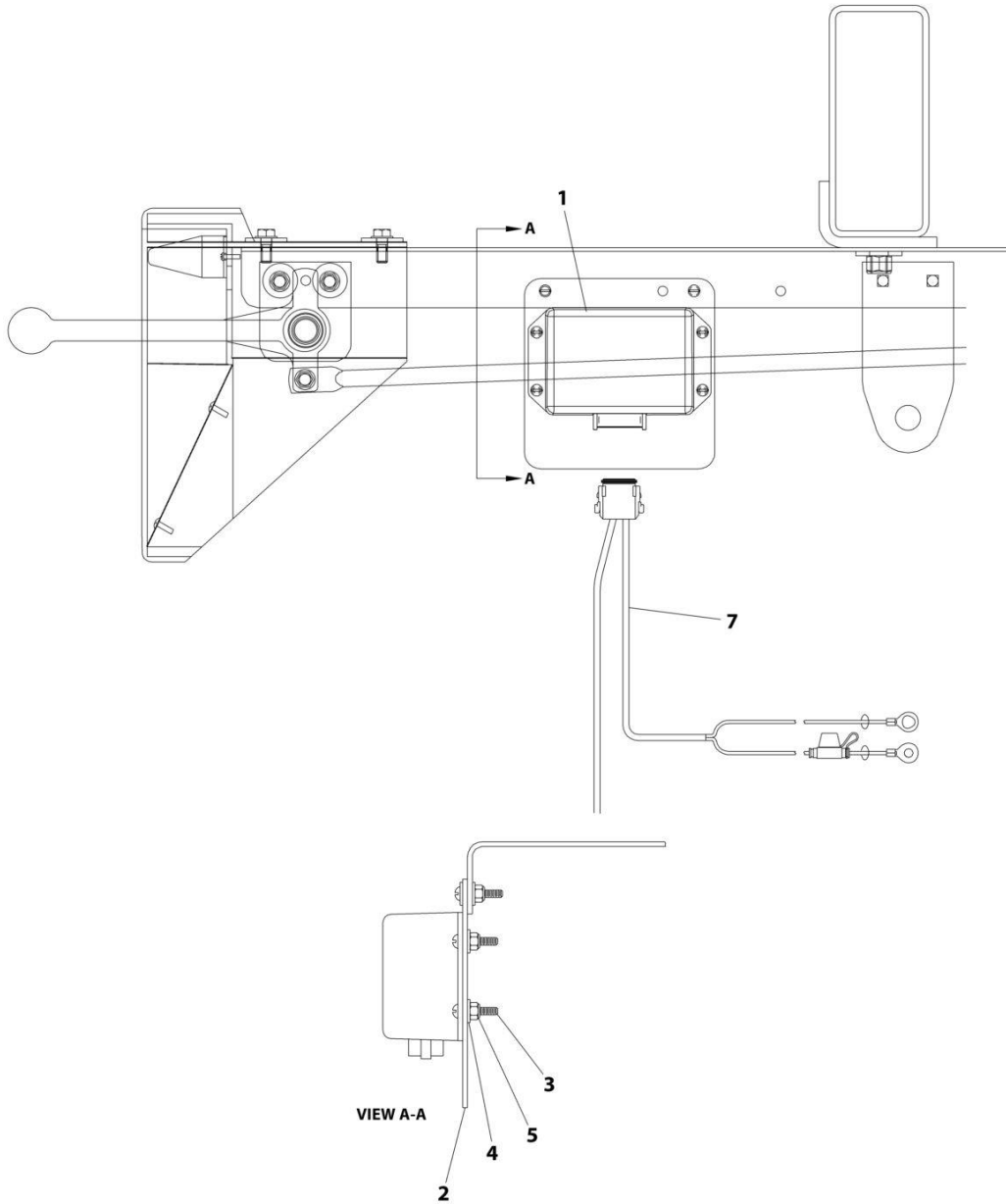
SECTION 4 - CONTROLS

FIGURE 4-35. MIRATRON WIRELESS INSTALLATION - ONE FUNCTION

ITEM	PART NUMBER	QTY	DESCRIPTION	REV
	2577000029	Ref	CONT INST WIRELESS MIRATRON 2 FUNCT	0
1	7295000106	1	Wireless Cont 2 Function Miratron Rollback	
3	7114100810	2	Screw #10 x 1	
4	7950100151	2	Washer 3/16	
5	7660102604	2	Nut #10	
7	7552000391	1	Harness 2 Function Miratron Rollback	
7	4460930	1	Plug, Male - 8 Position	
7	4460465	6	Socket, Female	
7	4460955	2	Plug, Male - 2 Position	
7	4460842	4	Terminal	
7		Ref	Fuse - 10Amp ATO (Purchase Locally)	

SECTION 4 - CONTROLS

FIGURE 4-36. MIRATRON WIRELESS INSTALLATION - TWO FUNCTION



ART_2577000030

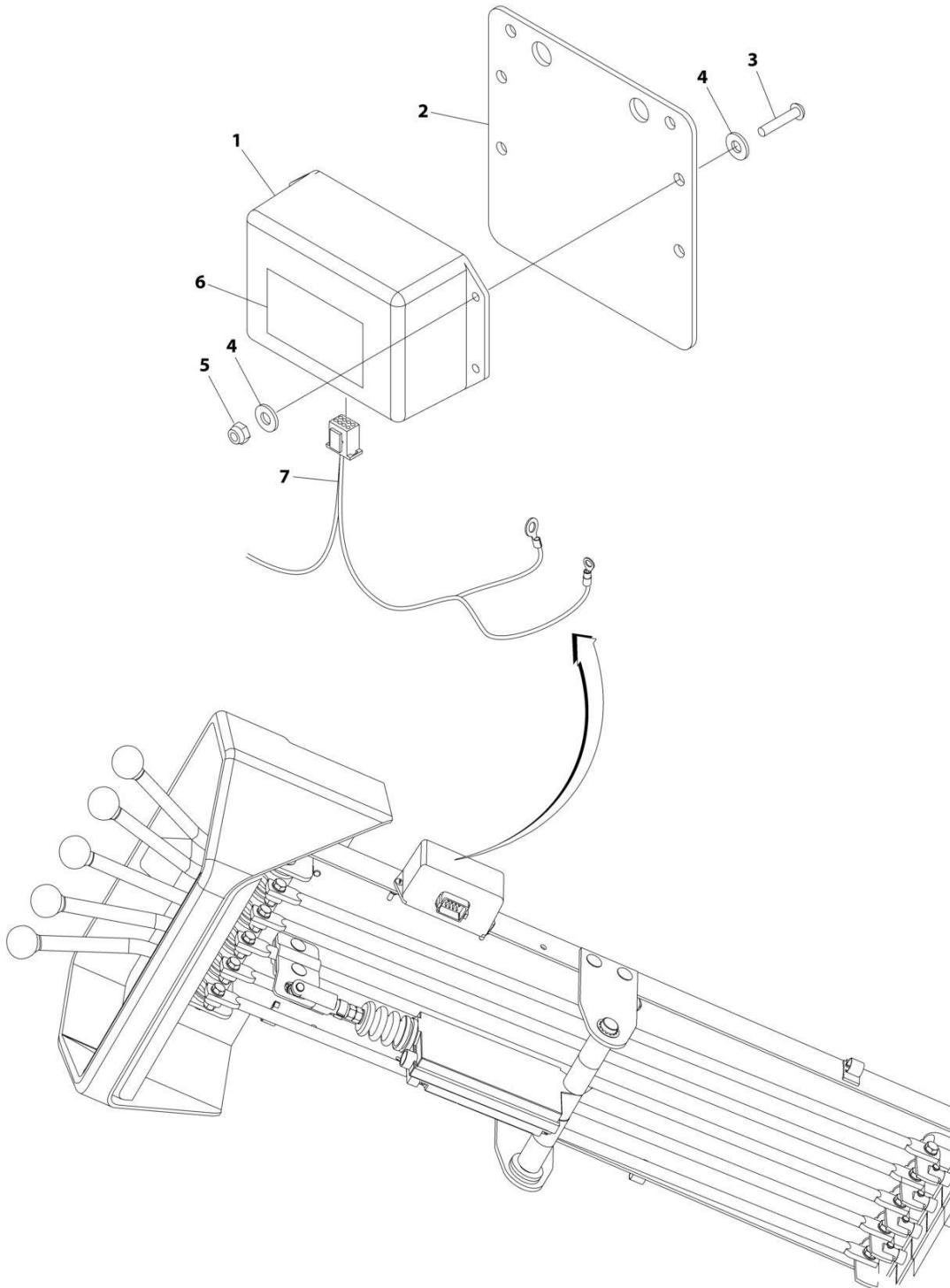
SECTION 4 - CONTROLS

FIGURE 4-36. MIRATRON WIRELESS INSTALLATION - TWO FUNCTION

ITEM	PART NUMBER	QTY	DESCRIPTION	REV
	2577000030	Ref	MIRATRON WIRELESS INSTALLATION, FOUR FUNCTION	A
1	7295000108	1	Wireless Cont 4 Function Miratron Rollback	
2	4706005595	1	Plate	
3	7114100810	6	Screw #10 x 1	
4	7950100151	8	Washer 3/16	
5	7660102604	6	Nut #10	
7	7552000392	1	Harness 4 Function Miratron Rollback	
7	4460933	1	Plug, Male - 12 Position	
7	4460465	10	Socket, Female	
7	4460955	4	Plug, Male - 2 Position	
7	4460842	8	Terminal	
7		Ref	Fuse - 10AMP ATO (Purchase Locally)	

SECTION 4 - CONTROLS

FIGURE 4-37. MIRATRON WIRELESS INSTALLATION - THREE FUNCTION



ART_2577000031

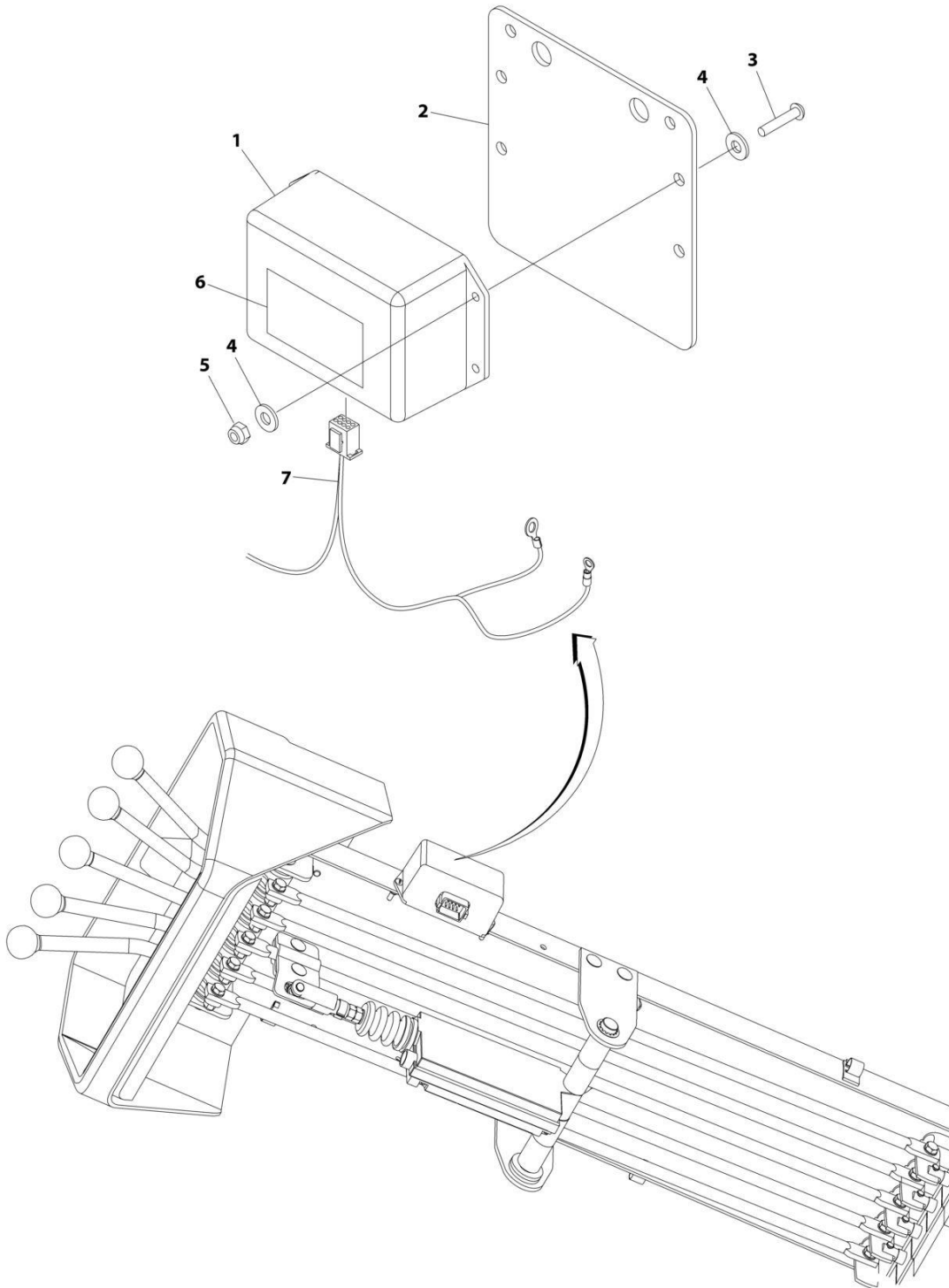
SECTION 4 - CONTROLS

FIGURE 4-37. MIRATRON WIRELESS INSTALLATION - THREE FUNCTION

ITEM	PART NUMBER	QTY	DESCRIPTION	REV
	2577000031	Ref	Miratron Wireless Installation, Three Function	A
1	7295000109	1	Controller (3 remote operations)	
2	4706005595	1	Plate	
3	7114100810	6	Screw #10	
4	7950100151	8	Washer 3/16	
5	7660102604	6	Nut #10	
6	7330000696	1	Decal - Controller Functions	
7	7552000393	1	Harness - 6 Function	
7	4460933	1	Plug, Male - 12 Position	
7	4460465	8	Socket, Female	
7	4460955	6	Plug, Male - 2 Position	
7	4460842	12	Terminal	
7		Ref	Fuse - 10AMP ATO (Purchase Locally)	

SECTION 4 - CONTROLS

FIGURE 4-38. MIRATRON WIRELESS INSTALLATION - FOUR FUNCTION



ART_2577000034

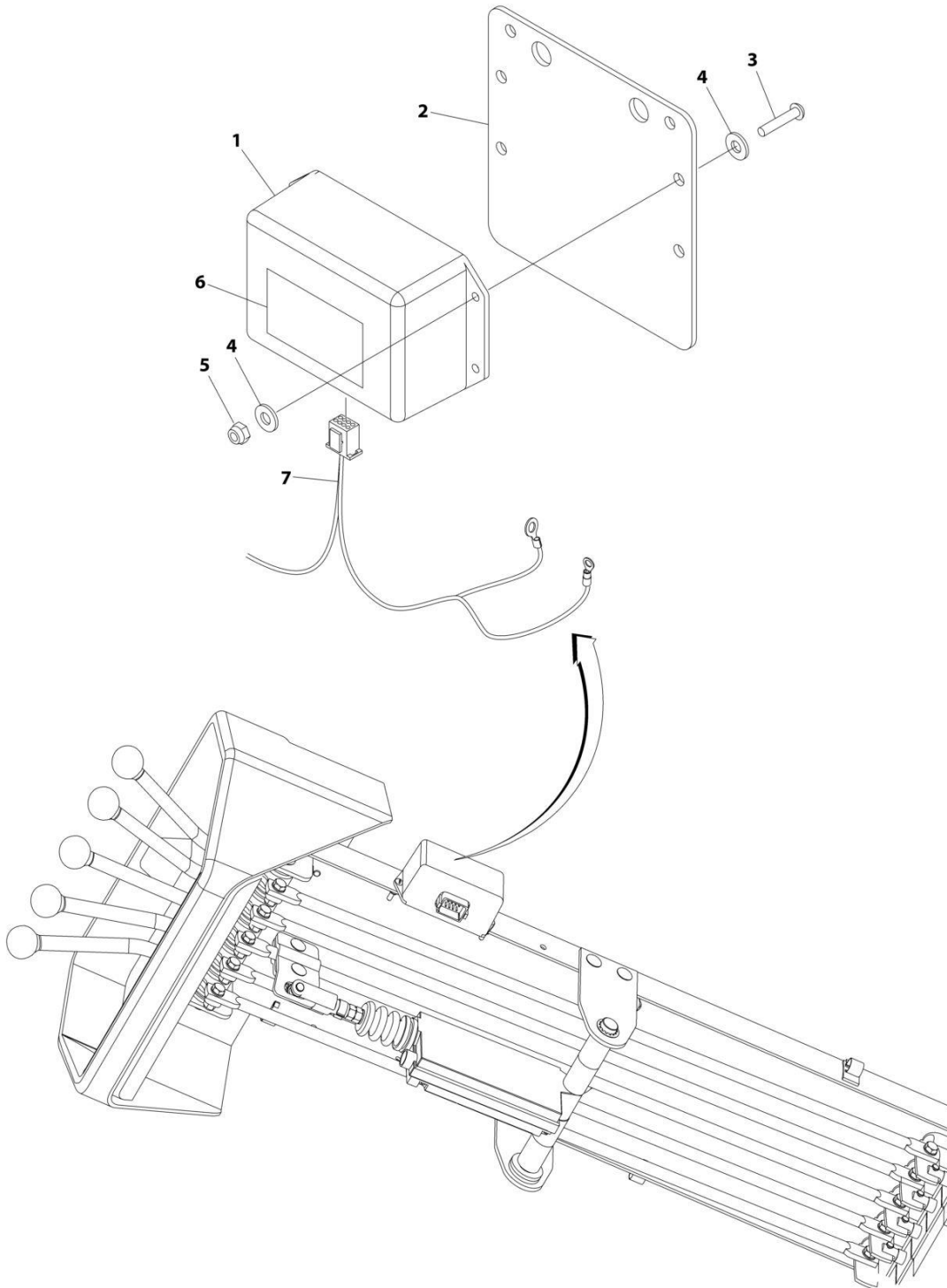
SECTION 4 - CONTROLS

FIGURE 4-38. MIRATRON WIRELESS INSTALLATION - FOUR FUNCTION

ITEM	PART NUMBER	QTY	DESCRIPTION	REV
	2577000034	Ref	Miratron Wireless Installation, Four Function	0
1	7295000111	1	Controller (4 remote operations)	
2	4706005595	1	Plate	
3	7114100810	6	Screw #10	
4	7950100151	8	Washer 3/16	
5	7660102604	6	Nut #10	
6	7330000696	1	Decal - Controller Functions	
7	7552000426	1	Harness - 4 Function	
7	4460933	1	Plug, Male - 12 Position	
7	4460465	11	Socket, Female	
7	4460955	10	Plug, Male - 2 Position	
7	4460842	20	Terminal	
7		Ref	Fuse - 10Amp ATO (Purchase Locally)	
7		Ref	Connector - 1 Position	
7	4460850	1	Terminal	
7	4460458	1	Seal	

SECTION 4 - CONTROLS

FIGURE 4-39. MIRATRON WIRELESS INSTALLATION - FIVE FUNCTION



ART_2577000035

SECTION 4 - CONTROLS

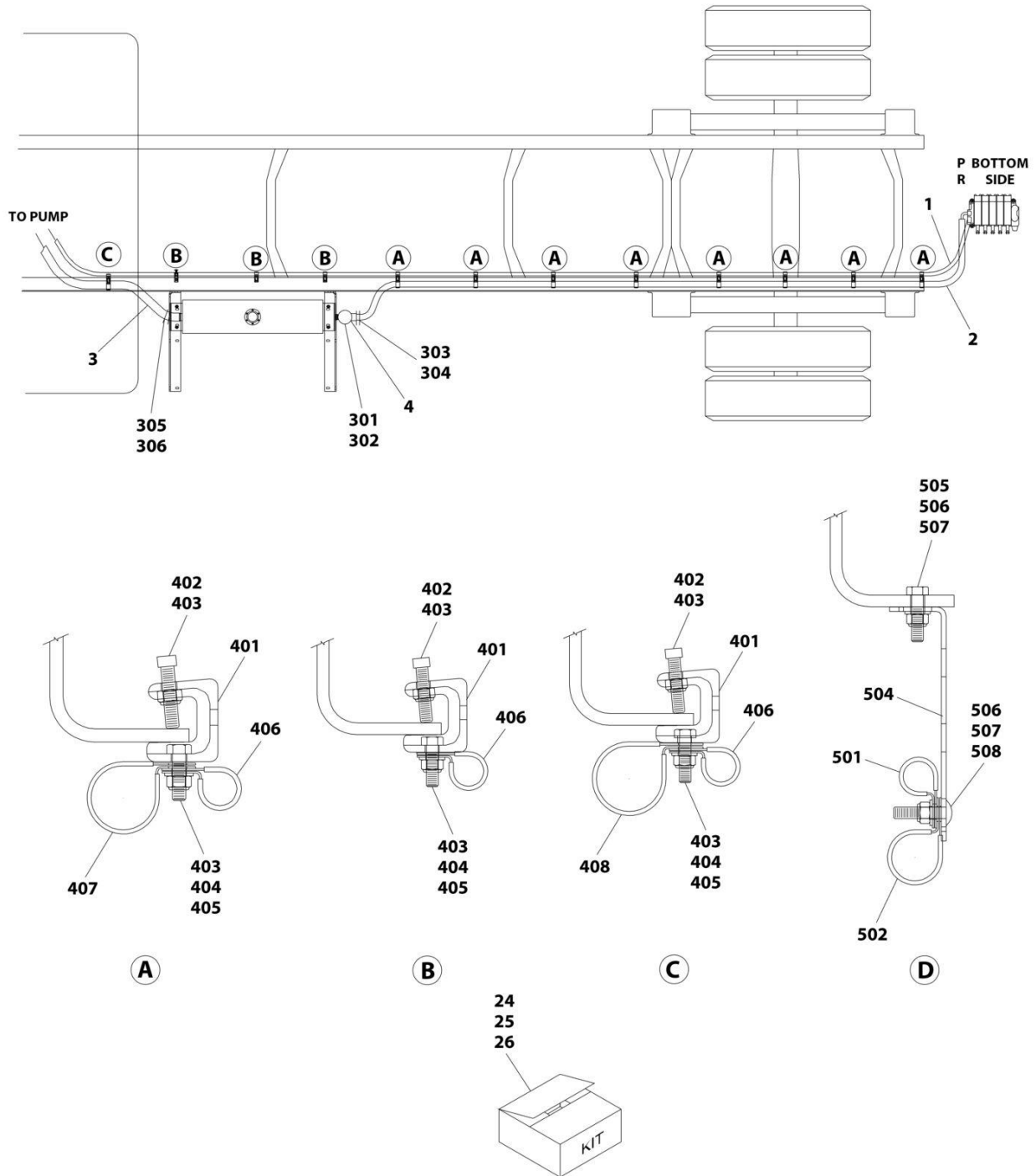
FIGURE 4-39. MIRATRON WIRELESS INSTALLATION - FIVE FUNCTION

ITEM	PART NUMBER	QTY	DESCRIPTION	REV
	2577000035	Ref	Miratron Wireless Installation, Five Function	0
1	7295000111	1	Controller (5 remote operations)	
2	4706005595	1	Plate	
3	7114100810	6	Screw #10	
4	7950100151	8	Washer 3/16	
5	7660102604	6	Nut #10	
6	7330000696	1	Decal - Controller Functions	
7	7552000426	1	Harness	
7	4460933	1	Plug, Male - 12 Position	
7	4460465	11	Socket, Female	
7	4460955	10	Plug, Male - 2 Position	
7	4460842	20	Terminal	
7		Ref	Fuse - 10Amp ATO (Purchase Locally)	
7		Ref	Connector - 1 Position	
7	4460850	1	Terminal	
7	4460458	1	Seal	

SECTION 5 - HYDRAULIC

SECTION 5 - HYDRAULIC

FIGURE 5-1. HOSE INSTALLATION - 138IN CA STD CAB (GENERIC)



ART_2570000095

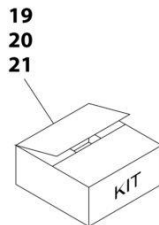
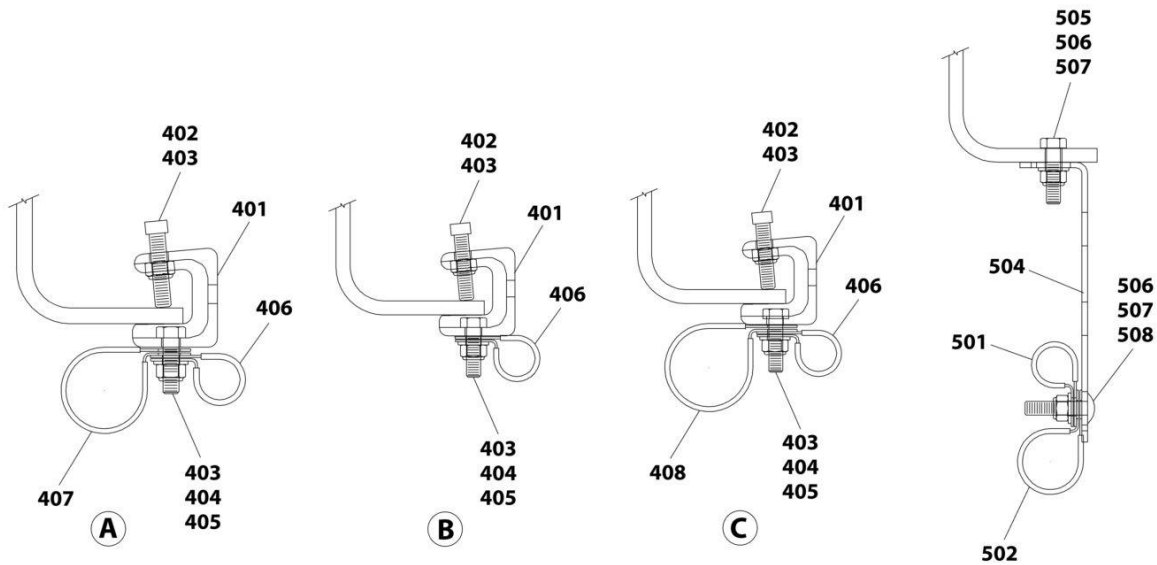
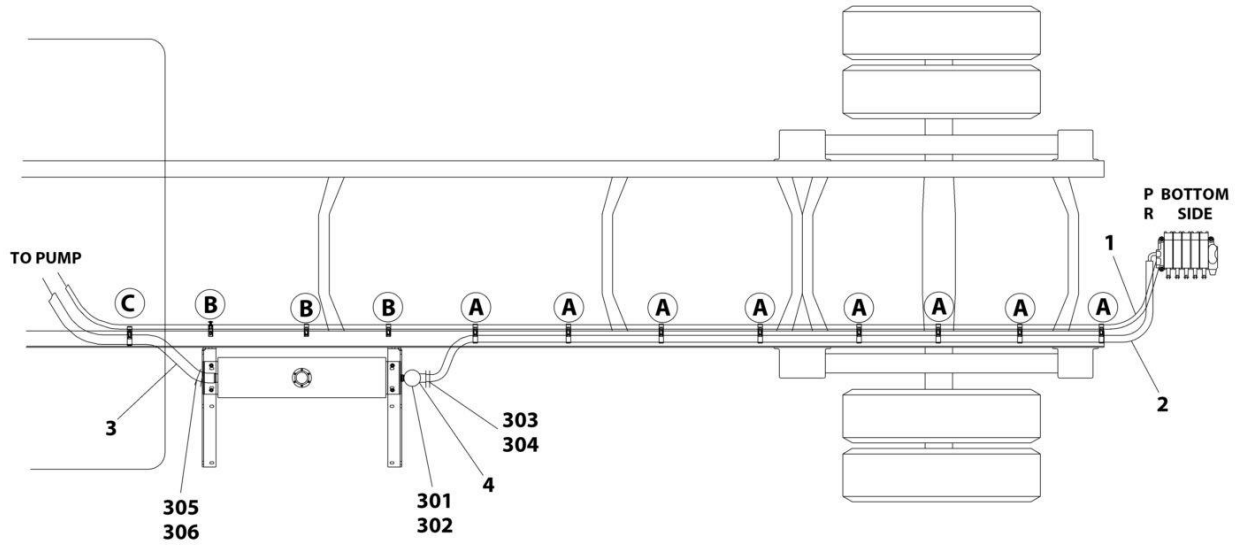
SECTION 5 - HYDRAULIC

FIGURE 5-1. HOSE INSTALLATION - 138IN CA STD CAB (GENERIC)

ITEM	PART NUMBER	QTY	DESCRIPTION	REV
	2570000095	Ref	HOSE INSTALLATION - 138IN CA - GENERIC	3
1	4567130226	1	Hose	
2	4570000101	1	Hose	
3	4570000112	1	Hose	
4	7430000003	1	Filter, Oil	
24	1001132801	1	Clamp, Hose Kit (Includes Items 301-306)	
25	1001132794	12	Clamp, Hose Kit (Includes Items 401-408)	
26	1001132800	4	Clamp, Hose Kit (Includes Items 501-508)	
301	7470000002	1	Gauge, Oil Filter Head	
302	7443000158	1	Fitting, 90	
303	7443000319	1	Fitting, 90	
304	7274000080	2	Clamp	
305	7443000013	1	Nipple	
306	7274000002	2	Clamp	
401	7274000076	1	Clamp	
402	7785152420	1	Screw 5/16 x 1-1/2	
403	7660152601	2	Nut 5/16	
404	7115151050	1	Capscrew 5/16 x 1-1/4	
405	7950150161	1	Washer 5/16	
406	7274000040	1	Clamp	
407	7274000041	1	Clamp	
408	7274000042	1	Clamp	
501	7274000040	1	Clamp	
502	7274000041	1	Clamp	
503	7274000042	1	Clamp	
504	4706003844	1	Plate	
505	7115151050	1	Capscrew 5/16 x 1-1/4	
506	7950150161	3	Washer 5/16	
507	7660152601	2	Nut 5/16	
508	7115151064	1	Bolt 5/16 x 1-1/4	

SECTION 5 - HYDRAULIC

FIGURE 5-2. HOSE INSTALLATION - 138IN CA STD CAB (INTERNATIONAL)



ART_2570000093

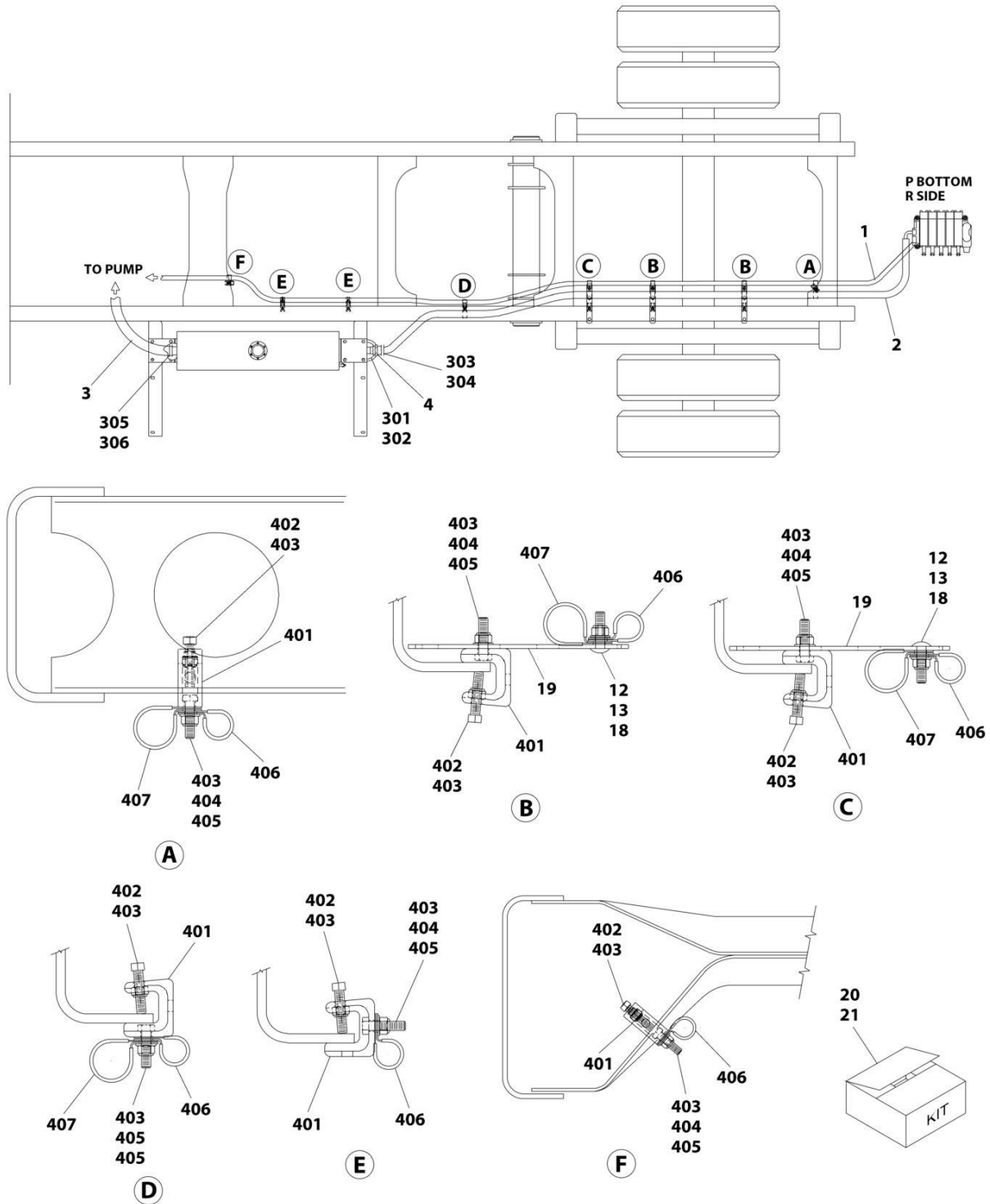
SECTION 5 - HYDRAULIC

FIGURE 5-2. HOSE INSTALLATION - 138IN CA STD CAB (INTERNATIONAL)

ITEM	PART NUMBER	QTY	DESCRIPTION	REV
	2570000093	Ref	HOSE INSTALLATION - 138IN CA (STD CAB IHC NGV)	2
1	4567130223	1	Hose	
2	4570000101	1	Hose, Return	
3	4570000091	1	Hose, Supply	
4	7430000003	1	Filter, Oil	
19	1001132801	1	Clamp, Hose Kit (Includes Items 301-306)	
20	1001132794	11	Clamp, Hose Kit (Includes Items 401-408)	
21	1001132800	5	Clamp, Hose Kit (Includes Items 501-508)	
301	7470000002	1	Gauge, Oil Filter Head	
302	7443000158	1	Fitting, 90	
303	7443000319	1	Fitting, 90	
304	7274000080	2	Clamp	
305	7443000013	1	Fitting, Nipple	
306	7274000002	2	Clamp	
401	7274000076	1	Clamp	
402	7785152420	1	Screw 5/16 x 1-1/2	
403	7660152601	2	Nut 5/16	
404	7115151050	1	Capscrew 5/16 x 1-1/4	
405	7950150161	1	Washer 5/16	
406	7274000040	1	Clamp	
407	7274000041	1	Clamp	
408	7274000042	1	Clamp	
501	7274000040	1	Clamp	
502	7274000041	1	Clamp	
503	7274000042	1	Clamp	
504	4706003844	1	Plate	
505	7115151050	1	Capscrew 5/16 x 1-1/4	
506	7950150161	3	Washer 5/16	
507	7660152601	2	Nut 5/16	
508	7115151064	1	Bolt 5/16 x 1-1/4	

SECTION 5 - HYDRAULIC

FIGURE 5-3. HOSE INSTALLATION - 138IN CA STD CAB



ART_2570000092

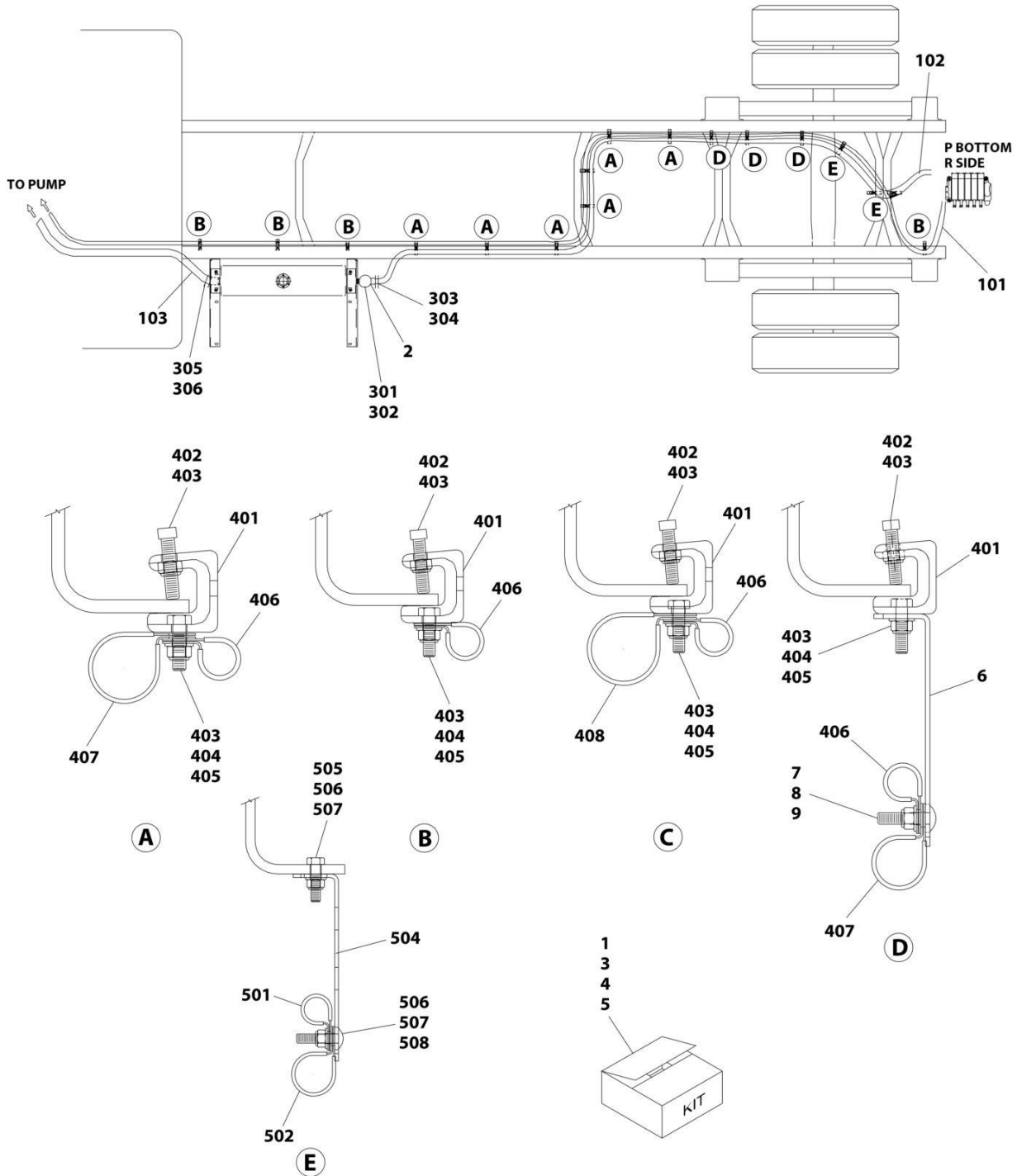
SECTION 5 - HYDRAULIC

FIGURE 5-3. HOSE INSTALLATION - 138IN CA STD CAB

ITEM	PART NUMBER	QTY	DESCRIPTION	REV
	2570000092	Ref	HOSE INSTALLATION - 138IN CA (STD CAB UD)	2
1	4567130165	1	Hose	
2	4570000104	1	Hose	
3	4570000105	1	Hose	
4	7430000003	1	Filter, Oil	
12	7950150161	3	Washer 5/16	
13	7660152601	3	Nut 5/16	
18	7115151064	3	Bolt 5/16 x 1-1/4	
19	4706003844	3	Plate	
20	1001132801	1	Clamp, Hose Kit (Includes Items 301-306)	
21	1001132794	8	Clamp, Hose Kit (Includes Items 401-408)	
301	7470000002	1	Gauge, Oil Filter Head	
302	7443000158	1	Fitting, 90	
303	7443000319	1	Fitting, 90	
304	7274000080	2	Clamp	
305	7443000013	1	Nipple	
306	7274000002	2	Clamp	
401	7274000076	1	Clamp	
402	7785152420	1	Screw 5/16 x 1-1/2	
403	7660152601	2	Nut 5/16	
404	7115151050	1	Capscrew 5/16 x 1-1/4	
405	7950150161	1	Washer 5/16	
406	7274000040	1	Clamp	
407	7274000041	1	Clamp	
408	7274000042	1	Clamp (Not Shown)	

SECTION 5 - HYDRAULIC

FIGURE 5-4. HOSE INSTALLATION - 144IN CA STD CAB (INTERNATIONAL)



ART_1001132743

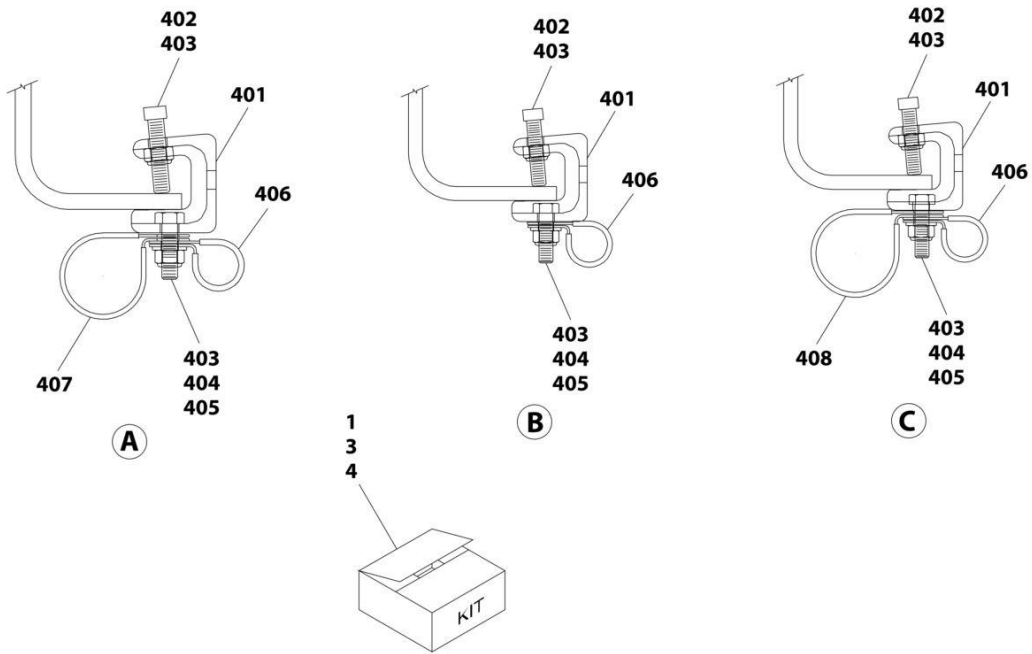
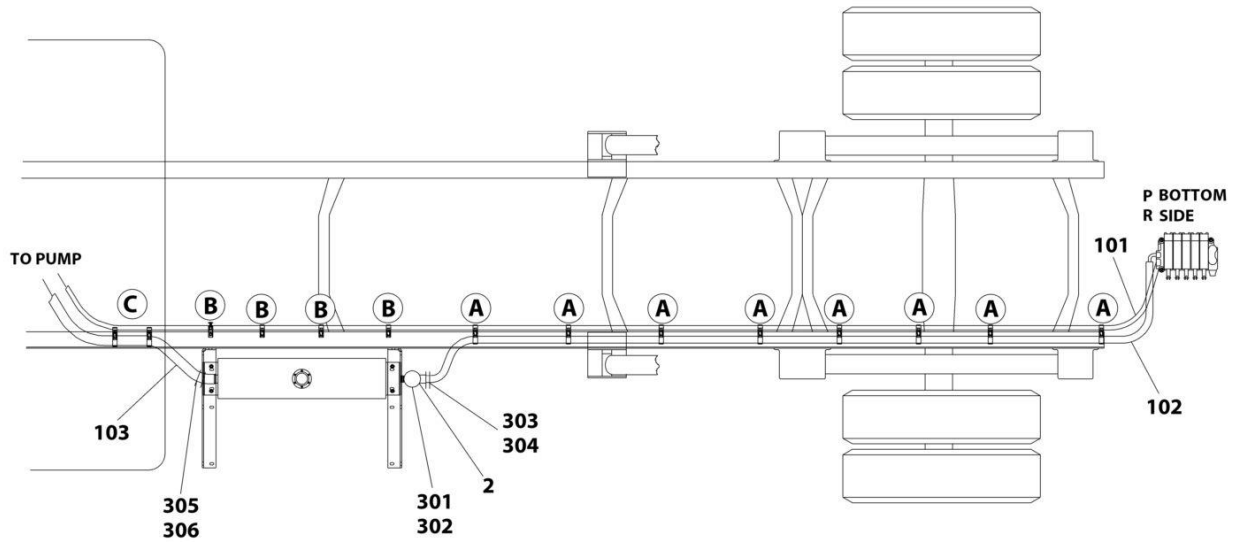
SECTION 5 - HYDRAULIC

FIGURE 5-4. HOSE INSTALLATION - 144IN CA STD CAB (INTERNATIONAL)

ITEM	PART NUMBER	QTY	DESCRIPTION	REV
	1001132743	Ref	HOSE INSTALLATION - 144IN CA (STD CAB IHC NGV)	0
1	1001132712	1	Hose Kit (Include Items 101-103)	
2	7430000003	1	Filter, Oil	
3	1001132801	1	Clamp, Hose Kit (Includes Items 301-306)	
4	1001132794	14	Clamp, Hose Kit (Includes Items 401-408)	
5	1001132800	3	Clamp, Hose Kit (Includes Items 501-508)	
6	4706003844	3	Plate	
7	7115151064	3	Bolt 5/16 x 1-1/4	
8	7950150161	3	Washer 5/16	
9	7660152601	3	Nut 5/16	
101	4567130264	1	Hose	
102	1001132684	1	Hose	
103	4570000042	1	Hose	
301	7470000002	1	Gauge, Oil Filter Head	
302	7443000158	1	Fitting, 90	
303	7443000319	1	Fitting, 90	
304	7274000080	2	Clamp	
305	7443000013	1	Fitting, Nipple	
306	7274000002	2	Clamp	
401	7274000076	1	Clamp	
402	7785152420	1	Screw 5/16 x 1-1/2	
403	7660152601	2	Nut 5/16	
404	7115151050	1	Capscrew 5/16 x 1-1/4	
405	7950150161	1	Washer 5/16	
406	7274000040	1	Clamp	
407	7274000041	1	Clamp	
408	7274000042	1	Clamp	
501	7274000040	1	Clamp	
502	7274000041	1	Clamp	
503	7274000042	1	Clamp	
504	4706003844	1	Plate	
505	7115151050	1	Capscrew 5/16 x 1-1/4	
506	7950150161	3	Washer 5/16	
507	7660152601	2	Nut 5/16	
508	7115151064	1	Bolt 5/16 x 1-1/4	

SECTION 5 - HYDRAULIC

FIGURE 5-5. HOSE INSTALLATION - 144IN CA STD CAB (HINO)



ART_1001132761

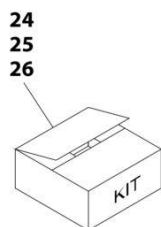
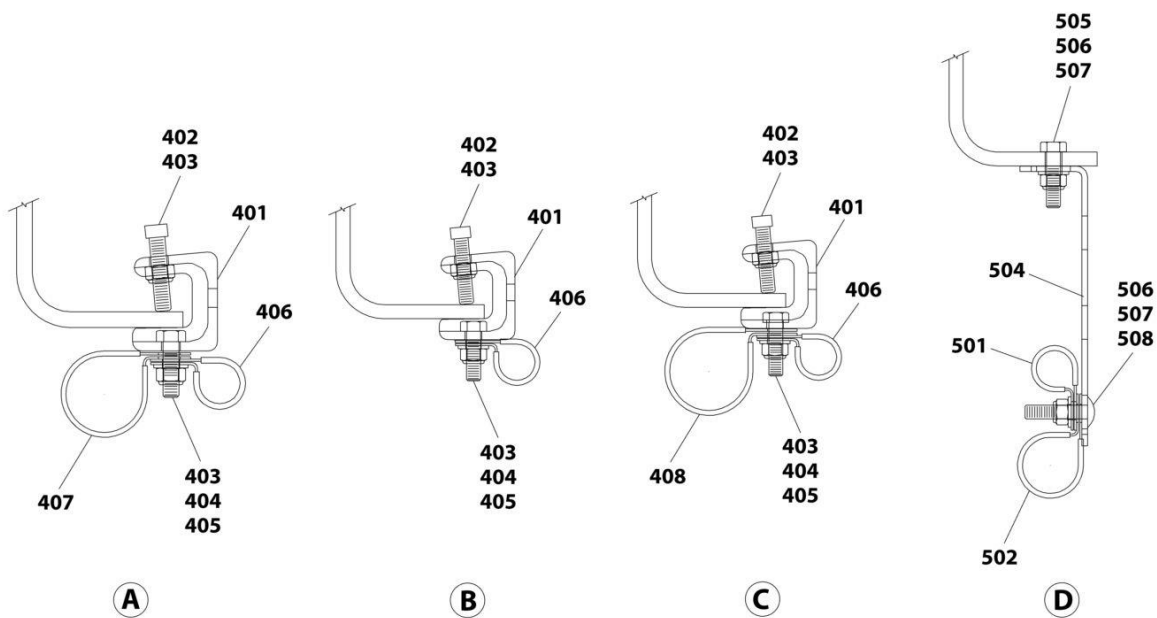
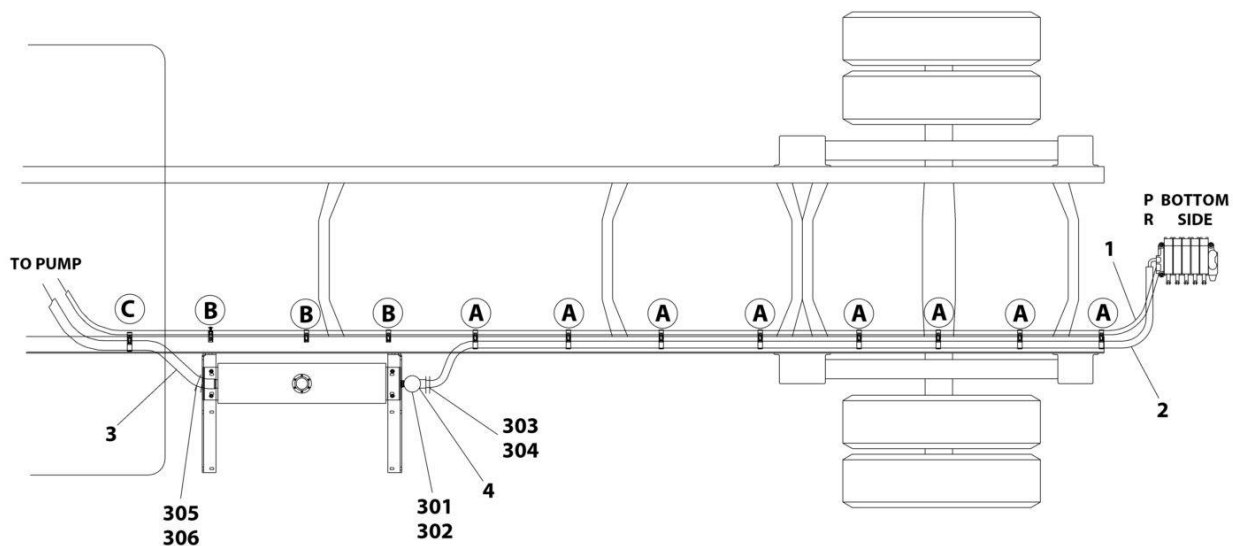
SECTION 5 - HYDRAULIC

FIGURE 5-5. HOSE INSTALLATION - 144IN CA STD CAB (HINO)

ITEM	PART NUMBER	QTY	DESCRIPTION	REV
	1001132761	Ref	HOSE INSTALLATION - 144IN CA (STD CAB HINO)	0
1	1001132760	1	Hose Kit (Include Items 101-103)	
2	743000003	1	Filter, Oil	
3	1001132801	1	Clamp, Hose Kit (Includes Items 301-306)	
4	1001132794	13	Clamp, Hose Kit (Includes Items 401-408)	
101	4567130241	1	Hose	
102	4570000102	1	Hose	
103	4570000099	1	Hose	
301	7470000002	1	Gauge, Oil Filter Head	
302	7443000158	1	Fitting, 90	
303	7443000319	1	Fitting, 90	
304	7274000080	2	Clamp	
305	7443000013	1	Nipple	
306	7274000002	2	Clamp	
401	7274000076	1	Clamp	
402	7785152420	1	Screw 5/16 x 1-1/2	
403	7660152601	2	Nut 5/16	
404	7115151050	1	Capscrew 5/16 x 1-1/4	
405	7950150161	1	Washer 5/16	
406	7274000040	1	Clamp	
407	7274000041	1	Clamp	
408	7274000042	1	Clamp	

SECTION 5 - HYDRAULIC

FIGURE 5-6. HOSE INSTALLATION - 150IN CA (GENERIC)



ART_2570000096

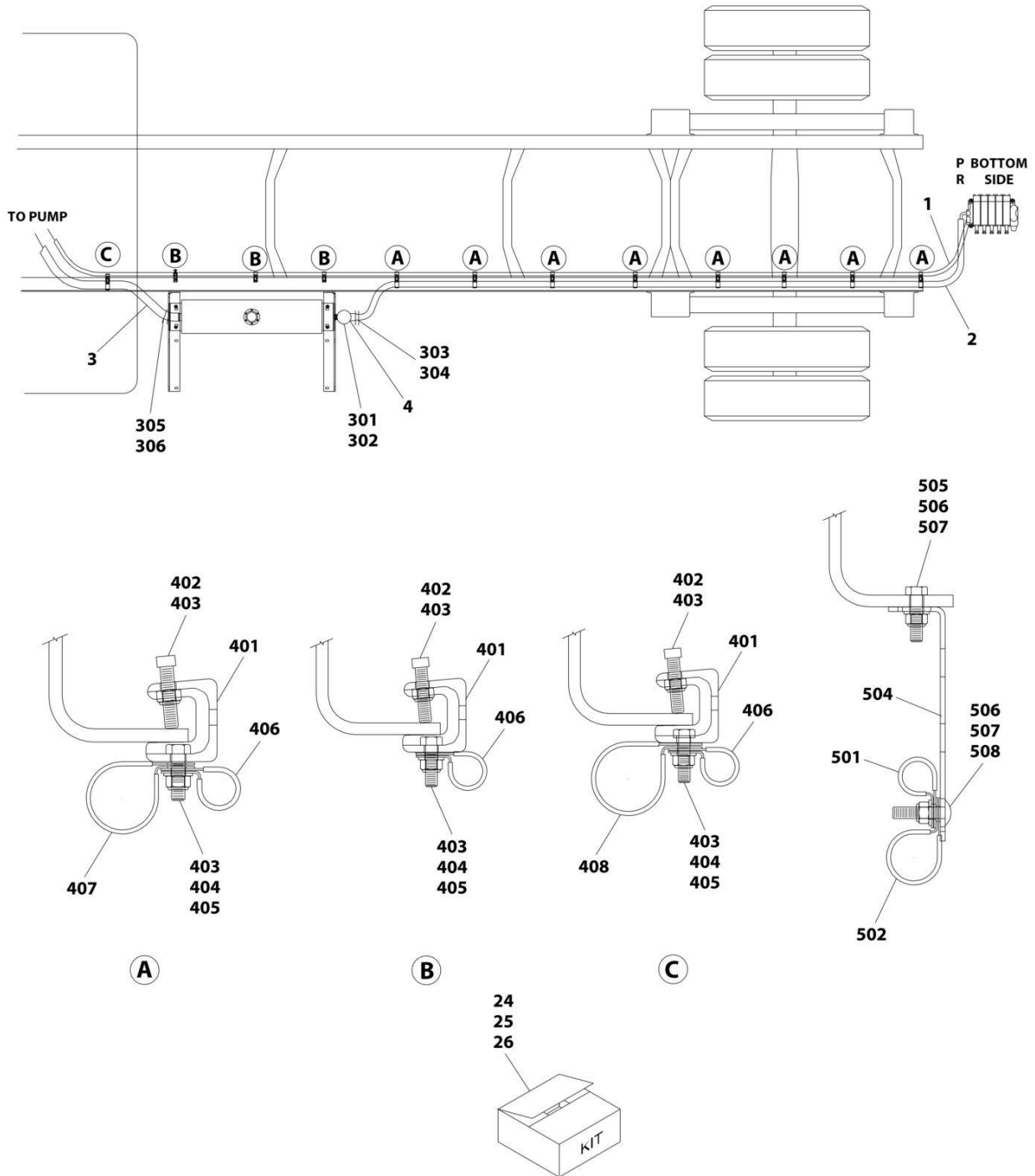
SECTION 5 - HYDRAULIC

FIGURE 5-6. HOSE INSTALLATION - 150IN CA (GENERIC)

ITEM	PART NUMBER	QTY	DESCRIPTION	REV
	2570000096	Ref	HOSE INSTALLATION - 150IN CA - GENERIC	3
1	4567130238	1	Hose	
2	4570000102	1	Hose	
3	4570000112	1	Hose	
4	7430000003	1	Filter, Oil	
24	1001132801	1	Clamp, Hose Kit (Includes Items 301-306)	
25	1001132794	13	Clamp, Hose Kit (Includes Items 401-408)	
26	1001132800	4	Clamp, Hose Kit (Includes Items 501-508)	
301	7470000002	1	Gauge, Oil Filter Head	
302	7443000158	1	Fitting, 90	
303	7443000319	1	Fitting, 90	
304	7274000080	2	Clamp	
305	7443000013	1	Nipple	
306	7274000002	2	Clamp	
401	7274000076	1	Clamp	
402	7785152420	1	Screw 5/16 x 1-1/2	
403	7660152601	2	Nut 5/16	
404	7115151050	1	Capscrew 5/16 x 1-1/4	
405	7950150161	1	Washer 5/16	
406	7274000040	1	Clamp	
407	7274000041	1	Clamp	
408	7274000042	1	Clamp	
501	7274000040	1	Clamp	
502	7274000041	1	Clamp	
503	7274000042	1	Clamp	
504	4706003844	1	Plate	
505	7115151050	1	Capscrew 5/16 x 1-1/4	
506	7950150161	3	Washer 5/16	
507	7660152601	2	Nut 5/16	
508	7115151064	1	Bolt 5/16 x 1-1/4	

SECTION 5 - HYDRAULIC

FIGURE 5-7. HOSE INSTALLATION - 150IN CA STD CAB (INTERNATIONAL)



ART_2570000094

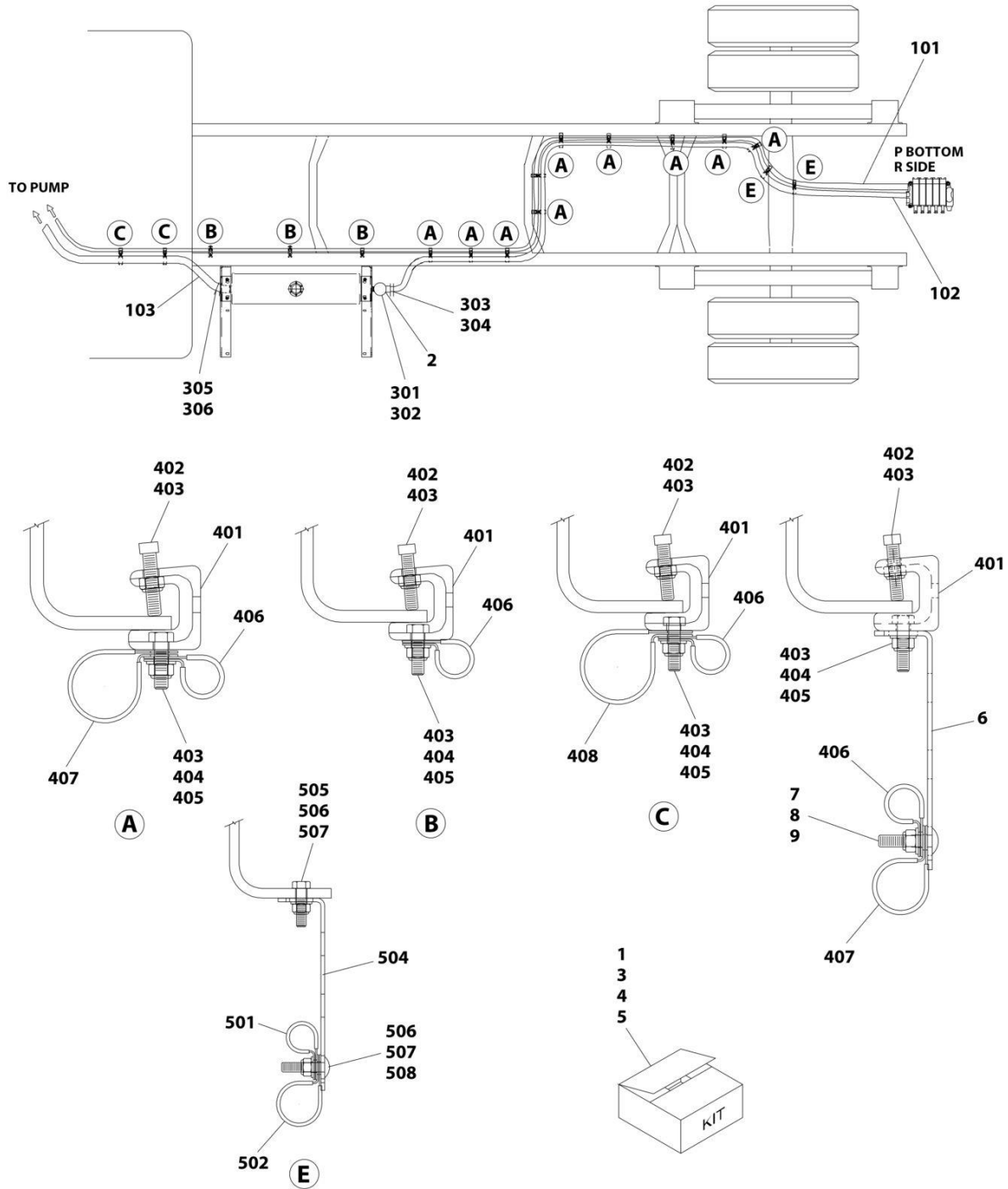
SECTION 5 - HYDRAULIC

FIGURE 5-7. HOSE INSTALLATION - 150IN CA STD CAB (INTERNATIONAL)

ITEM	PART NUMBER	QTY	DESCRIPTION	REV
	2570000094	Ref	HOSE INSTALLATION - 150IN CA (STD CAB IHC NGV)	D
1	4567130270	1	Hose	
2	1001132685	1	Hose	
3	4570000091	1	Hose	
4	7430000003	1	Filter Assembly	
24	1001132801	1	Clamp, Hose Kit (Includes Items 301-306)	
25	1001132794	12	Clamp, Hose Kit (Includes Items 401-408)	
26	1001132800	6	Clamp, Hose Kit (Includes Items 501-508)	
301	7470000002	1	Gauge, Oil Filter Head	
302	7443000158	1	Fitting, 90	
303	7443000319	1	Fitting, 90	
304	7274000080	2	Clamp	
305	7443000013	1	Fitting, Nipple	
306	7274000002	2	Clamp	
401	7274000076	1	Clamp	
402	7785152420	1	Screw 5/16 x 1-1/2	
403	7660152601	2	Nut 5/16	
404	7115151050	1	Capscrew 5/16 x 1-1/4	
405	7950150161	1	Washer 5/16	
406	7274000040	1	Clamp	
407	7274000041	1	Clamp	
408	7274000042	1	Clamp	
501	7274000040	1	Clamp	
502	7274000041	1	Clamp	
503	7274000042	1	Clamp	
504	4706003844	1	Plate	
505	7115151050	1	Capscrew 5/16 x 1-1/4	
506	7950150161	3	Washer 5/16	
507	7660152601	2	Nut 5/16	
508	7115151064	1	Bolt 5/16 x 1-1/4	

SECTION 5 - HYDRAULIC

FIGURE 5-8. HOSE INSTALLATION - 150IN CA EXT CAB (INTERNATIONAL)



ART_1001132744

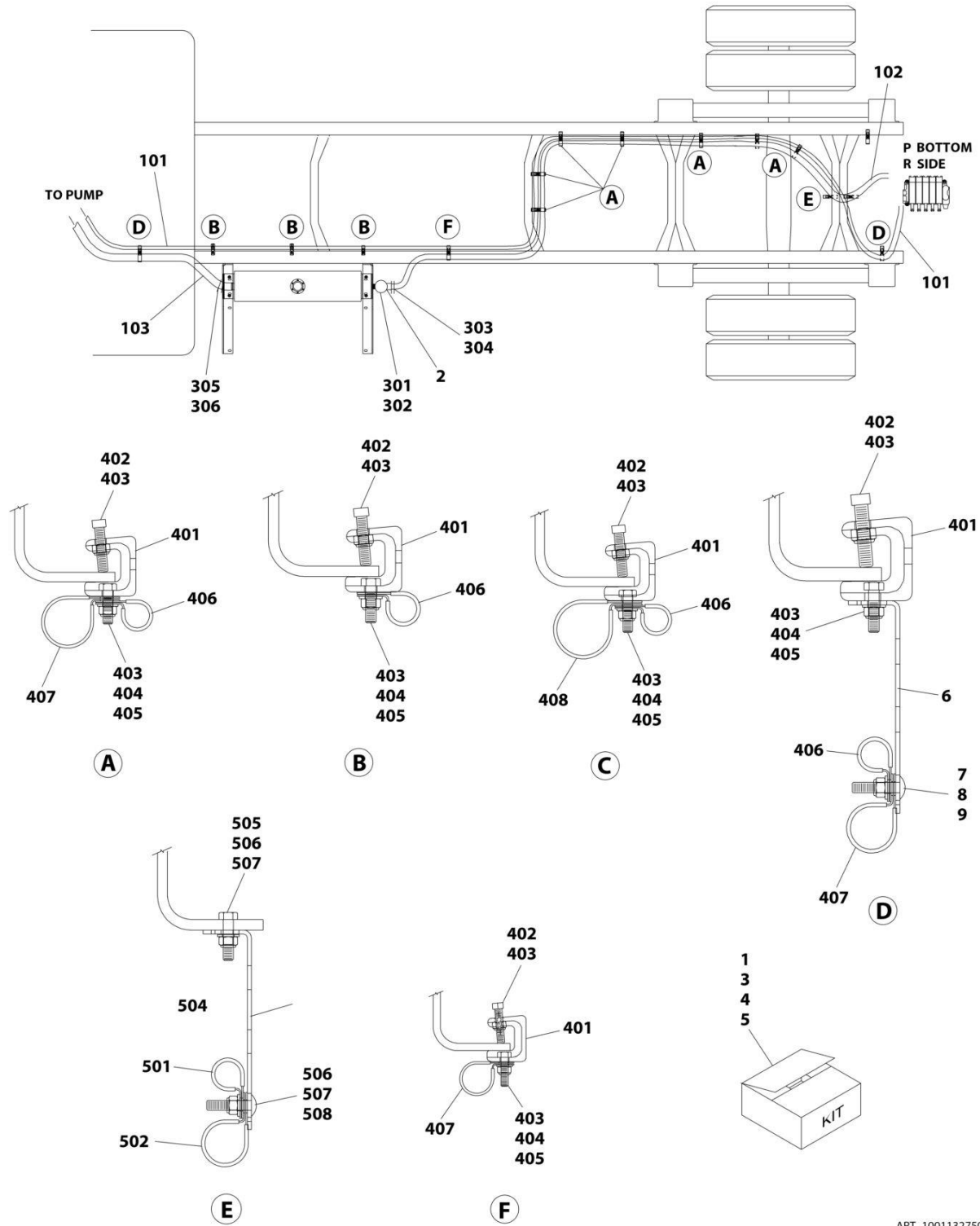
SECTION 5 - HYDRAULIC

FIGURE 5-8. HOSE INSTALLATION - 150IN CA EXT CAB (INTERNATIONAL)

ITEM	PART NUMBER	QTY	DESCRIPTION	REV
	1001132744	Ref	HOSE INSTALLATION - 150IN CA (EXT CAB IHC NGV)	0
1	1001132713	1	Hose Kit (Include Items 101-103)	
2	7430000003	1	Filter, Oil	
3	1001132801	1	Clamp, Hose Kit (Includes Items 301-306)	
4	1001132794	15	Clamp, Hose Kit (Includes Items 401-408)	
5	1001132800	2	Clamp, Hose Kit (Includes Items 501-508)	
6	4706003844	1	Plate	
7	7115151064	1	Bolt 5/16 x 1-1/4	
8	7950150161	1	Washer 5/16	
9	7660152601	1	Nut 5/16	
101	4567130300	1	Hose	
102	1001132684	1	Hose	
103	1001132599	1	Hose	
301	7470000002	1	Gauge, Oil Filter Head	
302	7443000158	1	Fitting, 90	
303	7443000319	1	Fitting, 90	
304	7274000080	2	Clamp	
305	7443000013	1	Fitting, Nipple	
306	7274000002	2	Clamp	
401	7274000076	1	Clamp	
402	7785152420	1	Screw 5/16 x 1-1/2	
403	7660152601	2	Nut 5/16	
404	7115151050	1	Capscrew 5/16 x 1-1/4	
405	7950150161	1	Washer 5/16	
406	7274000040	1	Clamp	
407	7274000041	1	Clamp	
408	7274000042	1	Clamp	
501	7274000040	1	Clamp	
502	7274000041	1	Clamp	
503	7274000042	1	Clamp	
504	4706003844	1	Plate	
505	7115151050	1	Capscrew 5/16 x 1-1/4	
506	7950150161	3	Washer 5/16	
507	7660152601	2	Nut 5/16	
508	7115151064	1	Bolt 5/16 x 1-1/4	

SECTION 5 - HYDRAULIC

FIGURE 5-9. HOSE INSTALLATION - 150IN CA STD CAB (FREIGHTLINER)



ART_1001132750

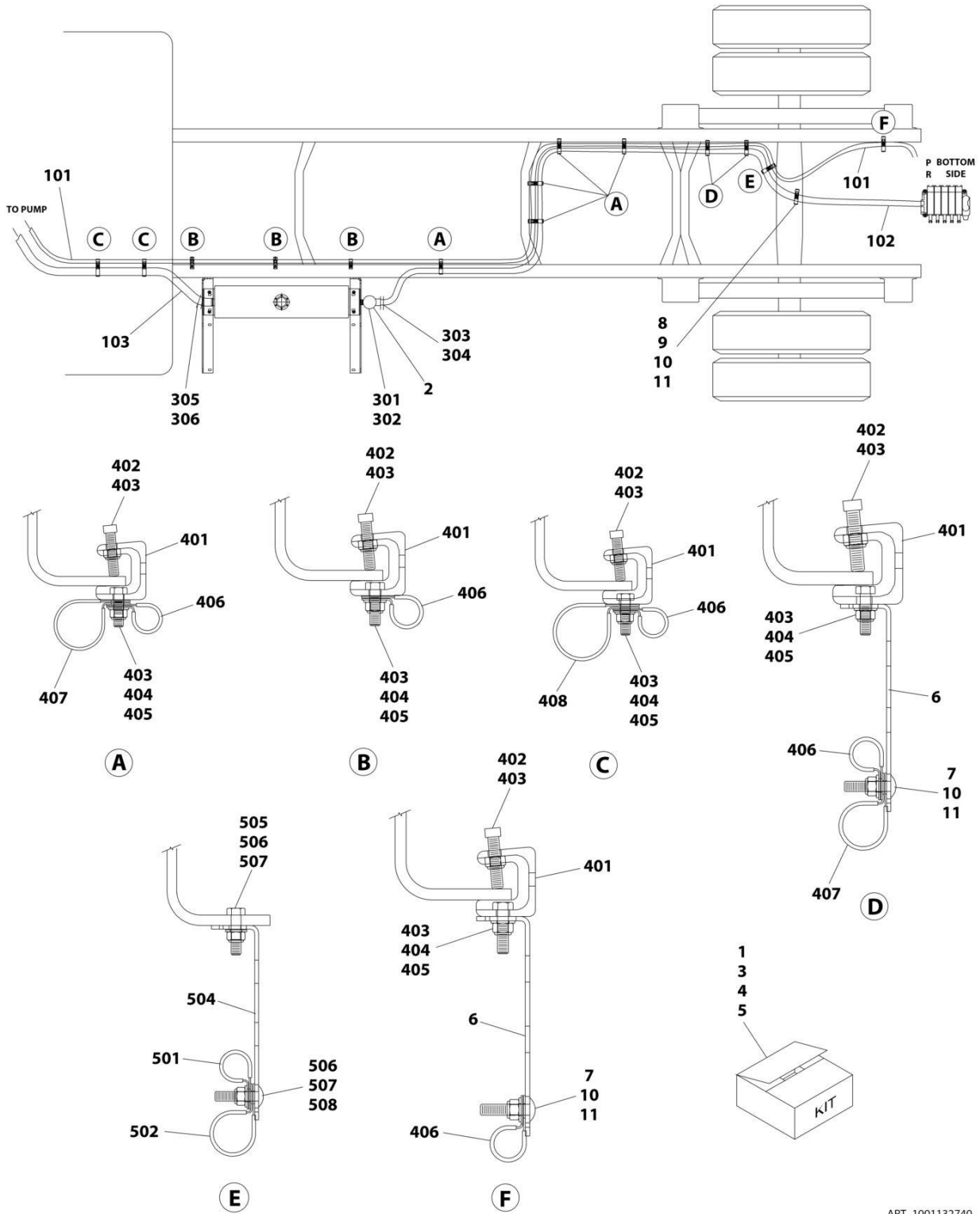
SECTION 5 - HYDRAULIC

FIGURE 5-9. HOSE INSTALLATION - 150IN CA STD CAB (FREIGHTLINER)

ITEM	PART NUMBER	QTY	DESCRIPTION	REV
	1001132750	Ref	HOSE INSTALLATION - 150IN CA (STD CAB FREIGHTLINER)	0
1	1001132719	1	Hose Kit (Include Items 101-103)	
2	7430000003	1	Filter, Oil	
3	1001132801	1	Clamp, Hose Kit (Includes Items 301-306)	
4	1001132794	13	Clamp, Hose Kit (Includes Items 401-408)	
5	1001132800	2	Clamp, Hose Kit (Includes Items 501-508)	
6	4706003844	1	Plate	
7	7115151064	1	Bolt 5/16 x 1-1/4	
8	7950150161	1	Washer 5/16	
9	7660152601	1	Nut 5/16	
101	4567130241	1	Hose	
102	1001132675	1	Hose	
103	4570000099	1	Hose	
301	7470000002	1	Gauge, Oil Filter Head	
302	7443000158	1	Fitting, 90	
303	7443000319	1	Fitting, 90	
304	7274000080	2	Clamp	
305	7443000013	1	Fitting, Nipple	
306	7274000002	2	Clamp	
401	7274000076	1	Clamp	
402	7785152420	1	Screw 5/16 x 1-1/2	
403	7660152601	2	Nut 5/16	
404	7115151050	1	Capscrew 5/16 x 1-1/4	
405	7950150161	1	Washer 5/16	
406	7274000040	1	Clamp	
407	7274000041	1	Clamp	
408	7274000042	1	Clamp	
501	7274000040	1	Clamp	
502	7274000041	1	Clamp	
503	7274000042	1	Clamp	
504	4706003844	1	Plate	
505	7115151050	1	Capscrew 5/16 x 1-1/4	
506	7950150161	3	Washer 5/16	
507	7660152601	2	Nut 5/16	
508	7115151064	1	Bolt 5/16 x 1-1/4	

SECTION 5 - HYDRAULIC

FIGURE 5-10. HOSE INSTALLATION - 150IN CA STD CAB (FORD)



ART_1001132740

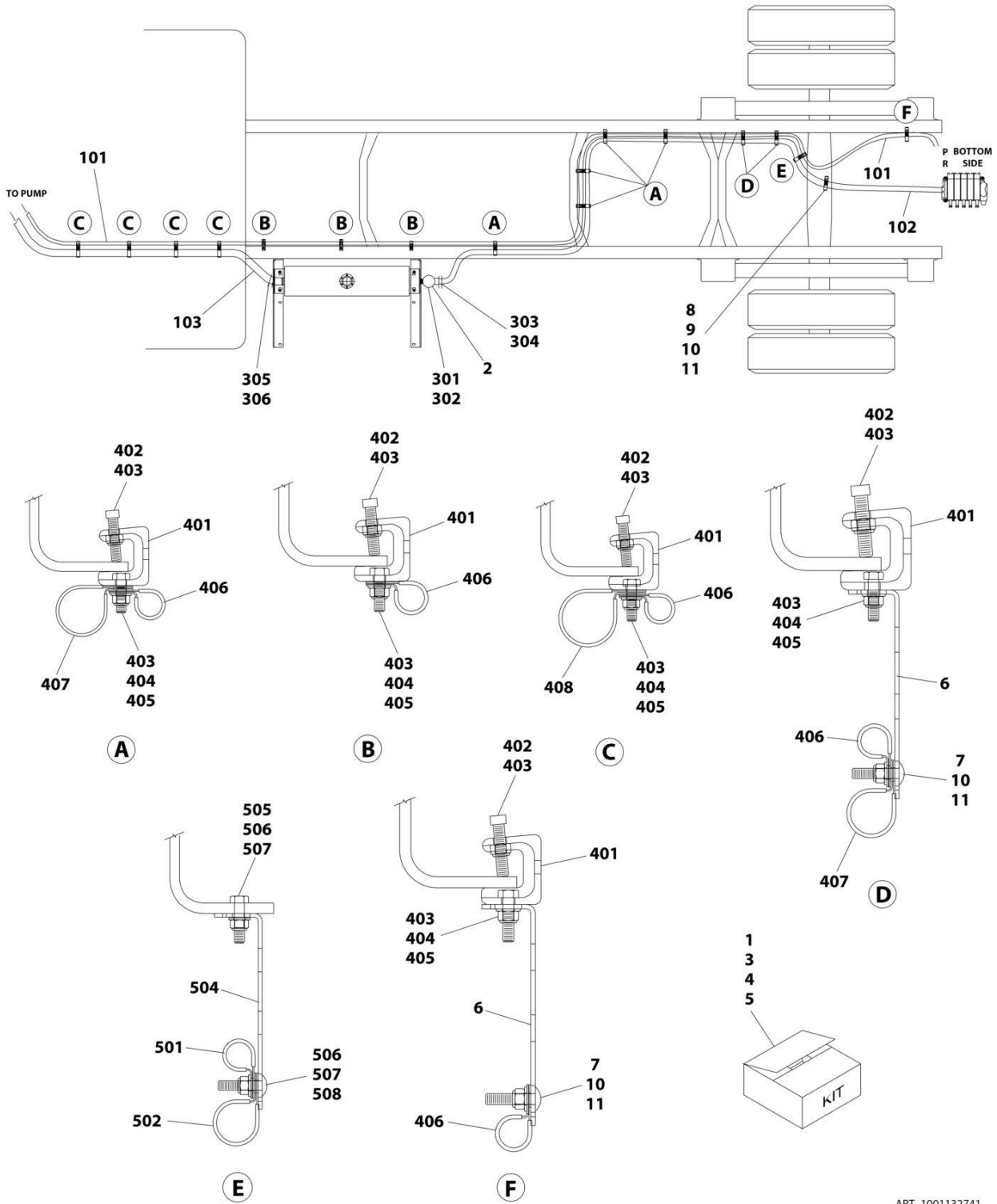
SECTION 5 - HYDRAULIC

FIGURE 5-10. HOSE INSTALLATION - 150IN CA STD CAB (FORD)

ITEM	PART NUMBER	QTY	DESCRIPTION	REV
	1001132740	Ref	HOSE & CLAMP INSTALLATION - 150IN CA STD CAB (FORD - STD CAB)	0
1	1001132709	1	Hose Kit (Includes Items 101-103)	
2	7430000003	1	Filter, Oil	
3	1001132801	1	Clamp, Hose (Includes Items 301-306)	
4	1001132794	13	Clamp, Hose (Includes Items 401-408)	
5	1001132800	1	Clamp, Hose (Includes Items 501-508)	
6	4706003844	3	Plate	
7	7115151064	3	Bolt 5/16 x 1-1/4	
8	7274000041	1	Clamp, Hose	
9	7115151050	1	Capscrew 5/16 x 1-1/4	
10	7950150161	4	Washer 5/16	
11	7660152601	4	Nut 5/16	
101	4567130283	1	Hose	
102	4570000160	1	Hose	
103	4570000044	1	Hose	
301	7470000002	1	Gauge, Oil Filter Head	
302	7443000158	1	Fitting, 90	
303	7443000319	1	Fitting, 90	
304	7274000080	2	Clamp	
305	7443000013	1	Nipple	
306	7274000002	2	Clamp	
401	7274000076	1	Clamp	
402	7785152420	1	Screw 5/16 x 1-1/2	
403	7660152601	2	Nut 5/16	
404	7115151050	1	Capscrew 5/16 x 1-1/4	
405	7950150161	1	Washer 5/16	
406	7274000040	1	Clamp	
407	7274000041	1	Clamp	
408	7274000042	1	Clamp	
501	7274000040	1	Clamp	
502	7274000041	1	Clamp	
503	7274000042	1	Clamp (Not Shown)	
504	4706003844	1	Plate	
505	7115151050	1	Capscrew 5/16 x 1-1/4	
506	7950150161	3	Washer 5/16	
507	7660152601	2	Nut 5/16	
508	7115151064	1	Bolt 5/16 x 1-1/4	

SECTION 5 - HYDRAULIC

FIGURE 5-11. HOSE INSTALLATION - 150IN CA CREW CAB (FORD)



ART_1001132741

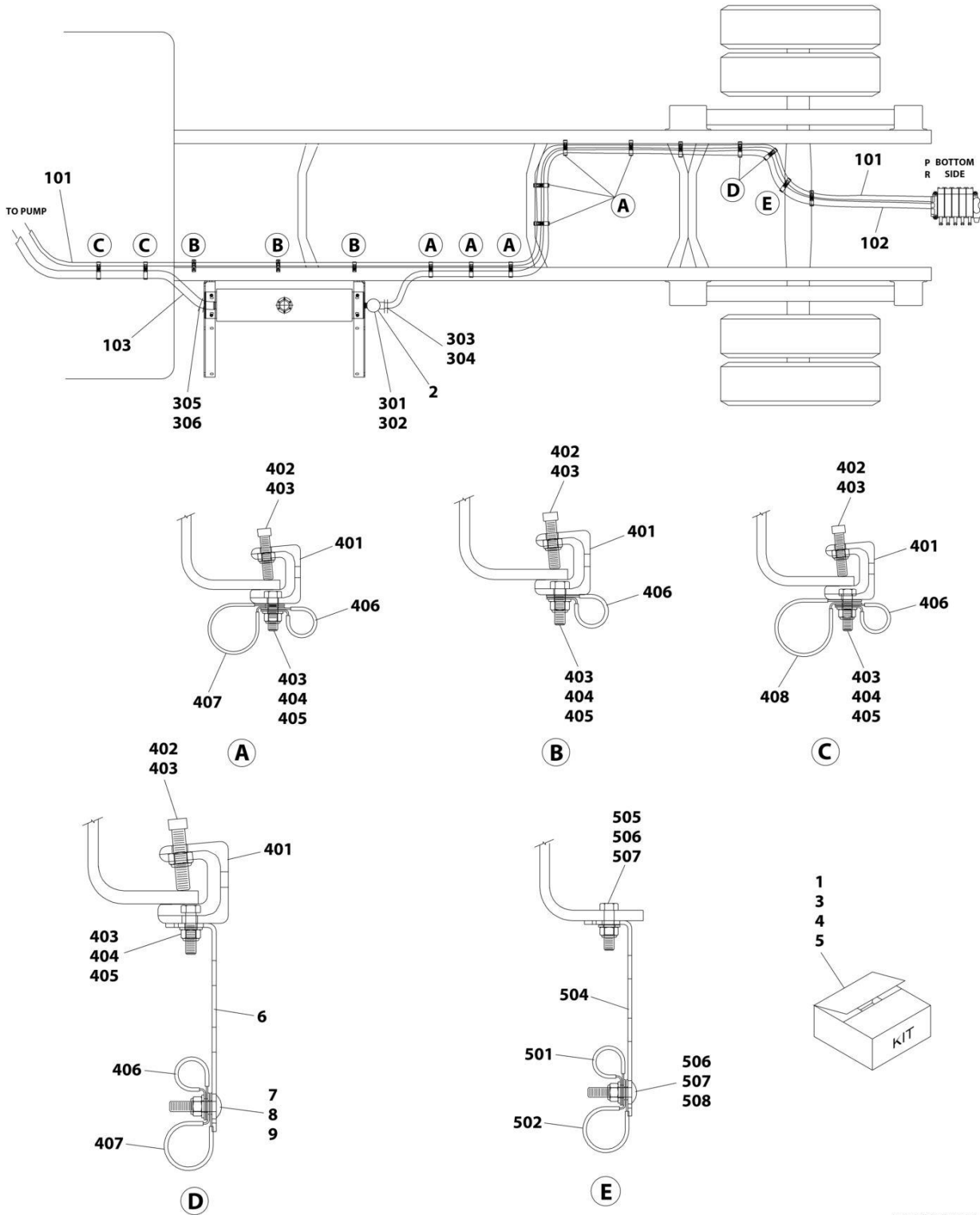
SECTION 5 - HYDRAULIC

FIGURE 5-11. HOSE INSTALLATION - 150IN CA CREW CAB (FORD)

ITEM	PART NUMBER	QTY	DESCRIPTION	REV
	1001132741	Ref	HOSE & CLAMP INSTALLATION - 150IN CA CREW CAB (FORD - CREW CAB)	0
1	1001132710	1	Hose Kit (Include Items 101-103)	
2	7430000003	1	Filter, Oil	
3	1001132801	1	Clamp, Hose (Includes Items 301-306)	
4	1001132794	15	Clamp, Hose (Includes Items 401-408)	
5	1001132800	1	Clamp, Hose (Includes items 501-508)	
6	4706003844	3	Plate	
7	7115151064	3	Bolt 5/16 x 1-1/4	
8	7274000041	1	Clamp, Hose	
9	7115151050	1	Capscrew 5/16 x 1-1/4	
10	7950150161	4	Washer 5/16	
11	7660152601	4	Nut 5/16	
101	4567130320	1	Hose	
102	4570000160	1	Hose	
103	1001132613	1	Hose	
301	7470000002	1	Gauge, Oil Filter Head	
302	7443000158	1	Fitting, 90	
303	7443000319	1	Fitting, 90	
304	7274000080	2	Clamp	
305	7443000013	1	Fitting, Nipple	
306	7274000002	2	Clamp	
401	7274000076	1	Clamp	
402	7785152420	1	Screw 5/16 x 1-1/2	
403	7660152601	2	Nut 5/16	
404	7115151050	1	Capscrew 5/16 x 1-1/4	
405	7950150161	1	Washer 5/16	
406	7274000040	1	Clamp	
407	7274000041	1	Clamp	
408	7274000042	1	Clamp	
501	7274000040	1	Clamp	
502	7274000041	1	Clamp	
503	7274000042	1	Clamp (Not Shown)	
504	4706003844	1	Plate	
505	7115151050	1	Capscrew 5/16 x 1-1/4	
506	7950150161	3	Washer 5/16	
507	7660152601	2	Nut 5/16	
508	7115151064	1	Bolt 5/16 x 1-1/4	

SECTION 5 - HYDRAULIC

FIGURE 5-12. HOSE INSTALLATION - 150IN CA STD CAB (PETERBILT)



ART_1001132749

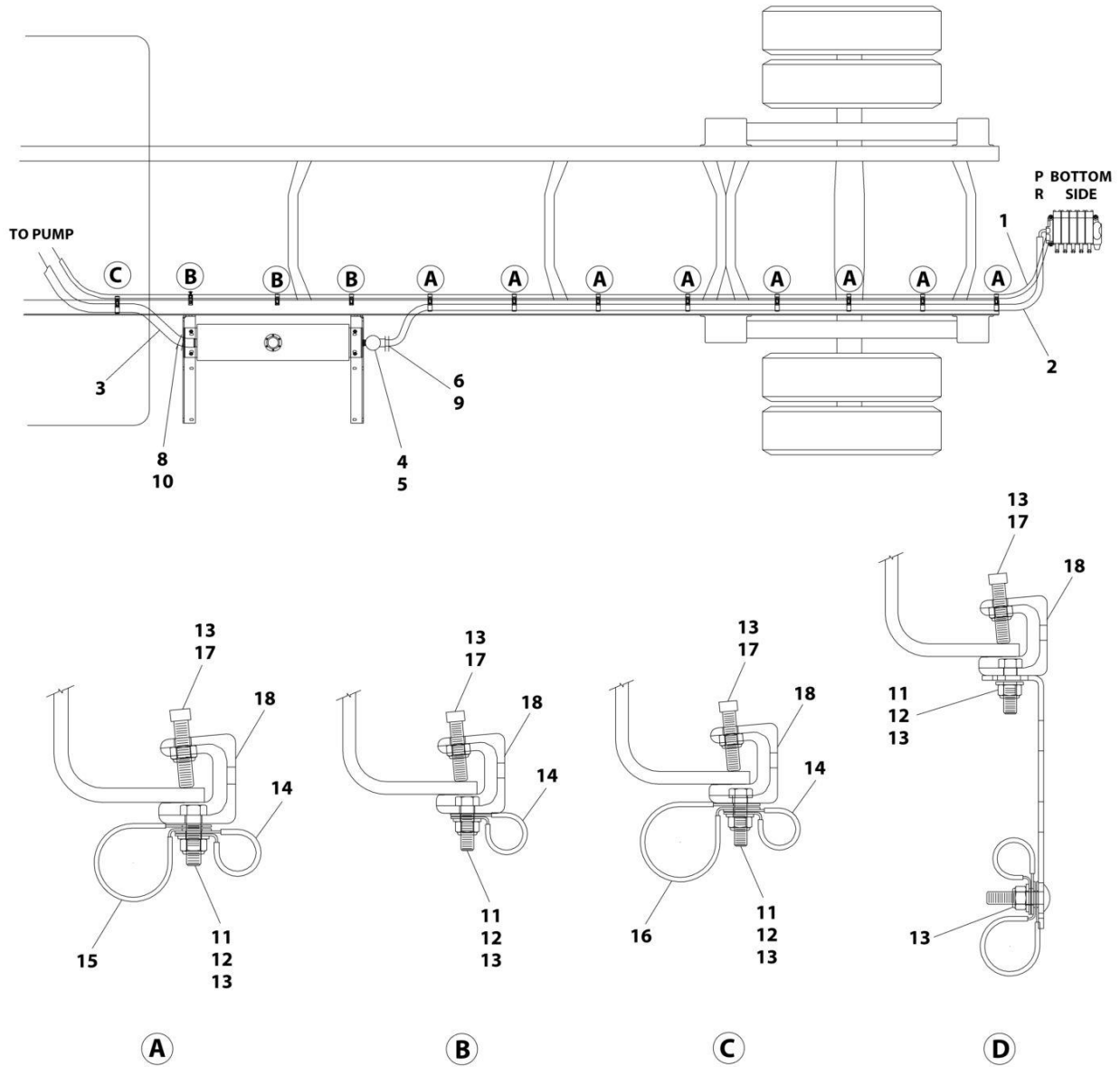
SECTION 5 - HYDRAULIC

FIGURE 5-12. HOSE INSTALLATION - 150IN CA STD CAB (PETERBILT)

ITEM	PART NUMBER	QTY	DESCRIPTION	REV
	1001132749	Ref	HOSE & CLAMP INSTALLATION - 150IN CA STD CAB (PETERBILT)	0
1	1001132718	1	Hose Kit (Includes items 101-103)	
2	7430000003	1	Filter, Oil	
3	1001132801	1	Clamp, Hose (Includes Items 301-306)	
4	1001132794	15	Clamp, Hose (Includes Items 401-408)	
5	1001132800	4	Clamp, Hose (Includes Items 501-508)	
6	4706003844	4	Plate	
7	7115151064	4	Bolt 5/16 x 1-1/4	
8	7950150161	4	Washer 5/16	
9	7660152601	4	Nut 5/16	
101	4567130270	1	Hose	
102	4570000102	1	Hose	
103	1001132609	1	Hose	
301	7470000002	1	Gauge, Oil Filter Head	
302	7443000158	1	Fitting, 90	
303	7443000319	1	Fitting, 90	
304	7274000080	2	Clamp	
305	7443000013	1	Nipple	
306	7274000002	2	Clamp	
401	7274000076	1	Clamp	
402	7785152420	1	Screw 5/16 x 1-1/2	
403	7660152601	2	Nut 5/16	
404	7115151050	1	Capscrew 5/16 x 1-1/4	
405	7950150161	1	Washer 5/16	
406	7274000040	1	Clamp	
407	7274000041	1	Clamp	
408	7274000042	1	Clamp	
501	7274000040	1	Clamp	
502	7274000041	1	Clamp	
503	7274000042	1	Clamp (Not Shown)	
504	4706003844	1	Plate	
505	7115151050	1	Capscrew 5/16 x 1-1/4	
506	7950150161	3	Washer 5/16	
507	7660152601	2	Nut 5/16	
508	7115151064	1	Bolt 5/16 x 1-1/4	

SECTION 5 - HYDRAULIC

FIGURE 5-13. HOSE INSTALLATION - 156IN CA (GENERIC)



ART_2570000097

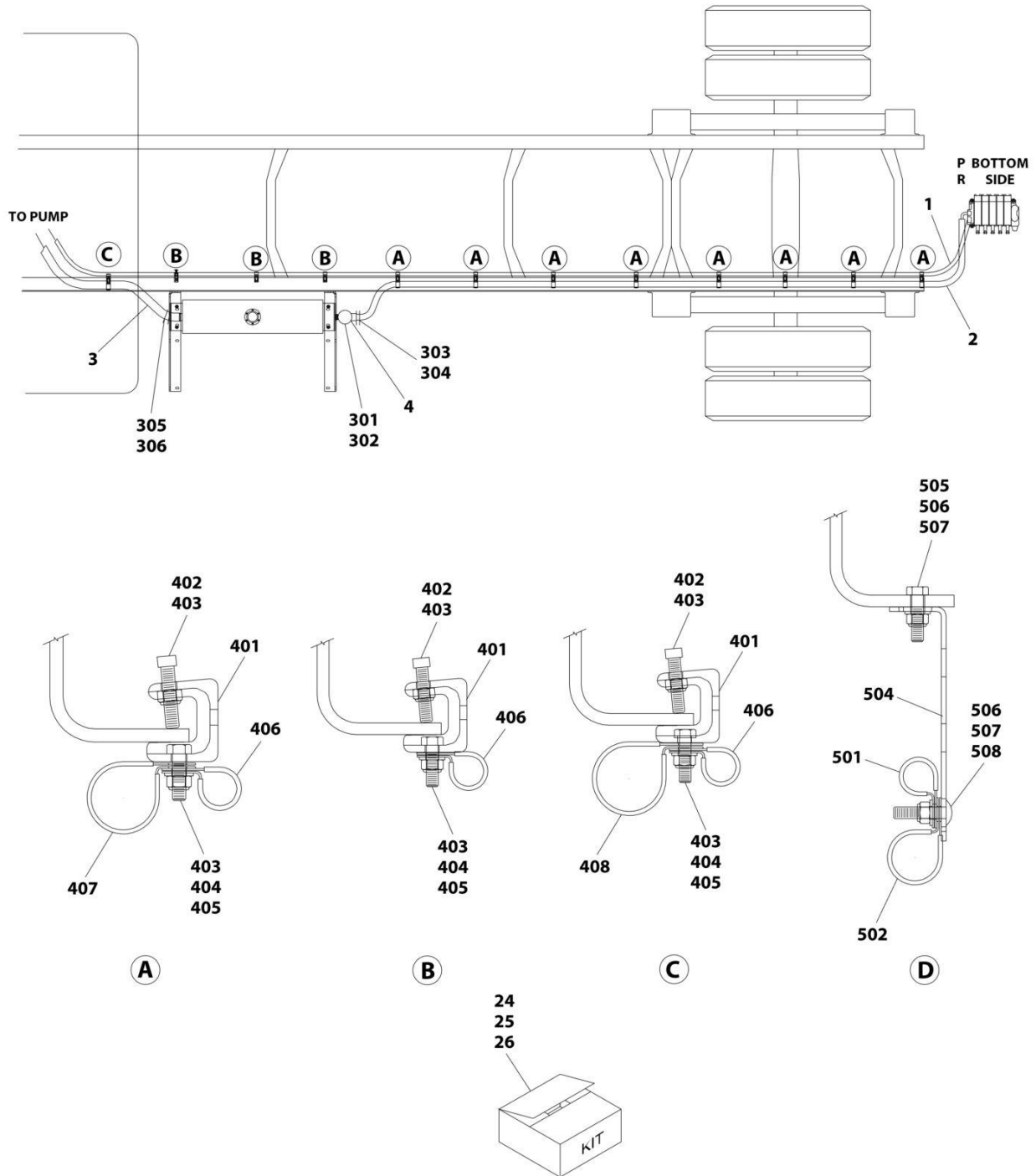
SECTION 5 - HYDRAULIC

FIGURE 5-13. HOSE INSTALLATION - 156IN CA (GENERIC)

ITEM	PART NUMBER	QTY	DESCRIPTION	REV
	2570000097	Ref	SPR HOSE INSTALLATION 156IN CA	B
1	4567130244	1	Hose	
2	4570000113	1	Hose	
3	4570000112	1	Hose	
4	7430000003	1	Filter, Oil	
5	7470000002	1	Oil Guage	
6	7443000319	1	Fitting, 90	
8	7443000013	1	Nipple	
9	7274000080	2	Hose Clamp	
10	7274000002	2	Hose Clamp	
11	7785152420	13	Set Screw 5/16 x 1-1/2	
12	7950150161	13	Washer 5/16	
13	7660152601	26	Nut 5/16	
14	7274000040	13	Clamp	
15	7274000041	8	Clamp	
16	7274000042	3	Clamp	
17	7115151050	13	Bolt 5/16 x 1-1/4	
18	7274000076	13	Clamp	

SECTION 5 - HYDRAULIC

FIGURE 5-14. HOSE INSTALLATION - 160IN CA (GENERIC)



ART_2570000098

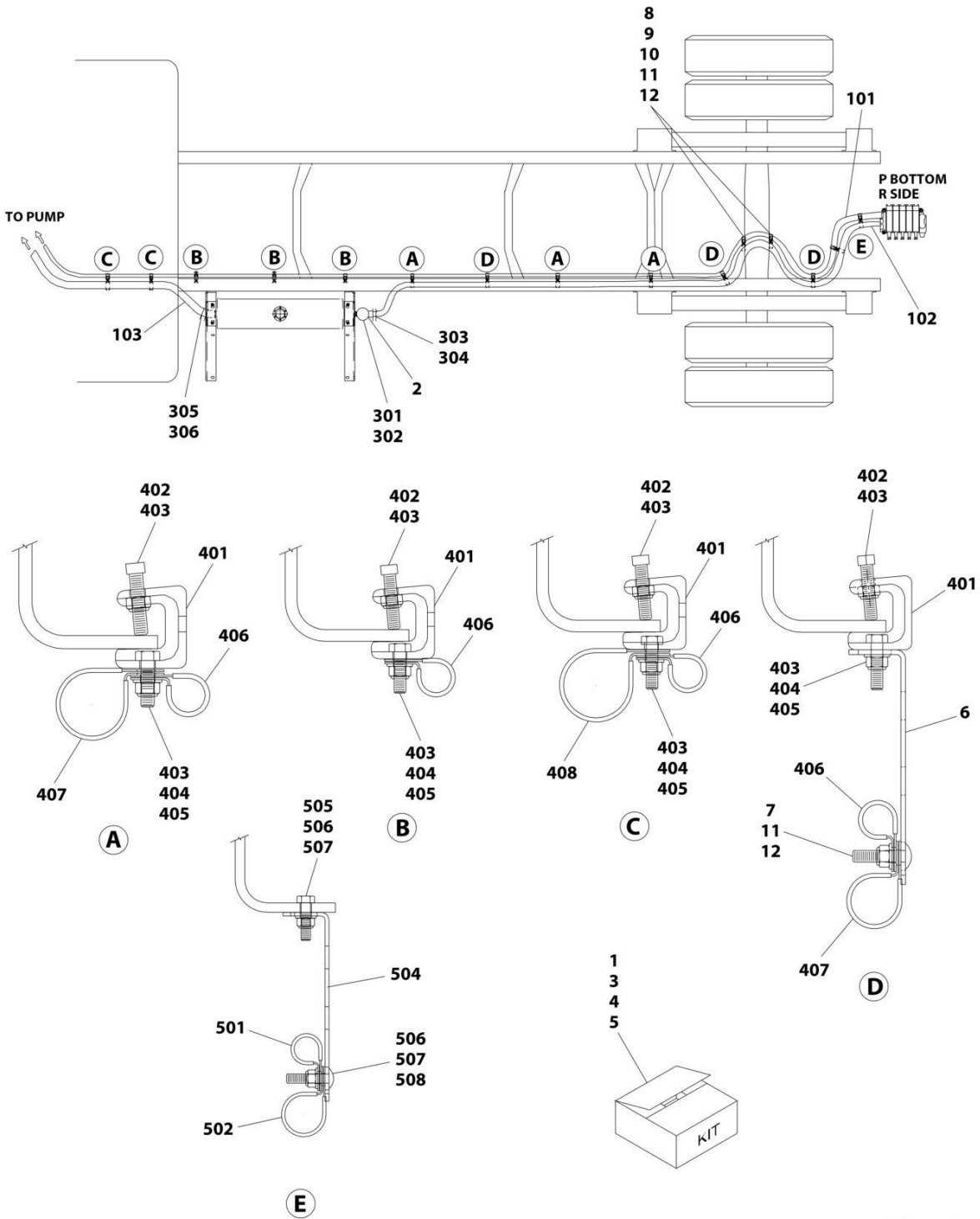
SECTION 5 - HYDRAULIC

FIGURE 5-14. HOSE INSTALLATION - 160IN CA (GENERIC)

ITEM	PART NUMBER	QTY	DESCRIPTION	REV
	2570000098	Ref	HOSE INSTALLATION - 160IN CA - GENERIC	3
1	4567130248	1	Hose	
2	4570000114	1	Hose	
3	4570000112	1	Hose	
4	7430000003	1	Filter, Oil	
24	1001132801	1	Clamp, Hose Kit (Includes Items 301-306)	
25	1001132794	14	Clamp, Hose Kit (Includes Items 401-408)	
26	1001132800	5	Clamp, Hose Kit (Includes Items 501-508)	
301	7470000002	1	Gauge, Oil Filter Head	
302	7443000158	1	Fitting, 90	
303	7443000319	1	Fitting, 90	
304	7274000080	2	Clamp	
305	7443000013	1	Nipple	
306	7274000002	2	Clamp	
401	7274000076	1	Clamp	
402	7785152420	1	Screw 5/16 x 1-1/2	
403	7660152601	2	Nut 5/16	
404	7115151050	1	Capscrew 5/16 x 1-1/4	
405	7950150161	1	Washer 5/16	
406	7274000040	1	Clamp	
407	7274000041	1	Clamp	
408	7274000042	1	Clamp	
501	7274000040	1	Clamp	
502	7274000041	1	Clamp	
503	7274000042	1	Clamp	
504	4706003844	1	Plate	
505	7115151050	1	Capscrew 5/16 x 1-1/4	
506	7950150161	3	Washer 5/16	
507	7660152601	2	Nut 5/16	
508	7115151064	1	Bolt 5/16 x 1-1/4	

SECTION 5 - HYDRAULIC

FIGURE 5-15. HOSE INSTALLATION - 162IN CA STD CAB (PETERBILT)



ART_1001132748

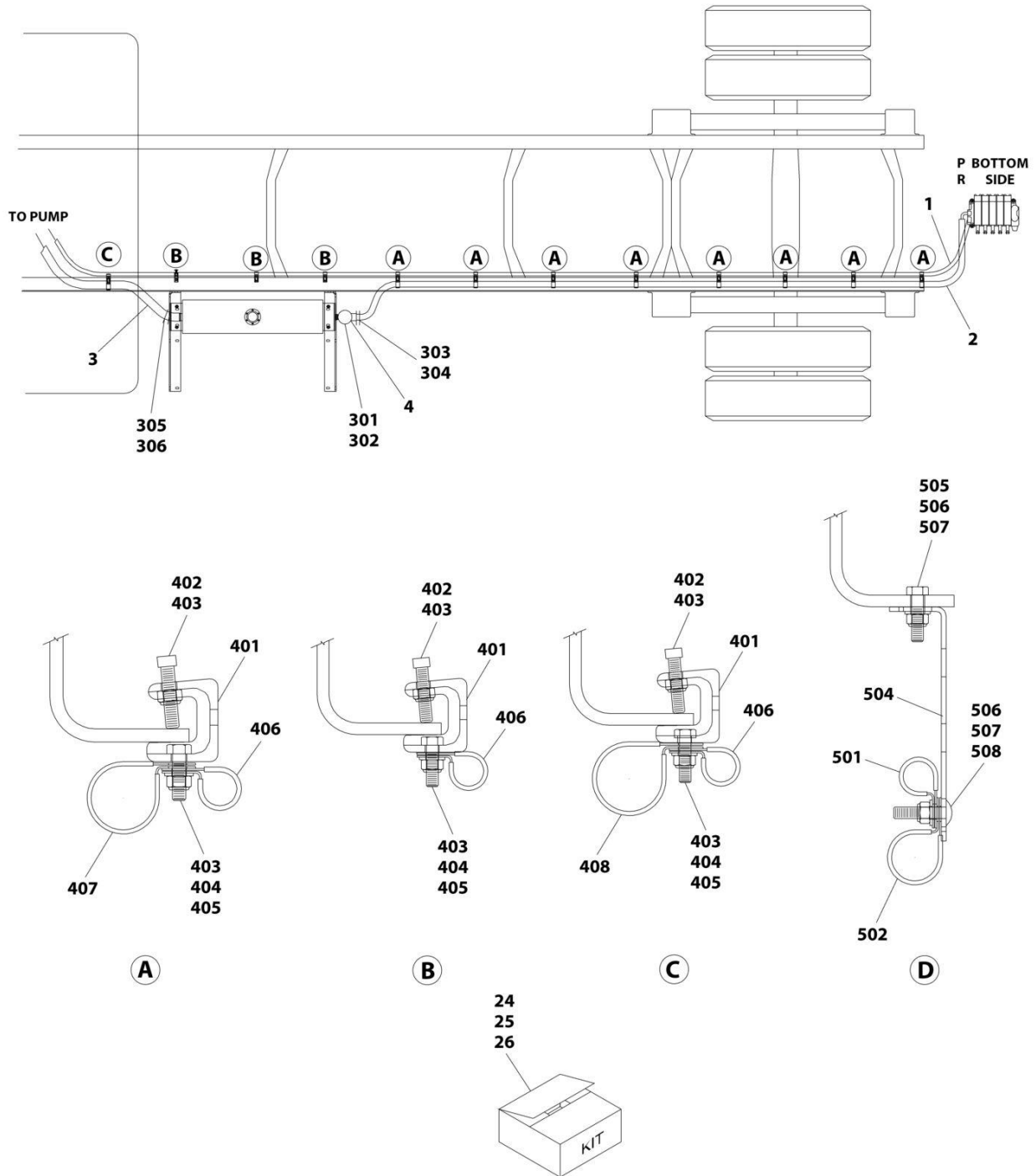
SECTION 5 - HYDRAULIC

FIGURE 5-15. HOSE INSTALLATION - 162IN CA STD CAB (PETERBILT)

ITEM	PART NUMBER	QTY	DESCRIPTION	REV
	1001132748	Ref	HOSE INSTALLATION - 162IN CA (STD CAB PETERBILT)	0
1	1001132717	1	Hose Kit (Include Items 101-103)	
2	7430000003	1	Filter, Oil	
3	1001132801	1	Clamp, Hose Kit (Includes Items 301-306)	
4	1001132794	11	Clamp, Hose Kit (includes items 401-408)	
5	1001132800	2	Clamp, Hose Kit (Includes Items 501-508)	
6	4706003844	3	Plate	
7	7115151064	3	Bolt 5/16 x 1-1/4	
8	7274000040	2	Clamp	
9	7274000041	2	Clamp	
10	7115151050	2	Capscrew 5/16 x 1-1/4	
11	7950150161	5	Washer 5/16	
12	7660152601	5	Nut 5/16	
101	4567130290	1	Hose	
102	4570000121	1	Hose	
103	1001132601	1	Hose	
301	7470000002	1	Gauge, Oil Filter Head	
302	7443000158	1	Fitting, 90	
303	7443000319	1	Fitting, 90	
304	7274000080	2	Clamp	
305	7443000013	1	Nipple	
306	7274000002	2	Clamp	
401	7274000076	1	Clamp	
402	7785152420	1	Screw 5/16 x 1-1/2	
403	7660152601	2	Nut 5/16	
404	7115151050	1	Capscrew 5/16 x 1-1/4	
405	7950150161	1	Washer 5/16	
406	7274000040	1	Clamp	
407	7274000041	1	Clamp	
408	7274000042	1	Clamp	
501	7274000040	1	Clamp	
502	7274000041	1	Clamp	
503	7274000042	1	Clamp (Not Shown)	
504	4706003844	1	Plate	
505	7115151050	1	Capscrew 5/16 x 1-1/4	
506	7950150161	3	Washer 5/16	
507	7660152601	2	Nut 5/16	
508	7115151064	1	Bolt 5/16 x 1-1/4	

SECTION 5 - HYDRAULIC

FIGURE 5-16. HOSE INSTALLATION - 168IN CA (GENERIC)



ART_2570000099

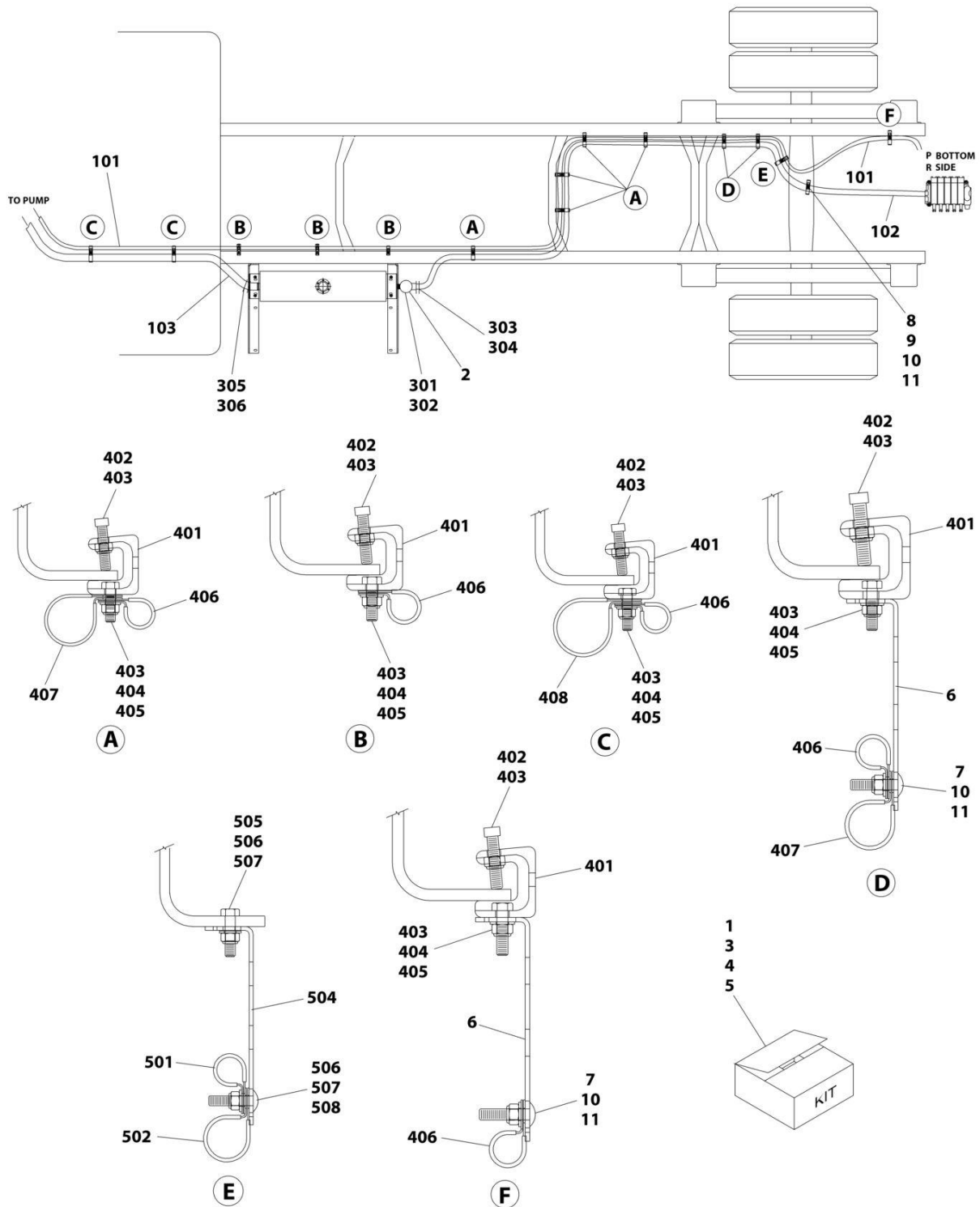
SECTION 5 - HYDRAULIC

FIGURE 5-16. HOSE INSTALLATION - 168IN CA (GENERIC)

ITEM	PART NUMBER	QTY	DESCRIPTION	REV
	2570000099	Ref	HOSE INSTALLATION - 168IN CA - GENERIC	3
1	4567130256	1	Hose	
2	4570000115	1	Hose	
3	4570000112	1	Hose	
4	7430000003	1	Filter, Oil	
24	1001132801	1	Clamp, Hose Kit (Includes Items 301-306)	
25	1001132794	15	Clamp, Hose Kit (Includes Items 401-408)	
26	1001132800	5	Clamp, Hose Kit (Includes Items 501-508)	
301	7470000002	1	Gauge, Oil Filter Head	
302	7443000158	1	Fitting, 90	
303	7443000319	1	Fitting, 90	
304	7274000080	2	Clamp	
305	7443000013	1	Nipple	
306	7274000002	2	Clamp	
401	7274000076	1	Clamp	
402	7785152420	1	Screw 5/16 x 1-1/2	
403	7660152601	2	Nut 5/16	
404	7115151050	1	Capscrew 5/16 x 1-1/4	
405	7950150161	1	Washer 5/16	
406	7274000040	1	Clamp	
407	7274000041	1	Clamp	
408	7274000042	1	Clamp	
501	7274000040	1	Clamp	
502	7274000041	1	Clamp	
503	7274000042	1	Clamp	
504	4706003844	1	Plate	
505	7115151050	1	Capscrew 5/16 x 1-1/4	
506	7950150161	3	Washer 5/16	
507	7660152601	2	Nut 5/16	
508	7115151064	1	Bolt 5/16 x 1-1/4	

SECTION 5 - HYDRAULIC

FIGURE 5-17. HOSE INSTALLATION - 168IN CA STD CAB (FORD)



ART_1001132742

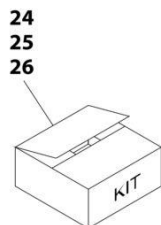
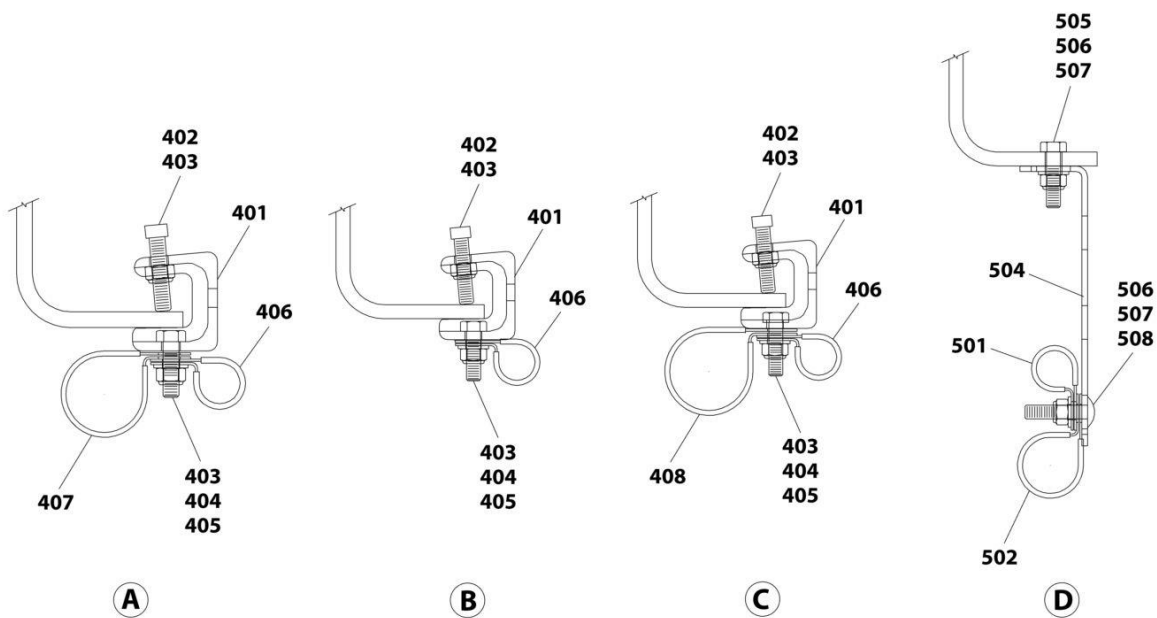
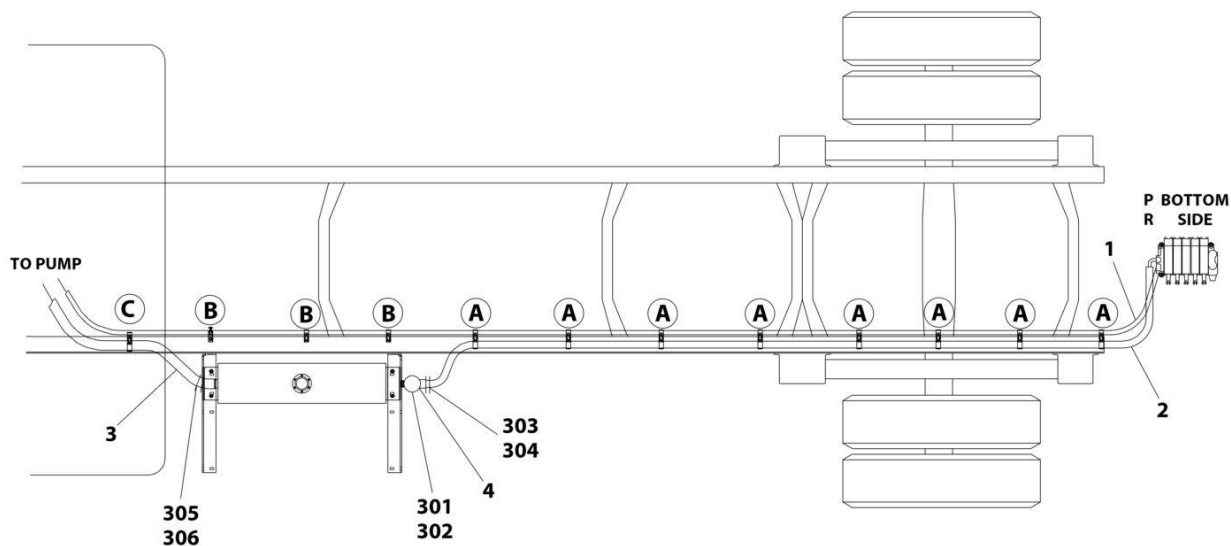
SECTION 5 - HYDRAULIC

FIGURE 5-17. HOSE INSTALLATION - 168IN CA STD CAB (FORD)

ITEM	PART NUMBER	QTY	DESCRIPTION	REV
	1001132742	Ref	HOSE INSTALLATION - 168IN CA (STD CAB FORD)	0
1	1001132711	1	Hose Kit (Include Items 101-103)	
2	7430000003	1	Filter, Oil	
3	1001132801	1	Clamp, Hose Kit (Includes Items 301-306)	
4	1001132794	14	Clamp, Hose Kit (Includes Items 401-408)	
5	1001132800	1	Clamp, Hose Kit (Includes Items 501-508)	
6	4706003844	3	Plate	
7	7115151064	3	Bolt 5/16 x 1-1/4	
8	7274000041	1	Clamp	
9	7115151050	1	Capscrew 5/16 x 1-1/4	
10	7950150161	4	Washer 5/16	
11	7660152601	4	Nut 5/16	
101	4567130300	1	Hose	
102	1001132683	1	Hose	
103	4570000044	1	Hose	
301	7470000002	1	Gauge, Oil Filter Head	
302	7443000158	1	Fitting, 90	
303	7443000319	1	Fitting, 90	
304	7274000080	2	Clamp	
305	7443000013	1	Nipple	
306	7274000002	2	Clamp	
401	7274000076	1	Clamp	
402	7785152420	1	Screw 5/16 x 1-1/2	
403	7660152601	2	Nut 5/16	
404	7115151050	1	Capscrew 5/16 x 1-1/4	
405	7950150161	1	Washer 5/16	
406	7274000040	1	Clamp	
407	7274000041	1	Clamp	
408	7274000042	1	Clamp	
501	7274000040	1	Clamp	
502	7274000041	1	Clamp	
503	7274000042	1	Clamp (Not Shown)	
504	4706003844	1	Plate	
505	7115151050	1	Capscrew 5/16 x 1-1/4	
506	7950150161	3	Washer 5/16	
507	7660152601	2	Nut 5/16	
508	7115151064	1	Bolt 5/16 x 1-1/4	

SECTION 5 - HYDRAULIC

FIGURE 5-18. HOSE INSTALLATION - 192IN CA (GENERIC)



ART_2570000101

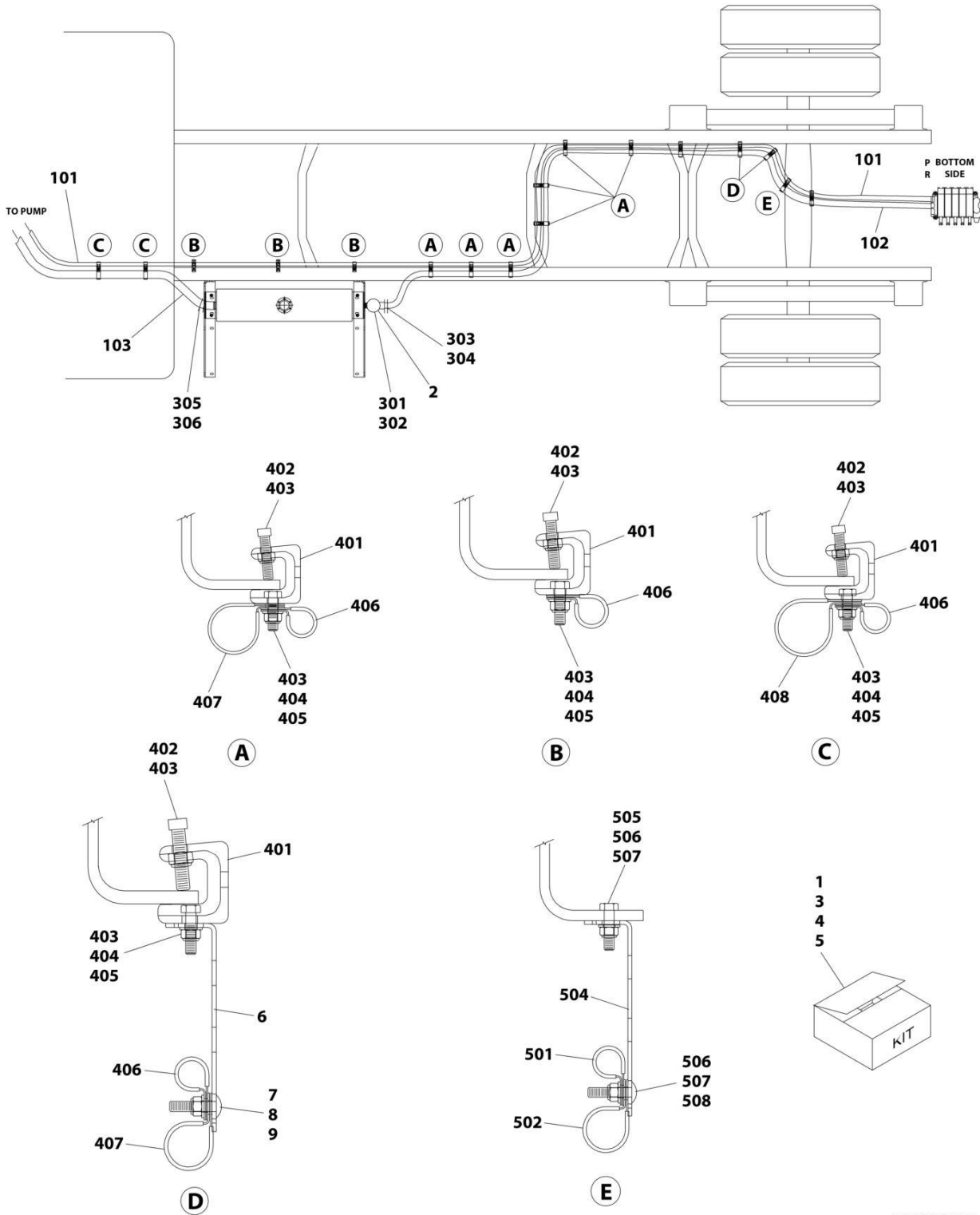
SECTION 5 - HYDRAULIC

FIGURE 5-18. HOSE INSTALLATION - 192IN CA (GENERIC)

ITEM	PART NUMBER	QTY	DESCRIPTION	REV
	2570000101	Ref	HOSE INSTALLATION - 192IN CA - GENERIC	D
1	4567130290	1	Hose	
2	4570000160	1	Hose	
3	4570000046	1	Hose	
4	7430000003	1	Filter, Oil	
24	1001132801	1	Clamp, Hose Kit (Includes Items 301-306)	
25	1001132794	14	Clamp, Hose Kit (Includes Items 401-408)	
26	1001132800	10	Clamp, Hose Kit (Includes Items 501-508)	
301	7470000002	1	Gauge, Oil Filter Head	
302	7443000158	1	Fitting, 90	
303	7443000319	1	Fitting, 90	
304	7274000080	2	Clamp	
305	7443000013	1	Nipple	
306	7274000002	2	Clamp	
401	7274000076	1	Clamp	
402	7785152420	1	Screw 5/16 x 1-1/2	
403	7660152601	2	Nut 5/16	
404	7115151050	1	Capscrew 5/16 x 1-1/4	
405	7950150161	1	Washer 5/16	
406	7274000040	1	Clamp	
407	7274000041	1	Clamp	
408	7274000042	1	Clamp	
501	7274000040	1	Clamp	
502	7274000041	1	Clamp	
503	7274000042	1	Clamp (Not Shown)	
504	4706003844	1	Plate	
505	7115151050	1	Capscrew 5/16 x 1-1/4	
506	7950150161	3	Washer 5/16	
507	7660152601	2	Nut 5/16	
508	7115151064	1	Bolt 5/16 x 1-1/4	

SECTION 5 - HYDRAULIC

FIGURE 5-19. HOSE INSTALLATION - 196IN CT STD CAB (INTERNATIONAL)



ART_1001132745

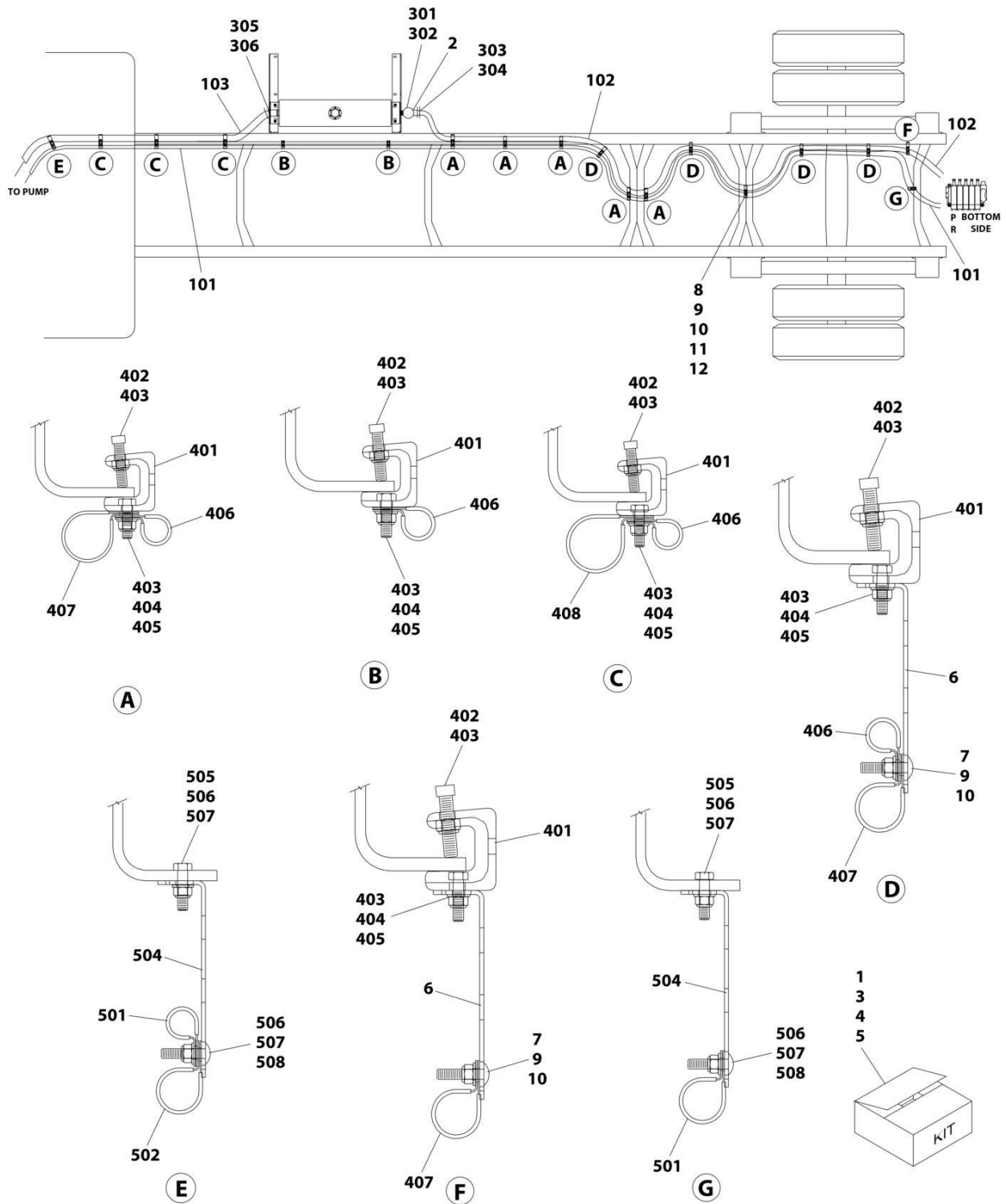
SECTION 5 - HYDRAULIC

FIGURE 5-19. HOSE INSTALLATION - 196IN CT STD CAB (INTERNATIONAL)

ITEM	PART NUMBER	QTY	DESCRIPTION	REV
	1001132745	Ref	HOSE & CLAMP INSTALLATION - 196IN CT STD CAB (INTERNATIONAL)	0
1	1001132714	1	Hose Kit (includes items 101-103)	
2	7430000003	1	Filter, Oil	
3	1001132801	1	Clamp, Hose (includes items 301-306)	
4	1001132794	15	Clamp, Hose (includes items 401-408)	
5	1001132800	4	Clamp, Hose (includes items 501-508)	
6	4706003844	4	Plate	
7	7115151064	4	Bolt 5/16 x 1-1/4	
8	7950150161	4	Washer 5/16	
9	7660152601	4	Nut 5/16	
101	4567130330	1	Hose	
102	1001132688	1	Hose	
103	1001132595	1	Hose	
301	7470000002	1	Gauge, Oil Filter Head	
302	7443000158	1	Fitting, 90	
303	7443000319	1	Fitting, 90	
304	7274000080	2	Clamp	
305	7443000013	1	Nipple	
306	7274000002	2	Clamp	
401	7274000076	1	Clamp	
402	7785152420	1	Screw 5/16 x 1-1/2	
403	7660152601	2	Nut 5/16	
404	7115151050	1	Capscrew 5/16 x 1-1/4	
405	7950150161	1	Washer 5/16	
406	7274000040	1	Clamp	
407	7274000041	1	Clamp	
408	7274000042	1	Clamp	
501	7274000040	1	Clamp	
502	7274000041	1	Clamp	
503	7274000042	1	Clamp (Not Shown)	
504	4706003844	1	Plate	
505	7115151050	1	Capscrew 5/16 x 1-1/4	
506	7950150161	3	Washer 5/16	
507	7660152601	2	Nut 5/16	
508	7115151064	1	Bolt 5/16 x 1-1/4	

SECTION 5 - HYDRAULIC

FIGURE 5-20. HOSE INSTALLATION - 196IN CT STD CAB (FREIGHTLINER)



ART_1001132751

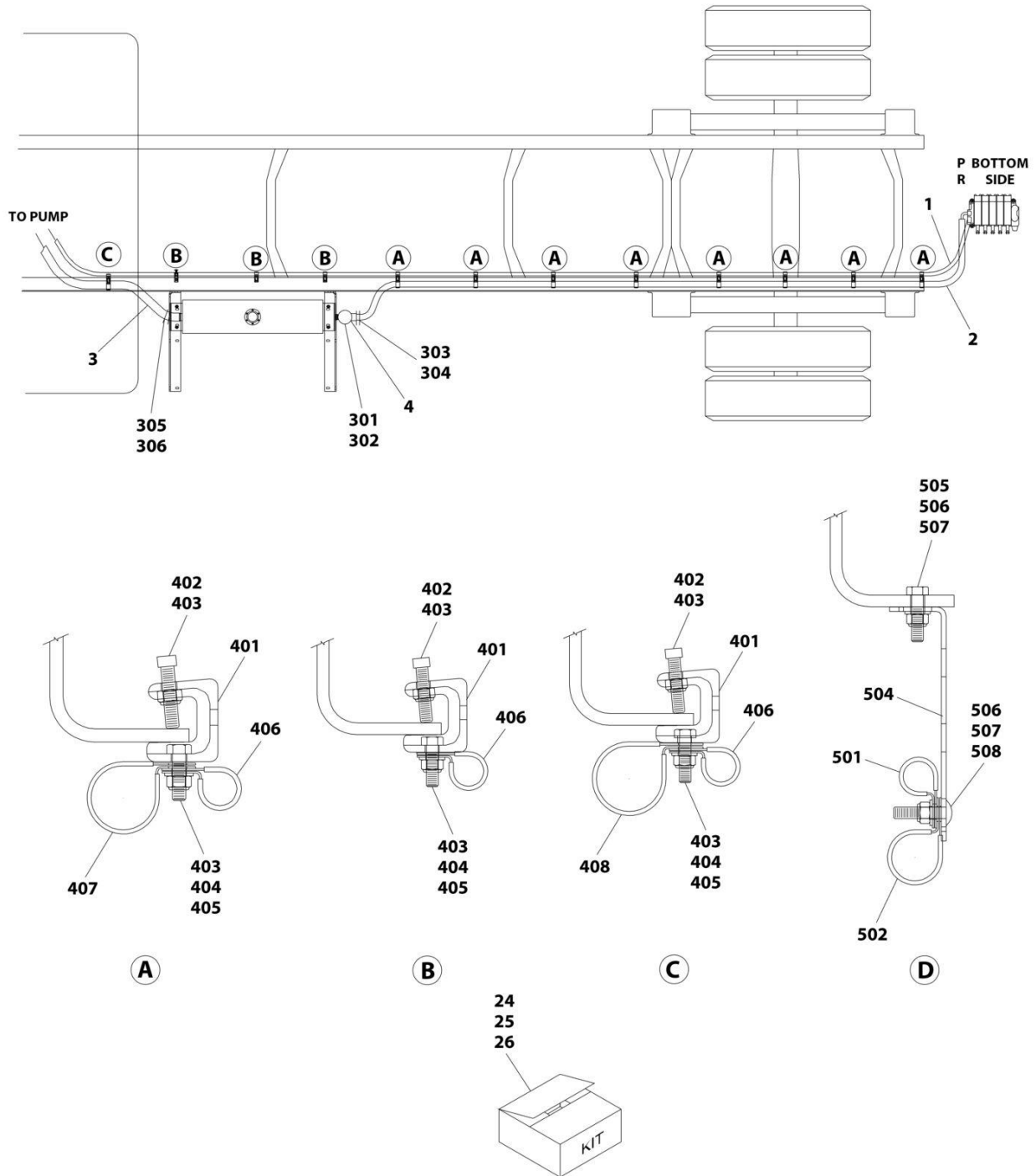
SECTION 5 - HYDRAULIC

FIGURE 5-20. HOSE INSTALLATION - 196IN CT STD CAB (FREIGHTLINER)

ITEM	PART NUMBER	QTY	DESCRIPTION	REV
	1001132751	Ref	HOSE & CLAMP INSTALLATION - 196IN CT STD CAB (FREIGHTLINER)	0
1	1001132721	1	Hose Kit (Includes Item 101-103)	
2	7430000003	1	Filter, Oil	
3	1001132801	1	Clamp, Hose (Includes item 301-306)	
4	1001132794	15	Clamp, Hose (Includes item 401-408)	
5	1001132800	2	Clamp, Hose (Includes Item 501-508)	
6	4706003844	5	Plate	
7	7115151064	5	Bolt 5/16 x 1-1/4	
8	7115151050	1	Capscrew 5/16 x 1-1/4	
9	7950150161	6	Washer 5/16	
10	7660152601	6	Nut 5/16	
11	7274000040	1	Clamp, Hose	
12	7274000041	1	Clamp, Hose	
101	4567130330	1	Hose	
102	1001132688	1	Hose	
103	1001132595	1	Hose	
301	7470000002	1	Gauge, Oil Filter Head	
302	7443000158	1	Fitting, 90	
303	7443000319	1	Fitting, 90	
304	7274000080	2	Clamp	
305	7443000013	1	Nipple	
306	7274000002	2	Clamp	
401	7274000076	1	Clamp	
402	7785152420	1	Screw 5/16 x 1-1/2	
403	7660152601	2	Nut 5/16	
404	7115151050	1	Capscrew 5/16 x 1-1/4	
405	7950150161	1	Washer 5/16	
406	7274000040	1	Clamp	
407	7274000041	1	Clamp	
408	7274000042	1	Clamp	
501	7274000040	1	Clamp	
502	7274000041	1	Clamp	
503	7274000042	1	Clamp (Not Shown)	
504	4706003844	1	Plate	
505	7115151050	1	Capscrew 5/16 x 1-1/4	
506	7950150161	3	Washer 5/16	
507	7660152601	2	Nut 5/16	
508	7115151064	1	Bolt 5/16 x 1-1/4	

SECTION 5 - HYDRAULIC

FIGURE 5-21. HOSE INSTALLATION - 218IN CA (GENERIC)



ART_2570000102

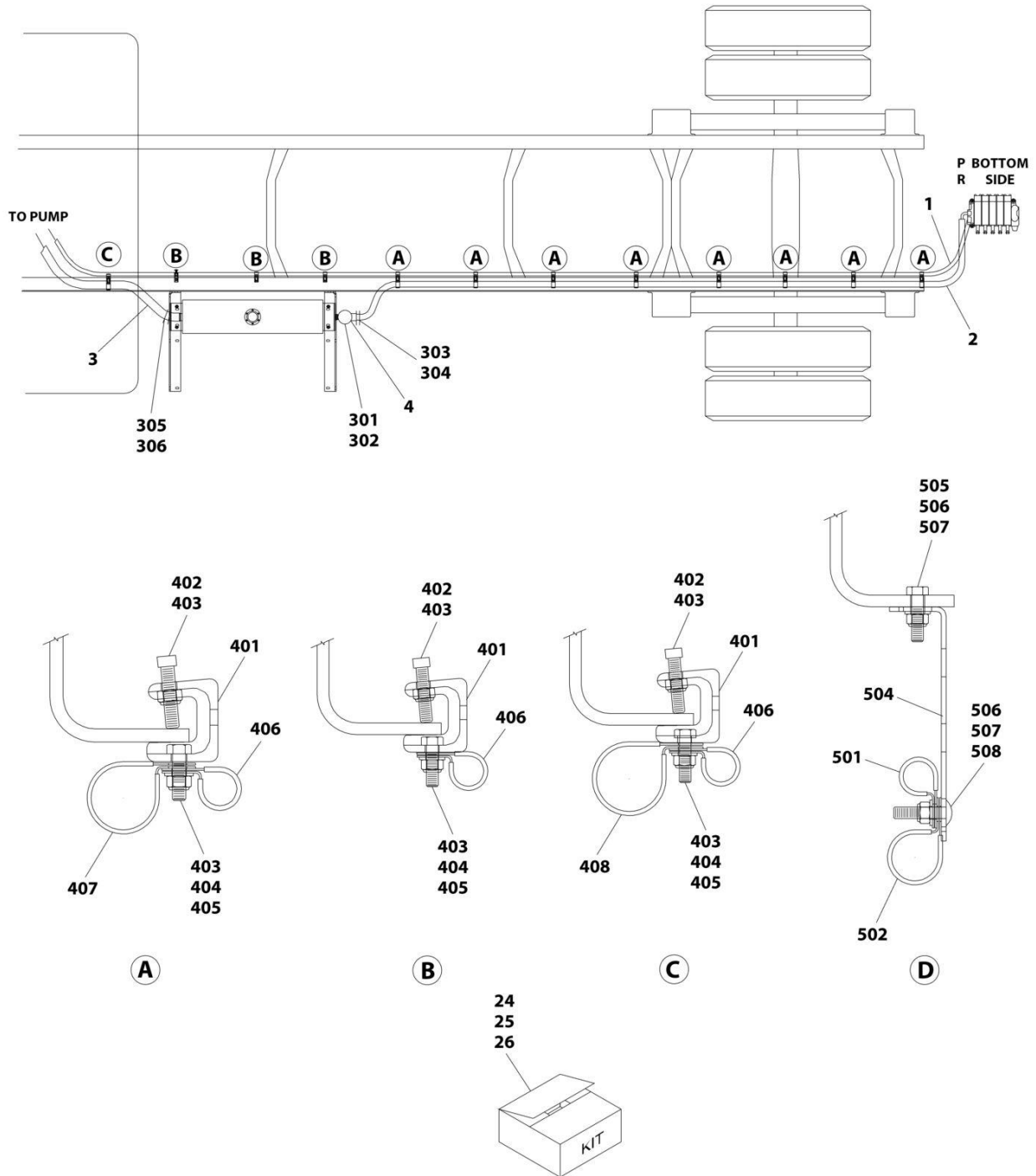
SECTION 5 - HYDRAULIC

FIGURE 5-21. HOSE INSTALLATION - 218IN CA (GENERIC)

ITEM	PART NUMBER	QTY	DESCRIPTION	REV
	2570000102	Ref	HOSE INSTALLATION - 218IN CA - GENERIC	D
1	4567130316	1	Hose	
2	4570000161	1	Hose	
3	4570000046	1	Hose	
4	7430000003	1	Filter, Oil	
24	1001132801	1	Clamp, Hose Kit (Includes Items 301-306)	
25	1001132794	15	Clamp, Hose Kit (Includes Items 401-408)	
26	1001132800	10	Clamp, Hose Kit (Includes Items 501-508)	
301	7470000002	1	Gauge, Oil Filter Head	
302	7443000158	1	Fitting, 90	
303	7443000319	1	Fitting, 90	
304	7274000080	2	Clamp	
305	7443000013	1	Nipple	
306	7274000002	2	Clamp	
401	7274000076	1	Clamp	
402	7785152420	1	Screw 5/16 x 1-1/2	
403	7660152601	2	Nut 5/16	
404	7115151050	1	Capscrew 5/16 x 1-1/4	
405	7950150161	1	Washer 5/16	
406	7274000040	1	Clamp	
407	7274000041	1	Clamp	
408	7274000042	1	Clamp	
501	7274000040	1	Clamp	
502	7274000041	1	Clamp	
503	7274000042	1	Clamp (Not Shown)	
504	4706003844	1	Plate	
505	7115151050	1	Capscrew 5/16 x 1-1/4	
506	7950150161	3	Washer 5/16	
507	7660152601	2	Nut 5/16	
508	7115151064	1	Bolt 5/16 x 1-1/4	

SECTION 5 - HYDRAULIC

FIGURE 5-22. HOSE INSTALLATION - 242IN CA (GENERIC)



ART_2570000103

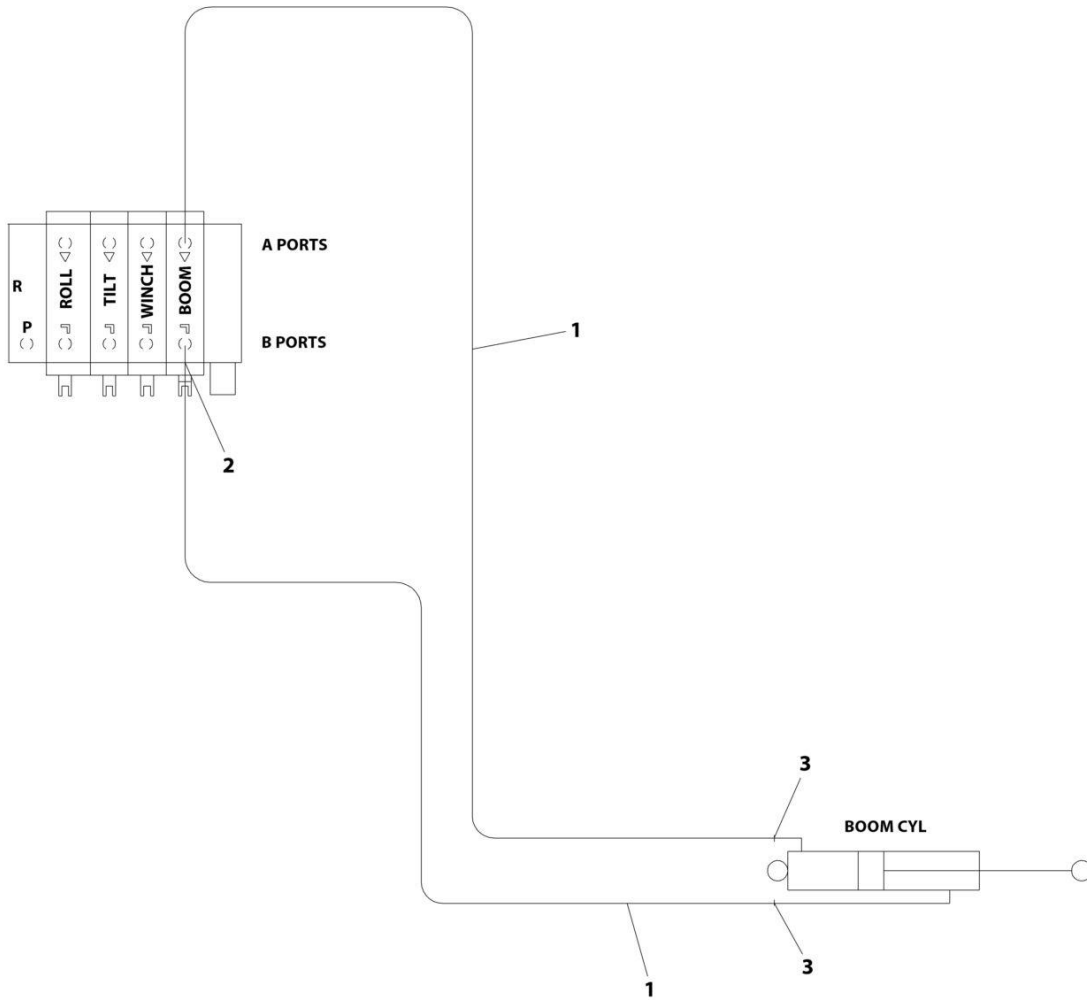
SECTION 5 - HYDRAULIC

FIGURE 5-22. HOSE INSTALLATION - 242IN CA (GENERIC)

ITEM	PART NUMBER	QTY	DESCRIPTION	REV
	2570000103	Ref	HOSE & CLAMP INSTALLATION - 242IN CA - GENERIC	D
1	4567130340	1	Hose	
2	4570000182	1	Hose	
3	4570000046	1	Hose	
4	7430000003	1	Filter, Oil	
24	1001132801	1	Clamp, Hose Kit (includes items 301-306)	
25	1001132794	15	Clamp, Hose Kit (includes items 401-408)	
26	1001132800	10	Clamp, Hose Kit (includes items 501-508)	
301	7470000002	1	Gauge, Oil Filter Head	
302	7443000158	1	Fitting, 90	
303	7443000319	1	Fitting, 90	
304	7274000080	2	Clamp	
305	7443000013	1	Nipple	
306	7274000002	2	Clamp	
401	7274000076	1	Clamp	
402	7785152420	1	Screw 5/16 x 1-1/2	
403	7660152601	2	Nut 5/16	
404	7115151050	1	Capscrew 5/16 x 1-1/4	
405	7950150161	1	Washer 5/16	
406	7274000040	1	Clamp	
407	7274000041	1	Clamp	
408	7274000042	1	Clamp	
501	7274000040	1	Clamp	
502	7274000041	1	Clamp	
503	7274000042	1	Clamp (Not Shown)	
504	4706003844	1	Plate	
505	7115151050	1	Capscrew 5/16 x 1-1/4	
506	7950150161	3	Washer 5/16	
507	7660152601	2	Nut 5/16	
508	7115151064	1	Bolt 5/16 x 1-1/4	

SECTION 5 - HYDRAULIC

FIGURE 5-23. HOSE INSTALLATION - HITCH



ART_257000055

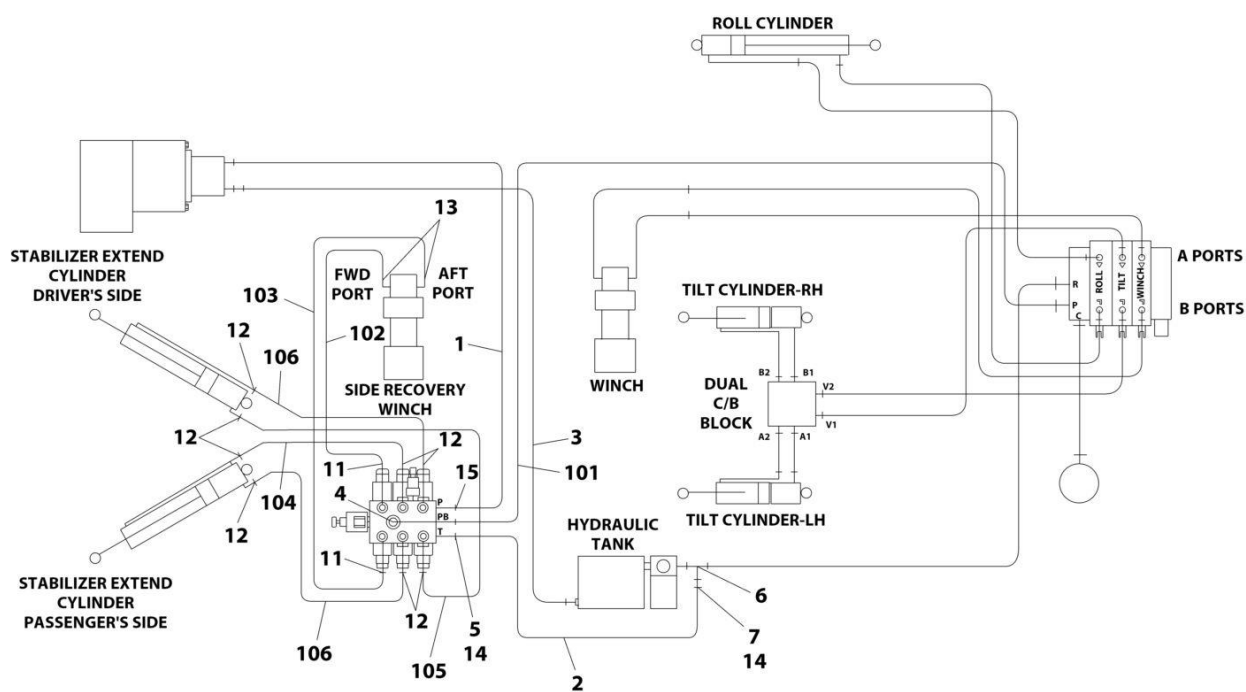
SECTION 5 - HYDRAULIC

FIGURE 5-23. HOSE INSTALLATION - HITCH

ITEM	PART NUMBER	QTY	DESCRIPTION	REV
	2570000055	Ref	Hitch Hydraulic Installation	0
1	4567122042	2	Hose	
2	7445060843	2	Fitting, Straight	
3	7445060643	2	Fitting, Straight	

SECTION 5 - HYDRAULIC

FIGURE 5-24. HOSE INSTALLATION - SIDE RECOVERY



ART_2570000152

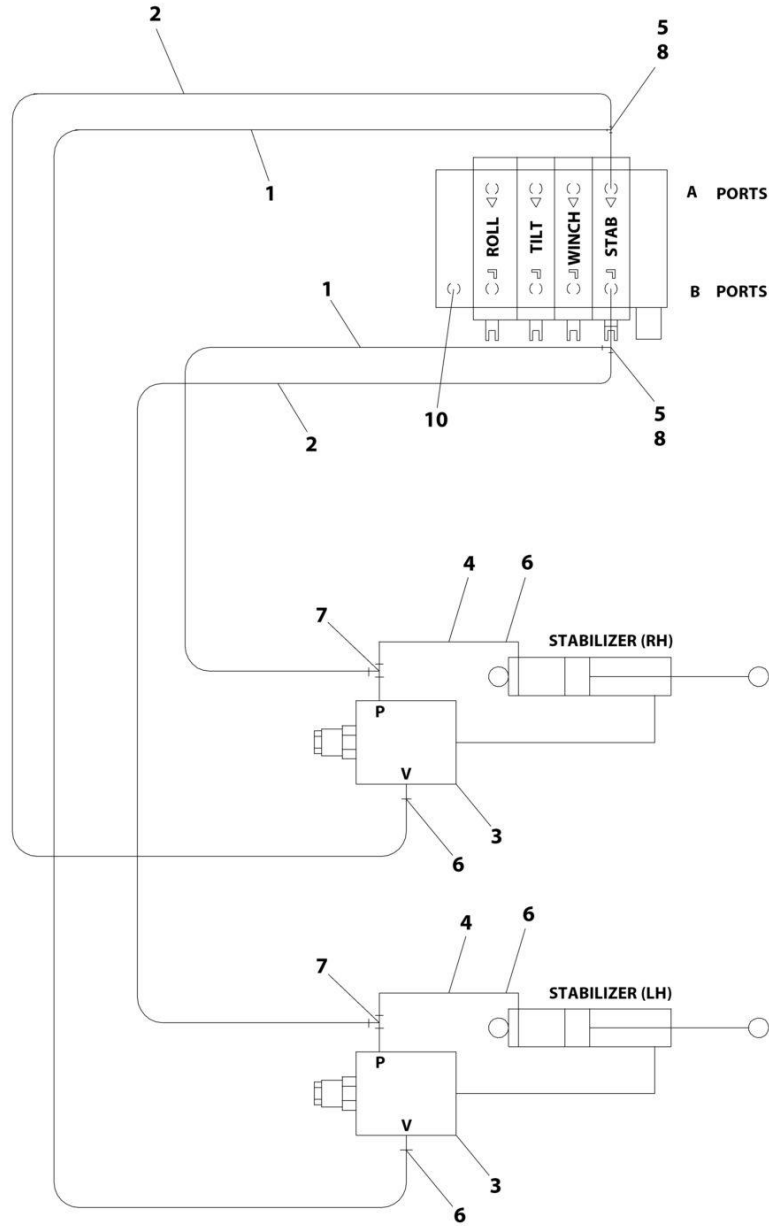
SECTION 5 - HYDRAULIC

FIGURE 5-24. HOSE INSTALLATION - SIDE RECOVERY

ITEM	PART NUMBER	QTY	DESCRIPTION	REV
	2570000152	Ref	HOSE INSTALLATION SPR/HLF (SRS)	C
1	4567133058	1	Hose	
2	4570000104	1	Hose	
3	4570000099	1	Hose	
4	7445081043	1	Fitting, Straight	
5	7443000446	1	Fitting, Straight	
6	7443000445	1	Fitting, Tee	
7	7443000374	1	Fitting, Straight	
8	4577000006	1	Hose, Kit (Not Shown) (Includes Items 101-106)	
9	7819000005	1	Sleeve (Not Shown)	
10	7894000004	8	Tie-Strap (Not Shown)	
11	7445060643	2	Fitting, Straight	
12	7445060645	8	Fitting, 90	
13	7445061043	2	Fitting, Straight	
14	7274000080	2	Clamp	
15	7445081045	1	Fitting, 90	
16	7445080818	1	Nut #8 (Not Shown)	
101	4569142018	1	Hose	
102	4567123023	1	Hose	
103	4567122022	1	Hose	
104	4567122034	1	Hose	
105	4567122032	1	Hose	
106	4567122030	1	Hose	

SECTION 5 - HYDRAULIC

FIGURE 5-25. HOSE INSTALLATION - STABILIZER (REAR DECK)



ART_2570000049

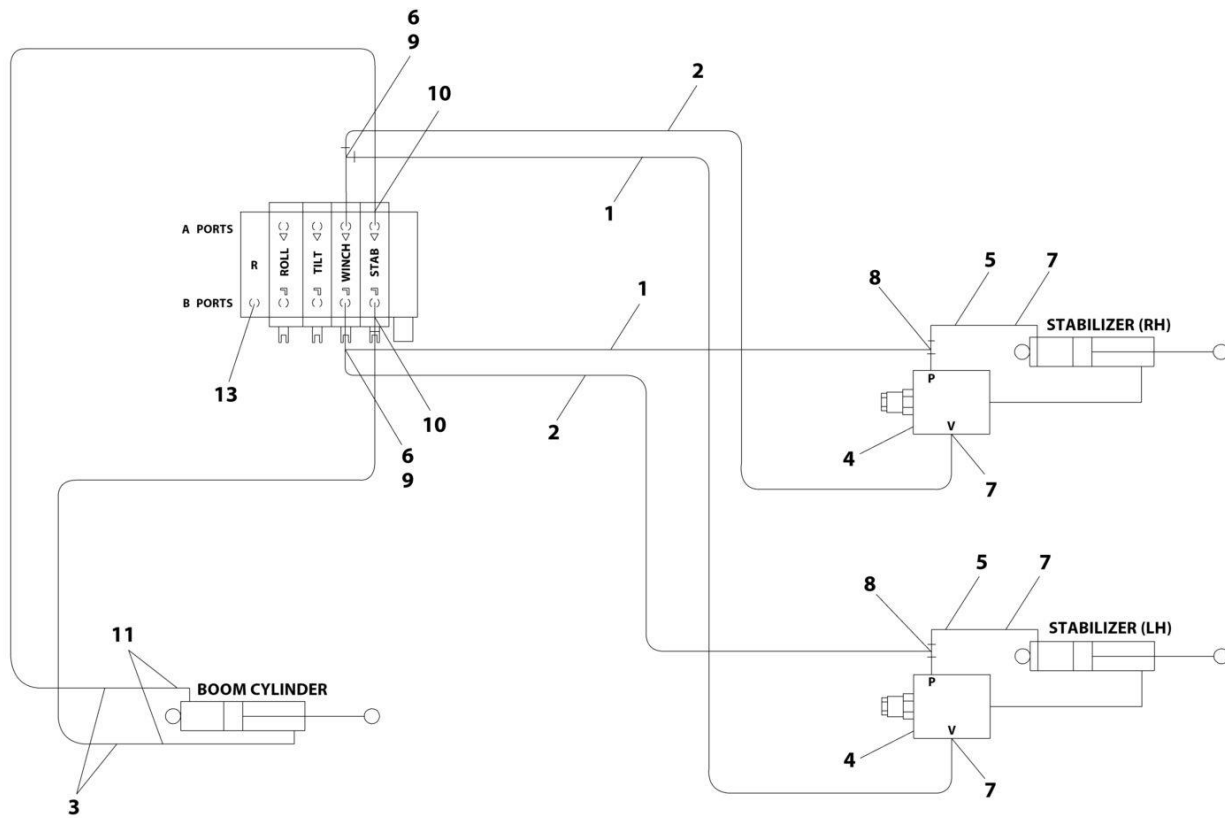
SECTION 5 - HYDRAULIC

FIGURE 5-25. HOSE INSTALLATION - STABILIZER (REAR DECK)

ITEM	PART NUMBER	QTY	DESCRIPTION	REV
	2570000049	Ref	Stabilizer Hydraulic Installation	E
1	4567122050	2	Hose	
2	4567123051	2	Hose	
3	7935000305	2	Valve Assembly - Counter Balance	
3	900115	2	Valve, Counter Balance Cartridge (1 Per Assembly)	
3	960006	2	Seal Kit - 900115 Cartridge Valve (1 Per Cartridge)	
4	4567122016	2	Hose	
5	7445060845	2	Fitting, 90	
6	7445060645	4	Fitting, 90	
7	7445060648	2	Fitting, Tee	
8	7443000030	2	Fitting, Tee	
10	7445081046	1	Fitting, 45	

SECTION 5 - HYDRAULIC

FIGURE 5-26. HOSE INSTALLATION - STABILIZER (REAR DECK WITH HYDRAULIC EXTEND)



ART_257000032

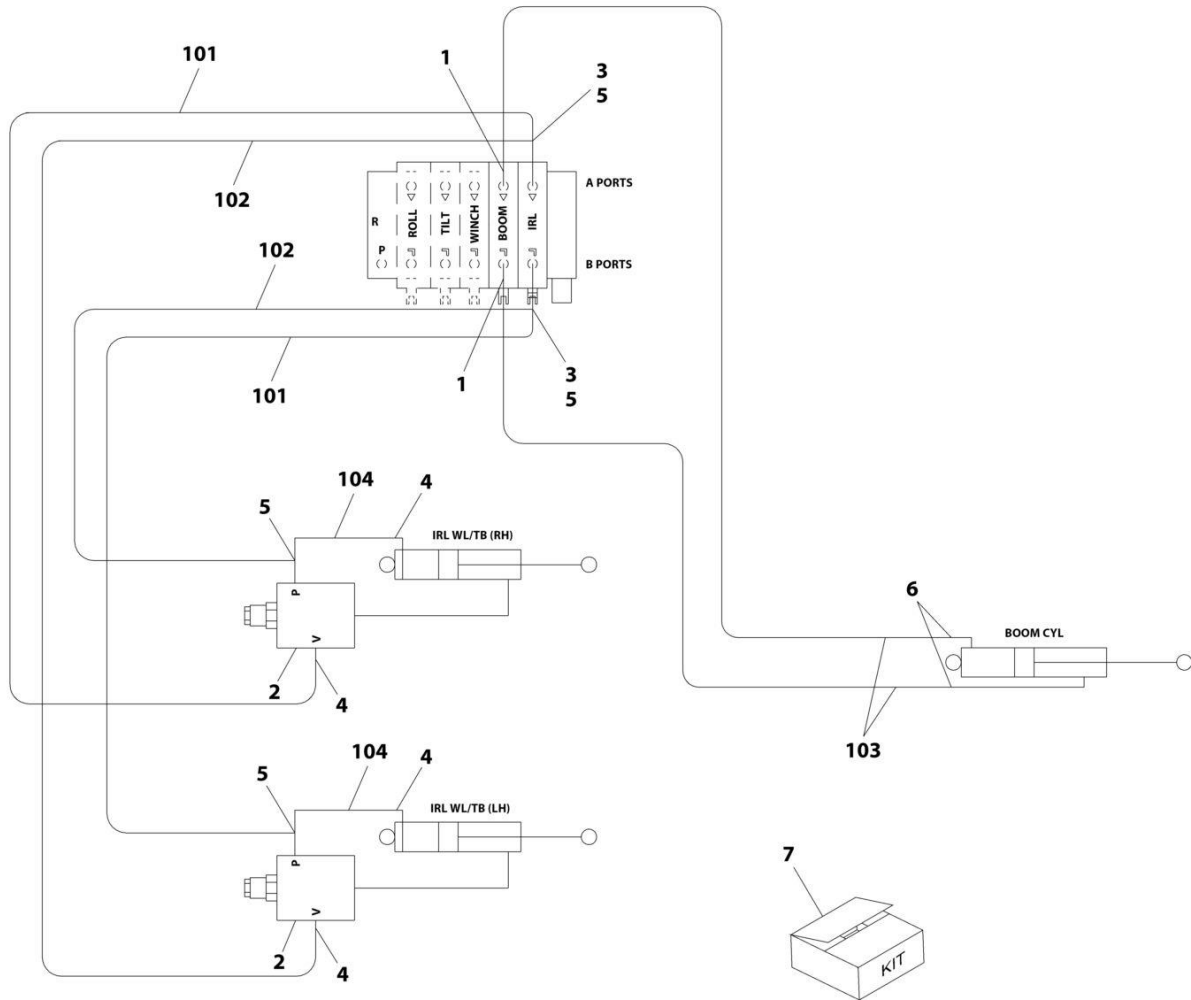
SECTION 5 - HYDRAULIC

FIGURE 5-26. HOSE INSTALLATION - STABILIZER (REAR DECK WITH HYDRAULIC EXTEND)

ITEM	PART NUMBER	QTY	DESCRIPTION	REV
	2570000032	Ref	Stabilizer with Hydraulic Extend Hydraulic Installation	E
1	4567122050	2	Hose	
2	4567123051	2	Hose	
3	4567123036	2	Hose	
4	7935000305	2	Valve Assembly	
4	900115	2	Valve, Counterbalance Cartridge(1 Per Assembly)	
4	960006	2	Seal Kit - 900115 Cartridge Valve (1 Per Cartridge)	
5	4567122016	2	Hose	
6	7445060845	2	Fitting, 90	
7	7445060645	4	Fitting, 90	
8	7445060648	2	Fitting, Tee	
9	7443000030	2	Fitting, Tee	
10	7445060843	2	Fitting, Straight	
11	7445060646	2	Fitting, 45	
13	7445081046	1	Fitting, 45	

SECTION 5 - HYDRAULIC

FIGURE 5-27. HOSE INSTALLATION - WHEEL LIFT (3500LBS)



ART_1001136657

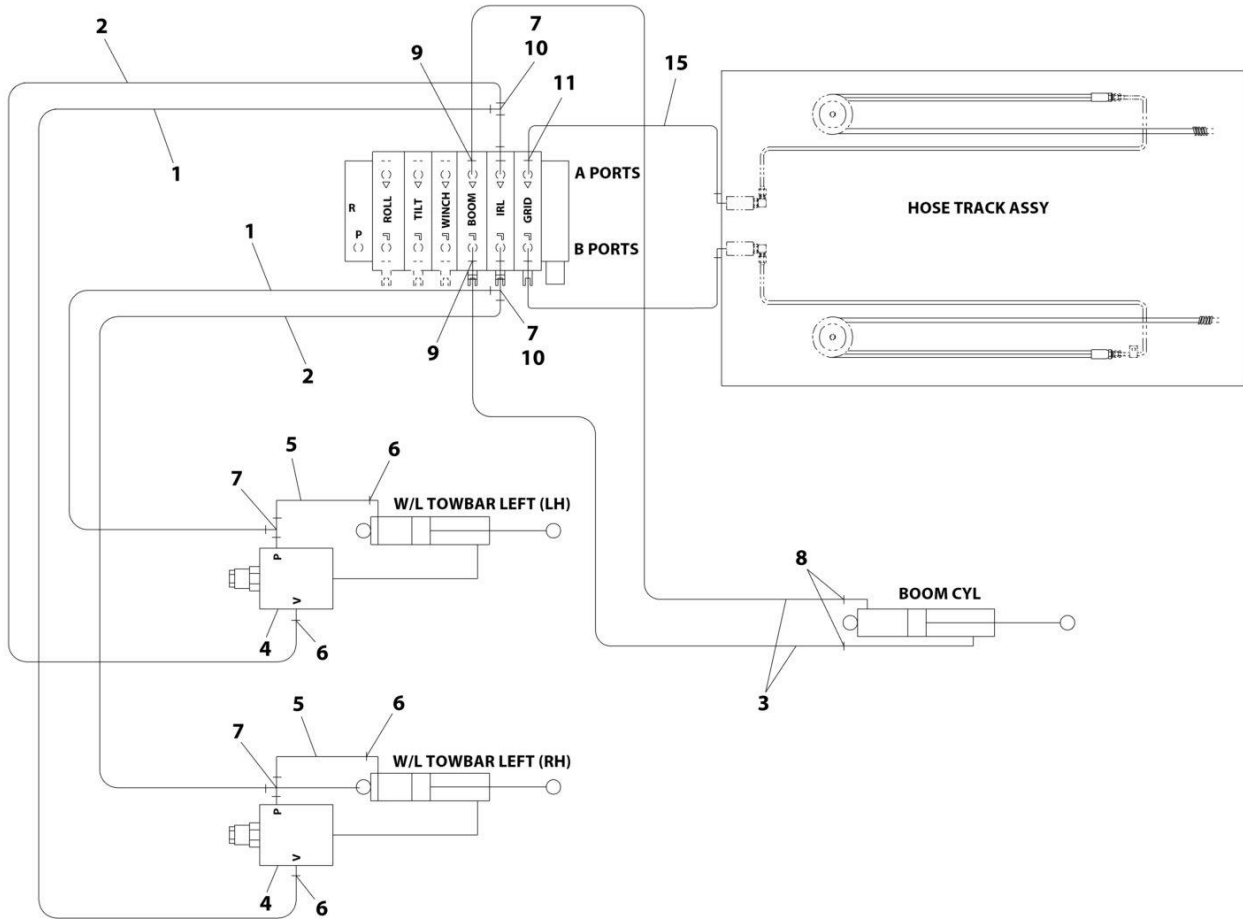
SECTION 5 - HYDRAULIC

FIGURE 5-27. HOSE INSTALLATION - WHEEL LIFT (3500LBS)

ITEM	PART NUMBER	QTY	DESCRIPTION	REV
	1001136657	Ref	Wheel Lift Hydraulic Installation (IRL 3500LBS)	E
1	7445040843	2	Fitting, Straight	
2	7935000305	2	Valve Assembly	
2	900115	2	Valve, Counterbalance Cartridge (1 Per Assembly)	
2	960006	2	Seal Kit - 900115 Cartridge Valve (1 Per Cartridge)	
3	7443000129	2	Reducer	
4	7445060645	4	Fitting, 90	
5	7445060648	4	Fitting, Tee	
6	7445040446	2	Fitting, 45	
7	1001136658	1	Hose Kit (includes items 101-104)	
8	5526000553	12	Tie-Strap (Not Shown)	
101	4567122043	2	Hose	
102	4567123045	2	Hose	
103	4567110034	2	Hose	
104	4567122014	2	Hose	

SECTION 5 - HYDRAULIC

FIGURE 5-28. HOSE INSTALLATION - WHEEL LIFT (3500LBS) (HYDRAULIC L-ARMS)



ART_1001159670

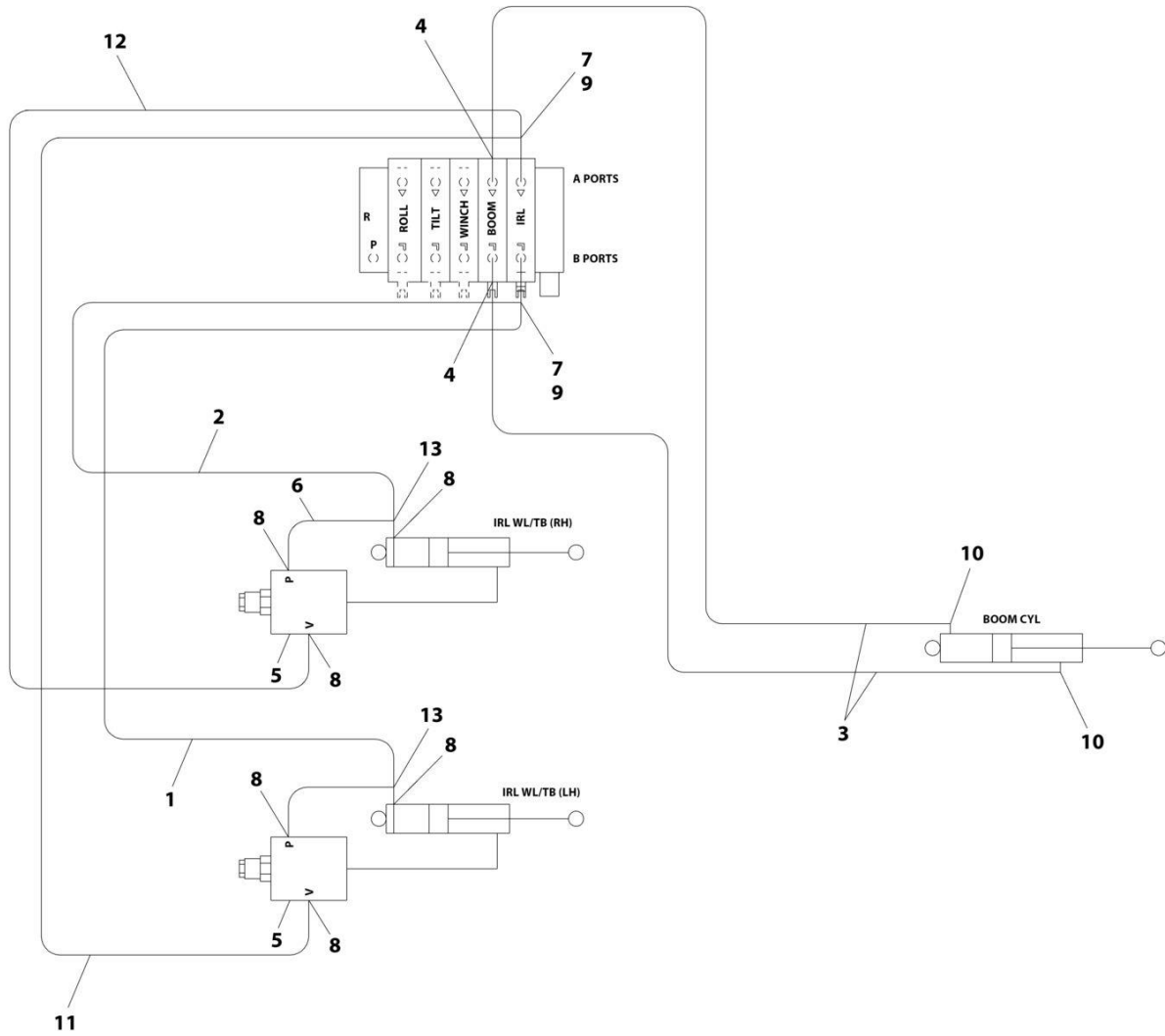
SECTION 5 - HYDRAULIC

FIGURE 5-28. HOSE INSTALLATION - WHEEL LIFT (3500LBS) (HYDRAULIC L-ARMS)

ITEM	PART NUMBER	QTY	DESCRIPTION	REV
	1001159670	Ref	HOSE INSTALLATION (HLF AUTOGRID)	B
1	4567122038	2	Hose	
2	4567123040	2	Hose	
3	4567110034	2	Hose	
4	7935000305	2	Valve Assembly	
5	4567122012	2	Hose	
6	7445060645	4	Fitting, 90	
7	7445060648	4	Fitting, Tee	
8	7445040446	2	Fitting, 45	
9	7445040843	2	Fitting, Straight	
10	7443000129	2	Reducer	
11	7443040843	2	Fitting, Straight	
12	5526000553	12	Tie-Strap (Not Shown)	
13	3904000002	1	Track Assembly (Not Shown)	
14	2570000140	1	Hose (Not Shown)	
15	4567110041	2	Hose	

SECTION 5 - HYDRAULIC

FIGURE 5-29. HOSE INSTALLATION - WHEEL LIFT (4000LBS)



ART_1001130062

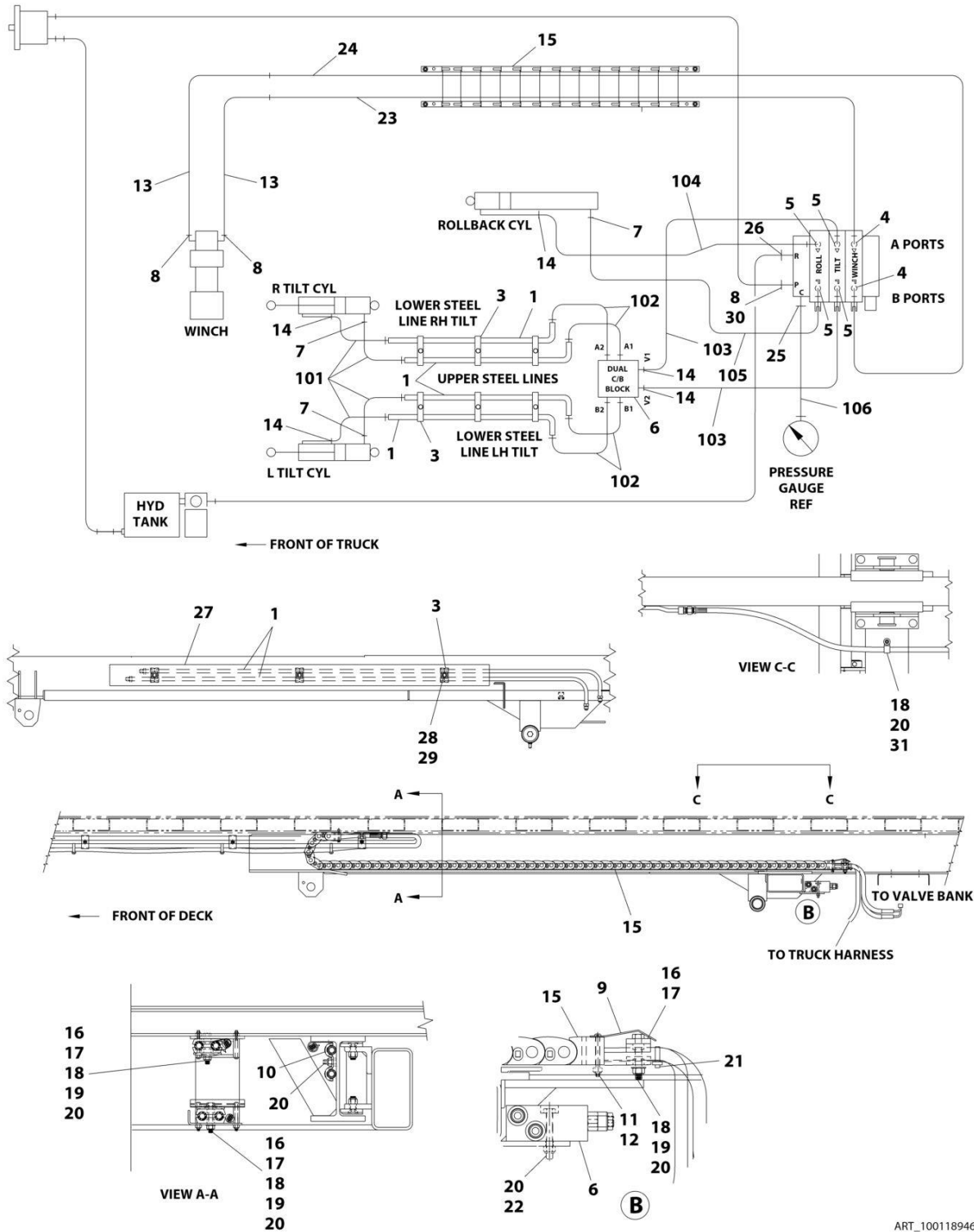
SECTION 5 - HYDRAULIC

FIGURE 5-29. HOSE INSTALLATION - WHEEL LIFT (4000LBS)

ITEM	PART NUMBER	QTY	DESCRIPTION	REV
	1001130062	Ref	Wheel Lift Hydraulic Installation (IRL 4000LBS)	E
1	4567122038	1	Hose	
2	4567120042	1	Hose	
3	4567110034	2	Hose	
4	7445040843	2	Fitting, Straight	
5	7935000305	2	Valve Assembly	
5	900115	2	Valve, Counterbalance Cartridge (1 Per Assembly)	
5	960006	2	Seal Kit - 900115 Cartridge Valve (1 Per Cartridge)	
6	4567120010	2	Hose	
7	7443000129	2	Reducer	
8	7445060645	6	Fitting, 90	
9	7445060648	2	Fitting, Tee	
10	7445040446	2	Fitting, 45	
11	4567123048	1	Hose	
12	4567122043	1	Hose	
13	7443000030	2	Fitting, Tee	
14	5526000553	12	Tie-Strap (Not Shown)	

SECTION 5 - HYDRAULIC

FIGURE 5-30. HOSE INSTALLATION - WINCH (22FT DECK)



ART_1001189463

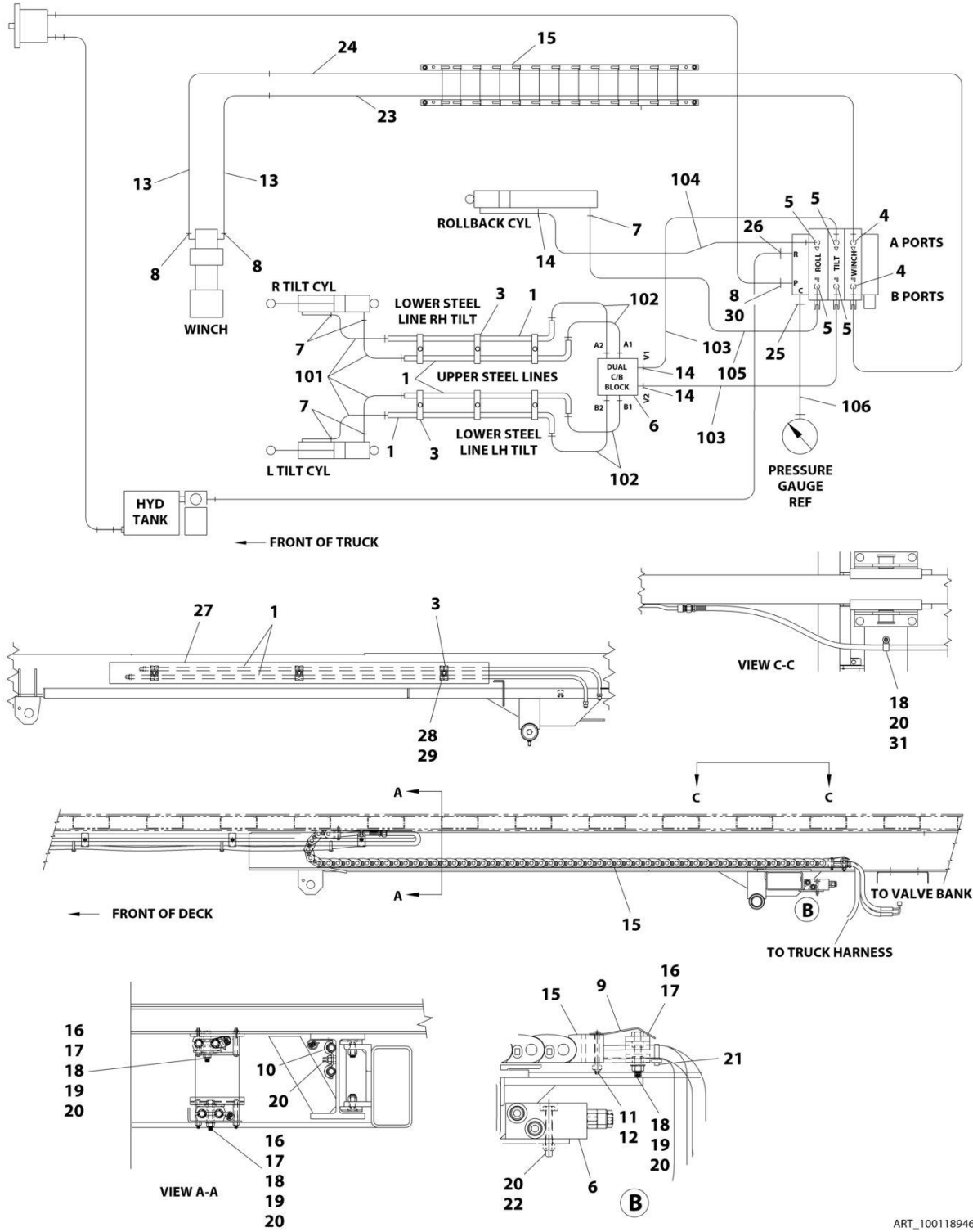
SECTION 5 - HYDRAULIC

FIGURE 5-30. HOSE INSTALLATION - WINCH (22FT DECK)

ITEM	PART NUMBER	QTY	DESCRIPTION	REV
	1001189463	Ref	HYDRAULIC HOSE INSTALLATION - 22FT XLP	B
1	7912000349	4	Tube	
2	4577000013	1	Hose Kit (Not Shown) (Includes Items 101-106)	
3	7274000064	6	Clamp	
4	7445080843	2	Fitting, Straight	
5	7445060843	4	Fitting, Straight	
6	7935000306	1	Valve Assembly	
7	7445060645	3	Fitting, 90	
8	7445081045	3	Fitting, 90	
9	4706003038	1	Plate	
10	7274000066	5	Clamp	
11	7114101618	4	Capscrew #10 x 2	
12	3300455	4	Nut #10	
13	4567430133	2	Hose	
14	7445060643	5	Fitting, Straight	
15	7904000001	1	Cable Track	
16	7274000038	4	Clamp	
17	7274000039	2	Cover	
18	4751500	3	Washer	
19	0641516	2	Bolt 5/16 x 2	
20	7660152601	10	Nut 5/16	
21	7894000004	10	Tie-Strap	
22	0641518	2	Bolt 5/16 x 2-1/4	
23	4569433122	1	Hose	
24	4569432122	1	Hose	
25	7445040443	1	Fitting, Straight	
26	7443000446	1	Fitting, Straight	
27	1001189466	2	Cover	
28	0641504	6	Bolt 5/16 x 1/2	
29	4711500	12	Washer 5/16	
30	7445080818	1	Nut #8	
31	7274000040	1	Clamp	
101	4570000376	4	Hose	
102	4570000379	4	Hose	
103	4567122019	2	Hose	
104	4567123051	1	Hose	
105	4567122024	1	Hose	
106	4567122042	1	Hose	

SECTION 5 - HYDRAULIC

FIGURE 5-31. HOSE INSTALLATION - WINCH (24FT DECK)



ART_1001189464

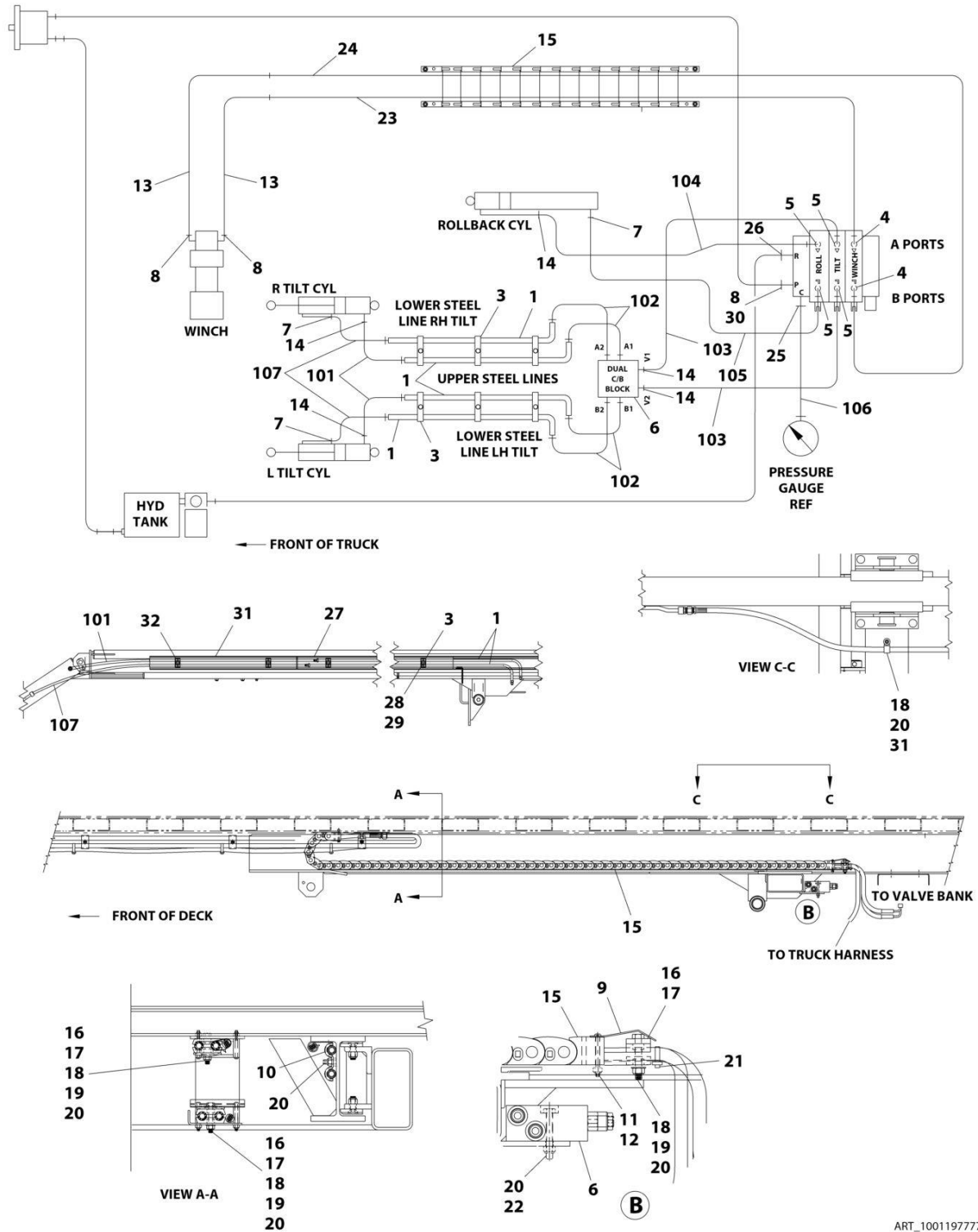
SECTION 5 - HYDRAULIC

FIGURE 5-31. HOSE INSTALLATION - WINCH (24FT DECK)

ITEM	PART NUMBER	QTY	DESCRIPTION	REV
	1001189464	Ref	HYDRAULIC HOSE INSTALLATION - 24FT XLP	A
1	7912000349	4	Tube	
2	4577000013	1	Hose Kit (Not Shown) (Includes Items 101-106)	
3	7274000064	6	Clamp	
4	7445080843	2	Fitting, Straight	
5	7445060843	4	Fitting, Straight	
6	7935000306	1	Valve Assembly	
7	7445060645	3	Fitting, 90	
8	7445081045	3	Fitting, 90	
9	4706003038	1	Plate	
10	7274000066	5	Clamp	
11	7114101618	4	Capscrew #10 x 2	
12	3300455	4	Nut #10	
13	4567430153	2	Hose	
14	7445060643	5	Fitting, Straight	
15	7904000001	1	Cable Track	
16	7274000038	4	Clamp	
17	7274000039	2	Cover	
18	4751500	3	Washer	
19	0641516	2	Bolt 5/16 x 2	
20	7660152601	10	Nut 5/16	
21	7894000004	10	Tie-Strap	
22	0641518	2	Bolt 5/16 x 2-1/4	
23	4569433122	1	Hose	
24	4569432122	1	Hose	
25	7445040443	1	Fitting, Straight	
26	7443000446	1	Fitting	
27	1001189466	2	Cover	
28	0641504	6	Bolt 5/16 x 1/2	
29	4711500	12	Washer 5/16	
30	7445080818	1	Nut #8	
31	7274000040	1	Clamp	
101	4570000376	4	Hose	
102	4570000379	4	Hose	
103	4567122019	2	Hose	
104	4567123051	1	Hose	
105	4567122024	1	Hose	
106	4567122042	1	Hose	

SECTION 5 - HYDRAULIC

FIGURE 5-32. HOSE INSTALLATION - WINCH (26FT DECK)



ART_100119777

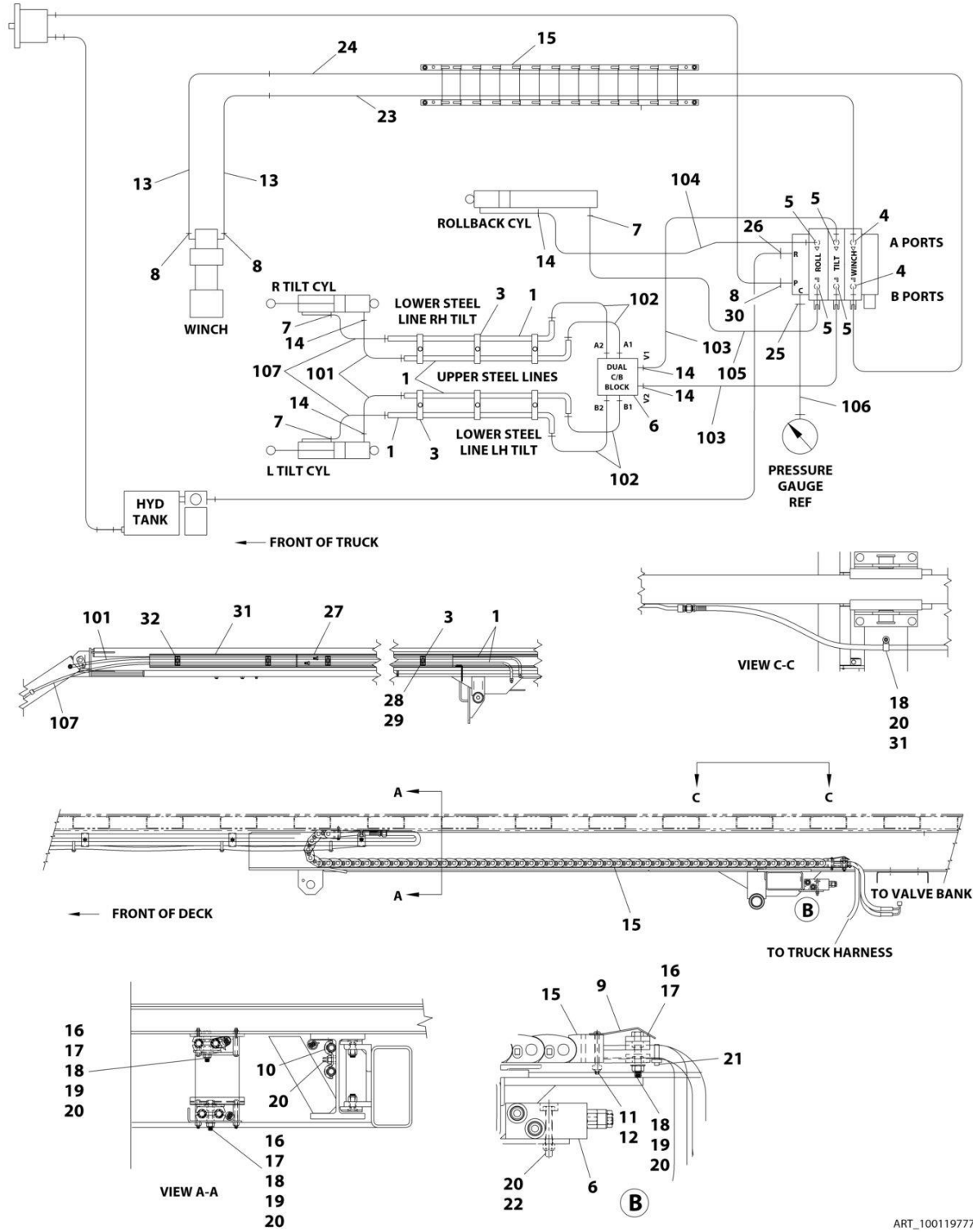
SECTION 5 - HYDRAULIC

FIGURE 5-32. HOSE INSTALLATION - WINCH (26FT DECK)

ITEM	PART NUMBER	QTY	DESCRIPTION	REV
	1001197777	Ref	HYDRAULIC HOSE INSTALLATION - 26FT XLP	C
1	7912000349	4	Tube	
2	1001197966	1	Hose Kit (Not Shown) (Includes Items 101-107)	
3	7274000064	6	Clamp	
4	7445080843	2	Fitting, Straight	
5	7445060843	4	Fitting, Straight	
6	7935000306	1	Valve Assembly	
7	7445060645	3	Fitting, 90	
8	7445081045	3	Fitting, 90	
9	4706003038	1	Plate	
10	7274000066	7	Clamp	
11	7114101618	4	Capscrew #10 x 2	
12	3300455	4	Nut #10	
13	4567430177	2	Hose	
14	7445060643	5	Fitting, Straight	
15	7904000001	1	Cable Track	
16	7274000038	4	Clamp	
17	7274000039	2	Cover	
18	4751500	3	Washer	
19	0641516	2	Bolt 5/16 x 2	
20	7660152601	12	Nut 5/16	
21	7894000004	10	Tie-Strap	
22	0641518	2	Bolt 5/16 x 2-1/4	
23	4569433122	1	Hose	
24	4569432122	1	Hose	
25	7445040443	1	Fitting, Straight	
26	7443000446	1	Fitting	
27	1001189466	2	Cover	
28	0641504	10	Bolt 5/16 x 1/2	
29	4711500	20	Washer 5/16	
30	7445080818	1	Nut #8	
31	1001200207	2	Clamp	
32	1001220732	4	Clamp	
101	1001220682	2	Hose	
102	4570000379	4	Hose	
103	4567122019	2	Hose	
104	4567123051	1	Hose	
105	4567122024	1	Hose	
106	4567122039	1	Hose	
107	4567120066	2	Hose	

SECTION 5 - HYDRAULIC

FIGURE 5-33. HOSE INSTALLATION - WINCH (28FT DECK)



ART_1001197778

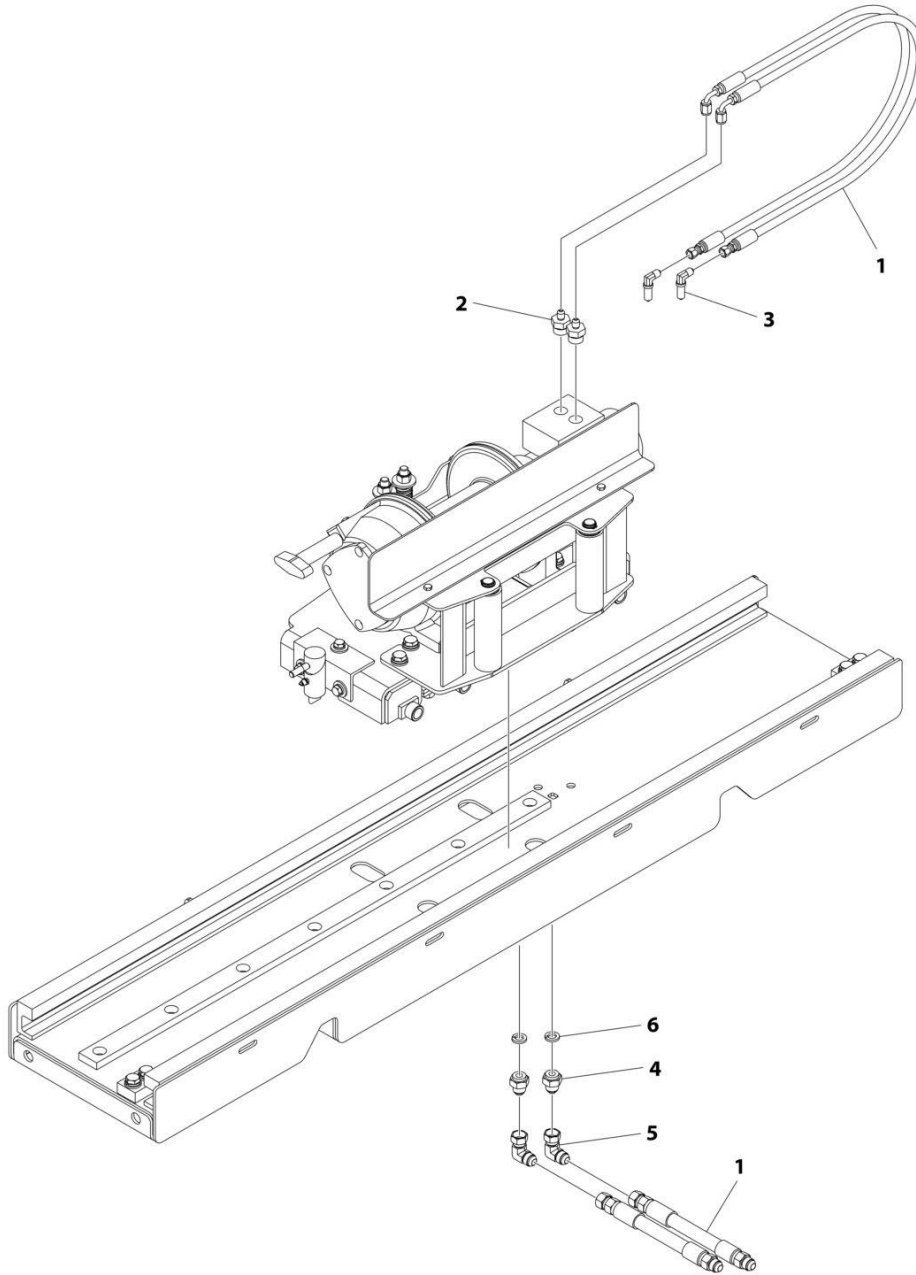
SECTION 5 - HYDRAULIC

FIGURE 5-33. HOSE INSTALLATION - WINCH (28FT DECK)

ITEM	PART NUMBER	QTY	DESCRIPTION	REV
	1001197778	Ref	HYDRAULIC HOSE INSTALLATION - 28FT XLP	C
1	7912000349	4	Tube	
2	1001197966	1	Hose Kit (Not Shown) (Includes Items 101-107)	
3	7274000064	6	Clamp	
4	7445080843	2	Fitting, Straight	
5	7445060843	4	Fitting, Straight	
6	7935000306	1	Valve Assembly	
7	7445060645	3	Fitting, 90	
8	7445081045	3	Fitting, 90	
9	4706003038	1	Plate	
10	7274000066	8	Clamp	
11	7114101618	4	Capscrew #10 x 2	
12	3300455	4	Nut #10	
13	4567430199	2	Hose	
14	7445060643	5	Fitting, Straight	
15	7904000001	1	Cable Track	
16	7274000038	4	Clamp	
17	7274000039	2	Cover	
18	4751500	3	Washer	
19	0641516	2	Bolt 5/16 x 2	
20	7660152601	13	Nut 5/16	
21	7894000004	10	Tie-Strap	
22	0641518	2	Bolt 5/16 x 2-1/4	
23	4569433122	1	Hose	
24	4569432122	1	Hose	
25	7445040443	1	Fitting, Straight	
26	7443000446	1	Fitting	
27	1001189466	2	Cover	
28	0641504	10	Bolt 5/16 x 1/2	
29	4711500	20	Washer 5/16	
30	7445080818	1	Nut #8	
31	1001200207	2	Clamp	
32	1001220732	4	Clamp	
101	1001220682	2	Hose	
102	4570000379	4	Hose	
103	4567122019	2	Hose	
104	4567123051	1	Hose	
105	4567122024	1	Hose	
106	4567122039	1	Hose	
107	4567120066	2	Hose	

SECTION 5 - HYDRAULIC

FIGURE 5-34. HOSE INSTALLATION - WINCH (SLIDING)



ART_1001145934

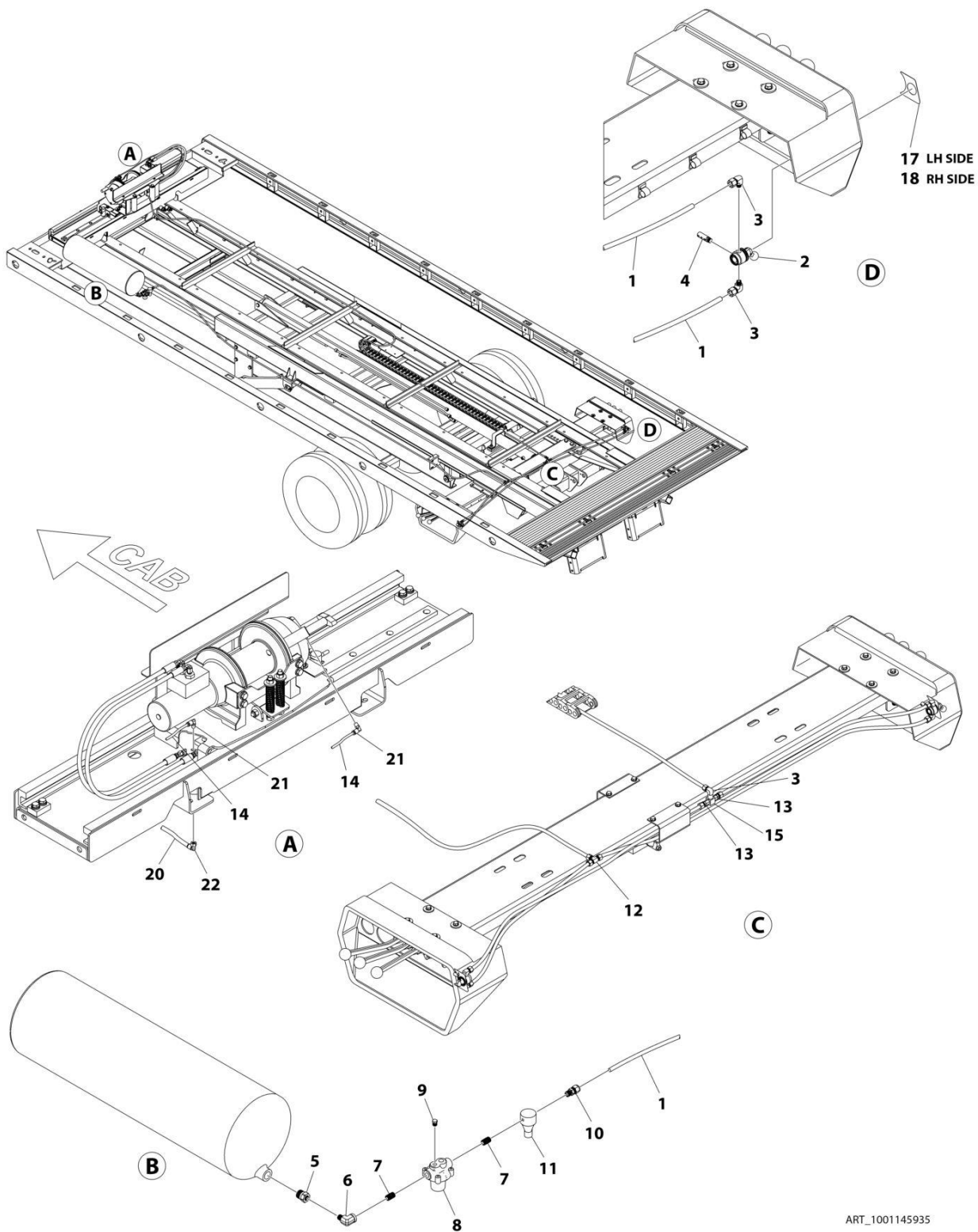
SECTION 5 - HYDRAULIC

FIGURE 5-34. HOSE INSTALLATION - WINCH (SLIDING)

ITEM	PART NUMBER	QTY	DESCRIPTION	REV
	1001145934	Ref	SLIDING WINCH HLF INSTALLATION	B
1	1001145963	1	Hose Sliding Winch	
2	7445041043	2	Fitting, Straight	
3	7445040431	2	Fitting, 90	
4	1001144448	2	Fitting, Straight	
5	7445080872	2	Fitting, 90	
6	7950170000	2	Washer 1/2	

SECTION 5 - HYDRAULIC

FIGURE 5-35. HOSE INSTALLATION - WINCH (SLIDING FREE SPOOL)



ART_1001145935

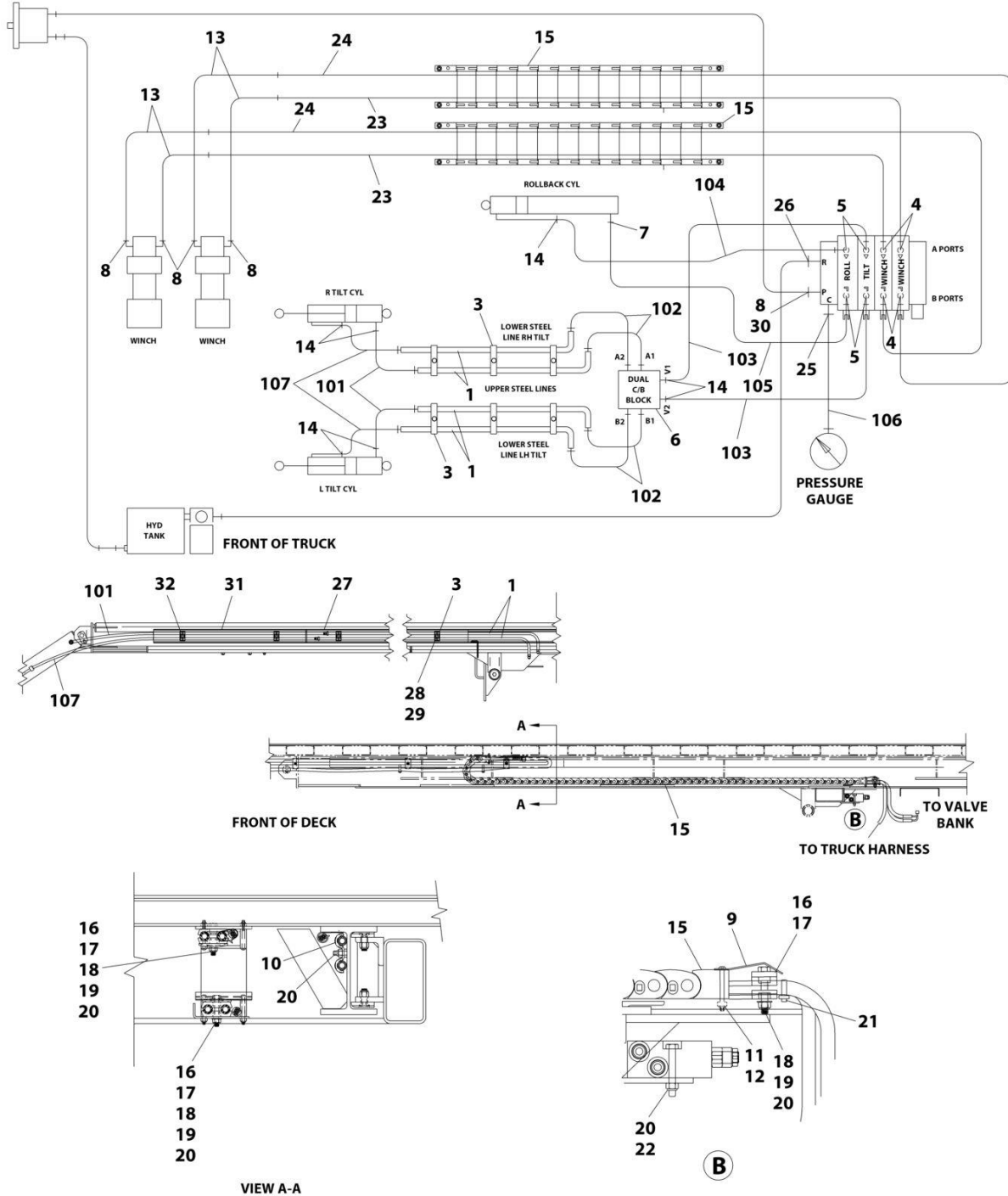
SECTION 5 - HYDRAULIC

FIGURE 5-35. HOSE INSTALLATION - WINCH (SLIDING FREE SPOOL)

ITEM	PART NUMBER	QTY	DESCRIPTION	REV
	1001145935	Ref	SLIDING WINCH AIR FREE SPOOL INSTALLATION	A
1	7565000014	80	Airline	
2	7935000182	2	Valve	
3	7443000364	5	Fitting, Straight	
4	7640000002	2	Muffler	
5	7443000154	1	Bushing	
6	7443000111	1	Fitting, 90	
7	7443000156	2	Nipple	
8	7935000120	1	Valve	
9	7443000152	1	Plug	
10	7443000366	1	Fitting, Straight	
11	7935000248	1	Valve	
12	7443000371	1	Tube	
13	7443000365	2	Fitting, Straight	
14	8597650001	1.5 ft	Loom	
15	7935000229	1	Valve	
16	7894000004	8	Tie Strap (Not Shown)	
17	7330000675	1	Decal	
18	7330000676	1	Decal	
19	7443000443	1	Fitting (Not Shown)	
20	7565000016	5 ft	Airline	
21	7443000173	2	Fitting, 90	
22	1001127985	1	Fitting, 90	

SECTION 5 - HYDRAULIC

FIGURE 5-36. HOSE INSTALLATION - WINCH (DUAL WINCH) (28FT DECK)



ART_1001197779

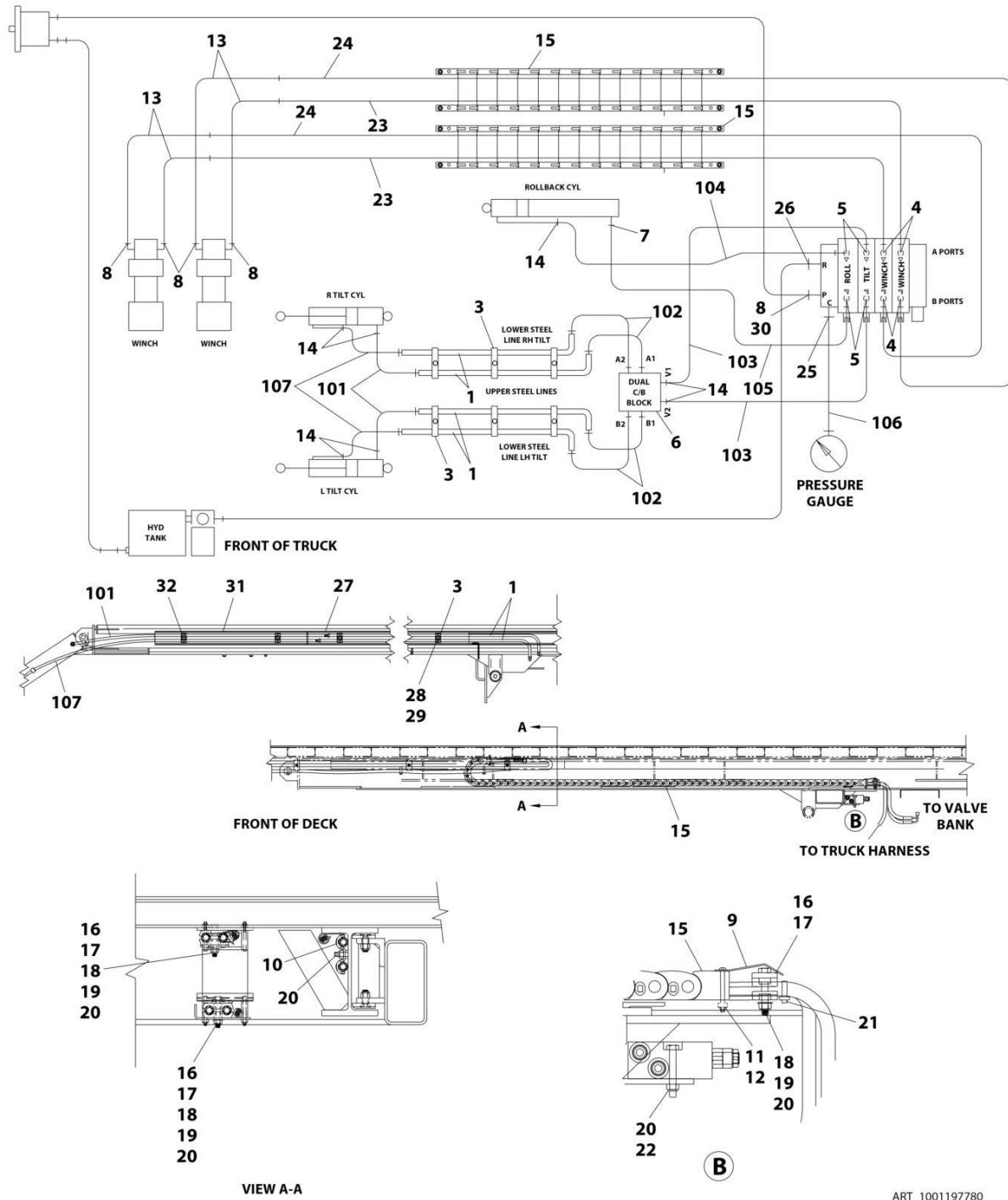
SECTION 5 - HYDRAULIC

FIGURE 5-36. HOSE INSTALLATION - WINCH (DUAL WINCH) (28FT DECK)

ITEM	PART NUMBER	QTY	DESCRIPTION	REV
	1001197779	Ref	WINCH HYDRAULIC INSTALLATION (28FT DECK)	D
1	7912000349	4	Tube Assembly	
2	1001197966	1	Hose Kit (Not Shown) (Includes Items 101-107)	
3	7274000064	6	Clamp	
4	7445080843	4	Fitting, Straight	
5	7445060843	4	Fitting, Straight	
6	7935000306	1	Valve Assembly	
6	900115	2	Valve, Counterbalance Valve (2 Per Assembly)	
6	960006	2	Seal Kit - 900115 Cartridge Valve (1 Per Cartridge)	
7	7445060645	1	Fitting, 90	
8	7445081045	5	Fitting, 90	
9	4706003038	2	Plate	
10	7274000066	16	Clamp	
11	7114101618	8	Capscrew #10 x 2	
12	3300455	8	Nut 10	
13	4567430199	4	Hose	
14	7445060643	7	Fitting, Straight	
15	7904000001	2	Carrier	
16	7274000038	8	Clamp	
17	7274000039	4	Cover	
18	4751500	6	Washer 5/16	
19	0641516	4	Bolt 5/16 x 2	
20	7660152601	21	Nut 5/16	
21	7894000004	10	Tie-Strap	
22	0641518	2	Bolt 5/16 x 2-1/4	
23	4569433122	2	Hose	
24	4569432122	2	Hose	
25	7445040443	1	Fitting, Straight	
26	7443000446	1	Fitting	
27	1001189466	2	Cover	
28	0641504	10	Bolt 5/16 x 1/2	
29	4711500	20	Washer 5/16	
30	7445080818	1	Nut #8	
31	1001200207	2	Cover	
32	1001220732	4	Clamp	
101	1001220682	2	Hose	
102	4570000379	4	Hose	
103	4567122019	2	Hose	
104	4567123051	1	Hose	
105	4567122024	1	Hose	
106	4567122039	1	Hose	
107	4567120066	2	Hose	

SECTION 5 - HYDRAULIC

FIGURE 5-37. HOSE INSTALLATION - WINCH (DUAL WINCH) (30FT DECK)



ART_1001197780

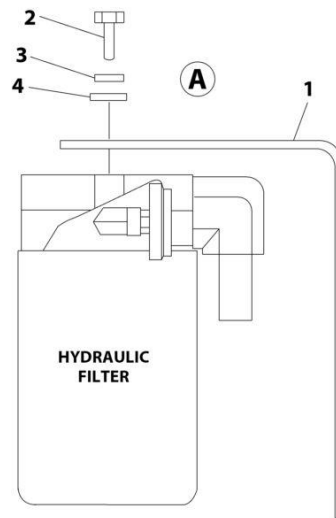
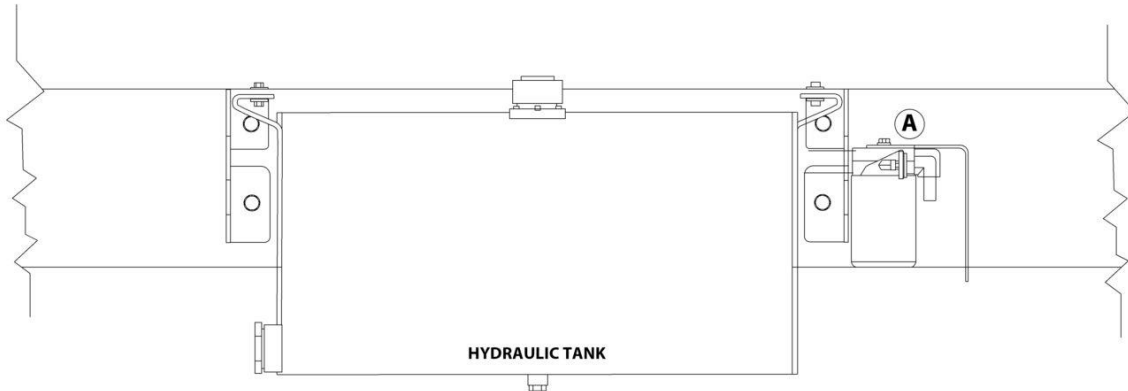
SECTION 5 - HYDRAULIC

FIGURE 5-37. HOSE INSTALLATION - WINCH (DUAL WINCH) (30FT DECK)

ITEM	PART NUMBER	QTY	DESCRIPTION	REV
	1001197780	Ref	WINCH HYDRAULIC INSTALLATION (30FT DECK)	D
1	7912000349	4	Tube	
2	1001197966	1	Hose Kit (Not Shown) (Includes Items 101-107)	
3	7274000064	6	Clamp	
4	7445080843	4	Fitting, Straight	
5	7445060843	4	Fitting, Straight	
6	7935000306	1	Valve Assembly - Counter Balance	
6	900115	2	Valve, Counter Balance Valve (2 Per Assembly)	
6	960006	2	Seal Kit - 900115 Cartridge Valve (1 Per Cartridge)	
7	7445060645	1	Fitting, 90	
8	7445081045	5	Fitting, 90	
9	4706003038	2	Plate	
10	7274000066	18	Clamp	
11	7114101618	8	Capscrew #10 x 2	
12	3300455	8	Nut 10	
13	4567430223	4	Hose	
14	7445060643	7	Fitting, Straight	
15	7904000001	2	Cable Carrier	
16	7274000038	8	Clamp	
17	7274000039	4	Cover	
18	4751500	6	Washer 5/16	
19	0641516	4	Bolt 5/16 x 2	
20	7660152601	23	Nut 5/16	
21	7894000004	10	Tie-Strap	
22	0641518	2	Bolt 5/16 x 2-1/4	
23	4569433122	2	Hose	
24	4569432122	2	Hose	
25	7445040443	1	Fitting, Straight	
26	7443000446	1	Fitting	
27	1001189466	2	Cover	
28	0641504	10	Bolt 5/16 x 1/2	
29	4711500	20	Washer 5/16	
30	7445080818	1	Nut #8	
31	1001200207	2	Cover	
32	1001220732	4	Clamp	
101	1001220682	2	Hose	
102	4570000379	4	Hose	
103	4567122019	2	Hose	
104	4567123051	1	Hose	
105	4567122024	1	Hose	
106	4567122039	1	Hose	
107	4567120066	2	Hose	

SECTION 5 - HYDRAULIC

FIGURE 5-38. FILTER (HYDRAULIC) COVER PLATE INSTALLATION



ART_1001168319

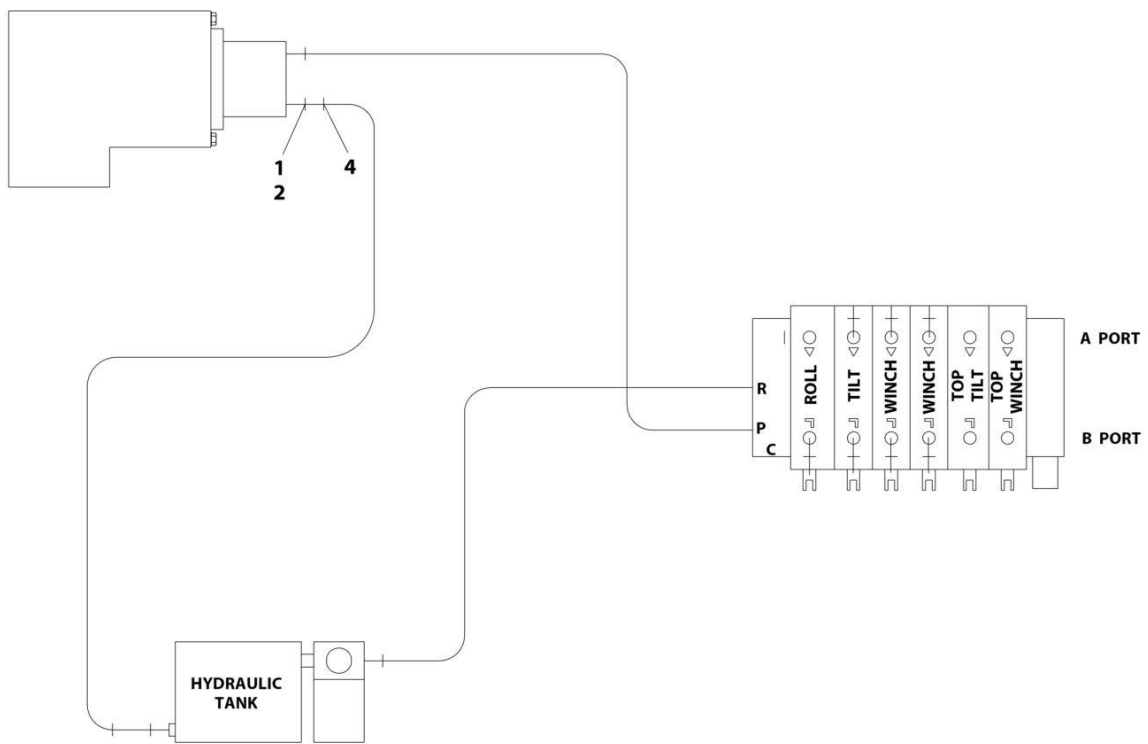
SECTION 5 - HYDRAULIC

FIGURE 5-38. FILTER (HYDRAULIC) COVER PLATE INSTALLATION

ITEM	PART NUMBER	QTY	DESCRIPTION	REV
	1001168319	Ref	Filter (Hydraulic) Cover Plate Installation	B
1	1001181417	1	Cover	
2	7115140450	2	Capscrew 1/4 x 1/2	
3	7950140000	2	Washer 1/4	
4	7950140141	2	Washer 1/4	

SECTION 5 - HYDRAULIC

FIGURE 5-39. PUMP FITTINGS INSTALLATION



ART_2577530006

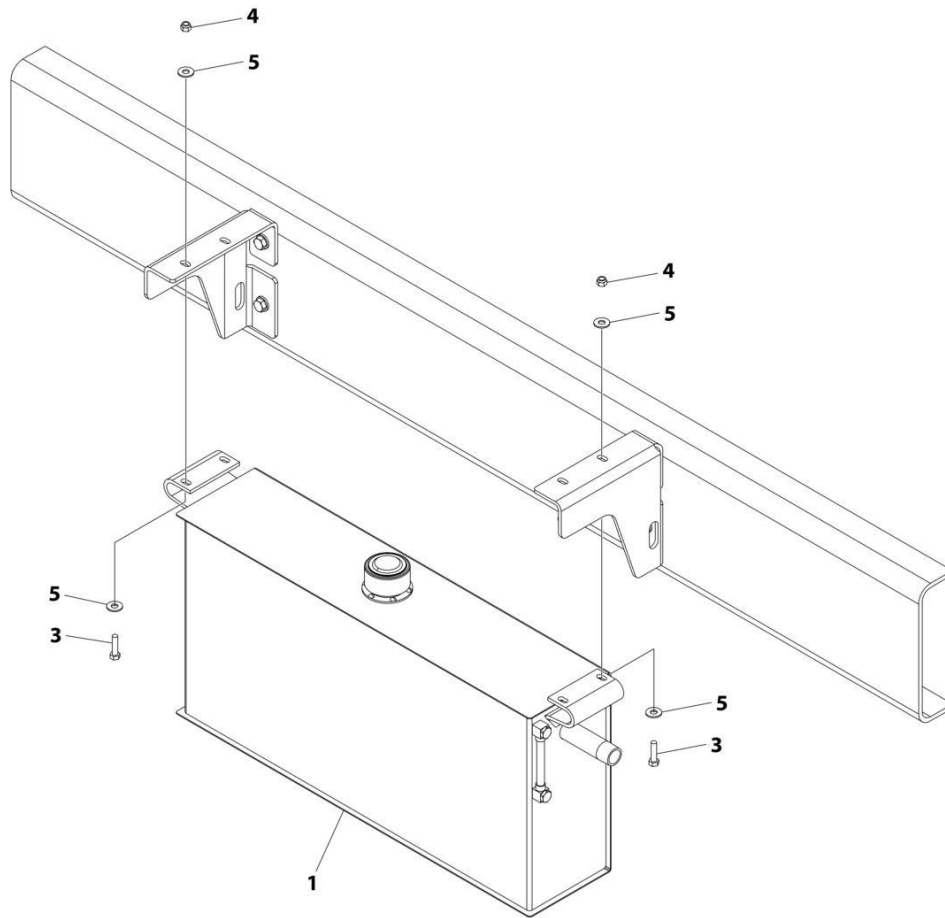
SECTION 5 - HYDRAULIC

FIGURE 5-39. PUMP FITTINGS INSTALLATION

ITEM	PART NUMBER	QTY	DESCRIPTION	REV
	2577530006	1	Pump Fittings Hydraulic Installation	C
1	7443000124	1	O-Ring	
2	7445081643	1	Fitting, Straight	
4	7443000023	1	Fitting, 90	

SECTION 5 - HYDRAULIC

FIGURE 5-40. TANK (HYDRAULIC) AND BRACKET MOUNT INSTALLATION (STANDARD)



ART_275000008

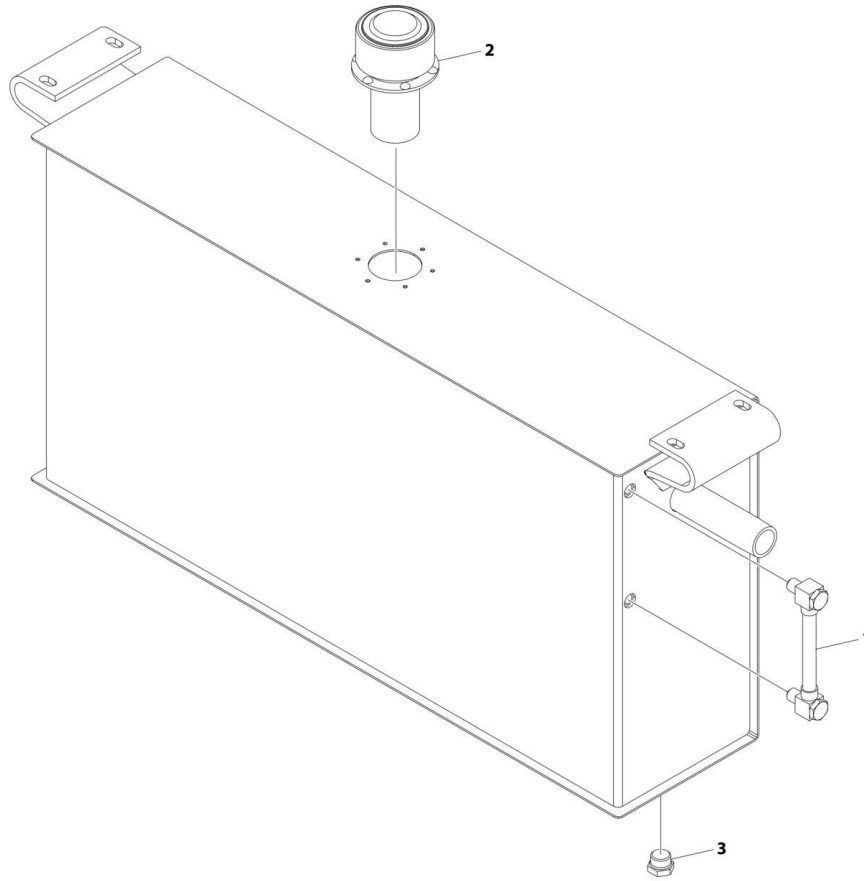
SECTION 5 - HYDRAULIC

FIGURE 5-40. TANK (HYDRAULIC) AND BRACKET MOUNT INSTALLATION (STANDARD)

ITEM	PART NUMBER	QTY	DESCRIPTION	REV
	2750000008	Ref	Hydraulic Reservoir and Bracket Mount	C
1	3750000018	1	Hydraulic Tank Assembly (See Seperate Breakdown in HYDRAULIC Section)	
3	7115151050	4	Capscrew 5/8 x 1-1/4	
4	7660152601	4	Nut 5/8	
5	7950150161	8	Washer 5/8	

SECTION 5 - HYDRAULIC

FIGURE 5-41. TANK (HYDRAULIC) ASSEMBLY (STANDARD)



ART_375000018

SECTION 5 - HYDRAULIC

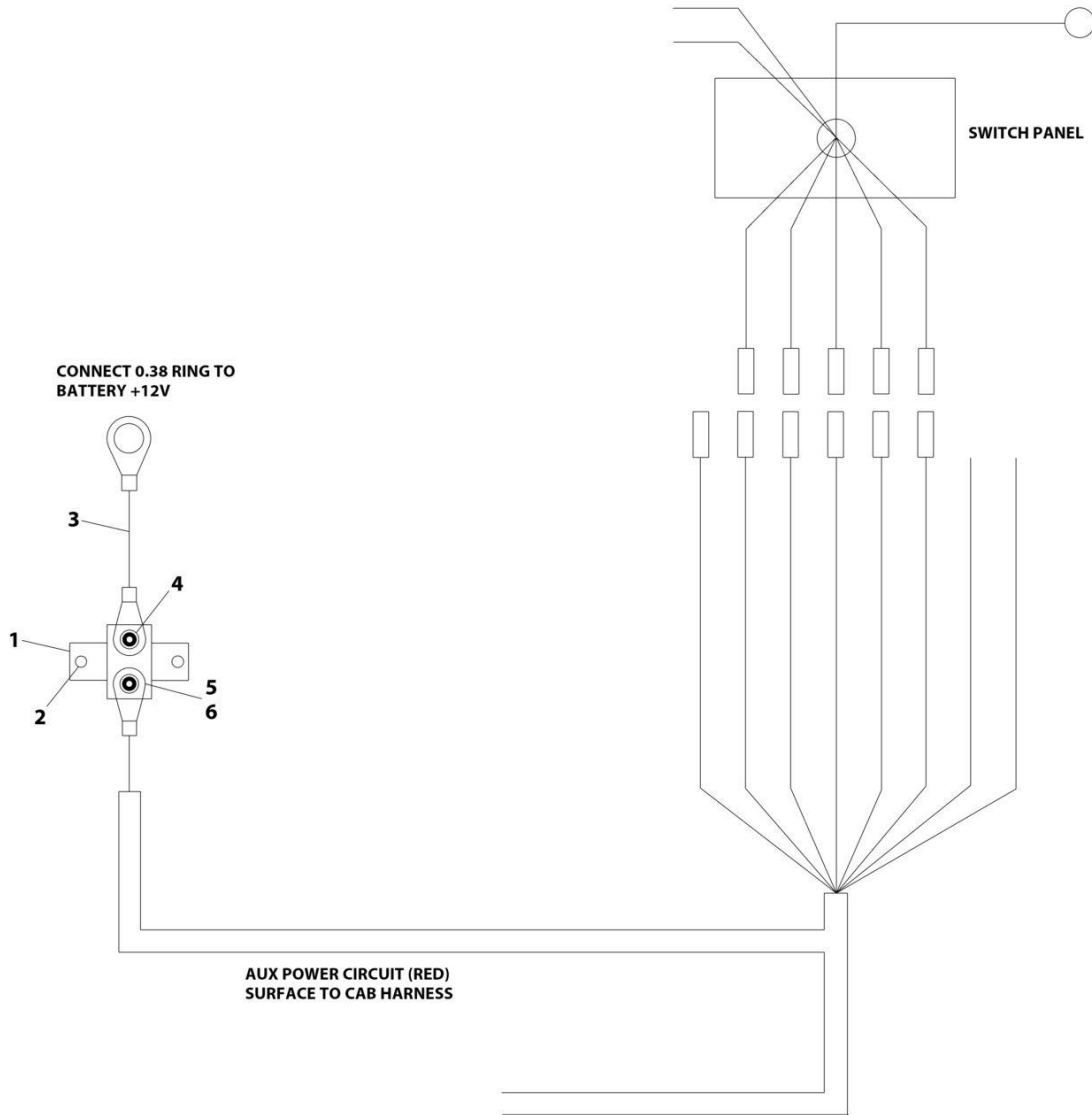
FIGURE 5-41. TANK (HYDRAULIC) ASSEMBLY (STANDARD)

ITEM	PART NUMBER	QTY	DESCRIPTION	REV
	3750000018	1	Hydraulic Assembly - Tank	I
1	7470000027	1	Oil Level Gauge	
2	7183000004	1	Breather Filter	
3	7701000031	1	Plug w/O-ring	

SECTION 6 - ELECTRICAL

SECTION 6 - ELECTRICAL

FIGURE 6-1. BREAKER INSTALLATION



ART_1001129883

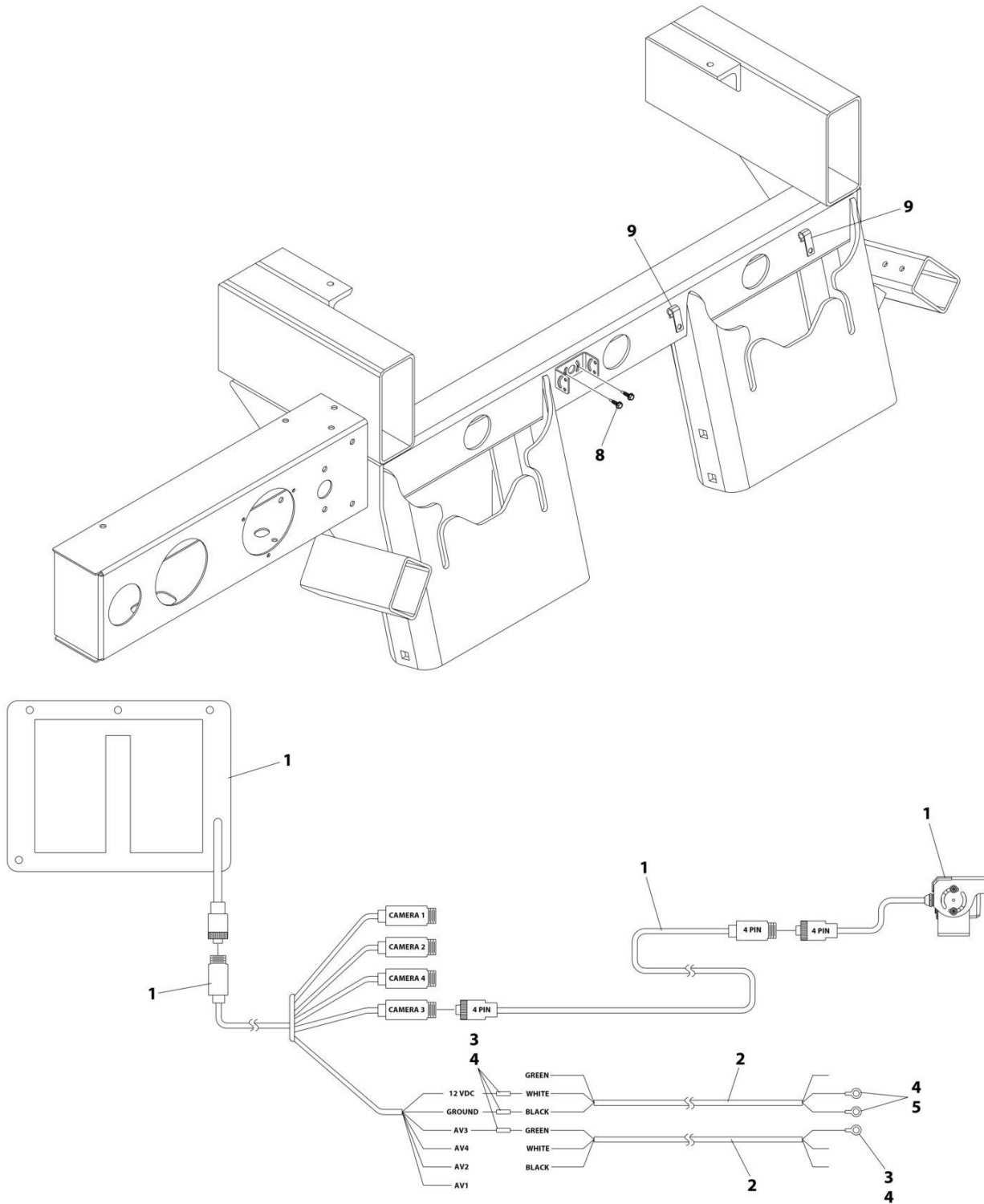
SECTION 6 - ELECTRICAL

FIGURE 6-1. BREAKER INSTALLATION

ITEM	PART NUMBER	QTY	DESCRIPTION	REV
	1001129883	Ref	50A BREAKER INSTALLATION	C
1	7457000004	1	Breaker, 50A	
2	7120000034	2	Screw #10 x 3/4	
3	1001129882	1	Harness	
4	7950100151	2	Washer 3/16	
5	7345221902	1	Terminal	
6	4346000005	1	Heat Shrink	

SECTION 6 - ELECTRICAL

FIGURE 6-2. CAMERA INSTALLATION - BACKUP (J-D SUPPLIED)



ART_1001219321

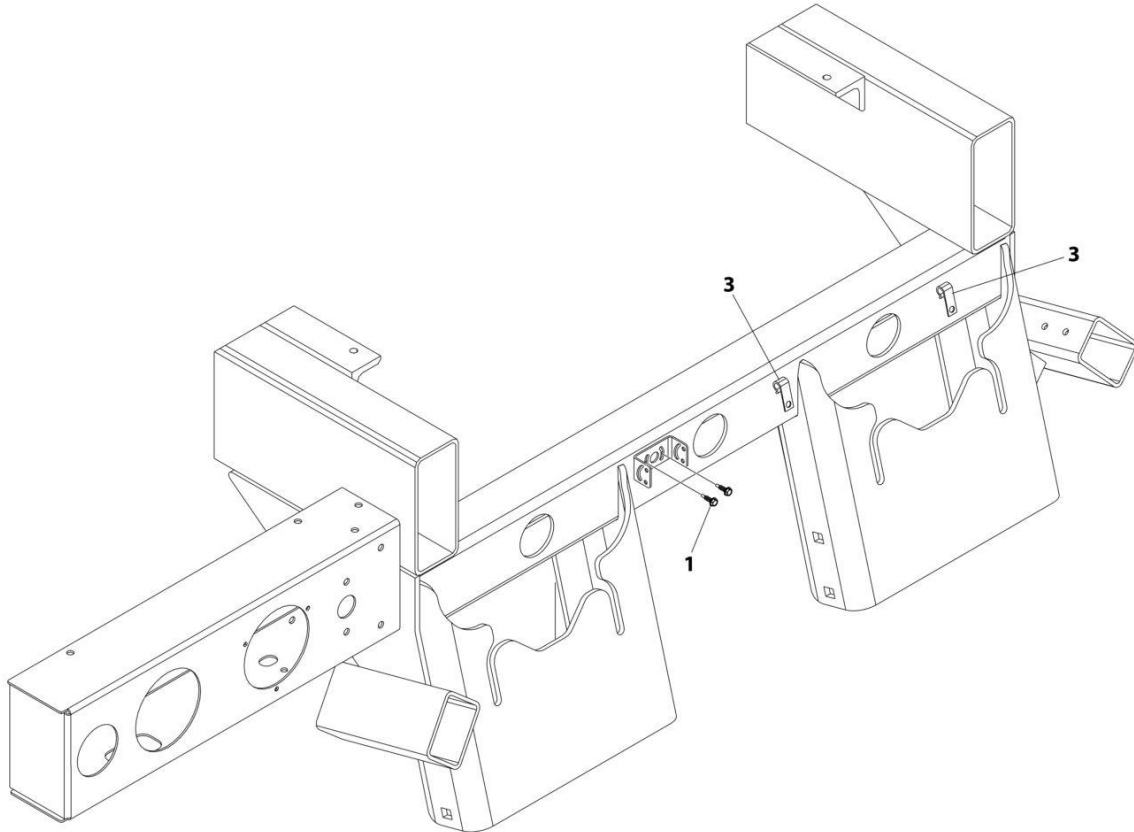
SECTION 6 - ELECTRICAL

FIGURE 6-2. CAMERA INSTALLATION - BACKUP (J-D SUPPLIED)

ITEM	PART NUMBER	QTY	DESCRIPTION	REV
	1001219321	Ref	Backup Camera Carrier Installation	E
1	1001219309	1	Backup Camera	
2	5525000537	AR	Wire	
3	7345001714	4	Terminal	
4	7346000039	AR	Tubing	
5	7345211702	3	Trerminial	
6	8597650002	AR	Wire (Not Shown)	
7	7894000010	40	Tie Strap (Not Shown)	
8	7120000034	2	Screw #10 x 3/4	
9	7280000018	2	Clip	

SECTION 6 - ELECTRICAL

FIGURE 6-3. CAMERA INSTALLATION - BACKUP (OEM CHASSIS SUPPLIED)



ART_1001220181

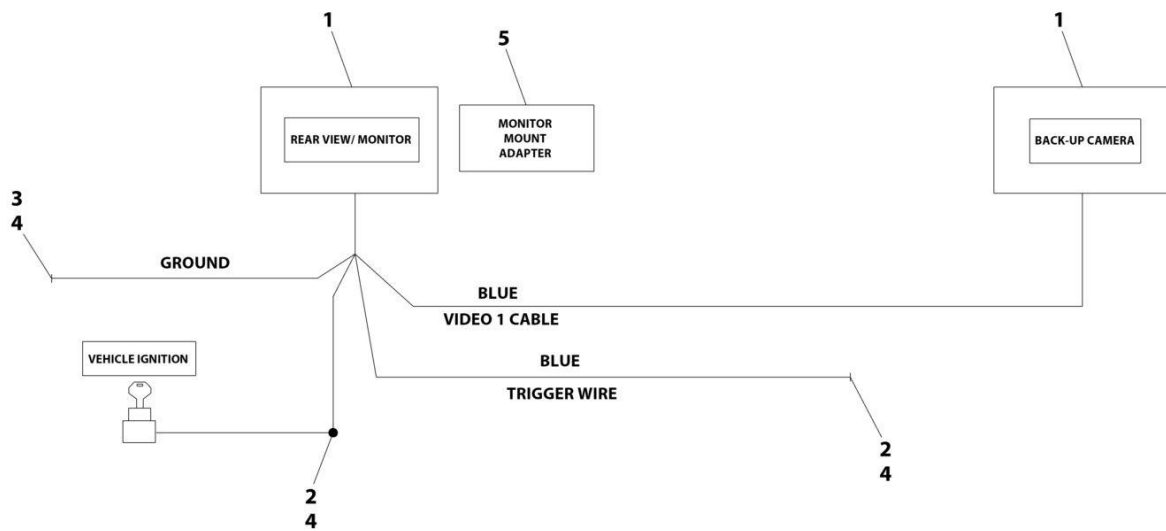
SECTION 6 - ELECTRICAL

FIGURE 6-3. CAMERA INSTALLATION - BACKUP (OEM CHASSIS SUPPLIED)

ITEM	PART NUMBER	QTY	DESCRIPTION	REV
	1001220181	Ref	Backup Camera Installation - Chassis (OEM Supplied)	B
1	7120000034	2	Screw #10 x 3/4	
2	5526000553	40	Tie Strap	
3	7280000018	2	Clip	

SECTION 6 - ELECTRICAL

FIGURE 6-4. CAMERA INSTALLATION - BACKUP (REAR VIEW MIRROR)



ART_1001142974

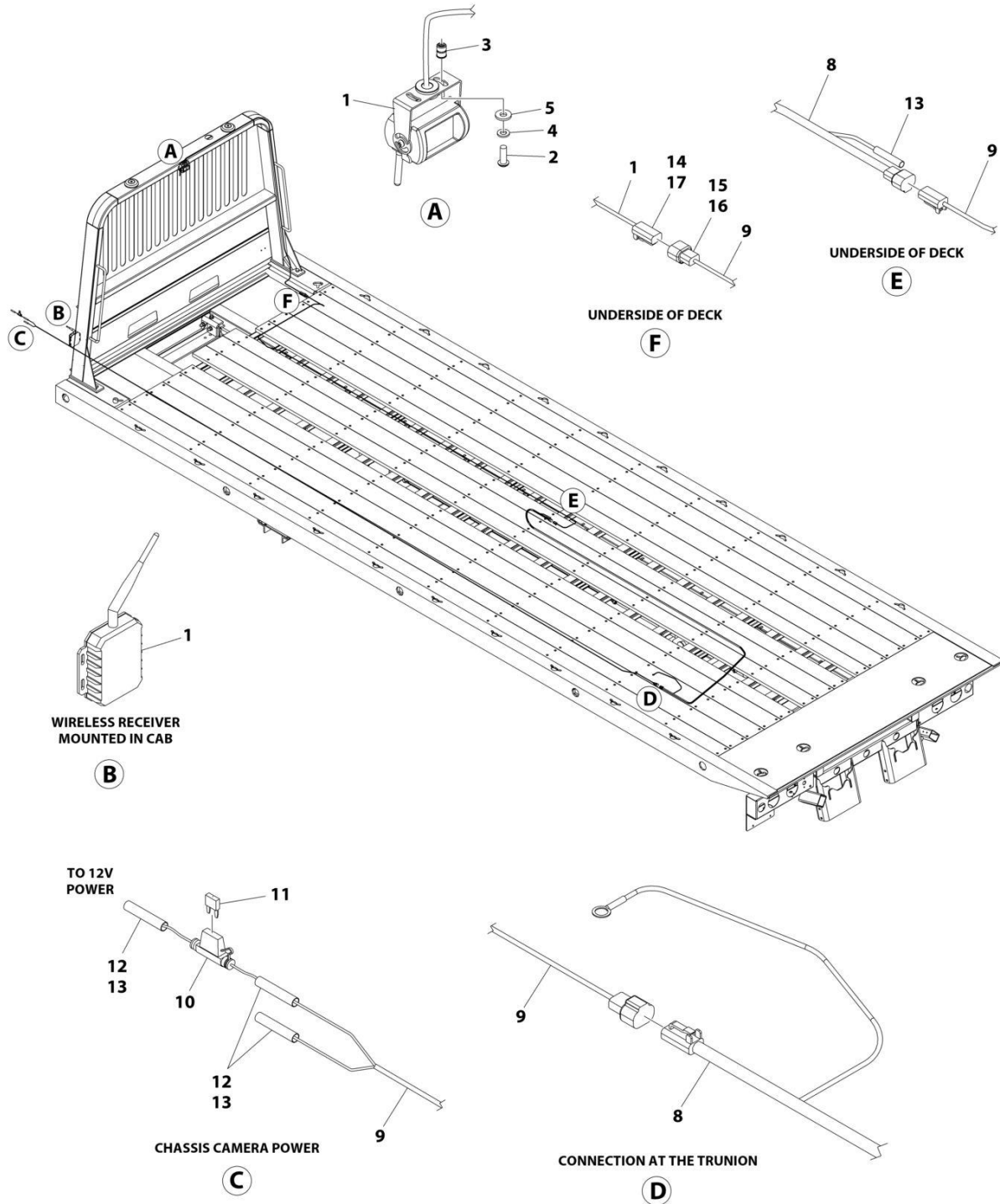
SECTION 6 - ELECTRICAL

FIGURE 6-4. CAMERA INSTALLATION - BACKUP (REAR VIEW MIRROR)

ITEM	PART NUMBER	QTY	DESCRIPTION	REV
	1001142974	Ref	BACKUP CAMERA IN REAR VIEW MIRROR INSTALLATION	B
1	1001139909	1	Camera System	
2	7345001914	2	Terminal	
3	7345221902	1	Terminal	
4	7346000039	AR	Tubing	
5	1001229606	1	Monitor Mount Adapter	

SECTION 6 - ELECTRICAL

FIGURE 6-5. CAMERA INSTALLATION - CARGO CAMERA, (WIRELESS HEADBOARD MOUNTED)



ART_1001257876

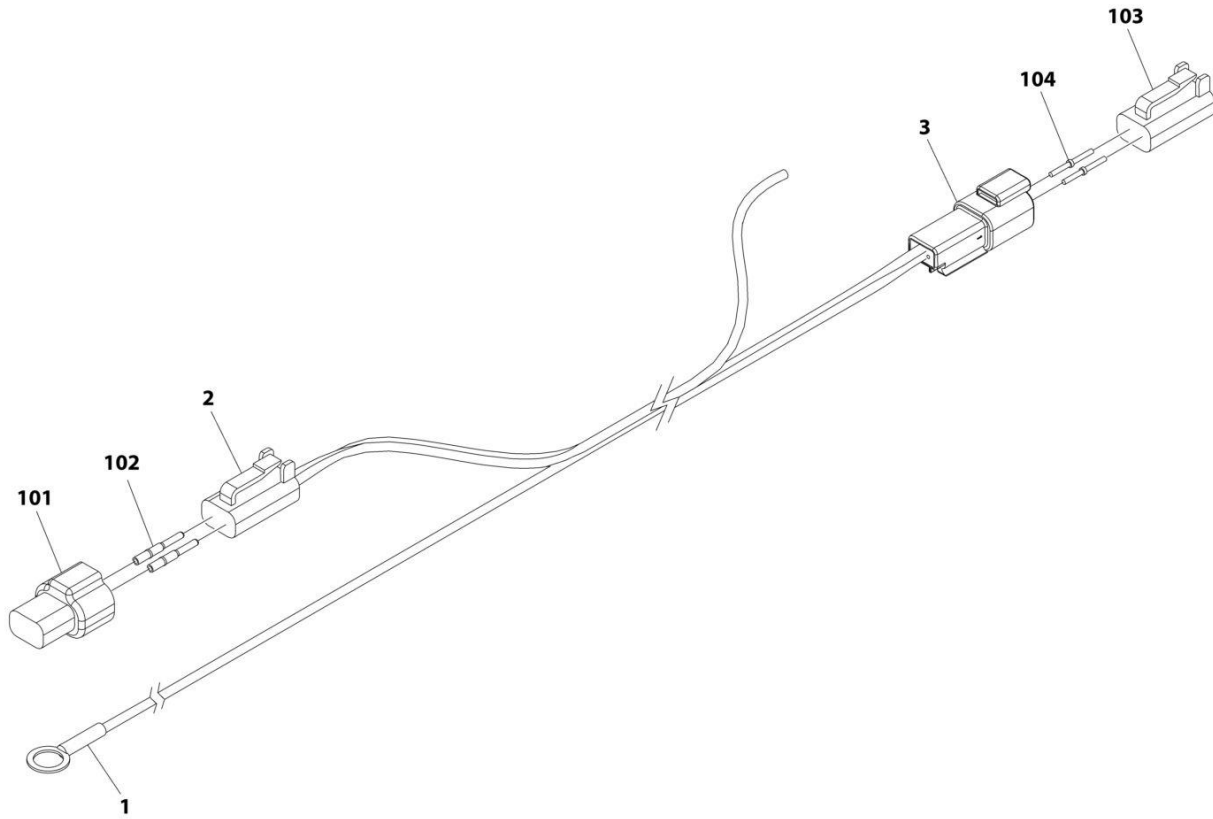
SECTION 6 - ELECTRICAL

FIGURE 6-5. CAMERA INSTALLATION - CARGO CAMERA, (WIRELESS HEADBOARD MOUNTED)

ITEM	PART NUMBER	QTY	DESCRIPTION	REV
	1001257876	Ref	CARGO CAMERA, WIRELESS HEADBOARD, INSTALLATION	B
1	1001237244	1	Accessory, Wireless Backup Camera Kit	
2	7114140618	2	Screw 1/4 x 3/4	
3	7413000002	2	Nut 1/4	
4	7950140003	2	Washer 1/4	
5	7950140143	2	Washer 1/4	
8	1001280899	1	Camera Harness (See Separate Breakdown in this Section)	
9	8977010103	1	Wire #16 GA 2-Conductor	
10	2400066	1	Fuse, Holder	
11	1001228388	1	Fuse, Lamp	
12	7345001714	3	Terminal	
13	4346000005	4	Heat Shrink	
14	4460891	1	Plug, 2 Position	
15	4460897	1	Receptacle, 2 Position	
16	4460464	2	Pin, Male	
17	4460465	2	Socket, Female	

SECTION 6 - ELECTRICAL

FIGURE 6-6. CAMERA HARNESS



ART_1001280899

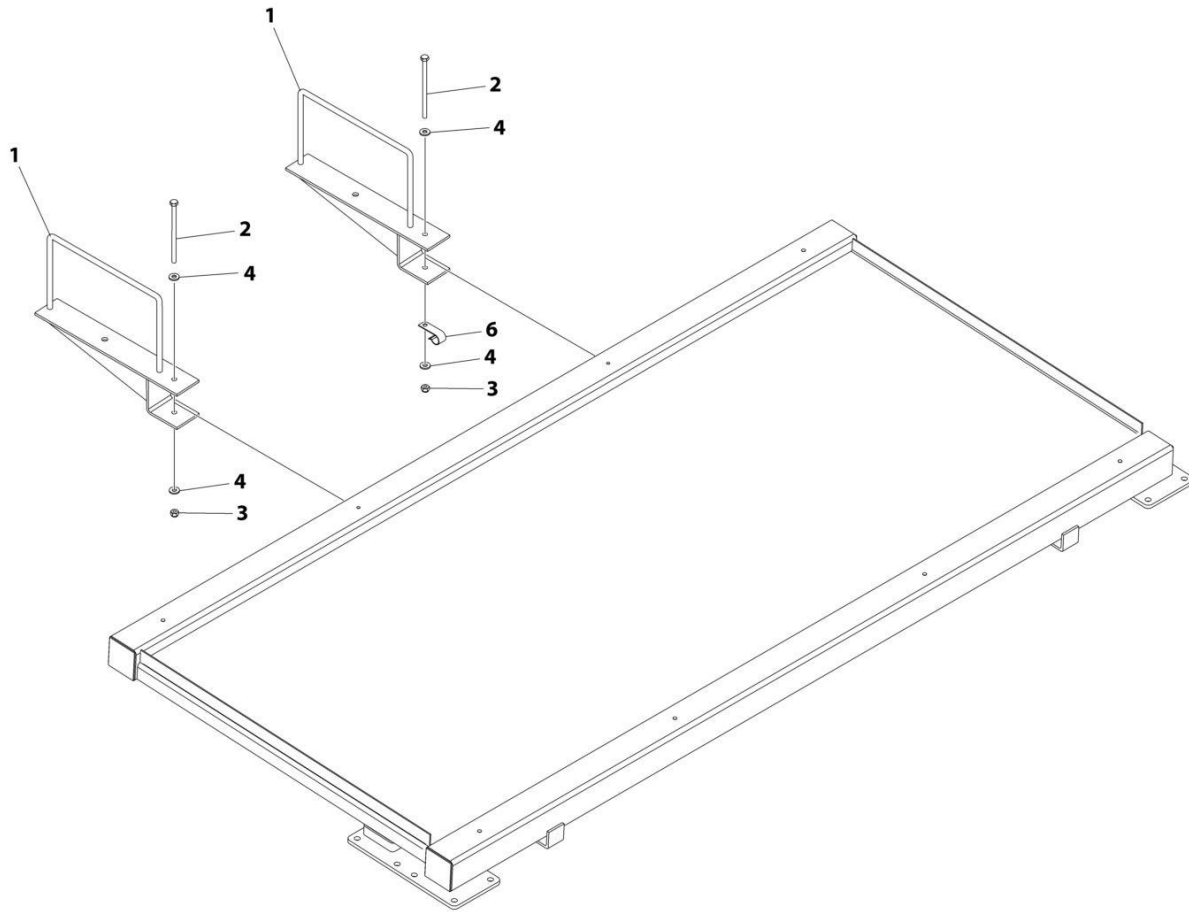
SECTION 6 - ELECTRICAL

FIGURE 6-6. CAMERA HARNESS

ITEM	PART NUMBER	QTY	DESCRIPTION	REV
	1001280899	Ref	CAMERA HARNESS	A
1	4460256	1	Terminal, Ring	
2	4460891	1	Plug, Male - 2 Position	
2	4460942	2	Socket, Female	
3	4460897	1	Receptacle, Female - 2 Position	
3	4460941	2	Pin, Male	
101	4460897	1	Receptacle, Female - 2 Position	
102	4460464	2	Pin, Male	
103	4460891	1	Plug, Male - 2 Position	
104	4460465	2	Socket, Female	

SECTION 6 - ELECTRICAL

FIGURE 6-7. LIGHTS - BUCKET REST HDB LIGHT BAR MOUNT



ART_1001141894

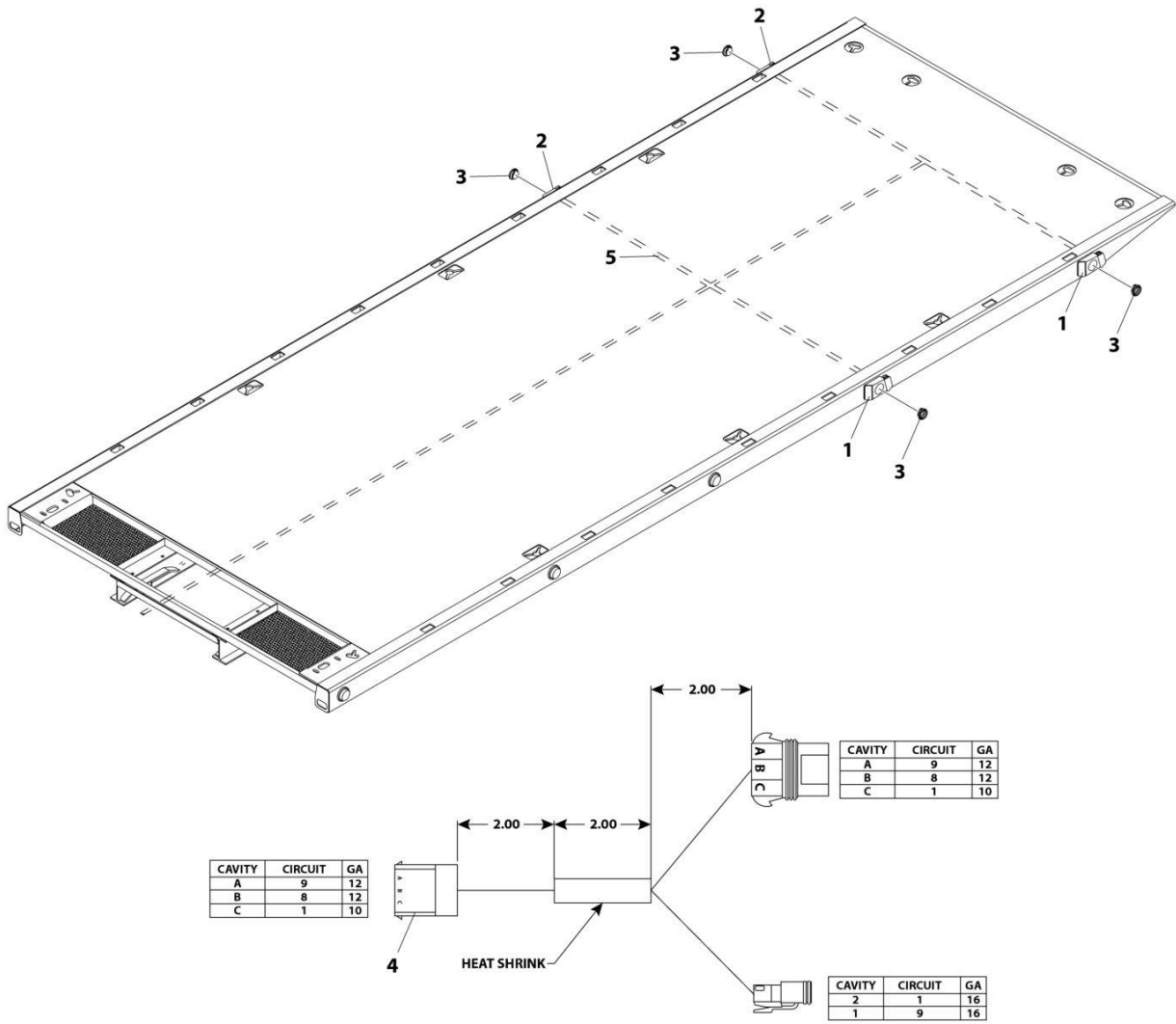
SECTION 6 - ELECTRICAL

FIGURE 6-7. LIGHTS - BUCKET REST HDB LIGHT BAR MOUNT

ITEM	PART NUMBER	QTY	DESCRIPTION	REV
	1001141894	Ref	LIGHT MOUNTING BRACKET INSTALLATION	A
1	1001141889	2	Light Bar Bracket	
2	0641436	2	Bolt 1/4 x 4-1/2	
3	7660142601	2	Nut 1/4	
4	7950140143	4	Washer 1/4	
5	7660142601	2	Nut 1/2 (Not Shown)	
6	7280000019	1	Clip	

SECTION 6 - ELECTRICAL

FIGURE 6-8. LIGHTS - DECK FLASHER REAR ILLUMINATION, 12 VOLT



ART_1001145076

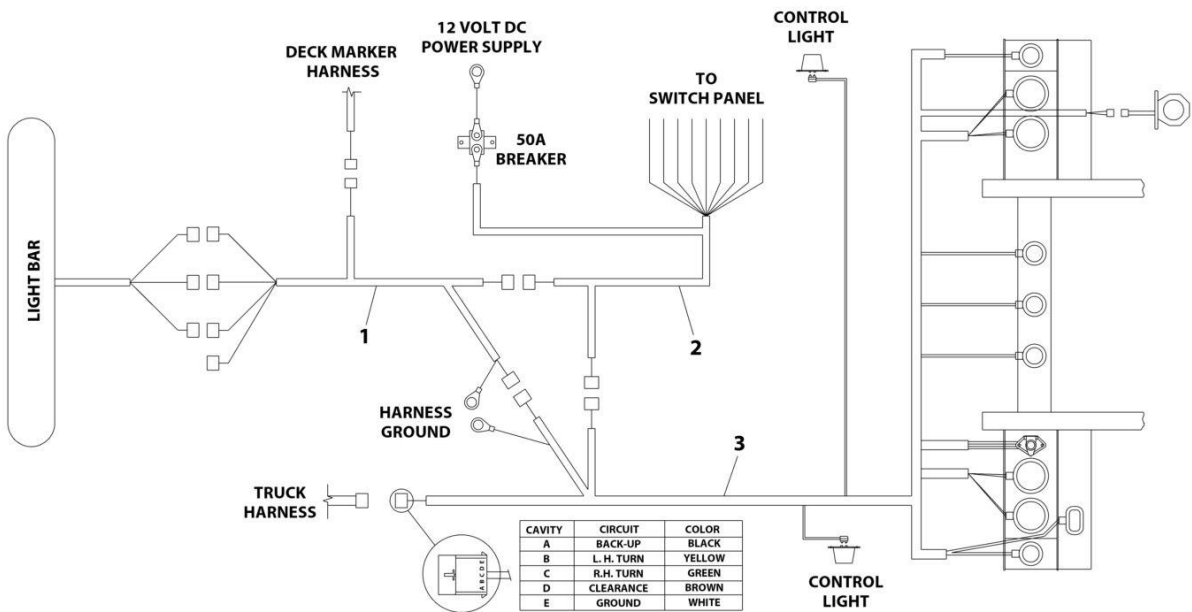
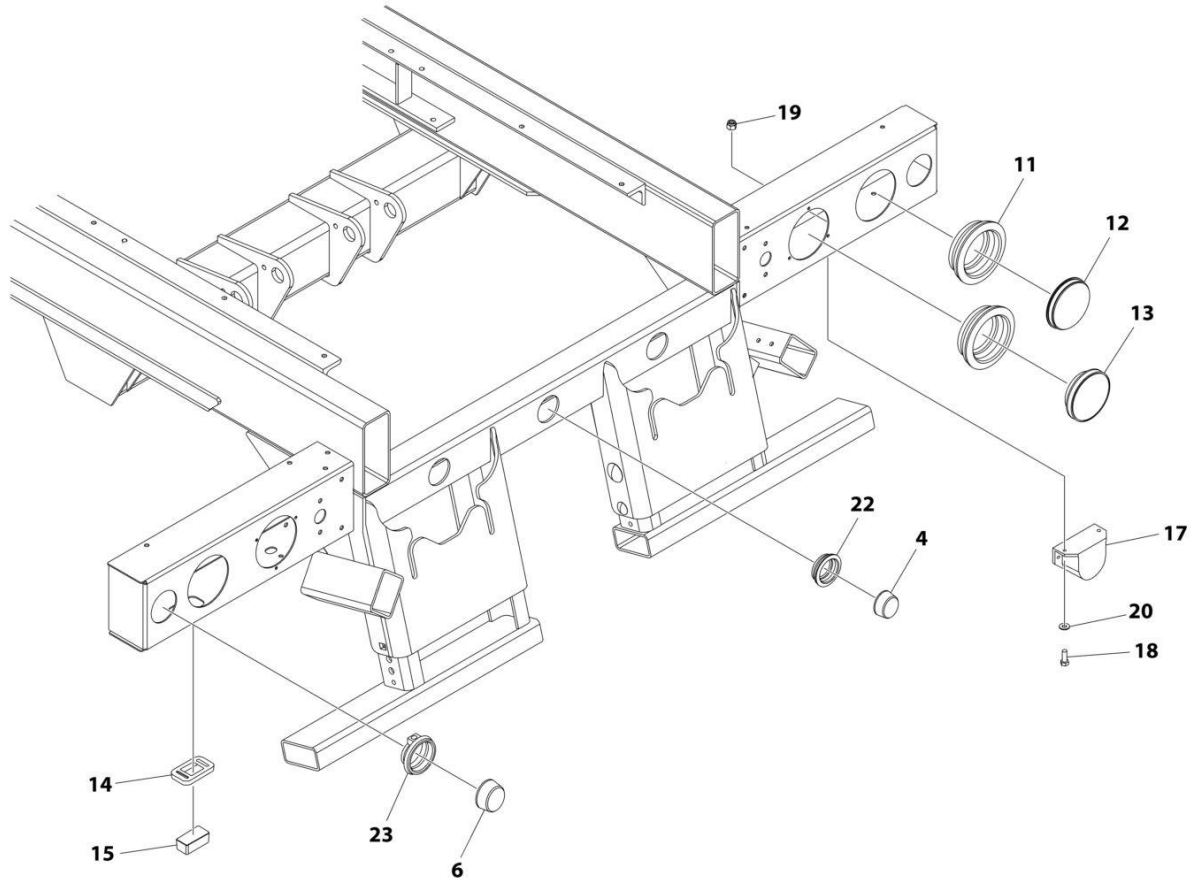
SECTION 6 - ELECTRICAL

FIGURE 6-8. LIGHTS - DECK FLASHER REAR ILLUMINATION, 12 VOLT

ITEM	PART NUMBER	QTY	DESCRIPTION	REV
	1001145076	Ref	Deck Flasher Rear Illumination	B
1	1001145074	2	Bracket, LH Whelen Flash	
2	1001145075	2	Bracket, RH Whelen Flash	
3	7493000009	4	Grommet	
4	1001144986	1	Flashers Jumper Wire Harness	
4	8220934	1	Receptacle, Female - 3 Position	
4	8220936	1	Lock	
4	1001277282	3	Terminal	
4	1001277283	3	Seal	
4	4460891	1	Plug, Male - 2 Position	
4	4460465	2	Socket, Female	
4	8220935	1	Plug, Male - 3 Position	
4	8220936	1	Lock	
4	8220099	1	Terminal	
4	1001277283	1	Seal	
5	1001145077	Ref	Flasher Harness Installation	
5	1001143842	1	Flasher Harness	
5	4460897	5	Receptacle, Female - 2 Position	
5	4460464	10	Pin, Male	

SECTION 6 - ELECTRICAL

FIGURE 6-9. LIGHTS - HEADBOARD LIGHTS INSTALLATION - BOLT-ON HEADBOARD (19-21FT) (SN 0220017154 through 0220022646)



ART_1001131703

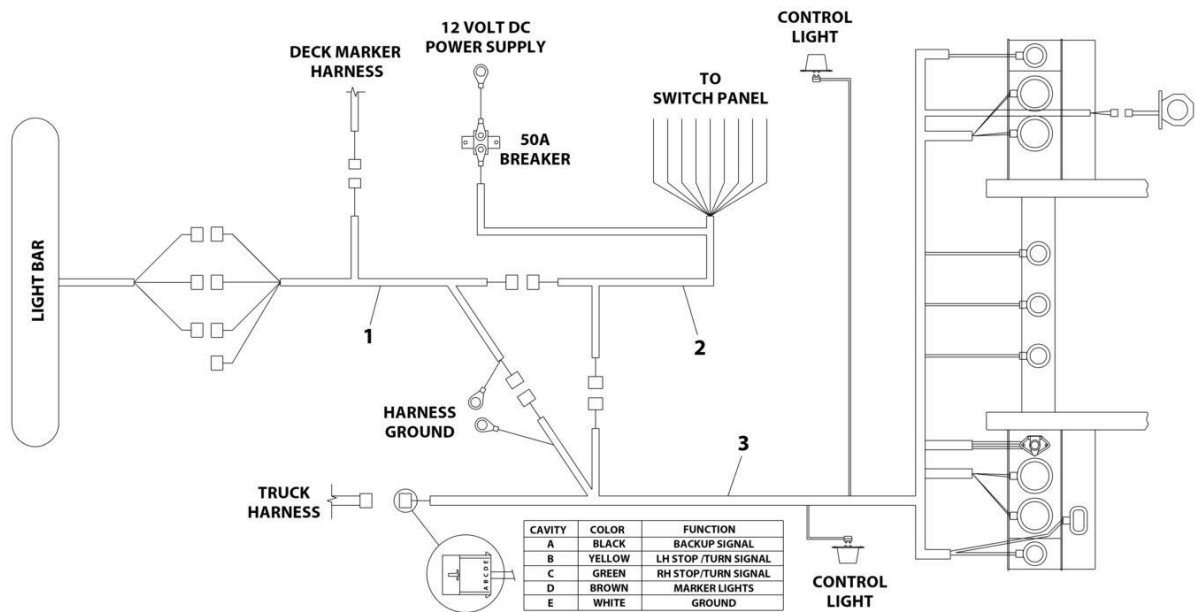
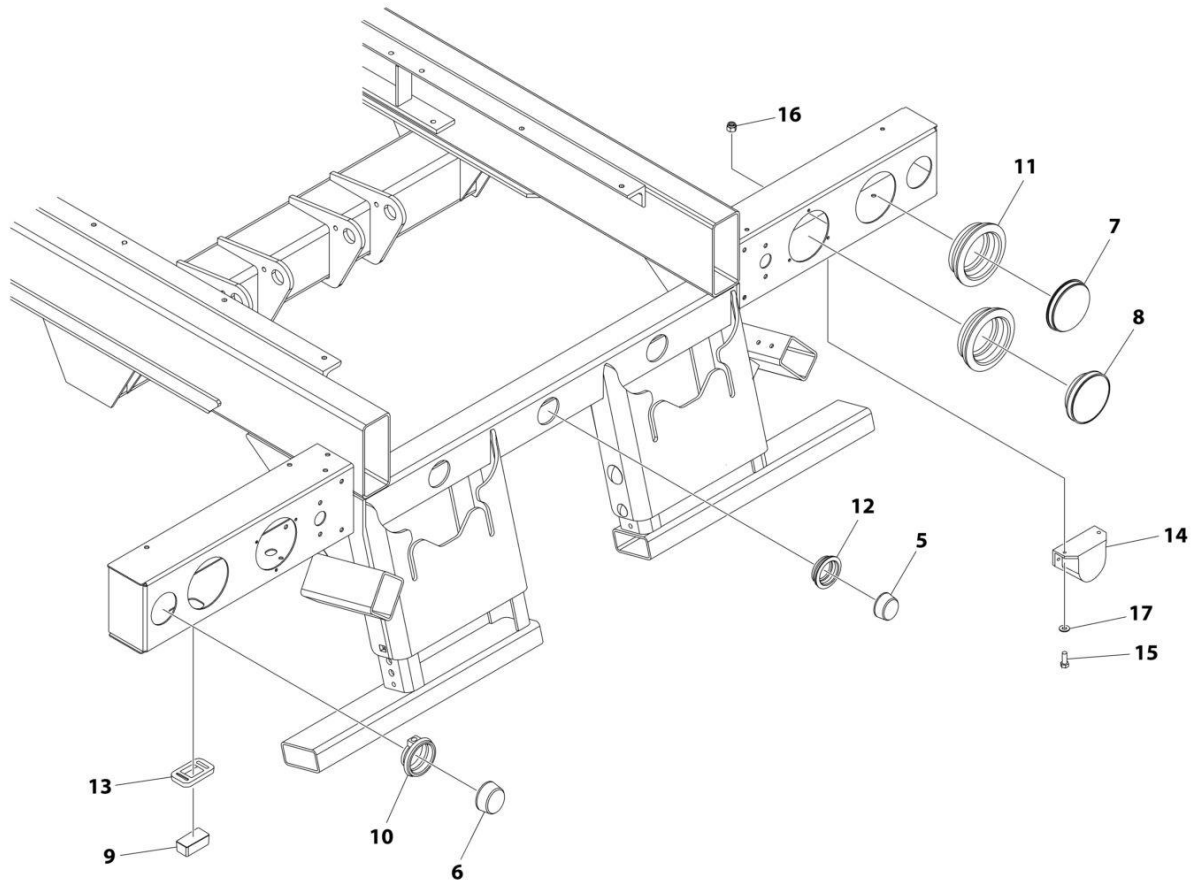
SECTION 6 - ELECTRICAL

FIGURE 6-9. LIGHTS - HEADBOARD LIGHTS INSTALLATION - BOLT-ON HEADBOARD (19-21FT) (SN 0220017154 through 0220022646)

ITEM	PART NUMBER	QTY	DESCRIPTION	REV
	1001131703	Ref	LIGHTS AND WIRING INSTALLATION - BOLT-ON HEADBOARD	E
1	7552000098	1	Subframe to Deck Wiring Harness (See Separate Breakdown in this Section)	
2	7552000074	1	Subframe to Cab Wiring Harness (See Separate Breakdown in this Section)	
3	1001173952	1	Subframe Harness (See Separate Breakdown in this Section)	
4	7590000340	3	Marker Light - Red (LED)	
6	7590000343	2	Marker Light - Red (LED)	
11	7493000002	4	Grommet	
12	7590000341	2	Marker Light - Red (LED)	
13	1001142769	2	Backup Alarm	
14	7493000010	1	Grommet	
15	1001142771	1	Lamp	
17	7011000006	1	Backup Alarm	
18	7114140528	2	Screw 1/4 x 5/8	
19	7660142601	2	Nut 1/4	
20	7949000023	2	Washer	
22	7493000023	3	Grommet	
23	7493000009	2	Grommet	
24	4346000005	5	Heat Shrink (Not Shown)	

SECTION 6 - ELECTRICAL

**FIGURE 6-10. LIGHTS - HEADBOARD LIGHTS INSTALLATION - BOLT-ON HEADBOARD (19-21FT)
(SN 020022646 through 0220026736)**



ART_1001260346

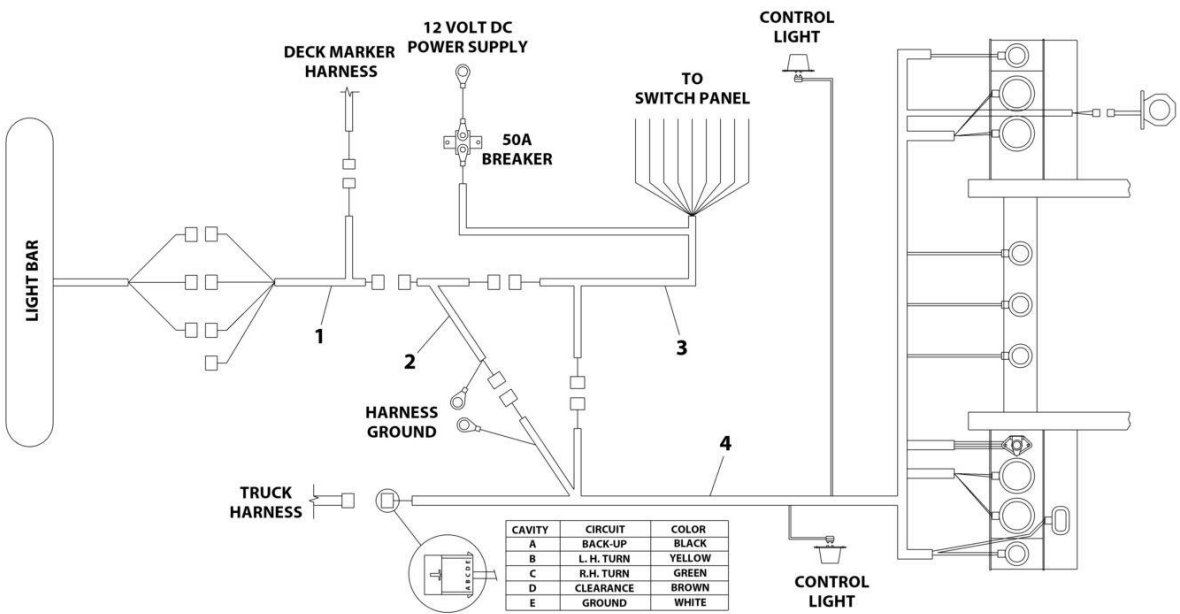
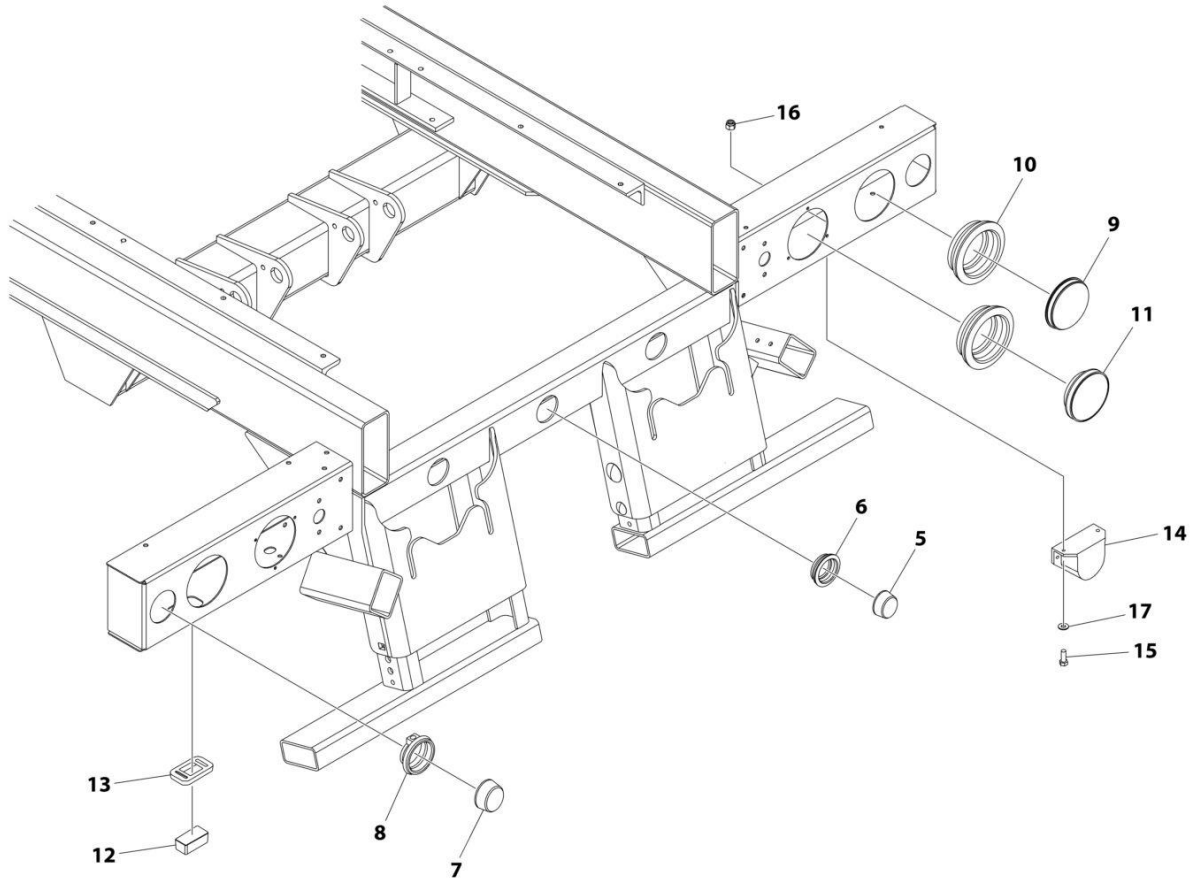
SECTION 6 - ELECTRICAL

**FIGURE 6-10. LIGHTS - HEADBOARD LIGHTS INSTALLATION - BOLT-ON HEADBOARD (19-21FT)
(SN 020022646 through 0220026736)**

ITEM	PART NUMBER	QTY	DESCRIPTION	REV
	1001260346	Ref	LIGHTS AND WIRING INSTALLATION - BOLT-ON HEADBOARD	A
1	1001260349	1	Subframe to Deck Wiring Harness (See Separate Breakdown in this Section)	
2	7552000074	1	Subframe to Cab Wiring Harness (See Separate Breakdown in this Section)	
3	1001173952	1	Subframe Harness (See Separate Breakdown in this Section)	
4	4346000005	5	Heat Shrink (Not Shown)	
5	7590000340	3	Marker Light - Red (LED)	
6	7590000343	2	Marker Light - Red (LED)	
7	7590000341	2	Marker Light - Red (LED)	
8	1001142769	2	Light	
9	1001142771	1	Lamp	
10	7493000009	2	Grommet	
11	7493000002	4	Grommet	
12	7493000023	3	Grommet	
13	7493000010	1	Grommet	
14	7011000006	1	Backup Alarm	
15	7114140528	2	Screw 1/4 x 5/8	
16	7660142601	2	Nut 1/4	
17	7949000023	2	Washer	

SECTION 6 - ELECTRICAL

**FIGURE 6-11. LIGHTS - HEADBOARD LIGHTS INSTALLATION - BOLT-ON HEADBOARD (24-30FT)
(SN 0220017154 through 0220022646)**



ART_1001260346

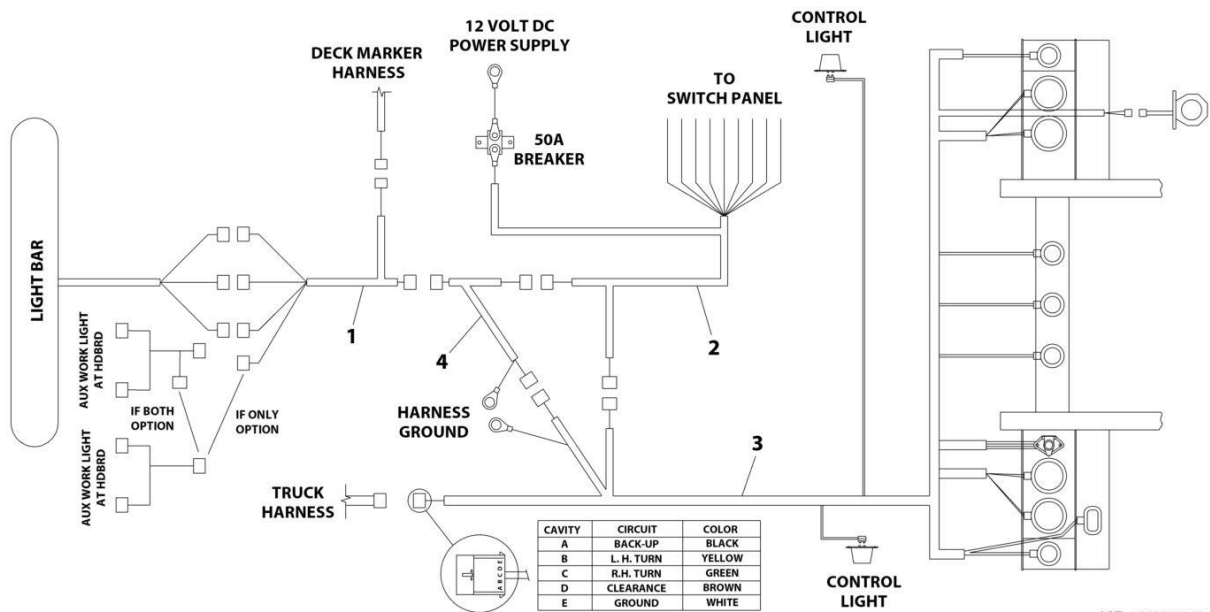
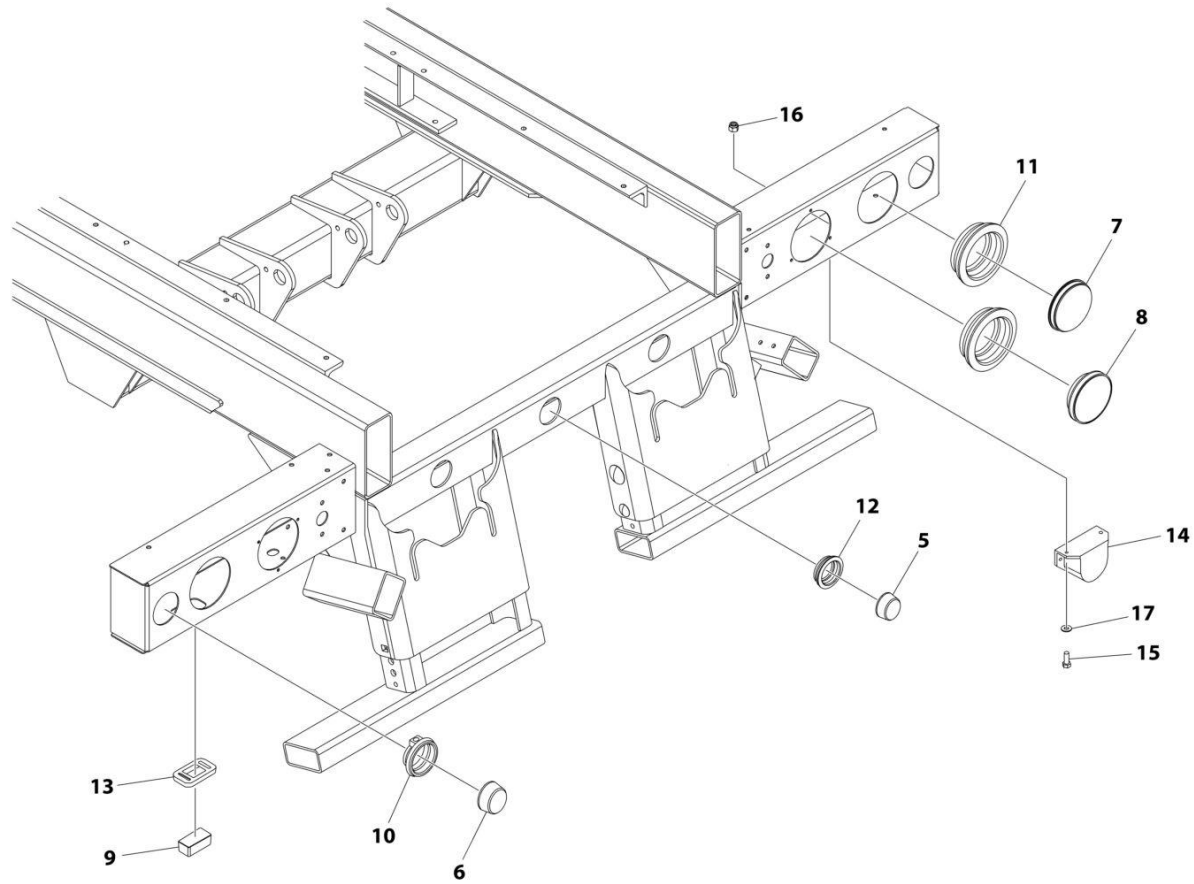
SECTION 6 - ELECTRICAL

**FIGURE 6-11. LIGHTS - HEADBOARD LIGHTS INSTALLATION - BOLT-ON HEADBOARD (24-30FT)
(SN 0220017154 through 0220022646)**

ITEM	PART NUMBER	QTY	DESCRIPTION	REV
	2590000202	Ref	LIGHTS AND WIRING INSTALLATION - BOLT-ON HEADBOARD	F
1	7552000187	1	Subframe to Winch Harness (See Separate Breakdown in this Section)	
2	7552000186	1	Subframe to Deck Harness (See Separate Breakdown in this Section)	
3	7552000178	1	Subframe to Cab Harness (See Separate Breakdown in this Section)	
4	1001173952	1	Subframe Harness (See Separate Breakdown in this Section)	
5	7590000340	3	Marker Light - Red (LED)	
6	7493000023	3	Grommet	
7	7590000343	2	Marker Light - Red (LED)	
8	7493000009	2	Grommet	
9	7590000341	2	Marker Light - Red (LED)	
10	7493000002	4	Grommet	
11	1001142769	2	Backup Alarm	
12	1001142771	1	Lamp	
13	7493000010	1	Grommet	
14	7011000006	1	Backup Alarm	
15	7114140528	2	Screw 1/4 x 5/8	
16	7660142601	2	Nut 1/4	
17	7949000023	2	Washer	
24	4346000005	5	Heat Shrink (Not Shown)	

SECTION 6 - ELECTRICAL

**FIGURE 6-12. LIGHTS - HEADBOARD LIGHTS INSTALLATION - BOLT-ON HEADBOARD (24-30FT)
(SN 020022646 through 0220026736)**



ART_1001260348

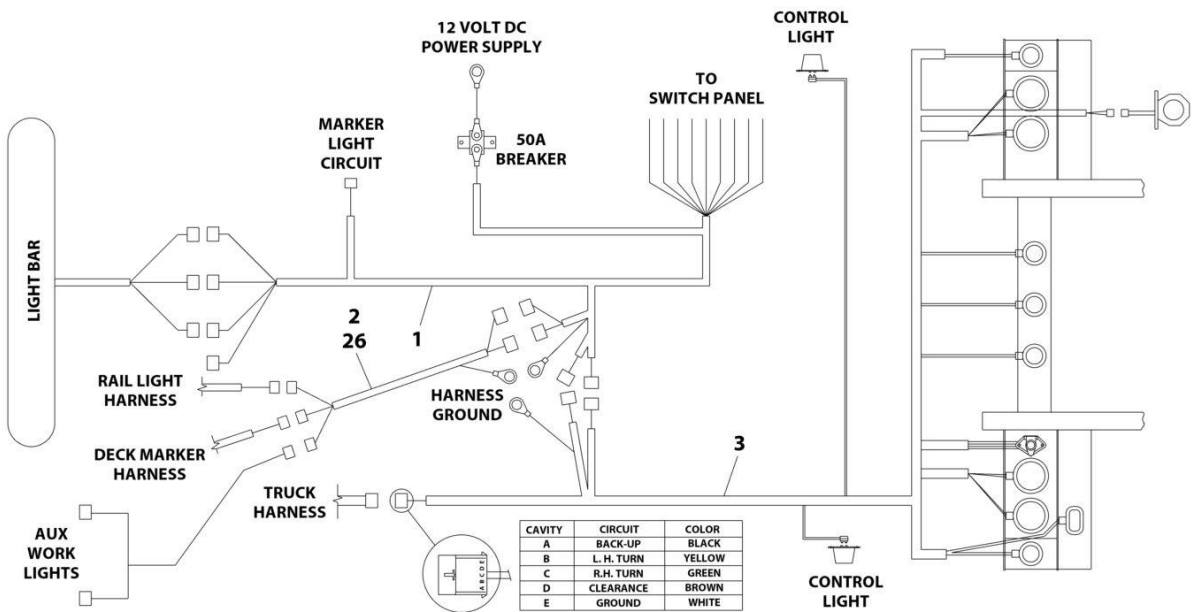
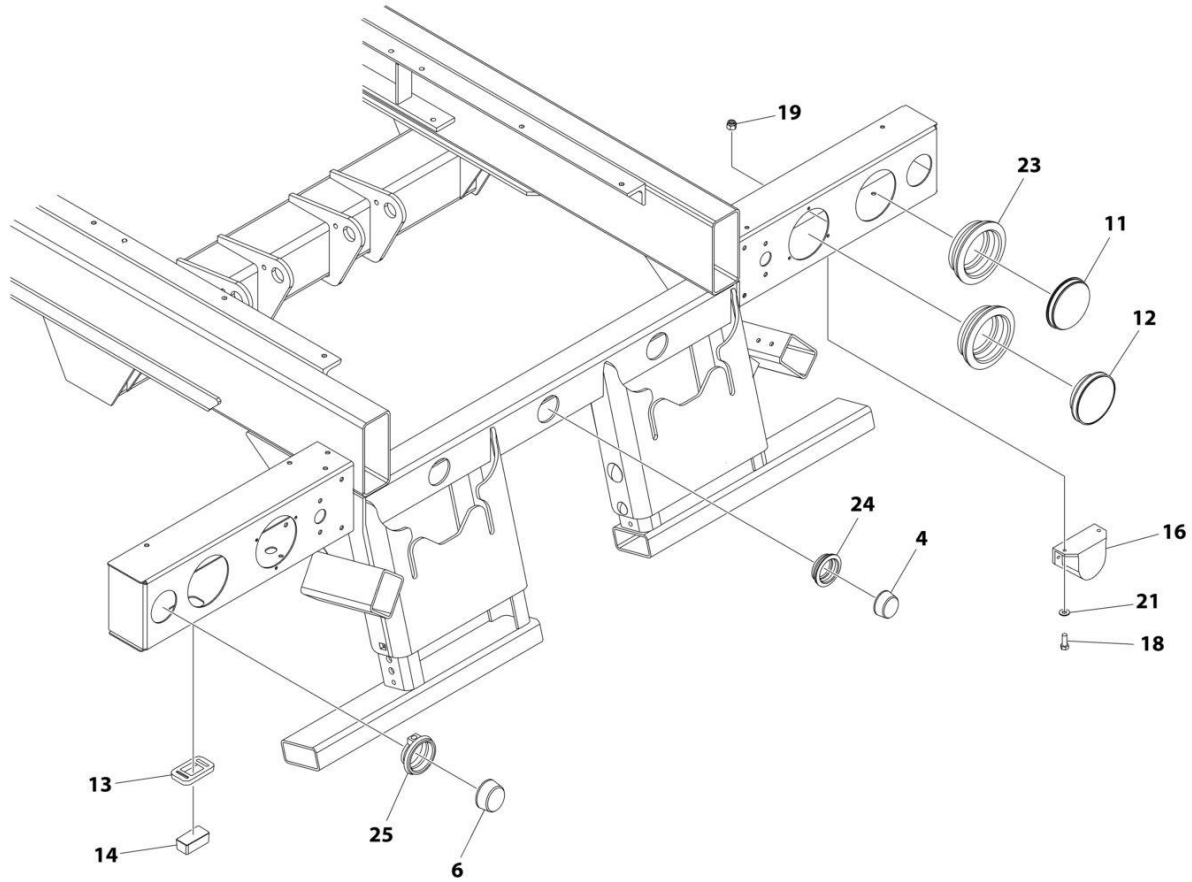
SECTION 6 - ELECTRICAL

**FIGURE 6-12. LIGHTS - HEADBOARD LIGHTS INSTALLATION - BOLT-ON HEADBOARD (24-30FT)
(SN 020022646 through 0220026736)**

ITEM	PART NUMBER	QTY	DESCRIPTION	REV
	1001260348	Ref	LIGHTS - WORKLIGHTS INSTALLATION (ON HEADBOARD FOR 28-30FT DECK)	B
1	1001260351	1	Deck to Winch Wiring Harness	
2	7552000178	1	Subframe to Cab Wiring Harness	
3	1001173952	1	Subframe Harness	
4	7552000186	1	Subframe to Deck Wiring Harness	
5	7590000340	3	Marker Light - Red (LED)	
6	7590000343	2	Marker Light - Red (LED)	
7	7590000341	2	Marker Light - Red (LED)	
8	1001142769	2	Lamp	
9	1001142771	1	Lamp	
10	7493000009	2	Grommet	
11	7493000002	4	Grommet	
12	7493000023	3	Grommet	
13	7493000010	1	Grommet	
14	7011000006	1	Backup Alarm	
15	7114140528	2	Screw 1/4 x 5/8	
16	7660142601	2	Nut 1/4	
17	7949000023	2	Washer	
18	4346000005	5	Heat Shrink (Not Shown)	

SECTION 6 - ELECTRICAL

FIGURE 6-13. LIGHTS - HEADBOARD LIGHTS INSTALLATION - STATIONARY HEADBOARD (22-24FT) (SN 0220017154 through 0220022646)



ART_2590000165

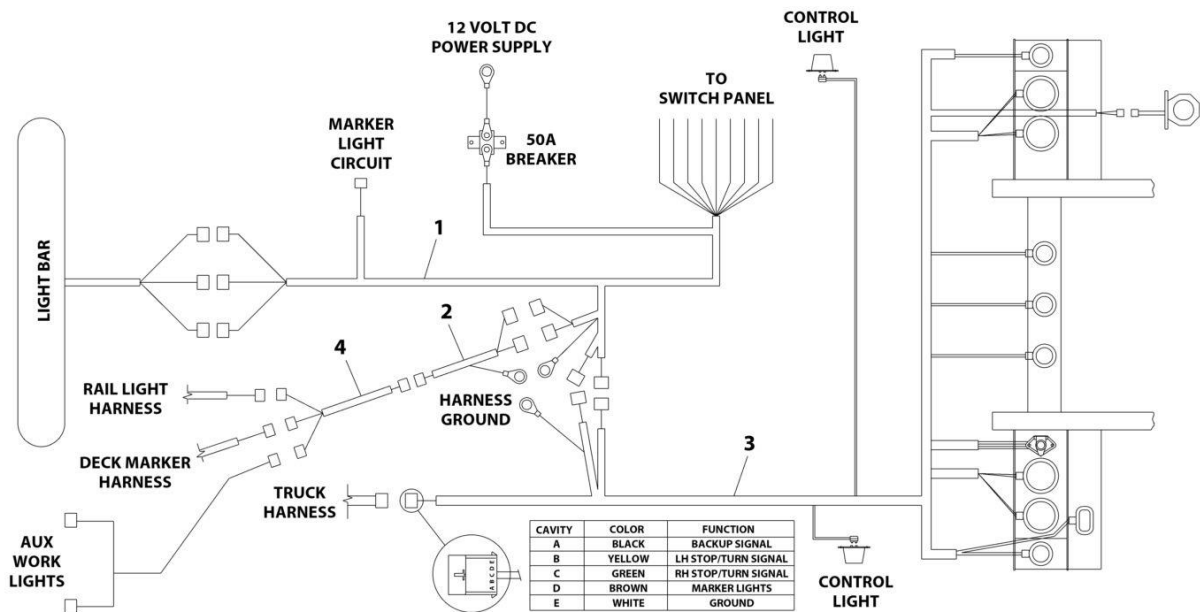
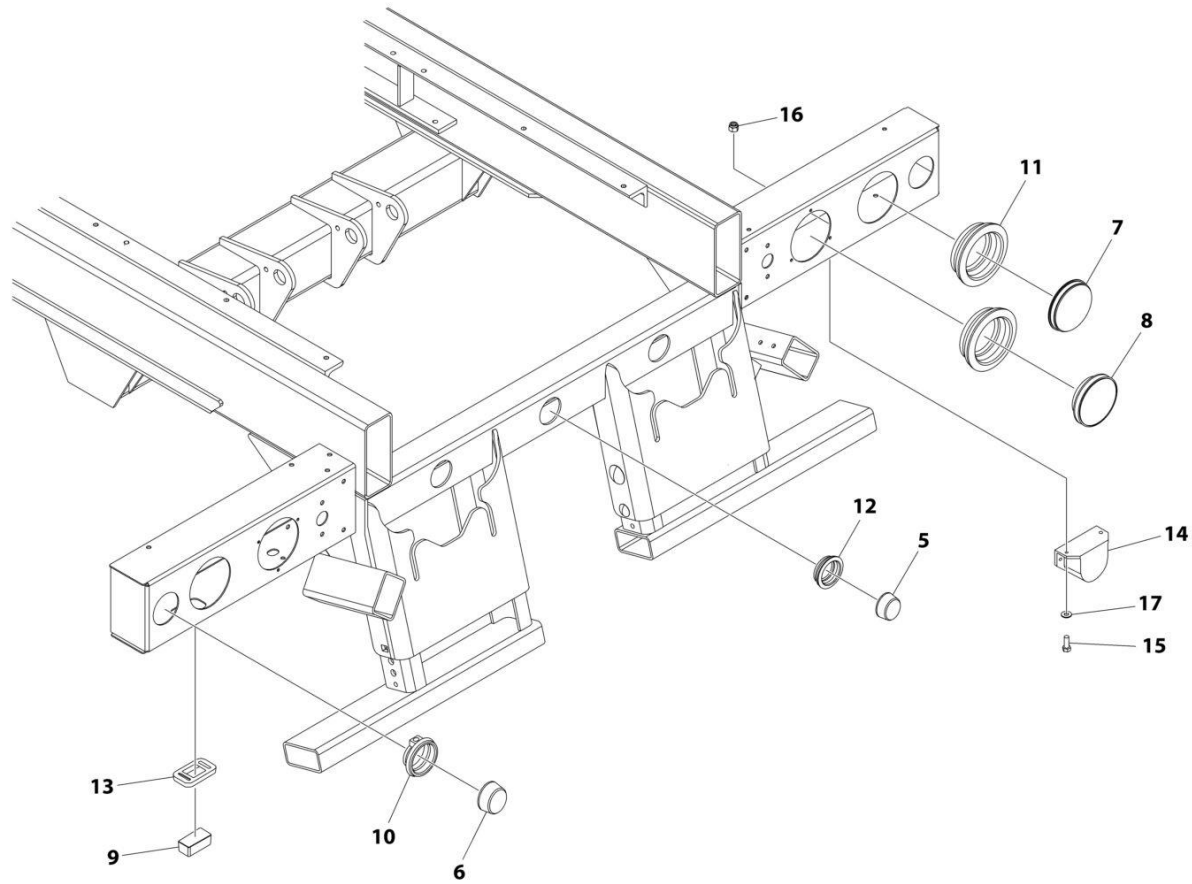
SECTION 6 - ELECTRICAL

FIGURE 6-13. LIGHTS - HEADBOARD LIGHTS INSTALLATION - STATIONARY HEADBOARD (22-24FT) (SN 0220017154 through 0220022646)

ITEM	PART NUMBER	QTY	DESCRIPTION	REV
	2590000165	Ref	LIGHTS AND WIRING INSTALLATION - STATIONARY HEADBOARD	J
1	1001152345	1	Cab to Subframe Wiring Harness (See Separate Breakdown in this Section)	
2	1001152349	1	Subframe to Deck Wiring Harness (See Separate Breakdown in this Section)	
3	1001173952	1	Subframe Harness (See Separate Breakdown in this Section)	
4	7590000340	3	Marker Light - Red (LED)	
6	7590000343	2	Marker Light - Red (LED)	
11	7590000341	2	Marker Light - Red (LED)	
12	1001142769	2	Backup Alarm	
13	7493000010	1	Grommet	
14	1001142771	1	Lamp	
16	7011000006	1	Backup Alarm	
18	7114140528	2	Screw 1/4 x 5/8	
19	7660142601	2	Nut 1/4	
21	7949000023	2	Washer	
23	7493000002	4	Grommet	
24	7493000023	3	Grommet	
25	7493000009	2	Grommet	
26	1001152348	1	Deck to Winch Harness (See Separate Breakdown in this Section)	
27	4346000005	5	Heat Shrink (Not Shown)	

SECTION 6 - ELECTRICAL

FIGURE 6-14. LIGHTS - HEADBOARD LIGHTS INSTALLATION - STATIONARY HEADBOARD (22-24FT) (SN 0220022646 through 0220026736)



ART_1001260278

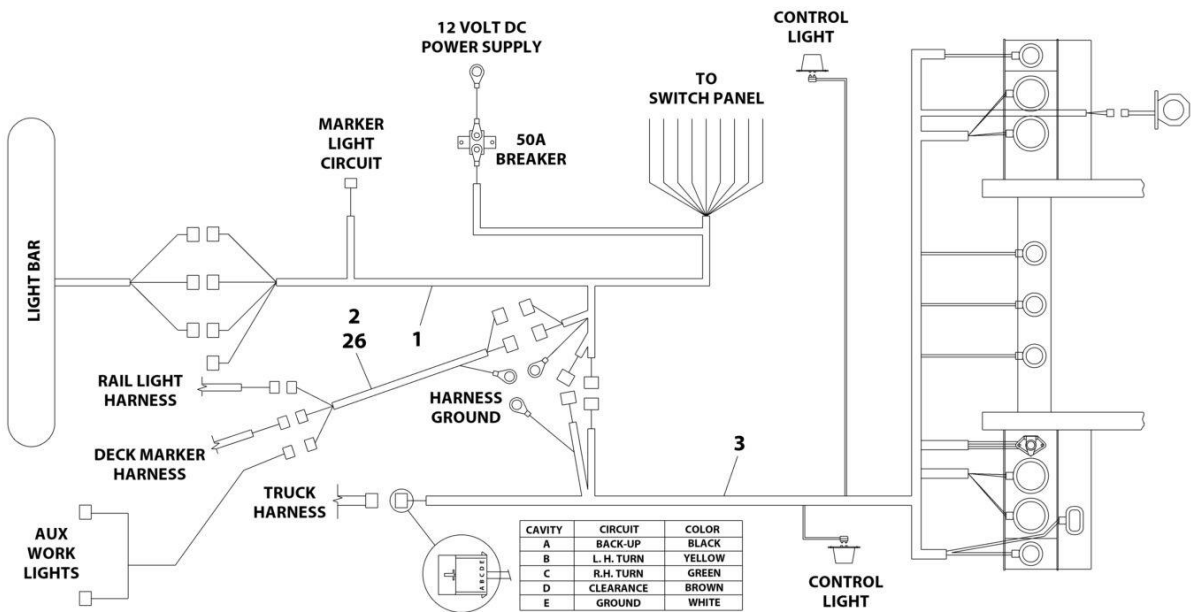
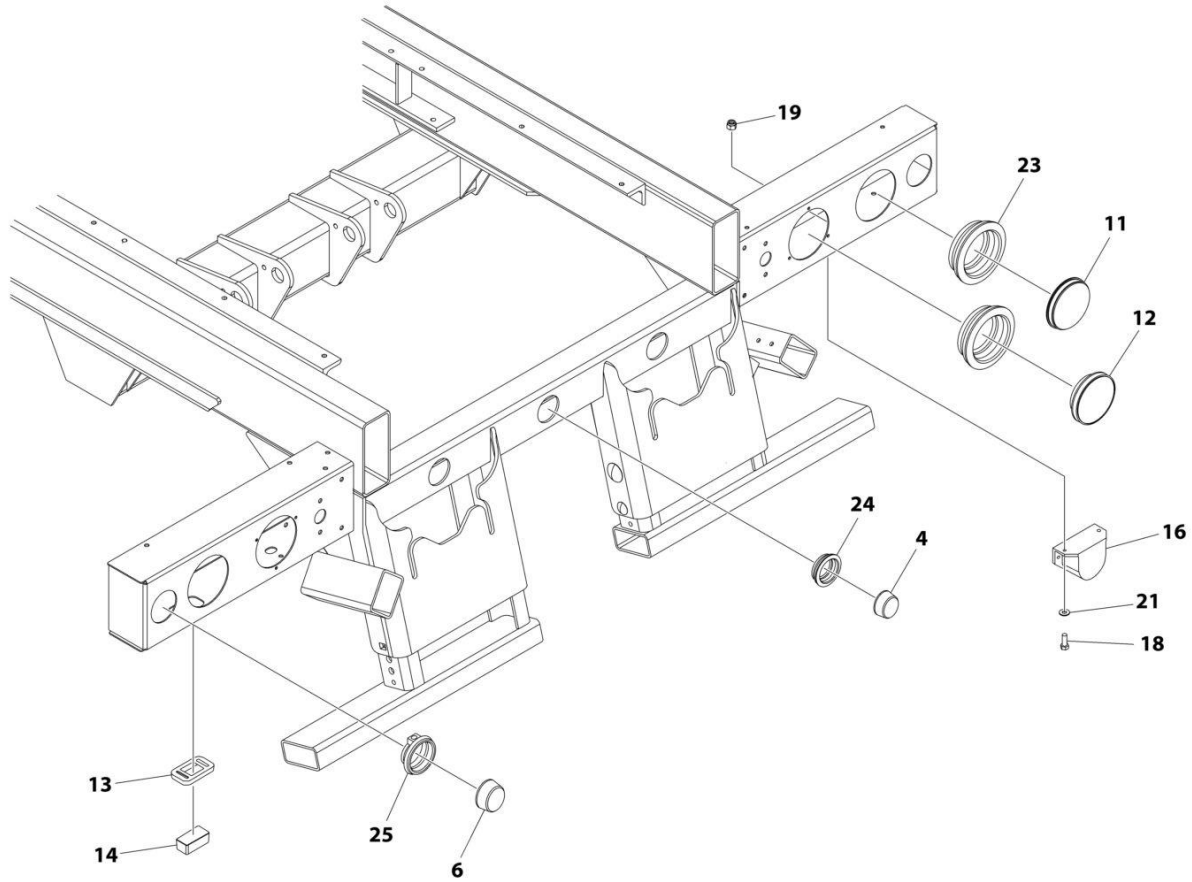
SECTION 6 - ELECTRICAL

FIGURE 6-14. LIGHTS - HEADBOARD LIGHTS INSTALLATION - STATIONARY HEADBOARD (22-24FT) (SN 0220022646 through 0220026736)

ITEM	PART NUMBER	QTY	DESCRIPTION	REV
	1001260278	Ref	LIGHTS - HEADBOARD LIGHTS INSTALLATION - STATIONARY HEADBOARD	A
1	1001260058	1	Cab to Subframe Harness (See Separate Breakdown in this Section)	
2	1001152349	1	Subframe to Deck Wiring Harness (See Separate Breakdown in this Section)	
3	1001173952	1	Subframe Harness (See Separate Breakdown in this Section)	
4	1001152348	1	Deck to Winch Harness (See Separate Breakdown in this Section)	
5	7590000340	3	Marker Light - Red (LED)	
6	7590000343	2	Marker Light - Red (LED)	
7	7590000341	2	Marker Light - Red (LED)	
8	1001142769	2	Backup Alarm	
9	1001142771	1	Lamp	
10	7493000009	2	Grommet	
11	7493000002	4	Grommet	
12	7493000023	3	Grommet	
13	7493000010	1	Grommet	
14	7011000006	1	Backup Alarm	
15	7114140528	2	Screw 1/4 x 5/8	
16	7660142601	2	Nut 1/4	
17	7949000023	2	Washer	
18	4346000005	5	Heat Shrink (Not Shown)	

SECTION 6 - ELECTRICAL

FIGURE 6-15. LIGHTS - HEADBOARD LIGHTS INSTALLATION - STATIONARY HEADBOARD (26-30FT) (SN 0220017154 through 0220022646)



ART_2590000166

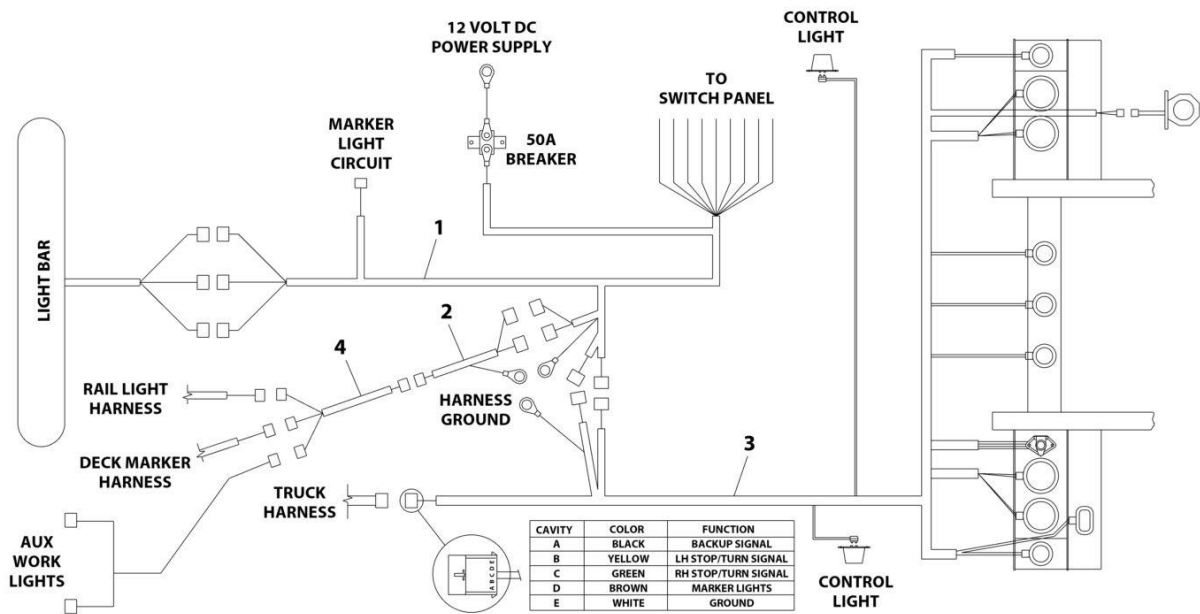
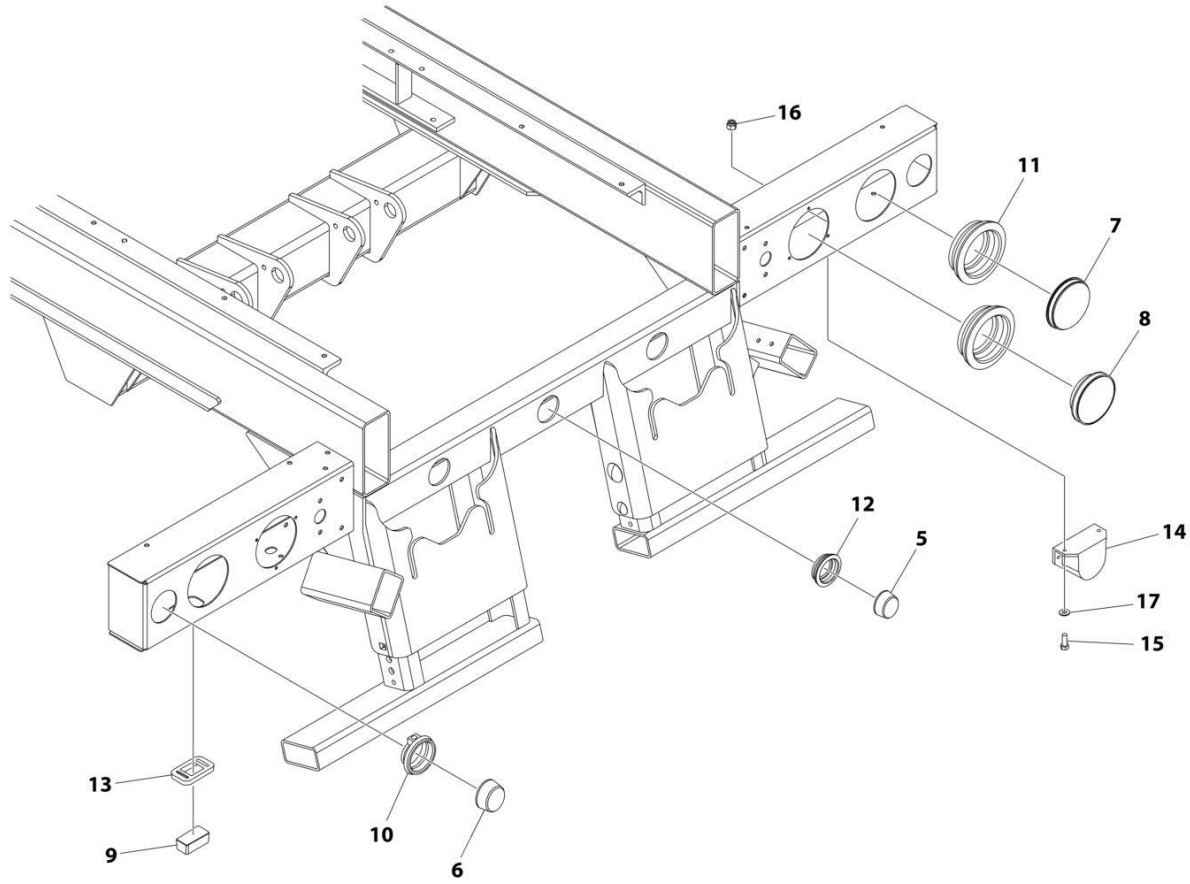
SECTION 6 - ELECTRICAL

FIGURE 6-15. LIGHTS - HEADBOARD LIGHTS INSTALLATION - STATIONARY HEADBOARD (26-30FT) (SN 0220017154 through 0220022646)

ITEM	PART NUMBER	QTY	DESCRIPTION	REV
	2590000166	Ref	LIGHTS AND WIRING INSTALLATION - STATIONARY HEADBOARD	I
1	1001152345	1	Cab to Subframe Wiring Harness (See Separate Breakdown in this Section)	
2	1001152349	1	Subframe to Deck Wiring Harness (See Separate Breakdown in this Section)	
3	1001173952	1	Subframe Harness (See Separate Breakdown in this Section)	
4	7590000340	3	Marker Light - Red (LED)	
6	7590000343	2	Marker Light - Red (LED)	
11	7590000341	2	Marker Light - Red (LED)	
12	1001142769	2	Backup Alarm	
13	7493000010	1	Grommet	
14	1001142771	1	Lamp	
16	7011000006	1	Backup Alarm	
18	7114140528	2	Screw 1/4 x 5/8	
19	7660142601	2	Nut 1/4	
21	7949000023	2	Washer	
23	7493000002	4	Grommet	
24	7493000023	3	Grommet	
25	7493000009	2	Grommet	
26	1001152347	1	Deck to Winch Harness (See Separate Breakdown in this Section)	
27	4346000005	5	Heat Shrink (Not Shown)	

SECTION 6 - ELECTRICAL

FIGURE 6-16. LIGHTS - HEADBOARD LIGHTS INSTALLATION - STATIONARY HEADBOARD (26-30FT) (SN 0220022646 through 0220026736)



ART_1001260279

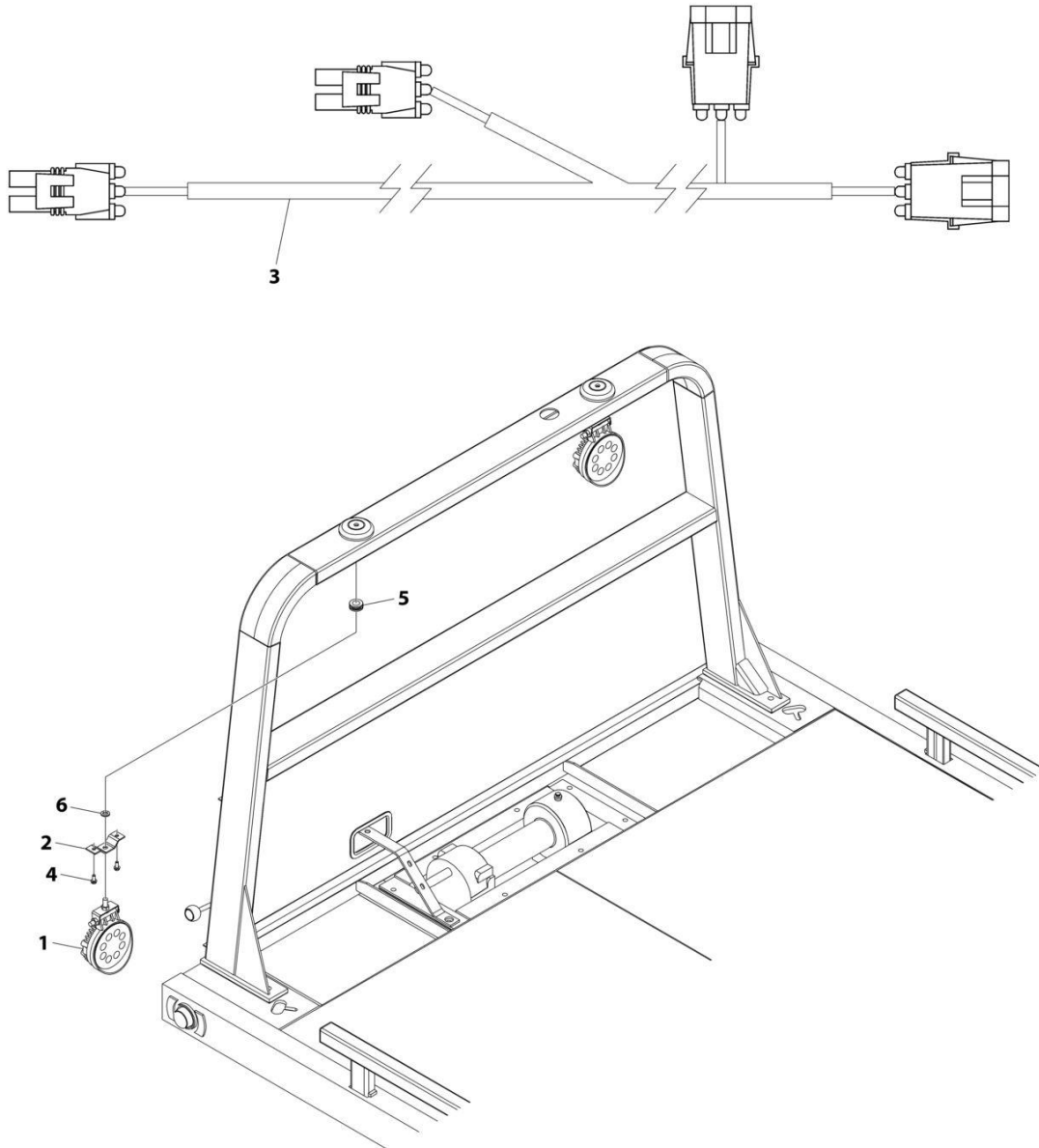
SECTION 6 - ELECTRICAL

FIGURE 6-16. LIGHTS - HEADBOARD LIGHTS INSTALLATION - STATIONARY HEADBOARD (26-30FT) (SN 0220022646 through 0220026736)

ITEM	PART NUMBER	QTY	DESCRIPTION	REV
	1001260279	Ref	LIGHTS - HEADBOARD LIGHTS INSTALLATION - STATIONARY HEADBOARD	A
1	1001260058	1	Subframe To Deck Harness (See Separate Breakdown in this Section)	
2	1001152349	1	Subframe to Deck Wiring Harness (See Separate Breakdown in this Section)	
3	1001173952	1	Subframe Harness (See Separate Breakdown in this Section)	
4	1001152347	1	Deck to Winch Harness (See Separate Breakdown in this Section)	
5	7590000340	3	Marker Light - Red (LED)	
6	7590000343	2	Marker Light - Red (LED)	
7	7590000341	2	Marker Light - Red (LED)	
8	1001142769	2	Backup Alarm	
9	1001142771	1	Lamp	
10	7493000009	2	Grommet	
11	7493000002	4	Grommet	
12	7493000023	3	Grommet	
13	7493000010	1	Grommet	
14	7011000006	1	Backup Alarm	
15	7114140528	2	Screw 1/4 x 5/8	
16	7660142601	2	Nut 1/4	
17	7949000023	2	Washer	
18	4346000005	5	Heat Shrink (Not Shown)	

SECTION 6 - ELECTRICAL

FIGURE 6-17. LIGHTS - HEADBOARD WORK LIGHTS, LED, 10V-30V



ART_1001176428

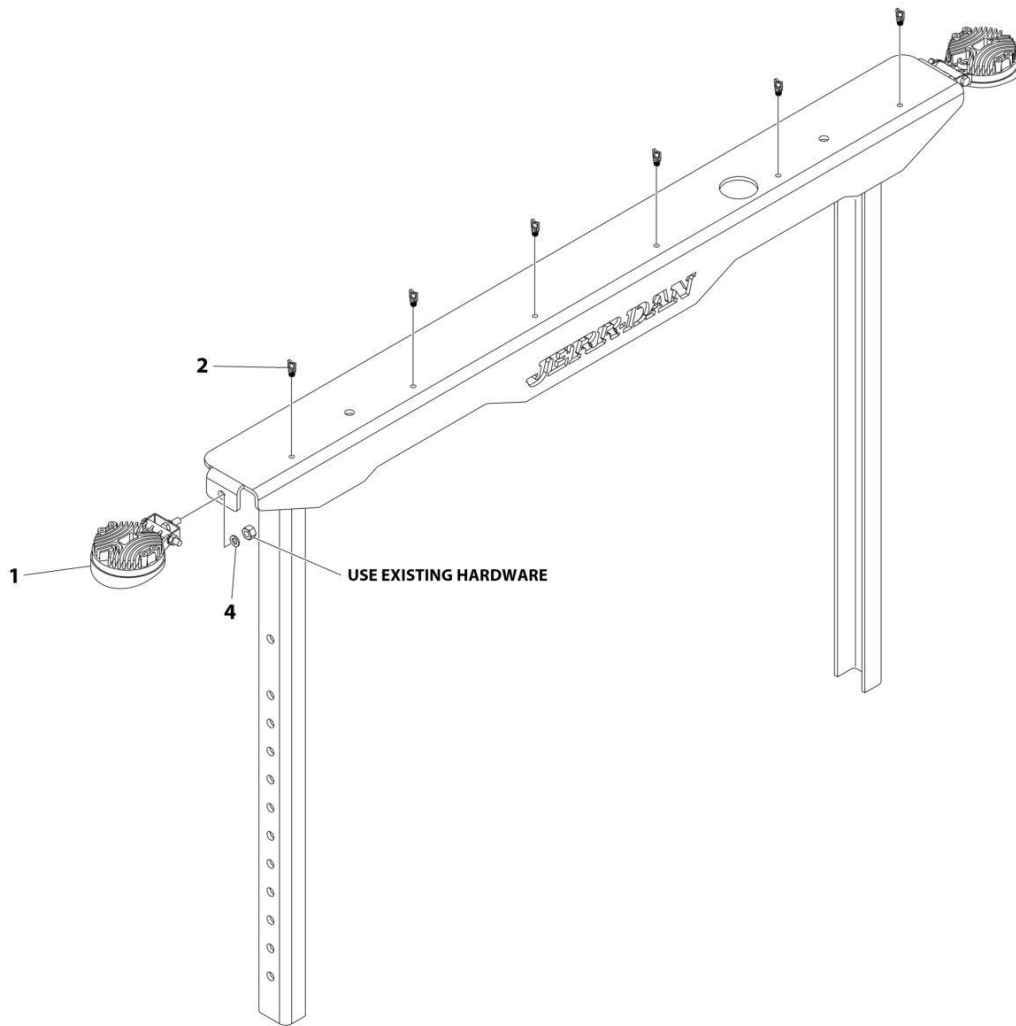
SECTION 6 - ELECTRICAL

FIGURE 6-17. LIGHTS - HEADBOARD WORK LIGHTS, LED, 10V-30V

ITEM	PART NUMBER	QTY	DESCRIPTION	REV
	1001176428	Ref	LED WORK LIGHTS REAR HEADBOARD INSTALLATION	B
1	1001176337	2	Lamp, LED Work Light 10V-30V (Prior to SN 0220026465)	
1	1001273634	2	Lamp, LED Work Light 10V-30V (SN 0220026465 to Present)	
2	4178000402	2	Bracket	
3	7552000222	1	Harness, Headboard Work Light	
3	4460742	3	Plug, Male - 2 Position	
3	4461157	1	Receptacle, Female - 2 Position	
3	4460457	8	Terminal	
3	8220081	8	Seal	
4	7790151253	4	Screw 5/16 x 3/4	
5	7493000003	2	Grommet	
6	7950150161	2	Washer 5/16	
7	5526000553	4	Tie-Strap (Not Shown)	

SECTION 6 - ELECTRICAL

FIGURE 6-18. LIGHTS - HEADBOARD WORK LIGHTS, SRS, LED, 10V-30V



ART_1001176429

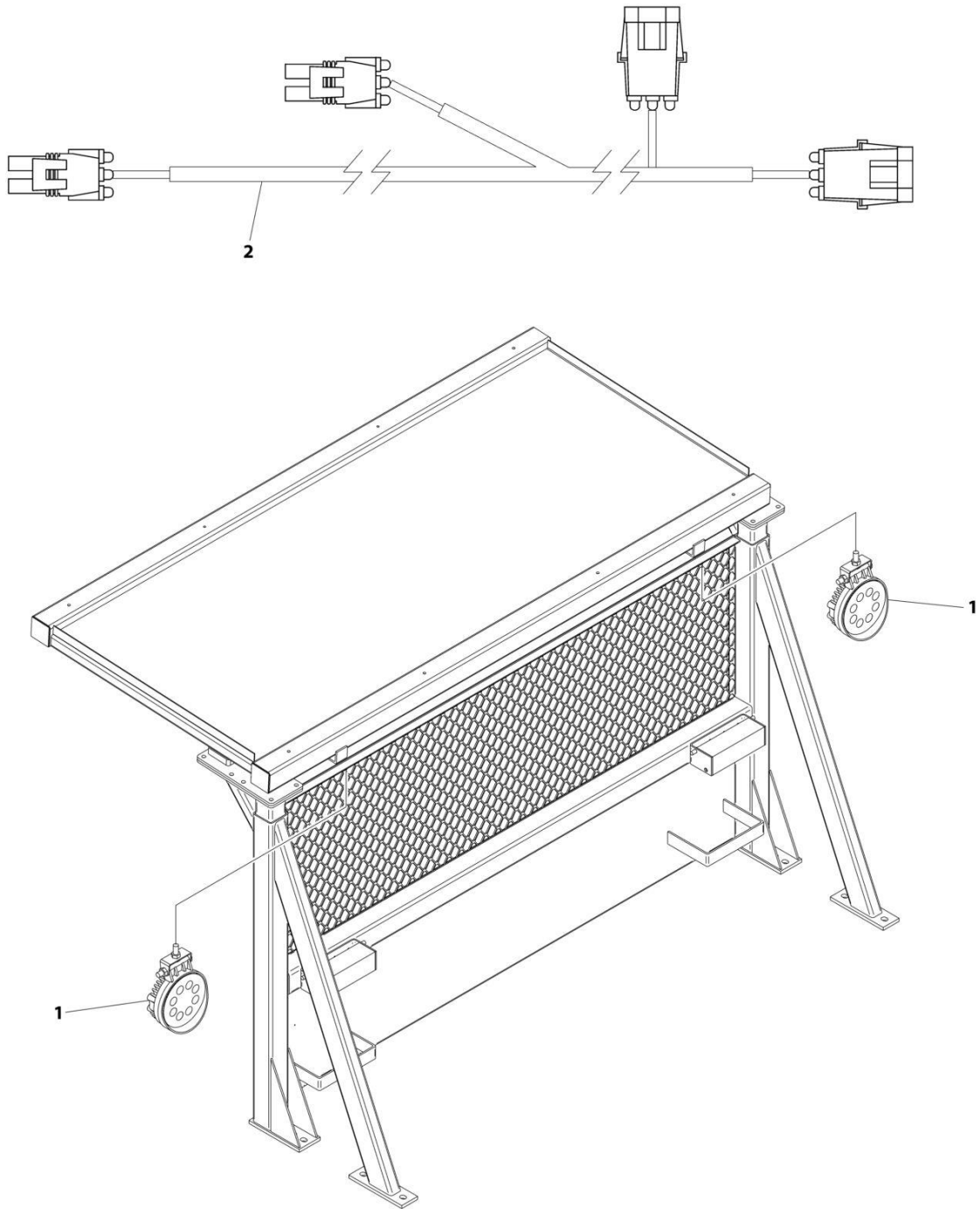
SECTION 6 - ELECTRICAL

FIGURE 6-18. LIGHTS - HEADBOARD WORK LIGHTS, SRS, LED, 10V-30V

ITEM	PART NUMBER	QTY	DESCRIPTION	REV
	1001176429	Ref	LED WORK LIGHTS HEADBOARD INSTALLATION - SRS	B
1	1001176337	2	Lamp, LED Work Light 10V-30V (Prior to SN 0220026465)	
1	1001273634	2	Lamp, LED Work Light 10V-30V (SN 0220026465 to Present)	
2	7280000011	6	Clip	
3	7552000397	1	Harness, Deck Work Light (Not Shown)	
3	4460742	2	Plug, Male - 2 Position	
3	4460457	4	Terminal	
4	7950150161	2	Washer 5/16	

SECTION 6 - ELECTRICAL

FIGURE 6-19. LIGHTS - HEADBOARD WORK LIGHTS/ BUCKET REST HDB, LED, 10V-30V



ART_1001176427

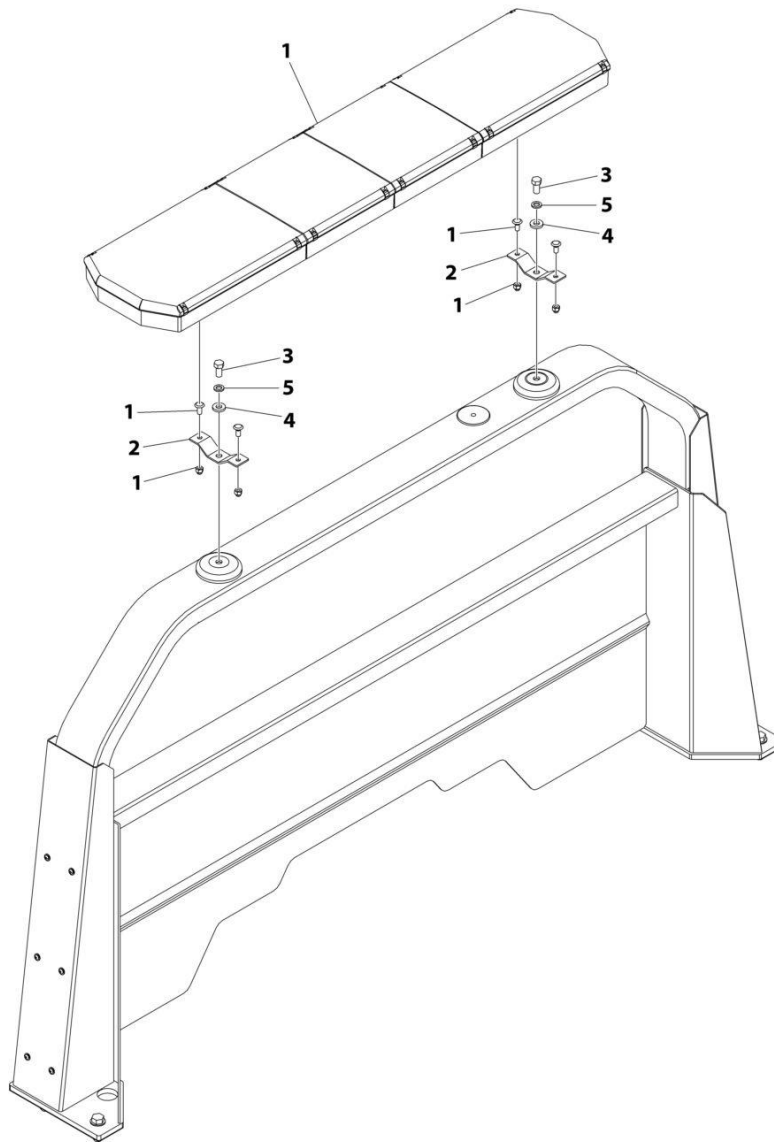
SECTION 6 - ELECTRICAL

FIGURE 6-19. LIGHTS - HEADBOARD WORK LIGHTS/ BUCKET REST HDB, LED, 10V-30V

ITEM	PART NUMBER	QTY	DESCRIPTION	REV
	1001176427	Ref	LED WORK LIGHTS BRACKET HEADBOARD INSTALLATION	B
1	1001176337	2	Lamp, LED Work Light 10V-30V (Prior to SN 0220026465)	
1	1001273634	2	Lamp, LED Work Light 10V-30V (SN 0220026465 to Present)	
2	7552000360	1	Harness, Deck Work Light	
2	4460742	3	Plug, Male - 2 Position	
2	4461157	2	Receptacle, Female - 2 Postion	
2	4460457	8	Terminal	
2	8220081	6	Seal	
2	4460748	2	Plug, Cavity	
3	5526000553	4	Tie-Strap (Not Shown)	

SECTION 6 - ELECTRICAL

FIGURE 6-20. LIGHTS - LIGHTBAR INSTALLATION - AMBER (CODE 3) (STD MOUNT) (SN 0220017154 through 0220022646)



ART_1001165618

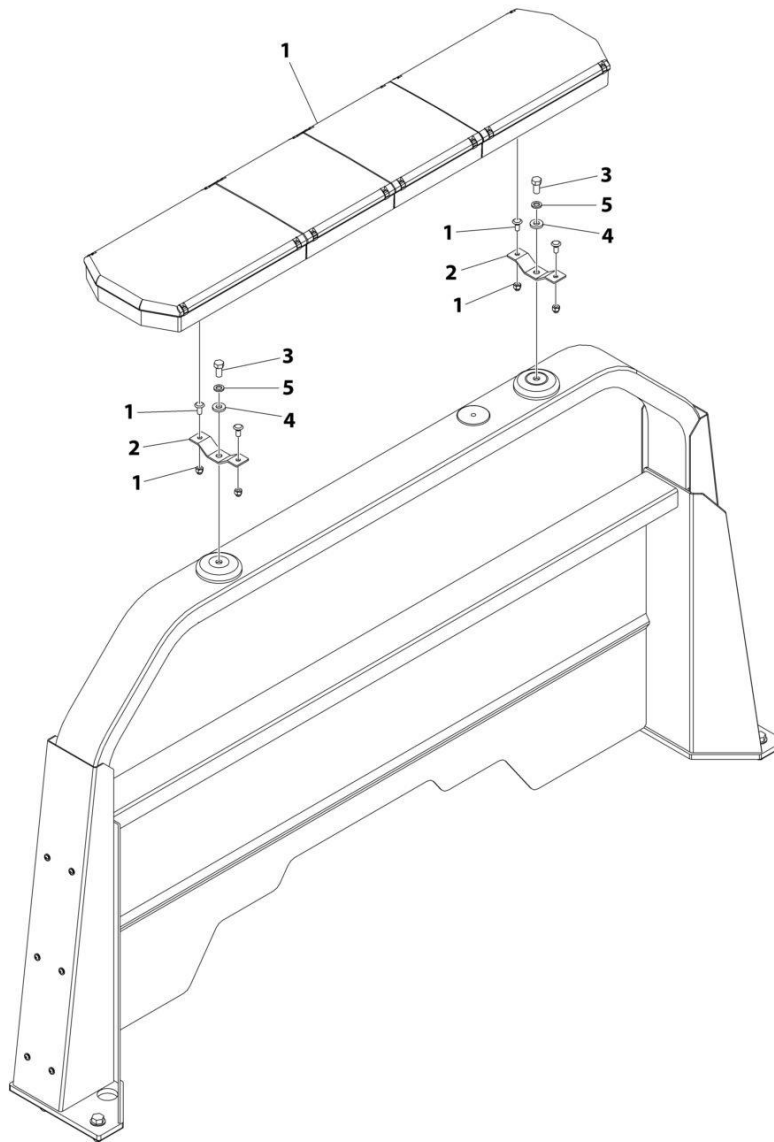
SECTION 6 - ELECTRICAL

FIGURE 6-20. LIGHTS - LIGHTBAR INSTALLATION - AMBER (CODE 3) (STD MOUNT) (SN 0220017154 through 0220022646)

ITEM	PART NUMBER	QTY	DESCRIPTION	REV
	1001165618	Ref	EMERGENCY LIGHTBAR, AMBER LENS - STANDARD MOUNT	B
1	1001165614	1	Lightbar Assembly (See Separate Breakdown in this Section)	
2	4178000402	2	Bracket	
3	7115180850	2	Capscrew 1/2 x 1	
4	7950180252	2	Washer 1/2	
5	7950180000	2	Washer 19/32	

SECTION 6 - ELECTRICAL

FIGURE 6-21. LIGHTS - LIGHTBAR INSTALLATION - AMBER (CODE 3 PRIZM) (STD MOUNT) (SN 0220017154 through 0220022646)



ART_2590000252

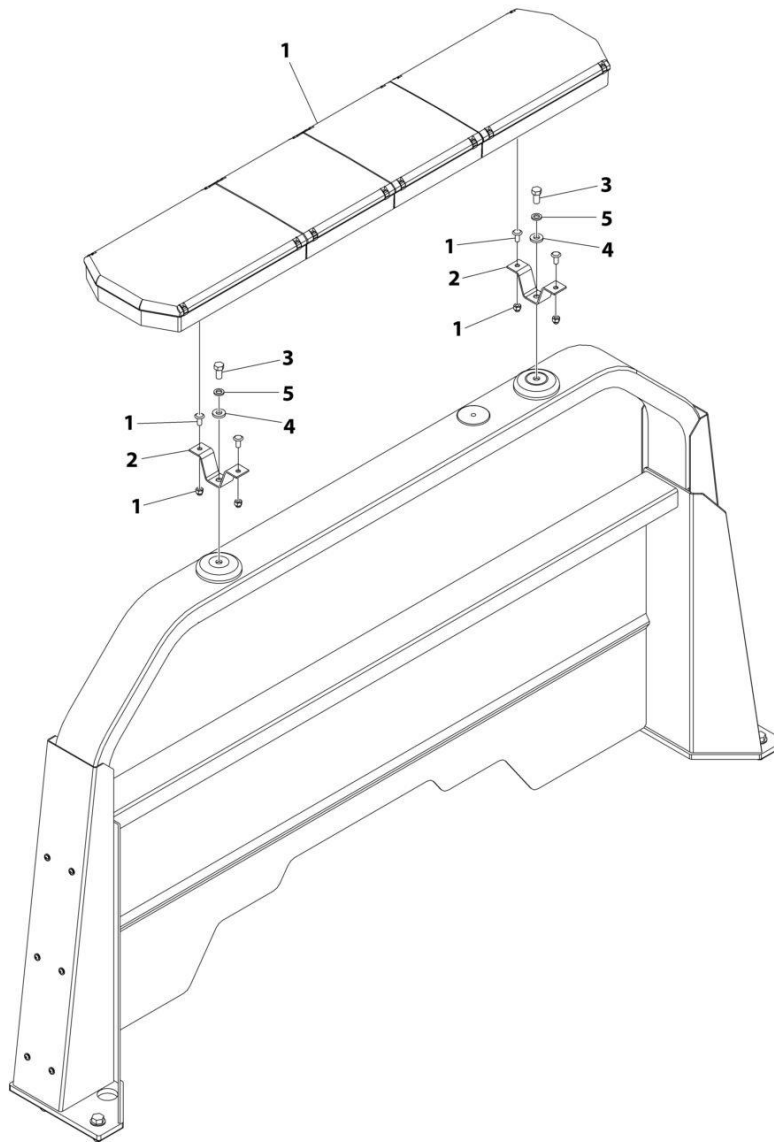
SECTION 6 - ELECTRICAL

FIGURE 6-21. LIGHTS - LIGHTBAR INSTALLATION - AMBER (CODE 3 PRIZM) (STD MOUNT) (SN 0220017154 through 0220022646)

ITEM	PART NUMBER	QTY	DESCRIPTION	REV
	2590000252	Ref	EMERGENCY LIGHTBAR, AMBER, PRIZM - STANDARD MOUNT	D
1	1001136989	1	Lightbar Assembly (See Separate Breakdown in this Section)	
2	4178000402	2	Bracket	
3	7115180850	2	Capscrew 1/2 x 1	
4	7950180252	2	Washer 1/2	
5	7950180000	2	Washer 19/32	

SECTION 6 - ELECTRICAL

FIGURE 6-22. LIGHTS - LIGHTBAR INSTALLATION - AMBER (CODE 3) (HIGH MOUNT) (SN 0220017154 through 0220022646)



ART_1001165619

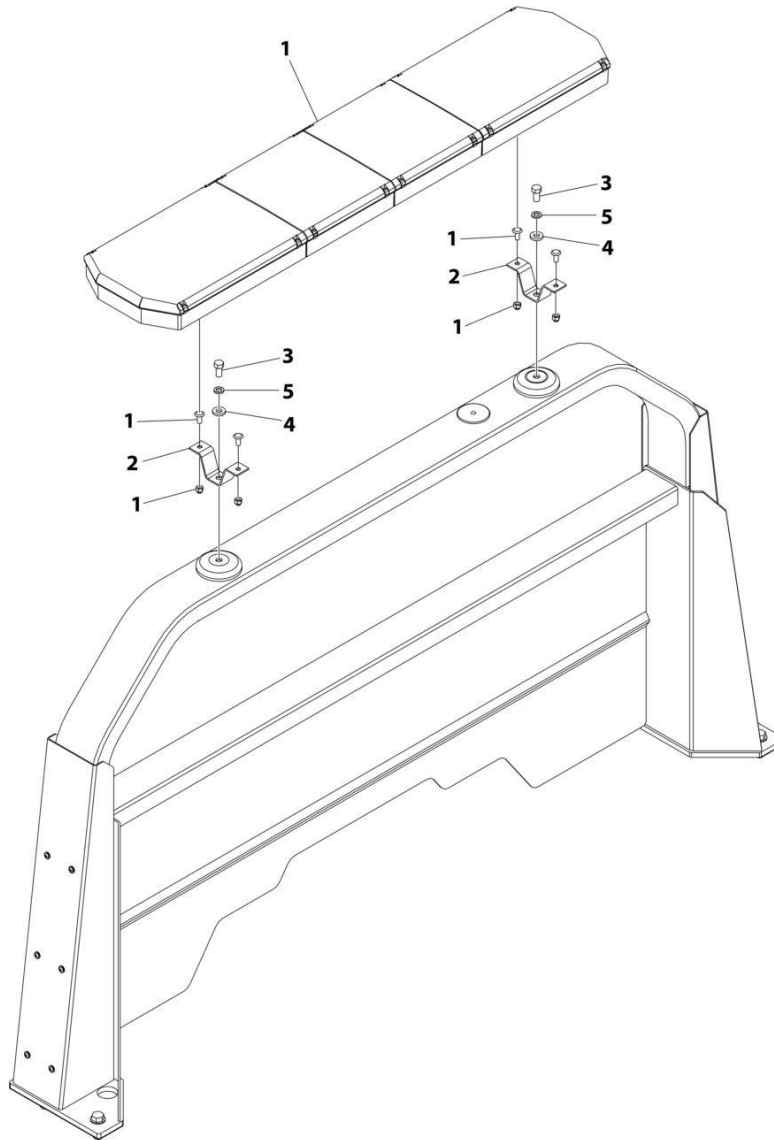
SECTION 6 - ELECTRICAL

FIGURE 6-22. LIGHTS - LIGHTBAR INSTALLATION - AMBER (CODE 3) (HIGH MOUNT) (SN 0220017154 through 0220022646)

ITEM	PART NUMBER	QTY	DESCRIPTION	REV
	1001165619	Ref	EMERGENCY LIGHTBAR, AMBER LENS - HIGH MOUNT	B
1	1001165614	1	Lamp, Lightbar	
2	4178000437	2	Bracket	
3	7115180850	2	Capscrew 1/2 x 1	
4	7950180252	2	Washer 1/2	
5	7950180000	2	Washer 19/32	

SECTION 6 - ELECTRICAL

FIGURE 6-23. LIGHTS - LIGHTBAR INSTALLATION - AMBER (CODE 3 PRIZM) (HIGH MOUNT) (SN 0220017154 through 0220022646)



ART_2590000253

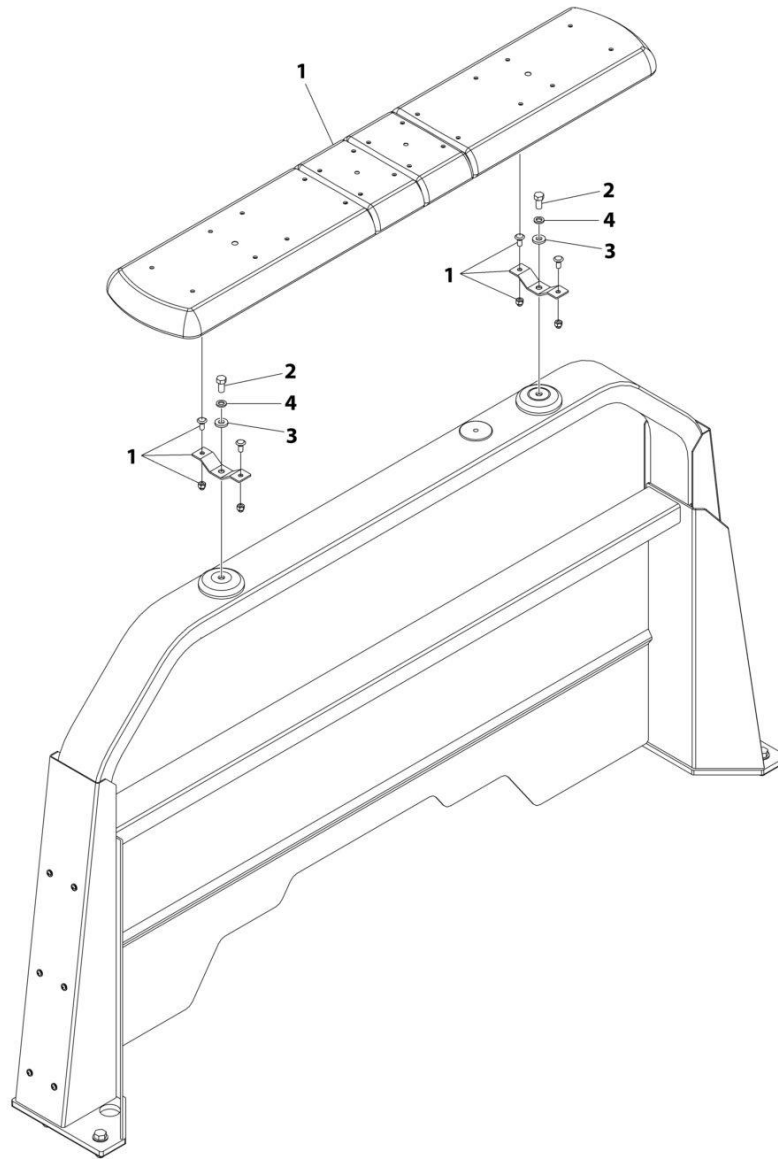
SECTION 6 - ELECTRICAL

FIGURE 6-23. LIGHTS - LIGHTBAR INSTALLATION - AMBER (CODE 3 PRIZM) (HIGH MOUNT) (SN 0220017154 through 0220022646)

ITEM	PART NUMBER	QTY	DESCRIPTION	REV
	2590000253	Ref	EMERGENCY LIGHTBAR, AMBER, PRIZM - HIGH MOUNT	D
1	1001136989	1	Lightbar Assembly (See Separate Breakdown in this Section)	
2	4178000437	2	Bracket	
3	7115180850	2	Capscrew 1/2 x 1	
4	7950180252	2	Washer 1/2	
5	7950180000	2	Washer 19/32	

SECTION 6 - ELECTRICAL

FIGURE 6-24. LIGHTS - LIGHTBAR INSTALLATION - AMBER (ECCO) (STD MOUNT)



ART_1001259575

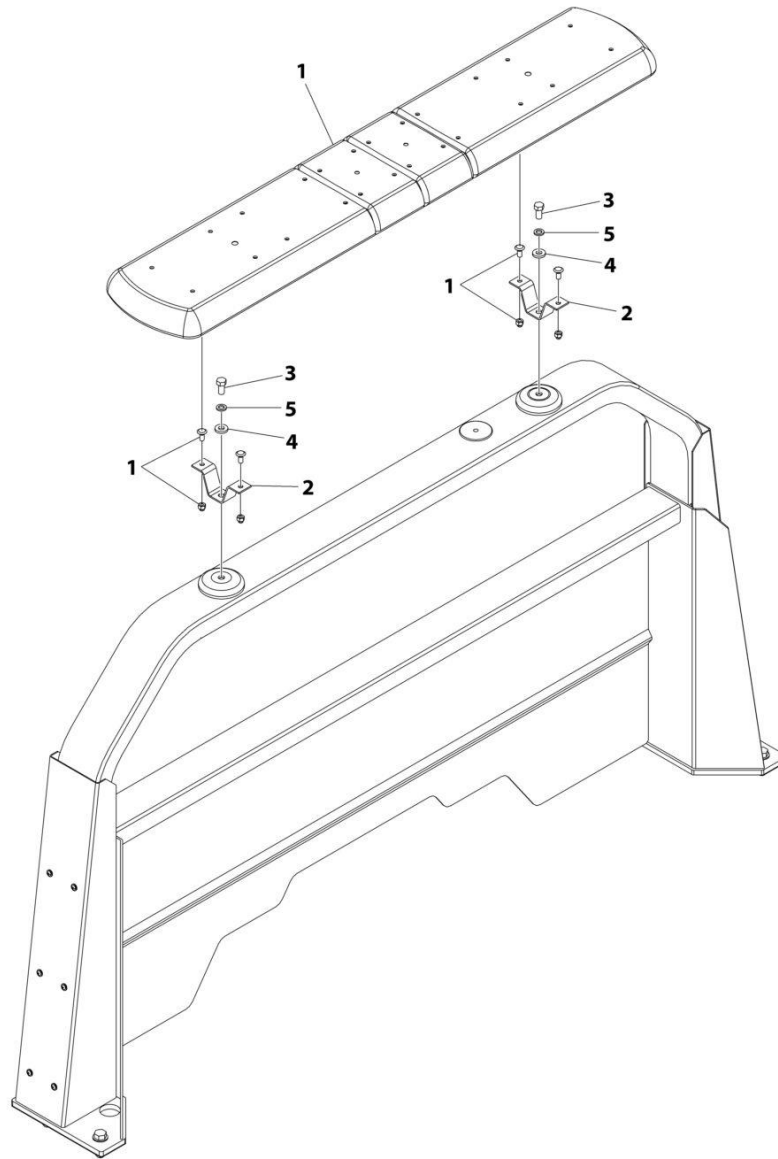
SECTION 6 - ELECTRICAL

FIGURE 6-24. LIGHTS - LIGHTBAR INSTALLATION - AMBER (ECCO) (STD MOUNT)

ITEM	PART NUMBER	QTY	DESCRIPTION	REV
	1001259575	Ref	EMERGENCY LIGHTBAR AMBER ECCO 12+ 60 STD MOUNT INSTALLATION	A
1	1001247138	1	Lightbar Assembly (See Separate Breakdown in this Section)	
2	0641808	2	Bolt 1/2 x 1	
3	4891800	2	Washer 1/2	
4	4761800	2	Washer 1/2	

SECTION 6 - ELECTRICAL

FIGURE 6-25. LIGHTS - LIGHTBAR INSTALLATION - AMBER (ECCO) (HIGH MOUNT)



ART_1001261039

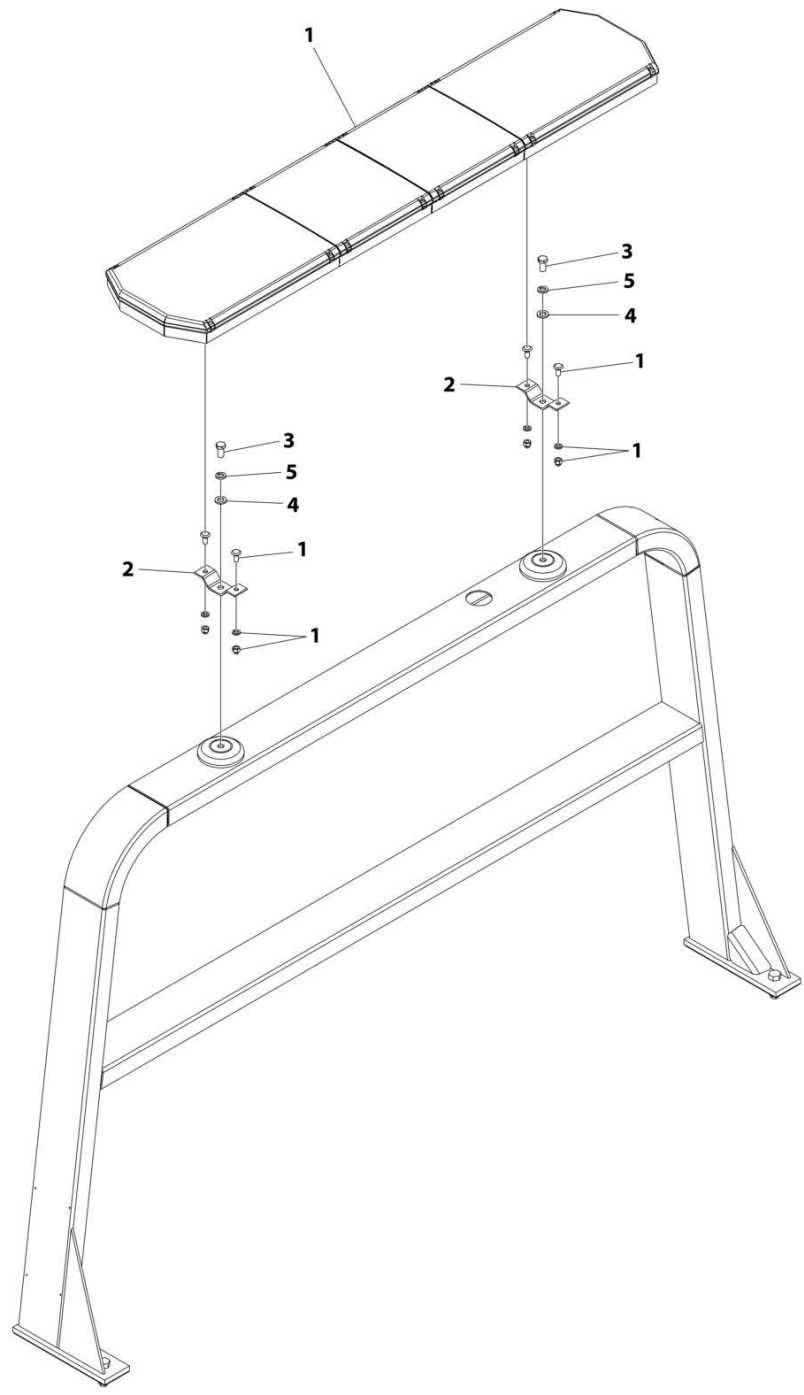
SECTION 6 - ELECTRICAL

FIGURE 6-25. LIGHTS - LIGHTBAR INSTALLATION - AMBER (ECCO) (HIGH MOUNT)

ITEM	PART NUMBER	QTY	DESCRIPTION	REV
	1001261039	Ref	EMERGENCY LIGHTBAR AMBER ECCO 12+ 60 HIGH MOUNT INSTALLATION	A
1	1001247138	1	Lightbar Assembly (See Separate Breakdown in this Section)	
2	1001262106	2	Bracket	
3	0641808	2	Bolt 1/2 x 1	
4	4891800	2	Washer 1/2	
5	4761800	2	Washer 1/2	

SECTION 6 - ELECTRICAL

FIGURE 6-26. LIGHTS - LIGHTBAR INSTALLATION - AMBER (WHELEN) (STD MOUNT)



ART_1001137524

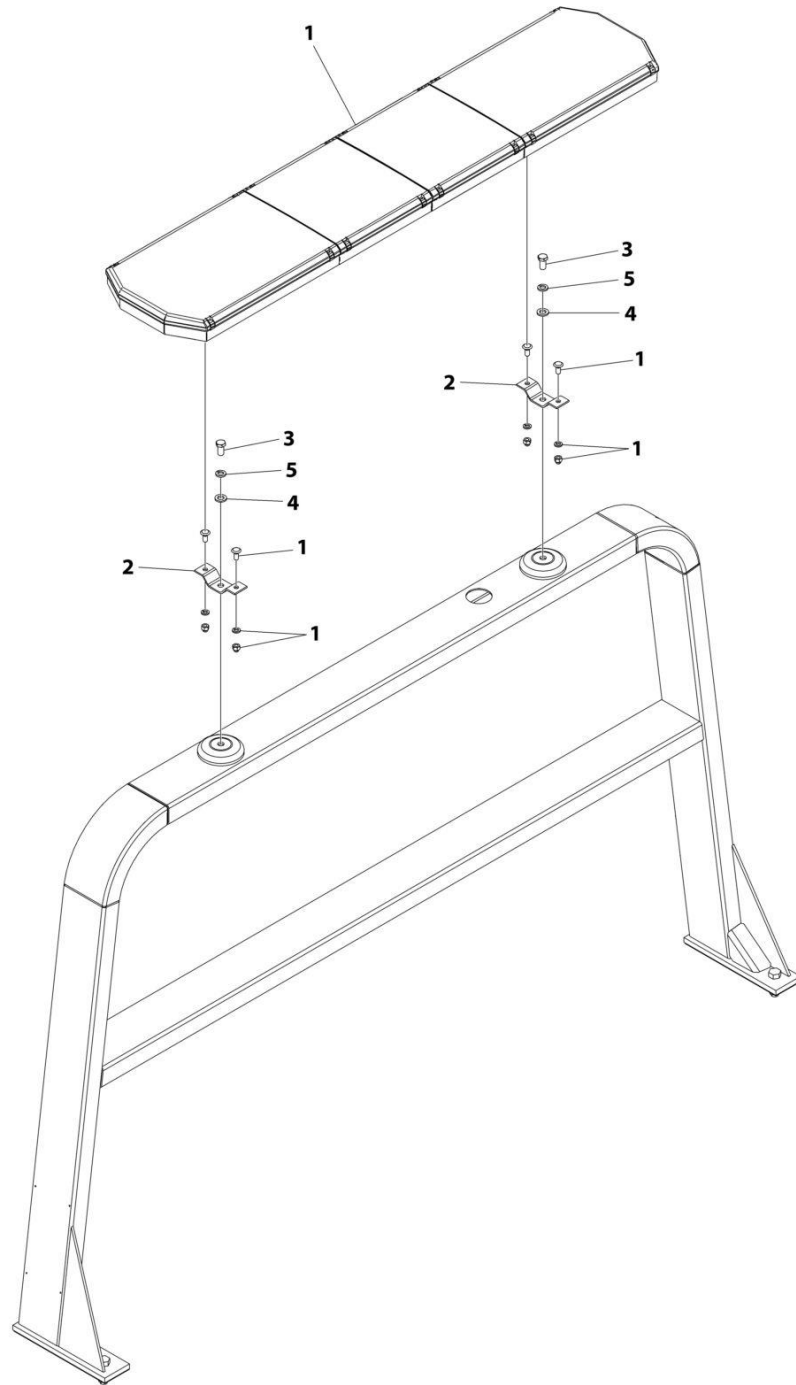
SECTION 6 - ELECTRICAL

FIGURE 6-26. LIGHTS - LIGHTBAR INSTALLATION - AMBER (WHELEN) (STD MOUNT)

ITEM	PART NUMBER	QTY	DESCRIPTION	REV
	1001137524	Ref	EMERGENCY LIGHTBAR, AMBER, WHELEN, STANDARD MOUNT	C
1	1001199476	1	Lightbar Assembly (See Separate Breakdown in this Section)	
2	4178000402	2	Bracket	
3	7115180850	2	Capscrew 1/2 x 1	
4	7950180252	2	Washer 1/2	
5	7950180000	2	Washer 19/32	

SECTION 6 - ELECTRICAL

FIGURE 6-27. LIGHTS - LIGHTBAR INSTALLATION - AMBER (WHELEN) (HIGH MOUNT)



ART_1001137525

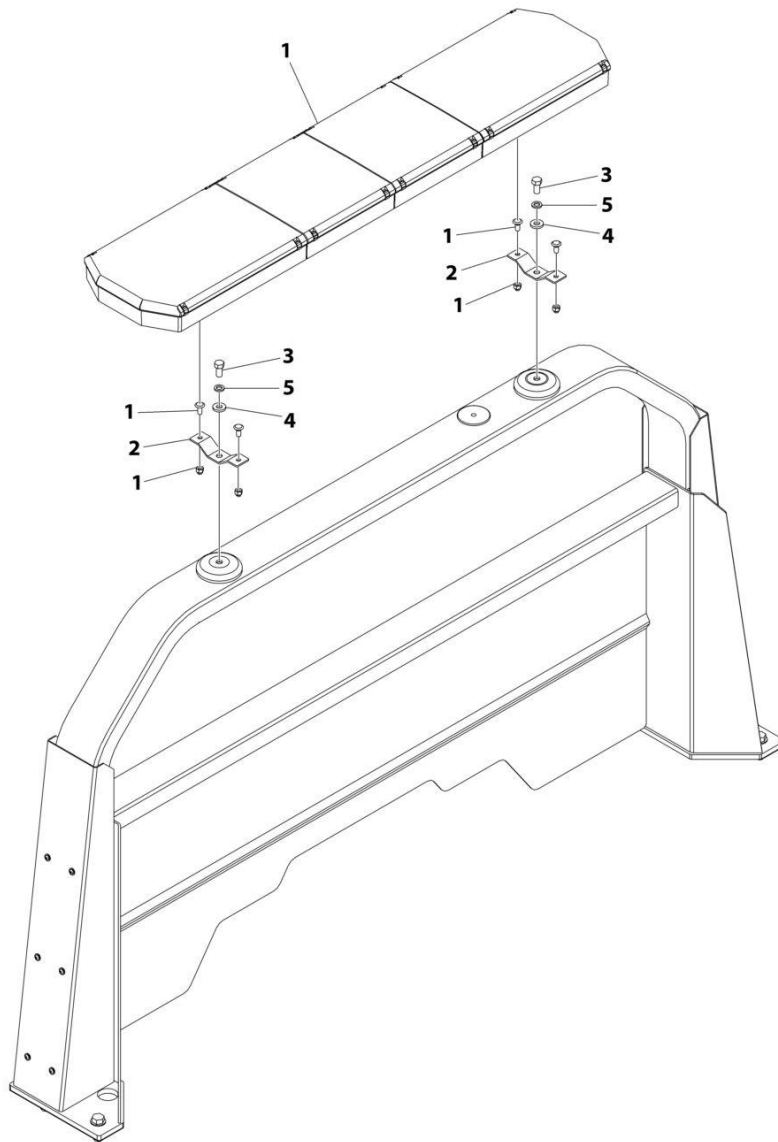
SECTION 6 - ELECTRICAL

FIGURE 6-27. LIGHTS - LIGHTBAR INSTALLATION - AMBER (WHELEN) (HIGH MOUNT)

ITEM	PART NUMBER	QTY	DESCRIPTION	REV
	1001137525	Ref	EMERGENCY LIGHTBAR, AMBER, WHELEN, HIGH MOUNT	C
1	1001199476	1	Lamp, Lightbar (See Separate Breakdown in this Section)	
2	4178000437	2	Bracket	
3	7115180850	2	Capscrew 1/2 x 1	
4	7950180252	2	Washer 1/2	
5	7950180000	2	Washer 19/32	

SECTION 6 - ELECTRICAL

FIGURE 6-28. LIGHTS - LIGHTBAR INSTALLATION - RED (CODE 3) (STD MOUNT) (SN 0220017154 through 0220022646)



ART_1001129068

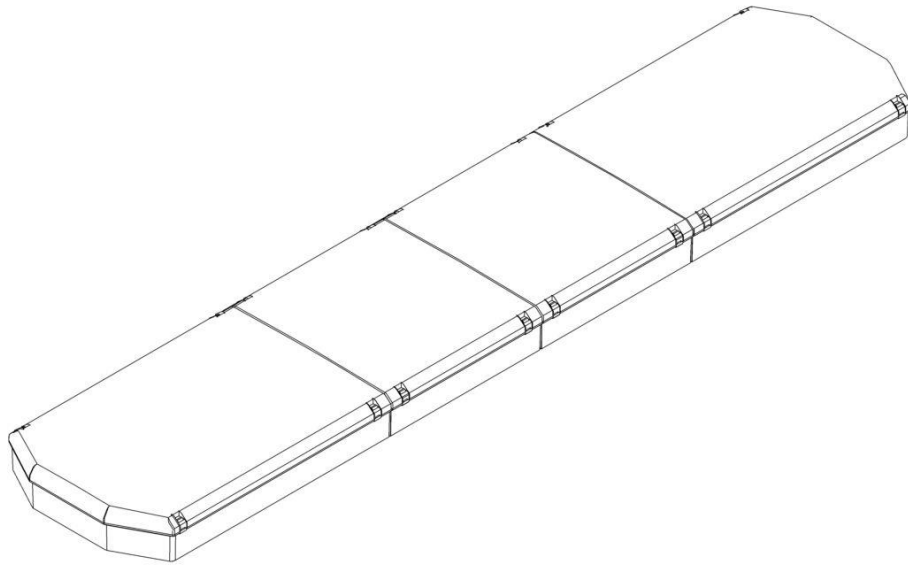
SECTION 6 - ELECTRICAL

FIGURE 6-28. LIGHTS - LIGHTBAR INSTALLATION - RED (CODE 3) (STD MOUNT) (SN 0220017154 through 0220022646)

ITEM	PART NUMBER	QTY	DESCRIPTION	REV
	1001129068	Ref	EMERGENCY LIGHTBAR, RED, PRIZM - STANDARD MOUNT	D
1	1001136993	1	Lightbar Assembly (See Separate Breakdown in this Section)	
2	4178000402	2	Bracket	
3	7115180850	2	Capscrew 1/2 x 1	
4	7950180252	2	Washer 1/2	
5	7950180000	2	Washer 19/32	

SECTION 6 - ELECTRICAL

FIGURE 6-29. LIGHTS - LIGHTBAR ASSEMBLY - AMBER (CODE 3 STD BRAND)



ART_1001165614

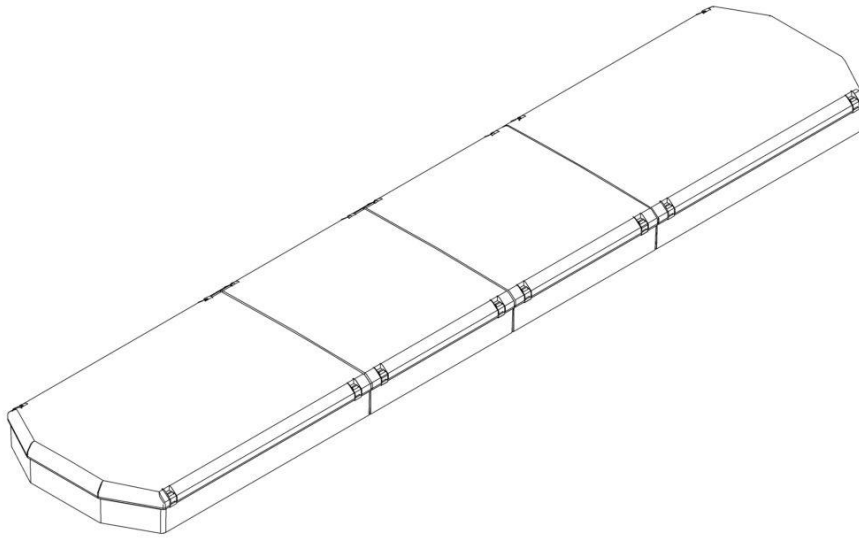
SECTION 6 - ELECTRICAL

FIGURE 6-29. LIGHTS - LIGHTBAR ASSEMBLY - AMBER (CODE 3 STD BRAND)

ITEM	PART NUMBER	QTY	DESCRIPTION	REV
	1001165614	Ref	LIGHTS - LIGHTBAR ASSEMBLY – (CODE 3 STD BRAND) (AMBER)	C
		Ref	Note: No Service Components Available at Time of Printing.	

SECTION 6 - ELECTRICAL

FIGURE 6-30. LIGHTS - LIGHTBAR ASSEMBLY - AMBER (CODE 3 PRIZM BRAND)



ART_1001136989

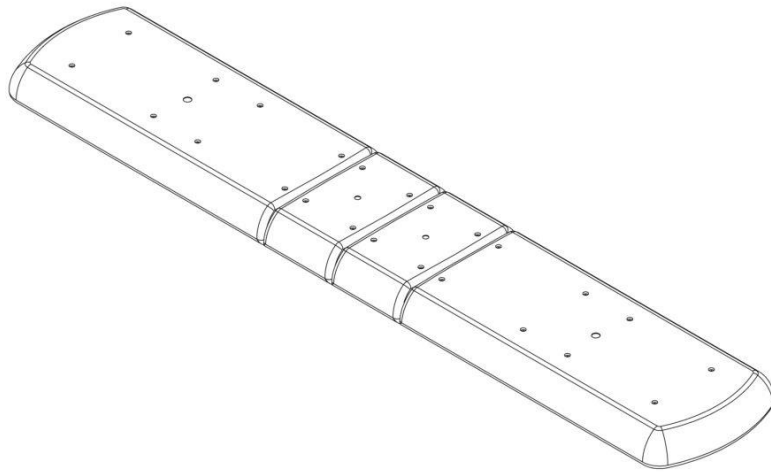
SECTION 6 - ELECTRICAL

FIGURE 6-30. LIGHTS - LIGHTBAR ASSEMBLY - AMBER (CODE 3 PRIZM BRAND)

ITEM	PART NUMBER	QTY	DESCRIPTION	REV
	1001136989	Ref	LIGHTS - LIGHTBAR ASSEMBLY – (CODE 3 PRIZM BRAND) (AMBER)	D
		Ref	Note: No Service Components Available at Time of Printing.	

SECTION 6 - ELECTRICAL

FIGURE 6-31. LIGHTS - LIGHTBAR ASSEMBLY - AMBER (ECCO)



ART_1001247138

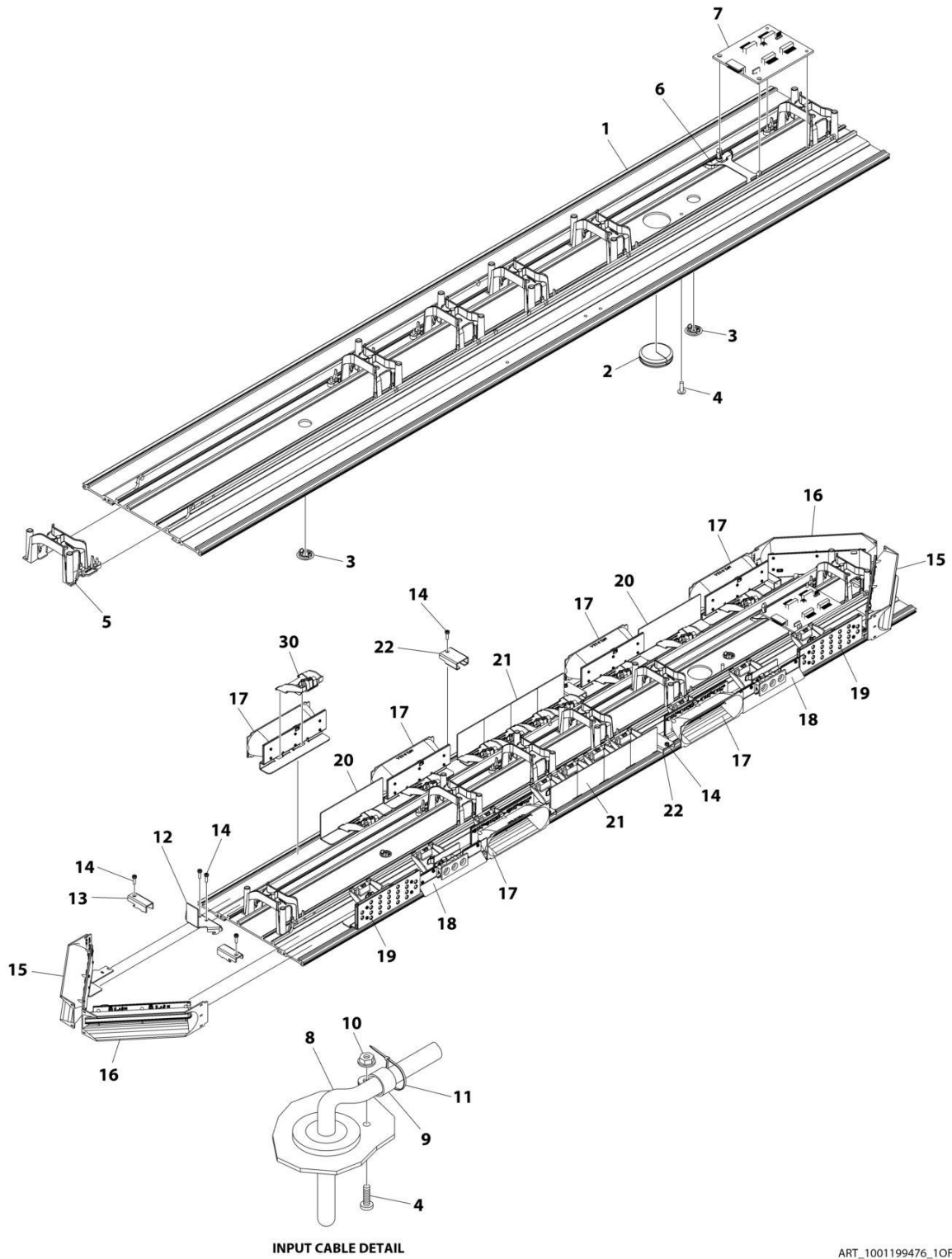
SECTION 6 - ELECTRICAL

FIGURE 6-31. LIGHTS - LIGHTBAR ASSEMBLY - AMBER (ECCO)

ITEM	PART NUMBER	QTY	DESCRIPTION	REV
	1001247138	Ref	LIGHTBAR ASSEMBLY (ECCO BRAND)	A
		Ref	Replacement Amber Module	
		Ref	Work/Alley Light (Pair)	
		Ref	Stop/Turn/Taillight Kit (Includes 2 Modules, Harness and STT Cable)	
		Ref	Replacement Driver Board	

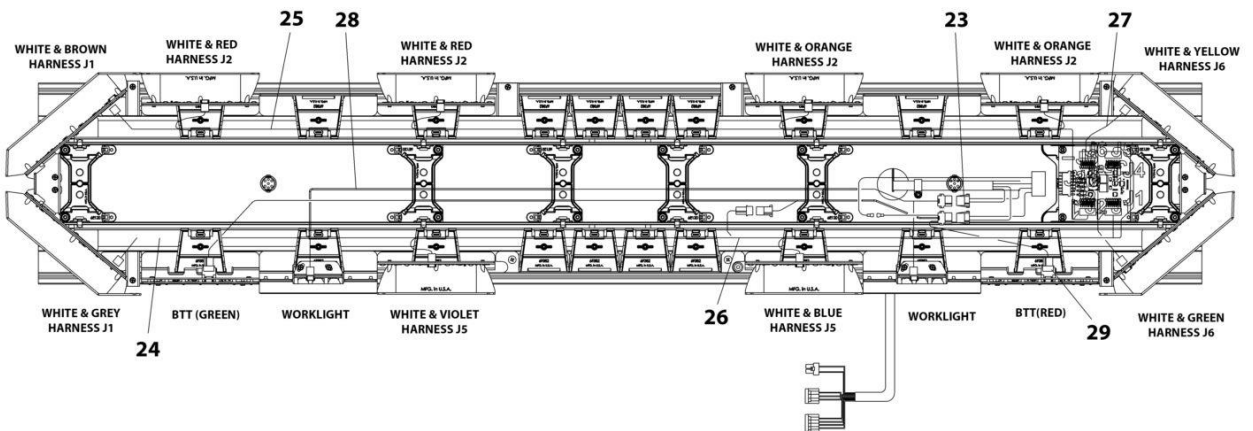
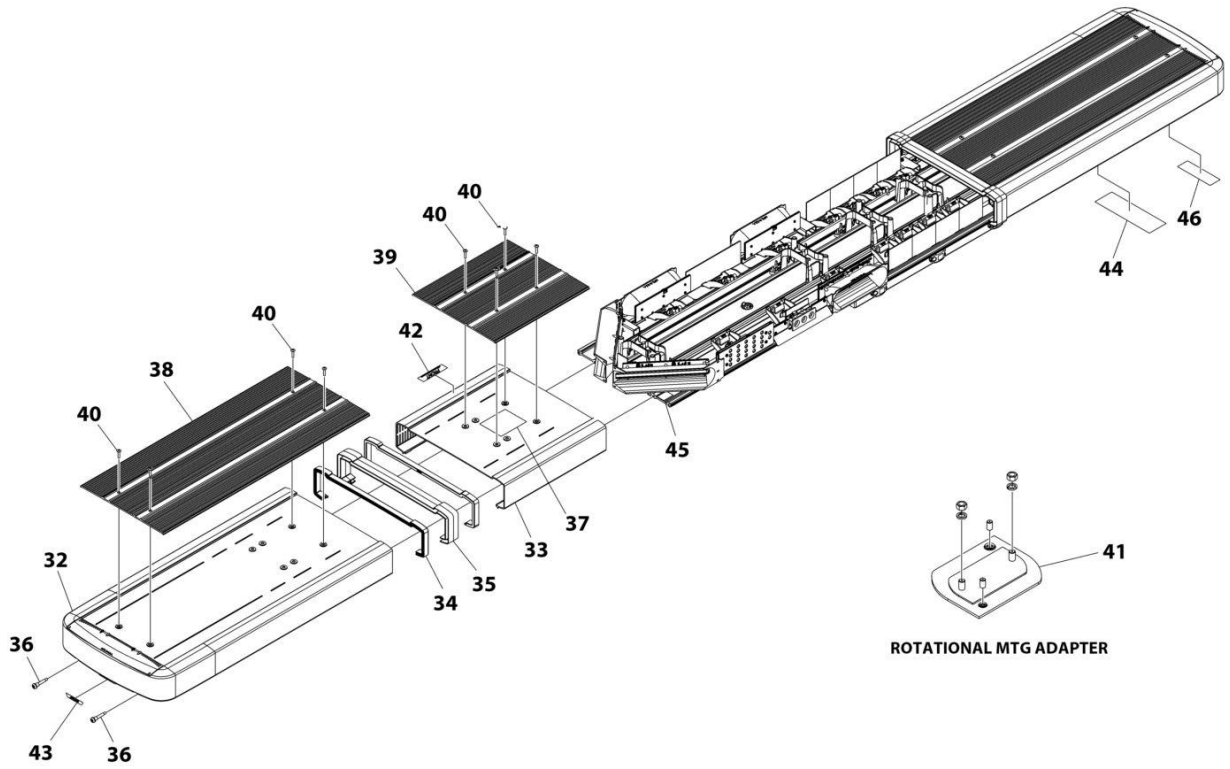
SECTION 6 - ELECTRICAL

FIGURE 6-32. LIGHTS - LIGHTBAR ASSEMBLY - AMBER (WHELEN)



ART_1001199476_10F2

SECTION 6 - ELECTRICAL



ART_1001199476_20F2

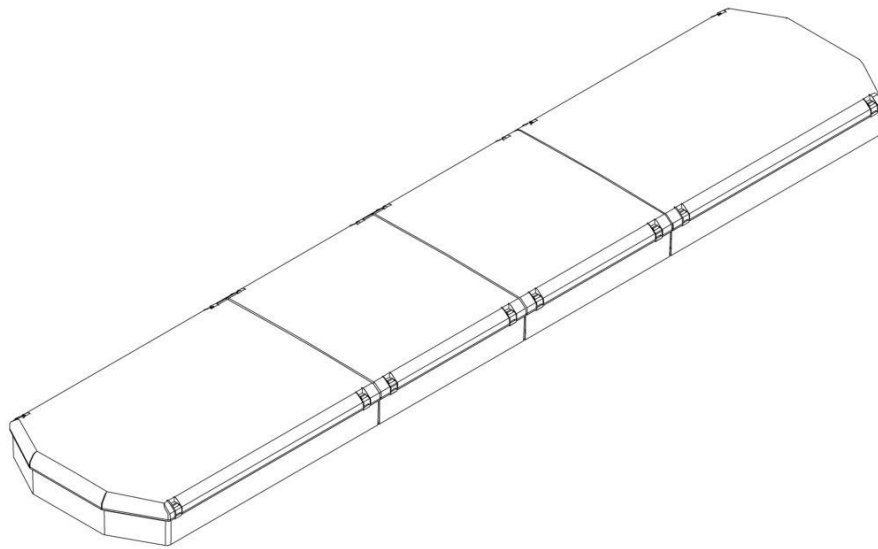
SECTION 6 - ELECTRICAL

FIGURE 6-32. LIGHTS - LIGHTBAR ASSEMBLY - AMBER (WHELEN)

ITEM	PART NUMBER	QTY	DESCRIPTION	REV
	1001199476	Ref	LAMP LIGHTBAR WHELEN LIB2 60 CARR	B
1		Ref	Base, Extruded	
2		Ref	Grommet	
3		Ref	Plug	
4		Ref	Screw 10 x 5/8	
5		Ref	Bracket	
6		Ref	Bracket	
7		Ref	Board Assembly	
8		Ref	Cable Assembly	
9		Ref	Clamp	
10		Ref	Nut 10	
11		Ref	Tie-Strap (Not Shown)	
12		Ref	Bracket	
13		Ref	Bracket	
14		Ref	Screw 6 x 1/2	
15		Ref	Corner Assembly, L-Front/R-Rear	
16		Ref	Corner Assembly, L-Rear/R-Front	
17		Ref	Sub Assembly, Full Directional Liberty	
18		Ref	Sub Assembly, Single 3 Led Full T-D Liberty	
19		Ref	Sub Assembly, 12V Stop/Turn, Tail LC Liberty	
20		Ref	Bracket	
21		Ref	Bracket	
22		Ref	Bracket	
23		Ref	Housing, 6-Position Socket Motor	
24		Ref	Harness, Driver Corner J1	
25		Ref	Harness, Front Inboard J2	
26		Ref	Harness, Rear In Boards J5	
27		Ref	Harness, Pass Corners J6	
28		Ref	Harness, Work Light	
29		Ref	Harness, B/T/T W/Dot LTS	
30		Ref	Bracket	
31		Ref	Tie-Strap (Not Shown)	
32		Ref	Sub Assembly, Full Lens	
33		Ref	Lens, Clear Optic Cut Center	
34		Ref	Seal, Lens Divider	
35		Ref	Divider, Lens Independence Lightbar	
36		Ref	Screw 10 x 1-1/4	
37		Ref	Label, Center Dome Removal Instructions	
38		Ref	Cover, Top Extruded	
39		Ref	Cover, Top Extruded	
40		Ref	Screw 10 x 7/8	
41		Ref	Kit, Rotational	
42		Ref	Label, "Front" Lightbar Assembly	
43		Ref	Label, Jerr-Dan Liberty	
44		Ref	Label, MN/SN	
45		Ref	Label, Serial Number	
46		Ref	Label, "Pre-Production"	

SECTION 6 - ELECTRICAL

FIGURE 6-33. LIGHTS - LIGHTBAR ASSEMBLY - RED (CODE 3 BRAND)



ART_1001136993

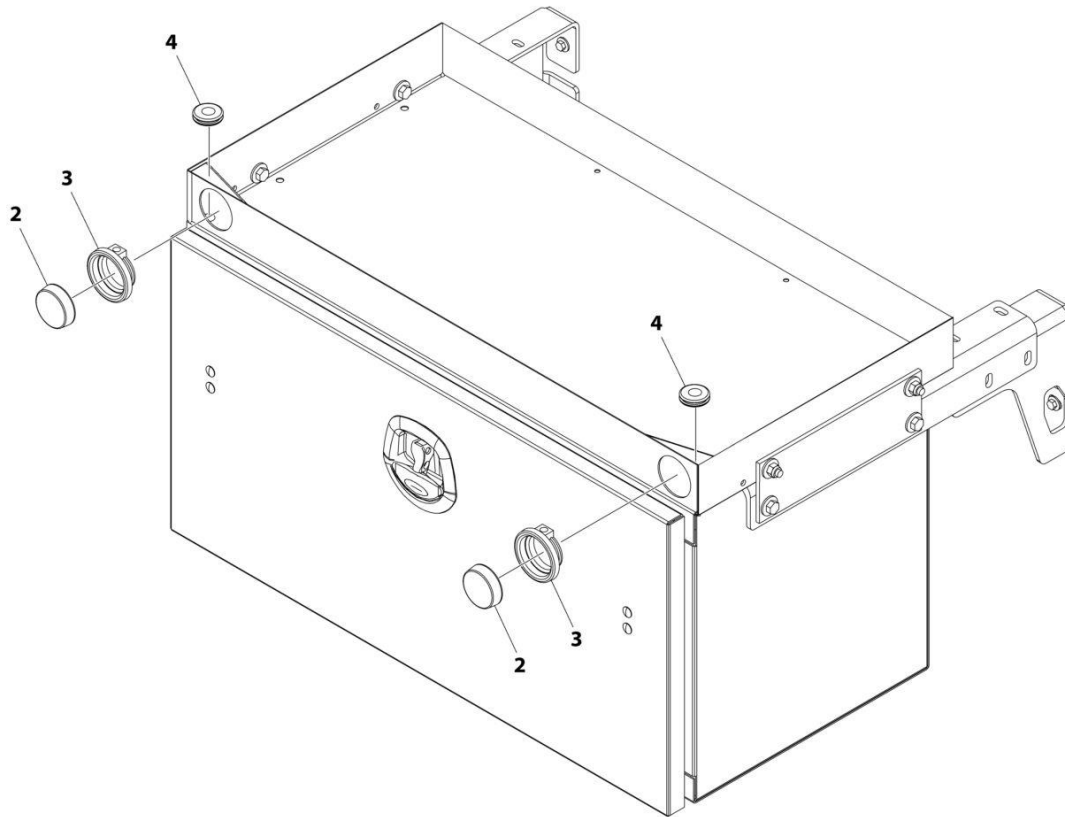
SECTION 6 - ELECTRICAL

FIGURE 6-33. LIGHTS - LIGHTBAR ASSEMBLY - RED (CODE 3 BRAND)

ITEM	PART NUMBER	QTY	DESCRIPTION	REV
	1001136993	Ref	LIGHTS - LIGHTBAR ASSEMBLY – (CODE 3 PRIZM BRAND) (RED)	B
		Ref	Note: No Service Components Available at Time of Printing.	

SECTION 6 - ELECTRICAL

FIGURE 6-34. LIGHTS - MARKER LIGHT, TOOL BOX TOP STORAGE TRAY



ART_2590000261

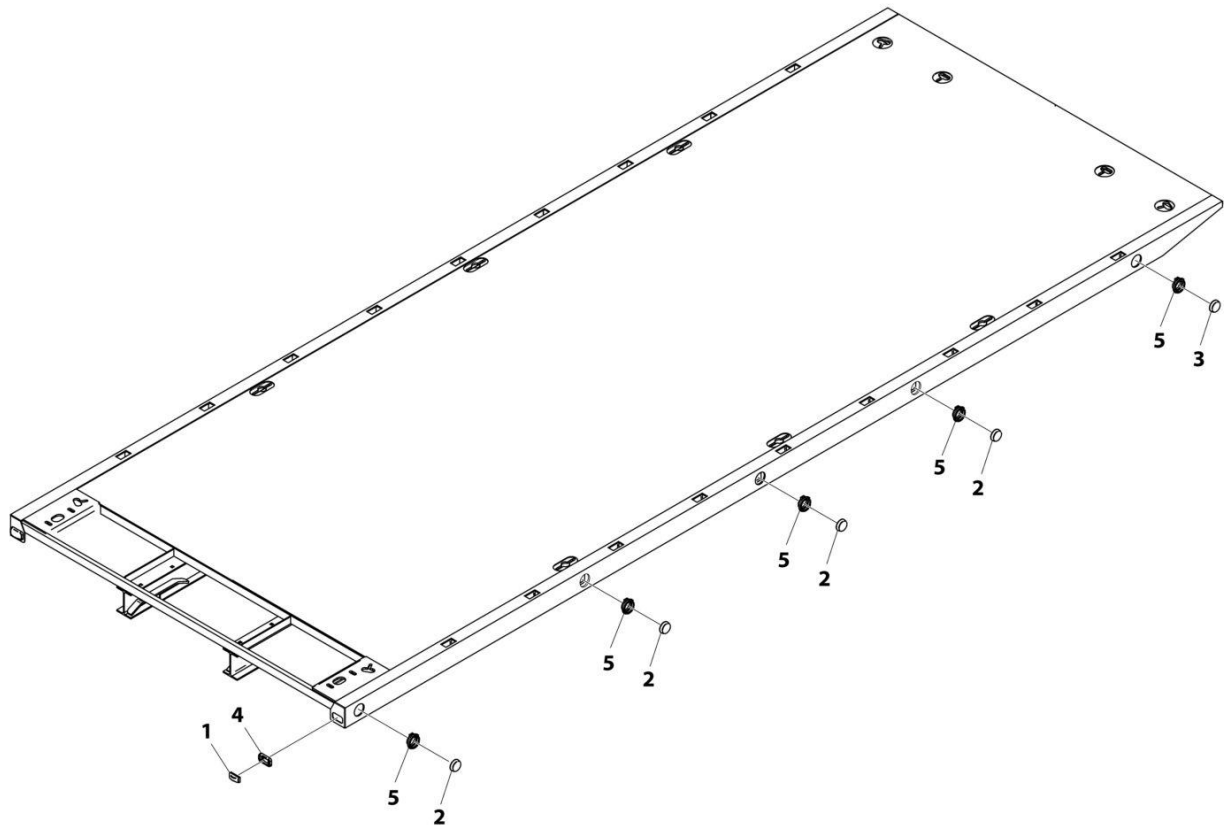
SECTION 6 - ELECTRICAL

FIGURE 6-34. LIGHTS - MARKER LIGHT, TOOL BOX TOP STORAGE TRAY

ITEM	PART NUMBER	QTY	DESCRIPTION	REV
1	2590000261	Ref	Marker Light, Tool Box Top Storage Tray	C
	7552000451	1	Harness Toolbox Marker Light (Not Shown)	
	1001121727	1	Receptacle - 5 Position Female	
	1001116729	5	Terminal	
	1001121726	1	Plug, Male - 5 Position	
	1001116747	5	Terminal	
	4460746	AR	Terminal, Square	
		Ref	Connecotr, Truck Light	
2	7590000342	2	Marker Light - Amber (LED)	
3	7493000009	2	Grommet	
4	7493000031	2	Grommet	
5	7894000004	6	Tie Strap (Not Shown)	

SECTION 6 - ELECTRICAL

FIGURE 6-35. LIGHTS - MARKER LIGHTS, CARRIER DECK



ART_2590000215

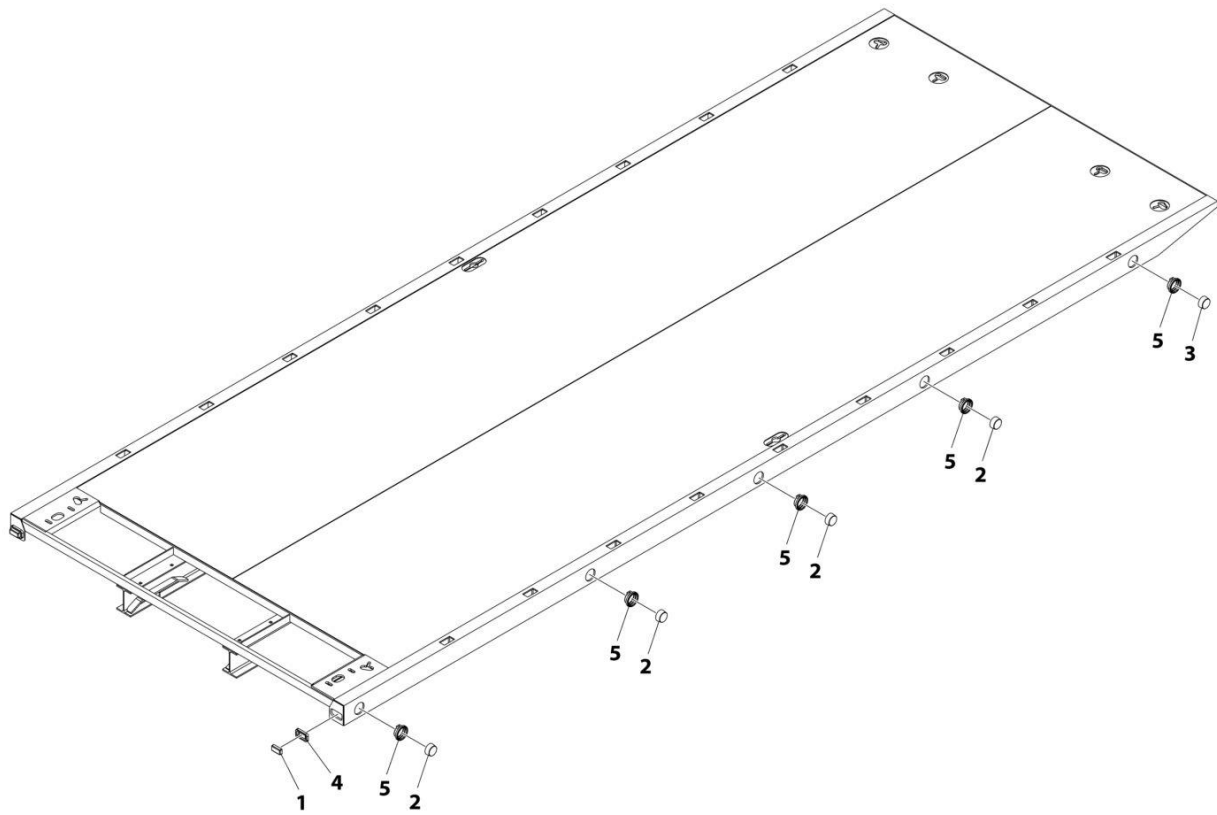
SECTION 6 - ELECTRICAL

FIGURE 6-35. LIGHTS - MARKER LIGHTS, CARRIER DECK

ITEM	PART NUMBER	QTY	DESCRIPTION	REV
	2590000215	Ref	LIGHTS INSTALLATION - STANDARD CARRIER DECK	B
1	7590000339	2	Marker Light - Amber (LED)	
2	7590000342	8	Marker Light - Amber (LED)	
3	7590000343	2	Marker Light - Red (LED)	
4	7493000010	2	Grommet	
5	7493000009	10	Grommet	

SECTION 6 - ELECTRICAL

FIGURE 6-36. LIGHTS - MARKER LIGHTS, CARRIER DECK, 24V



ART_1001131570

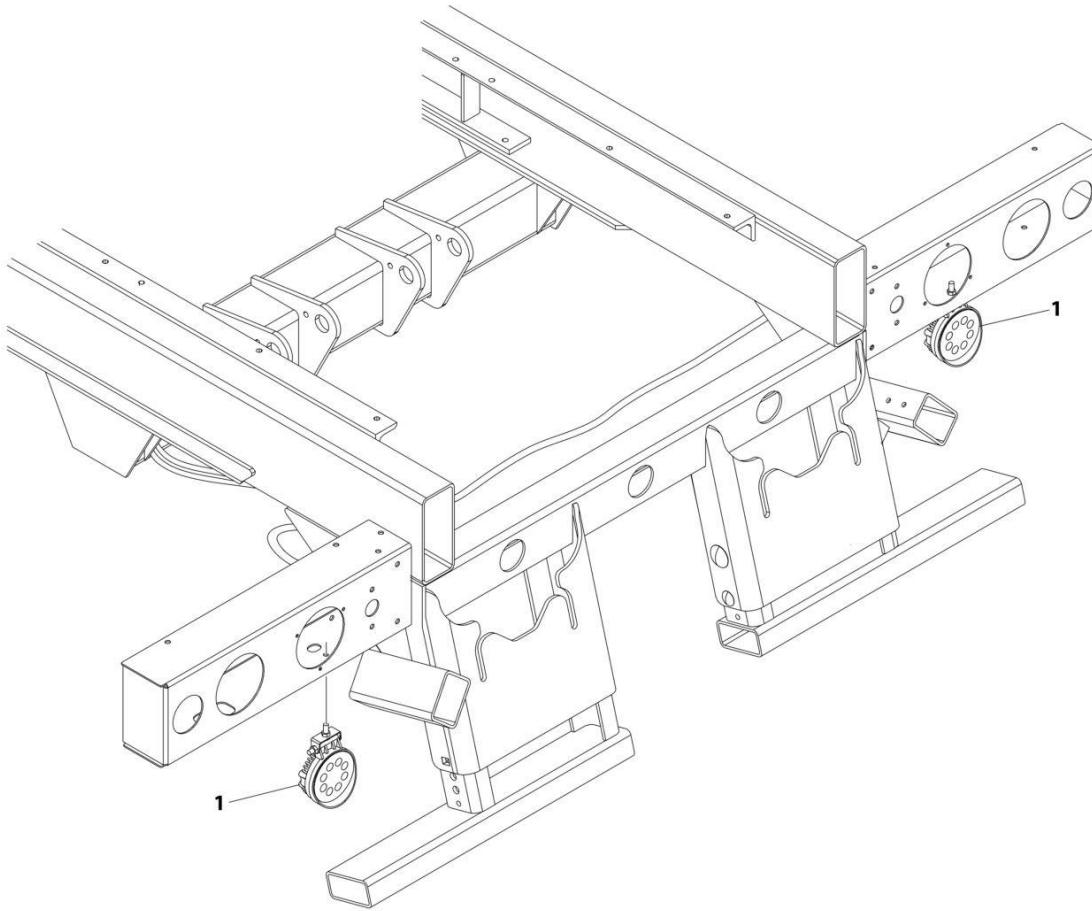
SECTION 6 - ELECTRICAL

FIGURE 6-36. LIGHTS - MARKER LIGHTS, CARRIER DECK, 24V

ITEM	PART NUMBER	QTY	DESCRIPTION	REV
	1001131570	Ref	DECK MARKER LIGHTS	B
1	7590000148	2	Marker Light - Amber	
2	7590000133	8	Light, Round - Amber - 24V	
3	7590000132	2	Light, Round - Red - 24V	
4	7493000010	2	Grommet	
5	7493000009	10	Grommet	

SECTION 6 - ELECTRICAL

FIGURE 6-37. LIGHTS - REAR WORK LIGHTS, LED, 10V-30V



ART_1001176430

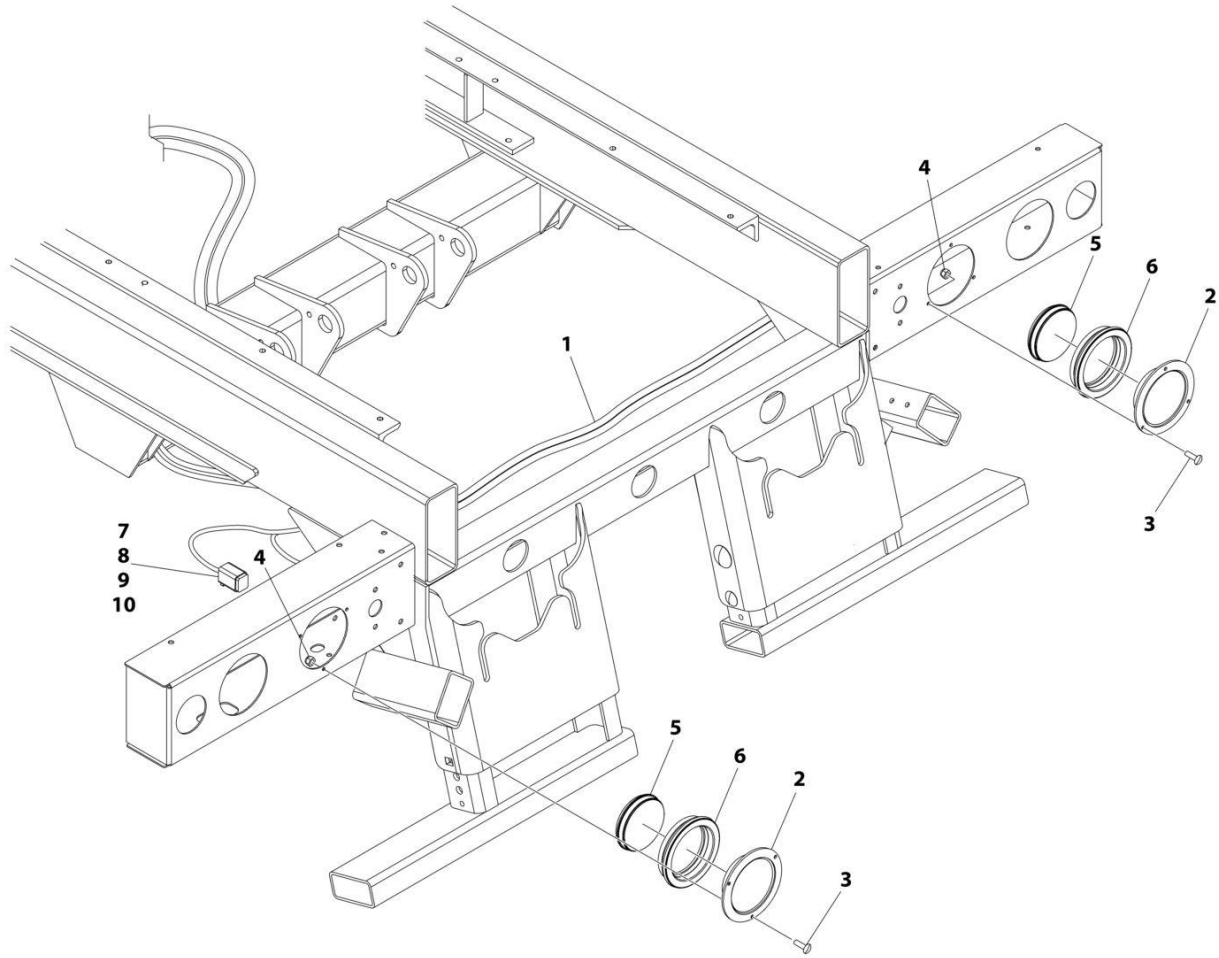
SECTION 6 - ELECTRICAL

FIGURE 6-37. LIGHTS - REAR WORK LIGHTS, LED, 10V-30V

ITEM	PART NUMBER	QTY	DESCRIPTION	REV
	1001176430	Ref	LED WORK LIGHTS REAR INSTALLATION	B
1	1001176337	2	Lamp, LED Work Light 10V-30V (Prior to SN 0220026465)	
1	1001273634	2	Lamp, LED Work Light 10V-30V (SN 0220026465 to Present)	

SECTION 6 - ELECTRICAL

FIGURE 6-38. LIGHTS - TAILLIGHT CONVERSION KIT (SPLIT STOP/TURN)



ART_2590000292

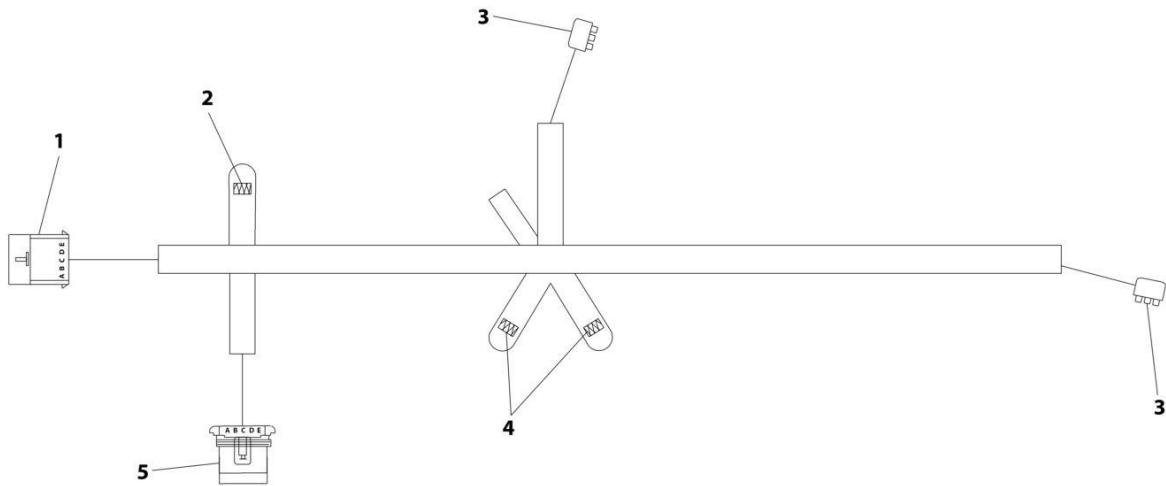
SECTION 6 - ELECTRICAL

FIGURE 6-38. LIGHTS - TAILLIGHT CONVERSION KIT (SPLIT STOP/TURN)

ITEM	PART NUMBER	QTY	DESCRIPTION	REV
	2590000292	Ref	TAIL LIGHT CONVERSION KIT, SPLIT STOP/TURN	E
1	7552000472	1	Harness, Tail Light (See Separate Breakdown in this Section)	
2	7590000432	2	Light	
3	7114101018	6	Capscrew #10 x 1-1/4	
4	7660102604	6	Nut #10	
5	1001142769	2	Lamp	
6	7493000002	2	Grommet	
7	1001159336	1	Electrical Assembly, Tail Light Converter	
8	7345001714	6	Terminal	
9	7346000039	AR	Heat Shrink 1/4IN	
10	1001100949	1	Diode - IN5400, 50V, 3.0Amp	

SECTION 6 - ELECTRICAL

FIGURE 6-39. LIGHTS - TAILLIGHT HARNESS



ART_7552000472

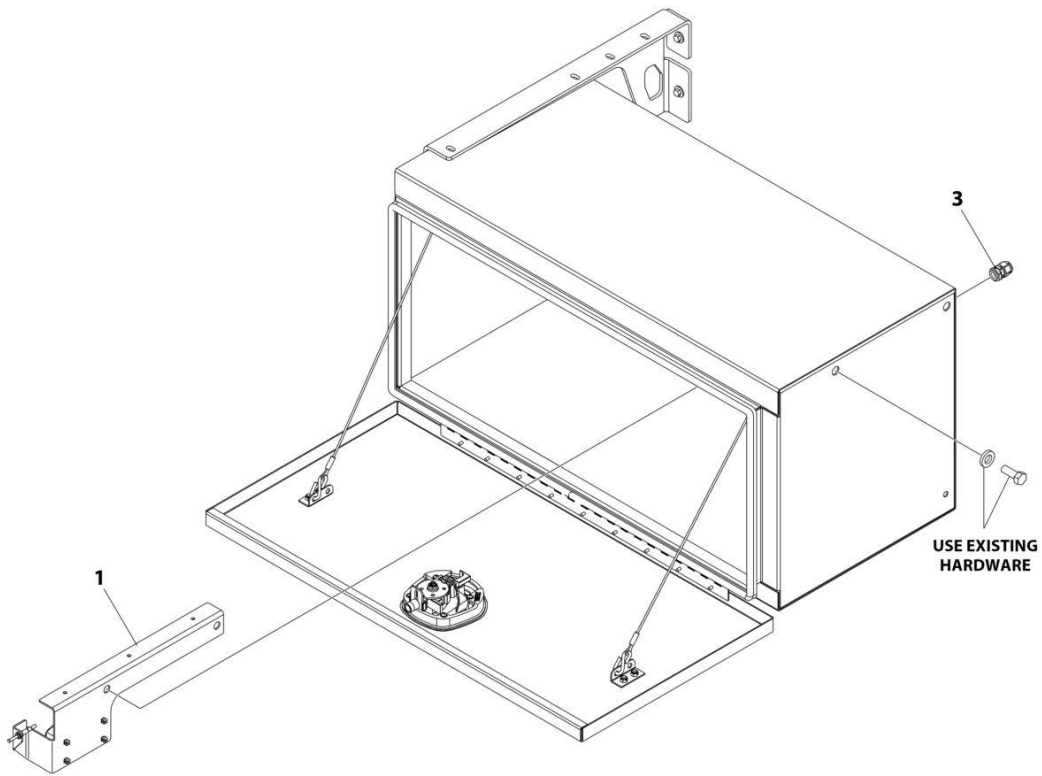
SECTION 6 - ELECTRICAL

FIGURE 6-39. LIGHTS - TAILLIGHT HARNESS

ITEM	PART NUMBER	QTY	DESCRIPTION	REV
	7552000472	Ref	TAILLIGHT HARNESS	B
1		Ref	Connector - 5 Position	
1	1001116720	5	Terminal	
1		Ref	Seal	
2	7346000220	1	Resistor 100 Ohm/10 Watt	
3		Ref	Connector - 3 Position	
4	7346000231	2	Resistor 10 Ohm/50 Watt	
5	1001121726	1	Connector - 5 Position	
5	1001116747	5	Terminal	
5		Ref	Seal	

SECTION 6 - ELECTRICAL

FIGURE 6-40. LIGHTS - TOOLBOX LIGHT



ART_2178000031

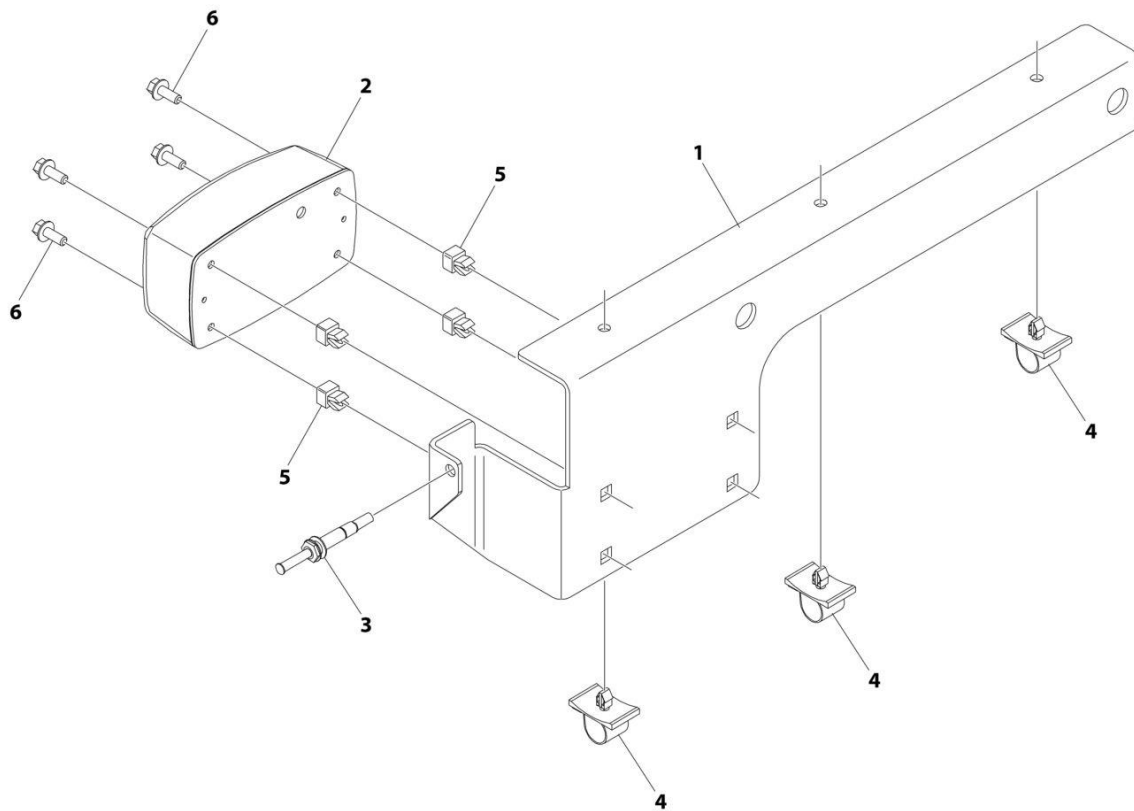
SECTION 6 - ELECTRICAL

FIGURE 6-40. LIGHTS - TOOLBOX LIGHT

ITEM	PART NUMBER	QTY	DESCRIPTION	REV
	2178000031	Ref	Toolbox Light Installation	0
1	3178000437	1	Bracket Assembly (See Separate Breakdown in this Section)	
2	7552000297	1	Harness, Tool Box Light (Not Shown)	
2	4460742	1	Plug, Male - 2 Position	
2	4460457	2	Socket, Female	
3	7443000377	1	Fitting	

SECTION 6 - ELECTRICAL

FIGURE 6-41. LIGHTS - TOOLBOX LIGHT BRACKET ASSEMBLY



ART_3178000437

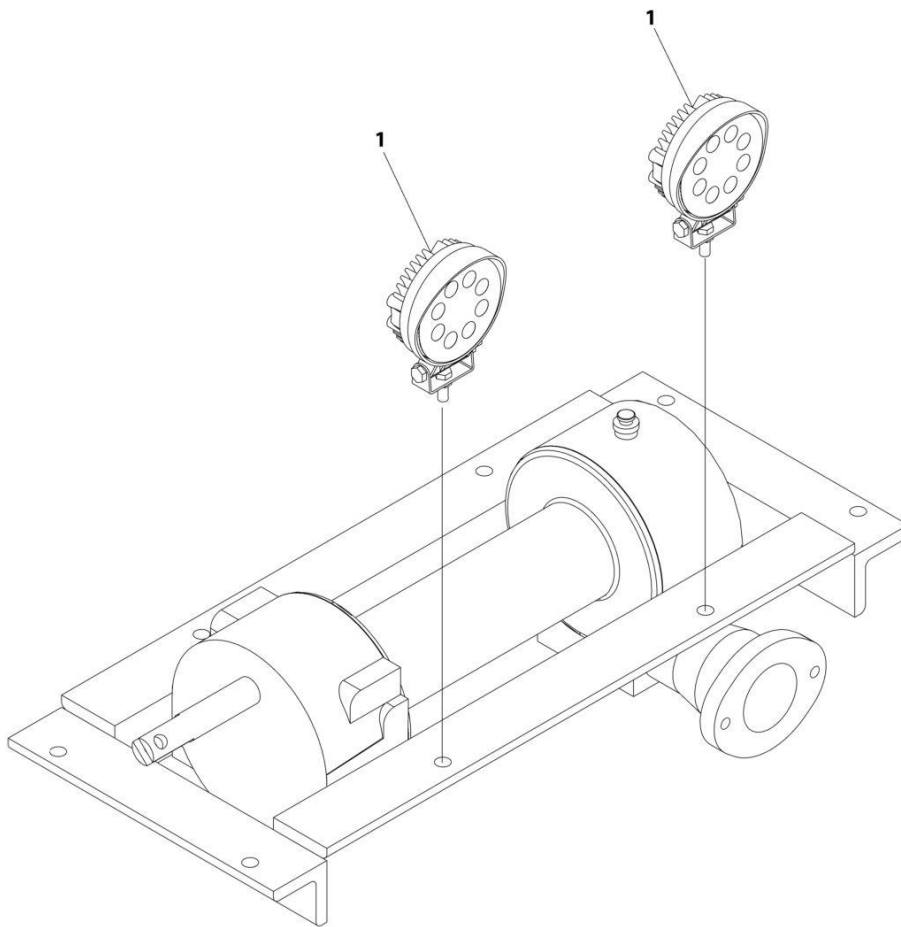
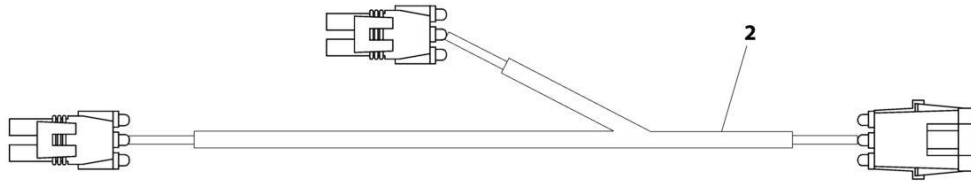
SECTION 6 - ELECTRICAL

FIGURE 6-41. LIGHTS - TOOLBOX LIGHT BRACKET ASSEMBLY

ITEM	PART NUMBER	QTY	DESCRIPTION	REV
	3178000437	Ref	Toolbox Light Bracket Assembly	0
1	4178000578	1	Bracket	
2	7590000273	1	Light Dome Lamp	
3	7870000115	1	Switch	
4	7280000007	3	Clip	
5	7661000047	4	Nut #10 x 1/8	
6	7790100856	4	Screw #10 x 1/2	

SECTION 6 - ELECTRICAL

FIGURE 6-42. LIGHTS - WORK LIGHTS AT WINCH, LED, 10V-30V



ART_1001176431

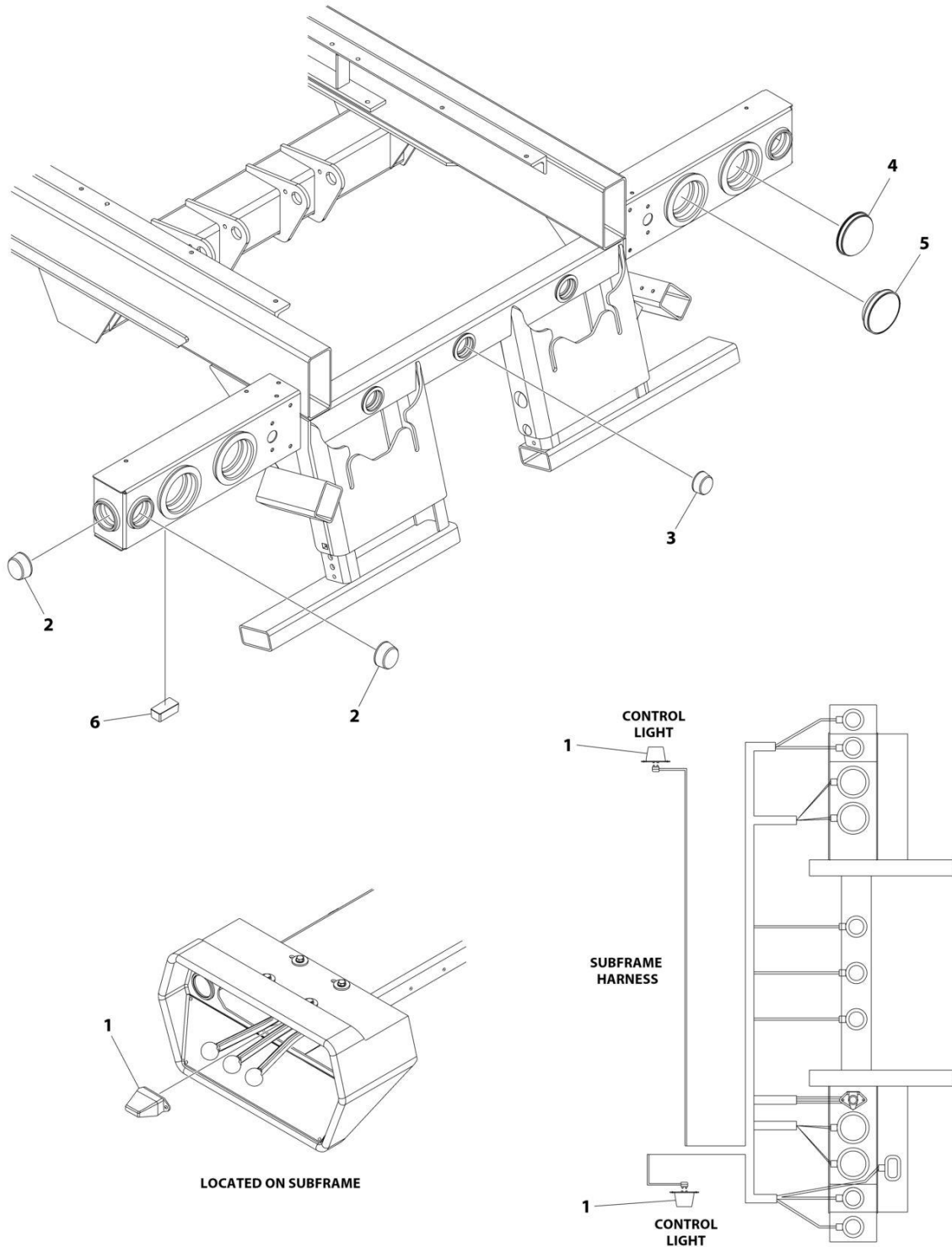
SECTION 6 - ELECTRICAL

FIGURE 6-42. LIGHTS - WORK LIGHTS AT WINCH, LED, 10V-30V

ITEM	PART NUMBER	QTY	DESCRIPTION	REV
	1001176431	Ref	LED WORK LIGHTS WINCH INSTALLATION	C
1	1001176337	2	Lamp, LED Work Light 10V-30V (Prior to SN 0220026465)	
1	1001273634	2	Lamp, LED Work Light 10V-30V (SN 0220026465 to Present)	
2	7552000166	1	Harness, Deck Work Light	
2	4460742	2	Plug, Male - 2 Position	
2	4461157	1	Receptacle, Female - 2 Position	
2	4460457	6	Terminal	
2	8220081	6	Seal	
3	5526000553	4	Tie-Strap (Not Shown)	

SECTION 6 - ELECTRICAL

FIGURE 6-43. LIGHTS - 24 VOLT CONVERSION



ART_1001161526

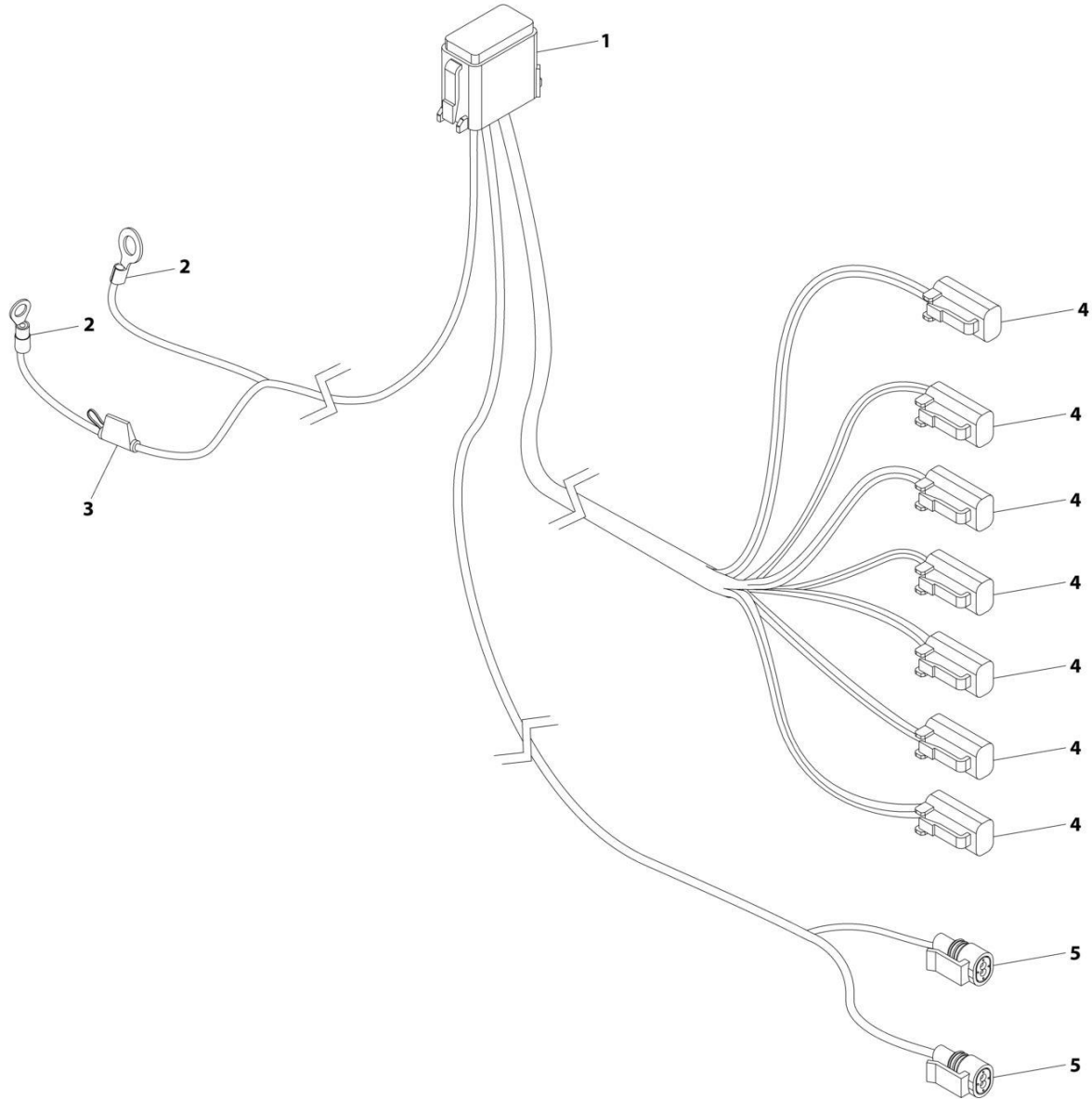
SECTION 6 - ELECTRICAL

FIGURE 6-43. LIGHTS - 24 VOLT CONVERSION

ITEM	PART NUMBER	QTY	DESCRIPTION	REV
	1001161526	Ref	LIGHT CONVERSION - 24 VOLT	A
1	7590000143	2	Light, Courtesy	
2	7590000132	4	Marker Light - Red (LED)	
3	7590000142	3	Marker Light with Grommet - Red (LED)	
4	7590000135	2	Stop Light	
5	7590000134	2	Backup Light	
6	7590000138	1	Lamp	

SECTION 6 - ELECTRICAL

FIGURE 6-44. SIDE RECOVERY SYSTEM (SRS) HARNESS (WITH REMOTE CONTROL)



ART_7552000413

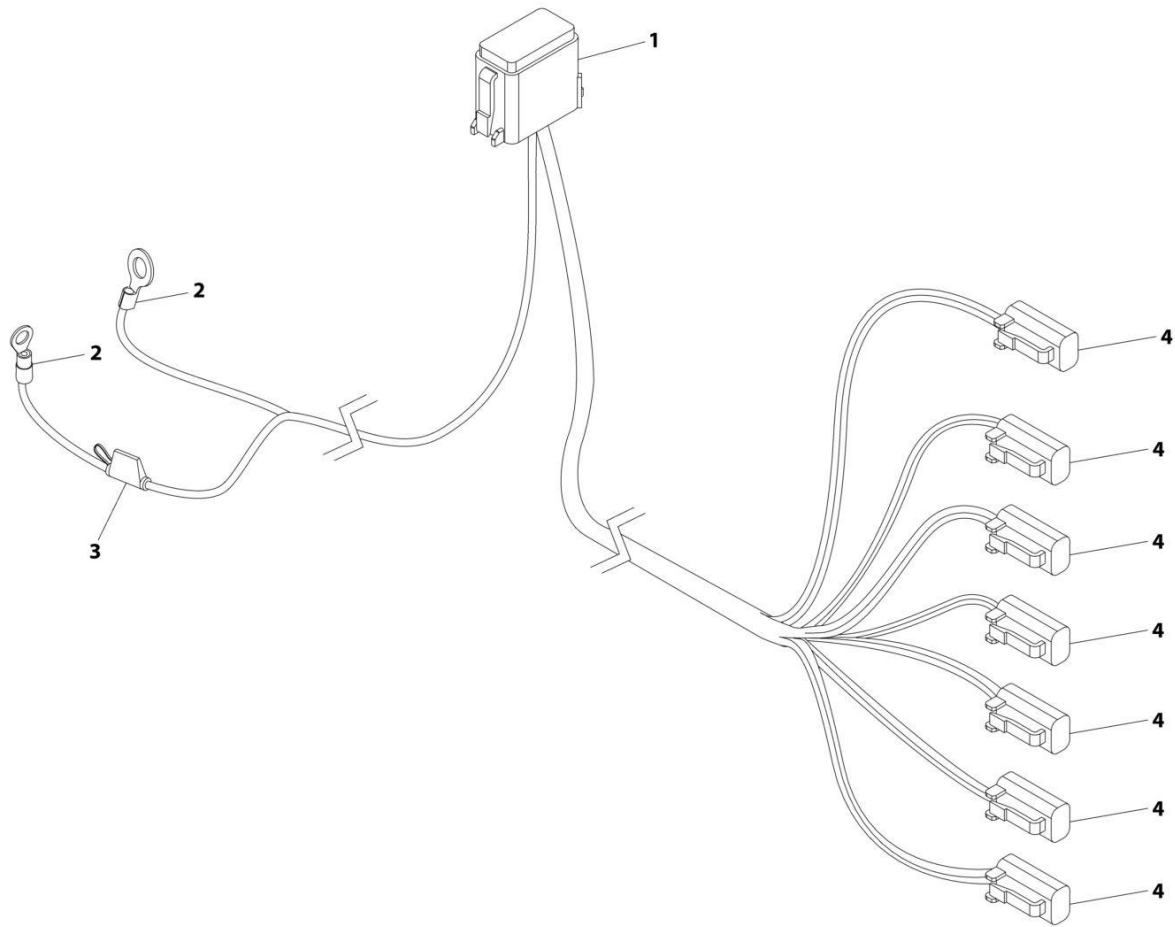
SECTION 6 - ELECTRICAL

FIGURE 6-44. SIDE RECOVERY SYSTEM (SRS) HARNESS (WITH REMOTE CONTROL)

ITEM	PART NUMBER	QTY	DESCRIPTION	REV
	7552000413	Ref	SIDE RECOVERY SYSTEM (SRS) HARNESS (WITH REMOTE CONTROL)	0
1	4460933	1	Plug, Male - 12 position	
1	4460465	11	Socket, Female	
1	4460466	1	Plug, Terminal	
2		Ref	Terminal, Ring	
3		Ref	Fuseholder	
3		Ref	Fuse - 10Amp ATO	
4	4460891	7	Plug, Male - 2 Position	
4	4460465	14	Socket, Female	
5	4460955	2	Plug, Male - 2 Position	
5	4460842	4	Socket, Female	

SECTION 6 - ELECTRICAL

FIGURE 6-45. SIDE RECOVERY SYSTEM HARNESS (WITHOUT REMOTE CONTROL)



ART_7552000385

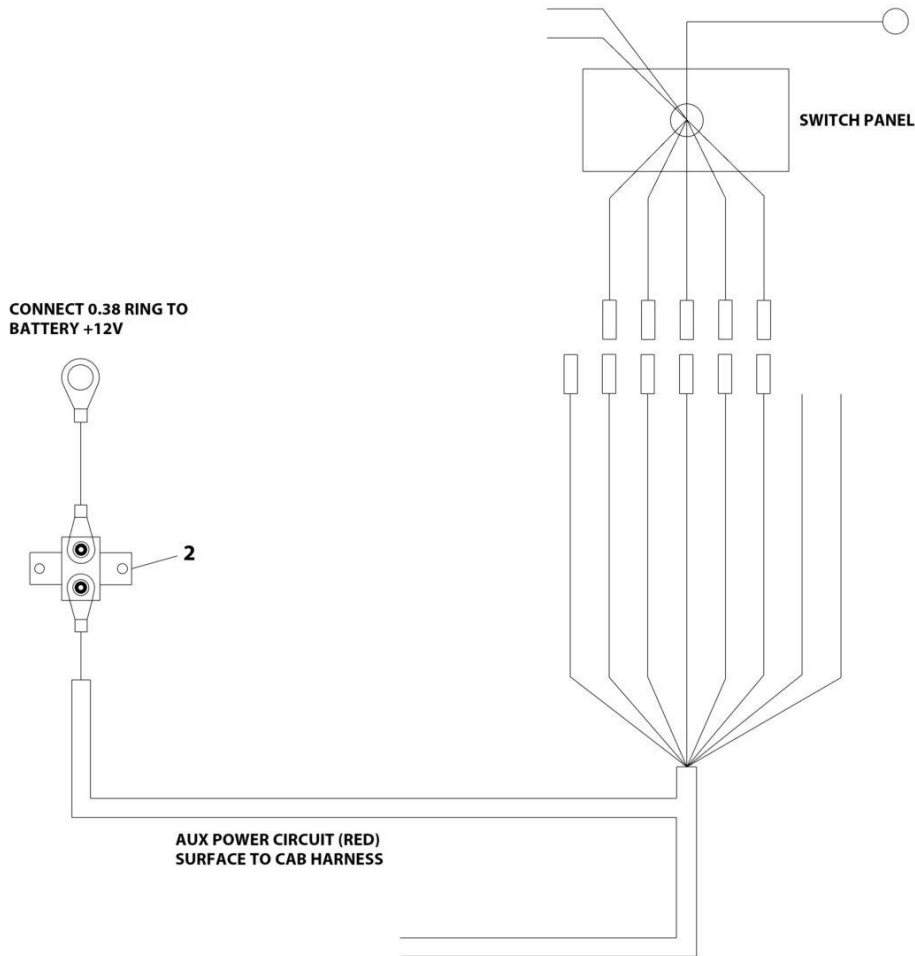
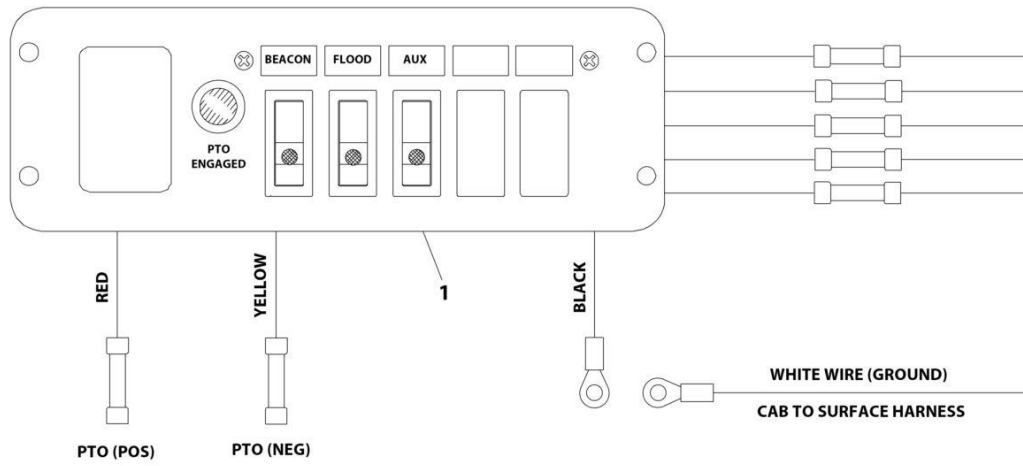
SECTION 6 - ELECTRICAL

FIGURE 6-45. SIDE RECOVERY SYSTEM HARNESS (WITHOUT REMOTE CONTROL)

ITEM	PART NUMBER	QTY	DESCRIPTION	REV
	7552000385	Ref	SIDE RECOVERY SYSTEM HARNESS (WITHOUT REMOTE CONTROL)	2
1	4460933	1	Plug, Male - 12 Position	
1	4460465	9	Socket, Female	
1	4460466	3	Plug, Terminal	
2		Ref	Terminal, Ring	
3		Ref	Fuseholder	
3		Ref	Fuse - 10Amp ATO	
4	4460891	7	Plug, Male - 2 Position	
4	4460465	14	Socket, Female	

SECTION 6 - ELECTRICAL

FIGURE 6-46. SWITCH PANEL INSTALLATION - 3 FUNCTION IN-DASH COMPACT (SN 0220017154 through 0220022646)



ART_SP3ICPKG

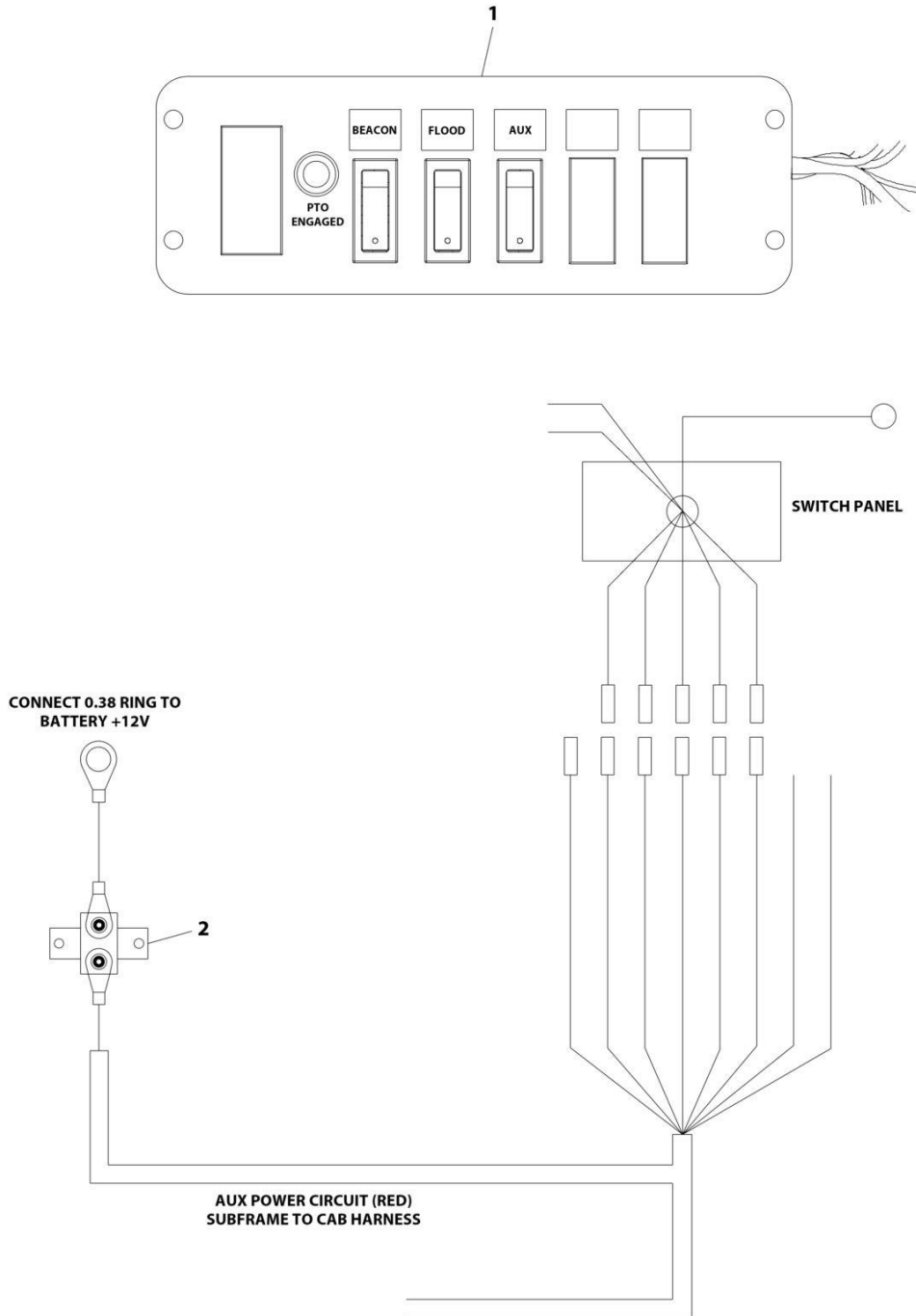
SECTION 6 - ELECTRICAL

FIGURE 6-46. SWITCH PANEL INSTALLATION - 3 FUNCTION IN-DASH COMPACT (SN 0220017154 through 0220022646)

ITEM	PART NUMBER	QTY	DESCRIPTION	REV
	SP3ICPKG	Ref	3 FUNCTION IN-DASH COMPACT SWITCH PANEL	C
1	1001135700	1	3 Function In-Dash Compact Assembly (See Separate Breakdown in this Section)	
2	1001129883	1	Breaker Installation (See Separate Breakdown in this Section)	

SECTION 6 - ELECTRICAL

FIGURE 6-47. SWITCH PANEL INSTALLATION - 3 FUNCTION IN-DASH COMPACT (SN 0220022646 through 0220026736)



ART_1001262046

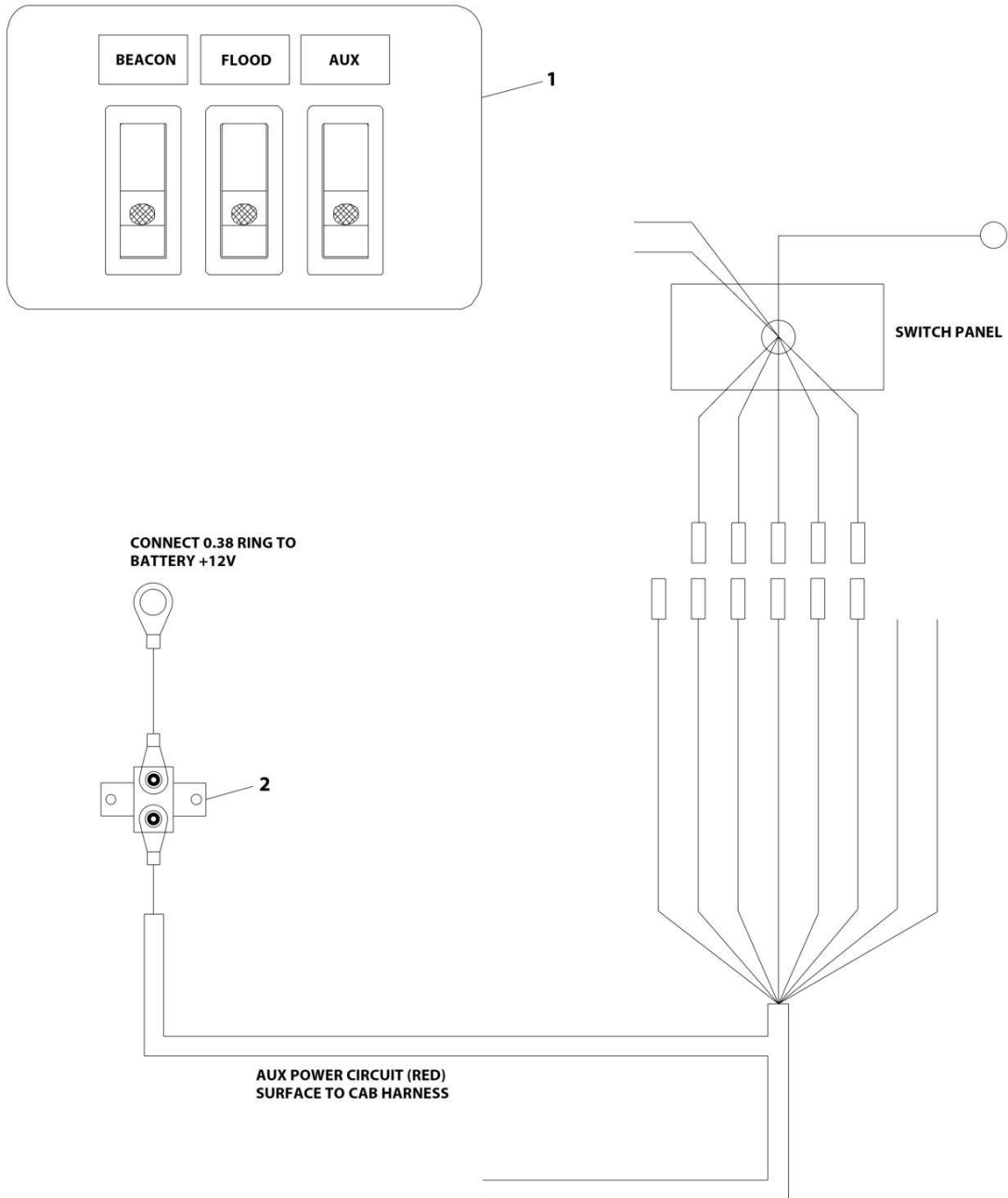
SECTION 6 - ELECTRICAL

FIGURE 6-47. SWITCH PANEL INSTALLATION - 3 FUNCTION IN-DASH COMPACT (SN 0220022646 through 0220026736)

ITEM	PART NUMBER	QTY	DESCRIPTION	REV
	1001262046	Ref	3 FUNCTION IN-DASH COMPACT SWITCH PANEL	A
1	1001261002	1	3 Function In-Dash Compact Installation (See Separate Breakdown in this Section)	
2	1001129883	1	Breaker Installation (See Separate Breakdown in this Section)	

SECTION 6 - ELECTRICAL

FIGURE 6-48. SWITCH PANEL INSTALLATION - 3 FUNCTION IN-DASH MINI (SN 0220017154 through 0220022646)



ART_SP3IMPKG

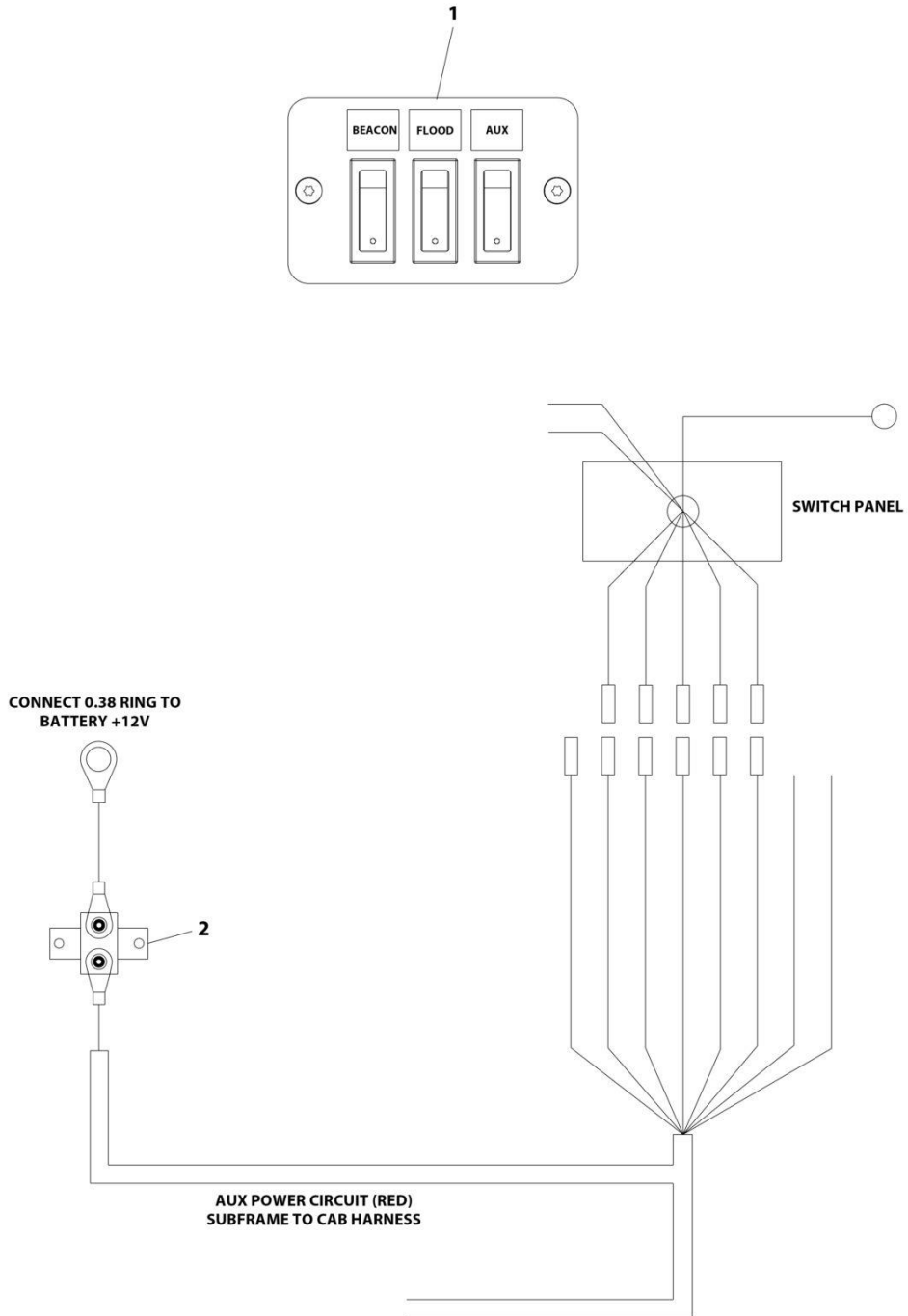
SECTION 6 - ELECTRICAL

FIGURE 6-48. SWITCH PANEL INSTALLATION - 3 FUNCTION IN-DASH MINI (SN 0220017154 through 0220022646)

ITEM	PART NUMBER	QTY	DESCRIPTION	REV
	SP3IMPKG	Ref	3 FUNCTION IN-DASH MINI SWITCH PANEL	B
1	7870000113	1	Switch Panel	
2	1001129883	1	Breaker Installation (See Separate Breakdown in this Section)	

SECTION 6 - ELECTRICAL

FIGURE 6-49. SWITCH PANEL INSTALLATION - 3 FUNCTION IN-DASH MINI (SN 0220022646 through 0220026736)



ART_1001262045

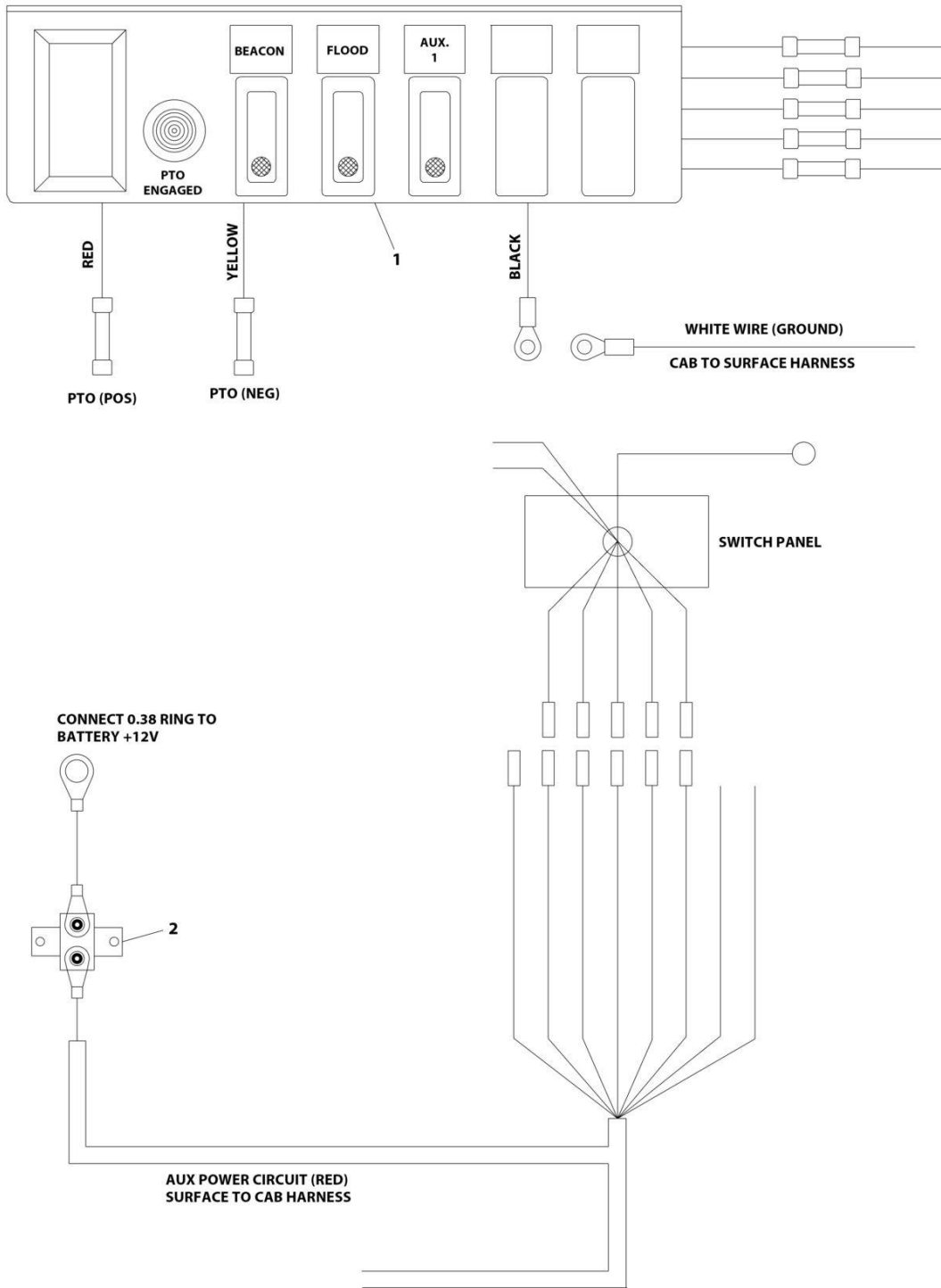
SECTION 6 - ELECTRICAL

FIGURE 6-49. SWITCH PANEL INSTALLATION - 3 FUNCTION IN-DASH MINI (SN 0220022646 through 0220026736)

ITEM	PART NUMBER	QTY	DESCRIPTION	REV
	1001262045	Ref	3 FUNCTION IN-DASH MINI SWITCH PANEL	A
1	1001260898	1	3 Function In-Dash Mini Installation	
2	1001129883	1	Breaker Installation (See Separate Breakdown in this Section)	

SECTION 6 - ELECTRICAL

FIGURE 6-50. SWITCH PANEL INSTALLATION - 3 FUNCTION UNDER-DASH COMPACT (SN 0220017154 through 0220022646)



ART_SP3CPKG

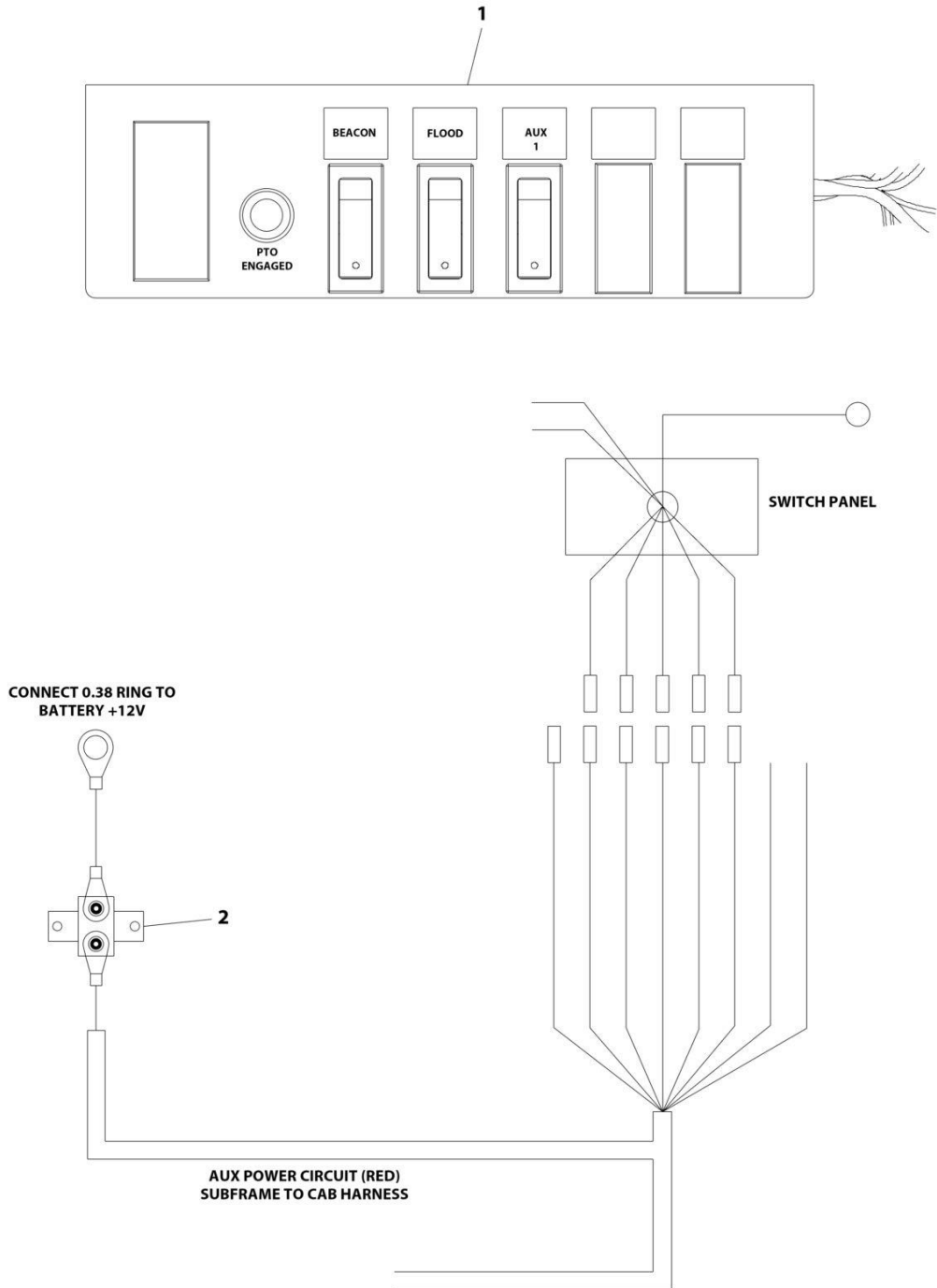
SECTION 6 - ELECTRICAL

FIGURE 6-50. SWITCH PANEL INSTALLATION - 3 FUNCTION UNDER-DASH COMPACT (SN 0220017154 through 0220022646)

ITEM	PART NUMBER	QTY	DESCRIPTION	REV
	SP3CPKG	Ref	3 FUNCTION UNDER-DASH COMPACT SWITCH PANEL	C
1	1001135756	1	3 Function Under-Dash Compact Switch Assembly (See Separate Breakdown in this Section)	
2	1001129883	1	Breaker Installation (See Separate Breakdown in this Section)	

SECTION 6 - ELECTRICAL

FIGURE 6-51. SWITCH PANEL INSTALLATION - 3 FUNCTION UNDER-DASH COMPACT (SN 0220022646 through 0220026736)



ART_1001262048

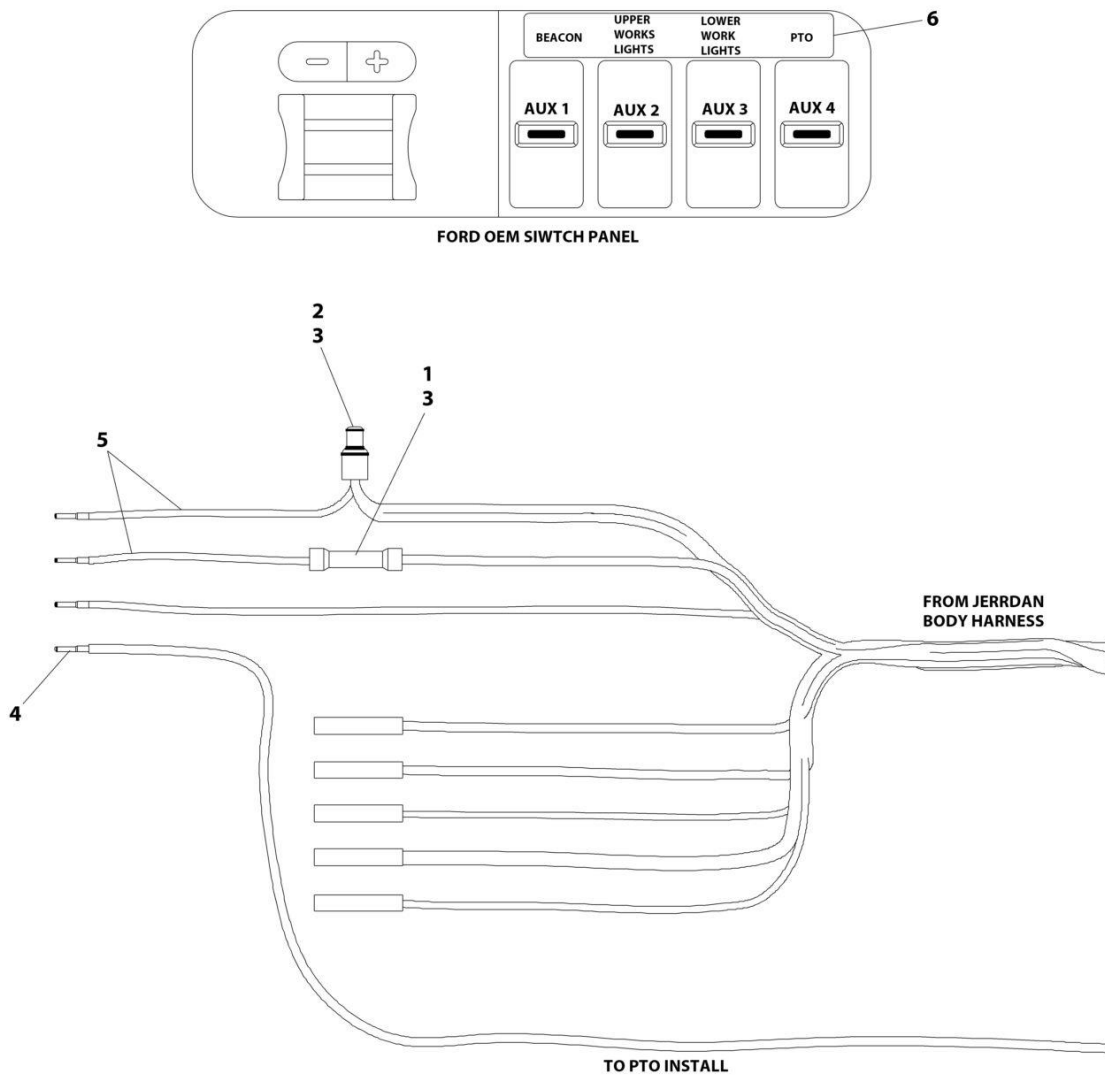
SECTION 6 - ELECTRICAL

FIGURE 6-51. SWITCH PANEL INSTALLATION - 3 FUNCTION UNDER-DASH COMPACT (SN 0220022646 through 0220026736)

ITEM	PART NUMBER	QTY	DESCRIPTION	REV
	1001262048	Ref	3 FUNCTION UNDER-DASH COMPACT SWITCH PANEL	A
1	1001261004	1	3 Function Under-Dash Compact Switch Installation (See Separate Breakdown in this Section)	
2	1001129883	1	Breaker Installation (See Separate Breakdown in this Section)	

SECTION 6 - ELECTRICAL

FIGURE 6-52. SWITCH PANEL INSTALLATION - 4 FUNCTION IN-DASH SWITCH PANEL, FORD F650/750 OEM 2011+ (SN 0220017154 through 0220022646)



ART_1001135524

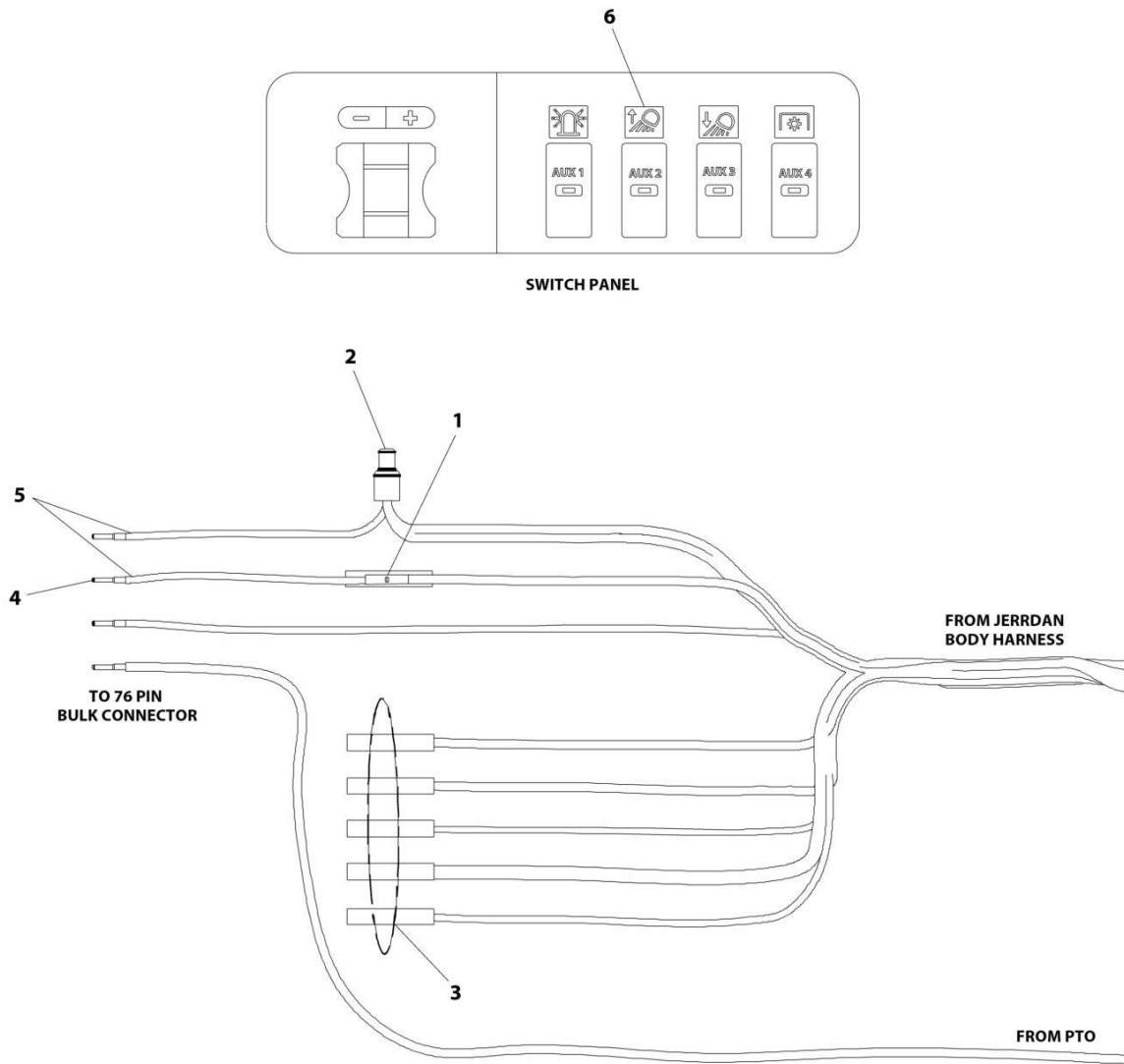
SECTION 6 - ELECTRICAL

FIGURE 6-52. SWITCH PANEL INSTALLATION - 4 FUNCTION IN-DASH SWITCH PANEL, FORD F650/750 OEM 2011+ (SN 0220017154 through 0220022646)

ITEM	PART NUMBER	QTY	DESCRIPTION	REV
	1001135524	Ref	4 FUNCTION IN-DASH SWITCH PANEL, FORD F650/750 OEM 2011+	C
1	7345001914	2	Terminal	
2	7346000242	1	Connector	
3	4346000005	7	Heat Shrink, Tubing	
4	1001129095	4	Terminal	
5	7978000020	AR	Wire	
6	7330000627	AR	Decal	
6	7330000628	AR	Decal	
6	1001135622	AR	Decal	

SECTION 6 - ELECTRICAL

FIGURE 6-53. SWITCH PANEL INSTALLATION - 4 FUNCTION IN-DASH SWITCH PANEL, FORD F650/750 OEM 2011+ (SN 0220022646 through 0220026736)



ART_1001261008

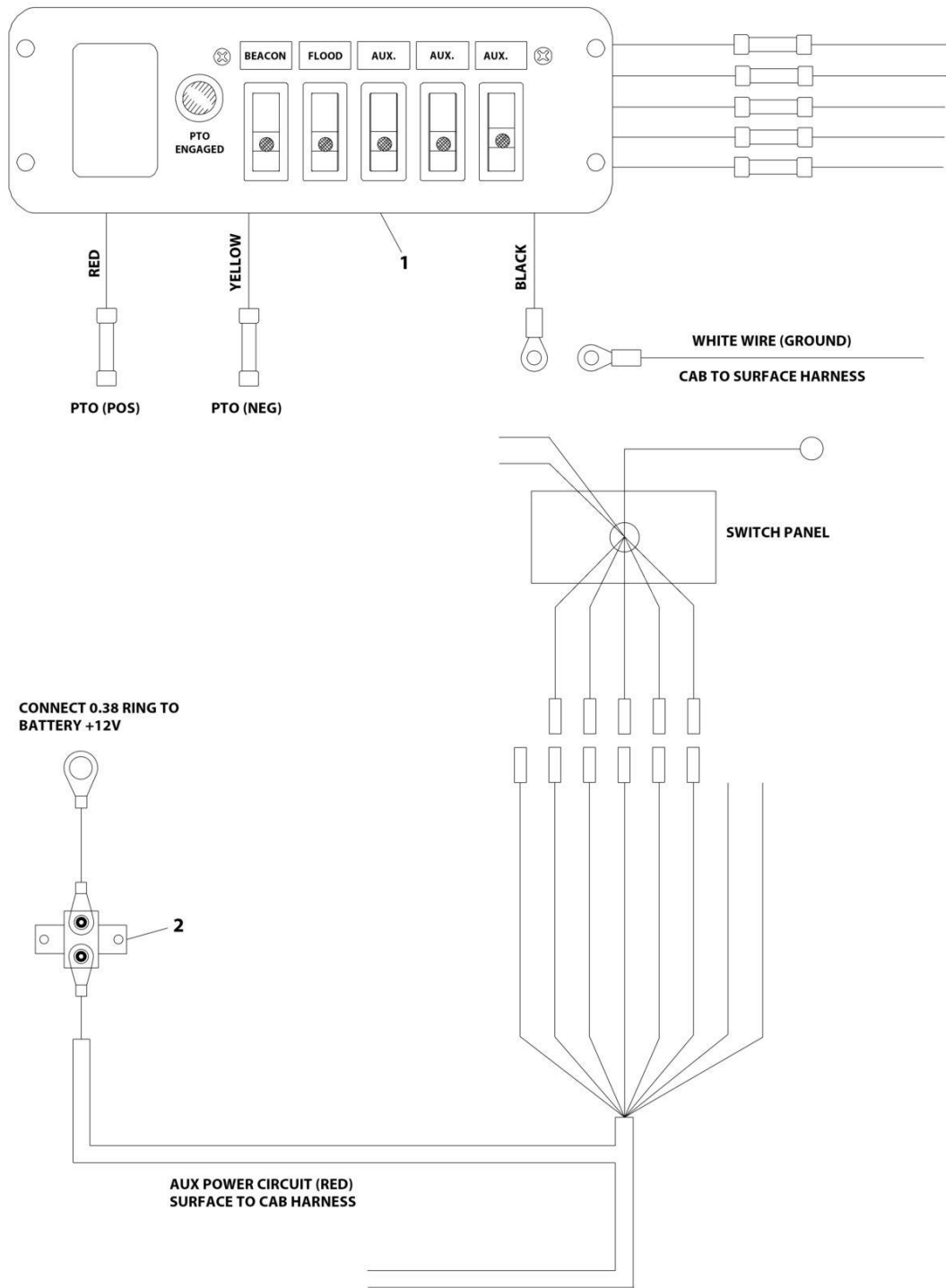
SECTION 6 - ELECTRICAL

FIGURE 6-53. SWITCH PANEL INSTALLATION - 4 FUNCTION IN-DASH SWITCH PANEL, FORD F650/750 OEM 2011+ (SN 0220022646 through 0220026736)

ITEM	PART NUMBER	QTY	DESCRIPTION	REV
	1001261008	Ref	4 FUNCTION IN-DASH SWITCH PANEL, FORD F650/750 OEM 2011+	A
1	7345001914	1	Terminal	
2	7346000242	1	Connector	
3	4346000005	7	Heat Shrink, Tubing	
4	1001129095	4	Terminal	
5	7978000020	AR	Wire	
6	1001221375	AR	Decal	

SECTION 6 - ELECTRICAL

FIGURE 6-54. SWITCH PANEL INSTALLATION - 5 FUNCTION IN-DASH COMPACT (SN 0220017154 through 0220022646)



ART_SP5ICPKG

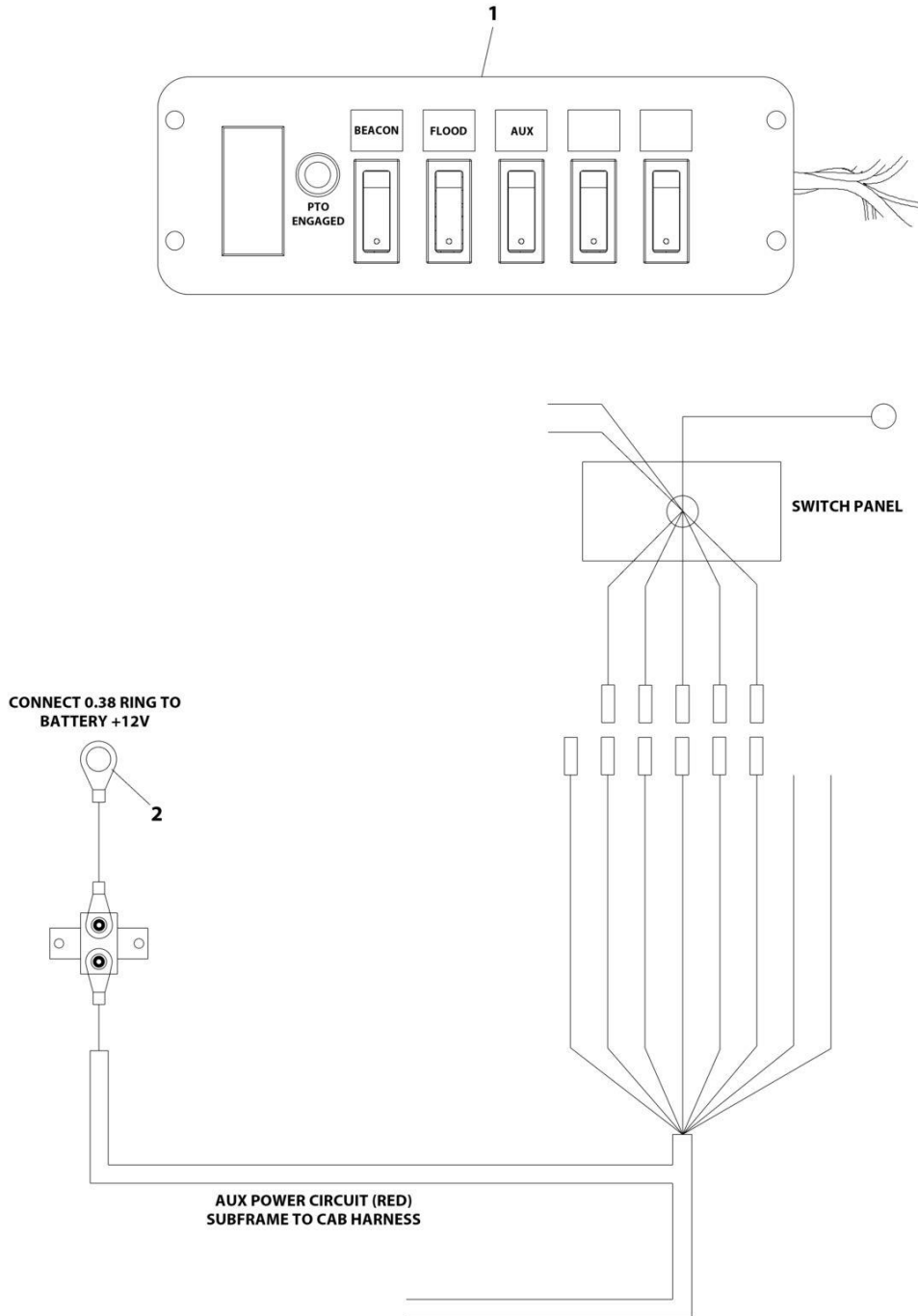
SECTION 6 - ELECTRICAL

FIGURE 6-54. SWITCH PANEL INSTALLATION - 5 FUNCTION IN-DASH COMPACT (SN 0220017154 through 0220022646)

ITEM	PART NUMBER	QTY	DESCRIPTION	REV
	SP5ICPKG	Ref	5 FUNCTION IN-DASH COMPACT SWITCH PANEL	C
1	1001135701	1	5 Function In-Dash Switch Panel Assembly (See Separate Breakdown in this Section)	
2	1001129883	1	Breaker Installation (See Separate Breakdown in this Section)	

SECTION 6 - ELECTRICAL

FIGURE 6-55. SWITCH PANEL INSTALLATION - 5 FUNCTION IN-DASH COMPACT (SN 0220022646 through 0220026736)



ART_1001262049

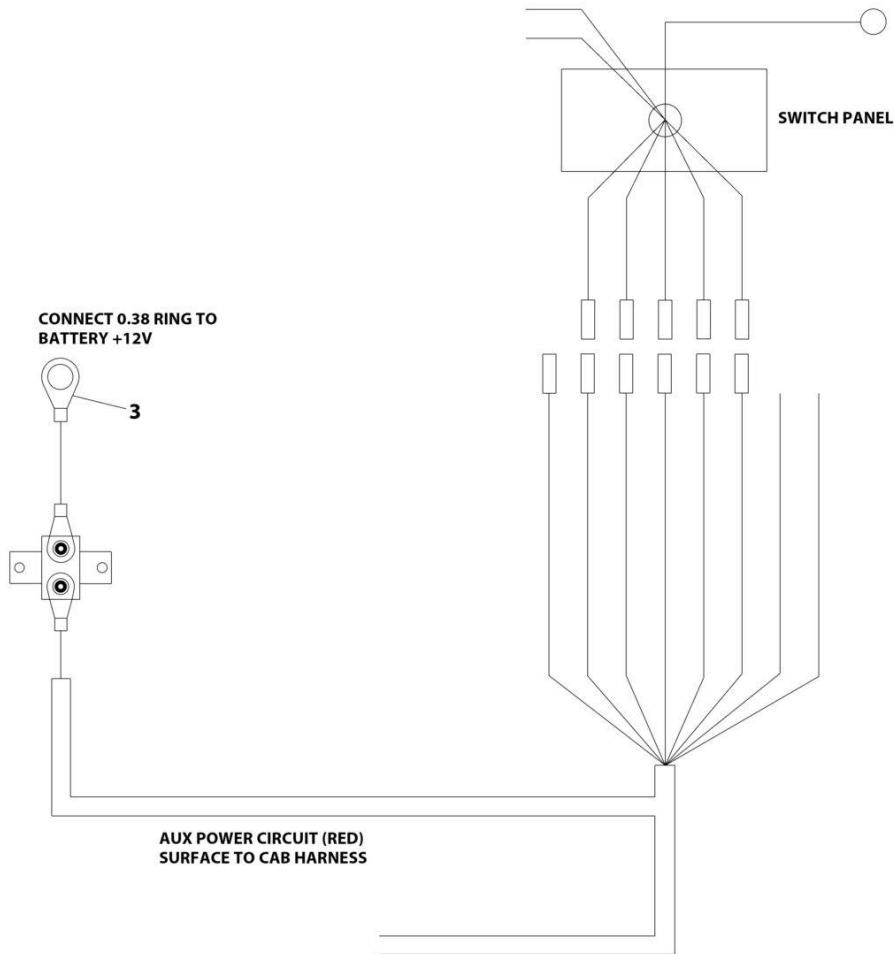
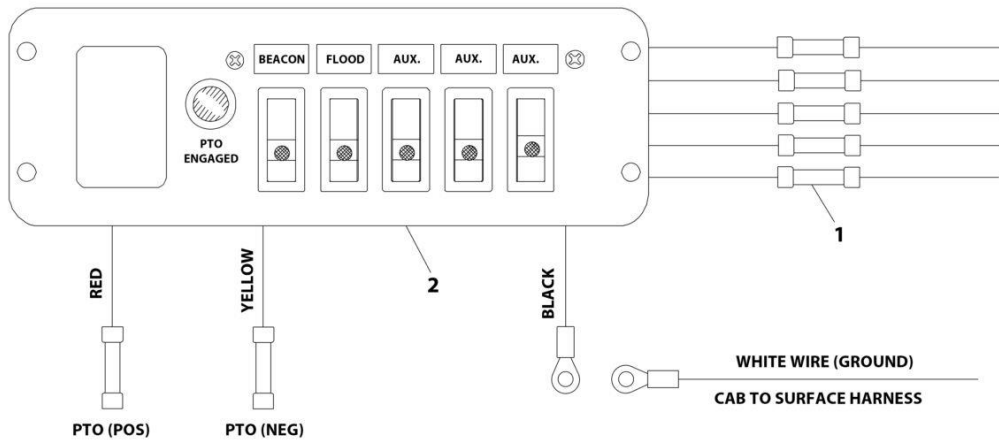
SECTION 6 - ELECTRICAL

FIGURE 6-55. SWITCH PANEL INSTALLATION - 5 FUNCTION IN-DASH COMPACT (SN 0220022646 through 0220026736)

ITEM	PART NUMBER	QTY	DESCRIPTION	REV
	1001262049	Ref	5 FUNCTION IN-DASH COMPACT SWITCH PANEL	A
1	1001261005	1	5 Function In-Dash Switch Panel Installation (See Separate Breakdown in this Section)	
2	1001129883	1	Breaker Installation (See Separate Breakdown in this Section)	

SECTION 6 - ELECTRICAL

FIGURE 6-56. SWITCH PANEL INSTALLATION - 5 FUNCTION IN-DASH SWITCH PANEL, IHC WITHOUT OEM (SN 0220017154 through 0220022646)



ART_1001135811

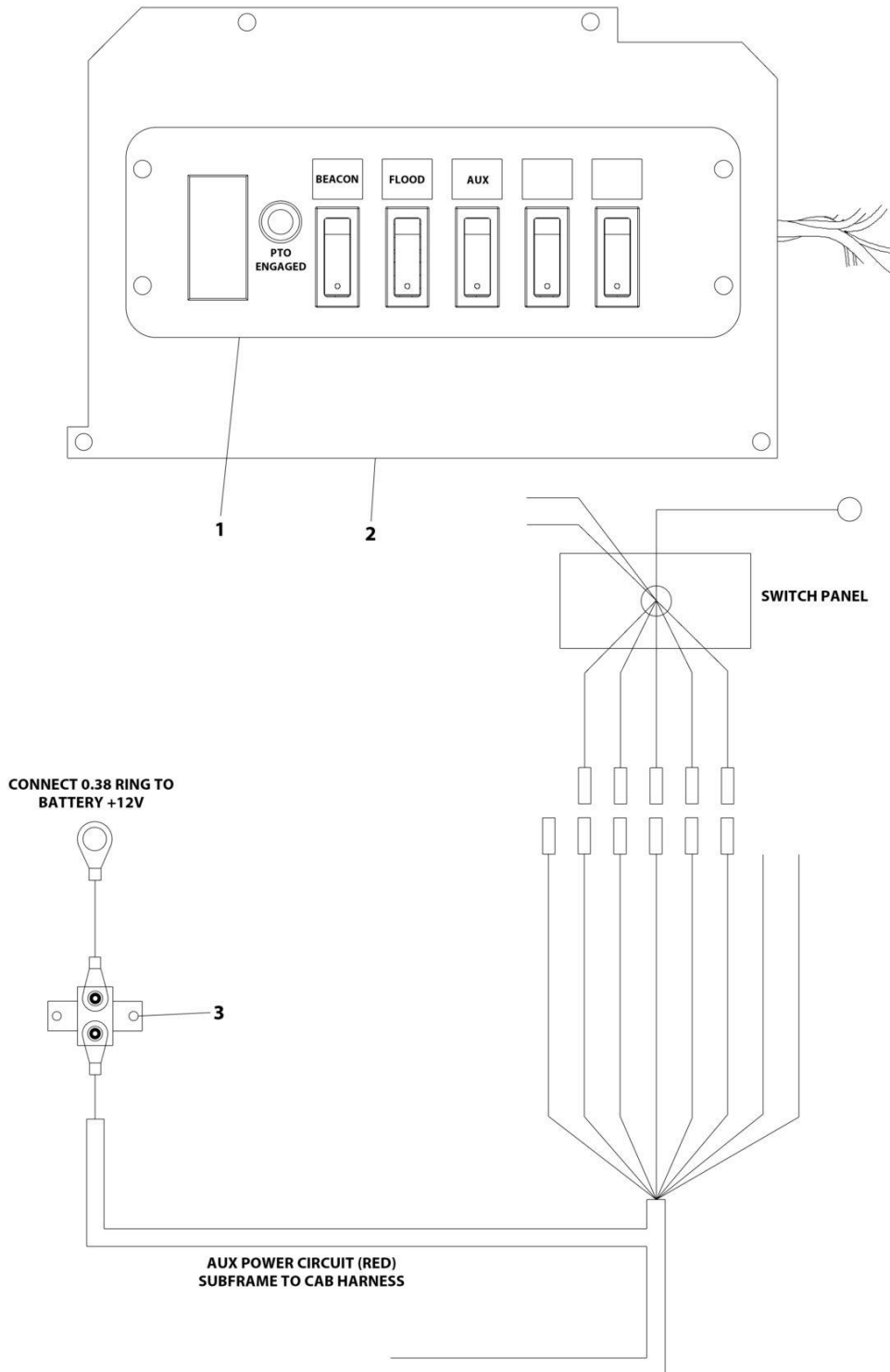
SECTION 6 - ELECTRICAL

FIGURE 6-56. SWITCH PANEL INSTALLATION - 5 FUNCTION IN-DASH SWITCH PANEL, IHC WITHOUT OEM (SN 0220017154 through 0220022646)

ITEM	PART NUMBER	QTY	DESCRIPTION	REV
	1001135811	Ref	5 FUNCTION IN-DASH SWITCH PANEL, IHC WITHOUT OEM	B
1	1001135701	1	5 Function In-Dash Compact Installation (See Separate Breakdown in this Section)	
2	1001135813	1	Switch Panel	
3	1001129883	1	Breaker Installation (See Separate Breakdown in this Section)	

SECTION 6 - ELECTRICAL

FIGURE 6-57. SWITCH PANEL INSTALLATION - 5 FUNCTION IN-DASH SWITCH PANEL, IHC WITHOUT OEM (SN 0220022646 through 0220026736)



ART_1001262053

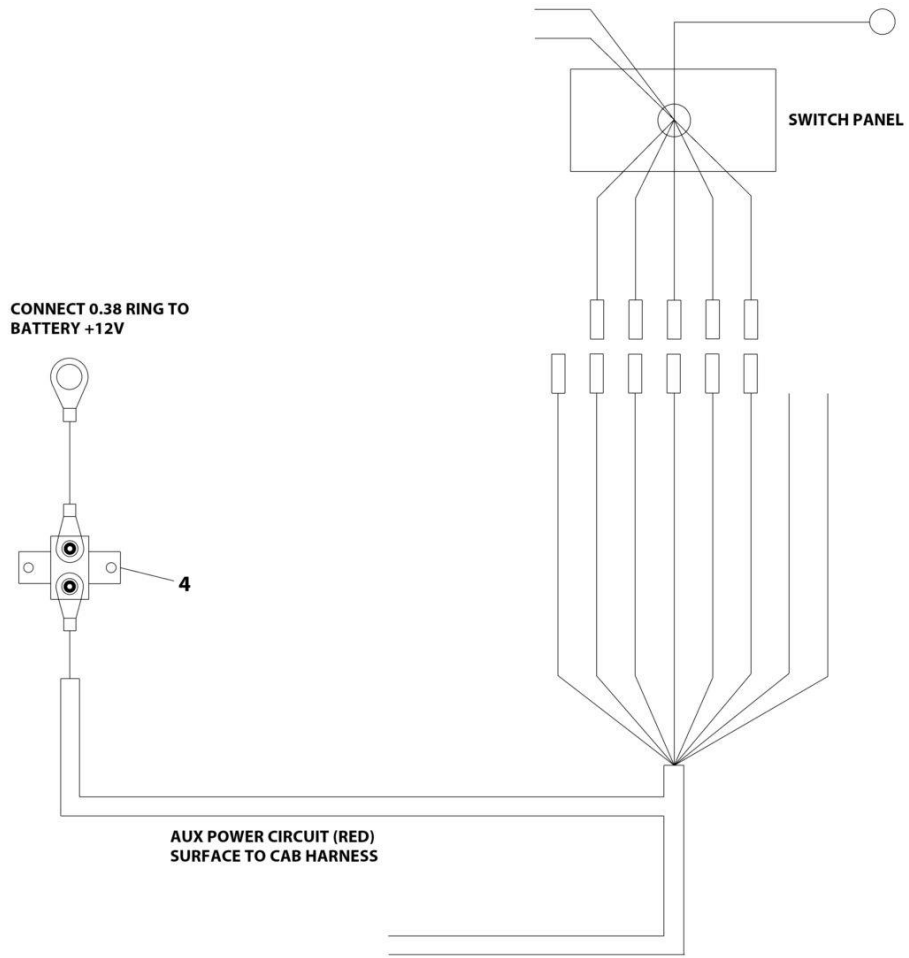
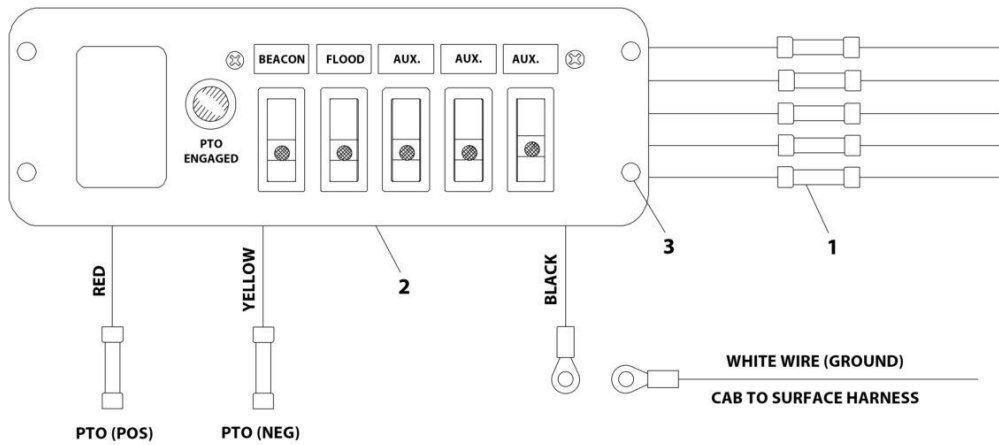
SECTION 6 - ELECTRICAL

FIGURE 6-57. SWITCH PANEL INSTALLATION - 5 FUNCTION IN-DASH SWITCH PANEL, IHC WITHOUT OEM (SN 0220022646 through 0220026736)

ITEM	PART NUMBER	QTY	DESCRIPTION	REV
	1001262053	Ref	5 FUNCTION IN-DASH SWITCH PANEL, IHC WITHOUT OEM	A
1	1001261005	1	5 Function In-Dash Switch Panel Installation (See Separate Breakdown in this Section)	
2	1001135813	1	Switch Panel	
3	1001129883	1	Breaker Installation (See Separate Breakdown in this Section)	

SECTION 6 - ELECTRICAL

FIGURE 6-58. SWITCH PANEL INSTALLATION - 5 FUNCTION IN-DASH SWITCH PANEL, PETERBILT (SN 0220017154 through 0220022646)



ART_1001135812

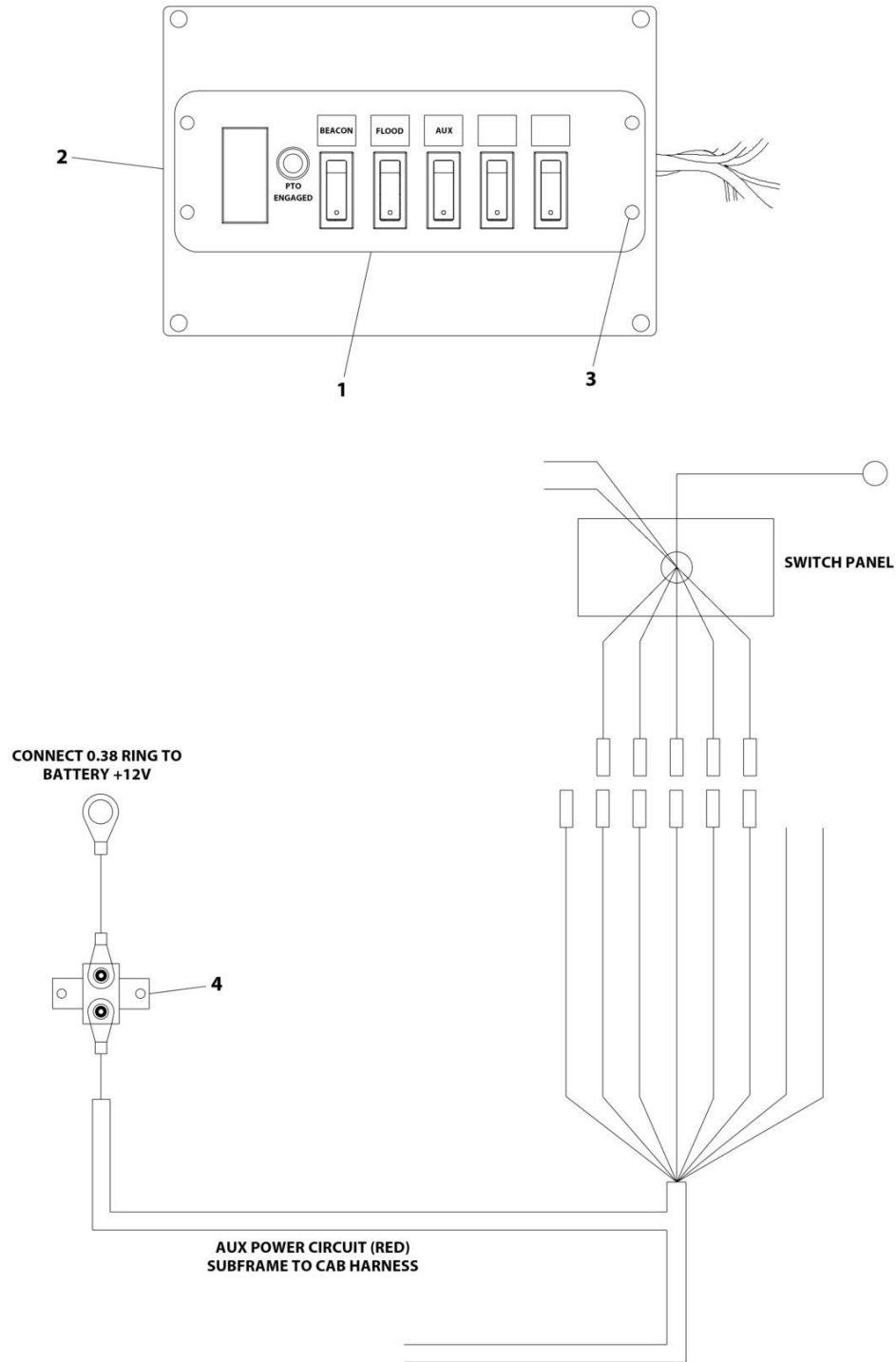
SECTION 6 - ELECTRICAL

**FIGURE 6-58. SWITCH PANEL INSTALLATION - 5 FUNCTION IN-DASH SWITCH PANEL, PETERBILT
(SN 0220017154 through 0220022646)**

ITEM	PART NUMBER	QTY	DESCRIPTION	REV
	1001135812	Ref	5 FUNCTION IN-DASH SWITCH PANEL, PETERBILT	B
1	1001135701	1	5 Function In-Dash Switch Panel Installation (See Separate Breakdown in this Section)	
2	1001135814	1	Switch Panel	
3	1001135815	4	Screw #8 x 3/8	
4	1001129883	1	Breaker Installation (See Separate Breakdown in this Section)	

SECTION 6 - ELECTRICAL

FIGURE 6-59. SWITCH PANEL INSTALLATION - 5 FUNCTION IN-DASH SWITCH PANEL, PETERBILT
(SN 0220022646 through 0220026736)



ART_1001262052

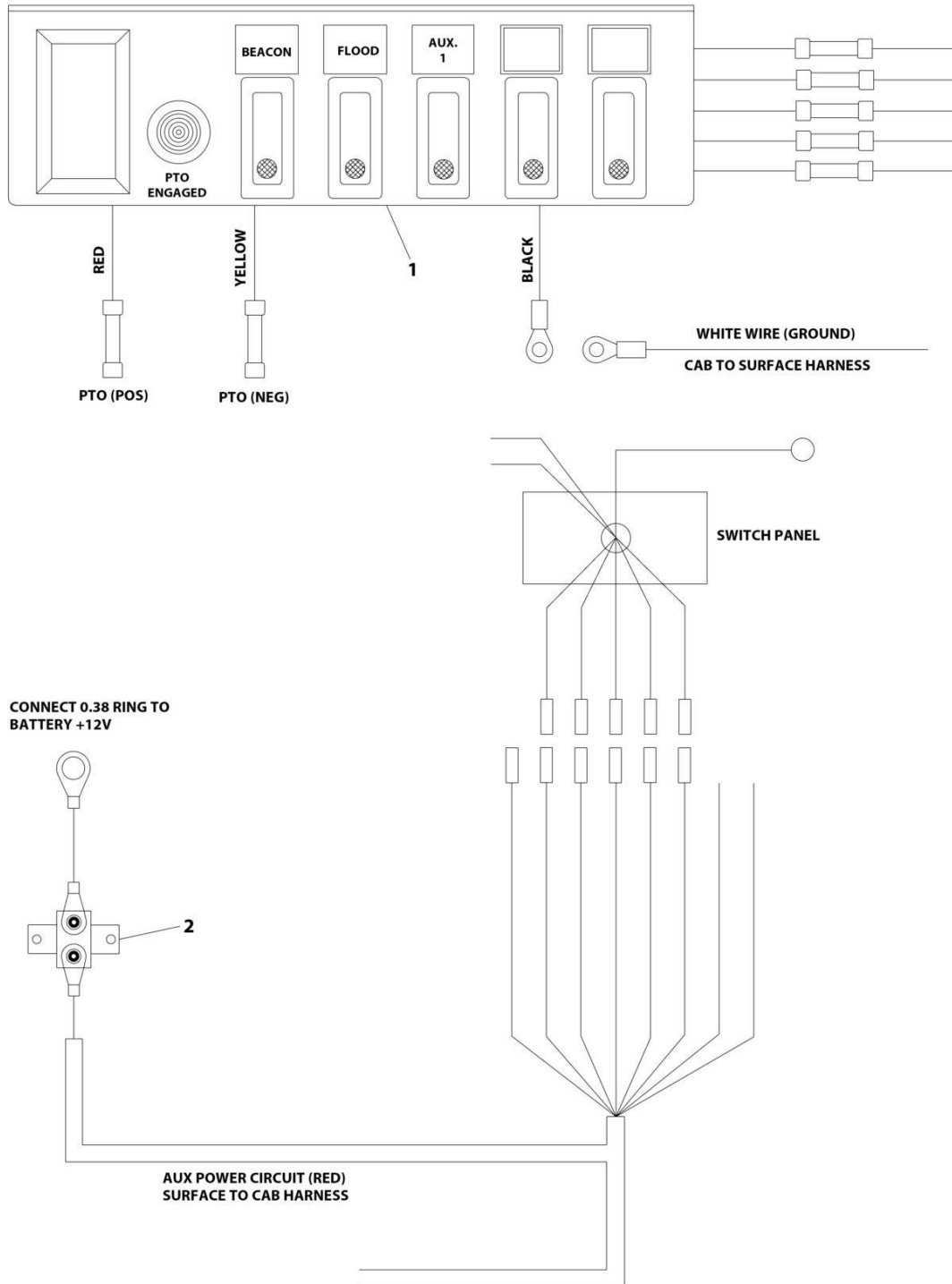
SECTION 6 - ELECTRICAL

**FIGURE 6-59. SWITCH PANEL INSTALLATION - 5 FUNCTION IN-DASH SWITCH PANEL, PETERBILT
(SN 0220022646 through 0220026736)**

ITEM	PART NUMBER	QTY	DESCRIPTION	REV
	1001262052	Ref	5 FUNCTION IN-DASH SWITCH PANEL, PETERBILT	A
1	1001261005	1	5 Function In-Dash Switch Panel Installation (See Separate Breakdown in this Section)	
2	1001135814	1	Switch Panel	
3	1001135815	1	Screw #8 x 3/8	
4	1001129883	1	Breaker Installation (See Separate Breakdown in this Section)	

SECTION 6 - ELECTRICAL

FIGURE 6-60. SWITCH PANEL INSTALLATION - 5 FUNCTION UNDER-DASH COMPACT (SN 0220017154 through 0220022646)



ART_SP5CPKG

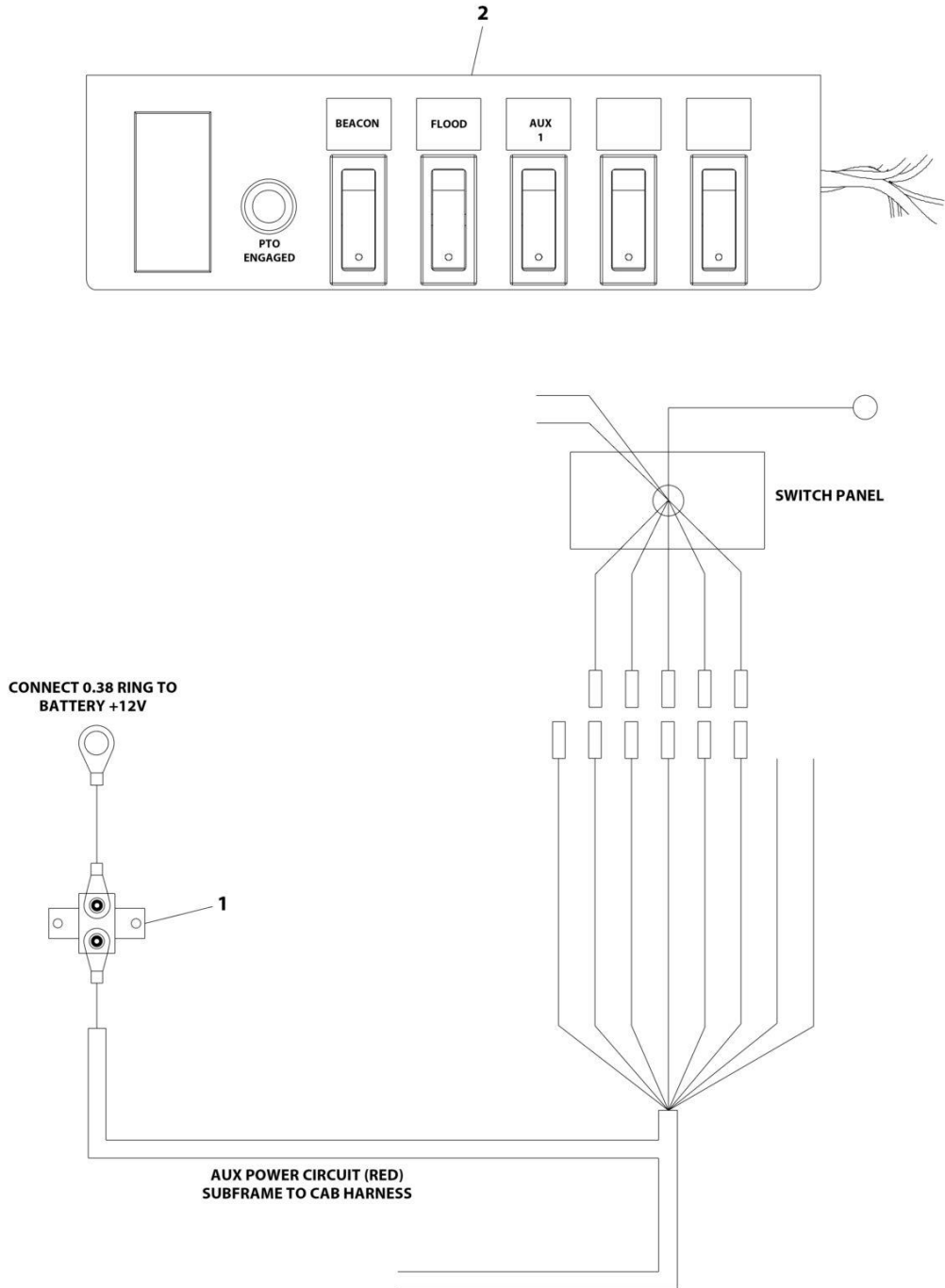
SECTION 6 - ELECTRICAL

FIGURE 6-60. SWITCH PANEL INSTALLATION - 5 FUNCTION UNDER-DASH COMPACT (SN 0220017154 through 0220022646)

ITEM	PART NUMBER	QTY	DESCRIPTION	REV
	SP5CPKG	Ref	5 FUNCTION UNDER-DASH COMPACT SWITCH PANEL	C
1	1001135757	1	5 Function Under-Dash Compact Switch Assembly (See Separate Breakdown in this Section)	
2	1001129883	1	Breaker Installation (See Separate Breakdown in this Section)	

SECTION 6 - ELECTRICAL

FIGURE 6-61. SWITCH PANEL INSTALLATION - 5 FUNCTION UNDER-DASH COMPACT (SN 0220022646 through 0220026736)



ART_1001262050

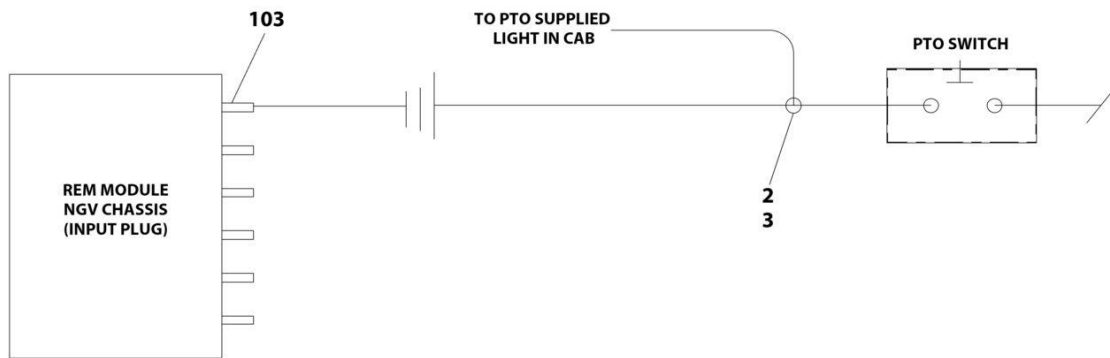
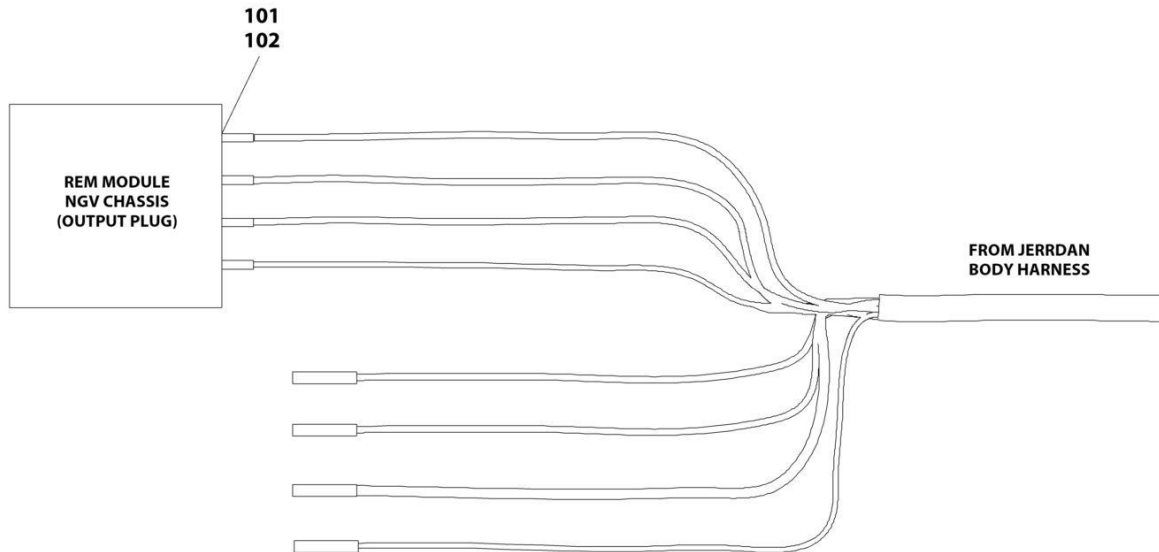
SECTION 6 - ELECTRICAL

FIGURE 6-61. SWITCH PANEL INSTALLATION - 5 FUNCTION UNDER-DASH COMPACT (SN 0220022646 through 0220026736)

ITEM	PART NUMBER	QTY	DESCRIPTION	REV
	1001262050	Ref	5 FUNCTION UNDER-DASH COMPACT SWITCH PANEL	A
1	1001129883	1	Breaker Installation (See Separate Breakdown in this Section)	
2	1001261006	1	5 Function Under-Dash Switch Panel Installation (See Separate Breakdown in this Section)	

SECTION 6 - ELECTRICAL

FIGURE 6-62. SWITCH PANEL INSTALLATION - 6 FUNCTION IN-DASH SWITCH PANEL, IHC OEM
(SN 0220017154 through 0220022646)



ART_2978000001

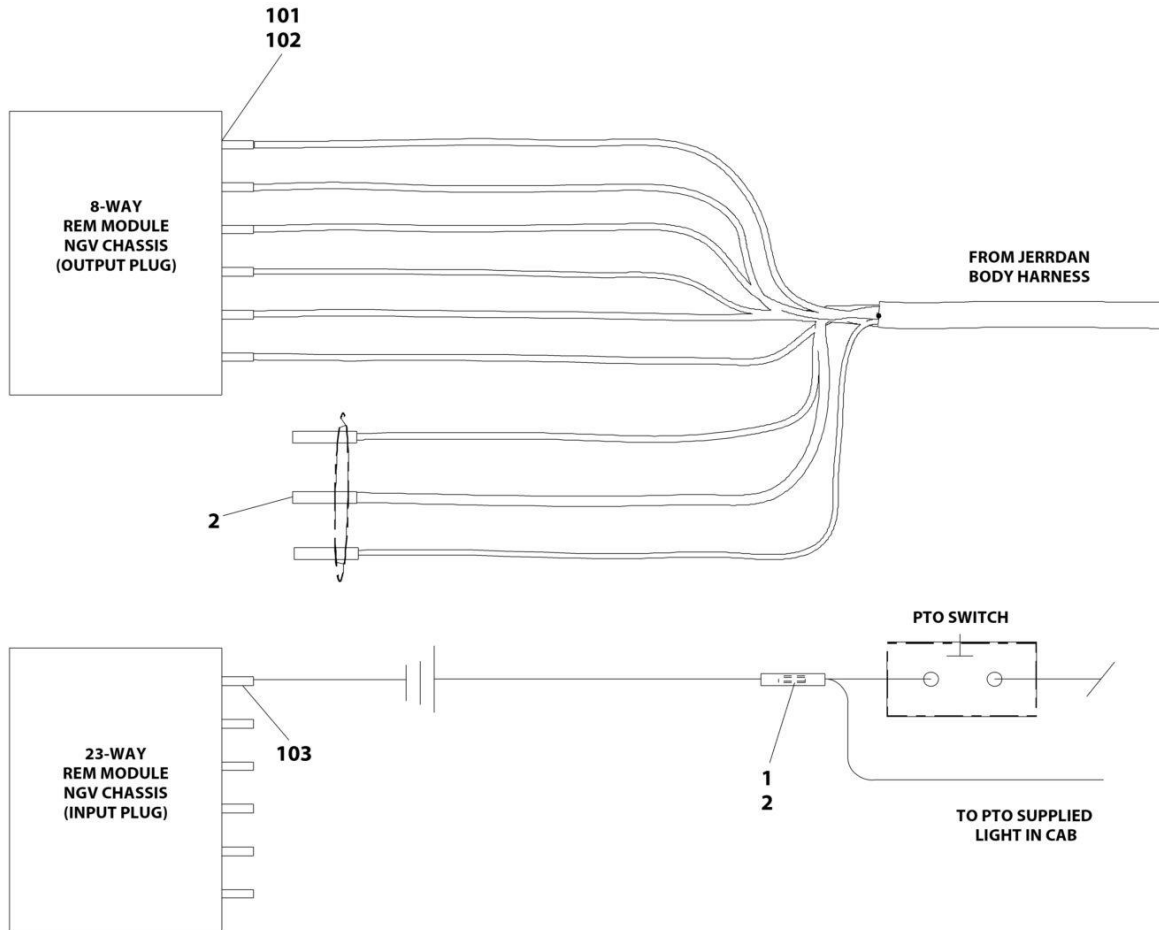
SECTION 6 - ELECTRICAL

**FIGURE 6-62. SWITCH PANEL INSTALLATION - 6 FUNCTION IN-DASH SWITCH PANEL, IHC OEM
(SN 0220017154 through 0220022646)**

ITEM	PART NUMBER	QTY	DESCRIPTION	REV
	2978000001	Ref	6 FUNCTION IN-DASH SWITCH PANEL, IHC OEM	C
1	7577000329	1	Seal, Kit (Not Shown - Includes Items 101-103)	
2	7345001714	1	Terminal	
3	4346000005	4	Heat Shrink, Tubing	
101	7346000122	AR	Terminal	
102	7346000123	AR	Seal	
103	7346000125	AR	Terminal	

SECTION 6 - ELECTRICAL

FIGURE 6-63. SWITCH PANEL INSTALLATION - 6 FUNCTION IN-DASH SWITCH PANEL, IHC OEM
(SN 0220022646 through 0220026736)



ART_1001261016

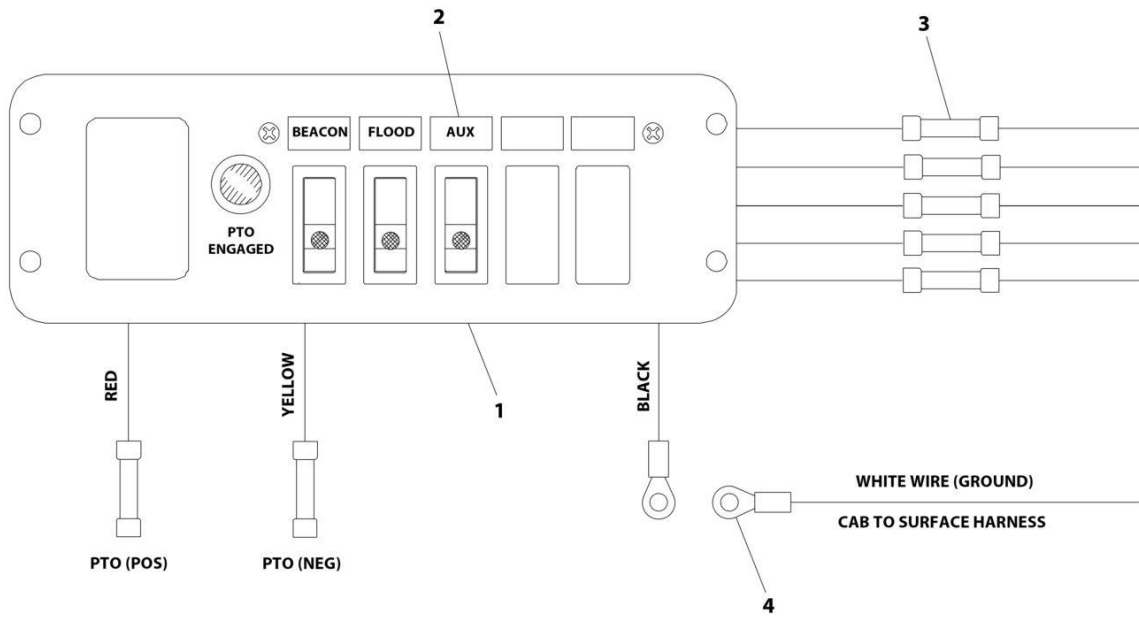
SECTION 6 - ELECTRICAL

**FIGURE 6-63. SWITCH PANEL INSTALLATION - 6 FUNCTION IN-DASH SWITCH PANEL, IHC OEM
(SN 0220022646 through 0220026736)**

ITEM	PART NUMBER	QTY	DESCRIPTION	REV
	1001261016	Ref	6 FUNCTION IN-DASH SWITCH PANEL, IHC OEM	A
1	7345001714	1	Terminal	
2	4346000005	4	Heat Shrink, Tubing	
100	7577000329	1	Seal, Kit (Not Shown)	
101	7346000122	AR	Terminal	
102	7346000123	AR	Seal	
103	7346000125	AR	Terminal	

SECTION 6 - ELECTRICAL

FIGURE 6-64. SWITCH PANEL ASSEMBLY - 3 FUNCTION IN-DASH COMPACT (SN 0220017154 through 0220022646)



ART_1001135700

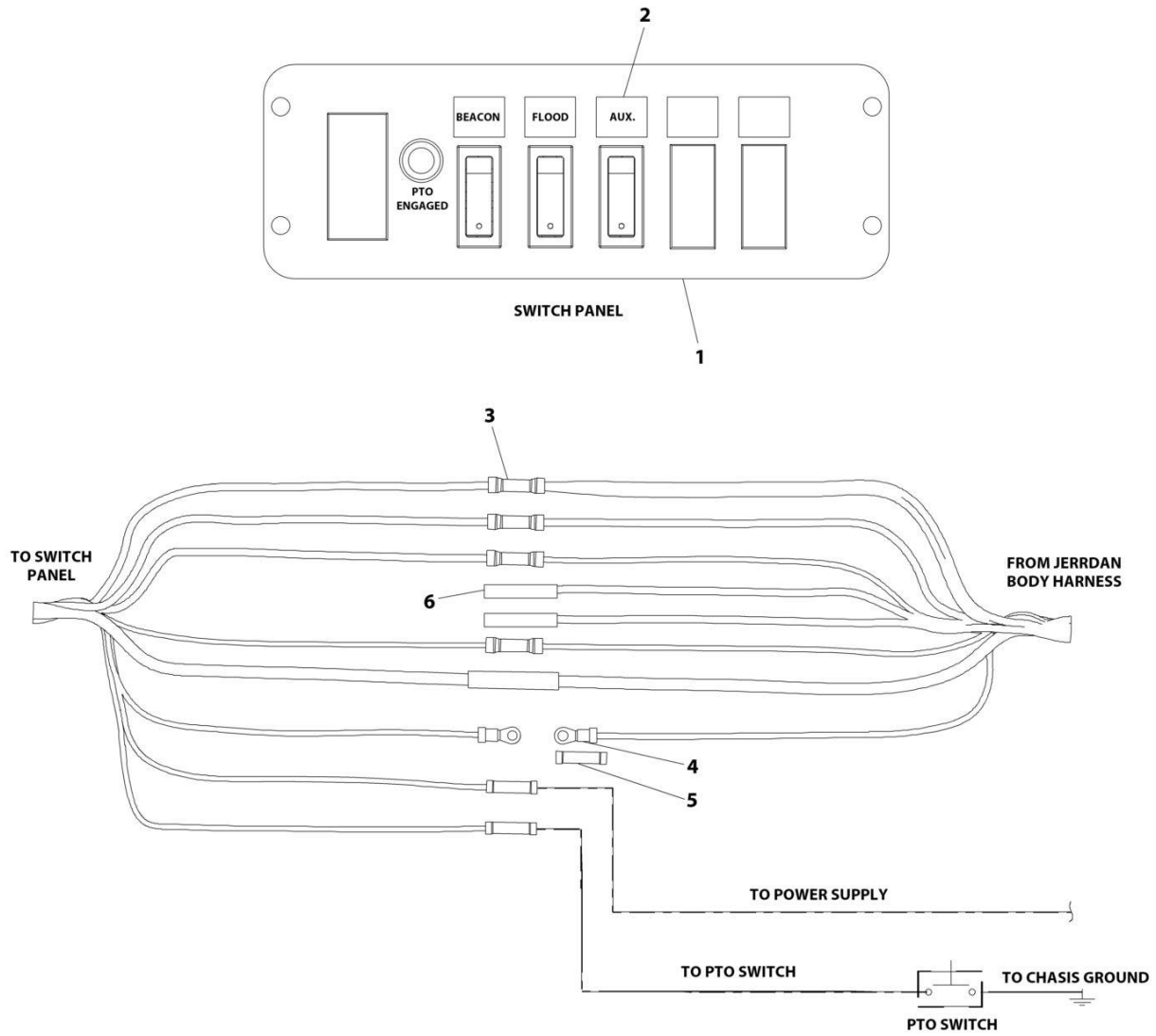
SECTION 6 - ELECTRICAL

FIGURE 6-64. SWITCH PANEL ASSEMBLY - 3 FUNCTION IN-DASH COMPACT (SN 0220017154 through 0220022646)

ITEM	PART NUMBER	QTY	DESCRIPTION	REV
	1001135700	Ref	3 Function In-Dash Compact Installation	B
1	7870000100	1	Switch Panel	
2	7330000288	1	Decal	
3	7345001913	4	Connector	
4	7345211701	1	Terminal	
4	7345001713	1	Connector	
5	4346000005	1	Heat Shrink (Not Shown)	

SECTION 6 - ELECTRICAL

FIGURE 6-65. SWITCH PANEL ASSEMBLY - 3 FUNCTION IN-DASH COMPACT (SN 0220022646 through 0220026736)



ART_1001261002

SECTION 6 - ELECTRICAL

FIGURE 6-65. SWITCH PANEL ASSEMBLY - 3 FUNCTION IN-DASH COMPACT (SN 0220022646 through 0220026736)

ITEM	PART NUMBER	QTY	DESCRIPTION	REV
	1001261002	Ref	3 FUNCTION IN-DASH COMPACT SWITCH PANEL INSTALLATION	B
1	7870000100	1	Switch Panel	
2	7330000288	1	Decal	
3	4460018	4	Connector	
4	4460042	1	Terminal, Ring	
5	4460035	1	Connector	
6	4346000005	2	Heat Shrink	

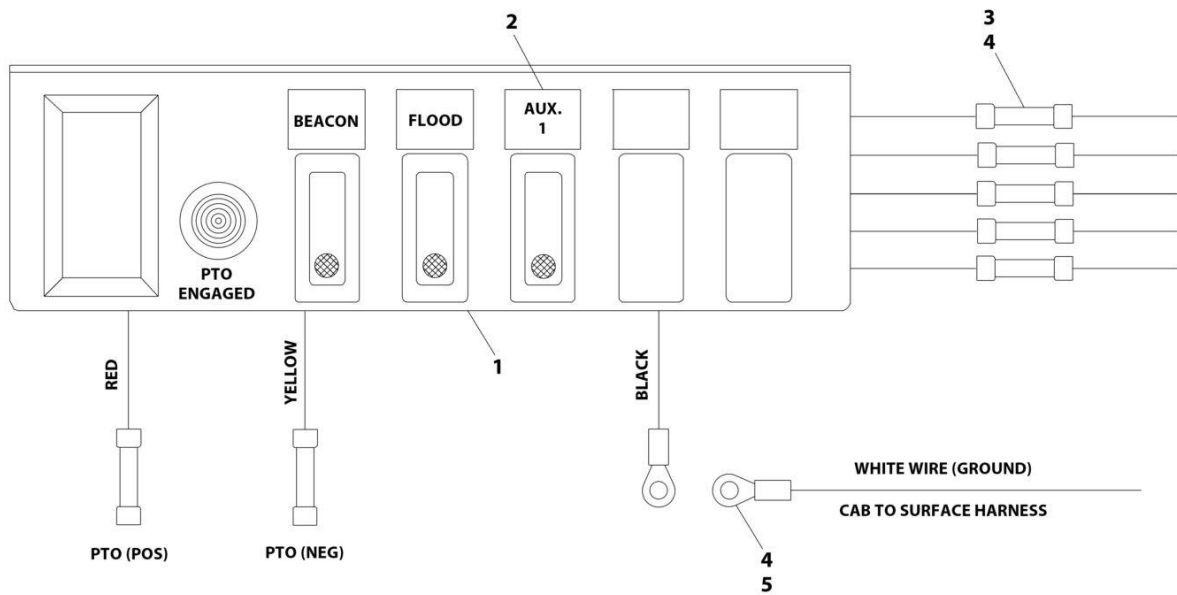
SECTION 6 - ELECTRICAL

FIGURE 6-66. SWITCH PANEL ASSEMBLY - 3 FUNCTION IN-DASH MINI (SN 0220022646 through 0220026736)

ITEM	PART NUMBER	QTY	DESCRIPTION	REV
	1001260898	Ref	3 FUNCTION IN-DASH MINI SWITCH PANEL INSTALLATION	A
1	7870000113	1	Switch Panel	
2	1001196552	2	Screw #8 x 3/4	
3	4346000005	4	Heat Shrink	

SECTION 6 - ELECTRICAL

FIGURE 6-67. SWITCH PANEL ASSEMBLY - 3 FUNCTION UNDER-DASH COMPACT (SN 0220017154 through 0220022646)



ART_1001135756

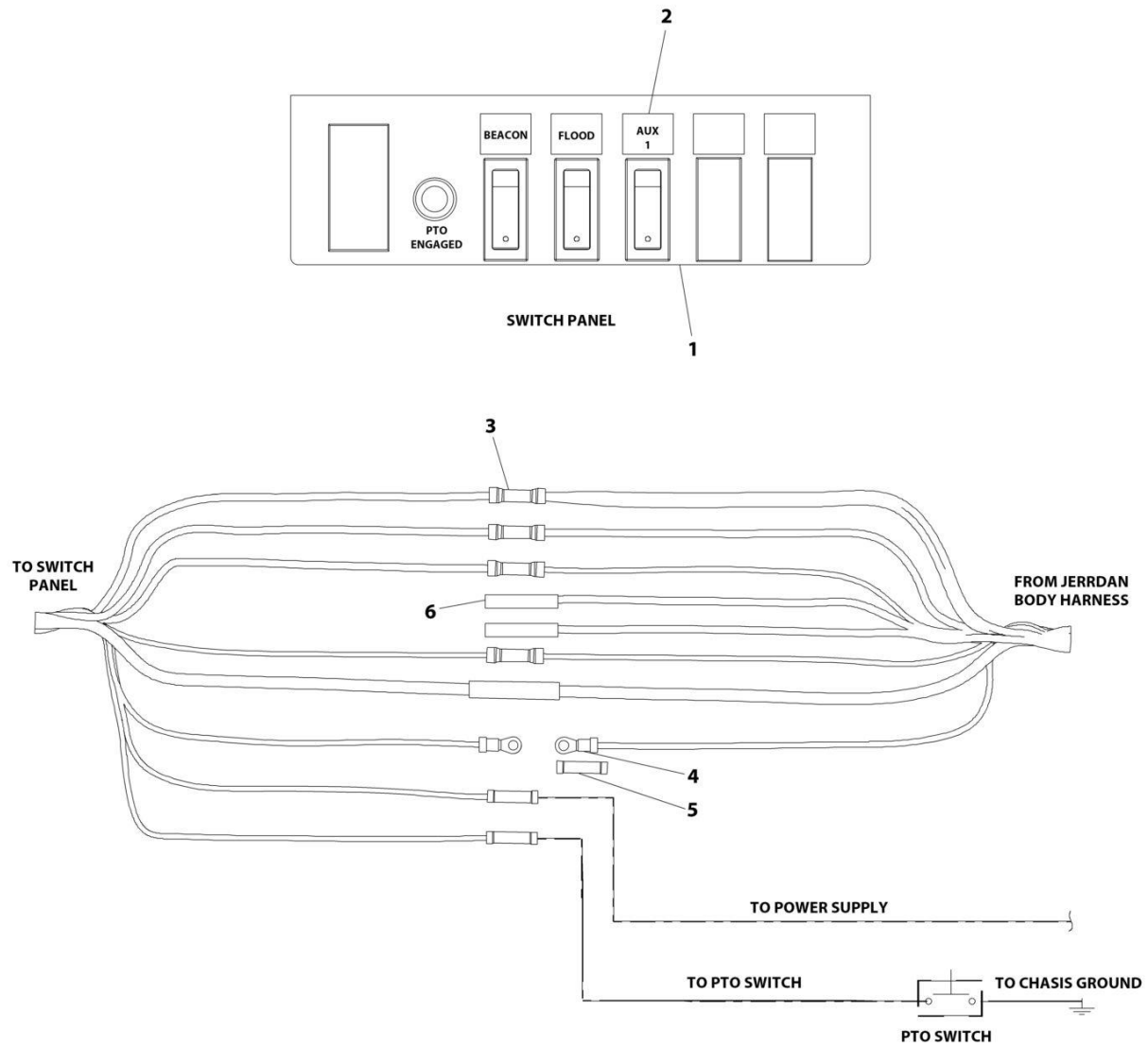
SECTION 6 - ELECTRICAL

FIGURE 6-67. SWITCH PANEL ASSEMBLY - 3 FUNCTION UNDER-DASH COMPACT (SN 0220017154 through 0220022646)

ITEM	PART NUMBER	QTY	DESCRIPTION	REV
	1001135756	1	3 Function Under-Dash Compact Assembly	B
1	7870000134	1	Switch Panel	
2	7330000288	1	Decal	
3	7346000242	2	Connector	
4	7345001713	4	Connector	
5	7345211701	1	Terminal	
6	4346000005	1	Heat Shrink (Not Shown)	
7	8597650003	2	Wire (Not Shown)	
8	5526000553	6	Tie Strap (Not Shown)	

SECTION 6 - ELECTRICAL

FIGURE 6-68. SWITCH PANEL ASSEMBLY - 3 FUNCTION UNDER-DASH COMPACT (SN 0220022646 through 0220026736)



ART_1001261004

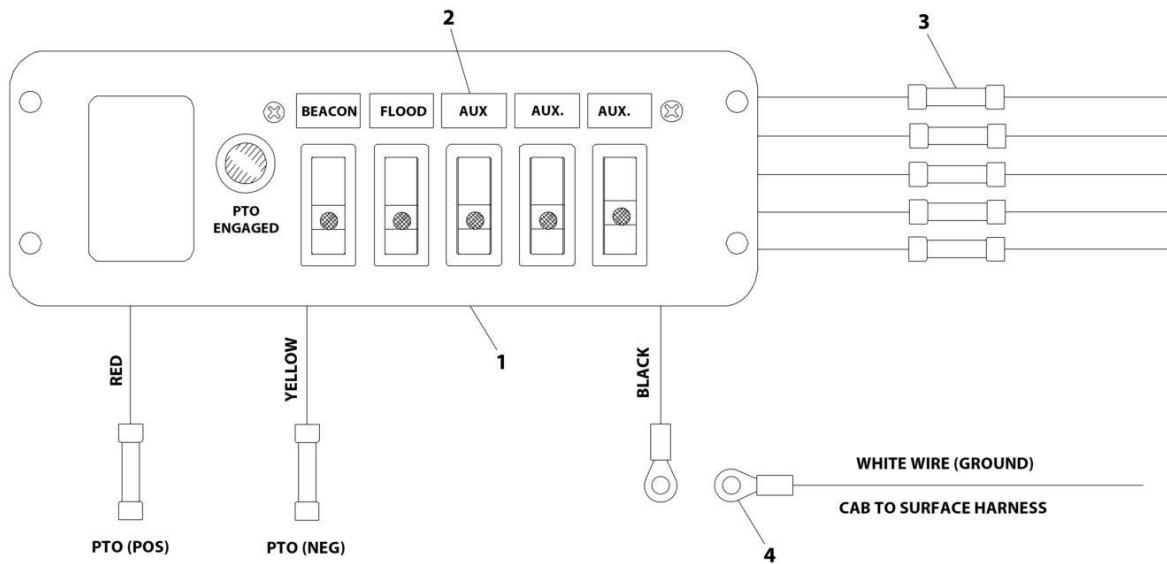
SECTION 6 - ELECTRICAL

FIGURE 6-68. SWITCH PANEL ASSEMBLY - 3 FUNCTION UNDER-DASH COMPACT (SN 0220022646 through 0220026736)

ITEM	PART NUMBER	QTY	DESCRIPTION	REV
	1001261004	Ref	3 FUNCTION UNDER-DASH COMPACT INSTALLATION	B
1	7870000134	1	Switch Panel	
2	7330000288	1	Decal	
3	4460018	4	Connector	
4	4460042	1	Terminal, Ring	
5	4460035	1	Connector	
6	4346000005	2	Heat Shrink	

SECTION 6 - ELECTRICAL

FIGURE 6-69. SWITCH PANEL ASSEMBLY - 5 FUNCTION IN-DASH (SN 0220017154 through 0220022646)



ART_1001135701

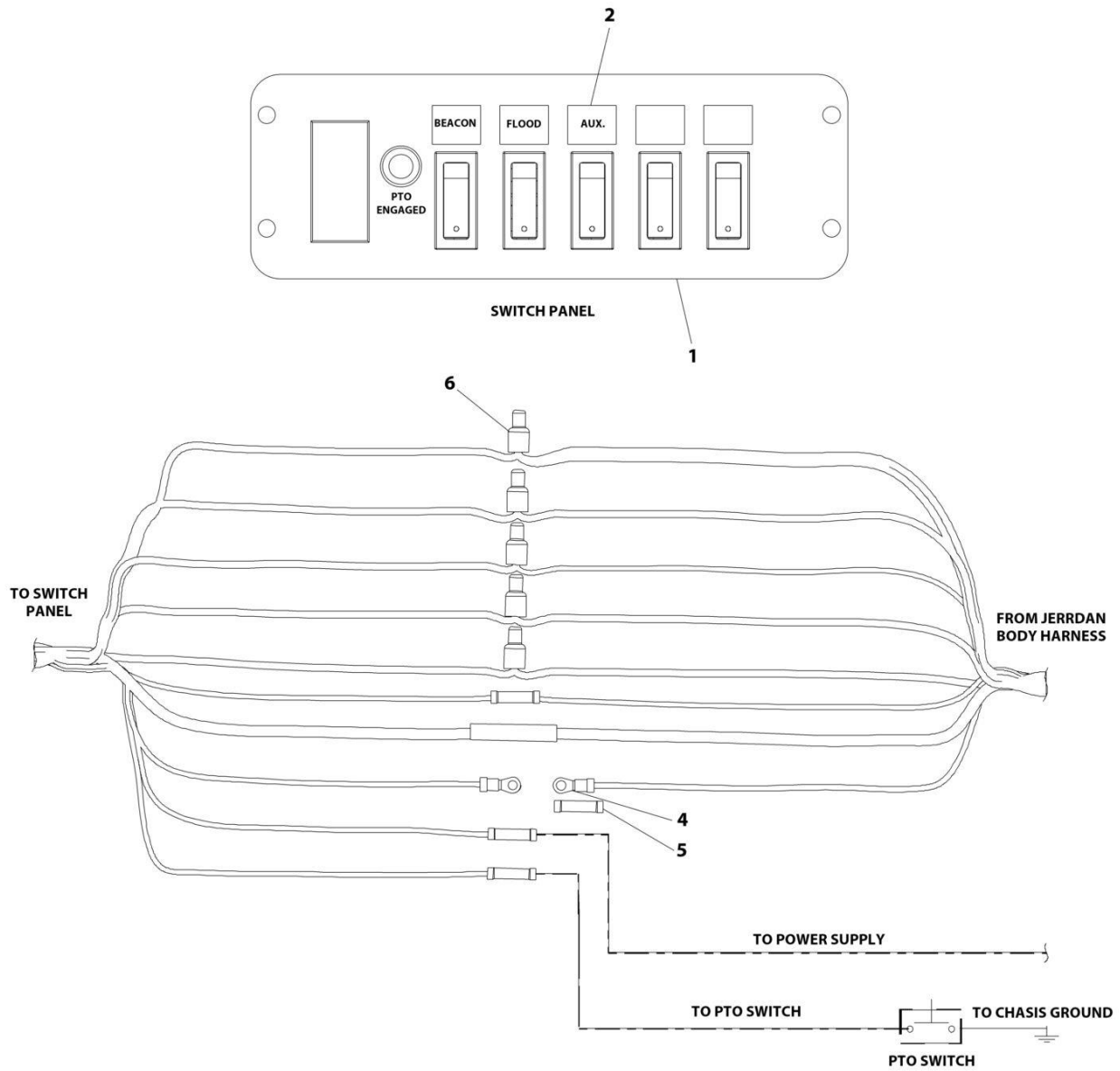
SECTION 6 - ELECTRICAL

FIGURE 6-69. SWITCH PANEL ASSEMBLY - 5 FUNCTION IN-DASH (SN 0220017154 through 0220022646)

ITEM	PART NUMBER	QTY	DESCRIPTION	REV
	1001135701	Ref	5 FUNCTION IN-DASH COMPACT SWITCH PANEL ASSEMBLY	B
1	7870000106	1	Switch Panel	
2	7330000288	1	Decal	
3	7345001913	6	Connector	
4	7345211701	1	Terminal	
4	7345001713	1	Connector	

SECTION 6 - ELECTRICAL

FIGURE 6-70. SWITCH PANEL ASSEMBLY - 5 FUNCTION IN-DASH (SN 0220022646 through 0220026736)



ART_1001261005

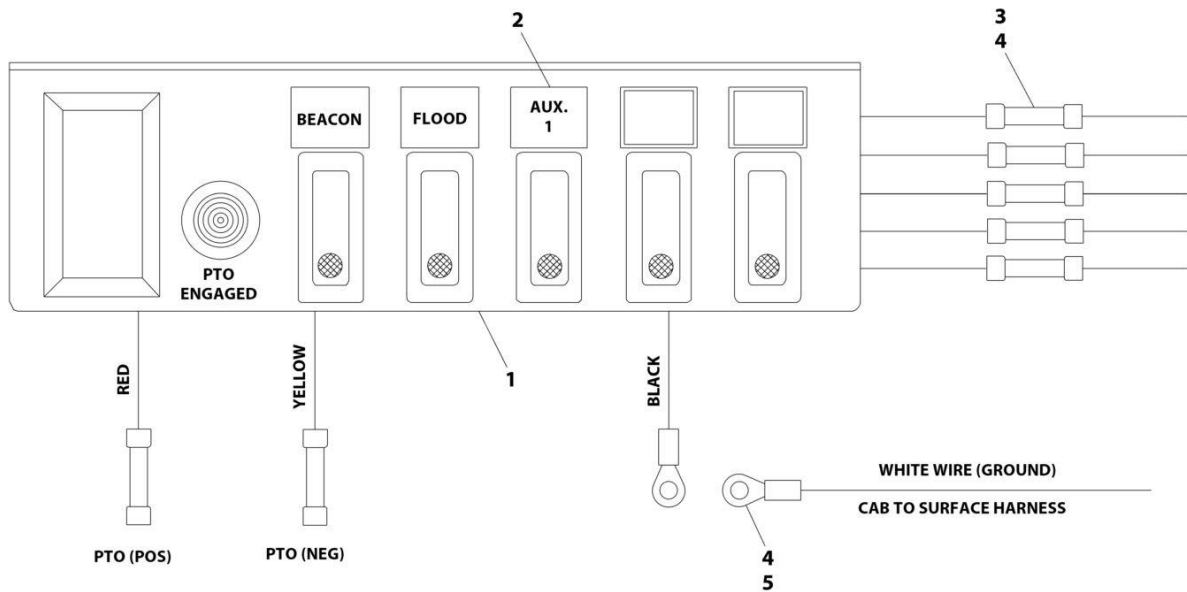
SECTION 6 - ELECTRICAL

FIGURE 6-70. SWITCH PANEL ASSEMBLY - 5 FUNCTION IN-DASH (SN 0220022646 through 0220026736)

ITEM	PART NUMBER	QTY	DESCRIPTION	REV
	1001261005	Ref	5 FUNCTION IN-DASH COMPACT SWITCH PANEL INSTALLATION	B
1	7870000106	1	Switch Panel	
2	7330000288	1	Decal	
4	4460042	1	Terminal, Ring	
5	4460035	2	Connector	
6	7346000242	5	Connector	

SECTION 6 - ELECTRICAL

FIGURE 6-71. SWITCH PANEL ASSEMBLY - 5 FUNCTION UNDER-DASH COMPACT (SN 0220017154 through 0220022646)



ART_1001135757

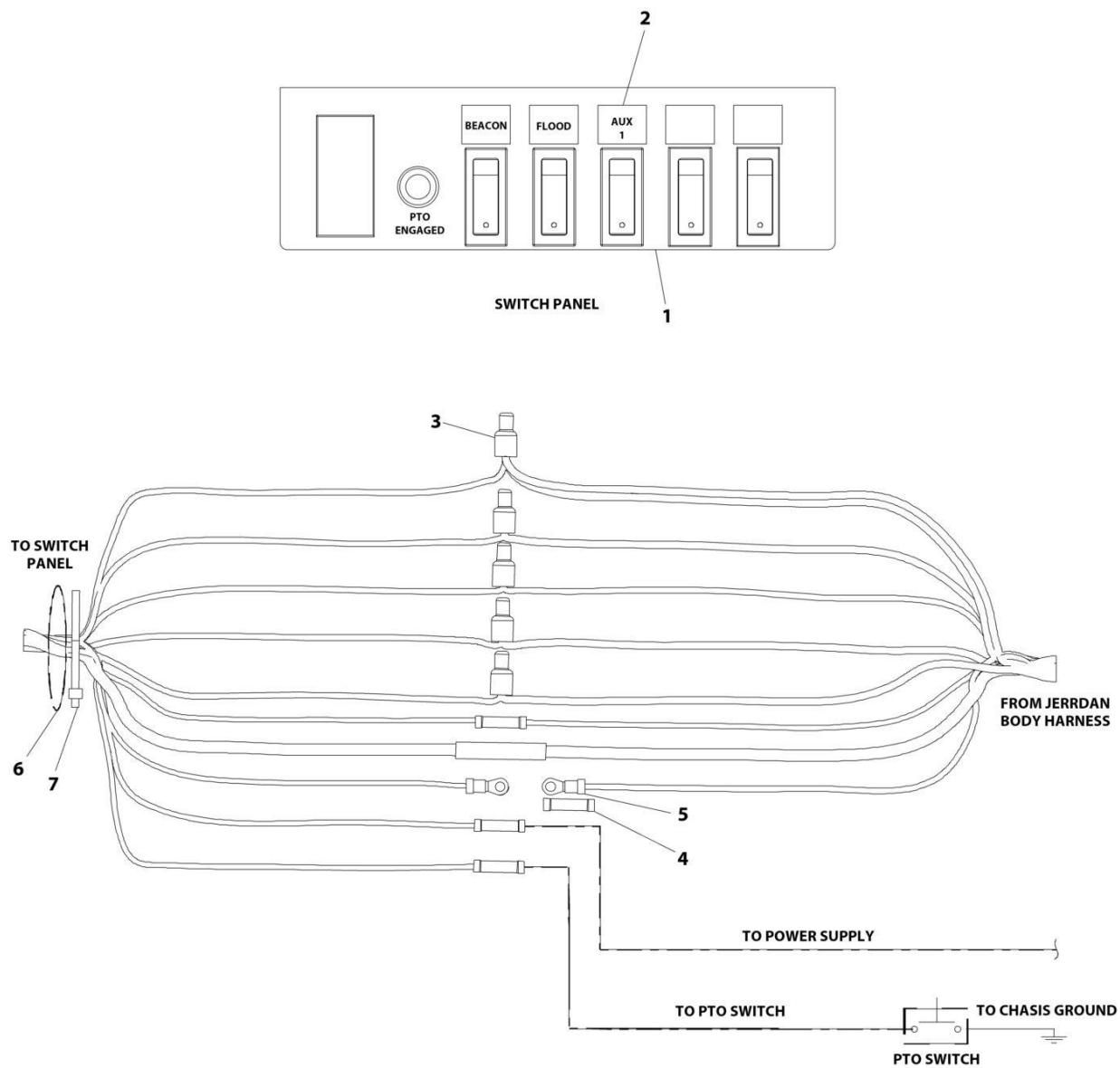
SECTION 6 - ELECTRICAL

FIGURE 6-71. SWITCH PANEL ASSEMBLY - 5 FUNCTION UNDER-DASH COMPACT (SN 0220017154 through 0220022646)

ITEM	PART NUMBER	QTY	DESCRIPTION	REV
	1001135757	1	5 FUNCTION UNDER-DASH SWITCH PANEL ASSEMBLY	A
1	7870000137	1	Switch Panel	
2	7330000288	1	Decal	
3	7346000242	2	Connector	
4	7345001713	5	Connector	
5	7345211701	1	Ternminal	
6	8597650003	2	Wire (Not Shown)	
7	5526000553	6	Tie Strap (Not Shown)	

SECTION 6 - ELECTRICAL

FIGURE 6-72. SWITCH PANEL ASSEMBLY - 5 FUNCTION UNDER-DASH COMPACT (SN 0220022646 through 0220026736)



ART_1001261006

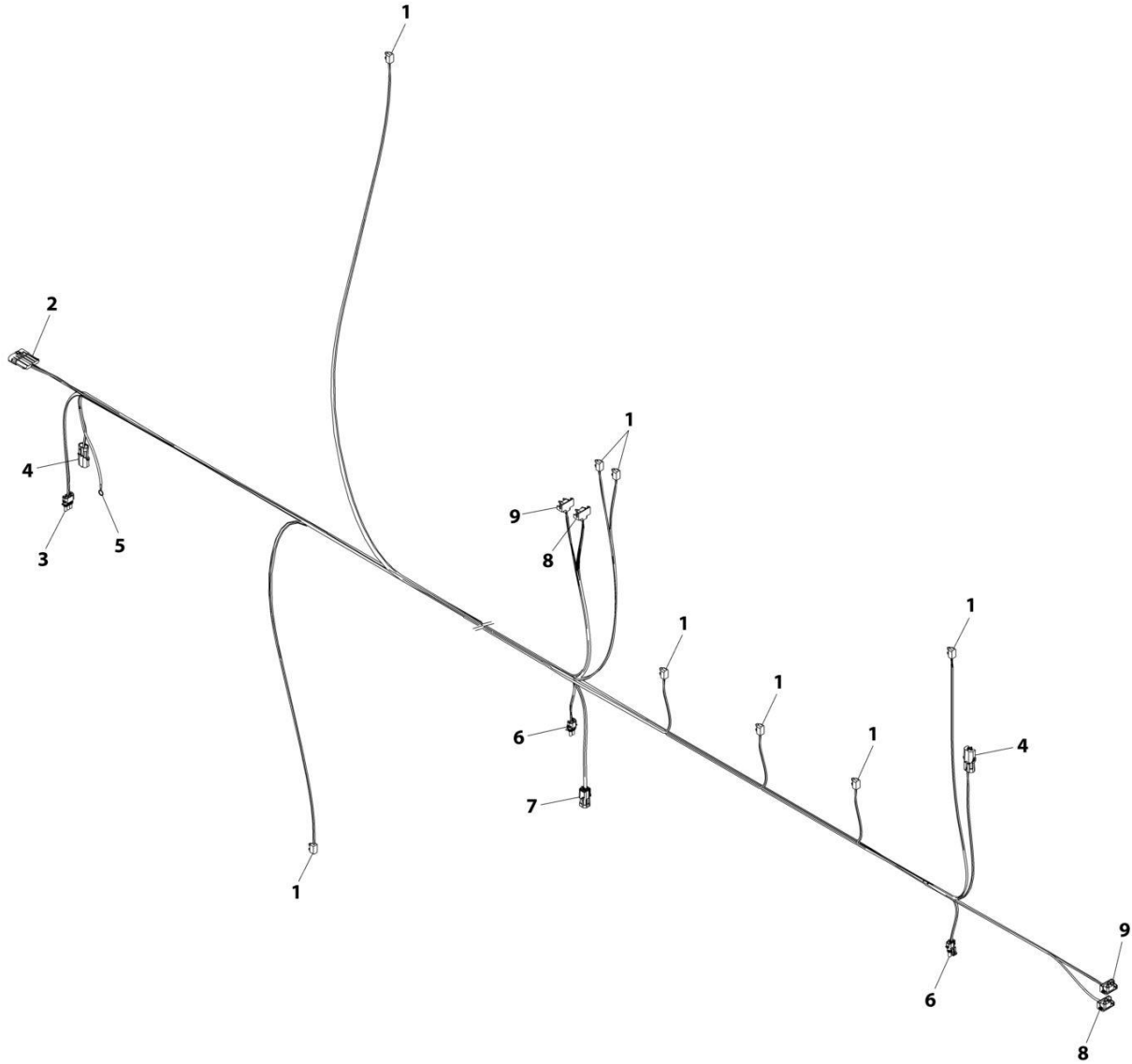
SECTION 6 - ELECTRICAL

FIGURE 6-72. SWITCH PANEL ASSEMBLY - 5 FUNCTION UNDER-DASH COMPACT (SN 0220022646 through 0220026736)

ITEM	PART NUMBER	QTY	DESCRIPTION	REV
	1001261006	Ref	5 FUNCTION UNDER-DASH COMPACT SWITCH PANEL INSTALLATION	B
1	7870000137	1	Switch Panel	
2	7330000288	1	Decal	
3	7346000242	5	Connector	
4	4460035	2	Connector	
5	4460042	1	Terminal, Ring	
6	8597650003	2	Wire	
7	5526000553	6	Tie Strap	

SECTION 6 - ELECTRICAL

FIGURE 6-73. SUBFRAME HARNESS



ART_1001173952

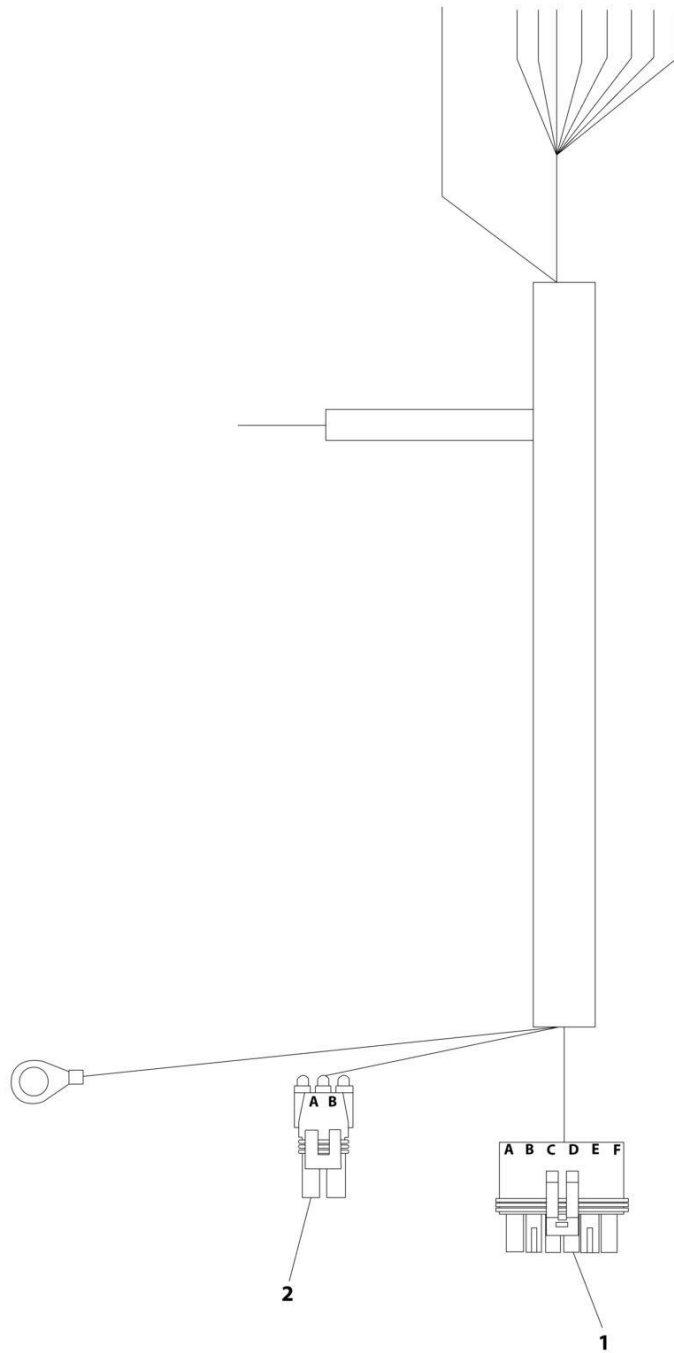
SECTION 6 - ELECTRICAL

FIGURE 6-73. SUBFRAME HARNESS

ITEM	PART NUMBER	QTY	DESCRIPTION	REV
	1001173952	Ref	SUBFRAME HARNESS	C
1	1001275791	8	Connector & Lead Wire - 2 Position (Marker Lights)	
2	1001121727	1	Connector - 5 Position	
2	1001116729	5	Terminal	
2	1001190037	5	Seal	
3	4460459	1	Plug, Male - 3 Position	
3	4460457	3	Terminal	
3	1001190037	3	Seal	
4	4461157	2	Plug, Male - 2 Position	
4	4460457	4	Terminal	
4	1001190037	4	Seal	
5	4460019	1	Terminal, Ring	
6	4460742	2	Plug, Male - 2 Position	
6	4460457	4	Terminal	
7	80963062	1	Plug, Male - 4 Position	
7	4460457	4	Terminal	
7	1001190037	4	Seal	
8	1001275792	2	Connector & Lead Wire - 2 Position (Stop/Turn/Taillights)	
9	1001275793	2	Connector & Lead Wire - 2 Position (Stop/Turn/Taillights)	

SECTION 6 - ELECTRICAL

FIGURE 6-74. SUBFRAME TO CAB HARNESS (WITH BOLT-ON HEADBOARD) (22-24FT DECK)



ART_7552000074

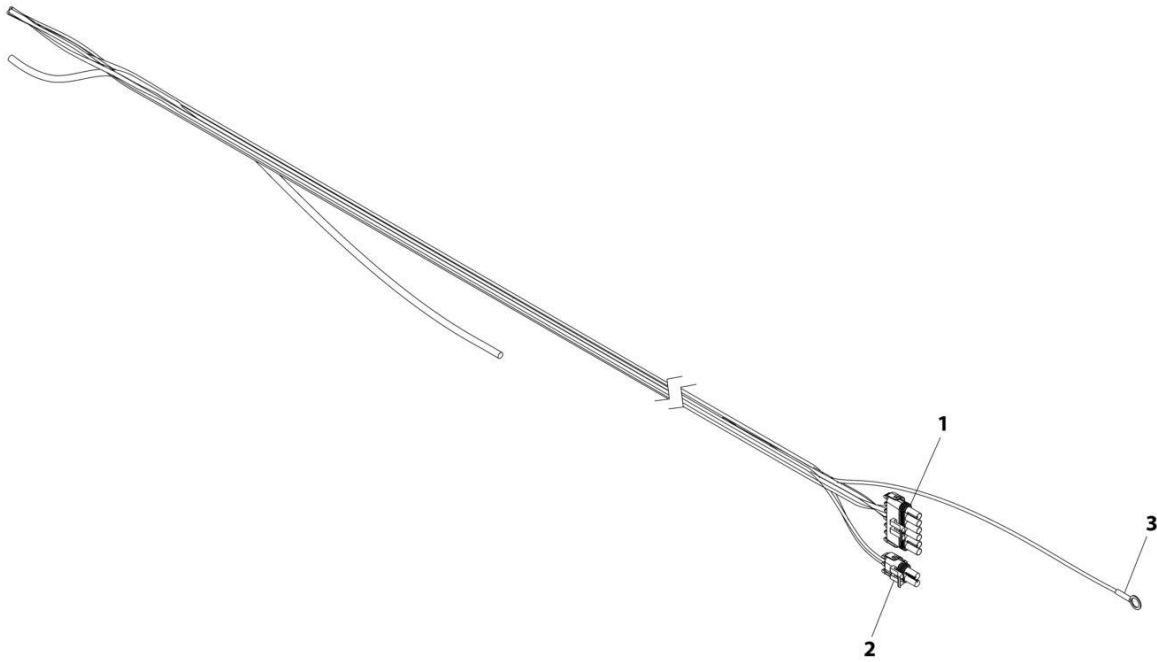
SECTION 6 - ELECTRICAL

FIGURE 6-74. SUBFRAME TO CAB HARNESS (WITH BOLT-ON HEADBOARD) (22-24FT DECK)

ITEM	PART NUMBER	QTY	DESCRIPTION	REV
	7552000074	Ref	SUBFRAME TO CAB HARNESS	4
1	4460461	1	Plug, Male - 6 Position	
1	4460790	5	Socket, Female	
1	NPN	6	Seal	
1	1001116727	1	Plug, Terminal	
2	4460742	1	Plug, Male - 2 Position	
2	4460457	2	Terminal	
2	NPN	2	Seal	

SECTION 6 - ELECTRICAL

FIGURE 6-75. SUBFRAME TO CAB HARNESS (WITH BOLT-ON HEADBOARD) (26-30FT DECK)



ART_7552000178

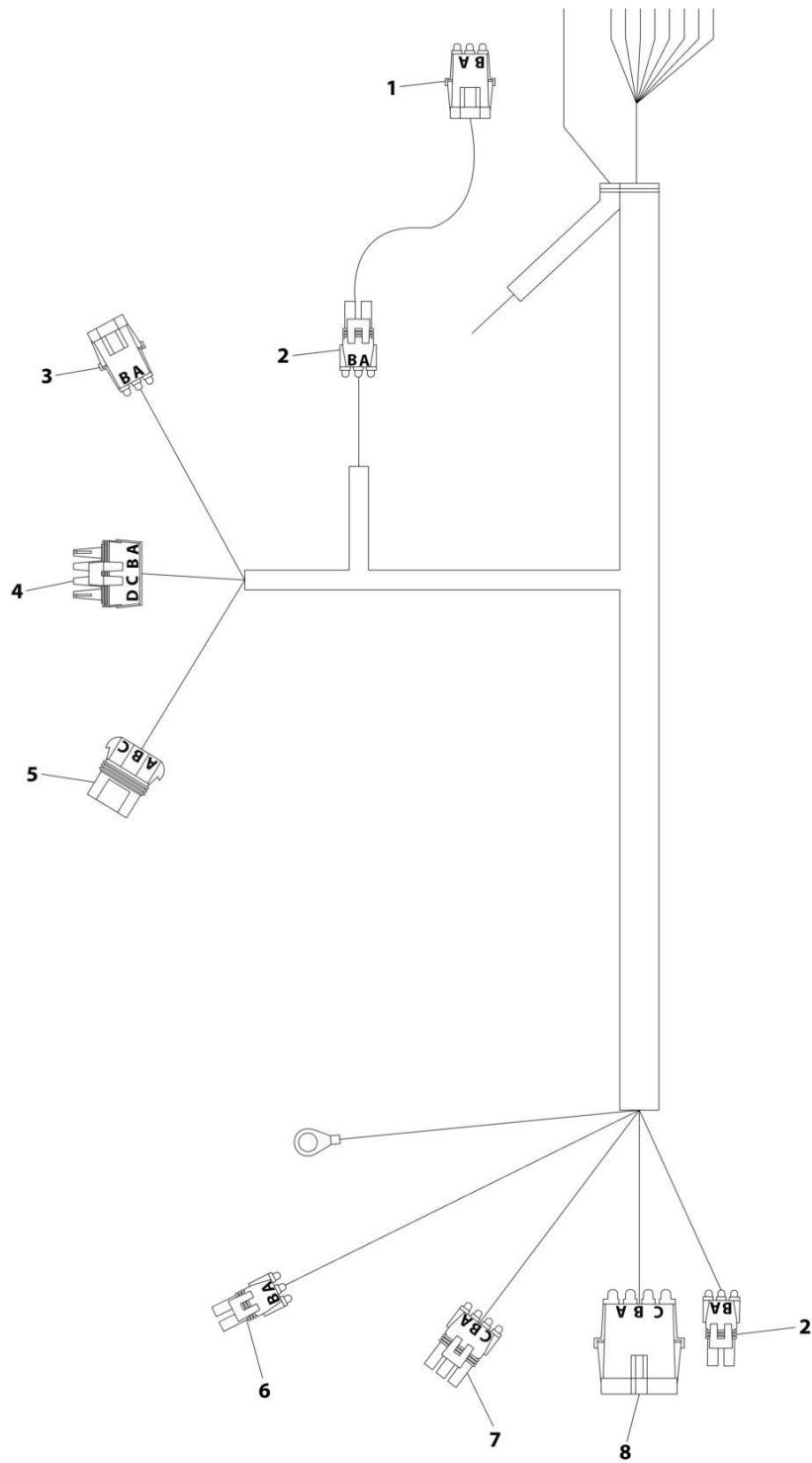
SECTION 6 - ELECTRICAL

FIGURE 6-75. SUBFRAME TO CAB HARNESS (WITH BOLT-ON HEADBOARD) (26-30FT DECK)

ITEM	PART NUMBER	QTY	DESCRIPTION	REV
	7552000178	Ref	SUBFRAME TO CAB HARNESS (WITH BOLT-ON HEADBOARD) (26-30FT DECK)	B
1	4460461	1	Connector	
1	4460790	5	Terminal	
1	8220089	5	Seal	
1	1001116727	1	Plug, Terminal	
2	4460742	1	Connector	
2	4460457	2	Terminal	
2	8220081	2	Seal	
3	4460256	1	Terminal, Ring	

SECTION 6 - ELECTRICAL

FIGURE 6-76. SUBFRAME TO CAB HARNESS (WITH STATIONARY HEADBOARD)



ART_1001152345

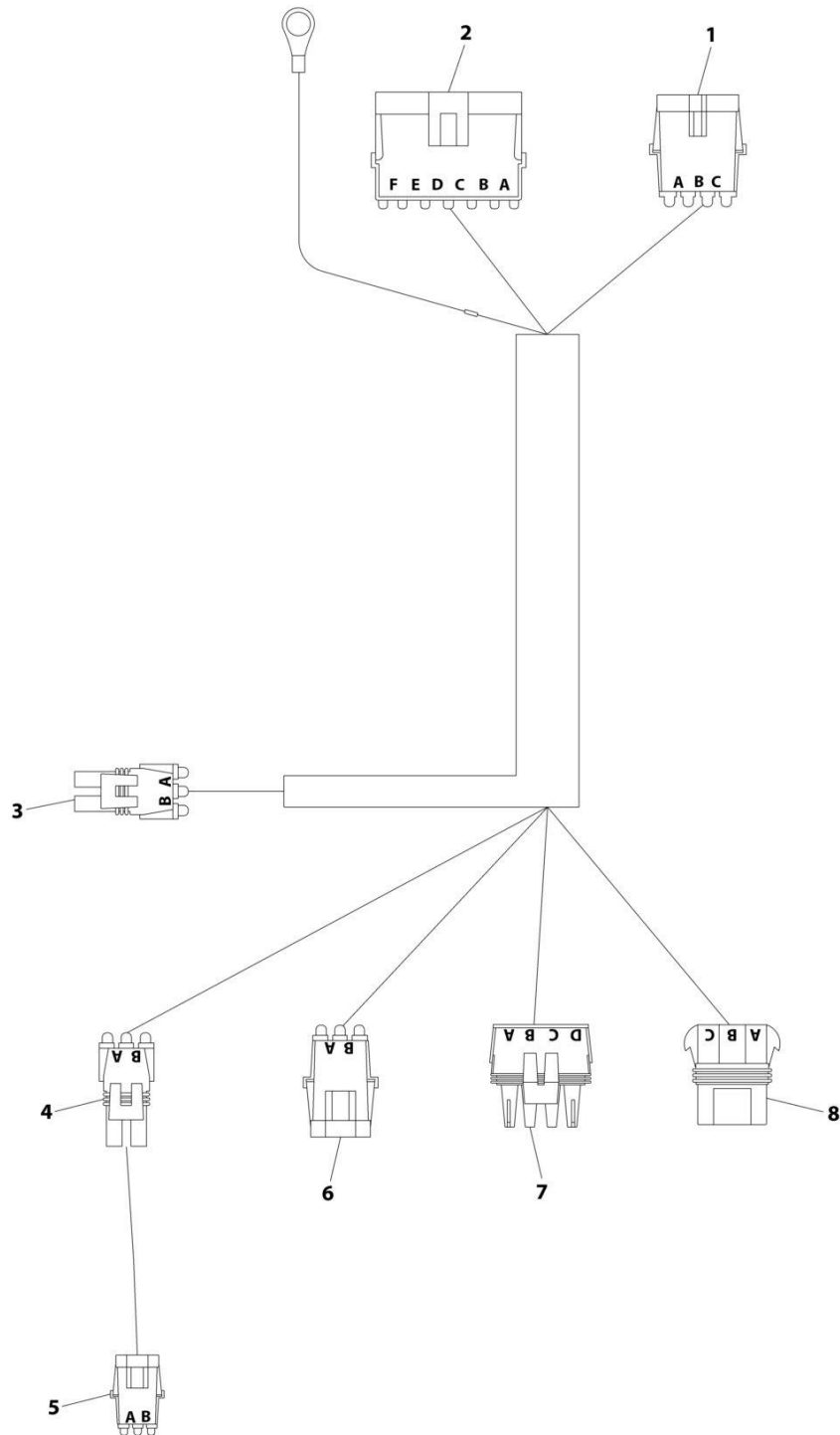
SECTION 6 - ELECTRICAL

FIGURE 6-76. SUBFRAME TO CAB HARNESS (WITH STATIONARY HEADBOARD)

ITEM	PART NUMBER	QTY	DESCRIPTION	REV
	1001152345	Ref	SUBFRAME TO CAB HARNESS	C
1	4460867	1	Receptacle, Female - 2 Position	
1	1001116727	2	Plug, Terminal	
2	4460742	2	Plug, Male - 2 Position	
2	4460457	4	Terminal	
2	NPN	4	Seal	
2	80963064	1	Connector - 6 Position	
2	4460850	5	Terminal	
2	NPN	3	Seal	
2	1001116727	1	Plug, Terminal	
3	4460867	1	Receptacle, Female - 2 Position	
3	4460850	2	Terminal	
3	NPN	2	Seal	
4	4460460	1	Receptacle, Female - 4 Position	
4	4460790	4	Terminal	
4	NPN	4	Seal	
5	8220935	1	Connector - 3 Position	
5	7346000108	1	Lock	
5	8220099	3	Terminal	
5	NPN	2	Seal	
5	NPN	1	Seal	
6	4460742	1	Plug, Male - 2 Position	
6	4460790	2	Terminal	
6	NPN	2	Seal	
7	4460459	1	Plug, Male - 3 Position	
7	4460457	2	Socket, Female	
7	1001116727	1	Plug, Terminal	
7	NPN	3	Seal	
8	4460476	1	Receptacle, Female - 3 Position	
8	4460850	3	Terminal	
8	NPN	3	Seal	

SECTION 6 - ELECTRICAL

FIGURE 6-77. SUBFRAME TO DECK HARNESS (WITH BOLT-ON HEADBOARD) (22-24FT DECK)



ART_7552000098

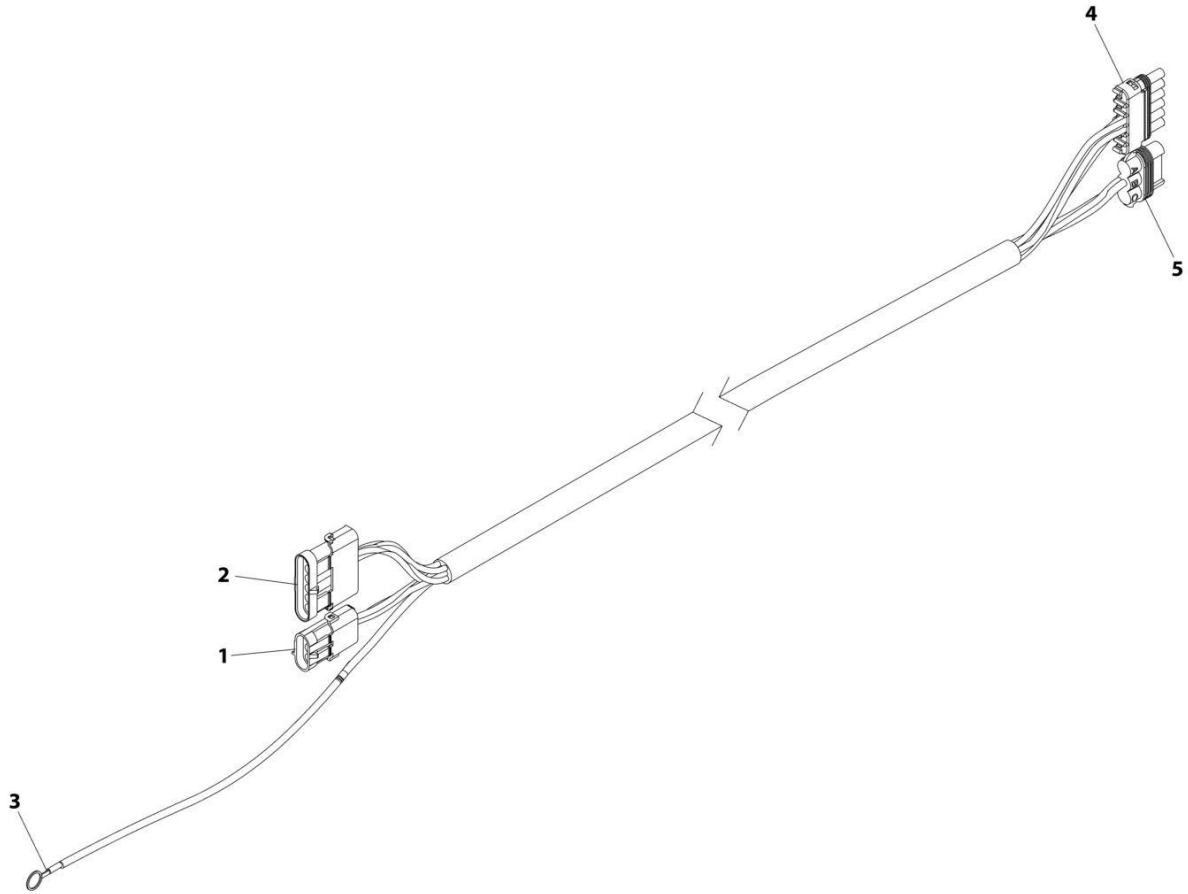
SECTION 6 - ELECTRICAL

FIGURE 6-77. SUBFRAME TO DECK HARNESS (WITH BOLT-ON HEADBOARD) (22-24FT DECK)

ITEM	PART NUMBER	QTY	DESCRIPTION	REV
	7552000098	Ref	SUBFRAME TO DECK HARNESS	B
1	4460476	1	Connector - 3 Position	
1	4460850	3	Terminal	
1	NPN	3	Seal	
2	80963064	1	Connector - 6 Position	
2	4460850	5	Terminal	
2	NPN	3	Seal	
2	1001116727	1	Plug, Terminal	
3	4460742	1	Plug, Male - 2 Position	
3	4460457	2	Terminal	
3	NPN	2	Seal	
4	4460742	1	Plug, Male - 2 Position	
4	4460790	2	Terminal	
4	NPN	2	Seal	
5	4460867	1	Receptacle, Female - 2 Position	
5	1001116727	2	Plug, Terminal	
6	4460867	1	Receptacle, Female - 2 Position	
6	4460850	2	Terminal	
6	NPN	2	Seal	
7	4460460	1	Plug, Male - 4 Position	
7	4460790	4	Terminal	
7	NPN	4	Seal	
8	8220935	1	Connector - 3 Position	
8	7346000108	1	Lock	
8	8220099	3	Terminal	
8	NPN	2	Seal	
8	NPN	1	Seal	

SECTION 6 - ELECTRICAL

FIGURE 6-78. SUBFRAME TO DECK HARNESS (WITH BOLT-ON HEADBOARD) (26-30FT DECK)



ART_7552000186

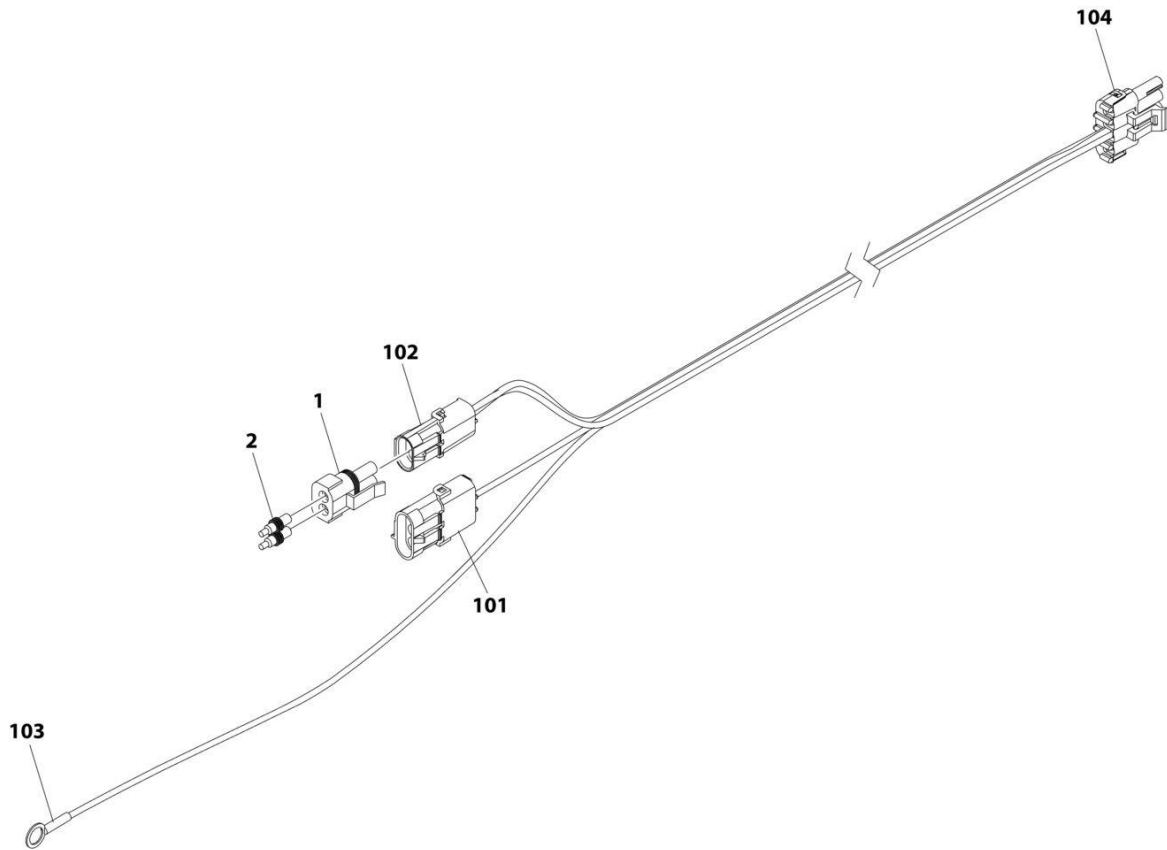
SECTION 6 - ELECTRICAL

FIGURE 6-78. SUBFRAME TO DECK HARNESS (WITH BOLT-ON HEADBOARD) (26-30FT DECK)

ITEM	PART NUMBER	QTY	DESCRIPTION	REV
	7552000186	Ref	SUBFRAME TO DECK HARNESS	B
1	4460476	1	Connector - 3 Position	
1	4460850	3	Terminal	
1	8220089	3	Seal	
2	80963064	1	Connector - 6 Position	
2	4460850	5	Terminal	
2	8220089	3	Seal	
2	1001116727	1	Plug, Terminal	
3	4460019	1	Terminal, Ring	
4	4460461	1	Plug, Male - 2 Position	
4	4460790	6	Terminal	
4	8220089	6	Seal	
5	8220935	1	Connector - 3 Position	
5	8220936	1	Lock	
5	8220099	3	Terminal	
5	1001277283	2	Seal	
5	1001277284	1	Seal	

SECTION 6 - ELECTRICAL

FIGURE 6-79. SUBFRAME TO DECK HARNESS (WITH STATIONARY HEADBOARD) (SN 0220017154 through 0220022646)



ART_1001152349

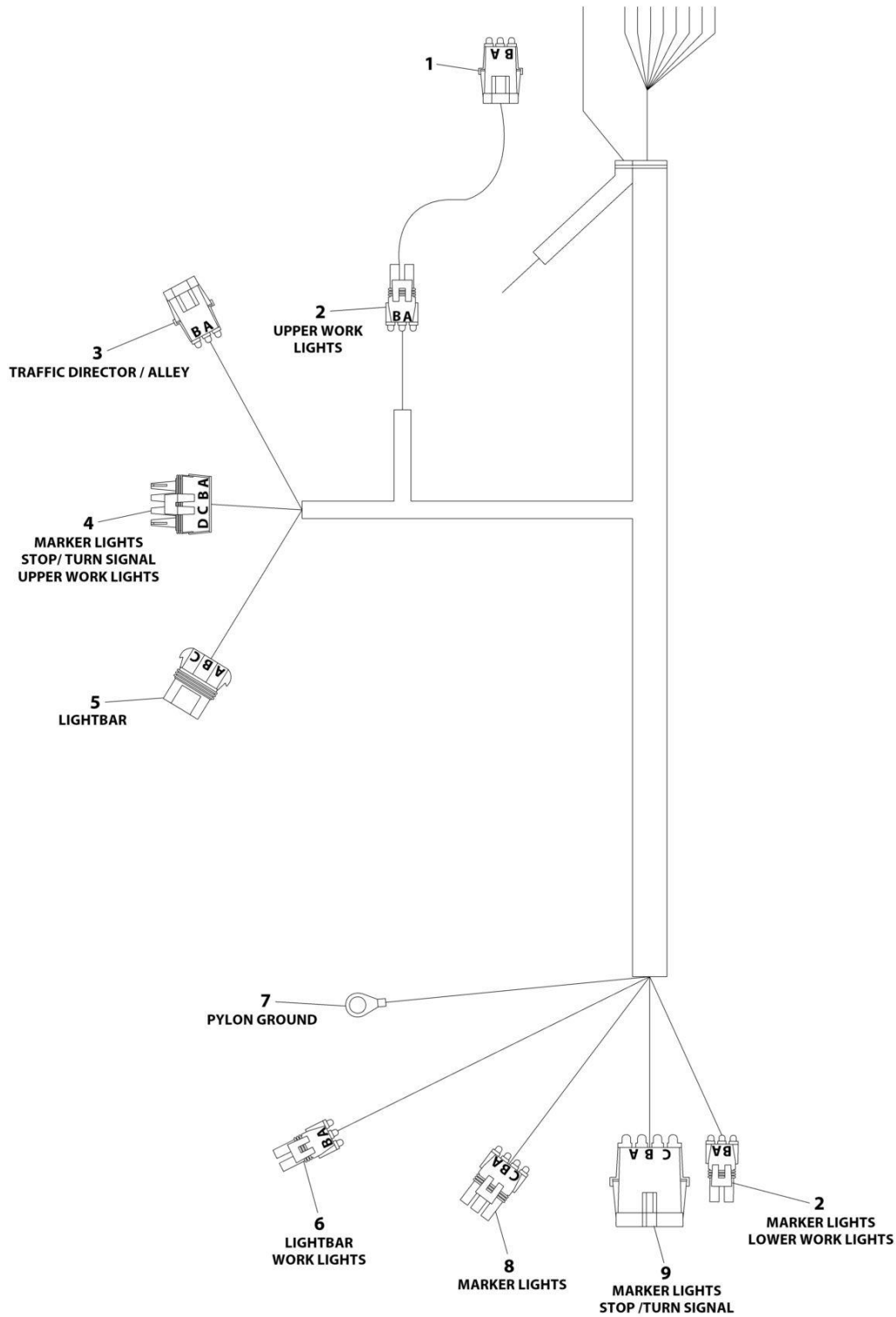
SECTION 6 - ELECTRICAL

FIGURE 6-79. SUBFRAME TO DECK HARNESS (WITH STATIONARY HEADBOARD) (SN 0220017154 through 0220022646)

ITEM	PART NUMBER	QTY	DESCRIPTION	REV
	1001152349	Ref	SUBFRAME TO DECK HARNESS	C
1	4460742	1	Plug, Male - 2 Position	
2	1001116727	2	Plug, Terminal	
101	4460476	1	Receptacle, Female - 3 Position	
101	4460850	1	Terminal	
101	1001116727	2	Plug, Terminal	
102	4461157	1	Connector - 2 Position	
102	4460850	2	Terminal	
103	4460256	1	Terminal, Ring	
104	4460460	1	Plug, Male - 4 Position	
104	4460790	4	Terminal	

SECTION 6 - ELECTRICAL

FIGURE 6-80. SUBFRAME TO DECK HARNESS (WITH STATIONARY HEADBOARD) (SN 0220022646 through 0220026736)



ART_1001260058

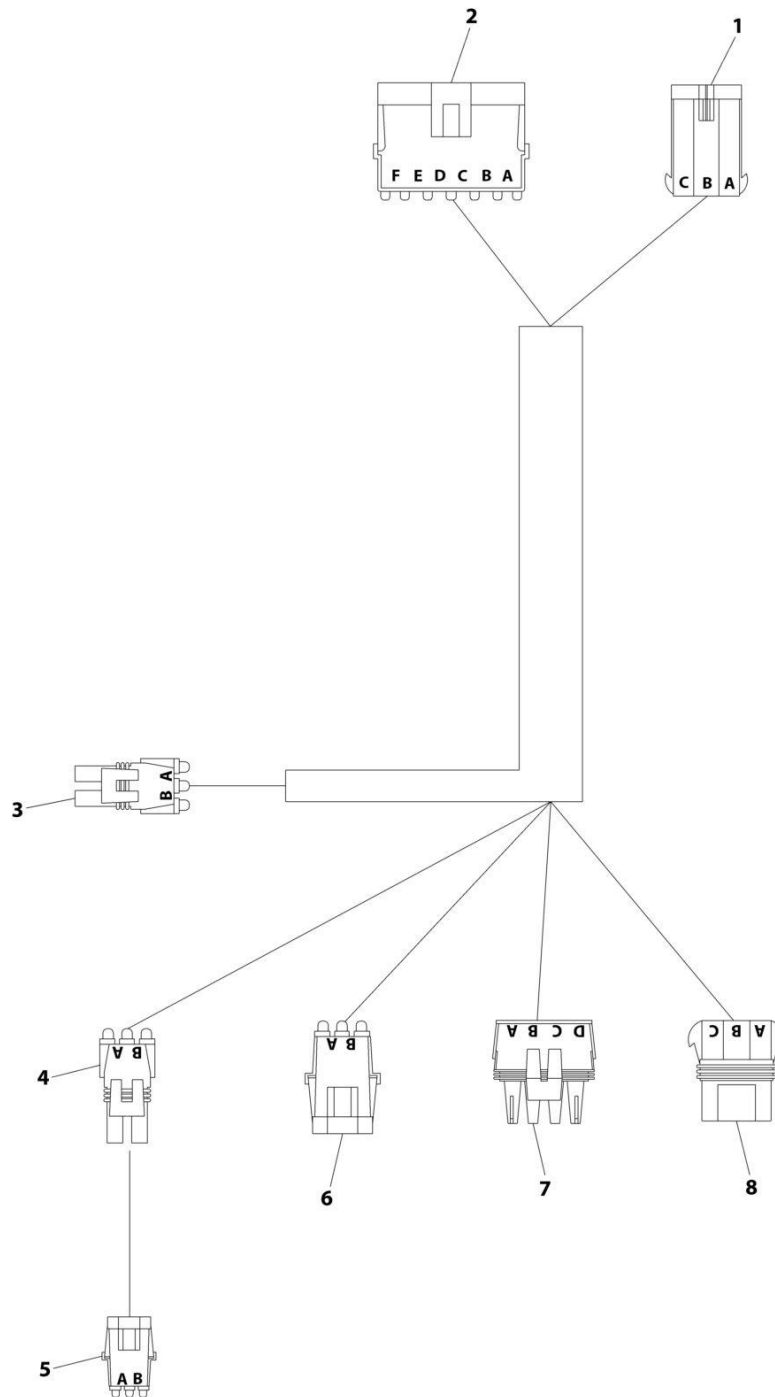
SECTION 6 - ELECTRICAL

FIGURE 6-80. SUBFRAME TO DECK HARNESS (WITH STATIONARY HEADBOARD) (SN 0220022646 through 0220026736)

ITEM	PART NUMBER	QTY	DESCRIPTION	REV
	1001260058	Ref	SUBFRAME TO DECK HARNESS (WITH STATIONARY HEADBOARD)	A
1	4460867	1	Receptacle, Female - 2 Position	
1	1001116727	2	Plug, Terminal	
2	4460742	3	Plug, Male - 2 Position	
2	4460457	4	Terminal	
2	4460458	6	Seal	
3	4461157	1	Connector - 2 Position	
3	4460850	2	Terminal	
3		Ref	Seal	
4	4460460	1	Plug, Male - 4 Position	
4	4460790	4	Terminal	
4		Ref	Seal	
5	8220935	1	Plug, Male - 3 Position	
5	7346000108	1	Lock	
5	8220099	3	Terminal	
5		Ref	Seal	
6	4460742	1	Plug, Male - 2 Position	
6	4460790	2	Terminal	
6		Ref	Seal	
7	4460256	1	Terminal, Ring	
8	4460459	1	Plug, Male - 3 Position	
8		Ref	Terminal	
8	1001116727	2	Plug, Terminal	
8	4460458	2	Seal	
9		Ref	Connector - 3 Position	
9		Ref	Terminal	
9		Ref	Seal	

SECTION 6 - ELECTRICAL

FIGURE 6-81. SUBFRAME TO WINCH HARNESS (WITH BOLT-ON HEADBOARD) (22-24FT DECK)



ART_7552000187

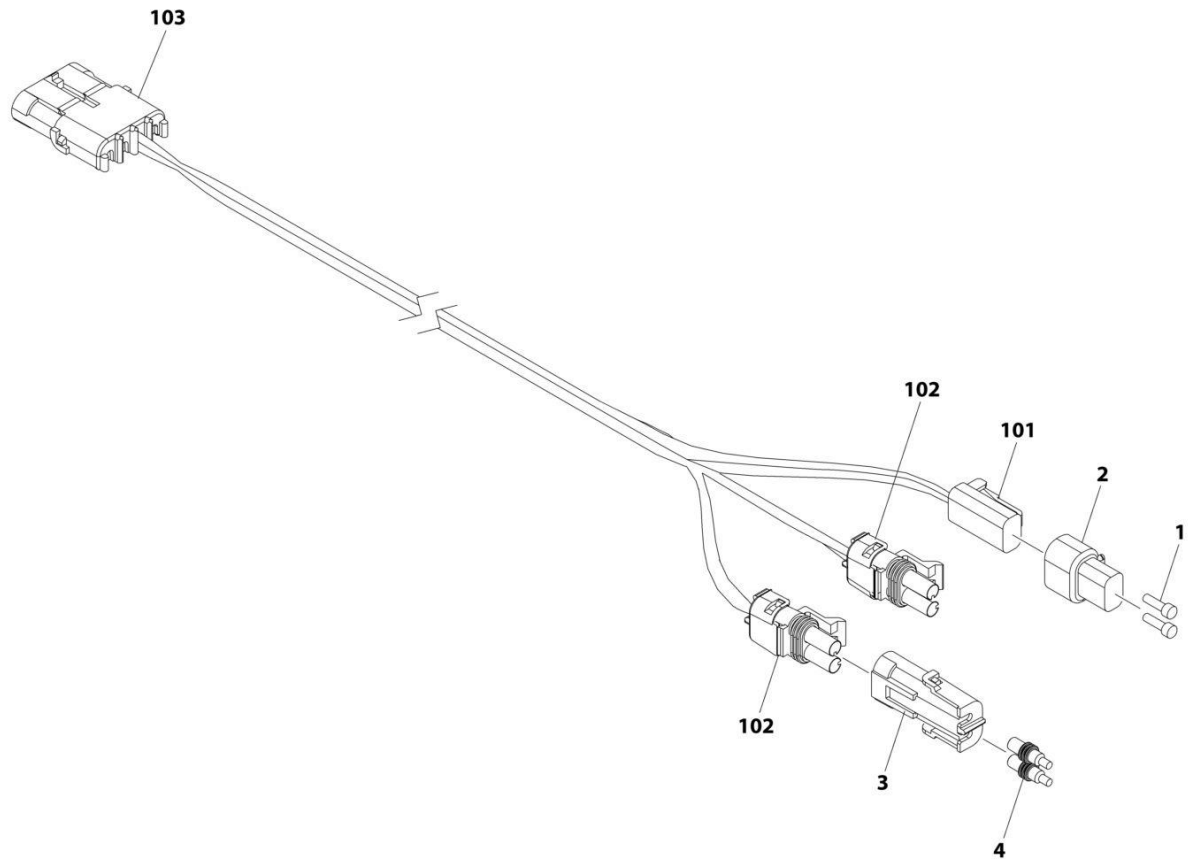
SECTION 6 - ELECTRICAL

FIGURE 6-81. SUBFRAME TO WINCH HARNESS (WITH BOLT-ON HEADBOARD) (22-24FT DECK)

ITEM	PART NUMBER	QTY	DESCRIPTION	REV
	7552000187	Ref	SUBFRAME TO WINCH HARNESS	B
1	8220934	1	Connector - 3 Position	
1	NPN	1	Lock	
1	8220100	2	Terminal	
1	NPN	3	Seal	
1	NPN	1	Terminal	
1	NPN	1	Seal	
2	80963064	1	Connector - 6 Position	
2	4460850	3	Terminal	
2	NPN	3	Seal	
2	4460475	3	Terminal	
2	NPN	3	Seal	
3	4460742	1	Plug, Male - 2 Position	
3	4460457	2	Terminal	
3	NPN	2	Seal	
4	4460742	1	Plug, Male - 2 Position	
4	4460790	2	Terminal	
4	NPN	2	Seal	
5	4460867	1	Receptacle, Female - 2 Position	
5	1001116727	2	Plug, Terminal	
6	4460867	1	Receptacle, Female - 2 Position	
6	4460850	2	Terminal	
6	NPN	2	Seal	
7	4460460	1	Plug, Male - 4 Position	
7	4460790	1	Terminal	
7	NPN	1	Seal	
7	4460457	4	Terminal	
7	NPN	4	Seal	
8	8220935	1	Connector - 3 Position	
8	7346000108	1	Lock	
8	8220099	3	Terminal	
8	NPN	2	Seal	
8	NPN	1	Seal	

SECTION 6 - ELECTRICAL

FIGURE 6-82. SUBFRAME TO WINCH HARNESS (WITH STATIONARY HEADBOARD) (22-24FT DECK)



ART_1001152348

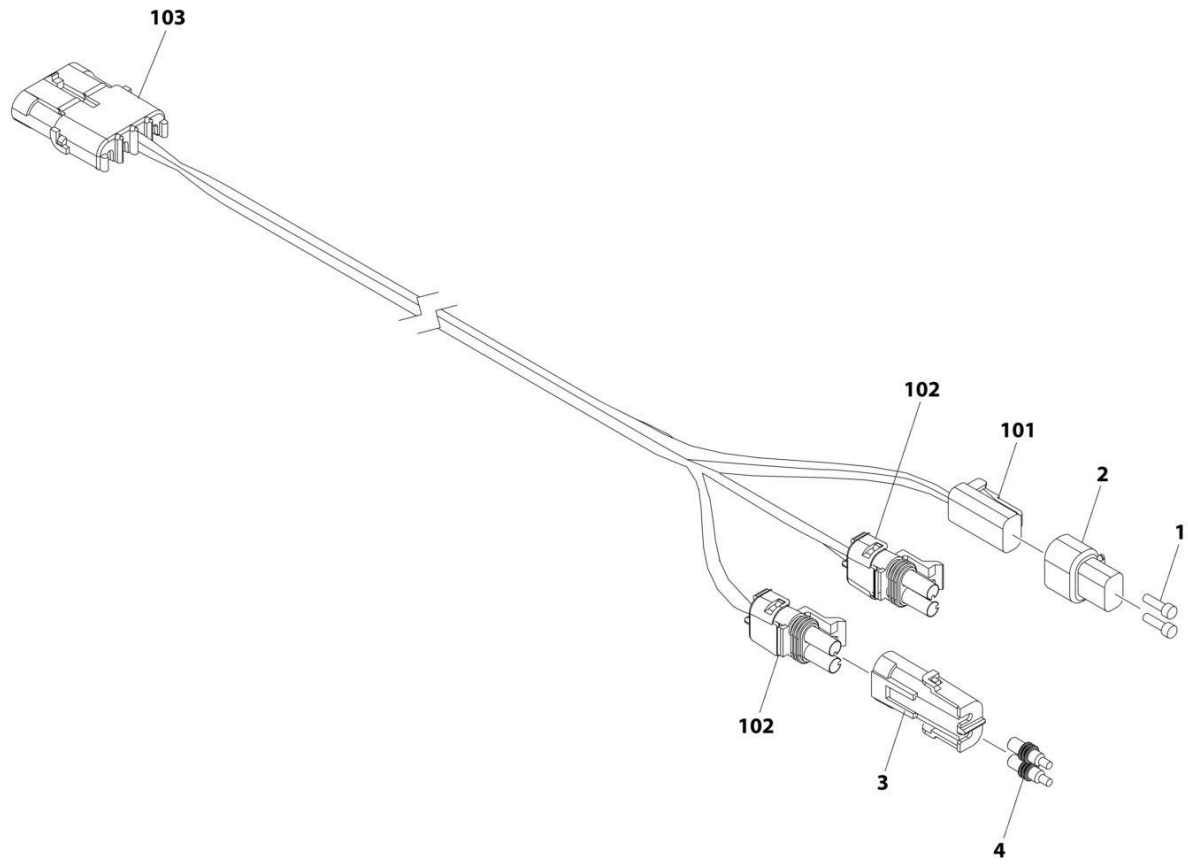
SECTION 6 - ELECTRICAL

FIGURE 6-82. SUBFRAME TO WINCH HARNESS (WITH STATIONARY HEADBOARD) (22-24FT DECK)

ITEM	PART NUMBER	QTY	DESCRIPTION	REV
	1001152348	Ref	SUBFRAME TO WINCH HARNESS	D
1	4460466	2	Plug, Terminal	
2	4460897	1	Receptacle, Female - 2 Position	
3	4461157	1	Receptacle, Female - 2 Position	
4	1001116727	2	Plug, Terminal	
101	4460891	1	Plug, Male - 2 Position	
101	4460942	2	Socket, Female	
102	4460742	2	Plug, Male - 2 Position	
102	4460457	4	Terminal	
103	4460844	1	Receptacle, Female - 4 Position	
103	4460475	4	Terminal	
103	8220089	4	Seal	

SECTION 6 - ELECTRICAL

FIGURE 6-83. SUBFRAME TO WINCH HARNESS (WITH STATIONARY HEADBOARD) (26-30FT DECK)



ART_1001152347

SECTION 6 - ELECTRICAL

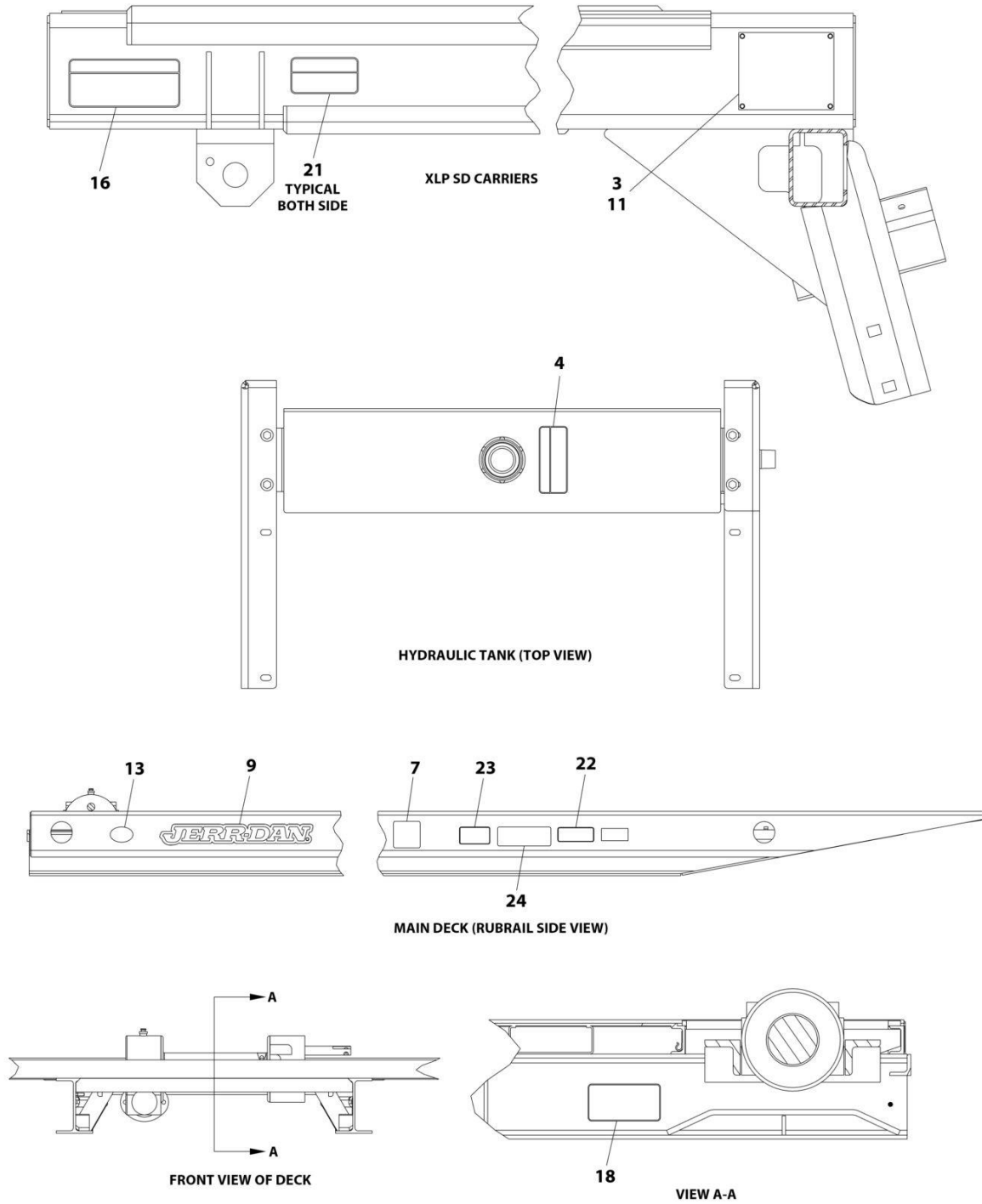
FIGURE 6-83. SUBFRAME TO WINCH HARNESS (WITH STATIONARY HEADBOARD) (26-30FT DECK)

ITEM	PART NUMBER	QTY	DESCRIPTION	REV
	1001152347	Ref	SUBFRAME TO WINCH HARNESS	D
1	4460466	2	Plug, Terminal	
2	4460897	1	Receptacle, Female - 2 Position	
3	4461157	1	Receptacle, Female - 2 Position	
4	1001116727	2	Plug, Terminal	
101	4460891	1	Plug, Male - 2 Position	
101	4460942	2	Socket, Female	
102	4460742	2	Plug, Male - 2 Position	
102	4460457	4	Terminal	
103	4460844	1	Receptacle, Female - 4 Position	
103	4460475	4	Terminal	
103	8220089	4	Seal	

SECTION 7 - DECALS

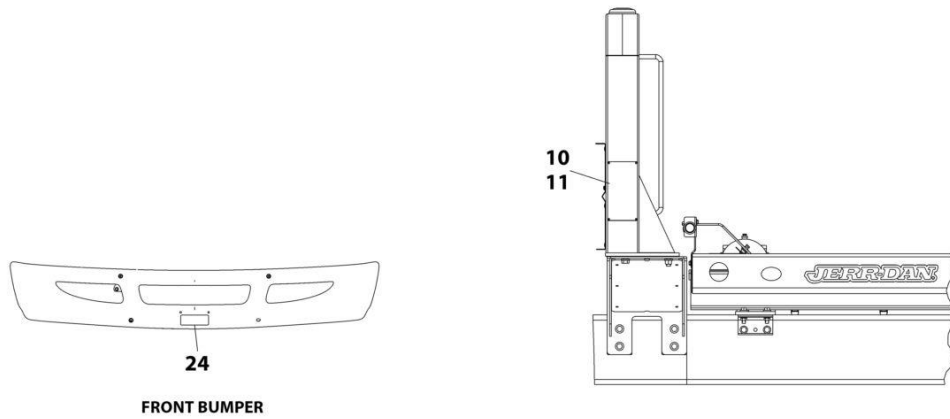
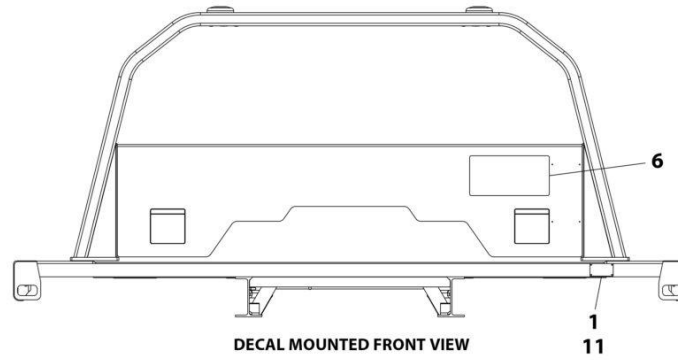
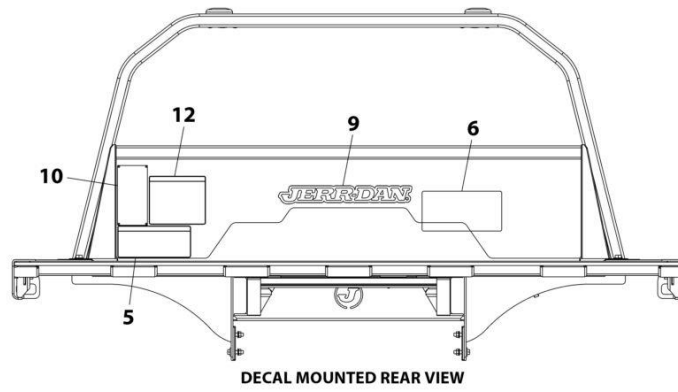
SECTION 7 - DECALS

FIGURE 7-1. DECAL INSTALLATION - CARRIER



ART_233000044_10F2

SECTION 7 - DECALS



ART_233000044_20F2

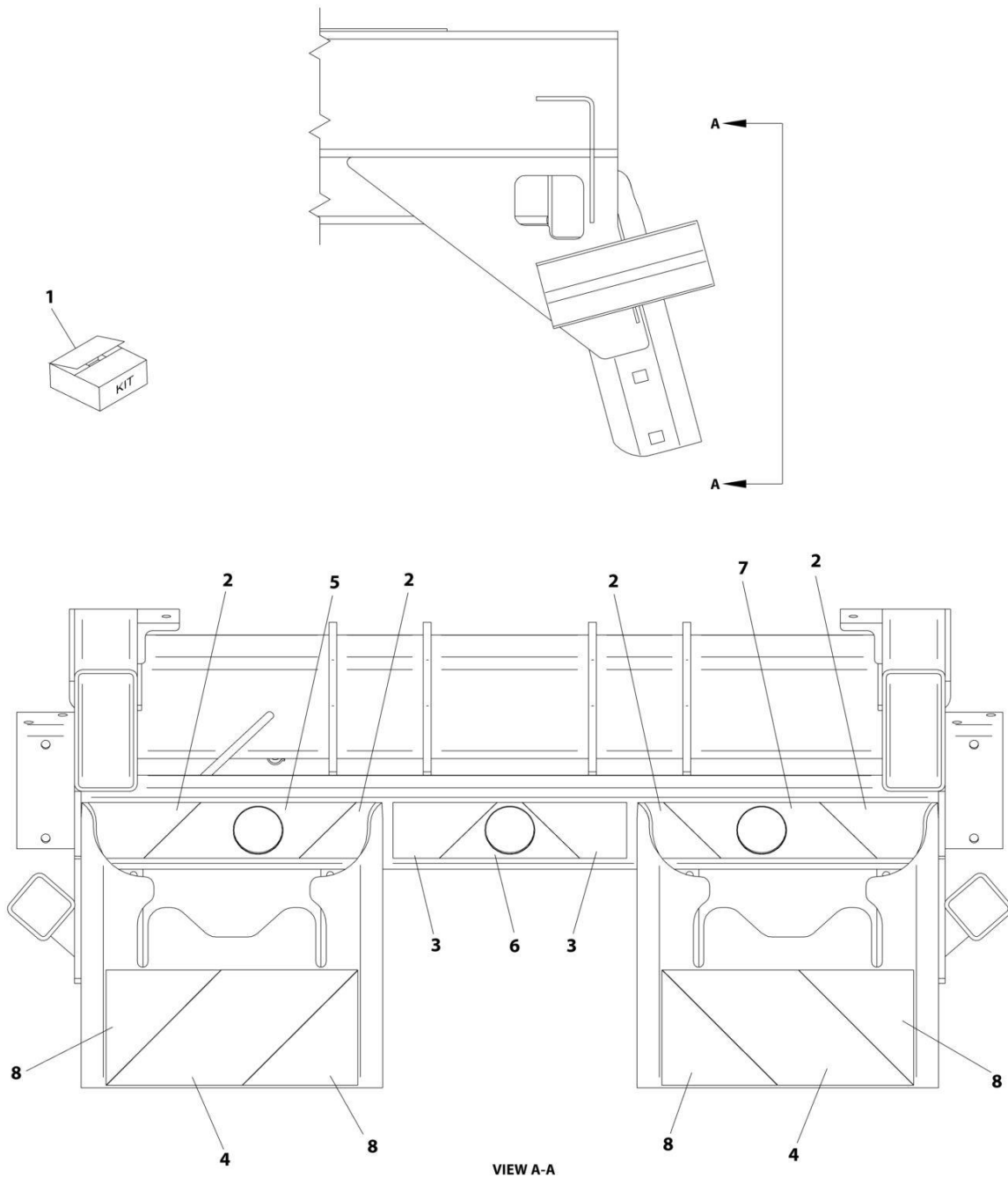
SECTION 7 - DECALS

FIGURE 7-1. DECAL INSTALLATION - CARRIER

ITEM	PART NUMBER	QTY	DESCRIPTION	REV
	2330000044	Ref	MEDIUM DUTY CARRIER DECAL INSTALLATION	M
1	1001127221	1	Decal - Ident Tag	
2	7330000689	1	Decal - Certification (Not Shown)	
3	1001132766	1	Decal - Patent/Subframe	
4	7330000272	1	Decal - Oil Level	
5	1001190626	1	Decal - Winch Warning	
6	7330000478	1	Decal - Lub Chart Bic	
7	1001154689	2	Decal - Arrow Rollback Tilt	
9	1001153789	3	Decal - Amber Reflect	
10	1001132765	1	Decal - Structural Capacity	
11	7759000004	12	Pop Rivet	
12	1001190625	1	Decal - Checklist	
13	7330000143	1	Decal - Made in the USA	
14	7330000139	1	Decal - Wheel Lift (Not Shown)	
16	1001168591	1	Decal - Slide Pad Lubrication	
18	7330000330	1	Decal - Hose Track Carrier	
21	7330000599	2	Decal - Pinch Point	
22	7330000176	3	Decal - Air Suspension	
23	1001231801	2	Decal - Warning Prop 65 Diesel	
24	1001230968	3	Decal - Electrocutation Hazard	

SECTION 7 - DECALS

FIGURE 7-2. DECAL INSTALLATION - HIGH VISIBILITY



ART_1001203303

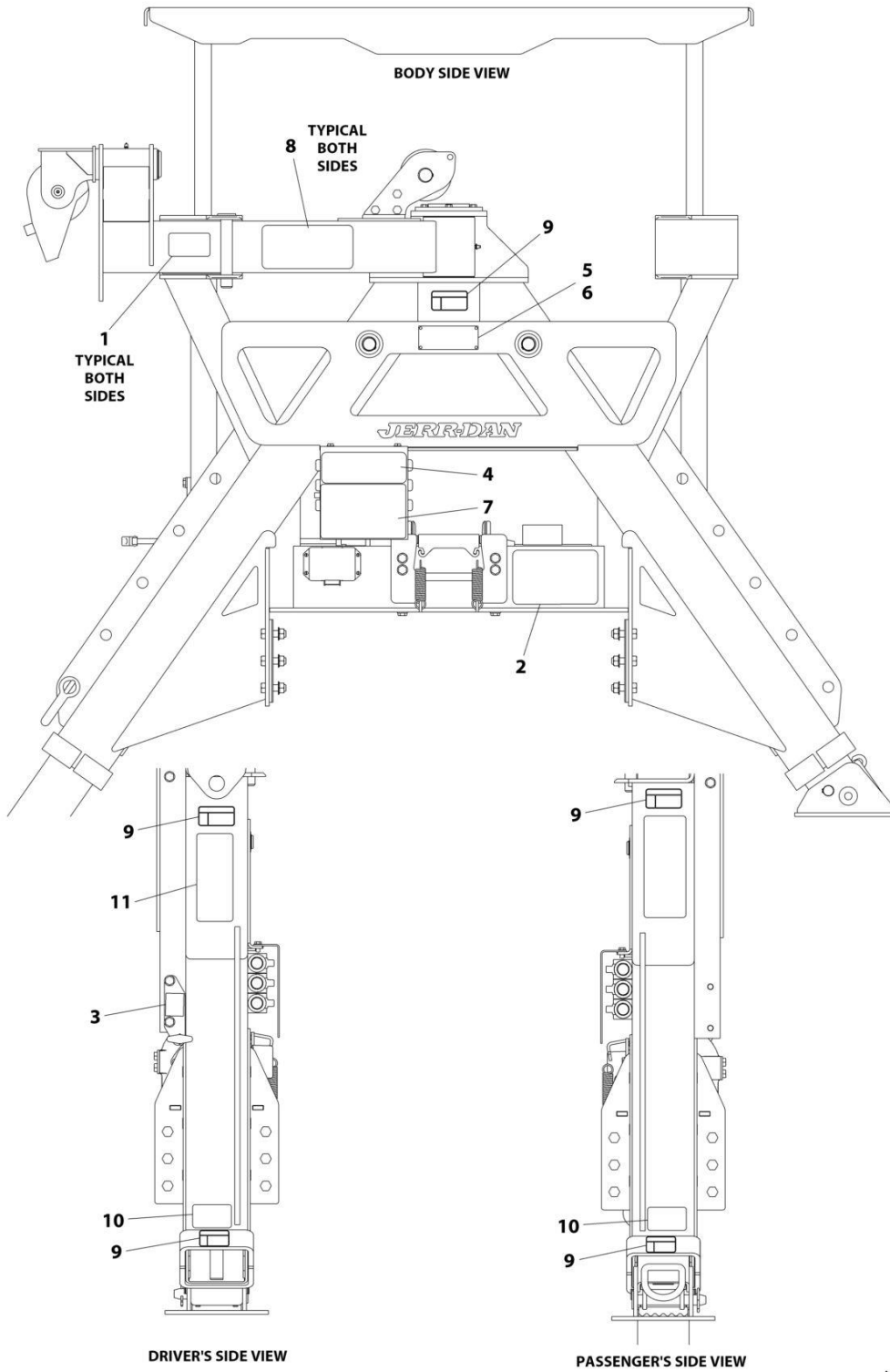
SECTION 7 - DECALS

FIGURE 7-2. DECAL INSTALLATION - HIGH VISIBILITY

ITEM	PART NUMBER	QTY	DESCRIPTION	REV
	1001203303	Ref	High Visibility Reflective Tape Intallation	A
1	1001203302	1	Decal - Conspicuity Tape Kit (Includes Items 2-8)	
2	1001203295	1	Tape, Yellow	
3	1001203296	1	Tape, Yellow	
4	1001203297	1	Tape, Yellow	
5	1001203298	1	Tape, Red	
6	1001203299	1	Tape, Red	
7	1001203300	1	Tape, Red	
8	1001203301	1	Tape, Red	

SECTION 7 - DECALS

FIGURE 7-3. DECALS INSTALLATION - SIDE RECOVERY SYSTEM



ART_233000068

SECTION 7 - DECALS

FIGURE 7-3. DECALS INSTALLATION - SIDE RECOVERY SYSTEM

ITEM	PART NUMBER	QTY	DESCRIPTION	REV
	2330000068	Ref	DECAL INSTALLATION - SIDE RECOVERY SYSTEM	A
1	7330000708	2	Decal, Warning	
2	7330000709	1	Decal, Lubrication	
3	7330000707	1	Decal, Winch Free Spool	
4	7330000711	1	Decal, Valve Manual Override	
5	7330000710	1	Decal, Seal	
6	7759000004	4	Rivet	
7	7330000713	1	Decal, Winch Warning	
8	7330000714	2	Decal, SRS Logo	
9	7330000599	5	Decal, Pinch Point	
10	7330000580	2	Decal, Outrigger	
11	7330000723	1	Decal, Safety	

SECTION 8 - ACCESSORIES

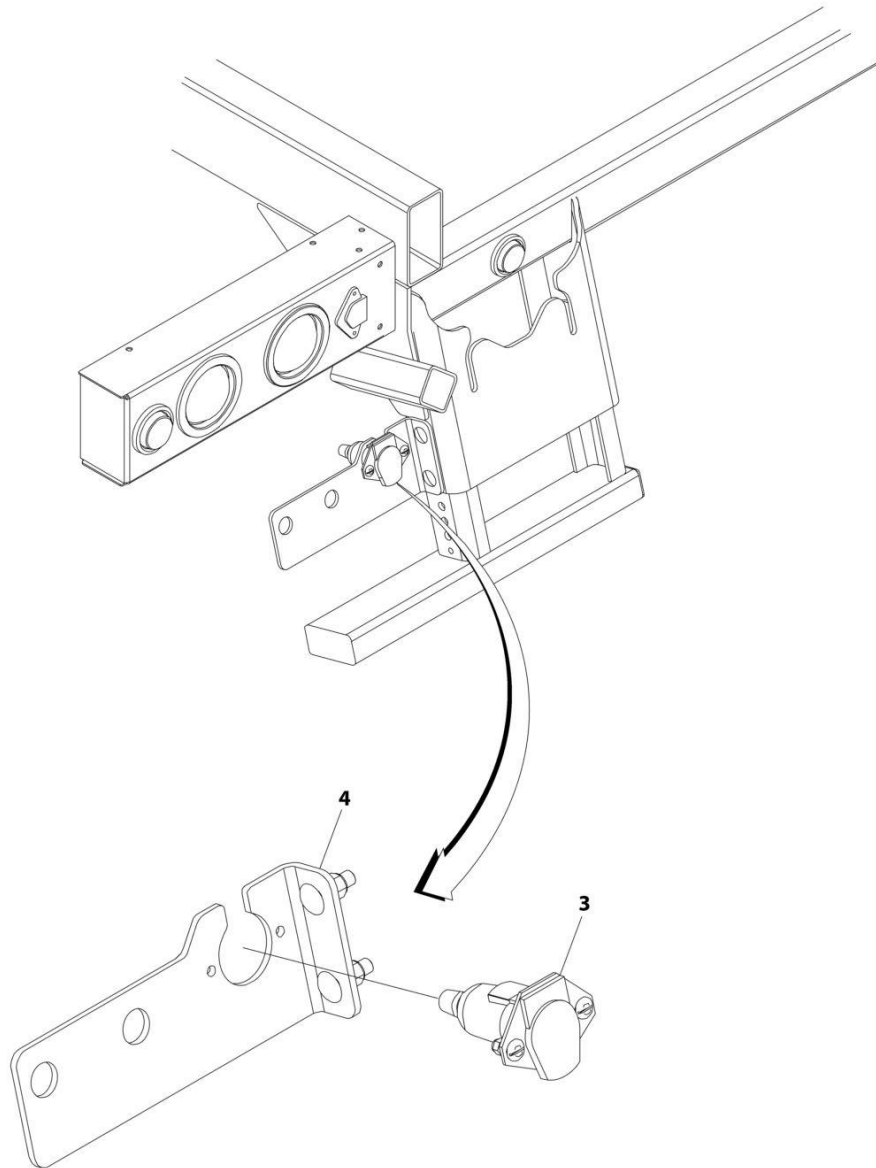
SECTION 8 - ACCESSORIES

FIGURE 8-1. KITS LIST

ITEM	PART NUMBER	QTY	DESCRIPTION	REV
	1001241870	Ref	KITS LIST	K
		Ref	Note: Contact JERR-DAN Parts Department for exact contents of kit:	
	1001262545	Ref	Chain Rack Kit - Non-Locking (Standard Headboard) (Includes Rack & Attaching Hardware)	
	1001262546	Ref	Chain Rack Kit - Non-Locking (Deluxe Headboard) (Includes Rack & Attaching Hardware)	
	1001265255	Ref	Chain Rack Kit - Locking (Standard Headboard) (Includes Rack & Attaching Hardware)	
	1001262544	Ref	Chain Rack Kit - Locking (Deluxe Headboard) (Includes Rack & Attaching Hardware)	
	1001265236	Ref	Decal Kit - Cargo Hauler	
	1001187663S	Ref	Free Spool Kit - Single Winch (8000-10000 LBS)	
	3570000008	Ref	Hose Kit - 28FT Deck sub-Frame Retrofit with Emergency Lights	
	3249000004S	Ref	Roller Cable Guide Kit	

SECTION 8 - ACCESSORIES

FIGURE 8-2. 7-WAY ELECTRICAL CONNECTOR INSTALLATION



ART_A7WCON

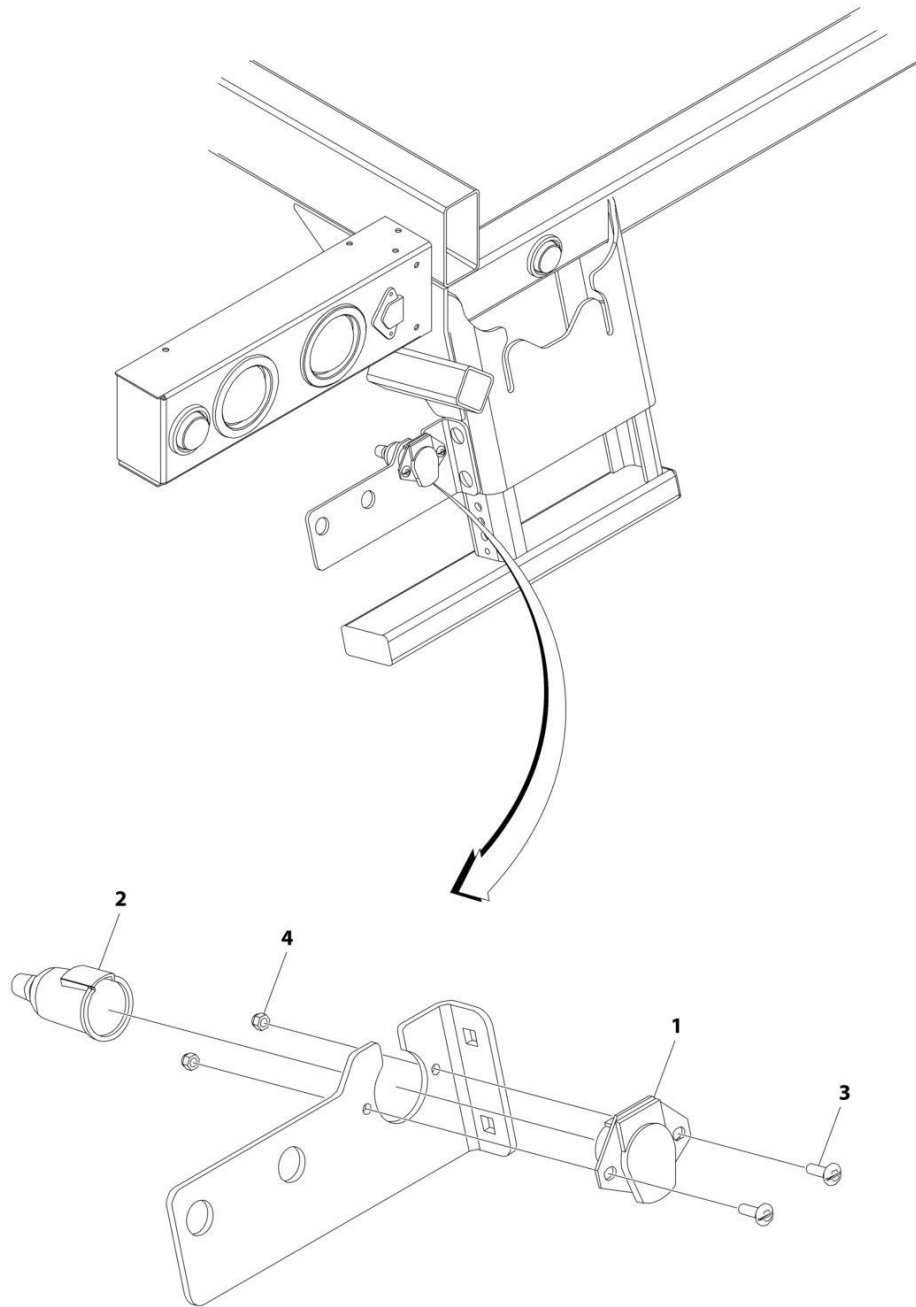
SECTION 8 - ACCESSORIES

FIGURE 8-2. 7-WAY ELECTRICAL CONNECTOR INSTALLATION

ITEM	PART NUMBER	QTY	DESCRIPTION	REV
	A7WCON	Ref	7 Way Electric Connector Installation	0
1	7346000132	1	Electrical Adapter 7 to 4 way (Not Shown)	
2	7346000157	1	Electrical Adapter 7 to 6 way (Not Shown)	
3	2346000008	1	7-Way Electrical Connector (See Separate Breakdown in this Section)	
4	2178000037	Ref	Glad Hands Bracket Installation	
4	4178000666	1	Bracket	
4	7115181464	2	Bolt 1/2 x 1-3/4	
4	7660182601	2	Nut 1/2	

SECTION 8 - ACCESSORIES

FIGURE 8-3. 7-WAY ELECTRICAL CONNECTOR



ART_2346000008

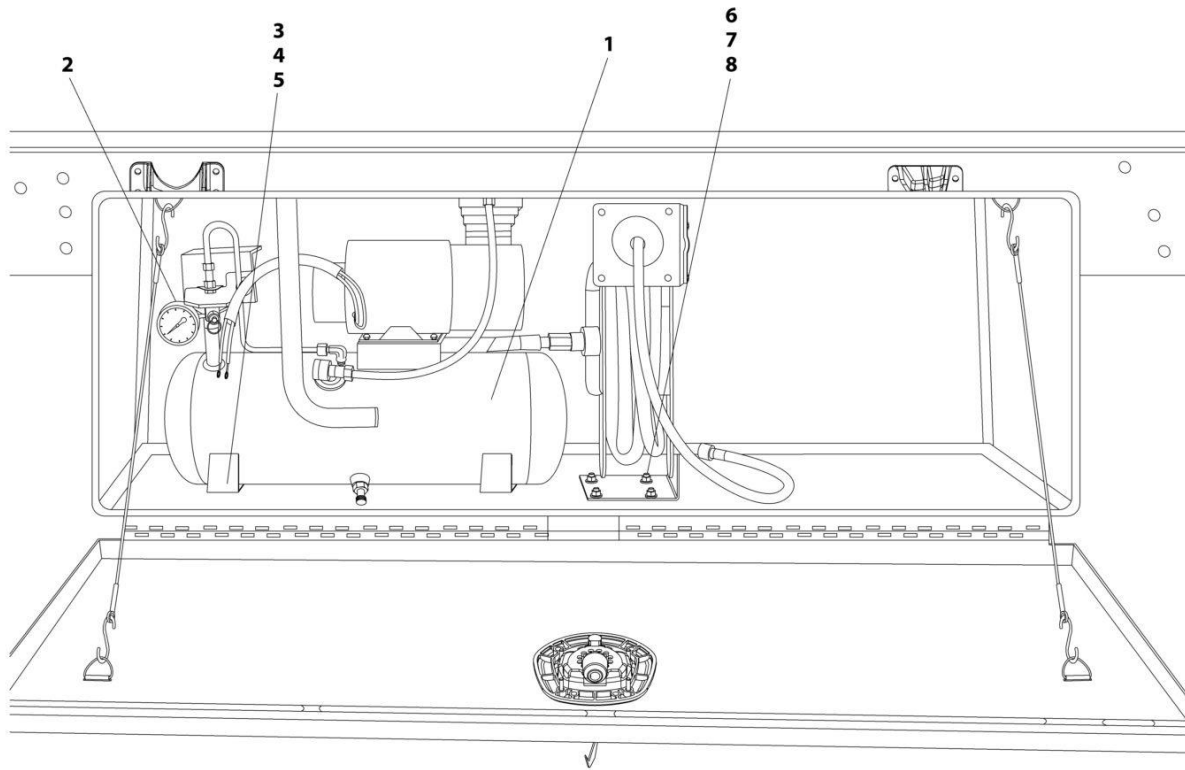
SECTION 8 - ACCESSORIES

FIGURE 8-3. 7-WAY ELECTRICAL CONNECTOR

ITEM	PART NUMBER	QTY	DESCRIPTION	REV
	2346000008	Ref	7-Way Electrical Connector	0
1	7346000055	1	Electrical Receptacle 7-way Connect	
2	7346000078	1	Electrical Boot	
3	7111150813	2	Screw 5/16 x 1	
4	7660152601	2	Nut 5/16	

SECTION 8 - ACCESSORIES

FIGURE 8-4. AIR COMPRESSOR/HOSE REEL (INSIDE TOOLBOX)



SHOWN MOUNTED INSIDE 48IN TOOLBOX

ART_200200030

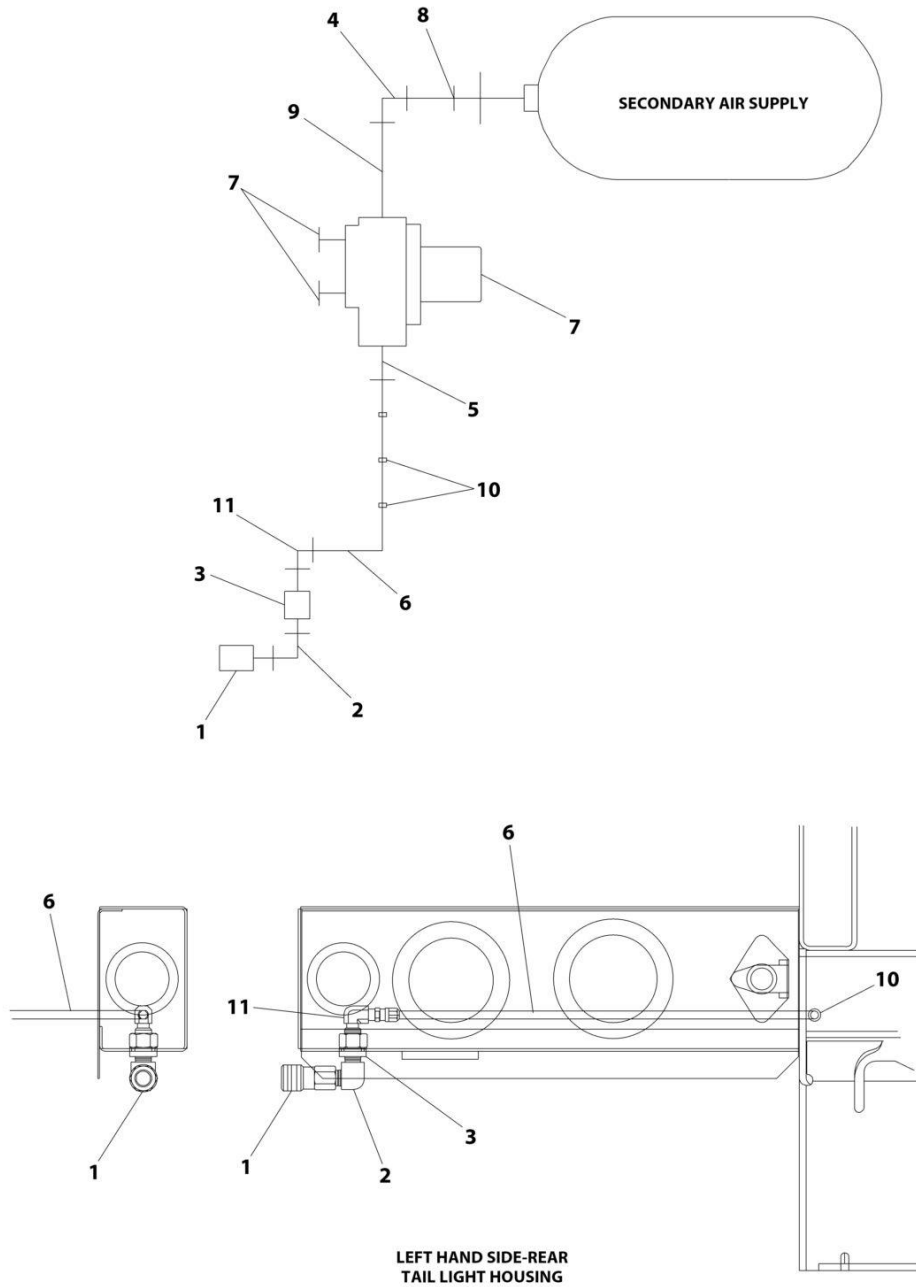
SECTION 8 - ACCESSORIES

FIGURE 8-4. AIR COMPRESSOR/HOSE REEL (INSIDE TOOLBOX)

ITEM	PART NUMBER	QTY	DESCRIPTION	REV
	2002000030	Ref	Toolbox Air Compressor/Hose Reel	B
1	7002000503	1	Air Compressor with Hose Reel	
2	7443000155	1	Fitting, 90	
3	7115161050	4	Capscrew 3/8 x 1-1/4	
4	7950150161	4	Washer 3/8	
5	7660162601	4	Nut 3/8	
6	7115181050	4	Capscrew 1/2 x 1-1/4	
7	7950180153	8	Washer 1/2	
8	7660182601	4	Nut 1/2	

SECTION 8 - ACCESSORIES

FIGURE 8-5. AIR SUPPLY DISCONNECT



ART_2002000009

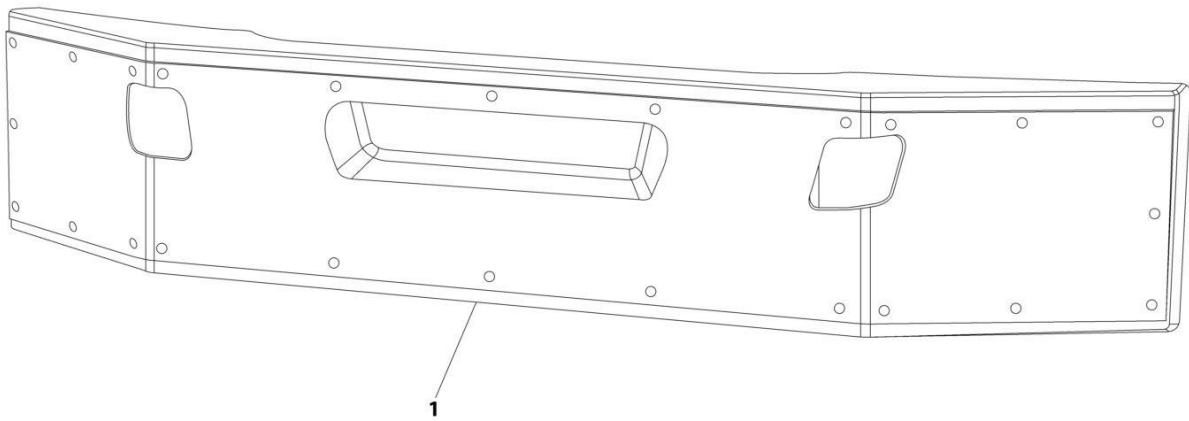
SECTION 8 - ACCESSORIES

FIGURE 8-5. AIR SUPPLY DISCONNECT

ITEM	PART NUMBER	QTY	DESCRIPTION	REV
	2002000009	Ref	AIR SUPPLY DISCONNECT	E
1	7312000017	1	Coupling	
2	7445080853	1	Fitting, 90	
3	7446502518	1	Fitting	
4	7443000155	1	Fitting, 90	
5	7446060435	2	Tube	
6	7565000014	32	Airline Tubing	
7	7935000120	1	Valve Pressure Protection	
8	7443000154	1	Bushing	
9	7443000156	1	Nipple	
10	7894000031	6	Cable Tie	
11	7443000366	1	Fitting, Tube	

SECTION 8 - ACCESSORIES

FIGURE 8-6. BUMPER INSTALLATION - FL M2 2008+



ART_1001144805

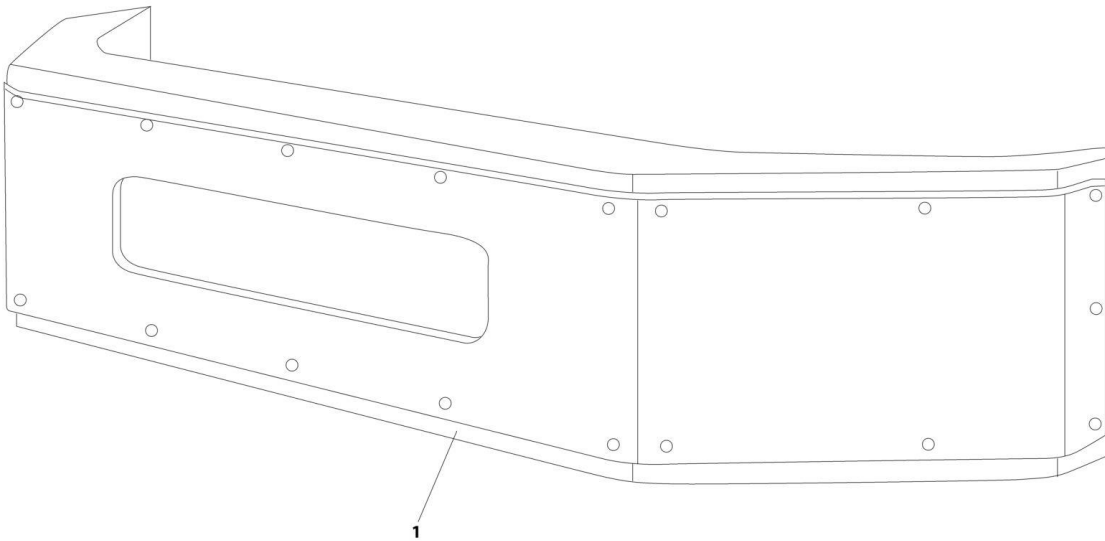
SECTION 8 - ACCESSORIES

FIGURE 8-6. BUMPER INSTALLATION - FL M2 2008+

ITEM	PART NUMBER	QTY	DESCRIPTION	REV
	1001144805	Ref	BUMPER INSTALLATION - PUSH (FRONT) (NO GRILLE GUARD) (IHC 4300)	A
1	1001144804	1	Bumper	

SECTION 8 - ACCESSORIES

FIGURE 8-7. BUMPER INSTALLATION - FORD 2011 F650/F750



ART_1001146879

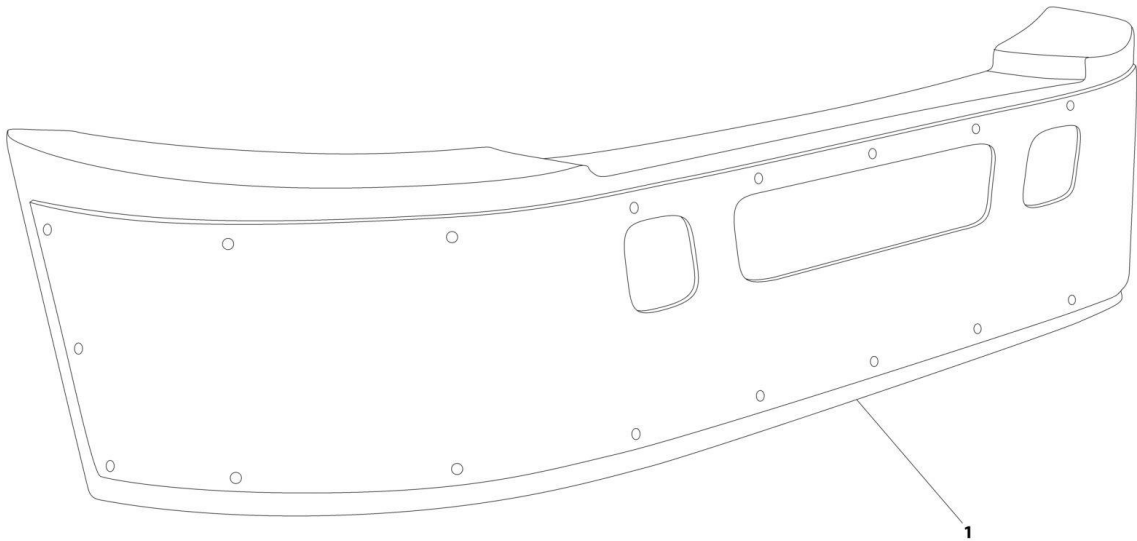
SECTION 8 - ACCESSORIES

FIGURE 8-7. BUMPER INSTALLATION - FORD 2011 F650/F750

ITEM	PART NUMBER	QTY	DESCRIPTION	REV
	1001146879	Ref	BUMPER INSTALLATION - PUSH (FRONT) (NO GRILLE GUARD) (FREIGHTLINER 2008+)	A
1	1001146878	1	Bumper	

SECTION 8 - ACCESSORIES

FIGURE 8-8. BUMPER INSTALLATION - HINO 2005+ (WITHOUT GUARD)



ART_1001242699

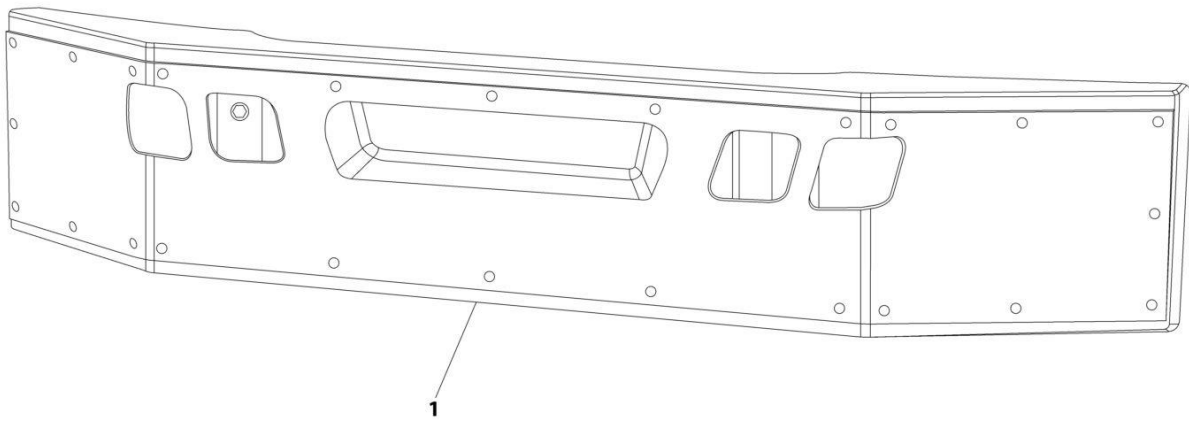
SECTION 8 - ACCESSORIES

FIGURE 8-8. BUMPER INSTALLATION - HINO 2005+ (WITHOUT GUARD)

ITEM	PART NUMBER	QTY	DESCRIPTION	REV
	1001242699	Ref	BUMPER INSTALLATION - PUSH (FRONT) (WITHOUT GRILLE GUARD) (HINO)	A
1	1001225228	1	Bumper	

SECTION 8 - ACCESSORIES

FIGURE 8-9. BUMPER INSTALLATION - IHC 2011



ART_1001133674

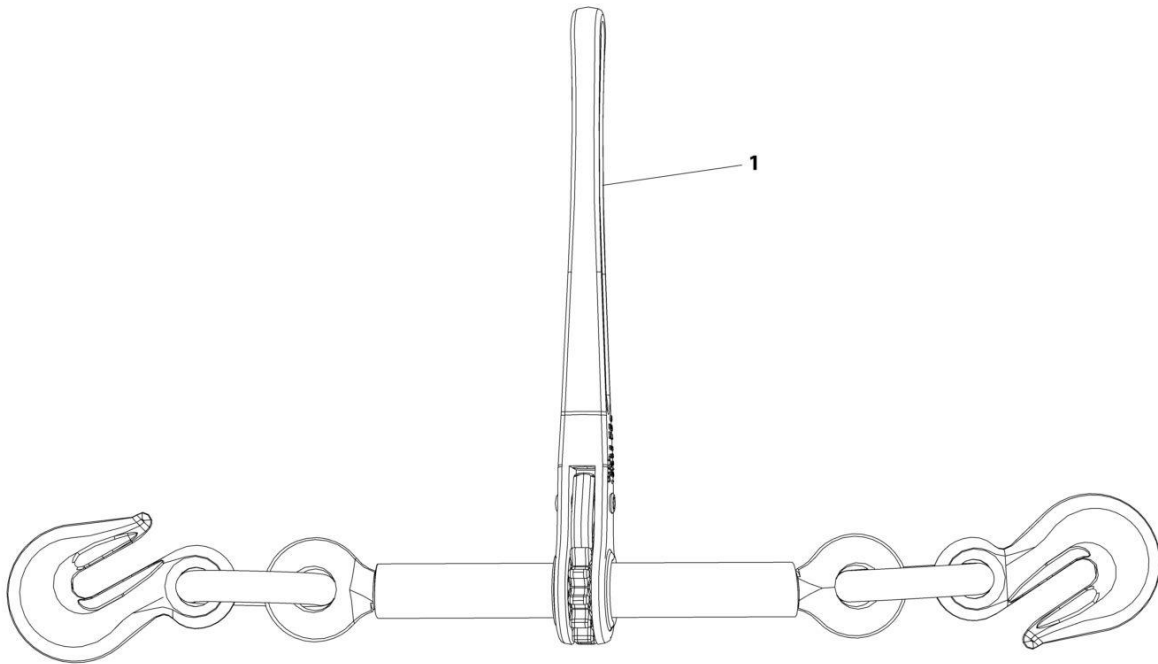
SECTION 8 - ACCESSORIES

FIGURE 8-9. BUMPER INSTALLATION - IHC 2011

ITEM	PART NUMBER	QTY	DESCRIPTION	REV
	1001133674	Ref	BUMPER INSTALLATION - PUSH (FRONT) (NO GRILLE GUARD) (FORD F650 2011-2016)	A
1	1001129909	1	Bumper	

SECTION 8 - ACCESSORIES

FIGURE 8-10. CHAIN BINDER, 3/8IN CHAIN



ART_CHB38

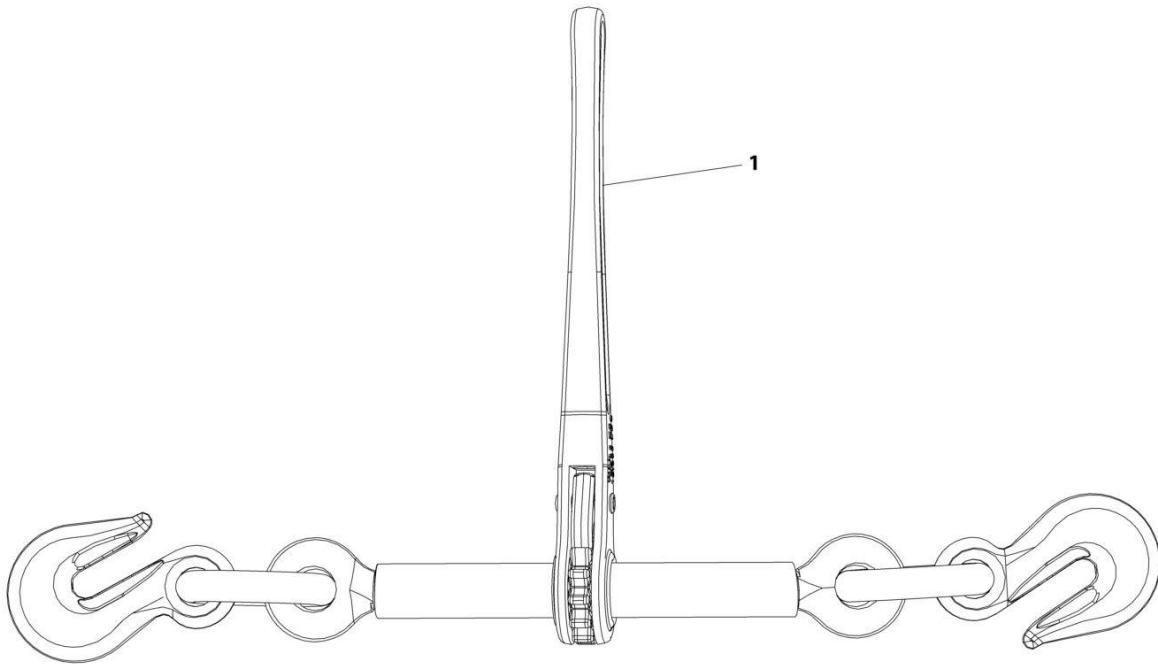
SECTION 8 - ACCESSORIES

FIGURE 8-10. CHAIN BINDER, 3/8IN CHAIN

ITEM	PART NUMBER	QTY	DESCRIPTION	REV
1	CHB38 7002000451	Ref 1	CHAIN BINDER 3/8IN Load Binder	0

SECTION 8 - ACCESSORIES

FIGURE 8-11. CHAIN BINDER, 1/2IN CHAIN



ART_CHB50

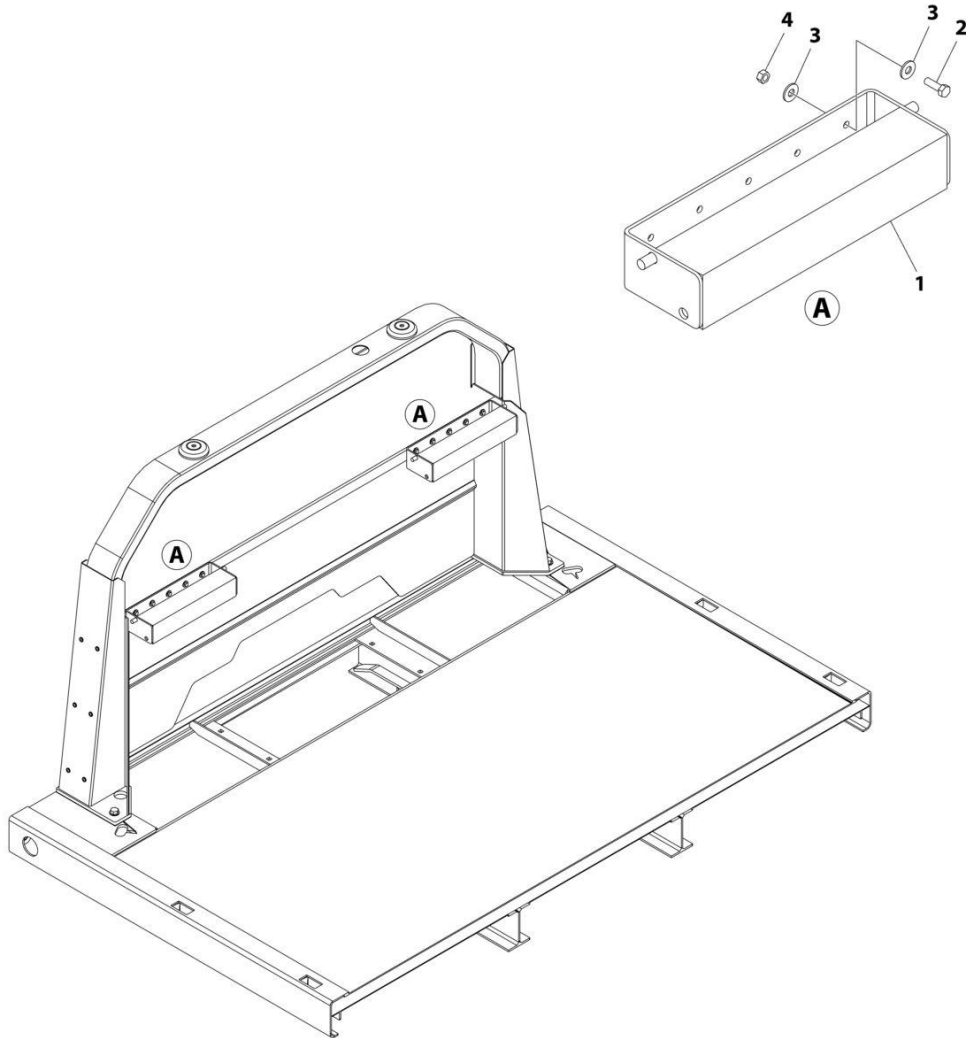
SECTION 8 - ACCESSORIES

FIGURE 8-11. CHAIN BINDER, 1/2IN CHAIN

ITEM	PART NUMBER	QTY	DESCRIPTION	REV
1	CHB50 7002000450	Ref 1	CHAIN BINDER 1/2IN Load Binder	0

SECTION 8 - ACCESSORIES

FIGURE 8-12. CHAIN RACKS ADJUSTABLE/FIXED HEIGHT HEADBOARD INSTALLATION



ART_1001232527

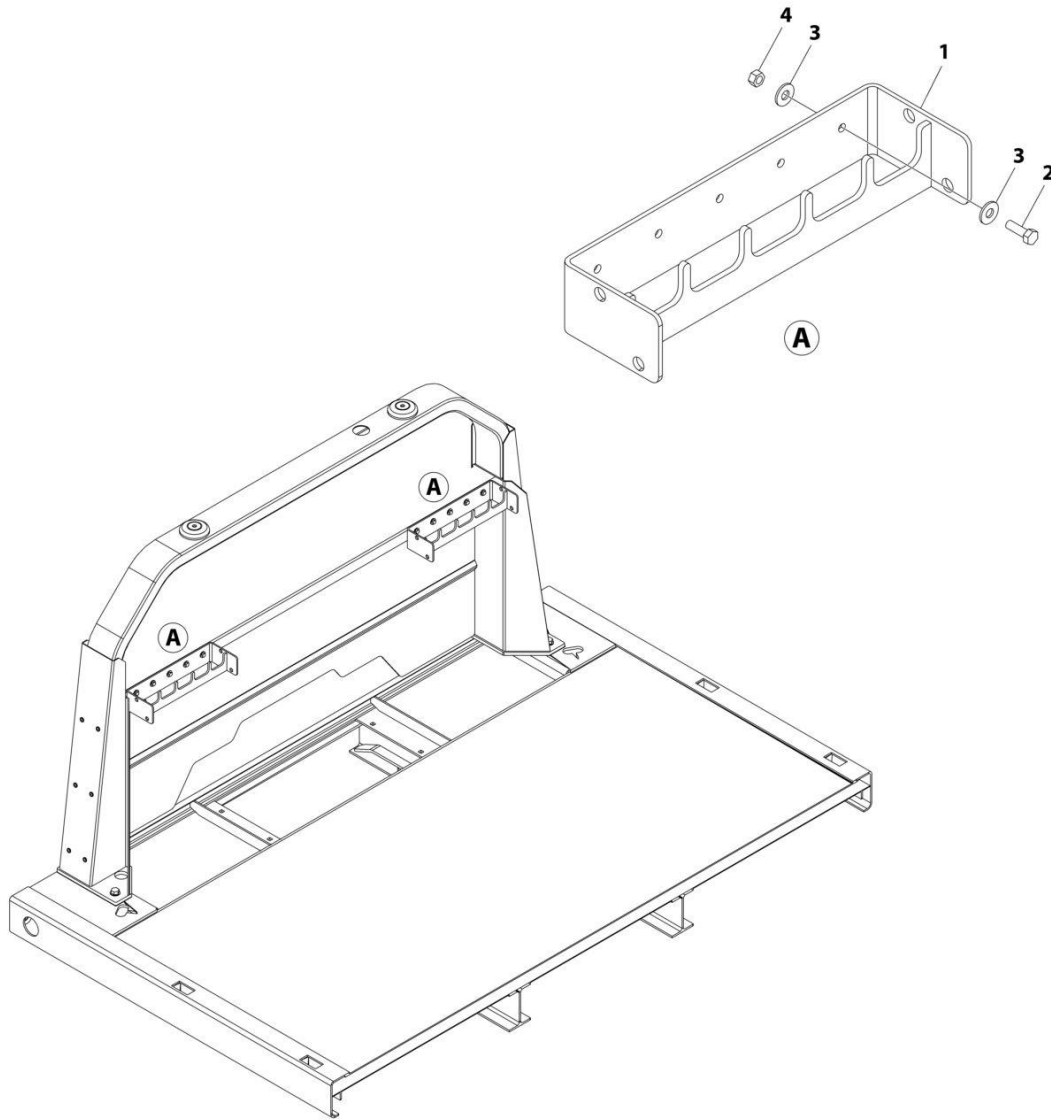
SECTION 8 - ACCESSORIES

FIGURE 8-12. CHAIN RACKS ADJUSTABLE/FIXED HEIGHT HEADBOARD INSTALLATION

ITEM	PART NUMBER	QTY	DESCRIPTION	REV
	1001232527	Ref	LOCKING CHAIN RACKS, ADJUSTABLE/FIXED HEIGHT, HEADBOARD INSTALLATION	A
1	1001232525	2	Bracket	
2	0641508	10	Bolt 5/16 x 1	
3	4751500	20	Washer 5/16	
4	3271505	10	Nut 5/16	

SECTION 8 - ACCESSORIES

FIGURE 8-13. CHAIN RACKS ADJUSTABLE/FIXED HEIGHT HEADBOARD INSTALLATION



ART_1001232526

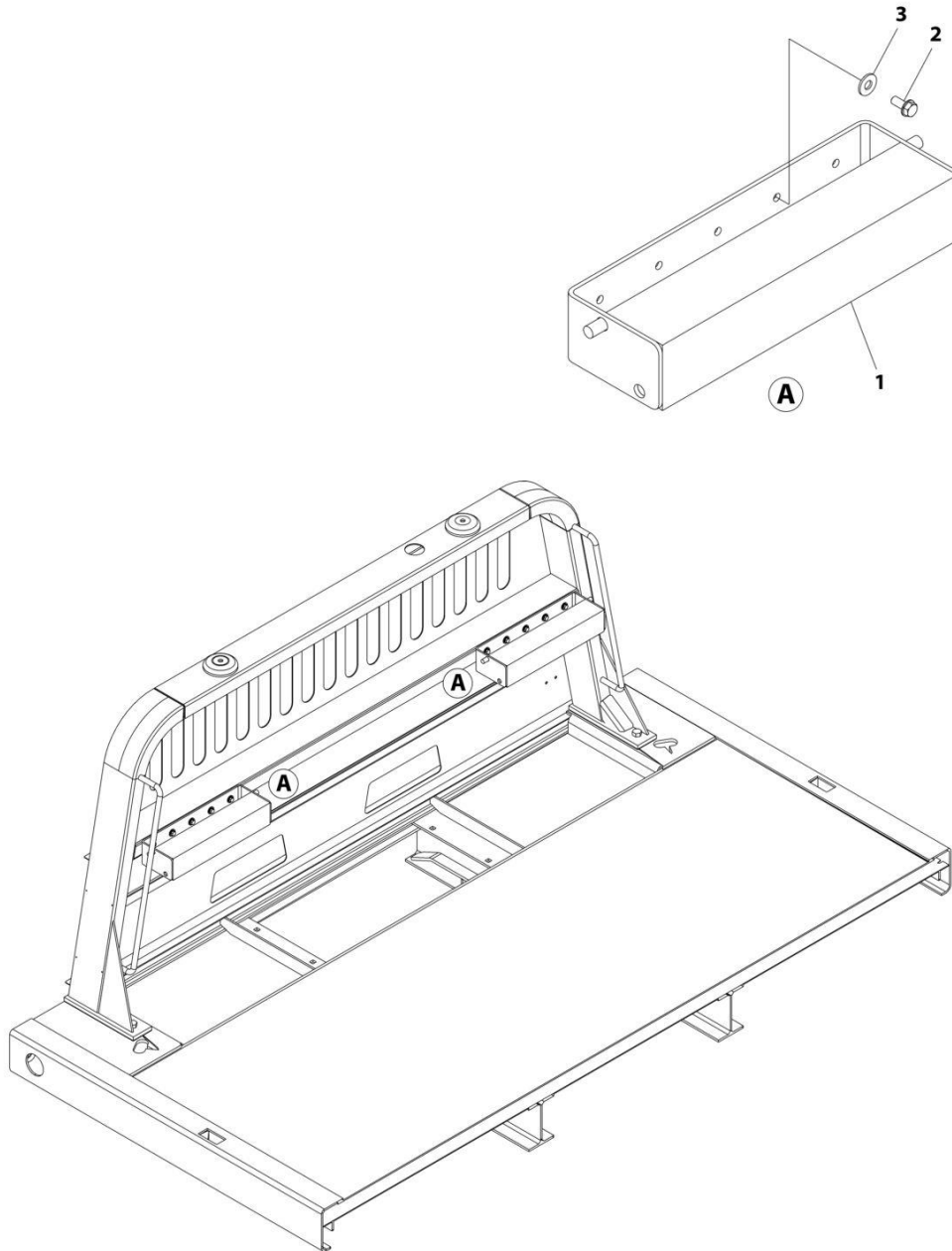
SECTION 8 - ACCESSORIES

FIGURE 8-13. CHAIN RACKS ADJUSTABLE/FIXED HEIGHT HEADBOARD INSTALLATION

ITEM	PART NUMBER	QTY	DESCRIPTION	REV
	1001232526	Ref	CHAIN RACKS ADJUSTABLE/FIXED HEIGHT, HEADBOARD INSTALLATION	A
1	1001232524	2	Bracket	
2	0641508	10	Bolt 5/16 x 1	
3	4751500	20	Washer 5/16	
4	3271505	10	Nut 5/16	

SECTION 8 - ACCESSORIES

FIGURE 8-14. CHAIN RACKS, DELUXE HEADBOARD INSTALLATION



ART_1001232620

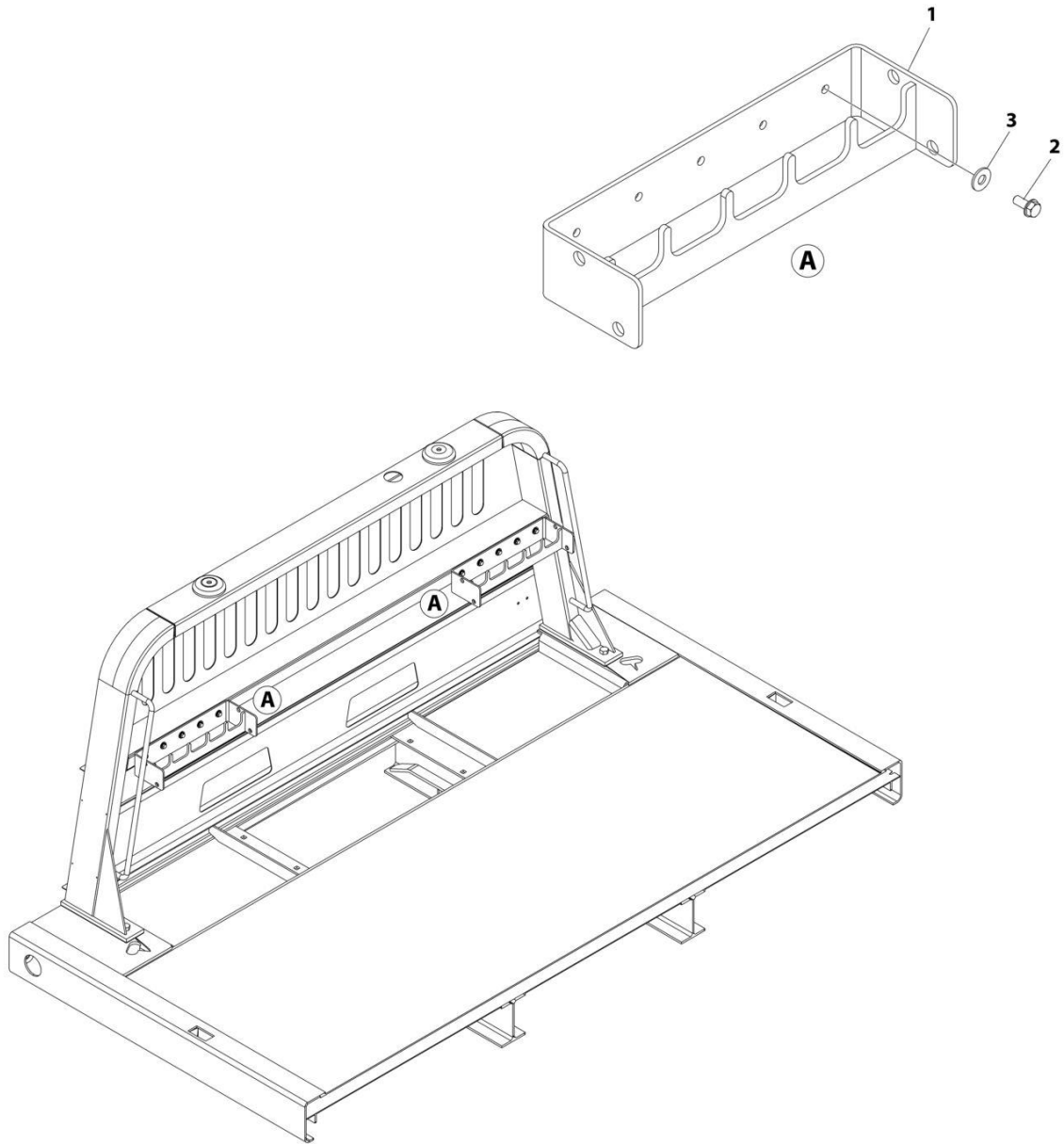
SECTION 8 - ACCESSORIES

FIGURE 8-14. CHAIN RACKS, DELUXE HEADBOARD INSTALLATION

ITEM	PART NUMBER	QTY	DESCRIPTION	REV
	1001232620	Ref	LOCKING CHAIN RACKS, DELUXE HEADBOARD INSTALLATION	A
1	1001232525	2	Bracket	
2	7790151253	10	Screw 5/16 x 3/4	
3	4751500	10	Washer 5/16	

SECTION 8 - ACCESSORIES

FIGURE 8-15. CHAIN RACKS, DELUXE HEADBOARD INSTALLATION



ART_1001232621

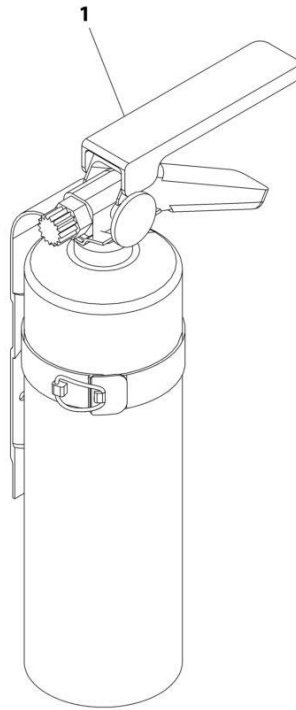
SECTION 8 - ACCESSORIES

FIGURE 8-15. CHAIN RACKS, DELUXE HEADBOARD INSTALLATION

ITEM	PART NUMBER	QTY	DESCRIPTION	REV
	1001232621	Ref	CHAIN RACKS, DELUXE HEADBOARD INSTALLATION	A
1	1001232524	2	Bracket	
2	7790151253	10	Screw 5/16 x 3/4	
3	4751500	10	Washer 5/16	

SECTION 8 - ACCESSORIES

FIGURE 8-16. FIRE EXTINGUISHER



ART_2002000028

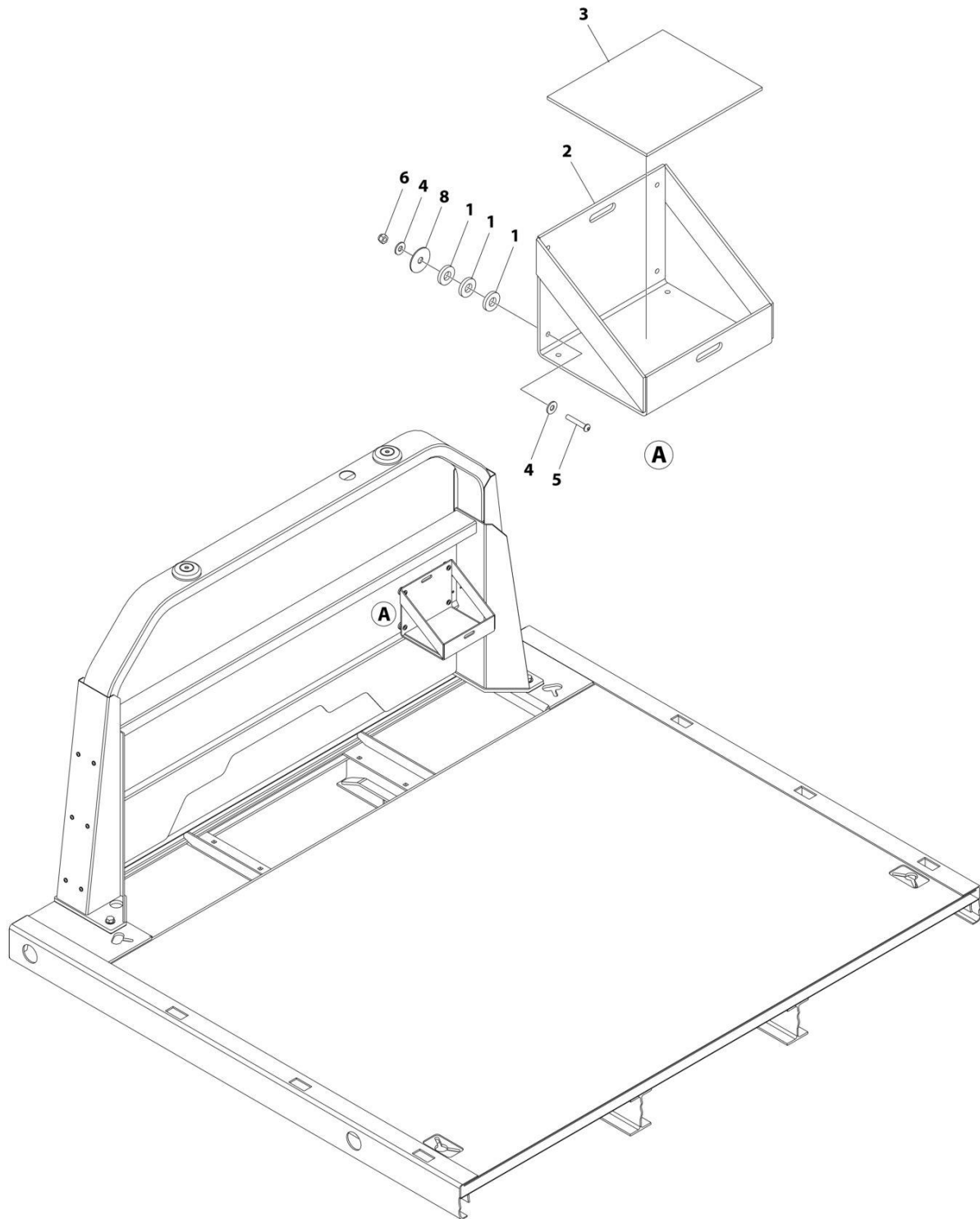
SECTION 8 - ACCESSORIES

FIGURE 8-16. FIRE EXTINGUISHER

ITEM	PART NUMBER	QTY	DESCRIPTION	REV
1	2002000028	Ref	Fire Extinguisher Accessory	0
	7002000404	1	Fire Extinguisher	

SECTION 8 - ACCESSORIES

FIGURE 8-17. FUEL CAN HOLDER INSTALLATION, HEADBOARD



ART_1001190184

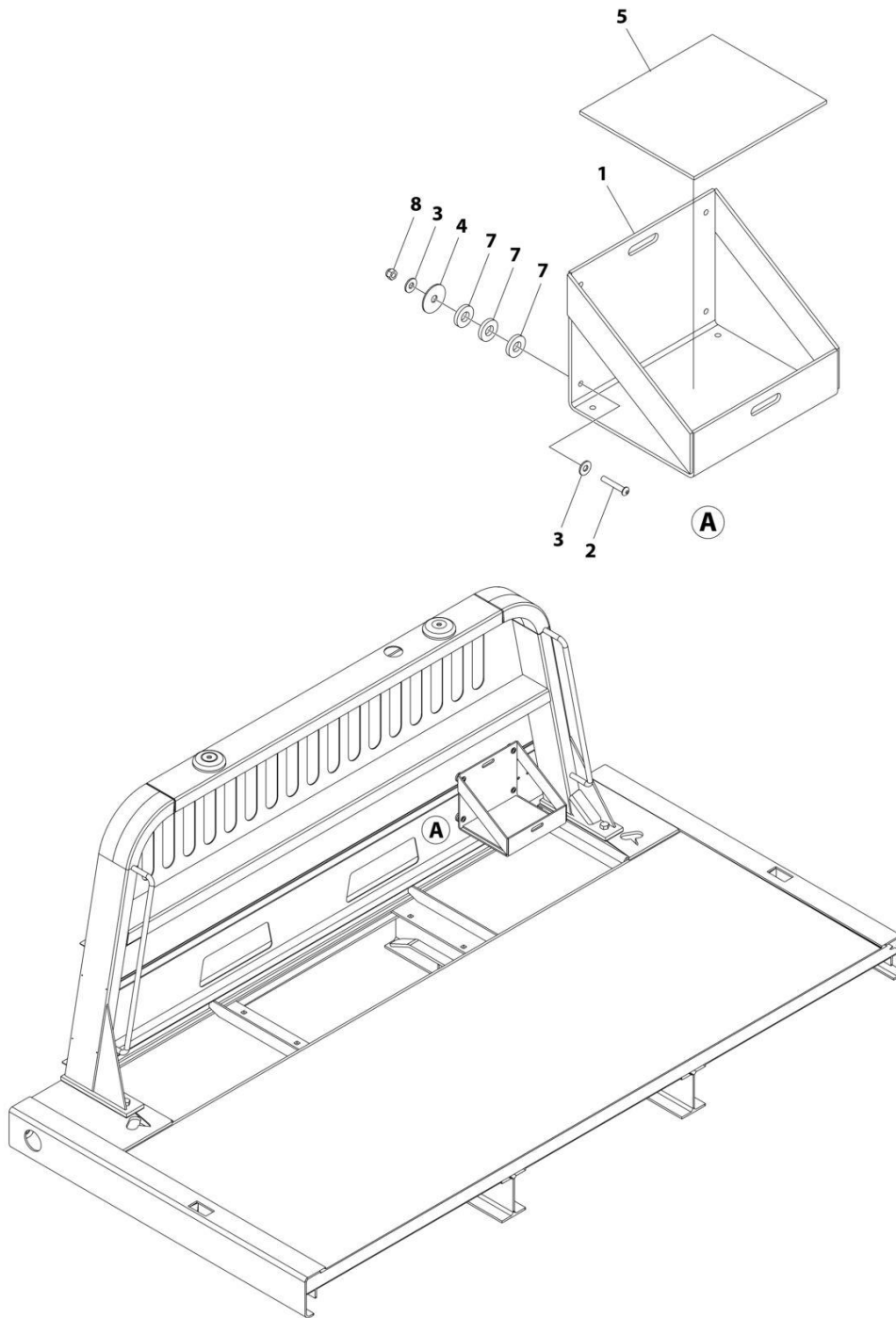
SECTION 8 - ACCESSORIES

FIGURE 8-17. FUEL CAN HOLDER INSTALLATION, HEADBOARD

ITEM	PART NUMBER	QTY	DESCRIPTION	REV
	1001190184	Ref	FUEL CAN HOLDER INSTALLATION	C
1	4891800	12	Washer 1/2	
2	3178000471	1	Bracket	
3	4679000274	1	Pad	
4	4751400001	8	Washer 1/4	
5	7114141218	4	Capscrew 1/4	
6	7660142601	4	Nut 1/4	
7	7894000063	1	Tie Strap (Not Shown)	
8	7949000055	4	Washer	

SECTION 8 - ACCESSORIES

FIGURE 8-18. FUEL CAN HOLDER INSTALLATION, DELUXE HEADBOARD



ART_1001129332

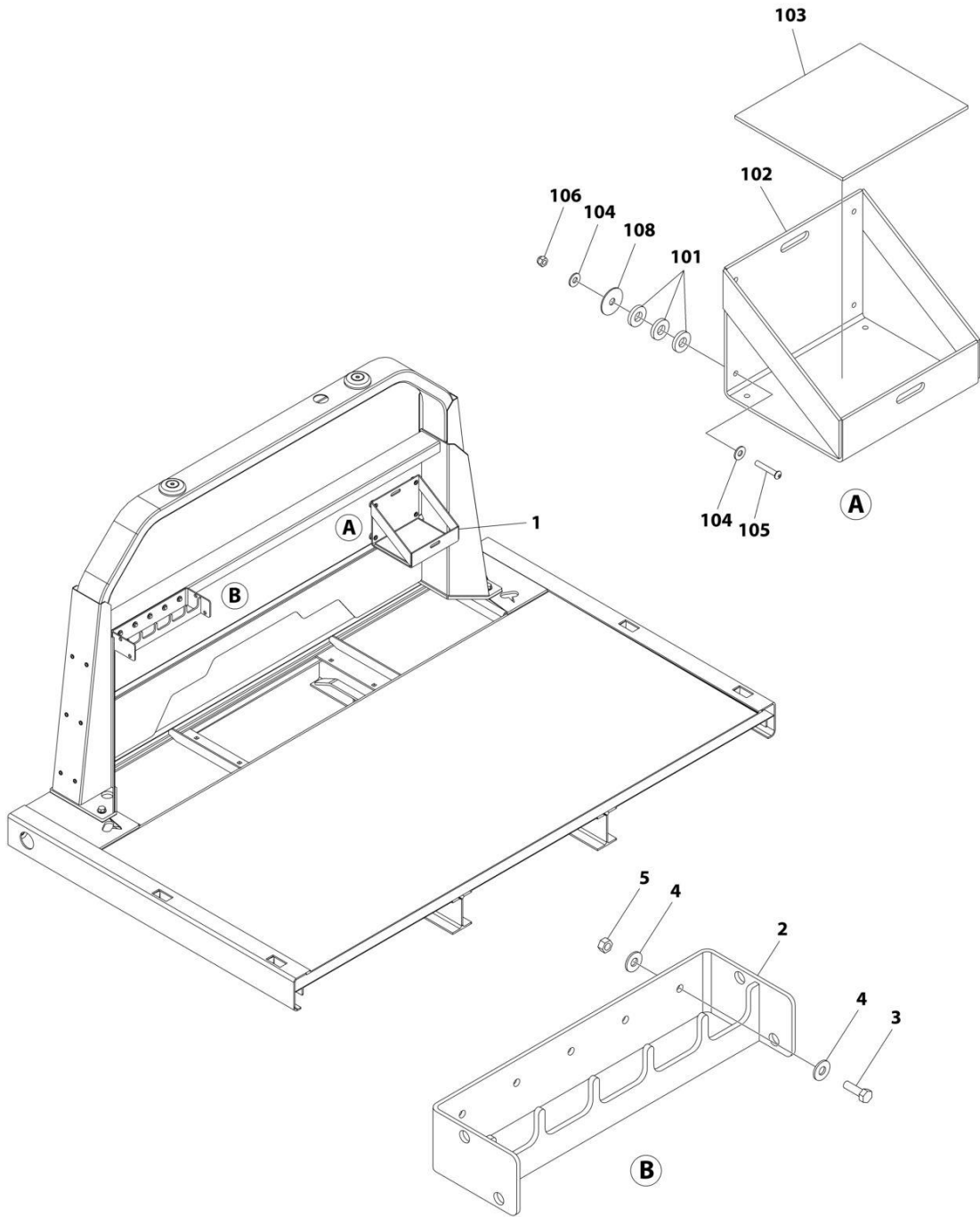
SECTION 8 - ACCESSORIES

FIGURE 8-18. FUEL CAN HOLDER INSTALLATION, DELUXE HEADBOARD

ITEM	PART NUMBER	QTY	DESCRIPTION	REV
	1001129332	Ref	FUEL CAN HOLDER INSTALLATION	F
1	3178000471	1	Bracket	
2	7114141218	4	Capscrew 1/4	
3	4751400001	8	Washer 1/4	
4	7949000055	4	Washer	
5	4679000274	1	Pad	
6	7894000063	1	Tie-Strap (Not Shown)	
7	4891800	12	Washer 1/2	
8	7660142601	4	Nut 1/4	

SECTION 8 - ACCESSORIES

FIGURE 8-19. FUEL CAN HOLDER & CHAIN RACK INSTALLATION, HEADBOARD



ART_1001232555

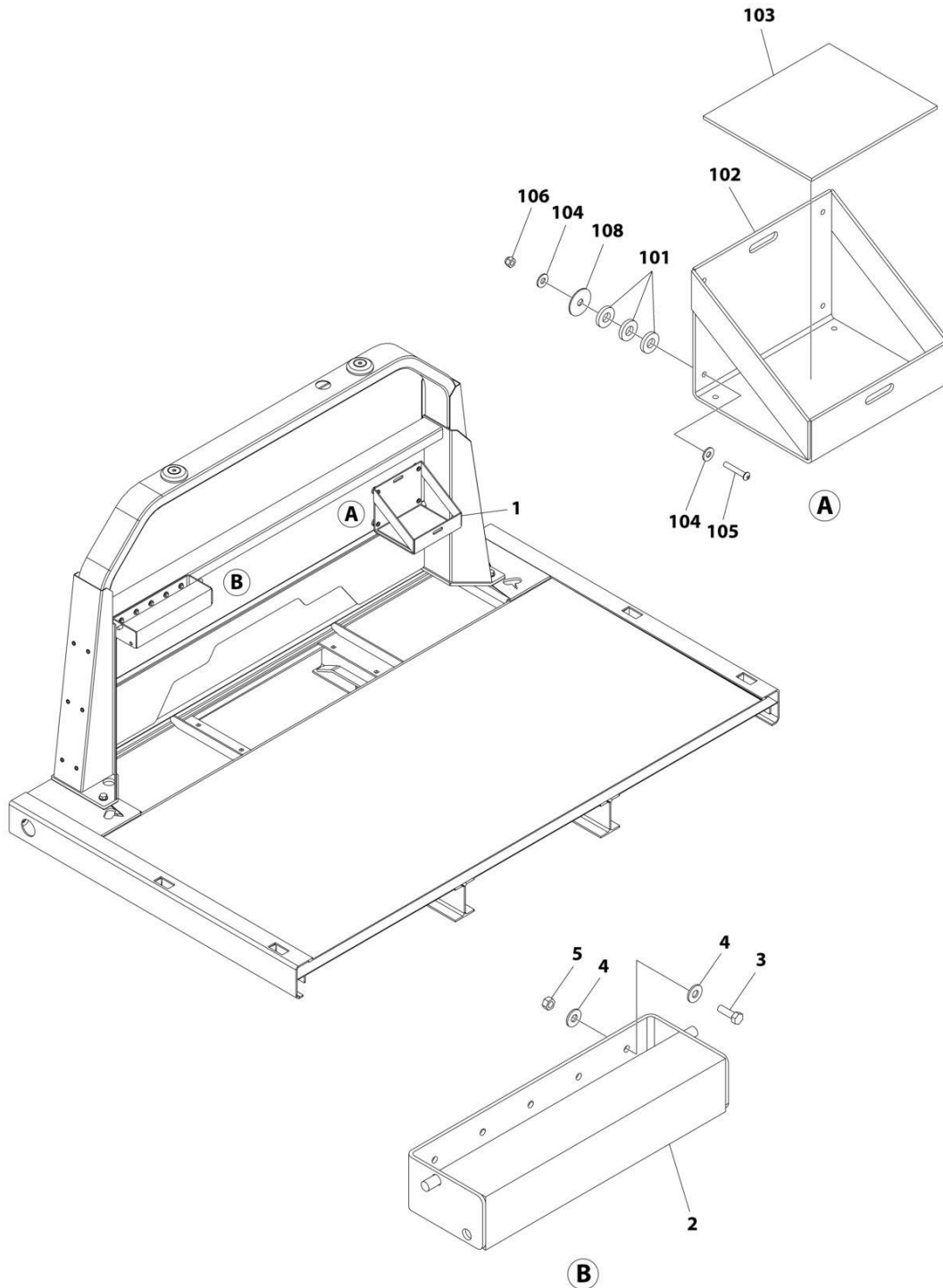
SECTION 8 - ACCESSORIES

FIGURE 8-19. FUEL CAN HOLDER & CHAIN RACK INSTALLATION, HEADBOARD

ITEM	PART NUMBER	QTY	DESCRIPTION	REV
	1001232555	Ref	FUEL CAN HOLDER AND CHAIN RACK INSTALLATION	A
1	1001190184	1	Fuel Can Holder Installation (Includes Items 101-108)	
2	1001232524	1	Bracket	
3	0641508	5	Bolt 5/16	
4	4751500	10	Washer 5/16	
5	3271505	5	Nut 5/16	
101	4891800	12	Washer 1/2	
102	3178000471	1	Bracket	
103	4679000274	1	Pad	
104	4751400001	8	Washer 1/4	
105	7114141218	4	Capscrew 1/4-20 x 1-1/2	
106	7660142601	4	Nut 1/4	
107	7894000063	1	Tie-Strap (Not Shown)	
108	7949000055	4	Washer	

SECTION 8 - ACCESSORIES

FIGURE 8-20. FUEL CAN HOLDER & LOCKING CHAIN RACK INSTALLATION, HEADBOARD



ART_1001232554

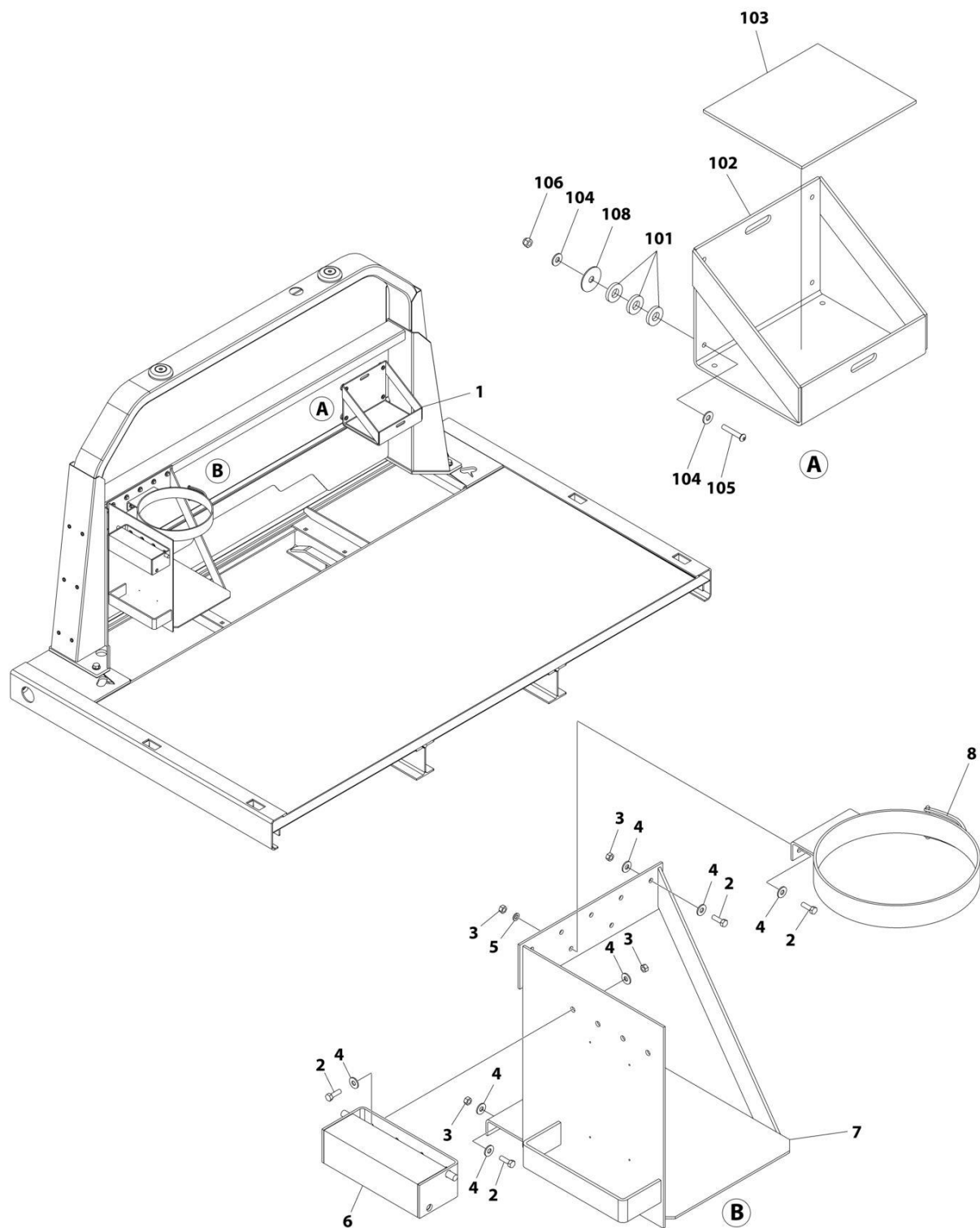
SECTION 8 - ACCESSORIES

FIGURE 8-20. FUEL CAN HOLDER & LOCKING CHAIN RACK INSTALLATION, HEADBOARD

ITEM	PART NUMBER	QTY	DESCRIPTION	REV
	1001232554	Ref	FUEL CAN HOLDER AND LOCKING CHAIN RACK INSTALLATION	A
1	1001190184	1	Fuel Can Holder Installation (Includes Items 101-108)	
2	1001232525	1	Bracket	
3	0641508	5	Bolt 5/16	
4	4751500	10	Washer 5/16	
5	3271505	5	Nut 5/16	
101	4891800	12	Washer 1/2	
102	3178000471	1	Bracket	
103	4679000274	1	Pad	
104	4751400001	8	Washer 1/4	
105	7114141218	4	Capscrew 1/4-20 x 1-1/2	
106	7660142601	4	Nut 1/4	
107	7894000063	1	Tie-Strap (Not Shown)	
108	7949000055	4	Washer	

SECTION 8 - ACCESSORIES

FIGURE 8-21. FUEL CAN HOLDER & PROPANE TANK HOLDER, ADJUSTABLE HEADBOARD



ART_1001191543

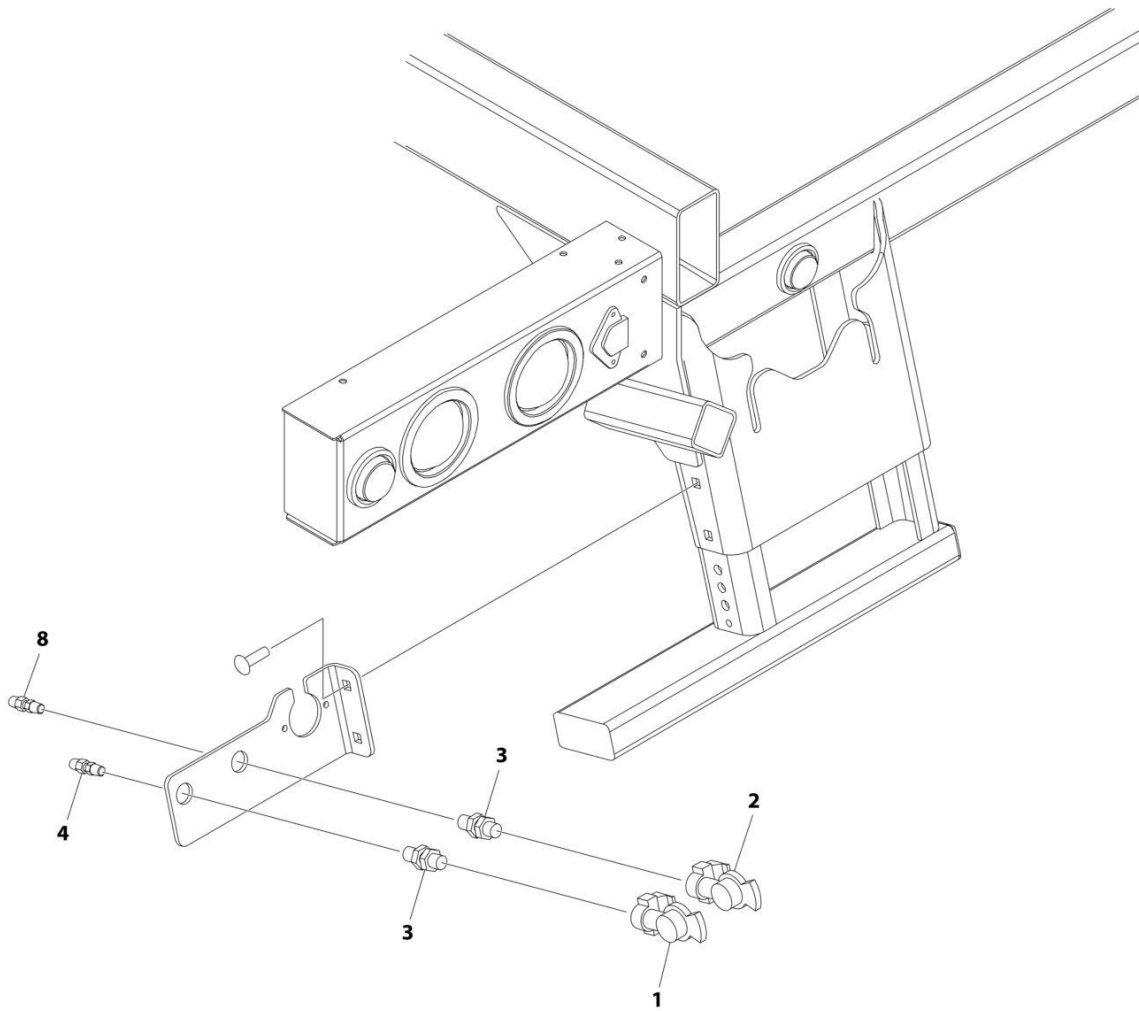
SECTION 8 - ACCESSORIES

FIGURE 8-21. FUEL CAN HOLDER & PROPANE TANK HOLDER, ADJUSTABLE HEADBOARD

ITEM	PART NUMBER	QTY	DESCRIPTION	REV
	1001191543	Ref	FUEL CAN HOLDER AND PROPANE TANK INSTALLATION	D
1	1001190184	1	Fuel Can Holder Installation (Includes Items 101-108)	
2	0641508	15	Bolt 5/16 x 1	
3	3271505	15	Nut 5/16	
4	4751500	28	Washer 5/16	
5	4761500	2	Washer 5/16	
6	1001129537	1	Bracket	
7	1001190131	1	Support, LH	
8	7178000029	1	Bracket	
101	4891800	12	Washer 1/2	
102	3178000471	1	Bracket	
103	4679000274	1	Pad	
104	4751400001	8	Washer 1/4	
105	7114141218	4	Capscrew 1/4-20 x 1-1/2	
106	7660142601	4	Nut 1/4	
107	7894000063	1	Tie-Strap (Not Shown)	
108	7949000055	4	Washer	

SECTION 8 - ACCESSORIES

FIGURE 8-22. GLAD HANDS INSTALLATION (WITHOUT MOUNTING BRACKET)



ART_2002000016

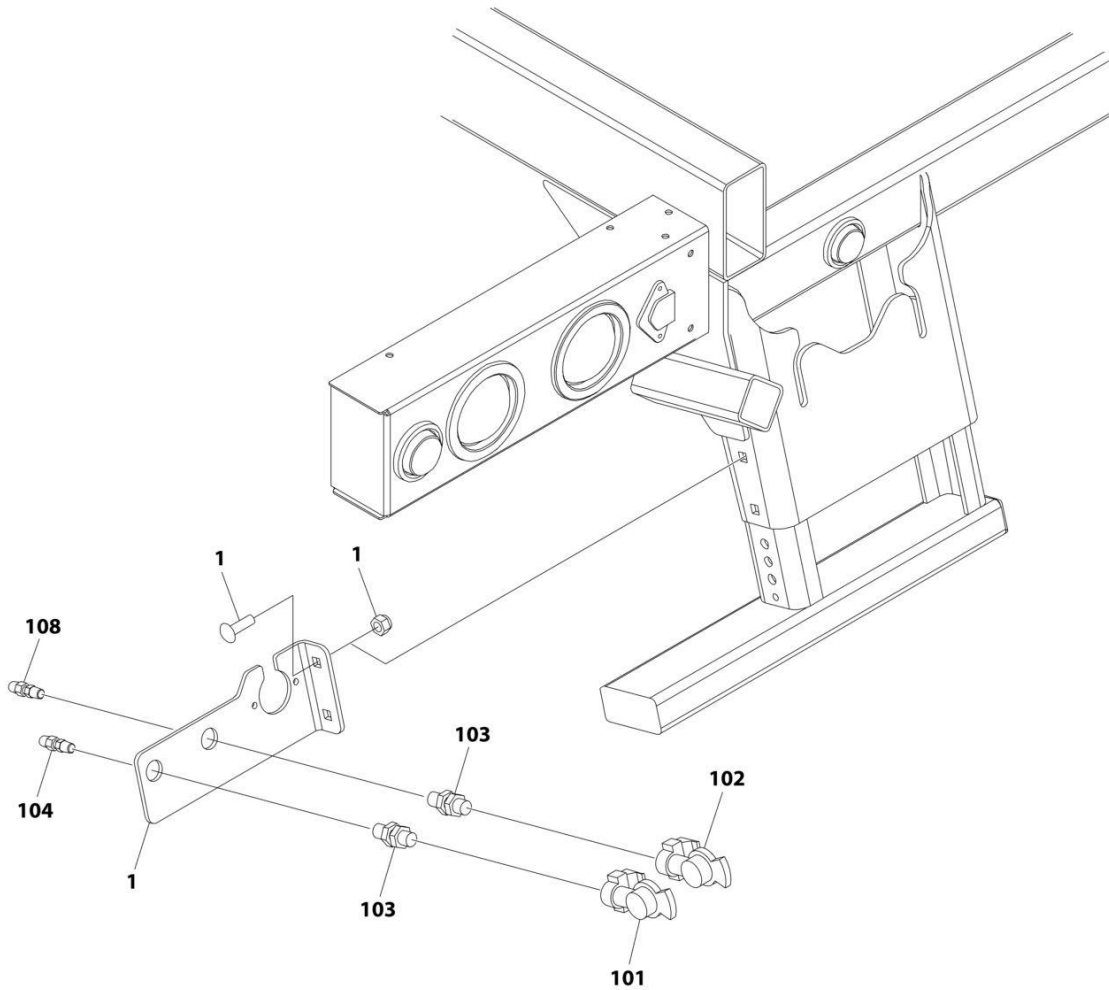
SECTION 8 - ACCESSORIES

FIGURE 8-22. GLAD HANDS INSTALLATION (WITHOUT MOUNTING BRACKET)

ITEM	PART NUMBER	QTY	DESCRIPTION	REV
	2002000016	Ref	Glad Hands Installation	D
1	7312000016	1	Gladhand	
2	7312000015	1	Gladhand	
3	7446502518	2	Fitting, Straight	
4	7446060435	1	Fitting, Straight	
6	7565000014	50 ft	Airline Tubing (Not Shown)	
7	7312000013	2	Union (Not Shown)	
8	7446502506	1	Connector	

SECTION 8 - ACCESSORIES

FIGURE 8-23. GLAD HANDS INSTALLATION (WITH MOUNTING BRACKET)



ART_1001270102

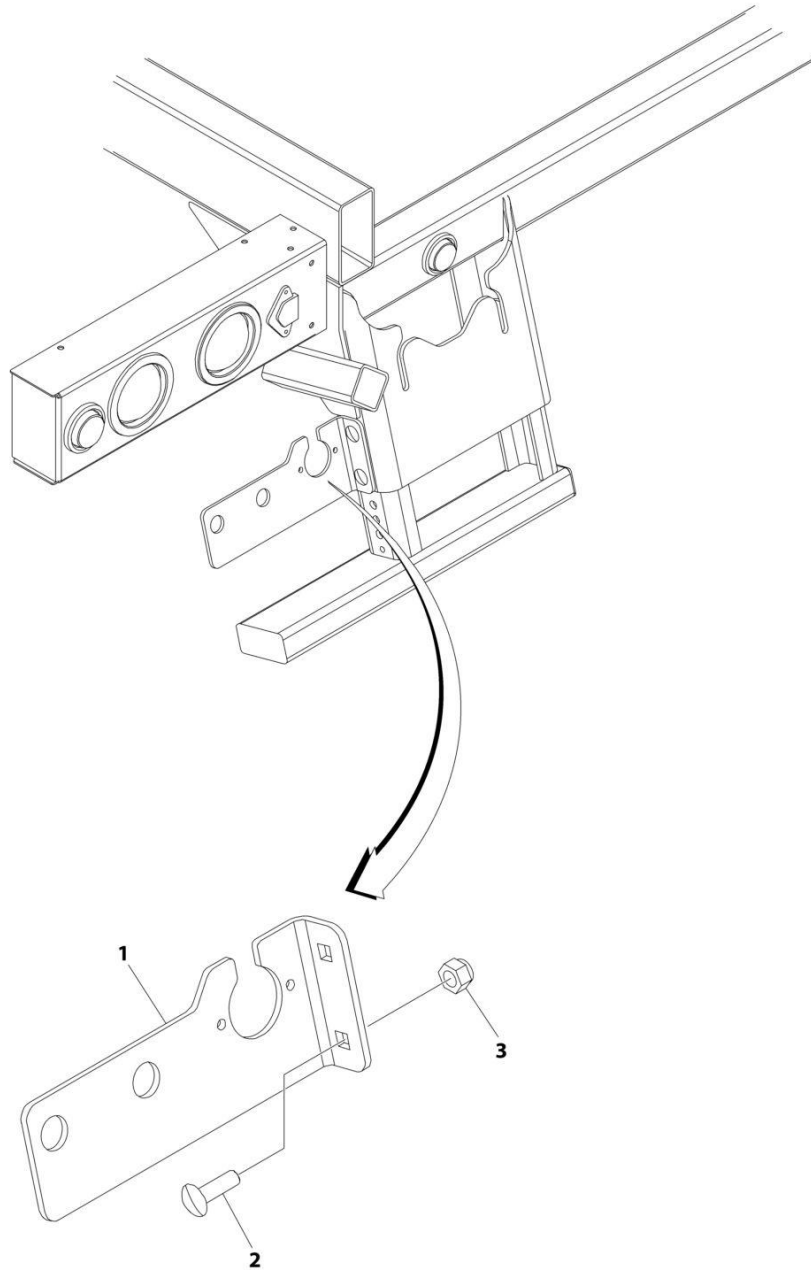
SECTION 8 - ACCESSORIES

FIGURE 8-23. GLAD HANDS INSTALLATION (WITH MOUNTING BRACKET)

ITEM	PART NUMBER	QTY	DESCRIPTION	REV
	1001270102	Ref	GLAND HAND INSTALLATION WITH MOUNTING BRACKET	A
1	2178000037	Ref	Glad Hand Bracket Installation	
1	4178000666	1	Bracket	
1	7115181464	2	Bolt 1/2 x 1-3/4	
1	7660182601	2	Nut 1/2	
101	7312000016	1	Gladhand	
102	7312000015	1	Gladhand	
103	7446502518	2	Fitting, Straight	
104	7446060435	1	Fitting, Straight	
106	7565000014	50 ft	Airline Tubing (Not Shown)	
107	7312000013	2	Union (Not Shown)	
108	7446502506	1	Connector	

SECTION 8 - ACCESSORIES

FIGURE 8-24. GLAD HAND BRACKET INSTALLATION



ART_2178000037

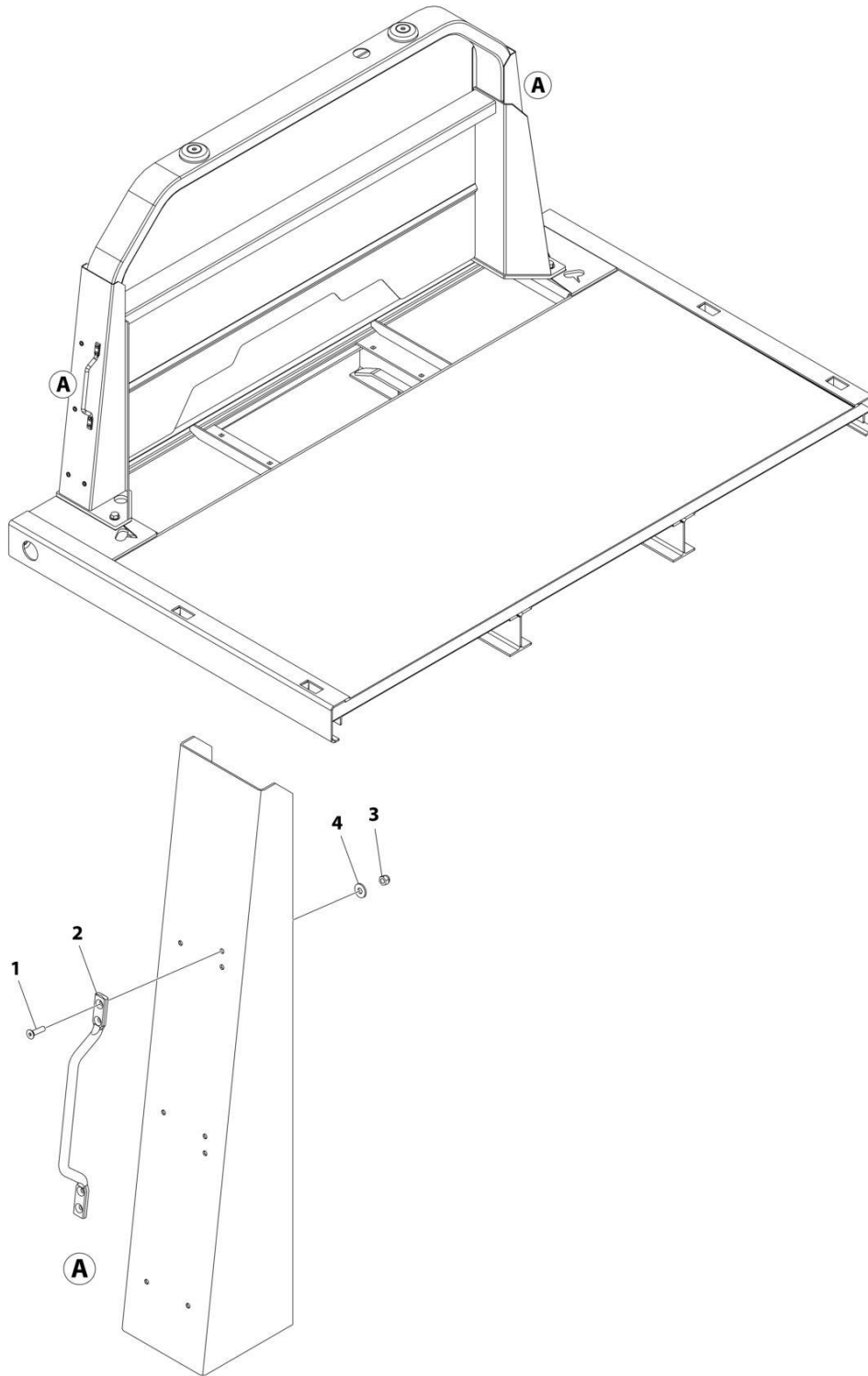
SECTION 8 - ACCESSORIES

FIGURE 8-24. GLAD HAND BRACKET INSTALLATION

ITEM	PART NUMBER	QTY	DESCRIPTION	REV
	2178000037	Ref	GLAD HAND BRACKET INSTALLATION	0
1	4178000666	1	Bracket	
2	7115181464	2	Bolt 1/2 x 1-3/4	
3	7660182601	2	Nut 1/2	

SECTION 8 - ACCESSORIES

FIGURE 8-25. GRAB HANDLES ADJUSTABLE HEADBOARD INSTALLATION



ART_1001189548

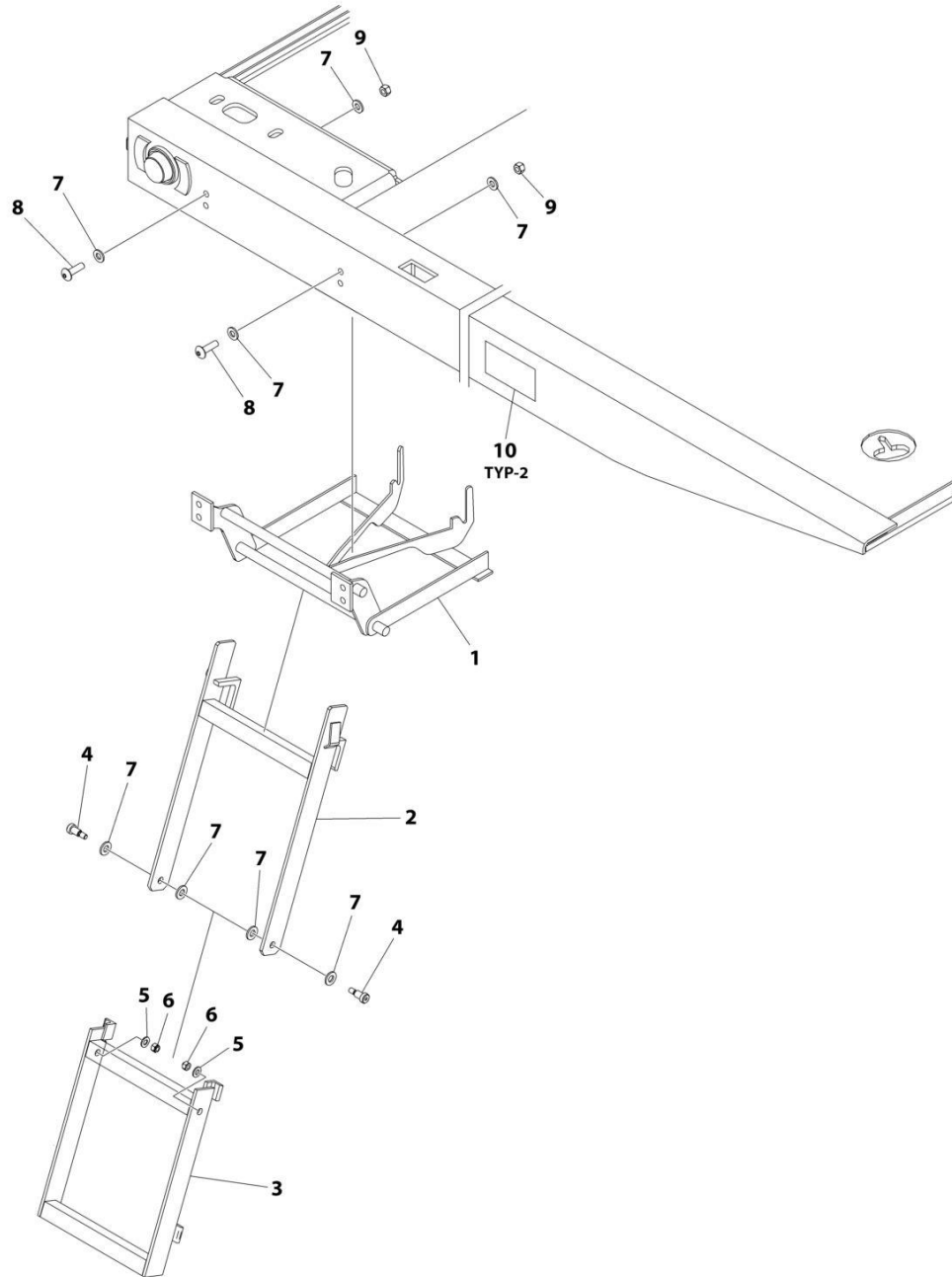
SECTION 8 - ACCESSORIES

FIGURE 8-25. GRAB HANDLES ADJUSTABLE HEADBOARD INSTALLATION

ITEM	PART NUMBER	QTY	DESCRIPTION	REV
	1001189548	Ref	GRAB HANDLES ADJUSTABLE HEADBOARD INSTALLATION	A
1	7114140823	8	Capscrew 1/4 x 1	
2	7550000070	2	Handle	
3	7660142601	4	Nut 5/16	
4	7950140153	4	Washer 5/16	

SECTION 8 - ACCESSORIES

FIGURE 8-26. LADDER, FOLDING 3-STEP, FRONT LEFT INSTALLATION



ART_1001142329

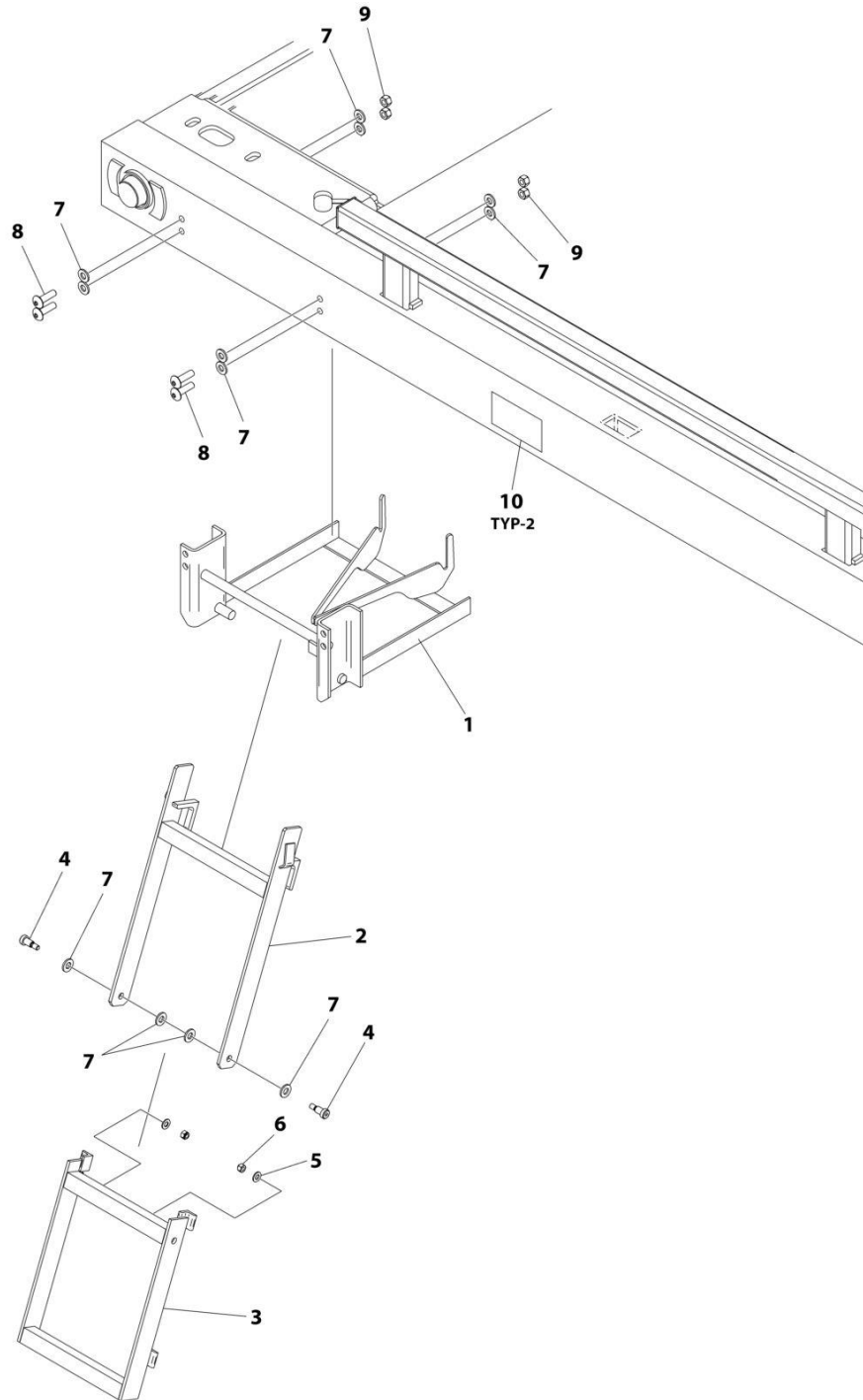
SECTION 8 - ACCESSORIES

FIGURE 8-26. LADDER, FOLDING 3-STEP, FRONT LEFT INSTALLATION

ITEM	PART NUMBER	QTY	DESCRIPTION	REV
	1001142329	Ref	LADDER, FOLDING 3-STEP, FRONT LEFT INSTALLATION	B
1	3178000555	1	Bracket	
2	3002000009	1	Top Ladder Weld, Accessory	
3	3002000008	1	Bottom Ladder Weld, Accessory	
4	7115180606	2	Bolt 1/2 x 3/4	
5	7950160161	2	Washer	
6	7660162601	2	Nut	
7	7950180141	12	Washer 1/2	
8	7114181418	4	Capscrew 1/2 x 1- 3/4	
9	7660182601	4	Nut 1/2	
10	1001131998	2	Decal	
11	1001142333	1	Front Left Drill, Ladder, Specification (Not Shown)	

SECTION 8 - ACCESSORIES

FIGURE 8-27. LADDER, FOLDING 3-STEP, FRONT LEFT/RIGHT INSTALLATION



ART_1001142330

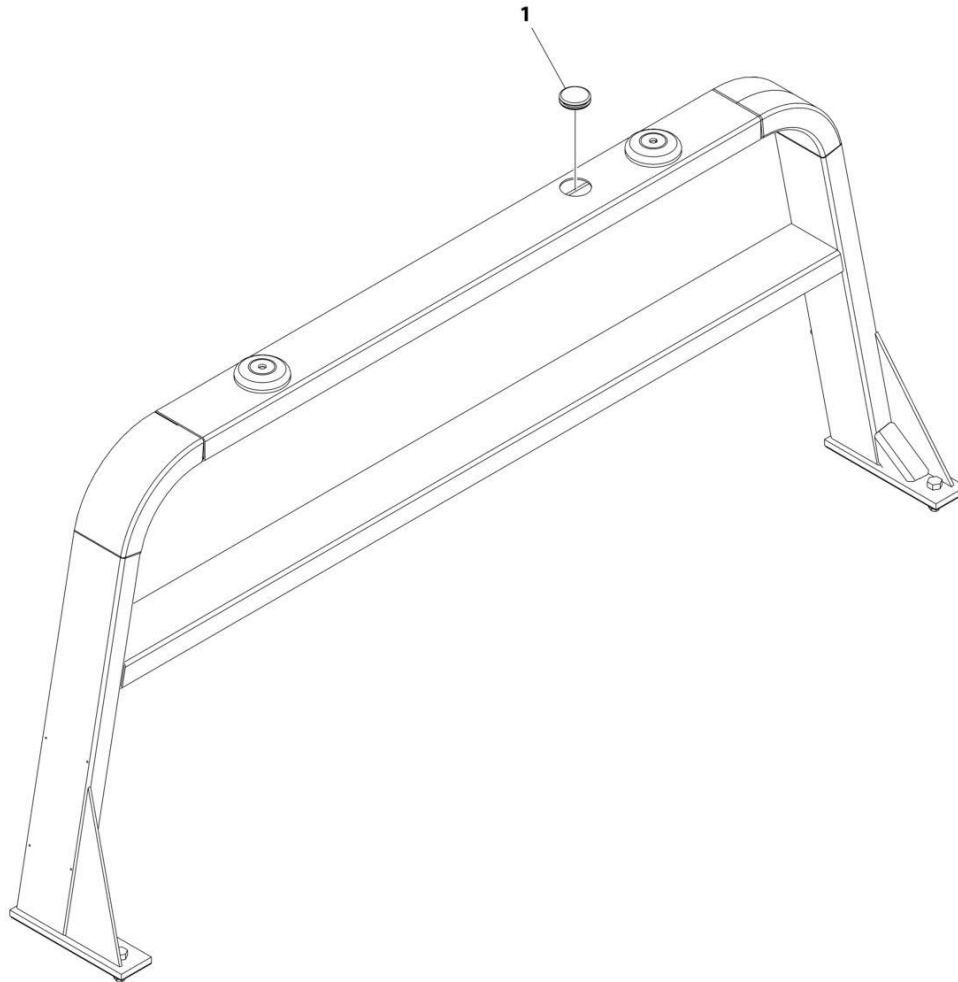
SECTION 8 - ACCESSORIES

FIGURE 8-27. LADDER, FOLDING 3-STEP, FRONT LEFT/RIGHT INSTALLATION

ITEM	PART NUMBER	QTY	DESCRIPTION	REV
	1001142330	Ref	FOLDING DECK LADDER	B
1	3178000555	2	Bracket Weldment	
2	3002000009	2	Ladder Top Weldment	
3	3002000008	2	Ladder Bottom Weldment	
4	7115180606	4	Bolt 1/2 x 3/4	
5	7950160161	4	Washer 3/8	
6	7660162601	4	Nut	
7	7950180141	24	Washer 1/2	
8	7114181418	8	Capscrew 1/2 x 1- 3/4	
9	7660182601	8	Nut 1/2	
10	1001131998	2	Decal	
11	1001142334	1	Front Left/Right Drill, Ladder, Specification (Not Shown)	

SECTION 8 - ACCESSORIES

FIGURE 8-28. NO EMERGENCY LIGHTBAR INSTALLATION



ART_1001156677

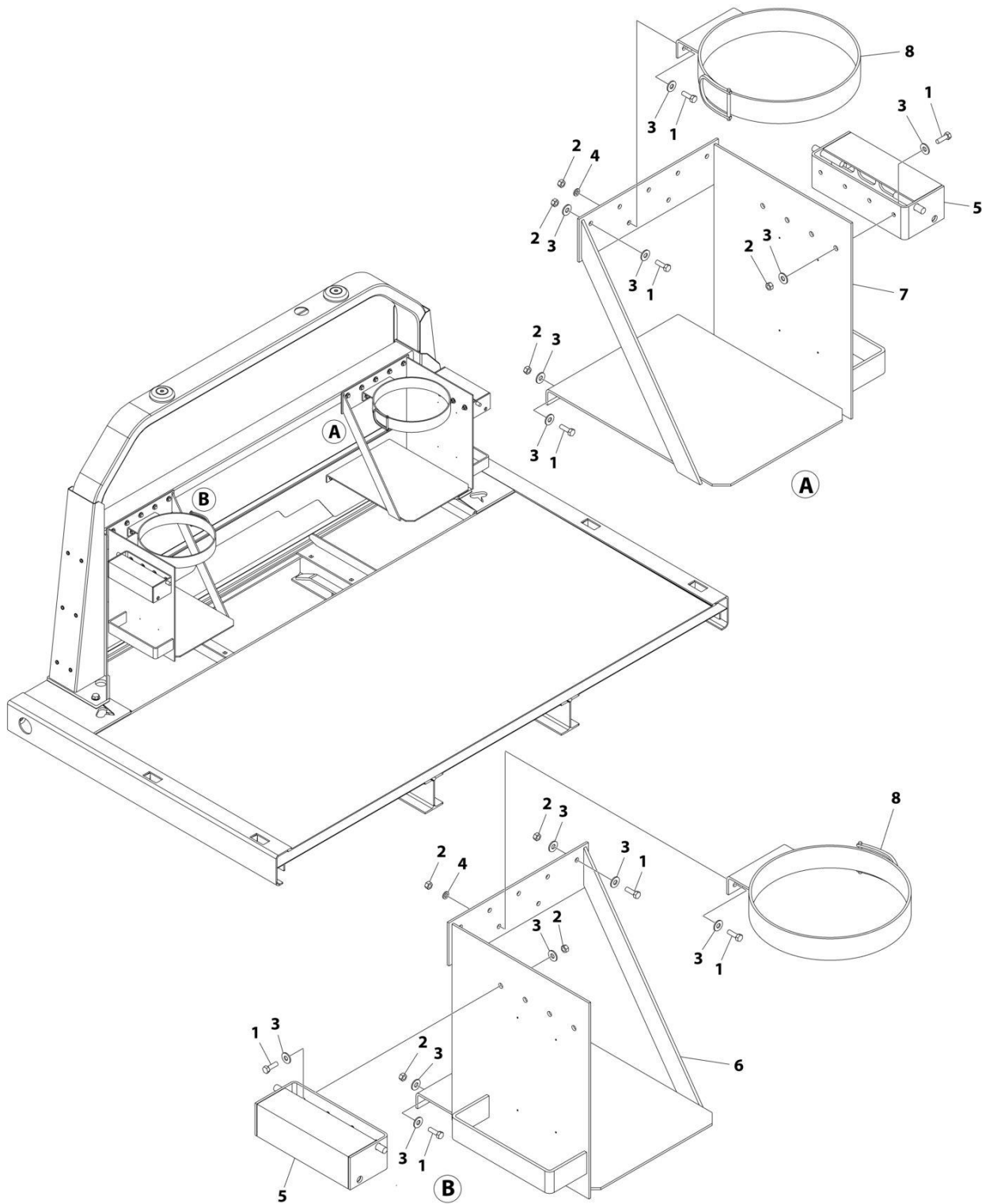
SECTION 8 - ACCESSORIES

FIGURE 8-28. NO EMERGENCY LIGHTBAR INSTALLATION

ITEM	PART NUMBER	QTY	DESCRIPTION	REV
1	1001156677 7493000015	Ref 1	NO EMERGENCY LIGHTBAR INSTALLATION Grommet	A

SECTION 8 - ACCESSORIES

FIGURE 8-29. PROPANE TANK HOLDERS ADJUSTABLE HEADBOARD INSTALLATION



ART_1001189550

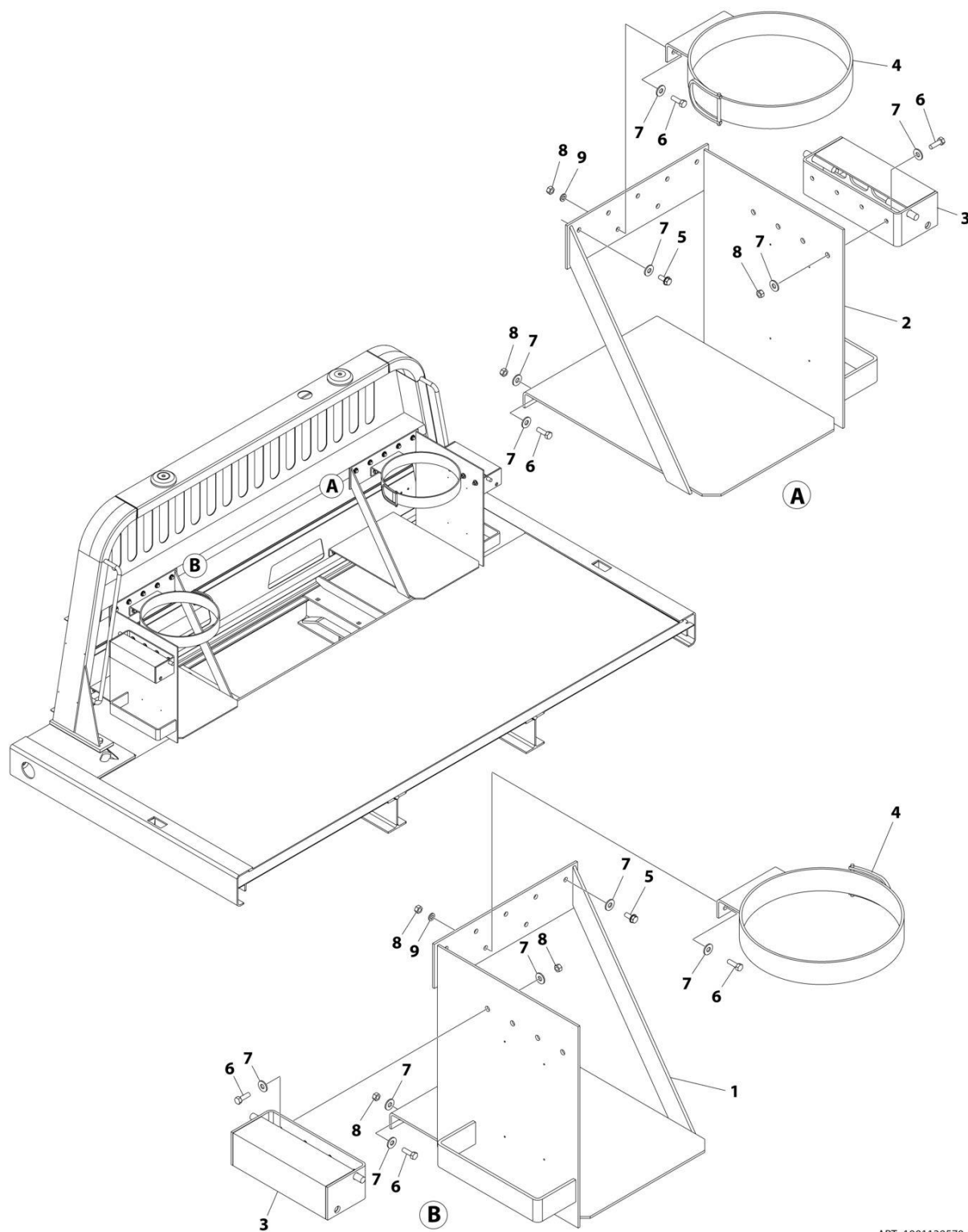
SECTION 8 - ACCESSORIES

FIGURE 8-29. PROPANE TANK HOLDERS ADJUSTABLE HEADBOARD INSTALLATION

ITEM	PART NUMBER	QTY	DESCRIPTION	REV
	1001189550	Ref	PROPANE TANK HOLDERS, ADJUSTABLE HEADBOARD INSTALLATION	D
1	0641508	30	Bolt 5/16 x 1	
2	3271505	30	Nut 5/16	
3	4751500	56	Washer 5/16	
4	4761500	4	Washer 5/16	
5	1001129537	2	Bracket	
6	1001190131	1	Propane Tank Support Weld, LH	
7	1001190140	1	Propane Tank Support Weld, RH	
8	7178000029	1	Bracket	

SECTION 8 - ACCESSORIES

FIGURE 8-30. PROPANE TANK HOLDERS, BOLT-ON HEADBOARD INSTALLATION



ART_1001129570

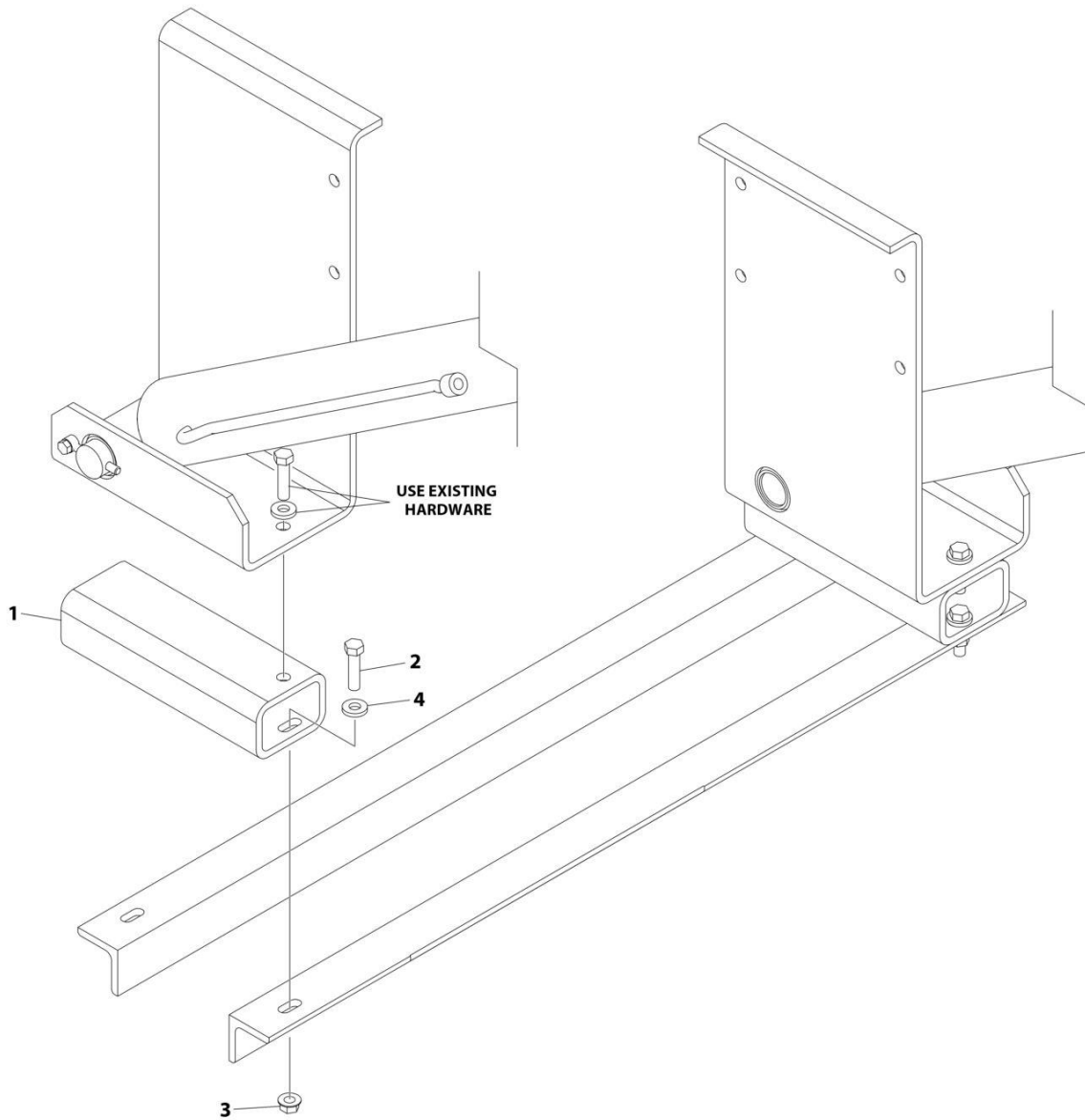
SECTION 8 - ACCESSORIES

FIGURE 8-30. PROPANE TANK HOLDERS, BOLT-ON HEADBOARD INSTALLATION

ITEM	PART NUMBER	QTY	DESCRIPTION	REV
	1001129570	Ref	PROPANE TANK HOLDERS, HEADBOARD INSTALLATION	E
1	1001129573	1	Propane Tank Support Weld, LH	
2	1001129576	1	Propane Tank Support Weld, RH	
3	1001129537	2	Bracket	
4	7178000029	1	Bracket	
5	7790151253	10	Screw 5/16 x 3/4	
6	0641508	20	Bolt 5/16 x 1	
7	4751500	46	Washer 5/16	
8	3271505	20	Nut 5/16	
9	4761500	4	Washer 5/16	

SECTION 8 - ACCESSORIES

FIGURE 8-31. SADDLE SPACERS INSTALLATION



ART_1001175532

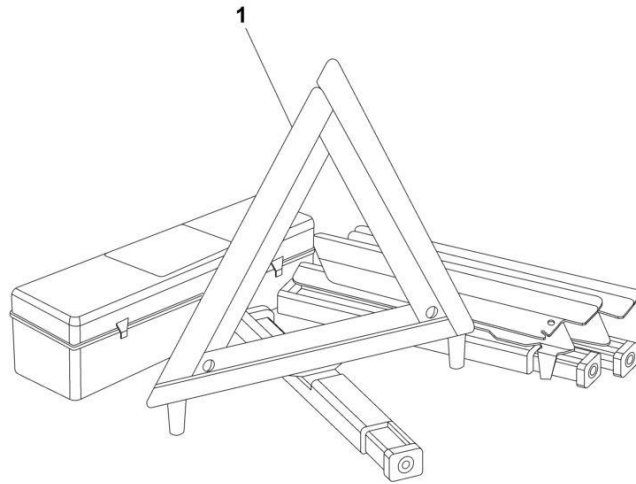
SECTION 8 - ACCESSORIES

FIGURE 8-31. SADDLE SPACERS INSTALLATION

ITEM	PART NUMBER	QTY	DESCRIPTION	REV
	1001175532	Ref	Saddle Spacer Installation	A
1	1001175531	2	Saddle Spacer	
2	7105181650	4	Capscrew 1/2 x 2	
3	7660182333	4	Nut 1/2	
4	7950180153	4	Washer 1/2	

SECTION 8 - ACCESSORIES

FIGURE 8-32. SAFETY TRIANGLE KIT



ART_STK

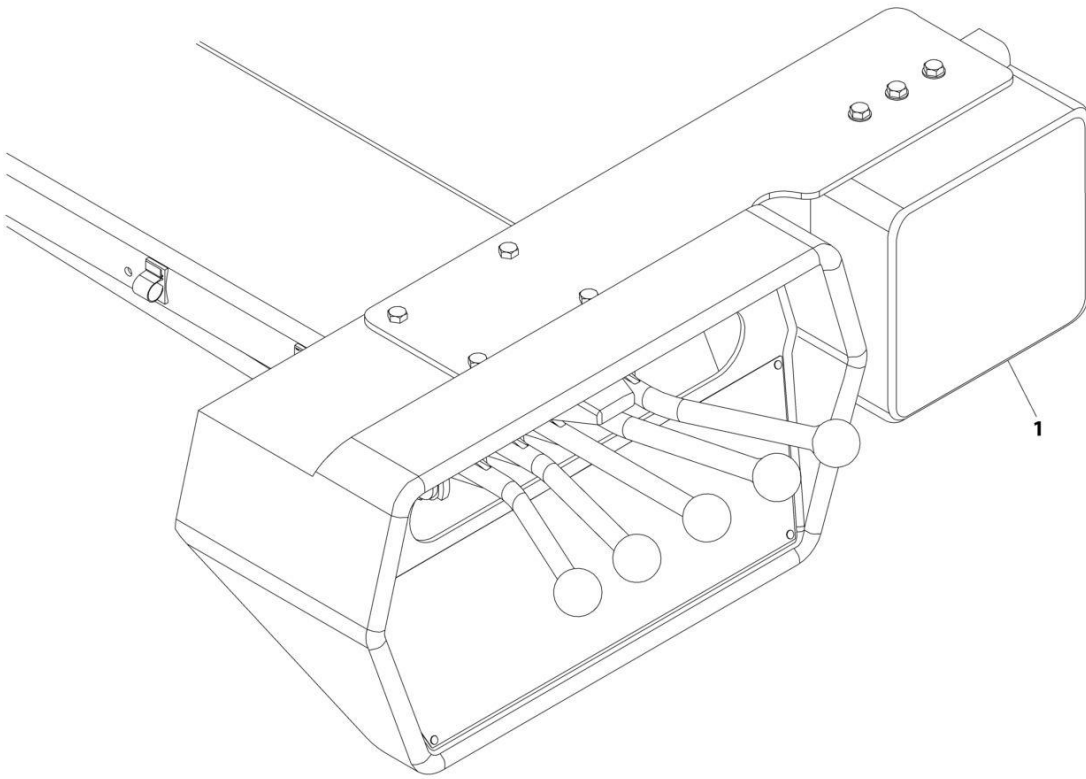
SECTION 8 - ACCESSORIES

FIGURE 8-32. SAFETY TRIANGLE KIT

ITEM	PART NUMBER	QTY	DESCRIPTION	REV
1	STK 7002000285	Ref 1	Safety Triangle Kit Reflective Triangles	0

SECTION 8 - ACCESSORIES

FIGURE 8-33. SCALES - ON BOARD TRUCK SCALES, AIR WEIGHT, VENDOR INSTALLED



ART_1001133721

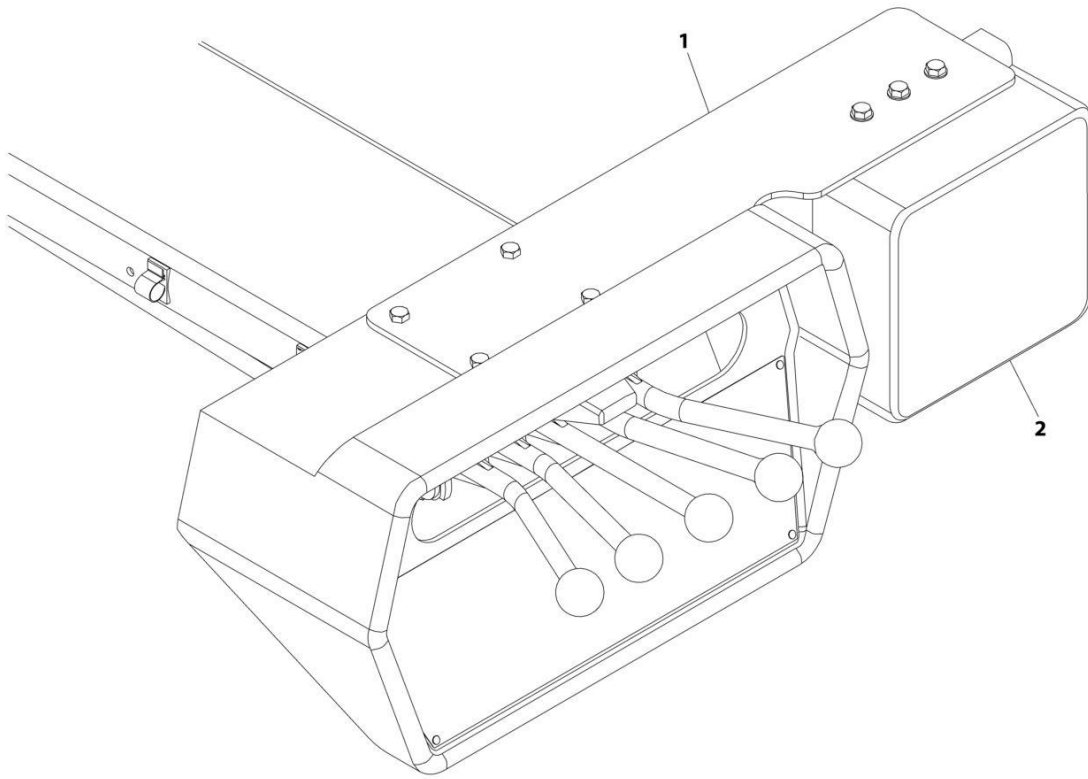
SECTION 8 - ACCESSORIES

FIGURE 8-33. SCALES - ON BOARD TRUCK SCALES, AIR WEIGHT, VENDOR INSTALLED

ITEM	PART NUMBER	QTY	DESCRIPTION	REV
	1001133721	Ref	TRUCK SCALES - ON BOARD (AIR WEIGH) (DEALER INSTALLED)	A
1	7577000442	1	Truck Scales - On Board (Air Weigh) Add - On Kit	

SECTION 8 - ACCESSORIES

FIGURE 8-34. SCALES - ON BOARD TRUCK SCALES, RIGHT WEIGHT, VENDOR INSTALLED



ART_1001130142

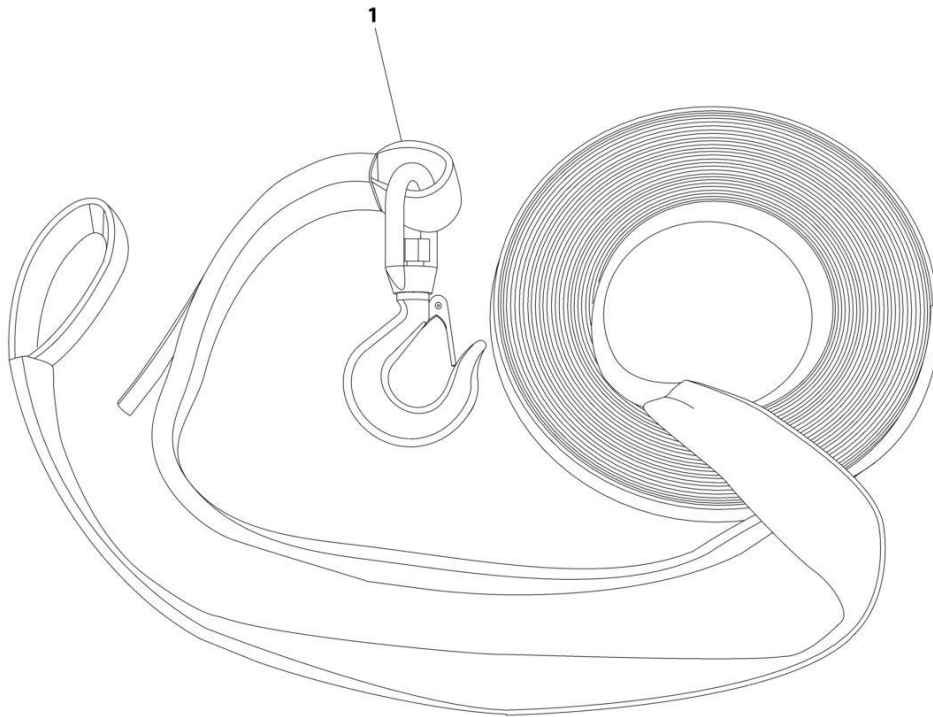
SECTION 8 - ACCESSORIES

FIGURE 8-34. SCALES - ON BOARD TRUCK SCALES, RIGHT WEIGHT, VENDOR INSTALLED

ITEM	PART NUMBER	QTY	DESCRIPTION	REV
	1001130142	Ref	TRUCK SCALES - ONBOARD (RIGHT WEIGHT, DEALER INSTALLED)	0
1	1001130151	1	Plate Weight Mount	
2	1001129875	1	Accessory Weight Load Scale	

SECTION 8 - ACCESSORIES

FIGURE 8-35. STRAP EXTENSION, 50FT (NYLON)



ART_STRAP50

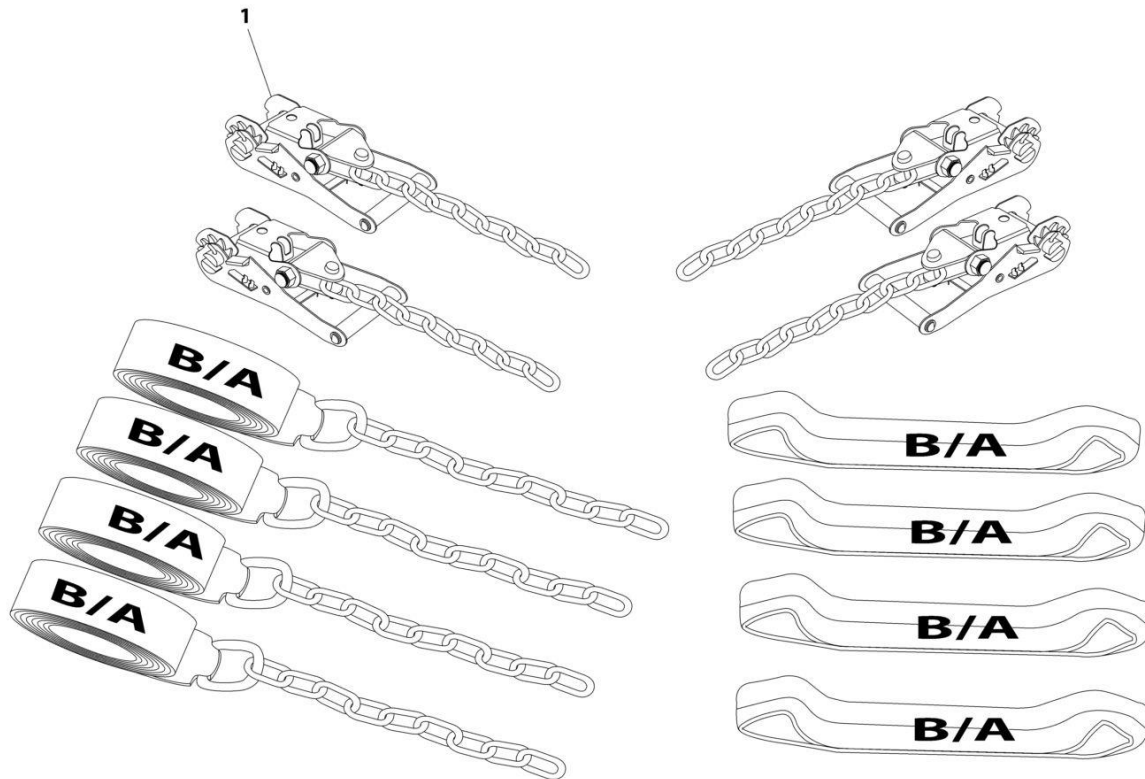
SECTION 8 - ACCESSORIES

FIGURE 8-35. STRAP EXTENSION, 50FT (NYLON)

ITEM	PART NUMBER	QTY	DESCRIPTION	REV
1	STRAP50 7894000071	Ref 1	50FT STRAP EXTENSION WITH SWIVEL HOOK Strap Extension with Swivel Hook	0

SECTION 8 - ACCESSORIES

FIGURE 8-36. STRAP TIE DOWN KIT - CARRIER 8 POINT TIRE



ART_CAR8PTTD

SECTION 8 - ACCESSORIES

FIGURE 8-36. STRAP TIE DOWN KIT - CARRIER 8 POINT TIRE

ITEM	PART NUMBER	QTY	DESCRIPTION	REV
1	CAR8PTTD 7894000073	Ref 1	STRAP/TIE DOWN KIT - 8-POINT TIRE STRAP Chain Strap and Chain Tyre Tie-Down	0

SECTION 8 - ACCESSORIES

FIGURE 8-37. STRAP/RATCHET STRAP KIT (TIE DOWN)

INFORMATION NOT AVAILABLE AT THE TIME OF PRINTING

ART_7577000242

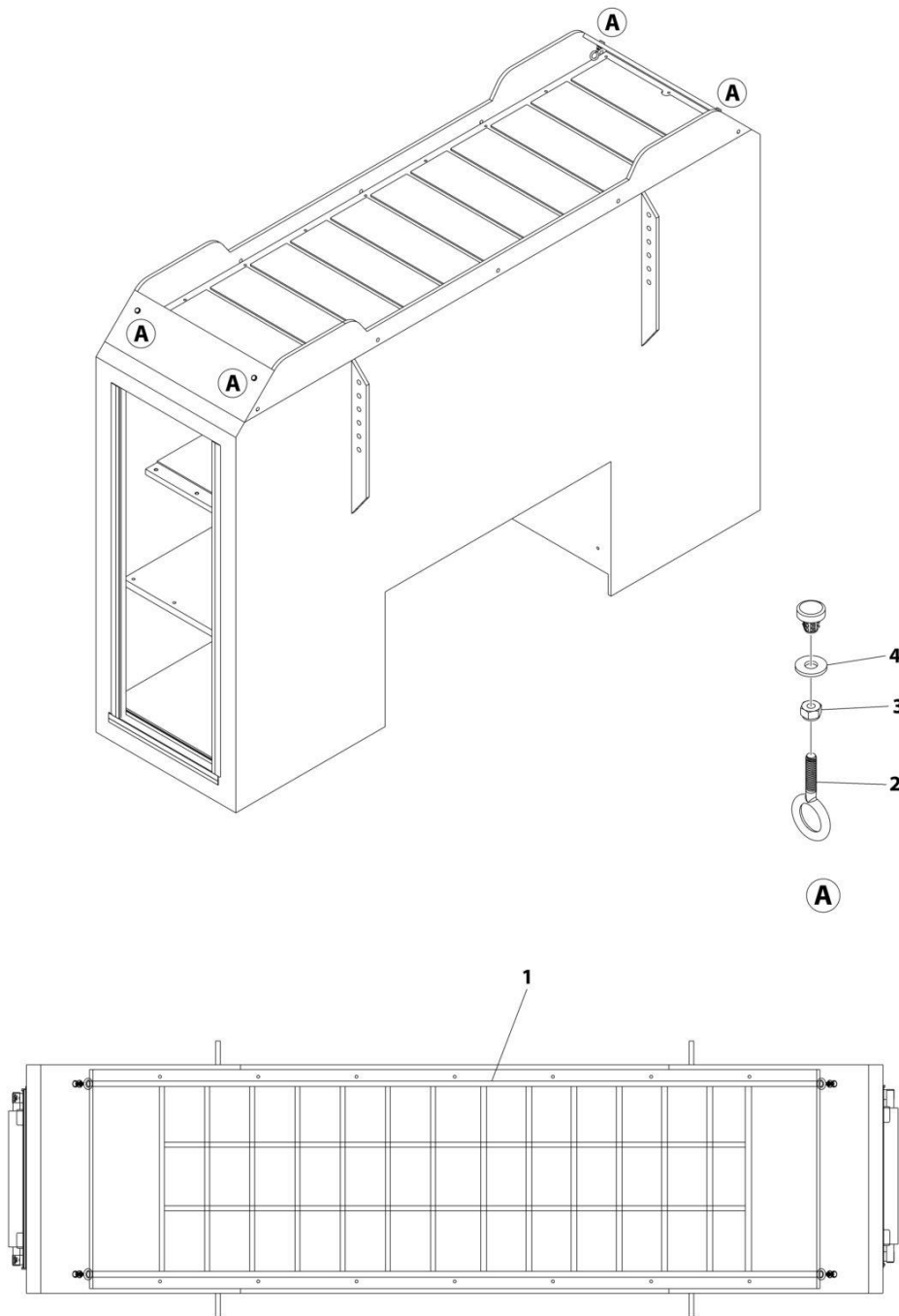
SECTION 8 - ACCESSORIES

FIGURE 8-37. STRAP/RATCHET STRAP KIT (TIE DOWN)

ITEM	PART NUMBER	QTY	DESCRIPTION	REV
	7577000242	Ref	Tie Down Strap/Ratchet Strap Kit	0
		Ref	Note: No Service Parts Available at Time of Printing.	

SECTION 8 - ACCESSORIES

FIGURE 8-38. TOOLBOX TRAY CARGO NET INSTALLATION



ART_1001148490

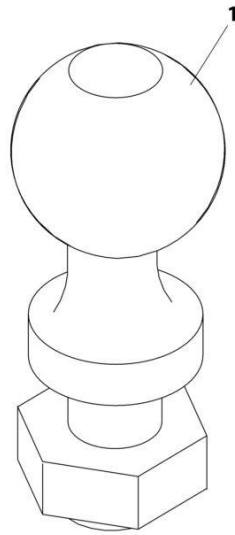
SECTION 8 - ACCESSORIES

FIGURE 8-38. TOOLBOX TRAY CARGO NET INSTALLATION

ITEM	PART NUMBER	QTY	DESCRIPTION	REV
	1001148490	Ref	CARGO NET TOOLBOX TRAY INSTALLATION	A
1	1001148489	1	Accessory, ToolboxTray	
2	1001148920	4	Hook	
3	7660142604	4	Nut 1/4	
4	7950140153	4	Washer 1/4	

SECTION 8 - ACCESSORIES

FIGURE 8-39. TOW BALL - 1.88IN DIA BALL



ART_TB178

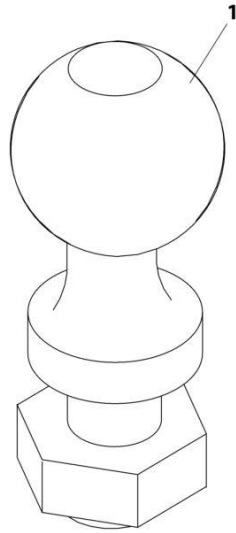
SECTION 8 - ACCESSORIES

FIGURE 8-39. TOW BALL - 1.88IN DIA BALL

ITEM	PART NUMBER	QTY	DESCRIPTION	REV
1	TB178 7056000007	Ref 1	TRAILER BALL - 1.88IN DIA BALL Ball	0

SECTION 8 - ACCESSORIES

FIGURE 8-40. TOW BALL - 2IN DIA BALL



ART_TB200

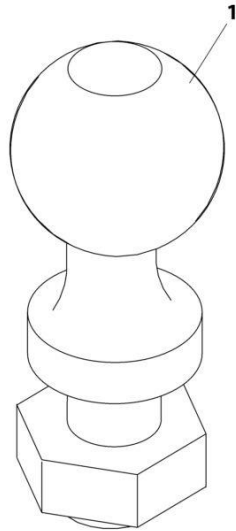
SECTION 8 - ACCESSORIES

FIGURE 8-40. TOW BALL - 2IN DIA BALL

ITEM	PART NUMBER	QTY	DESCRIPTION	REV
1	TB200 7056000008	Ref 1	TRAILER BALL - 2IN DIA BALL Ball	0

SECTION 8 - ACCESSORIES

FIGURE 8-41. TOW BALL - 2.31IN DIA BALL



ART_TB256

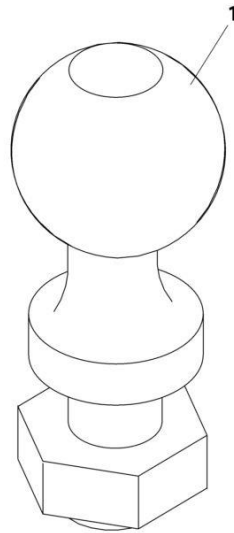
SECTION 8 - ACCESSORIES

FIGURE 8-41. TOW BALL - 2.31IN DIA BALL

ITEM	PART NUMBER	QTY	DESCRIPTION	REV
1	TB256 7056000009	Ref 1	TRAILER BALL - 2-5/16IN DIA BALL Ball	0

SECTION 8 - ACCESSORIES

FIGURE 8-42. TOW BALL - SS CONVERT-A-BALL KIT



ART_1001133675

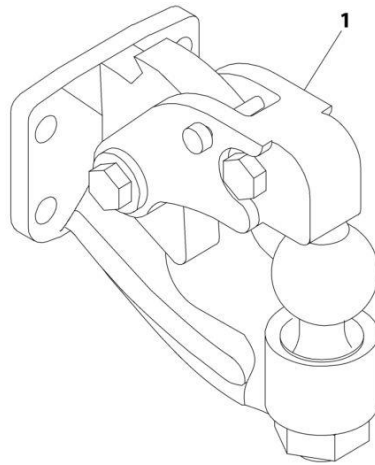
SECTION 8 - ACCESSORIES

FIGURE 8-42. TOW BALL - SS CONVERT-A-BALL KIT

ITEM	PART NUMBER	QTY	DESCRIPTION	REV
1	1001133675 7002000458	Ref 1	TRAILER BALL - SS CONVERT-A-BALL KIT Ball	A

SECTION 8 - ACCESSORIES

FIGURE 8-43. TOW PINTLE - DUPLEX PINTLE HITCH



ART_DPH-16B

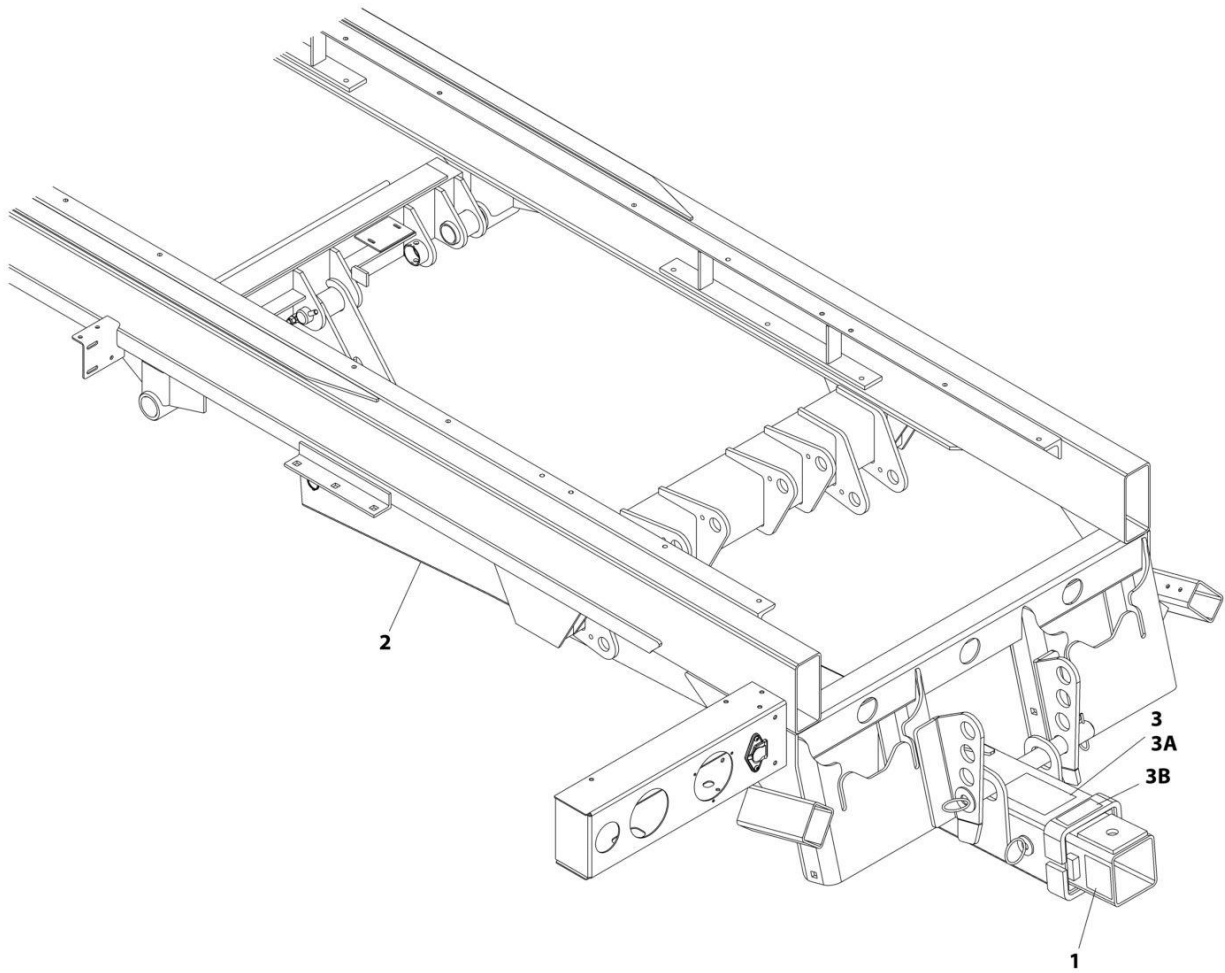
SECTION 8 - ACCESSORIES

FIGURE 8-43. TOW PINTLE - DUPLEX PINTLE HITCH

ITEM	PART NUMBER	QTY	DESCRIPTION	REV
1	DPH-16B 7556000003	Ref 1	TRAILER PINTLE WITH BALL Pintle Hitch	B

SECTION 8 - ACCESSORIES

FIGURE 8-44. TOW HITCH - BALL HITCH PLATE (MANUAL)



ART_BHM35-MD

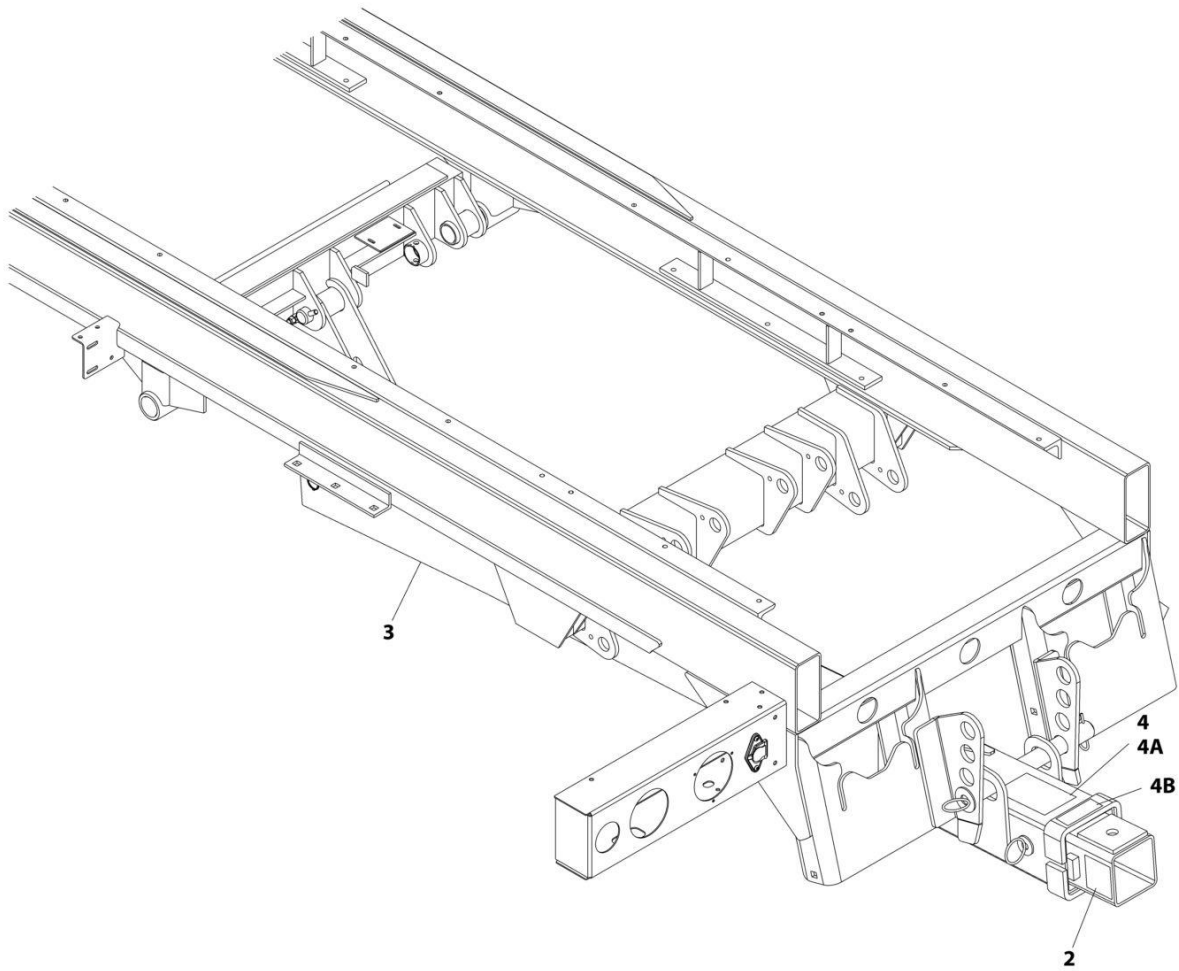
SECTION 8 - ACCESSORIES

FIGURE 8-44. TOW HITCH - BALL HITCH PLATE (MANUAL)

ITEM	PART NUMBER	QTY	DESCRIPTION	REV
	BHM35-MD	Ref	TOW HITCH INSTALLATION - MANUAL BALL HITCH PLATE	0
1	2330000040	Ref	Hitch Decal Installation, Ball	
1	4330000002	2	Decal - Red Reflective	
2	2170000088	1	Boom Installation, Ball Hitch (Manual) (See Separate Breakdown in this Section)	
3	2330000060	Ref	Ball Hitch Decal Installation, Tow Option	
3A	7330000684	1	Decal - Safety	
3B	7330000391	1	Decal - Warning, Tow Boom Configuration	

SECTION 8 - ACCESSORIES

FIGURE 8-45. TOW HITCH - BALL HITCH PLATE (HYDRAULIC)



ART_BHH35-MD

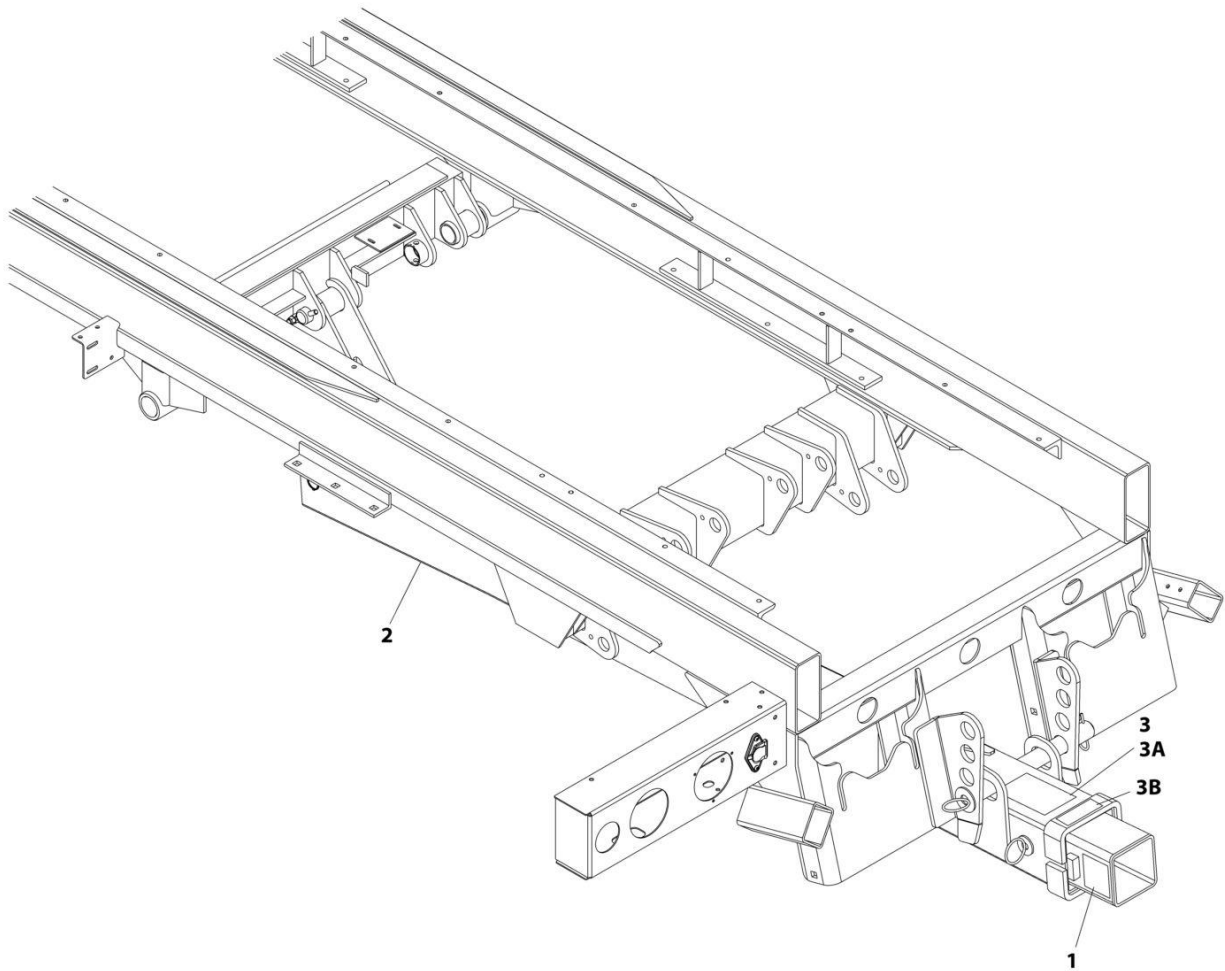
SECTION 8 - ACCESSORIES

FIGURE 8-45. TOW HITCH - BALL HITCH PLATE (HYDRAULIC)

ITEM	PART NUMBER	QTY	DESCRIPTION	REV
	BHH35-MD	Ref	TOW HITCH INSTALLATION - MANUAL/HYDRAULIC BALL HITCH PLATE	0
1	2570000055	1	Hose Installation (Not Shown - See Separate Breakdown in HYDRAULIC Section)	
2	2330000040	Ref	Hitch Decal Installation, Ball	
2	4330000002	2	Decal - Red Reflective	
3	2170000087	1	Boom Installation, Ball Hitch (Hydraulic) (See Separate Breakdown in this Section)	
4	2330000060	Ref	Ball Hitch Decal Installation, Tow Option	
4A	7330000684	1	Decal - Safety	
4B	7330000391	1	Decal - Warning, Tow Boom Configuration	

SECTION 8 - ACCESSORIES

FIGURE 8-46. TOW HITCH - PINTLE HITCH PLATE (MANUAL)



ART_PHM35-MD

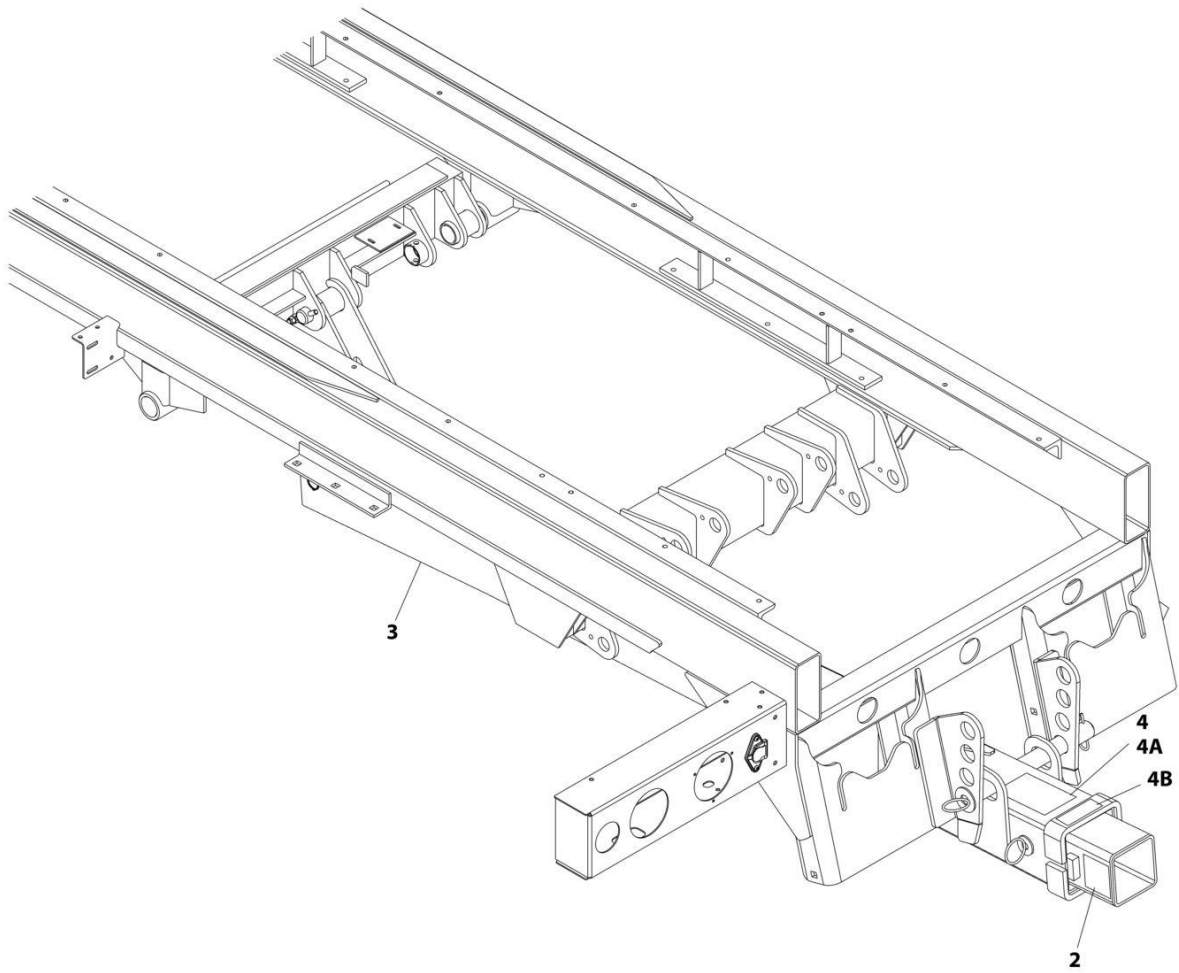
SECTION 8 - ACCESSORIES

FIGURE 8-46. TOW HITCH - PINTLE HITCH PLATE (MANUAL)

ITEM	PART NUMBER	QTY	DESCRIPTION	REV
	PHM35-MD	Ref	TOW HITCH BOOM INSTALLATION - PINTLE HITCH (HYDRAULIC)	0
1	2330000041	Ref	Reflective Tape Installation	
1	7330000645	1	Decal - Red, Retro-reflective LH	
1	7330000646	1	Decal - Red, Retro-reflective RH	
2	2170000090	1	Boom Installation, Pintle Hitch (Manual) (See Separate Breakdown in this Section)	
3	2330000060	Ref	Ball Hitch Decal Installation, Tow Option	
3A	7330000684	1	Decal - Safety	
3B	7330000391	1	Decal - Warning, Tow Boom Configuration	

SECTION 8 - ACCESSORIES

FIGURE 8-47. TOW HITCH - PINTLE HITCH PLATE (HYDRAULIC)



ART_PHH35-MD

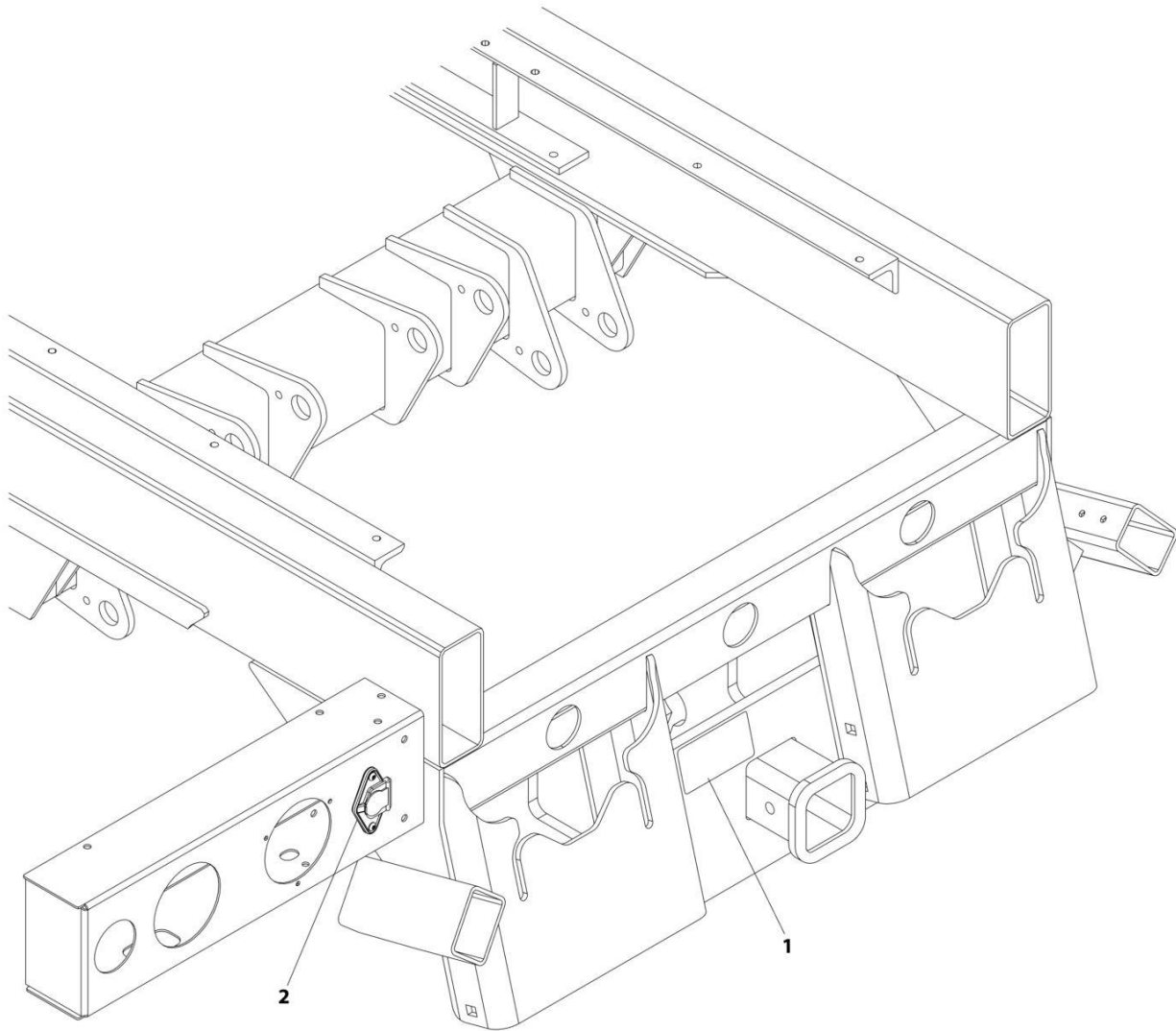
SECTION 8 - ACCESSORIES

FIGURE 8-47. TOW HITCH - PINTLE HITCH PLATE (HYDRAULIC)

ITEM	PART NUMBER	QTY	DESCRIPTION	REV
	PHH35-MD	Ref	TOW HITCH INSTALLATION - MANUAL /HYDRAULIC PINTLE HITCH PLATE	0
1	2570000055	1	Hose Installation (Not Shown - See Separate Breakdown in HYDRAULIC Section)	
2	2330000041	Ref	Reflective Tape Installation	
2	7330000645	1	Decal - Red, Retro-reflective LH	
2	7330000646	1	Decal - Red, Retro-reflective RH	
3	2170000089	1	Boom Installation, Pintle Hitch (Hydraulic) (See Separate Breakdown in this Section)	
4	2330000060	Ref	Ball Hitch Decal Installation, Tow Option	
4A	7330000684	1	Decal - Safety	
4B	7330000391	1	Decal - Warning, Tow Boom Configuratio	

SECTION 8 - ACCESSORIES

FIGURE 8-48. TOW HITCH - STATIONARY 2IN TOW HITCH RECEIVER



ART_RHS05-MD

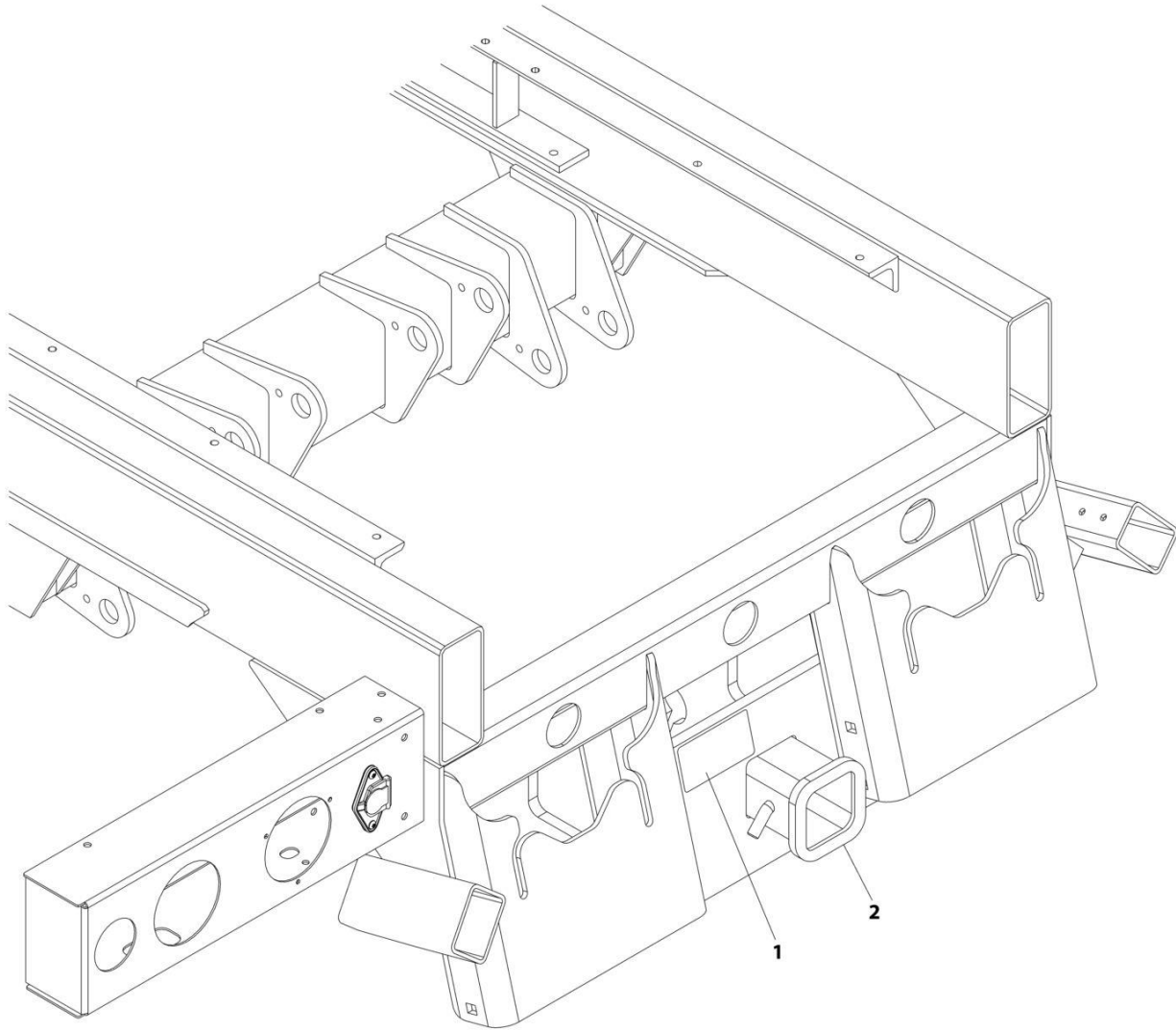
SECTION 8 - ACCESSORIES

FIGURE 8-48. TOW HITCH - STATIONARY 2IN TOW HITCH RECEIVER

ITEM	PART NUMBER	QTY	DESCRIPTION	REV
	RHS05-MD	Ref	TOW HITCH INSTALLATION - STATIONARY 2 IN TOW HITCH RECEIVER	0
1	2330000062	Ref	Tow Hitch Decal Installation	
1	7330000274	1	Decal Warning	
2	3556000041	1	Stationary Tow Hitch (See Separate Breakdown in this Section)	

SECTION 8 - ACCESSORIES

FIGURE 8-49. TOW HITCH - STATIONARY 2.5IN TOW HITCH RECEIVER



ART_1001137580

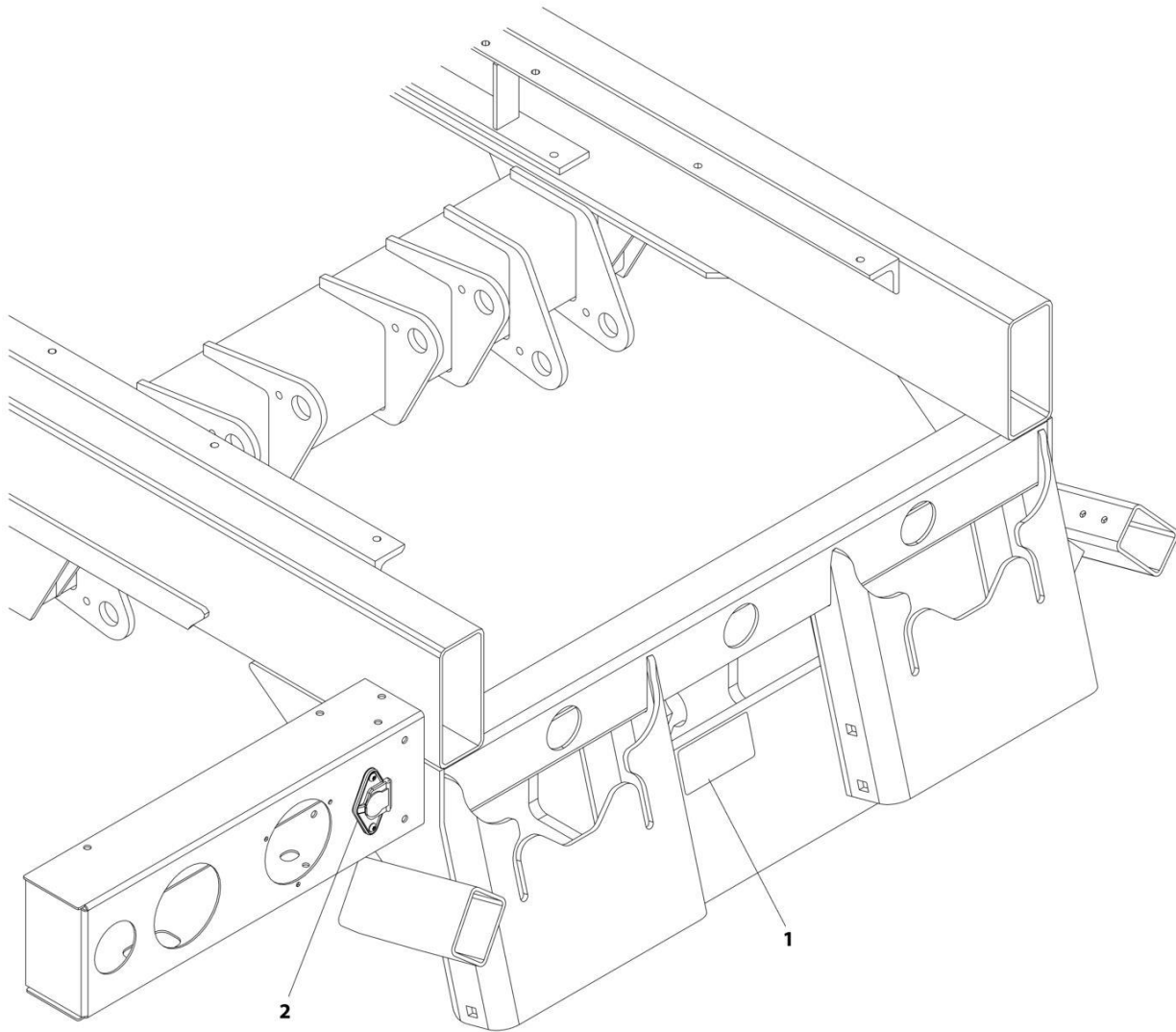
SECTION 8 - ACCESSORIES

FIGURE 8-49. TOW HITCH - STATIONARY 2.5IN TOW HITCH RECEIVER

ITEM	PART NUMBER	QTY	DESCRIPTION	REV
	1001137580	Ref	TOW HITCH INSTALLATION - STATIONARY 2.5 IN TOW HITCH RECEIVER	A
1	2330000062	Ref	Tow Hitch Decal Installation	
1	7330000274	1	Decal - Warning Overloading	
2	1001137581	1	Tow Hitch Installation (See Separate Breakdown in this Section)	

SECTION 8 - ACCESSORIES

FIGURE 8-50. TOW HITCH - STATIONARY PINTLE HITCH PLATE



ART_PH540-MD

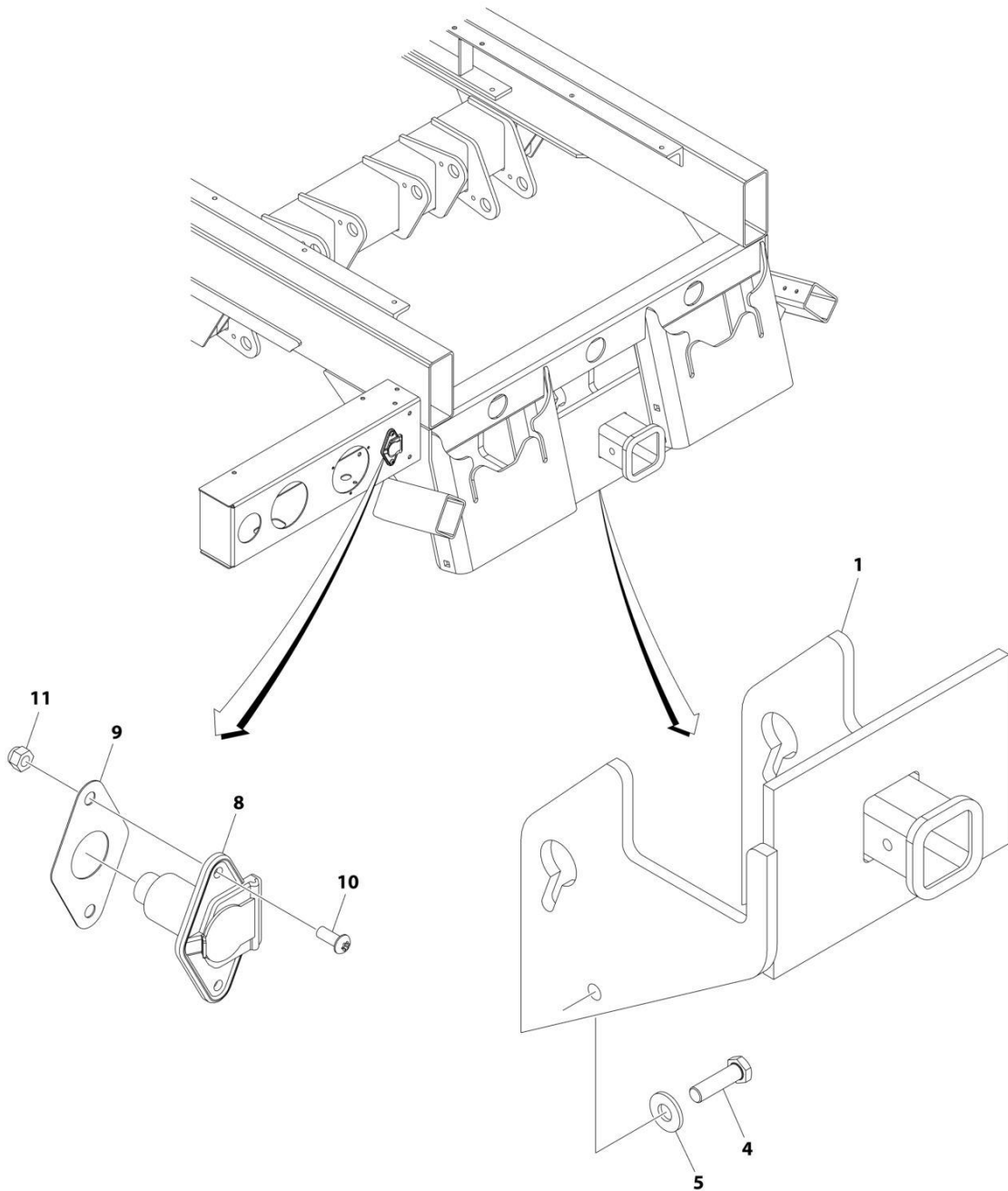
SECTION 8 - ACCESSORIES

FIGURE 8-50. TOW HITCH - STATIONARY PINTLE HITCH PLATE

ITEM	PART NUMBER	QTY	DESCRIPTION	REV
	PHS40-MD	Ref	TOW HITCH INSTALLATION - STATIONARY PINTLE HITCH PLATE	0
1	2330000062	1	Tow Hitch Decal Installation	
1	7330000274	1	Decal - Warning	
2	3556000040	1	Stationary Pintle Hitch (See Separate Breakdown in this Section)	

SECTION 8 - ACCESSORIES

FIGURE 8-51. TOW HITCH INSTALLATION- STATIONARY 2IN



ART_3556000041

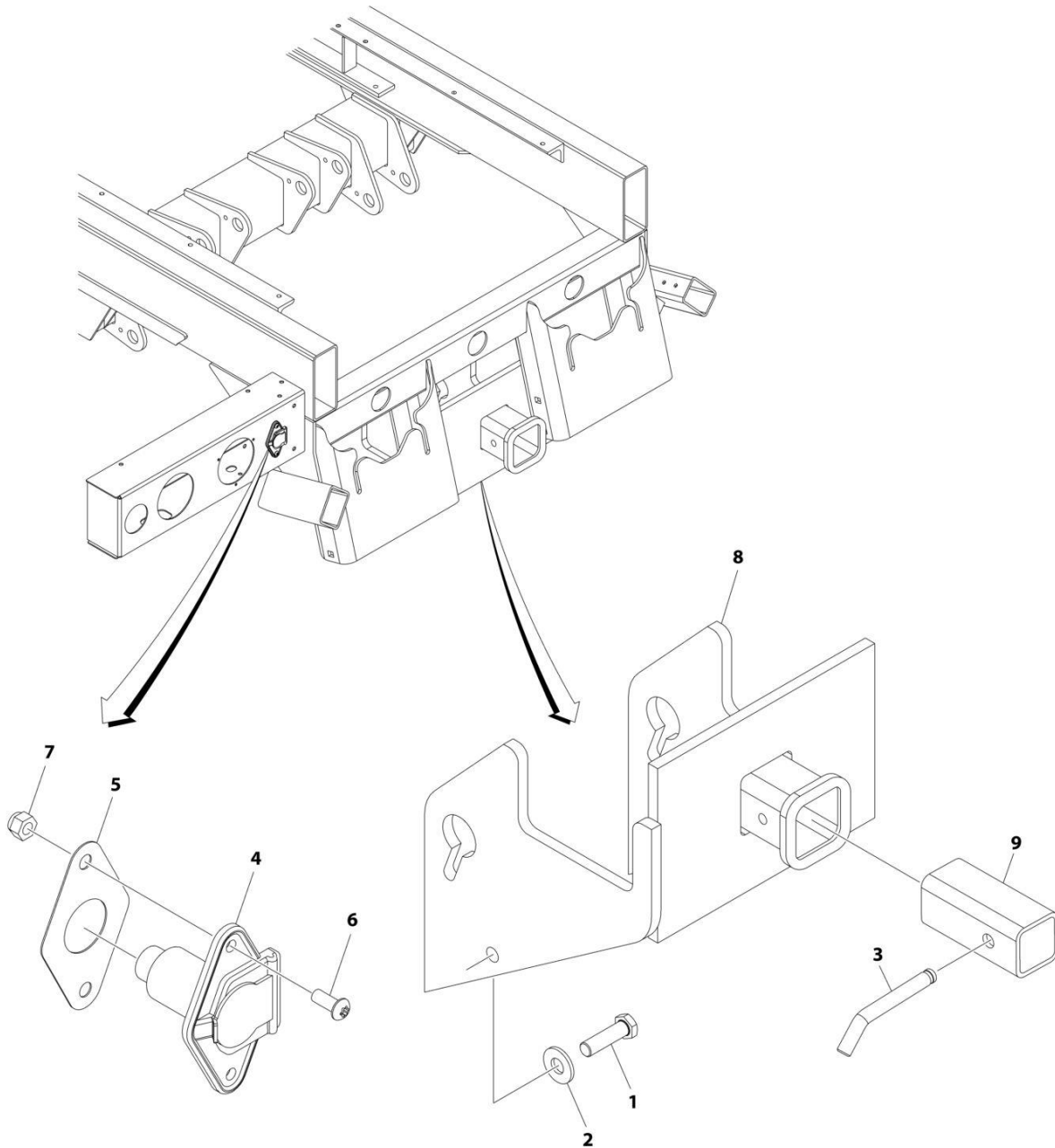
SECTION 8 - ACCESSORIES

FIGURE 8-51. TOW HITCH INSTALLATION- STATIONARY 2IN

ITEM	PART NUMBER	QTY	DESCRIPTION	REV
	3556000041	Ref	TOW HITCH - STATIONARY	C
1	1001180288	1	Receiver, Hitch	
4	7115181450	2	Capscrew 1/2 x 1-3/4	
5	7950180150	2	Washer 1/2	
8	7291000010	1	Female Receptacle with Connector	
9	7796000048	1	Gasket	
10	7114140528	2	Screw 1/4 x 5/8	
11	7660142601	2	Nut 1/4	

SECTION 8 - ACCESSORIES

FIGURE 8-52. TOW HITCH INSTALLATION - STATIONARY 2.5IN



ART_1001137581

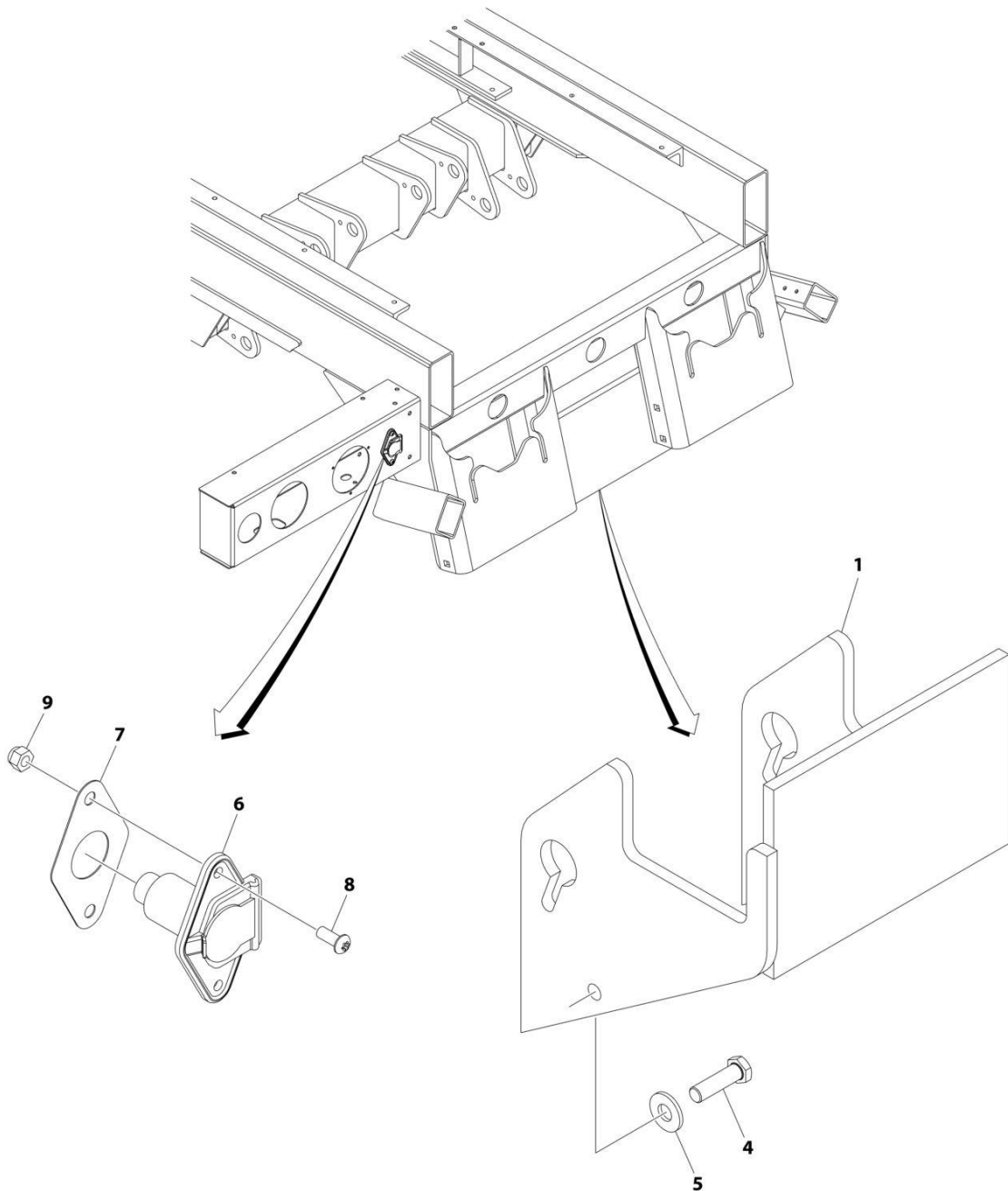
SECTION 8 - ACCESSORIES

FIGURE 8-52. TOW HITCH INSTALLATION - STATIONARY 2.5IN

ITEM	PART NUMBER	QTY	DESCRIPTION	REV
	1001137581	Ref	TOW HITCH INSTALLATION, 2.5 IN	B
1	7115181450	2	Capscrew 1/2 x 1-3/4	
2	7950180150	2	Washer 1/2	
3	7691000033	1	Cotter Pin	
4	7291000010	1	Connector	
5	7796000048	1	Gasket	
6	7114140528	2	Screw 1/4 x 5/8	
7	7660142601	2	Nut 1/4	
8	1001180289	1	Hitch Receiver	
9	7913000006	1	Tube	

SECTION 8 - ACCESSORIES

FIGURE 8-53. TOW HITCH INSTALLATION - STATIONARY PINTLE HITCH



ART_355600040

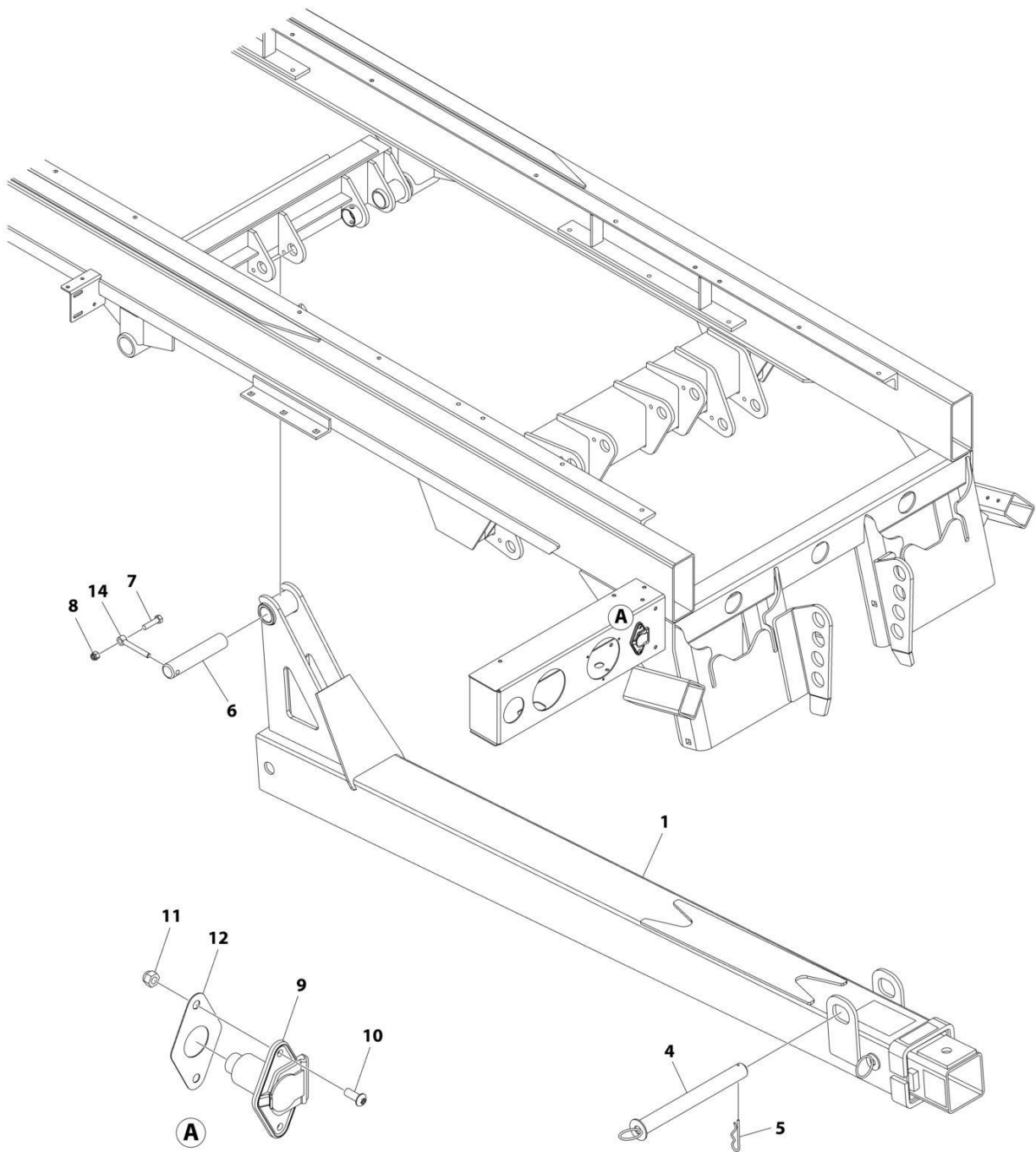
SECTION 8 - ACCESSORIES

FIGURE 8-53. TOW HITCH INSTALLATION - STATIONARY PINTLE HITCH

ITEM	PART NUMBER	QTY	DESCRIPTION	REV
	3556000040	Ref	TOW HITCH - STATIONARY PINTLE	C
1	1001180290	1	Hitch Receiver	
4	7115181450	2	Capscrew 1/2 x 1-3/4	
5	7950180150	2	Washer 1/2	
6	7291000010	1	Female Receptacle	
7	7796000048	1	Gasket	
8	7114140528	2	Screw 1/4 x 5/8	
9	7660142601	2	Nut 1/4	

SECTION 8 - ACCESSORIES

FIGURE 8-54. TOW HITCH BOOM INSTALLATION - BALL HITCH (MANUAL)



ART_217000088

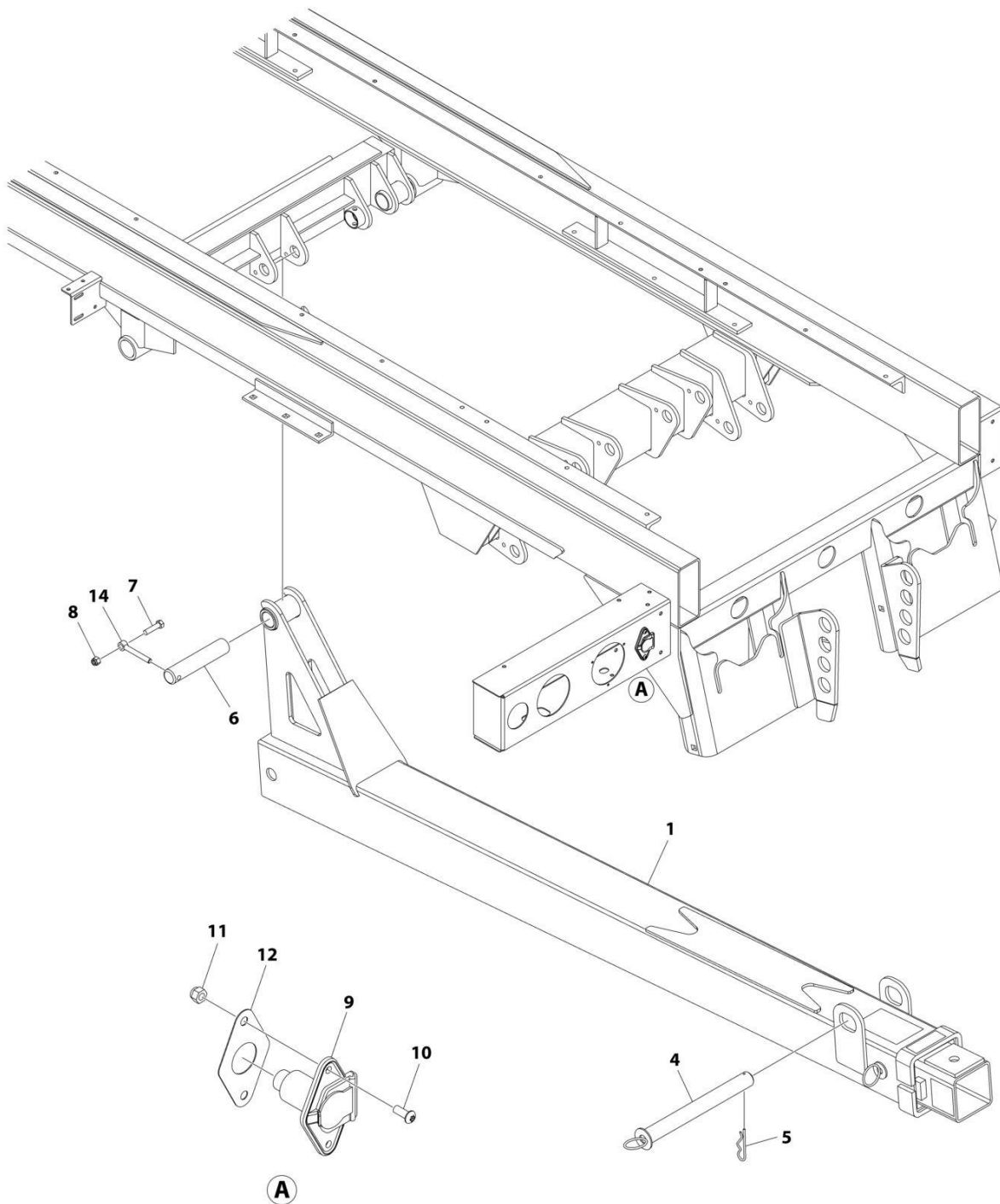
SECTION 8 - ACCESSORIES

FIGURE 8-54. TOW HITCH BOOM INSTALLATION - BALL HITCH (MANUAL)

ITEM	PART NUMBER	QTY	DESCRIPTION	REV
	2170000088	Ref	TOW HITCH BOOM INSTALLATION - BALL HITCH (MANUAL)	D
1	3170000309	1	Boom Assembly (See Separate Breakdown in this Section)	
4	3691000097	1	Pin	
5	7691000001	1	Hairpin	
6	1001188129	1	Pin	
7	0641612	1	Bolt 3/8 x 1-1/2	
8	3300492	1	Nut 3/8	
9	7291000010	1	Female Receptacle	
10	7114140528	2	Screw 1/4 x 5/8	
11	7660142601	2	Nut 1/4	
12	7796000048	1	Gasket	
14	3841143	1	Keeper	

SECTION 8 - ACCESSORIES

FIGURE 8-55. TOW HITCH BOOM INSTALLATION - BALL HITCH (HYDRAULIC)



ART_217000087

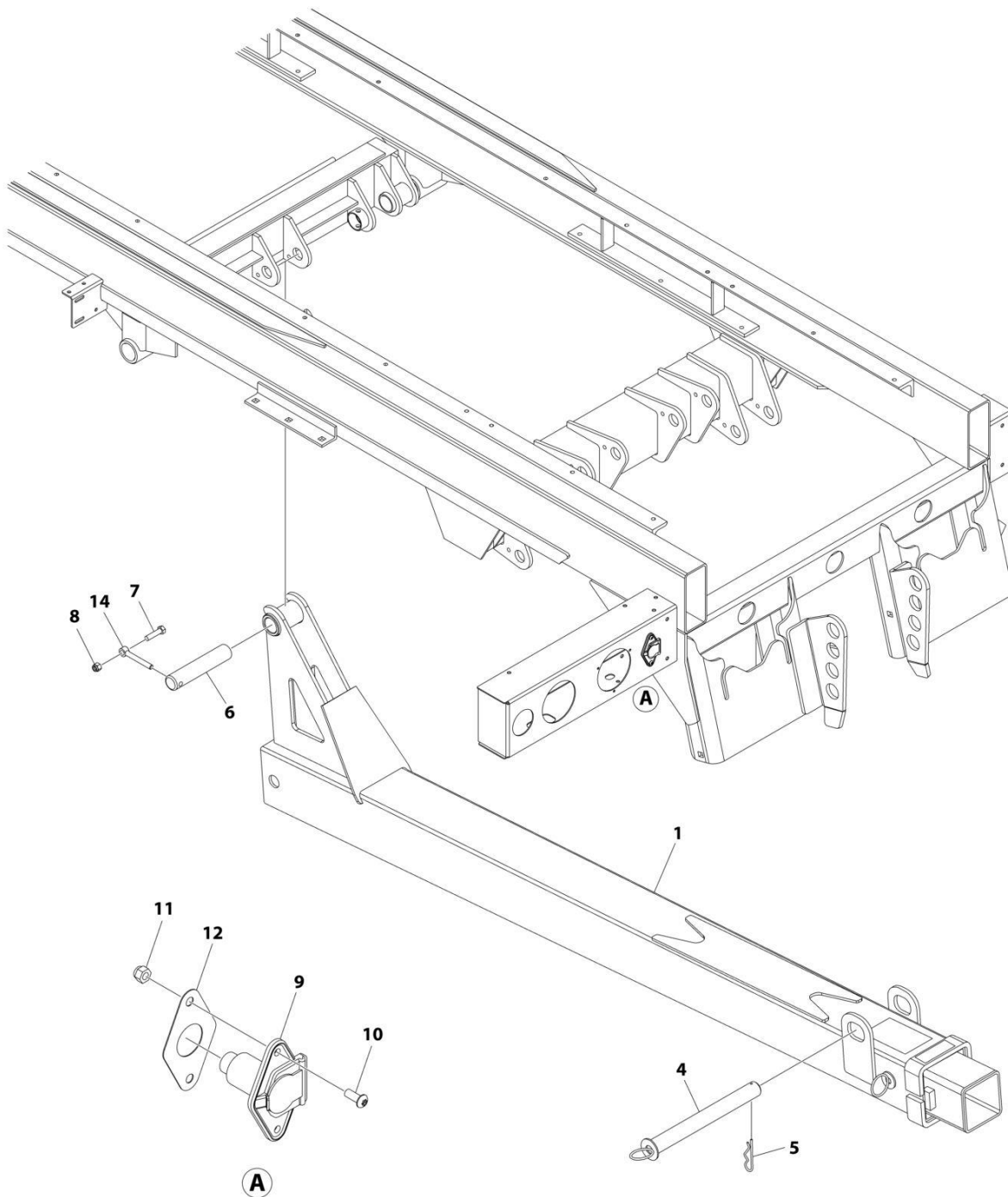
SECTION 8 - ACCESSORIES

FIGURE 8-55. TOW HITCH BOOM INSTALLATION - BALL HITCH (HYDRAULIC)

ITEM	PART NUMBER	QTY	DESCRIPTION	REV
	2170000087	Ref	TOW HITCH BOOM INSTALLATION - BALL HITCH (HYDRAULIC)	D
1	3170000308	1	Boom Assembly (See Separate Breakdown in this Section)	
4	3691000097	1	Pin	
5	7691000001	1	Hairpin	
6	1001188129	1	Pin	
7	0641612	1	Bolt 3/8 x 1-1/2	
8	3300492	1	Nut 3/8	
9	7291000010	1	Female Receptacle	
10	7114140528	2	Screw 1/4 x 5/8	
11	7660142601	2	Nut 1/4	
12	7796000048	1	Gasket	
14	3841143	1	Keeper	

SECTION 8 - ACCESSORIES

FIGURE 8-56. TOW HITCH BOOM INSTALLATION - PINTLE HITCH (MANUAL)



ART_217000090

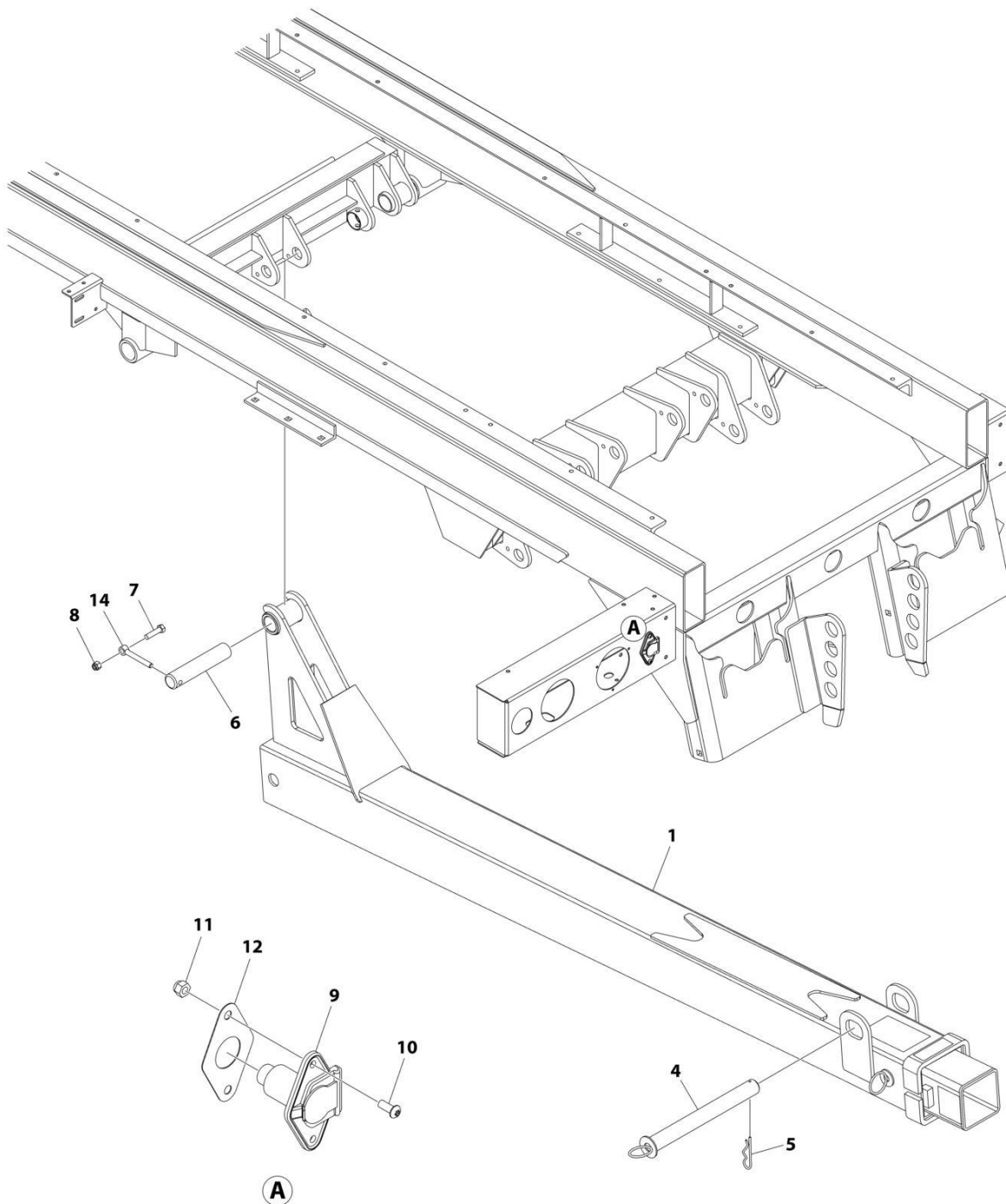
SECTION 8 - ACCESSORIES

FIGURE 8-56. TOW HITCH BOOM INSTALLATION - PINTLE HITCH (MANUAL)

ITEM	PART NUMBER	QTY	DESCRIPTION	REV
	2170000090	Ref	TOW HITCH BOOM INSTALLATION - PINTLE HITCH (MANUAL)	D
1	3170000312	1	Boom Assembly (See Separate Breakdown in this Section)	
4	3691000097	1	Pin	
5	7691000001	1	Hairpin	
6	1001188129	1	Pin	
7	0641612	1	Bolt 3/8 x 1-1/2	
8	3300492	1	Nut 3/8	
9	7291000010	1	Female Receptacle	
10	7114140528	2	Screw 1/4 x 5/8	
11	7660142601	2	Nut 1/4	
12	7796000048	1	Gasket	
14	3841143	1	Keeper	

SECTION 8 - ACCESSORIES

FIGURE 8-57. TOW HITCH BOOM INSTALLATION, PINTLE HITCH (HYDRAULIC)



ART_217000089

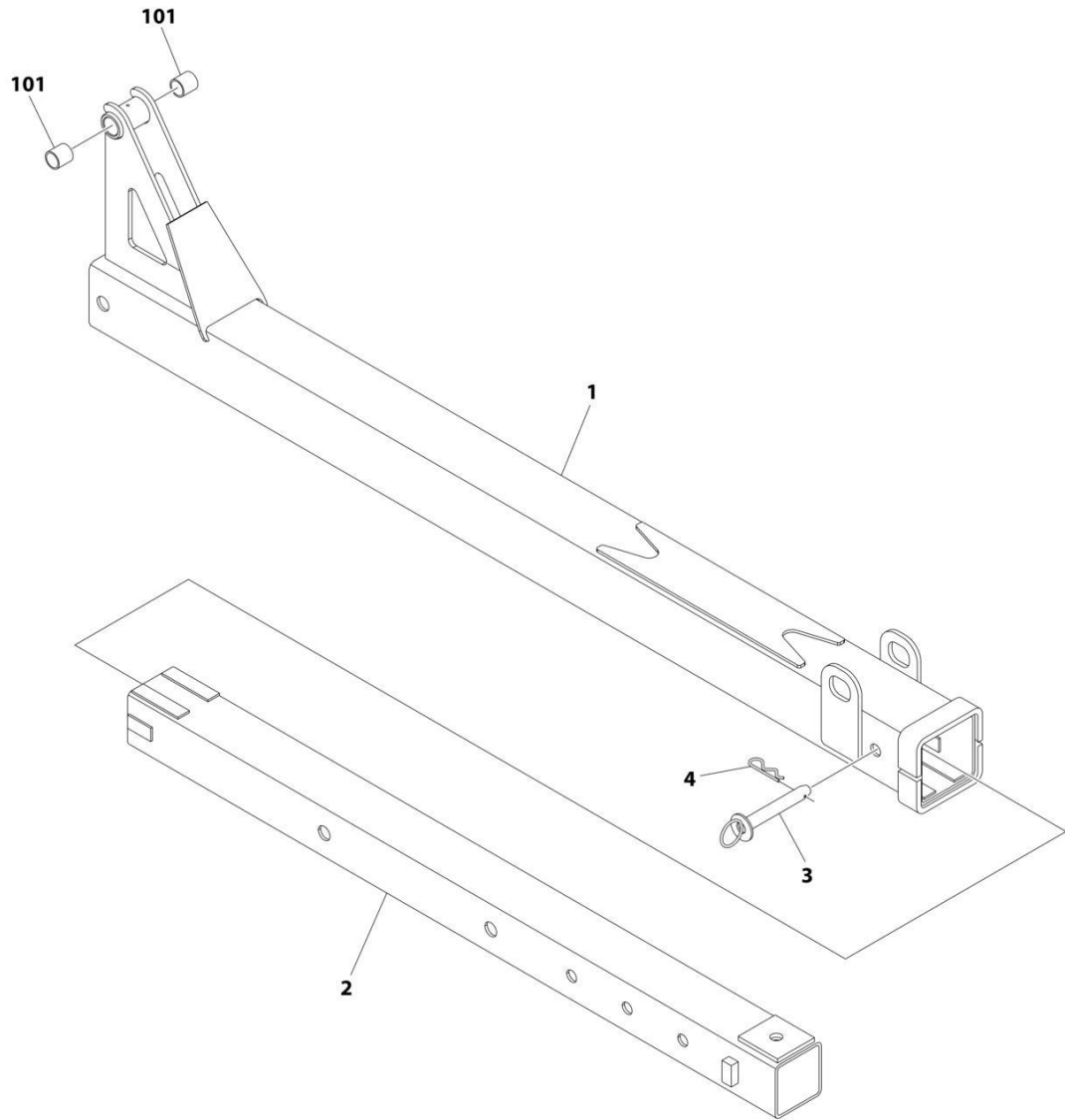
SECTION 8 - ACCESSORIES

FIGURE 8-57. TOW HITCH BOOM INSTALLATION, PINTLE HITCH (HYDRAULIC)

ITEM	PART NUMBER	QTY	DESCRIPTION	REV
	2170000089	Ref	TOW HITCH BOOM INSTALLATION - PINTLE HITCH (HYDRAULIC)	D
1	3170000311	1	Boom Assembly (See Separate Breakdown in this Section)	
4	3691000097	1	Pin	
5	7691000001	1	Hiarpin	
6	1001188129	1	Pin	
7	0641612	1	Bolt 3/8 x 1-1/2	
8	3300492	1	Nut 3/8	
9	7291000010	1	Female Receptacle	
10	7114140528	2	Screw 1/4 x 5/8	
11	7660142601	2	Nut 1/4	
12	7796000048	1	Gasket	
14	3841143	1	Keeper	

SECTION 8 - ACCESSORIES

FIGURE 8-58. TOW HITCH BOOM ASSEMBLY - BALL HITCH PLATE (MANUAL)



ART_317000309

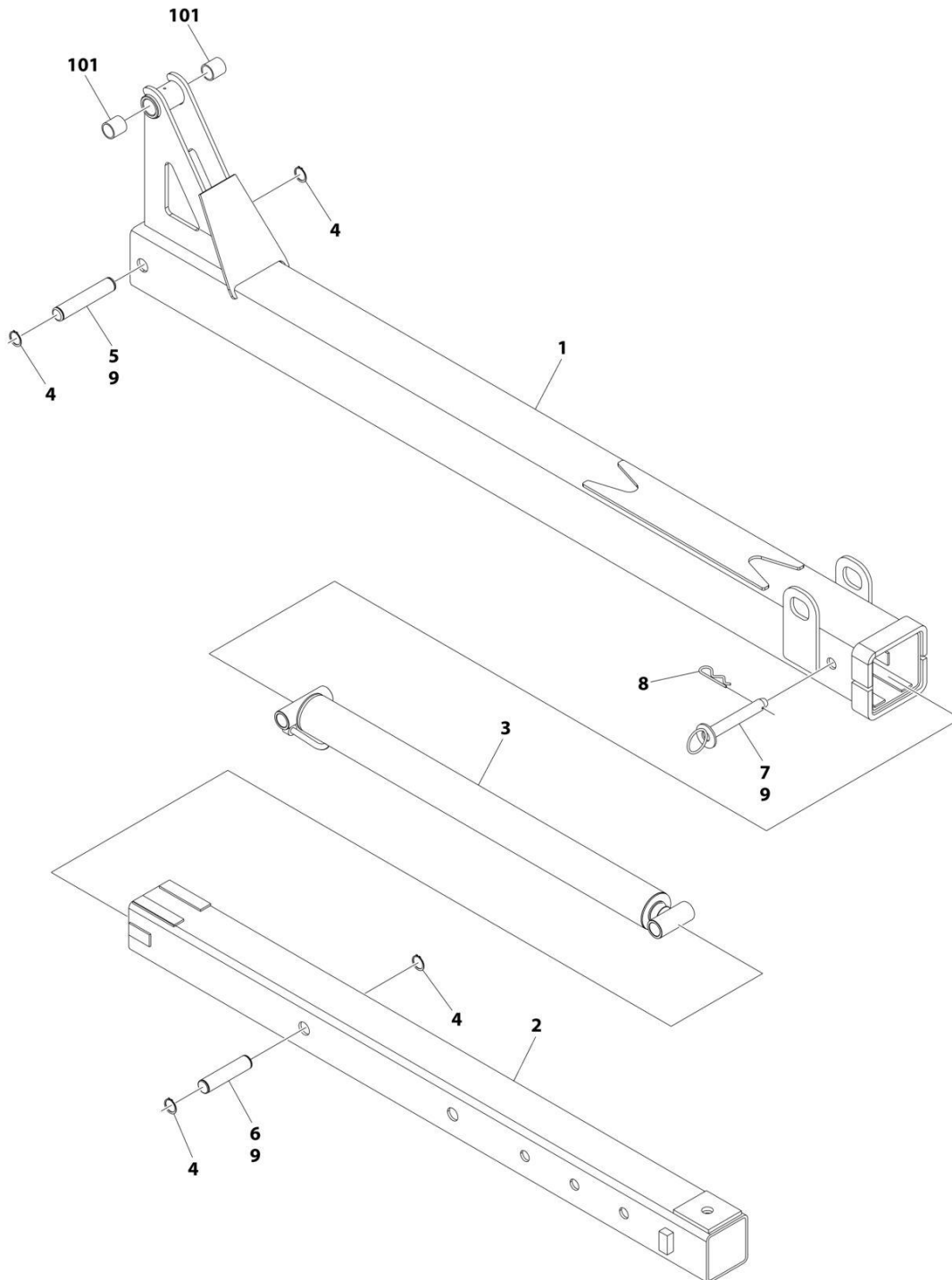
SECTION 8 - ACCESSORIES

FIGURE 8-58. TOW HITCH BOOM ASSEMBLY - BALL HITCH PLATE (MANUAL)

ITEM	PART NUMBER	QTY	DESCRIPTION	REV
	3170000309	Ref	TOW HITCH BOOM ASSEMBLY - BALL HITCH PLATE (MANUAL)	0
1	3170000314	1	Boom, Outer (Includes Item 101)	
2	3913000062	1	Boom, Inner	
3	3691000064	1	Pin	
4	7691000001	1	Hair Pin	
101	7082000016	2	Bearing	

SECTION 8 - ACCESSORIES

FIGURE 8-59. TOW HITCH BOOM ASSEMBLY - BALL HITCH PLATE (HYDRAULIC)



ART_3170000308

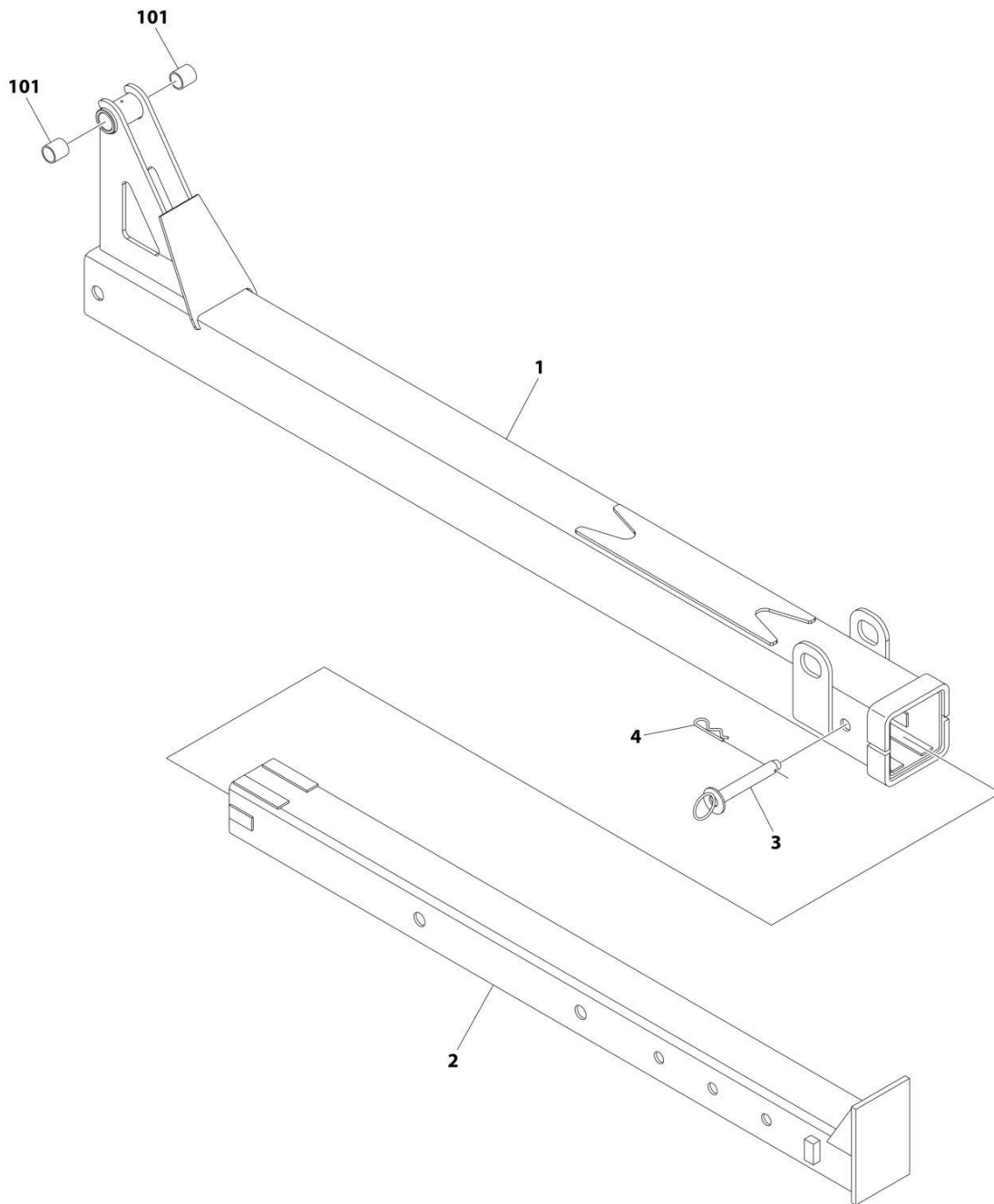
SECTION 8 - ACCESSORIES

FIGURE 8-59. TOW HITCH BOOM ASSEMBLY - BALL HITCH PLATE (HYDRAULIC)

ITEM	PART NUMBER	QTY	DESCRIPTION	REV
	3170000308	Ref	TOW HITCH BOOM ASSEMBLY - BALL HITCH PLATE (HYDRAULIC)	B
1	3170000314	1	Boom, Outer (Includes Item 101)	
2	3913000062	1	Boom, Inner	
3	1001183327	1	Cylinder Assembly (See Separate Breakdown in CYLINDER Section)	
4	3760133	4	Ring, Retaining	
5	4691000430	1	Pin	
6	4691000429	1	Pin	
7	3691000064	1	Pin	
8	7691000001	1	Hair Pin	
9	3020039	AR	Lubricant	
101	7082000016	2	Bearing	

SECTION 8 - ACCESSORIES

FIGURE 8-60. TOW HITCH BOOM ASSEMBLY - PINTLE HITCH PLATE (MANUAL)



ART_3170000312

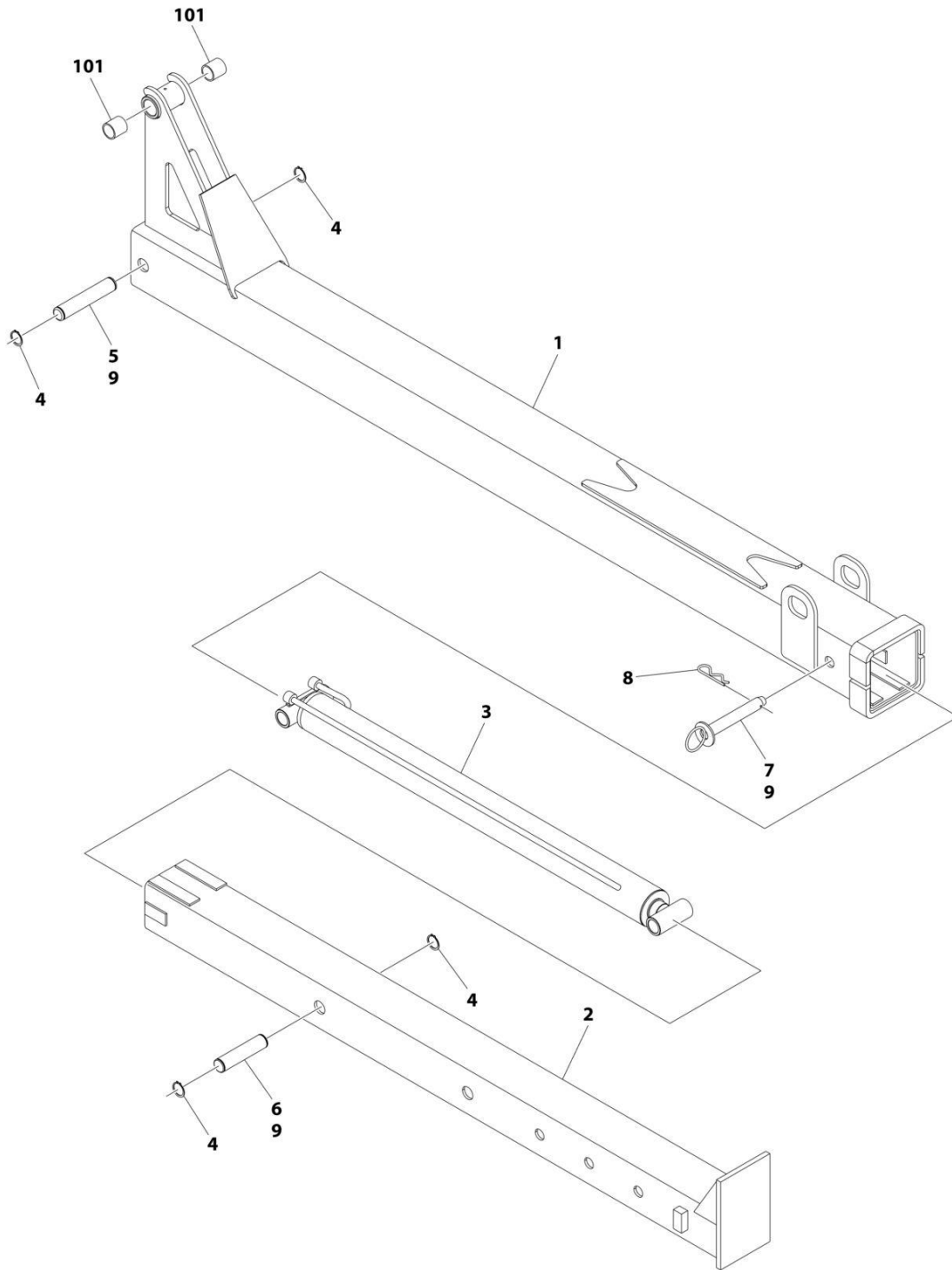
SECTION 8 - ACCESSORIES

FIGURE 8-60. TOW HITCH BOOM ASSEMBLY - PINTLE HITCH PLATE (MANUAL)

ITEM	PART NUMBER	QTY	DESCRIPTION	REV
	3170000312	Ref	TOW HITCH BOOM ASSEMBLY - PINTLE HITCH PLATE (MANUAL)	0
1	3170000314	1	Boom, Outer (Includes Item 101)	
2	3170000208	1	Boom, Inner	
3	3691000064	1	Pin	
4	7691000001	1	Hair Pin	
101	7082000016	2	Bearing	

SECTION 8 - ACCESSORIES

FIGURE 8-61. TOW HITCH BOOM ASSEMBLY - PINTLE HITCH PLATE (HYDRAULIC)



ART_3170000311

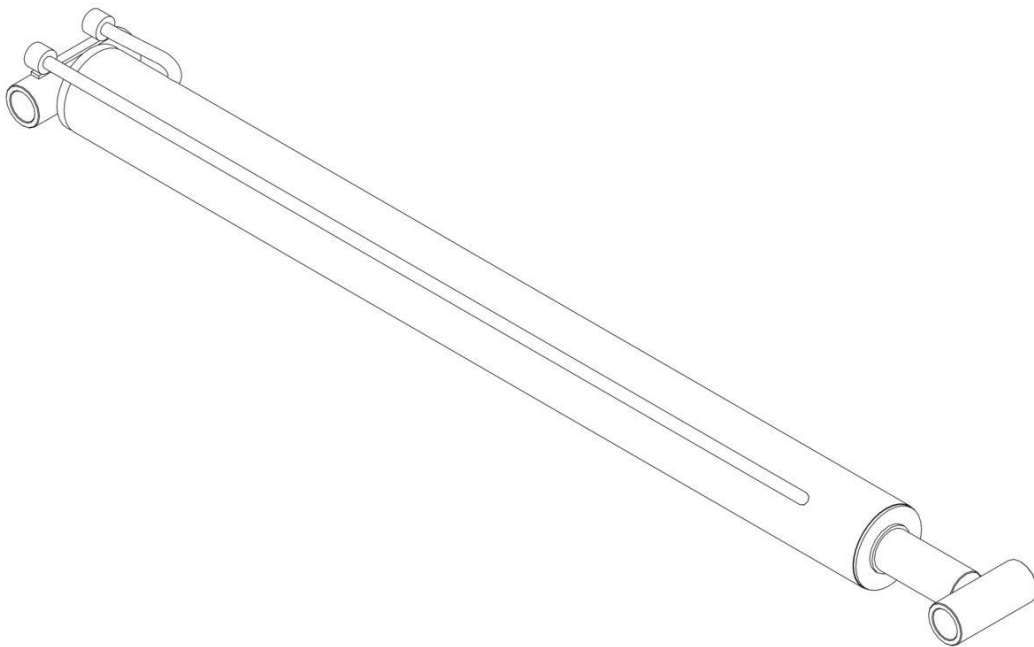
SECTION 8 - ACCESSORIES

FIGURE 8-61. TOW HITCH BOOM ASSEMBLY - PINTLE HITCH PLATE (HYDRAULIC)

ITEM	PART NUMBER	QTY	DESCRIPTION	REV
	3170000311	Ref	TOW HITCH BOOM ASSEMBLY – PINTLE HITCH PLATE (HYDRAULIC)	B
1	3170000314	1	Boom, Outer (Includes Item 101)	
2	3170000208	1	Boom, Inner	
3	1001183327	1	Cylinder Assembly (See Separate Breakdown in CYLINDER Section)	
4	3760133	4	Ring, Retaining	
5	4691000430	1	Pin	
6	4691000429	1	Pin	
7	3691000064	1	Pin	
8	7691000001	1	Hair Pin	
9	3020039	AR	Lubricant	
101	7082000016	2	Bearing	

SECTION 8 - ACCESSORIES

FIGURE 8-62. TOW HITCH CYLINDER ASSEMBLY - EXTEND/RETRACT



ART_1001183327

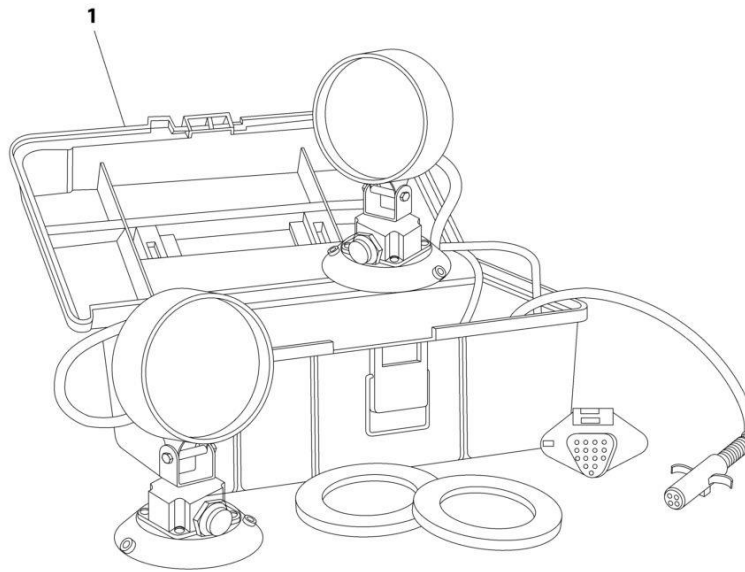
SECTION 8 - ACCESSORIES

FIGURE 8-62. TOW HITCH CYLINDER ASSEMBLY - EXTEND/RETRACT

ITEM	PART NUMBER	QTY	DESCRIPTION	REV
	1001183327	Ref	TOW HITCH CYLINDER ASSEMBLY – EXTEND/RETRACT	D
		Ref	Note: No Service Components Available at Time of Printing.	

SECTION 8 - ACCESSORIES

FIGURE 8-63. TOW LIGHT KIT (MAGNETIC MOUNTED)



ART_LMT

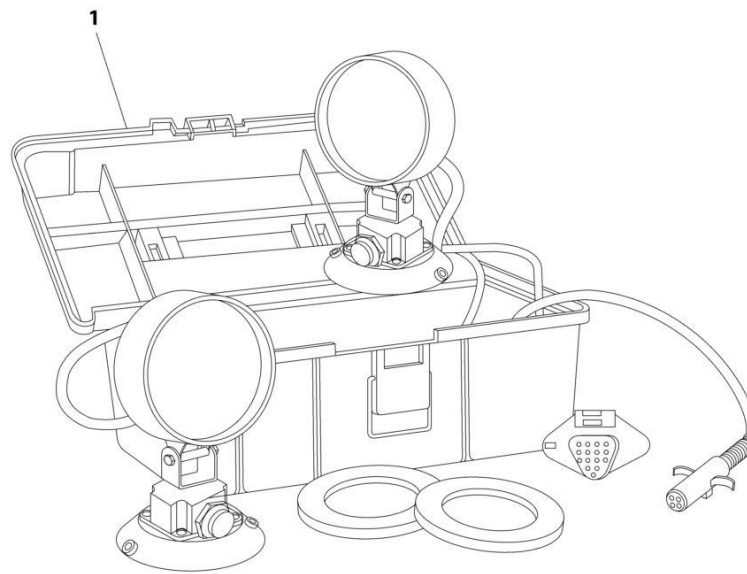
SECTION 8 - ACCESSORIES

FIGURE 8-63. TOW LIGHT KIT (MAGNETIC MOUNTED)

ITEM	PART NUMBER	QTY	DESCRIPTION	REV
1	LMT 5525000752	Ref 1	TOW LIGHT KIT - MAGNETIC MOUNTED Magnetic Light Kit Towing - with Case	0

SECTION 8 - ACCESSORIES

FIGURE 8-64. TOW LIGHT KIT (SUCTION MOUNTED)



ART_LST

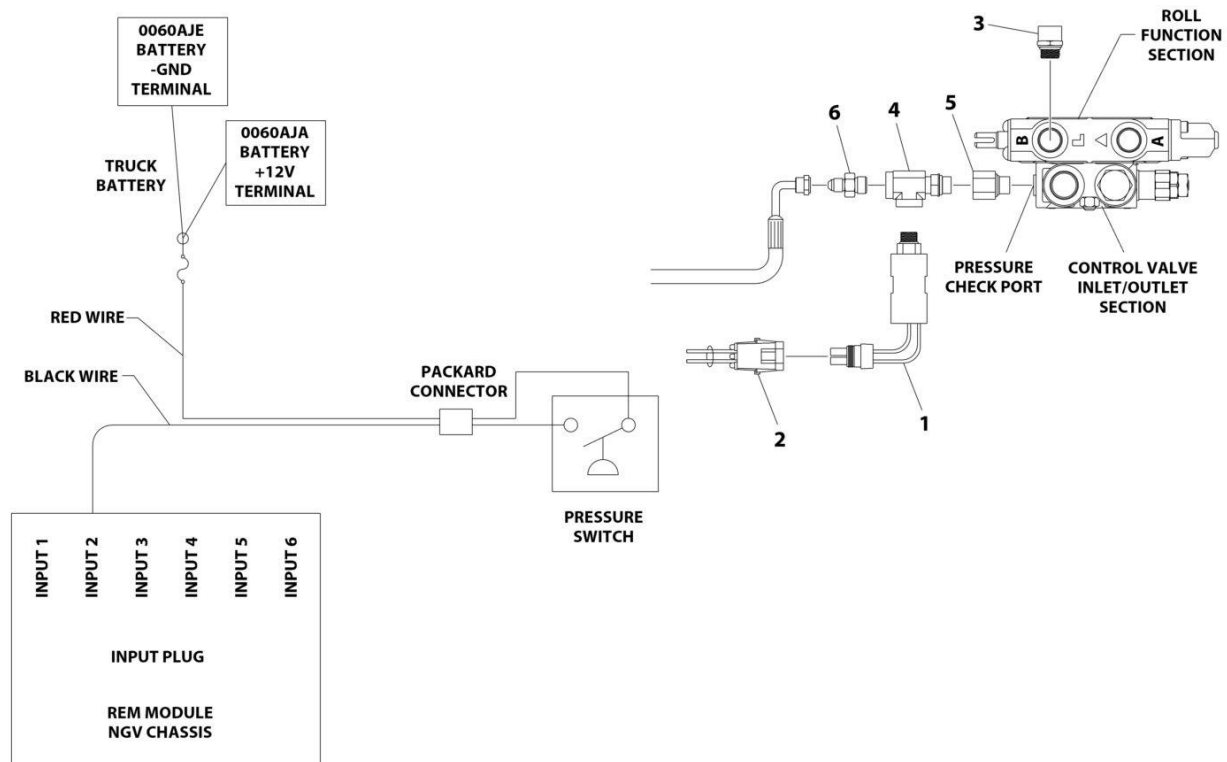
SECTION 8 - ACCESSORIES

FIGURE 8-64. TOW LIGHT KIT (SUCTION MOUNTED)

ITEM	PART NUMBER	QTY	DESCRIPTION	REV
1	LST 7002000449	Ref 1	SUCTION MOUNTED TOW LIGHT KIT Tow Lights Suction	0

SECTION 8 - ACCESSORIES

FIGURE 8-65. THROTTLE CONTROL - REMOTE



ART_2870000013

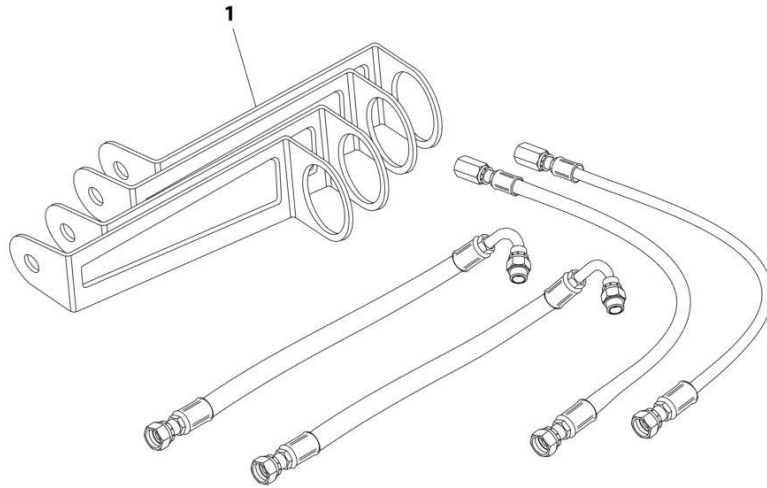
SECTION 8 - ACCESSORIES

FIGURE 8-65. THROTTLE CONTROL - REMOTE

ITEM	PART NUMBER	QTY	DESCRIPTION	REV
	2870000013	Ref	REMOTE THROTTLE CONTROL	D
1	7346000208	1	Pressure Switch	
2	7552000241	1	Harness, Throttle Control	
2	4460867	1	Plug, Male - 2 Position	
2	4460850	2	Terminal	
2		Ref	Seal	
2		Ref	Fuse - 5 Amp ATO (Purchase Locally)	
3	7443000428	1	Valve, Check	
4	7443000432	1	Fitting, Tee	
5	7443000469	1	Fitting, Straight	
6	7445040643	1	Fitting, Straight	

SECTION 8 - ACCESSORIES

FIGURE 8-66. VALVE STEM EXTENSION KIT



ART_2002000029

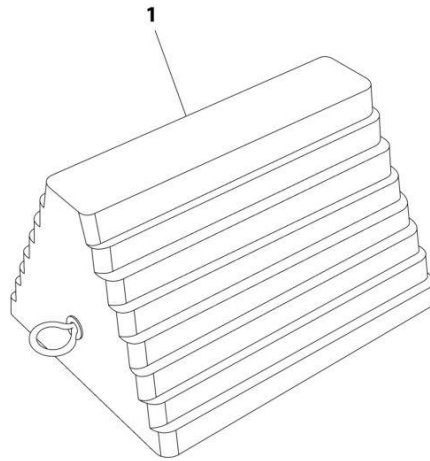
SECTION 8 - ACCESSORIES

FIGURE 8-66. VALVE STEM EXTENSION KIT

ITEM	PART NUMBER	QTY	DESCRIPTION	REV
1	2002000029	Ref	Valve System Extension Kit	0
	7002000447	1	Valve Stem	

SECTION 8 - ACCESSORIES

FIGURE 8-67. WHEEL CHOCKS (RUBBER)



ART_RWC

SECTION 8 - ACCESSORIES

FIGURE 8-67. WHEEL CHOCKS (RUBBER)

ITEM	PART NUMBER	QTY	DESCRIPTION	REV
1	RWC 7002000448	Ref 2	WHEEL CHOCKS Wheel Chock - Rubber	0

SECTION 9 - BUILD DOCUMENTS

SECTION 9 - BUILD DOCUMENTS

FIGURE 9-1. BUILD DOC_5376000242

ITEM	PART NUMBER	QTY	DESCRIPTION	REV
	Note	Ref	Note: This list is for build tracking purposes only. Parts in this list are not available at this inventory stocking level. Parts in this list may not be applicable to all models. For more specific parts information contact Jerr-Dan Parts Department	
	1001241870	Ref	SERVICE/AFTERMARKET KIT LIST	H
	BSKT-2	Ref	BASKET, STORAGE (STANDARD) (QTY 2 OF PN 2899000030)	
	BSKT24-2	Ref	BASKET, STORAGE (DEEP) (QTY 2 OF PN 2899000041)	
	2178000068	Ref	BRACKET KIT, HIGH MOUNTING	
	MBK-HM-2	Ref	BRACKET KIT, HIGH MOUNTING (QTY 2 OF PN 2178000068)	
	2178000025	Ref	BRACKET KIT, LONG MOUNTING	
	2178000028	Ref	BRACKET KIT, SHORT MOUNTING	
	2178000027	Ref	BRACKET KIT, STD MOUNTING	
	MBK-STD-2	Ref	BRACKET KIT, STD MOUNTING (QTY 2 OF PN 2178000027)	
	MBK-STD-3	Ref	BRACKET KIT, STD MOUNTING (QTY 3 OF PN 2178000027)	
	MBK-STD-4	Ref	BRACKET KIT, STD MOUNTING (QTY 4 OF PN 2178000027)	
	2178000067	Ref	BRACKET KIT, ALTERNATE MOUNTING, 78IN TOOLBOX	
	2706000007	Ref	CENTER BEAM PLATES INSTALLATION (22FT DECK TRANSPORTER)	
	2706000046	Ref	CENTER BEAM PLATES INSTALLATION (24FT DECK TRANSPORTER)	
	CMKSTD-SD	Ref	CHASSIS MOUNTING KIT,- STANDARD	
	1001134107	Ref	CHASSIS MOUNTING KIT - FORD 2011-2015 F650/F750	
	1001220105	Ref	CHASSIS MOUNTING KIT - FORD 2016+ F650/F750	
	1001141768	Ref	CHASSIS MOUNTING KIT - HINO 2012	
	1001134108	Ref	CHASSIS MOUNTING KIT - IHC 2011+	
	2707000009	Ref	DECKING MATERIAL 22FT x 96IN (SMOOTH STEEL)	
	2707000010	Ref	DECKING MATERIAL 22FT x 102IN (SMOOTH STEEL)	
	2707000011	Ref	DECKING MATERIAL 24FT x 96IN (SMOOTH STEEL)	
	2707000012	Ref	DECKING MATERIAL 24FT x 102IN (SMOOTH STEEL)	
	2707000013	Ref	DECKING MATERIAL 26FT x 96IN (SMOOTH STEEL)	
	2707000014	Ref	DECKING MATERIAL 26FT x 102IN (SMOOTH STEEL)	
	2707000015	Ref	DECKING MATERIAL 28FT x 96IN (SMOOTH STEEL)	
	2707000016	Ref	DECKING MATERIAL 28FT x 102IN (SMOOTH STEEL)	
	2707000001	Ref	DECKING MATERIAL 22FT x 96IN (DIAMOND PLATE STEEL)	
	2707000002	Ref	DECKING MATERIAL 22FT x 102IN (DIAMOND PLATE STEEL)	
	2707000003	Ref	DECKING MATERIAL 24FT x 96IN (DIAMOND PLATE STEEL)	
	2707000004	Ref	DECKING MATERIAL 24FT x 102IN (DIAMOND PLATE STEEL)	
	2707000005	Ref	DECKING MATERIAL 26FT x 96IN (DIAMOND PLATE STEEL)	
	2707000006	Ref	DECKING MATERIAL 26FT x 102IN (DIAMOND PLATE STEEL)	
	2707000007	Ref	DECKING MATERIAL 28FT x 96IN (DIAMOND PLATE STEEL)	
	2707000008	Ref	DECKING MATERIAL 28FT x 102IN (DIAMOND PLATE STEEL)	
	1001151960	Ref	DECKING MATERIAL 30FT x 96IN (DIAMOND PLATE STEEL)	
	1001151961	Ref	DECKING MATERIAL 30FT x 102IN (DIAMOND PLATE STEEL)	
	1001125850	Ref	DECKING MATERIAL 22FT x 96IN (WOOD)	
	1001125851	Ref	DECKING MATERIAL 22FT x 102IN (WOOD)	
	1001125852	Ref	DECKING MATERIAL 24FT x 96IN (WOOD)	
	1001125853	Ref	DECKING MATERIAL 24FT x 102IN (WOOD)	
	1001152715	Ref	DECKING MATERIAL 22FT x 96IN (DIAMOND PLATE STEEL OVER WOOD) (OUTSIDE KEYSLOTS)	
	1001152716	Ref	DECKING MATERIAL 22FT x 102IN (DIAMOND PLATE STEEL	

SECTION 9 - BUILD DOCUMENTS

ITEM	PART NUMBER	QTY	DESCRIPTION	REV
			OVER WOOD) (OUTSIDE KEYSLOTS)	
	1001152769	Ref	DECKING MATERIAL 24FT x 96IN (DIAMOND PLATE STEEL OVER WOOD) (OUTSIDE KEYSLOTS)	
	1001152770	Ref	DECKING MATERIAL 24FT x 102IN (DIAMOND PLATE STEEL OVER WOOD) (OUTSIDE KEYSLOTS)	
	1001153060	Ref	DECKING MATERIAL 22FT x 96IN (DIAMOND PLATE STEEL OVER WOOD) (OUTSIDE/INSIDE KEYSLOTS)	
	1001153061	Ref	DECKING MATERIAL 22FT x 102IN (DIAMOND PLATE STEEL OVER WOOD) (OUTSIDE/INSIDE KEYSLOTS)	
	1001153062	Ref	DECKING MATERIAL 24FT x 96IN (DIAMOND PLATE STEEL OVER WOOD) (OUTSIDE/INSIDE KEYSLOTS)	
	1001153063	Ref	DECKING MATERIAL 24FT x 102IN (DIAMOND PLATE STEEL OVER WOOD) (OUTSIDE/INSIDE KEYSLOTS)	
	1001127910	Ref	DECK MODIFICATION - BUCKET REST (102IN TRANSPORTER)	
	1001128868	Ref	DECK MODIFICATION - BUCKET REST (102IN STEEL DECK)	
	2754000001	Ref	D-RINGS - 5/8IN WELDED-ON - 1 PAIR (STEEL DECK)	
	1001188647	Ref	D-RINGS - 5/8IN WELDED-ON - 1 PAIR (STEEL DECK AT WINCH)	
	2754000002	Ref	D-RINGS - 1IN WELDED-ON - 1 PAIR (STEEL DECK)	
	DR063W-2	Ref	D-RINGS - 5/8IN WELDED-ON - 2 PAIR (STEEL DECK)	
	1001169913	Ref	FENDERS, POLY 19.5IN WHEELS	
	SSQF-21	Ref	FENDER, QUARTER 19.5IN WHEELS (SS)	
	SSQF-24	Ref	FENDER, QUARTER 12.5IN WHEELS (SS)	
	1001211686	Ref	HEADBOARD LIGHT MOUNT CHANNEL - 96IN WIDE	
	1001133677	Ref	HEADBOARD LIGHT MOUNT CHANNEL - 102IN WIDE	
	2706000013	Ref	KEY SLOTS INSTALLATION - DUAL 90 DEGREES (MID SECTION) (TRANSPORTER 22FT DECK)	
	2706000014	Ref	KEY SLOTS INSTALLATION - DUAL 90 DEGREES (MID SECTION) (TRANSPORTER 24FT DECK)	
	KSD120-AL	Ref	KEY SLOTS INSTALLATION - DUAL 120 DEGREES (ALUMINUM STD WIDTH DECK)	
	KSD120-AL-2	Ref	KEY SLOTS INSTALLATION - DUAL 120 DEGREES (ALUMINUM STD WIDTH DECK) (QTY2)	
	KSD120W-AL	Ref	KEY SLOTS INSTALLATION - DUAL 120 DEGREES (ALUMINUM WIDE WIDTH DECK)	
	KSD120W-AL-2	Ref	KEY SLOTS INSTALLATION - DUAL 120 DEGREES (ALUMINUM WIDE WIDTH DECK) (QTY2)	
	1001230202	Ref	KEY SLOTS INSTALLATION - DUAL 180 DEGREES (MID SECTION) (TRANSPORTER)	
	ML-TBTST-2	Ref	MARKER LIGHT, TOOLBOX TOP STORAGE TRAY (QTY 2 OF PN 2590000261)	
	1001181867	Ref	MARKER LIGHT, TOOLBOX TOP STORAGE TRAY (QTY 3 OF PN 2590000261)	
	1001181868	Ref	MARKER LIGHT, TOOLBOX TOP STORAGE TRAY (QTY 4 OF PN 2590000261)	
	NPN	Ref	PTO Installation and replacement is based on individual characteristics of the unit - Contact Jerr-Dan Parts Dept.)	
	NPN	Ref	Pump Installation and replacement is based on individual characteristics of the unit - Contact Jerr-Dan Parts Dept.)	
	RCTH-2	Ref	REMOTE CONTROL TRANSMITTER HOLDER	
	2706000037	Ref	RUBRAIL OVERLAY INSTALLATION - 0IN ABOVE RAIL (22-24FT STEEL DECK & TRANSPORTER)	
	2706000038	Ref	RUBRAIL OVERLAY INSTALLATION - 0IN ABOVE RAIL (26-248T STEEL DECK)	
	2706000040	Ref	RUBRAIL OVERLAY INSTALLATION - 2IN ABOVE RAIL (22-	

SECTION 9 - BUILD DOCUMENTS

ITEM	PART NUMBER	QTY	DESCRIPTION	REV
			24FT STEEL DECK & TRANSPORTER)	
	2706000041	Ref	RUBRAIL OVERLAY INSTALLATION - 2N ABOVE RAIL (26-248T STEEL DECK)	
	2706000043	Ref	RUBRAIL OVERLAY INSTALLATION - 4IN ABOVE RAIL (22-24FT STEEL DECK & TRANSPORTER)	
	2706000044	Ref	RUBRAIL OVERLAY INSTALLATION - 4N ABOVE RAIL (26-248T STEEL DECK)	
	1001142066	Ref	Saddle Brackets without Holes	
	1001175532	Ref	SADDLE SPACERS INSTALLATION	
	SRS-8	Ref	Side Recovery System - 8 K Winch (SN 0220017154 through 0220026090)	
	SRS-8-CRC	Ref	Side Recovery System - 8 K Winch with Combo Remote (SN 0220017154 through 0220026090)	
	SRS-10	Ref	Side Recovery System - 10 K Winch (SN 0220017154 through 0220026090)	
	SRS-10-AFS	Ref	Side Recovery System - 10 K Winch with Air Free Spool (SN 0220017154 through 0220026090)	
	SRS-10-CRC	Ref	Side Recovery System - 10 K Winch with Combo Remote (SN 0220017154 through 0220026090)	
	1001211215	Ref	Side Recovery System - 10 K Winch with Air Free Spool & Remote Conbo (SN 0220017154 through 0220026090)	
	1001271987	Ref	Side Recovery System - 10 K Winch (Manual Free Spool / 3 Function Remote) (SN 0220026090 through 0220026736)	
	1001271988	Ref	Side Recovery System - 10 K Winch (Manual Free Spool / 4 Function Remote) (SN 0220026090 through 0220026736)	
	1001271989	Ref	Side Recovery System - 10 K Winch (Air Free Spool / 3 Function Remote) (SN 0220026090 through 0220026736)	
	1001271990	Ref	Side Recovery System - 10 K Winch (Air Free Spool / 4 Function Remote) (SN 0220026090 through 0220026736)	
	1001161142	Ref	SPECIFICATION, CARRIER LUBRICATION INSTALL	
	STAB-HIGH	Ref	STABILIZER MODIFICATION (HIGH FRAMES)	
	1001136271	Ref	STAKES/RUBRAILS/PIPES INSTALLATION (22FT STEEL DECK & TRANSPORTER)	
	1001136272	Ref	STAKES/RUBRAILS/PIPES INSTALLATION (24FT STEEL DECK & TRANSPORTER)	
	1001136273	Ref	STAKES/RUBRAILS/PIPES INSTALLATION (26FT STEEL DECK)	
	1001136274	Ref	STAKES/RUBRAILS/PIPES INSTALLATION (28FT STEEL DECK)	
	1001145810	Ref	STAKES/RUBRAILS/PIPES INSTALLATION (30FT STEEL DECK)	
	TB36-2	Ref	TOOLBOX 36IN (QTY 2 OF PN 2899000055)	
	TB36-3	Ref	TOOLBOX 36IN (QTY 3 OF PN 2899000055)	
	TB36-4	Ref	TOOLBOX 36IN (QTY 4 OF PN 2899000055)	
	TB48-2	Ref	TOOLBOX 48IN (QTY 2 OF PN 2899000057)	
	TB48-3	Ref	TOOLBOX 48IN (QTY 3 OF PN 2899000057)	
	TB48-4	Ref	TOOLBOX 48IN (QTY 3 OF PN 2899000057)	
	TB60-2	Ref	TOOLBOX 60IN (QTY 2 OF PN 2899000058)	
	TB78-2	Ref	TOOLBOX 78IN (QTY 2 OF PN 2899000075)	
	1001181841	Ref	TOOLBOX 48IN UNDERBOX MOUNT (QTY 2 OF PN 1001137931)	
	1001181843	Ref	TOOLBOX 60IN UNDERBOX MOUNT (QTY 2 OF PN 1001137566)	
	TBSA36-2	Ref	TOOL BOX SHELF, 36IN (QTY 2 OF PN 2899000059)	
	TBSA36-3	Ref	TOOL BOX SHELF, 36IN (QTY 3 OF PN 2899000059)	
	TBSA36-4	Ref	TOOL BOX SHELF, 36IN (QTY 4 OF PN 2899000059)	
	TBSA48-2	Ref	TOOL BOX SHELF, 48IN (QTY 2 OF PN 2899000060)	
	1001181855	Ref	TOOL BOX SHELF, 48IN (QTY 3 OF PN 2899000060)	

SECTION 9 - BUILD DOCUMENTS

ITEM	PART NUMBER	QTY	DESCRIPTION	REV
	TBSA48-4	Ref	TOOL BOX SHELF, 48IN (QTY 4 OF PN 2899000060)	
	TBSA60-2	Ref	TOOL BOX SHELF, 60IN (QTY 2 OF PN 2899000061)	
	TBTST36-2	Ref	TOOL BOX TOP STORAGE TRAY, 36IN (QTY 2 OF PN 2002000048)	
	TBTST36-3	Ref	TOOL BOX TOP STORAGE TRAY, 36IN (QTY 3 OF PN 2002000048)	
	TBTST36-4	Ref	TOOL BOX TOP STORAGE TRAY, 36IN (QTY 4 OF PN 2002000048)	
	TBTST48-2	Ref	TOOL BOX TOP STORAGE TRAY, 48IN (QTY 2 OF PN 2002000049)	
	1001181859	Ref	TOOL BOX TOP STORAGE TRAY, 48IN (QTY 3 OF PN 2002000049)	
	1001181860	Ref	TOOL BOX TOP STORAGE TRAY, 48IN (QTY 4 OF PN 2002000049)	
	TBTST60-2	Ref	TOOL BOX TOP STORAGE TRAY, 60IN (QTY 2 OF PN 2002000050)	
	TBTST78-2	Ref	TOOL BOX TOP STORAGE TRAY, 78IN (QTY 2 OF PN 2002000051)	
	TBL-2	Ref	TOOLBOX LIGHT (QTY 2 OF PN 2178000031)	
	TBL-3	Ref	TOOLBOX LIGHT (QTY 3 OF PN 2178000031)	
	TBL-4	Ref	TOOLBOX LIGHT (QTY 4 OF PN 2178000031)	
	1001147364	Ref	TUNNEL DRAWER, 24IN TOOLBOX (QTY 2 OF PN 1001147363)	

PART NUMBER INDEX

SECTION 9 - BUILD DOCUMENTS

0100011.....279, 379, 381, 395, 397, 415	1001121726.....755, 765	1001132744 617	1001137581.....963, 969
0100071.....43, 47, 51, 55, 59, 63, 67, 71, 75, 79	1001121727.....755, 833	1001132745 639	1001137904.....239
0440287.....379, 381	1001125850.....1002	1001132748 631	1001137931.....147
0630448001435, 437	1001125851.....1002	1001132749 625	1001137970.....379, 381, 467, 469, 471, 473
0641406.....239	1001125852.....1002	1001132750 619	1001138522.....353, 355, 367, 373
0641416.....239	1001125853.....1002	1001132751 641	1001138523.....361, 367
0641436.....699	1001126187.....387, 391	1001132760 611	1001138546.....379, 381
0641504.....661, 663, 665, 667, 673, 675	1001126188.....387, 391	1001132765 858	1001139199.....379, 381
0641508.....43, 47, 51, 55, 59, 63, 67, 71, 75, 79, 139, 143, 145, 149, 153, 419, 421, 423, 425, 427, 429, 453, 455, 457, 459, 461, 889, 891, 903, 905, 907, 923, 925	1001127221.....858	1001132766 858	1001139343.....42, 46, 50, 54, 58, 62, 66, 70, 74, 78, 379, 381, 481, 483, 485
0641512.....419, 421, 425, 427	1001127297.....119, 121	1001132794 603, 605, 607, 609, 611, 613, 615, 617, 619, 621, 623, 625, 629, 631, 633, 635, 637, 639, 641, 643, 645	1001139503.....449
0641516.....661, 663, 665, 667, 673, 675	1001127910.....1003	1001132800 603, 605, 609, 613, 615, 617, 619, 621, 623, 625, 629, 631, 633, 635, 637, 639, 641, 643, 645	1001139579.....449
0641518.....661, 663, 665, 667, 673, 675	1001127985.....671	1001132801 603, 605, 607, 609, 611, 613, 615, 617, 619, 621, 623, 625, 629, 631, 633, 635, 637, 639, 641, 643, 645	1001139909.....693
0641606.....42, 46, 50, 54, 58, 62, 66, 70, 74, 78	1001128443.....447	1001133674 883	1001141752.....451
0641612.....15, 17, 21, 23, 113, 115, 117, 119, 121, 201, 203, 205, 207, 209, 973, 975, 977, 979	1001128868.....1003	1001133675 949	1001141753.....451
0641624.....15, 17, 21, 23	1001129068.....741	1001133677 1003	1001141768.....1002
0641806.....15, 17, 21, 23	1001129095.....791, 793	1001133721 931	1001141875.....445, 447, 449, 451
0641808.....733, 735	1001129114.....439, 457	1001133740 565, 569	1001141889.....699
0641812.....42, 46, 50, 54, 58, 62, 66, 70, 74, 78, 357, 383	1001129116.....441, 459	1001133741 559, 569	1001141894.....699
0641814.....15, 17, 21, 23	1001129118.....443, 461	1001134107 1002	1001141918.....445
0641820.....42, 46, 50, 54, 58, 62, 66, 70, 74, 78	1001129332.....901	1001134108 1002	1001141922.....445
0641834.....231, 233, 235	1001129537.....907, 923, 925	1001134776 465	1001141992.....339, 365
0651606.....43, 47, 51, 55, 59, 63, 67, 71, 75, 79	1001129570.....925	1001134778 465	1001142009.....337, 339, 403
0651816.....15, 17, 21, 23, 35, 37, 39, 137, 139, 141, 143, 145, 147, 149, 151, 153	1001129573.....925	1001135272 523, 527, 531, 535, 539, 543, 547	1001142012.....339
0651822.....415	1001129576.....925	1001135329 551, 559	1001142066.....1004
0652016.....43, 47, 51, 55, 59, 63, 67, 71, 75, 79, 435, 437, 439, 441, 443	1001129875.....933	1001135524 791	1001142131.....337, 339, 413
0691810.....119, 121	1001129882.....687	1001135622 791	1001142132.....335, 411
0741408.....239	1001129883.....687, 779, 781, 783, 785, 787, 789, 795, 797, 799, 801, 803, 805, 807, 809	1001135700 779, 815	1001142142.....295
0741504.....243	1001129909.....883	1001135701 795, 799, 803, 825	1001142143.....297
0741610.....15, 17, 21, 23	1001130062.....193, 195, 197, 199, 659	1001135756 787, 821	1001142175.....335, 361
100109565043, 47, 51, 55, 59, 63, 67, 71, 75, 79	1001130142.....933	1001135757 807, 829	1001142220.....335
1001100949 763	1001130151.....933	1001135811 799	1001142329.....917
1001116720 765	1001131570.....759	1001135812 803	1001142330.....919
1001116727 835, 837, 839, 841, 843, 845, 847, 849, 851, 853	1001131703.....703	1001135813 799, 801	1001142333.....917
1001116729 755, 833	1001131724.....179	1001135814 803, 805	1001142334.....919
1001116747 755, 765	1001131998.....917, 919	1001135815 803, 805	1001142355.....291
	1001132350.....447	1001136271 1004	1001142356.....293
	1001132595.....639, 641	1001136272 1004	1001142550.....379, 381
	1001132599.....617	1001136273 1004	1001142553.....379, 381
	1001132601.....631	1001136274 1004	1001142769.....703, 705, 707, 709, 711, 713, 715, 717, 763
	1001132609.....625	1001136657 183, 185, 187, 189, 655	1001142771.....703, 705, 707, 709, 711, 713, 715, 717
	1001132613.....623	1001136658 655	1001142962.....379, 381
	1001132675.....619	1001136989 727, 731, 745	1001142974.....693
	1001132683.....635	1001136993 741, 753	1001143227 133, 135
	1001132684.....609, 617	1001137524 737	
	1001132685.....615	1001137525 739	
	1001132688.....639, 641	1001137566 151	
	1001132709.....621	1001137580 963	
	1001132710.....623		
	1001132711.....635		
	1001132712.....609		
	1001132713.....617		
	1001132714.....639		
	1001132717.....631		
	1001132718.....625		
	1001132719.....619		
	1001132721.....641		
	1001132740.....621		
	1001132741.....623		
	1001132742.....635		
	1001132743.....609		

SECTION 9 - BUILD DOCUMENTS

1001143228133	10011530601003	1001158886 251	1001170399547, 549
1001143233173	10011530611003	1001158887 253	1001170400549
1001143257 131, 135	10011530621003	1001158888 255	1001170401539, 541
1001143764 523, 527, 531, 535, 539, 543, 547, 551, 555, 559	10011530631003	1001158889 257	1001170402541
1001143842701	1001153789 858	1001158890 259	1001170404551, 553
1001144448669	1001153944279	1001159336 763	1001170406559
1001144486 379, 381	1001153945279	1001159670 191, 657	1001170409555, 557
1001144491 379, 381	1001153946279	1001160195 279	1001170410557
1001144498 379, 381	1001153947279	1001161142 1004	1001170414553
1001144499 379, 381	1001153950279	1001161505 15	1001170423535, 537
1001144543 379, 381	1001153971279	1001161511 17	1001170424537
1001144804877	1001154689 858	1001161526 773	1001171652493, 495, 497, 499, 501, 503, 505, 507, 509, 511
1001144805877	1001155975143, 161, 163, 165	100116240315, 17, 21, 23	1001171655493
1001144986701	1001156006141, 143, 147, 151	100116279815, 17, 21, 23	1001171656501
1001145074701	1001156245419, 421, 423, 425, 427, 429	1001165596 283	1001171657505
1001145075701	1001156247425, 427, 429	1001165597 285	1001171658509
1001145076701	1001156248425, 427, 429	1001165598 287	1001171659497
1001145077701	1001156249419, 421, 423	1001165599 289	1001171660503
1001145636 379, 381	1001156252419, 421, 423, 425, 427, 429	1001165600 303	1001171661507
1001145780 379, 381	1001156357 143	1001165601 305	1001171662511
10011458101004	1001156358 141	1001165602 307	100117394495
1001145934 353, 355, 669	1001156677921	1001165603 309	100117394595
1001145935 355, 671	1001157641299	1001165614725, 729, 743	100117394697
1001145963669	1001157642301	1001165618 725	100117394797
1001146027415	1001158507191	1001165619 729	1001173948 15, 21, 95
1001146028 353, 355, 415	1001158508191, 205	1001166071 271	1001173949 18, 23, 97
1001146029415	1001158509205	100116685515, 17, 21, 23, 25	1001173952703, 705, 707, 709, 711, 713, 715, 717, 833
1001146552133	1001158510205, 235	1001166857201, 203, 225	1001175531927
1001146603 535, 547, 565	1001158512235	1001166858211, 213, 215, 217, 219, 221, 223	1001175532927, 1004
1001146878879	1001158626215	1001167693 383	1001176337719, 721, 723, 761, 771
1001146879879	1001158627211, 213	100116776421, 23, 29	1001176427723
1001147357131	1001158630205, 215	1001167766207, 209, 227	1001176428719
1001147361 129, 131	1001158635201, 211	1001167767 113, 115, 117, 119, 121, 123	1001176429721
1001147362129	1001158637203, 213	1001168319 677	1001176430761
1001147363173	1001158648183, 187, 201	1001168591 858	1001176431771
10011473641005	1001158649185, 189, 203	1001169913 1003	1001177459435
1001148035129	1001158665183	1001170175245, 247, 249, 269	1001177601127
1001148180 129, 133	1001158666185	1001170182 245	100117760399
1001148385 129, 133	1001158667187	1001170183 249	1001177605101
1001148455 129, 133	1001158668189	1001170184 247	100117763399
1001148489941	1001158674245, 255, 261, 263	1001170187523, 527, 531, 535, 539, 543, 547, 551, 555, 559	1001177634101
1001148490941	1001158677249, 251, 257, 265	1001170188523, 527, 531, 535, 539, 543, 547, 551, 555, 559	1001178186 15
1001148920941	1001158678247, 253, 259, 267	1001170189523, 527, 531, 535, 539, 543, 547	1001178187 17
1001148999513	1001158861197	1001170190 555	1001179025411, 413, 419, 421, 423, 431, 433
1001150327323	1001158862199	1001170191 551, 559	1001180288967
1001150328325	1001158863193	1001170192 523, 525	1001180289969
1001150704 379, 381	1001158866195	1001170378 525	1001180290971
1001151248 35, 37	1001158869209, 219	1001170381 525	1001181417677
10011519601002	1001158870207, 217	1001170385 533	10011818411004
10011519611002	1001158873193, 197, 207	1001170390 531, 533	10011818431004
1001152345 711, 715, 839	1001158874195, 199, 209	1001170391 527, 529	10011818551004
1001152347 715, 717, 853	1001158876217, 219	1001170392 529	10011818591005
1001152348 711, 713, 851	1001158885261	1001170393 543, 545	10011818601005
1001152349 711, 713, 715, 717, 845		1001170397 545	10011818671003
10011527151002			10011818681003
10011527161002			1001183326121, 125
10011527691003			1001183327983, 987, 989
10011527701003			1001187347419, 425
			1001187663419, 425
			1001187663S866

SECTION 9 - BUILD DOCUMENTS

1001187664423, 429	1001197780.....299, 301, 323, 325, 675	1001221375 793	1001260351..... 709
1001187665 425	1001197785.....23	1001223267 439	1001260898.....785, 818
1001187666 429	1001197966.....665, 667, 673, 675	1001223268 441	1001261002.....781, 817
1001188129 ..15, 17, 113, 115, 117, 119, 121, 201, 203, 205, 207, 209, 973, 975, 977, 979	1001197989.....21	1001223269 443	1001261004.....789, 823
1001188132201, 203, 205, 207, 209	1001197990.....21	1001223814 137, 139, 141, 143, 145, 147, 149, 151, 153	1001261005.....797, 801, 805, 827
1001188133201, 203, 207, 209	1001198871.....573, 575	1001223815 137, 139, 141, 143	1001261006.....809, 831
1001188134 205	1001199476.....737, 739, 750	1001223816 145, 147	1001261008..... 793
1001188139 15, 17	1001200207.....665, 667, 673, 675	1001223817 149, 151	1001261016..... 813
1001188140 119	1001201524.....421, 427	1001223818 153	1001261039..... 735
1001188141 ..21, 23, 113, 115, 117, 121	1001201525.....427	1001223819 137, 139, 141, 143	1001262045..... 785
100118820621, 23	1001203295.....861	1001223820 145, 147	1001262046..... 781
100118861595, 97	1001203296.....861	1001223821 149, 151	1001262048 789
100118861695, 97	1001203297.....861	1001223822 153	1001262049..... 797
1001188646 495	1001203298.....861	1001225228 881	1001262050..... 809
1001188647 1003	1001203299.....861	1001225869 463	1001262052..... 805
1001188648 499	1001203300.....861	1001225870 453, 455, 457, 459, 461, 463	1001262053..... 801
1001189463283, 285, 303, 305, 327, 329, 661	1001203301.....861	1001226004 453	1001262106..... 735
1001189464287, 289, 307, 309, 331, 333, 663	1001203302.....861	1001226005 455	1001262544..... 866
1001189466661, 663, 665, 667, 673, 675	1001203303.....861	1001226007 457	1001262545..... 866
1001189544435, 453	1001203829.....437	1001226008 459	1001262546..... 866
1001189548 915	1001203833.....437	1001226009 461	1001265236..... 866
1001189550 923	1001203834.....437, 455	1001226847 463	1001265255..... 866
1001190037 833	1001204776 27, 231, 233, 235	1001226848 463	1001270102..... 911
1001190131907, 923	1001206161.... 42, 46, 50, 54, 58, 62, 66, 70, 74, 78	1001228190 517	1001270175..... 15, 17, 27
1001190140 923	1001206167.... 42, 46, 50, 54, 58, 62, 66, 70, 74, 78	1001228388 695	1001271775.... 66, 70, 74, 78
1001190184899, 903, 905, 907	1001206171.... 42, 46, 50, 54, 58, 62, 66, 70, 74, 78	1001228491 239	1001271842.... 66, 70, 74, 78
1001190625 858	1001206388.... 42, 46, 50, 54, 58, 62, 66, 70, 74, 78	1001228493205, 239	1001271983..... 66
1001190626 858	1001208769.....137, 141	1001229606 693	1001271984..... 74
1001191516411, 413, 419, 421, 423, 425, 427, 429	1001208772.....139, 143	1001230127 589	1001271985..... 70
1001191543 907	1001208776.....145, 147	1001230202 1003	1001271986..... 78
1001191985419, 421, 423	1001208780.....149, 151	1001230968 858	1001271987 1004
1001192132 435	1001208785..... 153	1001231801 858	1001271988 1004
1001196552 818	1001211215 1004	1001232524 891, 895, 903	1001271989..... 1004
1001197270 23	1001211686..... 1003	1001232525 889, 893, 905	1001271990..... 1004
1001197741 311	1001212201.....333	1001232526 891	1001273634.....719, 721, 723, 761, 771
1001197742 313	1001213539.....331	1001232527 889	1001275791..... 833
1001197743 315	1001213541327	1001232554 905	1001275792..... 833
1001197744 317	1001213542.....329	1001232555 903	1001275793..... 833
1001197747 291	1001219309.....689	1001232620 893	1001276938.....211, 213
1001197748 293	1001219321.....689	1001232621 895	1001277282..... 701
1001197749 319	1001219376.35, 311, 313	1001232775 519	1001277283.....701, 843
1001197750 321	1001219377 37, 291, 293, 295, 297, 315, 317, 319, 321	1001237244 695	1001277284..... 843
1001197751 323	1001219737.....517, 519	1001239119 379, 395	1001280899.....695, 697
1001197752 325	1001219789 39, 299, 301, 323, 325	1001239120 381, 397	2002000008.....169, 171
1001197753 295	1001220105..... 1002	1001241870 866, 1002	2002000009..... 875
1001197754 297	1001220181.....691	1001242699 881	2002000016 909
1001197755 299	1001220280.....239	1001247138733, 735, 747	2002000028..... 897
1001197756 301	1001220682.....665, 667, 673, 675	1001248245493, 497, 501, 503, 505, 507, 509, 511	2002000029..... 997
1001197777311, 313, 665	1001220732.....665, 667, 673, 675	1001257876 695	2002000030..... 873
1001197778291, 293, 315, 317, 667		1001259575 733	2002000031..... 589
1001197779295, 297, 319, 321, 673		1001260058713, 717, 847	2002000048..... 161
		1001260278 713	2002000049..... 163
		1001260279 717	2002000050..... 165
		1001260346 705	2002000051..... 167
		1001260348 709	2170000087.....955, 975
		1001260349 705	2170000088.....953, 973
			2170000089.....959, 979
			2170000090.....957, 977
			2178000025..... 1002
			2178000027..... 1002
			2178000028..... 1002
			2178000031..... 767

SECTION 9 - BUILD DOCUMENTS

2178000037 869, 911, 913	2570000097 627	2729000036 487	3020000030 273
2178000067 1002	2570000098 629	2729000045 491	3020000037 271
2178000068 1002	2570000099 633	2729000075 467	3020000038 271
2249000009 335, 337, 339, 405	2570000101 637	2729000076 469	3020000091 431
2249000017 335, 337, 341, 345, 347, 351, 407	2570000102 643	2729000077 471	3020000102 201, 207
2249000018 339, 357, 359, 409	2570000103 645	2729000078 473	3020000111 239
2262000011 127, 183, 185, 187, 189, 191, 193, 195, 197, 199	2570000140 657	2729000079 475	3020000112 243
2330000035 183, 185, 197, 199	2570000152 649	2729000105 477	3020000115 239
2330000036 187, 189, 193, 195	2577000016 47, 55, 63, 71, 79, 577, 579, 581, 583, 585, 587	2729000106 479	3020000123 433
2330000040 953, 955	2577000017 525, 529, 533, 537, 541, 545, 549, 573	2729000107 481	3020000131 203, 209
2330000041 109, 111, 957, 959	2577000018 553, 557, 575	2729000108 483	3020000132 269
2330000044 283, 285, 287, 289, 291, 293, 295, 297, 299, 301, 303, 305, 307, 309, 311, 313, 315, 317, 319, 321, 323, 325, 327, 329, 331, 333, 858	2577000019 581, 593	2729000109 485	3020029 43, 47, 51, 55, 59, 63, 67, 71, 75, 79, 239, 263, 265, 267
2330000051 191	2577000031 583, 595	2750000008 283, 285, 287, 289, 291, 293, 295, 297, 299, 301, 303, 305, 307, 309, 311, 313, 315, 317, 319, 321, 323, 325, 327, 329, 331, 333, 681	3020039 15, 17, 21, 23, 43, 47, 51, 55, 59, 63, 67, 71, 75, 79, 121, 211, 213, 215, 217, 219, 239, 263, 265, 267, 983, 987
2330000055 283, 285, 287, 289, 291, 293, 295, 297, 299, 301, 303, 305, 307, 309, 311, 313, 315, 317, 319, 321, 323, 325, 327, 329, 331, 333	2577000034 585, 597	2754000001 1003	3062000014 21, 23
2330000057 183, 185, 187, 189, 191, 193, 195, 197, 199	2577000035 587, 599	2754000002 1003	3062000015 21, 23
2330000060 953, 955, 957, 959	2577530006 679	2849000003 103, 113	3071000131 229
2330000061 109, 111	2590000165 711	2849000039 111, 121	3071000213 81
2330000062 961, 963, 965	2590000166 715	2849000040 109, 119	3097000587 283
2330000063 105, 107	2590000202 707	2849000041 105, 115	3097000588 287
2330000064 103	2590000215 757	2849000049 107, 117	3097000589 285
2330000065 183, 185, 187, 189, 193, 195, 197, 199	2590000252 727	2870000013 995	3097000590 289
2330000068 863	2590000253 731	2870000020 417	3097000829 303
2346000008 869, 871	2590000261 755	2870000023 59, 63, 75, 79	3097000830 305
24000066 695	2590000292 763	2899000030 169	3097000831 307
2484000004 251, 253, 261, 271	2638000017 175	2899000041 171	3097000832 309
2484000006 255, 257, 259, 273	2638000019 177	2899000055 137	3097000833 311
2484000008 205, 243	2679000005 33, 291, 293, 295, 297, 299, 301, 311, 313, 315, 317, 319, 321, 323, 325	2899000057 145	3097000834 313
2550000197 335, 401	2679000007 31, 283, 285, 287, 289, 303, 305, 307, 309, 327, 329, 331, 333	2899000058 149	3097000835 315
2570000032 111, 653	2706000007 1002	2899000059 155	3097000836 317
2570000049 103, 105, 107, 109, 651	2706000013 1003	2899000060 157	3097000837 327
2570000055 647, 955, 959	2706000014 1003	2899000061 159	3097000838 329
2570000092 607	2706000037 1003	2899000065 139	3097000839 331
2570000093 605	2706000038 1003	2899000075 153	3097000840 333
2570000094 615	2706000040 1003	2970000069 431	3170000162 211
2570000095 603	2706000041 1004	2970000082 341, 367	3170000163 217
2570000096 613	2706000043 1004	2970000090 343, 369	3170000208 985, 987
	2706000044 1004	2970000091 345, 371	3170000308 975, 983
	2706000046 1002	2970000096 357, 359, 383	3170000309 973, 981
	2707000001 1002	2970000098 337, 363	3170000311 979, 987
	2707000002 1002	2970000105 433	3170000312 977, 985
	2707000003 1002	2970000108 349, 375	3170000314 981, 983, 985, 987
	2707000004 1002	2970000110 347, 373	3170000428 215
	2707000005 1002	2970000112 351, 377	3170000473 42, 46, 50, 54, 58, 62, 66, 70, 74, 78
	2707000006 1002	2978000001 811	3170000492 219
	2707000007 1002	3002000008 917, 919	3170000504 213
	2707000008 1002	3002000009 917, 919	3178000288 21, 23
	2707000009 1002	3017000121 467, 469	3178000289 21, 23
	2707000010 1002	3017000122 467, 469	3178000433 407, 409
	2707000011 1002	3017000123 471, 473	3178000437 767, 769
	2707000012 1002	3017000124 471, 473	3178000471 899, 901, 903, 905, 907
	2707000013 1002	3017000125 475	3178000517 42, 46, 50, 54, 58, 62, 66, 70, 74, 78
	2707000014 1002	3017000126 475	3178000518 42, 46, 50, 54, 58, 62, 66, 70, 74, 78
	2707000015 1002	3017000131 467, 471, 475	
	2707000016 1002	3017000132 467, 471, 475	
	2729000035 489	3017000133 469, 473	
		3017000134 469, 473	
		3020000029 273	

SECTION 9 - BUILD DOCUMENTS

3178000555917, 919	3592000051239	3849000027 113	4178000666.....869, 911, 913
3178000566 153	3592000052239	3849000028 119, 121	4178000673.....411, 413, 431, 433
3241000208 ...42, 46, 50, 54, 58, 62, 66, 70, 74, 78	3592000058231	3849000029 115	4178000674.....421, 427
3249000004S 866	3592000059235	3899000053 169	4178000752 413
3249000036407, 409	3592000060233	3899000075 171	4178000757 411
3271505.....239, 419, 421, 423, 425, 427, 429, 889, 891, 903, 905, 907, 923, 925	3592000065233	3899000125 137, 141	4178000805.....15, 17
3271601.....15, 17, 35, 37, 39	3592000066.....203, 209, 233	3899000126 139, 143	4178000912.... 15, 17, 21, 23
3271805.....493, 497, 501, 503, 505, 507, 509, 511	3606000028.....411, 413	3899000127 145, 147	4209000146.....411, 413, 419, 421, 423
3300455.....15, 17, 21, 23, 661, 663, 665, 667, 673, 675	3619000010.... 42, 46, 50, 54, 58, 62, 66, 70, 74, 78	3899000128 149, 151	4209000204.....21, 23
3300492.....15, 17, 21, 23, 113, 115, 117, 119, 121, 201, 203, 205, 207, 209, 973, 975, 977, 979	3636000144.... 15, 17, 21, 23	3899000173 153	4209000212.....431, 433
3311505.....453, 455, 457, 459, 461	3691000064.... 42, 46, 50, 54, 58, 62, 66, 70, 74, 78, 119, 121, 981, 983, 985, 987	3904000002 657	4209000336.... 42, 46, 50, 54, 58, 62, 66, 70, 74, 78
3314000055 403	3691000097.....973, 975, 977, 979	3913000062 981, 983	4209000358.....15, 17
3320000134205, 229	3691000222243	3913000097 263	4211000001.....523, 527, 531, 535, 555, 573, 575
3320000229 ...42, 46, 50, 54, 58, 62, 66, 70, 74, 78, 81	3691000229239	3913000100 265	4254000005.....275, 277, 379, 381
3321701379, 381	3691000230239	3913000101 267	4259000001 277
3321802.....419, 421, 423, 425, 427, 429	3691000259.... 42, 46, 50, 54, 58, 62, 66, 70, 74, 78	3935000115523, 561, 539, 543, 563	4259000002 275
3455000058 ...42, 46, 50, 54, 58, 62, 66, 70, 74, 78	3691000260.... 42, 46, 50, 54, 58, 62, 66, 70, 74, 78	3935000118551, 567	4263000464.....555
3455000059 42	369800000181	3935000124555, 571	4314000061 365
3455000060 50	3706000213405	3951804.....395, 397	4314000167.... 42, 47, 50, 55, 58, 62, 66, 70, 74, 78
3455000063 58	3706000214405	4017000739211, 213, 215, 217, 219	4330000002.....953, 955
3455000064 46	3706000215405	401700109321, 23	4346000005.....687, 695, 703, 705, 707, 709, 711, 713, 715, 717, 791, 793, 811, 813, 815, 817, 818, 821, 823
3455000065 54	3706000363.... 42, 46, 50, 54, 58, 62, 66, 70, 74, 78	4017001194 431	4460018817, 823
3455000066 62	3706000364.... 42, 46, 50, 54, 58, 62, 66, 70, 74, 78	401700127115, 17, 35, 37, 39	4460019833, 843
3484000016 277	372900000181	4017001403 155, 157, 159	4460035 817, 823, 827, 831
3484000017 275	3706000213405	4017001504 433	4460042 817, 823, 827, 831
3484000030 271	3706000214405	4017001699467, 469	4460256 697, 837, 845, 847
3484000031 271	3706000215405	4017001700467, 469	4460457 719, 721, 723, 767, 771, 833, 835, 837, 839, 841, 847, 849, 851, 853
3484000046273, 277	3706000363.... 42, 46, 50, 54, 58, 62, 66, 70, 74, 78	4017001701471, 473	4460458 597, 599, 847
3484000047273, 275	3706000364.... 42, 46, 50, 54, 58, 62, 66, 70, 74, 78	4017001702471, 473	4460459 833, 839, 847
3484000090 269	37290000281.....481, 483	4017001709467, 471, 473	4460460 839, 841, 845, 847, 849
3484000091 269	3729000282.....477, 479, 485	4017001710467, 471, 473	4460461 835, 837, 843
3550000903 401	3729000283.....477, 481, 483, 485	4017001711 469	4460464 695, 697, 701
3550001912 515	3729000284479	4017001712 469	4460465 591, 593, 595, 597, 599, 695, 697, 701, 775, 777
3550001913513, 515	3729000285.....481, 483, 485	4017001742 175, 177, 179	4460466 775, 777, 851, 853
3551000036269, 271, 275, 277	3750000018.....681, 683	4017001743 175, 177, 179	4460475 849, 851, 853
3553000011 81	3760133 42, 46, 50, 54, 58, 62, 66, 70, 74, 78, 121, 211, 213, 215, 217, 219, 243, 983, 987	4062000318371, 377	4460476 839, 841, 843, 845
3556000040965, 971	3760351239	4062000394 365	4460742 719, 721, 723, 767, 771, 833, 835, 837, 839, 841, 845, 847, 849, 851, 853
3556000041961, 967	3763000139.....229	4178000290 137, 145, 149, 153, 169, 171	4460748 723
3558000019 15, 17	376300018781	4178000291 137, 141, 145, 147, 149, 151, 153, 169, 171	
355800002135, 37, 39	3763000188.... 42, 46, 50, 54, 66, 70	4178000330 145, 149, 153	
3560000010523, 527, 531, 535, 539, 543, 547, 551, 555, 559	3811000053.....161	4178000338 139	
3570000008 866	3811000054.....163	4178000339 139, 143	
3592000040201, 207, 231	3811000055165	4178000402 719, 725, 727, 737, 741	
3592000042 231	3811000057167	4178000437 729, 731, 739	
	3841143 15, 17, 21, 23, 43, 47, 51, 55, 59, 63, 67, 71, 75, 79, 113, 115, 117, 119, 121, 201, 203, 205, 207, 209, 973, 975, 977, 979	4178000578769	
		4178000599 137, 139, 141, 143, 145, 147, 149, 151, 153	
		4178000664 577	
		4178000665 577	

SECTION 9 - BUILD DOCUMENTS

4460790835, 837, 839, 841, 843, 845, 847, 849	45671 30283621	4679000259149, 151	4706006211 58, 62, 74, 78
4460842591, 593, 595, 597, 599, 775	45671 30290631, 637	4679000268239	4706006216161, 163, 165, 167
4460844 851, 853	45671 30300617, 635	4679000274 899, 901, 903, 905, 907	4706006228467, 469, 471, 473
4460850597, 599, 839, 841, 843, 845, 847, 849, 995	45671 30316643	4679000322 153	4706006427175, 177, 179
4460867839, 841, 847, 849, 995	45671 30320623	467900033215, 17, 39	4711400239
4460891695, 697, 701, 775, 777, 851, 853	45671 30330639, 641	4691000103263, 265, 267	4711400001435, 437
4460897695, 697, 701, 851, 853	45671 30340645	4691000183275, 277	4711500 453, 455, 457, 459, 461, 661, 663, 665, 667, 673, 675
4460930591	45671 33058649	4691000186275, 277, 379, 381	4711600 43, 47, 51, 55, 59, 63, 67, 71, 75, 79
4460933593, 595, 597, 599, 775, 777	45674 30133661	4691000198239	4711800493, 497, 501, 503, 505, 507, 509, 511
4460941697	45674 30153663	4691000268211, 213, 215, 217, 219	4712000 435, 437, 439, 441, 443
4460942697, 851, 853	45674 30177665	469100029642, 46, 50, 54, 58, 62, 66, 70, 74, 78, 211, 213, 215, 217, 219	4751300 15, 17, 21, 23, 211, 213, 215, 217, 219
4460955591, 593, 595, 597, 599, 775	45674 30199667, 673	4691000354275, 277	4751400001899, 901, 903, 905, 907
4461157 719, 723, 771, 833, 845, 847, 851, 853	45674 30223675	4691000357275, 277	4751500 43, 47, 51, 55, 59, 63, 67, 71, 75, 79, 139, 143, 145, 149, 153, 419, 421, 423, 425, 427, 429, 661, 663, 665, 667, 673, 675, 889, 891, 893, 895, 903, 905, 907, 923, 925
4553000008 81, 229	45691 42018649	4691000421379, 381	4751600 15, 17, 21, 23
45671 10034 655, 657, 659	45694 32122661, 663, 665, 667, 673, 675	469100042942, 46, 50, 54, 58, 62, 66, 70, 74, 78, 121, 983, 987	4751800 419, 421, 423
45671 10041657	45694 33122661, 663, 665, 667, 673, 675	4691000430121, 983, 987	4761400239
45671 20010659	45700 00042609	469100049542, 46, 50, 54, 58, 62, 66, 70, 74, 78	4761500 907, 923, 925
45671 20042659	45700 00044621, 635	469100051342, 46, 50, 54, 58, 62	4761800 119, 121, 231, 233, 235, 733, 735
45671 20066 665, 667, 673, 675	45700 00046637, 643, 645	4691000527243	4763000184275, 277, 379, 381
45671 22012657	45700 00091605, 615	4691000568515	4763000253431, 433
45671 22014655	45700 00099611, 619, 649	469100057315, 17, 21, 23	4763000348415
45671 22016 651, 653	45700 00101603, 605	4698000007 81, 229	4763000413411, 413
45671 22019 661, 663, 665, 667, 673, 675	45700 00102611, 613, 625	4706000717425, 427, 429	4763000414411, 413
45671 22022649	45700 00104607, 649	4706002361139, 143, 145, 149, 153	4771800357, 383
45671 22024 661, 663, 665, 667, 673, 675	45700 00105607	470600302535, 37, 39	4796000009137, 139, 141, 143
45671 22030649	45700 00112603, 613, 627, 629, 633	470600302635, 37, 39	4796000010145, 147
45671 22032649	45700 00113627	4706003038661, 663, 665, 667, 673, 675	4796000011149, 151
45671 22034649	45700 00114629	4706003038661, 663, 665, 667, 673, 675	4796000012153
45671 22038 657, 659	45700 00115633	4706003374493, 495, 501, 505, 509	4796000037129, 133, 435, 437, 439, 441, 443, 465
45671 22039 665, 667, 673, 675	45700 00121631	4706003497239	4806000011407, 409
45671 22042 647, 661, 663	45700 00160621, 623, 637	4706003766407	4806000014379, 381, 407, 409
45671 22043 655, 659	45700 00161643	4706003844603, 605, 607, 609, 613, 615, 617, 619, 621, 623, 625, 629, 631, 633, 635, 637, 639, 641, 643, 645	4811000841155
45671 22050 651, 653	45700 00182645	4706005595593, 595, 597, 599	4811000868157, 159
45671 23023649	45700 00376661, 663	470600565042, 46, 50, 54, 58, 62, 66, 70, 74, 78	4812000061401
45671 23036653	45700 00379661, 663, 665, 667, 673, 675	470600567242, 46, 50, 54, 66, 70	4831000069523, 527, 531, 535, 539, 543, 547, 551, 555, 559
45671 23040657	45770 00006649	470600575243, 47, 51, 55, 59, 63, 67, 71, 75, 79	483100007921, 23
45671 23045655	45770 00013661, 663		483100008321, 23
45671 23048659	45870 00003411, 413		483100008421, 23
45671 23051 651, 653, 661, 663, 665, 667, 673, 675	45870 00004419, 421, 423		4831000112243
45671 30165607	46060 00217523, 527, 531, 535, 539, 543, 547, 551, 555, 559		
45671 30223605	46190 00013239		
45671 30226603	46320 00004365		
45671 30238613	46320 00009423		
45671 30241 611, 619	46320 00015169		
45671 30244627	46320 00030431		
45671 30248629	46320 00048171		
45671 30256633	46790 00046211, 213, 215, 217, 219		
45671 30264609	46790 0014531, 33		
45671 30270 615, 625	46790 00208431		
	46790 00211211, 213, 215, 217, 219		
	46790 00221269, 273		
	46790 00256137, 141		
	46790 00257139, 143		
	46790 00258145, 147		

SECTION 9 - BUILD DOCUMENTS

483100012643, 47, 51, 55, 59, 63, 67, 71, 75, 79	7005062187, 91	7082000016 27, 123, 229, 231, 233, 235, 981, 983, 985, 987	7115140850.....127
483100012743, 47, 51, 55, 59, 63, 67, 71, 75, 79	70050622 83, 87, 91	708200001715, 17, 21, 23, 113, 115, 117, 119, 121, 201, 203, 205, 207, 209	7115150664.....523, 527, 531, 535, 539, 543, 547, 551, 555, 559, 573, 575
4891800.....15, 17, 21, 23, 35, 37, 39, 42, 46, 50, 54, 58, 62, 66, 70, 74, 78, 137, 139, 141, 143, 145, 147, 149, 151, 153, 733, 735, 899, 901, 903, 905, 907	70050625 83, 87, 91	7082000018 29, 123, 201, 203, 205, 207, 209, 229	7115150850.....155, 157, 159, 169, 171, 431, 433, 523, 527, 531, 535, 539, 543, 547, 551, 555, 559
4892000.....15, 17, 21, 23, 463	70050626 83, 87, 91	7082000026 241	7115150864.....577
4912000130 379, 381, 407, 409	70050627 83, 87, 91	710410061342, 46, 50, 54, 58, 62, 66, 70, 74, 78	7115151050.....411, 413, 603, 605, 607, 609, 611, 613, 615, 617, 619, 621, 623, 625, 627, 629, 631, 633, 635, 637, 639, 641, 643, 645, 681
4912000345379, 381	70050628 83, 87, 91, 387, 391	7105181250411, 413	7115151064.....603, 605, 607, 609, 613, 615, 617, 619, 621, 623, 625, 629, 631, 633, 635, 637, 639, 641, 643, 645
4912000394407, 409	70050632241	7105181650 169, 171, 463, 927	7115151250.....431
4949000047239, 263, 265, 267	70050633241	710520125035, 37, 39	7115160950.....161, 163, 165, 167
494900005942, 46, 50, 54, 58, 62, 66, 70, 74, 78	70050634241	7105201650 129, 133, 465	7115161050.....873
4949000072 243	70050635241	710520185015, 17, 21, 23, 129, 133	7115161250.....405
5525000537 689	70050636241	710520205035, 37, 39, 129, 133	7115161650.....173
5525000752 991	70050637241	710520225021, 23	7115162650.....405
5526000553 655, 657, 659, 691, 719, 723, 771, 821, 829, 831	70050638241	7111141407431, 433	7115180606.....917, 919
7002000285 929	70050639241	7111150813 871	7115180650.....379, 381
7002000404 897	70050640241	7111150864 175, 177, 179	7115180850.....379, 381, 725, 727, 729, 731, 737, 739, 741
7002000447 997	70050641241	7111161050523, 527, 531, 535, 539, 543, 547, 551, 555, 559	7115181050.....477, 479, 873
7002000448 999	70050642241	7114100518 589	7115181064 99, 101, 523, 527, 531, 535, 539, 543, 547, 551, 555, 559
7002000449 993	70050643241	7114100810591, 593, 595, 597, 599	7115181250.....129, 133, 365
7002000450 887	70050644241	711410081815, 17, 21, 23	7115181450.....445, 447, 449, 451, 967, 969, 971
7002000451 885	7005066291	7114101018 763	7115181464.... 15, 17, 21, 23, 357, 365, 369, 375, 383, 407, 409, 869, 911, 913
7002000458 949	70050677387, 391	7114101618661, 663, 665, 667, 673, 675	7115182250.....495, 499
7002000503 873	70050678385, 387	7114140465 137, 139, 141, 143, 145, 147, 149, 151, 153	7115182864.....371, 377
700200051943, 47, 51, 55, 59, 63, 67, 71, 75, 79	70050679 ... 385, 387, 391	7114140528 115, 117, 119, 121, 201, 203, 205, 207, 209, 703, 705, 707, 709, 711, 713, 715, 717, 967, 969, 971, 973, 975, 977, 979	7115183264.....371
7002000521 589	70050680387, 391	711414052995, 97	7115222050.....445, 447, 449, 451
7005000003 577	70050681387, 391	7114140618 695	7118140418.....211, 213, 215, 217, 219
700500065 391	70050682 83, 385, 387, 391	7114140623 915	7118161026.....31, 33
70050100 91	70050684391	7114141218 899, 901, 903, 905, 907	7118181216.....137, 139, 141, 143, 145, 147, 149, 151, 153
7005045683, 87, 91	70050685391	711414145015, 17, 21, 23	7120000005.....467, 469, 471, 473, 475
7005045783, 87, 91	70050686391	7114150818 ..95, 97, 175, 177, 179, 269, 273	7120000032.... 15, 17, 35, 37, 39
7005045883, 87, 91	70050687391	7114161218401, 403	
7005045983, 87, 91	70050688391	7114161618 131, 135	
7005045983, 87, 91	70050689392	7114181218 513	
7005046083, 87, 91	70050694385	7114181418917, 919	
7005046183, 87, 91	7005070192	7115140450 677	
7005046283, 87, 91	7005116725, 29	7115140650 379, 381, 523, 527, 531, 535, 539, 543, 547, 551, 555, 559	
7005046383, 87, 91	70051168 27, 123, 225		
7005046483, 87, 91	70051169221, 223		
7005046583, 87, 91	7005117025, 29		
7005046683, 87, 91	7005117125, 29		
70050525 87, 91	70051172 27, 123, 225		
7005061283, 87, 91	70051173 27, 123, 225		
7005061383, 87, 91	70051174 25, 221, 223		
7005061483, 87, 91	70051175221, 223		
7005061583, 87, 91	70051176221, 223		
7005061683, 87, 91	70051388 123		
7005061783, 87, 91	70051389 123		
7005061883, 87, 91	70051390 123		
7005061983, 87, 91	7005139129, 123		
7005062087, 91	7005139229		
	7005139329		
	7005139425		
	7005139525		
	7005274127		
	7011000006.....703, 705, 707, 709, 711, 713, 715, 717		
	7027336241		
	7027338241		
	7027341241		
	7056000007.....943		
	7056000008.....945		
	7056000009.....947		
	7082000010.....411, 413, 419, 421, 423		

SECTION 9 - BUILD DOCUMENTS

7120000034 687, 689, 691	7274000063453, 455, 457, 459, 461, 523, 527, 531, 535, 539, 543, 547, 551, 555, 559	7330000391 109, 111, 953, 955, 957, 959	7330000874559
7178000029 907, 923, 925	7274000064661, 663, 665, 667, 673, 675	7330000408 131, 135	7345001713815, 821, 825, 829
7183000004683	7274000066661, 663, 665, 667, 673, 675	7330000417 183, 185, 197, 199	7345001714689, 695, 763, 811, 813
7189000026 15, 17, 21, 23	7274000076603, 605, 607, 609, 611, 613, 615, 617, 619, 621, 623, 625, 627, 629, 631, 633, 635, 637, 639, 641, 643, 645	7330000418 183, 185, 197, 199	7345001913815, 825
7209000011 379, 381, 407, 409	7274000080603, 605, 607, 609, 611, 613, 615, 617, 619, 621, 623, 625, 627, 629, 631, 633, 635, 637, 639, 641, 643, 645, 649	7330000419 183, 185, 187, 189, 191, 193, 195, 197, 199	7345001914693, 791, 793
7209000028 211, 213, 217, 219	7280000007523, 527, 531, 535, 539, 543, 547, 551, 555, 559, 769	7330000420 187, 189, 193, 195	7345211701815, 821, 825, 829
7209000030215	7280000011721	7330000428283, 285, 287, 289, 291, 293, 295, 297, 299, 301, 303, 305, 307, 309, 311, 313, 315, 317, 319, 321, 323, 325, 327, 329, 331, 333	7345211702 689
7248000063 361, 363, 365	7280000018689, 691	7330000432 187, 189, 193, 195	7345221902687, 693
7248000064 353, 355, 357, 365, 367, 369, 371, 373, 375, 377, 383	7280000019699	7330000478 858	7346000039689, 693, 763
724800007051, 55, 59, 63	7291000010115, 117, 119, 121, 201, 203, 205, 207, 209, 967, 969, 971, 973, 975, 977, 979	7330000495 433	7346000055 871
724800007743, 47, 67, 71, 75, 79	7295000106591	7330000580 863	7346000078 871
7248000114 137, 139, 141, 143, 145, 147, 149, 151	7295000108593	7330000599 103, 105, 107, 191, 858, 863	7346000108839, 841, 847, 849
7248000115243	7295000109595	7330000609239, 263, 265, 267	7346000122811, 813
7248000155153	7295000111597, 599	7330000627 791	7346000123811, 813
725300000242, 46, 50, 54, 58, 62, 66, 70, 74, 78, 239, 263, 265, 267, 279, 379, 381	7295000118 42, 50, 58, 66, 74	7330000628 791	7346000125811, 813
7254000016 411, 413, 431, 433	7295000130 46, 54, 62, 70, 78	7330000645 109, 111, 957, 959	7346000132 869
725900001535, 37, 39	7309000002411, 413, 419, 421, 423, 425, 427, 429	7330000646 109, 111, 957, 959	7346000157 869
725900001635, 37, 39	7312000013909, 911	7330000648523, 531, 543, 547	7346000208995
7262000040127	7312000015909, 911	7330000649523, 531, 543, 547	7346000220765
7274000002 603, 605, 607, 609, 611, 613, 615, 617, 619, 621, 623, 625, 627, 629, 631, 633, 635, 637, 639, 641, 643, 645	7312000016909, 911	7330000650527, 535, 539	7346000231765
7274000038 661, 663, 665, 667, 673, 675	7312000017875	7330000651527, 535, 539	7346000242791, 793, 821, 827, 829, 831
7274000039 239, 661, 663, 665, 667, 673, 675	7320000064239, 241	7330000652 551	7413000002 695
7274000040 603, 605, 607, 609, 611, 613, 615, 617, 619, 621, 623, 625, 627, 629, 631, 633, 635, 637, 639, 641, 643, 645, 661, 663	7330000036191	7330000653 551	7413000013435, 437, 439, 441, 443
7274000041 603, 605, 607, 609, 611, 613, 615, 617, 619, 621, 623, 625, 627, 629, 631, 633, 635, 637, 639, 641, 643, 645	7330000060183, 185, 187, 189, 193, 195, 197, 199	7330000665 527, 535, 539	7430000003603, 605, 607, 609, 611, 613, 615, 617, 619, 621, 623, 625, 627, 629, 631, 633, 635, 637, 639, 641, 643, 645
7274000042 603, 605, 607, 609, 611, 613, 615, 617, 619, 621, 623, 625, 627, 629, 631, 633, 635, 637, 639, 641, 643, 645	7330000066183, 185, 187, 189, 193, 195, 197, 199	7330000675417, 671	7440030000263, 265, 267, 275, 277, 279, 379, 381
727400005343, 47, 51, 55, 59, 63, 67, 71, 75, 79	7330000067858	7330000676417, 671	7443000013603, 605, 607, 609, 611, 613, 615, 617, 619, 621, 623, 625, 627, 629, 631, 633, 635, 637, 639, 641, 643, 645
	7330000068858	7330000683 183, 185, 187, 189, 193, 195, 197, 199	7443000023 679
	7330000069858	7330000684 109, 111, 183, 185, 187, 189, 191, 193, 195, 197, 199, 953, 955, 957, 959	7443000030651, 653, 659
	7330000070858	7330000689 858	7443000048527, 531, 535, 555, 559
	7330000071431	7330000696595, 597, 599	7443000111 671
	7330000072858	7330000707 863	7443000124679
	7330000073105, 107, 961, 963, 965	7330000708 863	7443000129655, 657, 659
	7330000074815, 817, 821, 823, 825, 827, 829, 831	7330000709 863	7443000152417, 671
	7330000075858	7330000710 863	7443000154417, 671, 875
	7330000076858	7330000711 863	7443000155417, 873, 875
	7330000077239, 241	7330000713 863	7443000156417, 671, 875
	7330000078191	7330000714 863	7443000158603, 605, 607, 609, 611, 613, 615, 617, 619, 621, 623, 625, 629, 631,
	7330000079187, 189, 193, 195, 197, 199	7330000723 863	
	7330000080858	7330000864 555	
	7330000081858	7330000865 555	
	7330000082273	7330000873 559	

SECTION 9 - BUILD DOCUMENTS

633, 635, 637, 639, 641, 643, 645	747000002.....603, 605, 607, 609, 611, 613, 615, 617, 619, 621, 623, 625, 627, 629, 631, 633, 635, 637, 639, 641, 643, 645	755200045 1 755	7660140001.....379, 381
7443000173 671	7470000027.....683	7552000472763, 765	7660142601.....115, 117, 119, 121, 201, 203, 205, 207, 209, 431, 433, 523, 527, 531, 535, 539, 543, 547, 551, 555, 559, 699, 703, 705, 707, 709, 711, 713, 715, 717, 899, 901, 903, 905, 907, 915, 967, 969, 971, 973, 975, 977, 979
7443000245 229	7493000002.....703, 705, 707, 709, 711, 713, 715, 717, 763	7555000015 145, 147	7660142604.... 15, 17, 21, 23, 137, 139, 141, 143, 145, 147, 149, 151, 153, 941
7443000319 603, 605, 607, 609, 611, 613, 615, 617, 619, 621, 623, 625, 627, 629, 631, 633, 635, 637, 639, 641, 643, 645	7493000003.....719	7555000016 137, 139, 141, 143, 149, 151, 153	7660152601.... 43, 47, 51, 55, 59, 63, 67, 71, 75, 79, 95, 97, 139, 143, 145, 149, 153, 155, 157, 159, 169, 171, 175, 177, 179, 269, 273, 411, 413, 431, 433, 523, 527, 531, 535, 539, 543, 547, 551, 555, 559, 573, 575, 577, 603, 605, 607, 609, 611, 613, 615, 617, 619, 621, 623, 625, 627, 629, 631, 633, 635, 637, 639, 641, 643, 645, 661, 663, 665, 667, 673, 675, 681, 871
7443000364417, 671	7493000009.....701, 703, 705, 707, 709, 711, 713, 715, 717, 755, 757, 759	7556000003 951	7660162601.. 31, 33, 131, 135, 161, 163, 165, 167, 401, 403, 405, 523, 527, 531, 535, 539, 543, 547, 551, 555, 559, 873, 917, 919
7443000365417, 671	7493000010.....703, 705, 707, 709, 711, 713, 715, 717, 757, 759	7560000007523, 527, 531, 535, 539, 543, 547, 551, 555, 559	7660180001.....127, 379, 381
7443000366417, 671, 875	7493000015.....921	7565000014417, 671, 875, 909, 911	7660180234.....411, 413, 415, 431, 433
7443000371417, 671	7493000023.....703, 705, 707, 709, 711, 713, 715, 717	7565000016 417, 671	7660182301.....137, 139, 141, 143, 145, 147, 149, 151, 153, 231, 233, 235, 365
7443000374 649	7493000031.....755	7577000215 561	7660182304.....445, 447, 449, 451
7443000377 767	7500000070.....915	7577000217563, 565	7660182333.... 15, 17, 21, 23, 35, 37, 39, 137, 139, 141, 143, 145, 147, 149, 151, 153, 169, 171, 463, 927
7443000428 995	7550000073.....515	7577000218567, 569	7660182601.... 15, 17, 21, 23, 42, 46, 50, 54, 58, 62, 66, 70, 74, 78, 99, 101, 127, 129, 133, 353, 355, 357, 361, 363, 365, 367, 369, 371, 373, 375, 377, 379, 381, 383, 407, 409, 427, 467, 469, 471, 473, 495, 499, 513, 523, 527, 531, 535, 539, 543, 547,
7443000432 995	7550000074.....515	7577000223283, 285, 287, 289, 291, 293, 295, 297, 299, 301, 303, 305, 307, 309, 311, 313, 315, 317, 319, 321, 323, 325	
7443000443417, 671	7551000017.....415, 419, 421, 423, 425, 427, 429	7577000239 571	
7443000445 649	7551000018.....523, 527, 531, 535, 539, 543, 547	7577000242 183, 185, 187, 189, 193, 195, 197, 199, 939	
7443000446 649, 661, 663, 665, 667, 673, 675	7551000019.....551, 555, 559	7577000329811, 813	
7443000469 995	7551000020.....523, 527, 531, 535, 539, 543, 547, 551, 555, 559	7577000343561, 563, 565, 567	
7443040843 657	7551000021.....523, 527, 531, 535, 539, 543, 547, 551, 555, 559	7577000376 191	
744504043 1 669	7552000017.....703, 705, 835	7577000442 931	
7445040443239, 661, 663, 665, 667, 673, 675	7552000018.....703, 841	7577250024 81, 229	
7445040446 655, 657, 659	7552000166.....771	7590000132 759, 773	
7445040643 995	7552000178.....707, 709, 837	7590000133 759	
7445040843 655, 657, 659	7552000186.....707, 709, 843	7590000134 773	
7445041043 669	7552000187.....707, 849	7590000135 773	
7445060643 647, 649, 661, 663, 665, 667, 673, 675	7552000212.....283, 285, 287, 289, 291, 293, 295, 297, 299, 301, 303, 305, 307, 309, 311, 313, 315, 317, 319, 321, 323, 325, 327, 329, 331, 333	7590000138 773	
7445060645 649, 651, 653, 655, 657, 659, 661, 663, 665, 667, 673, 675	7552000222.....719	7590000142 773	
7445060646 653	7552000241.....995	7590000143 773	
7445060648 651, 653, 655, 657, 659	7552000297767	7590000148 759	
7445060843 647, 653, 661, 663, 665, 667, 673, 675	7552000360.....723	7590000273 769	
7445060845 651, 653	7552000385.... 42, 50, 58, 66, 74, 777	7590000339 757	
7445061043 649	7552000391.....591	7590000340 703, 705, 707, 709, 711, 713, 715, 717	
7445080818 649, 661, 663, 665, 667, 673, 675	7552000392.....593	7590000341 703, 705, 707, 709, 711, 713, 715, 717	
7445080843 661, 663, 665, 667, 673, 675	7552000393.....595	7590000342 755, 757	
7445080853 875	7552000397.....721	7590000343 703, 705, 707, 709, 711, 713, 715, 717, 757	
7445080872 669	7552000413.... 46, 54, 62, 70, 78, 775	7590000432 763	
7445081043 649	7552000426.....597, 599	7592000005 137, 139, 141, 143, 145, 147, 149, 151, 153	
7445081045 649, 661, 663, 665, 667, 673, 675		7626000014 361, 363, 365, 367, 369, 371, 373, 375, 377	
7445081046 651, 653		7626000018 357, 365, 383	
7445081643 679		7638000004 175	
7446060435 875, 909, 911		7638000013 177	
7446502506 909, 911		7640000002 417, 671	
7446502518 875, 909, 911		7660102604 137, 139, 141, 143, 145, 147, 149, 151, 153, 591, 593, 595, 597, 599, 763	
7457000004 687			

SECTION 9 - BUILD DOCUMENTS

<p>551, 555, 559, 869, 873, 911, 913, 917, 919 7660182631 411, 413, 419, 421, 423, 425, 429 7660200035 129, 133, 439, 441, 443, 465 7660202347 15, 17, 21, 23, 35, 37, 39, 43, 47, 51, 55, 59, 63, 67, 71, 75, 79, 129, 133, 435, 437 7660222308 445, 447, 449, 451 7661000007 42, 46, 50, 54, 58, 62, 66, 70, 74, 78 7661000034 81, 229 7661000042 95, 97 7661000047 769 7661000055 475 7661000056 589 7661000064 .. 95, 97, 127, 239, 435, 437 7679000017 283, 285, 287, 289, 291, 293, 295, 297, 299, 301 7679000020 127 7690021210 243 7690051274 411, 413, 419, 421, 423, 425, 427, 429, 431, 433 7690051641 43, 47, 51, 55, 67, 71 7690101200 523, 527, 531, 535, 539, 543, 547, 551, 555, 559 7690141600 243 7690144005 243 7691000001 42, 46, 50, 54, 58, 62, 66, 70, 74, 78, 119, 121, 973, 975, 977, 979, 981, 983, 985, 987 7691000033 117, 247, 253, 259, 969 7691000056 523, 527, 531, 535, 539, 543, 547, 551, 555, 559 7691000064 523, 527, 531, 535, 539, 543, 547, 573 7691000065 551, 559, 575 7691000066 555 7701000031 683 7701000033 477, 479, 481, 483, 485, 487, 489, 491 7701000048 465 7701000049 113, 401, 403, 435, 437, 439, 441, 443 7701000051 153 7701000055 113 7701000058 445, 447, 449, 451 7701000063 15, 17</p>	<p>7701000074 153 7719000005 243 7754000002 81, 229 7754000003 81, 229 7754000004 81, 229 7754000005 42, 46, 50, 54, 58, 62, 66, 70, 74, 78 7754000019 42, 46, 50, 54, 58, 62, 66, 70, 74, 78 7754000022 379, 381, 407, 409, 515 7754000024 239, 263, 265, 267 7754000026 81, 229 7754000037 275, 277 7754000087 243 7755224000 81, 229 7755224609 81, 229 7755334000 81, 229 7755334609 81, 229 7759000004 858, 863 7759000006 523, 527, 531, 535, 539, 543, 547, 551, 555, 559 7759000020 137, 139, 141, 143, 145, 147, 149, 151, 153 7785140404 83, 87, 91 7785150500 431, 433 7785152420 603, 605, 607, 609, 611, 613, 615, 617, 619, 621, 623, 625, 627, 629, 631, 633, 635, 637, 639, 641, 643, 645 7786000006 275, 277 7790100856 769 7790142051 589 7790151253 523, 527, 531, 535, 539, 543, 547, 551, 555, 559, 719, 893, 895, 925 7790161253 43, 47, 51, 55, 59, 63, 67, 71, 74, 78 7796000008 81, 229 7796000024 81, 229 7796000048 115, 117, 119, 121, 201, 203, 205, 207, 209, 967, 969, 971, 973, 975, 977, 979 7796000063 81, 229 7804000007 43, 47, 51, 55, 59, 63, 67, 71, 75, 79 7809000001 42, 46, 50, 54, 58, 62, 66, 70, 74, 78 7809000021 42, 46, 50, 54, 58, 62 7819000005 649 7843000004 379, 381 7843000006 275, 277, 379, 381</p>	<p>7843000007 431, 433 7843000016 275, 277 7843000027 411, 413 7843000034 405 7843000035 42, 46, 50, 54, 58, 62, 66, 70, 74, 78, 407, 409 7843000043 243 7870000100 815, 817 7870000106 825, 827 7870000113 783, 818 7870000115 769 7870000134 821, 823 7870000137 829, 831 7894000004 417, 649, 661, 663, 665, 667, 671, 673, 675, 755 7894000010 689 7894000031 875 7894000042 445, 447, 449, 451 7894000063 899, 901, 903, 905, 907 7894000071 935 7894000073 937 7904000001 661, 663, 665, 667, 673, 675 7912000184 239 7912000349 661, 663, 665, 667, 673, 675 7913000006 117, 247, 253, 259, 969 7935000120 417, 671, 875 7935000170 561, 563, 565, 567, 569, 571 7935000171 567, 569 7935000173 561, 563, 565, 567, 569, 571 7935000174 561, 563, 565, 567, 569, 571 7935000182 417, 671 7935000227 561, 563, 565, 567, 569, 571 7935000229 417, 671 7935000248 417, 671 7935000305 651, 653, 655, 657, 659 7935000306 661, 663, 665, 667, 673, 675 7935000369 561, 563, 565, 567, 569, 571 7935000388 561, 563, 565, 567, 569, 571 7949000008 15, 17, 21, 23 7949000011 523, 527, 531, 535, 539, 543, 547, 551, 555, 559 7949000015 173 7949000023 .. 95, 97, 127, 703, 705, 707, 709, 711, 713, 715, 717 7949000030 411, 413, 419, 421, 423 7949000034 379, 381, 407, 409</p>	<p>7949000054 523, 527, 531, 535, 539, 543, 547, 551, 555, 559 7949000055 899, 901, 903, 905, 907 7949000072 15, 17, 21, 23 7950100143 137, 139, 141, 143, 145, 147, 149, 151, 153 7950100151 591, 593, 595, 597, 599, 687 7950140000 127, 677 7950140003 695 7950140141 431, 433, 523, 527, 531, 535, 539, 543, 547, 551, 555, 559, 677 7950140143 15, 17, 21, 23, 379, 381, 695, 699 7950140153 915, 941 7950150000 543 7950150141 269, 273 7950150153 .. 95, 97, 175, 177, 179 7950150161 155, 157, 159, 161, 163, 165, 167, 169, 171, 401, 403, 411, 413, 431, 433, 523, 527, 531, 535, 539, 547, 551, 555, 559, 573, 575, 603, 605, 607, 609, 611, 613, 615, 617, 619, 621, 623, 625, 627, 629, 631, 633, 635, 637, 639, 641, 643, 645, 681, 719, 721, 873 7950160000 42, 46, 50, 54, 58, 62, 66, 70, 74, 78, 379, 381 7950160141 405 7950160153 131, 135, 173 7950160161 405, 523, 527, 531, 535, 539, 543, 547, 551, 555, 559, 917, 919 7950160162 379, 381 7950170000 669 7950180000 379, 381, 725, 727, 729, 731, 737, 739, 741 7950180141 495, 499, 917, 919 7950180143 411, 413, 419, 421, 423, 431, 433, 445, 447, 449, 451 7950180150 967, 969, 971 7950180153 129, 133, 169, 171, 353, 355, 357, 361, 363, 365, 367, 369, 371, 373, 375, 377, 379, 381, 383, 407, 409, 873, 927</p>
---	--	--	--

SECTION 9 - BUILD DOCUMENTS

7950180161379, 381, 411, 413, 523, 527, 531, 535, 539, 543, 547, 551, 555, 559	9120960034.....385, 387, 391	9970342027 385, 387, 391	LMT991
7950180252725, 727, 729, 731, 737, 739, 741	9120960059.....385, 387, 391	9970400003387, 391	LST993
7950180400361, 363, 365, 367, 369, 371, 373, 375, 377	9120960061.....385, 387, 391	9970402002385, 387, 391	MBK-HM-21002
7950200000275, 277	9120960075.....387, 391	9970412003 385, 387, 391	MBK-STD-21002
7950200152129, 133	9120960081..... 83, 87, 91	9970412045385, 387, 392	MBK-STD-31002
7950200161129, 133	9183960002.... 83, 87, 91, 392	9970414045385, 387, 391	MBK-STD-41002
7950200242129, 133	9209960023..... 83, 87, 91	997041816383, 87, 91	ML-TBTST-21003
7950220141445, 447, 449, 451, 523, 527, 531, 535, 539, 543, 547, 551, 555, 559, 573, 575	9309960009.....83	9970418177 385, 387, 391	PHH35-MD959
7970000083357, 365, 383, 399	9309960020.....387, 391	9970431008 385	PHM35-MD957
7970000121361, 363, 365, 385	9314960024.....385, 387, 391	9970442184 385, 387, 391	PHS40-MD965
7970000123367, 369, 371, 387	9443960010..... 83, 87, 91	9970442205385, 387, 391	RC-1579
7970000140373, 375, 377, 391	9443960021.....391	9970450006 385, 387, 391	RC-2581
797000015742, 46, 83	9472960042.....83, 87	9970456008385, 387, 391	RC-3583
797000015850, 54, 66, 70, 87, 395	9472960043..... 83, 87, 91	9970468011 385, 387, 392	RC-4585
797000016658, 62, 74, 78, 91, 397	9472960068.....387, 391	9970472013385, 388, 392	RC-5587
7978000020791, 793	9472960069.....387, 391	9970486009385, 388, 392	RCTH-21003
7990000011431, 433	9472960072.....385	9970486017385, 388, 392	RHS05-MD961
80963062.....833	9551960018.....83, 87	9970494002385, 388, 392	RWC999
80963064...839, 841, 843, 849	9560960011385, 387, 391	9970494053385, 388, 392	SP3CPKG787
8220081.....719, 723, 771, 837	9560960021385, 387	9970518014385, 388, 392	SP3ICPKG779
8220089.....837, 843, 851, 853	9571960010.....387, 391	9970518015385, 388, 392	SP3IMPKG783
8220099.....701, 839, 841, 843, 847, 849	9575960014.....385, 387, 391	997096002783	SP5CPKG807
8220100.....849	9577930187.....561, 563, 565, 567	9970960034387, 391	SP5ICPKG795
8220934.....701, 849	960006651, 653, 655, 659, 673, 675	9970960035388, 392	SPHH-MD111
8220935.....701, 839, 841, 843, 847, 849	9626960012.....83	9970960036387, 391	SPHM-MD109
8220936.....701, 843	9626960027.....87, 91	9970960037388, 392	SRHSH-MD107
8411080091243	9691960001.... 83, 87, 91, 385, 388, 392	9970960038387, 391	SRHS-MD105
8411080102467, 469, 471, 473	9691960035.....385, 387	9970960051387, 391	SRS-101004
8597650001417, 671	9701960015.....385, 387, 392	9970960052387, 391	SRS-10-AFS1004
8597650002689	9701960016..... 83, 87, 91	9970960060385, 387, 391	SRS-10-CRC1004
8597650003821, 829, 831	9742960064.....91	9970960062385	SRS-81004
8632000002131, 135	9754960039..... 83, 87, 91	9970960068385, 387, 391	SRS-8-CRC1004
8632000012523, 527, 531, 535, 539, 543, 547, 551, 555, 559	9786960006..... 83, 87, 91	A7WCON869	SSQF-211003
88671001.....239	9786960015.....385, 387, 391	BHH35-MD955	SSQF-241003
88671008...42, 46, 50, 54, 58, 62, 66, 70, 74, 78	9796960047..... 84, 87, 91	BHM35-MD953	STAB-HIGH1004
8977010103695	9796960049..... 83, 87, 91	BSKT-21002	STAB-MD103
900115.....651, 653, 655, 659, 673, 675	9796960139.....387, 391	BSKT24-21002	STK929
9007960003385, 387	9796960176.....388, 392	CAR8PTTD.....937	STRAP50935
912096002583, 87, 91	9796960177.....388, 392	CHB38885	TB178943
	9806960009.....385	CHB50887	TB200945
	9812960005..... 83, 87, 91	CMKSTD-SD1002	TB256947
	9843930044.....561, 563, 565, 567	DPH-16B951	TB36-21004
	9912960035..... 83, 87, 91	DR063W-2.....1003	TB36-31004
	9935960142.....83, 87	KSD120-AL.....1003	TB36-41004
	9949960016.....83	KSD120-AL-21003	TB48-21004
	9949960017..... 83, 88, 91	KSD120W-AL1003	TB48-31004
	9949960031.....87, 91	KSD120W-AL-21003	TB48-41004
	9949960054.....387, 391		TB60-21004
	9970300057.....385, 387, 391		TB78-21004
	9970316083.....385		TBL-21005
	9970330010.....385, 387, 391		TBL-31005
			TBL-41005
			TBSA36-21004
			TBSA36-31004
			TBSA36-41004
			TBSA48-21004
			TBSA48-41005
			TBSA60-21005
			TBTST36-21005
			TBTST36-31005
			TBTST36-41005
			TBTST48-21005
			TBTST60-21005
			TBTST78-21005
			W10WAL-MD341
			W10W-MD343
			W10WTR-MD345

SECTION 9 - BUILD DOCUMENTS

WO10WAF-MD.....349
WO10WALAF-MD347

WO10WTRAF-MD.....351
WO12W-MD357

WO12WTR-MD 359

JERR-DAN[®]

***Corporate Office
13224 Fountainhead Plaza
Hagerstown, MD 21742 USA***

***☎ (717) 597-7111 (Corporate)
☎ (800) 926-9666 (Customer Support)***

***Visit our website
www.jerrdan.com***



OSHKOSH™