

# MPL WRECKER PARTS MANUAL

# ***JERR-DAN***<sup>®</sup>

An Oshkosh Corporation Company

1080 Hykes Road  
Greencastle, PA 17225  
Phone (717) 597-7111  
[www.jerr-dan.com](http://www.jerr-dan.com)

5-376-000101  
Rev 3 - January 01, 2008

© 2008 Jerr-Dan Corporation. All Rights Reserved.

This manual covers the following Jerr-Dan Model:

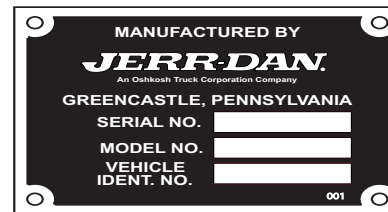
### MPL Wrecker

Jerr-Dan Corporation strives to provide information that is accurate, complete and useful. Descriptions and illustrative material contained within this manual are as accurate as known at the time of publication and are subject to change, without notice, as a result of continuous product improvements. Jerr-Dan reserves the right to amend the information in this document at any time without prior notice.

Information contained in this manual reflects how this vehicle was built at the factory. Modifications or additions by the distributor or owner are not reflected in this manual.

This parts manual does not include service parts information for the commercial chassis (IHC, Ford, GM, etc.). This parts information is provided by the chassis manufacturer.

When ordering parts, please refer to your unit's Sales Order Number, Serial Number and Model Number. This information can be found on the aluminum tag riveted to the inside of the driver's side toolbox of the main body.



Additional or replacement manuals can be ordered by calling Jerr-Dan Parts at 717-597-7111. Price and availability will be quoted at time of the request.

Please report comments and/or errors by contacting Jerr-Dan Corporation's Technical Publications Department by e-mail at [technicalpublications@jerr-dan.com](mailto:technicalpublications@jerr-dan.com) or by FAX on 717-593-2362.

Manufactured under one or more of the following patents: 5,575,606; 5,722,810; 5,782,596; 5,839,775 and 6,315,515 B1 with other Patents Pending.

Jerr-Dan and the Jerr-Dan logo are registered trademarks and Run Hard is a service mark of Jerr-Dan Corporation, Greencastle, PA USA.

The material in this document is confidential and the property of Jerr-Dan Corporation. No part of this document may be photocopied, reproduced or translated to another language without the express written consent of Jerr-Dan Corporation.

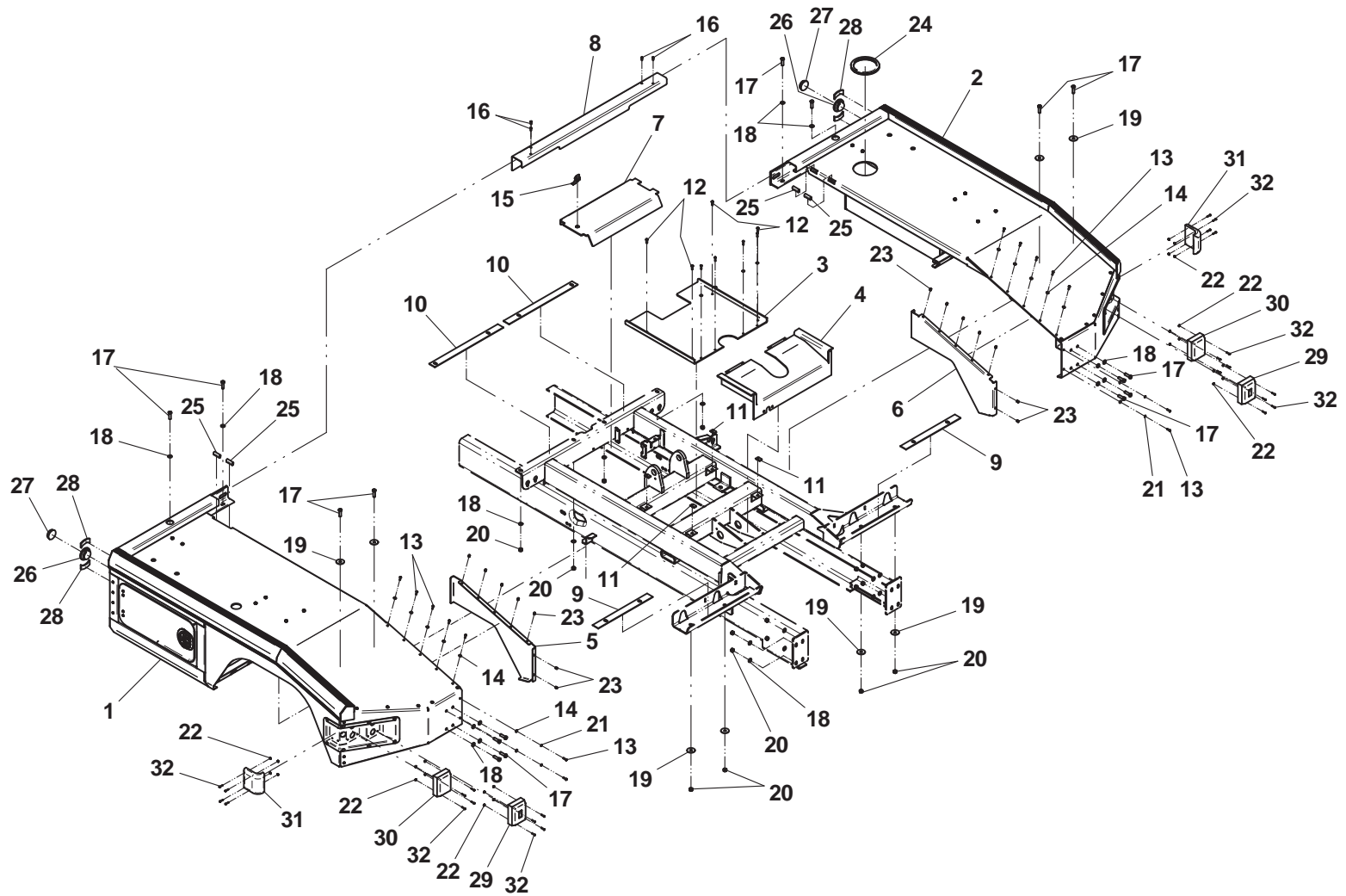
# INDEX

DESCRIPTION	PAGE
Body - Complete .....	4 - 5
Left Hand Body Assembly .....	6 - 7
Right Hand Body Assembly .....	8 - 9
Subframe .....	10 - 11
Hydraulic Reservoir .....	12 - 13
Worm Gear Winch & Cable Guide .....	14 - 15
Worm Gear Winch - Cable Tensioner .....	16 - 17
Mud Flap .....	18 - 19
Fender Flares .....	20 - 21
Light Pylon - Deck Mounted .....	22 - 23
Light Pylon - Toolbox Mounted .....	24 - 25
Wrecker Boom .....	26 - 27
Underlift Boom - Hydraulic Grid .....	28 - 29
Hydraulic Wheel Lift Grid .....	30 - 34
Underlift Level Stop .....	36 - 37
Remote Controls .....	38 - 39
Wireless Remote Controls .....	40 - 41
Hydraulic Components - Hose Routing / Mounting .....	42 - 43
Hydraulic Components - Standard .....	44 - 45
Hydraulic Components - Hydraulic Wheel Lift Grid .....	46 - 47
Electrical Components - Body - Standard .....	48 - 49
Electrical Components - Pylon Lights / Tunnel Wiring .....	50 - 51
Work Lights - Marker Lights .....	52 - 53
Lightbar - Single / Dual .....	54 - 55
Switch Panels .....	56 - 57
Chain and Straps .....	58 - 59
Decals .....	60 - 61
Wrecker Boom Tilt Cylinder Assembly .....	62 - 63
Underlift Boom Tilt Cylinder Assembly .....	64 - 65
Tunnel Toolbox .....	66 - 67
Bolt-On D-Rings .....	68 - 69
Jump Start Kit .....	70 - 71
Fold Down Lightbar Bracket .....	72 - 73
Ball Hitch Mounting Bracket .....	74 - 75
Self-Loading Dolly .....	76 - 77
Motorcycle Adapter .....	78 - 79
Tow Sling .....	80 - 83
Recovery Sheave .....	84 - 85
L-Arm Spacer Storage .....	86 - 87
Stone Guard .....	88 - 89
Ford Diesel 08 Exhaust Alteration .....	90 - 91

**BODY - COMPLETE**

ITEM	PART NO.	DESCRIPTION	QTY	ITEM	PART NO.	DESCRIPTION	QTY
1	3097000595	Body Assembly LH	1	31	7590000131	Light, Wrap Around (IND)	2
2	3097000596	Body Assembly RH	1		7590000302	Light, Wrap Around (LED)	
3	4314000159	Coverplate, Frt	1	32	7111100810	Capscrew, #10-24NC x 1.00"	24
4	3097000600	Mid Deck Weld, Rear	1	33	7796000012	Seal	150in
5	4314000160	Coverplate, LH	1				
6	4314000161	Coverplate, RH	1				
7	4314000158	Valve Cover, Front	1				
8	4314000097	Coverplate, Front	1				
9	4090000010	Pad	2				
10	4090000011	Pad	2				
11	7661000029	J-Nut, 0.31"-18NC	4				
12	7114150818	Capscrew, 0.31"-18NC x 1.00"	4				
13	7114140818	Capscrew, 0.25"-20NC x 1.00"	18				
14	7950140143	Flatwasher, 0.25" ID	18				
15	7585000023	Latch	1				
16	7120000046	Screw, 0.25"-20NC x .75"	4				
17	7115181450	Capscrew, 0.50"-13NC x 1.75"	16				
18	7950180153	Flatwasher, 0.50" ID	24				
19	7949000015	Head Washer, 0.50" ID	8				
20	7660182601	Lockwasher, 0.50"-13NC	16				
21	7949000056	Nylon Washer, 0.25" ID	4				
22	7661000002	Hex Nut, #10-24NC	24				
23	7413000002	Nutsert, 0.25"-20NC	14				
24	8632000002	Edge Trim	19 in				
25	4632000058	Edge Trim	4				
26	7493000009	Marker Light Grommet	2				
27	7590000048	Marker Light - Amber (IND)	2				
	7590000342	Marker Light - Amber (LED)					
28	7330000498	Reflector - Amber (use with INC only)	4				
29	7590000130	Light, Backup	2				
30	7590000128	Light, Stop-Tail-Turn (IND)	2				
	7590000301	Light, Stop-Tail-Turn (LED)					

# BODY - COMPLETE



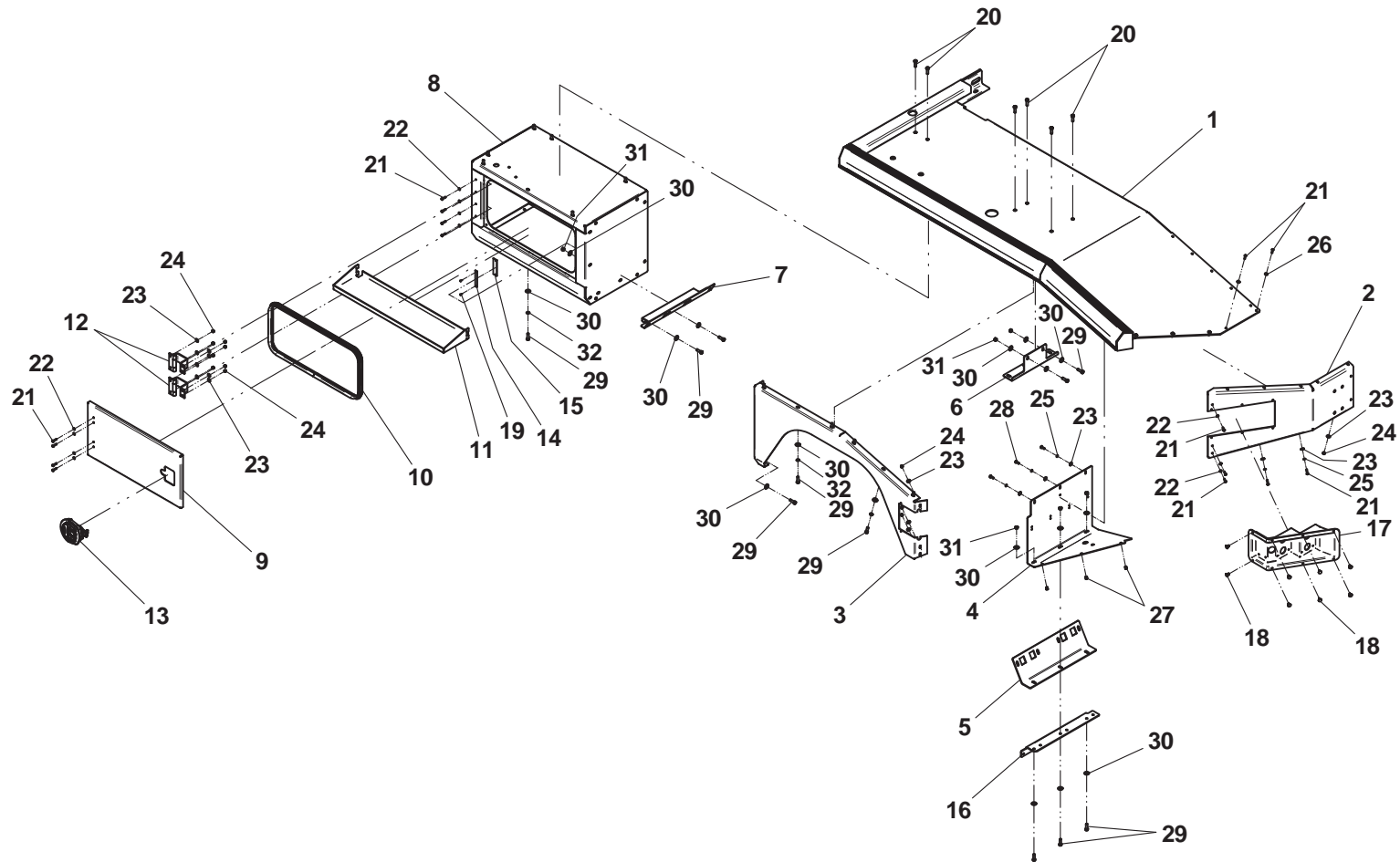
See pages 6 through 9 for LH and RH Body parts

Item #33, Seal, not shown

**LEFT HAND BODY ASSEMBLY (3097000595)**

ITEM	PART NO.	DESCRIPTION	QTY	ITEM	PART NO.	DESCRIPTION	QTY
1	3097000597	Deck Weld LH	1	34	7796000012	Seal	54in
2	3811000033	Tailplate Weld LH	1				
3	4811000819	Sheet LH	1				
4	4314000091	Coverplate LH	1				
5	4178000744	Bracket	1				
6	4178000577	Bracket	1				
7	4811000840	Sheet	1				
8	3899000119	Toolbox Bond LH	1				
9	4686000207	Door	1				
10	4632000050	Seal, Toolbox Door	1				
11	4811000823	Shelf	1				
12	7555000012	Door Hinge	2				
13	7585000019	Latch, LH	1				
14	4062000569	Bar	1				
15	4706003611	Plate	1				
16	4178000746	Bracket	1				
17	7571000001	Taillight Housing	1				
18	7413000013	Fastener	8				
19	7759000006	Rivet	2				
20	7114161050	Capscrew, 0.38"-16NC x 1.25"	6				
21	7114140818	Capscrew, 0.25"-20NC x 1.00"	19				
22	7949000056	Nylon Washer, 0.25" ID	11				
23	7950140161	Flatwasher, 0.25" ID	22				
24	7660142601	Locknut, 0.25"-20NC	16				
25	7950140000	Lockwasher, 0.25" ID	6				
26	7950140143	Flatwasher, 0.25" ID	5				
27	7413000002	Nutsert, 0.25"-20NC	3				
28	7115140650	Capscrew, 0.25"-20NC x .75"	3				
29	7115161050	Capscrew, 0.38"-16NC x 1.25"	23				
30	7950160161	Flatwasher, 0.38" ID	33				
31	7660162601	Locknut, 0.38"-16NC	10				
32	7950160000	Lockwasher, 0.38" ID	13				
33	4679000252	Mat	1				

# LEFT HAND BODY ASSEMBLY (3097000595)



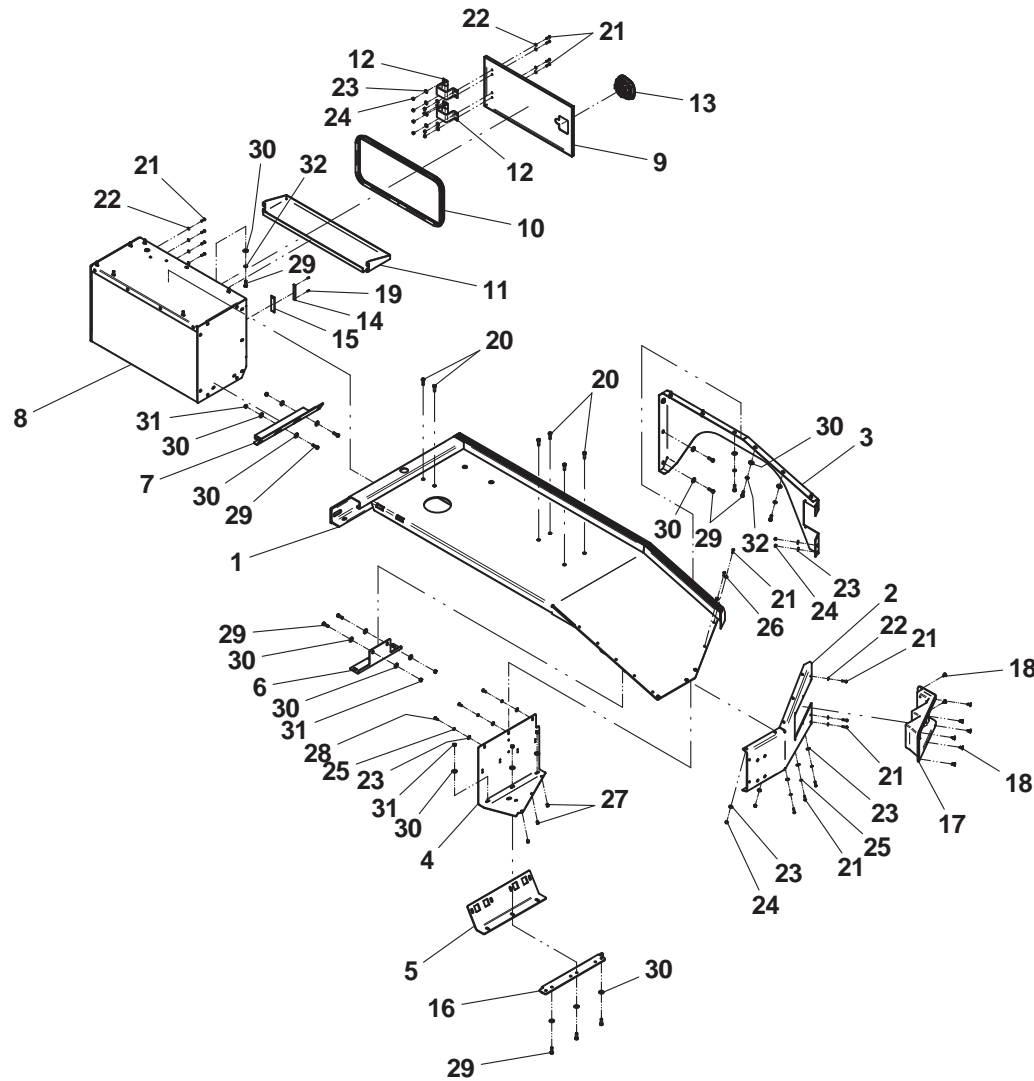
Item #33, Mat, not shown  
 Item #34, Seal, not shown

**RIGHT HAND BODY ASSEMBLY (3097000596)**

ITEM	PART NO.	DESCRIPTION	QTY	ITEM	PART NO.	DESCRIPTION	QTY
1	3097000598	Deck Weld RH	1	34	7796000012	Seal	54in
2	3811000034	Tailplate Weld RH	1				
3	4811000820	Sheet RH	1				
4	4314000092	Coverplate RH	1				
5	4178000744	Bracket	1				
6	4178000577	Bracket	1				
7	4811000840	Sheet	1				
8	3899000120	Toolbox Bond RH	1				
9	4686000207	Door	1				
10	4632000050	Seal, Toolbox Door	1				
11	4811000823	Shelf	1				
12	7555000012	Door Hinge	2				
13	7585000020	Latch, RH	1				
14	4062000569	Bar	1				
15	4706003611	Plate	1				
16	4178000745	Bracket	1				
17	7571000001	Taillight Housing	1				
18	7413000013	Fastener	8				
19	7759000006	Rivet	2				
20	7114161050	Capscrew, 0.38"-16NC x 1.25"	6				
21	7114140818	Capscrew, 0.25"-20NC x 1.00"	19				
22	7949000056	Nylon Washer, 0.25" ID	11				
23	7950140161	Flatwasher, 0.25" ID	22				
24	7660142601	Locknut, 0.25"-20NC	16				
25	7950140000	Lockwasher, 0.25" ID	6				
26	7950140143	Flatwasher, 0.25" ID	5				
27	7413000002	Nutsert, 0.25"-20NC	3				
28	7115140650	Capscrew, 0.25"-20NC x .75"	3				
29	7115161050	Capscrew, 0.38"-16NC x 1.25"	23				
30	7950160161	Flatwasher, 0.38" ID	33				
31	7660162601	Locknut, 0.38"-16NC	10				
32	7950160000	Lockwasher, 0.38" ID	13				
33	4679000253	Mat	1				



# RIGHT HAND BODY ASSEMBLY (3097000596)

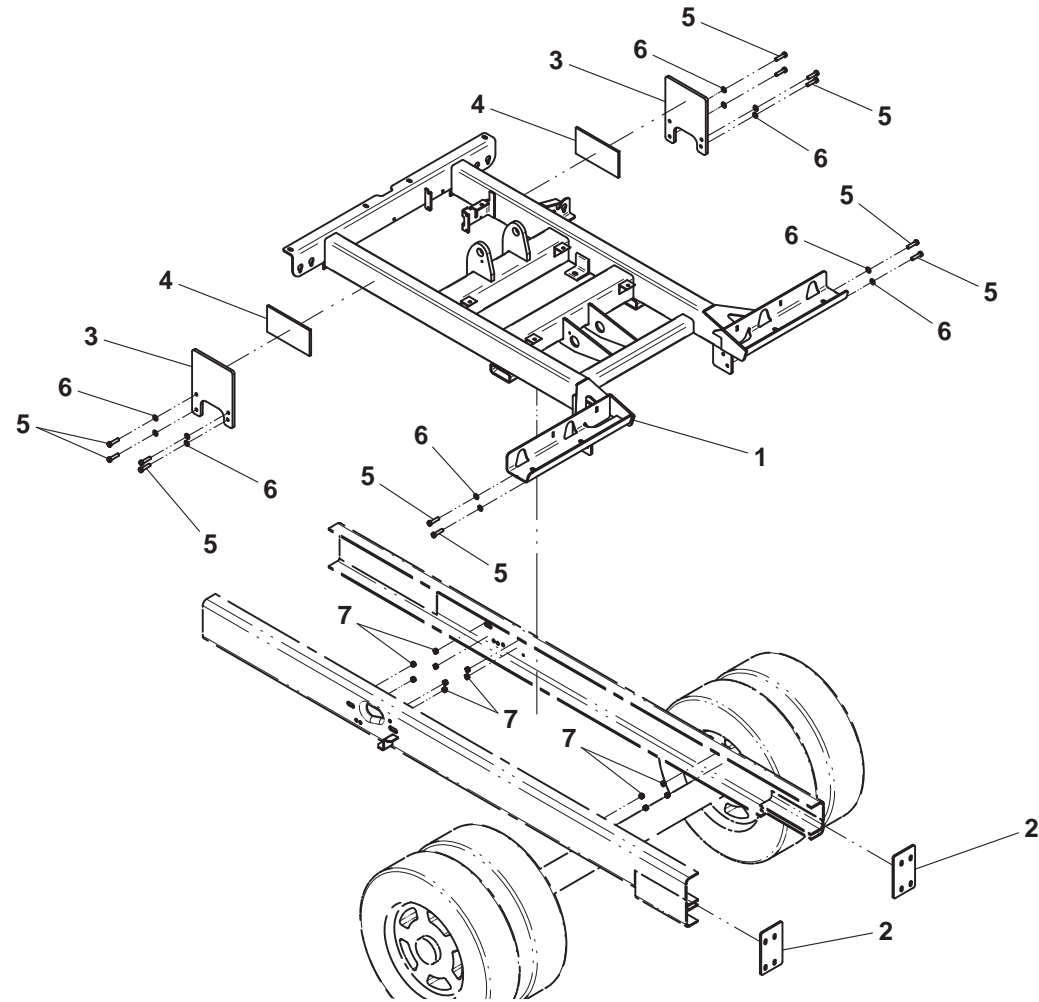


Item #33, Mat, not shown  
Item #34, Seal, not shown

**SUBFRAME**

ITEM	PART NO.	DESCRIPTION	QTY
1	3868000288	Subframe Weld	1
2	4706004919	Plate	2
3	4706004950	Plate (Ford)	2
	4706004999	Plate (Chevy)	
4	4705000665	Plate (Ford 19,000 lb)	2
5	7115181650	Capscrew, 0.50"-13NC x 2.00"	12
6	7950180153	Flatwasher, 0.50" ID	12
7	7660182601	Locknut, 0.50"-13NC	12

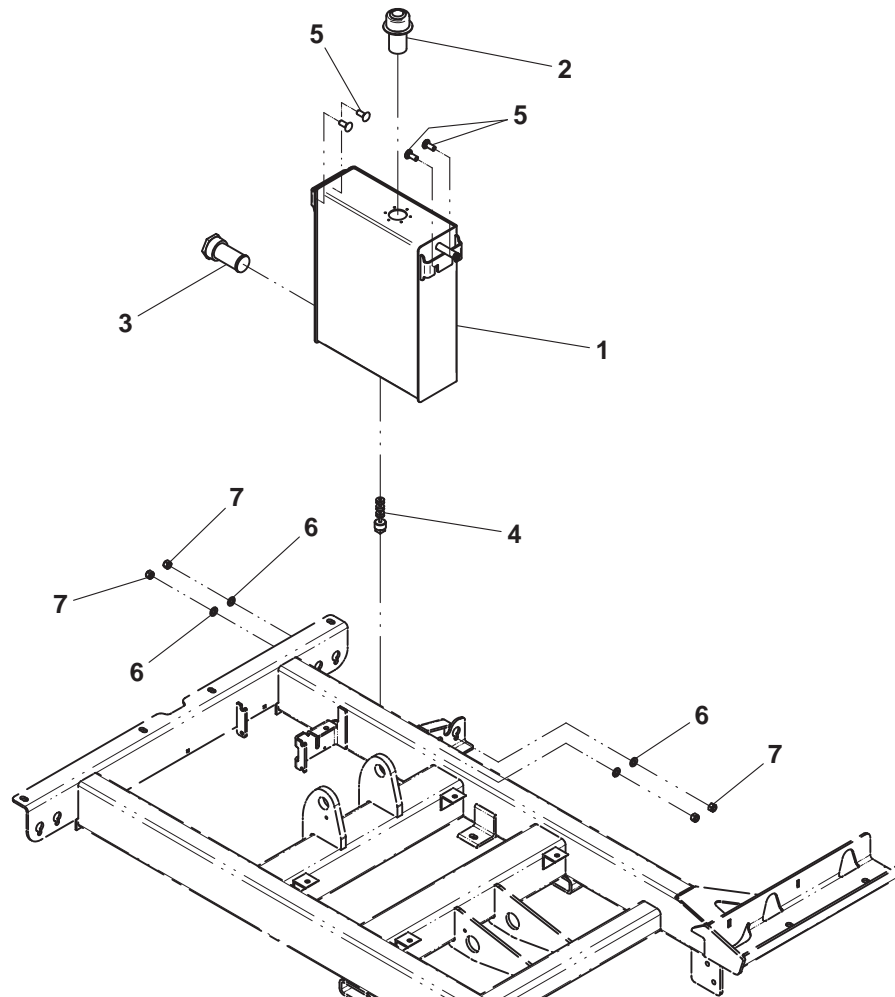
# SUBFRAME



**HYDRAULIC RESERVOIR**

ITEM	PART NO.	DESCRIPTION	QTY
1	3750000061	Reservoir Weldment	1
2	7183000008	Filler Cap	1
3	7430000010	Tank Filter	1
4	7701000026	Magnetic Plug	1
5	7115181064	Carriage Bolt, 0.50"-13NC x 1.25"	4
6	7950180153	Flatwasher, 0.50" ID	4
7	7660182601	Locknut, 0.50"-13NC	4

# HYDRAULIC RESERVOIR



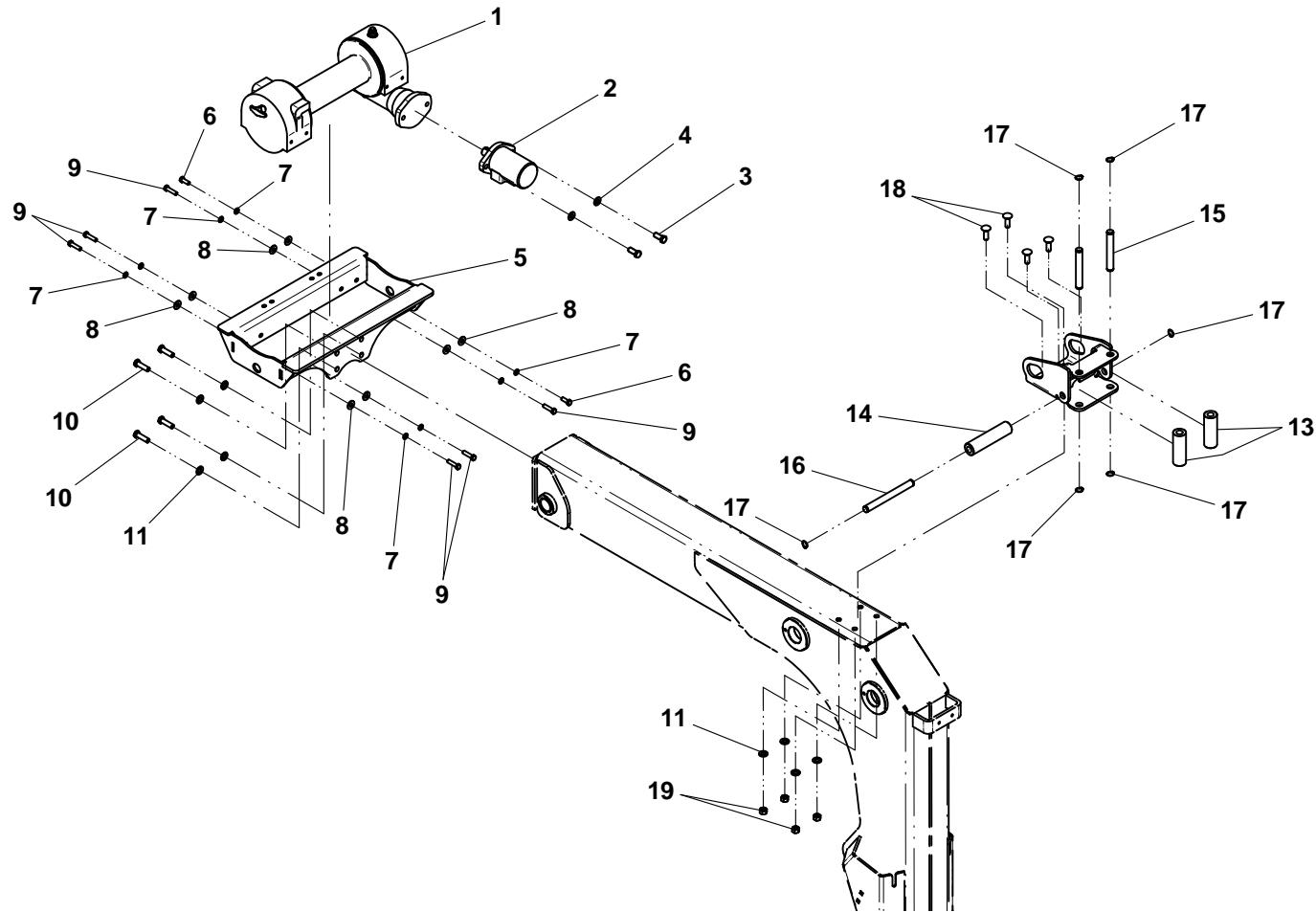
**WORM GEAR WINCH & CABLE GUIDE**

ITEM	PART NO.	DESCRIPTION	QTY
1	7970000150+	Winch - 8,000 lb Worm Gear	1
2	7626000014	Orbit Motor	1
3	7115181250	Capscrew, 0.50"-13NC x 1.50"	2
4	7950180400	Lockwasher, 0.50" ID	2
5	3178000508	Bracket Weld	1
6	7115160850	Capscrew, 0.38"-16NC x 1.00"	2
7	7950160000	Lockwasher, 0.38" ID	8
8	7950160162	Flatwasher, 0.38" ID	8
9	7115161250	Capscrew, 0.38"-16NC x 1.50"	6
10	7115181450	Capscrew, 0.50"-13NC x 1.75"	4
11	7950180153	Flatwasher, 0.50" ID	8
12	3178000511*	Bracket Weld	1
13	4912000325*	Tube	2
14	4912000423*	Tube	1
15	4691000568*	Pin	2
16	4691000567*	Pin	1
17	7754000022*	Retaining Ring	6
18	7115181264	Carriage Bolt, 0.50"-13NC x 1.50"	4
19	7660182601	Locknut, 0.50"-13NC	4
20	7248000092	Winch cable, 0.38 dia x 75'	1

+ Refer to manufacturer's manual for winch parts list.

\* also available in Cable Guide Assembly, P/N 3249000039

# WORM GEAR WINCH & CABLE GUIDE



Item #20, Winch Cable, not shown  
Standard Cable Guide, shown

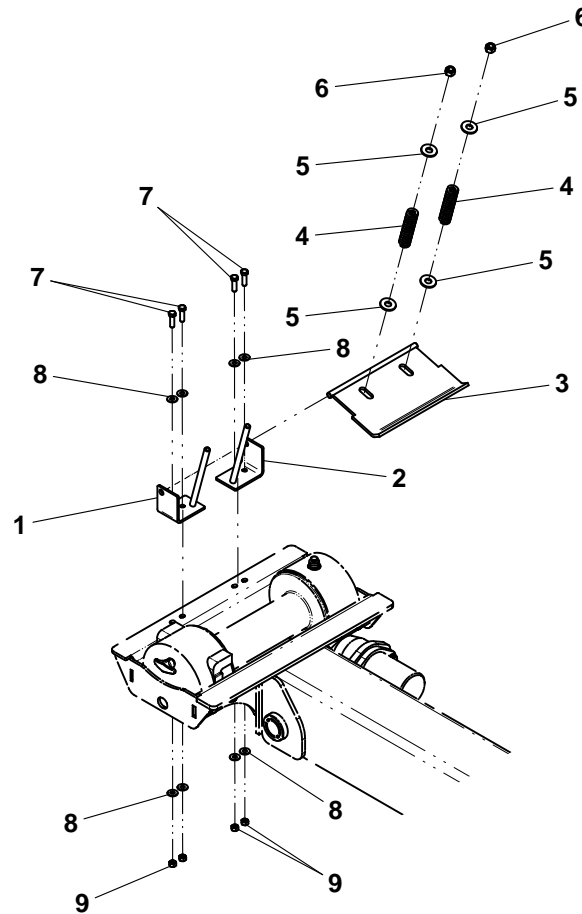
For Tow Sling Cable Guide parts, refer to Tow Sling page

**WORM GEAR WINCH - CABLE TENSIONER**

ITEM	PART NO.	DESCRIPTION	QTY
1	3017000003	Angle Weld LH	1
2	3017000002	Angle Weld RH	1
3	3706000099	Pressure Plate Weld	1
4	7843000004	Spring	2
5	7950180161	Flatwasher, 0.50" ID	4
6	7660182600	Locknut, 0.50"-13NC	2
7	7115161050	Capscrew, 0.38"-16NC x 1.25"	4
8	7950150161	Flatwasher, 0.31" ID	8
9	7660162601	Locknut, 0.38"-16NC	4



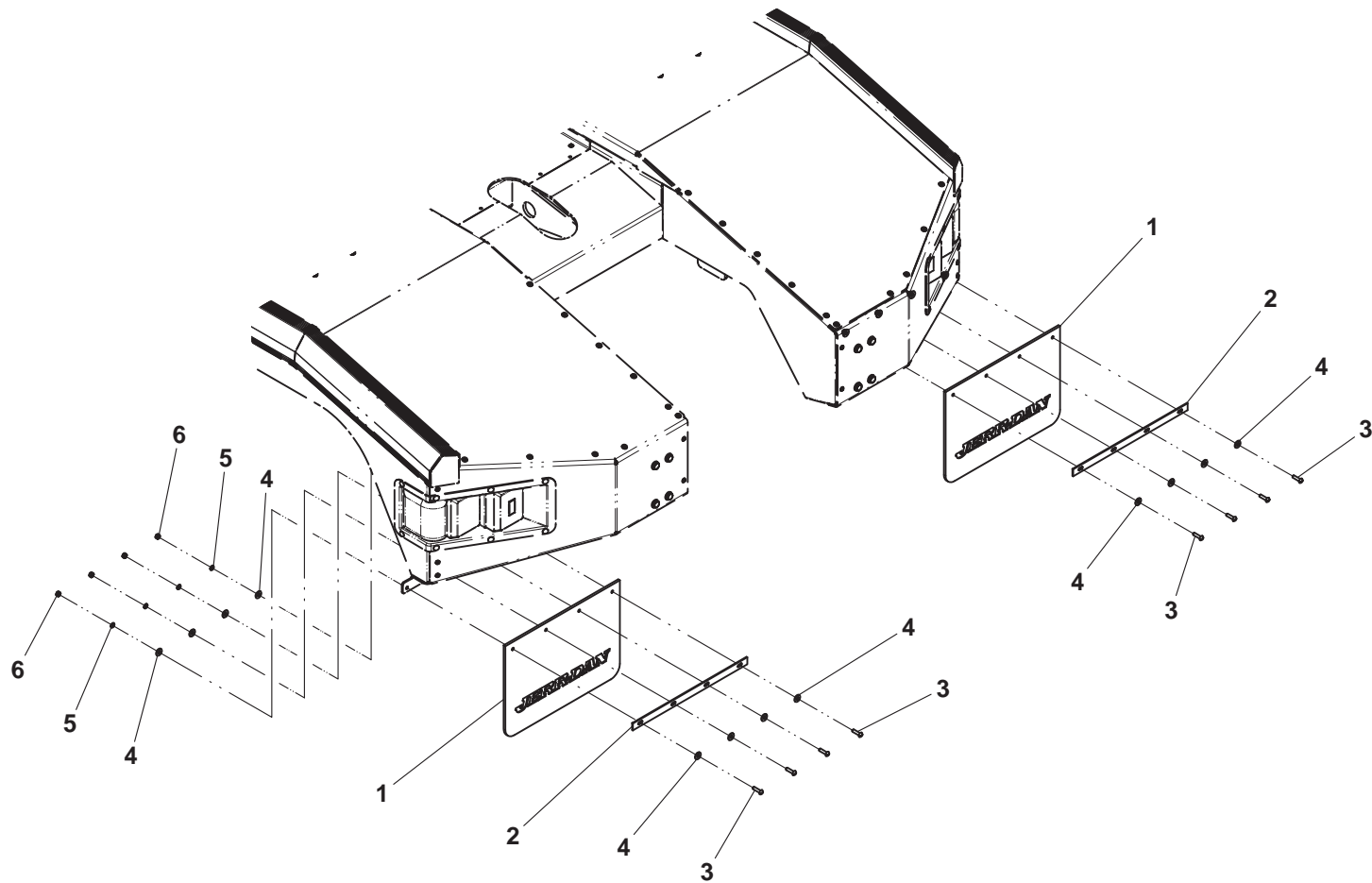
# WORM GEAR WINCH - CABLE TENSIONER



**MUD FLAP**

ITEM	PART NO.	DESCRIPTION	QTY
1	7638000003	Mud Flap - 19" long	2
2	4706001123	Plate	2
3	7111151010	Capscrew, 0.31"-18NC x 1.25"	8
4	7950150161	Flatwasher, 0.31" ID	16
5	7950150000	Lockwasher, 0.31" ID	8
6	7660150000	Hex Nut, 0.31"-18NC	8

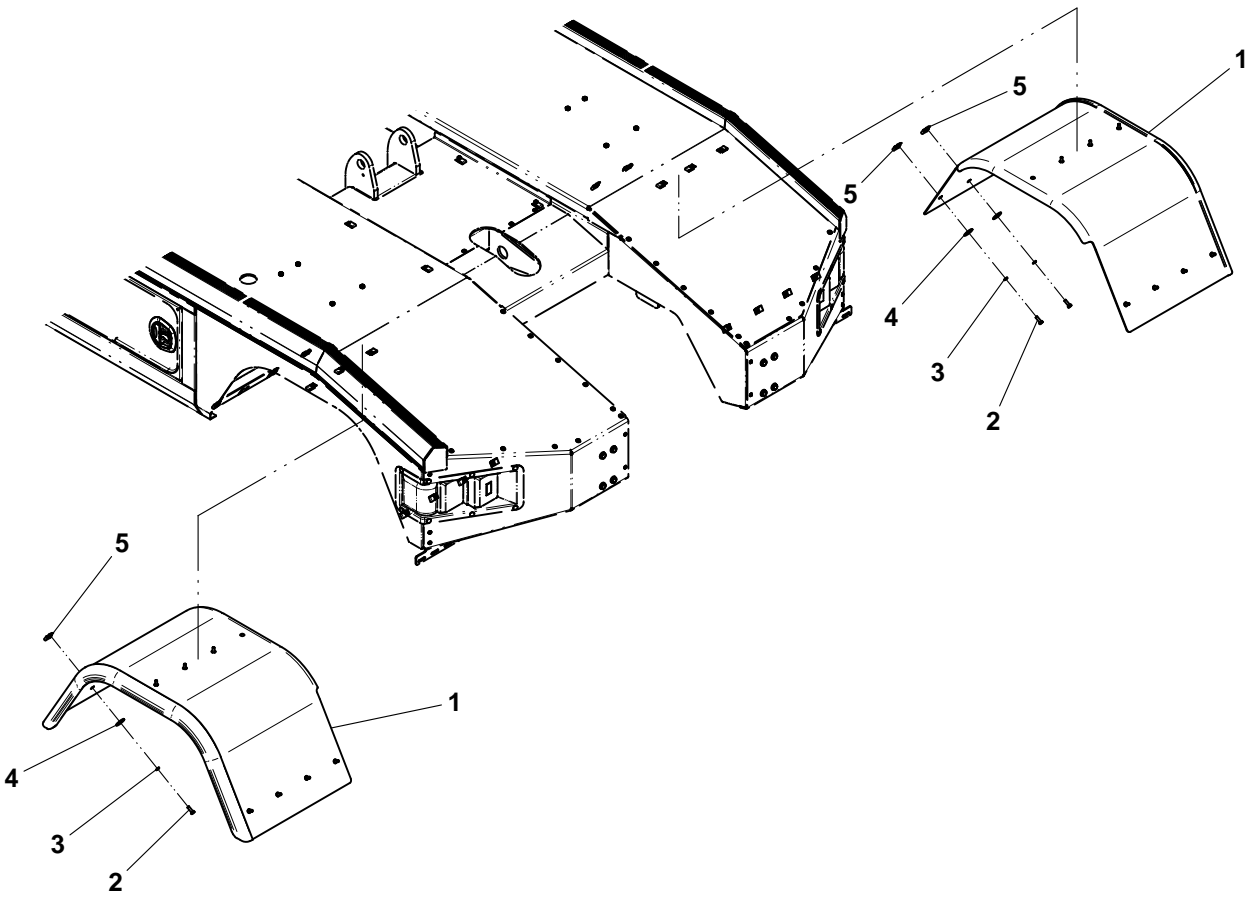
# MUD FLAP



**FENDER FLARES**

ITEM	PART NO.	DESCRIPTION	QTY
1	741500021	Fender (narrow)	2
	741500023	Fender (wide)	
2	7114150850	Capscrew, 0.31"-18NC x 1.00"	22
3	7950150000	Lockwasher, 0.31" ID	22
4	7949000055	Fender Washer, 0.38" ID	22
5	7661000029	J-Nut, 0.31"-18NC	22

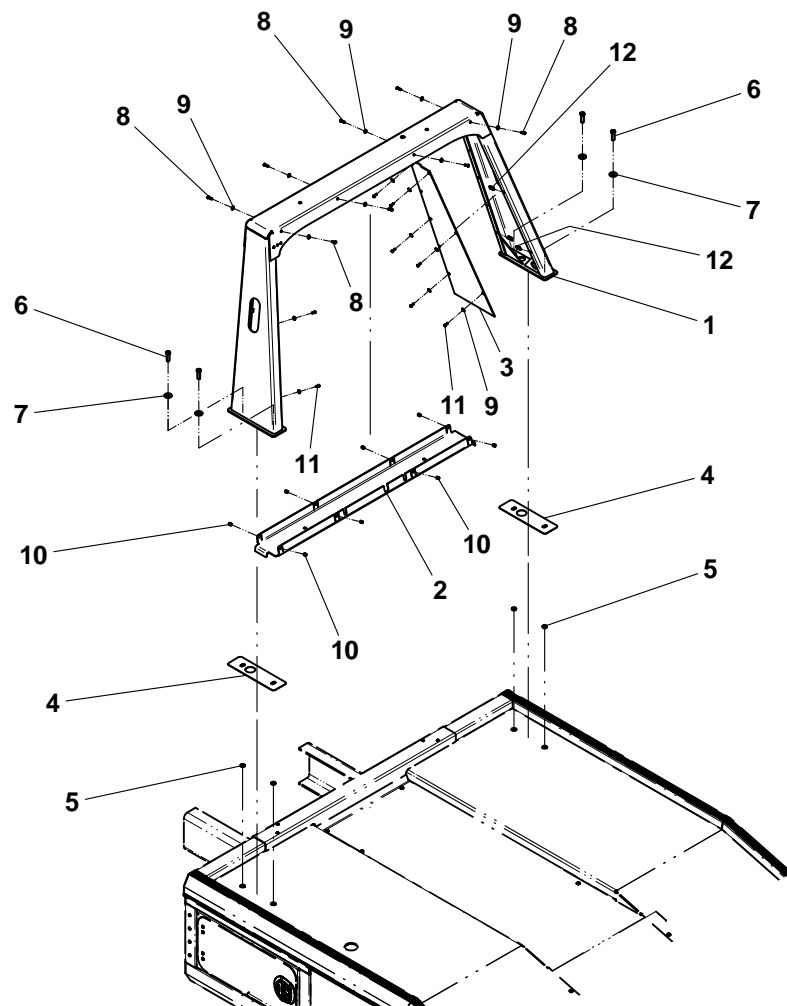
# FENDER FLARES



**LIGHT PYLON - DECK MOUNTED**

ITEM	PART NO.	DESCRIPTION	QTY
1	3509570103	Light Pylon Weld - 37"	1
	3509570113	Light Pylon Weld - 50"	
2	4263000689	Channel	1
3	4706005002	Plate (37" Pylon)	2
	4314000125	Plate (50" Pylon)	
4	7796000091	Gasket	2
5	7949000058	Washer, 0.53" ID	4
6	7115181450	Capscrew, 0.50"-13NC x 1.75"	4
7	7950180161	Flatwasher, 0.50" ID	4
8	7114140818	Capscrew, 0.25"-20NC x 1.00"	8
9	7950140143	Flatwasher, 0.25" ID	20
10	7413000002	Nutsert, 0.25"-20NC	8
11	7114140618	Capscrew, 0.25"-20NC x .75"	12
12	7661000019	U-Nut, 0.25"-20NC	12

# LIGHT PYLON - DECK MOUNTED



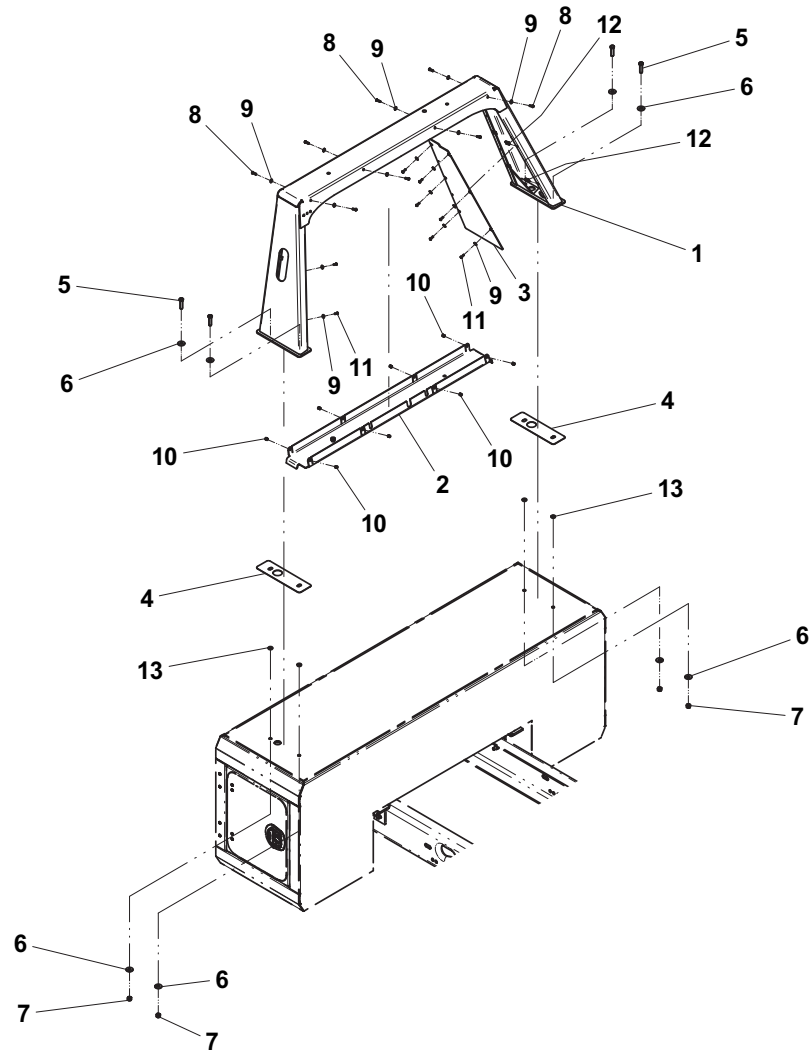
37" Pylon shown

**LIGHT PYLON - TOOLBOX MOUNTED**

ITEM	PART NO.	DESCRIPTION	QTY
1	3509570106	Light Pylon Weld - 28"	1
	3509570111	Light Pylon Weld - 41.50"	
2	4263000689	Channel	1
3	4314000102	Cover (28" Pylon)	2
	4314000103	Cover (41.50" Pylon)	
4	7796000091	Gasket	2
5	7115181650	Capscrew, 0.50"-13NC x 2.00"	4
6	7950180161	Flatwasher, 0.50" ID	8
7	7660182601	Locknut, 0.50"-13NC	4
8	7114140818	Capscrew, 0.25"-20NC x 1.00"	8
9	7950140143	Flatwasher, 0.25" ID	20
10	7413000002	Nutsert, 0.25"-20NC	8
11	7114140618	Capscrew, 0.25"-20NC x .75"	12
12	7661000019	U-Nut, 0.25"-20NC	12
13	7949000058	Washer, 0.53" ID	4



# LIGHT PYLON - TOOLBOX MOUNTED



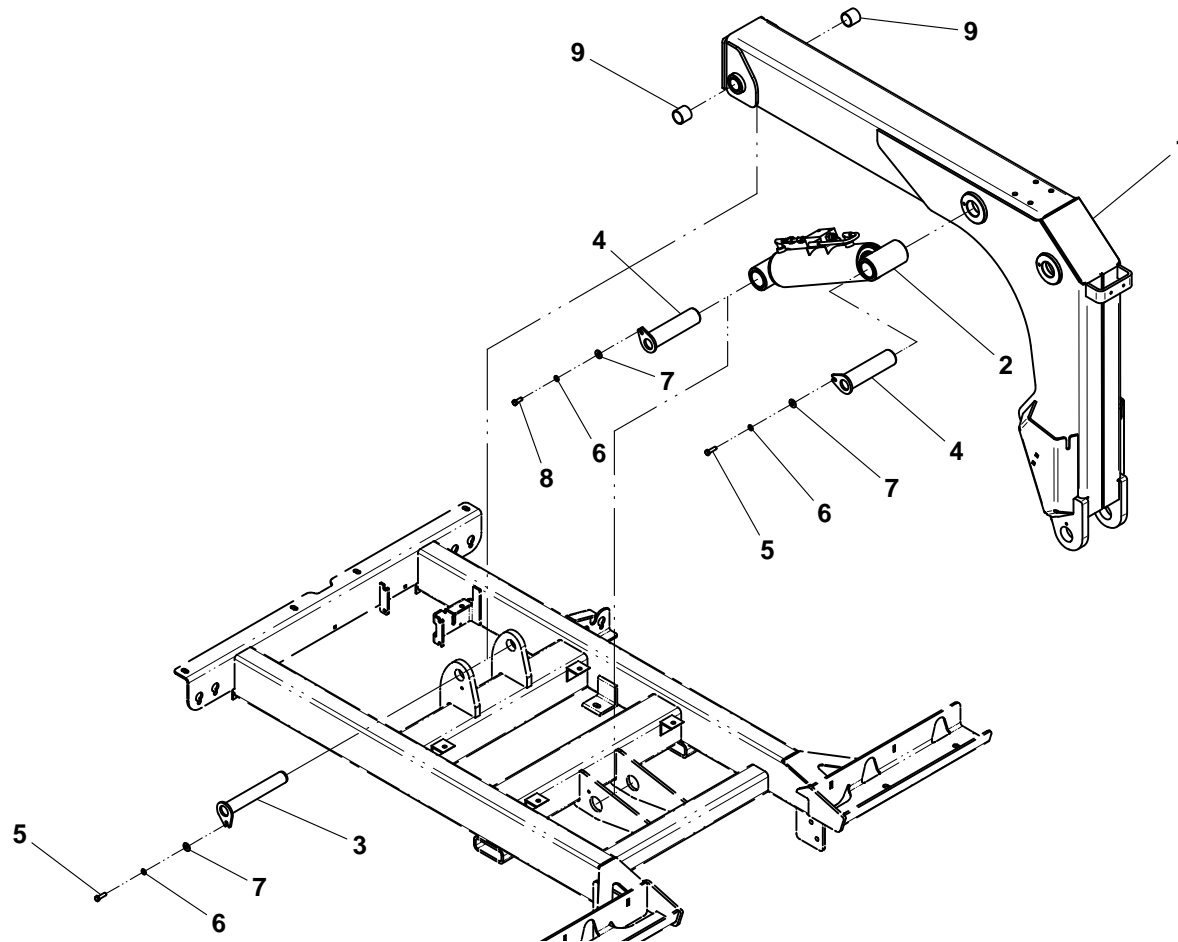
28" Pylon shown

**WRECKER BOOM**

ITEM	PART NO.	DESCRIPTION	QTY
1	3170000446	Knee Boom Weld	1
2	3320000224	Cylinder Assembly	1
3	3691000258	Pin Weld	1
4	3691000242	Pin Weld	2
5	7115161050	Capscrew, 0.38"-16NC x 1.25"	2
6	7950160000	Lockwasher, 0.38" ID	3
7	7950160161	Flatwasher, 0.38" ID	3
8	7115160824	Capscrew, 0.38"-16NC x 1.00"	1
9	7082000030*	Bearing	2

\* also available in Knee Boom Weld, P/N 3170000446

# WRECKER BOOM



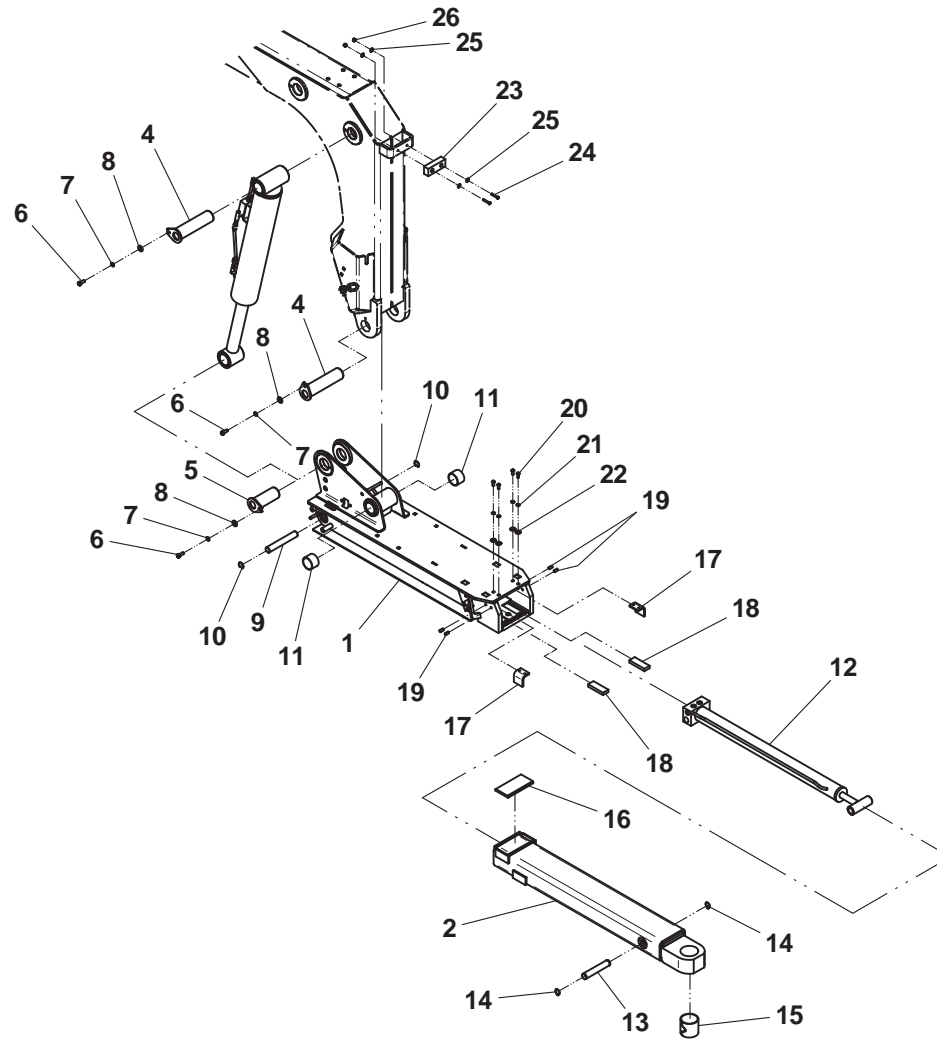
**UNDERLIFT BOOM - HYDRAULIC GRID**

ITEM	PART NO.	DESCRIPTION	QTY
1	3170000415	Base Boom Weld	1
2	3170000346	Fly Boom Weld	1
3	3320000225	Cylinder Assembly	1
4	4691000242	Pin	2
5	4691000236	Pin	1
6	7115160824	Capscrew, 0.38"-16NC x 1.00"	3
7	7950160000	Lockwasher, 0.38" ID	3
8	7950160161	Flatwasher, 0.38" ID	3
9	4691000308	Pin	1
10	7754000056	Snap Ring	2
11	7082000029+	Bearing	2
12	7320000077	Cylinder Assembly	1
13	4691000307	Pin	1
14	7754000019	Retaining Ring	2
15	7209000030^	Bushing	1
16	4679000046	Wear Pad	1
17	4017001502	Angle	2
18	4679000213	Wear Pad	2
19	7785161274	Set Screw, 0.38"-16NC x .75"	4
20	7104150627	Capscrew, 0.31"-24NF x .75"	4
21	7950150000	Lockwasher, 0.31" ID	4
22	7950150161	Flatwasher, 0.31" ID	4
23	7189000023	Bumper	1
24	7114141018	Capscrew, 0.25"-20NC x 1.25"	2
25	7950140143	Flatwasher, 0.25" ID	4
26	7660142604	Locknut, 0.25"-20NC	2

+ also available in Base Boom Weld, P/N 3020000415

^ also available in Fly Boom Weld, P/N 3170000346

# UNDERLIFT BOOM - HYDRAULIC GRID



**HYDRAULIC WHEEL LIFT GRID**

ITEM	PART NO.	DESCRIPTION	QTY	ITEM	PART NO.	DESCRIPTION	QTY
1	4691000198^	Pin	1	33	4064000052^	Bar	1
2	4949000047^	Washer, 2.84" ID	2	34	4831000095^	Spacer	1
3	7754000024^	Retaining Ring	1	35	7843000037^	Compression Spring	1
4	3484000068^	Grid Weld	1	36	7786000009^	Set Screw, 0.75"-16NF x 1.50"	1
5	7320000064^	Cylinder Assembly	2	37	4706004066	Plate LH	1
6	3691000229^	Pin Weld	4	38	4706004067	Plate RH	1
7	7115151023^	Capscrew, 0.31"-18NC x 1.25"	6	39	7189000019	Rubber Bumper	2
8	7660152601^	Locknut, 0.31"-18NC	6	40	7114140618	Capscrew, 0.25"-20NC x .75"	2
9	4691000497^	Pin	2	41	7950140143	Flatwasher, 0.25" ID	18
10	3592000052^	Link Weld	2	42	7114140427	Capscrew, 0.25"-20NC x .50"	4
11	3592000051^	Link Weld	2	43	3619000001	Manifold Weld	2
12	4706003497^	Plate	2	44	7445040445	Elbow	4
13	7754000022^	Retaining Ring	4	45	7115140850	Capscrew, 0.25"-20NC x 1.00"	4
14	7785140870^	Set Screw, 0.25"-20NC x .50"	2	46	7660142604	Locknut, 0.25"-20NC	12
15	7440030000^	Grease Fitting	1	47	7592000004	Swivel Link	2
16	7701000007^	Plug Button	1	48	7843000031	Extension Spring	2
17	3691000230^	Pin Weld	2	49	4706003501	Plate	2
18	3020000116^	Arm Weld LH	1	50	7719000004	Roller	2
19	3020000117^	Arm Weld RH	1	51	7691000040	Clevis Pin	2
20	8411080091^	L-Arm Spacer	2	52	7691000042	Cotter Pin	2
21	7082000027#	Bearing	4	53	7912000174	Tube Assembly	2
22	7082000026*+	Bearing	10	54	7274000073	Hose Clamp	8
23	4314000076^	Coverplate	2	55	7950160153	Flatwasher, 0.38" ID	2
24	7114140518^	Capscrew, 0.25"-20NC x .62"	4	56	7660162604	Locknut, 0.38"-16NC	2
25	7785140400^	Set Screw, 0.25"-20NC x .25"	2				
26	7274000086^	Clamp Half	4				
27	7274000039^	Clamp Cover	2				
28	7115151250^	Capscrew, 0.31"-18NC x 1.50"	4				
29	7950160000^	Lockwasher, 0.38" ID	2				
30	4619000013^	Hydraulic Manifold	1				
31	7912000184^	Tube Assembly	4				
32	7445040443^	Adapter	4				

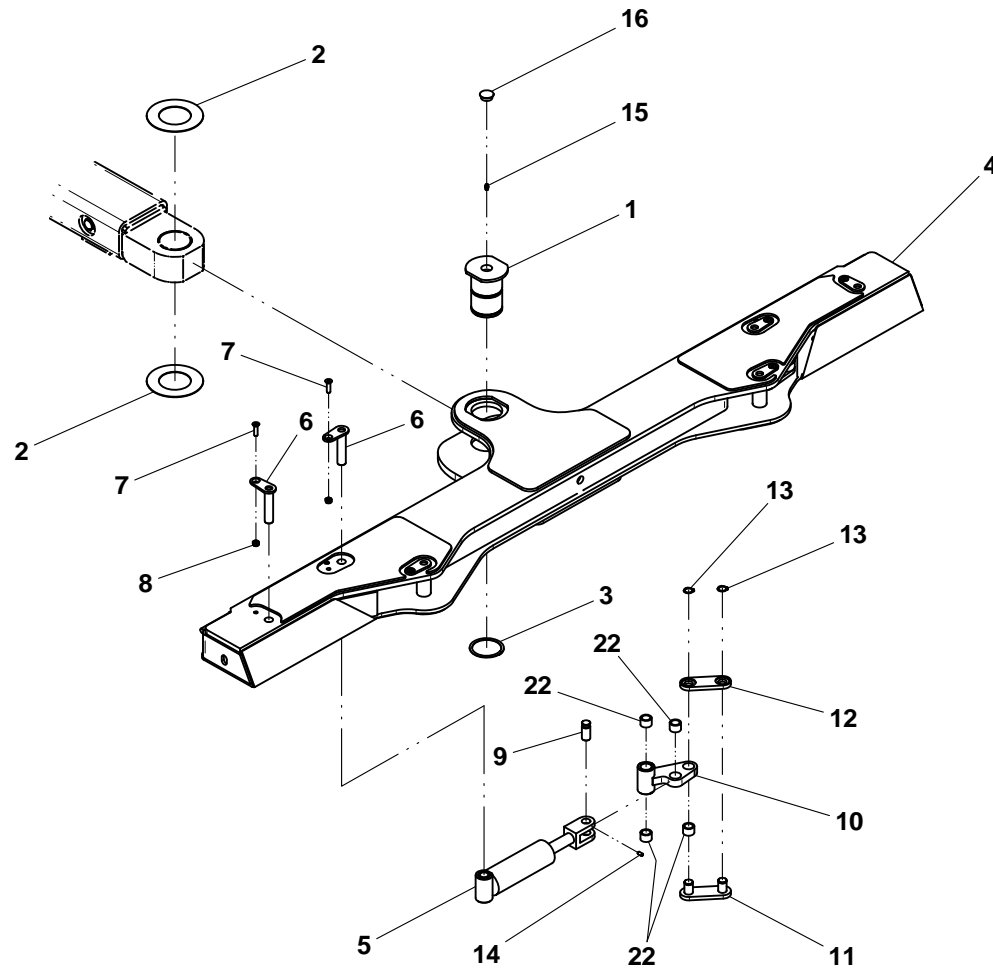
# also available in Arm Weldments, P/N 3020000116 & 3020000117

\* quantity of 1 also available in each of Arm Weldments, P/N 3020000116 & 3020000117

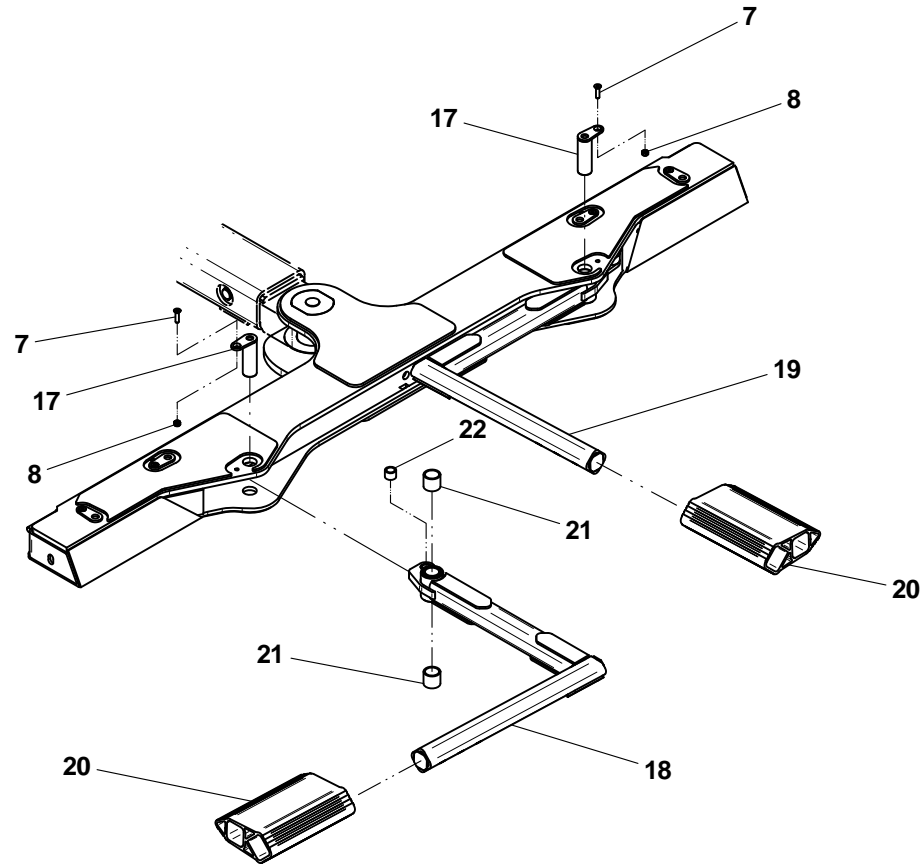
+ quantity of 8 also available in Link Weldments, P/N 3592000052

^ also available in Grid Assembly, P/N 3484000069

# HYDRAULIC WHEEL LIFT GRID

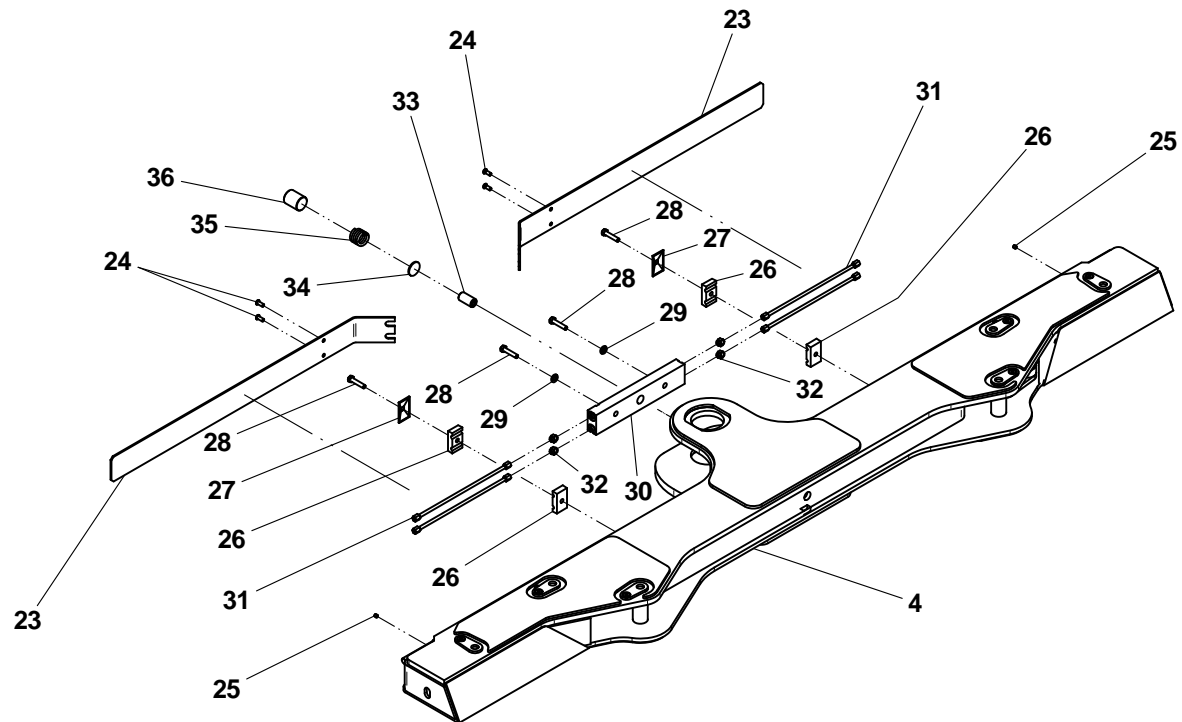


## HYDRAULIC WHEEL LIFT GRID

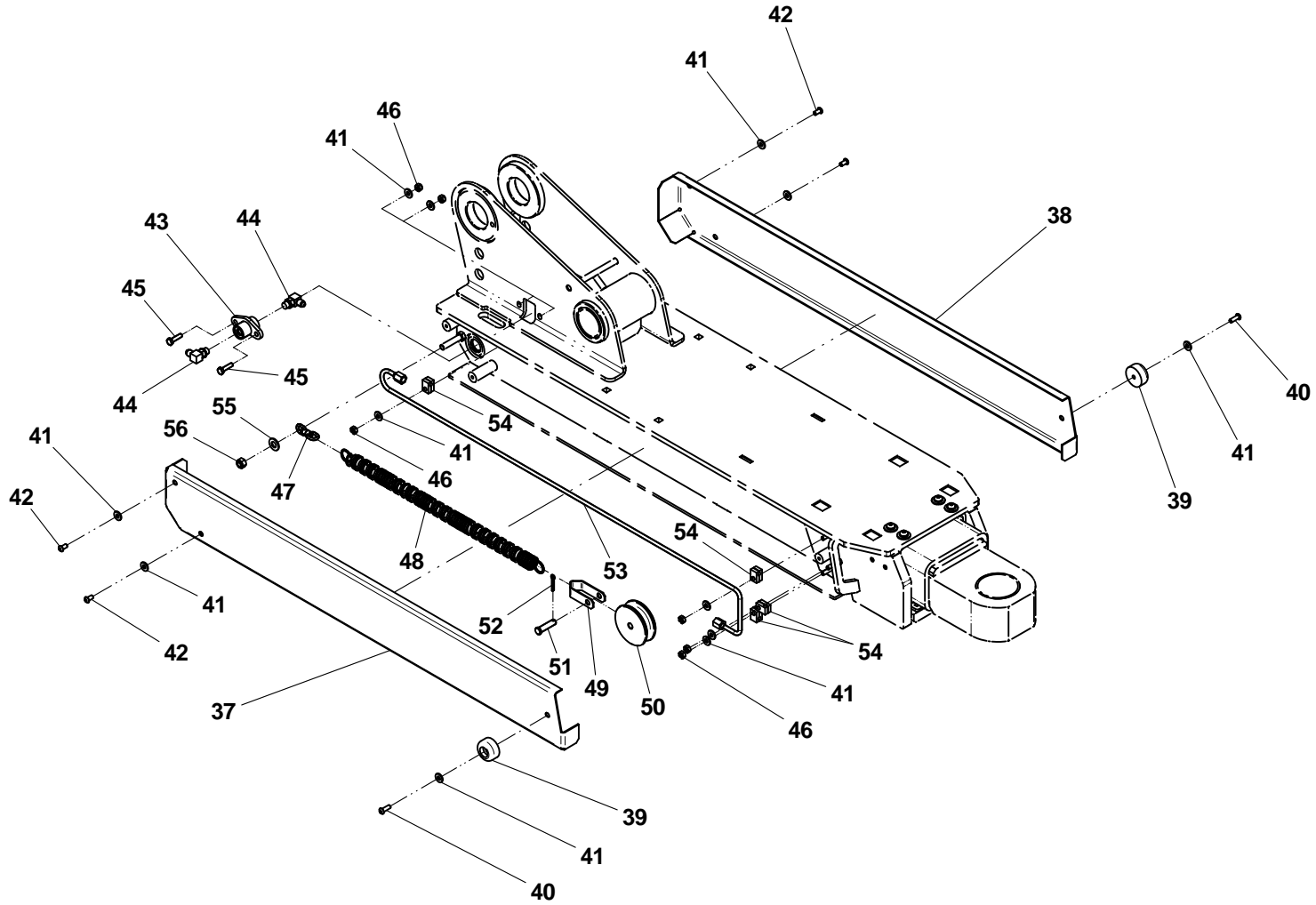




# HYDRAULIC WHEEL LIFT GRID



# HYDRAULIC WHEEL LIFT GRID

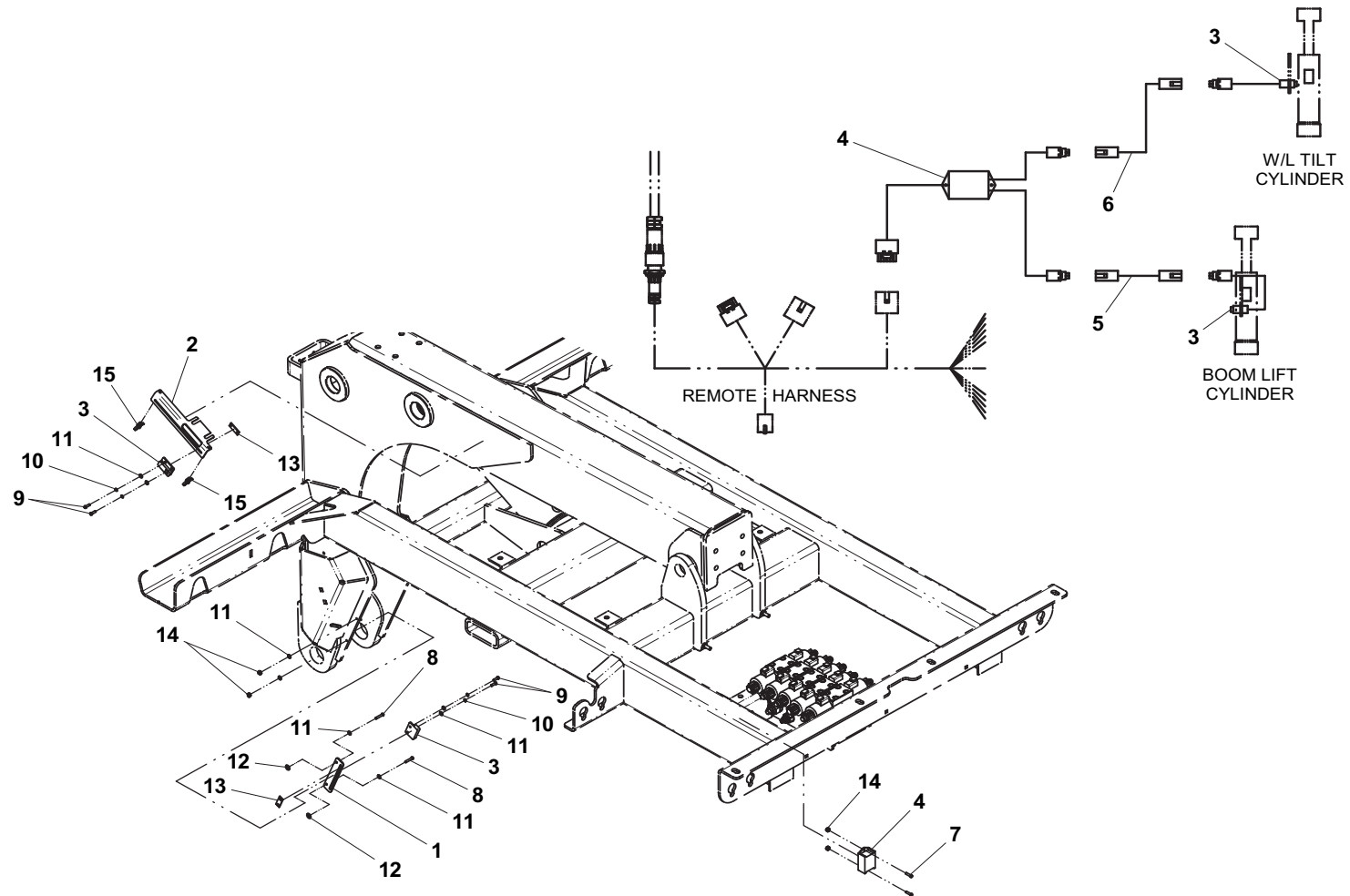


THIS PAGE INTENTIONALLY LEFT BLANK

**UNDER LIFT LEVEL STOP**

ITEM	PART NO.	DESCRIPTION	QTY
1	4178000709	Bracket	1
2	4178000705	Bracket	1
3	7870000126	Proxi Switch	2
4	7346000218	Controller	1
5	7552000367	Lift Cyl Switch to Controller Harness	1
6	7552000368	Tilt Cyl Switch to Controller Harness	1
7	7114100618	Capscrew, #10-24NC x 0.75"	2
8	7114100818	Capscrew, #10-24NC x 1.00"	2
9	7114100518	Capscrew, #10-24NC x 0.63"	4
10	7950100003	Lockwasher, 0.19" ID	4
11	7950100103	Flatwasher, 0.19" ID	8
12	7950100163	Flatwasher, 0.19" ID	8
13	7661000056	Weld Nut, #10-24NC	2
14	7660102604	Locknut, #10-24NC	4
15	7894000042	Tie Strap	4
16	5526000553	Tie Strap	10
17	7894000004	Tie Strap	3

# UNDER LIFT LEVEL STOP

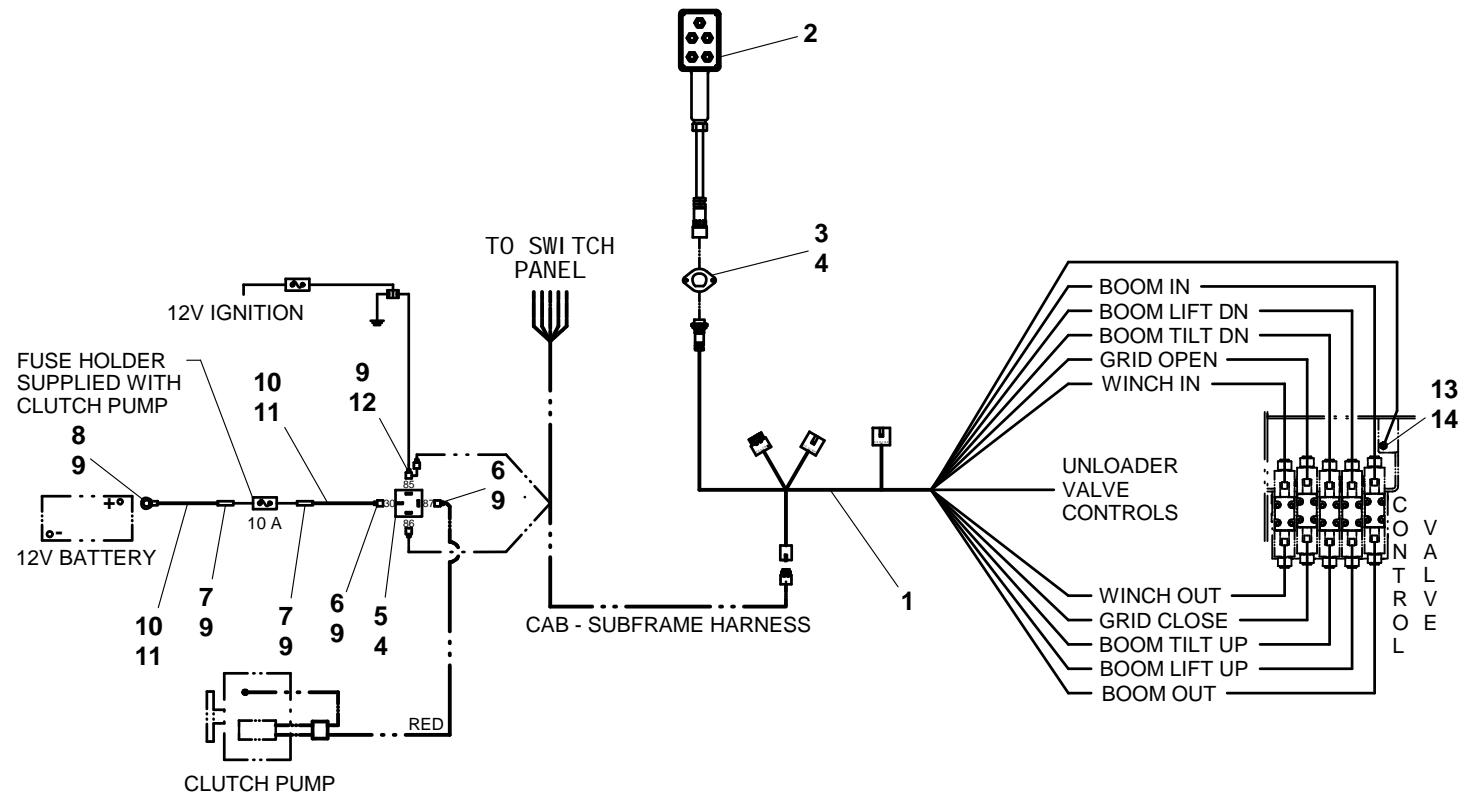


Items #16 & #17, Tie Straps, not shown  
 2 of item #15, Tie Strap, not shown

**REMOTE CONTROLS**

ITEM	PART NO.	DESCRIPTION	QTY
1	7552000365	Control Valve to Subframe Harness	1
2	7295000061	Hand Controller	1
3	4706003402	Plate	1
4	7790100856	Screw, #10 x 0.50"	3
5	7740000003	Relay	1
6	7345001710	Tab	2
7	7345001714	Terminal	1
8	7345221702	Terminal	1
9	7346000039	Tubing	1
10	8977500100	Wire #16 ga	36in
11	8597650002	Wire Loom	36in
12	7345001747	Fastener	1
13	7870000092	Toggle Switch	1
14	7560000004	Switch Boot	1

# REMOTE CONTROLS



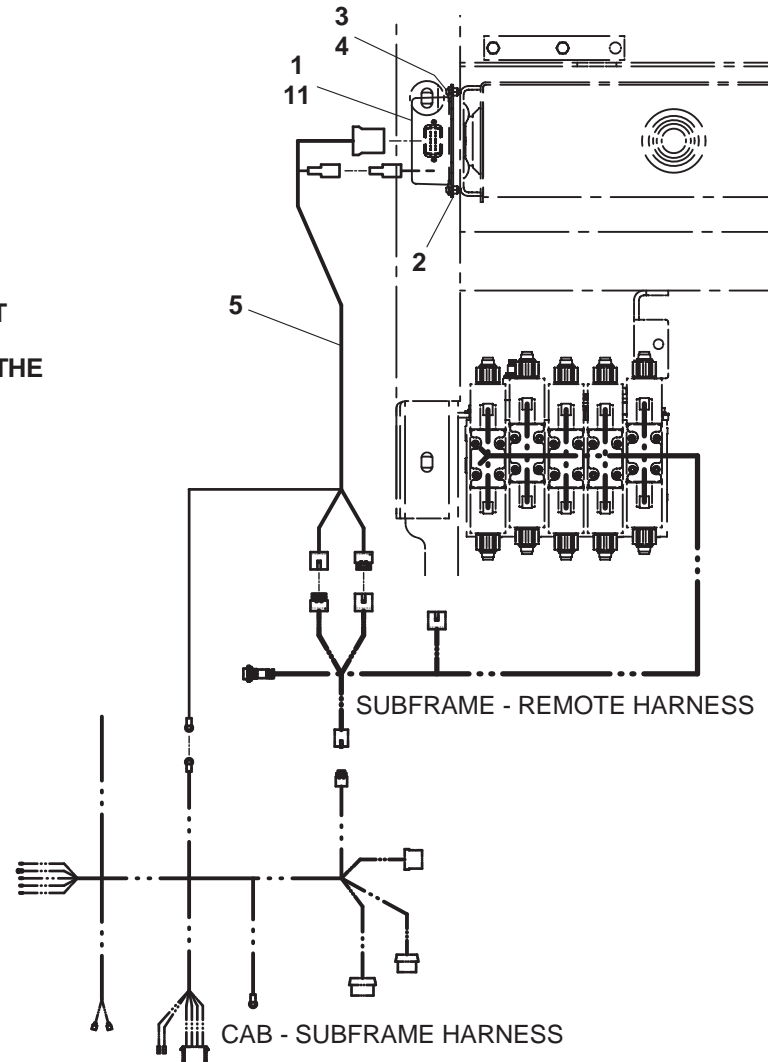
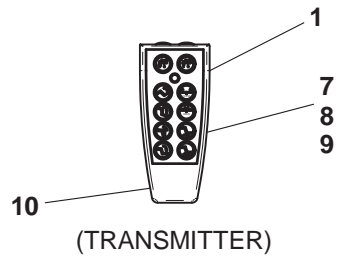
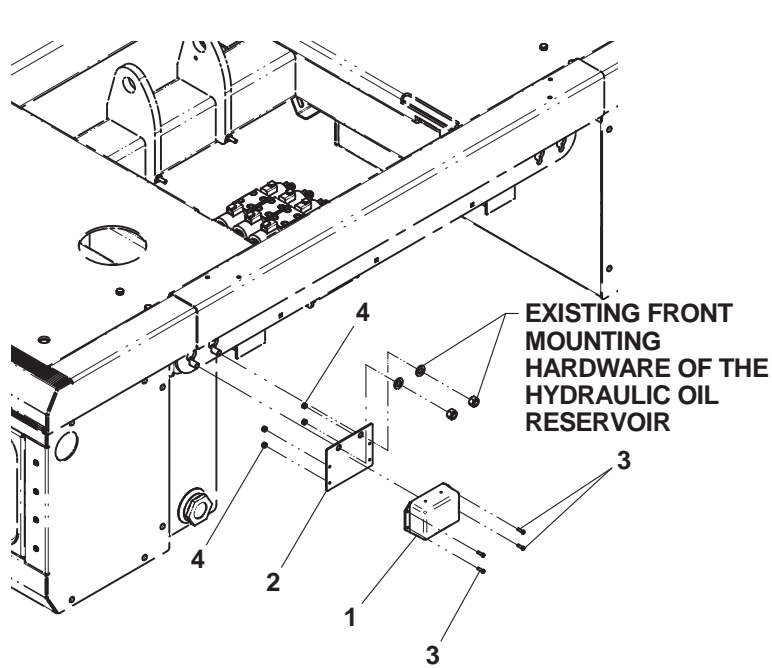
**WIRELESS REMOTE CONTROLS**

ITEM	PART NO.	DESCRIPTION	QTY
1	7295000117	Wireless Controller 10 Func	1
2	4636000038	Mounting Plate	1
3	7114100518	Capscrew, #10-24NC x 0.62"	4
4	7660102604	Locknut, #10-24NC	4
5	7552000386	Controller to 5 Sect Valve Harness	1
6	5526000553	Tie Strap	5
7	9295310046*	Transmitter	1
8	9295310029*	Rubber Boot	1
9	9295310030*	Belt Clip	1
10	7075000003	Battery, 9V	1
11	9295310050*	Receiver	1

\* included in Wireless Controller 10 Func, P/N 7295000117



# WIRELESS REMOTE CONTROLS



Item #6, Tie Strap, not shown

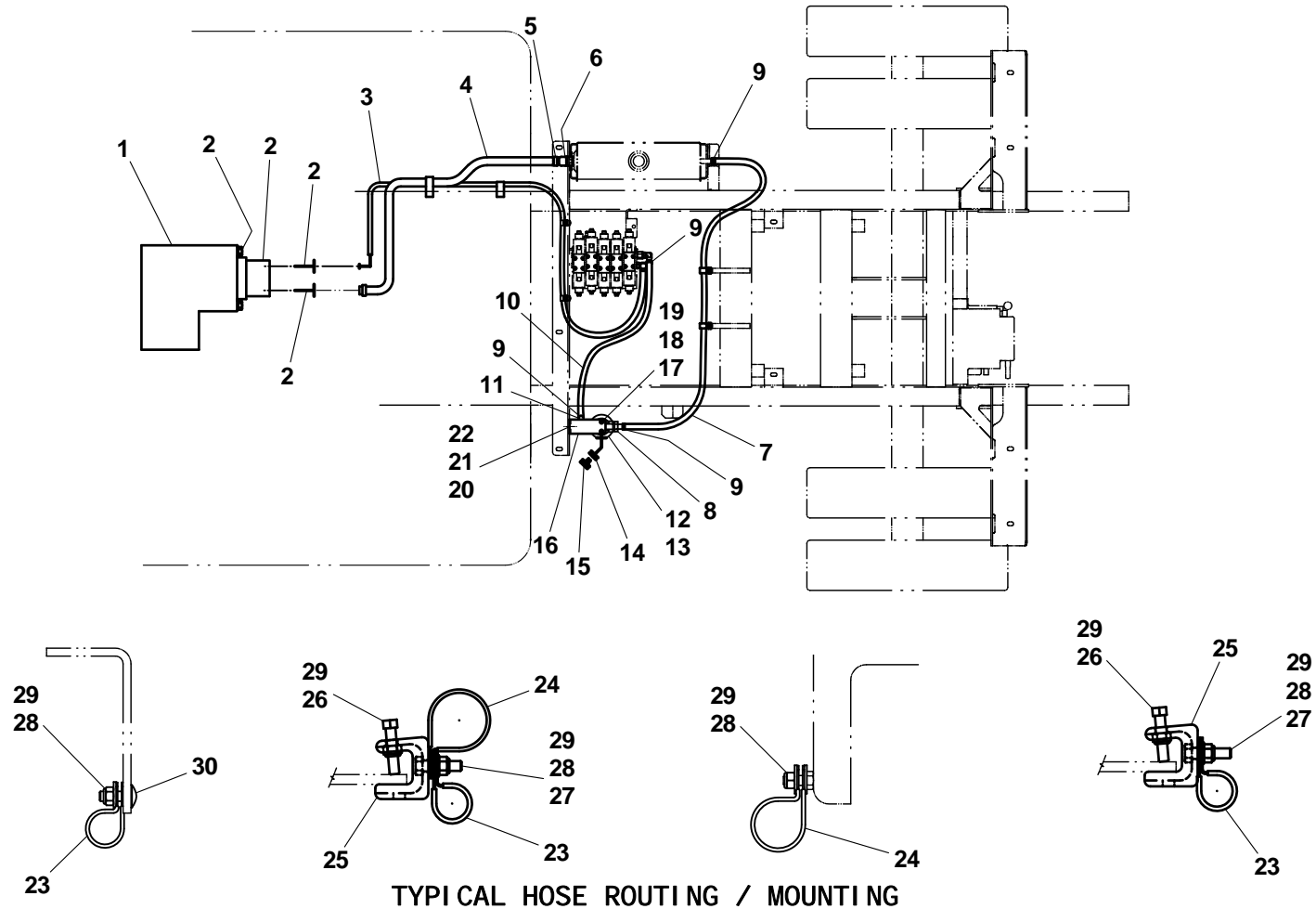
**HYDRAULIC COMPONENTS - HOSE ROUTING / MOUNTING**

ITEM	PART NO.	DESCRIPTION	QTY
1	See Note 1	PTO	1
2	See Note 1	Pump, Fittings and Mtg Hardware	1
3	4567632141	Hose Assembly (60" CA)	1
	4567632166	Hose Assembly (84" CA)	
4	4570000308	Hose (60" CA)	1
	4570000309	Hose (84" CA)	
5	7443000013	Fitting	1
6	7274000002	Clamp	2
7	4570000307	Hose	1
8	7443000374	Fitting	1
9	7274000047	Clamp	4
10	4570000306	Hose	1
11	7443000319	Fitting	1
12	7430000003	Filter Assembly	1
13	7431000001^	Filter Element	1
14	7443000066	Fitting	1
15	7470000002	Gauge	1
16	4178000719	Bracket	1
17	7114140518	Capscrew, 0.25"-20NC x 0.63"	2
18	7950140003	Lockwasher, 0.25" ID	2
19	7950140143	Flatwasher, 0.25" ID	2
20	7115181064	Carriage Bolt, 0.50"-13NC x 1.25"	1
21	7950180161	Flatwasher, 0.50" ID	1
22	7660182601	Locknut, 0.50"-13NC	1
23	7274000105	Clamp	7
24	7274000042	Clamp	6
25	7274000076	Cast Frame Clamp	2
26	7785152420	Set Screw, 0.31"-18NC x 1.50"	2
27	7115151050	Capscrew, 0.31"-18NC x 1.25"	5
28	7950150161	Flatwasher, 0.31" ID	12
29	7660152601	Locknut, 0.31"-18NC	11
30	7115150864	Carriage Bolt, 0.31"-18NC x 1.00"	2

Note 1: Varies depending on chassis, transmission and PTO type.  
Consult factory for part numbers.

^ Also available in Filter Assembly, P/N 7430000003

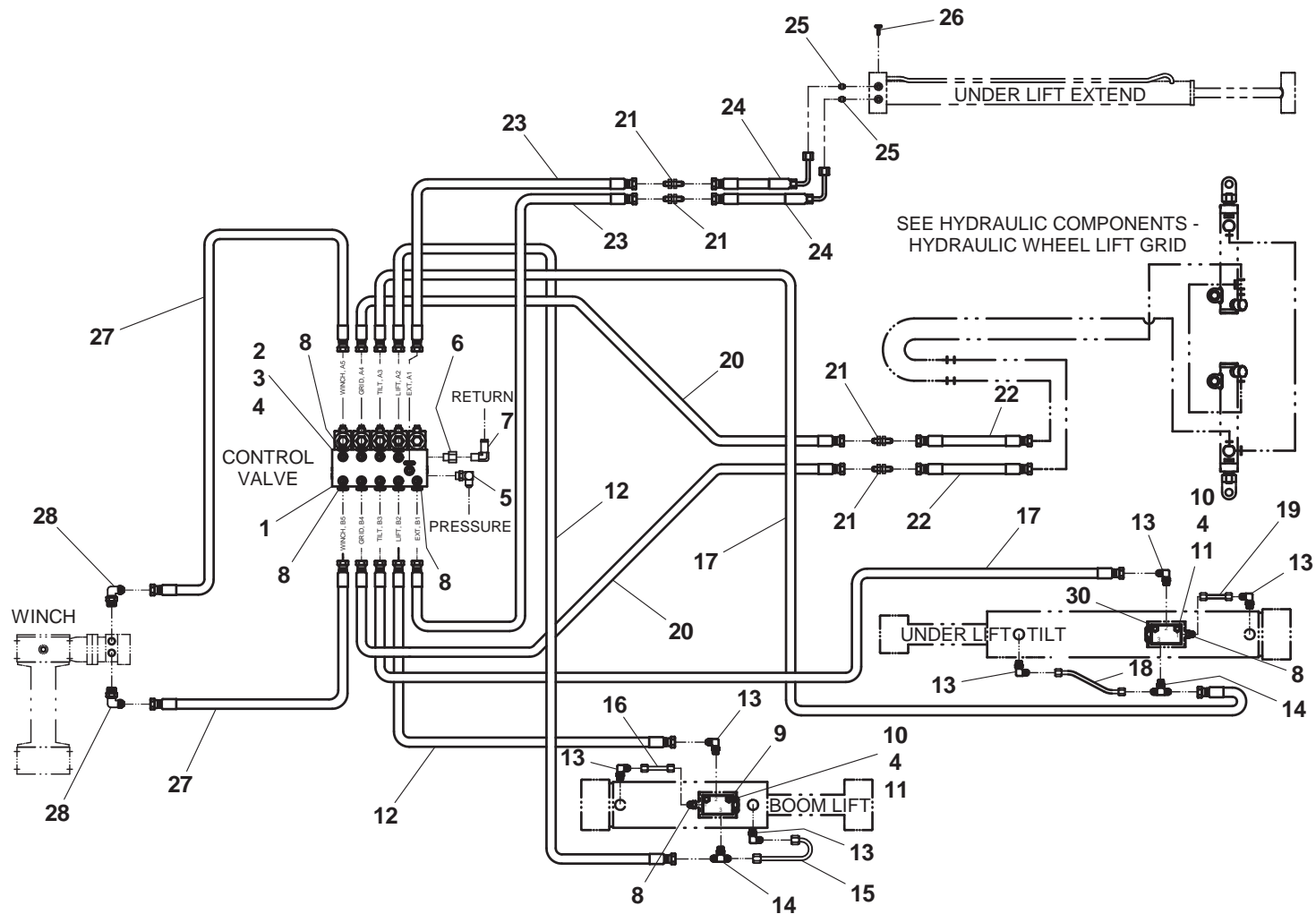
# HYDRAULIC COMPONENTS - HOSE ROUTING / MOUNTING



**HYDRAULIC COMPONENTS - STANDARD**

ITEM	PART NO.	DESCRIPTION	QTY
1	7935000311	Valve Assembly	1
2	7115150650	Capscrew, 0.31"-18NC x 0.75"	4
3	7950150000	Lockwasher, 0.31" ID	4
4	7950150161	Flatwasher	8
5	7445080845	Elbow	1
6	7443000435	Fitting	1
7	7443000436	Fitting	1
8	7445060643	Adapter	12
9	7935000308	Counterbalance Valve	1
10	7114151650	Capscrew, 0.31"-18NC x 2.00"	4
11	7660152601	Locknut, 0.31"-18NC	4
12	4567120056	Hose Assembly	2
13	7445060645	Elbow	6
14	7445060647	Tee	2
15	7912000080	Tube Assembly	1
16	7912000291	Tube Assembly	1
17	4567120087	Hose Assembly	2
18	7912000292	Tube Assembly	1
19	7912000078	Tube Assembly	1
20	4567120118	Hose Assembly	2
21	7445060625	Fitting	4
22	4570000305	Hose	2
23	4567120112	Hose Assembly	2
24	7570000304	Hose	2
25	7445040443	Adapter	2
26	7443000114	Plug	1
27	4570000303	Hose	2
28	7445081045	Elbow	2
29	4819000008	Hose Sleeve	1
30	7935000354	Counterbalance Valve	1

# HYDRAULIC COMPONENTS - STANDARD

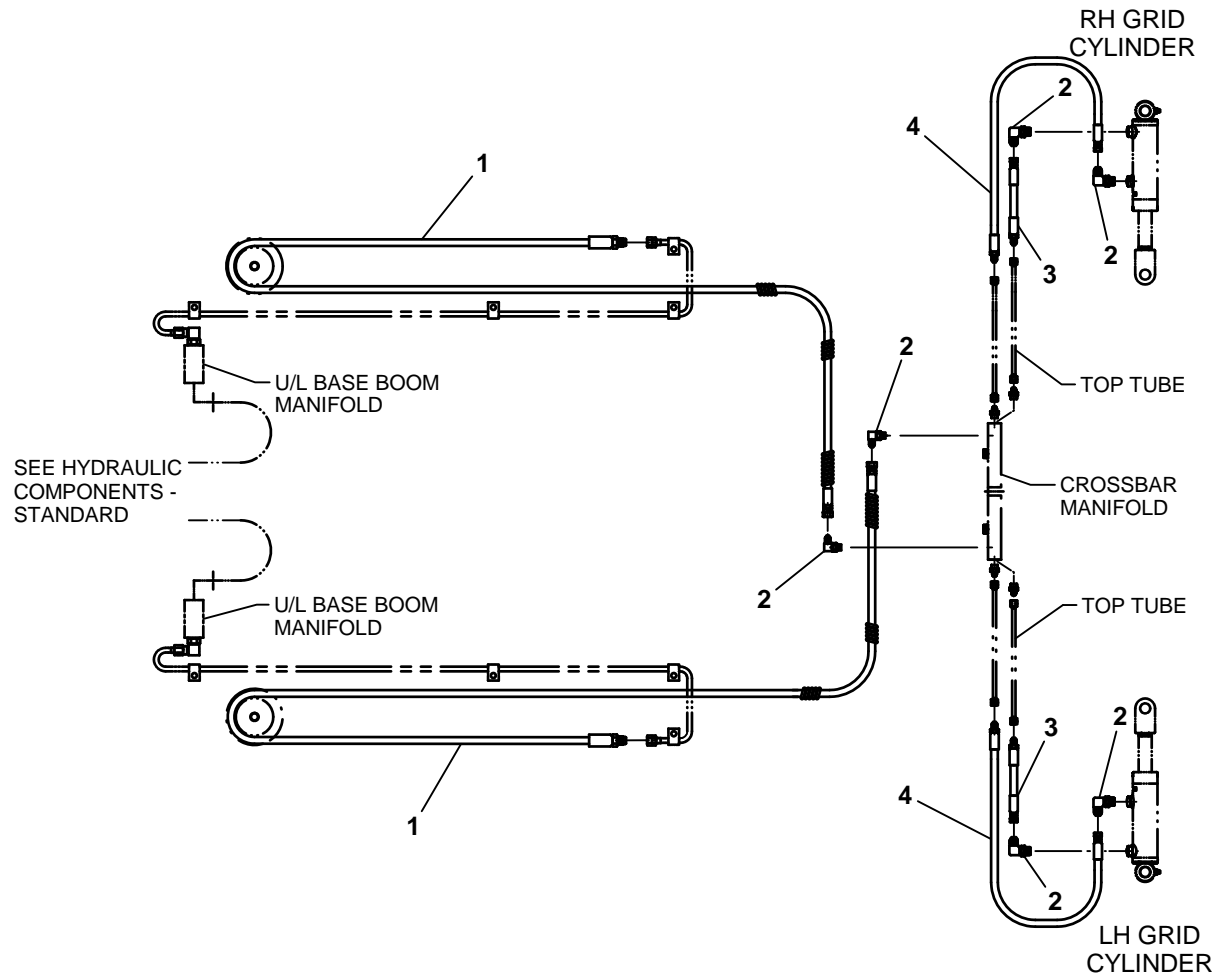


Item #29, Hose Sleeve, not shown

**HYDRAULIC COMPONENTS - HYDRAULIC WHEEL LIFT GRID**

ITEM	PART NO.	DESCRIPTION	QTY
1	4570000210	Hose Assembly	2
2	7445040445	Elbow	6
3	4570000211	Hose Assembly	2
4	4570000212	Hose Assembly	2

# HYDRAULIC COMPONENTS - HYDRAULIC WHEEL LIFT GRID

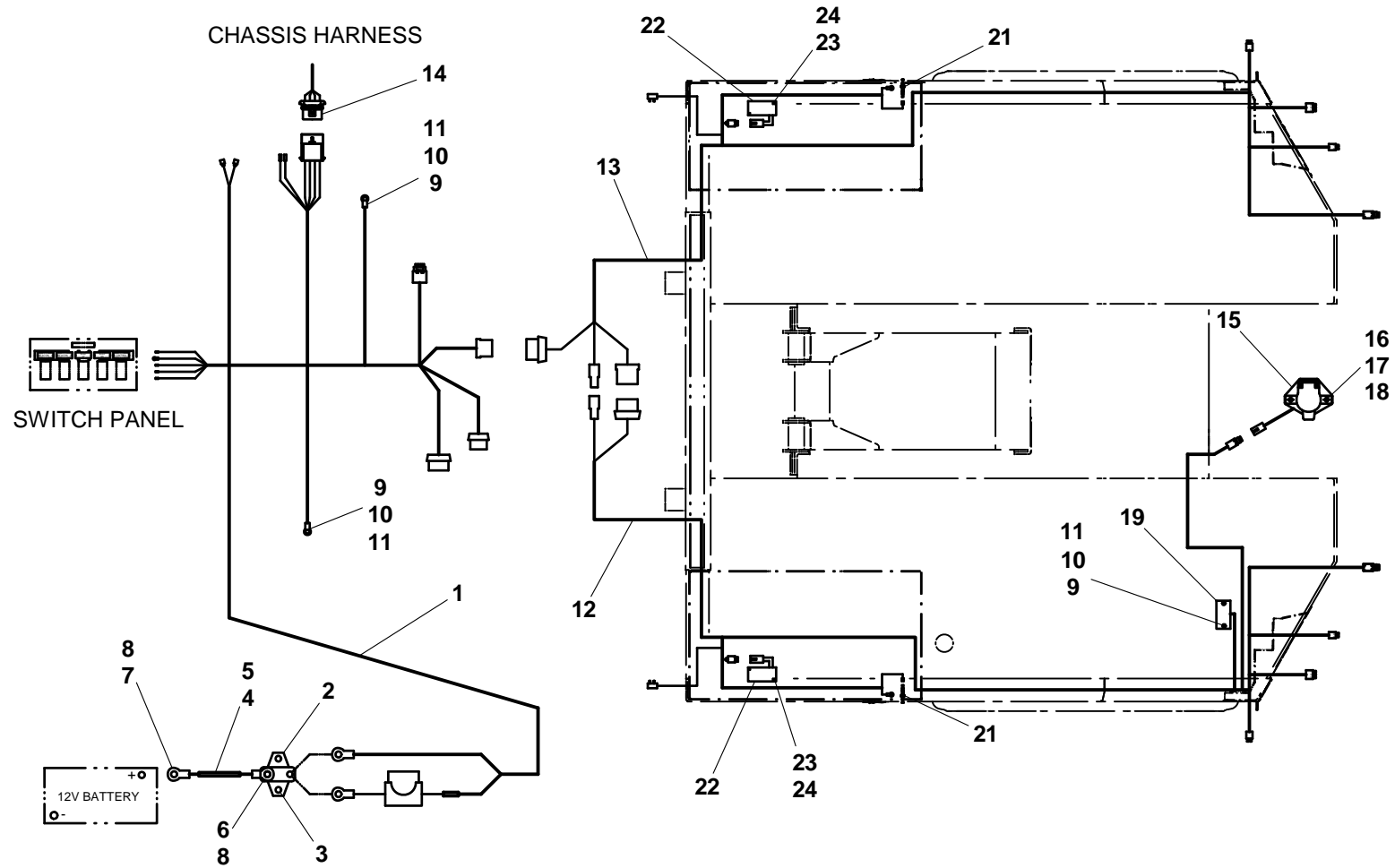


**ELECTRICAL COMPONENTS - BODY - STANDARD**

ITEM	PART NO.	DESCRIPTION	QTY
1	7552000292	Cab to Subframe Harness	1
2	7457000004	Circuit Breaker - 50 amp	1
3	7792000001	Screw, #10 x .75"	2
4	8977530200	Wire 10ga	36in
5	8597650002	Convolute Wire Loom	36in
6	7345211902	Terminal	1
7	7345221902	Terminal	1
8	7346000039	Heat Shrink Tubing	24in
9	7111141050	Capscrew, 0.25"-20NC x 1.25"	4
10	7950140141	Flatwasher, 0.25" ID	6
11	7660142600	Locknut, 0.25"-20NC	4
12	7552000290	LH Body Harness	1
13	7552000291	RH Body Harness	1
14	7577000194	Wiring Connector Kit - Chassis	1
15	7291000010	4-Way Receptacle	1
16	7111140613	Capscrew, 0.25"-20NC x .75"	2
17	7950140000	Lockwasher, 0.25" ID	2
18	7413000002	Nutsert, 0.25"-20NC	2
19	7011000003	Back-up Alarm	1
20	7894000042	Tie Strap	25
21	7870000115	Pin Switch	2
22	7590000273	Dome Light	2
23	7790100856	Screw, #10 x .50"	4
24	7661000047	Nylon Nut, #8	4



# ELECTRICAL COMPONENTS - BODY - STANDARD

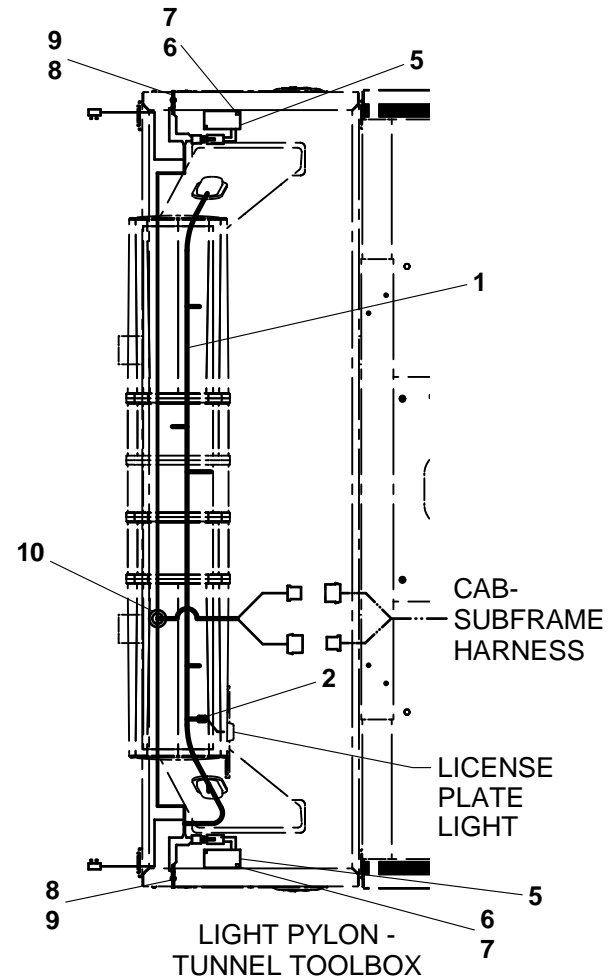
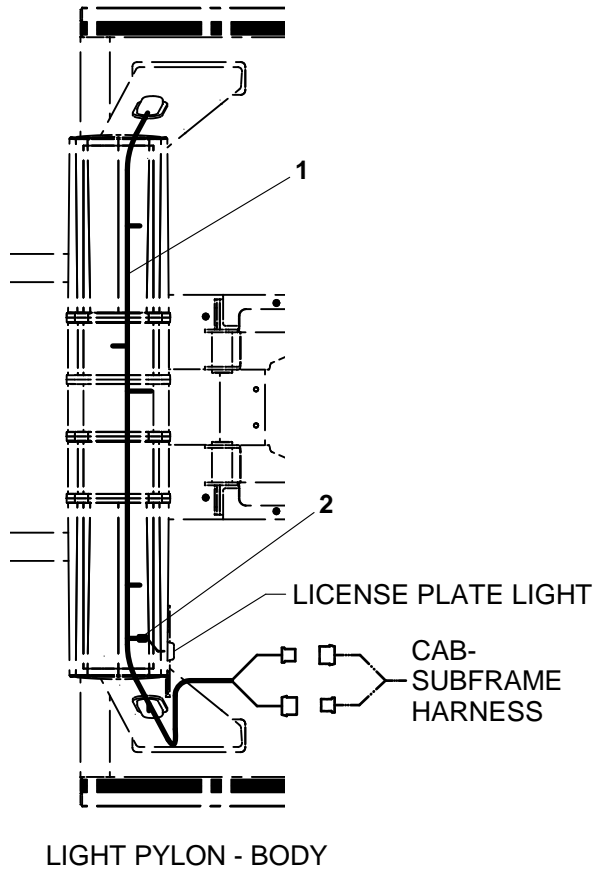


Item #20, Tie Strap, not shown.

**ELECTRICAL COMPONENTS - PYLON LIGHTS / TUNNEL WIRING**

ITEM	PART NO.	DESCRIPTION	QTY
1	7552000293	Headboard Harness (Headboard only)	1
	7552000295	Headboard/Tunnel Harness (Hdbd & Tunl)	
2	7346000039	Heat Shrink Tubing	6in
3	7894000042	Tie Strap (Headboard only)	1
	7894000042	Tie Strap (Headboard & Tunnel)	3
4	5526000553	Tie Strap (Headboard only)	1
	5526000553	Tie Strap (Headboard & Tunnel)	8
5	7590000274	Dome Light	2
6	7790100856	Screw, #10 x .50"	4
7	7661000047	Nylon Nut, #8	4
8	7870000115	Pin Switch	2
9	7413000013	Fastener	2
10	7493000011	Grommet	1

# ELECTRICAL COMPONENTS - PYLON LIGHTS / TUNNEL WIRING

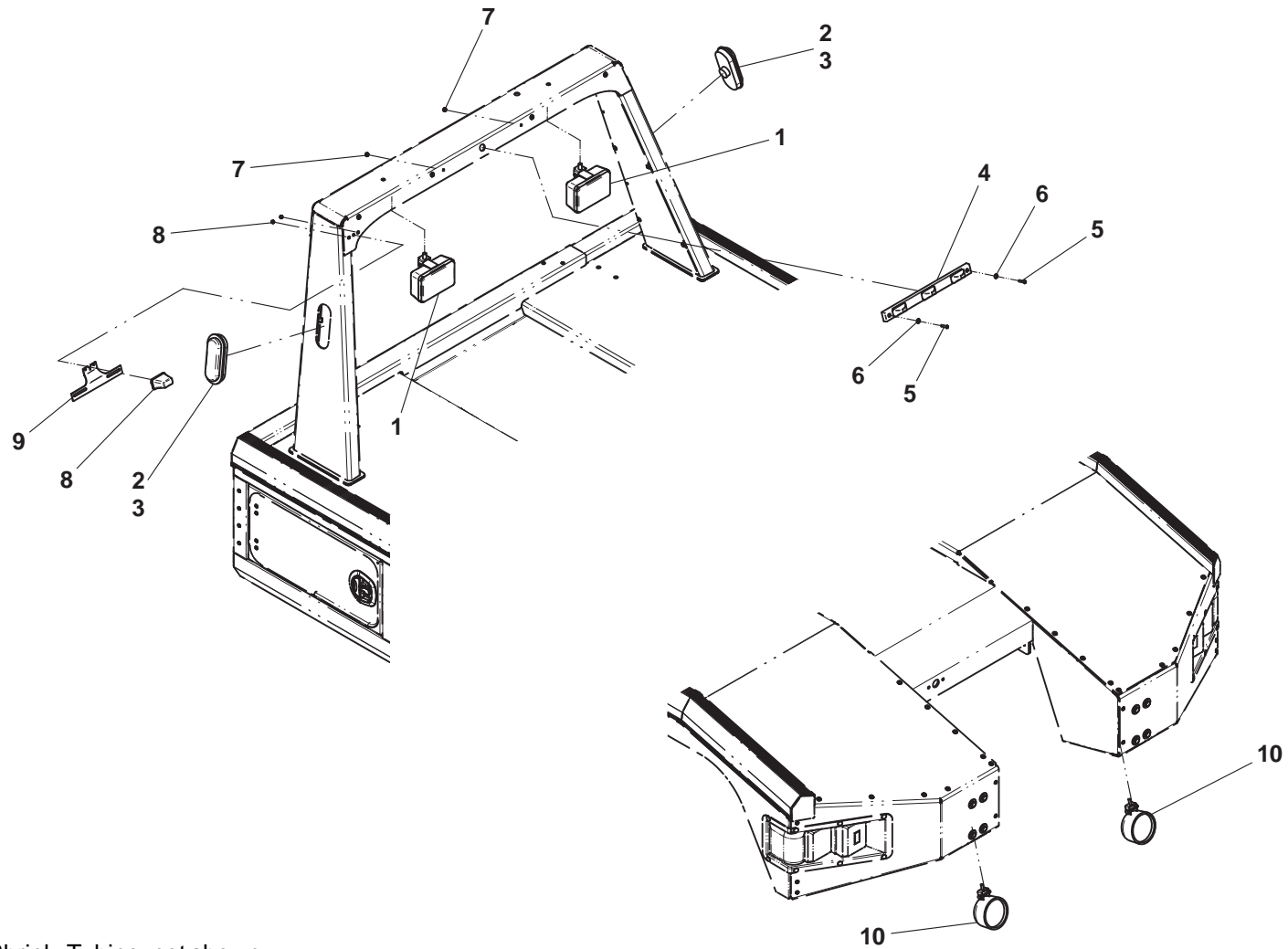


Item #3, Tie Strap, not shown  
 Item #4, Tie Strap, not shown

**WORK LIGHTS - MARKER LIGHTS**

ITEM	PART NO.	DESCRIPTION	QTY
1	7590000144	Work Light	2
2	7590000095	Marker Light - Amber (Std)	2
	7590000300	Marker Light - Amber (LED)	
3	7493000026	Marker Light Grommet	2
4	7590000193	ID Marker Light - Amber (Std) (Dual 22" Lightbar)	1
	7590000316	ID Marker Light - Amber (LED) (Dual 22" Lightbar)	
5	7114141018	Capscrew, 0.25"-20NC x 1.25" (Dual 22" Lightbar)	2
6	7950140143	Flatwasher, 0.25" ID (Dual 22" Lightbar)	2
7	7660142601	Locknut, 0.25"-20NC (Dual 22" Lightbar)	2
8	7590000105	License Plate Light	1
9	7178000025	License Plate Bracket	1
10	7590000185	Worklight	2
11	7346000039	Heat Shrink Tubing (Upper wrk Lt)	6in
12	7894000010	Tie Strap (Pylon Marker Lights)	2
	7894000042	Tie Strap (License Plate Light)	1
	5526000553	Tie Strap (License Plate Light)	1
13	5525000752	Magnetic Tow Lights	1

## WORK LIGHTS - MARKER LIGHTS

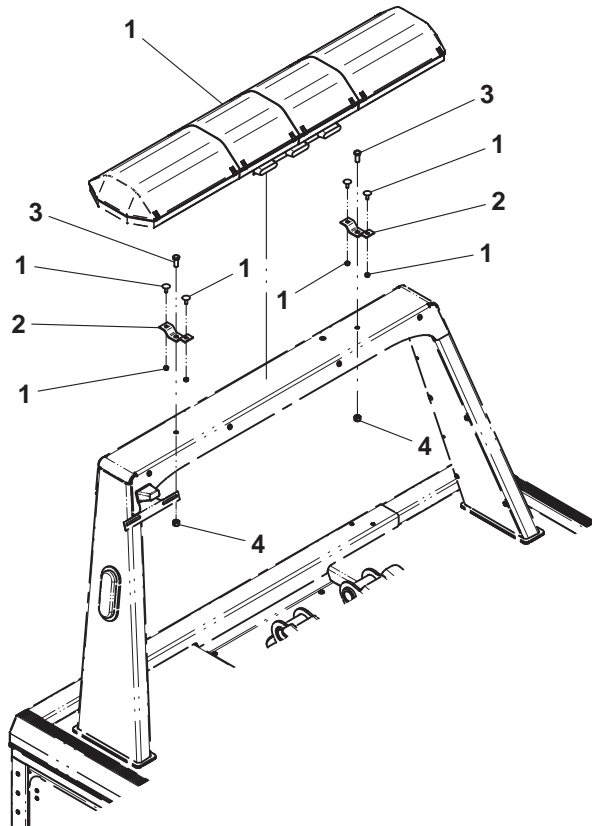


Item #11, Heat Shrink Tubing, not shown  
Item #12, Cable Ties, not shown  
Item #13, Magnetic Tow Lights, not shown

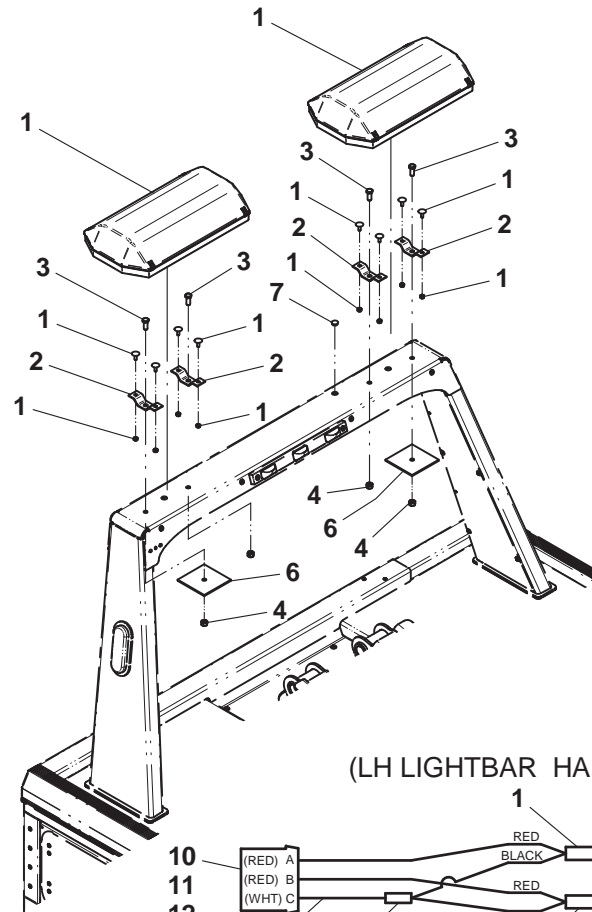
**LIGHTBAR - SINGLE / DUAL**

ITEM	PART NO.	DESCRIPTION	QTY
1	7590000307	Lightbar, Amber (Std) (58" Lightbar)	1
	7590000312	Lightbar, Amber (LED) (58" Lightbar)	1
	7590000336	Lightbar, Amber (Strobe) (58" Lightbar)	1
	7590000309	Lightbar, Amber (Std) (Dual 22" Lightbar)	2
	7590000332	Lightbar, Amber (Strobe) (22" Lightbar)	2
2	4178000402	Bracket (58" Lightbar)	2
	4178000402	Bracket (Dual 22" Lightbar)	4
3	7115181050	Capscrew, 0.50"-13NC x 1.25" (58" Lightbar)	2
	7115181050	Capscrew, 0.50"-13NC x 1.25" (Dual 22" Lightbar)	4
4	7660182601	Locknut, 0.50"-13NC (58" Lightbar)	2
	7660182601	Locknut, 0.50"-13NC (Dual 22" Lightbar)	4
5	7346000039	Heat Shrink Tubing	6in
6	4706005001	Plate (Dual 22" Lightbar)	2
7	7701000032	Hole Plug (Dual 22" Lightbar)	1
8	7345001914	Terminal (Dual 22" Lightbar)	1
9	8977030300	Wire, #12 ga (Dual 22" Lightbar)	6in
10	7346000097	Connector (Dual 22" Lightbar)	1
11	7346000102	Terminal (Dual 22" Lightbar)	2
12	7346000103	Wire Seal (Dual 22" Lightbar)	2
13	7346000100	Terminal (Dual 22" Lightbar)	1
14	7346000101	Wire Seal (Dual 22" Lightbar)	1
15	7346000108	Connector Lock (Dual 22" Lightbar)	1

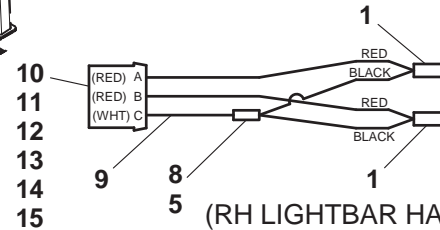
# LIGHTBAR - SINGLE / DUAL



Item #5, Heat Shrink Tubing, not shown



(LH LIGHTBAR HARNESS)



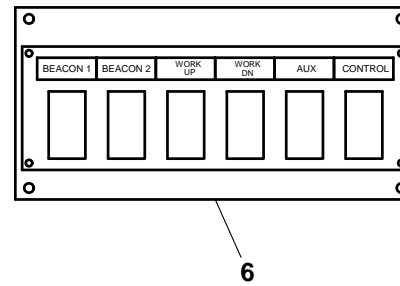
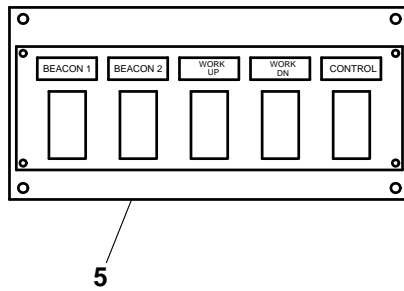
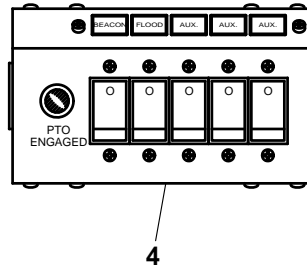
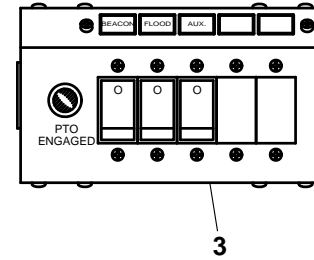
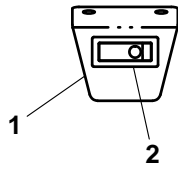
(RH LIGHTBAR HARNESS)

**SWITCH PANELS**

ITEM	PART NO.	DESCRIPTION	QTY
1	4178000403	Bracket - 1 Function Switch Panel	1
2	7870000083	Switch	1
3	7870000053	Switch Panel - 3 Function, Under Dash	1
4	7870000063	Switch Panel - 5 Function, Under Dash	1
5	7870000089	Switch Panel - 5 Function	1
6	7870000117	Switch Panel - 6 Function, In-Dash	1



# SWITCH PANELS



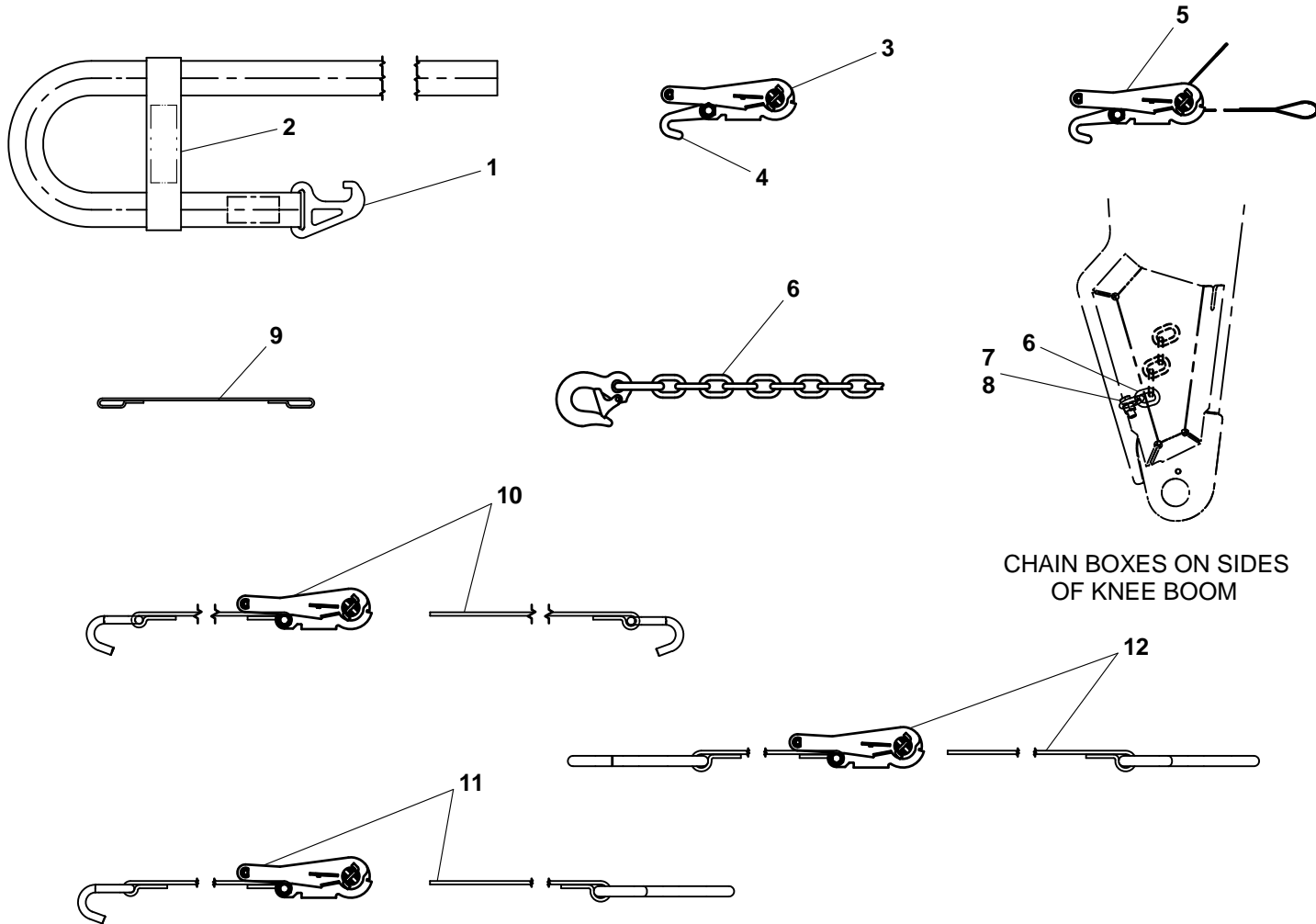
**CHAIN AND STRAPS**

ITEM	PART NO.	DESCRIPTION	QTY
1	7894000061*	Tire Tie-Down Strap	2
2	7894000059*	Tire Tie-Down Strap Choker	2
3	7894000028*	Tire Tie-Down Strap Ratchet	2
4	7561000024*	Tire Ratchet Hook	2
5	7894000034	Wheel Lift Tire Strap	2
6	7262000040	Wheel Lift Chain	2
7	7115181050	Capscrew, 0.50"-13NC x 1.25"	2
8	7660182601	Locknut, 0.50"-13NC	2
9	7894000065+	Tie-Down Strap (Motorcycle)	2
10	7894000064+	Front Tire Tie-Down Strap (Motorcycle)	1
11	7894000066+	Rear Tie-Down Strap (Motorcycle)	2
12	7894000067+	Front Tie-Down Strap (Motorcycle)	2

+ also available in Tie-Down Kit Motorcycle, P/N 7577000375

\* also available in Wheel Lift Tie-Down Strap & Ratchet Kit, P/N 7577000367

# CHAIN AND STRAPS

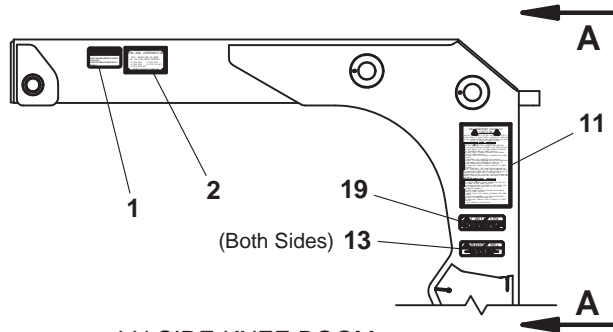


CHAIN BOXES ON SIDES OF KNEE BOOM

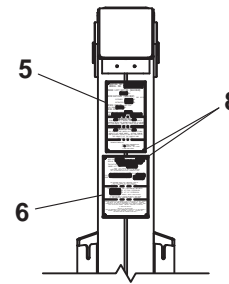
**DECALS**

ITEM	PART NO.	DESCRIPTION	QTY
1	7330000546	Decal - Winch Cable Wrap	1
2	7330000414	Decal - Self LoaderPatent	1
3	7330000034	Decal - Wheel Lift	1
4	7330000433	Jerr-Dan Nameplate	2
5	7330000287	Decal - Serial-Model Number -Rating	1
6	7330000307	Decal - Placard	1
7	7330000001	Serial Number Tag	1
8	7759000004	Pop Rivet	12
9	7330000697	Decal - Lubrication	1
10	7330000143	Decal - Made In The USA	1
11	7330000138	Decal - Wheel Lift Checklist	1
12	7330000139	Decal - Checklist Reminder	1
13	7330000122	Decal - Wheel Lift Polycarbonate	2
14	7330000699	Decal - Manual Valve Operation	1
15	7330000424	Decal - Tow Hitch	1
16	7330000036	Decal - Secure Vehicle	1
17	7330000037	Decal - Moving Parts	2
18	7330000609	Decal - Grease Required	1
19	7330000716	Decal - Lock-Out valve (Tow Sling only)	1

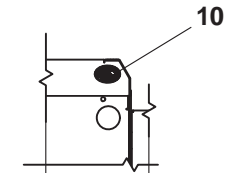
# DECALS



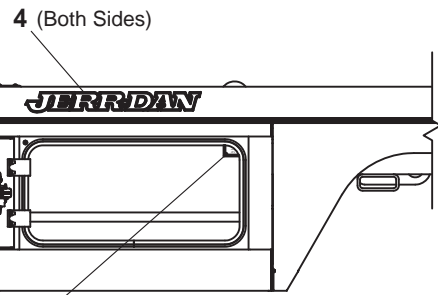
LH SIDE KNEE BOOM



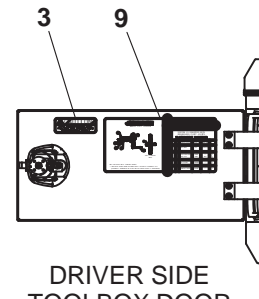
VIEW A-A



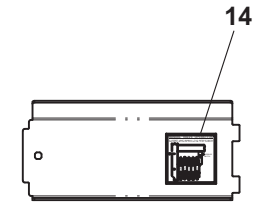
DRIVER'S  
SIDE  
BODYFRONT  
RUBRAIL



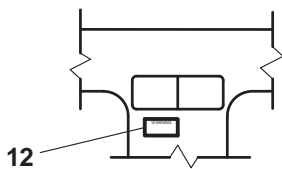
4 (Both Sides)  
7  
8 LH SIDE BODY



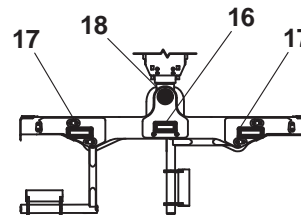
DRIVER SIDE  
TOOLBOX DOOR



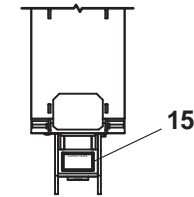
UNDERSIDE OF  
VALVE BANK  
COVER



CAB DASHBOARD



HYDRAULIC GRID  
WHEEL LIFT



TOW BALL HITCH

**WRECKER BOOM TILT CYLINDER ASSEMBLY - P/N 3320000224**

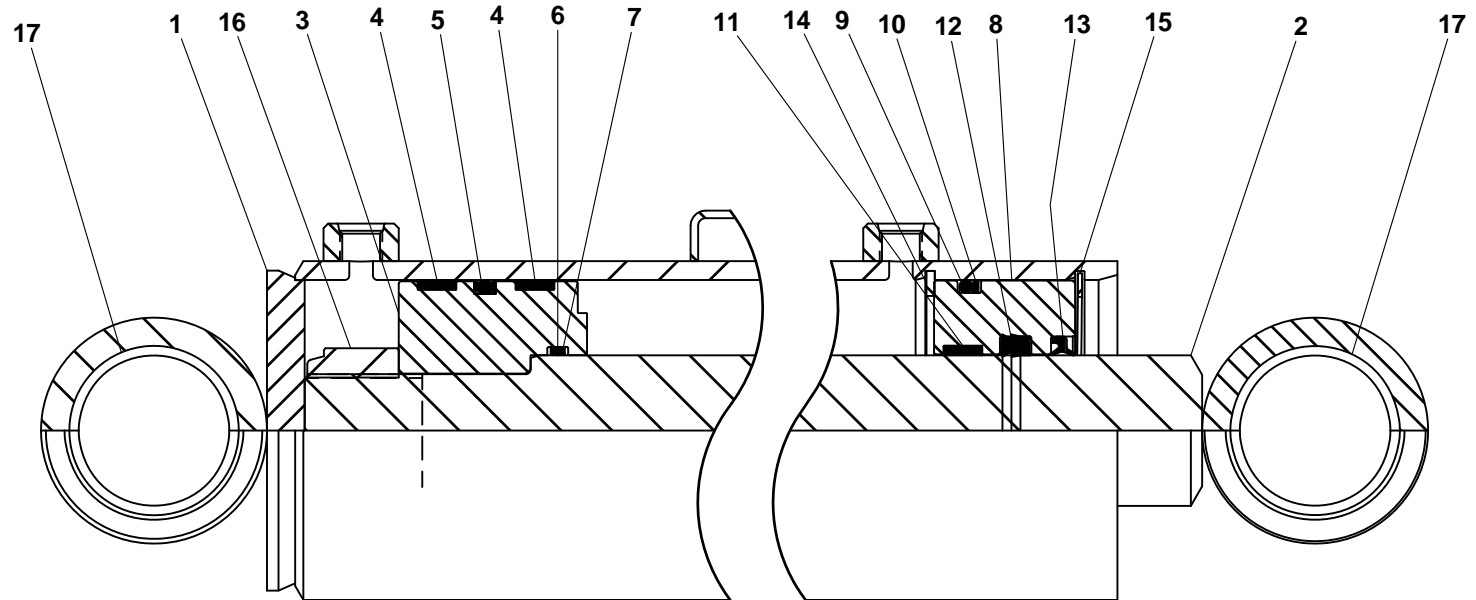
ITEM	PART NO.	DESCRIPTION	QTY
1	3071000208	Barrel Weld	1
2	3763000183	Rod Weld	1
3	4698000008*	Piston	1
4	7754000011* #	Wear Ring	2
5	7796000065* #	Piston Locking "T" Seal	1
6	7755226000* #	"O" Ring	1
7	7755226609* #	Back-Up Ring	2
8	4553000009^	Head	1
9	7755342000^ #	"O" Ring	1
10	7755342609^ #	Back-Up Ring	1
11	7754000012^ #	Wear Ring	1
12	7796000025^ #	Rod Seal	1
13	7796000011^ #	Rod Wiper Seal	1
14	7754000013 #	Retaining Ring	1
15	7754000028 #	Retaining Ring	1
16	7661000035	Locknut	1
17	7082000029	Bearing	4

\* included in Piston Assembly, P/N 3698000002

^ included in Head Assembly, P/N 3553000012

# available only in Service Kit #7577250026

# WRECKER BOOM TILT CYLINDER ASSEMBLY - P/N 332000224



**UNDERLIFT BOOM TILT CYLINDER ASSEMBLY - P/N 3320000225**

ITEM	PART NO.	DESCRIPTION	QTY
1	3071000209	Barrel Weld	1
2	3763000184	Rod Weld	1
3	4698000008*	Piston	1
4	7754000011* #	Wear Ring	2
5	7796000065* #	Piston Locking "T" Seal	1
6	7755226000* #	"O" Ring	1
7	7755226609* #	Back-Up Ring	2
8	4553000009^	Head	1
9	7755342000^#	"O" Ring	1
10	7755342609^#	Back-Up Ring	1
11	7754000012^#	Wear Ring	1
12	7796000025^#	Rod Seal	1
13	7796000011^#	Rod Wiper Seal	1
14	7754000013#	Retaining Ring	1
15	7754000028#	Retaining Ring	1
16	7661000035	Locknut	1
17	7082000029	Bearing	4

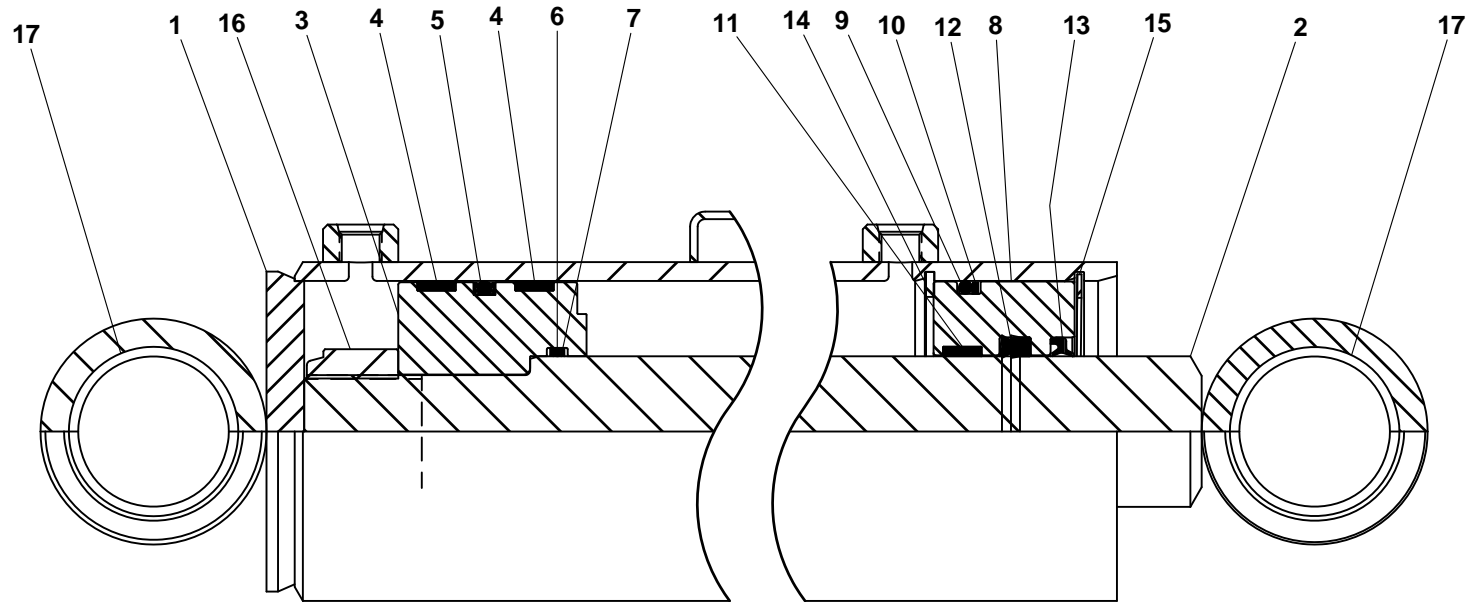
\* included in Piston Assembly, P/N 3698000002

^ included in Head Assembly, P/N 3553000012

# available only in Service Kit #7577250026



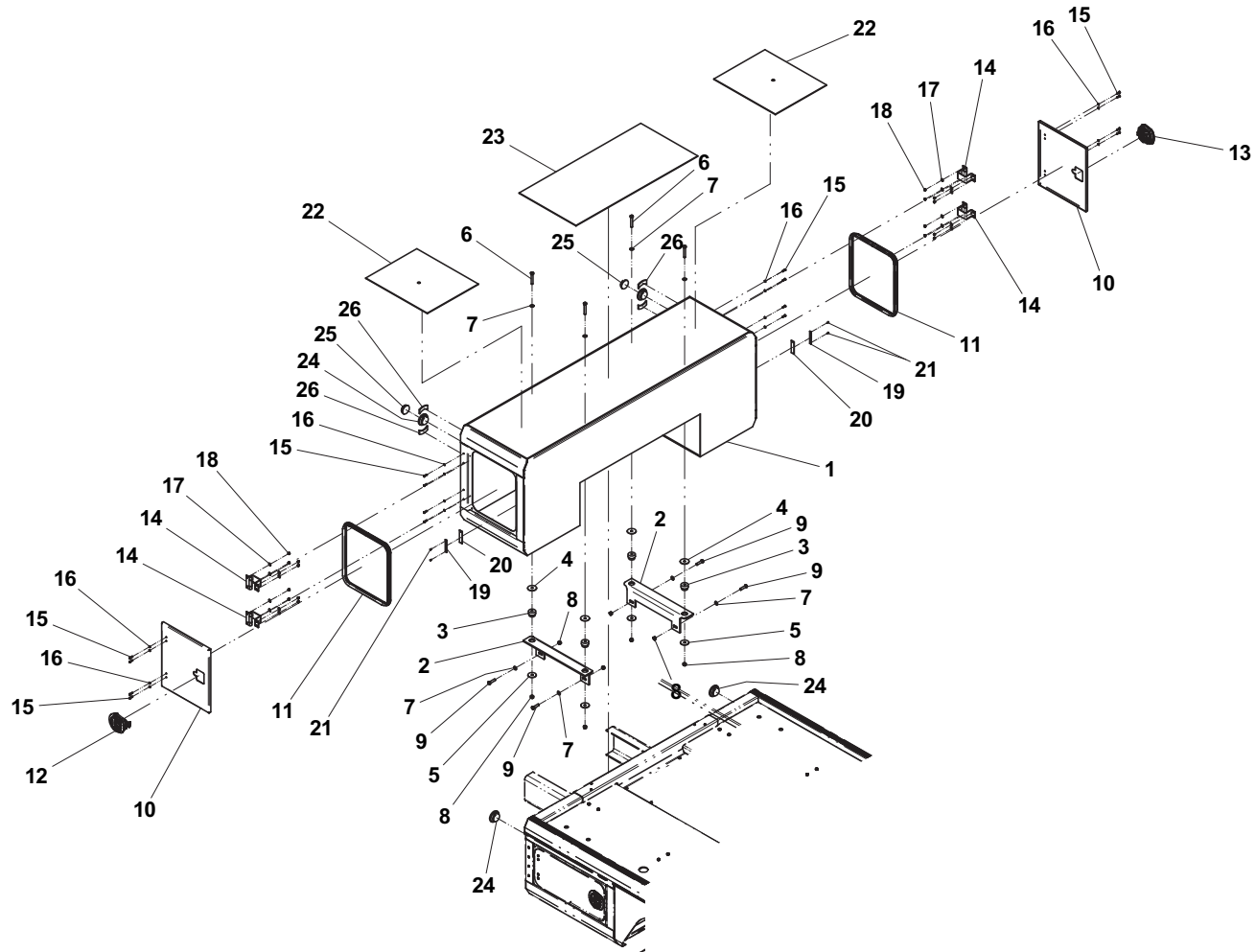
# UNDERLIFT BOOM TILT CYLINDER ASSEMBLY - P/N 3320000225



**TUNNEL TOOLBOX**

ITEM	PART NO.	DESCRIPTION	QTY
1	3899000121	Tunnel Toolbox Weld	1
2	4017000674	Angle	2
3	7636000005	Rubber Mount	4
4	7949000013	Washer, Head	4
5	7949000012	Washer, Tail	4
6	7115182650	Capscrew, 0.50"-13NC x 3.25"	4
7	7950180153	Flatwasher, 0.50" ID	8
8	7660182601	Locknut, 0.50"-13NC	8
9	7115181650	Capscrew, 0.50"-13NC x 2.00"	4
10	4686000208	Panel, Door	2
11	4632000053	Seal Door	2
12	7585000019	Latch, LH	1
13	7585000020	Latch, RH	1
14	7555000012	Door Hinge	4
15	7114140818	Capscrew, 0.25"-20NC x 1.00"	16
16	7949000056	Nylon Washer	16
17	7950140161	Flatwasher, 0.25" ID	16
18	7660142601	Locknut, 0.25"-20NC	16
19	4062000569	Bar	2
20	4706003611	Plate	2
21	7759000006	Pop Rivet	4
22	4679000249	Pad	2
23	4679000250	Pad	1
24	7493000009	Marker Light Grommet	4
25	7590000048	Marker Light - Amber (IND)	2
	7590000342	Marker Light - Amber (LED)	
26	7330000498	Reflector - Amber (use with INC only)	4
27	7632046140	Moulding	140in

# TUNNEL TOOLBOX

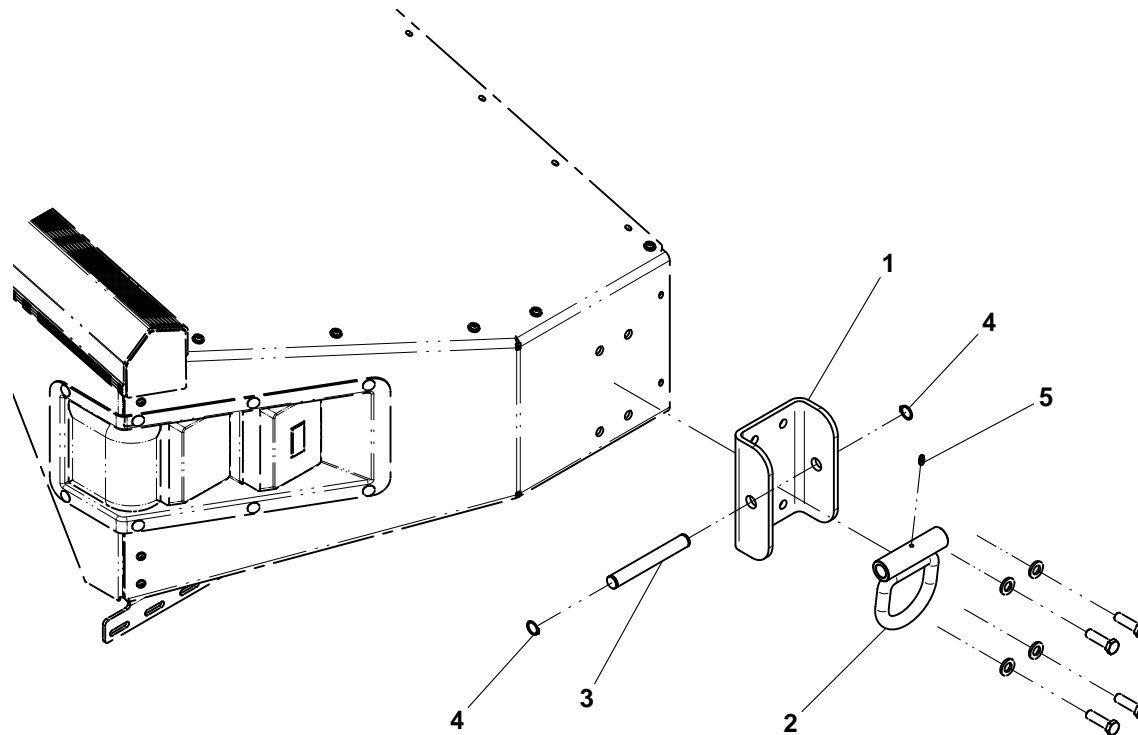


Item #27, Moulding, not shown

**BOLT-ON D-RINGS**

ITEM	PART NO.	DESCRIPTION	QTY
1	4263000705	Channel	2
2	3754000004	D-Ring Weld	2
3	4691000541	Pin	2
4	7754000022	Retaining Ring	4
5	7440030000	Grease Fitting	2

## BOLT-ON D-RINGS

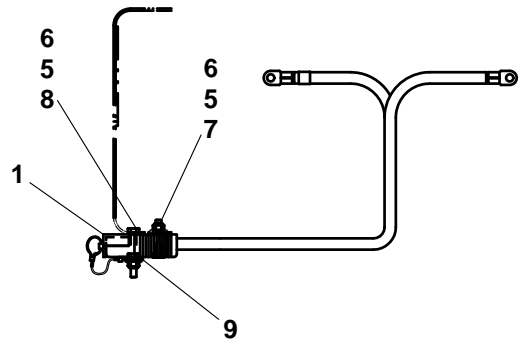


Left side body shown. Typical both sides.

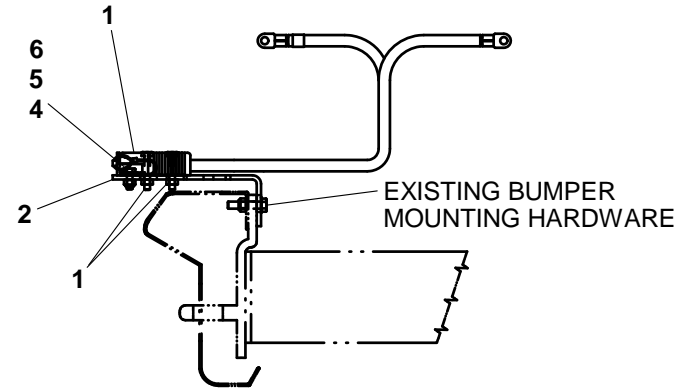
**JUMP START KIT**

ITEM	PART NO.	DESCRIPTION	QTY
1	7002000386	Jump Start Plug (IHC)	1
	7002000385	Jump Start Plug (Ford & Chevy)	
2	4178000372	Bracket (Ford)	1
	4178000202	Bracket (Chevy)	
3	4178000203	Bracket (Chevy)	1
4	7110140605	Capscrew, 0.25"-20NC x 0.75" (Ford & Chevy)	1
5	7950140161	Flatwasher, 0.25" ID (Ford)	1
	7950140161	Flatwasher, 0.25" ID (IHC)	2
	7950140161	Flatwasher, 0.25" ID (Chevy)	3
6	7660142600	Locknut, 0.25"-20NC (Ford & Chevy)	1
	7660142600	Locknut, 0.25"-20NC (IHC)	2
7	7115141450	Capscrew, 0.25"-20NC x 1.75" (IHC)	1
8	7115141650	Capscrew, 0.25"-20NC x 2.00" (IHC)	1
9	7660140000	Hex Nut, 0.25"-20NC (IHC)	1
	7660140000	Hex Nut, 0.25"-20NC (Chevy)	2
10	7111140850	Capscrew, 0.25"-20NC x 1.00" (Chevy)	2
11	7115181050	Capscrew, 0.50"-13NC x 1.25" (Chevy)	1
12	7950180153	Flatwasher, 0.50" ID (Chevy)	1
13	7660180000	Hex Nut, 0.50"-13NC (Chevy)	1

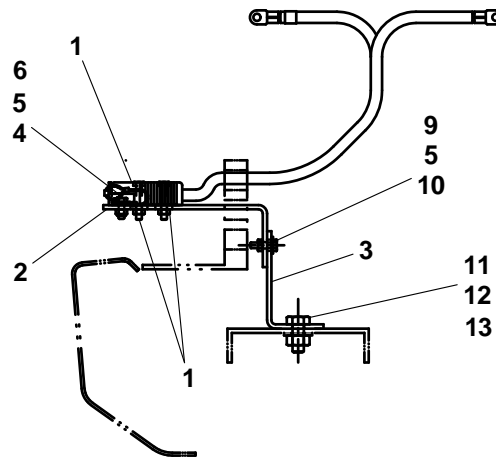
# JUMP START KIT



IHC FRONT BUMPER



FORD FRONT BUMPER



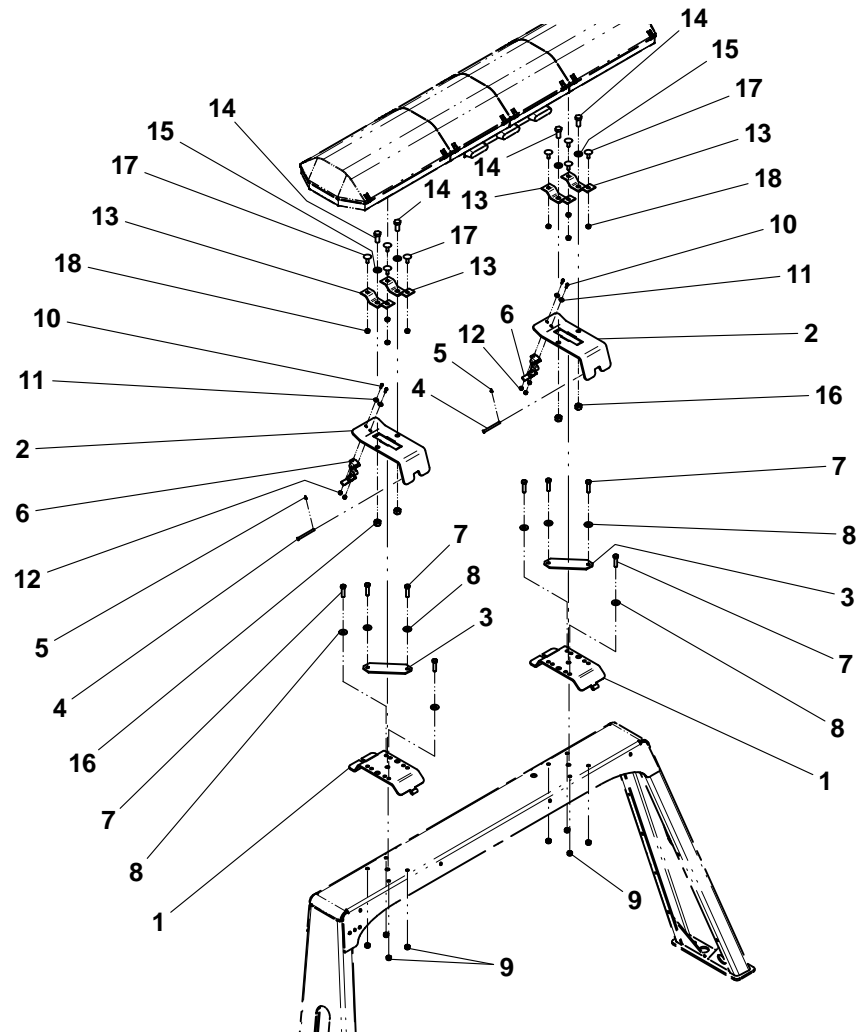
CHEVY FRONT BUMPER

**FOLD DOWN LIGHTBAR BRACKET**

ITEM	PART NO.	DESCRIPTION	QTY
1	3178000443	Fold Down Bracket - Bottom	1
2	3178000444	Fold Down Bracket - Top	1
3	4090000012	Belt	2
4	7690144800	Clevis Pin	2
5	7690000810	Cotter Pin	2
6	7585000001	Draw Latch	2
7	7115161250	Capscrew, 0.38"-16NC x 1.50"	8
8	7950160161	Flatwasher, 0.38" ID	8
9	7660162601	Locknut, 0.38"-16NC	8
10	7114100518	Capscrew, #10-24NC x .62"	4
11	7950100103	Flatwasher, 0.19 ID	4
12	7660102604	Locknut, #10-24NC	4
13	4178000402	Bracket	4
14	7115180950	Capscrew, 0.50"-13NC x 1.12"	4
15	7950180252	Flatwasher, 0.50" ID	4
16	7660182601	Lockwasher, 0.50"-13NC	4
17	7115150664	Carriage Bolt, 0.31"-18NC x .75"	8
18	7660152601	Lockwasher, 0.31" ID	8



# FOLD DOWN LIGHTBAR BRACKET

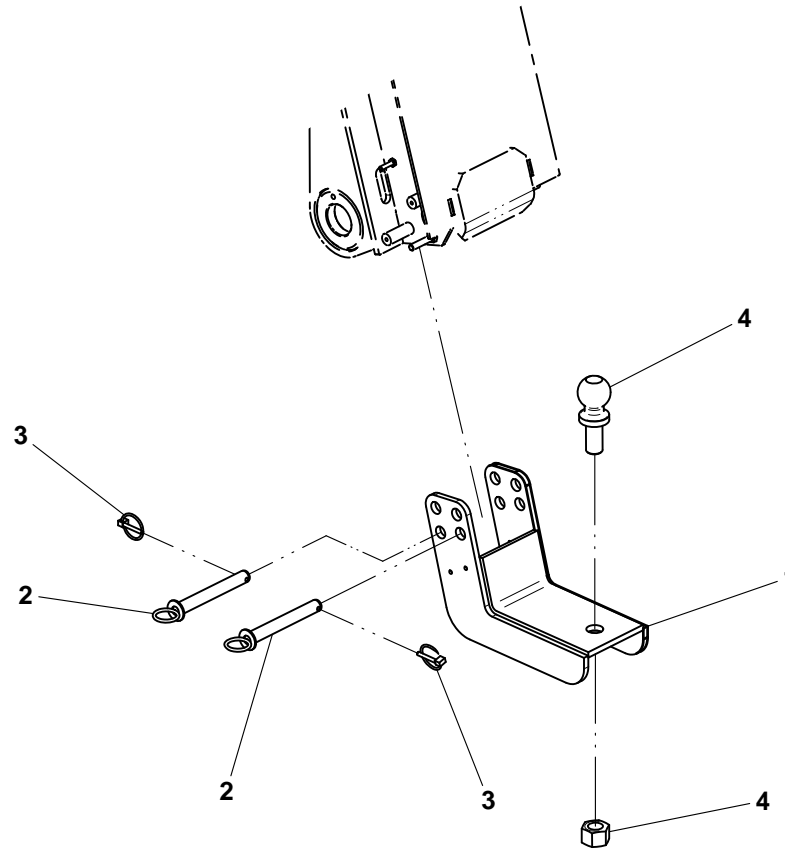


Standard Lightbar shown

**BALL HITCH MOUNTING BRACKET**

ITEM	PART NO.	DESCRIPTION	QTY
1	3178000507	Bracket Weld	1
2	3691000195	Pin Weld	2
3	7691000027	Pin Linch	2
4	7056000007	Ball (1.88 dia)	1
	7056000008	Ball (2.00 dia)	
	7056000009	Ball (2.31 dia)	

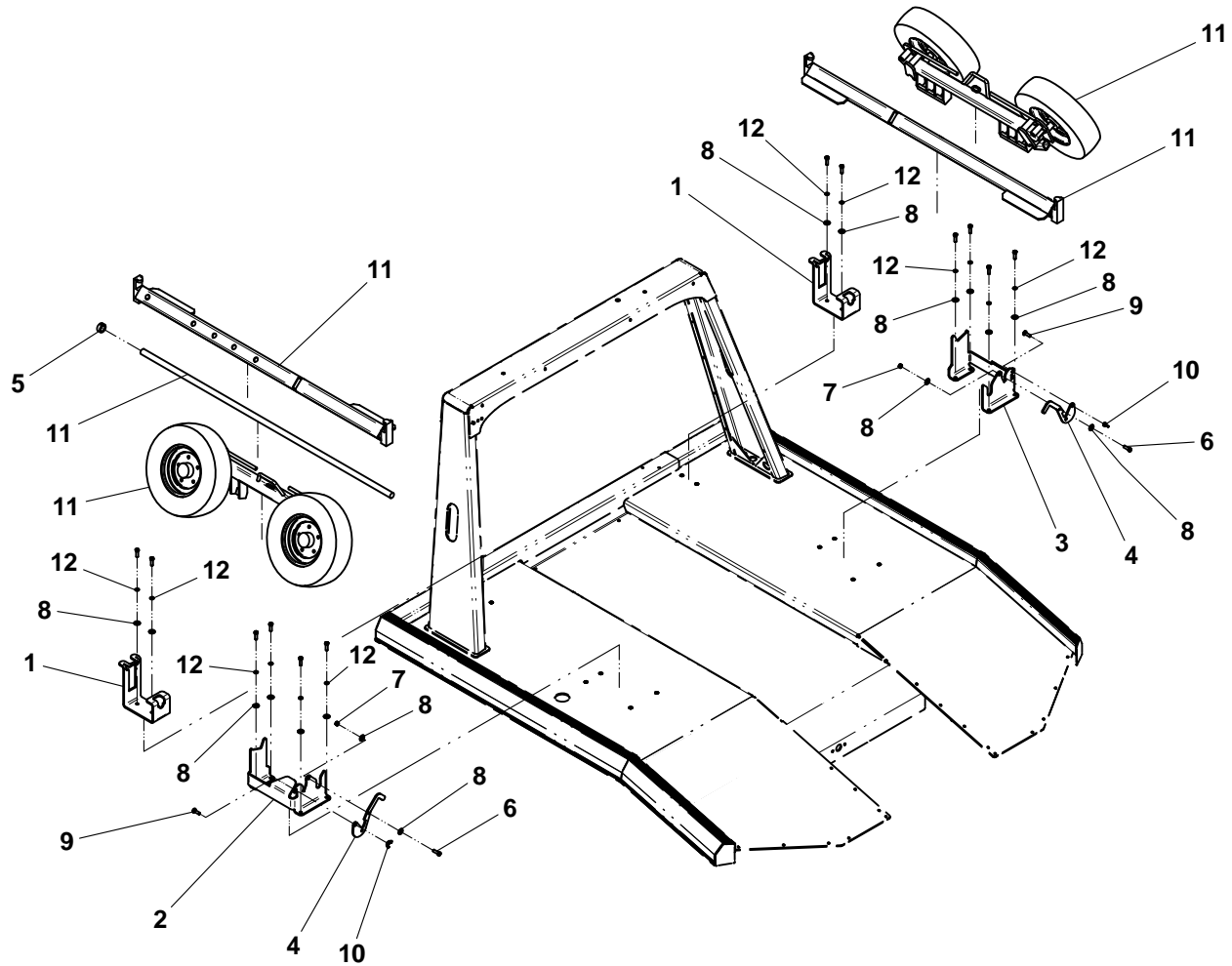
## BALL HITCH MOUNTING BRACKET



**SELF-LOADING DOLLY**

ITEM	PART NO.	DESCRIPTION	QTY
1	4178000654	Bracket	2
2	4178000655	Bracket LH	1
3	4178000656	Bracket RH	1
4	4706005244	Plate	2
5	7283000004	Collar	1
6	7114161050	Capscrew, 0.38"-16NC x 1.25"	2
7	7660162604	Locknut, 0.38"-16NC	2
8	7950160163	Flatwasher, 0.38" ID	16
9	7120000024	Capscrew, 0.38"-16NC x 1.00"	2
10	7660162100	Wingnut, 0.38"-16NC	2
11	7002000022	Dollies - Self-Loading (Steel Axle)	1
12	7950160000	Lockwasher, 0.38" ID	12

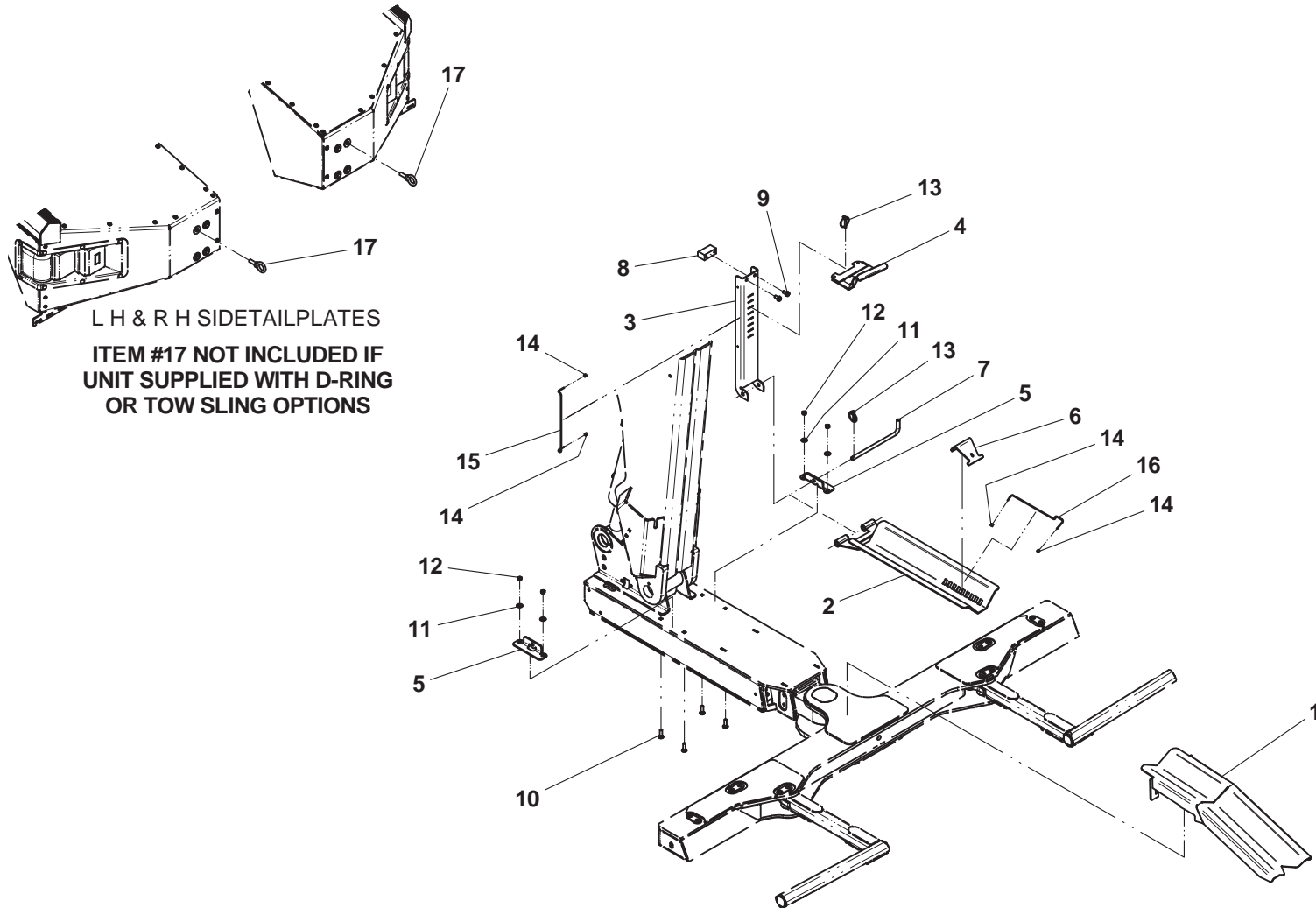
# SELF-LOADING DOLLY



**MOTORCYCLE ADAPTER**

ITEM	PART NO.	DESCRIPTION	QTY
1	3178000470	Bracket Weld - Rear Ramp	1
2	2178000468	Bracket Weld - Lower	1
3	4263000710	Channel	1
4	3178000469	Bracket Weld - Tire Stop	1
5	4178000636	Bracket	2
6	4178000639	Bracket	1
7	4691000547	Pin	1
8	4679000275	Pad	1
9	7790161253	Screw, 0.38"-16NC x .75"	2
10	7115161064	Carriage Bolt, 0.38"-16NC x 1.25"	4
11	7950160161	Flatwasher, 0.38" ID	4
12	7660162601	Locknut, 0.38"-16NC	4
13	7691000047	Pin Linch	2
14	7819000012	Compression Sleeve	4
15	4248000002	Wire Rope	1
16	4248000003	Wire Rope	1
17	7120000052	Eye Bolt, 0.50"-13NC x 1.50"	2

# MOTORCYCLE ADAPTER



L H & R H SIDETAILED PLATES  
ITEM #17 NOT INCLUDED IF  
UNIT SUPPLIED WITH D-RING  
OR TOW SLING OPTIONS

**TOW SLING**

ITEM	PART NO.	DESCRIPTION	QTY	ITEM	PART NO.	DESCRIPTION	QTY
1	4178000621	Bracket	2	34	4178000734	R H Bracket	1
2	3309000007	U-Joint Weld	2	35	7115161064	Carriage Bolt, 0.38"-16NC	4
3	7115223806	Shoulder Bolt, 0.63"-11NC x 4.75"	2	36	7950160161	Flatwasher, 0.38" ID	4
4	7660202601	Locknut, 0.63"-11NC	6	37	7935000345	Valve	1
5	7822000003	Sling Belt	2	38	7445060698	Fitting	1
6	4706005679	Plate	2	39	7445060646	Elbow	1
7	7115161050	Capscrew, 0.38"-16NC x 1.25"	6	40	7912000315	Tube Assembly	1
8	7950160000	Lockwasher, 0.38" ID	6	41	3178000523	Bracket Weld	1
9	7950160141	Flatwasher, 0.38" ID	18	42	7115221650	Capscrew, 0.75"-10NC x .50"	2
10	3500800077	Sling Anchor Head Weld	1	43	7950220141	Flatwasher, 0.75" ID	4
11	7701000003	Plug	4	44	7660222601	Locknut, 0.75"-10NC	4
12	3912000046	Sling Strap Mount Weld	2	45	7115222050	Capscrew, 0.75"-10NC x 2.50"	2
13	4706005678	Plate	2	46	7115181250	Capscrew, 0.50"-13NC x 1.50"	2
14	7691000077	Hitch Pin	4	47	7950180141	Flatwasher, 0.50" ID	4
15	7115161450	Capscrew, 0.38"-16NC x 1.75"	6	48	7660182601	Locknut, 0.50"-13NC	4
16	7660162601	Locknut, 0.38"-16NC	10	49	4178000741	Bracket	1
17	7440300000	Grease Fitting	9	50	7115181450	Capscrew, 0.50"-13NC x 1.75"	2
18	3500800078	Sling Head Assembly	1	51	4706005700	Plate	1
19	3912000045	Sling End Cap Weld	2	52	3170000358	Boom Nose Weld - Single	1
20	3020000007	Hold Back Arm Assembly	2	53	3249000033	Sheave Support Weld	1
21	7691000053	Hitch Pin	2	54	7082000031#	Bearing	2
22	4254000006*	Rod Cap	2	55	7754000018	Retaining Ring	1
23	4763000184*	Rod	2	56	7809000013	Sheave	1
24	7843000006*	Compression Spring	2	57	7082000032	Bearing	1
25	4691000188*	Pin	2	58	4691000513	Pin	1
26	4706005748	Plate	1	59	7754000006	Retaining Ring	1
27	7105223250	Capscrew, 0.75"-16NF x 4.00"	2	60	4811000760+	Sheet	2
28	7661000017	Locknut, 0.75"-16NC	2	61	4706004852+	Plate	1
29	7189000023	Bumper	1	62	4706004851+	Plate	2
30	7114140818	Capscrew, 0.25"-20NC x 1.00"	2	63	7115141664+	Carriage Bolt, 0.25"-20NC x 2.00"	3
31	7950140143	Flatwasher, 0.25" ID	2	64	7950140153+	Flatwasher, 0.25" ID	3
32	7660142604	Locknut, 0.25"-20NC	2	65	7660142604+	Locknut, 0.25"-20NC	3
33	4178000733	L H Bracket	1	66	7115202050	Capscrew, 0.63"-11NC x 2.50"	4
				67	7950200141	Flatwasher, 0.63" ID	4
				68	3249000041	Cross Bar Sheave Assembly	1

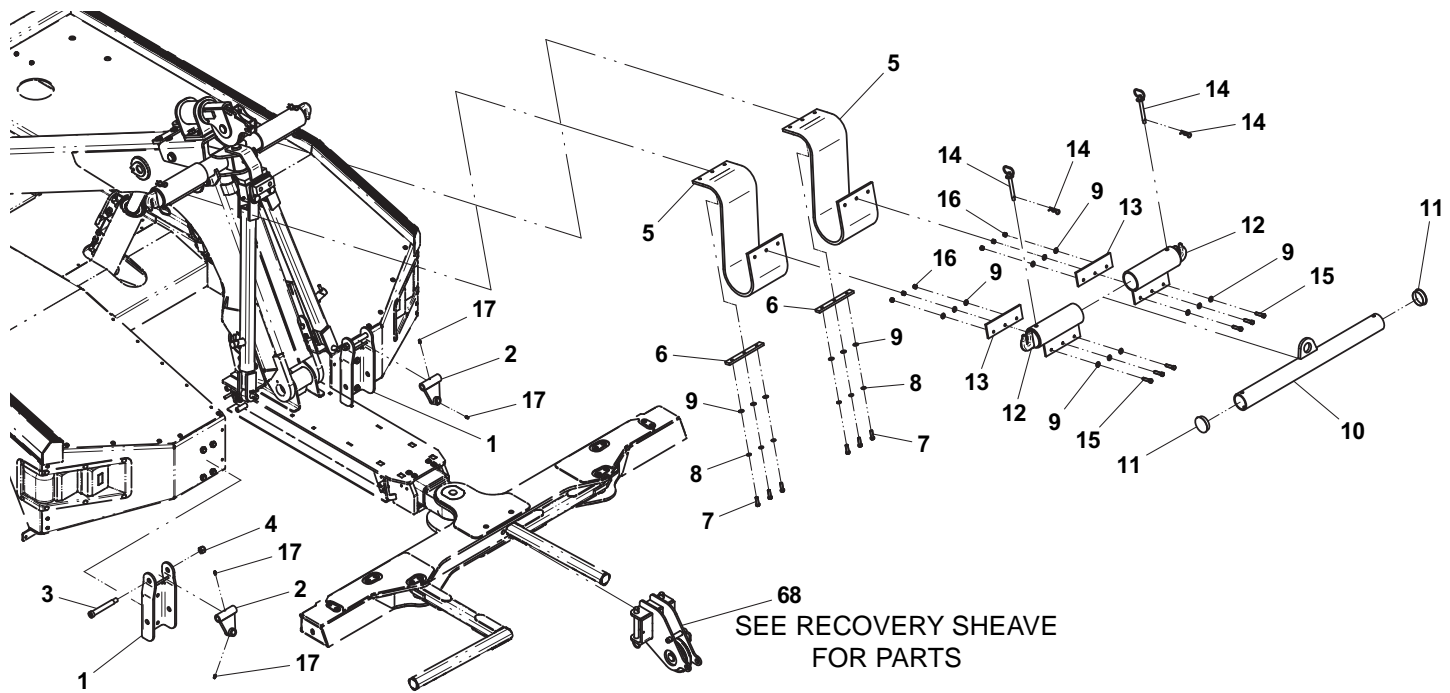
\* also available in Arm Weld Outer Tube, P/N 3020000005

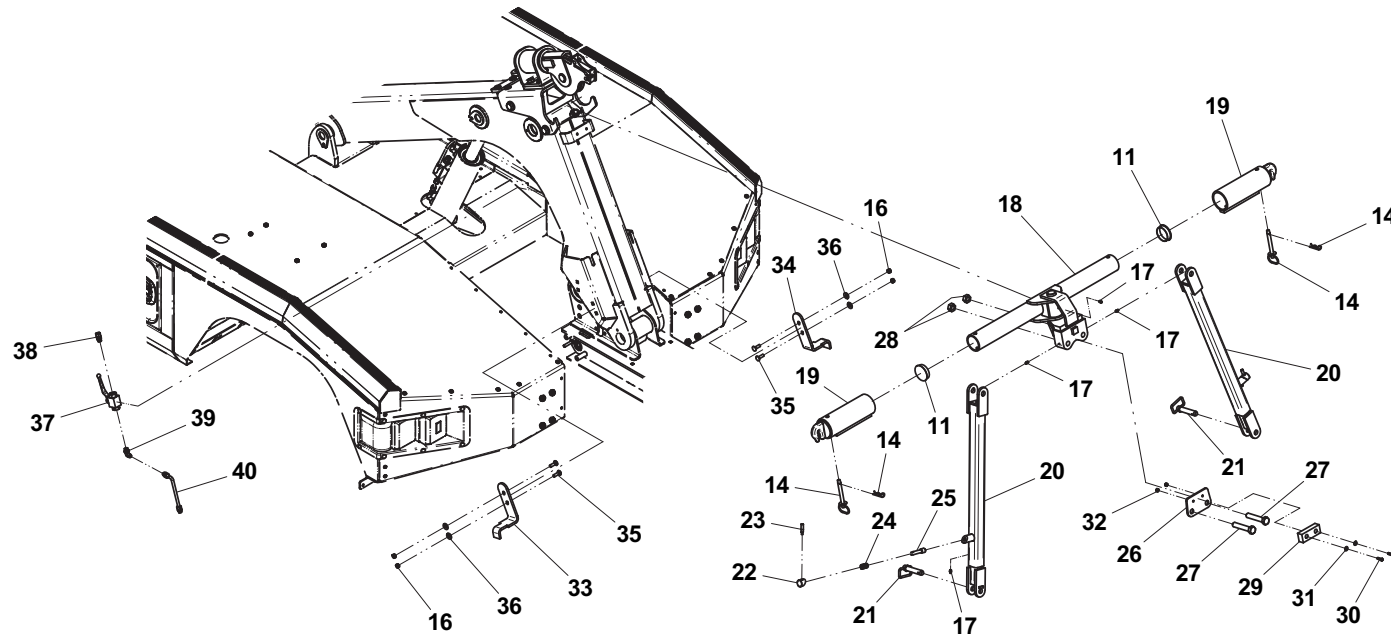
# also available in Boom Nose Weld - Single, P/N 3170000358

+ also available in Cable Guide Assembly, P/N 3249000034

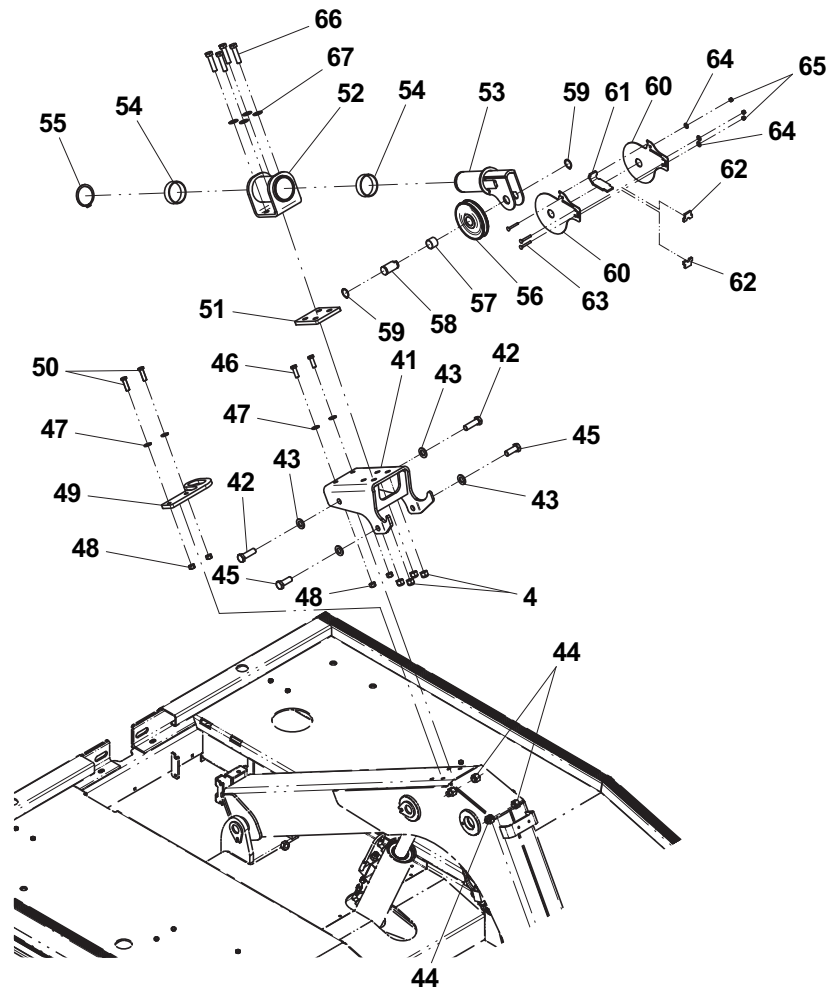


# TOW SLING



**TOW SLING**

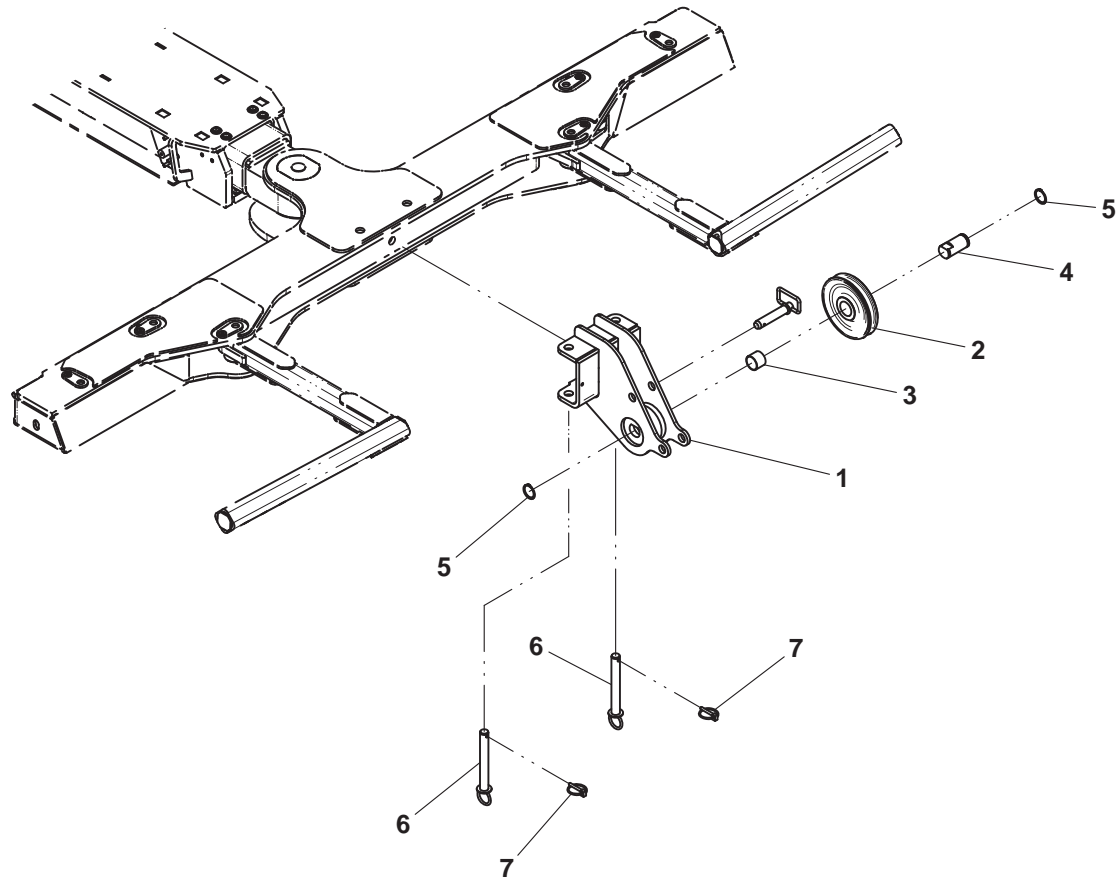
# TOW SLING



**RECOVERY SHEAVE**

ITEM	PART NO.	DESCRIPTION	QTY
1	3249000040	Sheave Weld	1
2	7809000013	Sheave	1
3	7082000032	Bearing	1
4	4691000572	Pin	1
5	7754000006	Retaining Ring	2
6	3691000195	Pin Weld	2
7	7691000027	Linch Pin	2

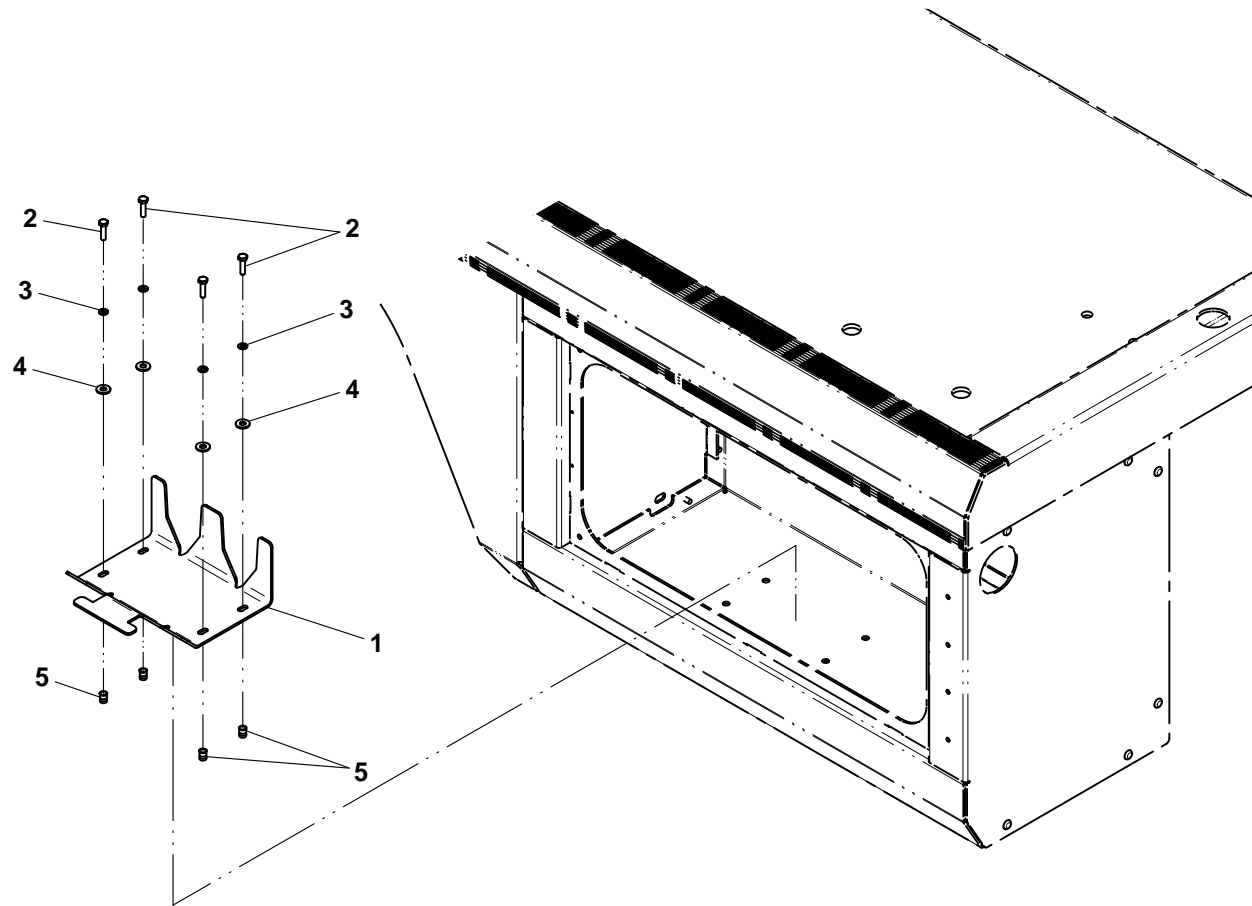
# RECOVERY SHEAVE



**L-ARM SPACER STORAGE**

ITEM	PART NO.	DESCRIPTION	QTY
1	3178000721	Bracket	1
2	7115140850	Capscrew, 0.25"-20NC x 1.00"	4
3	7950140000	Lockwasher, 0.25" ID	4
4	7950140161	Flatwasher, 0.25" ID	4
5	7413000002	Nutsert, 0.25"-20NC	4

## L-ARM SPACER STORAGE

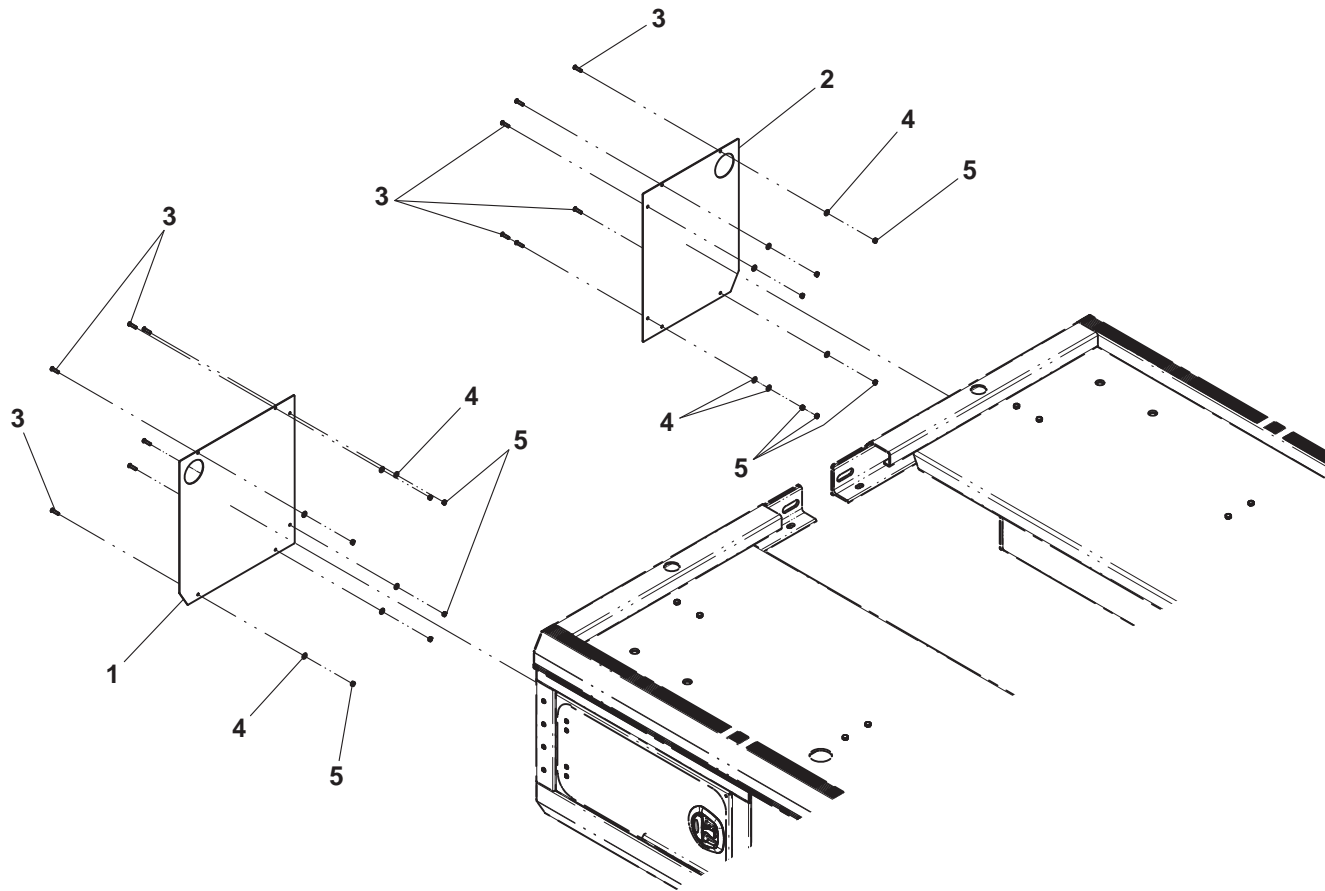


**STONE GUARD**

ITEM	PART NO.	DESCRIPTION	QTY
1	4706005533	Plate LH (Stainless Steel)	1
	4707000314	Plate LH (Aluminum Diamond)	
2	4706005534	Plate RH (Stainless Steel)	1
	4707000315	Plate RH (Aluminum Diamond)	
3	7114140818	Capscrew, 0.25"-20NC x 1.00"	12
4	7950140141	Flatwasher, 0.25" ID	12
5	7660142600	Locknut, 0.25"-20NC	12



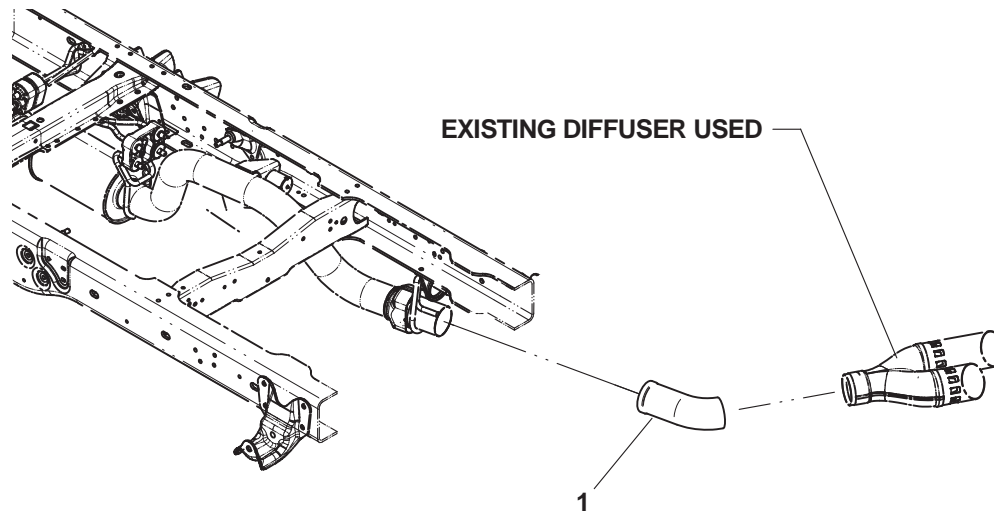
# STONE GUARD



**FORD DIESEL 08 EXHAUST ALTERATION**

ITEM	PART NO.	DESCRIPTION	QTY
1	7696000069	Elbow Pipe	1

# FORD DIESEL 08 EXHAUST ALTERATION



**THIS PAGE INTENTIONALLY LEFT BLANK**