

MPL WRECKER PARTS MANUAL

JERR-DAN[®]

An Oshkosh Corporation Company

1080 Hykes Road
Greencastle, PA 17225
Phone (717) 597-7111
www.jerr-dan.com

5-376-000101
Rev 04 - July 01, 2010

© 2010 Jerr-Dan Corporation. All Rights Reserved.

This manual covers the following Jerr-Dan Model:

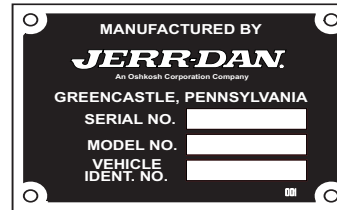
MPL Wrecker

Jerr-Dan Corporation strives to provide information that is accurate, complete and useful. Descriptions and illustrative material contained within this manual are as accurate as known at the time of publication and are subject to change, without notice, as a result of continuous product improvements. Jerr-Dan reserves the right to amend the information in this document at any time without prior notice.

Information contained in this manual reflects how this vehicle was built at the factory. Modifications or additions by the distributor or owner are not reflected in this manual.

This parts manual does not include service parts information for the commercial chassis (IHC, Ford, GM, etc.). This parts information is provided by the chassis manufacturer.

When ordering parts, please refer to your unit's Sales Order Number, Serial Number and Model Number. This information can be found on the aluminum tag riveted to the inside of the driver's side toolbox of the main body.



Additional or replacement manuals can be ordered by calling Jerr-Dan Parts at 717-597-7111. Price and availability will be quoted at time of the request.

Please report comments and/or errors by contacting Jerr-Dan Corporation's Technical Publications Department by e-mail at technicalpublications@jerr-dan.com or by FAX on 717-593-2362.

Manufactured under one or more of the following patents: 5,575,606; 5,722,810; 5,782,596; 5,839,775 and 6,315,515 B1 with other Patents Pending.

Jerr-Dan and the Jerr-Dan logo are registered trademarks and Run Hard is a service mark of Jerr-Dan Corporation, Greencastle, PA USA.

The material in this document is confidential and the property of Jerr-Dan Corporation. No part of this document may be photocopied, reproduced or translated to another language without the express written consent of Jerr-Dan Corporation.

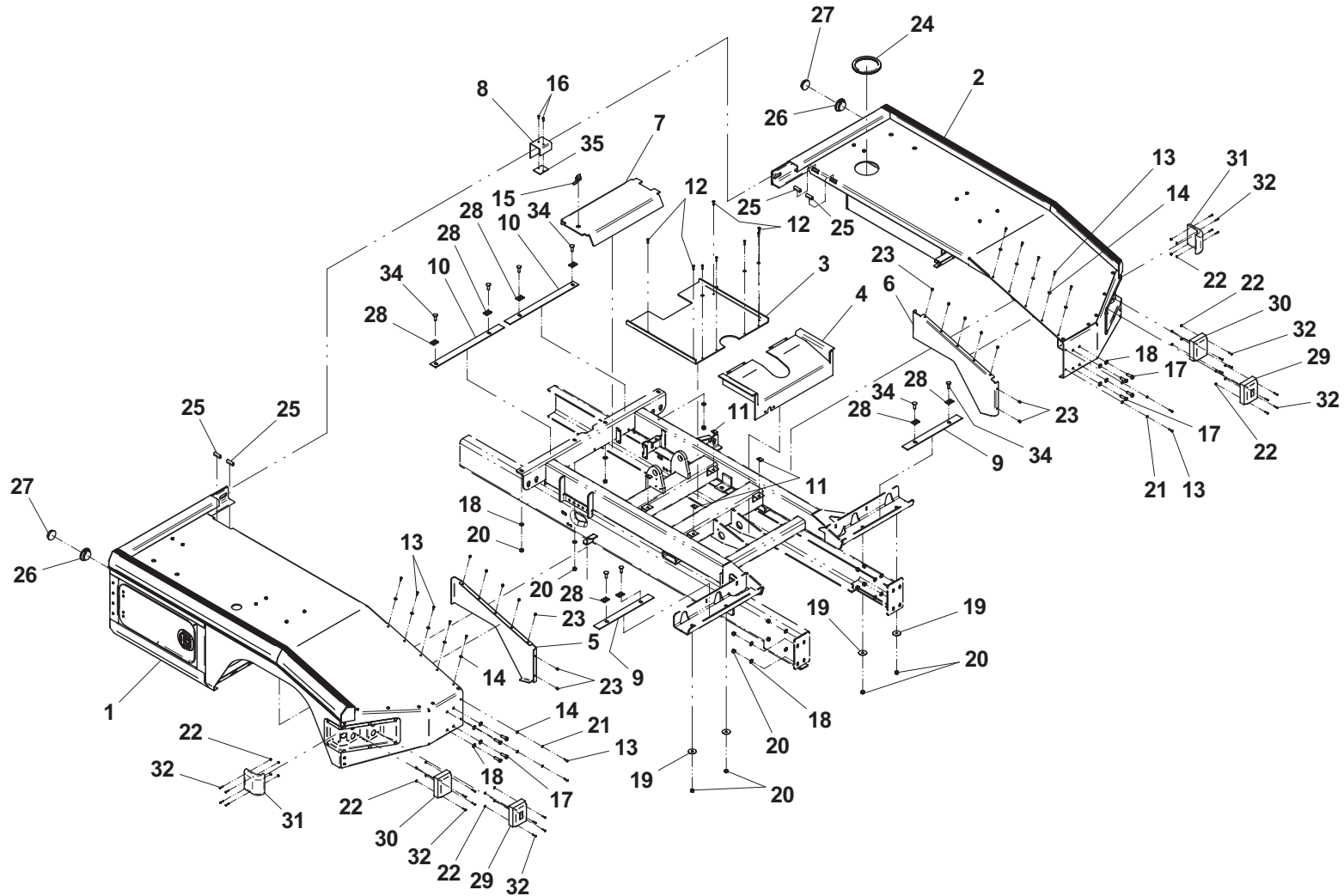
INDEX

DESCRIPTION	PAGE	DESCRIPTION	PAGE
Body - Complete	4 - 5	Pull-Out Drawer - Tunnel Toolbox.....	102 - 103
Left Hand Body Assembly	6 - 7	Fuel Filler	104 - 105
Right Hand Body Assembly.....	8 - 9	Fifth Wheel Attachment	106 - 107
Subframe	10 - 11	Gooseneck Attachment	108 - 109
Hydraulic Reservoir.....	12 - 13	Ford Diesel 08 Exhaust Alteration.....	110 - 111
Worm Gear Winch & Cable Roller Guide	14 - 15		
Worm Gear Winch & Cable Sheave Guide	16 - 17		
Worm Gear Winch - Cable Tensioner 18 - 19			
Mud Flap	20 - 21		
Fender Flares	22 - 23		
Light Pylon - Deck Mounted	24 - 25		
Light Pylon - Toolbox Mounted	26 - 27		
Wrecker Boom.....	28 - 29		
Underlift Boom - Hydraulic Grid.....	30 - 34		
Hydraulic Wheel Lift Grid.....	36 - 37		
Underlift Level Stop	38 - 39		
Wired Remote Control.....	40 - 41		
Wireless Remote Control.....	42 - 45		
Hydraulic Components - Hose Routing / Mounting (Ford).....	46 - 48		
Hydraulic Components - Hose Routing / Mounting (Dodge)	50 - 51		
Hydraulic Components - Standard	52 - 53		
Hydraulic Components - Hydraulic Wheel Lift Grid	54 - 55		
Electrical Components - Anti-Stall Control Module (Ford V10 Gas Engine).....	56 - 57		
Electrical Components - Body - Standard	58 - 59		
Electrical Components - Pylon Lights / Tunnel Wiring.....	60 - 61		
Electrical Components - Tail Light Converter	62 - 63		
Work Lights - Marker Lights.....	64 - 65		
Lightbar	66 - 67		
Switch Panels.....	68 - 69		
Chain and Straps.....	70 - 71		
Decals	72 - 73		
Tunnel Toolbox	74 - 75		
Bolt-On D-Rings	76 - 77		
Jump Start Kit.....	78 - 79		
Fold Down Lightbar Bracket	80 - 81		
Ball Hitch Mounting Bracket	82 - 83		
Self-Loading Dolly	84 - 85		
Motorcycle Adapter.....	86 - 87		
Wheel Chocks	88 - 91		
Tow Sling	92 - 93		
Recovery Sheave	94 - 95		
L-Arm Spacer Storage.....	96 - 97		
Stone Guard - Body.....	98 - 99		
Stone Guard - Tunnel Toolbox.....	100 - 101		

BODY - COMPLETE

ITEM	PART NO.	DESCRIPTION	QTY	ITEM	PART NO.	DESCRIPTION	QTY
6	38970001595	Body Assembly LH	1	31	7590000131	Light, Wrap Around (IND)	2
2	3097000596	Body Assembly RH	1		7590000302	Light, Wrap Around (LED)	
8	4314000159	Coverplate, Frt	1	32	7111100810	Capscrew, #10-24NC x 1.00"	24
9	3097000600	Mid Deck Weld, Rear	2	33	7796000012	Seal	150in
16	4890000030	Coverplate, LH	2	34	7115181264	Capscrew, 0.50"-13NC x 1.50" Carriage	8
11	7661000029	J-Nut, 0.31"-18NC	4	35	4706005751	Plate	1
12	7114150818	Capscrew, 0.31"-18NC x 1.00"	4				
13	7114140818	Capscrew, 0.25"-20NC x 1.00"	18				
14	7950140143	Flatwasher, 0.25" ID	18				
15	7585000023	Latch	1				
16	7120000046	Screw, 0.25"-20NC x .75"	2				
17	7115181450	Capscrew, 0.50"-13NC x 1.75"	8				
18	7950180153	Flatwasher, 0.50" ID	16				
19	7949000015	Head Washer, 0.50" ID	4				
20	7660182601	Lockwasher, 0.50"-13NC	16				
21	7949000056	Nylon Washer, 0.25" ID	4				
22	7661000002	Hex Nut, #10-24NC	24				
23	7413000002	Nutsert, 0.25"-20NC	14				
24	8632000002	Edge Trim	19 in				
25	4632000058	Edge Trim	4				
26	7493000009	Marker Light Grommet	2				
27	7590000048	Marker Light - Amber (IND)	2				
	7590000342	Marker Light - Amber (LED)					
28	4706005695	Plate	8				
29	7590000130	Light, Backup	2				
30	7590000128	Light, Stop-Tail-Turn (IND)	2				
	7590000301	Light, Stop-Tail-Turn (LED)					

BODY - COMPLETE



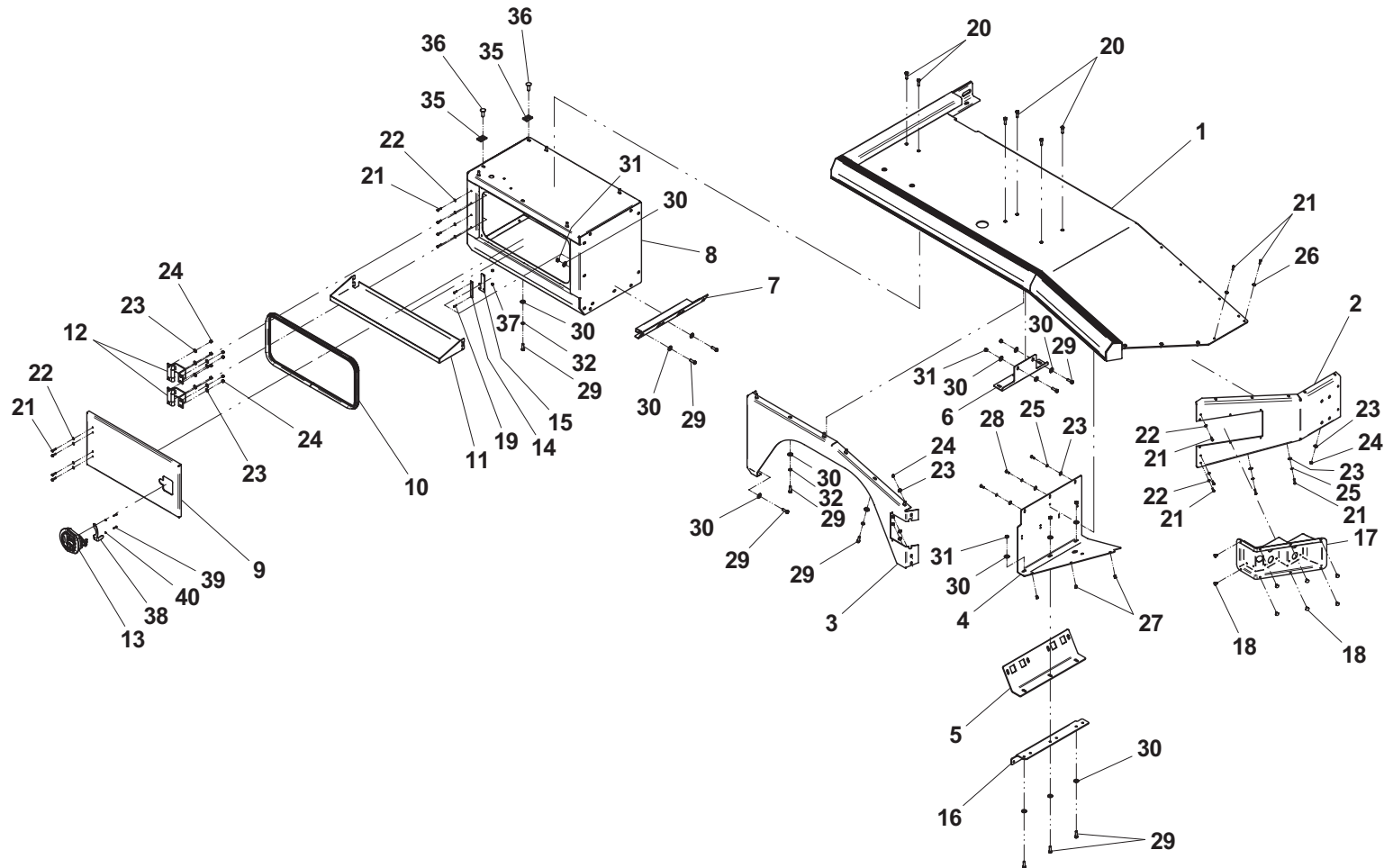
See pages 6 through 9 for LH and RH Body parts

Item #33, Seal, not shown

LEFT HAND BODY ASSEMBLY (3097000595)

ITEM	PART NO.	DESCRIPTION	QTY	ITEM	PART NO.	DESCRIPTION	QTY
1	3097000597	Deck Weld LH	1	34	7796000012	Seal	54in
2	3811000050	Tailplate Weld LH	1	35	4706005695	Plate	2
3	4811000819	Sheet LH	1	36	7115161064	Capscrew, 0.38"-16NC x 1.25" Carriage	2
4	4314000091	Coverplate LH	1	37	7660082604	Locknut, #8 -32NC	2
5	4178000744	Bracket	1	38	4178000849	Bracket	1
6	4178000577	Bracket	1	39	7114100618	Capscrew, #10 -24NC x 0.75"	2
7	4811000840	Sheet	1	40	7950100003	Lockwasher, #10 ID	2
8	3899000119	Toolbox Bond LH	1				
9	4686000207	Door	1				
10	4632000050	Seal, Toolbox Door	1				
11	4811000823	Shelf	1				
12	7555000012	Door Hinge	2				
13	7585000019	Latch, LH	1				
14	4062000569	Bar	1				
15	4178000848	Bracket	1				
16	4178000746	Bracket	1				
17	7571000001	Taillight Housing	1				
18	7413000013	Fastener	8				
19	7114080618	Capscrew, #8 -32NC x 0.75"	2				
20	7114161050	Capscrew, 0.38"-16NC x 1.25"	6				
21	7114140818	Capscrew, 0.25"-20NC x 1.00"	19				
22	7949000056	Nylon Washer, 0.25" ID	11				
23	7950140161	Flatwasher, 0.25" ID	22				
24	7660142601	Locknut, 0.25"-20NC	16				
25	7950140000	Lockwasher, 0.25" ID	6				
26	7950140143	Flatwasher, 0.25" ID	5				
27	7413000002	Nutsert, 0.25"-20NC	3				
28	7115140650	Capscrew, 0.25"-20NC x .75"	3				
29	7115161050	Capscrew, 0.38"-16NC x 1.25"	21				
30	7950160161	Flatwasher, 0.38" ID	33				
31	7660162601	Locknut, 0.38"-16NC	12				
32	7950160000	Lockwasher, 0.38" ID	11				
33	4679000252	Pad	1				

LEFT HAND BODY ASSEMBLY (3097000595)

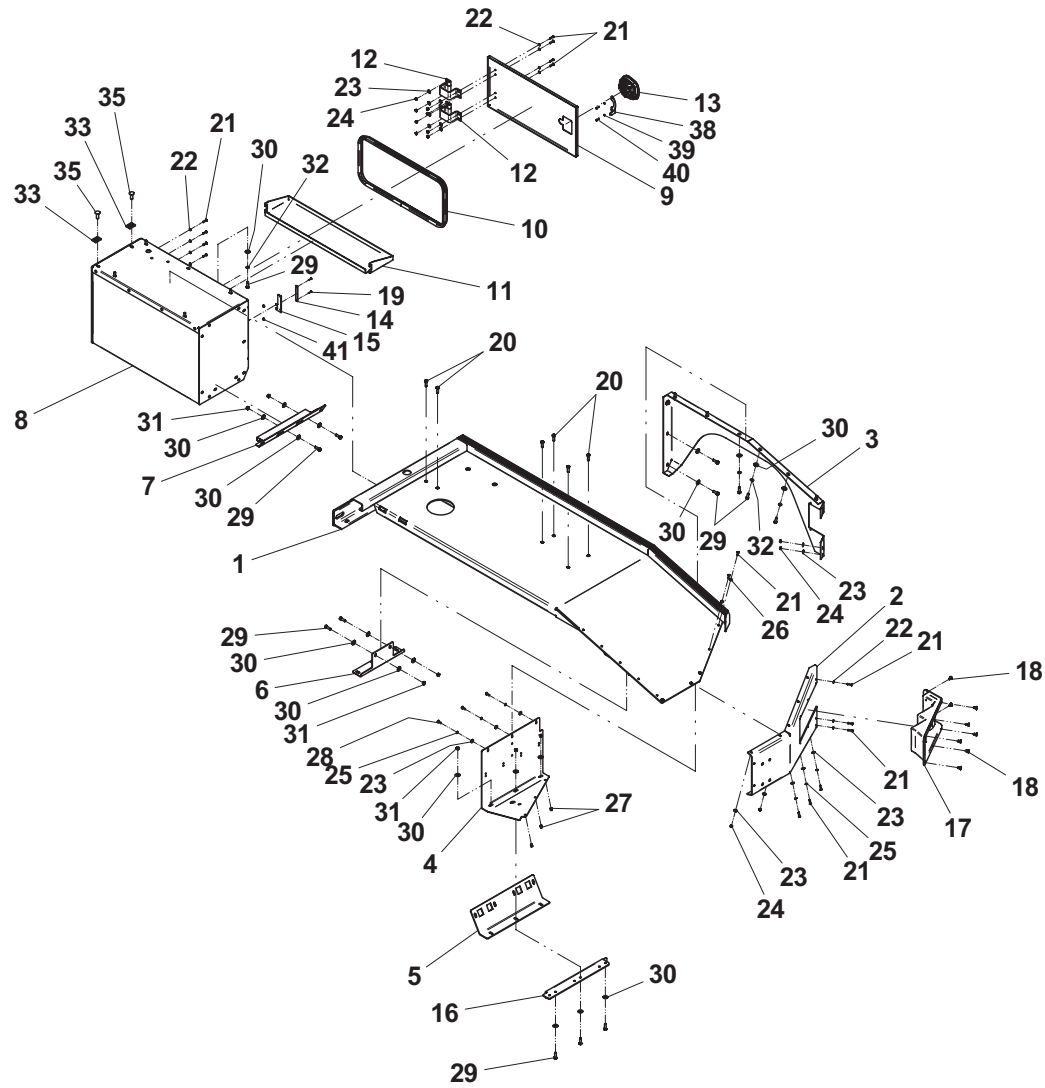


Item #33, Pad, not shown
Items #34, Seal, Not Shown

RIGHT HAND BODY ASSEMBLY (3097000596)

ITEM	PART NO.	DESCRIPTION	QTY	ITEM	PART NO.	DESCRIPTION	QTY
1	3097000598	Deck Weld RH	1	34	7796000012	Seal	54in
2	3811000051	Tailplate Weld RH	1	35	7115161064	Capscrew, 0.38"-16NC x 1.25" Carriage	2
3	4811000820	Sheet RH	1	36	4679000295	Pad	1
4	4314000092	Coverplate RH	1	37	4679000294	Pad	1
5	4178000744	Bracket	1	38	4178000850	Bracket	1
6	4178000577	Bracket	1	39	7950100003	Lockwasher, #10 ID	2
7	4811000840	Sheet	1	40	7114100618	Capscrew, #10 -24NC x 0.75"	2
8	3899000120	Toolbox Bond RH	1	41	7660082601	Locknut, #8-32NC	2
9	4686000207	Door	1				
10	4632000050	Seal, Toolbox Door	1				
11	4811000823	Shelf	1				
12	7555000012	Door Hinge	2				
13	7585000020	Latch, RH	1				
14	4062000569	Bar	1				
15	4178000848	Bracket	1				
16	4178000745	Bracket	1				
17	7571000001	Taillight Housing	1				
18	7413000013	Fastener	8				
19	7114080618	Capscrew, #8 - 32NC x 0.75"	2				
20	7114161050	Capscrew, 0.38"-16NC x 1.25"	6				
21	7114140818	Capscrew, 0.25"-20NC x 1.00"	19				
22	7949000056	Nylon Washer, 0.25" ID	11				
23	7950140161	Flatwasher, 0.25" ID	22				
24	7660142601	Locknut, 0.25"-20NC	16				
25	7950140000	Lockwasher, 0.25" ID	6				
26	7950140143	Flatwasher, 0.25" ID	5				
27	7413000002	Nutsert, 0.25"-20NC	3				
28	7115140650	Capscrew, 0.25"-20NC x .75"	3				
29	7115161050	Capscrew, 0.38"-16NC x 1.25"	21				
30	7950160161	Flatwasher, 0.38" ID	33				
31	7660162601	Locknut, 0.38"-16NC	12				
32	7950160000	Lockwasher, 0.38" ID	11				
33	4706005695	Plate	2				

RIGHT HAND BODY ASSEMBLY (3097000596)

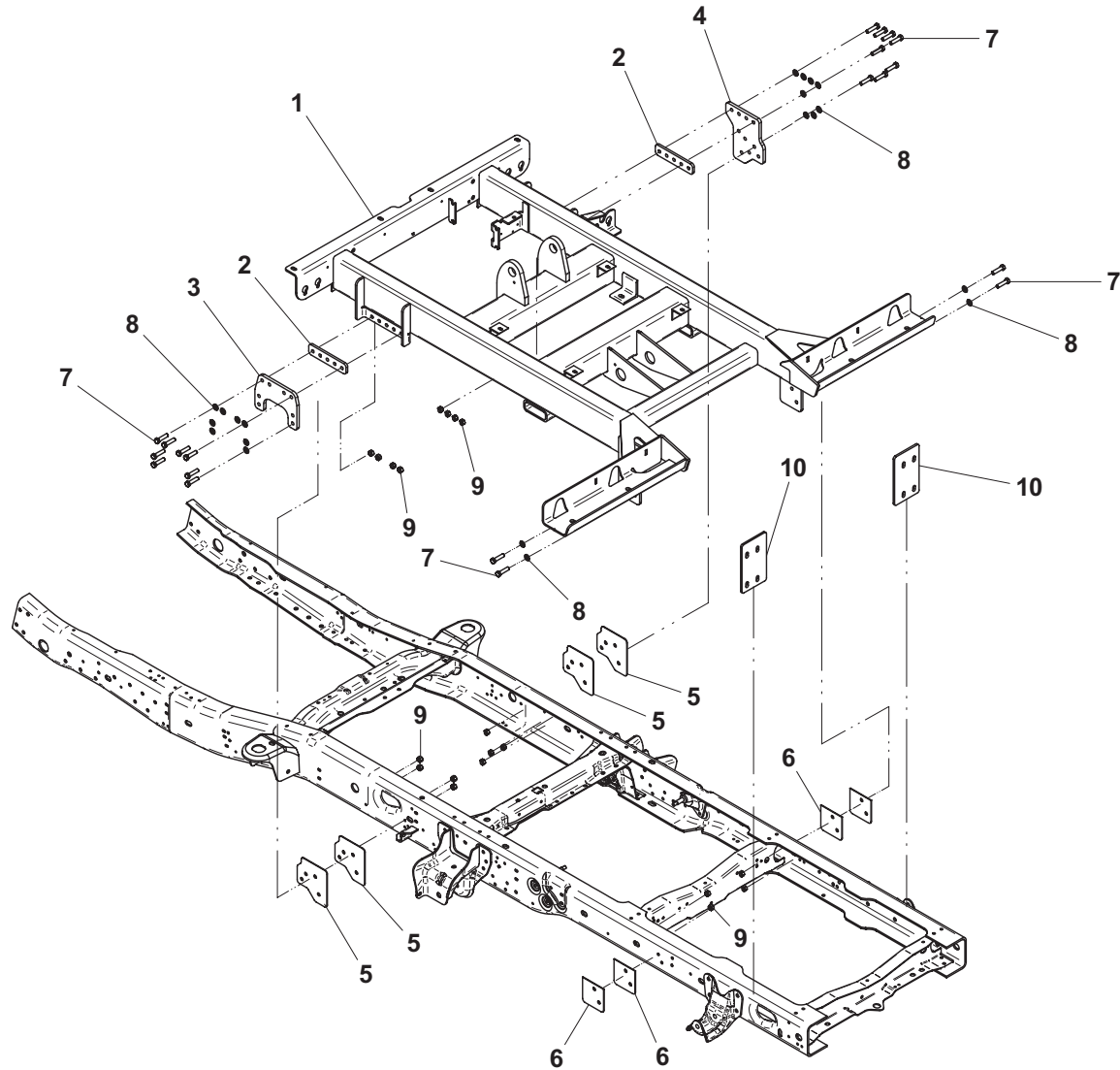


Item #34, Seal, not shown
 Item #36 & #37, Pad, not shown

SUBFRAME

ITEM	PART NO.	DESCRIPTION	QTY	ITEM	PART NO.	DESCRIPTION	QTY
Ford F-Series				Dodge (60" CA)			
1	3868000288	Subframe Weld	1	1	3868000288	Subframe Weld	1
2	Not Required			2	Not Required		
3	4706005896	Plate	1	3	4706005897	Plate	1
4	4706005897	Plate	1	4	4706005897	Plate	1
5	Not Required			5	4706005634	Plate	4
6	Not required			6	4706005633	Plate	4
7	7115181650	Capscrew, 0.50"-13NC x 2.00"	20	7	7115181650	Capscrew, 0.50"-13NC x 2.00"	20
8	7950180153	Flatwasher, 0.50" ID	20	8	7950180153	Flatwasher, 0.50" ID	20
9	7660182601	Locknut, 0.50"-13NC	20	9	7660182601	Locknut, 0.50"-13NC	20
10	4706004919	Plate		10	4706004919	Plate	2
Ford F-Series with 19,000 lb GVWR				Dodge (84" CA)			
1	3868000288	Subframe Weld	1	1	3868000288	Subframe Weld	1
2	4706005898	Plate	2	2	Not Required		
3	4706005896	Plate	1	3	4706005897	Plate	1
4	4706005897	Plate	1	4	4706005897	Plate	1
5	Not Required			5	Not Required		
6	Not required			6	4706005633	Plate	4
7	7115181650	Capscrew, 0.50"-13NC x 2.00"	20	7	7115181650	Capscrew, 0.50"-13NC x 2.00"	20
8	7950180153	Flatwasher, 0.50" ID	20	8	7950180153	Flatwasher, 0.50" ID	20
9	7660182601	Locknut, 0.50"-13NC	20	9	7660182601	Locknut, 0.50"-13NC	20
10	4706004919	Plate	2	10	4706004919	Plate	2
GM C3500 / 4500							
1	3868000288	Subframe Weld	1				
2	Not Required						
3	4706005897	Plate	1				
4	4706005897	Plate	1				
5	4706005634	Plate	2				
6	4706005633	Plate	2				
7	7115181650	Capscrew, 0.50"-13NC x 2.00"	20				
8	7950180153	Flatwasher, 0.50" ID	20				
9	7660182601	Locknut, 0.50"-13NC	20				
10	4706004919	Plate	2				

SUBFRAME

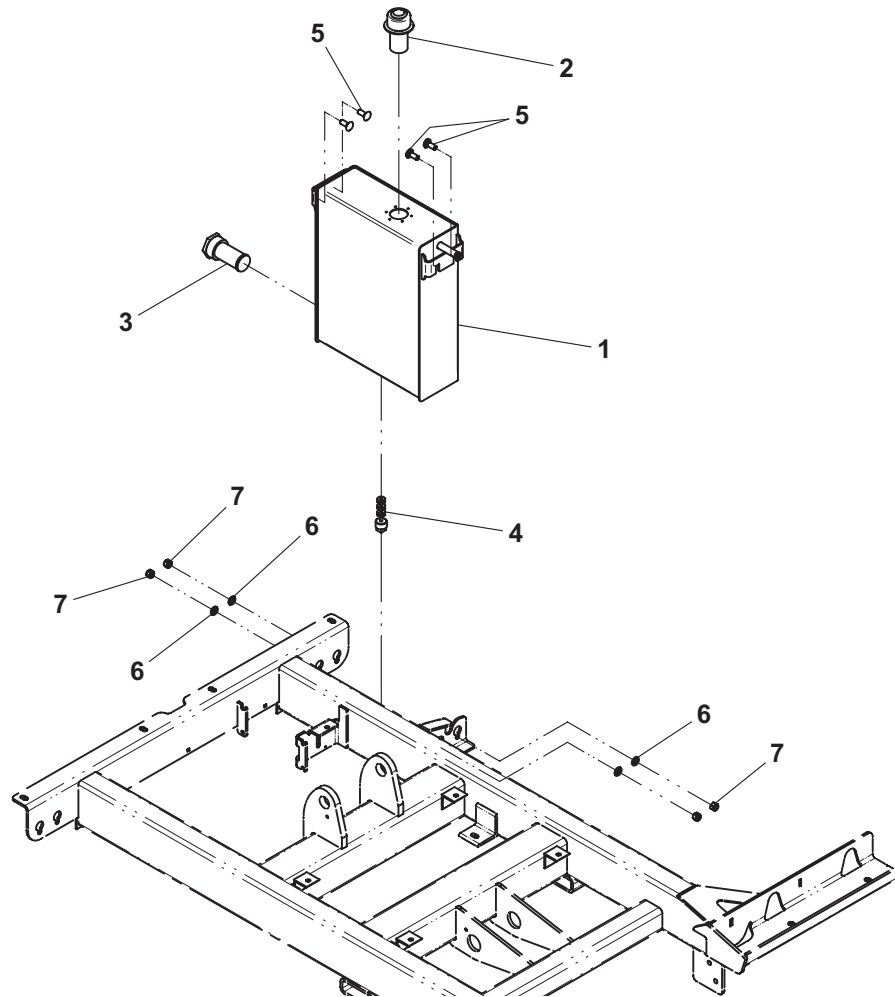


HYDRAULIC RESERVOIR

ITEM	PART NO.	DESCRIPTION	QTY
1	3750000061	Reservoir Assembly	1
2	7183000008*	Filler Cap	1
3	7430000010*	Tank Filter	1
4	7701000026*	Magnetic Plug	1
5	7115181064	Carriage Bolt, 0.50"-13NC x 1.25"	4
6	7950180153	Flatwasher, 0.50" ID	4
7	7660182601	Locknut, 0.50"-13NC	4

* also available in Reservoir Assembly, P/N 3750000061

HYDRAULIC RESERVOIR



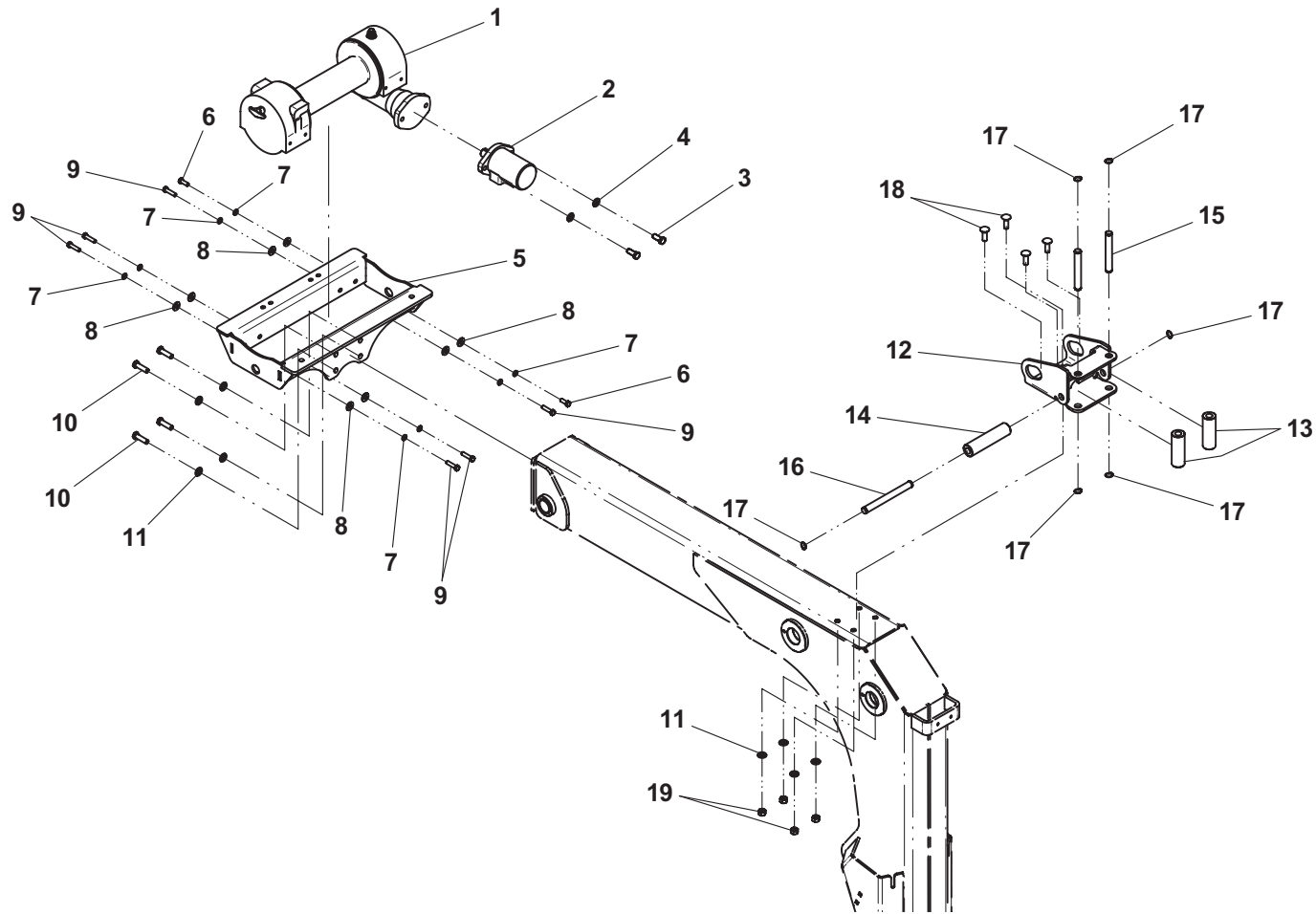
WORM GEAR WINCH & CABLE ROLLER GUIDE

ITEM	PART NO.	DESCRIPTION	QTY
1	7970000150+	Winch - 8,000 lb Worm Gear	1
2	7626000014	Orbit Motor	1
3	7115181250	Capscrew, 0.50"-13NC x 1.50"	2
4	7950180400	Lockwasher, 0.50" ID	2
5	3178000508	Bracket Weld	1
6	71151600850	Capscrew, 0.38"-16NC x 1.00"	2
7	77950160000	Lockwasher, 0.38" ID	8
8	7950160162	Flatwasher, 0.38" ID	8
9	7115161250	Capscrew, 0.38"-16NC x 1.50"	6
10	7115181450	Capscrew, 0.50"-13NC x 1.75"	4
11	7950180153	Flatwasher, 0.50" ID	8
12	3178000511*	Bracket Weld	1
13	4912000325*	Tube	2
14	4912000423*	Tube	1
15	4691000568*	Pin	2
16	4691000567*	Pin	1
17	7754000022*	Retaining Ring	6
18	7115181264	Carriage Bolt, 0.50"-13NC x 1.50"	4
19	7660182601	Locknut, 0.50"-13NC	4
20	7248000092	Winch Cable, 0.38 dia x 75'	1

+ Refer to manufacturer's manual for winch parts list.

* also available in Cable Guide Assembly, P/N 3249000039

WORM GEAR WINCH & CABLE ROLLER GUIDE



Item #20, Winch Cable, not shown
Standard Cable Guide, shown

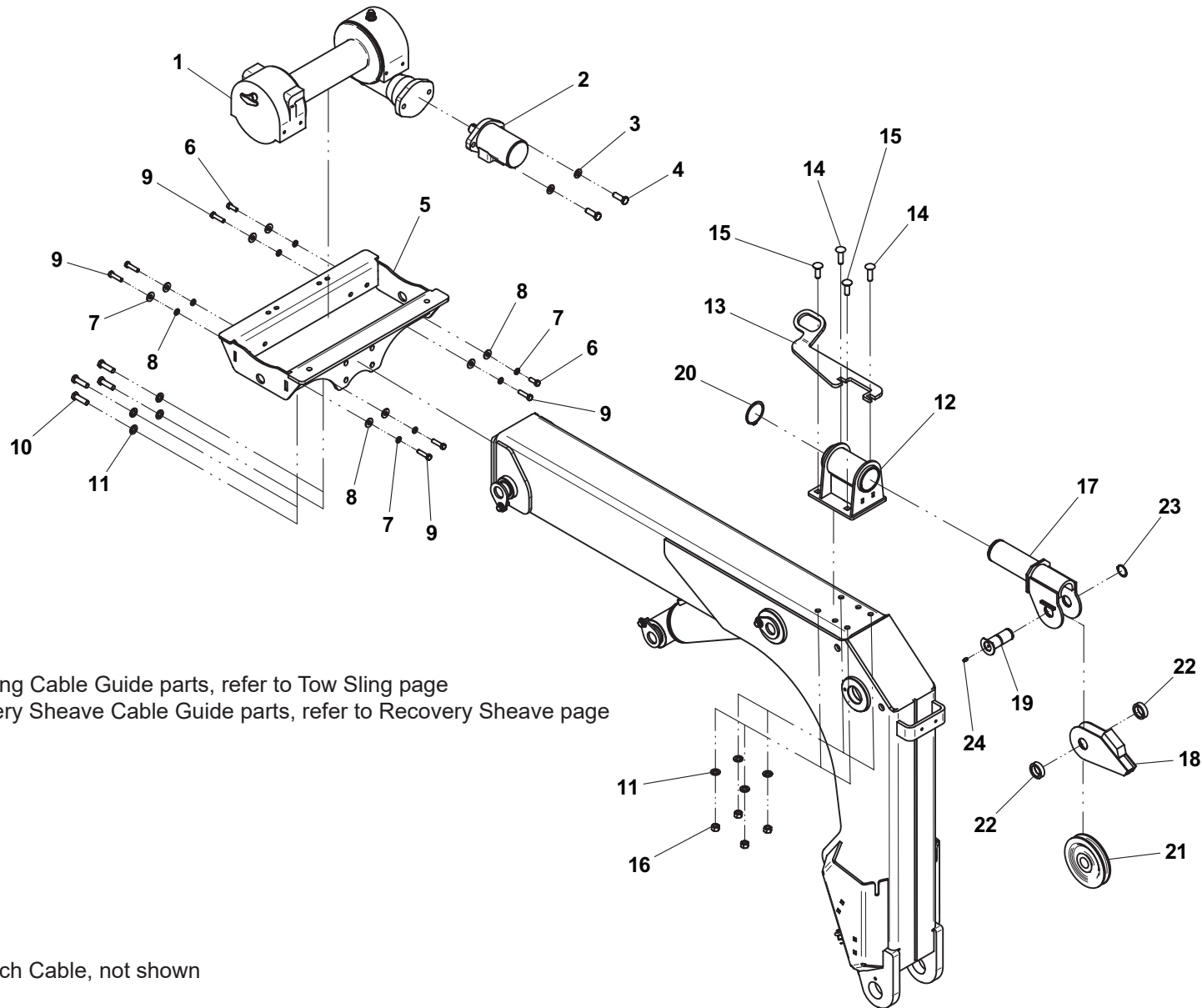
For Tow Sling Cable Guide parts, refer to Tow Sling page
For Recovery Sheave Cable Guide parts, refer to Recovery Sheave page

WORM GEAR WINCH & CABLE SHEAVE GUIDE

ITEM	PART NO.	DESCRIPTION	QTY
1	7970000150+	Winch - 8,000 lb Worm Gear	1
2	7626000014	Orbit Motor	1
3	7115181250	Capscrew, 0.50"-13NC x 1.50"	2
4	7950180400	Lockwasher, 0.50" ID	2
5	3178000508	Bracket Weld	1
6	7115160850	Capscrew, 0.38"-16NC x 1.00"	2
7	7950160000	Lockwasher, 0.38" ID	8
8	7950160162	Flatwasher, 0.38" ID	8
9	7115161250	Capscrew, 0.38"-16NC x 1.50"	6
10	7115181450	Capscrew, 0.50"-13NC x 1.75"	4
11	7950180153	Flatwasher, 0.50" ID	8
12	3170000490	Boom Sheave Weld	1
13	4178000876	Bracket	1
14	7115181464	Carriage Bolt, 0.50"-13NC x 1.75"	2
15	7115181264	Carriage Bolt, 0.50"-13NC x 1.50"	2
16	7660182601	Locknut, 0.50"-13NC	4
17	3512900006	Sheave Shupport Weld	1
18	3510900068	Cable Guide Weld	1
19	3691000002	Pin	1
20	7754000005	Retaining Ring	1
21	7809000001	Sheave	1
22	4209000019	Bushing	2
23	7754000006	Retaining Ring	1
24	7440030000	Grease Fitting	1
25	7248000092	Winch cable, 0.38 dia x 75'	1

+ Refer to manufacturer's manual for winch parts list.

WORM GEAR WINCH & CABLE SHEAVE GUIDE



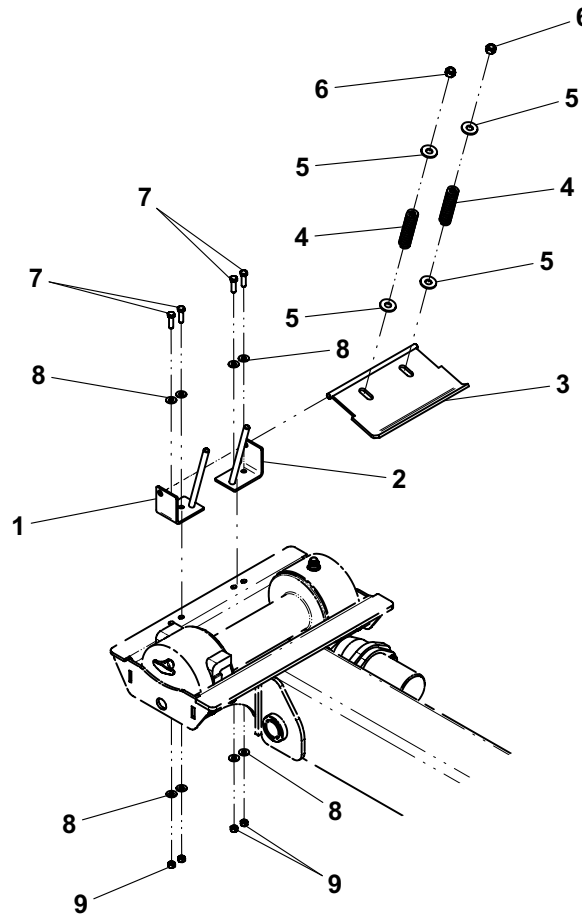
For Tow Sling Cable Guide parts, refer to Tow Sling page
For Recovery Sheave Cable Guide parts, refer to Recovery Sheave page

Item #25, Winch Cable, not shown

WORM GEAR WINCH - CABLE TENSIONER

ITEM	PART NO.	DESCRIPTION	QTY
1	3017000003	Angle Weld LH	1
2	3017000002	Angle Weld RH	1
3	3706000099	Pressure Plate Weld	1
4	7843000004	Spring	2
5	7950180161	Flatwasher, 0.50" ID	4
6	7660182600	Locknut, 0.50"-13NC	2
7	7115161050	Capscrew, 0.38"-16NC x 1.25"	4
8	7950150161	Flatwasher, 0.31" ID	8
9	7660162601	Locknut, 0.38"-16NC	4

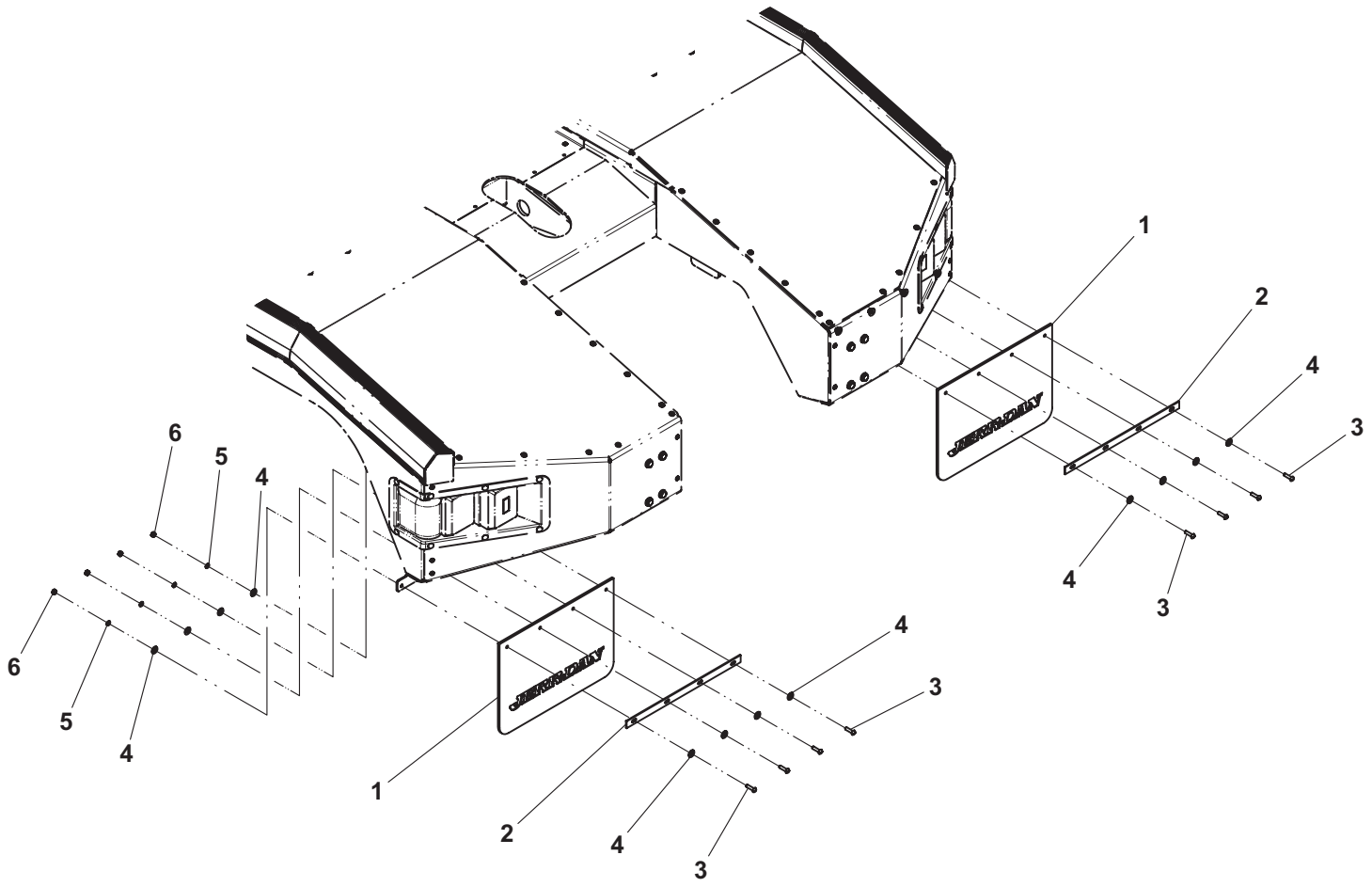
WORM GEAR WINCH - CABLE TENSIONER



MUD FLAP

ITEM	PART NO.	DESCRIPTION	QTY
1	7638000003	Mud Flap - 19" long	2
2	4706001123	Plate	2
37111151010		Capscrew, 0.31"-18NC x 1.25"	8
4	7950150161	Flatwasher, 0.31" ID	16
5	7950150000	Lockwasher, 0.31" ID	8
6	7660150000	Hex Nut, 0.31"-18NC	8

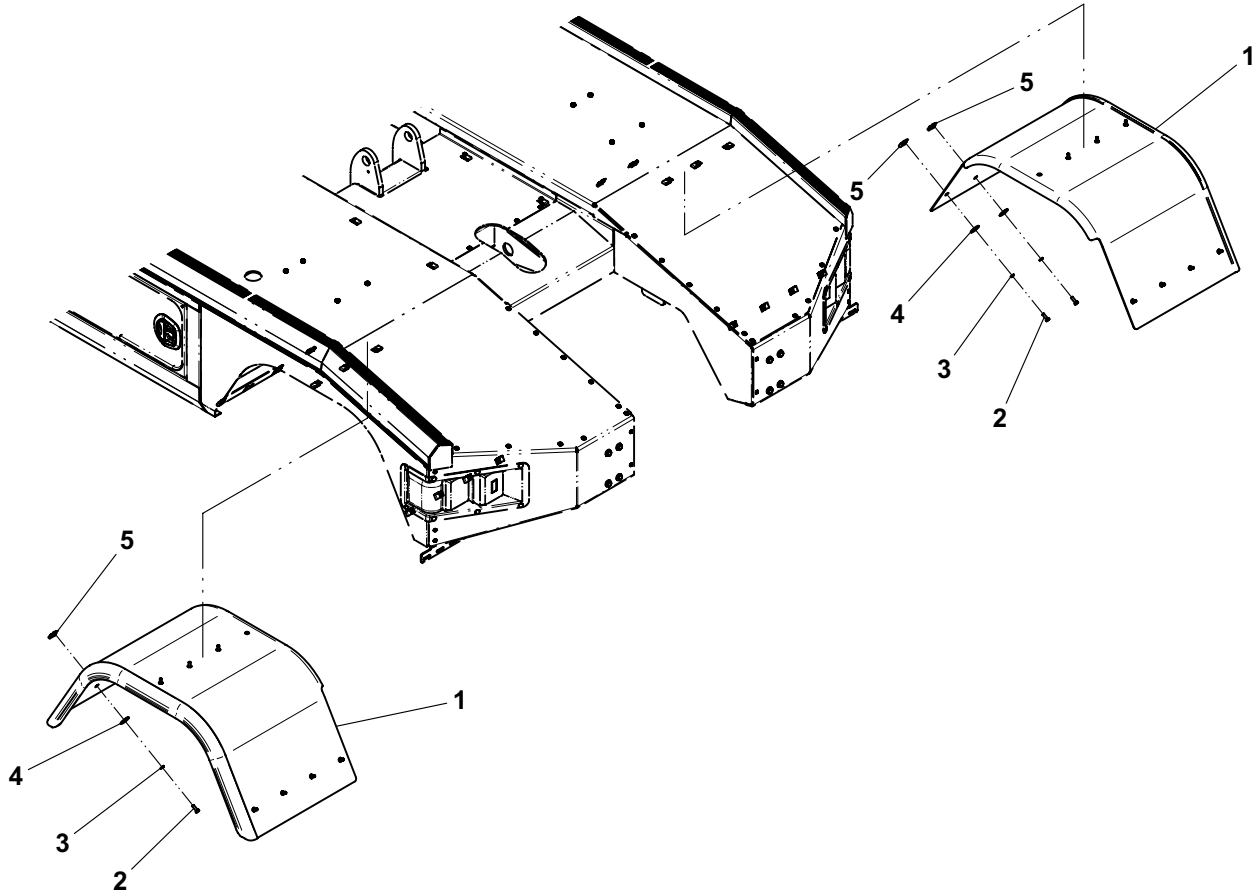
MUD FLAP



FENDER FLARES

ITEM	PART NO.	DESCRIPTION	QTY
1	7415000038	Fender (narrow)	2
	7415000039	Fender (wide)	
2	7114150850	Capscrew, 0.31"-18NC x 1.00"	22
3	7950150000	Lockwasher, 0.31" ID	22
4	7949000055	Fender Washer, 0.38" ID	22
5	7661000029	J-Nut, 0.31"-18NC	22

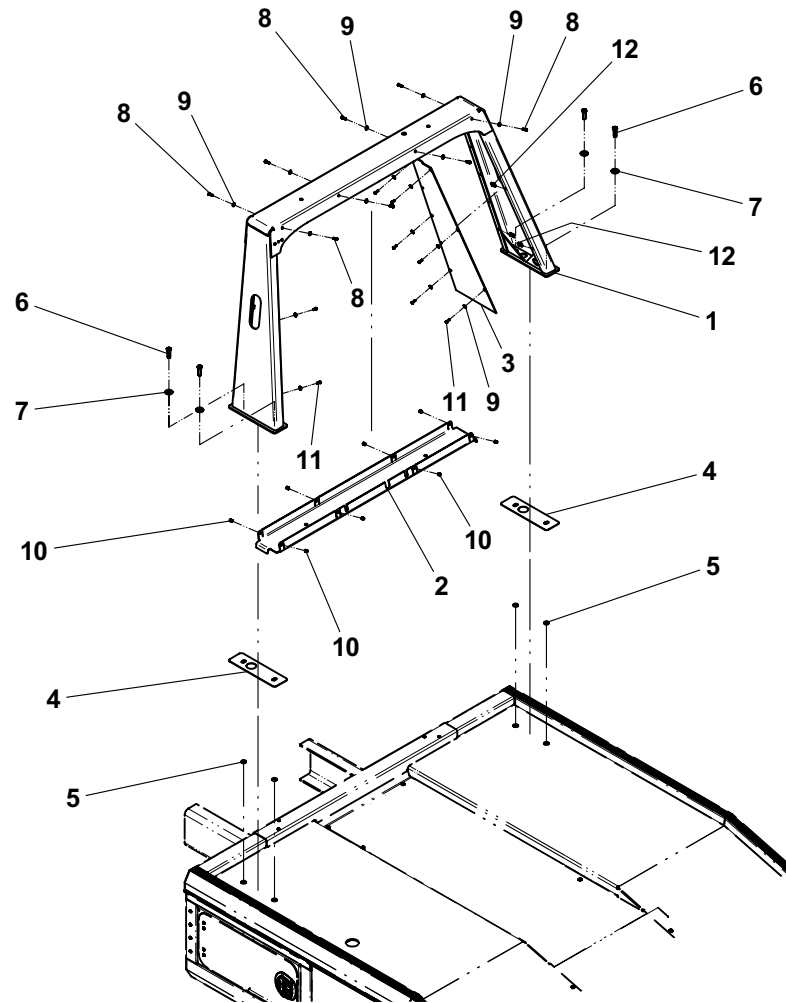
FENDER FLARES



LIGHT PYLON - DECK MOUNTED

ITEM	PART NO.	DESCRIPTION	QTY
1	3509570103	Light Pylon Weld - 37"	1
	3509570113	Light Pylon Weld - 50"	
2	4263000689	Channel	1
3	4706005002	Plate (37" Pylon)	2
	4314000125	Plate (50" Pylon)	
4	7796000101	Gasket	2
5	7949000058	Washer, 0.53" ID	4
6	7115181450	Capscrew, 0.50"-13NC x 1.75"	4
7	7950180161	Flatwasher, 0.50" ID	4
8	7114140818	Capscrew, 0.25"-20NC x 1.00"	8
9	7950140143	Flatwasher, 0.25" ID	20
10	7413000002	Nutsert, 0.25"-20NC	8
11	7114140618	Capscrew, 0.25"-20NC x .75"	12
12	7661000019	U-Nut, 0.25"-20NC	12

LIGHT PYLON - DECK MOUNTED

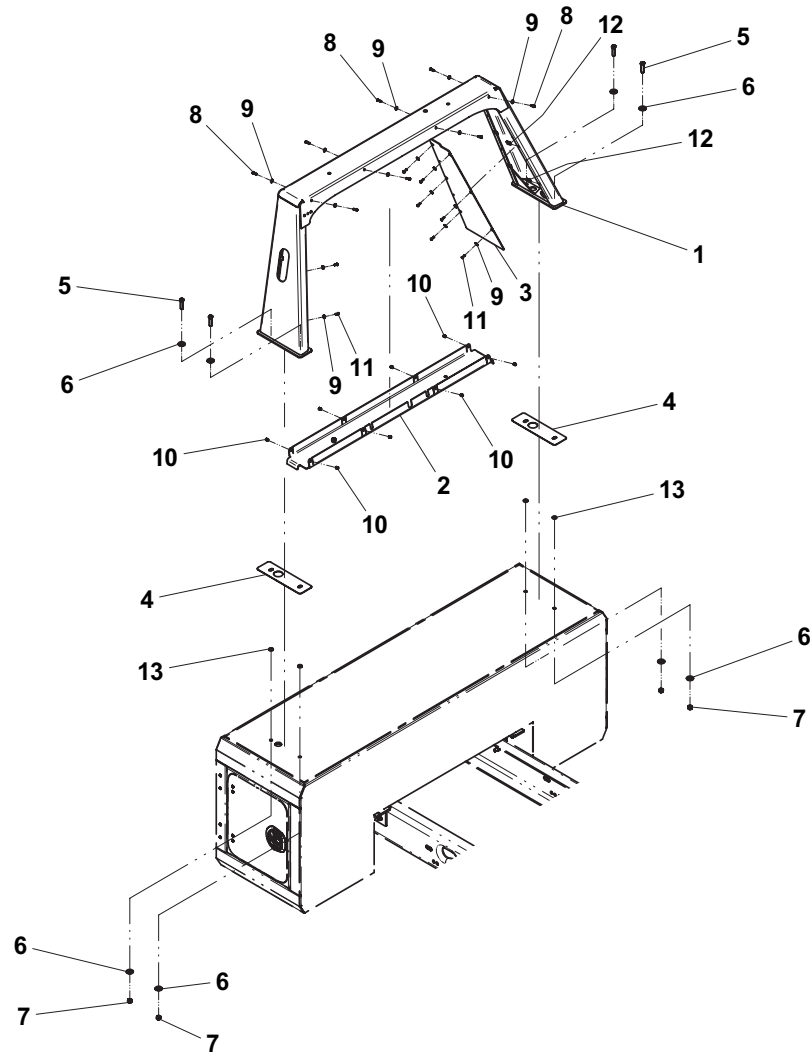


37" Pylon shown

LIGHT PYLON - TOOLBOX MOUNTED

ITEM	PART NO.	DESCRIPTION	QTY
1	3509570106	Light Pylon Weld - 28"	1
	3509570111	Light Pylon Weld - 41.50"	
2	4263000689	Channel	1
3	4314000102	Cover (28" Pylon)	2
	4314000103	Cover (41.50" Pylon)	
4	7796000091	Gasket	2
5	7115181650	Capscrew, 0.50"-13NC x 2.00"	4
6	7950180161	Flatwasher, 0.50" ID	8
7	7660182601	Locknut, 0.50"-13NC	4
8	7114140818	Capscrew, 0.25"-20NC x 1.00"	8
9	7950140143	Flatwasher, 0.25" ID	20
10	7413000002	Nutsert, 0.25"-20NC	8
11	7114140618	Capscrew, 0.25"-20NC x .75"	12
12	7661000019	U-Nut, 0.25"-20NC	12
13	7949000058	Washer, 0.53" ID	4

LIGHT PYLON - TOOLBOX MOUNTED



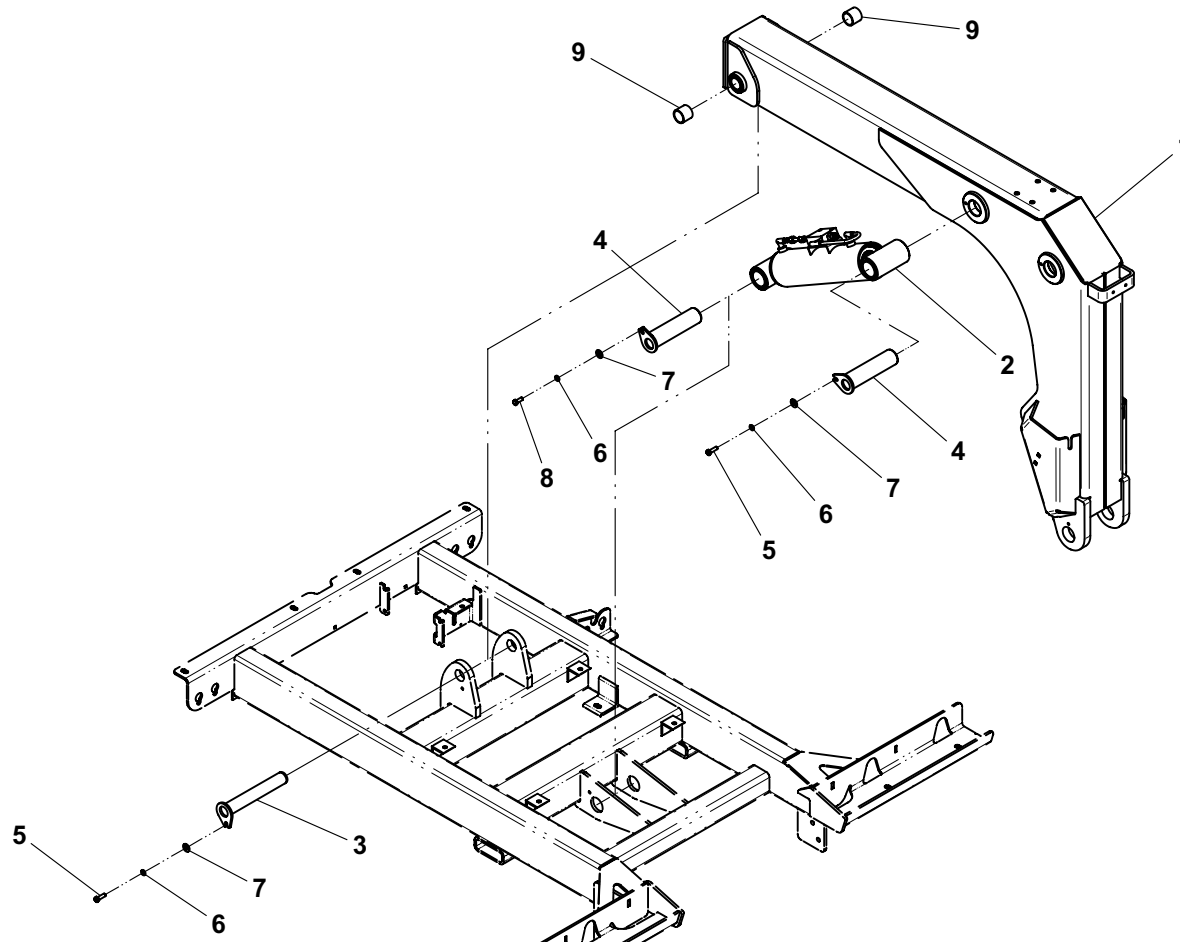
28" Pylon shown

WRECKER BOOM

ITEM	PART NO.	DESCRIPTION	QTY
1	3170000446	Knee Boom Weld	1
2	7320000080	Cylinder Assembly	1
3	3691000280	Pin Weld	1
4	3691000278	Pin Weld	2
5	7115161050	Capscrew, 0.38"-16NC x 1.25"	2
6	7950160000	Lockwasher, 0.38" ID	3
7	7950160161	Flatwasher, 0.38" ID	3
8	7115160824	Capscrew, 0.38"-16NC x 1.00"	1
9	7082000044*	Bearing	2

* also available in Knee Boom Weld, P/N 3170000446

WRECKER BOOM



UNDERLIFT BOOM - HYDRAULIC GRID

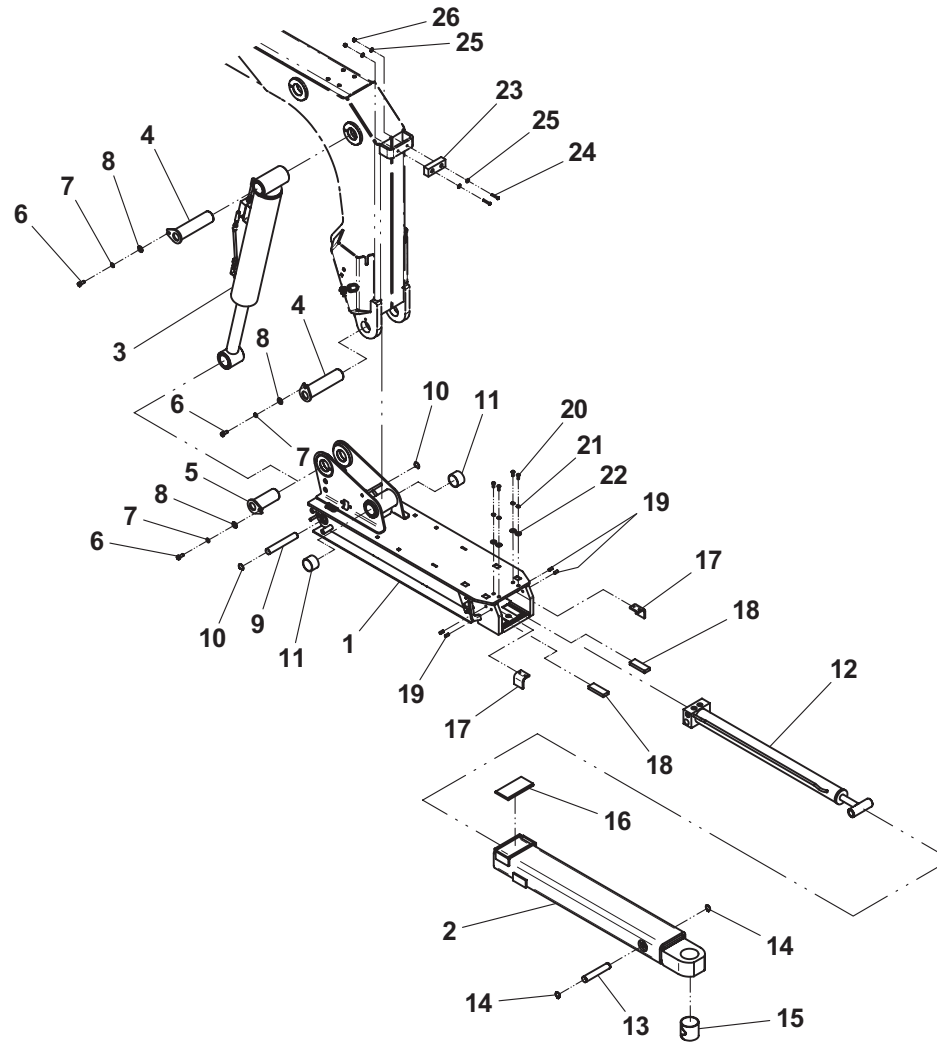
ITEM	PART NO.	DESCRIPTION	QTY
1	3170000415	Base Boom Weld	1
2	3170000346	Fly Boom Weld	1
3	7320000081	Cylinder Assembly	1
4	4691000278	Pin	2
5	4691000279	Pin	1
6	7115160824	Capscrew, 0.38"-16NC x 1.00"	3
7	7950160000	Lockwasher, 0.38" ID	3
8	7950160161	Flatwasher, 0.38" ID	3
9	4691000308	Pin	1
10	7754000056	Snap Ring	2
11	7082000043+	Bearing	2
12	7320000077*	Cylinder Assembly	1
13	4691000307	Pin	1
14	7754000019	Retaining Ring	2
15	7209000030^	Bushing	1
16	4679000046	Wear Pad	1
17	4017001502	Angle	2
18	4679000213	Wear Pad	2
19	7785161274	Set Screw, 0.38"-16NC x .75"	4
20	7104150627	Capscrew, 0.31"-24NF x .75"	4
21	7950150000	Lockwasher, 0.31" ID	4
22	7950150161	Flatwasher, 0.31" ID	4
23	7189000023	Bumper	1
24	7114141018	Capscrew, 0.25"-20NC x 1.25"	2
25	7950140143	Flatwasher, 0.25" ID	4
26	7660142604	Locknut, 0.25"-20NC	2

+ also available in Base Boom Weld, P/N 3020000415

^ also available in Fly Boom Weld, P/N 3170000346

* Service Seal Kit, P/N 9577820242

UNDERLIFT BOOM - HYDRAULIC GRID



HYDRAULIC WHEEL LIFT GRID

ITEM	PART NO.	DESCRIPTION	QTY	ITEM	PART NO.	DESCRIPTION	QTY
1	4691000198^	Pin	1	33	4064000052^	Bar	1
2	4949000047^	Washer, 2.84" ID	2	34	4831000095^	Spacer	1
3	7754000024^	Retaining Ring	1	35	7843000037^	Compression Spring	1
4	3484000068^	Grid Weld	1	36	7786000009^	Set Screw, 0.75"-16NF x 1.50"	1
5	7320000064^	Cylinder Assembly	2	37	4706004066	Plate LH	1
6	3691000229^	Pin Weld	4	38	4706004067	Plate RH	1
7	7115151023^	Capscrew, 0.31"-18NC x 1.25"	6	39	7189000019	Rubber Bumper	2
8	7660152601^	Locknut, 0.31"-18NC	6	40	7114140618	Capscrew, 0.25"-20NC x .75"	2
9	part of item #5			41	7950140143	Flatwasher, 0.25" ID	18
10	3592000052^	Link Weld	2	42	7114140427	Capscrew, 0.25"-20NC x .50"	4
11	3592000051^	Link Weld	2	43	3619000001	Manifold Weld	2
12	4706003497^	Plate	2	44	7445040445	Elbow	4
13	7754000022^	Retaining Ring	4	45	7115140850	Capscrew, 0.25"-20NC x 1.00"	4
14	part of item #5			46	7660142604	Locknut, 0.25"-20NC	12
15	7440030000^	Grease Fitting	1	47	7592000004	Swivel Link	2
16	7701000007^	Plug Button	1	48	7843000031	Extension Spring	2
17	3691000230^	Pin Weld	2	49	4706003501	Plate	2
18	3020000116^	Arm Weld LH	1	50	7719000004	Roller	2
19	3020000117^	Arm Weld RH	1	51	7691000040	Clevis Pin	2
20	8411080091^	L-Arm Spacer	2	52	7691000042	Cotter Pin	2
21	7082000027#	Bearing	4	53	7912000174	Tube Assembly	2
22	7082000026*+	Bearing	10	54	7274000073	Hose Clamp	8
23	4314000076^	Coverplate	2	55	7950160153	Flatwasher, 0.38" ID	2
24	7114140518^	Capscrew, 0.25"-20NC x .62"	4	56	7660162604	Locknut, 0.38"-16NC	2
25	7785140400^	Set Screw, 0.25"-20NC x .25"	2				
26	7274000086^	Clamp Half	4				
27	7274000039^	Clamp Cover	2				
28	7115151250^	Capscrew, 0.31"-18NC x 1.50"	4				
29	7950160000^	Lockwasher, 0.38" ID	2				
30	4619000013^	Hydraulic Manifold	1				
31	7912000184^	Tube Assembly	4				
32	7445040443^	Adapter	4				

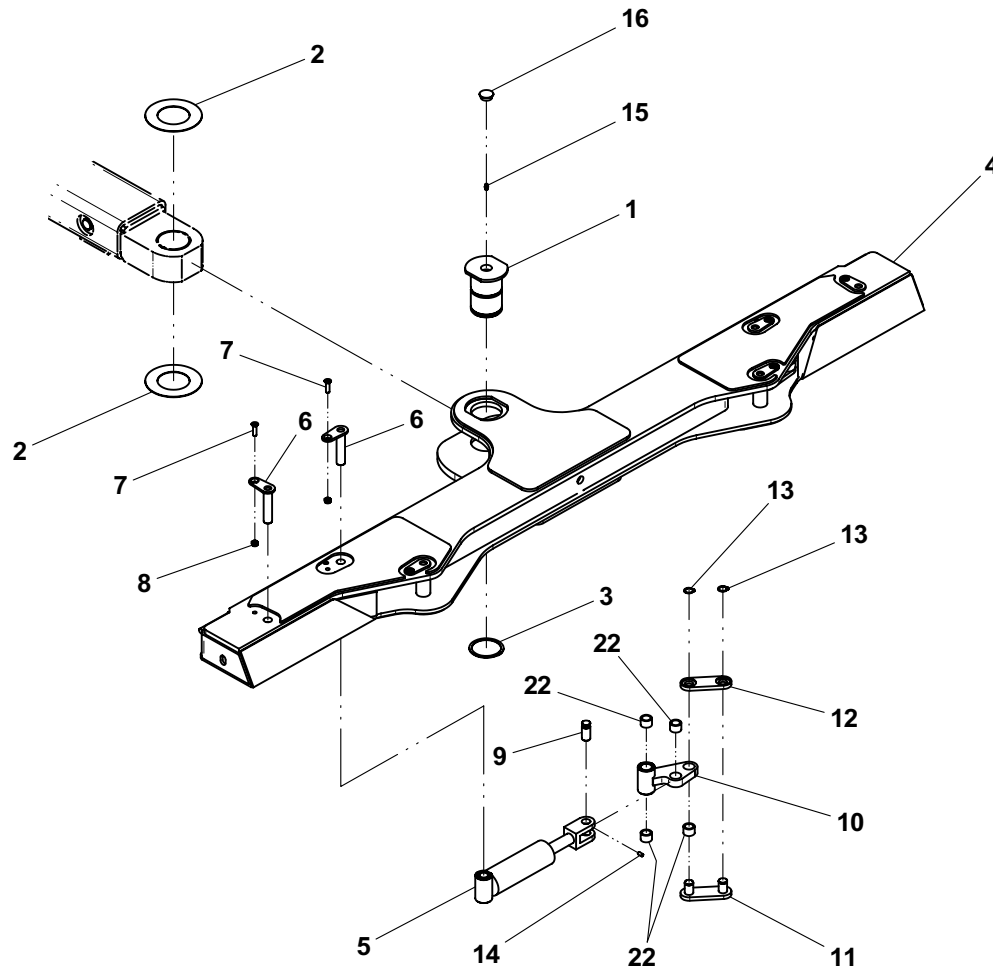
also available in Arm Weldments, P/N 3020000116 & 3020000117

* quantity of 1 also available in each of Arm Weldments, P/N 3020000116 & 3020000117

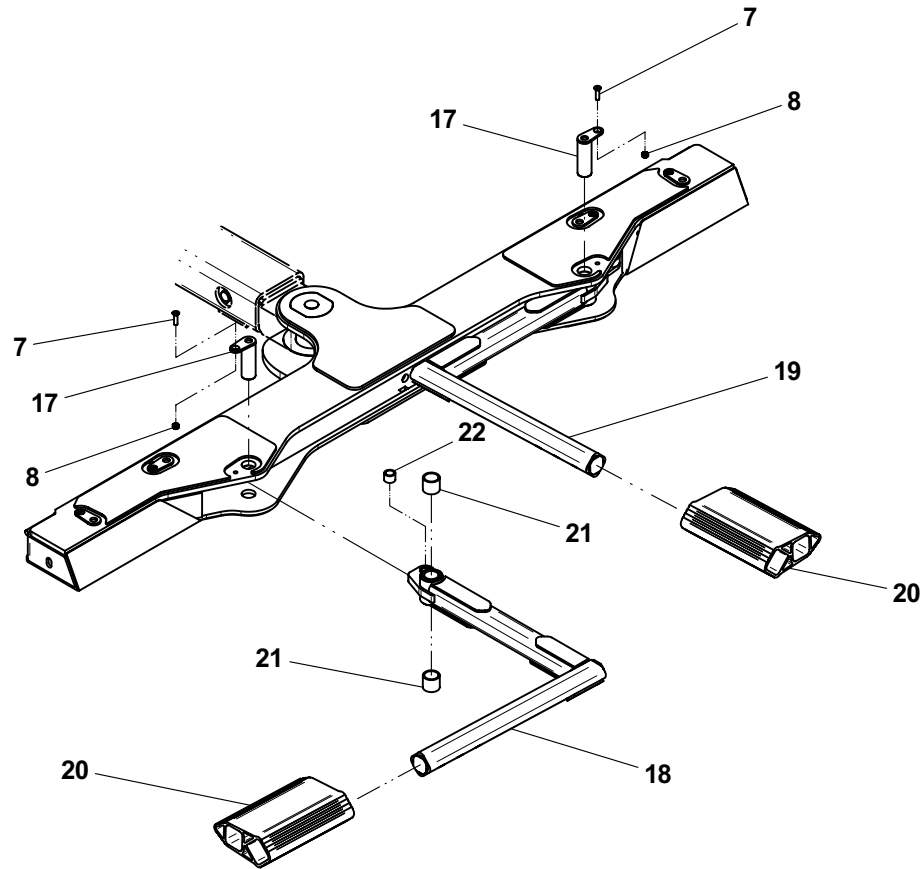
+ quantity of 8 also available in Link Weldments, P/N 3592000052

^ also available in Grid Assembly, P/N 3484000069

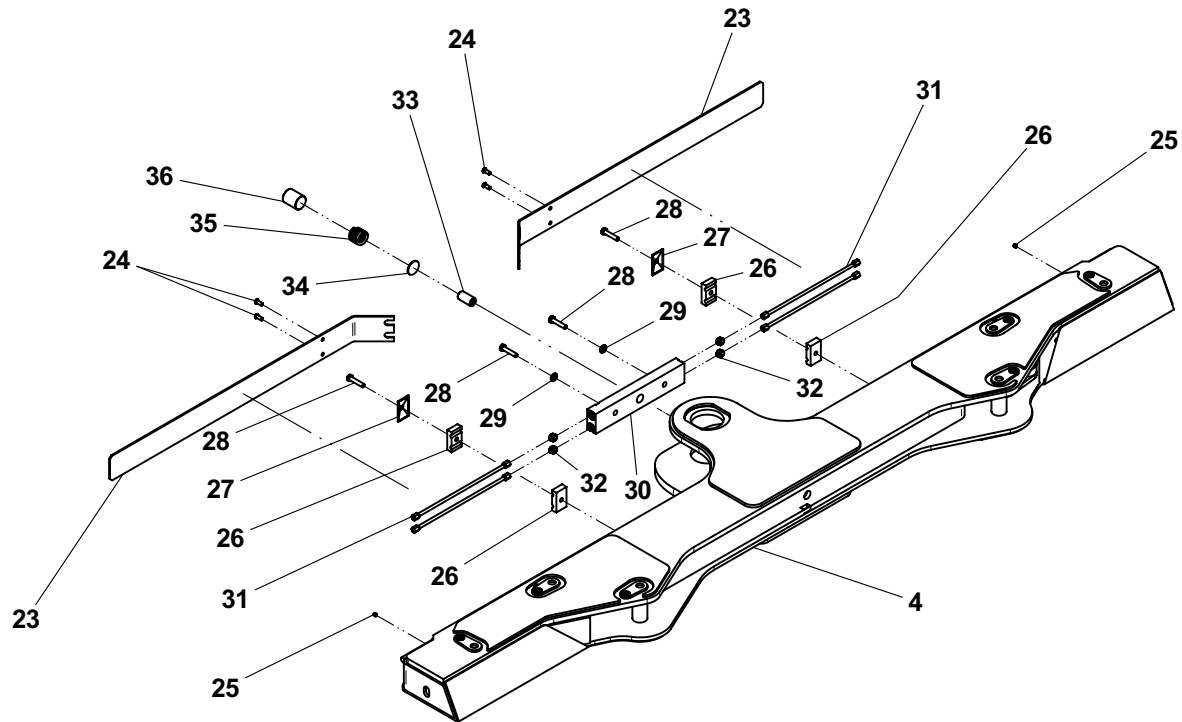
HYDRAULIC WHEEL LIFT GRID



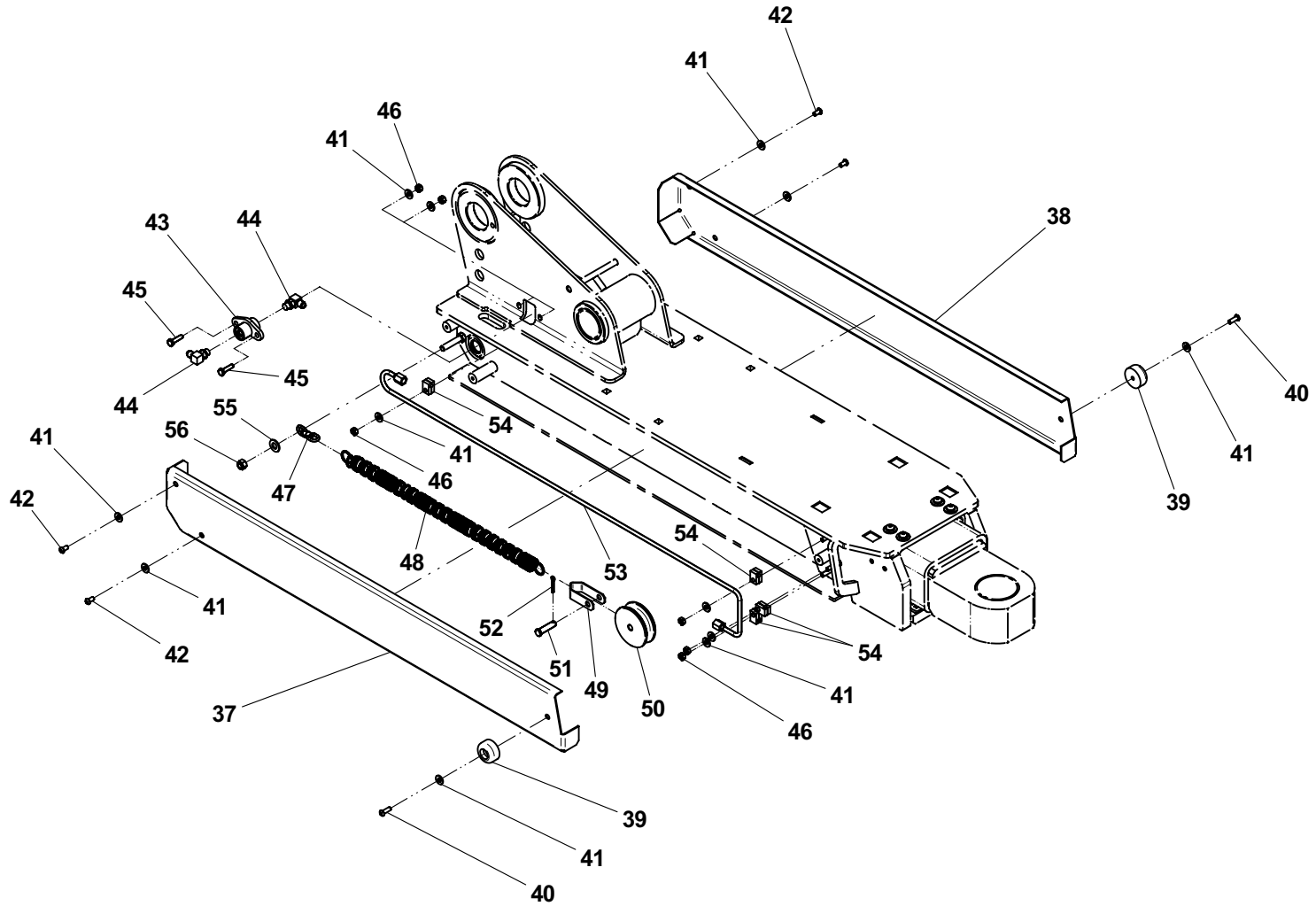
HYDRAULIC WHEEL LIFT GRID



HYDRAULIC WHEEL LIFT GRID



HYDRAULIC WHEEL LIFT GRID

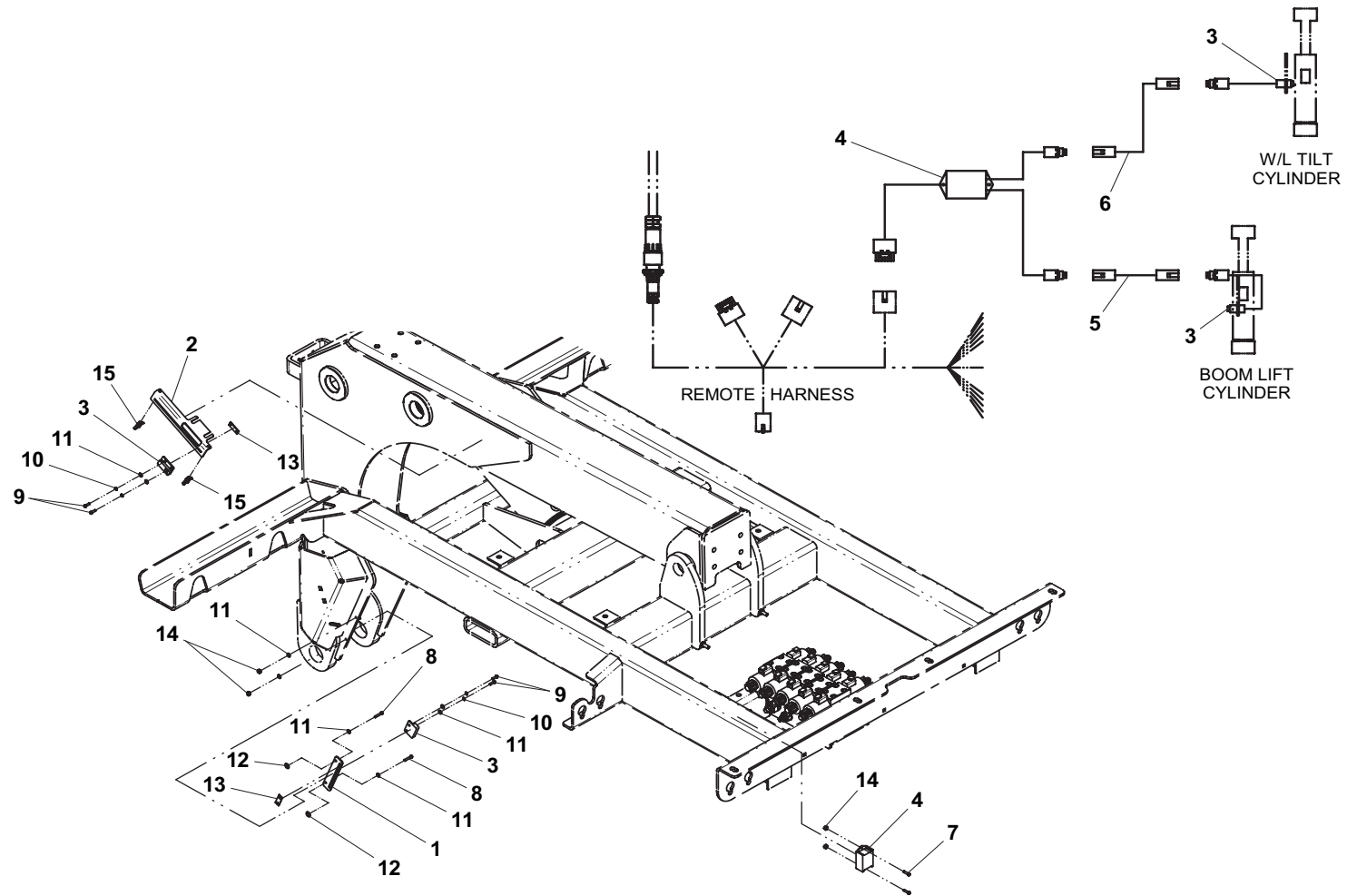


THIS PAGE INTENTIONALLY LEFT BLANK

UNDER LIFT LEVEL STOP

ITEM	PART NO.	DESCRIPTION	QTY
1	4178000709	Bracket	1
2	4178000705	Bracket	1
3	7870000126	Proxi Switch	2
4	7346000261	Controller	1
5	7552000367	Lift Cyl Switch to Controller Harness	1
6	7552000368	Tilt Cyl Switch to Controller Harness	1
7	7114100618	Capscrew, #10-24NC x 0.75"	2
8	7114100818	Capscrew, #10-24NC x 1.00"	2
9	7114100518	Capscrew, #10-24NC x 0.63"	4
10	7950100003	Lockwasher, 0.19" ID	4
11	7950100103	Flatwasher, 0.19" ID	8
12	7950100163	Flatwasher, 0.19" ID	8
13	7661000056	Weld Nut, #10-24NC	2
14	7660102604	Locknut, #10-24NC	4
15	7894000042	Tie Strap	4
16	5526000553	Tie Strap	10
17	7894000004	Tie Strap	3

UNDER LIFT LEVEL STOP

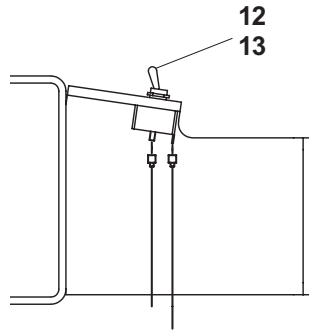


Items #16 & #17, Tie Straps, not shown
 2 of item #15, Tie Strap, not shown

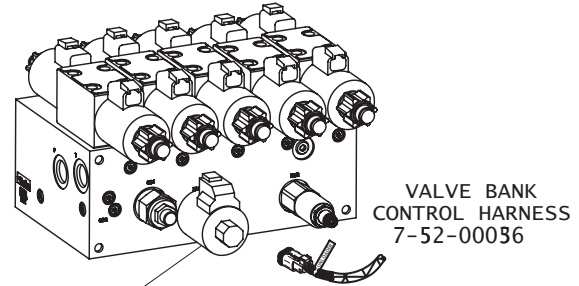
WIRED REMOTE CONTROL

ITEM	PART NO.	DESCRIPTION	QTY
1	7552000365	Control Valve to Subframe Harness	1
2	7295000061	Hand Controller	1
3	4706003402	Plate	1
4	7790100856	Screw, #10 x 0.50"	3
5	7740000003	Relay	1
6	7345001710	Tab	2
7	7345001714	Terminal	1
8	7345221702	Terminal	1
9	7346000039	Tubing	12in
10	8977500100	Wire #16 ga	36in
11	8597650002	Wire Loom	36in
12	7870000092	Toggle Switch	1
13	7560000004	Switch Boot	1
14	7935000364	Valve Dump with Relief (PTO Units Only)	1

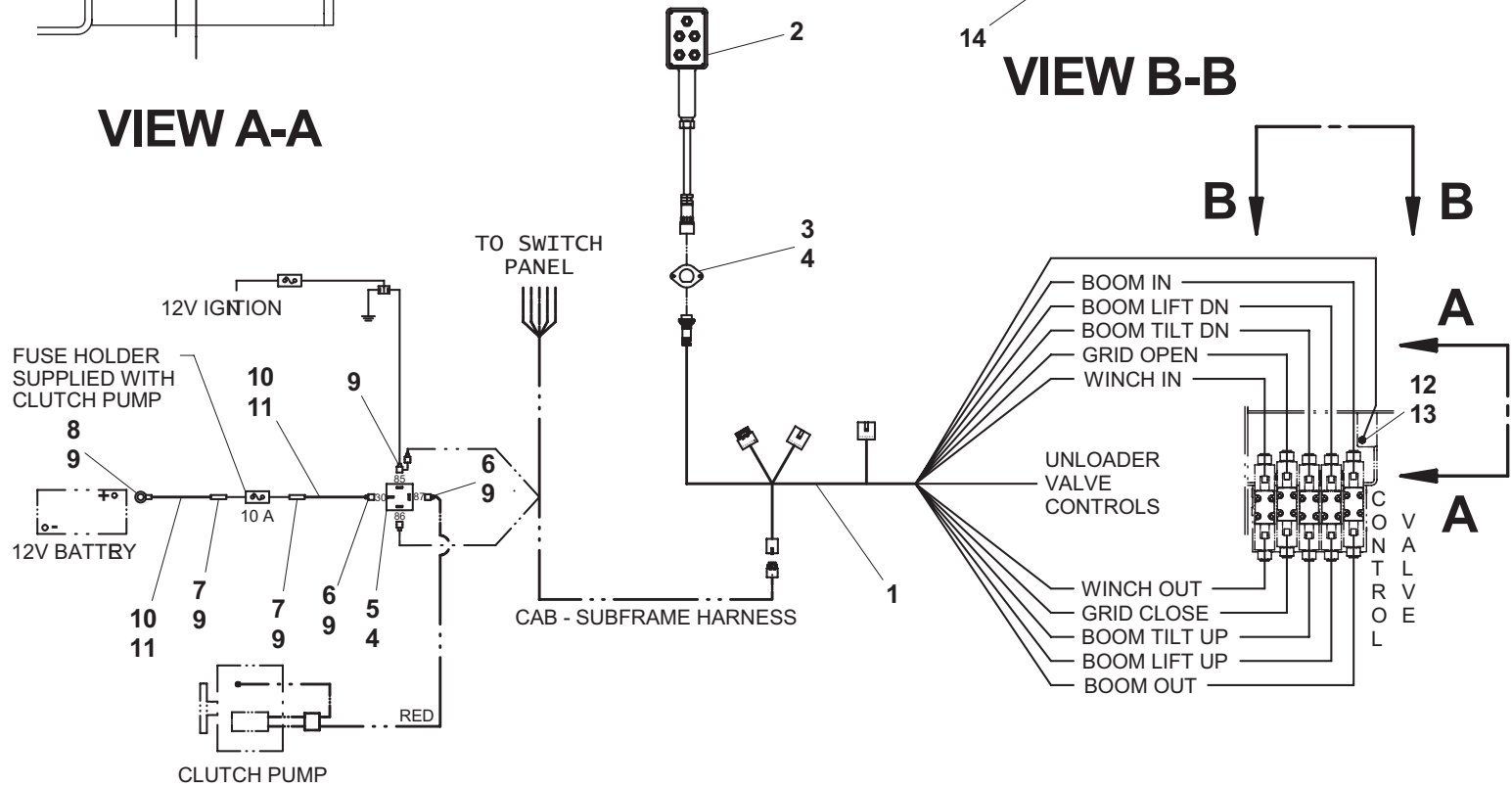
WIRED REMOTE CONTROL



VIEW A-A



VIEW B-B

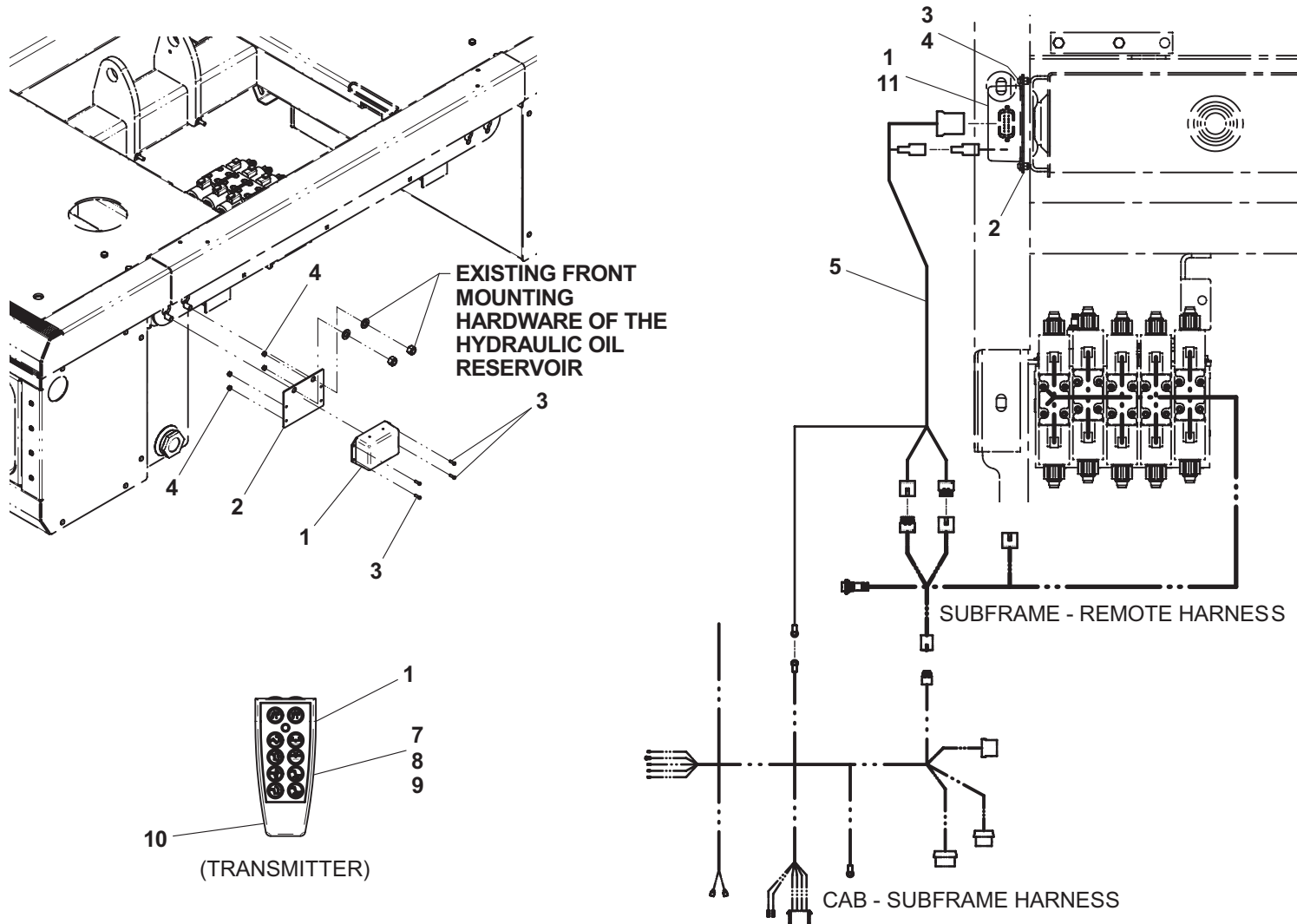


WIRELESS REMOTE CONTROL

ITEM	PART NO.	DESCRIPTION	QTY
1	7295000117	Wireless Controller 10 Function	1
2	4636000038	Mounting Plate	1
3	7114100518	Capscrew, #10-24NC x 0.62"	4
4	7660102604	Locknut, #10-24NC	4
5	7552000386	Controller to 5 Sect Valve Harness	1
6	5526000553	Tie Strap	5
7	9295310046*	Transmitter	1
8	9295310029*	Rubber Boot	1
9	9295310030*	Belt Clip	1
10	7075000003	Battery, 9V	1
11	9295310050*	Receiver	1

* included in Wireless Controller 10 Func, P/N 7295000117

WIRELESS REMOTE CONTROL



Item #6, Tie Strap, not shown

HYDRAULIC COMPONENTS - SPR / HOSE ROUTING (FORD)

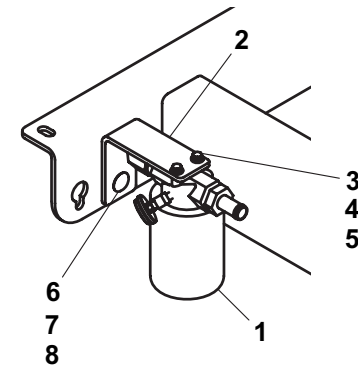
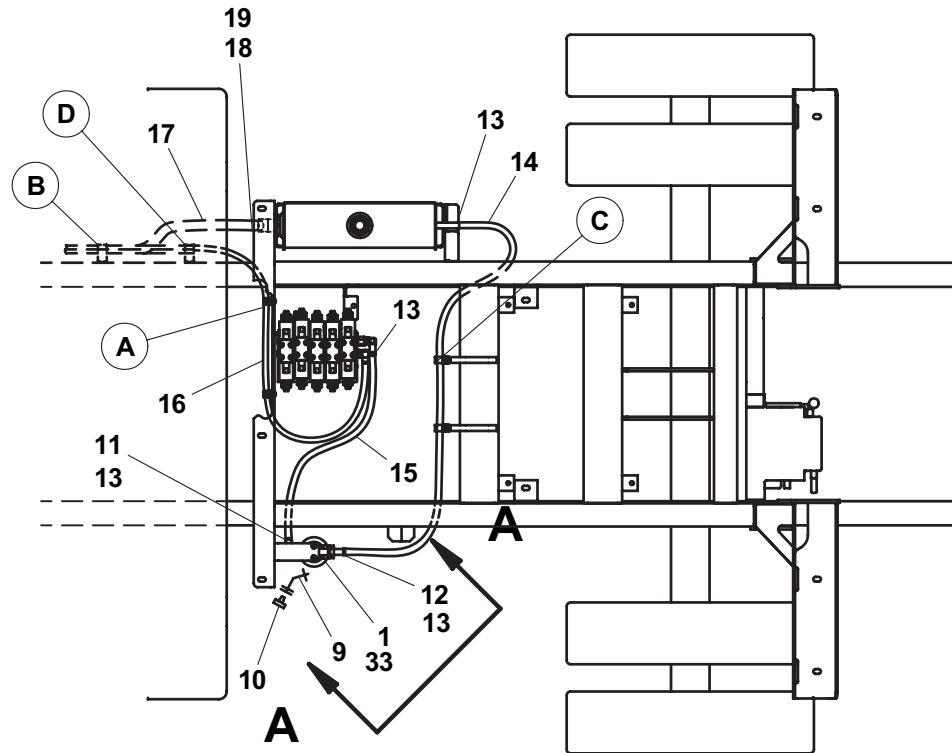
ITEM	PART NO.	DESCRIPTION	QTY
1	7430000003	Filter Assembly	1
2	4178000719	Bracket	1
3	7114140650	Capscrew, 0.25"-20NC x 0.75"	2
4	7950140003	Lockwasher, 0.25" ID	2
5	7950140143	Flatwasher, 0.25" ID	2
6	7115181064	Carriage Bolt, 0.50"-13NC x 1.25"	1
7	7950180161	Flatwasher, 0.50" ID	1
8	7660182601	Locknut, 0.50"-13NC	1
9	7443000066	Fitting	1
10	7470000002	Gauge	1
11	7443000319	Fitting	1
12	7443000374	Fitting	1
13	7274000122	Clamp	4
14	4570000345	Hose - Return	1
15	4570000344	Hose - Return	1
16	See Note 1	Hose - Pressure	1
17	See Note 1	Hose - Supply	1
18	7443000013	Barb Fitting	1
19	7274000002	Clamp	2
20	7274000076	Cast Frame Clamp	3
21	7785152420	Set Screw, 0.31"-18NC x 1.50"	3
22	7115151050	Capscrew, 0.31"-18NC x 1.25"	6
23	7950150161	Flatwasher, 0.31" ID	13
24	7660152601	Locknut, 0.31"-18NC	13
25	7274000105	Clamp	7
26	7274000042	Clamp	7
27	7115150864	Carriage Bolt, 0.31"-18NC x 1.00"	2
28	7443000426	Barb Fitting	1
29	7445081246	Fitting	1
30	7819000013	Sleeve	4
31	7660150000	Nut, 0.31"-18NC	5
32	7274000071	Clamp	3
33	7431000001 [^]	Filter Element	1

[^] Also available in Filter Assembly, P/N 7430000003

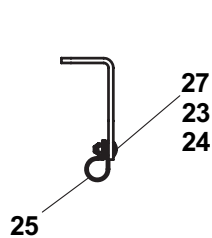
Note 1: Varies depending on chassis, transmission and PTO type.

Consult factory for part numbers.

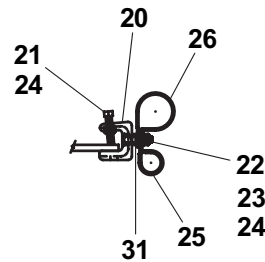
HYDRAULIC COMPONENTS - SPR / HOSE ROUTING (FORD)



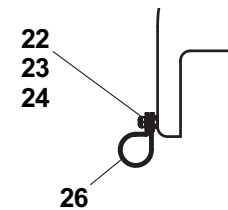
SECTION A-A



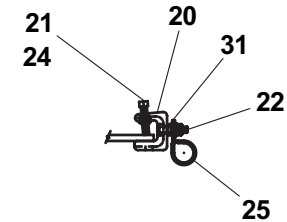
CLAMP POINT "A"
TYP-2 PLACES REF



CLAMP POINT "B"
TYP-1 PLACES REF

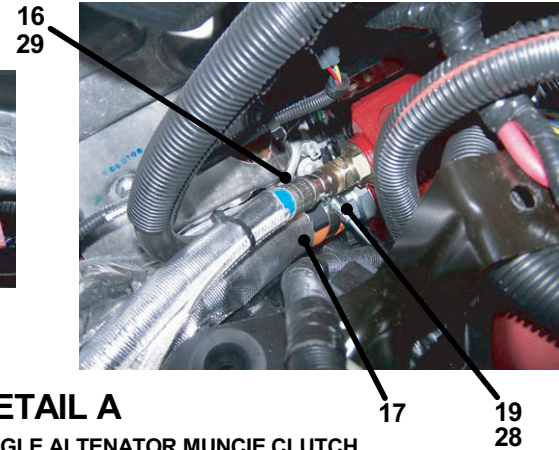
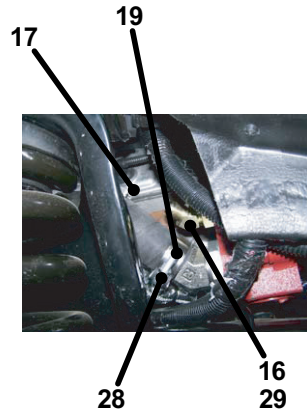
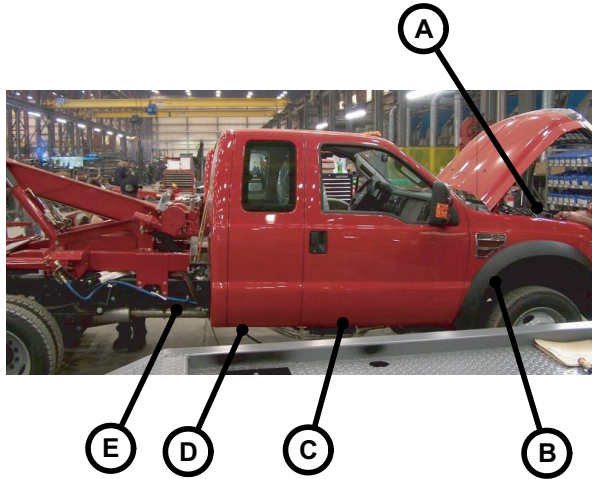


CLAMP POINT "C"
TYP-2 PLACES REF



CLAMP POINT "D"
TYP-1 PLACES REF

HYDRAULIC COMPONENTS - SPR / HOSE ROUTING (FORD)



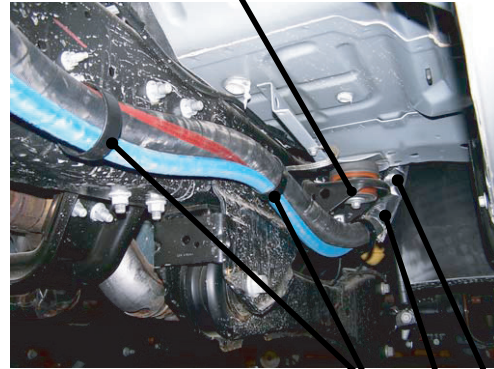
DETAIL A

2008 FORD SINGLE ALTERNATOR MUNCIE CLUTCH PUMP INSTALLATION SHOWN. TYPICAL FOR GAS AND DUAL ALTERNATOR INSTALLATIONS.

SECURE HOSES TO MIDDLE BODY MOUNT USING CAST CLAMP (ITEM #20)



DETAIL B



DETAIL C



DETAIL D

THIS PAGE INTENTIONALLY LEFT BLANK

HYDRAULIC COMPONENTS - SPR / HOSE ROUTING (DODGE)

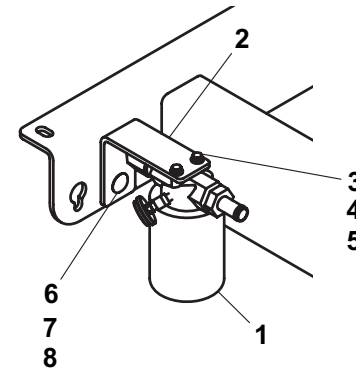
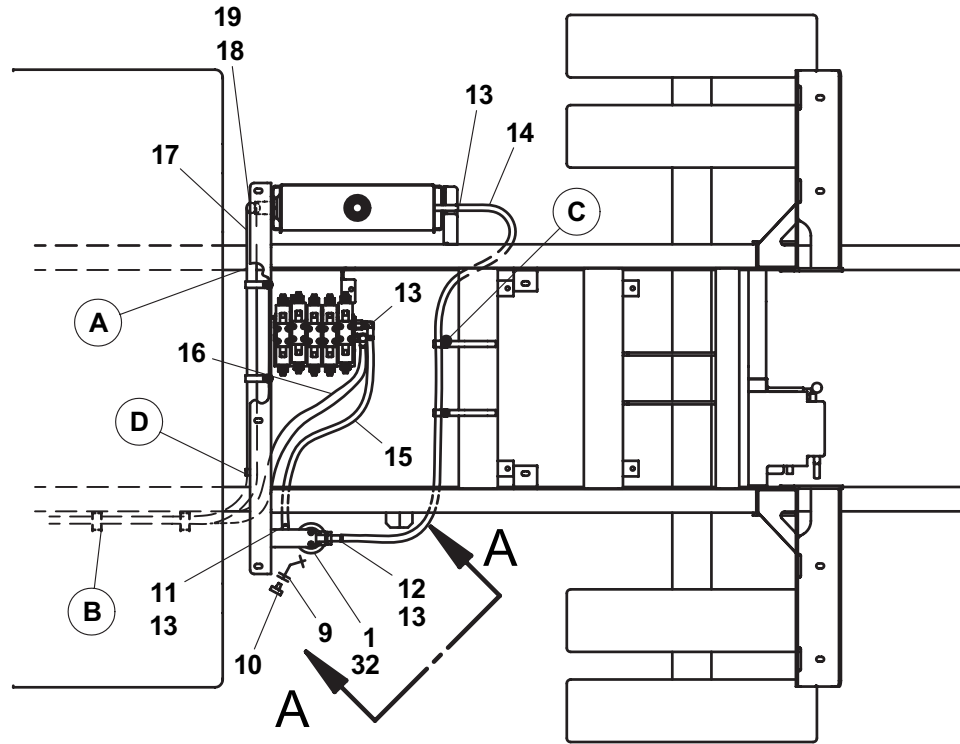
ITEM	PART NO.	DESCRIPTION	QTY
1	7430000003	Filter Assembly	1
2	4178000719	Bracket	1
3	7114140650	Capscrew, 0.25"-20NC x 0.75"	2
4	7950140003	Lockwasher, 0.25" ID	2
5	7950140143	Flatwasher, 0.25" ID	2
6	7115181064	Carriage Bolt, 0.50"-13NC x 1.25"	1
7	7950180161	Flatwasher, 0.50" ID	1
8	7660182601	Locknut, 0.50"-13NC	1
9	7443000066	Fitting	1
10	7470000002	Gauge	1
11	7443000319	Fitting	1
12	7443000374	Fitting	1
13	7274000122	Clamp	4
14	4570000345	Hose - Return	1
15	4570000344	Hose - Return	1
16	See Note 1	Hose - Pressure	1
17	See Note 1	Hose - Supply	1
18	7443000412	Elbow Barb	1
19	7274000002	Clamp	2
20	7274000076	Cast Frame Clamp	4
21	7785152420	Set Screw, 0.31"-18NC x 1.50"	4
22	7115151050	Capscrew, 0.31"-18NC x 1.25"	6
23	7950150161	Flatwasher, 0.31" ID	7
24	7660152601	Locknut, 0.31"-18NC	13
25	7274000105	Clamp	5
26	7274000042	Clamp	7
27	7115150864	Carriage Bolt, 0.31"-18NC x 1.00"	3
28	4706003844	Plate	1
29	7443000013	Fitting	4
30	7660150000	Nut, 0.31"-18NC	4
31	7274000071	Clamp	1
32	7431000001^	Filter Element	1

Note 1: Varies depending on chassis, transmission and PTO type.

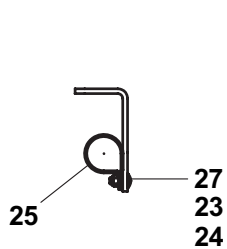
Consult factory for part numbers.

^ Also available in Filter Assembly, P/N 7430000003

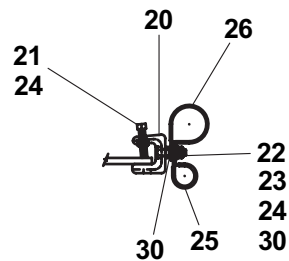
HYDRAULIC COMPONENTS - SPR / HOSE ROUTING (DODGE)



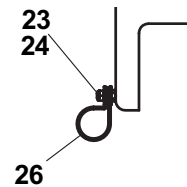
SECTION A-A



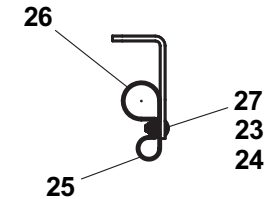
CLAMP POINT "A"
TYP-2 PLACES REF



CLAMP POINT "B"
TYP-1 PLACES REF

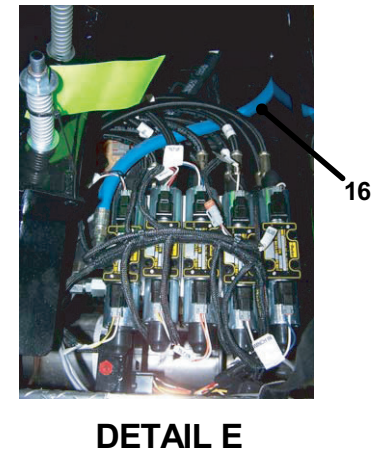
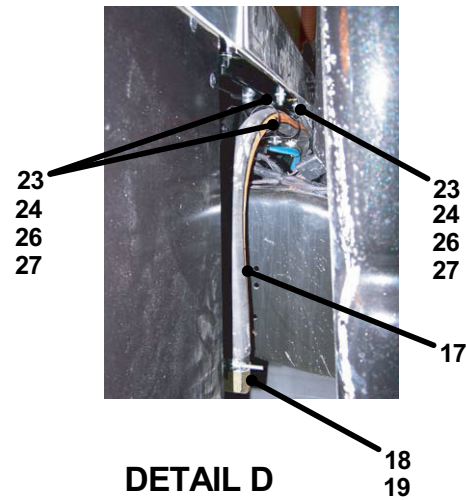
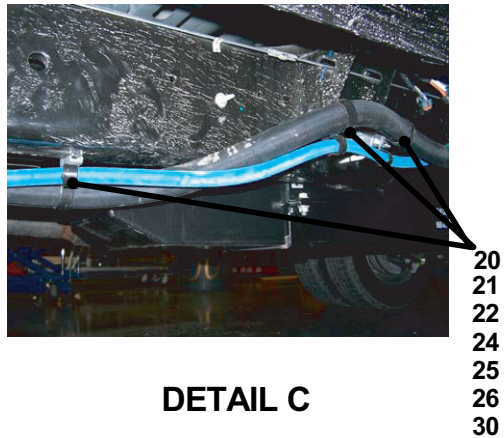
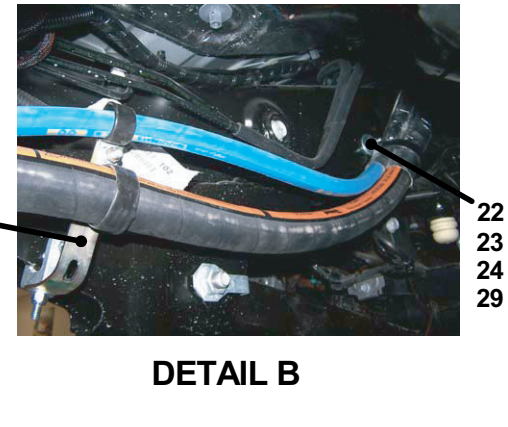
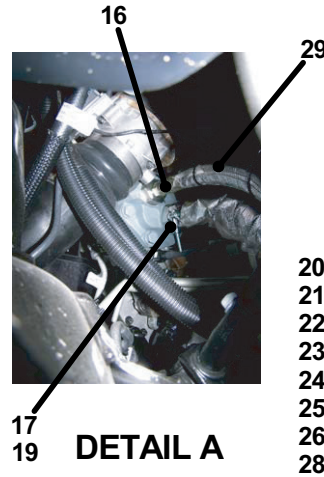
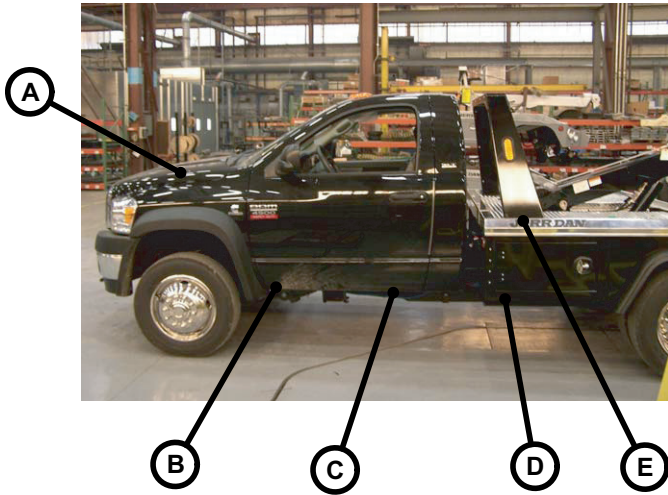


CLAMP POINT "C"
TYP-2 PLACES REF



CLAMP POINT "D"
TYP-1 PLACES REF

HYDRAULIC COMPONENTS - SPR / HOSE ROUTING (DODGE)

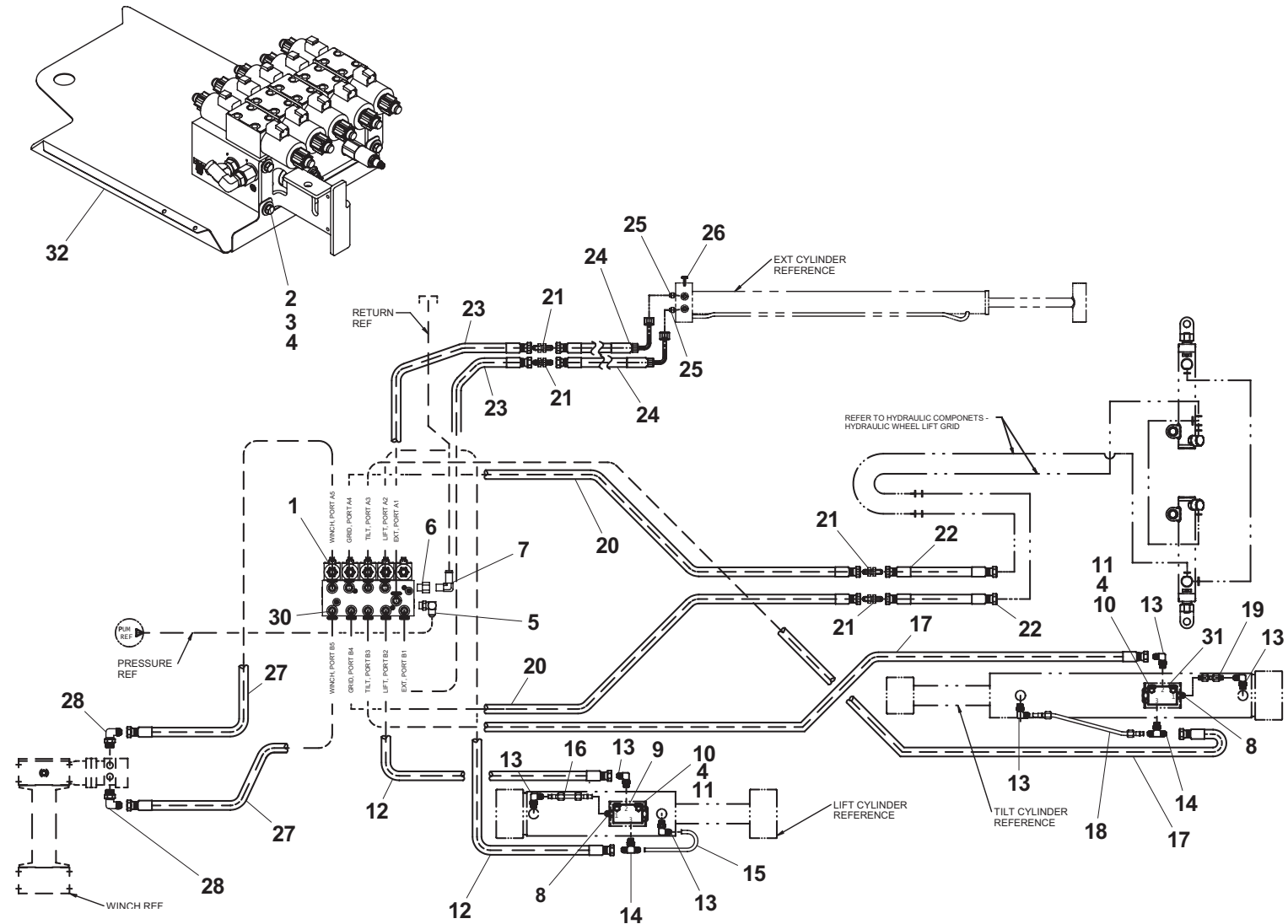


THIS PAGE INTENTIONALLY LEFT BLANK

HYDRAULIC COMPONENTS - STANDARD

ITEM	PART NO.	DESCRIPTION	QTY	ITEM	PART NO.	DESCRIPTION	QTY
1	7935000311	Valve Assembly	1	31	7935000354	Counterbalance Valve	1
	7935000363	Valve Assembly (Ford V10 Gas Engines with Anti-Stall Control)		32	4495000011	Guard	1
2	7115150850	Capscrew, 0.31"-18NC x 1.00"	4	33	Not Required	(w/ winch)	
3	7950150000	Lockwasher, 0.31" ID	4	34	7819000005	Sleeve	3 in
4	7950150161	Flatwasher	8	35	5526000553	Tie Strap	3
5	7445080845	Elbow	1				
6	7443000435	Fitting	1				
7	7443000436	Fitting	1				
8	7445060643	Adapter	2				
9	7935000308	Counterbalance Valve	1				
10	7114151650	Capscrew, 0.31"-18NC x 2.00"	4				
11	7660152601	Locknut, 0.31"-18NC	4				
12	4567120056	Hose Assembly	2				
13	7445060645	Elbow	6				
14	7445060647	Tee	2				
15	7912000080	Tube Assembly	1				
16	7912000291	Tube Assembly	1				
17	4567120087	Hose Assembly	2				
18	7912000292	Tube Assembly	1				
19	7912000078	Tube Assembly	1				
20	4567120118	Hose Assembly	2				
21	7445060625	Fitting	4				
22	4570000305	Hose	2				
23	4567120112	Hose Assembly	2				
24	4570000304	Hose	2				
25	7445040443	Adapter	2				
26	7443000114	Plug	1				
27	4570000303	Hose	2				
28	7445081045	Elbow	2				
29	4819000008	Hose Sleeve	1				
30	7445080643	Adapter	10				

HYDRAULIC COMPONENTS - STANDARD



Item #29, Hose Sleeve, not shown

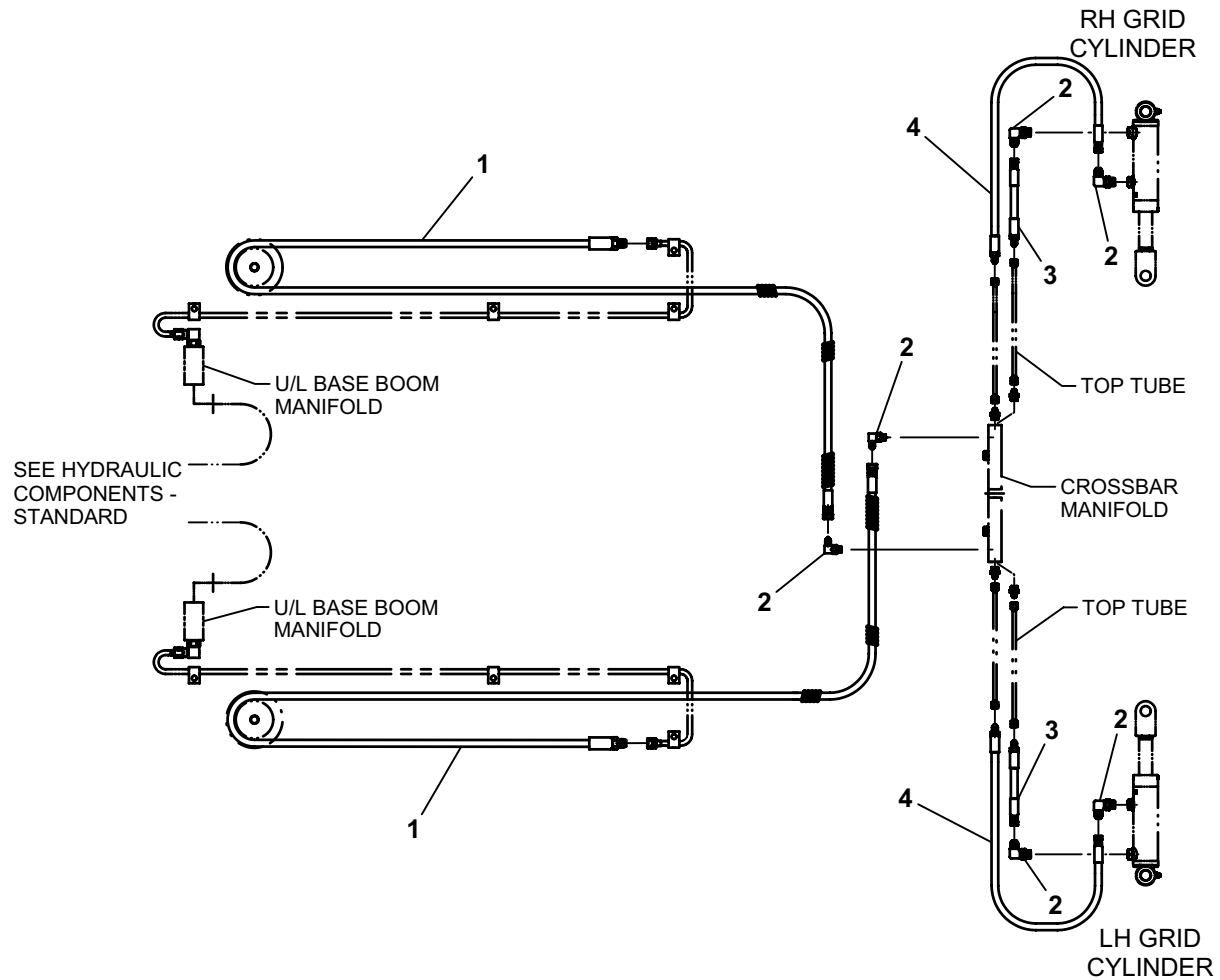
Item #34, Sleeve, not shown

Item #35, Tie Strap, not shown

HYDRAULIC COMPONENTS - HYDRAULIC WHEEL LIFT GRID

ITEM	PART NO.	DESCRIPTION	QTY
1	4570000210	Hose Assembly	2
2	7445040445	Elbow	6
3	4570000211	Hose Assembly	2
4	4570000212	Hose Assembly	2

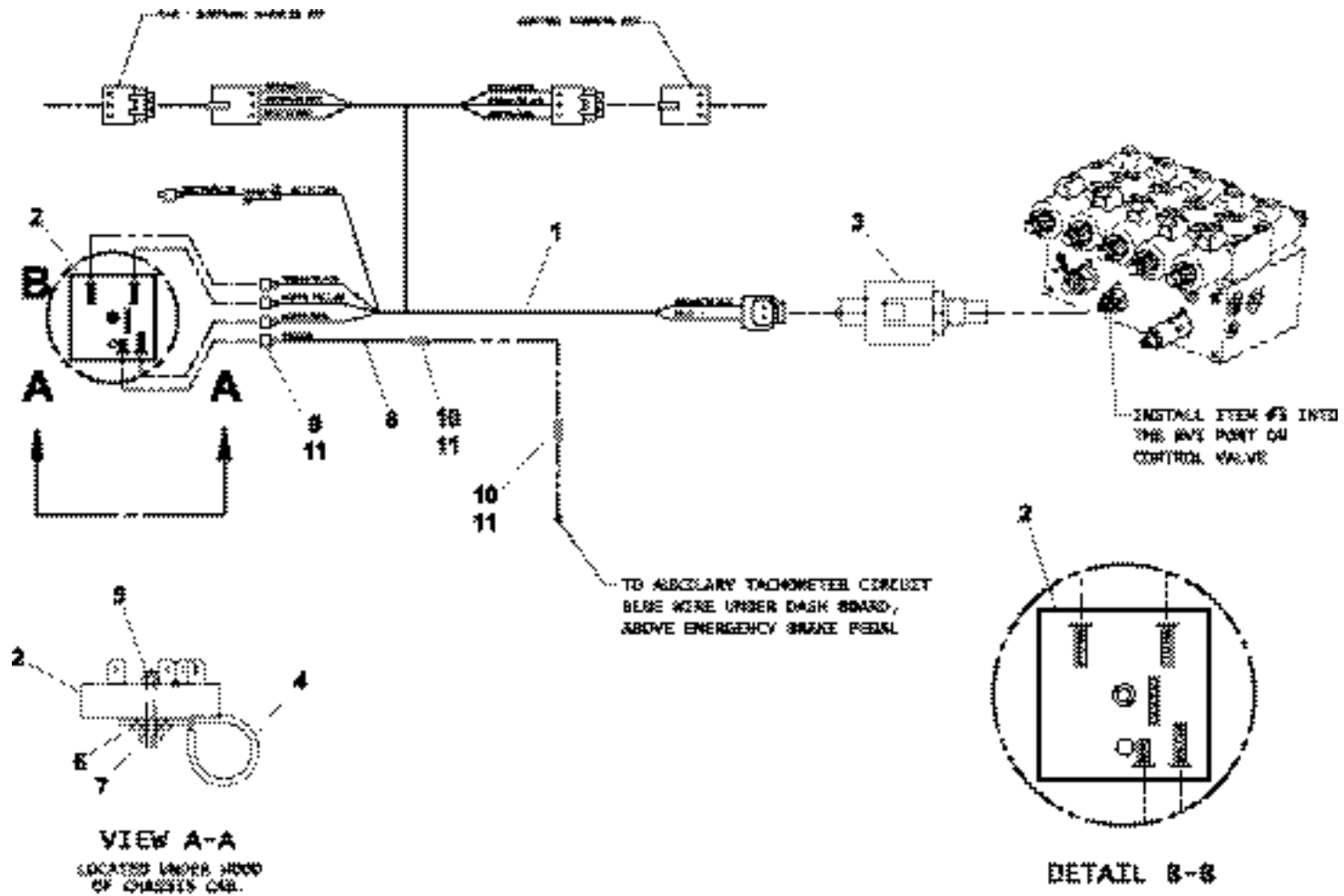
HYDRAULIC COMPONENTS - HYDRAULIC WHEEL LIFT GRID



ELECTRICAL COMPONENTS - ANTI-STALL CONTROL MODULE (FORD V10 GAS ENGINE)

ITEM	PART NO.	DESCRIPTION	QTY
1	7552000427	Anti-Stall Control Module Harness	1
2	3295000003	Anti-Stall Control Module	1
3	7935000361	Proportional Dump Valve	1
4	7274000040	Clamp	1
5	7114060810	Capscrew, #6-32NC x 1.00"	1
6	7950100163	Flatwasher, #10 ID	1
7	7660062604	Locknut, #6-32NC	1
8	8977010400	Wire, #16 GA Yellow	2ft
9	7345001710	Terminal	1
10	7345001714	Terminal	2
11	7346000039	Heat Shrink Tubing	6in

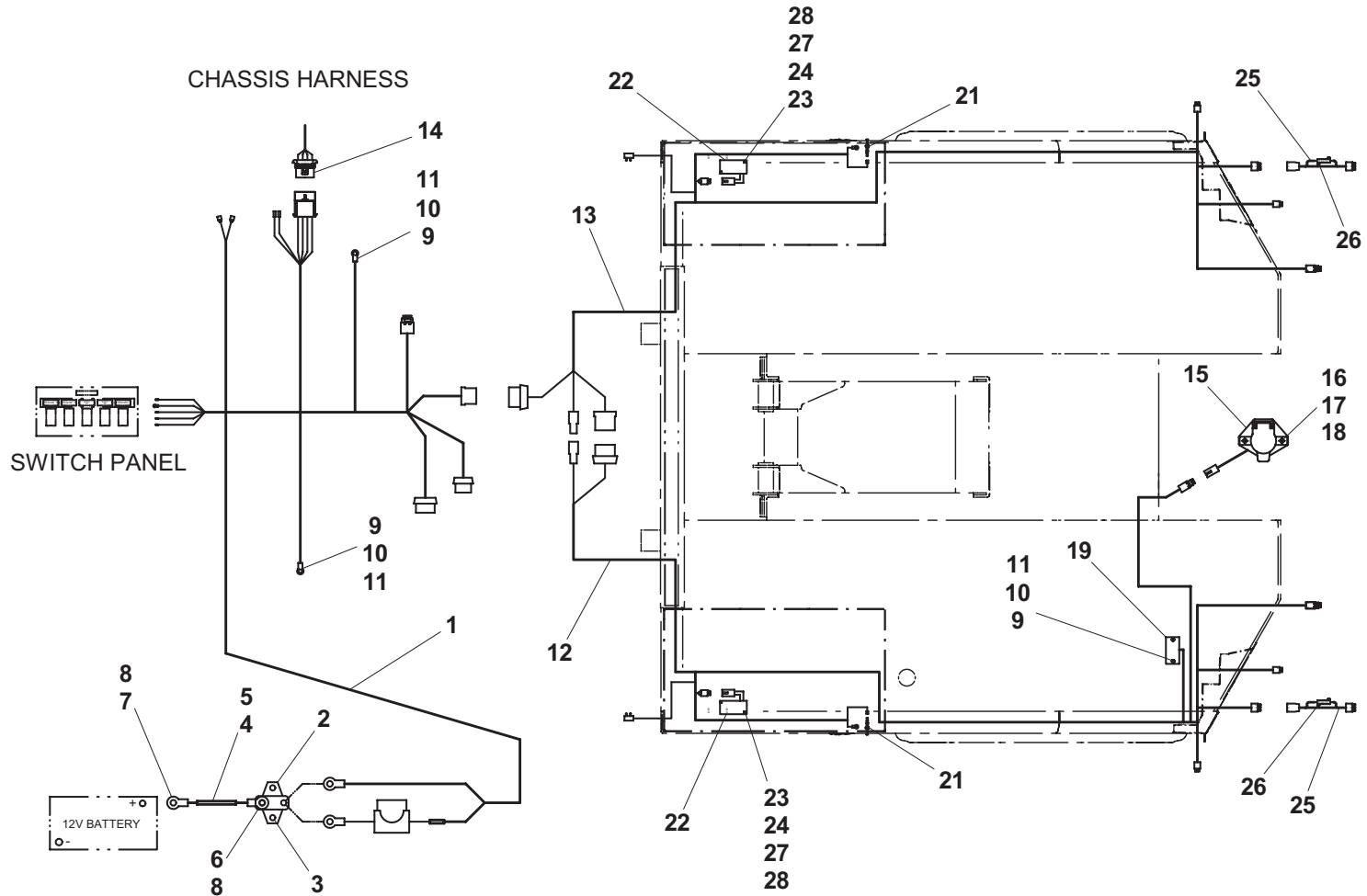
ELECTRICAL COMPONENTS - ANTI-STALL CONTROL MODULE (FORD V10 GAS ENGINE)



ELECTRICAL COMPONENTS - BODY - STANDARD

ITEM	PART NO.	DESCRIPTION	QTY
1	7552000292	Cab to Subframe Harness	1
2	7457000004	Circuit Breaker - 50 amp	1
3	7792000001	Screw, #10 x .75"	2
4	8977530200	Wire 10ga	36in
5	8597650002	Convolute Wire Loom	36in
6	7345211902	Terminal	1
7	7345221902	Terminal	1
87346000039		Heat Shrink Tubing	24in
9	7111141050	Capscrew, 0.25"-20NC x 1.25"	4
10	7950140141	Flatwasher, 0.25" ID	6
11	7660142600	Locknut, 0.25"-20NC	4
12	7552000290	LH Body Harness	1
13	7552000291	RH Body Harness	1
14	7577000194	Wiring Connector Kit - Chassis	1
15	7291000010	4-Way Receptacle	1
16	7111140613	Capscrew, 0.25"-20NC x .75"	2
17	7950140000	Lockwasher, 0.25" ID	2
18	7413000002	Nutsert, 0.25"-20NC	2
19	7011000003	Back-up Alarm	1
20	7894000042	Tie Strap	25
21	7870000115	Pin Switch	2
22	7590000273	Dome Light	2
23	7120000081	Screw, #10 x 0.88"	4
24	7661000047	Nylon Nut, #8	4
25	7552000400	Stop, Turn, Tail Light Resistor Harness (use with LED tail Lights)	2
26	7759000006	Pop Rivet (use with LED tail Lights)	2
27	7661000007	Rubber Wellnut #10-32NC	4
28	7831000040	Nylon Spacer	4

ELECTRICAL COMPONENTS - BODY - STANDARD

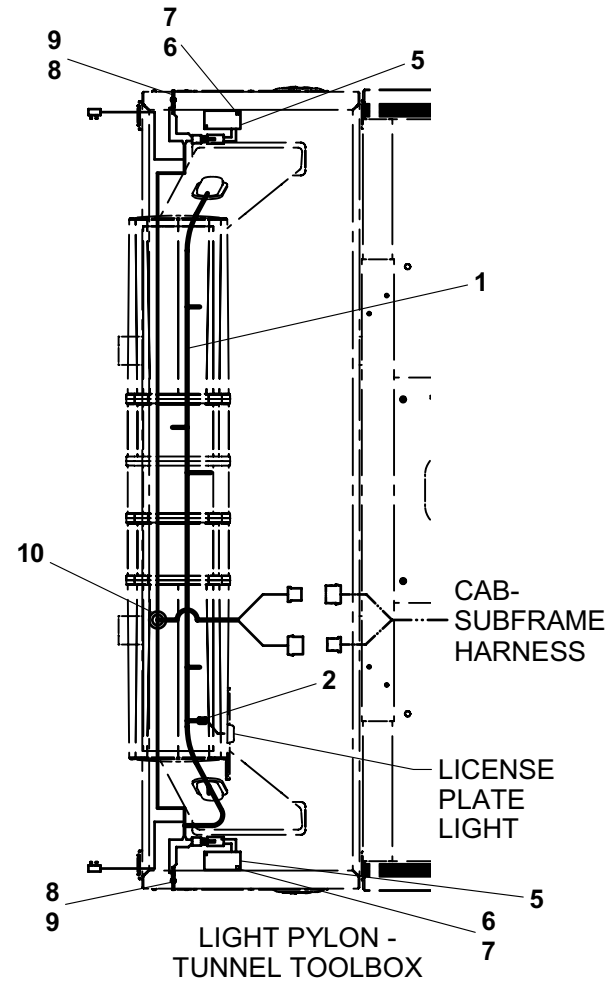
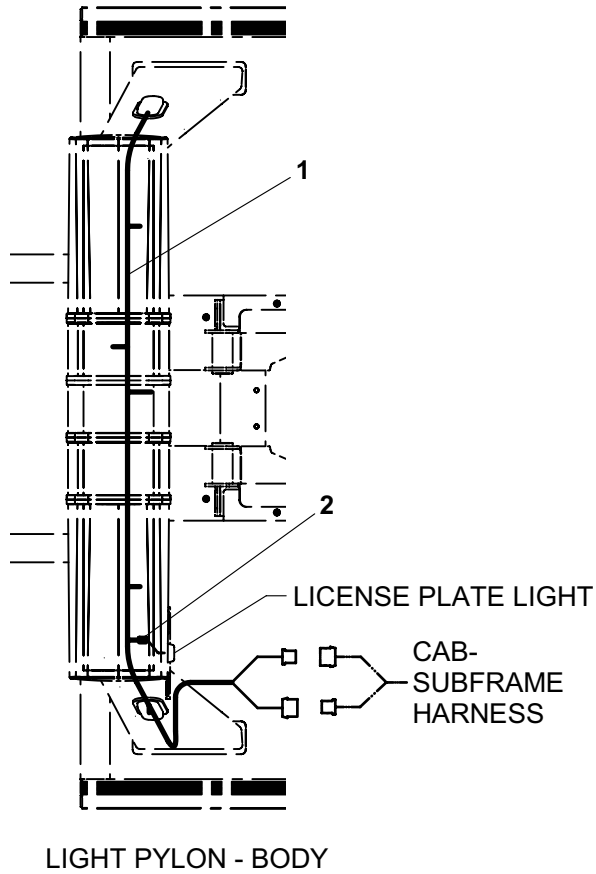


Item #20, Tie Strap, not shown.

ELECTRICAL COMPONENTS - PYLON LIGHTS / TUNNEL WIRING

ITEM	PART NO.	DESCRIPTION	QTY
1	7552000293	Headboard Harness (Headboard only)	1
	7552000295	Headboard/Tunnel Harness (Hdbd & Tunl)	
2	7346000039	Heat Shrink Tubing	6 in
3	7894000042	Tie Strap (Headboard only)	1
	7894000042	Tie Strap (Headboard & Tunnel)	3
4	5526000553	Tie Strap (Headboard only)	1
	5526000553	Tie Strap (Headboard & Tunnel)	8
5	7590000274	Dome Light	2
6	7790100856	Screw, #10 x .50"	4
77661000047		Nylon Nut, #8	4
8	7870000115	Pin Switch	2
9	7413000013	Fastener	2
10	7493000011	Grommet	1

ELECTRICAL COMPONENTS - PYLON LIGHTS / TUNNEL WIRING

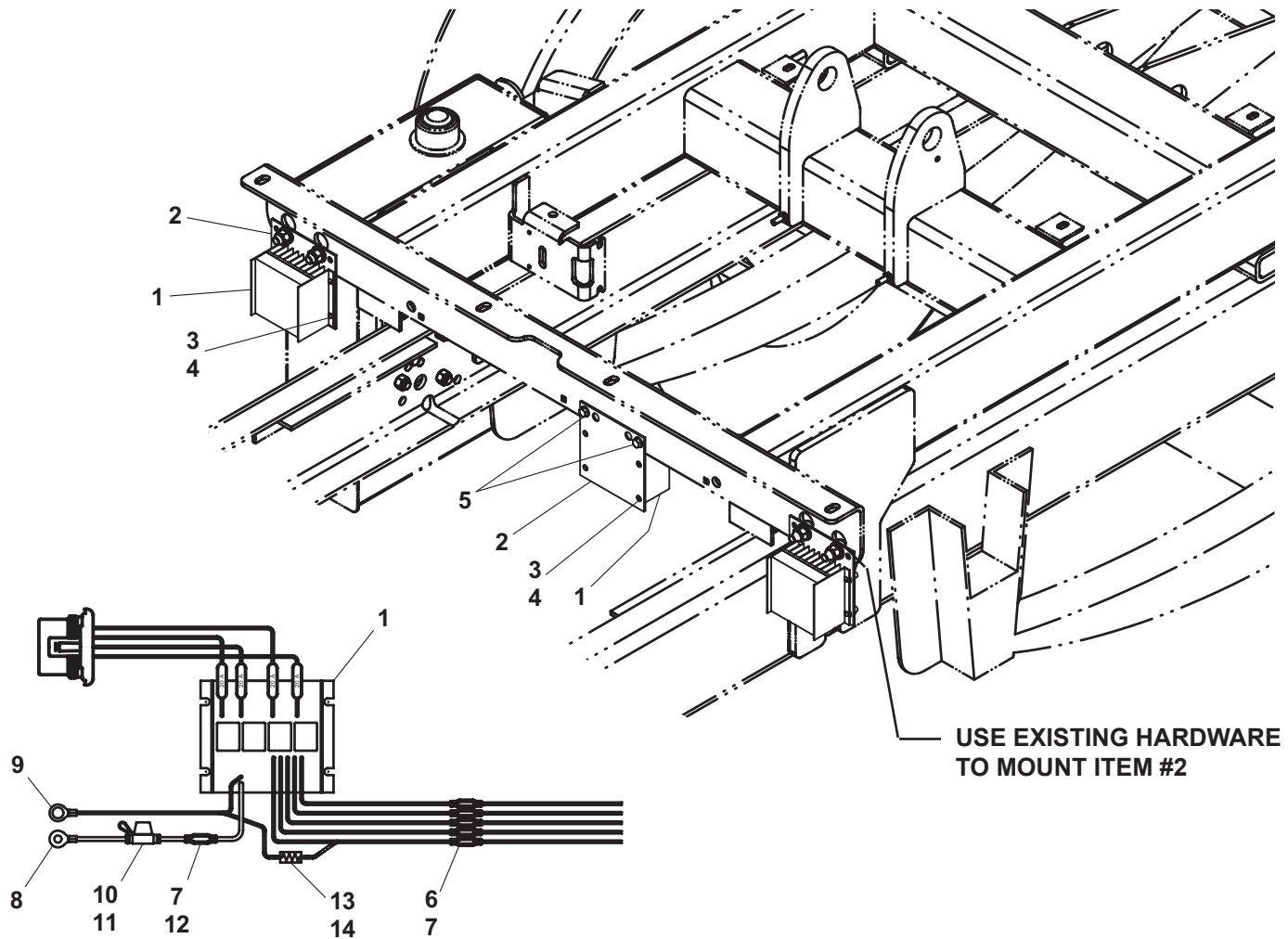


Item #3, Tie Strap, not shown
 Item #4, Tie Strap, not shown

ELECTRICAL COMPONENTS - TAIL LIGHT CONVERTER

ITEM	PART NO.	DESCRIPTION	QTY
1	7297000008	Tail Light Converter	1
2	4706002990	Plate	1
3	7661000007	Wellnut, #10-32NF	4
4	7104100613	Capscrew, #10-32NF x 0.75"	4
5	7790151253	Screw, 0.31"-18NC x 0.75" (use to mount onto subframe with tunnel toolbox)	2
6	7345001714	Terminal	5
7	4346000005	Heat Shrink Tubing	6
8	7345221902	Terminal	1
9	7345241902	Terminal	1
10	7346000126	Fuse Holder	1
11	7457000017	Fuse-30 Amp	1
12	7345001914	Terminal	1
13	7346000209	Resistor (UD chassis w/ Incandes't lights)	1
14	7346000220	Resistor (UD chassis w/ LED lights)	1

ELECTRICAL COMPONENTS - TAIL LIGHT CONVERTER

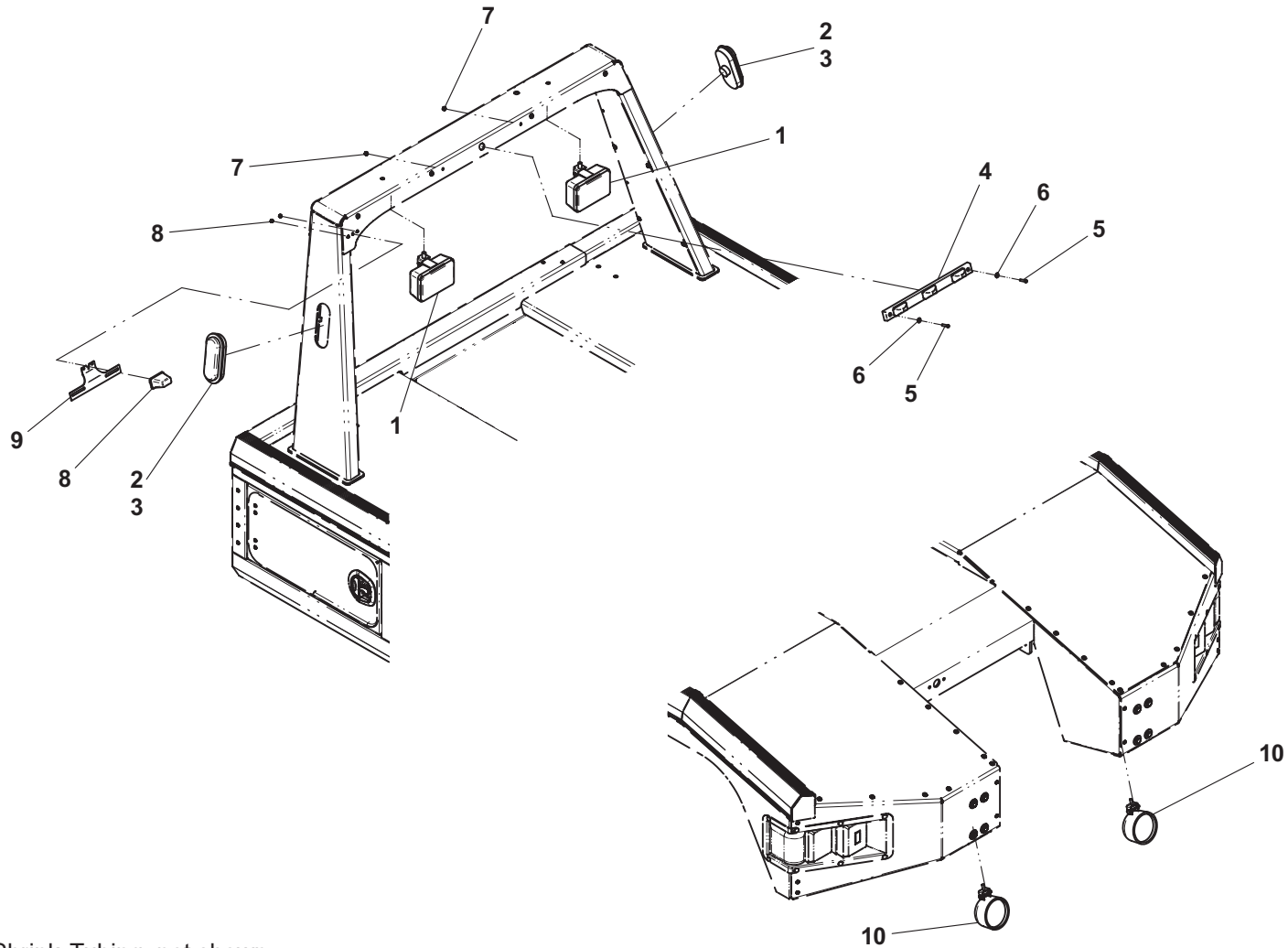


MPL subframe, shown
Alternate locations required due to other optional equipment.

WORK LIGHTS - MARKER LIGHTS

ITEM	PART NO.	DESCRIPTION	QTY
1	7590000144	Work Light	2
2	7590000095	Marker Light - Amber (Std)	2
	7590000300	Marker Light - Amber (LED)	
3	7493000026	Marker Light Grommet	2
4	7590000193	ID Marker Light - Amber (Std) (Dual 22" Lightbar)	1
	7590000316	ID Marker Light - Amber (LED) (Dual 22" Lightbar)	
5	7114141018	Capscrew, 0.25"-20NC x 1.25" (Dual 22" Lightbar)	2
6	7950140143	Flatwasher, 0.25" ID (Dual 22" Lightbar)	2
7	7660142601	Locknut, 0.25"-20NC (Dual 22" Lightbar)	2
8	7590000105	License Plate Light	1
9	7178000025	License Plate Bracket	1
10	7590000185	Worklight	2
11	7346000039	Heat Shrink Tubing (Upper wrk Lt)	6in
12	7894000010	Tie Strap (Pylon Marker Lights)	2
	7894000042	Tie Strap (License Plate Light)	1
	5526000553	Tie Strap (License Plate Light)	1
13	5525000752	Magnetic Tow Lights	1

WORK LIGHTS - MARKER LIGHTS

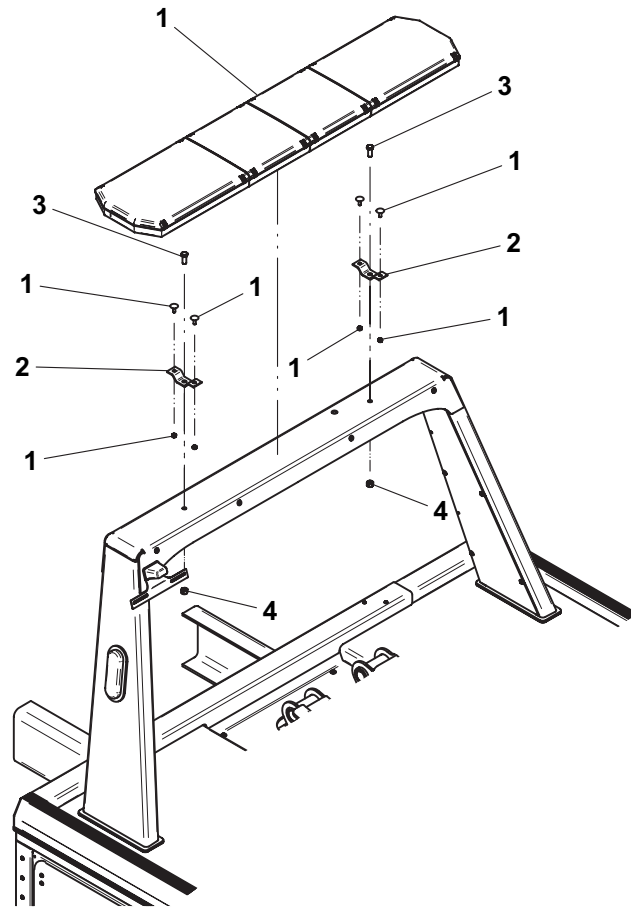


Item #11, Heat Shrink Tubing, not shown
Item #12, Cable Ties, not shown
Item #13, Magnetic Tow Lights, not shown

LIGHTBAR

ITEM	PART NO.	DESCRIPTION	QTY
1	7590000307	Lightbar, Amber (Std)	1
	7590000395	Lightbar, Amber (LED)	1
	7590000336	Lightbar, Amber (Strobe)	1
2	4178000402	Bracket	2
3	7115181050	Capscrew, 0.50"-13NC x 1.25"	2
4	7660182601	Locknut, 0.50"-13NC	2

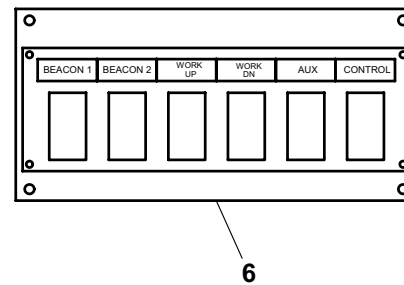
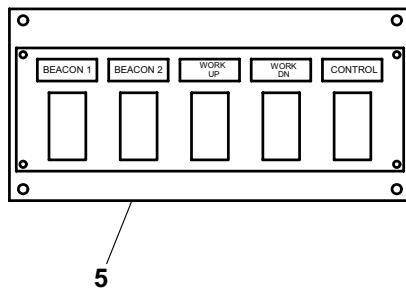
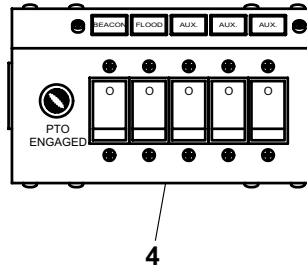
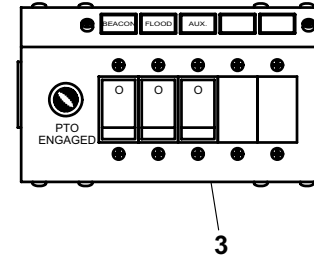
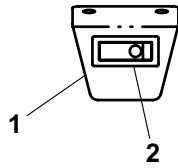
LIGHTBAR



SWITCH PANELS

ITEM	PART NO.	DESCRIPTION	QTY
1	4178000403	Bracket - 1 Function Switch Panel	1
2	7870000083	Switch	1
3	7870000053	Switch Panel - 3 Function, Under Dash	1
4	7870000063	Switch Panel - 5 Function, Under Dash	1
5	7870000089	Switch Panel - 5 Function	1
6	7870000117	Switch Panel - 6 Function, In-Dash	1

SWITCH PANELS



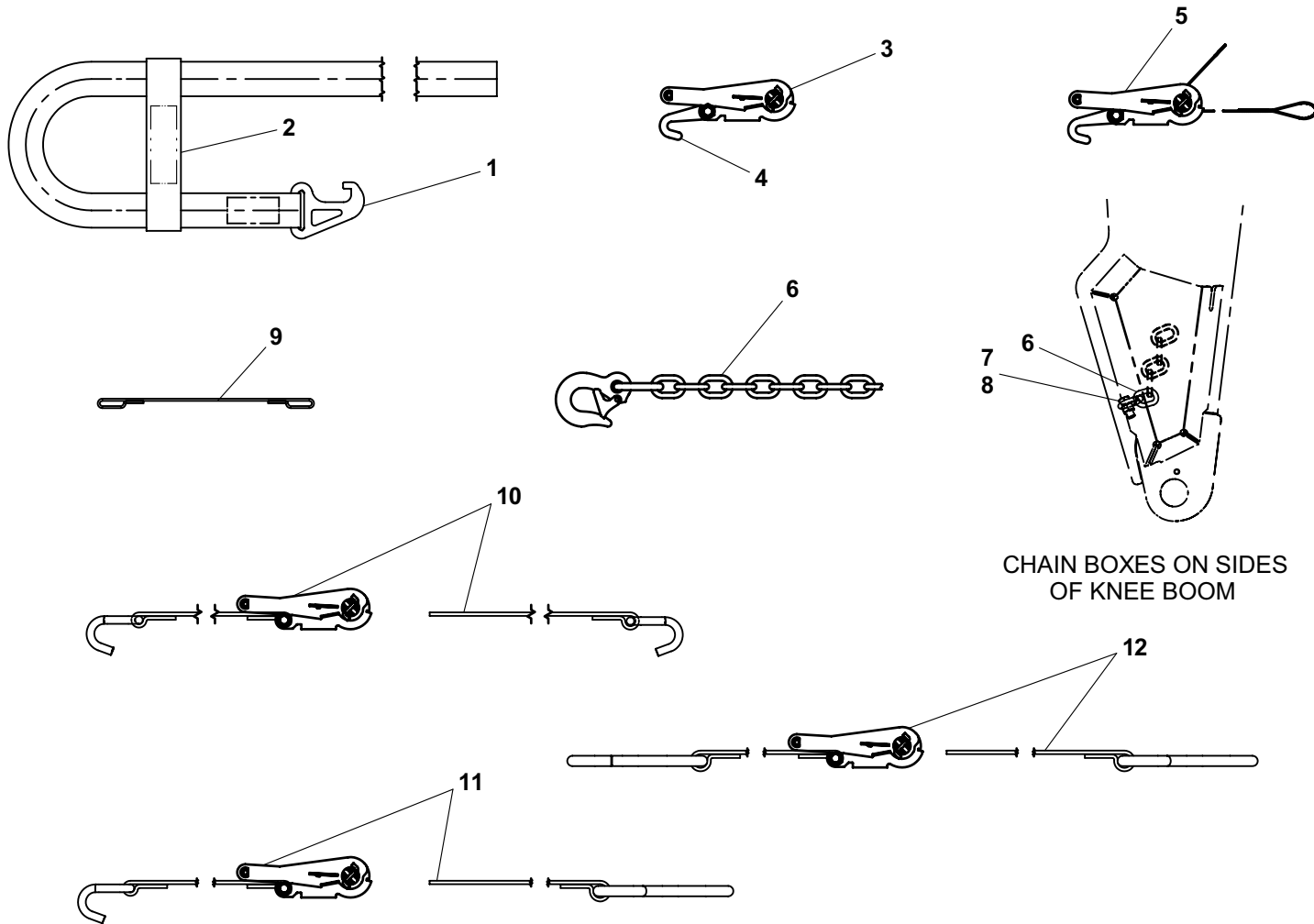
CHAIN AND STRAPS

ITEM	PART NO.	DESCRIPTION	QTY
1	7894000061*	Tire Tie-Down Strap	2
2	7894000059*	Tire Tie-Down Strap Choker	2
3	7894000028*	Tire Tie-Down Strap Ratchet	2
4	7561000024*	Tire Ratchet Hook	2
5	7894000034	Wheel Lift Tire Strap	2
6	7262000040	Wheel Lift Chain	2
7	7115181050	Capscrew, 0.50"-13NC x 1.25"	2
8	7660182601	Locknut, 0.50"-13NC	2
9	7894000065+	Tie-Down Strap (Motorcycle)	2
10	7894000064+	Front Tire Tie-Down Strap (Motorcycle)	1
11	7894000066+	Rear Tie-Down Strap (Motorcycle)	2
12	7894000067+	Front Tie-Down Strap (Motorcycle)	2

+ also available in Tie-Down Kit Motorcycle, P/N 7577000375

* also available in Wheel Lift Tie-Down Strap & Ratchet Kit, P/N 7577000367

CHAIN AND STRAPS

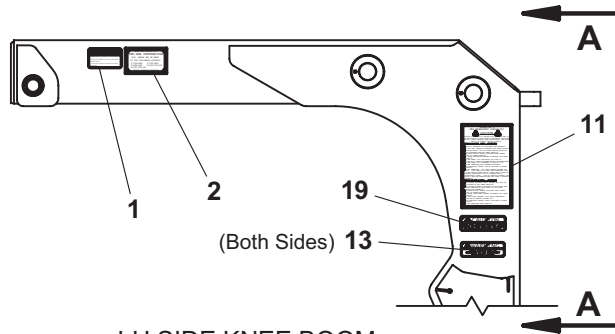


CHAIN BOXES ON SIDES OF KNEE BOOM

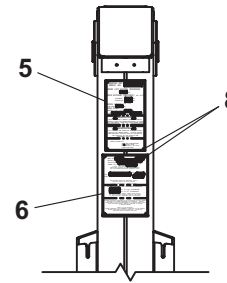
DECALS

ITEM	PART NO.	DESCRIPTION	QTY
1	7330000546	Decal - Winch Cable Wrap	1
2	7330000717	Decal - Patent	1
3	7330000034	Decal - Wheel Lift	1
4	7330000433	Jerr-Dan Nameplate	2
5	7330000287	Decal - Serial-Model Number -Rating	1
6	7330000307	Decal - Placard	1
7	7330000001	Serial Number Tag	1
8	7759000004	Pop Rivet	12
9	7330000697	Decal - Lubrication	1
10	7330000143	Decal - Made In The USA	1
11	7330000138	Decal - Wheel Lift Checklist	1
12	7330000139	Decal - Checklist Reminder	1
13	7330000122	Decal - Wheel Lift Polycarbonate	2
14	7330000699	Decal - Manual Valve Operation	1
15	7330000424	Decal - Tow Hitch	1
16	7330000036	Decal - Secure Vehicle	1
17	7330000599	Decal - Moving Parts	2
18	7330000609	Decal - Grease Required	1
19	7330000716	Decal - Lock-Out Valve (Tow Sling)	1
	7330000725	Decal - Lock-Out Valve (Recovery Sheave)	

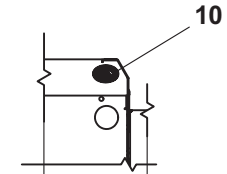
DECALS



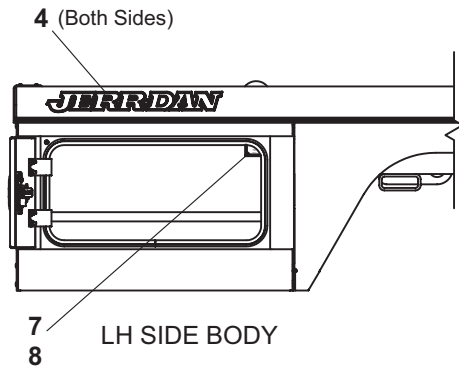
LH SIDE KNEE BOOM



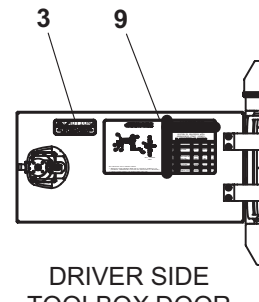
VIEW A-A



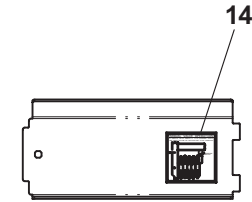
DRIVER'S
SIDE
BODYFRONT
RUBRAIL



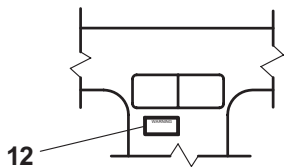
LH SIDE BODY



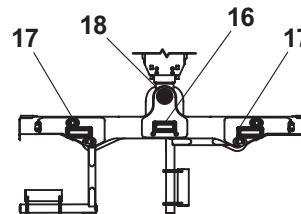
DRIVER SIDE
TOOLBOX DOOR



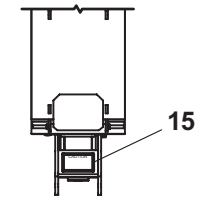
UNDERSIDE OF
VALVE BANK
COVER



CAB DASHBOARD



HYDRAULIC GRID
WHEEL LIFT

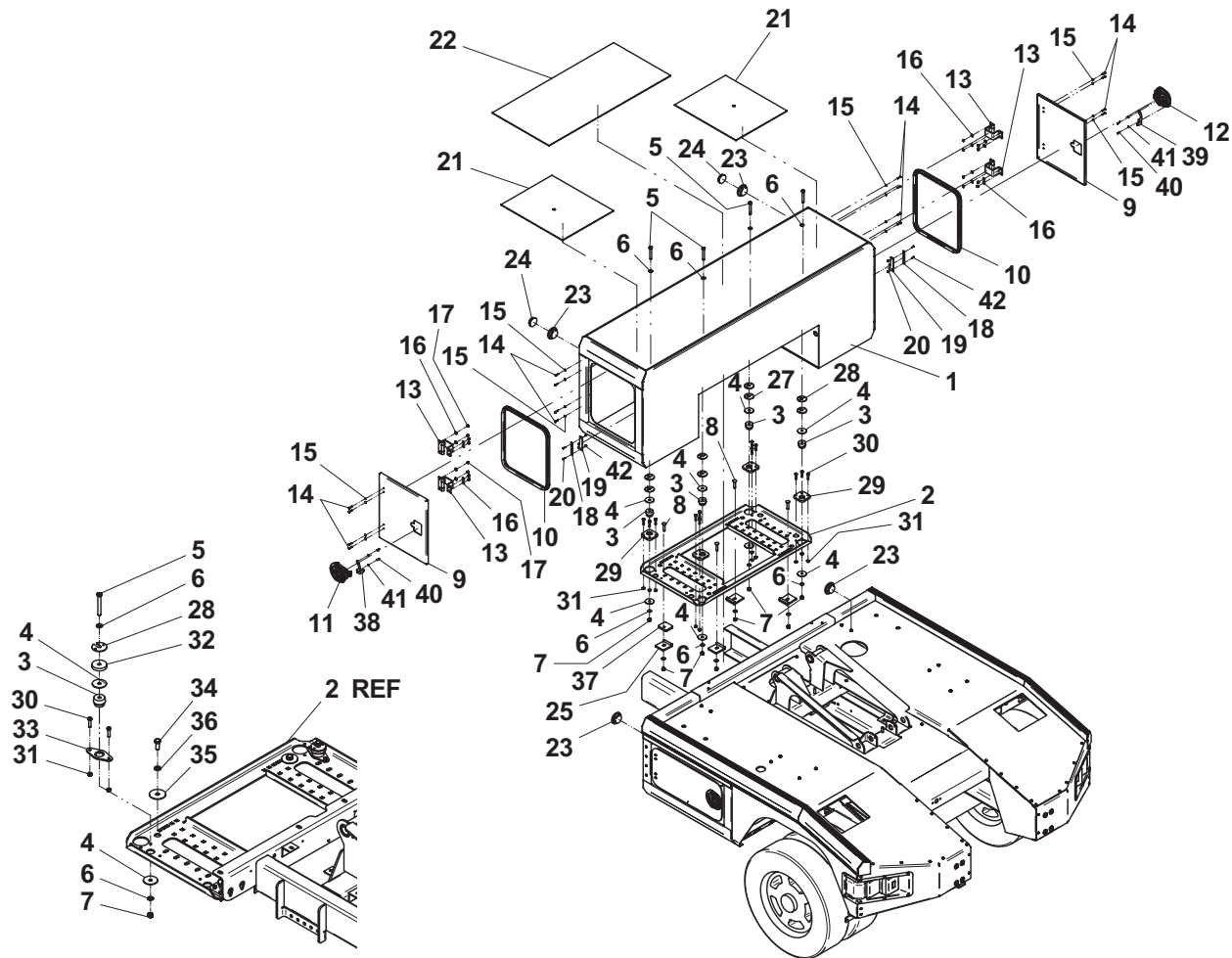


TOW BALL HITCH

TUNNEL TOOLBOX

ITEM	PART NO.	DESCRIPTION	QTY	ITEM	PART NO.	DESCRIPTION	QTY
1	3899000121	Tunnel Toolbox Weld	1	25	3274000007	Clamp Weldment	4
2	4636000041	Toolbox Mount	1	26	7796000078	Moulding	12.5ft
3	7636000005	Rubber Mount	4	27	4812000108	Shim	4
4	7949000013	Washer, Head	8	28	4812000107	Shim	4
5	7115182850	Capscrew, 0.50"-13NC x 3.50"	4	29	4706005869	Plate	4
6	7950180153	Flatwasher, 0.50" ID	8		4706005869	Plate	2
	7590180153	Flatwasher, 0.50" ID (Chevy/GMC C3500)	10			(Chevy/GMC C3500)	
7	7660182601	Locknut, 0.50"-13NC	8	30	7115161250	Capscrew, 0.38"-16NC x 1.50"	12
	7660182601	Locknut, 0.50"-13NC (Chevy/GMC C3500)	6		7115161250	Capscrew, 0.38"-16NC x 1.50" (Chevy/GMC C3500)	10
8	7115181864	Capscrew, 0.50"-13NC x 2.25" Carriage	4	31	7660162301	Locknut, 0.38"-16NC	12
	7115181864	Capscrew, 0.50"-13NC x 2.25" Carriage (Chevy/GMC C3500)	2		7660162301	Locknut, 0.38"-16NC (Chevy/GMC C3500)	10
9	4686000208	Panel, Door	2	32	4831000121	Spacer	2
10	4632000053	Seal Door	2			(Chevy/GMC C3500)	
11	7585000019	Latch, LH	1	33	4706005880	Plate	2
12	7585000020	Latch, RH	1			(Chevy/GMC C3500)	
13	7555000012	Door Hinge	4	34	7120000075	Capscrew, M14-20 x 35	2
14	7114140818	Capscrew, 0.25"-20NC x 1.00"	16			(Chevy/GMC C3500)	
15	7949000056	Nylon Washer	16	35	7949000019	Washer, Snub Head	2
16	7950140161	Flatwasher, 0.25" ID	16			(Chevy/GMC C3500)	
17	7660142601	Locknut, 0.25"-20NC	16	36	7950200000	Flatwasher, 0.63" ID	2
18	4062000569	Bar	2			(Chevy/GMC C3500)	
19	4178000848	Bracket	2	37	4705000705	Plate	1
20	7114080618	Capscrew, #8-32NC x 0.75"	4	38	4178000849	Bracket, LH	1
21	4679000249	Pad	2	39	4178000850	Bracket, RH	1
22	4679000250	Pad	1	40	7114100618	Capscrew, #10-24NC x 0.75"	4
23	7493000009	Marker Light Grommet	4	41	7950100003	Lockwasher, #10 ID	4
24	7590000048	Marker Light - Amber (INC)	2	42	7660082604	Locknut, #8-32NC	4
	7590000342	Marker Light - Amber (LED)					

TUNNEL TOOLBOX



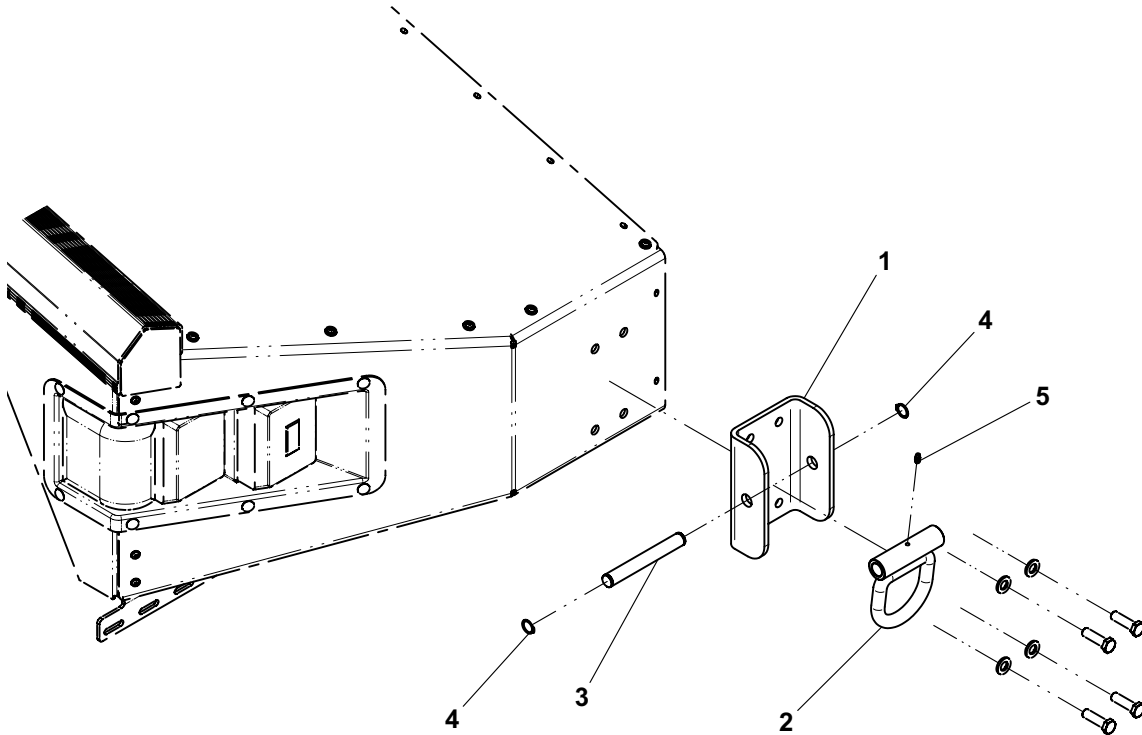
C3500 CHASSIS ONLY

Item #26, Moulding, not shown

BOLT-ON D-RINGS

ITEM	PART NO.	DESCRIPTION	QTY
1	4263000705	Channel	2
2	3754000004	D-Ring Weld	2
3	4691000541	Pin	2
4	7754000022	Retaining Ring	4
5	7440030000	Grease Fitting	2

BOLT-ON D-RINGS

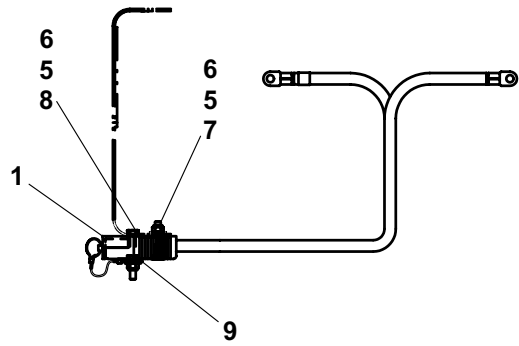


Left side body shown. Typical both sides.

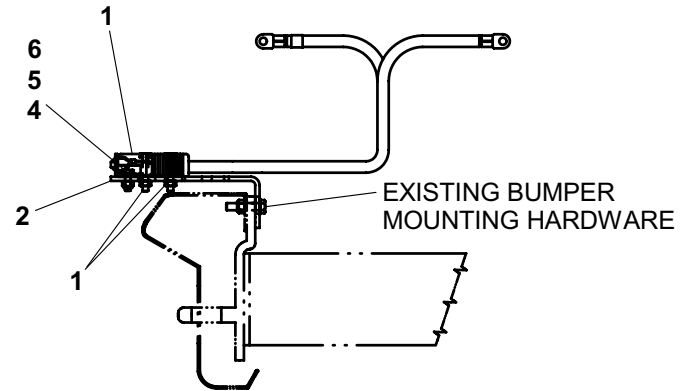
JUMP START KIT

ITEM	PART NO.	DESCRIPTION	QTY
1	7002000386	Jump Start Plug (IHC)	1
7002000385		Jump Start Plug (Ford & Chevy)	
2	4178000372	Bracket (Ford)	1
4178000202		Bracket (Chevy)	
34178000203		Bracket (Chevy)	1
4	7110140605	Capscrew, 0.25"-20NC x 0.75" (Ford & Chevy)	1
5	7950140161	Flatwasher, 0.25" ID (Ford)	1
	7950140161	Flatwasher, 0.25" ID (IHC)	2
	7950140161	Flatwasher, 0.25" ID (Chevy)	3
6	7660142600	Locknut, 0.25"-20NC (Ford & Chevy)	1
	7660142600	Locknut, 0.25"-20NC (IHC)	2
7	7115141450	Capscrew, 0.25"-20NC x 1.75" (IHC)	1
8	7115141650	Capscrew, 0.25"-20NC x 2.00" (IHC)	1
9	7660140000	Hex Nut, 0.25"-20NC (IHC)	1
	7660140000	Hex Nut, 0.25"-20NC (Chevy)	2
10	7111140850	Capscrew, 0.25"-20NC x 1.00" (Chevy)	2
11	7115181050	Capscrew, 0.50"-13NC x 1.25" (Chevy)	1
12	7950180153	Flatwasher, 0.50" ID (Chevy)	1
13	7660180000	Hex Nut, 0.50"-13NC (Chevy)	1

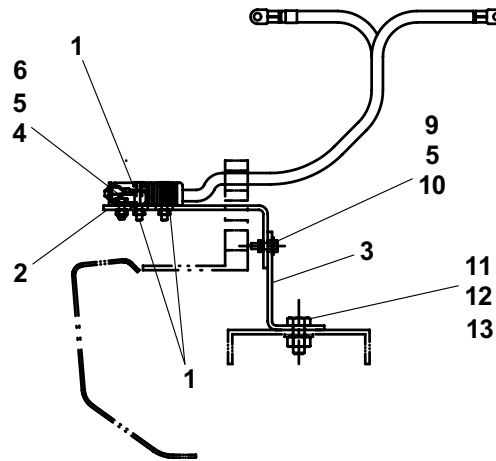
JUMP START KIT



IHC FRONT BUMPER



FORD FRONT BUMPER

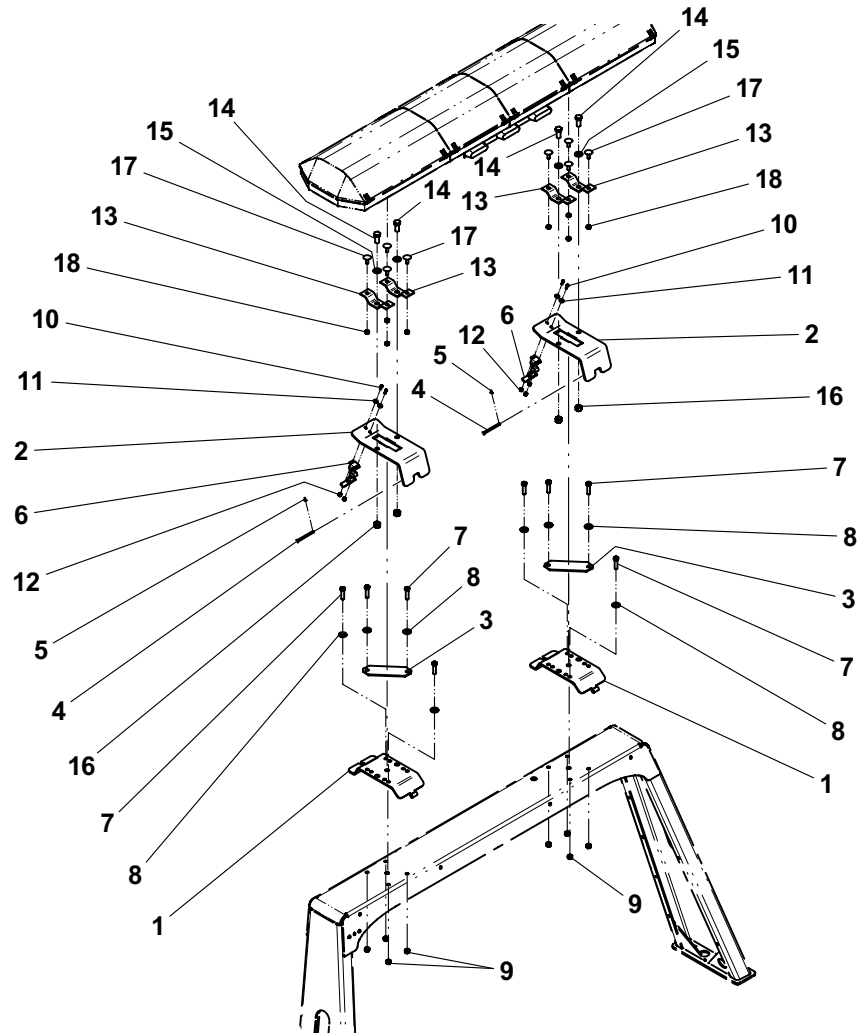


CHEVY FRONT BUMPER

FOLD DOWN LIGHTBAR BRACKET

ITEM	PART NO.	DESCRIPTION	QTY
1	3178000443	Fold Down Bracket - Bottom	1
2	3178000444	Fold Down Bracket - Top	2
3	4090000012	Belt	2
4	7690144800	Clevis Pin	2
57690000810		Cotter Pin	2
6	7585000001	Draw Latch	2
7	7115161250	Capscrew, 0.38"-16NC x 1.50"	8
8	7950160161	Flatwasher, 0.38" ID	8
9	7660162601	Locknut, 0.38"-16NC	8
10	7114100518	Capscrew, #10-24NC x .62"	4
11	7950100103	Flatwasher, 0.19 ID	4
12	7660102604	Locknut, #10-24NC	4
13	4178000402	Bracket	4
14	7115180950	Capscrew, 0.50"-13NC x 1.12"	4
15	7950180252	Flatwasher, 0.50" ID	4
16	7660182601	Lockwasher, 0.50"-13NC	4
17	7115150664	Carriage Bolt, 0.31"-18NC x .75"	8
18	7660152601	Lockwasher, 0.31" ID	8

FOLD DOWN LIGHTBAR BRACKET

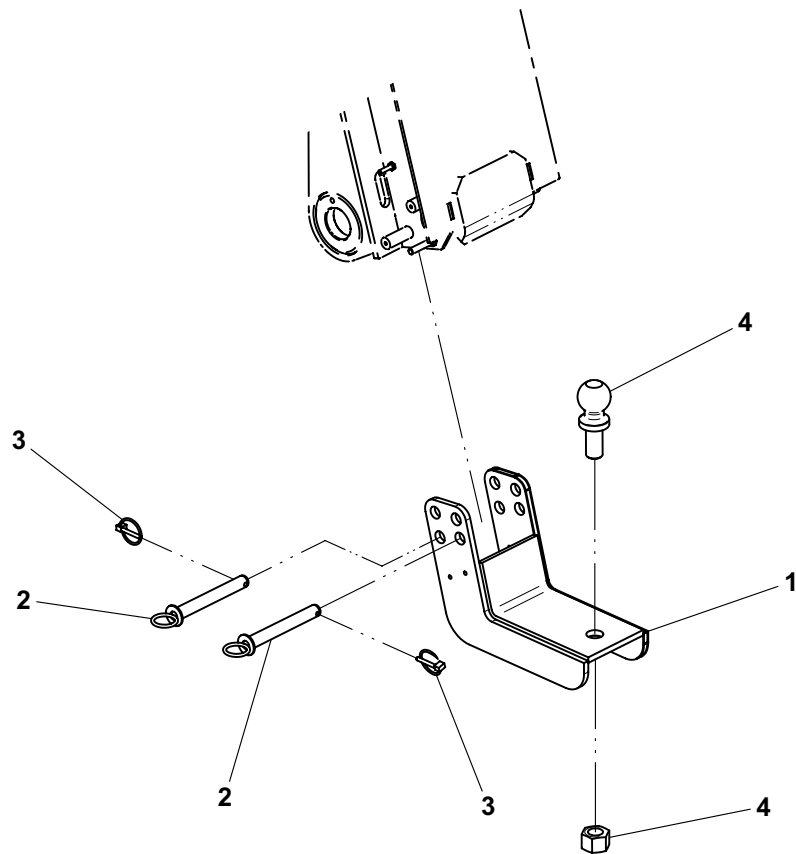


Standard Lightbar shown

BALL HITCH MOUNTING BRACKET

ITEM	PART NO.	DESCRIPTION	QTY
1	3178000507	Bracket Weld	1
2	3691000195	Pin Weld	2
3	7691000027	Pin Linch	2
4	7056000007	Ball (1.88" Dia)	1
	7056000008	Ball (2.00" Dia)	
	7056000009	Ball (2.31" Dia)	

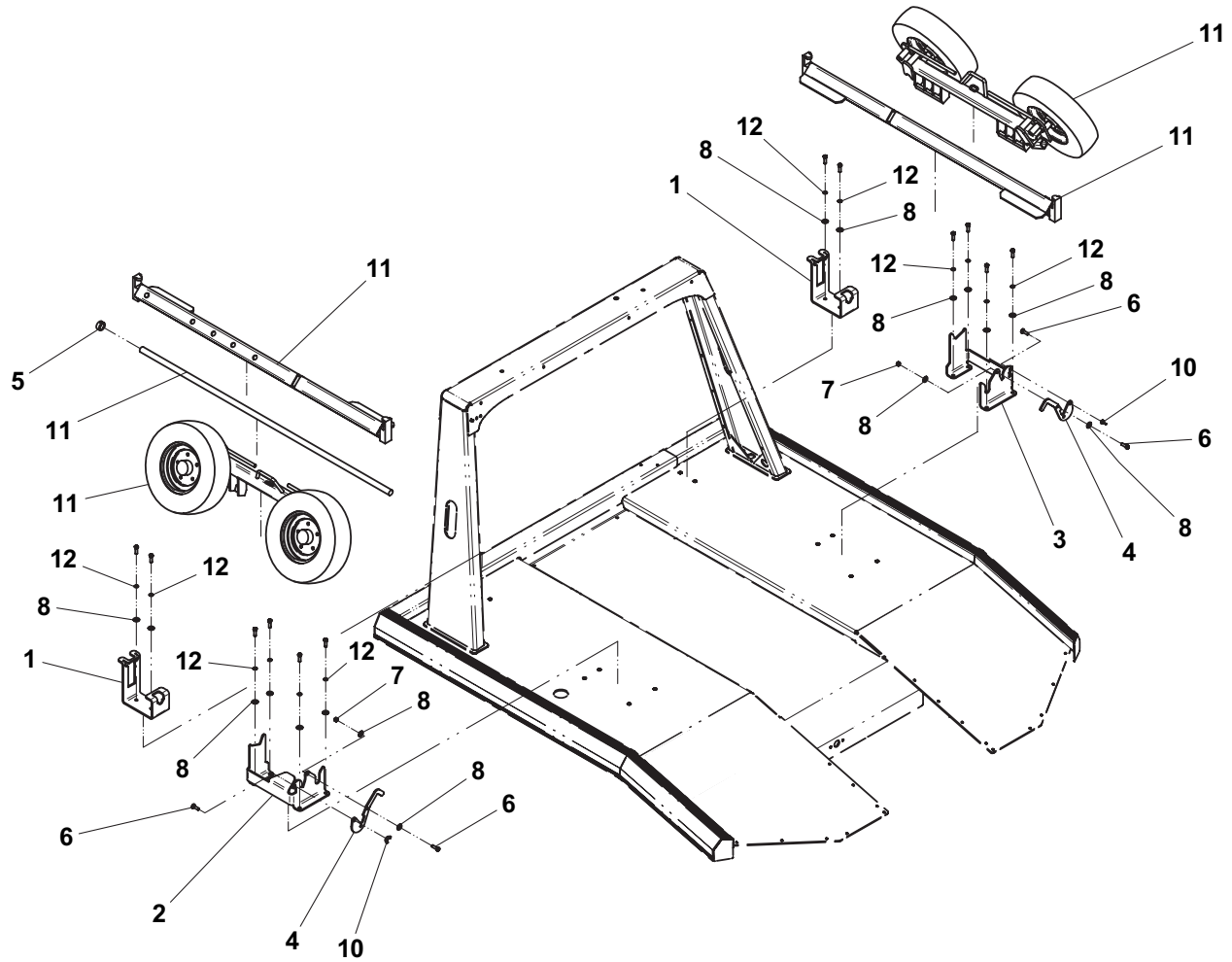
BALL HITCH MOUNTING BRACKET



SELF-LOADING DOLLY

ITEM	PART NO.	DESCRIPTION	QTY
1	4178000654	Bracket	2
2	4178000656	Bracket LH	1
3	4178000655	Bracket RH	1
4	4706005244	Plate	2
5	7283000004	Collar	1
6	7114161050	Capscrew, 0.38"-16NC x 1.25"	16
7	7660162604	Locknut, 0.38"-16NC	2
87950160163		Flatwasher, 0.38" ID	16
9	Not Required		
10	7660162100	Wingnut, 0.38"-16NC	2
11	7002000022	Dollies - Self-Loading (Steel Axle)	1
	7002000380	Dollies - Self-Loading (Aluminum Axle)	
12	7950160000	Lockwasher, 0.38" ID	12

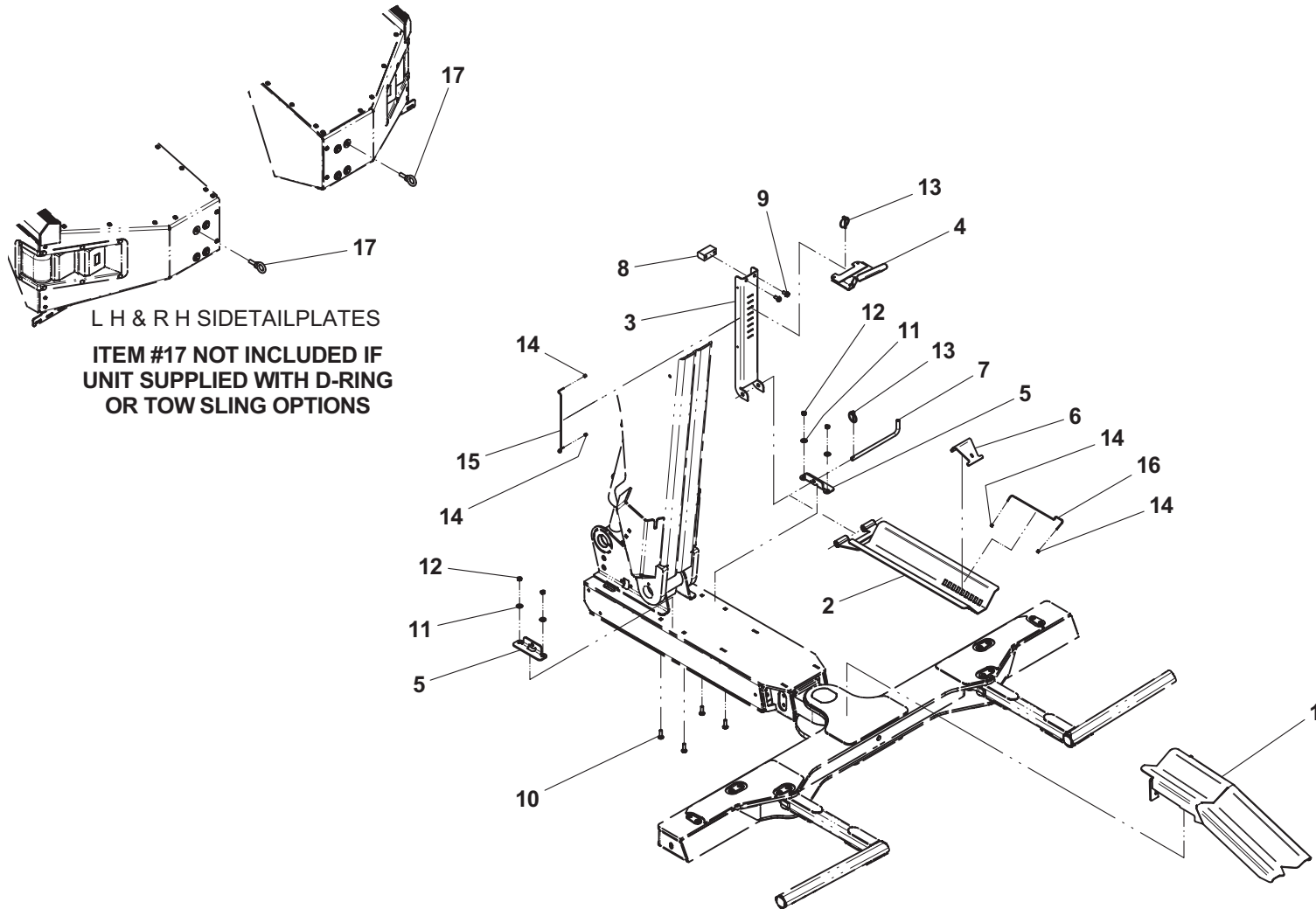
SELF-LOADING DOLLY



MOTORCYCLE ADAPTER

ITEM	PART NO.	DESCRIPTION	QTY
1	3178000470	Bracket Weld - Rear Ramp	1
2	2178000468	Bracket Weld - Lower	1
3	4263000710	Channel	1
4	3178000469	Bracket Weld - Tire Stop	1
5	4178000636	Bracket	2
6	4178000639	Bracket	1
7	4691000547	Pin	1
8	4679000275	Pad	1
9	7790161253	Screw, 0.38"-16NC x .75"	2
10	7115161064	Carriage Bolt, 0.38"-16NC x 1.25"	4
11	7950160161	Flatwasher, 0.38" ID	4
12	7660162601	Locknut, 0.38"-16NC	4
13	7691000047	Pin Linch	2
14	7819000012	Compression Sleeve	4
15	4248000002	Wire Rope	1
16	4248000003	Wire Rope	1
17	7120000052	Eye Bolt, 0.50"-13NC x 1.50"	2

MOTORCYCLE ADAPTER

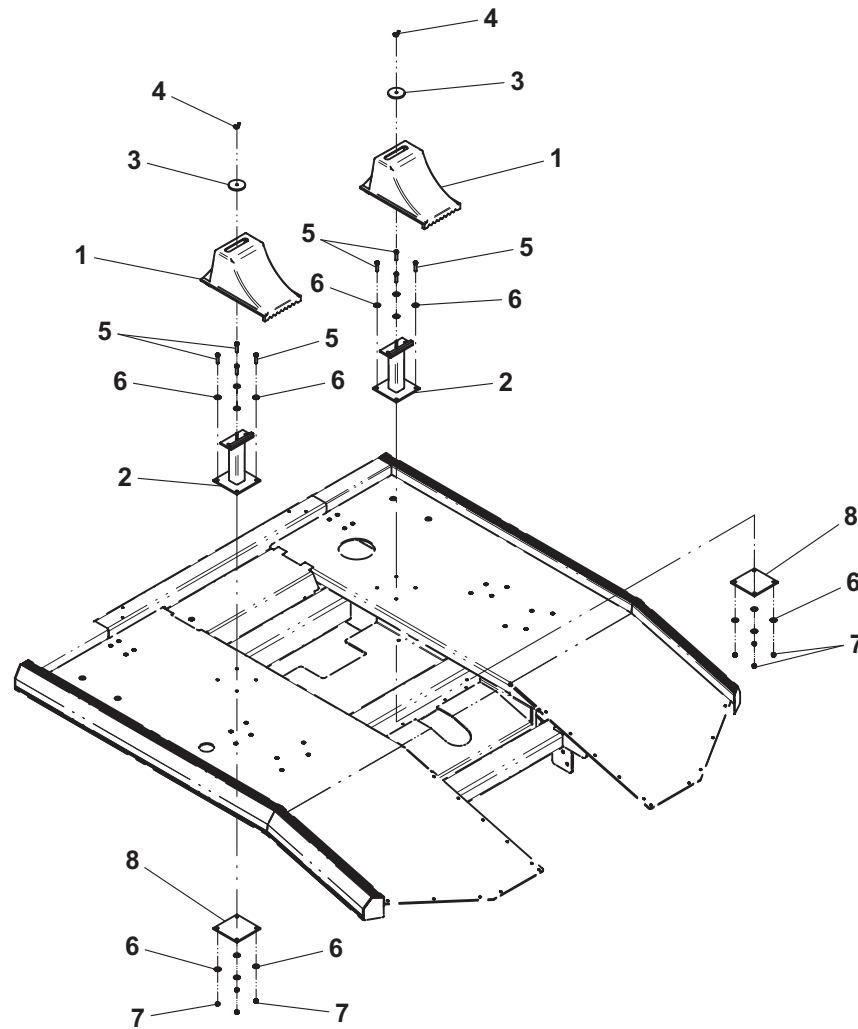


L H & R H SIDETAILED PLATES
 ITEM #17 NOT INCLUDED IF
 UNIT SUPPLIED WITH D-RING
 OR TOW SLING OPTIONS

WHEEL CHOCKS

ITEM	PART NO.	DESCRIPTION	QTY
1	7002000120	Wheel Chock	2
2	3636000012	Mount Weld	2
3	4949000016	Flatwasher, 0.41" ID	2
4	7660162100	Wing Nut, 0.38"-16NC	2
5	7111161250	Capscrew, 0.38"-16NC x 1.50"	8
6	7950160161	Flatwasher, 0.38" ID	16
7	7660162601	Locknut, 0.38"-16NC	8
8	4706005553	Plate	2

WHEEL CHOCKS

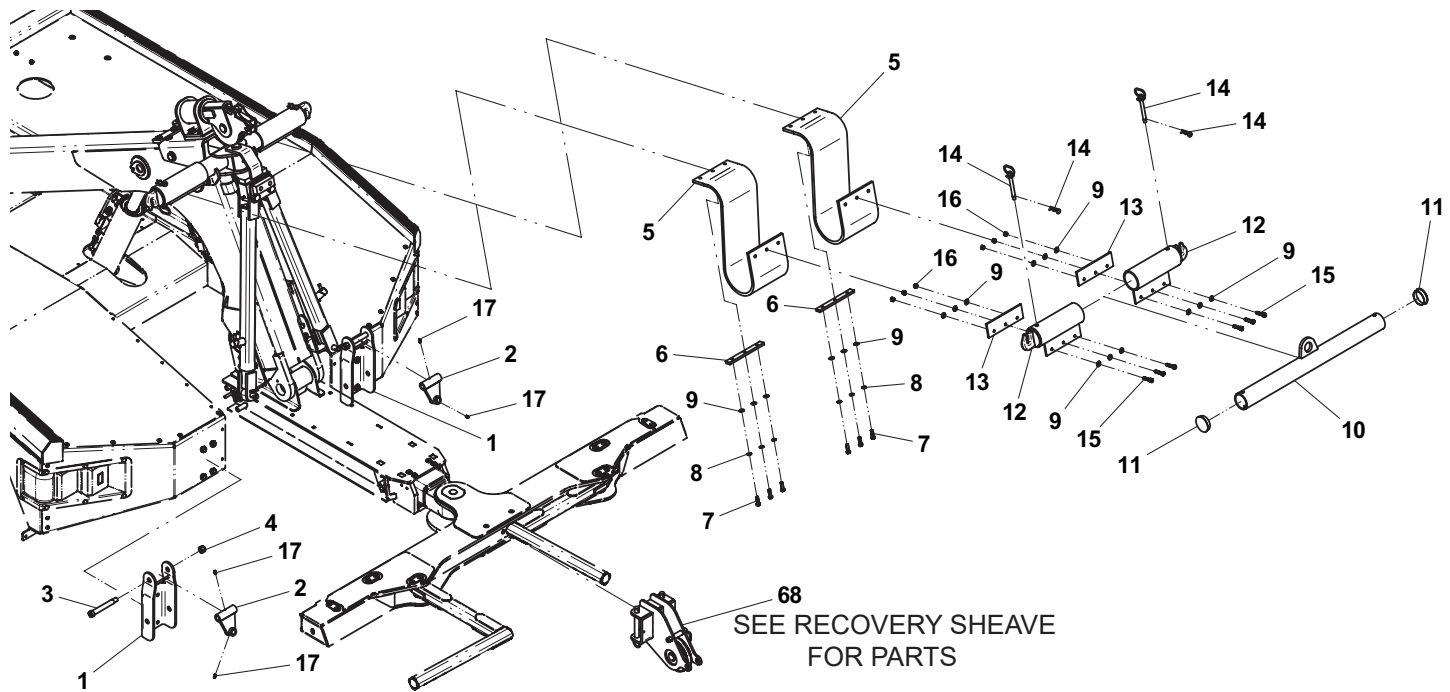


TOW SLING

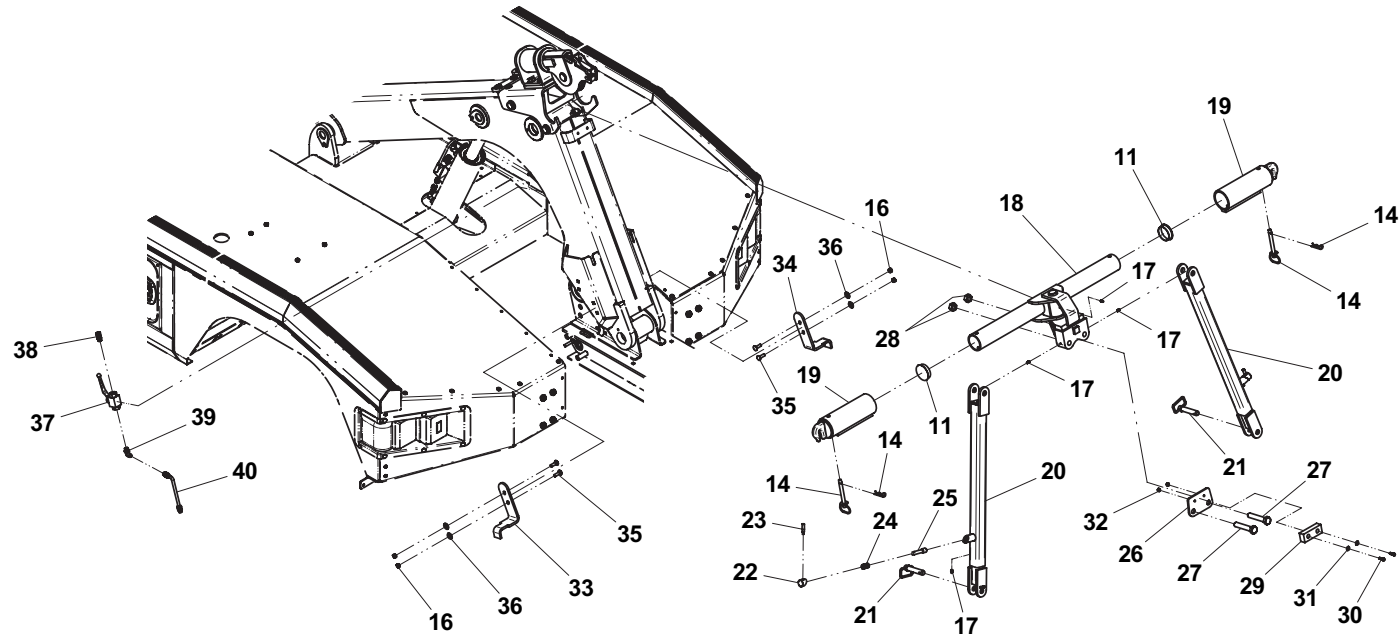
ITEM	PART NO.	DESCRIPTION	QTY	ITEM	PART NO.	DESCRIPTION	QTY
1	4178000621	Bracket	2	34	4178000734	R H Bracket	1
2	3309000007	U-Joint Weld	2	35	7115161064	Carriage Bolt, 0.38"-16NC	4
3	7115223806	Shoulder Bolt, 0.63"-11NC x 4.75"	2	36	7950160161	Flatwasher, 0.38" ID	4
4	7660202601	Locknut, 0.63"-11NC	6	37	7935000345	Valve	1
5	7822000003	Sling Belt	2	38	7445060698	Fitting	1
6	4706005679	Plate	2	39	7445060646	Elbow	1
7	7115161050	Capscrew, 0.38"-16NC x 1.25"	6	40	7912000315	Tube Assembly	1
8	7950160000	Lockwasher, 0.38" ID	6	41	3178000523	Bracket Weld	1
9	7950160141	Flatwasher, 0.38" ID	18	42	7115221650	Capscrew, 0.75"-10NC x .50"	2
10	3500800077	Sling Anchor Head Weld	1	43	7950220141	Flatwasher, 0.75" ID	4
11	7701000003	Plug	4	44	7660222601	Locknut, 0.75"-10NC	4
12	3912000046	Sling Strap Mount Weld	2	45	7115222050	Capscrew, 0.75"-10NC x 2.50"	2
13	4706005678	Plate	2	46	7115181250	Capscrew, 0.50"-13NC x 1.50"	2
14	7691000077	Hitch Pin	4	47	7950180141	Flatwasher, 0.50" ID	4
15	7115161450	Capscrew, 0.38"-16NC x 1.75"	6	48	7660182601	Locknut, 0.50"-13NC	4
16	7660162601	Locknut, 0.38"-16NC	10	49	4178000741	Bracket	1
17	7440300000	Grease Fitting	7	50	7115181450	Capscrew, 0.50"-13NC x 1.75"	2
18	3500800078	Sling Head Assembly	1	51	4706005700	Plate	1
19	3912000045	Sling End Cap Weld	2	52	3170000358	Boom Nose Weld - Single	1
20	3020000007	Hold Back Arm Assembly	2	53	3249000033	Sheave Support Weld	1
21	7691000053	Hitch Pin	2	54	7082000031#	Bearing	2
22	4254000006*	Rod Cap	2	55	7754000018	Retaining Ring	1
23	4763000184*	Rod	2	56	7809000013	Sheave	1
24	7843000006*	Compression Spring	2	57	7082000032	Bearing	1
25	4691000188*	Pin	2	58	4691000513	Pin	1
26	4706005748	Plate	1	59	7754000006	Retaining Ring	1
27	7105223250	Capscrew, 0.75"-16NF x 4.00"	2	60	4811000760+	Sheet	2
28	7661000017	Locknut, 0.75"-16NC	2	61	4706004852+	Plate	1
29	7189000023	Bumper	1	62	4706004851+	Plate	2
30	7114140818	Capscrew, 0.25"-20NC x 1.00"	2	63	7115141664+	Carriage Bolt, 0.25"-20NC x 2.00"	3
31	7950140143	Flatwasher, 0.25" ID	2	64	7950140153+	Flatwasher, 0.25" ID	3
32	7660142604	Locknut, 0.25"-20NC	2	65	7660142604+	Locknut, 0.25"-20NC	3
33	4178000733	L H Bracket	1	66	7115202050	Capscrew, 0.63"-11NC x 2.50"	4
				67	7950200141	Flatwasher, 0.63" ID	4
				68	3249000041	Cross Bar Sheave Assembly	1

* also available in Arm Weld Outer Tube, P/N 3020000005
 # also available in Boom Nose Weld - Single, P/N 3170000358
 + also available in Cable Guide Assembly, P/N 3249000034

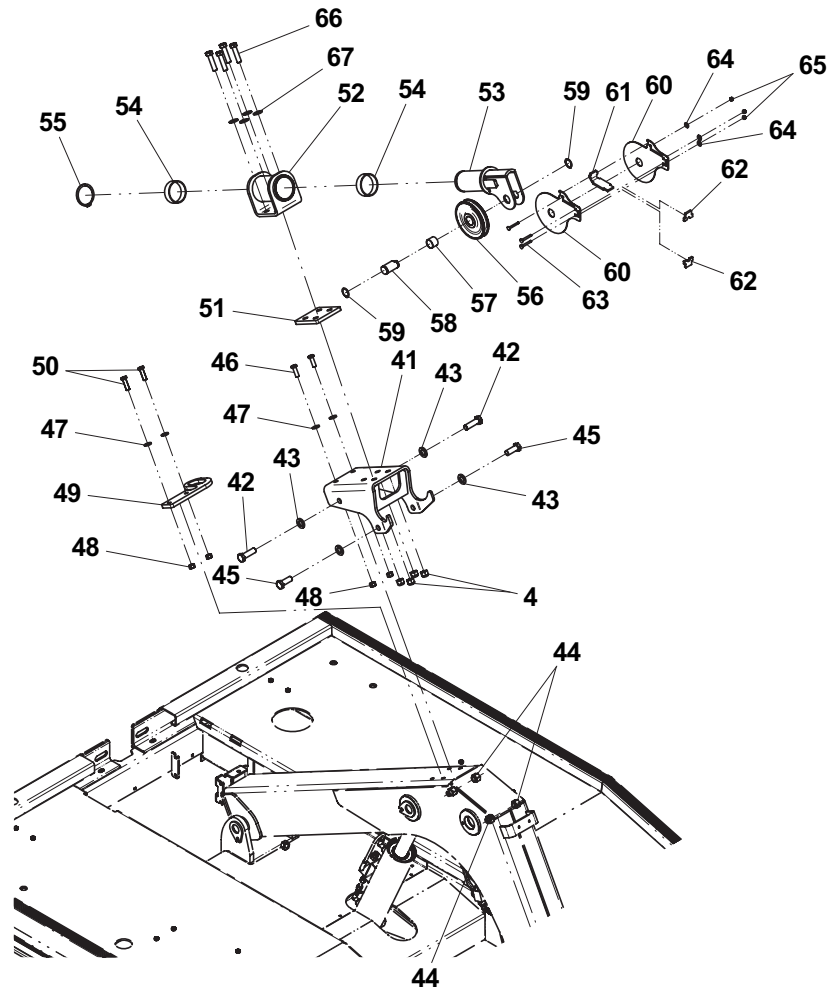
TOW SLING



TOW SLING



TOW SLING



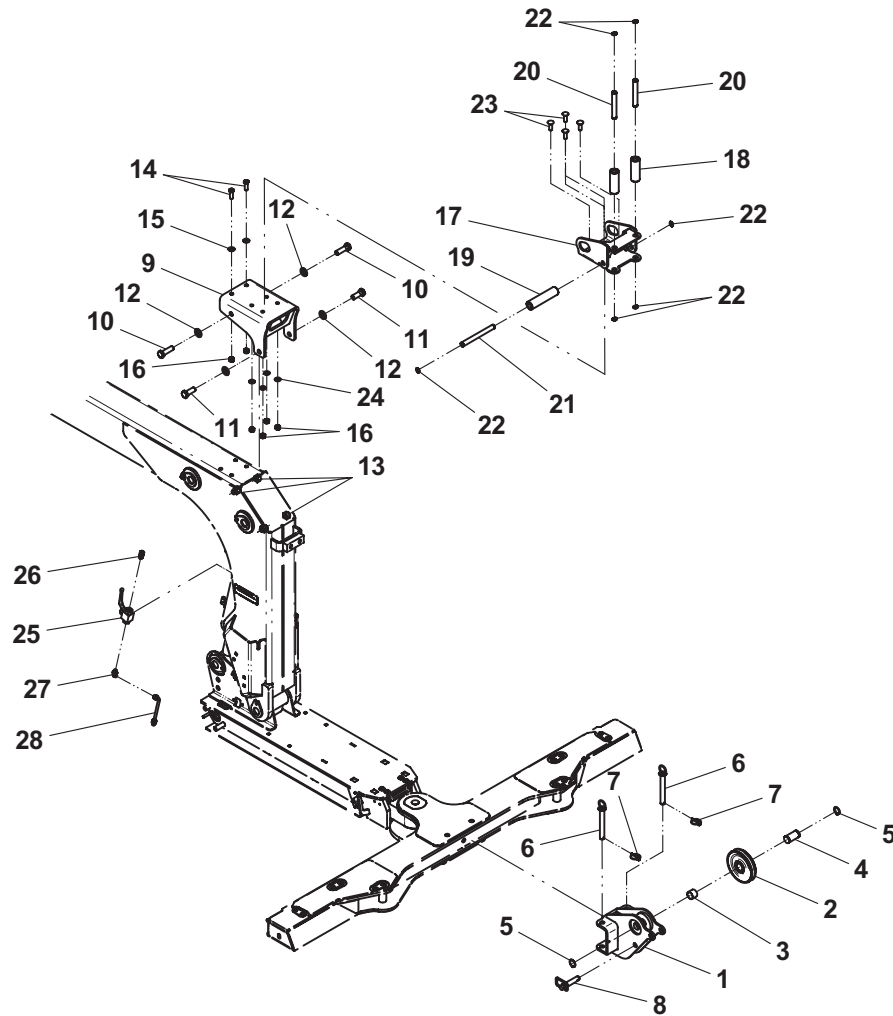
RECOVERY SHEAVE

ITEM	PART NO.	DESCRIPTION	QTY
1	3249000040*	Sheave Weld	1
2	7809000013*	Sheave	1
3	7082000032*	Bearing	1
4	4691000572*	Pin	1
5	7754000006*	Retaining Ring	2
6	3691000195*	Pin Weld	2
7	7691000027*	Linch Pin	2
8	7691000053*	Hitch Pin	1
9	3178000533	Bracket Weld	1
10	7115222050	Capscrew, 0.75"-10NC x 2.50"	2
11	7115221650	Capscrew, 0.75"-10NC x 2.00"	2
12	7950220141	Flatwasher, 0.75" ID	4
13	7660222601	Locknut, 0.75"-10NC	4
14	7115181250	Capscrew, 0.50"-13NC x 1.50"	2
15	7950180141	Flatwasher, 0.50" ID	2
16	7660182601	Locknut, 0.50"-13NC	6
17	3178000511#	Bracket Weld	1
18	4912000325#	Tube	2
19	4912000423#	Tube	1
20	4691000568#	Pin	2
21	4691000567#	Pin	1
22	7754000022#	Retaining Ring	6
23	7115181264#	Carriage Bolt, 0.50"-13NC x 1.50"	4
24	7950180153	Flatwasher, 0.50" ID	4
25	7935000345	Valve	1
26	7445060698	Fitting	1
27	7445060646	Elbow	1
28	7912000315	Tube Assembly	1

* also available in Cross Bar Sheave Assembly, P/N 3249000041

also available in Cable Guide Assembly, P/N 3249000039

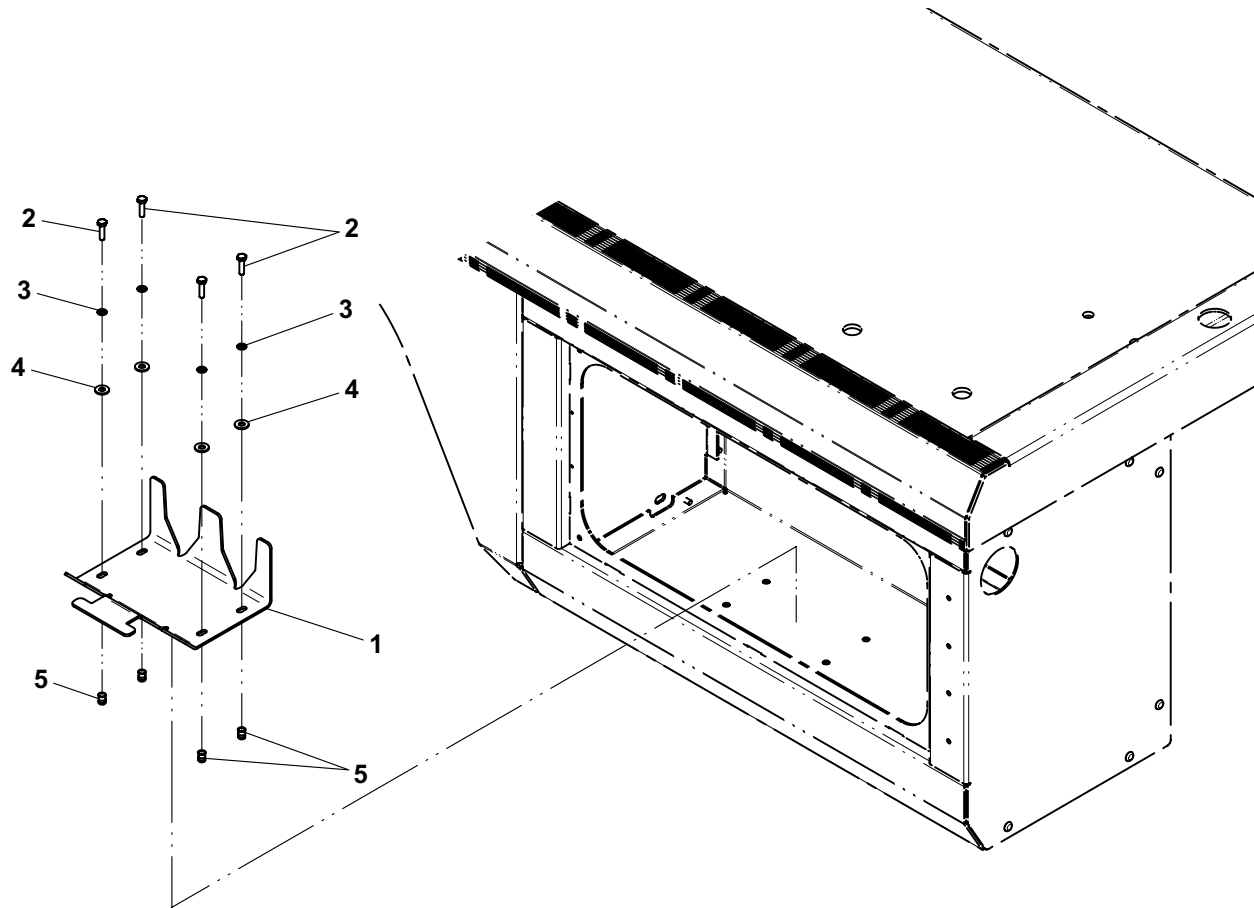
RECOVERY SHEAVE



L-ARM SPACER STORAGE

ITEM	PART NO.	DESCRIPTION	QTY
1	4178000721	Bracket	1
2	7115140550	Capscrew, 0.25"-20NC x 0.63"	4
3	7950140000	Lockwasher, 0.25" ID	4
4	7950140161	Flatwasher, 0.25" ID	4
5	7413000002	Nutsert, 0.25"-20NC	4

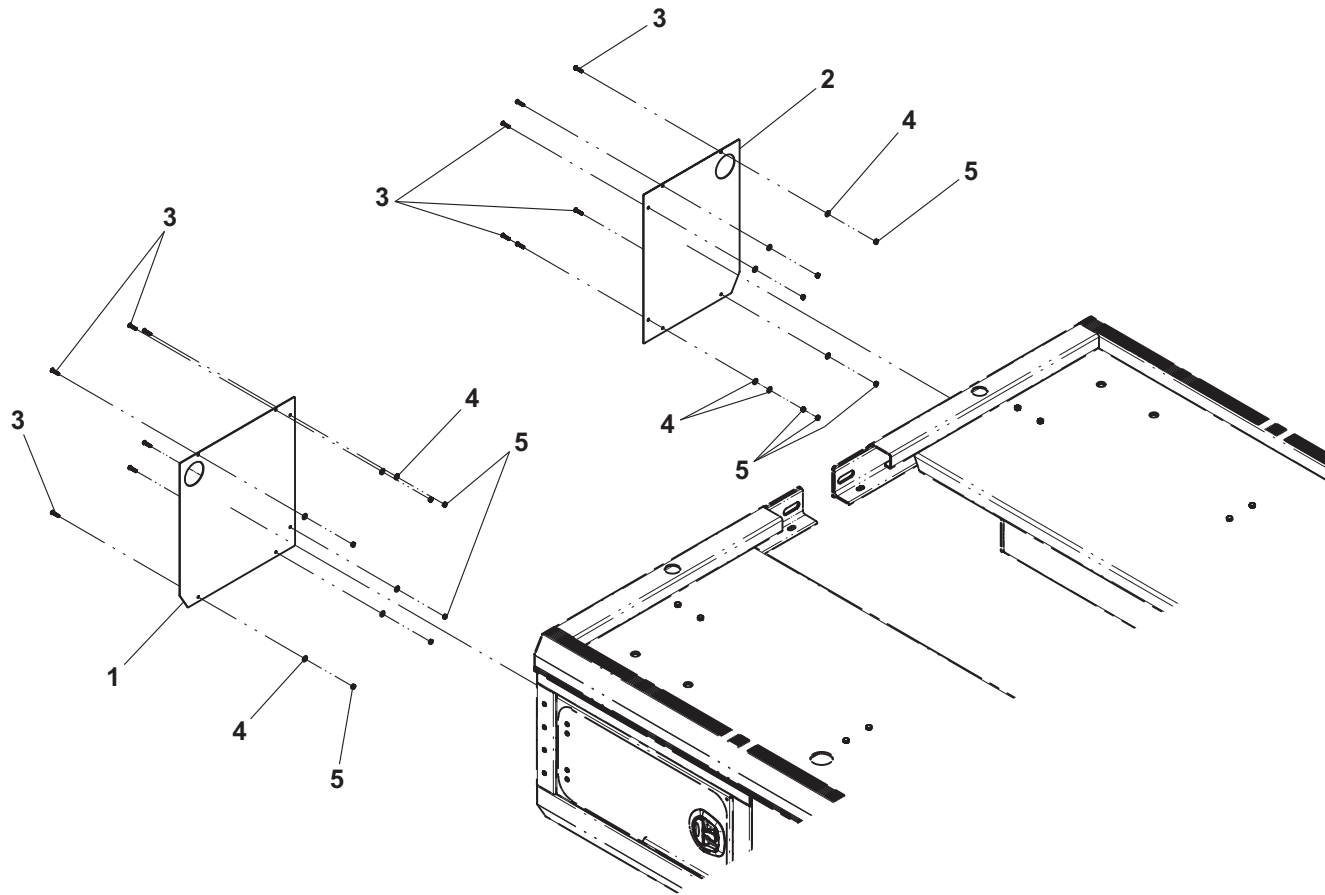
L-ARM SPACER STORAGE



STONE GUARD - BODY

ITEM	PART NO.	DESCRIPTION	QTY
1	4706005533	Plate LH (Stainless Steel)	1
	4707000314	Plate LH (Aluminum Diamond)	
2	4706005534	Plate RH (Stainless Steel)	1
	4707000315	Plate RH (Aluminum Diamond)	
3	7114140818	Capscrew, 0.25"-20NC x 1.00"	12
4	7950140141	Flatwasher, 0.25" ID	12
5	7660142600	Locknut, 0.25"-20NC	12

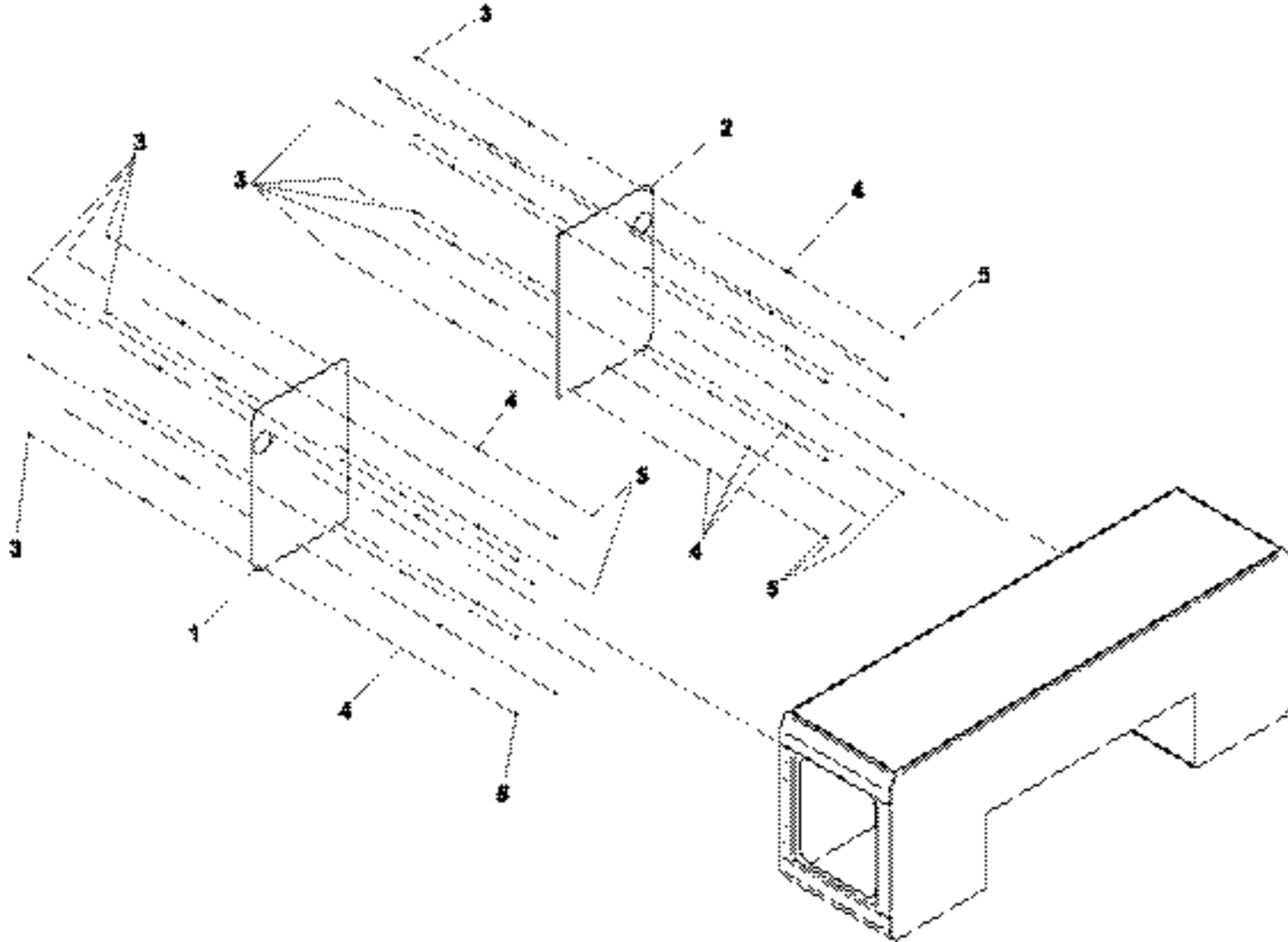
STONE GUARD - BODY



STONE GUARD - TUNNEL TOOLBOX

ITEM	PART NO.	DESCRIPTION	QTY
1	4706005881	Plate LH (Stainless Steel)	1
	4707000346	Plate LH (Aluminum Diamond)	
2	4706005882	Plate RH (Stainless Steel)	1
	4707000347	Plate RH (Aluminum Diamond)	
3	7114100618	Capscrew, #10-24NC x 0.75"	18
4	7950100103	Flatwasher, #10 ID	18
5	7660102604	Locknut, #10-24NC	18

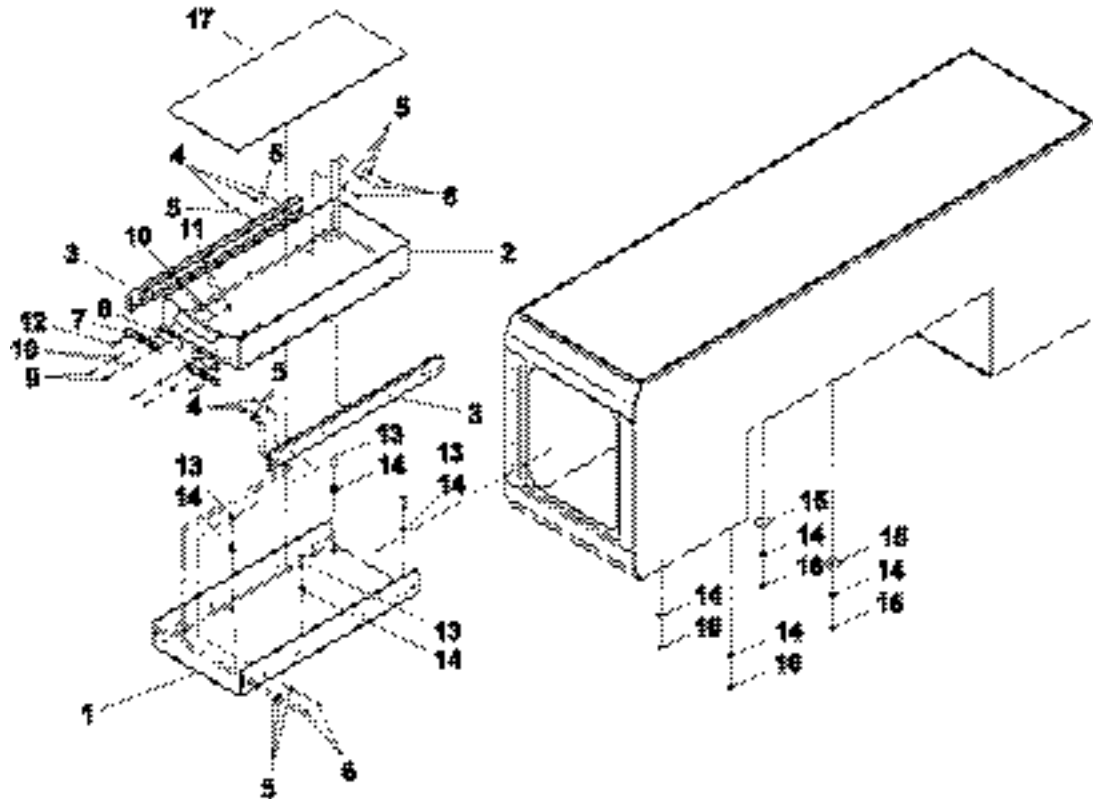
STONE GUARD - TUNNEL TOOLBOX



PULL-OUT DRAWER - TUNNEL TOOLBOX

ITEM	PART NO.	DESCRIPTION	QTY
1	4811001178	Sheet	1
2	4811001179	Sheet	1
3	7821000006	Slide	1pr
4	7114100618	Capscrew, #10-24NC x 0.75"	34
5	7950100103	Flatwasher, #10 ID	68
6	7660102601	Locknut, #10-24NC	34
7	4706005865	Plate	2
8	4706005864	Plate	2
9	7114100618	Capscrew, 0.25"-20NC x 1.25"	4
10	7950140141	Flatwasher, 0.25" ID	8
11	7660142601	Locknut, 0.25"-24NC	4
12	4763000184	Rod	2
13	7115161250	Capscrew, 0.38"-16NC x 1.50"	4
14	7950160153	Flatwasher, 0.38" ID	8
15	7949000015	Washer	2
16	7660162601	Locknut, 0.38"-16NC	4
17	4679000361	Pad	1

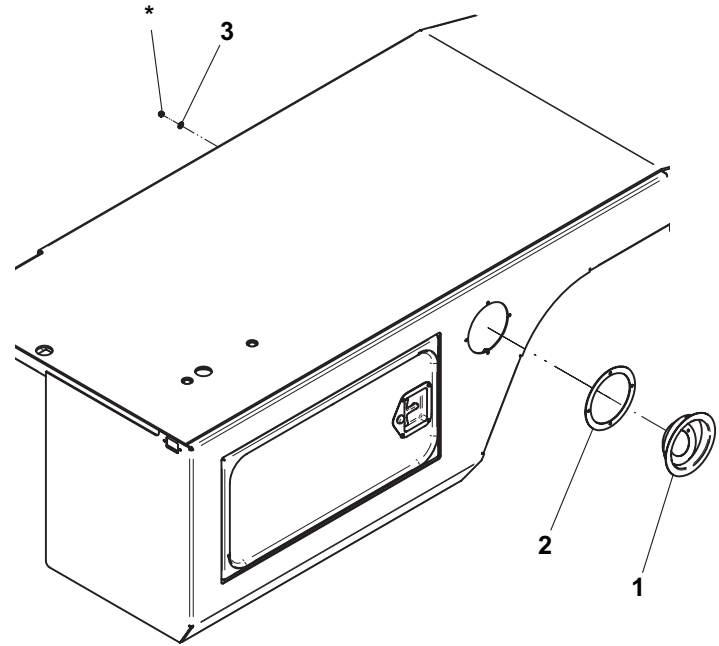
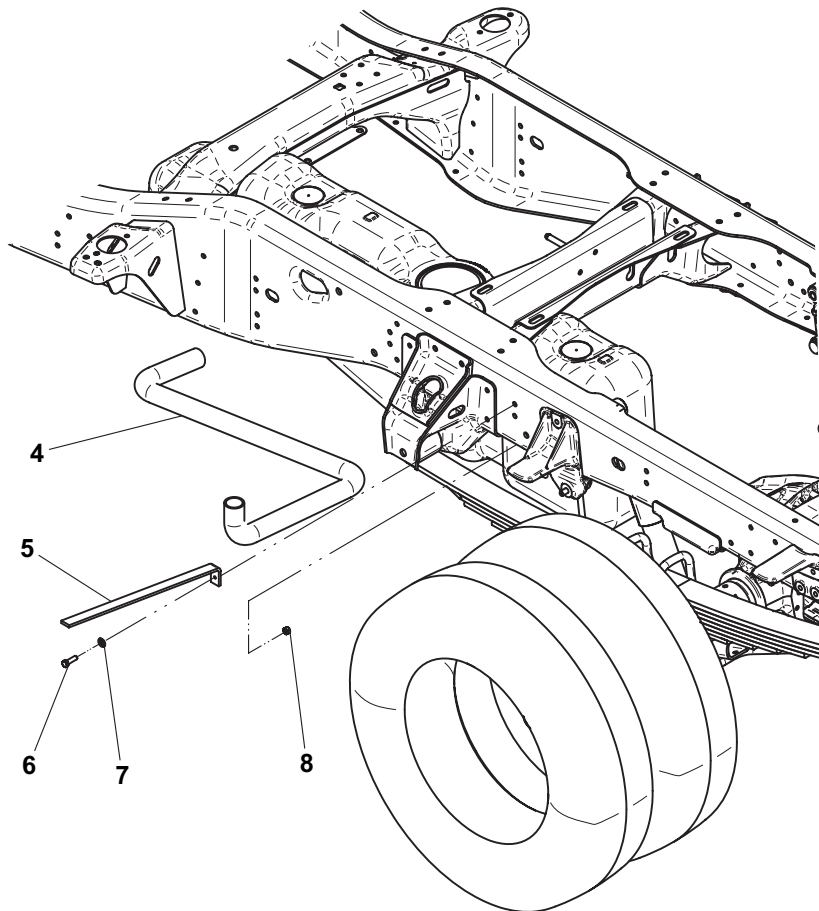
PULL-OUT DRAWER - TUNNEL TOOLBOX



FUEL FILLER

ITEM	PART NO.	DESCRIPTION	QTY
1	7449000019	Fuel Bezel	1
2	7796000100	Gasket	1
3	7950100151	Flatwasher, 0.19" ID	4
4	4533000415	Fuel Hose (Ford)	1
	7570000027	Fuel Hose (GMC, diesel)	
	7570000028	Fuel Hose (GMC, gas)	
	7570000037	Fuel Hose (Dodge)	
5	4533000415	Bracket	1
6	7115161050	Capscrew, 0.38"-16NC x 1.25"	1
7	7950160141	Flatwasher, 0.38" ID	1
8	7660162601	Locknut, 0.38"-16NC	1
9	5526000553	Tie Strap	8
10	7570000021	Vent Hose (GMC)	6 ft
	7570000036	Vent Hose (Dodge)	
11	7443000354	Fitting (GMC, gas)	2

FUEL FILLER

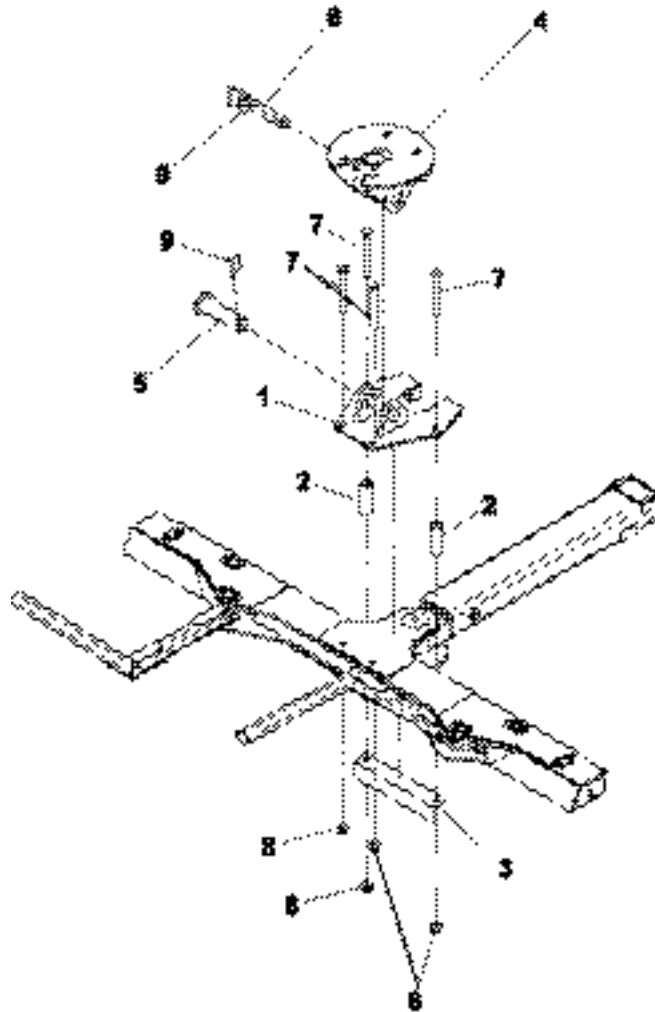


* - nuts included with fuel bezel
Not all items shown because of chassis variation

FIFTH WHEEL ATTACHMENT

ITEM	PART NO.	DESCRIPTION	QTY
1	3178000543	Bracket	1
2	4912000432	Tube	2
3	4017001612	Angle	1
4	3178000562	Bracket	1
5	3691000144	Pin	1
6	3691000145	Pin	1
7	7118225250	Capscrew, 0.75"-10NC x 6.50"	4
8	7661000069	Locknut, 0.75"-10NC	4
9	7691000025	Snap Pin	22

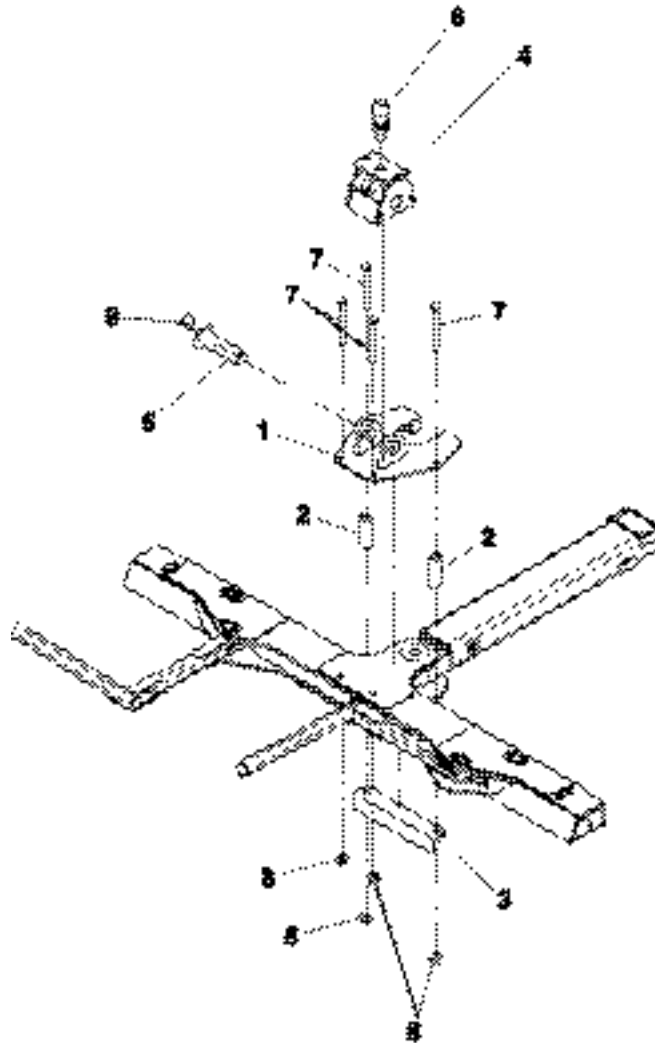
FIFTH WHEEL ATTACHMENT



GOOSENECK ATTACHMENT

ITEM	PART NO.	DESCRIPTION	QTY
1	3178000543	Bracket	1
2	4912000432	Tube	2
3	4017001612	Angle	1
4	3178000560	Bracket	1
5	3691000144	Pin	1
6	7056000011	2-5/16" Dia Ball w/ Nut	1
7	7118225250	Capscrew, 0.75"-10NC x 6.50"	4
8	7661000069	Locknut, 0.75"-10NC	4
9	7691000025	Snap Pin	1

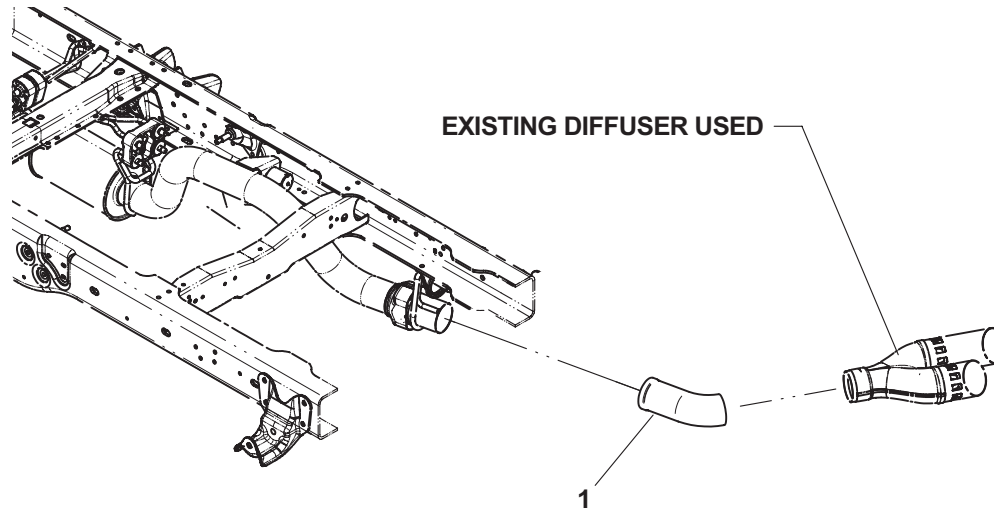
GOOSENECK ATTACHMENT



FORD DIESEL 08 EXHAUST ALTERATION

ITEM	PART NO.	DESCRIPTION	QTY
1	7696000069	Elbow Pipe	1

FORD DIESEL 08 EXHAUST ALTERATION



THIS PAGE INTENTIONALLY LEFT BLANK