

# 6-TON CARRIER PARTS MANUAL

# ***JERR-DAN***<sup>®</sup>

An Oshkosh Corporation Company

1080 Hykes Road  
Greencastle, PA 17225  
Phone (717) 597-7111  
[www.jerr-dan.com](http://www.jerr-dan.com)

5-376-000109  
Rev 0 - November 01, 2007

© 2007 Jerr-Dan Corporation. All Rights Reserved.

This manual covers the following Jerr-Dan Models:

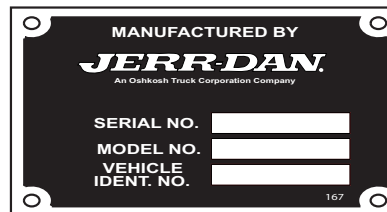
- 21RRSB6T-8 - 6 Ton Steel B.I.C.
- 21RRSB6T-8W - 6 Ton Steel B.I.C.

Jerr-Dan Corporation strives to provide information that is accurate, complete and useful. Descriptions and illustrative material contained within this manual are as accurate as known at the time of publication and are subject to change, without notice, as a result of continuous product improvements. Jerr-Dan reserves the right to amend the information in this document at any time without prior notice.

Information contained in this manual reflects how this vehicle was built at the factory. Modifications or additions by the distributor or owner are not reflected in this manual.

This parts manual does not include service parts information for the commercial chassis (IHC, Ford, GM, etc.). This parts information is provided by the chassis manufacturer.

When ordering parts, please refer to your unit's Sales Order Number, Serial Number and Model Number. This information can be found on the aluminum tag riveted to the front left corner of the deck as shown below:



Additional or replacement manuals can be ordered by calling Jerr-Dan Parts at 717-597-7111. Price and availability will be quoted at time of the request.

Please report comments and/or errors by contacting Jerr-Dan Corporation's Technical Publications Department by e-mail at [technicalpublications@jerr-dan.com](mailto:technicalpublications@jerr-dan.com) or by FAX on 717-593-2362.

Manufactured under one or more of the following patents: 5,133,633; 5,575,606; 5,697,741; 5,722,810; 5,951,235; 6,231,294 B1; 6,315,515 B1; 6,336,783 B1; and 6,447,239 B2 and 7,264,305 B2 with other Patents Pending.

Jerr-Dan and the Jerr-Dan logo are registered trademarks of Jerr-Dan Corporation, Greencastle, PA USA.

The material in this document is confidential and the property of Jerr-Dan Corporation. No part of this document may be photocopied, reproduced or translated to another language without the express written consent of Jerr-Dan Corporation.

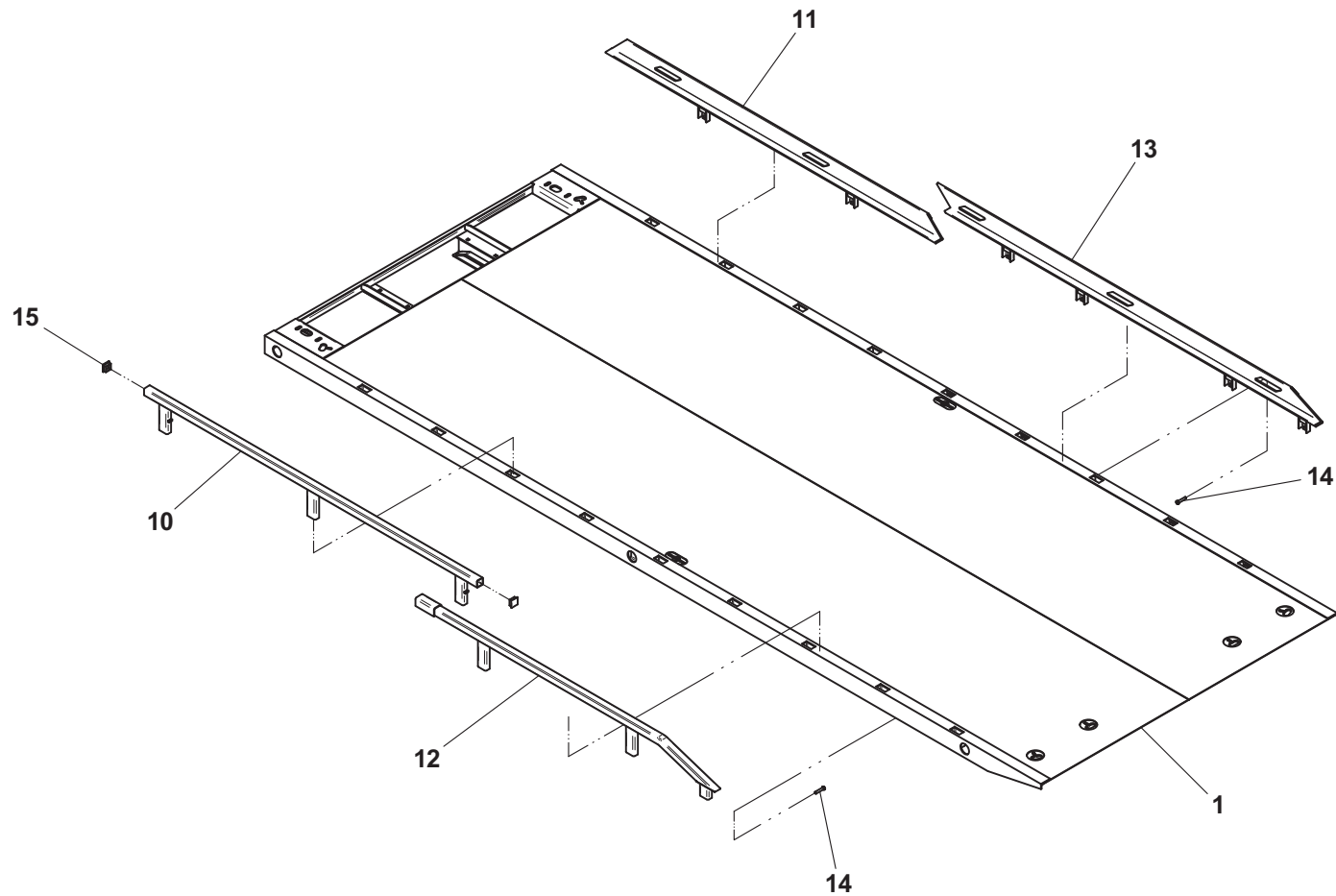
# INDEX

DESCRIPTION	PAGE	DESCRIPTION	PAGE
Deck - Steel B.I.C (RRSB6T) .....	4 - 5	Manual L-Arm Wheel Lift Grid .....	92 - 93
Standard Headboard & Standard Winch Free Spool .....	6 - 7	Manual T37 Pivoting Wheel Lift Grid .....	94 - 95
Deluxe Headboard & Standard Winch Free Spool .....	8 - 9	Hydraulic Wheel Lift Grid .....	96 - 101
Stationary Headboard & Standard Winch Free Spool .....	10 - 11	Hydraulic Rear Dock Stabilizer .....	102 - 103
Worm Gear Winch .....	12 - 13	Stabilizer w/ Reese Hitch Receiver .....	104 - 105
Planetary Gear Winch .....	14 - 15	Stabilizer w/ Manual Extend Pintle Hitch Mounting Plate .....	106 - 107
Worm Gear Winch Cable Roller Guide / Tensioner Plate .....	16 - 17	Stabilizer w/ Hydraulic Extend Pintle Hitch Mounting Plate .....	108 - 109
Planetary Gear Winch Cable Roller Guide / Tensioner Plate .....	18 - 19	Ball Hitch Mounting Plate - IRL .....	110 - 111
Remote Air Free Spool .....	20 - 21	Ball Hitch Mounting Plate - Hydraulic Extend .....	112 - 113
Subframe .....	22 - 23	Ball Hitch Mounting Plate - Manual Extend .....	114 - 115
Hold Down .....	24 - 25	Pintle Hitch Mounting Plate - IRL .....	116 - 117
Slide Pad .....	26 - 27	Pintle Hitch Mounting Plate - Hydraulic Extend .....	118 - 119
Mud Flap .....	28 - 29	Pintle Hitch Mounting Plate - Manual Extend .....	120 - 121
Final Assembly .....	30 - 31	Towbar - IRL .....	122 - 123
GM C4500/5500 Subframe Modifications .....	32 - 33	Towbar - Hydraulic Extend .....	124 - 125
GM C4500/5500 Brake Cable Rework and Rear Fuel Tank Modifications .....	34 - 35	Roll Cylinder Assembly .....	126 - 127
Hydraulic Reservoir and Toolbox / Basket .....	36 - 39	Tilt Cylinder Assembly .....	128 - 129
Toolbox .....	40 - 41	Wheel Lift Extend Cylinder Assembly .....	130 - 131
78" Toolbox and Marker Lights .....	42 - 43	IRL Cylinder Assembly .....	132 - 133
Toolbox Shelf .....	44 - 45	ZOD Cylinder Assembly .....	134 - 135
Toolbox Light .....	46 - 47	Stabilizer Cylinder Assembly .....	136 - 137
Dual Controls - 3 Bank .....	48 - 49	Tow Option Hydraulic Extend Cylinder Assembly .....	138 - 139
Dual Controls - 4 Bank .....	50 - 51	Lightbars .....	140 - 141
Dual Controls - 5 Bank .....	52 - 53	Switch Panels .....	142 - 143
Dual Controls - 6 Bank .....	54 - 55	Work Lights .....	144 - 145
Dual Controls - 7 Bank .....	56 - 57	Bolt-On D-Rings .....	146 - 147
Hydraulic Components - Standard .....	58 - 59	Remote Control Operation(s) .....	148 - 151
Hydraulic Components - Standard (Hose Track) .....	60 - 61	Remote Throttle Control .....	152 - 153
Hydraulic Components - Hose Routing / Mounting .....	62 - 63	Glad Hands and 7-Way Connector .....	154 - 155
Hydraulic Components - IRL Wheel Lift w/ Manual Grids .....	64 - 65	Air Supply Disconnect .....	156 - 157
Hydraulic Components - IRL Wheel Lift w/ Hydraulic Grids .....	66 - 67	Jump Start Kit .....	158 - 159
Hydraulic Components - ZOD Wheel Lift w/ Manual Grids .....	68 - 69	Chains and Straps .....	160 - 161
Hydraulic Components - ZOD Wheel Lift w/ Hydraulic Grids .....	70 - 71	Decals .....	162 - 163
Hydraulic Components - Stabilizer .....	72 - 73	Hydraulic Schematic .....	164 - 171
Hydraulic Components - Stabilizer w/ Reese Hitch Receiver or Pintle Hitch Mtg Plate .....	74 - 75	Electrical Schematic .....	172 - 173
Hydraulic Components - Stabilizer w/ Hydraulic Extend Pintle Hitch Mounting Plate .....	76 - 77		
Hydraulic Components - IRL Tow Option .....	78 - 79		
Hydraulic Components - Hydraulic Extend Tow Option .....	80 - 81		
Electrical Components - Standard w/ Bolt-On Headboard .....	82 - 83		
Electrical Components - Standard w/ Stationary Headboard .....	84 - 85		
Deck Marker Lights .....	86 - 87		
IRL Wheel Lift .....	88 - 89		
ZOD Wheel Lift .....	90 - 91		

**DECK - STEEL B.I.C. (RRSB6T)**

ITEM	PART NO.	DESCRIPTION	QTY	ITEM	PART NO.	DESCRIPTION	QTY
1	3097000624	21' Deck - 96" wide, 8" X-mem spacing	1			<i>Standard Steel Tubular Removable Rails:</i>	
	3097000625	21' Deck - 102" wide, 8" X-mem spacing					
				10	3729000126	Steel Rail, LH Front	1
				11	3729000126	Steel Rail, RH Front	1
				12	3729000127	Steel Rail, LH Rear	1
				13	3729000128	Steel Rail, RH Rear	1
				14	7120000005	Capscrew, 0.50"-13NC x 2.50"	12
				15	7701000033	End Cap	4
						<i>Optional Aluminum Removable Rails:</i>	
				10	3017000084	Aluminum Rail, LH Front	1
				11	3017000085	Aluminum Rail, RH Front	1
				12	3017000086	Aluminum Rail, LH Rear	1
				13	3017000087	Aluminum Rail, RH Rear	1
				14	7115181650	Capscrew, 0.50"-13NC x 2.00"	12
				15	Not Required		

## DECK - STEEL B.I.C. (RRSB6T)



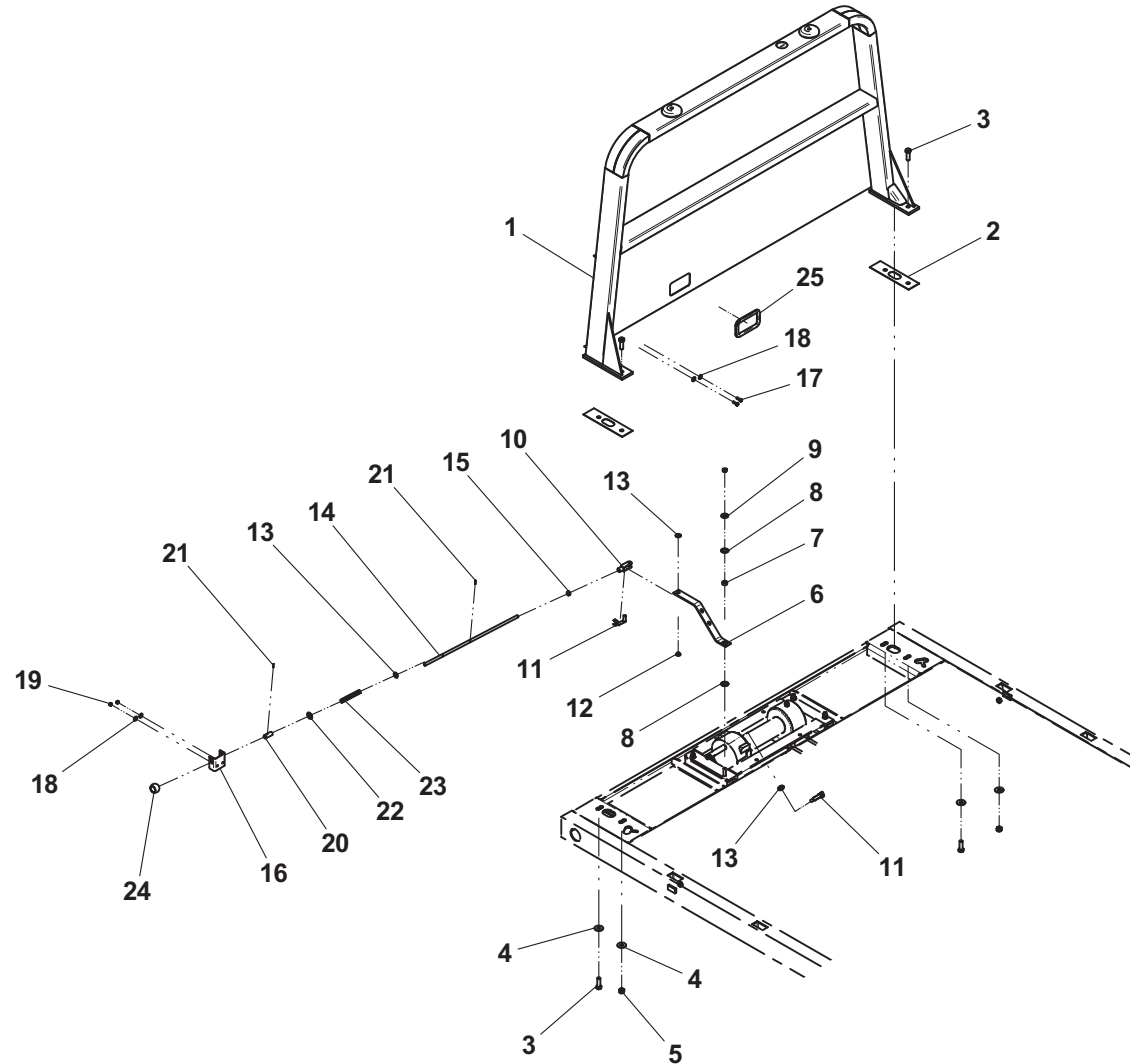
21' deck shown with standard removable steel rails on left side and optional aluminum removable rails on right side

**STANDARD HEADBOARD & STANDARD WINCH FREE SPOOL**

ITEM	PART NO.	DESCRIPTION	QTY	ITEM	PART NO.	DESCRIPTION	QTY
1	3241000140	Standard Headboard Weld - 40.50" (w/ std remote free spool)	1	14	4763000348*	Rod	1
	3241000148	Standard Headboard Weld - 40.50" (w/ air remote free spool)		15	7660180234*	Nut, 0.50"-20NF	1
	3241000141	Standard Headboard Weld - 45.50" (w/ std remote free spool)		16	4178000673*	Bracket	1
	3241000149	Standard Headboard Weld - 45.50" (w/ air remote free spool)		17	7115150850*	Capscrew, 0.31"-18NC x 1.00"	2
	3241000142	Standard Headboard Weld - 50.50" (w/ std remote free spool)		18	7950150161*	Flatwasher, 0.31" ID	4
	3241000150	Standard Headboard Weld - 50.50" (w/ air remote free spool)		19	7660152601*	Locknut, 0.31"-18NC	2
	3241000143	Standard Headboard Weld - 57.50" (w/ std remote free spool)		20	4209000147*	Bushing (worm gear winch)	1
	3241000151	Standard Headboard Weld - 57.50" (w/ air remote free spool)			4209000145*	Bushing (planetary gear winch)	
2	4796000037	Gasket	2	21	7690051274*	Pin	2
3	7105201650	Capscrew, 0.63"-18NF x 2.00"	4	22	7949000030*	Nylon Washer	1
4	7950200152	Flatwasher, 0.63" ID	4	23	7843000027*	Spring	1
5	7660200035	Nut, 0.63"-18NF	2	24	7551000017*	Knob	1
6	4178000671*	Bracket	1	25	4632000009*	Trim Lok	1
7	4209000328*	Bushing	1				
8	7082000010*	Nylon Washer	2				
9	7950180161*	Flatwasher, 0.50" ID	1				
10	7990000011*	Yoke	1				
11	7691000046*	Clevis Pin	2				
12	7082000009*	Bearing Flange	1				
13	7950180143*	Flatwasher, 0.50" ID	3				

\* also available in complete Remote Free Spool Installation:  
P/N 2970000021 for 8,000 / 10,000 lb worm gear winch  
P/N 2970000019 for 8,000 lb planetary gear winch

## STANDARD HEADBOARD & STANDARD WINCH FREE SPOOL



50.50" headboard shown with 8,000 lb worm gear winch and standard remote free spool

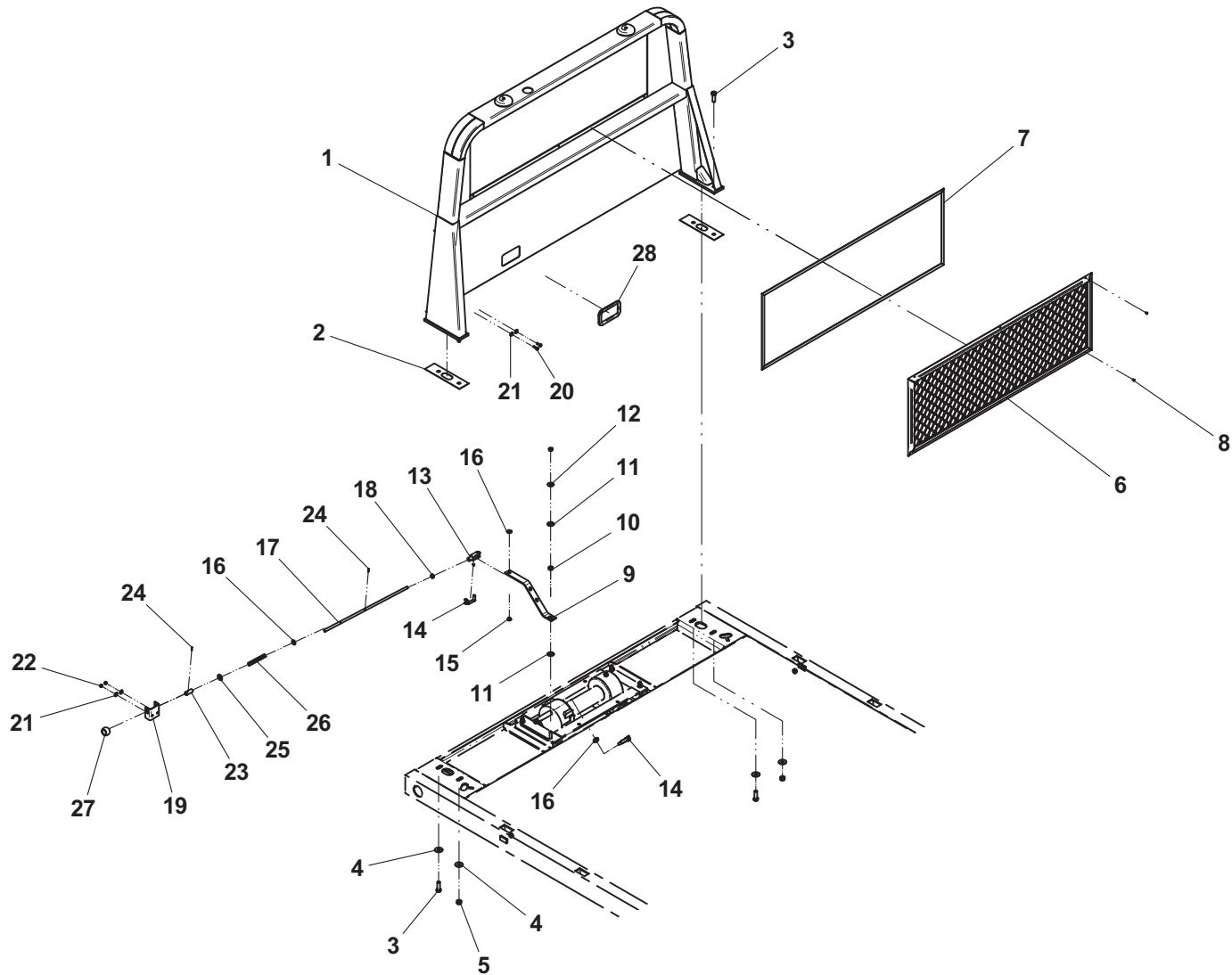
**DELUXE HEADBOARD & STANDARD WINCH FREE SPOOL**

ITEM	PART NO.	DESCRIPTION	QTY	ITEM	PART NO.	DESCRIPTION	QTY
1	3241000133	Deluxe Headboard Weld - 40.50" (w/ std remote free spool)	1	13	7990000011*	Yoke	1
	3241000144	Deluxe Headboard Weld - 40.50" (w/ air remote free spool)		14	7691000046*	Clevis Pin	2
	3241000134	Deluxe Headboard Weld - 45.50" (w/ std remote free spool)		15	7082000009*	Bearing Flange	1
	3241000145	Deluxe Headboard Weld - 45.50" (w/ air remote free spool)		16	7950180143*	Flatwasher, 0.50" ID	3
	3241000135	Deluxe Headboard Weld - 50.50" (w/ std remote free spool)		17	4763000252*	Rod	1
	3241000146	Deluxe Headboard Weld - 50.50" (w/ air remote free spool)		18	7660180234*	Nut, 0.50"-20NF	1
	3241000136	Deluxe Headboard Weld - 57.50" (w/ std remote free spool)		19	4178000673*	Bracket	1
	3241000147	Deluxe Headboard Weld - 57.50" (w/ air remote free spool)		20	7115150850*	Capscrew, 0.31"-18NC x 1.00"	2
				21	7950150161*	Flatwasher, 0.31" ID	4
				22	7660152601*	Locknut, 0.31"-18NC	2
				23	4209000147*	Bushing (worm gear winch)	1
					4209000145*	Bushing (planetary gear winch)	
				24	7690051274*	Pin	2
				25	7949000030*	Nylon Washer	1
				26	7843000027*	Spring	1
				27	7551000017*	Knob	1
				28	4632000009*	Trim Lok	1
2	4796000037	Gasket	2				
3	7105201650	Capscrew, 0.63"-18NF x 2.00"	4				
4	7950200152	Flatwasher, 0.63" ID	4				
5	7660200035	Nut, 0.63"-18NF	2				
6	3391000014	Screen Weld (36.50", 40.50" & 45.50" headboards)	1				
	3391000017	Screen Weld (50.50" headboard)					
	3391000018	Screen Weld (57.50" headboard)					
7	4796000003	Gasket	1				
8	7759000015	Rivet	6				
9	4178000671*	Bracket	1				
10	4209000328*	Bushing	1				
11	7082000010*	Nylon Washer	2				
12	7950180161*	Flatwasher, 0.50" ID	1				

\* also available in Remote Free Spool Installation:  
P/N 2970000021 for 8,000 / 10,000 lb worm gear winch  
P/N 2970000019 for 8,000 lb planetary gear winch



# DELUXE HEADBOARD & STANDARD WINCH FREE SPOOL



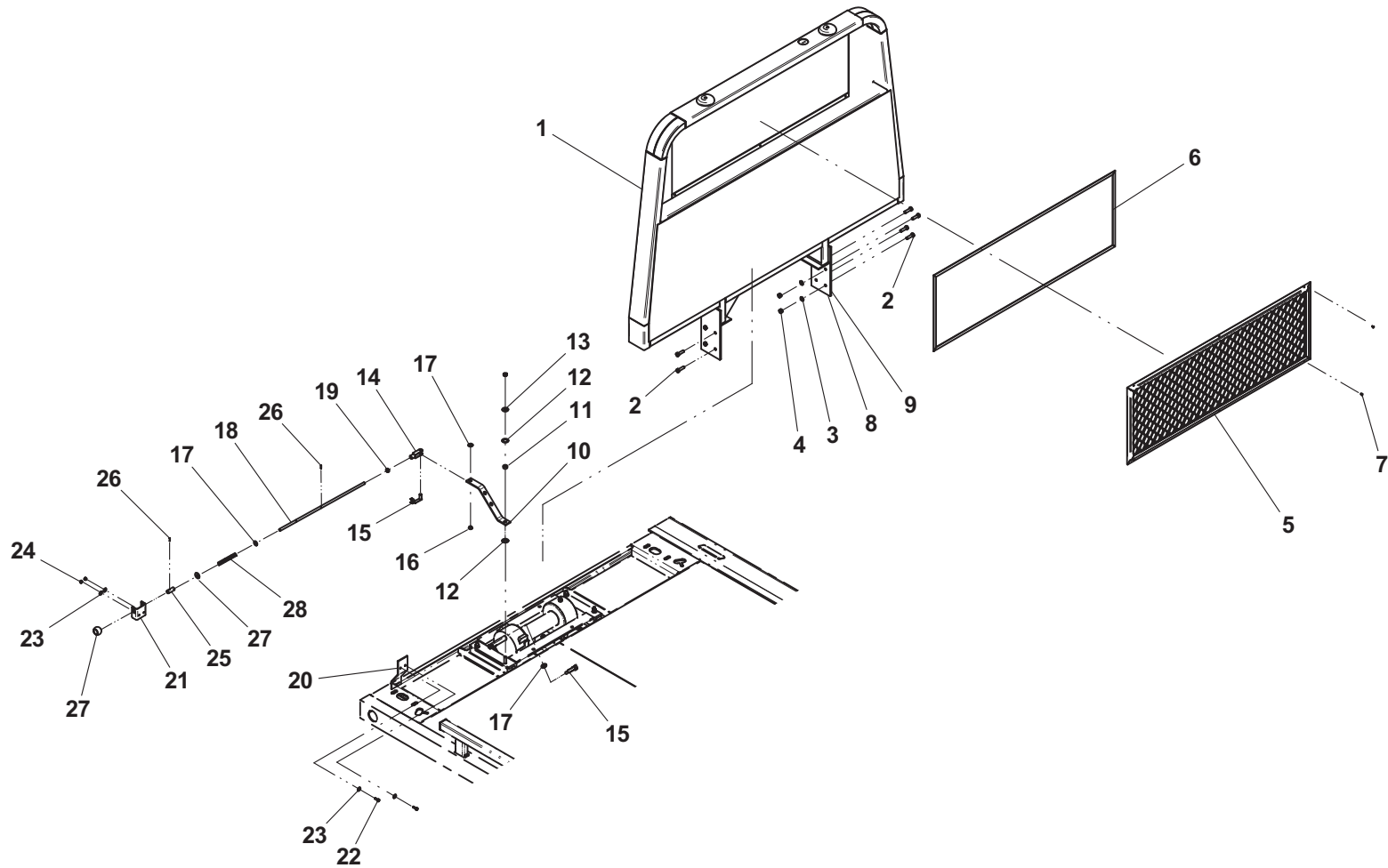
50.50" headboard shown with 8,000 lb worm gear winch and standard remote free spool

**STATIONARY HEADBOARD & STANDARD WINCH FREE SPOOL**

ITEM	PART NO.	DESCRIPTION	QTY	ITEM	PART NO.	DESCRIPTION	QTY
1	3241000161	Stationary Headboard Weld - 57.00"	1	26	7690051274*	Pin	2
	3241000162	Stationary Headboard Weld - 62.00"		27	7949000030*	Nylon Washer	1
	3241000163	Stationary Headboard Weld - 69.00"		28	7843000027*	Spring	1
2	7105181450	Capscrew, 0.50"-20NF x 1.75"	8	29	7551000017*	Knob	1
3	7950180153	Flatwasher, 0.50" ID	8				
4	7660182631	Locknut, 0.50"-20NF	8				
5	3391000014	Screen Weld (57.00" headboard)	1				
	3391000017	Screen Weld (62.00" headboard)					
	3391000018	Screen Weld (69.00" headboard)					
6	4796000003	Gasket	1				
7	7759000015	Rivet	6				
8	4705000607	Shim - 0.25"	A/R				
9	4705000608	Shim - 0.12"	A/R				
10	4178000672*	Bracket	1				
11	4209000328*	Bushing	1				
12	7082000010*	Nylon Washer	2				
13	7950180161*	Flatwasher, 0.50" ID	1				
14	7990000011*	Yoke	1				
15	7691000046*	Clevis Pin	2				
16	7082000009*	Bearing Flange	1				
17	7950180143*	Flatwasher, 0.50" ID	3				
18	4763000252*	Rod	1				
19	7660180234*	Locknut, 0.50"-20NF	1				
20	4178000674*	Bracket (steel decks)	1				
	4017001499*	Bracket (aluminum decks)					
21	4178000673*	Bracket	1				
22	7115150850*	Capscrew, 0.31"-18NC x 1.00"	2				
23	7950150161*	Flatwasher, 0.31" ID	4				
24	7660152601*	Locknut, 0.31"-18NC	2				
25	4209000147*	Bushing (worm gear winch)	1				
	4209000145*	Bushing (planetary gear winch)					

\* also available in complet Remote Free Spool Installation:  
P/N 2970000021 for 8,000 / 10,000 lb worm gear winch  
P/N 2970000019 for 8,000 lb planetary gear winch

# STATIONARY HEADBOARD & STANDARD WINCH FREE SPOOL



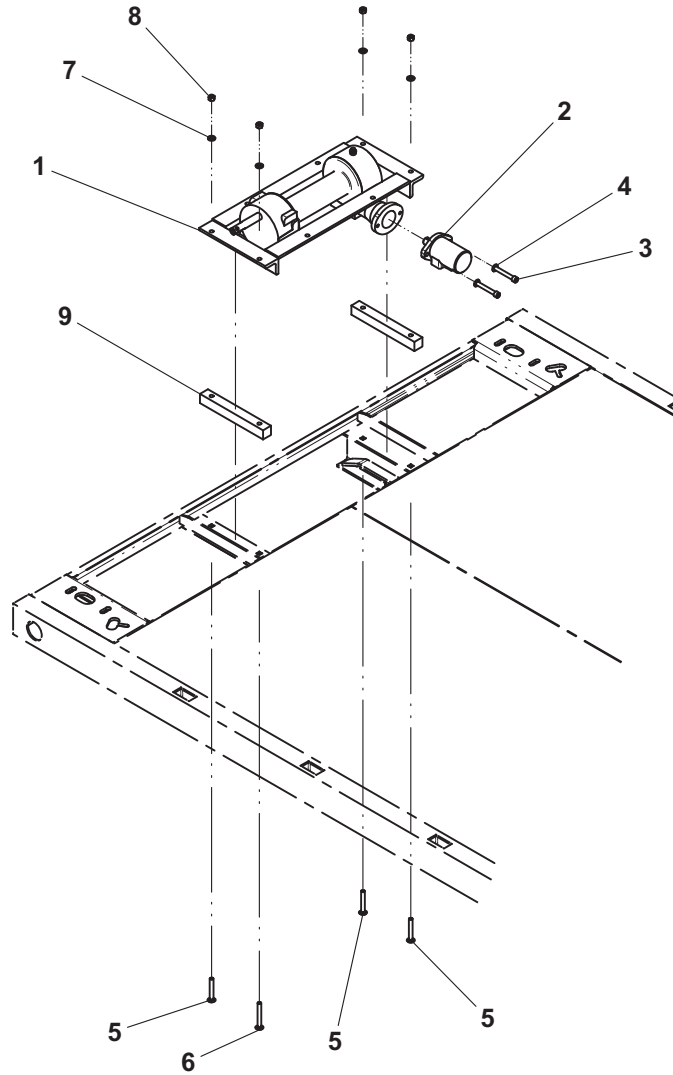
62.00" headboard shown with 8,000 lb worm gear winch

**WORM GEAR WINCH**

ITEM	PART NO.	DESCRIPTION	QTY
1	7970000121	Winch - 8,000 lb Worm Gear (w/ std remote free spool)	1
	7970000142	Winch - 8,000 lb Worm Gear (w/ air remote free spool)	
	7970000123	Winch - 10,000 lb Worm Gear (w/ std remote free spool)	
	7970000140	Winch - 10,000 lb Worm Gear (w/ air remote free spool)	
2	7626000014	Orbit Motor	1
3	7115181250	Capscrew, 0.50"-13NC x 1.50"	2
4	7950180400	Lockwasher, 0.50" ID	2
5	7115181464	Carriage Bolt, 0.50"-13NC x 1.75"	3
6	7115181864	Carriage Bolt, 0.50"-13NC x 2.25"	1
7	7950180153	Flatwasher, 0.50" ID	4
8	7660182601	Locknut, 0.50"-13NC	4
9	Not Required		
10	7248000063	Cable, 0.38" dia x 56' (8,000lb winch)	1
	7248000064	Cable, 0.44" dia x 56' (10,000lb winch)	

Refer to manufacturer's manual for winch parts list

# WORM GEAR WINCH



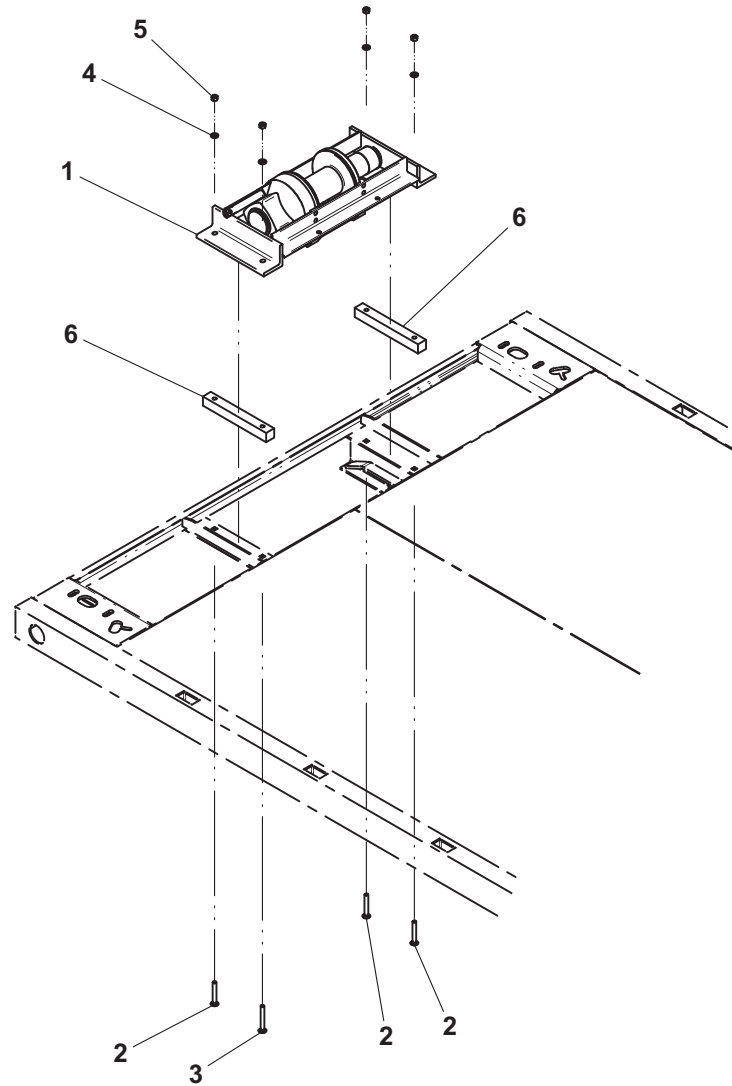
Item #10, Winch Cable, not shown  
8,000 lb winch shown on transporter deck

**PLANETARY GEAR WINCH**

ITEM	PART NO.	DESCRIPTION	QTY
1	7970000056	Winch - 8,000 lb Planetary Gear (w/ std remote free spool)	1
2	7115181464	Carriage Bolt, 0.50"-13NC x 1.75"	3
3	7115181864	Carriage Bolt, 0.50"-13NC x 2.25"	1
4	7950180153	Flatwasher, 0.50" ID	4
5	7660182601	Locknut, 0.50"-13NC	4
6	Not Required		
7	7248000063	Cable, 0.38" dia x 56'	1

Refer to manufacturer's manual for winch parts list

## PLANETARY GEAR WINCH



Item #7, Winch Cable, not shown

8,000 lb winch shown on transporter deck

**WORM GEAR WINCH CABLE ROLLER GUIDE / TENSIONER PLATE**

ITEM	PART NO.	DESCRIPTION	QTY
1	3178000433*	Bracket Weld	1
2	7115181464	Carriage Bolt, 0.50"-13NC x 1.75"	4
3	7950180153	Flatwasher, 0.50" ID	4
4	7660182601	Locknut, 0.50"-13NC	4
5	4706003766	Plate	1
6	7843000035	Spring	2
7	4912000130*	Roller	1
8	4806000014*	Shaft	1
9	4912000394*	Roller	2
10	4806000011*	Shaft	2
11	7209000011*	Bushing	6
12	7949000034*	Spacer	4
13	7754000022*	Retaining Ring	6

\* also available in Cable Guide / Tensioner Assembly, P/N 3249000036



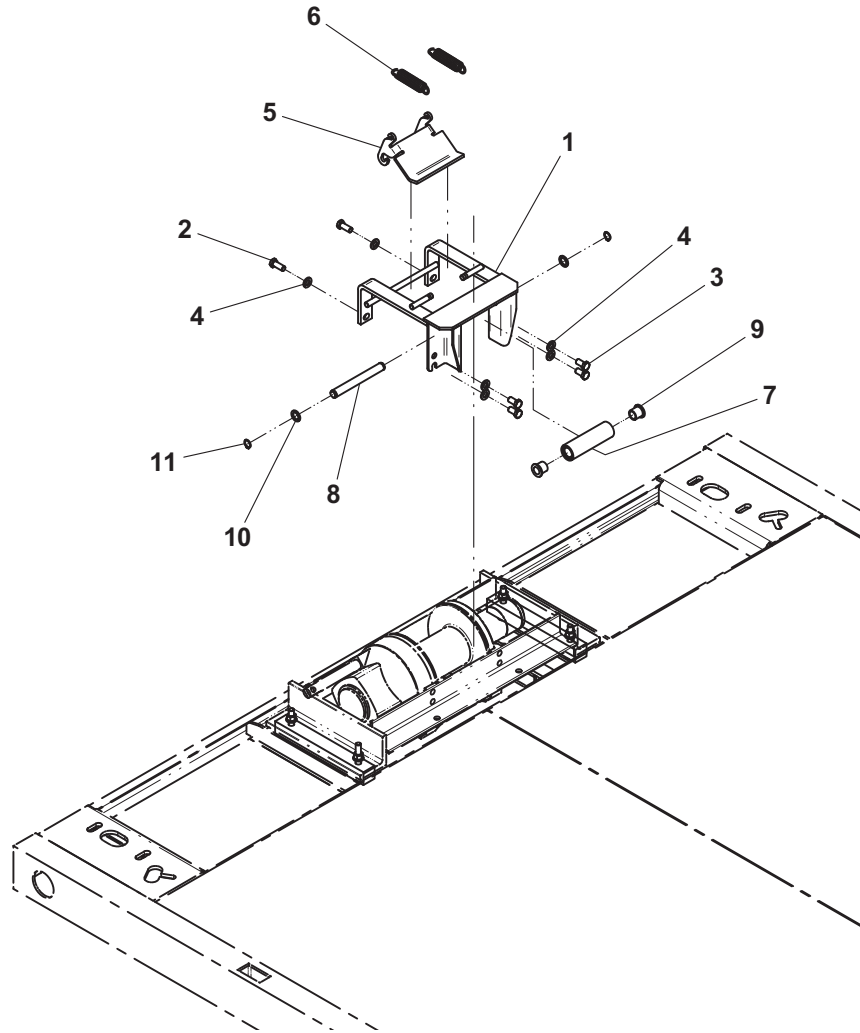


**PLANETARY GEAR WINCH CABLE ROLLER GUIDE / TENSIONER PLATE**

ITEM	PART NO.	DESCRIPTION	QTY
1	3178000347	Bracket Weld	1
2	7115181050	Capscrew, 0.50"-13NC x 1.25"	2
3	7115180850	Capscrew, 0.50"-13NC x 1.00"	4
4	7950180153	Flatwasher, 0.50" ID	6
5	4706003792	Plate	1
6	7843000035	Spring	2
7	4912000345*	Roller	1
8	4691000421*	Shaft	1
9	7209000011*	Bushing	2
10	7949000034*	Spacer	2
11	7754000022*	Retaining Ring	2

\* also available in Cable Guide / Tensioner Assembly, P/N 3249000019

# PLANETARY GEAR WINCH CABLE ROLLER GUIDE / TENSIONER PLATE



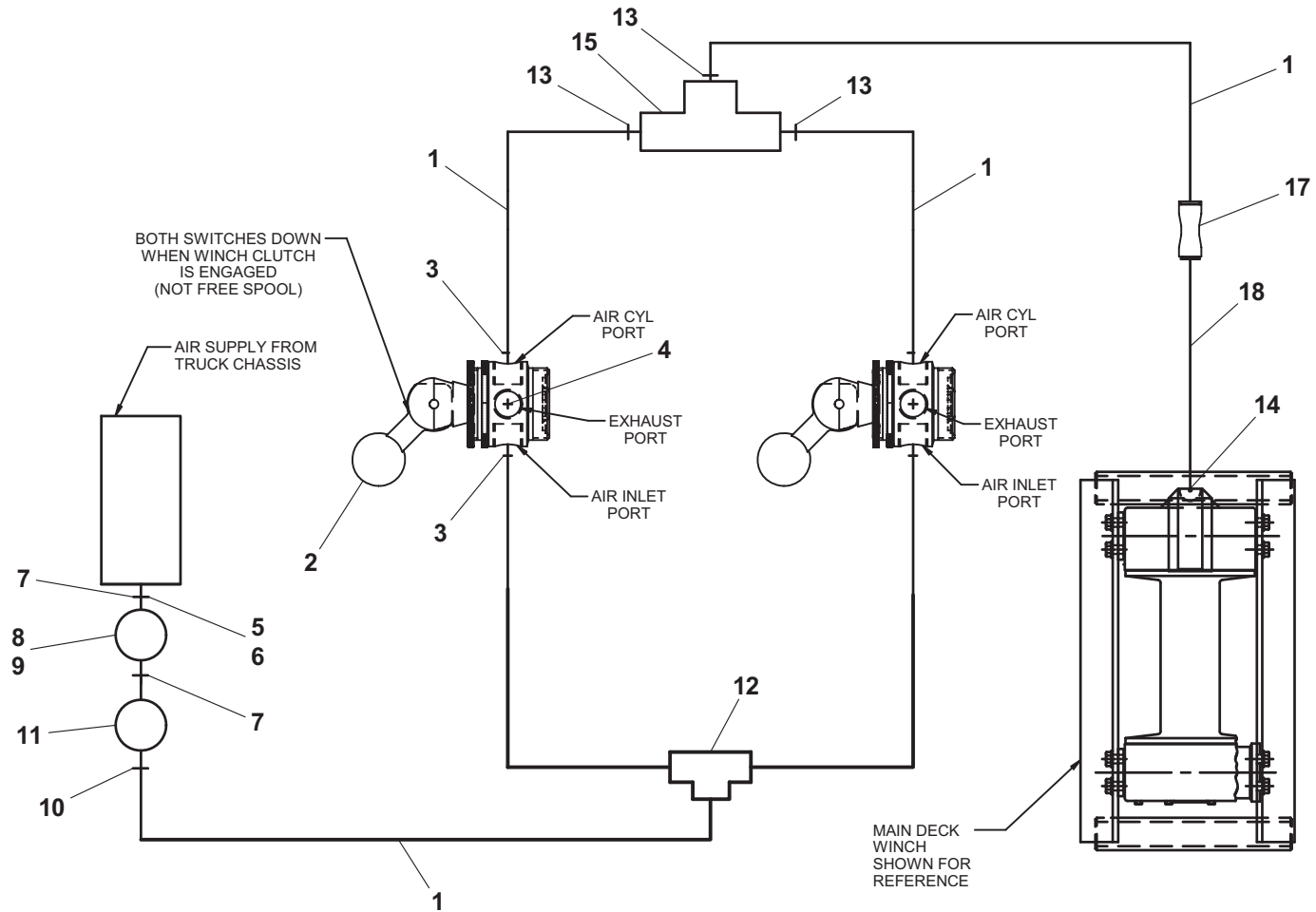
8,000 lb winch shown

**REMOTE AIR FREE SPOOL**

ITEM	PART NO.	DESCRIPTION	QTY
1	7565000014	Air line Tubing	*
2	7935000182	Air Valve	2
3	7443000364	Fitting	4
4	7640000002	Air Exhaust Muffler	2
5	7443000154	Fitting	1
6	7663000155	Fitting	1
7	7443000156	Nipple	2
8	7935000120	Pressure Protection Valve	1
9	7443000152	Plug	1
10	7443000366	Fitting	1
11	7935000248	Air Regulator	1
12	7443000371	Tee	1
13	7443000365	Fitting	4
14	8597650001	Loom	*
15	7935000229	Shuttle Valve	1
16	7894000004	Tie Strap	*
17	7443000443	Union	1
18	7565000016	Airline Tubing	*

\* - Quantity varies depending on deck length and chassis

# REMOTE AIR FREE SPOOL



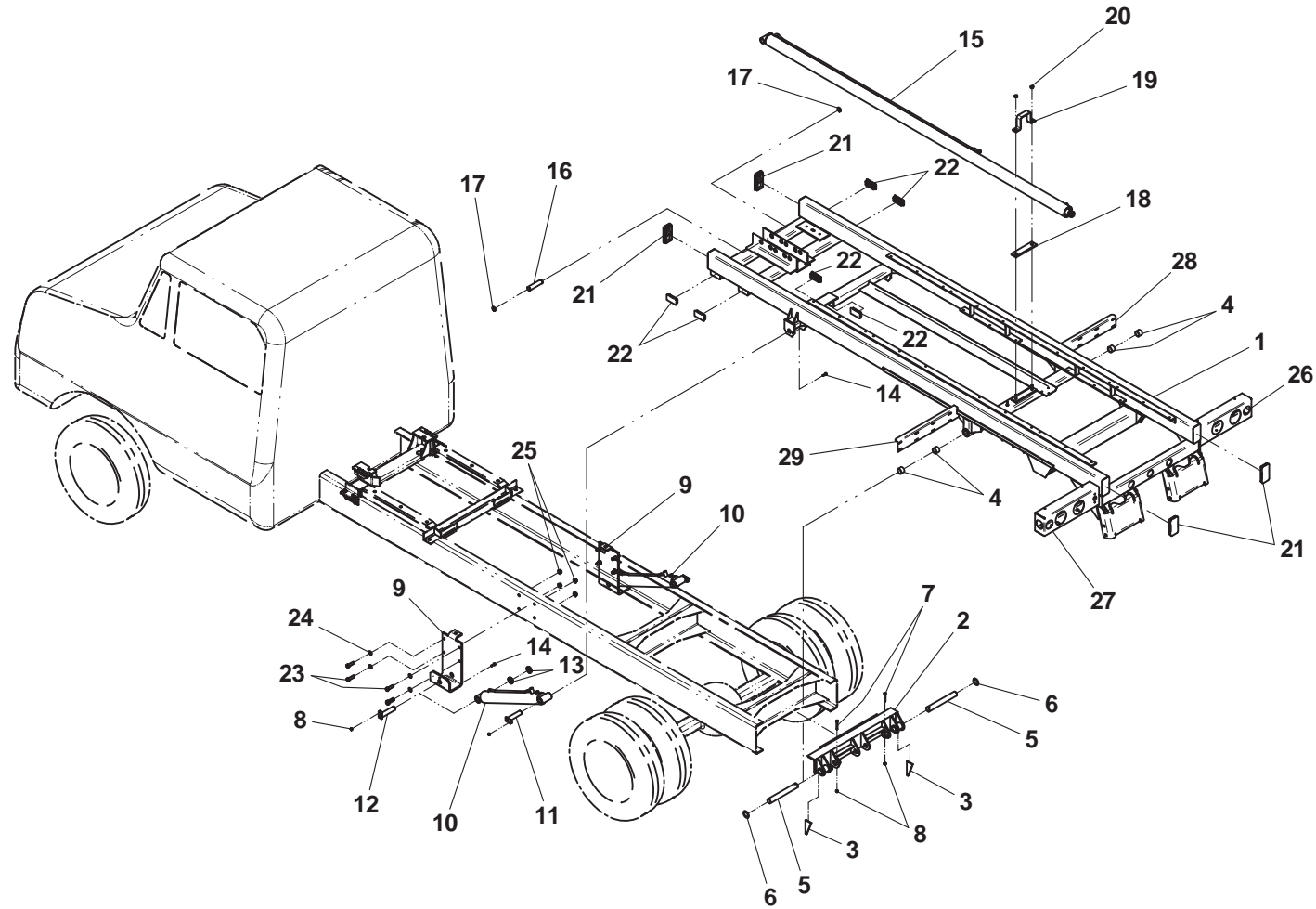
Items #14, Loom, and #16, Tie Strap, not shown

**SUBFRAME**

ITEM	PART NO.	DESCRIPTION	QTY
1	3868000291	Subframe Weld	1
2	3905000011	Trunnion Weld	1
3	4497000358	Gusset	2
4	7082000017*	Bearing	4
5	4691000573	Pin	2
6	7949000008	Washer, 2.25" ID	2
7	7118162250	Capscrew, 0.38"-16NC x 2.75"	2
8	7660162601	Locknut, 0.38"-16NC	6
9	4178000753	Bracket	2
10	3320000122	Tilt Cylinder Assembly	2
11	3691000166	Pin Weld	2
12	3691000092	Pin Weld	2
13	4209000337	Bushing	4
14	7115161050	Capscrew, 0.38"-16NC x 1.25"	4
15	3320000112	Roll Cylinder Assembly	1
16	4691000429	Pin	1
17	7754000006	Retaining Ring	2
18	4679000151	Pad	1
19	4178000367	Bracket	1
20	7660182601	Locknut, 0.50"-13NC	2
21	7701000048*	Plug	4
22	7701000051*	Plug	6
23	7105201850	Capscrew, 0.63"-18NF x 2.25"	8
24	7950200242	Flatwasher, 0.63 ID	8
25	7660202347	Locknut, 0.63"-18NF	8
26	3178000234*	Light Box, RH	1
27	3178000233*	Light Box, LH	1
28	4017001294*	Mud Flap Angle, RH	1
29	4017001293*	Mud Flap Angle, LH	1

\* included in Subframe Weld, P/N 3868000291

# SUBFRAME



**HOLD DOWN**

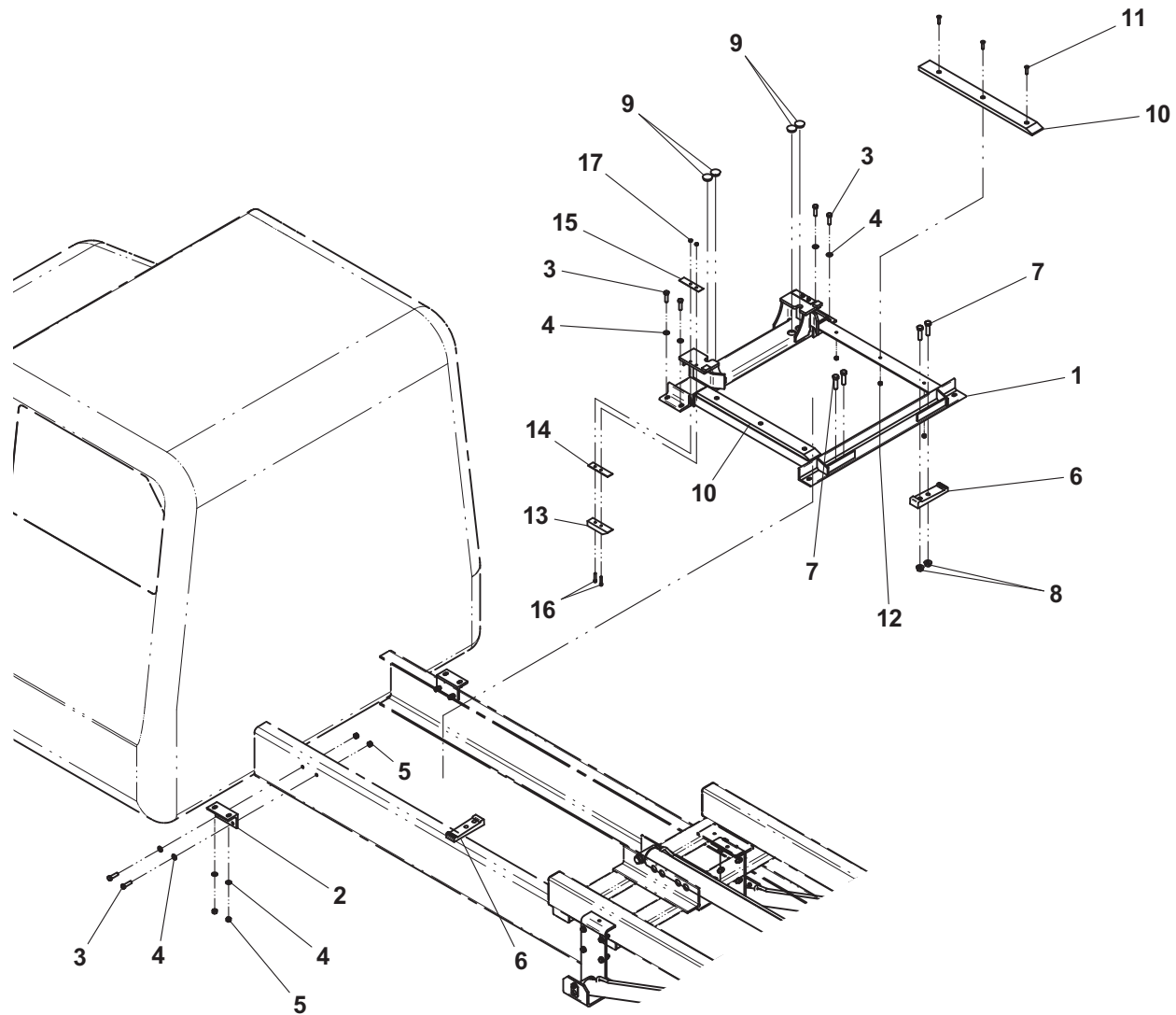
ITEM	PART NO.	DESCRIPTION	QTY
1	3558000013*	Hold Down Weld	1
	3558000015^	Hold Down Weld (narrow chassis frame)	
2	4017001271	Angle	2
3	7105181450	Capscrew, 0.50"-20NF x 1.75"	8
4	7950180153	Flatwasher, 0.50" ID	12
5	7660182631	Locknut, 0.50-20NF	8
6	7274000046	Retaining Clamp	2
7	7105201850	Capscrew, 0.63"-18NF x 2.25"	4
8	7660202348	Locknut, 0.63"-18NF	4
9	7701000063	Plug	4
10	4679000153*^	Wear Pad	2
11	7118161026*^	Flathead Screw, 0.38"-16NC x 1.25"	6
12	7660162601*^	Locknut, 0.38-16NC	6
13	4679000221*^	Wear Pad	2
14	4812000071*^	Shim - 0.12"	2
15	4812000072*^	Shim - 0.06"	2
16	7114151218*^	Capscrew, 0.31"-18NC x 1.50"	4
17	7660152601*^	Locknut, 0.31"-18NC	4

\* also available in Hold Down Assembly, P/N 3558000014

^ also available in Hold Down Assembly, P/N 3558000016



# HOLD DOWN

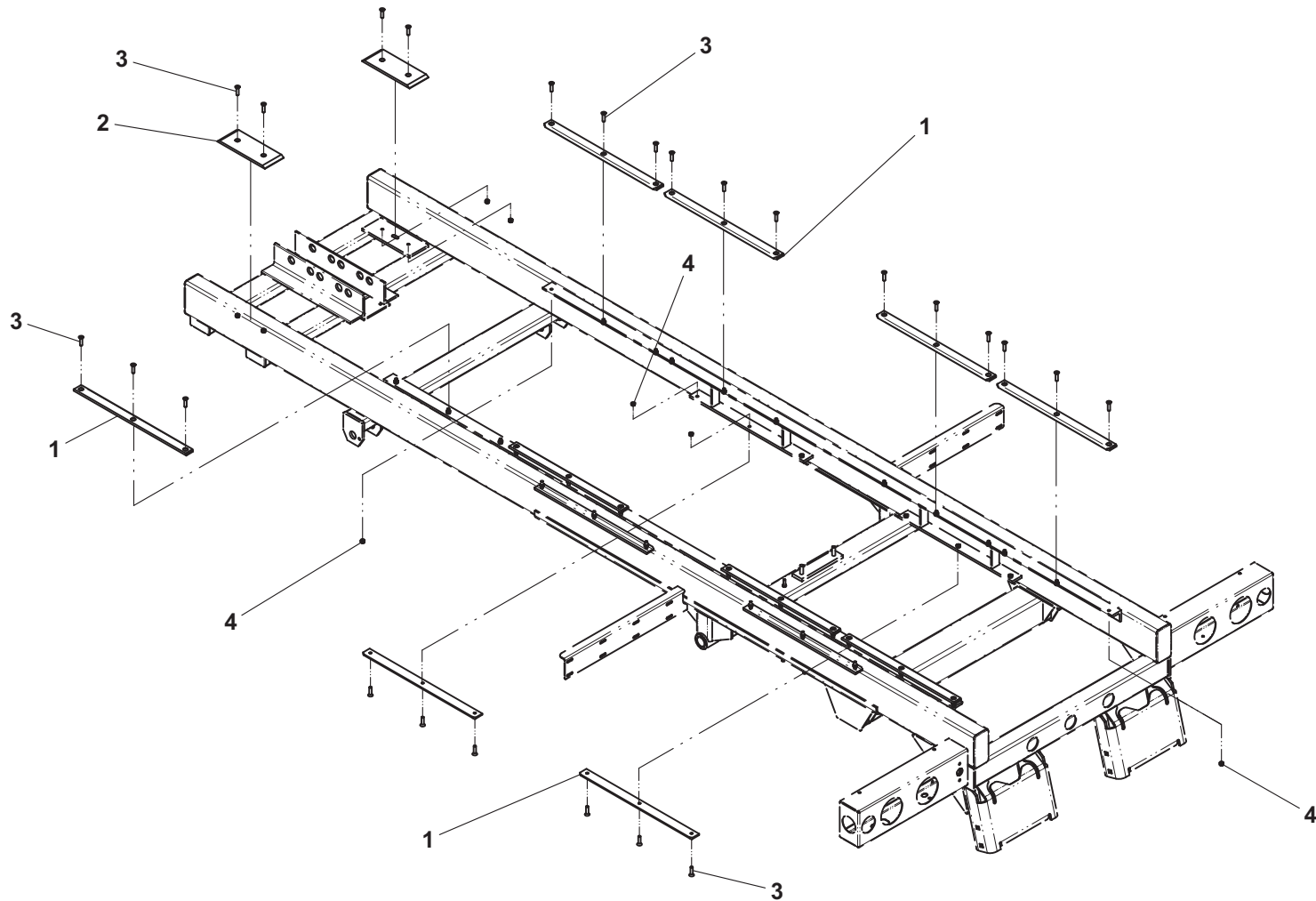


**SLIDE PAD**

ITEM	PART NO.	DESCRIPTION	QTY
1	4679000145*	Wear Pad	12
2	4679000154*	Wear Pad	2
3	7118161026*	Screw, 0.38"-16NC x 1.25"	40
4	7660162601*	Locknut, 0.38"-16NC	40

\* included in Wear Pad Kit P/N 9577000227 for 21" deck

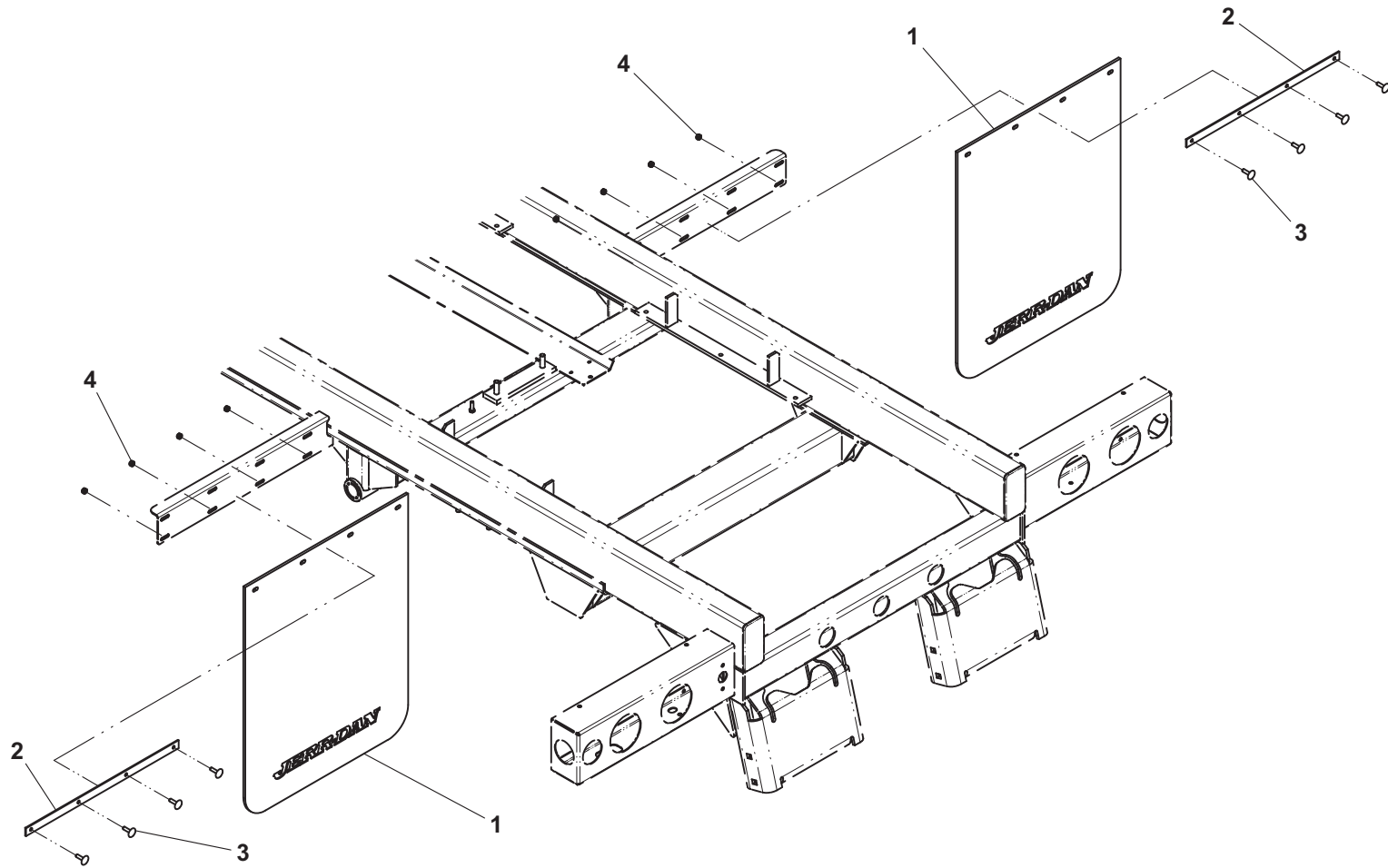
# SLIDE PAD



**MUD FLAP**

ITEM	PART NO.	DESCRIPTION	QTY
1	763800004	Mud Flap - Standard, 30" long	2
	763800013	Mud Flap - High Frame, 36" long	
2	4706000233	Plate	2
3	7111150864	Carriage Bolt, 0.31"-18NC x 1.00"	8
4	7660152601	Locknut, 0.31"-18NC	8

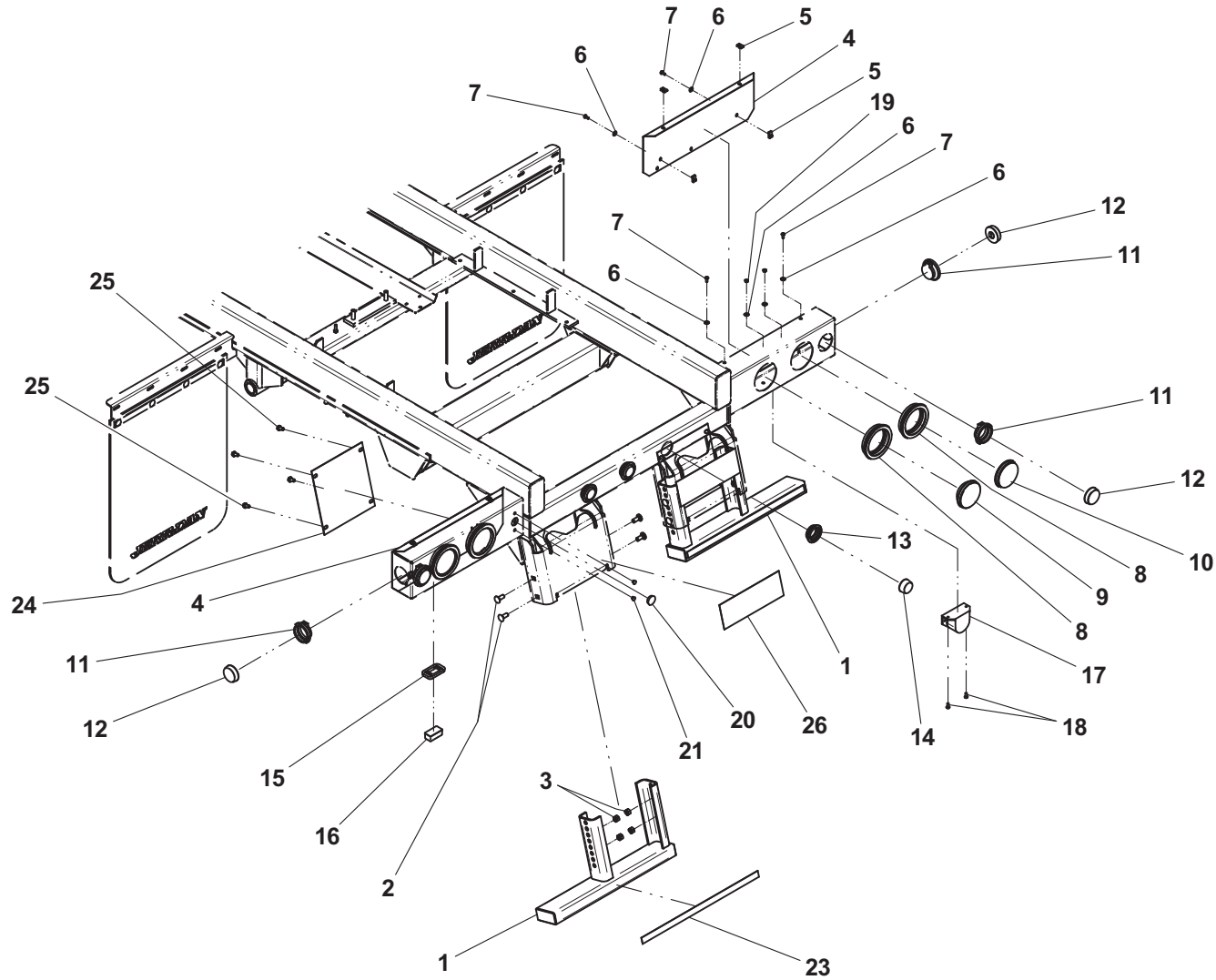
# MUD FLAP



**FINAL ASSEMBLY**

ITEM	PART NO.	DESCRIPTION	QTY
1	3190000037	Bumper Tube Weld - Short	2
	3190000034	Bumper Tube Weld - Long	
2	7115181064	Carriage Bolt, 0.50"-13NC x 1.25"	8
3	7660182601	Locknut, 0.50"-13NC	8
4	4314000043	Light Box Cover	2
5	7661000042	U-Nut, 0.25"-20NC	8
6	7949000023	Nylon Washer, 0.26" ID	10
7	7114140529	Screw, 0.25"-20NC x 0.63"	8
8	7493000002	Grommet	4
9	7590000113	Back-Up Light - White (Std)	2
10	7590000341	Stop/Tail/Turn Light - Red (LED)	2
11	7493000009	Grommet	4
12	7590000343	Marker Light - Red (LED)	4
13	7493000023	Grommet	3
14	7590000340	Marker Light - Red (LED)	3
15	7493000010	Grommet	1
16	7590000251	License Plate Light	1
17	7011000007	Back-Up Alarm	1
18	7114140528	Screw, 0.25"-20NC x 0.63"	2
19	7660142601	Locknut, 0.25-20NC	2
20	7701000049	Plug	1
21	7701000055	Plug	2
22	Not Required		
23	7330000428	Reflective Tape	2
24	4314000086	Cover Plate	2
25	7790161253	Screw, 0.38"-16NC x 0.75"	8
26	7679000020	Non-Skid Pad	2

# FINAL ASSEMBLY

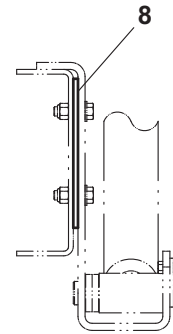
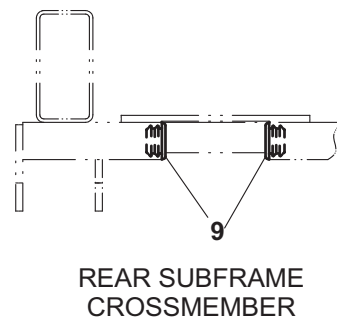
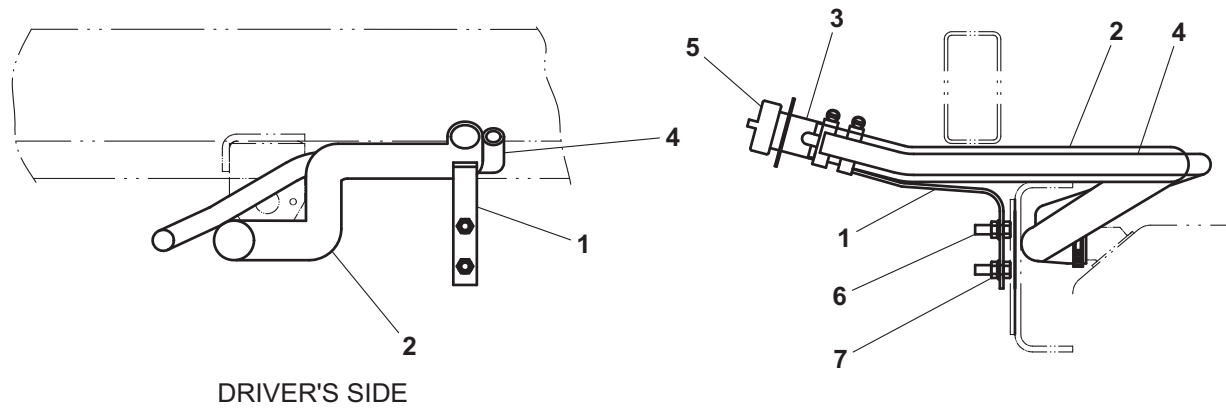


**GM C4500/5500 SUBFRAME MODIFICATIONS**

ITEM	PART NO.	DESCRIPTION	QTY
1	4178000421	Bracket	1
2	7570000031	Fuel Filler Hose (2006 & later diesel only)	1
3	7912000233	Fuel Fillneck (2006 & later diesel only)	1
4	7570000017	Fuel Vent Hose (2006 & later diesel only)	1
5	Not Required		
6	7115182150	Capscrew, 0.50"-13NC x 1.50"	2
7	7660182301	Locknut, 0.50"-13NC	2
8	4705000607	Plate	2
9	7701000051	Plug	2



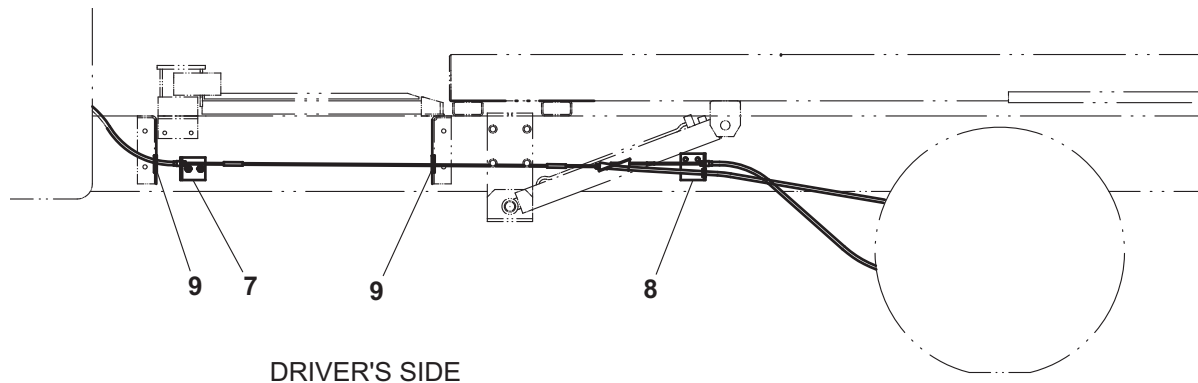
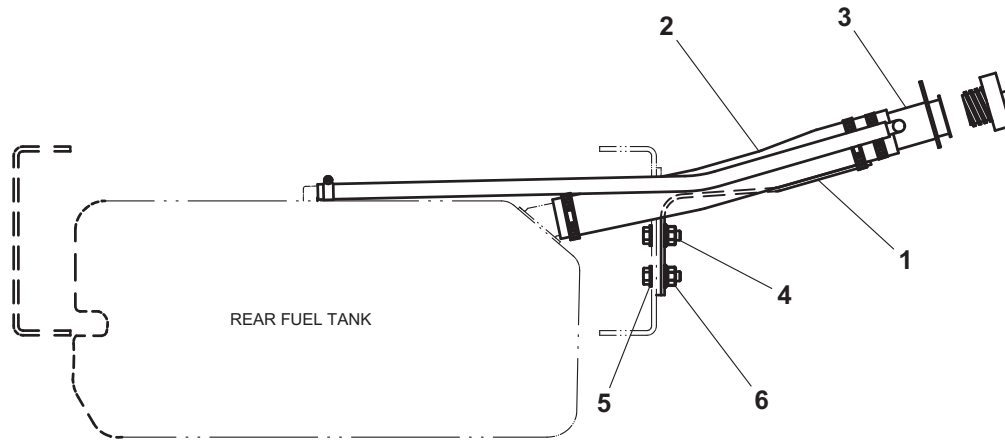
# GM C4500/5500 SUBFRAME MODIFICATIONS



**GM C4500/5500 BRAKE CABLE REWORK AND REAR FUEL TANK MODIFICATIONS**

ITEM	PART NO.	DESCRIPTION	QTY
1	4178000421	Bracket	1
2	Not Required		
3	7912000234	Fuel Fillneck (2006 & later diesel)	1
4	7105181450	Capscrew, 0.50-20NF x 1.75"	2
5	7950180153	Flatwasher, 0.50" ID	2
6	7660182631	Locknut, 0.50"-20NF	2
7	4178000474	Bracket	1
8	4178000682	Bracket (2007 & later only)	1
9	7493000011	Grommet	2

# GM C4500/5500 BRAKE CABLE REWORK AND REAR FUEL TANK MODIFICATIONS



**HYDRAULIC RESERVOIR AND TOOLBOX / BASKET**

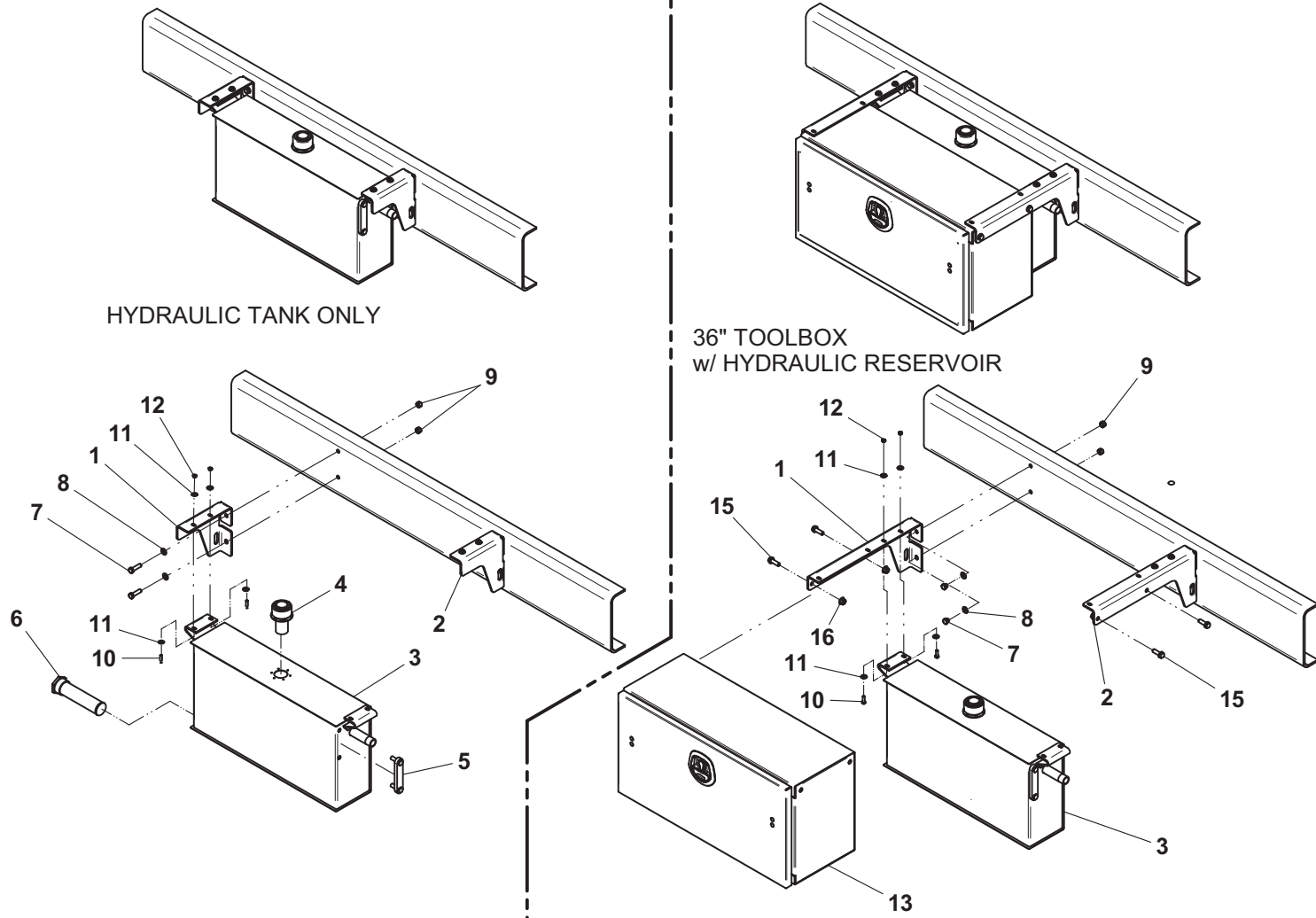
ITEM	PART NO.	DESCRIPTION	QTY*
1	4178000331	Mounting Bracket - Short	
	4178000291	Mounting Bracket - Std	
	4178000339	Mounting Bracket - Long	
2	4178000330	Mounting Bracket - Short	
	4178000290	Mounting Bracket - Std	
	4178000338	Mounting Bracket - Long	
3	3750000018	Hydraulic Reservoir Assembly	
4	7183000004+	Breather Filler Cap Assembly	
5	7470000009+	Level / Temperature Gauge	
6	7430000014+	Strainer	
7	7105181450	Capscrew, 0.50"-20NF x 1.75"	
8	7950180153	Flat Washer, 0.50" ID	
9	7660182631	Locknut, 0.50"-20NF	
10	7115150850	Capscrew, 0.31"-18NC x 1.00"	
11	7950150161	Flatwasher, 0.31" ID	
12	7660152601	Locknut, 0.31"-18NC	
13	3899000130	Toolbox Assembly - 36" x 18" x 18"	
	3899000131	Toolbox Assembly - 36" x 18" x 14"	
	3899000132	Toolbox Assembly - 48" x 18" x 18"	
	3899000133	Toolbox Assembly - 60" x 18" x 18"	
14	4679000256^	Rubber Pad (36" Toolbox)	
	4679000257^	Rubber Pad (48" Toolbox)	
	4679000258^	Rubber Pad (60" Toolbox)	
15	7118181216	Capscrew, 0.50"-13NC x 1.50"	
16	7660182301	Locknut, 0.50"-13NC	
17	4706002361	Plate	
18	4017000777	High Mount Angle	
19	3899000053	Basket - 15" deep	
	3899000075	Basket - 24" deep	
20	4632000015	Moulding - 15" deep basket	
	4632000048	Moulding - 24" deep basket	
21	7002000410	Stainless Steel Cover Plate for Basket includes rivets	

+ also available in Hydraulic Reservoir Assembly, P/N 3750000018

^ included in Toolbox Assembly

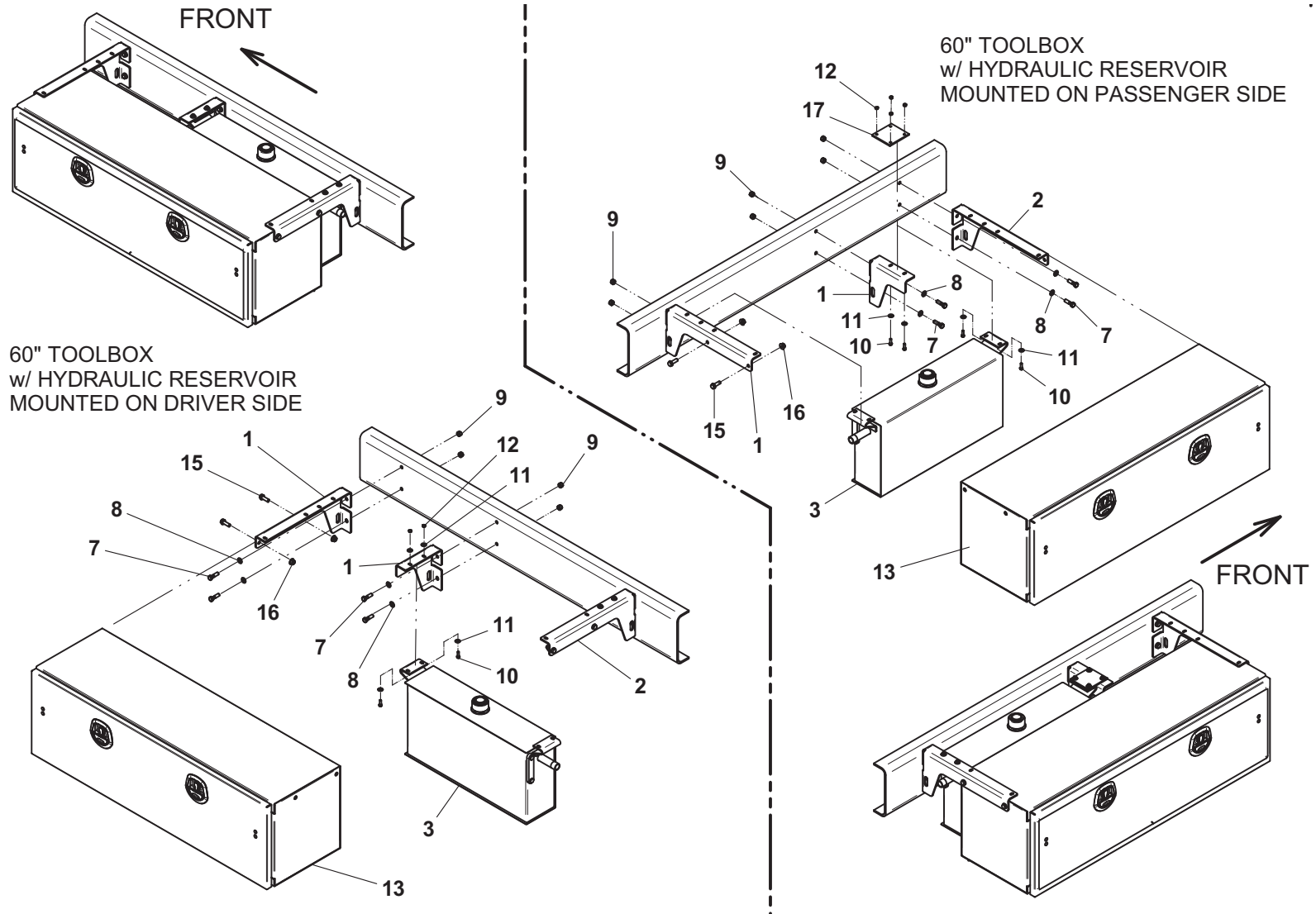
\* Quantities vary depending on Hydraulic Tank / Toolbox / Basket mounting configuration.

# HYDRAULIC RESERVOIR AND TOOLBOX / BASKET



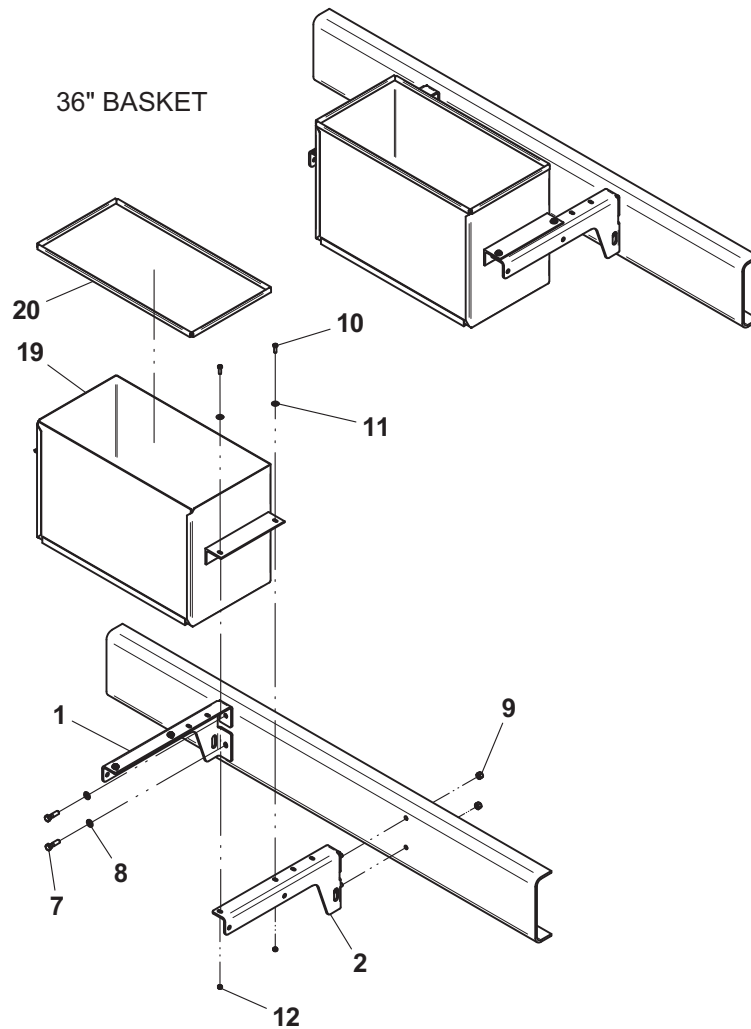
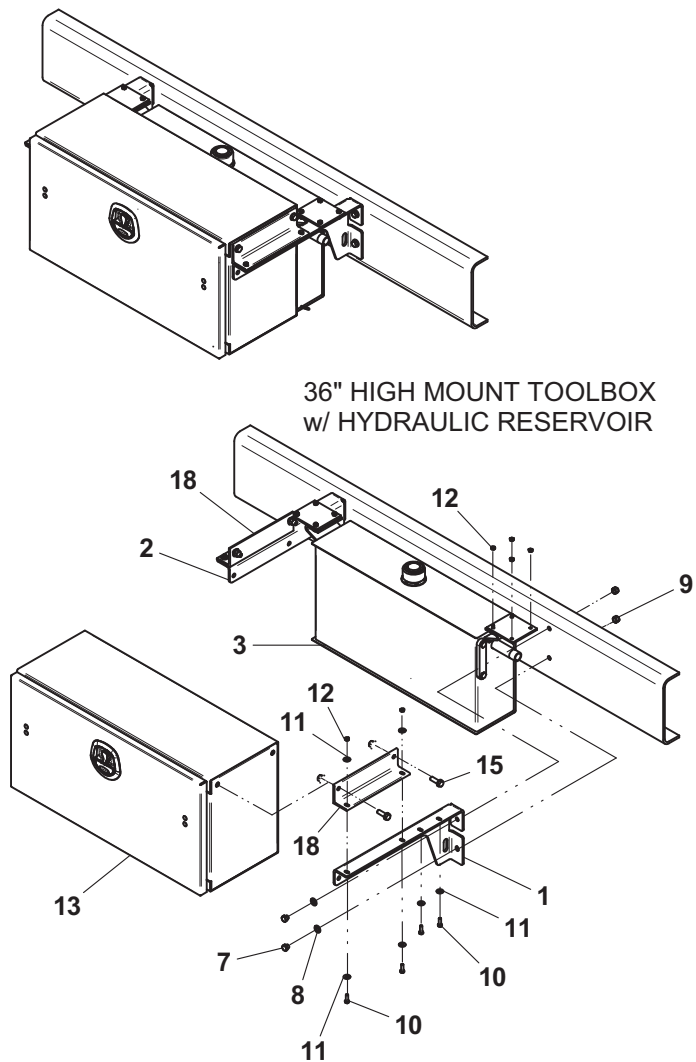
Item #14, Toolbox Rubber Pad, not shown

### HYDRAULIC RESERVOIR AND TOOLBOX / BASKET



Item #14, Toolbox Rubber Pad, not shown

# HYDRAULIC RESERVOIR AND TOOLBOX / BASKET



Items #14, Toolbox Rubber Pad and #21, Stainless Cover for Basket, not shown

**TOOLBOX**

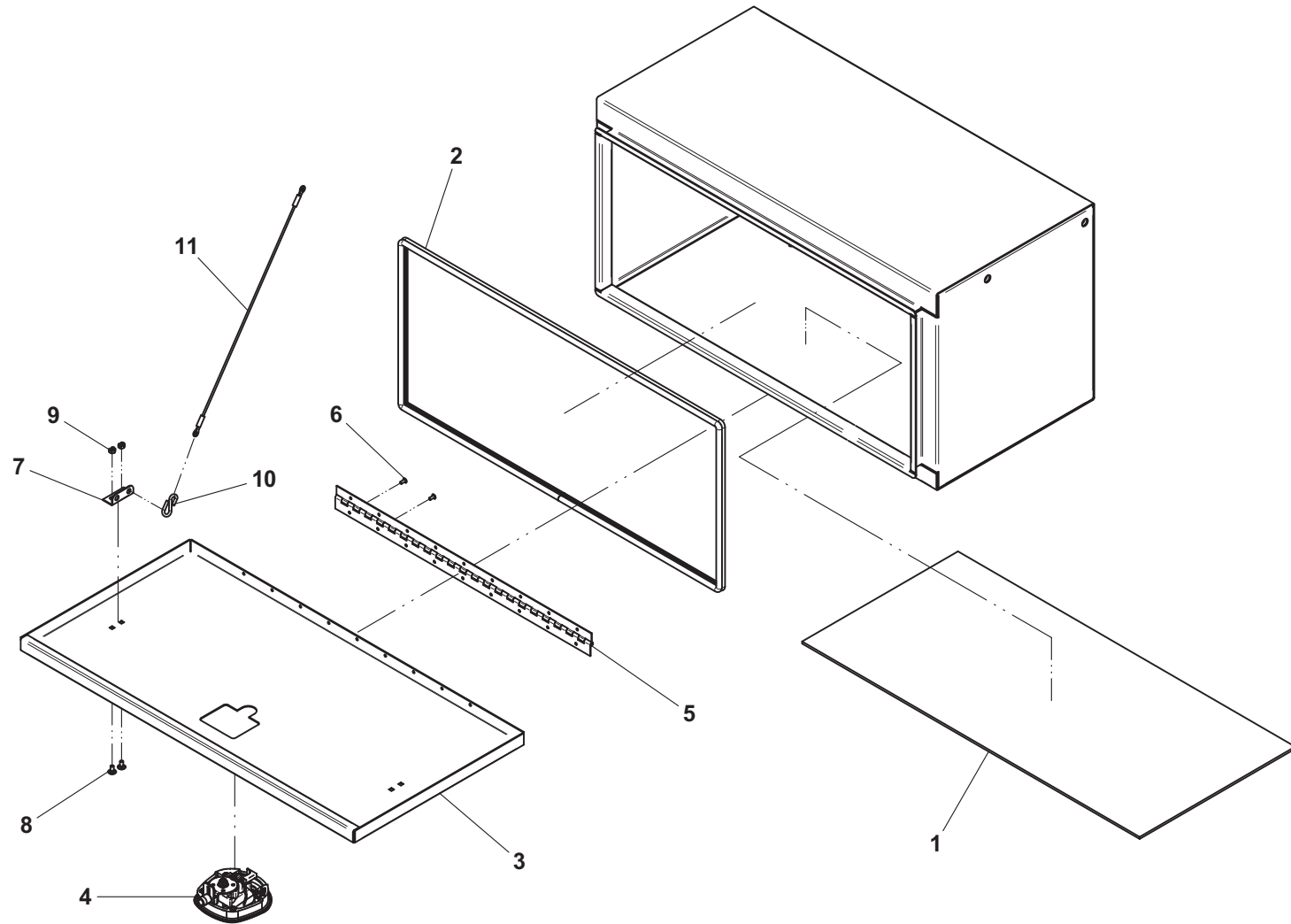
ITEM	PART NO.	DESCRIPTION	QTY*
1	4679000256	Rubber Pad (36" toolbox)	1
	4679000257	Rubber Pad (36" narrow toolbox)	1
	4679000258	Rubber Pad (48" toolbox)	1
	4679000259	Rubber Pad (60" toolbox)	1
2	4796000009	Gasket (36" toolbox)	1
	4796000010	Gasket (48" toolbox)	1
	4796000011	Gasket (60" toolbox)	1
3	9899000014	Toolbox Door Assembly (36" toolbox)	1
	9899000015	Toolbox Door Assembly (48" toolbox)	1
	9899000016	Toolbox Door Assembly (60" toolbox)	1
4	7585000019^	Latch	1
5	7555000016^	Hinge (36" toolbox)	1
	7555000015^	Hinge (48" toolbox)	2
	7555000016^	Hinge (60" toolbox)	2
6	7759000020^	Rivet (36" toolbox)	9
	7759000020^	Rivet (48" toolbox)	14
	7759000020^	Rivet (60" toolbox)	18
7	4178000599^	Bracket	2
8	7114140465^	Carriage Bolt, 0.25"-20NC x 0.50"	4
9	7660142604^	Locknut, 0.25" -20NC	4
10	7592000005^	S Link	4
11	7248000114^	Cable	2

\* Quantities listed are for one toolbox

^ also included in Toolbox Door Assembly



# TOOLBOX



36" Toolbox shown

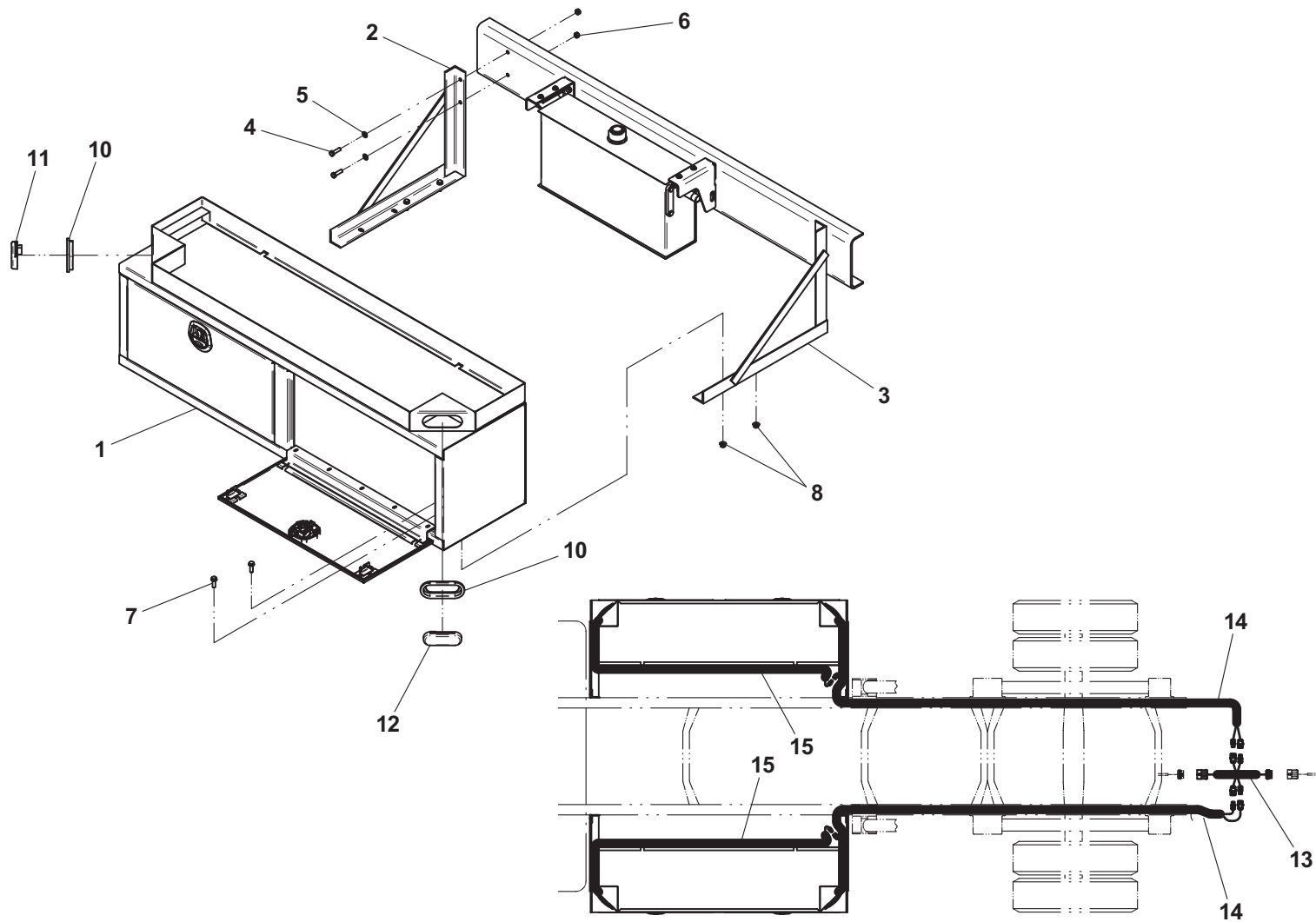
**78" TOOLBOX AND MARKER LIGHTS**

ITEM	PART NO.	DESCRIPTION	QTY*
1	7899000015	78" Toolbox - Universal	1
	7899000010	78" Toolbox - LH w/ Tool Mtg Brackets	
	7899000011	78" Toolbox - RH w/ Tool Mtg Brackets	
2	7178000046^	Mounting Bracket - LH	1
3	7178000047^	Mounting Bracket - RH	1
	3178000522	Mounting Bracket - Special 144" CA	2
4	7105181450	Capscrew, 0.50"-20NF x 1.75"	4
5	7950180153	Flatwasher, 0.50" ID	4
6	7660182631	Locknut, 0.50"-20 NF	4
7	7118181216	Capscrew, 0.50"-13NC x 1.50"	4
8	7660182301	Locknut, 0.50"-13NC	4
9	Not Required		
10	7493000026	Grommet	2
11	7590000300	Marker Light - Amber (LED)	2
12	7590000333	Marker Light - Red (LED)	2
13	7552000361	Harness Adapter	1
14	7552000362	Harness - Stop/Tail/Turn Light	2
15	7552000363	Harness - Marker Light	2
16	3577000120	78" Toolbox Toolkit	1

\* Quantities listed are for one toolbox

^ also included in P/N 3178000521, Bracket Assembly

# 78" TOOLBOX AND MARKER LIGHTS

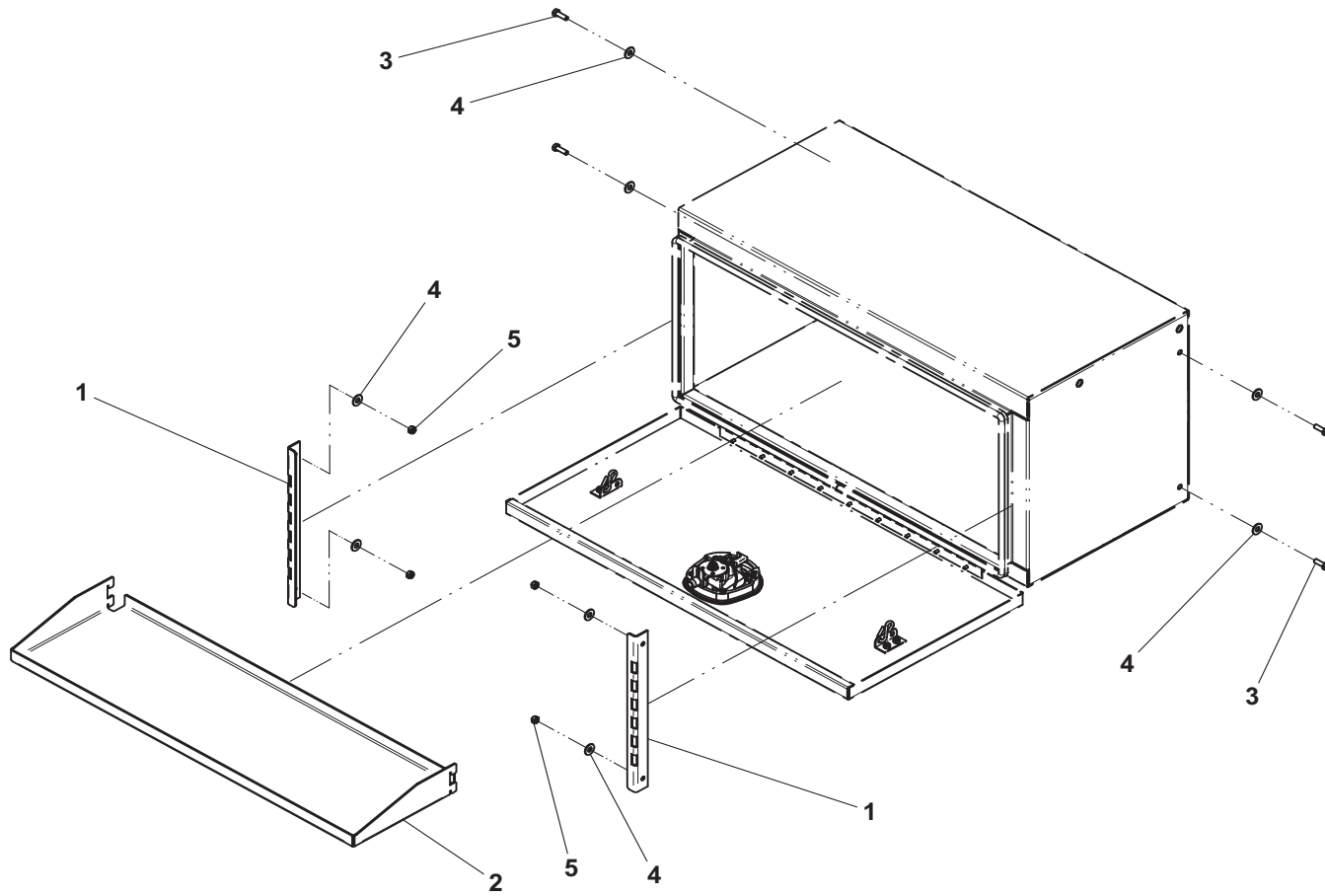


Item #16, Tool Kit, not shown.

**TOOLBOX SHELF**

ITEM	PART NO.	DESCRIPTION	QTY
1	4017001403	Angle	2
2	4811000841	Shelf (36" toolbox)	1
	4811000843	Shelf (48" toolbox)	
	4811000868	Shelf (60" toolbox)	
3	7115150850	Capscrew, 0.31"-18NC x 1.00"	4
4	7950150161	Flatwasher, 0.31" ID	8
5	7660152601	Locknut, 0.31"-18NC	4

# TOOLBOX SHELF



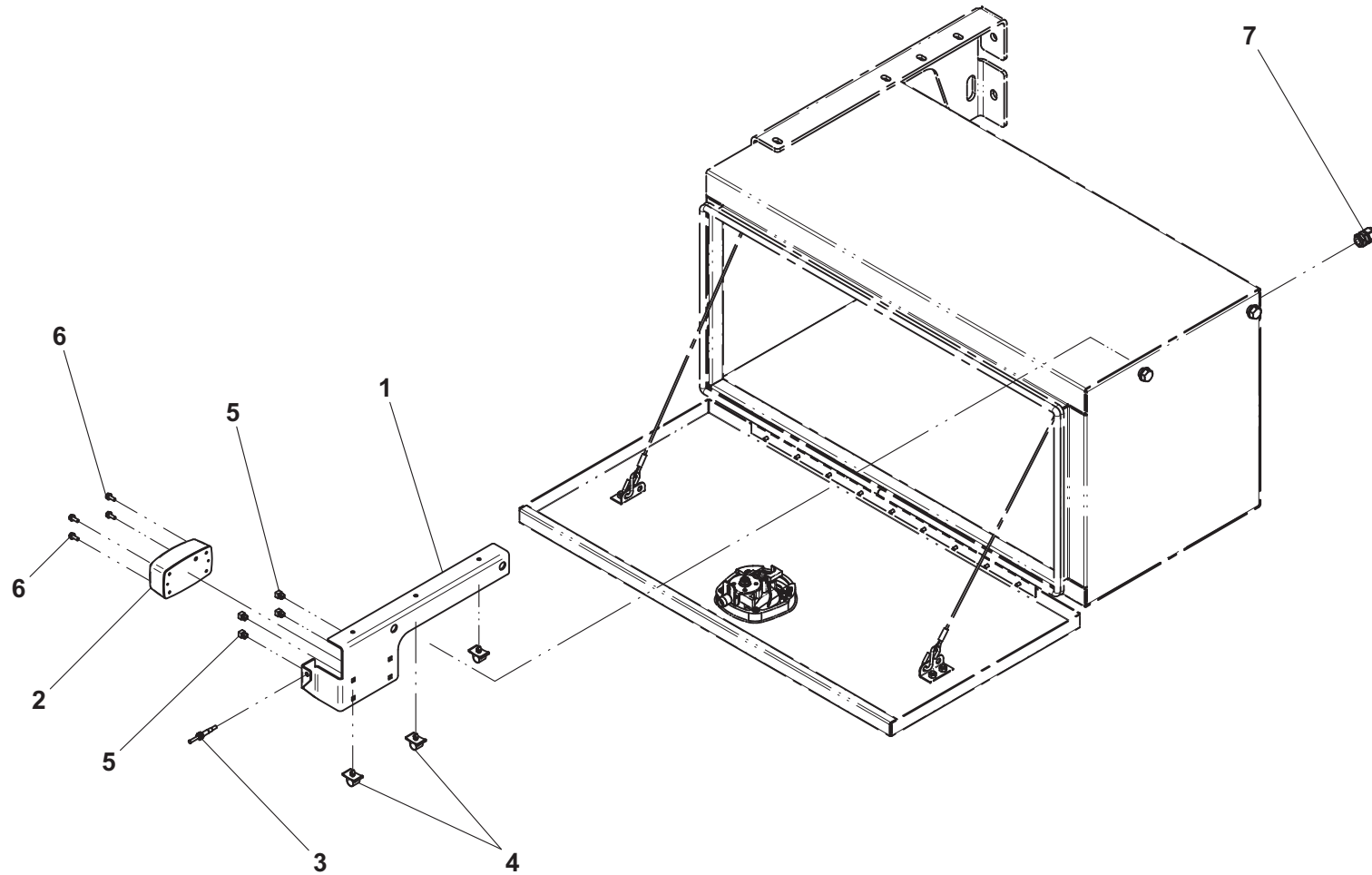
36" Toolbox shown

**TOOLBOX LIGHT**

ITEM	PART NO.	DESCRIPTION	QTY
1	4178000578*	Bracket	1
2	7590000273*	Dome Lamp	1
3	7870000115*	Switch	1
4	7280000007*	Wire Mount Clip	3
5	7661000047*	Panel Nut	4
6	7790100856*	Screw, #10 x 0.50"	4
7	7443000377	Fitting	1
8	7552000297	Toolbox Light Harness	1

\* included in Toolbox Light Bracket Assembly

# TOOLBOX LIGHT



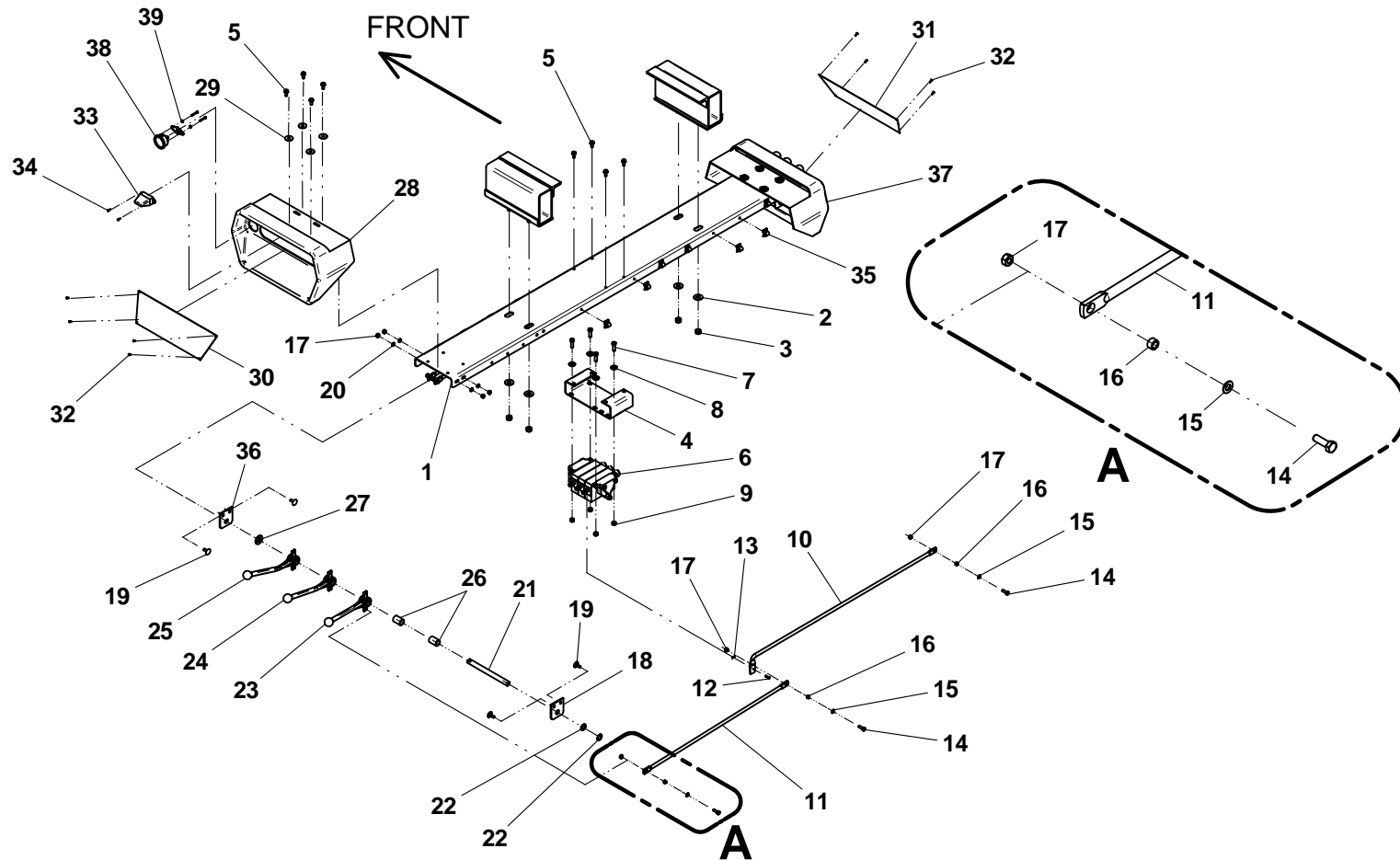
Item #8, Toolbox Light Harness, not shown  
48" Toolbox Shown

**DUAL CONTROLS - 3 BANK**

ITEM	PART NO.	DESCRIPTION	QTY	ITEM	PART NO.	DESCRIPTION	QTY
1	4263000431	Channel	1	29	7949000054	Washer, 0.34" ID	8
2	7950180161	Flatwasher, 0.50" ID	4	30	7330000648	Control Panel, LH	1
3	7660182601	Locknut, 0.50"-13NC	4	31	7330000649	Control Panel, RH	1
4	4263000430	Channel	1	32	7759000006	Pop Rivet	8
5	7790151253	Screw, 0.31"-18NC x 0.75"	12	33	7590000087	Lamp	2
6	3935000115	Control Valve	1	34	7791060872	Screw, #6 x 0.50"	4
7	7111161050	Capscrew, 0.38"-16NC x 1.25"	4	35	7280000007	Wire Clip	11
8	7950160161	Flatwasher, 0.38" ID	4	36	4606000217	Lug	2
9	7660162601	Locknut, 0.38"-16NC	4	37	7560000007	Control Hood, RH	1
10	4763000280	Control Rod	3	38	7470000023	Gauge	1
11	4763000279	Control Rod	3	39	7661000057	Jam Nut, M5	2
12	7690101200	Clevis Pin	3				
13	7691000056	Cotter Pin	3				
14	7115150850	Capscrew, 0.31"-18NC x 1.00"	9				
15	7949000011	Flatwasher, 0.31" ID	9				
16	4831000069	Spacer	9				
17	7660152601	Locknut, 0.31"-18NC	17				
18	4606000065	Lug	2				
19	7115150664	Carriage Bolt, 0.31"-18NC x 0.75"	8				
20	7950150000	Washer, 0.31" ID	8				
21	7691000064	Pin	2				
22	7754000009	Retaining Ring	4				
23	7551000018	Control Handle	2				
24	7551000020	Control Handle	2				
25	7551000021	Control Handle	2				
26	4211000001	Bushing	4				
27	7950220141	Flatwasher, 0.75" ID	4				
28	7560000008	Control Hood, LH	1				



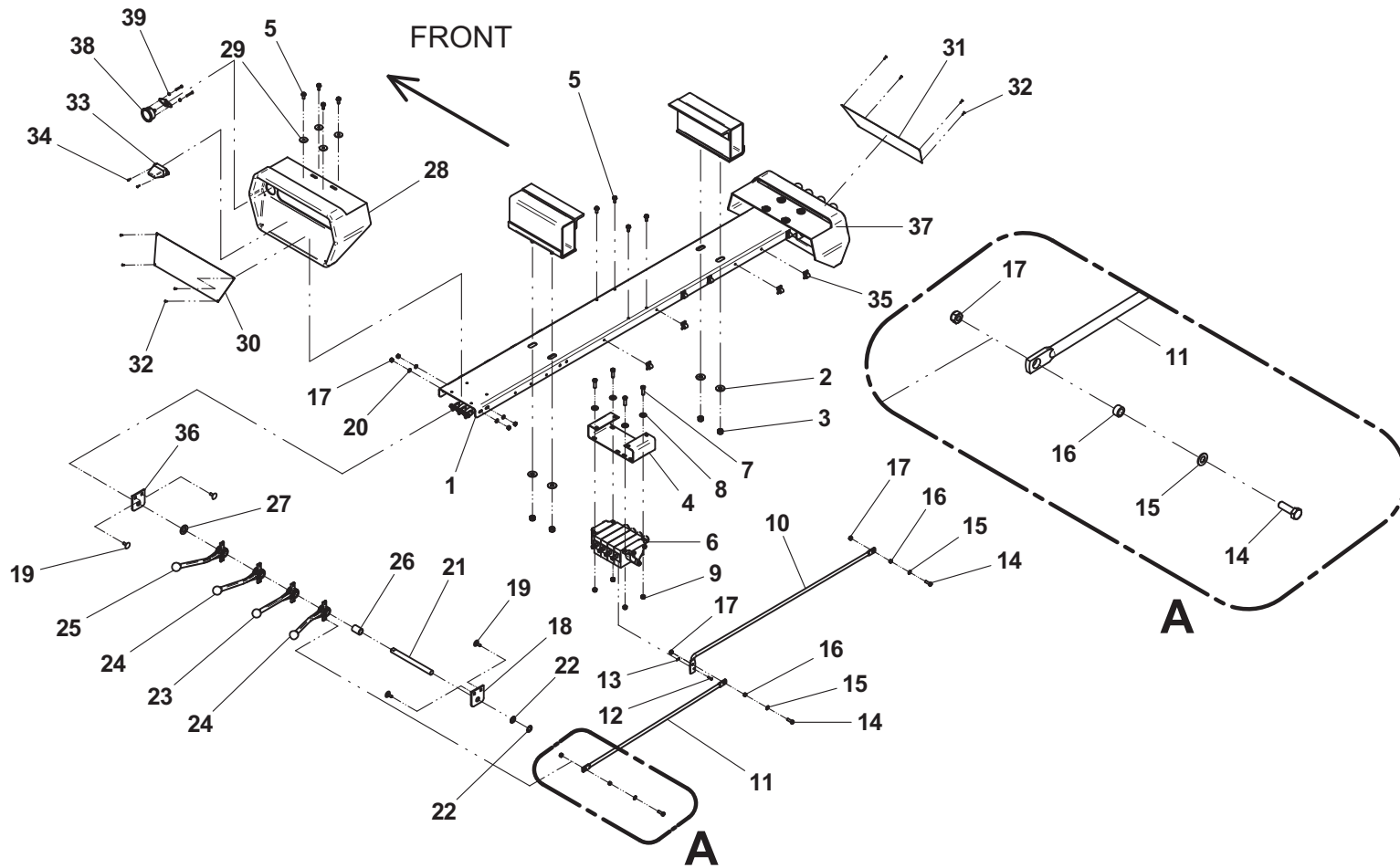
# DUAL CONTROLS - 3 BANK



**DUAL CONTROLS - 4 BANK**

ITEM	PART NO.	DESCRIPTION	QTY	ITEM	PART NO.	DESCRIPTION	QTY
1	4263000431	Channel	1	30	7330000650	Control Panel, LH (stabilizer)	1
2	7950180161	Flatwasher, 0.50" ID	4		7330000648	Control Panel, LH (hydraulic tow option)	
3	7660182601	Locknut, 0.50"-13NC	4	31	7330000651	Control Panel, RH (stabilizer)	1
4	4263000430	Channel	1		7330000649	Control Panel, RH (hydraulic tow option)	
5	7790151253	Screw, 0.31"-18NC x 0.75"	12	32	7759000006	Pop Rivet	8
6	3935000116	Control Valve	1	33	7590000087	Lamp	2
7	7111161050	Capscrew, 0.38"-16NC x 1.25"	4	34	7791060872	Screw, #6 x 0.50"	4
8	7950160161	Flatwasher, 0.38" ID	4	35	7280000007	Wire Clip	11
9	7660162601	Locknut, 0.38"-16NC	4	36	4606000217	Lug	2
10	4763000280	Control Rod	4	37	7560000007	Control Hood, RH	1
11	4763000279	Control Rod	4	38	7470000023	Gauge	1
12	7690101200	Clevis Pin	4	39	7661000057	Jam Nut, M5	2
13	7691000056	Cotter Pin	4				
14	7115150850	Capscrew, 0.31"-18NC x 1.00"	12				
15	7949000011	Flatwasher, 0.31" ID	12				
16	4831000069	Spacer	12				
17	7660152601	Locknut, 0.31"-18NC	20				
18	4606000065	Lug	2				
19	7115150664	Carriage Bolt, 0.31"-18NC x 0.75"	8				
20	7950150000	Washer, 0.31" ID	8				
21	7691000064	Pin	2				
22	7754000009	Retaining Ring	4				
23	7551000018	Control Handle	2				
24	7551000020	Control Handle	4				
25	7551000021	Control Handle	2				
26	4211000001	Bushing	2				
27	7950220141	Flatwasher, 0.75" ID	2				
28	7560000008	Control Hood, LH	1				
29	7949000054	Washer, 0.34" ID	8				

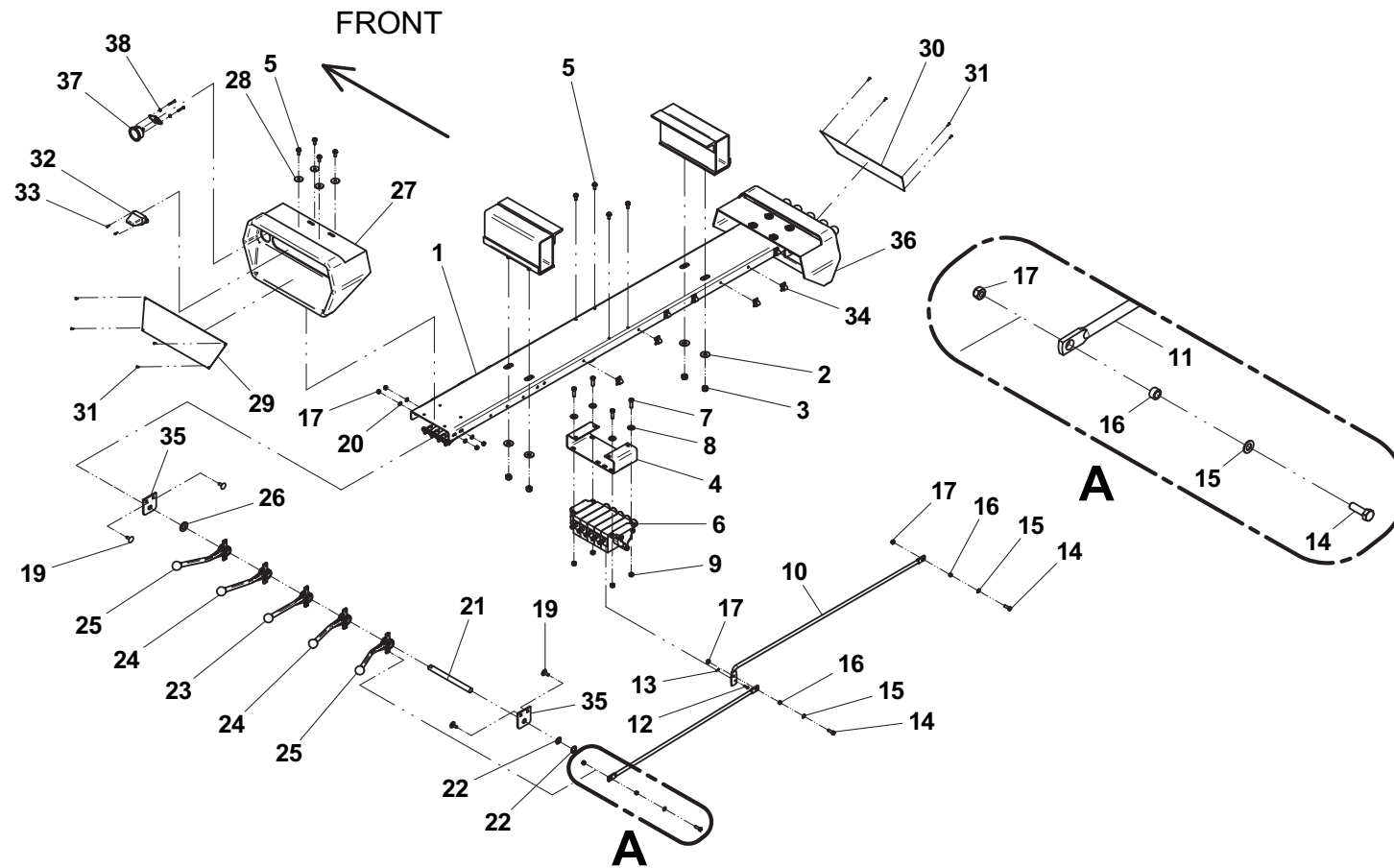
# DUAL CONTROLS - 4 BANK



**DUAL CONTROLS - 5 BANK**

ITEM	PART NO.	DESCRIPTION	QTY	ITEM	PART NO.	DESCRIPTION	QTY
1	4263000431	Channel	1	29	7330000650	Control Panel, LH (stabilizer)	1
2	7950180161	Flatwasher, 0.50" ID	4		7330000648	Control Panel, LH (IRL)	
3	7660182601	Locknut, 0.50"-13NC	4	30	7330000651	Control Panel, RH (stabilizer)	1
4	4263000430	Channel	1		7330000649	Control Panel, RH (IRL)	
	4263000433	Channel (remote winch)		31	7759000006	Pop Rivet	8
5	7790151253	Screw, 0.31"-18NC x 0.75"	12	32	7590000087	Lamp	2
6	3935000117	Control Valve	1	33	7791060872	Screw, #6 x 0.50"	4
7	7111161050	Capscrew, 0.38"-16NC x 1.25"	4	34	7280000007	Wire Clip	11
8	7950160161	Flatwasher, 0.38" ID	4	35	4606000217	Lug	2
9	7660162601	Locknut, 0.38"-16NC	4	36	7560000007	Control Hood, RH	1
10	4763000280	Control Rod	5	37	7470000023	Gauge	1
11	4763000279	Control Rod	5	38	7661000057	Jam Nut, M5	2
12	7690101200	Clevis Pin	5				
13	7691000056	Cotter Pin	5				
14	7115150850	Capscrew, 0.31"-18NC x 1.00"	15				
15	7949000011	Flatwasher, 0.31" ID	15				
16	4831000069	Spacer	15				
17	7660152601	Locknut, 0.31"-18NC	23				
18	4606000065	Lug	2				
19	7115150664	Carriage Bolt, 0.31"-18NC x 0.75"	8				
20	7950150000	Washer, 0.31" ID	8				
21	7691000064	Pin	2				
22	7754000009	Retaining Ring	4				
23	7551000018	Control Handle	2				
24	7551000020	Control Handle	4				
25	7551000021	Control Handle	4				
26	7950220141	Flatwasher, 0.75" ID	2				
27	7560000008	Control Hood, LH	1				
28	7949000054	Washer, 0.34" ID	8				

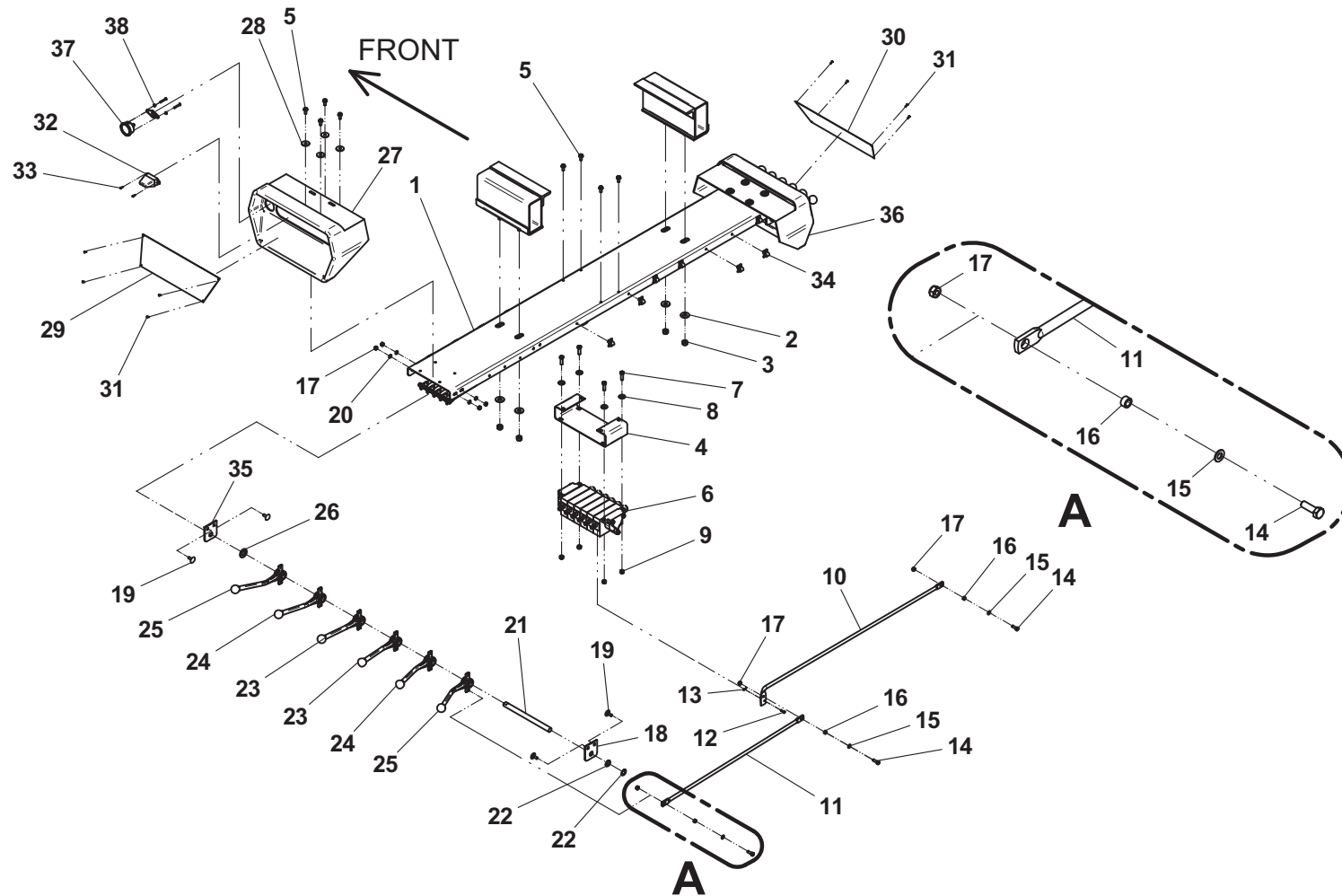
# DUAL CONTROLS - 5 BANK



**DUAL CONTROLS - 6 BANK**

ITEM	PART NO.	DESCRIPTION	QTY	ITEM	PART NO.	DESCRIPTION	QTY
1	4263000434	Channel	1	29	7330000652	Control Panel, LH (manual grids)	1
2	7950180161	Flatwasher, 0.50 ID	4		7330000657	Control Panel, LH (hydraulic grids)	
3	7660182601	Locknut, 0.50-13NC	4	30	7330000653	Control Panel, RH (manual grids)	1
4	4263000433	Channel	1		7330000658	Control Panel, RH (hydraulic grids)	
5	7790151253	Screw, 0.31-18NC x 0.75	12	31	7759000006	Pop Rivet	8
6	3935000118	Control Valve (manual grids)	1	32	7590000087	Lamp	2
	3935000166	Control Valve (hydraulic grids)		33	7791060872	Screw, #6 x 0.50"	4
7	7111161050	Capscrew, 0.38-16NC x 1.25"	4	34	7280000007	Wire Clip	11
8	7950160161	Flatwasher, 0.38" ID	4	35	4606000217	Lug	2
9	7660162601	Locknut, 0.38"-16NC	4	36	7560000007	Control Hood, RH	1
10	4763000280	Control Rod	6	37	7470000023	Gauge	1
11	4763000279	Control Rod	6	38	7661000057	Jam Nut, M5	2
12	7690101200	Clevis Pin	6				
13	7691000056	Cotter Pin	6				
14	7115150850	Capscrew, 0.31"-18NC x 1.00"	18				
15	7949000011	Flatwasher, 0.31" ID	18				
16	4831000069	Spacer	18				
17	7660152601	Locknut, 0.31"-18NC	26				
18	4606000065	Lug	2				
19	7115150664	Carriage Bolt, 0.31"-18NC x 0.75"	8				
20	7950150000	Washer, 0.31" ID	8				
21	7691000065	Pin	2				
22	7754000009	Retaining Ring	4				
23	7551000019	Control Handle	4				
24	7551000020	Control Handle	4				
25	7551000021	Control Handle	4				
26	7950220141	Flatwasher, 0.75" ID	2				
27	7560000008	Control Hood, LH	1				
28	7949000054	Washer, 0.34" ID	8				

# DUAL CONTROLS - 6 BANK

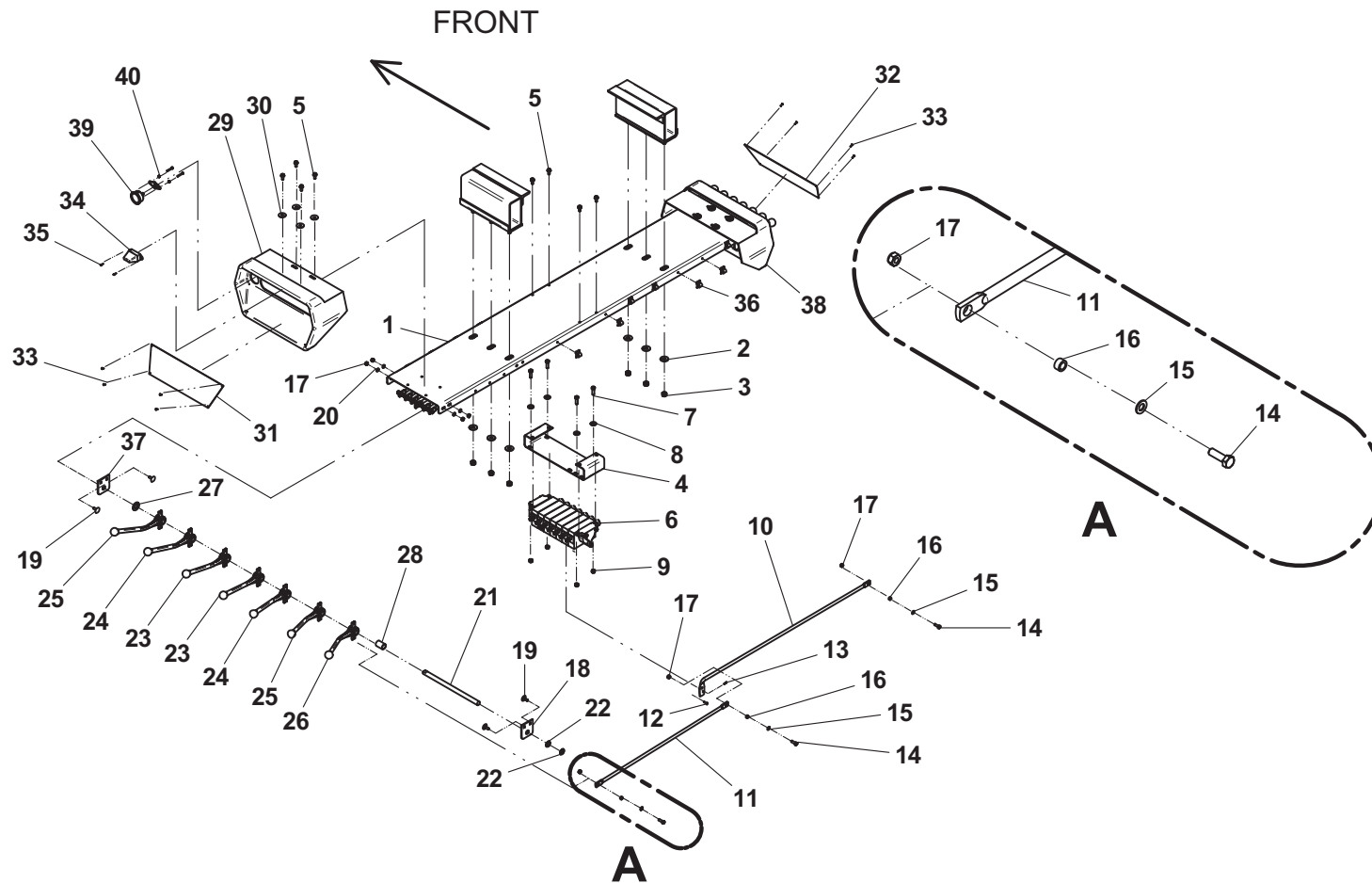


**DUAL CONTROLS - 7 BANK**

ITEM	PART NO.	DESCRIPTION	QTY	ITEM	PART NO.	DESCRIPTION	QTY
1	4263000463	Channel	1	31	7330000548	Control Panel, LH	1
2	7950180161	Flatwasher, 0.50 ID	6	32	7330000549	Control Panel, RH	1
3	7660182601	Locknut, 0.50-13NC	6	33	7759000004	Pop Rivet	8
4	4263000464	Channel	1	34	7590000087	Lamp	2
5	7790151253	Screw, 0.31-18NC x 0.75	12	35	7790101276	Screw, #6 x 0.50"	4
6	3935000150	Control Valve	1	36	7280000007	Wire Clip	11
7	7111161050	Capscrew, 0.38-16NC x 1.25"	4	37	4606000217	Lug	2
8	7950160161	Flatwasher, 0.38" ID	4	38	7560000007	Control Hood, RH	1
9	7660162601	Locknut, 0.38"-16NC	4	39	7470000023	Gauge	1
10	4763000280	Control Rod	7	40	7661000057	Jam Nut, M5	2
11	4763000279	Control Rod	7				
12	7690101200	Clevis Pin	7				
13	7691000056	Cotter Pin	7				
14	7115150850	Capscrew, 0.31"-18NC x 1.00"	21				
15	7949000011	Flatwasher, 0.31" ID	21				
16	4831000069	Spacer	21				
17	7660152601	Locknut, 0.31"-18NC	29				
18	4606000065	Lug	2				
19	7115150664	Carriage Bolt, 0.31"-18NC x 0.75"	8				
20	7950150000	Washer, 0.31" ID	8				
21	7691000065	Pin	2				
22	7754000009	Retaining Ring	4				
23	7551000019	Control Handle	4				
24	7551000020	Control Handle	4				
25	7551000021	Control Handle	4				
26	7551000022	Control Handle	2				
27	7950220141	Flatwasher, 0.75" ID	2				
28	4211000001	Bushing	2				
29	3560000008	Control Hood, LH	1				
30	7949000054	Washer, 0.34" ID	2				



# DUAL CONTROLS - 7 BANK



**HYDRAULIC COMPONENTS - STANDARD**

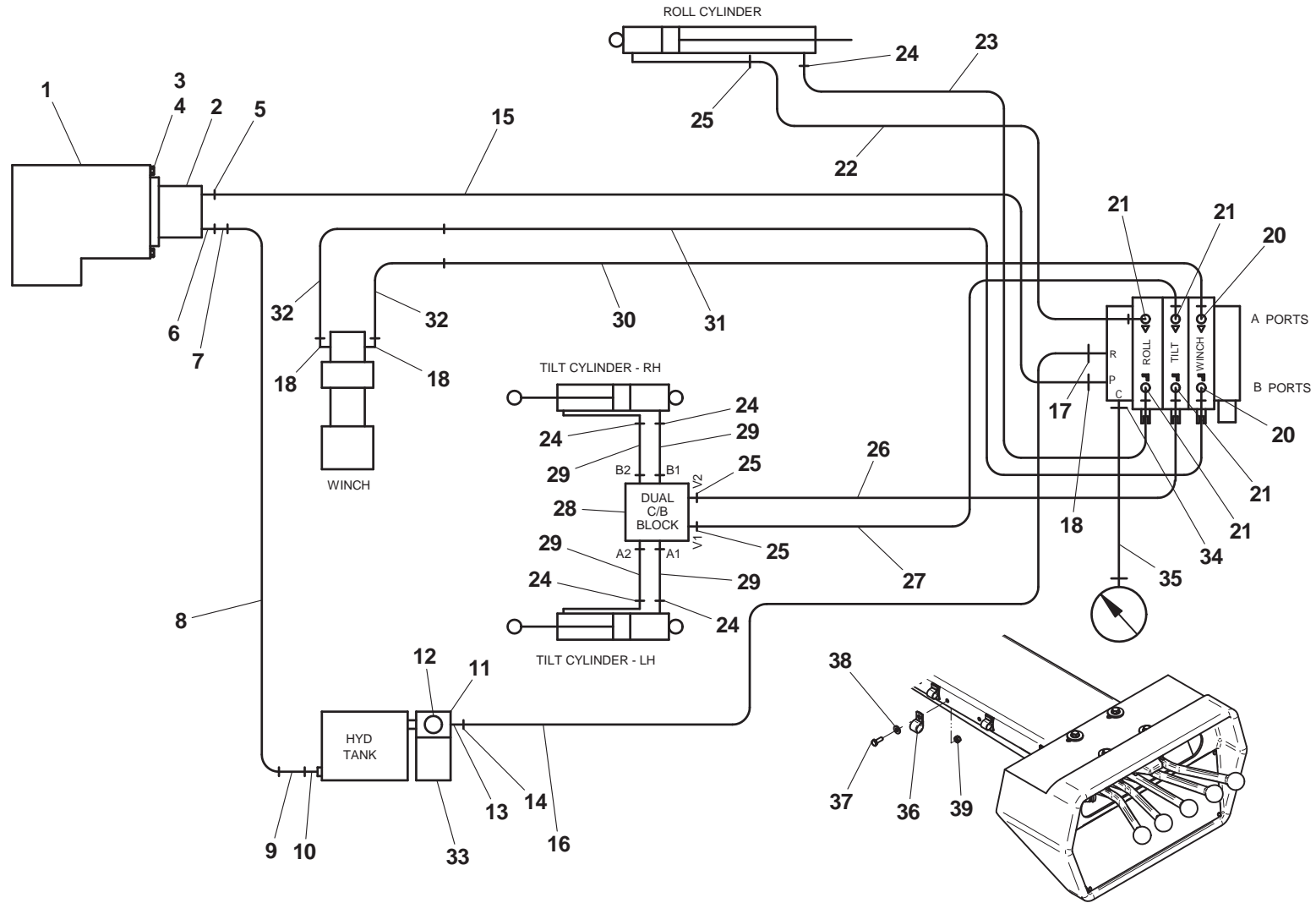
ITEM	PART NO.	DESCRIPTION	QTY	ITEM	PART NO.	DESCRIPTION	QTY
1	See Note 1	PTO	1	30	4569433111*	Hose Assembly	1
2	7724000021	Pump	1		4569433122	Hose Assembly (156" CA)	
3	7115181050	Capscrew	2	31	4569432111*	Hose Assembly	1
4	7950180000	Lockwasher	2		4569432122	Hose Assembly (156" CA)	
5	7443000101	Adapter	1	32	4567430133	Hose Assembly	2
6	7445081643	Adapter	1	33	7431000001^	Filter Element	1
7	7443000023	Elbow	1	34	7445040643	Adapter	1
8	See Note 1	Supply Hose	1	35	4567110036	Hose Assembly	1
9	7443000013	Nipple	1	36	7274000063	P-Clamp	1
10	7274000002	Clamp	2	37	7115140650	Capscrew, 0.25"-20NC x 0.75"	1
11	7430000003	Filter Assembly	1	38	7950140141	Flatwasher, 0.25" ID	1
12	7470000002	Gauge	1	39	7660142601	Locknut, .025"-20NC	1
13	7443000319	Fitting	1				
14	7274000047	Clamp	2				
15	See Note 1	Return Hose	1				
16	See Note 1	Pressure Hose Assembly	1				
17	7443000168	Adapter	1				
18	7445081045	Elbow	3				
19	Not Required						
20	7445080843	Adapter	2				
21	7445060843	Adapter	4				
22	4567123044*	Hose Assembly	1				
	4567123050	Hose Assembly (156" CA)					
23	4567122032*	Hose Assembly	1				
24	7445060645	Elbow	5				
25	7445060643	Adapter	3				
26	4567122115*	Hose Assembly	1				
27	4567123115*	Hose Assembly	1				
28	7935000306	Dual Counterbalance Valve	1				
29	4570000195*	Hose Assembly (Out Board Tilt Cylinders)	4				
	4270000198*	Hose Assembly (In Board Tilt Cylinders)					

\* included in Hose Kit, P/N 4577000004 for Out Board Tilt Cylinders  
& P/N 4577000005 for In Board Tilt Cylinders

^ also available in Filter Assembly, P/N 7430000003

Note 1: Varies depending on chassis, transmission , PTO type & deck length.  
Consult factory for part numbers.

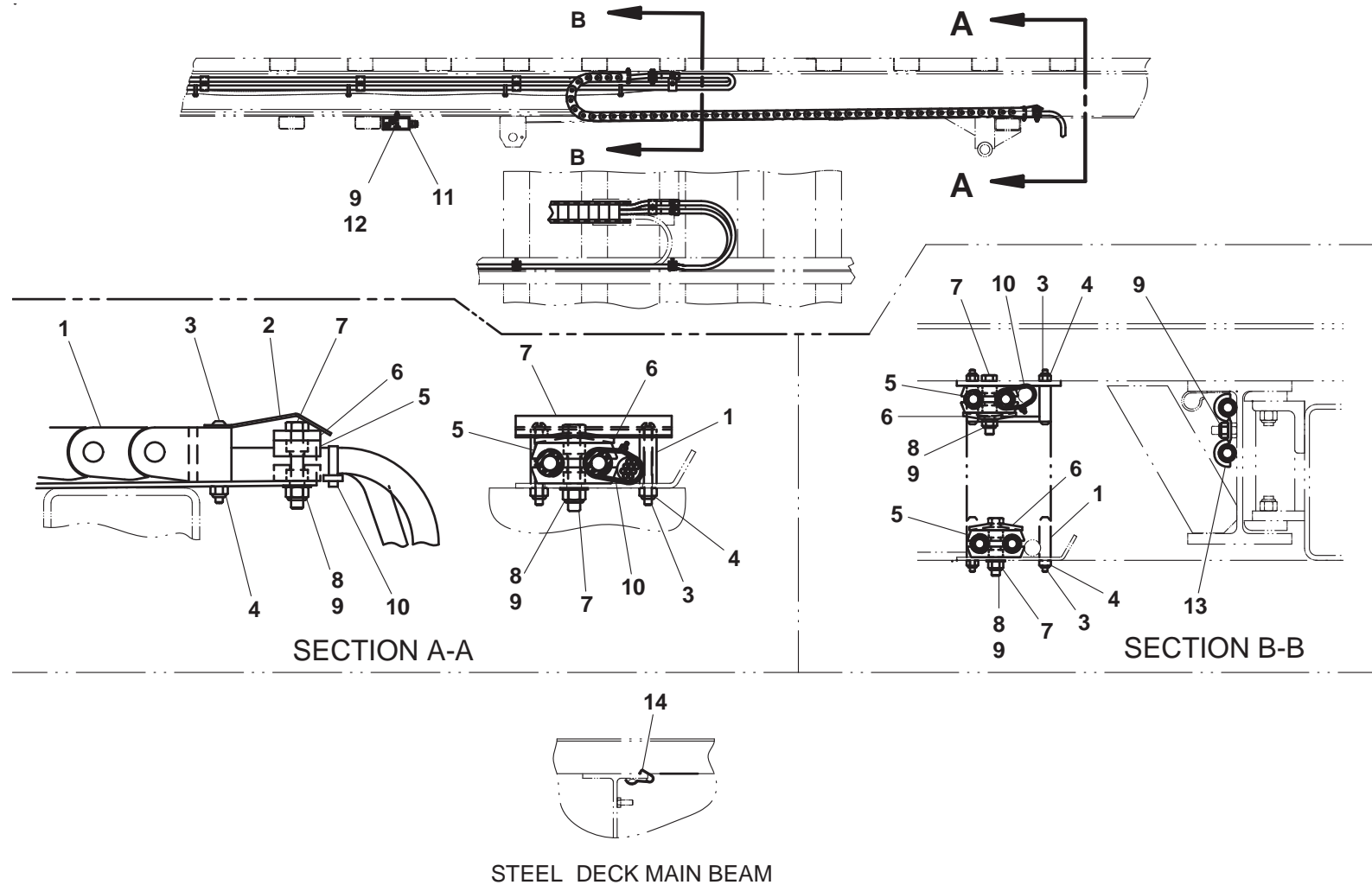
# HYDRAULIC COMPONENTS - STANDARD



**HYDRAULIC COMPONENTS - STANDARD (HOSE TRACK)**

ITEM	PART NO.	DESCRIPTION	QTY
1	7904000002	Hose Track	1
2	4706003038	Plate	1
3	7114101618	Capscrew	4
4	7660102604	Locknut, #10-24NC	4
5	7274000038	Clamp	4
6	7274000039	Clamp Cover	2
7	7115151650	Capscrew, 0.31"-18NC x 2.00"	2
8	7950150161	Flatwasher, 0.31" ID	4
9	7660152601	Locknut, 0.31"-13NC	7
10	7894000004	Tie Strap	10
11	7935000197	Counterbalance Valve	1
12	7115151850	Capscrew, 0.31"-18NC x 2.25"	2
13	7274000066	Double Clamp	5
14	7280000013	Clip	13

# HYDRAULIC COMPONENTS - STANDARD (HOSE TRACK)

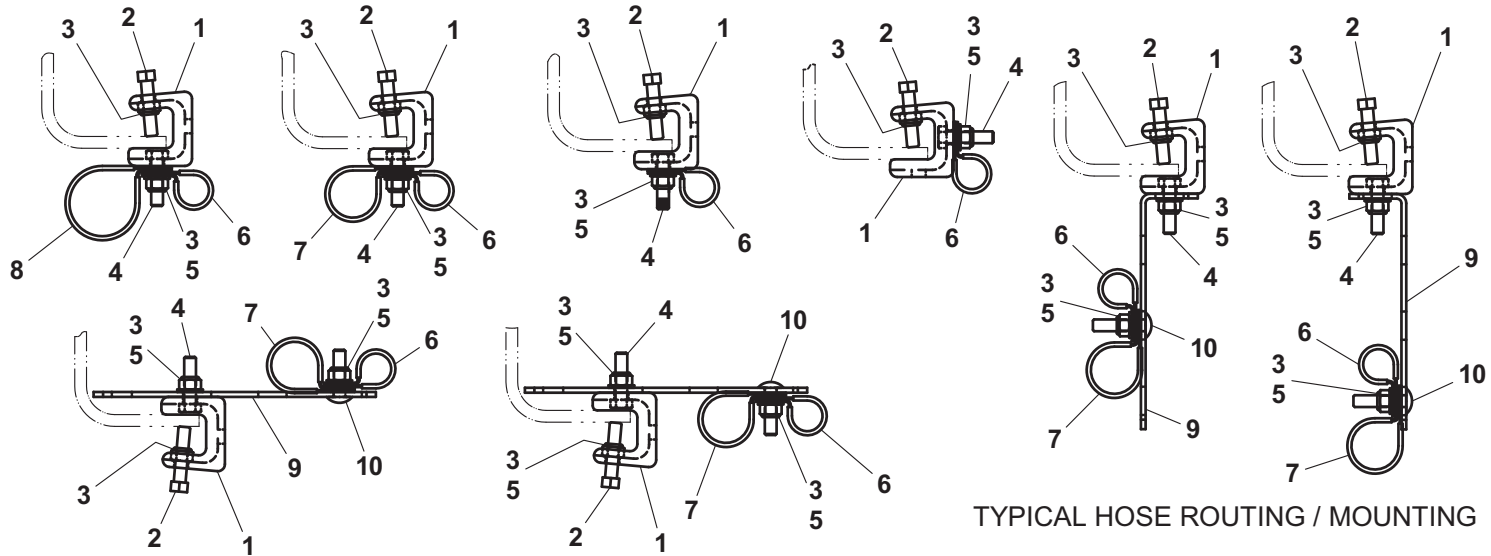
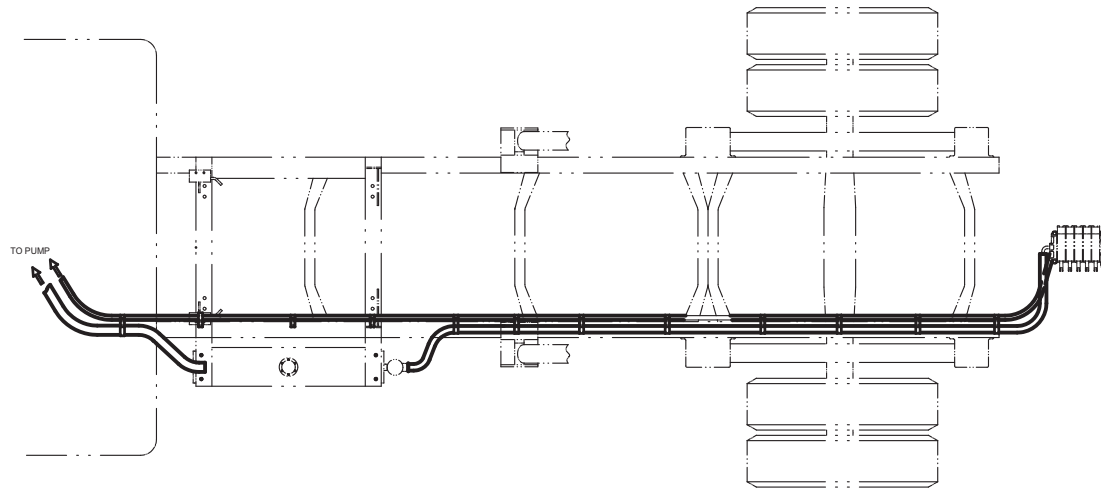


**HYDRAULIC COMPONENTS - HOSE ROUTING / MOUNTING**

ITEM	PART NO.	DESCRIPTION	QTY
1	7274000076	Cast Frame Clamp	*
2	7785152420	Set Screw, 0.31"-18NC x 1.50"	*
3	7660152601	Locknut, 0.31"-18NC	*
4	7115151050	Capscrew, 0.31"-18NC x 1.25"	*
5	7950150161	Flatwasher, 0.31" ID	*
6	7274000040	Clamp	*
7	7274000041	Clamp	*
8	7274000042	Clamp	*
9	4706003844	Plate	*
10	7115151064	Carriage Bolt, 0.31"-18NC x 1.25"	*

\* Quantity varies depending manufacturing requirements

# HYDRAULIC COMPONENTS - HOSE ROUTING / MOUNTING



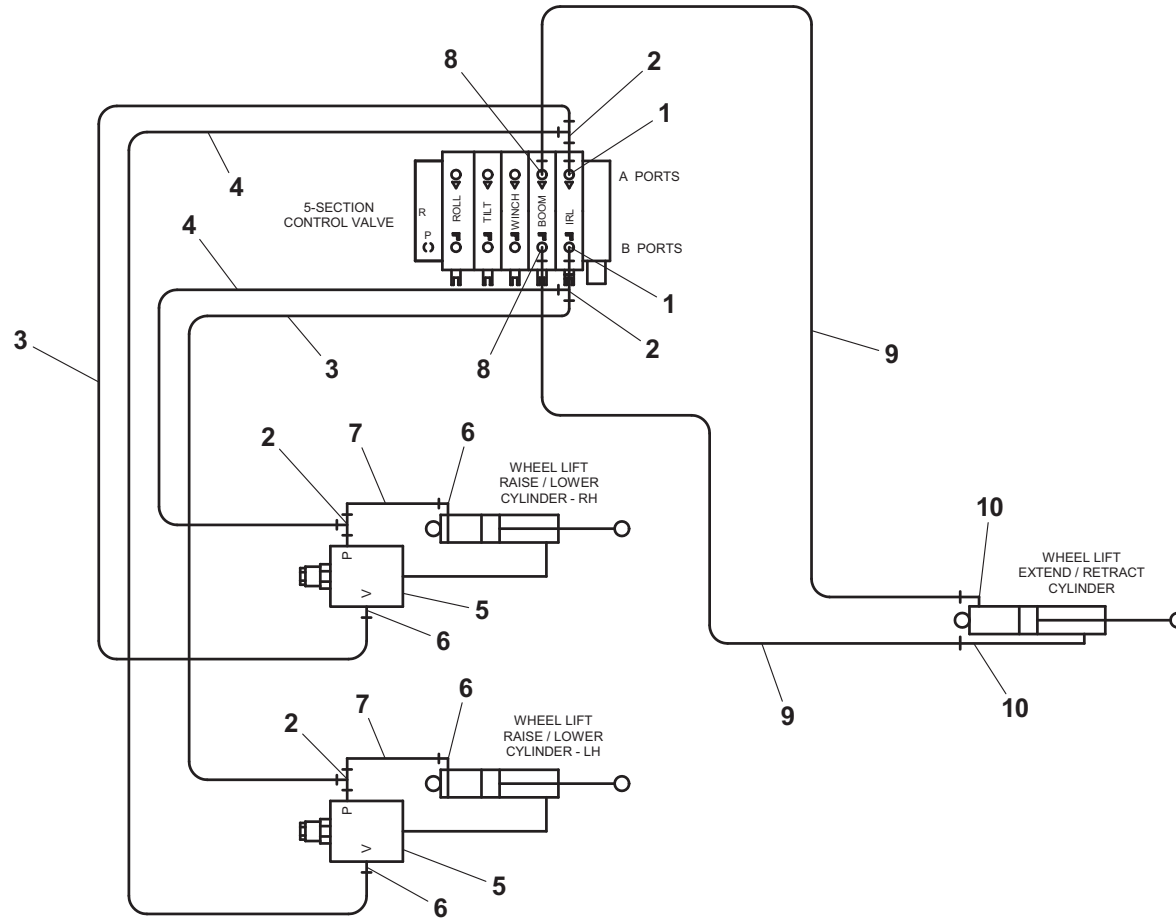
**HYDRAULIC COMPONENTS - IRL WHEEL LIFT WITH MANUAL GRIDS**

ITEM	PART NO.	DESCRIPTION	QTY
1	7443000129	Reducer	2
2	7445060648	Tee	4
3	4567123034*	Hose Assembly	2
4	4567122032*	Hose Assembly	2
5	7935000305	Counterbalance Valve	2
6	7445060645	Elbow	4
7	4567122014*	Hose Assembly	2
8	7445040843	Adapter	2
9	4567110032*	Hose Assembly	2
10	7445040446	Elbow	2

\* also available in Hose Kit, P/N 4577000002



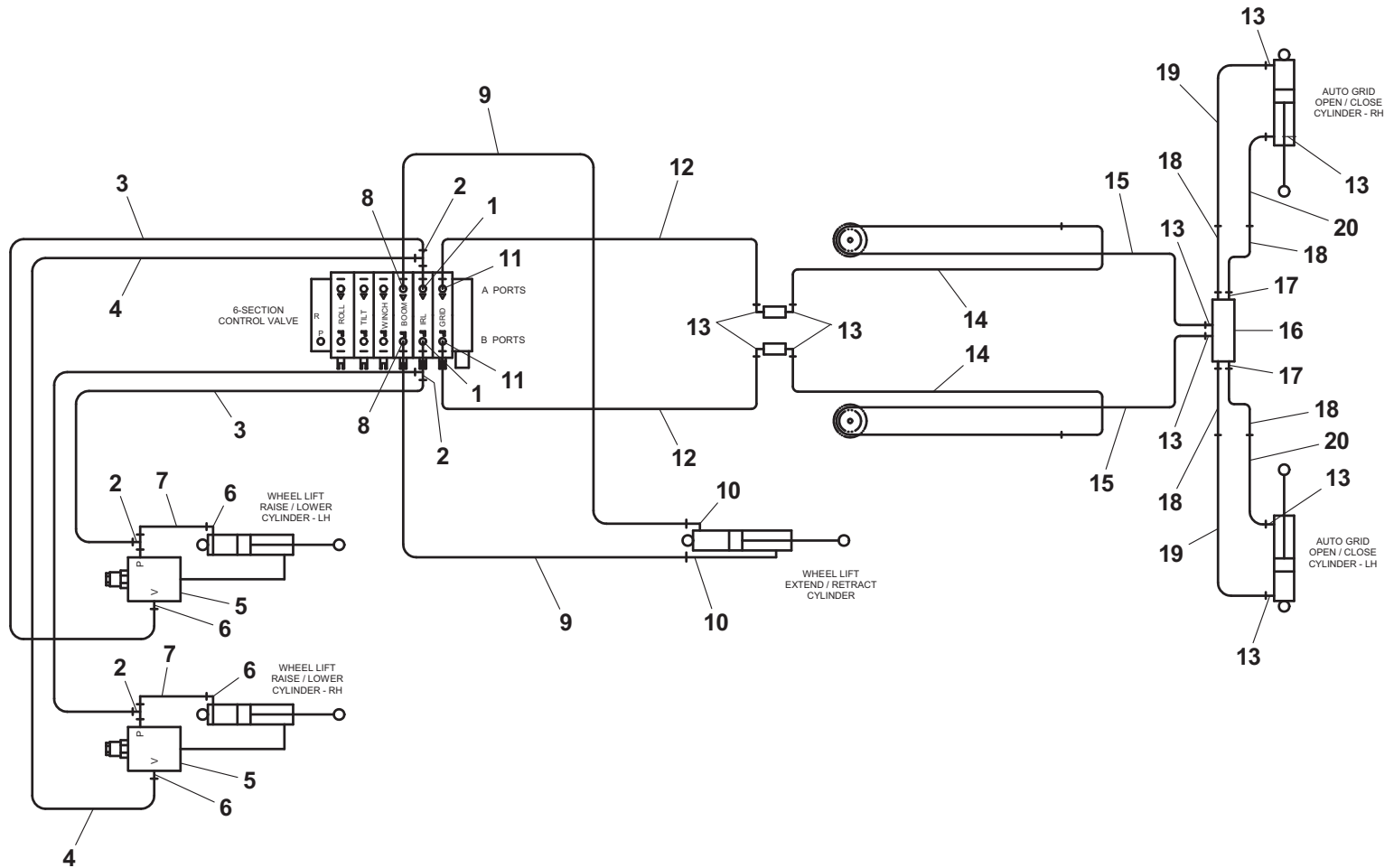
# HYDRAULIC COMPONENTS - IRL WHEEL LIFT WITH MANUAL GRIDS



**HYDRAULIC COMPONENTS - IRL WHEEL LIFT WITH HYDRAULIC GRIDS**

ITEM	PART NO.	DESCRIPTION	QTY
1	7443000129	Reducer	2
2	7445060648	Tee	4
3	4567123034	Hose Assembly	2
4	4567122032	Hose Assembly	2
5	7935000305	Counterbalance Valve	2
6	7445060645	Elbow	4
7	4567122014	Hose Assembly (manual grids)	2
	4567122014	Hose Assembly (hyd grid - low frame)	
	4567122012	Hose Assembly (hyd grid - high frame)	
8	7445040843	Adapter	2
9	4567110032	Hose Assembly (manual grids)	2
	4567110042	Hose Assembly (hyd grid - low frame)	
	4567110038	Hose Assembly (hyd grid - high frame)	
10	7445040446	Elbow	2
11	7443040843	Adapter	2
12	4567110038	Hose Assembly (manual grids)	2
	4567110038	Hose Assembly (hyd grid - low frame)	
	4567110034	Hose Assembly (hyd grid - high frame)	
13	7445040445	Elbow	10
14	7912000237	Tube Assembly	2
15	4570000234	Hose Assembly	2
16	4619000013	Manifold	1
17	7445040443	Adapter	4
18	7912000184	Tube Assembly	4
19	4570000210	Hose Assembly	2
20	4570000211	Hose Assembly	2

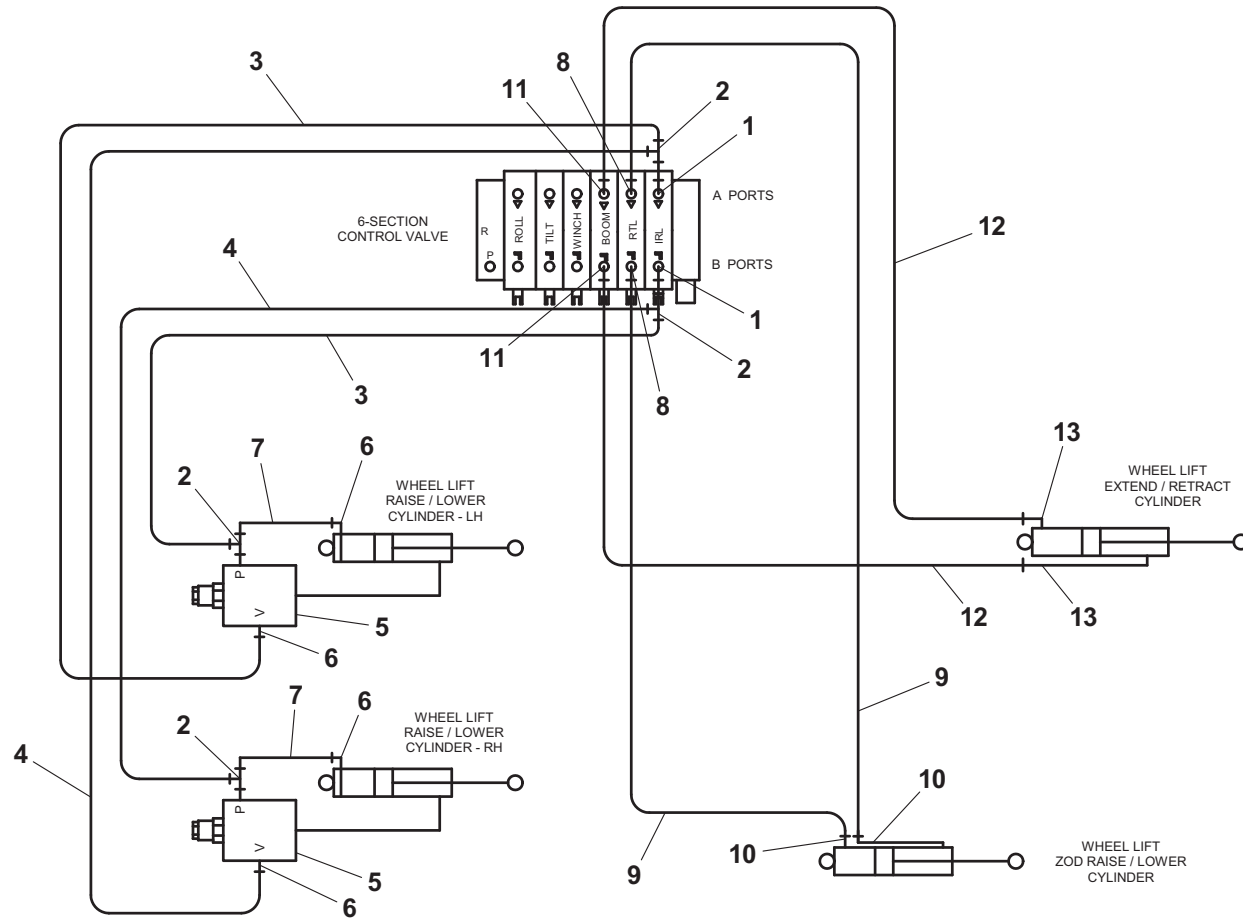
# HYDRAULIC COMPONENTS - IRL WHEEL LIFT WITH HYDRAULIC GRIDS



**HYDRAULIC COMPONENTS - ZOD WHEEL LIFT WITH MANUAL GRIDS**

ITEM	PART NO.	DESCRIPTION	QTY
1	7443000129	Reducer	2
2	7445060648	Tee	4
3	4567123034	Hose Assembly	2
4	4567122032	Hose Assembly	2
5	7935000305	Counterbalance Valve	2
6	7445060645	Elbow	4
7	4567122014	Hose Assembly	2
8	7445060843	Adapter	2
9	4567120025	Hose Assembly	2
10	7445060643	Adapter	4
11	7445040843	Adapter	2
12	4567110034	Hose Assembly	2
13	7445040446	Elbow	2

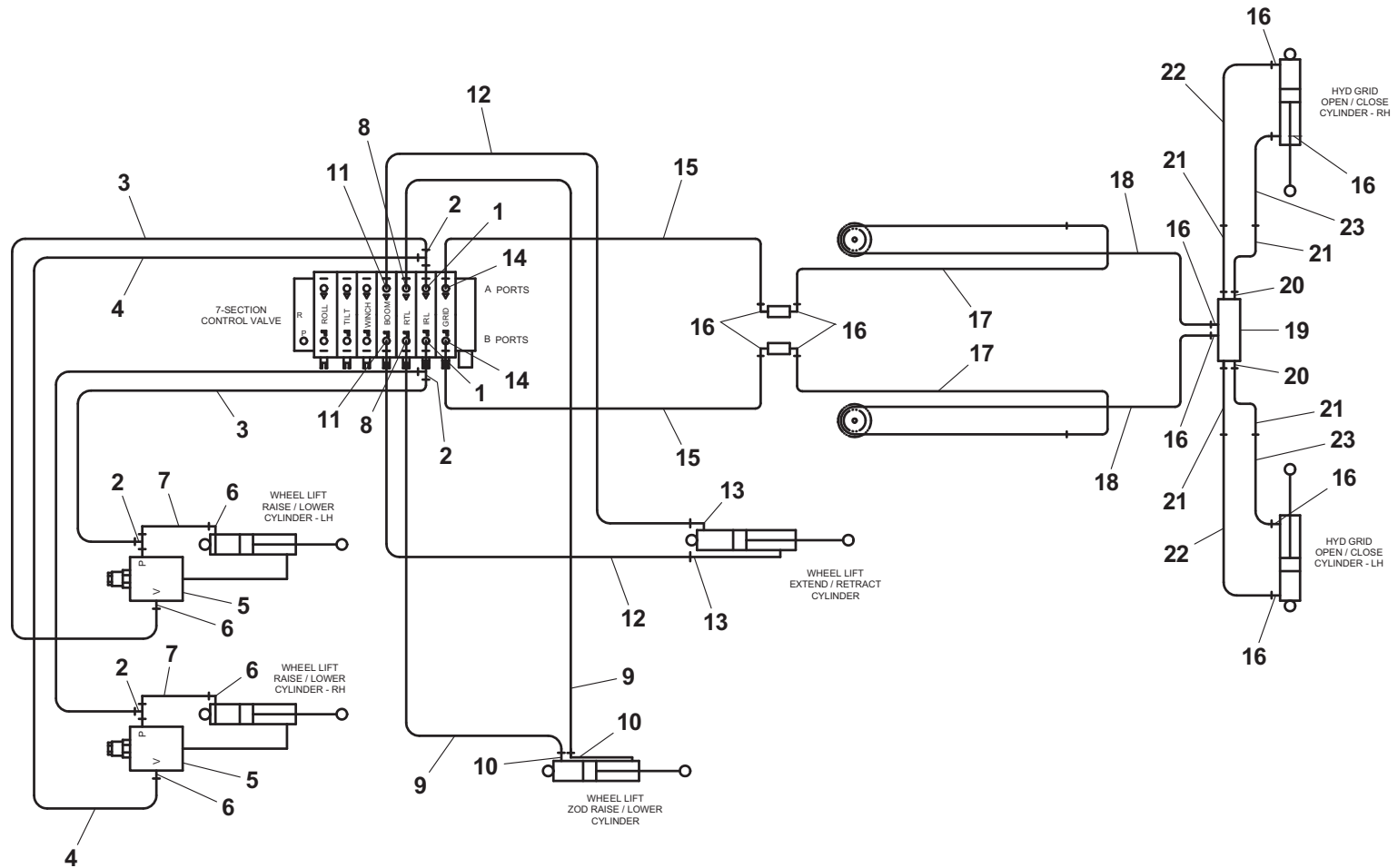
# HYDRAULIC COMPONENTS - ZOD WHEEL LIFT WITH MANUAL GRIDS



**HYDRAULIC COMPONENTS - ZOD WHEEL LIFT WITH HYDRAULIC GRIDS**

ITEM	PART NO.	DESCRIPTION	QTY
1	7443000129	Reducer	2
2	7445060648	Tee	4
3	4567123034	Hose Assembly	2
4	4567122032	Hose Assembly	2
5	7935000305	Counterbalance Valve	2
6	7445060645	Elbow	4
7	4567122014	Hose Assembly (manual grids)	2
	4567122014	Hose Assembly (hyd grid - low frame)	
	4567122012	Hose Assembly (hyd grid - high frame)	
8	7445060843	Adapter	2
9	4567120025	Hose Assembly	2
10	7443060643	Adapter	2
11	7445040843	Adapter	2
12	4567110032	Hose Assembly (manual L-grids)	2
	4567110042	Hose Assembly (hyd grid - low frame)	
	4567110038	Hose Assembly (hyd grid - high frame)	
13	7445040446	Elbow	2
14	7443040843	Adapter	2
15	4567110038	Hose Assembly (manual grids)	2
	4567110038	Hose Assembly (hyd grid - low frame)	
	4567110034	Hose Assembly (hyd grid - high frame)	
16	7445040445	Elbow	10
17	7912000237	Tube Assembly	2
18	4570000234	Hose Assembly	2
19	4619000013	Manifold	1
20	7445040443	Adapter	4
21	7912000184	Tube Assembly	4
22	4570000210	Hose Assembly	2
23	4570000211	Hose Assembly	2

# HYDRAULIC COMPONENTS - ZOD WHEEL LIFT WITH HYDRAULIC GRIDS

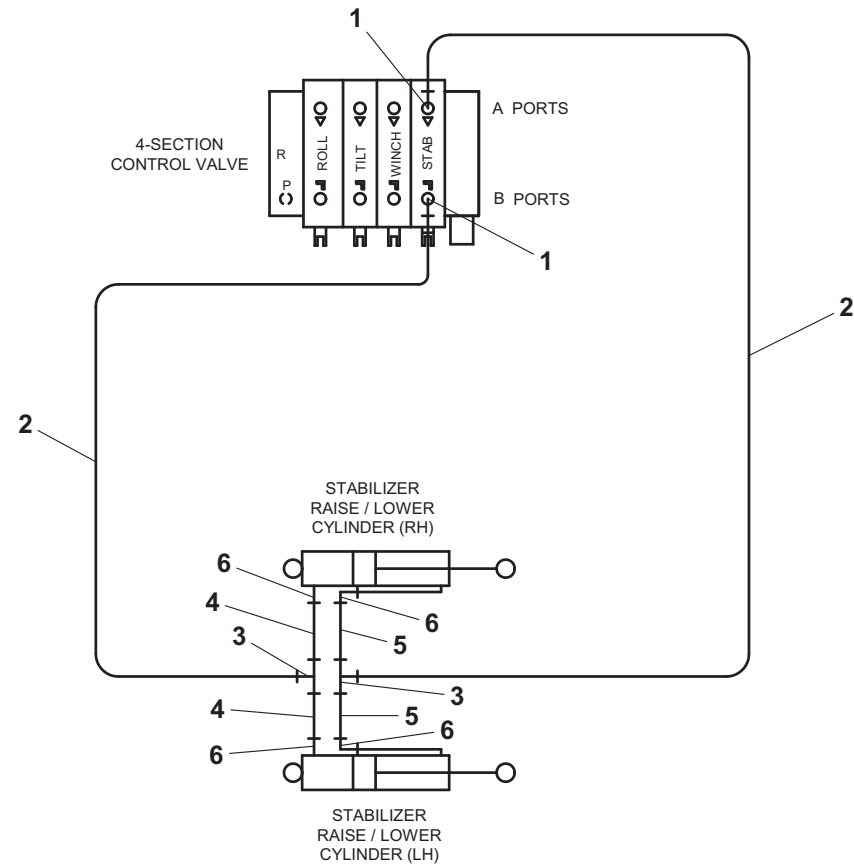


**HYDRAULIC COMPONENTS - HYDRAULIC REAR DOCK STABILIZER**

ITEM	PART NO.	DESCRIPTION	QTY
1	7445060843	Adapter	2
2	4567122017	Hose Assembly	2
3	7445060637	Tee	2
4	4567120016	Hose Assembly	2
5	4567120026	Hose Assembly	2
6	7445060645	Elbow	4



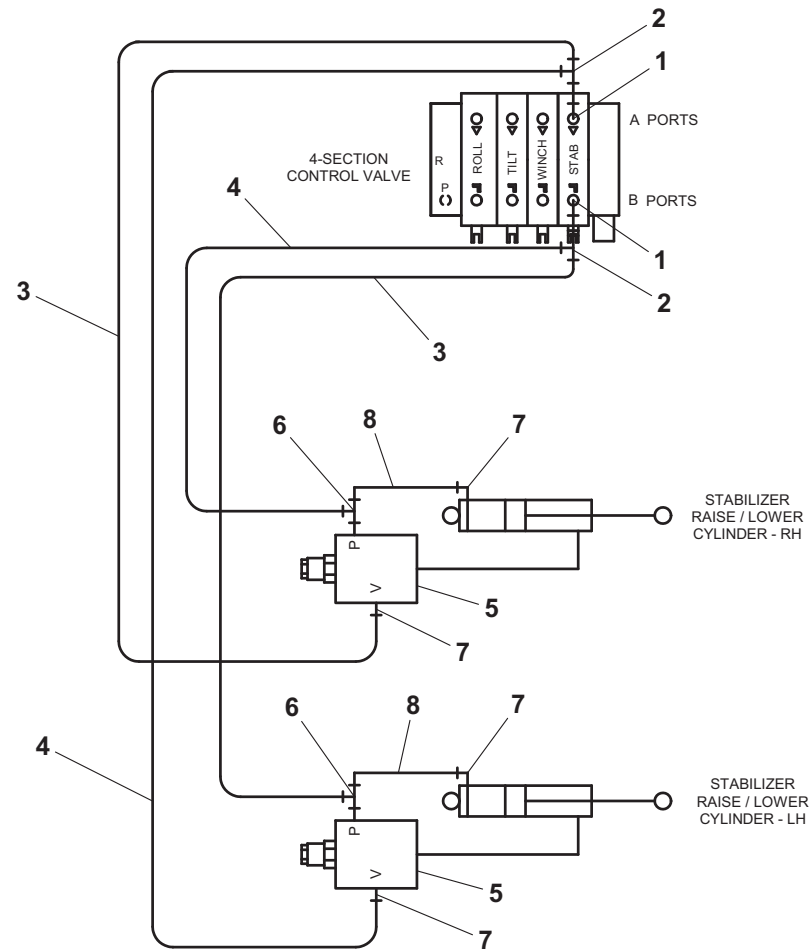
# HYDRAULIC COMPONENTS - HYDRAULIC REAR DOCK STABILIZER



**HYDRAULIC COMPONENTS - STABILIZER W/ REESE HITCH RECEIVER OR PINTLE HITCH MTG PLT**

ITEM	PART NO.	DESCRIPTION	QTY
1	7445060845	Elbow	2
2	7443000030	Tee	2
3	4567122032	Hose Assembly	2
4	4567122050	Hose Assembly	2
5	7935000305	Counterbalance Valve	2
6	7445060648	Tee	2
7	7445060645	Elbow	4
8	4567122014	Hose Assembly	2

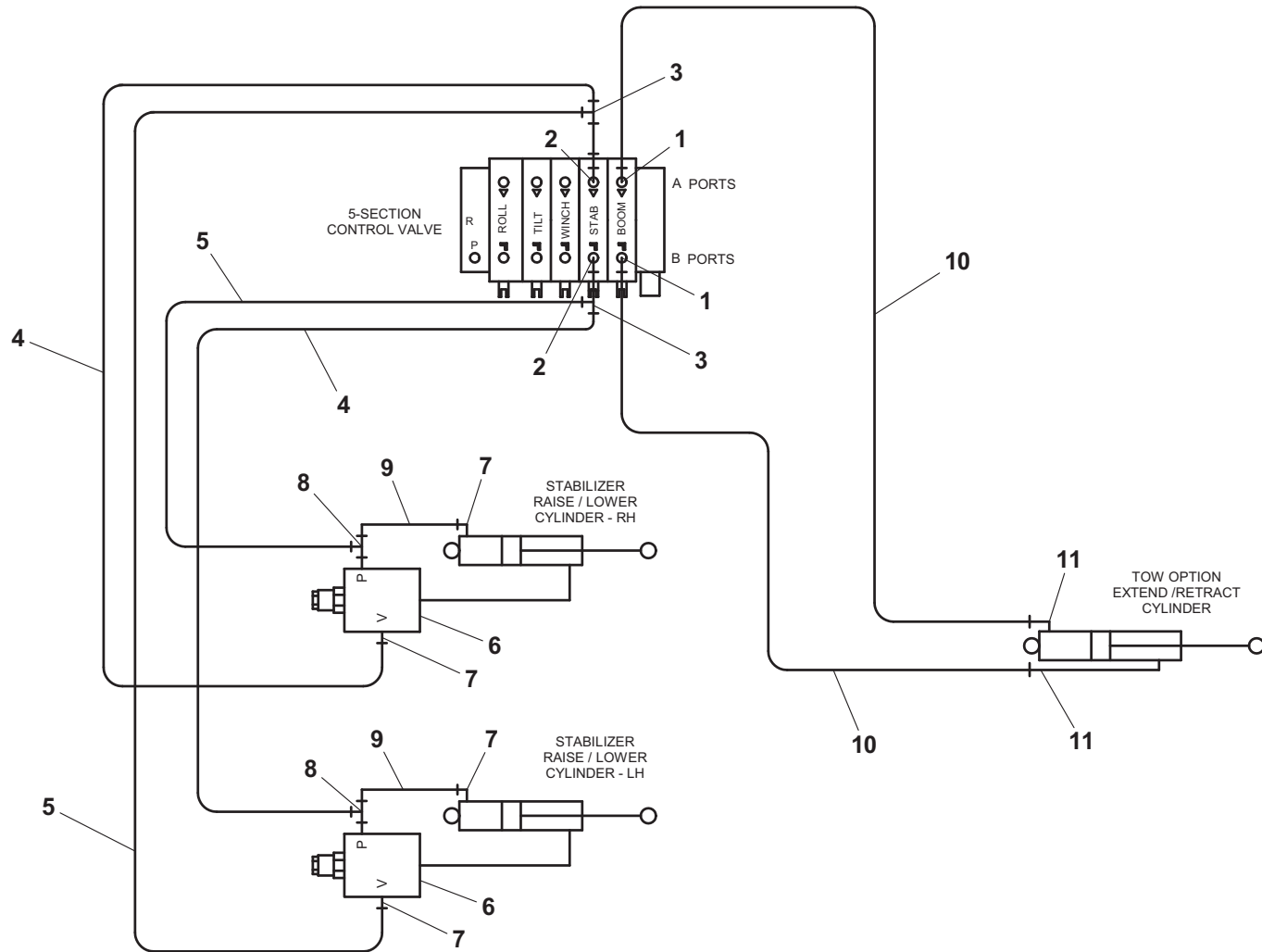
# HYDRAULIC COMPONENTS - STABILIZER W/ REESE HITCH RECEIVER OR PINTLE HITCH MTG PLT



**HYDRAULIC COMPONENTS - STABILIZER W/ HYDRAULIC EXTEND PINTLE HITCH MOUNTING PLATE**

ITEM	PART NO.	DESCRIPTION	QTY
1	7445060843	Adapter	2
2	7445060845	Elbow	2
3	7443000030	Tee	2
4	4567122032	Hose Assembly	2
5	4567122050	Hose Assembly	2
6	7935000305	Counterbalance Valve	2
7	7445060645	Elbow	4
8	7445060648	Tee	2
9	4567122014	Hose Assembly	2
10	4567120024	Hose Assembly	2
11	7445060643	Adapter	2

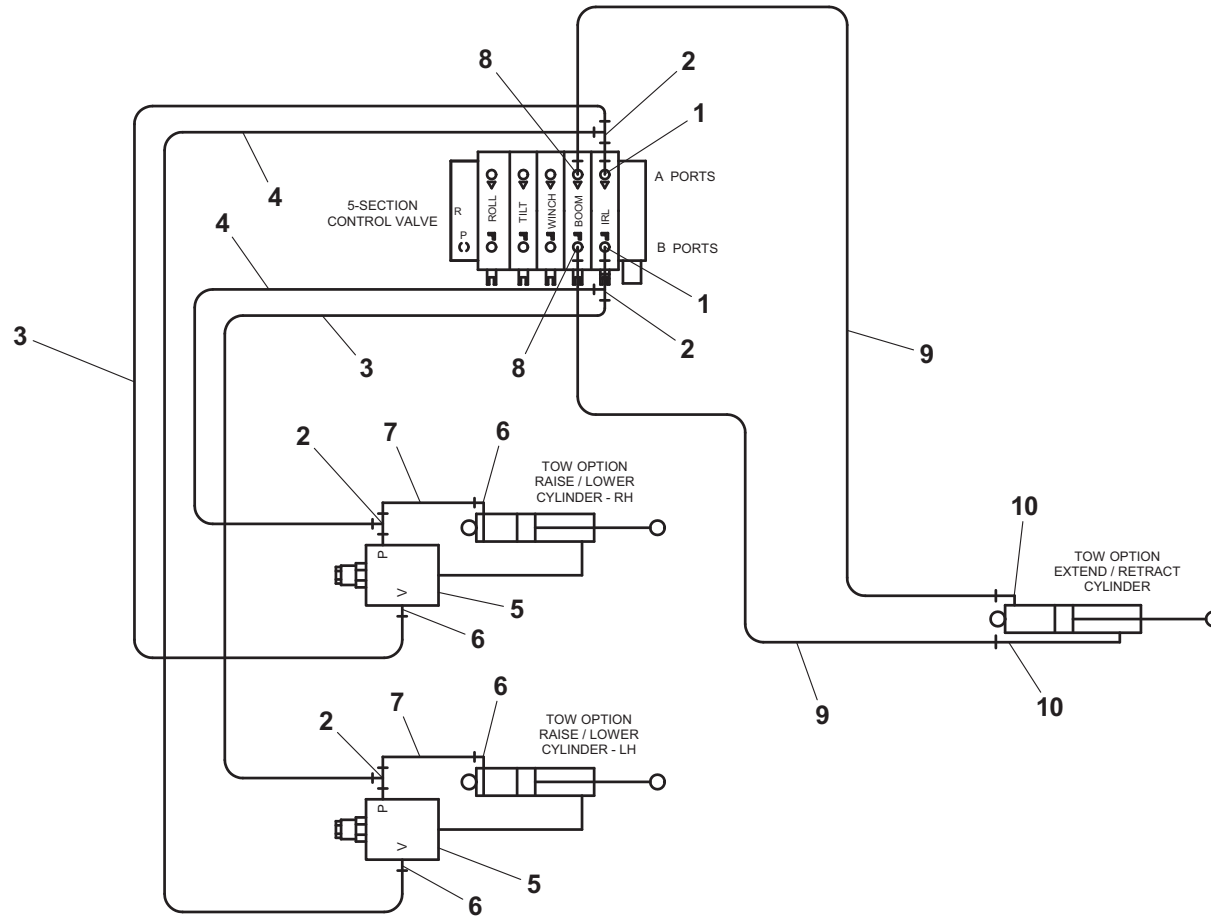
# HYDRAULIC COMPONENTS - STABILIZER W/ HYDRAULIC EXTEND PINTLE HITCH MOUNTING PLATE



**HYDRAULIC COMPONENTS - IRL TOW OPTION**

ITEM	PART NO.	DESCRIPTION	QTY
1	7443000129	Reducer	2
2	7445060648	Tee	4
3	4567123034	Hose Assembly	2
4	4567122032	Hose Assembly	2
5	7935000305	Counterbalance Valve	2
6	7445060645	Elbow	4
7	4567122014	Hose Assembly	2
8	7445040843	Adapter	2
9	4567112042	Hose Assembly	2
10	7445040645	Elbow	2

# HYDRAULIC COMPONENTS - IRL TOW OPTION

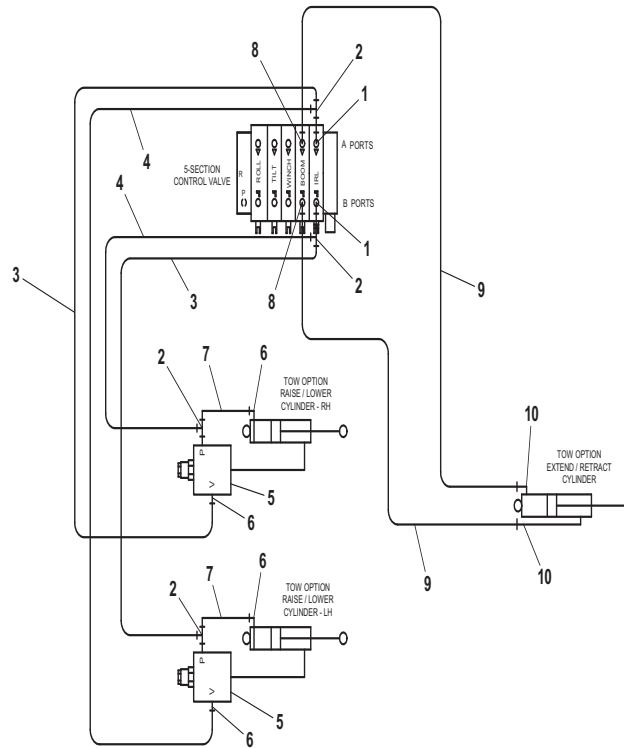


**HYDRAULIC COMPONENTS - HYDRAULIC EXTEND TOW OPTION**

ITEM	PART NO.	DESCRIPTION	QTY
1	7445040843	Adapter	2
2	4567112042	Hose Assembly	2
3	7445040645	Elbow	2



# HYDRAULIC COMPONENTS - HYDRAULIC EXTEND TOW OPTION

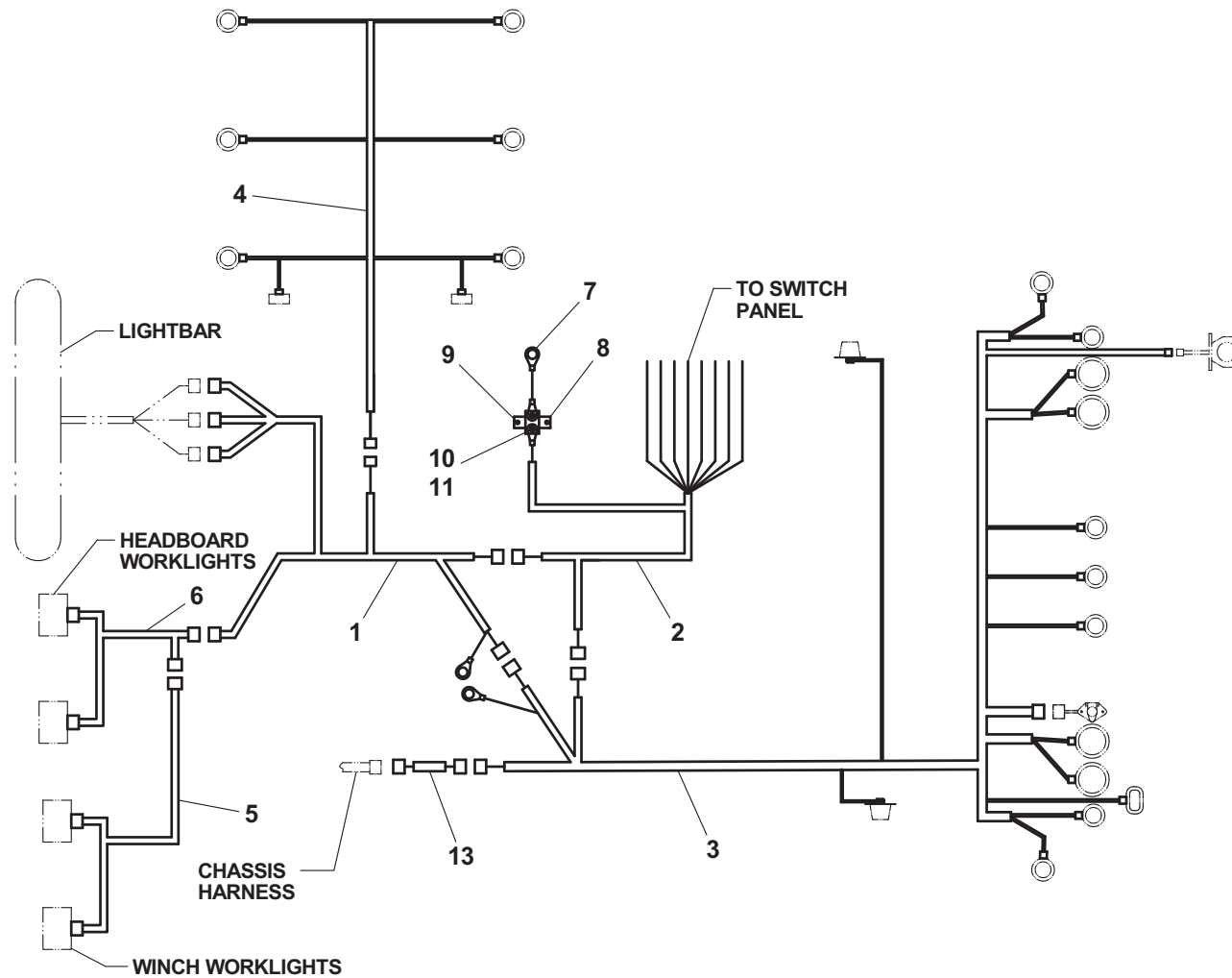


**ELECTRICAL COMPONENTS - STANDARD W/ BOLT-ON HEADBOARD**

ITEM	PART NO.	DESCRIPTION	QTY
1	7552000098	Subframe to Deck Harness	1
2	7552000074	Subframe to Cab Harness	1
3	7552000126	Subframe Harness	1
4	7552000177	Deck Harness	1
5	7552000166	Winch Lights Harness	1
6	7552000222	Worklights on Headboard Harness	1
7	7345241902	Terminal	1
8	7457000004	Circuit Breaker	1
9	7790100856	Screw, #10 x 0.50"	2
10	7345221902	Terminal	2
11	7950100151	Flatwasher, 0.19" ID	2
12	7280000013	Clip	*
13	3590000015	Wiring Connector Kit (Ford & GMC chassis)	1

\* Quantity varies depending on deck construction.

# ELECTRICAL COMPONENTS - STANDARD W/ BOLT-ON HEADBOARD



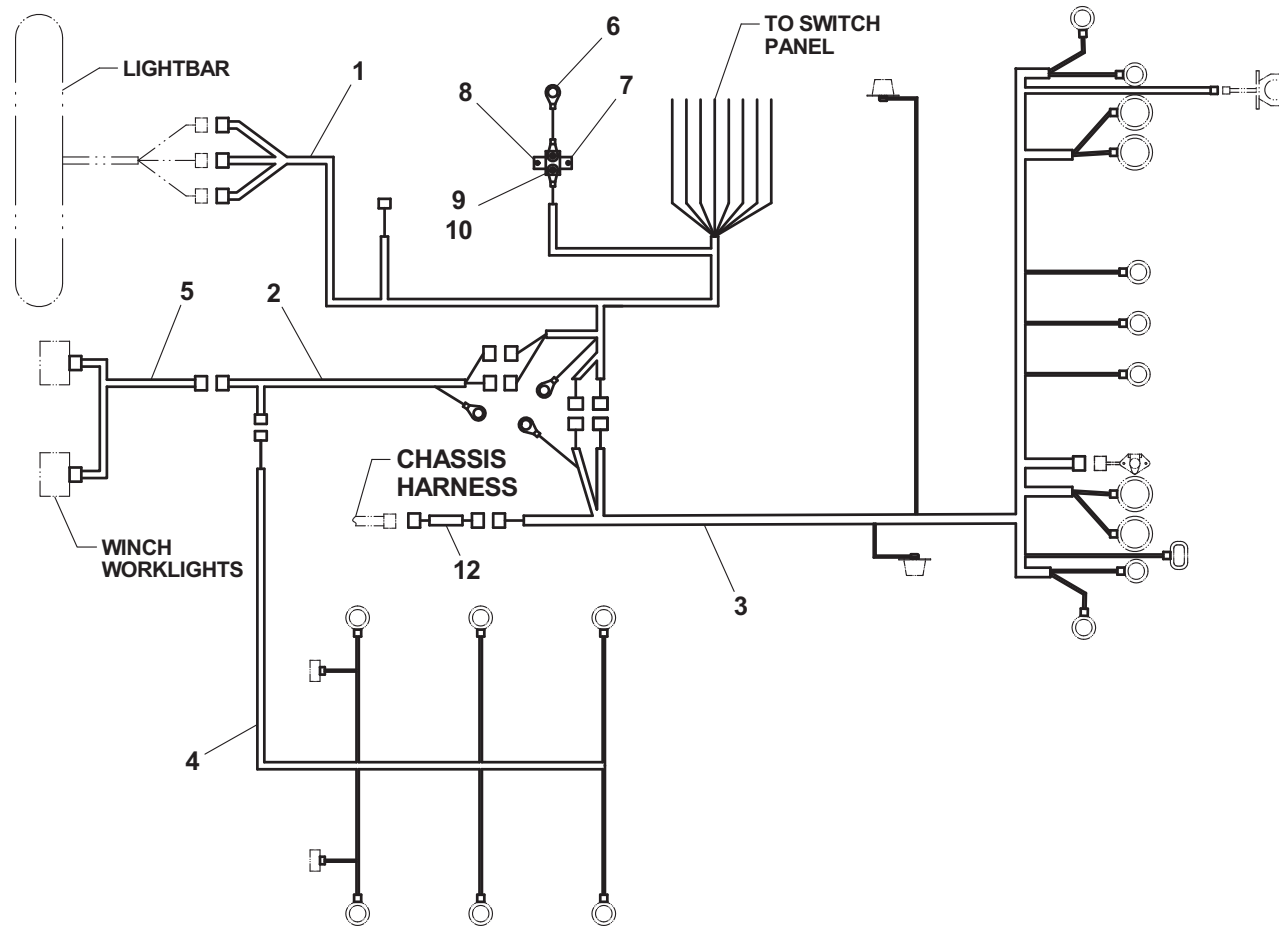
Item #12, Clip, not shown.

**ELECTRICAL COMPONENTS - STANDARD W/ STATIONARY HEADBOARD**

ITEM	PART NO.	DESCRIPTION	QTY
1	7552000204	Subframe to Cab Harness	1
2	7552000075	Subframe to Deck Harness	1
3	7552000126	Subframe Harness	1
4	7552000177	Deck Harness	1
5	7552000166	Winch Lights Harness	1
6	7345241902	Terminal	1
7	7457000004	Circuit Breaker	1
8	7790100856	Screw, #10 x 0.50"	2
9	7345221902	Terminal	2
10	7950100151	Flatwasher, 0.19" ID	2
11	7280000013	Clip	*
12	3590000015	Wiring Connector Kit	1

\* Quantity varies depending on deck construction.

# ELECTRICAL COMPONENTS - STANDARD W/ STATIONARY HEADBOARD

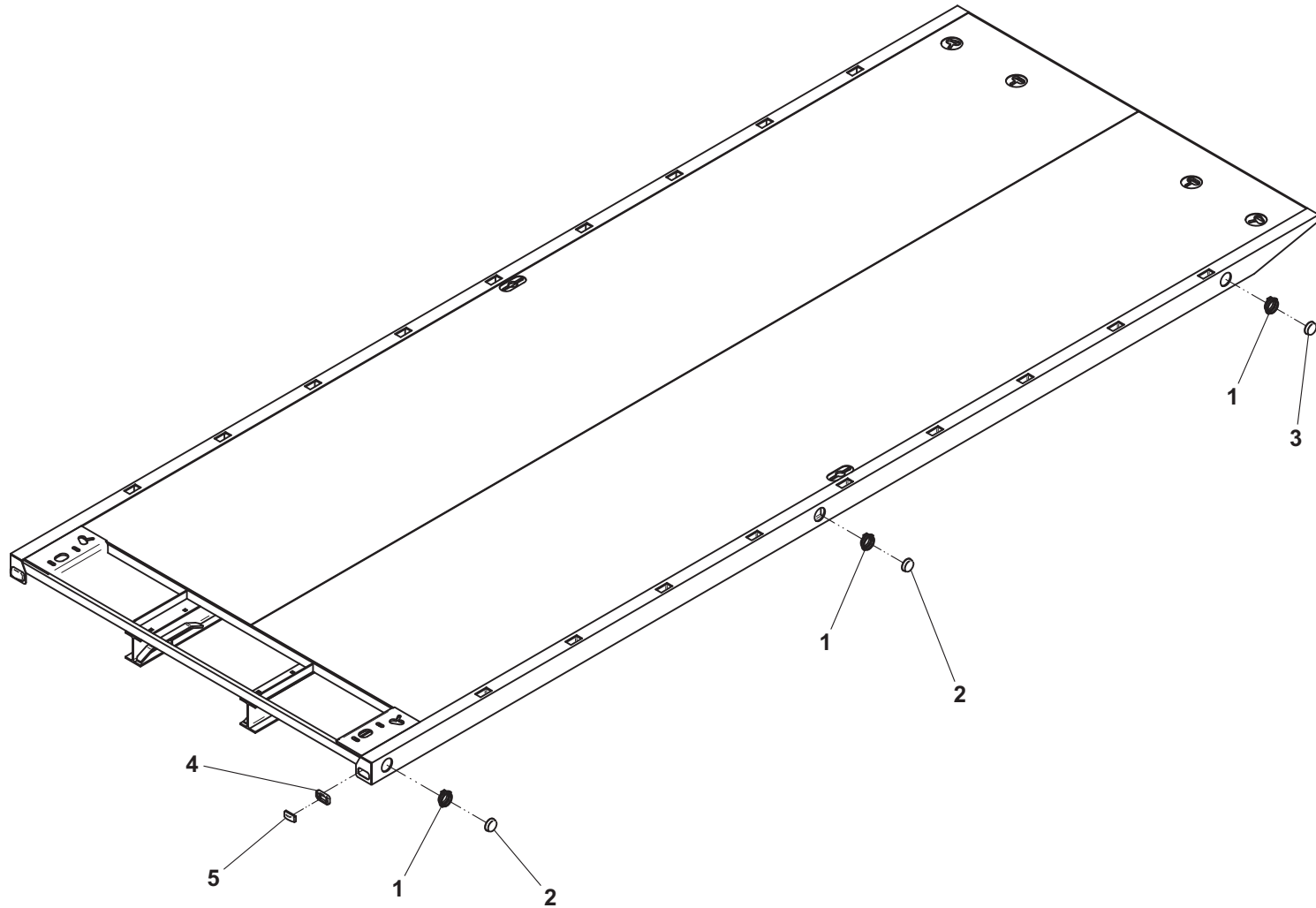


Item #11, Clip, not shown.

**DECK MARKER LIGHTS**

ITEM	PART NO.	DESCRIPTION	QTY
1	7493000009	Grommet	6
2	7590000342	Marker Light - Amber (LED)	4
3	7590000343	Marker Light - Red (LED)	2
4	7493000010	Grommet	2
5	7590000339	Marker Light - Amber (LED)	2

# DECK MARKER LIGHTS



**IRL WHEEL LIFT**

ITEM	PART NO.	DESCRIPTION	QTY	ITEM	PART NO.	DESCRIPTION	QTY
1	3170000170	Outer Boom Weld (manual grids)	1	25	7796000048	Gasket	1
	3170000332	Outer Boom Weld (hyd grids)		26	7114140528	Screw	2
2	3911000056	Inner Boom Weld	1	27	7660142601	Locknut	2
3	3320000115	Cylinder Assembly	1				
4	4691000296	Pin	1				
5	4691000268	Pin	1				
6	7754000006	Retaining Ring	4				
7	7082000020*	Bushing	1				
8	4679000046	Wear Pad	1				
9	4017000739	Angle	2				
10	7118140418	Capscrew, 0.25"-20NC x 0.50"	4				
11	7950100151	Washer, 0.19" ID	4				
12	4679000211	Wear Pad	1				
13	3320000114	Cylinder Assembly (manual grids)	1				
	3320000134	Cylinder Assembly (hyd grids - low frame)					
	3320000114	Cylinder Assembly (hyd grids - high frame)					
14	3691000164	Pin Weld	2				
15	7115160950	Capscrew, 0.38"-16NC x 1.12"	6				
16	7660162601	Locknut, 0.38"-16NC	6				
17	3691000073	Pin Weld	3				
18	3020000097	Arm Weld (manual grids)	2				
	3020000110	Arm Weld (hyd grids - low frame)					
	3020000097	Arm Weld (hyd grids - high frame)					
19	7082000017+	Bearing	2				
20	7082000018+	Bearing	2				
21	3592000036	Link Assembly (manual grids)	1				
	3592000054	Link Assembly (hyd grids)					
22	3691000069	Pin Weld (manual grids)	1				
	3691000092	Pin Weld (hyd grids)					
23	7082000016^	Bearing	4				
24	7291000010	4-Way Receptacle	1				

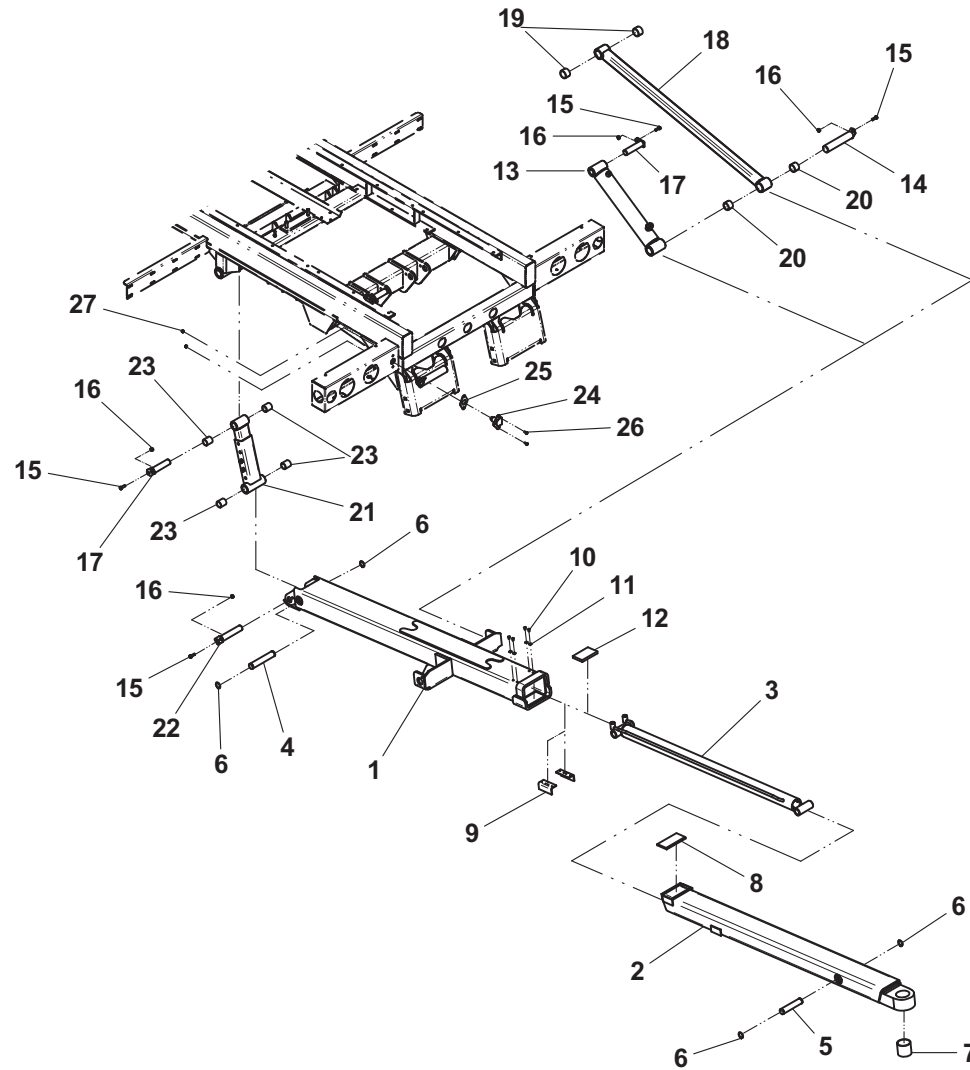
\* included in Inner Boom Weld, P/N 3911000056

+ included in Arm Weld, P/Ns 3020000097 & 3020000110

^ included in Link Weld, P/Ns 3592000036 & 3592000092



# IRL WHEEL LIFT



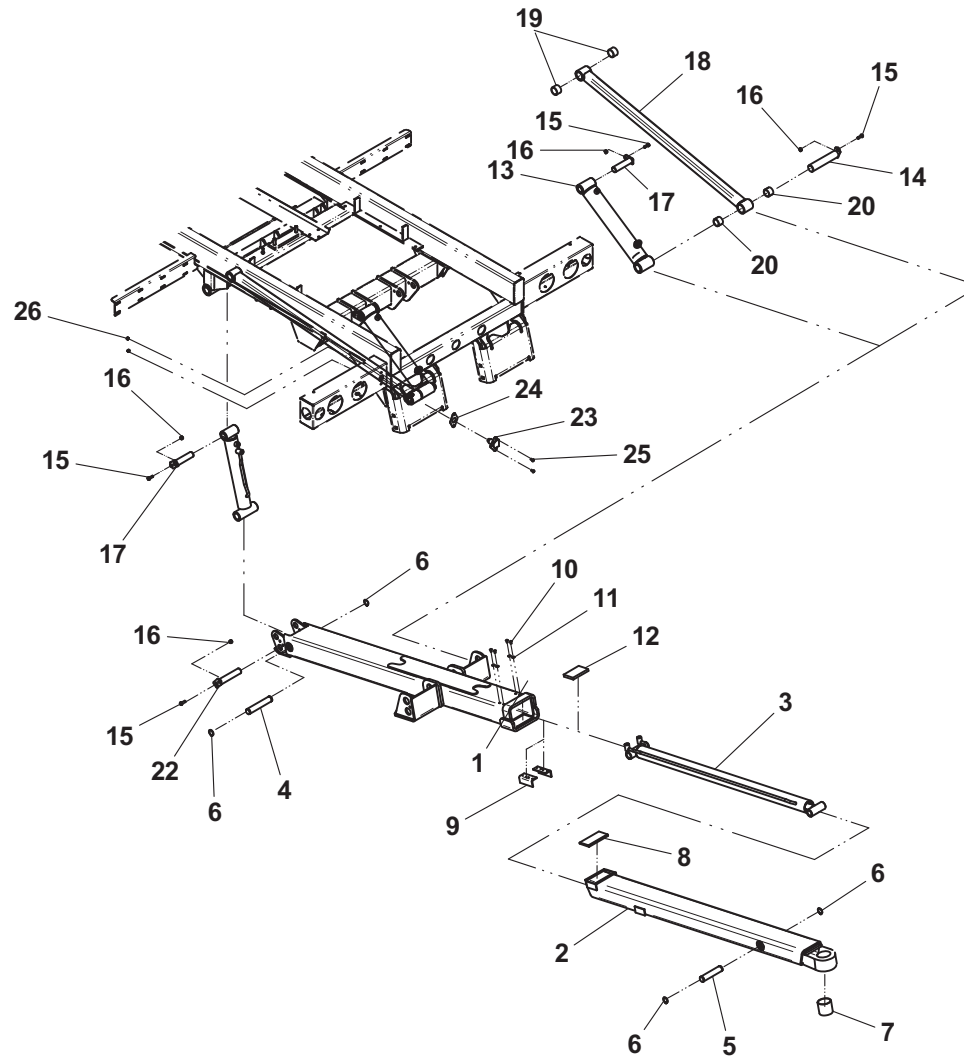
**ZOD WHEEL LIFT**

ITEM	PART NO.	DESCRIPTION	QTY	ITEM	PART NO.	DESCRIPTION	QTY
1	3170000237	Outer Boom Weld (manual grids)	1	24	7796000048	Gasket	1
	3170000428	Outer Boom Weld (hydraulic grids)		25	7114140528	Screw	2
2	3911000056	Inner Boom Weld	1	26	7660142601	Locknut	2
3	3320000115	Cylinder Assembly	1				
4	4691000296	Pin	1				
5	4691000268	Pin	1				
6	7754000006	Retaining Ring	4				
7	7082000020*	Bushing	1				
8	4679000046	Wear Pad	1				
9	4017000739	Angle	2				
10	7118140418	Capscrew, 0.25"-20NC x 0.50"	4				
11	7950100151	Washer, 0.19" ID	4				
12	4679000211	Wear Pad	1				
13	3320000114	Cylinder Assembly (manual grids)	2				
	3320000134	Cylinder Assembly (hyd grids - low frame)					
	3320000114	Cylinder Assembly (hyd grids - high frame)					
14	3691000164	Pin Weld	2				
15	7115160950	Capscrew, 0.38"-16NC x 1.12"	6				
16	7660162601	Locknut, 0.38"-16NC	6				
17	3691000073	Pin Weld	3				
18	3020000097	Arm Weld (manual grids)	2				
	3020000110	Arm Weld (hydraulic grids - low frame)					
	3020000097	Arm Weld (hydraulic grids - high frame)					
19	7082000017+	Bearing	2				
20	7082000018+	Bearing	2				
21	3320000118	Cylinder Assembly (manual grids)	1				
	3320000135	Cylinder Assembly (hyd grids - low frame)					
	3320000157	Cylinder Assembly (hyd grids - high frame)					
22	3691000069	Pin Weld (manual grids)	1				
	3691000092	Pin Weld (hydraulic grids)					
23	7291000010	4-Way Receptacle	1				

\* included in Inner Boom Weld, P/N 3911000056

+ included in Arm Welds, P/Ns 3020000097 & 3020000110

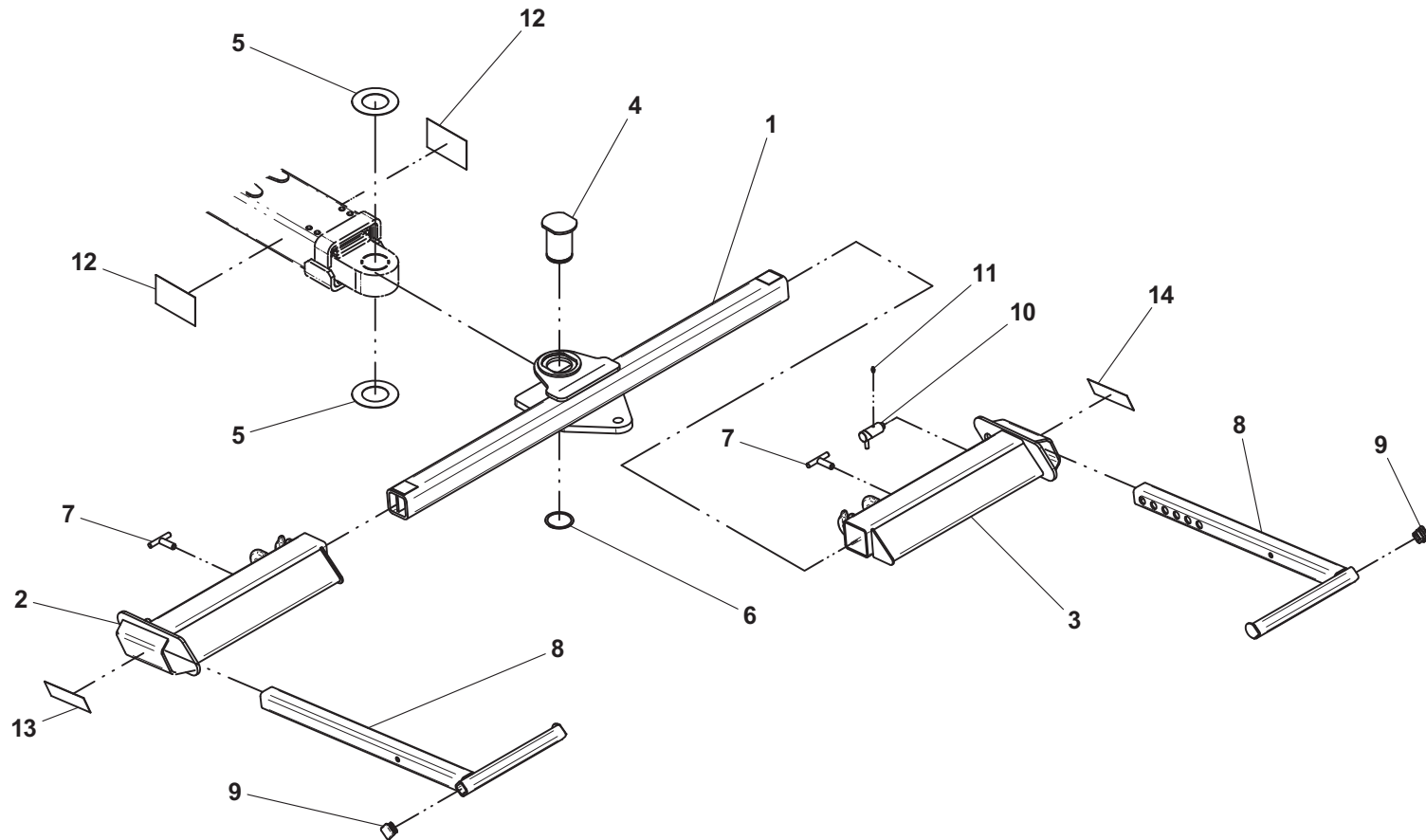
# ZOD WHEEL LIFT



**MANUAL L-ARM WHEEL LIFT GRID**

ITEM	PART NO.	DESCRIPTION	QTY
1	3913000093	Pivot Tube Weld (3,000 lb IRL wheel lift w/ ball plate)	1
	3913000096	Pivot Tube Weld (3,000 lb ZOD wheel lift w/ ball plate)	
	3913000098	Pivot Tube Weld (3,000 lb IRL wheel lift w/ pintle plate)	
	3913000099	Pivot Tube Weld (3,000 lb ZOD wheel lift w/ pintle plate)	
2	3484000035	Grid Weld - LH	1
3	3484000034	Grid Weld - RH	1
4	4691000447	Pivot Pin	1
5	4949000047	Washer	2
6	7754000024	Retaining Ring	1
7	3551000036	T-Handle	2
8	3020000072	L-Arm Weld	2
9	7701000062	Plug	2
10	3551000011	Cam Lock Assembly	2
11	7440030000	Grease Fitting	2
12	7330000419	Reflective Tape	2
13	7330000417	Reflective Tape - LH	1
14	7330000418	Reflective Tape - RH	1

# MANUAL L-ARM WHEEL LIFT GRID



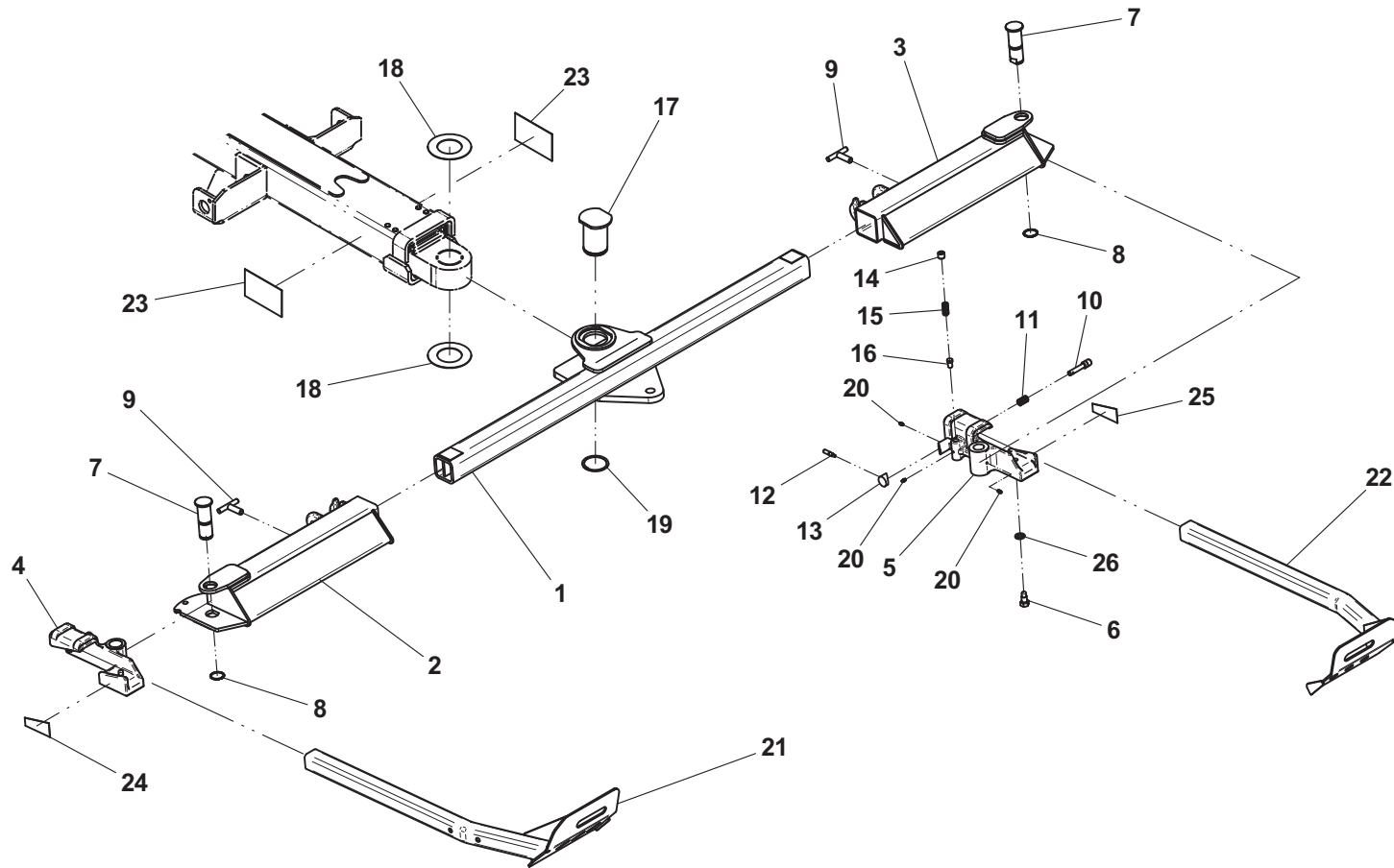
Pivot tube weld with IRL ball hitch mounting plate shown

**MANUAL T37 PIVOTING WHEEL LIFT GRID**

ITEM	PART NO.	DESCRIPTION	QTY	ITEM	PART NO.	DESCRIPTION	QTY
1	3913000093	Pivot Tube Weld (3,000 lb IRL wheel lift w/ ball plate)	1	25	7330000432	Reflective tape	1
	3913000096	Pivot Tube Weld (3,000 lb ZOD wheel lift w/ ball plate)		26	7950200000	Lockwasher, 0.63" ID	2
	3913000098	Pivot Tube Weld (3,000 lb IRL wheel lift w/ pintle plate)					
	3913000099	Pivot Tube Weld (3,000 lb ZOD wheel lift w/ pintle plate)					
2	3484000051*	Grid Weld - LH	1				
3	3484000050+	Grid Weld - RH	1				
4	4259000002*	Pivot Casting, LH	1				
5	4259000001+	Pivot Casting, RH	1				
6	4691000354*+	Pin	2				
7	4691000357*+	Pin	2				
8	7754000037*+	Retaining Ring	2				
9	3551000036	T-Handle	2				
10	4691000186*+	Pin	2				
11	7843000006*+	Spring	2				
12	4763000184*+	Rod	2				
13	4254000005*+	Cap	2				
14	7786000006*+	Screw	2				
15	7843000016*+	Spring	2				
16	4691000183*+	Pin	2				
17	4691000447	Pivot Pin	1				
18	4949000047	Washer	2				
19	7754000024	Retaining Ring	1				
20	7440030000	Grease Fitting	6				
21	3020000029	L-Arm Weld - LH	1				
22	3020000030	L-Arm Weld - RH	1				
23	7330000419	Reflective Tape	2				
24	7330000420	Reflective Tape	1				

\* also available in Grid Assembly, LH, P/N 3484000053  
 + also available in Grid Assembly, RH, P/N 3484000052

# MANUAL T37 PIVOTING WHEEL LIFT GRID



Pivot tube weld with IRL ball hitch mounting plate shown

**HYDRAULIC WHEEL LIFT GRID**

ITEM	PART NO.	DESCRIPTION	QTY	ITEM	PART NO.	DESCRIPTION	QTY
1	4691000482	Pivot Pin	1	32	4679000268	Pad	1
2	4949000047	Washer	2	33	7118161026	Capscrew, 0.38"-16NC x 1.25"	2
3	7754000024	Retaining Ring	1	34	4314000076*	Coverplate	2
4	3484000074*	Grid Crossbar Weld	1	35	7115140518*	Capscrew, 0.25"-20NC x 0.62"	4
5	7320000064*	Cylinder Assembly	2	36	7785140400*	Set Screw	2
6	3691000229*	Pin Weld	4	37	4619000013*	Manifold	1
7	7115151023*	Capscrew, 0.31"-18NC x 1.25"	6	38	7445040443*	Adapter	4
8	7660152601*	Locknut, 0.31"-18NC	6	39	7912000184*	Tube Assembly	4
9	4691000497*	Pin	2	40	7274000086*	Clamp	4
10	3592000052*	Link Weld	2	41	7274000039*	Cover	2
11	3592000051*	Link Weld	2	42	7115151250*	Capscrew, 0.31"-18NC x 1.50"	2
12	4706003497*	Plate	2	40	4314000117	Cover Plate, LH	1
13	7754000022*	Retaining Ring	4	41	4314000118	Cover Plate, RH	1
14	7330000419	Reflective Tape	2	42	7790151253	Screw, 0.31"-18NC x 0.75"	8
15	3691000230	Pin Weld	2	43	7732000002	Spring Reel	2
16	3020000115*	Arm Weld, LH	1	44	4831000109	Spacer	2
17	3020000111*	Arm Weld, RH	1	45	7719000004	Roller	2
18	7754000087	Retaining Ring	4	46	4706003501	Plate	2
19	7843000043	Extension Spring	2	47	7691000040	Clevis Pin	2
20	7248000115	Cable Assembly	2	48	7691000042	Cotter Pin	2
21	7690141600	Pin	2	49	3619000001	Manifold Weld	2
22	7690021210	Cotter Pin	2	50	7115140850	Capscrew, 0.25"-20NC x 1.00"	4
23	4831000112	Spacer	4	51	7950140153	Flatwasher, 0.25" ID	8
24	7719000005	Pulley	2	52	7660142604	Locknut, 0.25"-20NC	8
25	7690144005	Clevis Pin	2	53	7445040445	Elbow	4
26	3691000222	Pin Weld	2	54	7912000237	Tube	2
27	7115150423	Capscrew, 0.31"-18NC x 0.50"	2	55	7274000073	Hose Clamp	4
28	4949000072	Washer	4	56	7785140870*	Set Screw	2
29	7754000006	Retaining Ring	2	57	4691000527	Pin	2
30	3020000112	Arm Weld	2	58	7082000026^#	Bearing	10
31	8411080091	Wheel Spacer	2	59	7082000027+>	Bearing	6

\* also available in Grid Crossbar Assembly, P/N 3484000075

^ also quantity of 8 available in Link Welds, P/N 3592000052

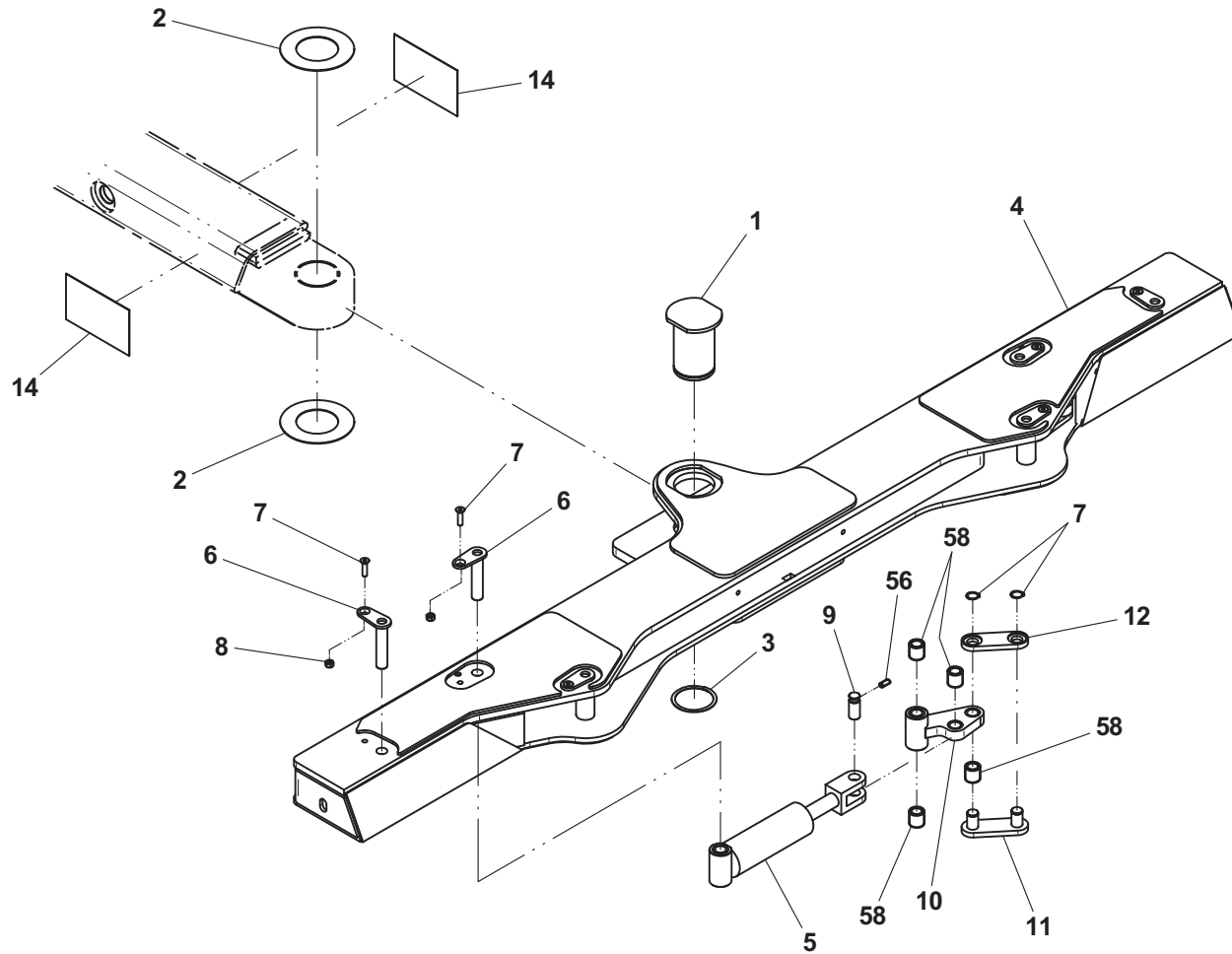
+ also quantity of 2 each available in Arm Weld P/N 3020000115 & P/N 3020000111

# also quantity of 1 each available in Arm Weld P/N 3020000115 & 3020000111

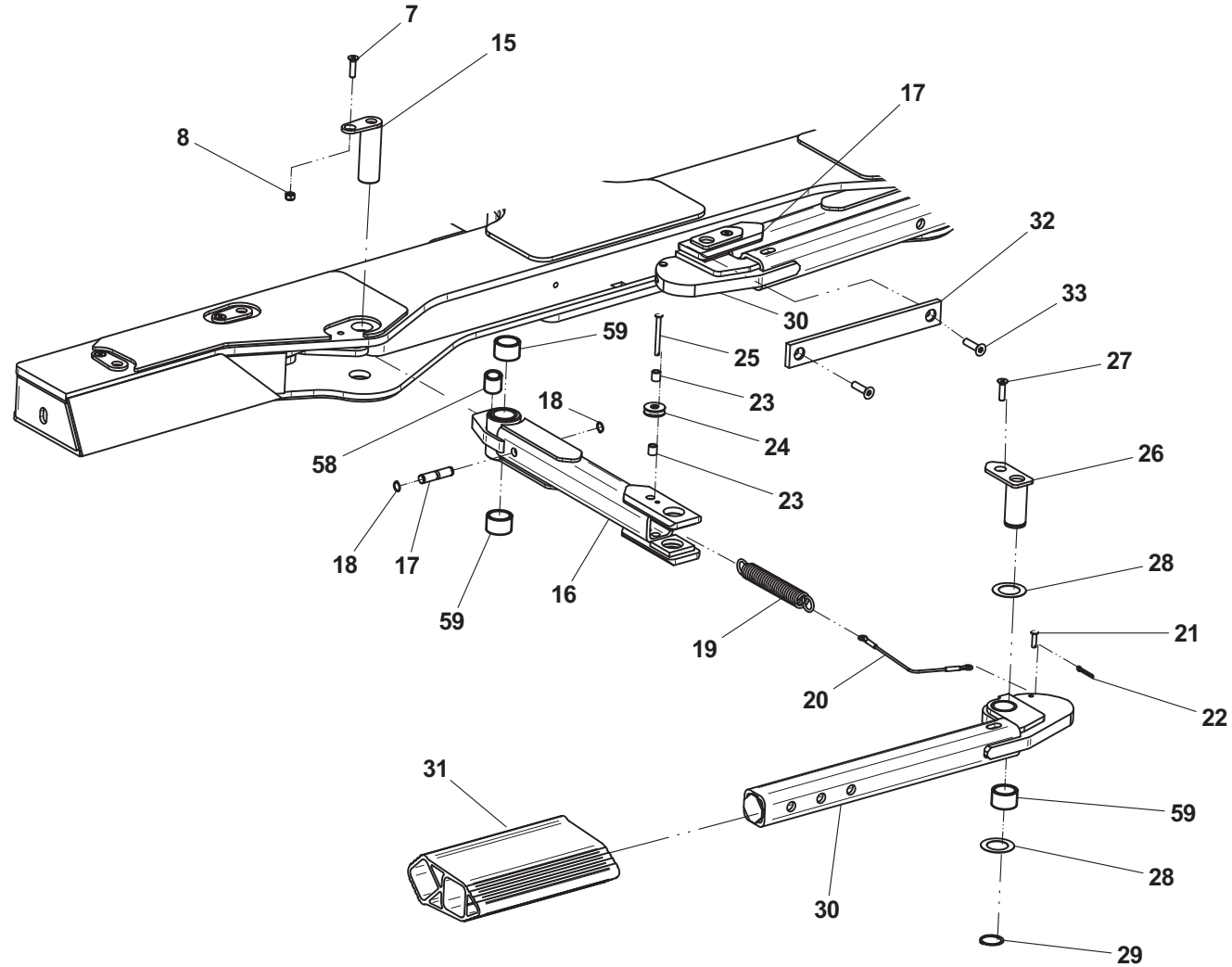
> also quantity of 2 available in Arm Welds P/N 3020000112



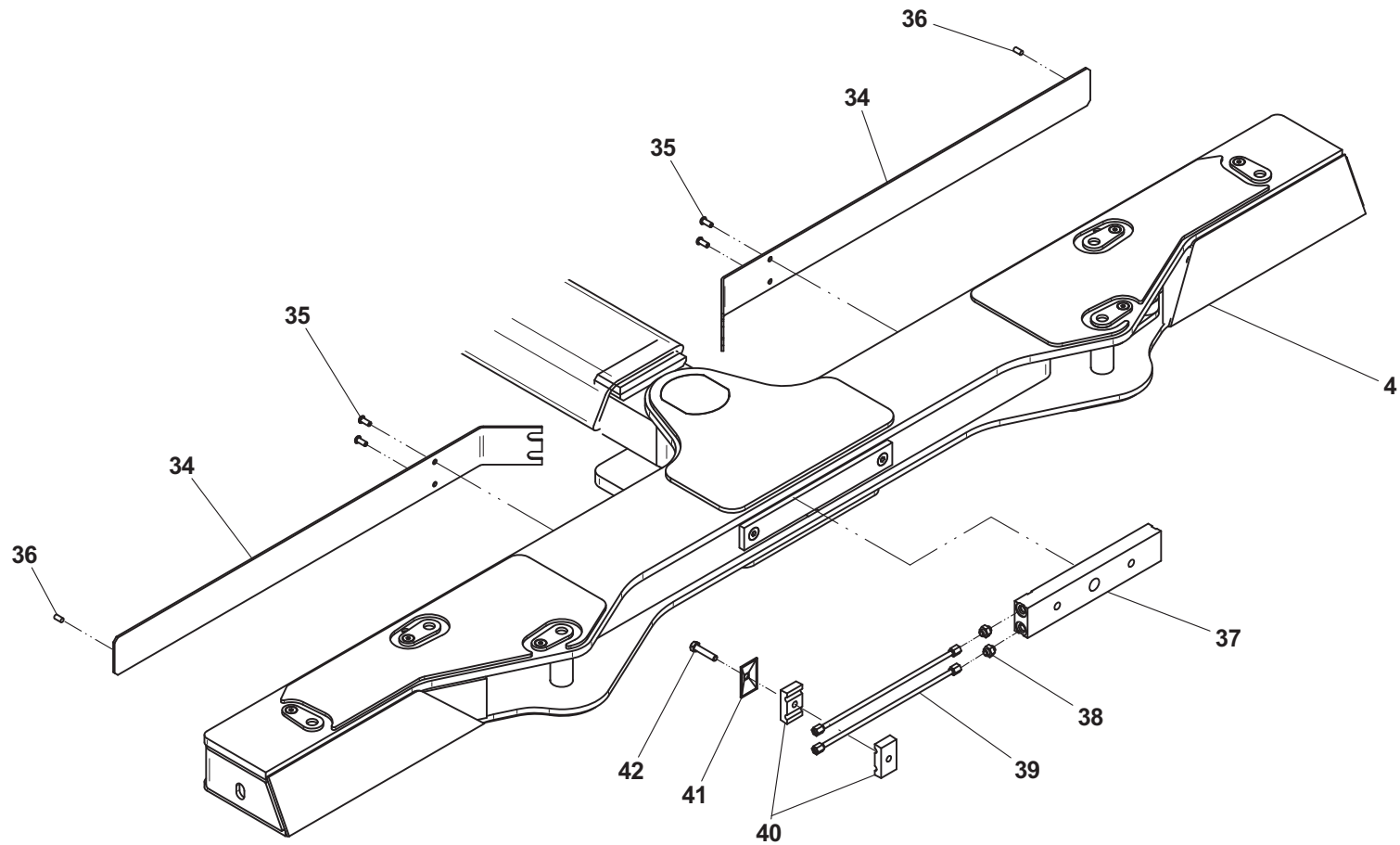
# HYDRAULIC WHEEL LIFT GRID



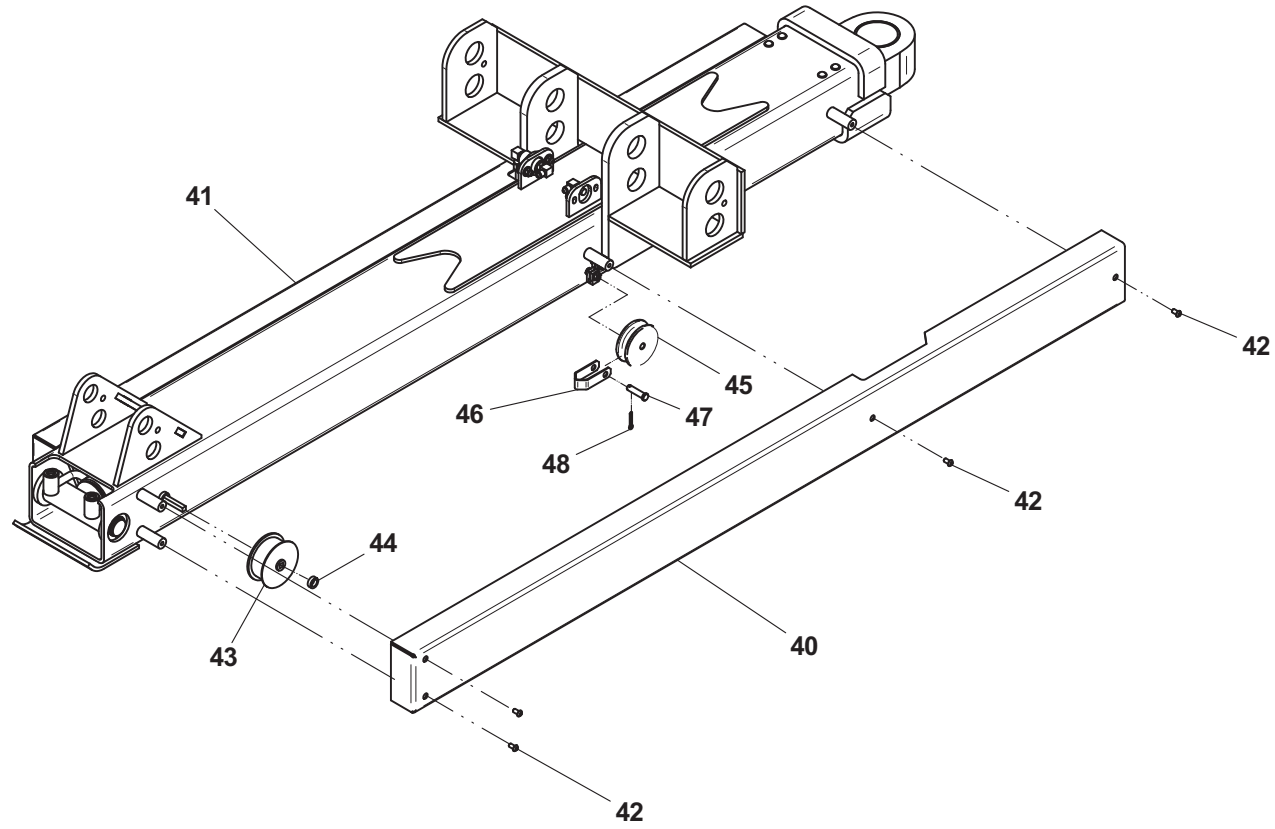
# HYDRAULIC WHEEL LIFT GRID



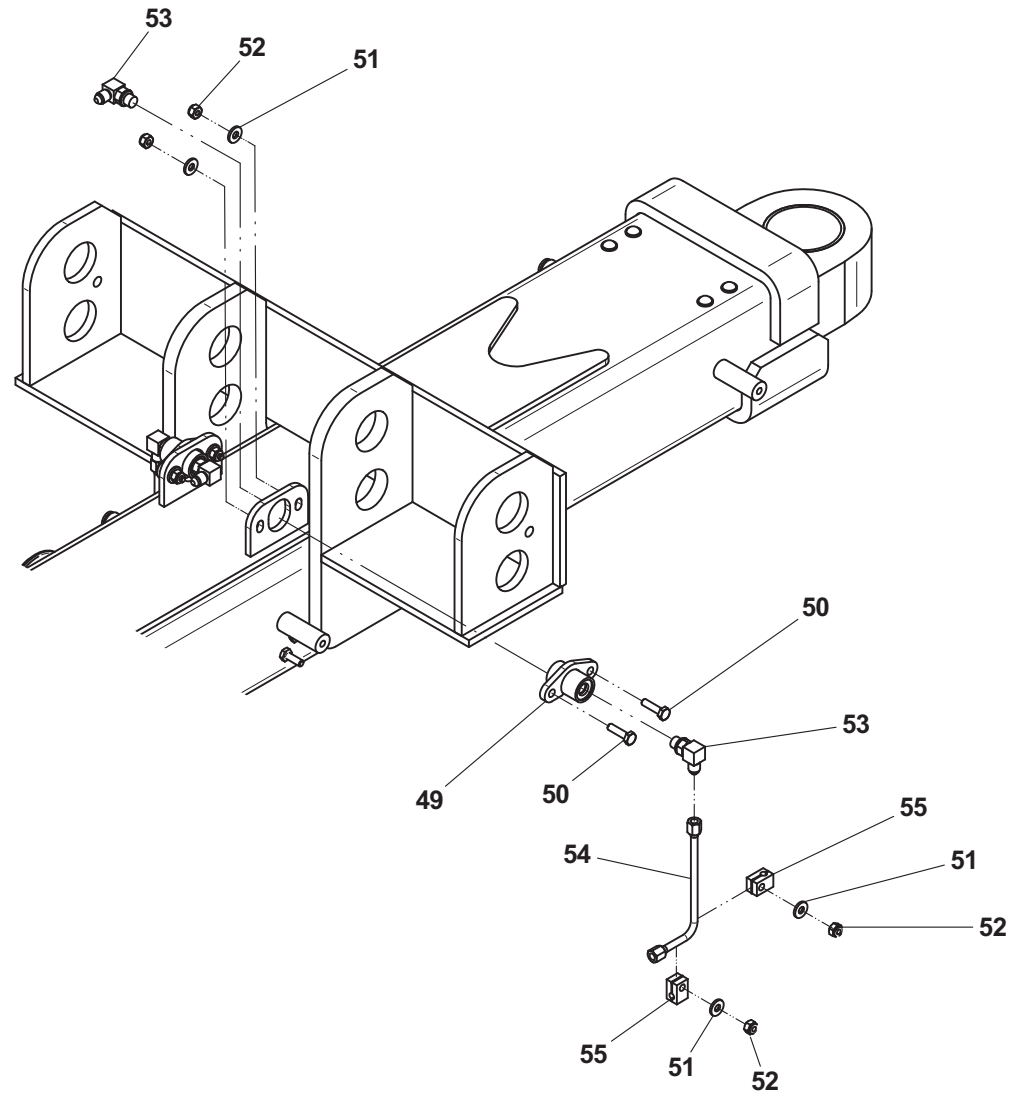
# HYDRAULIC WHEEL LIFT GRID



## HYDRAULIC WHEEL LIFT GRID



# HYDRAULIC WHEEL LIFT GRID

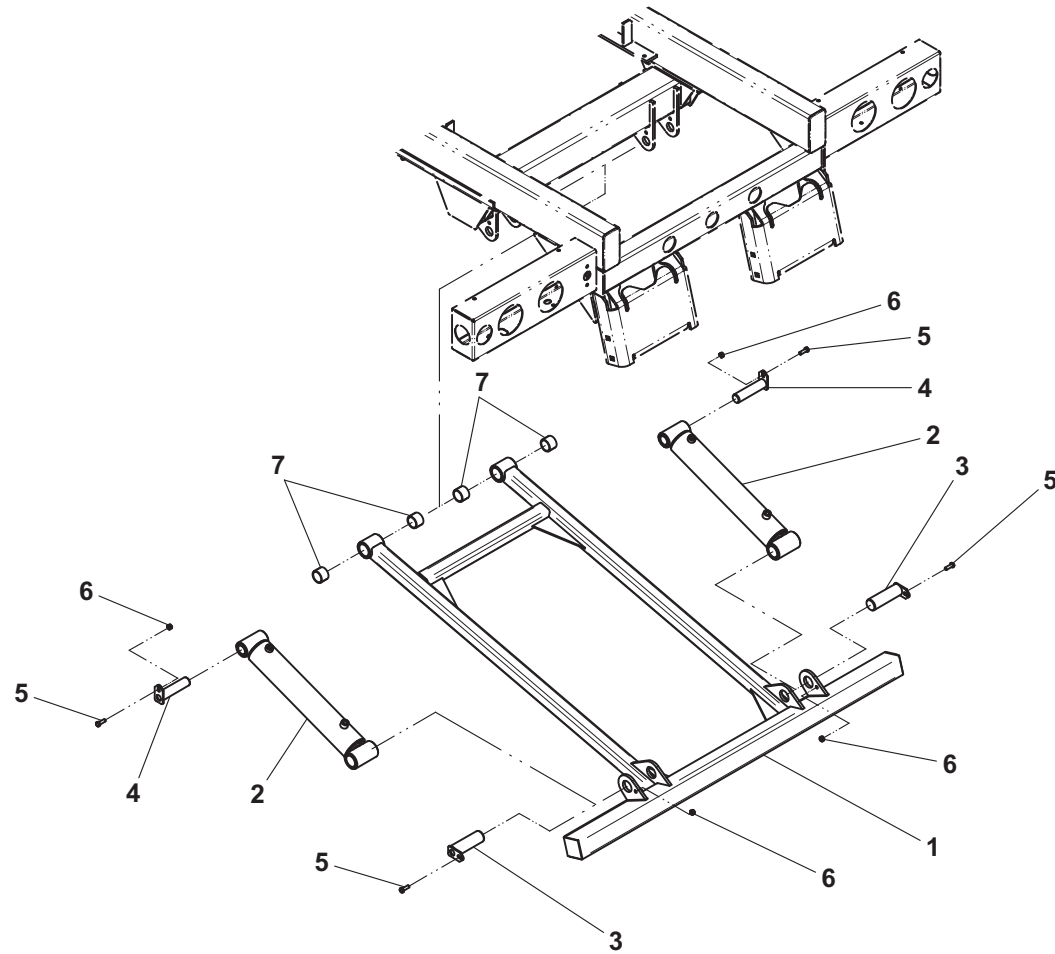


**HYDRAULIC REAR DOCK STABILIZER**

ITEM	PART NO.	DESCRIPTION	QTY
1	3849000021	Stabilizer Weld	1
2	3320000119	Cylinder Assembly	2
3	3691000165	Pin Weld	2
4	3691000073	Pin Weld	2
5	7115160950	Capscrew, 0.38"-16NC x 1.12"	4
6	7660162601	Locknut, 0.38"-16NC	4
7	7082000017*	Bearing	4

\* included in Stabilizer Weld, P/N 3849000021

# HYDRAULIC REAR DOCK STABILIZER



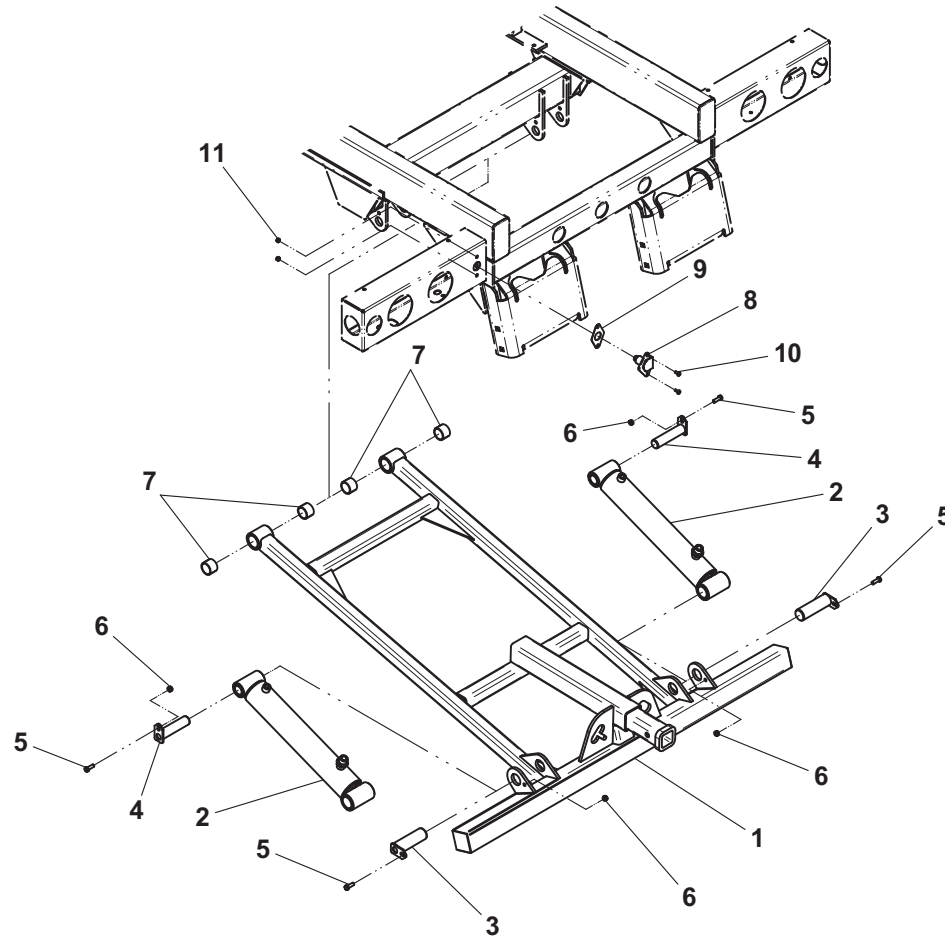
**HYDRAULIC REAR DOCK STABILIZER WITH REESE HITCH RECEIVER**

ITEM	PART NO.	DESCRIPTION	QTY
1	3849000023	Stabilizer Weld w/ Reese Hitch Receiver	1
2	3320000114	Cylinder Assembly	2
3	3691000165	Pin Weld	2
4	3691000073	Pin Weld	2
5	7115160950	Capscrew, 0.38"-16NC x 1.12"	4
6	7660162601	Locknut, 0.38"-16NC	4
7	7082000017*	Bearing	4
8	7291000010	4-Way Receptacle	1
9	7796000048	Gasket	1
10	7114140528	Screw, 0.25"-20NC x .63"	2
11	7660142601	Locknut, 0.25"-20NC	2

\* included in Stabilizer Weld, P/N 3849000023



# HYDRAULIC REAR DOCK STABILIZER WITH REESE HITCH RECEIVER

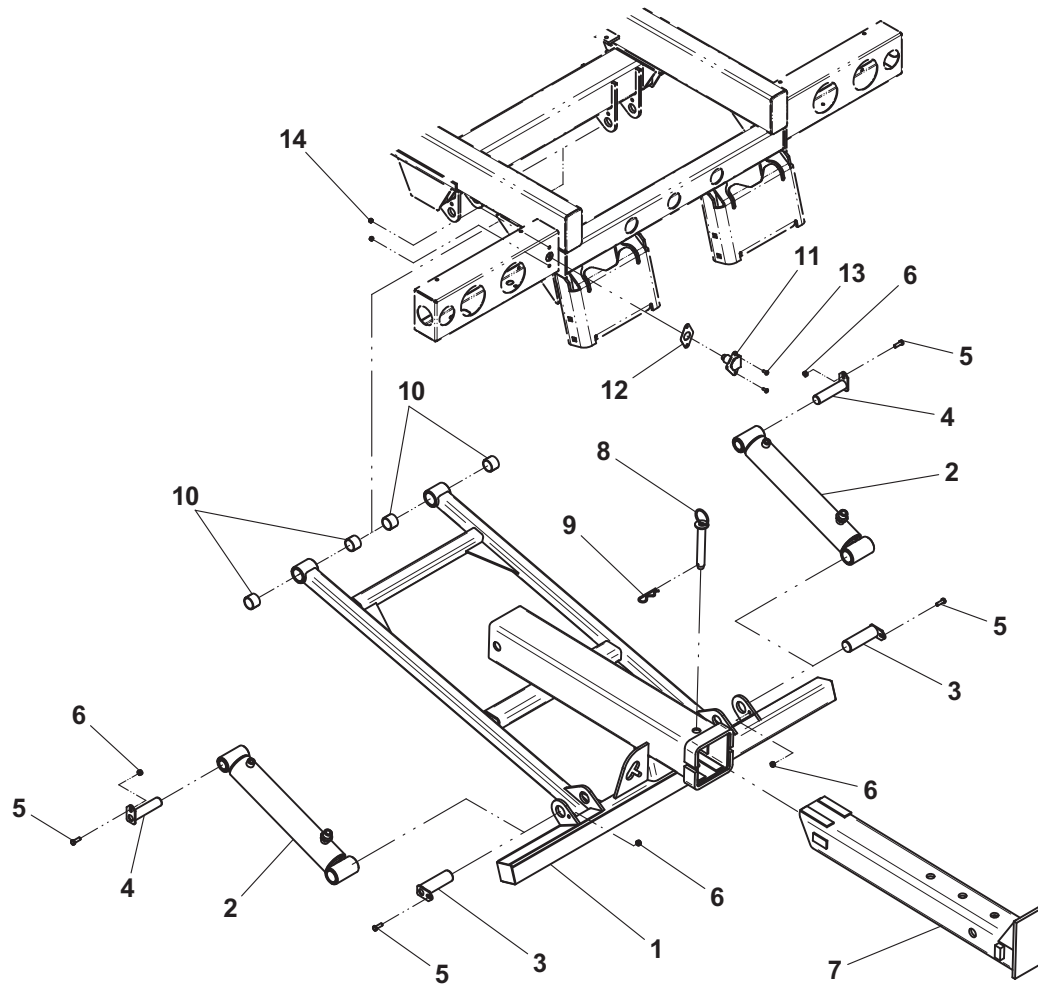


**HYDRAULIC REAR DOCK STABILIZER WITH MANUAL EXTEND PINTLE HITCH MOUNTING PLATE**

ITEM	PART NO.	DESCRIPTION	QTY
1	3849000022	Stabilizer Weld w/ Manual Pintle Plate	1
2	3320000114	Cylinder Assembly	2
3	3691000165	Pin Weld	2
4	3691000073	Pin Weld	2
5	7115160950	Capscrew, 0.38"-16NC x 1.12"	4
6	7660162601	Locknut, 0.38"-16NC	4
7	3170000203	Inner Boom Weld	1
8	3691000064	Pin Weld	1
9	7691000001	Hair Pin	1
10	7082000017*	Bearing	4
11	7291000010	4-Way Receptacle	1
12	7796000048	Gasket	1
13	7114140528	Screw, 0.25"-20NC x 0.63"	2
14	7660142601	Locknut, 0.25"-20NC	2

\* included in Stabilizer Weld, P/N 3849000022

# HYDRAULIC REAR DOCK STABILIZER WITH MANUAL EXTEND PINTLE HITCH MOUNTING PLATE

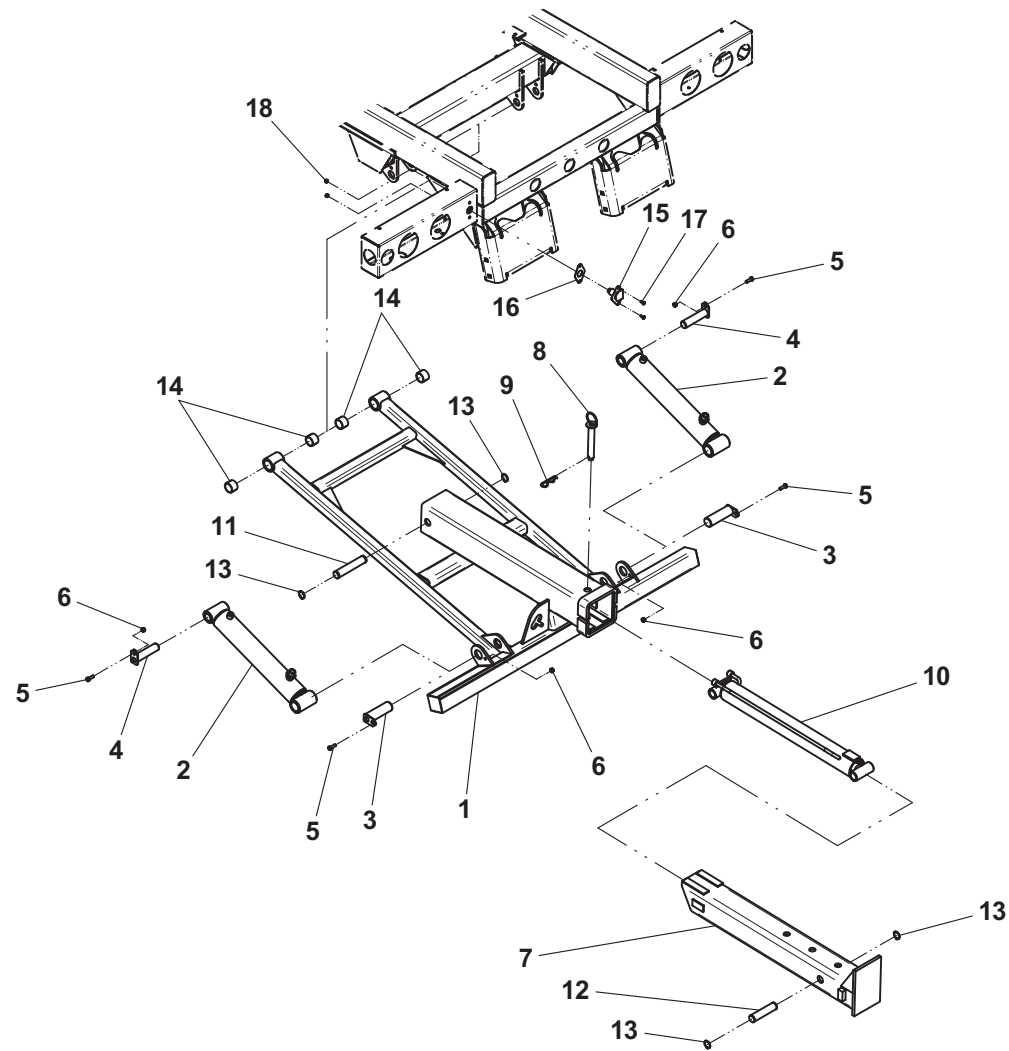


**HYDRAULIC REAR DOCK STABILIZER WITH HYDRAULIC EXTEND PINTLE HITCH MOUNTING PLATE**

ITEM	PART NO.	DESCRIPTION	QTY
1	3849000022	Stabilizer Weld w/ Pintle Hitch Plate	1
2	3320000114	Cylinder Assembly	2
3	3691000165	Pin Weld	2
4	3691000073	Pin Weld	2
5	7115160950	Capscrew, 0.38"-16NC x 1.12"	4
6	7660162601	Locknut, 0.38"-16NC	4
7	3170000203	Inner Boom Weld	1
8	3691000064	Pin Weld	1
9	7691000001	Hair Pin	1
10	3320000117	Cylinder Assembly	1
11	4691000430	Pin	1
12	4691000429	Pin	1
13	7754000006	Retaining Ring	1
14	7082000017*	Bearing	4
15	7291000003	4-Way Receptacle	1
16	7796000048	Gasket	1
17	7114140528	Screw, 0.25"-20NC x 0.63"	2
18	7660142601	Locknut, 0.25"-20NC	2

\* included in Stabilizer Weld, P/N 3849000022

# HYDRAULIC REAR DOCK STABILIZER WITH HYDRAULIC EXTEND PINTLE HITCH MOUNTING PLATE



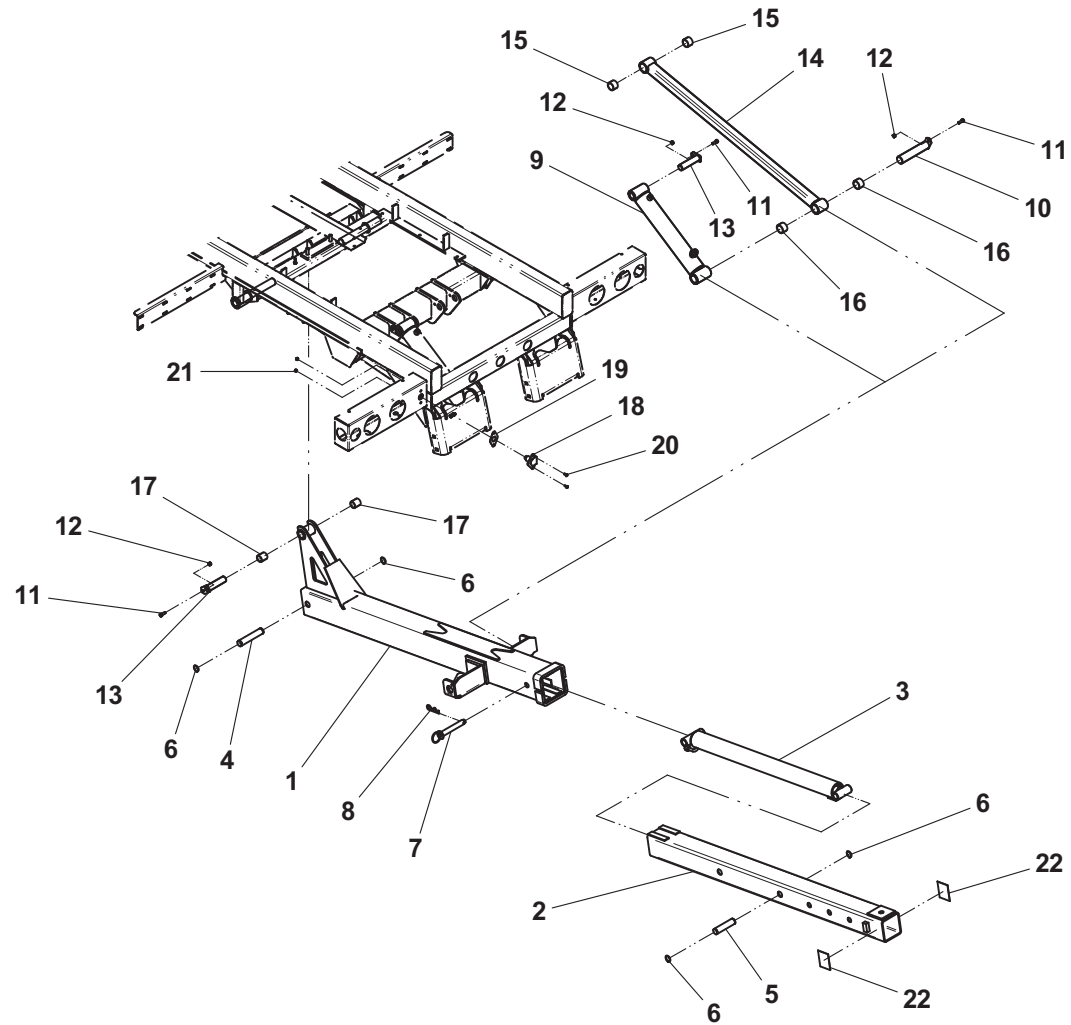
**BALL HITCH MOUNTING PLATE - IRL**

ITEM	PART NO.	DESCRIPTION	QTY
1	3170000275	Outer Boom Weld	1
2	3911000062	Inner Boom Weld	1
3	3320000116	Cylinder Assembly	1
4	4691000430	Pin	1
5	4691000429	Pin	1
6	7754000006	Retaining Ring	4
7	3691000064	Pin Weld	1
8	7691000001	Hair Pin	1
9	3320000114	Cylinder Assembly	2
10	3691000164	Pin Weld	2
11	7115160950	Capscrew, 0.38"-16NC x 1.12"	5
12	7660162601	Locknut, 0.38"-16NC	5
13	3691000073	Pin Weld	3
14	3020000097	Arm Weld	2
15	7082000017*	Bushing	4
16	7082000018*	Bushing	4
17	7082000016+	Bushing	2
18	7291000010	4-Way Receptacle	1
19	7796000048	Gasket	1
20	7114140528	Screw, 0.25"-20NC x 0.63"	2
21	7660142601	Locknut, 0.25"-20NC	2
22	4330000002	Reflective Tape	2

\* included in Arm Weld, P/N 3020000097

+ included in Outer Boom Weld, P/N 3170000275

# BALL HITCH MOUNTING PLATE - IRL



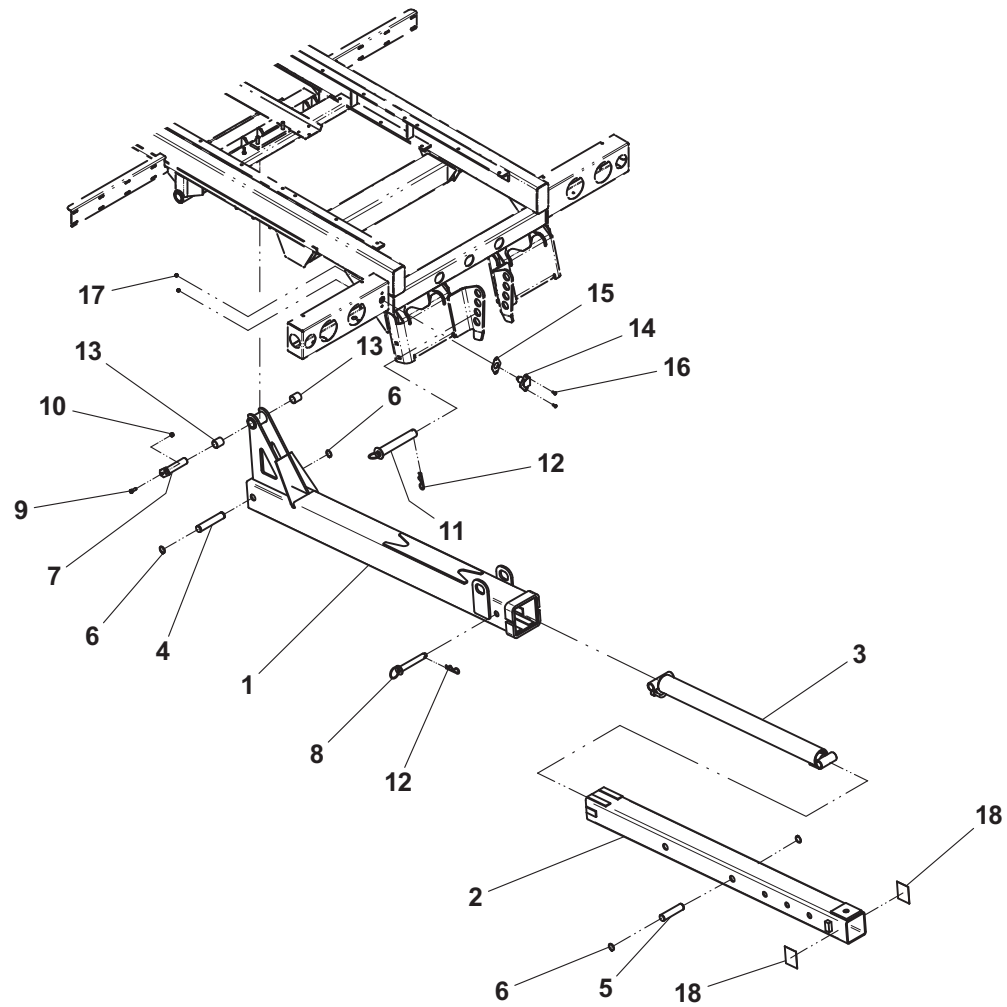
**BALL HITCH MOUNTING PLATE - HYDRAULIC EXTEND**

ITEM	PART NO.	DESCRIPTION	QTY
1	3170000276	Outer Boom Weld	1
2	3911000062	Inner Boom Weld	1
3	3320000116	Cylinder Assembly	1
4	4691000430	Pin	1
5	4691000429	Pin	1
6	7754000006	Retaining Ring	4
7	3691000073	Pin Weld	1
8	3691000064	Pin Weld	1
9	7115160950	Capscrew, 0.38"-16NC x 1.12"	1
10	7660162601	Locknut, 0.38"-16NC	1
11	3691000097	Pin Weld	1
12	7691000001	Hair Pin	2
13	7082000016*	Bushing	2
14	7291000010	4-Way Receptacle	1
15	7796000048	Gasket	1
16	7114140528	Screw, 0.25"-20NC x 0.63"	2
17	7660142601	Locknut, 0.25"-20NC	2
18	4330000002	Reflective Tape	2

\* included in Outer Boom Weld, P/N 3170000276



# BALL HITCH MOUNTING PLATE - HYDRAULIC EXTEND

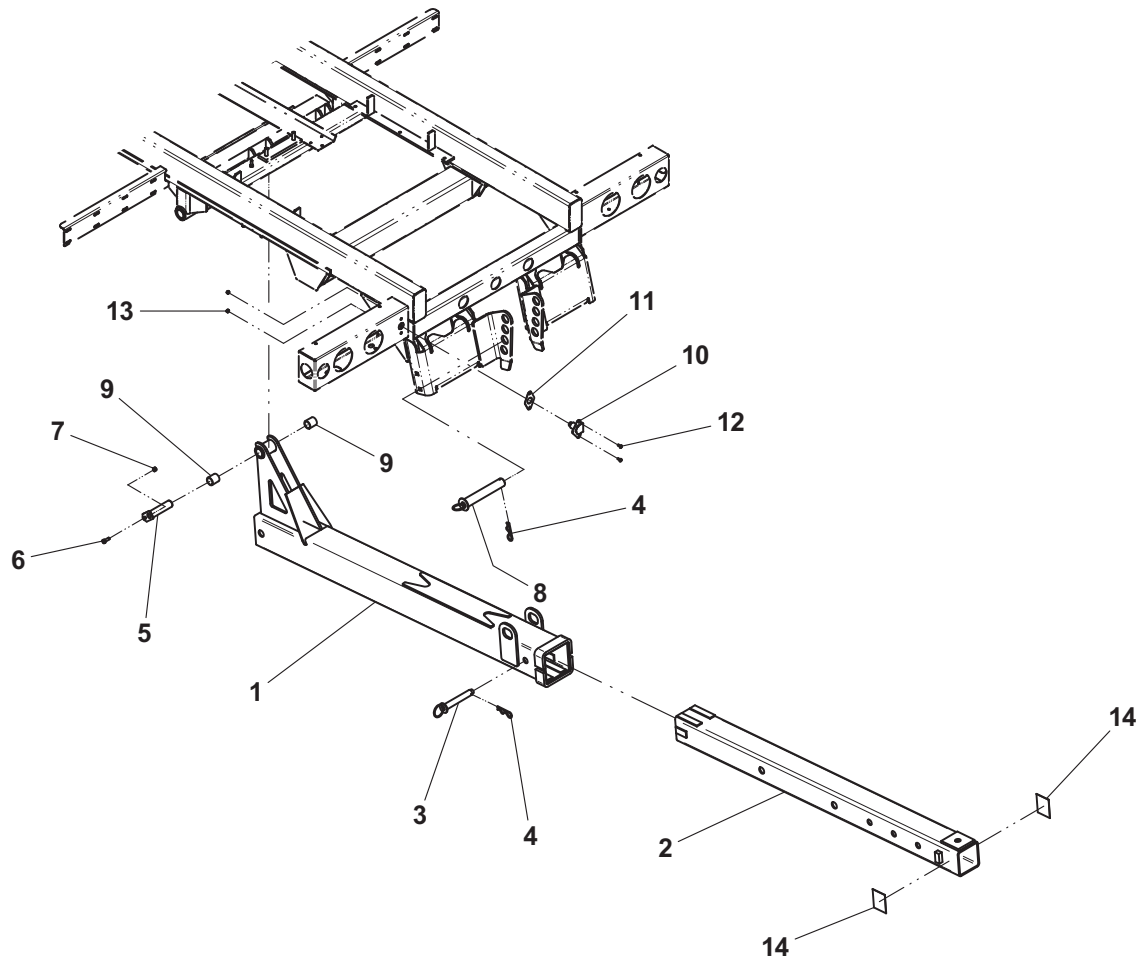


**BALL HITCH MOUNTING PLATE - MANUAL EXTEND**

ITEM	PART NO.	DESCRIPTION	QTY
1	3170000276	Outer Boom Weld	1
2	3911000062	Inner Boom Weld	1
3	3691000064	Pin Weld	1
4	7691000001	Hair Pin	2
5	3691000073	Pin Weld	1
6	7115160950	Capscrew, 0.38"-16NC x 1.12"	1
7	7660162601	Locknut, 0.38"-16NC	1
8	3691000097	Pin Weld	1
9	7082000016*	Bushing	2
10	7291000010	4-Way Receptacle	1
11	7796000048	Gasket	1
12	7114140528	Screw, 0.25"-20NC x 0.63"	2
13	7660142601	Locknut, 0.25"-20NC	2
14	4330000002	Reflective Tape	2

\* included in Outer Boom Weld, P/N 3170000276

# BALL HITCH MOUNTING PLATE - MANUAL EXTEND



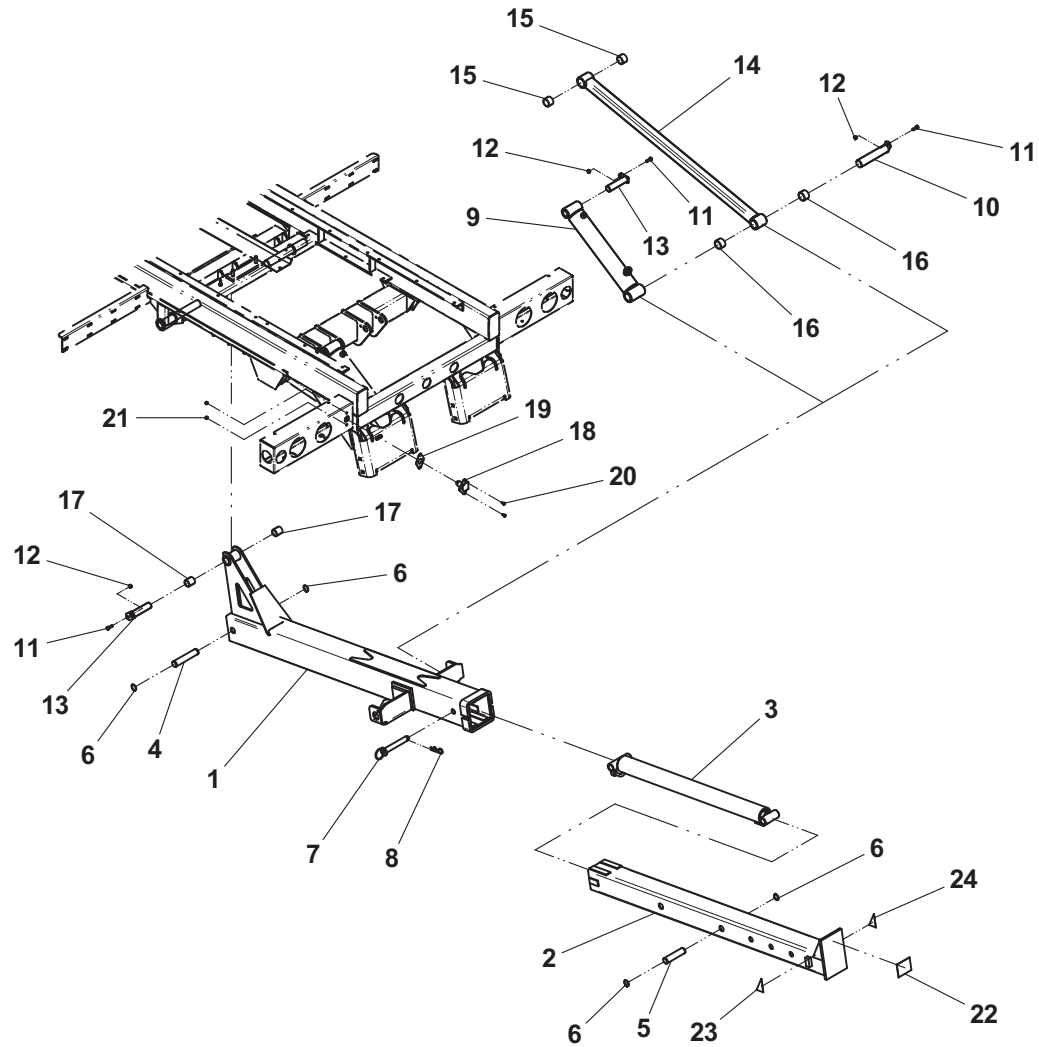
**PINTLE HITCH MOUNTING PLATE - IRL**

ITEM	PART NO.	DESCRIPTION	QTY
1	3170000275	Outer Boom Weld	1
2	3170000208	Inner Boom Weld	1
3	3320000116	Cylinder Assembly	1
4	4691000430	Pin	1
5	4691000429	Pin	1
6	7754000006	Retaining Ring	4
7	3691000064	Pin Weld	1
8	7691000001	Hair Pin	1
9	3320000114	Cylinder Assembly	1
10	3691000164	Pin Weld	2
11	7115160950	Capscrew, 0.38"-16NC x 1.12"	5
12	7660162601	Locknut, 0.38"-16NC	5
13	3691000073	Pin Weld	3
14	3020000097	Arm Weld	2
15	7082000017*	Bushing	4
16	7082000018*	Bushing	4
17	7082000016+	Bushing	2
18	7291000010	4-Way Receptacle	1
19	7796000048	Gasket	1
20	7114140528	Screw, 0.25"-20NC x 0.63"	2
21	7660142601	Locknut, 0.25"-20NC	2
22	4330000002	Reflective Tape	1
23	4330000645	Reflective Tape, LH	1
24	4330000646	Reflective Tape, RH	1

\* included in Arm Weld, P/N 3020000097

+ included in Outer Boom Weld, P/N 3170000275

# PINTLE HITCH MOUNTING PLATE - IRL

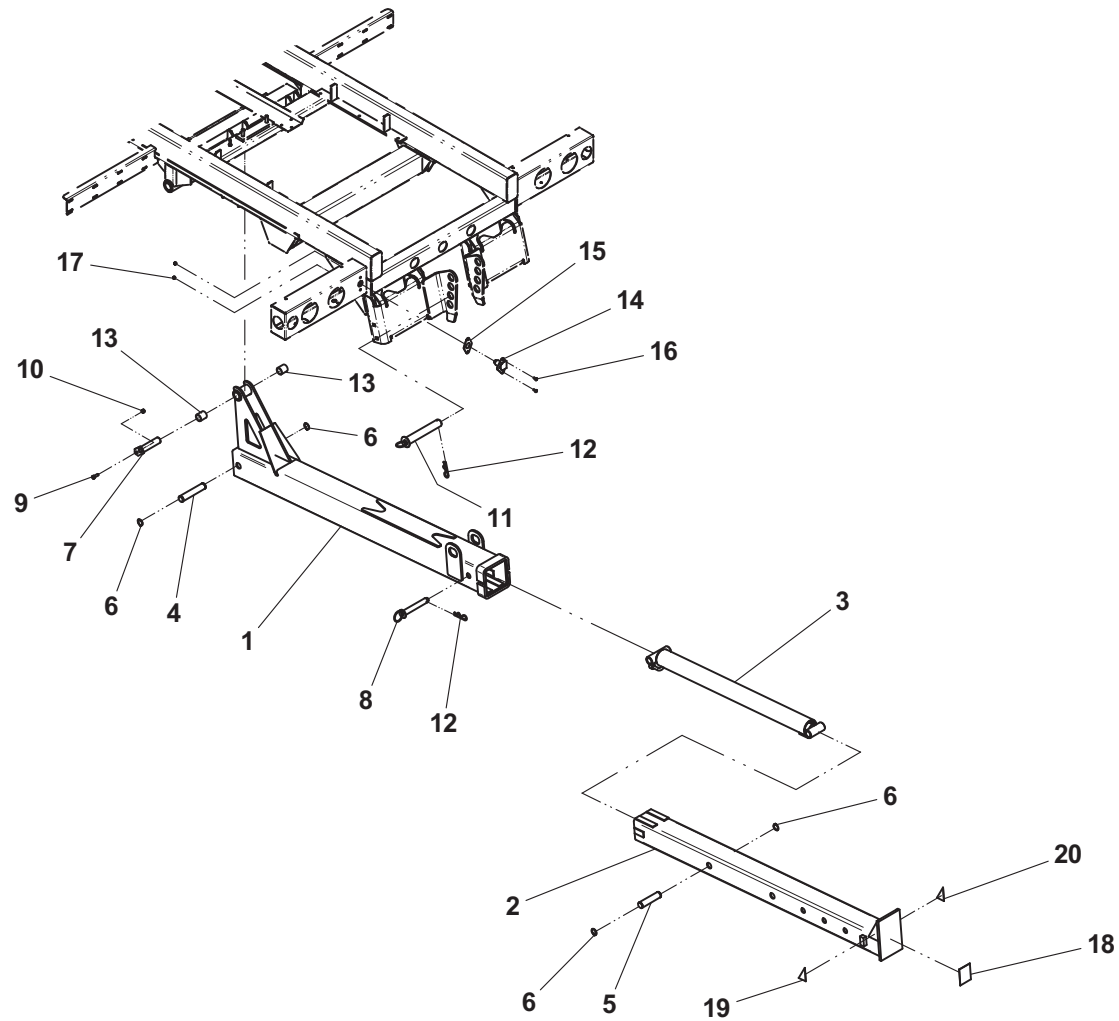


**PINTLE HITCH MOUNTING PLATE - HYDRAULIC EXTEND**

ITEM	PART NO.	DESCRIPTION	QTY
1	3170000276	Outer Boom Weld	1
2	3170000208	Inner Boom Weld	1
3	3320000116	Cylinder Assembly	1
4	4691000430	Pin	1
5	4691000429	Pin	1
6	7754000006	Retaining Ring	4
7	3691000073	Pin Weld	1
8	3691000064	Pin Weld	1
9	7115160950	Capscrew, 0.38"-16NC x 1.12"	1
10	7660162601	Locknut, 0.38"-16NC	1
11	3691000097	Pin Weld	1
12	7691000001	Hair Pin	2
13	7082000016*	Bushing	2
14	7291000010	4-Way Receptacle	1
15	7796000048	Gasket	1
16	7114140528	Screw, 0.25"-20NC x 0.63"	2
17	7660142601	Locknut, 0.25"-20NC	2
18	4330000002	Reflective Tape	1
19	4330000645	Reflective Tape, LH	1
20	4330000646	Reflective Tape, RH	1

\* included in Outer Boom Weld, P/N 3170000276

# PINTLE HITCH MOUNTING PLATE - HYDRAULIC EXTEND



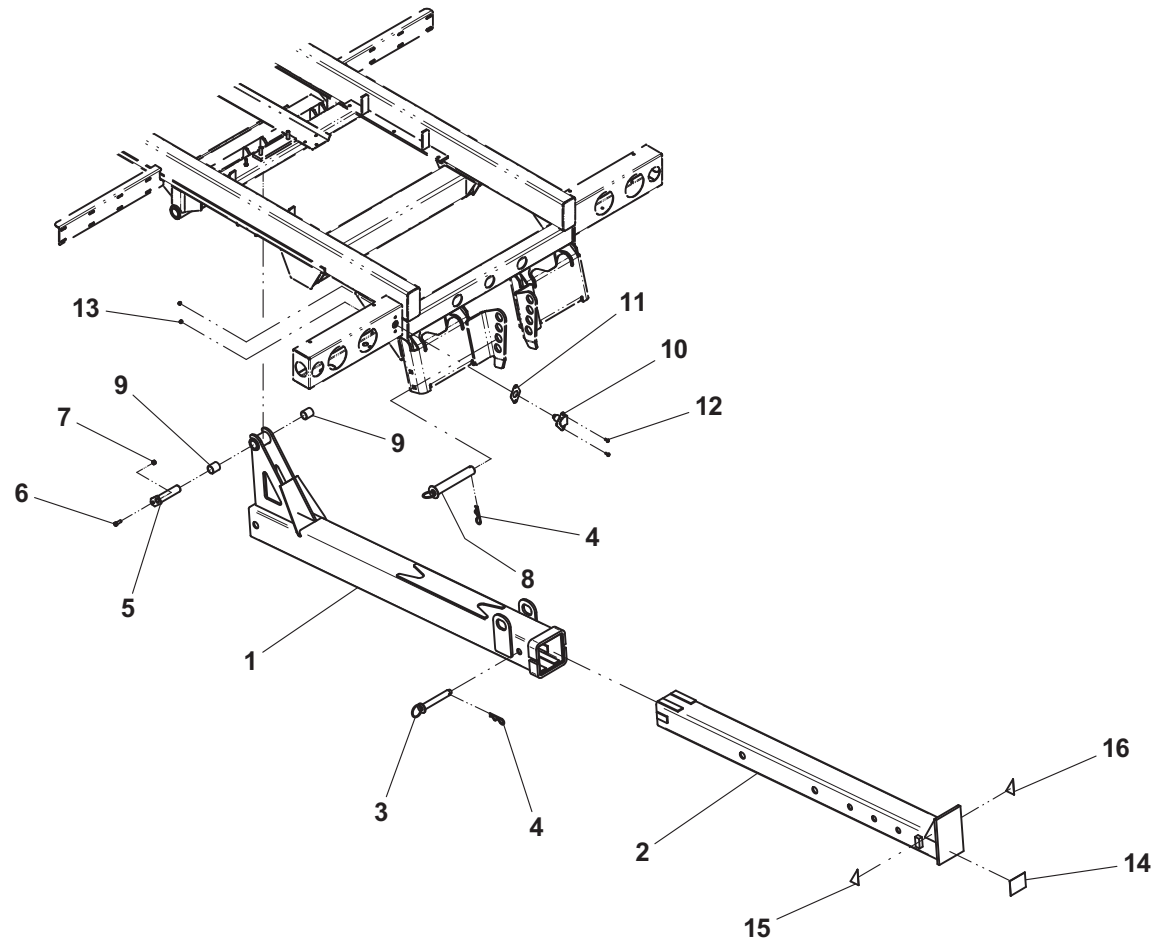
**PINTLE HITCH MOUNTING PLATE - MANUAL EXTEND**

ITEM	PART NO.	DESCRIPTION	QTY
1	3170000276	Outer Boom Weld	1
2	3170000208	Inner Boom Weld	1
3	3691000064	Pin Weld	1
4	7691000001	Hair Pin	2
5	3691000073	Pin Weld	1
6	7115160950	Capscrew, 0.38"-16NC x 1.12"	1
7	7660162601	Locknut, 0.38"-16NC	1
8	3691000097	Pin Weld	1
9	7082000016*	Bushing	2
10	7291000010	4-Way Receptacle	1
11	7796000048	Gasket	1
12	7114140528	Screw, 0.25"-20NC x 0.63"	2
13	7660142601	Locknut, 0.25"-20NC	2
14	4330000002	Reflective Tape	1
15	4330000645	Reflective Tape, LH	1
16	4330000646	Reflective Tape, RH	1

\* included in Outer Boom Weld, P/N 3170000276



# PINTLE HITCH MOUNTING PLATE - MANUAL EXTEND



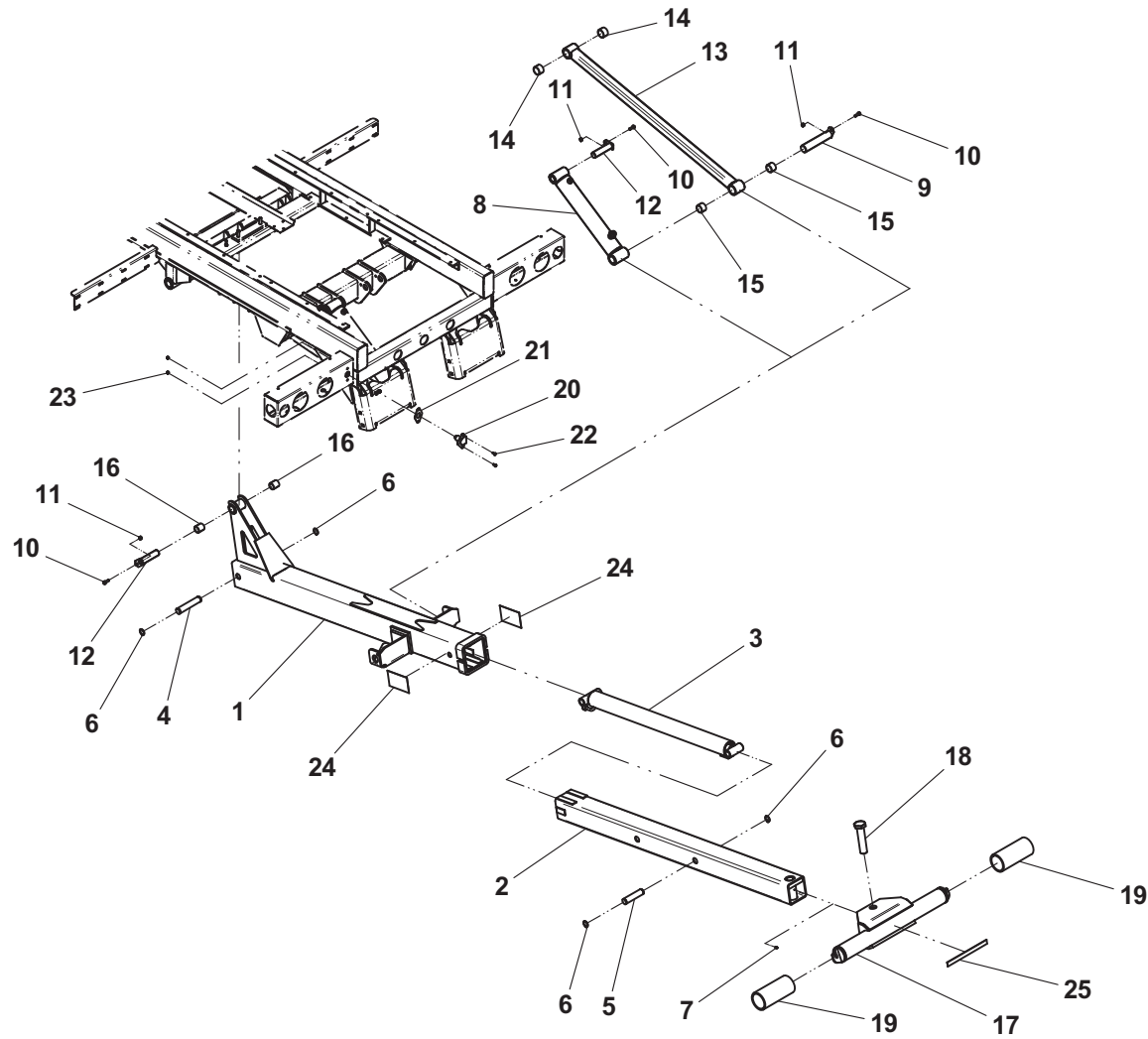
**TOWBAR - IRL**

ITEM	PART NO.	DESCRIPTION	QTY
1	3170000275	Outer Boom Weld	1
2	3170000048	Inner Boom Weld	1
3	3320000116	Cylinder Assembly	1
4	4691000430	Pin	1
5	4691000429	Pin	1
6	7754000006	Retaining Ring	4
7	7440030000	Grease Fitting	1
8	3320000114	Cylinder Assembly	2
9	3691000164	Pin Weld	2
10	7115160950	Capscrew, 0.38"-16NC x 1.12"	5
11	7660162601	Locknut, 0.38"-16NC	5
12	3691000073	Pin Weld	3
13	3020000097	Arm Weld	2
14	7082000017*	Bushing	4
15	7082000018*	Bushing	4
16	7082000016+	Bushing	2
17	3556000023	Tow Hitch Weld	1
18	4120000008	Capscrew, 1.50"-12NF x 6.38"	1
19	7912000011	Tube Rubber	2
20	7291000010	4-Way Receptacle	1
21	7796000048	Gasket	1
22	7114140528	Screw, 0.25"-20NC x 0.63"	2
23	7660142601	Locknut, .025"-20NC	2
24	7330000419	Reflective Tape	2
25	4330000001	Reflective Tape	1

\* included in Arm Weld, P/N 3020000097

+ included in Outer Boom Weld, P/N 3170000275

# TOWBAR - IRL

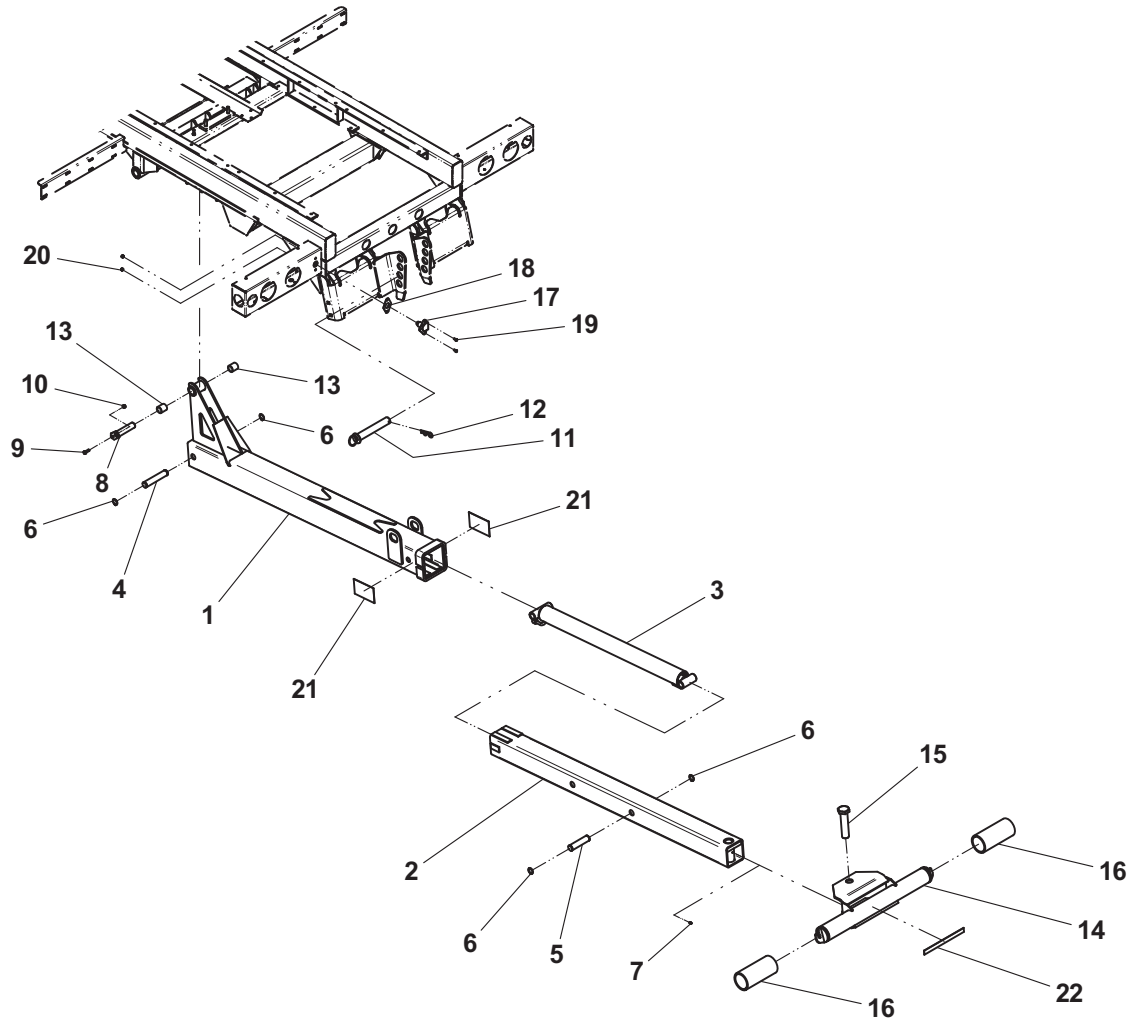


**TOWBAR - HYDRAULIC EXTEND**

ITEM	PART NO.	DESCRIPTION	QTY
1	3170000276	Outer Boom Weld	1
2	3170000048	Inner Boom Weld	1
3	3320000116	Cylinder Assembly	1
4	4691000430	Pin	1
5	4691000429	Pin	1
6	7754000006	Retaining Ring	4
7	7440030000	Grease Fitting	1
8	3691000073	Pin Weld	1
9	7115160950	Capscrew, 0.38"-16NC x 1.12"	1
10	7660162601	Locknut, 0.38"-16NC	1
11	3691000097	Pin Weld	1
12	7691000001	Hair Pin	1
13	7082000016*	Bushing	2
14	3556000023	Tow Hitch Weld	1
15	4120000008	Capscrew, 1.50"-12NF x 6.38"	1
16	7912000011	Tube Rubber	2
17	7291000010	4-Way Receptacle	1
18	7796000048	Gasket	1
19	7114140528	Screw, 0.25"-20NC x 0.63"	2
20	7660142601	Locknut, 0.25"-20NC	2
21	4330000002	Reflective Tape	2
22	4330000001	Reflective Tape	1

\* included in Outer Boom Weld, P/N 3170000276

# TOWBAR - HYDRAULIC EXTEND



**ROLL CYLINDER ASSEMBLY - P/N 3320000112**

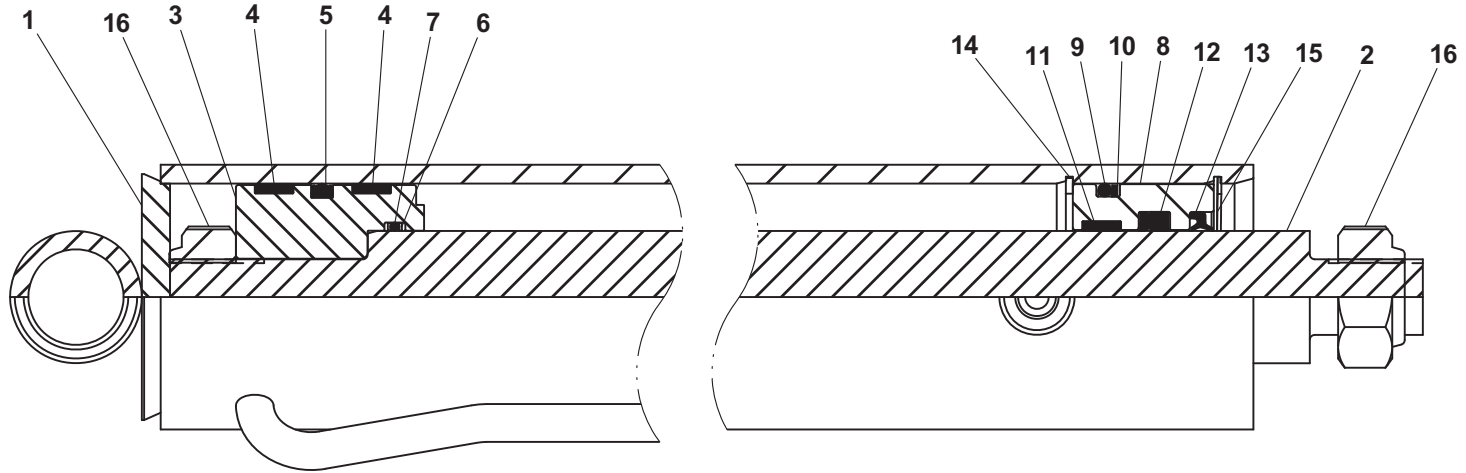
ITEM	PART NO.	DESCRIPTION	QTY
1	3071000103	Barrel Weld	1
2	4763000204	Rod	1
3	4698000007*	Piston	1
4	7754000003* #	Wear Ring	2
5	7796000063* #	Piston Locking "T" Seal	1
6	7755224609* #	Back-Up Ring	2
7	7755224000* #	"O" Ring	1
8	4553000008^	Head	1
9	7755334000^#	"O" Ring	1
10	7755334609^#	Back-Up Ring	1
11	7754000004^#	Wear Ring	1
12	7796000024^#	Rod Seal	1
13	7796000008^#	Rod Wiper Seal	1
14	7754000002 #	Retaining Ring	1
15	7754000026 #	Retaining Ring	1
16	7661000034	Locknut	2

\* included in Piston Assembly, P/N 3698000001

^ included in Head Assembly, P/N 3553000011

# available only in Service Kit #7577250024

# ROLL CYLINDER ASSEMBLY - P/N 3320000112



**TILT CYLINDER ASSEMBLY - P/N 3320000122**

ITEM	PART NO.	DESCRIPTION	QTY
1	3071000117	Barrel Weld	1
2	3763000127	Rod Weld	1
3	4698000007*	Piston	1
4	7754000003* #	Wear Ring	2
5	7796000063* #	Piston Locking "T" Seal	1
6	7755224609* #	Back-Up Ring	2
7	7755224000* #	"O" Ring	1
8	4553000008^	Head	1
9	7755330008^ #	"O" Ring	1
10	7755334609^ #	Back-Up Ring	1
11	7754000004^ #	Wear Ring	1
12	7796000045^ #	Rod Seal	1
13	7796000024^ #	Rod Wiper Seal	1
14	7754000002#	Retaining Ring	1
15	7754000026#	Retaining Ring	1
16	7661000034	Locknut	1
17	7082000016	Bearing	4

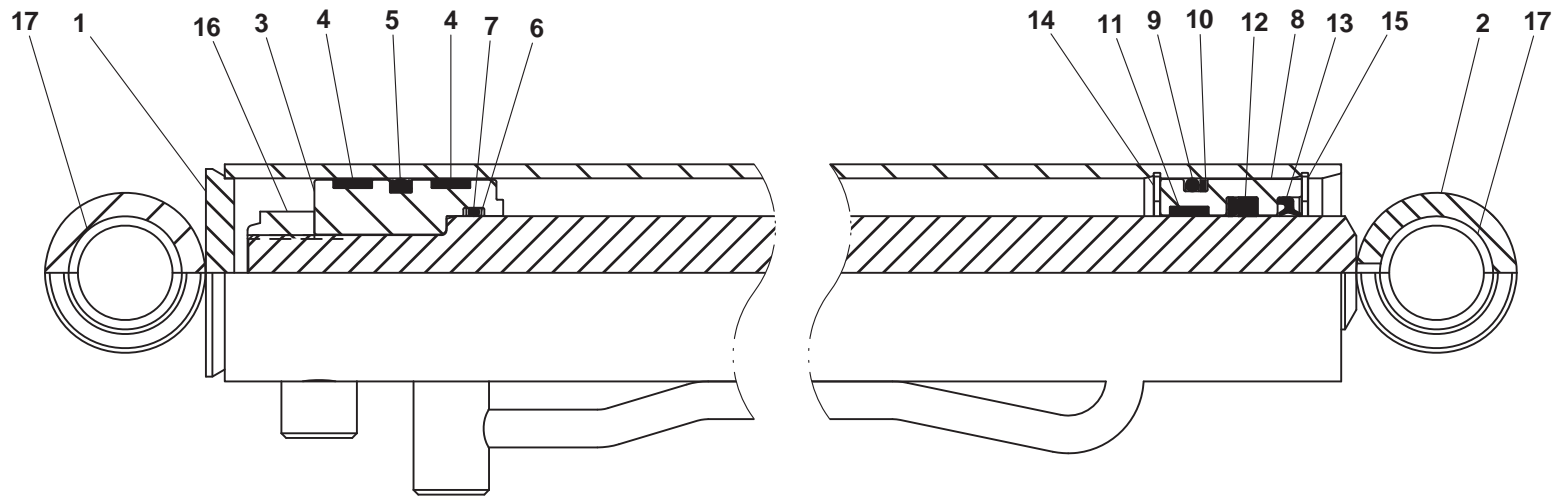
\* included in Piston Assembly, P/N 3698000001

^ included Head Assembly, P/N 3553000011

# available only in Service Kit



# TILT CYLINDER ASSEMBLY - P/N 3320000122



**WHEEL LIFT EXTEND CYLINDER ASSEMBLY - P/N 3320000115**

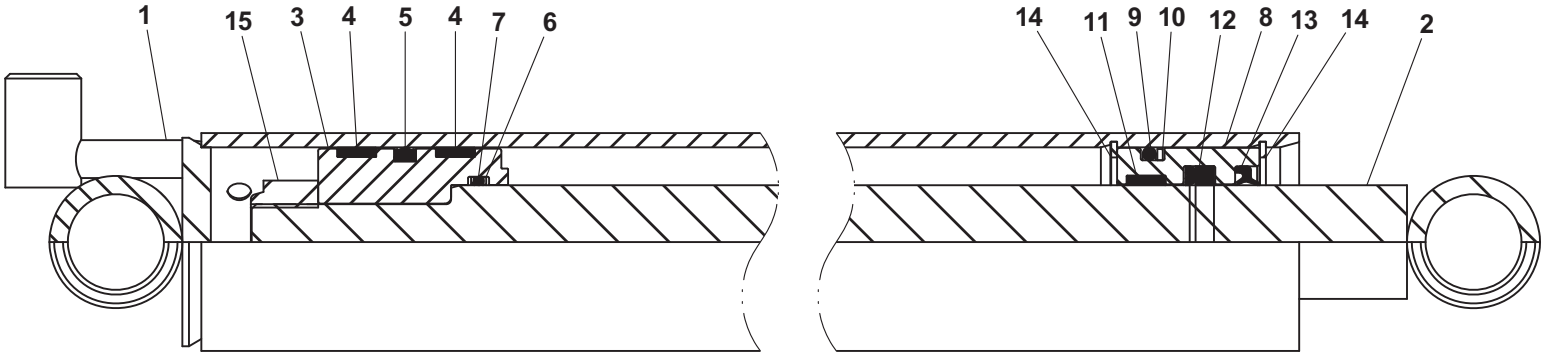
ITEM	PART NO.	DESCRIPTION	QTY
1	3071000106	Barrel Weld	1
2	3763000119	Rod Weld	1
3	4698000015*	Piston	1
4	7754000053* #	Wear Ring	2
5	7796000067* #	Piston Locking "T" Seal	1
6	7755222609* #	Back-Up Ring	2
7	7755222000* #	"O" Ring	1
8	4553000016^	Head	1
9	7755330000^ #	"O" Ring	1
10	7755330609^ #	Back-Up Ring	1
11	7754000054^ #	Wear Ring	1
12	7796000045^ #	Rod Seal	1
13	7796000046^ #	Rod Wiper Seal	1
14	7754000051#	Retaining Ring	2
15	7661000034	Locknut	1

\* included in Piston Assembly, P/N 3698000006

^ included in Head Assembly, P/N 3553000016

# available only in Service Kit #7577250206

**WHEEL LIFT EXTEND CYLINDER ASSEMBLY - P/N 3320000115**



**IRL CYLINDER ASSEMBLY - P/N 3320000114 & 3320000134**

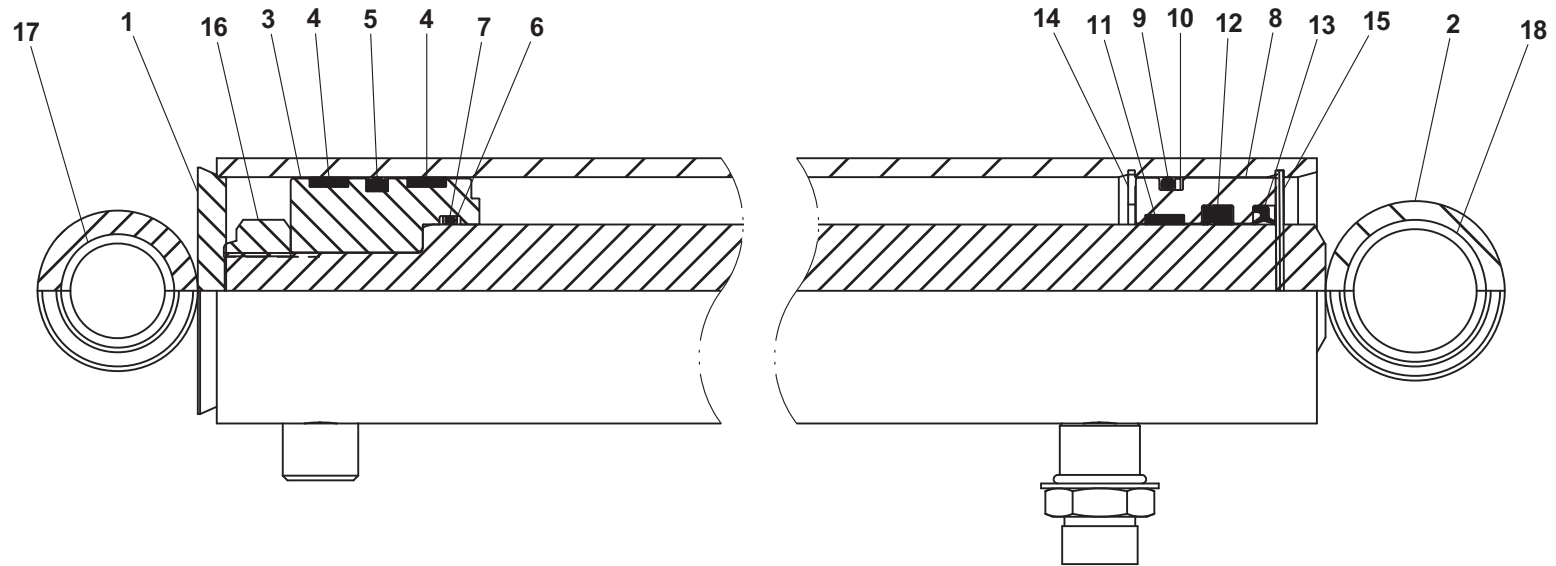
ITEM	PART NO.	DESCRIPTION	QTY
1	3071000105	Barrel Weld (auto grids)	1
	3017000131	Barrel Weld (auto grids)	
2	3763000118	Rod Weld (manual grids)	1
	3763000139	Rod Weld (auto grids)	
3	4698000007*	Piston	1
4	7754000003* #	Wear Ring	2
5	7796000063* #	Piston Locking "T" Seal	1
6	7755224609* #	Back-Up Ring	2
7	7755224000* #	"O" Ring	1
8	4553000008^	Head	1
9	7755334000^ #	"O" Ring	1
10	7755334609^ #	Back-Up Ring	1
11	7754000004^ #	Wear Ring	1
12	7796000024^ #	Rod Seal	1
13	7796000008^ #	Rod Wiper Seal	1
14	7754000002 #	Retaining Ring	1
15	7754000026 #	Retaining Ring	1
16	7661000034	Locknut	1
17	7082000016	Bearing	2
18	7082000018	Bearing	2

\* included in Piston Assembly, P/N 3698000001

^ included in Head Assembly, P/N 3553000011

# available only in Service Kit #7577250024

# IRL CYLINDER ASSEMBLY - P/N 3320000114 & 3320000134



**ZOD CYLINDER ASSEMBLY - P/N 3320000118, 3320000135 & 7330000157**

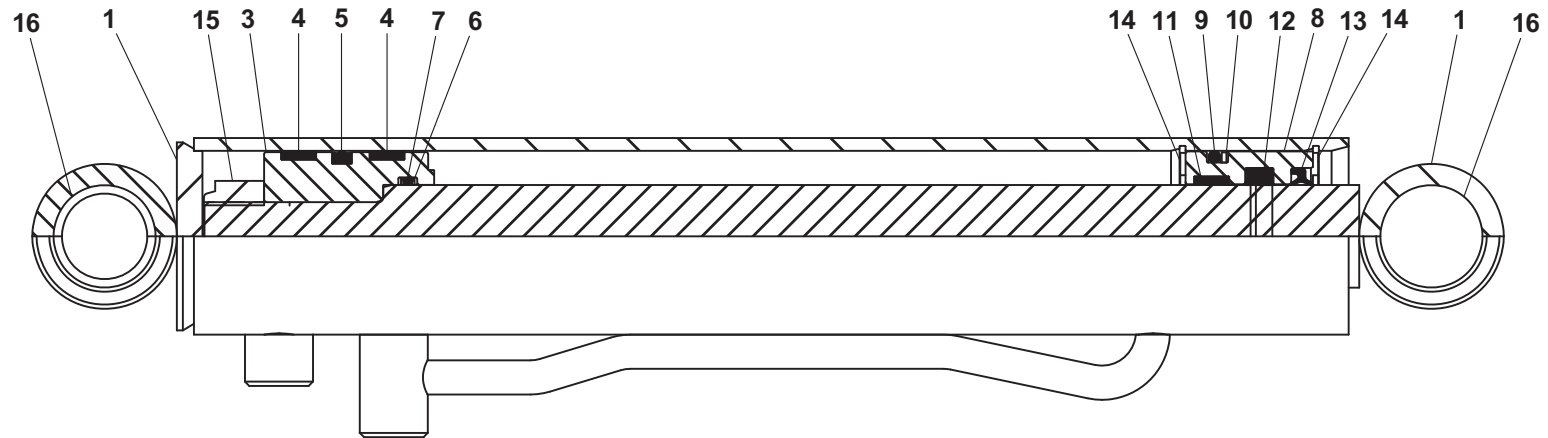
ITEM	PART NO.	DESCRIPTION	QTY
1	3071000109	Barrel Weld (manual grids)	1
	3071000139	Barrel Weld (auto grids, std frame)	
	3071000103	Barrel Weld (auto grids, high frame)	
2	3763000122	Rod Weld (manual grid)	1
	3763000140	Rod Weld (auto grids, std frame)	
	3763000170	Rod Weld (auto grids, high frame)	
3	4698000015*	Piston	1
4	7754000053* #	Wear Ring	2
5	7796000067* #	Piston Locking "T" Seal	1
6	7755224609* #	Back-Up Ring	2
7	7755224000* #	"O" Ring	1
8	4553000016^	Head	1
9	7755330000^ #	"O" Ring	1
10	7755330609^ #	Back-Up Ring	1
11	7754000054^ #	Wear Ring	1
12	7796000045^ #	Rod Seal	1
13	7796000046^ #	Rod Wiper Seal	1
14	7754000051 #	Retaining Ring	2
15	7661000034	Locknut	1
16	7082000016	Bearing	4

\* include in Piston Assembly, P/N 3698000006

^ included in Head Assembly, P/N 3553000016

# available only in Service Kit #7577250206

# ZOD CYLINDER ASSEMBLY - P/N 3320000118, 3320000135 & 3320000157



**STABILIZER CYLINDER ASSEMBLY - P/N 3320000119**

ITEM	PART NO.	DESCRIPTION	QTY
1	3071000110	Barrel Weld	1
2	3763000118	Rod Weld	1
3	4698000007*	Piston	1
4	7754000003* #	Wear Ring	2
5	7796000063* #	Piston Locking "T" Seal	1
6	7755224609* #	Back-Up Ring	2
7	7755224000* #	"O" Ring	1
8	4553000008^	Head	1
9	7755334000^ #	"O" Ring	1
10	7755334609^ #	Back-Up Ring	1
11	7754000004^ #	Wear Ring	1
12	7796000024^ #	Rod Seal	1
13	7796000008^ #	Rod Wiper Seal	1
14	7754000002 #	Retaining Ring	1
15	7754000026 #	Retaining Ring	1
16	7661000034	Locknut	1
17	7082000016	Bearing	2
18	7082000018	Bearing	2

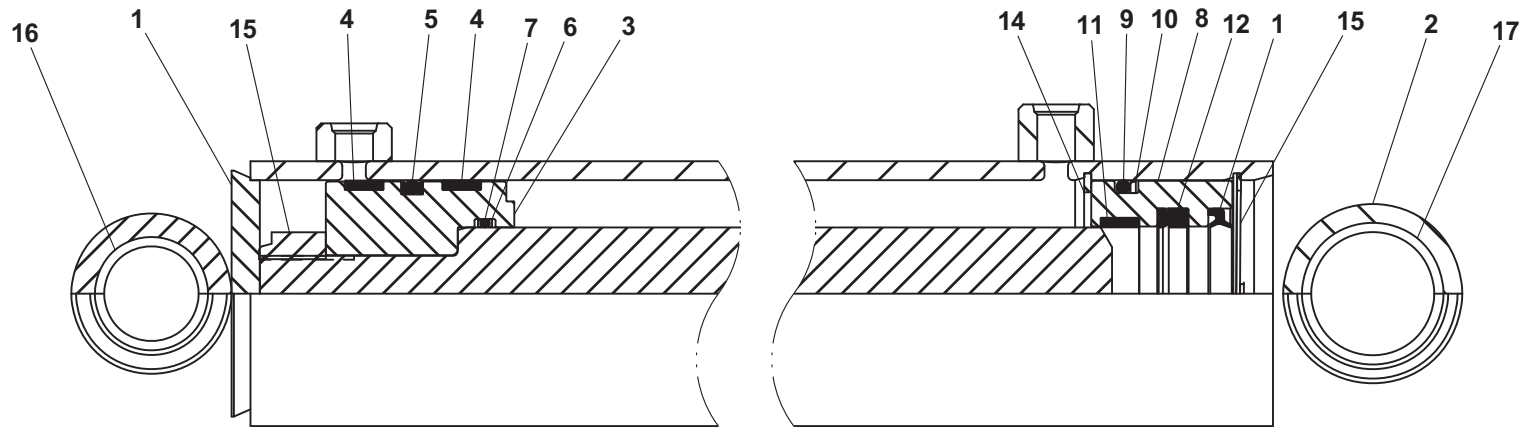
\* included in Piston Assembly, P/N 3698000001

^ included in Head Assembly, P/N 3553000011

# available only in Service Kit #7577250024



# STABILIZER CYLINDER ASSEMBLY - P/N 3320000119



**TOW OPTION HYDRAULIC EXTEND CYLINDER ASSEMBLY - P/N 3320000116 AND P/N 3320000117**

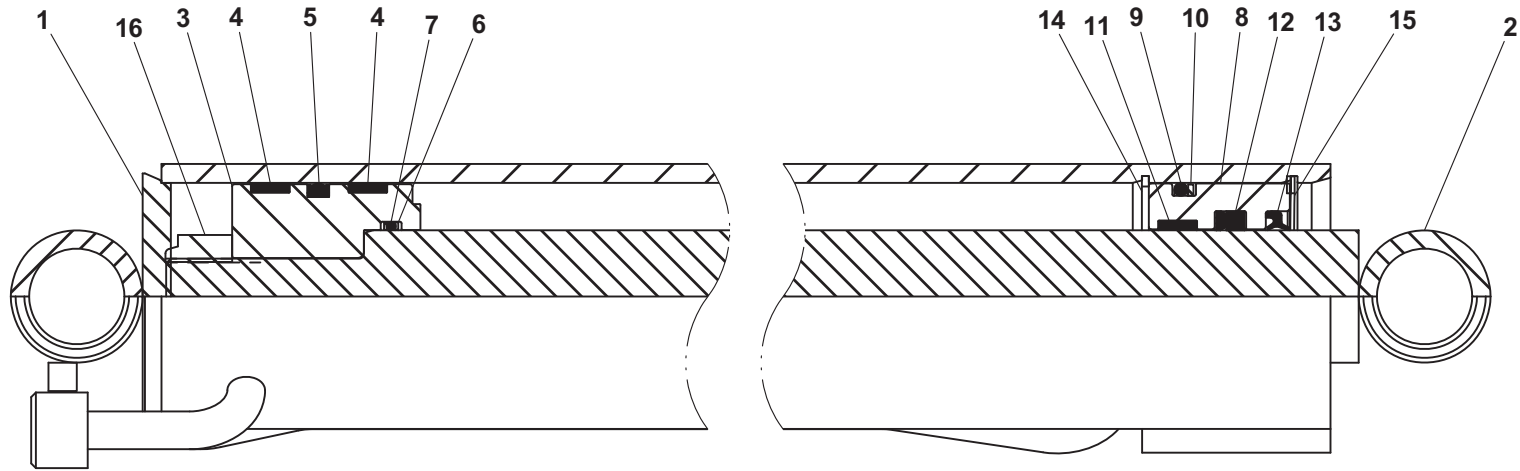
ITEM	PART NO.	DESCRIPTION	QTY
1	3071000107	Barrel Weld (IRL tow option extend)	1
	3071000108	Barrel Weld (stabilizer tow option extend)	
2	3763000120	Rod Weld (IRL tow option extend)	1
	3763000121	Rod Weld (stabilizer tow option extend)	
3	4698000007*	Piston	1
4	7754000003* #	Wear Ring	2
5	7796000063* #	Piston Locking "T" Seal	1
6	7755224609* #	Back-Up Ring	2
7	7755224000* #	"O" Ring	1
8	4553000008^	Head	1
9	7755334000^ #	"O" Ring	1
10	7755334609^ #	Back-Up Ring	1
11	7754000004^ #	Wear Ring	1
12	7796000024^ #	Rod Seal	1
13	7796000008^ #	Rod Wiper Seal	1
14	7754000002 #	Retaining Ring	1
15	7754000026 #	Retaining Ring	1
16	7661000034	Locknut	1

\* included in Piston Assembly, P/N 3698000001

^ included in Head Assembly, P/N 3553000011

# available only in Service Kit #7577250024

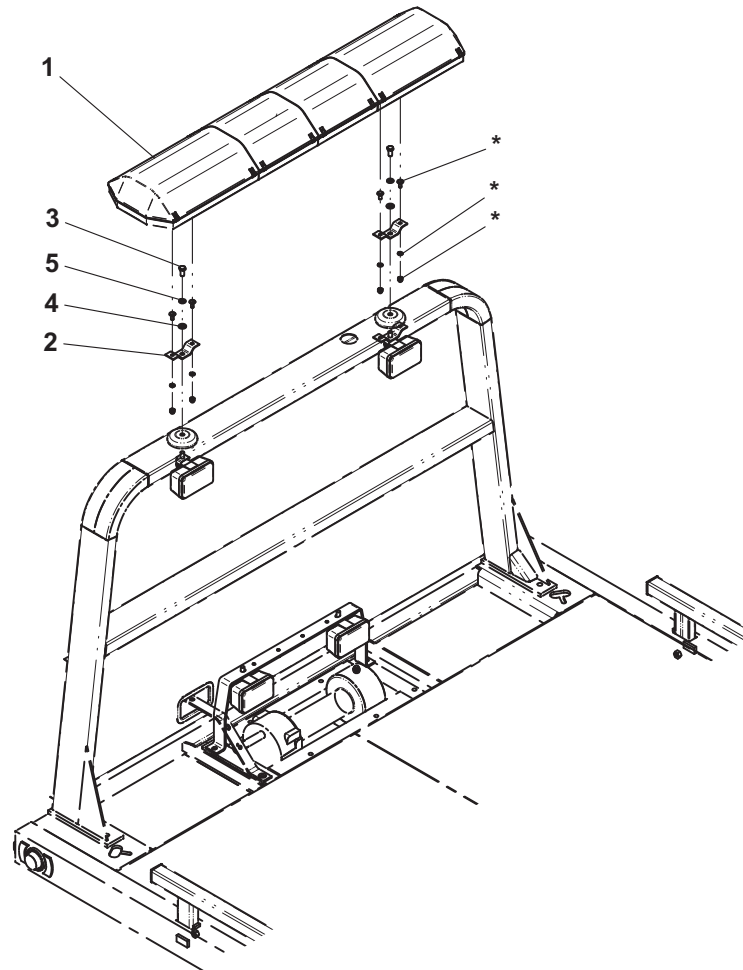
# TOW OPTION HYDRAULIC EXTEND CYLINDER ASSEMBLY - P/N 3320000116 AND P/N 3320000117



**LIGHTBARS**

ITEM	PART NO.	DESCRIPTION	QTY
1	7590000306	Lightbar, Amber Halogen	1
2	4178000402	Bracket (standard mount)	2
	4178000437	Bracket (high mount)	
3	7115180850	Capscrew, 0.50"-13NC x 1.00"	2
4	7950180252	Flatwasher, 0.50" ID	2
5	7950180000	Lockwasher, 0.50" ID	2

# LIGHTBARS

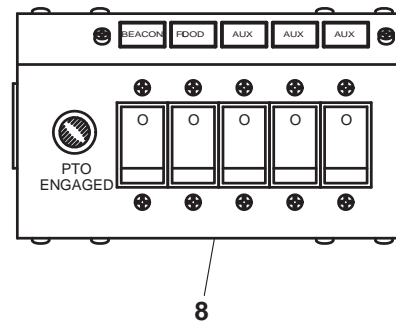
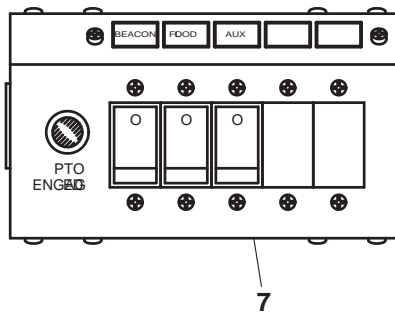
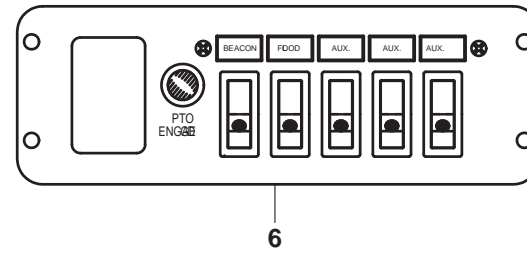
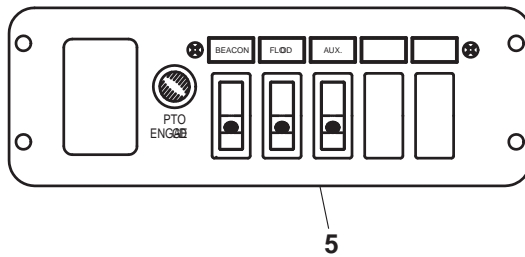
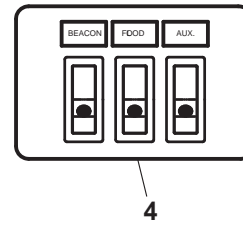
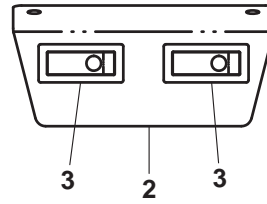
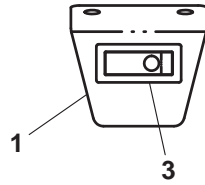


\* included in Lightbar

**SWITCH PANELS**

ITEM	PART NO.	DESCRIPTION	QTY
1	4178000403	Bracket - 1 Function Switch Panel	1
2	4178000427	Bracket - 2 Function Switch Panel	1
3	7870000083	Switch	1
4	7870000113	Switch Panel - 3 Function, Mini In-Dash	1
5	7870000100	Switch Panel - 3 Function, In-Dash	1
6	7870000106	Switch Panel - 5 Function, In-Dash	1
7	7870000053	Switch Panel - 3 Function, Under Dash	1
8	7870000063	Switch Panel - 5 Function, Under Dash	1

# SWITCH PANELS

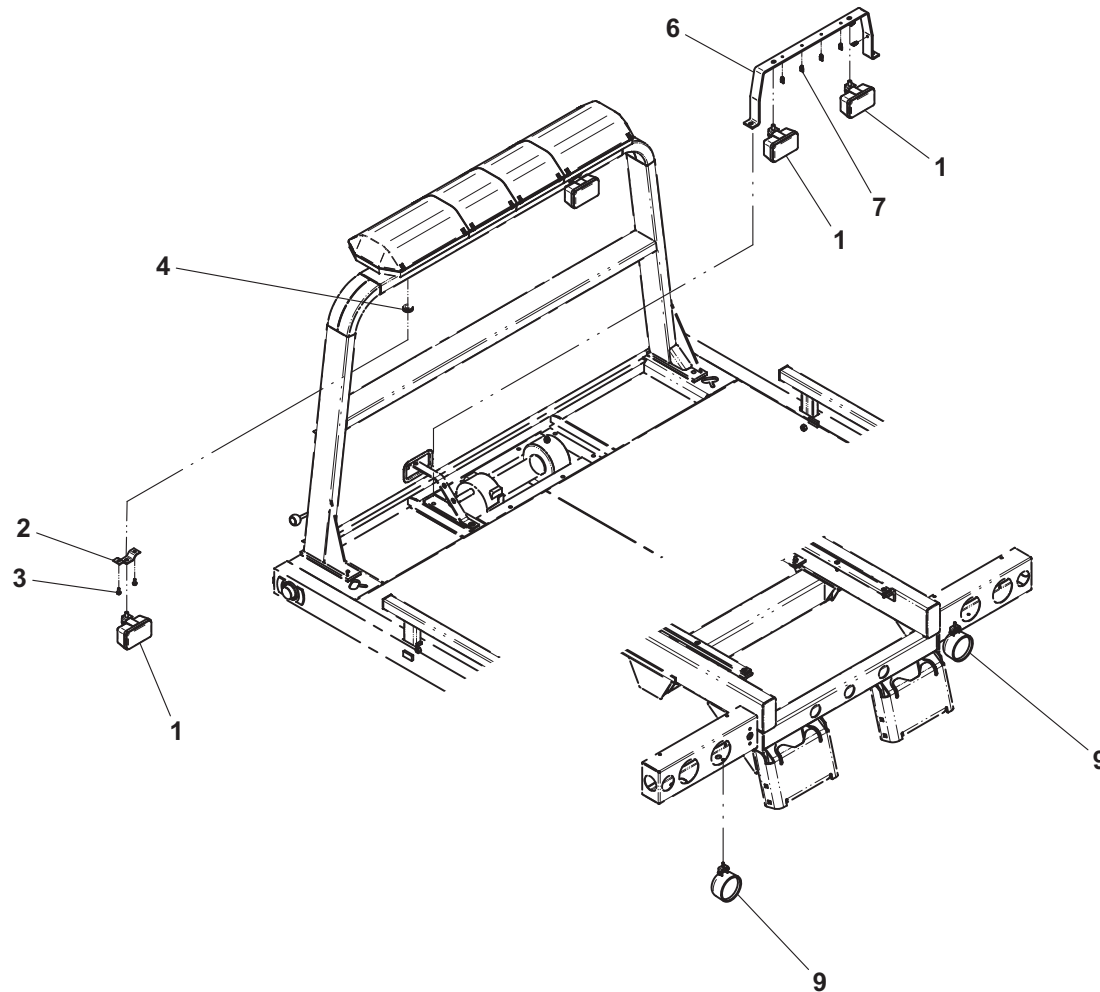


**WORK LIGHTS**

ITEM	PART NO.	DESCRIPTION	QTY
1	7590000223	Worklight	4
2	4178000402	Bracket	2
3	7790151253	Screw, 0.31"-18NC x 0.75	4
4	7493000003	Grommet	2
5	7552000222	Harness - Headboard Worklights	1
6	4178000423	Bracket	1
7	7280000011	Clip	6
8	7552000166	Harness - Winch Worklights	1
9	7590000185	Worklight	2



# WORK LIGHTS

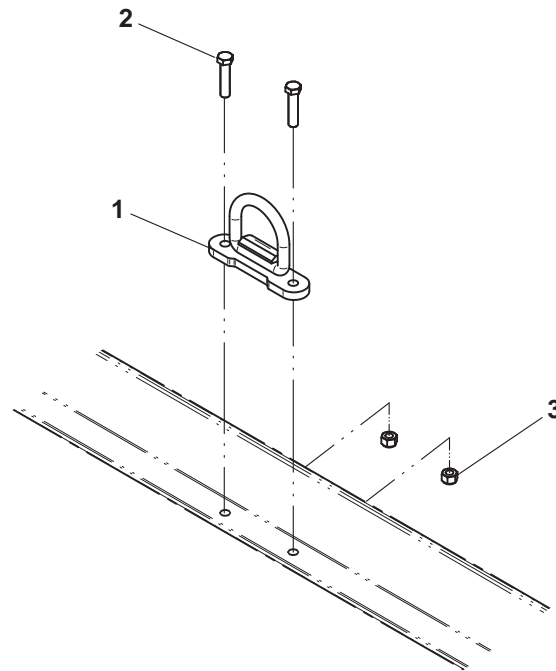


Items #5 & #8, Harness, not shown

**BOLT-ON D-RINGS**

ITEM	PART NO.	DESCRIPTION	QTY
1	3556000019	D-Ring	1
2	7115182050	Capscrew, 0.50"-13NC x 2.50"	2
3	7660182601	Locknut, 0.50"-13NC	2

## BOLT-ON D-RINGS



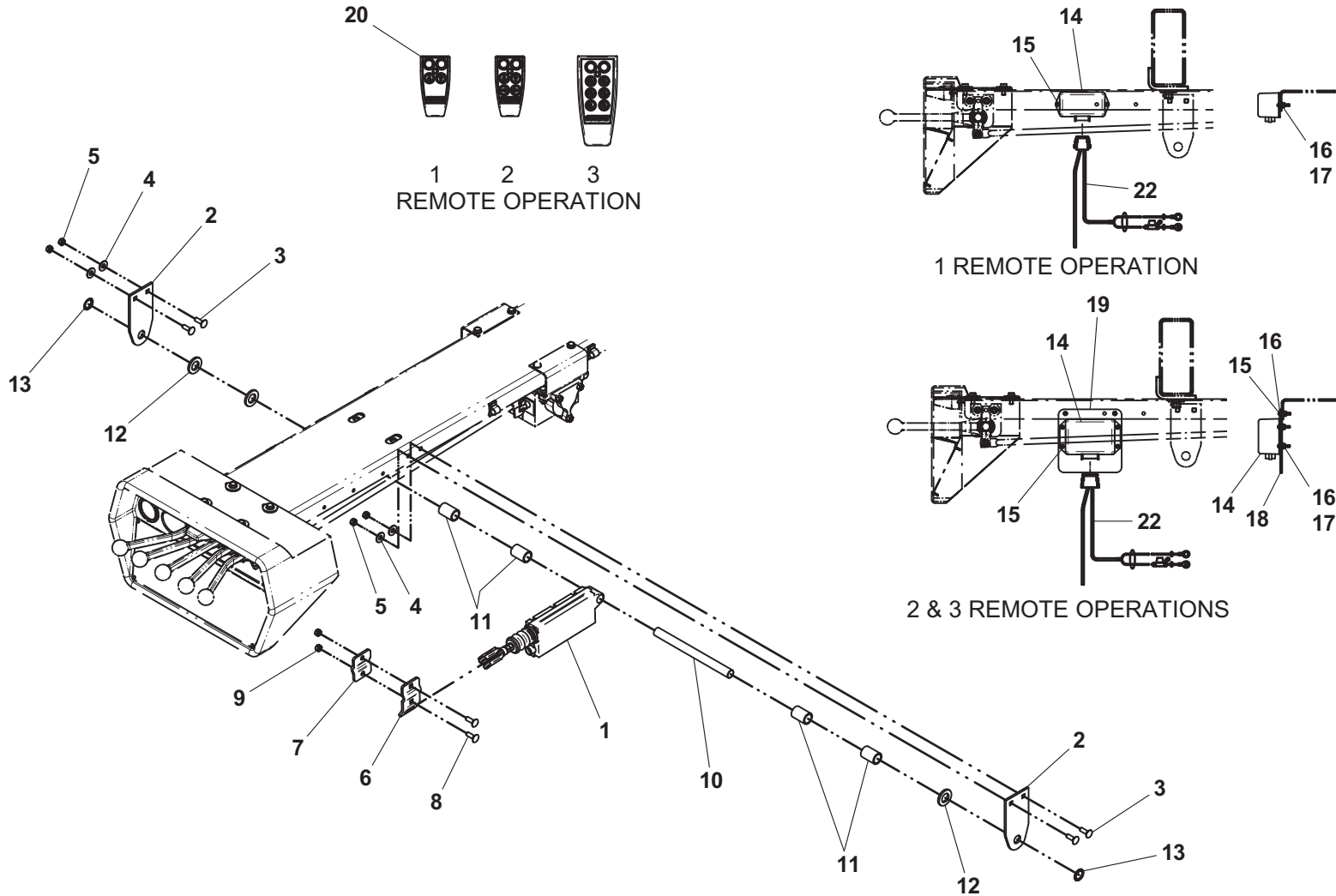
**1, 2 OR 3 REMOTE CONTROL OPERATIONS**

ITEM	PART NO.	DESCRIPTION	QTY	ITEM	PART NO.	DESCRIPTION	QTY
1	7005000003	Linear Actuator 12V	1*	18	4706005595	Plate (2 & 3 remote operations)	1
2	4706005361	Plate	2	19	7330000696	Decal - Controller Functions (3 remote operations)	1
3	7115150864	Carriage Bolt, 0.31"-18NC x 1.00"	4				
4	7950150161	Flatwasher, 0.31" ID	4	20	9295310032#	Transmitter (1 remote operation)	1
5	7660152601	Locknut, 0.31"-18NC	4		9295310033#	Transmitter (2 remote operations)	
6	4178000664	Bracket	1*		9295310034#	Transmitter (3 remote operations)	
7	4178000665	Bracket	1*	21	9295310037#	Receiver (1 remote operation)	1
8	7115150864	Carriage Bolt, 0.31"-18NC x 1.00"	2*		9295310038#	Receiver (2 remote operations)	
9	7660152601	Locknut, 0.31"-18NC	2*		9295310039#	Receiver (3 remote operations)	
10	4691000141	Pin (3, 4 & 5 section control valve)	1	22	9552310020#	Harness (1 remote operation)	1
	4691000373	Pin (6 section control valve)			9552310021#	Harness (2 remote operations)	
	4691000374	Pin (7 section control valve)			9552310022#	Harness (3 remote operations)	
11	4211000001	Bushing	4*	23	9295310042#	Rubber Boot for Transmitter	1
12	7950220141	Flatwasher, 0.75" ID	4				
13	7754000009	Retaining Ring	2				
14	7295000106	Controller (1 remote operation)	1				
	7295000108	Controller (2 remote operations)					
	7295000109	Controller (3 remote operations)					
15	7114100810	Screw, #10-24NC x 1.00" (1 remote operation)	2				
	7114100810	Screw, #10-24NC x 1.00" (2 & 3 remote operations)	6				
16	7950140151	Flatwasher, 0.19" ID (1 remote operation)	2				
	7950140151	Flatwasher, 0.19" ID (2 & 3 remote operations)	8				
17	7660102604	Locknut, #10-18NC (1 remote operation)	2				
	7660102604	Locknut, #10-18NC (2 or 3 remote operations)	6				

\* quantities are for 1 remote operation, adjust quantities for 2 & 3 remote operations

# included with Controller, item #14

# 1, 2 OR 3 REMOTE CONTROL OPERATIONS



Items #19, Decal - Controller Functions; #21 - Receiver; and #23 - Rubber Boot not shown

One Remote Operaton shown

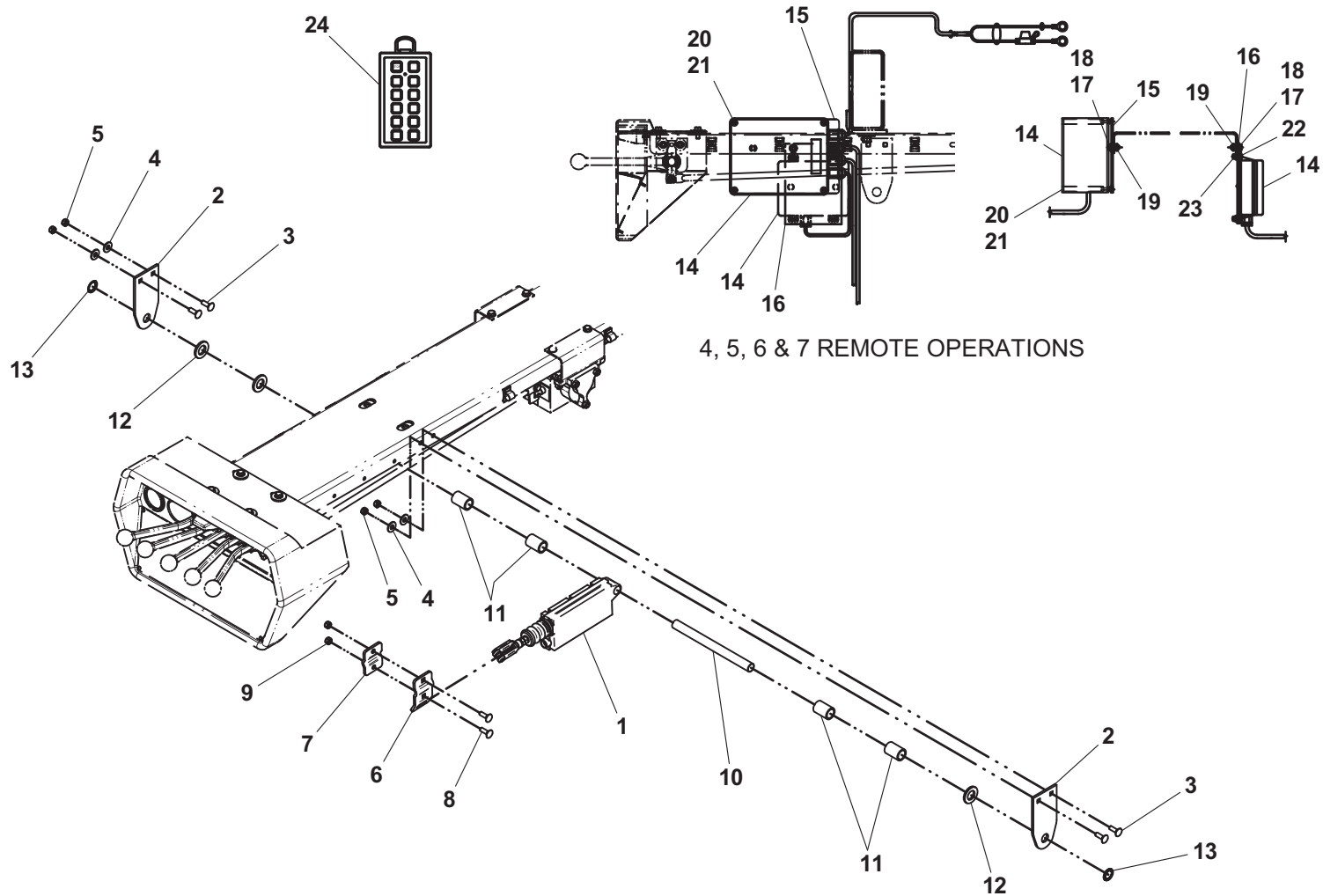
**4, 5 OR 6 REMOTE CONTROL OPERATIONS**

ITEM	PART NO.	DESCRIPTION	QTY
1	7005000003	Linear Actuator 12V	1*
2	4706005361	Plate	2
3	7115150864	Carriage Bolt, 0.31"-18NC x 1.00"	4
4	7950150161	Flatwasher, 0.31" ID	4
5	7660152601	Locknut, 0.31"-18NC	4
6	4178000664	Bracket	1*
7	4178000665	Bracket	1*
8	7115150864	Carriage Bolt, 0.31"-18NC x 1.00"	2*
9	7660152601	Locknut, 0.31"-18NC	2*
10	4691000141	Pin (3, 4 & 5 section control valve)	1
	4691000373	Pin (6 section control valve)	
	4691000374	Pin (7 section control valve)	
11	4211000001	Bushing	4*
12	7950220141	Flatwasher, 0.75" ID	4
13	7754000009	Retaining Ring	2
14	7295000099	Controller (4 remote operations)	1
	7295000090	Controller (5 remote operations)	
	7295000102	Controller (6 remote operations)	
	7295000103	Controller (7 remote operations)	
15	4706005396	Plate	1
16	4706003650	Plate	1
17	7115140650	Capscrew, 0.25"-20NC x 0.75"	5
18	7950140141	Flatwasher, 0.25" ID	5
19	7660142601	Locknut, 0.25"-20NC	5
20	7114080618	Capscrew, #8-32NC x 0.75"	4
21	7660082604	Locknut, #8-32NC	4
22	7104100613	Screw, #10-32NF x 0.34"	4
23	7661000007	Wellnut, #10-32NF	4
24	9295310025#	Transmitter (4 & 5 remote operations)	1
	9295310026#	Transmitter (6 remote operations)	
25	7330000612	Decal - Controller Functions	1

\* quantities are for 1 remote operation, adjust quantities for 4, 5 & 6 remote operations

# included with Controller, item #14

# 4, 5 OR 6 REMOTE CONTROL OPERATIONS



4, 5, 6 & 7 REMOTE OPERATIONS

One Remote Operaton shown

Item #25, Decal- Controller Functions, not shown

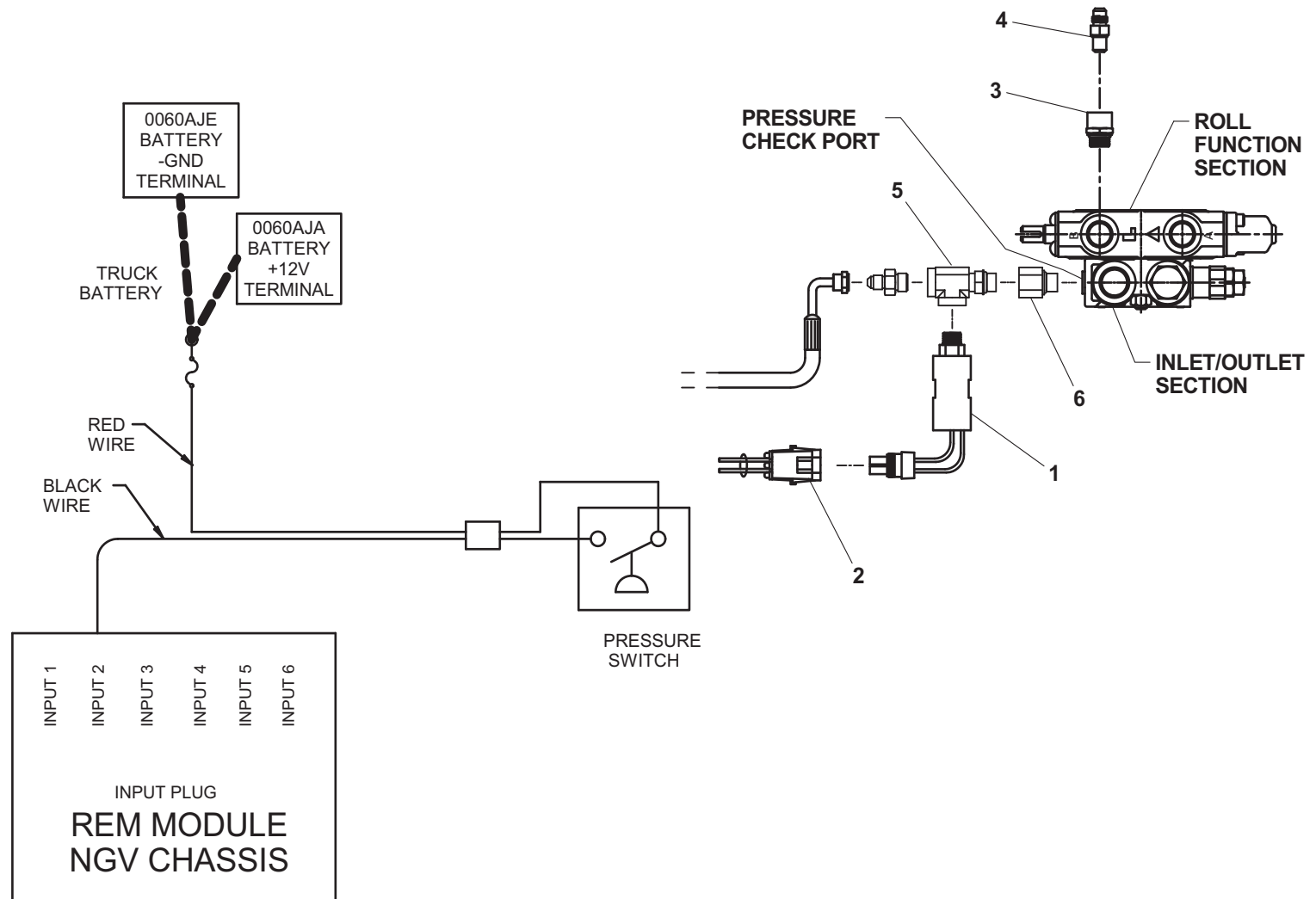
**REMOTE THROTTLE CONTROL**

ITEM	PART NO.	DESCRIPTION	QTY
1	7346000208	Pressure Switch	1
2	7552000241	Harness	1
3	7443000427*	Check Valve	1
4	7445060643*	Adapter	1
5	7443000432	Tee	1
6	7443000440	Fitting	1

\* also available in Check Valve w/ Adapter, P/N 7443000428.



# REMOTE THROTTLE CONTROL



**GLAD HANDS AND 7- WAY CONNECTOR**

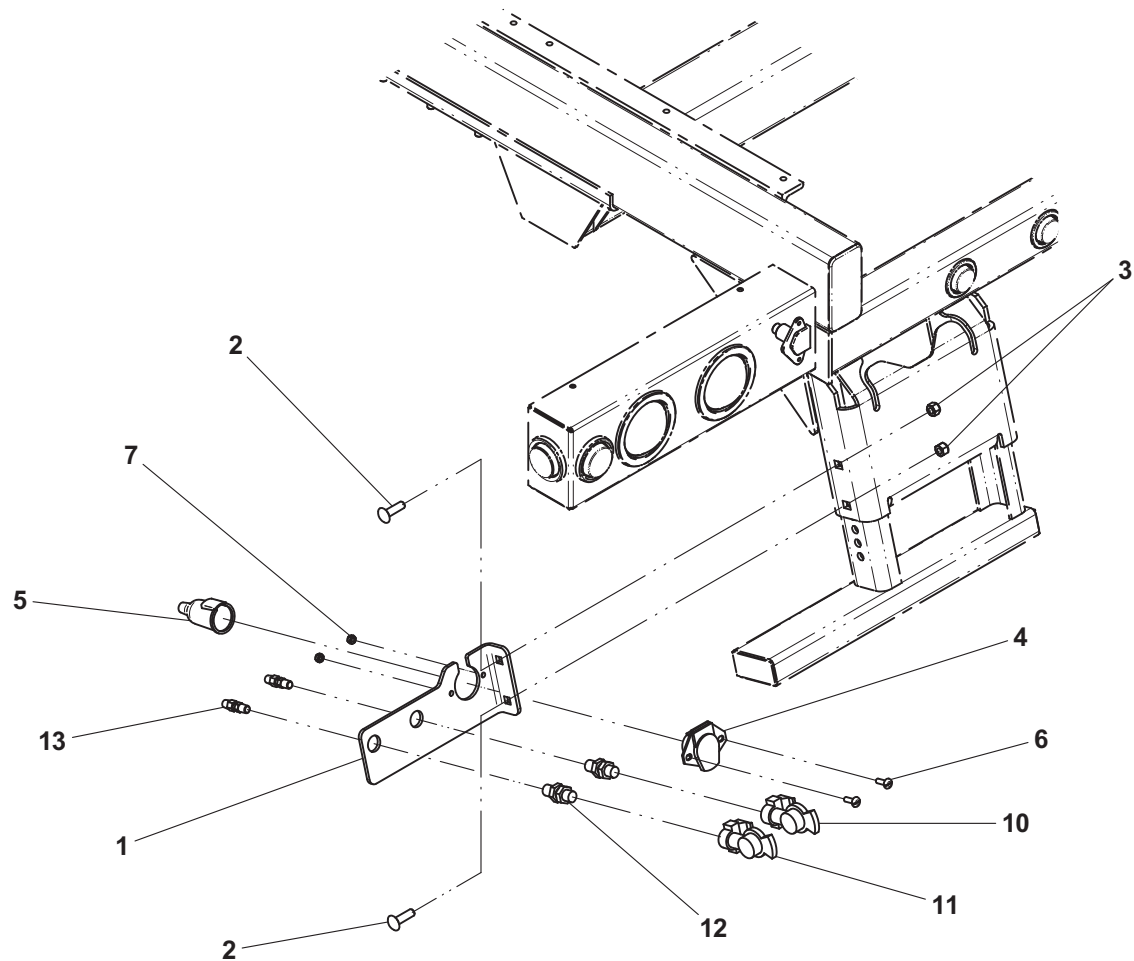
ITEM	PART NO.	DESCRIPTION	QTY
1	4178000666*	Bracket	1
2	7115181464*	Carriage Bolt, 0.50"-13NC x 1.75"	2
3	7660182601*	Locknut, 0.50"-13NC	2
4	7346000055+	Electrical Receptacle 7-way Connect	1
5	7346000078+	Electrical Boot	1
6	7111150813+	Capscrew, 0.31"-18NC x 1.00"	2
7	7660152601+	Locknut, 0.31"-18NC	2
8	7346000132	Electrical Adapter 7 to 4 way	1
9	7346000157	Electrical Adapter 7 to 6 way	1
10	7312000015^	Gladhand	1
11	7312000016^	Gladhand	1
12	7446502518^	Bulkhead Fitting	2
13	7446382506^	Connector	2
14	7577000145^	Seal Kit Gladhand	1
15	7565000014^	Airline Tubing	50 ft
16	7312000013^	Union	2

\* also available in Bracket Install Glad Hands and 7 Way, P/N 2178000037

+ also available in Electrical Install 7 Way Connector, P/N 2346000008

^ also available in Glad Hand Install, P/N 2002000016

## GLAD HANDS AND 7- WAY CONNECTOR

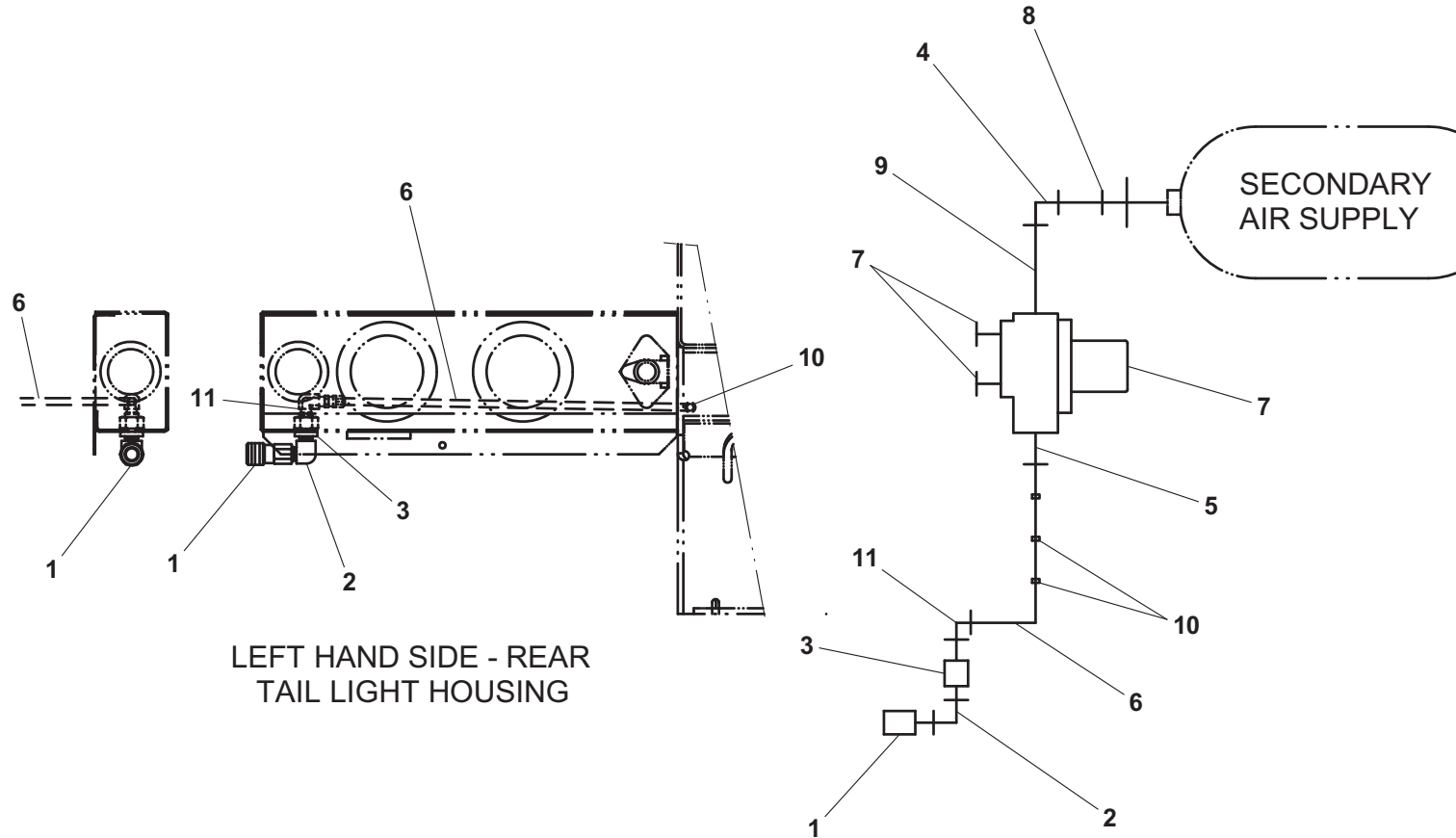


Item #8 Electrical Adapter 7 to 4 Way not shown  
Item #9 Electrical Adapter 7 to 6 Way not shown  
Item #14, Seal Kit Gladhand; #15, Airline Tubing; & #16, Union not shown

**AIR SUPPLY DISCONNECT**

ITEM	PART NO.	DESCRIPTION	QTY
1	7312000017	Coupling	1
2	7445080853	Elbow	1
3	7446502518	Bulkhead Fitting	1
4	7443000111	Elbow	1
5	7446382506	Connector	1
6	7565000014	Airline Tubing	32 ft
7	7935000120	Air Valve	1
8	7443000154	Bushing	1
9	7443000156	Nipple	1
10	7894000031	Cable Tie	6
11	7443000366	Fitting	1

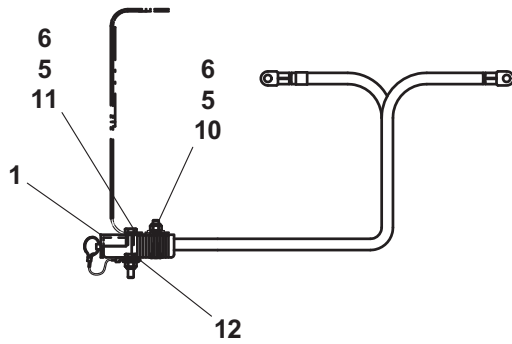
# AIR SUPPLY DISCONNECT



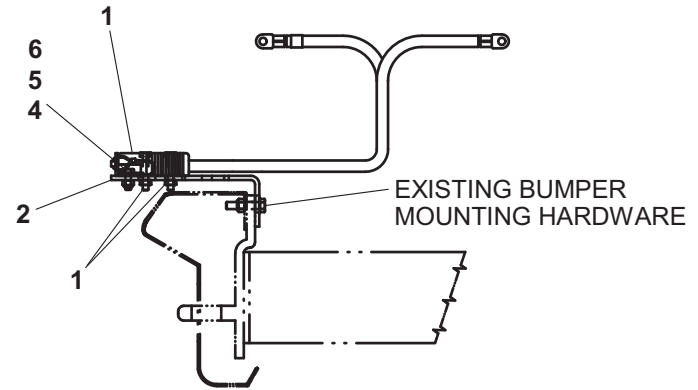
**JUMP START KIT**

ITEM	PART NO.	DESCRIPTION	QTY
1	7002000386	Jump Start Plug (IHC & Other)	1
	7002000385	Jump Start Plug (Ford & Chevy)	
2	4178000372	Bracket (Ford & Other)	1
	4178000202	Bracket (Chevy)	
3	4178000203	Bracket (Chevy)	1
	4706003210	Plate (Other)	
4	7110140605	Capscrew, 0.25"-20NC x 0.75" (Ford, Chevy & Other)	1
5	7950140161	Flatwasher, 0.25" ID (Ford & Other)	1
	7950140161	Flatwasher, 0.25" ID (IHC)	2
	7950140161	Flatwasher, 0.25" ID (Chevy)	3
6	7660142600	Locknut, 0.25"-20NC (Ford, Chevy & Other)	1
	7660142600	Locknut, 0.25"-20NC (IHC)	2
7	7115151064	Carriage Bolt, 0.31"-18NC x 1.25" (Other)	2
8	7950150161	Flatwasher, 0.31" ID (Other)	2
9	7660152601	Locknut, 0.31"-18NC (Other)	2
10	7115141450	Capscrew, 0.25"-20NC x 1.75" (IHC)	1
11	7115141650	CapScrew, 0.25"-20NC x 2.00" (IHC)	1
12	7660140000	Hex Nut, 0.25"-20NC (IHC)	1
	7660140000	Hex Nut, 0.25"-20NC (Chevy)	2
13	7111140850	Capscrew, 0.25"-20NC x 1.00" (Chevy)	2
14	7115181050	Capscrew, 0.50"-13NC x 1.25" (Chevy)	1
15	7950180153	Flatwasher, 0.50" ID (Chevy)	1
16	7660180000	Hex Nut, 0.50"-13NC (Chevy)	1

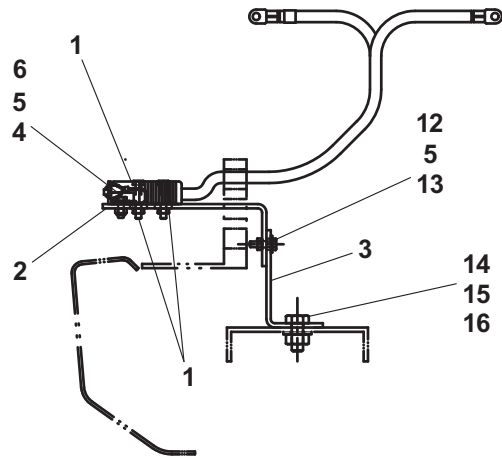
# JUMP START KIT



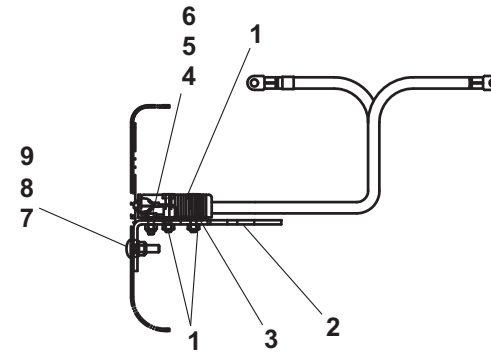
IHC FRONT BUMPER



FORD FRONT BUMPER



CHEVY FRONT BUMPER



ALL OTHER FRONT BUMPERS

**CHAINS AND STRAPS**

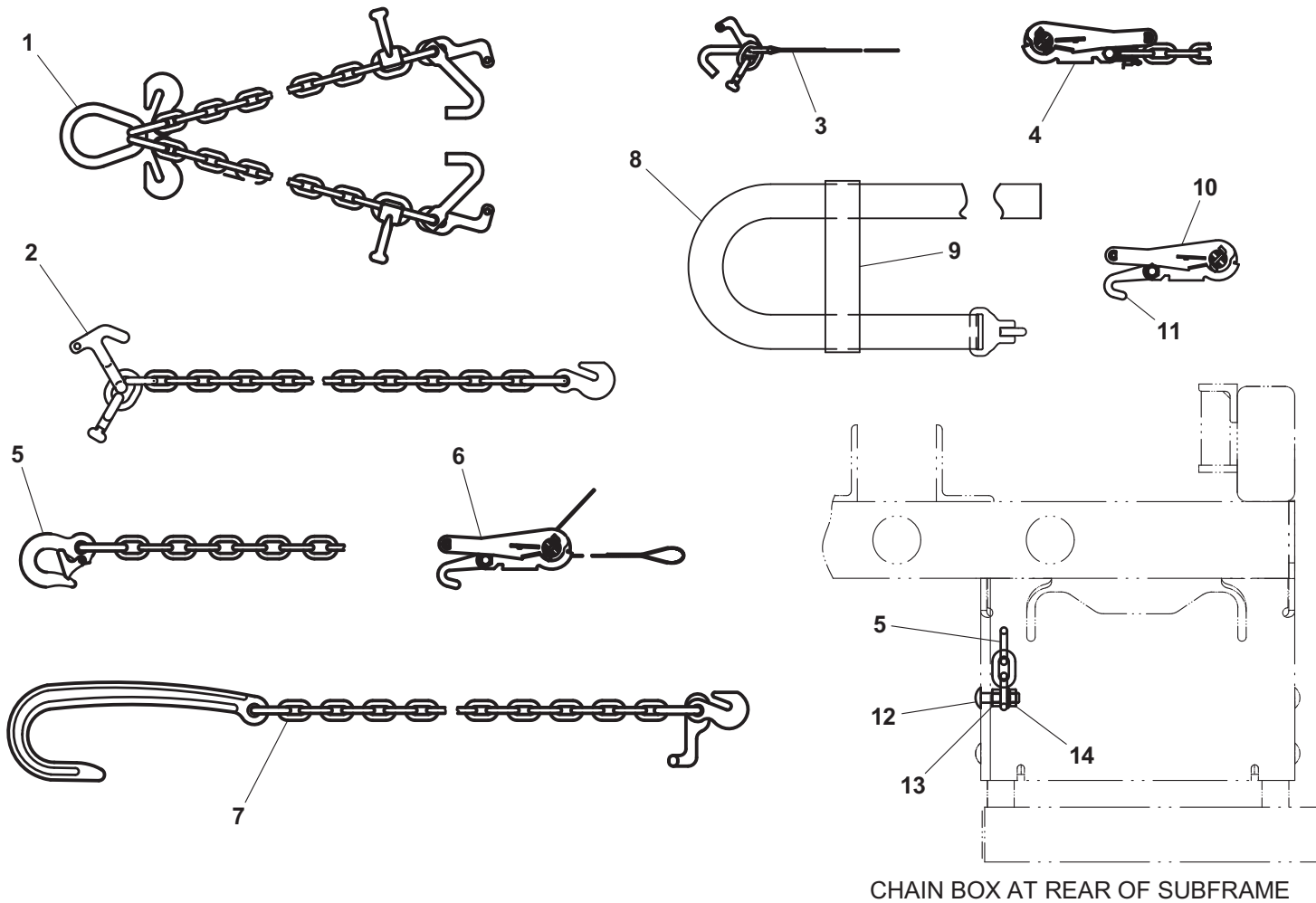
ITEM	PART NO.	DESCRIPTION	QTY
1	7262000022*	Winch V-Chain	1
2	7262000056*	Front Tie-Down Chain	2
3	7894000019*	Rear Tie-Down Strap	2
4	7894000020*	Rear Tie Down Ratchet	2
5	7262000040	Wheel Lift Chain	2
6	7894000034	Wheel Lift Tire Strap	2
7	7262000010	Towbar Chain	2
8	7894000058^	Tire Strap (hydraulic grid)	1
9	7894000059^	Choker (hydraulic grid)	1
10	7894000028^	Ratchet (hydraulic grid)	1
11	7561000024^	Forged Hook (hydraulic grid)	1
12	7115181664	Carriage Bolt, 0.50"-13NC x 2.00"	2
13	7660180001	Nut, 0.50"-13NC	2
14	7660182601	Locknut, 0.50"-13NC	2
15	5525000752	Magnetic Tow Lights	1

\* also available in Deck Chain / Tie-Down Kit, P/N 7577000208

^ also available in Hydraulic Grid Wheel Lift Tie-Down Kit, P/N 7577000376



# CHAINS AND STRAPS

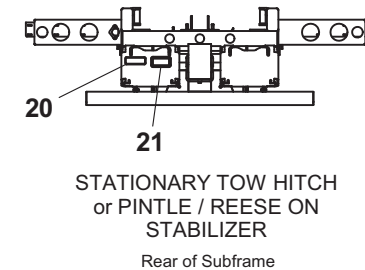
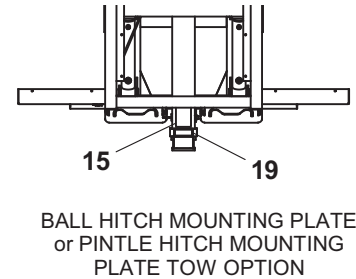
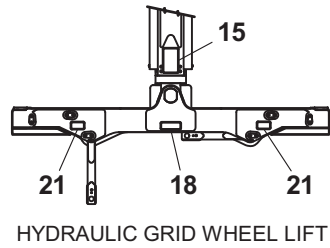
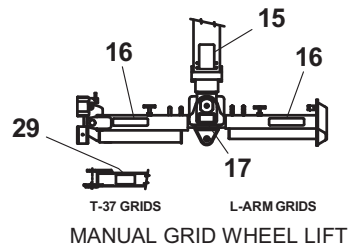
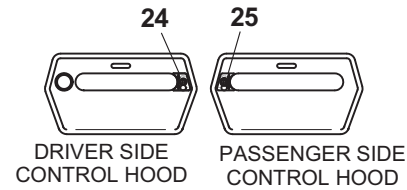
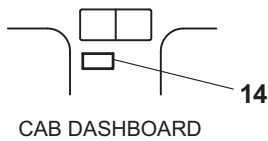
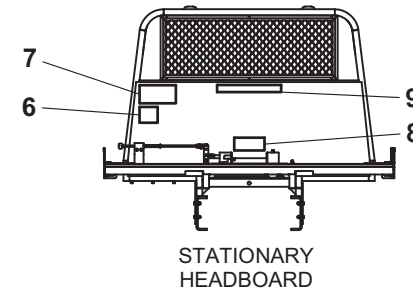
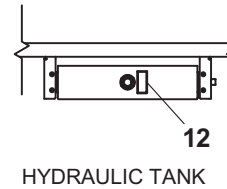
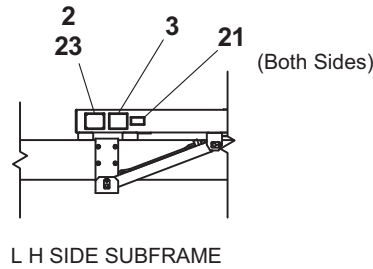
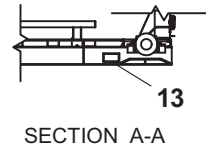
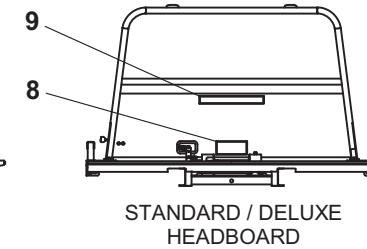
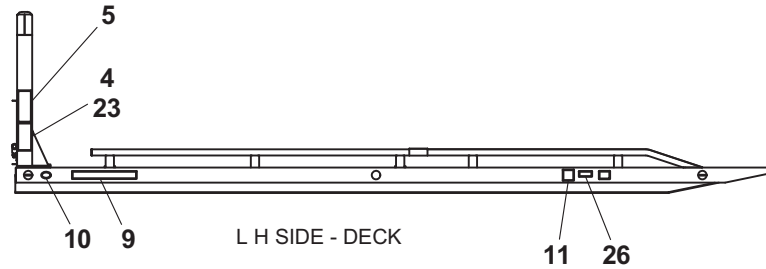
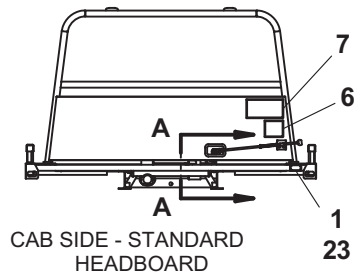


Item #15 not shown.

**DECALS**

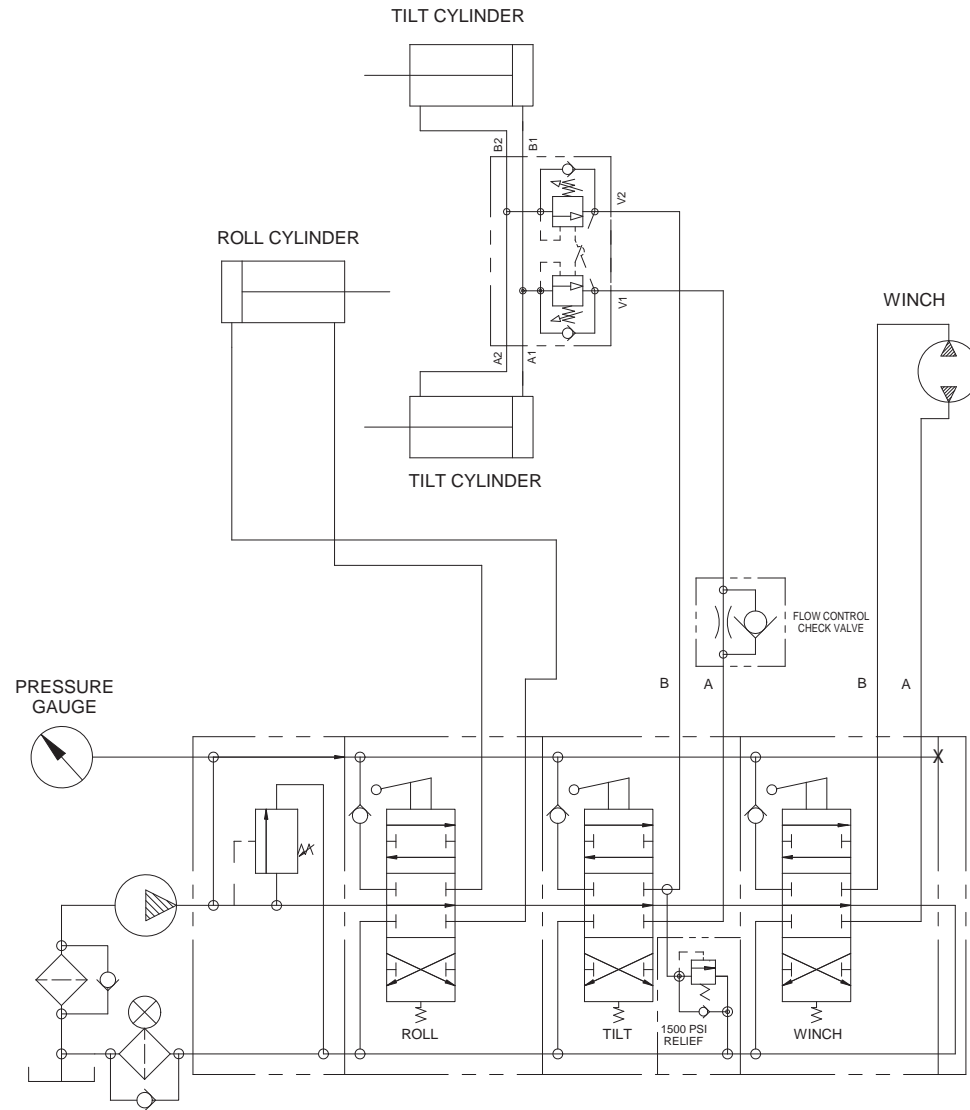
ITEM	PART NO.	DESCRIPTION	QTY
1	7330000167	Serial Number Tag	1
2	7330000338	Subframe / Patent Tag	1
3	7330000502	Decal - Slide Pad / Pivot Joint	1
4	7330000159	STAR Placard	1
5	7330000275	Decal - Operator's Pre-Checklist	1
6	7330000242	Decal - Free Spool (bolt-on headboard)	1
	7330000495	Decal - Free Spool (stationary headboard)	
7	7330000478	Decal - Lubrication Chart	1
8	7330000012	Decal - Winch	1
9	7330000433	Jerr-Dan Nameplate	3
10	7330000143	Decal - Made In The USA	1
11	7330000044	Decal - Align Arrow, Red	2
	7330000045	Decal - Align Arrow, White	
12	7330000272	Decal - Oil Level	1
13	7330000330	Decal - Cable Track	1
14	7330000139	Decal - Checklist Reminder	1
15	7330000684	Decal - Safety	1
16	7330000683	Decal - Safety	2
17	7330000060	Decal - Wheel Lift Hitch	1
18	7330000036	Secure Vehicle	2
19	7330000391	Decal - Tow Boom Configuration	1
20	7330000274	Decal - Overloading Tow Option	1
21	7330000599	Decal - Pinch Point	3
22	9330740009	Decal Kit - Muncie PTO	1
23	7759000004	Pop Rivet	12
24	7330000675	Decal - Air Free Spool Control, LH	1
25	7330000676	Decal - Air Free Spool Control, RH	1
26	7330000176	Decal - Air Suspension	1
27	Not Required		
28	Not Required		
29	7330000385	Decal - T37 Grids	2

# DECALS



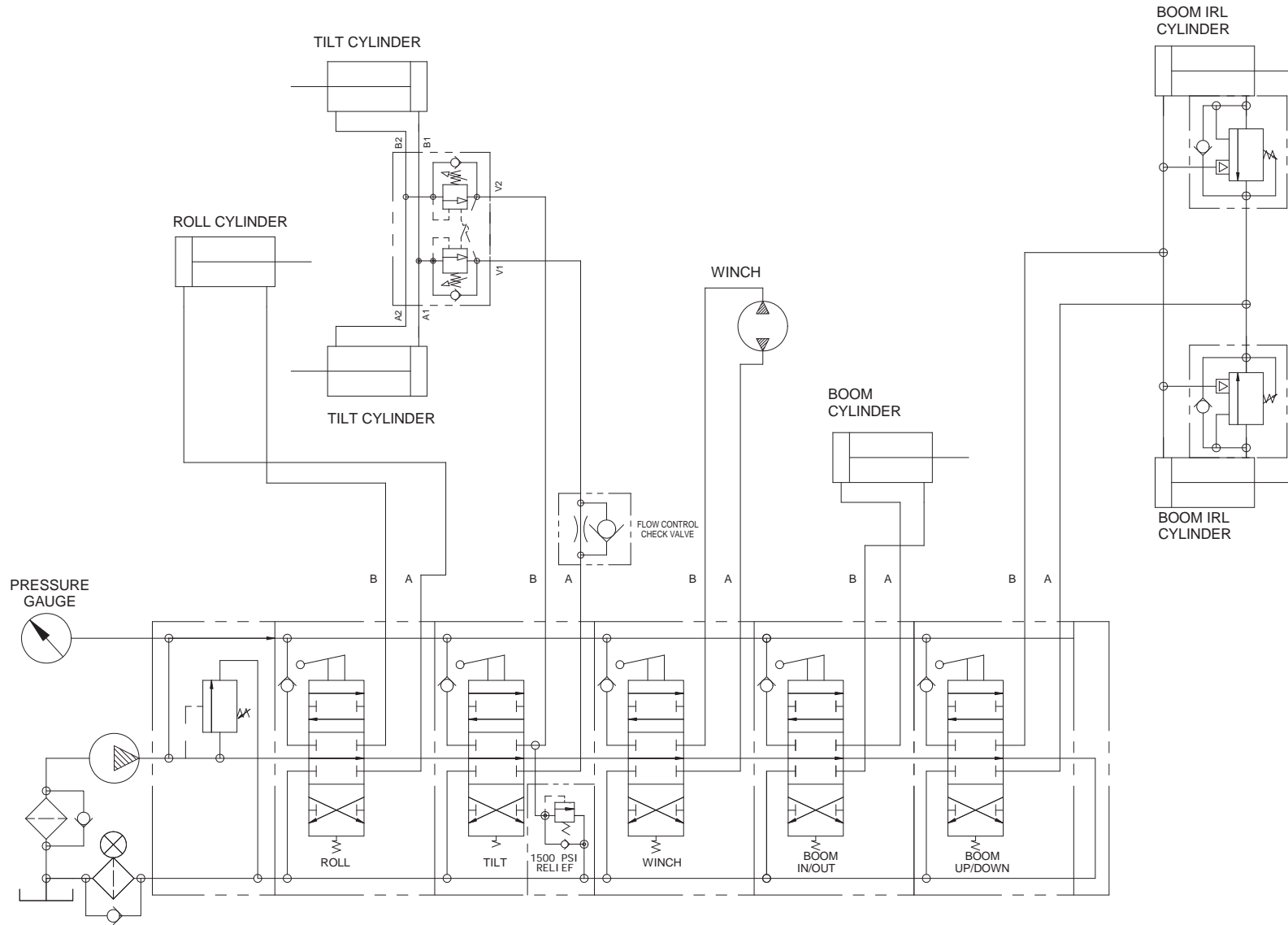
Items #22, Decal Kit, not shown

# HYDRAULIC SCHEMATIC



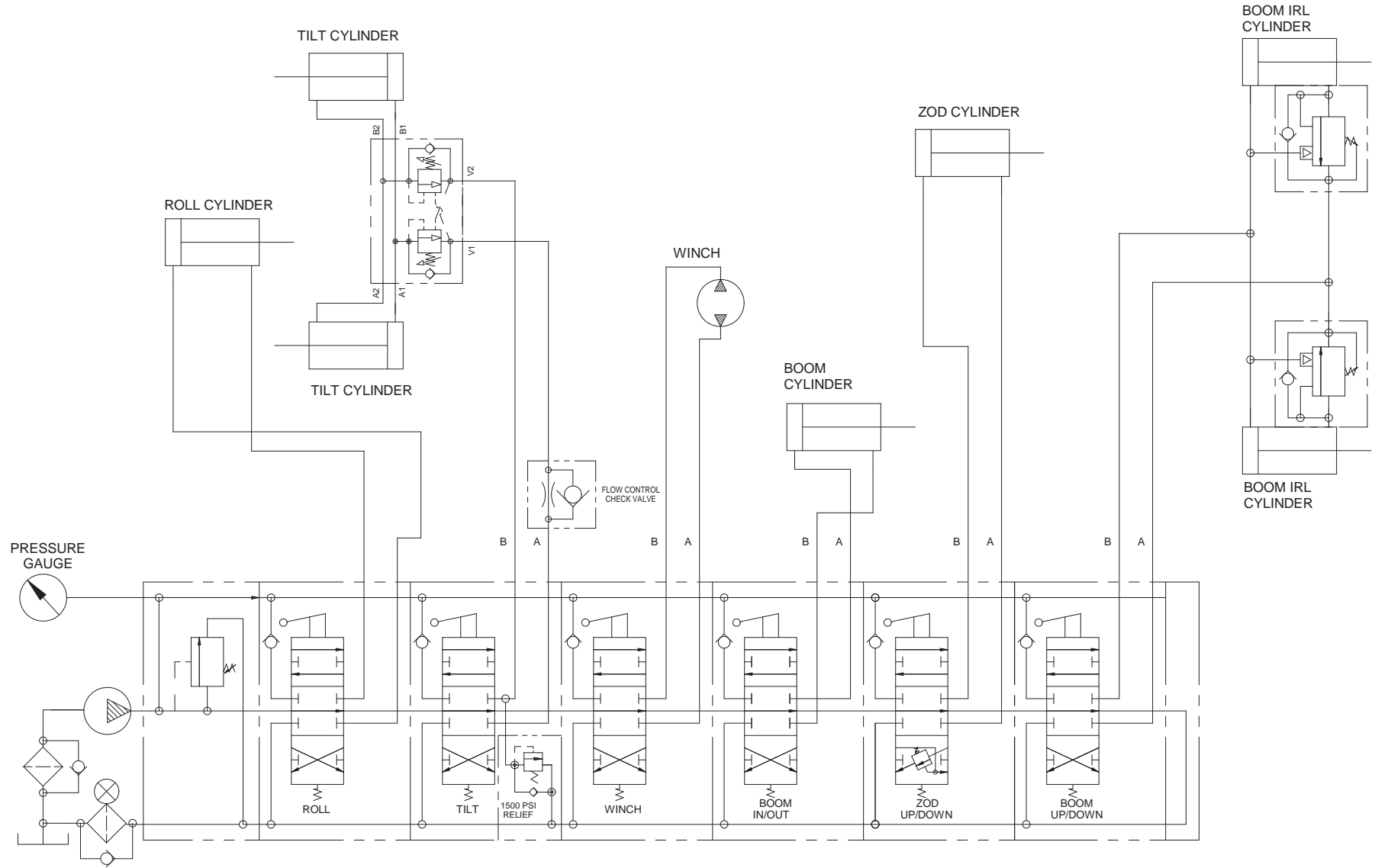
3 Bank Control Valve - No Tow Option

# HYDRAULIC SCHEMATIC



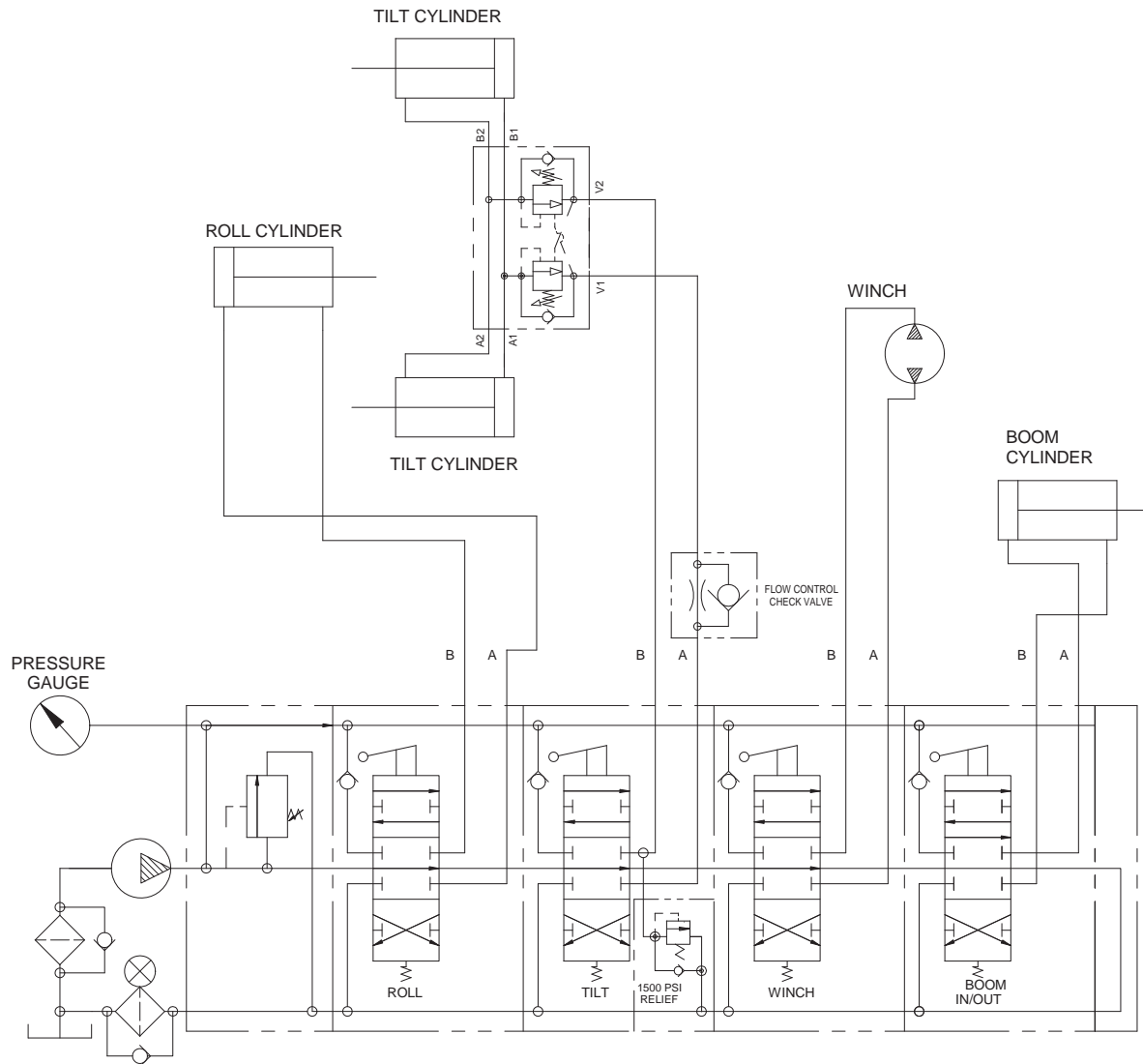
5 Bank Control Valve - IRL Tow Option

# HYDRAULIC SCHEMATIC



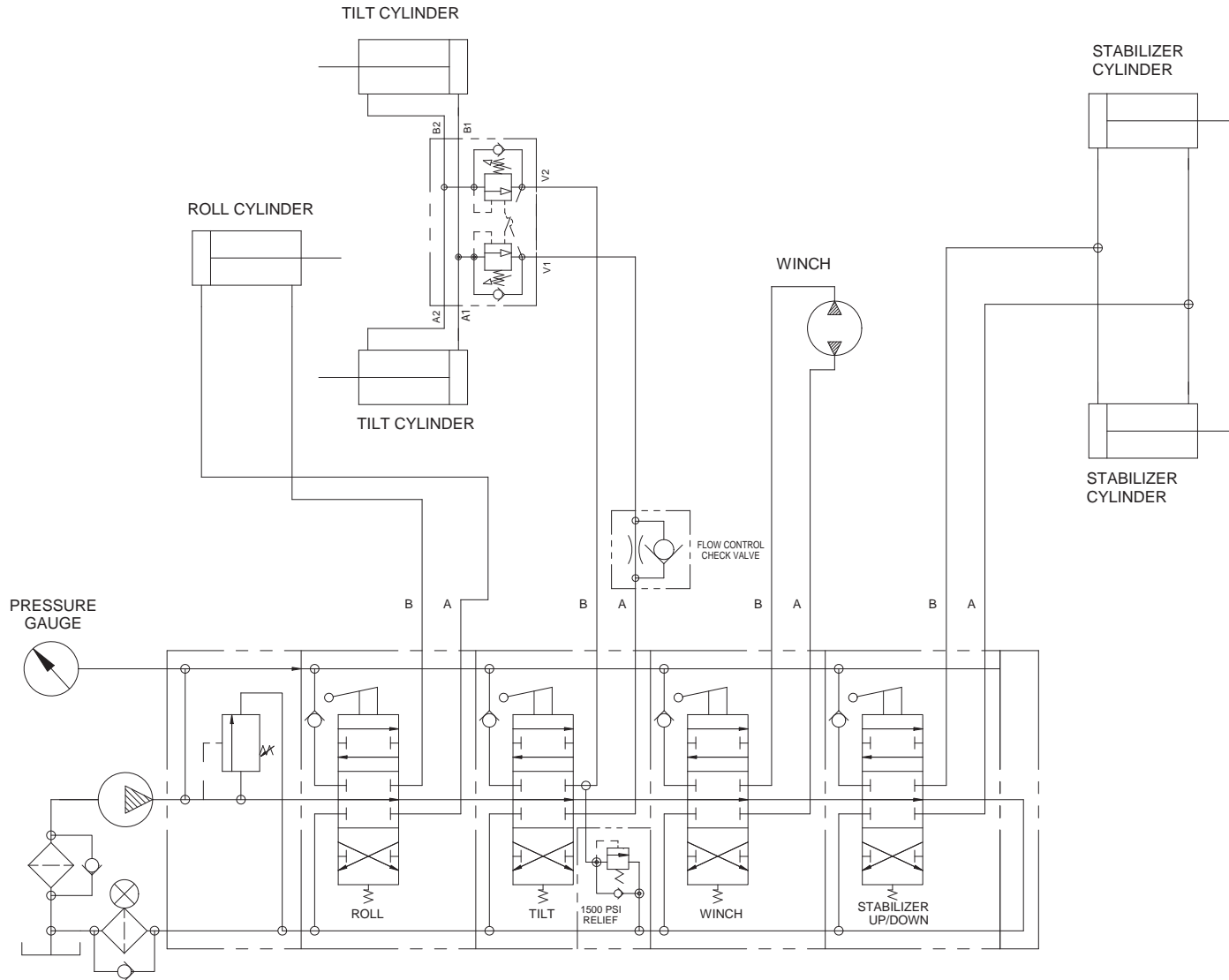
6 Bank Control Valve - ZOD Tow Option

# HYDRAULIC SCHEMATIC



4 Bank Control Valve - Hydraulic Extended Boom Tow Option

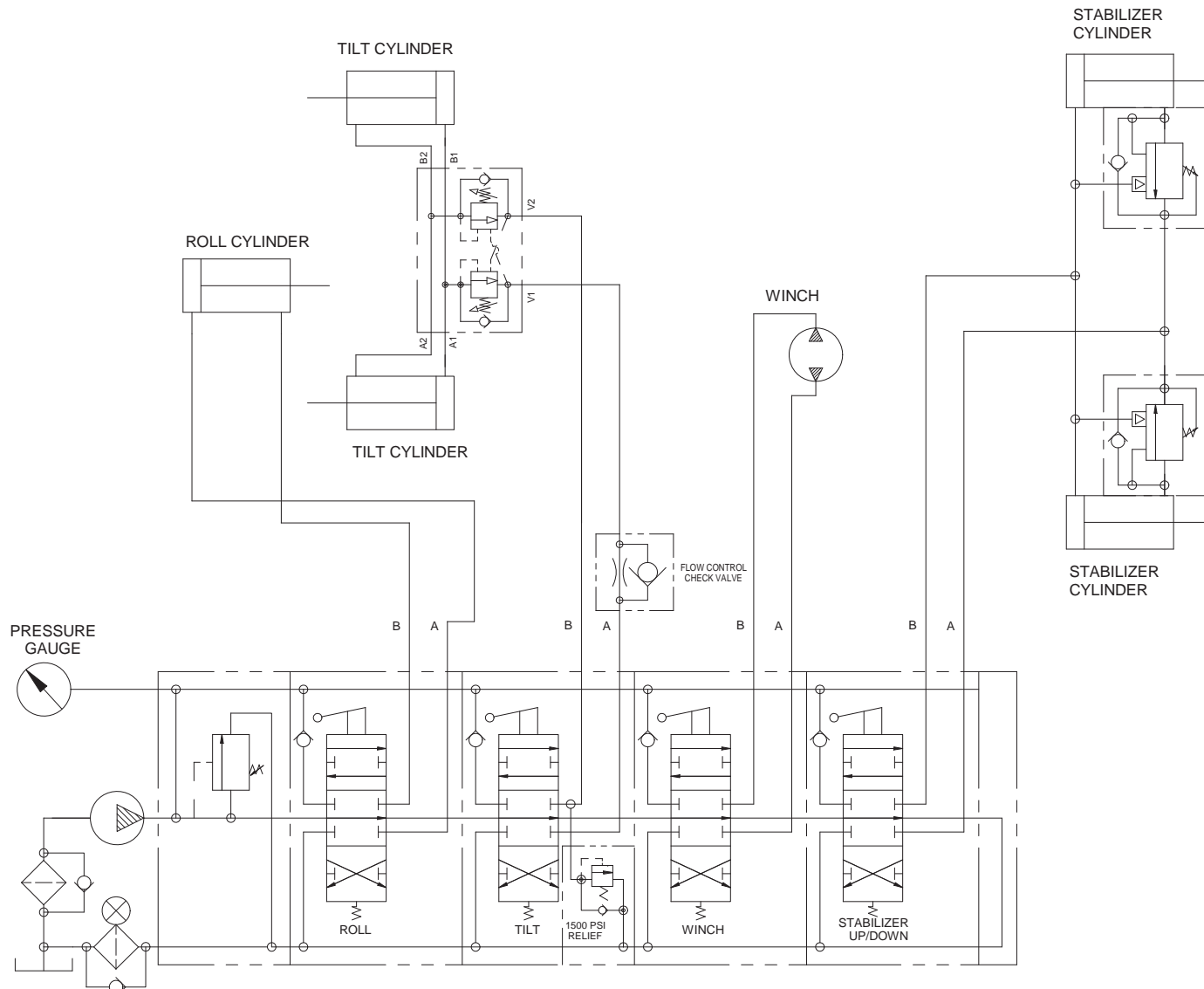
# HYDRAULIC SCHEMATIC



4 Bank Control Valve - Stabilizer Option

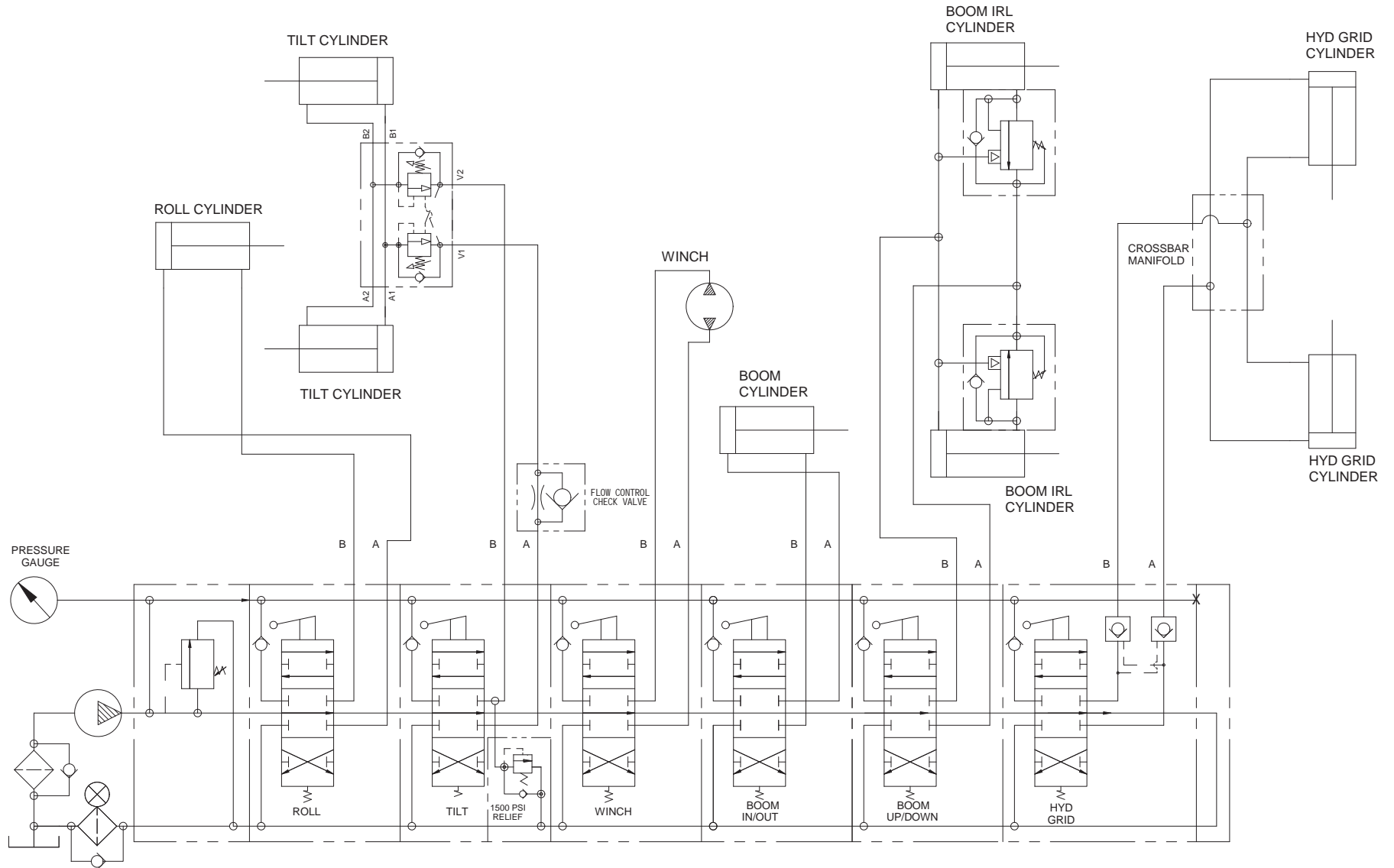


# HYDRAULIC SCHEMATIC



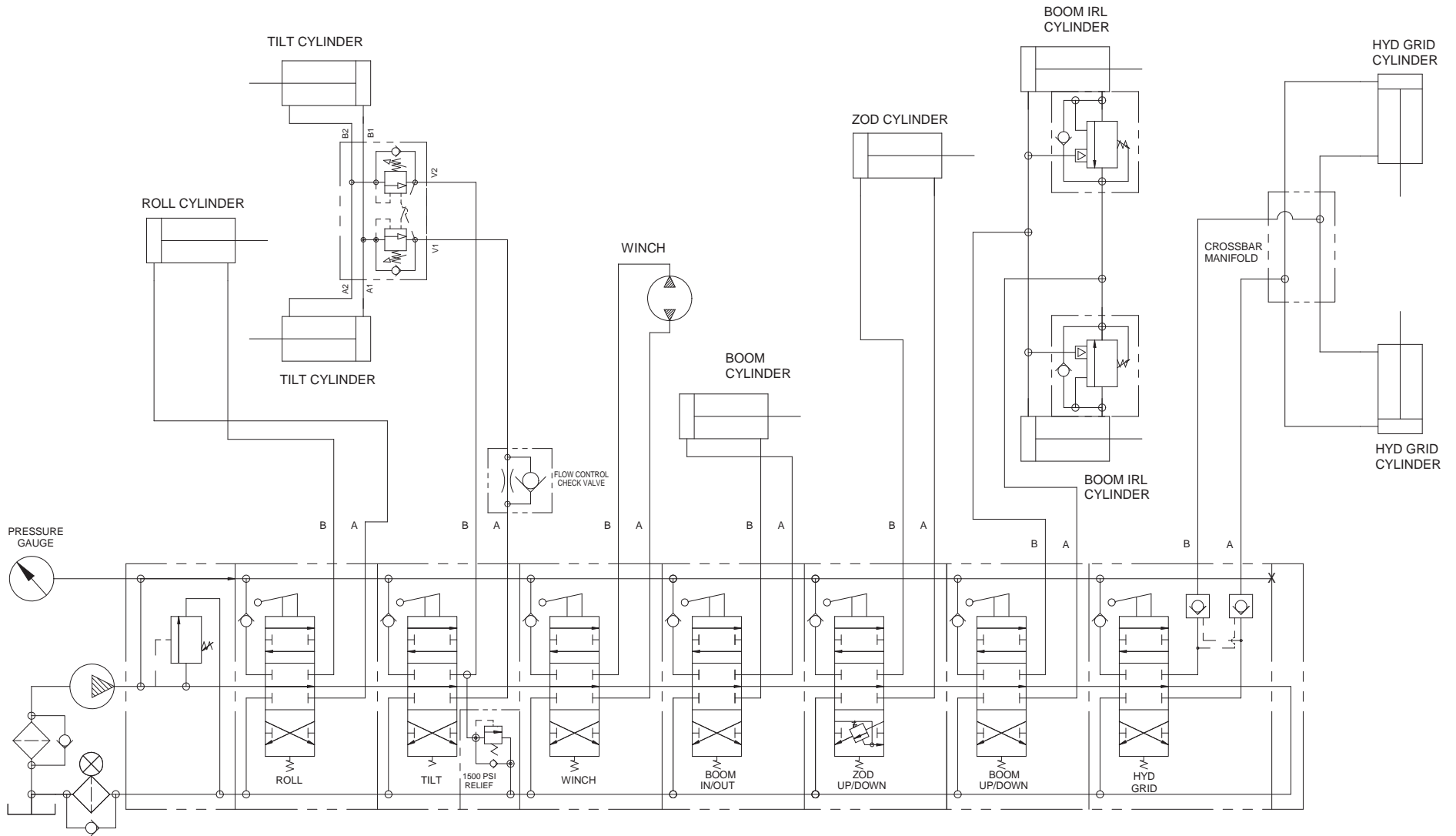
4 Bank Control Valve - Stabilizer with Tow Option

# HYDRAULIC SCHEMATIC



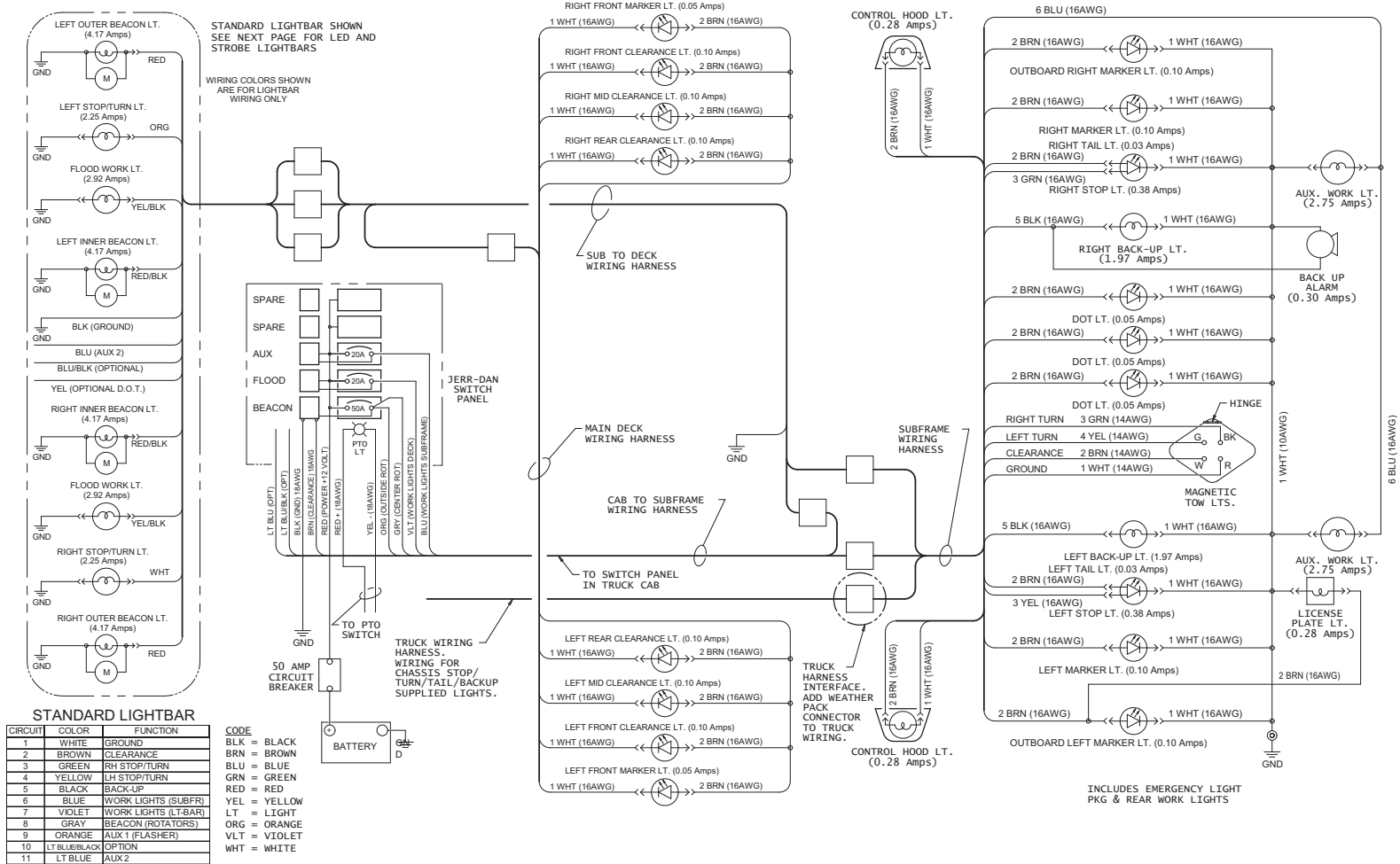
6 Bank Control Valve - IRD Wheel Lift w/ Hydraulic Grids

# HYDRAULIC SCHEMATIC

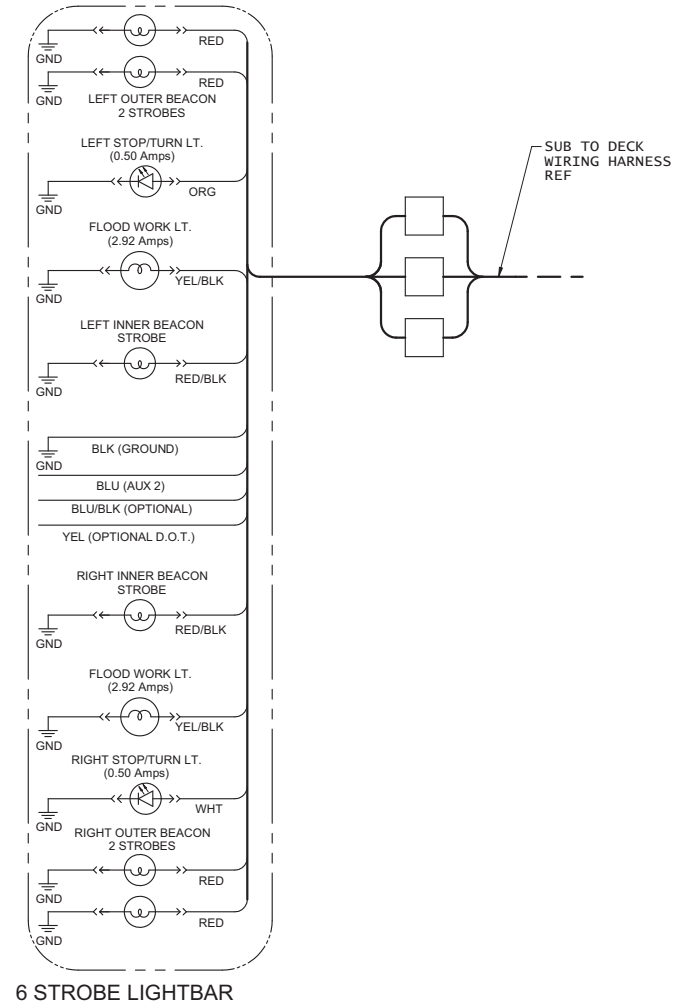
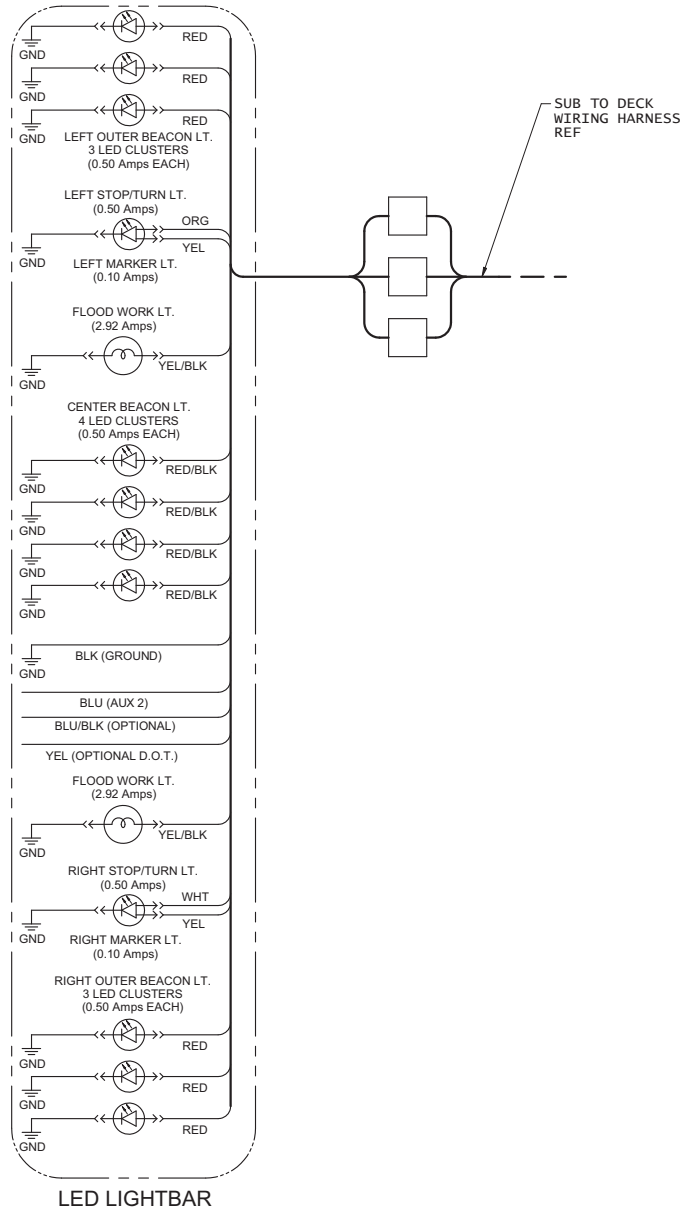


7 Bank Control Valve - ZOD Wheel Lift w/ Hydraulic Grids

**ELECTRICAL SCHEMATIC**



# ELECTRICAL SCHEMATIC



**THIS PAGE INTENTIONALLY LEFT BLANK**