

JD60IND HEAVY DUTY WRECKER PARTS MANUAL

JERR-DAN[®]

An Oshkosh Corporation Company

13224 Fountainhead Plaza
Hagerstown, MD 21742
Phone (717) 597-7111
www.jerr-dan.com

5-376-000153
Rev 0 - April 01, 2012

© 2012 Jerr-Dan Corporation. All Rights Reserved.

This manual covers the following Jerr-Dan Models:

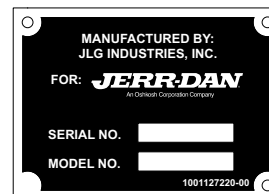
JD60IND - 60 Ton Independent

Jerr-Dan Corporation strives to provide information that is accurate, complete and useful. Descriptions and illustrative material contained within this manual are as accurate as known at the time of publication and are subject to change, without notice, as a result of continuous product improvements. Jerr-Dan reserves the right to amend the information in this document at any time without prior notice.

Information contained in this manual reflects how this vehicle was built at the factory. Modifications or additions by the distributor or owner are not reflected in this manual.

This parts manual does not include service parts information for the commercial chassis (IHC, Ford, GM, etc.). That information is provided by the chassis manufacturer.

When ordering parts, please refer to your unit's Serial Number and Model Number. This information is be found on the aluminum tag riveted to the inside of the driver's side rear compartment of the main body.



Additional or replacement manuals can be ordered by calling Jerr-Dan Parts at 717-597-7111. Price and availability will be quoted at time of the request.

Please report comments and/or errors by contacting Jerr-Dan Corporation's Technical Publications Department by e-mail at technicalpublications@jerr-dan.com or by FAX on 717-485-7162.

Manufactured under one or more of the following patents: 5,575,606; 5,672,042; 5,697,741; 5,713,714; 5,722,810; 5,782,596; 5,839,775 and 6,315,515 B1 with other Patents Pending.

Jerr-Dan and the Jerr-Dan logo are registered trademarks and Run Hard is a service mark of Jerr-Dan Corporation, Greencastle, PA USA.

The material in this document is confidential and the property of Jerr-Dan Corporation. No part of this document may be photocopied, reproduced or translated to another language without the express written consent of Jerr-Dan Corporation.

THIS PAGE INTENTIONALLY LEFT BLANK

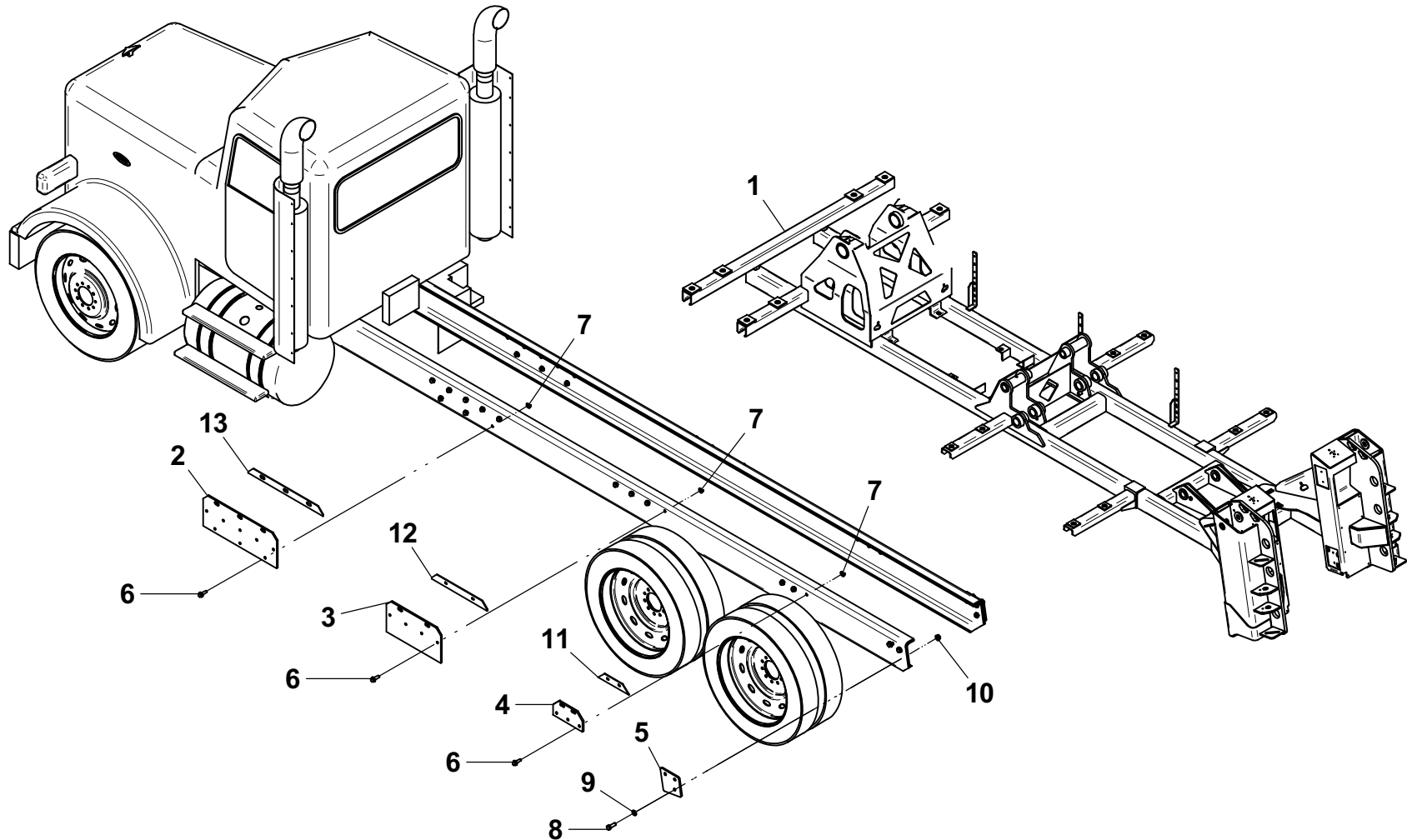
INDEX

DESCRIPTION	PAGE
Subframe Installation	6 - 7
Subframe Hydraulic Tubing	8 - 9
Hydraulic Tank Installation (Units Without Underlift Winch Option)	10 - 11
Hydraulic Tank Assembly (Units Without Underlift Winch Option)	12 - 13
Hydraulic Tank Installation (Units With Underlift Winch Option)	14 - 15
Hydraulic Tank Assembly (Units With Underlift Winch Option)	16 - 17
Rear Spade Installation	18 - 19
Rear Spade Tubing	20 - 21
Boom Installation - 2 Piece Boom	22 - 23
Wrecker Boom Assembly - 2 Piece Boom	24 - 25
Winch Installation - 50K DP Planetary 2 Speed Gear Shift	26 - 27
Underlift Installation - Without Winch Option (Standard)	28 - 29
Underlift Installation - With Winch Option (Optional)	30 - 31
Underlift Assembly - 53,000 LB - 3 Piece Boom (Standard)	32 - 33
Underlift Assembly - 56,500 LB - 3 Piece Boom (Optional)	34 - 35
Underlift Assembly - 56,500 LB - 4 Piece Boom (Optional)	36 - 37
Underlift Winch Installation (Optional)	38 - 39
Crosstube Installation	40 - 41
Underlift Tools - Frame Forks	42 - 43
Underlift Tools - 14,000 LB Tire Lift	44 - 45
Underlift Tools - 25,000 LB Tire Lift	46 - 47
Underlift Tools - Fifth Wheel Attachment	48 - 49
Underlift Tools - Pintle Hook	50 - 51
Rear Tail Plate Installation	52 - 53
Tailboard D-Ring Installation	54 - 55
Controls - Control Valve Installation - 6 Function & 14 Function	56 - 57
Controls - Control Valve Installation - 16 Function	58 - 59
Controls - Push-Pull Cables Installation - 6 Function & 14 Function	60 - 61
Controls - Push-Pull Cables Installation - 16 Function	62 - 63
Controls - Control Valve Assembly - 6 Function & 14 Function	64 - 65
Controls - Control Valve Assembly - 16 Function	66 - 67
Controls - 6 Function Non-Proportional Miratron	68 - 69
Controls - 14 Function Non-Proportional Miratron	70 - 71
Controls - 14 & 16 Function Proportional Miratron	72 - 73
Controls - Electrical Emergency Stop	74 - 75
Hydraulics - Supply-Pressure-Return	76 - 77
Hydraulics - Lines and Fittings	78 - 85
Driver Side Hydraulic Pressure Gauges - Without Underlift Winch Option (Standard) ..	86 - 87
Driver Side Hydraulic Pressure Gauges - With Underlift Winch Option (Optional)	88 - 89
Passenger Side Winch Air Controls - 2 Spd Gear Shift	90 - 91
Driver & Passenger Side Winch Air Controls - DP 50K, 2 Spd Gear Shift	92 - 95
Winch Electric Speed/Free Spool Controls - DP 50K, 2 Spd	96 - 99
Decals	100 - 102

SUBFRAME INSTALLATION

ITEM	PART NO.	DESCRIPTION	QTY
1	3868000305	Subframe	1
2	4706002262	Plate	2
3	4706002261	Plate	2
4	4706002490	Plate	2
5	4706006016	Plate	2
6	7118221816	Capscrew, 0.75"-10NC x 2.25"	36
7	7660222308	Locknut, 0.75"-10NC	36
8	7118242050	Capscrew .88 -9NC x 2.50"	6
9	7949000061	Washer, 0.88" ID	6
10	7660242308	Locknut, 0.88"-9NC	6
11	4706002555	Plate	2
12	4062000268	Bar	2
13	4062000269	Bar	2

SUBFRAME INSTALLATION

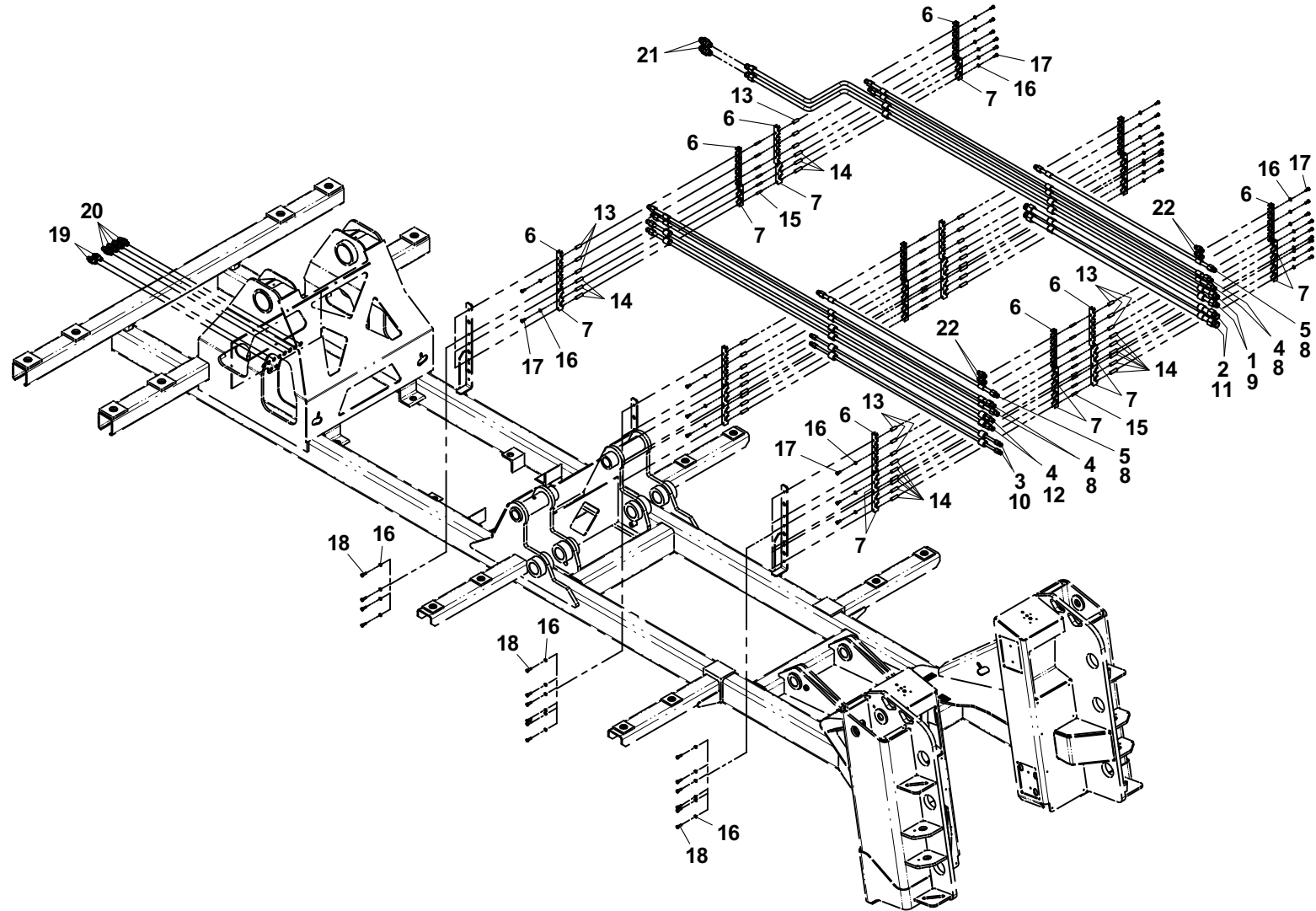


SUBFRAME HYDRAULIC TUBING

ITEM	PART NO.	DESCRIPTION	QTY
1	7912000068	Tube Assembly	2
2	7912000069	Tube Assembly	2
3	7912000070	Tube Assembly	2
4	7912000041	Tube Assembly	6
5	7912000238*	Tube Assembly	2
6	7274000030	Clamp	6
7	7274000049	Clamp	20
8	7209000024*	Bushing, 0.62" ID	16
	7209000024	Bushing, 0.62" ID	12
9	7209000032	Bushing, #12 Tube	6
10	7209000031	Bushing, #8 Tube	4
11	7209000033	Bushing, #16 Tube	4
12	7209000066	Bushing, #10 Tube	6
13	7661000022	Nut, 0.31"-18NC Stacking Head	18
14	7661000027	Nut, Stacking	30
15	7007000036	Adapter, 0.31"-18NC x 1.38"	24
16	7950150000	Lockwasher, 0.31" ID	48
17	7115150650	Capscrew, 0.31"-18NC x 0.75"	32
18	7115150850	Capscrew, 0.31"-18NC x 1.00"	16
19	7445080825	Fitting, Union Bulkhead	2
20	7445101025	Fitting, Union Bulkhead	4
21	7445121225	Fitting, Union Bulkhead	2
22	7443000209	Fitting	4

* Used With Drag Winch Option Only

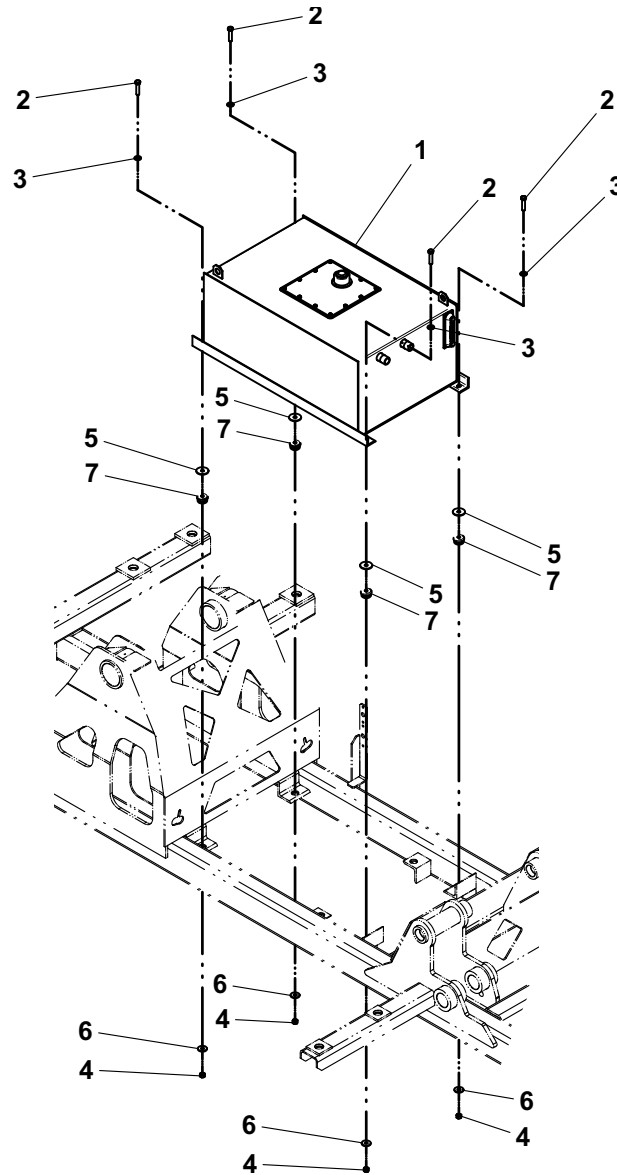
SUBFRAME HYDRAULIC TUBING



HYDRAULIC TANK INSTALLATION - UNITS WITHOUT UNDERLIFT DRAG WINCH

ITEM	PART NO.	DESCRIPTION	QTY
1	3750000022	Hydraulic Tank Assembly	1
2	7115181850	Capscrew, 0.50"-13NC x 2.25"	4
3	7950180141	Flatwasher, 0.50" ID	4
4	7660182601	Locknut, 0.50"-13NC	4
5	7949000015	Washer, Head	4
6	7949000016	Washer, Tail	4
7	7636000006	Rubber Mount	4

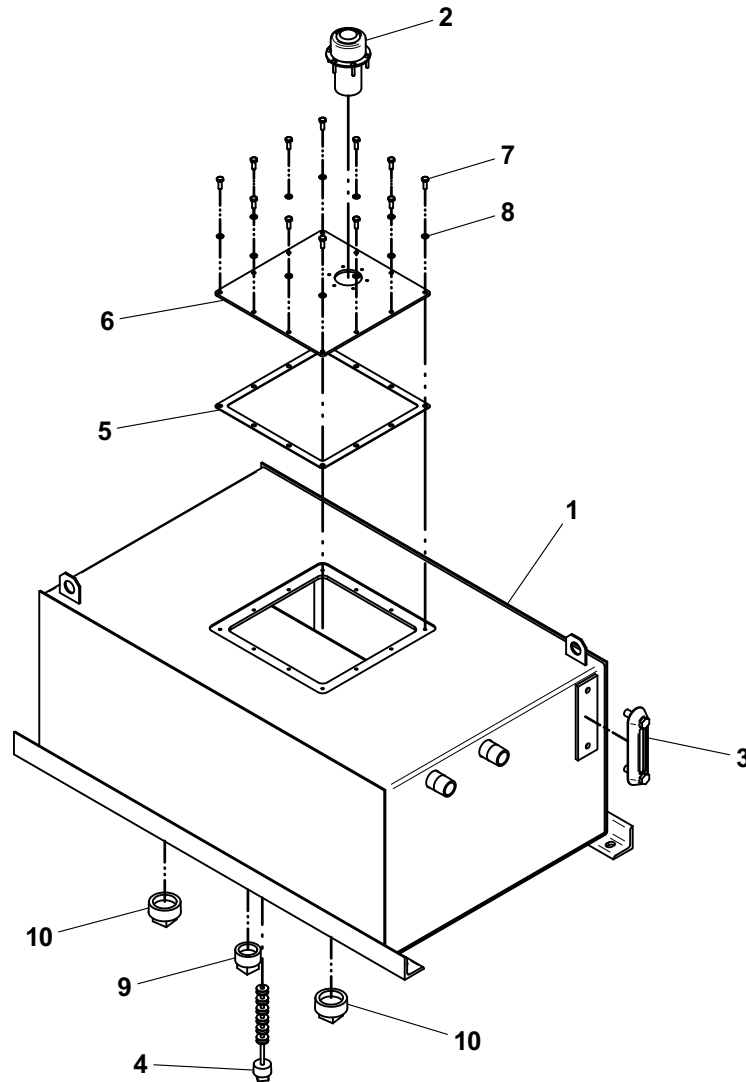
HYDRAULIC TANK INSTALLATION - UNITS WITHOUT UNDERLIFT DRAG WINCH



HYDRAULIC TANK ASSEMBLY - 3750000022

ITEM	PART NO.	DESCRIPTION	QTY
1	3750000021	Hydraulic Tank	1
2	7183000002	Breather, Filler Cap	1
3	7470000003	Gauge, Sight	1
4	7701000025	Plug, Magnetic	1
5	7796000051	Gasket	1
6	4706002235	Plate	1
7	7115140650	Capscrew, 0.25"-25NC x 0.75"	12
8	7950140000	Lockwasher, 0.25" ID	12
9	7444120014	Plug	1
10	7444160011	Plug	2

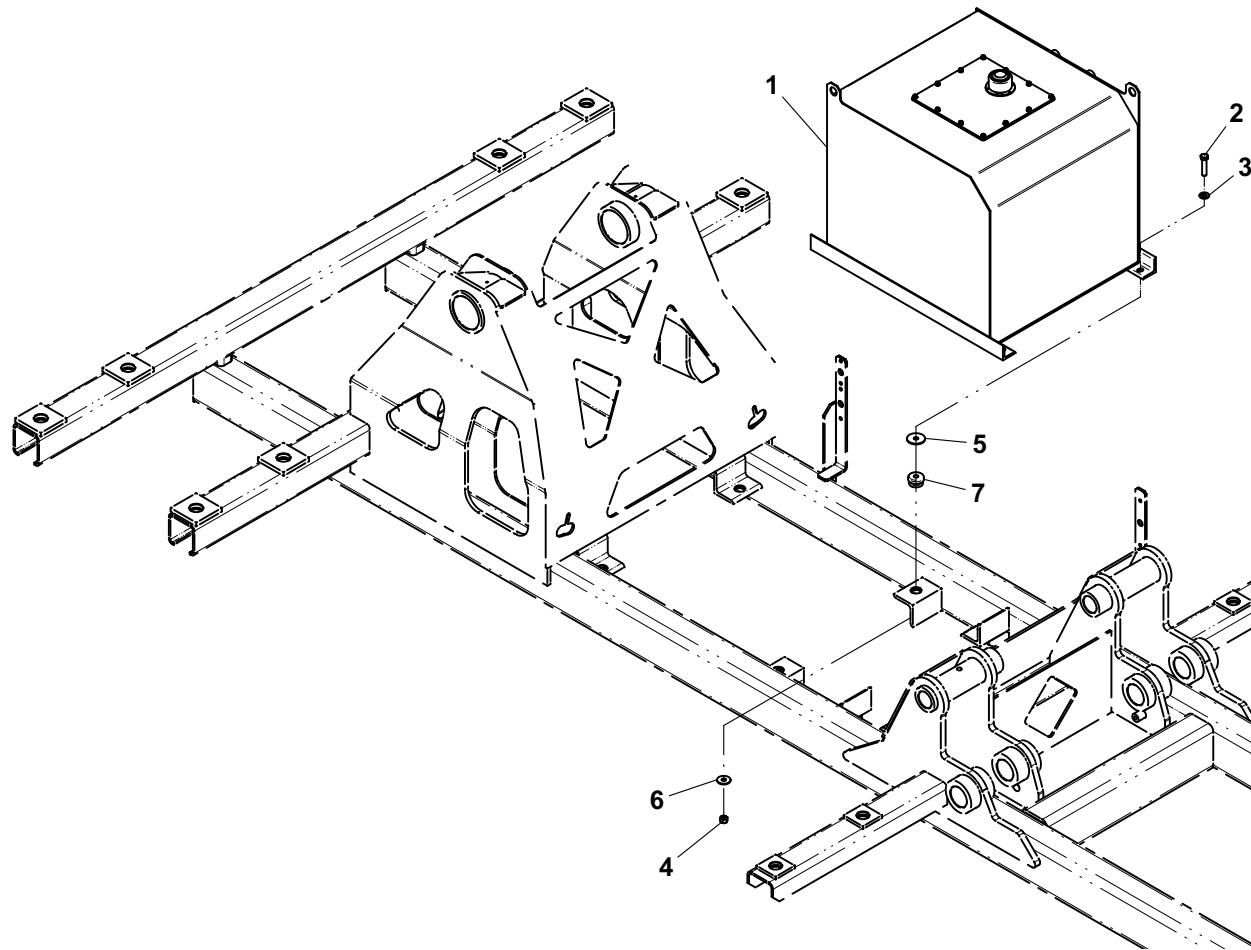
HYDRAULIC TANK ASSEMBLY - 375000022



HYDRAULIC TANK INSTALLATION - UNITS WITH UNDERLIFT DRAG WINCH

ITEM	PART NO.	DESCRIPTION	QTY
1	3750000055	Hydraulic Tank Assembly	1
2	7115181850	Capscrew, 0.50"-13NC x 2.25"	4
3	7950180141	Flatwasher, 0.50" ID	4
4	7660182601	Locknut, 0.50"-13NC	4
5	7949000015	Washer, Head	4
6	7949000016	Washer, Tail	4
7	7636000006	Rubber Mount	4

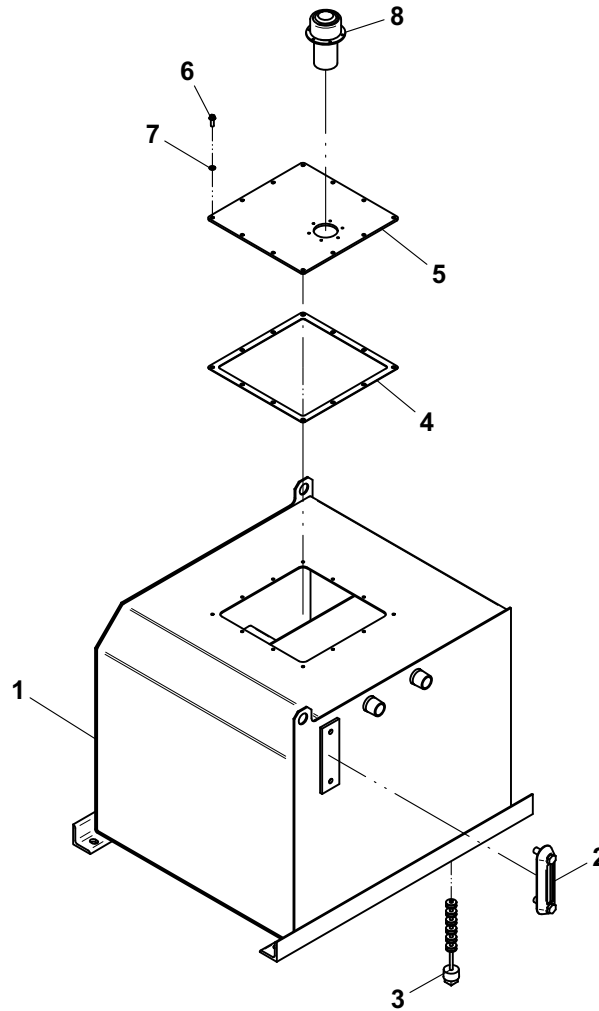
HYDRAULIC TANK INSTALLATION - UNITS WITH UNDERLIFT DRAG WINCH



HYDRAULIC TANK ASSEMBLY - 3750000055 - UNITS WITH UNDERLIFT DRAG WINCH

ITEM	PART NO.	DESCRIPTION	QTY
1	3750000056	Hydraulic Tank	1
2	7470000003	Gauge, Sight	1
3	7701000025	Plug, Magnetic	1
4	7796000051	Gasket	1
5	4706002235	Plate	1
6	7790141253	Screw, 0.25"-20NC x 0.75"	12
7	7950140000	Lockwasher, 0.25" ID	12
8	7183000002	Breather, Filler Cap	1

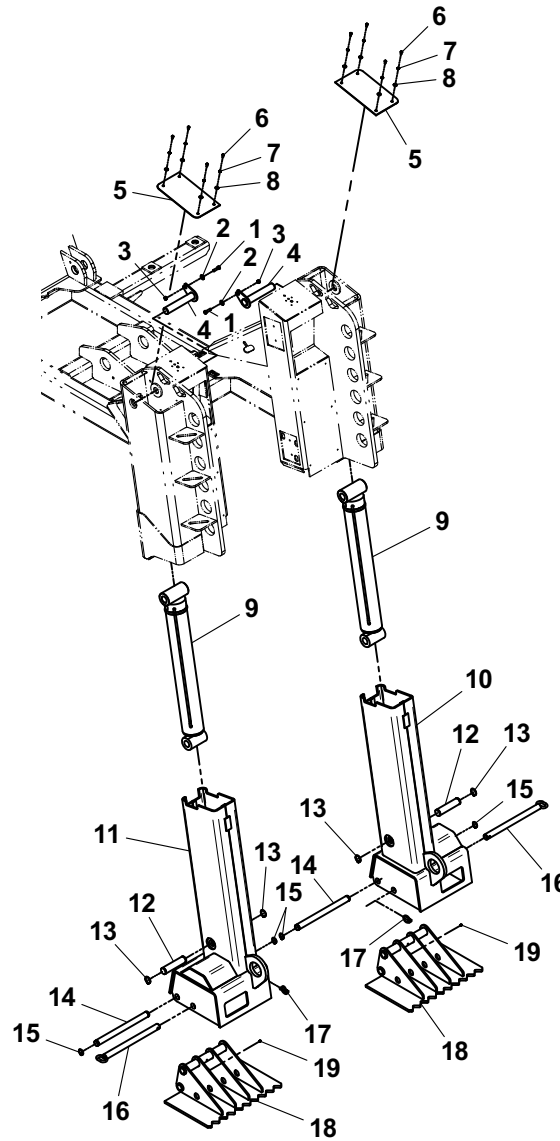
HYDRAULIC TANK ASSEMBLY - 3750000055 - UNITS WITH UNDERLIFT DRAG WINCH



REAR SPADE INSTALLATION

ITEM	PART NO.	DESCRIPTION	QTY
1	7115161250	Capscrew, 0.38"-16NC x 1.50"	2
2	7950160161	Flatwasher, 0.38" ID	2
3	7660162601	Locknut, 0.38"-16NC	2
4	3691000267	Pin	2
5	4706003716	Plate	2
6	7114140518	Capscrew, 0.25"-20NC x 0.63"	8
7	7949000025	Lockwasher, 11MM ID	8
8	7950140153	Flatwasher, 0.25" ID	8
9	7320000006	Spade Cylinder Assembly	2
10	3263000061	Channel, Spade - RH	1
11	3263000062	Channel, Spade - LH	1
12	4691000207	Pin	2
13	7754000033	Retaining Ring	4
14	4691000200	Pin	2
15	7754000008	Retaining Ring	4
16	3691000126	Pin	2
17	7691000019	Lynch Pin	2
18	3706000335	Spade Claw Plate	2
19	7440030000	Grease Fitting	2

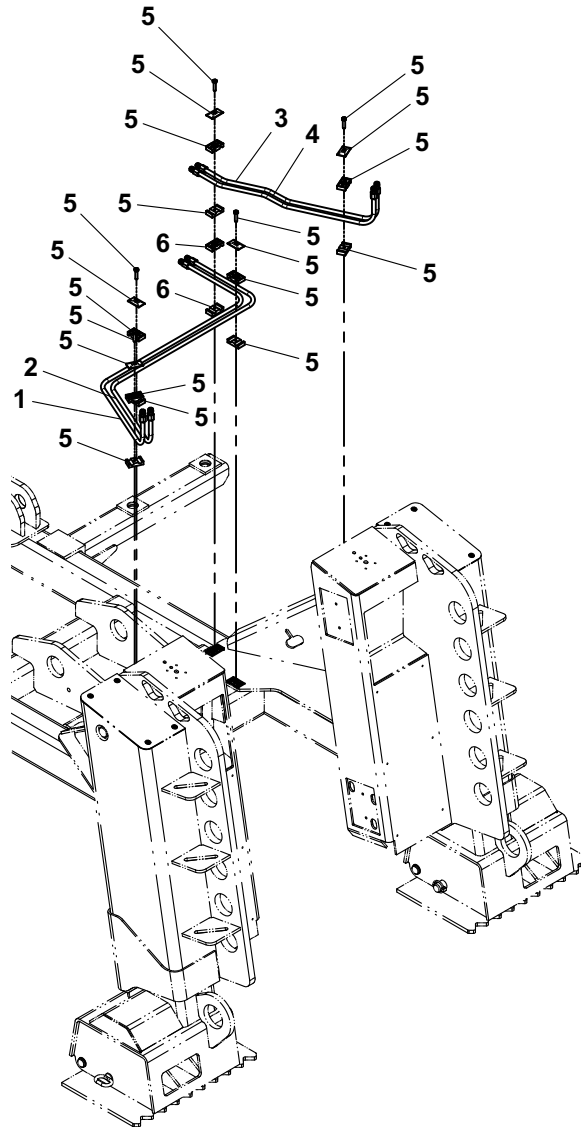
REAR SPADE INSTALLATION



REAR SPADE TUBING

ITEM	PART NO.	DESCRIPTION	QTY
1	7912000245	Tube Assembly	1
2	7912000246	Tube Assembly	1
3	7912000247	Tube Assembly	1
4	7912000248	Tube Assembly	1
5	7274000050	Clamp	5
6	7274000064	Clamp	1

REAR SPADE TUBING

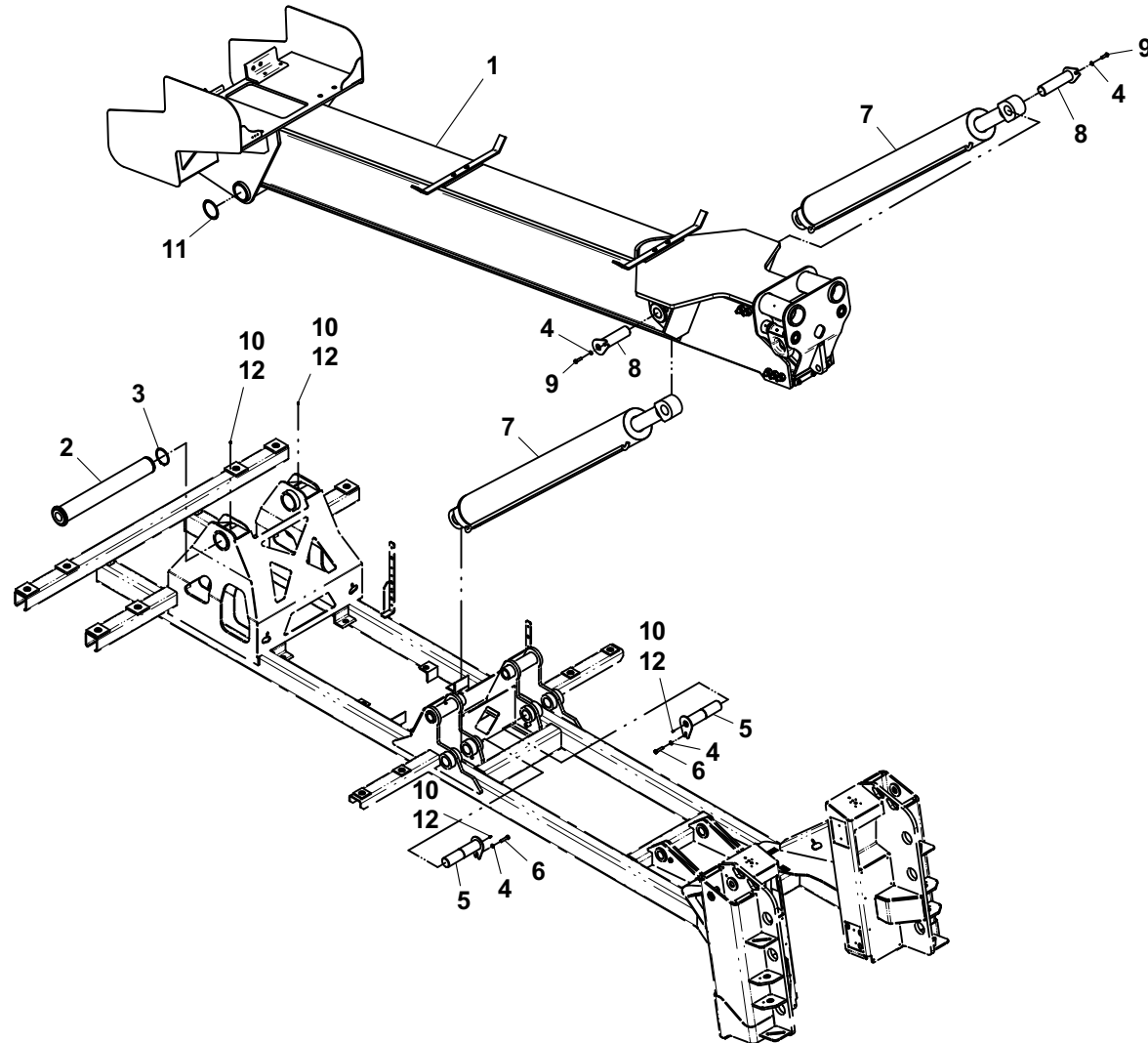


BOOM INSTALLATION - 2 PIECE BOOM

ITEM	PART NO.	DESCRIPTION	QTY
1	3170000136	Boom Assembly	1
2	3691000274	Pin	1
3	7754000059	Retaining Ring	1
4	7950180000	Lockwasher, 0.59" ID	4
5	3691000149	Pin	2
6	7115181850	Capscrew, 0.50"-13NC x 2.25"	2
7	7320000027	Lift Cylinder Assy w/o U/L Winch Option	2
	7320000062	Lift Cylinder Assy w/ U/L Winch Option	
8	3691000148	Pin	2
9	7115181450	Capscrew, 0.50"-13NC x 1.75"	2
10	7440030000	Grease Fitting	4
11	4949000059*	Shim, 0.062" Thick	2
	4949000060*	Shim, 0.125" Thick	
12	7253000002	Cap, Grease Fitting	4
13	4679000127	Pad	4
14	7115160623	Capscrew, 0.38"-16NC x 0.75"	8

* Available in Shim Kit - 3577000071

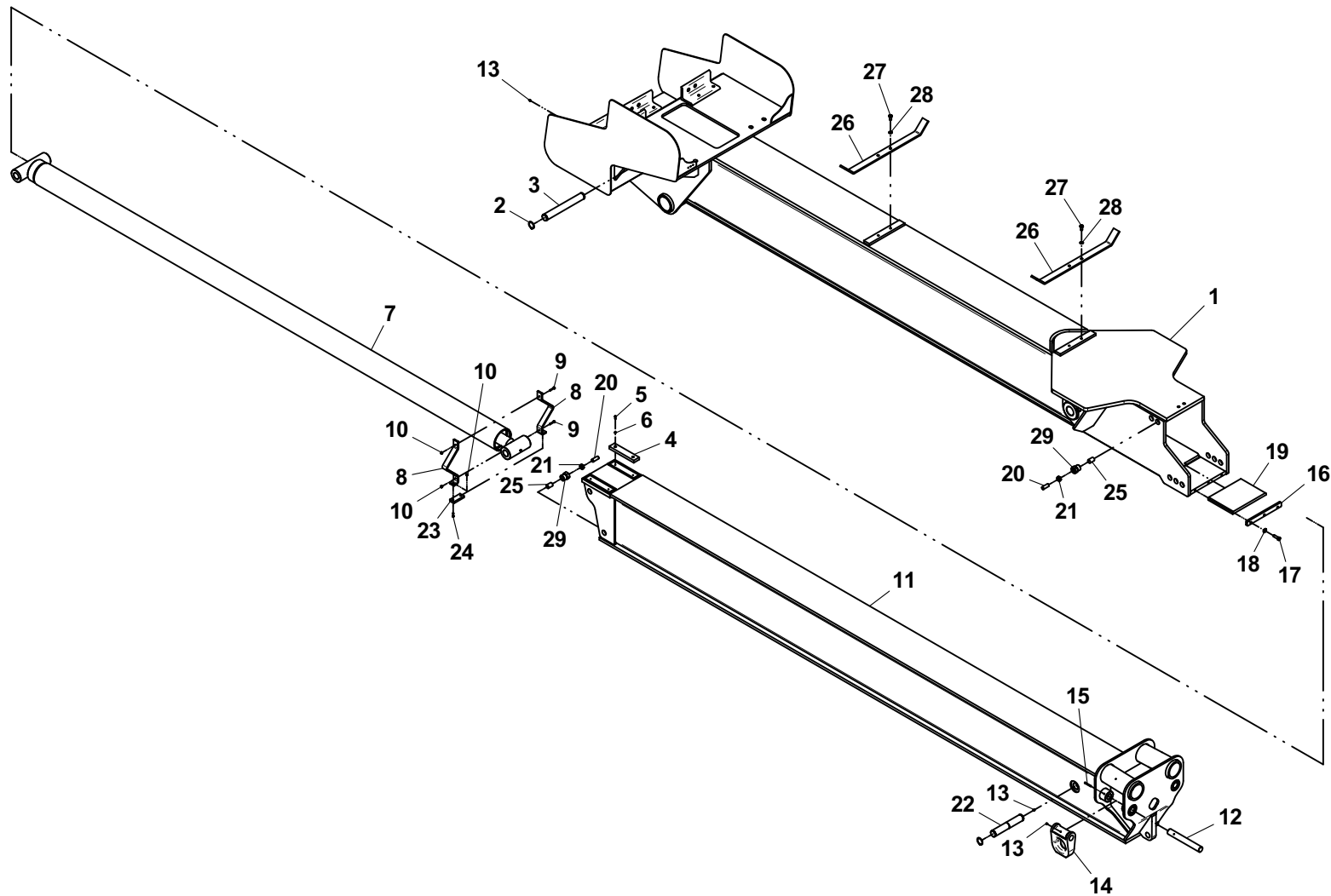
BOOM INSTALLATION - 2 PIECE BOOM



WRECKER BOOM ASSEMBLY - 2 PIECE BOOM

ITEM	PART NO.	DESCRIPTION	QTY
1	3170000133	Outer Boom Weldment	1
2	7754000055	Retaining Ring	4
3	4691000281	Pin	1
4	4679000140	Pin	2
5	7114140618	Capscrew, 0.25"-20NC x 0.75"	4
6	7950140000	Lockwasher, 0.25" ID	4
7	7320000028	Extension Cylinder Assembly	1
8	4062000273	Bar	2
9	7115141250	Capscrew, 0.25"-20NC x 1.50"	2
10	7660142600	Locknut, 0.25"-20NC	4
11	3170000135	Fly Boom Weld	1
12	4691000285	Pin	2
13	7440030000	Grease Fitting	4
14	4754000004	D-Ring	2
15	7690144840	Pin, Spring	2
16	4706002276	Plate	1
17	7115181450	Capscrew, 0.50"-13NC x 1.75"	3
18	7950180141	Flatwasher	3
19	4679000139	Pad	1
20	7786000005	Setscrew, 0.75"-16NF x 2.0"	14
21	7660220230	Nut, 0.75"-16NF Hex Jam	14
22	4691000280	Pin	1
23	4679000150	Pad	1
24	7114140818	Capscrew 0.25"-20 x 1.00"	2
25	4064000033	Bar	14
26	4062000158	Bar	2
27	7115180850	Capscrew, 0.50"-13NC x 1.00"	4
28	7950180000	Lockwasher, 0.59" ID	4
29	4701000004	Keeper	14

WRECKER BOOM ASSEMBLY - 2 PIECE BOOM

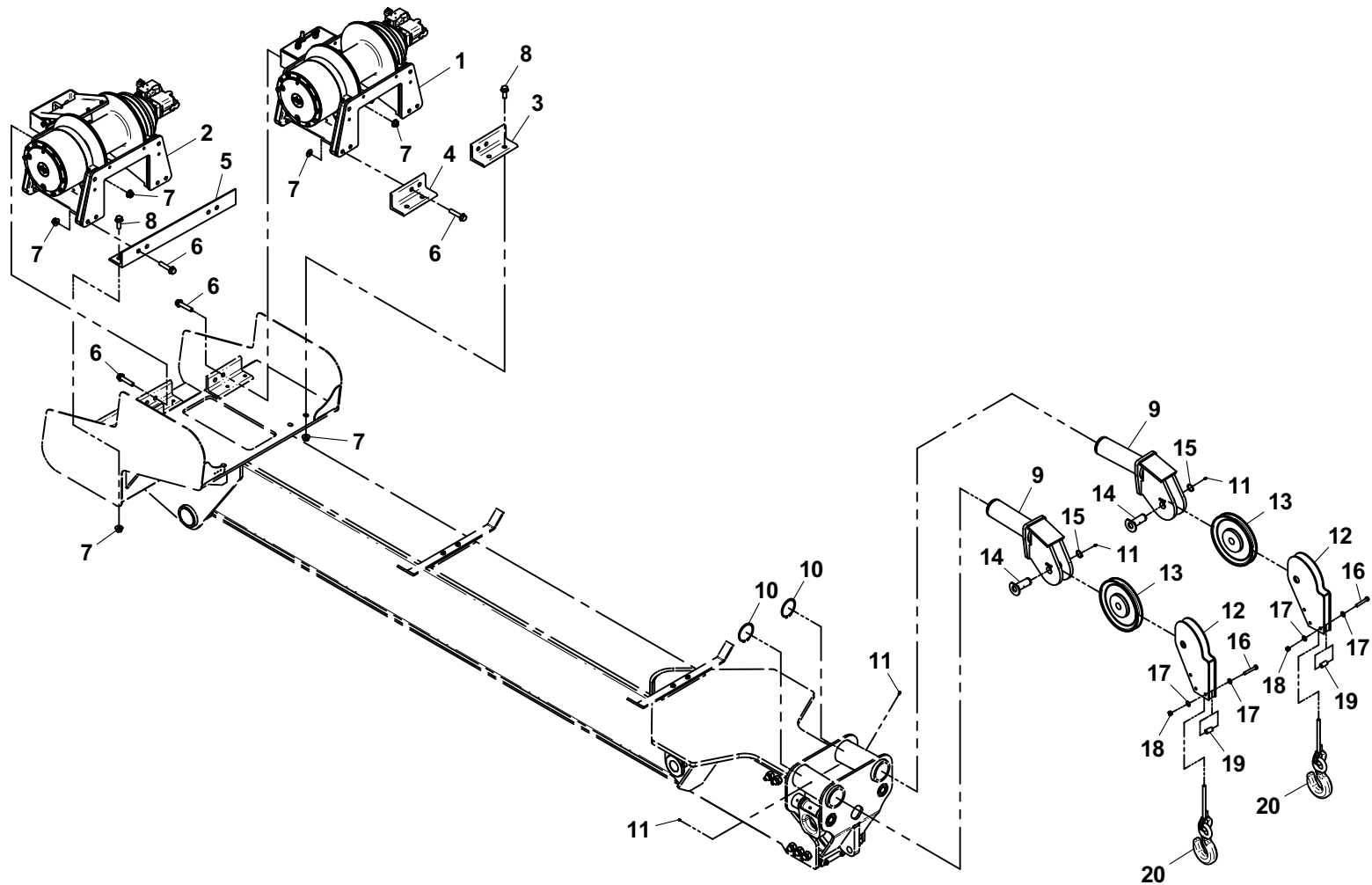


WINCH INSTALLATION - 50K DP PLANETARY 2 SPEED GEAR SHIFT

ITEM	PART NO.	DESCRIPTION	QTY
1	7970000059	Winch	1
2	7970000060	Winch	1
3	4017000788	Angle - RH	1
4	4017000789	Angle - LH	1
5	4017000792	Angle	1
6	7118222816	Capscrew, 0.75"-10NC x 3.50"	16
7	7660222308	Locknut, 0.75"-10NC	24
8	7118221616	Capscrew, 0.75"-10NC x 2.00"	8
9	3249000008*	Sheave Support Weldment	2
10	7754000059	Retaining Ring	2
11	7440030000	Grease Fitting	4
12	3249000035*	Cable Guide Weldment	2
13	7809000004*	Sheave	2
14	3691000151*	Pin	2
15	7754000033*	Retaining Ring	2
16	7115182650*	Capscrew, 0.50"-13NC x 3.25"	6
17	7950180141*	Flatwasher, 0.50" ID	12
18	7660182601*	Locknut, 0.50"-13NC	6
19	4831000104*	Spacer	6
20	7248000135	Cable, 0.75" Dia x 250'	2
	7248000085	Cable, 0.75" Dia x 250' w/Swivel Hook	

* Available in Sheave Head Assembly - 3249000009

WINCH INSTALLATION - 50K DP PLANETARY 2 SPEED GEAR SHIFT



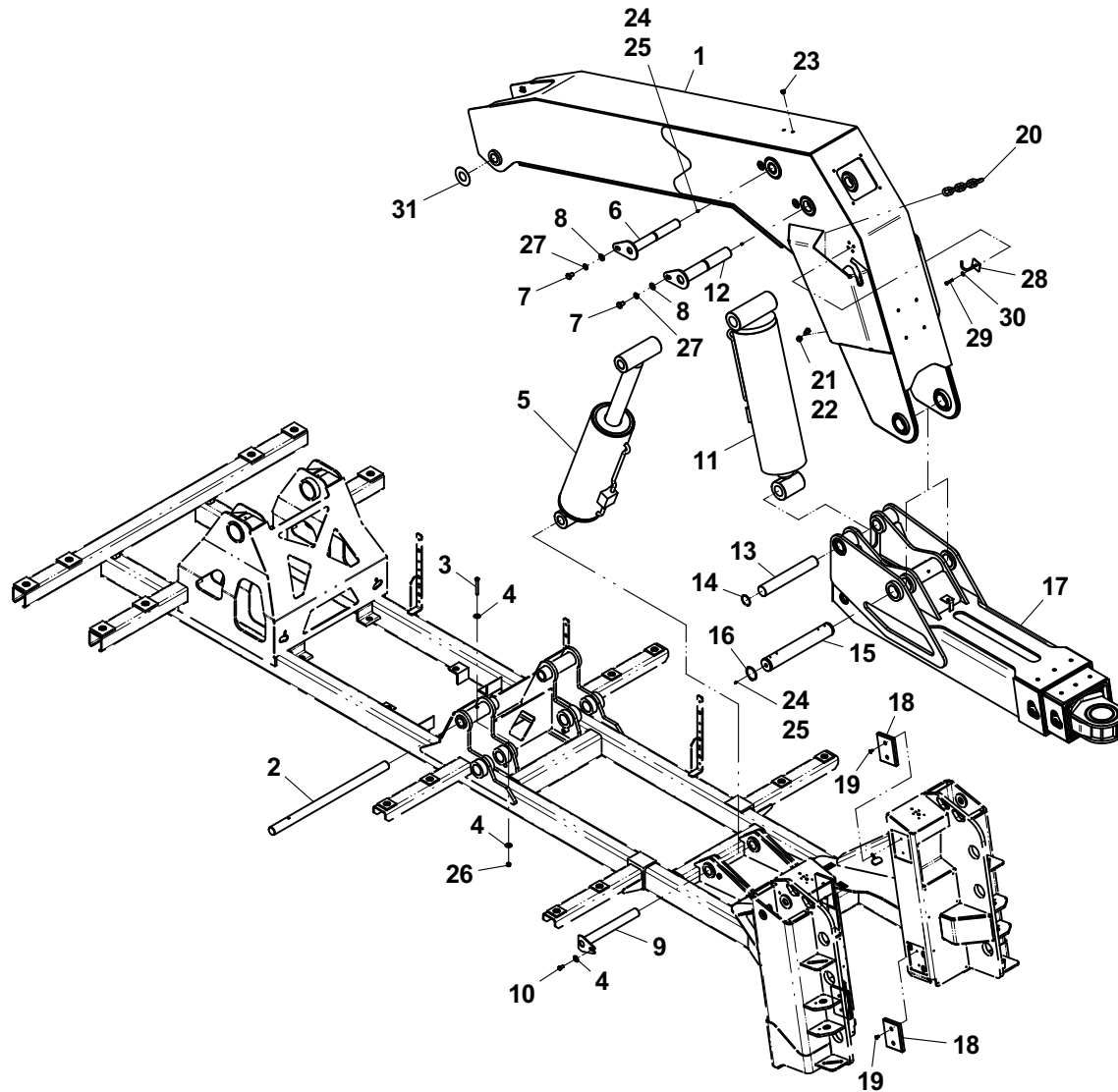
Item #28, not shown

UNDERLIFT INSTALLATION - WITHOUT WINCH OPTION (STANDARD)

ITEM	PART NO.	DESCRIPTION	QTY	ITEM	PART NO.	DESCRIPTION	QTY
1	3170000408	Knee Boom Weldment	1	31	4949000031*	Washer, 4.50" OD x 2.12" ID x 0.063"	2
2	4691000284	Pin	1		4949000032*	Washer, 4.50" OD x 2.12" ID x 0.093"	2
3	7115183250	Capscrew, 0.50"-13NC x 4.00"	1				
4	7950180161	Flatwasher, 0.50" ID	3				
5	7320000024	Underlift Lift Cylinder Assembly	1				
6	3691000251	Pin	1				
7	7115220850	Capscrew, 0.75"-10NC x 1.00"	2				
8	7950220141	Flatwasher, 0.75" ID	2				
9	3691000152	Pin	1				
10	7115180850	Capscrew, 0.50"-13NC x 1.00"	1				
11	7320000096	U/L Tilt Cylinder Assembly UL530	1				
	7320000097	U/L Tilt Cylinder Assembly UL565					
12	3691000232	Pin	1				
13	4691000290	Pin	1				
14	7754000051	Retaining Ring	2				
15	4691000291	Pin	1				
16	7754000018	Retaining Ring	2				
17	3507100001	Underlift Assembly UL530	1				
	3170000407	Underlift Assembly UL565					
18	4679000127	Pad	4				
19	7115160623	Capscrew, 0.38"-16NC x 0.75"	8				
20	7262000025	Chain	2				
21	7115201250	Capscrew, 0.63-11NC x 1.50"	2				
22	7660202601	Locknut, 0.63"-11NC	2				
23	7189000017	Bumper	2				
24	7440030000	Grease Fitting	5				
25	7253000002	Grease Fitting	5				
26	7660182601	Locknut, 0.50"-13NC	1				
27	7950220000	Washer, 0.75" ID	2				
28	3561000017	Hook Weldment Chain Guide	2				
29	7115161450	Capscrew, 0.38"-16NC x 1.75"	4				
30	7950160141	Flatwasher, 0.38" ID	4				

* Available in Shim Kit - 3577000037

UNDERLIFT INSTALLATION - WITHOUT WINCH OPTION (STANDARD)

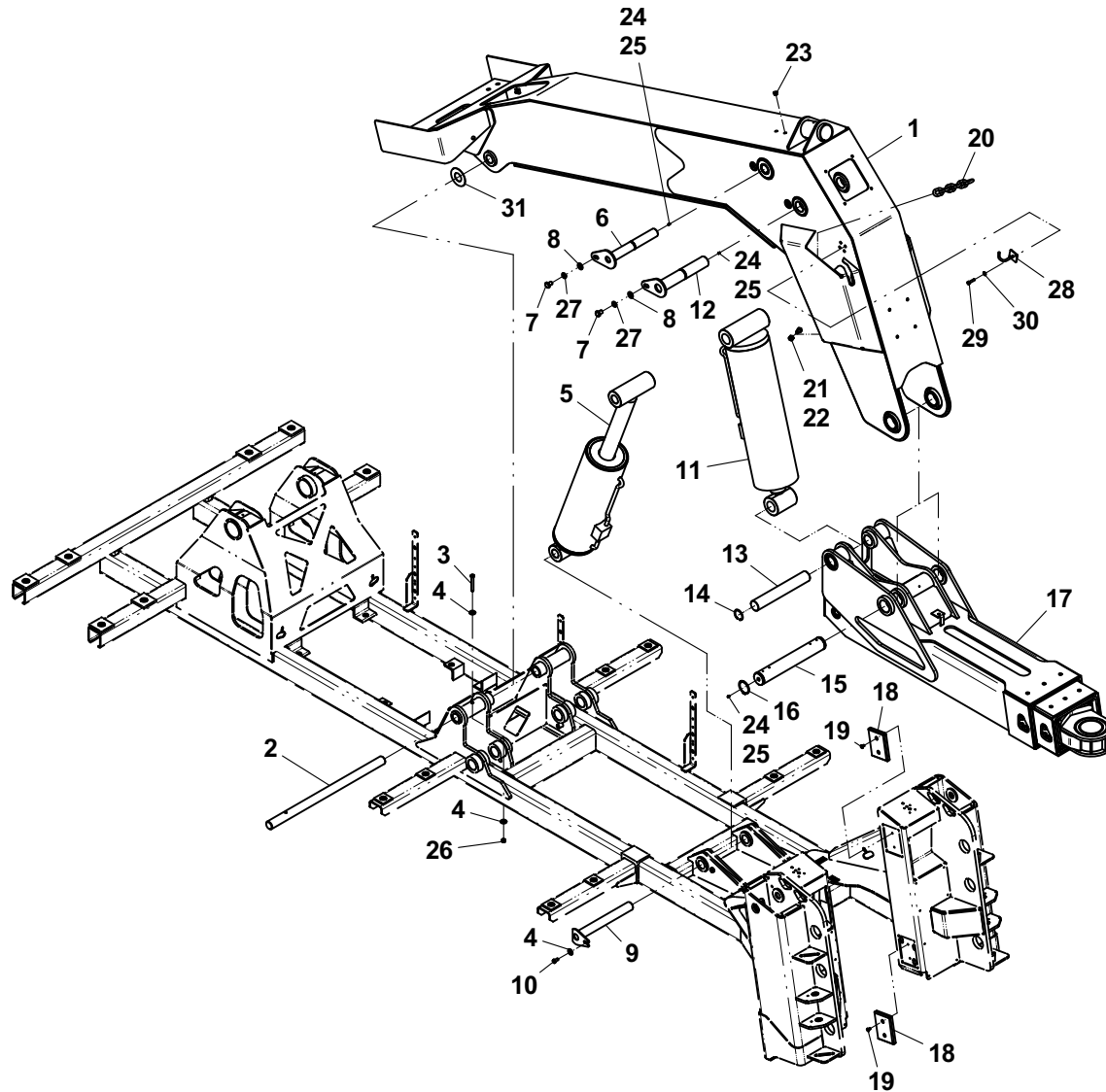


UNDERLIFT INSTALLATION - WITH WINCH OPTION (OPTIONAL)

ITEM	PART NO.	DESCRIPTION	QTY	ITEM	PART NO.	DESCRIPTION	QTY
1	3170000409	Knee Boom Weldment	1	31	4949000031*	Washer, 4.50" OD x 2.12" ID x 0.063"	2
2	4691000284	Pin	1		4949000032*	Washer, 4.50" OD x 2.12" ID x 0.093"	2
3	7115183250	Capscrew, 0.50"-13NC x 4.00"	1				
4	7950180161	Flatwasher, 0.50" ID	3				
5	7320000024	Underlift Lift Cylinder Assembly	1				
6	3691000251	Pin	1				
7	7115220850	Capscrew, 0.75"-10NC x 1.00"	2				
8	7950220141	Flatwasher, 0.75" ID	2				
9	3691000152	Pin	1				
10	7115180850	Capscrew, 0.50"-13NC x 1.00"	1				
11	7320000096	U/L Tilt Cylinder Assembly UL530	1				
	7320000097	U/L Tilt Cylinder Assembly UL565					
12	3691000232	Pin	1				
13	4691000290	Pin	1				
14	7754000051	Retaining Ring	2				
15	4691000291	Pin	1				
16	7754000018	Retaining Ring	2				
17	3507100001	Underlift Assembly UL530	1				
	3170000407	Underlift Assembly UL565					
18	4679000127	Pad	4				
19	7115160623	Capscrew, 0.38"-16NC x 0.75"	8				
20	7262000025	Chain	2				
21	7115201250	Capscrew, 0.63-11NC x 1.50"	2				
22	7660202601	Locknut, 0.63"-11NC	2				
23	7189000017	Bumper	2				
24	7440030000	Grease Fitting	5				
25	7253000002	Grease Fitting	5				
26	7660182601	Locknut, 0.50"-13NC	1				
27	7950220000	Washer, 0.75" ID	2				
28	3561000017	Hook Weldment Chain Guide	2				
29	7115161450	Capscrew, 0.38"-16NC x 1.75"	4				
30	7950160141	Flatwasher, 0.38" ID	4				

* Available in Shim Kit - 3577000037

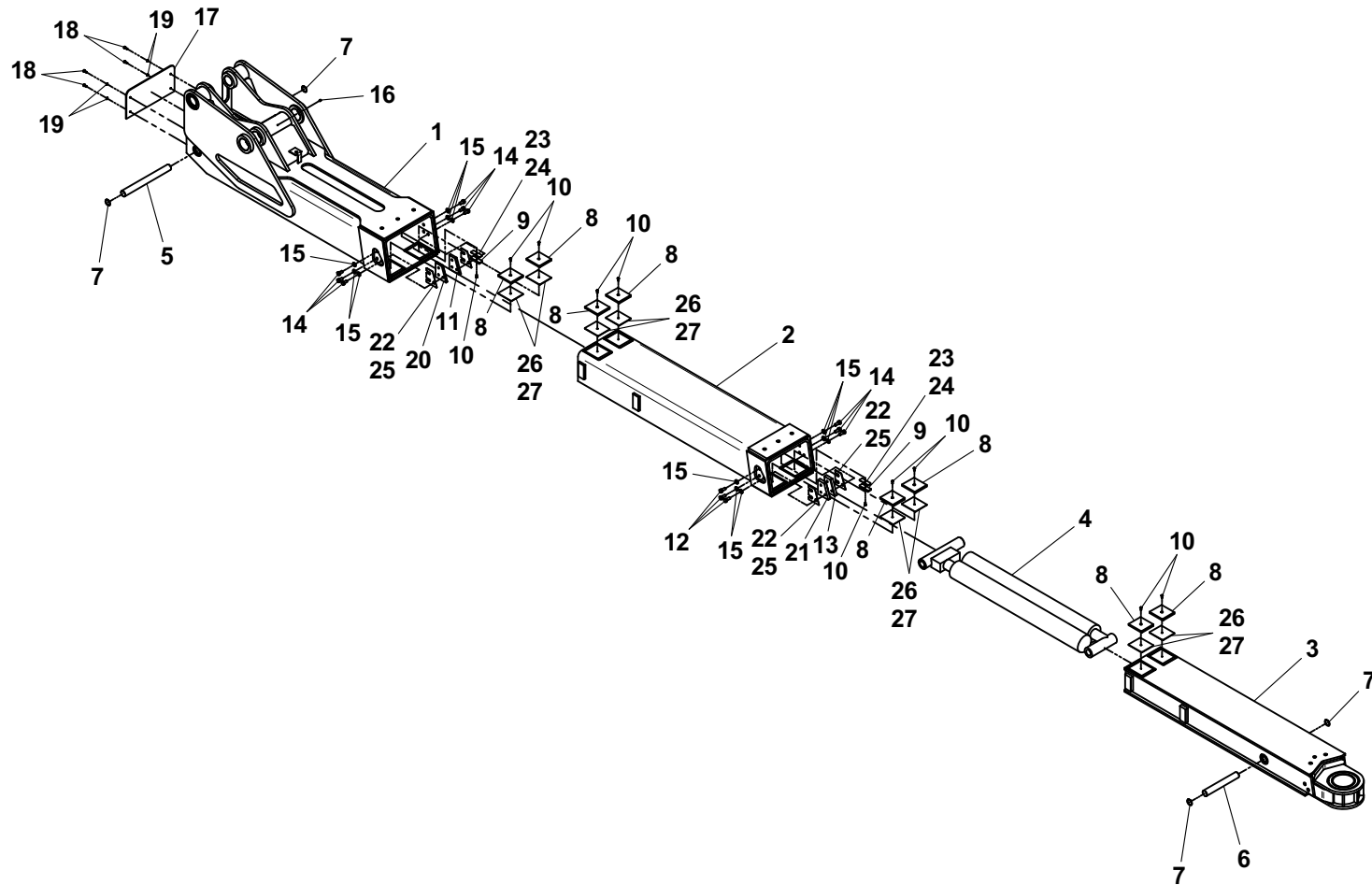
UNDERLIFT INSTALLATION - WITH WINCH OPTION (OPTIONAL)



UNDERLIFT ASSEMBLY - 3507100001 - 53,000 LB - 3 PIECE BOOM (STANDARD)

ITEM	PART NO.	DESCRIPTION	QTY
1	3170000125	Base Section Boom Weldment	1
2	3170000124	Mid Section Boom Weldment	1
3	3170000123	Fly Section Boom Weldment	1
4	7320000026	Underlift Extension Cylinder Assembly	1
5	4691000292	Pin	1
6	4691000293	Pin	1
7	7754000043	Retaining Ring	4
8	4679000146	Pad	8
9	4679000147	Pad	2
10	7114140518	Capscrew, 0.25"-20NC x 0.63"	10
11	4706002209	Plate	1
12	7108181050	Capscrew, 0.50"-20NF x 1.25"	6
13	4706002208	Plate	1
14	7108180850	Capscrew, 0.50"-20NF x 1.00"	6
15	7950180153	Flatwasher, 0.50" ID	12
16	7440030000	Grease Fitting	1
17	4706002207	Plate	1
18	7115140650	Capscrew, 0.25"-20NC x 0.75"	4
19	7950140000	Lockwasher, 0.25" ID	4
20	4706002211	Plate	1
21	4706002210	Plate	1
22	4812000057	Shim, 14GA	2
23	4706003708	Plate	2
24	4706003709	Plate	2
25	4706003710	Plate	4
26	4706003717	Plate	8
27	4706003718	Plate	8

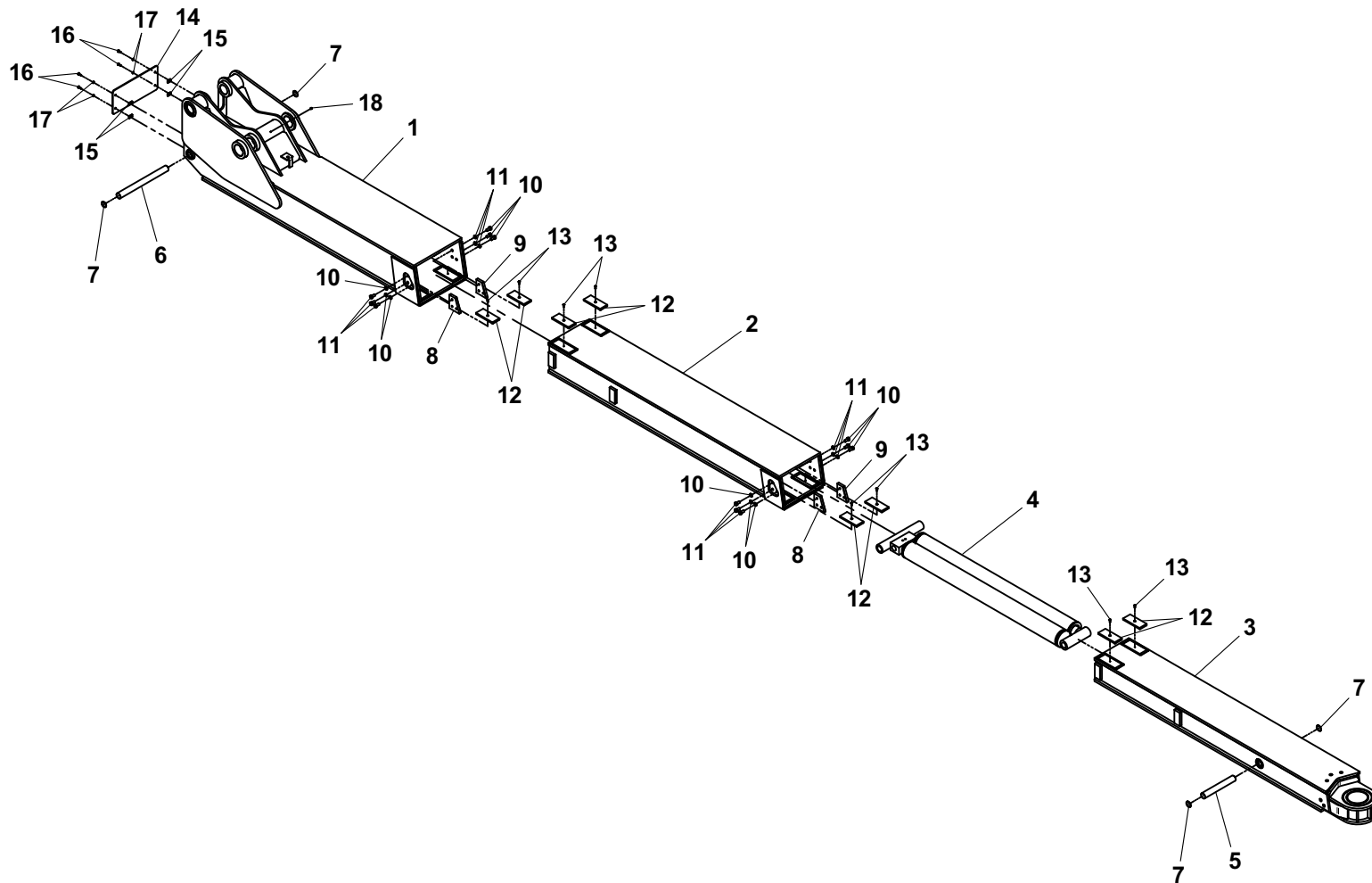
UNDERLIFT ASSEMBLY - 3507100001 - 53,000 LB - 3 PIECE BOOM (STANDARD)



UNDERLIFT ASSEMBLY - 3170000407 - 56,500 LB - 3 PIECE BOOM (OPTIONAL)

ITEM	PART NO.	DESCRIPTION	QTY
1	3170000400	Base Section Boom Weldment	1
2	3170000401	Mid Section Boom Weldment	1
3	3170000406	Fly Section Boom Weldment	1
4	7320000068	Underlift Extension Cylinder Assembly	1
5	4691000293	Pin	1
6	4691000321	Pin	1
7	7754000043	Retaining Ring	4
8	4706005262	Plate	2
9	4706005263	Plate	2
10	7108180850	Capscrew, 0.50"-20NF x 1.00"	12
11	7950180000	Lockwasher, 0.50" ID	12
12	4679000277	Pad, 0.38 Thk	8
	4679000293	Pad, 0.25 Thk	
13	7114140518	Capscrew, 0.25"-20NC x 0.63"	8
14	4706005281	Plate	1
15	7661000019	U-Nut, 0.25"-20NC	4
16	7115140650	Capscrew, 0.25"-20NC x 0.75"	4
17	7950140000	Lockwasher, 0.25" ID	4
18	7440030000	Grease Fitting	1

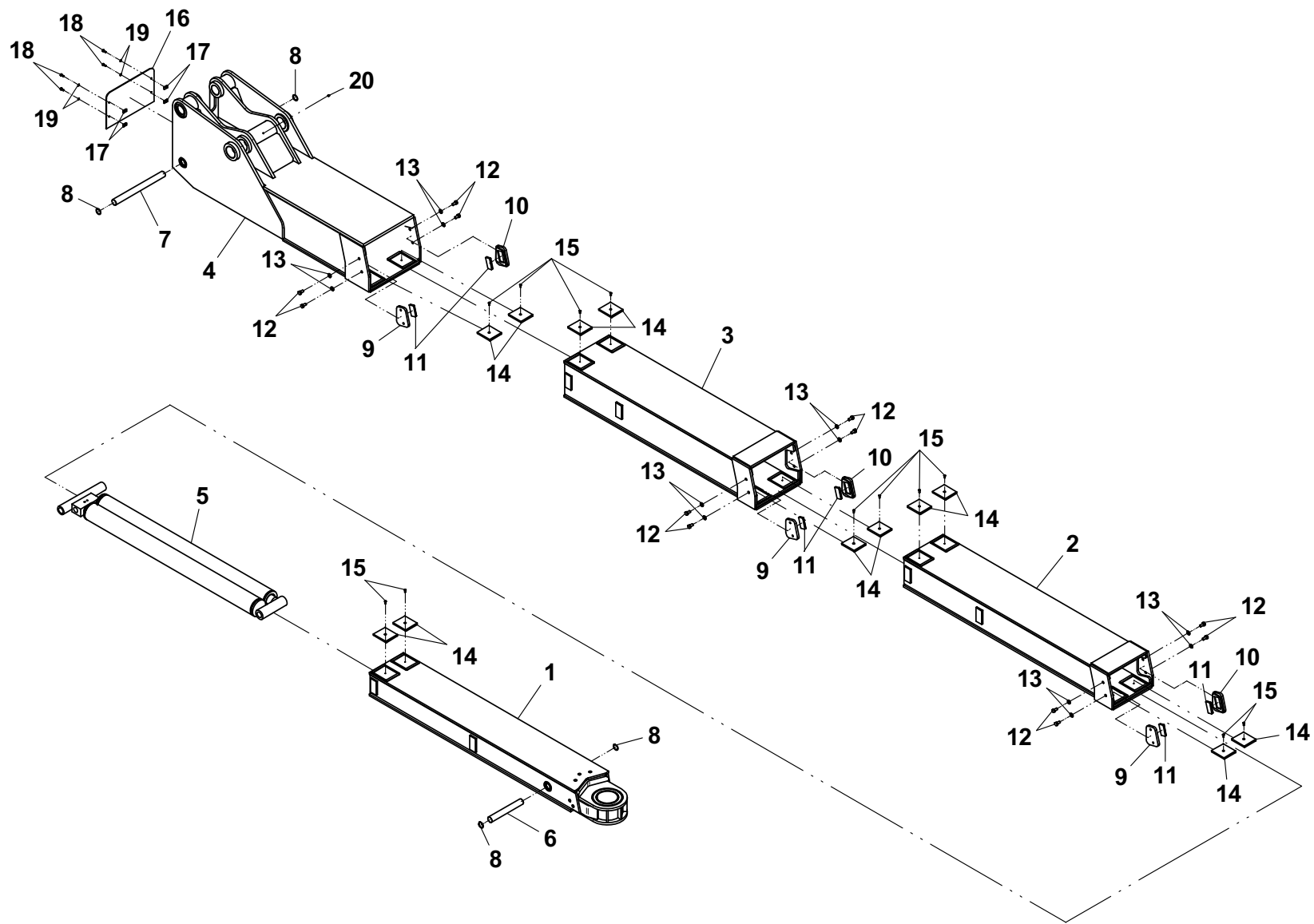
UNDERLIFT ASSEMBLY - 3170000407 - 56,500 LB - 3 PIECE BOOM (OPTIONAL)



UNDERLIFT ASSEMBLY - 3170000381 - 56,500 LB - 4 PIECE BOOM (OPTIONAL)

ITEM	PART NO.	DESCRIPTION	QTY
1	3170000379	Fly Section Boom Weld	1
2	3170000380	2nd Stage Boom Weld	1
3	3170000178	3rd Stage Boom Weld	1
4	3710000179	Base Section Boom Weld	1
5	7320000038	Underlift Extension Cylinder Assembly	1
6	4691000293	Pin	1
7	4691000321	Pin	1
8	7754000043	Retaining Ring	4
9	3178000273	Bracket LH	3
10	3178000275	Bracket RH	3
11	4679000170	Pad	6
12	7108180850	Capscrew, 0.50" - 20NF x 1.00"	12
13	7950180153	Flatwasher, 0.50" ID	12
14	4679000146	Pad	12
	4679000254	Pad	12
15	7114140518	Capscrew, 0.25" - 20NC x 0.62"	12
16	4706002428	Plate	1
17	7661000019	U-Nut 0.25"	4
18	7115140650	Capscrew, 0.25" - 20NC x 0.75"	4
19	7950140000	Lockwasher, 0.25" ID	4
20	7440030000	Fitting 0.25" - 28NF	1

UNDERLIFT ASSEMBLY - 3170000381 - 56,500 LB - 4 PIECE BOOM (OPTIONAL)



UNDERLIFT WINCH INSTALLATION (OPTIONAL)

ITEM	PART NO.	DESCRIPTION	QTY
1	797000079	Winch	1
2	7118201616	Capscrew, 0.63"-11NC x 2.00"	4
3	7118202016	Bolt, 0.63" x 2.50"	4
4	7661000018	Nut, 0.63"-11NC	8
5	3249000015	Sheave Support Weldment	1
6	3249000012	Cable Guide Weldment	1
7	7809000006	Sheave	1
8	3691000169	Pin Weldment	1
9	7754000058	Retaining Ring	1
10	4949000045	Washer	2
11	7440030000	Fitting, 0.25"-28NF	2
12	7253000002	Grease Fitting	2
13	4949000002	Cable Guide	2
14	7115142050	Capscrew, 0.25"-20NC x 2.50"	2
15	7660142604	Locknut, 0.25"-20NC	2
16	7754000049	Retaining Ring	1
17	3912000034*	Tube Weldment	1
18	7189000014*	Spring	2
19	4831000115*	Spacer	2
20	7120000053*	Bolt, 0.50"-132UNC x 10.00"	1
21	7115181250*	Capscrew, 0.50"-13NC x 1.50"	4
22	7950180150*	Flatwasher, 0.50" ID	4
23	7660182601*	Locknut, 0.50"-13NC	5
24	7248000037	Cable, 0.63" x 250'	1
	7248000079	Cable, 0.63" x 250' w/Swivel Hook	
	7248000055	Cable, 0.75" x 200'	
	7248000080	Cable, 0.75" x 200' w/Swivel Hook	

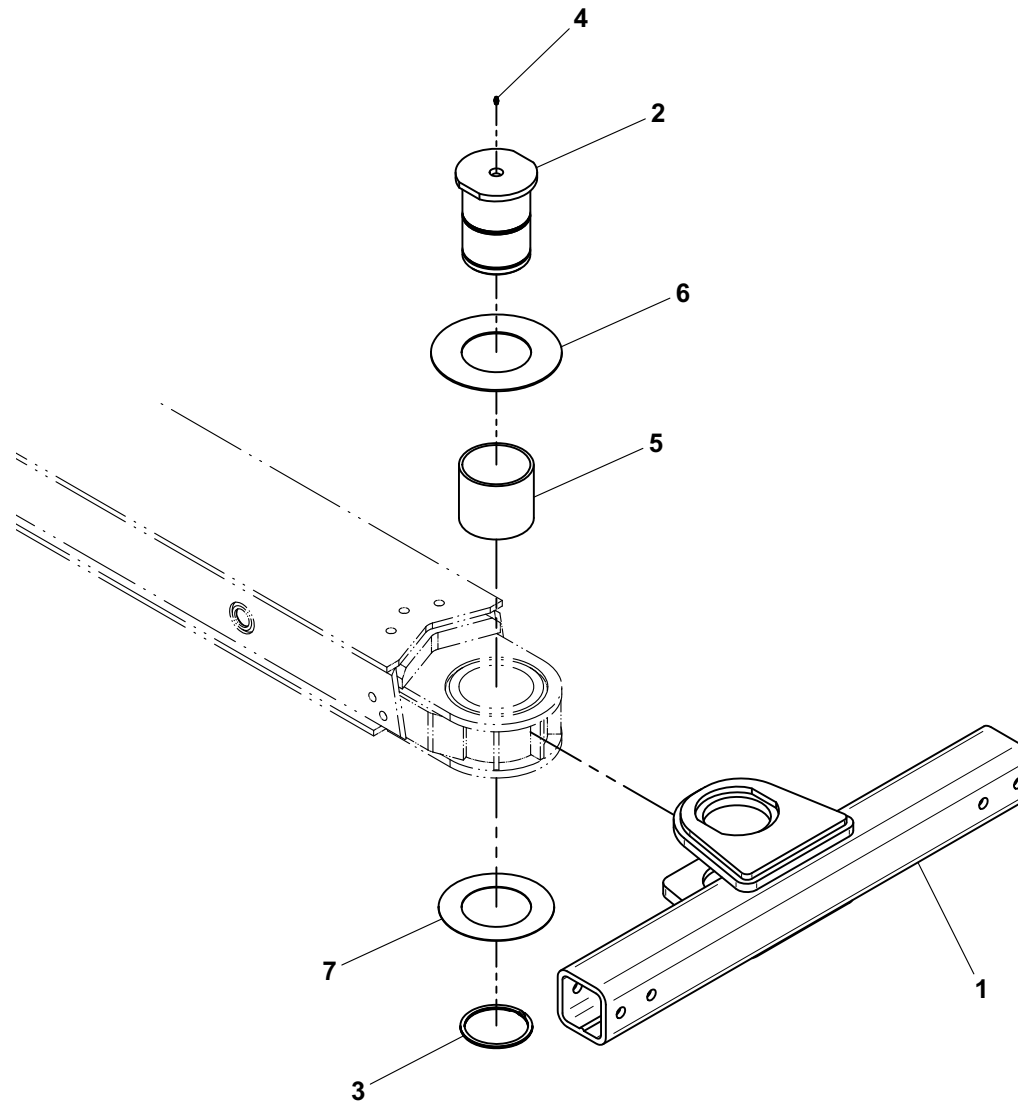
* Available in Cable Tie Back Assembly - 3249000038

CROSSTUBE INSTALLATION

ITEM	PART NO.	DESCRIPTION	QTY
1	3913000094	Crosstube Weldment	1
2	4691000242	Pin	1
3	7754000042	Retaining Ring	1
4	7440300000	Grease Fitting	1
5	7209000022	Bushing	1
6	4949000041*	Washer, 0.125" Thk	1
7	4949000042*	Washer, 0.63" Thk	2

* Available in Shim Kit - 3577000018

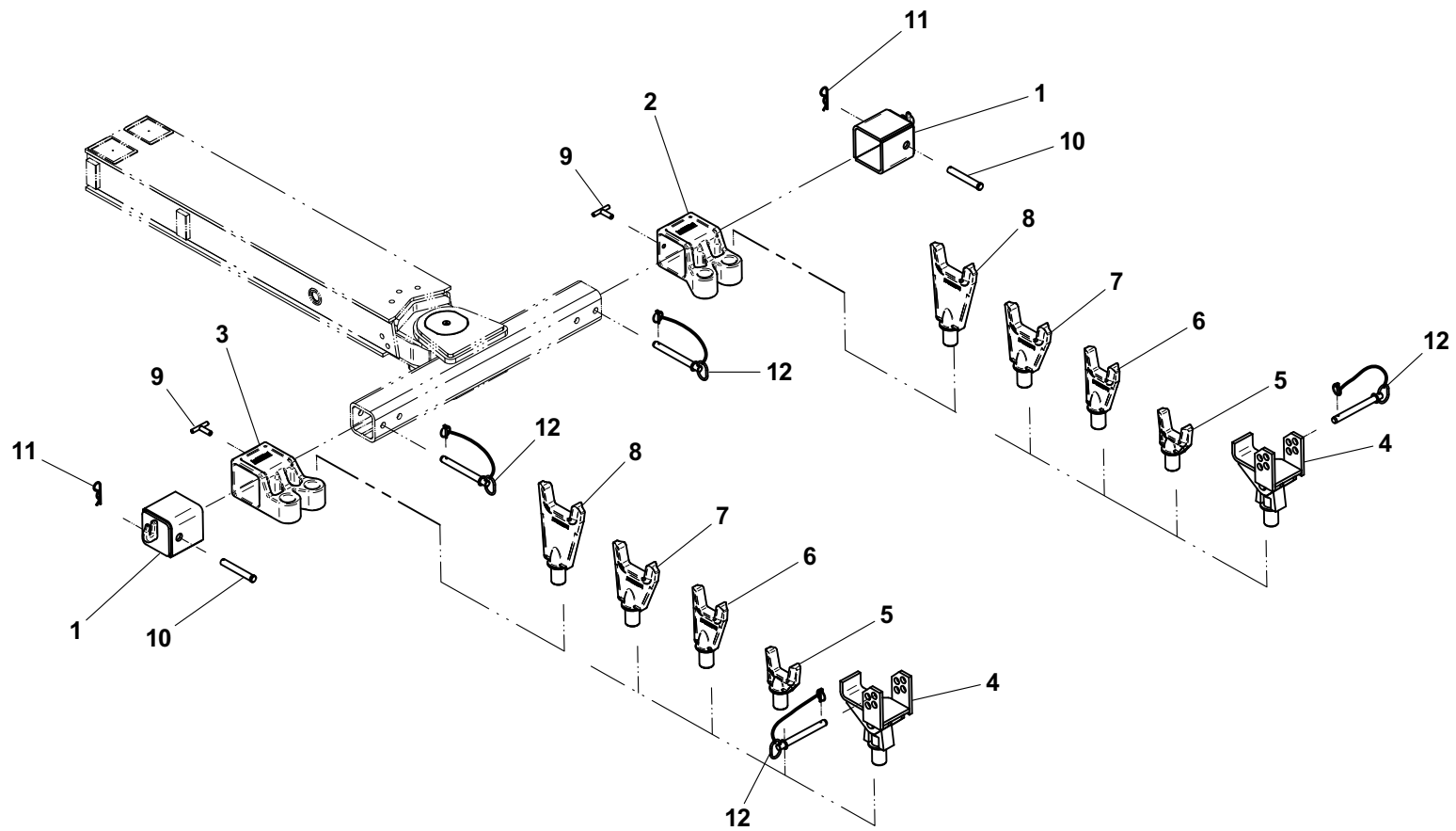
CROSSTUBE INSTALLATION



UNDERLIFT TOOLS - FRAME FORKS

ITEM	PART NO.	DESCRIPTION	QTY
1	3007000004	Adapter, Chain Hook	2
2	7007000056	Adapter, Frame Fork - RH	1
3	7007000055	Adapter, Frame Fork - LH	1
4	3178000226	Spring Lift Bracket	2
5	7454000006	Fork, 3.00" Short	2
6	7454000005	Fork, 3.00" Medium	2
7	7454000003	Fork, 4.50" Medium	2
8	7454000004	Fork, 4.50" Long	2
9	3551000036	T-Handle	2
10	7691000022	Pin	2
11	7691000020	Hairpin	2
12	7691000021	Hitch Pin	2
13	7262000026	Chain, Tie-Down	2

UNDERLIFT TOOLS - FRAME FORKS



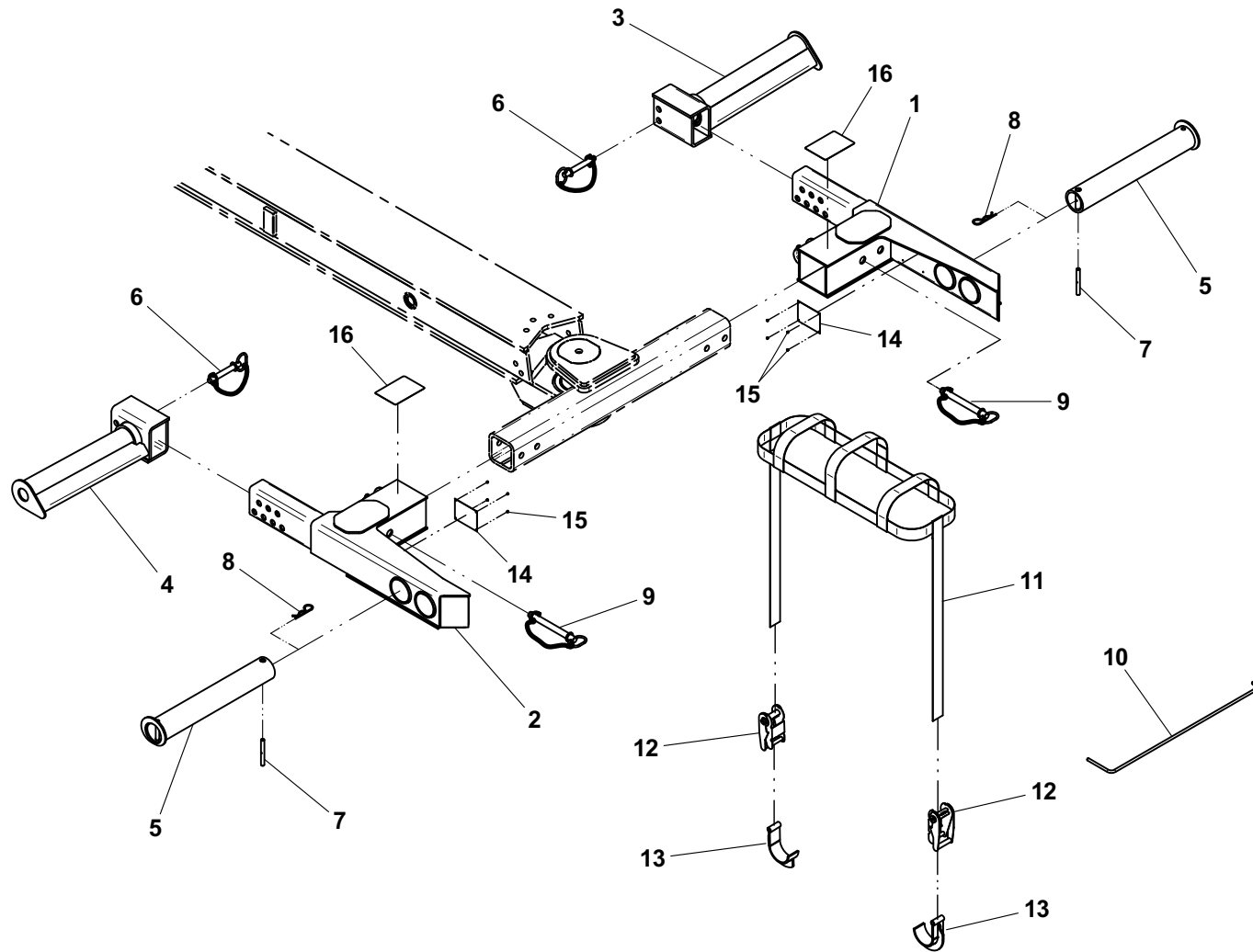
Item #13, not shown

UNDERLIFT TOOLS - 14,000 LB TIRE LIFT

ITEM	PART NO.	DESCRIPTION	QTY
1	3484000048*	Tire Lift Grid - RH	1
2	3484000049*	Tire Lift Grid - LH	1
3	3020000120*	Tire Lift Arm Weldment - RH	1
4	3020000119*	Tire Lift Arm Weldment - LH	1
5	3912000038*	Tire Lift Tube Weldment	2
6	7691000026*	Hitch Pin	2
7	4691000274*	Pin	2
8	7691000020*	Hairpin	2
9	7691000021	Hitch Pin	2
10	4561000012*	Hook, Pull	1
11	7894000037*	Strap, 2" Wide (Standard - Yellow)	2
	7894000041*	Strap, 2" Wide (Optional - Orange)	
12	7894000028*	Ratchet, 2" Wide Strap	4
13	3561000008*	Hook, 2" Wide Strap	4
14	7330000550*	Decal	2
15	7759000004*	Rivet	8
16	7330000278*	Decal	2

* Also available as - 2503550088

UNDERLIFT TOOLS - 14,000 LB TIRE LIFT



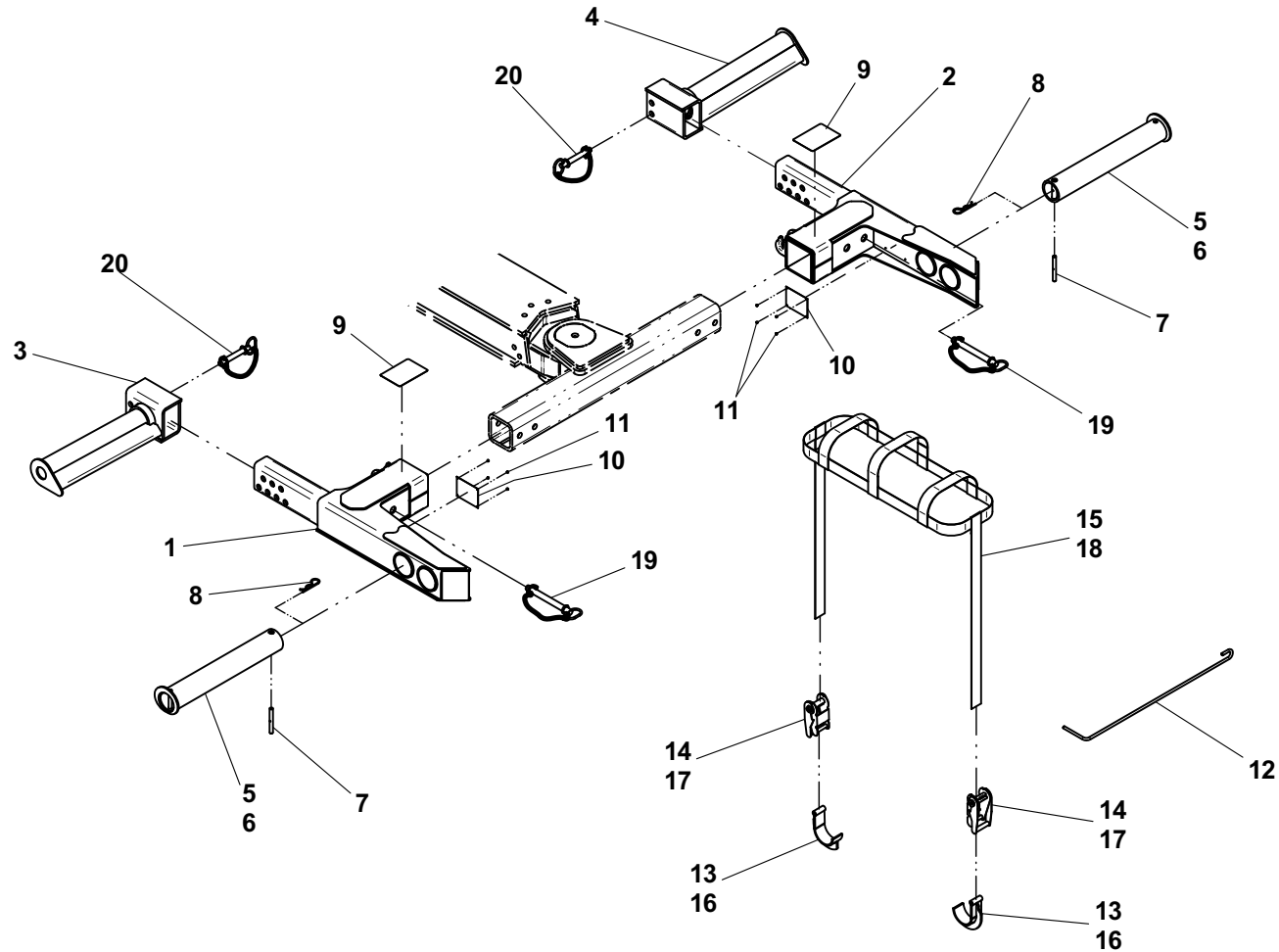
UNDERLIFT TOOLS - 25,000 LB TIRE LIFT

ITEM	PART NO.	DESCRIPTION	QTY
1	3484000072^	Tire Lift Grid - LH	1
2	3484000073^	Tire Lift Grid - RH	1
3	3020000119^	Tire Lift Arm Weldment - LH	1
4	3020000120^	Tire Lift Arm Weldment - RH	1
5	3912000038^	Tire Lift Tube Weldment - 23" Long	2
6	3912000033^	Tire Lift Tube Weldment - 27.5" Long	2
7	4691000274^	Pin	2
8	7691000020^	Hairpin	2
9	7330000278^	Decal	2
10	7330000550^	Decal	2
11	7759000004^	Rivet	8
12	4561000012^	Hook, Pull	1
13	3561000015*	Hook, 3" Wide Strap	4
14	7894000060*	Ratchet, 3" Wide Strap	4
15	7894000057*	Strap, 3" Wide	2
16	3561000008^	Hook, 2" Wide Strap	4
17	7894000028^	Ratchet, 2" Wide Strap	4
18	7894000037^	Strap, 2" Wide	2
19	7691000021	Hitch Pin	2
20	7691000026^	Hitch Pin	2

^ Also available as - 2502880300

* Available in Strap Kit - 7577000368

UNDERLIFT TOOLS - 25,000 LB TIRE LIFT

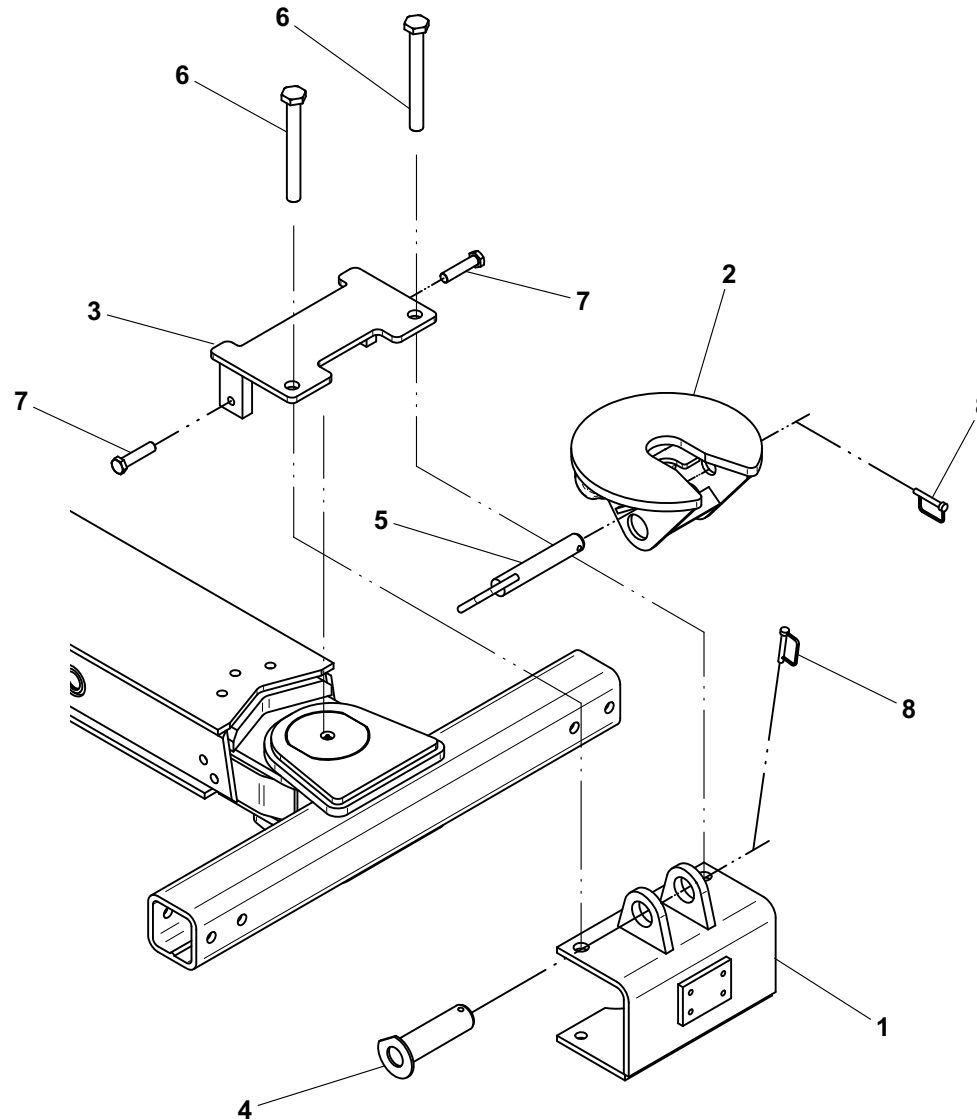


UNDERLIFT TOOLS - FIFTH WHEEL ATTACHMENT

ITEM	PART NO.	DESCRIPTION	QTY
1	3178000240*	Bracket Weldment	1
2	3178000499*	Bracket, Fifth Wheel Weldment	1
3	3706000080*	Plate Weldment	1
4	3691000144*	Pin	1
5	3691000145*	Pin	1
6	7118267250*	Capscrew, 1.00"-8NC x 9.00"	2
7	7120000036*	Capscrew, 0.75"-10NC x 3.25"	2
8	7691000025*	Pin	2

* Also available as - 2503880033

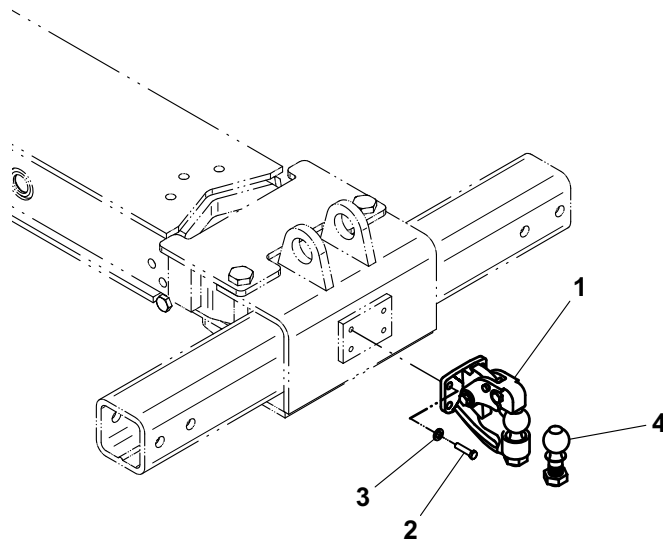
UNDERLIFT TOOLS - FIFTH WHEEL ATTACHMENT



UNDERLIFT TOOLS - PINTLE HOOK

ITEM	PART NO.	DESCRIPTION	QTY
1	7561000020	Hitch, Pintle Hook with 2" Dia. Ball	1
2	7118181250	Capscrew, 0.50"-13NC x 1.50"	4
3	7950180000	Lockwasher, 0.50" ID	4
4	7056000003	Ball, 1.88" Dia	1
	7056000004	Ball, 2.00" Dia	
	7056000005	Ball, 2.31" Dia	
	7056000006	Ball, 50mm Dia	

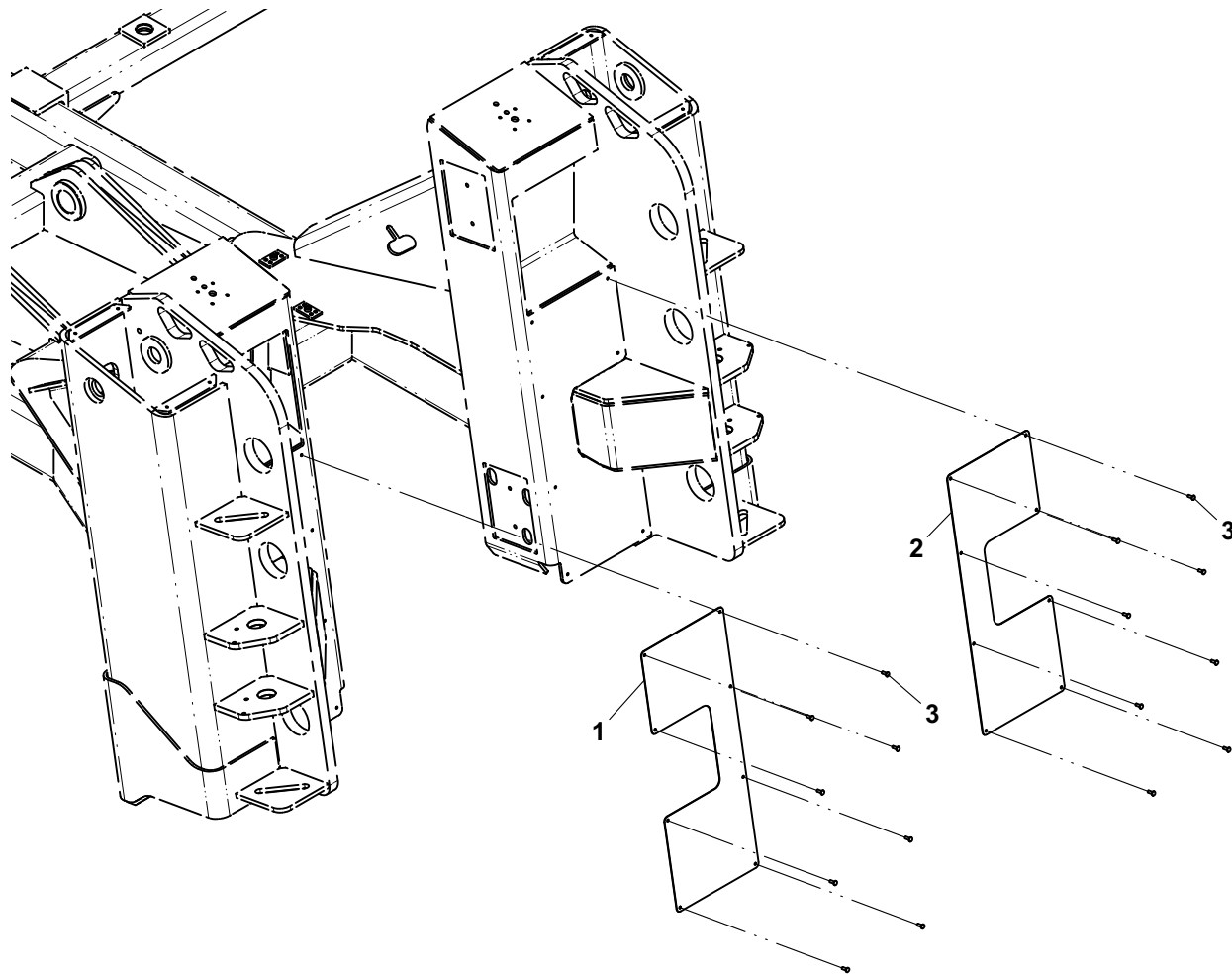
UNDERLIFT TOOLS - PINTLE HOOK



REAR TAIL PLATE INSTALLATION

ITEM	PART NO.	DESCRIPTION	QTY
1	4706006008	Plate - LH	1
2	4706006009	Plate - RH	1
3	7759000018	Rivet	8

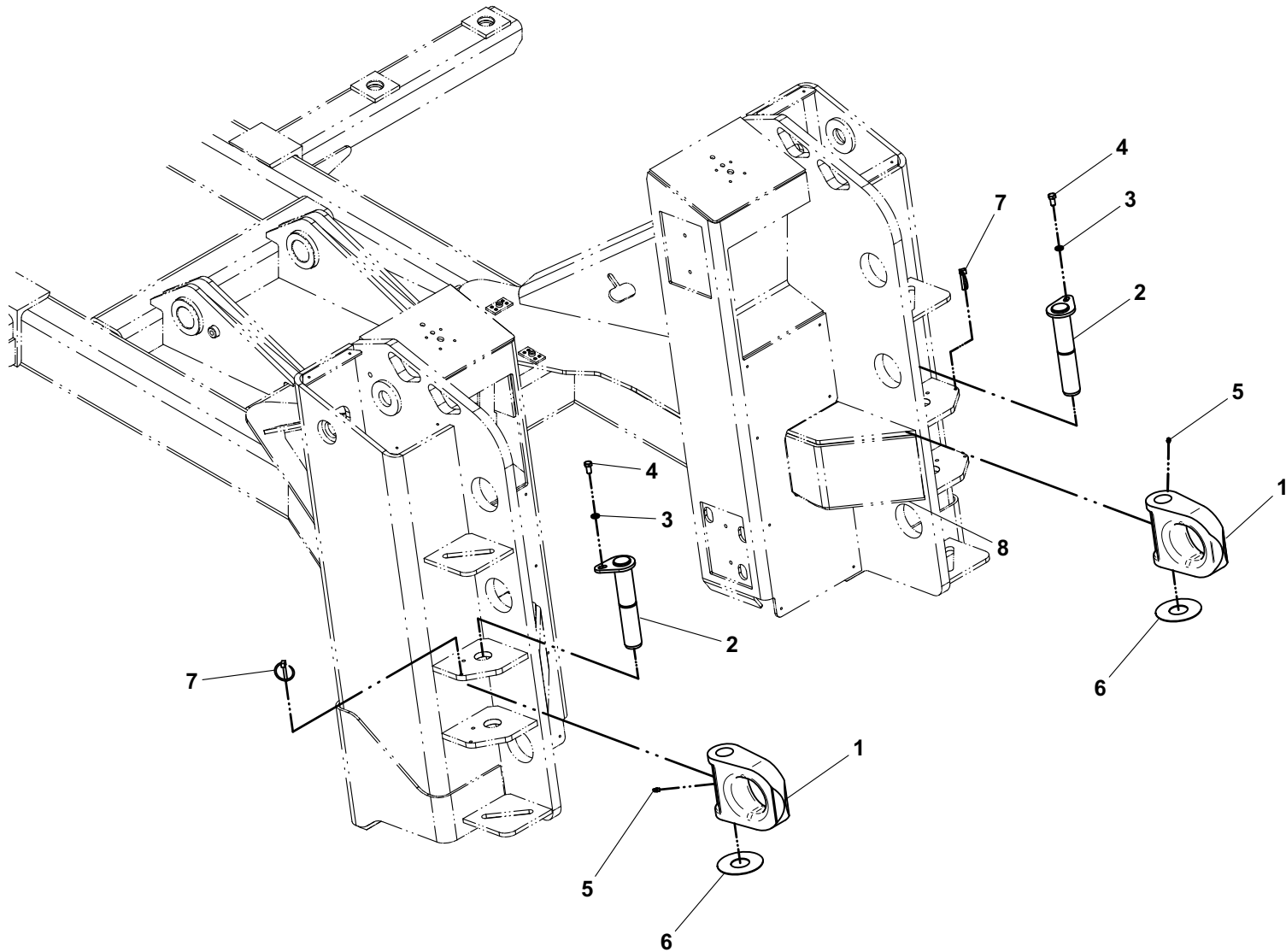
REAR TAIL PLATE INSTALLATION



TAILBOARD D-RING INSTALLATION

ITEM	PART NO.	DESCRIPTION	QTY
1	4754000004	D-Ring	2
2	3691000176	Pin	2
3	7950160000	Lockwasher, 0.38" ID	2
4	7115160650	Capscrew, 0.38"-16NC x 0.75"	2
5	7440030000	Grease Fitting	2
6	4949000055	Washer	2
7	7691000047	Lynch Pin	2

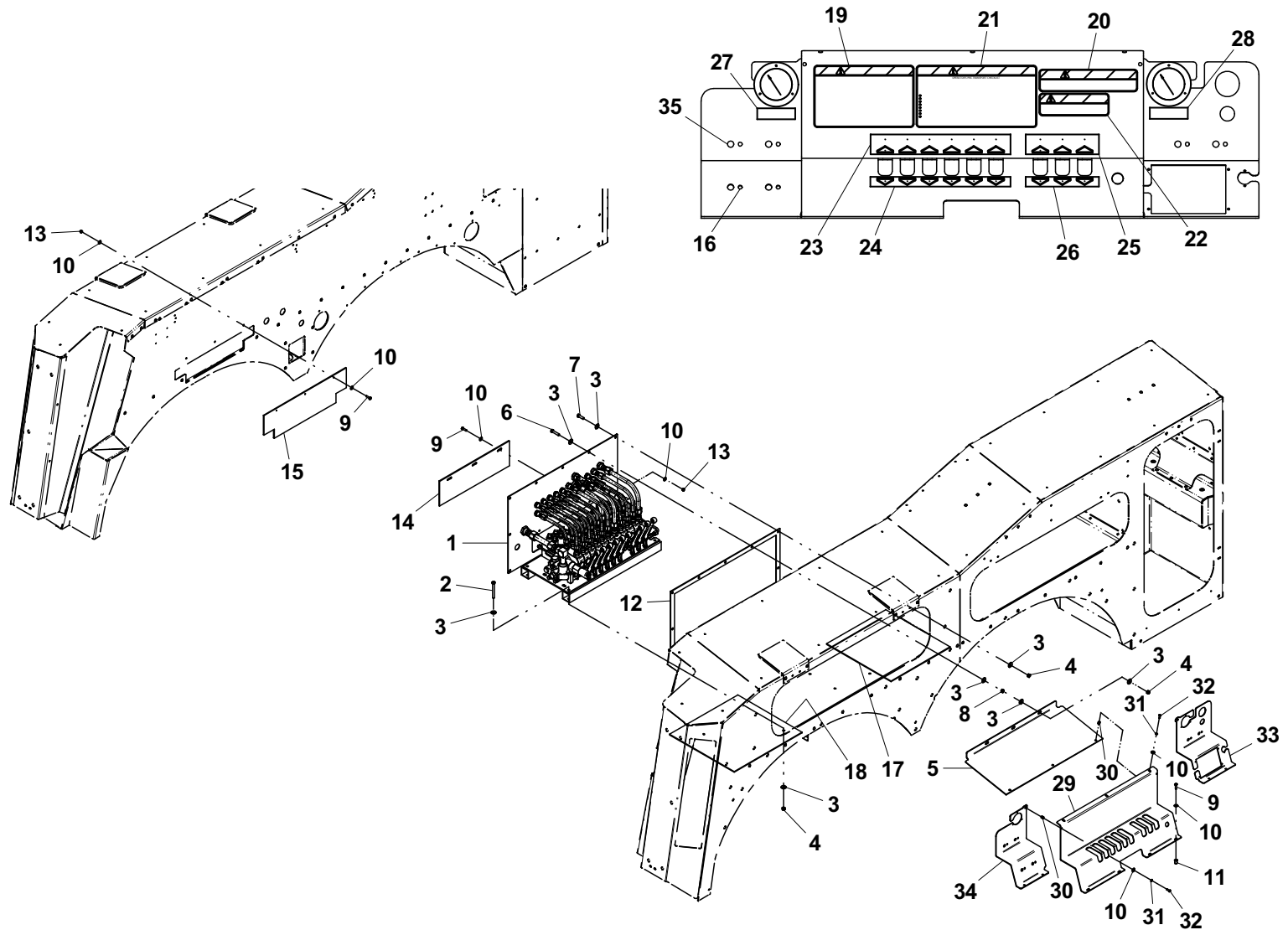
TAILBOARD D-RING INSTALLATION



CONTROLS - CONTROL VALVE INSTALLATION - 6 FUNCTION & 14 FUNCTION

ITEM	PART NO.	DESCRIPTION	QTY	ITEM	PART NO.	DESCRIPTION	QTY
1	3935000180	Control Valve Assy - 6 Function Remote	1	34	4314000209	Coverplate	1
	3935000178	Control Valve Assy - 14 Function Remote		35	7701000067	Plug	4
2	7115162850	Capscrew, 0.38"-16NC x 3.50"	4				
3	7950160161	Flatwasher, 0.38" ID	32				
4	7660162601	Locknut, 0.38"-16NC	13				
5	4706005589	Plate	1				
6	7115161450	Capscrew, 0.38"-16NC x 1.75"	3				
7	7115161050	Capscrew, 0.38"-16NC x 1.25"	6				
8	7660160000	Nut, 0.38"-16NC	3				
9	7115140850	Capscrew, 0.25"-20NC x 1.00"	14				
10	7590140161	Flatwasher, 0.25" ID	25				
11	7661000006	Well Nut, 0.25"-20 NC	8				
12	7796000012	Seal	8ft				
13	7660142601	Locknut, 0.25"-20NC	6				
14	4706005591	Plate	1				
15	4706002643	Plate	1				
16	7701000058	Plug	4				
17	4679000143	Pad, Rubber	1				
18	4679000144	Pad, Rubber	1				
19	7330000199	Decal	1				
20	7330000262	Decal	1				
21	7330000200	Decal	1				
22	7330000253	Decal	1				
23	7330000302	Decal	1				
24	7330000304	Decal	1				
25	7330000299	Decal	1				
26	7330000300	Decal	1				
27	7330000256	Decal	1				
28	7330000257	Decal	1				
29	4706005656	Panel	1				
30	7413000002	Nutsert, 0.25"-20NC	5				
31	7950140000	Lockwasher, 0.25" ID	5				
32	7114140618	Capscrew, 0.25"-20NC x 0.75"	5				
33	4314000208	Coverplate	1				

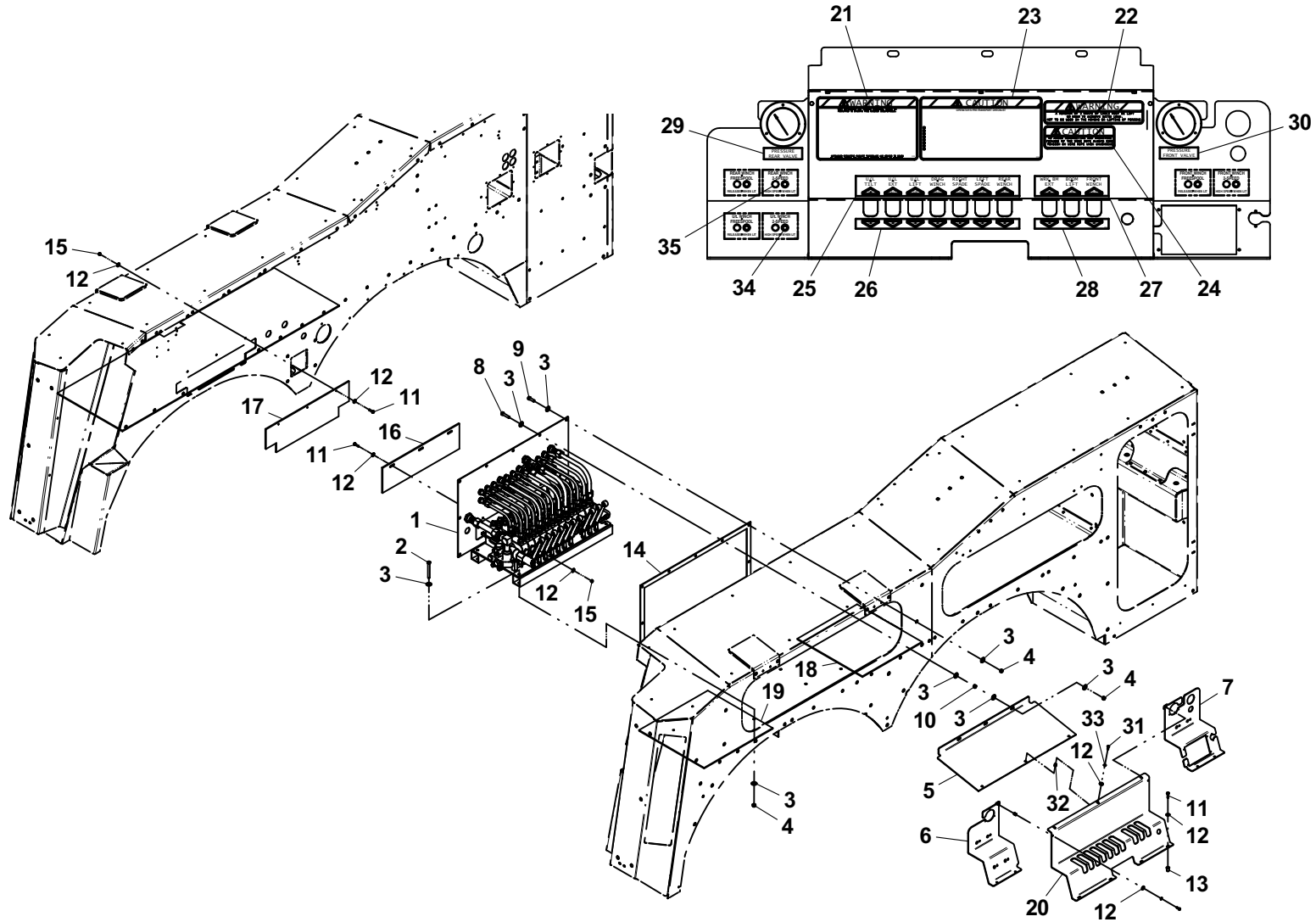
CONTROLS - CONTROL VALVE INSTALLATION - 6 FUNCTION & 14 FUNCTION



CONTROLS - CONTROL VALVE INSTALLATION - 16 FUNCTION

ITEM	PART NO.	DESCRIPTION	QTY	ITEM	PART NO.	DESCRIPTION	QTY
1	3935000218	Control Valve Assy	1	35	7701000067	Plug	3
2	7115162850	Capscrew, 0.38"-16NC x 3.50"	4				
3	7950160161	Flatwasher, 0.38" ID	32				
4	7660162601	Locknut, 0.38"-16NC	13				
5	4706005589	Plate	1				
6	4314000209	Coverplate	1				
7	4314000208	Coverplate	1				
8	7115161450	Capscrew, 0.38"-16NC x 1.75"	3				
9	7115161050	Capscrew, 0.38"-16NC x 1.25"	6				
10	7660160000	Nut, 0.38"-16NC	3				
11	7115140850	Capscrew, 0.25"-20NC x 1.00"	14				
12	7950140161	Flatwasher, 0.25" ID	25				
13	7661000006	Well Nut, 0.25"-20NC	8				
14	7796000012	Seal	8ft				
15	7660142601	Locknut, 0.25"-20NC	6				
16	4706005627	Plate	1				
17	4706002643	Plate	1				
18	4679000143	Pad, Rubber	1				
19	4679000144	Pad, Rubber	1				
20	4706005629	Plate	1				
21	7330000199	Decal	1				
22	7330000262	Decal	1				
23	7330000200	Decal	1				
24	7330000253	Decal	1				
25	7330000434	Decal	1				
26	7330000435	Decal	1				
27	7330000299	Decal	1				
28	7330000300	Decal	1				
29	7330000256	Decal	1				
30	7330000257	Decal	1				
31	7114140618	Capscrew, 0.25"-20NC x 0.75"	5				
32	7413000002	Nutsert, 0.25"-20NC	5				
33	7950140000	Lockwasher, 0.25" ID	5				
34	7701000058	Plug	3				

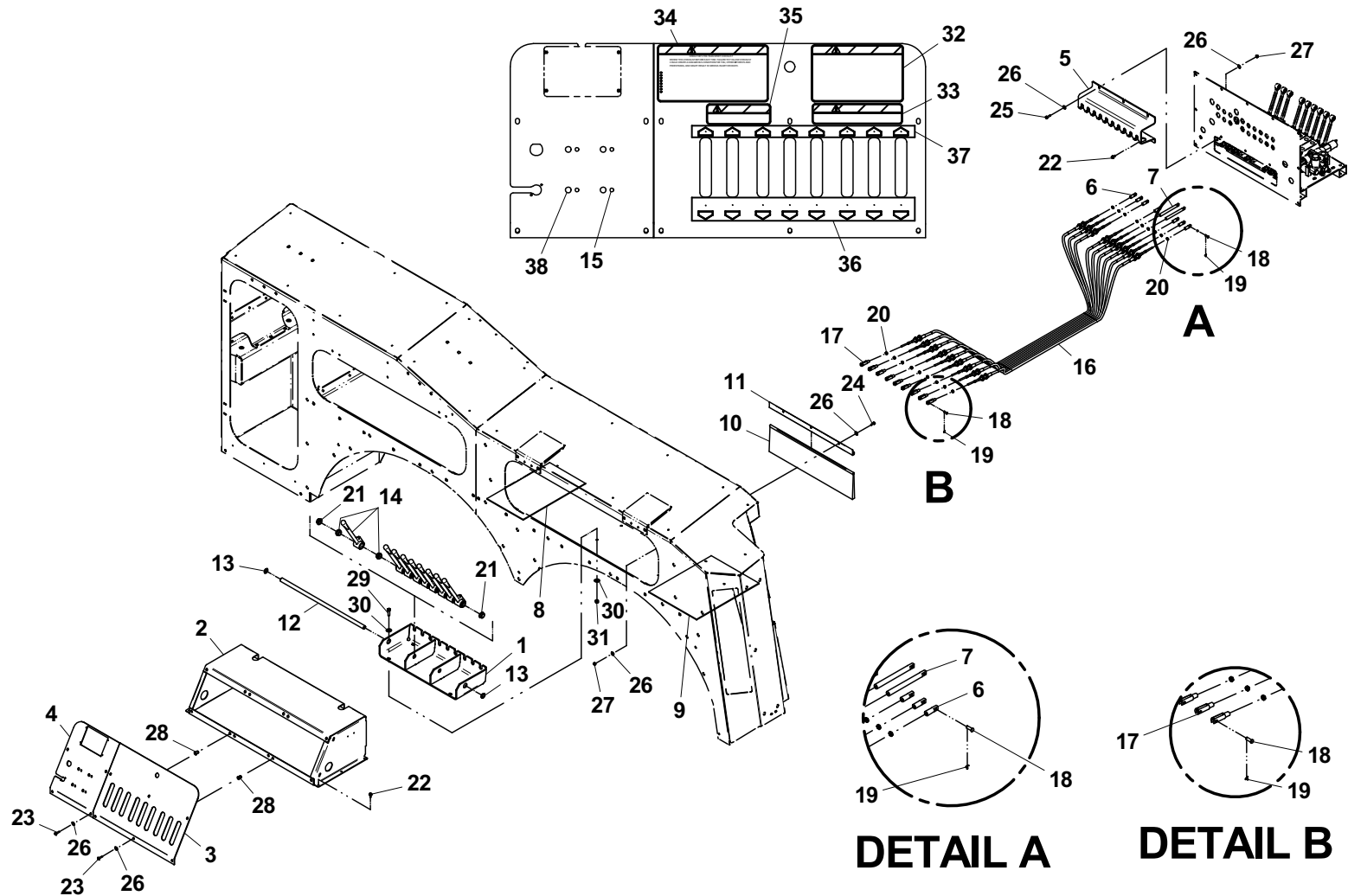
CONTROLS - CONTROL VALVE INSTALLATION - 16 FUNCTION



CONTROLS - PUSH-PULL CABLES INSTALLATION - 6 FUNCTION & 14 FUNCTION

ITEM	PART NO.	DESCRIPTION	QTY	ITEM	PART NO.	DESCRIPTION	QTY
1	3178000260	Bracket Weldment	1	33	7330000262	Decal	1
2	3686000016	Panel Weldment	1	34	7330000200	Decal	1
3	4706002746	Plate	1	35	7330000253	Decal	1
4	4314000210	Coverplate	1	36	7330000703	Decal	1
5	4706005594	Plate	1	37	7330000702	Decal	1
6	4309000001	Coupling - 6 Function Remote	3	38	7701000067	Plug	4
	4309000001	Coupling - 14 Function Remote	7				
7	4309000007	Coupling - 6 Function Remote	6				
	4309000007	Coupling - 14 Function Remote	2				
8	4679000119	Pad	1				
9	4679000131	Pad	1				
10	4638000003	Brush	1				
11	4411000113	Extrusion, Brush Holder	1				
12	7806000005	Shaft	1				
13	7754000009	Retaining Ring	2				
14	7551000034	Handle	9				
15	7701000058	Plug	4				
16	7248000068	Push-Pull Cable - 14 Function Remote	9				
17	7990000003	Yoke	9				
18	7690141200	Clevis Pin	18				
19	7690000810	Cotter Pin	18				
20	7660140230	Nut, 0.25"-28NF	18				
21	7082000005	Bearing	2				
22	7790141056	Screw, 0.25"-20NC x 0.63"	13				
23	71111140813	Screw, 0.25"-20NC x 1.00"	10				
24	7115140650	Capscrew, 0.25"-20NC x 0.75"	3				
25	7115140850	Capscrew, 0.25"-20NC x 1.00"	3				
26	7950140161	Flatwasher, 0.25" ID	22				
27	7660142601	Locknut, 0.25"-20NC	6				
28	7661000006	Well Nut, 0.25"-20NC	10				
29	7115161050	Capscrew, 0.38"-16NC x 1.25"	4				
30	7950160161	Flatwasher, 0.38" ID	8				
31	7660162601	Locknut, 0.38"-16NC	4				
32	7330000199	Decal	1				

CONTROLS - PUSH-PULL CABLES INSTALLATION - 6 FUNCTION & 14 FUNCTION

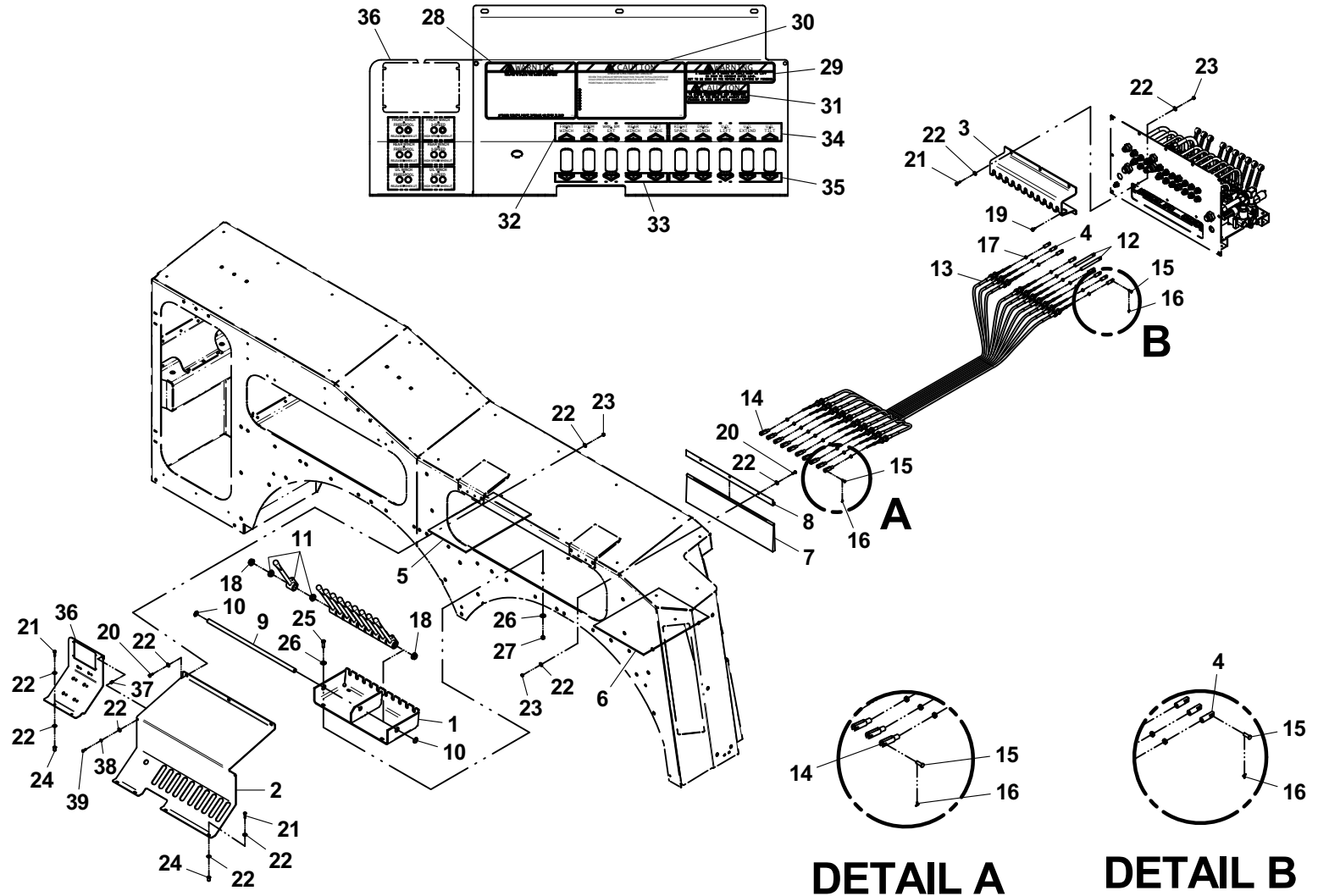


Push-Pull Cable Installation for 12 Function Remote Controller shown

CONTROLS - PUSH-PULL CABLES INSTALLATION - 16 FUNCTION

ITEM	PART NO.	DESCRIPTION	QTY	ITEM	PART NO.	DESCRIPTION	QTY
1	3178000343	Plate, RH Cable Bracket	1	35	7330000444	Decal	1
2	4706003848	Plate	1	36	4314000211	Plate	1
3	4706005628	Plate	1	37	7413000002	Nutsert, 0.25"-20NC	1
4	4309000001	Coupling	8	38	7950140000	Lockwasher, 0.25" ID	1
5	4679000119	Pad	1	39	7114140618	Capscrew, 0.25"-20NC	1
6	4679000131	Pad	1				
7	4638000003	Brush	1				
8	4411000113	Extrusion, Brush Holder	1				
9	7806000005	Shaft	1				
10	7754000009	Retaining Ring	2				
11	7551000033	Handle	10				
12	4309000007	Coupling	2				
13	7248000068	Push-Pull Cable	10				
14	7990000003	Yoke	10				
15	7690141200	Clevis Pin	20				
16	7690000810	Cotter Pin	20				
17	7660140230	Nut, 0.25"-28NF	20				
18	7082000005	Bearing	2				
19	7790141056	Screw, Self Tapping - 0.25"-20NC x 0.63"	3				
20	7115140650	Capscrew, 0.25"-20NC x 0.75"	6				
21	7115140850	Capscrew, 0.25"-20NC x 1.00"	9				
22	7950140161	Flatwasher, 0.25" ID	31				
23	7660142601	Locknut, 0.25"-20NC	9				
24	7661000006	Well Nut, 0.25"-20NC	6				
25	7115161050	Capscrew, 0.38"-16NC x 1.25"	4				
26	7950160161	Flatwasher, 0.38" ID	8				
27	7660162601	Locknut, 0.38"-16NC	4				
28	7330000199	Decal	1				
29	7330000262	Decal	1				
30	7330000200	Decal	1				
31	7330000253	Decal	1				
32	7330000441	Decal	1				
33	7330000442	Decal	1				
34	7330000443	Decal	1				

CONTROLS - PUSH-PULL CABLES INSTALLATION - 16 FUNCTION



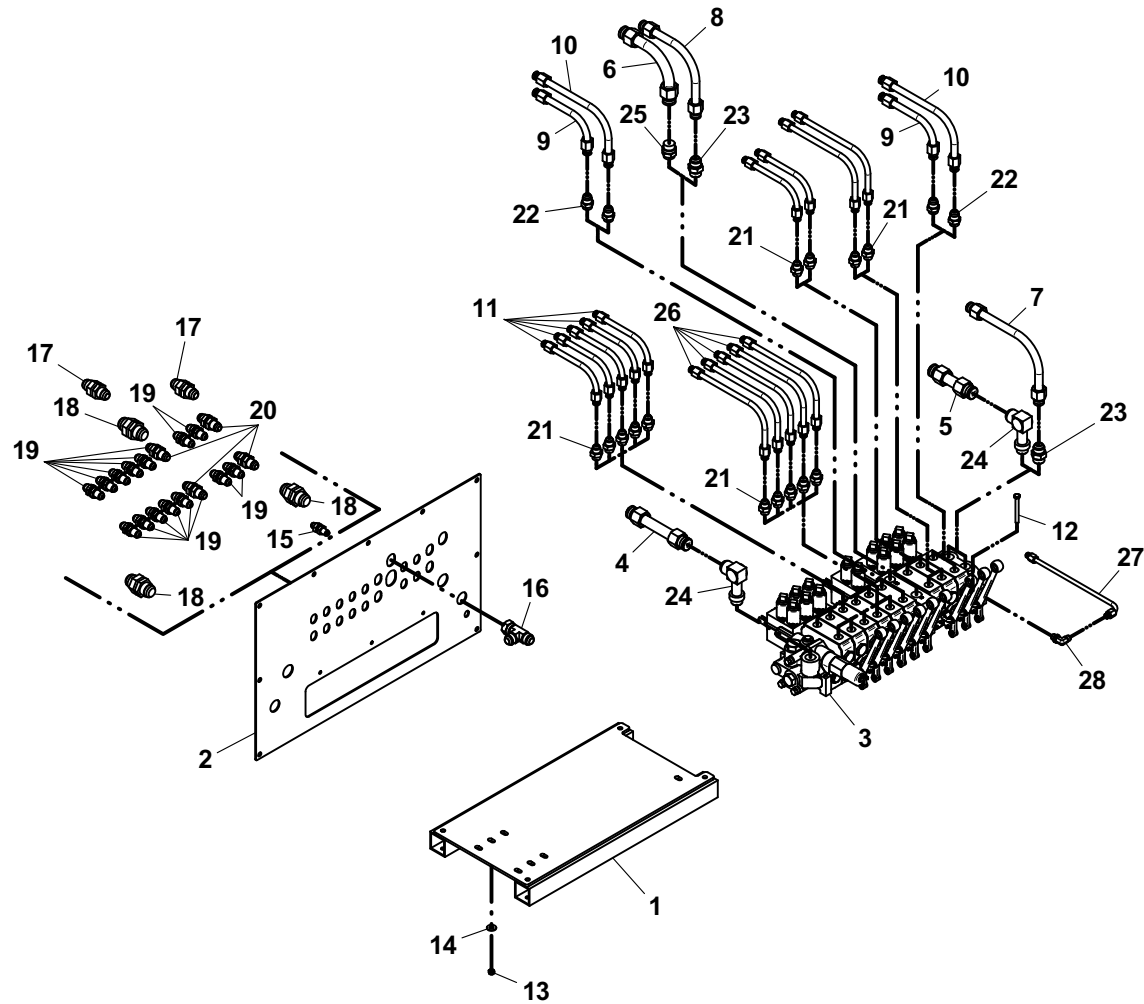
Push-Pull Cable Installation for 12 Function Remote Controller shown

CONTROLS - CONTROL VALVE ASSEMBLY - 3935000178 & 3935000180

ITEM	PART NO.	DESCRIPTION	QTY
1	3177000060	Valve Mount Weldment	1
2	4706005592	Plate	1
3	3935000185	Valve Assembly - 6 Function Remote	1
	7935000304	Valve Assembly - 14 Function Remote	
4	7912000301*	Tube Assembly	1
5	7912000302*	Tube Assembly	1
6	7912000303*	Tube Assembly	1
7	7912000304*	Tube Assembly	1
8	7912000305*	Tube Assembly	1
9	7912000306*	Tube Assembly	2
10	7912000307*	Tube Assembly	2
11	7912000308*	Tube Assembly	6
12	7115152450	Capscrew, 0.31"-18NC x 3.00"	3
13	7660152601	Locknut, 0.31"-18NC	3
14	7950140161	Flatwasher, 0.31" ID	3
15	7445060625	Fitting, Union Bulkhead	1
16	7443000012	Tee	1
17	7445121225	Fitting, Union Bulkhead	2
18	7445161625	Fitting, Union Bulkhead	3
19	7445080825	Fitting, Union Bulkhead	14
20	7445101025	Fitting, Union Bulkhead	4
21	7445081043	Adapter	14
22	7445101043	Adapter	4
23	7445121243	Adapter	2
24	7443000211	Elbow	2
25	7445151243	Adapter	1
26	7912000309*	Tube Assembly	7
27	7912000310*	Tube Assembly	1
28	7445060645	Elbow	1

* Available in Hydraulic Tubing Kit - 7577000668

CONTROLS - CONTROL VALVE ASSEMBLY - 3935000178 & 3935000180

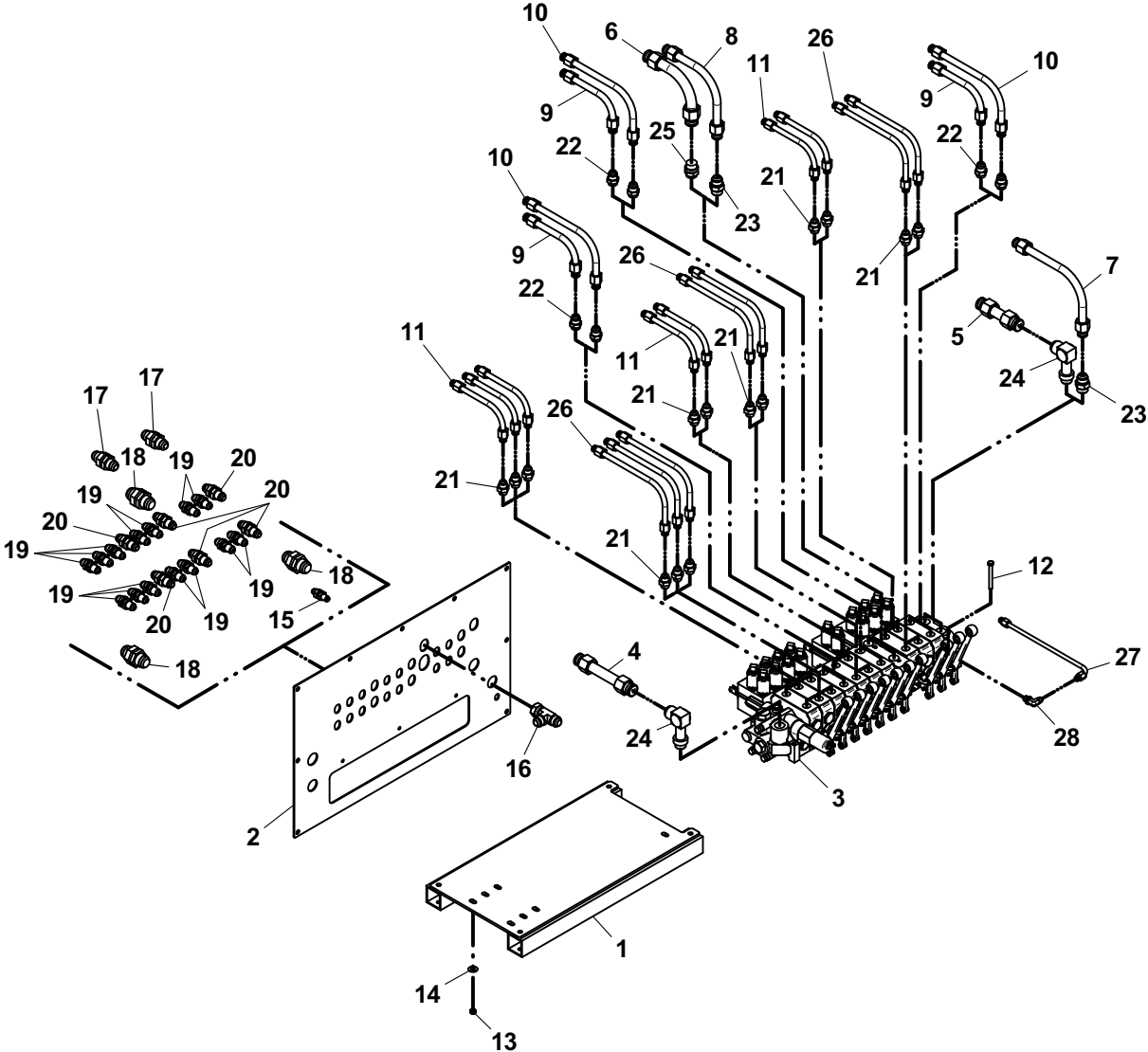


CONTROLS - CONTROL VALVE ASSEMBLY - 3935000218

ITEM	PART NO.	DESCRIPTION	QTY
1	3177000060	Valve Mount Weldment	1
2	4706005626	Control Closure	1
3	7935000374	Valve Assembly	1
4	7912000301*	Tube Assembly	1
5	7912000302*	Tube Assembly	1
6	7912000303*	Tube Assembly	1
7	7912000304*	Tube Assembly	1
8	7912000305*	Tube Assembly	1
9	7912000306*	Tube Assembly	3
10	7912000307*	Tube Assembly	3
11	7912000308*	Tube Assembly	7
12	7115152450	Capscrew, 0.31"-18NC x 3.00"	3
13	7660152601	Locknut, 0.31"-18NC	3
14	7950140161	Flatwasher, 0.31" ID	3
15	7445060625	Fitting, Union Bulkhead	1
16	7443000012	Tee	1
17	7445121225	Fitting, Union Bulkhead	2
18	7445161625	Fitting, Union Bulkhead	3
19	7445080825	Fitting, Union Bulkhead	14
20	7445101025	Fitting, Union Bulkhead	6
21	7445081043	Adapter	14
22	7445101043	Adapter	6
23	7445121243	Adapter	2
24	7443000211	Elbow	2
25	7445151243	Adapter	1
26	7912000309*	Tube Assembly	7
27	7912000310*	Tube Assembly	1
28	7445060645	Elbow	1

* Available in Hydraulic Tubing Kit - 7577000670

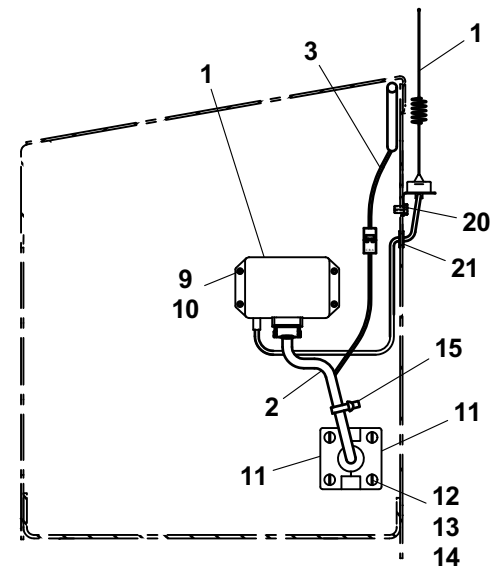
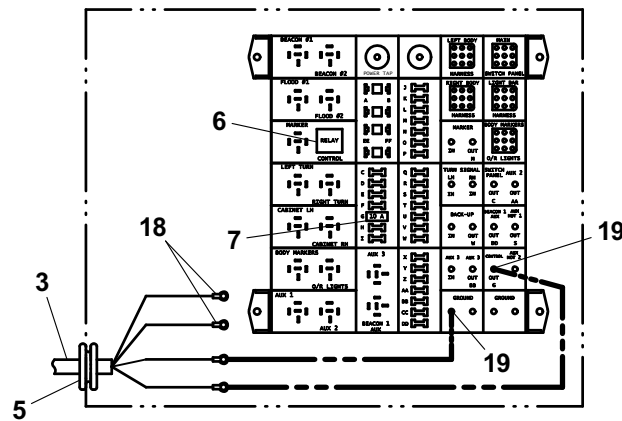
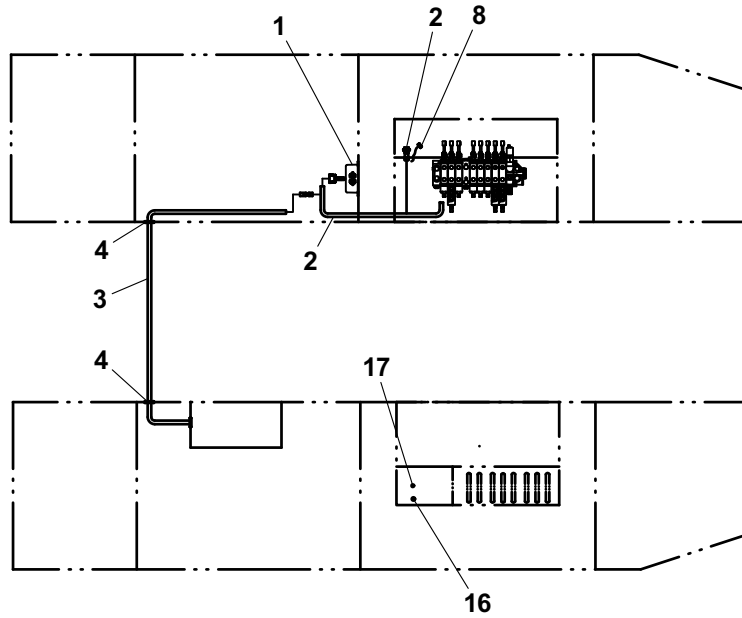
CONTROLS - CONTROL VALVE ASSEMBLY - 3935000218



CONTROLS - 6 FUNCTION NON-PROPORTIONAL MIRATRON

ITEM	PART NO.	DESCRIPTION	QTY
1	7295000146	Antenna	1
2	7552000383	Harness	1
3	7552000148	Harness	1
4	7493000014	Grommet	2
5	7493000011	Grommet	1
6	7740000001	Relay, 40 Amp	1
7	7457000011	Relay, 40 Amp	1
8	7346000068	Dust Cap	1
9	7114100518	Capscrew, #10-24NC x 0.63"	4
10	7660102604	Locknut, #10-24NC	4
11	3314000010	Coverplate	2
12	7950140161	Flatwasher, 0.25" ID	8
13	7660142601	Locknut, 0.25"-20NC	4
14	7111140613	Screw, 0.25"-20NC x 0.75"	4
15	5526000553	Tie Strap	5
16	7701000007	Plug	1
17	7701000032	Plug	1
18	7346000039	Tubing, Heat Shrink	12in
19	7661000023	Locknut, #10-32NF	2
20	7790100856	Screw, Self Tapping - #10 Dia x 0.50"	3
21	7493000020	Grommet	1

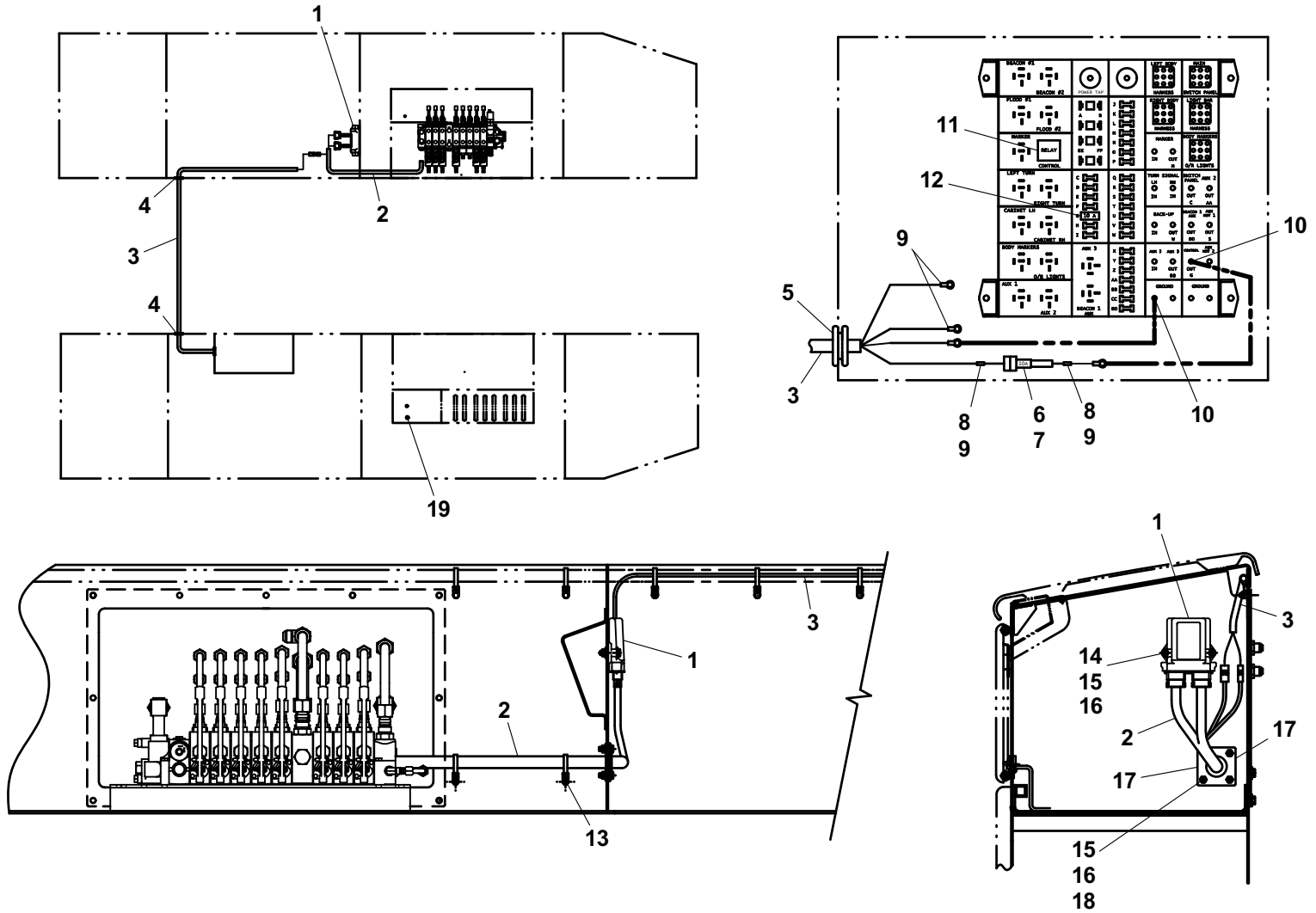
CONTROLS - 6 FUNCTION NON-PROPORTIONAL MIRATRON



CONTROLS - 14 FUNCTION NON-PROPORTIONAL MIRATRON

ITEM	PART NO.	DESCRIPTION	QTY
1	7295000124	Remote Controller	1
2	7552000364	Harness	1
3	7552000148	Harness	1
4	7493000014	Grommet	2
5	7493000011	Grommet	1
6	7346000029	In-Line Fuse Holder	1
7	7457000008	Fuse - 10 Amp	1
8	7345001714	Electrical Terminal	2
9	7346000039	Tubing, Heat Shrink	12in
10	7661000023	Locknut, #10-32NF	2
11	7740000001	Relay, 40 Amp	1
12	7457000006	Fuse - 15 Amp	1
13	7894000042	Tie Strap	2
14	7115141250	Capscrew, 0.25"-20NC x 1.50"	2
15	7950140161	Flatwasher, 0.25" ID	12
16	7660142600	Locknut, 0.25"-20NC	6
17	3314000010	Coverplate	2
18	7115140650	Capscrew, 0.25"-20NC x 0.75"	4
19	7701000007	Plug	1
20	5526000553	Tie Strap	5

CONTROLS - 14 FUNCTION NON-PROPORTIONAL MIRATRON

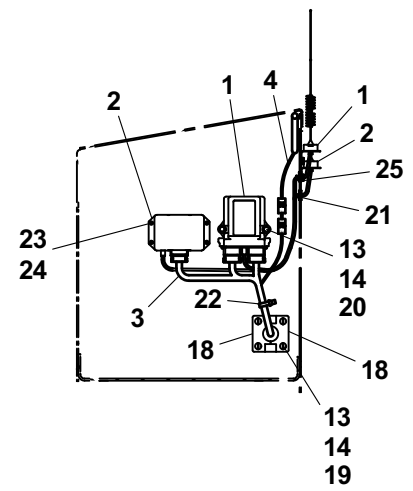
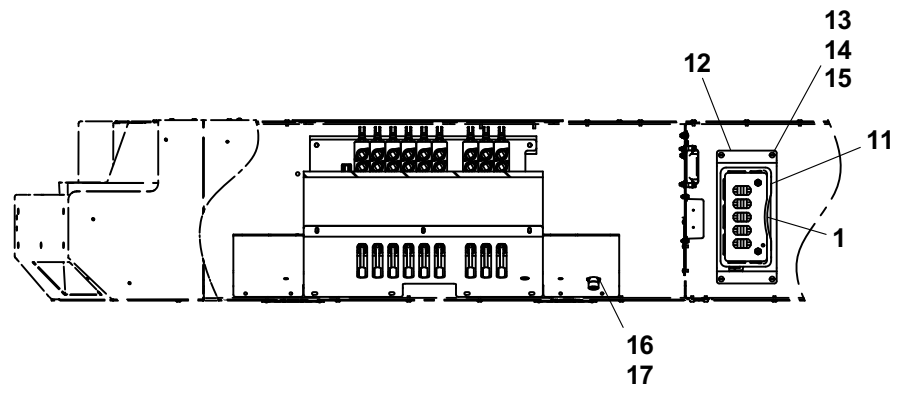
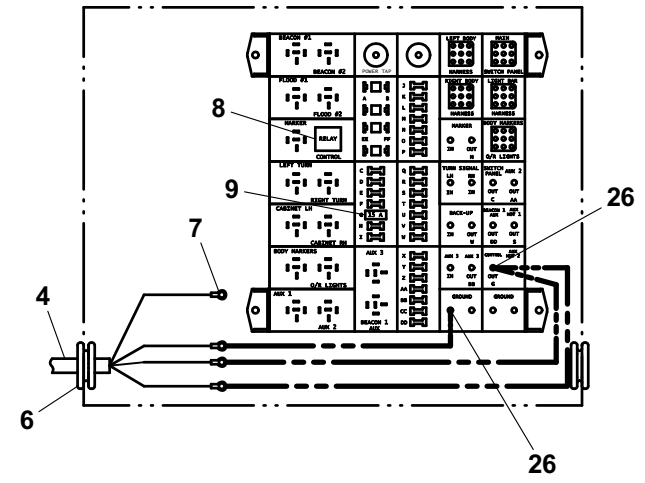
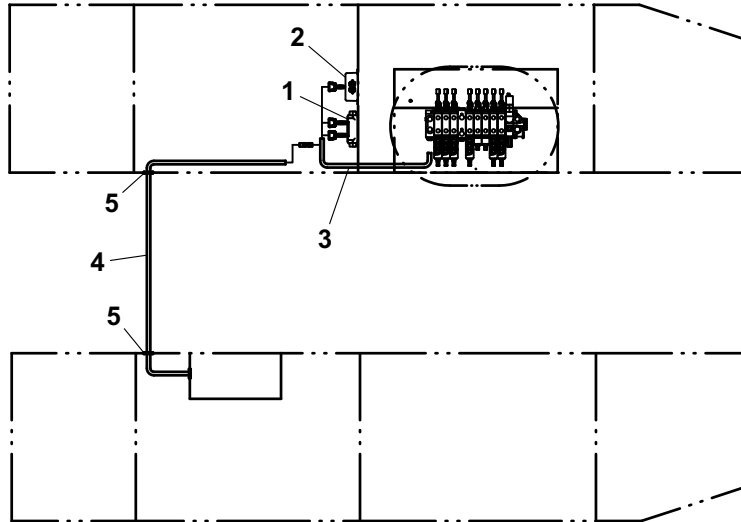


Item #20, not shown

CONTROLS - 14 & 16 FUNCTION PROPORTIONAL MIRATRON

ITEM	PART NO.	DESCRIPTION	QTY
1	7295000148	Remote Controller	1
2	7295000146	Antenna	1
3	7552000441	Harness	1
4	7552000148	Harness	1
5	7493000014	Grommet	2
6	7493000011	Grommet	1
7	7346000039	Tubing, Heat Shrink	12in
8	7740000001	Relay, 40 Amp	1
9	7457000006	Fuse - 15 Amp	1
10	7894000004	Tie Strap	1
11	8632000012	Trim	30in
12	4178000699	Bracket	1
13	7950140161	Flatwasher, 0.25" ID	12
14	7660142601	Locknut, 0.25"-20NC	10
15	7111140813	Screw, 0.25-20N x 1.00"	4
16	7120000047	Screw, #4-40NC x 0.63"	2
17	7660040000	Nut, #4-40NC	2
18	3314000010	Coverplate	2
19	7111140613	Screw, 0.25"-20NC x 0.75"	4
20	7115141250	Capscrew, 0.25"-20NC x 1.50"	2
21	7493000020	Grommet	2
22	5526000553	Tie Strap	5
23	7114100518	Capscrew, #10-24NC x 0.63"	4
24	7660102604	Locknut, #10-24NC	4
25	7790100856	Screw, 0.25"-20NC x 0.75"	6
26	7661000023	Locknut, #10-32NF	2
27	7075000006	Battery	3
28	7075000003	Battery	1

CONTROLS - 14 & 16 FUNCTION PROPORTIONAL MIRATRON

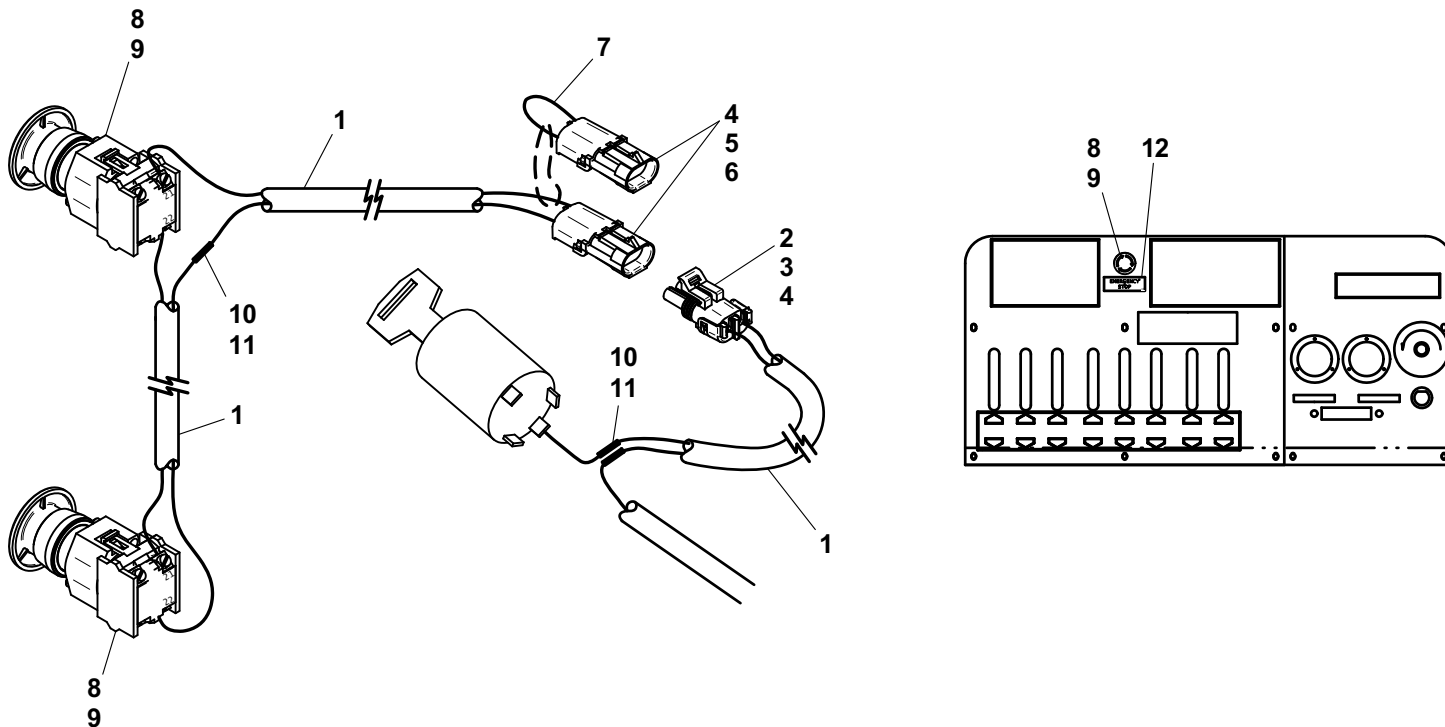


Items #20, #27 and #28, not shown

CONTROLS - ELECTRICAL EMERGENCY STOP

ITEM	PART NO.	DESCRIPTION	QTY
1	8977010103	Wire, 16GA. - 2 Conductor	40ft
2	7346000094	Electrical Connector	1
3	7346000035	Electrical Terminal	2
4	7346000037	Seal, Cable	6
5	7346000087	Electrical Connector	2
6	7346000099	Electrical Terminal	4
7	8977500100	Wire, 16GA. Black	3in
8	7870000128	Switch, Emergency Pushbutton	2
9	7870000128	Switch, Emergency Contact Block	2
10	7345001704	Electrical Terminal	3
11	7346000039	Tubing, Heat Shrink	6in
12	7330000755	Decal	2
13	5526000553	Tie Strap	1

CONTROLS - ELECTRICAL EMERGENCY STOP



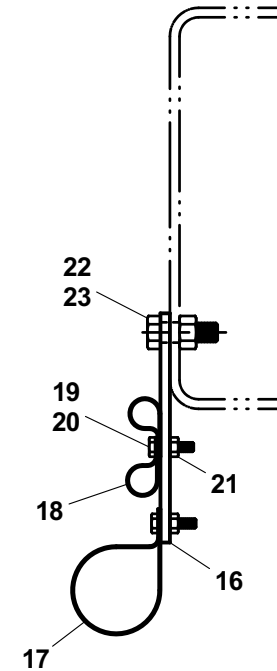
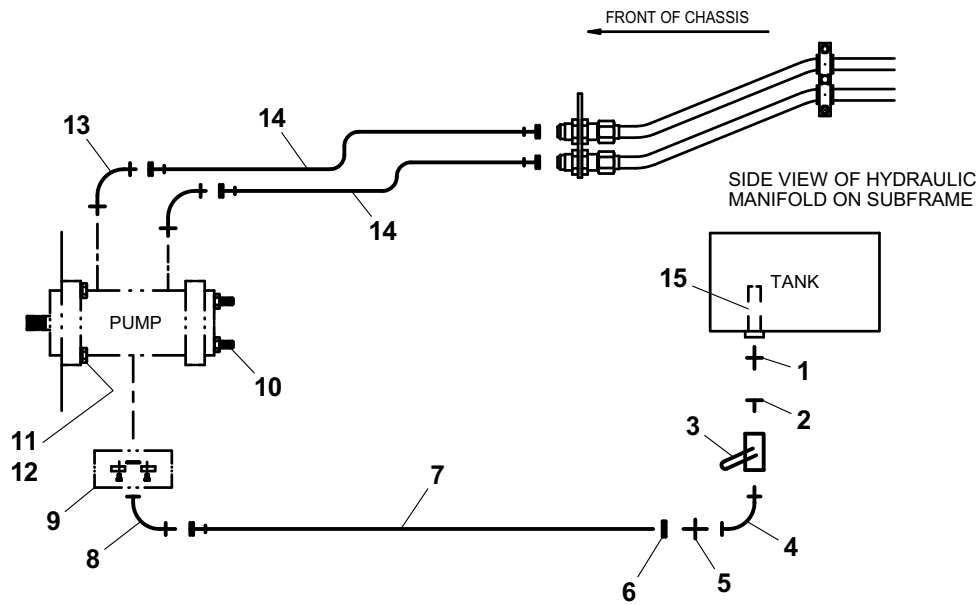
Item #13, not shown

HYDRAULICS - SUPPLY-PRESSURE-RETURN

ITEM	PART NO.	DESCRIPTION	QTY
1	7650100137	Pipe Nipple	1
2	7444121050	Reducer	1
3	7635000116	Valve, Ball	1
4	7444121271	Elbow	1
5	7443000130	Fitting	1
6	7274000028	Clamp	1
7	See Note 1	Hose - Supply	1
8	7443000222	Fitting	1
9	7577000213	Split Flange	1
10	7724000044	Pump	1
11	7115181050	Capscrew, 0.50"-13NC x 1.25"	2
12	7950180000	Lockwasher, 0.50" ID	2
13	7445121645	Elbow	2
14	See Note 1	Hose - Pressure	2
15	7430000010	Filter, Tank	1
16	4706003844	Plate	5
17	7274000071	Clamp	5
18	7274000040	Clamp	10
19	7115140850	Capscrew, 0.25"-20NC x 1.00"	10
20	7950140152	Flatwasher, 0.25" ID	10
21	7660142601	Locknut, 0.25"-20NC	10
22	7115181250	Capscrew, 0.50"-13NC x 1.50"	5
23	7660000011	Locknut, 0.50"-13NC	5
24	4178000248	Bracket	1

Note 1: Varies depending on chassis, transmission and PTO type.
Consult factory for part numbers.

HYDRAULICS - SUPPLY-PRESSURE-RETURN



TYP FRAME SUPPORT

Item #24, not shown

HYDRAULICS - LINES AND FITTINGS

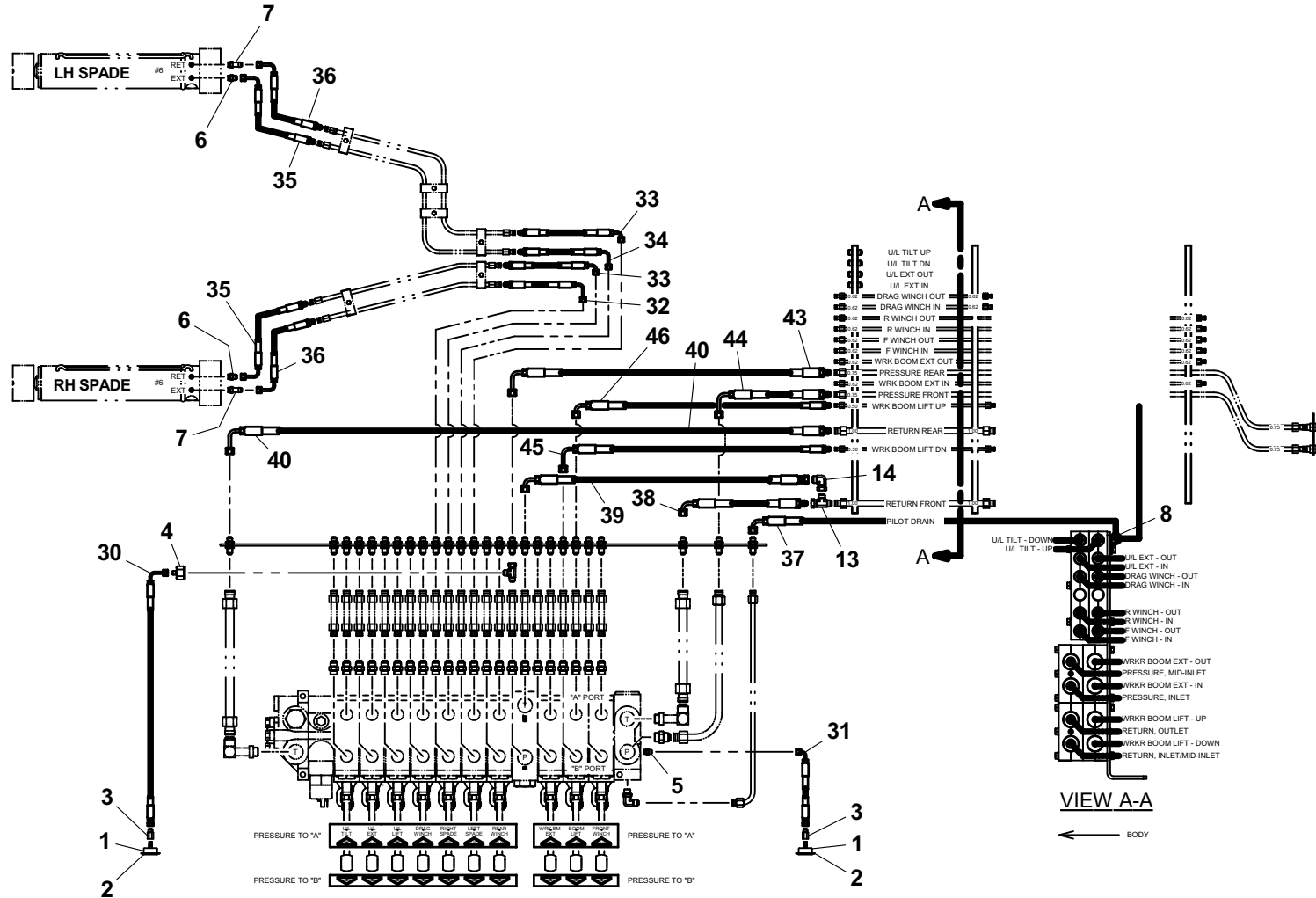
ITEM	PART NO.	DESCRIPTION	QTY	ITEM	PART NO.	DESCRIPTION	QTY
1	7470000004	Gauge, Pressure	2	35	4570000138*	Hose Assembly	2
2	7790060676	Screw, #6 x 0.38"	6	36	4570000301*	Hose Assembly	2
3	7445040421	Fitting	2	37	4570000313*	Hose Assembly	1
4	7443000207	Reducer	1	38	4569182025*	Hose Assembly	1
5	7445040443	Adapter	1	39	4567183040*	Hose Assembly	1
6	7445060643	Adapter	11	40	4569183054*	Hose Assembly	1
7	7443000109	Adapter - 2 Piece Wrecker Boom	4	41	4567182029*	Hose Assembly	1
	7443000109	Adapter - 3 Piece Wrecker Boom	2	42	4567182024*	Hose Assembly	1
8	7274000063	Clamp	2	43	4569173038*	Hose Assembly	1
9	7445060219	Adapter	1	44	4569173026*	Hose Assembly	1
10	7430000004	Filter Assembly	2	45	4569143028*	Hose Assembly	1
11	7443000150	Adapter	2	46	4569142025*	Hose Assembly	1
12	7470000002	Gauge, Filter	2	47	4567133032*	Hose Assembly	1
13	7443000213	Tee	1	48	4567132031*	Hose Assembly	1
14	7445161672	Elbow	1	49	4567132043*	Hose Assembly	4
15	7445161622	Union - 3 Piece Wrecker Boom	2	50	4570000244*	Hose Assembly	1
16	7445161620	Elbow	2	51	4570000245*	Hose Assembly	1
17	7445080822	Union	2	52	4570000246*	Hose Assembly	1
18	7445080837	Union	2	53	4570000247*	Hose Assembly	1
19	7445080843	Adapter	4	54	4570000166*	Hose Assembly	1
20	7445060645	Elbow	1	55	4570000192*	Hose Assembly	1
21	4619000006	Manifold	1	56	4570000174*	Hose Assembly	1
22	7115161650	Capscrew, 0.38"-16NC x 2.00"	2	57	4570000173*	Hose Assembly	1
23	7950160000	Lockwasher, 0.38" ID	2	58	4570000248*	Hose Assembly	1
24	7445101032	Fitting	4	59	4570000180*	Hose Assembly	1
25	7445100843	Adapter	4	60	4569132034*	Hose Assembly	2
26	7445080825	Union	4	61	4569133035*	Hose Assembly	2
27	7443000479	Adapter - 3 Piece Wrecker Boom	2	62	4570000177*	Hose Assembly	1
28	4819000008	Sleeve	2	63	4570000176*	Hose Assembly	1
29	7894000004	Tie Strap	6	64	4570000167*	Hose Assembly	2
30	4567113028*	Hose Assembly	1	65	4567120017*	Hose Assembly	2
31	4567112024*	Hose Assembly	1	66	4569133029*	Hose Assembly	1
32	4569133027*	Hose Assembly	1	67	4569132028*	Hose Assembly	1
33	4569132030*	Hose Assembly	2	68	4569163024*	Hose Assembly	1
34	4569133032*	Hose Assembly	1	69	4569162024*	Hose Assembly	1

HYDRAULICS - LINES AND FITTINGS

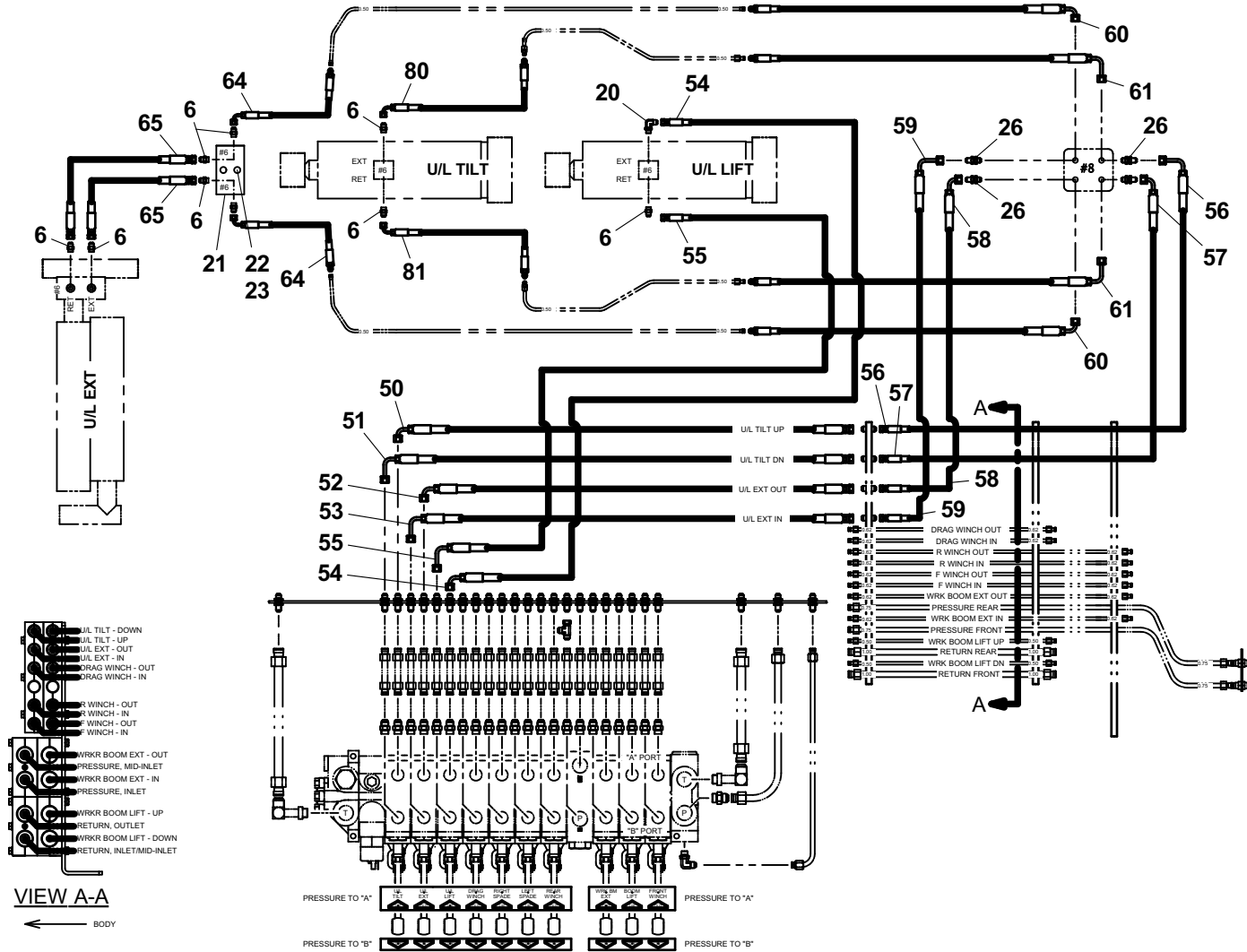
ITEM	PART NO.	DESCRIPTION	QTY	ITEM	PART NO.	DESCRIPTION	QTY
70	4569163034*	Hose Assembly	1	86	4567182029#	Hose Assembly - w/o Drag Winch	1
71	4569162034*	Hose Assembly	1		4569180038=	Hose Assembly - w/1 Spd Drag Winch	1
72	4569130046*	Hose Assembly	2		4569180038~	Hose Assembly - w/2 Spd Drag Winch	1
73	4569160046*	Hose Assembly	4	87	4567182024#	Hose Assembly - w/o Drag Winch	1
74	4567160048*	Hose Assembly	4		4569180044=	Hose Assembly - w/1 Spd Drag Winch	1
75	4570000165*	Hose Assembly	2		4569180044~	Hose Assembly - w/2 Spd Drag Winch	1
76	4567152033*	Hose Assembly	1	88	4567133032#	Hose Assembly - w/o Drag Winch	1
77	4567152032*	Hose Assembly	1		4567133032=	Hose Assembly - w/1 Spd Drag Winch	1
78	4567152066*	Hose Assembly	1		4567133032~	Hose Assembly - w/2 Spd Drag Winch	1
79	4567152060*	Hose Assembly	1	89	4567132031#	Hose Assembly - w/o Drag Winch	1
80	4570000177+	Hose Assembly - UL530 Underlift	1		4567132031=	Hose Assembly - w/1 Spd Drag Winch	1
	4570000336^	Hose Assembly - UL565 Underlift	1		4567132031~	Hose Assembly - w/2 Spd Drag Winch	1
81	4570000176+	Hose Assembly - UL530 Underlift	1	90	4567132043#	Hose Assembly - w/o Drag Winch	4
	4570000335^	Hose Assembly - UL565 Underlift	1		4567132034=	Hose Assembly - w/1 Spd Drag Winch	4
82	4567152033<	Hose Assembly - Gear Shift Winch	1		4567132034~	Hose Assembly - w/2 Spd Drag Winch	4
	4567152025>	Hose Assembly - Motor Shift Winch	1	91	4569162044=	Hose Assembly - w/1 Spd Drag Winch	1
83	4567152032<	Hose Assembly - Gear Shift Winch	1		4569162044~	Hose Assembly - w/2 Spd Drag Winch	1
	4567152024>	Hose Assembly - Motor Shift Winch	1	92	4569163044=	Hose Assembly - w/1 Spd Drag Winch	1
84	4567152066<	Hose Assembly - Gear Shift Winch	1		4569163044~	Hose Assembly - w/2 Spd Drag Winch	1
	4567152056>	Hose Assembly - Motor Shift Winch	1	93	4569162017=	Hose Assembly - w/1 Spd Drag Winch	1
85	4567152060<	Hose Assembly - Gear Shift Winch	1		4569162034~	Hose Assembly - w/2 Spd Drag Winch	1
	4567152054>	Hose Assembly - Motor Shift Winch	1	94	4569162022=	Hose Assembly - w/1 Spd Drag Winch	1
					4569163036~	Hose Assembly - w/2 Spd Drag Winch	1

* Available in Hydraulic Hose Kit - 7577000599
 +Available in Hydraulic Hose Kit - 7577000640
 ^ Available in Hydraulic Hose Kit - 7577000641
 <Available in Hydraulic Hose Kit - 7577000574
 >Available in Hydraulic Hose Kit - 7577000573
 #Available in Hydraulic Hose Kit - 7577000639
 =Available in Hydraulic Hose Kit - 7577000600
 ~Available in Hydraulic Hose Kit - 7577000601

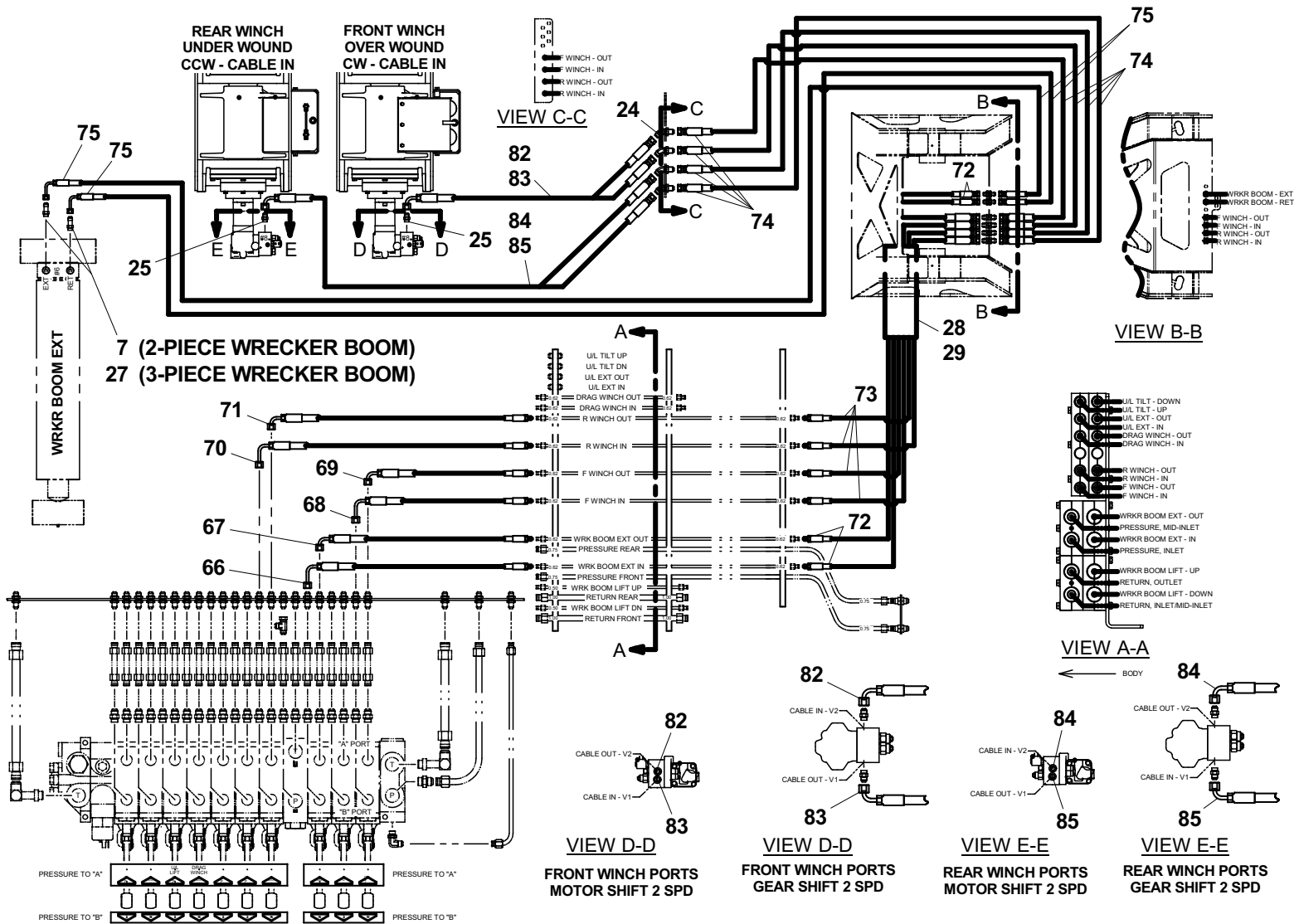
HYDRAULICS - LINES AND FITTINGS



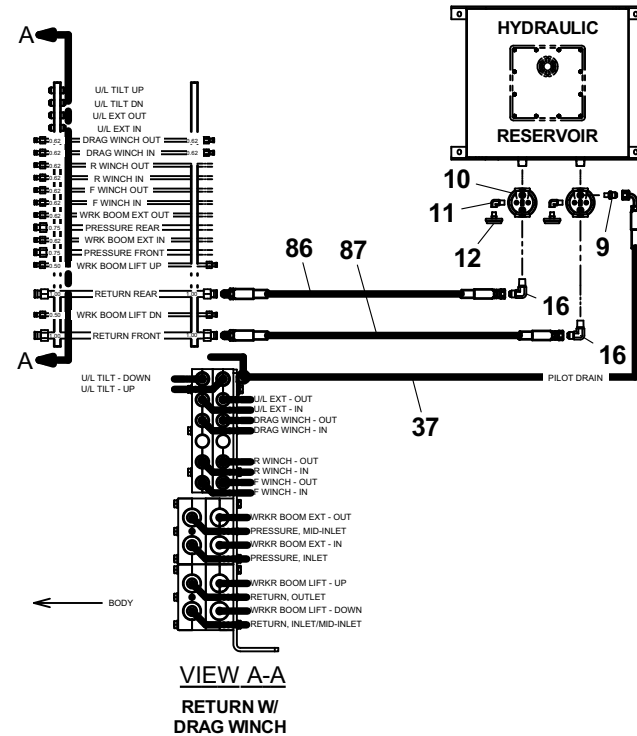
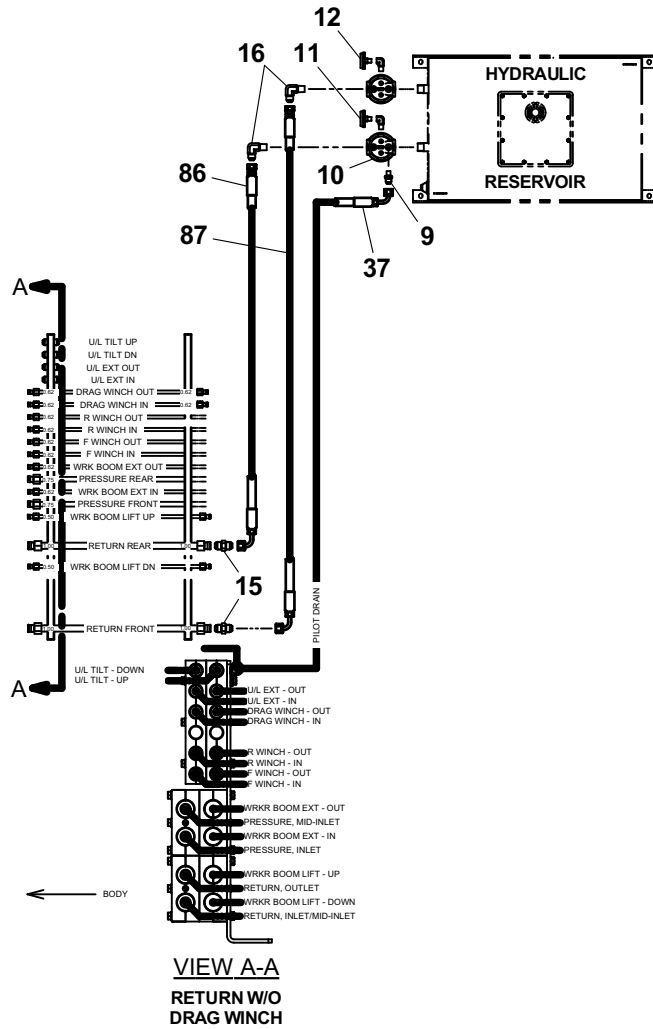
HYDRAULICS - LINES AND FITTINGS



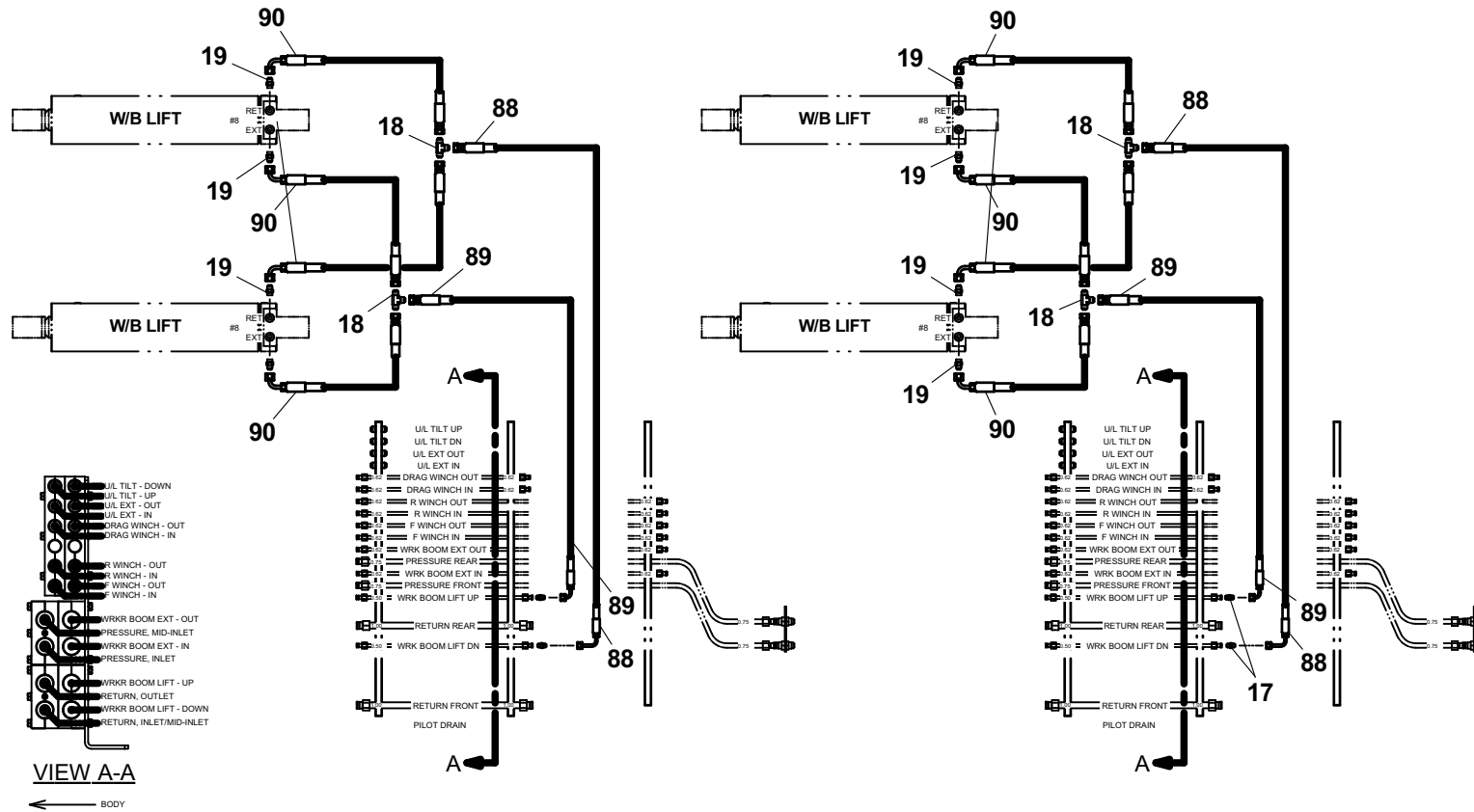
HYDRAULICS - LINES AND FITTINGS



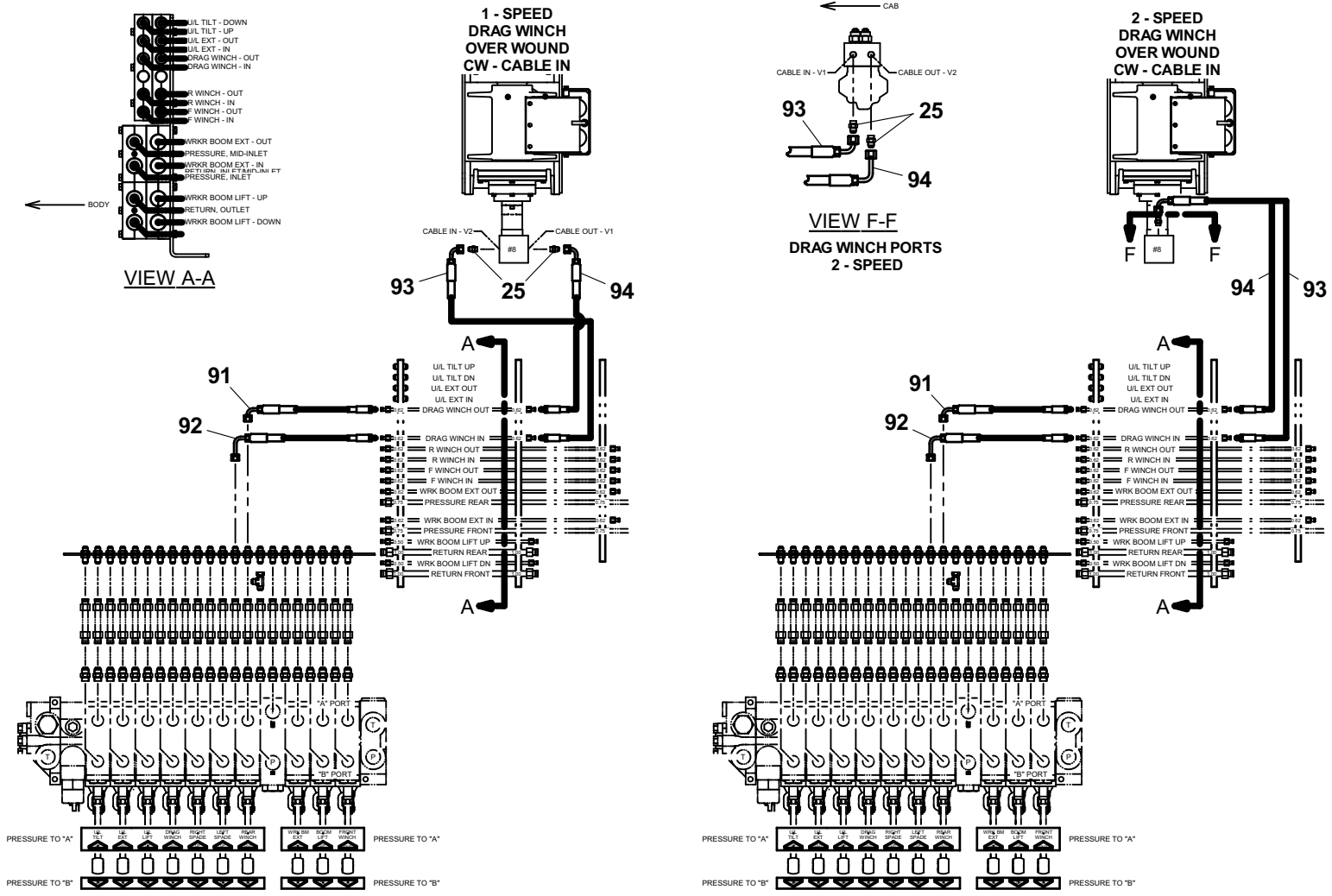
HYDRAULICS - LINES AND FITTINGS



HYDRAULICS - LINES AND FITTINGS



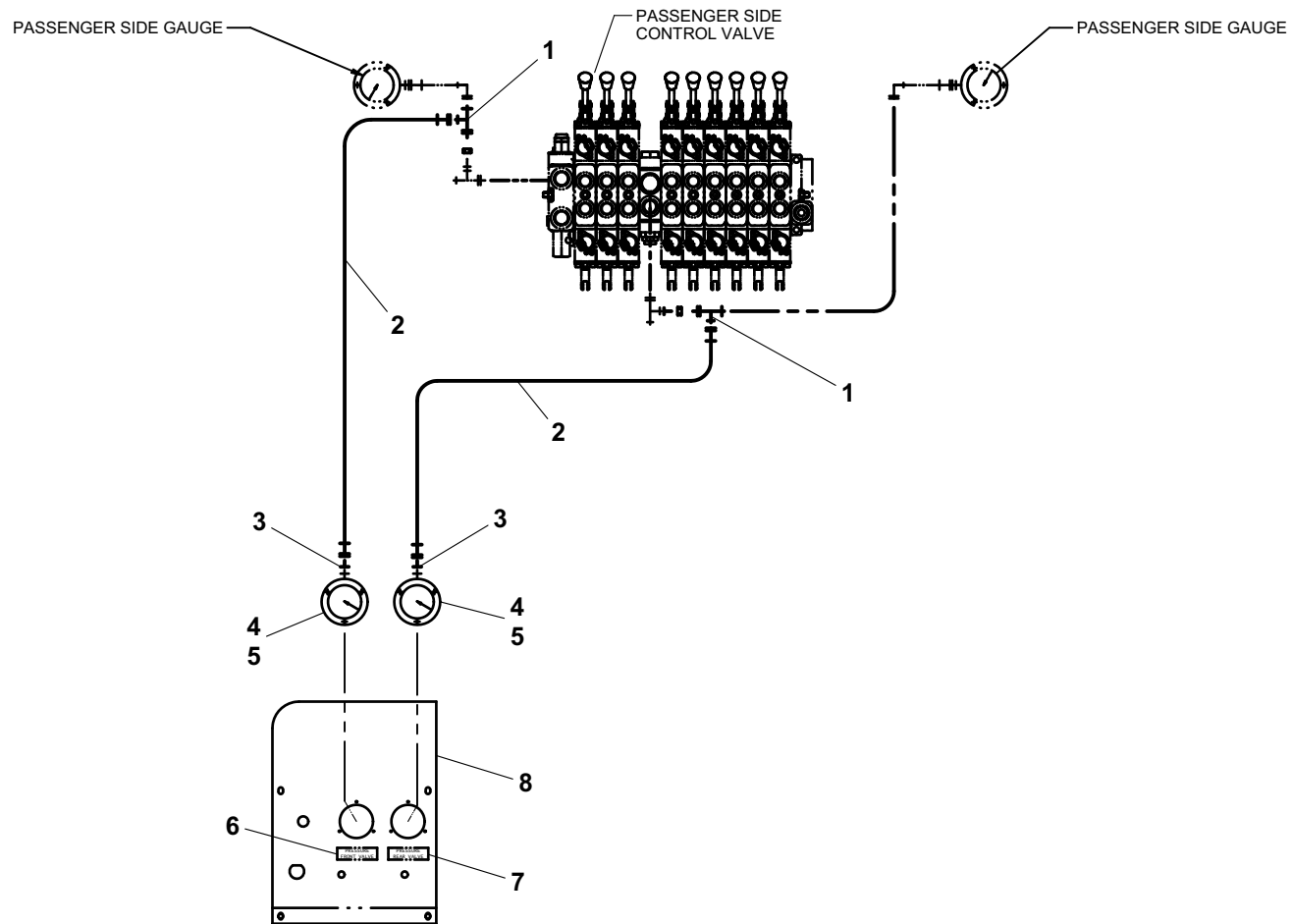
HYDRAULICS - LINES AND FITTINGS



DRIVER SIDE HYDRAULIC PRESSURE GAUGES - WITHOUT UNDERLIFT WINCH (STANDARD)

ITEM	PART NO.	DESCRIPTION	QTY
1	7443000026	Tee	2
2	4567110141	Hose Assembly	2
3	7445040421	Fitting	2
4	7470000004	Gauge, Pressure	2
5	7790060676	Screw, #6 x 0.38"	6
6	7330000257	Decal - Pressure Front Valve	1
7	7330000256	Decal - Pressure Rear Valve	1
8	4706005127	Plate	1

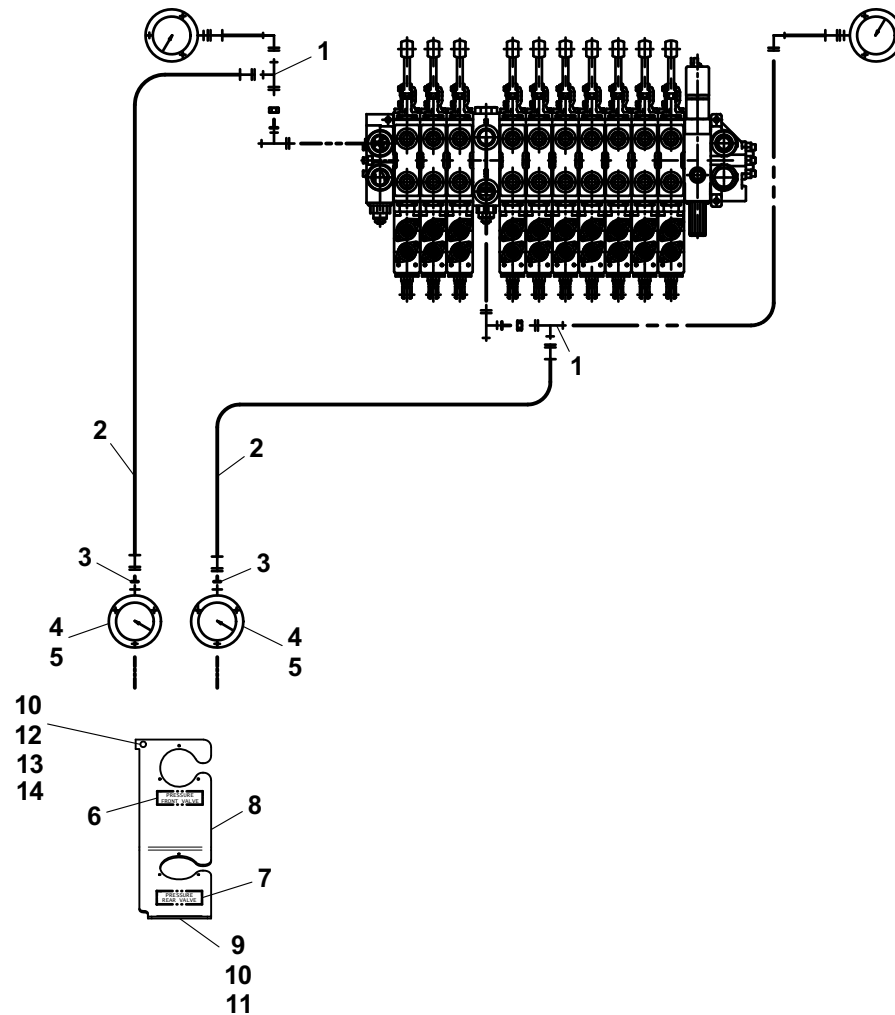
DRIVER SIDE HYDRAULIC PRESSURE GAUGES - WITHOUT UNDERLIFT WINCH (STANDARD)



DRIVER SIDE HYDRAULIC PRESSURE GAUGES - WITH UNDERLIFT WINCH (OPTIONAL)

ITEM	PART NO.	DESCRIPTION	QTY
1	7443000026	Tee	2
2	4567110141	Hose Assembly	2
3	7445040421	Fitting	2
4	7470000004	Gauge, Pressure	2
5	7790060676	Screw, #6 x 0.38"	6
6	7330000257	Decal - Pressure Front Valve	1
7	7330000256	Decal - Pressure Rear Valve	1
8	4314000215	Coverplate	1
9	7115140850	Capscrew, 0.25"-20NC x 1.00"	1
10	7950140161	Flatwasher, 0.25" ID	2
11	7661000006	Nut, Well	2
12	7114140618	Capscrew, 0.25"-20NC x 0.75"	1
13	7413000002	Nutsert, 0.25"-20NC	1
14	7950140000	Lockwasher, 0.25" ID	1

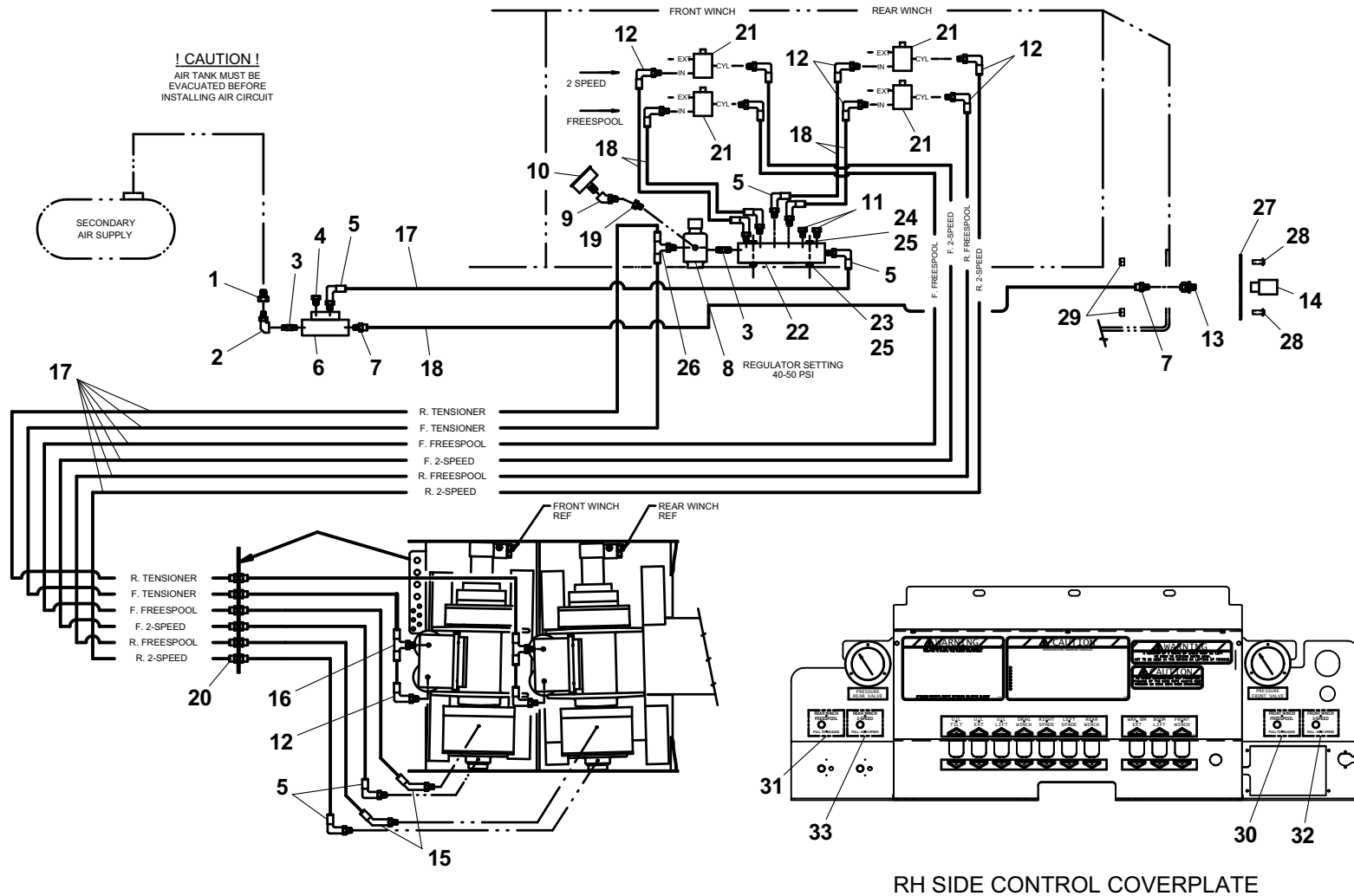
DRIVER SIDE HYDRAULIC PRESSURE GAUGES - WITH UNDERLIFT WINCH (OPTIONAL)



PASSENGER SIDE WINCH AIR CONTROLS - 2 SPD GEAR SHIFT

ITEM	PART NO.	DESCRIPTION	QTY
1	7443000154	Bushing	1
2	7443000155	Elbow	1
3	7443000156	Nipple	2
4	7443000152	Plug	1
5	7443000139	Elbow	8
6	7935000120	Valve, Pressure Protection	1
7	7443000175	Fitting	2
8	7295000029	Air Regulator	1
9	7443000066	Fitting	1
10	7470000006	Gauge, Air Pressure	1
11	7444020013	Plug	2
12	7443000173	Elbow	10
13	7446502518	Fitting, Bulkhead	1
14	7312000017	Coupling	1
15	7443000176	Fitting	2
16	7443000174	Tee	2
17	7565000016	Airline, Tubing 0.25 OD	150ft
18	7565000014	Airline, Tubing 0.38 OD	25ft
19	7443000149	Bushing	1
20	7443000178	Union	6
21	7935000136	Valve, Air	4
22	4619000005	Manifold	1
23	7660142601	Locknut, 0.25"-20NC	2
24	7115142450	Capscrew, 0.25"-20NC x 3.00"	2
25	7950140161	Flatwasher, 0.25" ID	4
26	7443000270	Tee	1
27	4811001135	Sheet	1
28	7114140518	Capscrew, 0.25"-20NC x 0.62"	4
29	7660142604	Locknut, 0.25"-20NC	4
30	7330000840	Decal - Front Winch Freespool	1
31	7330000841	Decal - Rear Winch Freespool	1
32	7330000842	Decal - Front Winch 2 Speed	1
33	7330000843	Decal - Rear Winch 2 Speed	1

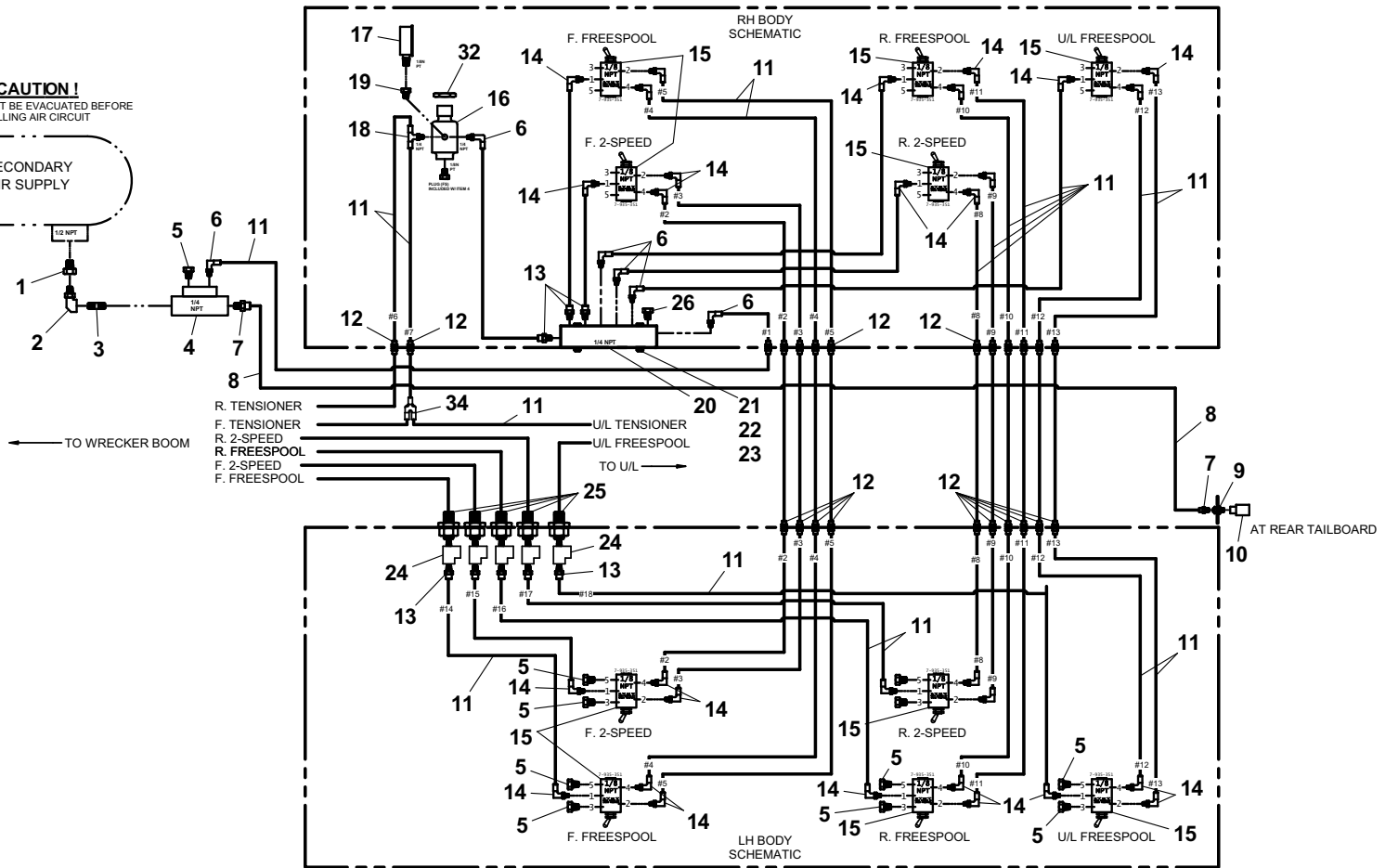
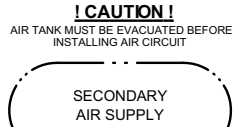
PASSENGER SIDE WINCH AIR CONTROLS - 2 SPD GEAR SHIFT



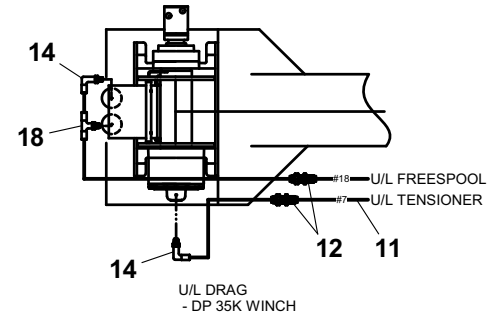
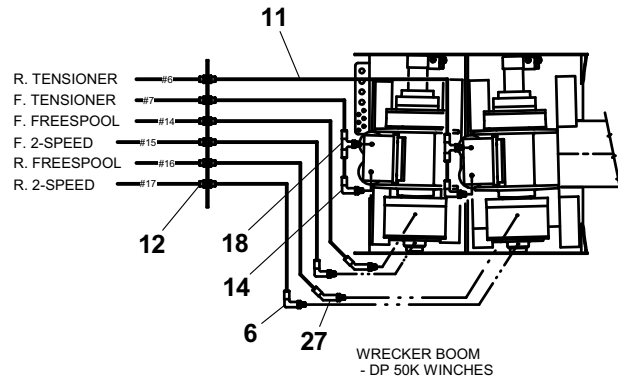
DRIVER & PASSENGER SIDE WINCH AIR CONTROLS - DP 50K, 2 SPD GEAR SHIFT

ITEM	PART NO.	DESCRIPTION	QTY
1	7443000154	Bushing	1
2	7443000155	Elbow	1
3	7443000156	Nipple	1
4	7935000120	Valve, Pressure Protection	1
5	7443000152	Plug	11
6	7443000139	Elbow	8
7	7443000175	Fitting	2
8	7565000014	Airline, Tubing 0.38 OD	25ft
9	7446502518	Fitting, Bulkhead	1
10	7312000017	Coupling	1
11	7565000016	Airline, Tubing 0.25 OD	300ft
12	7443000178	Union	31
13	7443000329	Fitting	8
14	7443000173	Elbow	34
15	7935000351	Valve, Air	10
16	7295000029	Air Regulator	1
17	7470000006	Gauge, Air Pressure	1
18	7443000174	Tee	4
19	7443000146	Elbow	1
20	4619000005	Manifold	1
21	7115142450	Capscrew, 0.25"-20NC x 3.00"	2
22	7660142601	Locknut, 0.25"-20NC	2
23	7950140161	Flatwasher, 0.25" ID	4
24	7443000287	Tee	5
25	7443000243	Fitting, Bulkhead	5
26	7444020014	Plug	2
27	7443000176	Fitting	2
28	7330000737	Decal - Front Winch Freespool	2
29	7330000738	Decal - Rear Winch Freespool	2
30	7330000739	Decal - Front Winch 2 Speed	2
31	7330000740	Decal - Rear Winch 2 Speed	2
32	7661000041	Nut, Panel	1
33	7330000741	Decal - U/L Winch Freespool	2
34	7443000448	Fitting	1

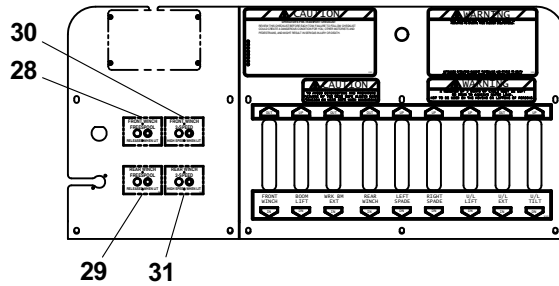
DRIVER & PASSENGER SIDE WINCH AIR CONTROLS - DP 50K, 2 SPD GEAR SHIFT



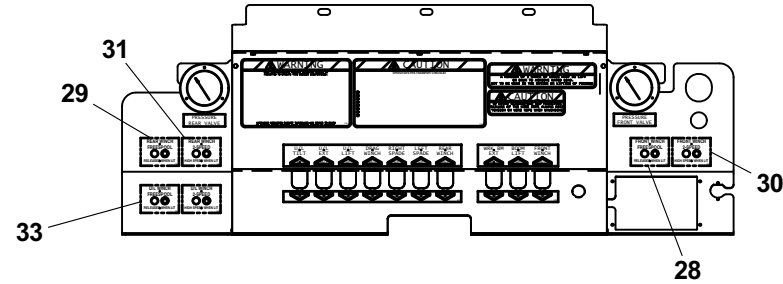
DRIVER & PASSENGER SIDE WINCH AIR CONTROLS - DP 50K, 2 SPD GEAR SHIFT



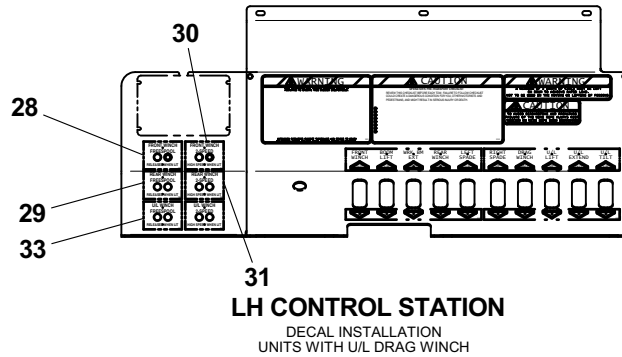
DRIVER & PASSENGER SIDE WINCH AIR CONTROLS - DP 50K, 2 SPD GEAR SHIFT



LH CONTROL STATION
DECAL INSTALLATION
UNITS WITHOUT U/L DRAG WINCH



RH CONTROL STATION
DECAL INSTALLATION
UNITS WITH AND WITHOUT U/L DRAG WINCH

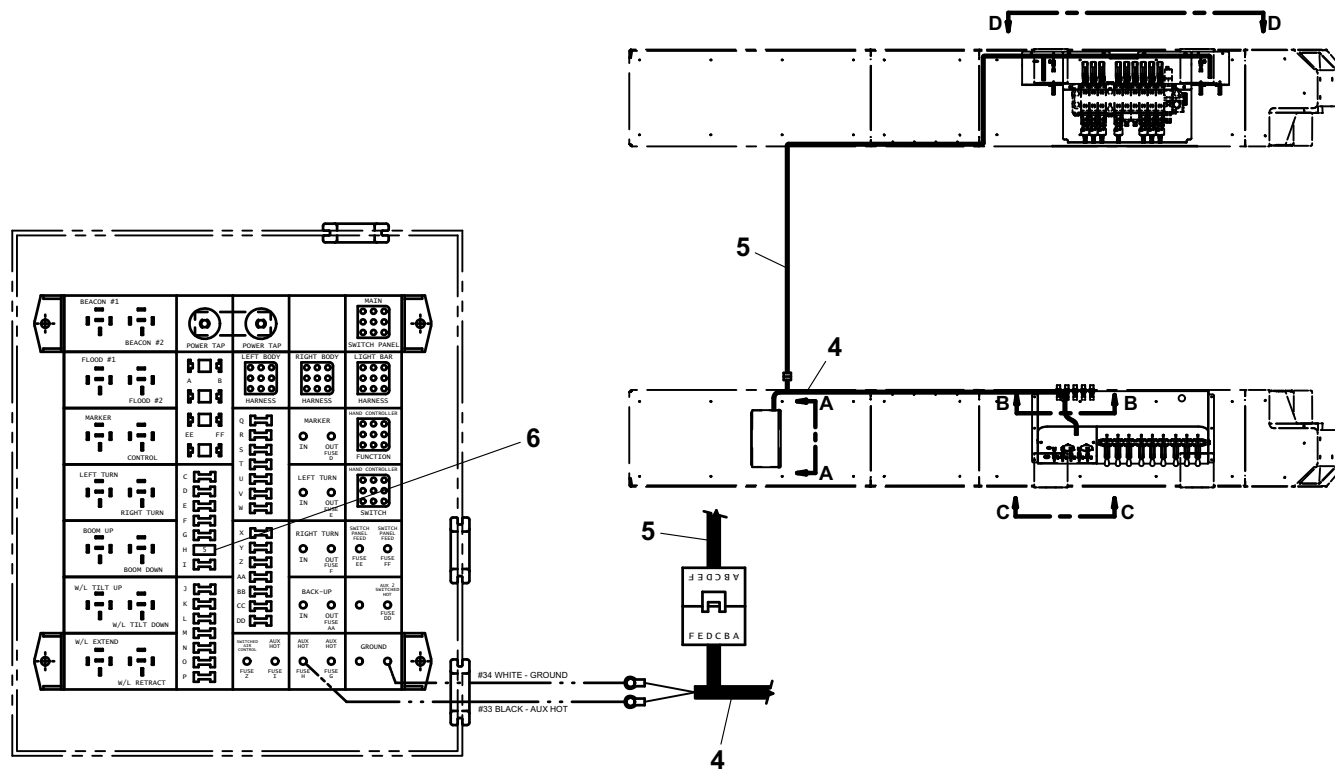


LH CONTROL STATION
DECAL INSTALLATION
UNITS WITH U/L DRAG WINCH

WINCH ELECTRIC SPEED/FREE SPOOL CONTROLS - DP 50K, 2 SPD

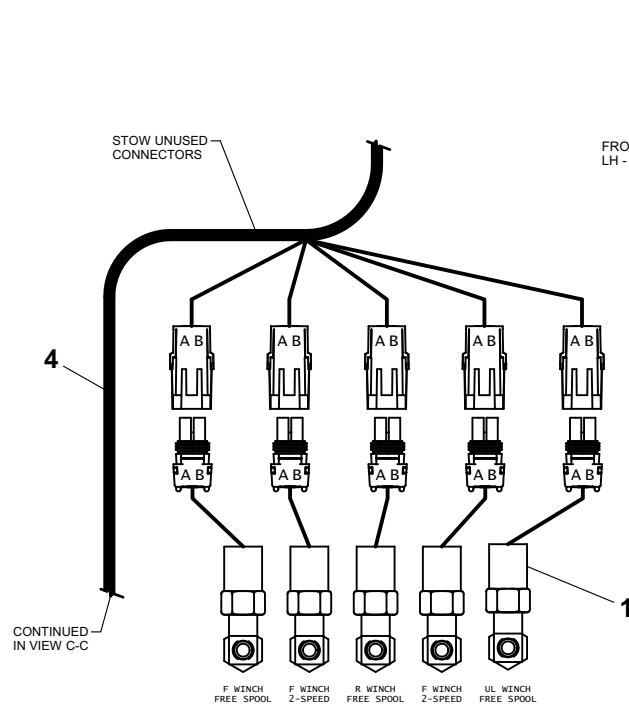
ITEM	PART NO.	DESCRIPTION	QTY
1	7870000136	Pressure Switch	5
2	7590000364	Light	10
3	7346000039	Tubing, Heat Shrink	15in
4	7552000414	Harness	1
5	7552000415	Harness	1
6	7457000019	Fuse, 5 Amp	1

WINCH ELECTRIC SPEED/FREE SPOOL CONTROLS - DP 50K, 2 SPD

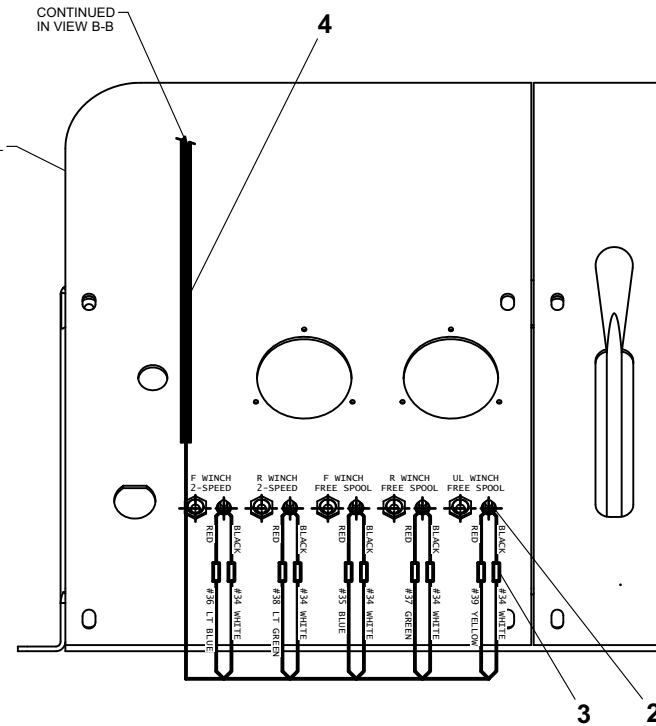


VIEW A-A
DIST PANEL

WINCH ELECTRIC SPEED/FREE SPOOL CONTROLS - DP 50K, 2 SPD

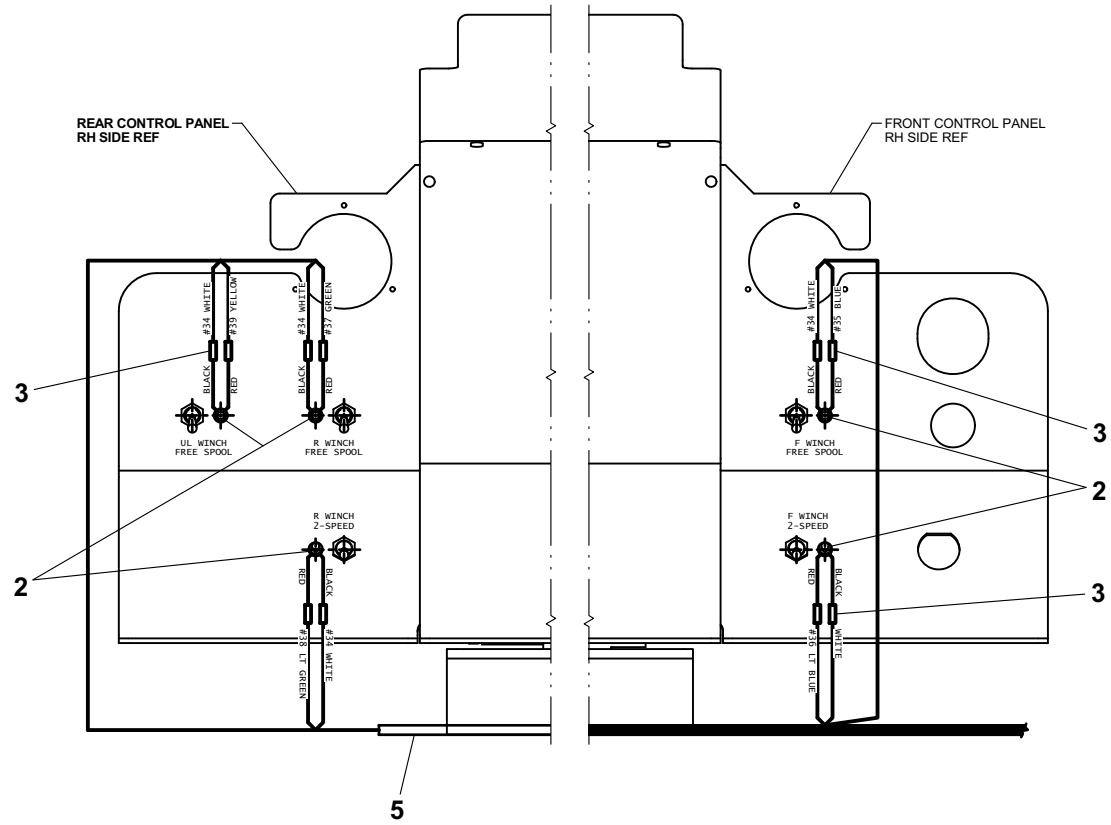


VIEW B-B
PRESSURE SWITCH CONNECTIONS



VIEW C-C
LH CONTROL STATION

WINCH ELECTRIC SPEED/FREE SPOOL CONTROLS - DP 50K, 2 SPD

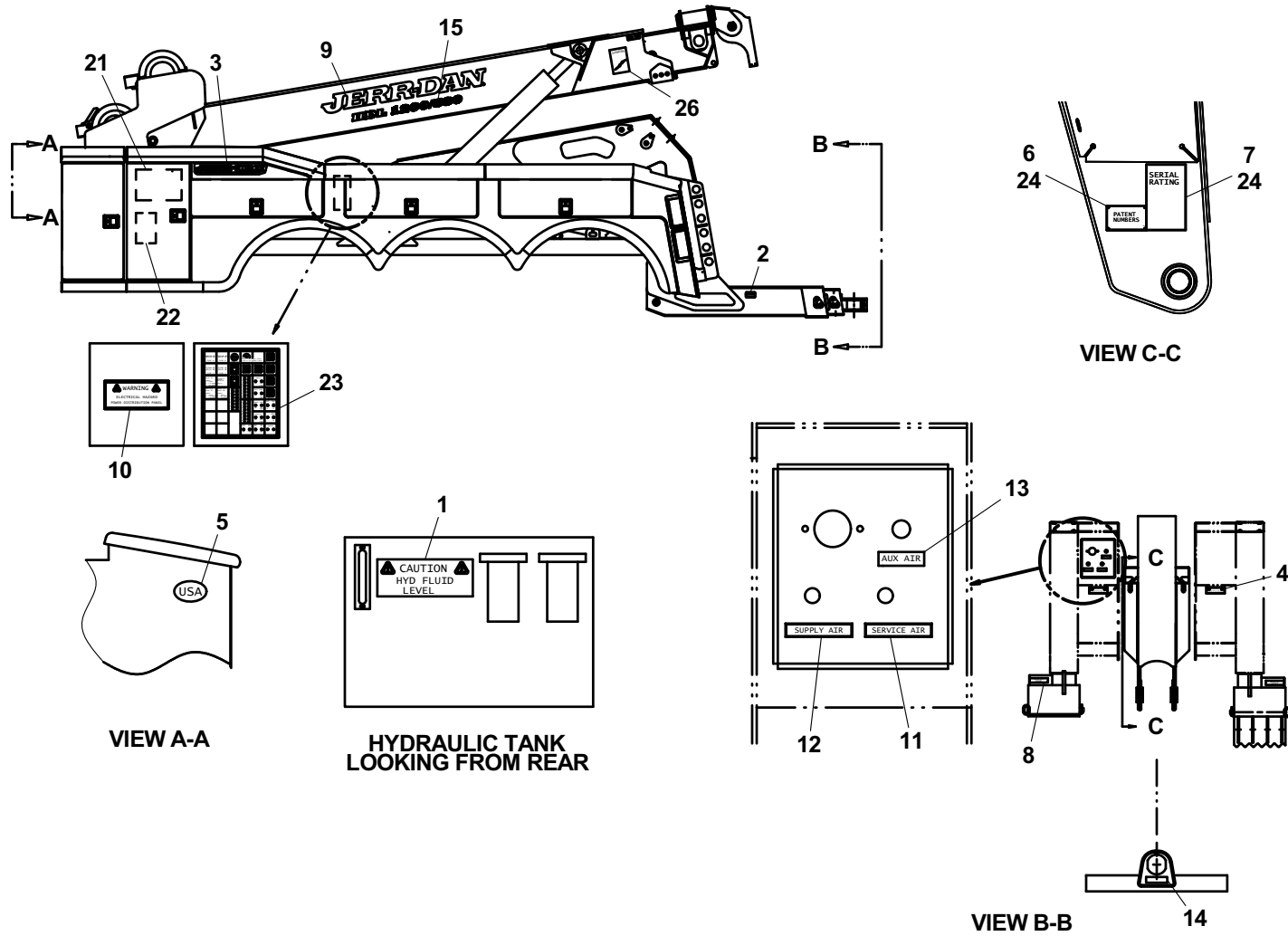


VIEW D-D
RH CONTROL STATION

DECALS

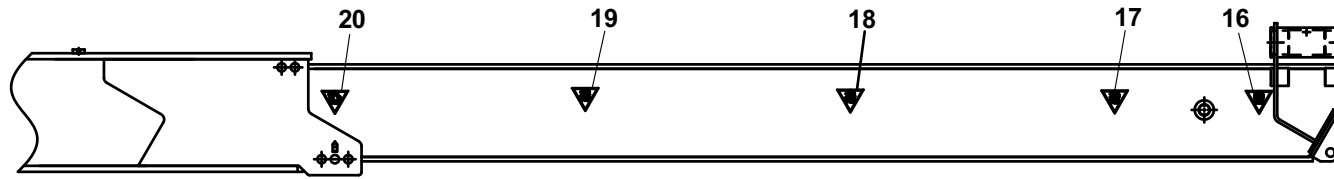
ITEM	PART NO.	DESCRIPTION	QTY
1	7330000034	Decal - Wheel Lift	1
2	7330000037	Decal - Moving Parts Polycarb	2
3	7330000108	Decal - Jerr-Dan Nameplate	2
4	7330000122	Decal - Wheel Lift	2
5	7330000143	Decal - Made in the USA	1
6	7330000717	Decal - Patent	1
7	7330000189	Decal - Serial Number/Rating Placard	1
8	7330000193	Decal - Wheel Lift	2
9	7330000197	Decal - Jerr-Dan (Red)	2
	7330000533	Decal - Jerr-Dan (White)	2
10	7330000202	Decal - Shock Warning	1
11	7330000208	Decal - Service Air	1
12	7330000209	Decal - Supply Air	1
13	7330000210	Decal - Auxiliary Air	1
14	7330000211	Decal - Safety Chains	1
15	7330000483	Decal - HDL1200/530, Red	2
	7330000536	Decal - HDL1200/530, White	
	7330000484	Decal - HDL1200/565, Red	
	7330000537	Decal - HDL1200/565, White	
16	7330000487	Decal - 60 Ton Boom Rating	2
17	7330000449	Decal - 50 Ton Boom Rating	2
18	7330000486	Decal - 37 Ton Boom Rating	2
19	7330000485	Decal - 24 Ton Boom Rating	2
20	7330000268	Decal - 22 Ton Boom Rating	2
21	7330000269	Decal - Lubrication	1
22	7330000270	Decal - Lubrication Chart	1
23	7330000426	Decal - Fuse Panel	1
24	7330000004	Pop Rivet	10
25	7330000139	Decal - Checklist Reminder	1
26	7330000203	Decal - Shock Warning	2

DECALS



Item #25 not shown

DECALS



60 TON 2-PIECE WRECKER BOOM FLY



5376000153-0