

# HDR 1000 HEAVY DUTY ROTATOR PARTS MANUAL

# ***JERR-DAN***<sup>®</sup>

An Oshkosh Corporation Company

13224 Fountainhead Plaza  
Hagerstown, MD 21742  
Phone (717) 597-7111  
[www.jerr-dan.com](http://www.jerr-dan.com)

5-376-000164  
Rev 0 - July 1, 2013

© 2013 Jerr-Dan Corporation. All Rights Reserved



This manual covers the following Jerr-Dan Models:

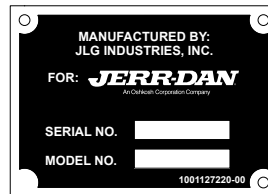
HDR1000 50 Ton Rotator

Jerr-Dan Corporation strives to provide information that is accurate, complete and useful. Descriptions and illustrative material contained within this manual are as accurate as known at the time of publication and are subject to change, without notice, as a result of continuous product improvements. Jerr-Dan reserves the right to amend the information in this document at any time without prior notice.

Information contained in this manual reflects how this vehicle was built at the factory. Modifications or additions by the distributor or owner are not reflected in this manual.

This parts manual does not include service parts information for the commercial chassis (IHC, Ford, GM, etc.). That information is provided by the chassis manufacturer.

When ordering parts, please refer to your unit's Serial Number and Model Number. This information is be found on the aluminum tag riveted to the inside of the driver's side rear compartment of the main body.



Additional or replacement manuals can be ordered by calling Jerr-Dan Parts at 717-597-7111. Price and availability will be quoted at time of the request.

Please report comments and/or errors by contacting Jerr-Dan Corporation's Technical Publications Department by e-mail at [technicalpublications@jerr-dan.com](mailto:technicalpublications@jerr-dan.com) or by FAX on 717-485-7162.

Manufactured under one or more of the following patents: 5,575,606; 5,672,042; 5,697,741; 5,713,714; 5,722,810; 5,782,596; 5,839,775 and 6,315,515 B1 with other Patents Pending.

Jerr-Dan and the Jerr-Dan logo are registered trademarks and Run Hard is a service mark of Jerr-Dan Corporation, Greencastle, PA USA.

The material in this document is confidential and the property of Jerr-Dan Corporation. No part of this document may be photocopied, Reproduced or translated to another language without the express written consent of Jerr-Dan Corporation.

**THIS PAGE INTENTIONALLY LEFT BLANK**



## TABLE OF CONTENTS

Subframe Installation.....	8	Underlift Assembly - 3170000433 - 30,000 LB.....	92
Hydraulic Tube Installation.....	10	Underlift Extension Cylinder Assembly - 7320000076.....	94
Hydraulic Tank Installation.....	14	Underlift Assembly - 3170000220 - 35,000 LB.....	96
Hydraulic Tank Assembly - 1001127996.....	16	Underlift Extension Cylinder Assembly - 7320000042.....	98
Oil Tank Cooler - 1001151763.....	18	Underlift Installation - 53,000/56,500 LB.....	100
Outrigger/Stabilizer Installation.....	20	Underlift Tilt Cylinder Assembly - 7320000096.....	102
Outrigger/Stabilizer Lift Cylinder - 1001127311.....	22	Underlift Assembly - 3507100001 - 53,000 LB.....	104
Outrigger/Stabilizer Assembly.....	24	Underlift Extension Cylinder Assembly - 7320000026.....	106
Outrigger/Stabilizer Extension Cylinder - 1001127312.....	26	Underlift Assembly - 3170000407 - 56,500 LB.....	108
Rear Spade Installation.....	28	Underlift Extension Cylinder Assembly - 7320000068.....	110
Spade Cylinder Assembly - 7320000006.....	30	Drag Winch Installation.....	112
Tail Board D-Ring Installation.....	32	DP Winch 35K - Cable Winch Drum Installation.....	114
Slew Bearing Installation.....	34	DP Winch 35K - Gear End Installation.....	116
Slew Drive Installation.....	36	DP Winch 35K - Input Shaft Installation.....	118
Swivel Installation.....	38	DP Winch 35K - Base Mount Installation.....	120
Swivel Assembly, Hydraulic/Electric - 1001129628.....	40	DP Winch 35K - Gear End Cover Installation.....	122
TurnTable Installation.....	42	DP Winch - Motor End Installation.....	124
House Lock Installation.....	44	DP Winch - Cable Hold Down Kit.....	126
Wrecker Boom Installation - 3 Piece.....	50	Trailer Auxiliary Installation.....	128
Wrecker Boom Lift Cylinder - 1001127313.....	52	Underlift Tools - Frame Forks.....	130
Wrecker Boom Assembly - 3 Piece.....	54	Underlift Tools - 14,000 LB Tire Lift.....	132
Extension Cylinder assembly - 7320000085.....	56	Underlift Tools - 25,000 LB Tire Lift.....	134
Winch Installation - 2 Speed 50K Ramsey.....	58	Underlift Tools - Fifth Wheel Attachment.....	136
Ramsey 50K Winch - 1001128323 & 1001129495.....	60	Underlift Tools - Pintle Hook.....	138
Ramsey Winch Cable Tensioner Assembly - 70050360.....	62	Crosstube Installation.....	140
Winch Installation - 2 Speed 50K Dp.....	64	Rear Body Installation.....	142
DP Winch 50K - Motor End Installation.....	66	Mid Body Installation.....	144
DP Winch 50K - Drum Installation.....	68	Body Panel Assembly - Rear LH.....	146
DP Winch 50K - Gear End Installation.....	70	Body Panel Assembly - Rear RH.....	148
DP Winch 50K - Input Shaft.....	72	Body Panel Assembly - Mid LH.....	150
DP Winch 50K - Base Mount Installation.....	74	Body Panel Assembly - Mid RH.....	152
DP Winch 50K - Gear End Cover Installation.....	76	Body Door And Hardware Assembly - Rear LH.....	154
DP Winch 50K - Cable Hold Down Kit.....	78	Body Door And Hardware Assembly - Rear RH.....	156
Underlift Boom Installation - 30,000/35,000 LB.....	80	Body Door And Hardware Assembly - Mid LH.....	158
Underlift Lift Cylinder Assembly - 7320000040.....	82	Body Door And Hardware Assembly - Mid RH.....	160
Underlift Boom Installation - 53,000/56,500 LB.....	84	49" Tunnel Tool Compartment Installation.....	162
Underlift Lift Cylinder Assembly - 7320000063.....	86	49" Tunnel Tool Compartment Panel Assembly.....	164
Underlift Installation - 30,000/35,000 LB.....	88	49" Tunnel Tool Compartment Door and Hardware Assembly.....	166
Underlift Tilt Cylinder Assembly - 7320000039.....	90	49" Tunnel Tool Compartment Fender Flare Assembly.....	168

## TABLE OF CONTENTS

Fender Flare Installation.....	170
Mudflap Installation.....	172
Tool Holder Bracket Installation.....	174
25K Tire Lift Storage Brackets For 49" Tunnel Tool Compartment.....	176
Under Tool Compartment Drawer Installation.....	180
Under Tool Compartment Drawer Assembly.....	182
Body Lighting & Wiring Installation.....	184
Back-Up Alarm Installation.....	194
Hydraulic Installation.....	196
Control Valve - 1001127671.....	206
Controls Installation - 9 Section.....	210
Outrigger Controls Installation.....	216
CS24 Series PTO Installation.....	220
82 Series PTO Installation.....	222
Wireless Remote Installation.....	224
Air Installation.....	226
Air Valve - 1001129800.....	230
M-Plex Electrical Installation.....	232
Emergency Stop Installation.....	236
Headboard Assembly - 1001150180.....	238
Headboard Installation - 1001150422.....	240
Wing Light Installation - 1001129862.....	242
Lightbar 72" LED - WHELEN.....	244
Upper Hook-Up Lights Installation.....	246
Lower Hook-Up Lights Installation.....	248
Upper Work Lights Installation.....	250
Wrecker Boom Lights Installation.....	252
Outrigger Light Installation.....	254
Underlift Light Installation.....	256
Decal Installation.....	258
Hydraulic Schematic.....	262
Air Schematic.....	267
Part Number Index.....	268

## TABLE OF CONTENTS

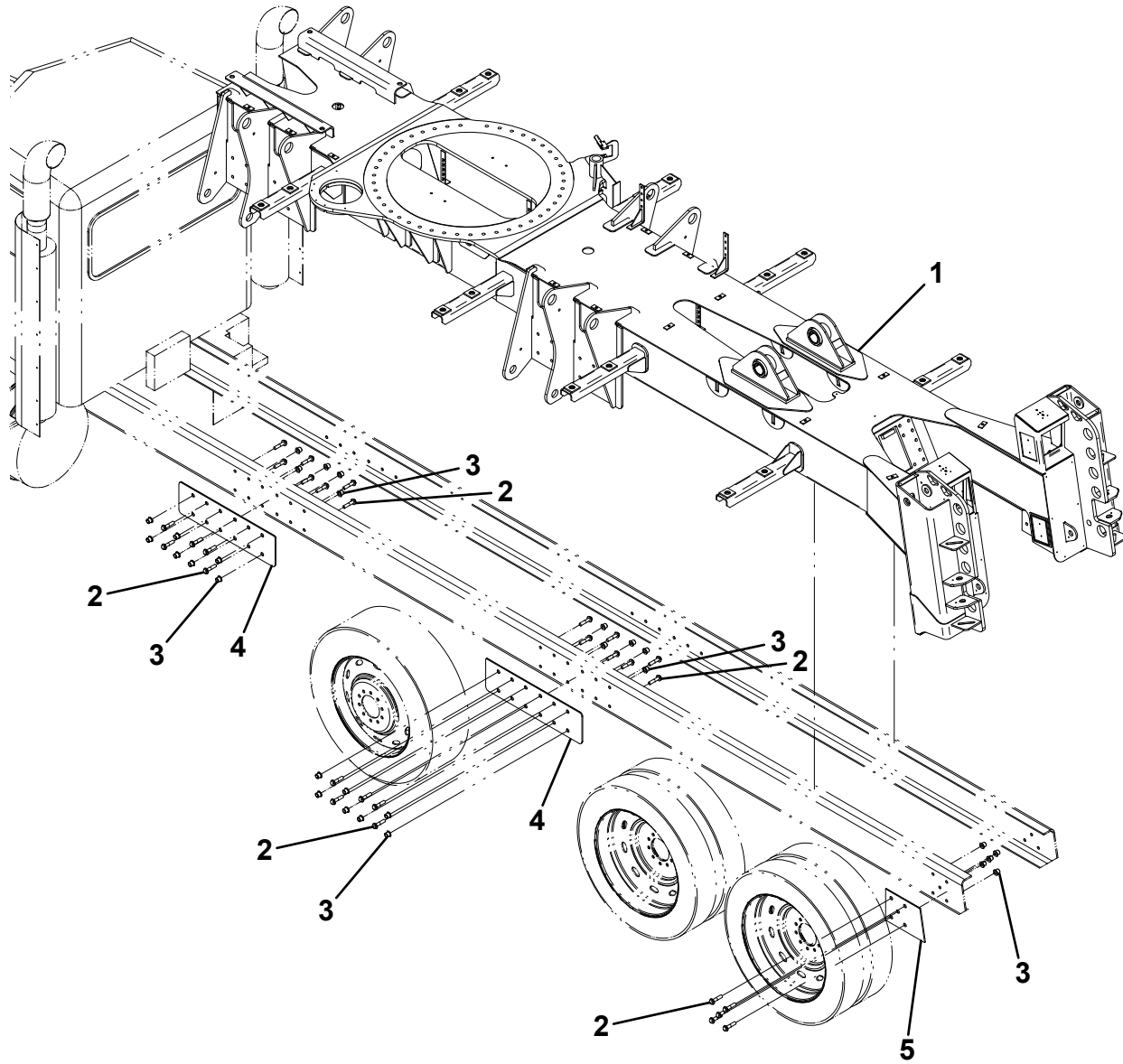
THIS PAGE INTENTIONALLY LEFT BLANK

**SUBFRAME INSTALLATION**

ITEM	PART NO.	DESCRIPTION	QTY
1	1001135645	Frame Weldment	1
2	7120000062	Huck Bolt, 0.75" Dia x 1.50-2.00"	58
3	7293000006	Huck Collar, 0.75	58
4	1001129777*	Shim	4
5	1001129778*	Shim	2

\* Also Available In Shim Kit - 1001129786

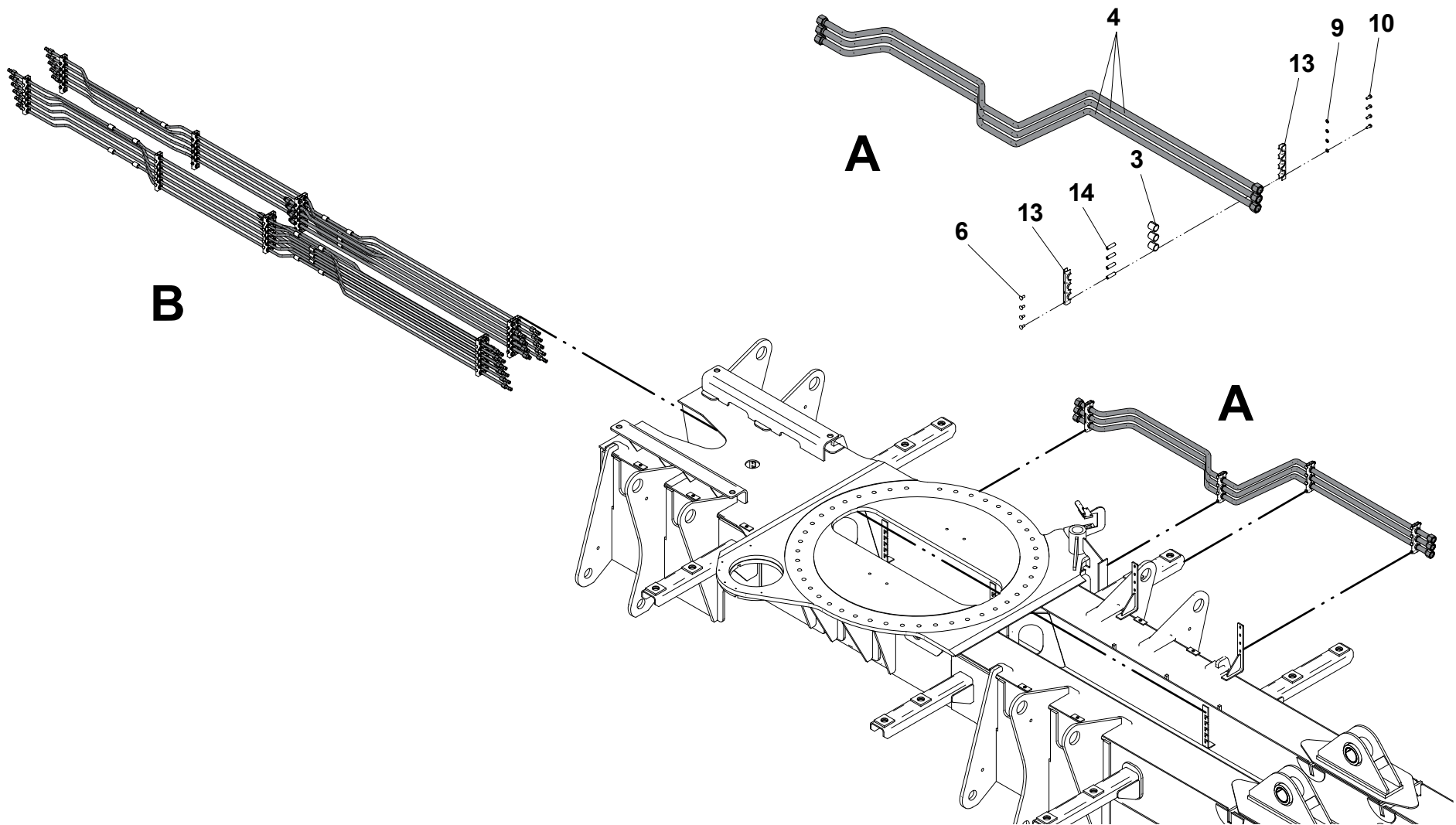
# SUBFRAME INSTALLATION



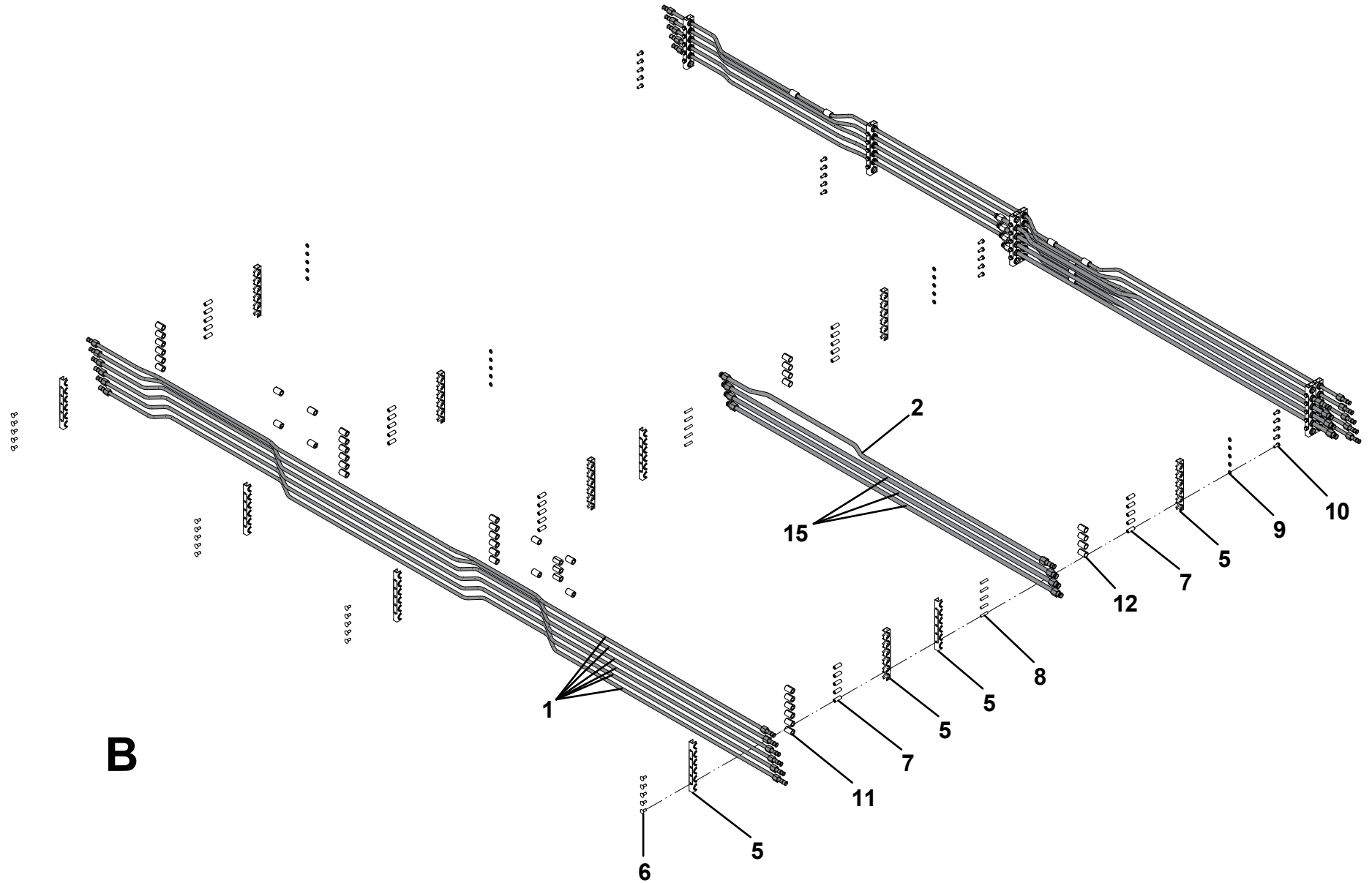
**HYDRAULIC TUBE INSTALLATION**

ITEM	PART NO.	DESCRIPTION	QTY
1	1001134739	Pipe, Tube Assembly	11
2	1001134740	Pipe, Tube Assembly	2
3	7209000033	Bushing	12
4	1001130395	Pipe, Tube Assembly	3
5	7274000030	Clamp Assembly	12
6	7115150664	Bolt, 0.31"-18NC x 0.75"	52
7	7661000022	Stacking Nut	60
8	7007000036	Thread Adapter	20
9	7950150000	Lockwasher, 0.31" ID	56
10	7115150650	Capscrew, 0.31"-18NC x 0.75"	56
11	7209000023	Bushing	62
12	7209000024	Bushing	16
13	7274000088	Clamp Assembly	4
14	7661000027	Stacking Nut	16
15	1001133571	Pipe, Tube Assembly	6

# HYDRAULIC TUBE INSTALLATION



# HYDRAULIC TUBE INSTALLATION





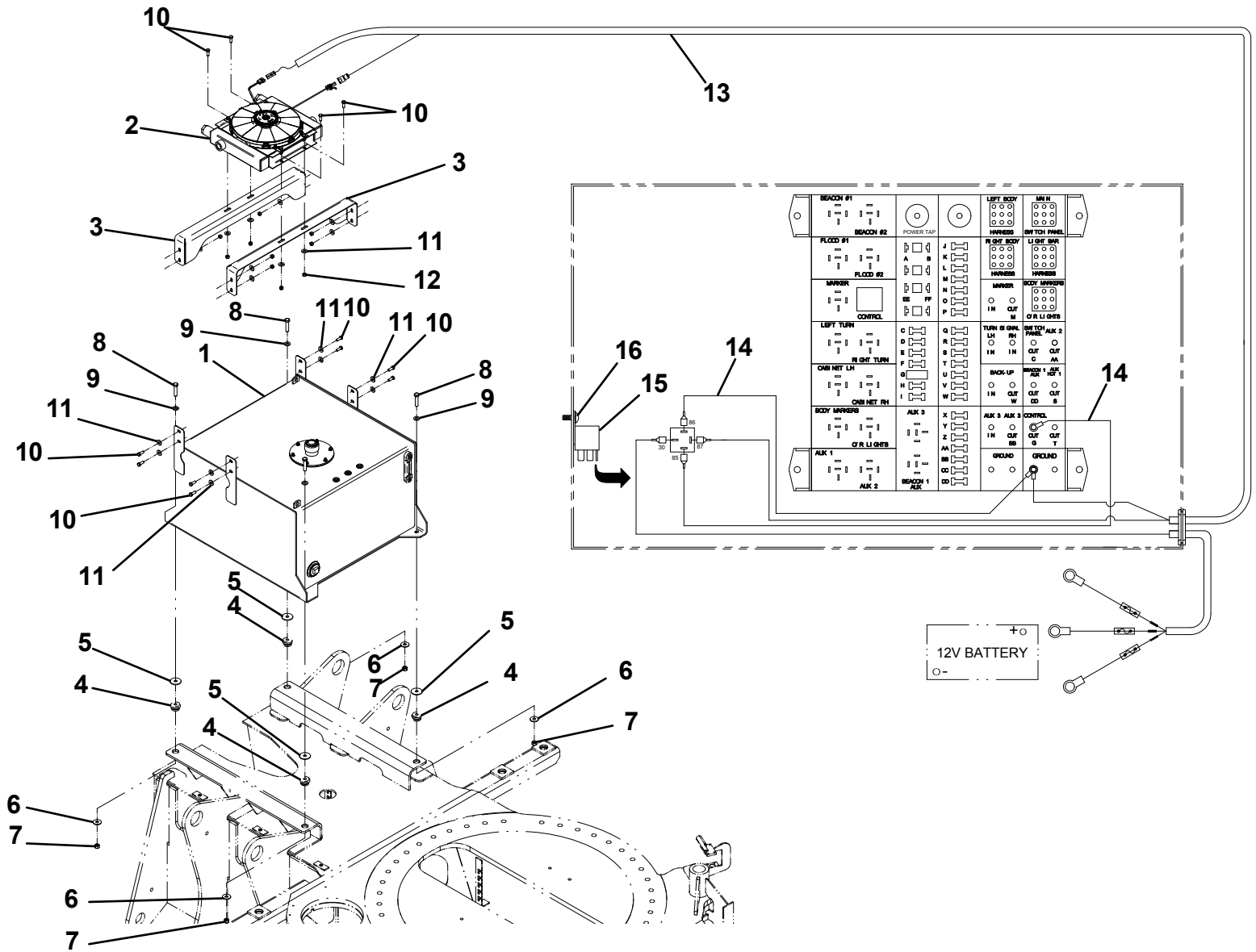
## HYDRAULIC TUBE INSTALLATION

THIS PAGE INTENTIONALLY LEFT BLANK

**HYDRAULIC TANK INSTALLATION**

ITEM	PART NO.	DESCRIPTION	QTY
1	1001127996	Tank, Hydraulic	1
2	1001127315	Radiator, Remote Oil Cooler - NPT	1
	1001151763	Radiator, Remote Oil Cooler - O-Ring	
3	1001130437	Mount, Hydraulic Oil Cooler	2
4	7663000006	Mount, Center Bonded	4
5	7949000015	Washer, Head	4
6	7949000016	Washer, Tail	4
7	7660182601	Locknut, 0.50"-13NC	4
8	7115181850	Capscrew, 0.50"-13NC x 2.25"	4
9	7950180141	Flatwasher, 0.50" ID	4
10	7115160850	Capscrew, 0.38"-16NC x 1.00"	12
11	7950160161	Flatwasher, 0.38" ID	20
12	7660162601	Locknut, 0.38"-16NC	12
13	1001144068	Harness	1
14	1001144012	Harness	2
15	7740000003	Relay	1
16	7790100856	Screw, Self-Tapping, #10 x 0.50"	1

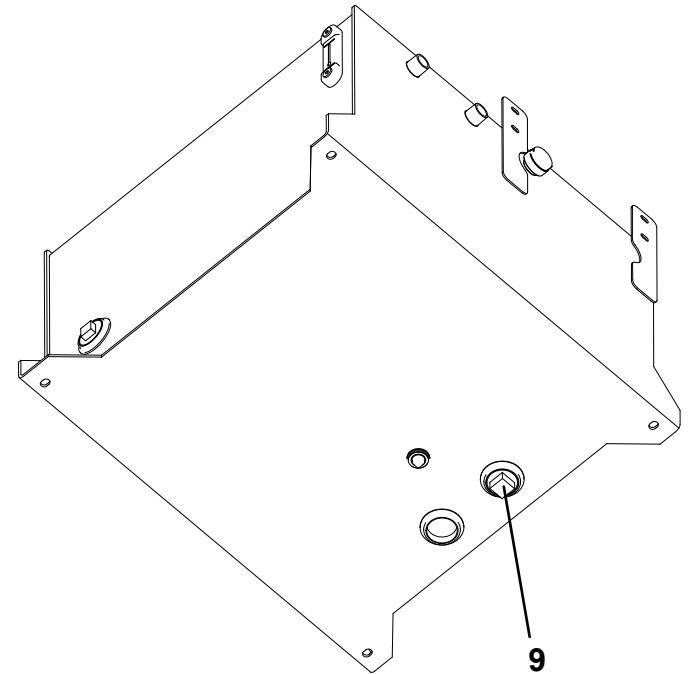
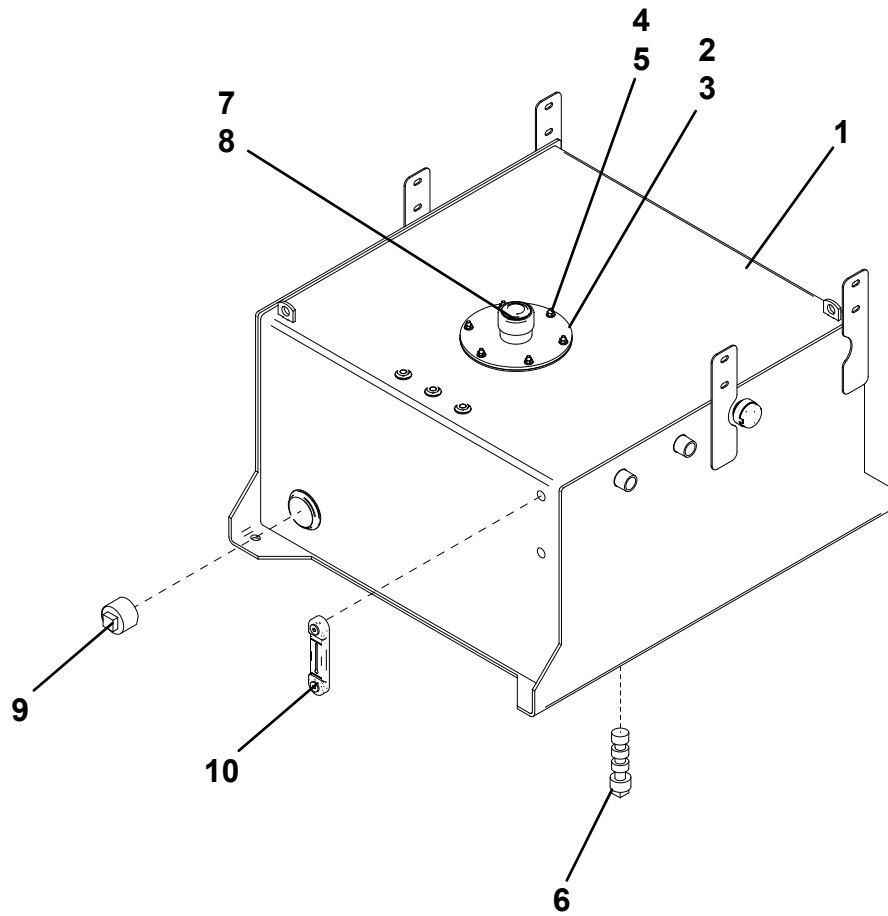
# HYDRAULIC TANK INSTALLATION



**HYDRAULIC TANK ASSEMBLY - 1001127996**

ITEM	PART NO.	DESCRIPTION	QTY
1	70050386	Tank	1
2	70050387	Gasket	1
3	70050388	Cover Assembly	1
4	83304173	Washer, 0.25" ID	6
5	83304174	Nut, 0.25"	6
6	70050389	Magnetic Plug	1
7	7024445	Strainer	1
8	7024444	Vented Fill Cap	1
9	70050390	Plug	2
10	70050391	Sight Gauge	1

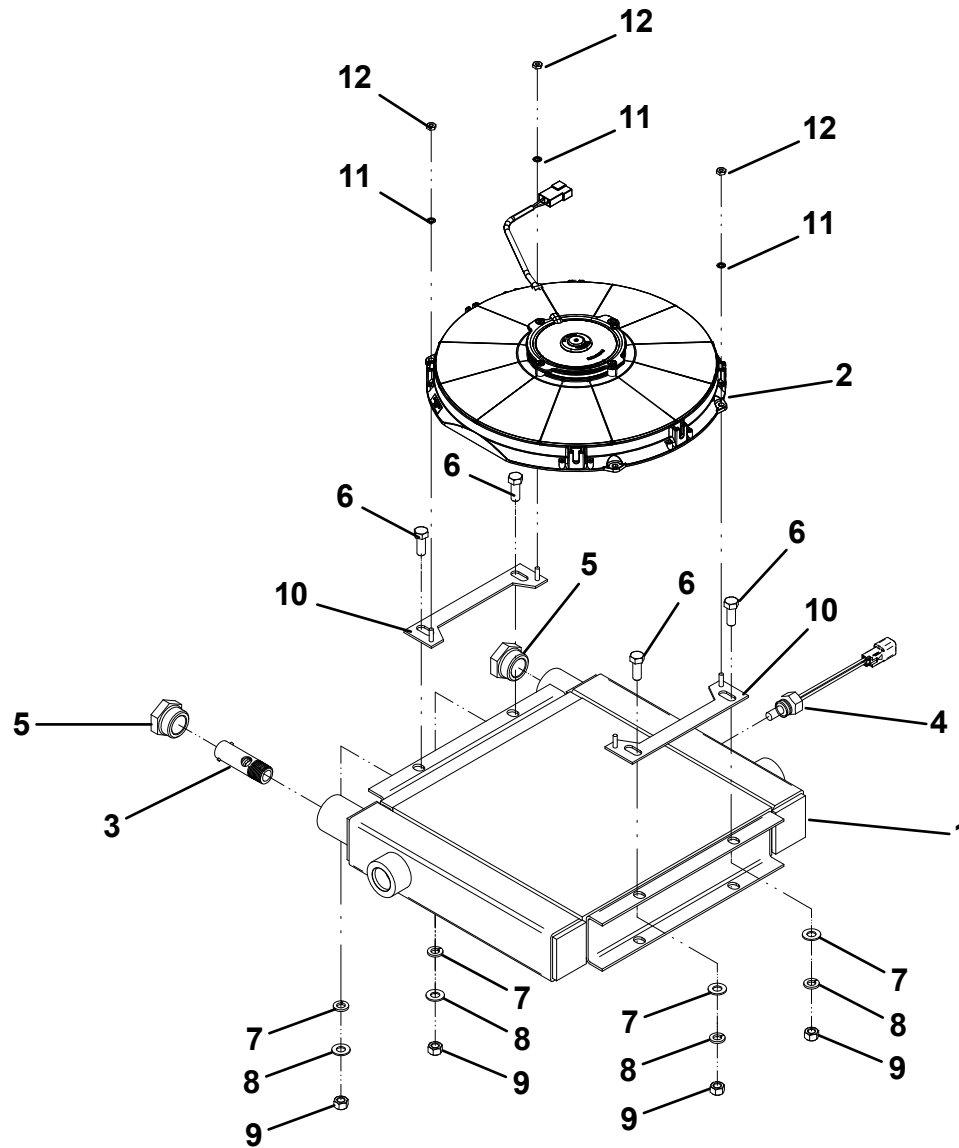
# HYDRAULIC TANK ASSEMBLY - 1001127996



**OIL TANK COOLER - 1001151763**

ITEM	PART NO.	DESCRIPTION	QTY
1	70050273	Core, Cooler - NPT	1
	70050275	Core, Cooler - O-Ring	
2	70050276	Fan	1
3	70050277	Valve, Bypass Check	1
4	70050274	Switch, Temperature - NPT	1
	70050278	Switch, Temperature - O-Ring	
5	70050280	Plug	2
6	7115160850	Capscrew, 0.38"-16NC x 1.00"	4
7	7950160000	Lockwasher, 0.38" ID	4
8	7950160161	Flatwasher, 0.38" ID	4
9	7660160000	Nut, 0.38"-16NC	4
10	70050279	Bracket	2
11	70050281	Lockwasher, #10 ID	4
12	70050282	Locknut, #10	4

# OIL TANK COOLER - 1001151763

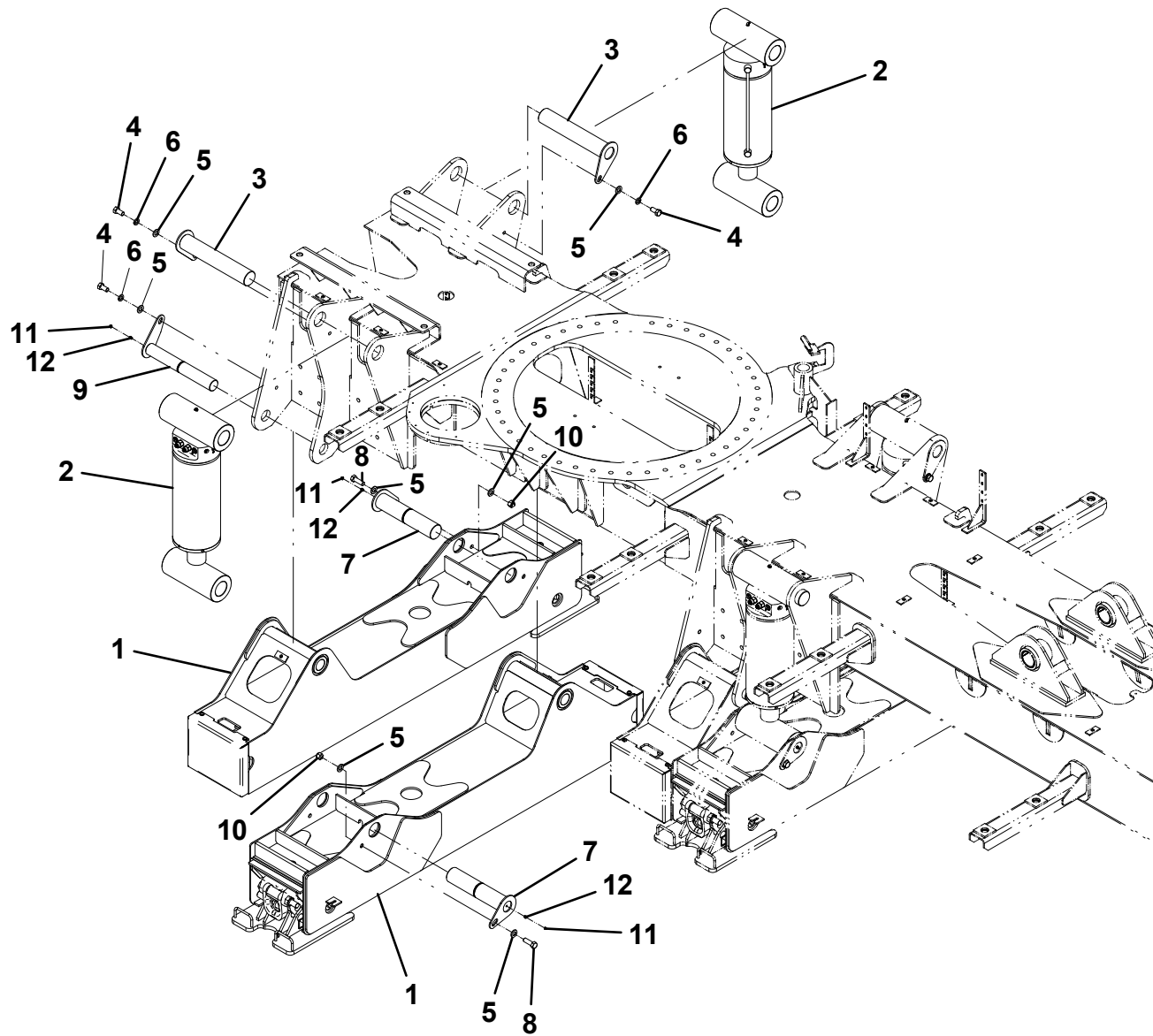


**OUTRIGGER/STABILIZER INSTALLATION**

ITEM	PART NO.	DESCRIPTION	QTY
1	1001129405	Stabilizer Assembly	4
2	1001127311	Outrigger/Stabilizer Lift Cylinder Assembly	4
3	3691000227	Pin	4
4	0682212	Capscrew, 0.75"-10NC x 1.50"	8
5	7950220141	Flatwasher, 0.75" ID	16
6	7950220000	Lockwasher, 0.75" ID	8
7	1001129416	Pin	4
8	7118221850	Capscrew, 0.75"-10NC x 2.25"	4
9	3691000228	Pin	4
10	7660222601	Locknut, 0.75"-10NC	4
11	7253000002	Cap, Grease Fitting	8
12	7440000000	Grease Fitting	8



# OUTRIGGER/STABILIZER INSTALLATION



**OUTRIGGER/STABILIZER LIFT CYLINDER - 1001127311**

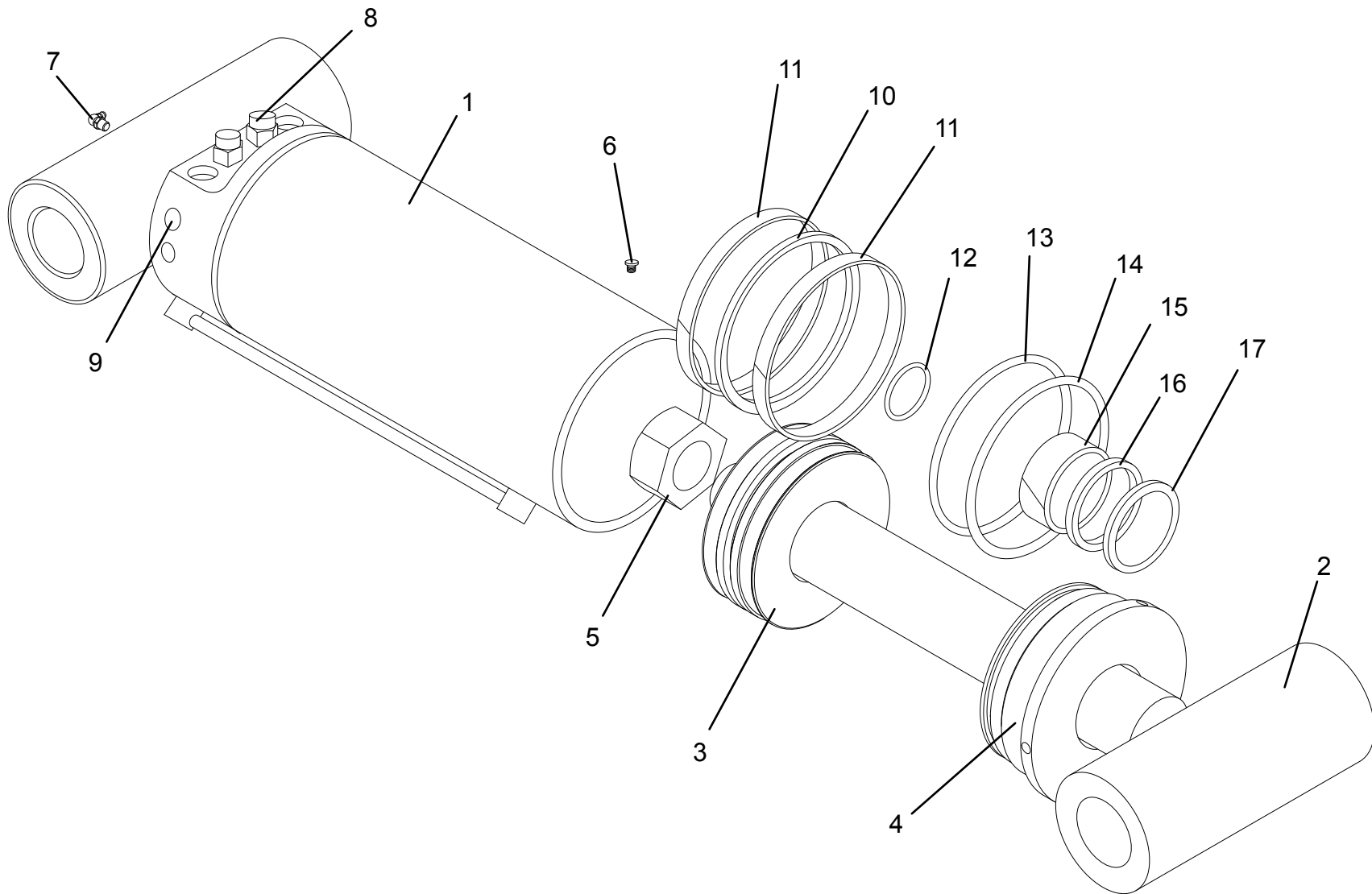
ITEM	PART NO.	DESCRIPTION	QTY
1	70050424	Barrel Assembly	1
2	70050425	Rod Assembly	1
3	70050430^	Piston	1
4	70050435*	Rod Bearing	1
5	90022234	Locknut, 2.25"-12UNF	1
6	7029760	Locking Screw	1
7	70022603	Grease Fitting	1
8	70050428	Counter Balance Valve	2
9	70022067	Steel SAE O-Ring Plug #4	4
10	70050432^#	Rectangular Piston Seal	1
11	70050434^#	Wear Ring, Piston	2
12	70050433^#	O-Ring	1
13	70050438*#	O-Ring	1
14	70050439*#	Backup Ring	1
15	70050440*#	Wear Ring	1
16	70050436*#	Rod Seal	1
17	90022282*#	Wiper	1

^ Items Sold in Piston Assembly - 70050426

\* Items Sold in Rod Bearing Assembly -70050427

# Items Sold in Seal Kit - 70050431

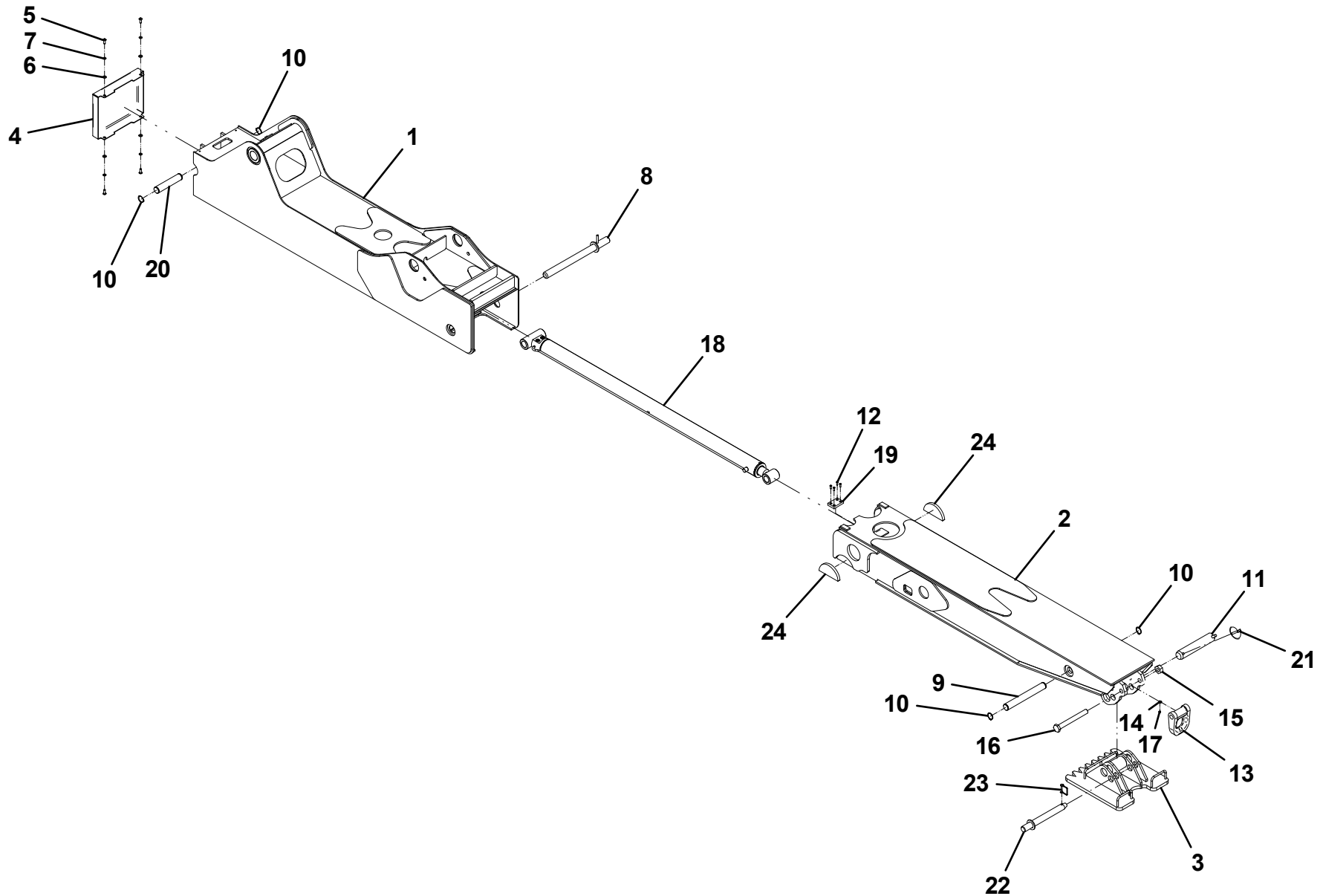
# OUTRIGGER/STABILIZER LIFT CYLINDER - 1001127311



**OUTRIGGER/STABILIZER ASSEMBLY**

ITEM	PART NO.	DESCRIPTION	QTY
1	1001127918	Outer Stabilizer Weldment	1
2	1001135652	Inner Stabilizer Weldment	1
3	3706000348	Stabilizer Plate Weldment	1
4	1001129498	Cover Panel	1
5	7114160818	Capscrew, 0.38"-16NC x 1.00"	4
6	7950160141	Flatwasher, 0.38" ID	4
7	7950160000	Lockwasher, 0.38" ID	4
8	3691000247	Pin	1
9	1001129406	Pin	1
10	7754000058	Retaining Ring	4
11	3691000253	Pin	1
12	7114140618	Capscrew, 0.25"-20NC x 0.75"	4
13	4754000006	D-Ring	1
14	7440030400	Grease Fitting	1
15	7660262600	Locknut, 1.00"-8NC	1
16	1001154786	Capscrew, 1.00"-8NC x 9.00"	1
17	7253000002	Cap, Grease Fitting	1
18	1001127312	Outrigger/Stabilizer Extension Cylinder	1
19	4679000243	Pad	1
20	4691000489	Pin	1
21	1001003803	Pin	1
22	3691000223	Pin	1
23	7691000048	Pin	1
24	1001135667	Pad, Wear	2

# OUTRIGGER/STABILIZER ASSEMBLY



**OUTRIGGER/STABILIZER EXTENSION CYLINDER - 1001127312**

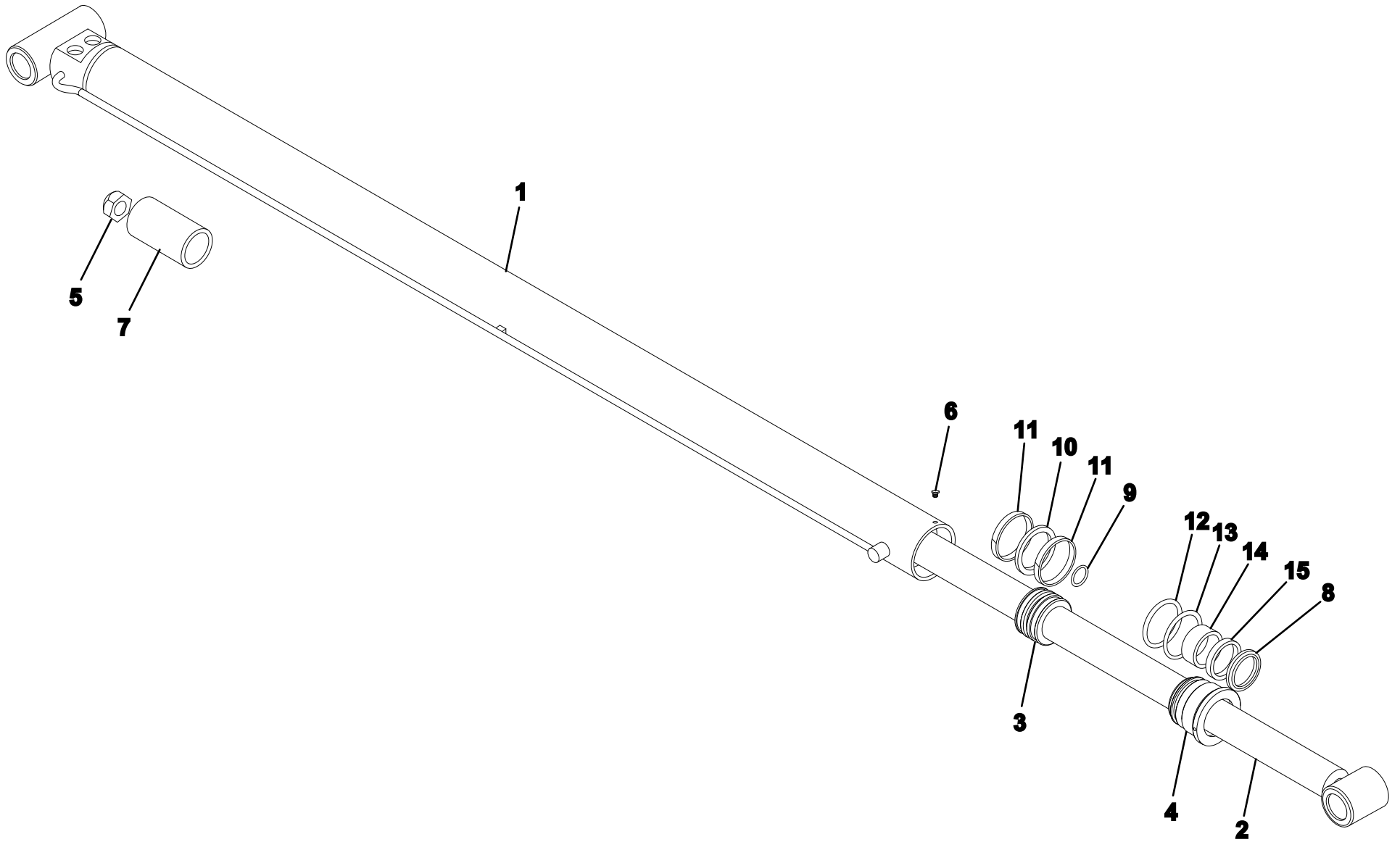
ITEM	PART NO.	DESCRIPTION	QTY
1	70050414	Barrel Weldment	1
2	70050437	Rod Weldment	1
3	70050445*	Piston	1
4	70050450^	Rod Bearing	1
5	91024100	Locknut, 1.00"-14NF	1
6	7029760	Screw, Locking	1
7	70050444	Stroke Limiter	1
8	91034051#^	Seal, Wiper	1
9	70050448#*	Seal, O-Ring	1
10	70050447#*	Seal, Piston	1
11	70050449#*	Wear Ring	2
12	70050439#^	Seal, O-Ring	1
13	70050438#^	Seal, Backup Ring	1
14	70050452#^	Wear Ring	1
15	70050451#^	Seal, Rod	1

\* Items Sold in Piston Assembly - 70050441

^ Items Sold in Rod Bearing Assembly - 70050442

# Items Sold in Seal Kit - 70050446

# OUTRIGGER/STABILIZER EXTENSION CYLINDER - 1001127312

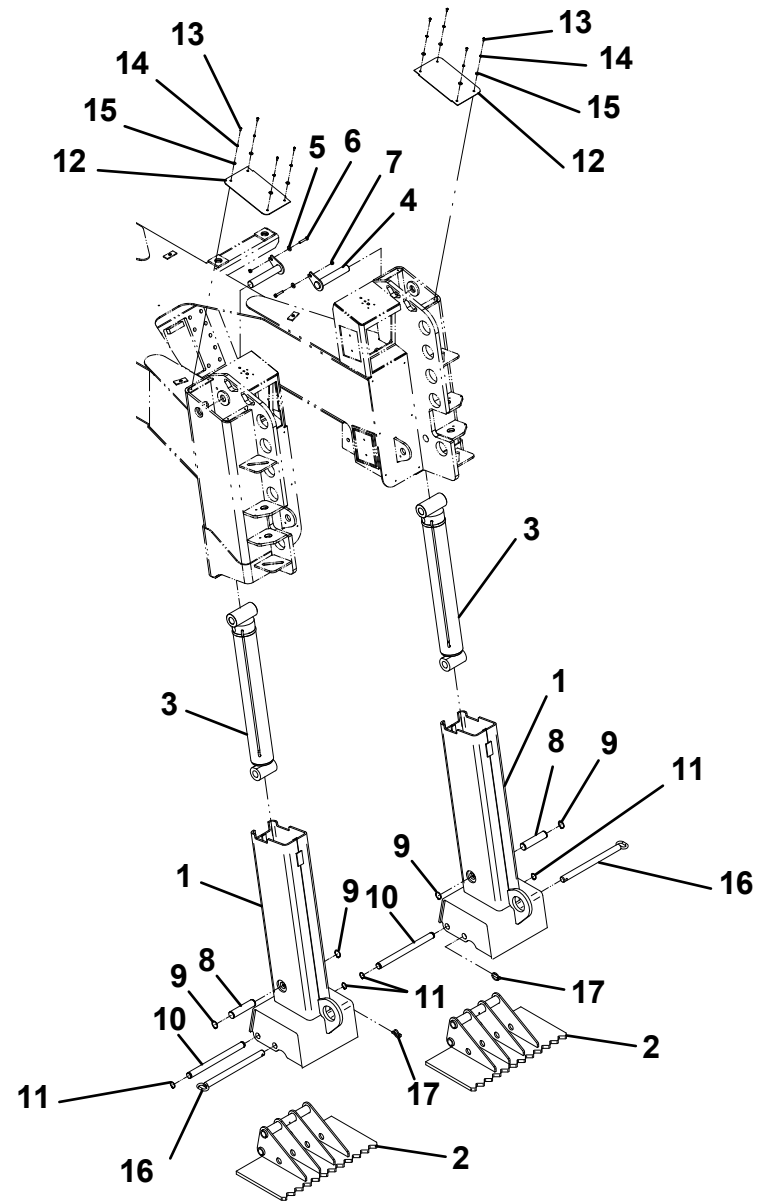


**REAR SPADE INSTALLATION**

ITEM	PART NO.	DESCRIPTION	QTY
1	3263000118	Channel Weldment	2
2	3706000261	Spade Claw Plate	2
3	7320000006	Spade Cylinder Assembly	2
4	3691000267	Pin	2
5	7950160161	Flatwasher, 0.38" ID	2
6	7115161650	Capscrew, 0.38"-16NC x 2.00"	2
7	7660162601	Locknut, 0.38"-16NC	2
8	7491000207	Pin"	2
9	7754000033	Retaining Ring	4
10	4691000200	Pin	2
11	7754000008	Retaining Ring	4
12	4706003716	Plate	2
13	7114140518	Capscrew, 0.25"-20NC x 0.63"	8
14	7949000025	Lockwasher 11MM ID	8
15	7950140153	Flatwasher, 0.25" ID	8
16	3691000126	Pin	2
17	7691000019	Lynch Pin	2



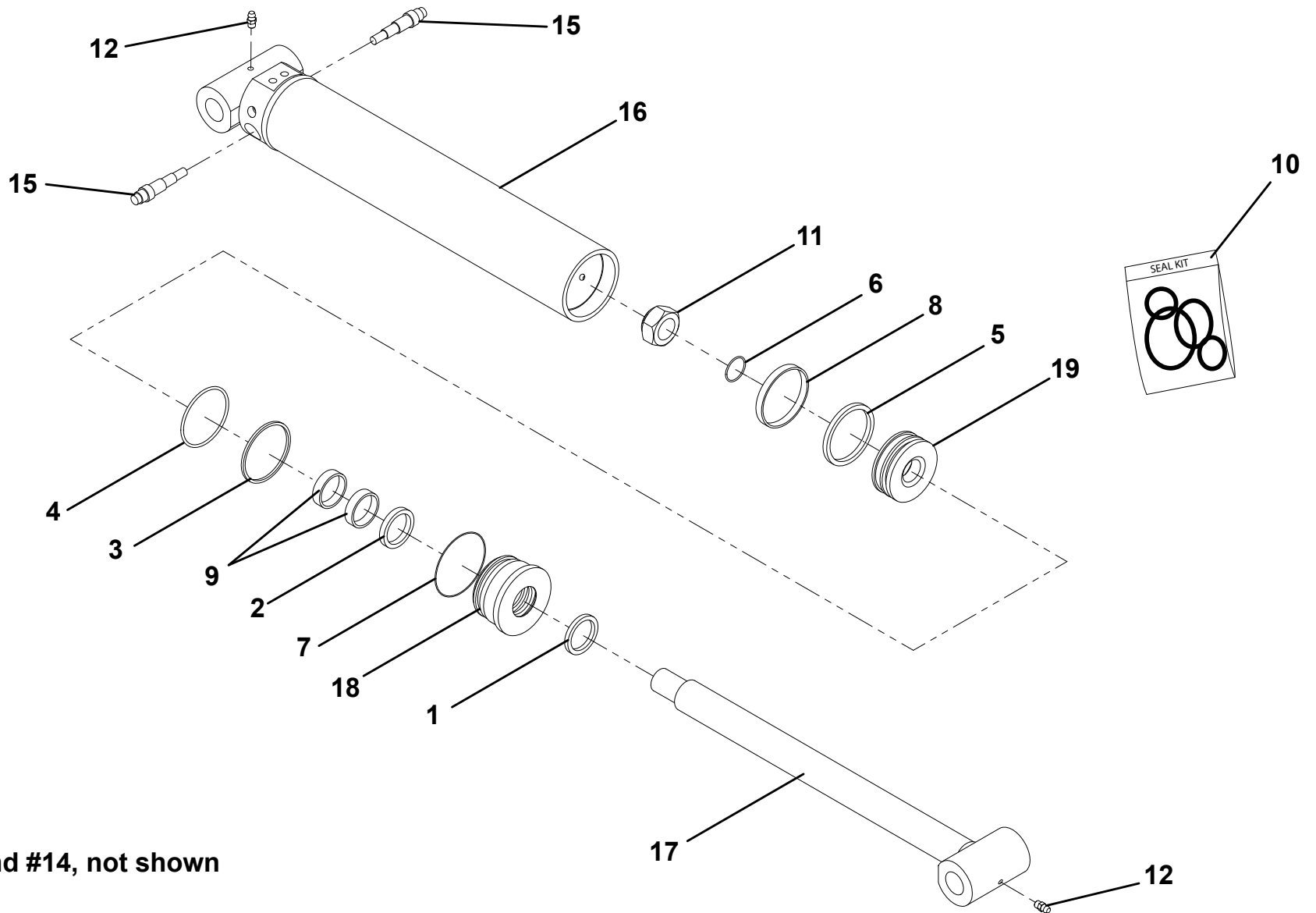
# REAR SPADE INSTALLATION



**SPADE CYLINDER ASSEMBLY - 7320000006**

ITEM	PART NO.	DESCRIPTION	QTY
1	9796250080	Seal, Wiper	1
2	7019828	Seal	1
3	9754250009	Ring, Back-up	1
4	9796250057	Seal, "O" Ring	1
5	9796250073	Seal	1
6	9796250061	Seal, "O" Ring	1
7	9796250066	Seal, "O" Ring	1
8	9724250014	Ring, Wear	1
9	9754250015	Ring, Wear	2
10	7577000167	Kit, Seal	1
11	7003212	Locknut	1
12	7005322	Grease Fitting	2
13	7005365	Plug, Port	2
14	70021648	Plug, Port	2
15	70050215	Valve, Counterbalance	2
16	9912250004	Assembly, Tube	1
17	9763250009	Assembly, Rod	1
18	9553250009	Head	1
19	70050531	Piston	1

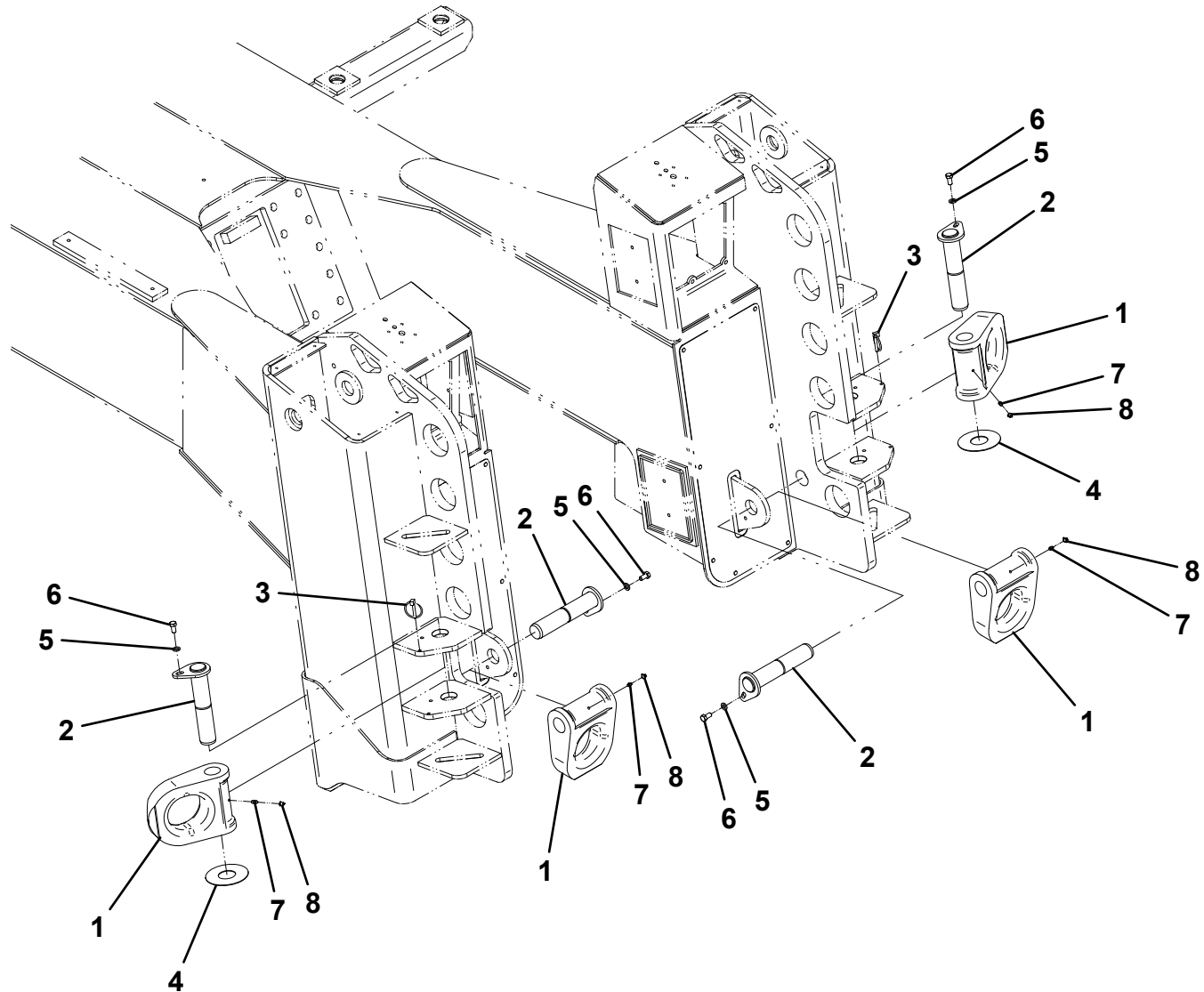
# SPADE CYLINDER ASSEMBLY - 7320000006



**TAIL BOARD D-RING INSTALLATION**

ITEM	PART NO.	DESCRIPTION	QTY
1	4754000004	D-Ring	4
2	3691000174	Pin	4
3	7691000047	Lynch Pin	2
4	4949000055	Washer, Nylatron	2
5	7115160650	Capscrew, 0.38"-16NC x 2.00"	4
6	7950160000	Lockwasher, 0.38" ID	4
7	7440030000	Grease Fitting	4
8	7253000002	Cap, Grease Fitting	4

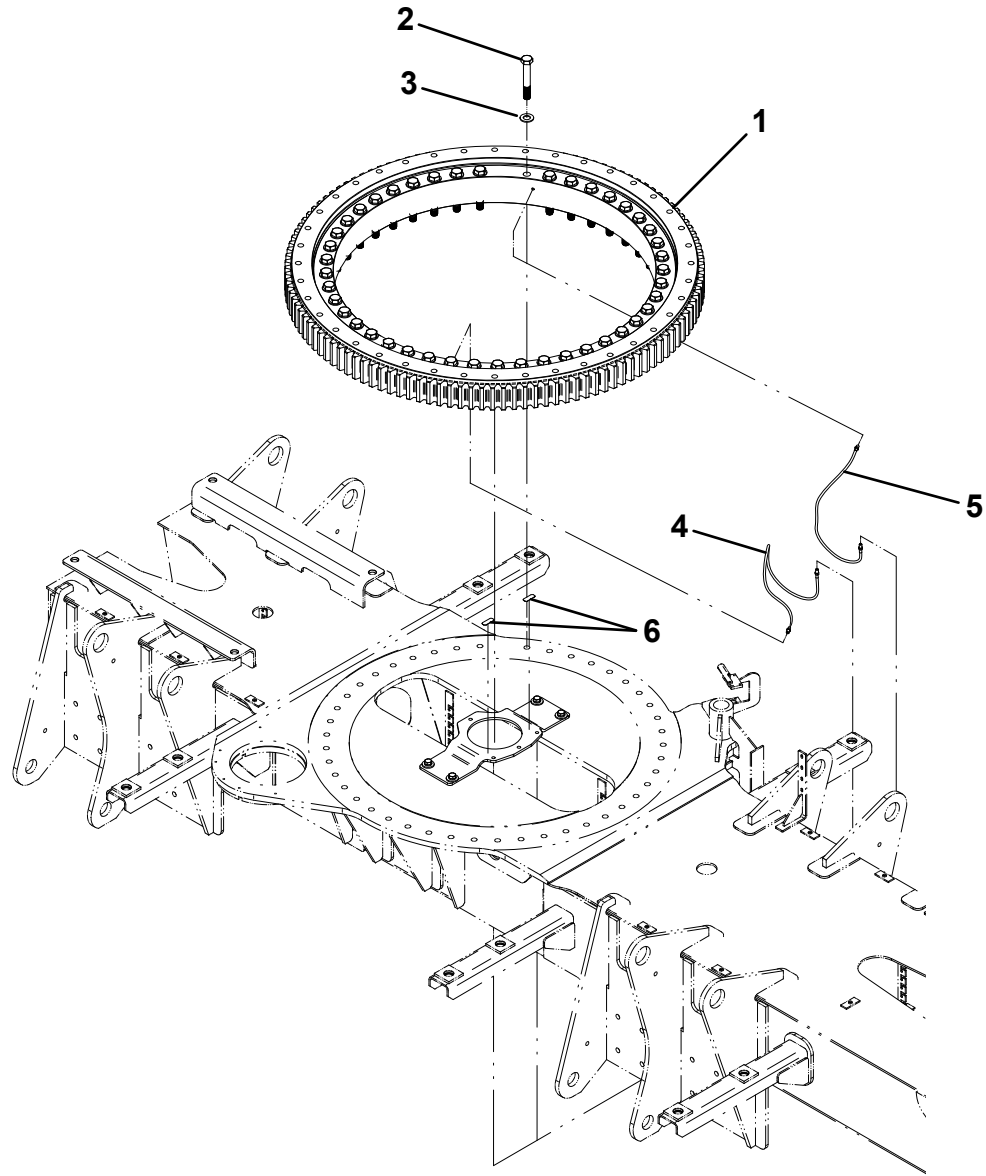
# TAIL BOARD D-RING INSTALLATION



**SLEW BEARING INSTALLATION**

ITEM	PART NO.	DESCRIPTION	QTY
1	1001127316	Bearing	1
2	0682652	Capscrew, 1.00"-8NC x 6.50"	44
3	10701259	Flatwasher, 1.00" ID	44
4	1001136692	Hose, Grease	1
5	1001118961	Hose, Grease	1
6	1001131060	Decal, Bearing Grease	2

# SLEW BEARING INSTALLATION

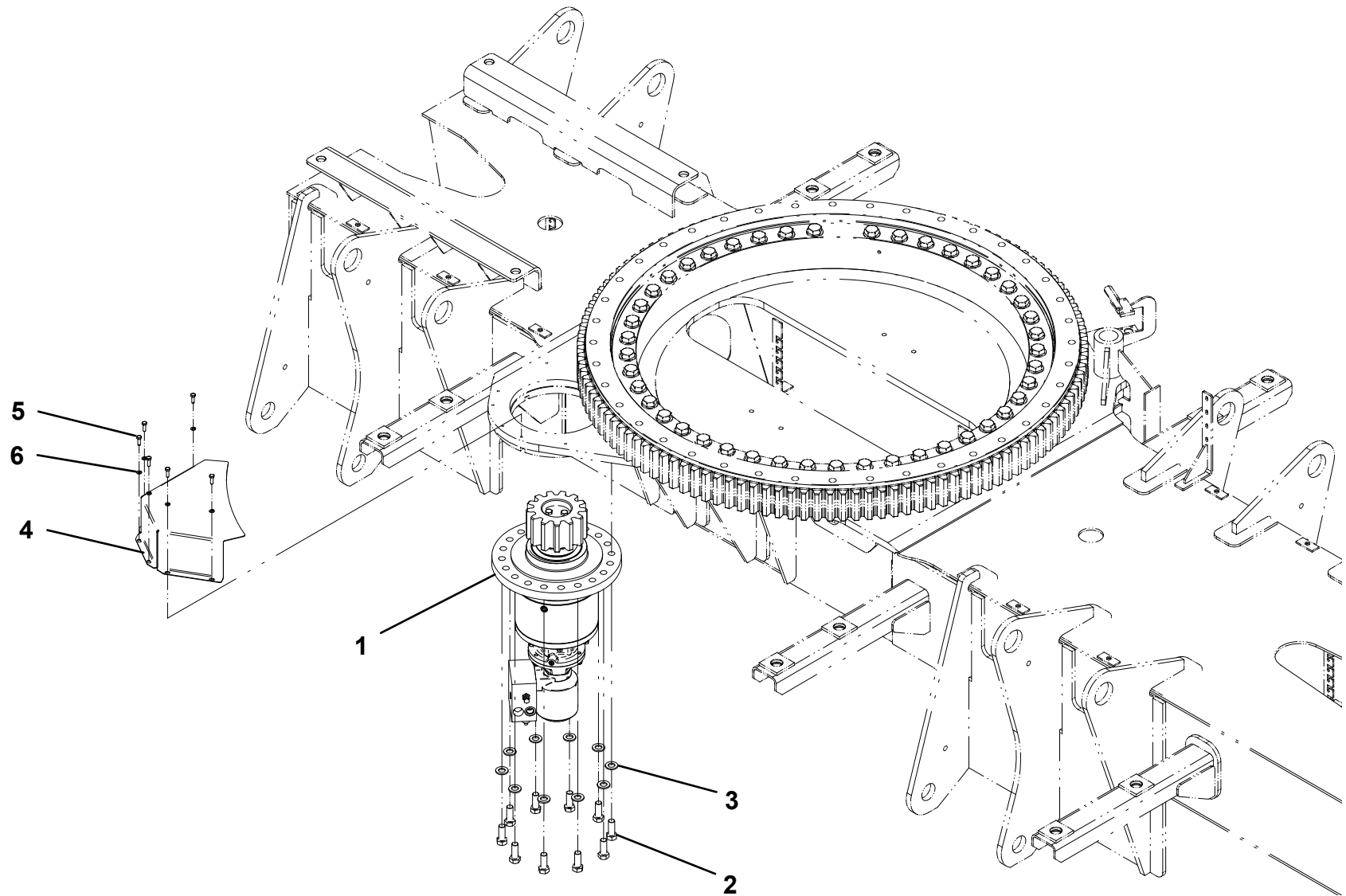


**SLEW DRIVE INSTALLATION**

ITEM	PART NO.	DESCRIPTION	QTY
1	1001127324	Motor, Planetary Gear Assembly	1
2	7118221650	Capscrew, 0.75"-10NC x 2.00"	10
3	7950220142	Flatwasher, 0.75" ID	10
4	1001130840	Cover	1
5	7115150850	Capscrew, 0.31"-18NC x 1.00"	6
6	7950150000	Lockwasher, 0.31" ID	6



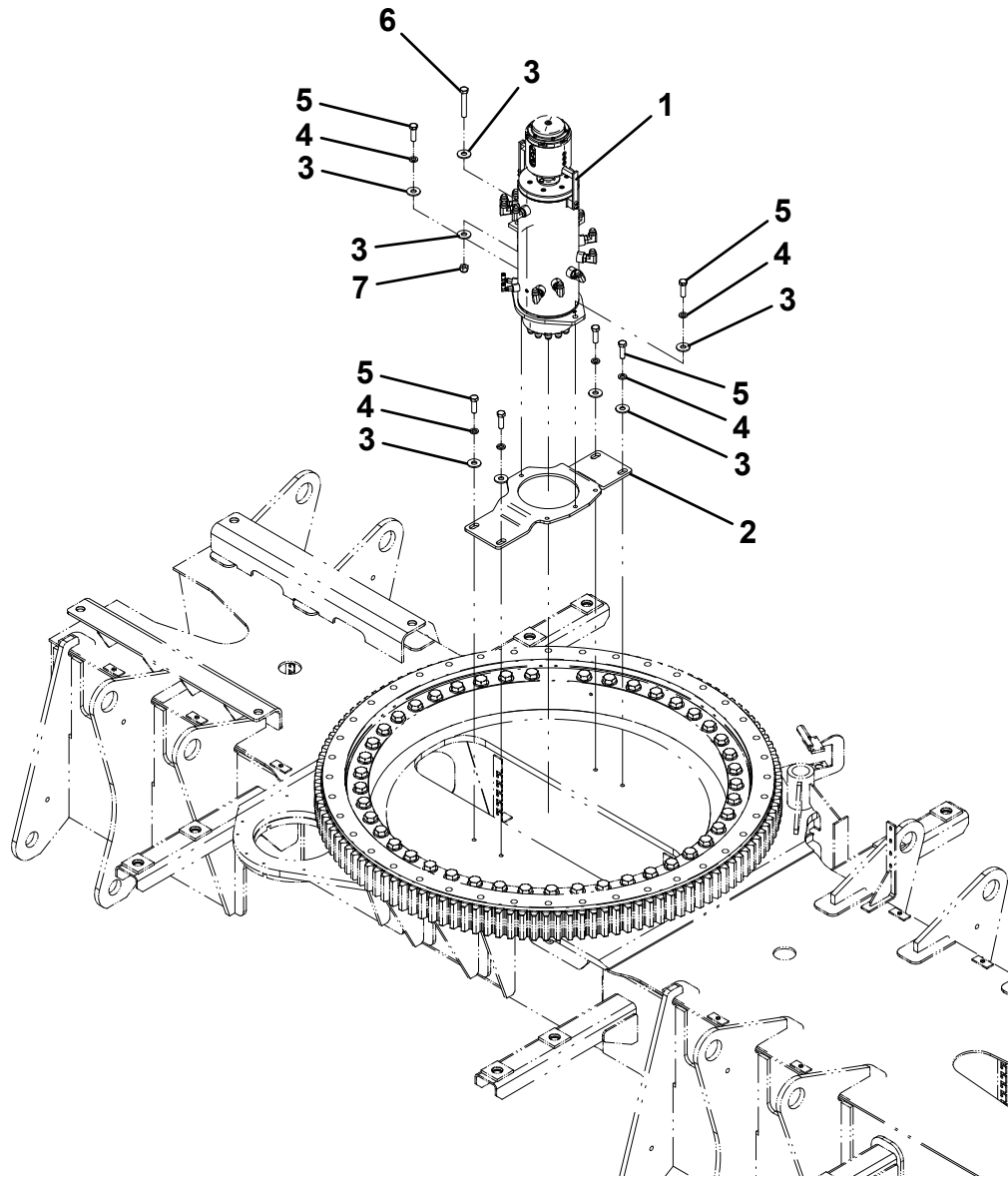
# SLEW DRIVE INSTALLATION



**SWIVEL INSTALLATION**

ITEM	PART NO.	DESCRIPTION	QTY
1	1001129628	Swivel Assembly, Hydraulic/Electric	1
2	1001129987	Bracket	1
3	7950200161	Flatwasher, 0.63" ID	8
4	7950200000	Lockwasher, 0.63" ID	6
5	7115201650	Capscrew, 0.63"-11NC x 2.00"	6
6	7115203250	Capscrew, 0.63"-11NC x 4.00"	6
7	7660202601	Locknut, 0.63"-11NC	1

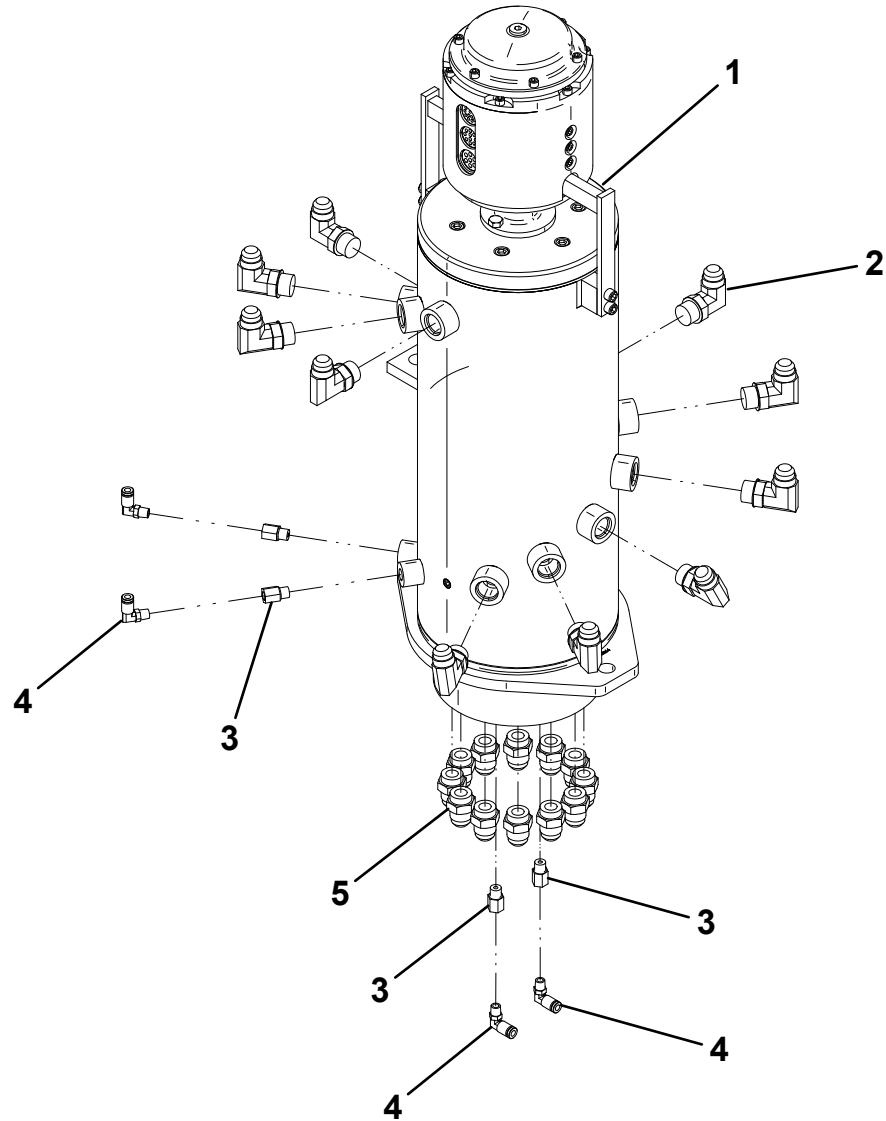
# SWIVEL INSTALLATION



**SWIVEL ASSEMBLY, HYDRAULIC/ELECTRIC - 1001129628**

ITEM	PART NO.	DESCRIPTION	QTY
1	1001127656	Hydraulic/Electric Swivel	1
2	7445101045	Elbow	12
3	7443000414	Adapter	4
4	7443000173	Elbow	4
5	7445101043	Adapter	12

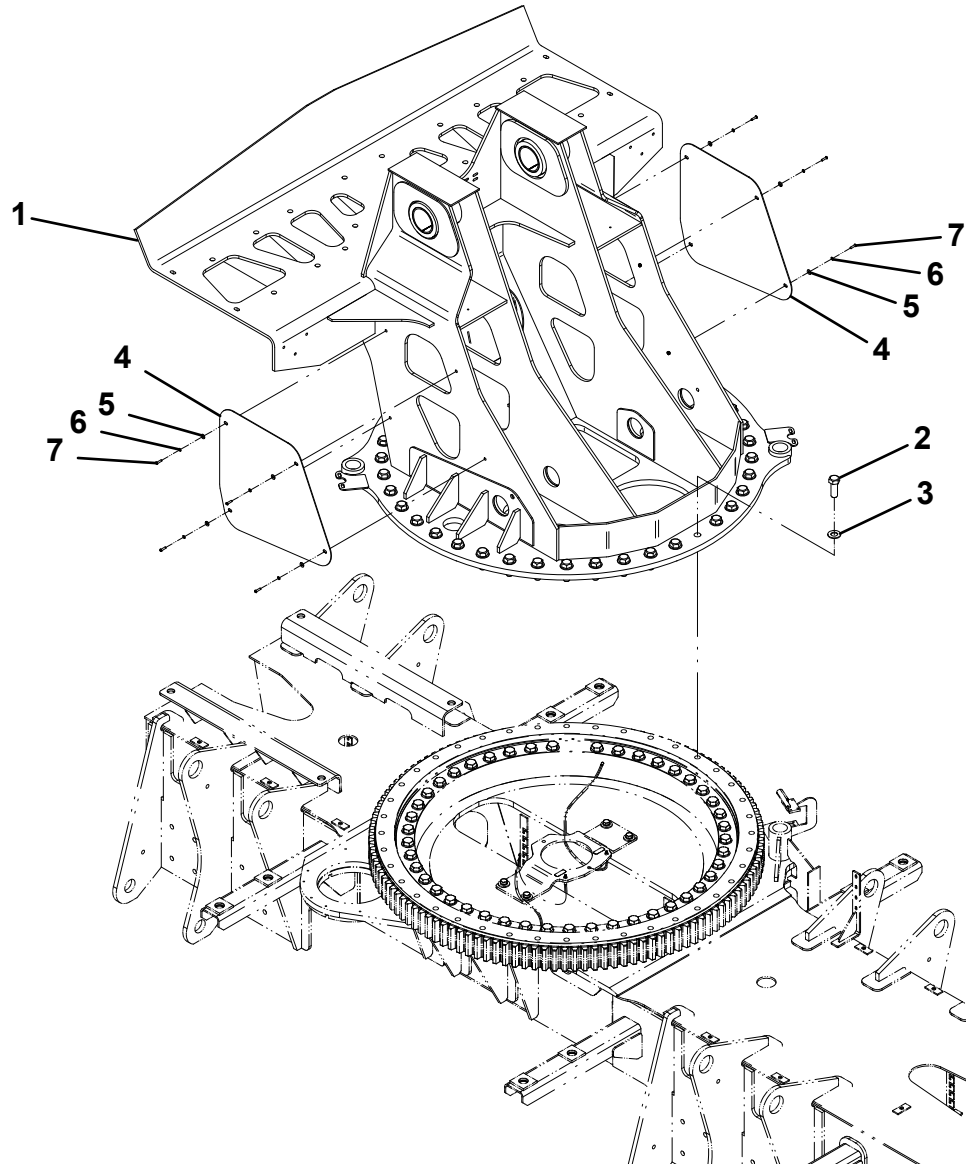
# SWIVEL ASSEMBLY, HYDRAULIC/ELECTRIC - 1001129628



**TURNTABLE INSTALLATION**

ITEM	PART NO.	DESCRIPTION	QTY
1	1001128391	Turntable Weldment	1
2	0682622	Capscrew, 1.00"-8NC x 2.75"	40
3	10701259	Flatwasher, 1.00" ID	40
4	1001134239	Cover	2
5	7950140161	Flatwasher, 0.25" ID	8
6	7950140000	Lockwasher, 0.25" ID	8
7	7114140818	Capscrew, 0.25"-20NC x 1.00"	8

# TURNTABLE INSTALLATION

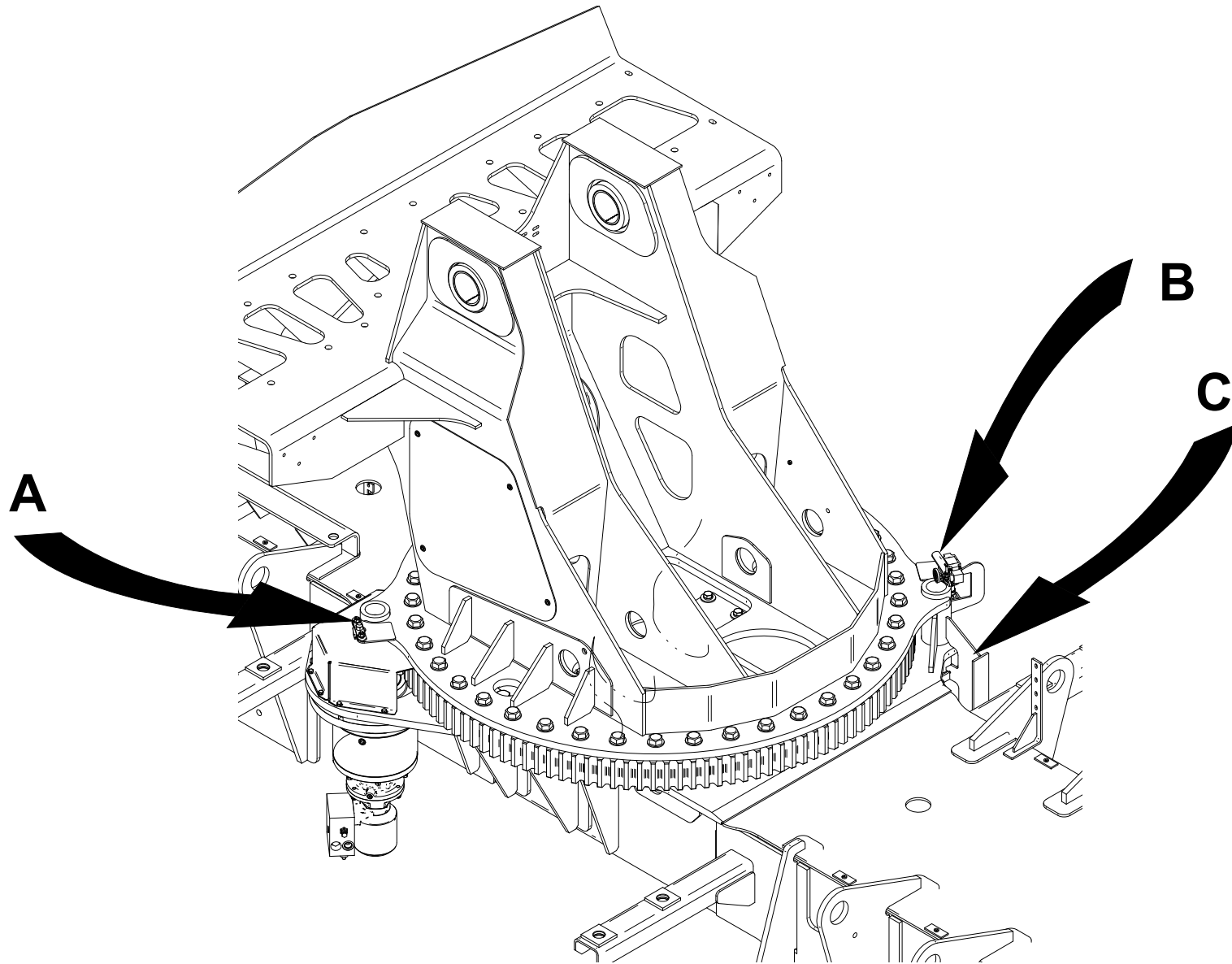


**HOUSE LOCK INSTALLATION**

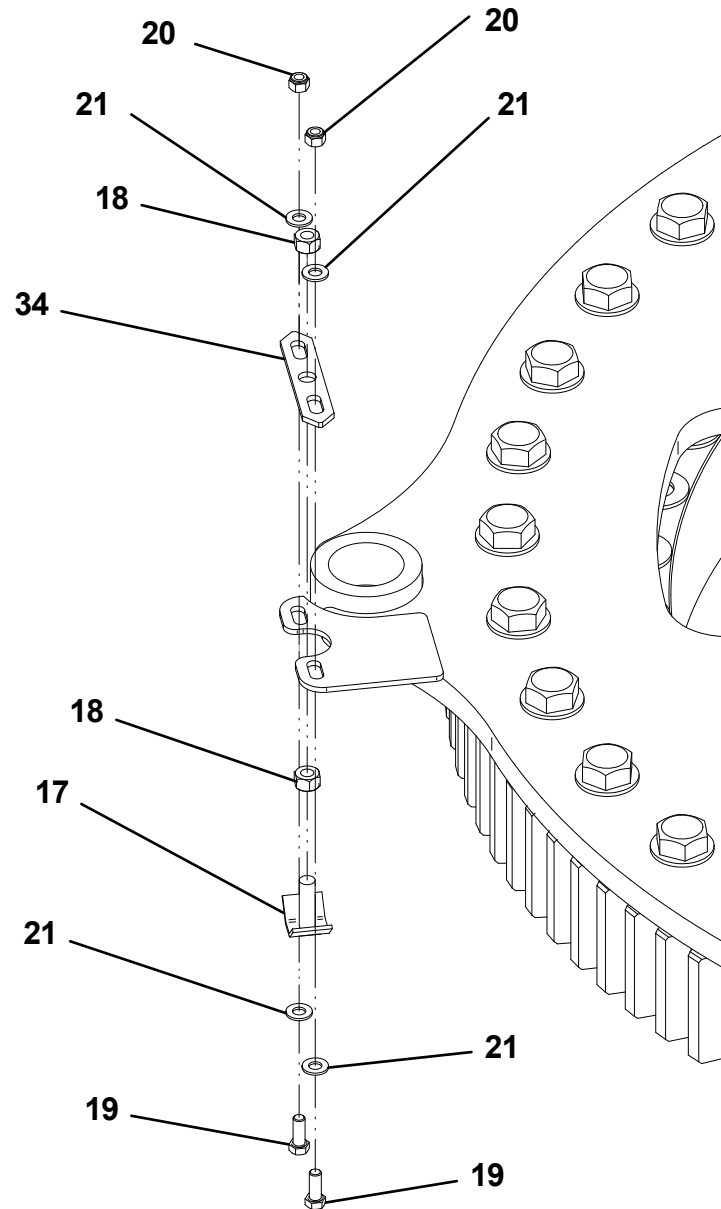
ITEM	PART NO.	DESCRIPTION	QTY
1	7178000038	Bracket	1
2	7320000069	Cylinder	1
3	7277000012	Clevis, 0.44"-20NF	1
4	7660170230	Nut, 0.44"-20NF	1
5	7115140850	Bolt, 0.25"-20NC x 1.00"	4
6	7660142601	Locknut, 0.25"-20NC	4
7	7950140141	Flatwasher, 0.25" ID	8
8	4706004174	Plate	2
9	4706004173	Plate	1
10	7843000038	Spring	2
11	4990000001	Clevis, 0.50"-13NC x 2.25"	1
12	7660180200	Nut, 0.50"-13NC	1
13	4763000295	Threaded Rod, 0.50"-13NC	1
14	4706004170	Plate	1
15	7935000273	Air Valve	1
16	7114100818	Capscrew, #10-24NC x 1.00"	4
17	1001142626	Bracket	2
18	7660180001	Nut, 0.50"-13NC	4
19	7115160850	Bolt	8
20	7660162601	Locknut, 0.38"-16NC	4
21	7950160141	Flatwasher, 0.38" ID	18
22	7870000041	Switch Grid Lockout	1
23	7115141450	Bolt, 0.25"-20NC x 1.75"	1
24	7660140001	Nut, 0.25"-20NC	2
25	7114101618	Capscrew, #10-24NC x 2.00"	4
26	7950180141	Flatwasher, 0.50" ID	2
27	7691000050	Pin	1
28	4912000369	Tube, 0.75" OD x 0.48" ID x 0.75"	2
29	4691000450	Pin	1
30	1001129470	Pin	1
31	7950160000	Lockwasher, 0.38" ID	4
32	7660102604	Locknut, #10-24NC	8
33	7691000049	Pin	1
34	4811000942	Sheet	2
35	7690021210	Pin	2
36	7346000056	Fitting Liquid	1



# HOUSE LOCK INSTALLATION

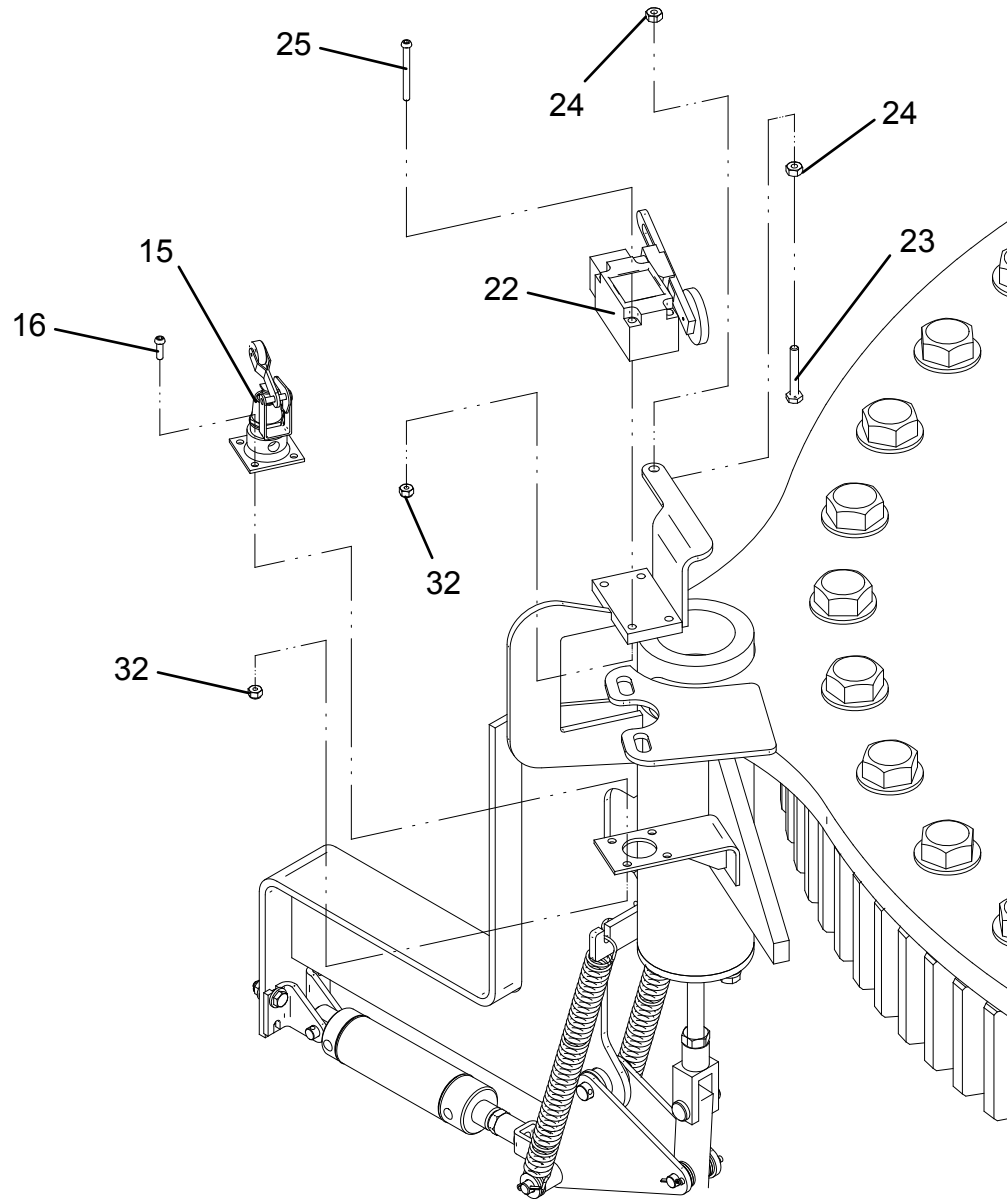


**HOUSE LOCK INSTALLATION**

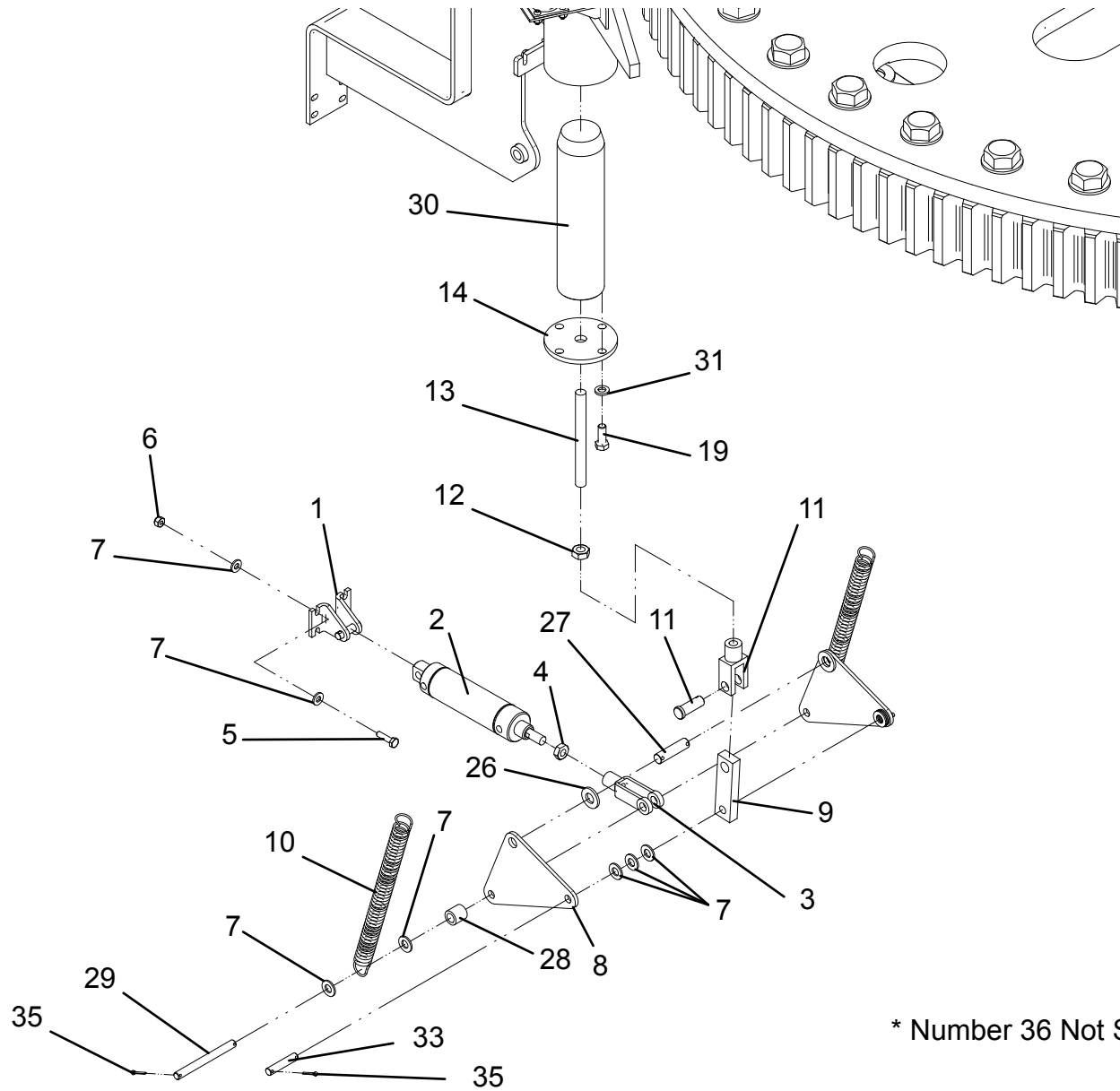


**A**

# HOUSE LOCK INSTALLATION



**B**

**HOUSE LOCK INSTALLATION****C**

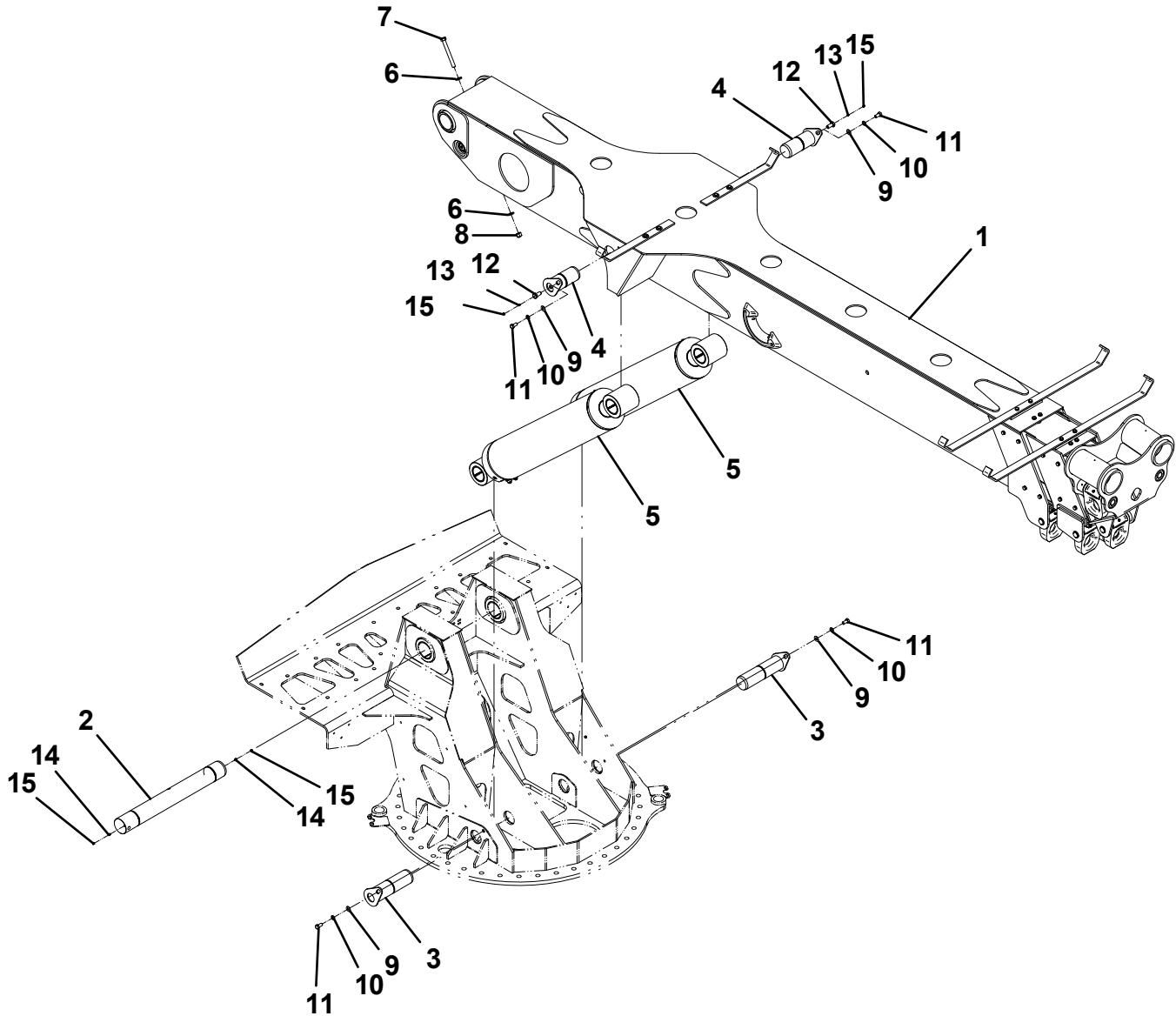
## HOUSE LOCK INSTALLATION

THIS PAGE INTENTIONALLY LEFT BLANK

**WRECKER BOOM INSTALLATION - 3 PIECE**

ITEM	PART NO.	DESCRIPTION	QTY
1	1001128463	Boom Assembly, 3 Piece	1
2	4691000556	Pin	1
3	1001128283	Pin	2
4	3691000252	Pin	2
5	1001127313	Lift Cylinder Assembly	2
6	7950220141	Flatwasher, 0.75" ID	2
7	7118225650	Capscrew, 0.75"-10NC x 7.00"	1
8	7660222601	Locknut, 0.75"-10NC	1
9	7950200141	Flatwasher, 0.63"-11NC x 1.25"	4
10	7950200000	Lockwasher, 0.63" ID	4
11	7115201050	Capscrew, 0.63"-11NC x 1.25"	4
12	4120000021	Capscrew, 0.75"-10NC x 1.50"	2
13	7440030000	Grease Fitting	2
14	7440000000	Grease Fitting	2
15	7253000002	Cap, Grease Fitting	4

# WRECKER BOOM INSTALLATION - 3 PIECE

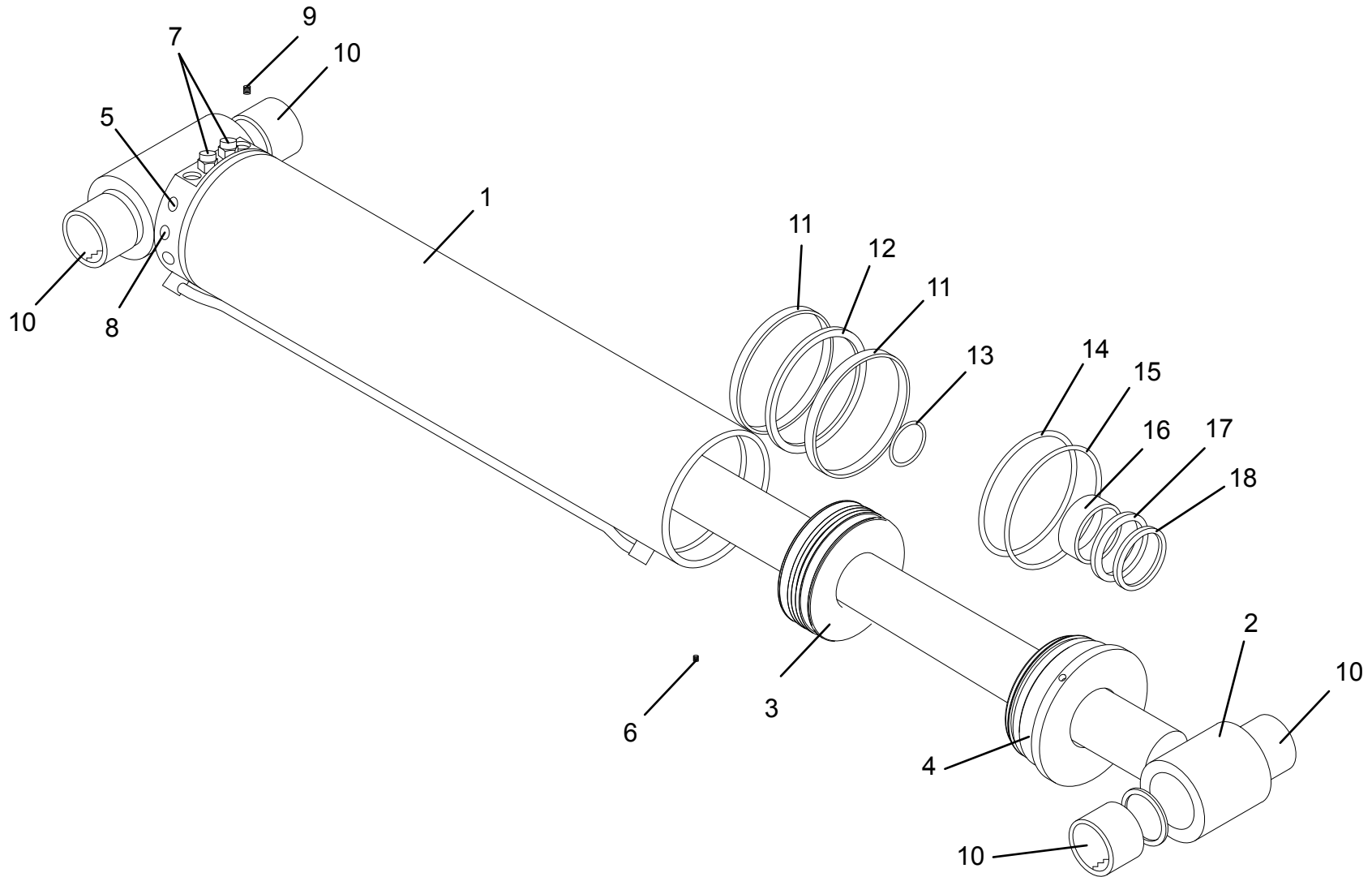


**WRECKER BOOM LIFT CYLINDER - 1001127313**

ITEM	PART NO.	DESCRIPTION	QTY
1	70050403	Barrel Assembly	1
2	70050404	Rod Assembly	1
3	70050411	Piston	1
4	70050416	Rod Bearing	1
5	70022067	Steel SAE O-Ring Plug #4	4
6	7029760	Locking Screw	1
7	70050407	Counterbalance Valve	2
8	70050408	Grease Fitting	1
9	70050409	Set Screw	1
10	70050410	Connex Bushing	4
11	70050415	Wear Ring, Piston	2
12	70050413	Rectangular Piston Seal	1
13	91034041	O-Ring	1
14	70050420	O-Ring	1
15	70050421	Backup Ring	1
16	70050423	Wear Ring Rod	1
17	70050422	Rod Seal	1
18	70050419	Seal Wiper	1



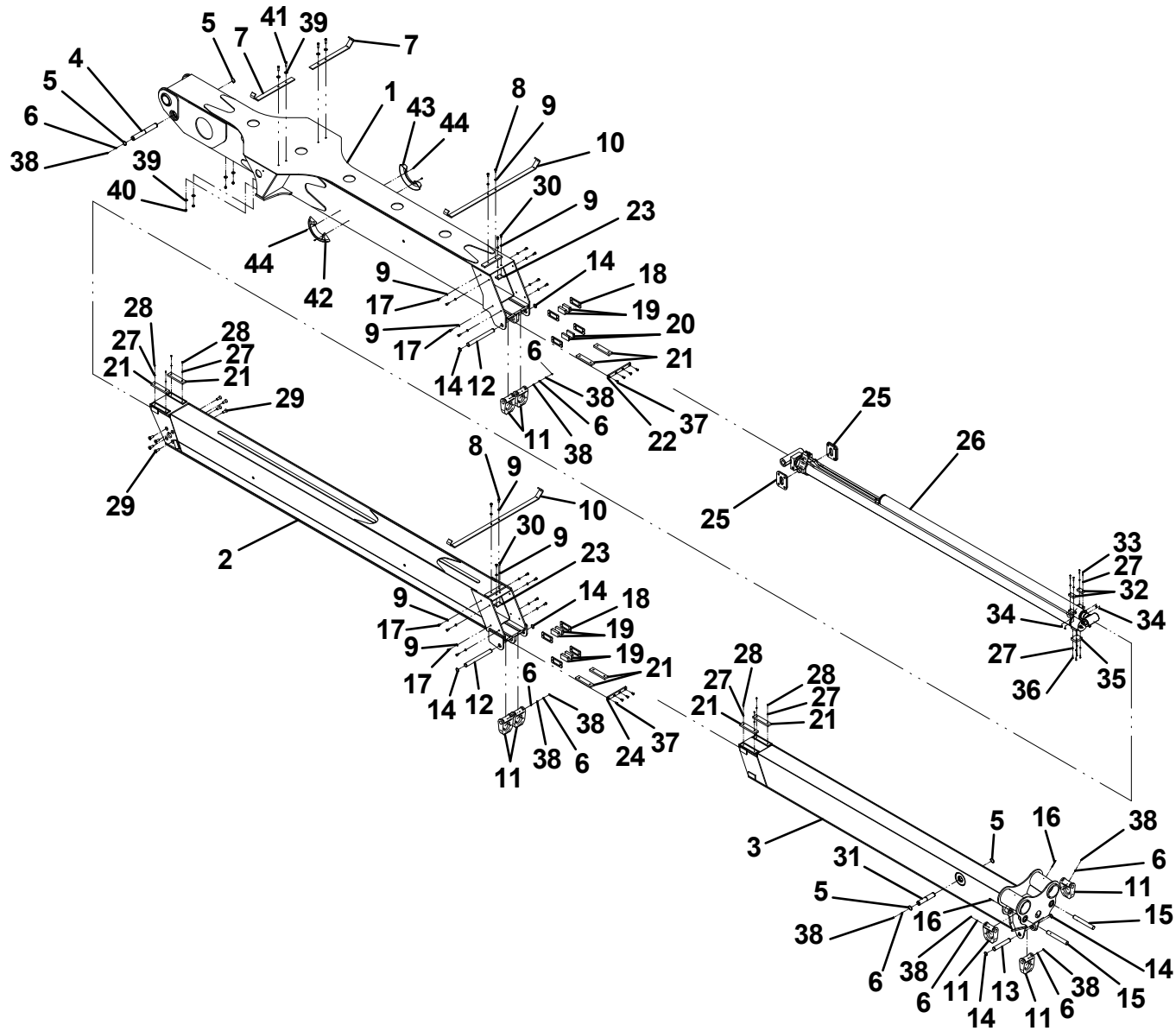
# WRECKER BOOM LIFT CYLINDER - 1001127313



**WRECKER BOOM ASSEMBLY - 3 PIECE**

ITEM	PART NO.	DESCRIPTION	QTY	ITEM	PART NO.	DESCRIPTION	QTY
1	1001127853	Boom Weldment, Base Section	1	40	7660182601	Locknut, 0.50"-13NC	4
2	1001127841	Boom Weldment, Mid Section	1	41	7115181450	Capscrew, 0.50"-13NC x 1.75"	4
3	1001127836	Boom Weldment, Fly Section	1	42	7470000014	Gauge, Angle Indicator- LH	1
4	4691000417	Pin	1	43	7470000019	Gauge, Angle Indicator- RH	1
5	7754000055	Retaining Ring	4	44	7114100418	Capscrew, #10-24NC x 0.50"	4
6	7440030000	Grease Fitting	9				
7	4062000522	Bar	2				
8	7115180850	Capscrew, 0.50"-13NC x 1.00"	4				
9	7950180000	Lockwasher, 0.59" ID	24				
10	4062000589	Bar	2				
11	4754000004	D-Ring	7				
12	1001129006	Pin	2				
13	1001129393	Pin	1				
14	7754000014	Retaining Ring	6				
15	4691000285	Pin	2				
16	7690144840	Pin, Spring	2				
17	7108180850	Capscrew, 0.50"-20NF x 1.00"	16				
18	4178000811	Bracket	8				
19	4679000314	Pad	6				
20	4679000313	Pad	2				
21	4679000140	Pad	2				
22	1001129004	Plate	1				
23	4062000715	Bar	2				
24	1001129005	Plate	1				
25	3706000241	Plate Weldment	2				
26	7320000085	Extension Cylinder Assembly	2				
27	7950140000	Lockwasher, 0.25" ID	16				
28	7118140427	Capscrew, 0.25"-20NC x 0.50"	8				
29	7120000040	Capscrew, 0.75"-10NC x 2.00"	8				
30	7115180650	Capscrew, 0.50"-13NC x 0.75"	4				
31	4691000416	Pin	1				
32	4679000319	Pad	2				
33	7114141218	Capscrew, 0.25"-20NC x 1.50"	4				
34	7660142601	Locknut, 0.25"-20NC	4				
35	4679000326	Pad	1				
36	7114140818	Capscrew, 0.25"-20NC x 1.00"	4				
37	7118180820	Capscrew, 0.50"-13NC x 1.00"	8				
38	7253000002	Grease Fitting	9				
39	7950180161	Flatwasher, 0.50" ID	8				

# WRECKER BOOM ASSEMBLY - 3 PIECE

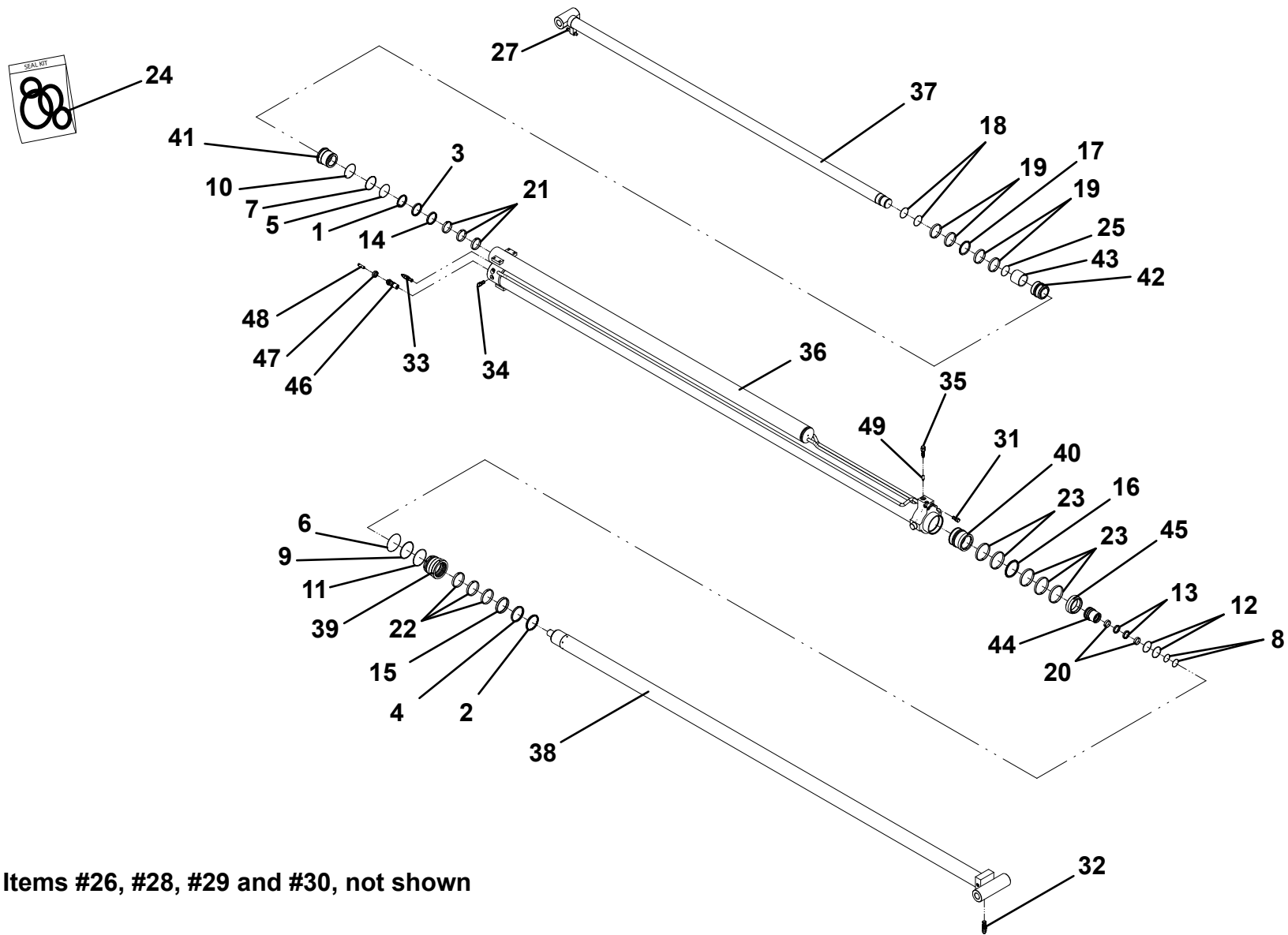


**EXTENSION CYLINDER ASSEMBLY - 7320000085**

ITEM	PART NO.	DESCRIPTION	QTY	ITEM	PART NO.	DESCRIPTION	QTY
1	83304143	Seal, Wiper	1	40	70050583	Piston	1
2	9796250084	Seal, Wiper	1	41	70050584	Head	1
3	9796250071	Seal	1	42	70050585	Piston	1
4	70050556	Seal	1	43	70050586	Spacer	1
5	70050557	Seal, "O"Ring	1	44	70050587	Adapter, RT	1
6	70050558	Seal, "O"Ring	1	45	70050588	Spacer	1
7	9754250009	Ring, Back-up	1	46	70050589	Assembly, Valve	1
8	70050559	Seal, "O"Ring	2	47	70050590	Valve Retainer	1
9	9754250054	Ring, Back-up	1	48	70050591	Assembly, Pad Plunger	1
10	9796250058	Seal, "O"Ring	1	49	70050592	Plunger	1
11	9796250149	Seal, "O"Ring	1				
12	70050560	Seal, "O"Ring	2				
13	70050561	Seal	2				
14	70050562	Seal	1				
15	70050563	Seal	1				
16	70050564	Seal	1				
17	70050565	Seal	1				
18	70050566	Seal, "O"Ring	2				
19	9754250014	Ring, Wear	4				
20	83304181	Ring, Wear	2				
21	83304140	Ring, Wear	3				
22	70050568	Ring, Wear	3				
23	9754250055	Ring, Wear	5				
24	70050569	Kit, Seal	1				
25	70050570*	Seal, "O"Ring	1				
26	70021774	Setscrew	4				
27	70050572	Locknut	2				
28	7005365	Plug, Port	2				
29	70021648	Plug, Port	4				
30	7023593	Plug, Port	5				
31	70050574	Valve, Check	1				
32	70050575	Valve, Counterbalance	1				
33	70050576	Valve, Relief	1				
34	70050577	Valve, Check	1				
35	70050578	Valve, Directional	1				
36	70050579	Assembly, Tube	1				
37	70050580	Assembly, Rod-Tube	1				
38	70050581	Assembly, Rod-Tube	1				
39	70050582	Head	1				

\* Not Part of Seal Kit

# EXTENSION CYLINDER ASSEMBLY - 7320000085

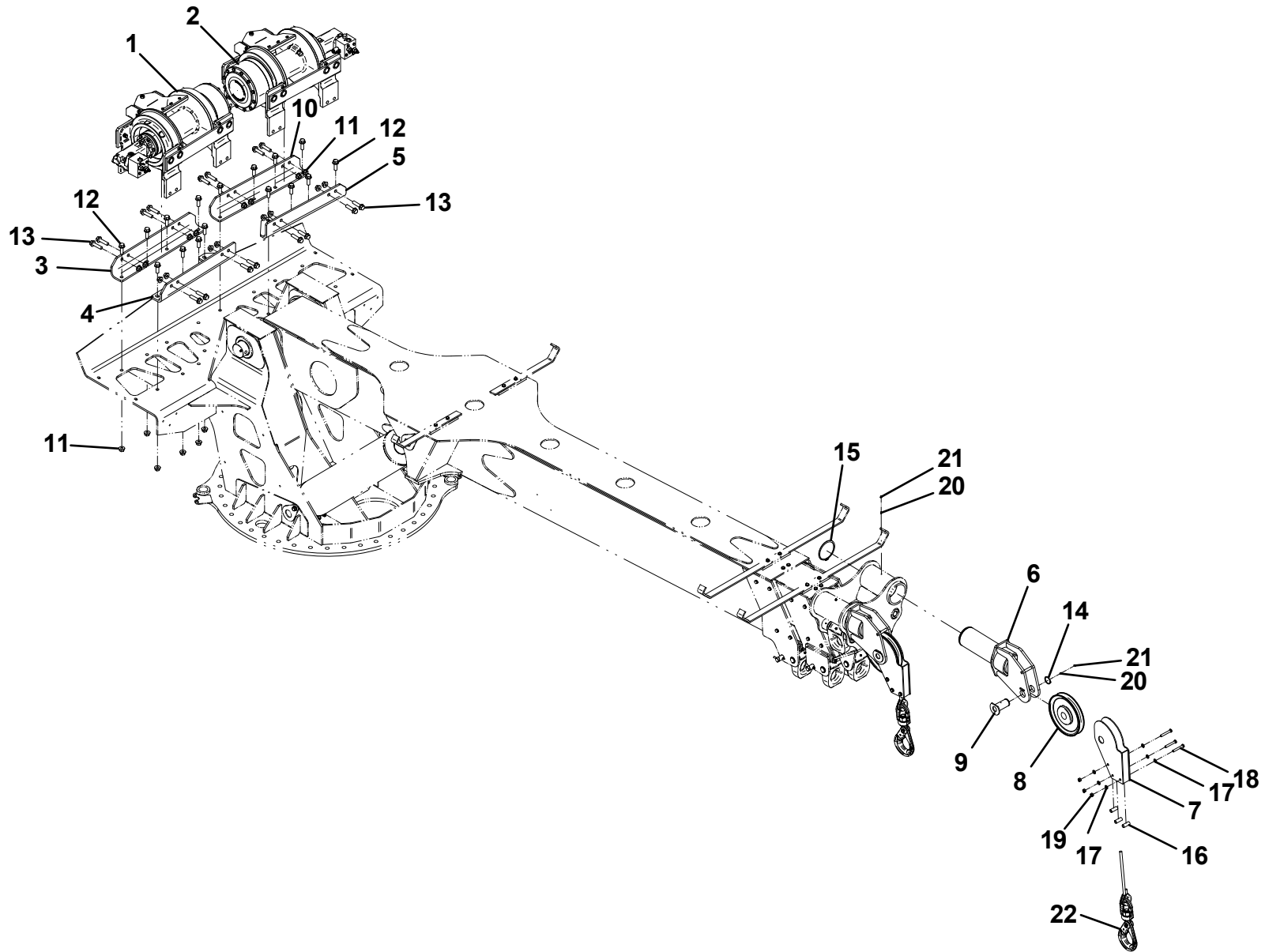


Items #26, #28, #29 and #30, not shown

**WINCH INSTALLATION - 2 SPEED 50K RAMSEY**

ITEM	PART NO.	DESCRIPTION	QTY
1	1001128323	Winch, Ramsey 50K - LH	1
2	1001129495	Winch, Ramsey 50K - RH	1
3	1001129540	Angle, Winch Front - LH	1
4	1001129541	Angle, Winch Rear - LH	1
5	1001129543	Angle, Winch Rear - RH	1
6	3249000046	Sheave Support Weldment	2
7	3249000037	Cable Guide Weldment	2
8	7809000018	Sheave, 12" Dia.	2
9	3691000234	Pin	2
10	1001129542	Angle, Winch Front - RH	1
11	7660222308	Locknut, 0.75"-10NC	32
12	7118221816	Capscrew, 0.75"-10NC x 2.25"	16
13	7118222416	Capscrew, 0.75"-10NC x 3.00"	16
14	7754000048	Retaining Ring	2
15	7754000083	Retaining Ring	2
16	4831000108	Spacer	6
17	7950180153	Flatwasher, 0.50" ID	12
18	7115182850	Capscrew, 0.50"-13NC x 3.50"	6
19	7660182601	Locknut, 0.50"-13NC	6
20	7440030000	Grease Fitting	4
21	7253000002	Cap, Grease Fitting	4
22	7248000149	Cable, 0.75" x 250'	2
	1001135127	Cable, 0.75" x 250' w/ Swivel Hook	

# WINCH INSTALLATION - 2 SPEED 50K RAMSEY

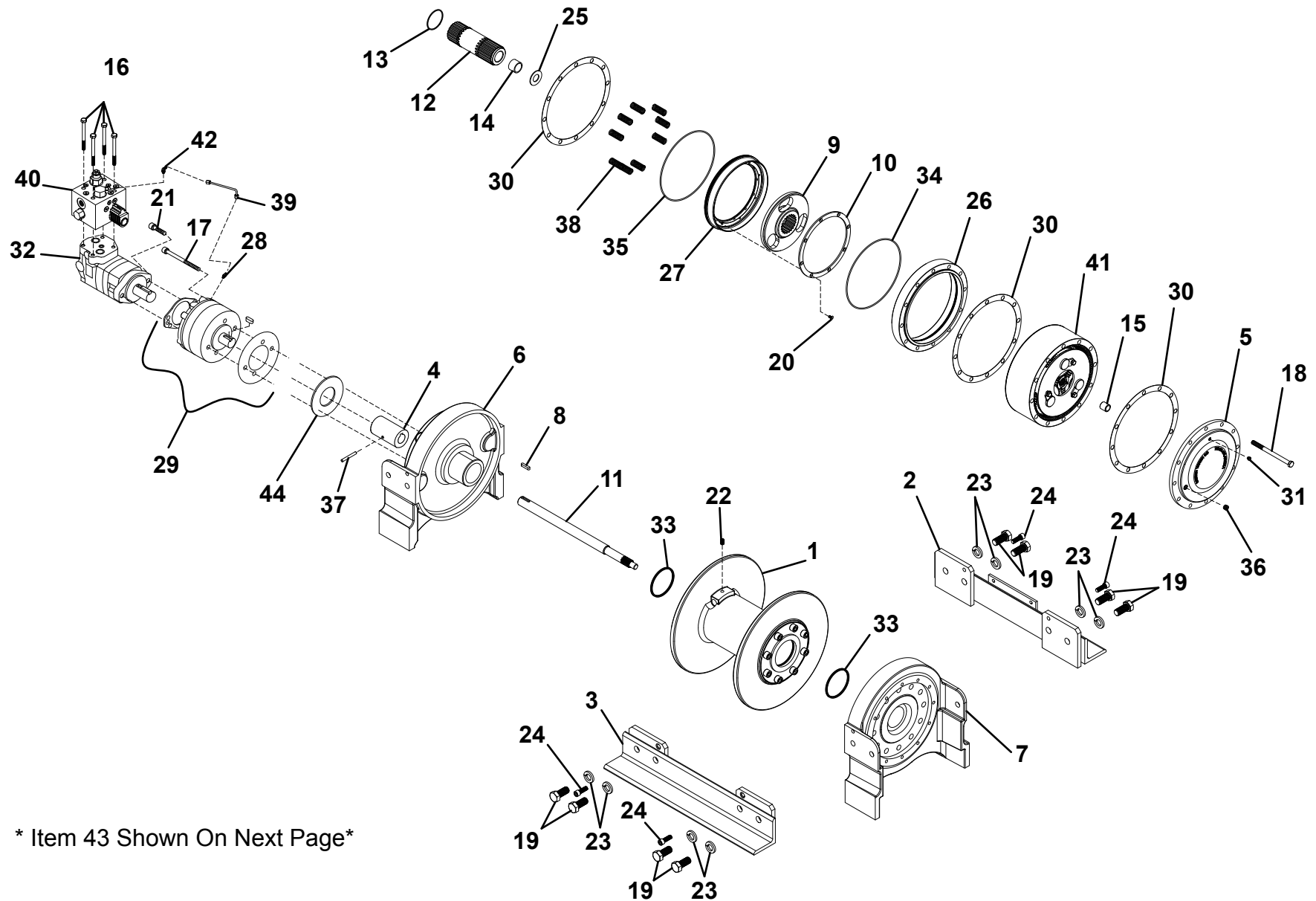


**RAMSEY 50K WINCH - 1001128323 & 1001129495**

ITEM	PART NO.	DESCRIPTION	QTY	ITEM	PART NO.	DESCRIPTION	QTY
1	9970960027	Drum Assembly	1	40	9935960067	Valve Control (B - Rotation)	1
2	70050332	Angle	1		9935960068	Valve Control (A - Rotation)	1
3	70050333	Angle	1	41	70050359	Gearbox	1
4	70050334	Coupling	1	42	9443960010	Fitting	1
5	70050335	Gear Housing Cover	1	43	70050360	Tensioner Assembly	1
6	70050336	Bearing	1	44	70050396	Plate Retainer	1
7	70050337	Bearing	1				
8	70050338	Key	1				
9	70050339	Clutch	1				
10	70050340	Clutch Retaining Key	1				
11	70050341	Input Shaft	1				
12	70050342	Output Coupling	1				
13	70050343	Spacer	1				
14	70050344	Bushing	1				
15	70050345	Bushing	1				
16	7105163650	Capscrew, 0.38"-24NF x 4.00"	4				
17	70050346	Capscrew, 0.50"-13NC x 3.50"	2				
18	7115185650	Capscrew, 0.50"-13NC x 7.00"	12				
19	7115241650	Capscrew, 0.88"-9NC x 2.00"	8				
20	70050347	Capscrew, 0.25"-20NC x 0.50"	8				
21	9120960024	Capscrew, 0.50"-13NC x 1.25"	2				
22	7785181200	Setscrew, 0.50"-13NC x 0.75"	1				
23	9949960044	Lockwasher, 0.88" ID	8				
24	9120960054	Bolt, 0.50" x 0.75"	4				
25	70050348	Thrust Washer	1				
26	70050349	Cylinder	1				
27	70050350	Piston	1				
28	9443960019	Fitting	1				
29	70050351	Brake Assembly	1				
30	9796960157	Gasket	3				
31	9970456008	Relief Fitting	1				
32	70050352	Motor	1				
33	9796960159	Quad Ring	2				
34	70050353	O-Ring	1				
35	70050354	O-Ring	1				
36	70050355	Pipe Plug	1				
37	70050356	Pin	1				
38	70050357	Spring	9				
39	70050358	Tube Assembly	1				



**RAMSEY 50K WINCH - 1001128323 & 1001129495**

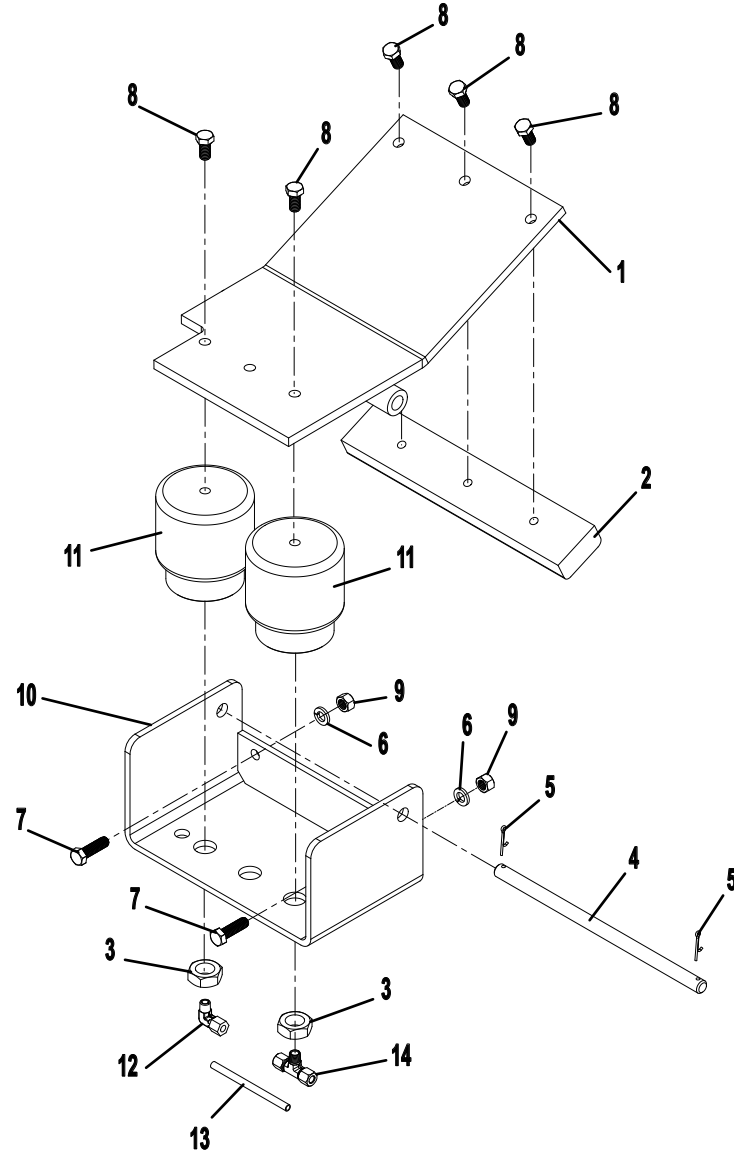


\* Item 43 Shown On Next Page\*

**RAMSEY WINCH CABLE TENSIONER ASSEMBLY - 70050360**

ITEM	PART NO.	DESCRIPTION	QTY
1	70050366	Plate	1
2	9064960008	Rub Bar	1
3	70050364	Nut, 0.50"-16NF	2
4	9691960032	Pin	1
5	4691960030	Cotter Pin	2
6	9970418177	Lockwasher, 0.38" ID	2
7	70050364	Capscrew, 0.38" x 1.25"	2
8	9120960042	Capscrew, 0.38" x 0.75"	5
9	70050363	Nut, 0.38"	2
10	70050362	Bracket, Air Tensioner	1
11	70050361	Air Actuator	2
12	9443960021	Fitting	1
13	9570960005	Tube	1
14	9443960020	Tee	1

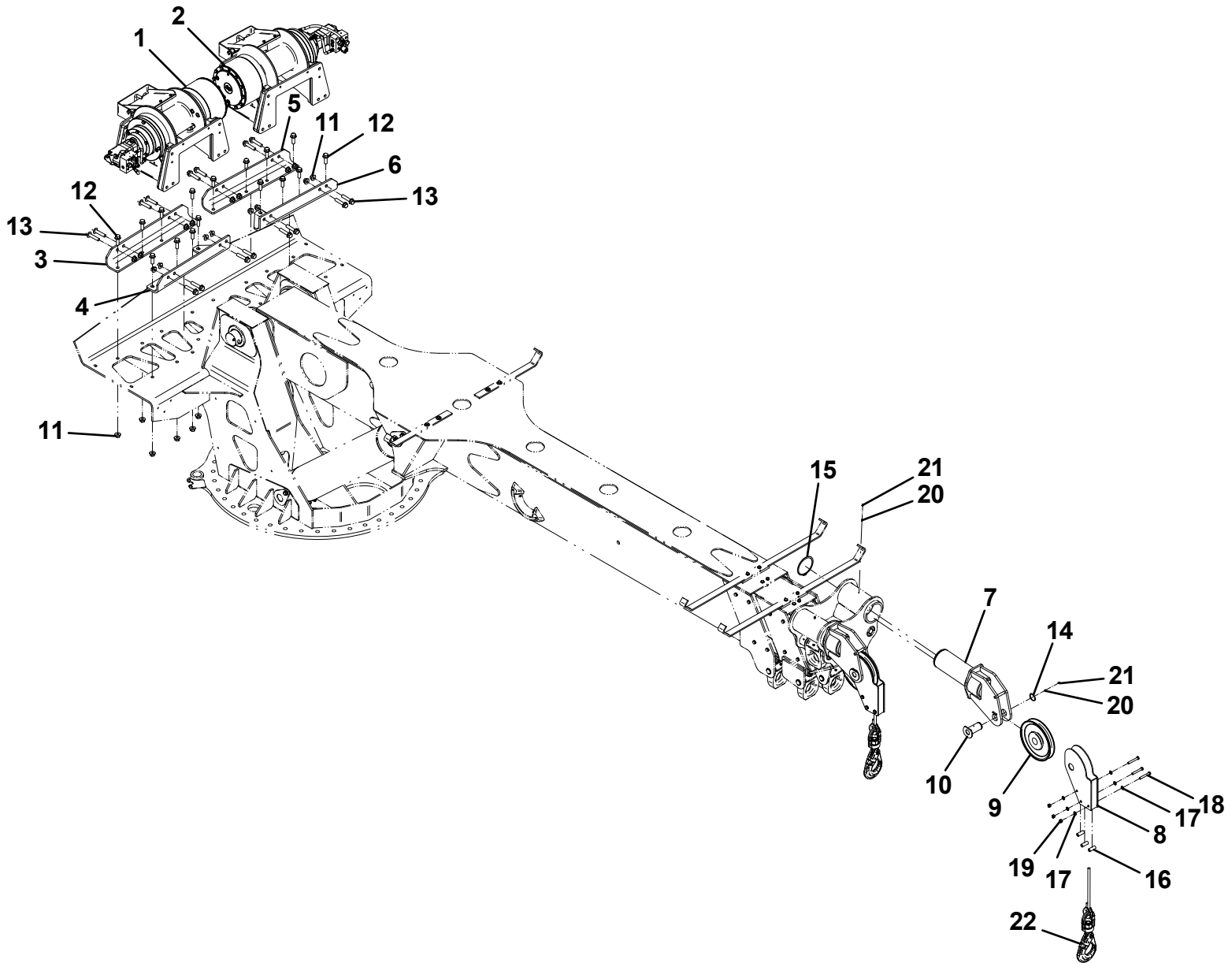
# RAMSEY WINCH CABLE TENSIONER ASSEMBLY - 70050360



**WINCH INSTALLATION - 2 SPEED 50K DP**

ITEM	PART NO.	DESCRIPTION	QTY
1	1001145566	Winch, DP 50K - LH	1
2	7970000169	Winch, DP 50K - RH	1
3	1001145521	Angle, Winch Front - LH	1
4	1001145522	Angle, Winch Rear - LH	1
5	1001145523	Angle, Winch Front - LH	1
6	1001145524	Angle, Winch Front - RH	1
7	3249000046	Sheave Support Weldment	2
8	3249000037	Cable Guide Weldment	2
9	7809000018	Sheave, 12" Dia.	2
10	3691000234	Pin	2
11	7660222308	Locknut, 0.75"-10NC	32
12	7118221816	Capscrew, 0.75"-10NC x 2.25"	16
13	7118222816	Capscrew, 0.75"-10NC x 3.50"	16
14	7754000048	Retaining Ring	2
15	7754000083	Retaining Ring	2
16	4831000108	Spacer	6
17	7950180153	Flatwasher, 0.50" ID	12
18	7115182850	Capscrew, 0.50"-13NC x 3.50"	6
19	7660182601	Locknut, 0.50"-13NC	6
20	7440030000	Grease Fitting	4
21	7253000002	Cap, Grease Fitting	4
22	7248000149	Cable, 0.75" x 250'	2
	1001135127	Cable, 0.75" x 250' w/ Swivel Hook	

# WINCH INSTALLATION - 2 SPEED 50K DP



**DP WINCH 50K - MOTOR END INSTALLATION**

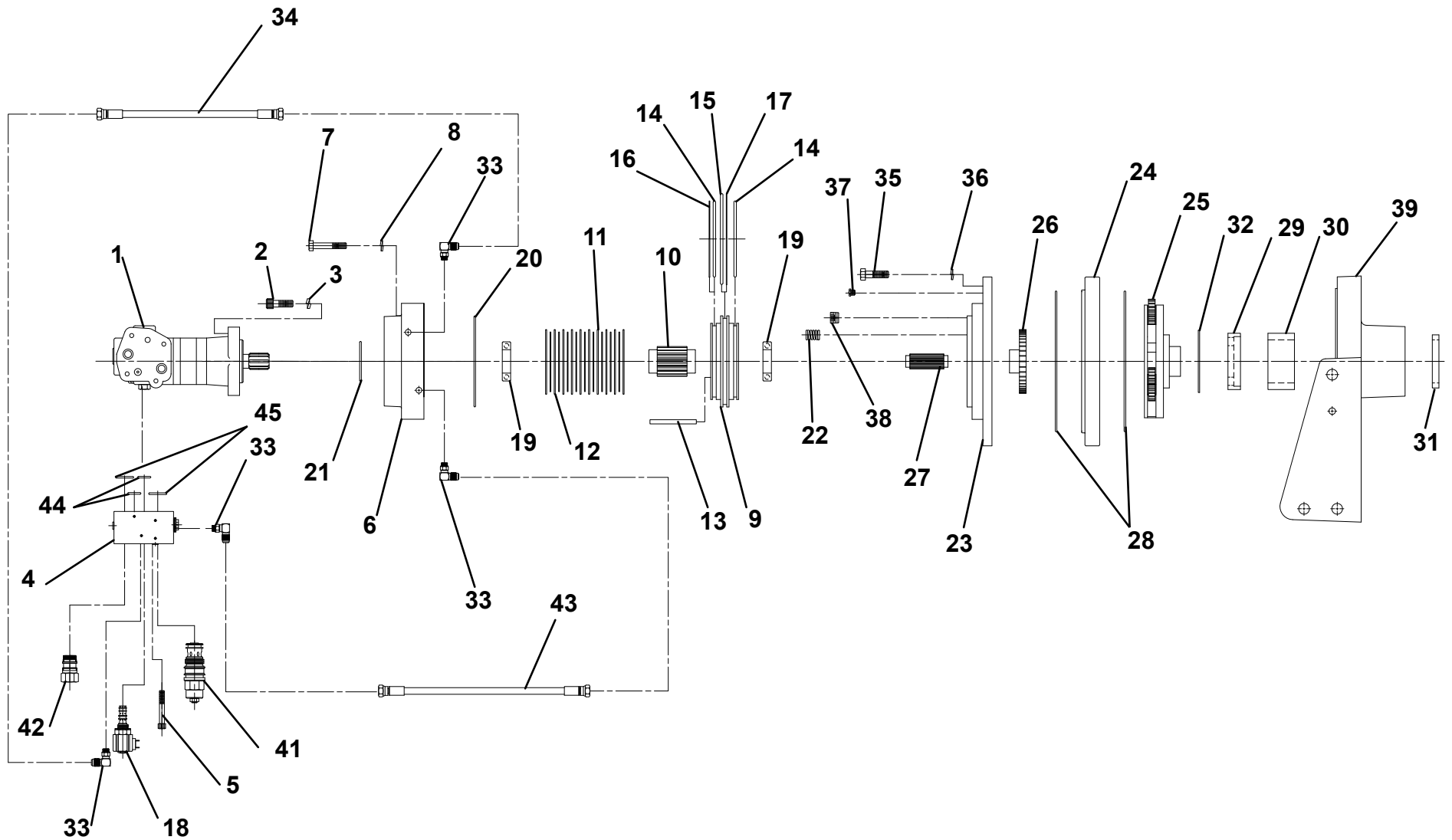
ITEM	PART NO.	DESCRIPTION	QTY	ITEM	PART NO.	DESCRIPTION	QTY
1	70050367	Motor, Hydraulic	1	40	9443960006*	Adapter	1
2	7118181205	Capscrew, 0.50"-13NC x 1.50"	2	41	9935960026	Cartridge, Counterbalance	1
3	7950180800	Lockwasher, 0.50"	2	42	9701960013	Plug Assembly	1
4	70050368	Valve, Counterbalance	1	43	70050373	Hose, 0.25" - R1 x 14.00"	1
5	70050370	Capscrew, 0.38"-24NF x 2.50"	4	44	70050369	O-Ring, 1.12" ID	2
6	9571960006	Housing, Brake Outer	1	45	9796960088	O-Ring, 0.81" ID	2
7	7118172050	Capscrew, 0.44" x 2.50"	6				
8	7950170000	Lockwasher, 0.44"	6				
9	9698960008	Piston, Brake	1				
10	9806960013	Shaft, Brake	1				
11	**	Plate, Friction Disk	10				
12	**	Plate, Brake Drive	9				
13	9691960021	Pin	2				
14	>	O-Ring, 5.38" ID	2				
15	>	O-Ring, 6.50" ID	1				
16	>	Ring, 5.28" ID	1				
17	>	Ring, 6.25" ID	1				
18	70050371	Cartridge, Valve	1				
19	9082960013	Bearing	2				
20	>	O-Ring, 6.75" ID	1				
21	9796960090	O-Ring, 3.00" ID	1				
22	**	Spring	12				
23	7007960040	Adapter, Brake	1				
24	9472960032	Gear, Ring 92 Teeth	1				
25	9472960029	Carrier, Planetary Assembly	1				
26	9472960033	Gear, Sun	1				
27	9806960014	Shaft, Extension	1				
28	9796960085	O-Ring, 10.50" ID	2				
29	9706960027	Plate, Thrust - 45	1				
30	9082960014	Bearing	1				
31	9796960087	Seal, 3.25" ID	1				
32	9754960029	Retainer Ring	1				
33	7445040445	Adapter	3				
34	70050372	Hose, 0.25" - R1 x 16.00"	1				
35	7115182250	Capscrew, 0.50"-13NC x 2.75"	4				
36	7950180000	Lockwasher, 0.50" ID	4				
37	9183960001	Vent	1				
38	9701960010	Plug	2				
39	9177960002	Support, Motor End	1				

\* Item Not Shown

\*\* Items Sold Only As Part Of Kit - 9577960119

&gt; Items Sold Only As Part Of Kit - 9577960120

# DP WINCH 50K - MOTOR END INSTALLATION

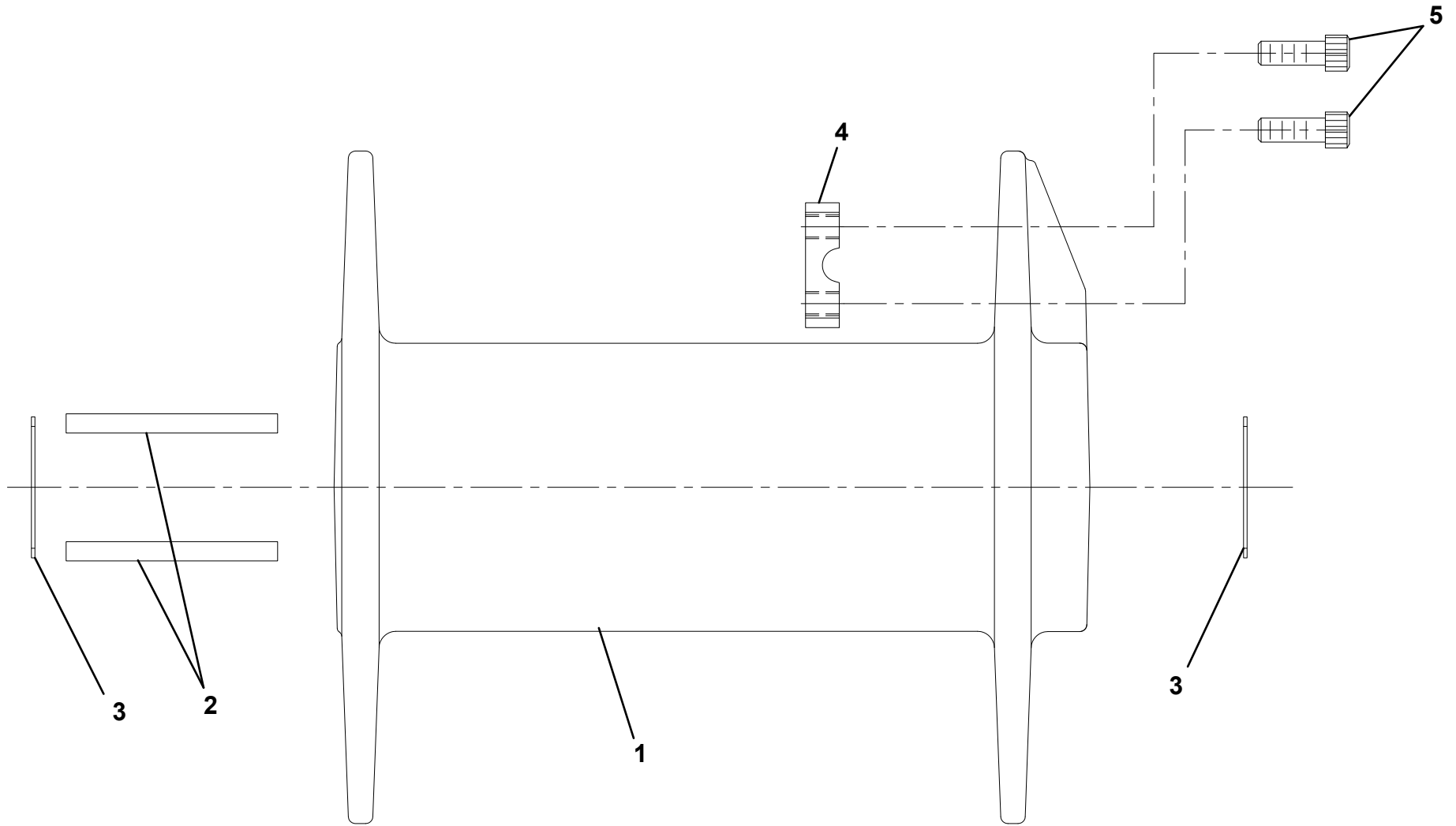


**DP WINCH 50K - DRUM INSTALLATION**

ITEM	PART NO.	DESCRIPTION	QTY
1	70050381	Drum, Winch	1
2	70050382	Key, Shaft Output	2
3	70050383	Retaining Ring	2
4	9280960002	Clip, Cable - Threaded	1
5	7110201823	Capscrew, 0.63"-11NC x 2.25"	2



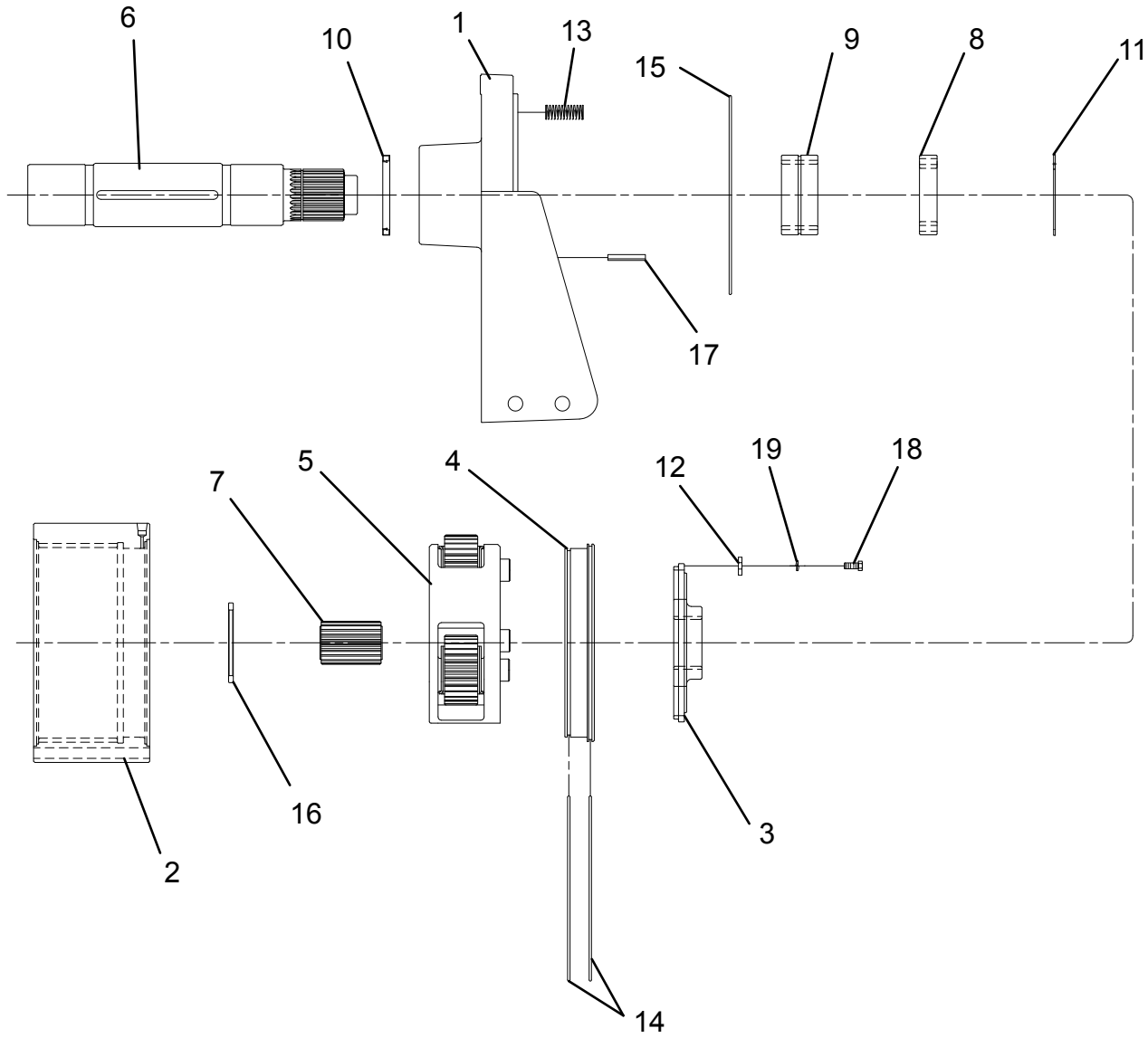
# DP WINCH 50K - DRUM INSTALLATION



**DP WINCH 50K - GEAR END INSTALLATION**

ITEM	PART NO.	DESCRIPTION	QTY
1	9177960001	Support, Gear End	1
2	9472960036	Gear, Ring - 103 Teeth	1
3	9281960004	Clutch	1
4	9698960009	Piston	1
5	9472960030	Carrier Assembly	1
6	9806960015	Shaft, Output	1
7	70050380	Gear, Sun	1
8	9154960027	Ring, Thrust	1
9	9082960014	Bearing, Roller	1
10	9796960087	Seal	1
11	9754960029	Retaining Ring	1
12	9698960010	Piston Retainer	3
13	9843960025	Spring	3
14	9796960093	O-Ring, 9.75" ID	2
15	9796960085	O-Ring, 10.50" ID	1
16	9949960013	Washer, Nylon 4.25" OD	1
17	7690153245	Pin	2
18	7115150650	Capscrew, 0.32"-18NC x 0.75"	6
19	9949960050	Lockwasher, 0.32" ID	6

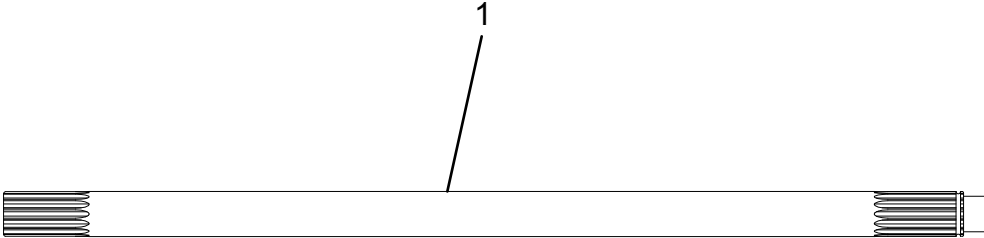
# DP WINCH 50K - GEAR END INSTALLATION



**DP WINCH 50K - INPUT SHAFT**

ITEM	PART NO.	DESCRIPTION	QTY
1	70050374	Input Shaft	1

**DP WINCH 50K - INPUT SHAFT**

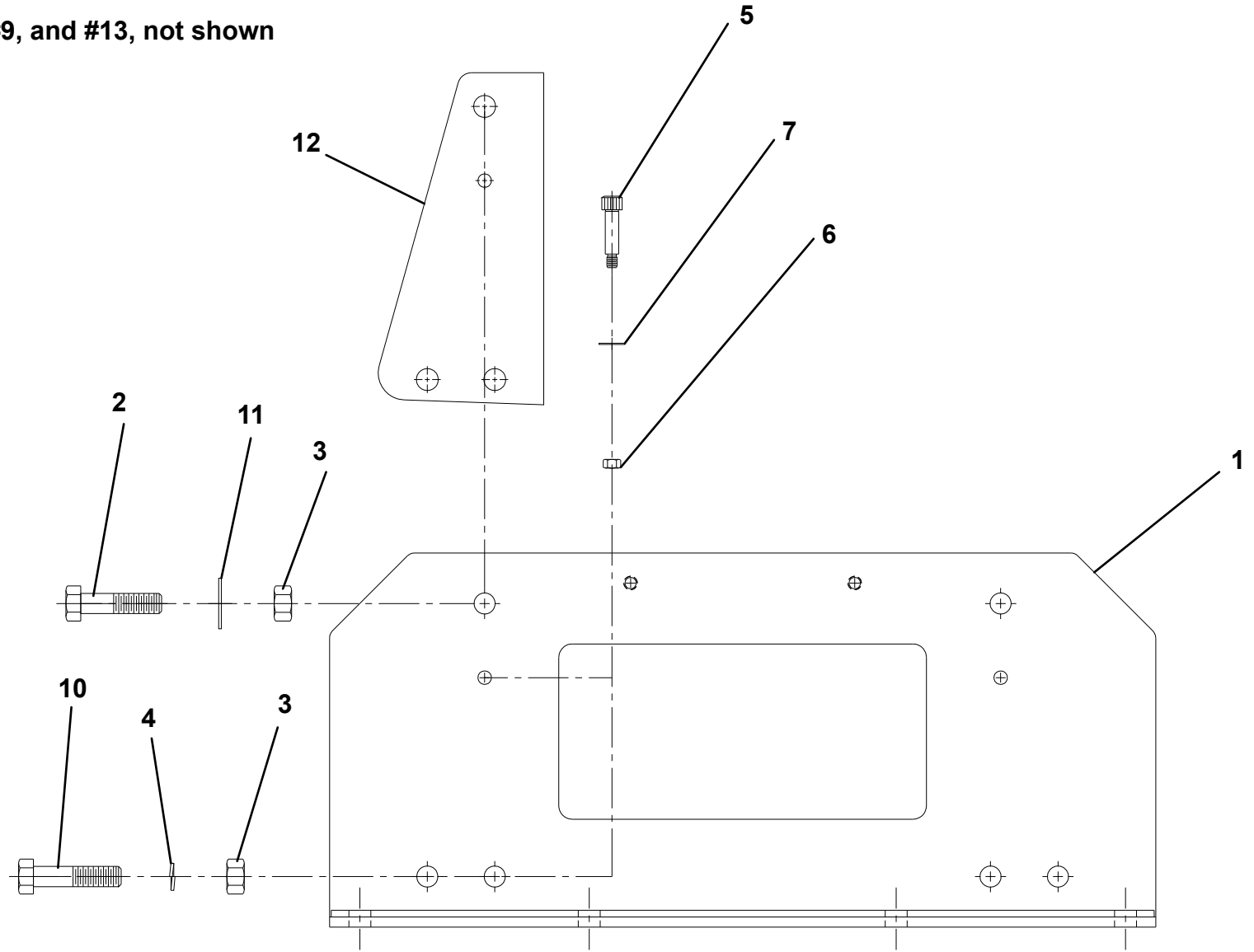


**DP WINCH 50K - BASE MOUNT INSTALLATION**

ITEM	PART NO.	DESCRIPTION	QTY
1	9073960002	Base, Mount	2
2	7115222450	Capscrew, 0.75"-10NC x 3.00"	4
3	7660220001	Nut, 0.75"-10NC	12
4	7950220000	Lockwasher, 0.75" ID	8
5	9120960020	Bolt, 0.50" x 2.00"	4
6	9661960033	Nut, 0.38"-16NC	4
7	9949960051	Flatwasher, 0.38" ID	4
8	70050384	Plate, Winch Information	1
9	70050147	Rivet	4
10	7115222650	Capscrew, 0.75"-10NC x 3.25"	8
11	7950220151	Flatwasher, 0.75" ID	4
12	9831960007	Spacer	4
13	9577960113	Kit, Cable Hold Down	1

# DP WINCH 50K - BASE MOUNT INSTALLATION

Items #8, #9, and #13, not shown

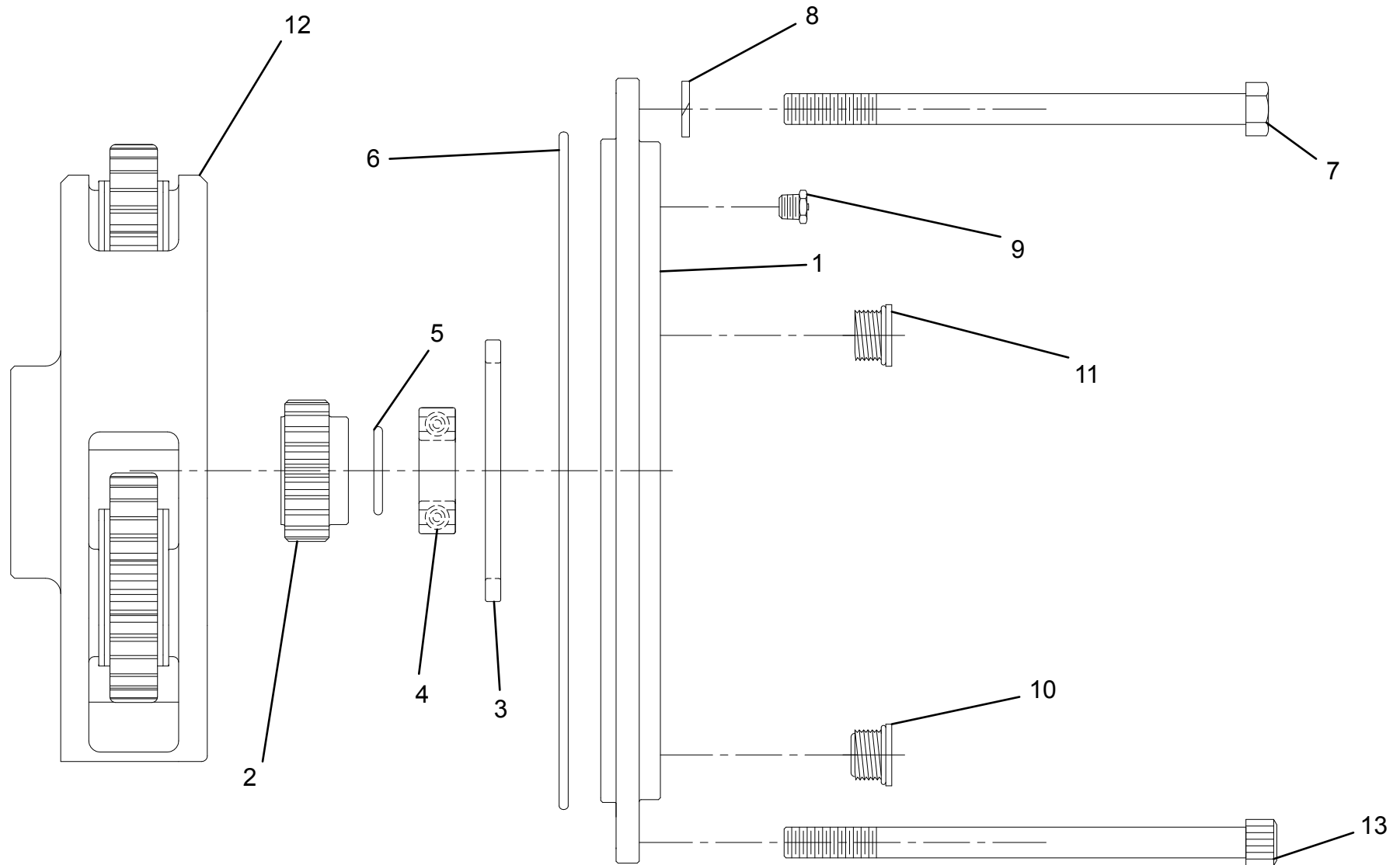


**DP WINCH 50K - GEAR END COVER INSTALLATION**

ITEM	PART NO.	DESCRIPTION	QTY
1	70050375	Cover	1
2	70050376	Gear, Sun Primary 29 Teeth	1
3	9949960013	Washer, Thrust - Nylon 4.25" OD x .25"	1
4	9082960015	Bearing	1
5	9754960030	Retaining Ring	1
6	9796960085	O-Ring, 10.50" ID	1
7	70050377	Capscrew, 0.50"-13NC x 7.50"	10
8	7950180000	Lockwasher, 0.50" ID	10
9	9183960001	Vent	1
10	9701960012	Plug	1
11	9701960011	Plug	1
12	70050378	Carrier Assembly	1
13	70050379	Capscrew, 0.50"-13NC x 7.00"	2



# DP WINCH 50K - GEAR END COVER INSTALLATION

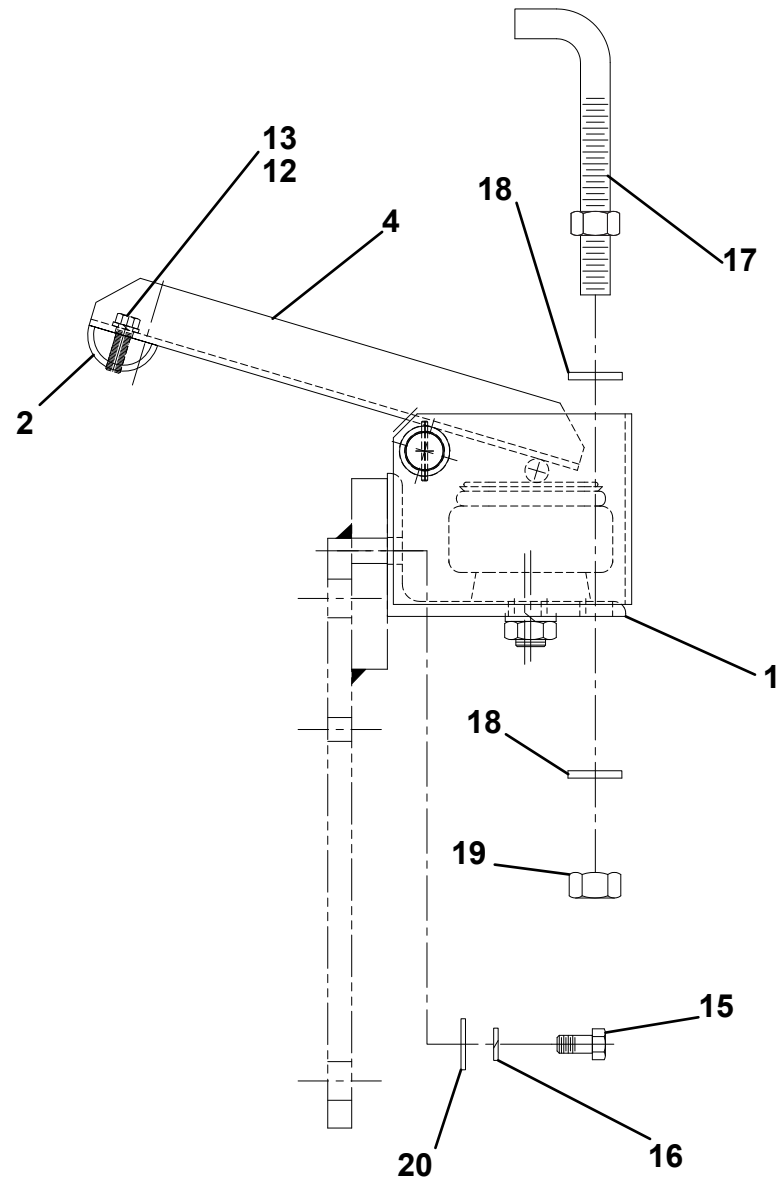
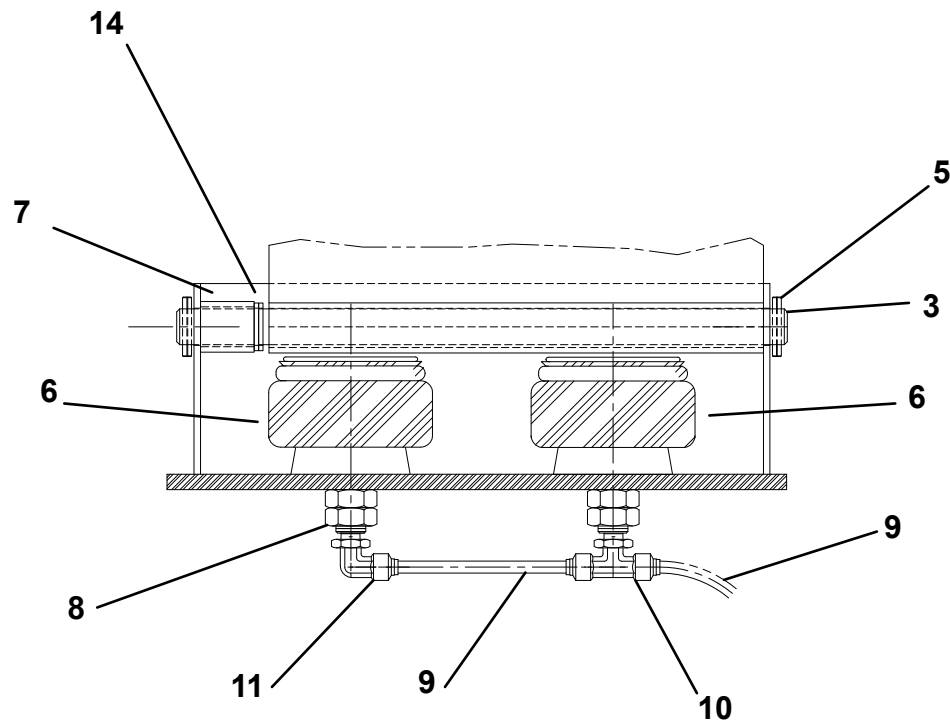


**DP WINCH 50K - CABLE HOLD DOWN KIT**

ITEM	PART NO.	DESCRIPTION	QTY
1	9178960011	Bracket	1
2	9064960001	Bar	1
3	9691960019	Pin	1
4	9020960002	Arm, Pivot	1
5	9690960039	Cotter Pin	2
6	9843960023	Spring, Air Cushion	2
7	9831960009	Spacer	1
8	7660200200	Nut, 0.63"-11NC	4
9	9912960010	Tubing	1
10	7443000205	Adapter	1
11	7443000204	Adapter	1
12	9949960050	Lockwasher, 0.63" ID	3
13	9120960063	Capscrew, 0.63"-18NC x 1.00"	3
14	9949960012	Washer	2
15	7115181650	Capscrew, 0.50"-13NC x 1.00"	2
16	7950180000	Lockwasher, 0.50" ID	2
17	9120960019	Bolt, 0.63" x 6.50" 90 Degree	1
18	7950200151	Flatwasher, 0.63" ID	2
19	7660200001	Nut, 0.63"-11NC	1
20	70050385	Flatwasher, 0.50" ID	2

All items can be purchased as Assembly 9577960113

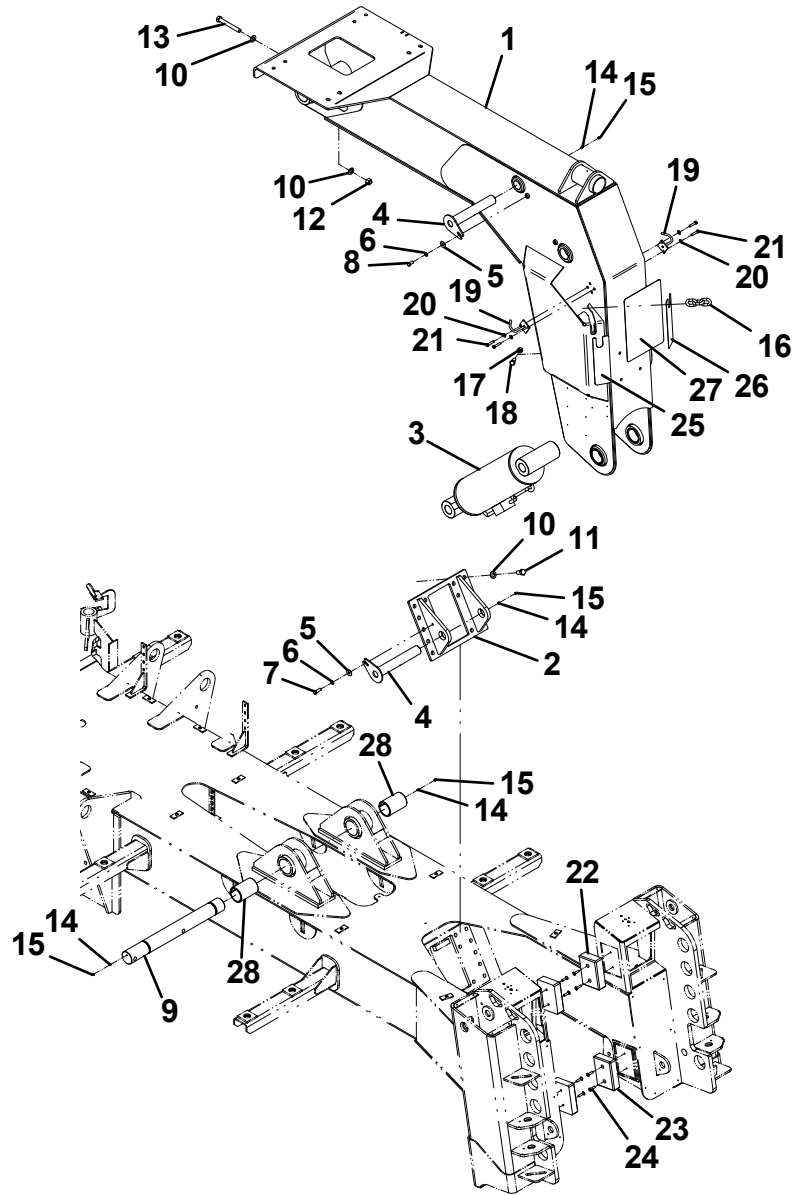
# DP WINCH 50K - CABLE HOLD DOWN KIT



**UNDERLIFT BOOM INSTALLATION - 30,000/35,000 LB**

ITEM	PART NO.	DESCRIPTION	QTY
1	1001128440	Underlift Knee Boom	1
2	1001128450	Bracket, Lift Cylinder Support	1
3	7320000040	Underlift Lift Cylinder Assembly	1
4	3691000171	Pin	2
5	7950180161	Flatwasher, 0.50" ID	2
6	7950180000	Lockwasher, 0.59" ID	2
7	7115181250	Capscrew, 0.50"-13NC x 1.50"	1
8	7115180850	Capscrew, 0.50"-13NC x 1.00"	1
9	1001128697	Pin	1
10	7950220141	Flatwasher, 0.75" ID	18
11	0682212	Capscrew, 0.75"-10NC x 1.50"	16
12	7660222601	Locknut, 0.75"-10NC	1
13	0682248	Capscrew, 0.75"-10NC x 6.00"	1
14	7440030000	Grease Fitting	5
15	7253000002	Cap, Grease Fitting	5
16	7262000025	Chain	2
17	7660202601	Locknut, 0.63"-11NC	2
18	7115201250	Capscrew, 0.63"-11NC x 1.50"	2
19	3561000017	Hook, Weldment	2
20	7950160141	Flatwasher, 0.38" ID	4
21	7115161450	Capscrew, 0.38"-16NC x 1.75"	4
22	1001129534	Pad, Top	2
23	1001129535	Pad, Bottom	2
24	7115161223	Capscrew, 0.38"-16NC x 1.50"	8
25	1001151184	Decal, Wear - LH	1
26	1001151185	Decal, Wear - RH	1
27	1001151049	Decal, Wear	1
28	1001128160	Bushing	2

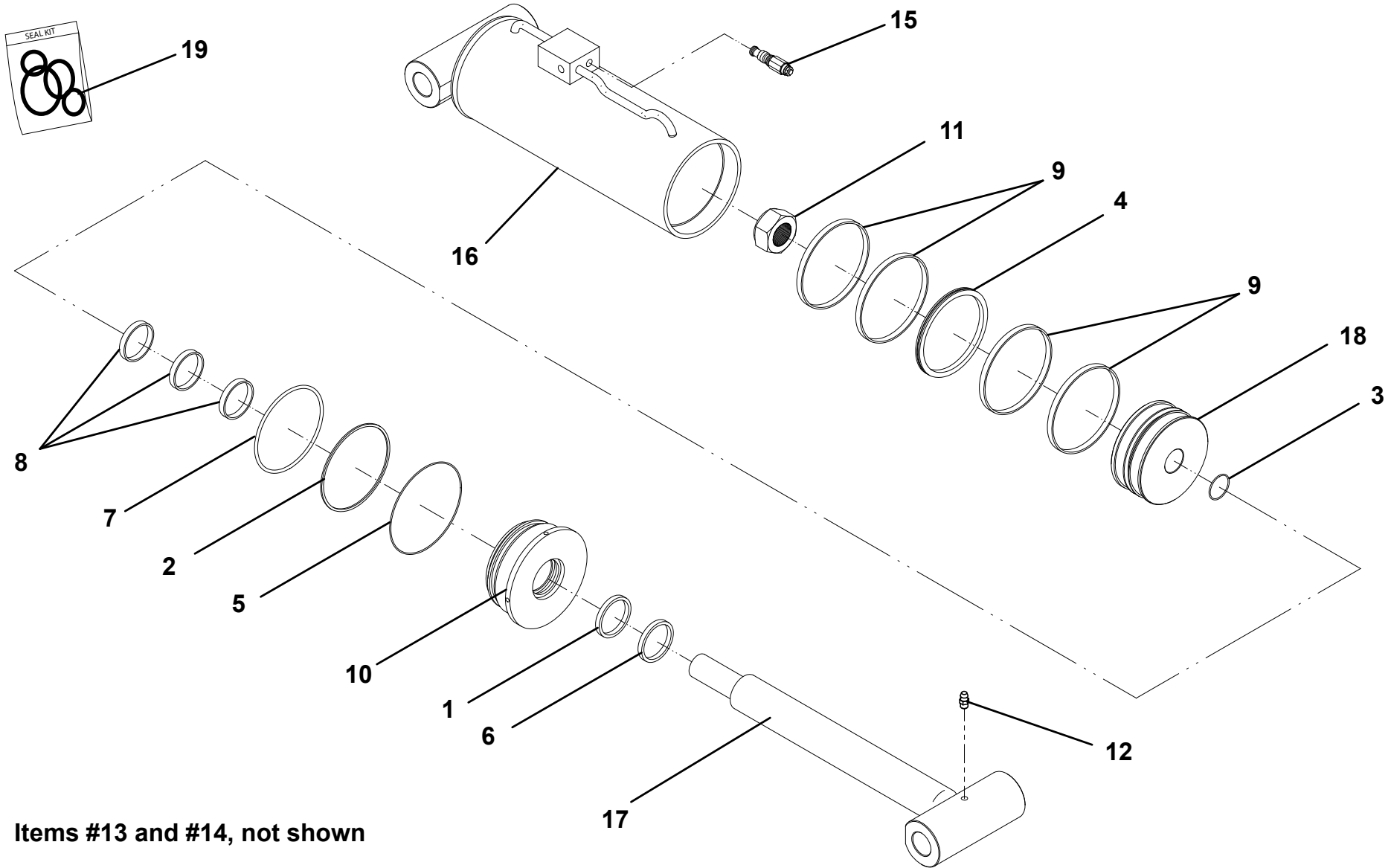
# UNDERLIFT BOOM INSTALLATION - 30,000/35,000 LB



**UNDERLIFT LIFT CYLINDER ASSEMBLY - 7320000040**

ITEM	PART NO.	DESCRIPTION	QTY
1	9796250071	Seal	1
2	9754250043	Ring, Back-up	1
3	9796250062	Seal, "O" Ring	1
4	9796250113	Seal	1
5	9796250124	Seal, "O" Ring	1
6	9796250125	Seal, Wiper	1
7	9796250117	Seal, "O" Ring	1
8	83304140	Ring, Wear	3
9	9754250045	Ring, Wear	4
10	7019892	Head	1
11	7005314	Locknut	1
12	7005348	Grease Fitting	1
13	7005365	Plug, Port	1
14	70021648	Plug, Port	2
15	70050216	Valve, Counterbalance	1
16	9912250018	Assembly, Tube	1
17	9763250022	Assembly, Rod	1
18	9698250017	Piston	1
19	7577250255	Kit, Seal	1

# UNDERLIFT LIFT CYLINDER ASSEMBLY - 7320000040



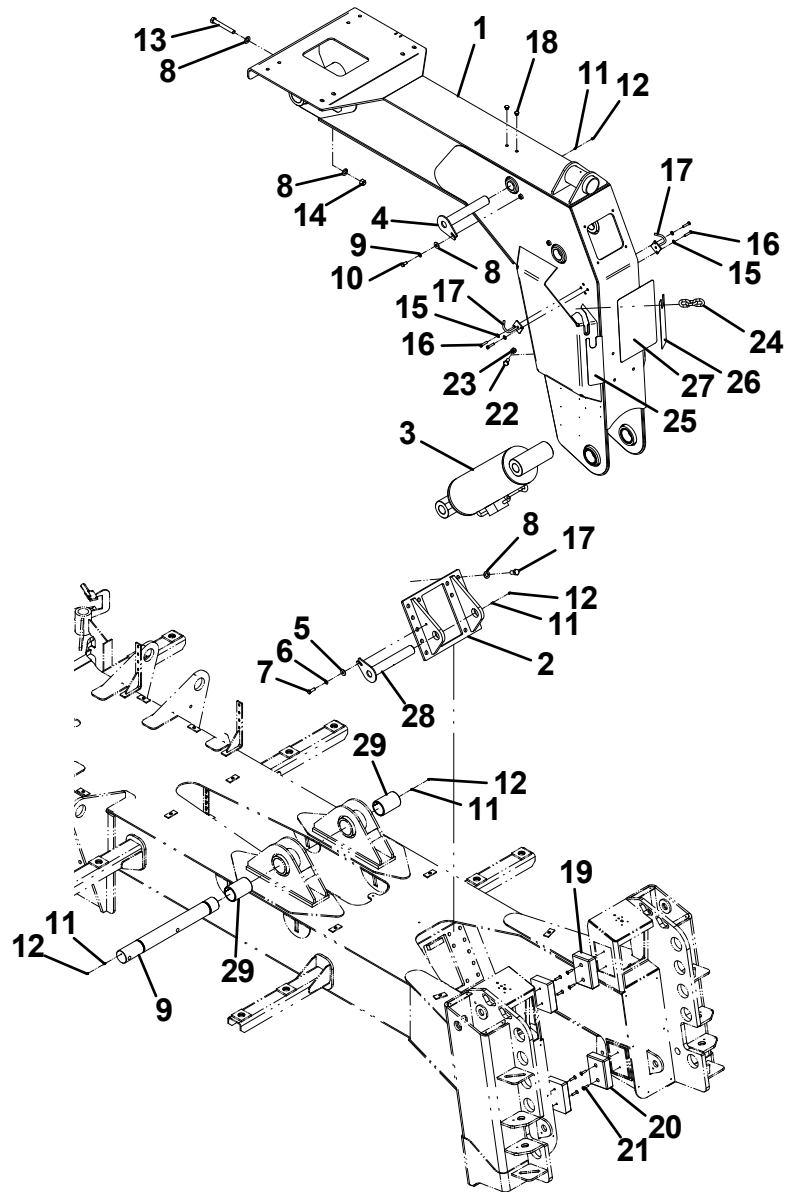
Items #13 and #14, not shown

**UNDERLIFT BOOM INSTALLATION - 53,000/56,500 LB**

ITEM	PART NO.	DESCRIPTION	QTY
1	1001133242	Underlift Knee Boom	1
2	1001133286	Bracket, Lift Cylinder Support	1
3	7320000063	Underlift Lift Cylinder Assembly	1
4	3691000231	Pin	1
5	7950180161	Flatwasher, 0.50" ID	1
6	7950180000	Lockwasher, 0.59" ID	1
7	7115181250	Capscrew, 0.50"-13NC x 1.50"	1
8	7950220141	Flatwasher, 0.75" ID	2
9	7950220000	Lockwasher, 0.75" ID	20
10	7115220850	Capscrew, 0.75"-10NC x 1.00"	2
11	7440030000	Grease Fitting	4
12	7253000002	Cap, Grease Fitting	4
13	0682248	Capscrew, 0.75"-10NC x 6.00"	1
14	7660222601	Locknut, 0.75"-10NC	1
15	7950160141	Flatwasher, 0.38" ID	4
16	7115161450	Capscrew, 0.38"-16NC x 1.75"	4
17	0682212	Capscrew, 0.75"-10NC x 1.50"	10
18	7189000017	Rubber Bumper	2
19	4679000127	Pad, Top	2
20	4679000245	Pad, Bottom	2
21	7115160623	Capscrew, 0.38"-16NC x 7.00"	8
22	7115201250	Capscrew, 0.63"-11NC x 1.50"	2
23	7660202601	Locknut, 0.63"-11NC	2
24	7262000025	Chain	2
25	1001151184	Decal, Wear - LH	1
26	1001151185	Decal, Wear - RH	1
27	1001151049	Decal, Wear	1
28	1001133289	Pin	1
29	1001128160	Bushing	2



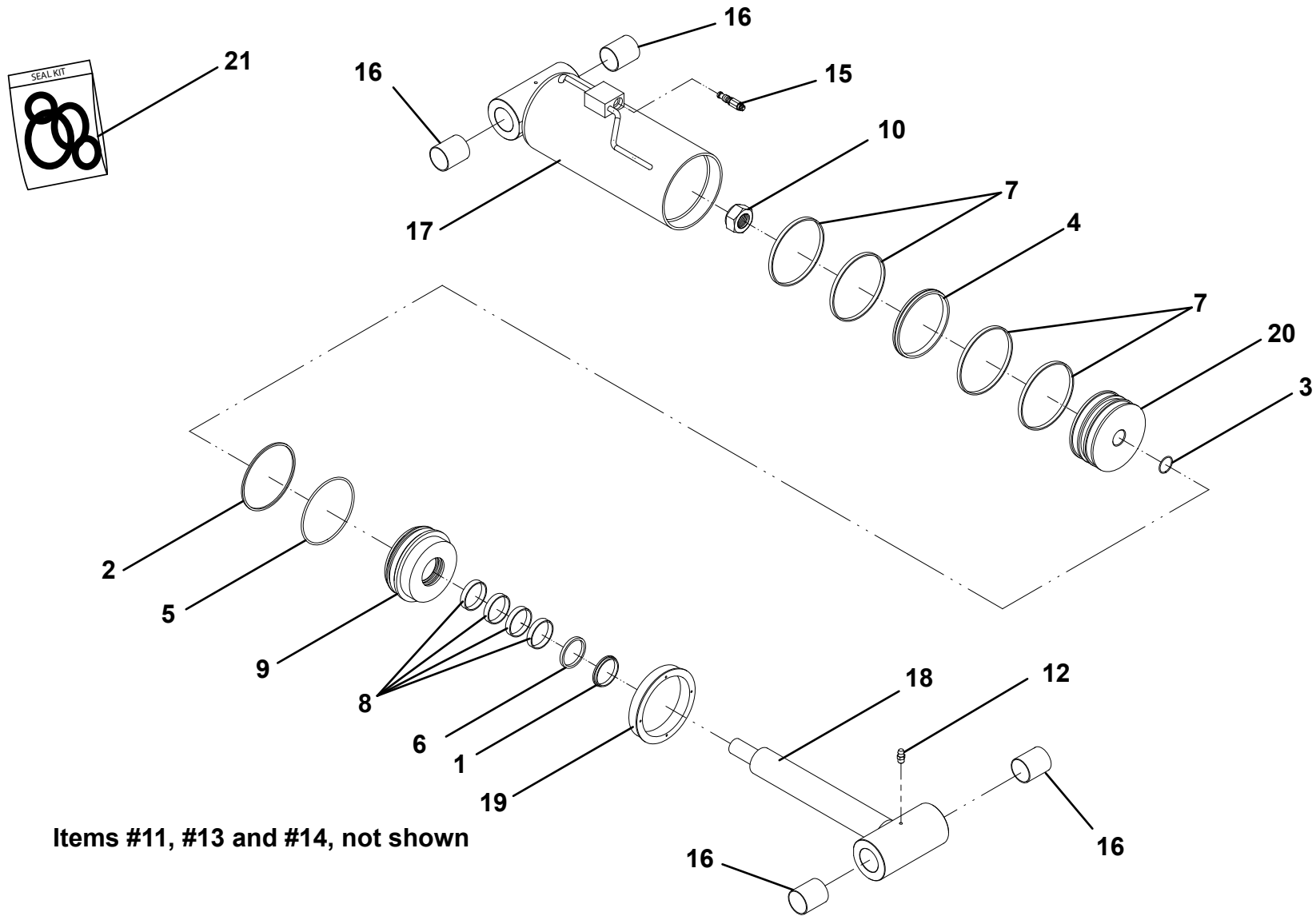
# UNDERLIFT BOOM INSTALLATION - 53,000/56,500 LB



**UNDERLIFT LIFT CYLINDER ASSEMBLY - 7320000063**

ITEM	PART NO.	DESCRIPTION	QTY
1	9796250083	Seal, Wiper	1
2	9754250011	Ring, Back-up	1
3	9796250062	Seal, "O" Ring	1
4	70050544	Seal	1
5	7796250068	Seal, "O" Ring	1
6	70050545	Seal	1
7	9754250017	Ring, Wear	4
8	80004049	Ring, Wear	4
9	70050549	Head	1
10	7005314	Locknut	1
11	70021757	Setscrew	1
12	7005348	Grease Fitting	2
13	7005365	Plug, Port	1
14	70021648	Plug, Port	2
15	70050215	Valve, Counterbalance	1
16	70050232	Bushing	4
17	70050546	Assembly, Tube	1
18	70050547	Assembly, Rod	1
19	9254250007	Headcap	1
20	70050548	Piston	1
21	7577000063	Kit, Seal	1

# UNDERLIFT LIFT CYLINDER ASSEMBLY - 7320000063

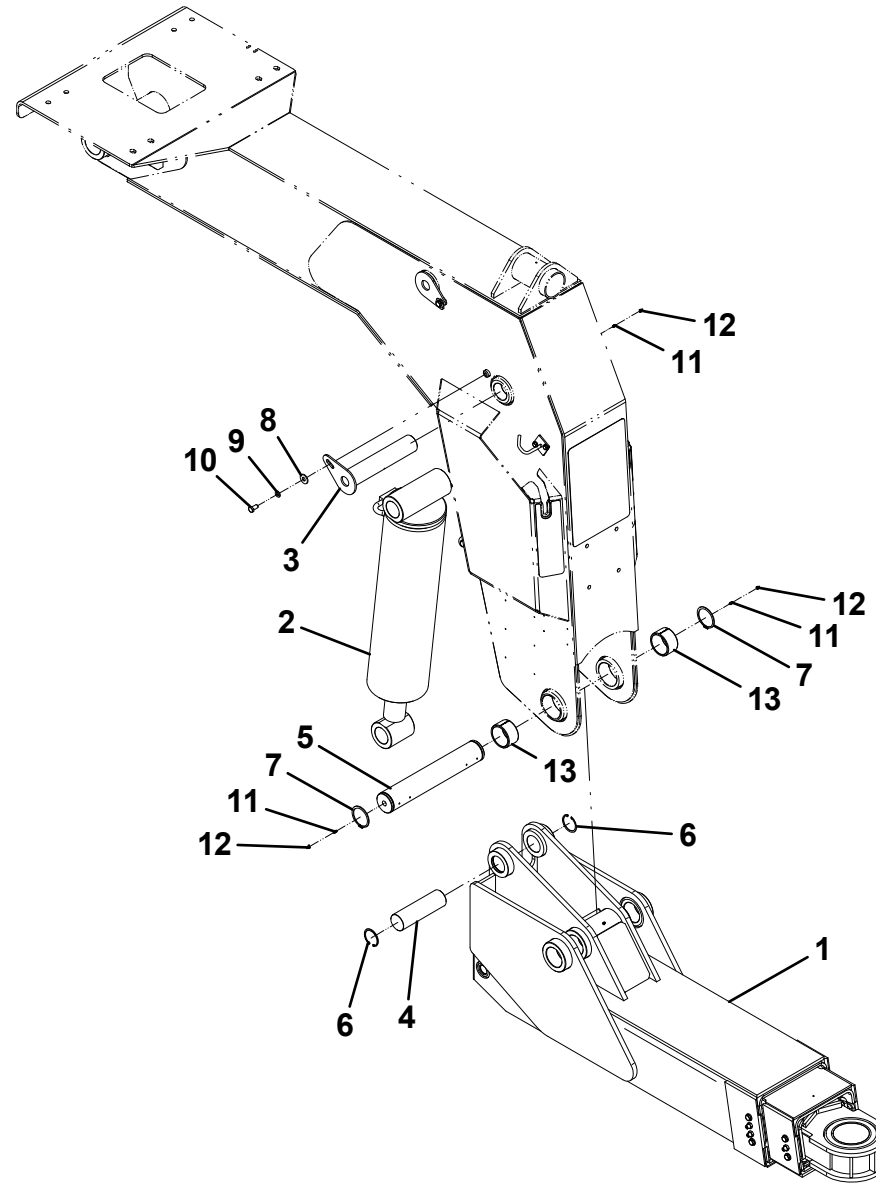


Items #11, #13 and #14, not shown

**UNDERLIFT INSTALLATION - 30,000/35,000 LB**

ITEM	PART NO.	DESCRIPTION	QTY
1	3170000433	Underlift Boom Assembly - 30,000 LB	1
	3170000220	Underlift Boom Assembly - 35,000 LB	
2	7320000039	Underlift Tilt Cylinder Assembly	1
3	3691000160	Pin	1
4	4691000317	Pin	1
5	4691000311	Pin	1
6	7754000051	Retaining Ring	2
7	7754000018	Retaining Ring	2
8	7950180161	Flatwasher, 0.50" ID	1
9	7950180000	Lockwasher, 0.50" ID	1
10	7115180850	Capscrew, 0.50"-13NC x 1.00"	1
11	7440030000	Grease Fitting	2
12	7253000002	Cap, Grease Fitting	2
13	7209000029	Bushing	2

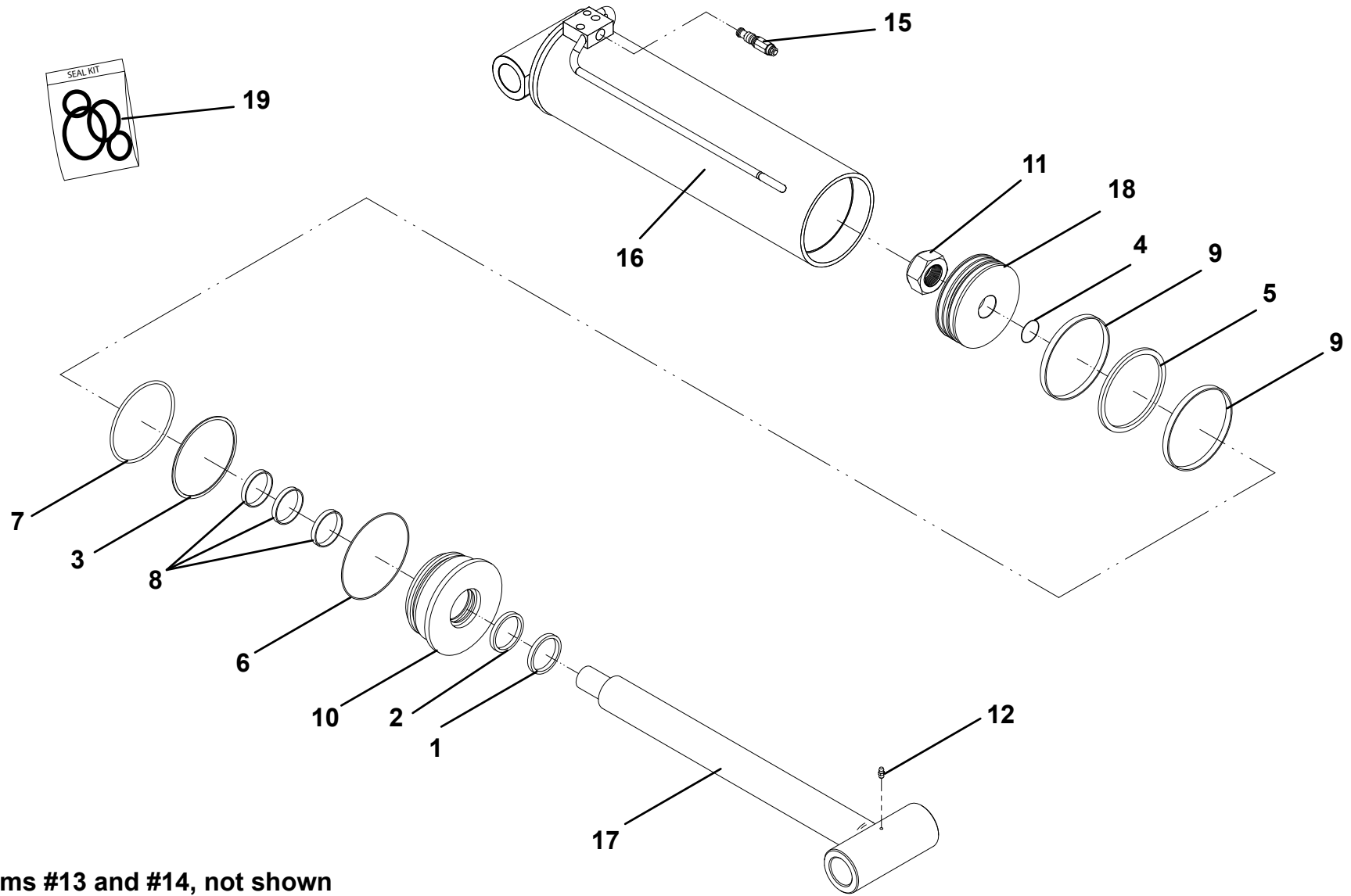
# UNDERLIFT INSTALLATION - 30,000/35,000 LB



**UNDERLIFT TILT CYLINDER ASSEMBLY - 7320000039**

ITEM	PART NO.	DESCRIPTION	QTY
1	83304143	Seal, Wiper	1
2	9796250071	Seal	1
3	9754250043	Ring, Back-up	1
4	9796250062	Seal, "O" Ring	1
5	9796250113	Seal	1
6	9796250124	Seal, "O" Ring	1
7	9796250117	Seal, "O" Ring	1
8	83304140	Ring, Wear	3
9	9754250045	Ring, Wear	2
10	7019892	Head	1
11	7005314	Locknut	1
12	7005348	Grease Fitting	1
13	7005365	Plug, Port	3
14	70021648	Plug, Port	2
15	70050216	Valve, Counterbalance	1
16	70050542	Assembly, Tube	1
17	70050543	Assembly, Rod	1
18	9698250014	Piston	1
19	7577250204	Kit, Seal	1

# UNDERLIFT TILT CYLINDER ASSEMBLY - 732000039



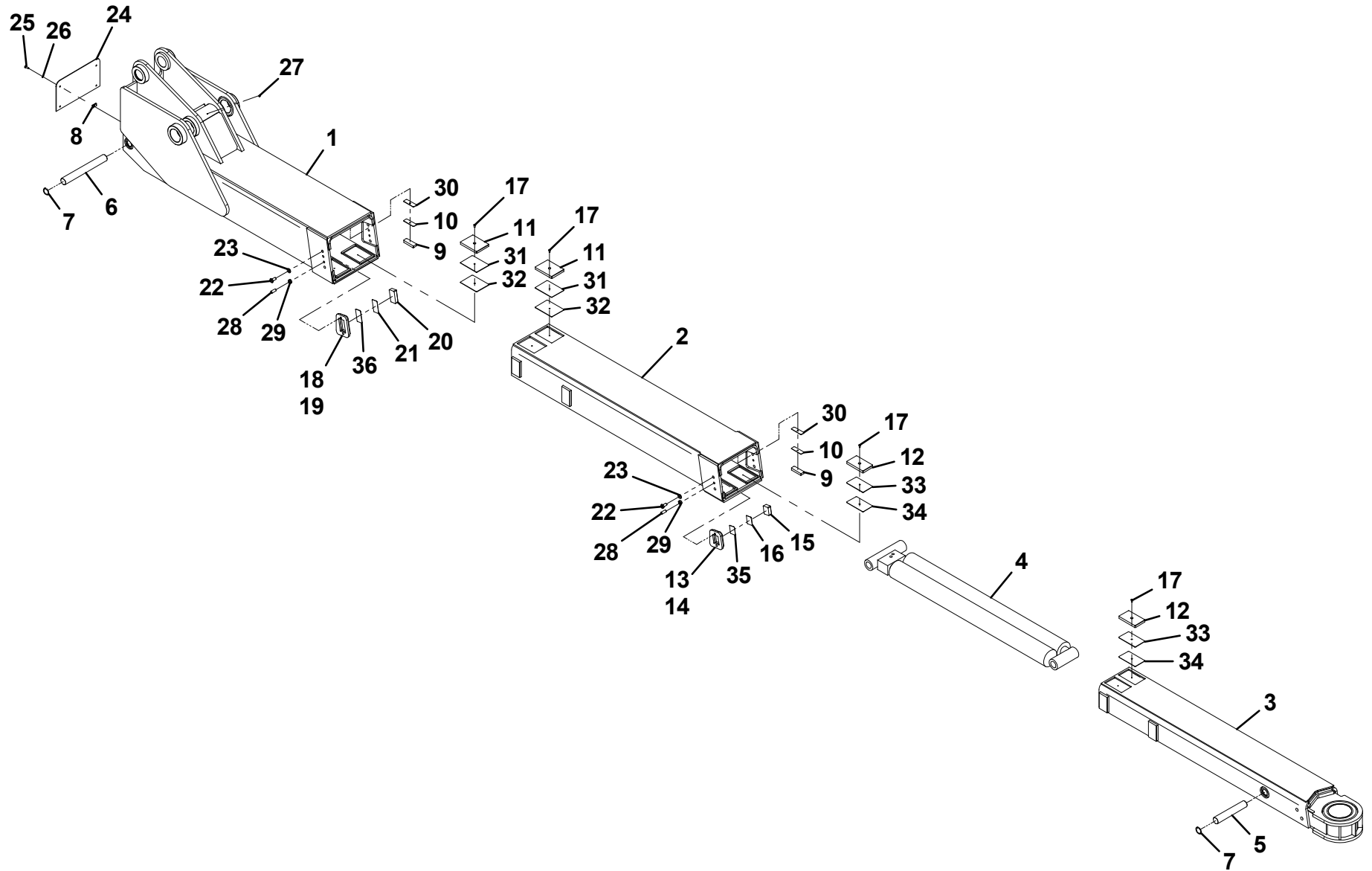
Items #13 and #14, not shown

**UNDERLIFT ASSEMBLY - 3170000433 - 30,000 LB**

ITEM	PART NO.	DESCRIPTION	QTY
1	3170000432	Base Section Boom Weldment	1
2	3170000431	Mid Section Boom Weldment	1
3	3170000430	Fly Section Boom Weldment	1
4	7320000076	Underlift Extension Cylinder Assembly	1
5	4691000318	Pin	1
6	4691000316	Pin	1
7	7754000043	Retaining Ring	4
8	7661000019	U-Nut, 0.25"-20NC	4
9	4679000159	Pad	2
10	4706003708	Plate	2
11	4679000161	Pad	4
12	4679000158	Pad	4
13	3706000177	Plate	1
14	3706000178	Plate	1
15	4679000206	Pad	2
16	4706003144	Plate	2
17	7114140418	Capscrew, 0.25"-20NC x 0.50"	8
18	3706000179	Plate - LH	1
19	3706000180	Plate - RH	1
20	4679000205	Pad	2
21	4706003719	Plate	2
22	7105180850	Capscrew, 0.50"-20NF x 1.00"	8
23	7950180153	Flatwasher, 0.50" ID	8
24	4706002467	Plate	1
25	7115140650	Capscrew, 0.25"-20NC x 0.75"	4
26	7950140000	Lockwasher, 0.25" ID	4
27	7440030000	Grease Fitting	1
28	7786000008	Screw, 0.50"-20NF x 1.25"	6
29	7660180230	Nut, 0.50"-20NF	6
30	4706003709	Plate	4
31	4706003721	Plate	4
32	4706003722	Plate	4
33	4706003723	Plate	4
34	4706003724	Plate	4
35	4706003725	Plate	2
36	4706003720	Plate	2



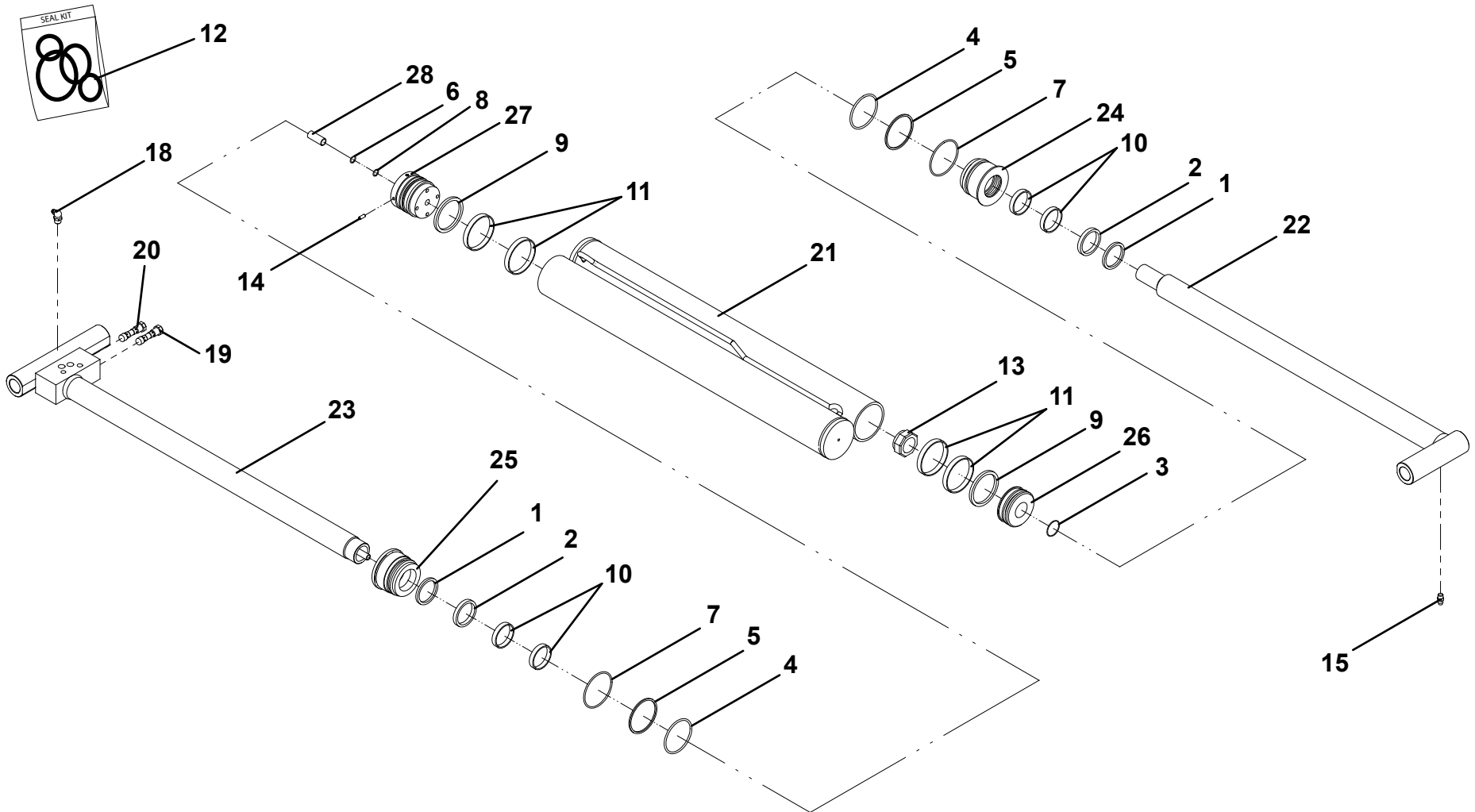
# UNDERLIFT ASSEMBLY - 3170000433 - 30,000 LB



**UNDERLIFT EXTENSION CYLINDER ASSEMBLY - 7320000076**

ITEM	PART NO.	DESCRIPTION	QTY
1	9796250080	Seal, Wiper	2
2	7019828	Seal	2
3	9796250133	Seal, "O" Ring	1
4	7019846	Seal, "O" Ring	2
5	7019845	Ring, Back-up	2
6	9796250135	Seal, "O" Ring	1
7	7019844	Seal, "O" Ring	2
8	9796250137	Seal, "O" Ring	2
9	9796250138	Seal	2
10	9754250015	Ring, Wear	4
11	9754250049	Ring, Wear	4
12	7577250271	Kit, Seal	1
13	7003212	Locknut	1
14	7003281	Setscrew	4
15	7005348	Grease Fitting	1
16	7005365	Plug, Port	5
17	70021648	Plug, Port	2
18	7440030400	Grease Fitting	1
19	70050218	Valve, Cartridge	1
20	70050217	Valve, Counterbalance	1
21	70050553	Assembly, Tube	1
22	70050554	Assembly, Rod	1
23	70050555	Assembly, Rod-Tube	1
24	9553250015	Head	1
25	9254250009	Head	1
26	9698250018	Piston	1
27	9698250019	Piston	1
28	9007250005	Adapter, RT Tube	1

# UNDERLIFT EXTENSION CYLINDER ASSEMBLY - 7320000076

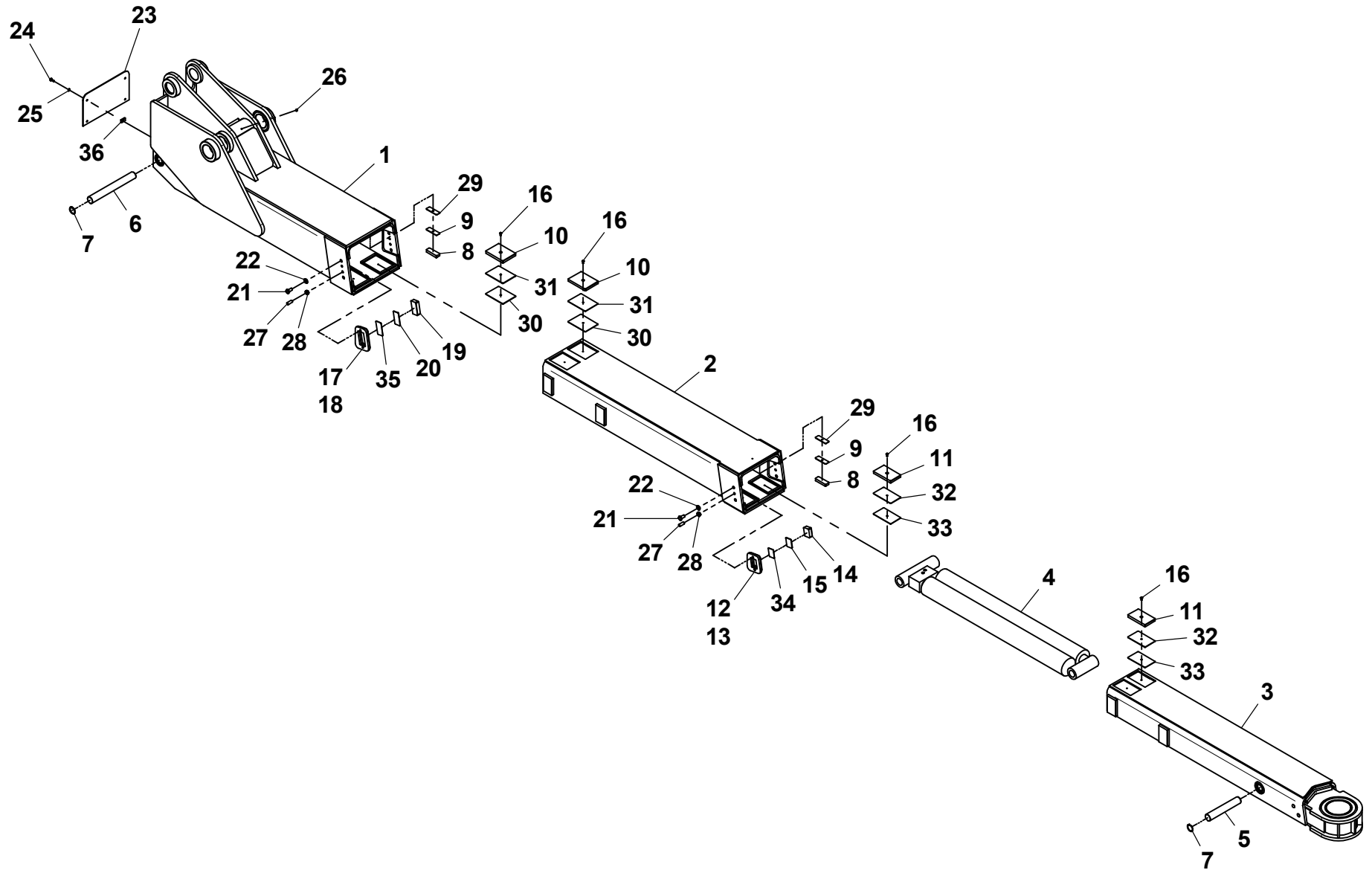


Items #16 and #17, not shown

**UNDERLIFT ASSEMBLY - 3170000220 - 35,000 LB**

ITEM	PART NO.	DESCRIPTION	QTY
1	3170000224	Base Section Boom Weldment	1
2	3170000223	Mid Section Boom Weldment	1
3	3170000221	Fly Section Boom Weldment	1
4	7320000042	Underlift Extension Cylinder Assembly	1
5	4691000318	Pin	1
6	4691000316	Pin	1
7	7754000043	Retaining Ring	4
8	4679000159	Pad	2
9	4706003708	Plate	2
10	4679000161	Pad	4
11	4679000158	Pad	4
12	3706000177	Plate	1
13	3706000178	Plate	1
14	4679000206	Pad	2
15	4706003144	Plate	2
16	7114140418	Capscrew, 0.25"-20NC x 0.50"	8
17	3706000179	Plate - LH	1
18	3706000180	Plate - RH	1
19	4679000205	Pad	2
20	4706003719	Plate	2
21	7105180850	Capscrew, 0.50"-20NF x 1.00"	8
22	7950170153	Flatwasher, 0.50" ID	8
23	4706002467	Plate	1
24	7115140650	Capscrew, 0.25"-20NC x 0.75"	4
25	7950140000	Lockwasher, 0.25" ID	4
26	7440030000	Grease Fitting	1
27	7786000008	Screw, 0.50"-20NF x 1.25"	6
28	7660180230	Nut, 0.50"-20NF	6
29	4706003709	Plate	4
30	4706003721	Plate	4
31	4706003722	Plate	4
32	4706003723	Plate	4
33	4706003724	Plate	4
34	4706003725	Plate	2
35	4706003720	Plate	2
36	7661000019	U-Nut, 0.25"-20NC	4

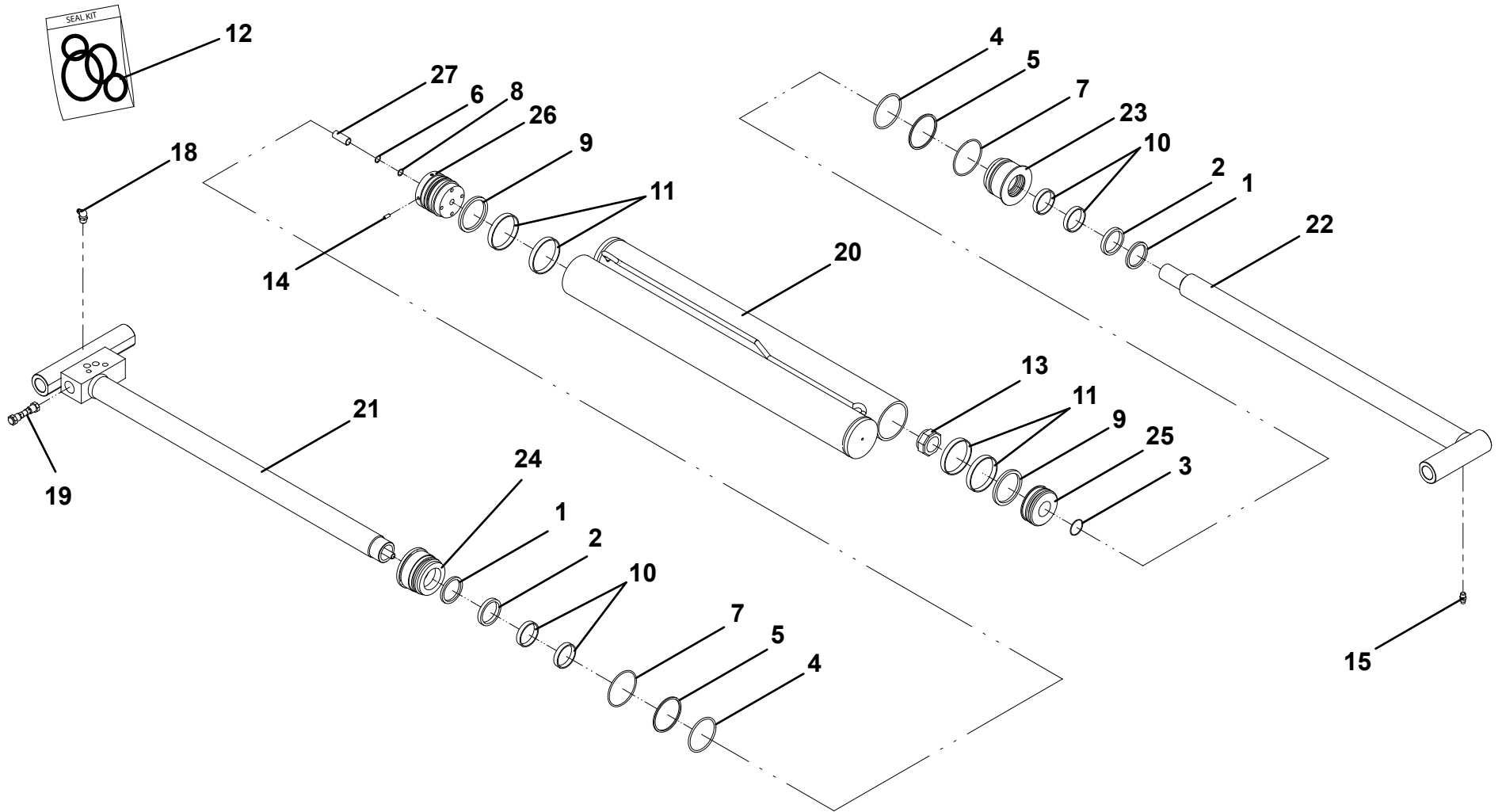
# UNDERLIFT ASSEMBLY - 3170000220 - 35,000 LB



**UNDERLIFT EXTENSION CYLINDER ASSEMBLY - 7320000042**

ITEM	PART NO.	DESCRIPTION	QTY
1	9796250080	Seal, Wiper	2
2	7019828	Seal	2
3	9796250133	Seal, "O" Ring	1
4	7019846	Seal, "O" Ring	2
5	7019845	Ring, Back-up	2
6	9796250135	Seal, "O" Ring	2
7	7019844	Seal, "O" Ring	2
8	9796250137	Seal, "O" Ring	2
9	9796250138	Seal	2
10	9754250015	Ring, Wear	4
11	9754250049	Ring, Wear	4
12	7577250271	Kit, Seal	1
13	7003212	Locknut	1
14	7003281	Setscrew	4
15	7005348	Grease Fitting	1
16	70050365	Plug, Port	2
17	70021648	Plug, Port	2
18	7440030400	Grease Fitting	1
19	9935250025	Kit, Check Cartridge	1
20	9912250021	Assembly, Tube	1
21	9763250025	Assembly, Rod	1
22	9763250026	Assembly, Rod-Tube	1
23	9553250015	Head	1
24	9553250016	Head	1
25	9698250018	Piston	1
26	9698250019	Piston	1
27	9007250005	Adapter, RT Tube	1

# UNDERLIFT EXTENSION CYLINDER ASSEMBLY - 732000042



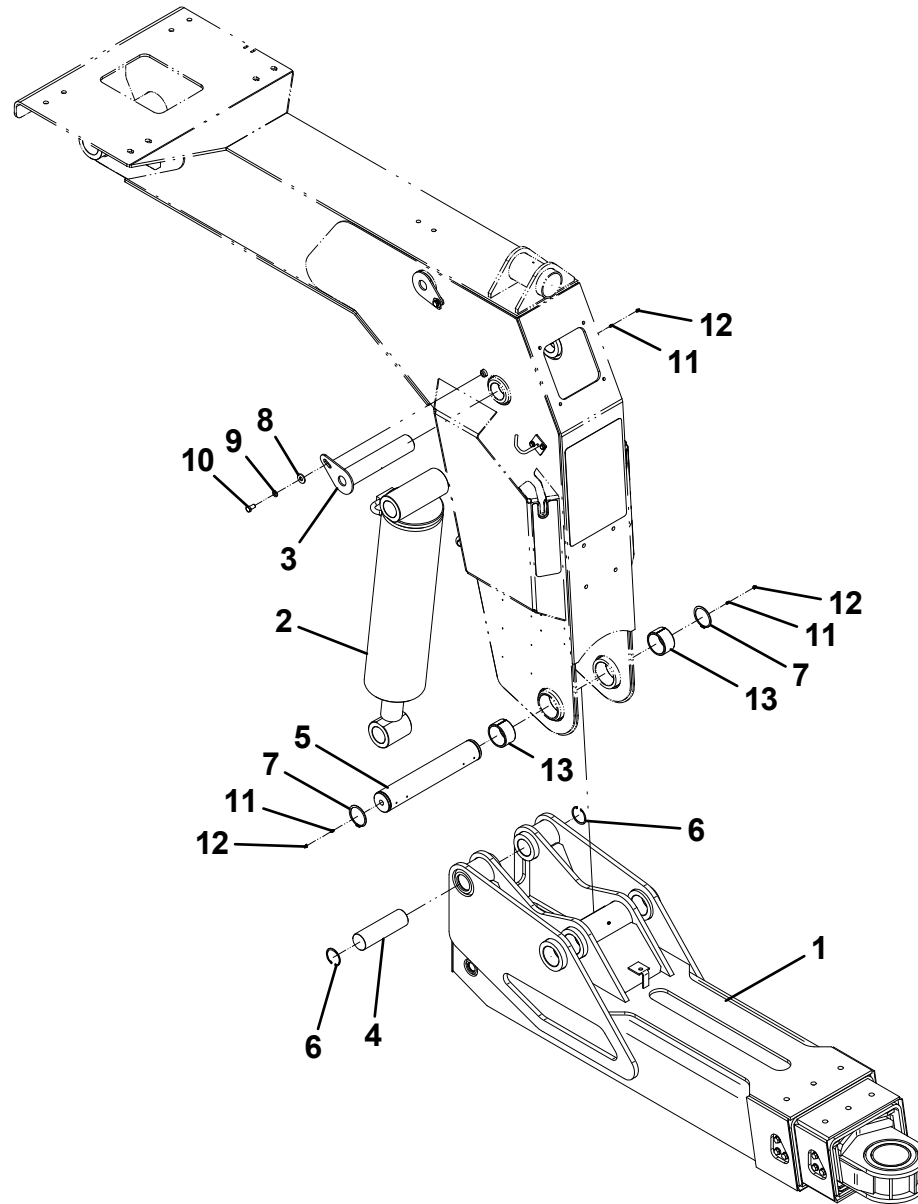
Items #16 and #17, not shown

**UNDERLIFT INSTALLATION - 53,000/56,500 LB**

ITEM	PART NO.	DESCRIPTION	QTY
1	3507100001	Underlift Boom Assembly - 53,000 LB	1
	3170000407	Underlift Boom Assembly - 56,500 LB	
2	7320000096	Underlift Tilt Cylinder Assembly	1
3	3691000232	Pin	1
4	4691000290	Pin	1
5	4691000291	Pin	1
6	7754000051	Retaining Ring	2
7	7754000018	Retaining Ring	2
8	7950220141	Flatwasher, 0.75" ID	1
9	7950000000	Lockwasher, 0.75" ID	1
10	7115220850	Capscrew, 0.75"-10NC x 1.00"	1
11	7440030000	Grease Fitting	2
12	7253000002	Cap, Grease Fitting	2
13	7209000029	Bushing	2



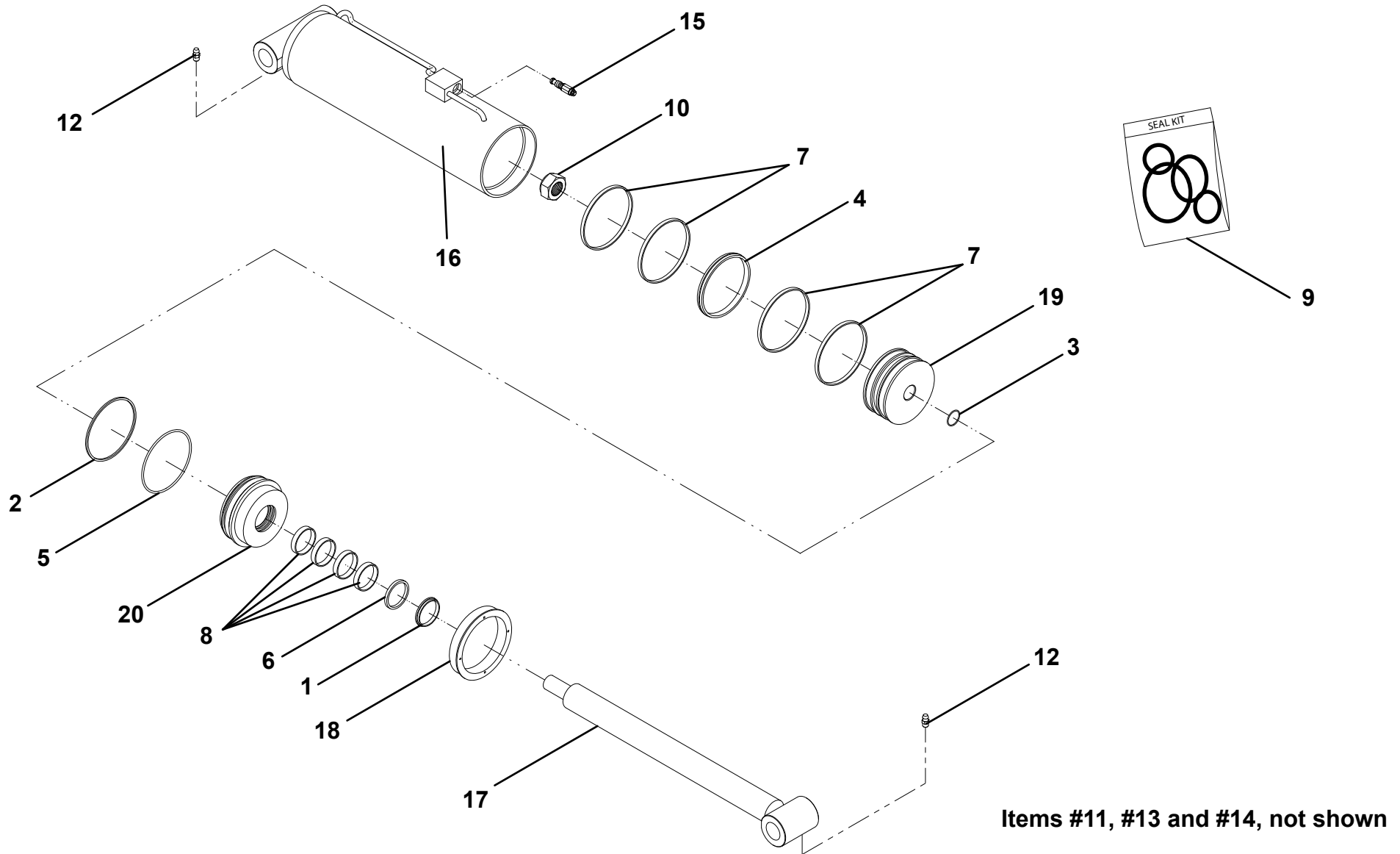
# UNDERLIFT INSTALLATION - 53,000/56,500 LB



**UNDERLIFT TILT CYLINDER ASSEMBLY - 7320000096**

ITEM	PART NO.	DESCRIPTION	QTY
1	9796250083	Seal, Wiper	1
2	9754250011	Ring, Back-up	1
3	9796250062	Seal, "O" Ring	1
4	70050544	Seal	1
5	9796250068	Seal, "O" Ring	1
6	70050545	Seal	1
7	9754250017	Ring, Wear	4
8	80004049	Ring, Wear	4
9	7577000063	Kit, Seal	1
10	7005314	Locknut	1
11	70021757	Setscrew	1
12	7005348	Grease Fitting	2
13	70021648	Plug, Port	2
14	7005365	Plug, Port	1
15	70050215	Valve, Counterbalance	1
16	70050594	Assembly, Tube	1
17	70050595	Assembly, Rod	1
18	9254250007	Headcap	1
19	70050548	Piston	1
20	70050549	Head	1

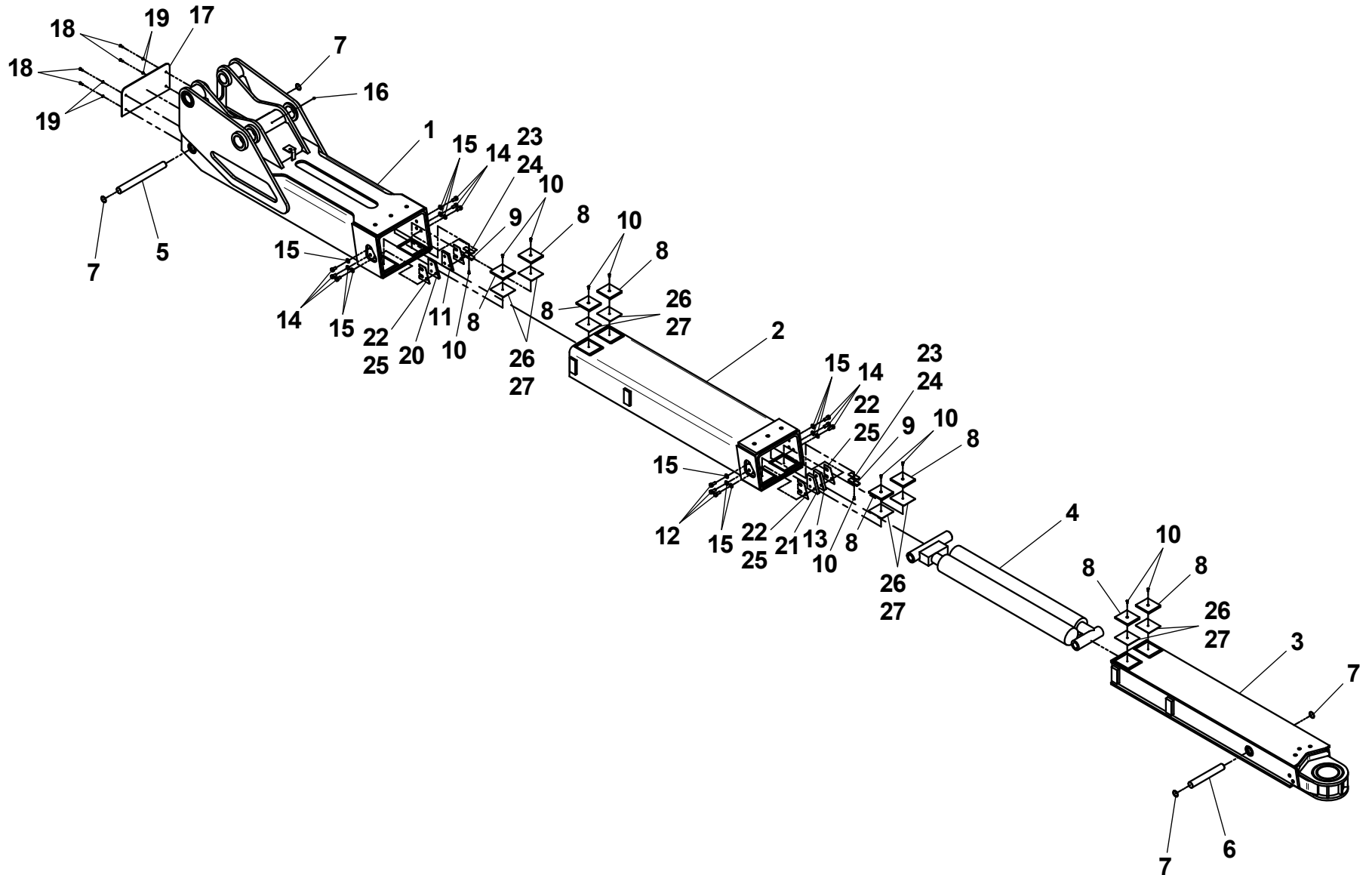
# UNDERLIFT TILT CYLINDER ASSEMBLY - 732000096



**UNDERLIFT ASSEMBLY - 3507100001 - 53,000 LB**

ITEM	PART NO.	DESCRIPTION	QTY
1	3170000125	Base Section Boom Weldment	1
2	3170000124	Mid Section Boom Weldment	1
3	3170000123	Fly Section Boom Weldment	1
4	7320000026	Underlift Extension Cylinder Assembly	1
5	4691000292	Pin	1
6	4691000293	Pin	1
7	7754000043	Retaining Ring	4
8	4679000146	Pad	8
9	4679000147	Pad	2
10	7114140518	Capscrew, 0.25"-20NC x 0.63"	10
11	4706002209	Plate	1
12	7108181050	Capscrew, 0.50"-20NF x 1.25"	6
13	4706002208	Plate	1
14	7108180850	Capscrew, 0.50"-20NF x 1.00"	6
15	7950180153	Flatwasher, 0.50" ID	12
16	7440030000	Grease Fitting	1
17	4706002207	Plate	1
18	7115140650	Plate	4
19	7950140000	Lockwasher, 0.25" ID	4
20	4706002211	Plate	1
21	4706002210	Plate	1
22	4812000057	Shim, 14GA	2
23	4706003708	Plate	2
24	4706003709	Plate	2
25	4706003710	Plate	4
26	4706003717	Plate	8
27	4706003718	Plate	8

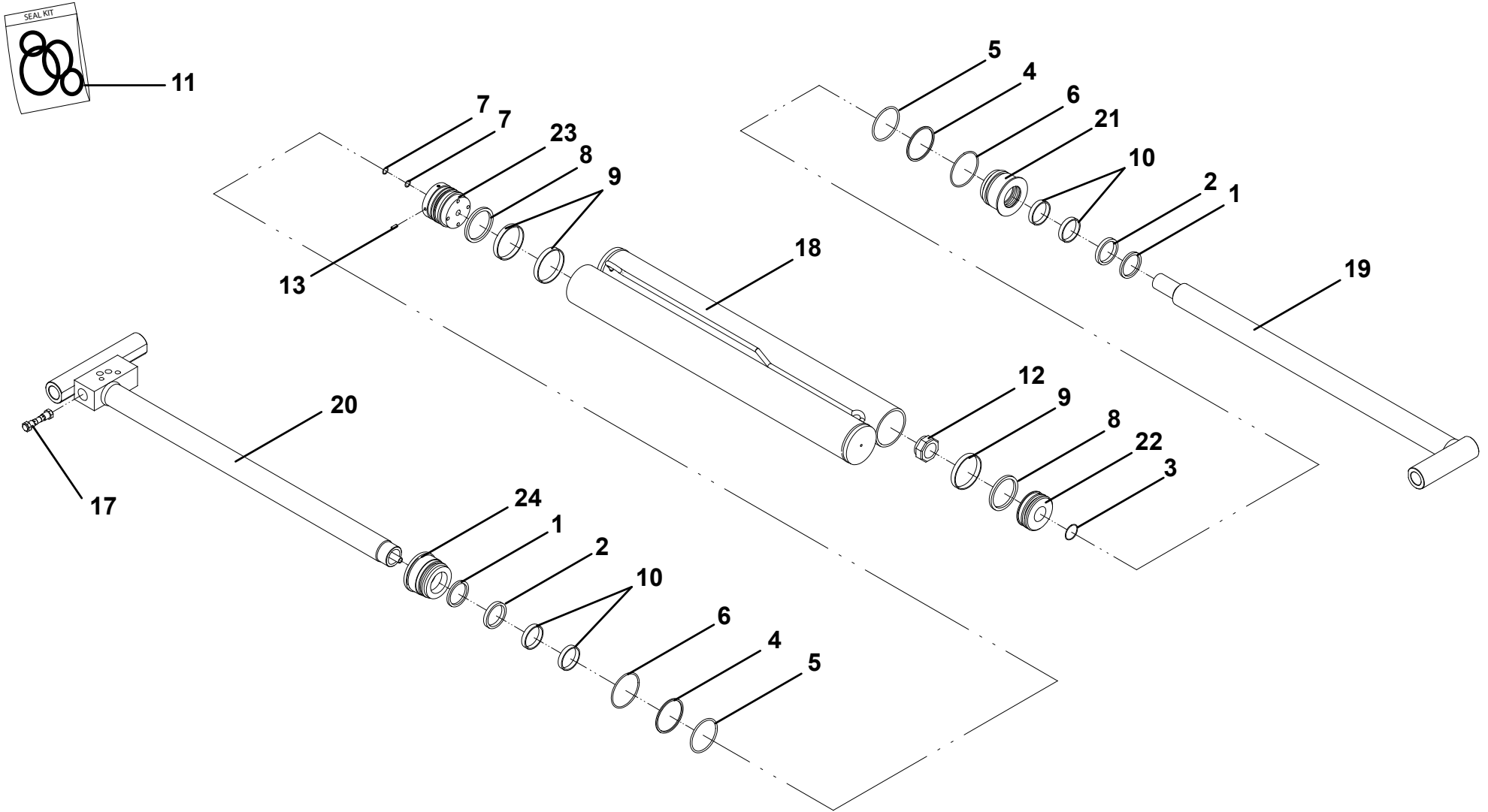
# UNDERLIFT ASSEMBLY - 3507100001 - 53,000 LB



**UNDERLIFT EXTENSION CYLINDER ASSEMBLY - 732000026**

ITEM	PART NO.	DESCRIPTION	QTY
1	9796250081	Seal, Wiper	2
2	7019829	Seal	2
3	7023518	Seal, "O" Ring	1
4	9754250009	Ring, Back-up	2
5	9796250057	Seal, "O" Ring	2
6	9796250058	Seal, "O" Ring	2
7	70050534	Seal, "O" Ring	2
8	9796250073	Seal	2
9	9754250014	Ring, Wear	3
10	70050568	Ring, Wear	4
11	7577250334	Kit, Seal	1
12	7003116	Locknut	1
13	70050535	Setscrew	4
14	7005348	Grease Fitting	2
15	7005365	Plug, Port	2
16	70021648	Plug, Port	2
17	9935250025	Kit, Check Cartridge	1
18	70050536	Assembly, Tube	1
19	70050537	Assembly, Rod	1
20	70050538	Assembly, Rod-Tube	1
21	9553250010	Head	1
22	7024101	Piston	1
23	70050540	Piston	1
24	70050541	Head	1

# UNDERLIFT EXTENSION CYLINDER ASSEMBLY - 732000026



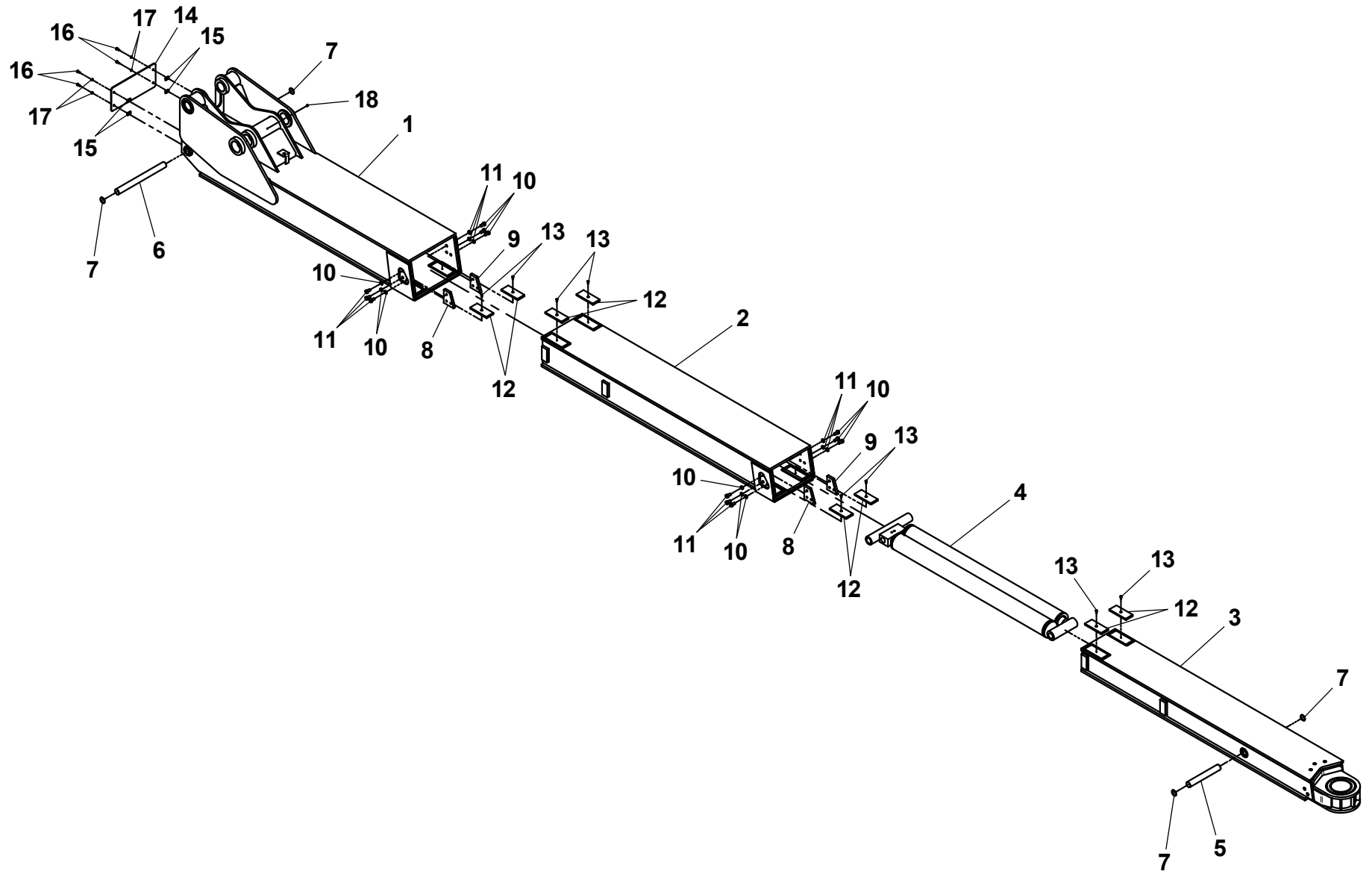
Items #14, #15 and #16, not shown

**UNDERLIFT ASSEMBLY - 3170000407 - 56,500 LB**

ITEM	PART NO.	DESCRIPTION	QTY
1	3170000400	Base Section Boom Weldment	1
2	3170000401	Mid Section Boom Weldment	1
3	3170000406	Fly Section Boom Weldment	1
4	7320000068	Underlift Extension Cylinder Assembly	1
5	4691000293	Pin	1
6	4691000321	Pin	1
7	7754000043	Retaining Ring	4
8	4706005262	Plate	2
9	4706005263	Plate	2
10	7108180850	Capscrew, 0.50"-20NF x 1.00"	12
11	7950180000	Lockwasher, 0.50" ID	12
12	4679000277	Pad, 0.38" Thk	8
	4679000293	Pad, 0.25" Thk	
13	7114140518	Capscrew, 0.25"-20NC x 0.63"	8
14	4706005281	Plate	1
15	7661000019	U-Nut, 0.25"-20NC	4
16	7115140650	Capscrew, 0.25"-20NC x 0.75"	4
17	7950140000	Lockwasher, 0.25" ID	4
18	7440030000	Grease Fitting	1



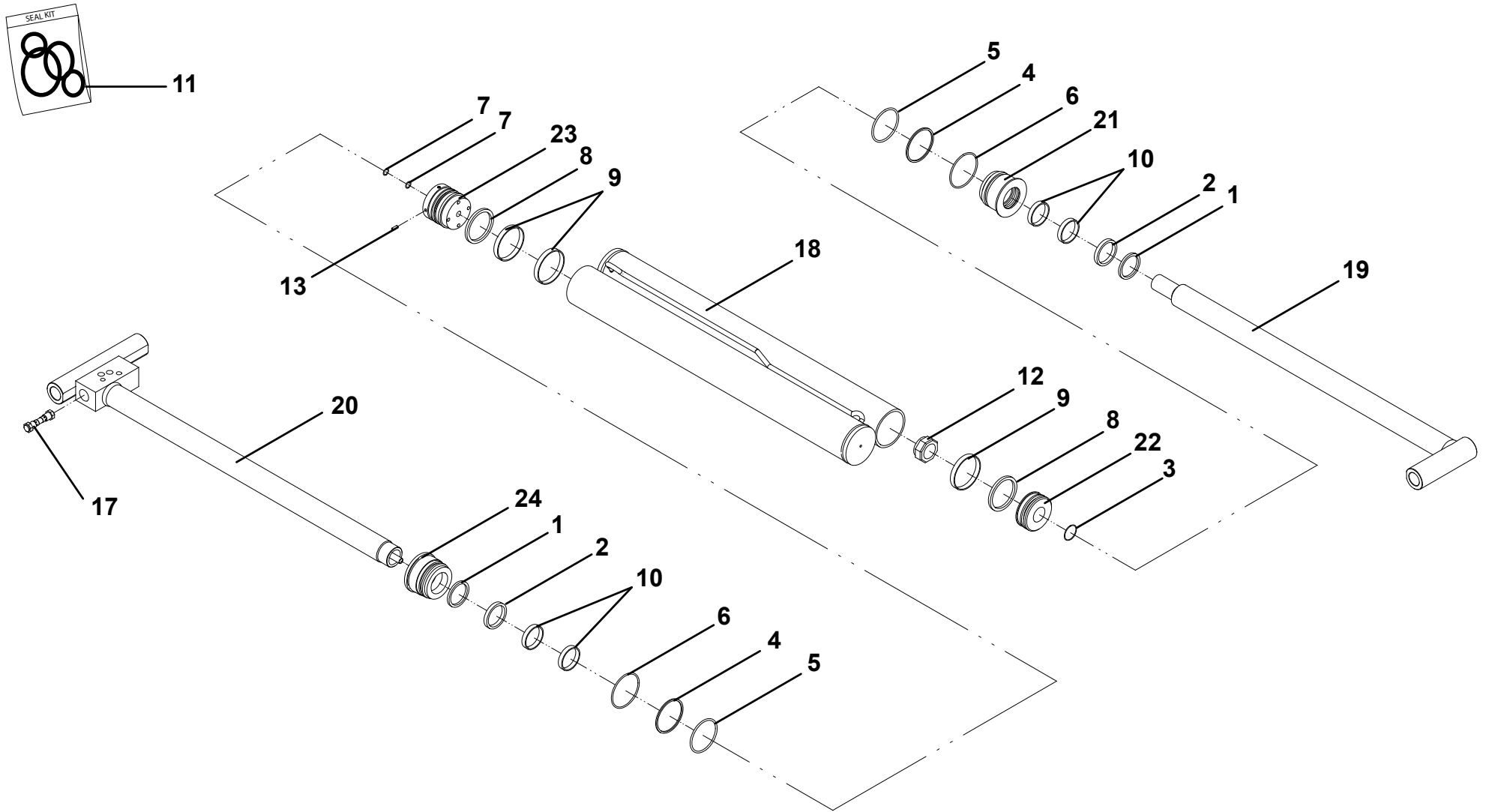
# UNDERLIFT ASSEMBLY - 3170000407 - 56,500 LB



**UNDERLIFT EXTENSION CYLINDER ASSEMBLY - 7320000068**

ITEM	PART NO.	DESCRIPTION	QTY
1	9796250081	Seal, Wiper	2
2	7019829	Seal	2
3	7023518	Seal, "O" Ring	1
4	9754250009	Ring, Back-up	2
5	9796250057	Seal, "O" Ring	2
6	9796250058	Seal, "O" Ring	2
7	70050534	Seal, "O" Ring	2
8	9796250073	Seal	2
9	9754250014	Ring, Wear	3
10	80004056	Ring, Wear	4
11	7577250334	Kit, Seal	1
12	7003116	Locknut	1
13	70050535	Setscrew	4
14	7005348	Grease Fitting	2
15	7005365	Plug, Port	2
16	70021648	Plug, Port	2
17	9935250025	Kit, Check Cartridge	1
18	70050550	Assembly, Tube	1
19	70050551	Assembly, Rod	1
20	70050552	Assembly, Rod-Tube	1
21	9553250010	Head	1
22	7024101	Piston	1
23	70050540	Piston	1
24	70050541	Head	1

# UNDERLIFT EXTENSION CYLINDER ASSEMBLY - 7320000068



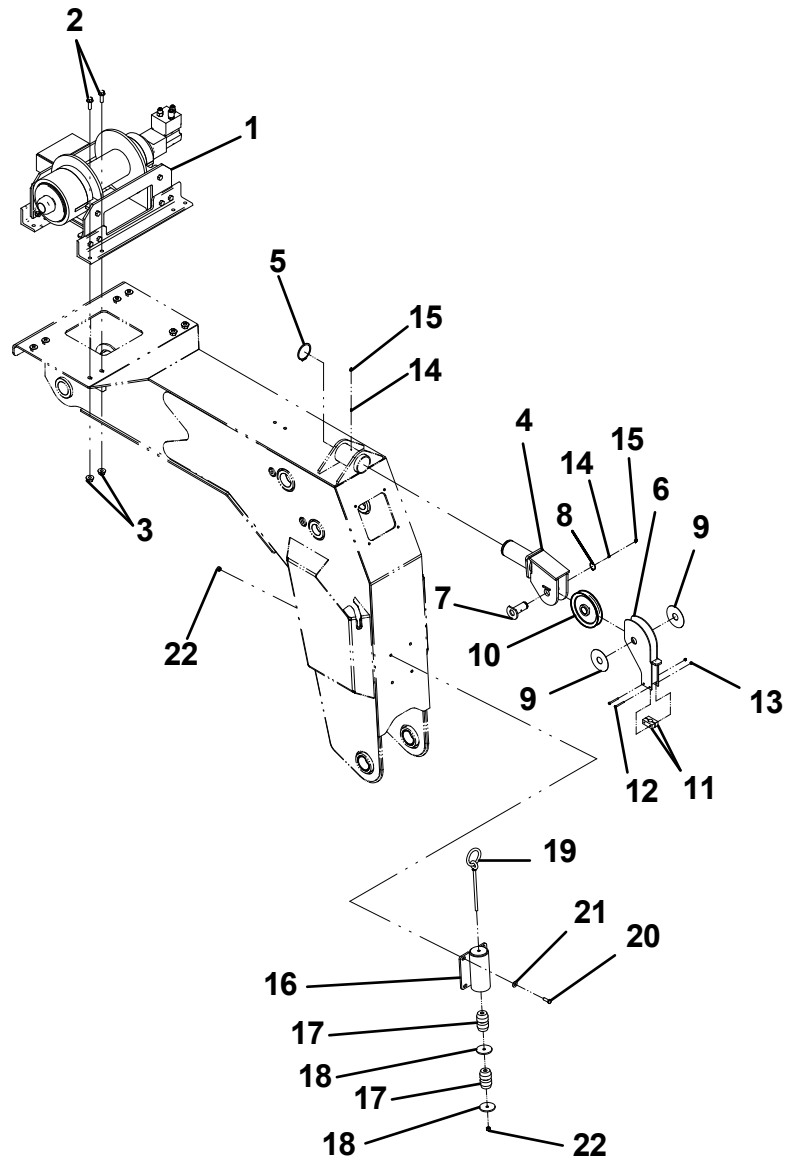
Items #14, #15 and #16, not shown

**DRAG WINCH INSTALLATION**

ITEM	PART NO.	DESCRIPTION	QTY
1	7970000069	Winch - DP35	1
2	7118201616	Capscrew, 0.63"-11NC x 2.00"	8
3	7661000018	Nut, 0.63"-11NC	8
4	3249000015	Sheave Support	1
5	7754000049	Retaining Ring	1
6	3249000012	Cable Guide Weldment	1
7	3691000169	Pin	1
8	7754000058	Retaining Ring	1
9	4949000045	Washer, 5.00" OD x 1.53" ID	2
10	7809000006	Sheave	1
11	4249000002	Cable Guide	2
12	7115142050	Capscrew, 0.25"-20NC x 2.50"	2
13	7660142604	Locknut, 0.25"-20NC	2
14	7440030000	Grease Fitting	2
15	7253000002	Grease Fitting Cap	2
16	3912000034*	Tie Back Tube	1
17	7189000014*	Spring	2
18	4831000115*	Spacer	2
19	7120000053*	Ring Bolt, 0.50"-13NC x 10.00"	1
20	7115181250*	Capscrew, 0.50"-13NC x 1.50"	4
21	7950180150*	Flatwasher, 0.50" ID	4
22	7660182601*	Locknut, 0.50"-13NC	5

\* Item Sold as Complete Assembly - 3249000038

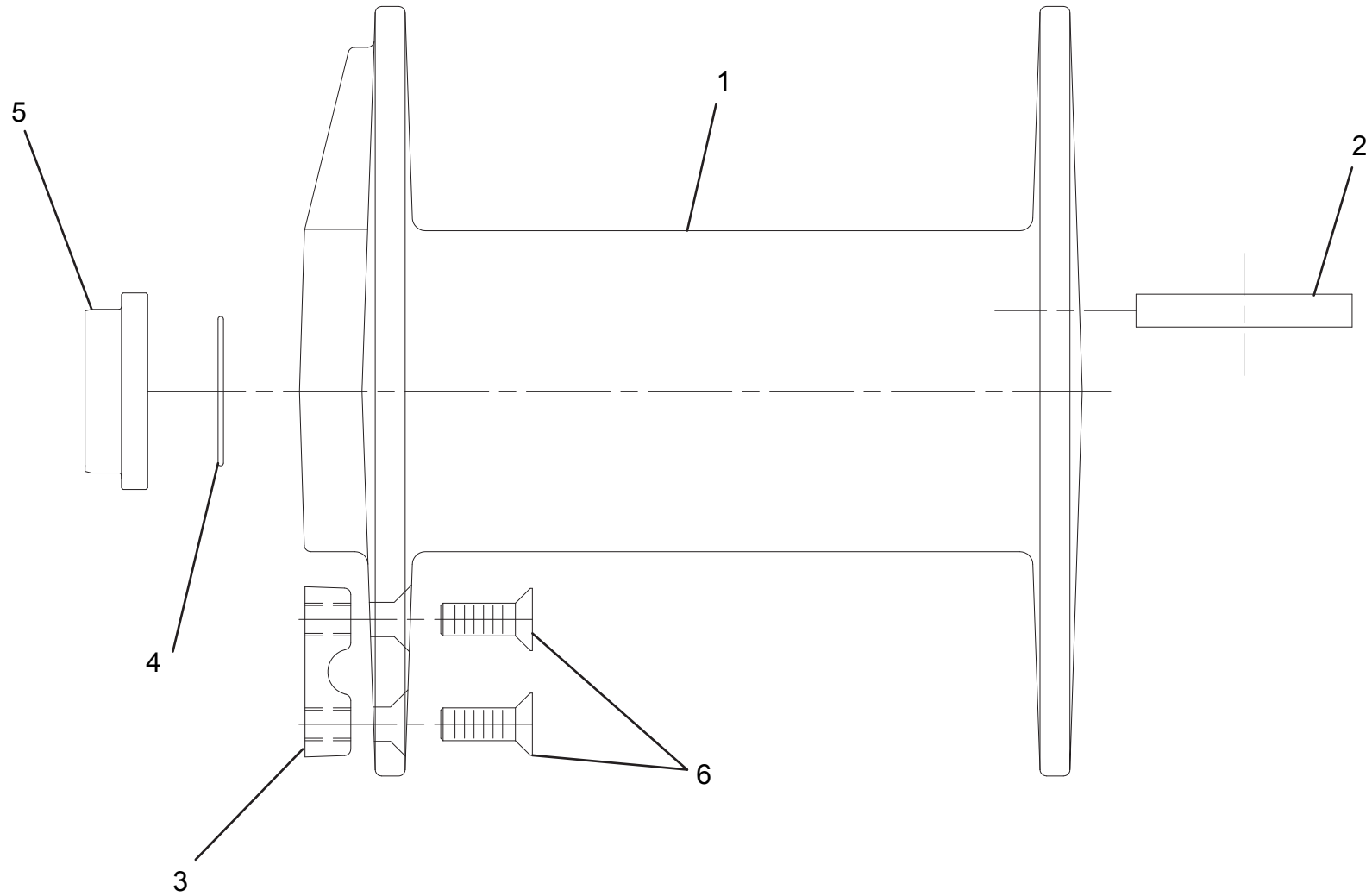
# DRAG WINCH INSTALLATION



**DP WINCH 35K - CABLE WINCH DRUM INSTALLATION**

ITEM	PART NO.	DESCRIPTION	QTY
1	9970960020	Drum	1
2	9575960012	Key, Drum	2
3	9280960002	Clip	1
4	9796960089	O-Ring, 2.50" ID	1
5	9831960018	Spacer	1
6	7110201423	Capscrew, 0.63"-11NC x 1.75"	2

# DP WINCH 35K - CABLE DRUM INSTALLATION

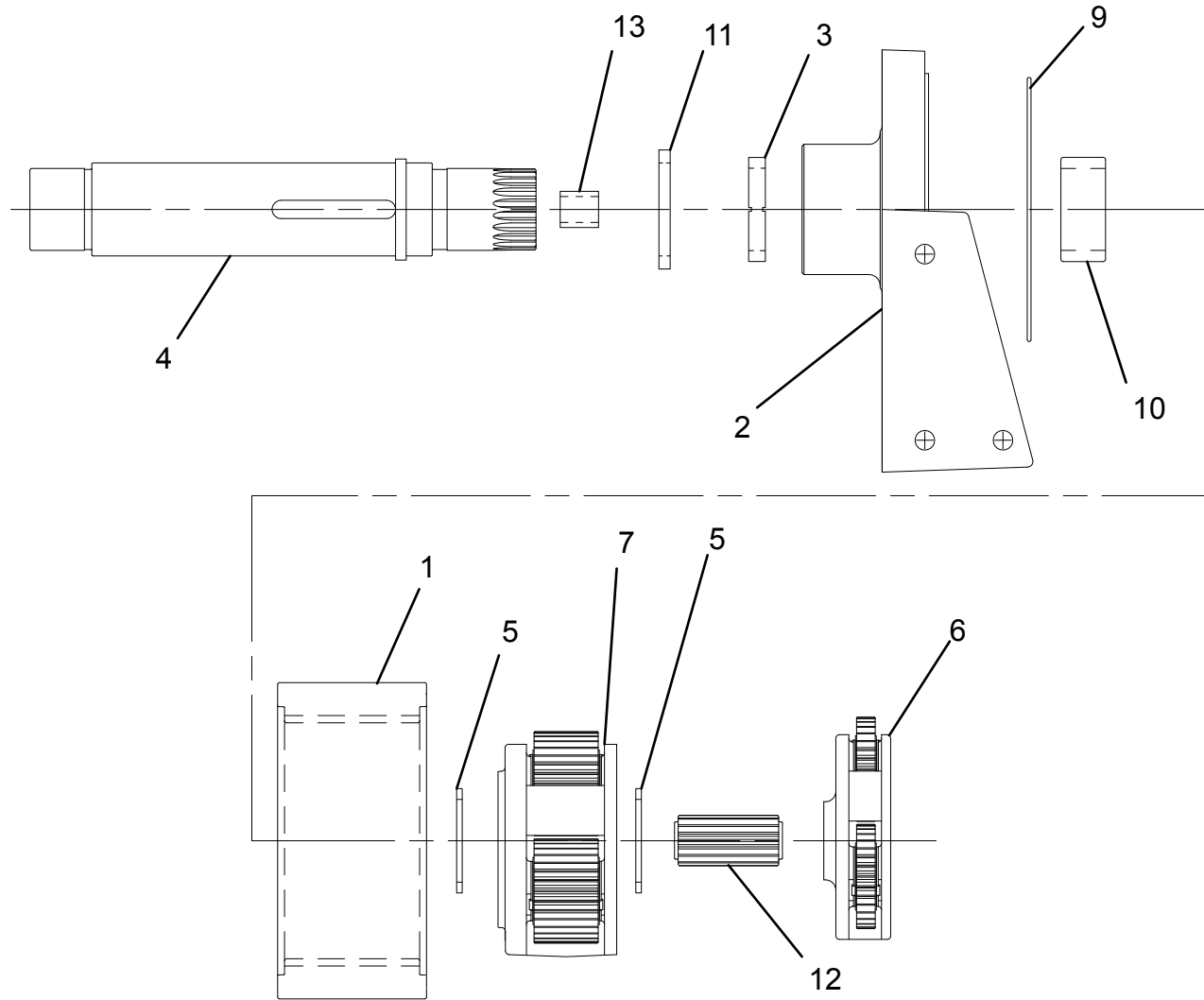


**DP WINCH 35K - GEAR END INSTALLATION**

ITEM	PART NO.	DESCRIPTION	QTY
1	9472960056	Gear	1
2	9177960003	Support, Gear End	1
3	9949960028	Thrust Washer, 3.82" OD x 0.046"	1
4	9806960021	Shaft, Output	1
5	9949960027	Thrust Washer, 3.50" OD x 0.19"	2
6	9472960052	Carrier Assembly, Primary	1
7	9472960053	Carrier Assembly, Secondary	1
8	9330960006	Label, Warning	1
9	9796960120	O-Ring, 8.75" ID	1
10	9082960018	Bearing	1
11	9796960121	Seal, 3.13" ID x 0.38"	1
12	9472960055	Gear, Sun Secondary	1
13	9209960025	Bushing	1



# DP WINCH 35K - GEAR END INSTALLATION

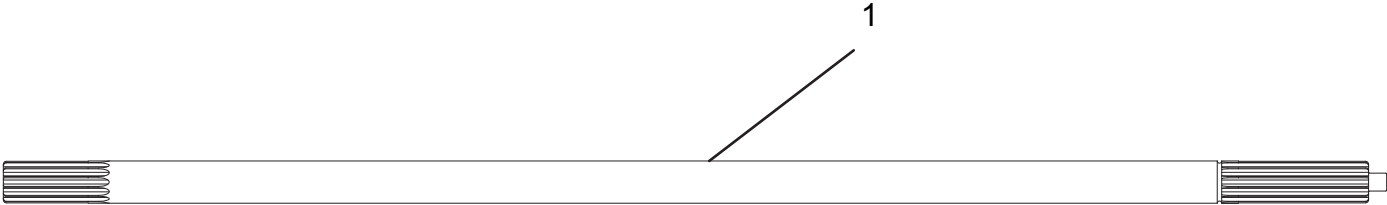


Items #8 not shown

**DP WINCH 35K - INPUT SHAFT INSTALLATION**

ITEM	PART NO.	DESCRIPTION	QTY
1	9806960020	Input Shaft	1

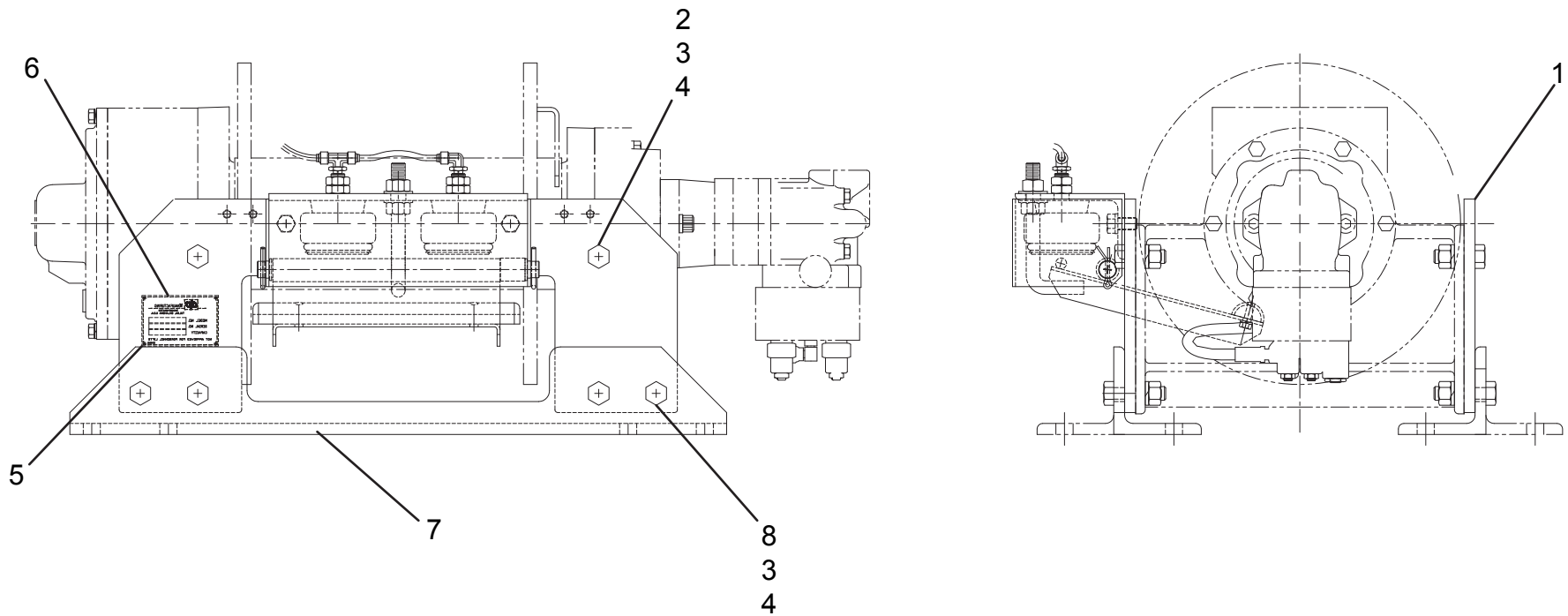
**DP WINCH 35K - INPUT SHAFT INSTALLATION**



**DP WINCH 35K - BASE MOUNT INSTALLATION**

ITEM	PART NO.	DESCRIPTION	QTY
1	9073960003	Base Mount	2
2	7115201850	Capscrew, 0.63"-11NC x 2.25"	4
3	7660200001	Nut, 0.63"-11NC	12
4	7950200000	Lockwasher, 0.63" ID	12
5	70050147	Rivet	4
6	70050384	Plate, Winch ID	1
7	9073960004	Base Mount	2
8	7115202250	Capscrew, 0.63"-11NC x 2.75"	8

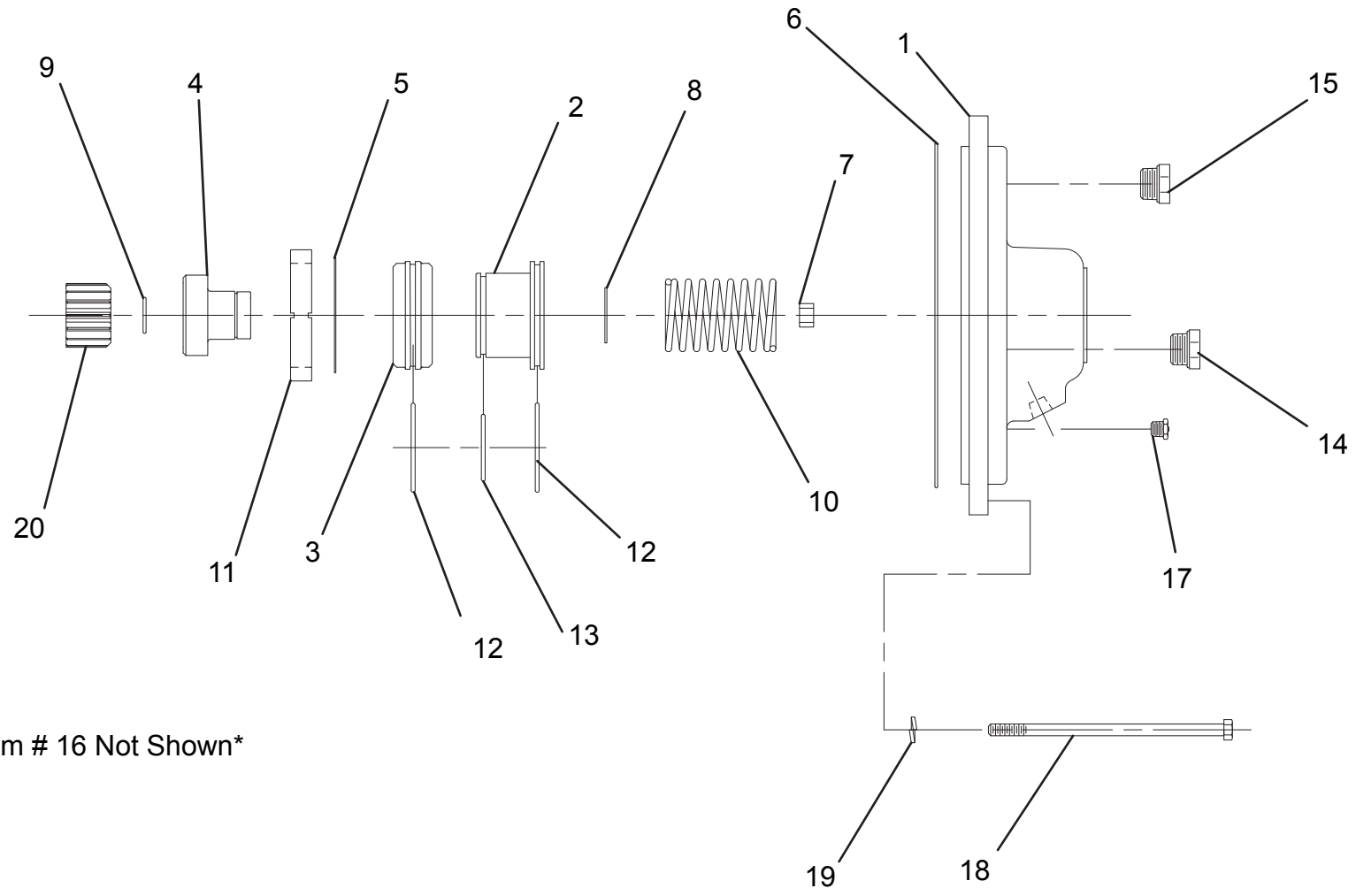
# DP WINCH 35K - BASE MOUNT INSTALLATION



**DP WINCH 35K - GEAR END COVER INSTALLATION**

ITEM	PART NO.	DESCRIPTION	QTY
1	9314960022	Cover, Gear End	1
2	9698960016	Piston	1
3	9698960015	Cylinder, Piston	1
4	9309960011	Coupling	1
5	9754960026	Retainer Ring	1
6	9796960120	O-Ring, 8.75" ID	1
7	9209960026	Bushing	1
8	9754960046	Retainer Ring	1
9	9754960047	Retainer Ring	1
10	9843960032	Spring	1
11	9949960028	Thrust Washer	1
12	9796960119	O-Ring, 2.63" ID	2
13	9796960118	O-Ring, 2.13" ID	1
14	9701960011	Plug	1
15	9701960012	Plug	1
16	9701960018	Plug	1
17	9183960001	Vent	1
18	7118165250	Capscrew, 0.38"-16NC x 6.50"	12
19	7950160000	Lockwasher, 0.38" ID	12
20	9472960054	Gear, 15 Teeth	1

# DP WINCH 35K - GEAR END COVER INSTALLATION



\*Item # 16 Not Shown\*

**DP WINCH - MOTOR END INSTALLATION**

ITEM	PART NO.	DESCRIPTION	QTY
1	70050399	Motor, Hydraulic	1
2	70050368	Valve, Counterbalance	1
3	9571960006	Brake Housing	1
4	9177960004	Support, Motor End	1
5	6906960019	Shaft Brake	1
6	9698960008	Piston, Brake	1
7	#	Plate, Friction Disc	10
8	#	Plate, Drive Brake	9
9	9691960021	Pin	2
10	##	O-Ring, 6.75" ID	1
11	##	O-Ring, 6.50" ID	1
12	##	O-Ring, 5.38" ID	2
13	##	Ring, Back-Up 6.50" ID	1
14	##	Ring, Back-Up 5.278" ID	1
15	70050371	Cartridge	1
16	9082960013	Bearing, 1.75" ID	2
17	#	Compression Spring	12
18	7118181205	Capscrew, 0.50"-13NC x 1.50"	2
19	7950180800	Lockwasher, 0.50" ID	2
20	7118172050	Capscrew, 0.44"-14NC x 2.50"	6
21	7950170000	Lockwasher, 0.44" ID	6
22	70050370	Capscrew, 0.38"-24NF x 2.50"	4
23	7445040445	Adapter	3
24	70050400	Hose	1
25	70050401*	Tag, Warning	1
26	9082960018	Bearing	1
27	<	Seal, 3.13" ID	1
28	9935960026	Cartridge	2
29	9949960028	Thrust Washer	1
30	<	O-Ring, 3.00" ID	1
31	70050372	Hose	1
32	9443960006	Adapter	1
33	70050369<	O-Ring, 1.13" ID	2
34	9796960088<	O-Ring, 0.82" ID	2

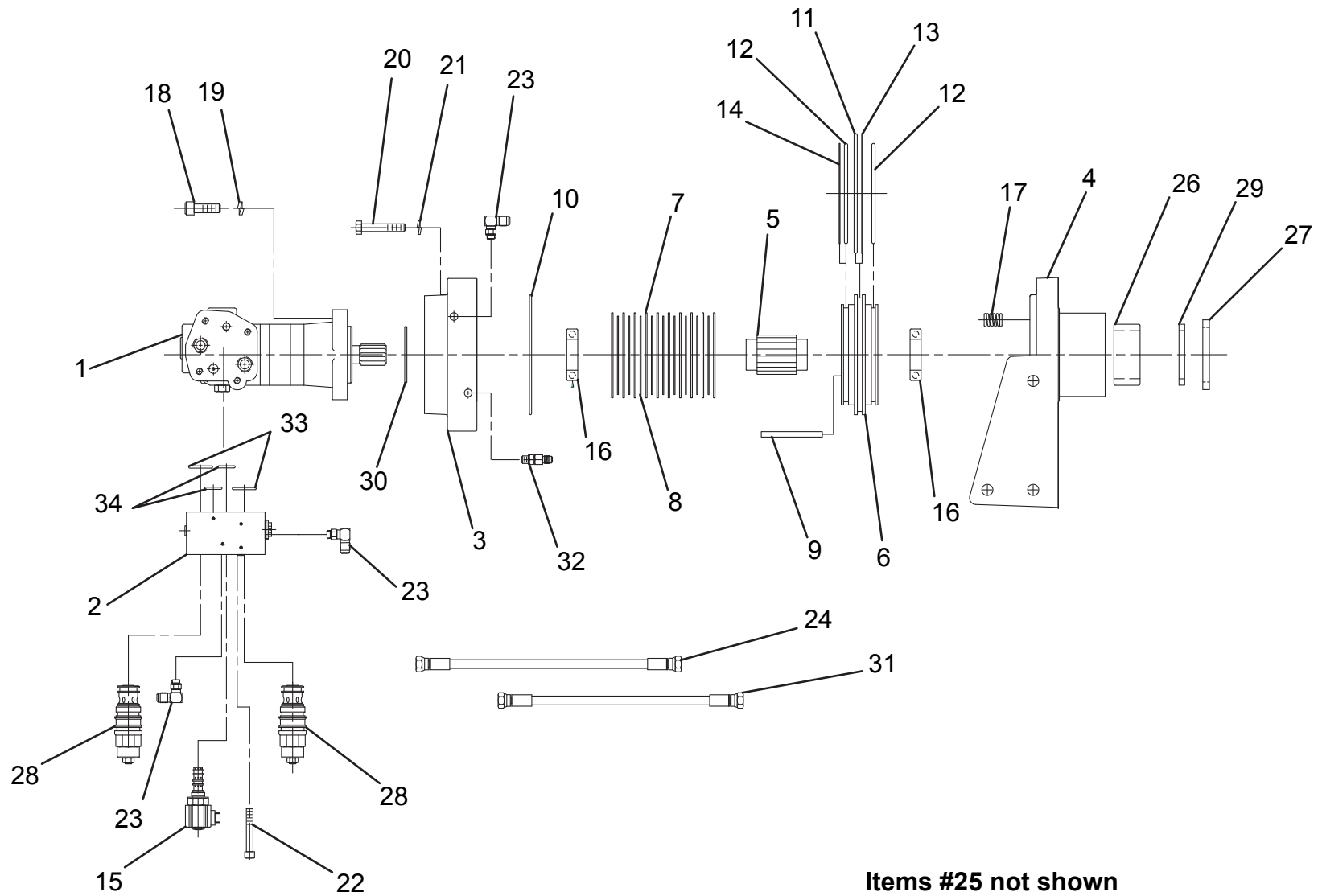
< Part Sold With Winch Service Kit - 70050402

# Part Sold With Disk & Spring Kit - 9577960139

## Part Sold With Brake Seal Kit - 9577960120



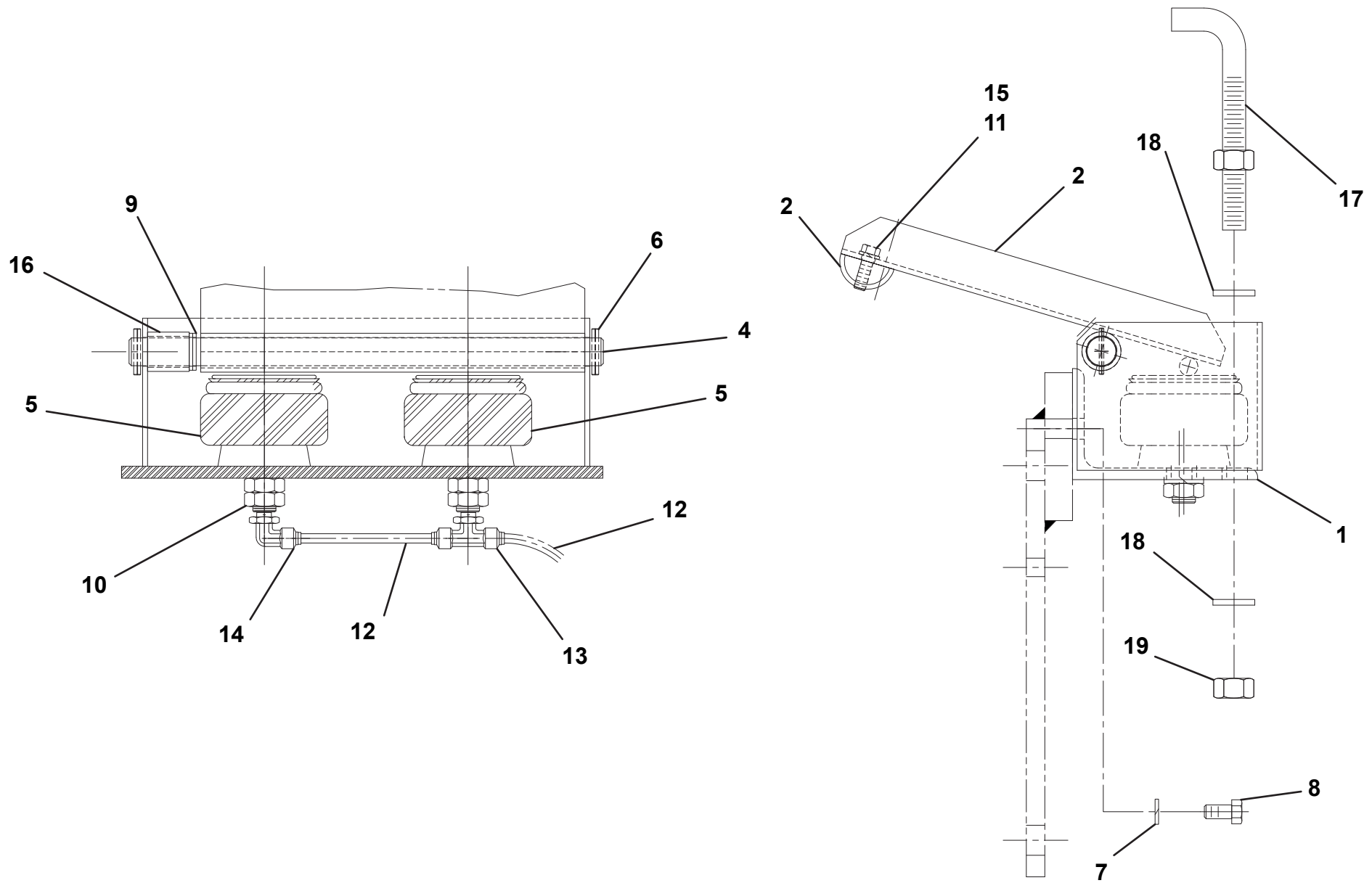
# DP WINCH - MOTOR END INSTALLATION



**DP WINCH - CABLE HOLD DOWN KIT**

ITEM	PART NO.	DESCRIPTION	QTY
1	9178960011	Mounting Bracket	1
2	9020960002	Pivot Arm	1
3	9064960007	Rub Bar	1
4	9691960019	Pin	1
5	9843960023	Air Spring	2
6	9690960039	Cotter Pin	2
7	7950180000	Lockwasher, 0.50" ID	2
8	7115181650	Capscrew, 0.50"-13NC x 1.00"	2
9	9949960012	Thrust Washer	2
10	7660200200	Nut, 0.63"-11NC	4
11	9120960063	Capscrew, 0.32"-18NC x 1.00"	2
12	9912960010	Tubing	3
13	7443000205	Adapter	3
14	7443000204	Adapter	1
15	9949960050	Lockwasher, 0.32" ID	2
16	9831960009	Spacer	1
17	9120960019	Anchor Bolt	1
18	7950200151	Flatwasher, 0.63" ID	2
19	7660200001	Nut, 0.63"-11NC	1

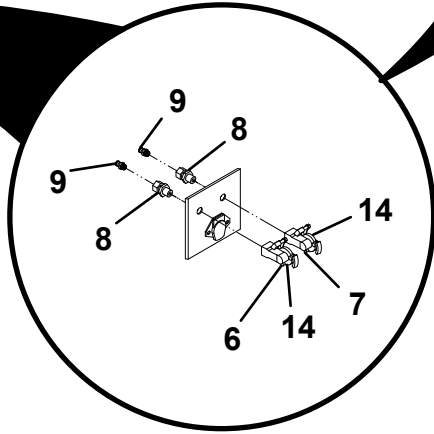
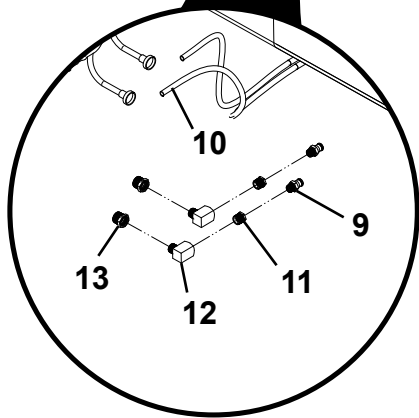
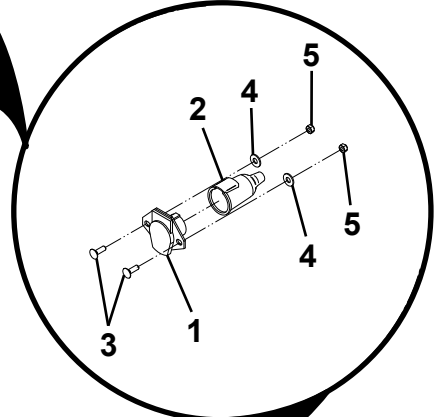
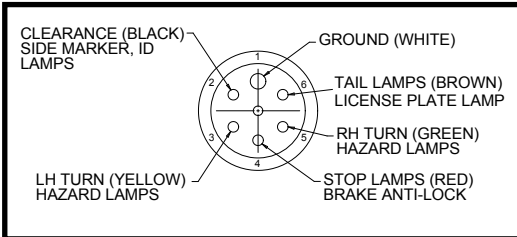
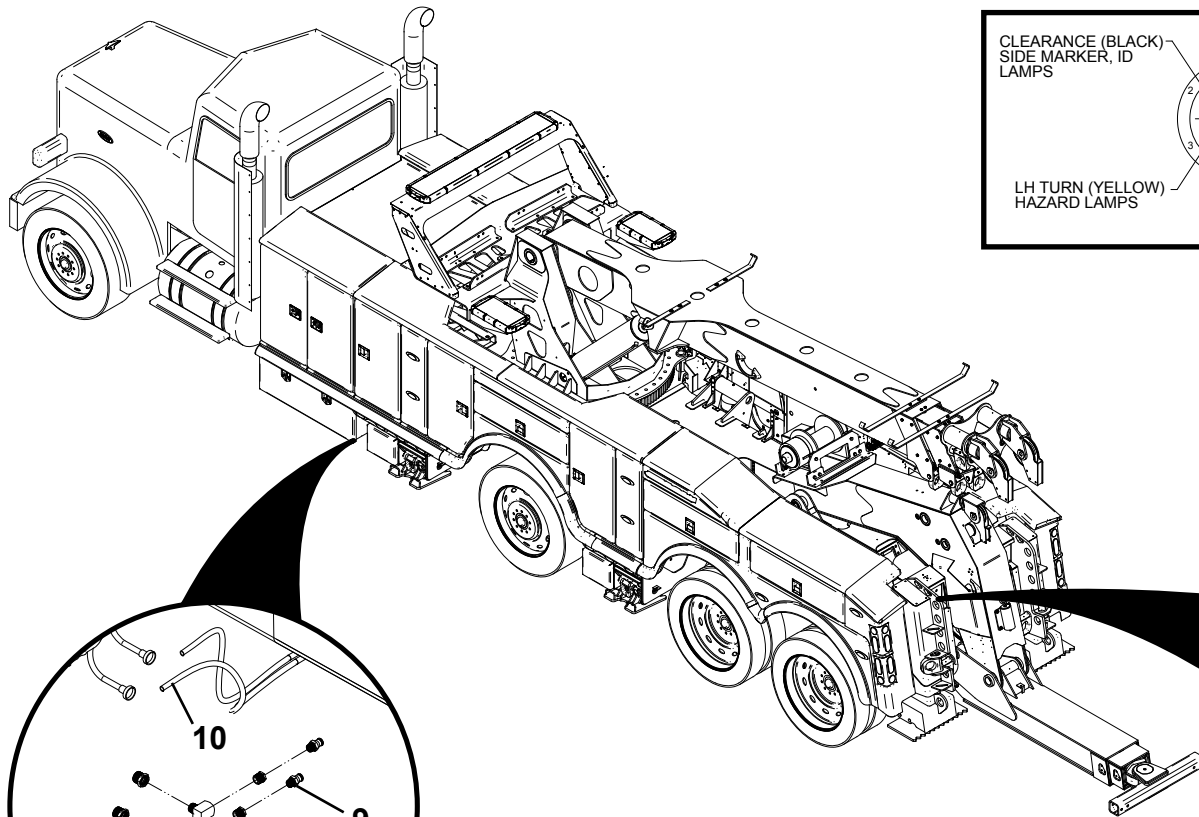
# DP WINCH - CABLE HOLD DOWN KIT



**TRAILER AUXILIARY INSTALLATION**

ITEM	PART NO.	DESCRIPTION	QTY
1	7346000055	Electrical Receptacle	1
2	7346000078	Electrical Boot	1
3	7115150864	Bolt, 0.31"-18NC x 1.00"	2
4	7950150161	Flatwasher, 0.31" ID	2
5	7660152601	Locknut, 0.31"-18NC	2
6	7312000015	Gladhand, Blue	1
7	7312000016	Gladhand, Red	1
8	7446502518	Fitting	2
9	7445060435	Fitting	4
10	7565000014	Airline, 0.38" OD	50ft
11	7443000148	Bushing	2
12	7443000146	Elbow	2
13	7443000145	Bushing	2
14	7577000145	Seal Kit	1

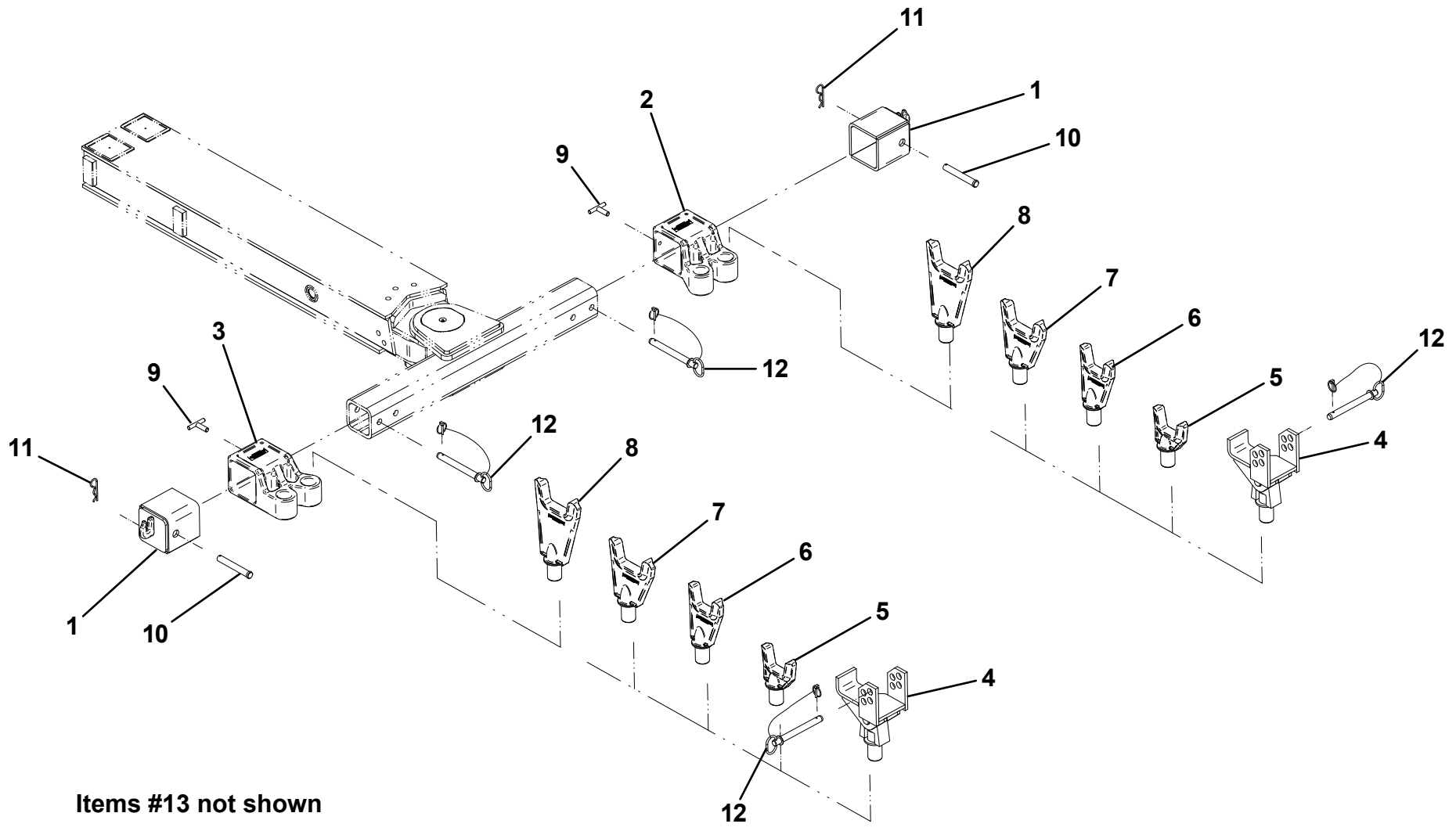
# TRAILER AUXILIARY INSTALLATION



**UNDERLIFT TOOLS - FRAME FORKS**

ITEM	PART NO.	DESCRIPTION	QTY
1	3007000004	Adapter, Chain Hook	2
2	7007000056	Adapter, Frame Fork - RH	1
3	7007000055	Adapter, Frame Fork - LH	1
4	3178000226	Spring Lift Bracket	2
5	7454000006	Fork, 3.00" Short	2
6	7454000005	Fork, 3.00" Medium	2
7	7454000003	Fork, 4.50" Medium	2
8	7454000004	Fork, 4.50" Long	2
9	3551000036	T-Handle	2
10	7691000022	Pin	2
11	7691000020	Hairpin	2
12	7691000021	Hitch Pin	2
13	7262000026	Chain, Tie-Down	2

# UNDERLIFT TOOLS - FRAME FORKS



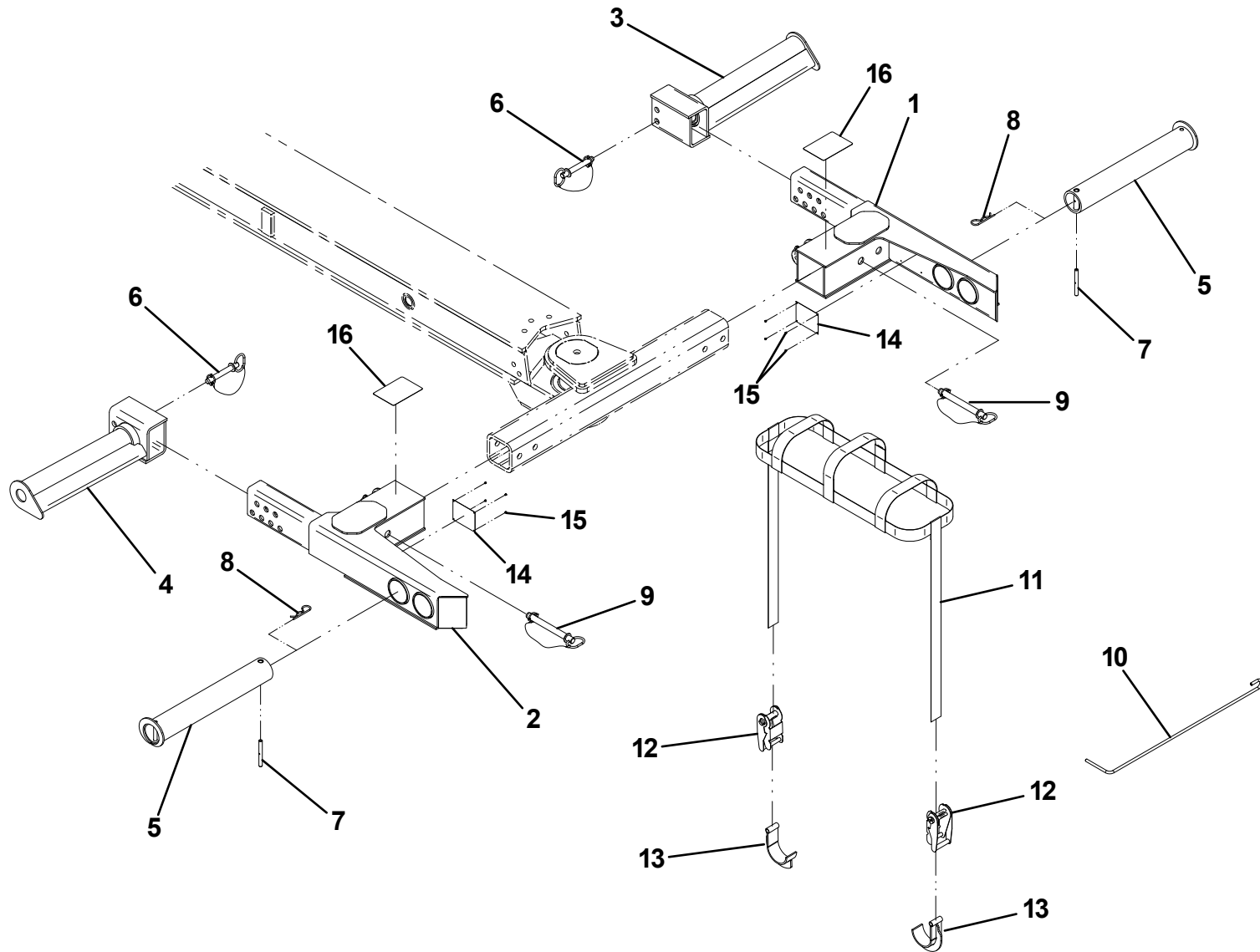
Items #13 not shown

**UNDERLIFT TOOLS - 14,000 LB TIRE LIFT**

ITEM	PART NO.	DESCRIPTION	QTY
1	3484000048	Tire Lift Grid - RH	1
2	3484000049	Tire Lift Grid - LH	1
3	3020000120	Tire Lift Arm Weldment - RH	1
4	3020000119	Tire Lift Arm Weldment - LH	1
5	3912000038	Tire Lift Tube Weldment - 23" Long	2
	3912000033	Tire Lift Tube Weldment - 27.5" Long	2
6	7691000026	Hitch Pin	2
7	4691000274	Pin	2
8	7691000020	Hairpin	2
9	7691000021	Hitch Pin	2
10	4561000012	Hook, Pull	1
11	7894000037	Strap, 2" Wide (Standard - Yellow)	2
	7894000041	Strap, 2" Wide (Optional - Orange)	
12	7894000028	Ratchet, 2" Wide Strap	4
13	3561000008	Hook, 2" Wide Strap	4
14	7330000550	Decal	2
15	7759000004	Rivet	8
16	7330000278	Decal	2



# UNDERLIFT TOOLS - 14,000 LB TIRE LIFT



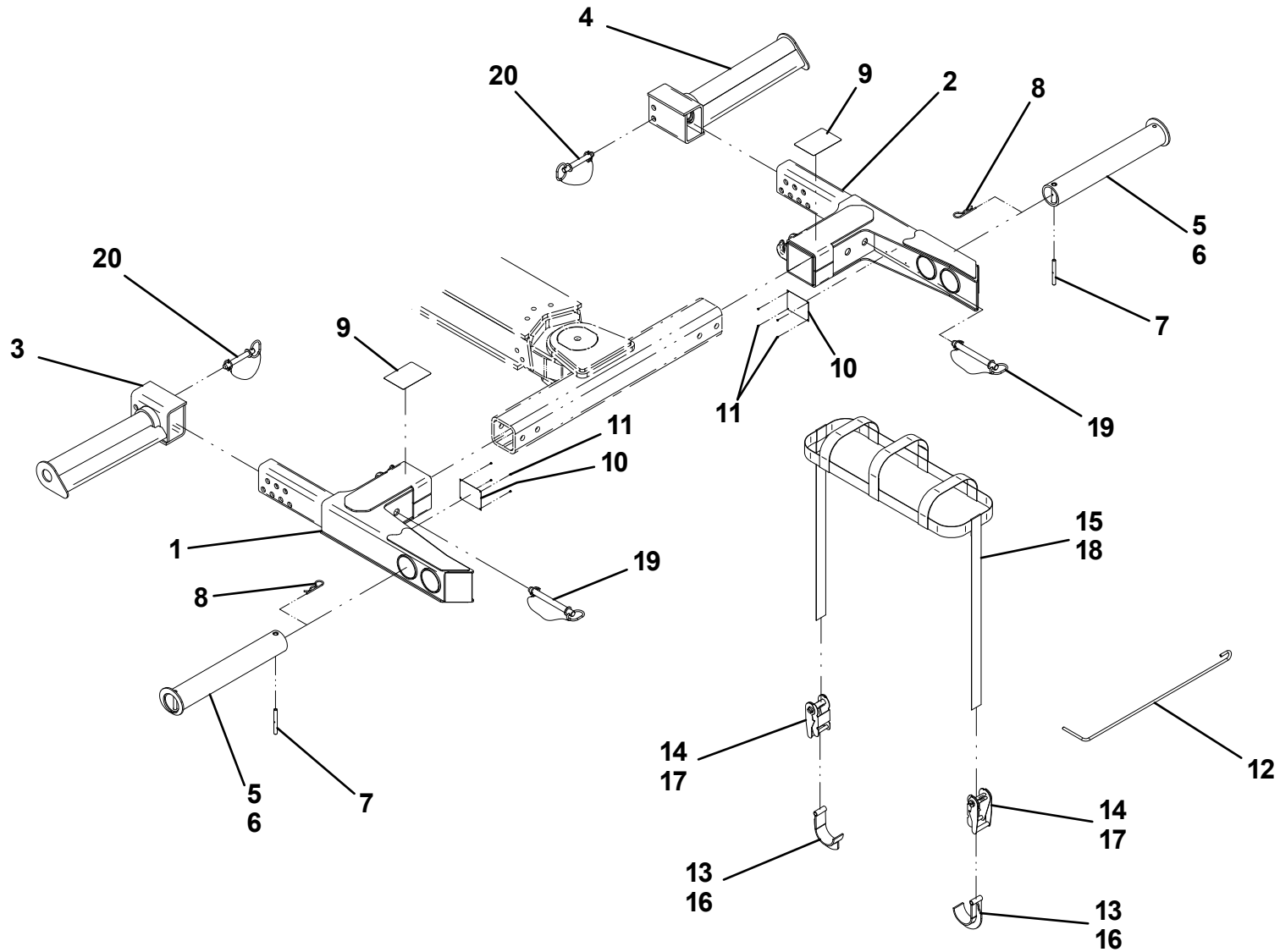
**UNDERLIFT TOOLS - 25,000 LB TIRE LIFT**

ITEM	PART NO.	DESCRIPTION	QTY
1	3484000072^	Tire Lift Grid - LH	1
2	3484000073^	Tire Lift Grid - RH	1
3	3020000119^	Tire Lift Arm Weldment - LH	1
4	3020000120^	Tire Lift Arm Weldment - RH	1
5	3912000038^	Tire Lift Tube Weldment - 23" Long	2
6	3912000033^	Tire Lift Tube Weldment - 27.5" Long	2
7	4691000274^	Pin	2
8	7691000020^	Hairpin	2
9	7330000278^	Decal	2
10	7330000550^	Decal	2
11	7759000004^	Rivet	8
12	4561000012^	Hook, Pull	1
13	3561000015*	Hook, 3" Wide Strap	4
14	7894000060*	Ratchet, 3" Wide Strap	4
15	7894000057*	Strap, 3" Wide	2
16	3561000008^	Hook, 2" Wide Strap	4
17	7894000028^	Ratchet, 2" Wide Strap	4
18	7894000037^	Strap, 2" Wide	2
19	7691000021	Hitch Pin	2
20	7691000026^	Hitch Pin	2

^ Also available as - 2502880300

\* Available in Strap Kit - 7577000368

# UNDERLIFT TOOLS - 25,000 LB TIRE LIFT

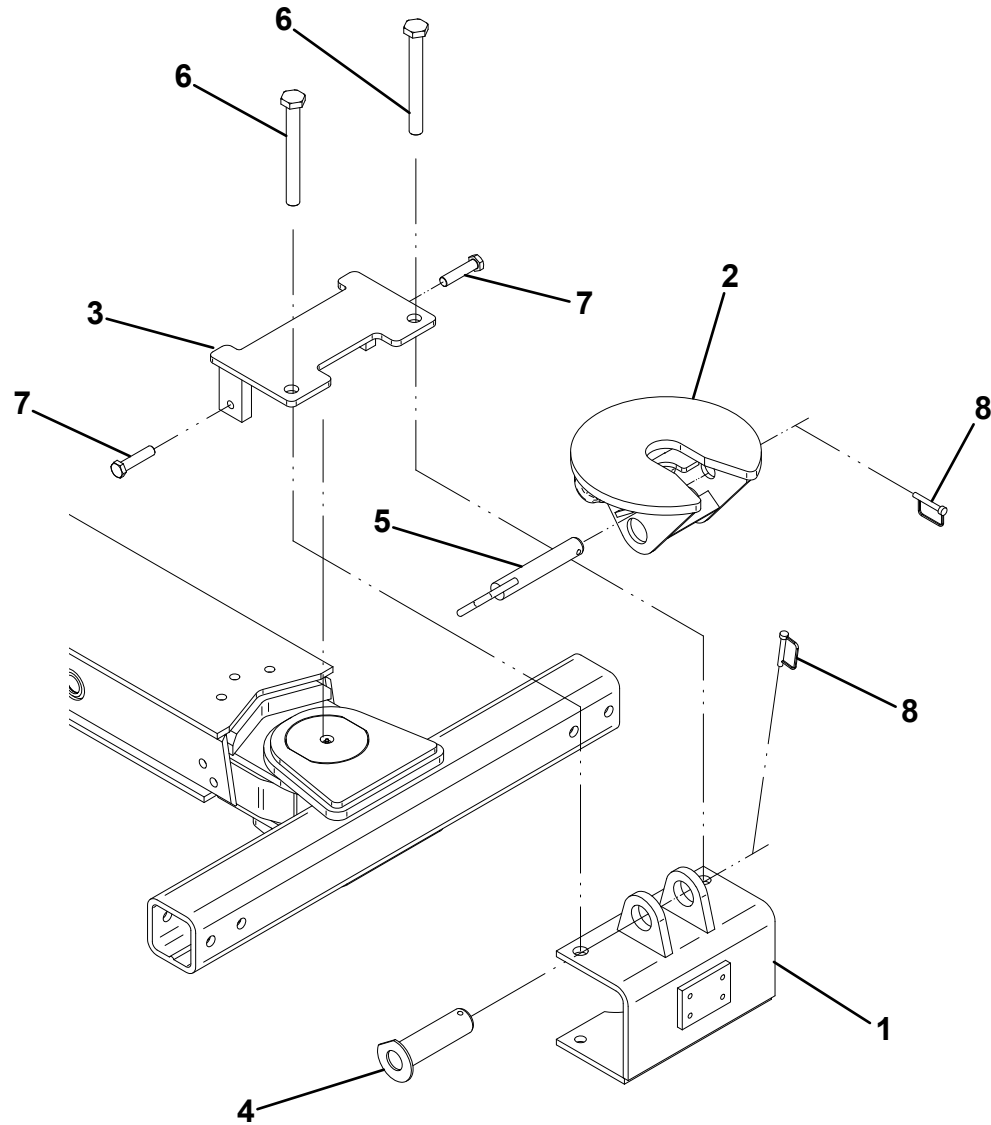


**UNDERLIFT TOOLS - FIFTH WHEEL ATTACHMENT**

ITEM	PART NO.	DESCRIPTION	QTY
1	3178000240*	Bracket Weldment	1
2	3178000499*	Bracket, Fifth Wheel Weldment	1
3	3706000080*	Plate Weldment	1
4	3691000144*	Pin	1
5	3691000145*	Pin	1
6	7118267250*	Capscrew, 1.00"-8NC x 9.00"	2
7	7120000036*	Capscrew, 0.75"-10NC x 3.25"	2
8	7691000025*	Pin	2

\* Also available as - 2503880033

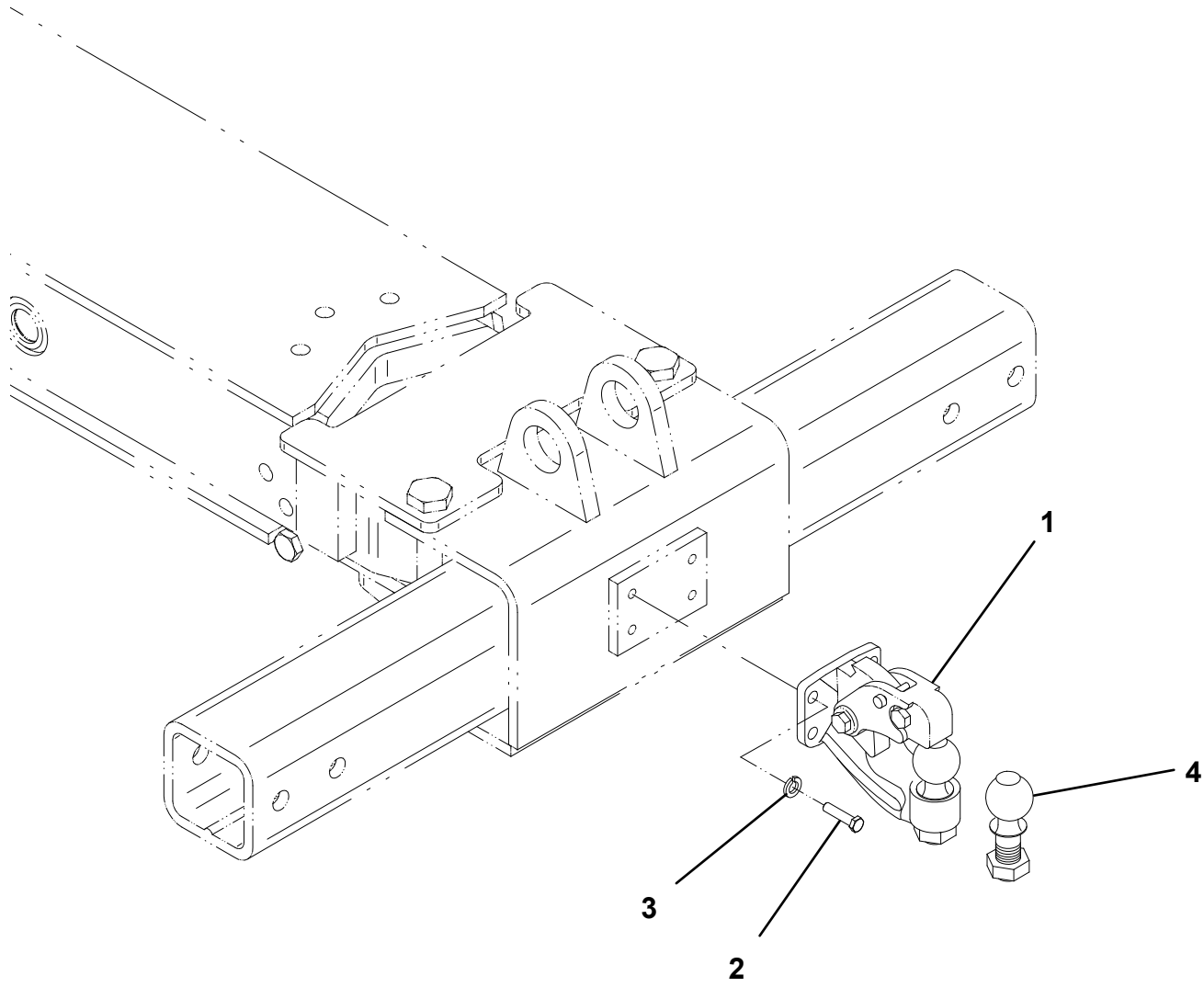
# UNDERLIFT TOOLS - FIFTH WHEEL ATTACHMENT



**UNDERLIFT TOOLS - PINTLE HOOK**

ITEM	PART NO.	DESCRIPTION	QTY
1	7561000020	Hitch, Pintle Hook with 2" Dia. Ball	1
2	7118181250	Capscrew, 0.50"-13NC x 1.50"	4
3	7950180000	Lockwasher, 0.50" ID	4
4	7056000003	Ball, 1.88" Dia	1
	7056000004	Ball, 2.00" Dia	
	7056000005	Ball, 2.31" Dia	
	7056000006	Ball, 50mm Dia	

# UNDERLIFT TOOLS - PINTLE HOOK



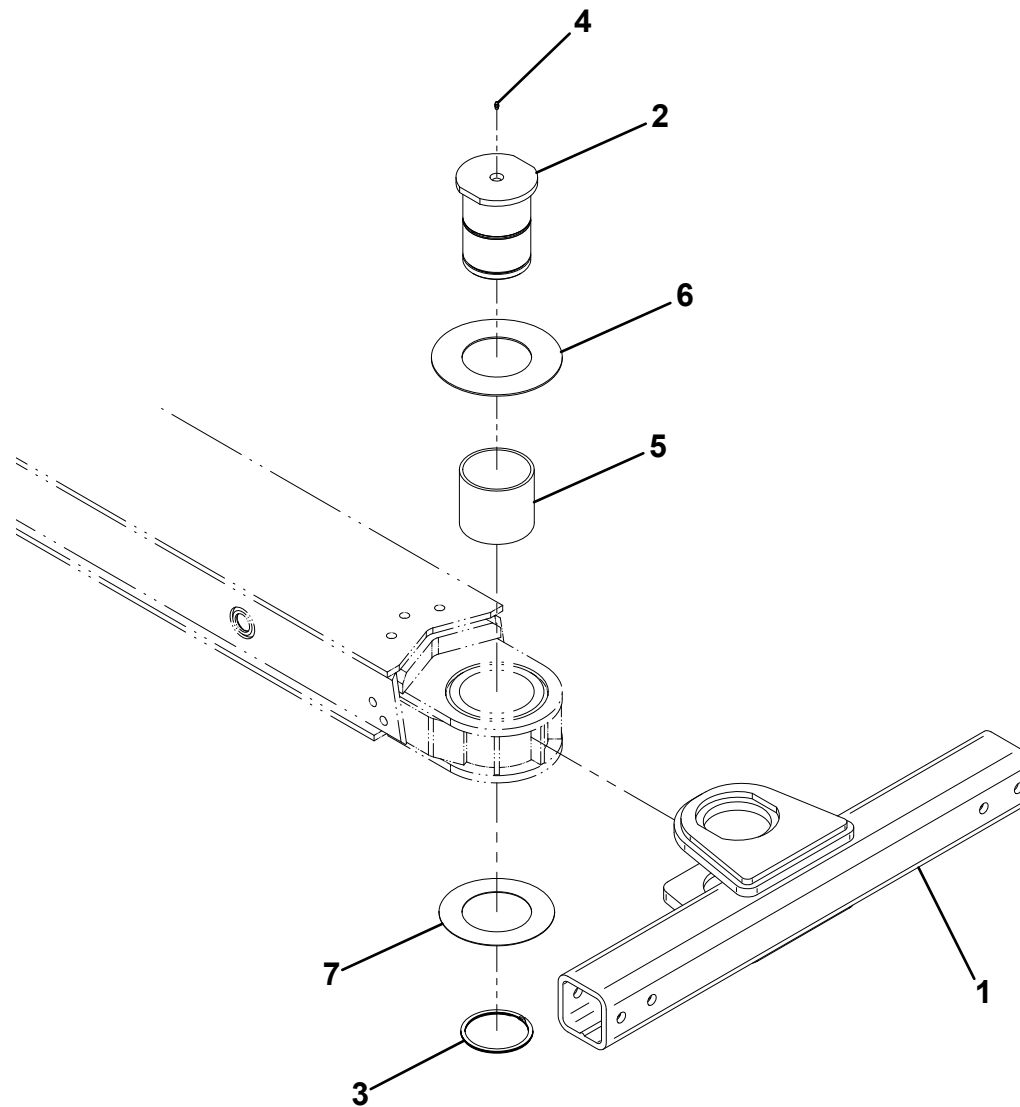
**CROSSTUBE INSTALLATION**

ITEM	PART NO.	DESCRIPTION	QTY
1	3913000094	Crosstube Weldment	1
2	4691000242	Pin	1
3	7754000042	Retaining Ring	1
4	7440300000	Grease Fitting	1
5	7209000022	Bushing	1
6	4949000041*	Washer, 0.125" Thk	1
7	4949000042*	Washer, 0.63" Thk	2

\* Available in Shim Kit - 3577000018



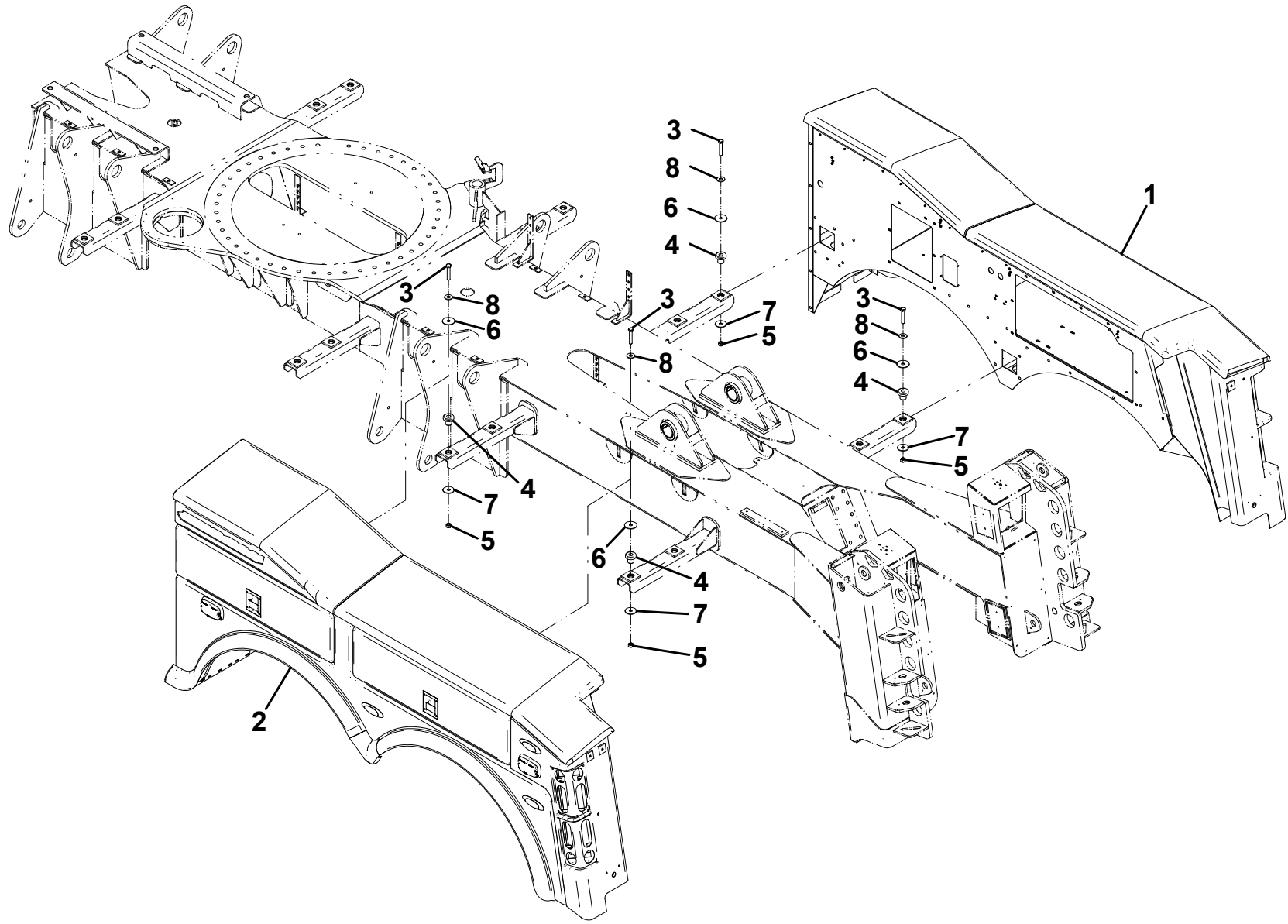
# CROSTUBE INSTALLATION



**REAR BODY INSTALLATION**

ITEM	PART NO.	DESCRIPTION	QTY
1	1001137019	Body Assembly - Rear RH	1
2	1001137018	Body Assembly - Rear LH	1
3	7115202850	Capscrew, 0.63"-11NC x 3.50"	8
4	7636000008	Rubber Mount	8
5	7660200001	Nut, 0.63"-11NC	8
6	7494000019	Washer, Snub Head	8
7	7949000020	Washer, Snub Tail	8
8	7950200161	Flatwasher, 0.63" ID	8

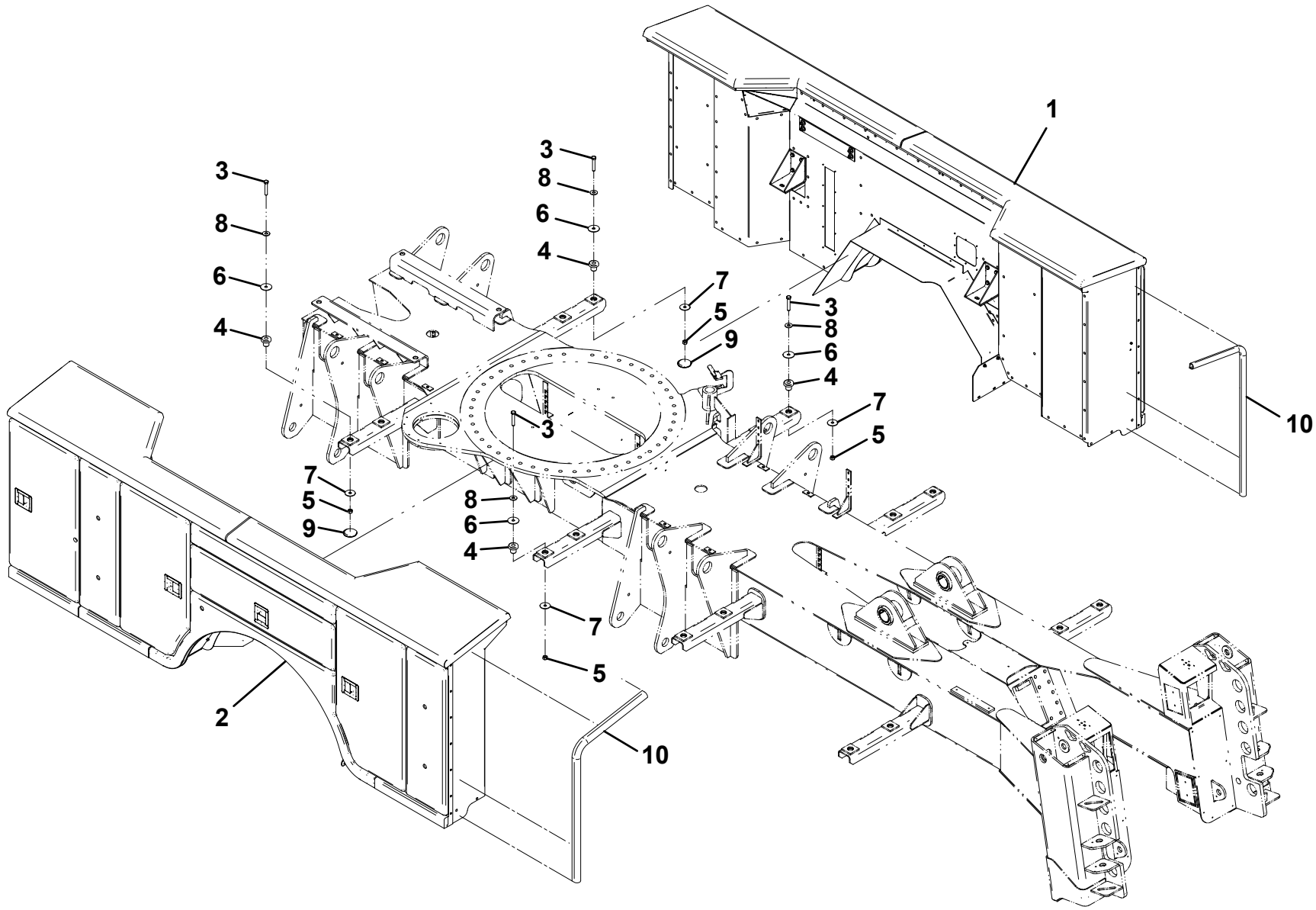
# REAR BODY INSTALLATION



**MID BODY INSTALLATION**

ITEM	PART NO.	DESCRIPTION	QTY
1	1001135897	Body Assembly - Mid RH	1
2	1001135896	Body Assembly - Mid LH	1
3	7115202850	Capscrew, 0.63"-11NC x 3.50"	8
4	7636000008	Rubber Mount	8
5	7660200001	Nut, 0.63"-11NC	8
6	7494000019	Washer, Snub Head	8
7	7949000020	Washer, Snub Tail	8
8	7950200161	Flatwasher, 0.63" ID	8
9	1001143119	Plug, Hole	2
10	8632000011	Seal, Rubber "D"	12ft

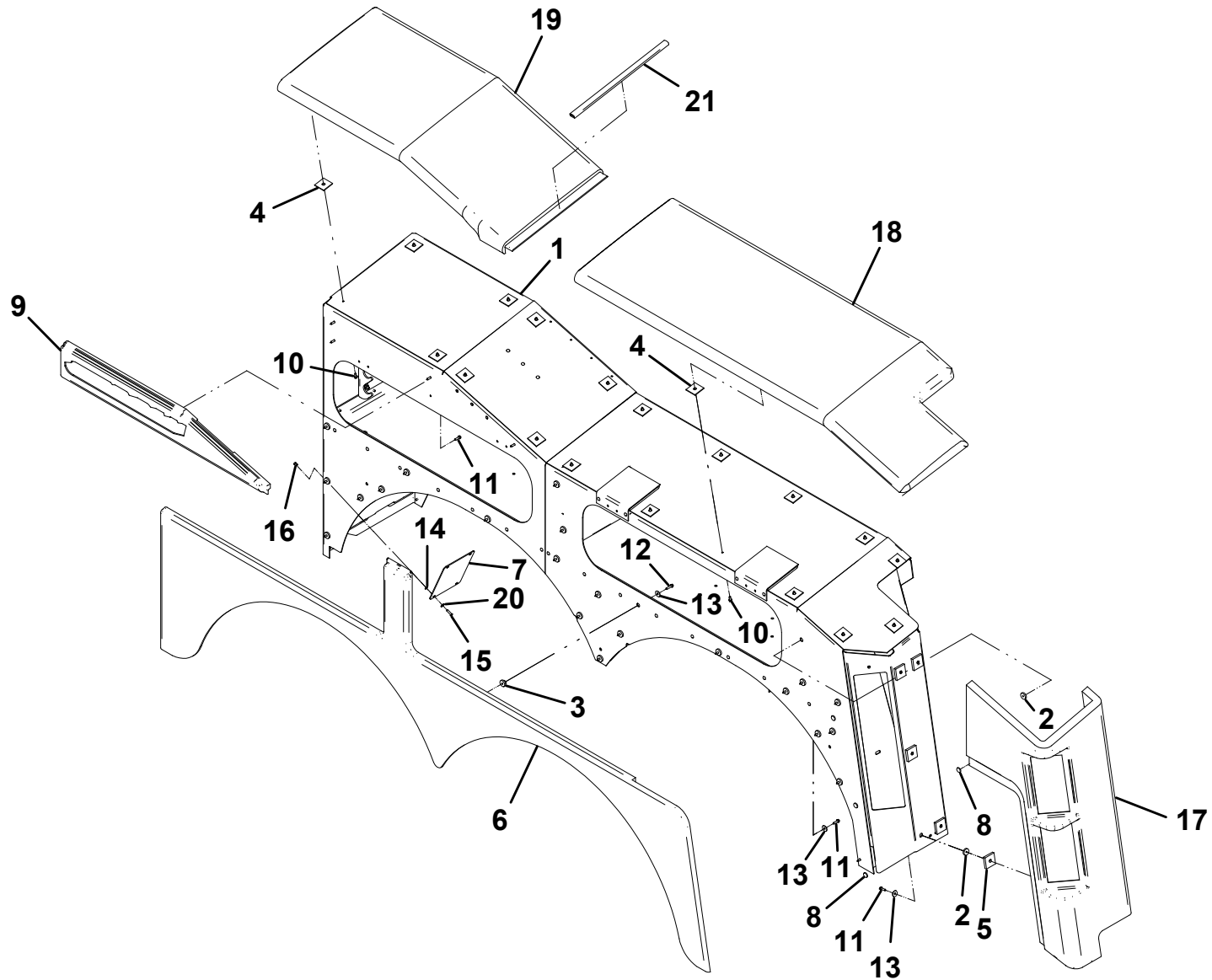
# MID BODY INSTALLATION



**BODY PANEL ASSEMBLY - REAR LH**

ITEM	PART NO.	DESCRIPTION	QTY
1	1001136932	Body Bonding Assembly - Rear LH	1
2	4636000031	Rubber Mount, 1.06 Dia. x 0.36" Thk	18
3	4636000032	Rubber Mount, 1.06 Dia. x 0.54" Thk	10
4	4679000120	Pad, Rubber - 0.12" Thk	19
5	4679000122	Pad, Rubber - 0.38" Thk	5
6	4686000077	Tandem Wheel Well Panel - LH	1
7	4811000944	Panel	2
8	7189000015	Bumper, 0.81" Dia x 0.13" Thk	5
9	7686000016	Logo Panel - LH	1
10	7790141251	Screw, Self Tapping - 0.25" Dia x 0.75"	23
11	7790141651	Screw, Self Tapping - 0.25" Dia x 1.00"	23
12	7790142051	Screw, Self Tapping - 0.25" Dia x 1.25"	10
13	7949000022	Washer, Fender - 1.00" OD x 0.25" ID	31
14	7950140003	Lockwasher, 0.25" ID	8
15	7114140818	Capscrew, 0.25"-20NC x 1.00"	8
16	7413000002	Nutsert, 0.25"-20NC	8
17	7686000014	Tail Light Panel - LH	1
18	7686000018	Rear Cap Panel - LH	1
19	7686000041	Front Cap Panel - LH	1
20	7950140143	Flatwasher, 0.25" ID	8
21	7796000078	Gasket	1.9ft

# BODY PANEL ASSEMBLY - REAR LH

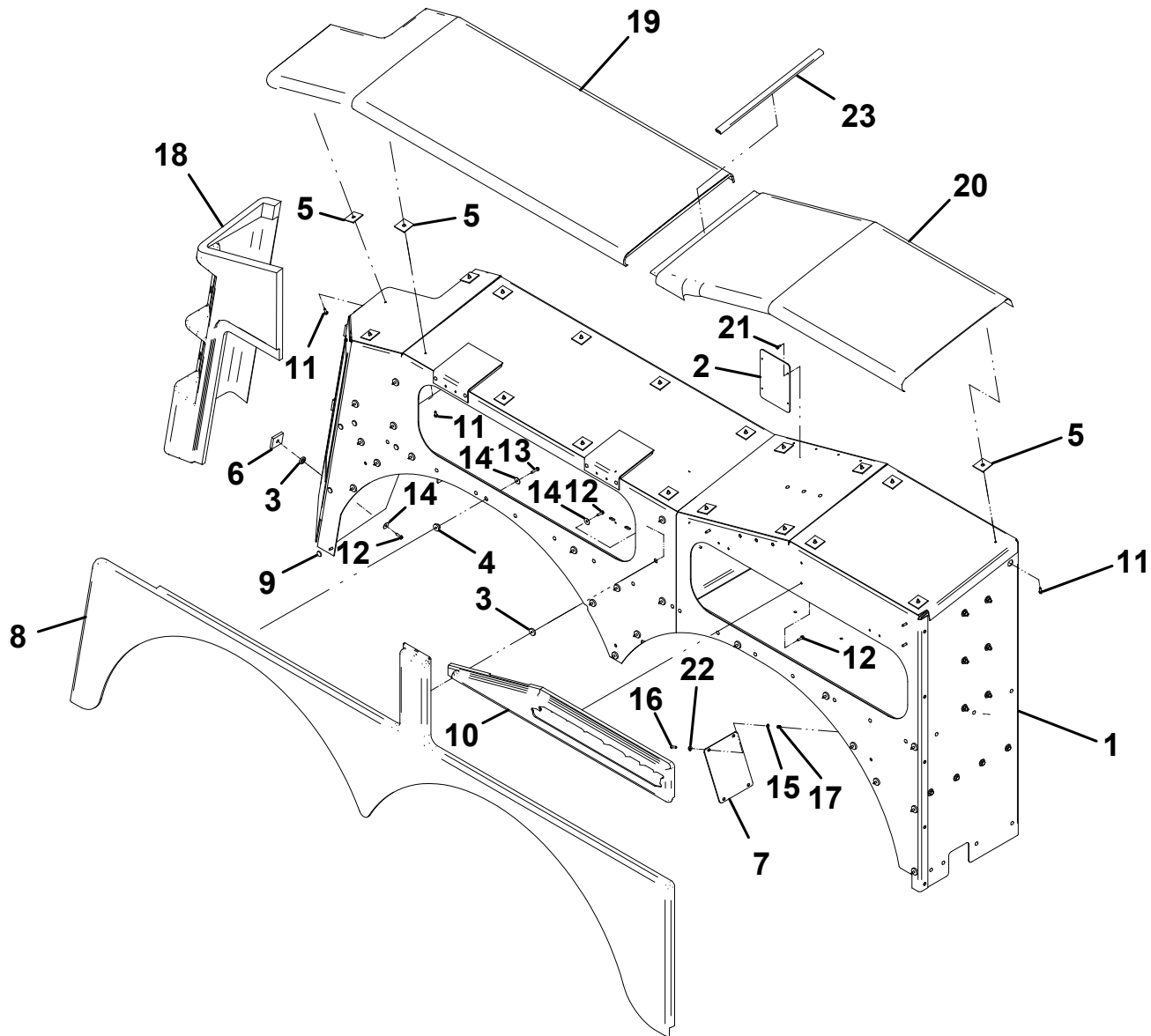


**BODY PANEL ASSEMBLY - REAR RH**

ITEM	PART NO.	DESCRIPTION	QTY
1	1001136931	Body Bonding Assembly - Rear RH	1
2	1001137273	Plate	1
3	4636000031	Rubber Mount, 1.06 Dia. x 0.36" Thk	18
4	4636000032	Rubber Mount, 1.06 Dia. x 0.54" Thk	10
5	4679000120	Pad, Rubber - 0.12" Thk	19
6	4679000122	Pad, Rubber - 0.38" Thk	5
7	4811000944	Panel	2
8	4686000078	Tandem Wheel Well Panel - RH	1
9	7189000015	Bumper, 0.81" Dia x 0.13" Thk	5
10	7686000015	Logo Panel - RH	1
11	7790141251	Screw, Self Tapping - 0.25" Dia x 0.75"	23
12	7790141651	Screw, Self Tapping - 0.25" Dia x 1.00"	23
13	7790142051	Screw, Self Tapping - 0.25" Dia x 1.25"	10
14	7949000022	Washer, Fender - 1.00" OD x 0.25" ID	31
15	7950140003	Lockwasher, 0.25" ID	8
16	7114140818	Capscrew, 0.25"-20NC x 1.00"	8
17	7413000002	Nutsert, 0.25"-20NC	8
18	7686000013	Tail Light Panel - RH	1
19	7686000017	Rear Cap Panel - RH	1
20	7686000042	Front Cap Panel - RH	1
21	7790100856	Screw, Self Tapping - #10 Dia x 0.50"	4
22	7950140143	Flatwasher, 0.25" ID	8
23	7796000078	Gasket	1.9ft



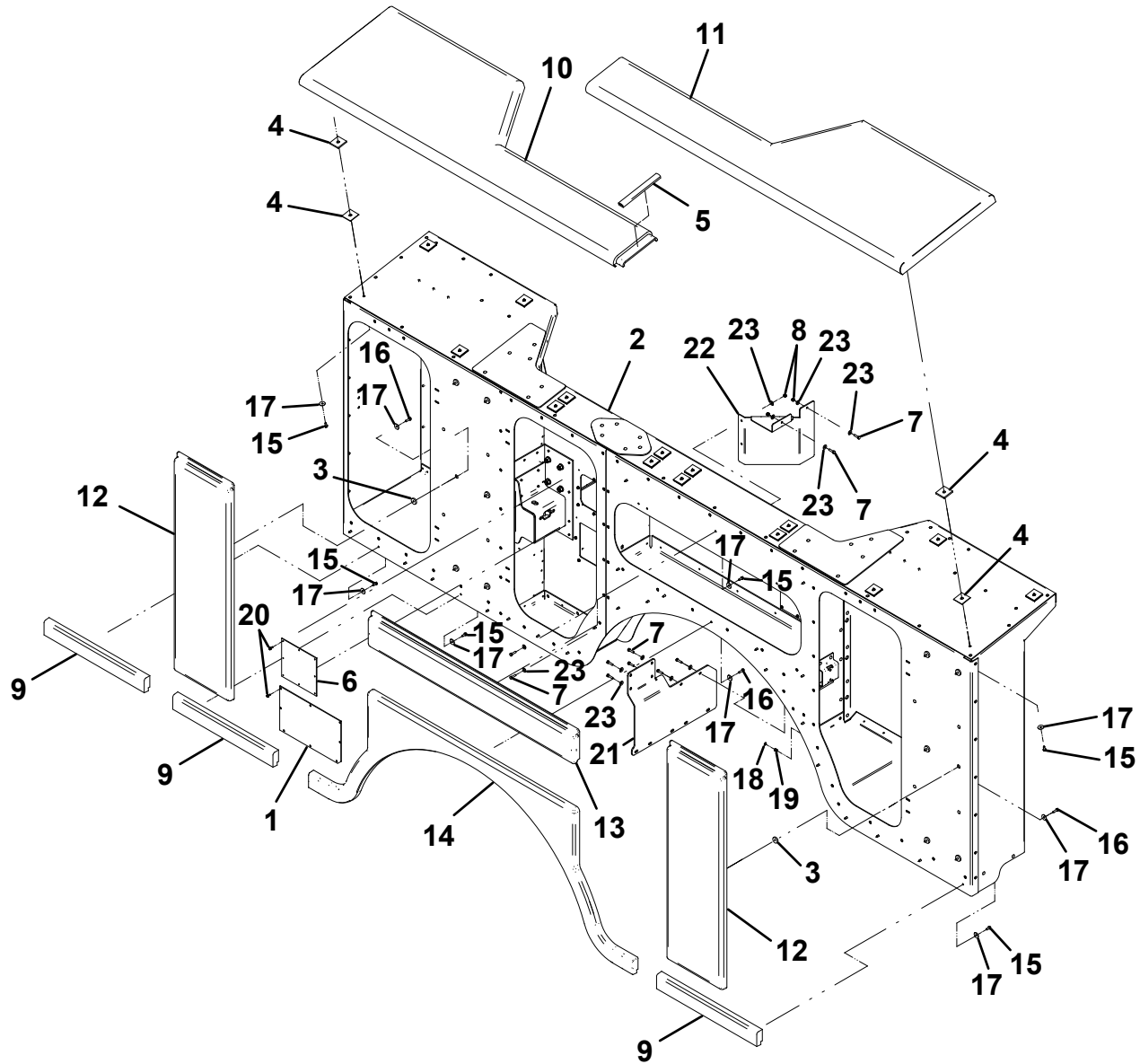
# BODY PANEL ASSEMBLY - REAR RH



**BODY PANEL ASSEMBLY - MID LH**

ITEM	PART NO.	DESCRIPTION	QTY
1	1001135971	Panel	1
2	1001133875	Body Bonding Assembly - Mid LH	1
3	4636000031	Rubber Mount, 1.06 Dia. x 0.36" Thk	12
4	4679000120	Pad, Rubber - 0.12" Thk	16
	4679000121	Pad, Rubber - 0.25" Thk	
5	7632046009	Gasket	9in
6	4811000408	Sheet	2
7	7114140850	Capscrew, 0.25"-20NC x 1.00"	10
8	7660142604	Locknut, 0.25"-20NC	6
9	7686000019	Filler Strip Panel	3
10	7686000081	Cap Panel	1
11	7686000082	Cap Panel	1
12	7686000083	Side Panel	2
13	7686000084	Fill Panel	1
14	7686000086	Lower Trim Panel	1
15	7790141251	Screw, Self Tapping - 0.25" Dia x 0.75"	34
16	7790141651	Screw, Self Tapping - 0.25" Dia x 1.00"	21
17	7949000022	Washer, Fender - 1.00" OD x 0.25" ID	56
18	7950140003	Lockwasher, 0.25" ID	4
19	7413000002	Nutsert, 0.25"-20NC	4
20	7790100856	Screw, Self Tapping - #10 Dia x 0.50"	24
21	1001134078	Bracket, Mid Body Mud Flap - LH	1
22	1001134039	Panel, Drive Motor Guard	1
23	7950140163	Flatwasher, 0.25" ID	16

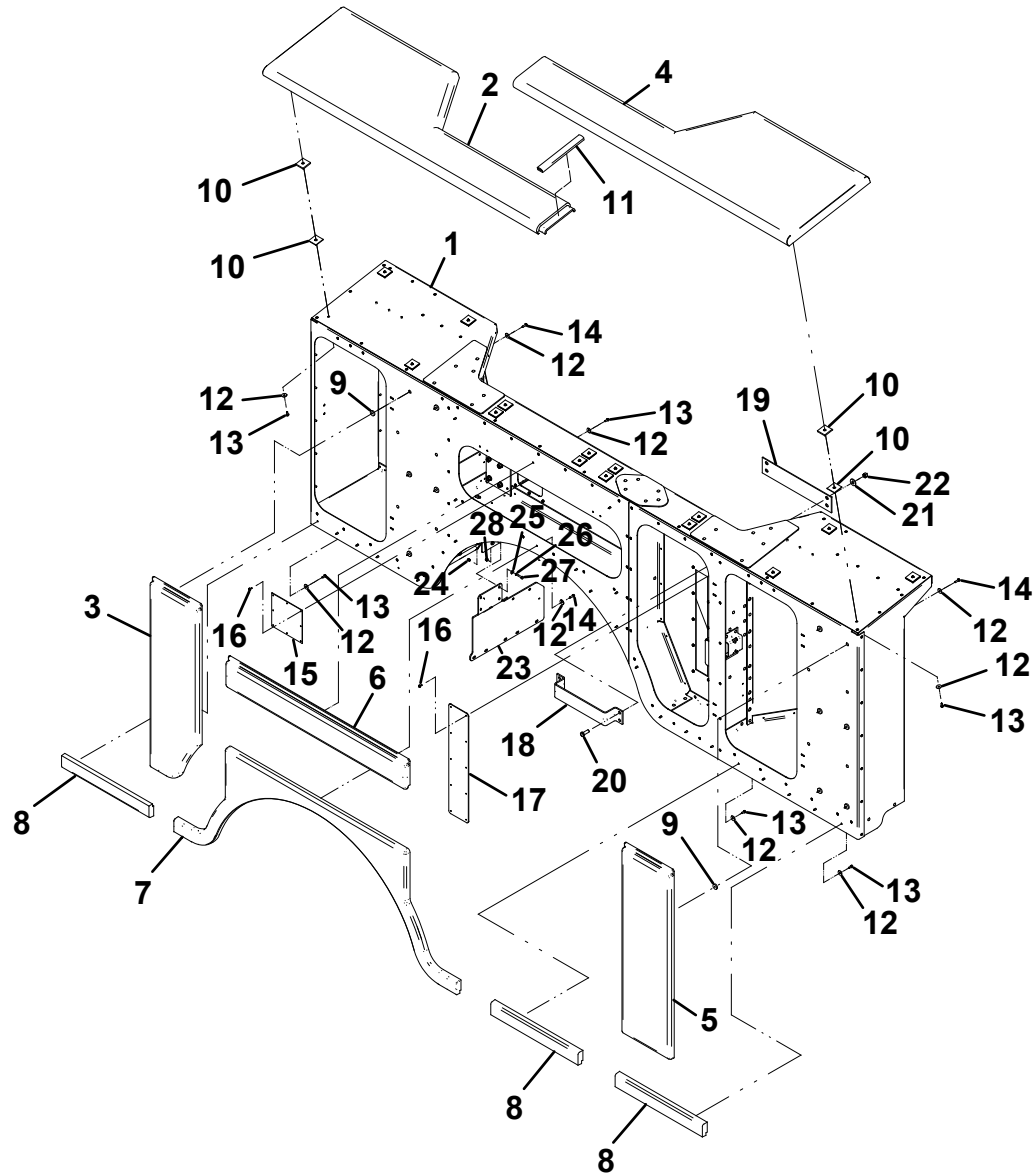
# BODY PANEL ASSEMBLY - MID LH



**BODY PANEL ASSEMBLY - MID RH**

ITEM	PART NO.	DESCRIPTION	QTY
1	1001133876	Body Bonding Assembly - Mid RH	1
2	7686000081	Cap Panel	1
3	7686000085	Side Panel - RH	1
4	7686000082	Cap Panel	1
5	7686000083	Side Panel	1
6	7686000084	Fill Panel	1
7	7686000086	Lower Trim Panel	1
8	7686000019	Filler Strip Panel	3
9	7636000031	Rubber Mount, 1.06 Dia. x 0.36" Thk	11
10	4679000120	Pad, Rubber - 0.12" Thk	16
	4679000121	Pad, Rubber - 0.25" Thk	
11	7632046009	Gasket	9in
12	7949000022	Washer, Fender - 1.00" OD x 0.25" ID	53
13	7790141251	Screw, Self Tapping - 0.25" Dia x 0.75"	33
14	7790141651	Screw, Self Tapping - 0.25" Dia x 1.00"	20
15	4811000408	Sheet	1
16	7790100856	Screw, Self Tapping - #10 Dia x 0.50"	18
17	4314000141	Coverplate	1
18	7950140003	Bracket	1
19	4706005490	Plate	1
20	7115181250	Capscrew, 0.50"-13NC x 1.50"	4
21	7950180161	Flatwasher, 0.50" ID	4
22	7660182601	Locknut, 0.50"-13NC	4
23	1001134095	Bracket, Mid Body Mud Flap - RH	1
24	7413000002	Nutsert, 0.25"-20NC	4
25	7950140163	Flatwasher, 0.25" ID	8
26	7950140003	Lockwasher, 0.25" ID	4
27	7114140850	Capscrew, 0.25"-20NC x 1.00"	6
28	7660142604	Locknut, 0.25"-20NC	2

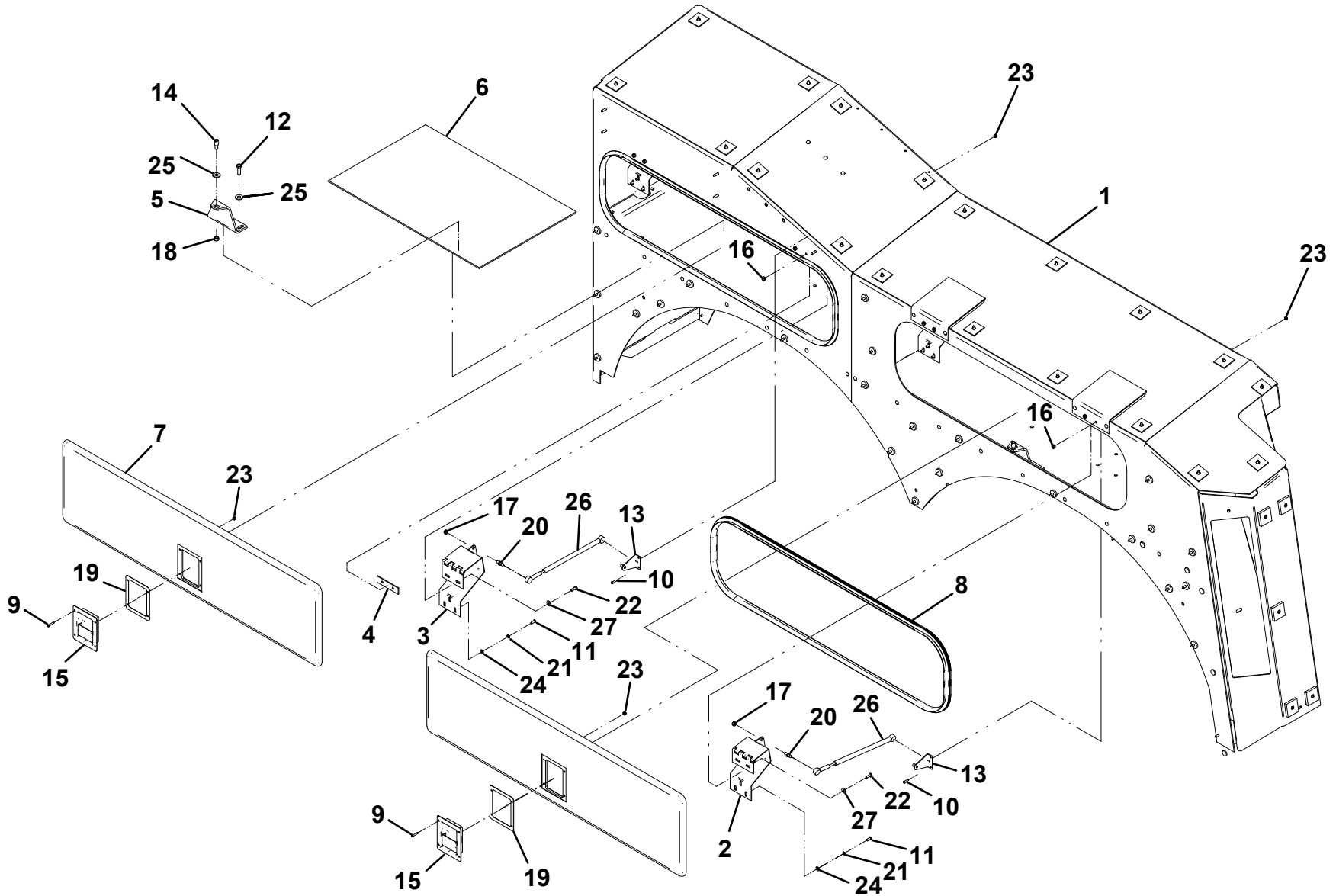
# BODY PANEL ASSEMBLY - MID RH



**BODY DOOR AND HARDWARE ASSEMBLY - REAR LH**

ITEM	PART NO.	DESCRIPTION	QTY
1	1001136932	Body Bonding Assembly - Rear LH	1
2	3555000007	Rear Hinge	2
3	3555000008	Front Hinge	2
4	4062000174	Bar	2
5	4178000225	Bracket	2
6	4679000309	Pad, Rubber	1
7	4686000074	Door Panel	2
8	4632000013	Seal, Horizontal Door	2
9	7114100818	Capscrew, #10-24NC x 1.00"	8
10	7114100618	Capscrew, #10-24NC x 0.75"	12
11	7114140518	Capscrew, 0.25"-24NC x 0.63"	12
12	7114161050	Capscrew, 0.38"-16NC x 1.00"	4
13	7178000023	Bracket, Ball Stud	4
14	7585000009	Latch Striker	2
15	7595000005	Latch, 2 Stage Rotary	2
16	7660142604	Locknut, 0.25"-20NC	8
17	7660152604	Locknut, 0.31"-18NC	4
18	7660162604	Locknut, 0.38"-16NC	6
19	7796000038	Gasket	2
20	7865000001	Ball Stud	4
21	7949000074	Lockwasher, Serrated - 11mm ID	12
22	7114140650	Capscrew, 0.25"-20NC x 0.75"	8
23	7660102604	Locknut, #10-24NC	20
24	7950100153	Flatwasher, 0.19" ID	12
25	7950160163	Flatwasher, 0.38" ID	10
26	7843000022	Gas Spring - 7.25" Stroke	4
27	7950140163	Flatwasher, 0.25" ID	8

# BODY DOOR AND HARDWARE ASSEMBLY - REAR LH

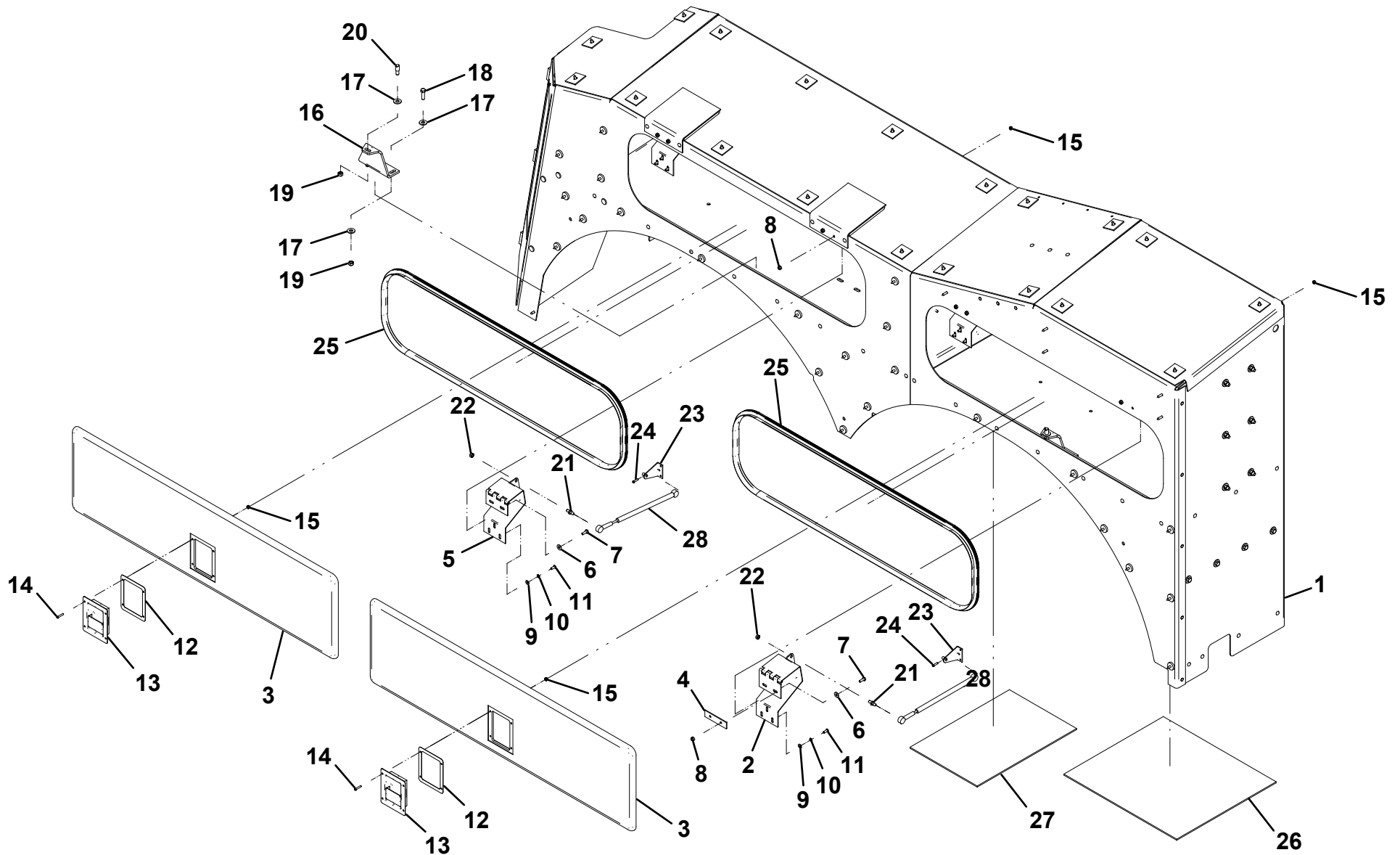


**BODY DOOR AND HARDWARE ASSEMBLY - REAR RH**

ITEM	PART NO.	DESCRIPTION	QTY
1	1001136931	Body Bonding Assembly - Rear RH	1
2	3555000008	Front Hinge	2
3	4686000074	Door Panel	2
4	4062000174	Bar	2
5	3555000007	Rear Hinge	2
6	7950140163	Flatwasher, 0.25" ID	8
7	7114140650	Capscrew, 0.25"-20NC x 0.75"	8
8	7660142604	Locknut, 0.25"-20NC	8
9	7950100153	Flatwasher, 0.19" ID	12
10	7949000074	Lockwasher, Serrated - 11mm ID	12
11	7114140518	Capscrew, 0.25"-24NC x 0.63"	12
12	7796000038	Gasket	2
13	7595000005	Latch, 2 Stage Rotary	2
14	7114100818	Capscrew, #10-24NC x 1.00"	8
15	7660102604	Locknut, #10-24NC	20
16	4178000225	Bracket	2
17	7950160163	Flatwasher, 0.38" ID	10
18	7114161050	Capscrew, 0.38"-16NC x 1.00"	4
19	7660162604	Locknut, 0.38"-16NC	6
20	7585000009	Latch Striker	2
21	7865000001	Ball Stud	4
22	7660152604	Locknut, 0.31"-18NC	4
23	7178000023	Bracket, Ball Stud	4
24	7114100618	Capscrew, #10-24NC x 0.75"	12
25	4632000013	Seal, Horizontal Door	2
26	4679000310	Pad, Rubber	1
27	4679000311	Pad, Rubber	1
28	7843000022	Gas Spring - 7.25" Stroke	4



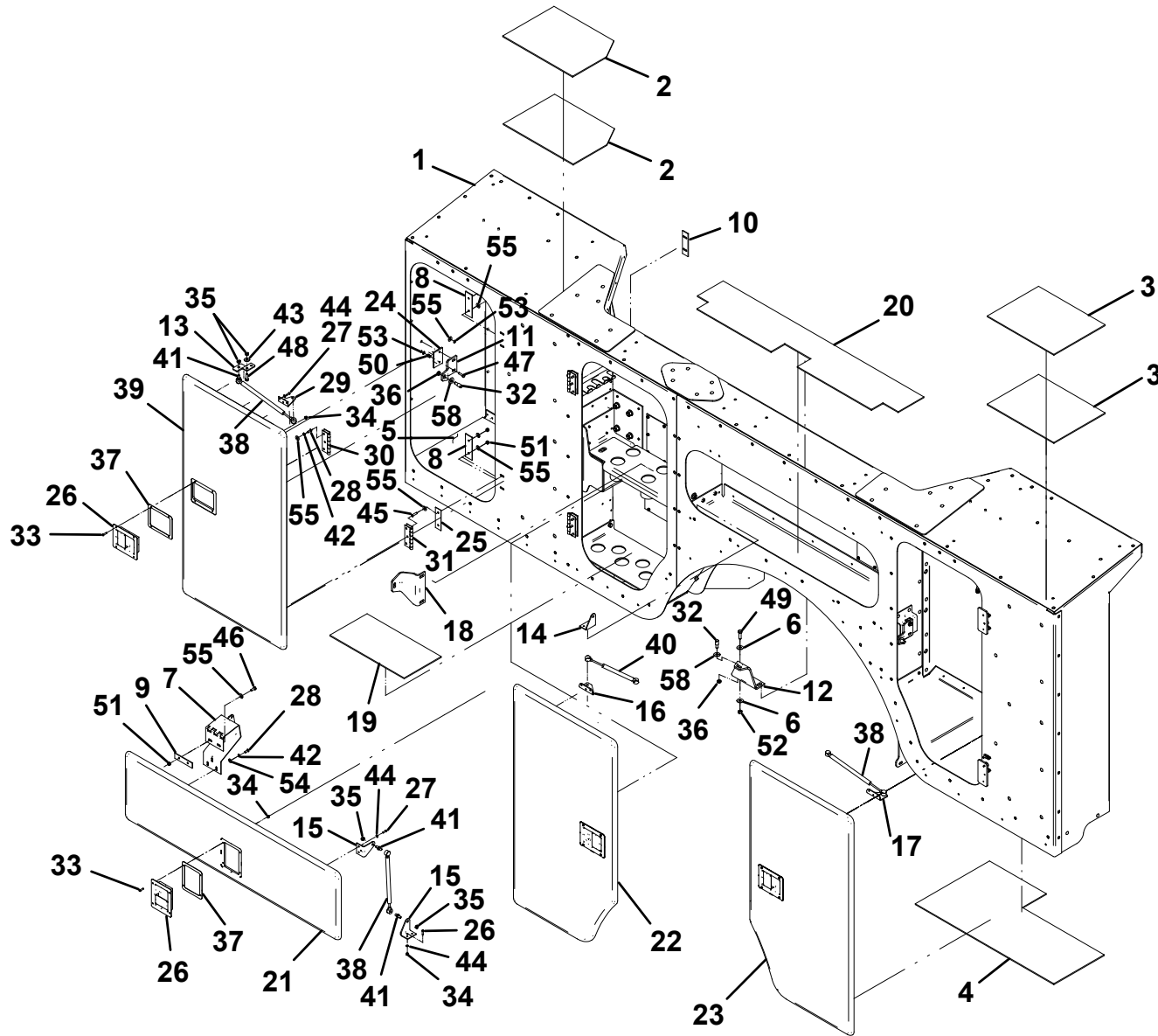
# BODY DOOR AND HARDWARE ASSEMBLY - REAR RH



**BODY DOOR AND HARDWARE ASSEMBLY - MID LH**

ITEM	PART NO.	DESCRIPTION	QTY	ITEM	PART NO.	DESCRIPTION	QTY
1	1001133875	Body Bonding Assembly - Mid LH	1	40	7843000026	Gas Spring - 5.50" Stroke	1
2	1001136908	Pad, Rubber	2	41	7865000001	Ball Stud	9
3	1001136909	Pad, Rubber	2	42	7949000025	Lockwasher, Serrated - 11mm ID	24
4	1001136910	Pad, Rubber	1	43	7950150163	Flatwasher, 0.31" ID	40
5	1001166916	Pad, Rubber	1	44	7950100143	Flatwasher, #10 ID	21
6	7950160163	Flatwasher, 0.38" ID	8	45	7114140818	Capscrew, 0.25"-20NC x 1.00"	12
7	3555000008	Front Hinge	2	46	7114140650	Capscrew, 0.25"-20NC x 0.75"	4
8	4062000173	Bar	4	47	7114140850	Capscrew, 0.25"-20NC x 1.00"	4
9	4062000174	Bar	2	48	7114150850	Capscrew, 0.31"-18NC x 1.00"	6
10	4062000624	Bar	2	49	7114161050	Capscrew, 0.38"-16NC x 1.25"	4
11	4178000222	Bracket	2	50	7413000002	Nutsert, 0.25"-20NC	4
12	4178000225	Bracket	1	51	7660142604	Locknut, 0.25"-20NC	16
13	4178000553	Bracket	3	52	7660162604	Locknut, 0.38"-16NC	4
14	4178000555	Bracket - LH	2	53	7950140003	Lockwasher, 0.25" ID	4
15	4178000556	Bracket - RH	2	54	7950140143	Flatwasher, 0.25" ID	6
16	4178000583	Bracket - LH	1	55	7950140163	Flatwasher, 0.25" ID	50
17	4178000854	Bracket - RH	1				
18	4178000594	Bracket	1				
19	4679000260	Pad, Rubber	1				
20	4679000261	Pad, Rubber	1				
21	4686000210	Door Panel	1				
22	4686000212	Door Panel - Mid LH	1				
23	4686000215	Door Panel - Mid RH	1				
24	4706005393	Plate	1				
25	4812000052	Shim	6				
26	7114100618	Capscrew, #10-24NC x 0.75"	22				
27	7114100518	Capscrew, #10-24NC x 0.62"	15				
28	7114140518	Capscrew, 0.25"-20NC x 0.62"	24				
29	7178000023	Bracket, Ball Stud	1				
30	7555000002	Hinge	6				
31	7950140163	Flatwasher, 0.38" ID	4				
32	7585000009	Latch Striker	4				
33	7595000005	Latch, 2 Stage Rotary	4				
34	7660102604	Locknut, #10-24NC	22				
35	7660152604	Locknut, 0.31"-18NC	14				
36	7660162604	Locknut, 0.38"-16NC	4				
37	7796000038	Gasket	4				
38	7843000020	Gas Spring - 6.00" Stroke	4				
39	4686000073	Door Panel - RH	1				

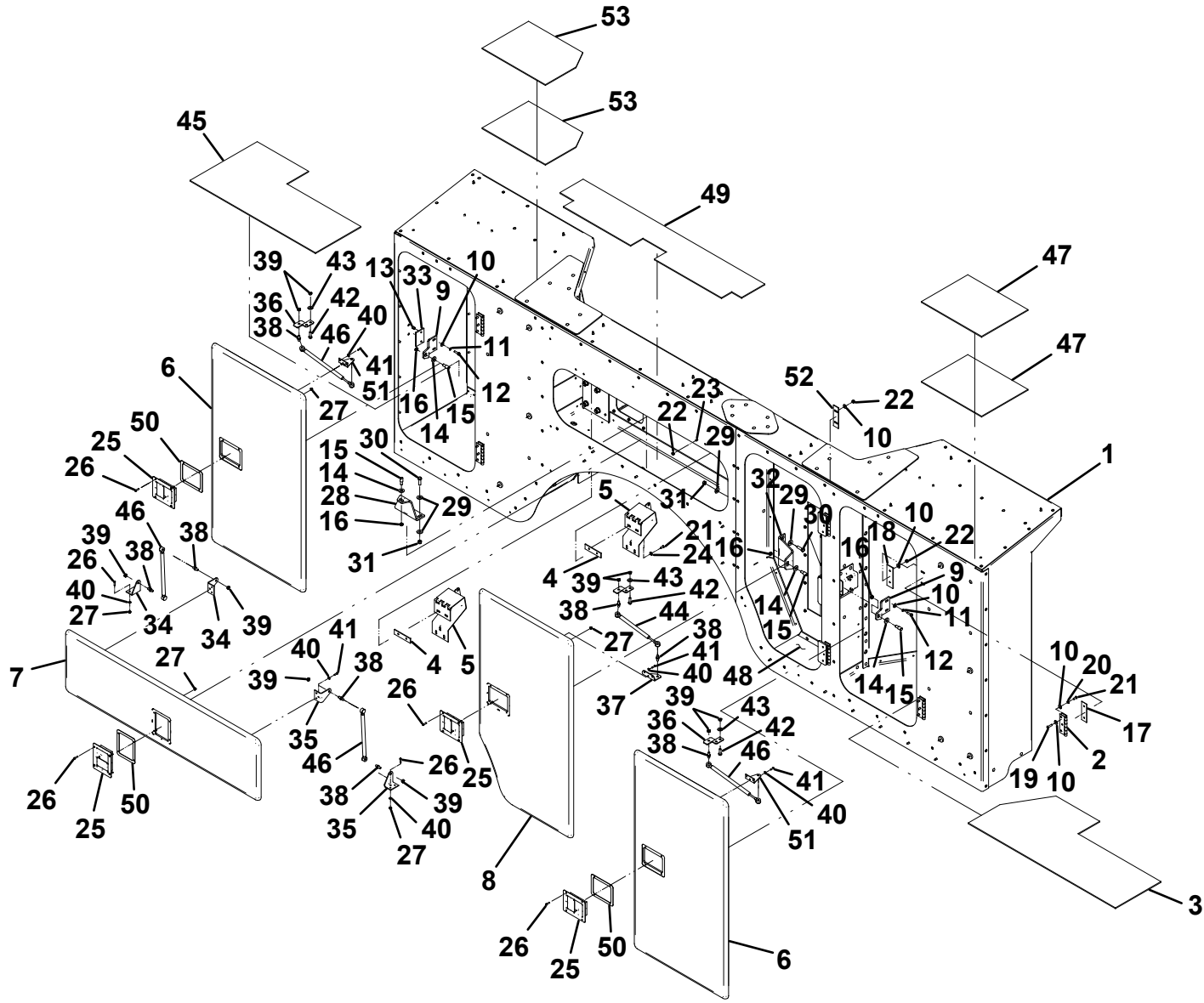
# BODY DOOR AND HARDWARE ASSEMBLY - MID LH



**BODY DOOR AND HARDWARE ASSEMBLY - MID RH**

ITEM	PART NO.	DESCRIPTION	QTY	ITEM	PART NO.	DESCRIPTION	QTY
1	1001133876	Body Bonding Assembly - Mid RH	1	40	7950100143	Flatwasher, #10 ID	21
2	7555000002	Hinge	6	41	7114100518	Capscrew, #10-24NC x 0.62"	6
3	1001137001	Pad, Rubber	1	42	7114150850	Capscrew, 0.31"-18NC x 1.00"	6
4	4062000174	Bar	2	43	7950151063	Flatwasher, 0.31" ID	6
5	3555000008	Hinge	2	44	7843000026	Gas Spring - 5.50" Stroke	1
6	4686000073	Door Panel - RH	2	45	1001136910	Pad, Rubber	1
7	4686000210	Door Panel	1	46	7843000020	Gas Spring - 6.00" Stroke	4
8	4686000215	Door Panel - Mid RH	1	47	1001136909	Pad, Rubber	2
9	4178000222	Bracket	2	48	4679000260	Pad, Rubber	1
10	7950140163	Flatwasher, 0.25" ID	50	49	4679000261	Pad, Rubber	1
11	7950140003	Lockwasher	4	50	7796000038	Gasket	4
12	7114140850	Capscrew, 0.25"-20NC x 1.00"	4	51	7178000023	Bracket, Ball Stud	2
13	7413000002	Nutsert, 0.25"-20NC	4	52	4062000624	Bar	2
14	7950160163	Flatwasher, 0.38" ID	4	53	1001136908	Pad, Rubber	2
15	7585000009	Latch Striker	4				
16	7660162604	Locknut, 0.38"-16NC	8				
17	4812000052	Shim	6				
18	4062000173	Bar	4				
19	7114140818	Capscrew, 0.25"-20NC x 1.00"	12				
20	7949000074	Lockwasher, Serrated - 11mm ID	24				
21	7114140518	Capscrew, 0.25"-20NC x 0.62"	24				
22	7660142604	Locknut, 0.25"-20NC	16				
23	7114140650	Capscrew, 0.25"-20NC x 0.75"	4				
24	7950140143	Flatwasher, 0.25" ID	6				
25	7595000005	Latch, 2 Stage Rotary	4				
26	7114100618	Capscrew, #10-24NC x 0.75"	22				
27	7660102604	Locknut, #10-24NC	22				
28	4178000225	Bracket	1				
29	7950160163	Flatwasher, 0.38" ID	8				
30	7114161050	Capscrew, 0.38"-16NC x 1.25"	4				
31	7660162601	Locknut, 0.38"-16NC	4				
32	4178000564	Bracket	1				
33	4706005393	Plate	1				
34	4178000555	Bracket - LH	2				
35	4178000556	Bracket - RH	2				
36	4178000553	Bracket	3				
37	4178000584	Bracket - RH	1				
38	7865000001	Ball Stud	8				
39	7660152604	Locknut, 0.31"-18NC	14				

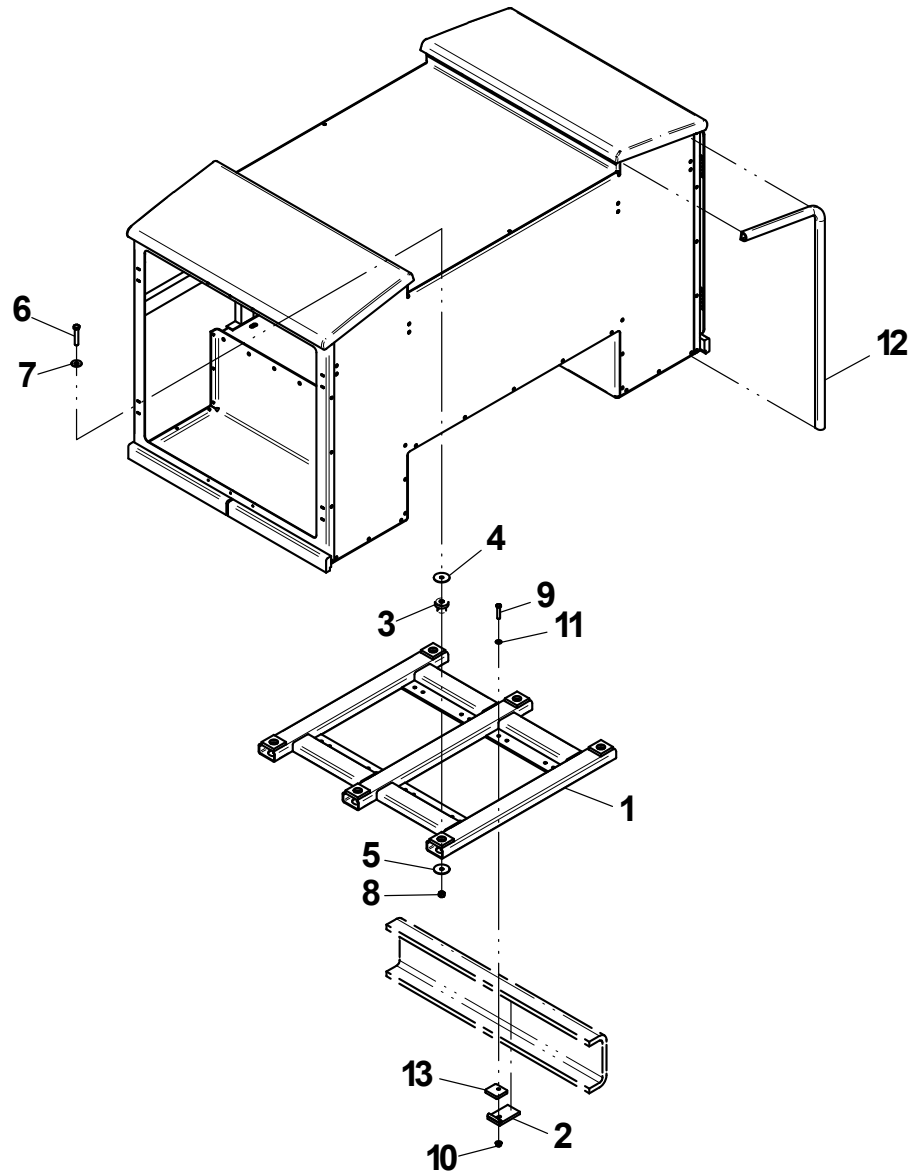
# BODY DOOR AND HARDWARE ASSEMBLY - MID RH



**49" TUNNEL TOOL COMPARTMENT INSTALLATION**

ITEM	PART NO.	DESCRIPTION	QTY
1	3911000068	Mount, Tube Weldment	1
2	3274000011	Clamp Weldment	8
3	7636000008	Rubber Mount	6
4	7949000019	Washer, Snub Head	24
5	7949000020	Washer, Snub Tail	6
6	7115202850	Capscrew, 0.63"-11NC x 3.50"	6
7	7590200161	Flatwasher, 0.63" ID	6
8	7660200001	Nut, 0.63"-11NC	6
9	7115182050	Capscrew, 0.50"-13NC x 2.50"	8
10	7660182301	Locknut, 0.50"-13NC	8
11	7950180252	Flatwasher, 0.50" ID	8
12	8632000011	Seal, Rubber "D"	12ft
13	4705000705	Plate	8

## 49" TUNNEL TOOL COMPARTMENT INSTALLATION

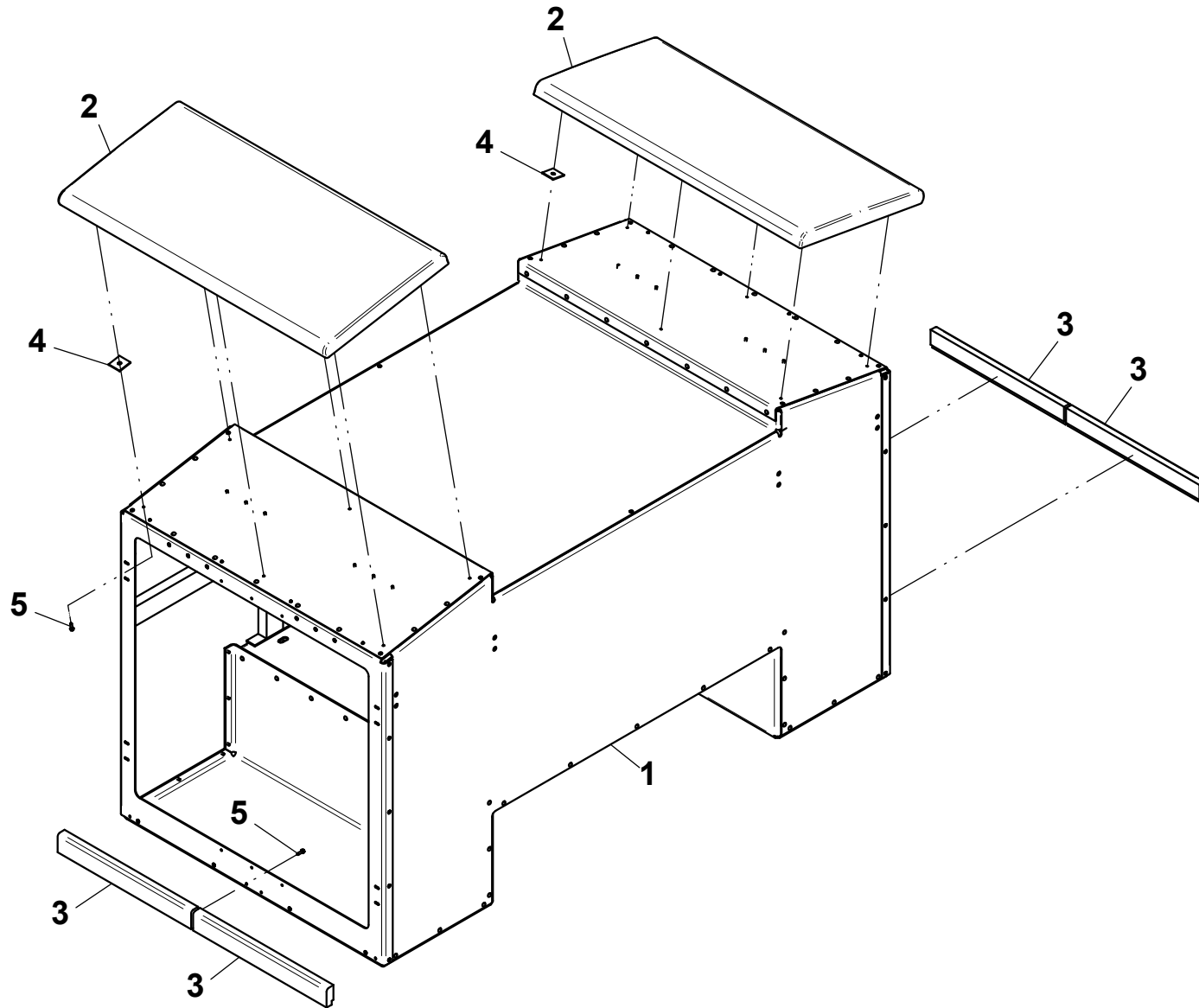


**49" TUNNEL TOOL COMPARTMENT PANEL ASSEMBLY**

ITEM	PART NO.	DESCRIPTION	QTY
1	3502740106	Bonding Assembly	1
2	7686000050	Cap Panel	2
3	7686000031	Filler Strip Panel	4
4	4679000120	Pad, Rubber - .12" Thk	12
5	7790141651	Screw, Self Tapping - 0.25" Dia x 1.00"	20



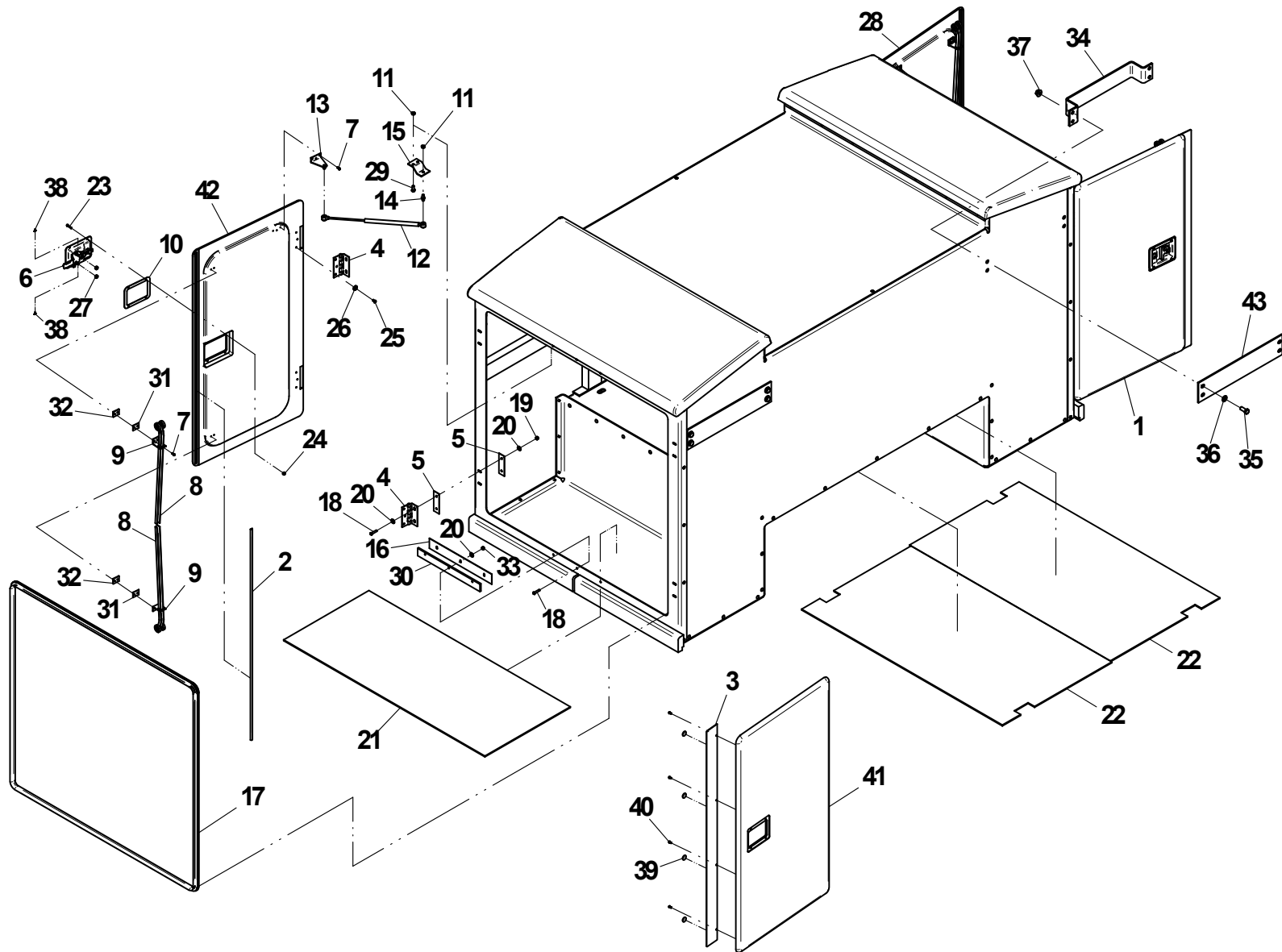
# 49" TUNNEL TOOL COMPARTMENT PANEL ASSEMBLY



**49" TUNNEL TOOL COMPARTMENT DOOR AND HARDWARE ASSEMBLY**

ITEM	PART NO.	DESCRIPTION	QTY	ITEM	PART NO.	DESCRIPTION	QTY
1	4686000133	Door Panel	1	40	7114100318	Capscrew, #10-24NC x 0.38"	8
2	4632000025	Seal, Vertical Door	2	41	4686000185	Door Panel	1
3	4811000355	Sheet	2	42	4686000186	Door Panel	1
4	7555000002	Hinge	8	43	4811000947	Sheet	4
5	4812000052	Shim	16				
6	7595000011	Latch, "T" Handle	4				
7	7114100418	Capscrew, #10-24NC x 0.50"	28				
8	7585000016	Latch Roller	8				
9	4178000337	Bracket	8				
10	7796000031	Gasket	4				
11	7660152604	Locknut, 0.31"-18NC	12				
12	7843000020	Gas Spring - 6.00" Stroke	4				
13	7178000023	Bracket, Ball Stud	4				
14	7865000001	Ball Stud	4				
15	4178000240	Bracket	4				
16	4811000335	Sheet	4				
17	4632000024	Seal, Vertical Door	2				
18	7114141018	Capscrew, 0.25"-20NC x 1.25"	28				
19	7660142604	Locknut, 0.25"-20NC	16				
20	7950140163	Flatwasher, 0.25" ID	56				
21	4679000181	Pad, Rubber	2				
22	4679000188	Pad, Rubber	2				
23	7114100818	Capscrew, #10-24NC x 1.00"	16				
24	7660102604	Locknut, #10-24NC	16				
25	7114140418	Capscrew, 0.25"-20NC x 0.50"	24				
26	7950140503	Lockwasher, 0.25" ID	24				
27	7831000040	Spacer	8				
28	4686000134	Door Panel	1				
29	7114150650	Capscrew, 0.31"-18NC x 0.75"	8				
30	4062000368	Bar	4				
31	4811000336	Sheet	8				
32	4811000337	Sheet	8				
33	7660140001	Nut, 0.25"-20NC	12				
34	4178000229	Bracket	4				
35	7115181050	Capscrew, 0.50"-13NC x 1.25"	16				
36	7950180153	Flatwasher, 0.50" ID	16				
37	7660182301	Locknut, 0.50"-13NC	16				
38	7690000810	Pin, Cotter	8				
39	7189000015	Bumper	8				

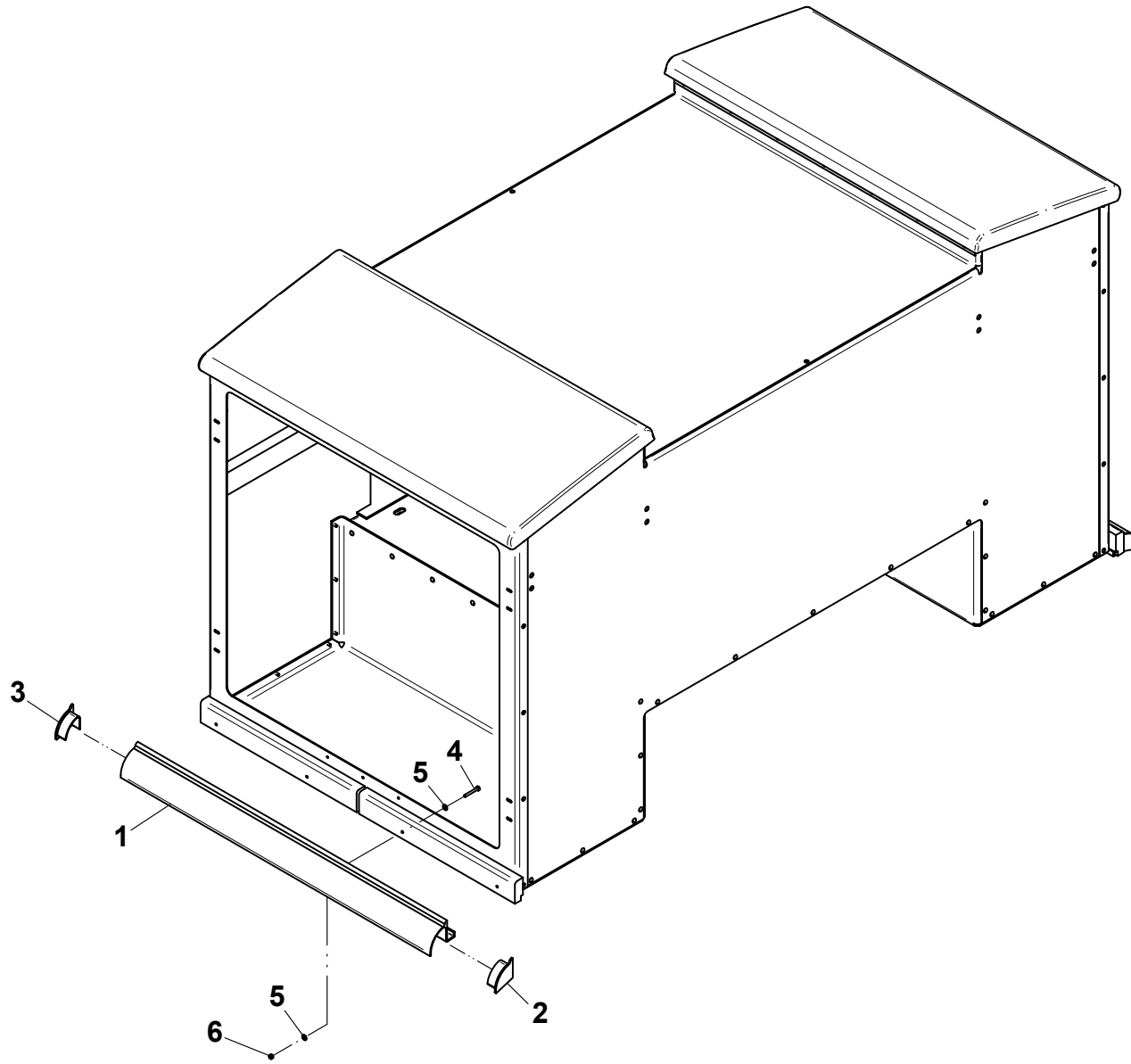
# 49" TUNNEL TOOL COMPARTMENT DOOR AND HARDWARE ASSEMBLY



**49" TUNNEL TOOL COMPARTMENT FENDER FLARE ASSEMBLY**

ITEM	PART NO.	DESCRIPTION	QTY
1	4415000046	Flare, Body	2
2	7415000014	Flare, Body Cap - LH	2
3	7415000013	Flare, Body Cap - RH	2
4	7114141850	Capscrew, 0.25"-20NC x 2.25"	8
5	7970140151	Flatwasher, 0.25" ID	8
6	7660142604	Locknut, 0.25"-20NC	8

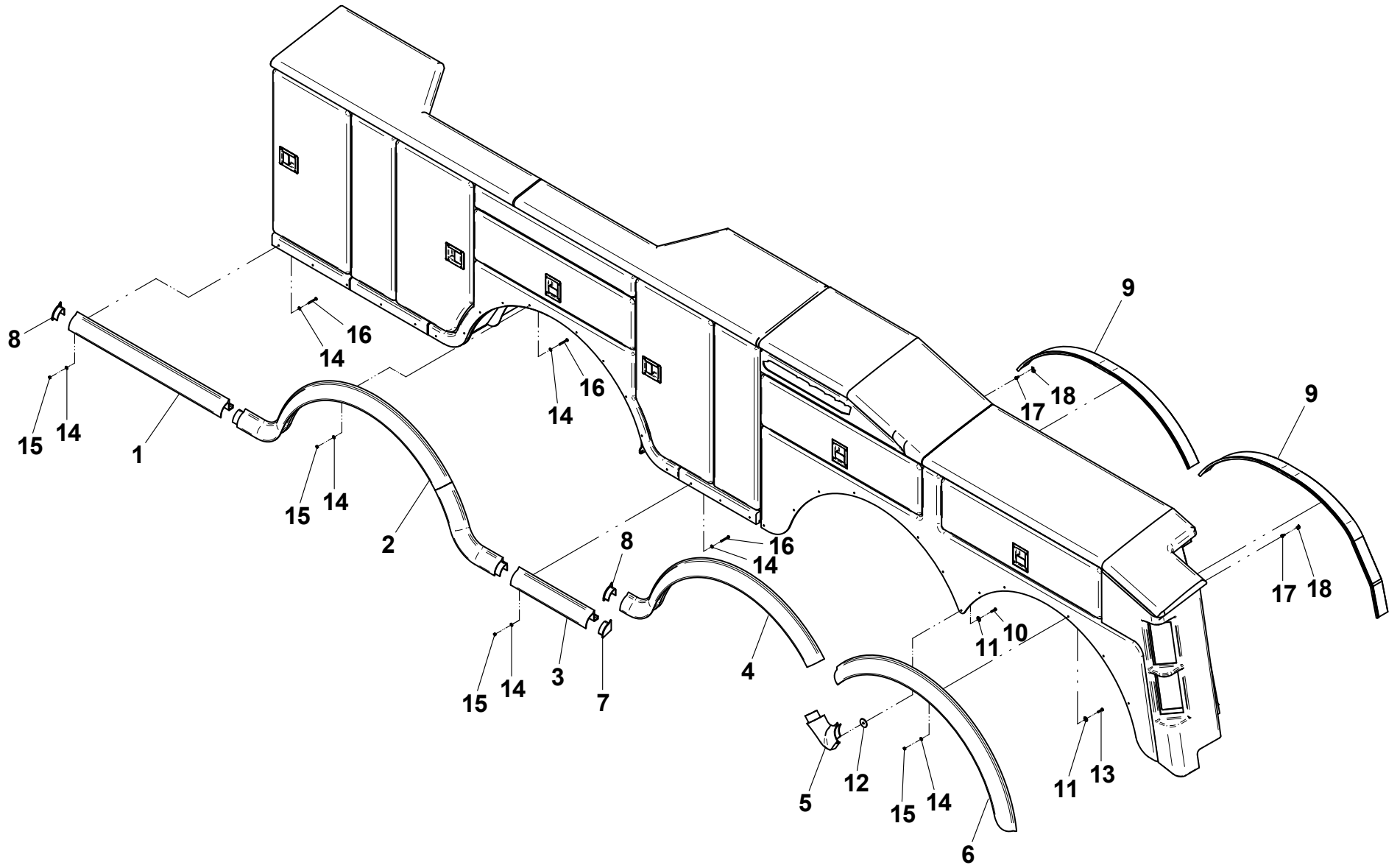
# 49" TUNNEL TOOL COMPARTMENT FENDER FLARE ASSEMBLY



**FENDER FLARE INSTALLATION**

ITEM	PART NO.	DESCRIPTION	QTY
1	1001137373	Fender Flare, Body	2
2	3415000047	Wheelwell Flare - Lift Axle	2
3	4415000053	Fender Flare, Body	2
4	4415000054	Wheelwell Flare, Front - LH	1
	4415000055	Wheelwell Flare, Front - RH	1
5	7415000010	Junction, Flare	2
6	4415000019	Wheelwell Flare, Rear - LH	1
	4415000017	Wheelwell Flare, Rear - RH	1
7	7415000013	Flare, Body Cap - RH	3
8	7415000014	Flare, Body Cap - LH	3
9	7415000032	Fender, Inner	24ft
10	7790142051	Screw, Self-Tapping - 0.25" Dia x 1.25"	2
11	7949000022	Washer, Fender	24
12	4679000148	Pad	2
13	7111141050	Capscrew, 0.25"-20NC x 1.25"	22
14	7950140141	Flatwasher, 0.25" ID	96
15	7660142601	Locknut, 0.25"-20NC	58
16	7115141850	Capscrew, 0.25"-20NC x 2.25"	36
17	7790141056	Screw, Self-Tapping - 0.25" Dia x 0.63"	8
18	7280000020	Wire Clip	8

# FENDER FLARE INSTALLATION

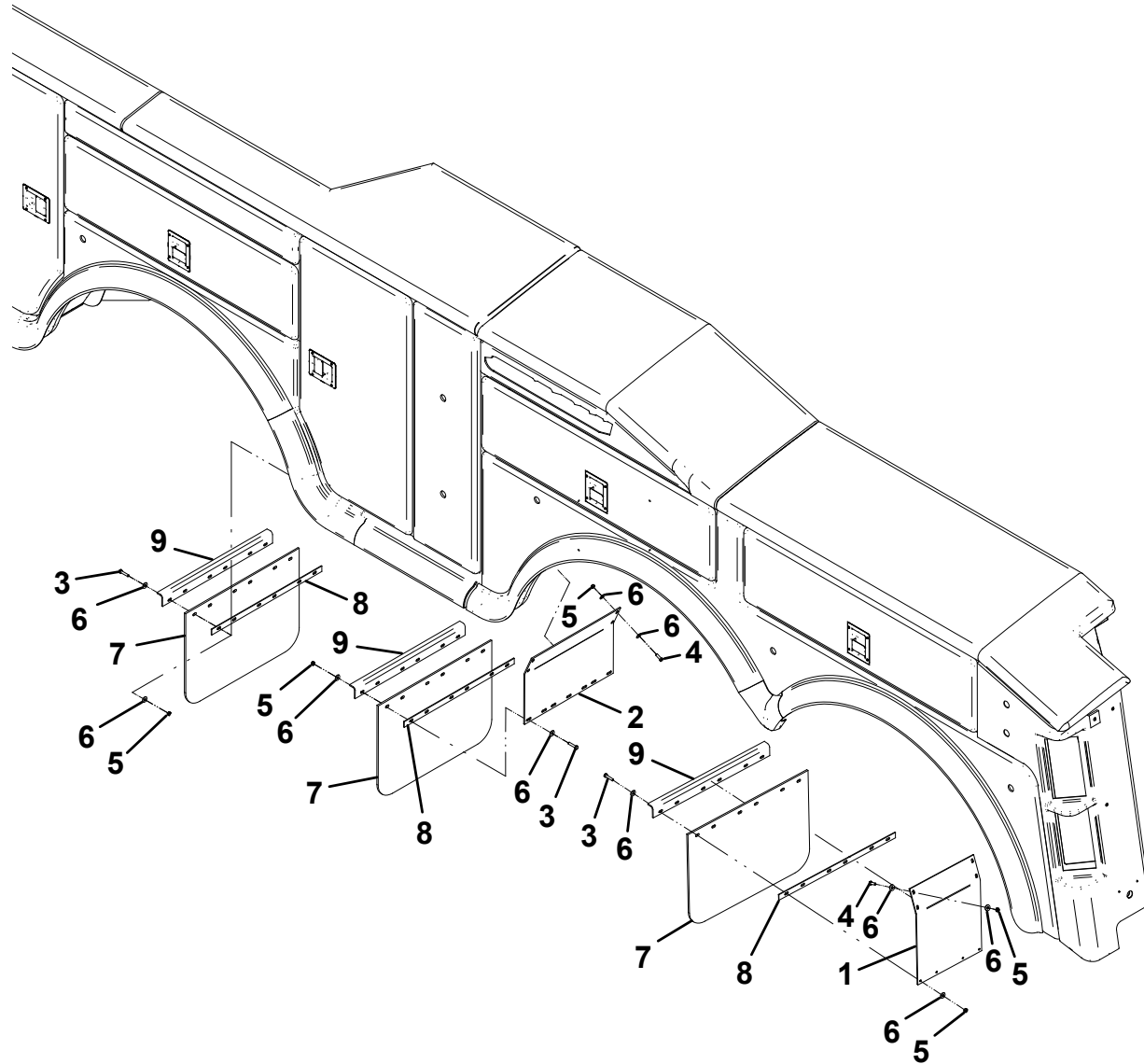


**MUDFLAP INSTALLATION**

ITEM	PART NO.	DESCRIPTION	QTY
1	4178000242	Bracket	2
2	4178000661	Bracket	2
3	7118151250	Capscrew, 0.31"-18NC x 1.50"	36
4	7115150850	Capscrew, 0.31"-18NC x 1.00"	16
5	7660152601	Locknut, 0.31"-18NC	36
6	7950150161	Flatwasher, 0.31" ID	104
7	7638000012	Mudflap	6
8	4706001815	Plate	6
9	4017000719	Angle	6



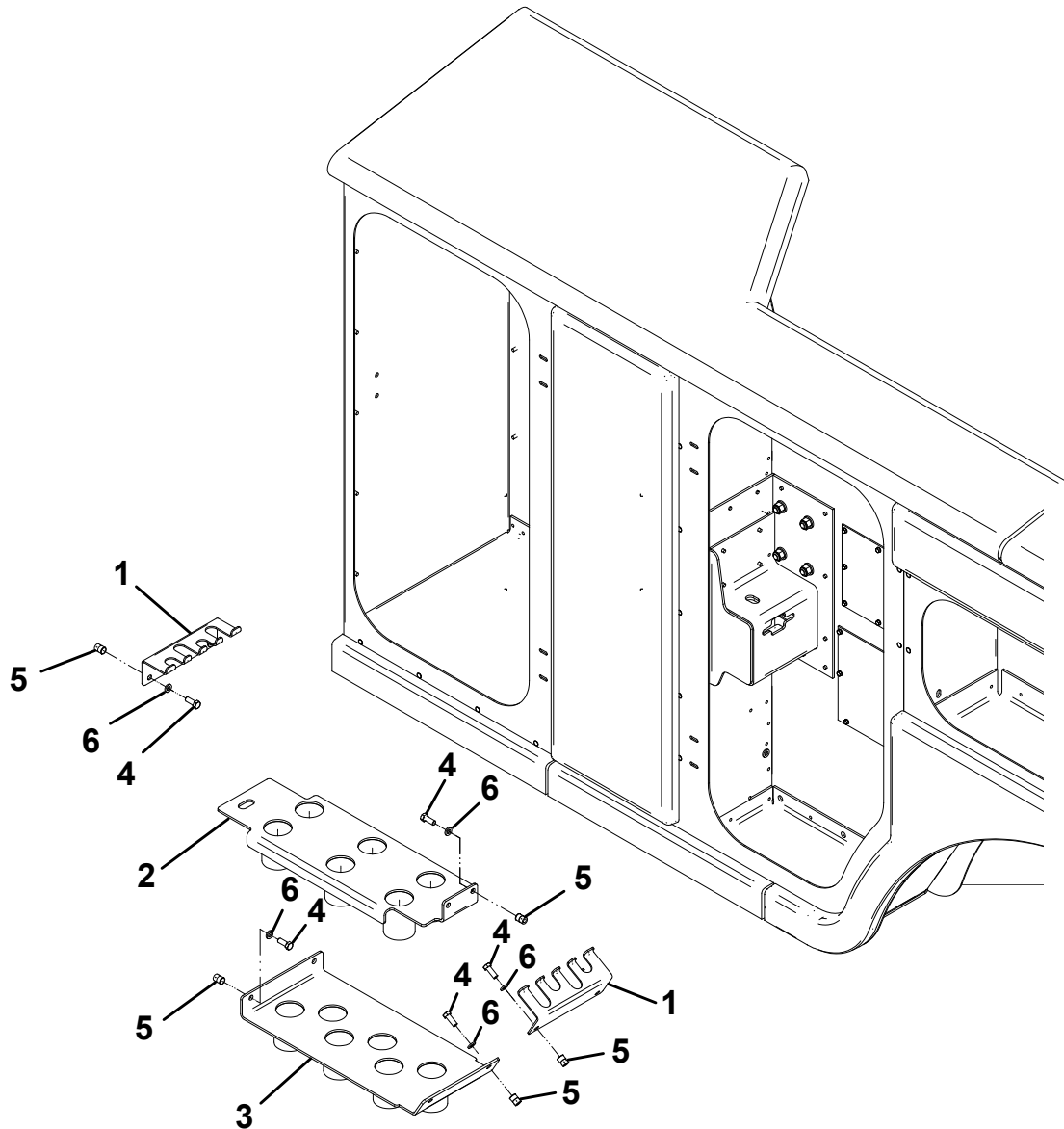
# MUDFLAP INSTALLATION



**TOOL HOLDER BRACKET INSTALLATION**

ITEM	PART NO.	DESCRIPTION	QTY
1	4178000678	Bracket	2
2	4811001026	Bracket	1
3	4811001027	Bracket	1
4	7115160850	Capscrew, 0.38"-16NC x 1.00"	10
5	7413000003	Nutsert, 0.38"-16NC	10
6	7950160000	Lockwasher, 0.38" ID	10

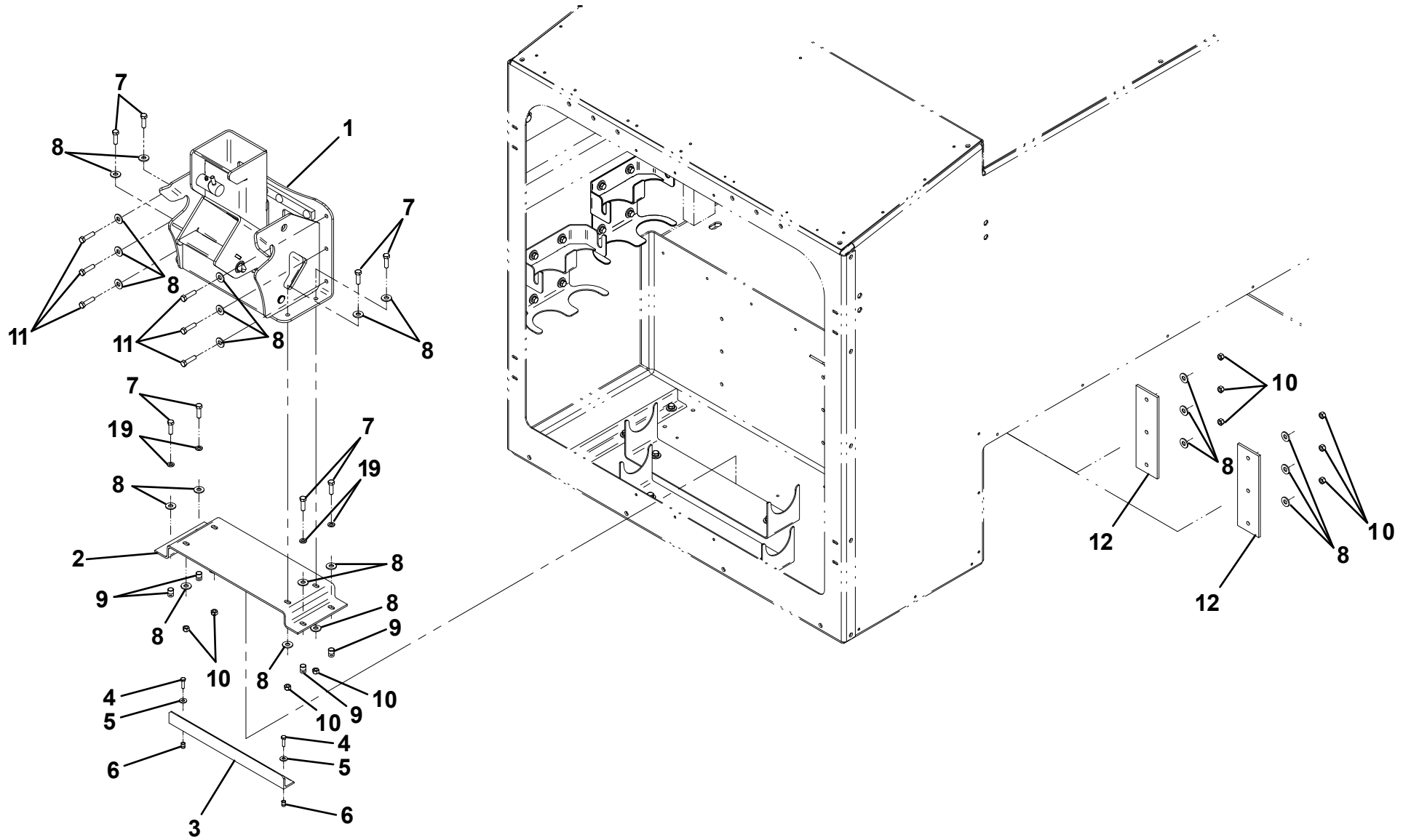
# TOOL HOLDER BRACKET INSTALLATION

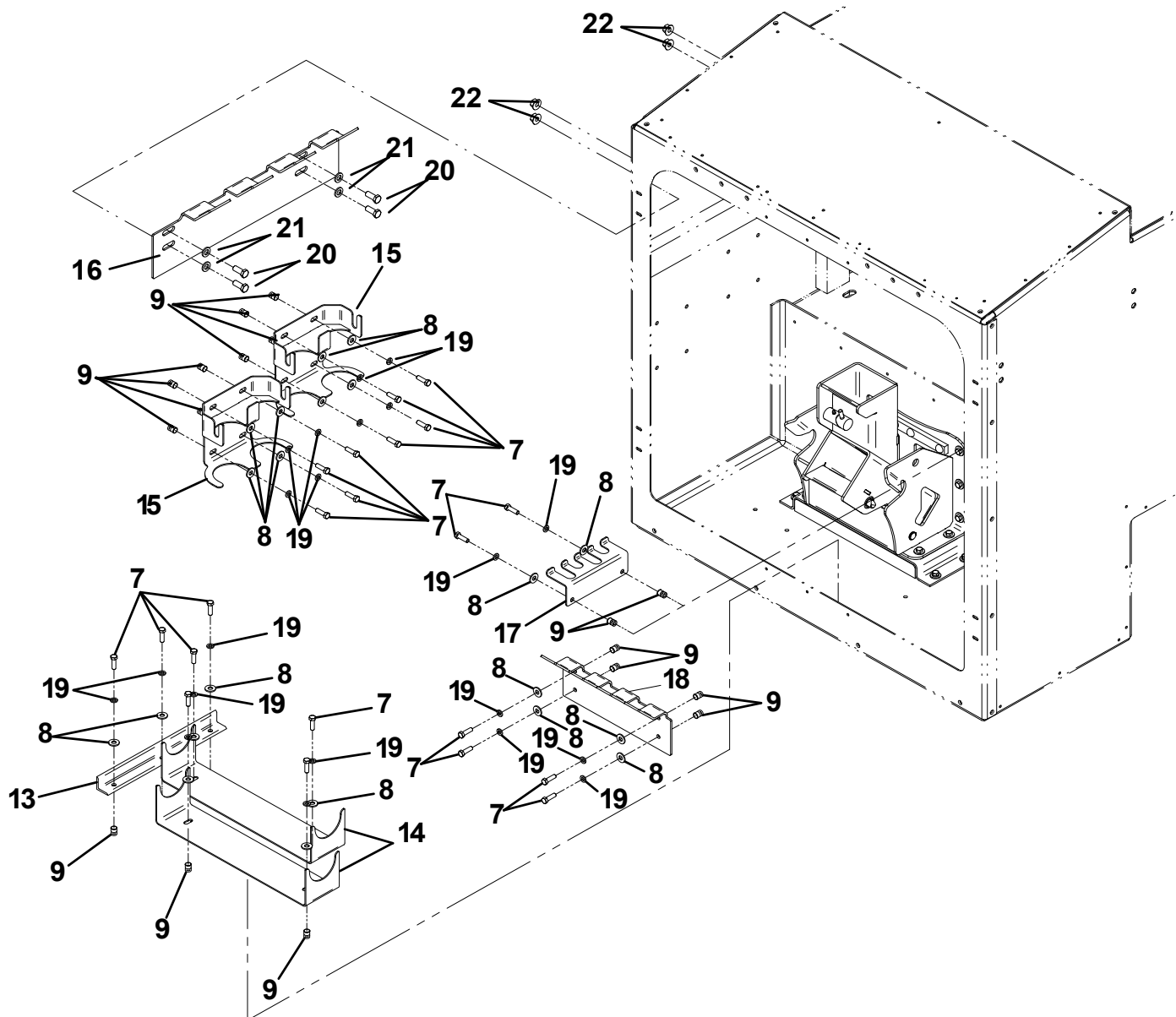


**25K TIRE LIFT STORAGE BRACKETS FOR 49" TUNNEL TOOL COMPARTMENT**

ITEM	PART NO.	DESCRIPTION	QTY
1	3178000460	Bracket Assembly	1
2	4178000660	Bracket	1
3	4017001493	Angle	1
4	7114140850	Capscrew, 0.25"-20NC x 1.00"	2
5	7950140163	Flatwasher, 0.25" ID	2
6	7413000002	Nutsert, 0.25"-20NC	2
7	7114161050	Capscrew, 0.38"-16NC x 1.25"	29
8	7950140163	Flatwasher, 0.38" ID	45
9	7413000003	Nutsert, 0.38"-16NC	25
10	7660162604	Locknut, 0.38"-16NC	10
11	7115161250	Capscrew, 0.38"-16NC x 1.50"	6
12	4062000615	Bar	2
13	4017001549	Angle	1
14	4178000715	Bracket	2
15	3178000513	Bracket, Weldment	1
16	4178000761	Bracket	1
17	4178000678	Bracket	1
18	4178000720	Bracket	1
19	7950160000	Lockwasher, 0.38" ID	25
20	7115181050	Capscrew, 0.50"-13NC x 1.25"	4
21	7950180153	Flatwasher, 0.50" ID	1
22	7660182301	Locknut, 0.50"-13NC	4

# 25K TIRE LIFT STORAGE BRACKETS FOR 49" TUNNEL TOOL COMPARTMENT



**25K TIRE LIFT STORAGE BRACKETS FOR 49" TUNNEL TOOL COMPARTMENT**

**25K TIRE LIFT STORAGE BRACKETS FOR 49" TUNNEL TOOL COMPARTMENT**

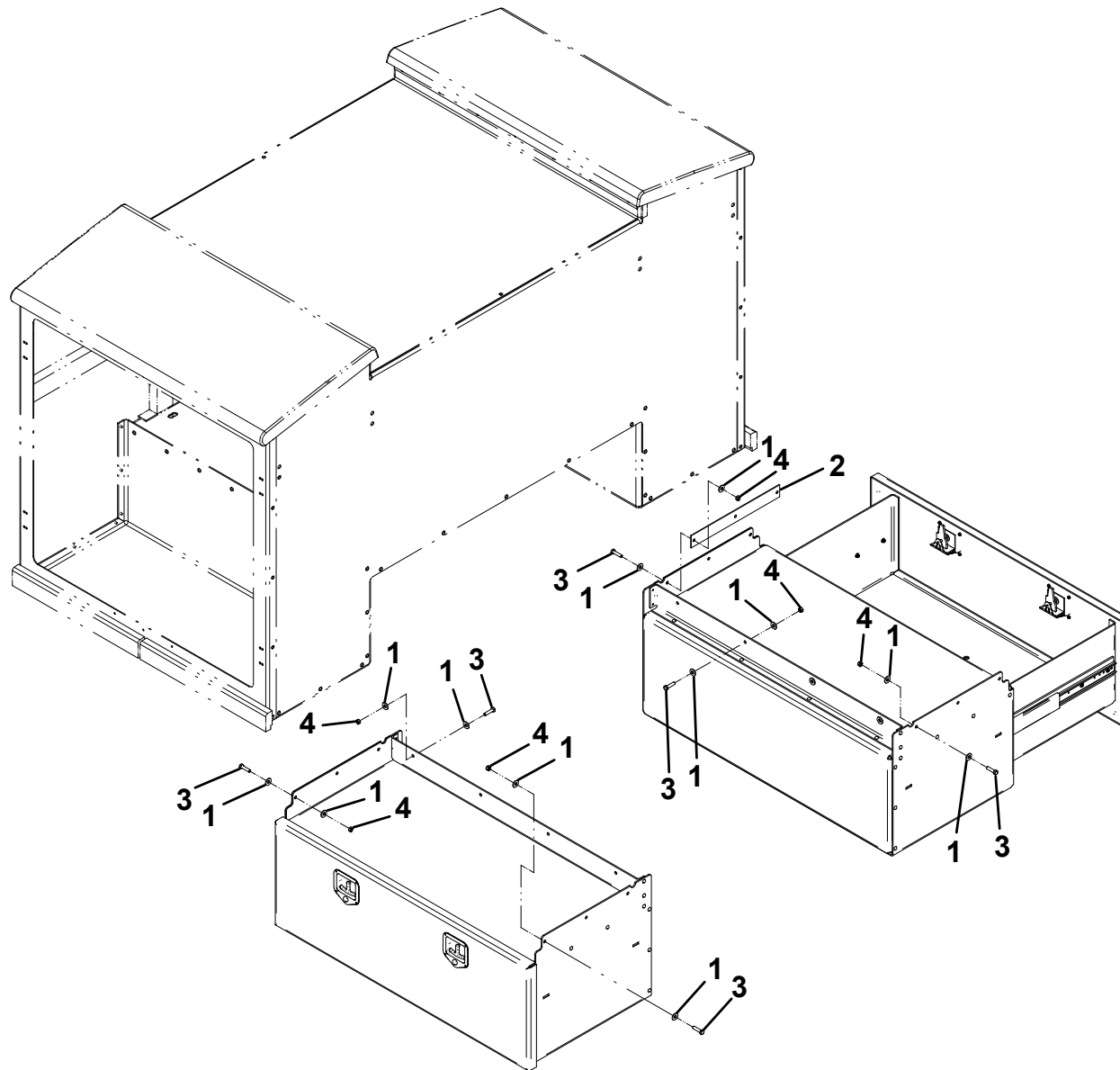
**THIS PAGE INTENTIONALLY LEFT BLANK**

**UNDER TOOL COMPARTMENT DRAWER INSTALLATION**

ITEM	PART NO.	DESCRIPTION	QTY
1	7950160163	Flatwasher, 0.38" ID	44
2	4812000120	Shim	2
3	7114161250	Capscrew, 0.38"-12NC x 1.00"	22
4	7660162604	Locknut, 0.38"-12NC	22



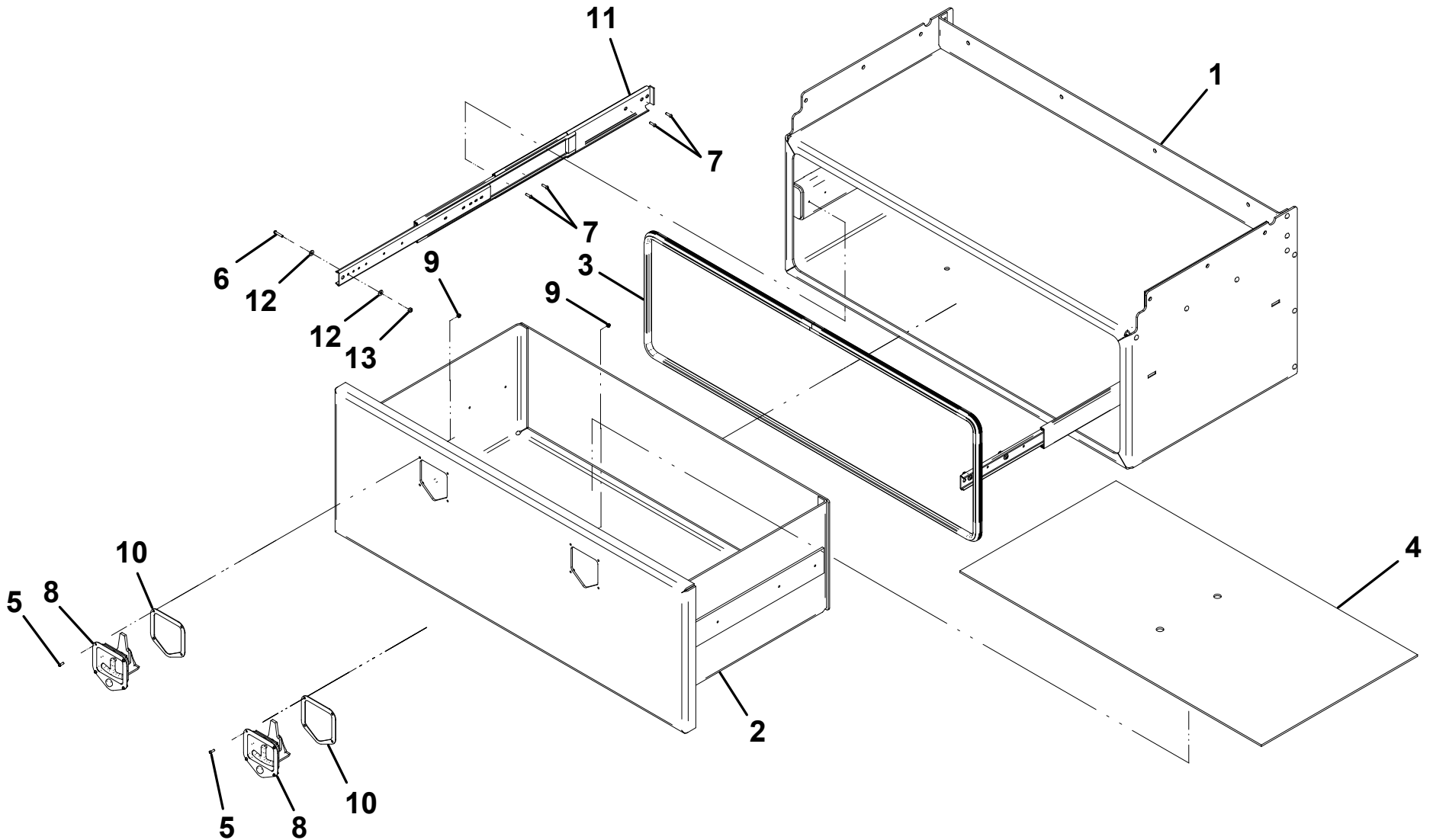
# UNDER TOOL COMPARTMENT DRAWER INSTALLATION



**UNDER TOOL COMPARTMENT DRAWER ASSEMBLY**

ITEM	PART NO.	DESCRIPTION	QTY
1	3899000160	Drawer Enclosure Bondment	2
2	3899000161	Drawer Bondment	2
3	7796000099	Seal	20ft
4	4679000320	Pad, Rubber	2
5	7114080418	Capscrew, #8-32NC x 0.50"	16
6	7114100818	Capscrew, #10-24NC x 1.00"	16
7	7114100518	Capscrew, #10-24NC x 0.63"	16
8	7585000012	Latch, T-Handle	4
9	7660082604	Locknut, #8-32NC	16
10	7796000084	Gasket	4
11	7821000003	Slide	4
12	7950100103	Flatwasher, 0.19" ID	32
13	7660102604	Locknut, #10-24NC	16

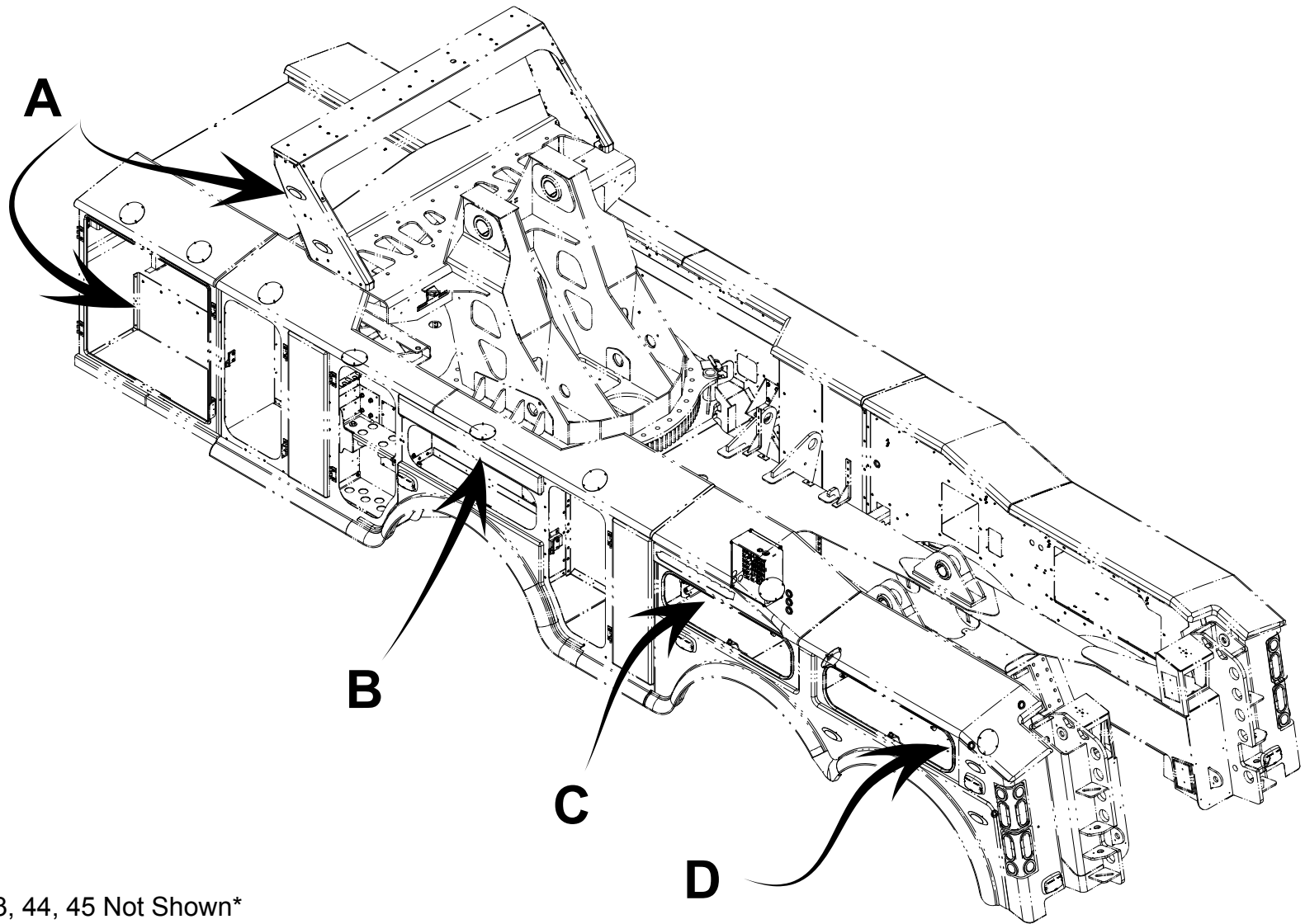
# UNDER TOOL COMPARTMENT DRAWER ASSEMBLY



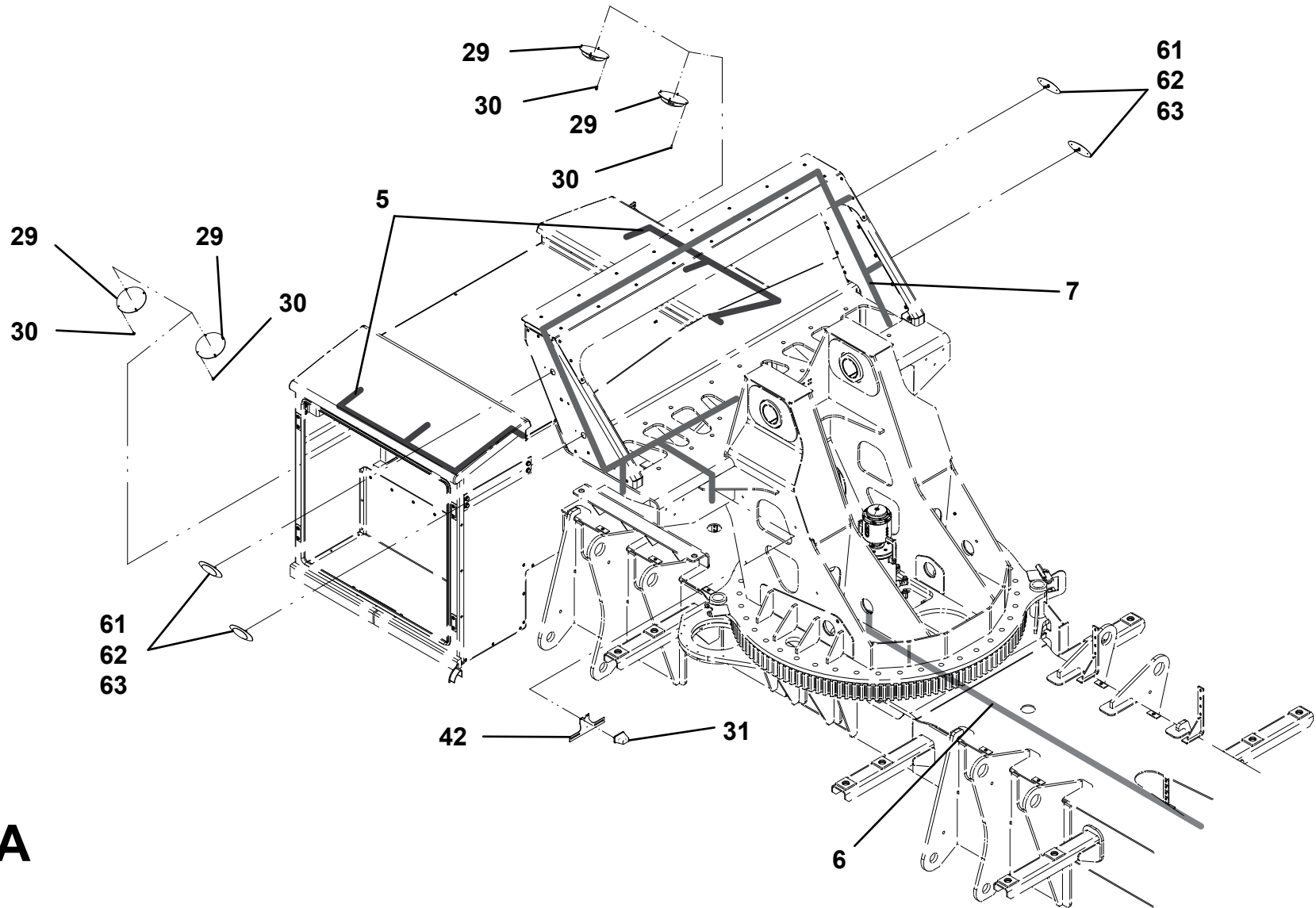
**BODY LIGHTING & WIRING INSTALLATION**

ITEM	PART NO.	DESCRIPTION	QTY	ITEM	PART NO.	DESCRIPTION	QTY
1	1001137102	Harness, LH Body	1	40	7661000023	Locknut, #10-32NF	16
2	1001142829	Harness, RH Body	1	41	7346000039	Tube	2
3	7552000354	Harness, LH Mid Body	1	42	7178000025	Bracket	1
4	7552000349	Harness, RH Mid Body	1	43	7894000042	Tie Strap	50
5	7552000355	Harness, Tunnel	2	44	7894000031	Cable Tie	25
6	1001144150	Harness, Swivel to Panel	1	45	7894000010	Tie Strap	25
7	1001150426	Harness, Headboard	1	46	1001143276	Harness, LH Mid Body Markers	1
8	1001144017	Harness, Battery to Dist. Panel	1	47	1001143289	Harness, RH Mid Body Markers	1
9	7978000011	Cable	30ft	48	1001143286	Harness, Body Flashers Mid Body	2
10	8597650001	Loom	30ft	49	1001143287	Harness, RH Rear Body Flashers	1
11	7870000043	Switch Breaker, 150 Amp	1	50	1001143288	Harness, LH Rear Body Flashers	1
12	7115140650	Capscrew, 0.25"-20NC x 0.75"	6	51	7870000143	Switch	2
13	7950140141	Flatwasher, 0.25" ID	6	52	1001134451	Decal	2
14	7660142601	Locknut, 0.25"-20NC	6	53	7590000284	Light	6
15	7345222202	Terminal	2	54	7590000317	Light	2
16	7346000045	Tubing	0.25ft	55	7590000304	Light	8
17	7345242202	Terminal	1	56	7493000026	Grommet	8
18	7345232202	Terminal	1	57	7740000008	Relay	1
19	7115150650	Capscrew, 0.31"-18NC x 0.75"	1	58	1001144012	Harness, Relay To Power Panel	2
20	7950150000	Flatwasher, 0.31" ID	1	59	7114100618	Capscrew, #10-24NC x 0.75"	1
21	7950150161	Flatwasher, 0.31" ID	1	60	7660102601	Nut, #10-24NC	1
22	7493000014	Grommet	10	61	7590000262	Light	14
23	7493000011	Grommet	2	62	7114080418	Capscrew, #8-32NC x 0.50"	8
24	1001143543	Junction Box, Electrical	1	63	7660082604	Locknut, #8-32NC	8
25	7120000033	Screw, #10-32NF	4	64	1001143284	Light	8
26	7115101411	Screw, #10-24NC x 1.75"	4	65	7590000282	Light	4
27	7661000002	Locknut, #10-24NC	12	66	7790100856	Screw, #10 x 0.50"	28
28	7870000123	Power Panel Distribution	1				
29	7590000094	Light	18				
30	7790100856	Screw, #10 x 0.50"	72				
31	7590000105	Light, License Plate	1				
32	7740000001	Relay, 40 Amp	13				
33	7457000023	Fuse, 20 Amp	3				
34	7457000019	Fuse, 5 Amp	13				
35	7457000011	Fuse, 10 Amp	4				
36	7457000006	Fuse, 15 Amp	1				
37	7457000012	Fuse, 20 Amp	3				
38	7120000035	Capscrew, 0.31"-18NC x 0.50"	1				
39	7949000053	Washer, 0.31" ID	1				

# BODY LIGHTING & WIRING INSTALLATION



\*Items 43, 44, 45 Not Shown\*

**BODY LIGHTING & WIRING INSTALLATION**

# BODY LIGHTING & WIRING INSTALLATION

CAVITY	CIRCUIT	COLOR	FUNCTION	GA
1	1	ORANGE	BEACON 1	12
2	2	ORANGE/BLACK	BEACON 2	12
3	17	RED	BEACON AUX 1	12
4	3	BLUE	FLOOD 2	12

CAVITY	SWIVEL CIRCUIT	SWIVEL COLOR	FUNCTION	GAUGE
1	8	GREEN/BLACK	BEACON 1	12
2	9	VIOLET	BEACON 2	12
3	10	RED/BLACK	BEACON AUX 1	12
4	11	BLUE/BLACK	FLOOD 2	12

CAVITY	CIRCUIT	COLOR	GA	FUNCTION
1	22	WHITE	10	GROUND LIGHT BAR
2	31	WHITE	10	GRND BEACON AUX 1

**FROM TOP OF SWIVEL**

CAVITY	SWIVEL CIRCUIT	SWIVEL COLOR	GA	FUNCTION
1	1	GREEN	10	GROUND LIGHT BAR
2	16	GREEN/BROWN	12	GROUND WING LIGHTS

CAVITY	CIRCUIT	COLOR	FUNCTION	GA
1	30	WHITE	GRND WORK LIGHTS	12
2	12	GREEN	RH S/T	16
3	13	YELLOW	LH S/T	16
4	14	BROWN	MARKER	16

CAVITY	SWIVEL CIRCUIT	SWIVEL COLOR	FUNCTION	GAUGE
1	17	BROWN	GRND FLOOD 2	12
2	18	GREEN/WHITE	RH S/T	14
3	19	WHITE/GREEN	LH S/T	14
4	20	BLACK/WHITE	MARKER	14

7

CAVITY	SWIVEL CIRCUIT	SWIVEL COLOR	FUNCTION	GAUGE
1	8	GREEN/BLACK	BEACON 1	12
2	9	VIOLET	BEACON 2	12
3	10	RED/BLACK	BEACON AUX 1	12
4	11	BLUE/BLACK	FLOOD 2	12

CAVITY	CIRCUIT	COLOR	FUNCTION	GA
1	1	ORANGE	BEACON 1	12
2	2	ORANGE/BLACK	BEACON 2	12
3	17	RED	BEACON AUX 1	12
4	3	BLUE	FLOOD 2	12

**FROM BOTTOM OF SWIVEL**

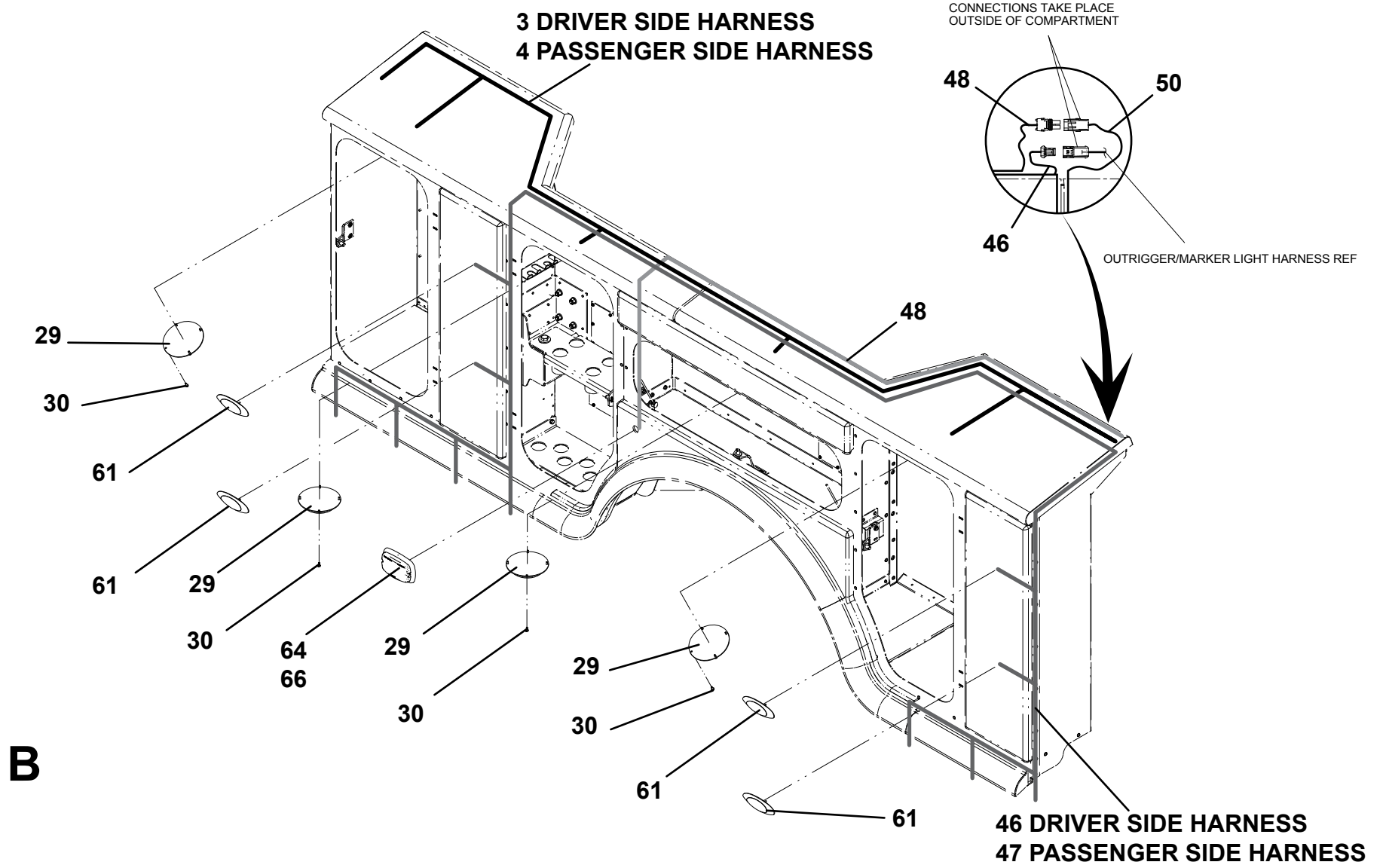
CAVITY	SWIVEL CIRCUIT	SWIVEL COLOR	FUNCTION	GAUGE
1	12	YELLOW/BLACK	AUX 1 BOOM LIGHT	12
2	18	GREEN/WHITE	RH S/T	14
3	19	WHITE/GREEN	LH S/T	14
4	20	BLACK/WHITE	MARKER	14

CAVITY	CIRCUIT	COLOR	FUNCTION	GA
1	8	RED/WHITE	AUX 1 BOOM LIGHT	12
2	12	GREEN	RH S/T	16
3	13	YELLOW	LH S/T	16
4	14	BROWN	MARKER	16

6

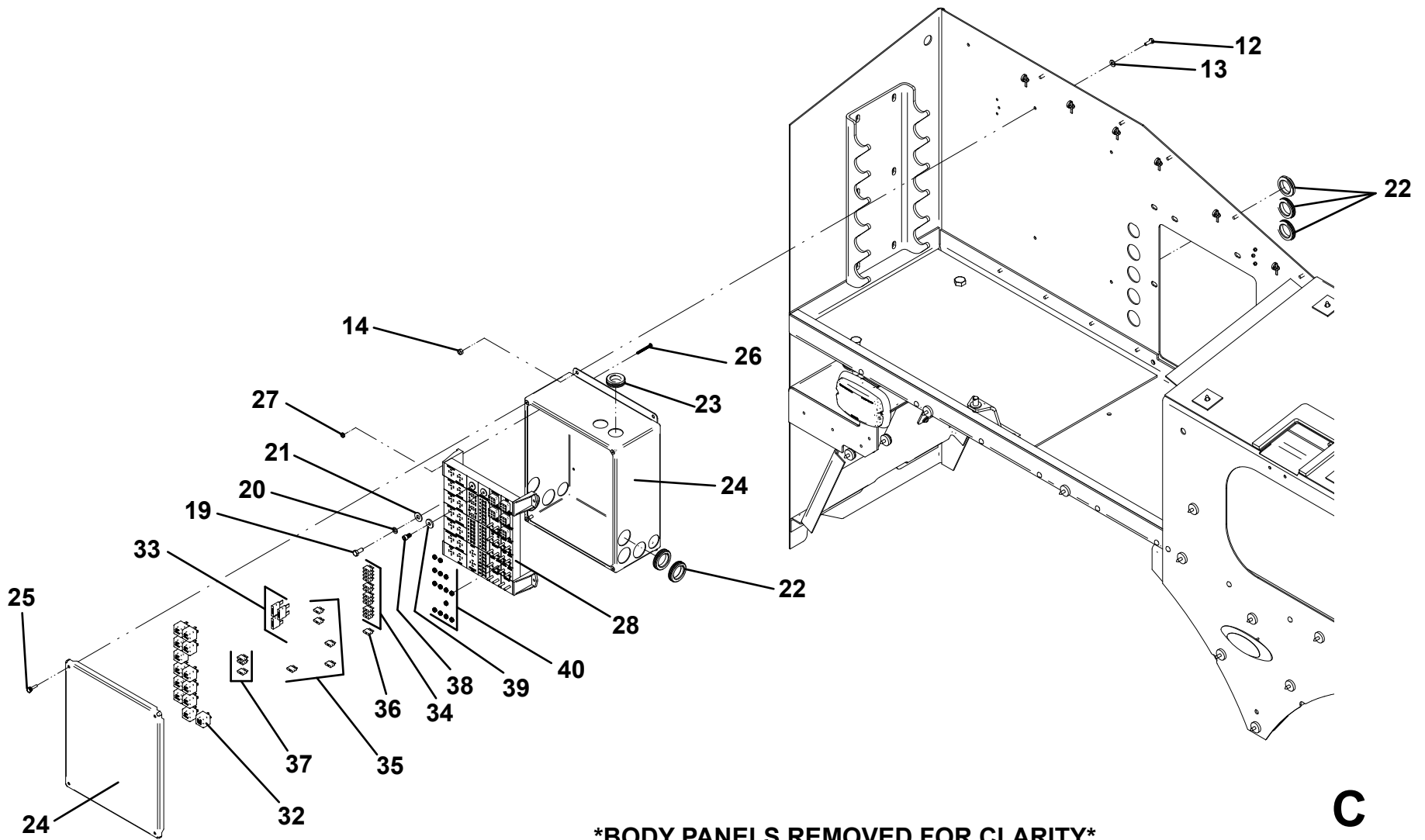
**A**

**BODY LIGHTING & WIRING INSTALLATION**

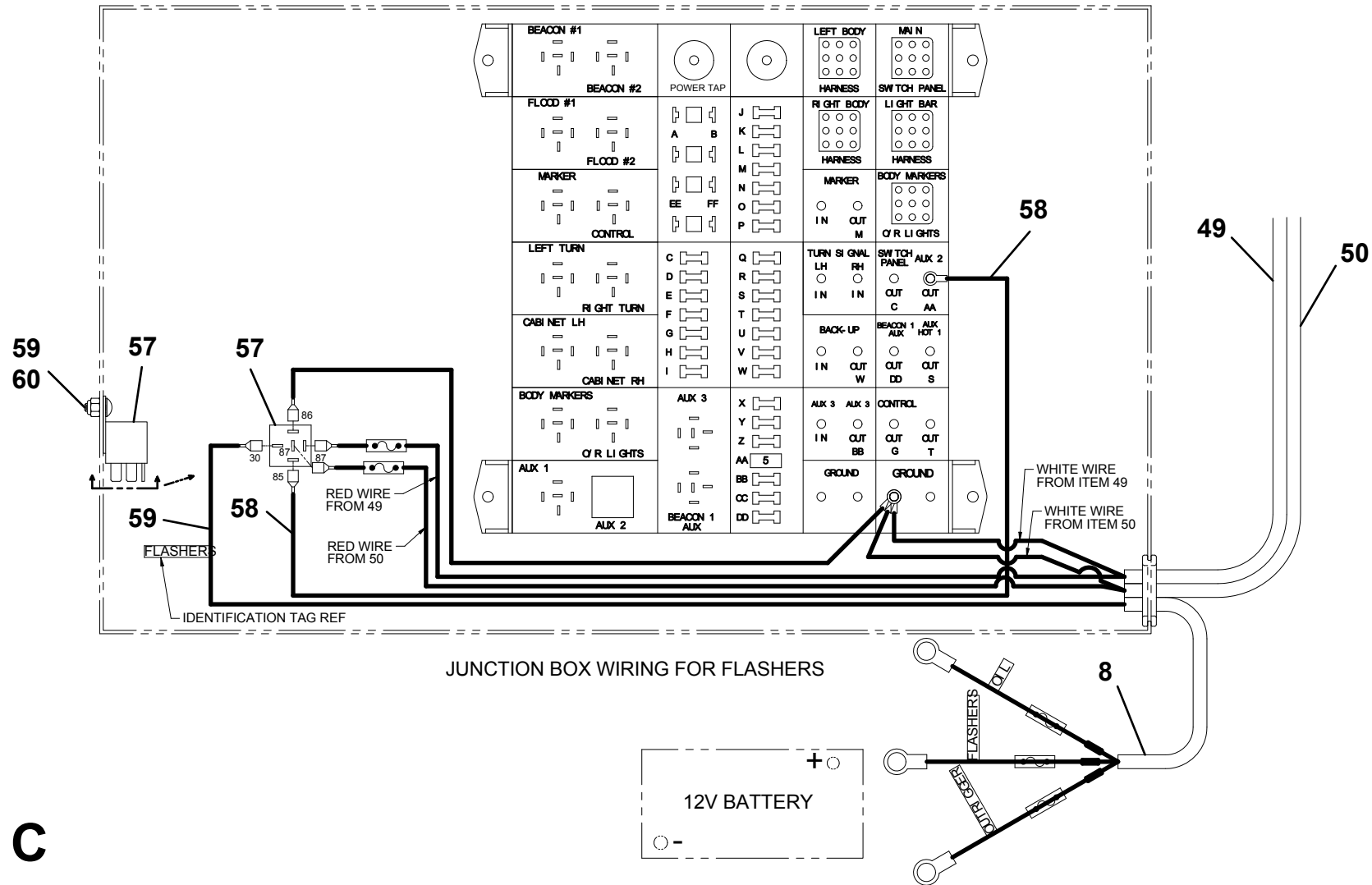




# BODY LIGHTING & WIRING INSTALLATION

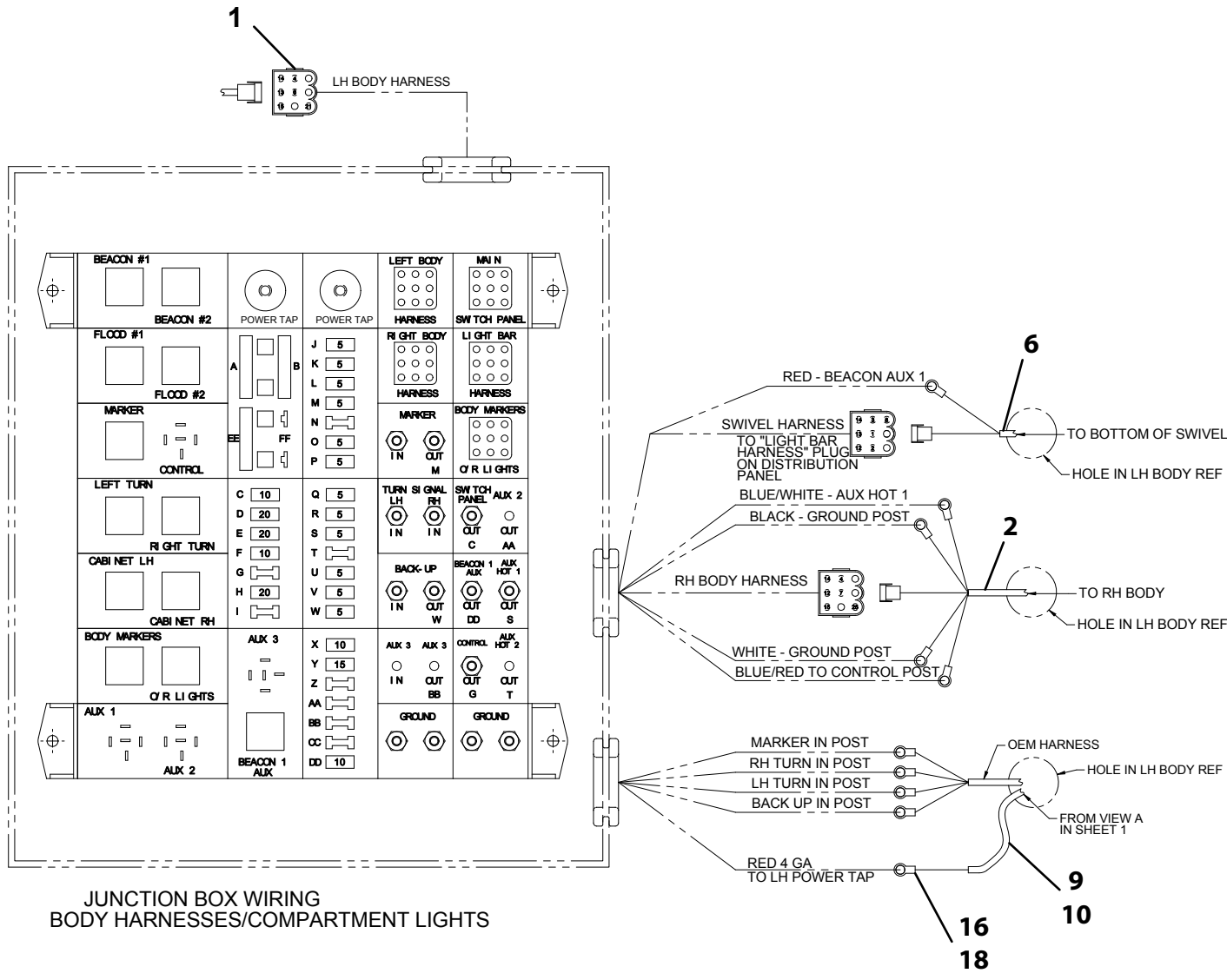


**BODY LIGHTING & WIRING INSTALLATION**



**C**

# BODY LIGHTING & WIRING INSTALLATION



SWIVEL TO PANEL HARNESS		
17	RED	BEACON AUX 1
CIRCUIT ID	COLOR	FUNCTION

RH BODY HARNESS		
28	WHITE	GROUND FLOOD 2
26	BLUE/RED	WIRELESS FUNCTION
23	BLACK	GROUND CHASSIS
5	BLUE/WHITE	CONTROL
CIRCUIT ID	COLOR	FUNCTION

OEM HARNESS		
14	BROWN OR BLACK	MARKER
12	GREEN	RH TURN
13	YELLOW	LH TURN
15	BLACK OR BROWN	BACK UP
CIRCUIT ID	COLOR	FUNCTION

**C**

**BODY LIGHTING & WIRING INSTALLATION**

**50 DRIVER SIDE**

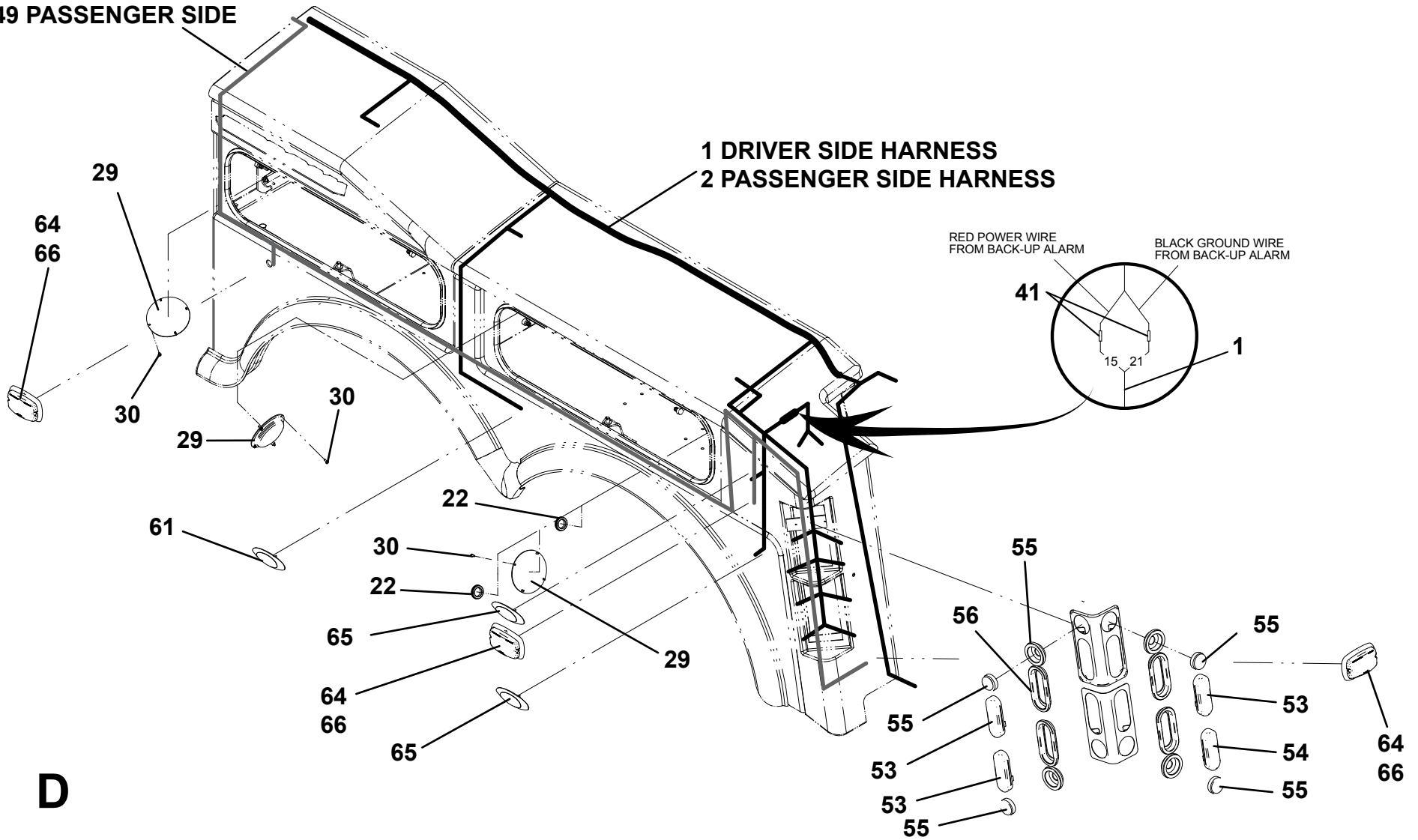
**49 PASSENGER SIDE**

**1 DRIVER SIDE HARNESS**

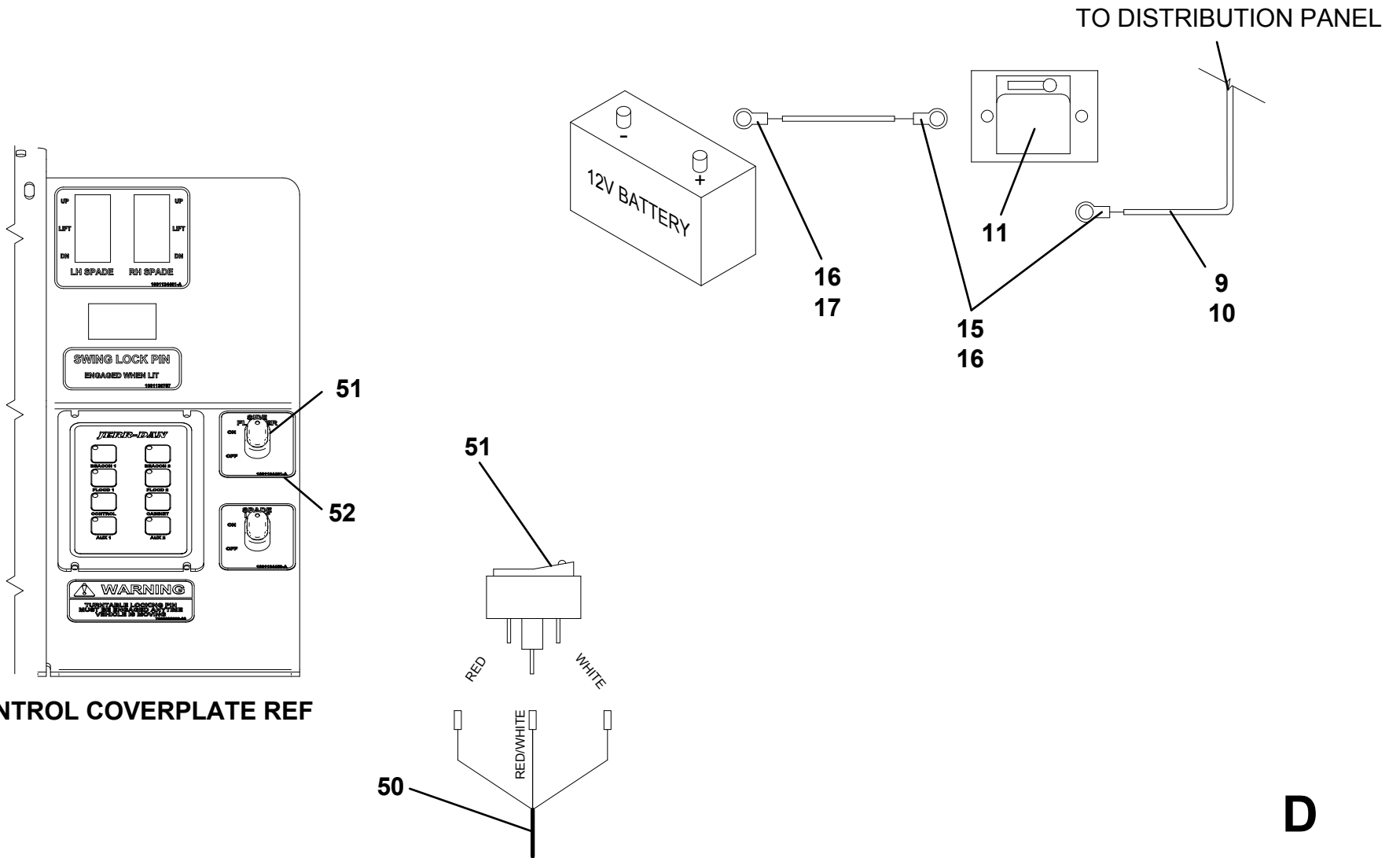
**2 PASSENGER SIDE HARNESS**

RED POWER WIRE  
FROM BACK-UP ALARM

BLACK GROUND WIRE  
FROM BACK-UP ALARM



# BODY LIGHTING & WIRING INSTALLATION

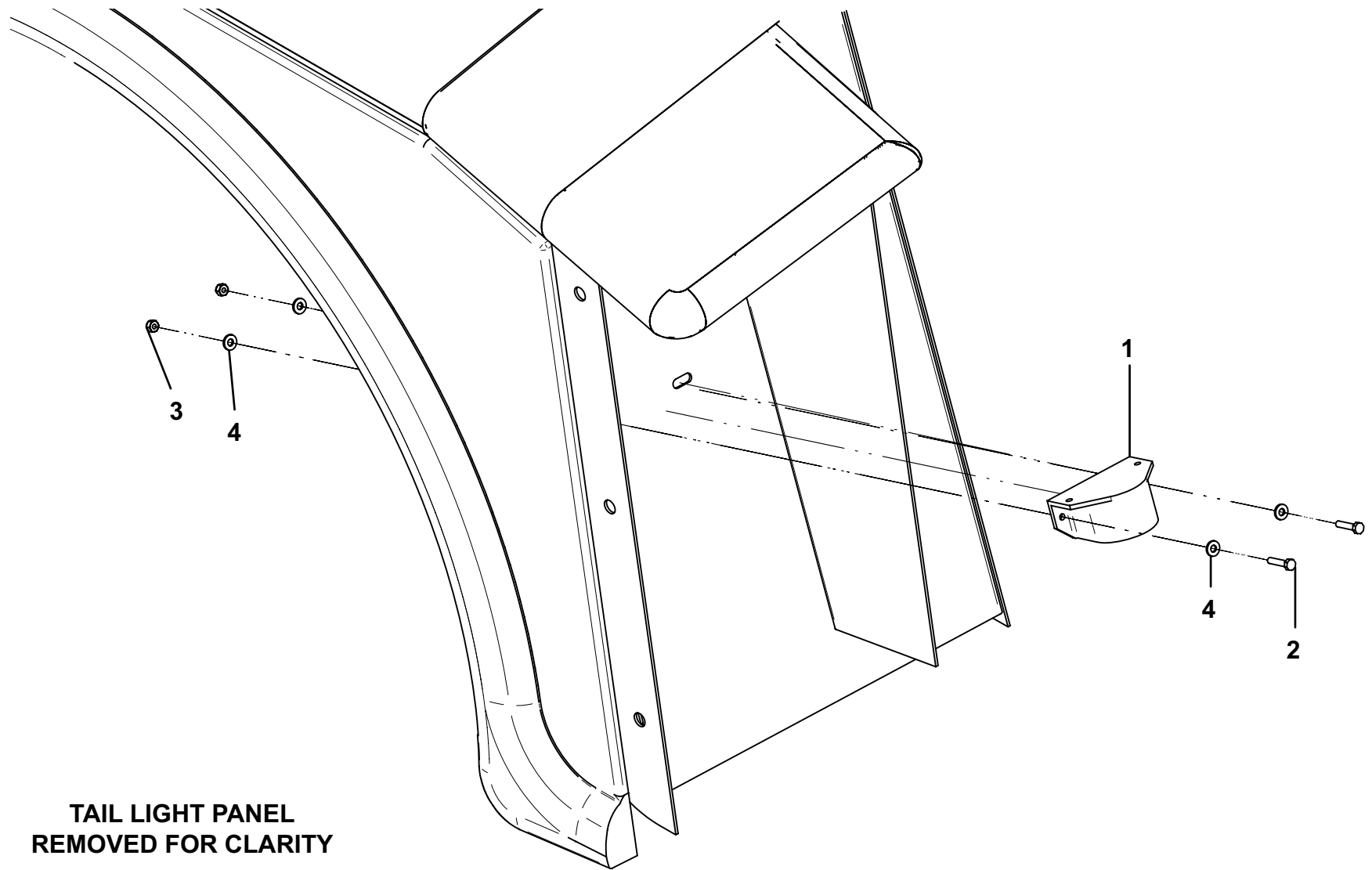


**D**

**BACK-UP ALARM INSTALLATION**

ITEM	PART NO.	DESCRIPTION	QTY
1	7011000007	Alarm, Backup	1
2	1001141265	Screw, #14 x 0.75"	2
3	7660142600	Locknut, 0.25" - 20NC	2
4	7950140141	Flatwasher, 0.25" ID	4

# BACK-UP ALARM INSTALLATION



TAIL LIGHT PANEL  
REMOVED FOR CLARITY

**HYDRAULIC INSTALLATION**

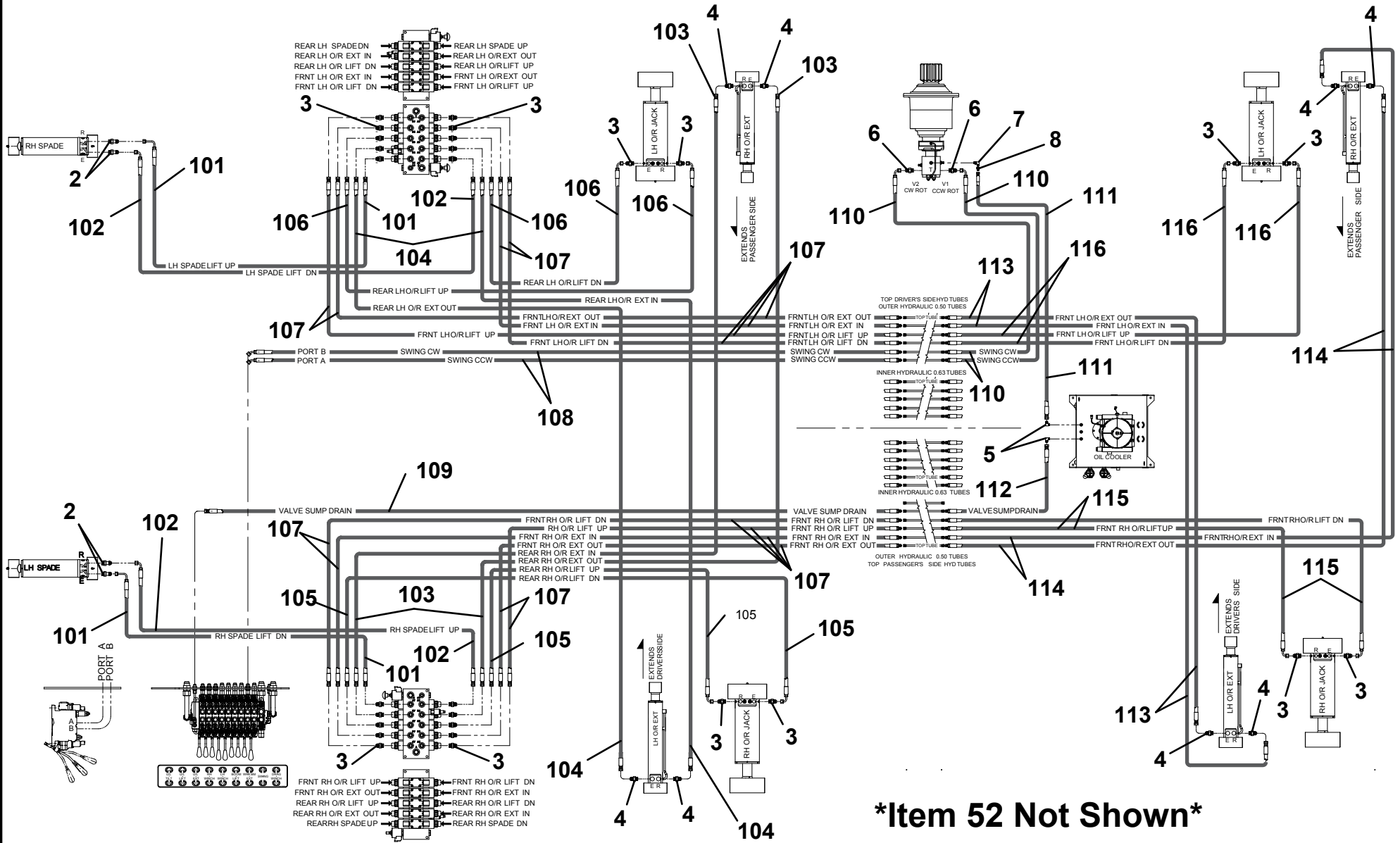
ITEM	PART NO.	DESCRIPTION	QTY	ITEM	PART NO.	DESCRIPTION	QTY
1	1001136811*	Hose Kit	1	40	7443000258	Fitting	2
2	7445080644	Fitting	4	41	1001130426	Hydraulic Tank Assembly	1
3	7445080843	Adapter	32	42	7445101018	Fitting	10
4	7445080643	Adapter	8	43	7443000173	Fitting	1
5	2220773	Adapter	2	44	7274000076	Clamp	8
6	7445081043	Adapter	2	45	7785152420	Set Screw, 0.31"-18NC x 1.50"	8
7	2220775	Adapter	1	46	7660152601	Locknut, 0.31"-18NC	22
8	7443000108	Restrictor	1	47	7115151050	Capscrew 0.31"-18NC X 1.25"	14
9	7445100843	Adapter	2	48	7950150161	Flatwasher 0.31" ID	14
10	7445081039	Adapter	2	49	4706003844	Plate	6
11	7445080837	Union	2	50	1001137048	Clamp	5
12	1001136881	Adapter	2	51	1001137049	Clamp	3
13	7470000004	Gauge, Panel Mount Pressure	2	52	7894000004	Tie Strap	50
14	7790060676	Screw, #6 x 0.38"	6	53	1001137052	Clamp	19
15	7445040421	Fitting	2	54	1001143937	Clamp	2
16	7445040425	Union	2	55	7470000002	Gauge	2
17	7443000408	Fitting	1			<b>*Hose Kit - 1001136811*</b>	
18	1001131302	Pipe, Tube 1.00" Pressure	1	101	1001136814	Hose Assembly	2
19	7445161622	Union	1	102	1001136817	Hose Assembly	2
20	7445161620	Elbow	2	103	4567130135	Hose Assembly	2
21	7430000004	Filter Assembly	2	104	1001136821	Hose Assembly	2
22	7443000158	Elbow	2	105	1001136824	Hose Assembly	2
23	7445161245	Elbow	1	106	4567132085	Hose Assembly	2
24	7445161243	Fitting	1	107	4569140046	Hose Assembly	8
25	1001130611	Pipe	1	108	1001136833	Hose Assembly	2
26	1001130610	Ball Valve	1	109	1001136836	Hose Assembly	1
27	1001130597	Hose Insert	1	110	1001136841	Hose Assembly	2
28	1001130587	T-bolt Clamp	2	111	4567120069	Hose Assembly	1
29	1001130607	Elbow	1	112	4570000361	Hose Assembly	1
30	1001130608	Flange	1	113	1001136843	Hose Assembly	2
31	4178000349	Bracket	1	114	1001136844	Hose Assembly	2
32	7660200200	Nut, 0.63"-11NC	2	115	1001136845	Hose Assembly	2
33	1001130609	Flange	1	116	1001136846	Hose Assembly	2
34	1001130589	Elbow	1	117	1001136851	Hose Assembly	8
35	7445060643	Adapter	1	118	4569160030	Hose Assembly	8
36	7445101043	Adapter	2	119	4567150016	Hose Assembly	2
37	7445060648	Fitting	1	120	1001136861	Hose Assembly	2
38	2221051	Fitting	2	121	1001136876	Hose Assembly	4
39	7445161637	Fitting	2	122	1001136883	Hose Assembly	2



## HYDRAULIC INSTALLATION

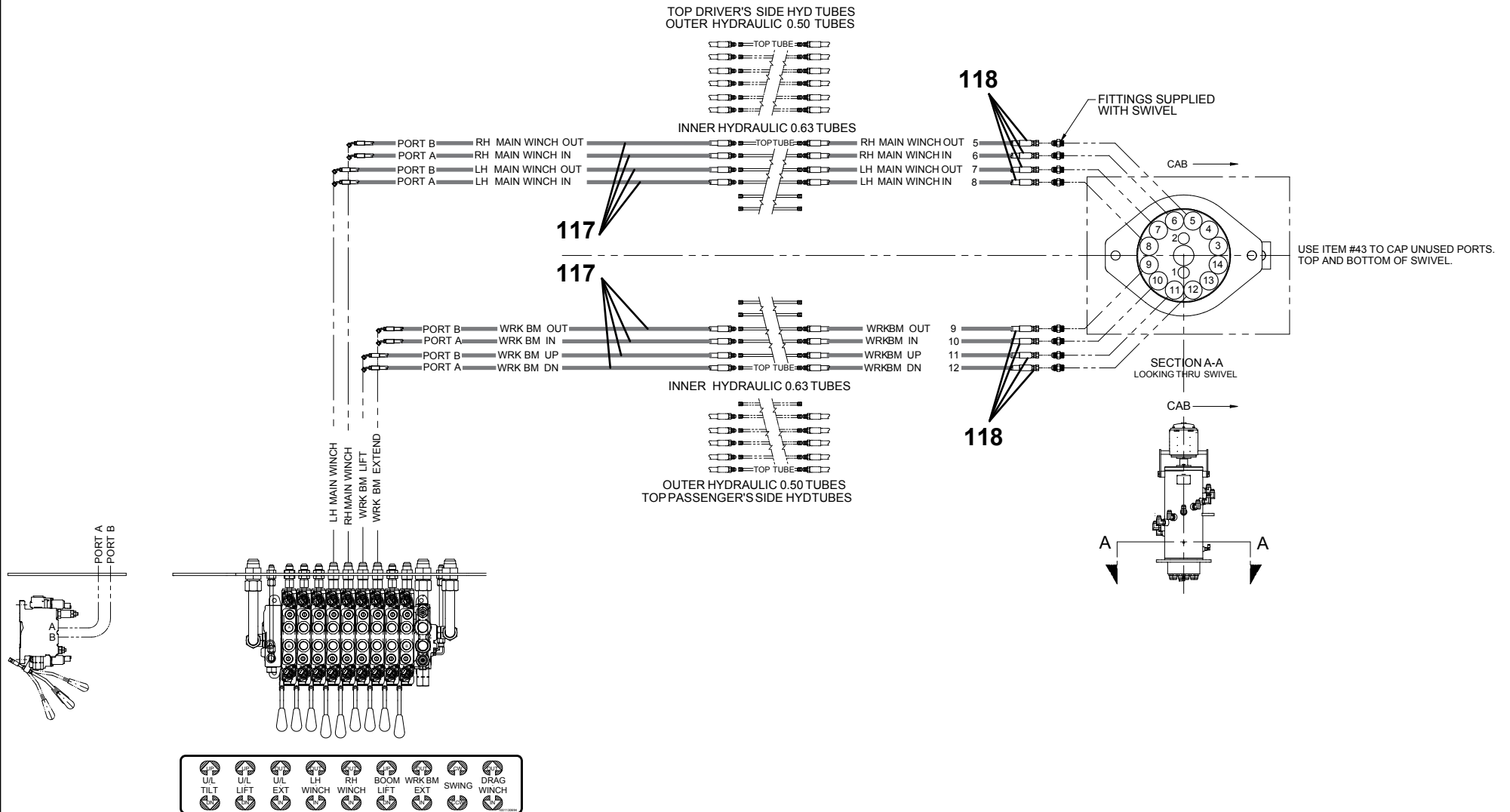
ITEM	PART NO.	DESCRIPTION	QTY
123	1001136884	Hose Assembly	4
124	4567112024	Hose Assembly	2
125	4567112038	Hose Assembly	1
126	4567110065	Hose Assembly	1
127	4567122064	Hose Assembly	1
128	4567120071	Hose Assembly	1
129	1001136891	Hose Assembly	4
130	1001136893	Hose Assembly	1
131	7565000016	Tubing, Airline	1.5ft
132	1001136957	Hose Assembly	1
133	1001136958	Hose Assembly	1
134	1001136960	Hose Assembly	1
135	4569180044	Hose Assembly	1
136	4567182031	Hose Assembly	1
<b>UL530/565 Hydraulic Installation</b>			
201	7445060643	Adapter	8
202	4570000167	Hose Assembly	4
203	4619000006	Manifold	1
204	7115161650	Capscrew, 0.38" - 16NC x 2.00"	2
205	7950160000	Lockwasher, 0.38" ID	2
206	4567120022	Hose Assembly	2
<b>DP 50 Winch Hydraulic Installation</b>			
301	1001136772	Hose Assembly	2
302	1001136792	Hose Assembly	2
303	7445101045	Elbow	2
304	7445101043	Adapter	2
<b>DP 35 Winch Hydraulic Installation</b>			
401	7445100845	Elbow	1
402	1001136761	Hose Assembly	2
403	7445100843	Adapter	1
404	2220973	Adapter	1
<b>Supply/Pressure Hose Installation</b>			
501	1001136896	Hose Assembly	1
502	1001136939	Hose Assembly	9.5ft
<b>UL300/ 350 Hydraulic Installation</b>			
601	7445060643	Adapter	4
602	4570000218	Hose Assembly	2
603	1001136807	Hose Assembly	2

## HYDRAULIC INSTALLATION

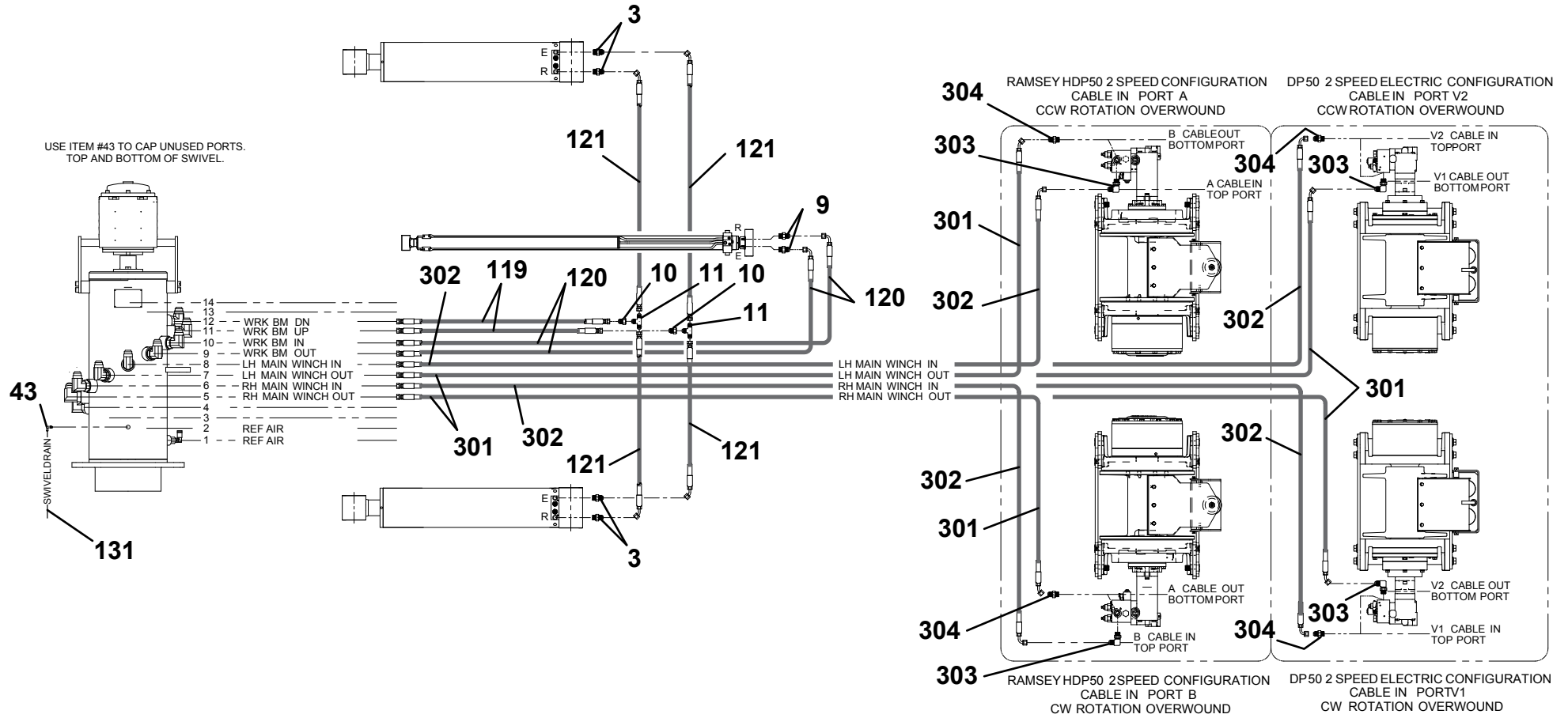


**\*Item 52 Not Shown\***

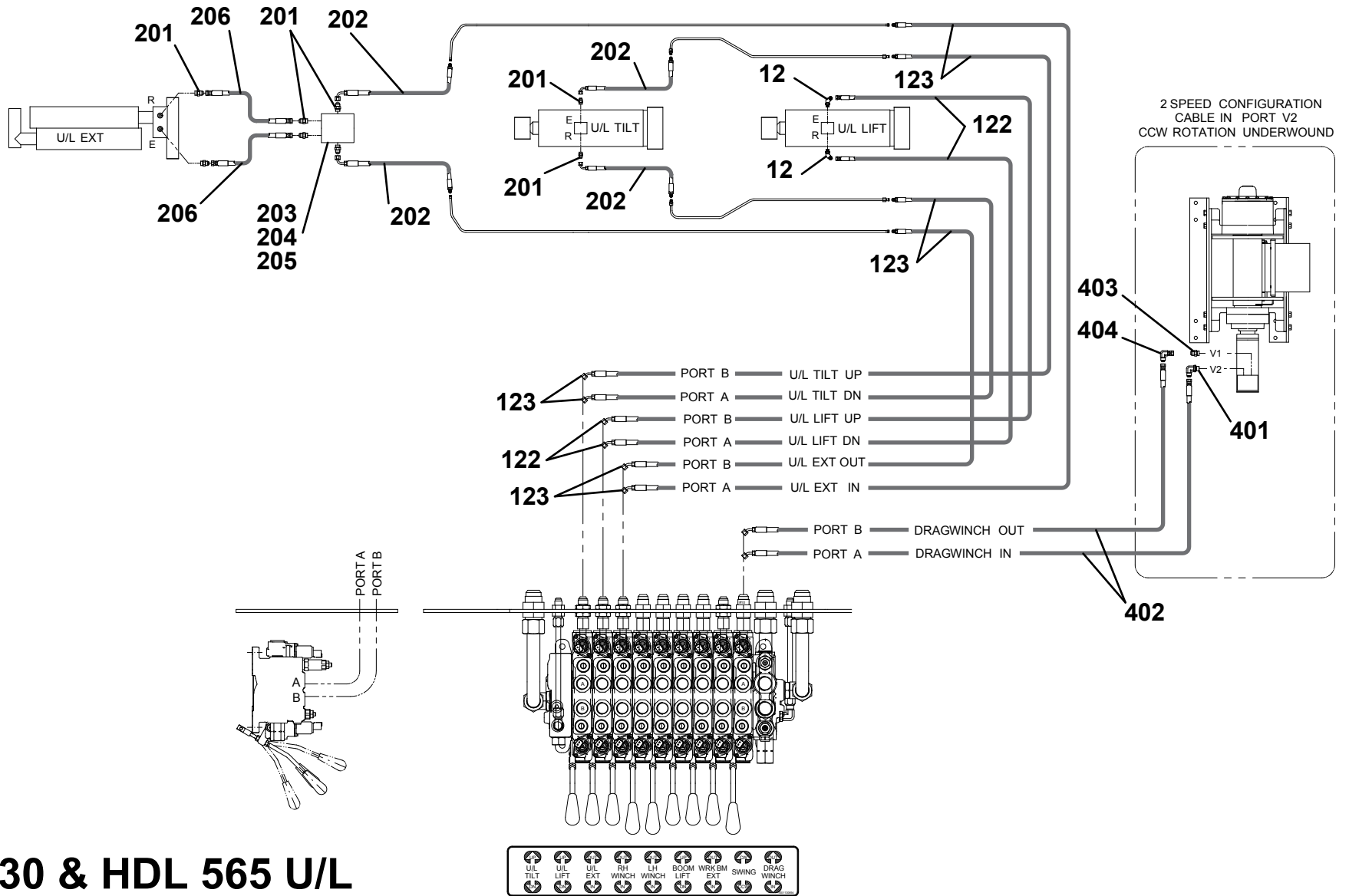
# HYDRAULIC INSTALLATION



## HYDRAULIC INSTALLATION

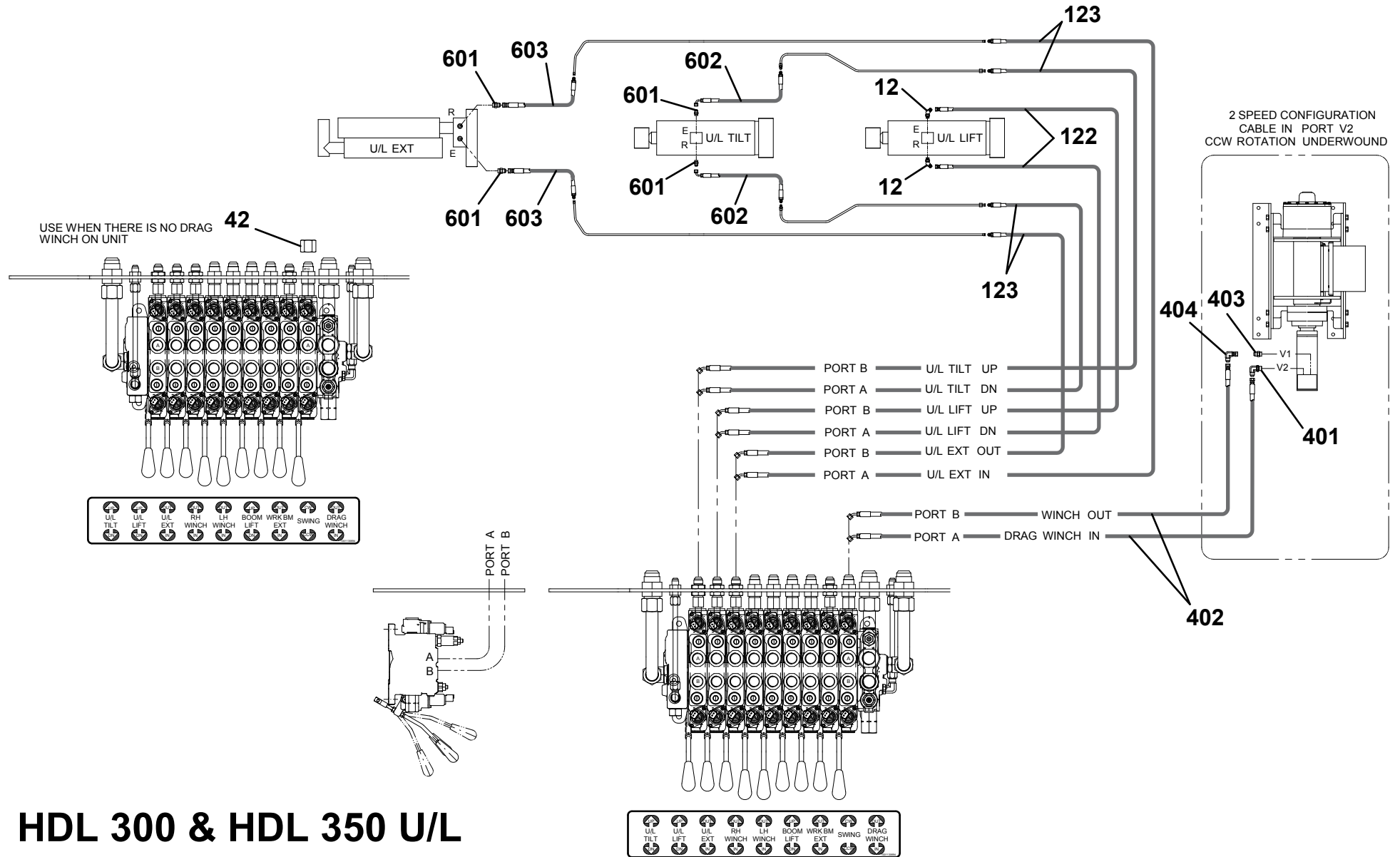


# HYDRAULIC INSTALLATION



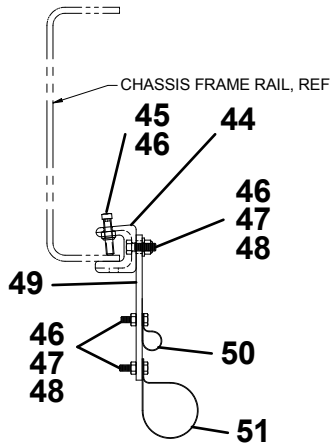
## HDL 530 & HDL 565 U/L

## HYDRAULIC INSTALLATION



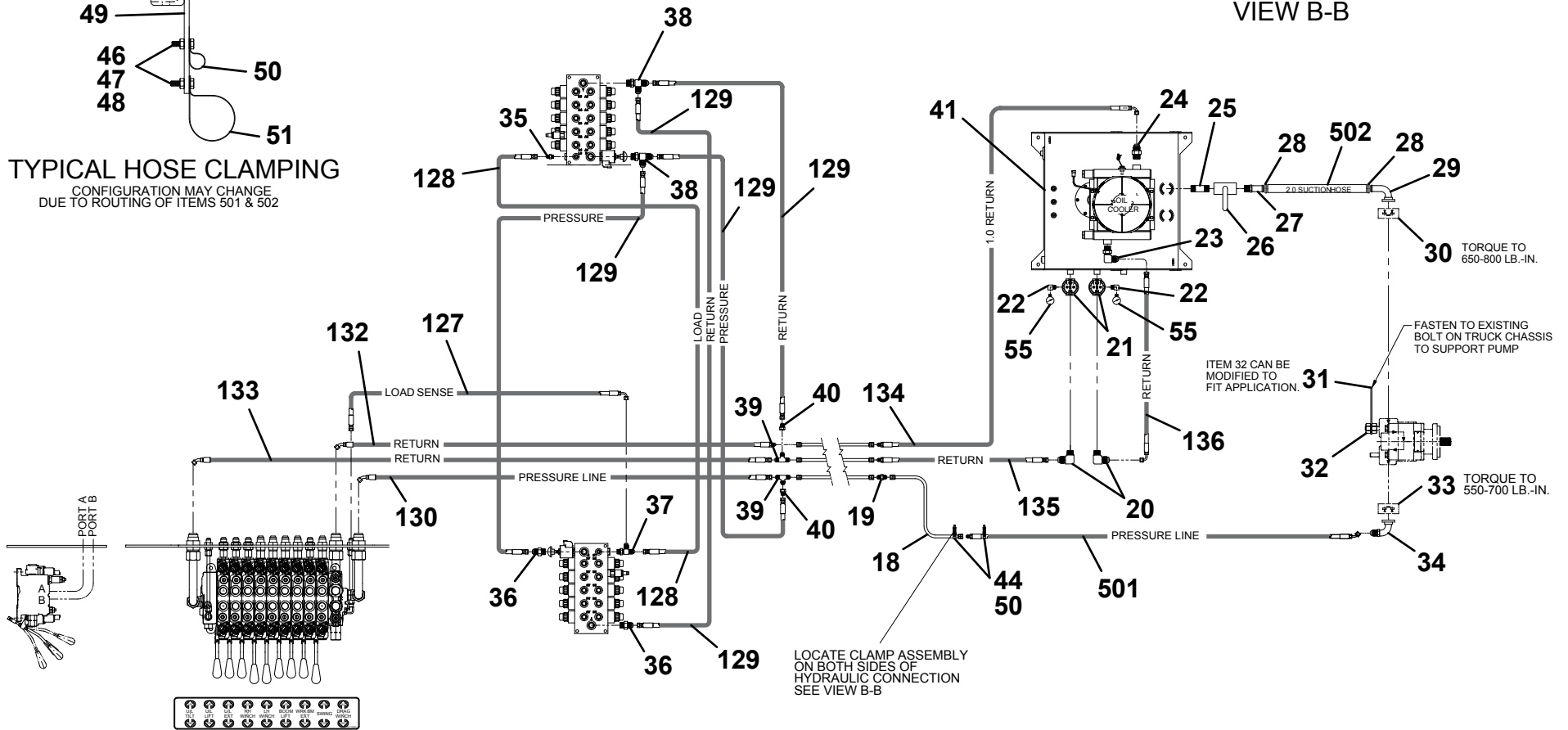
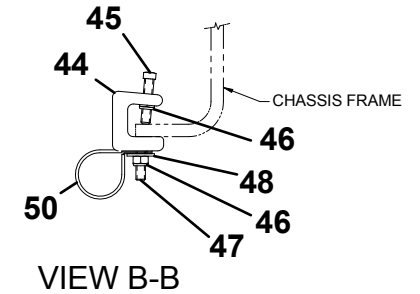
**HDL 300 & HDL 350 U/L**

# HYDRAULIC INSTALLATION

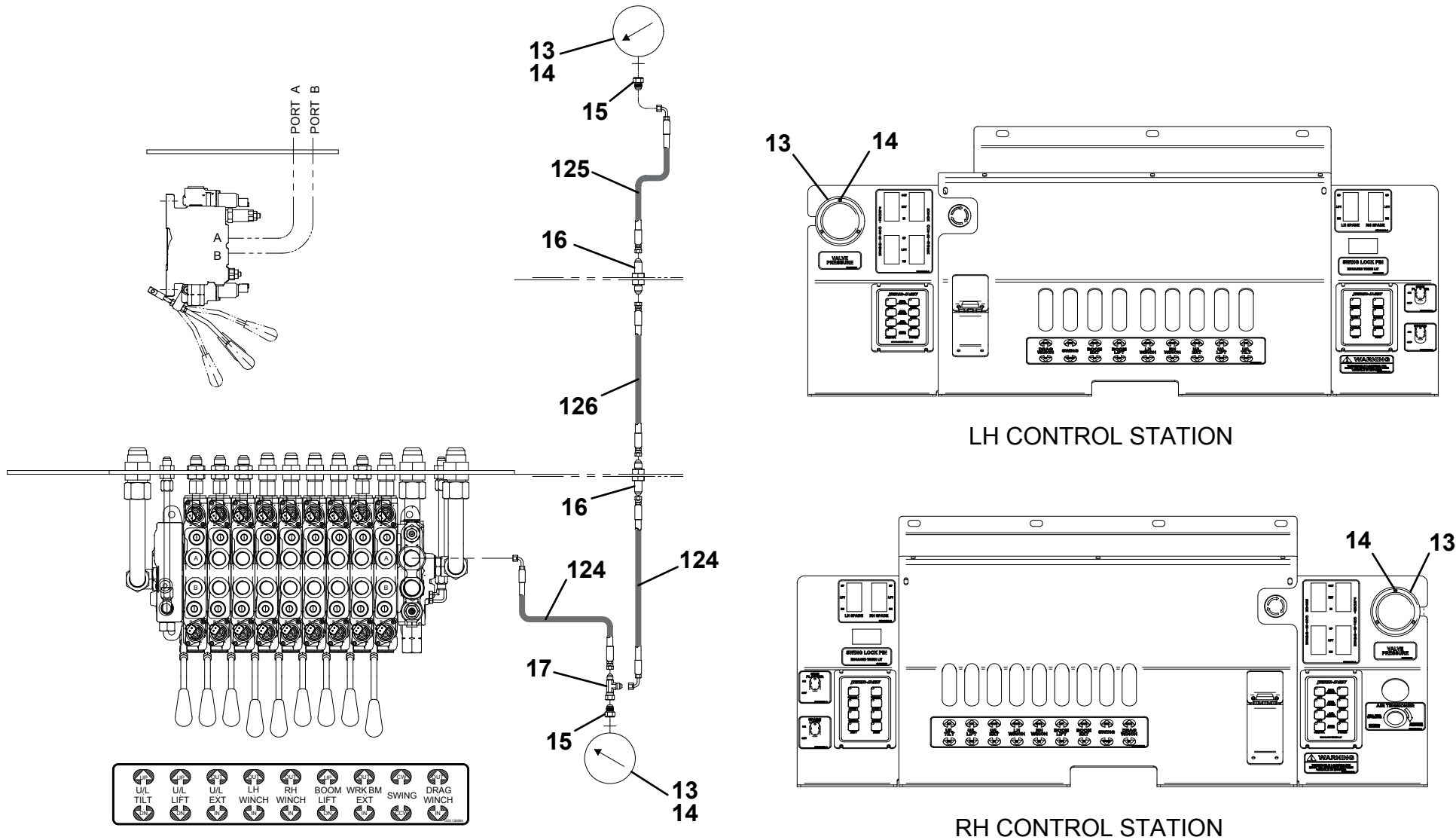


## TYPICAL HOSE CLAMPING

CONFIGURATION MAY CHANGE  
DUE TO ROUTING OF ITEMS 501 & 502

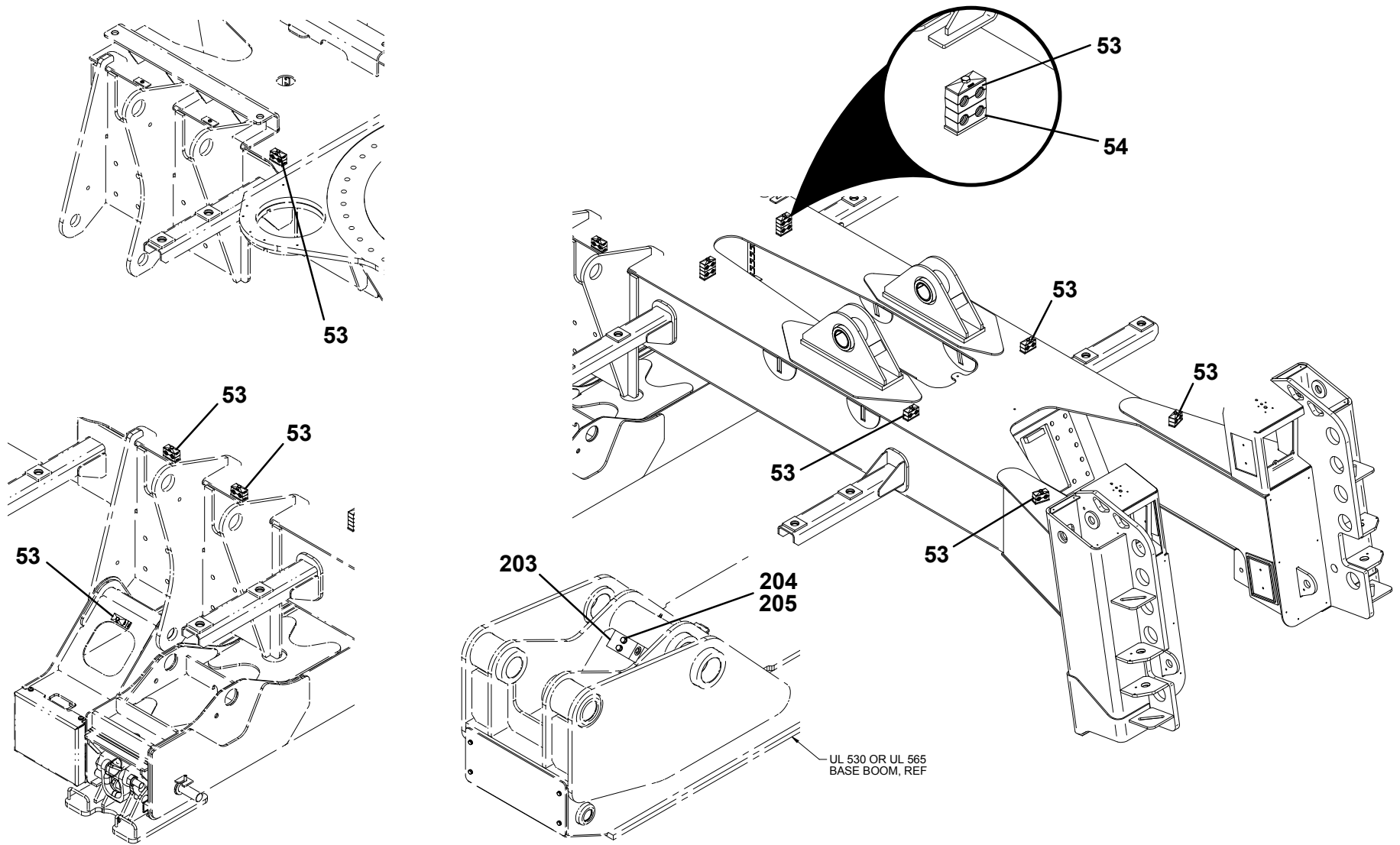


## HYDRAULIC INSTALLATION





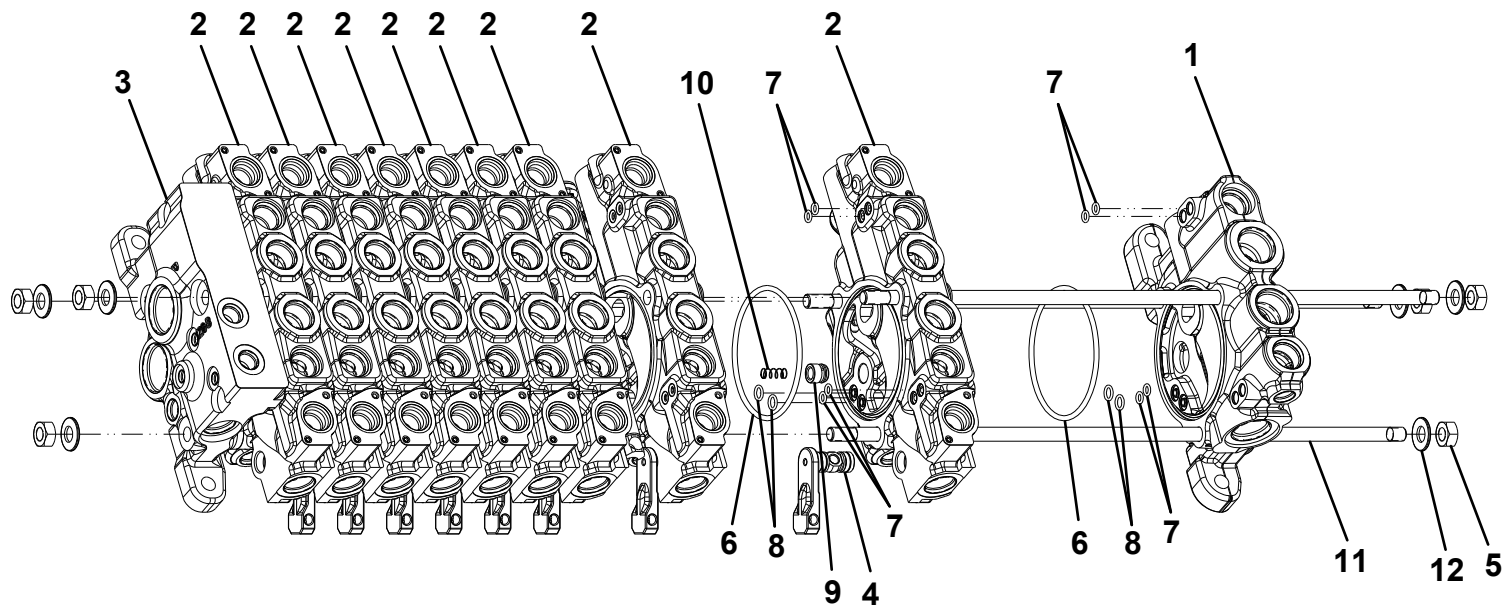
# HYDRAULIC INSTALLATION



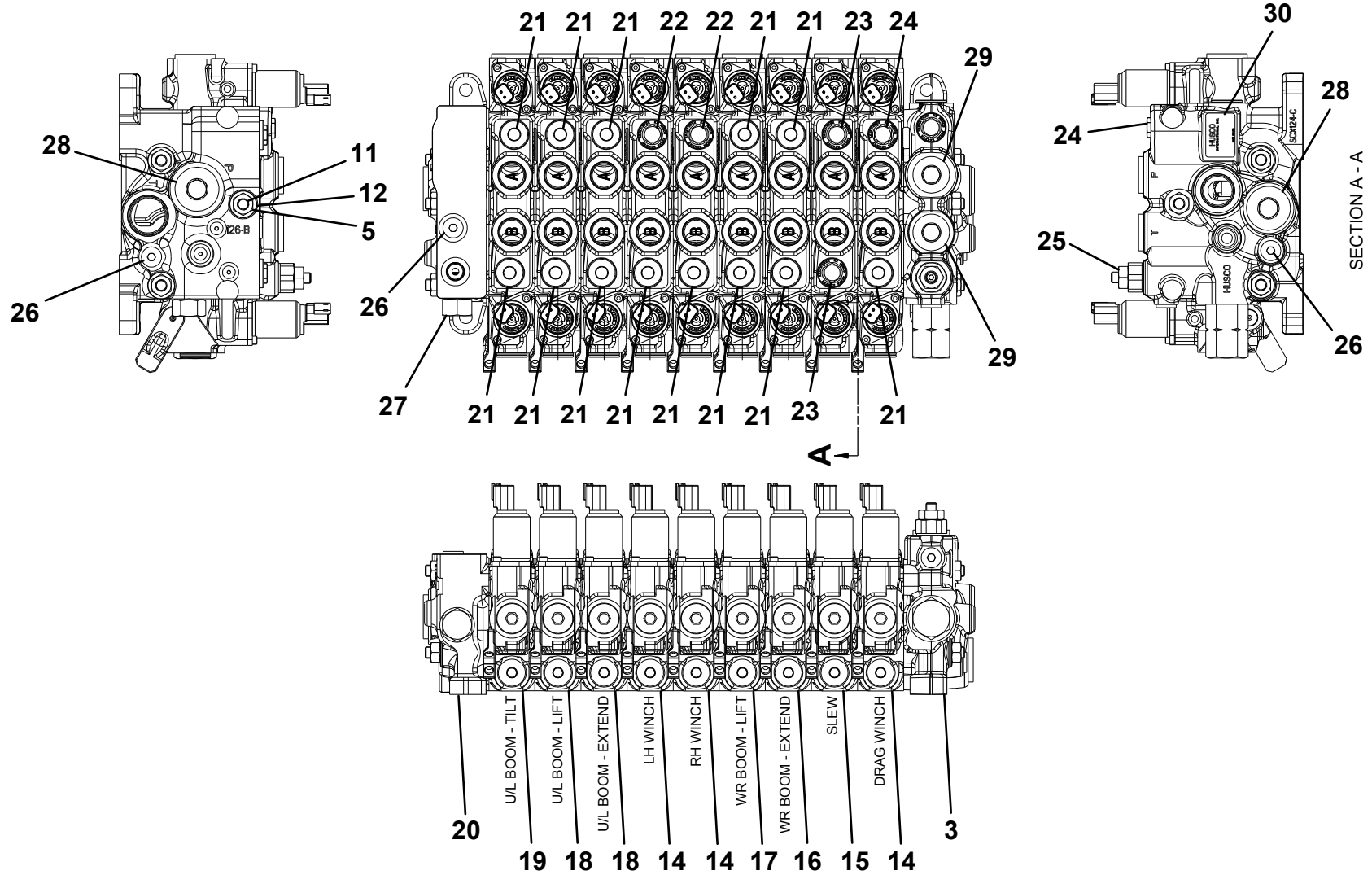
**CONTROL VALVE - 1001127671**

ITEM	PART NO.	DESCRIPTION	QTY	ITEM	PART NO.	DESCRIPTION	QTY
1	70050513	Housing - Inlet	1	40	70050497	Spool Assembly	1
2	70050512	Housing - Spool	9	41	70050496	Spool Assembly	2
3	70050511	Housing - Outlet	1	42	70050495	Spool Assembly	1
4	70050510	Lever Assembly	8	43	70050494	Spool Compensator	9
5	70050481	Nut	6	44	70050493	Spool - Unloader	1
6	8034697	O-Ring	10	45	70050492	Spring	1
7	70050508	O-Ring	40				
8	70050507	O-Ring	20				
9	10837929	Poppet	9				
10	10837937	Spring	9				
11	70050483	Tie Rod	3				
12	70050482	Washer - Compression	6				
13	70050491	Inlet Section Assembly	1				
14	70050490	Spool Section Assembly	3				
15	70050489	Spool Section Assembly	1				
16	70050488	Spool Section Assembly	1				
17	70050487	Spool Section Assembly	1				
18	70050486	Spool Section Assembly	2				
19	70050485	Spool Section Assembly	1				
20	70050484	Outlet Section Assembly	1				
21	70050480	Shut Off Plug Assembly	13				
22	70050479	Relief Valve Assembly	3				
23	70050478	Relief Valve Assembly	2				
24	70050477	Relief Valve Assembly	1				
25	70050476	Drain Regulator Assembly	1				
26	70050475	Plug Assembly - SAE	3				
27	70050474	Pressure Regulating Valve Assembly	1				
28	70050473	Plug Assembly - SAE	2				
29	70050472	Plug Assembly - SAE	2				
30	70050471	Nameplate Assembly	1				
31	70050506	Ball	1				
32	70050505	Cap Assembly	1				
33	70050504	Plug Assembly - Metric	16				
34	70050503	Plug Assembly - Metric	10				
35	70050502	Plug Assembly - SAE	9				
36	70050501	Set Screw	1				
37	70050500	Spool Assembly	3				
38	70050499	Spool Assembly	1				
39	70050498	Spool Assembly	1				

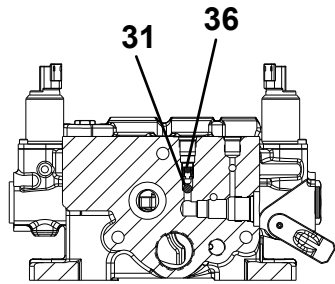
# CONTROL VALVE - 1001127671



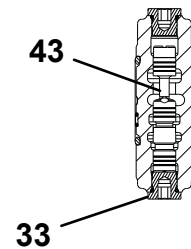
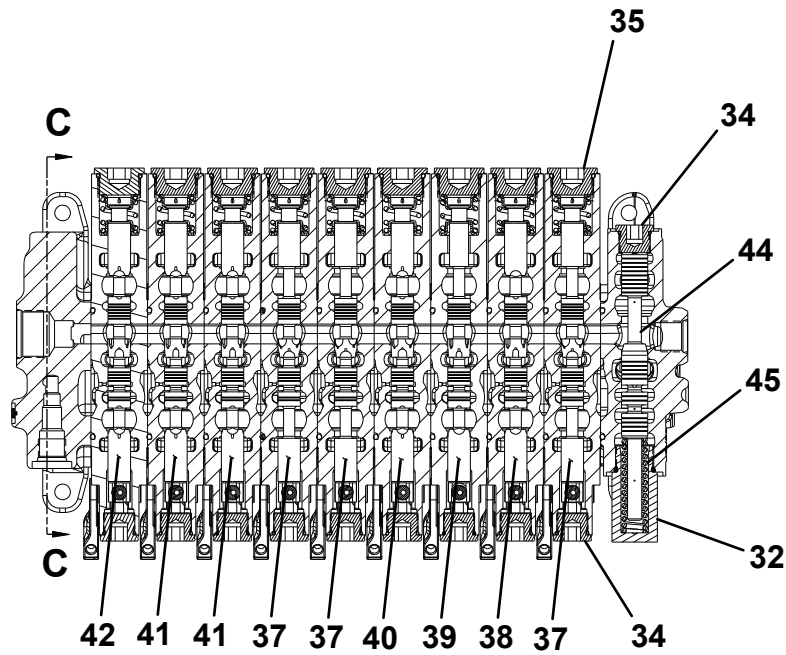
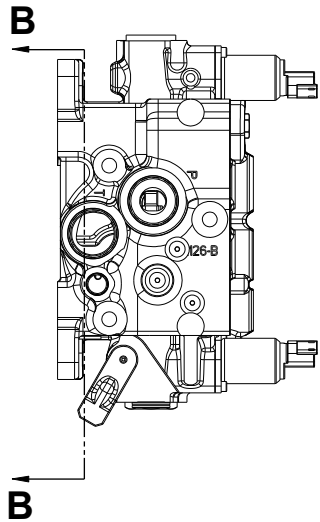
**CONTROL VALVE - 1001127671**



# CONTROL VALVE - 1001127671



SECTION C - C



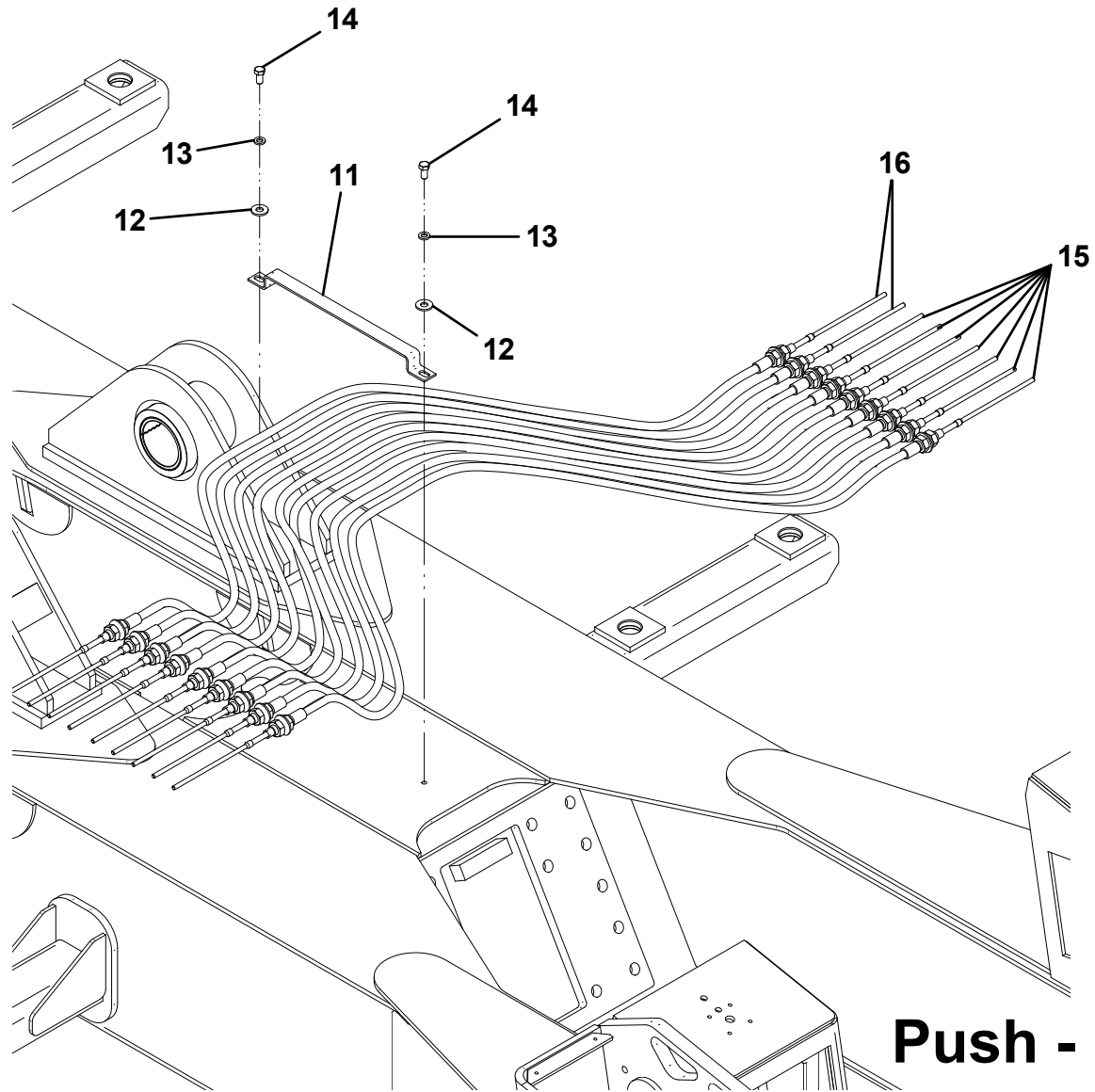
SECTION B - B

COMMON PARTS FOR EACH SPOOL SECTION

**CONTROLS INSTALLATION - 9 SECTION**

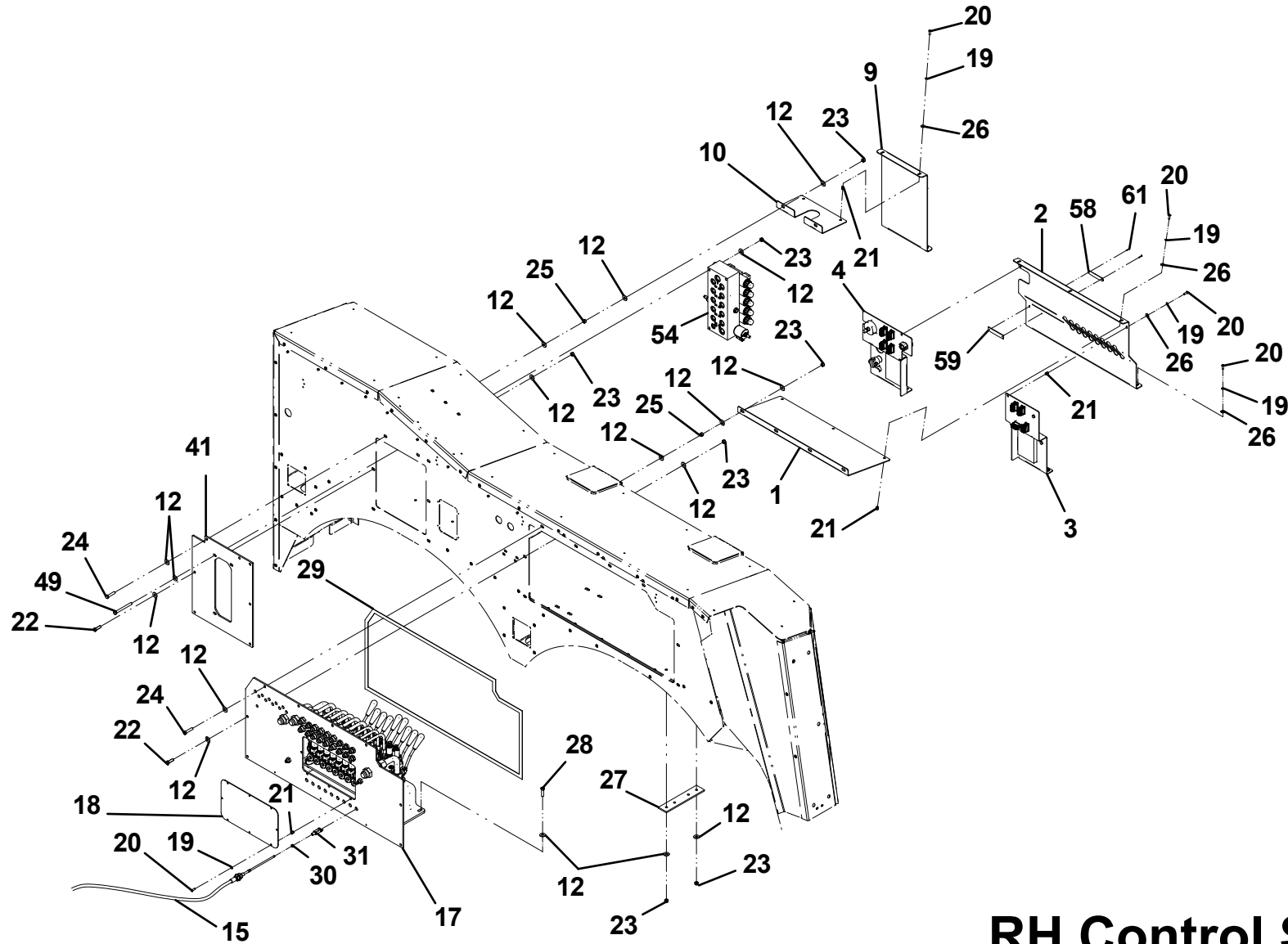
ITEM	PART NO.	DESCRIPTION	QTY	ITEM	PART NO.	DESCRIPTION	QTY
1	1001130385	Hood, Control RH Top	1	40	7115140850	Bolt, 0.25"-20NC x 1.00"	9
2	1001154273	Panel, Control Cover Center RH	1	41	1001137159	Plate	2
3	1001154069	Panel, Control Cover Rear RH	1	42	1001154277	Decal, Remote	1
4	1001154274	Panel, Control Cover Front RH	1	43	1001130491	Control Knob Ball	9
5	1001130347	Hood, Control LH Top	1	44	1001134450	Decal, Control Valve RH	1
6	1001154275	Panel, Control Cover Center LH	1	45	1001136146	Decal, Control Station Hazard	2
7	1001154276	Panel, Control Cover Front LH	1	46	1704260	Decal, Emergency Hop	2
8	1001154070	Panel, Control Cover Rear LH	1	47	1001134433	Decal, Air Tensioner	1
9	1001134412	Panel, O/R Valve Cover Front	2	48	1001131032	Decal, Valve Pressure	2
10	1001134411	Panel, O/R Valve Cover Top	2	49	7115163250	Capscrew, 0.38"-16NC x 4.00"	6
11	4062000717	Bar	1	50	1001154075	Decal, Swing	2
12	7950160161	Flatwasher, 0.38" ID	102	51	7701000003	Plug	1
13	7950160000	Lockwasher, 0.38" ID	2	52	1001134461	Decal, Spades	2
14	7115160650	Bolt, 0.38"-16NC x 2.00"	2	53	1001134462	Decal, Outrigger Control RH	1
15	1001130485	Cable, Push - Pull 90"	7	54	1001134376	Valve, Outrigger Control	2
16	1001130484	Cable, Push - Pull 75"	2	55	1001134463	Decal, Outrigger Control LH	1
17	1001130287	Valve Assembly, 9 Section	1	56	1001137160	Decal, Manual Override	2
18	1001130450	Panel, Controls	1	57	1001130696	Decal, Control Valve LH	1
19	7950140000	Lockwasher, 0.25" ID	42	58	1001156279	Indicator, 6 Degree Inclinator	4
20	7114140618	Capscrew, 0.25"-20NC x 0.75"	42	59	1001156079	Bar	2
21	7413000002	Nutsert, 0.25"-20NC	42	60	1001156186	Plug	16
22	7115161050	Capscrew, 0.38"-16NC x 1.25"	14	61	7120000047	Screw, #4-40NC x 0.62"	8
23	7660162601	Locknut, 0.38"-16NC	39	62	7660040000	Nut, #4-40NC	4
24	7115161450	Capscrew, 0.38"-16NC x 1.75"	11				
25	7660160000	Nut, 0.38"-16NC	11				
26	7950140161	Flatwasher, 0.25" ID	52				
27	1001130340	Bar	4				
28	7115161250	Capscrew, 0.38"-16NC 1.50"	8				
29	7796000012	Seal	28ft				
30	7660140230	Nut, 0.25"-28NF	18				
31	7577000273	Kit, Control Handle Yoke	18				
32	1001130262	Bracket	1				
33	7082000005	Bearing, 0.75" ID x 1.00" OD	2				
34	1001130086	Handle, Long LH	3				
35	1001130087	Handle, Short LH	6				
36	7806000008	Shaft, 0.75" x 21.00"	1				
37	7754000009	Retaining Ring	2				
38	1001130313	Plate	1				
39	7660142601	Locknut, 0.25"-20NC	9				

## CONTROLS INSTALLATION - 9 SECTION



**Push - Pull Cables**

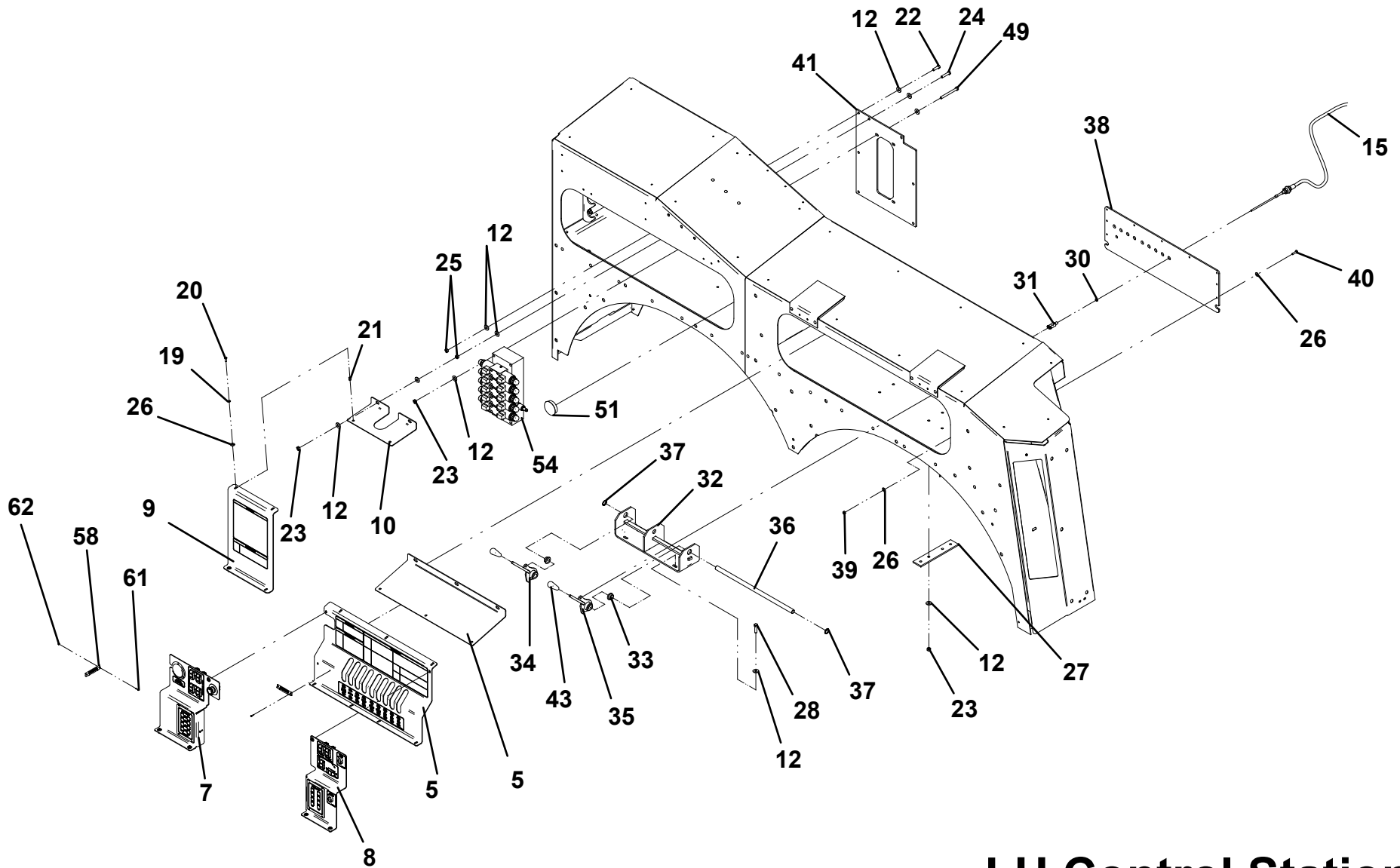
**CONTROLS INSTALLATION - 9 SECTION**



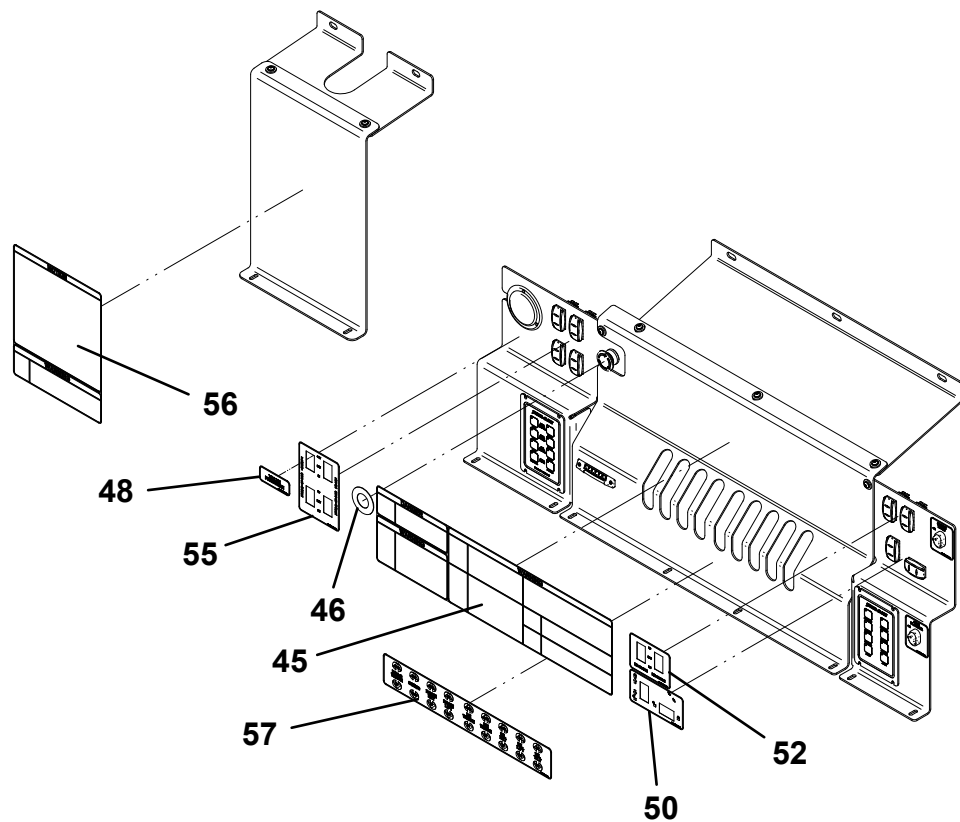
**RH Control Station**



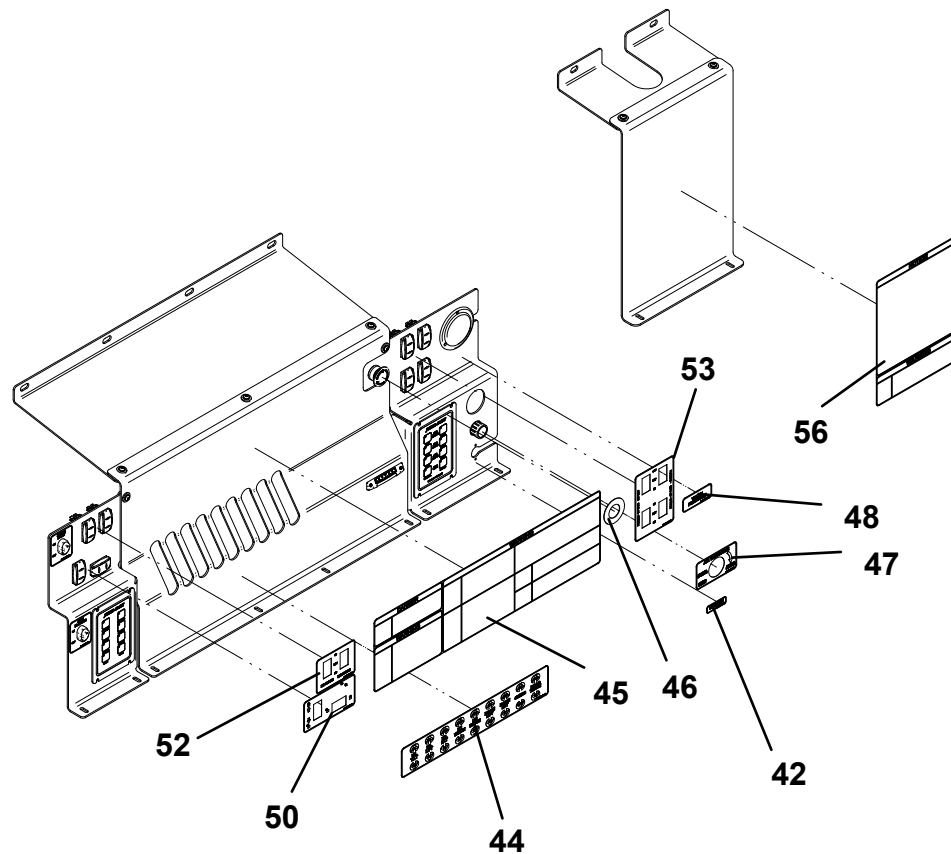
# CONTROLS INSTALLATION - 9 SECTION



## LH Control Station

**CONTROLS INSTALLATION - 9 SECTION**

LH Control Station



RH Control Station

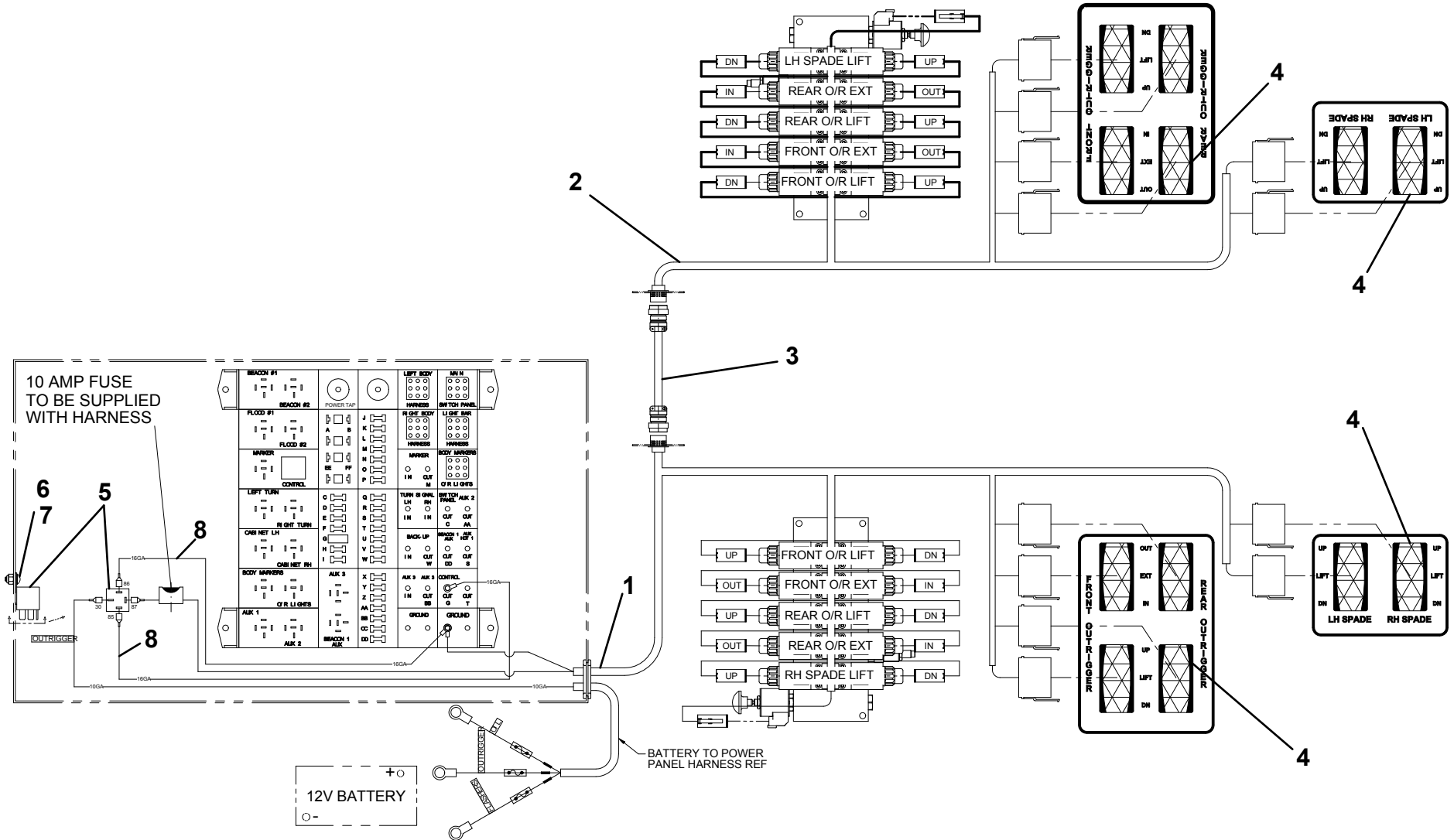
**CONTROLS INSTALLATION - 9 SECTION**

**THIS PAGE INTENTIONALLY LEFT BLANK**

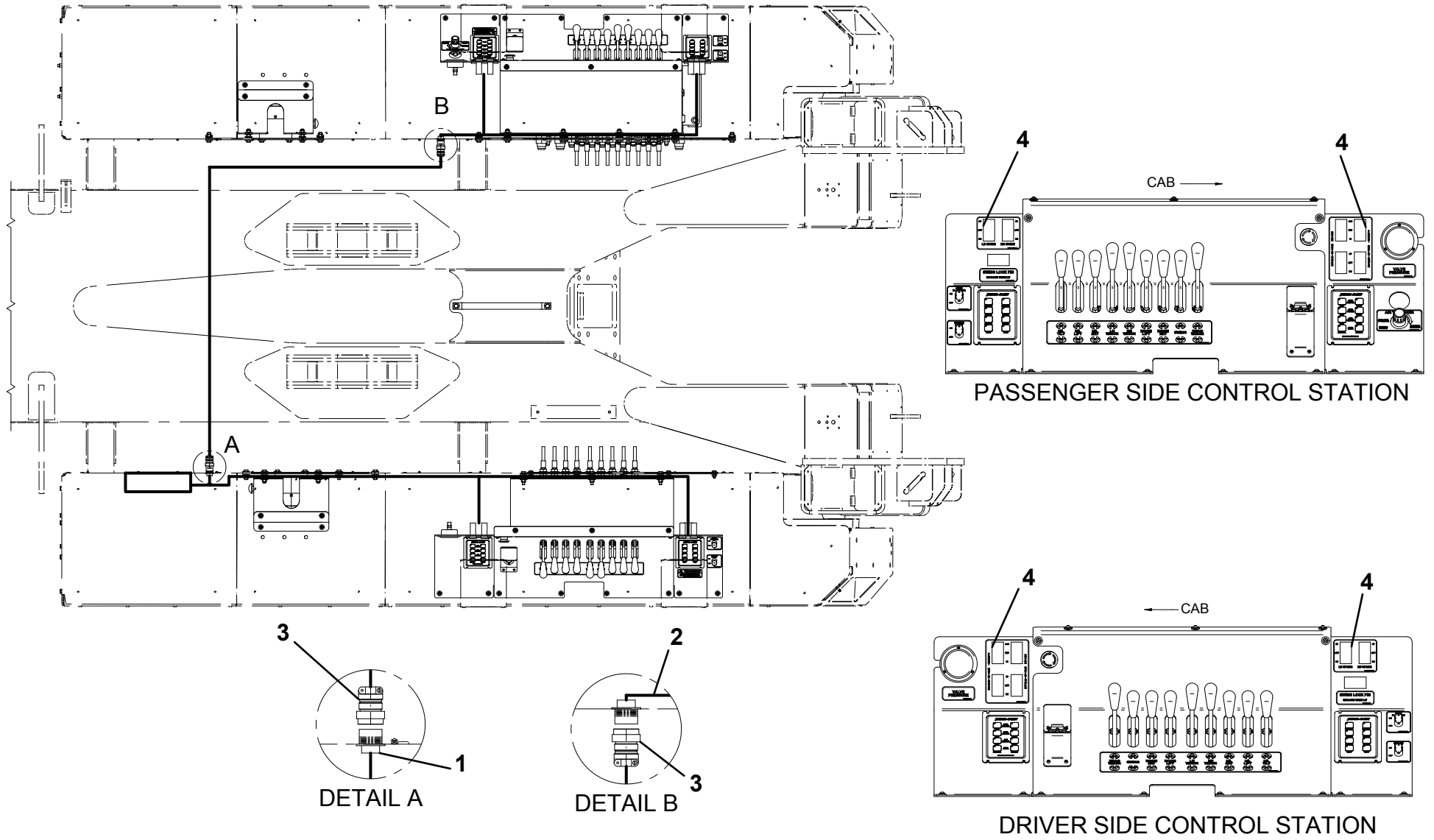
**OUTRIGGER CONTROLS INSTALLATION**

ITEM	PART NO.	DESCRIPTION	QTY
1	1001134691	Harness, LH	1
2	1001134690	Harness, RH	1
3	1001134727	Harness, Cross Over	1
4	1001136270	Switch, Rocker Momentary	12
5	7740000003	Relay	1
6	7114100618	Capscrew, #10-24NC x 0.75"	1
7	7660102601	Nut, #10-24NC	1
8	1001144012	Harness	2

# OUTRIGGER CONTROLS INSTALLATION



# OUTRIGGER CONTROLS INSTALLATION



## OUTRIGGER CONTROLS INSTALLATION

THIS PAGE INTENTIONALLY LEFT BLANK

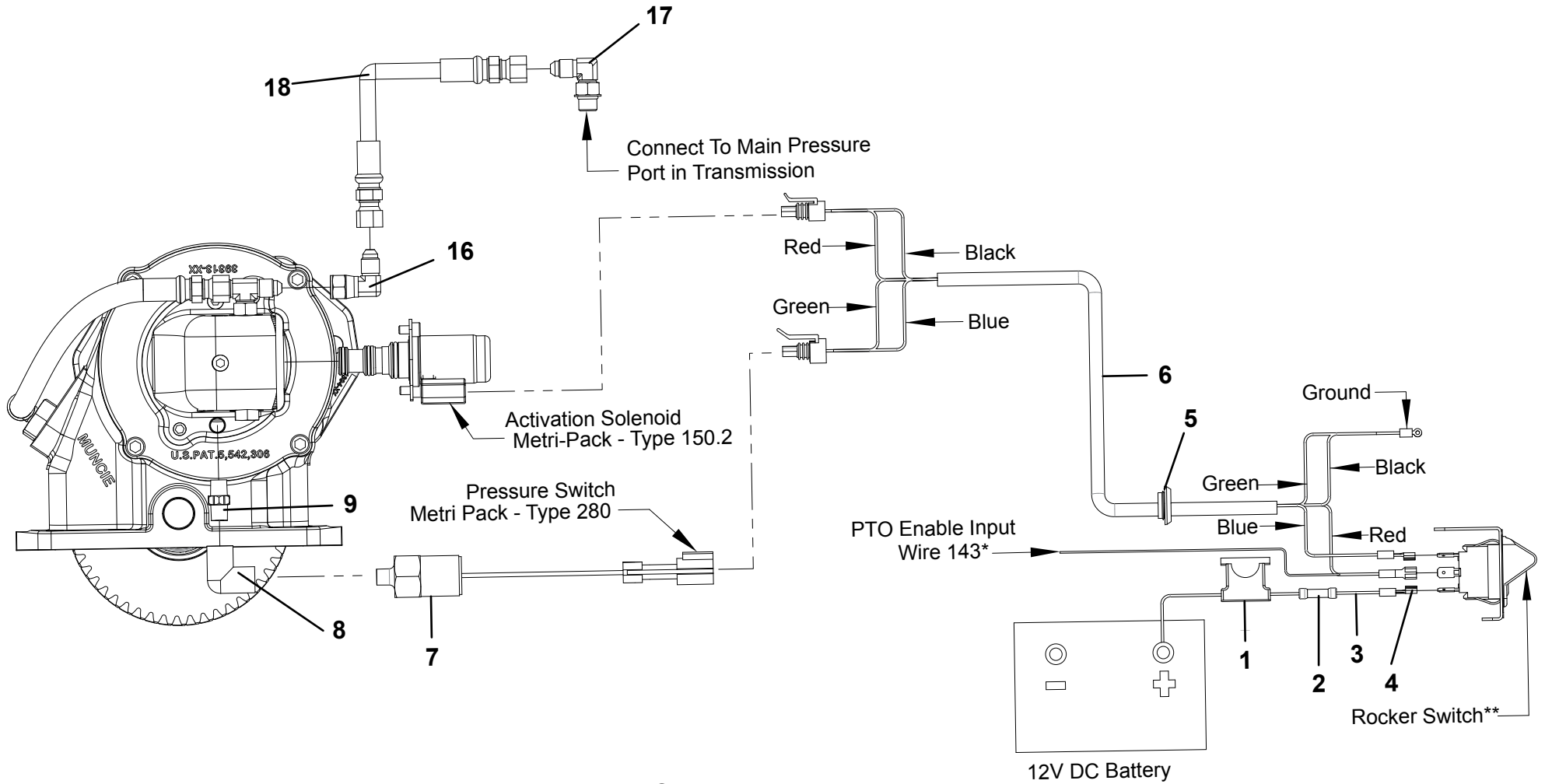
**CS24 SERIES PTO INSTALLATION**

ITEM	PART NO.	DESCRIPTION	QTY
1	70050316	Fuse Assembly	
2	70050315	Butt Splice	
3	70050312	Wire	
4	70050314	Connector	
5	70050325	Grommet	
6	70050328	Wire Harness	
7	7870000062	Pressure Switch	
8	70050329	Elbow	
9	70050330	Nipple	
10	70050313	Terminal	
11	70050331	Connector	
12	7706000005	Switch Bracket	
13	7706000001	Face Plate	
14	7870000045	Switch, 12V	
15	70050319	Bolt Kit	
16	7443000431*	Fitting	
17	7443000244*	Fitting	
18	70050468*	Hose	

\* Also available as Hose Kit - 70050467



# CS24 SERIES PTO INSTALLATION



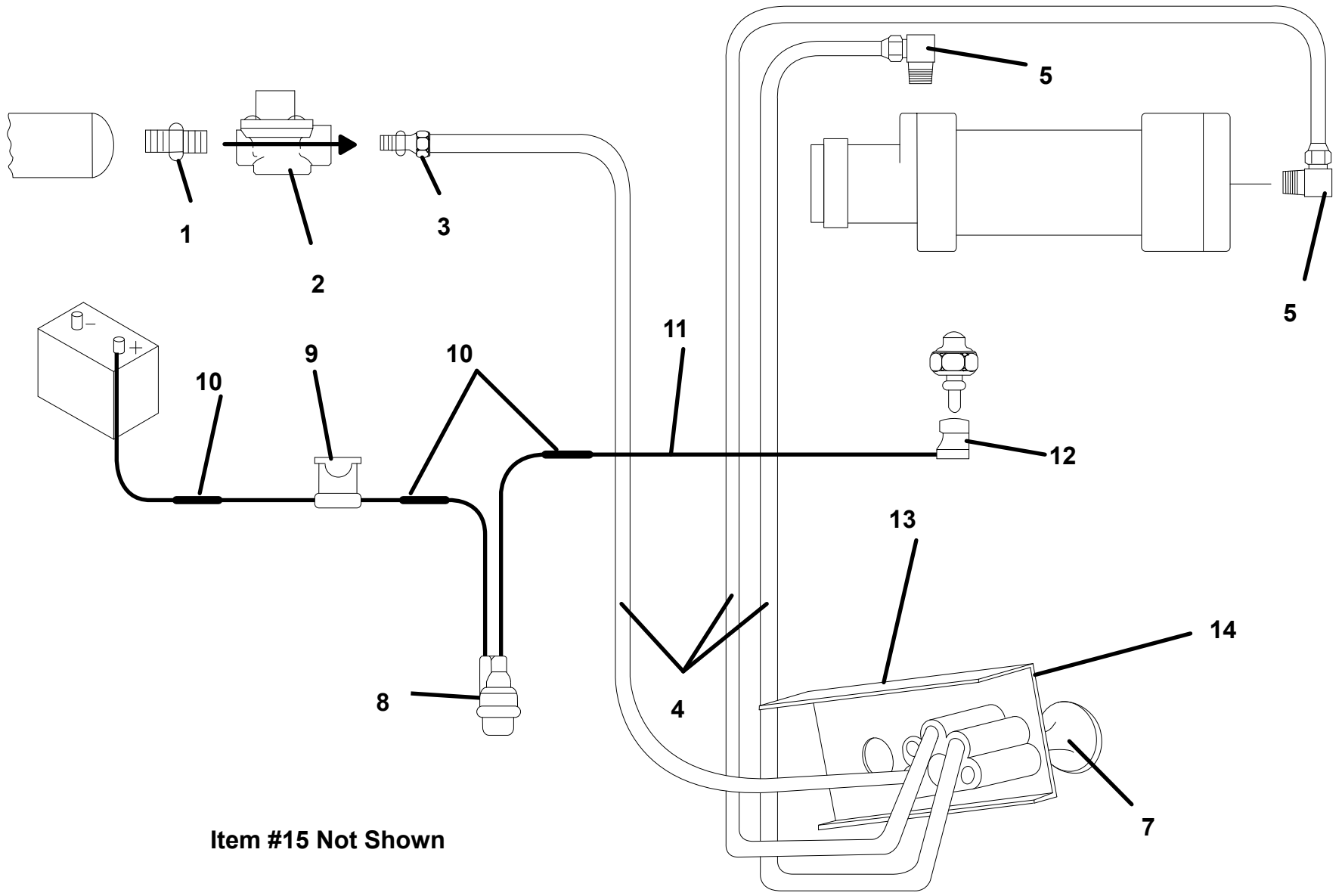
\*Item # 10, 11, 12, 13 14, and 15 Not Shown

**82 SERIES PTO INSTALLATION**

ITEM	PART NO.	DESCRIPTION	QTY
1	70050308	Nipple	1
2	9935740034	Valve, Pressure Protection	1
3	70050309	Fitting	1
4	7565000019	Air Tubing - 30Ft	1
5	70050310	Fitting	2
6	70050320	Fitting	1
7	70050567	Valve, Air	1
8	7590000049	12V Light	1
	70050321	24V Light	1
9	70050316	Fuse Assembly	1
10	70050315	Butt Splice	3
11	70050312	Wire	15
12	70050318	Connector	1
13	70050571	Dash Bracket	1
14	70050573	Face Plate	1
15	70050319	Bolt Kit	1

\* Also all available as Installation Kit - 9577760232

# 82 SERIES PTO INSTALLATION

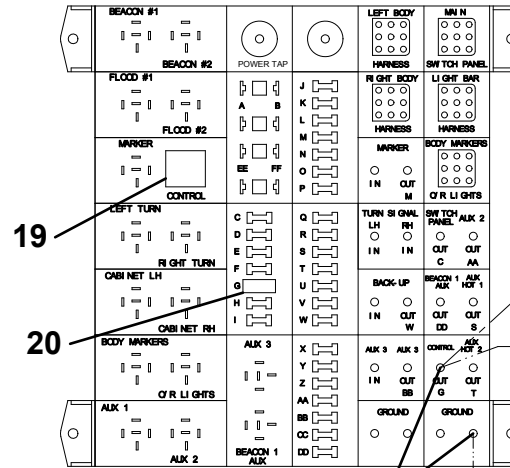
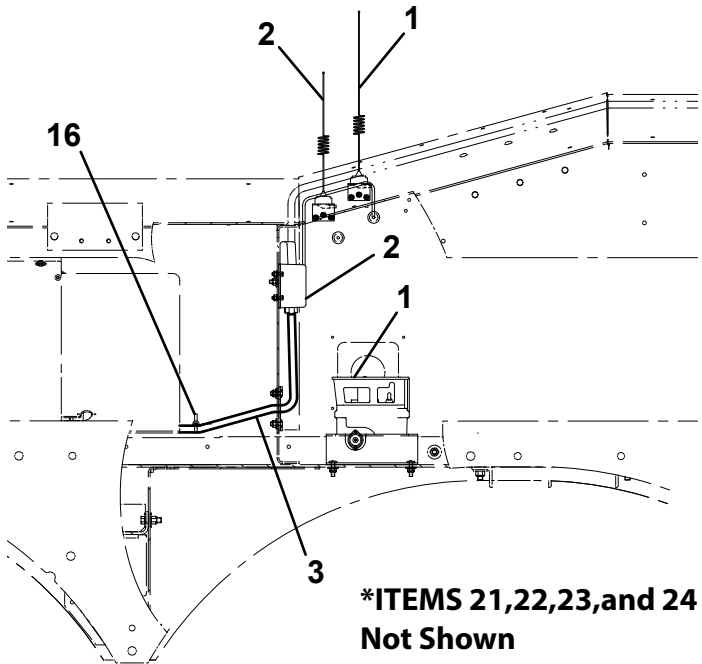
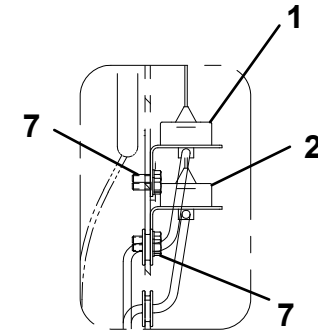
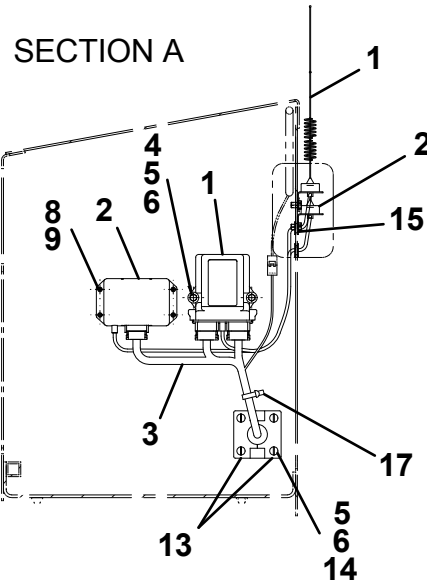
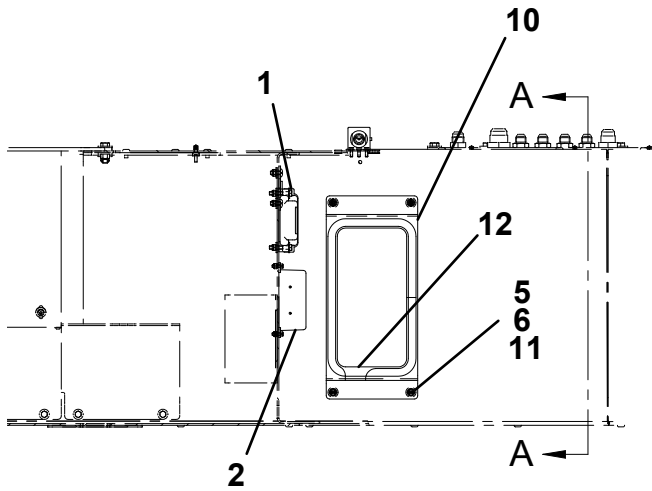


Item #15 Not Shown

**WIRELESS REMOTE INSTALLATION**

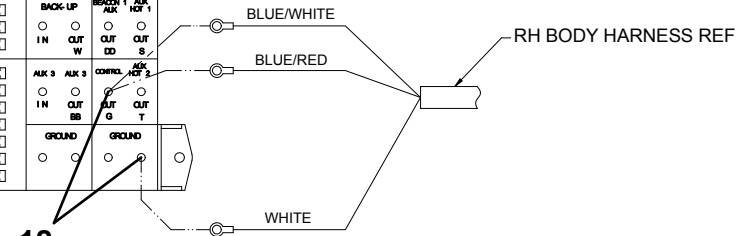
ITEM	PART NO.	DESCRIPTION	QTY	ITEM	PART NO.	DESCRIPTION	QTY
1	1001143542	Control, Wireless 16 Function	1			<b>CONTROLLER SERVICE PARTS</b>	
2	7295000146	Control, Wireless 6 Function	1				
3	1001130891	Harness	1			1001143542 - Control, Wireless 16 Function	
4	7115141250	Capscrew, 0.25"-20NC x 1.50"	2				
5	7950140161	Flatwasher, 0.25" ID	12		1001143565	Receiver	1
6	7660142601	Locknut, 0.25"-20NC	10		1001143564	Transmitter	1
7	7790100856	Screw, #10 x 0.50"	6		9295310061	Antenna Kit	1
8	7114100518	Capscrew, #10-24NC x 0.62"	4		9552310033	Tether - 25 Ft	1
9	7660102604	Locknut, #10-24NC	4				
10	4178000699	Bracket	1			7295000146 - Control, Wireless 6 Function	
11	7111140813	Screw, 0.25"-20NC x 1.00"	4				
12	8632000012	Trim Lock	2.5ft		9295310027	Transmitter	1
13	3314000010	Cover Plate	2		9295310029	Transmitter Rubber Boot	1
14	7111140613	Screw, 0.25"-20NC x 0.75"	4		9295310030	Transmitter Belt Clip	1
15	7493000020	Grommet	2		9295310031	Transmitter Battery Retainer	1
16	7894000004	Tie Strap	1		9295310068	Receiver	1
17	5526000553	Tie Strap	5		9295310069	Antenna Kit	1
18	7661000023	Locknut, #10-32NF	2				
19	7740000001	Relay, 40 Amp	1				
20	7457000006	Fuse, 15 Amp	1				
21	7075000006	Battery, D 1.5V	3				
22	7075000003	Battery, 9V	1				
23	7120000047	Screw, #4-40NC x 0.62"	2				
24	7660040000	Nut, #4-40NC	2				

# WIRELESS REMOTE INSTALLATION



POWER & GROUND TO WIRELESS REMOTE		
CIRCUIT	COLOR	FUNCTION
5	BLUE/WHITE	PILOT SOLENOID
25	WHITE	GROUND RH BODY
26	BLUE/RED	CONTROL FUNCTION

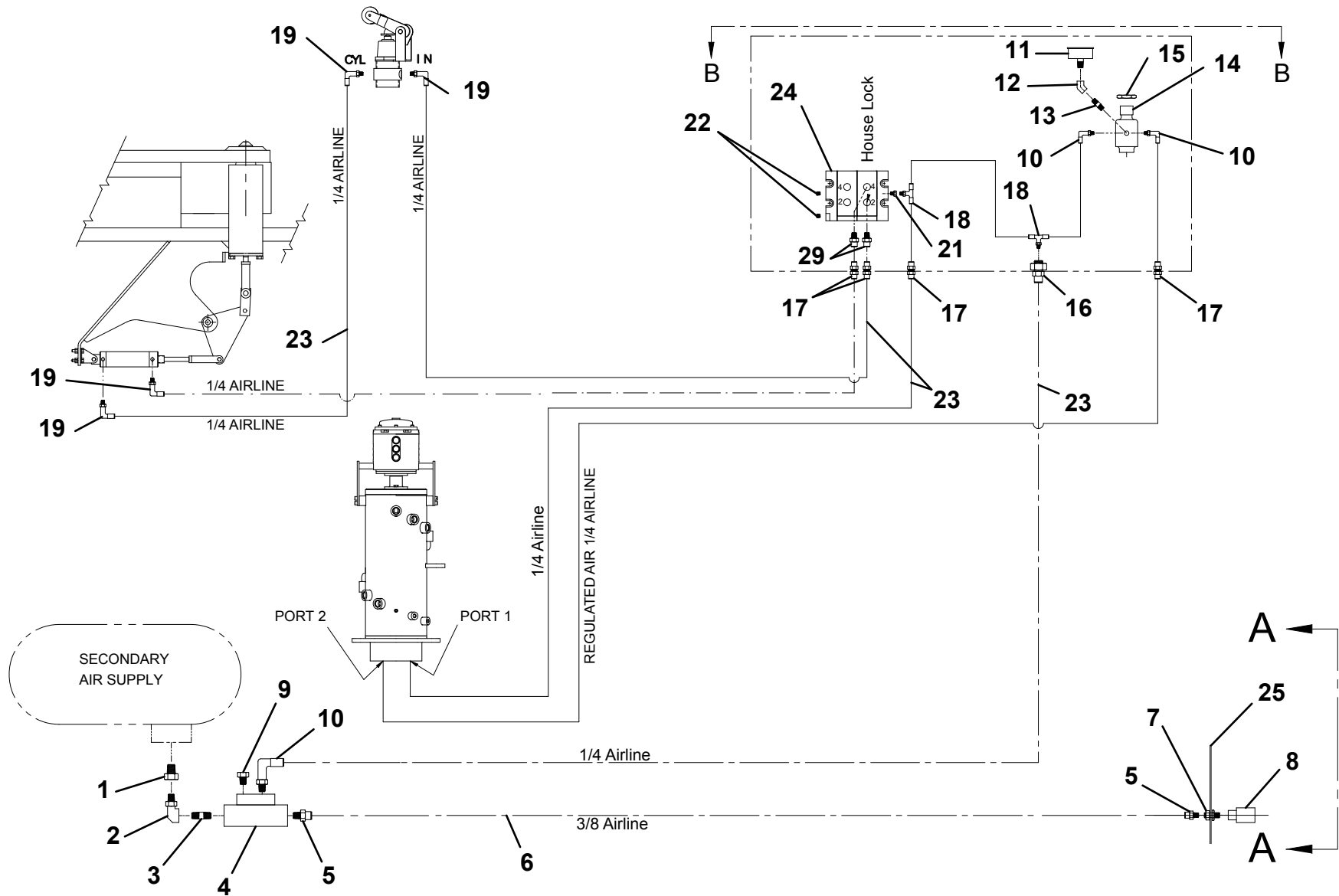
POWER PANEL, REF 18



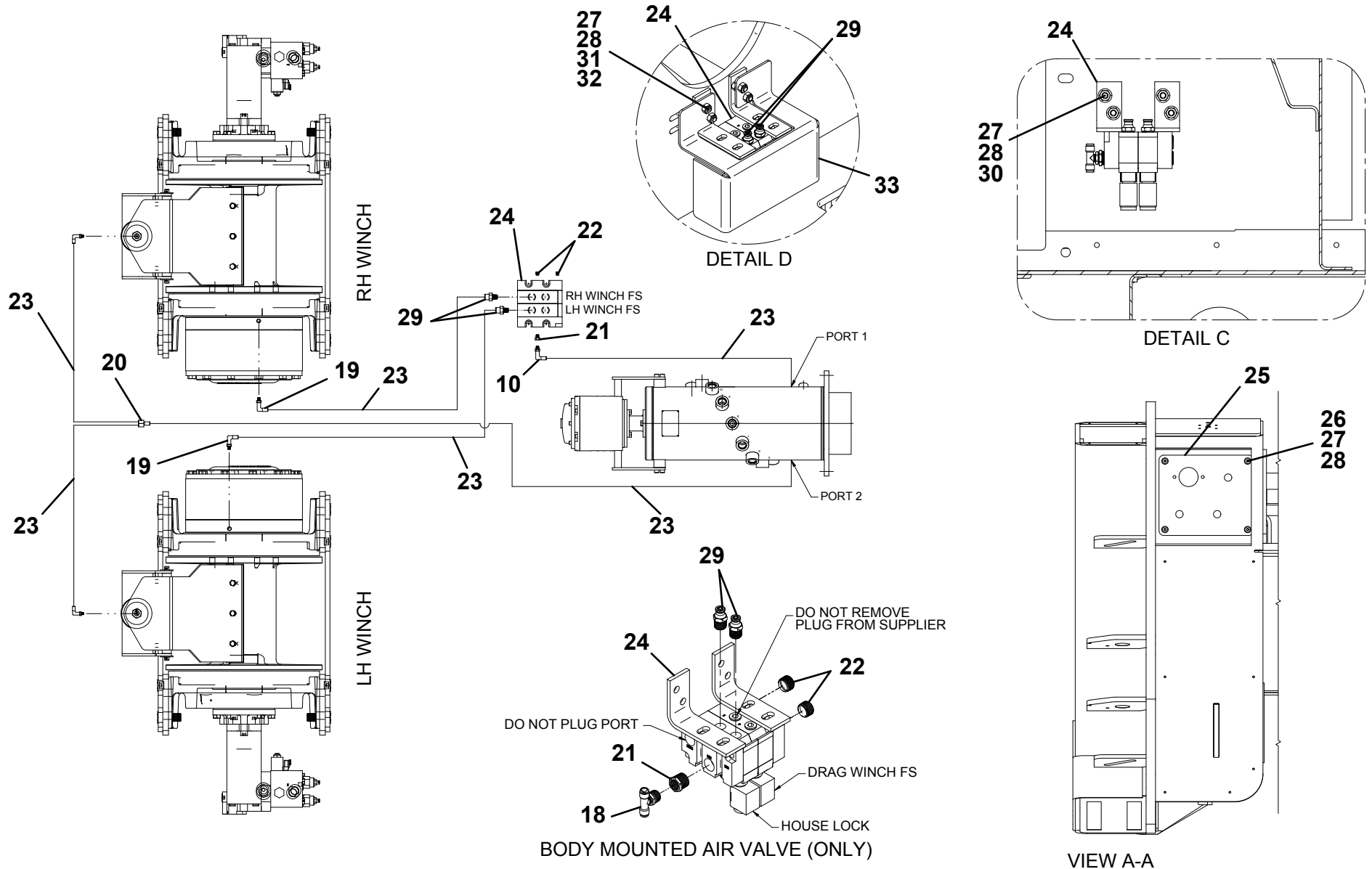
**AIR INSTALLATION**

ITEM	PART NO.	DESCRIPTION	QTY
1	7443000154	Bushing	1
2	7443000155	Fitting	1
3	7443000156	Nipple	1
4	7935000120	Valve, Pressure Protection Valve	1
5	7443000175	Fitting	2
6	7565000014	Airline Tubing, 0.38" OD	30ft
7	7446502518	Fitting, Bulkhead	1
8	7312000017	Coupling, Quick Disconnect	1
9	7444020013	Plug	1
10	7443000139	Fitting	4
11	7470000006	Gauge, Air Pressure	1
12	7443000396	Fitting	1
13	7443000397	Fitting	1
14	7295000029	Air Regulator	1
15	7661000041	Panel	1
16	7443000243	Fitting	1
17	7443000178	Union, Bulkhead	4
18	7443000270	Fitting	2
19	7443000173	Fitting	6
20	7443000448	Fitting	1
21	7443000148	Bushing	2
22	7444030037	Plug	4
23	7565000016	Airline Tubing, 0.25"	200ft
24	1001129800	Air Valve	2
25	4706006033	Plate	1
26	7114150818	Capscrew, 0.31"-18NC x 1.00"	4
27	7950150143	Flatwasher, 0.31"ID	16
28	7660152604	Locknut, 0.31"-18NC	12
29	7443000329	Fitting	4
30	7115150850	Capscrew, 0.31"-18NC x 1.00"	4
31	7660150001	Nut, 0.31"-18NC	4
32	7115151250	Capscrew, 0.31"-18NC x 1.50"	4
33	1001135301	Shield, Air Valve	1

# AIR INSTALLATION



### AIR INSTALLATION





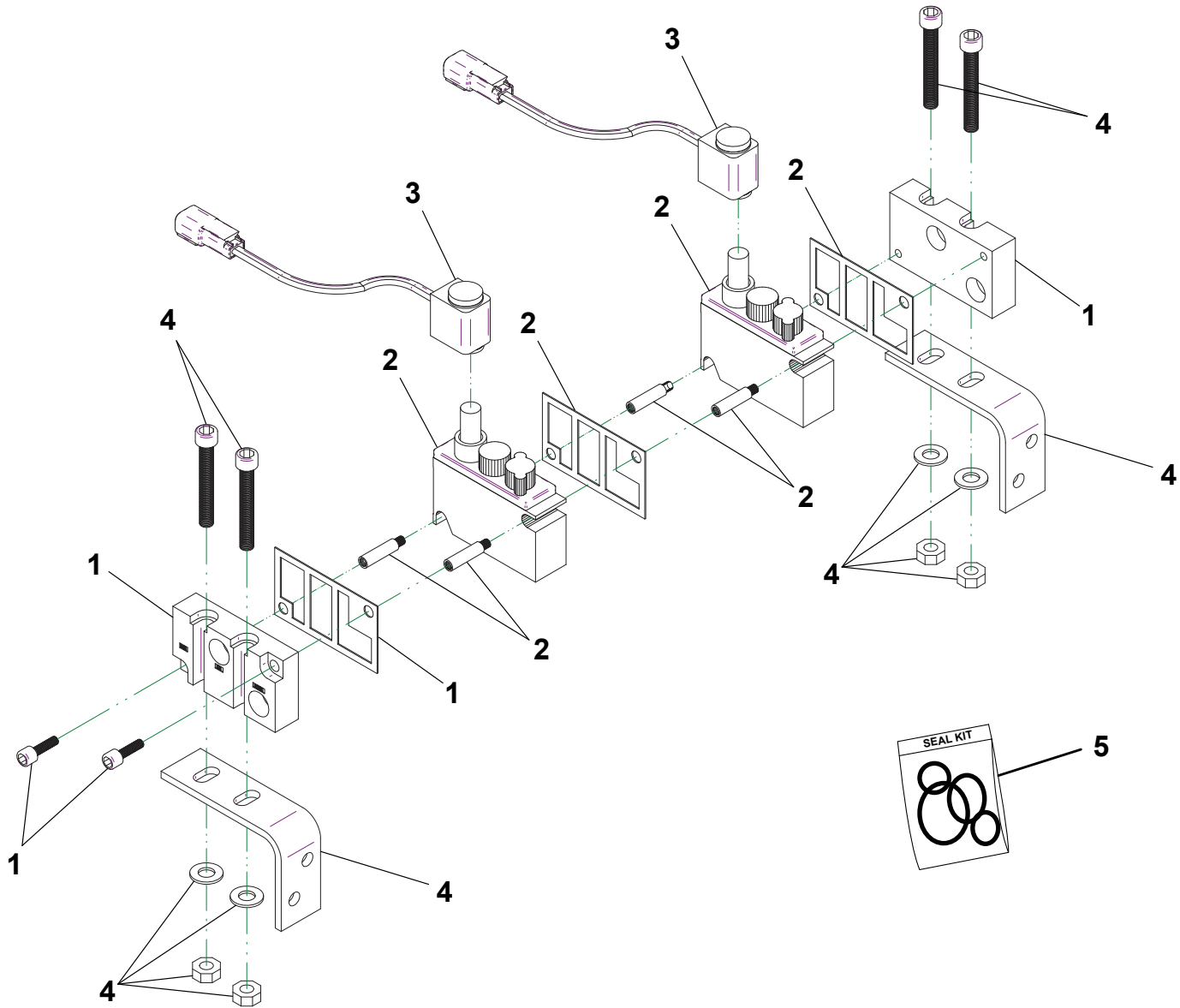
**AIR INSTALLATION**

**THIS PAGE INTENTIONALLY LEFT BLANK**

**AIR VALVE - 1001129800**

ITEM	PART NO.	DESCRIPTION	QTY
1	70050526	Kit, Stacking	1
2	70050527	Valve	2
3	70050528	Coil	2
4	70050529	Kit, Mounting Bracket	1
5	70050530	Kit, Spool Seal	2

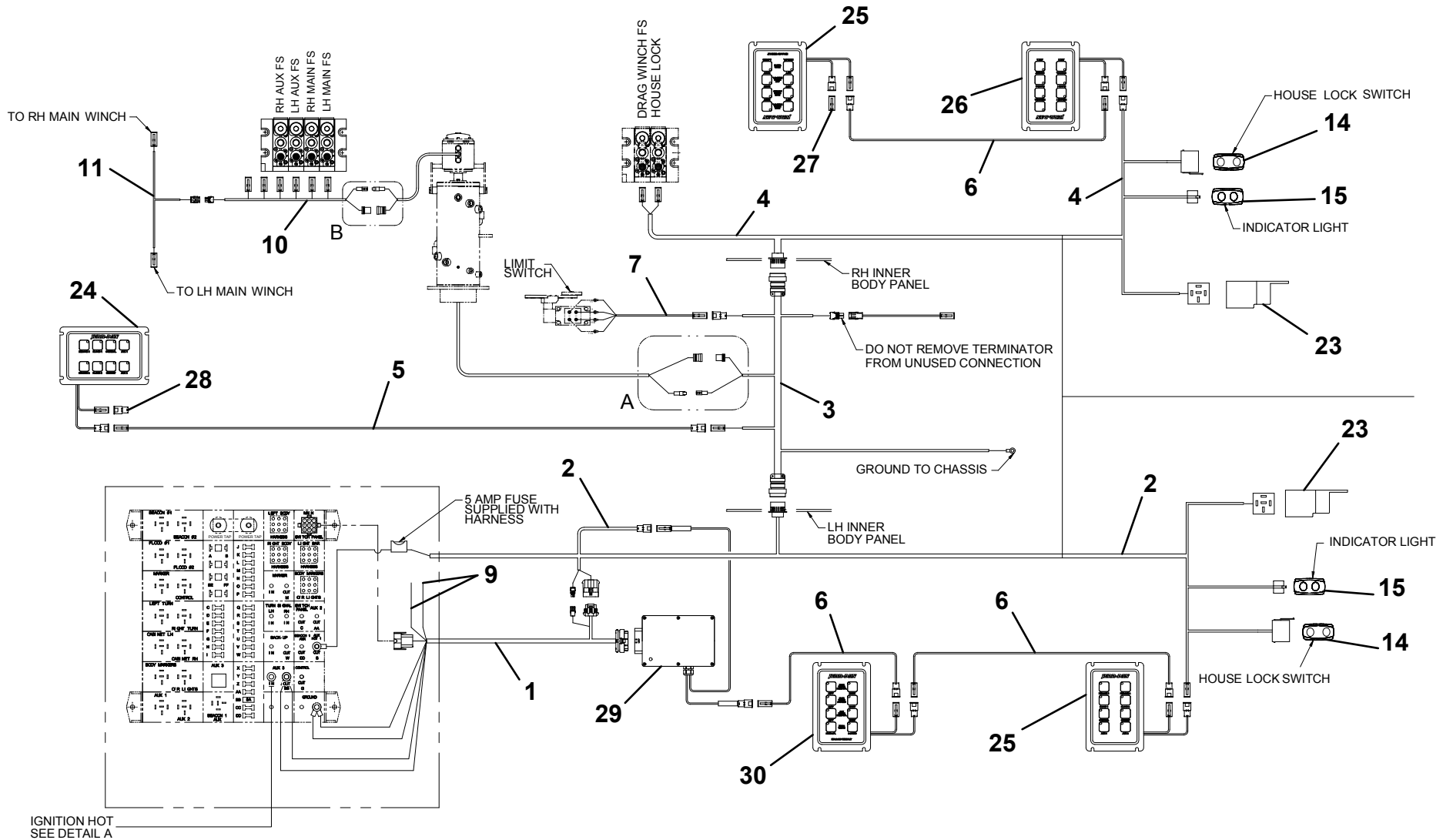
# AIR VALVE - 1001129800

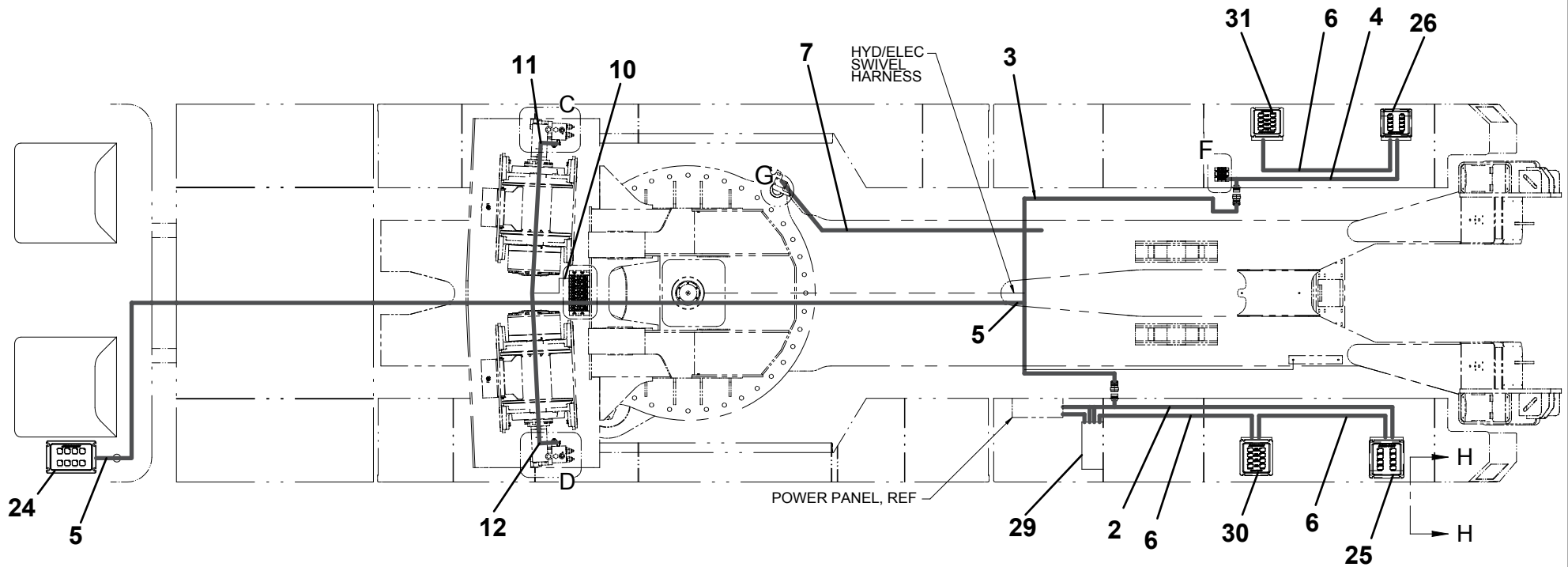


**M-PLEX ELECTRICAL INSTALLATION**

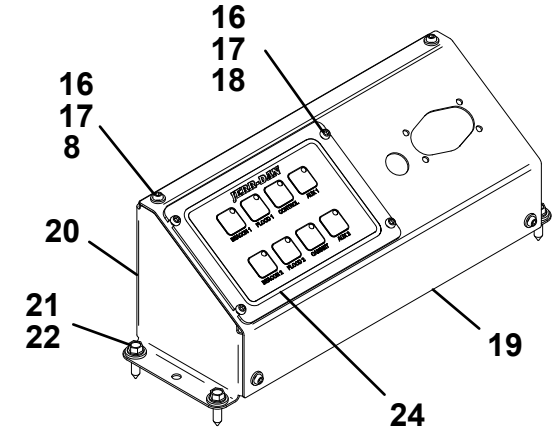
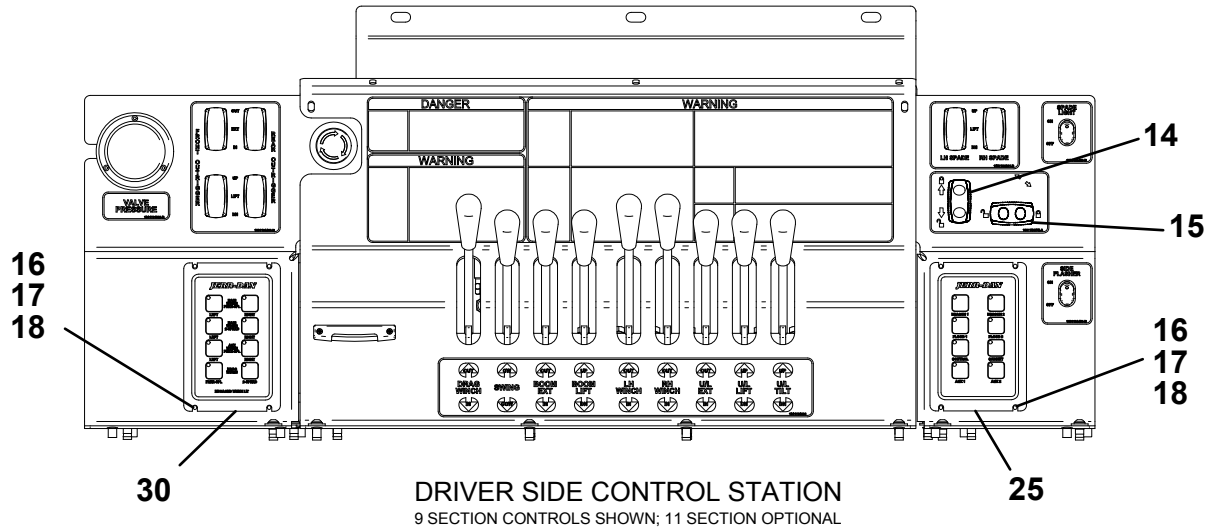
ITEM	PART NO.	DESCRIPTION	QTY
1	7552000460	Harness	1
2	1001154065	Harness	1
3	1001154066	Harness	1
4	1001154067	Harness	1
5	7552000455	Harness	1
6	7552000456	Harness	3
7	1001154068	Harness	1
8	7661000024	Nut, #10-24NC	4
9	7346000039	Tube, 0.25"ID	48in
10	1001130883	Harness	1
11	1001130884	Harness	1
12	7740000001	Relay	1
13	7457000019	Fuse	1
14	1001154073	Switch	2
15	1001154074	Elec Assy, Illuminated Plug	2
16	7114100418	Capscrew, #10-24NC x 0.50"	24
17	7950100103	Flatwasher, #10 ID	24
18	7660102604	Locknut, #10-24NC	20
19	4686000253	Panel	1
20	4686000254	Panel	1
21	7790141651	Screw, 0.25" x 1.00"	4
22	7950140141	Flatwasher, 0.25"	4
23	3740080	Relay	2
24	7870000155	Switch Panel	1
25	7870000159	Switch Panel	1
26	1001135134	Switch Panel	1
27	7346000276	Harness Terminal	1
28	7346000277	Harness Terminal	1
29	1001135089	Control, Switch Panel	1
30	1001134354	Switch Panel	1
31	1001135136	Switch Panel	1

# M-PLEX ELECTRICAL INSTALLATION

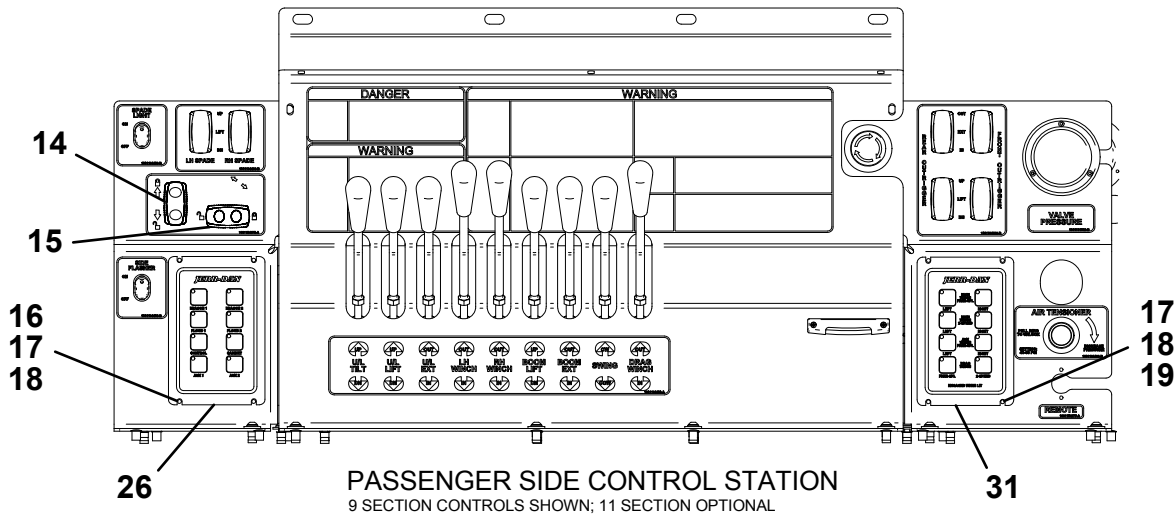


**M-PLEX ELECTRICAL INSTALLATION**

# M-PLEX ELECTRICAL INSTALLATION



**CAB MOUNTED SWITCH PANEL**

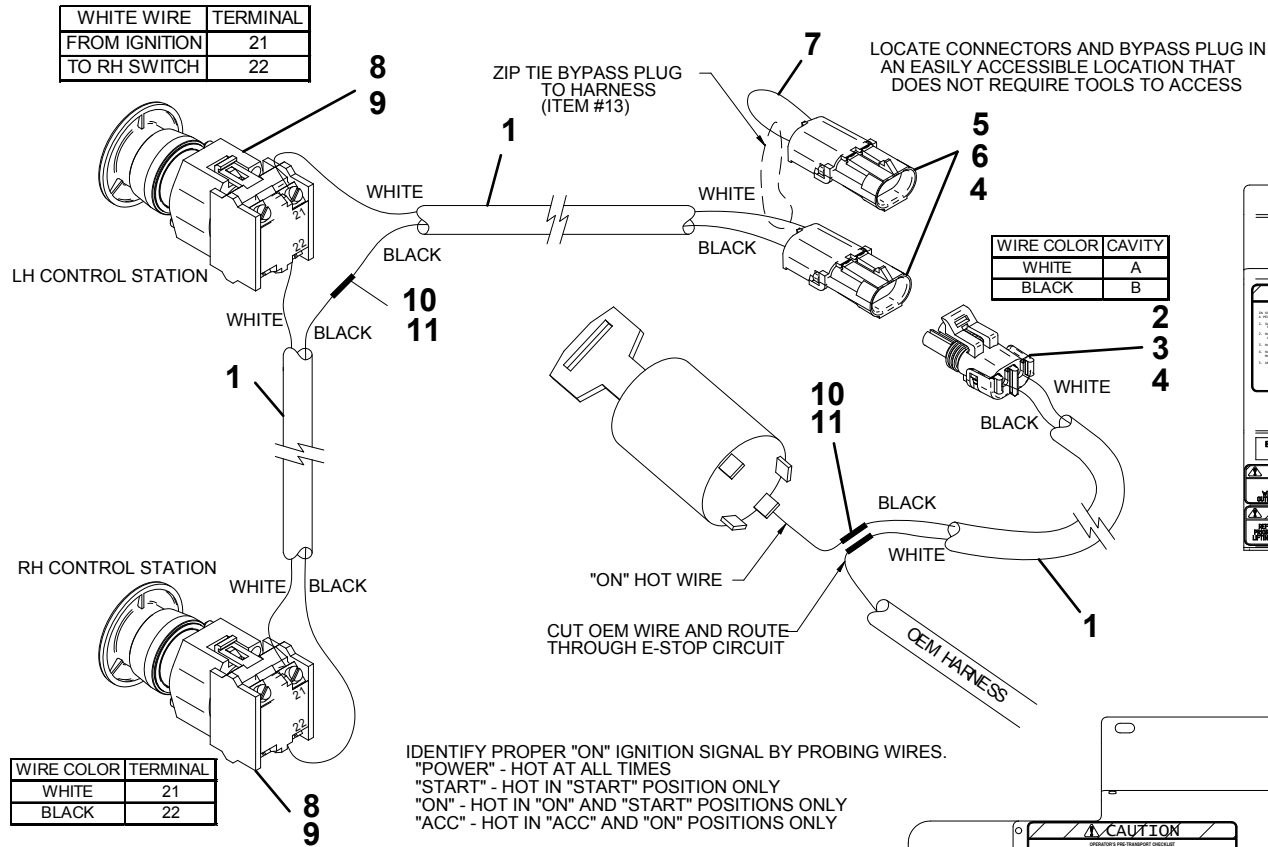


**EMERGENCY STOP INSTALLATION**

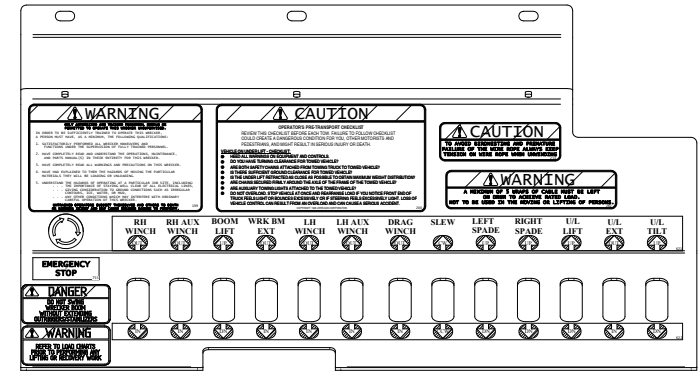
ITEM	PART NO.	DESCRIPTION	QTY
1	8977010103	#16 GA Wire, 2 Conductor	40ft
2	7346000094	Connector	1
3	7346000035	Terminal	2
4	7346000037	Cable Seal	6
5	7346000087	Connector	2
6	7346000099	Terminal	4
7	8977500100	#16 GA Wire, Black	.25ft
8	7870000128	Switch, Pushbutton	2
9	7870000129	Switch, Contact Block	2
10	7345001704	Terminal	3
11	7346000039	Tubing	.125ft
12	7330000755	Decal	2
13	5526000553	Tie Strap	1



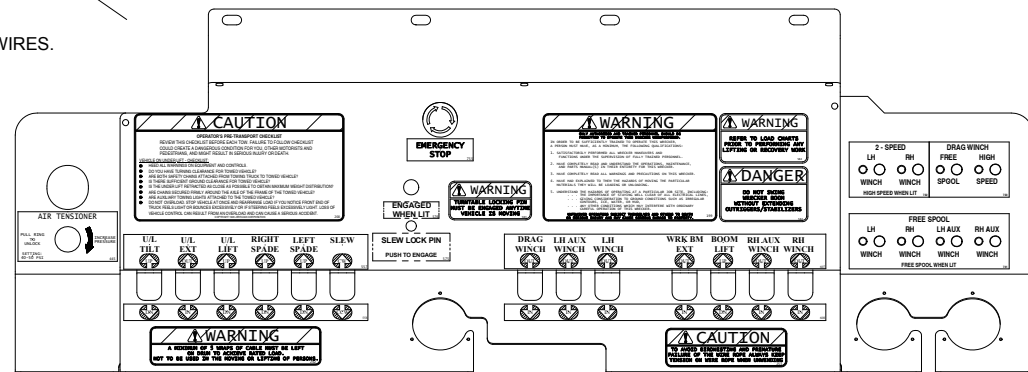
# EMERGENCY STOP INSTALLATION



NOTE: SOME TRUCKS MAY HAVE 2 "ON" WIRES. DETERMINE WHICH WIRE POWERS ENGINE CONTROL MODULE. VERIFY WITH ENGINEERING IF UNSURE.



ROTATOR LH CONTROL STATION

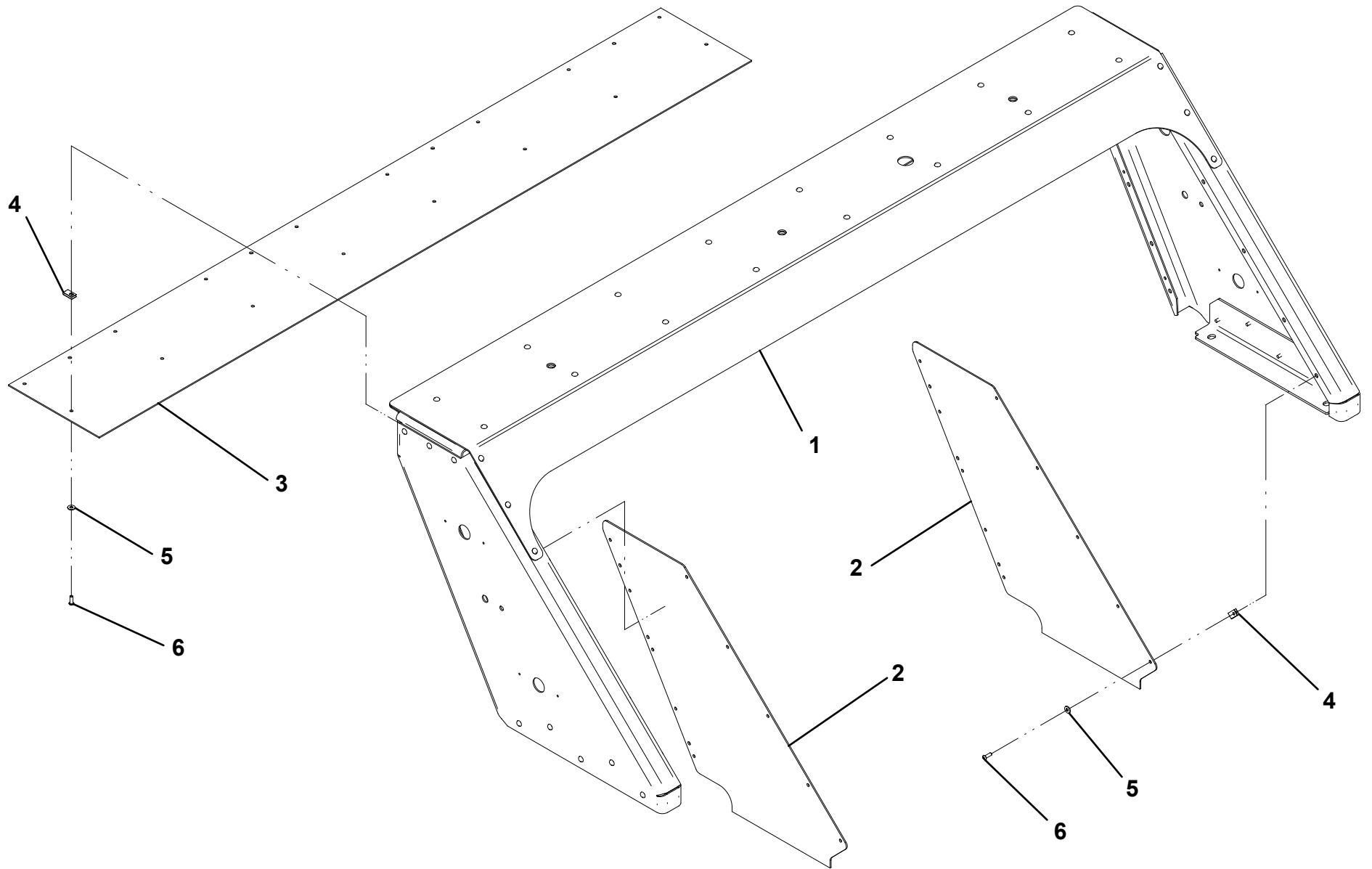


ROTATOR RH CONTROL STATION

**HEADBOARD ASSEMBLY - 1001150180**

ITEM	PART NO.	DESCRIPTION	QTY
1	1001150151	Headboard Bondment	1
2	1001129818	Panel, Headboard Cover LH & RH	2
3	1001129820	Panel, Headboard Cover Top	1
4	7661000019	U-Nut, 0.25"-20NC	36
5	7950140143	Flatwasher, 0.25" ID	36
6	7114140618	Capscrew, 0.25"-20NC x 0.75"	36

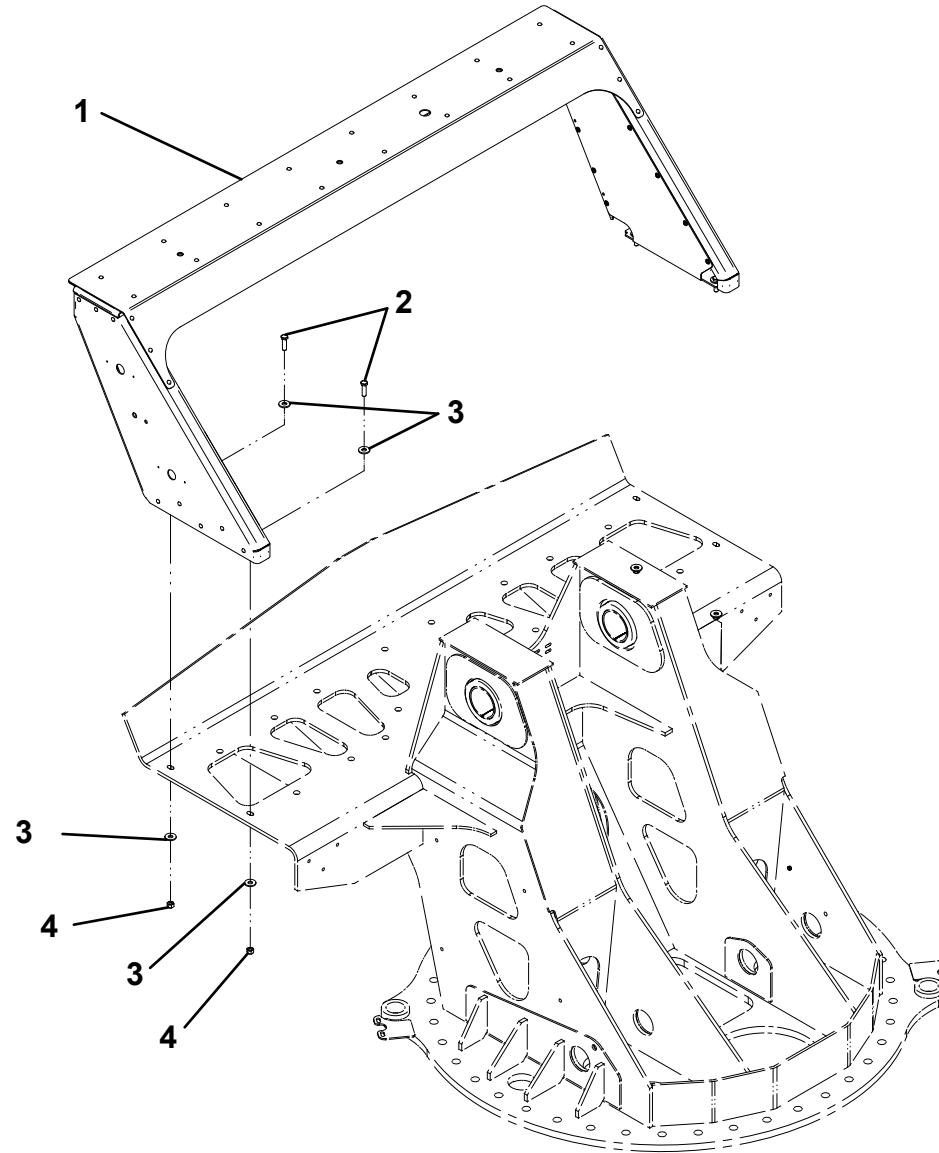
# HEADBOARD ASSEMBLY - 1001150180



**HEADBOARD INSTALLATION - 1001150422**

ITEM	PART NO.	DESCRIPTION	QTY
1	1001150180	Headboard, Assembly	1
2	7115181450	Capscrew, 0.50"-13NC x 1.75"	4
3	7950180161	Flatwasher, 0.50" ID	8
4	7660182601	Locknut, 0.50"-13NC	4

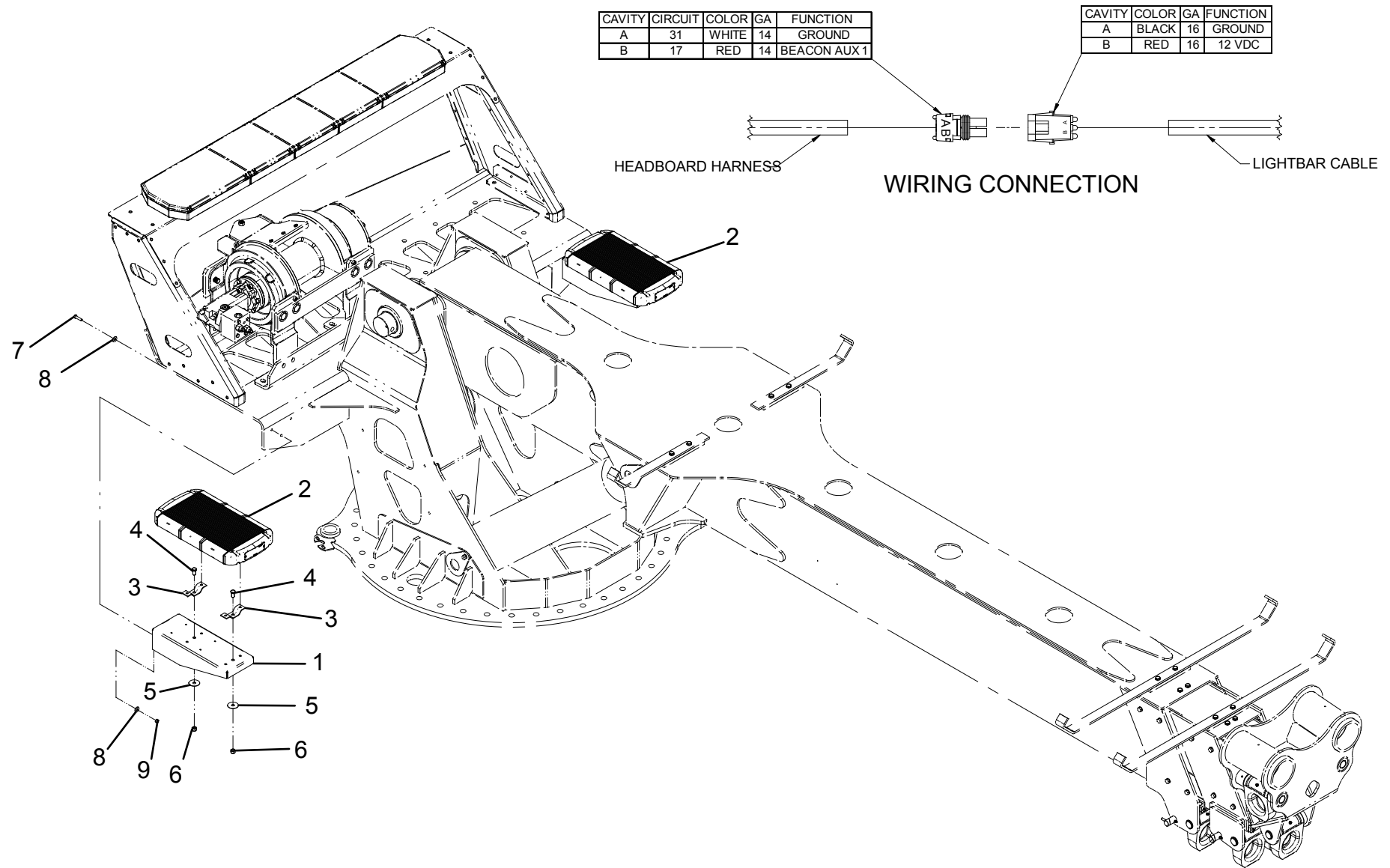
# HEADBOARD INSTALLATION - 1001150422



**WING LIGHT INSTALLATION - 1001129862**

ITEM	PART NO.	DESCRIPTION	QTY
1	1001129828	Bracket	2
2	1001129861	Light Bar, 22" WHELEN	2
3	4178000402	Bracket	4
4	7115180850	Capscrew, 0.50"-13NC x 1.00"	4
5	7949000072	Washer, 2.00" OD x 0.50" ID	4
6	7660182601	Locknut, 0.50"-13NC	4
7	7115161250	Bolt, 0.38"-16NC x 1.50"	6
8	7950160161	Flatwasher, 0.38" ID	12
9	7660162601	Locknut, 0.38"-16NC	6
10	7894000042	Tie Strap	4

# WING LIGHT INSTALLATION - 1001129862

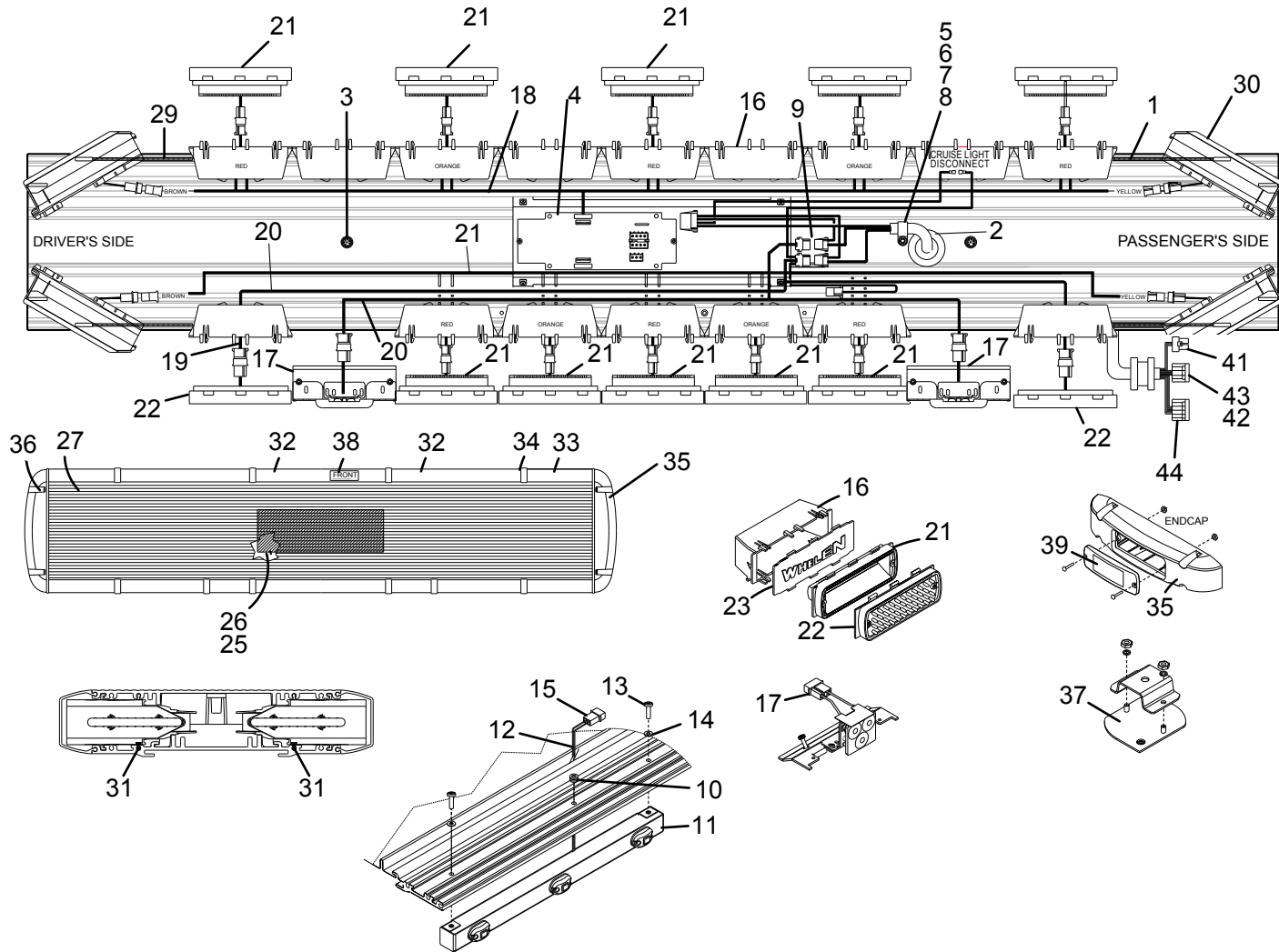


**LIGHTBAR 72" LED - WHELEN**

ITEM	PART NO.	DESCRIPTION	QTY	ITEM	PART NO.	DESCRIPTION	QTY
1	70050392	Base	1	40	70050207	Label, Model & Serial Number	1
2	70050169	Grommet	1	41	70050208	Connector	1
3	70050170	Plug	2	42	70050209	Connector	1
4	70050163	Assembly, HC I/O Liberty, Jerr-Dan	1	43	70050210	Connector	1
5	70050171	Cable	1	44	70050211	Connector	1
6	70050172	Screw, #10-24NC x 1.00"	1				
7	70050393	Clamp	1				
8	70050174	Wiznut, #10-24NC	1				
9	70050175	Housing	2				
10	70050176	Grommet	1				
11	70050177	Light Cluster	1				
12	70050178	Harness	1				
13	70050179	Screw, #10-32NF x 0.50"	2				
14	70050180	Washer, #10 ID	2				
15	70050181	Housing	1				
16	70050182	Housing	16				
17	70050183	LR11 TD Single Full 20 Deg.	2				
18	70050394	Harness	2				
19	70050185	Harness	1				
20	70050186	Harness	1				
21	70050187	Light Assembly, LED	10				
22	70050188	500 BTT Max	2				
23	70050189	Panel	4				
24	70050190	End Support Bracket	2				
25	70050191	Insulator	1				
26	70050192	Decal	1				
27	70050395	Top Cover	1				
28	70050194	Screw, #10-24NC x 0.38"	4				
29	70050195	Spacer	4				
30	70050196	Corner LED Assembly	4				
31	70050197	Spacer	4				
32	70050199	Lens	6				
33	70050200	Lens	4				
34	70050201	Lens Divider	8				
35	70050202	End Cap	2				
36	70050203	Screw, #10-24NC x 1.25"	8				
37	70050204	Rotational MTG Adapter	3				
38	70050205	Label, "Front"	1				
39	70050206	Label, Jerr-Dan Logo	1				



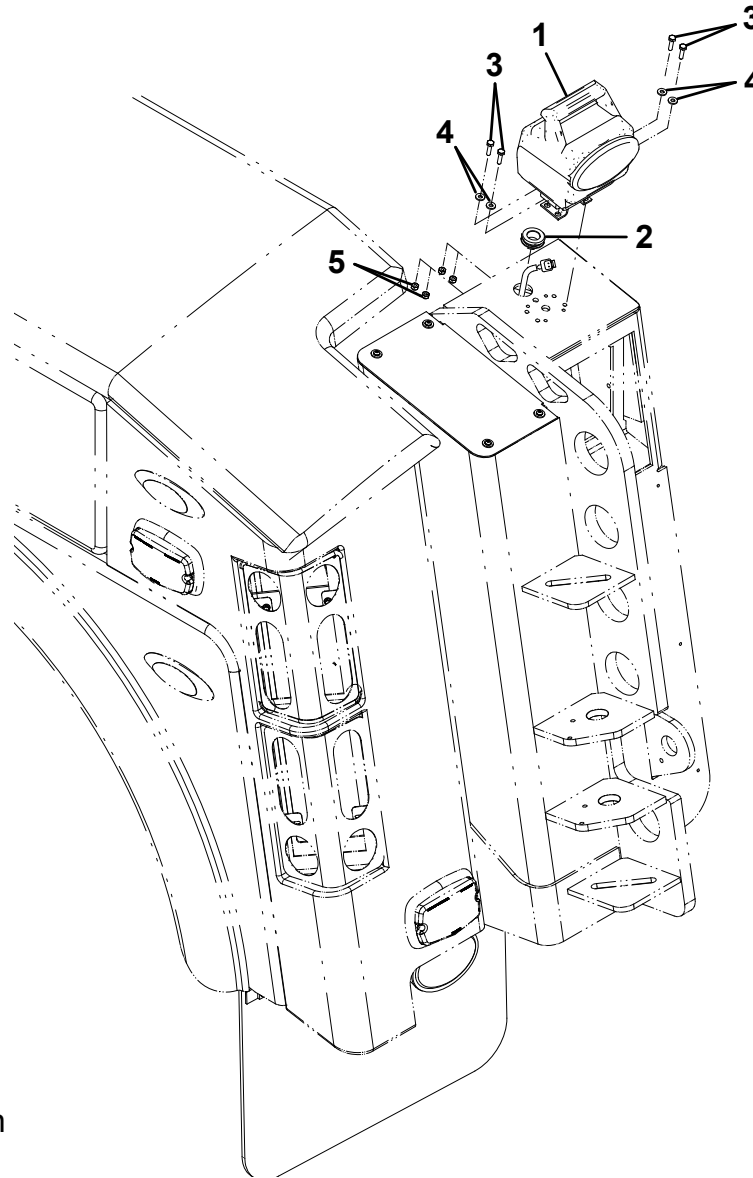
# LIGHTBAR 72" LED - WHELEN



**UPPER HOOK-UP LIGHTS INSTALLATION**

ITEM	PART NO.	DESCRIPTION	QTY
1	1001131171	Lamp	2
2	7493000003	Grommet	2
3	7115140850	Capscrew, 0.25"-20NC x 1.00"	8
4	7950140143	Flatwasher, 0.25" ID	8
5	7660142604	Locknut, 0.25"-20NC	8
6	7894000010	Tie Strap	6

# UPPER HOOK-UP LIGHTS INSTALLATION



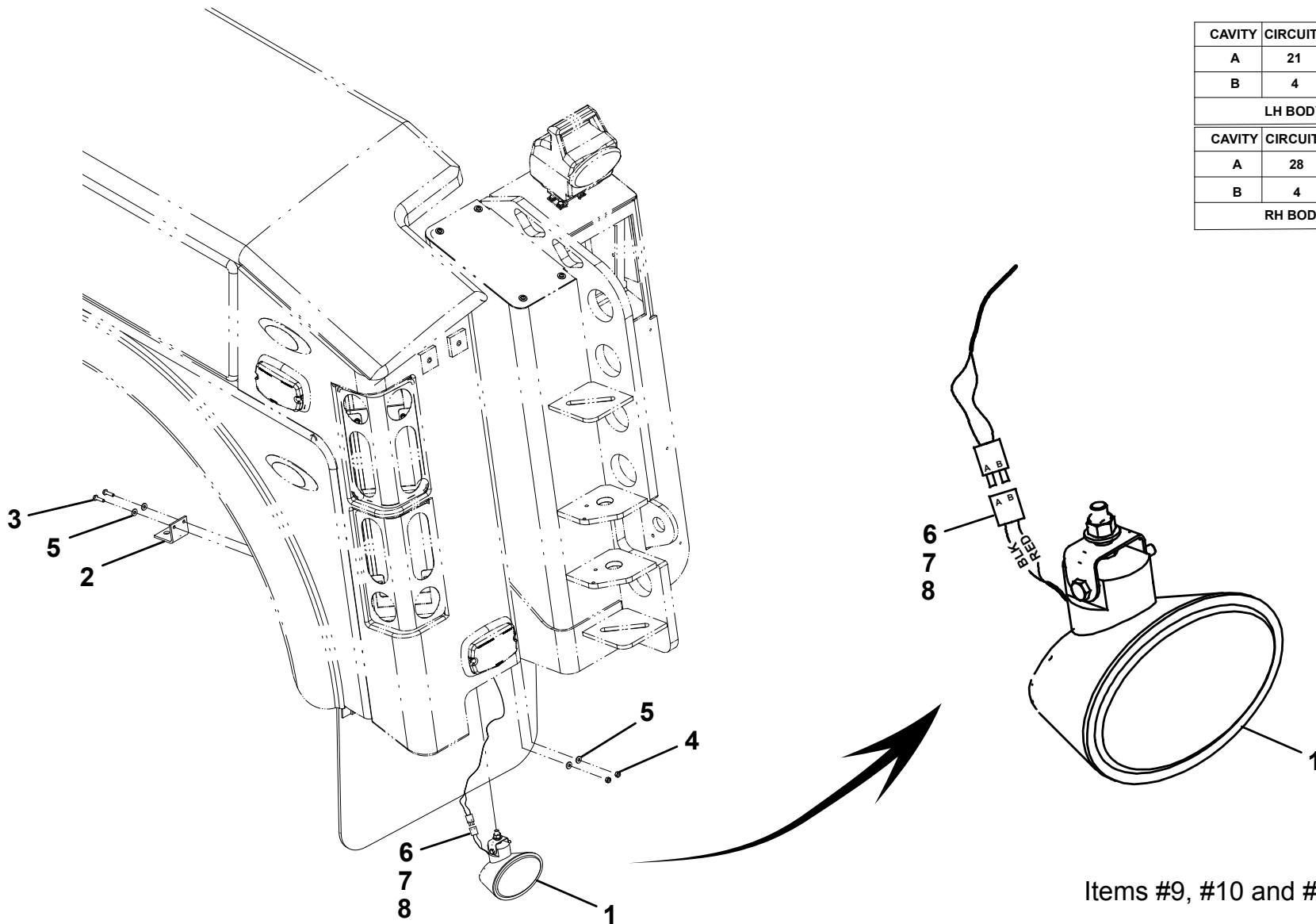
CAVITY	CIRCUIT	FUNCTION
1	21	GROUND
2	4	FLOOD 2
LH BODY		
CAVITY	CIRCUIT	FUNCTION
1	28	GROUND
2	4	FLOOD 2
RH BODY		

Item #6, Not Shown

**LOWER HOOK-UP LIGHTS INSTALLATION**

ITEM	PART NO.	DESCRIPTION	QTY
1	1001131160	Lamp	1
2	4178000659	Bracket	2
3	7115140850	Capscrew, 0.25"-20NC x 1.00"	4
4	7660142601	Locknut, 0.25"-20NC	4
5	7950140143	Flatwasher, 0.25" ID	8
6	7346000094	Electrical Connector	2
7	7346000035	Electrical Terminal	4
8	7346000037	Electrical Seal	4
9	7274000026	Clamp	6
10	8597650002	Wire Loom	1ft
11	7894000010	Tie Strap	6

# LOWER HOOK-UP LIGHTS INSTALLATION



CAVITY	CIRCUIT	FUNCTION
A	21	GROUND
B	4	FLOOD 2
LH BODY		
CAVITY	CIRCUIT	FUNCTION
A	28	GROUND
B	4	FLOOD 2
RH BODY		

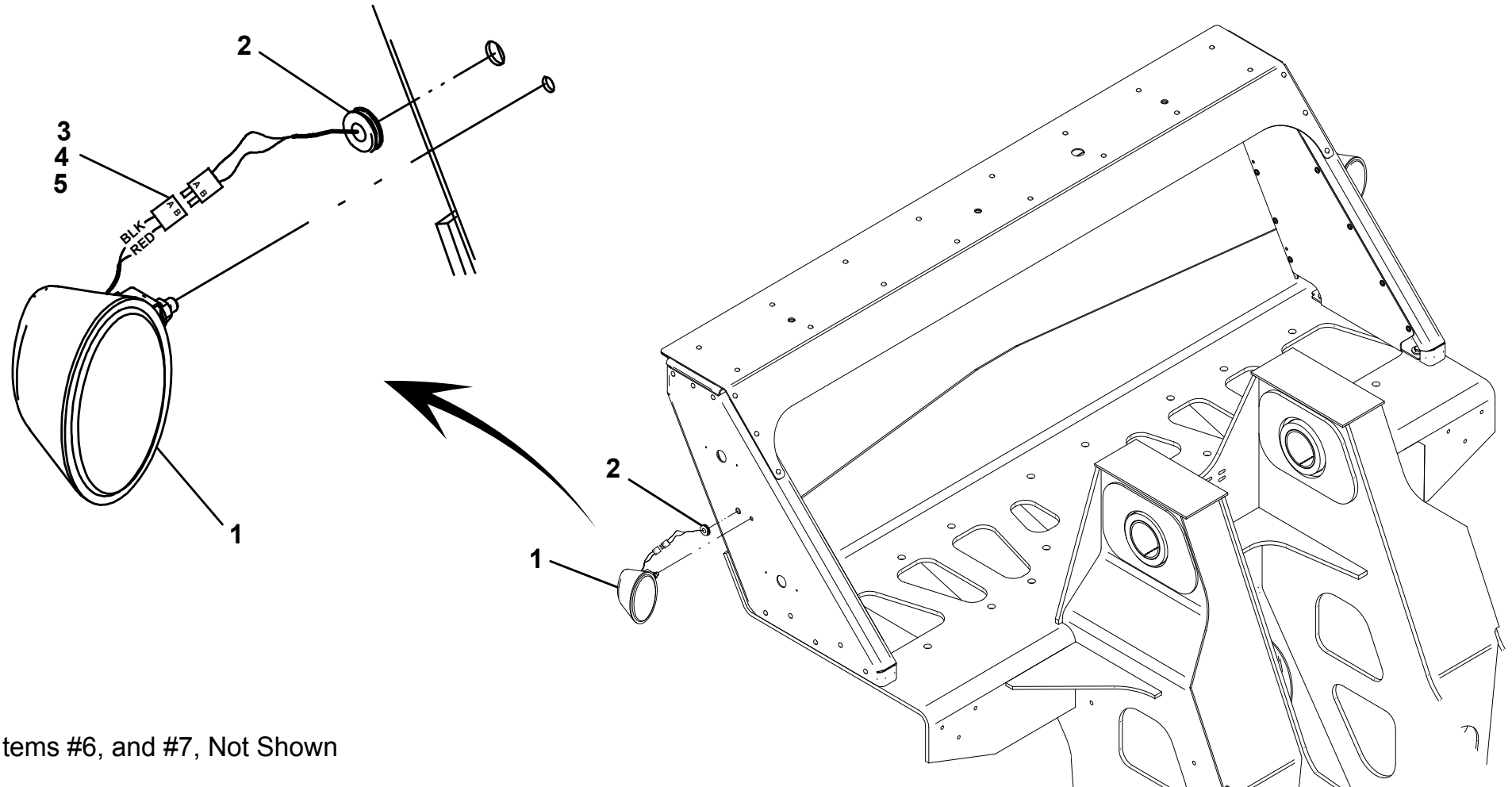
Items #9, #10 and #11, Not Shown

**UPPER WORK LIGHTS INSTALLATION**

ITEM	PART NO.	DESCRIPTION	QTY
1	1001131160	Lamp	2
2	7493000021	Grommet	2
3	7346000094	Electrical Connector	2
4	7346000035	Electrical Terminal	4
5	7346000037	Electrical Seal	4
6	8597650002	Wire Loom	1ft
7	7894000010	Tie Strap	6

# UPPER WORK LIGHTS INSTALLATION

CAVITY	CIRCUIT	FUNCTION
A	30	GROUND
B	3	FLOOD 1



Items #6, and #7, Not Shown

**WRECKER BOOM LIGHTS INSTALLATION**

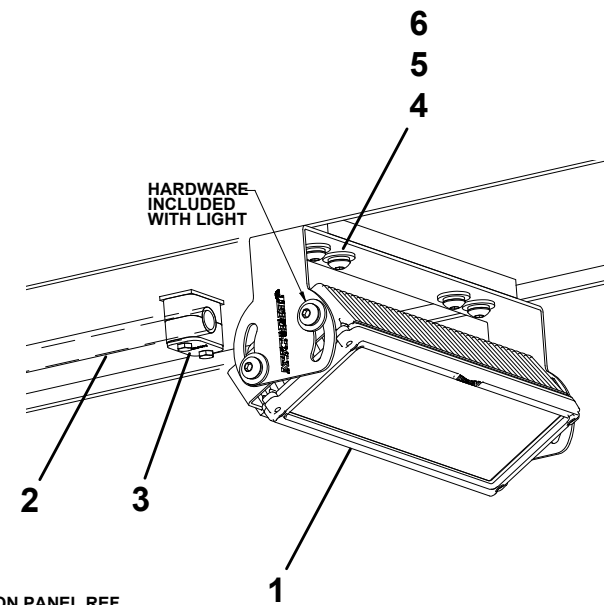
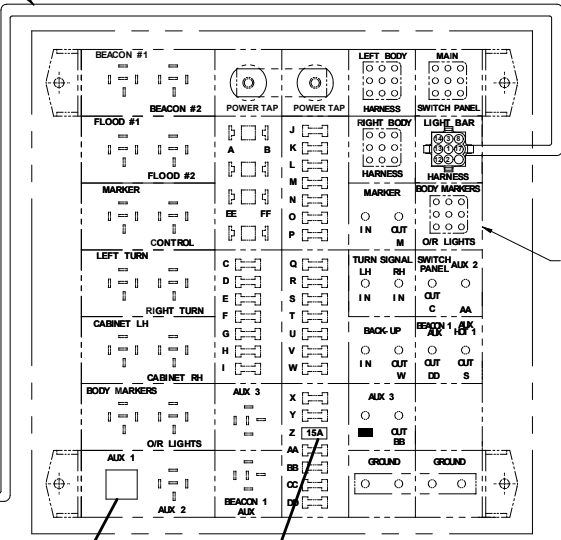
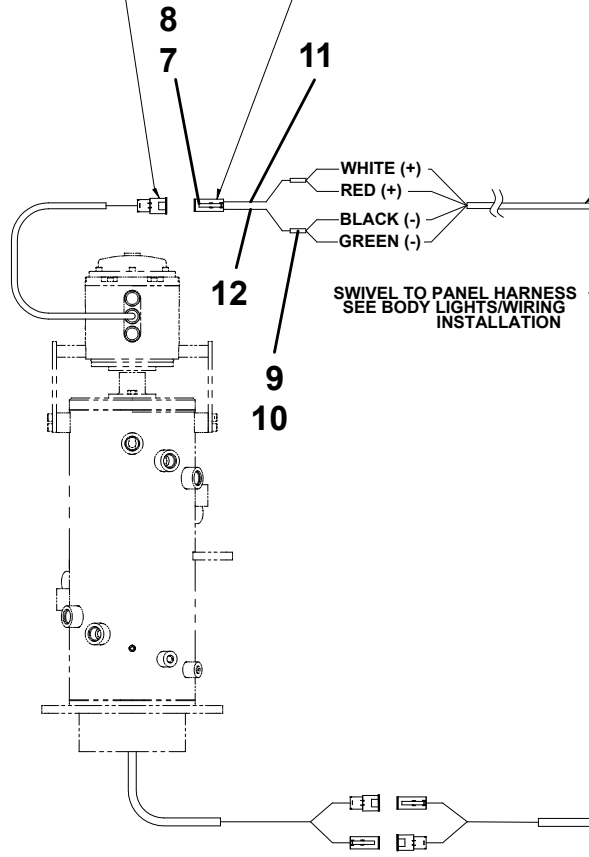
ITEM	PART NO.	DESCRIPTION	QTY
1	1001130429	Lamp	1
2	4695000026	Pipe	1
3	7247000095	Assembly, Clamp	4
4	7114160618	Capscrew, 0.38"-16NC x 0.75"	4
5	7950160003	Lockwasher, 0.38" ID	4
6	7950160163	Flatwasher, 0.38" ID	4
7	4461018	Electrical Terminal	1
8	4460509	Electrical Socket	2
9	7345001914	Electrical Terminal	2
10	7346000039	Tubing, Heat Shrink	8in
11	8977030200	Wire, #12Ga. - Red	1ft
12	8977030300	Wire, #12Ga. - White	1ft
13	7740000001	Relay, 12V - 40 Amp	1
14	7457000006	Fuse, 15 Amp	1



# WRECKER BOOM LIGHTS INSTALLATION

CAVITY	CIRCUIT	COLOR	GA	FUNCTION
1	13	BROWN/BLACK	12	GROUND
2	12	YELLOW/BLACK	12	AUX 1

CAVITY	COLOR	GA	FUNCTION
1	WHITE	12	GROUND
2	RED	12	AUX 1



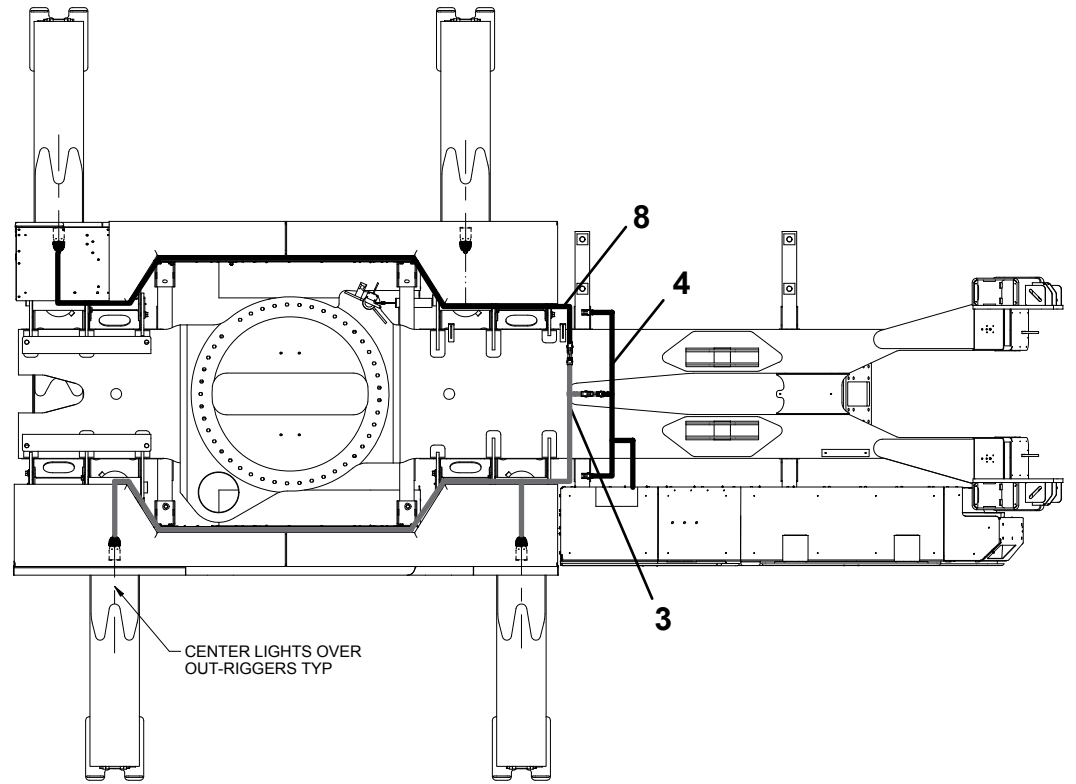
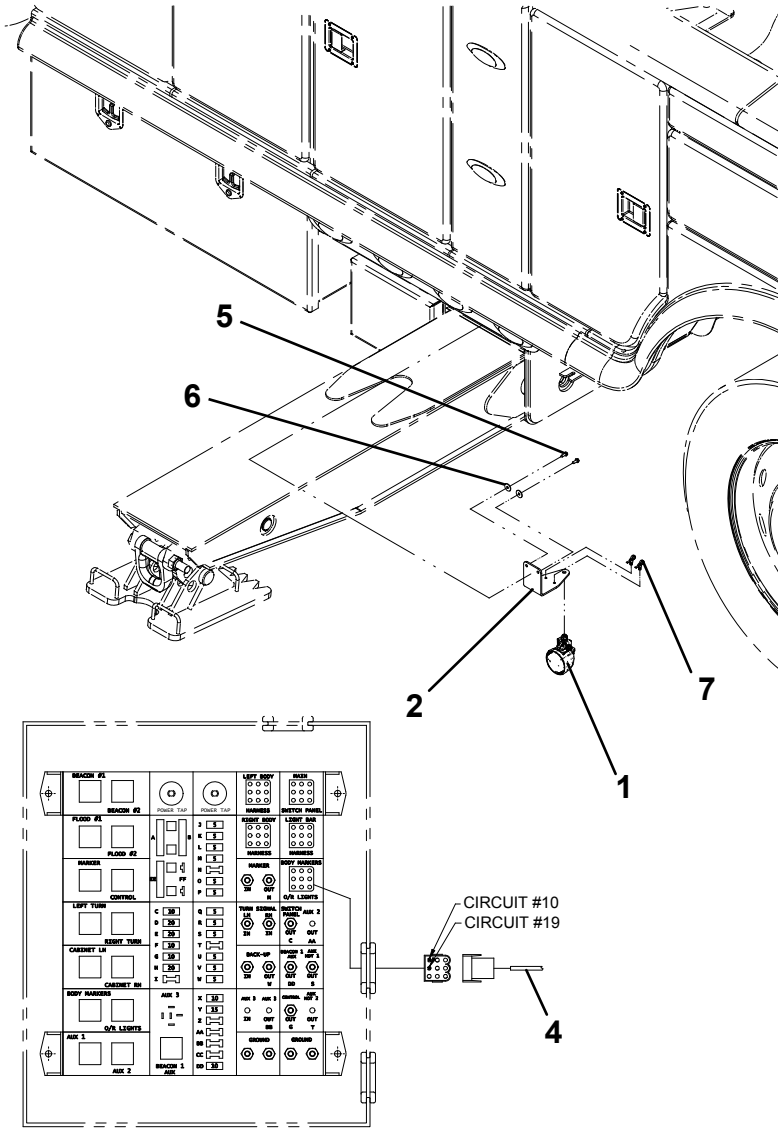
13

14

**OUTRIGGER LIGHT INSTALLATION**

ITEM	PART NO.	DESCRIPTION	QTY
1	7590000350	Light	4
2	1001130528	Bracket	4
3	1001136405	Harness	1
4	7552000339	Harness	1
5	7790141251	Screw, 0.25" x 0.75"	8
6	7949000022	Washer, 0.25" ID	8
7	7894000042	Tie Strap	32
8	1001136406	Harness	1

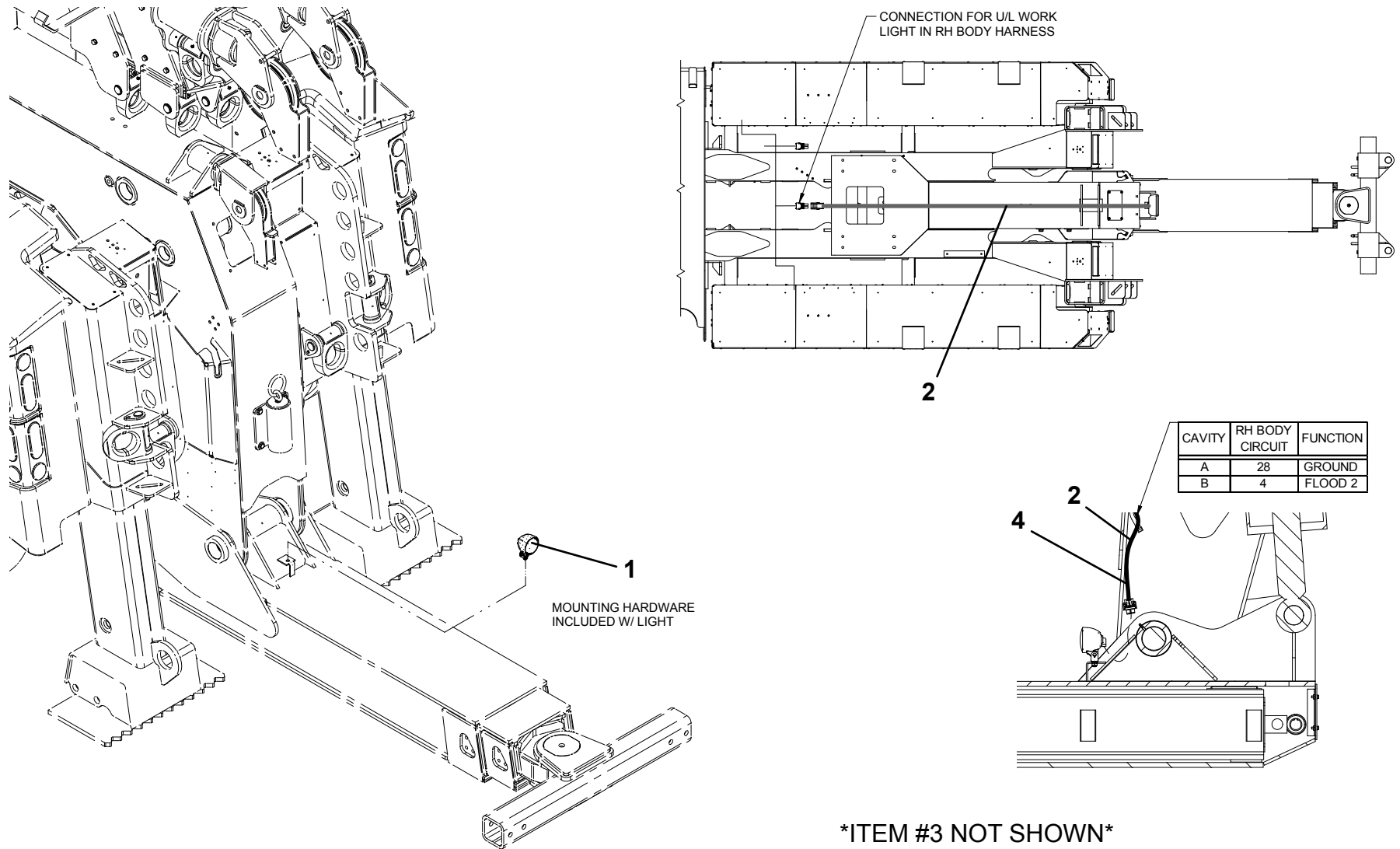
# OUTRIGGER LIGHT INSTALLATION



**UNDERLIFT LIGHT INSTALLATION**

ITEM	PART NO.	DESCRIPTION	QTY
1	7590000350	Light	1
2	1001130467	Harness	1
3	7894000010	Tie Strap	12
4	8597650002	Wire Loom	6in

# UNDERLIFT LIGHT INSTALLATION

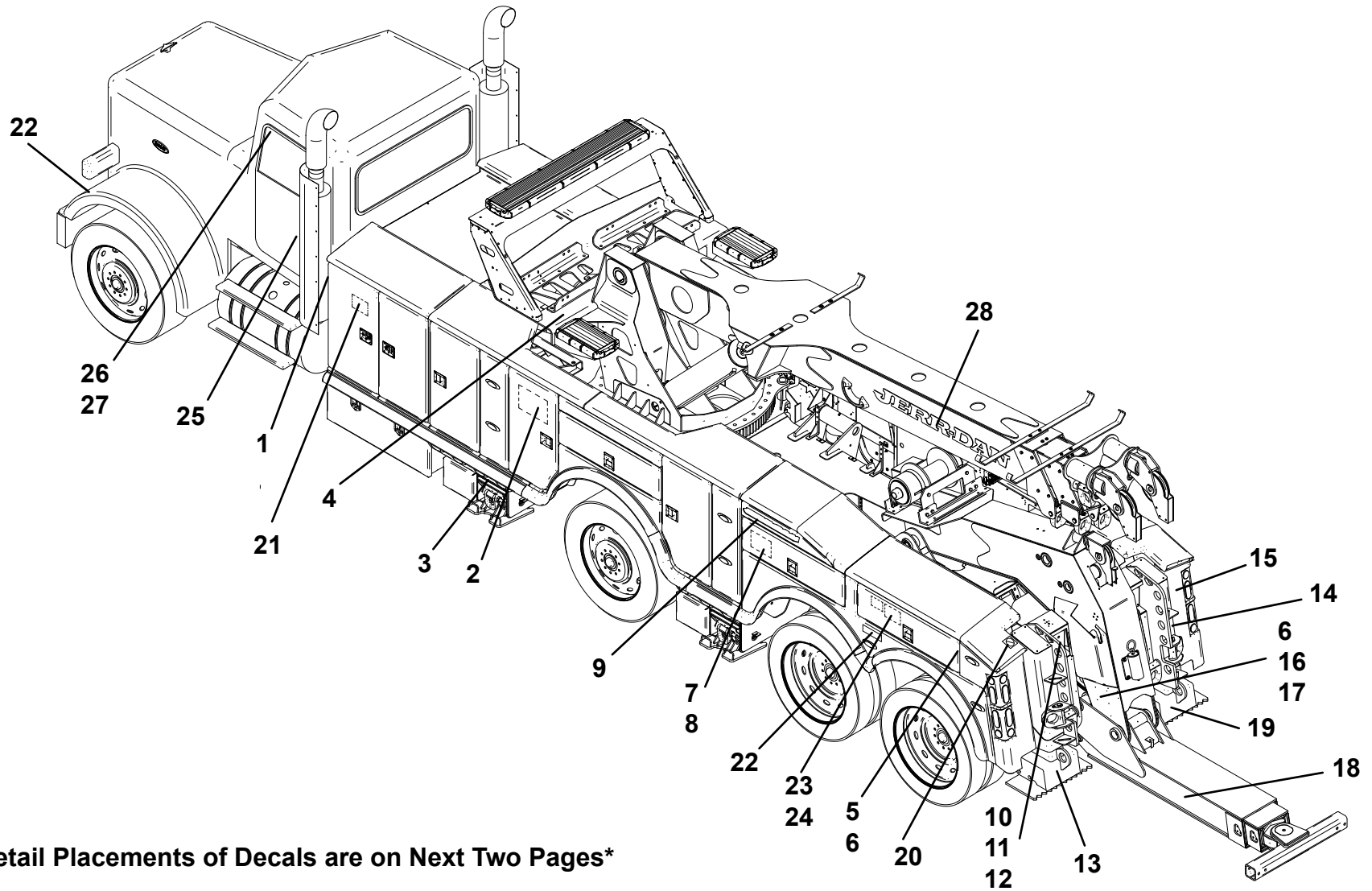


\*ITEM #3 NOT SHOWN\*

**DECAL INSTALLATION**

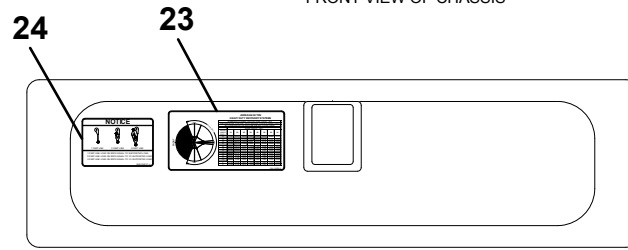
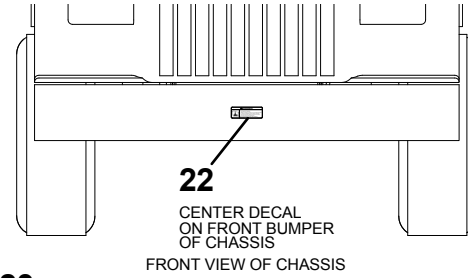
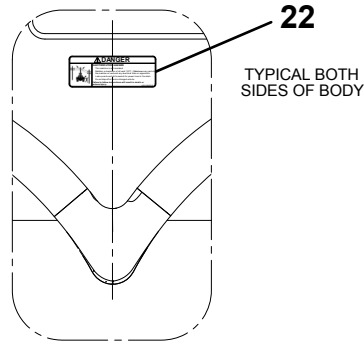
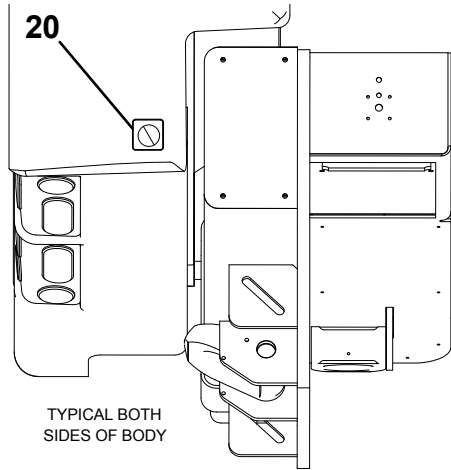
ITEM	PART NO.	DESCRIPTION	QTY
1	7330000143	Decal, Proudly Made In The USA	1
2	1001136175	Decal, Lube Chart	1
3	1001137185	Decal, Outrigger/Spade Warning	4
4	1001136119	Decal, Hydraulic Fluid Level	1
5	1001127220	Decal, Ident Tag	1
6	7759000004	Pop Rivet	14
7	1001136075	Decal, Hazardous Voltage	1
8	7330000688	Decal, Fuse Panel	1
9	7330000108	Decal, Jerr-Dan Brushed Alum	2
10	7330000208	Decal, Service Air	1
11	7330000209	Decal, Supply Air	1
12	7330000210	Decal, Aux Air	1
13	1001136094	Decal, Crushing Hazard	2
14	1001136091	Decal, Towed Load Hazard	2
15	1001137167	Decal, No Climbing	2
16	1001132242	Decal, Serial Placard HDR	1
17	1001132346	Patent Placard	1
18	1001137169	Decal, Pinch/Crush Hazard	2
19	1001136080	Decal, Recovery Stability	2
20	1001142452	Decal, No Step	2
21	1001138612	Decal, Battery Warning	1
22	1001136103	Decal, Power Line Warning	4
23	1001138538	Decal, Load Chart 50T Rotator	2
24	1001138537	Decal, Hook Notice	2
25	7330000689	Decal, Certification, NTEA	1
26	1001141227	Decal, Backing Hazard	1
27	1001142828	Decal, Fall Hazard	1
28	1001142894	Decal, Logo Red	2
	1001136696	Decal, Logo White	2

# DECAL INSTALLATION

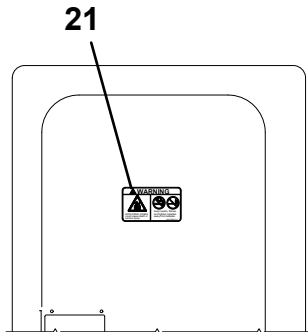


\*Detail Placements of Decals are on Next Two Pages\*

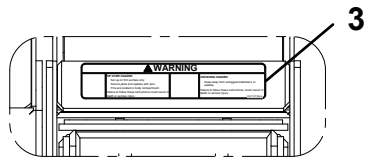
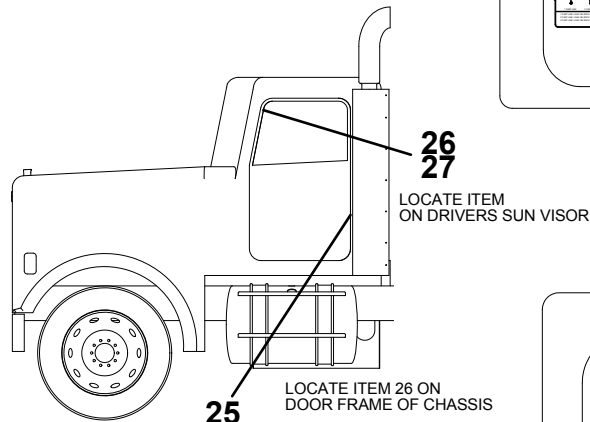
**DECAL INSTALLATION**



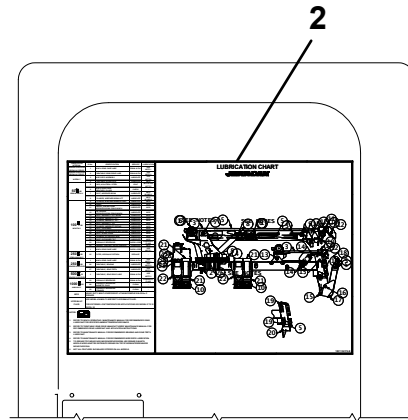
LOCATE ON INSIDE OF CONTROL STATION DOOR. TYPICAL BOTH BODY SIDES



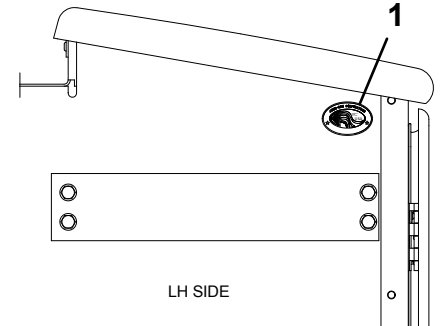
LOCATE ON INSIDE OF TOOLBOX DOOR ADJACENT TO BATTERIES



ALL FOUR OUTRIGGERS

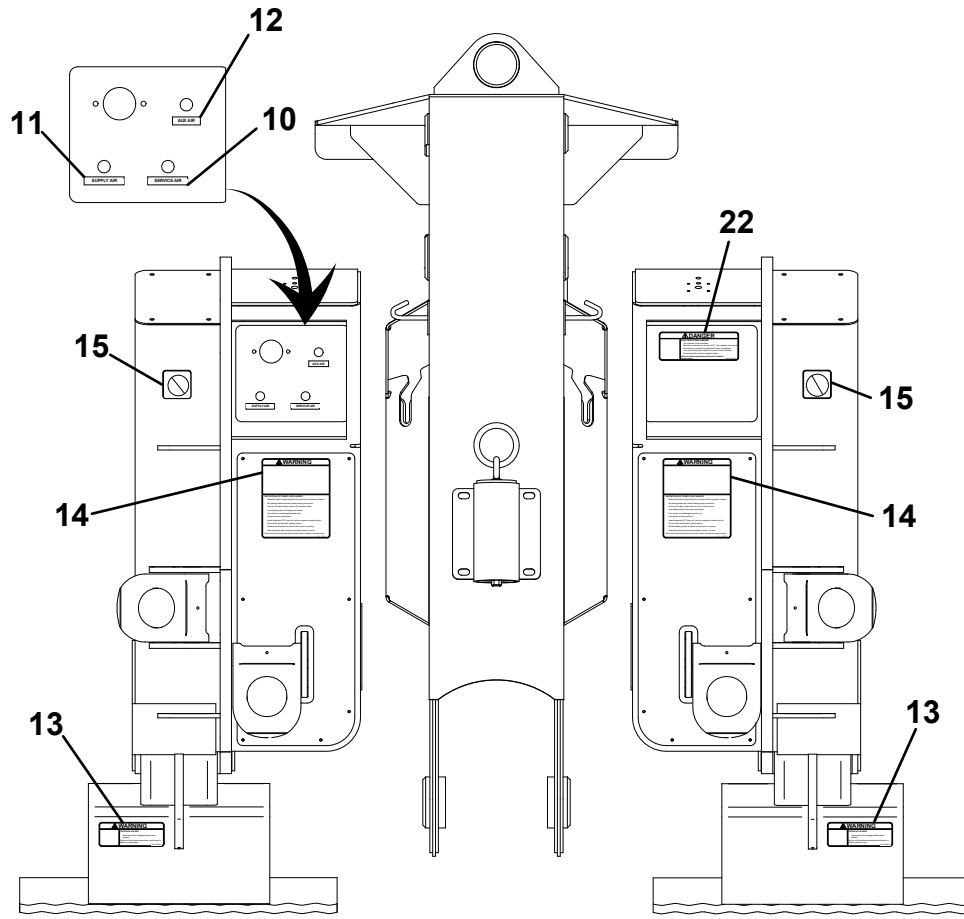


INSIDE OF DOOR

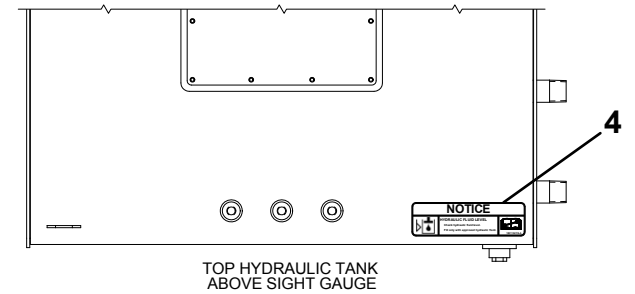
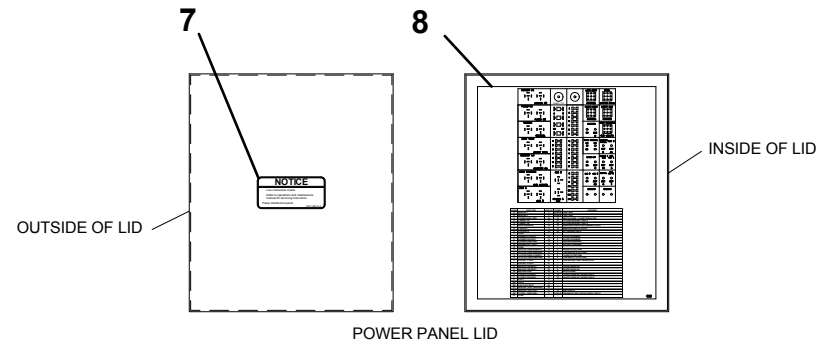
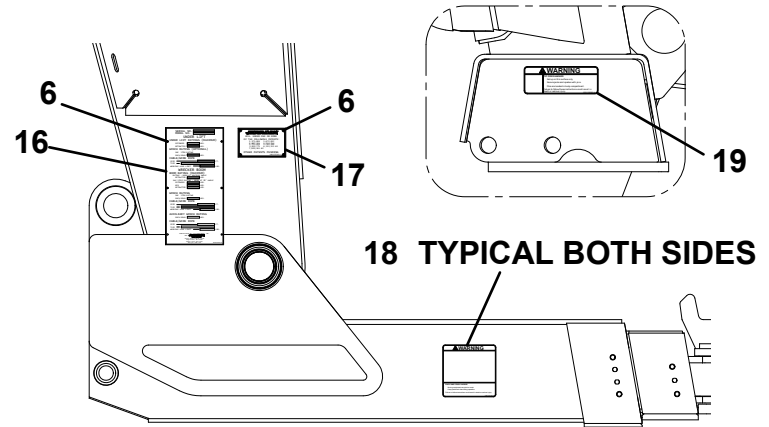
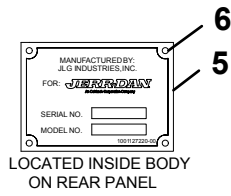




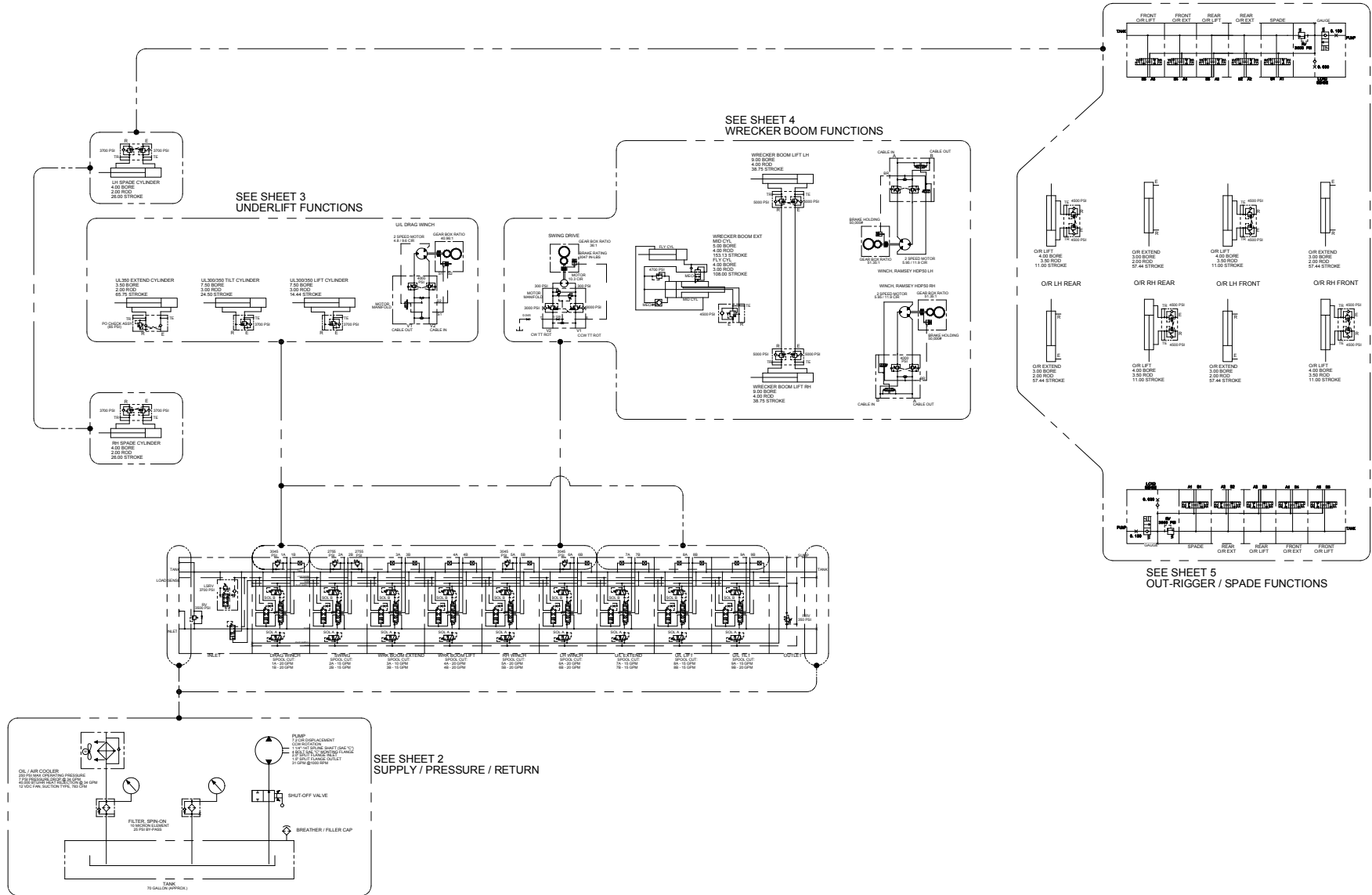
# DECAL INSTALLATION



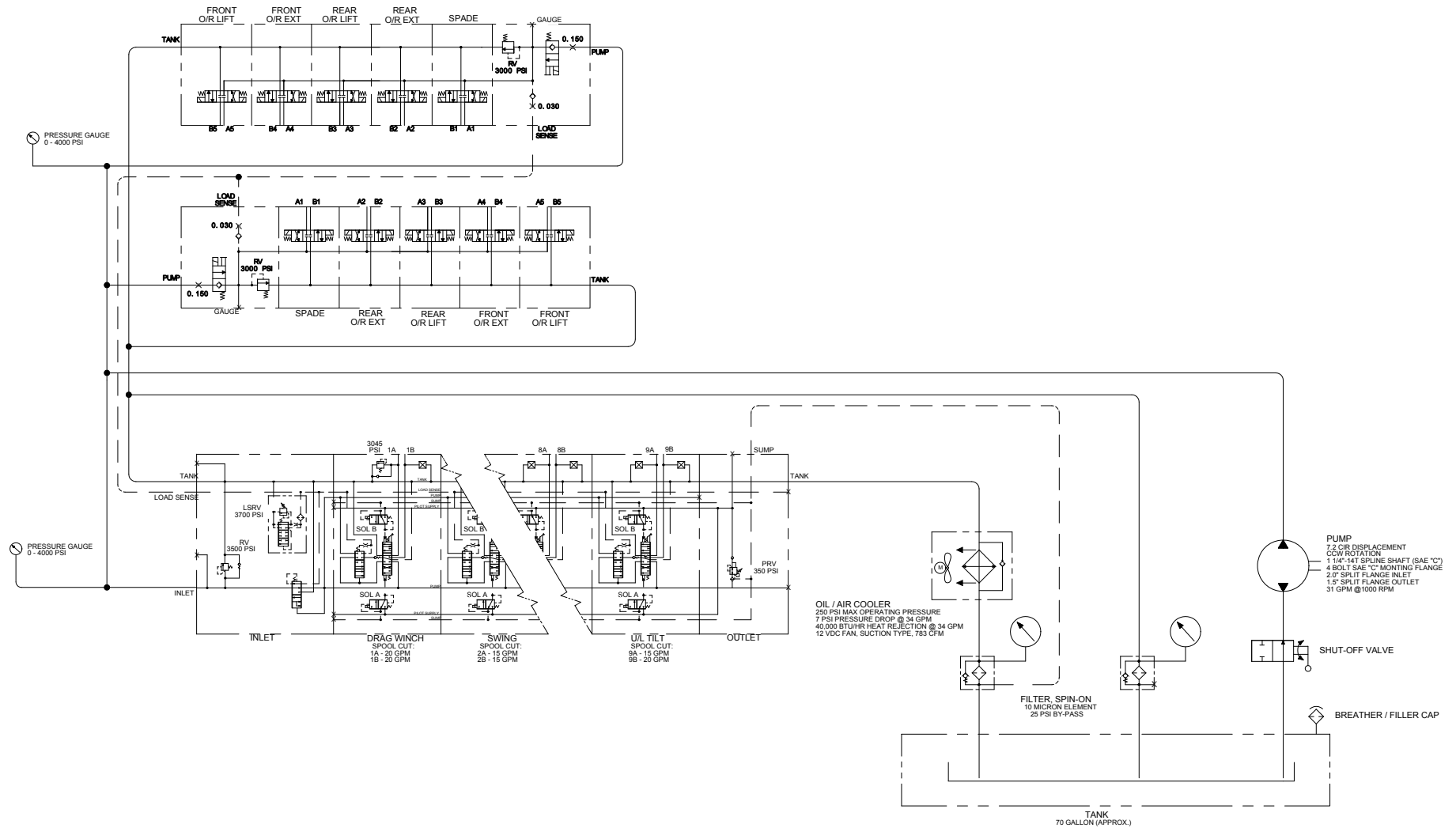
**B**



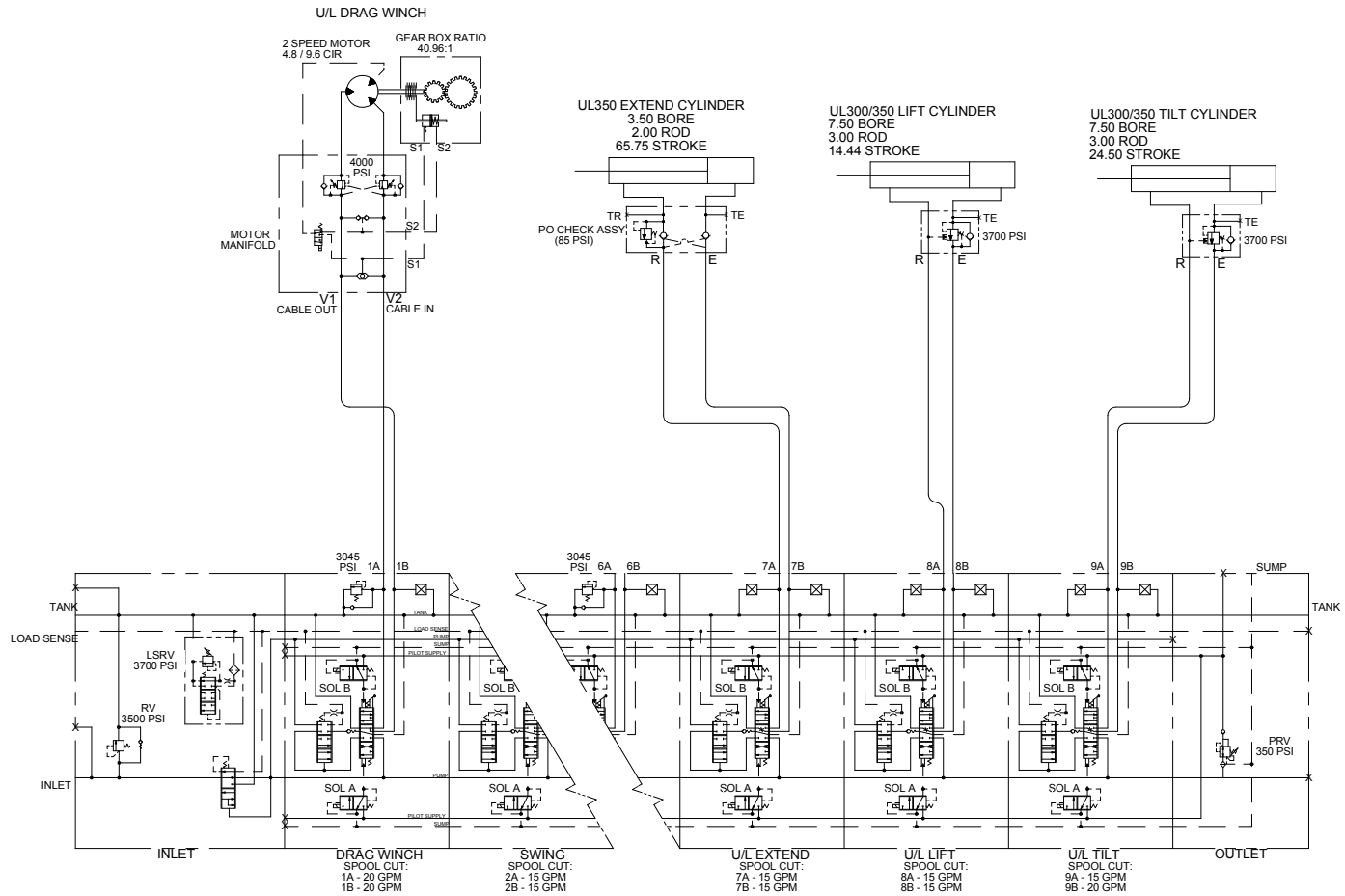
### HYDRAULIC SCHEMATIC



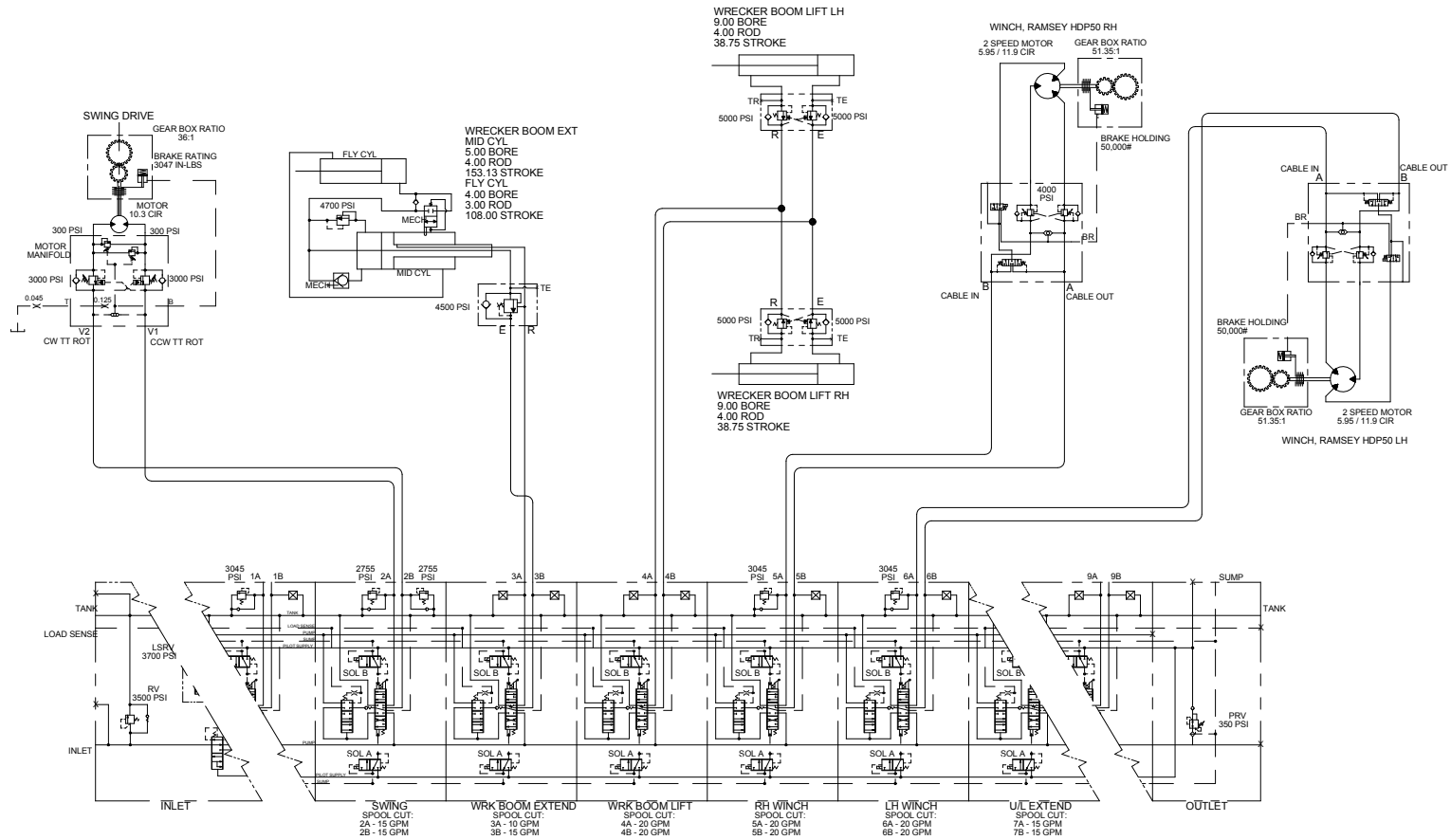
# HYDRAULIC SCHEMATIC

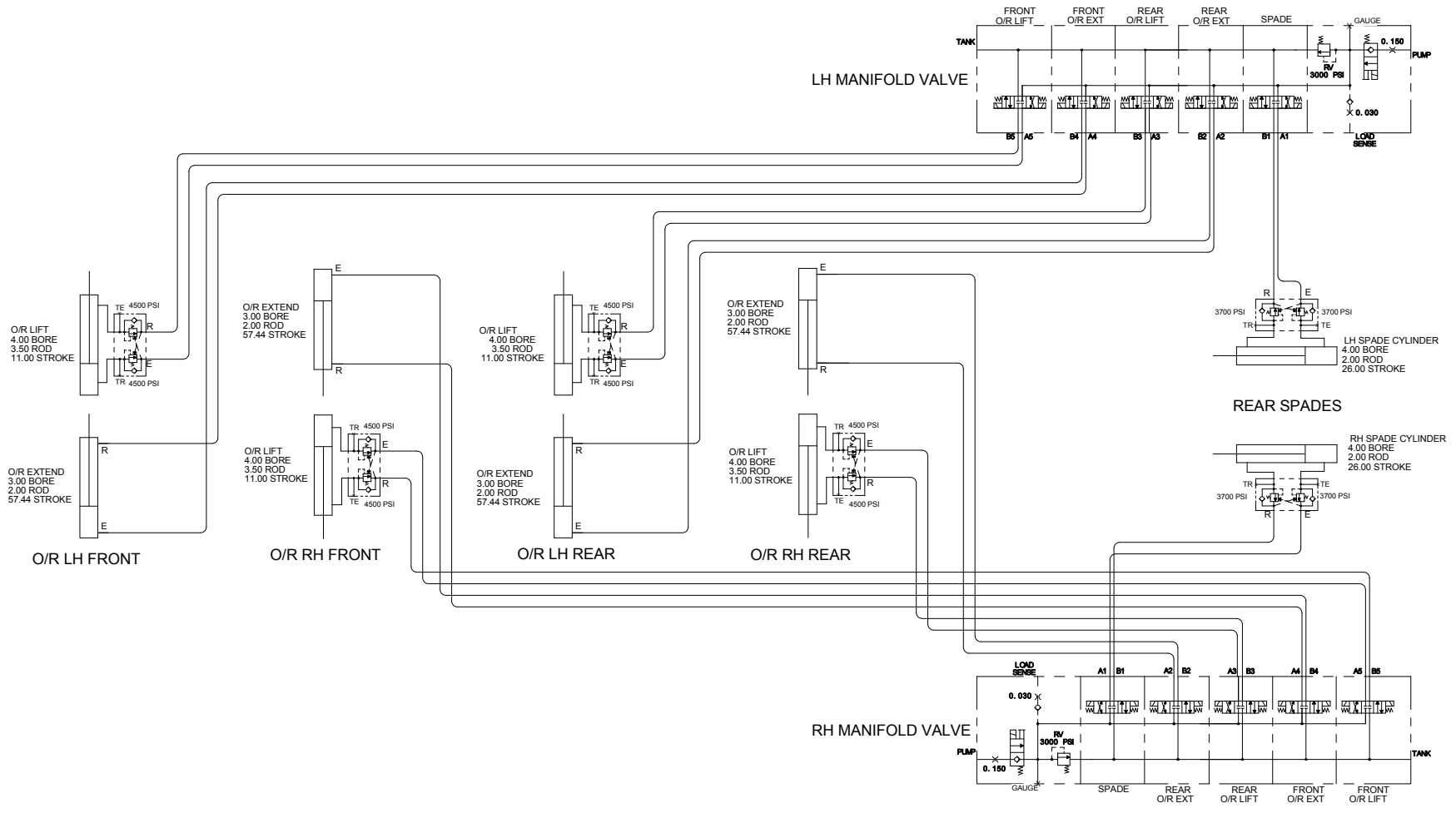


## HYDRAULIC SCHEMATIC

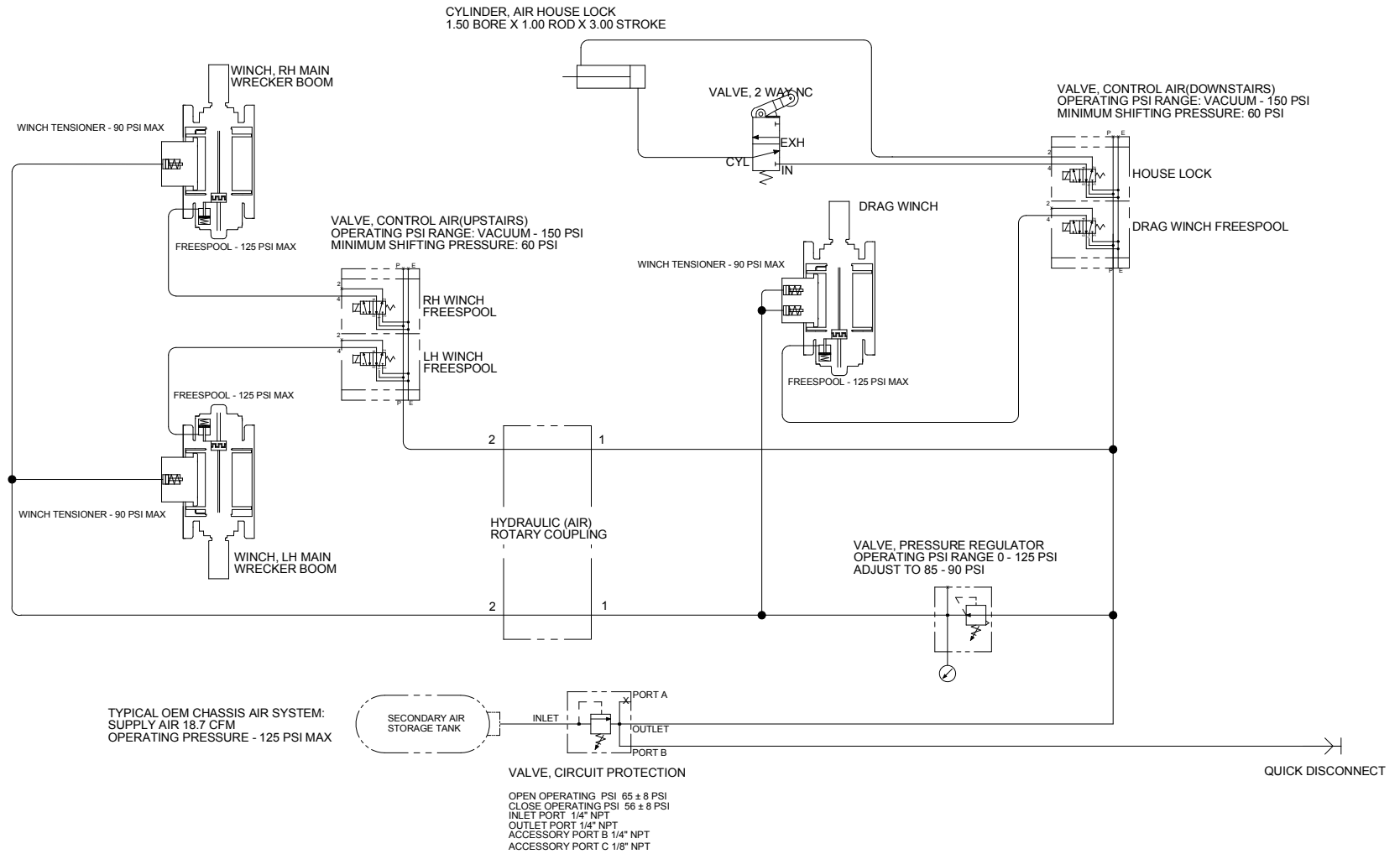


# HYDRAULIC SCHEMATIC



**HYDRAULIC SCHEMATIC**

# AIR SCHEMATIC



**PART NUMBER INDEX**

<b>Part Number</b>	<b>Page</b>	<b>Part Number</b>	<b>Page</b>	<b>Part Number</b>	<b>Page</b>	<b>Part Number</b>	<b>Page</b>
0682212.....	20, 80, 84	70021648..	30, 56, 82, 86, 90, 94, 98, 102, 106, 110	70050202 .....	244	70050334 .....	60
0682248 .....	80, 84	70021757 .....	86, 102	70050203 .....	244	70050335 .....	60
0682622 .....	42	70021774 .....	56	70050204 .....	244	70050336 .....	60
0682652 .....	34	70022067 .....	22, 52	70050205 .....	244	70050337 .....	60
1704260.....	210	70022603 .....	22	70050206 .....	244	70050338 .....	60
2220773 .....	196	70050147.....	74, 120	70050207 .....	244	70050339 .....	60
2220775.....	196	70050163.....	244	70050208 .....	244	70050340 .....	60
2220973 .....	197	70050169.....	244	70050209 .....	244	70050341.....	60
2221051.....	196	70050170.....	244	70050210.....	244	70050342.....	60
4460509.....	252	70050171.....	244	70050211.....	244	70050343.....	60
4461018.....	252	70050172.....	244	70050215.....	30, 86, 102	70050344.....	60
7003116.....	106, 110	70050174.....	244	70050216.....	82, 90	70050345.....	60
7003212.....	30, 94, 98	70050175.....	244	70050217.....	94	70050346.....	60
7003281.....	94, 98	70050176.....	244	70050218.....	94	70050347.....	60
7005314.....	82, 86, 90, 102	70050177.....	244	70050232.....	86	70050348.....	60
7005322.....	30	70050178.....	244	70050273.....	18	70050349.....	60
7005348 82, 86, 90, 94, 98, 102, 106, 110		70050179.....	244	70050274.....	18	70050350.....	60
7005365 . 30, 56, 82, 86, 90, 94, 102, 106, 110		70050180.....	244	70050275.....	18	70050351.....	60
7019828.....	30, 94, 98	70050181.....	244	70050276.....	18	70050352.....	60
7019829.....	106, 110	70050182.....	244	70050277.....	18	70050353.....	60
7019844.....	94, 98	70050183.....	244	70050278.....	18	70050354.....	60
7019845.....	94, 98	70050185.....	244	70050279.....	18	70050355.....	60
7019846.....	94, 98	70050186.....	244	70050280.....	18	70050356.....	60
7019892.....	82, 90	70050187.....	244	70050281.....	18	70050357.....	60
7023518.....	106, 110	70050188.....	244	70050282.....	18	70050358.....	60
7023593 .....	56	70050189.....	244	70050308.....	222	70050359.....	60
7024101.....	106, 110	70050190.....	244	70050309.....	222	70050360.....	60, 62
7024444 .....	16	70050191.....	244	70050310.....	222	70050361.....	62
7024445 .....	16	70050192.....	244	70050312.....	222	70050362.....	62
7029760.....	22, 26, 52	70050194.....	244	70050315.....	222	70050363.....	62
8034697 .....	206	70050195.....	244	70050316.....	222	70050364.....	62
10701259.....	34, 42	70050196.....	244	70050318.....	222	70050365.....	98
10837929.....	206	70050197.....	244	70050319.....	222	70050366.....	62
10837937.....	206	70050199.....	244	70050320.....	222	70050367.....	66
		70050199.....	244	70050321.....	222	70050368.....	66, 124
		70050200.....	244	70050332.....	60	70050369.....	66, 124
		70050201.....	244	70050333.....	60	70050370.....	66, 124



# PART NUMBER INDEX

Part Number	Page	Part Number	Page	Part Number	Page	Part Number	Page
70050371.....	66, 124	70050413.....	52	70050472.....	206	70050510.....	206
70050372.....	66, 124	70050414.....	26	70050473.....	206	70050511.....	206
70050373.....	66	70050415.....	52	70050474.....	206	70050512.....	206
70050374.....	72	70050416.....	52	70050475.....	206	70050513.....	206
70050375.....	76	70050419.....	52	70050476.....	206	70050526.....	230
70050376.....	76	70050420.....	52	70050477.....	206	70050527.....	230
70050377.....	76	70050421.....	52	70050478.....	206	70050528.....	230
70050378.....	76	70050422.....	52	70050479.....	206	70050529.....	230
70050379.....	76	70050423.....	52	70050480.....	206	70050530.....	230
70050380.....	70	70050424.....	22	70050481.....	206	70050531.....	30
70050381.....	68	70050425.....	22	70050482.....	206	70050534.....	106, 110
70050382.....	68	70050426.....	22	70050483.....	206	70050535.....	106, 110
70050383.....	68	70050427.....	22	70050484.....	206	70050536.....	106
70050384.....	74, 120	70050428.....	22	70050485.....	206	70050537.....	106
70050385.....	78	70050430.....	22	70050486.....	206	70050538.....	106
70050386.....	16	70050431.....	22	70050487.....	206	70050540.....	106, 110
70050387.....	16	70050432.....	22	70050488.....	206	70050541.....	106, 110
70050388.....	16	70050433.....	22	70050489.....	206	70050542.....	90
70050389.....	16	70050434.....	22	70050490.....	206	70050543.....	90
70050390.....	16	70050435.....	22	70050491.....	206	70050544.....	86, 102
70050391.....	16	70050436.....	22	70050492.....	206	70050545.....	86, 102
70050392.....	244	70050437.....	26	70050493.....	206	70050546.....	86
70050393.....	244	70050438.....	22, 26	70050494.....	206	70050547.....	86
70050394.....	244	70050439.....	22, 26	70050495.....	206	70050548.....	86, 102
70050395.....	244	70050440.....	22	70050496.....	206	70050549.....	86, 102
70050396.....	60	70050441.....	26	70050497.....	206	70050550.....	110
70050399.....	124	70050442.....	26	70050498.....	206	70050551.....	110
70050400.....	124	70050444.....	26	70050499.....	206	70050552.....	110
70050401.....	124	70050445.....	26	70050500.....	206	70050553.....	94
70050402.....	124	70050446.....	26	70050501.....	206	70050554.....	94
70050403.....	52	70050447.....	26	70050502.....	206	70050555.....	94
70050404.....	52	70050448.....	26	70050503.....	206	70050556.....	56
70050407.....	52	70050449.....	26	70050504.....	206	70050557.....	56
70050408.....	52	70050450.....	26	70050505.....	206	70050558.....	56
70050409.....	52	70050451.....	26	70050506.....	206	70050559.....	56
70050410.....	52	70050452.....	26	70050507.....	206	70050560.....	56
70050411.....	52	70050471.....	206	70050508.....	206	70050561.....	56

Part Number	Page	Part Number	Page	Part Number	Page	Part Number	Page
70050562	56	83304173	16	1001129406	24	1001130491	210
70050563	56	83304174	16	1001129416	20	1001130528	254
70050564	56	83304181	56	1001129470	44	1001130587	196
70050565	56	90022234	22	1001129495	58, 60	1001130589	196
70050566	56	90022282	22	1001129498	24	1001130597	196
70050567	222	91024100	26	1001129534	80	1001130607	196
70050568	56, 106	91034041	52	1001129535	80	1001130608	196
70050569	56	91034051	26	1001129540	58	1001130609	196
70050570	56	1001003803	24	1001129541	58	1001130610	196
70050571	222	1001118961	34	1001129542	58	1001130611	196
70050572	56	1001127220	258	1001129543	58	1001130696	210
70050573	222	1001127311	20, 22	1001129628	38, 40	1001130840	36
70050574	56	1001127312	24, 26	1001129777	8	1001130891	224
70050575	56	1001127313	50, 52	1001129778	8	1001131032	210
70050576	56	1001127315	14	1001129786	8	1001131060	34
70050577	56	1001127316	34	1001129800	226, 230	1001131160	248, 250
70050578	56	1001127324	36	1001129818	238	1001131171	246
70050579	56	1001127656	40	1001129820	238	1001131302	196
70050580	56	1001127671	206	1001129828	242	1001132242	258
70050581	56	1001127836	54	1001129861	242	1001132346	258
70050582	56	1001127841	54	1001129987	38	1001133242	84
70050583	56	1001127853	54	1001130086	210	1001133286	84
70050584	56	1001127918	24	1001130087	210	1001133289	84
70050585	56	1001127996	14, 16	1001130262	210	1001133571	10
70050586	56	1001128160	80, 84	1001130287	210	1001133875	150, 158
70050587	56	1001128283	50	1001130313	210	1001133876	152, 160
70050588	56	1001128323	58, 60	1001130340	210	1001134039	150
70050589	56	1001128391	42	1001130347	210	1001134078	150
70050590	56	1001128440	80	1001130385	210	1001134095	152
70050591	56	1001128450	80, 84	1001130395	10	1001134239	42
70050592	56	1001128463	50	1001130426	196	1001134376	210
70050594	102	1001128697	80	1001130429	252	1001134411	210
70050595	102	1001129004	54	1001130437	14	1001134412	210
80004049	86, 102	1001129005	54	1001130450	210	1001134433	210
80004056	110	1001129006	54	1001130467	256	1001134450	210
83304140	56, 82, 90	1001129393	54	1001130484	210	1001134451	184
83304143	56, 90	1001129405	20	1001130485	210	1001134461	210

Part Number	Page	Part Number	Page	Part Number	Page	Part Number	Page
1001134462	210	1001136824	196	1001137185	258	1001151049	80, 84
1001134463	210	1001136833	196	1001137273	148	1001151184	80, 84
1001134690	216	1001136836	196	1001137373	170	1001151185	80, 84
1001134691	216	1001136841	196	1001138537	258	1001151763	14, 18
1001134727	216	1001136843	196	1001138538	258	1001154069	210
1001134739	10	1001136844	196	1001138612	258	1001154070	210
1001134740	10	1001136845	196	1001141227	258	1001154075	210
1001135127	58, 64	1001136846	196	1001141265	194	1001154273	210
1001135301	226	1001136851	196	1001142452	258	1001154274	210
1001135645	8	1001136861	196	1001142626	44	1001154275	210
1001135652	24	1001136876	196	1001142828	258	1001154276	210
1001135667	24	1001136881	196	1001142829	184	1001154277	210
1001135896	144	1001136883	196	1001142894	258	1001154786	24
1001135897	144	1001136884	197	1001143119	144	1001156079	210
1001135971	150	1001136891	197	1001143276	184	1001156186	210
1001136075	258	1001136893	197	1001143284	184	1001156279	210
1001136080	258	1001136896	197	1001143286	184	1001166916	158
1001136091	258	1001136908	158, 160	1001143287	184	2502880300	134
1001136094	258	1001136909	158, 160	1001143288	184	3007000004	130
1001136103	258	1001136910	158, 160	1001143289	184	3020000119	132, 134
1001136119	258	1001136931	148, 156	1001143542	224	3020000120	132, 134
1001136146	210	1001136932	146, 154	1001143543	184	3170000123	104
1001136175	258	1001136939	197	1001143564	224	3170000124	104
1001136270	216	1001136957	197	1001143565	224	3170000125	104
1001136405	254	1001136958	197	1001143937	196	3170000220	88, 96
1001136406	254	1001136960	197	1001144012	14, 184, 216	3170000221	96
1001136692	34	1001137001	160	1001144017	184	3170000223	96
1001136696	258	1001137018	142	1001144068	14	3170000224	96
1001136761	197	1001137019	142	1001144150	184	3170000400	108
1001136772	197	1001137048	196	1001145521	64	3170000401	108
1001136792	197	1001137049	196	1001145522	64	3170000406	108
1001136807	197	1001137052	196	1001145523	64	3170000407	100, 108
1001136811	196	1001137102	184	1001145524	64	3170000430	92
1001136811*	196	1001137159	210	1001145566	64	3170000431	92
1001136814	196	1001137160	210	1001150151	238	3170000432	92
1001136817	196	1001137167	258	1001150180	240	3170000433	88, 92
1001136821	196	1001137169	258	1001150426	184	3178000226	130

Part Number	Page	Part Number	Page	Part Number	Page	Part Number	Page
3178000240.....	136	3691000247.....	24	4178000337.....	166	4567132085.....	196
3178000460.....	176	3691000252.....	50	4178000349.....	196	4567150016.....	196
3178000499.....	136	3691000253.....	24	4178000402.....	242	4567182031.....	197
3178000513.....	176	3691000267.....	28	4178000553.....	158, 160	4569140046.....	196
3249000012.....	112	3706000080.....	136	4178000555.....	158, 160	4569160030.....	196
3249000015.....	112	3706000177.....	92, 96	4178000556.....	158, 160	4569180044.....	197
3249000037.....	58, 64	3706000178.....	92, 96	4178000564.....	160	4570000167.....	197
3249000046.....	58, 64	3706000179.....	92, 96	4178000583.....	158	4570000218.....	197
3263000118.....	28	3706000180.....	92, 96	4178000584.....	160	4570000361.....	196
3274000011.....	162	3706000241.....	54	4178000594.....	158	4619000006.....	197
3314000010.....	224	3706000261.....	28	4178000659.....	248	4632000013.....	154, 156
3415000047.....	170	3706000348.....	24	4178000660.....	176	4632000024.....	166
3484000048.....	132	3899000160.....	182	4178000661.....	172	4632000025.....	166
3484000049.....	132	3899000161.....	182	4178000678.....	174, 176	4636000031.....	146, 148, 150
3484000072.....	134	3911000068.....	162	4178000699.....	224	4636000032.....	146, 148
3484000073.....	134	3912000033.....	132, 134	4178000715.....	176	4679000120.....	146, 148, 150, 152, 164
3502740106.....	164	3912000034.....	112	4178000720.....	176	4679000121.....	150, 152
3507100001.....	100, 104	3912000038.....	132, 134	4178000761.....	176	4679000122.....	146, 148
3551000036.....	130	3913000094.....	140	4178000811.....	54	4679000127.....	84
3555000007.....	154, 156	4017000719.....	172	4178000854.....	158	4679000140.....	54
3555000008.....	154, 156, 158, 160	4017001493.....	176	4249000002.....	112	4679000146.....	104
3561000008.....	132, 134	4017001549.....	176	4314000141.....	152	4679000147.....	104
3561000015.....	134	4062000173.....	158, 160	4415000017.....	170	4679000148.....	170
3561000017.....	80	4062000174.....	154, 156, 158, 160	4415000019.....	170	4679000158.....	92, 96
3691000126.....	28	4062000368.....	166	4415000046.....	168	4679000159.....	92, 96
3691000144.....	136	4062000522.....	54	4415000053.....	170	4679000161.....	92, 96
3691000145.....	136	4062000589.....	54	4415000054.....	170	4679000181.....	166
3691000160.....	88	4062000615.....	176	4415000055.....	170	4679000188.....	166
3691000169.....	112	4062000624.....	158, 160	4561000012.....	132, 134	4679000205.....	92, 96
3691000171.....	80	4062000715.....	54	4567110065.....	197	4679000206.....	92, 96
3691000174.....	32	4062000717.....	210	4567112024.....	197	4679000243.....	24
3691000223.....	24	4120000021.....	50	4567112038.....	197	4679000245.....	84
3691000227.....	20	4178000222.....	158, 160	4567120022.....	197	4679000260.....	158, 160
3691000228.....	20	4178000225.....	154, 156, 158, 160	4567120069.....	196	4679000261.....	158, 160
3691000231.....	84	4178000229.....	166	4567120071.....	197	4679000277.....	108
3691000232.....	100	4178000240.....	166	4567122064.....	197	4679000293.....	108
3691000234.....	58, 64	4178000242.....	172	4567130135.....	196	4679000309.....	154

Part Number	Page	Part Number	Page	Part Number	Page	Part Number	Page
4679000310	156	4695000026	252	4811000336	166	7108181050	104
4679000311	156	4705000705	162	4811000337	166	7110201423	114
4679000313	54	4706001815	172	4811000355	166	7110201823	68
4679000314	54	4706002207	104	4811000408	150, 152	7111140613	224
4679000319	54	4706002208	104	4811000942	44	7111140813	224
4679000320	182	4706002209	104	4811000944	146, 148	7111141050	170
4679000326	54	4706002210	104	4811000947	166	7114080418	182, 184
4686000073	158, 160	4706002211	104	4811001026	174	7114100318	166
4686000074	154, 156	4706002467	92, 96	4811001027	174	7114100418	54, 166
4686000077	146	4706003144	92, 96	4812000052	158, 160, 166	7114100518	158, 160, 182, 224
4686000078	148	4706003708	92, 96, 104	4812000057	104	7114100618	154, 156, 158, 160, 184, 216
4686000133	166	4706003709	92, 96, 104	4812000120	180	7114100818	44, 154, 156, 166, 182
4686000134	166	4706003710	104	4831000108	58, 64	7114101618	44
4686000185	166	4706003716	28	4831000115	112	7114140418	92, 96, 166
4686000186	166	4706003717	104	4912000369	44	7114140518	28, 104, 108, 154, 156, 158, 160
4686000210	158, 160	4706003718	104	4949000041*	140	7114140618	24, 210, 238
4686000212	158	4706003719	92, 96	4949000042*	140	7114140650	154, 156, 158, 160
4686000215	158, 160	4706003720	92, 96	4949000045	112	7114140818	42, 54, 146, 148, 158, 160
4691000200	28	4706003721	92, 96	4949000055	32	7114140850	150, 152, 158, 160, 176
4691000242	140	4706003722	92, 96	4990000001	44	7114141018	166
4691000274	132, 134	4706003723	92, 96	5526000553	224, 236	7114141218	54
4691000285	54	4706003724	92, 96	6906960019	124	7114141850	168
4691000290	100	4706003725	92, 96	7007000036	10	7114150650	166
4691000291	100	4706003844	196	7007000055	130	7114150818	226
4691000292	104	4706004170	44	7007000056	130	7114150850	158, 160
4691000293	104, 108	4706004173	44	7007960040	66	7114160618	252
4691000311	88	4706004174	44	7011000007	194	7114160818	24
4691000316	92, 96	4706005262	108	7056000003	138	7114161050	154, 156, 158, 160, 176
4691000317	88	4706005263	108	7056000004	138	7114161250	180
4691000318	92, 96	4706005281	108	7056000005	138	7115101411	184
4691000321	108	4706005393	158, 160	7056000006	138	7115140650	92, 96, 104, 108, 184
4691000416	54	4706005490	152	7075000003	224	7115140850	44, 210, 246, 248
4691000417	54	4706006033	226	7075000006	224	7115141250	224
4691000450	44	4754000004	32, 54	7082000005	210	7115141450	44
4691000489	24	4754000006	24	7105163650	60		
4691000556	50	4763000295	44	7105180850	92, 96		
4691960030	62	4811000335	166	7108180850	54, 104, 108		

Part Number	Page	Part Number	Page	Part Number	Page	Part Number	Page
7115141850.....	170	7115222650.....	74	7253000002 ...	20, 24, 32, 50, 54, 58, 64, 80, 84, 88, 100, 112	7345001704.....	236
7115142050.....	112	7115241650.....	60	7262000025.....	80, 84	7345001914.....	252
7115150650.....	10, 70, 184	7118140427.....	54	7262000026.....	130	7345222202.....	184
7115150664.....	10	7118151250.....	172	7274000026.....	248	7345232202.....	184
7115150850.....	36, 172, 226	7118165250.....	122	7274000030.....	10	7345242202.....	184
7115150864.....	128	7118172050.....	66, 124	7274000076.....	196	7346000035.....	236, 248, 250
7115151050.....	196	7118180820.....	54	7274000088.....	10	7346000037.....	236, 248, 250
7115151250.....	226	7118181205.....	66, 124	7277000012.....	44	7346000039.....	184, 236, 252
7115160623.....	84	7118181250.....	138	7280000020.....	170	7346000045.....	184
7115160650.....	32, 210	7118201616.....	112	7293000006.....	8	7346000055.....	128
7115160850.....	14, 18, 44, 174	7118221650.....	36	7295000029.....	226	7346000056.....	44
7115161050.....	210	7118221816.....	58, 64	7295000146.....	224	7346000078.....	128
7115161223.....	80	7118221850.....	20	7312000015.....	128	7346000087.....	236
7115161250.....	176, 210, 242	7118222416.....	58	7312000016.....	128	7346000094.....	236, 248, 250
7115161450.....	80, 84, 210	7118222816.....	64	7312000017.....	226	7346000099.....	236
7115161650.....	28, 197	7118225650.....	50	7320000006.....	28, 30	7413000002.....	146, 148, 150, 152, 158, 160, 176, 210
7115163250.....	210	7118267250.....	136	7320000026.....	104, 106	7413000003.....	174, 176
7115180650.....	54	7120000033.....	184	7320000039.....	88, 90	7415000010.....	170
7115180850.....	54, 80, 88, 242	7120000035.....	184	7320000040.....	80, 82	7415000013.....	168, 170
7115181050.....	166, 176	7120000036.....	136	7320000042.....	96, 98	7415000014.....	168, 170
7115181250.....	80, 84, 112, 152	7120000040.....	54	7320000063.....	84, 86	7415000032.....	170
7115181450.....	54, 240	7120000047.....	210, 224	7320000068.....	108, 110	7430000004.....	196
7115181650.....	78, 126	7120000053.....	112	7320000069.....	44	7440000000.....	20, 50
7115181850.....	14	7120000062.....	8	7320000076.....	92, 94	7440030000.....	32, 50, 54, 58, 64, 80, 84, 88, 92, 96, 100, 104, 108, 112
7115182050.....	162	7178000023.....	154, 156, 158, 160, 166	7320000085.....	54, 56	7440030400.....	24, 94, 98
7115182250.....	66	7178000025.....	184	7320000096.....	100, 102	7440300000.....	140
7115182850.....	58, 64	7178000038.....	44	7330000108.....	258	7443000108.....	196
7115185650.....	60	7189000014.....	112	7330000143.....	258	7443000139.....	226
7115201050.....	50	7189000015.....	146, 148, 166	7330000208.....	258	7443000145.....	128
7115201250.....	80, 84	7189000017.....	84	7330000209.....	258	7443000146.....	128
7115201650.....	38	7209000022.....	140	7330000210.....	258	7443000148.....	128, 226
7115201850.....	120	7209000023.....	10	7330000278.....	132, 134	7443000154.....	226
7115202250.....	120	7209000024.....	10	7330000550.....	132, 134	7443000155.....	226
7115202850.....	142, 144, 162	7209000029.....	88, 100	7330000688.....	258	7443000156.....	226
7115203250.....	38	7209000033.....	10	7330000689.....	258		
7115220850.....	84, 100	7247000095.....	252	7330000755.....	236		
7115222450.....	74	7248000149.....	58, 64				

Part Number	Page	Part Number	Page	Part Number	Page	Part Number	Page
7443000158.....	196	7445161622.....	196	7577000273.....	210	7660150001.....	226
7443000173.....	40, 196, 226	7445161637.....	196	7577000368.....	134	7660152601.....	128, 172, 196
7443000175.....	226	7446502518.....	128, 226	7577250204.....	90	7660152604.....	154, 156, 158, 160, 166, 226
7443000178.....	226	7454000003.....	130	7577250255.....	82	7660160000.....	18, 210
7443000204.....	78, 126	7454000004.....	130	7577250271.....	94, 98	7660162601.....	14, 28, 44, 160, 210, 242
7443000205.....	78, 126	7454000005.....	130	7577250334.....	106, 110	7660162604.....	154, 156, 158, 160, 176, 180
7443000243.....	226	7454000006.....	130	7585000009.....	154, 156, 158, 160	7660170230.....	44
7443000258.....	196	7457000006.....	184, 224, 252	7585000012.....	182	7660180001.....	44
7443000270.....	226	7457000011.....	184	7585000016.....	166	7660180200.....	44
7443000329.....	226	7457000012.....	184	7590000049.....	222	7660180230.....	92, 96
7443000396.....	226	7457000019.....	184	7590000094.....	184	7660182301.....	162, 166, 176
7443000397.....	226	7457000023.....	184	7590000105.....	184	7660182601.....	14, 54, 58, 64, 112, 152, 240, 242
7443000408.....	196	7470000002.....	196	7590000262.....	184	7660200001.....	78, 120, 126, 142, 144, 162
7443000414.....	40	7470000004.....	196	7590000282.....	184	7660200200.....	78, 126, 196
7443000448.....	226	7470000006.....	226	7590000284.....	184	7660202601.....	38, 80, 84
7444020013.....	226	7470000014.....	54	7590000304.....	184	7660220001.....	74
7444030037.....	226	7470000019.....	54	7590000317.....	184	7660222308.....	58, 64
7445040421.....	196	7491000207.....	28	7590000350.....	254, 256	7660222601.....	20, 50, 80, 84
7445040425.....	196	7493000003.....	246	7590200161.....	162	7660262600.....	24
7445040445.....	66, 124	7493000011.....	184	7595000005.....	154, 156, 158, 160	7661000002.....	184
7445060435.....	128	7493000014.....	184	7595000011.....	166	7661000018.....	112
7445060643.....	196, 197	7493000020.....	224	7632046009.....	150, 152	7661000019.....	92, 96, 108, 238
7445060648.....	196	7493000021.....	250	7636000008.....	142, 144, 162	7661000022.....	10
7445080643.....	196	7493000026.....	184	7636000031.....	152	7661000023.....	184, 224
7445080644.....	196	7494000019.....	142, 144	7638000012.....	172	7661000027.....	10
7445080837.....	196	7552000339.....	254	7660040000.....	210, 224	7661000041.....	226
7445080843.....	196	7552000349.....	184	7660082604.....	182, 184	7663000006.....	14
7445081039.....	196	7552000354.....	184	7660102601.....	184, 216	7686000013.....	148
7445081043.....	196	7552000355.....	184	7660102604.....	44, 154, 156, 158, 160, 166, 182, 224	7686000014.....	146
7445100843.....	196, 197	7555000002.....	158, 160, 166	7660140001.....	44, 166	7686000015.....	148
7445100845.....	197	7561000020.....	138	7660140230.....	210	7686000016.....	146
7445101018.....	196	7565000014.....	128, 226	7660142600.....	194	7686000017.....	148
7445101043.....	40, 196, 197	7565000016.....	197, 226	7660142601.....	44, 54, 170, 184, 210, 224, 248	7686000018.....	146
7445101045.....	40, 197	7565000019.....	222	7660142604.....	112, 150, 152, 154, 156, 158, 160, 166, 168, 246		
7445161243.....	196	7577000063.....	86, 102				
7445161245.....	196	7577000145.....	128				
7445161620.....	196	7577000167.....	30				

Part Number	Page	Part Number	Page	Part Number	Page	Part Number	Page
7686000019	150, 152	7754000049	112	7870000129	236	7950140163	150, 152, 154, 156, 158, 160, 166, 176
7686000031	164	7754000051	88, 100	7870000143	184	7950140503	166
7686000041	146	7754000055	54	7894000004	196, 224	7950150000	10, 36, 184
7686000042	148	7754000058	24, 112	7894000010	184, 246, 248, 250, 256	7950150143	226
7686000050	164	7754000083	58, 64	7894000028	132, 134	7950150161	128, 172, 184, 196
7686000081	150, 152	7759000004	132, 134, 258	7894000031	184	7950150163	158
7686000082	150, 152	7785152420	196	7894000037	132, 134	7950151063	160
7686000083	150, 152	7785181200	60	7894000041	132	7950160000	18, 24, 32, 44, 122, 174, 176, 197, 210
7686000084	150, 152	7786000008	92, 96	7894000042	184, 242, 254	7950160003	252
7686000085	152	7790060676	196	7894000057	134	7950160141	24, 44, 80, 84
7686000086	150, 152	7790100856	14, 148, 150, 152, 184, 224	7894000060	134	7950160161	14, 18, 28, 210, 242
7690000810	166	7790141056	170	7935000120	226	7950160163	154, 156, 158, 160, 180, 252
7690021210	44	7790141251	146, 148, 150, 152, 254	7935000273	44	7950170000	66, 124
7690144840	54	7790141651	146, 148, 150, 152, 164	7949000015	14	7950170153	96
7690153245	70	7790142051	146, 148, 170	7949000016	14	7950180000	54, 66, 76, 78, 80, 84, 88, 108, 126, 138
7691000019	28	7796000012	210	7949000019	162	7950180141	14, 44
7691000020	130, 132, 134	7796000031	166	7949000020	142, 144, 162	7950180150	112
7691000021	130, 132, 134	7796000038	154, 156, 158, 160	7949000022	146, 148, 150, 152, 170, 254	7950180153	58, 64, 92, 104, 166, 176
7691000022	130	7796000078	146, 148	7949000025	28, 158	7950180161	54, 80, 84, 88, 152, 240
7691000025	136	7796000084	182	7949000053	184	7950180252	162
7691000026	132, 134	7796000099	182	7949000072	242	7950180800	66, 124
7691000047	32	7796250068	86	7949000074	154, 156, 160	7950200000	38, 50, 120
7691000048	24	7806000008	210	7950000000	100	7950200141	50
7691000049	44	7809000006	112	7950100103	182	7950200151	78, 126
7691000050	44	7809000018	58, 64	7950100143	158, 160	7950200161	38, 142, 144
7701000003	210	7821000003	182	7950100153	154, 156	7950220000	20, 74, 84
7740000001	184, 224, 252	7831000040	166	7950140000	42, 54, 92, 96, 104, 108, 210	7950220141	20, 50, 80, 84, 100
7740000003	14, 216	7843000020	158, 160, 166	7950140003	146, 148, 150, 152, 158, 160	7950220142	36
7740000008	184	7843000022	154, 156	7950140003	146, 148, 150, 152, 158, 160	7950220151	74
7754000008	28	7843000026	158, 160	7950140141	44, 170, 184, 194	7970000069	112
7754000009	210	7843000038	44	7950140143	146, 148, 158, 160, 238, 246, 248	7970000169	64
7754000014	54	7865000001	154, 156, 158, 160, 166	7950140153	28	7970140151	168
7754000018	88, 100	7870000041	44	7950140161	42, 210, 224		
7754000033	28	7870000043	184				
7754000042	140	7870000123	184				
7754000043	92, 96, 104, 108	7870000128	236				
7754000048	58, 64						



<b>Part Number</b>	<b>Page</b>
7978000011.....	184
8597650001.....	184
8597650002.....	248, 250, 256
8632000011.....	144, 162
8632000012.....	224
8977010103.....	236
8977030200.....	252
8977030300.....	252
8977500100.....	236
9007250005.....	94, 98
9020960002.....	78, 126
9064960001.....	78
9064960007.....	126
9064960008.....	62
9073960002.....	74
9073960003.....	120
9073960004.....	120
9082960013.....	66, 124
9082960014.....	66, 70
9082960015.....	76
9082960018.....	116, 124
9120960019.....	78, 126
9120960020.....	74
9120960024.....	60
9120960042.....	62
9120960054.....	60
9120960063.....	78, 126
9154960027.....	70
9177960001.....	70
9177960002.....	66
9177960003.....	116
9177960004.....	124
9178960011.....	78, 126
9183960001.....	66, 76, 122
9209960025.....	116
9209960026.....	122
9254250007.....	86, 102

<b>Part Number</b>	<b>Page</b>
9254250009.....	94
9280960002.....	68, 114
9281960004.....	70
9295310027.....	224
9295310029.....	224
9295310030.....	224
9295310031.....	224
9295310061.....	224
9295310068.....	224
9295310069.....	224
9309960011.....	122
9314960022.....	122
9330960006.....	116
9443960006.....	66, 124
9443960010.....	60
9443960019.....	60
9443960020.....	62
9443960021.....	62
9472960029.....	66
9472960030.....	70
9472960032.....	66
9472960033.....	66
9472960036.....	70
9472960052.....	116
9472960053.....	116
9472960054.....	122
9472960055.....	116
9472960056.....	116
9552310033.....	224
9553250009.....	30
9553250010.....	106, 110
9553250015.....	94, 98
9553250016.....	98
9570960005.....	62
9571960006.....	66, 124
9575960012.....	114
9577760232.....	222

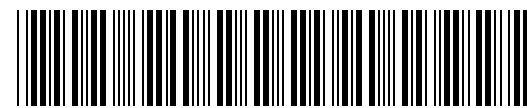
<b>Part Number</b>	<b>Page</b>
9577960113.....	74, 78
9577960119.....	66
9577960120.....	66, 124
9577960139.....	124
9661960033.....	74
9690960039.....	78, 126
9691960019.....	78, 126
9691960021.....	66, 124
9691960032.....	62
9698250014.....	90
9698250017.....	82
9698250018.....	94, 98
9698250019.....	94, 98
9698960008.....	66, 124
9698960009.....	70
9698960015.....	122
9698960016.....	122
9701960010.....	66
9701960011.....	76, 122
9701960012.....	76, 122
9701960013.....	66
9701960018.....	122
9706960027.....	66
9724250014.....	30
9754250009.....	30, 56, 106, 110
9754250011.....	86, 102
9754250014.....	56, 106, 110
9754250015.....	30, 94, 98
9754250017.....	86, 102
9754250043.....	82, 90
9754250045.....	82, 90
9754250049.....	94, 98
9754250054.....	56
9754250055.....	56
9754960026.....	122
9754960029.....	66, 70
9754960030.....	76

<b>Part Number</b>	<b>Page</b>
9754960046.....	122
9754960047.....	122
9763250009.....	30
9763250022.....	82
9763250025.....	98
9763250026.....	98
9796250057.....	30, 106, 110
9796250058.....	56, 106, 110
9796250061.....	30
9796250062.....	82, 86, 90, 102
9796250066.....	30
9796250068.....	102
9796250071.....	56, 82, 90
9796250073.....	30, 106, 110
9796250080.....	30, 94, 98
9796250081.....	106, 110
9796250083.....	86, 102
9796250084.....	56
9796250113.....	82, 90
9796250117.....	82, 90
9796250124.....	82, 90
9796250125.....	82
9796250133.....	94, 98
9796250135.....	94, 98
9796250137.....	94, 98
9796250138.....	94, 98
9796250149.....	56
9796960085.....	66, 70, 76
9796960087.....	66, 70
9796960088.....	66, 124
9796960089.....	114
9796960090.....	66
9796960093.....	70
9796960119.....	122
9796960120.....	116, 122
9796960121.....	116
9796960157.....	60

<b>Part Number</b>	<b>Page</b>	<b>Part Number</b>	<b>Page</b>	<b>Part Number</b>	<b>Page</b>	<b>Part Number</b>	<b>Page</b>
9796960159 .....	60						
9806960013 .....	66						
9806960014 .....	66						
9806960015 .....	70						
9806960020 .....	118						
9806960021 .....	116						
9831960007 .....	74						
9831960009 .....	78, 126						
9831960018 .....	114						
9843960023 .....	78, 126						
9843960025 .....	70						
9843960032 .....	122						
9912250004 .....	30						
9912250018 .....	82						
9912250021 .....	98						
9912960010 .....	78, 126						
9935250025 .....	98, 106, 110						
9935740034 .....	222						
9935960026 .....	66, 124						
9935960067 .....	60						
9935960068 .....	60						
9949960012 .....	78, 126						
9949960013 .....	70, 76						
9949960027 .....	116						
9949960028 .....	116, 122, 124						
9949960044 .....	60						
9949960050 .....	70, 78, 126						
9949960051 .....	74						
9970418177 .....	62						
9970456008 .....	60						
9970960020 .....	114						
9970960027 .....	60						







5376000164-0