

# 3-CAR CARRIER PARTS MANUAL

# ***JERR-DAN***<sup>®</sup>

An Oshkosh Corporation Company

1080 Hykes Road  
Greencastle, PA 17225  
Phone (717) 597-7111  
[www.jerr-dan.com](http://www.jerr-dan.com)

5-376-000092  
Rev 4 - February 01, 2009

© 2009 Jerr-Dan Corporation. All Rights Reserved.

This manual covers the following Jerr-Dan Models:

28ALA3CB - 28' Aluminum / Aluminum 3 Car Pioneer

28ST3CB - 28' Steel / Steel 3 Car B.I.C.

28AL3CB - 28' Steel / Aluminum 3 Car BIC

30ALA3CB - 30' Aluminum / Aluminum 3 Car B.I.C.

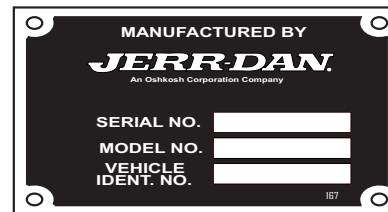
22ALA3CB - 22' Aluminum / Aluminum 3 Car B.I.C.

Jerr-Dan Corporation strives to provide information that is accurate, complete and useful. Descriptions and illustrative material contained within this manual are as accurate as known at the time of publication and are subject to change, without notice, as a result of continuous product improvements. Jerr-Dan reserves the right to amend the information in this document at any time without prior notice.

Information contained in this manual reflects how this vehicle was built at the factory. Modifications or additions by the distributor or owner are not reflected in this manual.

This parts manual does not include service parts information for the commercial chassis (IHC, Ford, GM, etc.). That information is provided by the chassis manufacturer.

When ordering parts, please refer to your unit's Sales Order Number, Serial Number and Model Number. This information is found on the aluminum tag riveted to the free spool control mounting base plate located on the under side of the main deck.



Additional or replacement manuals can be ordered by calling Jerr-Dan Parts at 717-597-7111. Price and availability will be quoted at time of the request.

Please report comments and/or errors by contacting Jerr-Dan Corporation's Technical Publications Department by e-mail at [technicalpublications@jerr-dan.com](mailto:technicalpublications@jerr-dan.com) or by FAX on 717-593-2362.

Manufactured under one or more of the following patents: 5,133,633; 5,575,606; 5,697,741; 5,951,235; 6,231,294 B1; 6,315,515 B1; 6,336,783 B1; 6,447,239 B2 and 7,264,305 B2 with other Patents Pending.

Jerr-Dan and the Jerr-Dan logo are registered trademarks and Run Hard is a service mark of Jerr-Dan Corporation, Greencastle, PA USA.

The material in this document is confidential and the property of Jerr-Dan Corporation. No part of this document may be photocopied, reproduced or translated to another language without the express written consent of Jerr-Dan Corporation.

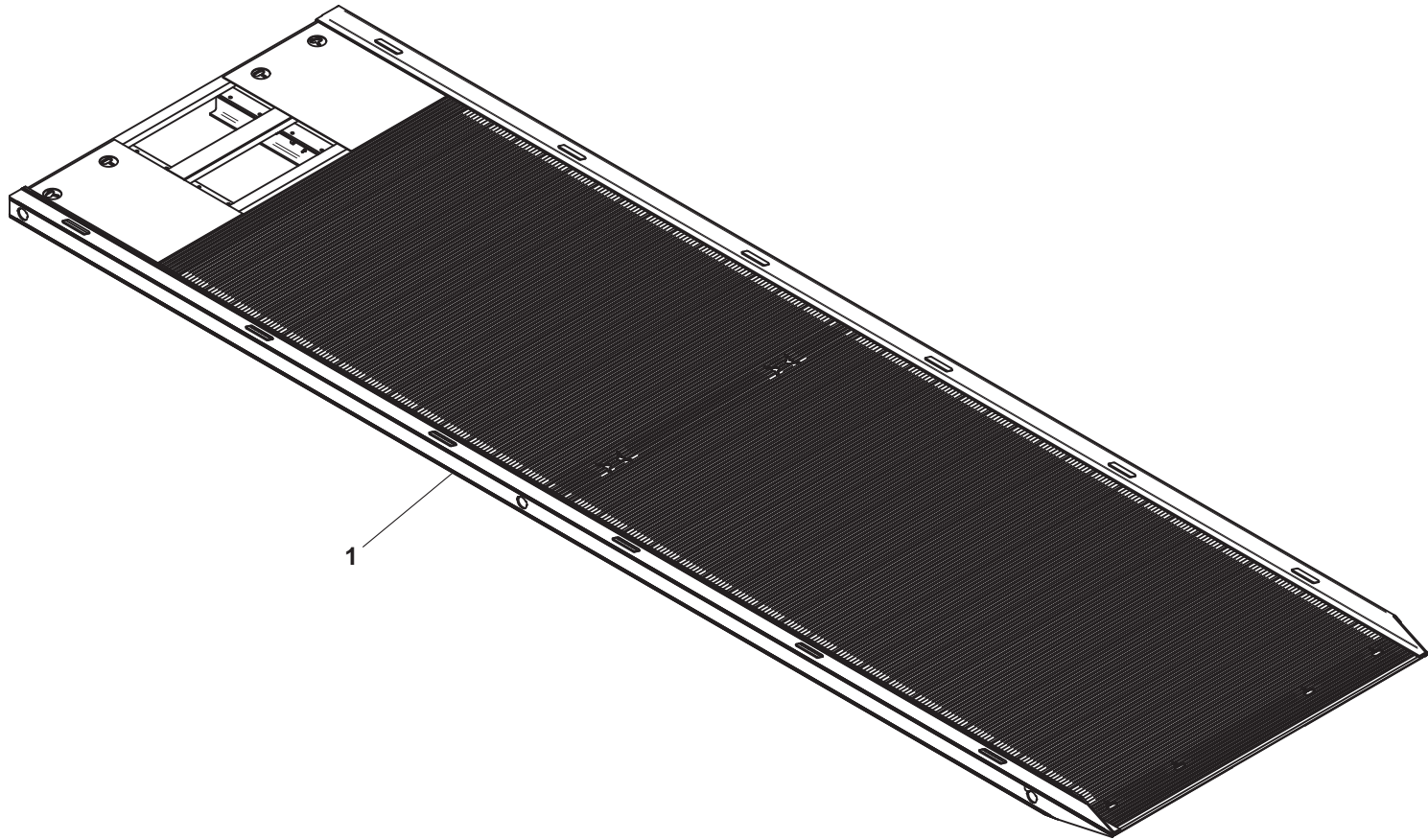
# INDEX

DESCRIPTION	PAGE	DESCRIPTION	PAGE
Main Deck - Aluminum Pioneer .....	4 - 5	Deck Marker Lights .....	96 - 97
Steel Bolt-In Keyslots .....	6 - 7	Additional Deck Marker Lights .....	98 - 99
Main Deck - Steel B.I.C. ....	8 - 9	Electrical Components - Optional .....	100 - 101
Adjustable Roll Cylinder Bracket - Main Deck .....	10 - 11	IRL Wheel Lift .....	102 - 103
Upper Deck - Aluminum .....	12 - 13	Manual L-Arm Wheel Lift Grid .....	104 - 105
Upper Deck - Steel .....	14 - 15	Manual T37 Pivoting Wheel Lift Grid .....	106 - 107
Worm Gear Winches (8,000 lb - Dual) Main Deck .....	16 - 17	Hydraulic Rear Dock Stabilizer .....	108 - 109
Worm Gear Winch (8,000 lb) with Air Free Spool - Upper Deck .....	18 - 19	Hydraulic Rear Dock Stabilizer w/ Reese Hitch Receiver .....	110 - 111
Dual Winch Free Spool (8,000 lb Worm Gear Winches - Main Deck) .....	20 - 21	Hydraulic Rear Dock Stabilizer w/ Manual Extend Pintle Hitch Mounting Plate .....	112 - 113
Single Winch Free Spool (8,000 lb / 10,000 lb Worm Gear Winch - Main Deck).....	22 - 23	Hydraulic Rear Dock Stabilizer w/ Hydraulic Extend Pintle Hitch Mounting Plate .....	114 - 115
Single / Dual Winch Tensioner Plates - Main Deck .....	24 - 25	Hydraulic Rear Dock Stabilizer w/ Hydraulic Extend Wheel Lift .....	116 - 117
Winch Tensioner Plate - Upper Deck .....	26 - 27	Ball Hitch Mounting Plate - IRL .....	118 - 119
Dual Winch Cover Plates - Main Deck.....	28 - 29	Ball Hitch Mounting Plate - Hydraulic Extend .....	120 - 121
Single Winch Cover Plates - Main Deck .....	30 - 31	Ball Hitch Mounting Plate - Manual Extend .....	122 - 123
Subframe - 28' & 30' Main Deck .....	32 - 33	Pintle Hitch Mounting Plate - IRL .....	124 - 125
Subframe - 22' Main Deck.....	34 - 35	Pintle Hitch Mounting Plate - Hydraulic Extend .....	126 - 127
Hold Down -28' & 30' Main Deck .....	36 - 37	Pintle Hitch Mounting Plate - Manual Extend .....	128 - 129
Hold Down -22' Main Deck .....	38 - 39	Towbar - IRL .....	130 - 131
Subframe and Support - Upper Deck (Weldment) .....	40 - 41	Towbar - Hydraulic Extend .....	132 - 133
Subframe and Support - Upper Deck (Bolt On) .....	42 - 43	Roll Cylinder Assembly .....	134 - 135
Slide Pad .....	44 - 45	Tilt Cylinder Assembly- 28' & 30' Main Deck .....	136 - 137
Mud Flap .....	46 - 47	Tilt Cylinder Assembly- 22' Main Deck .....	138 - 139
Final Assembly .....	48 - 49	Tilt Cylinder Assembly- Top Deck.....	140 - 141
Hydraulic Reservoir and Toolbox / Basket .....	50 - 53	Wheel Lift Extend Cylinder Assembly .....	142 - 143
Toolbox .....	54 - 55	IRL Cylinder Assembly .....	144 - 145
78" Toolbox and Marker Lights .....	56 - 57	Stabilizer Cylinder Assembly .....	146 - 147
Toolbox Shelf .....	58 - 59	Tow Option Hydraulic Extend Cyl Assembly .....	148 - 149
Toolbox Light .....	60 - 61	Stabilizer Cylinder Assembly .....	150 - 151
Dual Controls - 6 Bank .....	62 - 63	Switch Panels .....	152 - 153
Dual Controls - 7 Bank .....	64 - 65	Work Lights .....	154 - 155
Dual Controls - 8 Bank .....	66 - 67	Bolt-On D-Rings .....	156 - 157
Hydraulic Components - Standard (28' & 30' Main Deck) .....	68 - 69	Remote Control Operation(s) .....	158 - 161
Hydraulic Components - Standard (22' Main Deck) .....	70 - 71	Remote Throttle Control .....	162 - 163
Hydraulic Components - Standard (Hose Track) .....	72 - 73	Glad Hands and 7- Way Connector .....	164 - 165
Hydraulic Components - Hose Routing / Mounting (Main Deck) .....	74 - 75	Air Supply Disconnect .....	166 - 167
Hydraulic Components - Standard (Upper Deck) .....	76 - 77	Jump Start Kit .....	168 - 169
Hydraulic Components - Hose Routing / Mounting (Upper Deck) .....	78 - 79	Folding Deck Ladder .....	170 - 171
Hydraulic Components - IRL Wheel Lift w/ Man Grids or IRL Ball / Pintle Hitch Mtg Plt ...	80 - 81	Chain and Straps .....	172 - 173
Hydraulic Components - Hydraulic Rear Dock Stabilizer .....	82 - 83	Towing Safety Tools .....	174 - 175
Hydraulic Components - Stabilizer w/ Reese Hitch Receiver or Pintle Hitch Mtg Plate ...	84 - 85	Decals .....	176 - 177
Hydraulic Components - Stabilizer w/ Hydraulic Extend Pintle Hitch Mounting Plate .....	86 - 87	Accessory Equipment .....	178 - 179
Hydraulic Components - Stabilizer w/ IRL Wheel Lift .....	88 - 89	Hydraulic Schematic .....	180 - 183
Hydraulic Components - IRL Towbar .....	90 - 91	Electrical Schematic .....	184
Hydraulic Components - Hydraulic Extend Tow Option .....	92 - 93		
Electrical Components - Standard .....	94 - 95		

**MAIN DECK - ALUMINUM PIONEER**

ITEM	PART NO.	DESCRIPTION	QTY
1	3097000693	22' Deck - 96" wide, aluminum	1
	3097000422	28' Deck - 96" wide, aluminum	1
	3097000646	30' Deck - 96" wide, aluminum	1

# MAIN DECK - ALUMINUM PIONEER

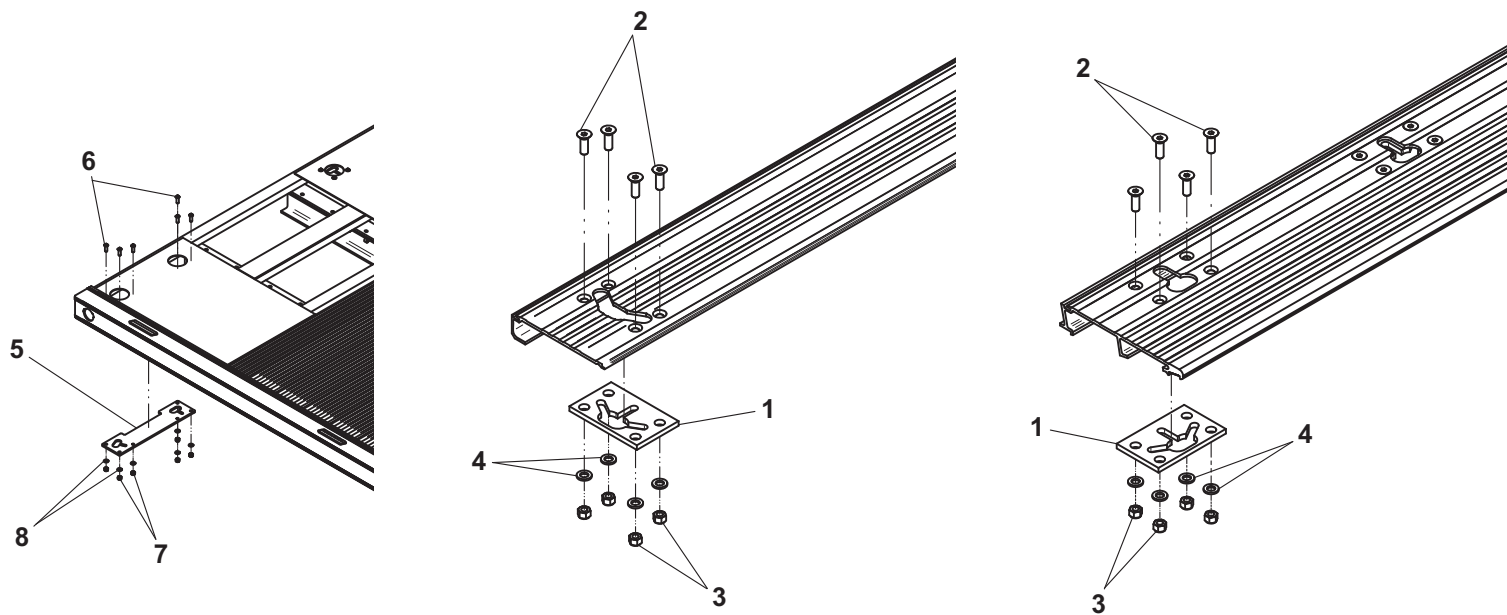


**STEEL BOLT-IN KEYSLOTS**

ITEM	PART NO.	DESCRIPTION	QTY
1	470600551	Keyslot Plate	1
2	7115181223	Screw, 0.50"-13NC x 1.5" Flat Head	4*
3	7660182601	Locknut, 0.50"-13NC	4*
4	7950180153	Flatwasher, 0.50" ID	4*
5	4706005929	Keyslot Plate - Front	1*
6	7114181218	Capscrew, 0.50-13 NC x 1.50	6*
7	7660182601	Locknut, 0.50"-13NC	6*
8	7950180153	Flatwasher, 0.50" ID	6*

\* Quantities are per Item Keyslot Plates (Items #1 & #5)

# STEEL BOLT-IN KEYSLOTS

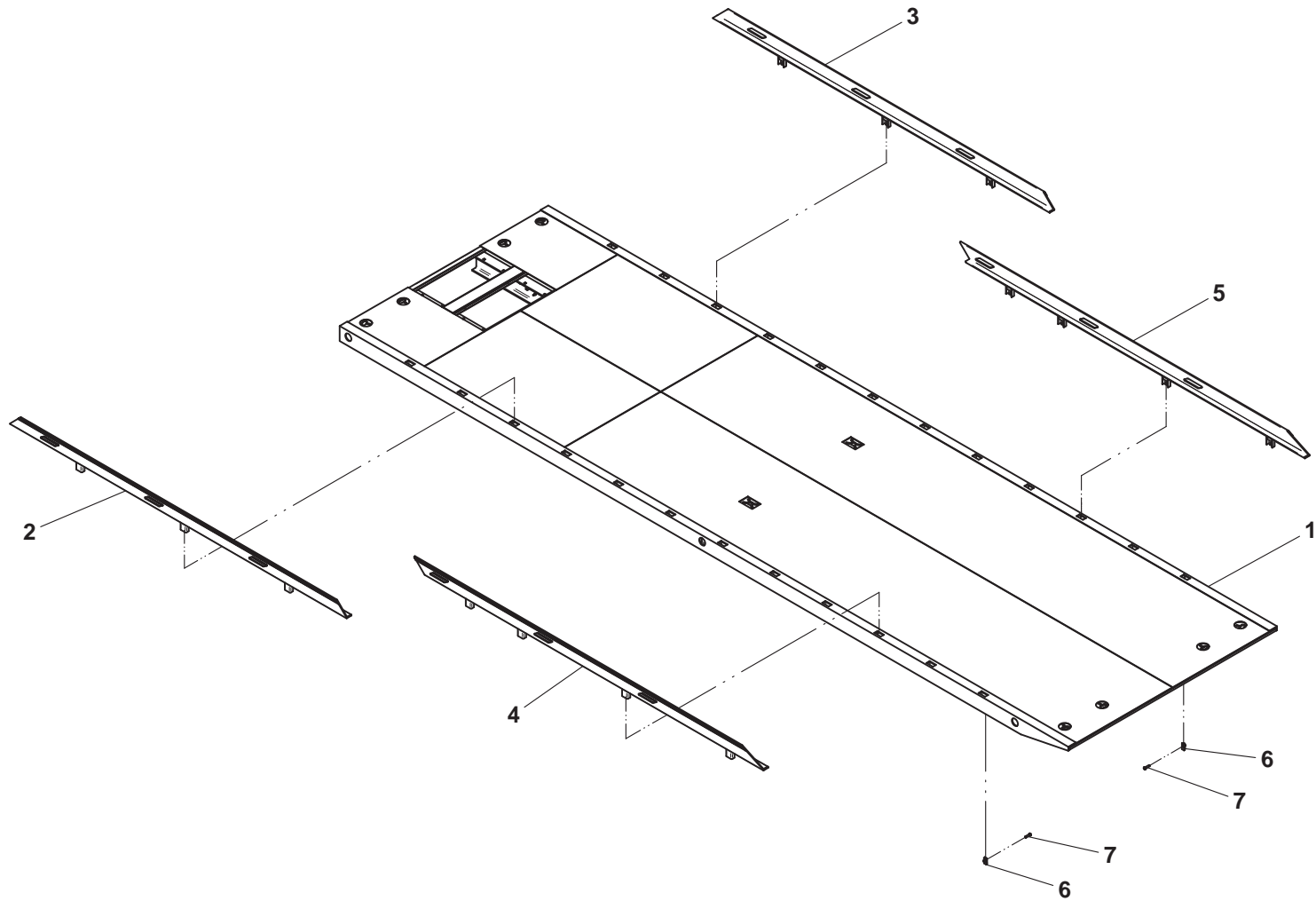


**MAIN DECK - STEEL B.I.C.**

ITEM	PART NO.	DESCRIPTION	QTY
1	3097000626	28' Deck - 96" wide, 12" X-mem spacing	1
2	3017000076	Aluminum Rail, LH Front	1
3	3017000077	Aluminum Rail, RH Front	1
4	3017000078	Aluminum Rail, LH Rear	1
5	3017000079	Aluminum Rail, RH Rear	1
6	7661000055	U-Nut, 0.50"-13NC	14
7	7115181650	Capscrew, 0.50"-13NC x 2.00"	14



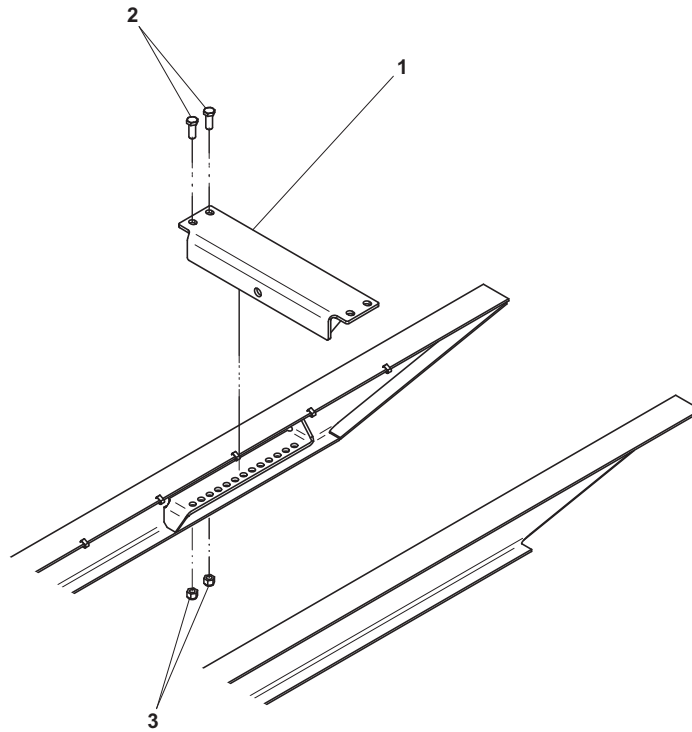
# MAIN DECK - STEEL B.I.C.



**ADJUSTABLE ROLL CYLINDER BRACKET - DECK**

ITEM	PART NO.	DESCRIPTION	QTY
1	3017000104	Roll Cylinder Angle	1
2	7115221650	Capscrew, 0.75"-10NC x 2.00"	4
3	7660222601	Nut, 0.75-10NC, Nyloc	4

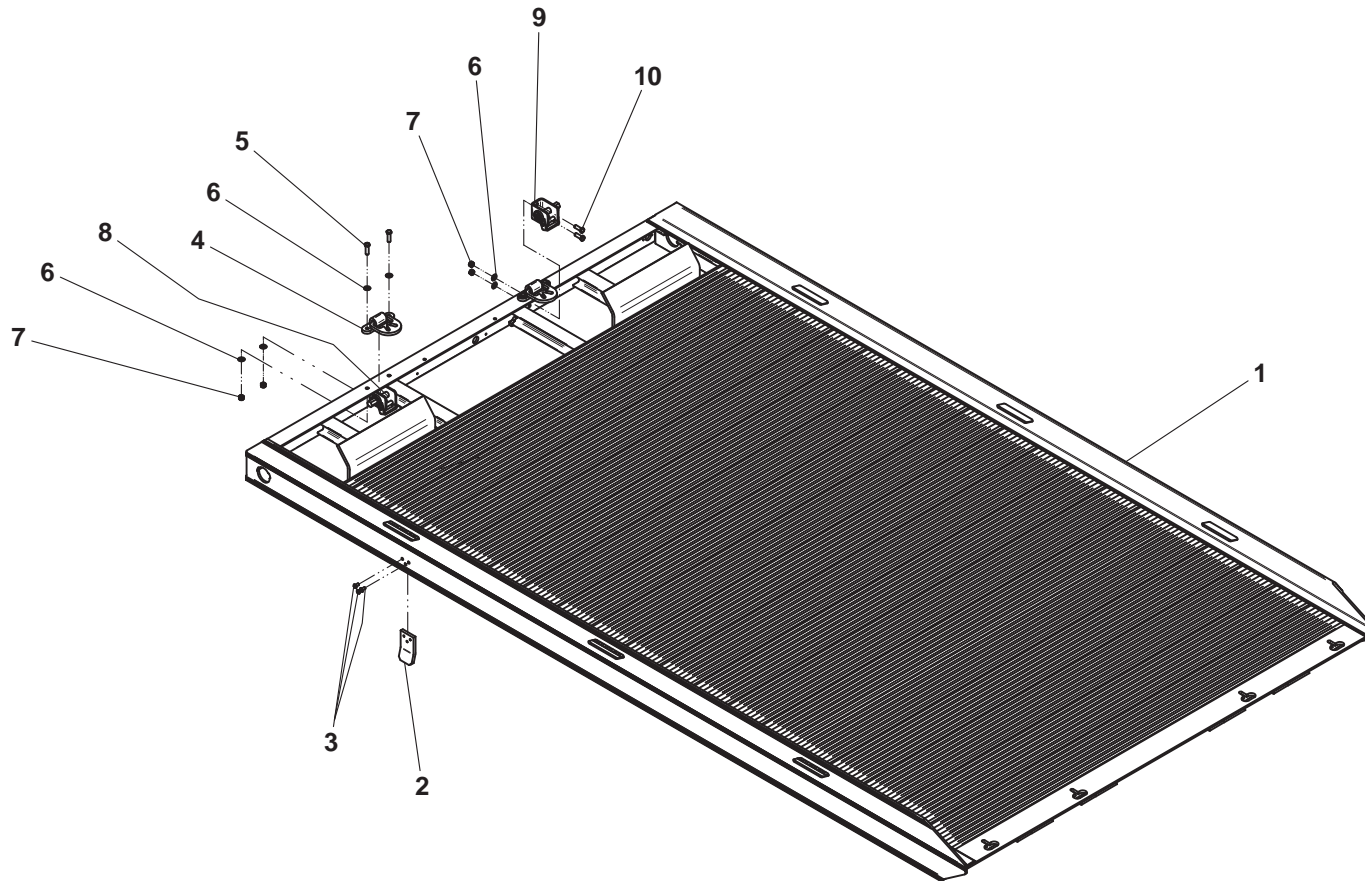
## ADJUSTABLE ROLL CYLINDER BRACKET - DECK



**UPPER DECK - ALUMINUM**

ITEM	PART NO.	DESCRIPTION	QTY
1	3097000402	14' Upper Deck - 96" wide (IHC 4400/ 4900, Ford F750 & Freightliner M2)	1
	3097000512	14' Upper Deck - 96" wide (Peterbilt P330)	1
	3097000509	14' Upper Desk - 96" wide (Peterbilt P335 & Kenworth T300)	1
	3097000695	14' Upper Desk - 96" wide (Extended Cab)	1
2	4706003218	Plate	2
3	7114160618	Capscrew, 0.38"-16NC x 0.75"	6
4	3754000002	D Ring Weld	2
5	7115181450	Capscrew, 0.50"-13NC x 1.75"	4
6	7950180143	Flatwasher, 0.50" ID	12
7	7660182601	Locknut, 0.50"-13NC	8
8	7894000047	Tie Down Winch LH	1
9	7894000048	Tie Down Winch RH	1
10	7115181250	Capscrew, 0.50"-13NC x 1.50"	4

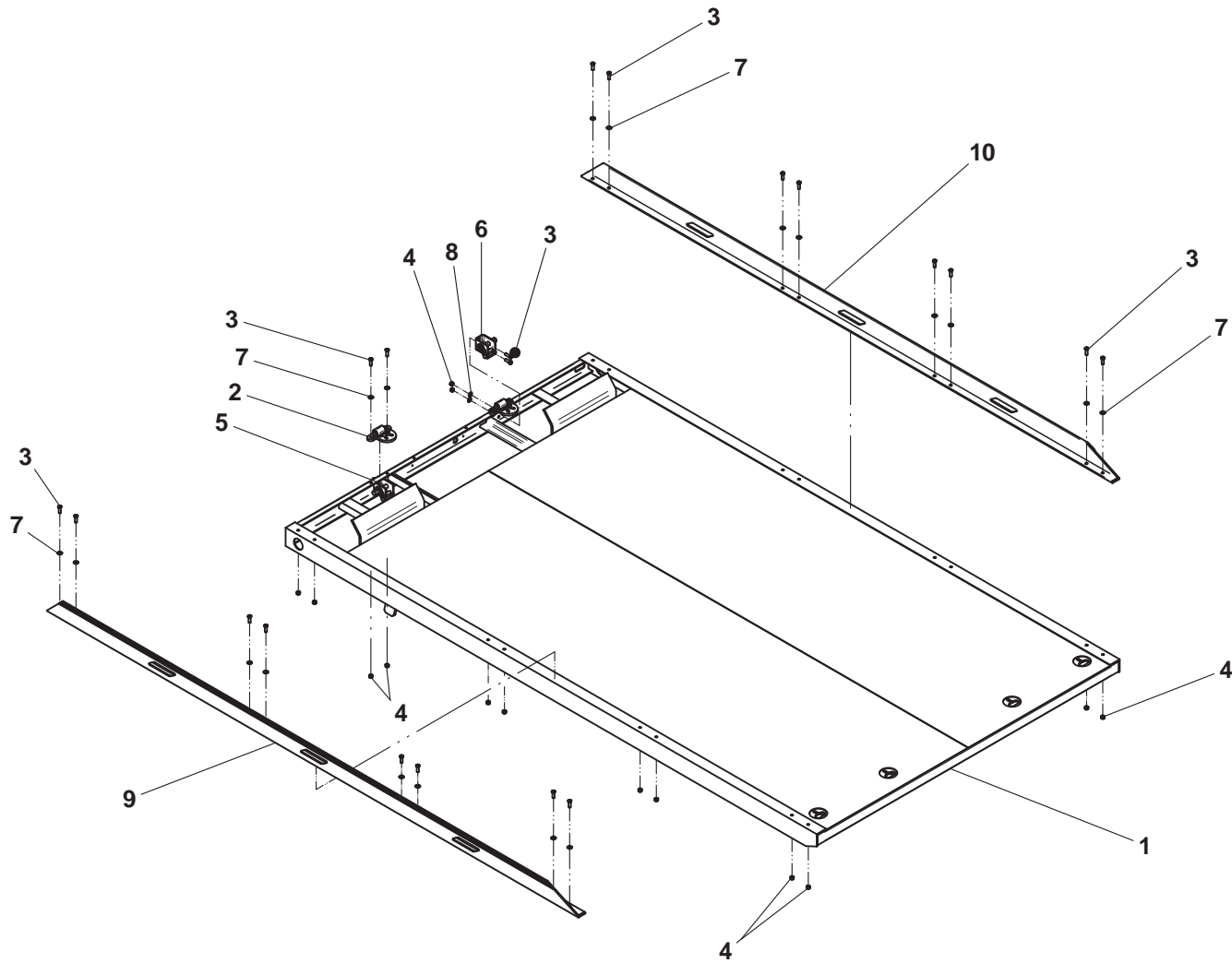
## UPPER DECK - ALUMINUM



**UPPER DECK - STEEL**

ITEM	PART NO.	DESCRIPTION	QTY
1	3097000593	14' Upper Deck - 96" wide (IHC4400/ 4900, Ford F750 & Freightliner M2)	1
	3097000582	14' Upper Deck - 96" wide (Pete 335)	
2	3754000002	D Ring Weld	2
3	7115181250	Capscrew, 0.50"-13NC x 1.50"	24
4	7660182601	Locknut, 0.50"-13NC	24
5	7894000047	Tie Down Winch LH	1
6	7894000048	Tie Down Winch RH	1
7	7950180143	Flatwasher, 0.50" ID	20
8	7950180141	Flatwasher, 0.50" ID	4
9	4017000985	Aluminum Rail LH	1
10	4017000986	Aluminum Rail RH	1

# UPPER DECK - STEEL



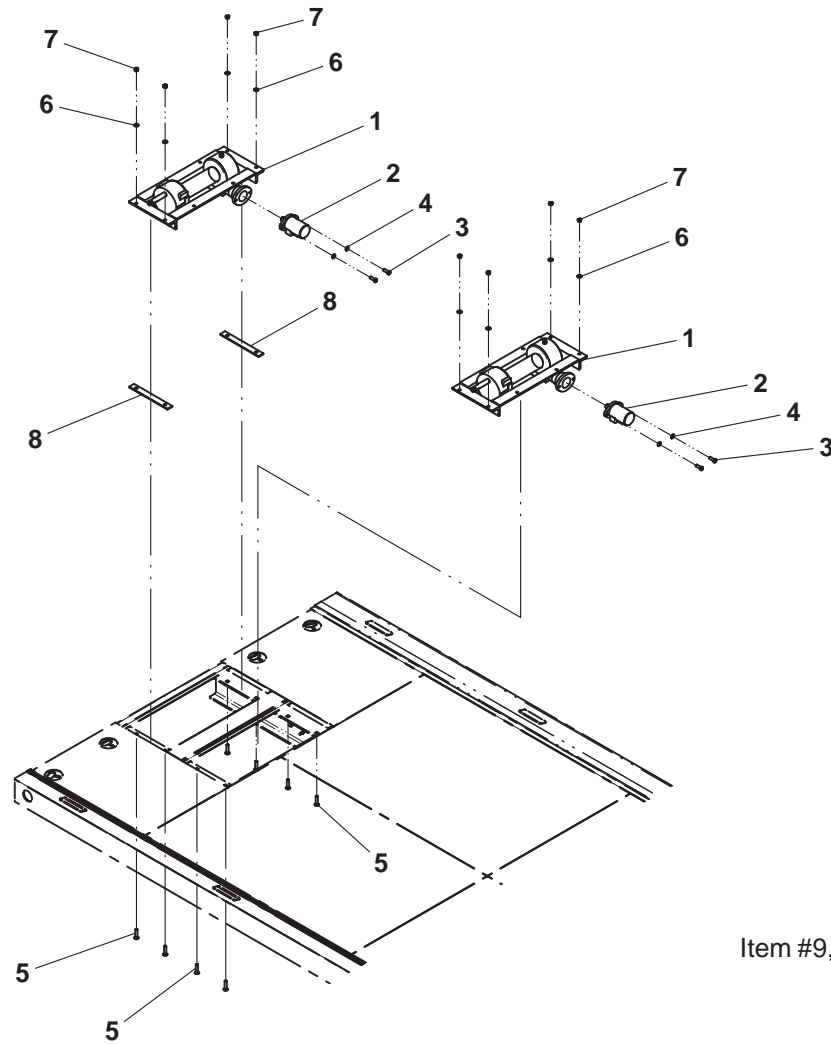
**WORM GEAR WINCHES (8,000 LB - DUAL) MAIN DECK**

ITEM	PART NO.	DESCRIPTION	QTY
1	7970000121	Winch - 8,000 lb Worm Gear	2
2	7626000014	Orbit Motor	2
3	7115181250	Capscrew, 0.50"-13NC x 1.50"	4
4	7950180400	Lockwasher, 0.50" ID	4
5	7115181864	Carriage Bolt, 0.50"-13NC x 2.25"	8
6	7950180153	Flatwasher, 0.50" ID	8
7	7660182601	Locknut, 0.50"-13NC	8
8	4706003217	Plate (steel deck)	2
9	7248000063	Cable, 0.38 x 56'	1

Refer to manufacturer's manual for winch parts list



# WORM GEAR WINCHES (8,000 LB - DUAL) MAIN DECK



Item #9, Winch Cable not shown

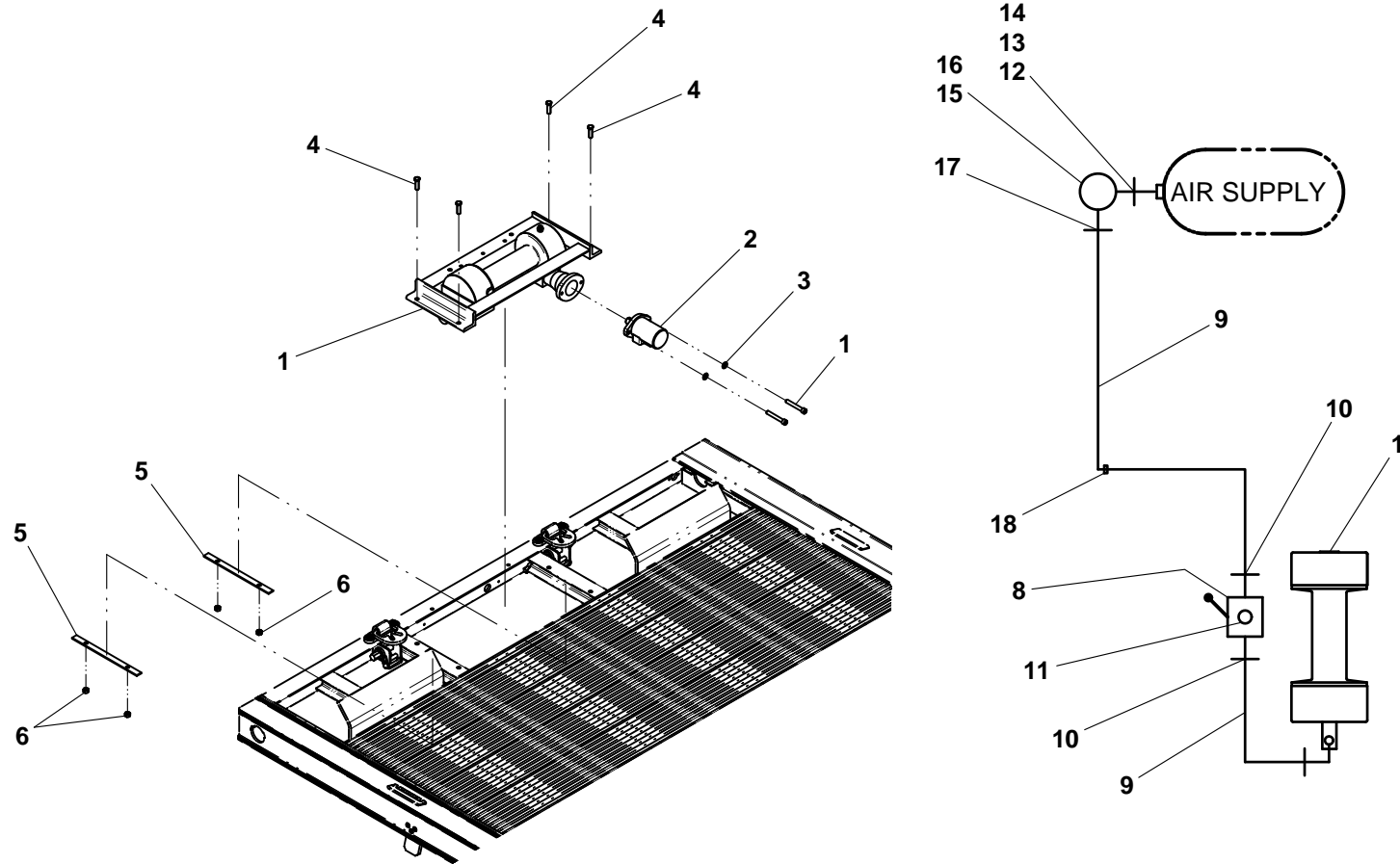
8,000 lb winch shown on steel deck

**WORM GEAR WINCH (8,000 LB) WITH AIR FREE SPOOL - UPPER DECK**

ITEM	PART NO.	DESCRIPTION	QTY
1	797000122	Winch - 8,000 lb Worm Gear	1
2	762600014	Orbit Motor	1
3	7950180400	Lockwasher, 0.50" ID	2
4	7115181450	Capscrew, 0.50"-13NC x 1.75"	4
5	4706003219	Plate	2
6	7660182601	Locknut, 0.50"-13NC	4
7	7248000069	Cable, 0.38" dia x 75'	1
		<i>Air Free Spool:</i>	
8	7935000182	Air Valve	1
9	7565000016	Nylon Tubing	A/R
10	7443000177	Fitting	2
11	7640000002	Exhaust Muffler	1
12	7443000154	Bushing	1
13	7443000155	Fitting	1
14	7443000156	Nipple	1
15	7935000120	Pressure Valve	1
16	7443000152	Plug	1
17	7443000139	Fitting	1
18	7894000004	Tie Strap	5

Refer to manufacturer's manual for winch parts list

# WORM GEAR WINCH (8,000 LB) WITH AIR FREE SPOOL - UPPER DECK



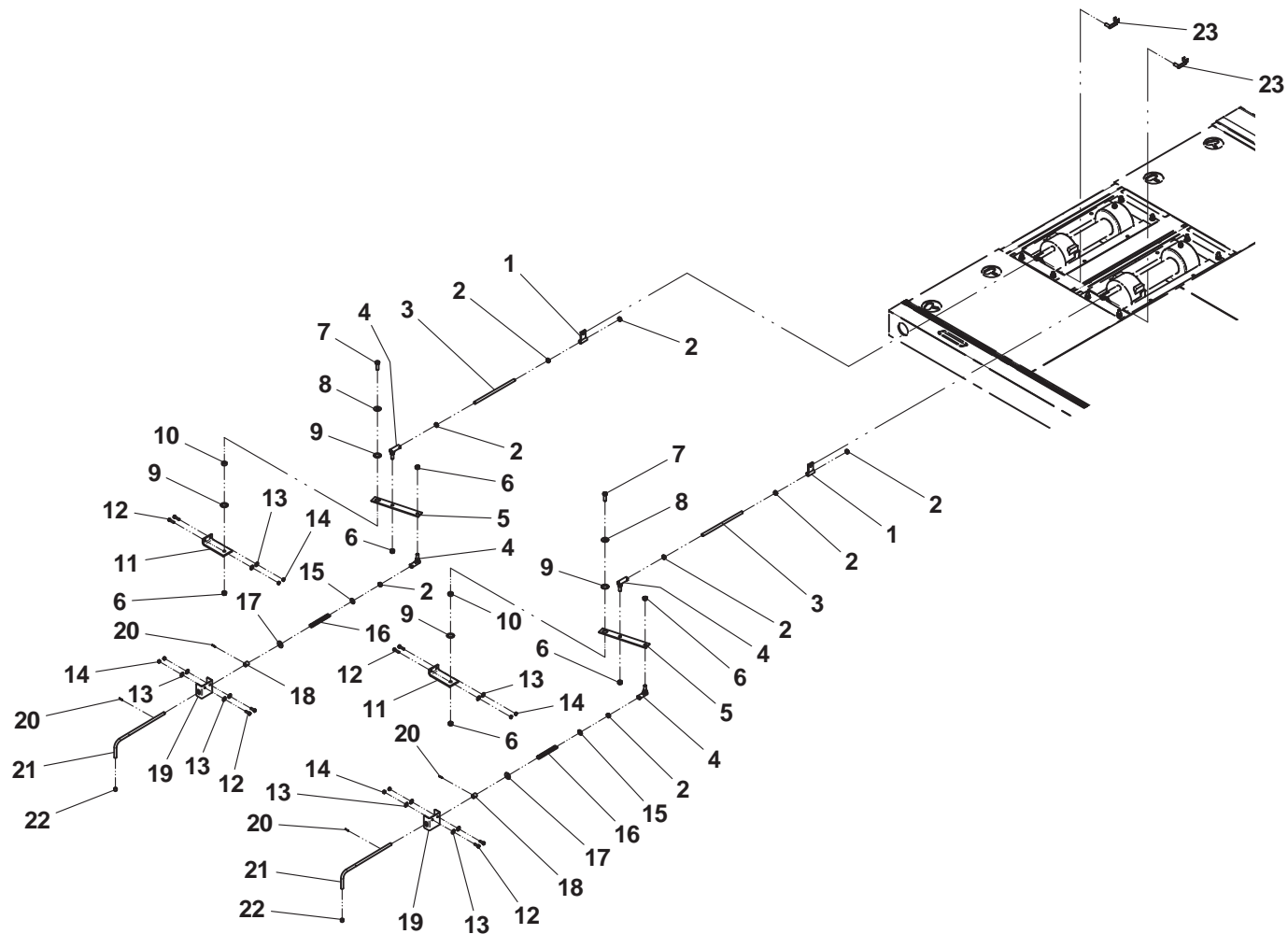
Item #7, Winch Cable, not shown

8,000 lb winch shown on aluminum deck

**DUAL WINCH FREE SPOOL (8,000 LB WORM GEAR WINCH - MAIN DECK)**

ITEM	PART NO.	DESCRIPTION	QTY
1	3606000028	Lug Weld	2
2	7660180234	Jam Nut, 0.50"-20NF	8
3	4763000413	Rod	2
4	7309000002	Coupling	4
5	4587000003	Lever	2
6	7660182631	Locknut, 0.50"-20NF	6
7	7105181250	Capscrew, 0.50"-20NF x 1.50"	2
8	7950180161	Flatwasher, 0.50" ID	2
9	7082000010	Nylon Washer, 1.00 ID	4
10	4209000328	Bushing	2
11	4178000752	Bracket (Steel Deck)	2
	4178000757	Bracket (Aluminum Deck)	
12	7115151050	Capscrew, 0.31"-18NC x 1.25"	8
13	7950150161	Flatwasher, 0.31" ID	16
14	7660152601	Locknut, 0.31"-18NC	8
15	7950180143	Flatwasher, 0.50" ID	2
16	7843000027	Compression Spring	2
17	7949000030	Nylon Washer, 0.525" ID	2
18	4209000147	Bushing	2
19	4178000673	Bracket	2
20	7690051274	Spring Pin	4
21	4763000414	Rod	2
22	7254000016	Cap	2
23	7691000046	Spring Clevis	2

# DUAL WINCH FREE SPOOL (8,000 LB WORM GEAR WINCH - MAIN DECK)

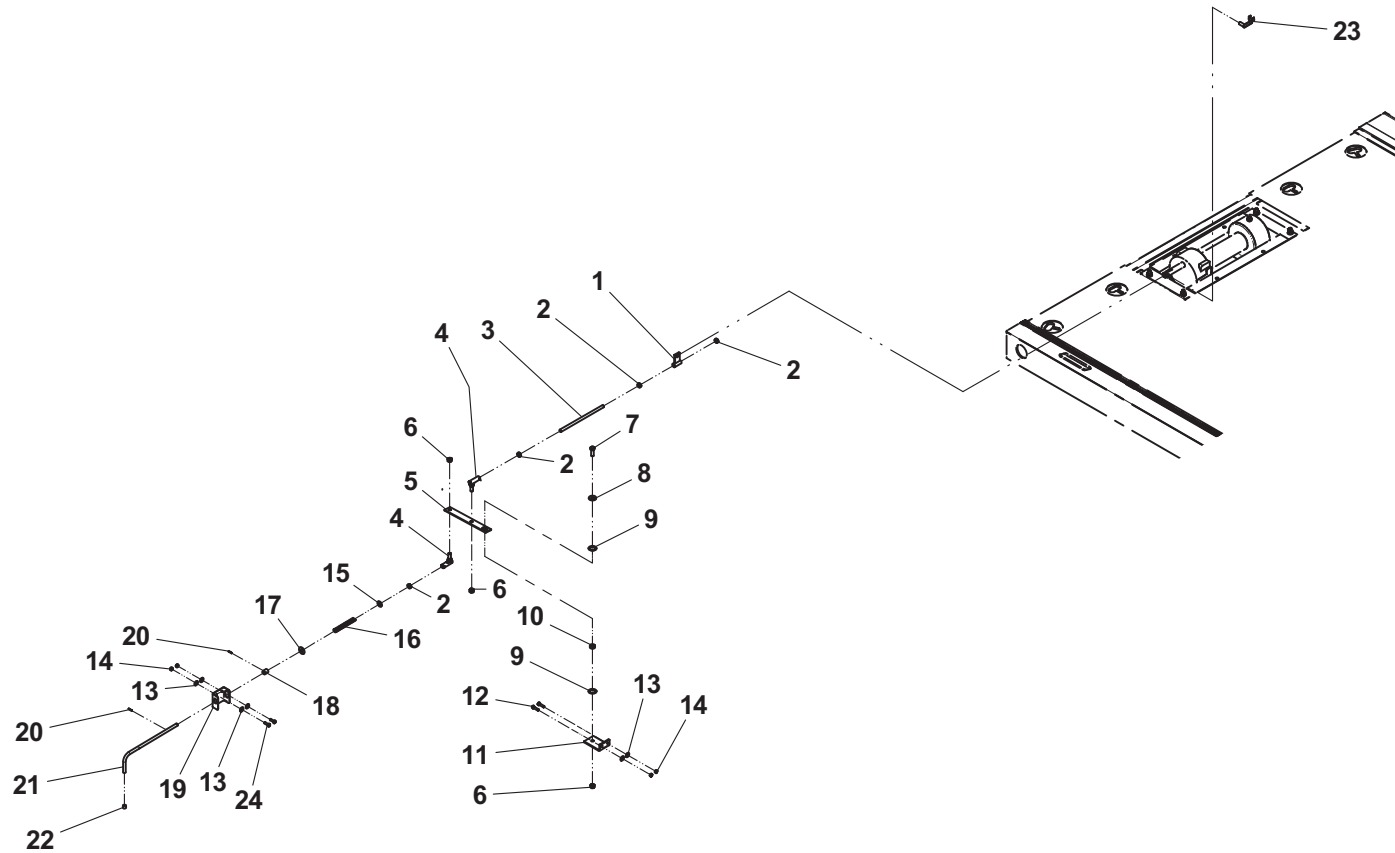


Steel Deck shown

**SINGLE WINCH FREE SPOOL (8,000 / 10,000 LB WORM GEAR WINCH - MAIN DECK)**

ITEM	PART NO.	DESCRIPTION	QTY
1	3606000028	Lug Weld	1
2	7660180234	Jam Nut, 0.50"-20NF	4
3	4763000413	Rod	1
4	7309000002	Coupling	2
5	4587000003	Lever	1
6	7660182631	Locknut, 0.50"-20NF	3
7	7105181250	Capscrew, 0.50"-20NF x 1.50"	1
8	7950180161	Flatwasher, 0.50" ID	1
9	7082000010	Nylon Washer, 1.00 ID	2
10	4209000328	Bushing	2
11	4178000757	Bracket (Alum. Deck)	1
12	7115151050	Capscrew, 0.31"-18NC x 1.25"	2
13	7950150161	Flatwasher, 0.31" ID	6
14	7660152601	Locknut, 0.31"-18NC	4
15	7950180143	Flatwasher, 0.50" ID	1
16	7843000027	Compression Spring	1
17	7949000030	Nylon Washer, 0.525" ID	1
18	4209000147	Bushing	1
19	4178000673	Bracket	1
20	7690051274	Spring Pin	2
21	4763000414	Rod	1
22	7254000016	Cap	1
23	7691000046	Spring Clevis	1
24	7118151424	Capscrew, 0.31"-18NC x 1.75"	2

# SINGLE WINCH FREE SPOOL (8,000 /10,000 LB WORM GEAR WINCH - MAIN DECK)



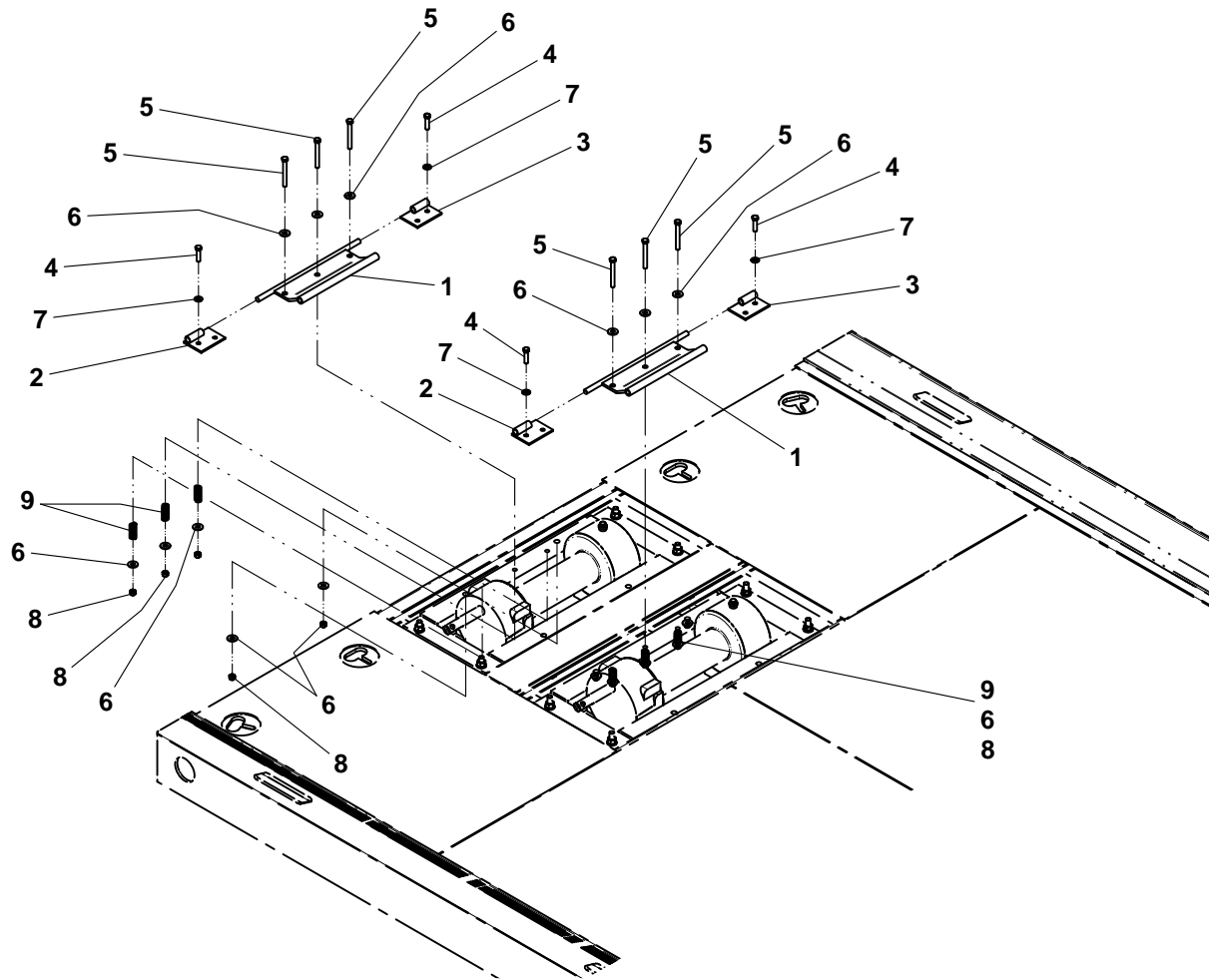
Steel Deck shown

**SINGLE / DUAL WINCH TENSIONER PLATES - MAIN DECK**

ITEM	PART NO.	DESCRIPTION	QTY
1	3706000213	Plate Weld (Dual Winches)	2
	3706000213	Plate Weld (Single Winch)	1
2	3706000214	Plate Weld LH (Dual Winches)	2
	3706000214	Plate Weld LH (Single Winch)	1
3	3706000215	Plate Weld RH (Dual Winches)	2
	3706000215	Plate Weld RH (Single Winch)	1
4	7115161250	Capscrew, 0.38"-16NC x 1.50" (Dual Winches)	4
	7115161250	Capscrew, 0.38"-16NC x 1.50" (Single Winch)	2
5	7115162650	Capscrew, 0.38"-16NC x 3.25" (Dual Winches)	6
	7115162650	Capscrew, 0.38"-16NC x 3.25" (Single Winch)	3
6	7950160161	Flatwasher, 0.38" ID (Dual Winches)	16
	7950160161	Flatwasher, 0.38" ID (Single Winch)	8
7	7950160141	Flatwasher, 0.38" ID (Dual Winches)	16
	7950160141	Flatwasher, 0.38" ID (Single Winch)	8
8	7660162601	Locknut, 0.38"-16NC (Dual Winches)	10
	7660162601	Locknut, 0.38"-16NC (Single Winch)	5
9	7843000034	Compression Spring (Dual Winches)	6
	7843000034	Compression Spring (Single Winch)	3



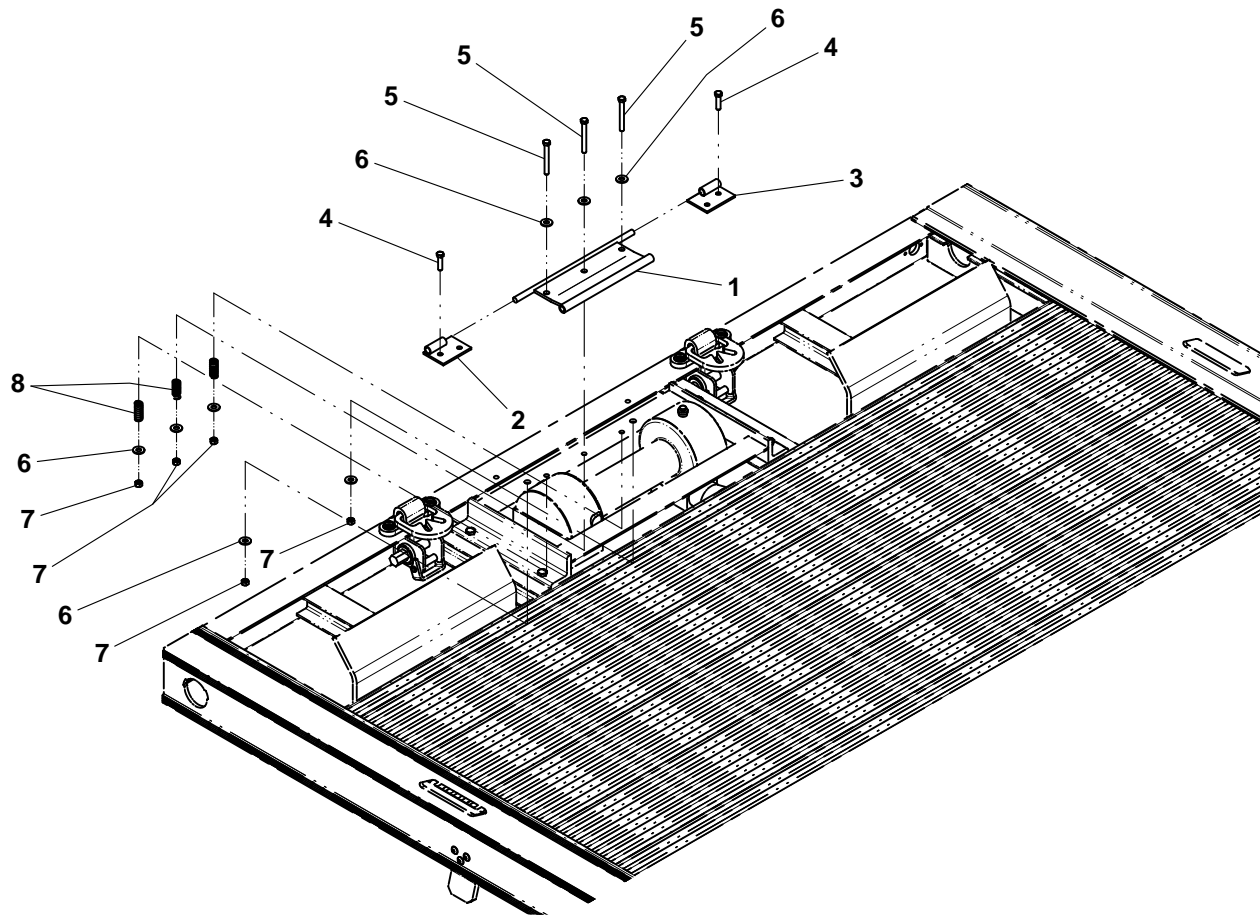
# SINGLE / DUAL WINCH TENSIONER PLATES - MAIN DECK



**WINCH TENSIONER PLATE - UPPER DECK**

ITEM	PART NO.	DESCRIPTION	QTY
1	3706000279	Plate Weld	1
2	3706000214	Plate Weld LH	1
3	3706000215	Plate Weld RH	1
4	7115161250	Capscrew, 0.38"-16NC x 1.50"	2
5	7115162650	Capscrew, 0.38"-16NC x 3.25"	3
6	7950160161	Flatwasher, 0.38" ID	8
7	7660162601	Locknut, 0.38"-16NC	8
8	7843000034	Compression Spring	3

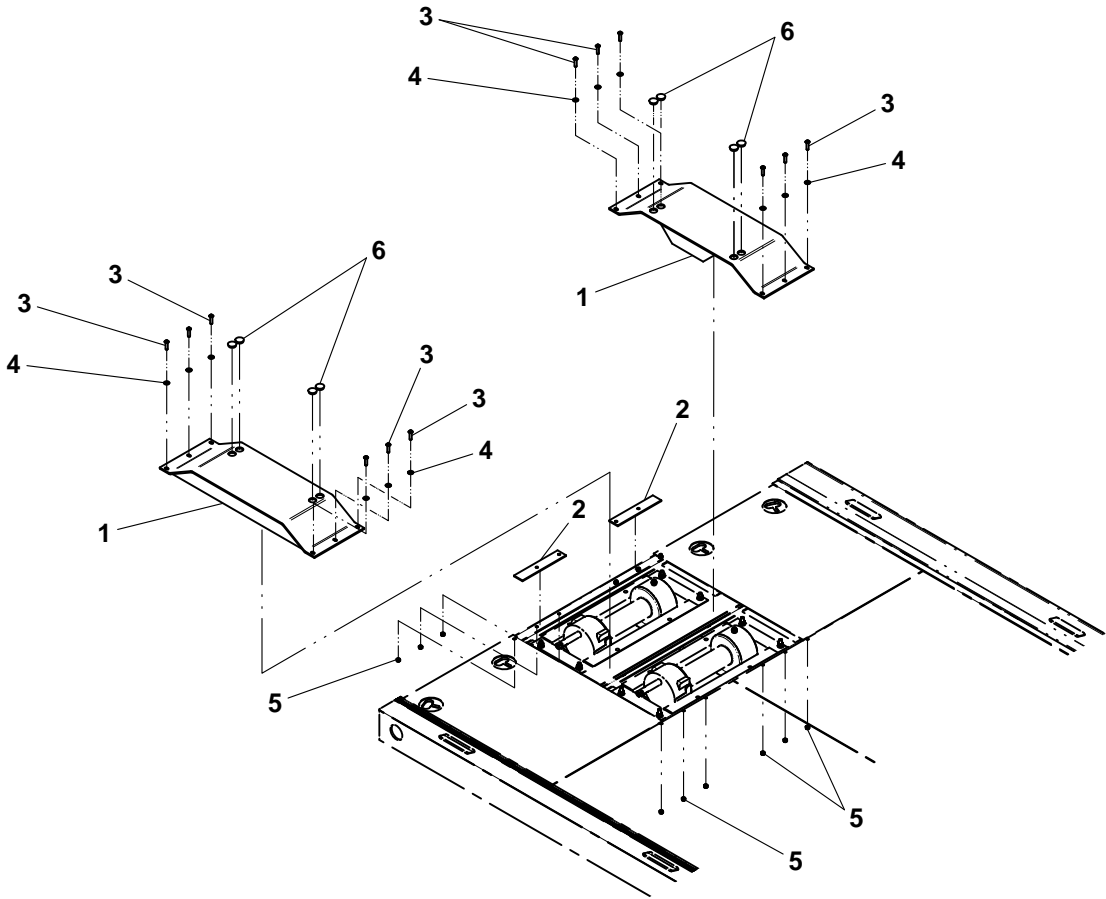
# WINCH TENSIONER PLATE - UPPER DECK



**DUAL WINCH COVER PLATES - MAIN DECK**

ITEM	PART NO.	DESCRIPTION	QTY
1	3314000029	Coverplate Weld	2
2	4812000061	Shim (Steel Deck)	4
	4812000061	Shim (Aluminum Deck)	2
3	7114161218	Capscrew, 0.38"-16NC x 1.50"	12
4	7950150161	Flatwasher, 0.31" ID	12
5	7660162601	Locknut, 0.38"-16NC	12
6	7701000049	Nylon Plug	8

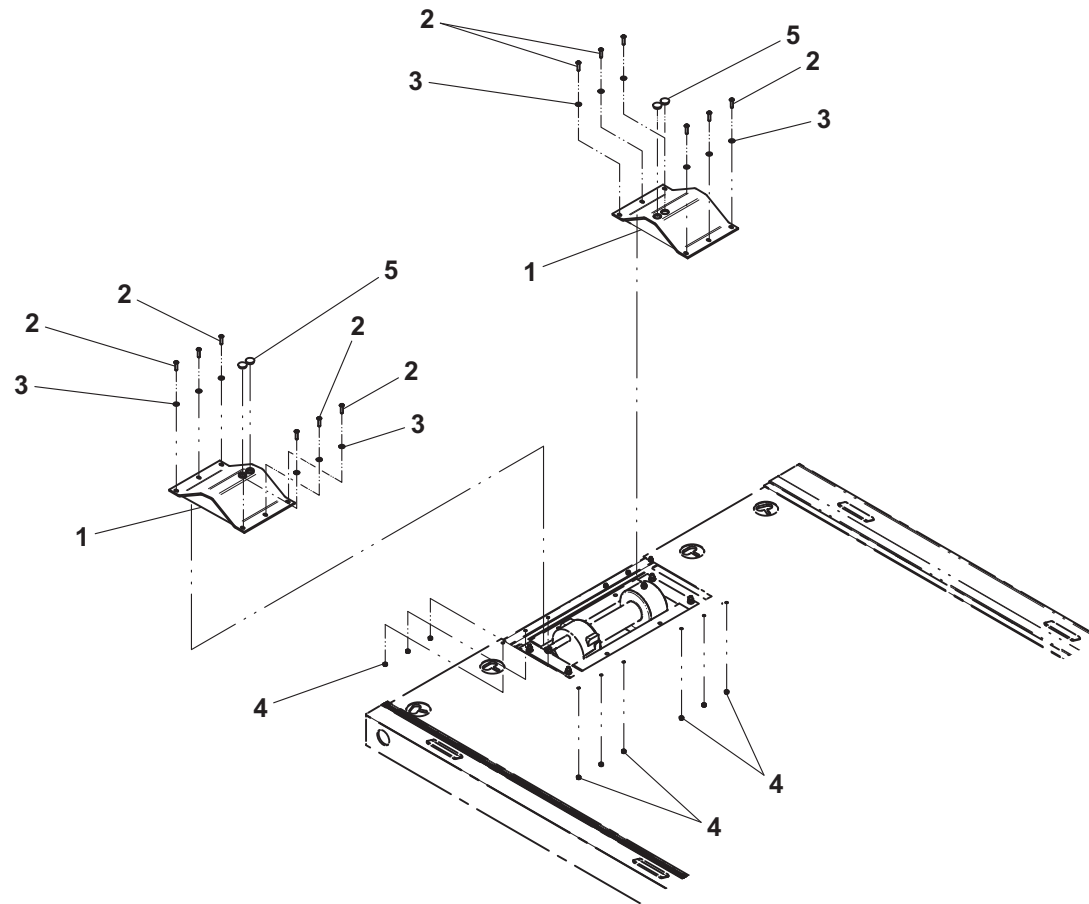
# DUAL WINCH COVER PLATES - MAIN DECK



**SINGLE WINCH COVER PLATES - MAIN DECK**

ITEM	PART NO.	DESCRIPTION	QTY
1	3314000055	Coverplate Weld	2
2	7114161218	Capscrew, 0.38"-16NC x 1.50"	12
3	7950150161	Flatwasher, 0.31" ID	12
4	7660162601	Locknut, 0.38"-16NC	12
5	7701000049	Nylon Plug	4

# SINGLE WINCH COVER PLATES - MAIN DECK



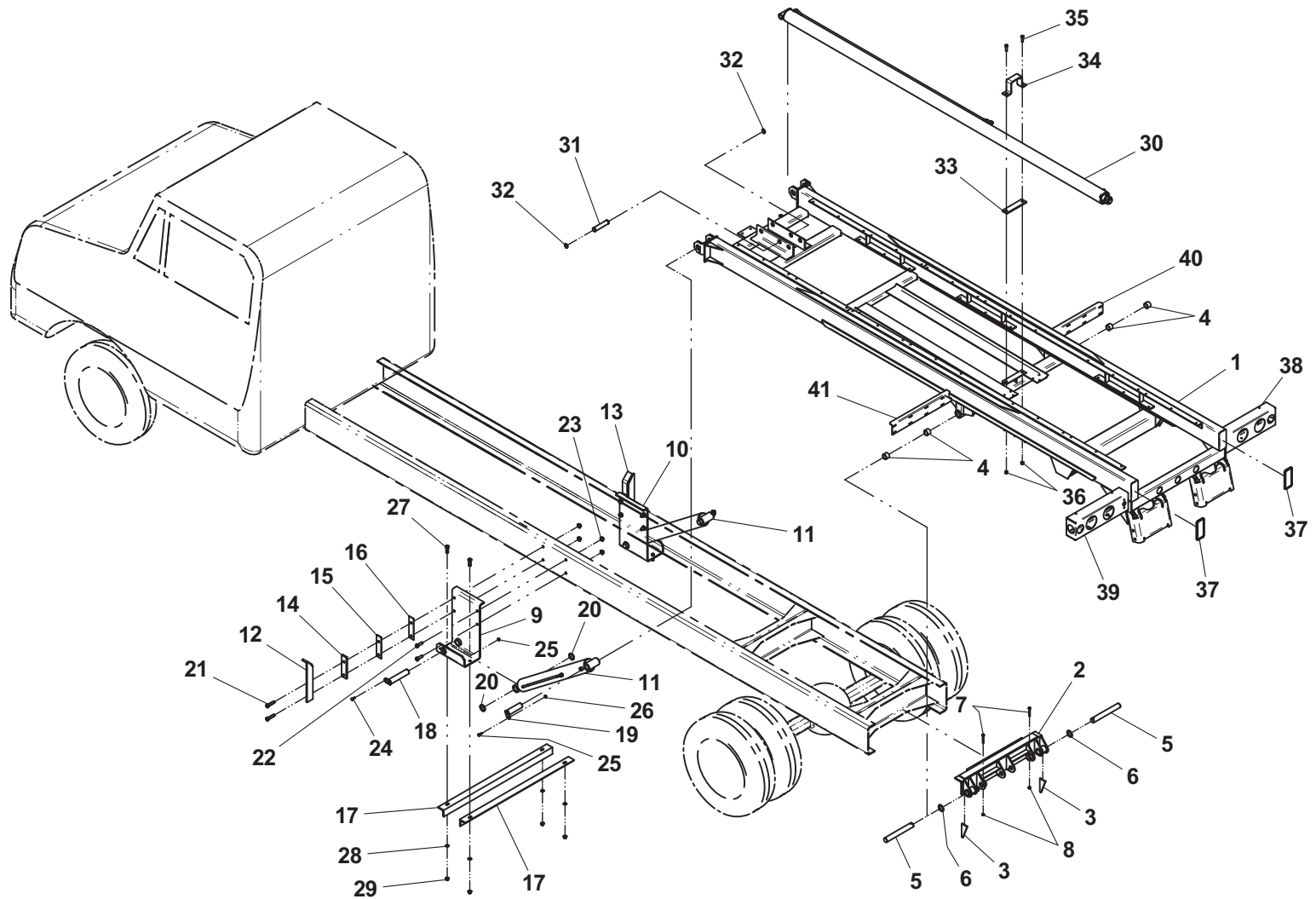
**SUBFRAME - 28' & 30' MAIN DECK**

ITEM	PART NO.	DESCRIPTION	QTY	ITEM	PART NO.	DESCRIPTION	QTY
1	3868000272	Subframe Weld	1	31	4691000268	Pin	1
2	3905000013	Trunnion Weld	1	32	7754000006	Retaining Ring	2
3	4497000358	Gusset	2	33	4679000166	Pad	1
4	7082000017+	Bearing	4	34	4178000308	Bracket	1
5	4691000573	Pin	2	35	7115181450	Capscrew, 0.50"-13NC x 1.75"	2
6	7949000008	Washer, 2.25" ID	2	36	7660182601	Locknut, 0.50"-13NC	2
7	7118162250	Capscrew, 0.38"-16NC x 2.75"	2	37	7701000050*	Plug	2
8	7660162601	Locknut, 0.38"-16NC	2	38	3178000234*	Light Box, RH	1
9	3178000288	Bracket Weld LH	1	39	3178000233*	Light Box, LH	1
10	3178000289	Bracket Weld RH	1	40	4017001294*	Mud Flap Angle, RH	1
11	3320000129	Tilt Cylinder Assembly	2	41	4017001293*	Mud Flap Angle, LH	1
12	3062000015	Bar Weld LH	1				
13	3062000014	Bar Weld RH	1				
14	4831000079	Spacer, 0.50"	2				
15	4831000083	Spacer, 0.25"	2				
16	4831000084	Spacer, 0.12"	2				
17	4017001093	Angle	2				
18	3691000164	Pin Weld	2				
19	3691000184	Pin Weld	2				
20	4209000204	Bushing	4				
21	7105202250	Capscrew, 0.63"-18NF x 2.75"	4				
22	7105201650	Capscrew, 0.63"-18NF x 2.00"	4				
23	7660202347	Locknut, 0.63"-18NF	8				
24	7115160850	Capscrew, 0.38"-16NC x 1.00"	2				
25	7660162301	Locknut, 0.38"-16NC	4				
26	7115161050	Capscrew, 0.38"-16NC x 1.25"	2				
27	7105181650	Capscrew, 0.50"-20NF x 2.00"	4				
28	7950180153	Flatwasher, 0.50" ID	4				
29	7660182333	Locknut, 0.50"-20NF	4				
30	3320000121	Roll Cylinder Assembly	1				

\* included in Subframe Weld, P/N 3868000238



# SUBFRAME - 28 & 30' MAIN DECK

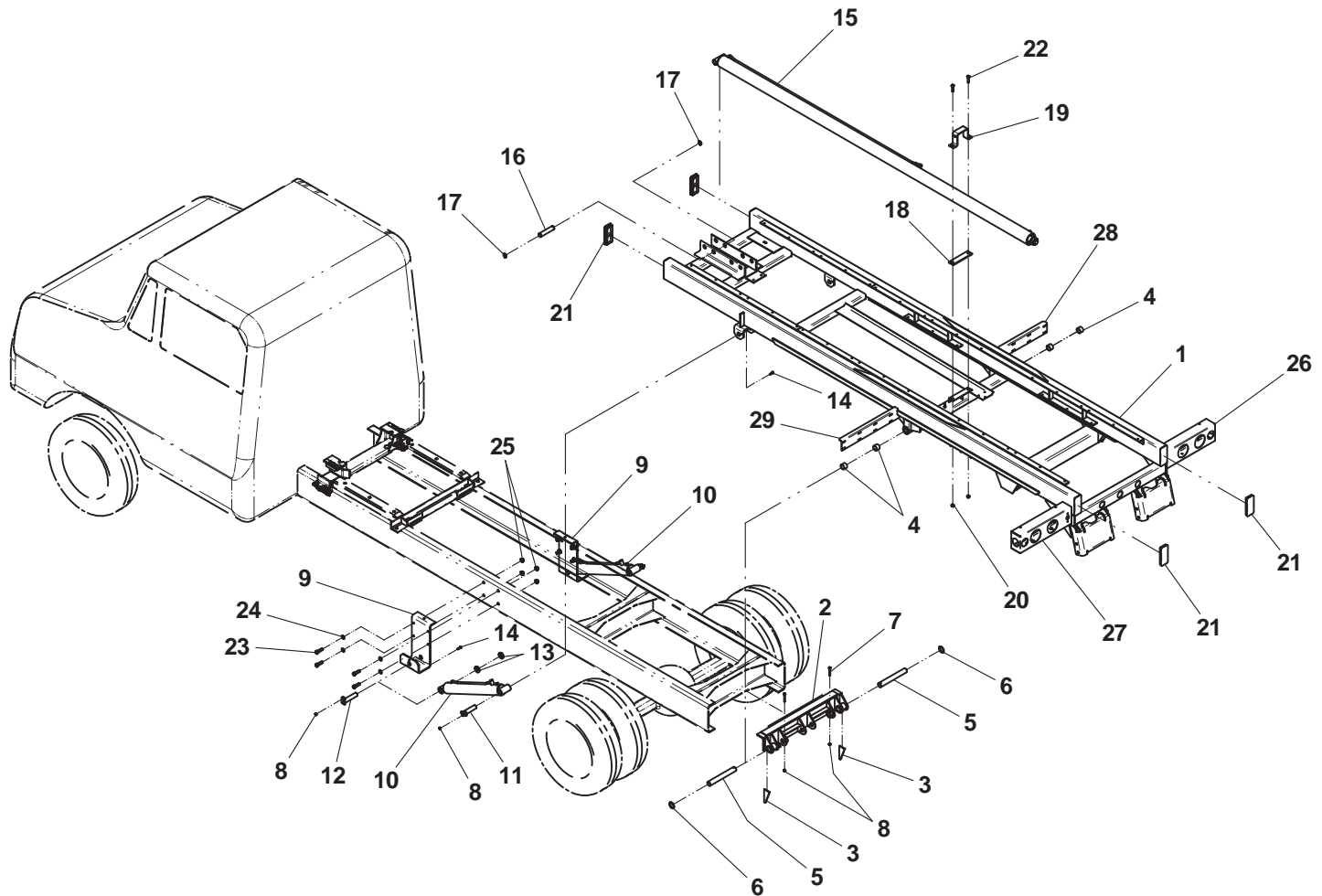


**SUBFRAME - 22' MAIN DECK**

ITEM	PART NO.	DESCRIPTION	QTY	ITEM	PART NO.	DESCRIPTION	QTY
1	3868000271	Subframe Weld	1	28	4017001294*	Mud Flap Angle, RH	1
2	3905000013	Trunnion Weld	1	29	4017001293*	Mud Flap Angle, LH	1
3	4497000358	Gusset	2				
4	7082000017*	Bearing	4				
5	4691000573	Pin	2				
6	7949000008	Washer, 2.25" ID	2				
7	7118162250	Capscrew, 0.38"-16NC x 2.75"	2				
8	7660162601	Locknut, 0.38"-16NC	6				
9	4178000739	Bracket	2				
10	3320000122	Tilt Cylinder Assembly	2				
11	3691000166	Pin Weld	2				
12	3691000092	Pin Weld	2				
13	4209000337	Bushing	4				
14	7115161050	Capscrew, 0.38"-16NC x 1.25"	4				
15	3320000121	Roll Cylinder Assembly	1				
16	4691000268	Pin	1				
17	7754000006	Retaining Ring	2				
18	4679000166	Pad	1				
19	4178000308	Bracket	1				
20	7660182631	Locknut, 0.50"-20NF	2				
21	7701000050*	Plug	4				
22	7105181650	Capscrew, 0.50:-20NF x 2.00"	2				
23	7105201850	Capscrew, 0.63"-18NF x 2.25"	8				
24	7950200242	Flatwasher, 0.63" ID	8				
25	7660202347	Locknut, 0.63"-18NF	8				
26	3178000234*	Light Box, RH	1				
27	3178000233*	Light Box, LH	1				

\* included in Subframe Weld, P/N 3868000271

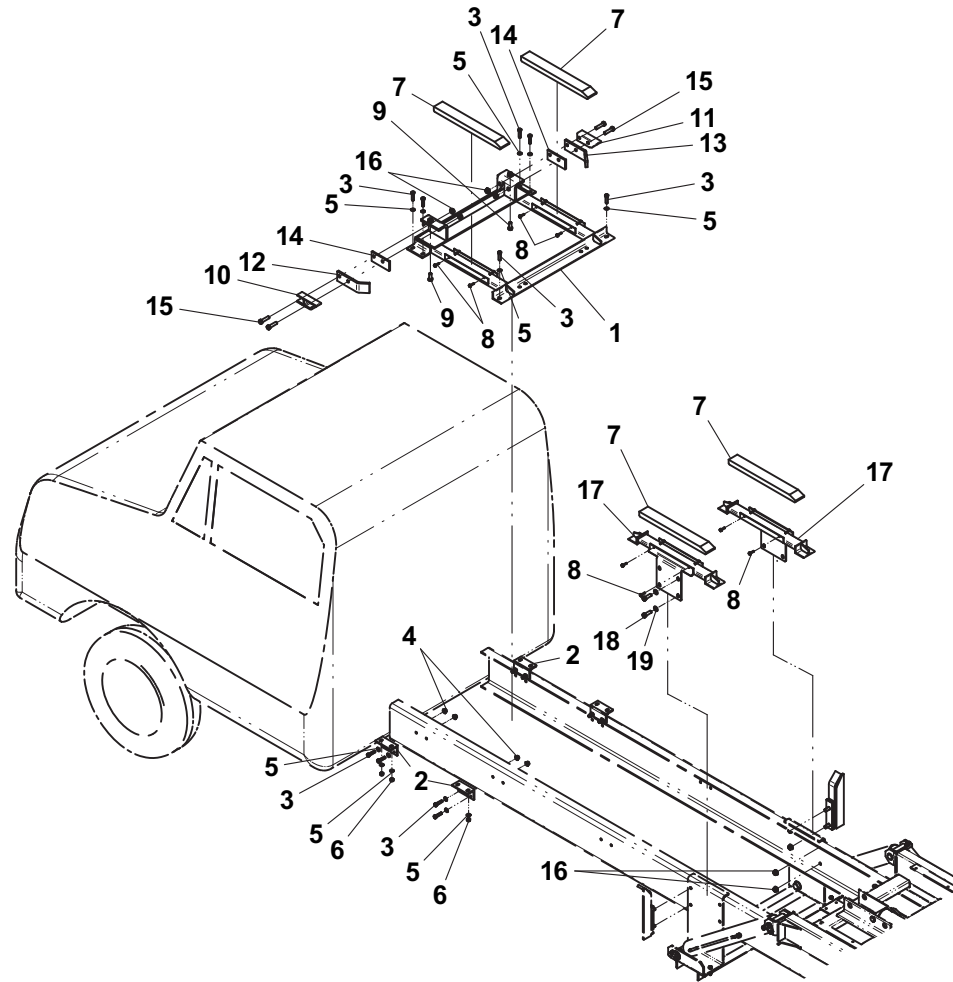
# SUBFRAME - 22' MAIN DECK



**HOLD DOWN - 28' & 30' MAIN DECK**

ITEM	PART NO.	DESCRIPTION	QTY
1	3558000008	Hold Down Weld - Primary	1
2	4017001271	Angle	4
3	7105181650	Capscrew, 0.50"-20NF x 2.00"	14
4	7660182333	Locknut, 0.50"-20NF	8
5	7950180153	Flatwasher, 0.50 ID	20
6	7660182631	Locknut, 0.50"-20NF	6
7	4679000194	Pad (28' decks)	4
	4679000194	Pad (30' decks)	6
8	7790152056	Screw, 0.31"-18NC x 1.25" (28' deck)	16
	7790152056	Screw, 0.31"-18NC x 1.25" (30' deck)	24
9	7105201250	Capscrew, 0.63"-18NF x 1.50"	2
10	7259000015	Hold Down Shoe LH	1
11	7259000016	Hold Down Shoe RH	1
12	4706003025	Rub Plate LH	1
13	4706003026	Rub Plate RH	1
14	4706003027	Plate	2
15	7105202050	Capscrew, 0.63"-18NF x 2.50"	4
16	7660202347	Locknut, 0.63"-18NF	8
17	3558000018	Hold Down Secondary Support (28' deck)	2
	3558000018	Hold Down Secondary Support (30' deck)	4
18	7105201650	Capscrew, 0.63" - 18NF x 2.00" Hex Head (28' deck)	4
	7105201650	Capscrew, 0.63" - 18NF x 2.00" Hex Head (30' deck)	8
19	7950200242	Flatwasher, 0.63" Nom Nar Hardened "B" (28' deck)	4
	7950200242	Flatwasher, 0.63" Nom Nar Hardened "B" (30' deck)	8

# HOLD DOWN - 28' & 30' MAIN DECK

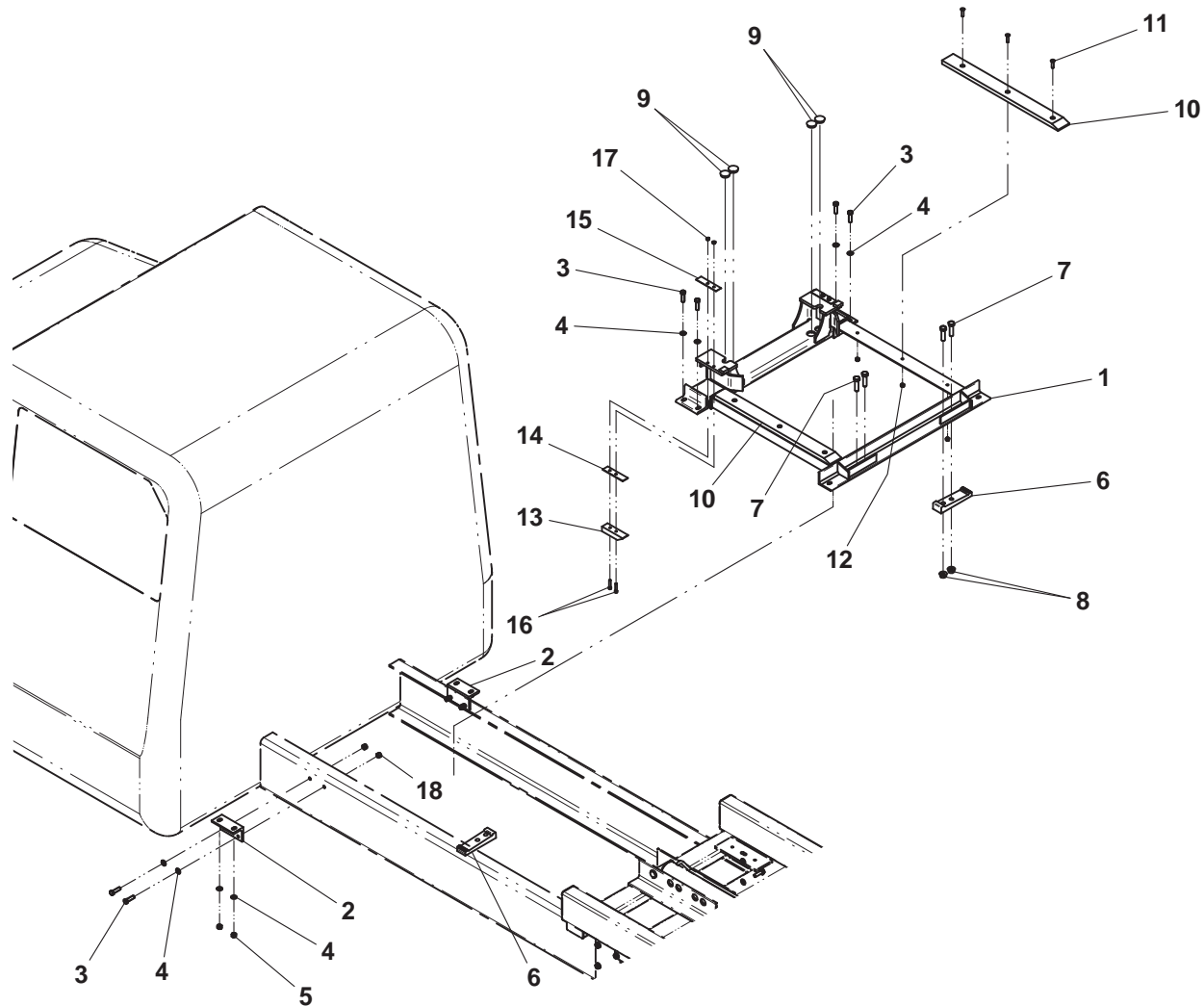


**HOLD DOWN - 22' MAIN DECK**

ITEM	PART NO.	DESCRIPTION	QTY
1	3558000013*	Hold Down Weld	1
2	4017001271	Angle	2
3	7105181650	Capscrew, 0.50"-20NF x 2.00"	8
4	7950180153	Flatwasher, 0.50" ID	12
5	7660182631	Locknut, 0.50-20NF	4
6	7274000046	Retaining Clamp	2
7	7105201850	Capscrew, 0.63"-18NF x 2.25"	4
8	7660202347	Locknut, 0.63"-18NF	4
9	7701000063	Plug	4
10	4679000153*	Wear Pad	2
11	7118161026*	Flathead Screw, 0.38"-16NC x 1.25"	6
12	7660162601*	Locknut, 0.38-16NC	6
13	4679000221*	Wear Pad	2
14	4812000071*	Shim - 0.12"	2
15	4812000072*	Shim - 0.06"	2
16	7114151218*	Capscrew, 0.31"-18NC x 1.50"	4
17	7660152601*	Locknut, 0.31"-18NC	4
18	7660182333	Locknut, 0.50-20NF	4

\* also available in Hold Down Assembly, P/N 3558000014

# HOLD DOWN - 22' MAIN DECK



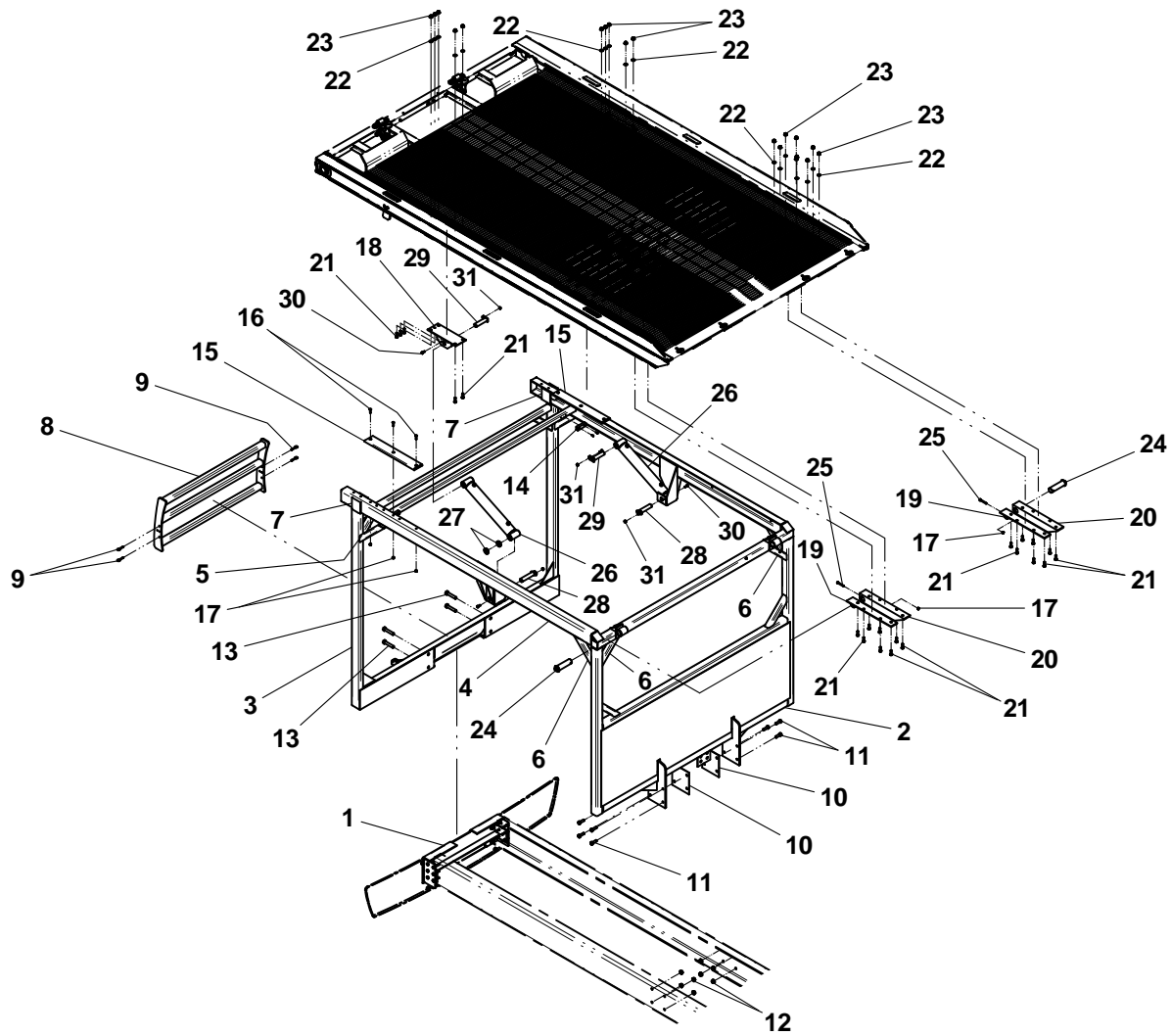
**SUBFRAME AND SUPPORT - UPPER DECK (WELDMENT)**

ITEM	PART NO.	DESCRIPTION	QTY	ITEM	PART NO.	DESCRIPTION	QTY
1	See Note 1	Bumper Bracket Weld	1	18	3178000297	Bracket Weld (aluminum upper deck)	2
2	See Note 1	Headboard Weld	1		4178000355	Bracket (steel upper deck)	
3	See Note 1	Front Support Weld	1	19	3017000071	Angle Weld LH (aluminum upper deck)	2
4	See Note 1	Subframe Weld	1	20	3017000072	Angle Weld RH (aluminum upper deck)	2
5	4913000137	Tube	2	21	7115181250	Capscrew, 0.50"-13NC x 1.50"	26
6	4913000409	Tube	6			(aluminum upper deck)	
7	4705000594	Plate	4	22	7950180143	Flatwasher, 0.50" ID	26
8	3002000013	Access Ladder Weld	1			(aluminum upper deck)	
9	7691000045	Pin	4	23	7660182301	Locknut, 0.50"-13NC	26
10	4706003222	Plate	A/R			(aluminum upper deck)	
11	7105201650	Capscrew, 0.62"-18NF x 2.00"	8	24	3691000188	Pin Weld	2
12	7660202347	Locknut, 0.62"-18NF	8	25	7118162250	Capscrew, 0.38"-16NC x 2.75"	2
13	7105223250	Capscrew, 0.75"-16NF x 4.00"	4	26	3320000127	Tilt Cylinder Assembly	2
14	See Note 1	Hood Stop Pad	2	27	4209000337	Bushing	4
15	4679000193	Pad (aluminum upper deck)	2	28	3691000092	Pin Weld	2
		(IHC 4400/4900, Ford F-750,		29	3691000073	Pin Weld (aluminum upper deck)	2
		Freightliner M2, Peterbilt P335 &			3691000092	Pin Weld (steel upper deck)	
		Kenworth T300)		30	7115160850	Capscrew, 0.38"-16NC x 1.00"	4
	4679000244	Pad (aluminum upper deck)		31	7660162301	Locknut, 0.38"-16NC	4
		(Peterbilt P330)					
	4090000003	Pad (steel upper deck)					
16	7118161026	Capscrew, 0.38"-16NC x 1.25"	6				
		(IHC 4400/4900, Ford F-750,					
		Freightliner M2, Peterbilt P335 &					
		Kenworth T300) (aluminum upper deck)					
	7115161223	Capscrew, 0.38"-16NC x 1.50"	4				
		(Peterbilt P330) (aluminum upper deck)					
17	7660162601	Locknut, 0.38"-16NC	6				
		(IHC 4400/4900, Ford F-750,					
		Freightliner M2, Peterbilt P335 &					
		Kenworth T300) (aluminum upper deck)					
	7660162601	Locknut, 0.38"-16NC	4				
		(Peterbilt P330) (aluminum upper deck)					

Note 1: Parts vary depending on chassis. Consult factory for part numbers.



# SUBFRAME AND SUPPORT - UPPER DECK (WELDMENT)



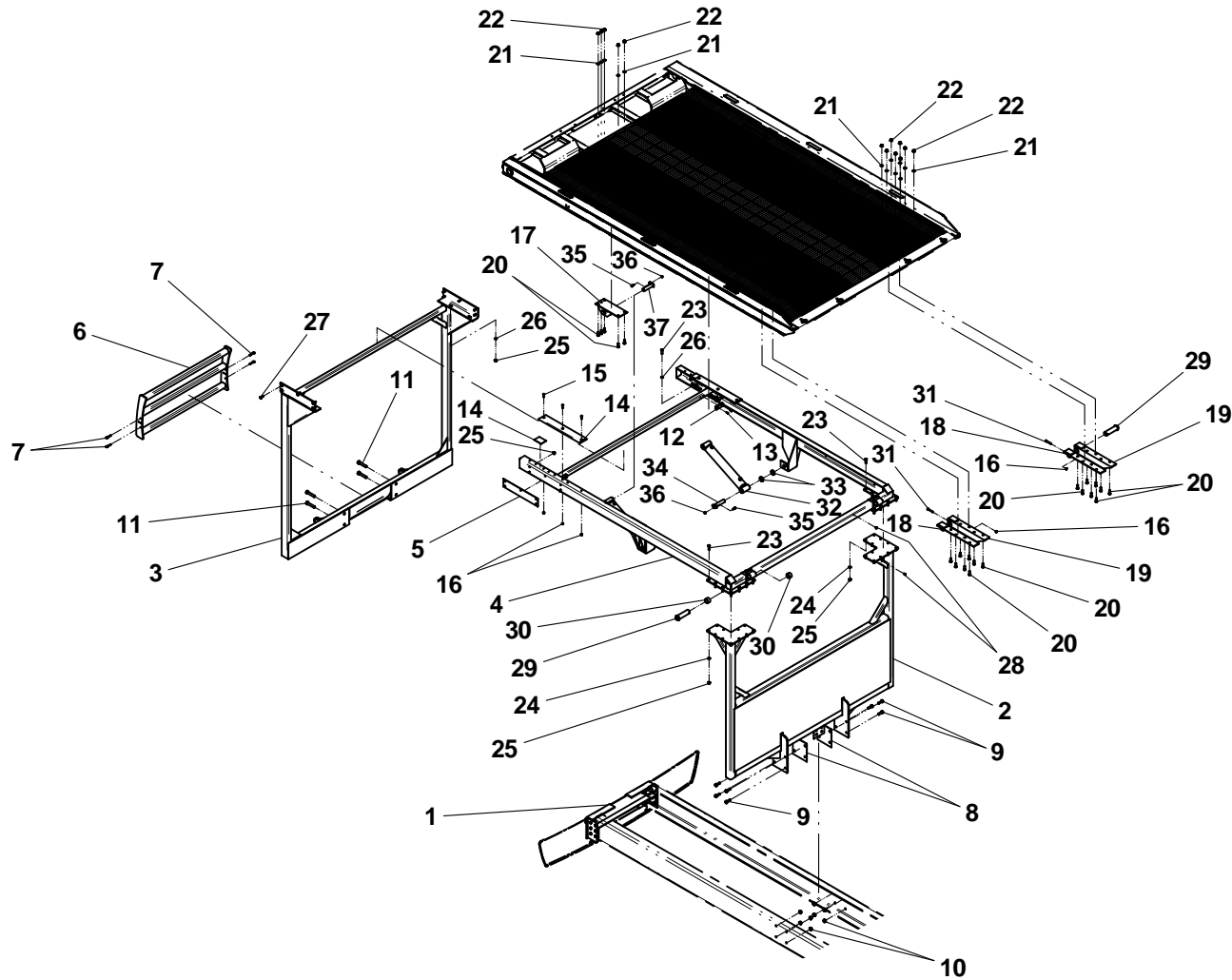
Aluminum Deck shown

**SUBFRAME AND SUPPORT - UPPER DECK (BOLT ON)**

ITEM	PART NO.	DESCRIPTION	QTY	ITEM	PART NO.	DESCRIPTION	QTY
1	See Note 1	Bumper Bracket Weld	1	16	7660162601	Locknut, 0.38"-16NC	8
2	3241000198	Headboard Weld Rear Support	1			(IHC 4400/4900, Ford F-750,	
3	3190000043	Bumper Weld Front Support	1			Freightliner M2, Peterbilt P335 &	
	3190000055	Bumper Weld Front Support	1			Kenworth T300) (aluminum upper deck)	
		(Extended Cab Chassis)			7660162601	Locknut, 0.38"-16NC (steel deck)	6
4	3868000292	Subframe Weld Upper Deck	1	17	3178000503	Bracket Weld (aluminum upper deck)	2
		(IHC, Ford, Freightliner, Peterbilt P335)			4178000355	Bracket (steel upper deck)	
	3868000280	Subframe Weld Upper Deck	1	18	3017000100	Angle Weld LH (aluminum upper deck)	2
		(Kenworth T300)		19	3017000101	Angle Weld RH (aluminum upper deck)	2
	3868000281	Subframe Weld Upper Deck	1	20	7115181250	Capscrew, 0.50"-13NC x 1.50"	26
		(Peterbilt 330)				(aluminum upper deck)	
	3868000308	Subframe Weld Upper Deck	1	21	7950180143	Flatwasher, 0.50" ID	26
		(F750 Extended Cab)				(aluminum upper deck)	
5	4812000082	Shim	1	22	7660182301	Locknut, 0.50"-13NC	26
6	3002000013	Access Ladder Weld	1			(aluminum upper deck)	
7	7691000045	Pin	4	23	7115181450	Capscrew, 0.50"-13NC x 1.75"	26
8	4706003222	Plate	A/R	24	7950180143	Flatwasher, 0.50" ID	22
9	7105201650	Capscrew, 0.62"-18NF x 2.00"	8	25	7660182301	Locknut, 0.50"-13NC	36
10	7660202347	Locknut, 0.62"-18NF	8	26	7950180252	Flatwasher, 0.50" ID	4
11	7105223250	Capscrew, 0.75"-16NF x 4.00"	4	27	7115181223	Capscrew, 0.50"-13NC x 1.50"	10
12	See Note 1	Hood Stop Pad	2	28	7790141056	Screw, 0.25"-20NC x .63"	2
13	See Note 1	Screw, Tapping	4	29	3691000188	Pin Weld	2
14	4679000193	Pad (aluminum upper deck)	2	30	7082000019	Bearing	4
		(IHC 4400/4900, Ford F-750,		31	7118162250	Capscrew, 0.38"-16NC x 2.75"	2
		Freightliner M2, Peterbilt P335 &		32	3320000127	Tilt Cylinder Assembly	2
		Kenworth T300)		33	4209000337	Bushing	4
	4679000244	Pad (aluminum upper deck)		34	3691000092	Pin Weld	2
		(Peterbilt P330)		35	7115160850	Capscrew, 0.38"-16NC x 1.00"	4
	4090000003	Pad (steel upper deck)		36	7660162301	Locknut, 0.38"-16NC	4
15	7118161026	Capscrew, 0.38"-16NC x 1.25"	6	37	3691000073	Pin Weld	2
		(IHC 4400/4900, Ford F-750,					
		Freightliner M2, Peterbilt P335 &					
		Kenworth T300) (aluminum upper deck)					
	7115161223	Capscrew, 0.38"-16NC x 1.50"	4				
		(Peterbilt P330) (aluminum upper deck)					

Note 1: Parts vary depending on chassis. Consult factory for part numbers.

## SUBFRAME AND SUPPORT - UPPER DECK (BOLT ON)



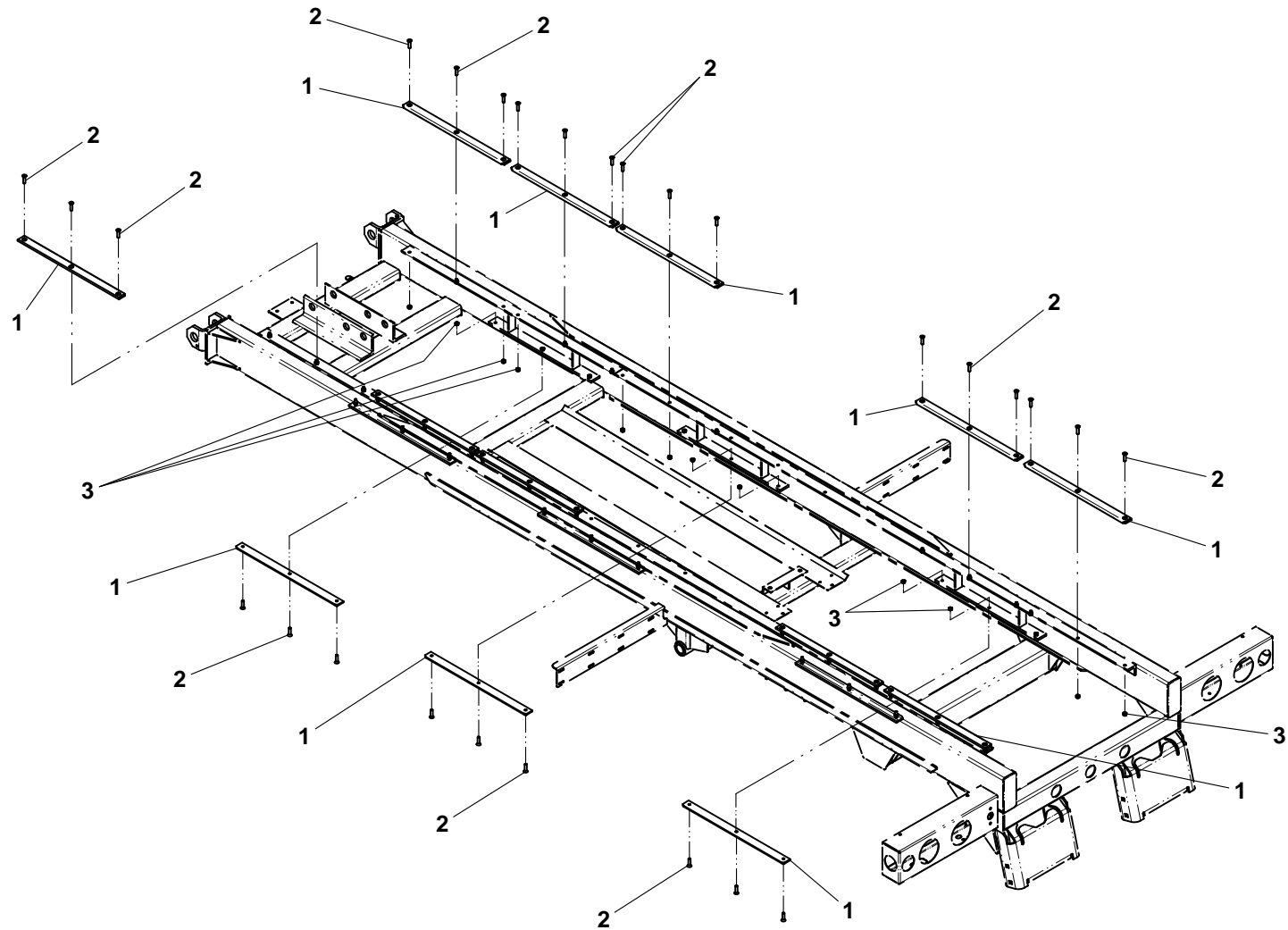
Aluminum Deck shown

**SLIDE PAD**

ITEM	PART NO.	DESCRIPTION	QTY
1	4679000145	Wear Pad (28' & 30' Deck)	16
	4679000145*	Wear Pad (22' Deck)	14
2	7118161026	Capscrew, 0.38"-16NC x 1.25" (28' & 30' Deck)	48
	7118161026*	Capscrew, 0.38"-16NC x 1.25" (22' Deck)	42
3	7660162601	Locknut, 0.38"-16NC (28' & 30' Deck)	48
	7660162601*	Locknut, 0.38"-16NC (22' Deck)	42

\* included in Slide Pad Kit, P/N 9577000228

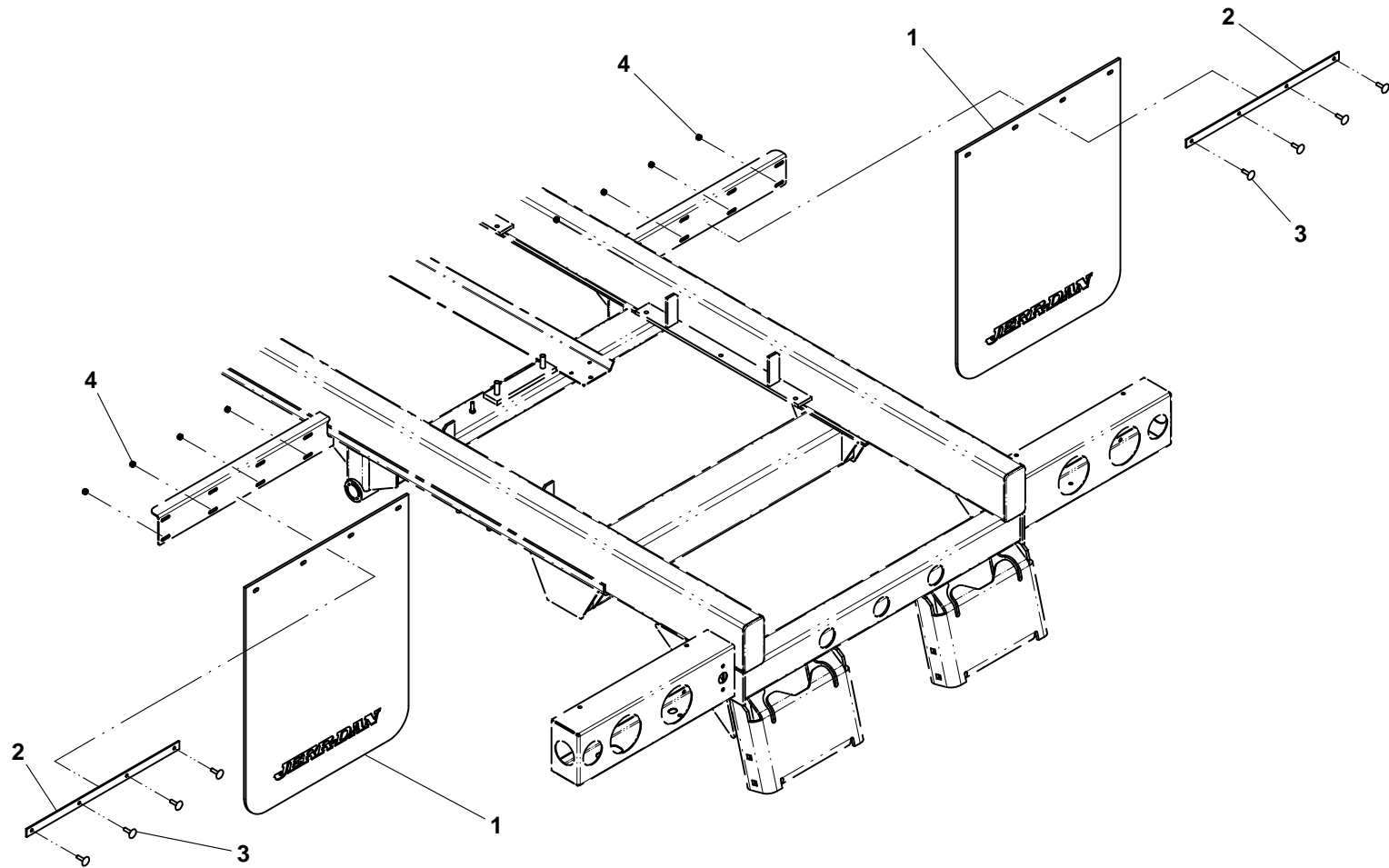
# SLIDE PAD



**MUD FLAP**

ITEM	PART NO.	DESCRIPTION	QTY
1	7638000013	Mud Flap - High Frame, 36" long	2
2	4706000233	Plate	2
3	7111150864	Carriage Bolt, 0.31"-18NC x 1.00"	8
4	7660152601	Locknut, 0.31"-18NC	8

# MUD FLAP

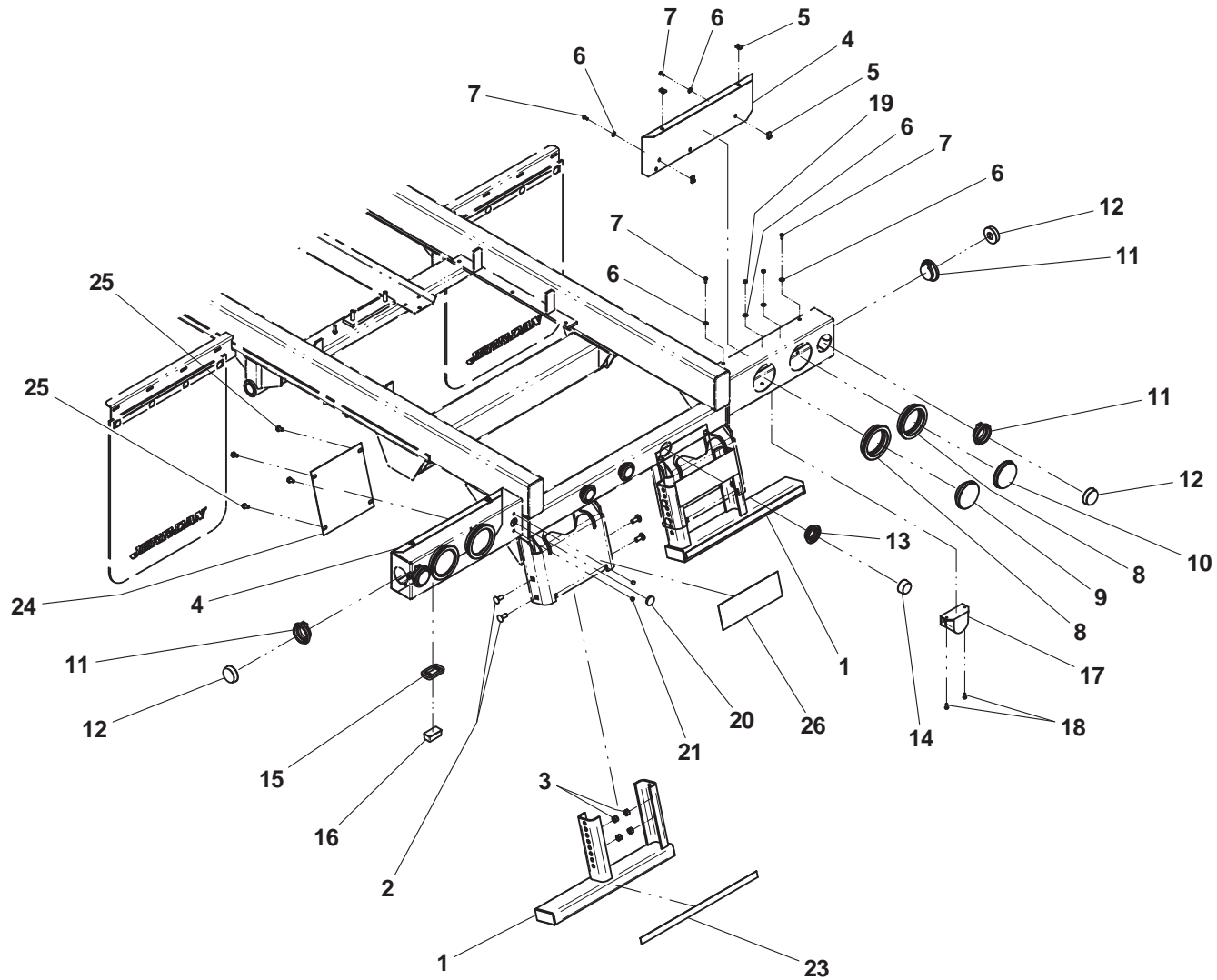


**FINAL ASSEMBLY**

ITEM	PART NO.	DESCRIPTION	QTY
1	3190000037	Bumper Tube Weld - Short	2
	3190000034	Bumper Tube Weld - Long	
2	7115181064	Carriage Bolt, 0.50"-13NC x 1.25"	8
3	7660182601	Locknut, 0.50"-13NC	8
4	4314000043	Light Box Cover	2
5	7661000042	U-Nut, 0.25"-20NC	8
6	7949000023	Nylon Washer, 0.26" ID	10
7	7114140529	Screw, 0.25"-20NC x 0.63"	8
8	7493000002	Grommet	4
9	7590000113	Back-Up Light - White (Std)	2
10	7590000341	Stop/Tail/Turn Light - Red (LED)	2
11	7493000009	Grommet	4
12	7590000343	Marker Light - Red (LED)	4
13	7493000023	Grommet	3
14	7590000340	Marker Light - Red (LED)	3
15	7493000010	Grommet	1
16	7590000251	License Plate Light	1
17	7011000007	Back-Up Alarm	1
18	7114140528	Screw, 0.25"-20NC x 0.63"	2
19	7660142601	Locknut, 0.25-20NC	2
20	7701000049	Plug	1
21	7701000055	Plug	2
22	Not Required		
23	7330000428	Reflective Tape	2
24	4314000086	Cover Plate	2
25	7790161253	Screw, 0.38"-16NC x 0.75"	8
26	7679000020	Non-Skid Pad	2



# FINAL ASSEMBLY



**HYDRAULIC RESERVOIR AND TOOLBOX / BASKET**

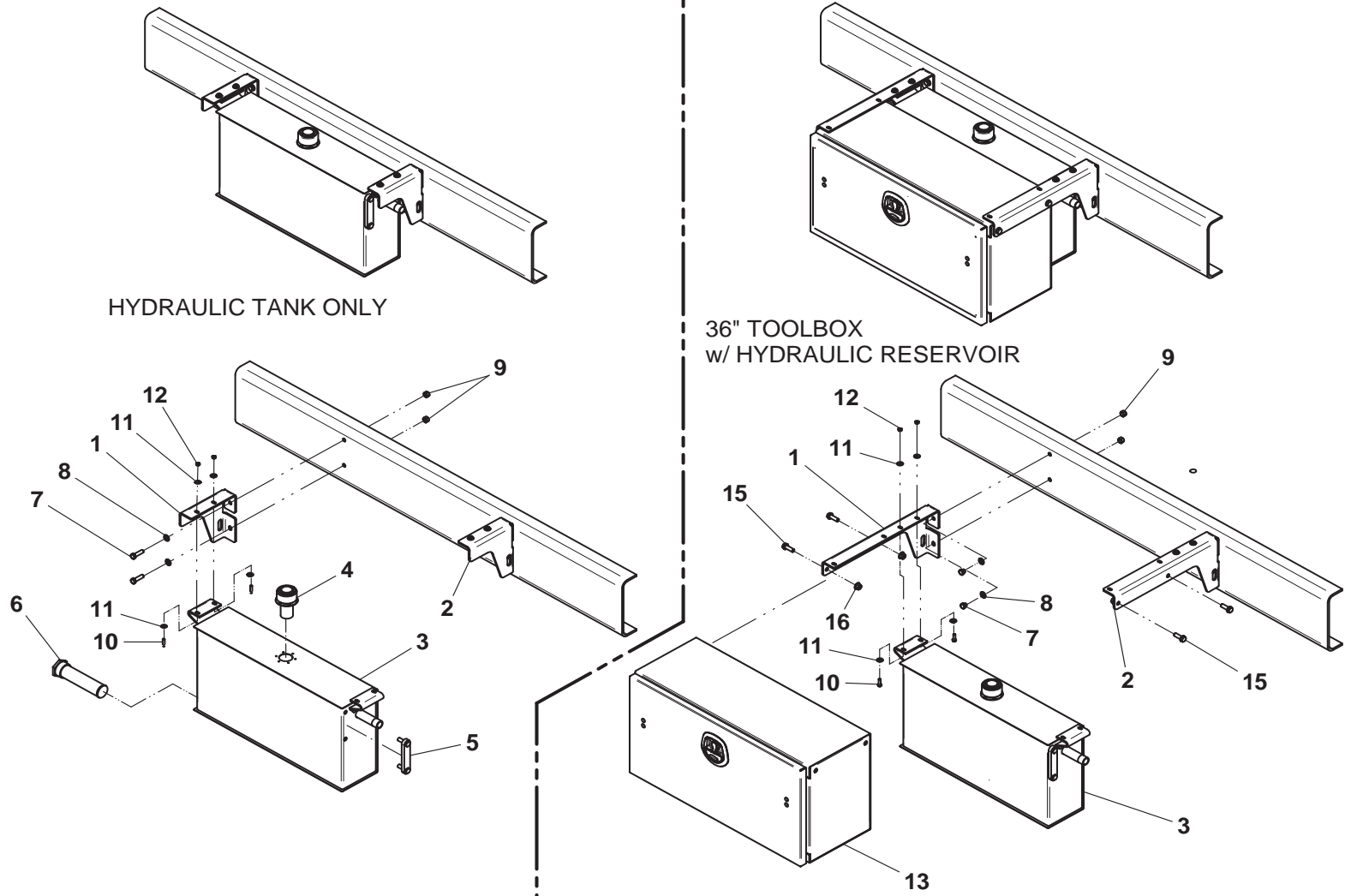
ITEM	PART NO.	DESCRIPTION	QTY*
1	4178000331	Mounting Bracket - Short	
	4178000291	Mounting Bracket - Std	
	4178000339	Mounting Bracket - Long	
2	4178000330	Mounting Bracket - Short	
	4178000290	Mounting Bracket - Std	
	4178000338	Mounting Bracket - Long	
3	3750000018	Hydraulic Reservoir Assembly	
4	7183000004+	Breather Filler Cap Assembly	
5	7470000009+	Level / Temperature Gauge	
6	7430000014+	Strainer	
7	7105181650	Capscrew, 0.50"-20NF x 2.00"	
8	7950180153	Flat Washer, 0.50" ID	
9	7660182333	Locknut, 0.50"-20NF	
10	7115150850	Capscrew, 0.31"-18NC x 1.00"	
11	7950150161	Flatwasher, 0.31" ID	
12	7660152601	Locknut, 0.31"-18NC	
13	3899000130	Toolbox Assembly - 36" x 18" x 18"	
	3899000131	Toolbox Assembly - 36" x 18" x 14"	
	3899000132	Toolbox Assembly - 48" x 18" x 18"	
	3899000133	Toolbox Assembly - 60" x 18" x 18"	
14	4679000256^	Rubber Pad (36" Toolbox)	
	4679000257^	Rubber Pad (48" Toolbox)	
	4679000258^	Rubber Pad (60" Toolbox)	
15	7118181216	Capscrew, 0.50"-13NC x 1.50"	
16	7660182301	Locknut, 0.50"-13NC	
17	4706002361	Plate	
18	4017000777	High Mount Angle	
19	3899000053	Basket - 15" deep	
	3899000075	Basket - 24" deep	
20	4632000015	Moulding - 15" deep basket	
	4632000048	Moulding - 24" deep basket	
21	7002000410	Stainless Steel Cover Plate for Basket includes rivets	

+ also available in Hydraulic Reservoir Assembly, P/N 3750000018

^ included in Toolbox Assembly

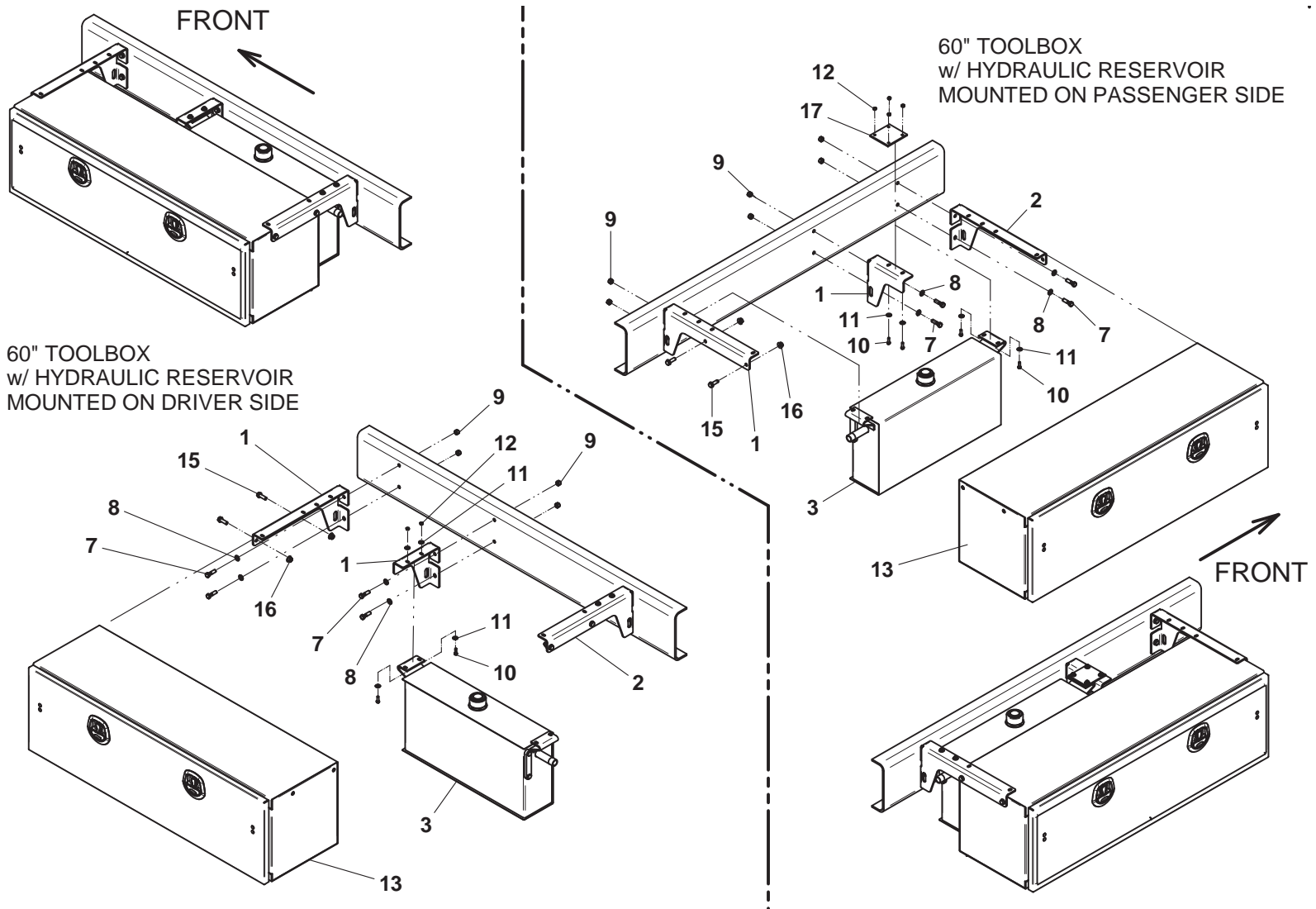
\* Quantities vary depending on Hydraulic Tank / Toolbox / Basket mounting configuration.

# HYDRAULIC RESERVOIR AND TOOLBOX / BASKET



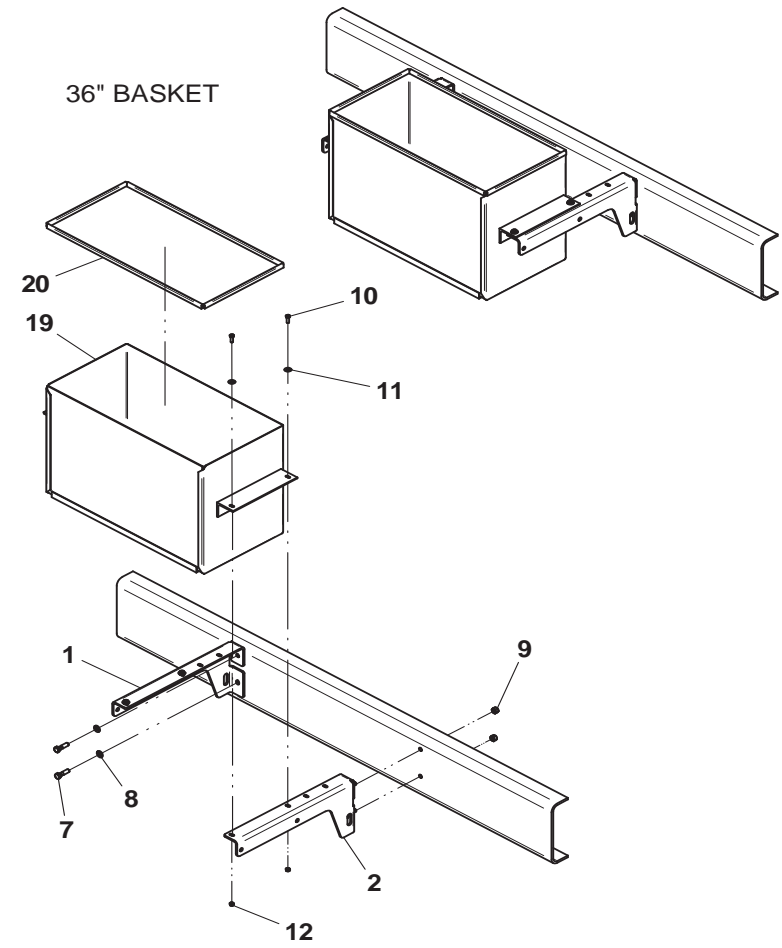
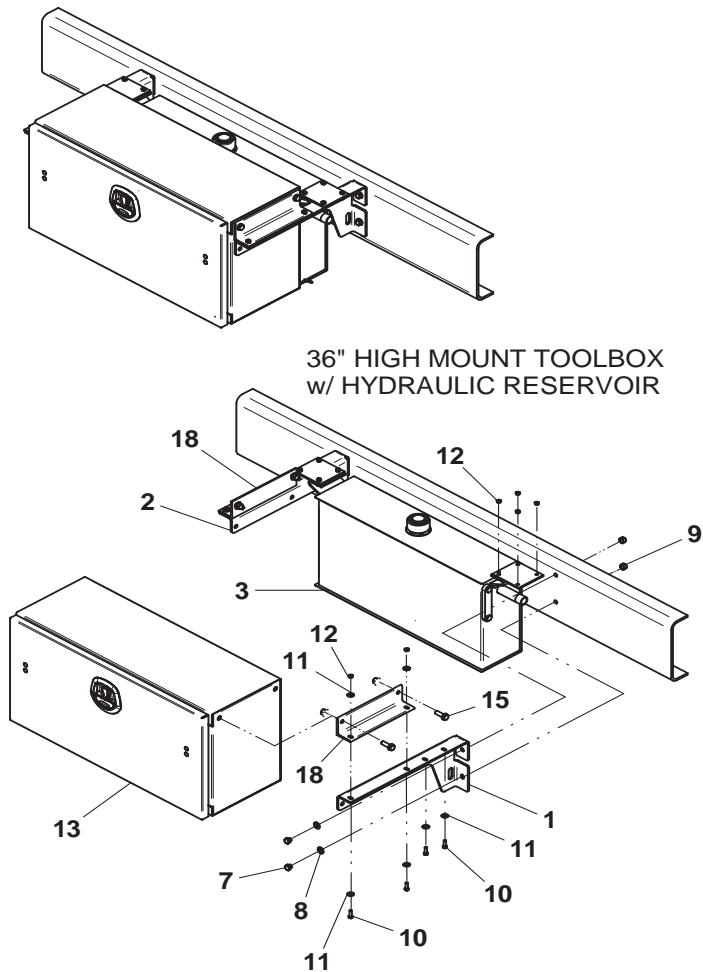
Item #14, Toolbox Rubber Pad, not shown

### HYDRAULIC RESERVOIR AND TOOLBOX / BASKET



Item #14, Toolbox Rubber Pad, not shown

# HYDRAULIC RESERVOIR AND TOOLBOX / BASKET



Items #14, Toolbox Rubber Pad and #21, Stainless Cover for Basket, not shown

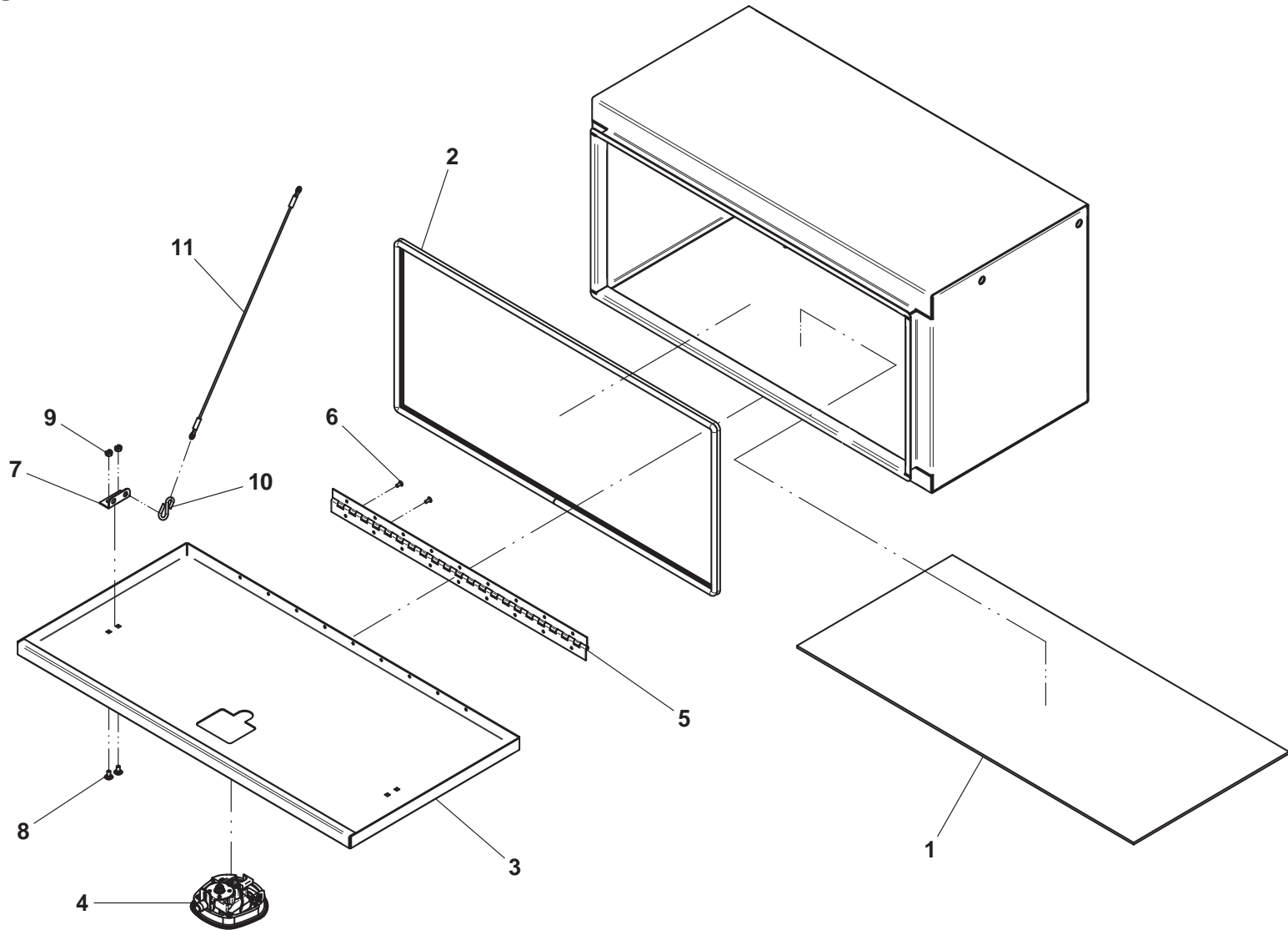
**TOOLBOX**

ITEM	PART NO.	DESCRIPTION	QTY*
1	4679000256	Rubber Pad (36" toolbox)	1
	4679000257	Rubber Pad (36" narrow toolbox)	1
	4679000258	Rubber Pad (48" toolbox)	1
	4679000259	Rubber Pad (60" toolbox)	1
2	4796000009	Gasket (36" toolbox)	1
	4796000010	Gasket (48" toolbox)	1
	4796000011	Gasket (60" toolbox)	1
3	9899000014	Toolbox Door Assembly (36" toolbox)	1
	9899000015	Toolbox Door Assembly (48" toolbox)	1
	9899000016	Toolbox Door Assembly (60" toolbox)	1
4	7585000019^	Latch	1
5	7555000016^	Hinge (36" toolbox)	1
	7555000015^	Hinge (48" toolbox)	2
	7555000016^	Hinge (60" toolbox)	2
6	7759000020^	Rivet (36" toolbox)	9
	7759000020^	Rivet (48" toolbox)	14
	7759000020^	Rivet (60" toolbox)	18
7	4178000599^	Bracket	2
8	7114140465^	Carriage Bolt, 0.25"-20NC x 0.50"	4
9	7660142604^	Locknut, 0.25" -20NC	4
10	7592000005^	S Link	4
11	7248000114^	Cable	2

\* Quantities listed are for one toolbox

^ also included in Toolbox Door Assembly

# TOOLBOX



36" Toolbox shown

**78" TOOLBOX AND MARKER LIGHTS**

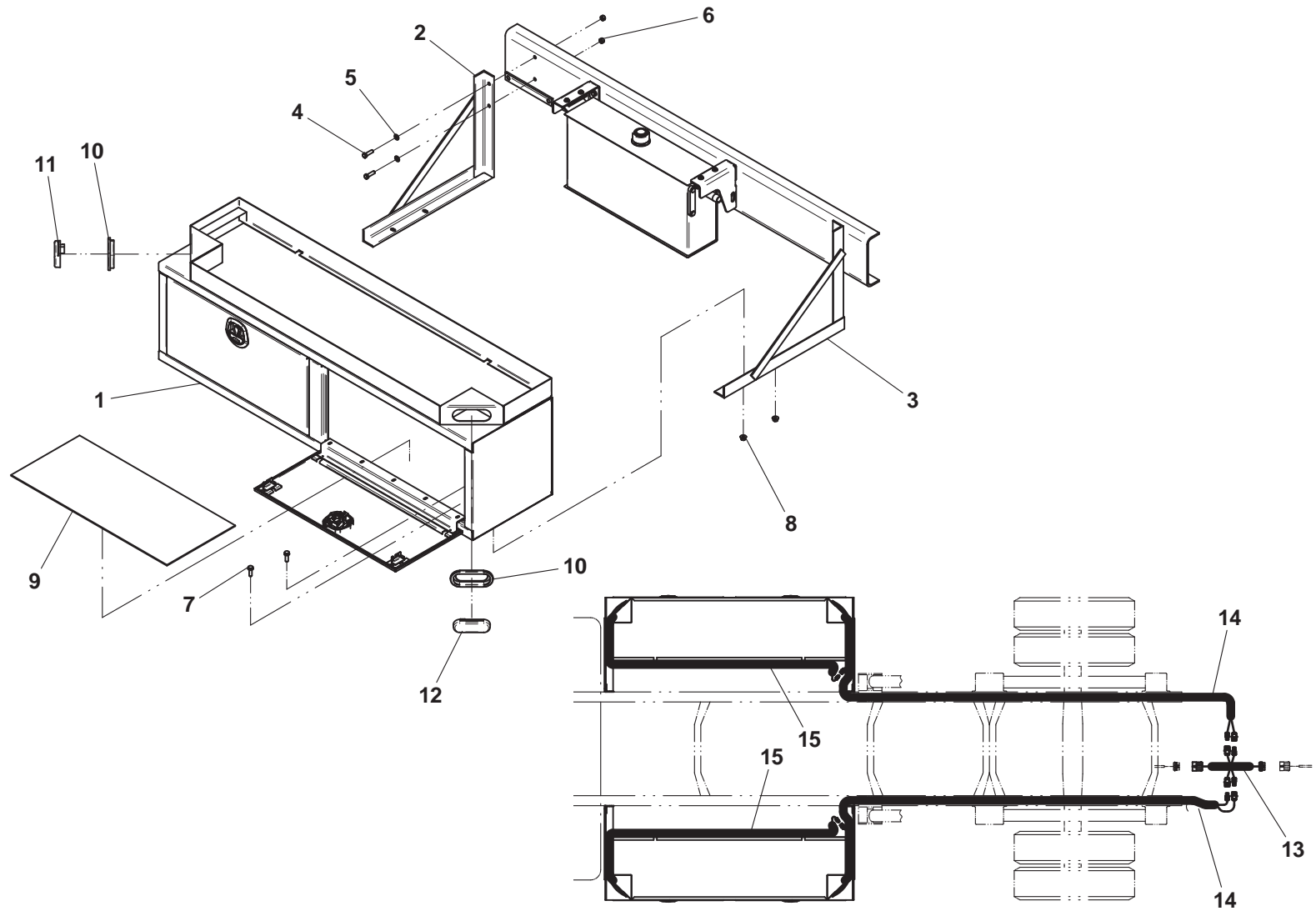
ITEM	PART NO.	DESCRIPTION	QTY*
1	7899000015	78" Toolbox - Universal	1
	7899000010	78" Toolbox - LH w/ Tool Mtg Brackets	
	7899000011	78" Toolbox - RH w/ Tool Mtg Brackets	
2	7178000046^	Mounting Bracket - LH	1
3	7178000047^	Mounting Bracket - RH	1
	3178000522	Mounting Bracket - Special 144" CA	2
4	7105181650	Capscrew, 0.50"-20NF x 2.00"	4
5	7950180153	Flatwasher, 0.50" ID	4
6	7660182333	Locknut, 0.50"-20 NF	4
7	7118181216	Capscrew, 0.50"-13NC x 1.50"	4
8	7660182301	Locknut, 0.50"-13NC	4
9	Not Required		
10	7493000026	Grommet	2
11	7590000300	Marker Light - Amber (LED)	2
12	7590000333	Marker Light - Red (LED)	2
13	7552000361	Harness Adapter	1
14	7552000362	Harness - Stop/Tail/Turn Light	2
15	7552000363	Harness - Marker Light	2

\* Quantities listed are for one toolbox

^ also included in P/N 3178000521, Bracket Assembly



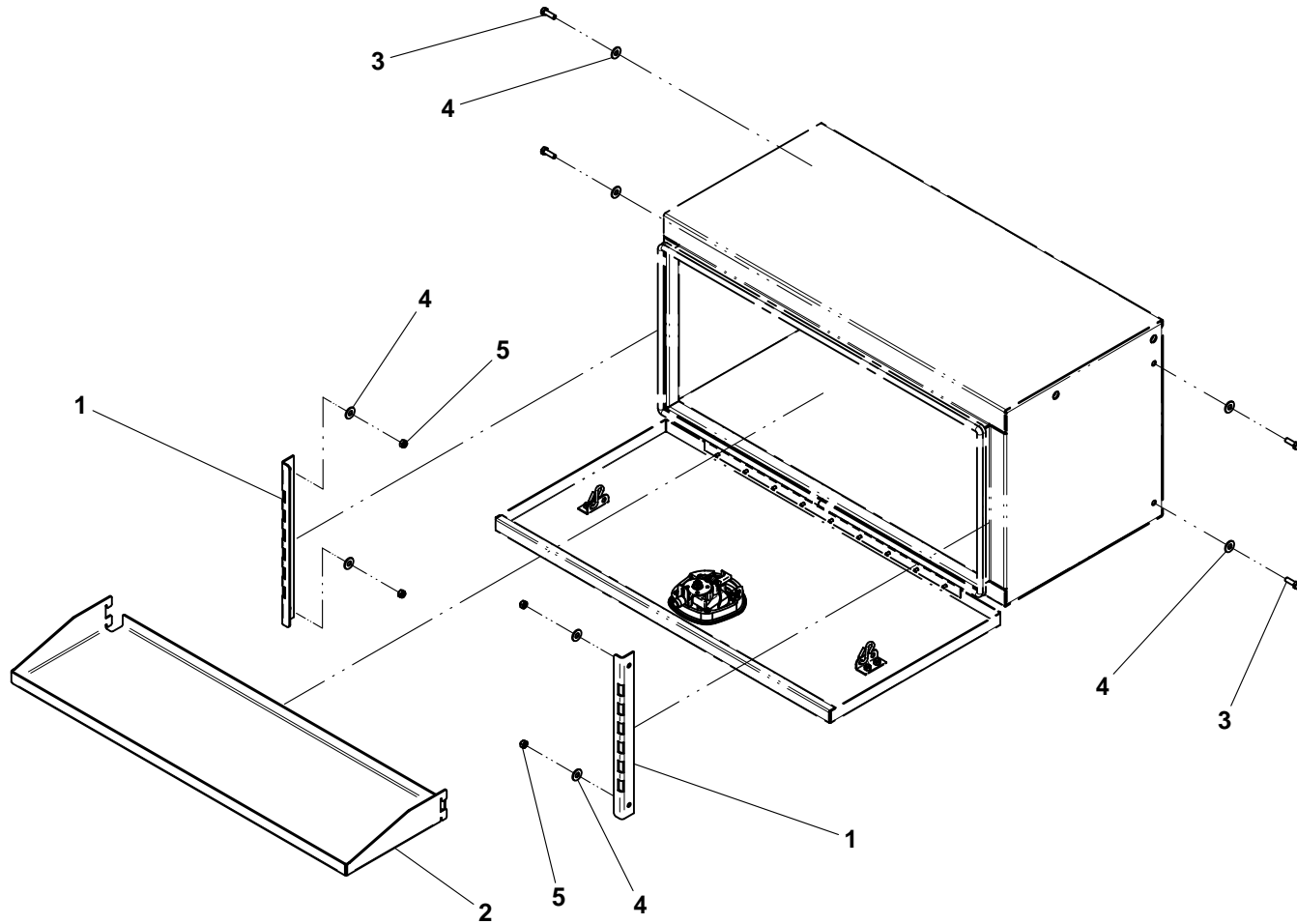
# 78" TOOLBOX AND MARKER LIGHTS



**TOOLBOX SHELF**

ITEM	PART NO.	DESCRIPTION	QTY
1	4017001403	Angle	2
2	4811000841	Shelf (36" toolbox)	1
	4811000843	Shelf (48" toolbox)	
	4811000868	Shelf (60" toolbox)	
3	7115150850	Capscrew, 0.31"-18NC x 1.00"	4
4	7950150161	Flatwasher, 0.31" ID	8
5	7660152601	Locknut, 0.31"-18NC	4

# TOOLBOX SHELF



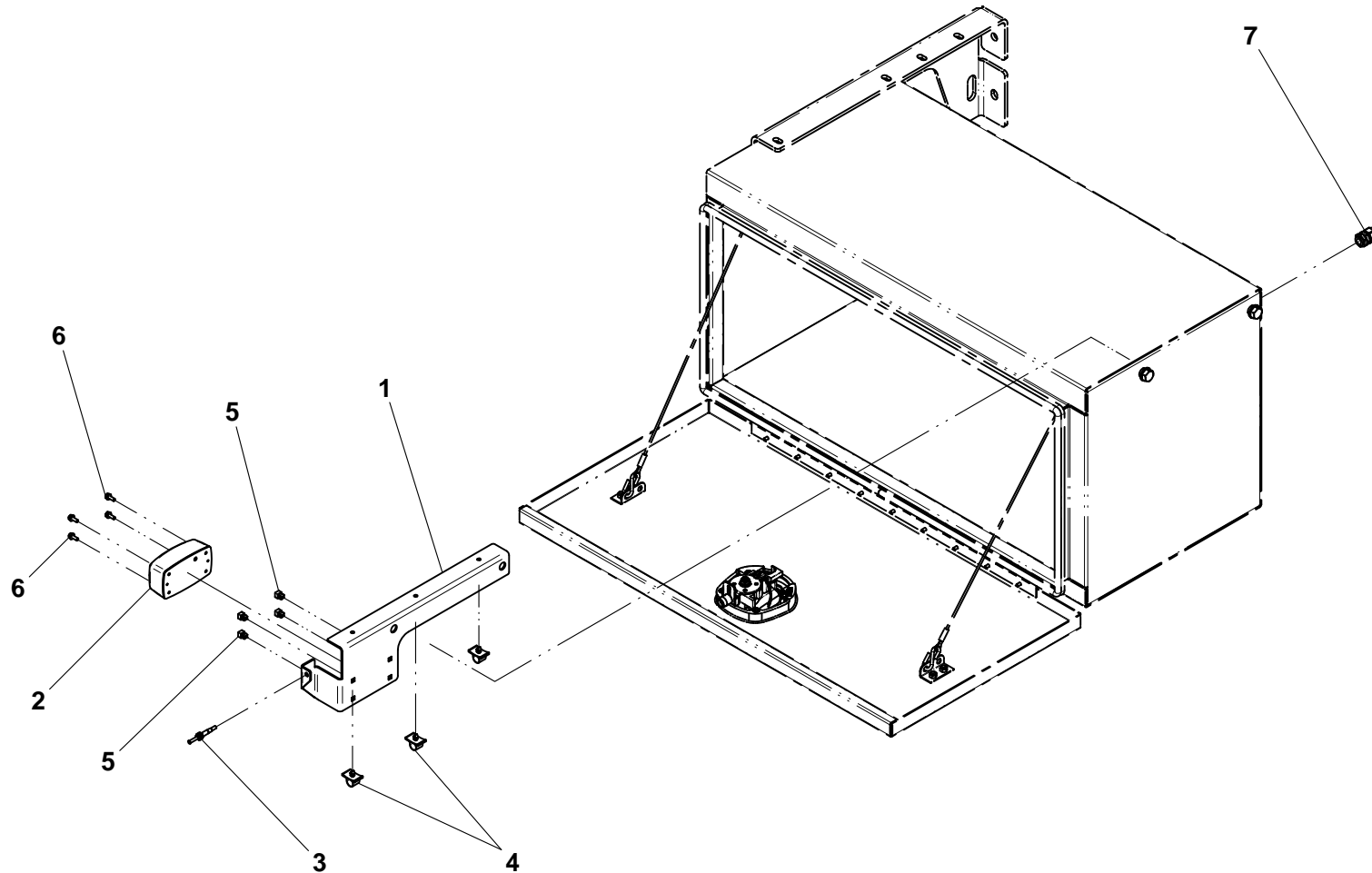
36" Toolbox shown

**TOOLBOX LIGHT**

ITEM	PART NO.	DESCRIPTION	QTY
1	4178000578*	Bracket	1
2	7590000273*	Dome Lamp	1
3	7870000115*	Switch	1
4	7280000007*	Wire Mount Clip	3
5	7661000047*	Panel Nut	4
6	7790100856*	Screw, #10 x 0.50"	4
7	7443000377	Fitting	1
8	7552000297	Toolbox Light Harness	1

\* included in Toolbox Light Bracket Assembly

# TOOLBOX LIGHT

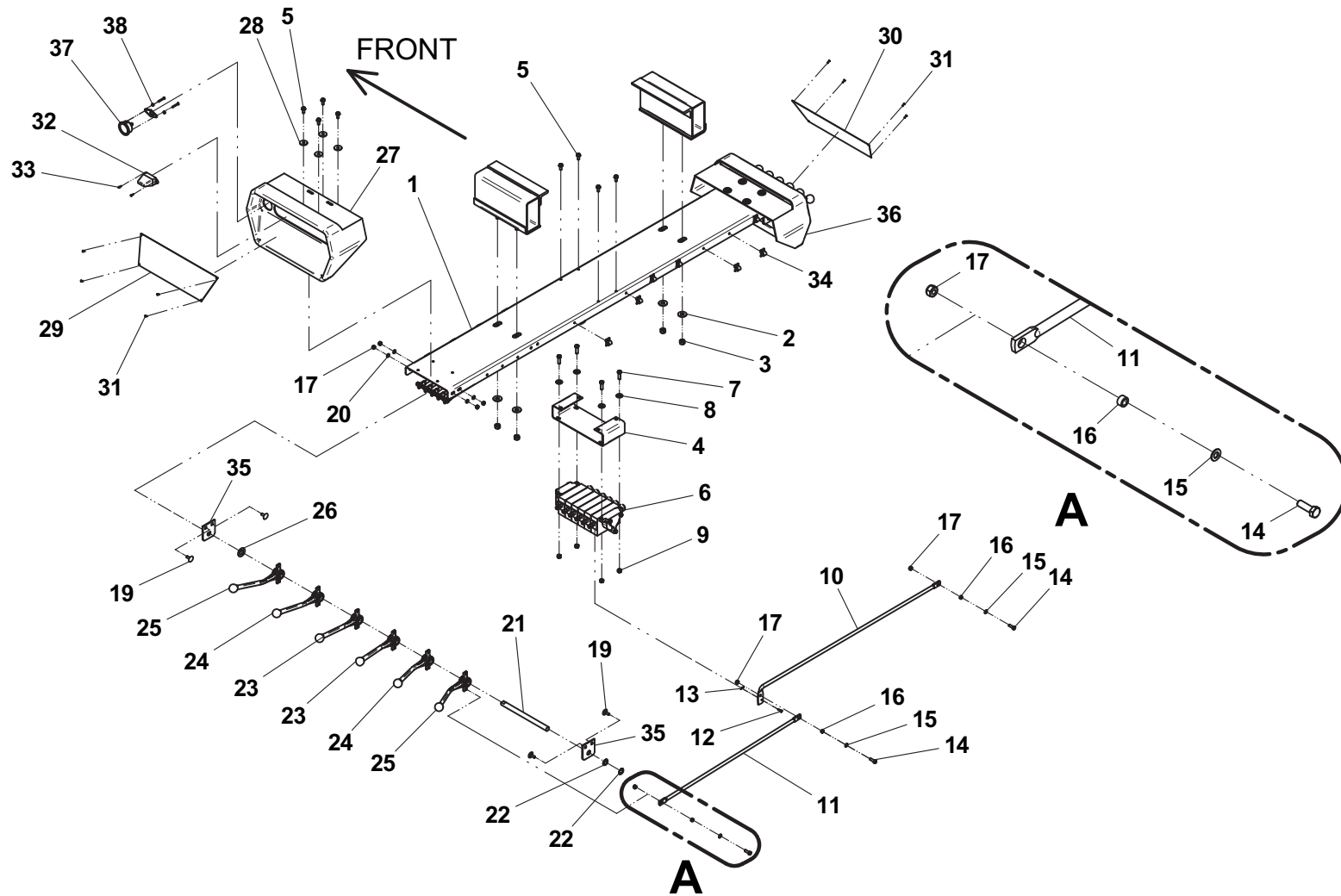


Item #8, Toolbox Light Harness, not shown  
48" Toolbox Shown

**DUAL CONTROLS - 6 BANK**

ITEM	PART NO.	DESCRIPTION	QTY	ITEM	PART NO.	DESCRIPTION	QTY
1	4263000463	Channel	1	31	7330000464	Control Panel, LH	1
2	7950180161	Flatwasher, 0.50 ID	6	32	7330000465	Control Panel, RH	1
3	7660182601	Locknut, 0.50-13NC	6	33	7759000004	Pop Rivet	8
4	4263000464	Channel	1	34	7590000087	Lamp	2
5	7790151253	Screw, 0.31-18NC x 0.75	12	35	7790101276	Screw, #6 x 0.50"	4
6	3935000125	Control Valve	1	36	7280000007	Wire Clip	11
7	7111161050	Capscrew, 0.38-16NC x 1.25"	4	37	4606000217	Lug	4
8	7950160161	Flatwasher, 0.38" ID	4	38	7560000007	Control Hood, RH	1
9	7660162601	Locknut, 0.38"-16NC	4	39	7470000023	Gauge	1
10	4763000280	Control Rod	6	40	7661000057	Jam Nut, M5	2
11	4763000279	Control Rod	6				
12	7690101200	Clevis Pin	6				
13	7691000056	Cotter Pin	6				
14	7115150850	Capscrew, 0.31"-18NC x 1.00"	18				
15	7949000011	Flatwasher, 0.31" ID	18				
16	4831000069	Spacer	18				
17	7660152601	Locknut, 0.31"-18NC	26				
18	Not Required						
19	7115150664	Carriage Bolt, 0.31"-18NC x 0.75"	8				
20	7950150000	Washer, 0.31" ID	8				
21	7691000066	Pin	2				
22	7754000009	Retaining Ring	4				
23	7551000019	Control Handle	4				
24	7551000020	Control Handle	4				
25	7551000021	Control Handle	2				
26	7551000022	Control Handle	2				
27	7950220141	Flatwasher, 0.75" ID	2				
28	4211000001	Bushing	4				
29	3560000008	Control Hood, LH	1				
30	7949000054	Washer, 0.34" ID	8				

# DUAL CONTROLS - 6 BANK

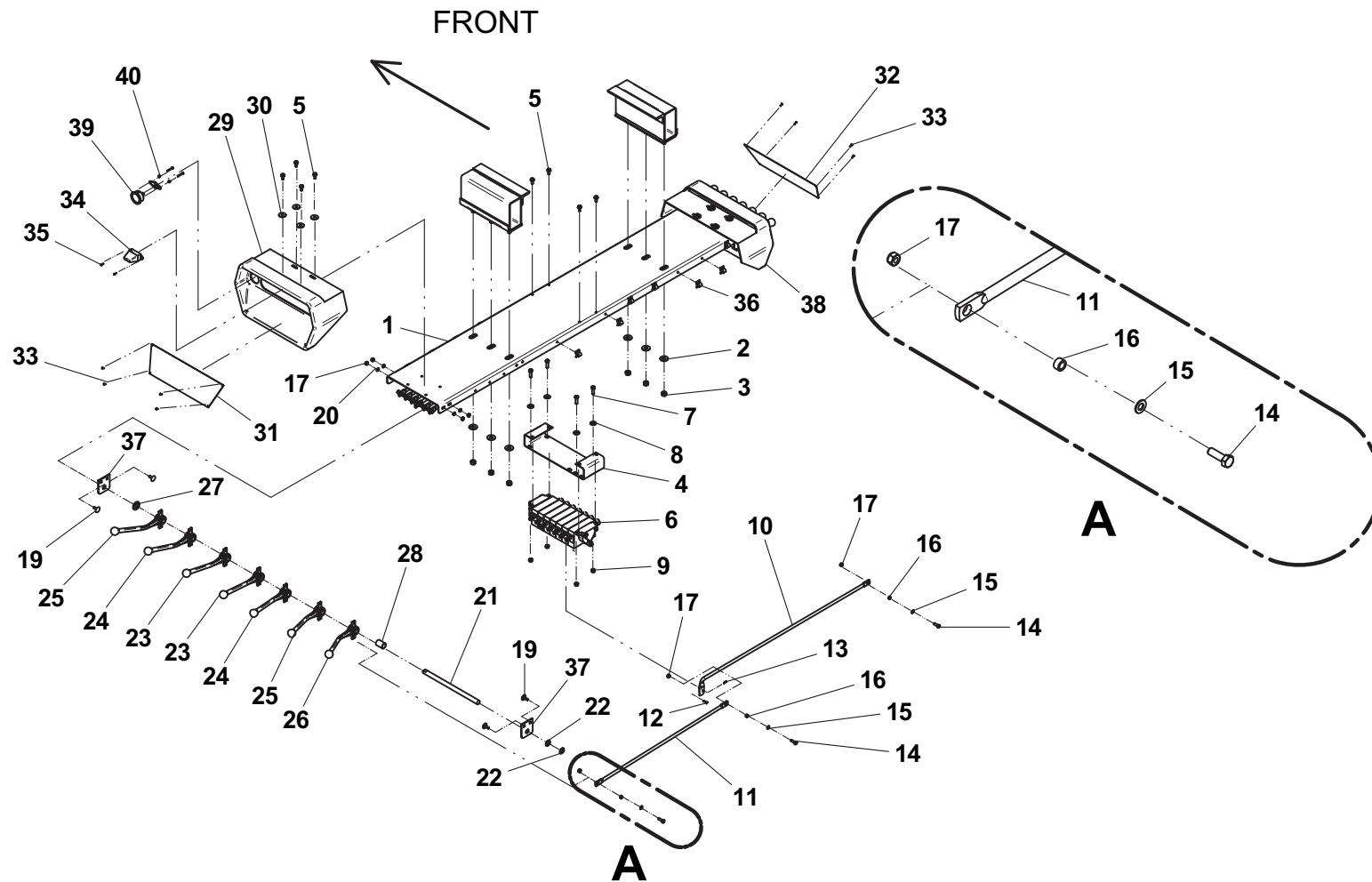


**DUAL CONTROLS - 7 BANK**

ITEM	PART NO.	DESCRIPTION	QTY	ITEM	PART NO.	DESCRIPTION	QTY
1	4263000463	Channel	1	31	7330000464	Control Panel, LH (Dual Main Deck Winches)	1
2	7950180161	Flatwasher, 0.50 ID	6				
3	7660182601	Locknut, 0.50-13NC	6		7330000778	Control Panel, LH (Single Main Deck Winch)	1
4	4263000464	Channel	1				
5	7790151253	Screw, 0.31-18NC x 0.75	12	32	7330000465	Control Panel, RH (Dual Main Deck Winches)	1
6	3935000123	Control Valve	1				
7	7111161050	Capscrew, 0.38-16NC x 1.25"	4		7330000779	Control Panel, RH (Single Main Deck Winch)	1
8	7950160161	Flatwasher, 0.38" ID	4				
9	7660162601	Locknut, 0.38"-16NC	4	33	7759000004	Pop Rivet	8
10	4763000280	Control Rod	7	34	7590000087	Lamp	2
11	4763000279	Control Rod	7	35	7790101276	Screw, #6 x 0.50"	4
12	7690101200	Clevis Pin	7	36	7280000007	Wire Clip	11
13	7691000056	Cotter Pin	7	37	4606000217	Lug	4
14	7115150850	Capscrew, 0.31"-18NC x 1.00"	21	38	7560000007	Control Hood, RH	1
15	7949000011	Flatwasher, 0.31" ID	21	39	7470000023	Gauge	1
16	4831000069	Spacer	21	40	7661000057	Jam Nut, M5	2
17	7660152601	Locknut, 0.31"-18NC	29				
18	Not Required						
19	7115150664	Carriage Bolt, 0.31"-18NC x 0.75"	8				
20	7950150000	Washer, 0.31" ID	8				
21	7691000066	Pin	2				
22	7754000009	Retaining Ring	4				
23	7551000019	Control Handle	4				
24	7551000020	Control Handle	4				
25	7551000021	Control Handle	4				
26	7551000022	Control Handle	2				
27	7950220141	Flatwasher, 0.75" ID	2				
28	4211000001	Bushing	2				
29	3560000008	Control Hood, LH	1				
30	7949000054	Washer, 0.34" ID	8				



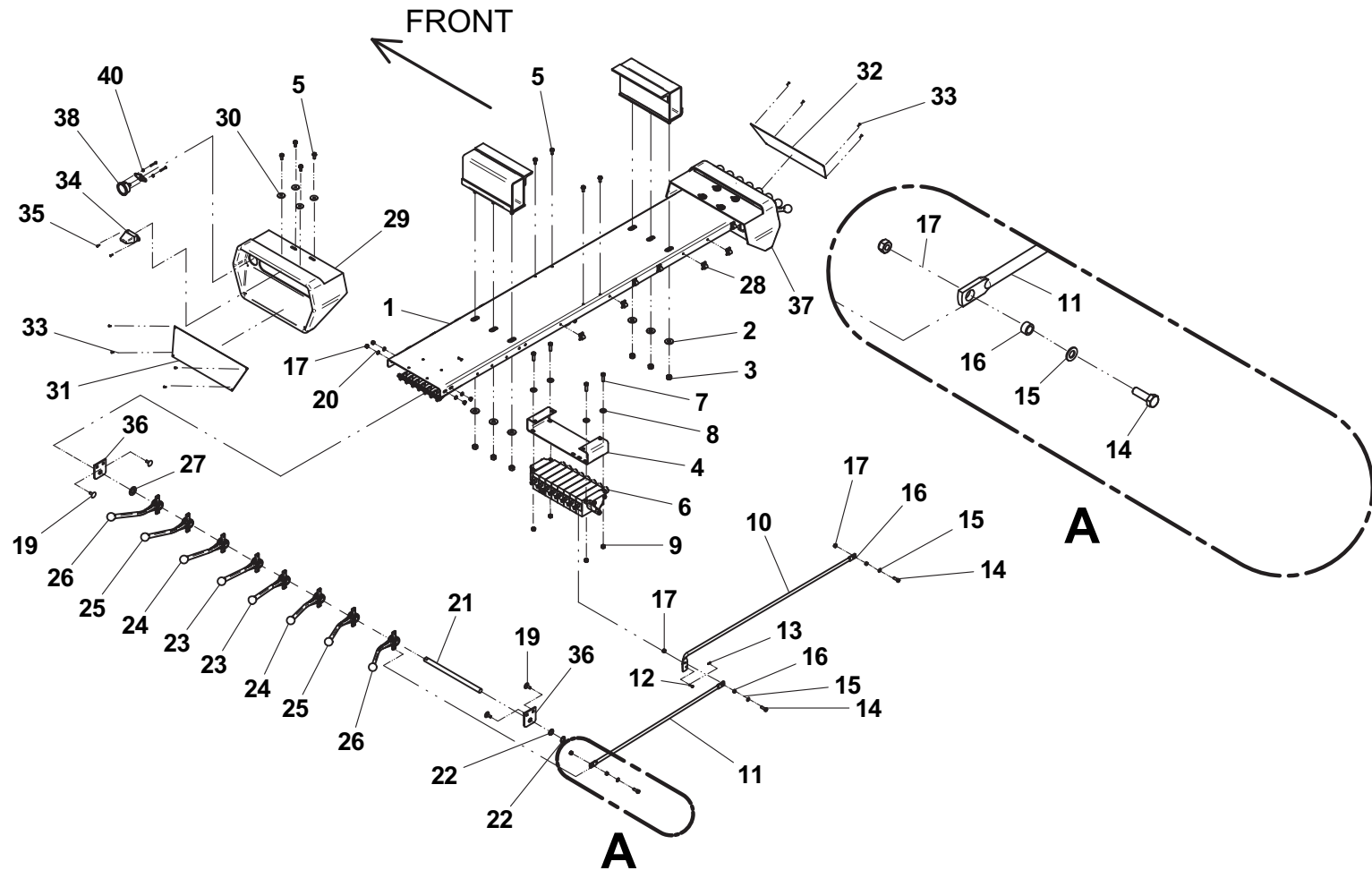
# DUAL CONTROLS - 7 BANK



**DUAL CONTROLS - 8 BANK**

ITEM	PART NO.	DESCRIPTION	QTY	ITEM	PART NO.	DESCRIPTION	QTY
1	4263000463	Channel	1	31	7330000464	Control Panel, LH	1
2	7950180161	Flatwasher, 0.50 ID	6	32	7330000465	Control Panel, RH	1
3	7660182601	Locknut, 0.50-13NC	6	33	7759000004	Pop Rivet	8
4	4263000464	Channel	1	34	7590000087	Lamp	2
5	7790151253	Screw, 0.31-18NC x 0.75	12	35	7790101276	Screw, #6 x 0.50"	4
6	3935000124	Control Valve	1	36	4606000217	Lug	4
7	7111161050	Capscrew, 0.38-16NC x 1.25"	4	37	7560000007	Control Hood, RH	1
8	7950160161	Flatwasher, 0.38" ID	4	38	7470000023	Gauge	1
9	7660162601	Locknut, 0.38"-16NC	4	40	7661000057	Jam Nut, M5	2
10	4763000280	Control Rod	8				
11	4763000279	Control Rod	8				
12	7690101200	Clevis Pin	8				
13	7691000056	Cotter Pin	8				
14	7115150850	Capscrew, 0.31"-18NC x 1.00"	24				
15	7949000011	Flatwasher, 0.31" ID	24				
16	4831000069	Spacer	24				
17	7660152601	Locknut, 0.31"-18NC	32				
18	Not Required						
19	7115150664	Carriage Bolt, 0.31"-18NC x 0.75"	8				
20	7950150000	Washer, 0.31" ID	8				
21	7691000066	Pin	2				
22	7754000009	Retaining Ring	4				
23	7551000019	Control Handle	4				
24	7551000020	Control Handle	4				
25	7551000021	Control Handle	4				
26	7551000022	Control Handle	4				
27	7950220141	Flatwasher, 0.75" ID	2				
28	7280000007	Wire Clip	11				
29	3560000008	Control Hood, LH	1				
30	7949000054	Washer, 0.34" ID	8				

# DUAL CONTROLS - 8 BANK



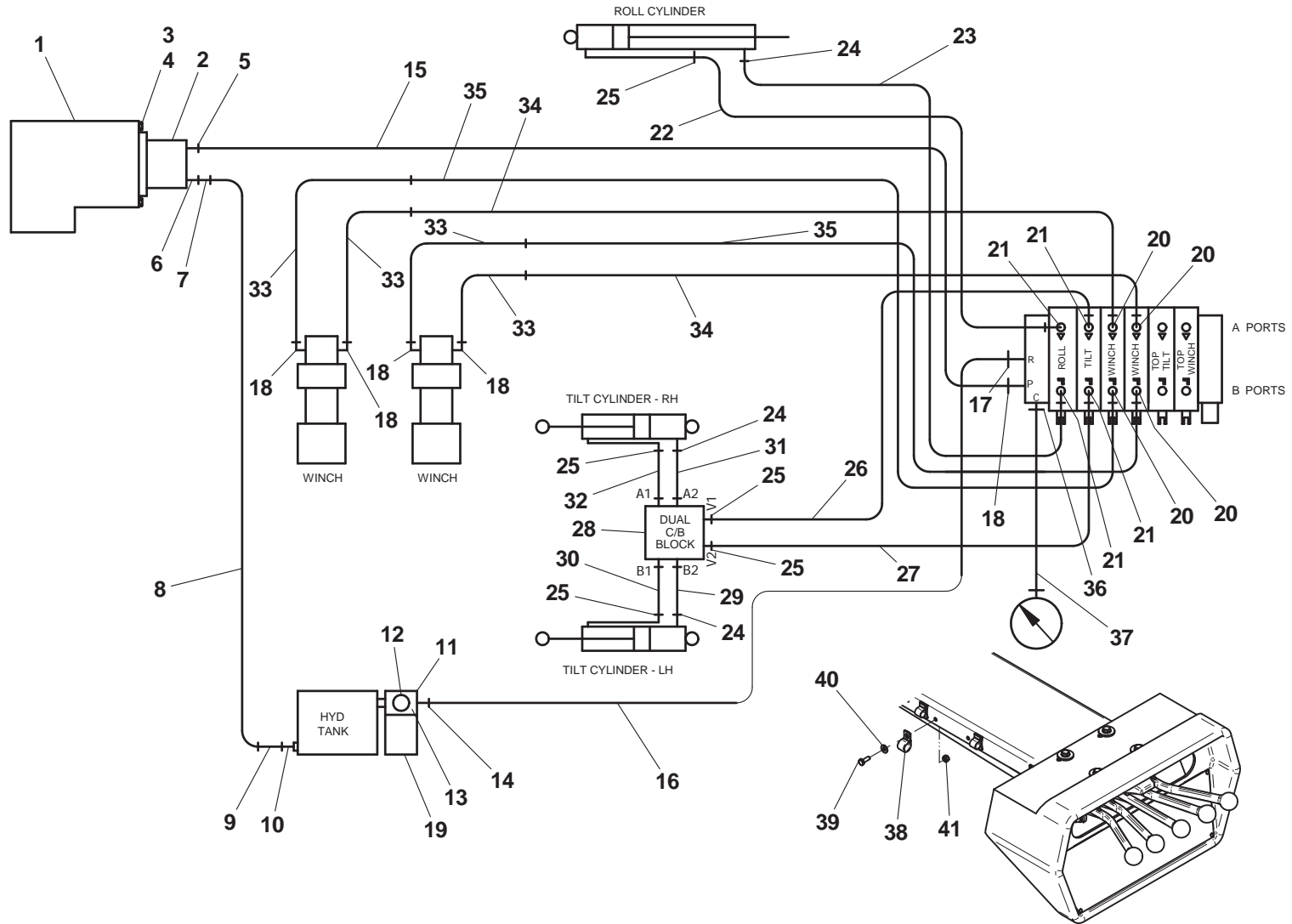
**HYDRAULIC COMPONENTS - STANDARD (28' & 30' MAIN DECK)**

ITEM	PART NO.	DESCRIPTION	QTY	ITEM	PART NO.	DESCRIPTION	QTY
1	See Note 1	PTO	1	32	4570000202	Hose Assembly	1
2	7724000126	Pump	1	33	4567430199	Hose Assembly (28' deck)	4
3	7115181050	Capscrew, 0.50"-13NC x 1.25"	2		4567430223	Hose Assembly (30' deck)	4
4	7950180000	Lockwasher, 0.50" ID	2	34	4569433124	Hose Assembly	2
5	7443000101	Adapter	1	35	4569432124	Hose Assembly	2
6	7445081643	Adapter	1	36	7445040643	Adapter	1
7	7443000023	Elbow	1	37	4567112039	Hose Assembly	1
8	See Note 1	Supply Hose	1	38	7274000063	P-Clamp	1
9	7443000013	Nipple	1	39	7115140650	Capscrew, 0.25"-20NC x 0.75"	1
10	7274000002	Clamp	2	40	7950140141	Flatwasher, 0.25" ID	1
11	7430000003	Filter Assembly	1	41	7660142601	Locknut, .025"-20NC	1
12	7470000002	Gauge	1				
13	7443000319	Fitting	1				
14	7274000080	Clamp	2				
15	See Note 1	Return Hose	1				
16	See Note 1	Pressure Hose Assembly	1				
17	7443000168	Adapter	1				
18	7445081045	Elbow	5				
19	7431000001*	Filter Element	1				
20	7445080843	Adapter	4				
21	7445060843	Adapter	4				
22	4567123030	Hose Assembly	1				
23	4567122047	Hose Assembly	1				
24	7445060645	Elbow	3				
25	7445060643	Adapter	5				
26	4567122139	Hose Assembly	1				
27	4567123139	Hose Assembly	1				
28	7935000306	Dual Counterbalance Valve	1				
29	4570000199	Hose Assembly	1				
30	4570000201	Hose Assembly	1				
31	4570000200	Hose Assembly	1				

\* also available in Filter Assembly, P/N 7430000003

Note 1: Varies depending on chassis, transmission , PTO type & deck length.  
Consult factory for part numbers.

# HYDRAULIC COMPONENTS - STANDARD (28' & 30' MAIN DECK)



CLAMP FOR PRESSURE GAUGE HOSE, ITEM #37

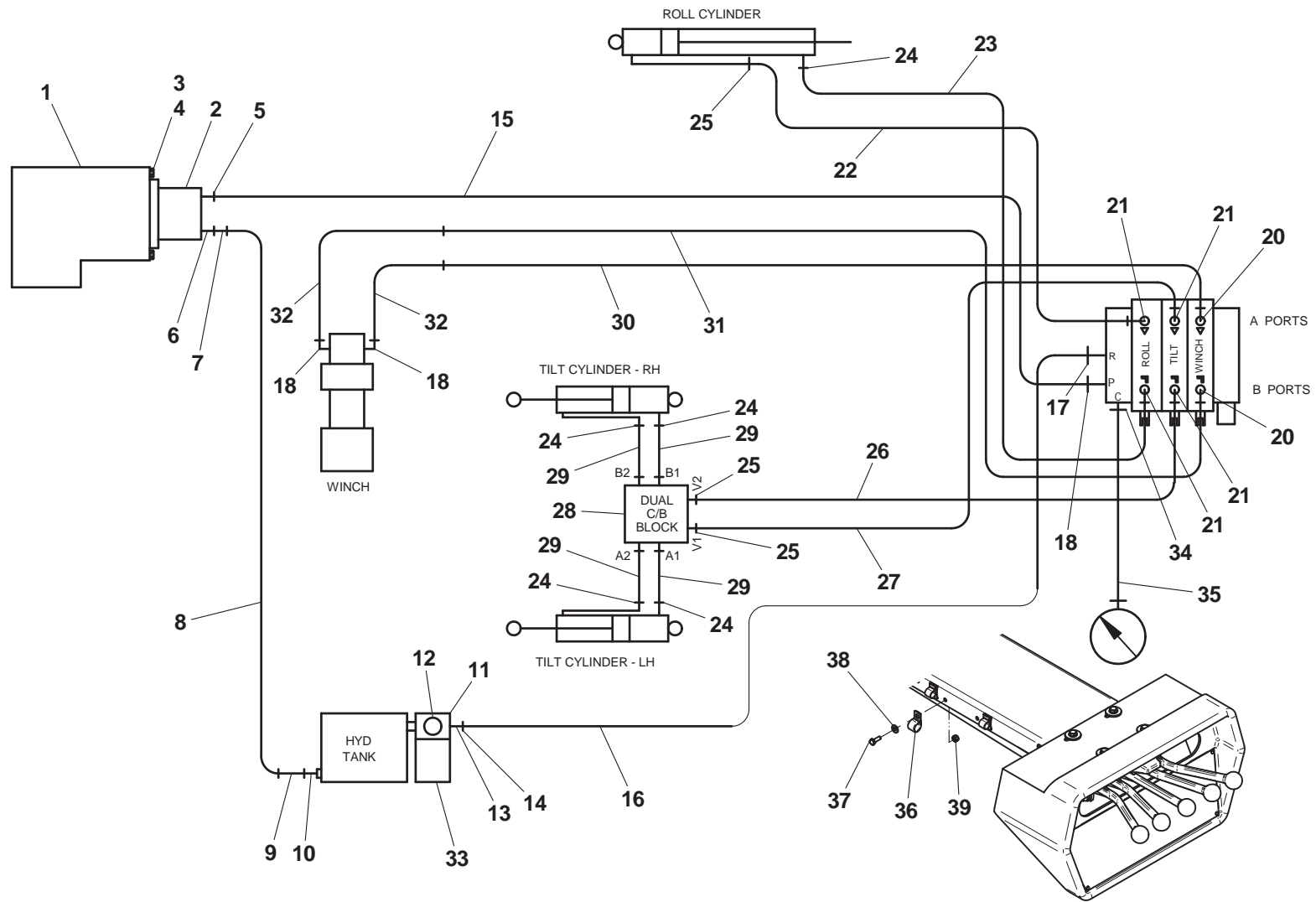
**HYDRAULIC COMPONENTS - STANDARD (22' MAIN DECK)**

ITEM	PART NO.	DESCRIPTION	QTY	ITEM	PART NO.	DESCRIPTION	QTY
1	See Note 1	PTO	1	31	4569432122	Hose Assembly	1
2	7724000126	Pump	1	32	4567430133	Hose Assembly	2
3	7115181050	Capscrew, 0.50"-13NC x 1.25"	2	33	7431000001*	Filter Element	1
4	7950180000	Lockwasher, 0.50" ID	2	34	7445040643	Adapter	1
5	7443000101	Adapter	1	35	4567112039	Hose Assembly	1
6	7445081643	Adapter	1	36	7274000063	P-Clamp	1
7	7443000023	Elbow	1	37	7115140650	Capscrew, 0.25"-20NC x 0.75"	1
8	See Note 1	Supply Hose	1	38	7950140141	Flatwasher, 0.25" ID	1
9	7443000013	Nipple	1	39	7660142601	Locknut, .025"-20NC	1
10	7274000002	Clamp	2				
11	7430000003	Filter Assembly	1				
12	7470000002	Gauge	1				
13	7443000319	Fitting	1				
14	7274000080	Clamp	2				
15	See Note 1	Return Hose	1				
16	See Note 1	Pressure Hose Assembly	1				
17	7443000168	Adapter	1				
18	7445081045	Elbow	3				
19	Not Required						
20	7445080843	Adapter	2				
21	7445060843	Adapter	4				
22	4567123047	Hose Assembly	1				
23	4567122047	Hose Assembly	1				
24	7445060645	Elbow	5				
25	7445060643	Adapter	3				
26	4567123118	Hose Assembly	1				
27	4567122114	Hose Assembly	1				
28	7935000306	Dual Counterbalance Valve	1				
29	4570000195	Hose Assembly	1				
30	4569433122	Hose Assembly	1				

\* also available in Filter Assembly, P/N 7430000003

Note 1: Varies depending on chassis, transmission , PTO type & deck length.  
Consult factory for part numbers.

# HYDRAULIC COMPONENTS - STANDARD (22' MAIN DECK)



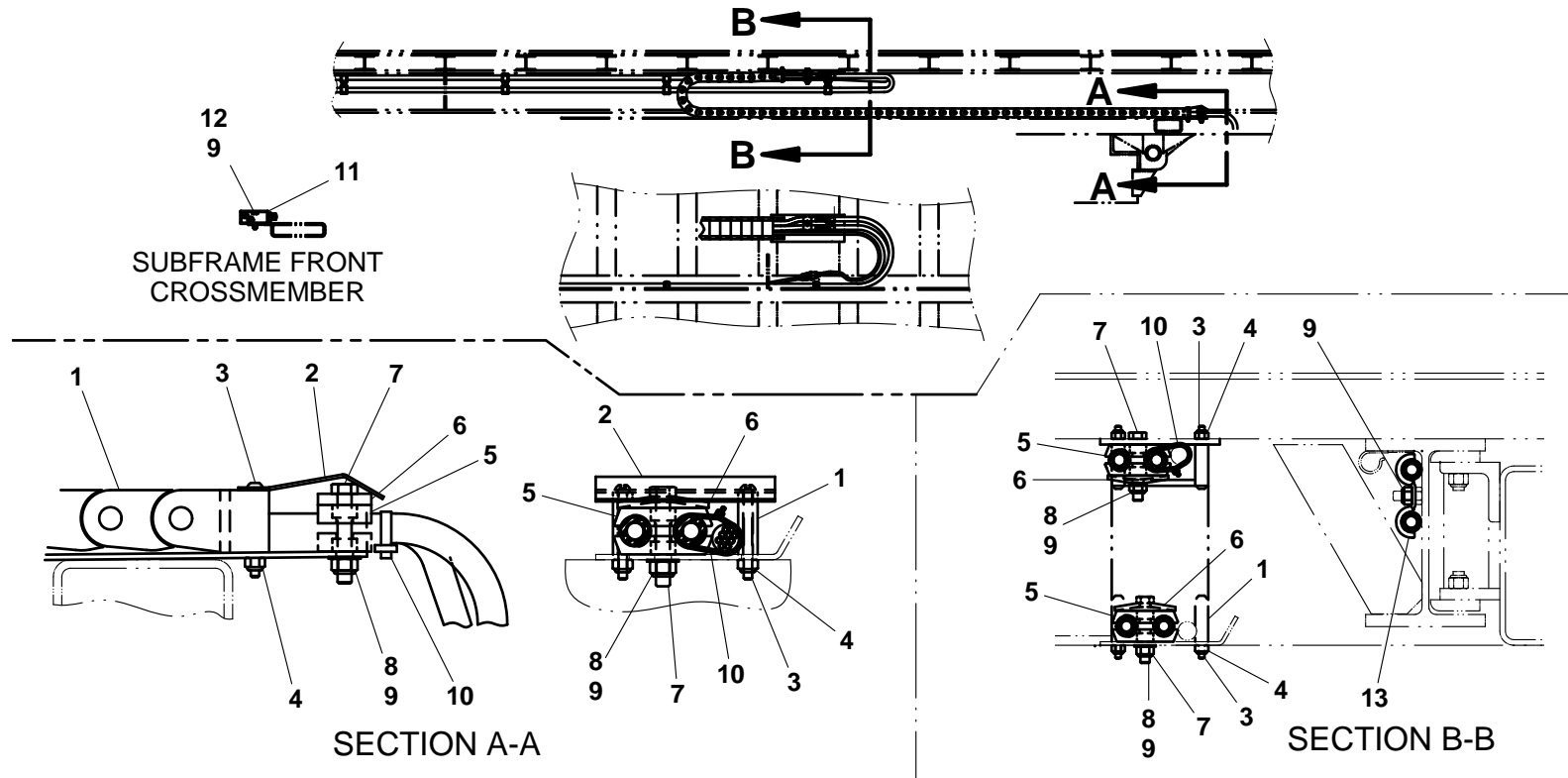
**HYDRAULIC COMPONENTS - STANDARD (HOSE TRACK)**

ITEM	PART NO.	DESCRIPTION	QTY	ITEM	PART NO.	DESCRIPTION	QTY
1	7904000001	Hose Track (28' & 30' Deck)	2	21	7274000042	Clamp (28' & 30' Deck)	1
	7904000001	Hose Track (22' Deck)	1				
2	4706003038	Plate (28' & 30' Deck)	2				
	4706003038	Plate (22' Deck)	1				
3	7114101618	Capscrew #10-24NC x 2.00" (28' & 30' Deck)	8				
	7114101618	Capscrew #10-24NC x 2.00" (22' Deck)	4				
4	7660102604	Locknut, #10-24NC (28' & 30' Deck)	8				
	7660102604	Locknut, #10-24NC (22' Deck)	4				
5	7274000038	Clamp (28' & 30' Deck)	10				
	7274000038	Clamp (22' Deck)	4				
6	7274000039	Clamp Cover (28' & 30' Deck)	5				
	7274000039	Clamp Cover (22' Deck)	2				
7	7115151650	Capscrew, 0.31"-18NC x 2.00" (28' & 30' Deck)	4				
	7115151650	Capscrew, 0.31"-18NC x 2.00" (22' Deck)	2				
8	7950150161	Flatwasher, 0.31" ID (28' & 30" Decks)	6				
	7950150161	Flatwasher, 0.31" ID (22" Decks)	4				
9	7660152601	Locknut, 0.31"-13NC (28' & 30" Decks)	20				
	7660152601	Locknut, 0.31"-13NC (22" Decks)	9				
10	7894000004	Tie Strap (28' & 30' Deck)	5				
	7894000004	Tie Strap (22' Deck)	8				
11	7935000197	Counterbalance Valve	1				
12	7115151850	Capscrew, 0.31"-18NC x 2.25"	2				
13	7274000066	Double Clamp (28' & 30' Deck)	15				
	7274000066	Double Clamp (22' Deck)	5				
14	7280000013	Clip	*				
15	7274000041	Clamp (28' & 30' Deck)	6				
16	7115160950	Capscrew, 0.38"-16NC x 1.12" (28' & 30' Deck)	1				
17	7660162601	Locknut, 0.38"-16NC (28' & 30' Deck)	1				
18	7274000011	Clamp (28' & 30' Deck)	4				
19	4090000001	Belt, Protective (28' & 30' Deck)	4				
20	7274000040	Clamp (28' & 30' Deck)	11				

\* Quantity varies depending on deck length and deck type.



# HYDRAULIC COMPONENTS - STANDARD (HOSE TRACK)



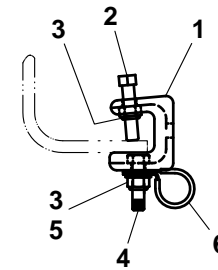
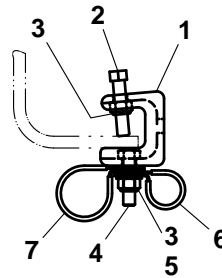
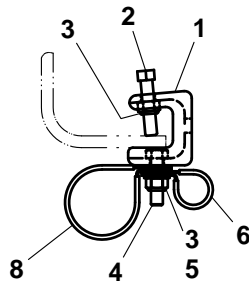
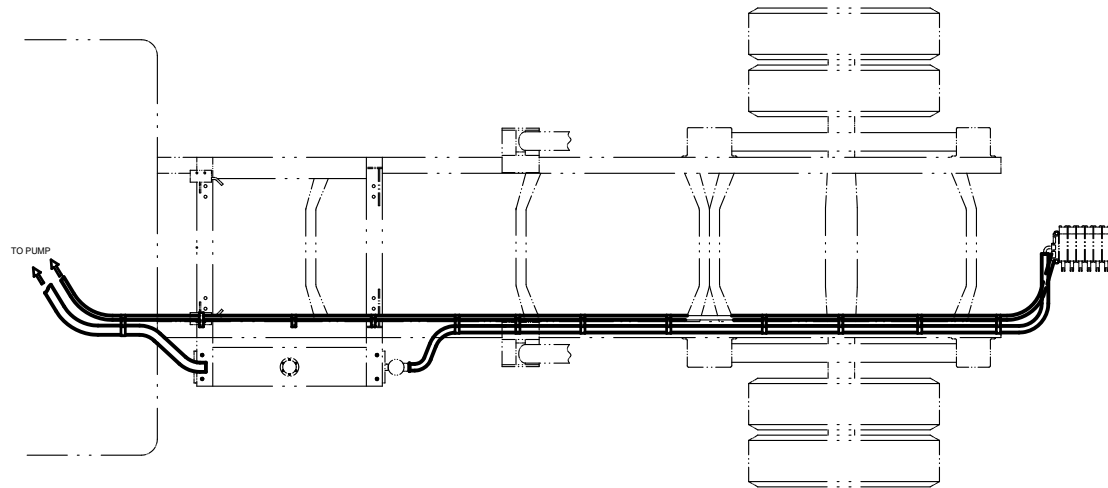
Items #18, #20, #21 Clamps, not shown  
 Item #19 Protective Belt, not shown

**HYDRAULIC COMPONENTS - HOSE ROUTING / MOUNTING (MAIN DECK)**

ITEM	PART NO.	DESCRIPTION	QTY
1	7274000076	Cast Frame Clamp	15
2	7785152420	Set Screw, 0.31"-18NC x 1.50"	15
3	7660152601	Locknut, 0.31"-18NC	15
4	7115151050	Capscrew, 0.31"-18NC x 1.25"	15
5	7950150161	Flatwasher, 0.31" ID	15
6	7274000040	Clamp	*
7	7274000041	Clamp	*
8	7274000042	Clamp	*

\* Quantity varies depending on deck type

## HYDRAULIC COMPONENTS - HOSE ROUTING / MOUNTING (MAIN DECK)



TYPICAL HOSE ROUTING / MOUNTING

**HYDRAULIC COMPONENTS - STANDARD (UPPER DECK)**

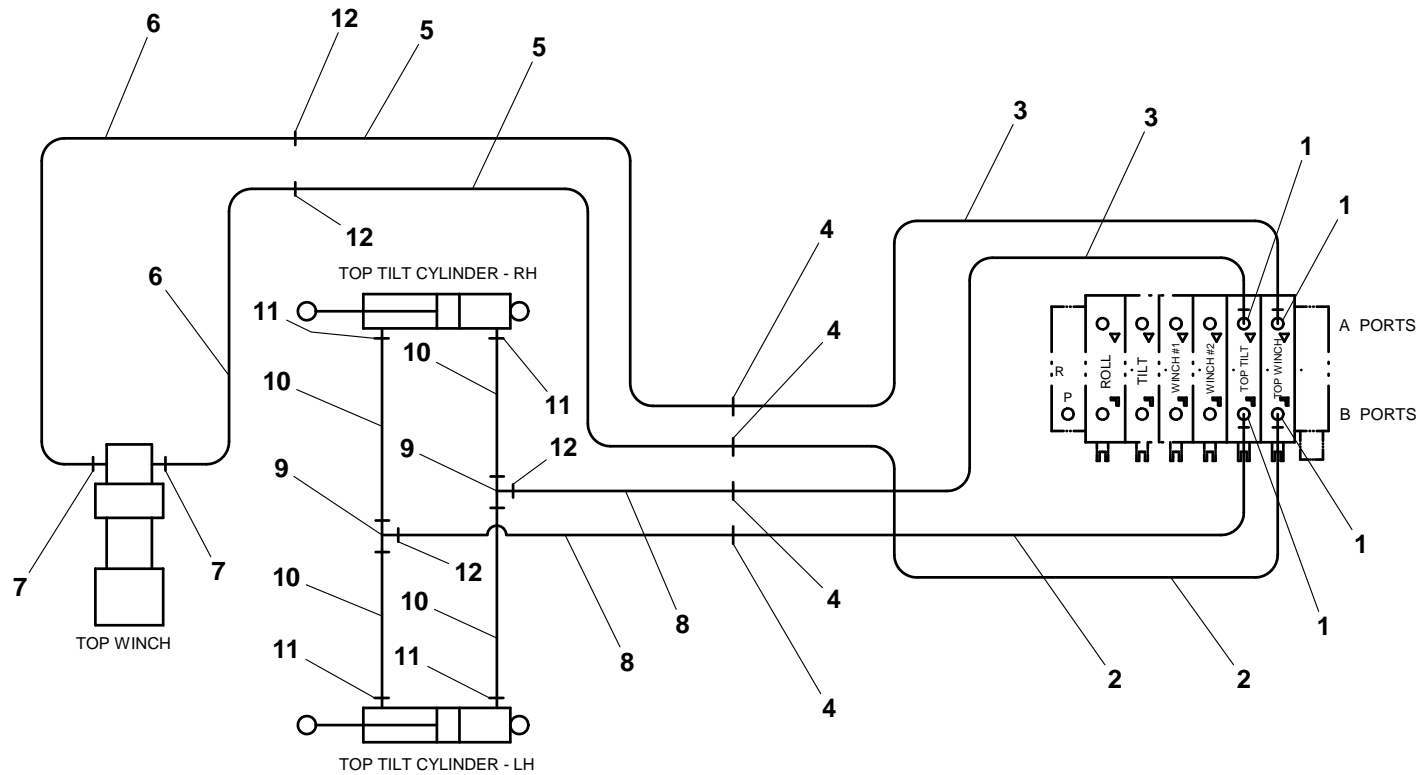
ITEM	PART NO.	DESCRIPTION	QTY
1	7445080843	Adapter	4
2	4567133280*	Hose Assembly (28' deck)	2
	4567133304^	Hose Assembly (30' deck)	2
	4567133230#	Hose Assembly (22' deck)	2
3	4567132280*	Hose Assembly (28' deck)	2
	4567132304^	Hose Assembly (30' deck)	2
	4567133230#	Hose Assembly (22' deck)	2
4	7445080825	Balkhead Union	4
5	4567132113*^#	Hose Assembly	2
6	4569432119*^#	Hose Assembly	2
7	7445081045	Elbow	2
8	4567132133*^#	Hose Assembly	2
9	7445060837	Tee	2
10	4567120118*^	Hose Assembly (28' & 30' deck)	4
	4567120143#	Hose Assembly (22' deck)	4
11	7445060645	Elbow	4
12	7443000023	Elbow	4

\* Also included in Hose Kit, 4577000010, 28' Main Deck

^ Also included in Hose Kit, 4577000011, 30' Main Deck

# Also included in Hose Kit, 4577000012, 22' Main Deck

# HYDRAULIC COMPONENTS - STANDARD (UPPER DECK)

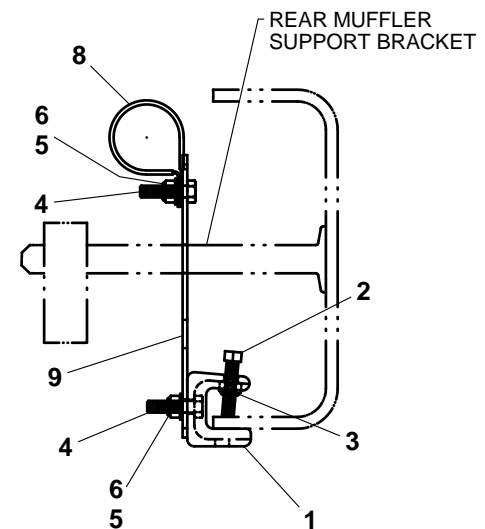
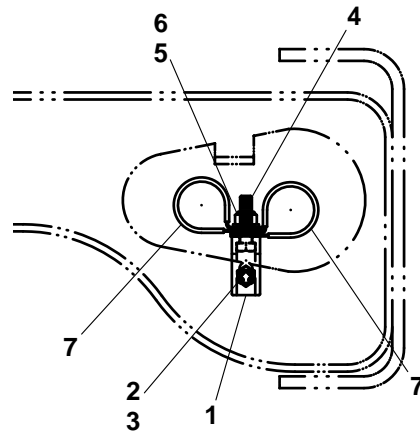
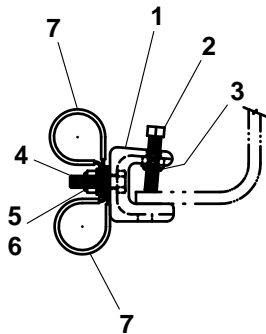
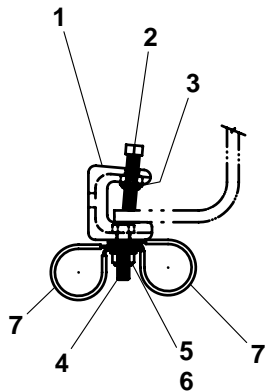
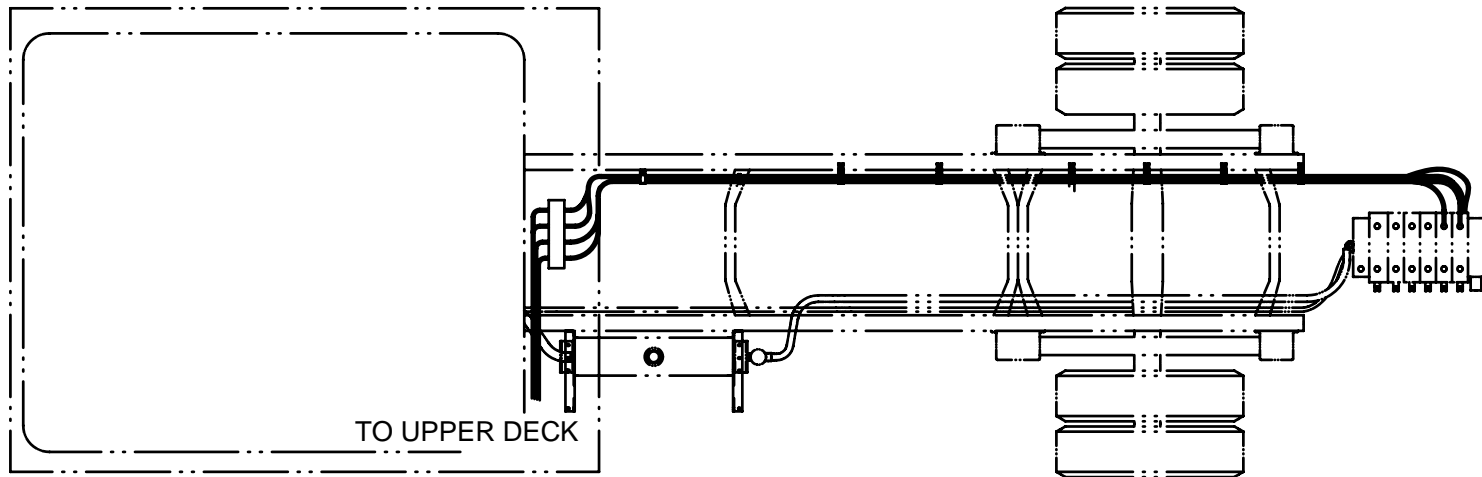


**HYDRAULIC COMPONENTS - HOSE ROUTING / MOUNTING (UPPER DECK)**

ITEM	PART NO.	DESCRIPTION	QTY
1	7274000076	Cast Frame Clamp (22' & 28' deck)	14
	7274000076	Cast Frame Clamp (30' deck)	15
2	7785152420	Set Screw, 0.31"-18NC x 1.50" (22' & 28' deck)	14
	7785152420	Set Screw, 0.31"-18NC x 1.50" (30' deck)	15
3	7660152601	Locknut, 0.31"-18NC (22' & 28' deck)	14
	7660152601	Locknut, 0.31"-18NC (30' deck)	15
4	7115151050	Capscrew, 0.31"-18NC x 1.25" (22' & 28' deck)	15
	7115151050	Capscrew, 0.31"-18NC x 1.25" (30' deck)	16
5	7950150161	Flatwasher, 0.31" ID (22' & 28' deck)	15
	7950150161	Flatwasher, 0.31" ID (30' deck)	16
6	7660152601	Locknut, 0.31"-18NC(22' & 28' deck)	15
	7660152601	Locknut, 0.31"-18NC (30' deck)	16
7	7274000041	Clamp	*
8	7274000042	Clamp	*
9	4706003844	Plate	1

\* Quantity varies depending on deck type

# HYDRAULIC COMPONENTS - HOSE ROUTING / MOUNTING (UPPER DECK)



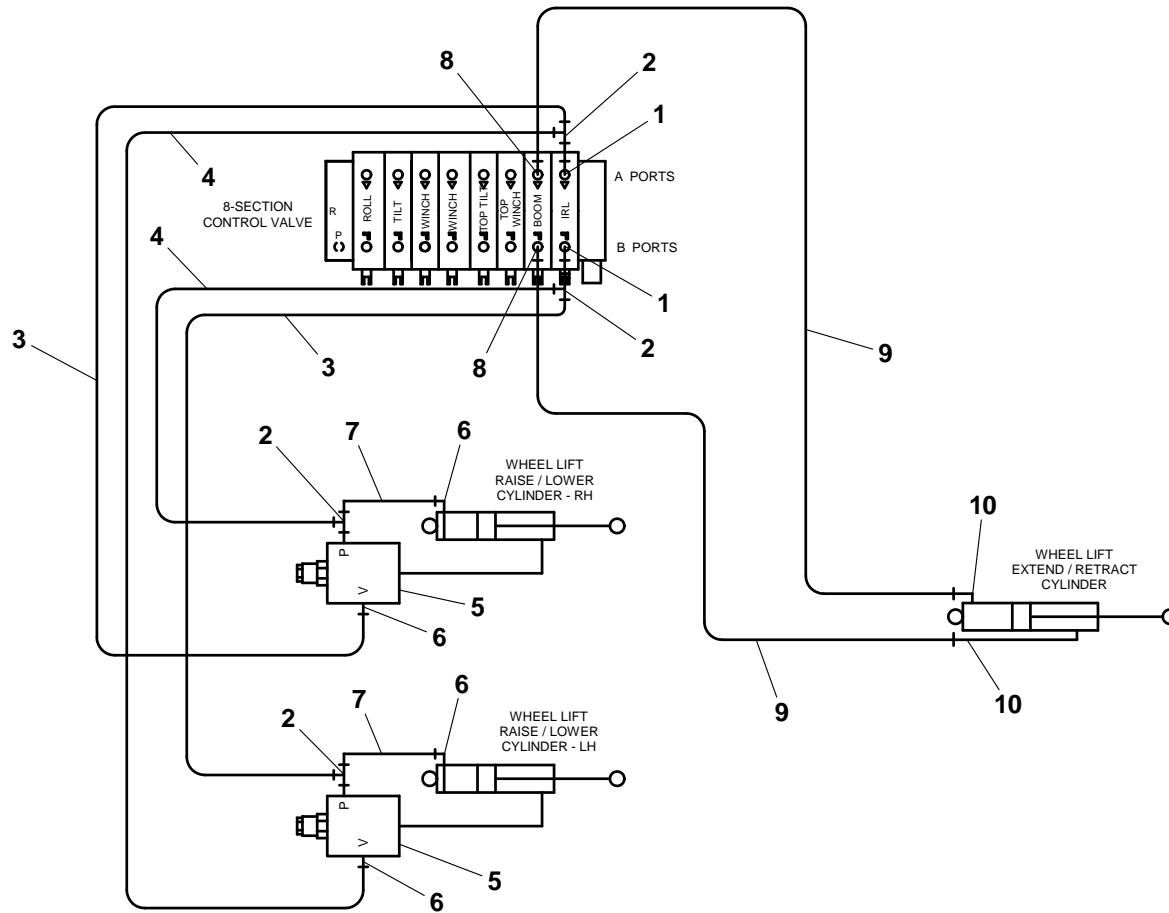
TYPICAL HOSE ROUTING / MOUNTING

**HYDRAULIC COMPONENTS - IRL WHL LIFT WITH MAN GRIDS OR IRL BALL / PINTLE HITCH MTG PLT**

ITEM	PART NO.	DESCRIPTION	QTY
1	7443000129	Reducer	2
2	7445060648	Tee	4
3	4567123045	Hose Assembly	2
4	4567122043	Hose Assembly	2
5	7935000305	Counterbalance Valve	2
6	7445060645	Elbow	4
7	4567122014	Hose Assembly	2
8	7443040643	Adapter	2
9	4567110034	Hose Assembly	2
10	7445040446	Elbow	2



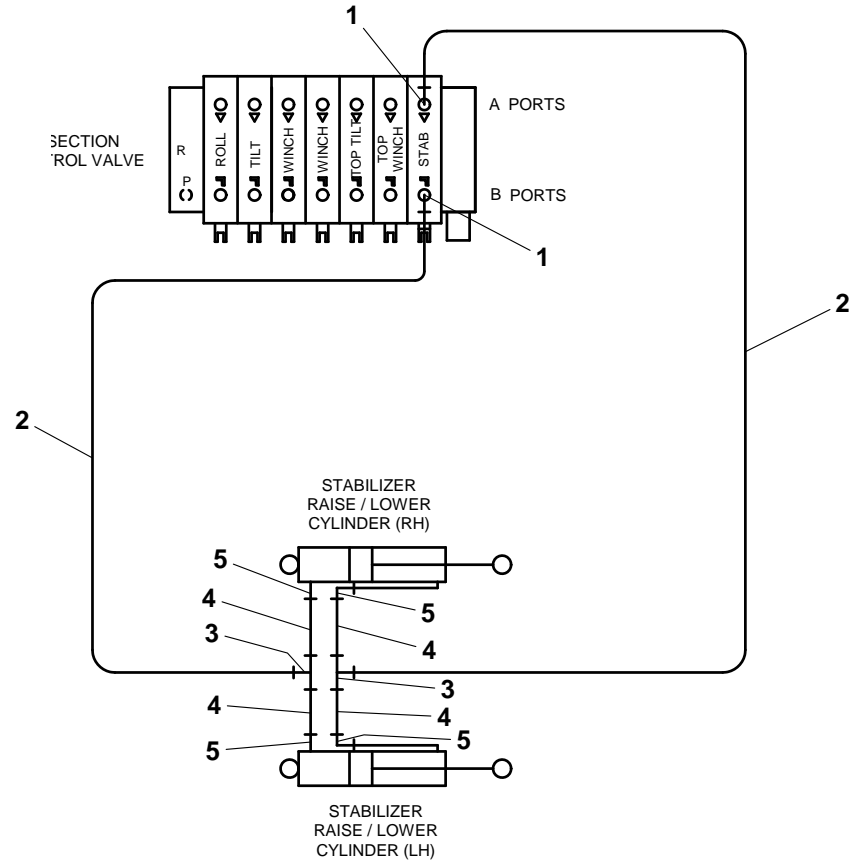
# HYDRAULIC COMPONENTS - IRL WHL LIFT WITH MAN GRIDS OR IRL BALL / PINTLE HITCH MTG PLT



**HYDRAULIC COMPONENTS - HYDRAULIC REAR DOCK STABILIZER**

ITEM	PART NO.	DESCRIPTION	QTY
1	7445060843	Adapter	2
2	4567122035	Hose Assembly	2
3	7445060637	Tee	2
4	4567120019	Hose Assembly	4
5	7445060645	Elbow	4

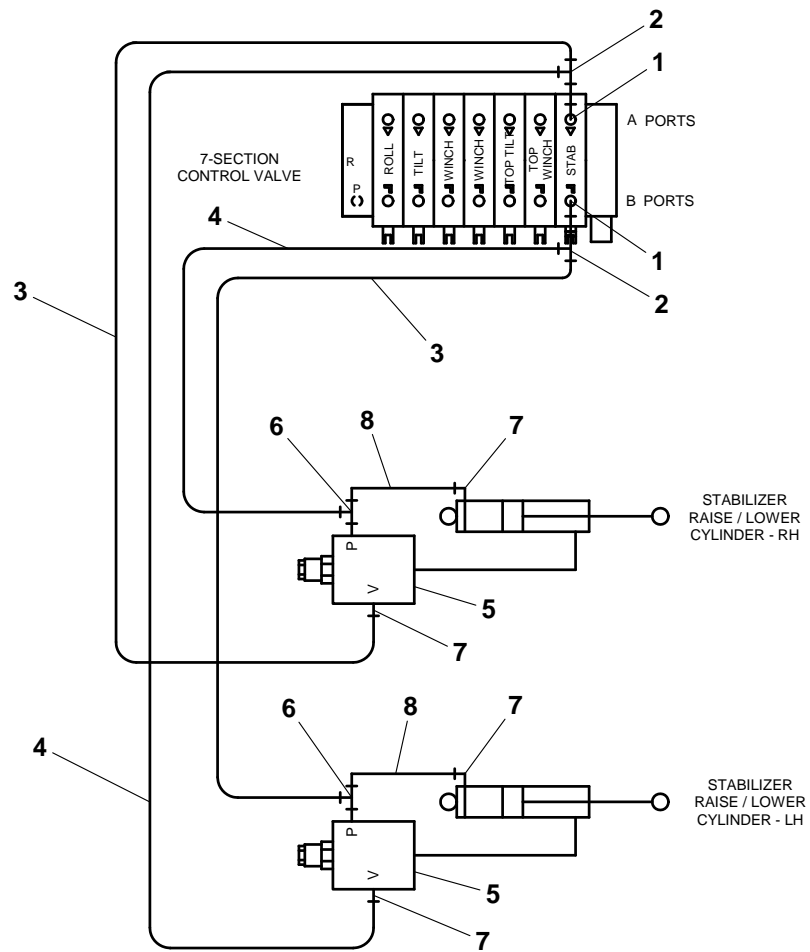
# HYDRAULIC COMPONENTS - HYDRAULIC REAR DOCK STABILIZER



**HYDRAULIC COMPONENTS - STABILIZER W/ REESE HITCH RECEIVER OR PINTLE HITCH MTG PLATE**

ITEM	PART NO.	DESCRIPTION	QTY
1	7445060845	Elbow	2
2	7443000030	Tee	2
3	4567123050	Hose Assembly	2
4	4567122046	Hose Assembly	2
5	7935000305	Counterbalance Valve	2
6	7445060648	Tee	2
7	7445060645	Elbow	4
8	4567122014	Hose Assembly	2

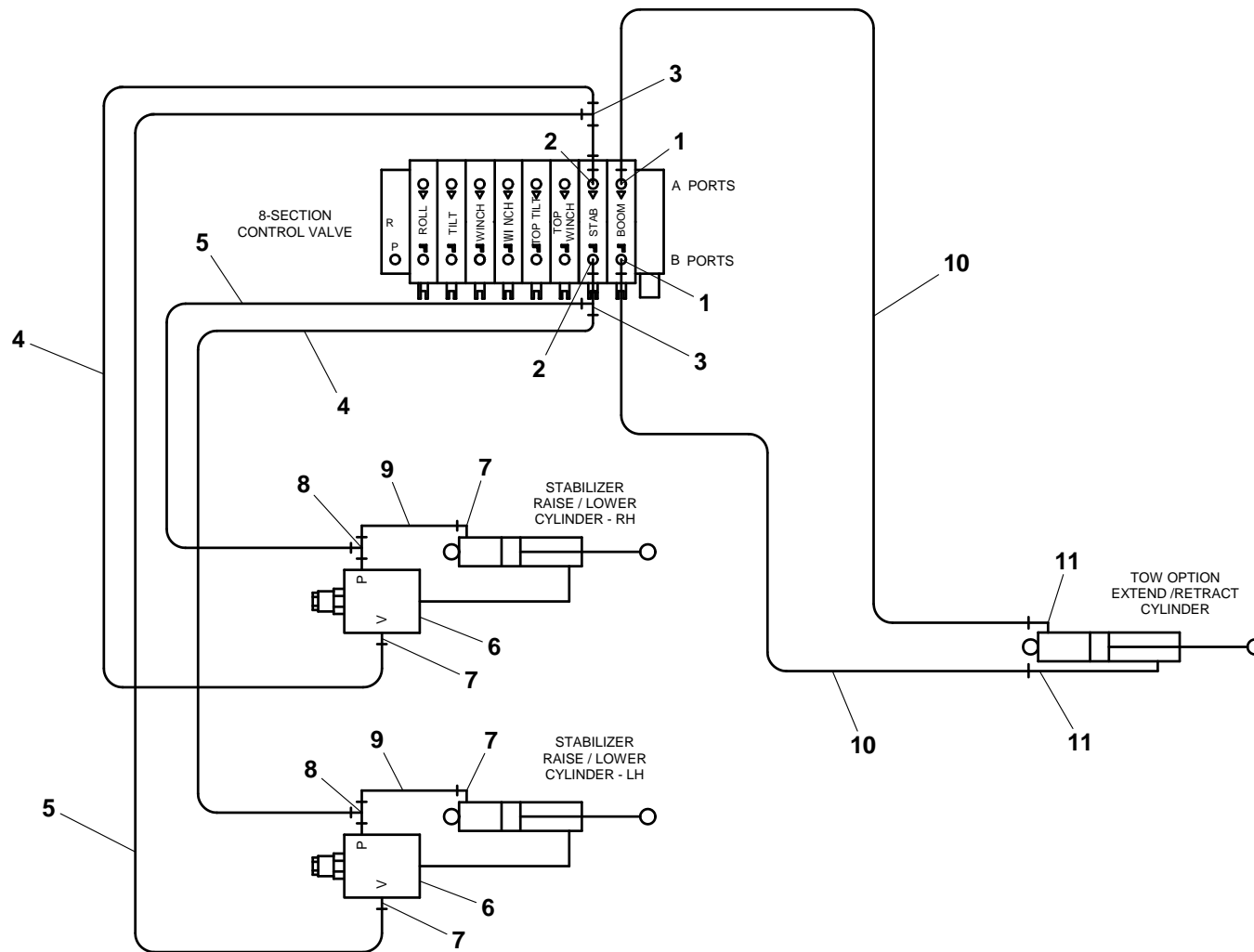
# HYDRAULIC COMPONENTS - STABILIZER W/ REESE HITCH RECEIVER OR PINTLE HITCH MTG PLATE



**HYDRAULIC COMPONENTS - STABILIZER W/ HYDRAULIC EXTEND PINTLE HITCH MOUNTING PLATE**

ITEM	PART NO.	DESCRIPTION	QTY
1	7445060843	Adapter	2
2	7445060845	Elbow	2
3	7443000030	Tee	2
4	4567123050	Hose Assembly	2
5	4567122046	Hose Assembly	2
6	7935000305	Counterbalance Valve	2
7	7445060645	Elbow	4
8	7445060648	Tee	2
9	4567122014	Hose Assembly	2
10	4567120034	Hose Assembly	2
11	7445060646	Elbow	2

# HYDRAULIC COMPONENTS - STABILIZER W/ HYDRAULIC EXTEND PINTLE HITCH MOUNTING PLATE

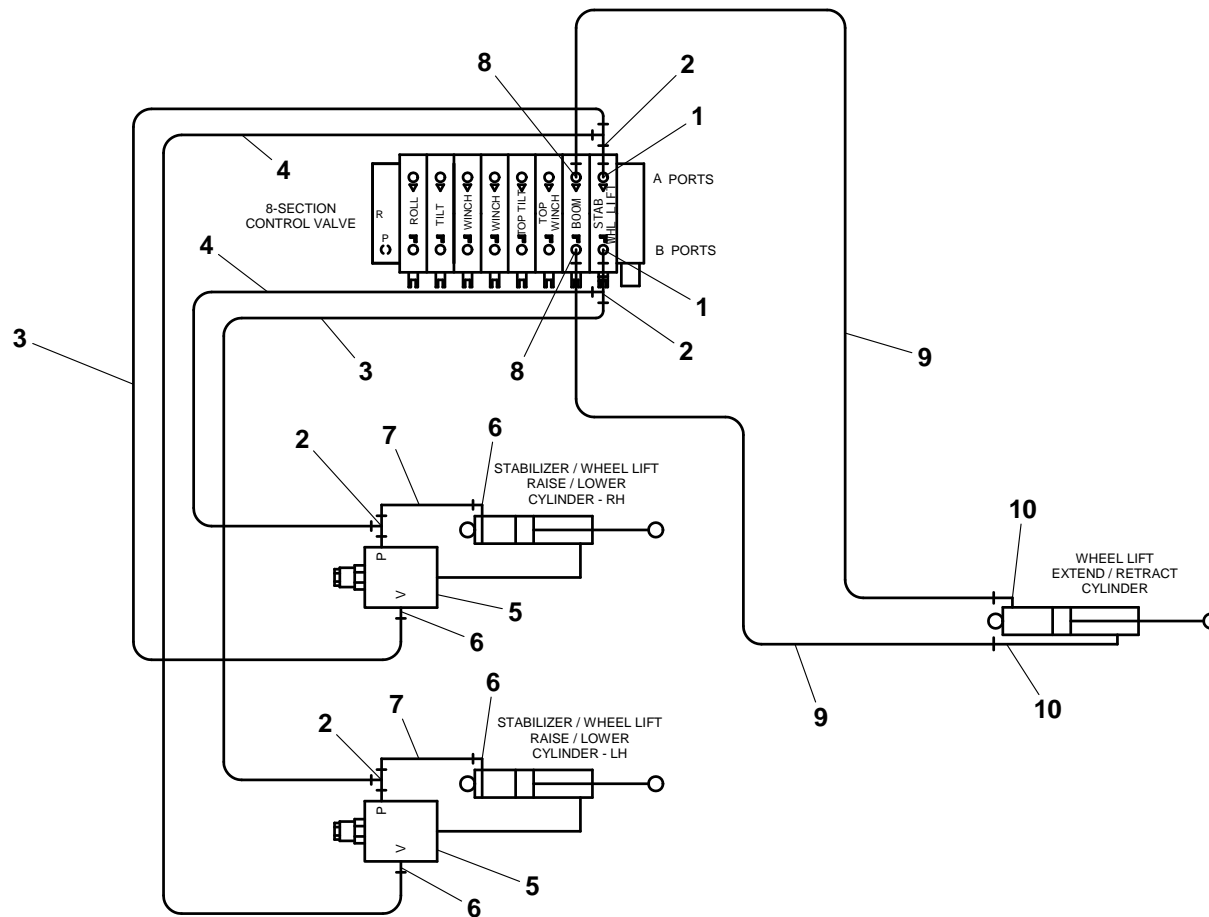


**HYDRAULIC COMPONENTS - STABILIZER W/ IRL WHEEL LIFT**

ITEM	PART NO.	DESCRIPTION	QTY
1	7443000129	Reducer	2
2	7445060648	Tee	4
3	4567123050	Hose Assembly	2
4	4567122046	Hose Assembly	2
5	7935000305	Counterbalance Valve	2
6	7445060645	Elbow	4
7	4567122014	Hose Assembly	2
8	7445040843	Adapter	2
9	4567110034	Hose Assembly	2
10	7445040445	Elbow	2



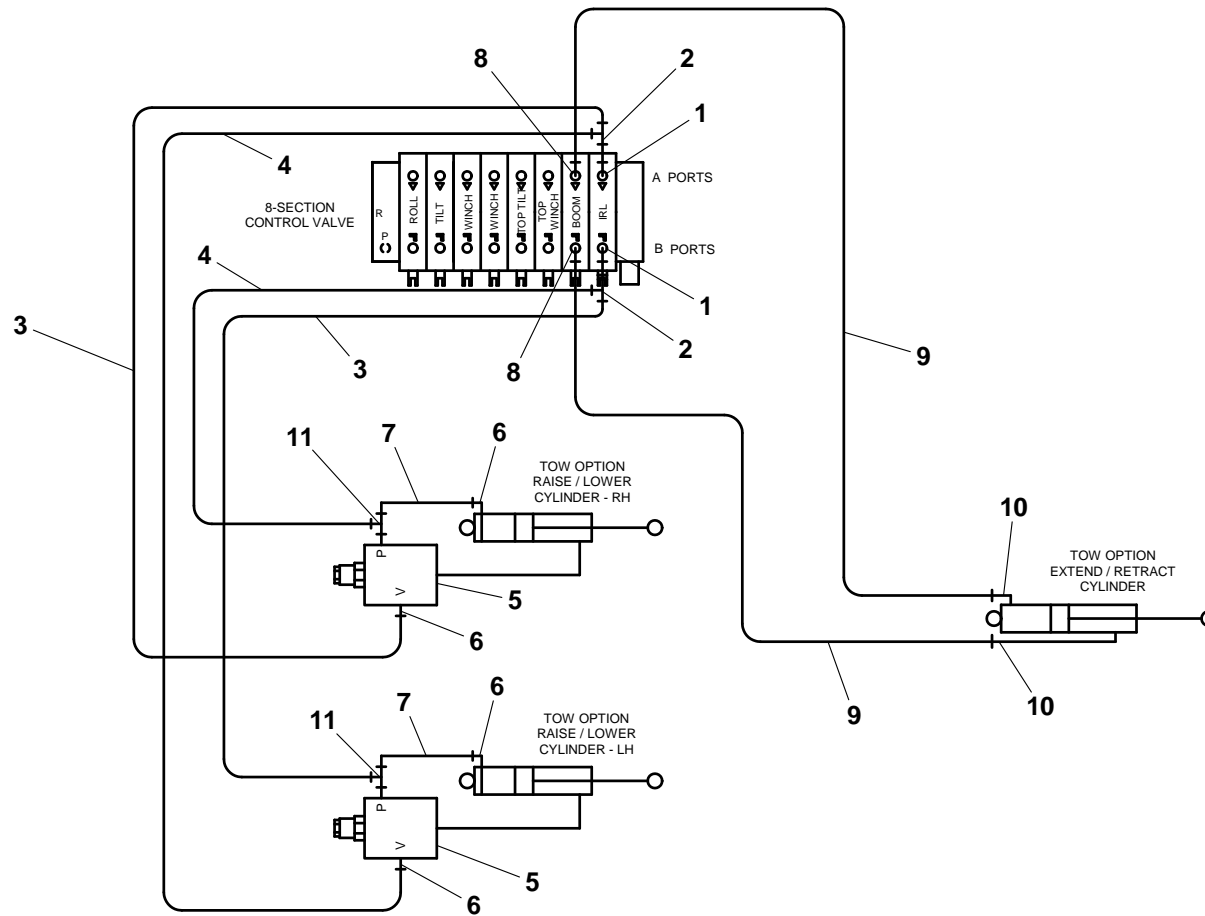
# HYDRAULIC COMPONENTS - STABILIZER W/ IRL WHEEL LIFT



**HYDRAULIC COMPONENTS - IRL TOWBAR**

ITEM	PART NO.	DESCRIPTION	QTY
1	7445060845	Elbow	2
2	7443000030	Tee	2
3	4567123050	Hose Assembly	2
4	4567122046	Hose Assembly	2
5	7935000305	Counterbalance Valve	2
6	7445060645	Elbow	4
7	4567122014	Hose Assembly	2
8	7445060843	Adapter	2
9	4567122042	Hose Assembly	2
10	7445060643	Adapter	2
11	7445060648	Tee	2

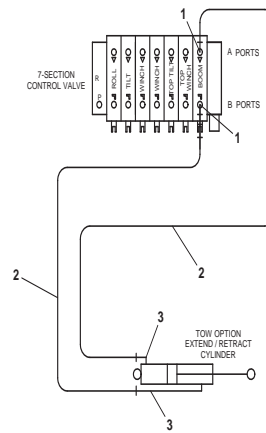
# HYDRAULIC COMPONENTS - IRL TOWBAR



**HYDRAULIC COMPONENTS - HYDRAULIC EXTEND TOW OPTION**

ITEM	PART NO.	DESCRIPTION	QTY
1	7445060843	Adapter	2
2	4567122042	Hose Assembly	2
3	7445060643	Adapter	2

# HYDRAULIC COMPONENTS - HYDRAULIC EXTEND TOW OPTION

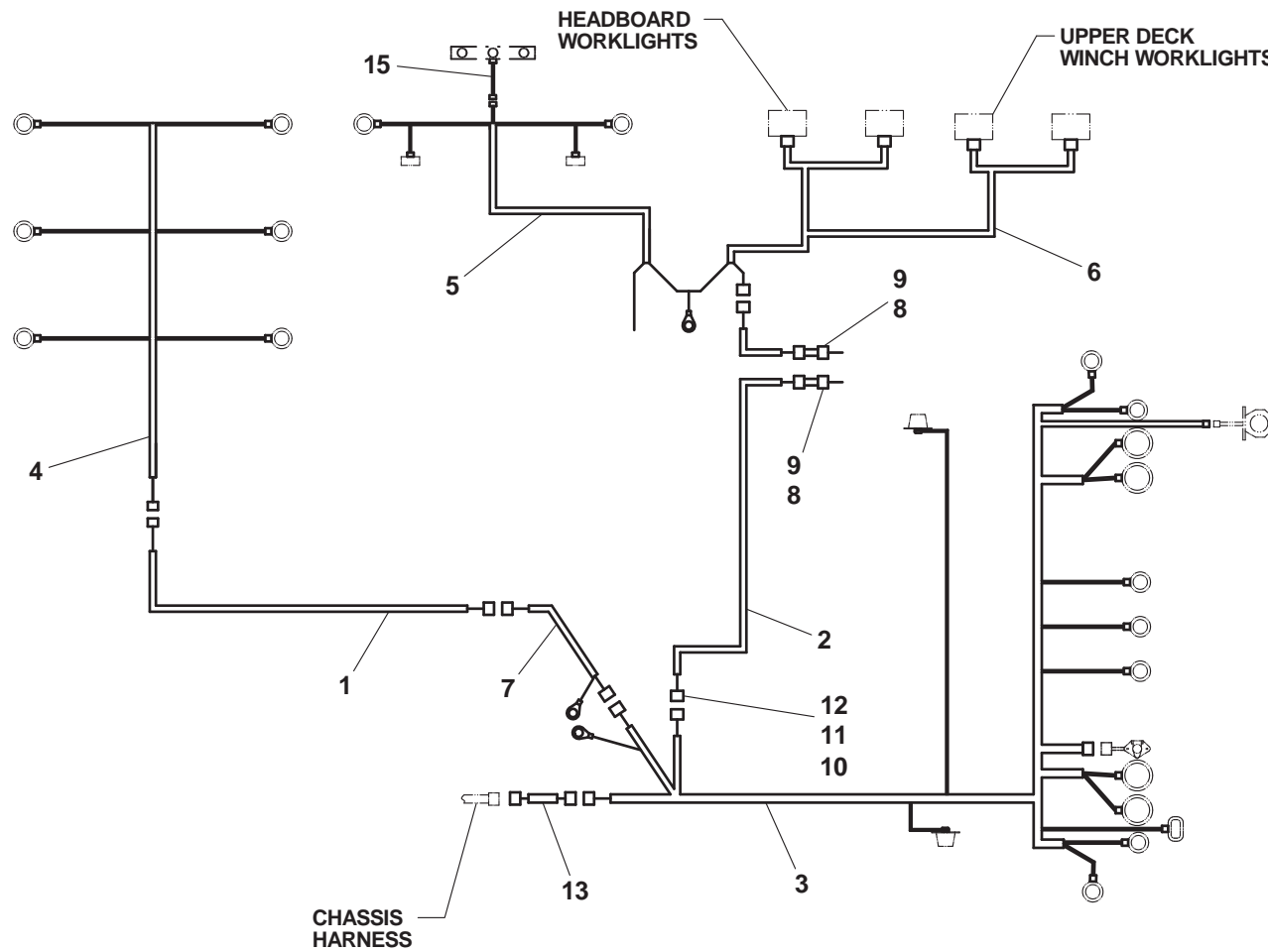


**ELECTRICAL COMPONENTS - STANDARD**

ITEM	PART NO.	DESCRIPTION	QTY
1	7552000192	Deck to Winch Harness	1
2	8977010103	Subframe to Cab Harness	1
3	7552000135	Subframe Harness	1
4	7552000198	Main Deck Harness (28' & 30' Aluminum Deck)	1
	7552000181	Main Deck Harness (28' & 30' Steel Deck)	1
	7552000179	Main Deck Harness (22' Steel Deck)	1
5	7552000196	Upper Deck Harness	1
6	7552000223	Upper Deck - Headboard Lights - Harness	1
7	7552000190	Subframe to Main Deck Harness	1
8	7346000126	Fuse Holder	2
9	7457000015	Fuse, 20 Amp	2
10	7346000087	Connector	1
11	7346000099	Terminal	2
12	7346000037	Wire Seal	2
13	7577000194	Wiring Connector Kit (Ford & GMC chassis)	1
14	7280000013	Clip	*
15	7552000374	3-Bar Marker Light Harness	1

\* Quantity varies depending on deck construction.

# ELECTRICAL COMPONENTS - STANDARD



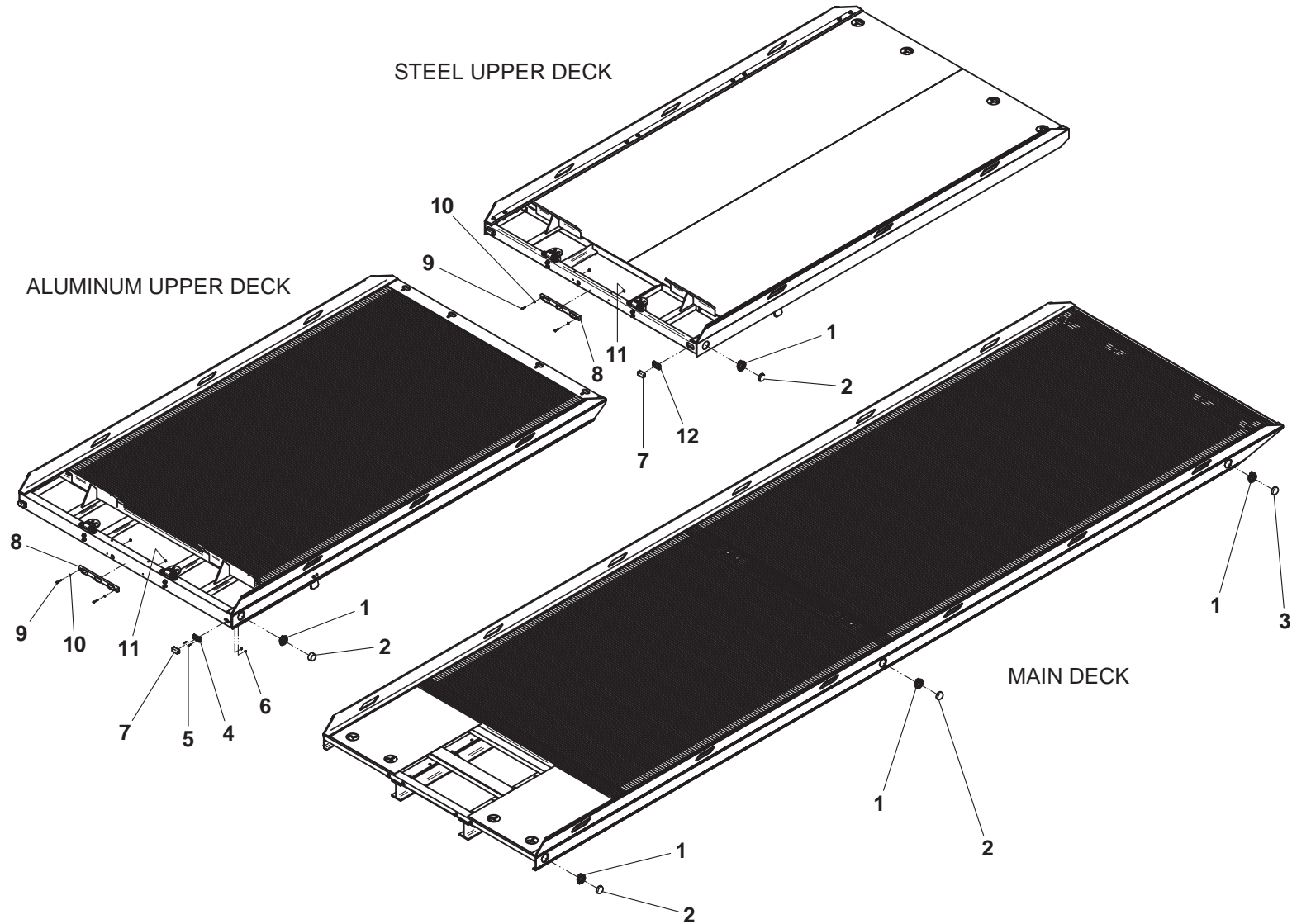
Item #14, Clip, not shown.

**DECK MARKER LIGHTS**

ITEM	PART NO.	DESCRIPTION	QTY
1	7493000009	Grommet	8
2	7590000342	Marker Light - Amber (LED)	6
3	7590000343	Marker Light - Red (LED)	2
4	7590000207	Marker Light Adapter (aluminum upper deck only)	2
5	7114100818	Capscrew, #10-24NC x 1.00" (aluminum upper deck only)	4
6	7660102604	Locknut, #10-24NC (aluminum upper deck only)	4
7	7590000339	Marker Light - Amber (LED)	2
8	7636000020	ID Marker - Amber (LED)	1
9	7115141450	Capscrew, 0.25"-20NC x 1.75"	2
10	7950100151	Flatwasher, 0.19" ID	2
11	7660142601	Locknut, 0.25"-20NC	2
12	7493000010	Grommet (steel upper deck only)	2



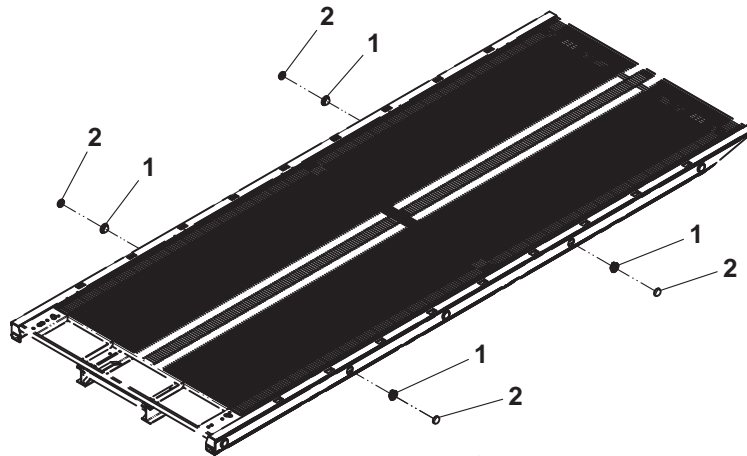
# DECK MARKER LIGHTS



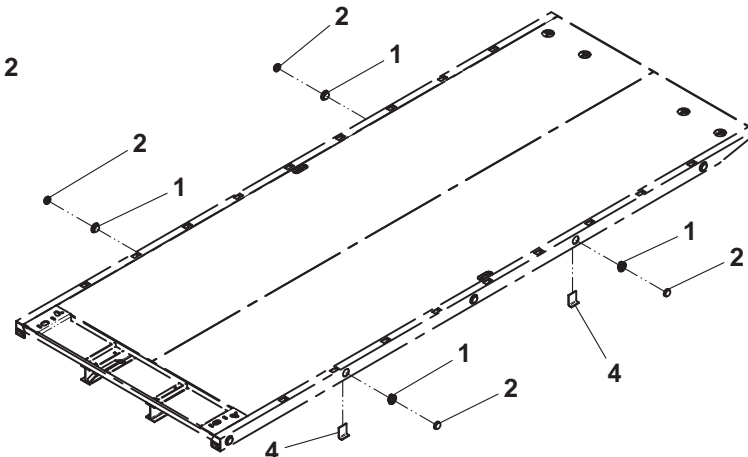
**ADDITIONAL DECK MARKER LIGHTS**

ITEM	PART NO.	DESCRIPTION	QTY
1	7493000009	Grommet	4
2	7590000342	Marker Light - Amber (LED)	4
3	7552000212	Additional Markers Deck Harness	1
4	4017001059	Angle	4
5	7280000013	Clip ( Aluminum Deck)	16
	7280000018	Wire Clip (Steel Deck)	16

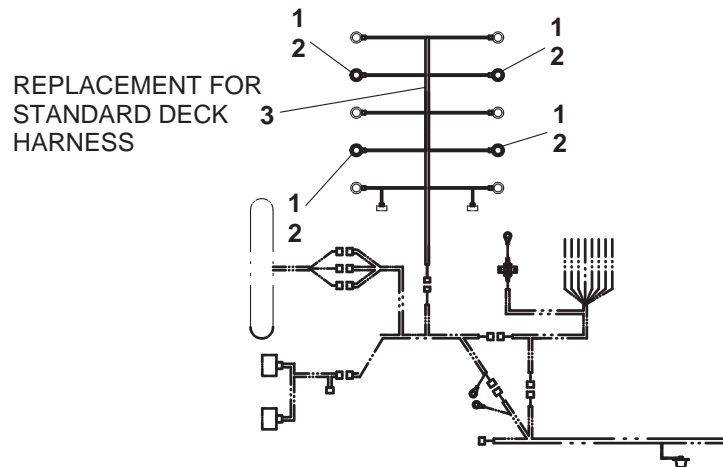
# ADDITIONAL DECK MARKER LIGHTS



ALUMINUM DECK



STEEL DECK



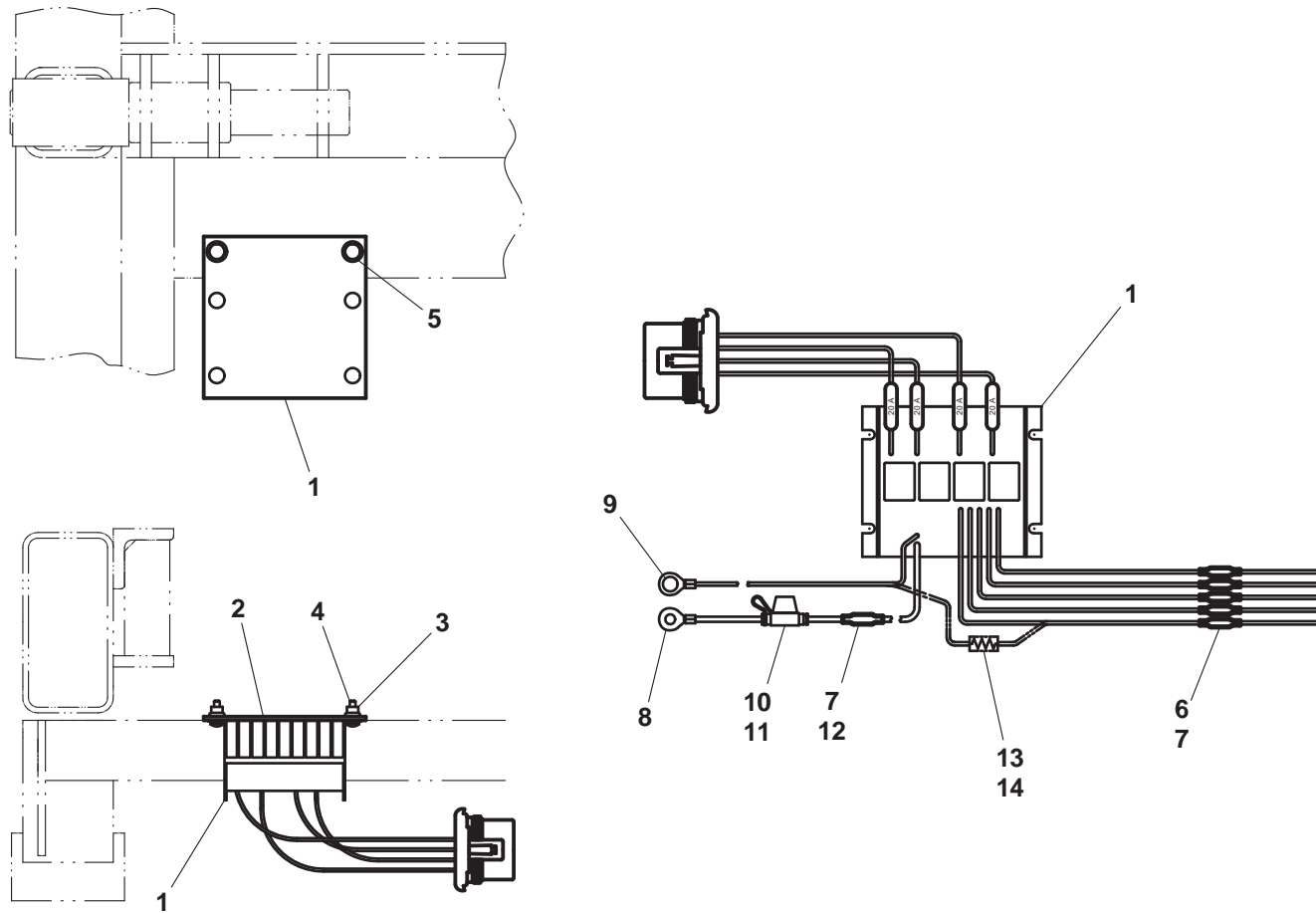
REPLACEMENT FOR STANDARD DECK HARNESS

Item #5, Wire Clip, not shown.

**ELECTRICAL COMPONENTS - OPTIONAL (TAIL LIGHT CONVERTER)**

ITEM	PART NO.	DESCRIPTION	QTY
1	7297000008	Taillight Converter	1
2	4706002990	Plate	1
3	7661000007	Wellnut	4
4	7104100613	Screw, #10-32NF x 0.75"	4
5	7790151253	Screw, 0.31"-18NC x 1.50"	2
6	7345001714	Terminal	5
7	4346000005	Heat Shrink Tubing - 1.50"	5
8	7345221902	Terminal	1
9	7345241902	Terminal	1
10	7346000126	Fuse Holder	1
11	7457000017	Fuse - 30 amp	1
12	7345001914	Terminal	1
13	7346000209	Resistor (UD chassis w/ std lights)	1
14	7346000220	Resistor (UD chassis w/ LED lights)	1

# ELECTRICAL COMPONENTS - OPTIONAL (TAIL LIGHT CONVERTER)



**IRL WHEEL LIFT**

ITEM	PART NO.	DESCRIPTION	QTY	ITEM	PART NO.	DESCRIPTION	QTY
1	3170000162	Outer Boom Weld (3,000 lb wheel lift)	1	23	7082000016^	Bearing	4
	3170000163	Outer Boom Weld (4,000 lb wheel lift)		24	7291000010	4-Way Receptacle	1
2	3911000056	Inner Boom Weld (3,000 lb wheel lift)	1	25	7796000048	Gasket	1
	3170000304	Inner Boom Weld (4,000 lb wheel lift)		26	7114140528	Screw, 0.25"-20NC x 0.63"	2
3	3320000115	Cylinder Assembly	1	27	7660142601	Locknut, 0.25"-20NC	2
4	4691000296	Pin	1				
5	4691000268	Pin	1				
6	7754000006	Retaining Ring	4				
7	7082000020*	Bushing (3,000 lb wheel lift)	1				
	7082000021<	Bushing (4,000 lb wheel lift)					
8	4679000046	Wear Pad	1				
9	4017000739	Angle	2				
10	7118140418	Capscrew, 0.25"-20NC x 0.50"	4				
11	7950100151	Washer, 0.19" ID	4				
12	4679000211	Wear Pad	1				
13	3320000123	Cylinder Assembly (3,000 lb wheel lift)	2				
	3320000124	Cylinder Assembly (4,000 lb wheel lift)					
14	3691000164	Pin Weld	2				
15	7115160950	Capscrew, 0.38"-16NC x 1.12"	6				
16	7660162601	Locknut, 0.38"-16NC	6				
17	3691000073	Pin Weld	3				
18	3020000101	Arm Weld (3,000 lb wheel lift)	2				
	3020000102	Arm Weld (4,000 lb wheel lift)					
19	7082000017+	Bearing	4				
20	7082000018+	Bearing	4				
21	3592000039	Link Assembly (3,000 lb wheel lift)	1				
	3592000040	Link Assembly (4,000 lb wheel lift)					
22	3691000069	Pin Weld	1				

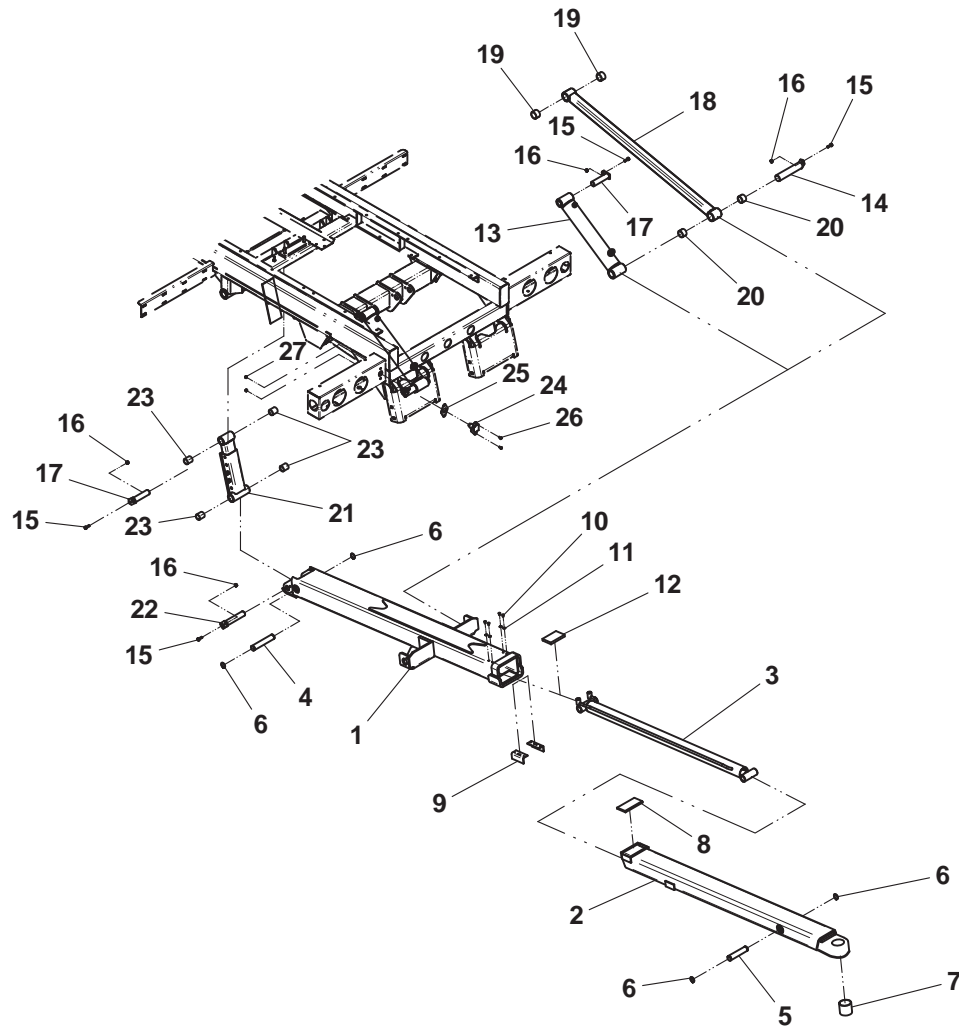
+ included in Arm Weld, P/Ns 3020000101 & 3020000102

^ included in Link Weld, P/Ns 359 2000034, 3592000041 & 3592000042

< included in Inner Boom Weld, P/N 3911000304

\* included in Inner Boom Weld, P/N 3911000056

# IRL WHEEL LIFT



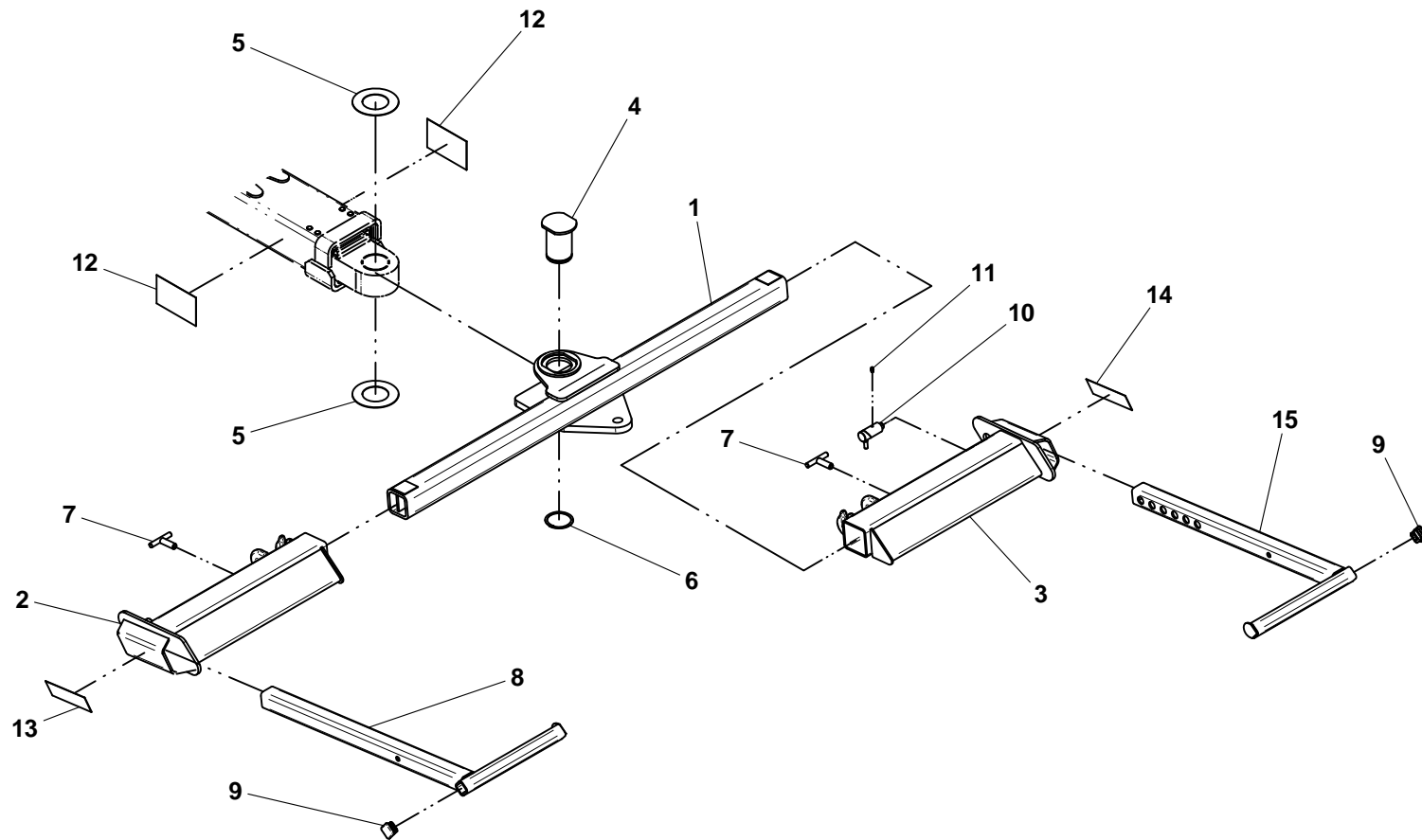
3,000 lb wheel lift shown

**MANUAL L-ARM WHEEL LIFT GRID**

ITEM	PART NO.	DESCRIPTION	QTY
1	3913000093	Pivot Tube Weld (3,000 lb IRL wheel lift w/ ball plate)	1
	3913000097	Pivot Tube Weld (4,000 lb IRL wheel lift w/ ball plate)	
	3913000098	Pivot Tube Weld (3,000 lb IRL wheel lift w/ 2" Reese Rcvr)	
	3913000100	Pivot Tube Weld (4,000 lb IRL wheel lift w/ 2" Reese Rcvr)	
	3913000101	Pivot Tube Weld (4,000 lb IRL wheel lift w/ 2.5" Reese Rcvr)	
2	3484000035	Grid Weld - LH (3,000 lb wheel lift)	1
	3484000031	Grid Weld - LH (4,000 lb wheel lift)	
3	3484000034	Grid Weld - RH (3,000 lb wheel lift)	1
	3484000030	Grid Weld - RH (4,000 lb wheel lift)	
4	4691000447	Pivot Pin (3,000 lb wheel lift)	1
	4691000427	Pivot Pin (4,000 lb wheel lift)	
5	4949000047	Washer	2
6	7754000024	Retaining Ring	1
7	3551000036	T-Handle	2
8	3020000072	L-Arm Weld (3,000 lb wheel lift)	1
	3020000037	L-Arm Weld LH (4,000 lb wheel lift)	
9	7701000062	Plug (3,000 lb wheel lift)	2
10	3551000011	Cam Lock Assembly	2
11	7440030000	Grease Fitting	2
12	7330000419	Reflective Tape	2
13	7330000417	Reflective Tape - LH	1
14	7330000418	Reflective Tape - RH	1
15	3020000072	L-Arm Weld (3,000 lb wheel lift)	1
	3020000038	L-Arm Weld RH (4,000 lb wheel lift)	



# MANUAL L-ARM WHEEL LIFT GRID



3,000 lb wheel lift grid shown

**MANUAL T37 PIVOTING WHEEL LIFT GRID**

ITEM	PART NO.	DESCRIPTION	QTY	ITEM	PART NO.	DESCRIPTION	QTY
1	3913000093	Pivot Tube Weld (3,000 lb ILR wheel lift w/ ball plate)	1	20	7440030000~	Grease Fitting	6
	3913000097	Pivot Tube Weld (4,000 lb ILR wheel lift w/ ball plate)		21	3020000029	L-Arm Weld - LH	1
	3913000098	Pivot Tube Weld (3,000 lb IRL wheel lift w/ 2" Reese Rcvr)		22	3020000030	L-Arm Weld - RH	1
	3913000100	Pivot Tube Weld (4,000 lb IRL wheel lift w/ 2" Reese Rcvr)		23	7330000419	Reflective Tape	2
	3913000101	Pivot Tube Weld (4,000 lb IRL wheel lift w/ 2.5" Reese Rcvr)		24	7330000420	Reflective Tape	1
2	3484000051*	Grid Weld - LH (3,000 lb wheel lift)	1	25	7330000432	Reflective Tape	1
	3484000017^	Grid Weld - LH (4,000 lb wheel lift)		26	7950200000~	Lockwasher, 0.63" ID	2
3	3484000050+	Grid Weld - RH (3,000 lb wheel lift)	1				
	3484000016>	Grid Weld - RH (4,000 lb wheel lift)					
4	4259000002*^	Pivot Casting, LH	1				
5	4259000001+>	Pivot Casting, RH	1				
6	4691000354~	Pin	2				
7	4691000357~	Pin	2				
8	7754000037~	Retaining Ring	2				
9	3551000036^>	T-Handle	2				
10	4691000186~	Pin	2				
11	7843000006~	Spring	2				
12	4763000184~	Rod	2				
13	4254000005~	Cap	2				
14	7786000006~	Screw	2				
15	7843000016~	Spring	2				
16	4691000183~	Pin	2				
17	4691000447	Pivot Pin (3,000 lb wheel lift)	1				
	4691000427	Pivot Pin (4,000 lb wheel lift)					
18	4949000047	Washer	2				
19	7754000024	Retaining Ring	1				

\* also available in Grid Assembly, LH, P/N 3484000053

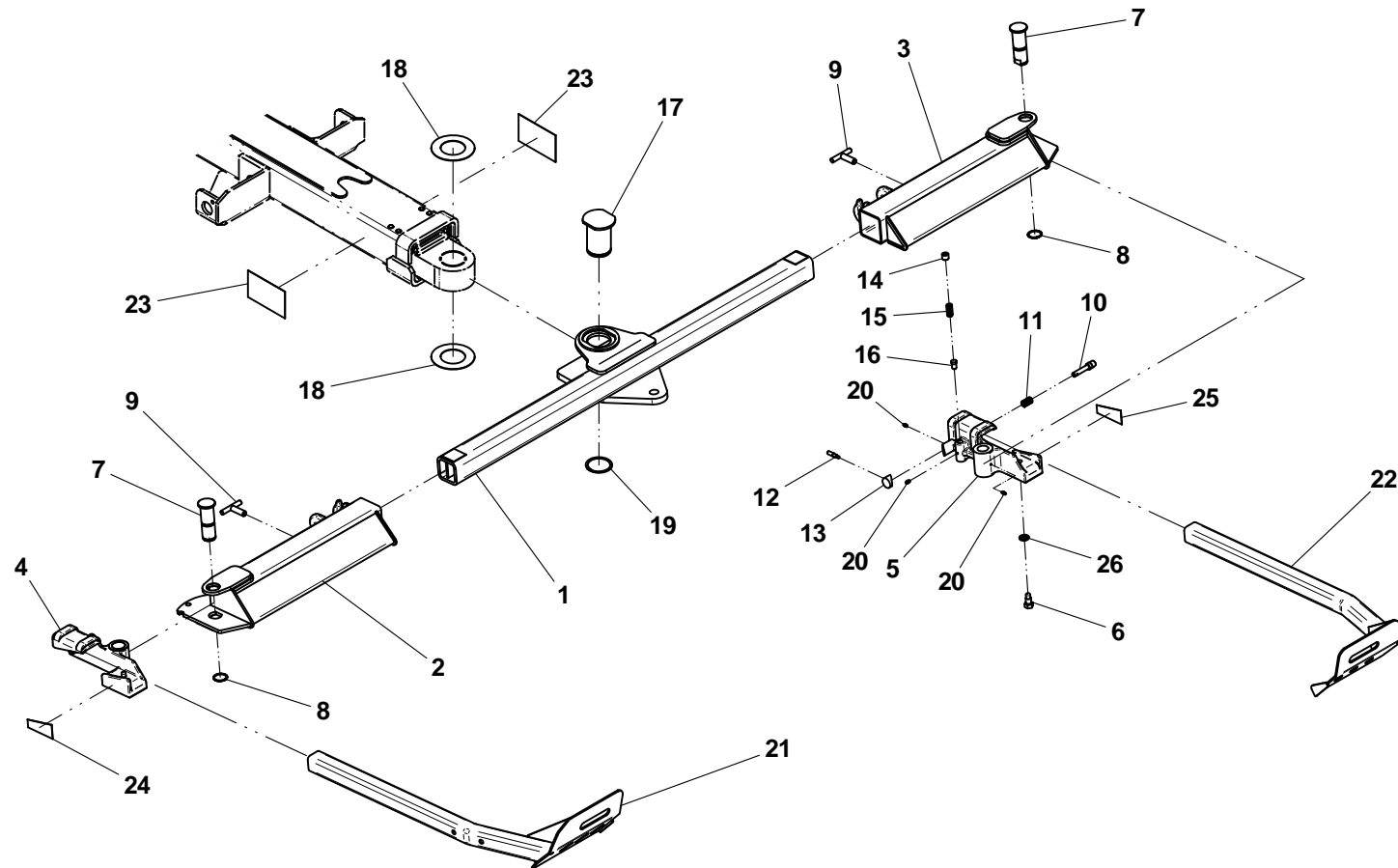
+ also available in Grid Assembly, RH, P/N 3484000052

~ also available in Grid Assembly, P/N's 3484000046, 3484000047, 3484000052 & 3484000053

^ also available in Grid Assembly, LH, P/N 3484000047

> also available in Grid Assembly, RH, P/N 3484000046

# MANUAL T37 PIVOTING WHEEL LIFT GRID



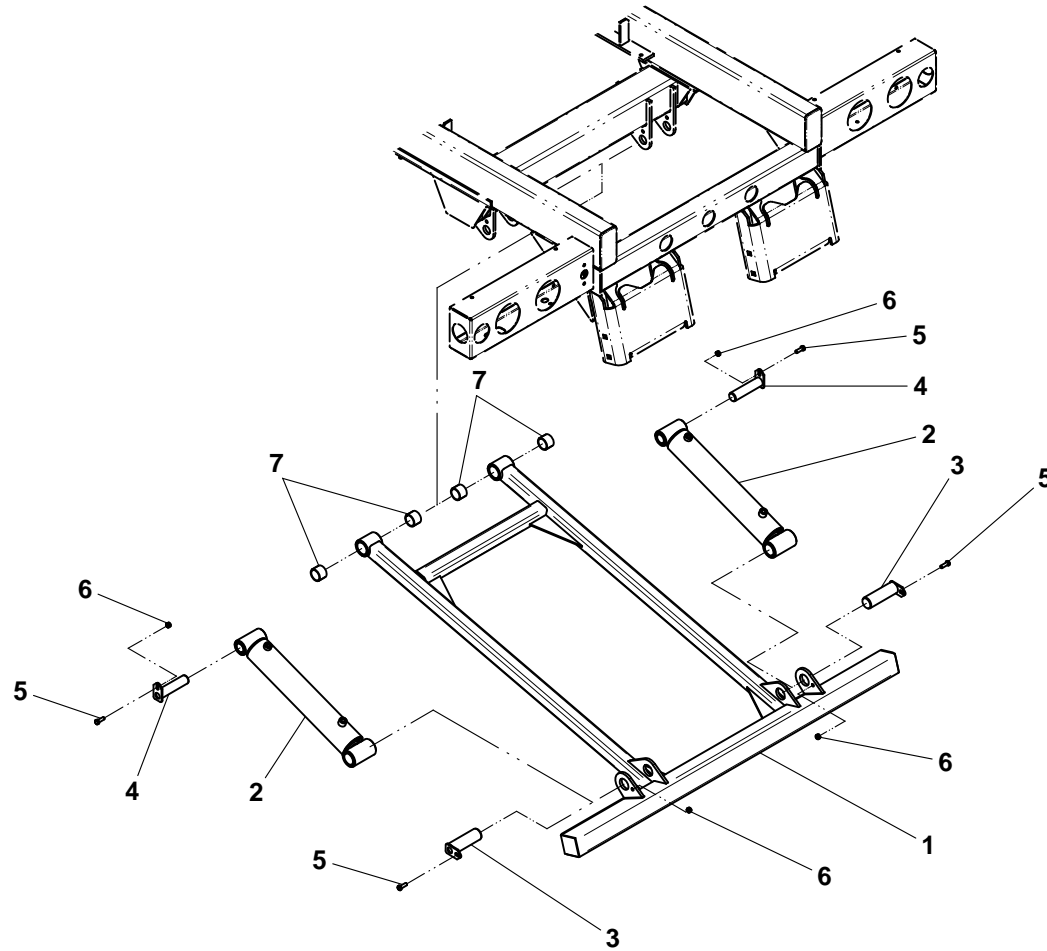
3,000 lb wheel lift grid shown

**HYDRAULIC REAR DOCK STABILIZER**

ITEM	PART NO.	DESCRIPTION	QTY
1	3849000027	Stabilizer Weld	1
2	3320000126	Cylinder Assembly	2
3	3691000165	Pin Weld	2
4	3691000073	Pin Weld	2
5	7115160950	Capscrew, 0.38"-16NC x 1.12"	4
6	7660162601	Locknut, 0.38"-16NC	4
7	7082000017*	Bearing	4

\* included in Stabilizer Weld, P/N 3849000027

# HYDRAULIC REAR DOCK STABILIZER



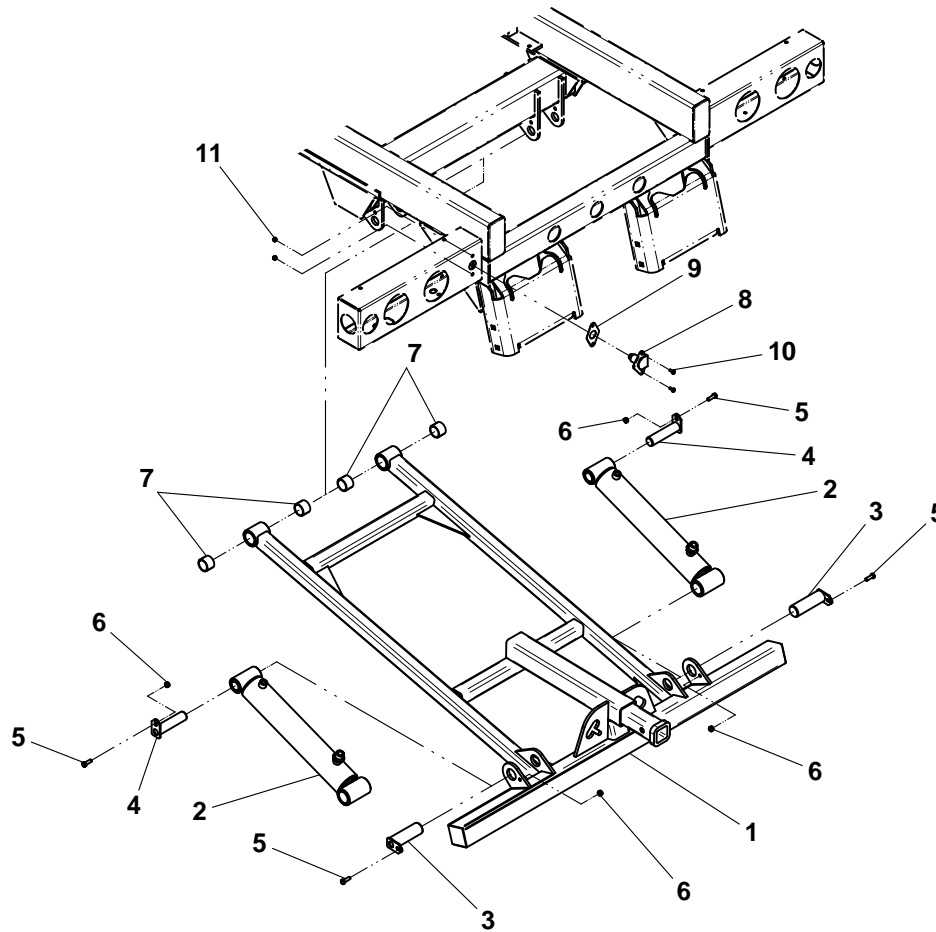
**HYDRAULIC REAR DOCK STABILIZER WITH REESE HITCH RECEIVER**

ITEM	PART NO.	DESCRIPTION	QTY
1	3849000029	Stabilizer Weld (with 2.00" Reese Hitch Receiver)	1
	3849000042	Stabilizer Weld (with 2.50" Reese Hitch Receiver)	
2	3320000123	Cylinder Assembly	2
3	3691000165	Pin Weld	2
4	3691000073	Pin Weld	2
5	7115160950	Capscrew, 0.38"-16NC x 1.12"	4
6	7660162601	Locknut, 0.38"-16NC	4
7	7082000017*^	Bearing	4
8	7291000010	4-Way Receptacle	1
9	7796000048	Gasket	1
10	7114140528	Screw, 0.25"-20NC x .63"	2
11	7660142601	Locknut, 0.25"-20NC	2

\* included in Stabilizer Weld, P/N 3849000029

^ included in Stabilizer Weld, P/N 3849000042

# HYDRAULIC REAR DOCK STABILIZER WITH REESE HITCH RECEIVER



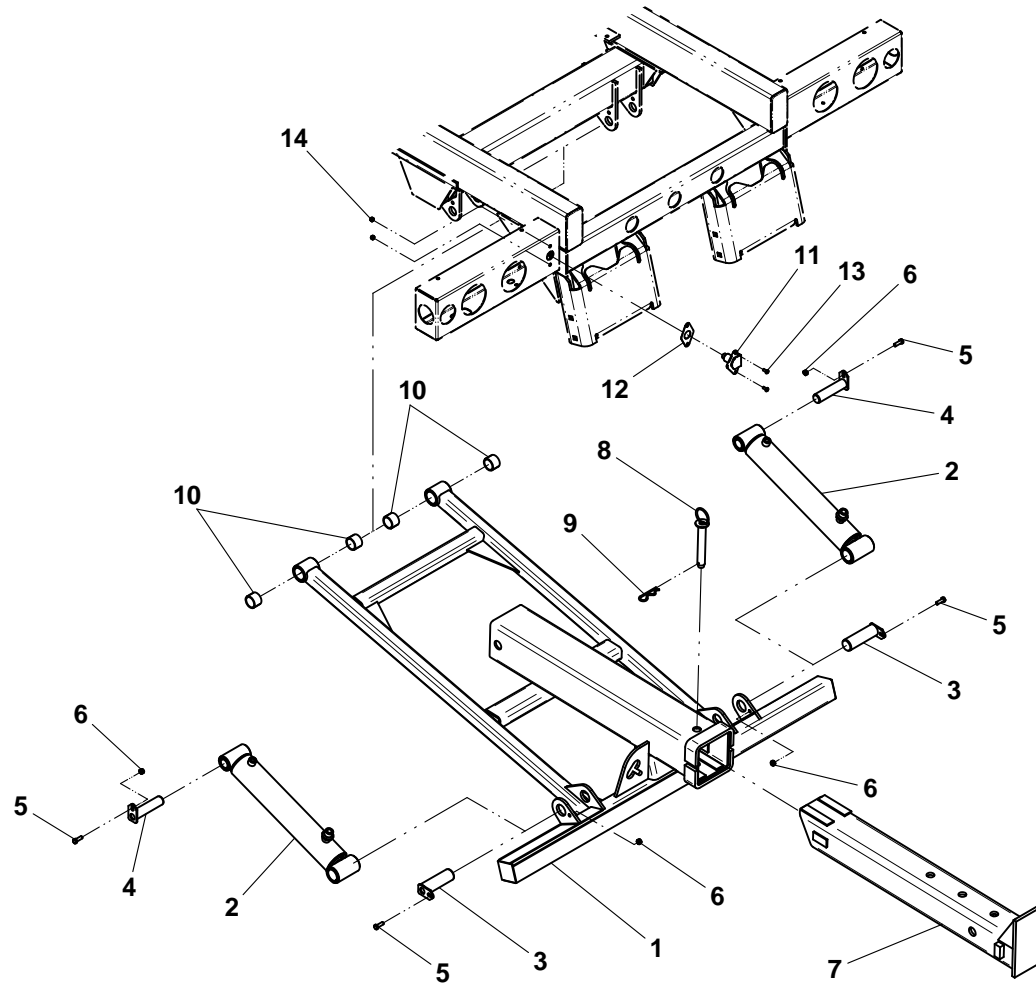
**HYDRAULIC REAR DOCK STABILIZER WITH MANUAL EXTEND PINTLE HITCH MOUNTING PLATE**

ITEM	PART NO.	DESCRIPTION	QTY
1	3849000028	Stabilizer Weld w/ Manual Pintle Plate	1
2	3320000123	Cylinder Assembly	2
3	3691000165	Pin Weld	2
4	3691000073	Pin Weld	2
5	7115160950	Capscrew, 0.38"-16NC x 1.12"	4
6	7660162601	Locknut, 0.38"-16NC	4
7	3170000203	Inner Boom Weld	1
8	3691000064	Pin Weld	1
9	7691000001	Hair Pin	1
10	7082000017*	Bearing	4
11	7291000010	4-Way Receptacle	1
12	7796000048	Gasket	1
13	7114140528	Screw, 0.25"-20NC x 0.63"	2
14	7660142601	Locknut, 0.25"-20NC	2

\* included in Stabilizer Weld, P/N 3849000033



# HYDRAULIC REAR DOCK STABILIZER WITH MANUAL EXTEND PINTLE HITCH MOUNTING PLATE

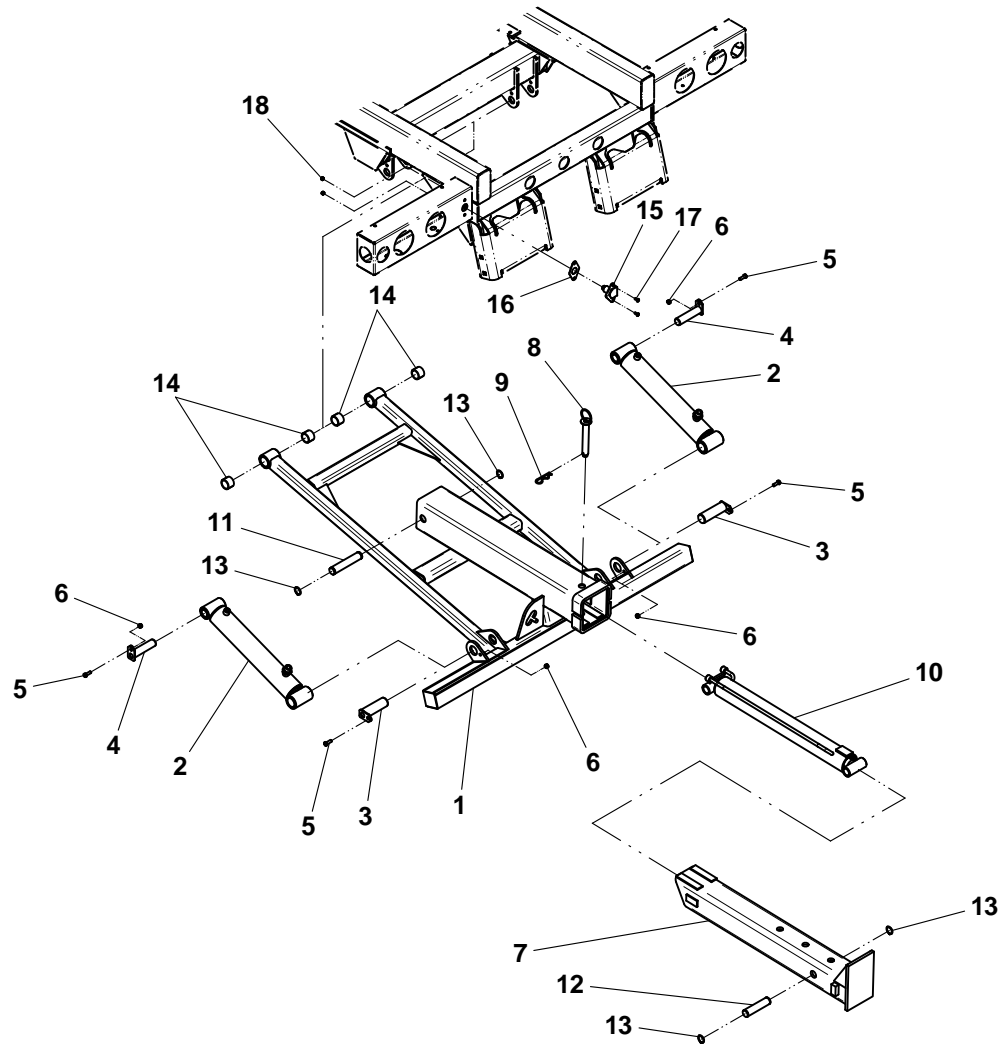


**HYDRAULIC REAR DOCK STABILIZER WITH HYDRAULIC EXTEND PINTLE HITCH MOUNTING PLATE**

ITEM	PART NO.	DESCRIPTION	QTY
1	3849000028	Stabilizer Weld w/ Man Pintle Plate	1
2	3320000123	Cylinder Assembly	2
3	3691000165	Pin Weld	2
4	3691000073	Pin Weld	2
5	7115160950	Capscrew, 0.38"-16NC x 1.12"	4
6	7660162601	Locknut, 0.38"-16NC	4
7	3170000203	Inner Boom Weld	1
8	3691000064	Pin Weld	1
9	7691000001	Hair Pin	1
10	3320000117	Cylinder Assembly	1
11	4691000430	Pin	1
12	4691000429	Pin	1
13	7754000006	Retaining Ring	4
14	7082000017*	Bearing	4
15	7291000010	4-Way Receptacle	1
16	7796000048	Gasket	1
17	7114140528	Screw, 0.25"-20NC x 0.63"	2
18	7660142601	Locknut, 0.25"-20NC	2

\* included in Stabilizer Weld, P/N 3849000028

# HYDRAULIC REAR DOCK STABILIZER WITH HYDRAULIC EXTEND PINTLE HITCH MOUNTING PLATE



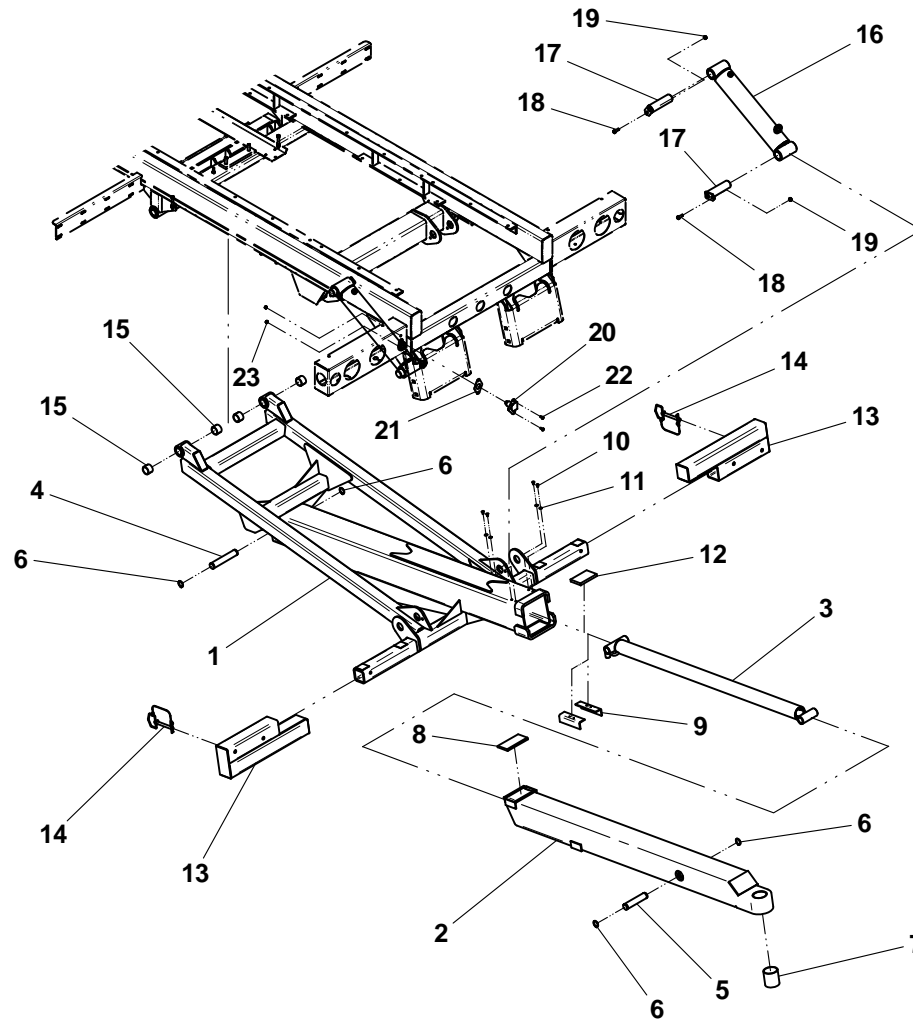
**HYDRAULIC REAR DOCK STABILIZER WITH HYDRAULIC EXTEND WHEEL LIFT**

ITEM	PART NO.	DESCRIPTION	QTY
1	3849000030	Stabilizer Weld	1
2	3170000304	Inner Boom Weld	1
3	3320000115	Cylinder Assembly	1
4	4691000296	Pin	1
5	4691000268	Pin	1
6	7754000006	Retaining Ring	4
7	7082000021*	Bushing	1
8	4679000046	Wear Pad	1
9	4017000739	Angle	2
10	7118140418	Capscrew, 0.25"-20NC x 0.50"	4
11	7950100151	Washer, 0.19" ID	4
12	4679000211	Wear Pad	1
13	3073000010	Stabilizer Base Weld	2
14	7691000071	Hitch Pin	2
15	7082000017+	Bearing	4
16	3320000132	Cylinder assembly	2
17	3691000184	Pin Weld	4
18	7115160950	Capscrew, 0.38"-16NC x 1.12"	4
19	7660162601	Locknut, 0.38"-16NC	4
20	7291000010	4-Way Receptacle	1
21	7796000048	Gasket	1
22	7114140528	Screw, 0.25"-20NC x 0.63"	2
23	7660142601	Locknut, 0.25"-20NC	2

\* included in Inner Boom Weld, P/N 3170000304

+ included in Stabilizer Weld, P/N 3849000030

# HYDRAULIC REAR DOCK STABILIZER WITH HYDRAULIC EXTEND WHEEL LIFT



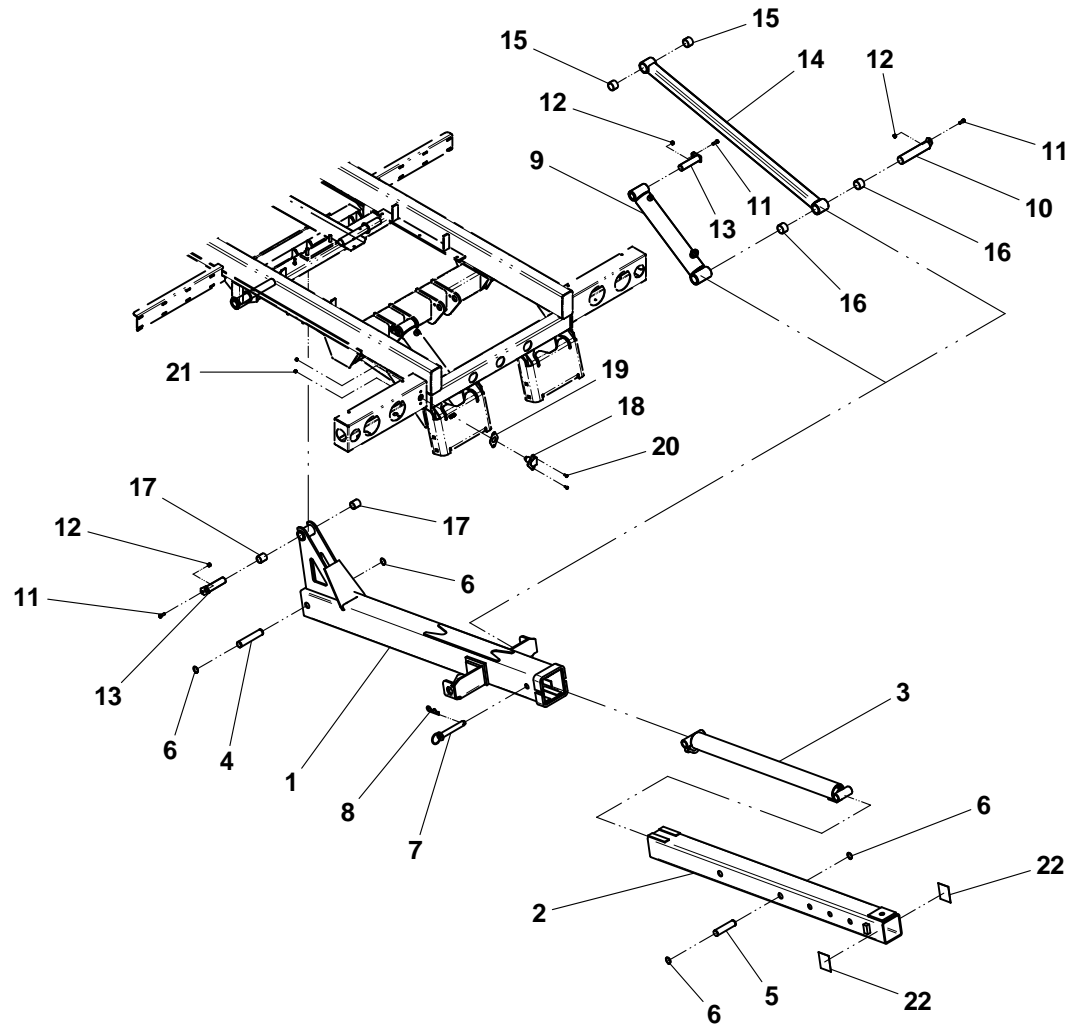
**BALL HITCH MOUNTING PLATE - IRL**

ITEM	PART NO.	DESCRIPTION	QTY
1	3170000313	Outer Boom Weld	1
2	3911000062	Inner Boom Weld	1
3	3320000116	Cylinder Assembly	1
4	4691000430	Pin	1
5	4691000429	Pin	1
6	7754000006	Retaining Ring	4
7	3691000064	Pin Weld	1
8	7691000001	Hair Pin	1
9	3320000124	Cylinder Assembly	2
10	3691000164	Pin Weld	2
11	7115160950	Capscrew, 0.38"-16NC x 1.12"	5
12	7660162601	Locknut, 0.38"-16NC	5
13	3691000073	Pin Weld	3
14	3020000102	Arm Weld	2
15	7082000017*	Bushing	4
16	7082000018*	Bushing	4
17	7082000016+	Bushing	2
18	7291000010	4-Way Receptacle	1
19	7796000048	Gasket	1
20	7114140528	Screw, 0.25"-20NC x 0.63"	2
21	7660142601	Locknut, 0.25"-20NC	2
22	4330000002	Reflective Tape	2

\* included in Arm Weld, P/N 3020000102

+ included in Outer Boom Weld, P/N 3170000313

# BALL HITCH MOUNTING PLATE - IRL



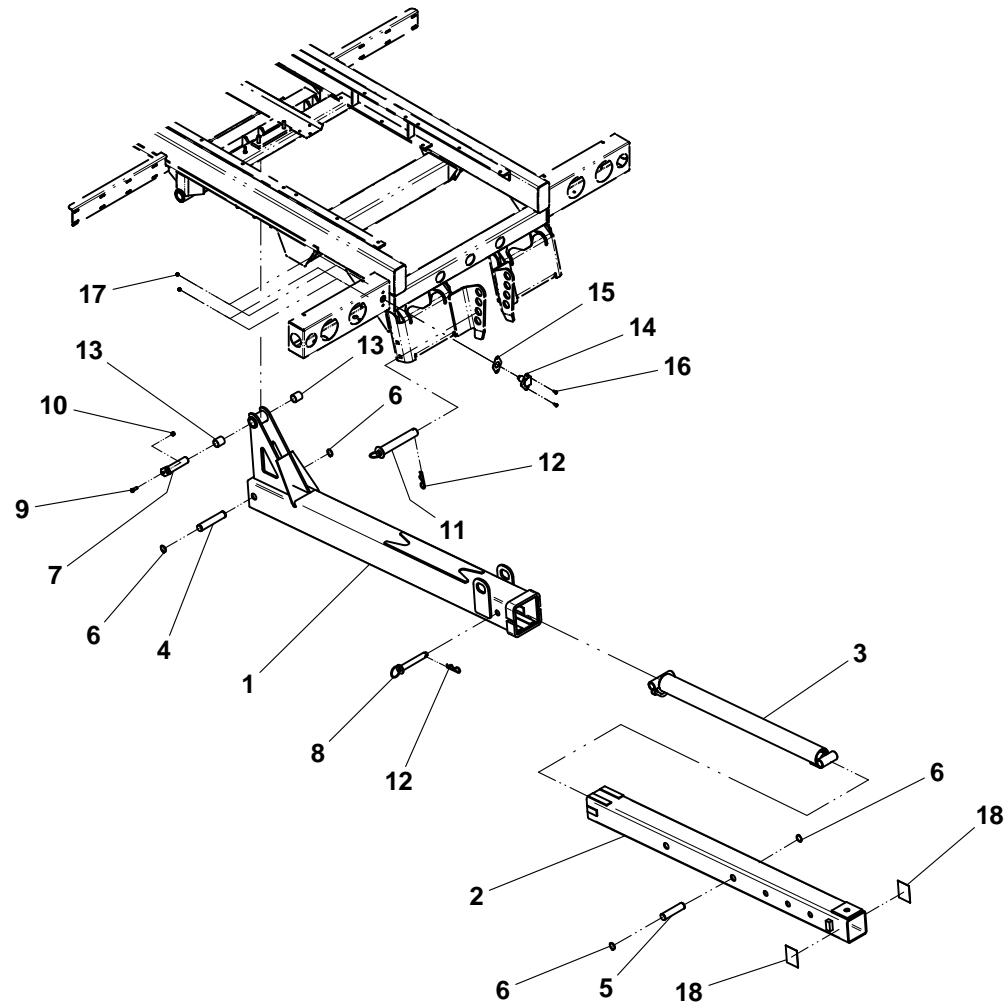
**BALL HITCH MOUNTING PLATE - HYDRAULIC EXTEND**

ITEM	PART NO.	DESCRIPTION	QTY
1	3170000314	Outer Boom Weld	1
2	3911000062	Inner Boom Weld	1
3	3320000116	Cylinder Assembly	1
4	4691000430	Pin	1
5	4691000429	Pin	1
6	7754000006	Retaining Ring	4
7	3691000073	Pin Weld	1
8	3691000064	Pin Weld	1
9	7115160950	Capscrew, 0.38"-16NC x 1.12"	1
10	7660162601	Locknut, 0.38"-16NC	1
11	3691000097	Pin Weld	1
12	7691000001	Hair Pin	2
13	7082000016*	Bushing	2
14	7291000010	4-Way Receptacle	1
15	7796000048	Gasket	1
16	7114140528	Screw, 0.25"-20NC x 0.63"	2
17	7660142601	Locknut, 0.25"-20NC	2
18	4330000002	Reflective Tape	2

\* included in Outer Boom Weld, P/N 3170000314



# BALL HITCH MOUNTING PLATE - HYDRAULIC EXTEND

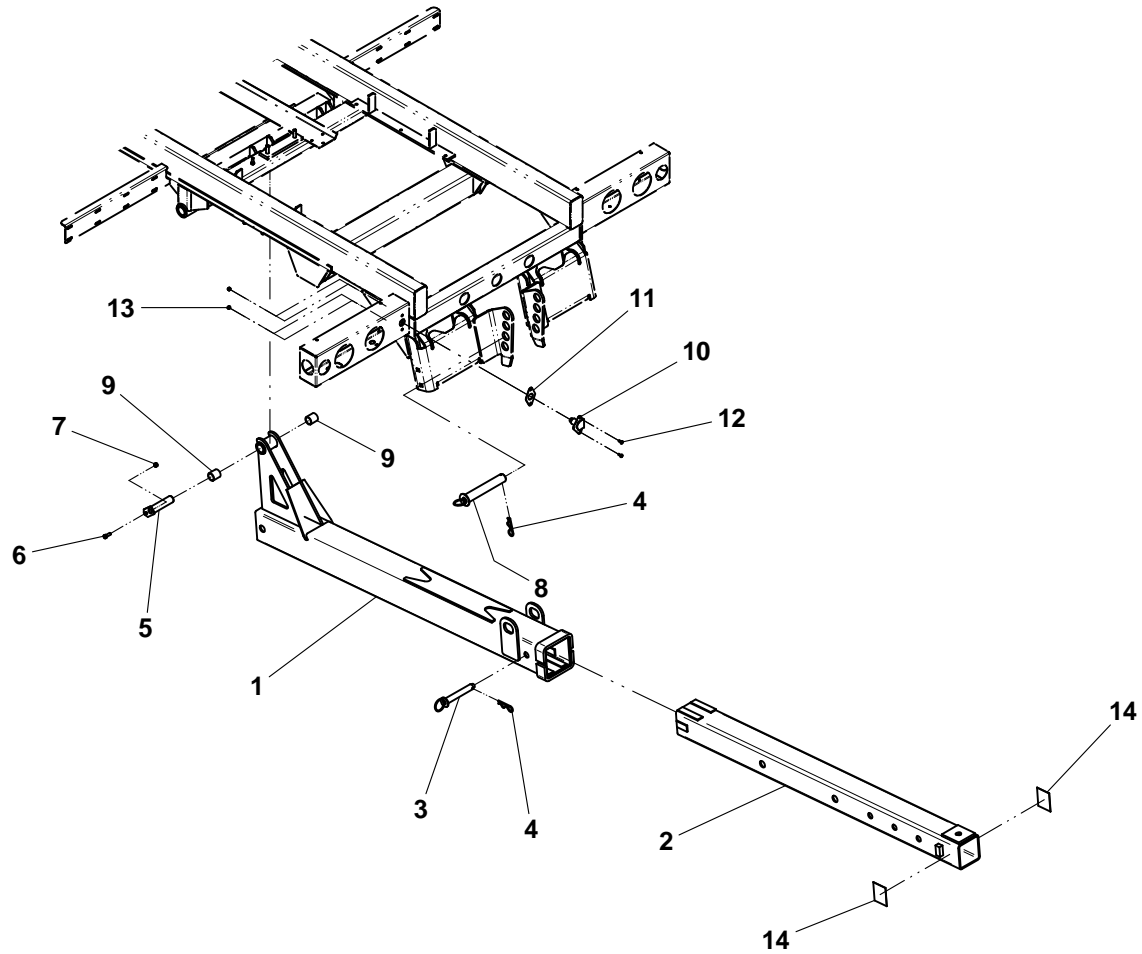


**BALL HITCH MOUNTING PLATE - MANUAL EXTEND**

ITEM	PART NO.	DESCRIPTION	QTY
1	3170000314	Outer Boom Weld	1
2	3911000062	Inner Boom Weld	1
3	3691000064	Pin Weld	1
4	7691000001	Hair Pin	2
5	3691000073	Pin Weld	1
6	7115160950	Capscrew, 0.38"-16NC x 1.12"	1
7	7660162601	Locknut, 0.38"-16NC	1
8	3691000097	Pin Weld	1
9	7082000016*	Bushing	2
10	7291000010	4-Way Receptacle	1
11	7796000048	Gasket	1
12	7114140528	Screw, 0.25"-20NC x 0.63"	2
13	7660142601	Locknut, 0.25"-20NC	2
14	4330000002	Reflective Tape	2

\* included in Outer Boom Weld, P/N 3170000314

# BALL HITCH MOUNTING PLATE - MANUAL EXTEND



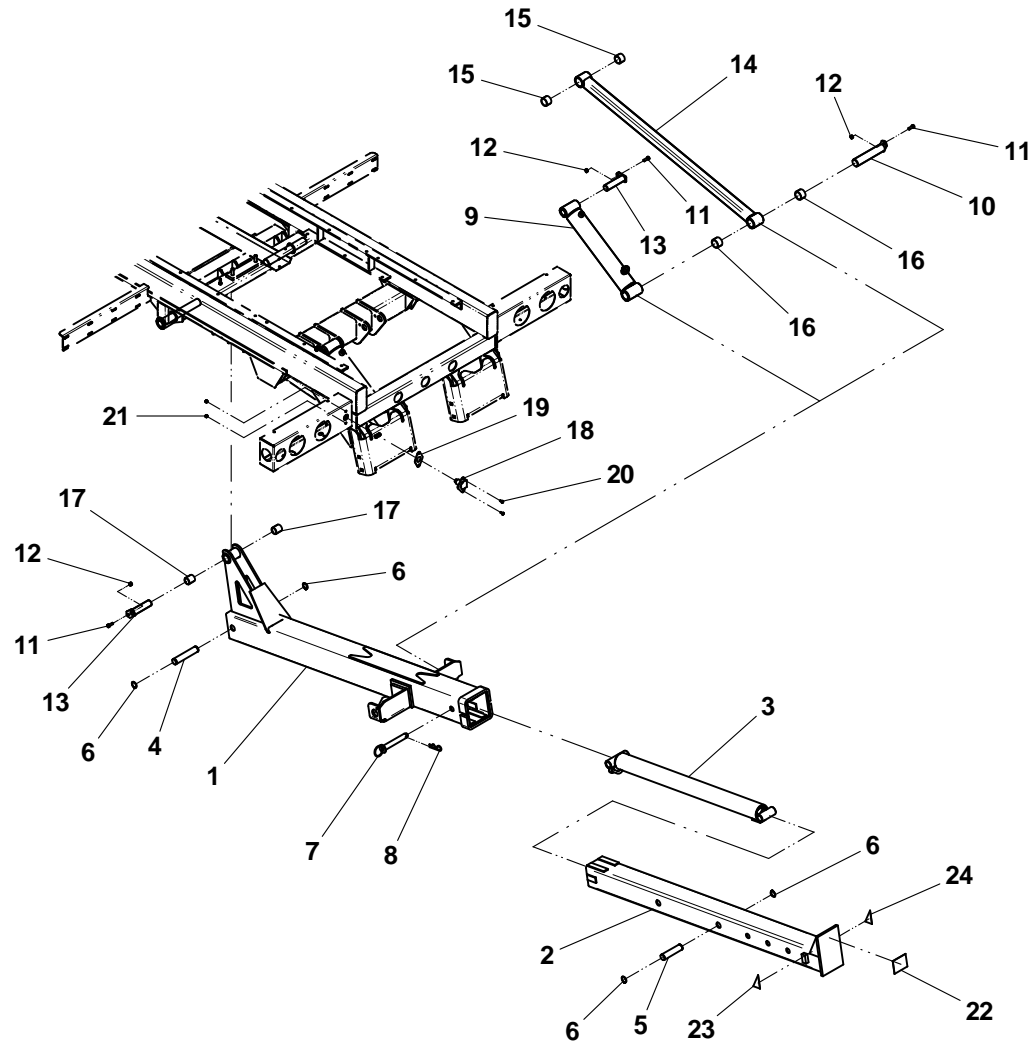
**PINTLE HITCH MOUNTING PLATE - IRL**

ITEM	PART NO.	DESCRIPTION	QTY
1	3170000313	Outer Boom Weld	1
2	3170000208	Inner Boom Weld	1
3	3320000116	Cylinder Assembly	1
4	4691000430	Pin	1
5	4691000429	Pin	1
6	7754000006	Retaining Ring	4
7	3691000064	Pin Weld	1
8	7691000001	Hair Pin	1
9	3320000124	Cylinder Assembly	1
10	3691000164	Pin Weld	2
11	7115160950	Capscrew, 0.38"-16NC x 1.12"	5
12	7660162601	Locknut, 0.38"-16NC	5
13	3691000073	Pin Weld	3
14	3020000102	Arm Weld	2
15	7082000017*	Bushing	4
16	7082000018*	Bushing	4
17	7082000016+	Bushing	2
18	7291000010	4-Way Receptacle	1
19	7796000048	Gasket	1
20	7114140528	Screw, 0.25"-20NC x 0.63"	2
21	7660142601	Locknut, 0.25"-20NC	2
22	4330000002	Reflective Tape	1
23	4330000645	Reflective Tape, LH	1
24	4330000646	Reflective Tape, RH	1

\* included in Arm Weld, P/N 3020000102

+ included in Outer Boom Weld, P/N 3170000313

# PINTLE HITCH MOUNTING PLATE - IRL

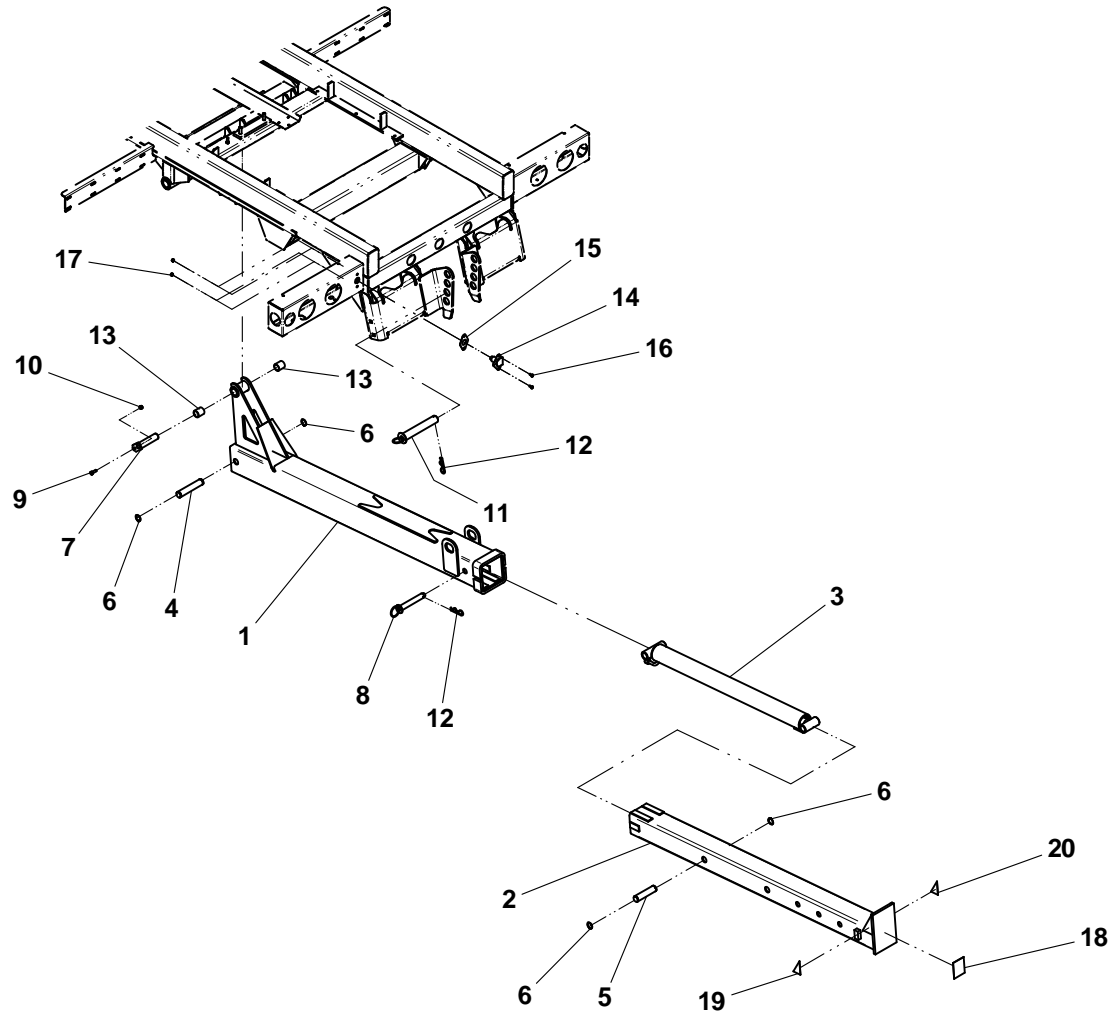


**PINTLE HITCH MOUNTING PLATE - HYDRAULIC EXTEND**

ITEM	PART NO.	DESCRIPTION	QTY
1	3170000314	Outer Boom Weld	1
2	3170000208	Inner Boom Weld	1
3	3320000116	Cylinder Assembly	1
4	4691000430	Pin	1
5	4691000429	Pin	1
6	7754000006	Retaining Ring	4
7	3691000073	Pin Weld	1
8	3691000064	Pin Weld	1
9	7115160950	Capscrew, 0.38"-16NC x 1.12"	1
10	7660162601	Locknut, 0.38"-16NC	1
11	3691000097	Pin Weld	1
12	7691000001	Hair Pin	2
13	7082000016*	Bushing	2
14	7291000010	4-Way Receptacle	1
15	7796000048	Gasket	1
16	7114140528	Screw, 0.25"-20NC x 0.63"	2
17	7660142601	Locknut, 0.25"-20NC	2
18	4330000002	Reflective Tape	1
19	4330000645	Reflective Tape LH	1
20	4330000646	Reflective Tape RH	1

\* included in Outer Boom Weld, P/N 3170000314

# PINTLE HITCH MOUNTING PLATE - HYDRAULIC EXTEND



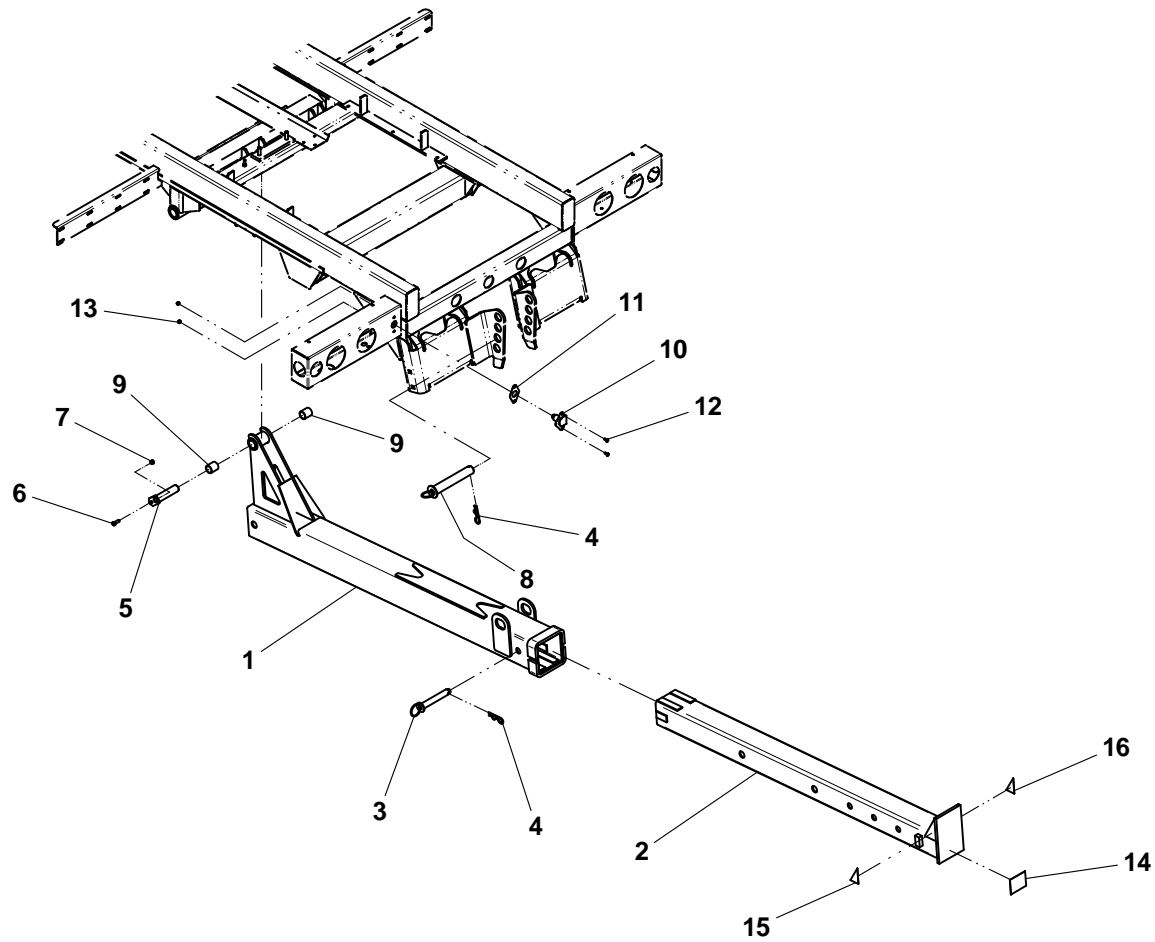
**PINTLE HITCH MOUNTING PLATE - MANUAL EXTEND**

ITEM	PART NO.	DESCRIPTION	QTY
1	3170000314	Outer Boom Weld	1
2	3170000208	Inner Boom Weld	1
3	3691000064	Pin Weld	1
4	7691000001	Hair Pin	2
5	3691000073	Pin Weld	1
6	7115160950	Capscrew, 0.38"-16NC x 1.12"	1
7	7660162601	Locknut, 0.38"-16NC	1
8	3691000097	Pin Weld	1
9	7082000016*	Bushing	2
10	7291000010	4-Way Receptacle	1
11	7796000048	Gasket	1
12	7114140528	Screw, 0.25"-20NC x 0.63"	2
13	7660142601	Locknut, 0.25"-20NC	2
14	4330000002	Reflective Tape	1
15	4330000645	Reflective Tape LH	1
16	4330000646	Reflective Tape RH	1

\* included in Outer Boom Weld, P/N 3170000314



# PINTLE HITCH MOUNTING PLATE - MANUAL EXTEND



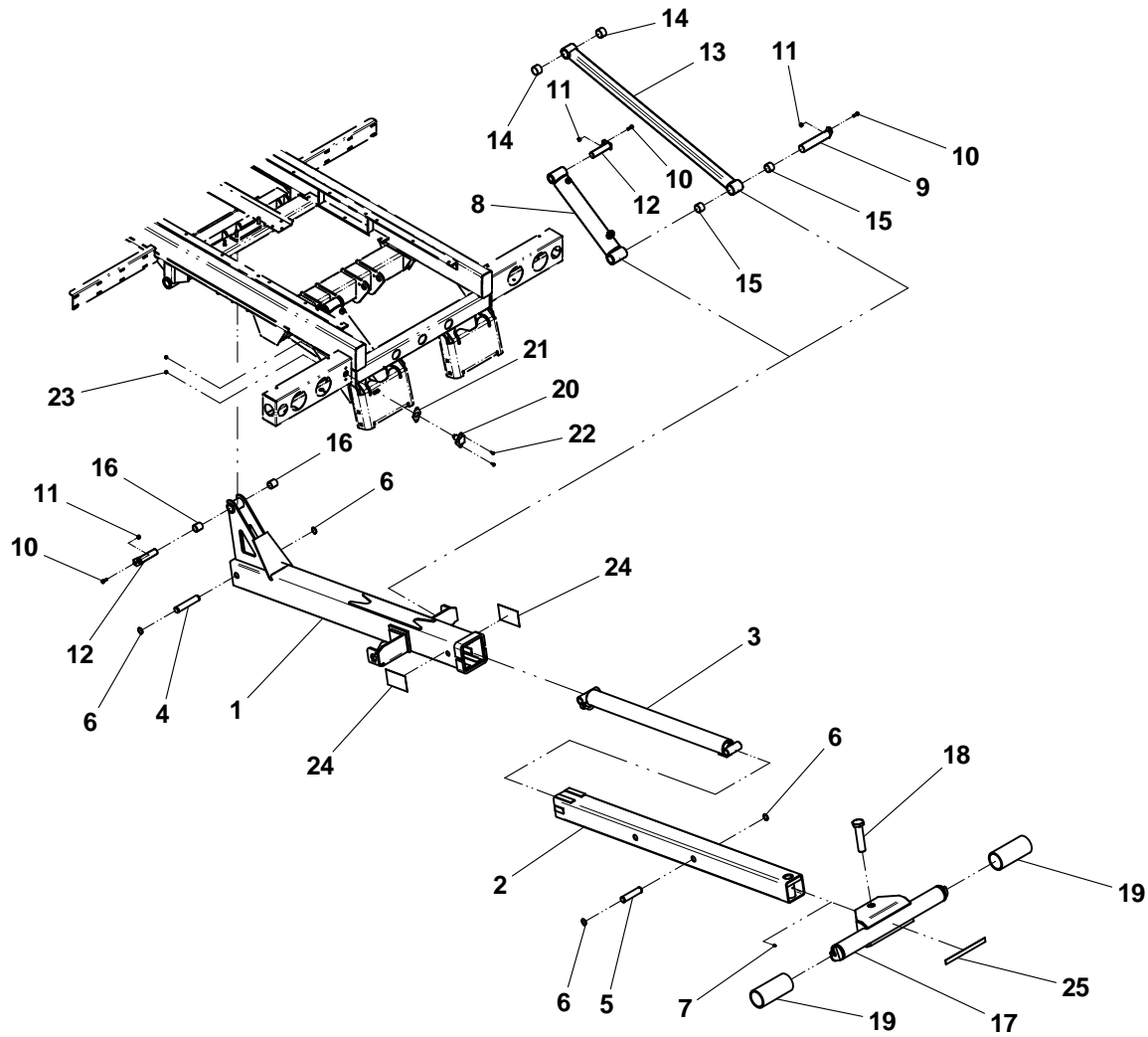
**TOWBAR - IRL**

ITEM	PART NO.	DESCRIPTION	QTY
1	3170000313	Outer Boom Weld	1
2	3170000078	Inner Boom Weld	1
3	3320000116	Cylinder Assembly	1
4	4691000430	Pin	1
5	4691000429	Pin	1
6	7754000006	Retaining Ring	4
7	7440030000	Grease Fitting	1
8	3320000114	Cylinder Assembly	2
9	3691000164	Pin Weld	2
10	7115160950	Capscrew, 0.38"-16NC x 1.12"	5
11	7660162601	Locknut, 0.38"-16NC	5
12	3691000073	Pin Weld	3
13	3020000102	Arm Weld	2
14	7082000017*	Bushing	4
15	7082000018*	Bushing	4
16	7082000016+	Bushing	2
17	3556000026	Tow Hitch Weld (rubber tubes)	1
	3556000028	Tow Hitch Weld (keyslots)	
18	4120000008	Capscrew, 1.50"-12NF x 6.38"	1
19	7912000011	Tube Rubber	2
20	7291000010	4-Way Receptacle	1
21	7796000048	Gasket	1
22	7114140528	Screw, 0.25"-20NC x 0.63"	2
23	7660142601	Locknut, .025"-20NC	2
24	7330000419	Reflective Tape	2
25	4330000001	Reflective Tape	1

\* included in Arm Weld, P/N 3020000102

+ included in Outer Boom Weld, P/N 3170000313

# TOWBAR - IRL



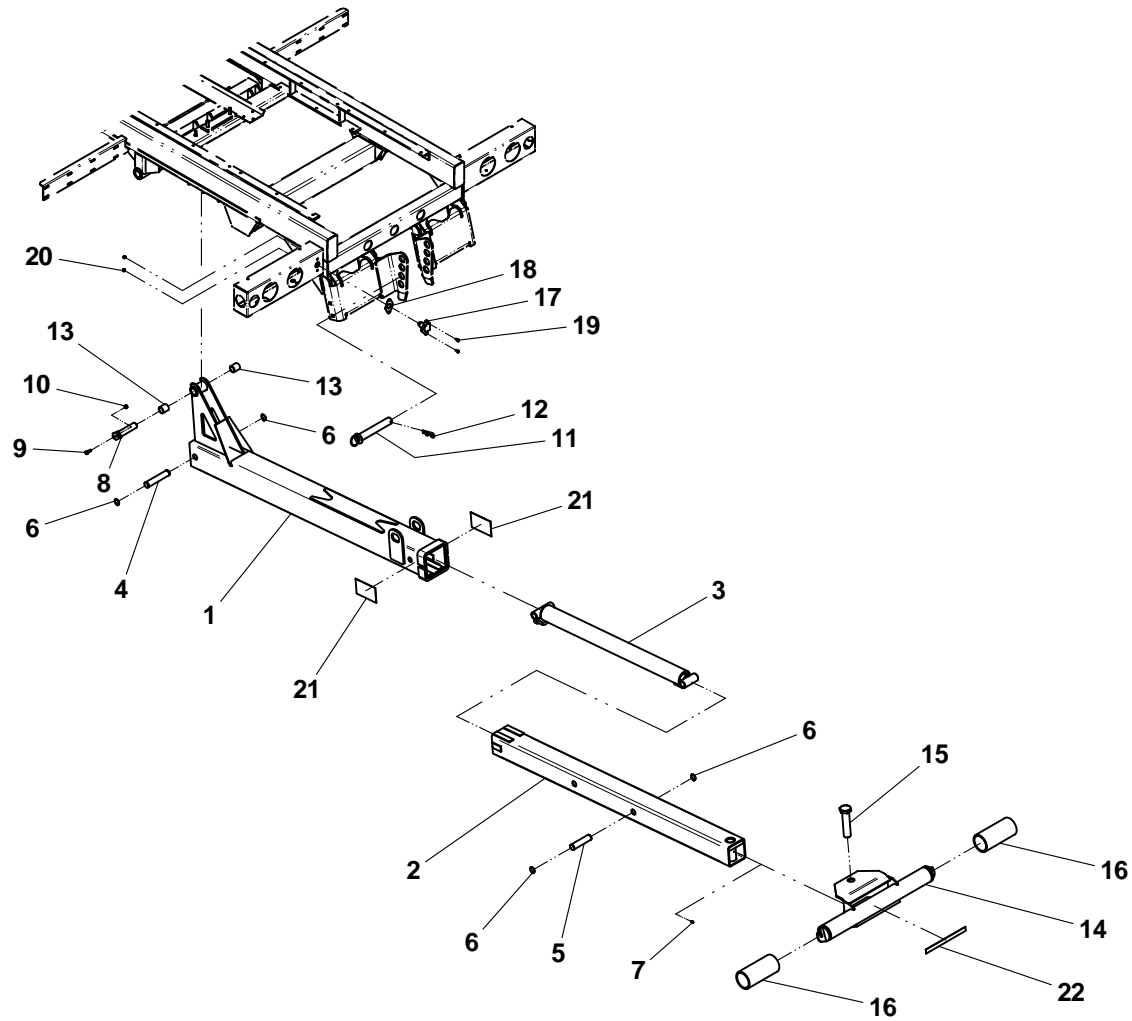
IRL towbar with rubber tubes shown

**TOWBAR - HYDRAULIC EXTEND**

ITEM	PART NO.	DESCRIPTION	QTY
1	3170000314	Outer Boom Weld	1
2	3170000048	Inner Boom Weld	1
3	3320000116	Cylinder Assembly	1
4	4691000430	Pin	1
5	4691000429	Pin	1
6	7754000006	Retaining Ring	4
7	7440030000	Grease Fitting	1
8	3691000073	Pin Weld	1
9	7115160950	Capscrew, 0.38"-16NC x 1.12"	1
10	7660162601	Locknut, 0.38"-16NC	1
11	3691000097	Pin Weld	1
12	7691000001	Hair Pin	1
13	7082000016*	Bushing	2
14	3556000023	Tow Hitch Weld	1
15	4120000008	Capscrew, 1.50"-12NF x 6.38"	1
16	7912000011	Tube Rubber	2
17	7291000010	4-Way Receptacle	1
18	7796000048	Gasket	1
19	7114140528	Screw, 0.25"-20NC x 0.63"	2
20	7660142601	Locknut, 0.25"-20NC	2
21	7330000419	Reflective Tape	2
22	4330000001	Reflective Tape	1

\* included in Outer Boom Weld, P/N 3170000314

# TOWBAR - HYDRAULIC EXTEND



**ROLL CYLINDER ASSEMBLY - P/N 3320000121**

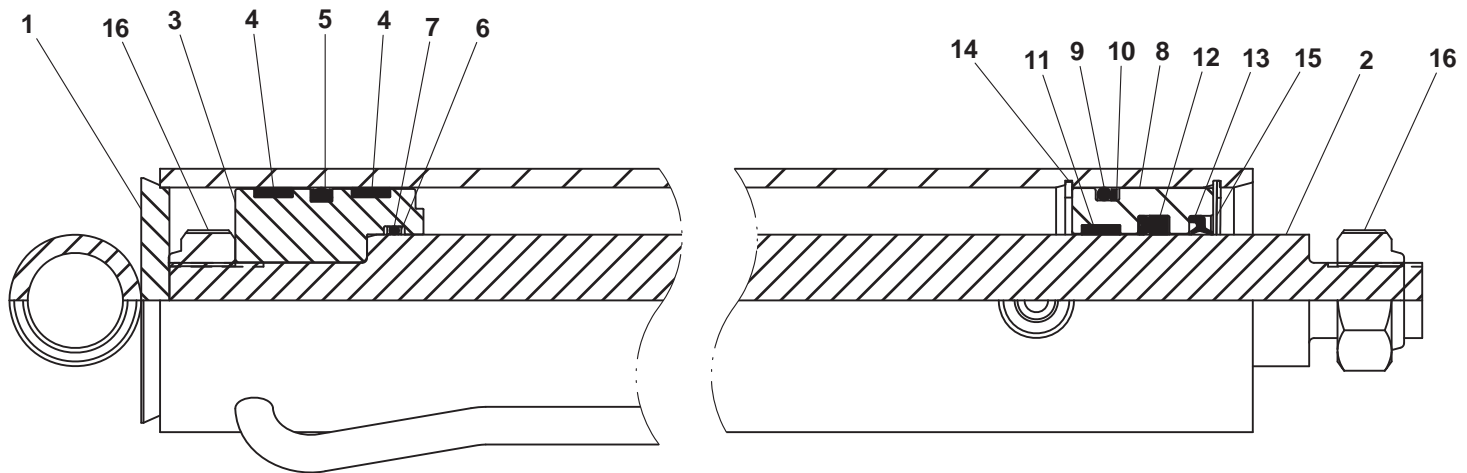
ITEM	PART NO.	DESCRIPTION	QTY
1	3071000116	Barrel Weld	1
2	4763000093	Rod	1
3	4698000009*	Piston	1
4	7796000013* #	Wear Ring	2
5	7796000064* #	Piston Locking "T" Seal	1
6	7755226609* #	Back-Up Ring	2
7	7755226000* #	"O" Ring	1
8	4553000010^	Head	1
9	7755338000^ #	"O" Ring	1
10	7755338609^ #	Back-Up Ring	1
11	7754000012^ #	Wear Ring	1
12	7796000025^ #	Rod Seal	1
13	7796000011^ #	Rod Wiper Seal	1
14	7754000016 #	Retaining Ring	1
15	7754000027 #	Retaining Ring	1
16	7661000035	Locknut	2

\* included in Piston Assembly, P/N 3698000004

^ included in Head Assembly, P/N 3553000014

# available only in Service Kit #7577250025

# ROLL CYLINDER ASSEMBLY - P/N 3320000121



**TILT CYLINDER ASSEMBLY - P/N 3320000129 (28' & 30' MAIN DECK)**

ITEM	PART NO.	DESCRIPTION	QTY
1	3071000122	Barrel Weld	1
2	3763000132	Rod Weld	1
3	4698000009*	Piston	1
4	7754000013* #	Wear Ring	2
5	7796000064* #	Piston Locking "T" Seal	1
6	7755226609* #	Back-Up Ring	2
7	7755226000* #	"O" Ring	1
8	4553000010^	Head	1
9	7755338000^ #	"O" Ring	1
10	7755338609^ #	Back-Up Ring	1
11	7754000012^ #	Wear Ring	1
12	7796000025^ #	Rod Seal	1
13	7796000011^ #	Rod Wiper Seal	1
14	7754000016#	Retaining Ring	1
15	7754000027#	Retaining Ring	1
16	7661000035	Locknut	1
17	7082000018	Bearing	4

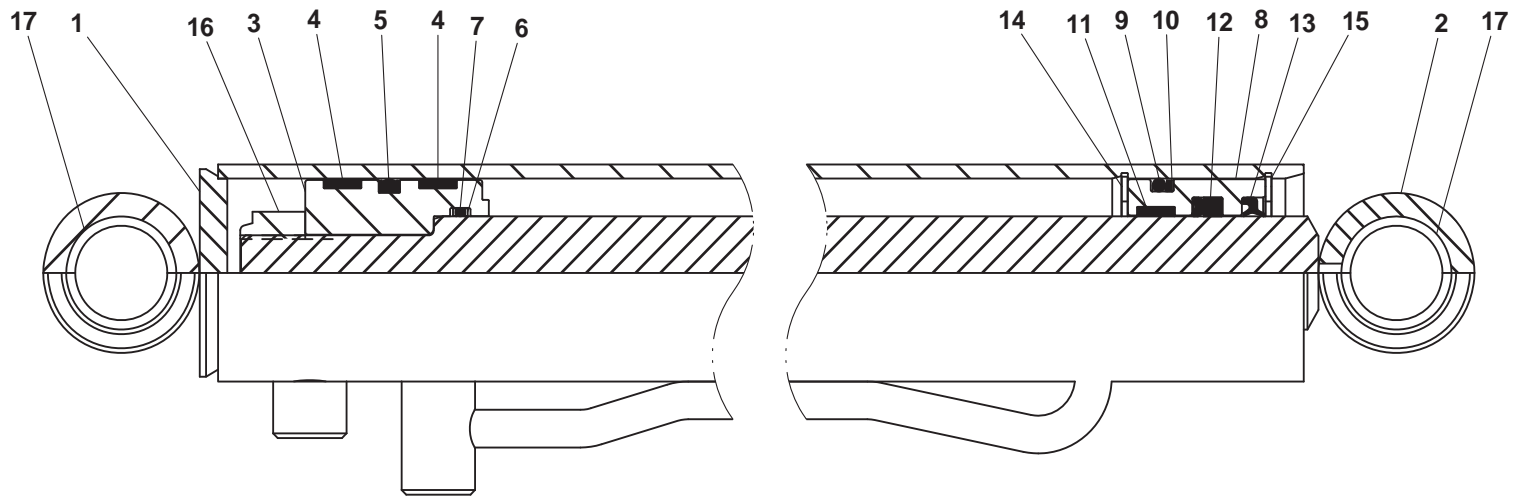
\* included in Piston Assembly, P/N 3698000004

^ included Head Assembly, P/N 3553000014

# available only in Service Kit #7577250025



# TILT CYLINDER ASSEMBLY - P/N 3320000129 (28' & 30' MAIN DECK)



**TILT CYLINDER ASSEMBLY - P/N 3320000122 (22' MAIN DECK)**

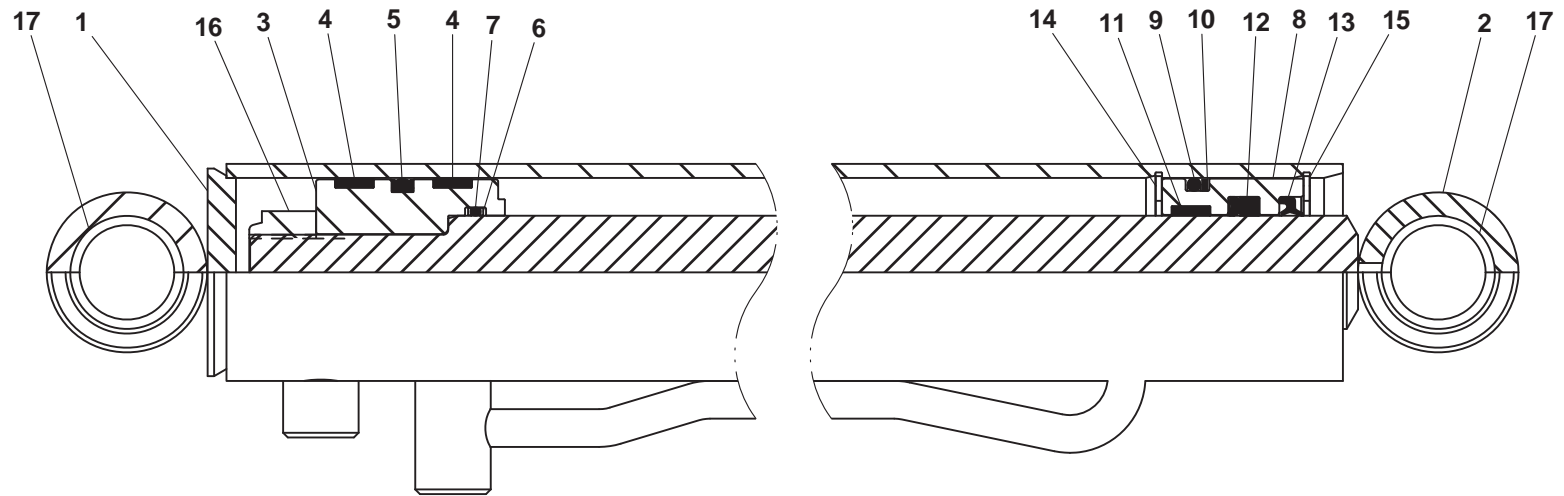
ITEM	PART NO.	DESCRIPTION	QTY
1	3071000117	Barrel Weld	1
2	3763000127	Rod Weld	1
3	4698000007*	Piston	1
4	7754000003* #	Wear Ring	2
5	7796000063* #	Piston Locking "T" Seal	1
6	7755224609* #	Back-Up Ring	2
7	7755224000* #	"O" Ring	1
8	4553000008^	Head	1
9	7755330008^ #	"O" Ring	1
10	7755334609^ #	Back-Up Ring	1
11	7754000004^ #	Wear Ring	1
12	7796000045^ #	Rod Seal	1
13	7796000024^ #	Rod Wiper Seal	1
14	7754000002#	Retaining Ring	1
15	7754000026#	Retaining Ring	1
16	7661000034	Locknut	1
17	7082000016	Bearing	4

\* included in Piston Assembly, P/N 3698000001

^ included Head Assembly, P/N 3553000011

# available only in Service Kit #7577250042

# TILT CYLINDER ASSEMBLY - P/N 3320000122 (22' MAIN DECK)



**TILT CYLINDER ASSEMBLY - P/N 3320000127****(TOP DECK)**

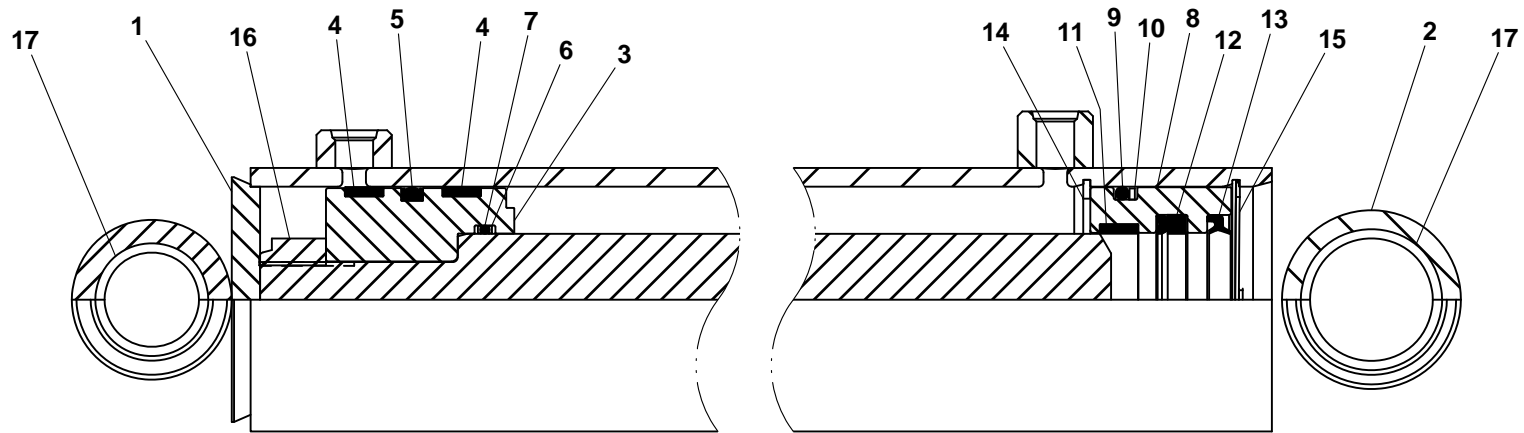
ITEM	PART NO.	DESCRIPTION	QTY
1	3071000121	Barrel Weld	1
2	3763000131	Rod Weld	1
3	4698000007*	Piston	1
4	7754000003* #	Wear Ring	2
5	7796000063* #	Piston Locking "T" Seal	1
6	7755224609* #	Back-Up Ring	2
7	7755224000* #	"O" Ring	1
8	4553000008^	Head	1
9	7755334000^ #	"O" Ring	1
10	7755334609^ #	Back-Up Ring	1
11	7754000004^ #	Wear Ring	1
12	7796000024^ #	Rod Seal	1
13	7796000008^ #	Rod Wiper Seal	1
14	7754000002 #	Retaining Ring	1
15	7754000026 #	Retaining Ring	1
16	7661000034	Locknut	1
17	7082000016	Bearing	4

\* included in Piston Assembly, P/N 3698000001

^ included in Head Assembly, P/N 3553000011

# available only in Service Kit #7577250024

**TILT CYLINDER ASSEMBLY - P/N 3320000127  
(TOP DECK)**



**WHEEL LIFT EXTEND CYLINDER ASSEMBLY - P/N 3320000115**

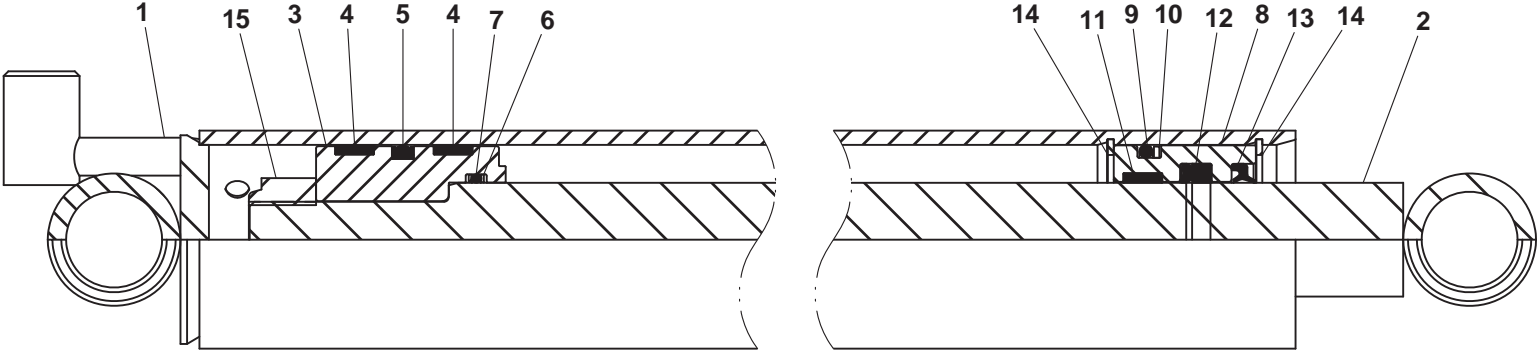
ITEM	PART NO.	DESCRIPTION	QTY
1	3071000106	Barrel Weld	1
2	3763000119	Rod Weld	1
3	4698000015*	Piston	1
4	7754000053* #	Wear Ring	2
5	7796000067* #	Piston Locking "T" Seal	1
6	7755222609* #	Back-Up Ring	2
7	7755222000* #	"O" Ring	1
8	4553000016^	Head	1
9	7755330000^ #	"O" Ring	1
10	7755330609^ #	Back-Up Ring	1
11	7754000054^ #	Wear Ring	1
12	7796000045^ #	Rod Seal	1
13	7796000046^ #	Rod Wiper Seal	1
14	7754000051#	Retaining Ring	2
15	7661000034	Locknut	1

\* included in Piston Assembly, P/N 3698000006

^ included in Head Assembly, P/N 3553000016

# available only in Service Kit #7577250206

**WHEEL LIFT EXTEND CYLINDER ASSEMBLY - P/N 3320000115**



**IRL CYLINDER ASSEMBLY - P/N 3320000114, P/N 3320000123 & P/N 3320000124**

ITEM	PART NO.	DESCRIPTION	QTY
1	3071000105	Barrel Weld (P/N 3320000114)	1
	3071000118	Barrel Weld (P/N 3320000123)	
	3071000119	Barrel Weld (P/N 3320000124)	
2	3763000118	Rod Weld (P/N 3320000114)	1
	3763000128	Rod Weld (P/N 3320000123)	
	3763000129	Rod Weld (P/N 3320000124)	
3	4698000007*	Piston	1
4	7754000003* #	Wear Ring	2
5	7796000063* #	Piston Locking "T" Seal	1
6	7755224609* #	Back-Up Ring	2
7	7755224000* #	"O" Ring	1
8	4553000008^	Head	1
9	7755334000^ #	"O" Ring	1
10	7755334609^ #	Back-Up Ring	1
11	7754000004^ #	Wear Ring	1
12	7796000024^ #	Rod Seal	1
13	7796000008^ #	Rod Wiper Seal	1
14	7754000002 #	Retaining Ring	1
15	7754000026 #	Retaining Ring	1
16	7661000034	Locknut	1
17	7082000016	Bearing	2
18	7082000018	Bearing	2

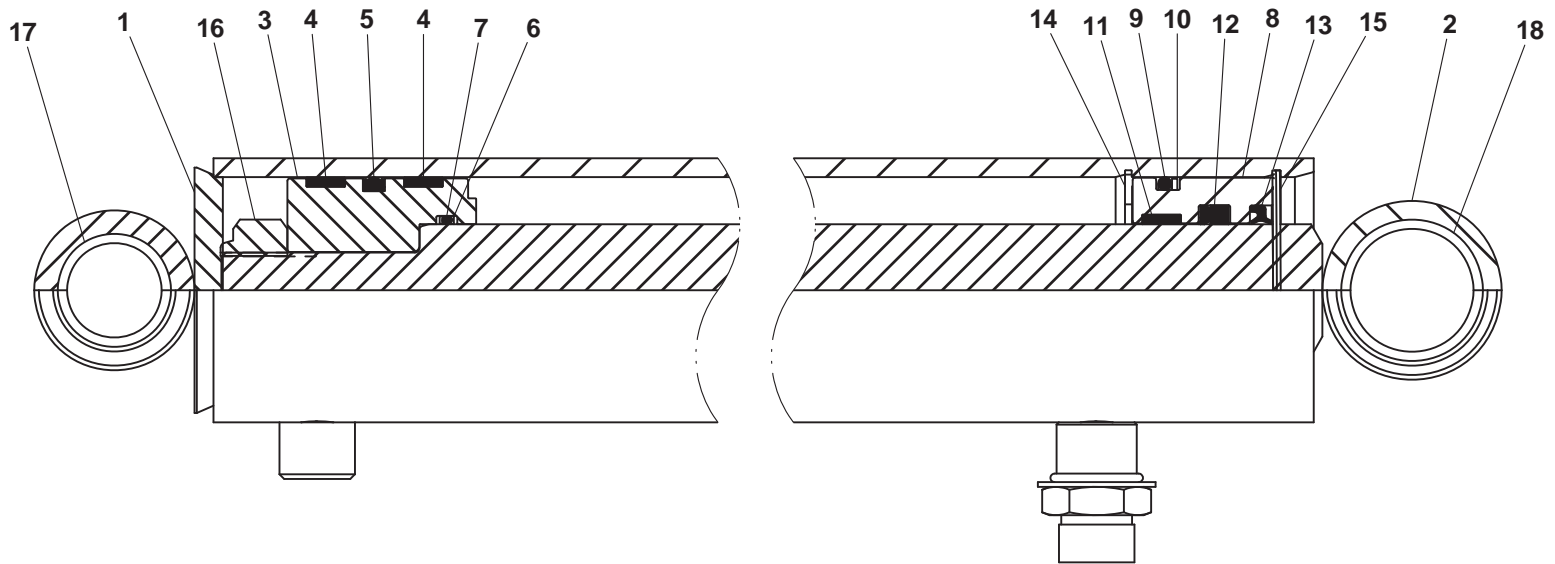
\* included in Piston Assembly, P/N 3698000001

^ included in Head Assembly, P/N 3553000011

# available only in Service Kit #7577250024



IRL CYLINDER ASSEMBLY - P/N 3320000114, P/N 3320000123 & P/N 3320000124



**STABILIZER CYLINDER ASSEMBLY - P/N 3320000126**

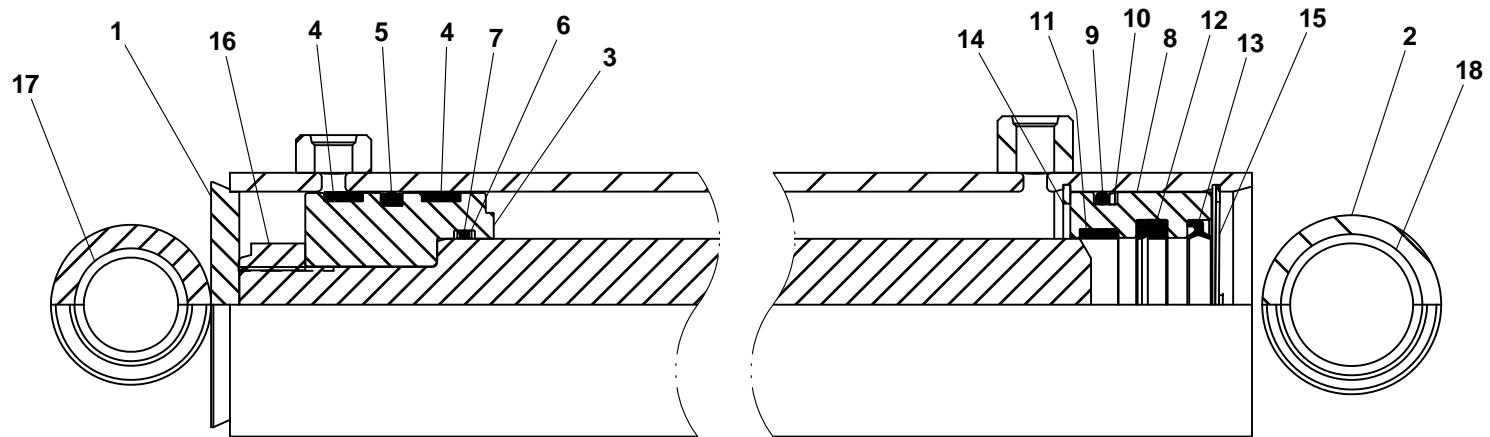
ITEM	PART NO.	DESCRIPTION	QTY
1	3071000121	Barrel Weld	1
2	3763000128	Rod Weld	1
3	4698000007*	Piston	1
4	7754000003* #	Wear Ring	2
5	7796000063* #	Piston Locking "T" Seal	1
6	7755224609* #	Back-Up Ring	2
7	7755224000* #	"O" Ring	1
8	4553000008^	Head	1
9	7755334000^ #	"O" Ring	1
10	7755334609^ #	Back-Up Ring	1
11	7754000004^ #	Wear Ring	1
12	7796000024^ #	Rod Seal	1
13	7796000008^ #	Rod Wiper Seal	1
14	7754000002 #	Retaining Ring	1
15	7754000026 #	Retaining Ring	1
16	7661000034	Locknut	1
17	7082000016	Bearing	2
18	7082000018	Bearing	2

\* included in Piston Assembly, P/N 3698000001

^ included in Head Assembly, P/N 3553000011

# available only in Service Kit #7577250024

# STABILIZER CYLINDER ASSEMBLY - P/N 3320000126



**TOW OPTION HYDRAULIC EXTEND CYLINDER ASSEMBLY - P/N 3320000116 & P/N 3320000117**

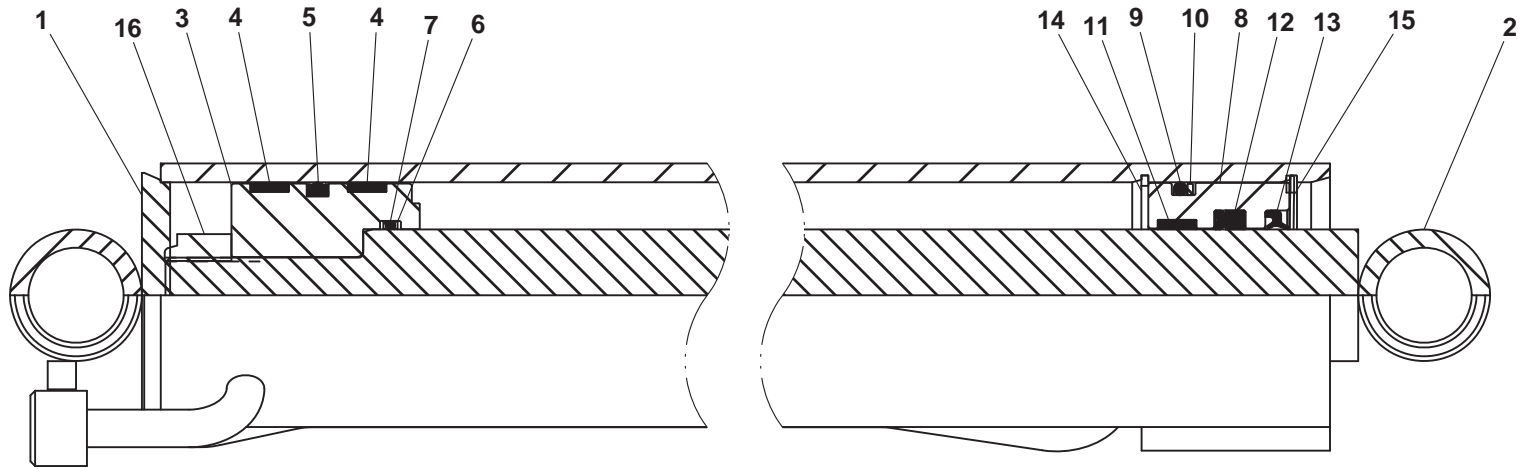
ITEM	PART NO.	DESCRIPTION	QTY
1	3071000107	Barrel Weld (P/N 3320000116)	1
	3071000108	Barrel Weld (P/N 3320000117)	
2	3763000120	Rod Weld (P/N 3320000116)	1
	3763000121	Rod Weld (P/N 3320000117)	
3	4698000007*	Piston	1
4	7754000003* #	Wear Ring	2
5	7796000063* #	Piston Locking "T" Seal	1
6	7755224609* #	Back-Up Ring	2
7	7755224000* #	"O" Ring	1
8	4553000008^	Head	1
9	7755334000^ #	"O" Ring	1
10	7755334609^ #	Back-Up Ring	1
11	7754000004^ #	Wear Ring	1
12	7796000024^ #	Rod Seal	1
13	7796000008^ #	Rod Wiper Seal	1
14	7754000002 #	Retaining Ring	1
15	7754000026 #	Retaining Ring	1
16	7661000034	Locknut	1

\* included in Piston Assembly, P/N 3698000001

^ included in Head Assembly, P/N 3553000011

# available only in Service Kit #7577250024

# TOW OPTION HYDRAULIC EXTEND CYLINDER ASSEMBLY - P/N 3320000116 & P/N 3320000117



**STABILIZER CYLINDER ASSEMBLY - P/N 3320000132**

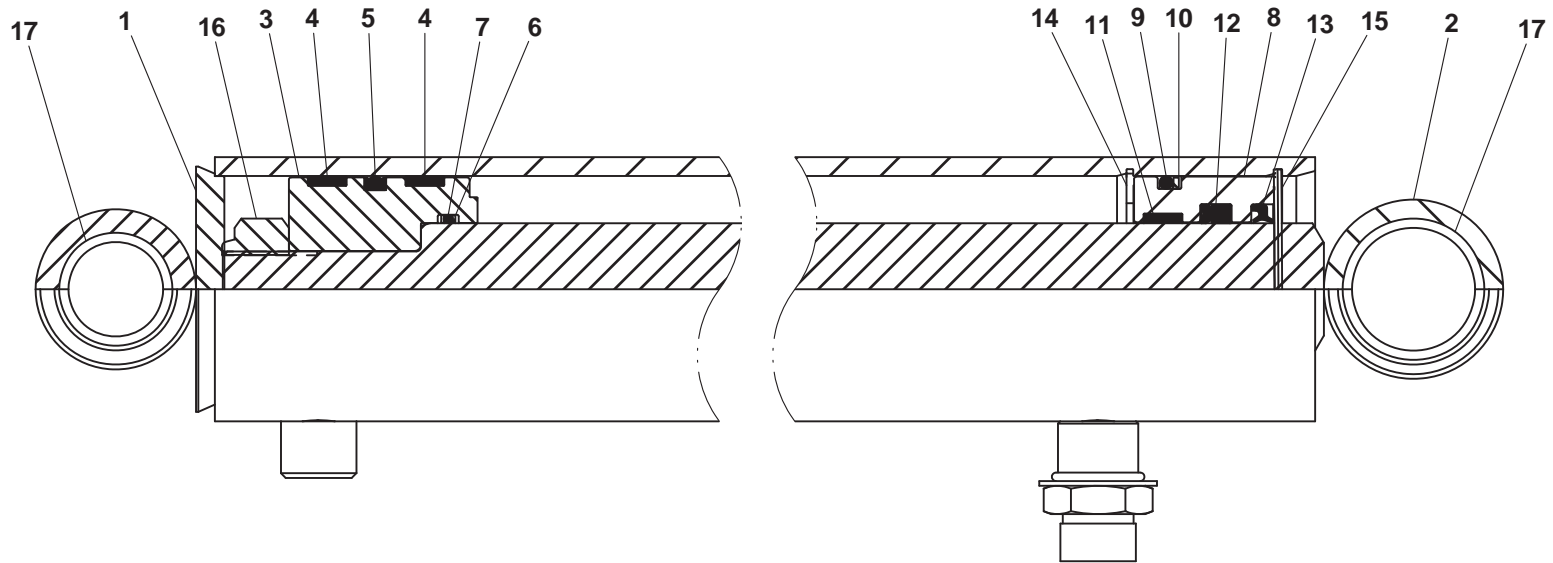
ITEM	PART NO.	DESCRIPTION	QTY
1	3071000124	Barrel Weld	1
2	3763000133	Rod Weld	1
3	4698000009*	Piston	1
4	7796000013* #	Wear Ring	2
5	7796000064* #	Piston Locking "T" Seal	1
6	7755226609* #	Back-Up Ring	2
7	7755226000* #	"O" Ring	1
8	4553000010^	Head	1
9	7755338000^ #	"O" Ring	1
10	7755338609^ #	Back-Up Ring	1
11	7754000012^ #	Wear Ring	1
12	7796000025^ #	Rod Seal	1
13	7796000011^ #	Rod Wiper Seal	1
14	7754000016 #	Retaining Ring	1
15	7754000027 #	Retaining Ring	1
16	7661000035	Locknut	1
17	7082222218	Bearing	4

\* included in Piston Assembly, P/N 3698000004

^ included in Head Assembly, P/N 3553000014

# available only in Service Kit #7577250024

# STABILIZER CYLINDER ASSEMBLY - P/N 3320000132

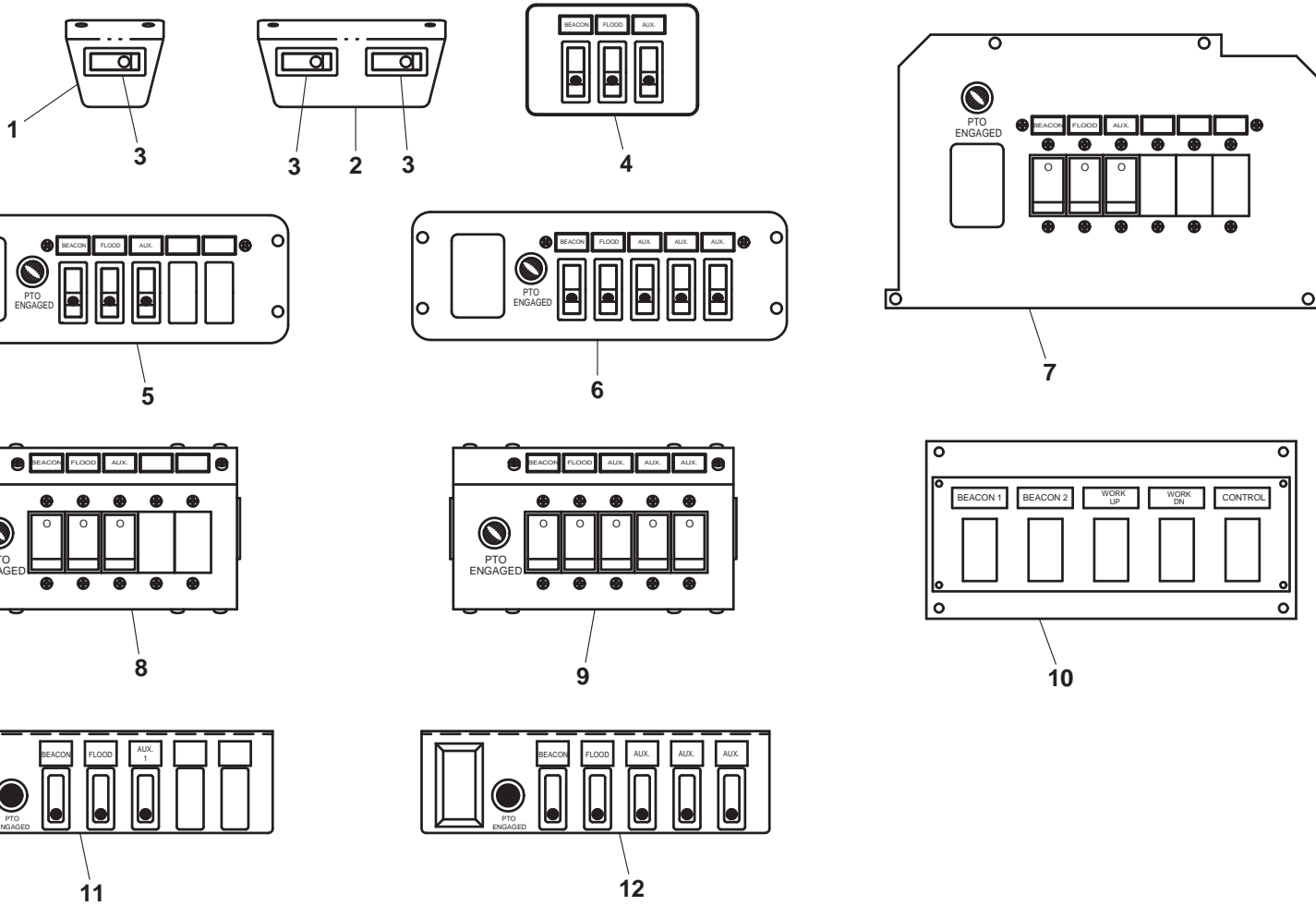


**SWITCH PANELS**

ITEM	PART NO.	DESCRIPTION	QTY
1	4178000403	Bracket - 1 Function Switch Panel	1
2	4178000427	Bracket - 2 Function Switch Panel	1
3	7870000083	Switch	2
4	7870000113	Switch Panel - 3 Function, Mini In-Dash	1
5	7870000100	Switch Panel - 3 Function, In-Dash	1
6	7870000106	Switch Panel - 5 Function, In-Dash	1
7	7870000076	Switch Panel - 3 Function, In-Dash for IHC4300/4400	1
8	7870000053	Switch Panel - 3 Function, Under Dash	1
9	7870000063	Switch Panel - 5 Function, Under Dash	1
10	7870000089	Switch Panel - 5 Function	1
11	7870000134	Switch Panel - 3 Function, Under Dash	1
12	7870000137	Switch Panel - 5 Function, Under Dash	1



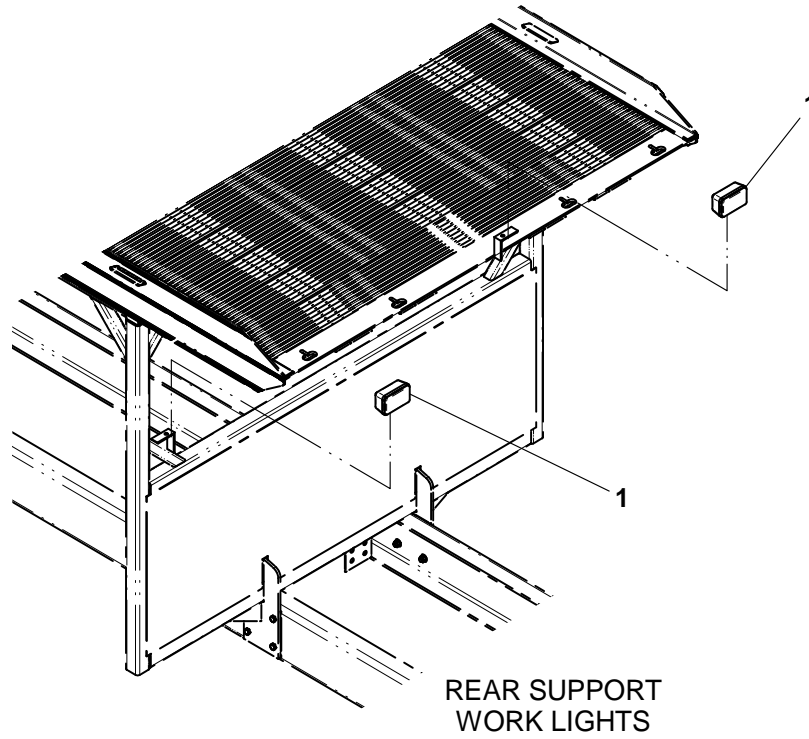
# SWITCH PANELS



**WORK LIGHTS**

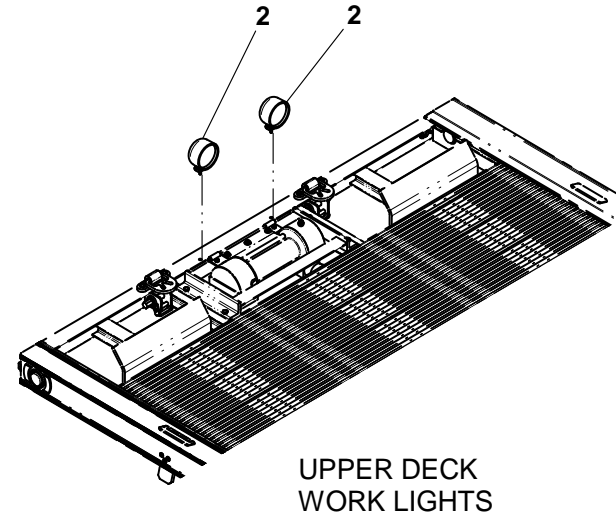
ITEM	PART NO.	DESCRIPTION	QTY
1	7590000223	Work Light	2
2	7590000185	Work Light	4
3	7552000223	Harness - Rear Support/ Upperdeck	1

# WORK LIGHTS

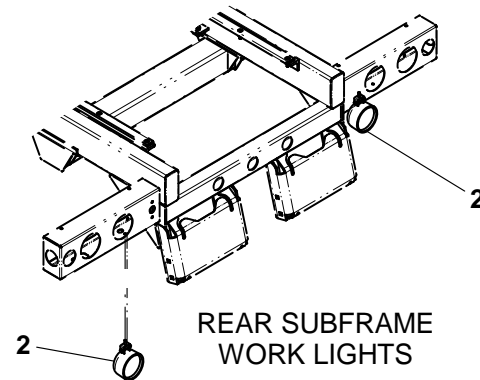


REAR SUPPORT  
WORK LIGHTS

MOUNTING HARDWARE  
SUPPLIED WITH LIGHTS



UPPER DECK  
WORK LIGHTS



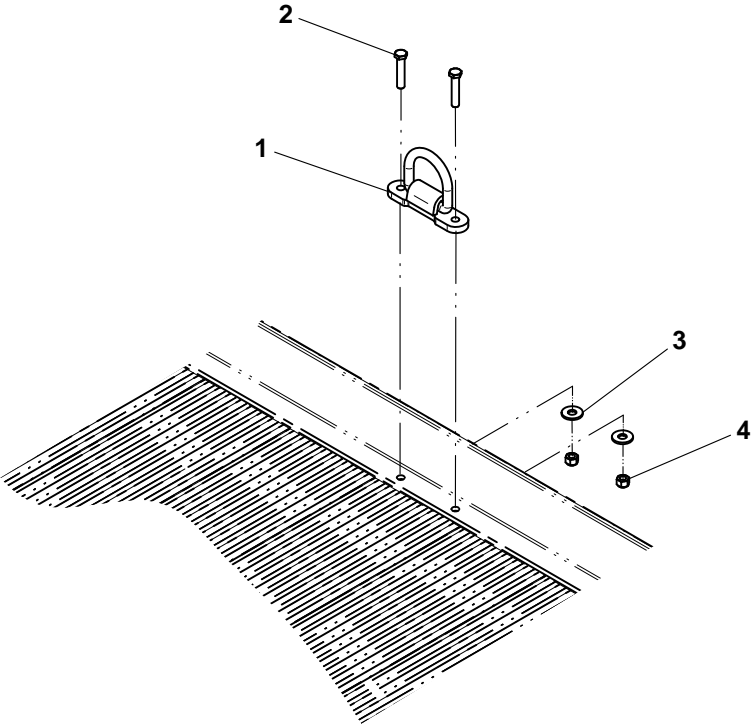
REAR SUBFRAME  
WORK LIGHTS

Item #3, Harness, not shown

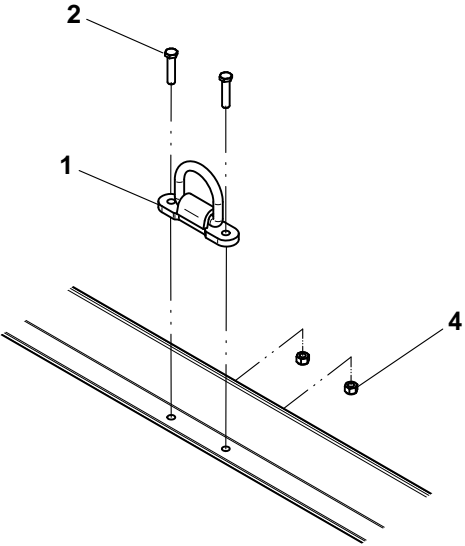
**BOLT-ON D-RINGS**

ITEM	PART NO.	DESCRIPTION	QTY
1	3556000019	D-Ring	1
2	7115182050	Capscrew, 0.50"-13NC x 2.50"	2
3	7950180161	Flatwasher, 0.50" ID (aluminum decks only)	2
4	7660182601	Locknut, 0.50"-13NC	2

# BOLT-ON D-RINGS



ALUMINUM DECK



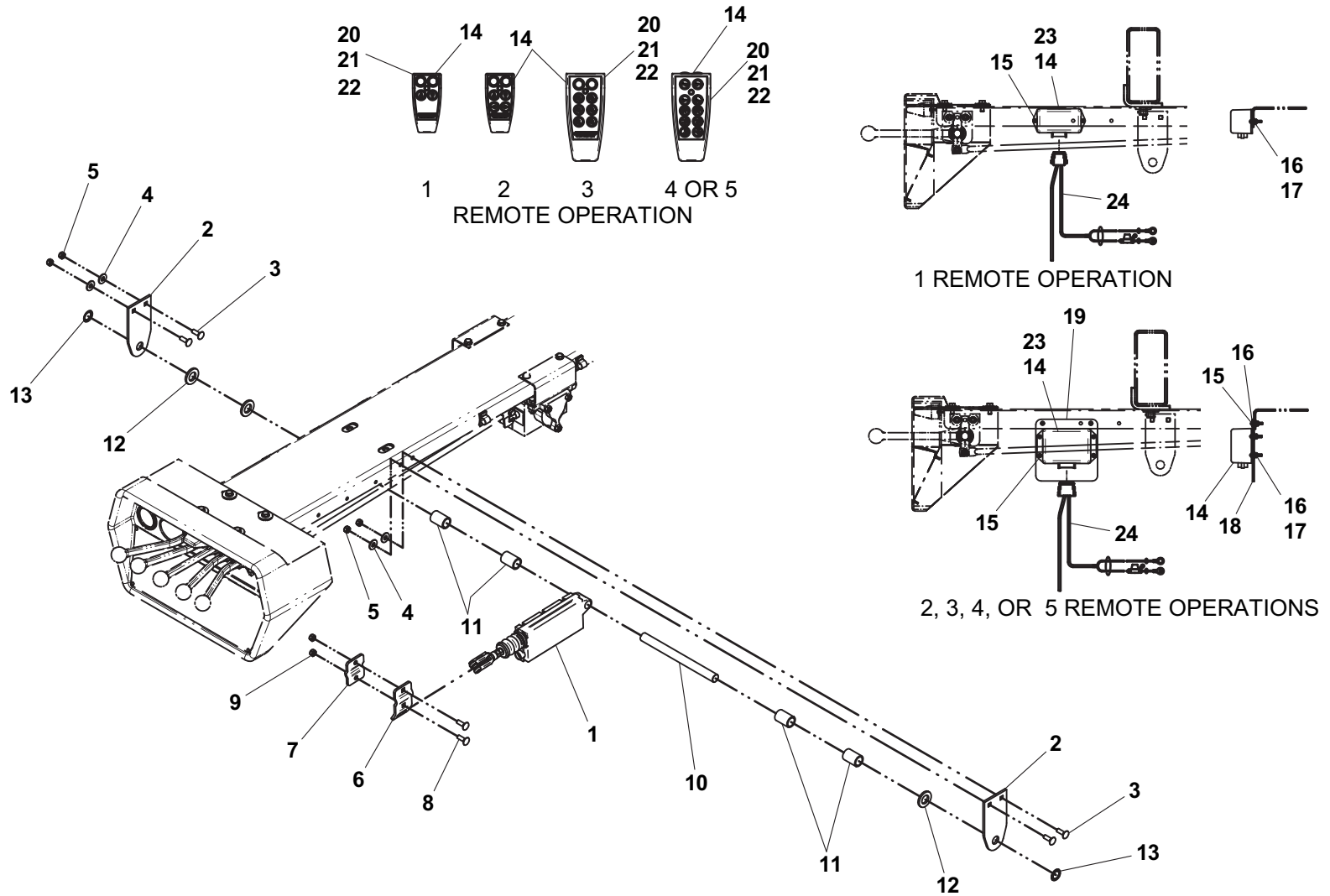
STEEL DECK

**1, 2, 3, 4 OR 5 REMOTE CONTROL OPERATIONS**

ITEM	PART NO.	DESCRIPTION	QTY	ITEM	PART NO.	DESCRIPTION	QTY
1	7005000003	Linear Actuator 12V	1*	18	4706005595	Plate (2, 3, 4, or 5 remote operations)	1
2	4706005361	Plate	2	19	7330000696	Decal - Controller Functions (3, 4, or 5 remote operations)	1
3	7115150864	Carriage Bolt, 0.31"-18NC x 1.00"	4				
4	7950150161	Flatwasher, 0.31" ID	4	20	9295310032#	Transmitter (1 remote operation)	1
5	7660152601	Locknut, 0.31"-18NC	4		9295310033#	Transmitter (2 remote operations)	
6	4178000664	Bracket	1*		9295310034#	Transmitter (3 remote operations)	
7	4178000665	Bracket	1*		9295310036#	Transmitter (4 or 5 remote operations)	
8	7115150864	Carriage Bolt, 0.31"-18NC x 1.00"	2*	21	9295310030#	Belt Clip	1
9	7660152601	Locknut, 0.31"-18NC	2*	22	9295310042#	Rubber Boot (1 or 2 remote operations)	1
10	4691000141	Pin (3, 4 or 5 section control valve)	1		9295310029#	Rubber Boot (3, 4, or 5 remote operations)	
	4691000373	Pin (6 section control valve)		23	9295310037#	Receiver (1 remote operation)	1
	4691000374	Pin (7 section control valve)			9295310038#	Receiver (2 remote operations)	
11	4211000001	Bushing	4*		9295310039#	Receiver (3 remote operations)	
12	7950220141	Flatwasher, 0.75" ID	4		9295310050#	Receiver (4 or 5 remote operations)	
13	7754000009	Retaining Ring	2	24	7552000391	Harness (1 remote operation)	1
14	7295000106	Controller (1 remote operation)	1		7552000392	Harness (2 remote operations)	
	7295000108	Controller (2 remote operations)			7552000393	Harness (3 remote operations)	
	7295000109	Controller (3 remote operations)			7552000426	Harness (4 or 5 remote operations)	
	7295000111	Controller (4 or 5 remote operations)					
15	7114100810	Screw, #10-24NC x 1.00" (1 remote operation)	2				
	7114100810	Screw, #10-24NC x 1.00" (2, 3, 4, or 5 remote operations)	6				
16	7950140151	Flatwasher, 0.19" ID (1 remote operation)	2				
	7950140151	Flatwasher, 0.19" ID (2, 3, 4, or 5 remote operations)	8				
17	7660102604	Locknut, #10-18NC (1 remote operation)	2				
	7660102604	Locknut, #10-18NC (2, 3, 4, or 5 remote operations)	6				

\* quantities are for 1 remote operation, adjust quantities for 2, 3, 4, or 5 remote operations  
 # included with Controller, item #14

# 1, 2, 3, 4 OR 5 REMOTE CONTROL OPERATIONS



One Remote Operaton shown

Items #19, Decal - Controller Functions, not shown

**6, 7 OR 8 REMOTE CONTROL OPERATIONS**

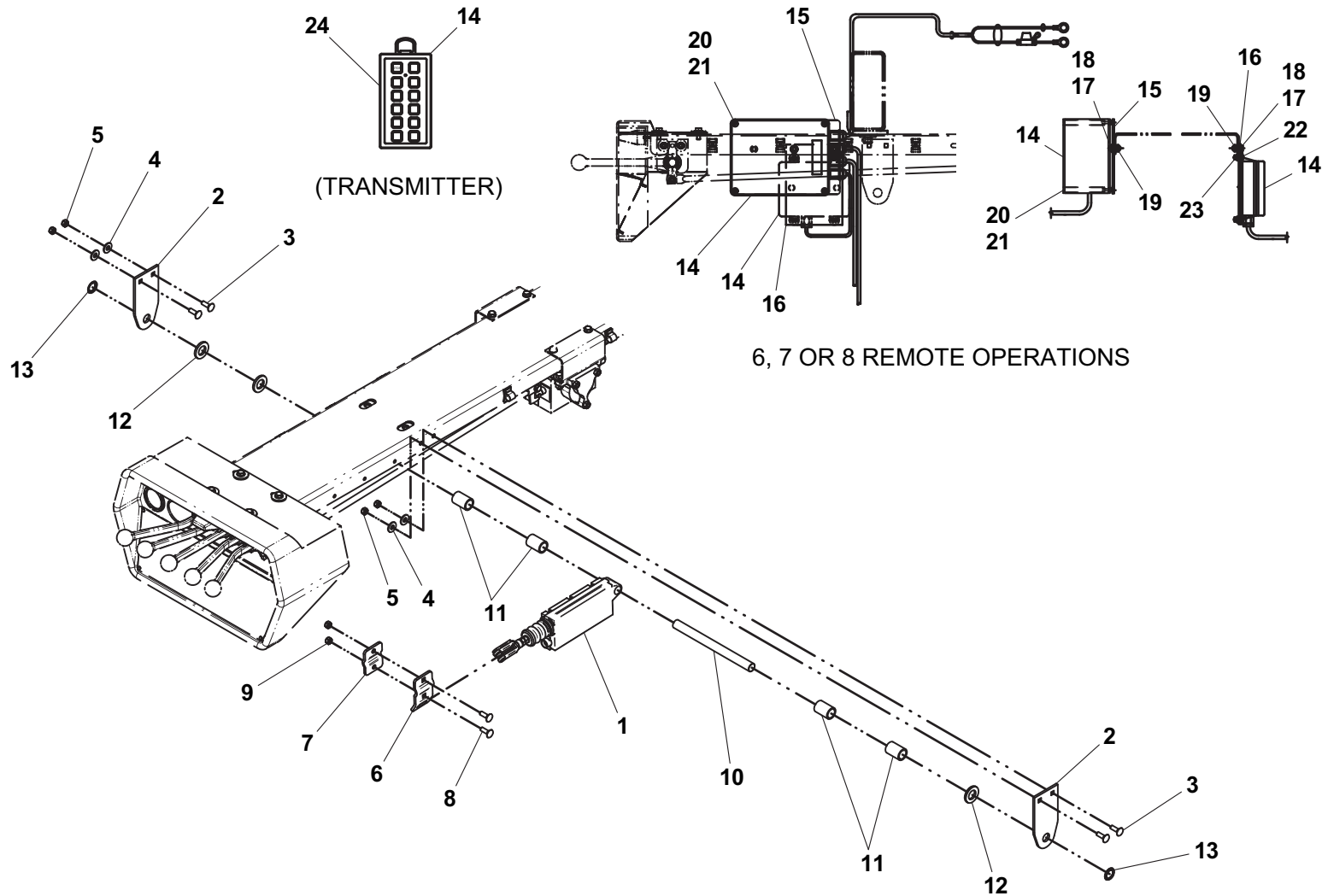
ITEM	PART NO.	DESCRIPTION	QTY
1	7005000003	Linear Actuator 12V	1*
2	4706005361	Plate	2
3	7115150864	Carriage Bolt, 0.31"-18NC x 1.00"	4
4	7950150161	Flatwasher, 0.31" ID	4
5	7660152601	Locknut, 0.31"-18NC	4
6	4178000664	Bracket	1*
7	4178000665	Bracket	1*
8	7115150864	Carriage Bolt, 0.31"-18NC x 1.00"	2*
9	7660152601	Locknut, 0.31"-18NC	2*
10	4691000374	Pin	1
11	4211000001	Bushing	7*
12	7950220141	Flatwasher, 0.75" ID	4
13	7754000009	Retaining Ring	2
14	7295000102	Controller (6 remote operations)	1
	7295000103	Controller (7 remote operations)	
	7295000104	Controller (8 remote operations)	
15	4706005396	Plate	1
16	4706003650	Plate	1
17	7115140650	Capscrew, 0.25"-20NC x 0.75"	5
18	7950140141	Flatwasher, 0.25" ID	5
19	7660142601	Locknut, 0.25"-20NC	5
20	7114080618	Capscrew, #8-32NC x 0.75"	4
21	7660082604	Locknut, #8-32NC	4
22	7104100613	Screw, #10-32NF x 0.34"	4
23	7661000007	Wellnut, #10-32NF	4
24	9295310026#	Transmitter (6, 7 or 8 remote operations)	1
25	7330000612	Decal - Controller Functions	1

\* quantities are for 1 remote operation, adjust quantities for 6, 7 or 8 remote operations

# included with Controller, item #14



## 6, 7 OR 8 REMOTE CONTROL OPERATIONS



One Remote Operaton shown

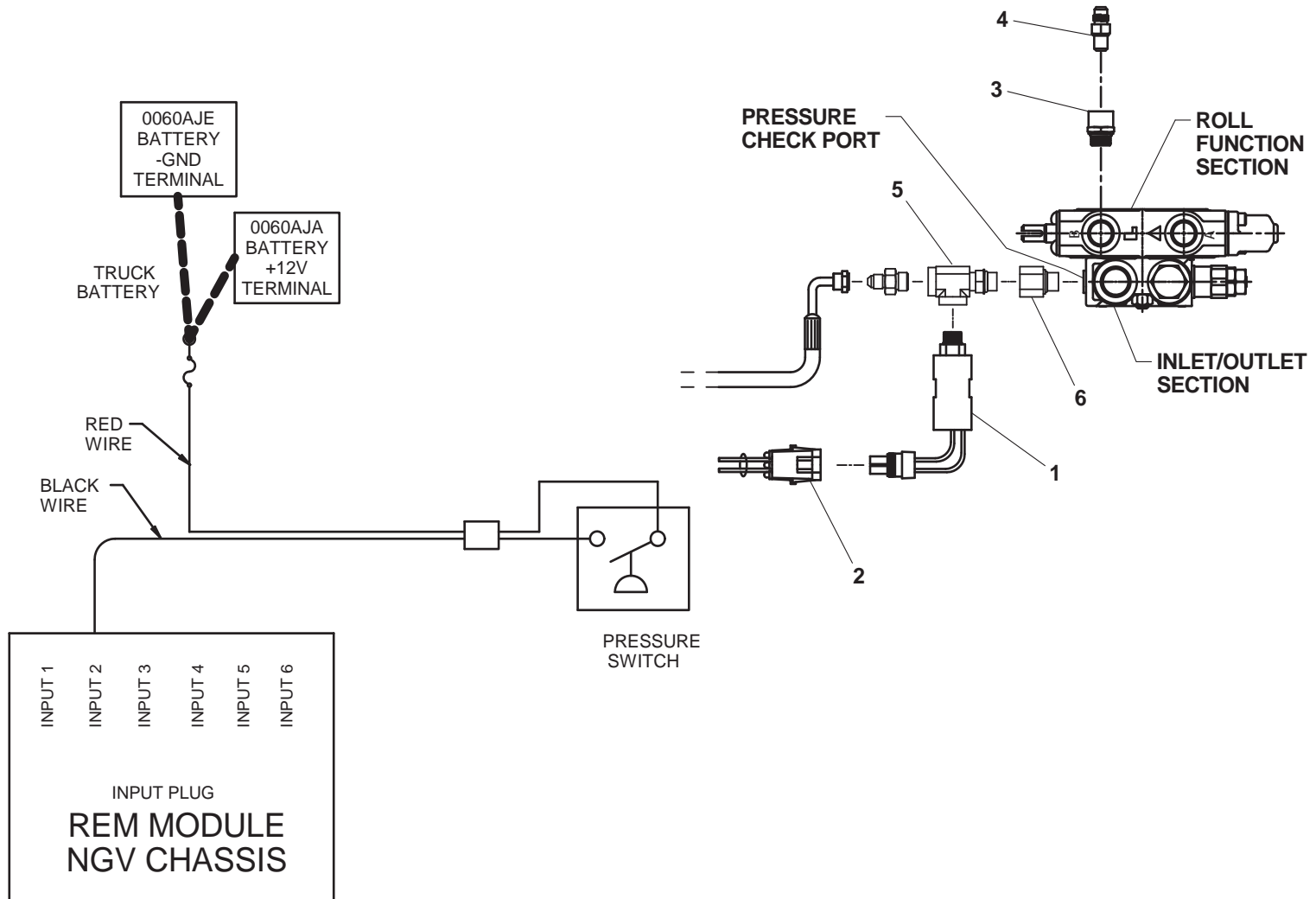
Item #25, Decal- Controller Functions, not shown

**REMOTE THROTTLE CONTROL**

ITEM	PART NO.	DESCRIPTION	QTY
1	7346000156	Pressure Switch	1
2	7552000241	Harness	1
3	7443000427*	Check Valve	1
4	7445060643*	Adapter	1
5	7443000432	Tee	1
6	7443000440	Fitting	1

\* also available in Check Valve w/ Adapter, P/N 7443000428.

# REMOTE THROTTLE CONTROL



**GLAD HANDS AND 7- WAY CONNECTOR**

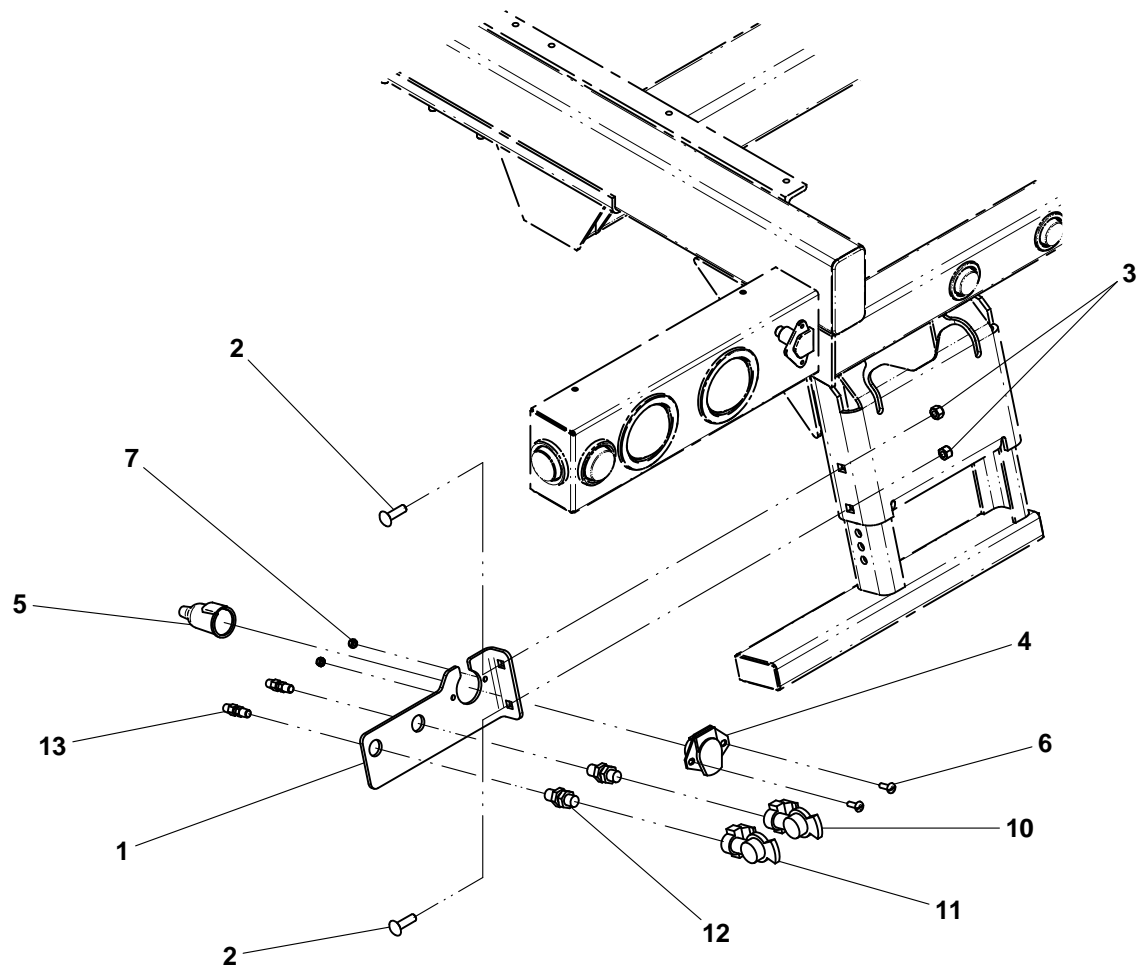
ITEM	PART NO.	DESCRIPTION	QTY
1	4178000666*	Bracket	1
2	7115181464*	Carriage Bolt, 0.50"-13NC x 1.75"	2
3	7660182601*	Locknut, 0.50"-13NC	2
4	7346000055+	Electrical Receptacle 7-way Connect	1
5	7346000078+	Electrical Boot	1
6	7111150813+	Capscrew, 0.31"-18NC x 1.00"	2
7	7660152601+	Locknut, 0.31"-18NC	2
8	7346000132	Electrical Adapter 7 to 4 way	1
9	7346000157	Electrical Adapter 7 to 6 way	1
10	7312000015^	Gladhand	1
11	7312000016^	Gladhand	1
12	7446502518^	Bulkhead Fitting	2
13	7446382506^	Connector	2
14	7577000145^	Seal Kit Gladhand	1
15	7565000014^	Airline Tubing	50 ft
16	7312000013^	Union	2

\* also available in Bracket Install Glad Hands and 7 Way, P/N 2178000037

+ also available in Electrical Install 7 Way Connector, P/N 2346000008

^ also available in Glad Hand Install, P/N 2002000016

## GLAD HANDS AND 7- WAY CONNECTOR

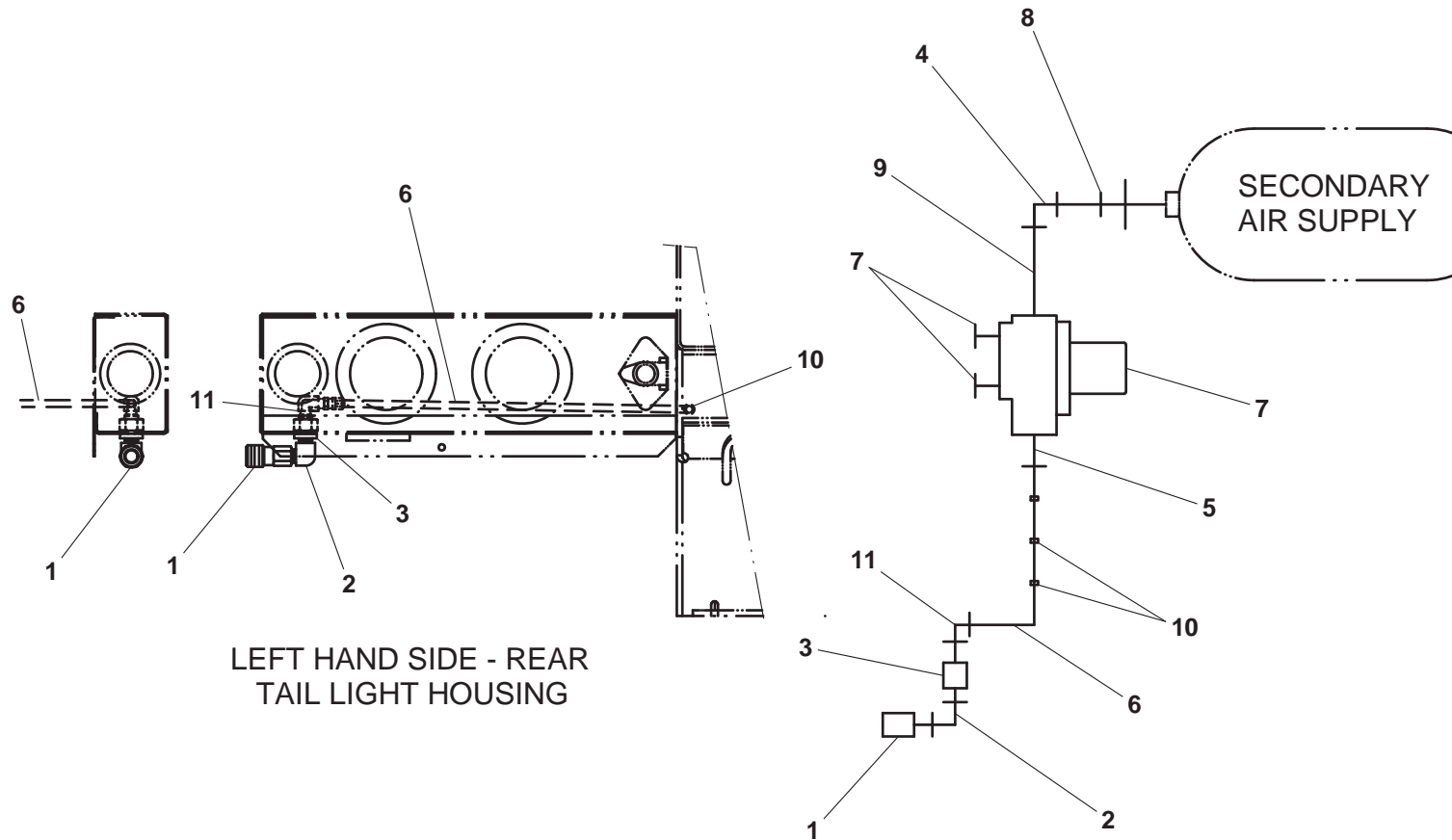


Item #8 Electrical Adapter 7 to 4 Way not shown  
Item #9 Electrical Adapter 7 to 6 Way not shown  
Item #14, Seal Kit Gladhand; #15, Airline Tubing; & #16, Union not shown

**AIR SUPPLY DISCONNECT**

ITEM	PART NO.	DESCRIPTION	QTY
1	7312000017	Coupling	1
2	7445080853	Elbow	1
3	7446502518	Bulkhead Fitting	1
4	7443000111	Elbow	1
5	7446382506	Connector	1
6	7565000014	Airline Tubing	32 ft
7	7935000120	Air Valve	1
8	7443000154	Bushing	1
9	7443000156	Nipple	1
10	7894000031	Cable Tie	6
11	7443000366	Fitting	1

# AIR SUPPLY DISCONNECT

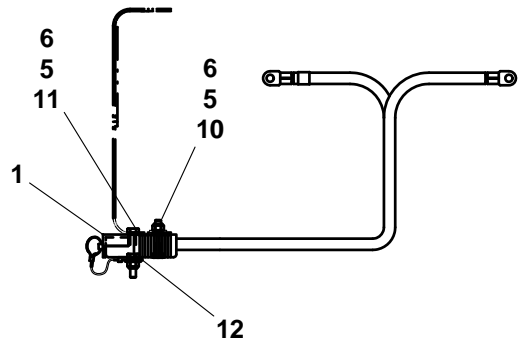


**JUMP START KIT**

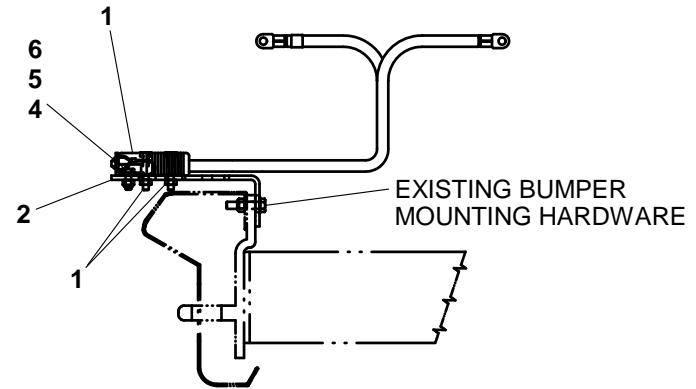
ITEM	PART NO.	DESCRIPTION	QTY
1	7002000386	Jump Start Plug (IHC & Other)	1
	7002000385	Jump Start Plug (Ford & Chevy)	
2	4178000372	Bracket (Ford & Other)	1
	4178000202	Bracket (Chevy)	
3	4178000203	Bracket (Chevy)	1
	4706003210	Plate (Other)	
4	7110140605	Capscrew, 0.25"-20NC x 0.75" (Ford, Chevy & Other)	1
5	7950140161	Flatwasher, 0.25" ID (Ford & Other)	1
	7950140161	Flatwasher, 0.25" ID (IHC)	2
	7950140161	Flatwasher, 0.25" ID (Chevy)	3
6	7660142600	Locknut, 0.25"-20NC (Ford, Chevy & Other)	1
	7660142600	Locknut, 0.25"-20NC (IHC)	2
7	7115151064	Carriage Bolt, 0.31"-18NC x 1.25" (Other)	2
8	7950150161	Flatwasher, 0.31" ID (Other)	2
9	7660152601	Locknut, 0.31"-18NC (Other)	2
10	7115141450	Capscrew, 0.25"-20NC x 1.75" (IHC)	1
11	7115141650	CapScrew, 0.25"-20NC x 2.00" (IHC)	1
12	7660140000	Hex Nut, 0.25"-20NC (IHC)	1
	7660140000	Hex Nut, 0.25"-20NC (Chevy)	2
13	7111140850	Capscrew, 0.25"-20NC x 1.00" (Chevy)	2
14	7115181050	Capscrew, 0.50"-13NC x 1.25" (Chevy)	1
15	7950180153	Flatwasher, 0.50" ID (Chevy)	1
16	7660180000	Hex Nut, 0.50"-13NC (Chevy)	1



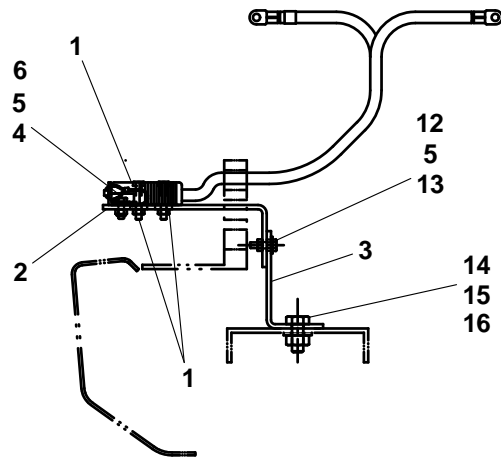
# JUMP START KIT



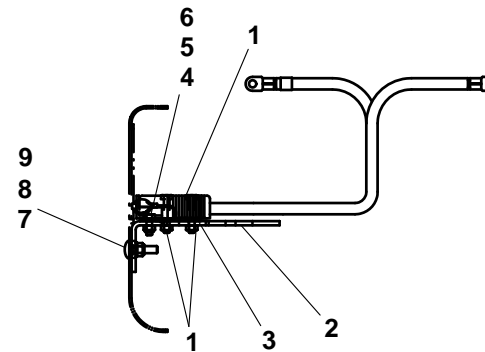
IHC FRONT BUMPER



FORD FRONT BUMPER



CHEVY FRONT BUMPER

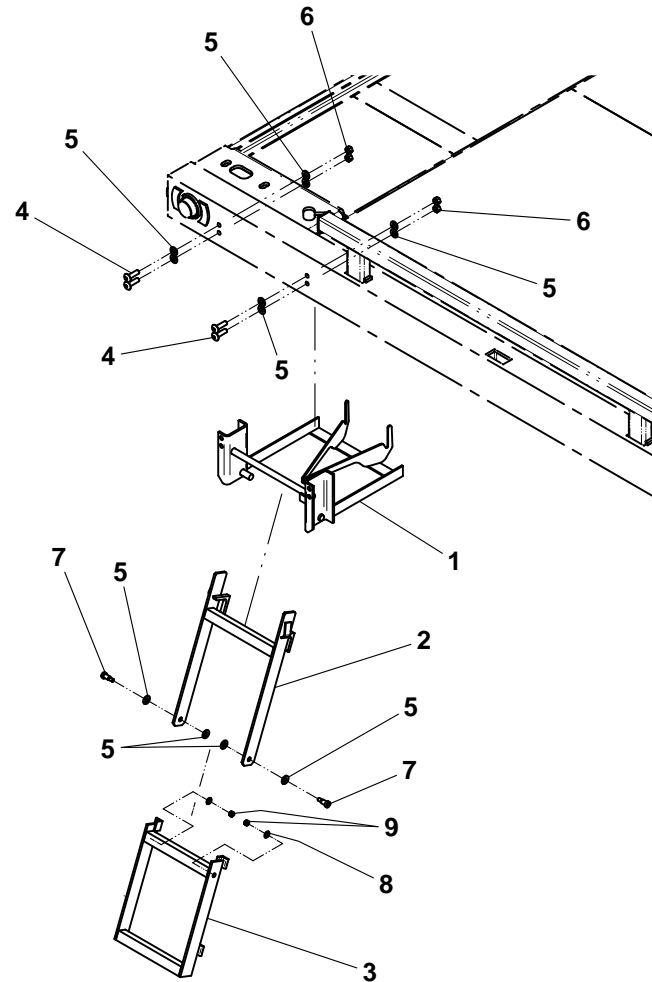


ALL OTHER FRONT BUMPERS

**FOLDING DECK LADDER**

ITEM	PART NO.	DESCRIPTION	QTY
1	3178000321	Bracket Weld	1
2	3002000009	Ladder Top Weld	1
3	3002000008	Ladder Bottom Weld	1
4	7114181418	Capscrew, 0.50"-13NC x 1.75"	4
5	7950180141	Flatwasher, 0.50" ID	12
6	7660182601	Locknut, 0.50"-13NC	4
7	7115180606	Shoulder Bolt, 0.50"-13NC x 0.75"	2
8	7950160141	Flatwasher, 0.38" ID	2
9	7660162601	Locknut, 0.38"-16NC	2

# FOLDING DECK LADDER



**CHAIN AND STRAPS**

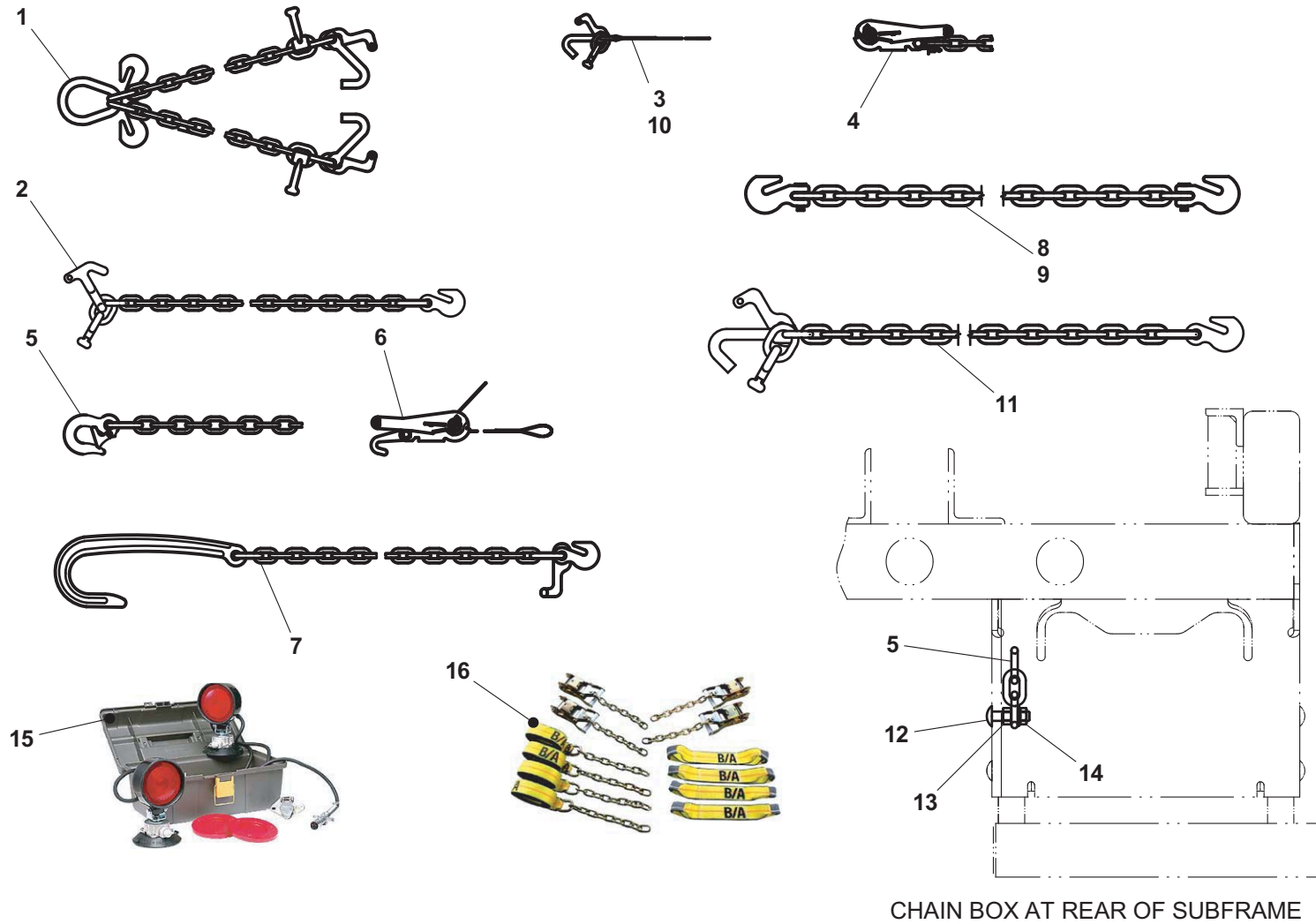
ITEM	PART NO.	DESCRIPTION	QTY
1	7894000022*+	Winch V-Chain (28' & 30' Deck)	3
	7894000022*+	Winch V-Chain (22' Deck)	2
2	7262000056*	Front Tie-Down Chain (28' & 30' Deck)	4
	7262000056*	Front Tie-Down Chain (22' Deck)	2
3	7894000019*	Rear Tie-Down Strap (28' & 30' Deck)	4
	7894000019*	Rear Tie-Down Strap (22' Deck)	2
4	7894000020*+	Rear Tie-down Ratchet (28' & 30' Deck)	6
	7894000020*+	Rear Tie-down Ratchet (22' Deck)	4
5	7262000040	Wheel Lift Chain	2
6	7894000034^	Wheel Lift Tire Strap	2
7	7262000010	Towbar Chain (3,500 lb towbar)	2
8	7262000011	Towbar Chain (5,000 lb towbar)	2
9	7262000014	Towbar Chain (5,000 lb towbar)	2
10	7894000046+	Rear Tie-Down Strap	2
11	7262000041+	Front Tie-Down Chain	2
12	7115181664	Carriage Bolt, 0.50"-13NC x 2.00"	2
13	7660180001	Nut, 0.50"-13NC	2
14	7660182601	Locknut, 0.50"-13NC	2
15	5525000752	Magnetic Tow Lights	1
16	7894000073	8 Point Tie-Down Kit	1

\* also available in Deck Chain / Tie-Down Kit, P/N 7577000208

+ also available in Upper Deck Tie-Down Kit, P/N 7577000301

^ also available in Wheel Lift Tie-Down Strap & Ratchet Kit, P/N 7577000242

# CHAIN AND STRAPS

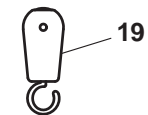
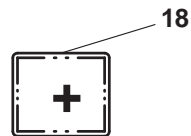
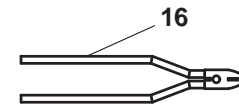
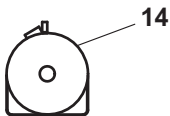
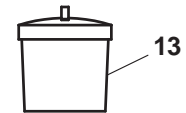
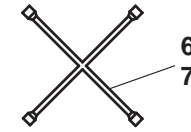
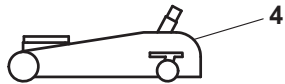
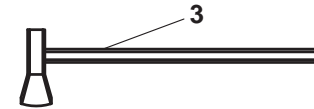
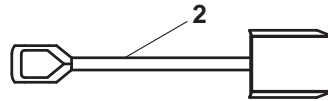
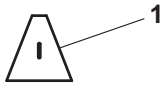


**TOWING SAFETY TOOLS**

ITEM	PART NO.	DESCRIPTION	QTY
1	9002000141*	Wheel Chock	1
2	9900000001*	Shovel	1
3	9900000006*	Maul Axe	1
4	9900000004*	Floor Jack -2.5 Ton	1
5	9900000005*	Floor Jack Handle	1
6	9900000007*	Lug Wrench -Metric	1
7	9900000008*	Lug Wrench -SAE	1
8	9900000002*	Broom Head	1
9	9900000003*	Broom Handle	1
10	9900000009*	Pry Bar	1
11	9611000001*	Wood Crossbeam -4'	1
12	9611000002*	Wood Crossbeam -5'	1
13	9002000142*	Trash Can -4 Gallon	2
14	9890000002*	Air Tank -5 Gallon	1
15	9002000143*	Flare -30 Minute	6
16	9900000010*	Bolt Cutters -24"	1
17	9002000144*	Triangle Flare Kit	1
18	9002000145*	First Aid Kit -25 Person	1
19	9900000008*	Snatch Block w/ Hook	1

\* also available in Towing Safety Tools Kit, P/N 3577000120

# TOWING SAFETY TOOLS

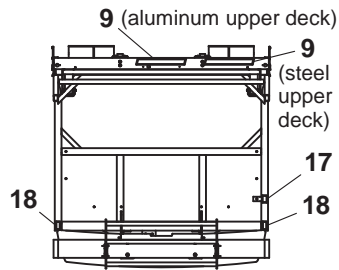


**DECALS**

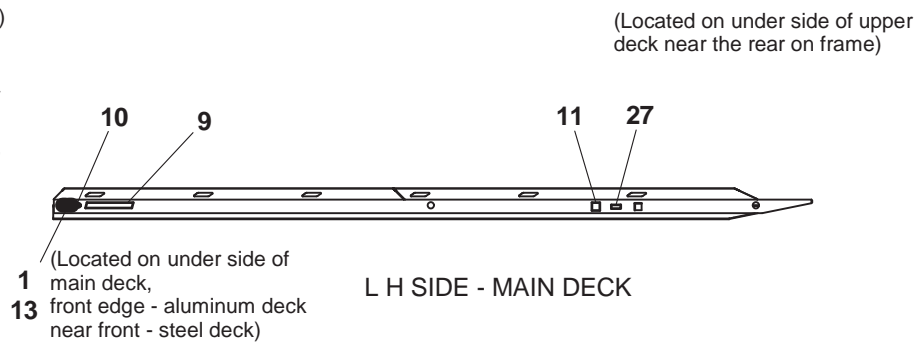
ITEM	PART NO.	DESCRIPTION	QTY
1	7330000167	Serial Number Tag	2
2	7330000338	Subframe / Patent Tag	1
3	7330000502	Decal - Slide Pad / Pivot Joint	1
4	7330000376	Structural Rating Placard	1
5	7330000275	Decal - Operator's Pre-Checklist	1
6	7330000381	Decal - Free Spool	1
7	7330000489	Decal - Lubrication Chart	1
8	7330000012	Decal - Winch	1
9	7330000408	Jerr-Dan Nameplate (alum / alum deck)	3
	7330000433	Jerr-Dan Nameplate (steel / steel deck)	3
	7330000408	Jerr-Dan Nameplate (steel / alum deck)	2
	7330000433	Jerr-Dan Nameplate (steel / alum deck)	1
10	7330000143	Decal - Made In The USA	1
11	7330000045	Decal - Align Arrow, White	2
12	7330000272	Decal - Oil Level	1
13	7759000004	Pop Rivet	16
14	7330000139	Decal - Checklist Reminder	1
15	7330000429	Decal - Hood / Access Ladder	2
16	7330000330	Decal - Cable Track	1
17	7330000510	Decal - Free Spool Upper Deck	1
18	7736000001	Reflector - Amber	2
19	7330000684	Decal - Safety	1
20	7330000683	Decal - Safety	2
21	7330000060	Decal - Wheel Lift Hitch	1
22	7330000391	Decal - Tow Boom Configuration	1
23	7330000274	Decal - Overloading Tow Option	1
24	7330000599	Decal - Pinch Point	3
25	7330000390	Decal - Stabilizer W/ 4,000 lb W/L	2
26	9330740009	Decal Kit - Muncie PTO	1
27	7330000176	Decal - Air Suspension	1
28	7330000385	Decal - T37 Grids (3,000 lb wheel lift)	2
	7330000384	Decal - T37 Grids (4,000 lb wheel lift)	



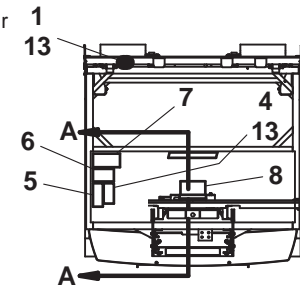
# DECALS



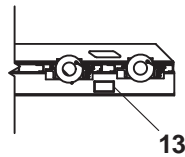
CAB SIDE - STANDARD HEADBOARD



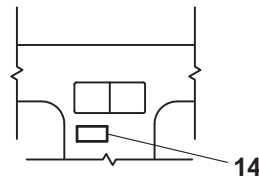
L H SIDE - MAIN DECK



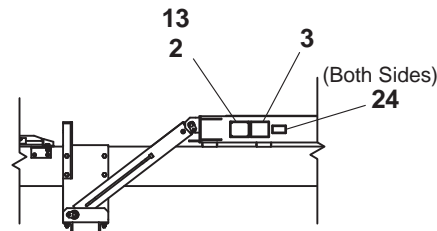
REAR OF DECK DECK SUPPORT AND HEADBOARD



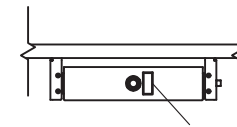
SECTION A-A



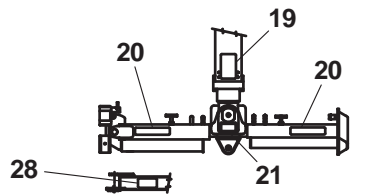
CAB DASHBOARD



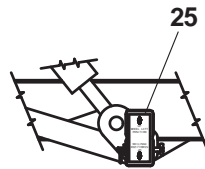
L H SIDE SUBFRAME



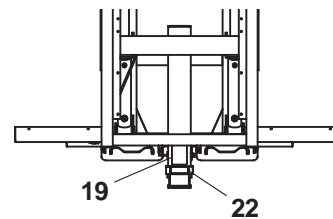
HYDRAULIC TANK



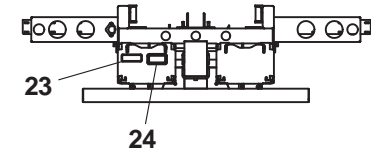
MANUAL GRID WHEEL LIFT



STABILIZER WITH HYD WHEEL LIFT  
BASE TUBE SHOWN IN W/L POSITION



BALL HITCH MOUNTING PLATE or PINTLE HITCH MOUNTING PLATE TOW OPTION



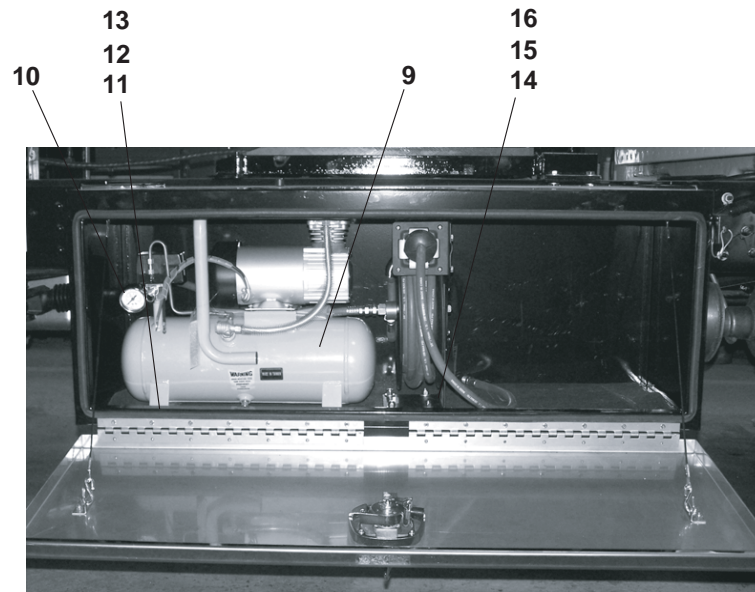
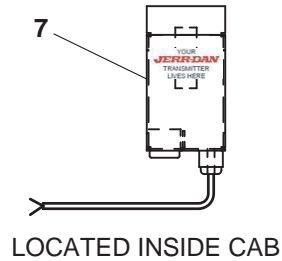
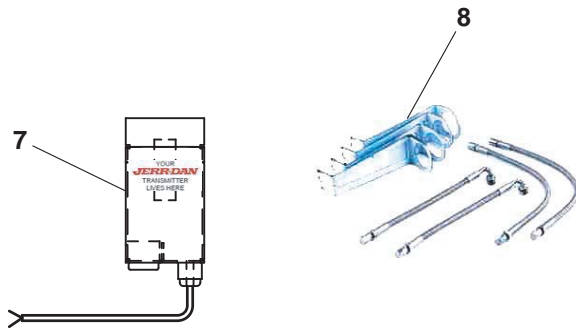
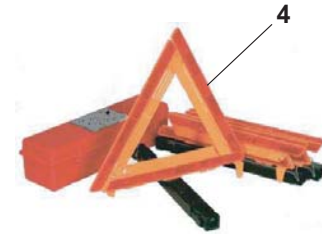
STATIONARY TOW HITCH or PINTLE HITCH ON STABILIZER  
Rear of Subframe

Item #15, Decal-Hood and Ladder, not shown  
Item #26, Decal Kit, not shown

**ACCESSORY EQUIPMENT**

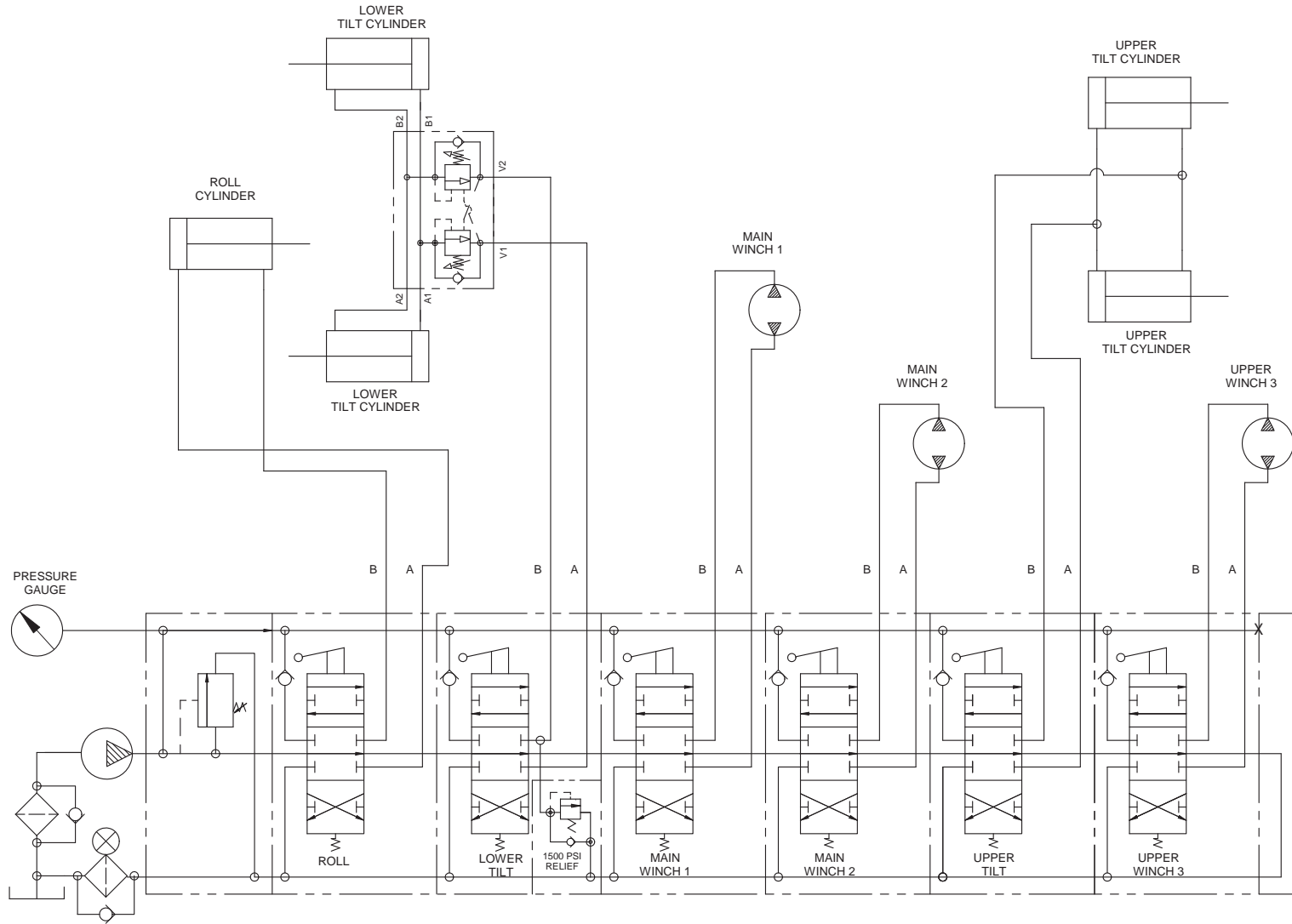
ITEM	PART NO.	DESCRIPTION	QTY
1	7002000449	Magnetic Tow Lights	1
2	7002000404	Fire Extinguisher	1
3	7002000448	Wheel Chock	1
4	7002000285	Reflective Triangles	1
5	7002000451	Load Binder - 0.38" Chain	1
6	Not Required		
7	7002000521	Remote Control Transmitter Holder	1
8	7002000447	Valve Stem Extension Kit	1
9	7002000503	Air Compressor with Hose Reel	1
10	7443000111	Elbow	1
11	7115161050	Capscrew, 0.38"-16NC x 1.25"	4
12	7950150161	Flatwasher, 0.31" ID	4
13	7660162601	Locknut, 0.38"-16NC	4
14	7115181050	Capscrew, 0.50"-13NC x 1.25"	4
15	7950180153	Flatwasher, 0.50" ID	8
16	7660182601	Locknut, 0.50"-13NC	4

# ACCESSORY EQUIPMENT



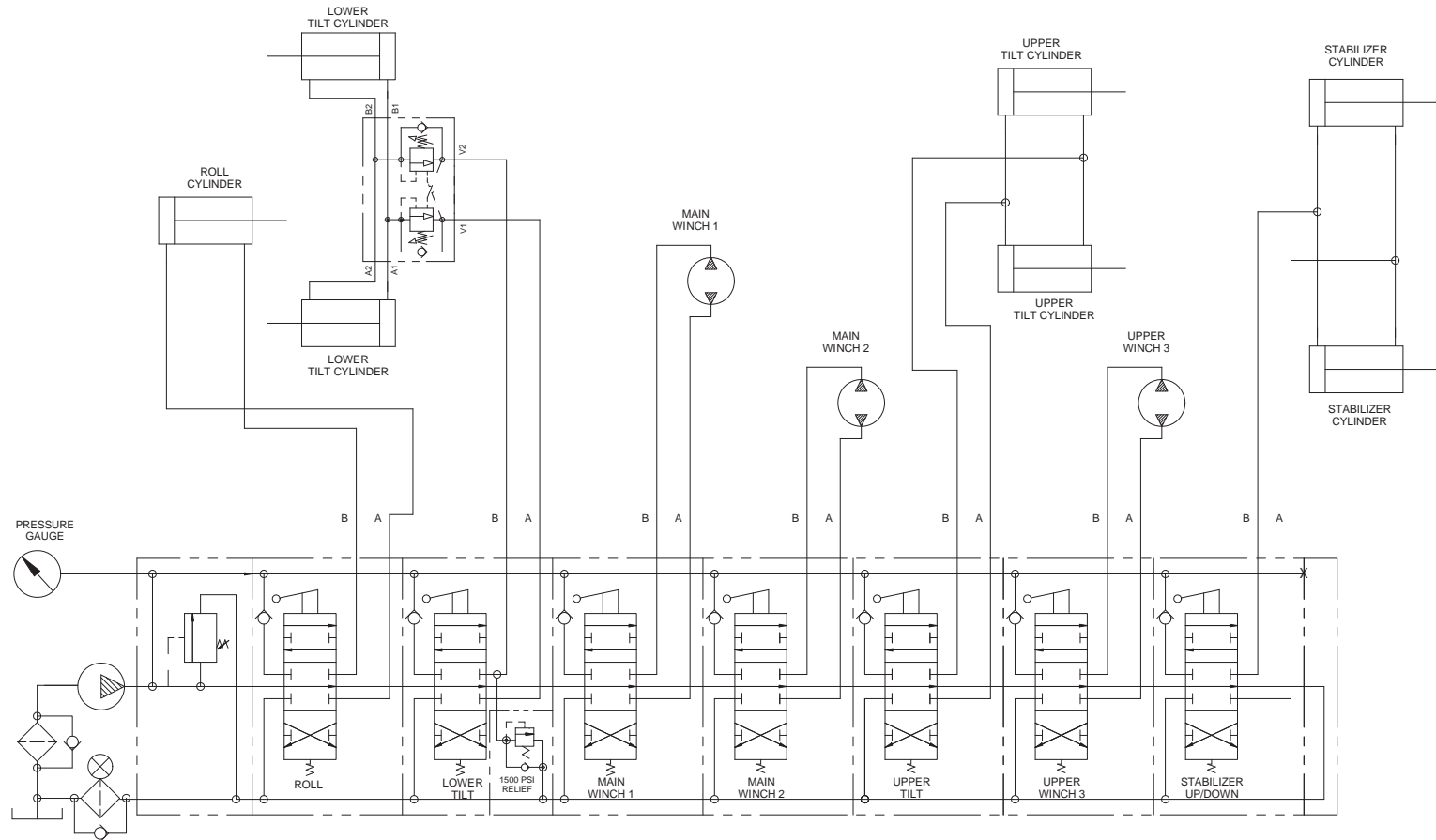
SHOWN MOUNTED INSIDE 48" TOOLBOX

# HYDRAULIC SCHEMATIC



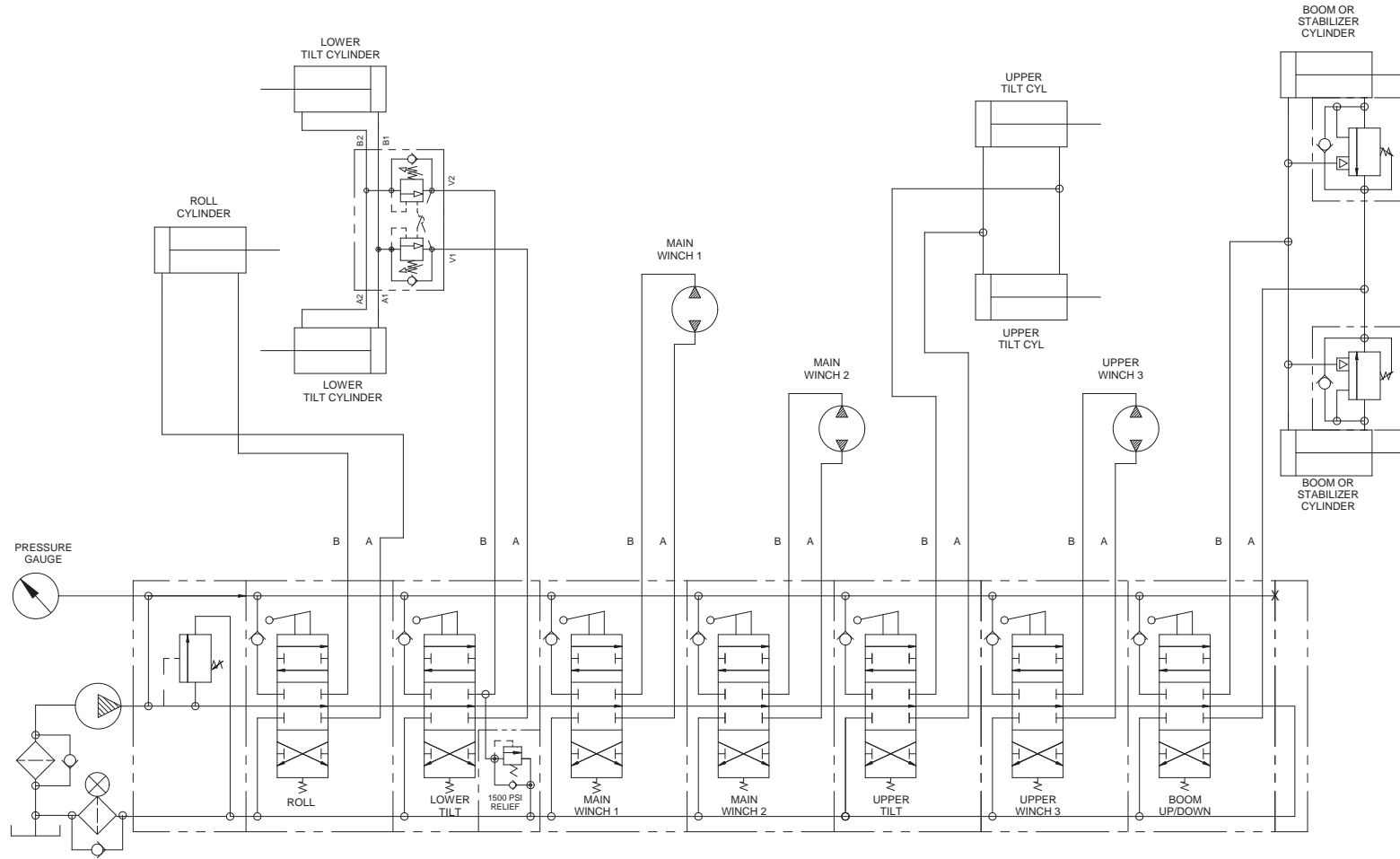
6 Bank Control Valve - No Tow Option

# HYDRAULIC SCHEMATIC



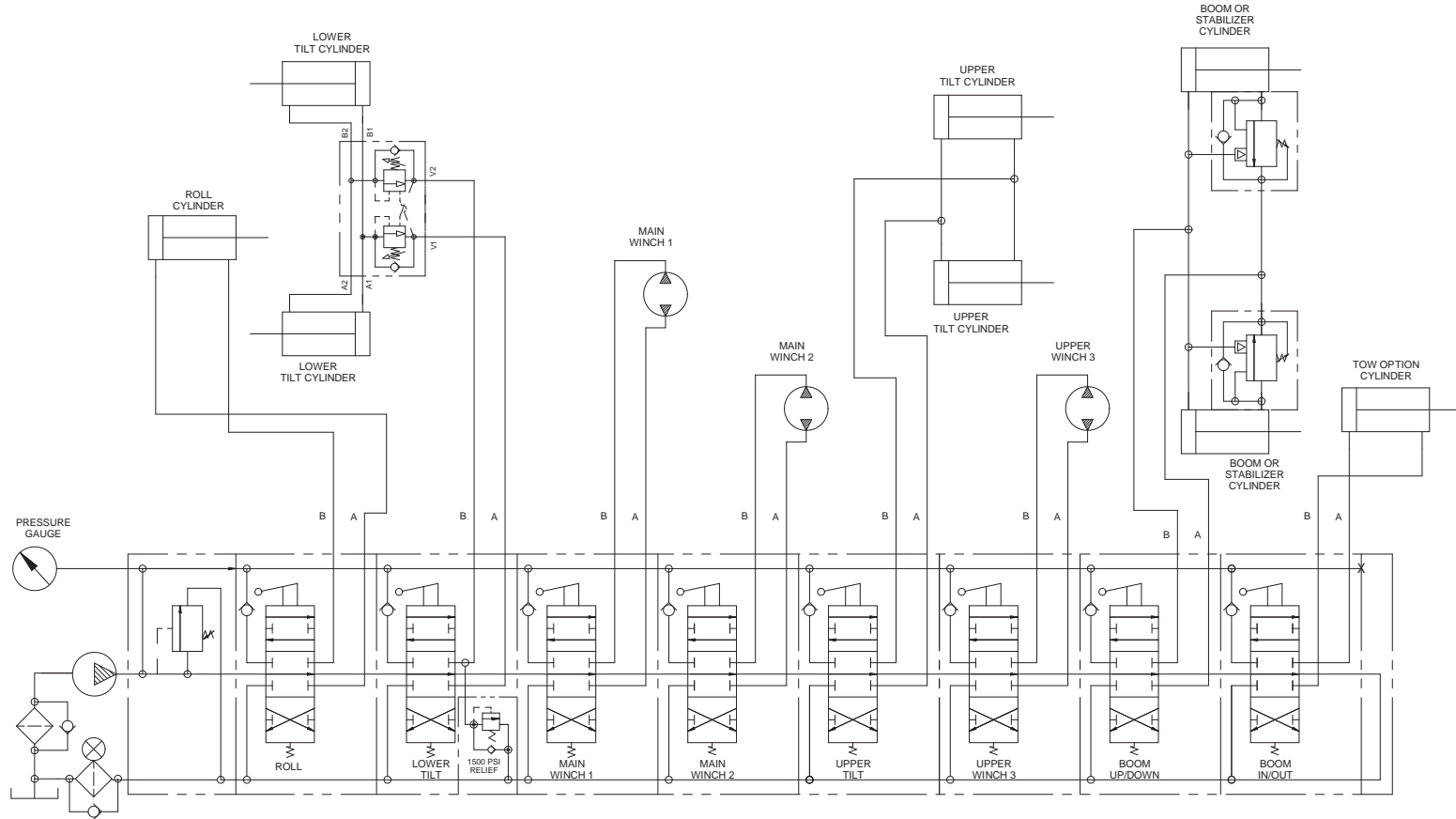
7 Bank Control Valve - Stabilizer

# HYDRAULIC SCHEMATIC



7 Bank Control Valve - Stabilizer with Tow Option

# HYDRAULIC SCHEMATIC



8 Bank Control Valve - IRL Tow Option

