

**SUPER SERIES**  
**LOW PROFILE CARRIER**  
**PARTS MANUAL**  
***JERR-DAN***<sup>®</sup>

An Oshkosh Corporation Company

13224 Fountainhead Plaza  
Hagerstown, MD 21742  
Phone (717) 597-7111  
[www.jerr-dan.com](http://www.jerr-dan.com)

5-376-000144  
Rev 0 - February 01, 2011

© 2011 Jerr-Dan Corporation. All Rights Reserved.



This manual covers the following Jerr-Dan Models:

\_\_S15B-LP - 15 Ton Low Profile Super - 96" Wide

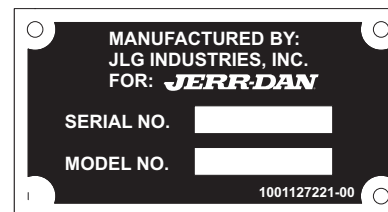
\_\_S15B-W-LP - 15 Ton Low Profile Super - 102" Wide

Jerr-Dan Corporation strives to provide information that is accurate, complete and useful. Descriptions and illustrative material contained within this manual are as accurate as known at the time of publication and are subject to change, without notice, as a result of continuous product improvements. Jerr-Dan reserves the right to amend the information in this document at any time without prior notice.

Information contained in this manual reflects how this vehicle was built at the factory. Modifications or additions by the distributor or owner are not reflected in this manual.

This parts manual does not include service parts information for the commercial chassis (IHC, Ford, GM, etc.). That information is provided by the chassis manufacturer.

When ordering parts, please refer to your unit's Serial Number and Model Number. This information is found on the aluminum tag riveted to the front left corner of the deck as shown below:



Additional or replacement manuals can be ordered by calling Jerr-Dan Parts at 717-597-7111. Price and availability will be quoted at time of the request.

Please report comments and/or errors by contacting Jerr-Dan Corporation's Technical Publications Department by e-mail at [technicalpublications@jerr-dan.com](mailto:technicalpublications@jerr-dan.com) or by FAX on 717-485-7162.

Manufactured under one or more of the following patents: 5,133,633; 5,575,606; 5,697,741; 5,951,235; 6,231,294 B1; 6,315,515 B1; 6,336,783 B1; 6,447,239 B2 and 7,264,305 B2 with other Patents Pending.

Jerr-Dan and the Jerr-Dan logo are registered trademarks and Run Hard is a service mark of Jerr-Dan Corporation, Greencastle, PA USA.

The material in this document is confidential and the property of Jerr-Dan Corporation. No part of this document may be photocopied, reproduced or translated to another language without the express written consent of Jerr-Dan Corporation.

**THIS PAGE INTENTIONALLY LEFT BLANK**

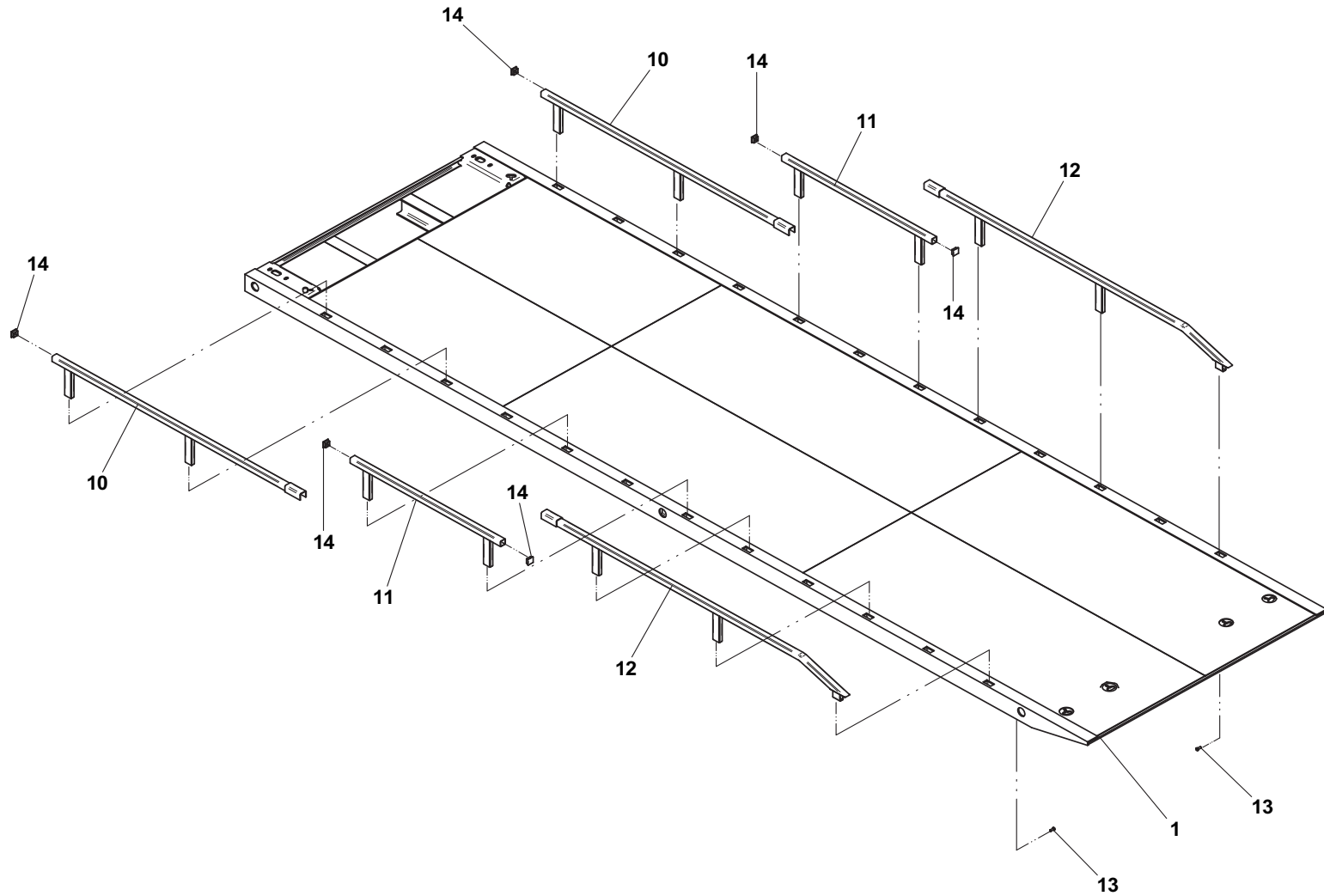
# INDEX

DESCRIPTION	PAGE	DESCRIPTION	PAGE
Deck - 15 Ton Steel Transporter ( _ _S15B-LP) .....	6 - 7	Bolt-On D-Rings .....	98 - 99
Deluxe Bolt-On Headboard .....	8 - 9	Remote Control Operation(s) .....	100 - 101
Bucket Rest Headboard .....	10 - 11	Remote Throttle Control.....	102 - 103
Stationary Headboard .....	12 - 13	Glad Hands and 7- Way Connector .....	104 - 105
Wheel Well Covers .....	14 - 15	Air Supply Disconnect .....	106 - 107
Worm Gear Winch (20,000 lb) with Air Free Spool .....	16 - 17	Jump Start Kit.....	108 - 109
Worm Gear Winch (20,000 lb) Cable Roller Guide / Tensioner Plate .....	18 - 19	Folding Deck Ladder .....	110 - 111
Manual Remote Air Free Spool .....	20 - 21	Propane Tank Holders .....	112 - 113
Subframe .....	22 - 23	Locking Chain Rack - Standard Headboard .....	114 - 115
Hold Down .....	24 - 25	Locking Chain Rack - Stationary Headboard .....	116 - 117
Wear Strips .....	26 - 27	Towing Safety Tools .....	118 - 119
Slide Pads .....	28 - 29	Decals .....	120 - 121
Mud Flap .....	30 - 31	Accessory Equipment .....	122 - 123
LightBoxes .....	32 - 33	Hydraulic Schematic .....	124 - 126
Final Assembly - Rear Lights .....	34 - 35	Electrical Schematic .....	127
Hydraulic Reservoir and Toolbox / Basket .....	36 - 41		
Toolbox .....	42 - 43		
Toolbox Shelf .....	44 - 45		
Toolbox Light .....	46 - 47		
Toolbox Top Stowage Tray and Marker Lights .....	48 - 49		
Dual Controls - 3 Bank .....	50 - 51		
Dual Controls - 4 Bank .....	52 - 53		
Hydraulic Components - Standard .....	54 - 55		
Hydraulic Components - Standard (Hose Track) .....	56 - 57		
Hydraulic Components - Hose Routing / Mounting .....	58 - 59		
Hydraulic Components - Stabilizer or Stabilizer w/ Manual Tow Option .....	60 - 61		
Hydraulic Components - Stabilizer w/ Hydraulic Tow Option .....	62 - 63		
Electrical Components - Standard w/ Bolt-On Headboard .....	64 - 65		
Electrical Components - Standard w/ Stationary Headboard .....	66 - 67		
Deck Marker Lights .....	68 - 69		
Headboard Side Marker Lights .....	70 - 71		
Electrical Components - Optional (Foreign Chassis/Separate Turn Signals) .....	72 - 73		
Additional Deck Marker Lights .....	74 - 75		
Hydraulic Rear Stabilizer .....	76 - 77		
Hydraulic Rear Stabilizer w/ Reese Hitch Receiver .....	78 - 79		
Hydraulic Rear Stabilizer w/ Manual Extend Pintle Hitch Mounting Plate .....	80 - 81		
Hydraulic Rear Stabilizer w/ Hydraulic Extend Pintle Hitch Mounting Plate .....	82 - 83		
Roll Cylinder Assembly .....	84 - 85		
Stabilizer Cylinder Assembly .....	86 - 87		
Dampening Cylinder Assembly .....	88 - 89		
Tow Option Hydraulic Extend Cylinder Assembly .....	90 - 91		
Lightbars .....	92 - 93		
Switch Panels .....	94 - 95		
Work Lights .....	96 - 97		

**DECK - 15 TON STEEL TRANSPORTER ( \_ \_S15B-LP)**

ITEM	PART NO.	DESCRIPTION	QTY
1	3097000303	24' Deck - 96" wide	
	3097000312	24' Deck - 102" wide	
	3097000302	26' Deck - 96" wide	
	3097000311	26' Deck - 102" wide	
	3097000301	28' Deck - 96" wide	
	3097000310	28' Deck - 102" wide	
2	Contact Parts	Keruing Board	A/R
3	7786000007	Screw, 0.31"-18NC x 2.00"	A/R
<i>Optional Steel Tubular Removable Rails:</i>			
10	3017000282	Rail Weldment Front (24' deck)	2
	3017000285	Rail Weldment Front (26 & 28" decks)	2
11	Not Required	(24' deck)	
	3017000281	Rail Weldment Mid (26' & 28' decks)	2
12	3017000284	Rail Weldment Rear (24' & 28' decks)	2
	3017000283	Rail Weldment Rear (26' decks)	2
13	7115181050	Capscrew, 0.50"-13NC x 1.25" (24' & 26' decks)	12
	7115181050	Capscrew, 0.50"-13NC x 1.25" (28' deck)	14
14	7701000033	End Cap (24' deck)	4
	7701000033	End Cap (26' & 28' decks)	6

# DECK - 15 TON STEEL TRANSPORTER ( \_ \_S15B-LP)



28' deck shown with removable steel rails

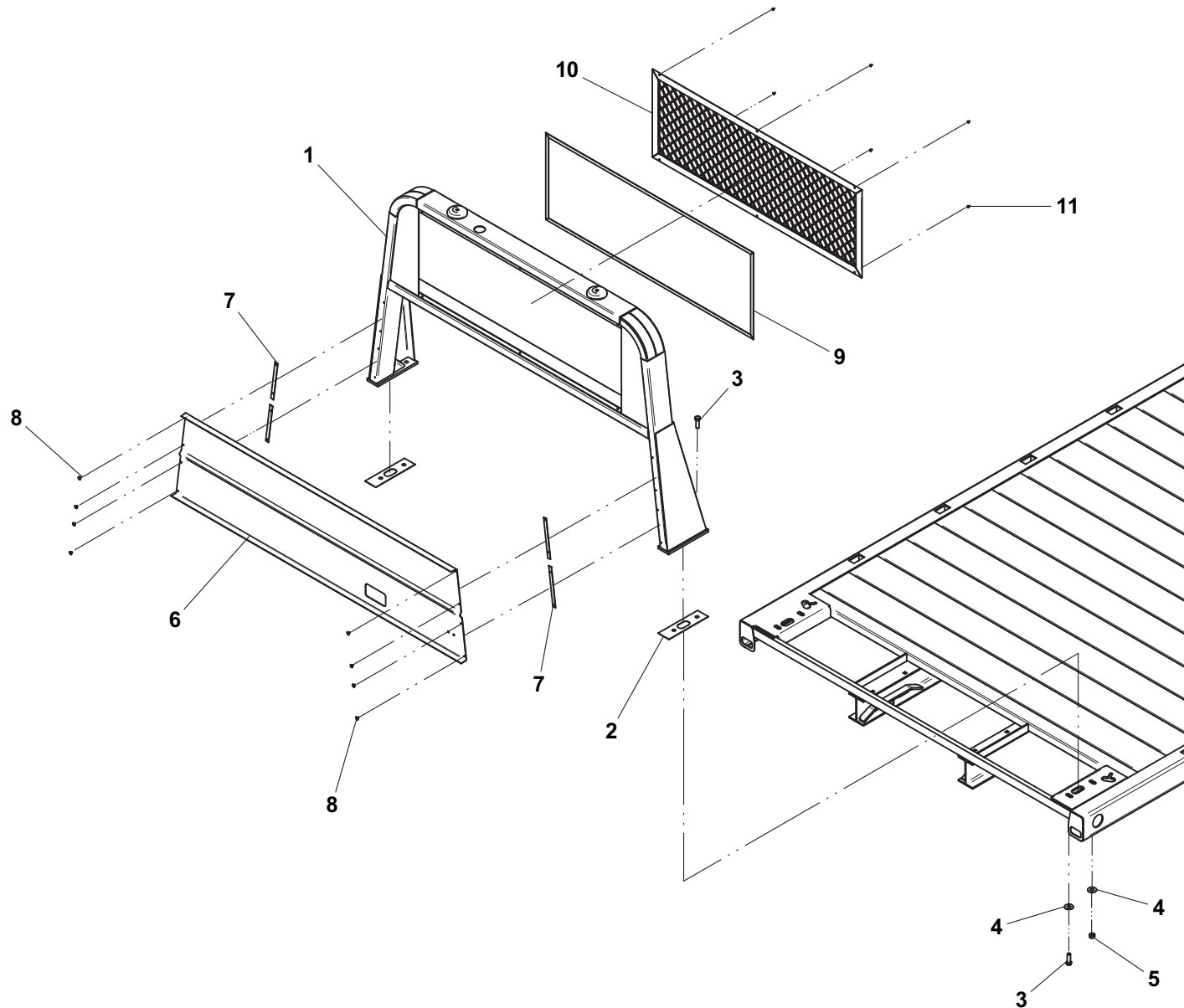
**DELUXE BOLT-ON HEADBOARD**

ITEM	PART NO.	DESCRIPTION	QTY	ITEM	PART NO.	DESCRIPTION	QTY
1	1001129151	Deluxe Headboard Weld - 36.50" (w/ std remote free spool)	1	9	3391000020	Screen Weld (36.50" headboard)	1
	1001129153	Deluxe Headboard Weld - 45.50" (w/ std remote free spool)			3391000021	Screen Weld (45.50" headboard)	
	1001129159	Deluxe Headboard Weld - 45.50" (w/ air remote free spool)		10	3391000017	Screen Weld (50.50" headboard)	
	1001129155	Deluxe Headboard Weld - 50.50" (w/ std remote free spool)		11	3391000022	Screen Weld (57.50" headboard)	
	1001129161	Deluxe Headboard Weld - 50.50" (w/ air remote free spool)			4796000003	Gasket	1
	1001129157	Deluxe Headboard Weld - 57.50" (w/ std remote free spool)			7759000015	Rivet	6
	1001129163	Deluxe Headboard Weld - 57.50" (w/ air remote free spool)					
2	4796000037	Gasket	2				
3	7105201650	Capscrew, 0.63"-18NF x 2.00"	4				
4	7950200152	Flatwasher, 0.63" ID	4				
5	7660200035	Nut, 0.63"-18NF	2				
6	4686000295*	Panel (36.50" or 45.50" headboard w/ std remote free spool)	1				
	4686000296*	Panel (50.50" or 57.50" headboard w/ std remote free spool)					
	4686000301*	Panel (45.50" headboard w/ air remote free spool)					
	4686000302*	Panel (50.50" or 57.50" headboard w/ air remote free spool)					
7	4892000008*	Tape (36.50" or 45.50" headboard)	4				
	4892000009*	Tape (50.50" or 57.50" headboard)					
8	7759000022*	Pop Rivet					

\* included with Deluxe Headboard Weld



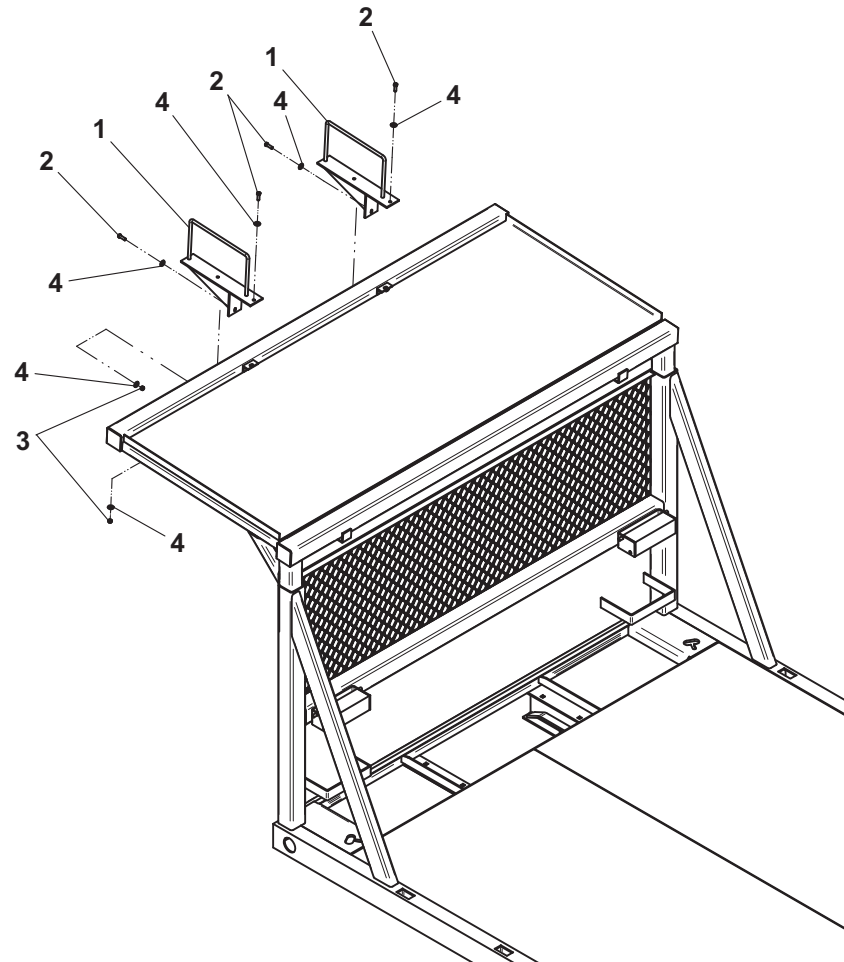
# DELUXE BOLT-ON HEADBOARD



**BUCKET REST HEADBOARD**

ITEM	PART NO.	DESCRIPTION	QTY
1	3636000078	Lightbar Mount	2
2	7115161050	Capscrew, 0.38"-16NC x 1.25"	4
3	7660161600	Locknut, 0.38"-16NC	4
4	7950160160	Flatwasher, 0.38" ID	4

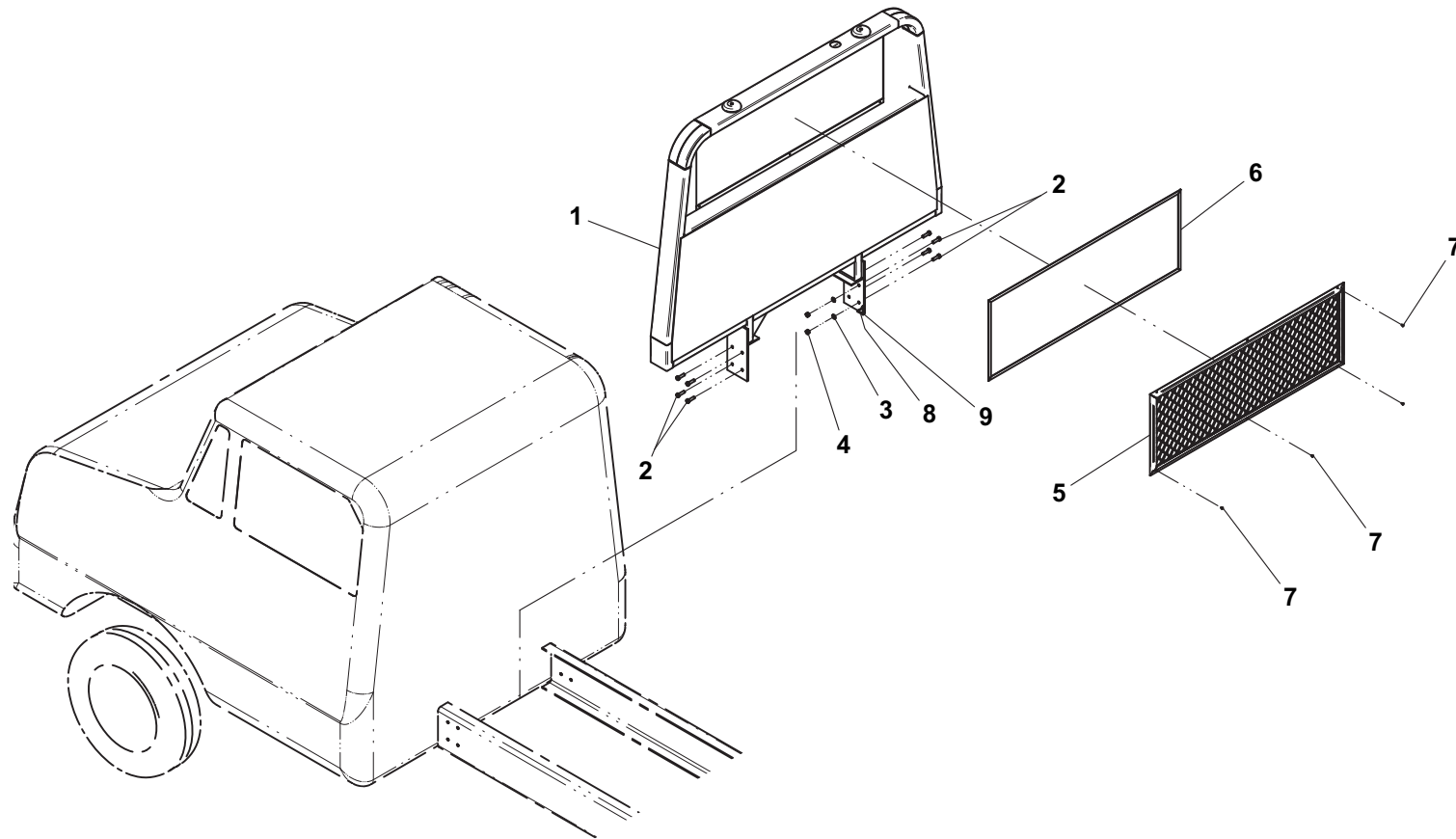
# BUCKET REST HEADBOARD



**STATIONARY HEADBOARD**

ITEM	PART NO.	DESCRIPTION	QTY
1	1001129165	Stationary Headboard Weld - 57.00"	1
	1001129167	Stationary Headboard Weld - 62.00"	
	1001129169	Stationary Headboard Weld - 69.00"	
2	7105181650	Capscrew, 0.50"-20NF x 2.00"	8
3	7950180153	Flatwasher, 0.50" ID	8
4	7660182333	Locknut, 0.50"-20NF	8
5	3391000014	Screen Weld (57.00" headboard)	1
	3391000017	Screen Weld (62.00" headboard)	
	3391000018	Screen Weld (69.00" headboard)	
6	4796000003	Gasket	1
7	7759000015	Rivet	6
8	4705000607	Shim - 0.25"	A/R
9	4705000608	Shim - 0.12"	A/R

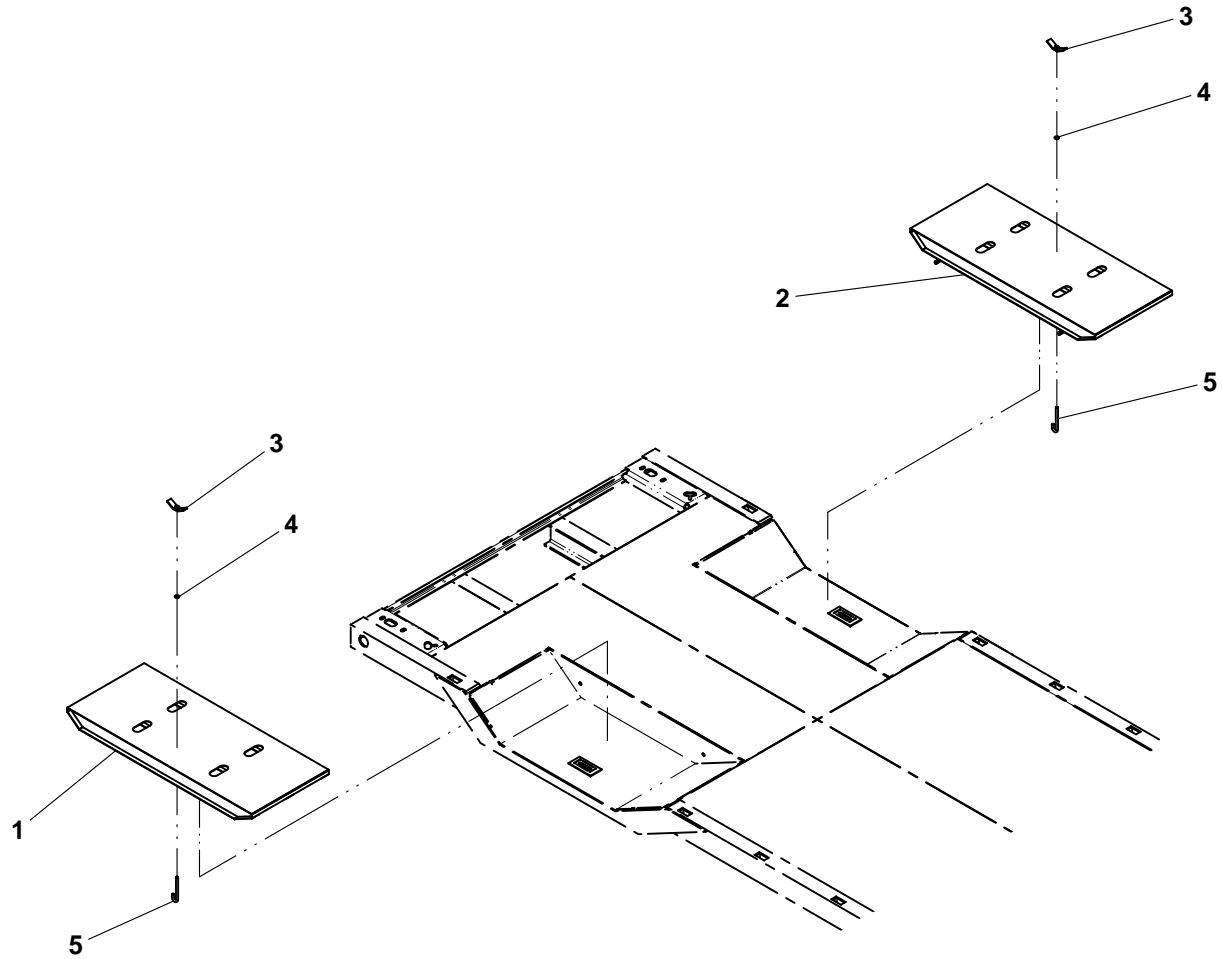
# STATIONARY HEADBOARD



**WHEEL WELL COVERS**

ITEM	PART NO.	DESCRIPTION	QTY
1	3314000030	Cover Weld LH (96" wide deck)	1
	3314000034	Cover Weld LH (102" wide deck)	
2	3314000031	Cover Weld RH (96" wide deck)	1
	3314000035	Cover Weld RH (102" wide deck)	
3	3661000001	Wing Nut Weld	2
4	7950180252	Flatwasher, 0.50" ID	2
5	4120000019	J Bolt, 0.50"-13NC	2

# WHEEL WELL COVERS



28' deck with wheel wells shown

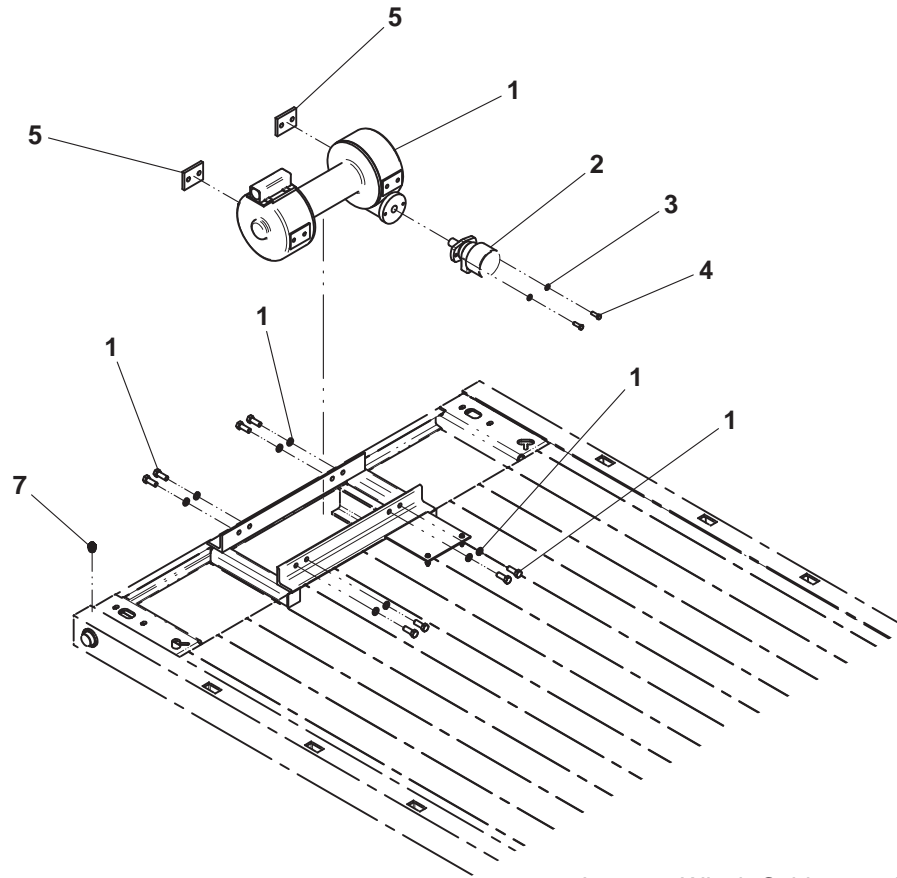
**WORM GEAR WINCH (20,000 LB) WITH AIR FREE SPOOL**

ITEM	PART NO.	DESCRIPTION	QTY
1	7970000109	Winch - 20,000 lb Worm Gear	1
2	7626000011	Orbit Motor	1
3	7115181250	Capscrew, 0.50"-13NC x 1.50"	2
4	7950180400	Lockwasher, 0.50" ID	2
5	4706003273	Spacer Plate	2
6	7248000067	Cable, 0.63" dia x 75'	1

Refer to manufacturer's manual for winch parts list



# WORM GEAR WINCH (20,000 LB) WITH AIR FREE SPOOL



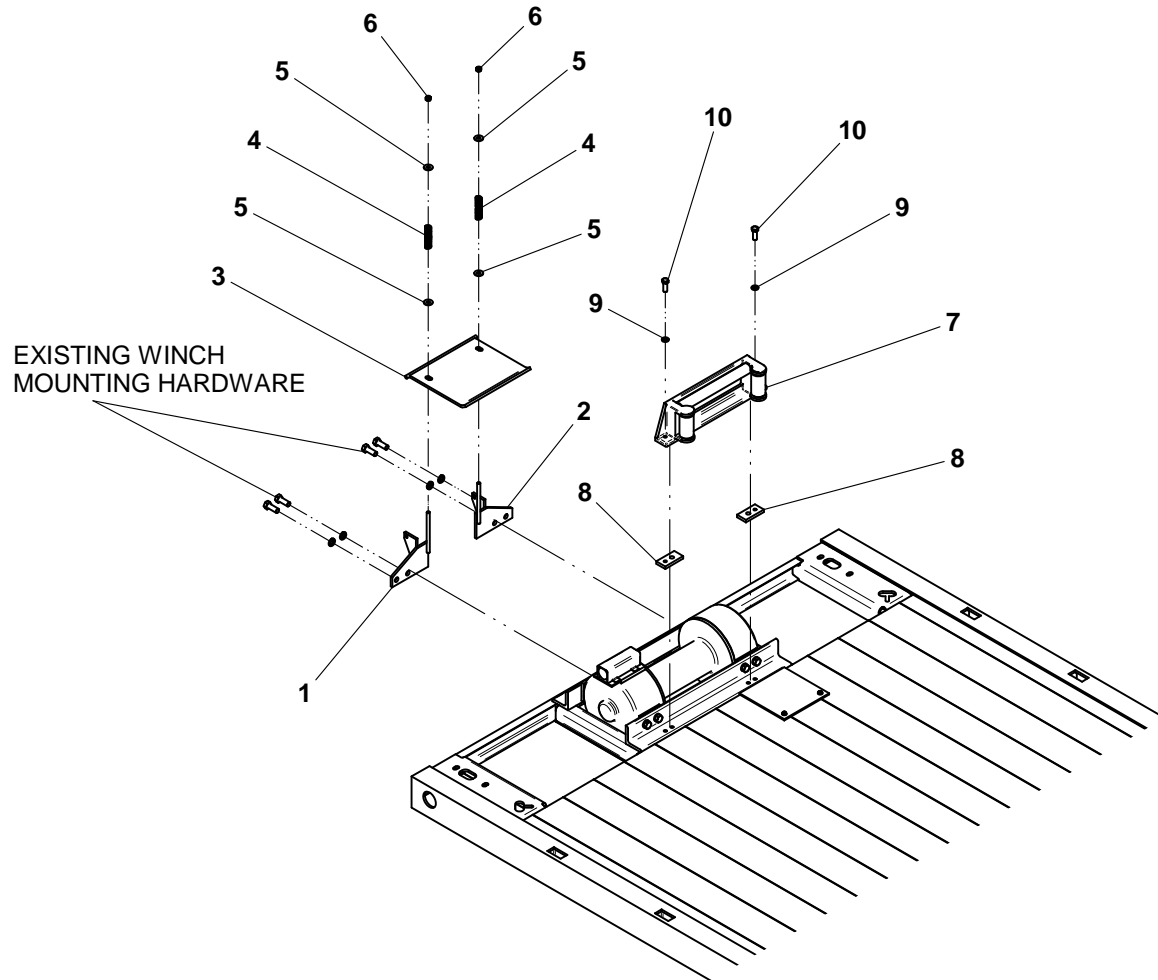
Item #6, Winch Cable, not shown

20,000 lb winch shown on transporter deck

**WORM GEAR WINCH (20,000 LB) CABLE ROLLER GUIDE / TENSIONER PLATE**

ITEM	PART NO.	DESCRIPTION	QTY
1	3178000307	Bracket Weld LH	1
2	3178000308	Bracket Weld RH	1
3	3706000192	Plate Weld Pressure	1
4	7843000004	Spring	2
5	7950180161	Flatwasher, 0.50" ID	4
6	7660182600	Locknut, 0.50"-13NC	2
7	3527000075	Winch Cable Tensioner	1
8	4706001149	Plate	2
9	7950200000	Lockwasher, 0.63" ID	4
10	7111201605	Capscrew, 0.63"-11NC x 2.00"	4

# WORM GEAR WINCH (20,000 LB) CABLE ROLLER GUIDE / TENSIONER PLATE

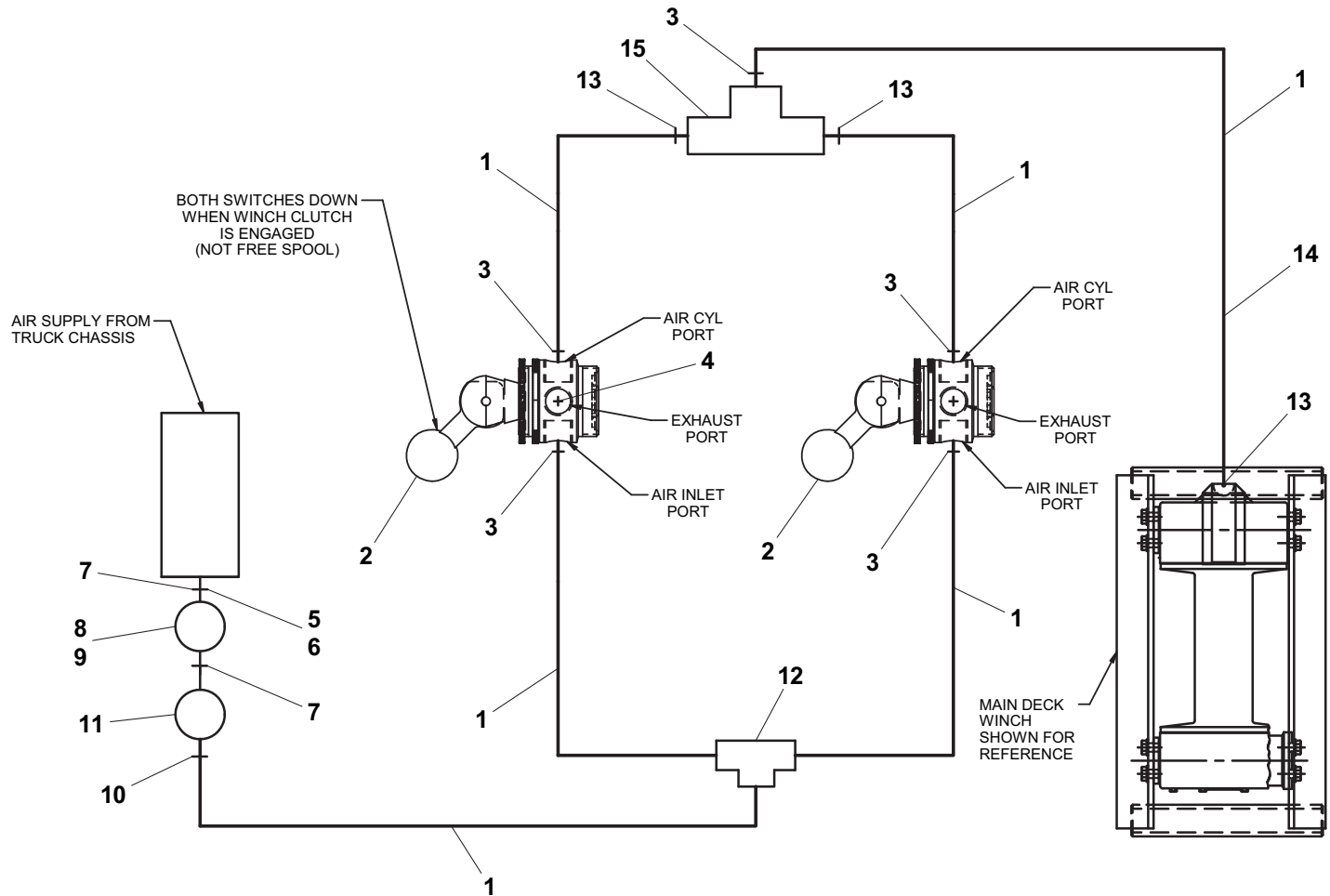


**MANUAL REMOTE AIR FREE SPOOL**

ITEM	PART NO.	DESCRIPTION	QTY
1	7565000014	Air line Tubing	*
2	7935000182	Air Valve	2
3	7443000364	Fitting	5
4	7640000002	Air Exhaust Muffler	2
5	7443000154	Fitting	1
6	7443000111	Fitting	1
7	7443000156	Nipple	2
8	7935000120	Pressure Protection Valve	1
9	7443000152	Plug	1
10	7443000366	Fitting	1
11	7935000248	Air Regulator	1
12	7443000371	Tee	1
13	7443000365	Fitting	3
14	8597650001	Loom	*
15	7935000229	Shuttle Valve	1
16	7894000004	Tie Strap	*

\* - Quantity varies depending on deck length and chassis

# MANUAL REMOTE AIR FREE SPOOL

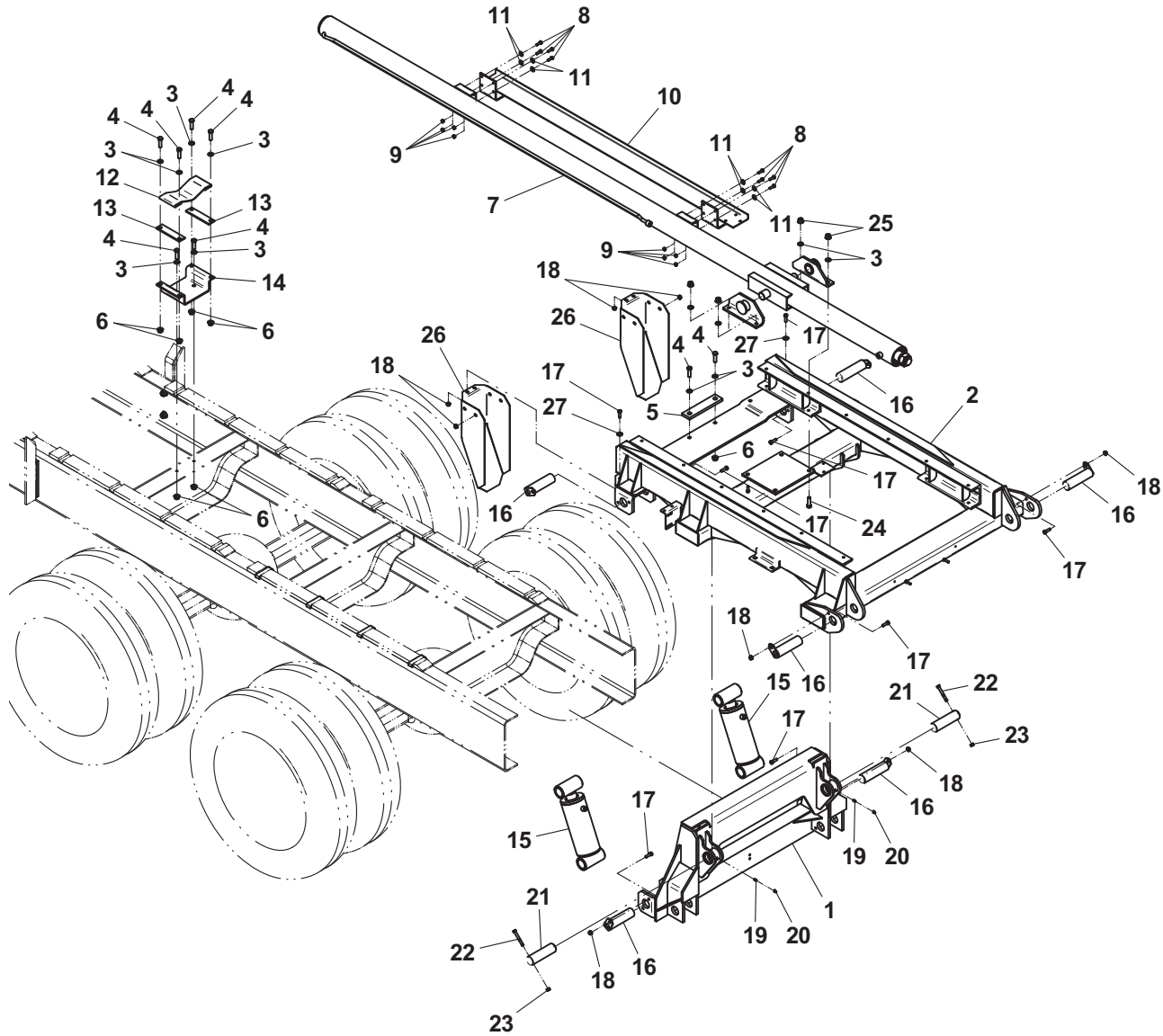


Item #16, Tie Strap, not shown

**SUBFRAME**

ITEM	PART NO.	DESCRIPTION	QTY
1	3905000015	Trunnion Weld	1
2	3868000317	Subframe Weld	1
3	7950180153	Flatwasher, 0.50"	12
4	7115181450	Capscrew, 0.50"-13NC x 1.75"	8
5	4679000151	Pad	1
6	7660202347	Locknut, 0.50"-13NC	8
7	3320000098	Roll Cylinder Assembly (24' & 26' decks)	1
	3320000093	Roll Cylinder Assembly (28' decks)	
8	7115150850	Capscrew, 0.31"-18NC x 1.00"	8
9	7660152601	Locknut, 0.31"-18NC	8
10	3177000050	Cable Carrier Support Weld	1
11	7950150161	Flatwasher, 0.31"	8
12	4090000002	Belt	1
13	4062000396	Bar	2
14	4263000963	Channel	1
15	1001127428	Dampening Cylinder Assembly	2
16	3691000185	Pin Weld	4
17	7115161050	Capscrew, 0.38"-16NC x 1.25"	6
18	7660162301	Locknut, 0.38"-16" ID	8
19	7440030000	Grease Fitting	2
20	7253000002	Cap, Grease Fitting	2
21	4691000352	Pin	2
22	7115162450	Capscrew, 0.38"-16NC x 3.00"	2
23	7660162601	Locknut, 0.38"-16" ID	2
24	7105181450	Capscrew, 0.50"-20NF x 1.75"	4
25	7660182333	Locknut, 0.50"-20NF	4
26	1001126808	Shield	2
27	7950160161	Flatwasher, 0.38"	2

# SUBFRAME

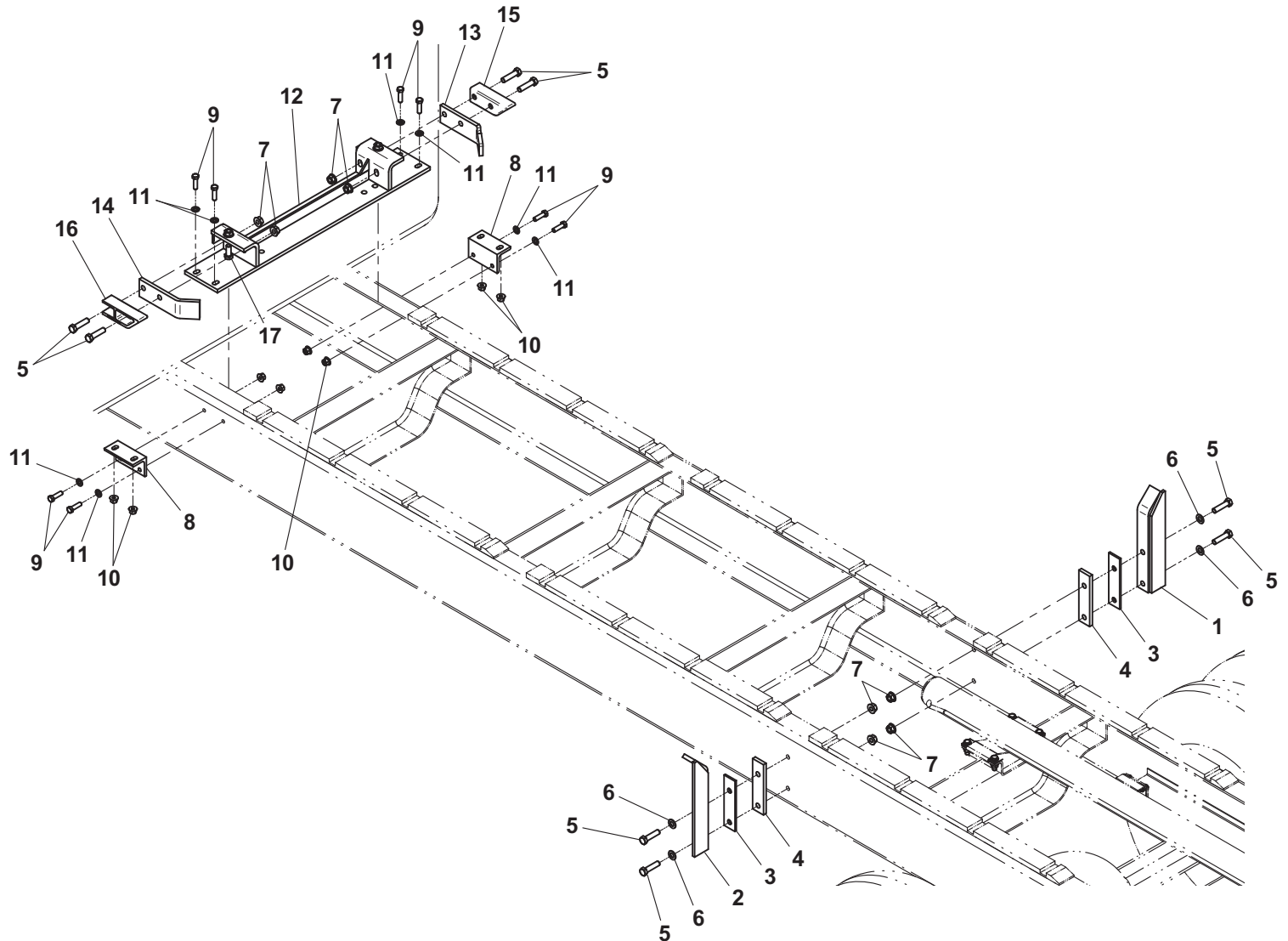


**HOLD DOWN**

ITEM	PART NO.	DESCRIPTION	QTY
1	3062000014	Bar Weld Body Guide - RH	1
2	3062000015	Bar Weld Body Guide - LH	1
3	4831000083	Spacer	2
4	4831000079	Spacer	2
5	7105202050	Capscrew, 0.63"-18NF x 2.50"	8
6	7950200242	Flatwasher, 0.63 ID	4
7	7660202347	Locknut, 0.63"-18NF	8
8	4017001271	Angle	2
9	7105181450	Capscrew, 0.50"-20NF x 1.75"	8
10	7660182333	Locknut, 0.50"-20NF	8
11	7950180153	Flatwasher, 0.50 ID	8
12	3558000021	Hold Down Weld	1
13	4706003026	Rub Plate - RH	1
14	4706003025	Rub Plate - LH	1
15	7259000016	Cast Hold Down Shoe - RH	1
16	7259000015	Cast Hold Down Shoe - LH	1
17	7105201250	Capscrew, 0.63"-18NF x 1.50"	2



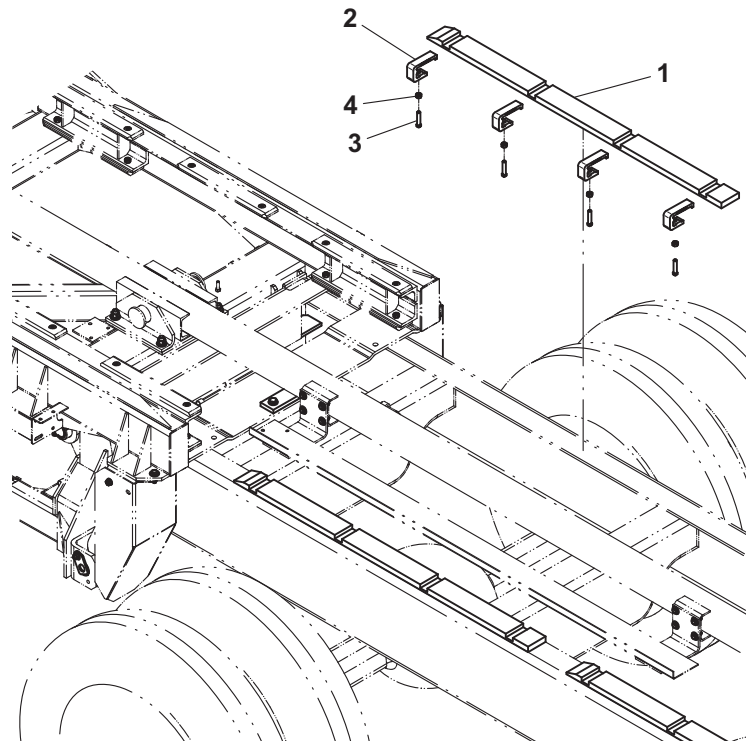
# HOLD DOWN



**WEAR STRIPS**

ITEM	PART NO.	DESCRIPTION	QTY
1	4679000332	Wear Pad	8
2	7274000125	Clamp	32
3	7120000032	Set Screw, 0.38"-16NC x 1.75"	32
4	7660160000	Nut, 0.38"-16NC	32

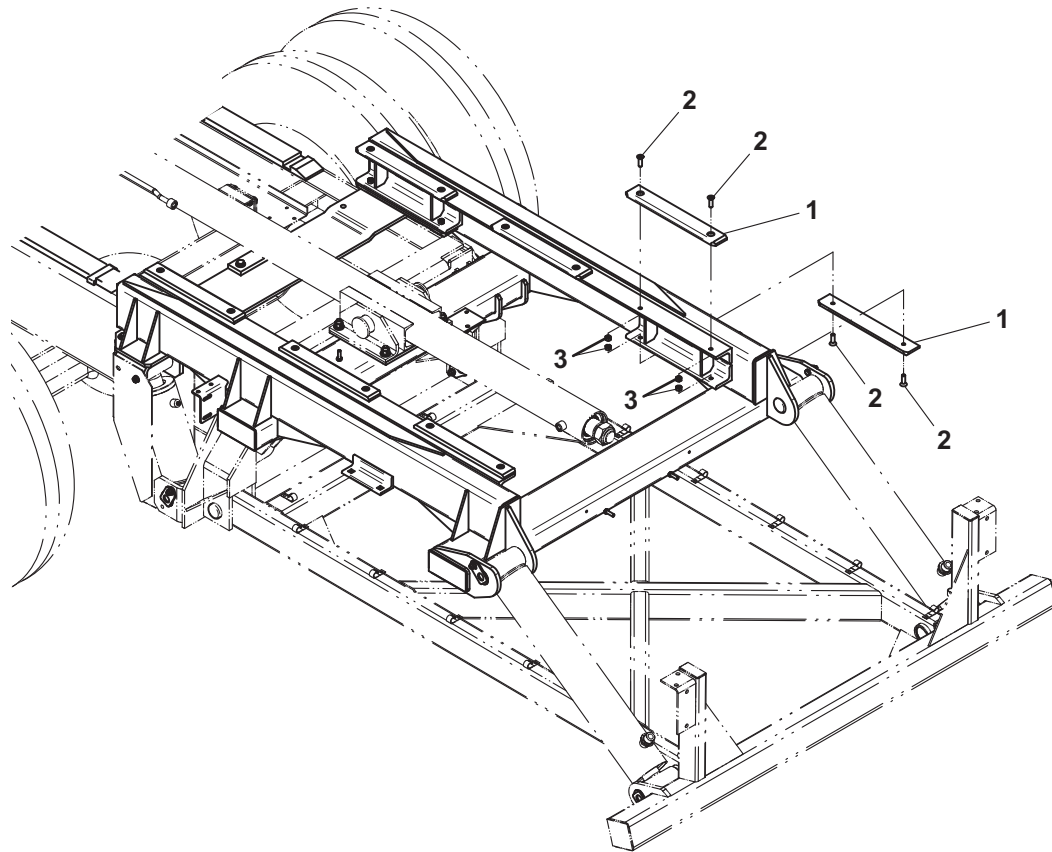
## WEAR STRIPS



**SLIDE PADS**

ITEM	PART NO.	DESCRIPTION	QTY
1	4679000189	Wear Pad	10
2	7118161026	Capscrew, 0.38"-16NC x 1.25"	20
3	7660162601	Locknut, 0.38"-16NC	20

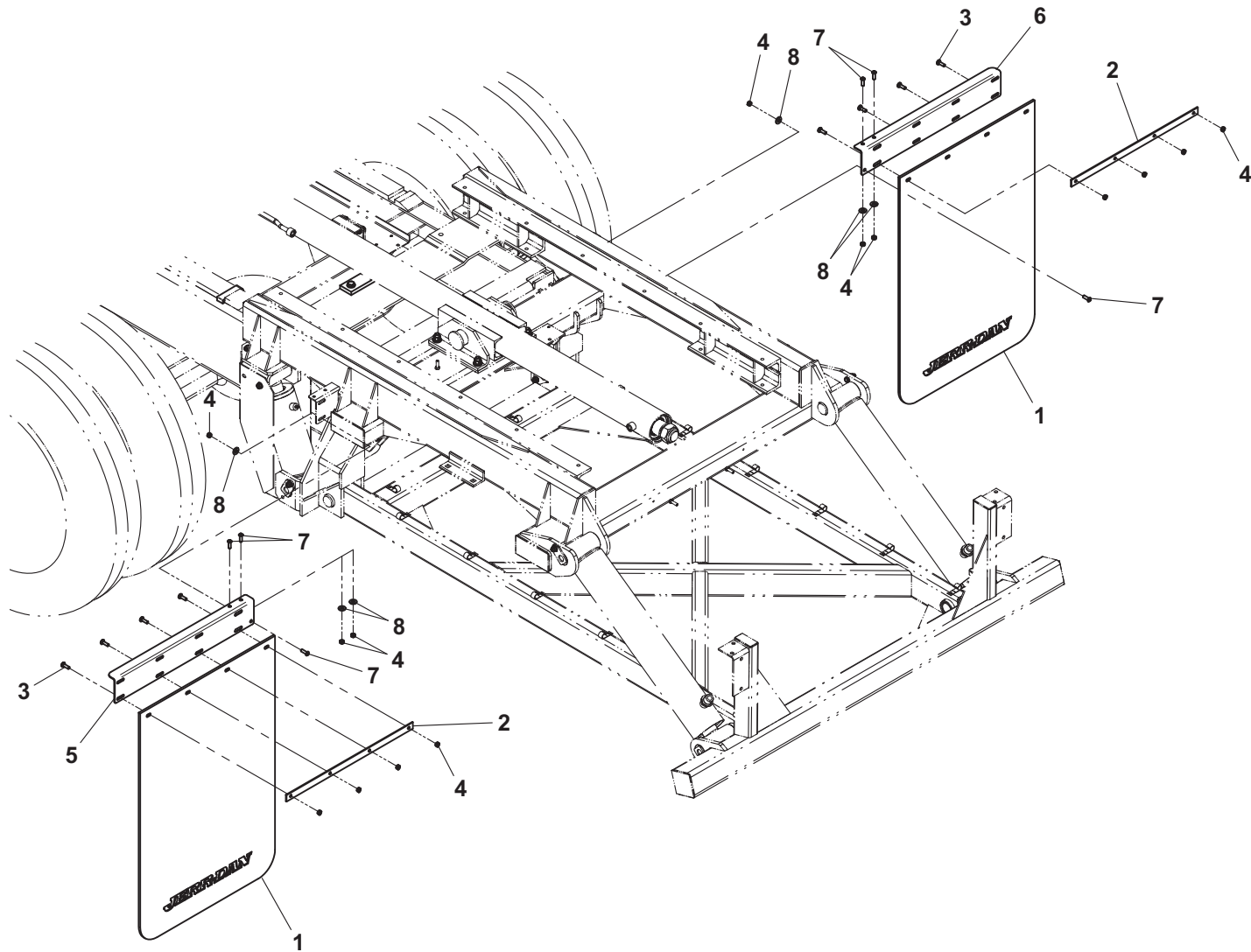
# SLIDE PADS



**MUD FLAPS**

ITEM	PART NO.	DESCRIPTION	QTY
1	7638000013	Mud Flap - High Frame, 36" long	2
2	4706004383	Plate	2
3	7111150864	Carriage Bolt, 0.31"-18NC x 1.00"	8
4	7660152601	Locknut, 0.31"-18NC	14
5	7017001566	Angle - LH	1
6	7017001567	Angle - RH	1
7	7114150818	Capscrew, 0.31"-18NC x 1.00"	6
8	7950150153	Flatwasher, 0.31" ID	6

# MUD FLAPS

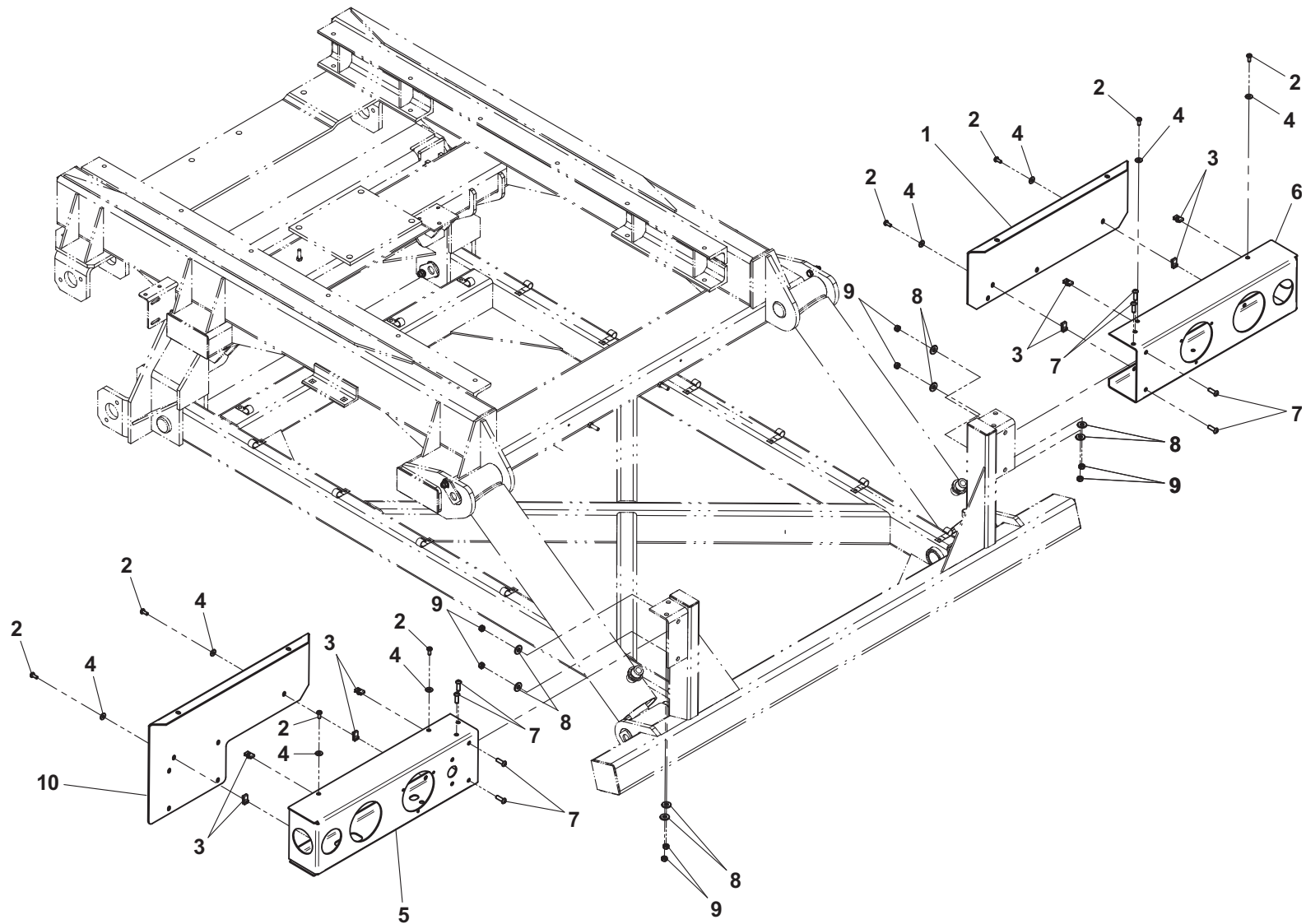


**LIGHTBOXES**

ITEM	PART NO.	DESCRIPTION	QTY
1	4314000235	Coverplate	1
2	7114140529	Screw, 0.25"-20NC x 0.63"	8
3	7661000042	U-Nut, 0.25"-20NC	8
4	7949000023	Nylon Washer, 0.26" ID	8
5	3178000582	Lightbox - LH	1
6	3178000583	Lightbox - RH	1
7	7114150818	Capscrew, 0.31"-18NC x 1.00"	8
8	7950150153	Flatwasher, 0.31" ID	8
9	7660152601	Locknut, 0.31"-18NC	8
10	4314000232	Coverplate	1



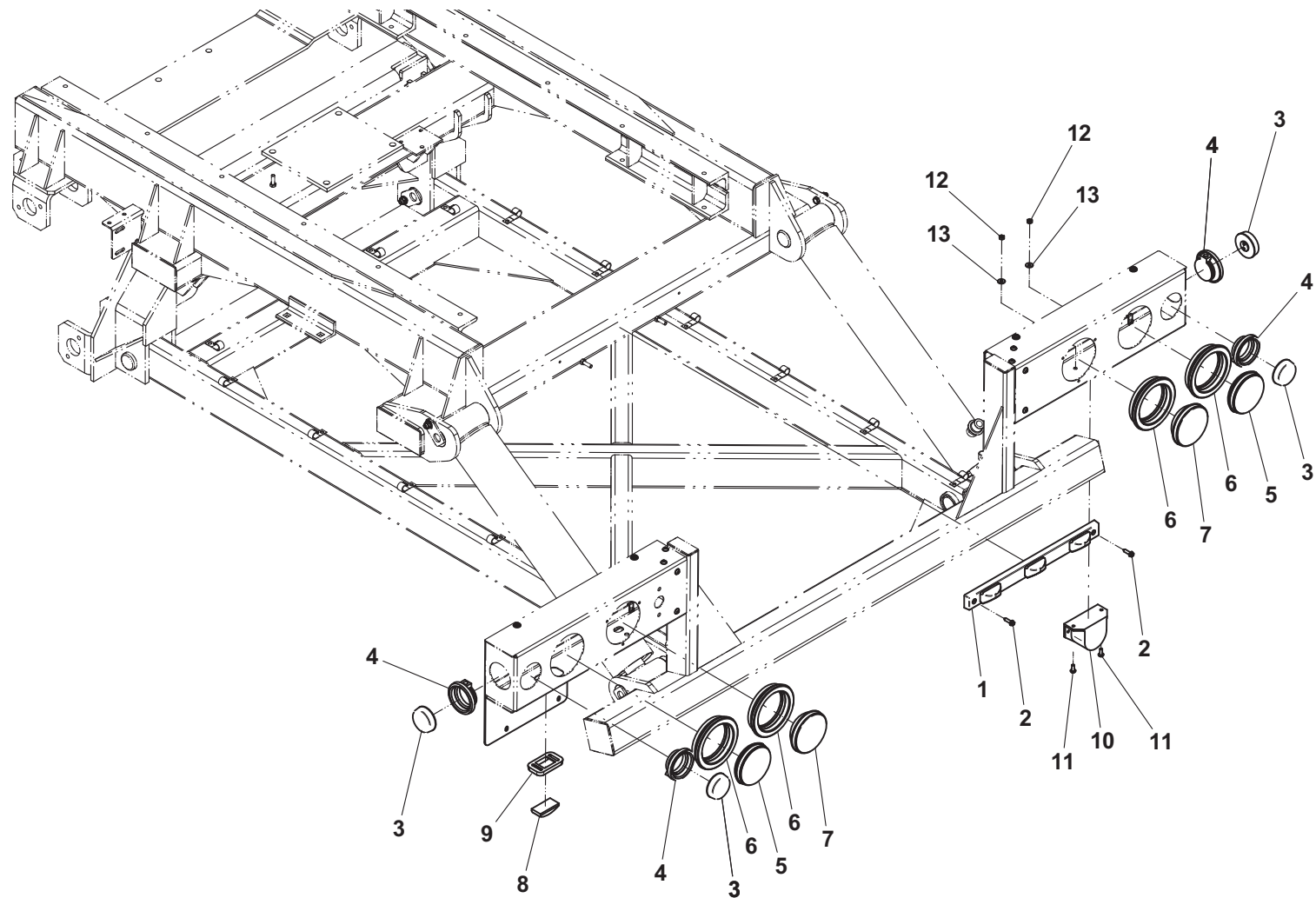
# LIGHTBOXES



**FINAL ASSEMBLY - REAR LIGHTS**

ITEM	PART NO.	DESCRIPTION	QTY
1	7590000193	Light, 3 Light ID	1
2	7790141656	Screw, 0.25"-20NC x 1.00" Self Tapping	2
3	7590000343	Marker Light - Red (LED)	4
4	7493000009	Grommet	4
5	7590000341	Stop/Tail/Turn Light - Red (LED)	2
6	7493000002	Grommet	4
7	7590000113	Back-Up Light - White	2
8	7590000103	License Plate Light	1
9	7493000010	Grommet	1
10	7011000007	Back-Up Alarm	1
11	7114140528	Screw, 0.25"-20NC x 0.63"	2
12	7660142601	Locknut, 0.25-20NC	2
13	7949000023	Nylon Washer, 0.26" ID	10

# FINAL ASSEMBLY - REAR LIGHTS



**HYDRAULIC RESERVOIR AND TOOLBOX / BASKET**

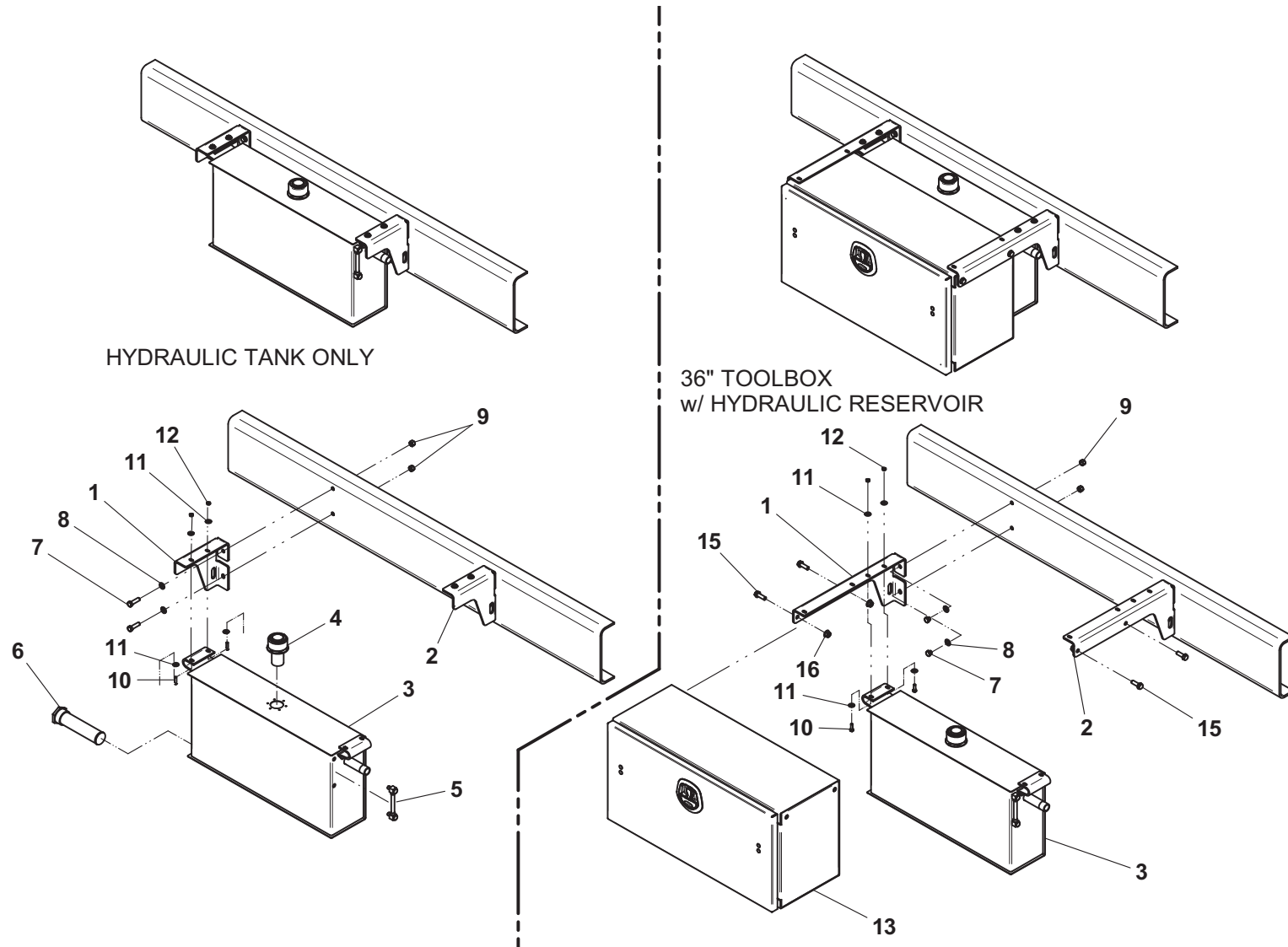
ITEM	PART NO.	DESCRIPTION	QTY*	ITEM	PART NO.	DESCRIPTION	QTY*
1	4178000331	Mounting Bracket - Short		20	4632000015	Moulding - 15" deep basket	
	4178000291	Mounting Bracket - Std			4632000048	Moulding - 24" deep basket	
	4178000339	Mounting Bracket - Long		21	7002000410	Stainless Steel Cover Plate for Basket includes rivets	
2	4178000330	Mounting Bracket - Short		22	3178000566	Bracket Weldment	
	4178000290	Mounting Bracket - Std		23	7701000051	Plug	
	4178000338	Mounting Bracket - Long					
3	3750000018	Hydraulic Reservoir Assembly					
4	7183000004+	Breather Filler Cap Assembly					
5	7470000027+	Level Gauge					
6	7430000014+	Strainer					
7	7105181650	Capscrew, 0.50"-20NF x 2.00"					
8	7950180153	Flat Washer, 0.50" ID					
9	7660182333	Locknut, 0.50"-20NF					
10	7115150850	Capscrew, 0.31"-18NC x 1.00"					
11	7950150161	Flatwasher, 0.31" ID					
12	7660152601	Locknut, 0.31"-18NC					
13	3899000130	Toolbox Assembly - 36" x 18" x 18"					
	3899000131	Toolbox Assembly - 36" x 18" x 14"					
	3899000132	Toolbox Assembly - 48" x 18" x 18"					
	3899000133	Toolbox Assembly - 60" x 18" x 18"					
	3899000172	Toolbox Assembly - 78" x 21" X 20"					
14	4679000256^	Rubber Pad (36" toolbox)					
	4679000257^	Rubber Pad (48" toolbox)					
	4679000258^	Rubber Pad (60" toolbox)					
	4679000322^	Rubber Pad (78" toolbox)					
15	7118181216	Capscrew, 0.50"-13NC x 1.50"					
16	7660182301	Locknut, 0.50"-13NC					
17	4706002361	Plate					
18	4017000777	High Mount Angle					
19	3899000053	Basket - 15" deep					
	3899000075	Basket - 24" deep					

+ also available in Hydraulic Reservoir Assembly, P/N 3750000018

^ included in Toolbox Assembly

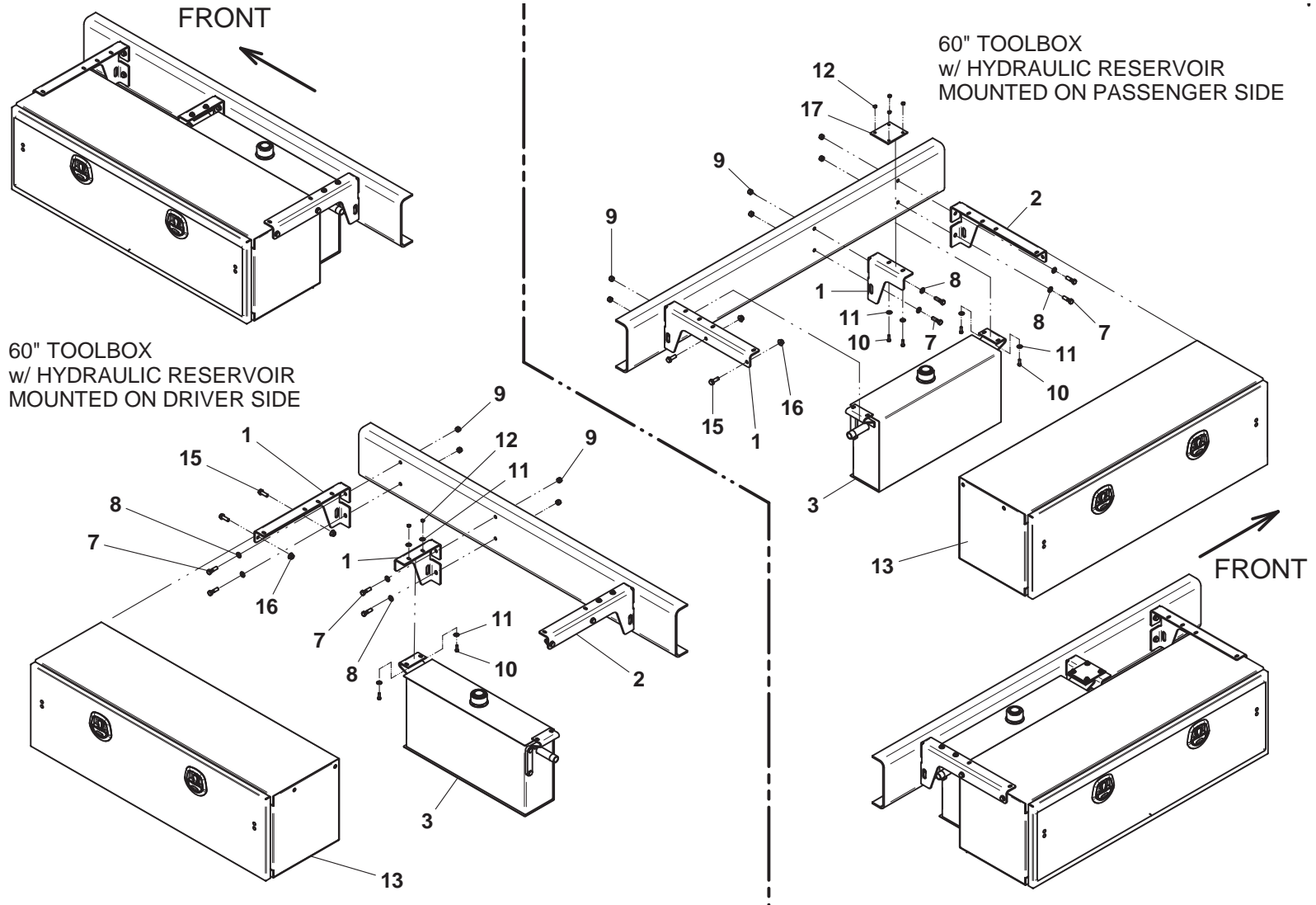
\* Quantities vary depending on Hydraulic Tank / Toolbox / Basket mounting configuration.

# HYDRAULIC RESERVOIR AND TOOLBOX / BASKET



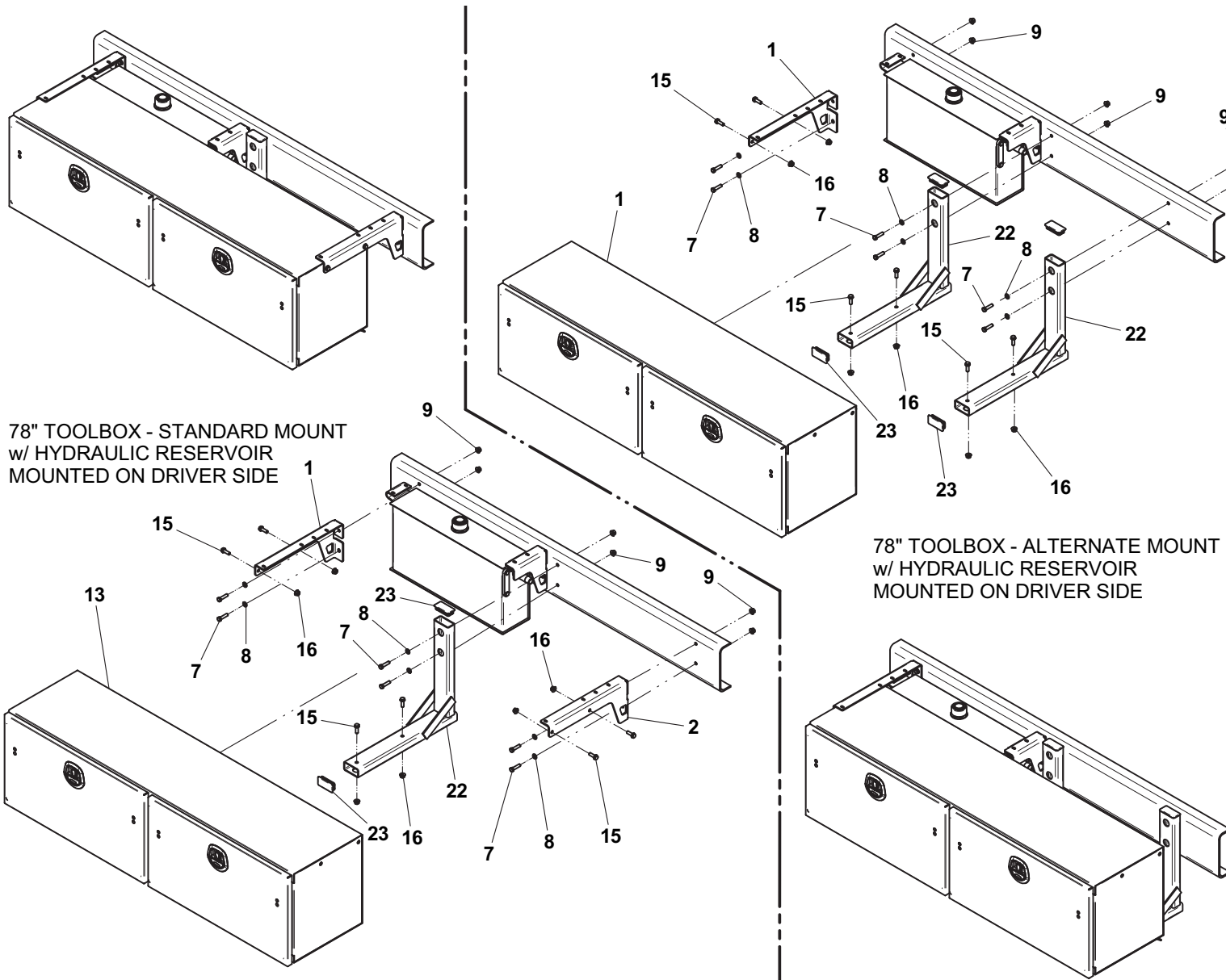
Item #14, Toolbox Rubber Pad, not shown

### HYDRAULIC RESERVOIR AND TOOLBOX / BASKET



Item #14, Toolbox Rubber Pad, not shown

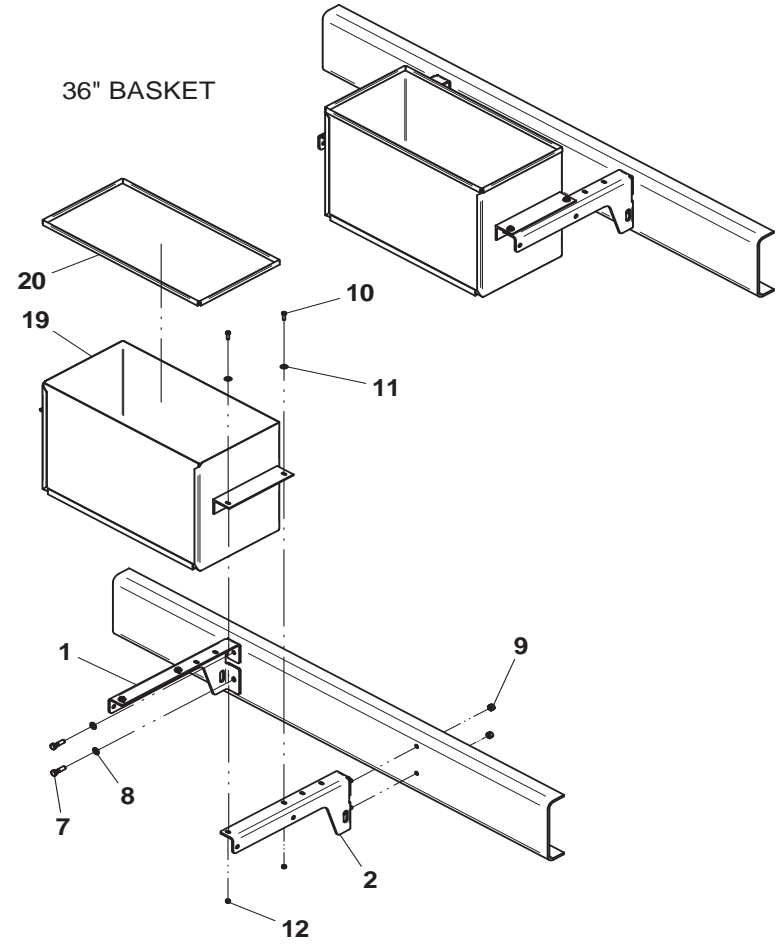
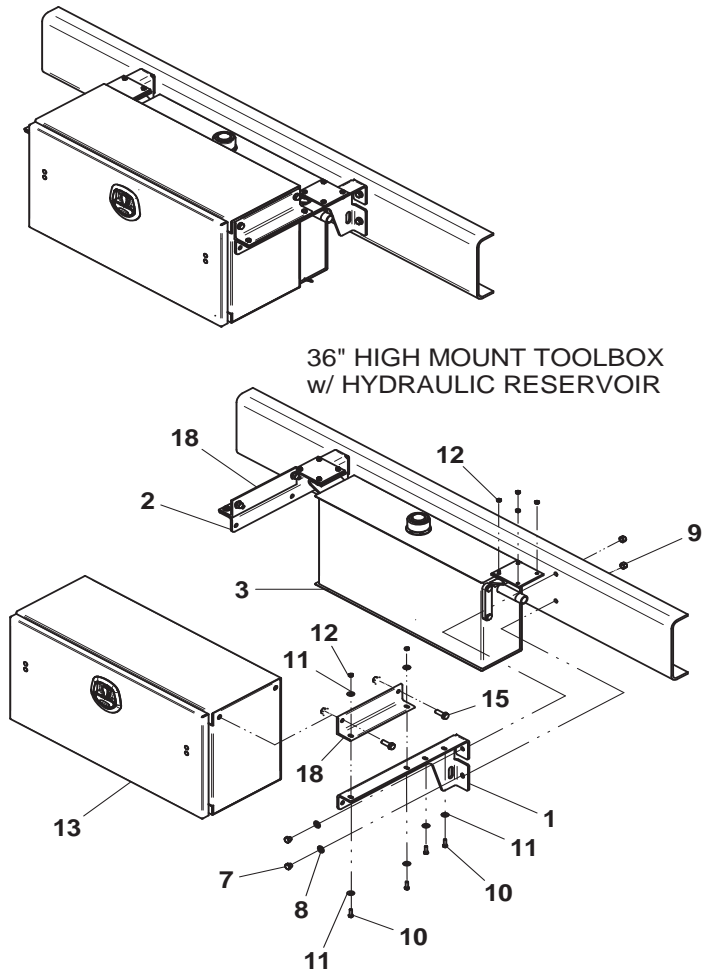
# HYDRAULIC RESERVOIR AND TOOLBOX / BASKET



78" TOOLBOX - STANDARD MOUNT  
w/ HYDRAULIC RESERVOIR  
MOUNTED ON DRIVER SIDE

78" TOOLBOX - ALTERNATE MOUNT  
w/ HYDRAULIC RESERVOIR  
MOUNTED ON DRIVER SIDE

# HYDRAULIC RESERVOIR AND TOOLBOX / BASKET



Items #14, Toolbox Rubber Pad and #21, Stainless Cover for Basket, not shown



**THIS PAGE INTENTIONALLY LEFT BLANK**

**TOOLBOX**

ITEM	PART NO.	DESCRIPTION	QTY	ITEM	PART NO.	DESCRIPTION	QTY	
1	3899000125	Toolbox Weld (36" toolbox)	1			<i>Toolbox Door Assembly Components (per door)</i>		
	3899000126	Toolbox Weld (60" toolbox)	1					
	3899000127	Toolbox Weld (48" toolbox)	1	101	4706005020		Toolbox Door (36" toolbox)	1
	3899000173	Toolbox Weld (78" toolbox)	1		4706005021		Toolbox Door (48" toolbox)	1
2	4679000256	Rubber Pad (36" toolbox)	1		4706005022	Toolbox Door (60" toolbox)	1	
	4679000257	Rubber Pad (36" narrow toolbox)	1		4706006234	Toolbox Door (78" toolbox)	1	
	4679000258	Rubber Pad (48" toolbox)	1	102	7585000019^	Latch (36" & 78")	1	
	4679000259	Rubber Pad (60" toolbox)	1		7585000019^	Latch (48" & 60")	2	
	4679000322	Rubber Pad (78" toolbox)	1	103	7555000016*	Hinge (36" & 78" toolbox)	1	
3	4796000009	Gasket (36" toolbox)	1		7555000016*	Hinge (60" toolbox)	2	
	4796000010	Gasket (48" toolbox)	1		7555000015*	Hinge (48" toolbox)	1	
	4796000011	Gasket (60" toolbox)	1	104	7759000020*^	Rivet (36" & 78" toolbox)	18	
	4796000012	Gasket (78" toolbox)	2		7759000020*^	Rivet (48" toolbox)	28	
4	9899000014	Toolbox Door Assembly (36" toolbox)	1		7759000020*^	Rivet (60" toolbox)	36	
	9899000015	Toolbox Door Assembly (48" toolbox)	1	105	4178000599*	Bracket	2	
	9899000016	Toolbox Door Assembly (60" toolbox)	1	106	7114140465*	Carriage Bolt, 0.25"-20NC x 0.50"	4	
	9899000023	Toolbox Door Assembly (78" toolbox)	1	107	7660142604*	Locknut, 0.25"-20NC	4	
				108	7592000005^	S Link (36", 48", 60" toolbox)	4	
					7592000005^	S Link (78" toolbox)	8	
				109	7248000114^	Cable (36", 48" & 60" toolbox)	2	
					7248000155^	Cable (78" toolbox)	4	

\* Also available in Toolbox Door Sub Assembly:

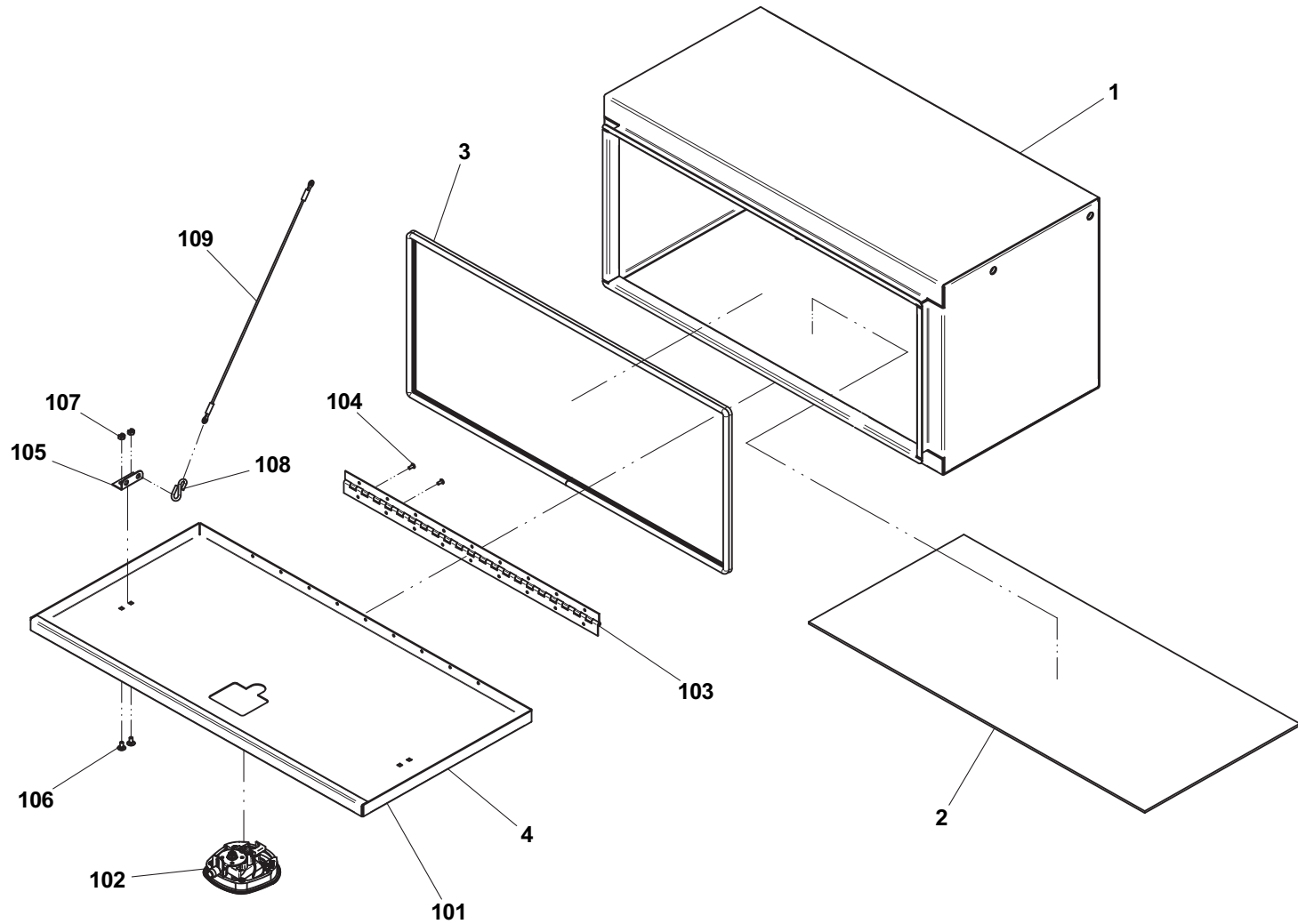
- 9899000020 - 36" Toolbox
- 9899000021 - 48" Toolbox
- 9899000022 - 60" Toolbox
- 9899000024 - 78" Toolbox

^ Also available in Toolbox Door Hardware Kit:

- 9577030278 - 36" Toolbox
- 9577030279 - 48" Toolbox
- 9577030280 - 60" Toolbox
- 9577030303 - 78" Toolbox

Quantities listed are for one toolbox

# TOOLBOX

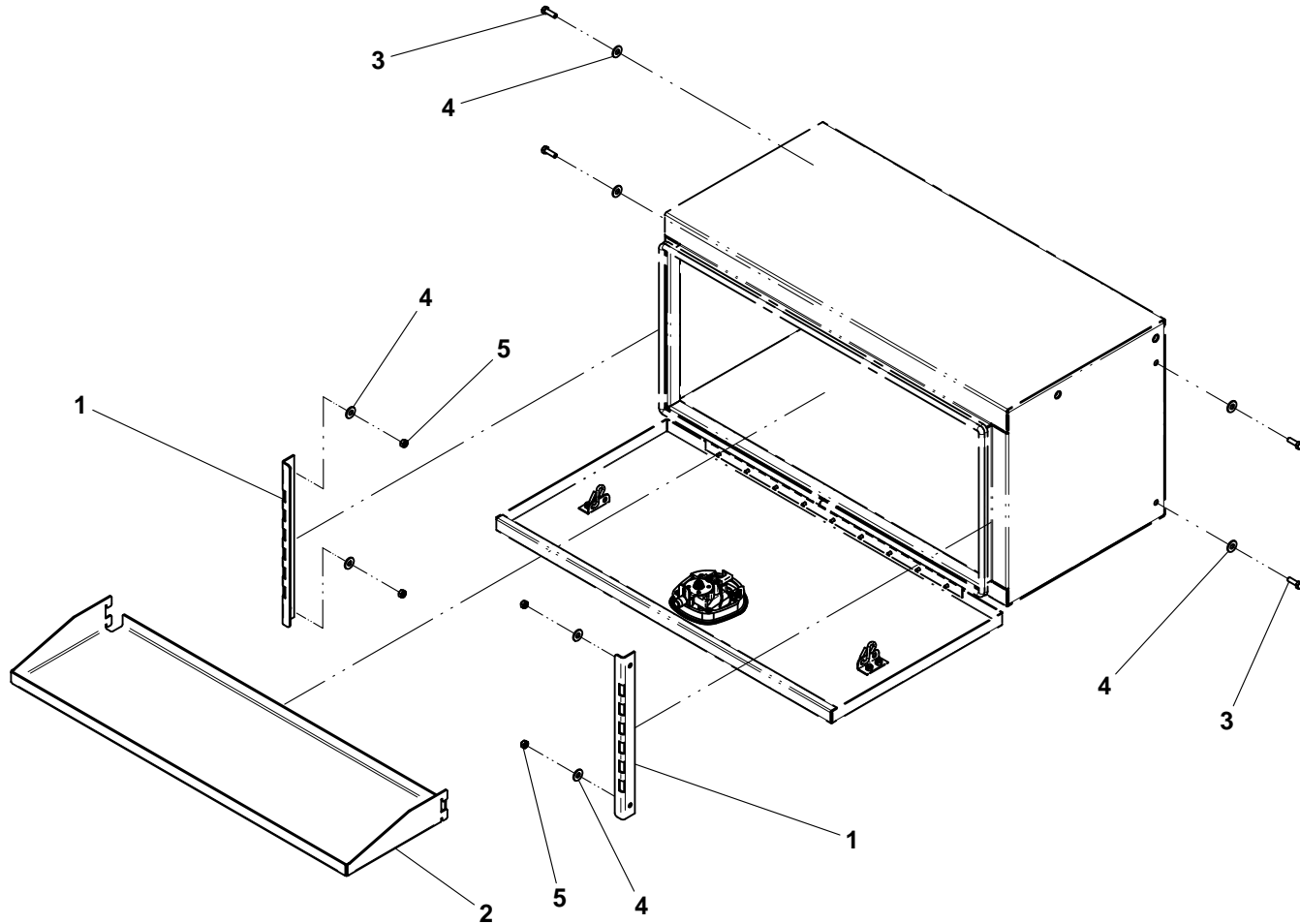


36" Toolbox shown

**TOOLBOX SHELF**

ITEM	PART NO.	DESCRIPTION	QTY
1	4017001403	Angle	2
2	4811000841	Shelf (36" toolbox)	1
	4811000843	Shelf (48" toolbox)	
	4811000868	Shelf (60" toolbox)	
3	7115150850	Capscrew, 0.31"-18NC x 1.00"	4
4	7950150161	Flatwasher, 0.31" ID	8
5	7660152601	Locknut, 0.31"-18NC	4

# TOOLBOX SHELF



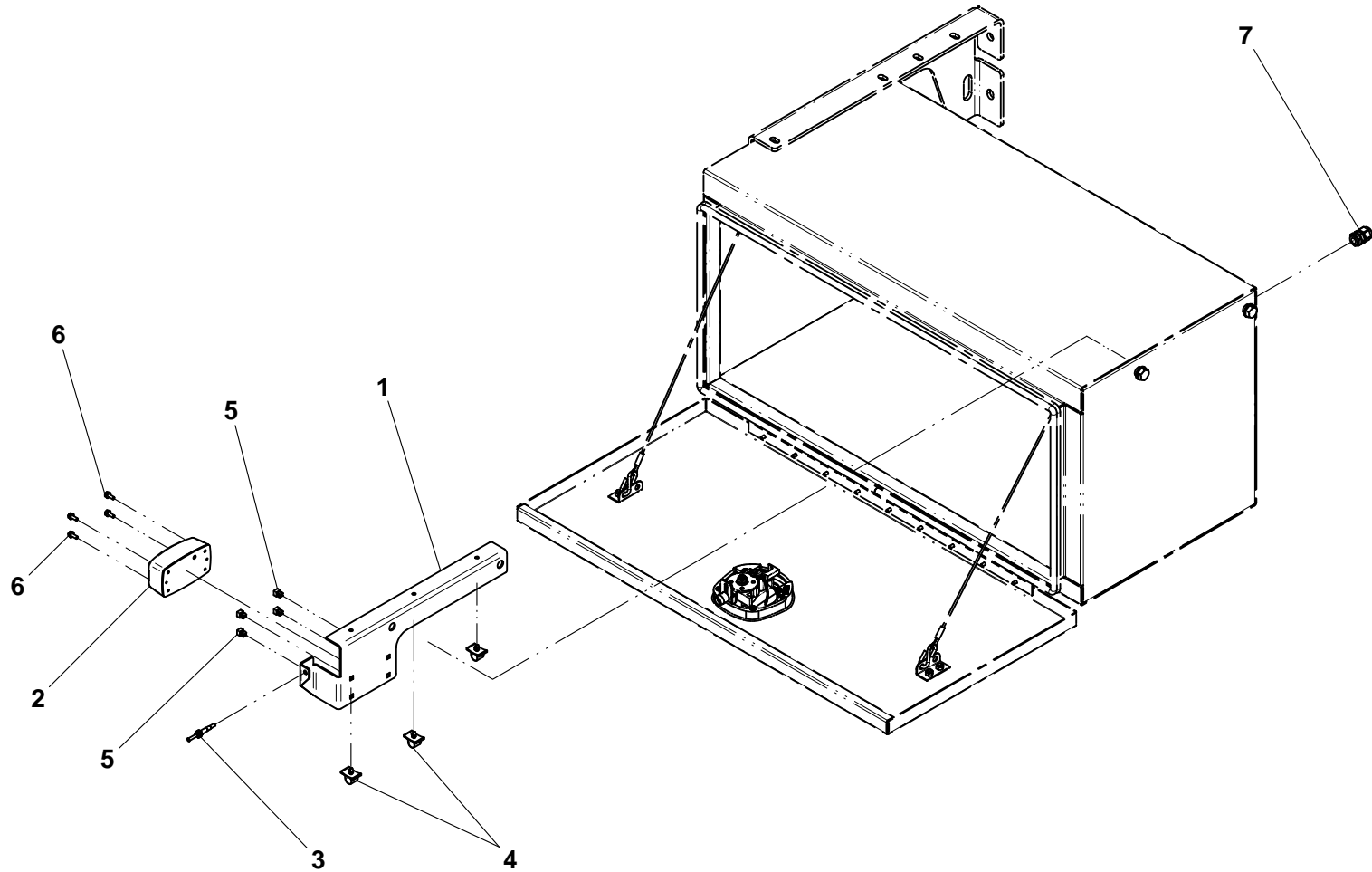
36" Toolbox shown

**TOOLBOX LIGHT**

ITEM	PART NO.	DESCRIPTION	QTY
1	4178000578*	Bracket	1
2	7590000273*	Dome Lamp	1
3	7870000115*	Switch	1
4	7280000007*	Wire Mount Clip	3
5	7661000047*	Panel Nut	4
6	7790100856*	Screw, #10 x 0.50"	4
7	7443000377	Fitting	1
8	7552000297	Toolbox Light Harness	1

\* included in Toolbox Light Bracket Assembly

# TOOLBOX LIGHT



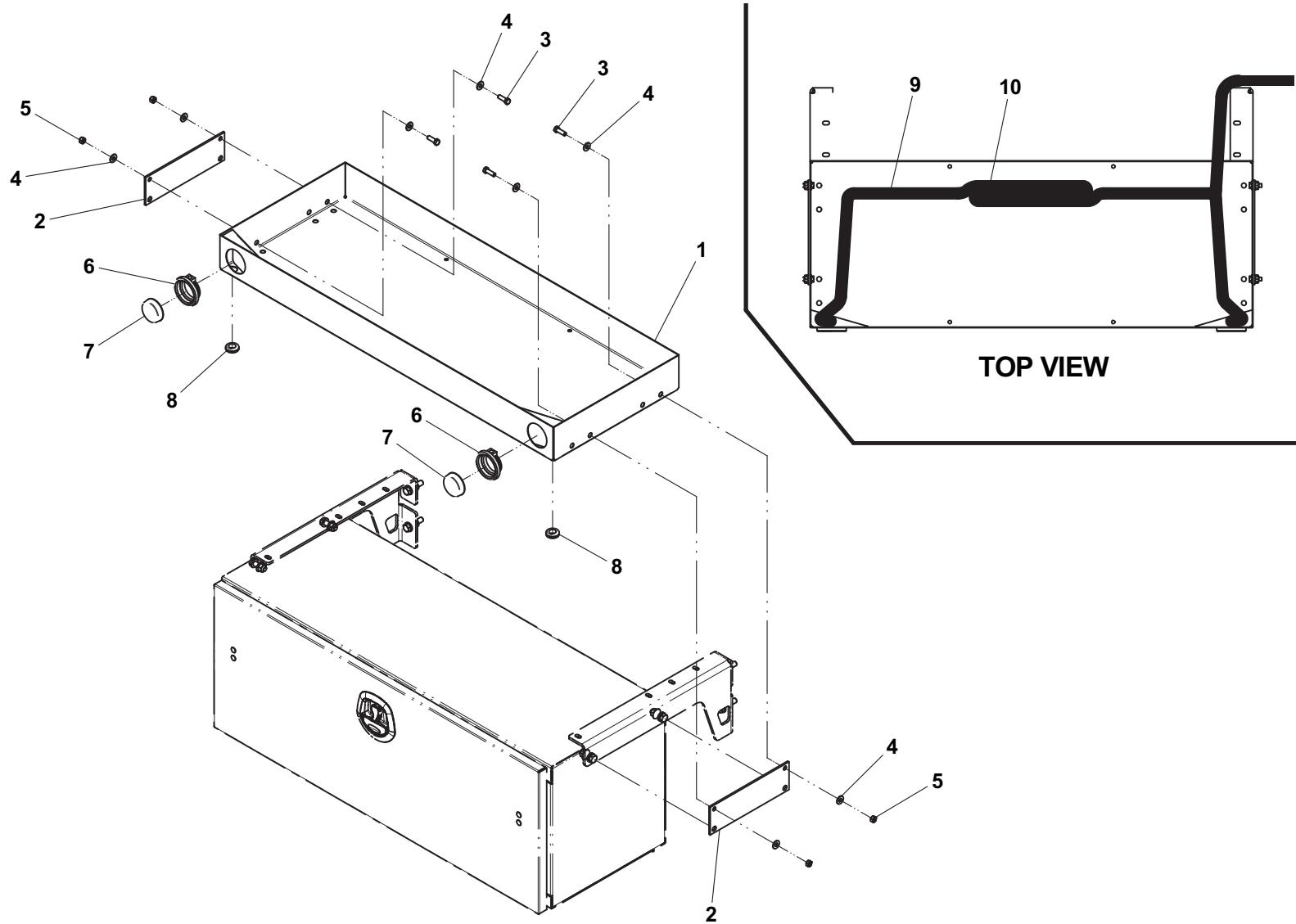
Item #8, Toolbox Light Harness, not shown  
48" Toolbox Shown

**TOOLBOX TOP STOWAGE TRAY AND MARKER LIGHTS**

ITEM	PART NO.	DESCRIPTION	QTY
1	3811000053	Tray Weldment (36" Toolbox)	1
	3811000054	Tray Weldment (48" Toolbox)	
	3811000055	Tray Weldment (60" Toolbox)	
	3811000057	Tray Weldment (78" Toolbox)	
2	4706006216	Plate	2
3	7115160950	Capscrew, 0.38-16NC x 1.12"	4
4	7950150161	Flat Washer, 0.38" ID	8
5	7660162601	Locknut, 0.38"-16NC	8
6	7493000009	Grommet	2
7	7493000031	Marker Light - Amber (LED)	2
8	7493000031	Grommet	1
9	7552000451	Toolbox Light Tray Harness	1
10	7894000004	Tie Strap	6



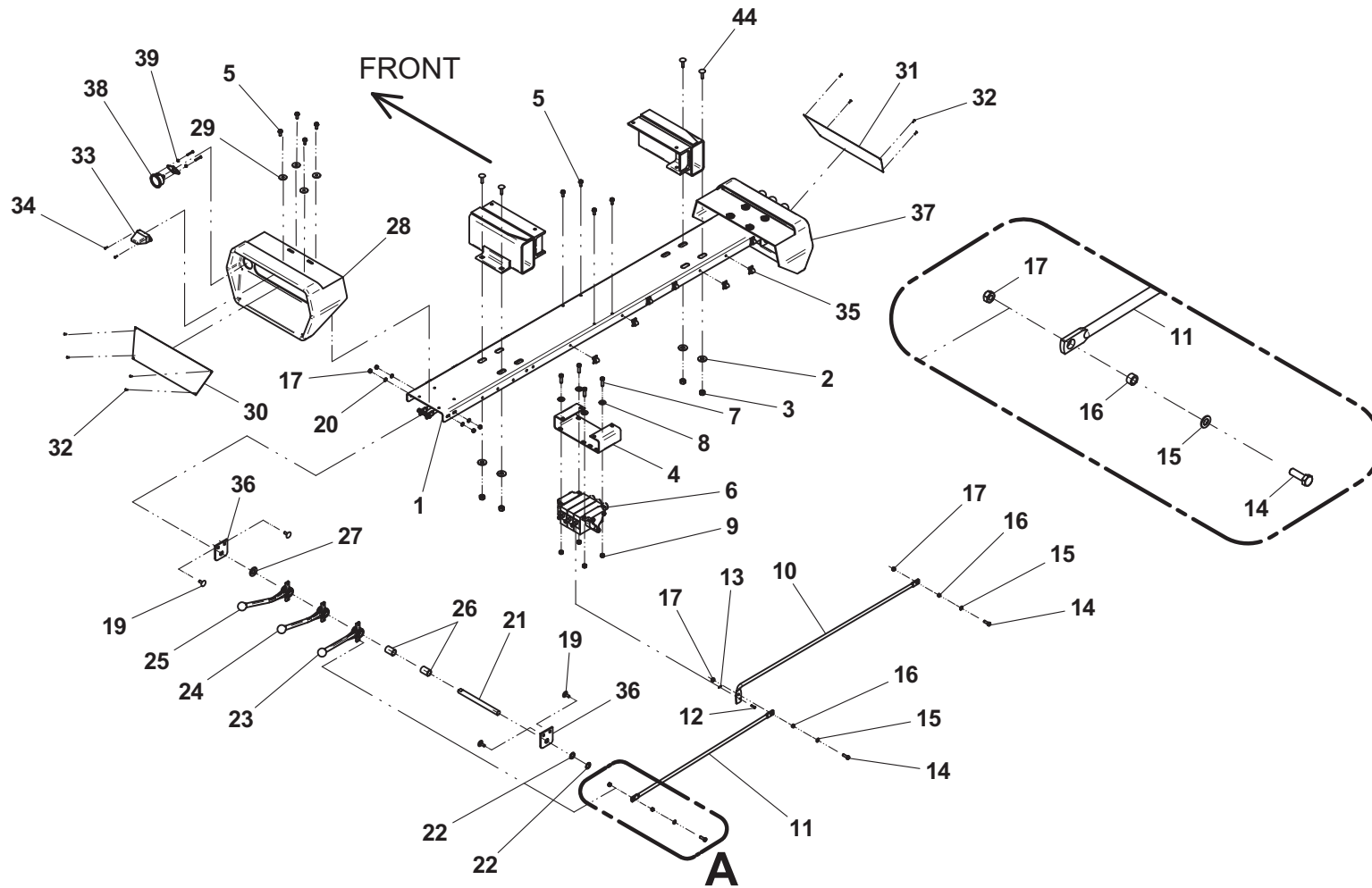
# TOOLBOX TOP STORAGE TRAY AND MARKER LIGHTS



**DUAL CONTROLS - 3 BANK**

ITEM	PART NO.	DESCRIPTION	QTY	ITEM	PART NO.	DESCRIPTION	QTY
1	4263000431	Channel	1	29	7949000054	Washer, 0.34" ID	8
2	7950180161	Flatwasher, 0.50" ID	4	30	7330000655	Control Panel, LH	1
3	7660182601	Locknut, 0.50"-13NC	4	31	7330000656	Control Panel, RH	1
4	4263000430	Channel	1	32	7759000006	Pop Rivet	8
5	7790151253	Screw, 0.31"-18NC x 0.75"	12	33	7590000087	Lamp	2
6	3935000111	Control Valve	1	34	7791060872	Screw, #6 x 0.50"	4
7	7111161050	Capscrew, 0.38"-16NC x 1.25"	4	35	7280000007	Wire Clip	11
8	7950160161	Flatwasher, 0.38" ID	4	36	4606000217	Lug	4
9	7660162601	Locknut, 0.38"-16NC	4	37	7560000007	Control Hood, RH	1
10	4763000280	Control Rod	3	38	7470000023	Gauge	1
11	4763000279	Control Rod	3	39	7661000057	Jam Nut, M5	2
12	7690101200	Clevis Pin	3	40	7274000063	Clamp	1
13	7691000056	Cotter Pin	3	41	7115140650	Capscrew, 0.25"-20NC x 0.75"	1
14	7115150850	Capscrew, 0.31"-18NC x 1.00"	9	42	7660142601	Locknut, 0.25"-20NC	1
15	7949000011	Flatwasher, 0.31" ID	9	43	7950140141	Flatwasher, 0.25" ID	1
16	4831000069	Spacer	9	44	7115181264	Carriage Bolt, 0.31"-18NC x 1.50"	4
17	7660152601	Locknut, 0.31"-18NC	17				
18	Not Required						
19	7115150664	Carriage Bolt, 0.31"-18NC x 0.75"	8				
20	7950150000	Washer, 0.31" ID	8				
21	7691000064	Pin	2				
22	7754000009	Retaining Ring	4				
23	7551000018	Control Handle	2				
24	7551000020	Control Handle	2				
25	7551000021	Control Handle	2				
26	4211000001	Bushing	4				
27	7950220141	Flatwasher, 0.75" ID	2				
28	7560000008	Control Hood, LH	1				

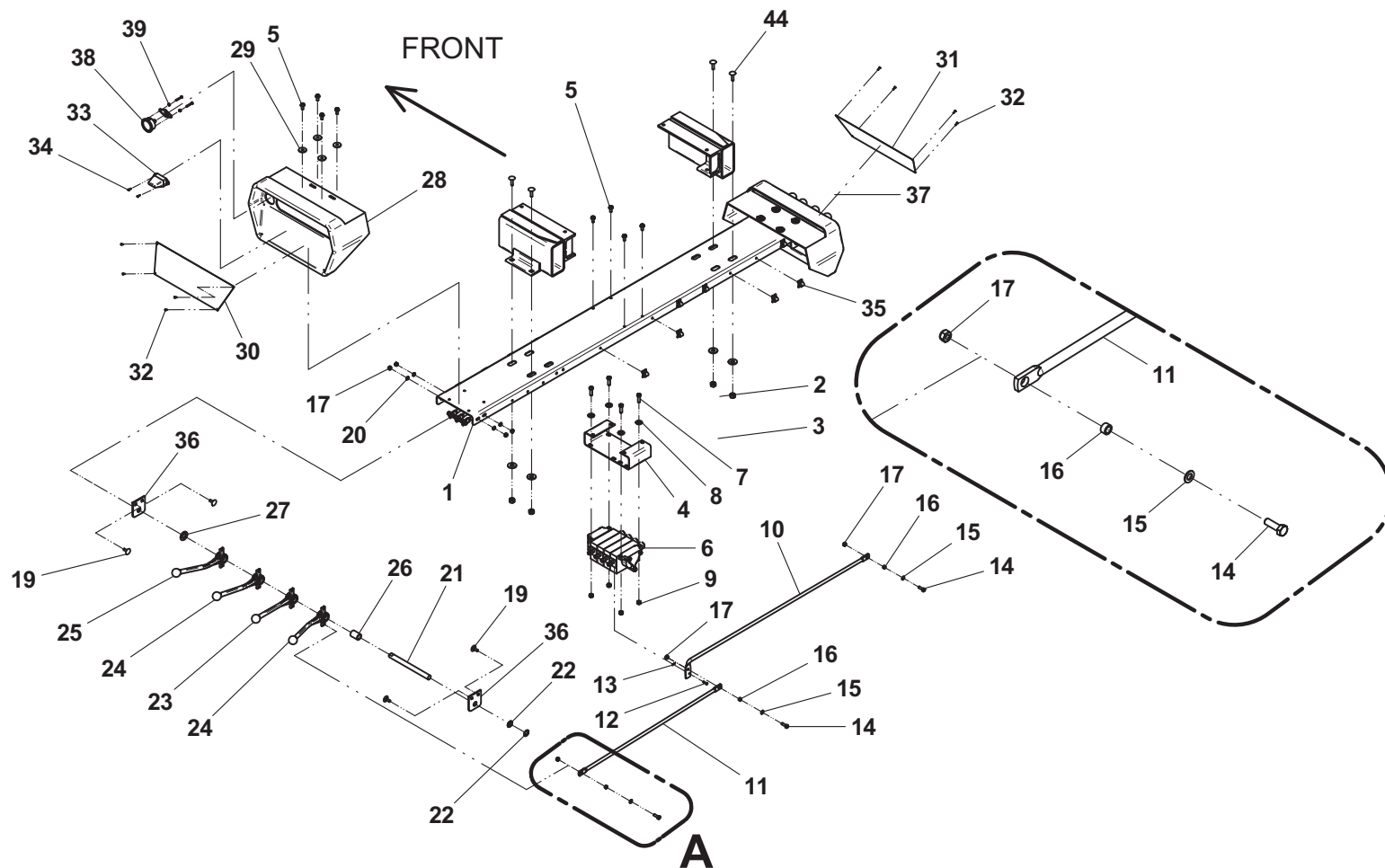
# DUAL CONTROLS - 3 BANK



**DUAL CONTROLS - 4 BANK**

ITEM	PART NO.	DESCRIPTION	QTY	ITEM	PART NO.	DESCRIPTION	QTY
1	4263000431	Channel	1	29	7949000054	Washer, 0.34" ID	8
2	7950180161	Flatwasher, 0.50" ID	4	30	7330000650	Control Panel, LH (stabilizer)	1
3	7660182601	Locknut, 0.50"-13NC	4		7330000648	Control Panel, LH (hydraulic tow option)	
4	4263000430	Channel	1	31	7330000651	Control Panel, RH (stabilizer)	1
5	7790151253	Screw, 0.31"-18NC x 0.75"	12		7330000649	Control Panel, RH (hydraulic tow option)	
6	3935000112	Control Valve	1	32	7759000006	Pop Rivet	8
7	7111161050	Capscrew, 0.38"-16NC x 1.25"	4	33	7590000087	Lamp	2
8	7950160161	Flatwasher, 0.38" ID	4	34	7791060872	Screw, #6 x 0.50"	4
9	7660162601	Locknut, 0.38"-16NC	4	35	7280000007	Wire Clip	11
10	4763000280	Control Rod	4	36	4606000217	Lug	4
11	4763000279	Control Rod	4	37	7560000007	Control Hood, RH	1
12	7690101200	Clevis Pin	4	38	7470000023	Gauge	1
13	7691000056	Cotter Pin	4	39	7661000057	Jam Nut, M5	2
14	7115150850	Capscrew, 0.31"-18NC x 1.00"	12	40	7274000063	Clamp	1
15	7949000011	Flatwasher, 0.31" ID	12	41	7115140650	Capscrew, 0.25"-20NC x 0.75"	1
16	4831000069	Spacer	12	42	7660142601	Locknut, 0.25"-20NC	1
17	7660152601	Locknut, 0.31"-18NC	20	43	7950140141	Flatwasher, 0.25" ID	1
18	Not Required			44	7115181264	Carriage Bolt, 0.31"-18NC x 1.50"	4
19	7115150664	Carriage Bolt, 0.31"-18NC x 0.75"	8				
20	7950150000	Washer, 0.31" ID	8				
21	7691000064	Pin	2				
22	7754000009	Retaining Ring	4				
23	7551000018	Control Handle	2				
24	7551000020	Control Handle	4				
25	7551000021	Control Handle	2				
26	4211000001	Bushing	2				
27	7950220141	Flatwasher, 0.75" ID	2				
28	7560000008	Control Hood, LH	1				

# DUAL CONTROLS - 4 BANK



Items #40, #41, #42, and #43, not shown

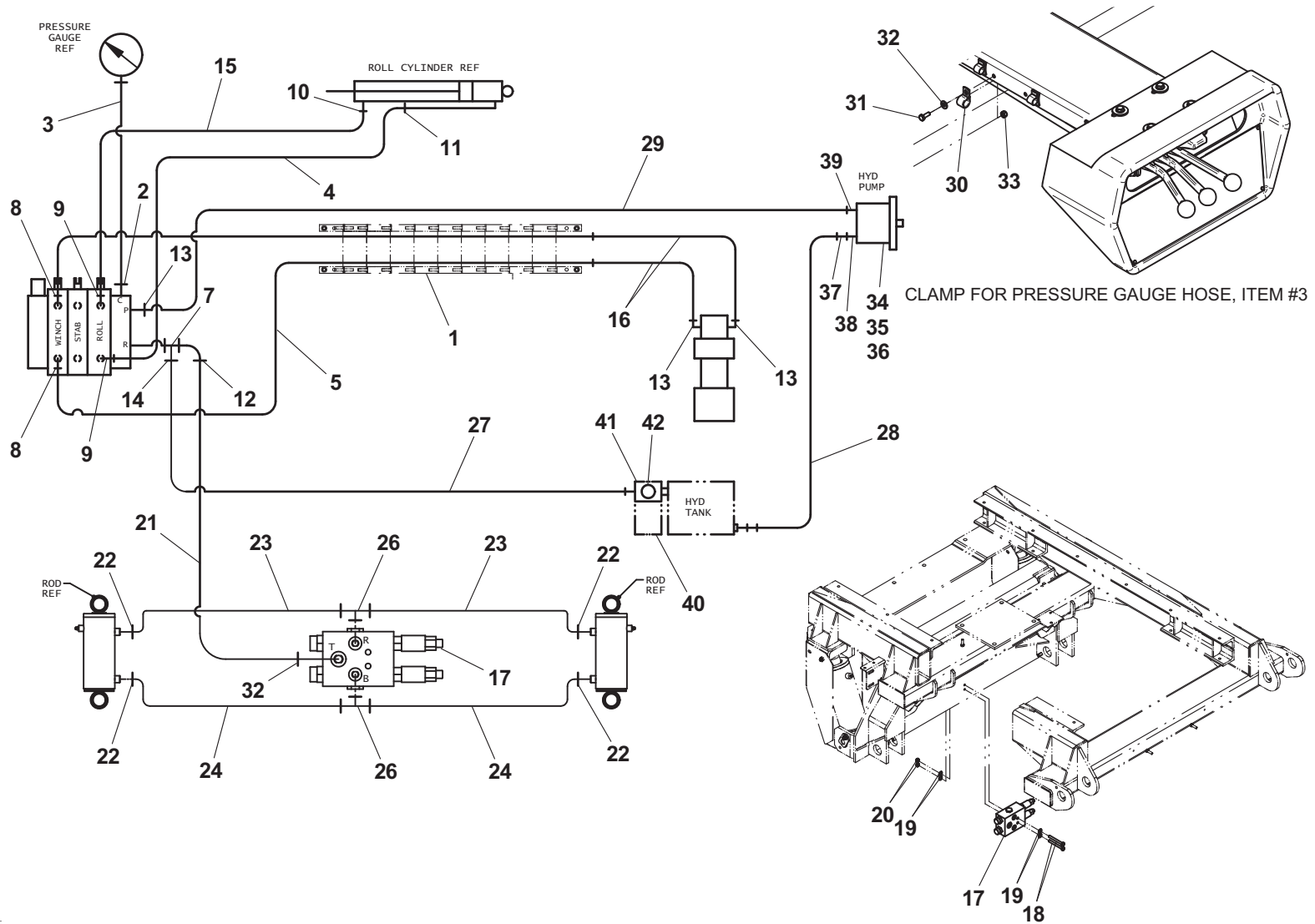
**HYDRAULIC COMPONENTS - STANDARD**

ITEM	PART NO.	DESCRIPTION	QTY	ITEM	PART NO.	DESCRIPTION	QTY
1	7904000001	Hose Track - 95" (24 & 26" decks)	1	27	See Note 1	Return Hose	1
	7904000003	Hose Track -104" (28" deck)		28	See Note 1	Supply Hose	1
2	7445040443	Adapter	1	29	See Note 1	Pressure Hose Assembly	1
3	4567112039	Hose Assembly	1	30	7274000063	Clamp	1
4	4567123042	Hose Assembly (24 & 26" decks)	1	31	7115140650	Capscrew, 0.25"-20NC x 0.75"	1
	4567123057	Hose Assembly (28" deck)		32	7950142601	Flatwasher, 0.25" ID	1
5	4569433122	Hose Assembly (24 & 26" decks)	1	33	7660142601	Locknut, 0.25"-20NC	1
	4569433132	Hose Assembly (28" deck)		34	7724000126	Pump	1
6	4569432122	Hose Assembly (24 & 26" decks)	1	35	7115181050	Capscrew, 0.50"-13NC x 1.25"	2
	4569432132	Hose Assembly (28" deck)		36	7950180000	Lockwasher, 0.50" ID	2
7	1001127573	Adapter	1	37	7443000023	Elbow	1
8	7445080843	Adapter	2	38	7445081643	Adapter	1
9	7445060843	Adapter	2	39	7443000412	Elbow	1
10	7445060645	Elbow	1	40	7431000001*	Filter Element	1
11	7445060643	Adapter	1	41	7430000003	Filter Assembly	1
12	7445061043	Adapter	1	42	7470000002	Gauge	1
13	7445081045	Elbow	3				
14	7443000446	Adapter	1				
15	4567122035	Hose Assembly	1				
16	4567430153	Hose Assembly (24" deck)	2				
	4567430177	Hose Assembly (26" deck)					
	4567430193	Hose Assembly (28" deck)					
17	1001125955	Manifold	1				
18	7115152450	Capscrew, 0.31"-18NC x 3.00"	2				
19	7950150143	Flatwasher, 0.31" ID	4				
20	7660152601	Locknut, 0.31"-18NC	4				
21	1001127580	Hose Assembly	1				
22	7445040645	Elbow	4				
23	1001127582	Hose Assembly	2				
24	1001127581	Hose Assembly	2				
25	7445060646	Elbow	1				
26	2220711	Adapter	2				

\* also available in Filter Assembly, P/N 7430000003

Note 1: Varies depending on chassis, transmission , PTO type & deck length.  
Consult factory for part numbers.

# HYDRAULIC COMPONENTS - STANDARD



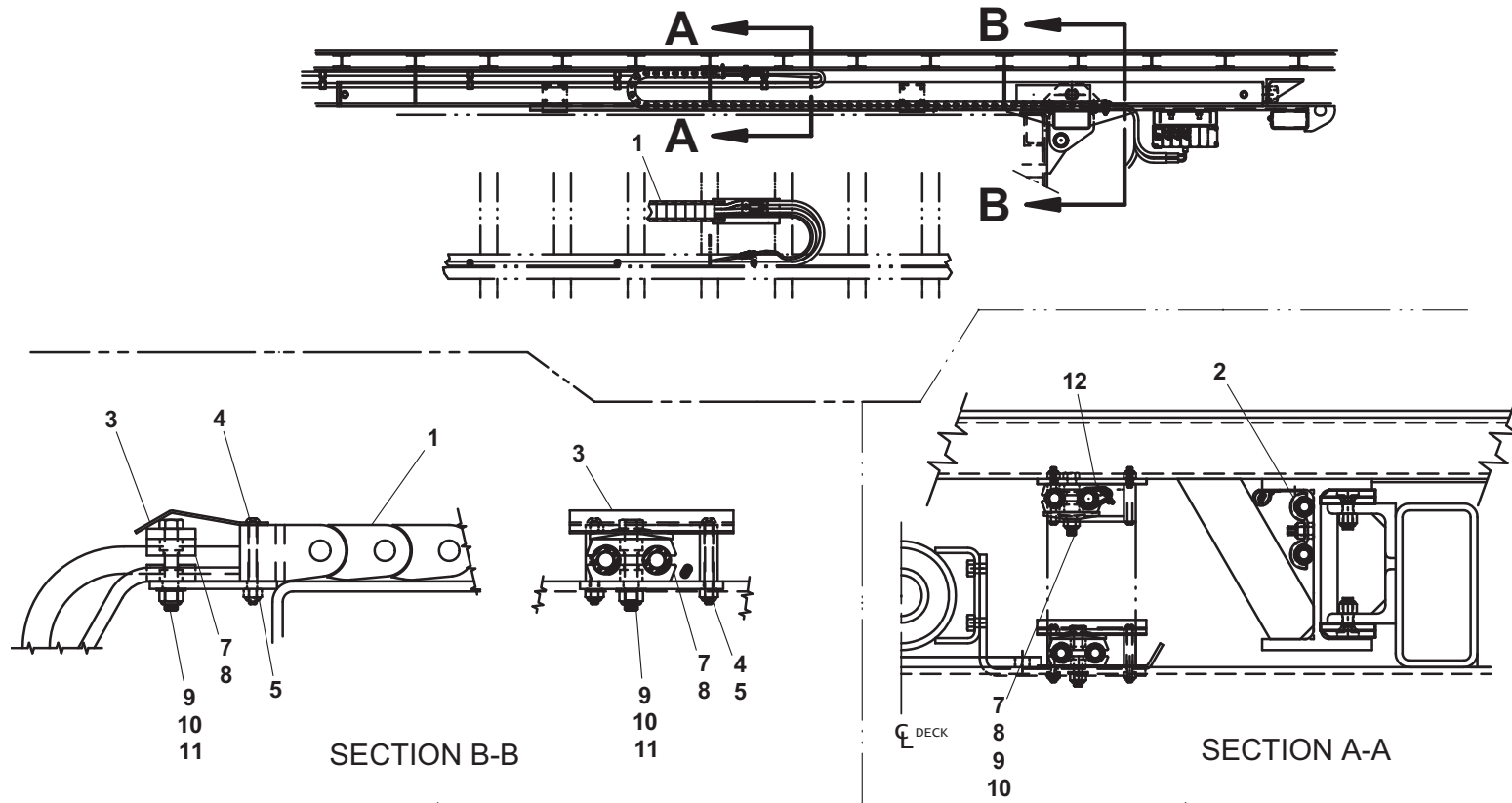
**HYDRAULIC COMPONENTS - STANDARD (HOSE TRACK)**

ITEM	PART NO.	DESCRIPTION	QTY
1	7904000001	Hose Track - 95" (24 & 26" decks)	1
	7904000003	Hose Track -104" (28" deck)	
2	7274000066	Clamp	*
3	4706003038	Plate	1
4	7114101618	Capscrew, #10-24NC x 2.00"	4
5	7660102604	Locknut, #10-24NC	4
6	7274000040	Clamp	1
7	7274000038	Clamp	4
8	7274000039	Clamp Cover	2
9	7950150161	Flatwasher, 0.31" ID	3
10	7115151650	Capscrew, 0.31"-18NC x 2.00"	2
11	7660152601	Locknut, 0.31"-13NC (24' deck)	7
	7660152601	Locknut, 0.31"-13NC (26' deck)	8
	7660152601	Locknut, 0.31"-13NC (28' deck)	9
12	7894000004	Tie Strap	5

\* Quantity varies depending on deck length and deck type.



# HYDRAULIC COMPONENTS - STANDARD (HOSE TRACK)



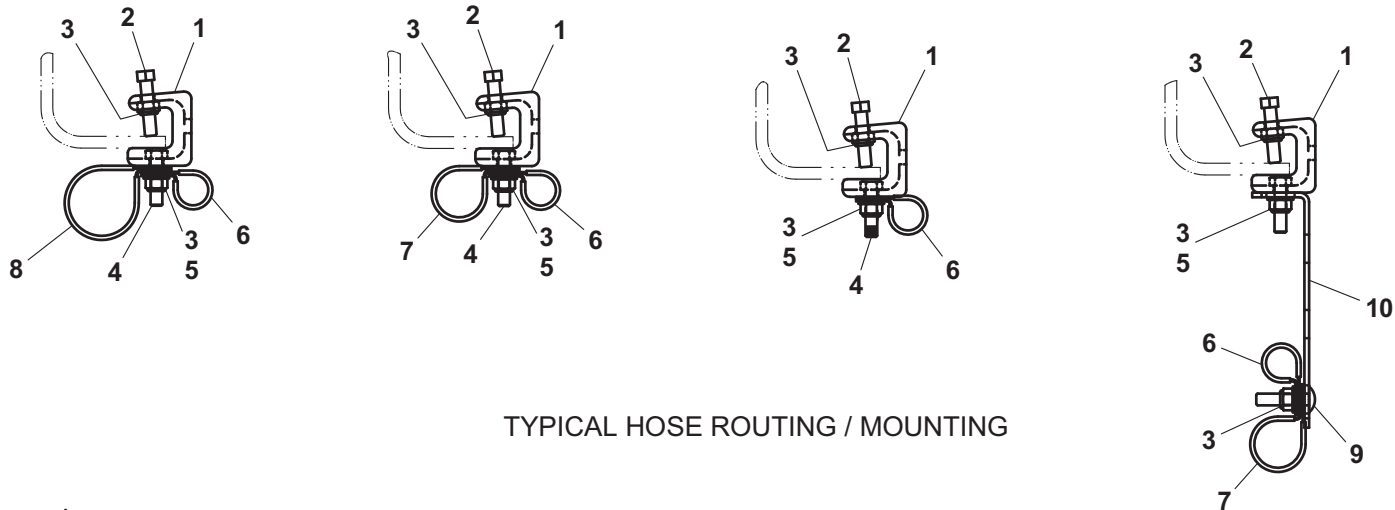
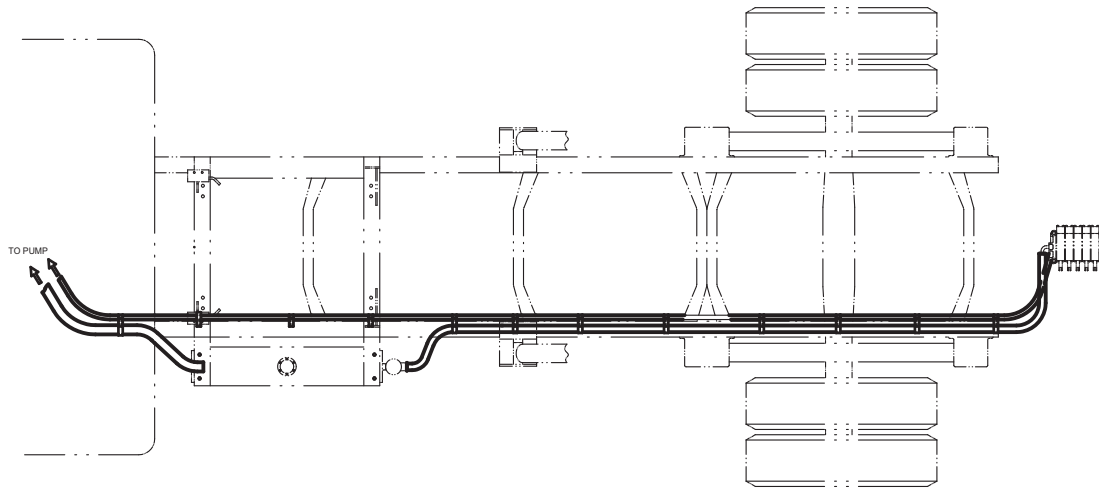
Item #6, not shown

**HYDRAULIC COMPONENTS - HOSE ROUTING / MOUNTING**

ITEM	PART NO.	DESCRIPTION	QTY
1	7274000076	Cast Frame Clamp	*
2	7785152420	Set Screw, 0.31"-18NC x 1.50"	*
3	7660152601	Locknut, 0.31"-18NC	*
4	7115151050	Capscrew, 0.31"-18NC x 1.25"	*
5	7950150161	Flatwasher, 0.31" ID	*
6	7274000040	Clamp	*
7	7274000041	Clamp	*
8	7274000042	Clamp	*
9	7115151064	Carriage Bolt, 0.31"-18NC x 1.25"	*
10	4706003844	Plate	*
11	7894000004	Tie Strap	*
12	5526000553	Tie Strap	*

\* Quantity varies depending on deck length and deck type

# HYDRAULIC COMPONENTS - HOSE ROUTING / MOUNTING



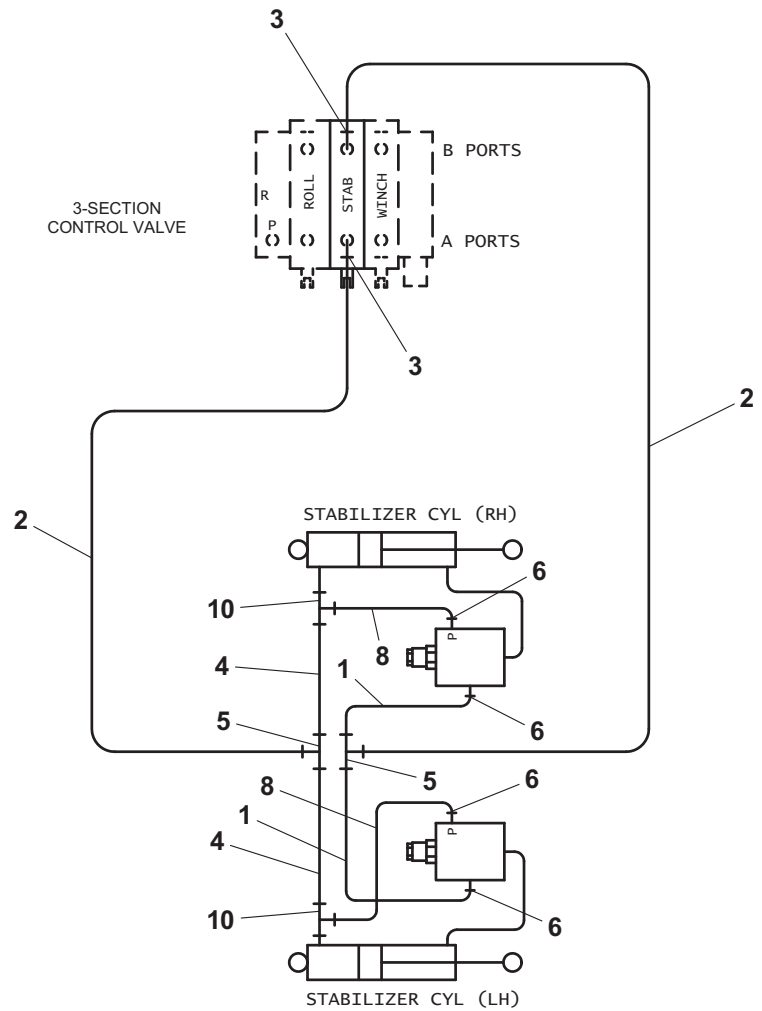
TYPICAL HOSE ROUTING / MOUNTING

Items #11, and #12, not shown

**HYDRAULIC COMPONENTS - STABILIZER OR STABILIZER W/ MANUAL TOW OPTION**

ITEM	PART NO.	DESCRIPTION	QTY
1	4567120042	Hose Assembly	2
2	4567123026	Hose Assembly	2
3	7445060843	Adapter	2
4	4567120023	Hose Assembly	2
5	7445060637	Tee	2
6	7445060645	Elbow	4
7	7274000041	Clamp	1
8	4567122021	Hose Assembly	2
9	79350000305	Counterbalance Valve	2
10	7445060647	Tee	2

# HYDRAULIC COMPONENTS - STABILIZER OR STABILIZER W/ MANUAL TOW OPTION

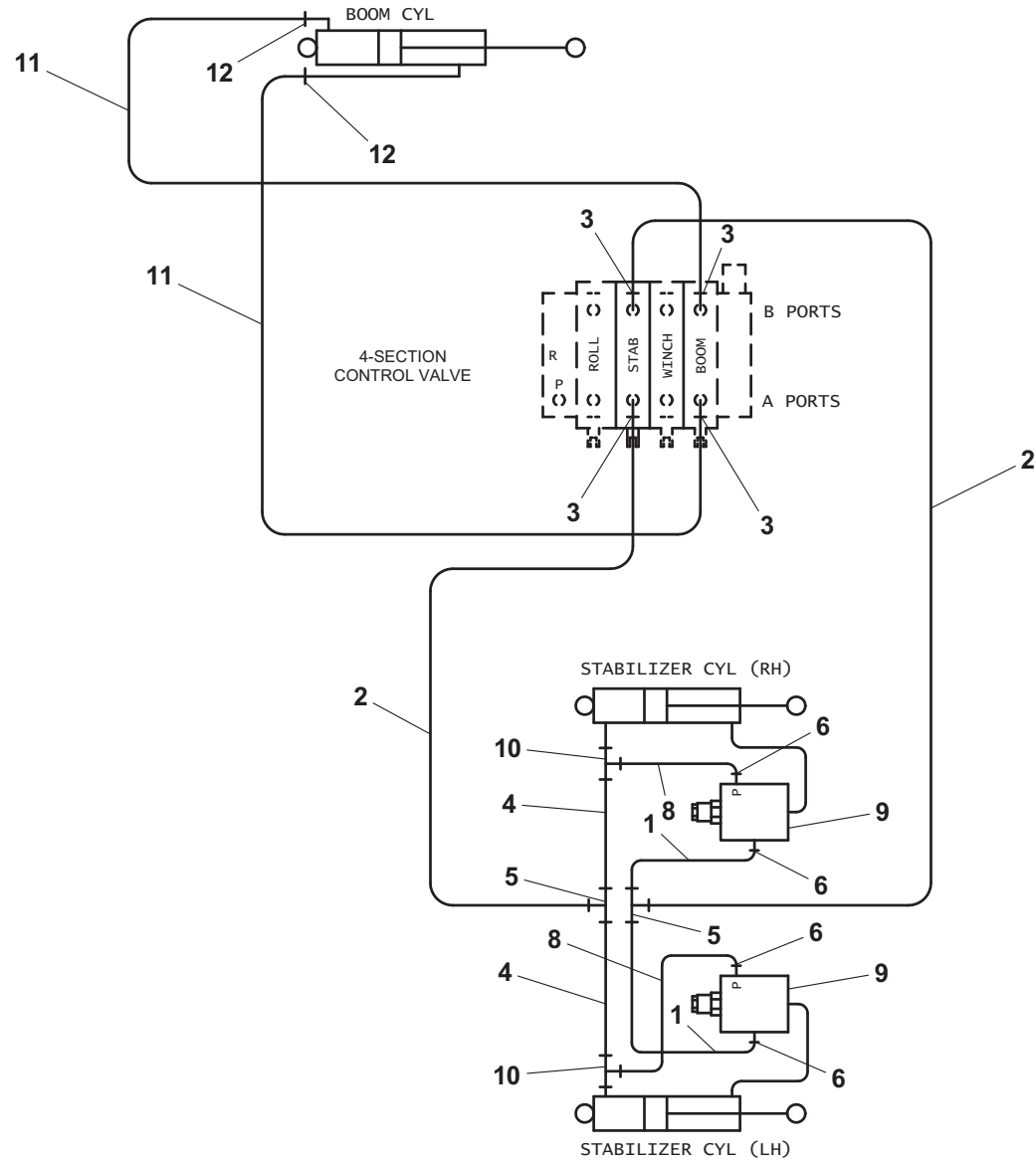


Item #7, not shown

**HYDRAULIC COMPONENTS - STABILIZER W/ HYDRAULIC TOW OPTION**

ITEM	PART NO.	DESCRIPTION	QTY
1	4567120042	Hose Assembly	2
2	4567123026	Hose Assembly	2
3	7445060843	Adapter	4
4	4567120023	Hose Assembly	2
5	7445060637	Tee	2
6	7445060645	Elbow	4
7	7274000041	Clamp	2
8	4567122022	Hose Assembly	2
9	7935000605	Counterbalance Valve	2
10	7445060647	Tee	2
11	4567120032	Hose Assembly	2
12	7445060643	Adapter	2

# HYDRAULIC COMPONENTS - STABILIZER W/ HYDRAULIC TOW OPTION



Item #7, not shown

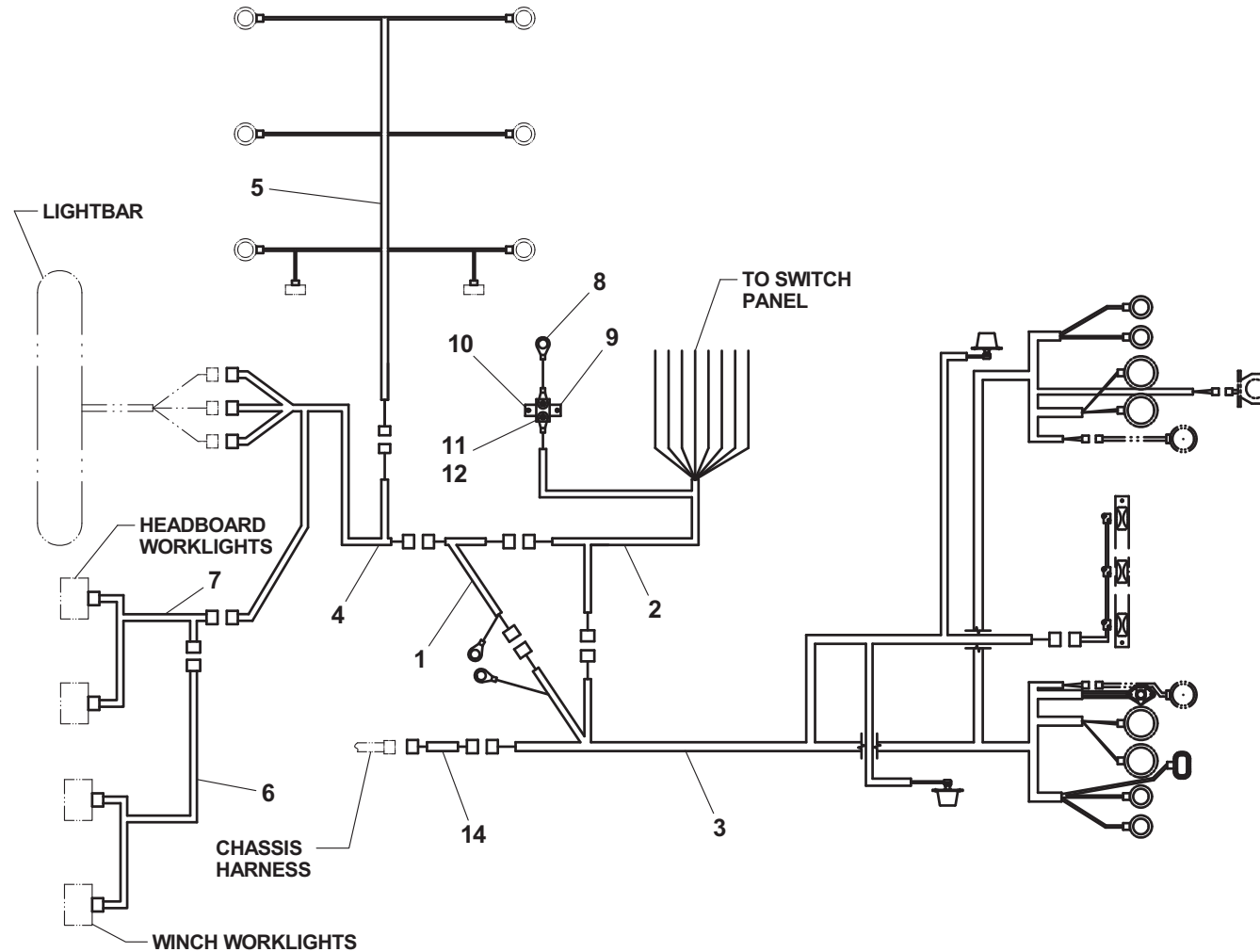
**ELECTRICAL COMPONENTS - STANDARD W/ BOLT-ON HEADBOARD**

ITEM	PART NO.	DESCRIPTION	QTY
1	7552000186	Subframe to Deck Harness	1
2	7552000074	Subframe to Cab Harness (24' deck)	1
	7552000178	Subframe to Cab Harness (26' & 28' deck)	
3	7552000180	Subframe Harness	1
4	7552000187	Subframe to Deck Aux Harness (24' & 26' deck)	1
	7552000188	Subframe to Deck Aux Harness (28' deck)	
5	7552000179	Deck Harness (24' deck)	1
	7552000181	Deck Harness (26' & 28' deck)	
6	7552000166	Winch Lights Harness	1
7	7552000222	Worklights on Headboard Harness	1
8	7345241902	Terminal	1
9	7457000004	Circuit Breaker	1
10	7790100856	Screw, #10 x 0.50"	2
11	7345221902	Terminal	2
12	7950100151	Flatwasher, 0.19" ID	2
13	7280000013	Clip	*
14	7577000194	Wiring Connector Kit (Ford & GMC chassis)	1
	7552000117	Wiring Connector Kit (UD chassis)	

\* Quantity varies depending on deck construction.



# ELECTRICAL COMPONENTS - STANDARD W/ BOLT-ON HEADBOARD



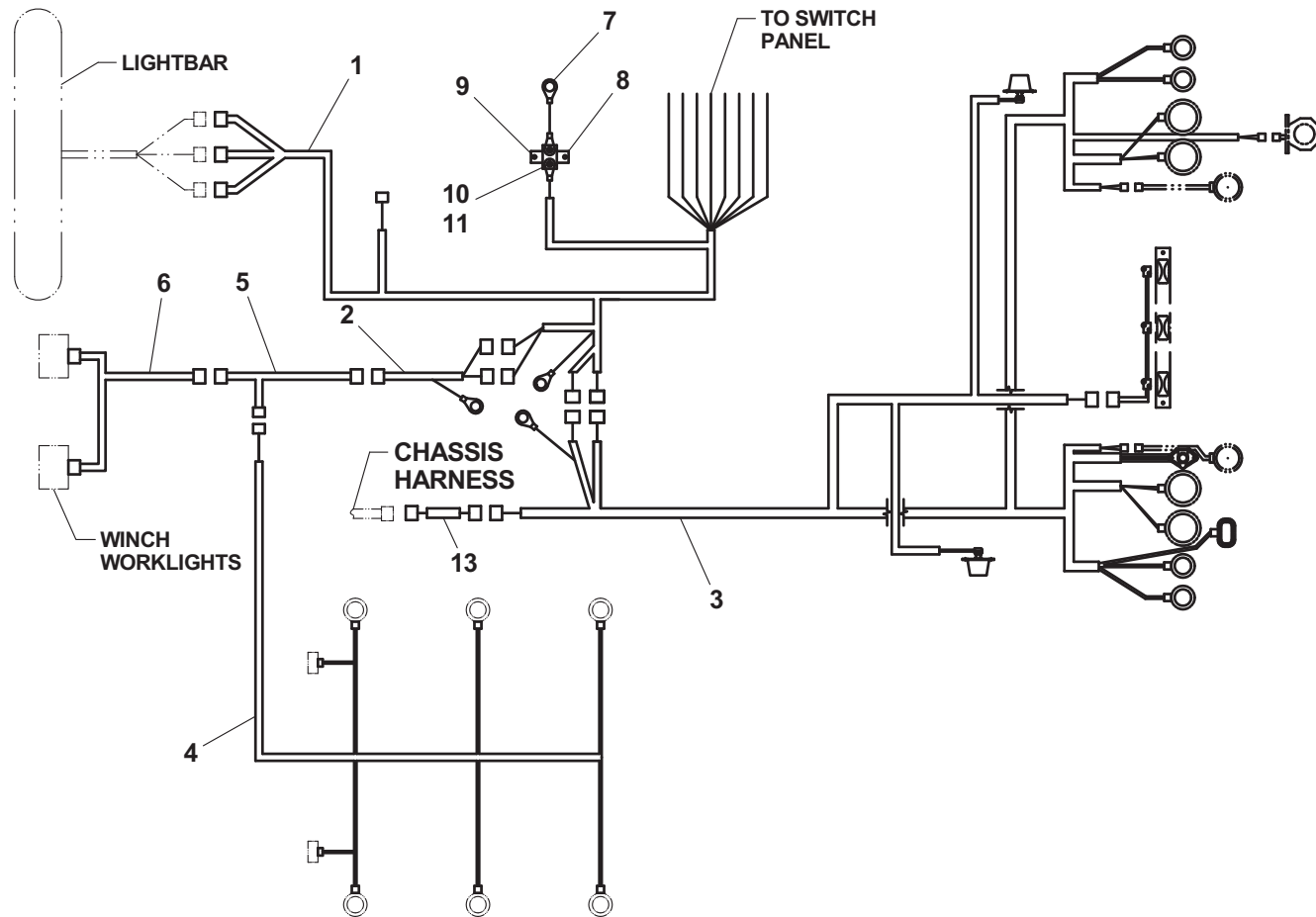
Item #13, Clip, not shown.

**ELECTRICAL COMPONENTS - STANDARD W/ STATIONARY HEADBOARD**

ITEM	PART NO.	DESCRIPTION	QTY
1	7552000302	Subframe to Cab Harness	1
2	7552000190	Subframe to Deck Harness	1
3	7552000180	Subframe Harness	1
4	7552000179	Deck Harness (24' deck)	1
	7552000181	Deck Harness (26' & 28' decks)	
5	7552000191	Subframe to Deck Aux Harness (24' deck)	1
	7552000192	Subframe to Deck aux Harness (26' & 28' decks)	
6	7552000166	Worklights on Winch Harness	1
7	7345241902	Terminal	1
8	7457000004	Circuit Breaker	1
9	7790100856	Screw, #10 x 0.50"	2
10	7345221902	Terminal	2
11	7950100151	Flatwasher, 0.19" ID	2
12	7280000013	Clip	*
13	7577000194	Wiring Connector Kit	1

\* Quantity varies depending on deck construction.

# ELECTRICAL COMPONENTS - STANDARD W/ STATIONARY HEADBOARD

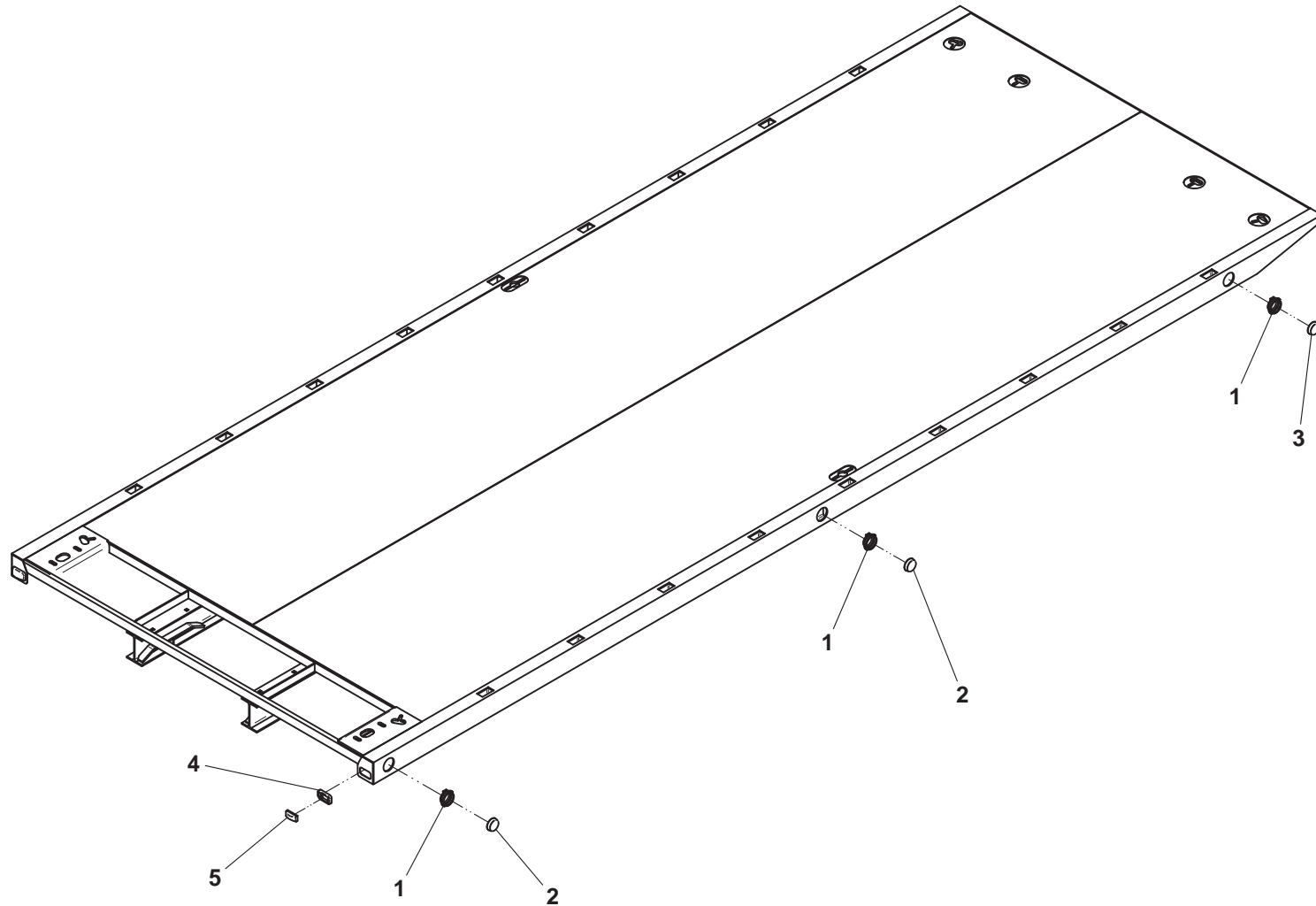


Item #12, Clip, not shown.

**DECK MARKER LIGHTS**

ITEM	PART NO.	DESCRIPTION	QTY
1	7493000009	Grommet	6
2	7590000342	Marker Light - Amber (LED)	4
3	7590000343	Marker Light - Red (LED)	2
4	7493000010	Grommet	2
5	7590000339	Marker Light - Amber (LED)	2

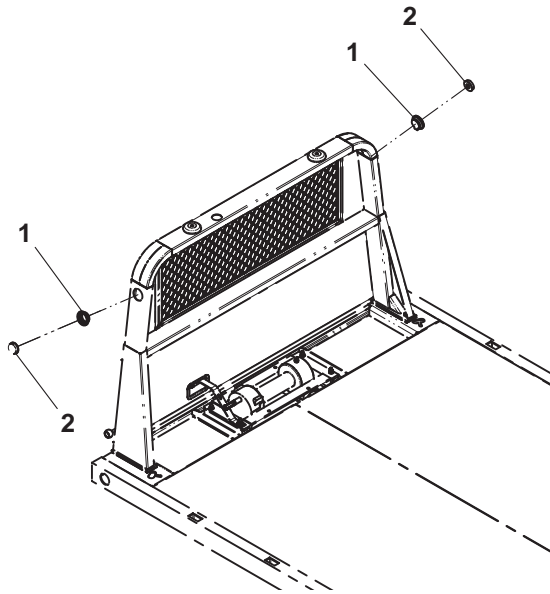
# DECK MARKER LIGHTS



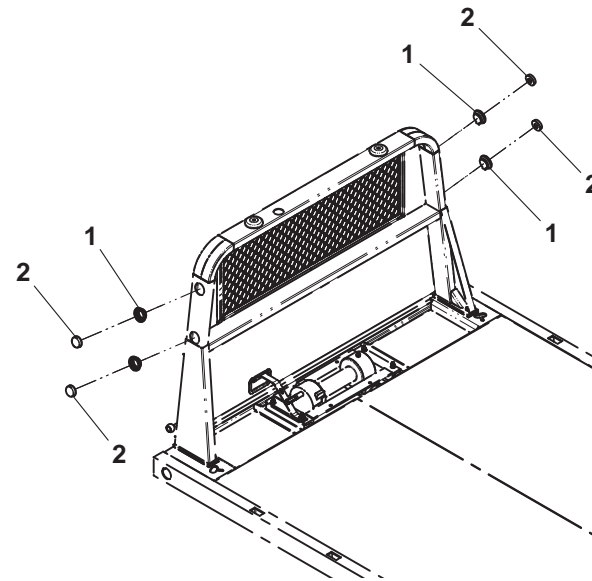
**HEADBOARD SIDE MARKER LIGHTS**

ITEM	PART NO.	DESCRIPTION	QTY
1	7493000009	Grommet (40" Headboard)	2
	7493000009	Grommet (45", 50" & 57" Headboard)	4
2	7590000342	Marker Light - Amber (LED) (40" Headboard)	2
	7590000342	Marker Light - Amber (LED) (45", 50" & 57" Headboard)	4
3	7552000409	Headboard Marker Light Harness	1

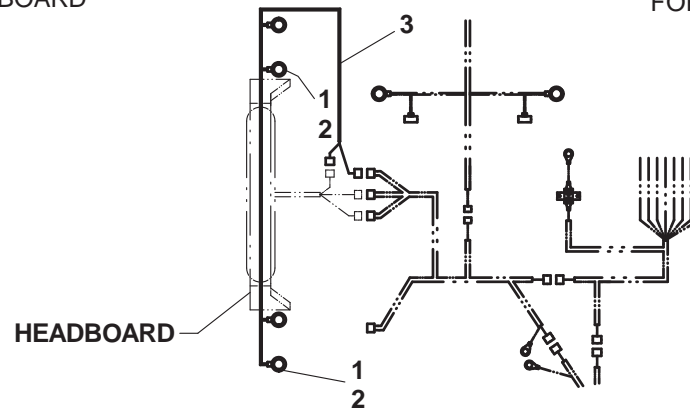
# HEADBOARD SIDE MARKER LIGHTS



FOR 40" HEADBOARD



FOR 45", 50" & 57" HEADBOARD

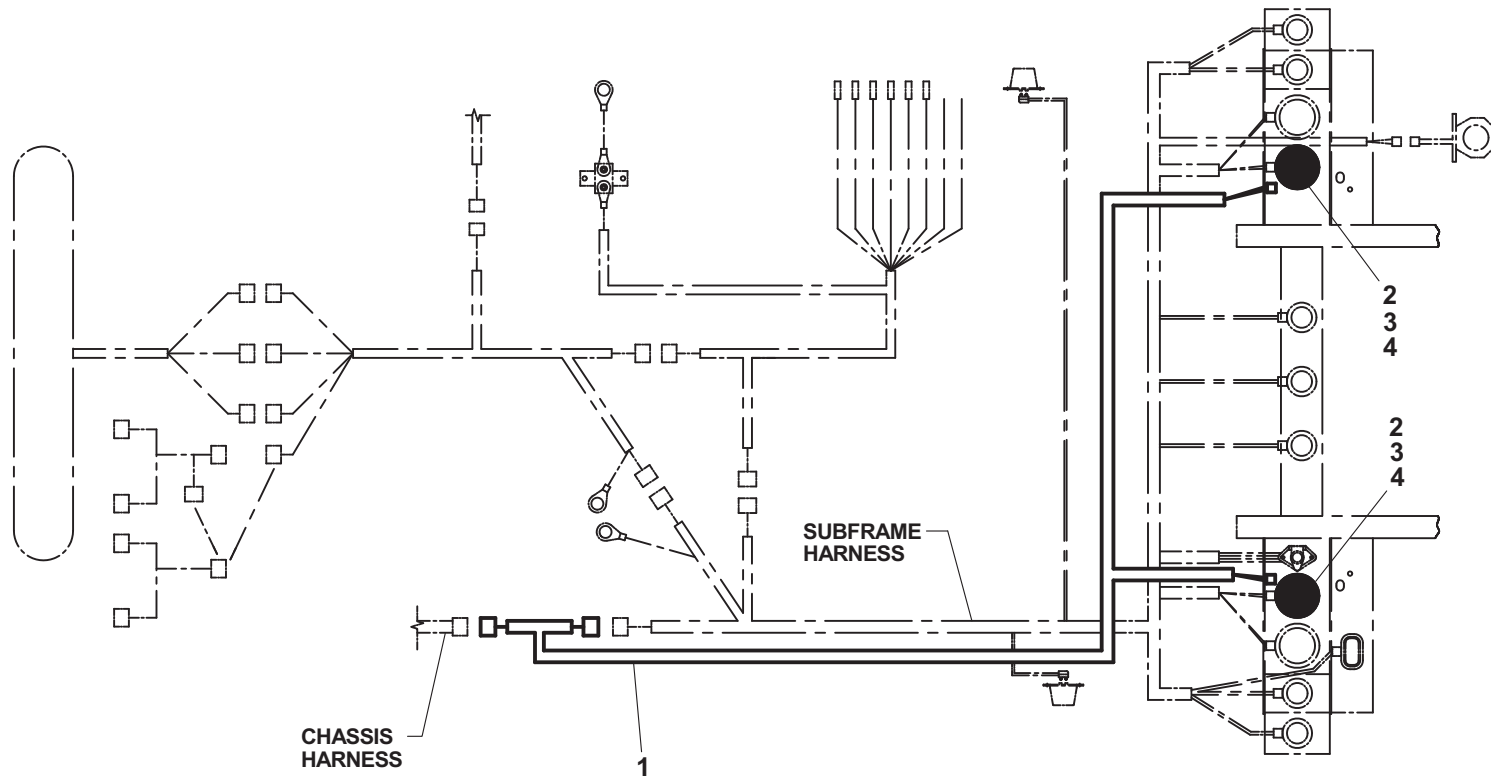


**ELECTRICAL COMPONENTS - OPTIONAL (FOREIGN CHASSIS/SEPARATE TURN SIGNALS)**

ITEM	PART NO.	DESCRIPTION	QTY
1	7552000472	Harness	1
2	7590000432	Stop/Tail/Turn Light	2
3	7114101018	Capscrew, #10-24NC x 1.25"	6
4	7660102604	Locknut, #10-24NC	6



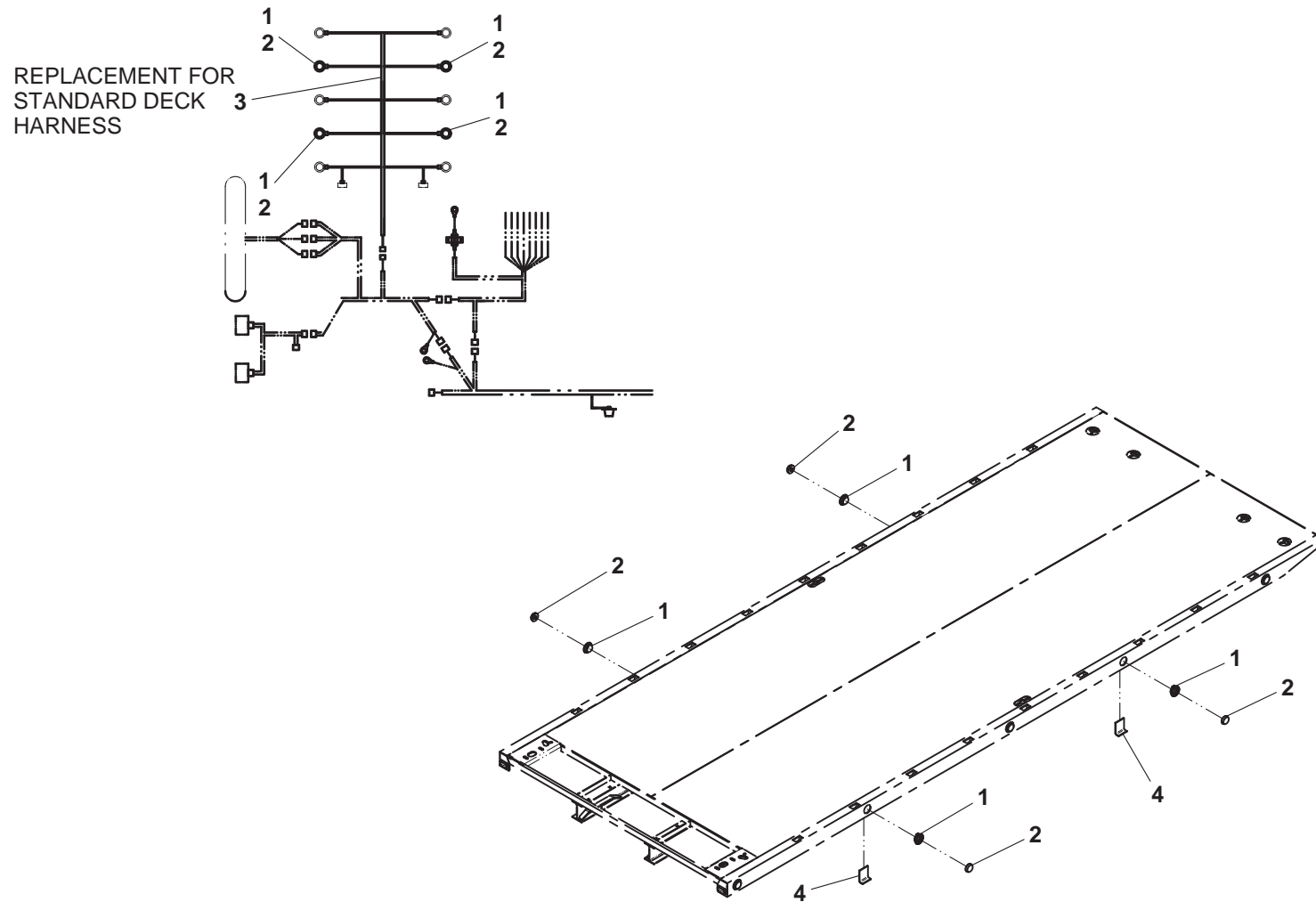
# ELECTRICAL COMPONENTS - OPTIONAL (FOREIGN CHASSIS/SEPARATE TURN SIGNALS)



**ADDITIONAL DECK MARKER LIGHTS**

ITEM	PART NO.	DESCRIPTION	QTY
1	7493000009	Grommet	4
2	7590000342	Marker Light - Amber (LED)	4
3	7552000212	Additional Markers Deck Harness	1
4	4017001059	Angle	4
5	7280000013	Clip	16

## ADDITIONAL DECK MARKER LIGHTS



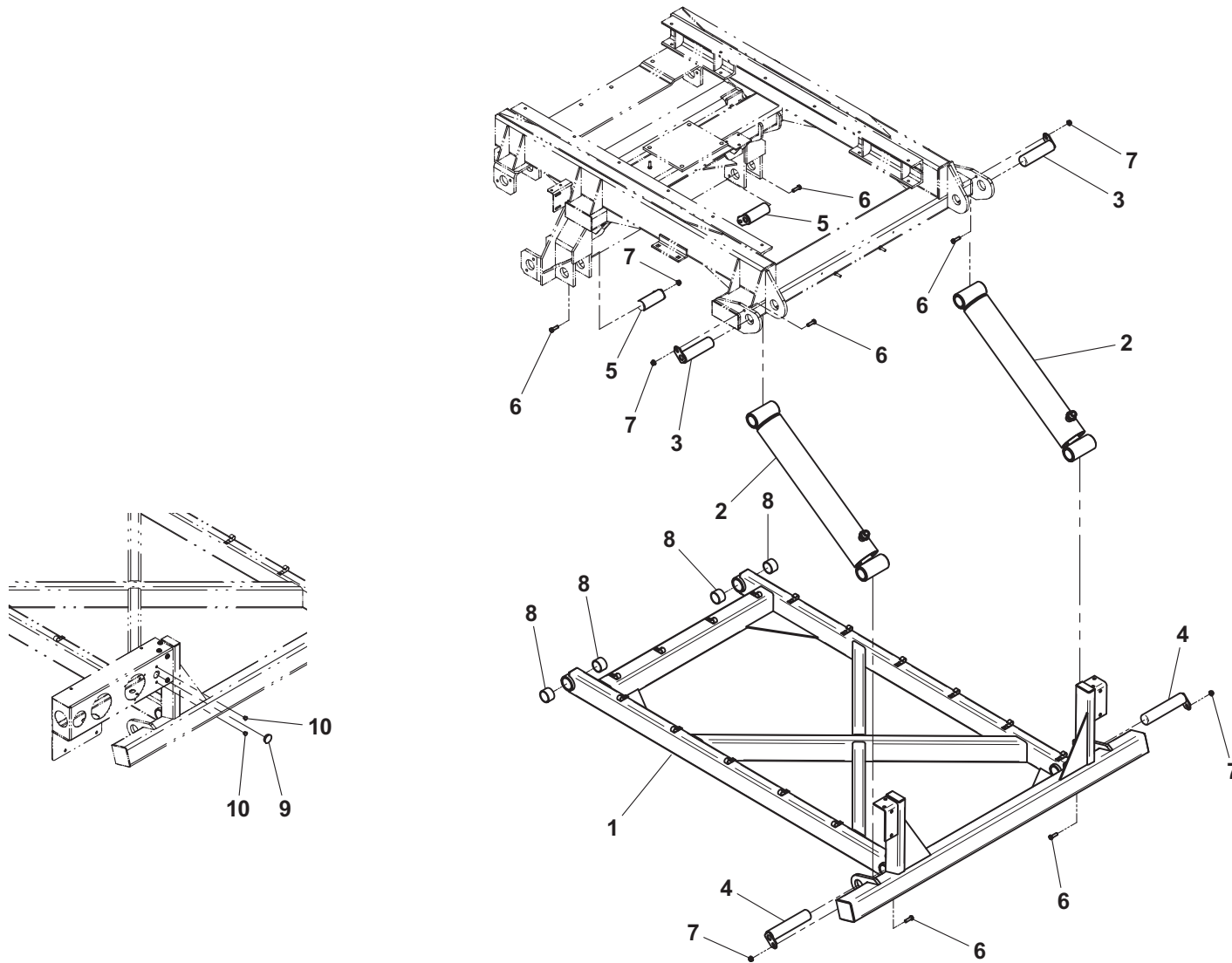
Item #5, Wire Clip, not shown.

**HYDRAULIC REAR STABILIZER**

ITEM	PART NO.	DESCRIPTION	QTY
1	1001127109	Stabilizer Weld	1
2	1001127235	Cylinder Assembly	2
3	3691000185	Pin Weld	2
4	3691000186	Pin Weld	2
5	3691000187	Pin Weld	2
6	7115161050	Capscrew, 0.38"-16NC x 1.25"	6
7	7660162301	Locknut, 0.38"-16NC	6
8	7082000019*	Bushing	4
9	7701000049	Plug	1
10	7701000055	Plug	2

\* included in Stabilizer Weld, P/N 1001127109

# HYDRAULIC REAR STABILIZER

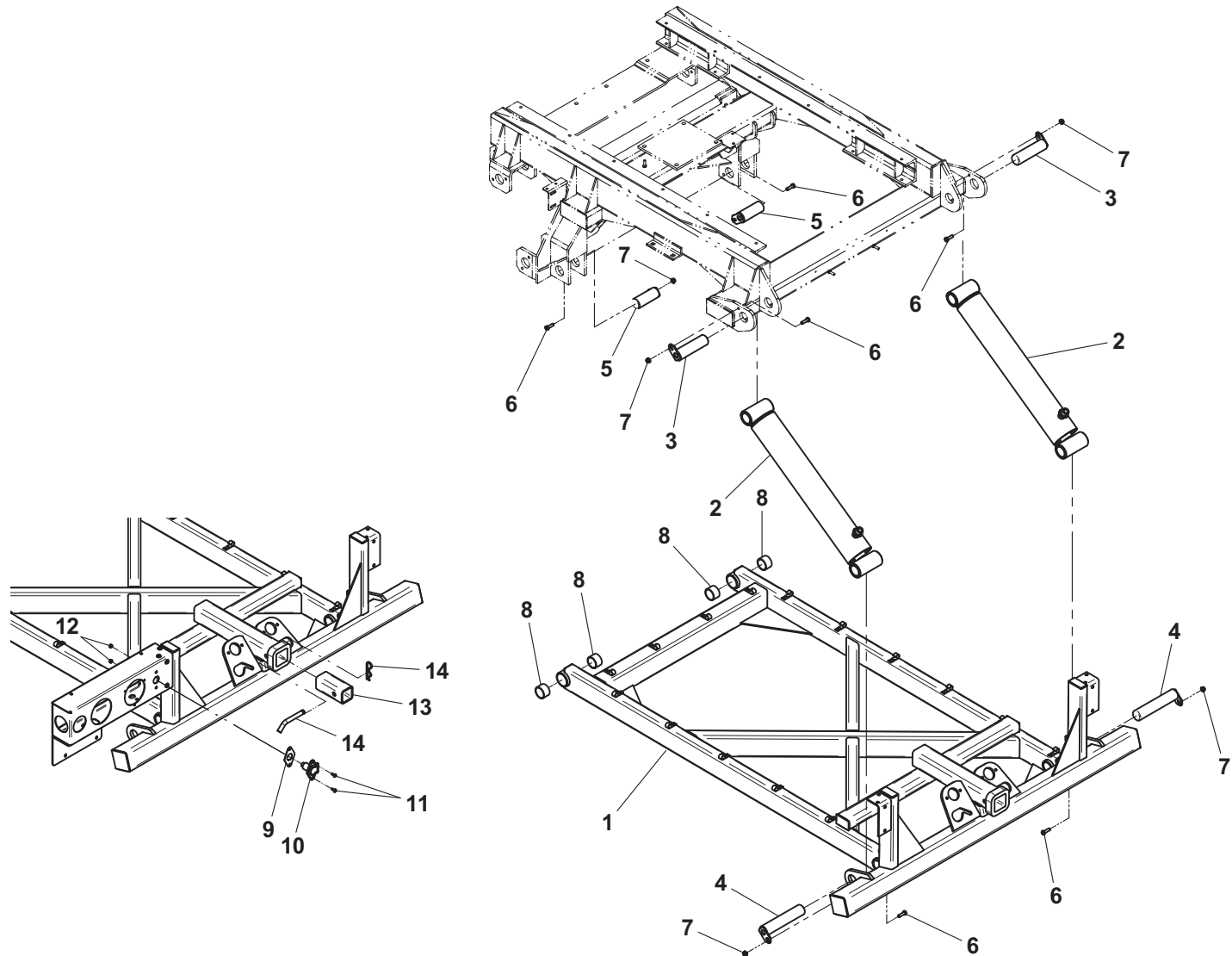


**HYDRAULIC REAR STABILIZER WITH REESE HITCH RECEIVER**

ITEM	PART NO.	DESCRIPTION	QTY
1	1001127263	Stabilizer Weld	1
2	1001127235	Cylinder Assembly	2
3	3691000185	Pin Weld	2
4	3691000186	Pin Weld	2
5	3691000187	Pin Weld	2
6	7115161050	Capscrew, 0.38"-16NC x 1.25"	6
7	7660162301	Locknut, 0.38"-16NC	6
8	7082000019*	Bushing	4
9	7796000048	Gasket	1
10	7291000010	4-Way Receptacle	1
11	7114140528	Screw, 0.25"-20NC x 0.63"	2
12	7660142601	Locknut, 0.25"-20NC	2
13	7913000006	Reese Receiver Reducer	1
14	7691000033	Pin w/ Cotter	1

\* included in Stabilizer Weld, P/N 1001127263

# HYDRAULIC REAR STABILIZER WITH REESE HITCH RECEIVER



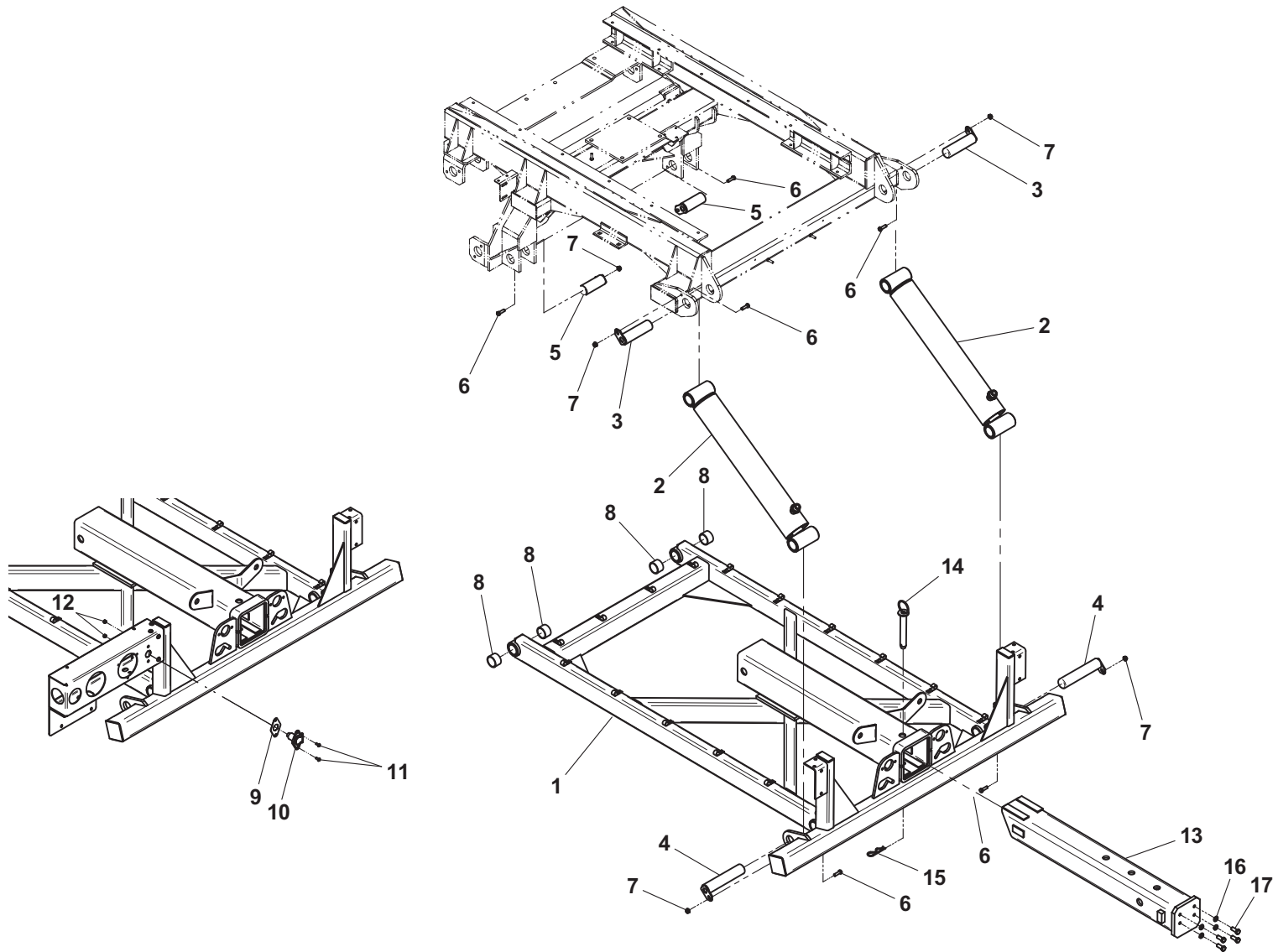
**HYDRAULIC REAR STABILIZER WITH MANUAL EXTEND PINTLE HITCH MOUNTING PLATE**

ITEM	PART NO.	DESCRIPTION	QTY
1	1001127261	Stabilizer Weld	1
2	1001127235	Cylinder Assembly	2
3	3691000185	Pin Weld	2
4	3691000186	Pin Weld	2
5	3691000187	Pin Weld	2
6	7115161050	Capscrew, 0.38"-16NC x 1.25"	6
7	7660162301	Locknut, 0.38"-16NC	6
8	7082000019*	Bushing	4
9	7796000048	Gasket	1
10	7291000010	4-Way Receptacle	1
11	7114140528	Screw, 0.25"-20NC x 0.63"	2
12	7660142601	Locknut, 0.25"-20NC	2
13	1001127297	Fly Boom Weld	1
14	3691000064	Pin	1
15	7691000001	Hair Pin	1
16	0651810	Capscrew, 0.50"-20NF x 1.25"	4
17	4761800	Lockwasher, 0.50 ID	4

\* included in Stabilizer Weld, P/N 1001127261



# HYDRAULIC REAR STABILIZER WITH MANUAL EXTEND PINTLE HITCH MOUNTING PLATE

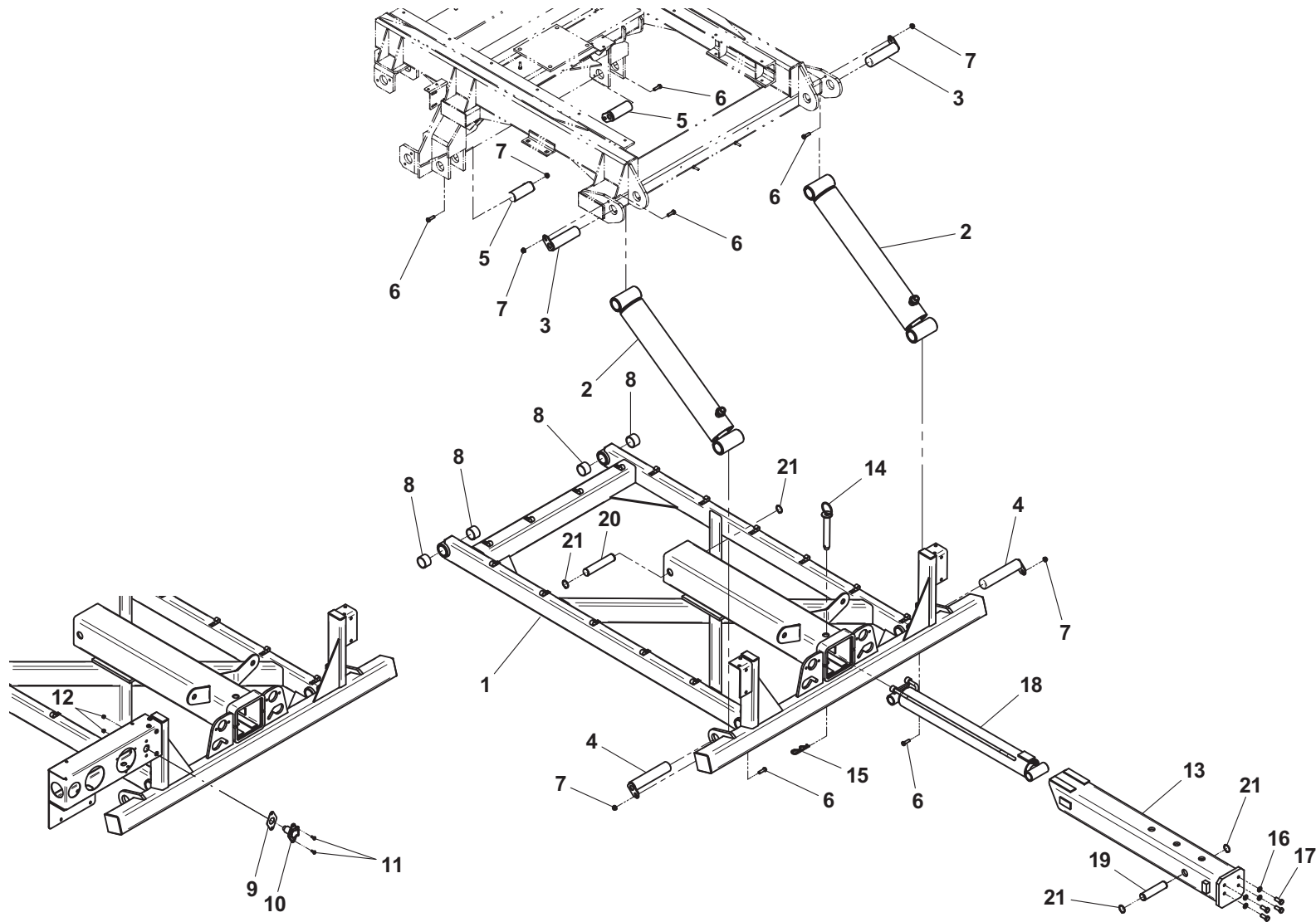


**HYDRAULIC REAR STABILIZER WITH HYDRAULIC EXTEND PINTLE HITCH MOUNTING PLATE**

ITEM	PART NO.	DESCRIPTION	QTY
1	1001127261	Stabilizer Weld	1
2	1001127235	Cylinder Assembly	2
3	3691000185	Pin Weld	2
4	3691000186	Pin Weld	2
5	3691000187	Pin Weld	2
6	7115161050	Capscrew, 0.38"-16NC x 1.25"	6
7	7660162301	Locknut, 0.38"-16NC	6
8	7082000019*	Bushing	4
9	7796000048	Gasket	1
10	7291000010	4-Way Receptacle	1
11	7114140528	Screw, 0.25"-20NC x 0.63"	2
12	7660142601	Locknut, 0.25"-20NC	2
13	1001127297	Fly Boom Weld	1
14	3691000064	Pin	1
15	7691000001	Hair Pin	1
16	0651810	Capscrew, 0.50"-20NF x 1.25"	4
17	4761800	Lockwasher, 0.50 ID	4
18	3320000117	Cylinder Assembly	1
19	4691000429	Pin	1
20	4691000430	Pin	1
21	7754000006	Retaining Ring	4

\* included in Stabilizer Weld, P/N 1001127261

# HYDRAULIC REAR STABILIZER WITH HYDRAULIC EXTEND PINTLE HITCH MOUNTING PLATE



**ROLL CYLINDER ASSEMBLY - P/N 3320000093 & P/N 3320000098**

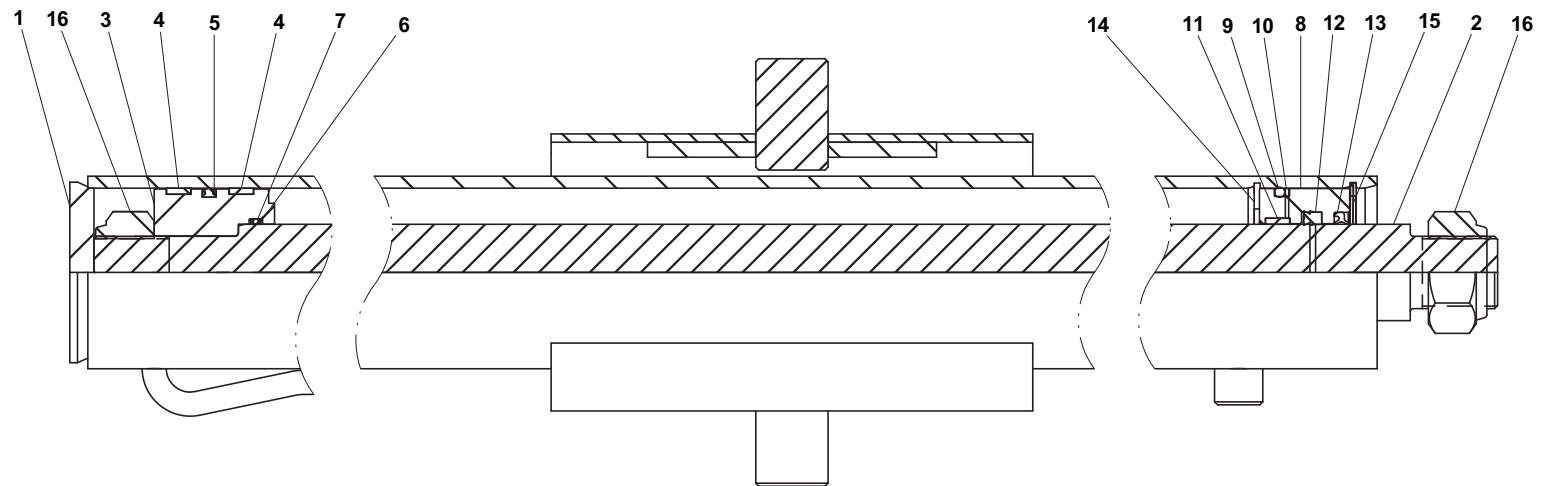
ITEM	PART NO.	DESCRIPTION	QTY
1	3071000092	Barrel Weld (24' & 26' deck)	1
	3071000087	Barrel Weld (28' deck)	
2	4763000093	Rod (24' & 26' deck)	1
	4763000242	Rod (28' deck)	
3	4698000009*	Piston	1
4	7796000013* #	Wear Ring	2
5	7796000064* #	Piston Locking "T" Seal	1
6	7755226609* #	Back-Up Ring	2
7	7755226000* #	"O" Ring	1
8	4553000010^	Head	1
9	7755338000^ #	"O" Ring	1
10	7755338609^ #	Back-Up Ring	1
11	7754000012^ #	Wear Ring	1
12	7796000025^ #	Rod Seal	1
13	7796000011^ #	Rod Wiper Seal	1
14	7754000016 #	Retaining Ring	1
15	7754000027 #	Retaining Ring	1
16	7661000035	Locknut	2

\* included in Piston Assembly, P/N 3698000004

^ included in Head Assembly, P/N 3553000014

# available only in Service Kit #7577250025

# ROLL CYLINDER ASSEMBLY - P/N 332000093 & P/N 332000098



**STABILIZER CYLINDER ASSEMBLY - P/N 1001127235**

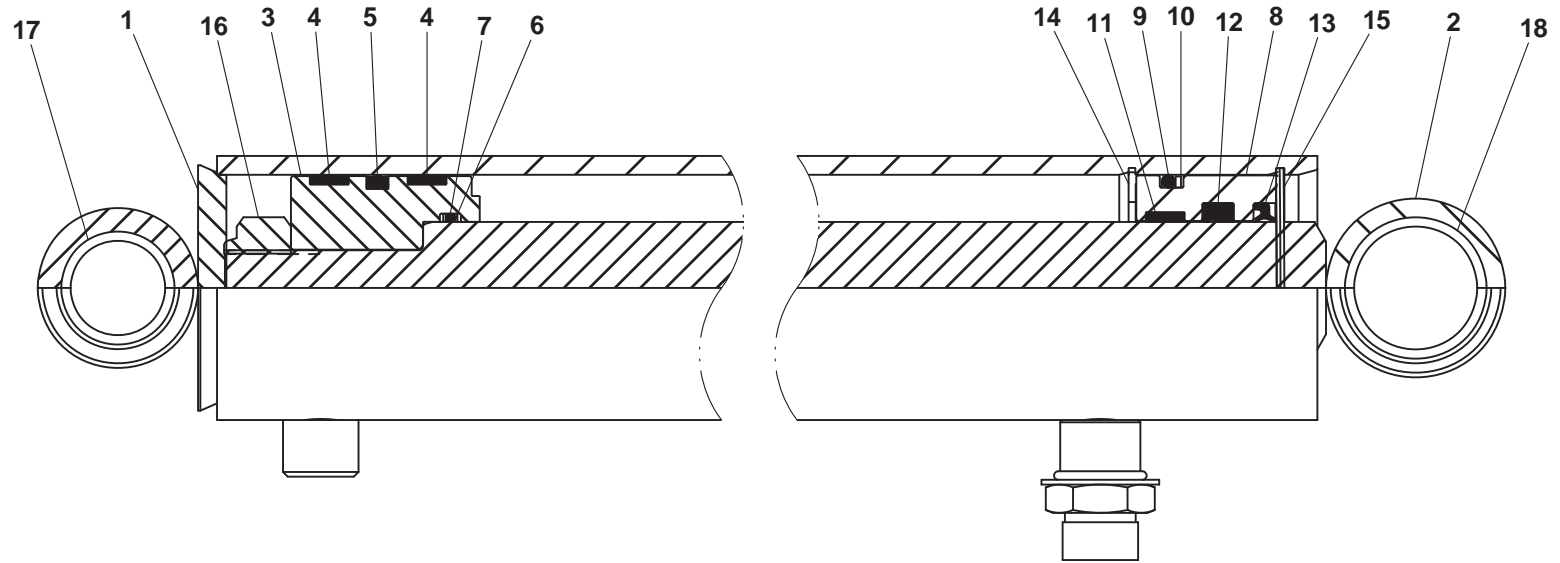
ITEM	PART NO.	DESCRIPTION	QTY
1	1001127236	Barrel Weld	1
2	1001127239	Rod Weld	1
3	4698000008*	Piston	1
4	7754000011* #	Wear Ring	2
5	7796000065* #	Piston Locking "T" Seal	1
6	7755226609* #	Back-Up Ring	2
7	7755226000* #	"O" Ring	1
8	4553000009^	Head	1
9	7755342000^ #	"O" Ring	1
10	7755342609^ #	Back-Up Ring	1
11	7754000012^ #	Wear Ring	1
12	7796000025^ #	Rod Seal	1
13	7796000011^ #	Rod Wiper Seal	1
14	7754000013#	Retaining Ring	1
15	7754000028#	Retaining Ring	1
16	7661000035	Locknut	1
17	7082000019	Bearing	4

\* included in Piston Assembly, P/N 3698000002

^ included Head Assembly, P/N 3553000012

# available only in Service Kit #7577250026

# STABILIZER CYLINDER ASSEMBLY - P/N 1001127235



**DAMPENING CYLINDER ASSEMBLY - P/N 1001127428**

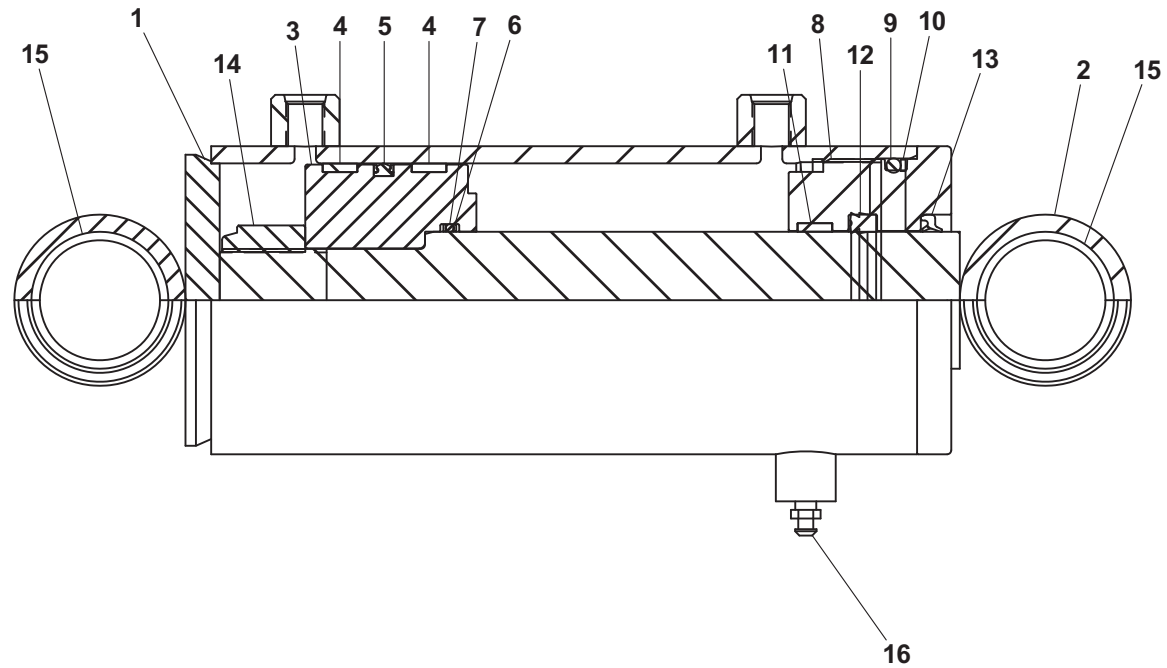
ITEM	PART NO.	DESCRIPTION	QTY
1	1001127429	Barrel Weld	1
2	1001127430	Rod Weld	1
3	4698000008*	Piston	1
4	7754000011*	Wear Ring	2
5	7796000065*	Piston Locking "T" Seal	1
6	7755226609*	Back-Up Ring	2
7	7755226000*	"O" Ring	1
8	4553000026^	Head	1
9	7755343000^	"O" Ring	1
10	7755343609^	Back-Up Ring	1
11	7754000012^	Wear Ring	1
12	7796000025^	Rod Seal	1
13	7796000011^	Rod Wiper Seal	1
14	7661000035	Locknut	1
15	7082000019	Bearing	4
16	4640858	Bleeder Valve	1

\* included in Piston Assembly, P/N 3698000002

^ included in Head Assembly, P/N 3553000027



# DAMPENING CYLINDER ASSEMBLY - P/N 1001127428



**TOW OPTION HYDRAULIC EXTEND CYLINDER ASSEMBLY - P/N 3320000117**

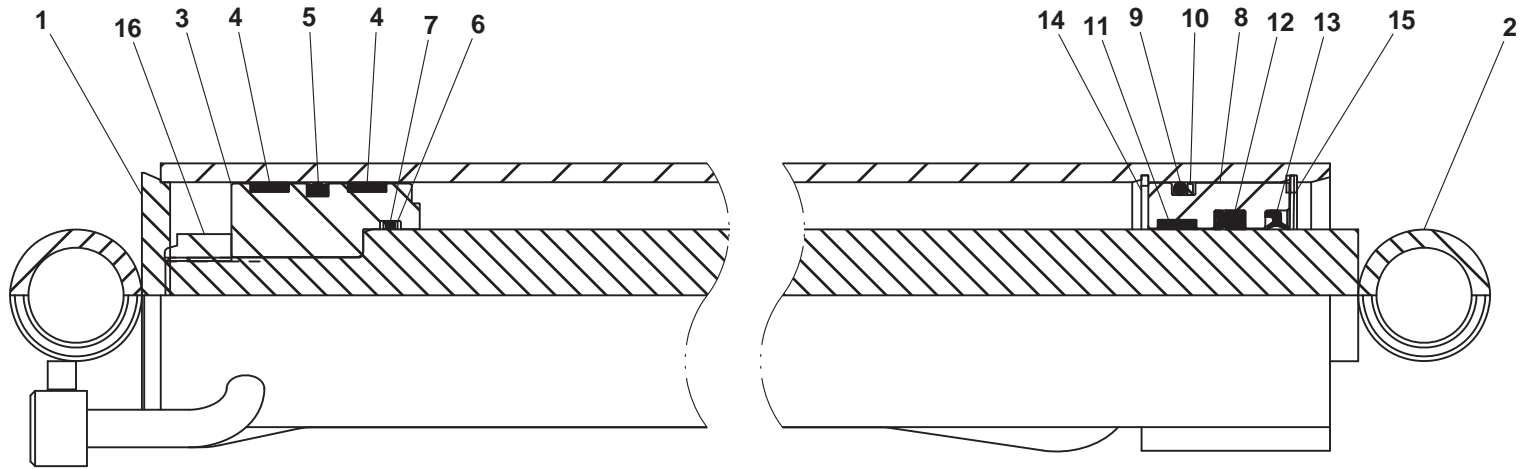
ITEM	PART NO.	DESCRIPTION	QTY
1	3071000107	Barrel Weld (P/N 3320000116)	1
	3071000108	Barrel Weld (P/N 3320000117)	
2	3763000120	Rod Weld (P/N 3320000116)	1
	3763000121	Rod Weld (P/N 3320000117)	
3	4698000007*	Piston	1
4	7754000003* #	Wear Ring	2
5	7796000063* #	Piston Locking "T" Seal	1
6	7755224609* #	Back-Up Ring	2
7	7755224000* #	"O" Ring	1
8	4553000008^	Head	1
9	7755334000^ #	"O" Ring	1
10	7755334609^ #	Back-Up Ring	1
11	7754000004^ #	Wear Ring	1
12	7796000024^ #	Rod Seal	1
13	7796000008^ #	Rod Wiper Seal	1
14	7754000002 #	Retaining Ring	1
15	7754000026 #	Retaining Ring	1
16	7661000034	Locknut	1

\* included in Piston Assembly, P/N 3698000001

^ included in Head Assembly, P/N 3553000011

# available only in Service Kit #7577250024

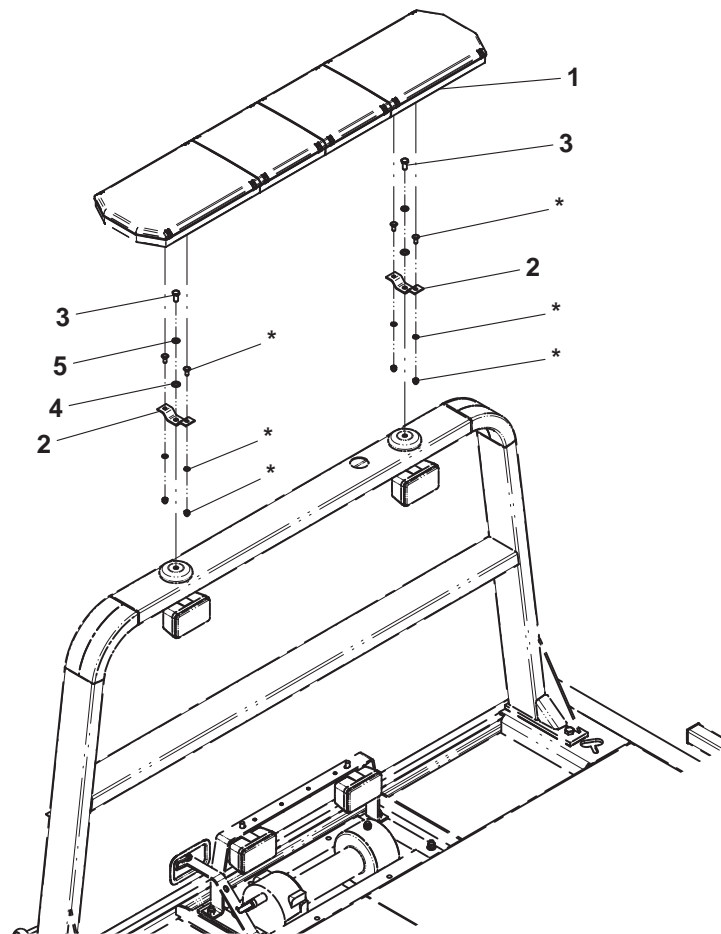
# TOW OPTION HYDRAULIC EXTEND CYLINDER ASSEMBLY - P/N 3320000117



**LIGHTBARS**

ITEM	PART NO.	DESCRIPTION	QTY
1	7590000363	Lightbar, Amber LED	1
2	4178000402	Bracket (standard mount)	2
	4178000437	Bracket (high mount)	
3	7115180850	Capscrew, 0.50"-13NC x 1.00"	2
4	7950180252	Flatwasher, 0.50" ID	2
5	7950180000	Lockwasher, 0.50" ID	2

# LIGHTBARS

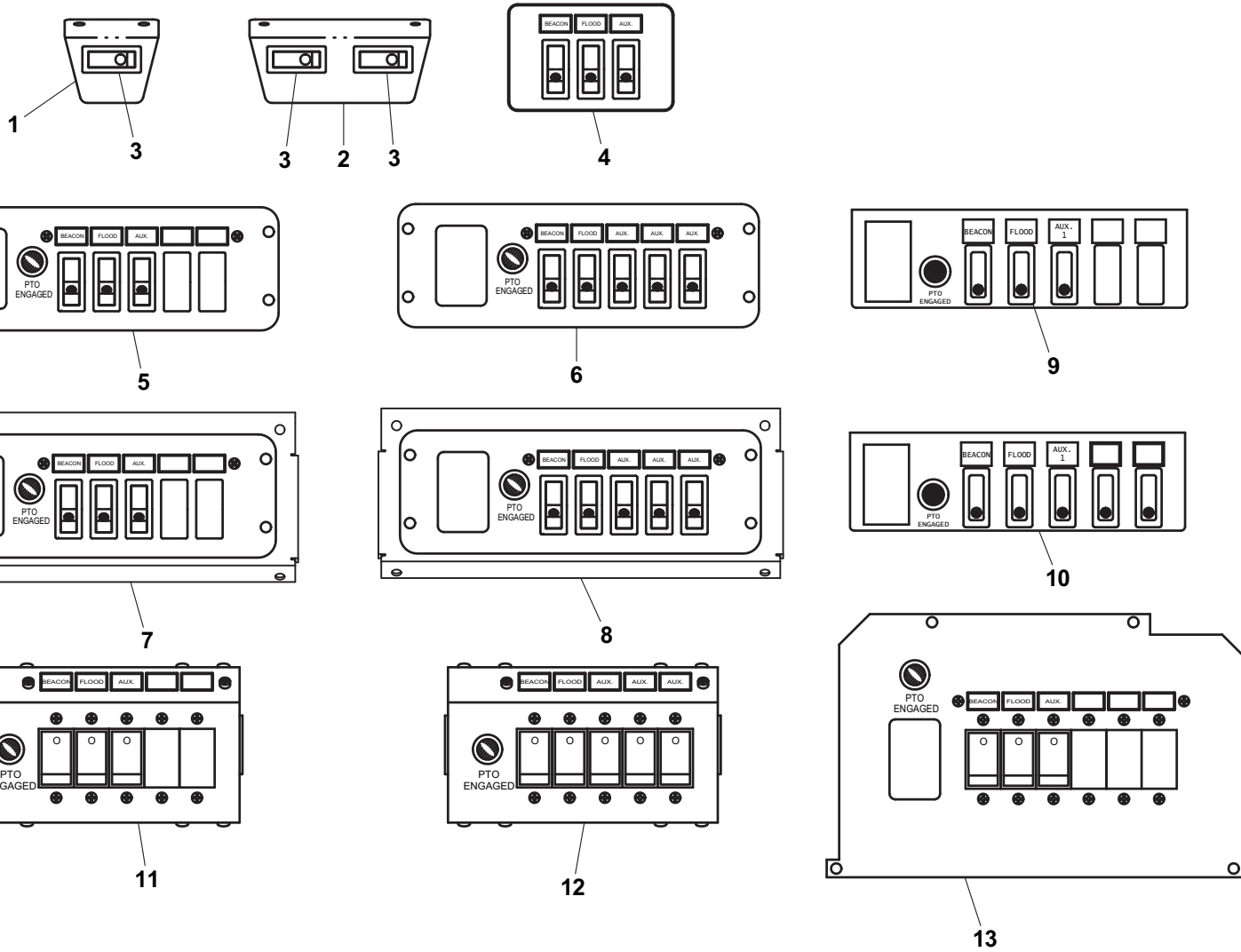


\* included in Lightbar

**SWITCH PANELS**

ITEM	PART NO.	DESCRIPTION	QTY
1	4178000403	Bracket - 1 Function Switch Panel	1
2	4178000427	Bracket - 2 Function Switch Panel	1
3	7870000083	Switch	1
4	7870000113	Switch Panel - 3 Function, Mini In-Dash	1
5	7870000100	Switch Panel - 3 Function, In-Dash	1
6	7870000106	Switch Panel - 5 Function, In-Dash	1
7	7870000134	Switch Panel - 3 Function, Under Dash	1
8	7870000137	Switch Panel - 5 Function, Under Dash	1
9	2870000022	Switch Panel - 3 Function, In-Dash for Ford F650/750	1
10	2870000021	Switch Panel - 5 Function, In-Dash for Ford F650/750	1
11	7870000053	Switch Panel - 3 Function, Under Dash	1
12	7870000063	Switch Panel - 5 Function, Under Dash	1
13	7870000076	Switch Panel - 3 Function, In-Dash for IHC4300/4400	1

# SWITCH PANELS

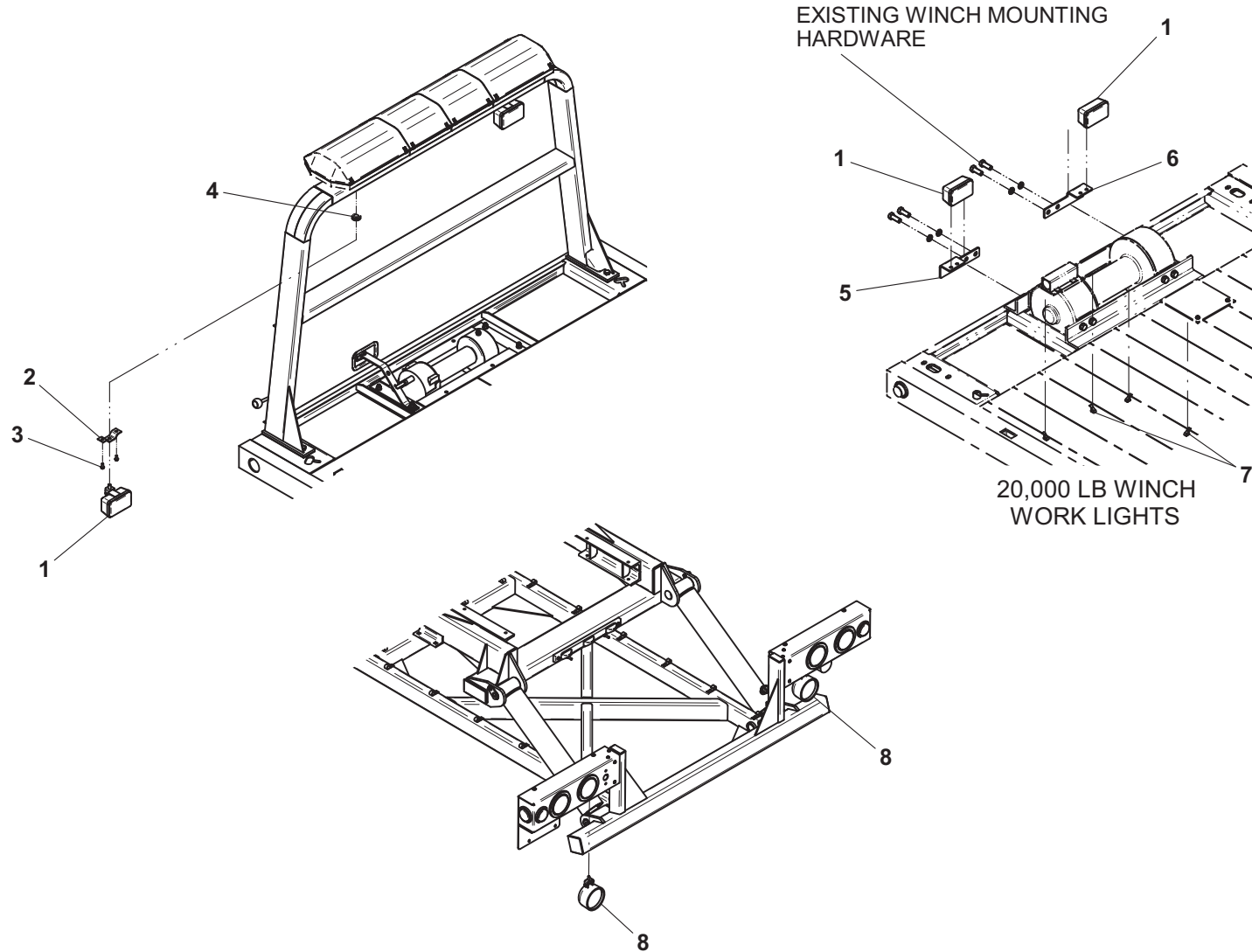


**WORK LIGHTS**

ITEM	PART NO.	DESCRIPTION	QTY
1	7590000223	Worklight	4
2	4178000402	Bracket	2
3	7790151253	Screw, 0.31"-18NC x 0.75	4
4	7493000003	Grommet	2
5	4178000425	Bracket LH	1
6	4178000424	Bracket RH	1
7	7280000013	Clip	4
8	7590000185	Worklight	2
9	7552000222	Harness - Headboard Worklights	1
	7552000360	Harness - Headboard Worklights (Bucket Rest Headboard Only)	1
10	7552000166	Harness - Winch Worklights	1



# WORK LIGHTS

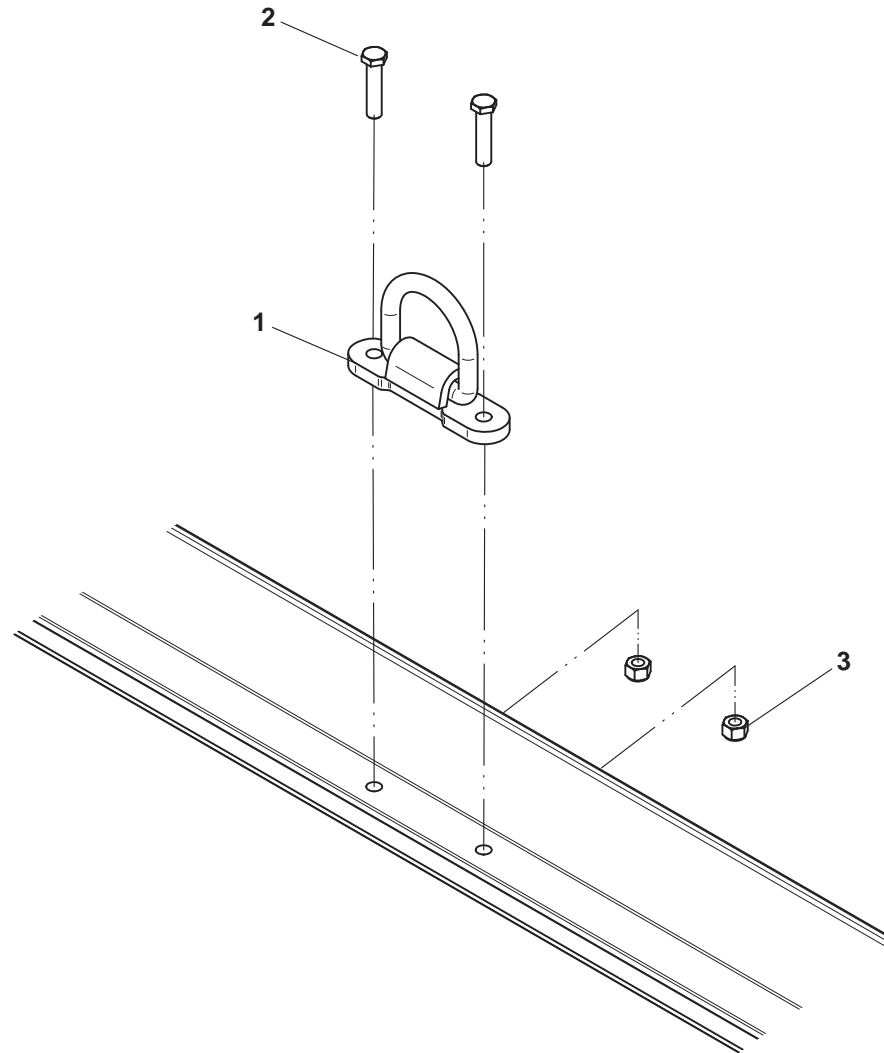


Items #9 & #10, Harness, not shown

**BOLT-ON D-RINGS**

ITEM	PART NO.	DESCRIPTION	QTY
1	3556000019	D-Ring	1
2	7115182050	Capscrew, 0.50"-13NC x 2.50"	2
3	7660182601	Locknut, 0.50"-13NC	2

## BOLT-ON D-RINGS



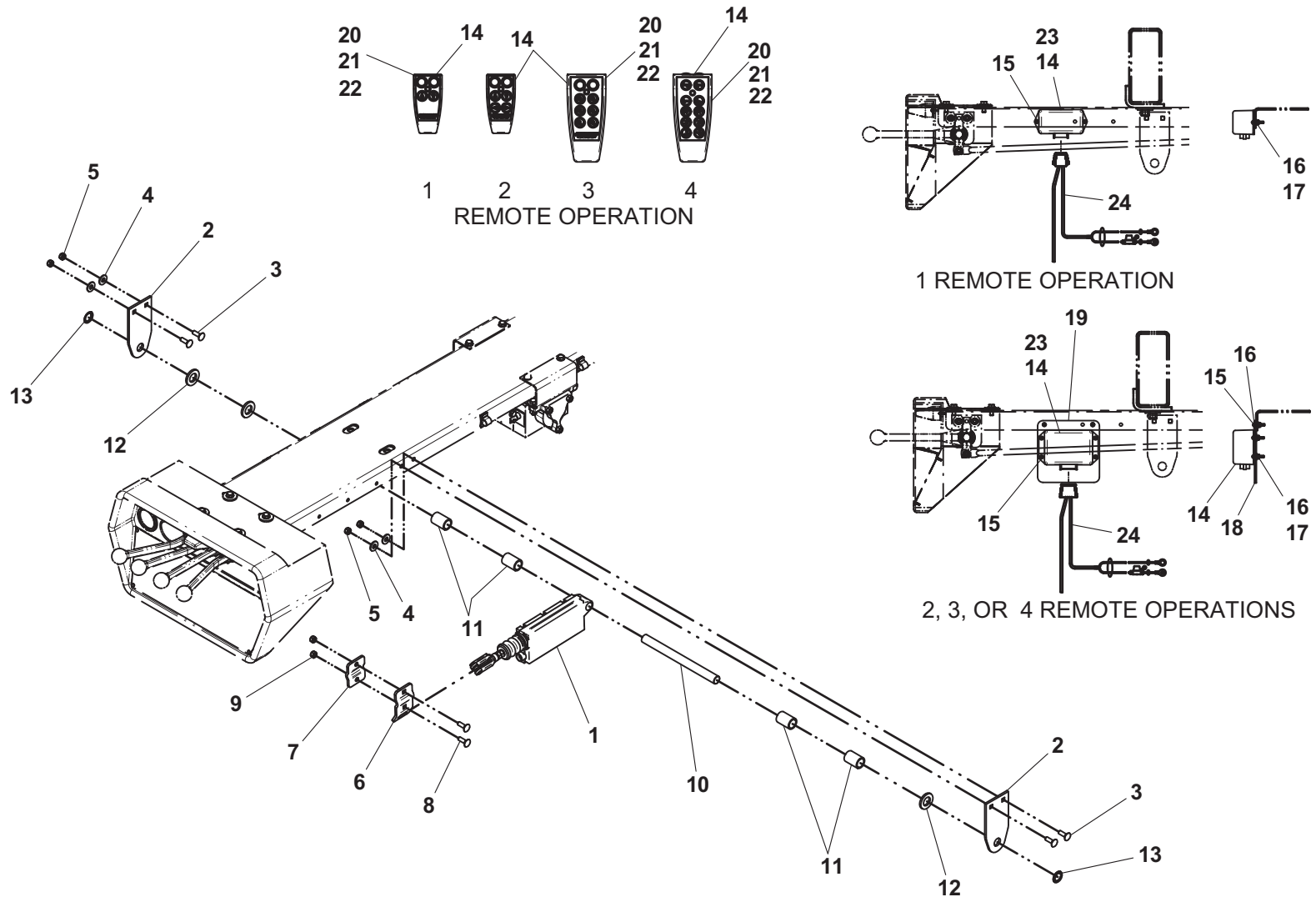
**1, 2, 3, OR 4 REMOTE CONTROL OPERATIONS**

ITEM	PART NO.	DESCRIPTION	QTY	ITEM	PART NO.	DESCRIPTION	QTY
1	7005000003	Linear Actuator 12V	1*	18	4706005595	Plate (2, 3, or 4 remote operations)	1
2	4706005361	Plate	2	19	7330000696	Decal - Controller Functions (3, or 4 remote operations)	1
3	7115150864	Carriage Bolt, 0.31"-18NC x 1.00"	4	20	9295310032#	Transmitter (1 remote operation)	1
4	7950150161	Flatwasher, 0.31" ID	4		9295310033#	Transmitter (2 remote operations)	
5	7660152601	Locknut, 0.31"-18NC	4		9295310034#	Transmitter (3 remote operations)	
6	4178000664	Bracket	1*		9295310036#	Transmitter (4 remote operations)	
7	4178000665	Bracket	1*	21	9295310030#	Belt Clip	1
8	7115150864	Carriage Bolt, 0.31"-18NC x 1.00"	2*		9295310042#	Rubber Boot (1 or 2 remote operations)	
9	7660152601	Locknut, 0.31"-18NC	2*	23	9295310029#	Rubber Boot (3, or 4 remote operations)	1
10	4691000141	Pin (3, or 4 section control valve)	1		9295310037#	Receiver (1 remote operation)	
11	4211000001	Bushing	4*		9295310038#	Receiver (2 remote operations)	
12	7950220141	Flatwasher, 0.75" ID	4		9295310039#	Receiver (3 remote operations)	
13	7754000009	Retaining Ring	2	24	9295310050#	Receiver (4 remote operations)	1
14	7295000106	Controller (1 remote operation)	1		7552000391	Harness (1 remote operation)	
	7295000108	Controller (2 remote operations)			7552000392	Harness (2 remote operations)	
	7295000109	Controller (3 remote operations)			7552000393	Harness (3 remote operations)	
15	7114100810	Screw, #10-24NC x 1.00" (1 remote operation)	2	7552000426	Harness (4 remote operations)		
	7114100810	Screw, #10-24NC x 1.00" (2, 3, or 4 remote operations)	6				
16	7950140151	Flatwasher, 0.19" ID (1 remote operation)	2				
	7950140151	Flatwasher, 0.19" ID (2, 3, or 4 remote operations)	8				
17	7660102604	Locknut, #10-18NC (1 remote operation)	2				
	7660102604	Locknut, #10-18NC (2, 3, or 4 remote operations)	6				

\* quantities are for 1 remote operation, adjust quantities for 2, 3, or 4 remote operations

# included with Controller, item #14

# 1, 2, 3, OR 4 REMOTE CONTROL OPERATIONS



One Remote Operation shown

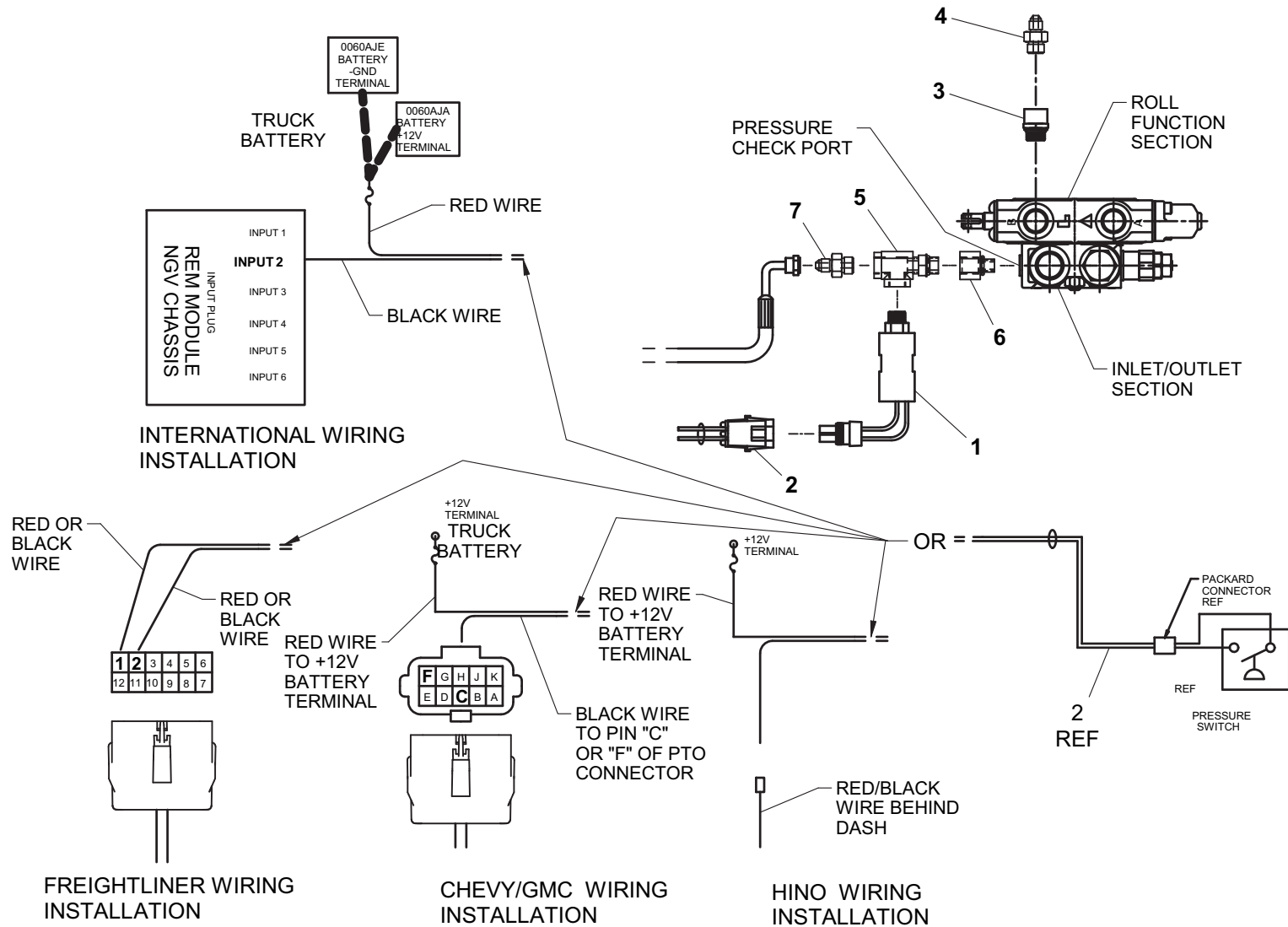
Items #19, Decal - Controller Functions, not shown

**REMOTE THROTTLE CONTROL**

ITEM	PART NO.	DESCRIPTION	QTY
1	7346000208	Pressure Switch	1
2	7552000241	Harness	1
3	7443000427*	Check Valve	1
4	7445060643*	Adapter	1
5	7443000432	Tee	1
6	7443000440	Fitting	1
7	7445040643	Adapter	1

\* also available in Check Valve w/ Adapter, P/N 7443000428.

# REMOTE THROTTLE CONTROL



**GLAD HANDS AND 7- WAY CONNECTOR**

ITEM	PART NO.	DESCRIPTION	QTY
1	7346000055+	Electrical Receptacle 7-way Connect	1
2	7346000078+	Electrical Boot	1
3	7111150813+	Capscrew, 0.31"-18NC x 1.00"	2
4	7660152601+	Locknut, 0.31"-18NC	2
5	7346000132	Electrical Adapter 7 to 4 way	1
6	7346000157	Electrical Adapter 7 to 6 way	1
7	7312000015^	Gladhand	1
8	7312000016^	Gladhand	1
9	7446502518^	Bulkhead Fitting	2
10	7446382506^	Connector	1
11	7577000145^	Seal Kit Gladhand	1
12	7565000014^	Airline Tubing	50 ft
13	7312000013^	Union	2
14	7446502506^	Connector	1

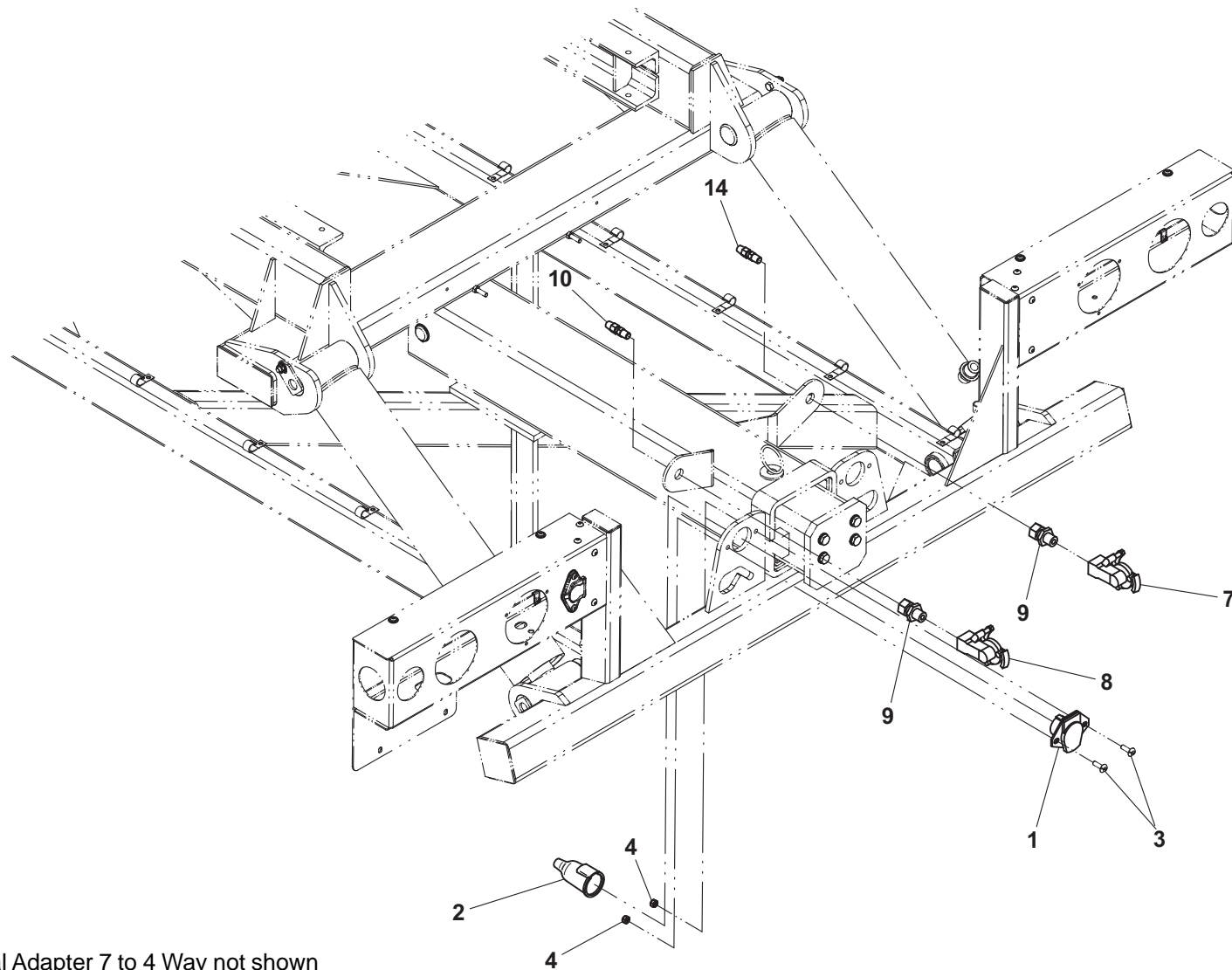
\* also available in Bracket Install Glad Hands and 7 Way, P/N 2178000037

+ also available in Electrical Install 7 Way Connector, P/N 2346000008

^ also available in Glad Hand Install, P/N 2002000016



## GLAD HANDS AND 7- WAY CONNECTOR

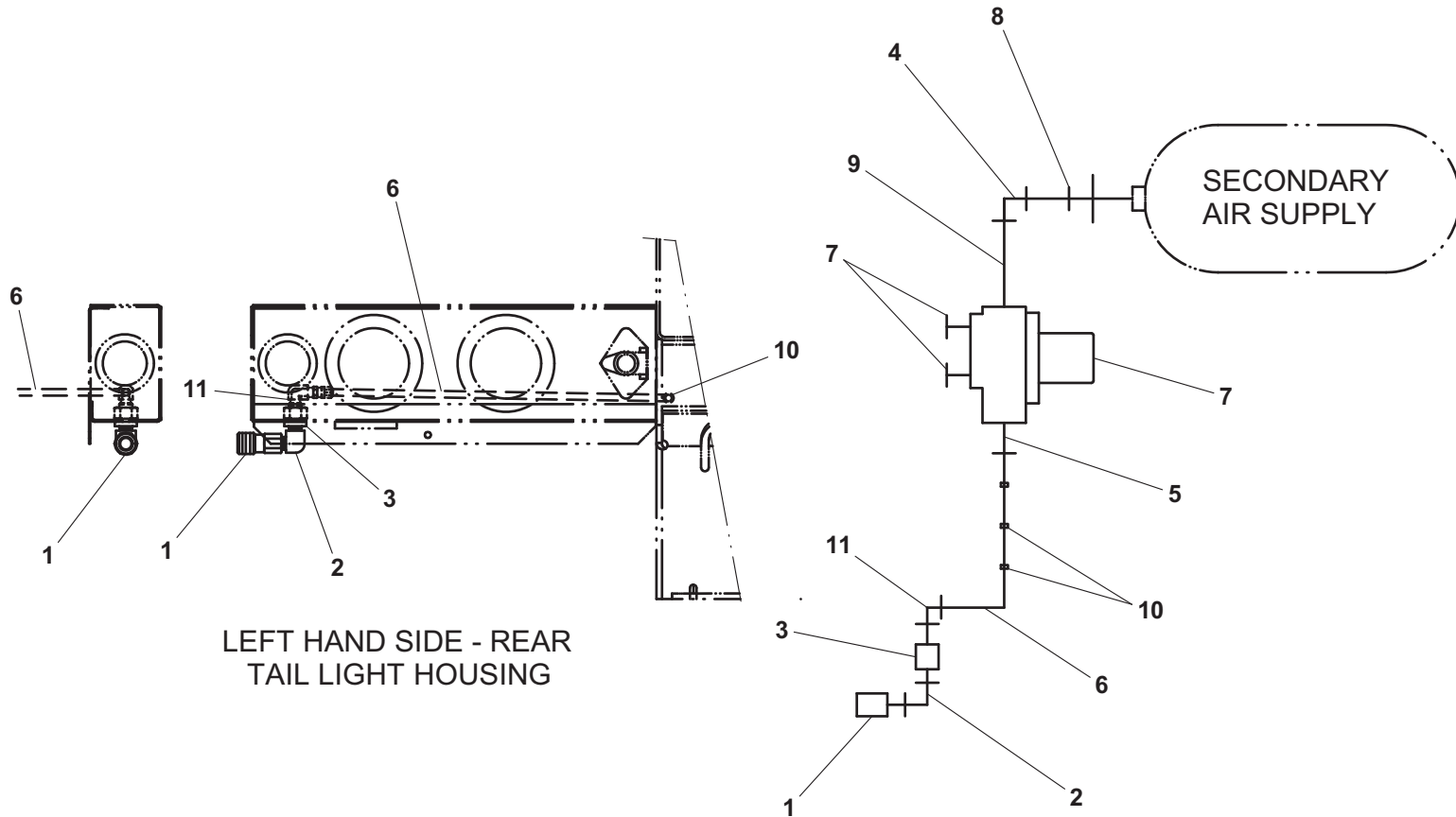


Item #5 Electrical Adapter 7 to 4 Way not shown  
Item #6 Electrical Adapter 7 to 6 Way not shown  
Item #11, Seal Kit Gladhand; #12, Airline Tubing; & #13, Union not shown

**AIR SUPPLY DISCONNECT**

ITEM	PART NO.	DESCRIPTION	QTY
1	7312000017	Coupling	1
2	7445080853	Elbow	1
3	7446502518	Bulkhead Fitting	1
4	7443000111	Elbow	1
5	7446382506	Connector	1
6	7565000014	Airline Tubing	32 ft
7	7935000120	Air Valve	1
8	7443000154	Bushing	1
9	7443000156	Nipple	1
10	7894000031	Cable Tie	6
11	7443000366	Fitting	1

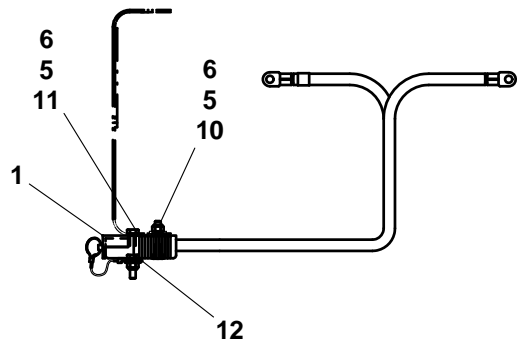
# AIR SUPPLY DISCONNECT



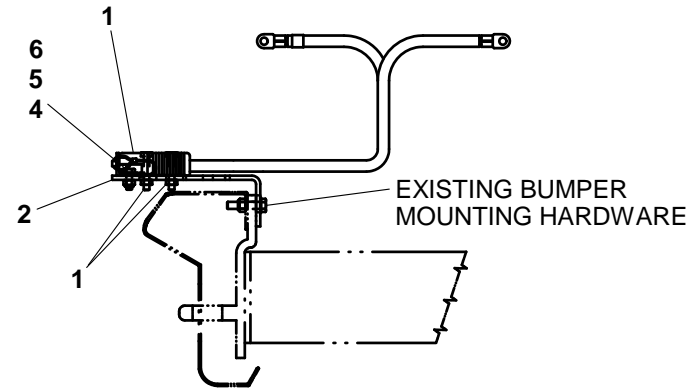
**JUMP START KIT**

ITEM	PART NO.	DESCRIPTION	QTY
1	7002000386	Jump Start Plug (IHC & Other)	1
	7002000385	Jump Start Plug (Ford & Chevy)	
2	4178000372	Bracket (Ford & Other)	1
	4178000202	Bracket (Chevy)	
3	4178000203	Bracket (Chevy)	1
	4706003210	Plate (Other)	
4	7110140605	Capscrew, 0.25"-20NC x 0.75" (Ford, Chevy & Other)	1
5	7950140161	Flatwasher, 0.25" ID (Ford & Other)	1
	7950140161	Flatwasher, 0.25" ID (IHC)	2
	7950140161	Flatwasher, 0.25" ID (Chevy)	3
6	7660142600	Locknut, 0.25"-20NC (Ford, Chevy & Other)	1
	7660142600	Locknut, 0.25"-20NC (IHC)	2
7	7115151064	Carriage Bolt, 0.31"-18NC x 1.25" (Other)	2
8	7950150161	Flatwasher, 0.31" ID (Other)	2
9	7660152601	Locknut, 0.31"-18NC (Other)	2
10	7115141450	Capscrew, 0.25"-20NC x 1.75" (IHC)	1
11	7115141650	CapScrew, 0.25"-20NC x 2.00" (IHC)	1
12	7660140000	Hex Nut, 0.25"-20NC (IHC)	1
	7660140000	Hex Nut, 0.25"-20NC (Chevy)	2
13	7111140850	Capscrew, 0.25"-20NC x 1.00" (Chevy)	2
14	7115181050	Capscrew, 0.50"-13NC x 1.25" (Chevy)	1
15	7950180153	Flatwasher, 0.50" ID (Chevy)	1
16	7660180000	Hex Nut, 0.50"-13NC (Chevy)	1

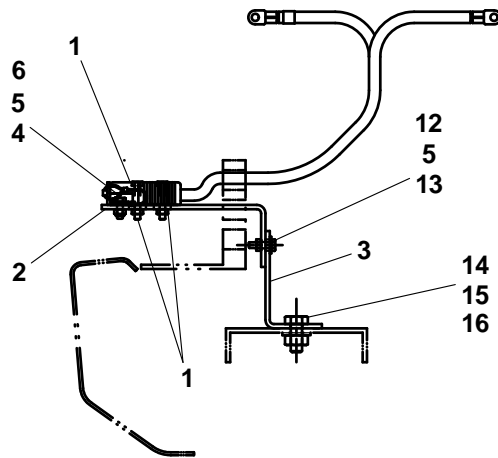
# JUMP START KIT



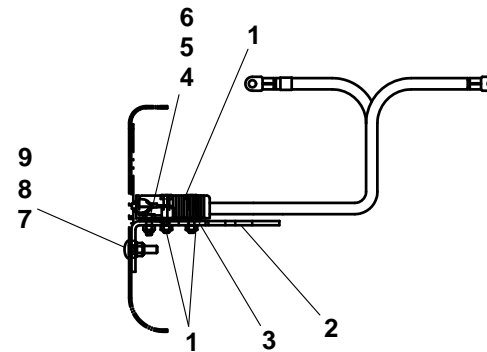
IHC FRONT BUMPER



FORD FRONT BUMPER



CHEVY FRONT BUMPER

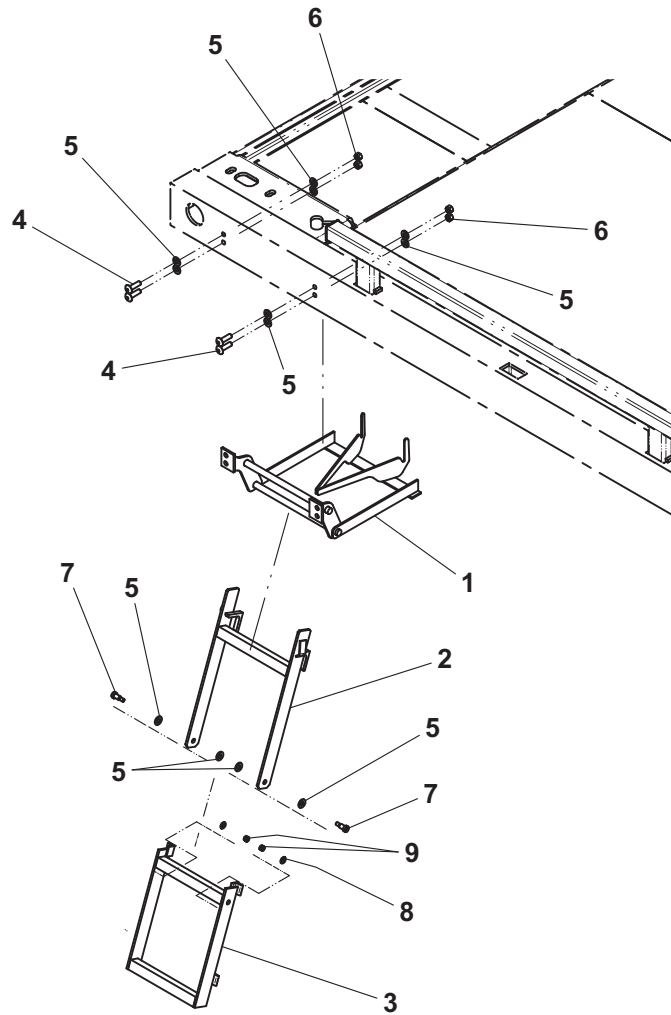


ALL OTHER FRONT BUMPERS

**FOLDING DECK LADDER**

ITEM	PART NO.	DESCRIPTION	QTY
1	3178000555	Bracket Weld	1
2	3002000009	Ladder Top Weld	1
3	3002000008	Ladder Bottom Weld	1
4	7114181418	Capscrew, 0.50"-13NC x 1.75"	4
5	7950180141	Flatwasher, 0.50" ID	12
6	7660182601	Locknut, 0.50"-13NC	4
7	7115180606	Shoulder Bolt, 0.50"-13NC x 0.75"	2
8	7950160161	Flatwasher, 0.38" ID	2
9	7660162601	Locknut, 0.38"-16NC	2
10	1001131998	Decal, Caution	2

# FOLDING DECK LADDER



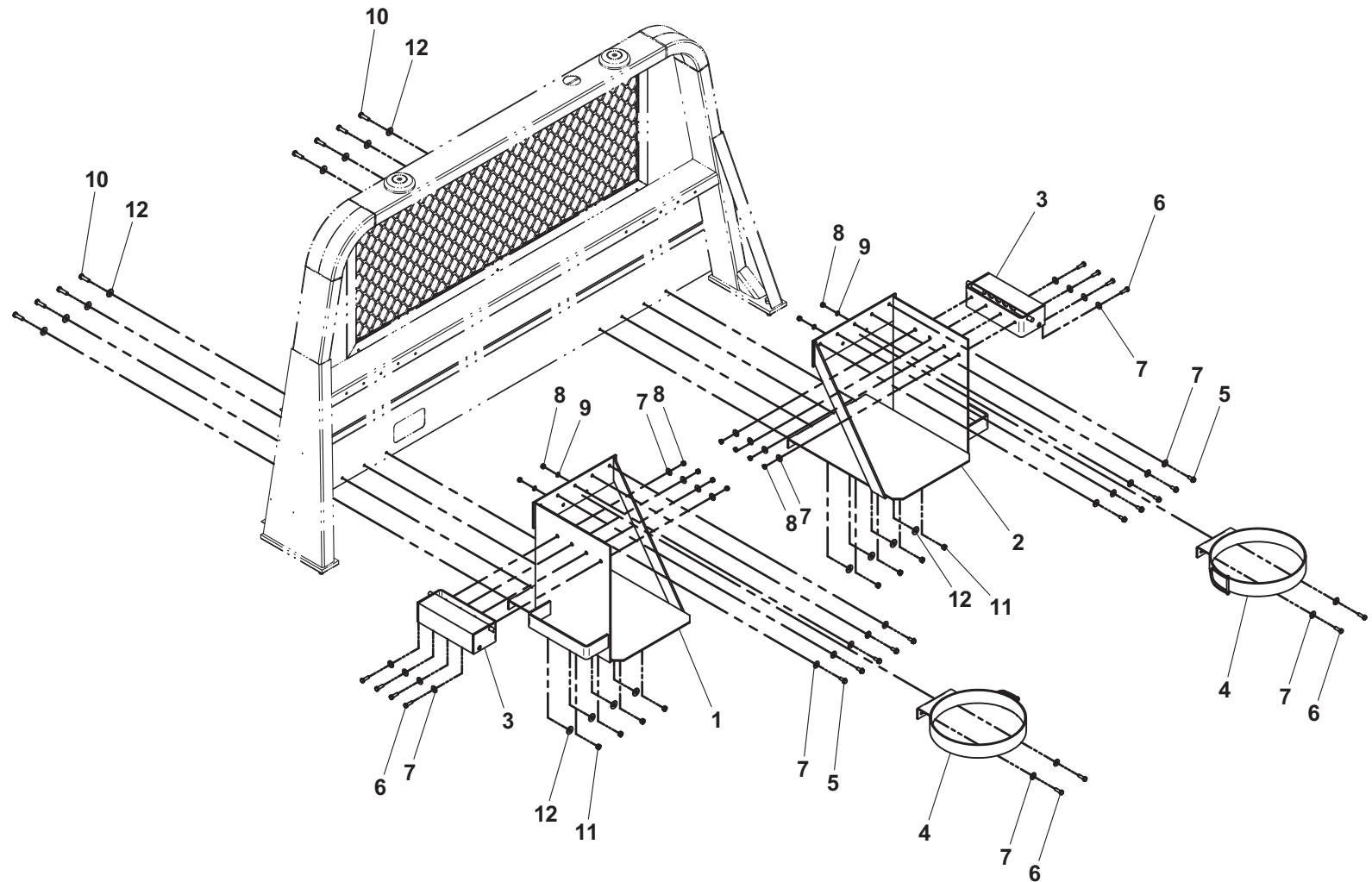
Item #10, Caution Decal, not shown

**PROPANE TANK HOLDERS**

ITEM	PART NO.	DESCRIPTION	QTY
1	1001129573	Propane Tank Support Weld -LH	1
2	1001129576	Propane Tank Support Weld - RH	1
3	1001129537	Chain Rack Bracket Weld	2
4	7178000029	Propane Tank Holder Bracket	2
5	7790151253	Screw, 0.31"-18NC x 0.75"	10
6	7115150850	Capscrew, 0.31"-18NC x 1.00"	12
7	7950150161	Flatwasher, 0.31" ID	30
8	7660152601	Locknut, 0.31"-13NC	12
9	7950150000	Lockwasher, 0.31" ID	4
10	7115161050	Capscrew, 0.38"-16NC x 1.25"	8
11	7660162601	Locknut, 0.38"-16NC	8
12	7950160161	Flatwasher, 0.38" ID	16



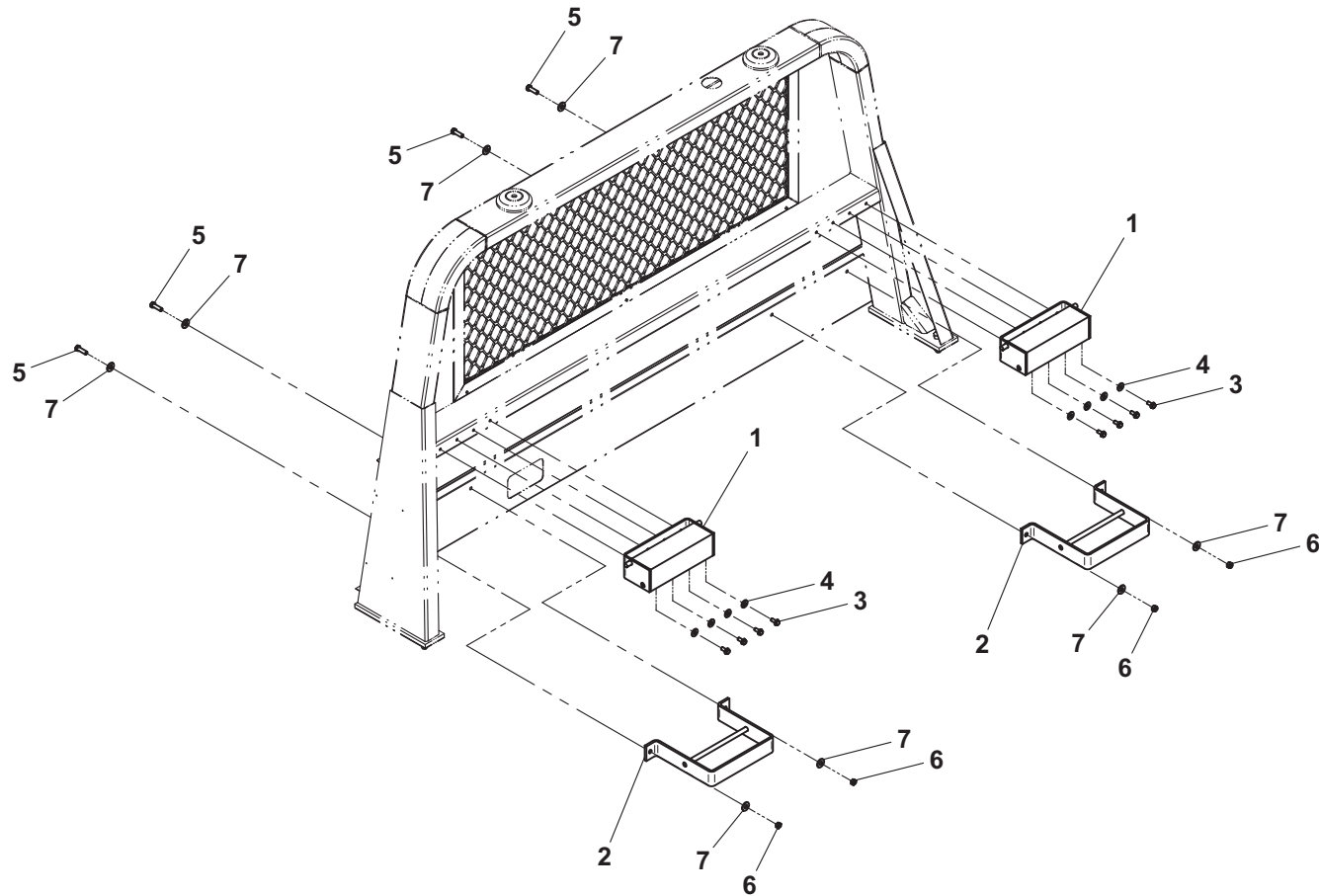
# PROPANE TANK HOLDERS



**LOCKING CHAIN RACK - STANDARD HEADBOARD**

ITEM	PART NO.	DESCRIPTION	QTY
1	1001129537	Chain Rack Bracket Weld	2
2	1001129546	Chain Rack Lower Bracket Weld	2
3	7790151253	Screw, 0.31"-18NC x 0.75"	8
4	7950150161	Flatwasher, 0.31" ID	8
5	7115161050	Capscrew, 0.38"-16NC x 1.25"	4
6	7660162601	Locknut, 0.38"-16NC	4
7	7950160161	Flatwasher, 0.38" ID	8

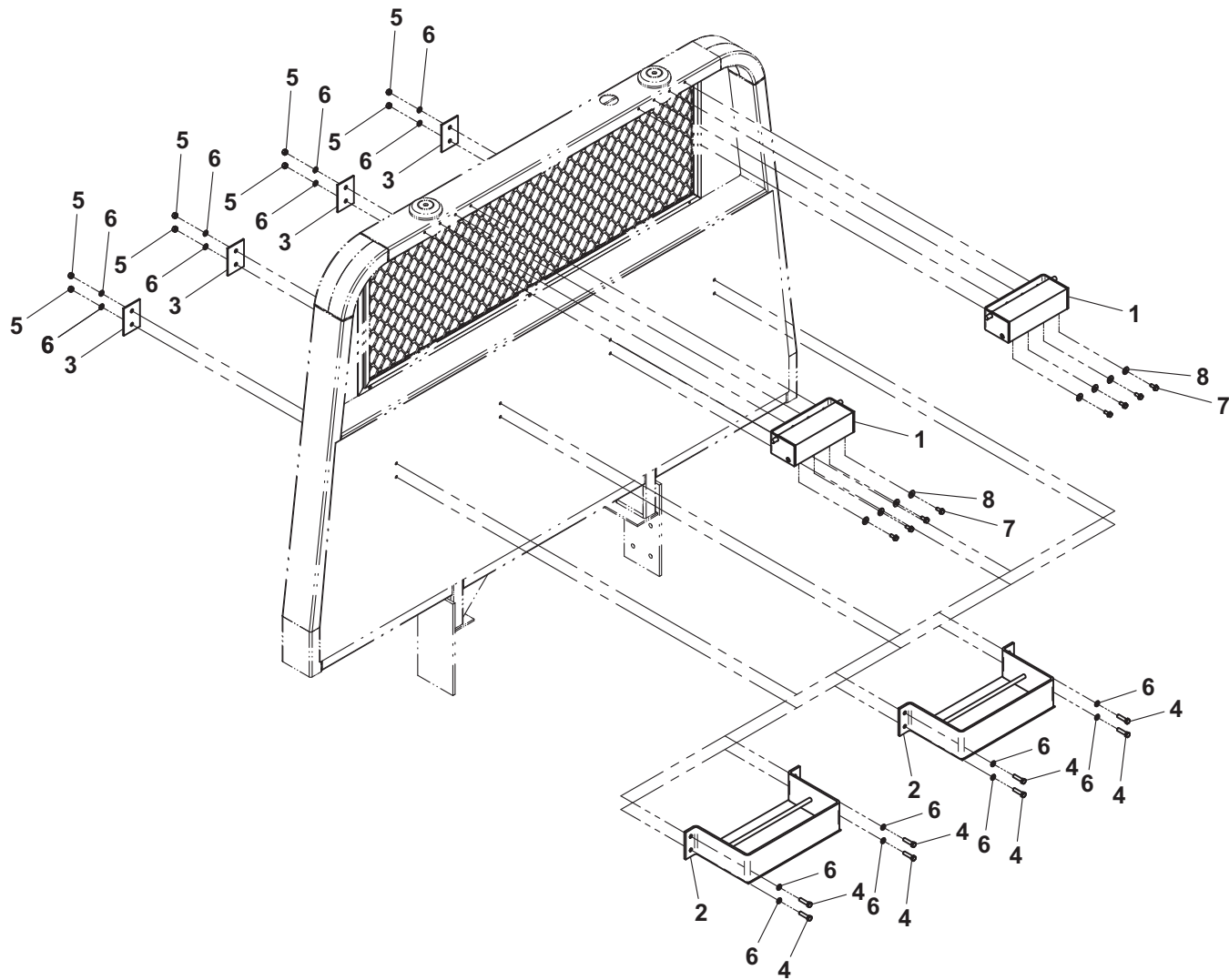
# LOCKING CHAIN RACK - STANDARD HEADBOARD



**LOCKING CHAIN RACK - STATIONARY HEADBOARD**

ITEM	PART NO.	DESCRIPTION	QTY
1	1001129537	Chain Rack Bracket Weld	2
2	1001131341	Chain Holder Bracket Weld	2
3	1001131492	Plate	4
4	0641610	Capscrew, 0.38"-16NC x 1.25"	8
5	3271601	Nut, 0.38"-16NC	8
6	4751600	Flatwasher, 0.38" ID	16
7	7790151253	Screw, 0.31"-18NC x 0.75"	8
8	7950150161	Flatwasher, 0.31" ID	8

# LOCKING CHAIN RACK - STATIONARY HEADBOARD

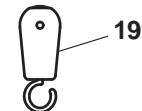
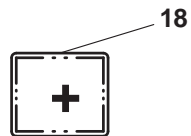
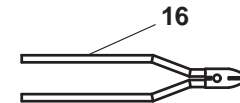
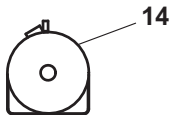
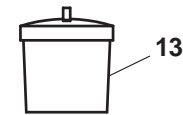
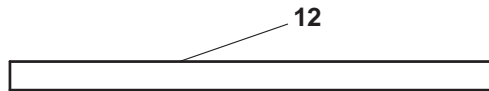
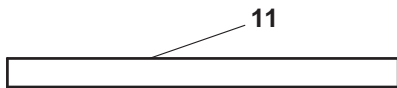
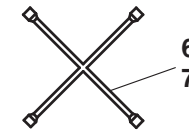
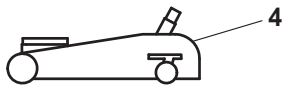
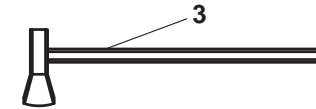
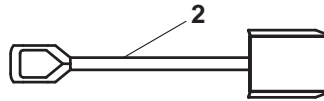
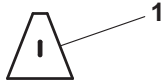


**TOWING SAFETY TOOLS**

ITEM	PART NO.	DESCRIPTION	QTY
1	9002000141*	Wheel Chock	1
2	9900000001*	Shovel	1
3	9900000006*	Maul Axe	1
4	9900000004*	Floor Jack -2.5 Ton	1
5	9900000005*	Floor Jack Handle	1
6	9900000007*	Lug Wrench -Metric	1
7	9900000008*	Lug Wrench -SAE	1
8	9900000002*	Broom Head	1
9	9900000003*	Broom Handle	1
10	9900000009*	Pry Bar	1
11	9611000001*	Wood Crossbeam -4'	1
12	9611000002*	Wood Crossbeam -5'	1
13	9002000142*	Trash Can -4 Gallon	2
14	9890000002*	Air Tank -5 Gallon	1
15	9002000143*	Flare -30 Minute	6
16	9900000010*	Bolt Cutters -24"	1
17	9002000144*	Triangle Flare Kit	1
18	9002000145*	First Aid Kit -25 Person	1
19	9900000008*	Snatch Block w/ Hook	1

\* also available in Towing Safety Tools Kit, P/N 3577000120

# TOWING SAFETY TOOLS

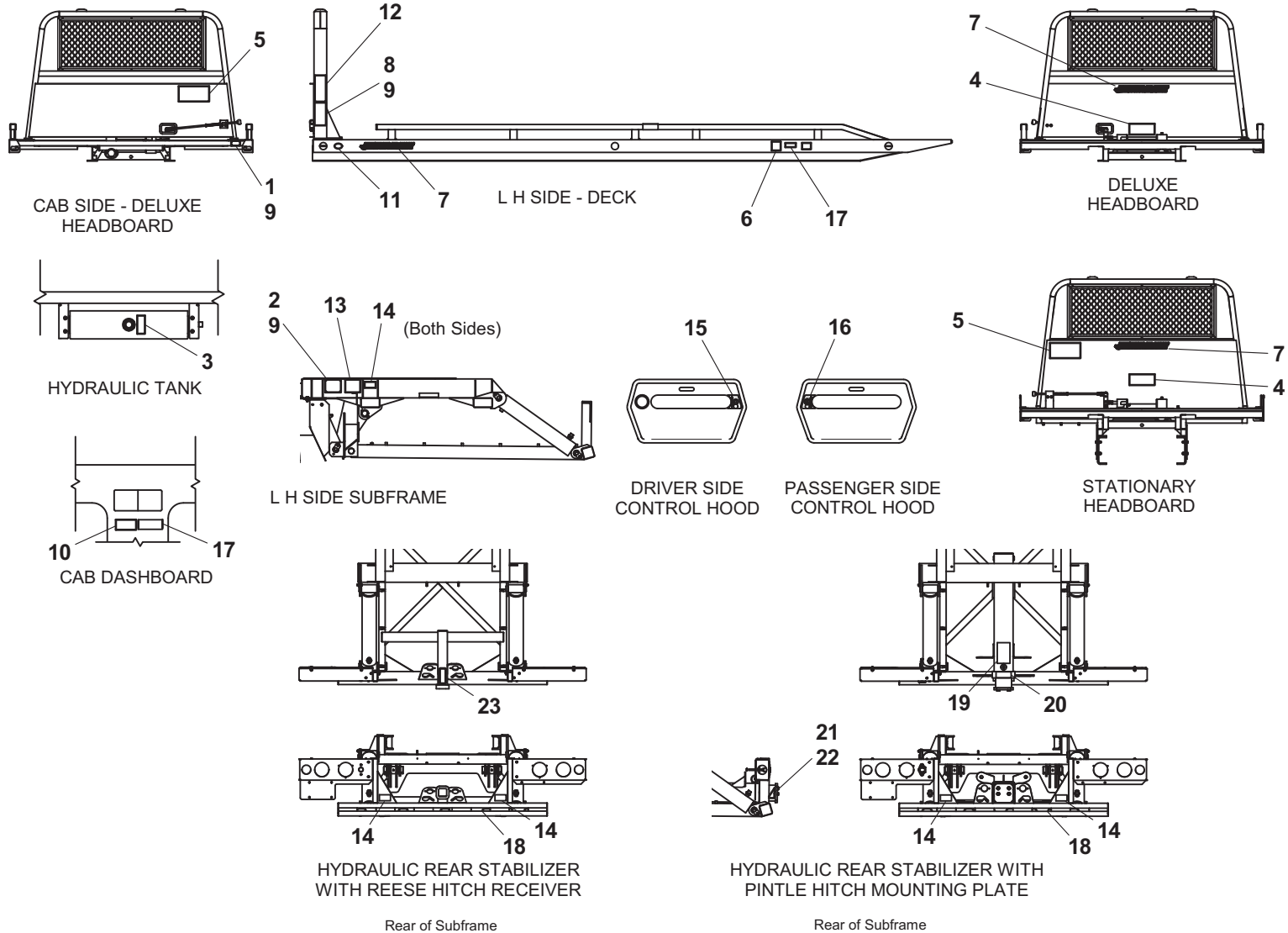


**DECALS**

ITEM	PART NO.	DESCRIPTION	QTY
1	1001127221	Serial Number Tag	1
2	1001132766	Subframe / Patent Tag	1
3	7330000272	Decal - Oil Level	1
4	7330000012	Decal - Winch	1
5	1001127494	Decal - Lubrication	1
6	7330000045	Decal - Align Arrow, White	2
7	7330000408	Jerr-Dan Nameplate	3
8	1001132765	Structural Rating Placard	1
9	7759000004	Pop Rivet	12
10	7330000139	Decal - Checklist Reminder	1
11	7330000143	Decal - Made In The USA	1
12	7330000275	Decal - Operator's Pre-Checklist	1
13	7330000502	Decal - Slide Pad / Pivot Joint	1
14	7330000599	Decal - Pinch Point	4
15	7330000675	Decal - Air Free Spool Control, LH	1
16	7330000676	Decal - Air Free Spool Control, RH	1
17	7330000176	Decal - Air Suspension	1
18	1001127733	Decal - Conspicuity	1
19	7330000684	Decal - Safety	1
20	7330000391	Decal - Tow Boom Configuration	1
21	7330000645	Decal - Red Reflective, LH	1
22	7330000646	Decal - Red Reflective, RH	1
23	7330000274	Decal - Overloading Tow Option	1



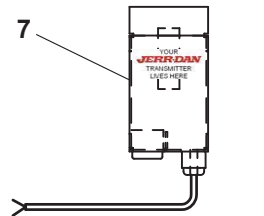
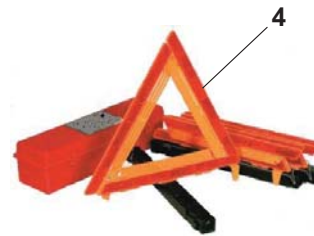
# DECALS



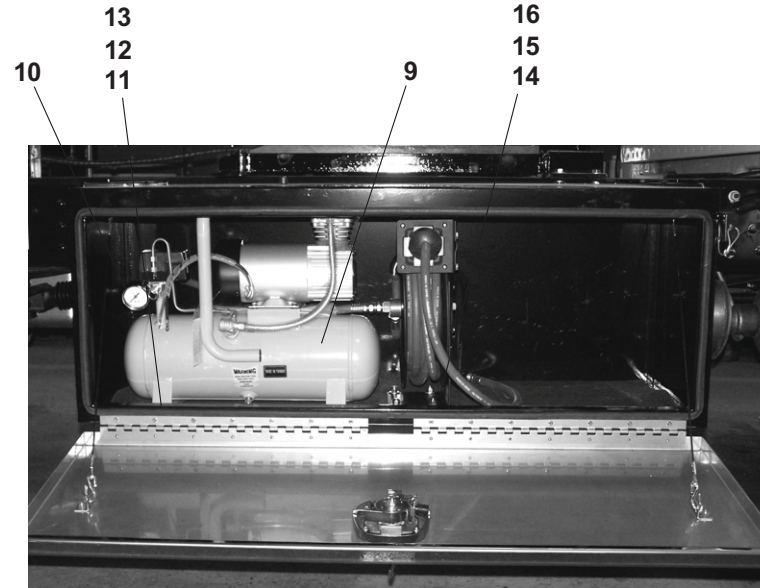
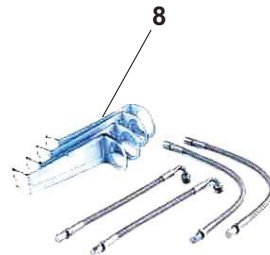
**ACCESSORY EQUIPMENT**

ITEM	PART NO.	DESCRIPTION	QTY
1	7002000449	Magnetic Tow Lights	1
2	7002000404	Fire Extinguisher	1
3	7002000448	Wheel Chock	1
4	7002000285	Reflective Triangles	1
5	7002000451	Load Binder - 0.38" Chain	1
6	7002000450	Load Binder - 0.50" Chain	1
7	7002000521	Remote Control Transmitter Holder	1
8	7002000447	Valve Stem Extension Kit	1
9	7002000503	Air Compressor with Hose Reel	1
10	7443000111	Elbow	1
11	7115161050	Capscrew, 0.38"-16NC x 1.25"	4
12	7950150161	Flatwasher, 0.31" ID	4
13	7660162601	Locknut, 0.38"-16NC	4
14	7115181050	Capscrew, 0.50"-13NC x 1.25"	4
15	7950180153	Flatwasher, 0.50" ID	8
16	7660182601	Locknut, 0.50"-13NC	4
17	7894000073	8 Point Vehicle Tire Strap Tie-Down Kit	1

# ACCESSORY EQUIPMENT

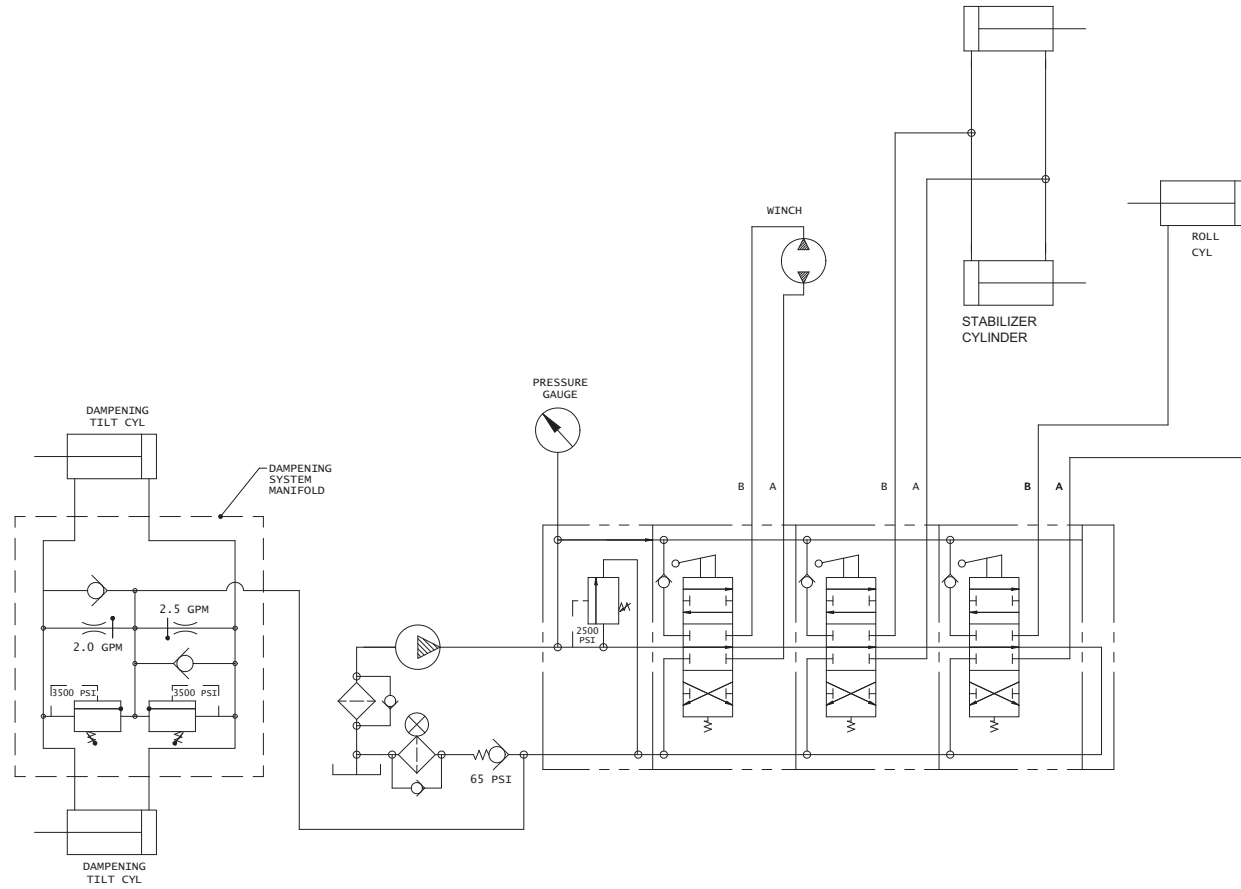


LOCATED INSIDE CAB



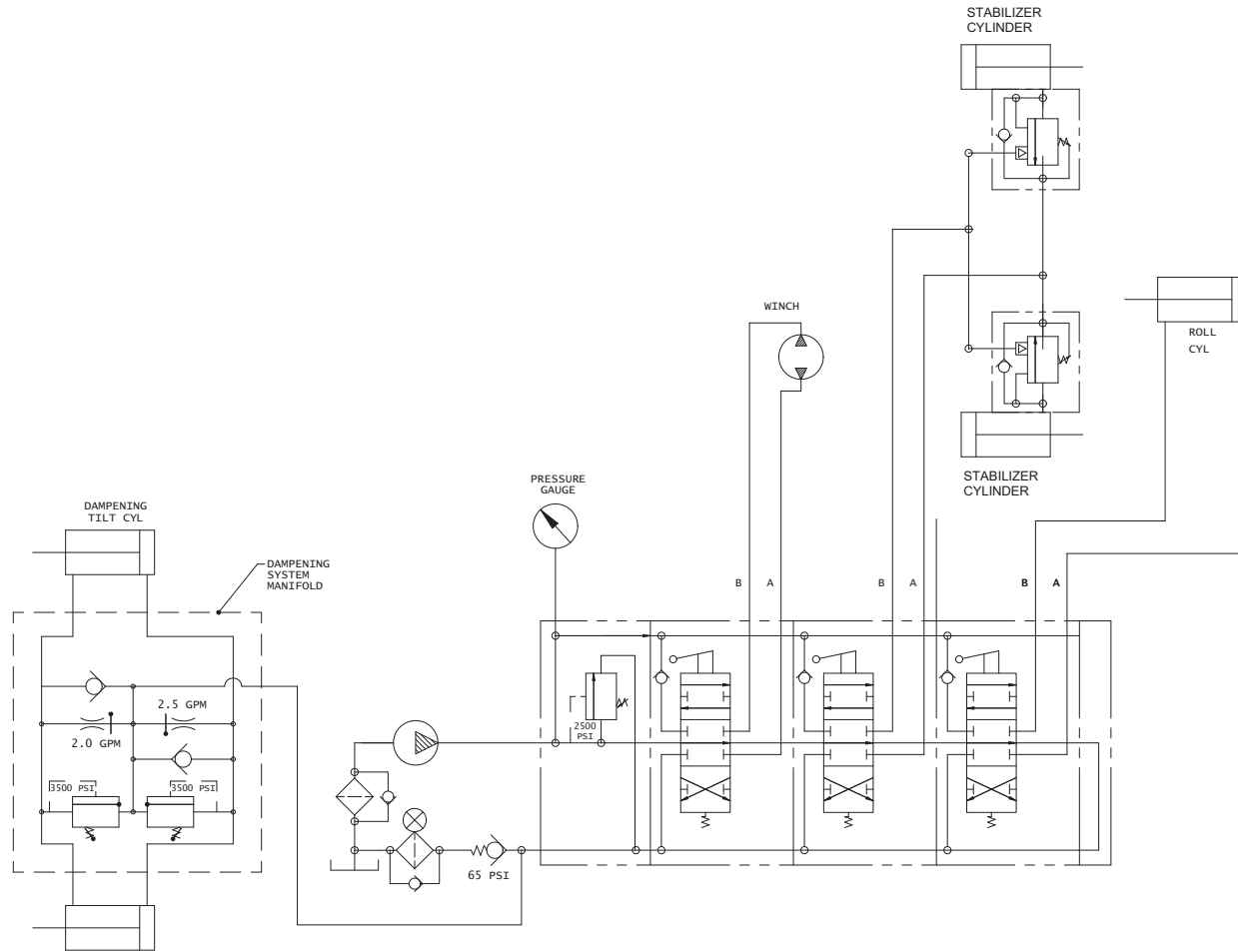
SHOWN MOUNTED INSIDE 48" TOOLBOX

# HYDRAULIC SCHEMATIC



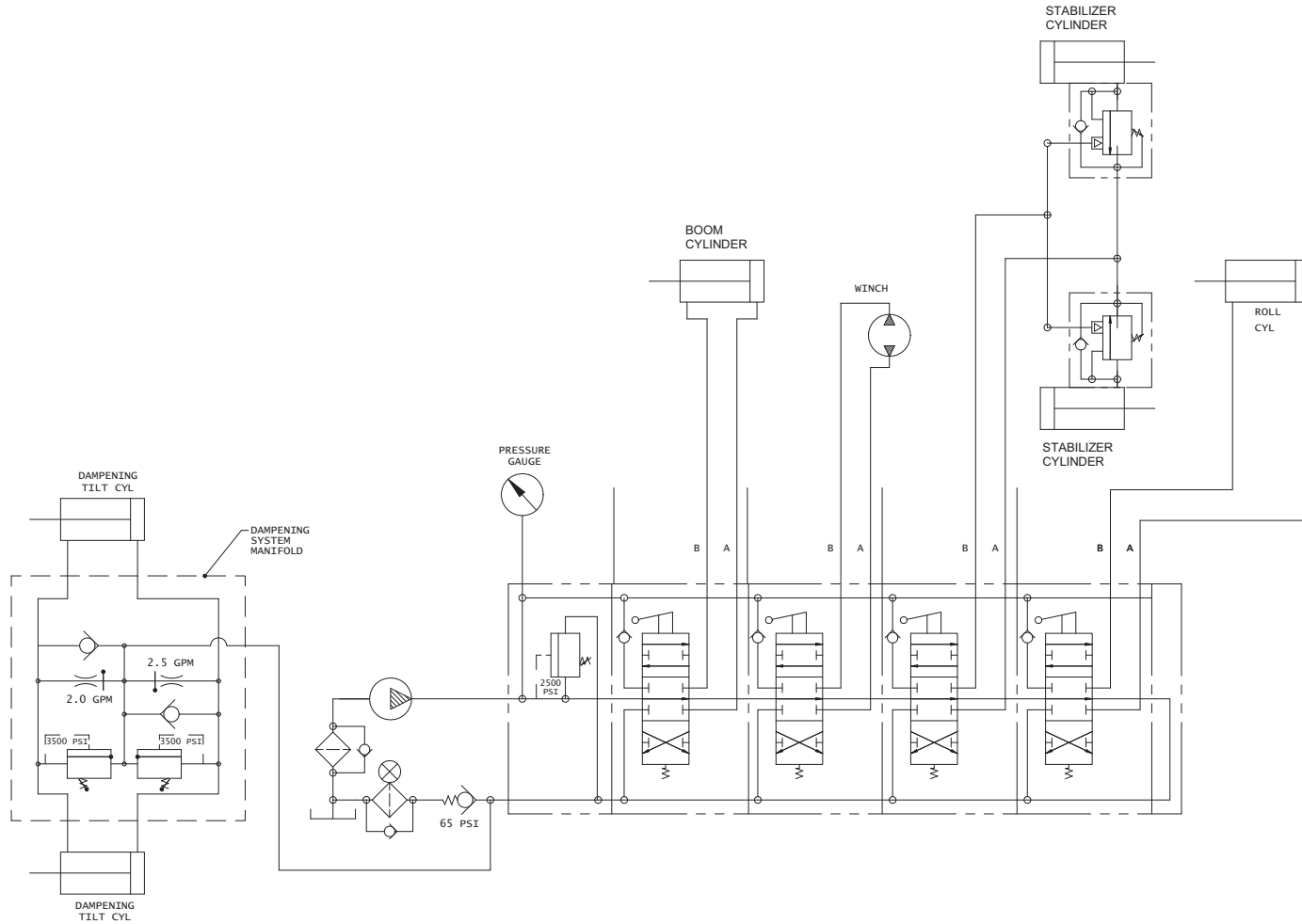
3 Bank Control Valve - No Tow Option

# HYDRAULIC SCHEMATIC



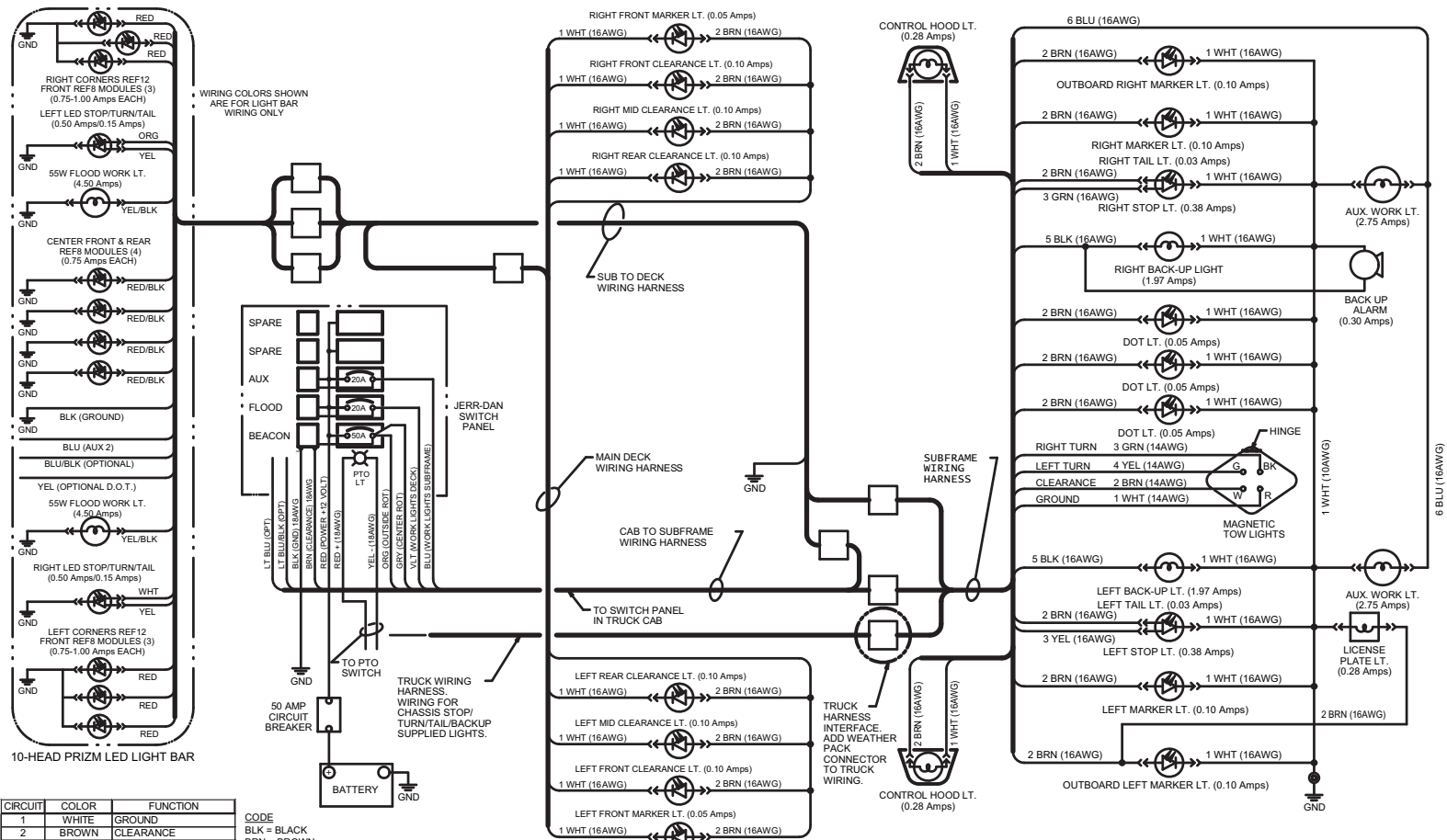
3 Bank Control Valve - Manual Tow Option

# HYDRAULIC SCHEMATIC



4 Bank Control Valve - Hydraulic Tow Option

# ELECTRICAL SCHEMATIC



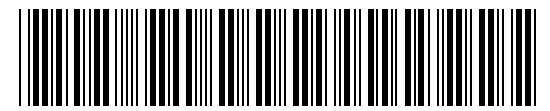
CIRCUIT	COLOR	FUNCTION
1	WHITE	GROUND
2	BROWN	CLEARANCE
3	GREEN	RH STOP/TURN
4	YELLOW	LH STOP/TURN
5	BLACK	BACK-UP
6	BLUE	WORK LIGHTS (SUBFR)
7	VIOLET	WORK LIGHTS (LT-BAR)
8	GRAY	BEACON (ROTATORS)
9	ORANGE	AUX 1 (FLASHER)
10	LT BLUE/BLACK	OPTION
11	LT BLUE	AUX 2

CODE  
 BLK = BLACK  
 BRN = BROWN  
 BLU = BLUE  
 GRN = GREEN  
 RED = RED  
 YEL = YELLOW  
 LT = LIGHT  
 ORG = ORANGE  
 VLT = VIOLET  
 WHT = WHITE

**THIS PAGE INTENTIONALLY LEFT BLANK**







5376000144-0