

**HDR 1000
HEAVY DUTY ROTATOR
TWIN STEER JFB BODY
PARTS MANUAL**

JERR-DAN[®]

An Oshkosh Corporation Company

13224 Fountainhead Plaza
Hagerstown, MD 21742
Phone (717) 597-7111
www.jerr-dan.com

5-376-000170
Rev 0 - March 1, 2015

© 2015 Jerr-Dan Corporation. All Rights Reserved

This manual covers the following Jerr-Dan Models:

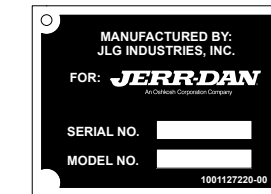
HDR1000 50 Ton Rotator

Jerr-Dan Corporation strives to provide information that is accurate, complete and useful. Descriptions and illustrative material contained within this manual are as accurate as known at the time of publication and are subject to change, without notice, as a result of continuous product improvements. Jerr-Dan reserves the right to amend the information in this document at any time without prior notice.

Information contained in this manual reflects how this vehicle was built at the factory. Modifications or additions by the distributor or owner are not reflected in this manual.

This parts manual does not include service parts information for the commercial chassis (IHC, Ford, GM, etc.). That information is provided by the chassis manufacturer.

When ordering parts, please refer to your unit's Serial Number and Model Number. This information is be found on the aluminum tag riveted to the inside of the driver's side rear compartment of the main body.



Additional or replacement manuals can be ordered by calling Jerr-Dan Parts at 717-597-7111. Price and availability will be quoted at time of the request.

Please report comments and/or errors by contacting Jerr-Dan Corporation's Technical Publications Department by e-mail at technicalpublications@jerr-dan.com or by FAX on 717-485-7162.

Manufactured under one or more of the following patents: 5,575,606; 5,672,042; 5,697,741; 5,713,714; 5,722,810; 5,782,596; 5,839,775 and 6,315,515 B1 with other Patents Pending.

Jerr-Dan and the Jerr-Dan logo are registered trademarks and Run Hard is a service mark of Jerr-Dan Corporation, Hagerstown, MD USA.

The material in this document is confidential and the property of Jerr-Dan Corporation. No part of this document may be photocopied, Reproduced or translated to another language without the express written consent of Jerr-Dan Corporation.

THIS PAGE INTENTIONALLY LEFT BLANK

TABLE OF CONTENTS

Subframe Installation.....	8	Auxiliary Winch Installation.....	94
Hydraulic Tube Installation - 9 Section.....	10	Auxiliary Winch Cable Tie-Back Installation.....	96
Hydraulic Tube Installation - 11 Section.....	14	DP Winch 20K - Moter End Installation.....	98
Hydraulic Tank Installation.....	18	DP Winch 20K - Drum Installation.....	100
Hydraulic Tank Assembly - 1001127996.....	20	DP Winch 20K - Gear End Installation.....	102
Oil Tank Cooler - 1001151763.....	22	DP Winch 20K - Input Shaft Istallation.....	104
S100 Outrigger/Stabilizer Installation - 1001129409 - Standard.....	24	DP Winch 20K - Base Mount Installation.....	106
S130 Outrigger/Stabilizer Installation - 1001179155 - Extended.....	26	DP Winch 20K - Gear End Cover Installation.....	108
Outrigger/Stabilizer Lift Cylinder - 1001127311.....	28	Underlift Boom Installation - 30,000/35,000 LB.....	110
Outrigger/Stabilizer Assembly - Standard.....	30	Underlift Lift Cylinder Assembly - 7320000040.....	112
Outrigger/Stabilizer Assembly - Extended.....	32	Underlift Boom Installation - 53,000/56,500 LB.....	114
Outrigger/Stabilizer Extension Cylinder - 1001127312.....	34	Underlift Lift Cylinder Assembly - 7320000063.....	116
Outrigger/Stabilizer Extension Cylinder - 1001179132.....	36	Underlift Installation - 30,000/35,000 LB.....	118
Rear Spade Installation.....	38	Underlift Tilt Cylinder Assembly - 7320000039.....	120
Spade Cylinder Assembly - 7320000006.....	40	Underlift Assembly - 3170000433 - 30,000 LB.....	122
Tail Board D-Ring Installation.....	42	Underlift Extension Cylinder Assembly - 7320000076.....	124
Slew Bearing Installation.....	44	Underlift Assembly - 3170000220 - 35,000 LB.....	126
Slew Drive Installation.....	46	Underlift Extension Cylinder Assembly - 7320000042.....	128
Swivel Installation.....	48	Underlift Installation - 53,000/56,500 LB.....	130
Swivel Assembly, Hydraulic/Electric - 1001129628.....	50	Underlift Tilt Cylinder Assembly - 7320000096.....	132
TurnTable Installation.....	52	Underlift Assembly - 3507100001 - 53,000 LB.....	134
House Lock Installation.....	54	Underlift Extension Cylinder Assembly - 7320000026.....	136
Wrecker Boom Installation - 3 Piece.....	60	Underlift Assembly - 3170000407 - 56,500 LB.....	138
Wrecker Boom Installation - 3 Piece W/ Auxiliary Winches.....	62	Underlift Extension Cylinder Assembly - 7320000068.....	140
Wrecker Boom Lift Cylinder - 1001127313.....	64	Drag Winch Installation.....	142
Wrecker Boom Assembly - 1001128463.....	66	DP Winch 35K - Cable Winch Drum Installation.....	144
Wrecker Boom Assembly - 1001158540 - w/Auxiliary Winch.....	68	DP Winch 35K - Gear End Installation.....	146
Extension Cylinder Assembly - 7320000085.....	70	DP Winch 35K - Input Shaft Installation.....	148
Winch Installation - 2 Speed 50K Ramsey.....	72	DP Winch 35K - Base Mount Installation.....	150
Ramsey 50K Winch - 1001128323 & 1001129495.....	74	DP Winch 35K - Gear End Cover Installation.....	152
Ramsey Winch Cable Tensioner Assembly - 70050360.....	76	DP Winch - Motor End Installation.....	154
Winch Installation - 2 Speed 50K Dp.....	78	DP Winch - Cable Hold Down Kit.....	156
DP Winch 50K - Motor End Installation.....	80	Trailer Auxiliary Installation.....	158
DP Winch 50K - Drum Installation.....	82	Underlift Tools - Frame Forks.....	160
DP Winch 50K - Gear End Installation.....	84	Underlift Tools - 14,000 LB Tire Lift.....	162
DP Winch 50K - Input Shaft.....	86	Underlift Tools - 25,000 LB Tire Lift.....	164
DP Winch 50K - Base Mount Installation.....	88	Underlift Tools - Fifth Wheel Attachment.....	166
DP Winch 50K - Gear End Cover Installation.....	90	Underlift Tools - Pintle Hook.....	168
DP Winch 50K - Cable Hold Down Kit.....	92	Crosstube Installation.....	170

TABLE OF CONTENTS

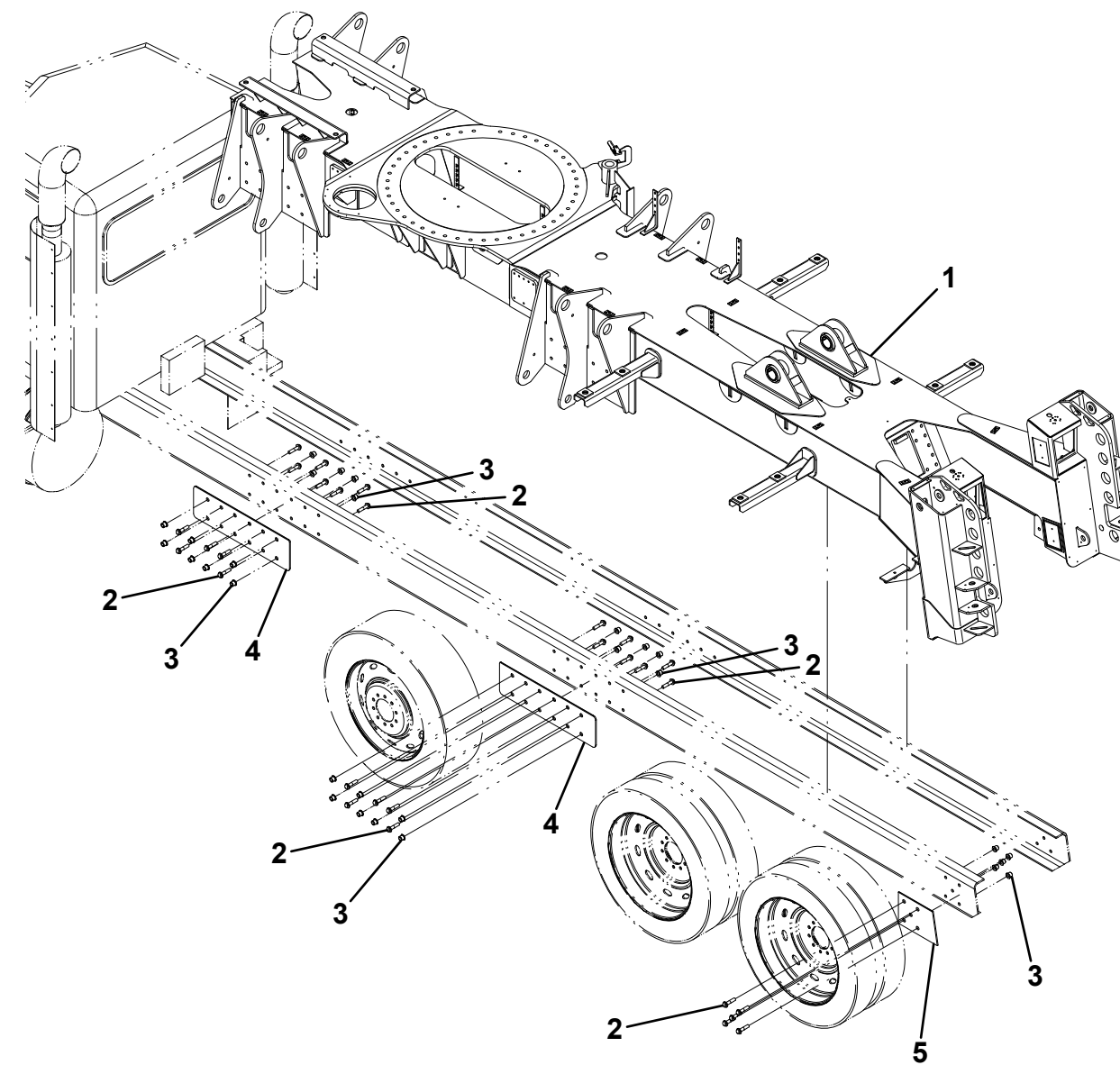
JFB Body Installation.....	172	Control Valve - 9 Section - 1001131131.....	280
Diamond Plate Installation.....	176	Valve Assembly, 11 Section - 1001166966.....	284
Fender Flare and Liner Installation.....	178	Valve Assembly, 11 Section - 1001127327.....	286
Grab Handle and Step Installation.....	180	Control Valve - 11 Section - 1001157093.....	288
Compartment Light Installation.....	182	Outrigger Controls Installation.....	292
Body Light Installation.....	184	CS24 Series PTO Installation.....	296
Pin Storage Installation.....	186	82 Series PTO Installation.....	298
JFB Body Door Installation.....	188	Wireless Remote Installation.....	300
Shackle Storage Rack Installation.....	190	Air Installation.....	302
Snatch Block Storage Rack Installation.....	192	Air Valve - 1001129800.....	306
Tool Storage Installation.....	194	M-Plex Electrical Installation.....	308
Chain Binder Storage Installation.....	196	Emergency Stop Installation.....	312
Tire Lift Storage Installation.....	198	Headboard Assembly - 1001150180.....	314
Traffic Cone Storage Installation.....	200	Headboard Installation - 1001150422.....	316
Ladder Storage Installation.....	202	Wing Light Installation - 1001129862.....	318
Mid Body Shelving Installation.....	204	Lightbar 72" LED - WHELEN.....	320
Stay Dry Storage Installation.....	206	Upper Hook-Up Lights Installation.....	322
Tow Light Storage Installation.....	208	Lower Hook-Up Lights Installation.....	324
Bottle Jack Storage Installation.....	210	Upper Work Lights Installation.....	326
Toolbox Installation.....	212	Wrecker Boom Lights Installation.....	328
Wheel Chock Storage Installation.....	214	Outrigger Light Installation.....	330
Flashlight Mount Installation.....	216	Underlift Light Installation.....	332
Fifth Wheel Storage Installation.....	218	Decal Installation.....	334
Spreader Bar Rack Installation.....	220	Hydraulic Schematic.....	340
Frame Fork Storage Installation.....	222	Air Schematic.....	345
Fork Riser Storage Installation.....	224	Part Number Index.....	346
Slide Out Tool Storage Drawer Installation.....	226		
Battery Installation.....	228		
Mudflap Installation.....	230		
Spreader Bar Kit - 1001175920.....	232		
Spreader Bar Accessory Package - 1001174493.....	234		
RISC Accessory Package - 1001174485.....	236		
Rugged Accessory Package - 1001174490.....	242		
Body Lighting & Wiring Installation.....	244		
Back-Up Alarm Installation.....	254		
Hydraulic Installation.....	256		
Controls Installation - 9 Section & 11 Section.....	270		
Valve Assembly, 9 Section - 1001171113.....	276		
Valve Assembly, 9 Section - 1001127671.....	278		

THIS PAGE INTENTIONALLY LEFT BLANK

SUBFRAME INSTALLATION

ITEM	PART NO.	DESCRIPTION	QTY
1	1001135645	Frame Weldment	1
2	7120000062	Huck Bolt, 0.75" Dia x 1.50-2.00"	58
3	7293000006	Huck Collar, 0.75	58
4	1001129777*	Shim	4
5	1001129778*	Shim	2

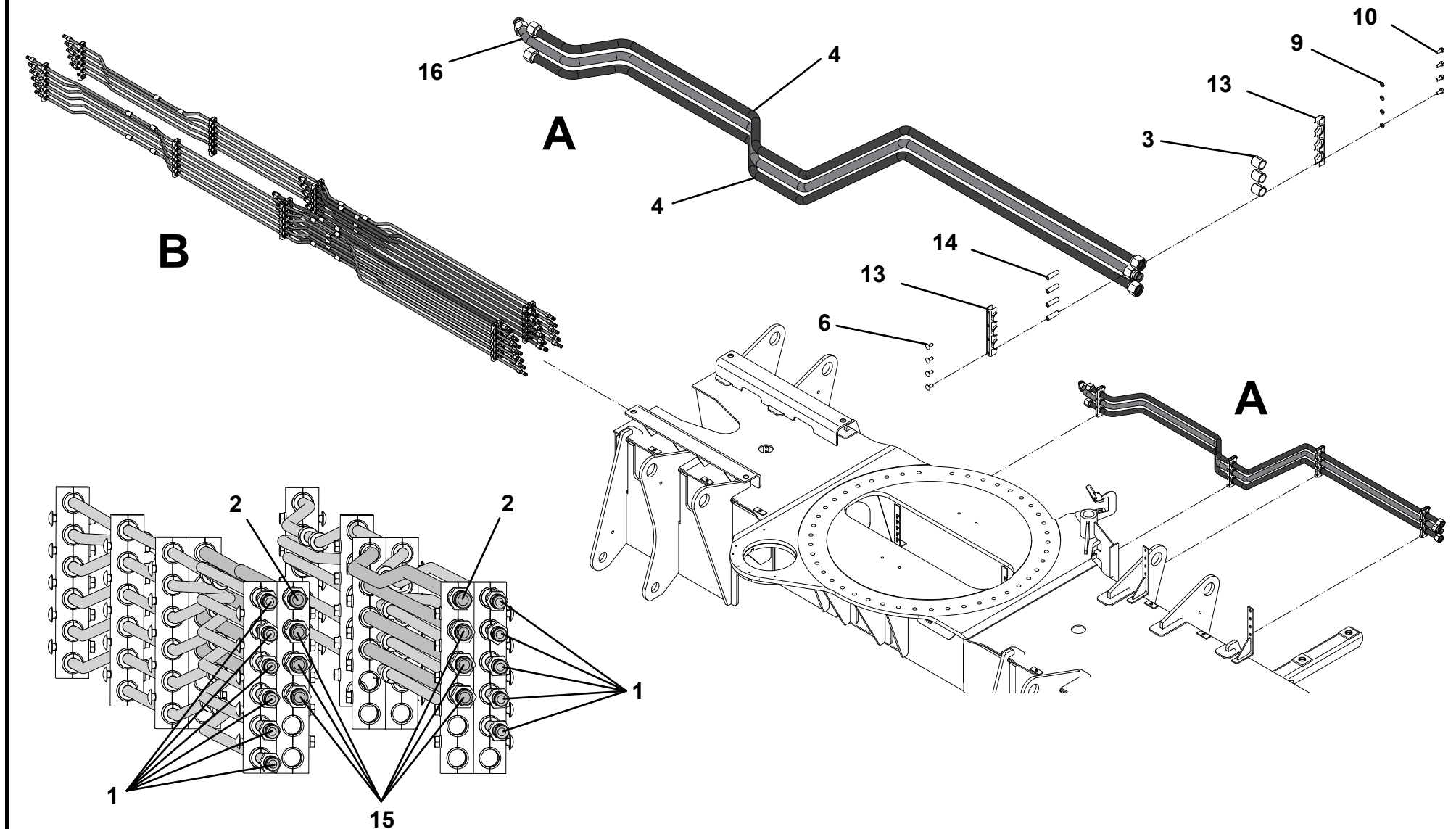
* Also Available In Shim Kit - 1001129786

SUBFRAME INSTALLATION

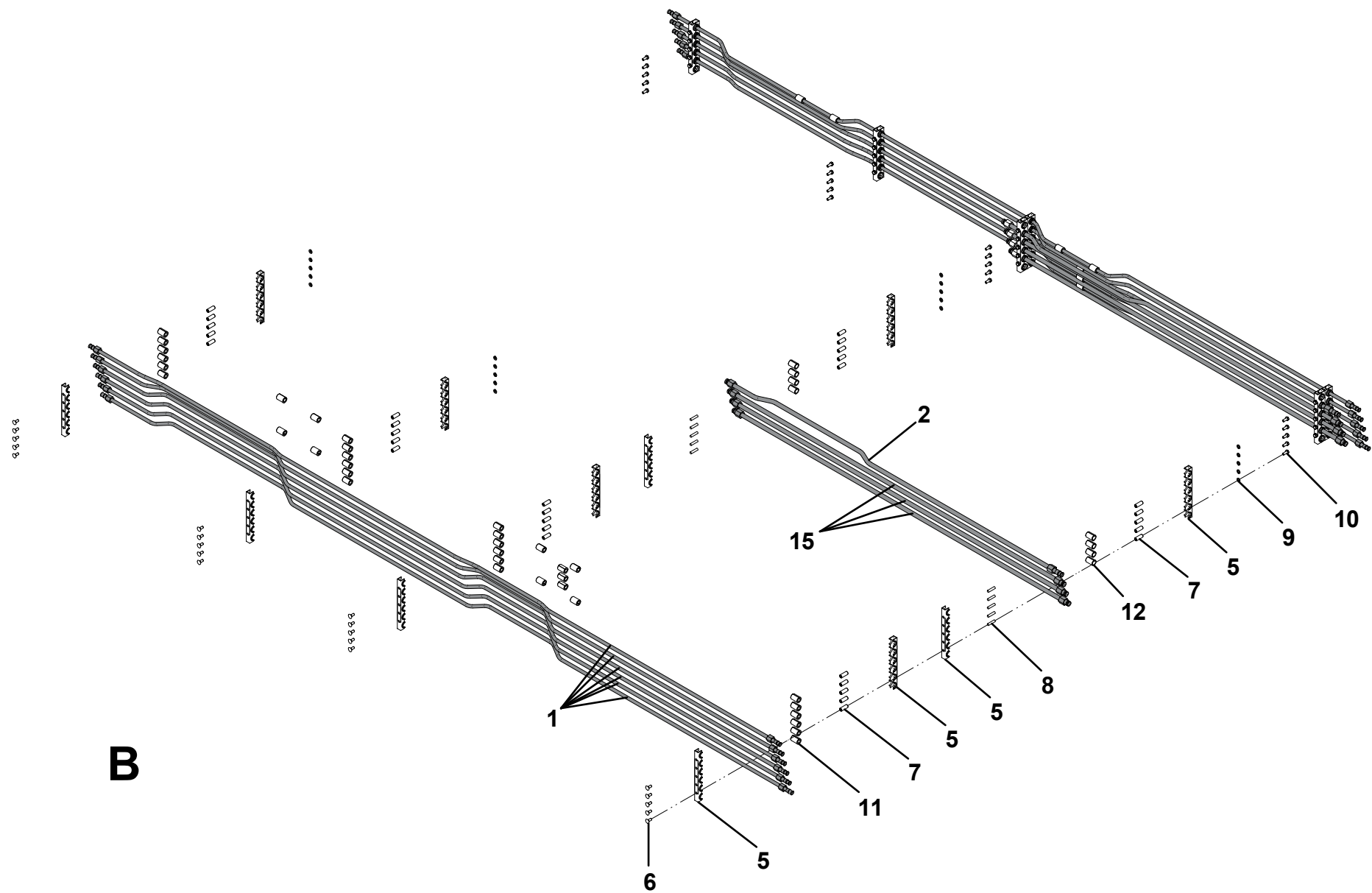
HYDRAULIC TUBE INSTALLATION - 9 SECTION

ITEM	PART NO.	DESCRIPTION	QTY
1	1001134739	Pipe, Tube Assembly	11
2	1001134740	Pipe, Tube Assembly	2
3	7209000033	Bushing	12
4	1001130395	Pipe, Tube Assembly	2
5	7274000030	Clamp Assembly	12
6	7115150664	Bolt, 0.31"-18NC x 0.75"	52
7	7661000022	Stacking Nut	60
8	7007000036	Thread Adapter	20
9	7950150000	Lockwasher, 0.31" ID	56
10	7115150650	Capscrew, 0.31"-18NC x 0.75"	56
11	7209000023	Bushing	62
12	7209000024	Bushing	16
13	7274000088	Clamp Assembly	4
14	7661000027	Stacking Nut	16
15	1001133571	Pipe, Tube Assembly	6
16	1001158142	Pipe, Tube Assembly	1

HYDRAULIC TUBE INSTALLATION - 9 SECTION



HYDRAULIC TUBE INSTALLATION - 9 SECTION

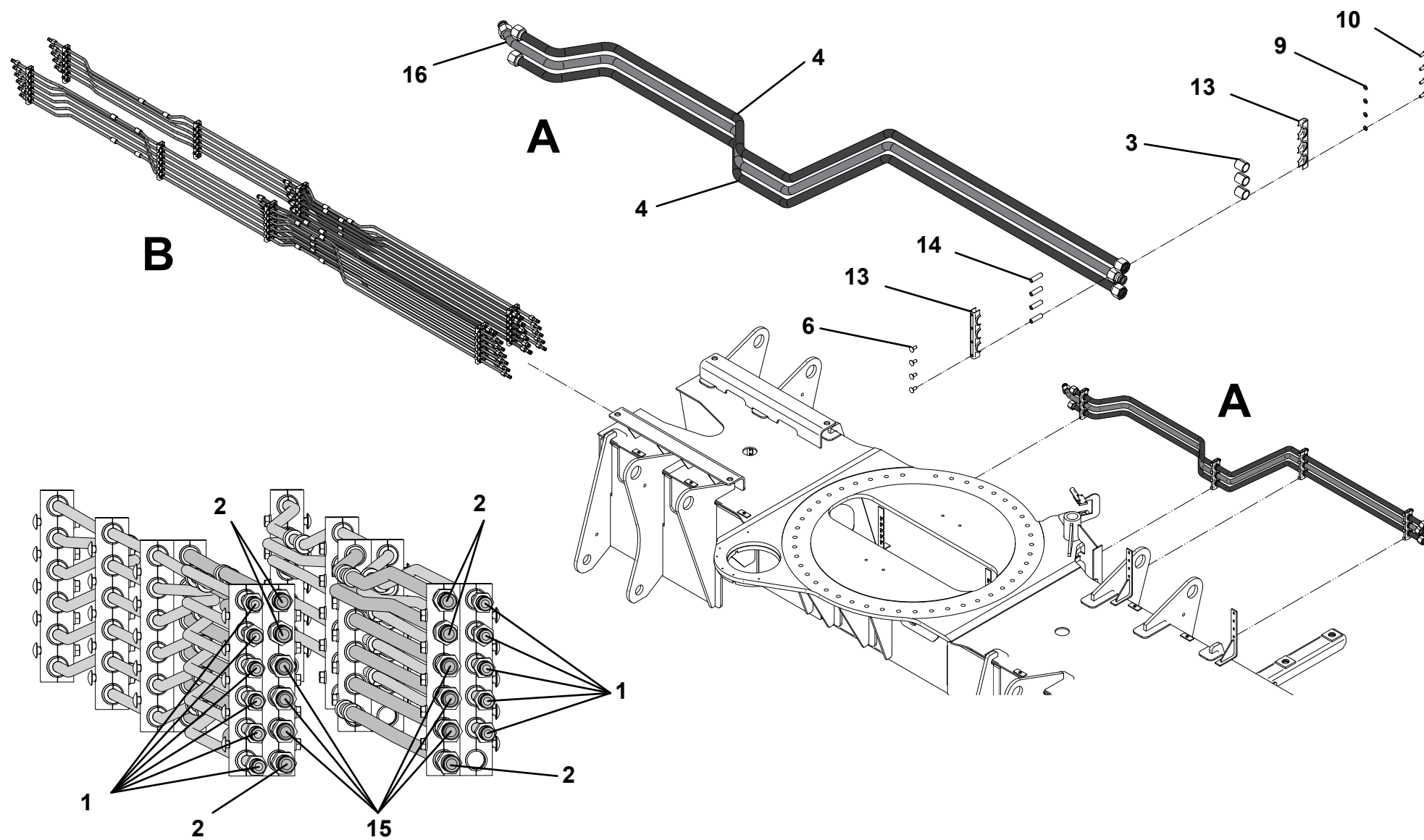


THIS PAGE INTENTIONALLY LEFT BLANK

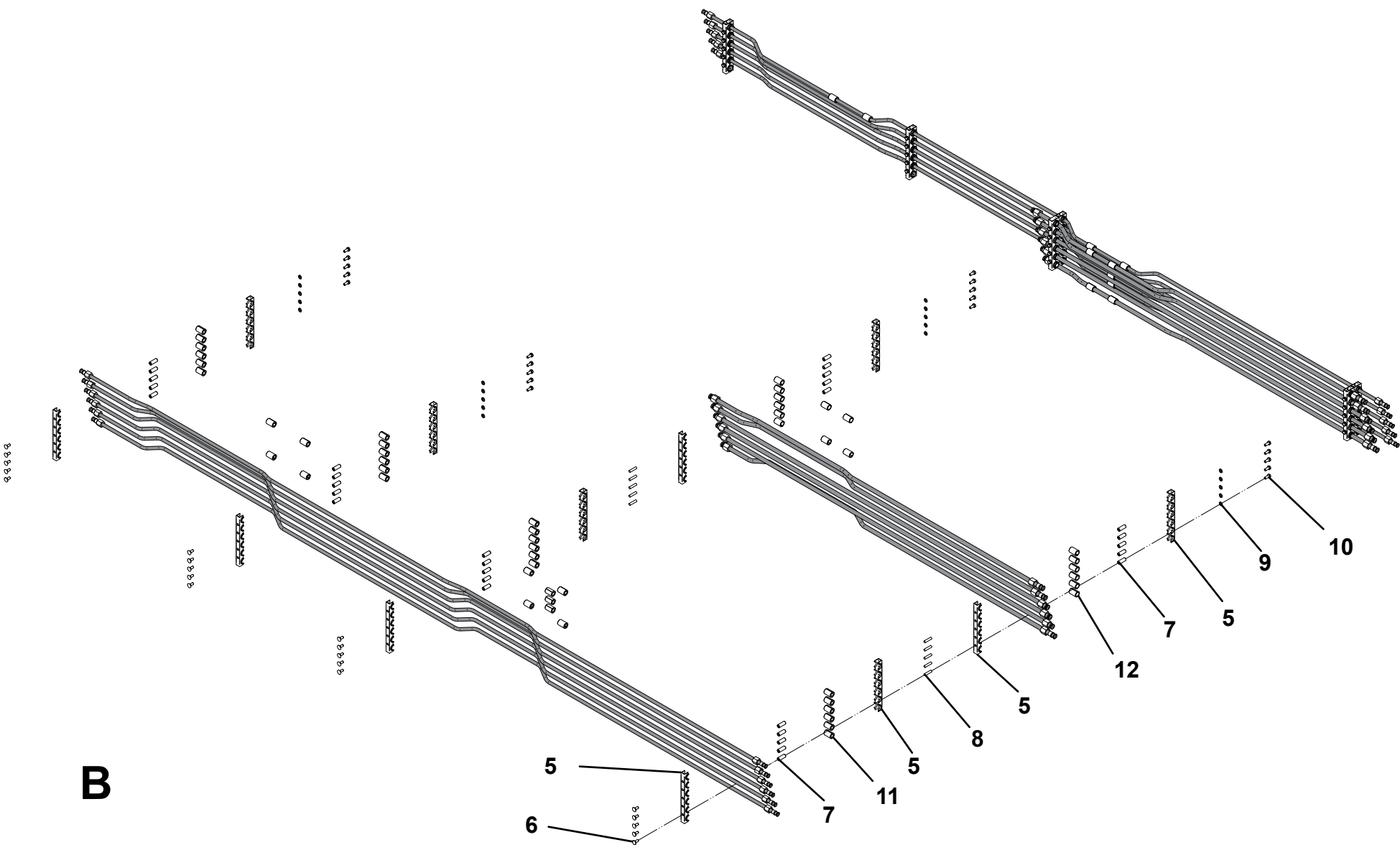
HYDRAULIC TUBE INSTALLATION - 11 SECTION

ITEM	PART NO.	DESCRIPTION	QTY
1	1001134739	Pipe, Tube Assembly	11
2	1001134740	Pipe, Tube Assembly	6
3	7209000033	Bushing	12
4	1001130395	Pipe, Tube Assembly	2
5	7274000030	Clamp Assembly	12
6	7115150664	Bolt, 0.31"-18NC x 0.75"	52
7	7661000022	Stacking Nut	60
8	7007000036	Thread Adapter	20
9	7950150000	Lockwasher, 0.31" ID	56
10	7115150650	Capscrew, 0.31"-18NC x 0.75"	56
11	7209000023	Bushing	62
12	7209000024	Bushing	32
13	7274000088	Clamp Assembly	4
14	7661000027	Stacking Nut	16
15	1001133571	Pipe, Tube Assembly	6
16	1001158142	Pipe, Tube Assembly	1

HYDRAULIC TUBE INSTALLATION - 11 SECTION



HYDRAULIC TUBE INSTALLATION - 11 SECTION

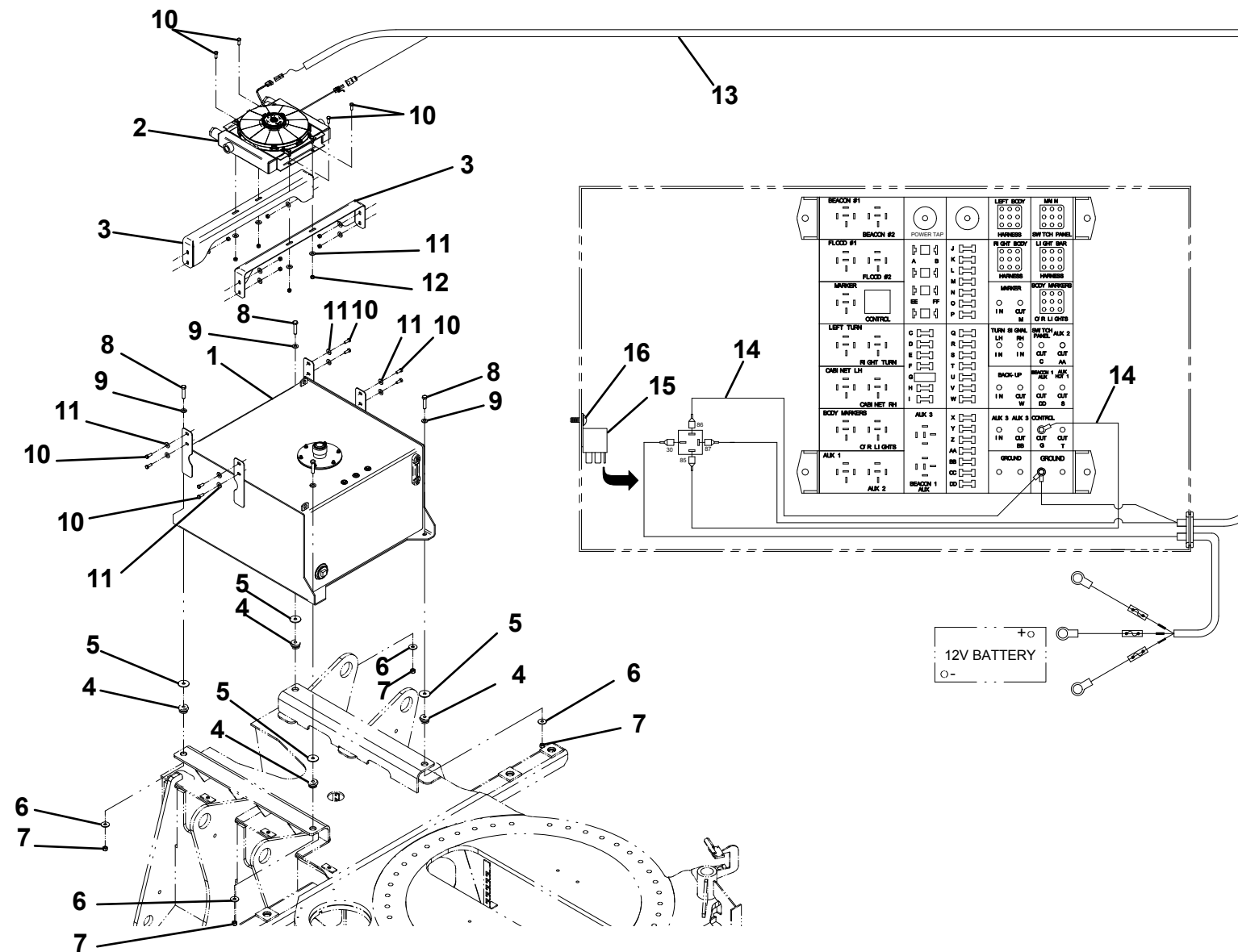


THIS PAGE INTENTIONALLY LEFT BLANK

HYDRAULIC TANK INSTALLATION

ITEM	PART NO.	DESCRIPTION	QTY
1	1001127996	Tank, Hydraulic	1
2	1001127315	Radiator, Remote Oil Cooler - NPT	1
	1001151763	Radiator, Remote Oil Cooler - O-Ring	
3	1001130437	Mount, Hydraulic Oil Cooler	2
4	7663000006	Mount, Center Bonded	4
5	7949000015	Washer, Head	4
6	7949000016	Washer, Tail	4
7	7660182601	Locknut, 0.50"-13NC	4
8	7115181850	Capscrew, 0.50"-13NC x 2.25"	4
9	7950180141	Flatwasher, 0.50" ID	4
10	7115160850	Capscrew, 0.38"-16NC x 1.00"	12
11	7950160161	Flatwasher, 0.38" ID	20
12	7660162601	Locknut, 0.38"-16NC	12
13	1001144068	Harness	1
14	1001144012	Harness	2
15	7740000003	Relay	1
16	7790100856	Screw, Self-Tapping, #10 x 0.50"	1

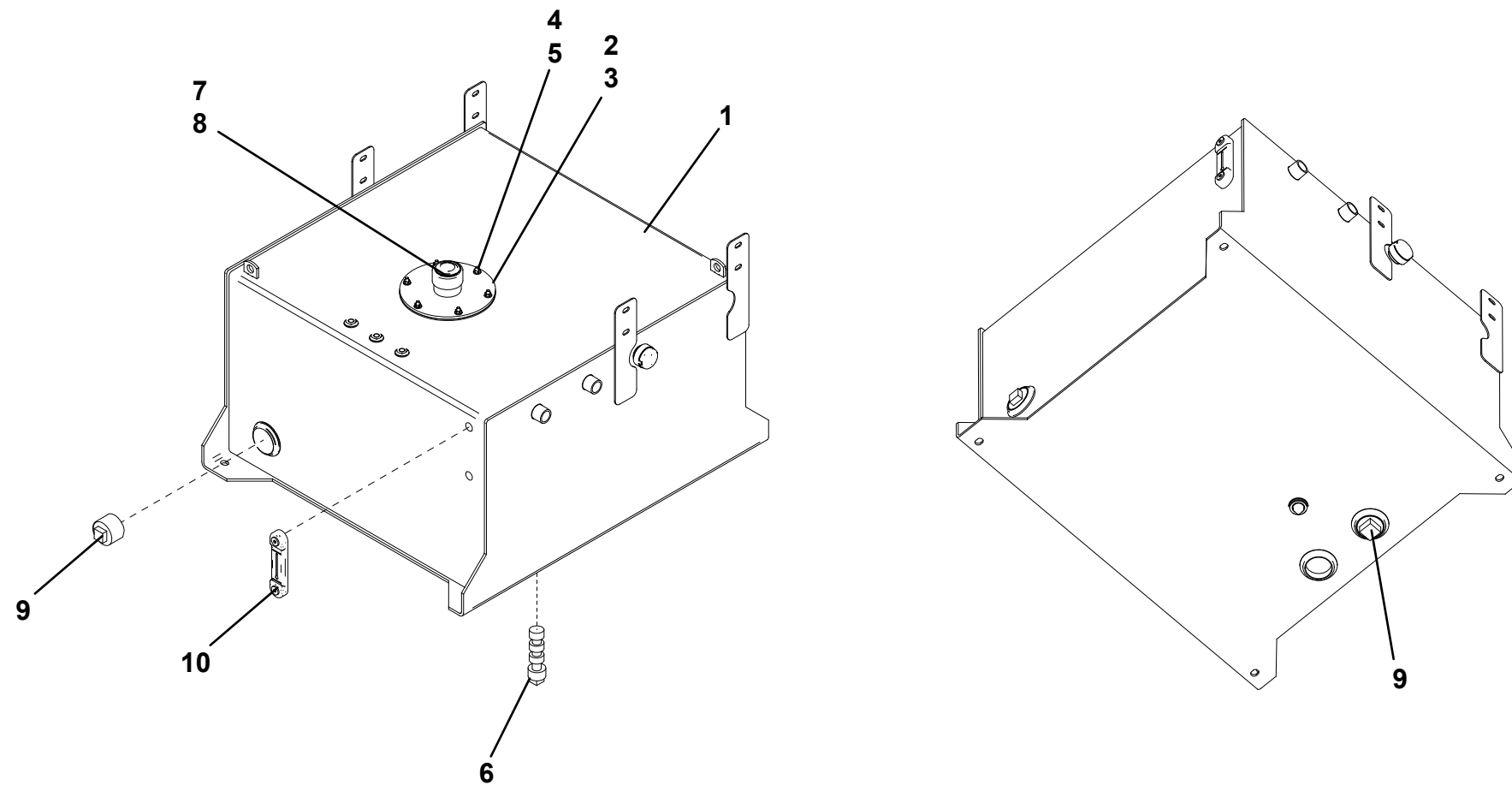
HYDRAULIC TANK INSTALLATION



HYDRAULIC TANK ASSEMBLY - 1001127996

ITEM	PART NO.	DESCRIPTION	QTY
1	70050386	Tank	1
2	70050387	Gasket	1
3	70050388	Cover Assembly	1
4	83304173	Washer, 0.25" ID	6
5	83304174	Nut, 0.25"	6
6	70050389	Magnetic Plug	1
7	7024445	Strainer	1
8	7024444	Vented Fill Cap	1
9	70050390	Plug	2
10	70050391	Sight Gauge	1

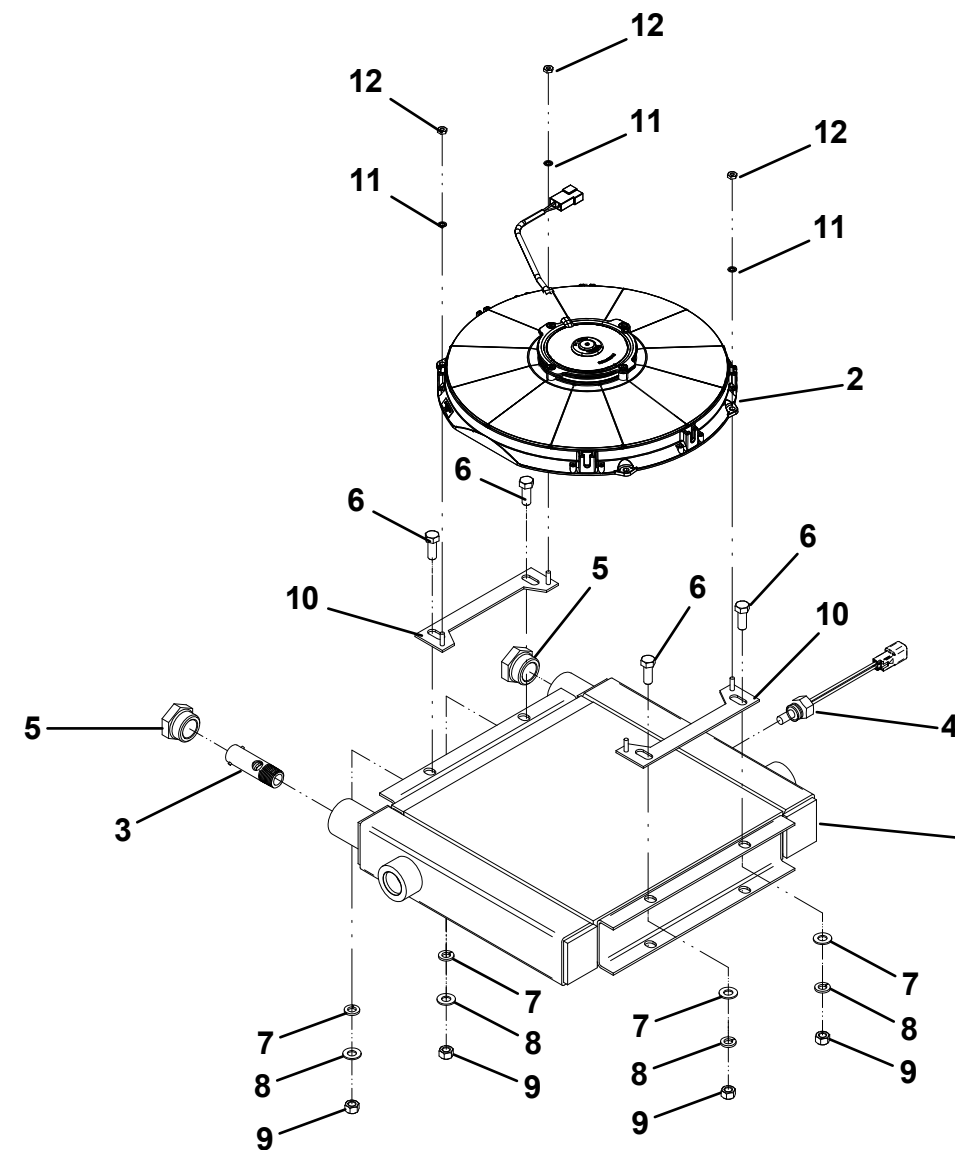
HYDRAULIC TANK ASSEMBLY - 1001127996



OIL TANK COOLER - 1001151763

ITEM	PART NO.	DESCRIPTION	QTY
1	70050273	Core, Cooler - NPT	1
	70050275	Core, Cooler - O-Ring	
2	70050276	Fan	1
3	70050277	Valve, Bypass Check	1
4	70050274	Switch, Temperature - NPT	1
	70050278	Switch, Temperature - O-Ring	
5	70050280	Plug	2
6	7115160850	Capscrew, 0.38"-16NC x 1.00"	4
7	7950160000	Lockwasher, 0.38" ID	4
8	7950160161	Flatwasher, 0.38" ID	4
9	7660160000	Nut, 0.38"-16NC	4
10	70050279	Bracket	2
11	70050281	Lockwasher, #10 ID	4
12	70050282	Locknut, #10	4

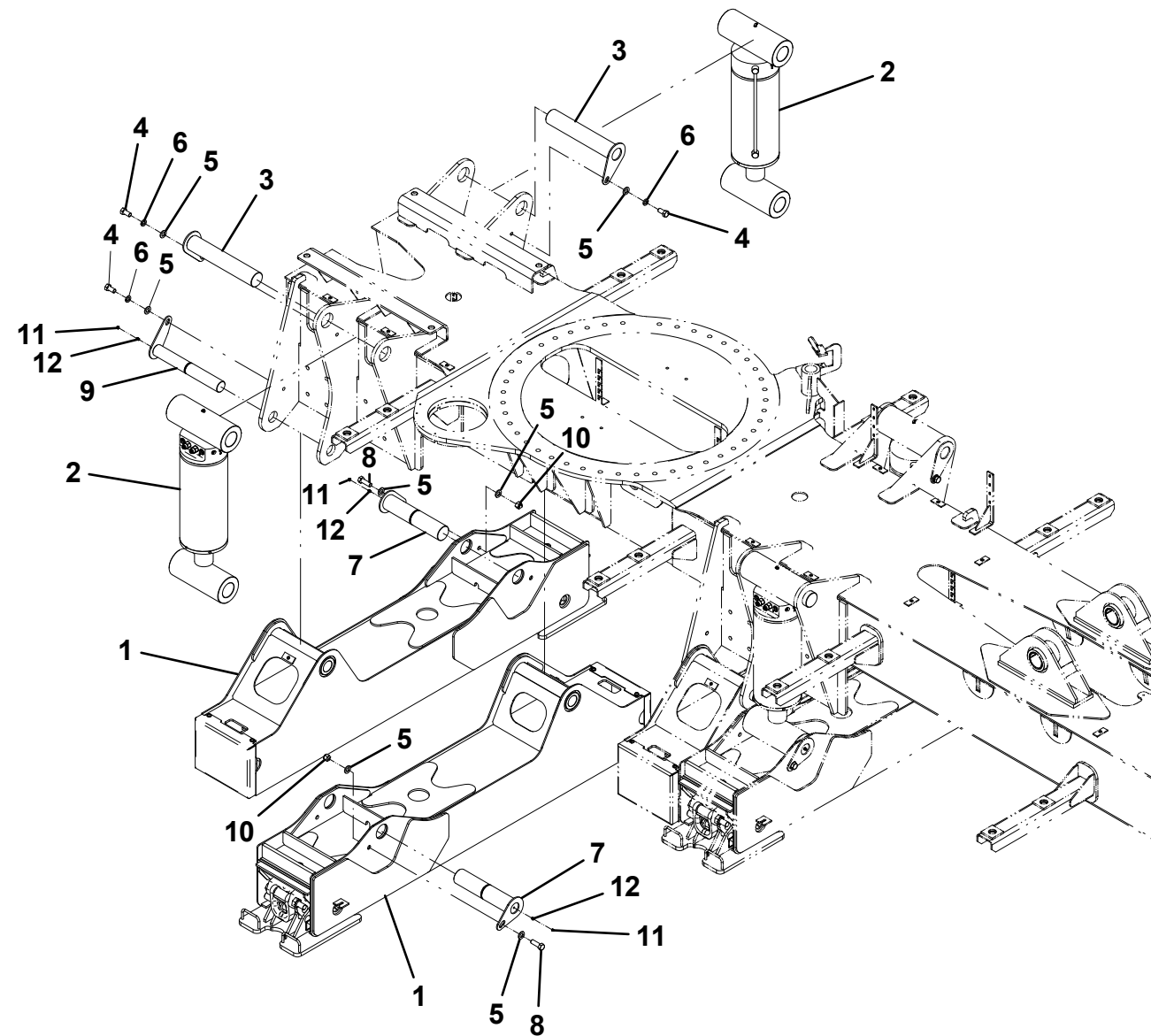
OIL TANK COOLER - 1001151763



S100 OUTRIGGER/STABILIZER INSTALLATION - 1001129409 - STANDARD

ITEM	PART NO.	DESCRIPTION	QTY
1	1001129405	Stabilizer Assembly	4
2	1001127311	Outrigger/Stabilizer Lift Cylinder Assembly	4
3	3691000227	Pin	4
4	0682212	Capscrew, 0.75"-10NC x 1.50"	8
5	7950220141	Flatwasher, 0.75" ID	16
6	7950220000	Lockwasher, 0.75" ID	8
7	1001129416	Pin	4
8	7118221850	Capscrew, 0.75"-10NC x 2.25"	4
9	3691000228	Pin	4
10	7660222601	Locknut, 0.75"-10NC	4
11	7253000002	Cap, Grease Fitting	8
12	7440000000	Grease Fitting	8

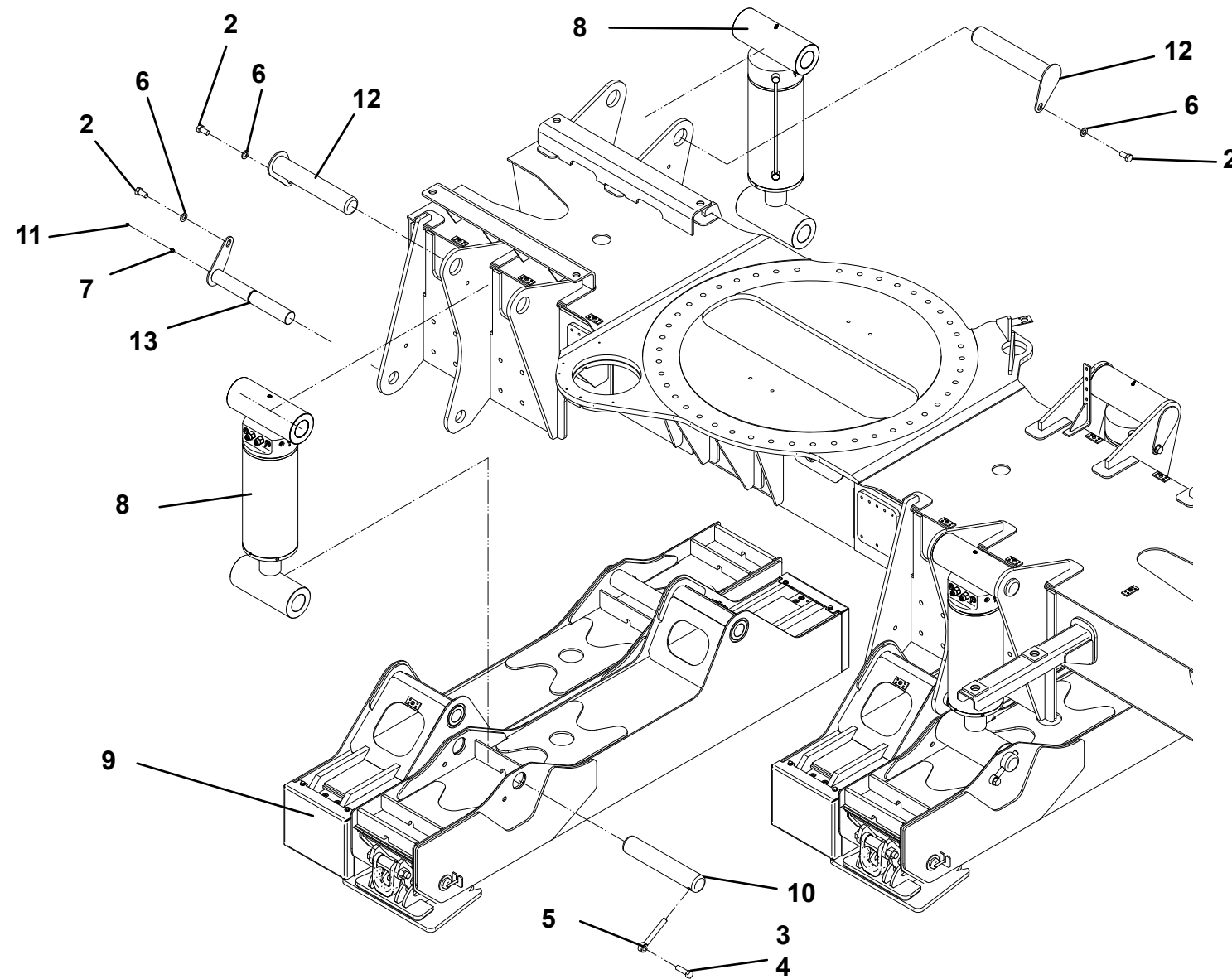
S100 OUTRIGGER/STABILIZER INSTALLATION - 1001129409 - STANDARD



S130 OUTRIGGER/STABILIZER INSTALLATION - 1001179155 - EXTENDED

ITEM	PART NO.	DESCRIPTION	QTY
1	100011	Loctite	A/R
2	682212	Bolt, 0.75"-10 x 1.50"	8
3	682220	Bolt, 0.75"-10 x 2.50"	4
4	3272201	Nut, 0.75"-10	4
5	3841287	Keeper Rod	4
6	4712200	Washer, 0.75" ID	8
7	88671001	Grease Fitting	4
8	1001127311	Cylinder	4
9	1001179131	Stabilizer - Extended	4
10	1001179153	Pin	4
11	7253000002	Grease Fitting Cap	4
12	3691000227	Pin	4
13	3691000228	Pin	4

S130 OUTRIGGER/STABILIZER INSTALLATION - 1001179155 - EXTENDED

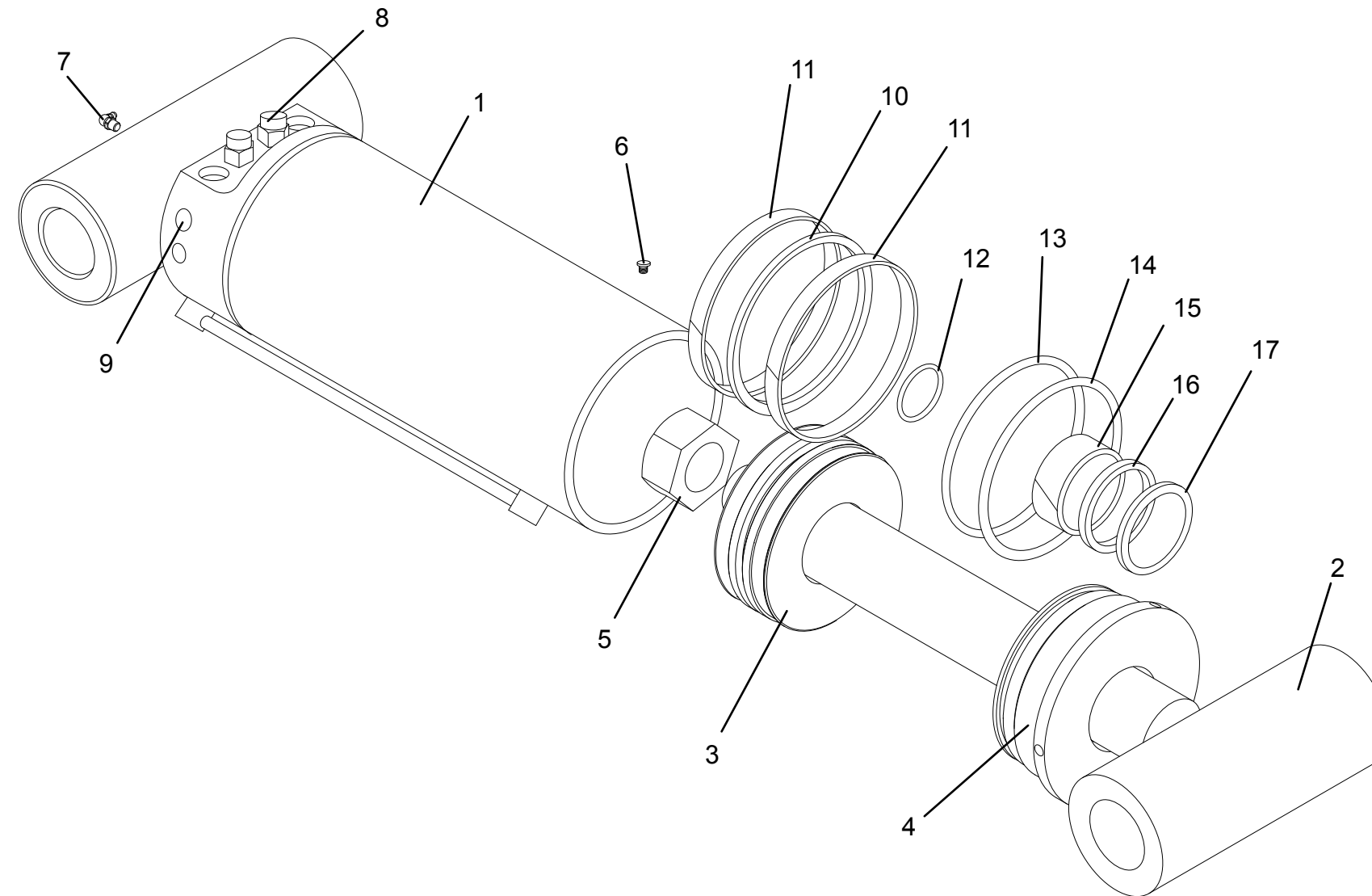


OUTRIGGER/STABILIZER LIFT CYLINDER - 1001127311

ITEM	PART NO.	DESCRIPTION	QTY
1	70050424	Barrel Assembly	1
2	70050425	Rod Assembly	1
3	70050430^	Piston	1
4	70050435*	Rod Bearing	1
5	90022234	Locknut, 2.25"-12UNF	1
6	7029760	Locking Screw	1
7	70022603	Grease Fitting	1
8	70050428	Counter Balance Valve	2
9	70022067	Steel SAE O-Ring Plug #4	4
10	70050432^#	Rectangular Piston Seal	1
11	70050434^#	Wear Ring, Piston	2
12	70050433^#	O-Ring	1
13	70050438*#	O-Ring	1
14	70050439*#	Backup Ring	1
15	70050440*#	Wear Ring	1
16	70050436*#	Rod Seal	1
17	90022282*#	Wiper	1

^ Items Sold in Piston Assembly - 70050426
* Items Sold in Rod Bearing Assembly -70050427
Items Sold in Seal Kit - 70050431

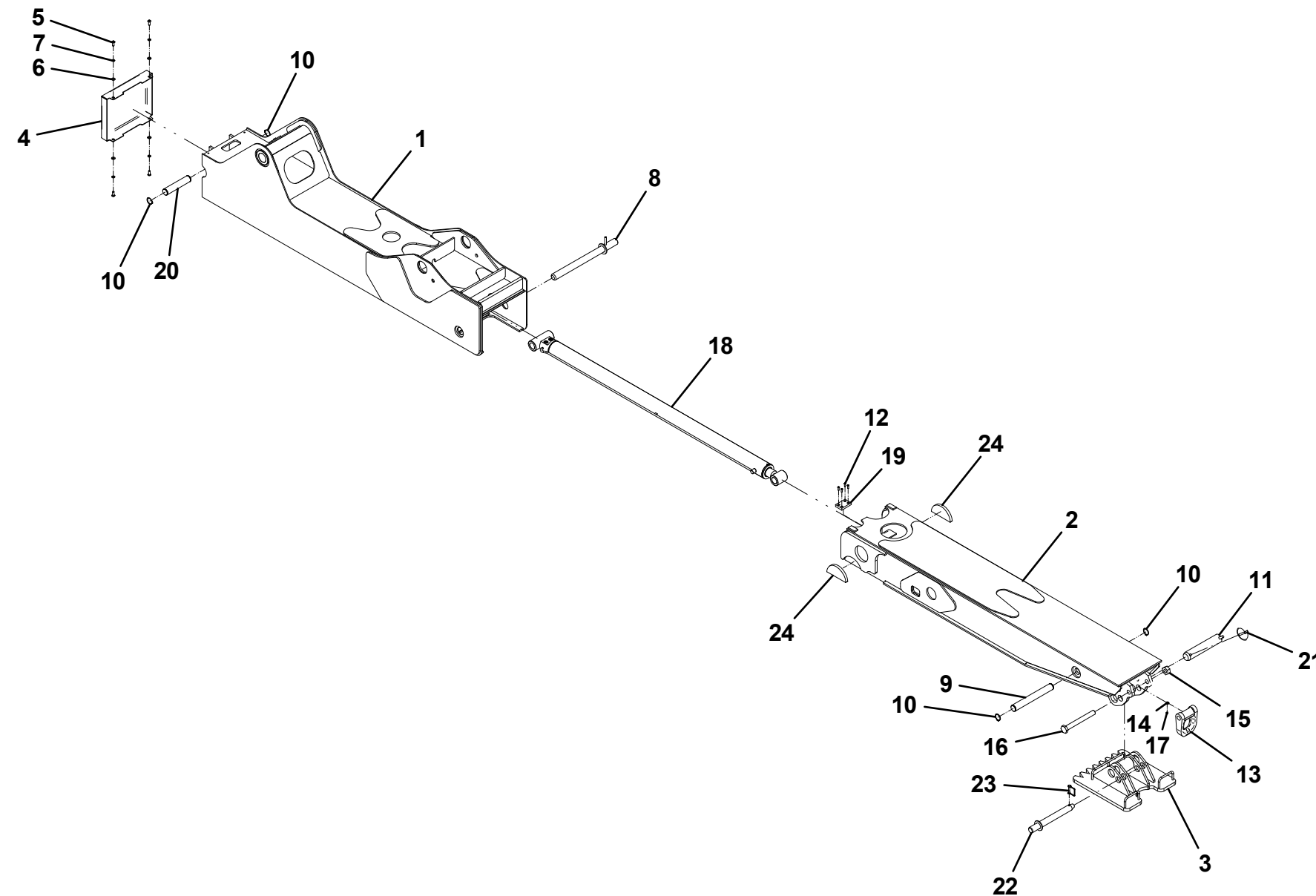
OUTRIGGER/STABILIZER LIFT CYLINDER - 1001127311



OUTRIGGER/STABILIZER ASSEMBLY - STANDARD

ITEM	PART NO.	DESCRIPTION	QTY
1	1001127918	Outer Stabilizer Weldment	1
2	1001135652	Inner Stabilizer Weldment	1
3	3706000348	Stabilizer Plate Weldment	1
4	1001129498	Cover Panel	1
5	7114160818	Capscrew, 0.38"-16NC x 1.00"	4
6	7950160141	Flatwasher, 0.38" ID	4
7	7950160000	Lockwasher, 0.38" ID	4
8	3691000247	Pin	1
9	1001129406	Pin	1
10	7754000058	Retaining Ring	4
11	3691000253	Pin	1
12	7114140618	Capscrew, 0.25"-20NC x 0.75"	4
13	4754000006	D-Ring	1
14	7440030400	Grease Fitting	1
15	7660262600	Locknut, 1.00"-8NC	1
16	1001154786	Capscrew, 1.00"-8NC x 9.00"	1
17	7253000002	Cap, Grease Fitting	1
18	1001127312	Outrigger/Stabilizer Extension Cylinder	1
19	4679000243	Pad	1
20	4691000489	Pin	1
21	1001003803	Pin	1
22	3691000223	Pin	1
23	7691000048	Pin	1
24	1001135667	Pad, Wear	2

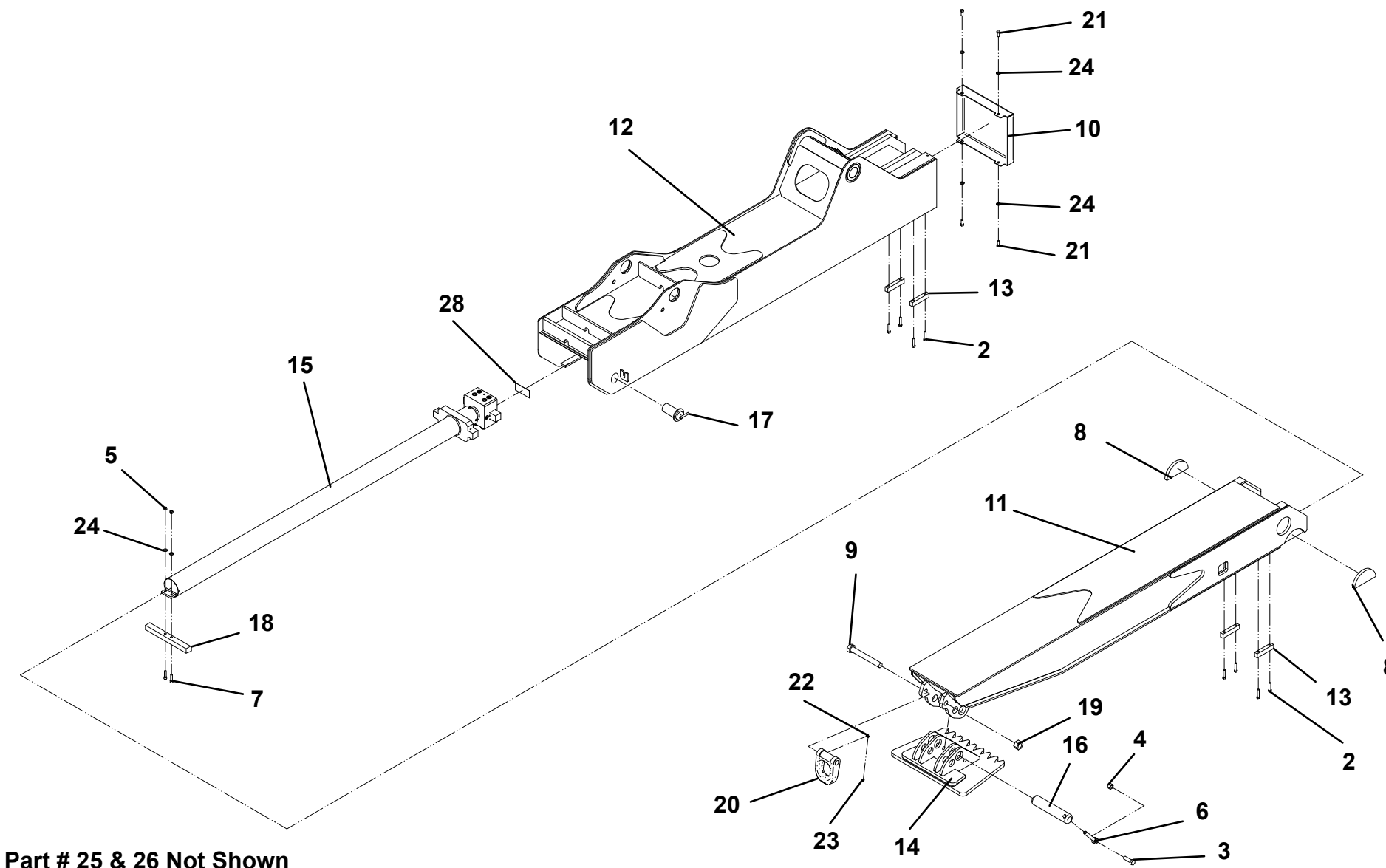
OUTRIGGER/STABILIZER ASSEMBLY - STANDARD



OUTRIGGER/STABILIZER ASSEMBLY - EXTENDED

ITEM	PART NO.	DESCRIPTION	QTY
1	100011	Loctite	A/R
2	641614	Screw, 0.375"-16 x 1.75"	8
3	682016	Screw, 0.625"-11 x 2.00"	1
4	3272001	Nut, 0.625"-11	1
5	3311605	Nut, 0.375"-16	2
6	3841258	Keeper	1
7	3931624	Screw, 0.375"-16 x 1.50"	2
8	1001135667	Pad	2
9	1001154786	Bolt, 1.00"-8 x 8.00"	1
10	1001178692	Panel	1
11	1001178865	Inner Stabilizer Weldment	1
12	1001178867	Outer Stabilizer Weldment	1
13	1001179003	Retainer	4
14	1001179129	Pad	1
15	1001179132	Outrigger/Stabilizer Extension Cylinder	1
16	1001179143	Pin	1
17	1001179160	Pad	1
18	1001179170	Pad	1
19	3272605001	Nut, 1.00"-8	1
20	4754000006	D-Ring	1
21	7114160850	Screw, 0.375"-16 x 1.00	4
22	7253000002	Grease Cap	1
23	7440030400	Grease Fitting	1
24	7950160143	Washer, 0.38" ID	6
25	3691000223	Pin	1
26	7691000048	Snap Pin	1
27	3020029	Grease	A/R
28	1001158844	Decal	1

OUTRIGGER/STABILIZER ASSEMBLY - EXTENDED



OUTRIGGER/STABILIZER EXTENSION CYLINDER - 1001127312

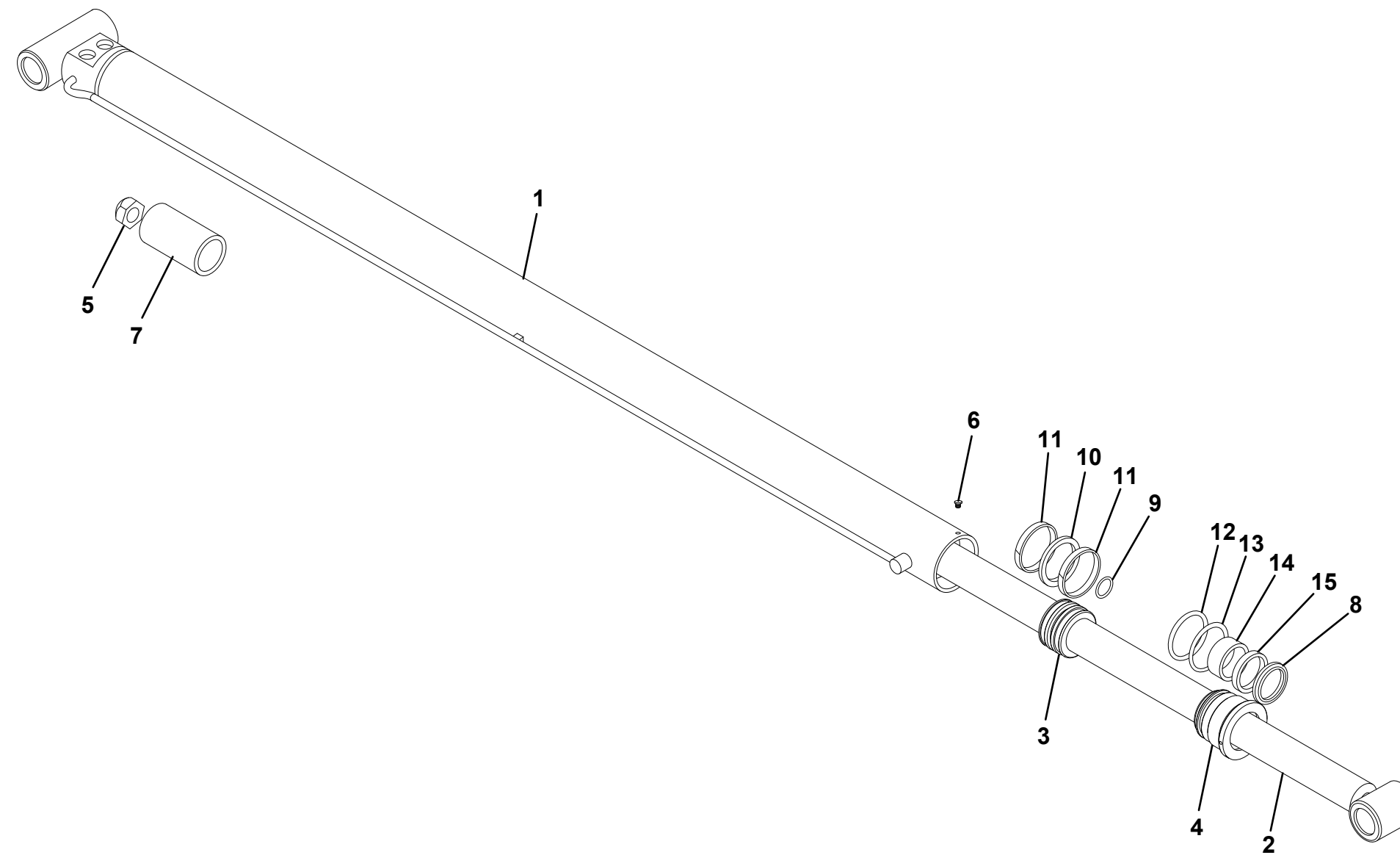
ITEM	PART NO.	DESCRIPTION	QTY
1	70050414	Barrel Weldment	1
2	70050437	Rod Weldment	1
3	70050445*	Piston	1
4	70050450^	Rod Bearing	1
5	91024100	Locknut, 1.00"-14NF	1
6	7029760	Screw, Locking	1
7	70050444	Stroke Limiter	1
8	91034051#^	Seal, Wiper	1
9	70050448#*	Seal, O-Ring	1
10	70050447#*	Seal, Piston	1
11	70050449#*	Wear Ring	2
12	70050439#^	Seal, O-Ring	1
13	70050438#^	Seal, Backup Ring	1
14	70050452#^	Wear Ring	1
15	70050451#^	Seal, Rod	1

* Items Sold in Piston Assembly - 70050441

^ Items Sold in Rod Bearing Assembly - 70050442

Items Sold in Seal Kit - 70050446

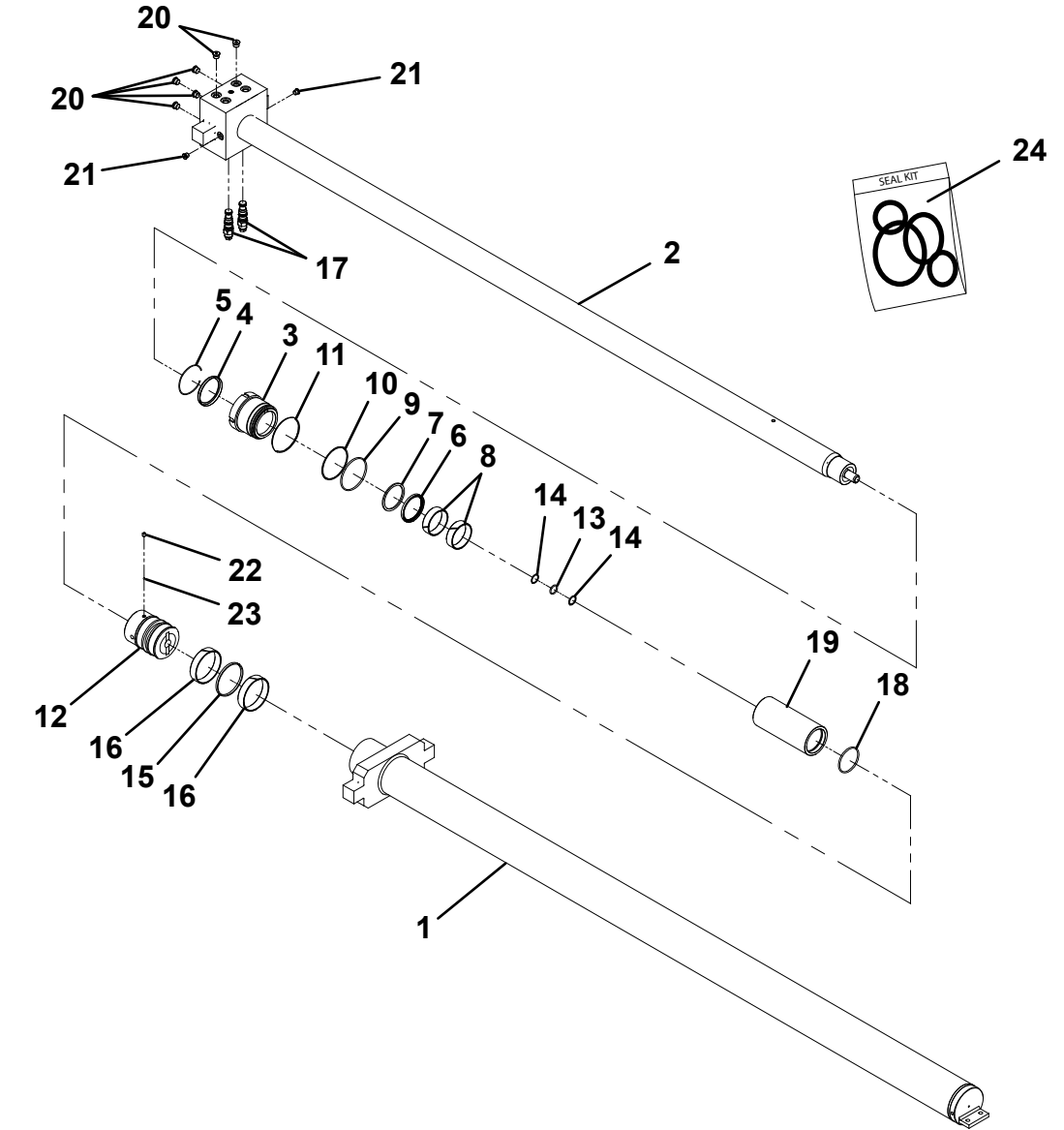
OUTRIGGER/STABILIZER EXTENSION CYLINDER - 1001127312



OUTRIGGER/STABILIZER EXTENSION CYLINDER - 1001179132

ITEM	PART NO.	DESCRIPTION	QTY
1	70050791	Barrel Weldment	1
2	70050792	Rod Weldment	1
3	70050793	Cap	1
4	70050794	Seal, Wiper	1
5	70050795	Retaining Ring	1
6	70050796	Seal, Rod	1
7	70050797	Seal, Backup Ring	1
8	70050798	Wear Ring	2
9	70050799	Seal, O-Ring	1
10	70050800	Ring, Backup	1
11	70050801	Seal, Ring	1
12	70050802	Piston	1
13	70050803	Seal, O-Ring	1
14	70050804	Ring, Backup	2
15	70050805	Seal, Piston	1
16	70050806	Wear Ring	2
17	70050807	Counter Balance	2
18	70050808	Seal, O-Ring	1
19	70050809	Spacer	1
20	70023371	Plug	6
21	70023370	Plug	2
22	70022563	Set Screw, M8 x 1.25	1
23	70022564	Steel Ball	1
24	70050810	Seal Kit	1

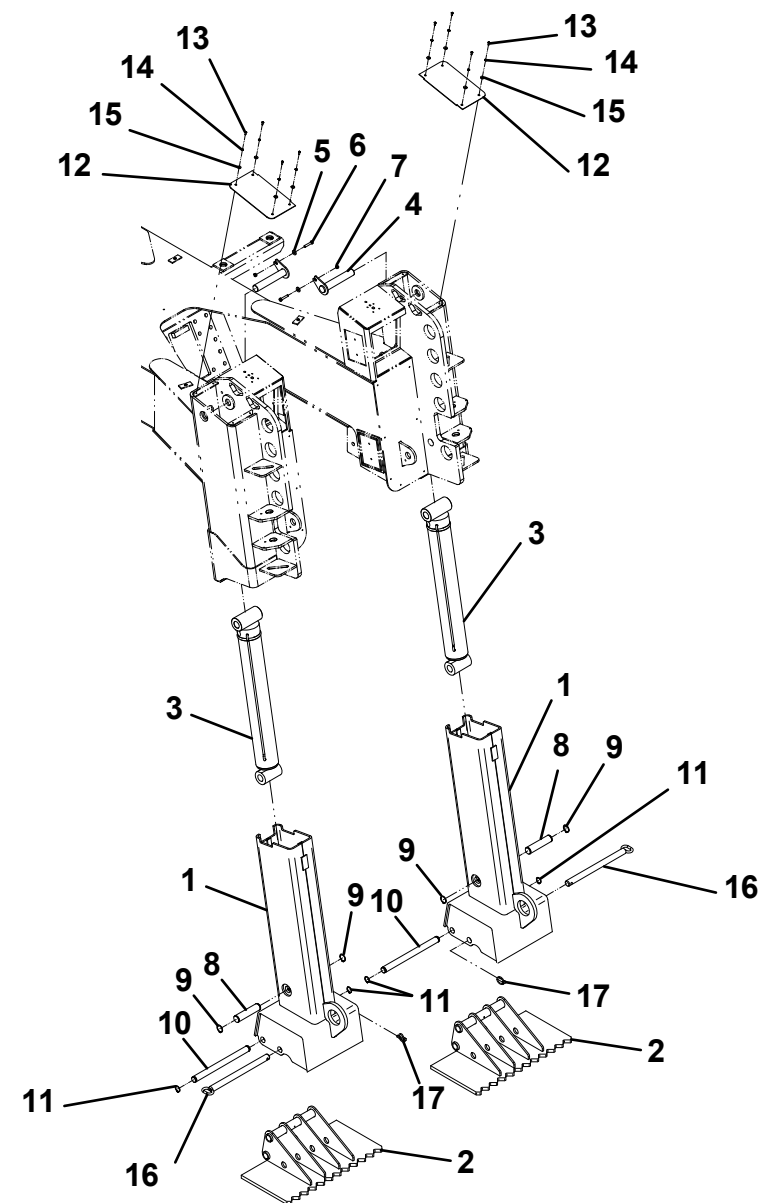
OUTRIGGER/STABILIZER EXTENSION CYLINDER - 1001179132



REAR SPADE INSTALLATION

ITEM	PART NO.	DESCRIPTION	QTY
1	3263000118	Channel Weldment	2
2	3706000261	Spade Claw Plate	2
3	7320000006	Spade Cylinder Assembly	2
4	3691000267	Pin	2
5	7950160161	Flatwasher, 0.38" ID	2
6	7115161650	Capscrew, 0.38"-16NC x 2.00"	2
7	7660162601	Locknut, 0.38"-16NC	2
8	7491000207	Pin"	2
9	7754000033	Retaining Ring	4
10	4691000200	Pin	2
11	7754000008	Retaining Ring	4
12	4706003716	Plate	2
13	7114140518	Capscrew, 0.25"-20NC x 0.63"	8
14	7949000025	Lockwasher 11MM ID	8
15	7950140153	Flatwasher, 0.25" ID	8
16	3691000126	Pin	2
17	7691000019	Lynch Pin	2

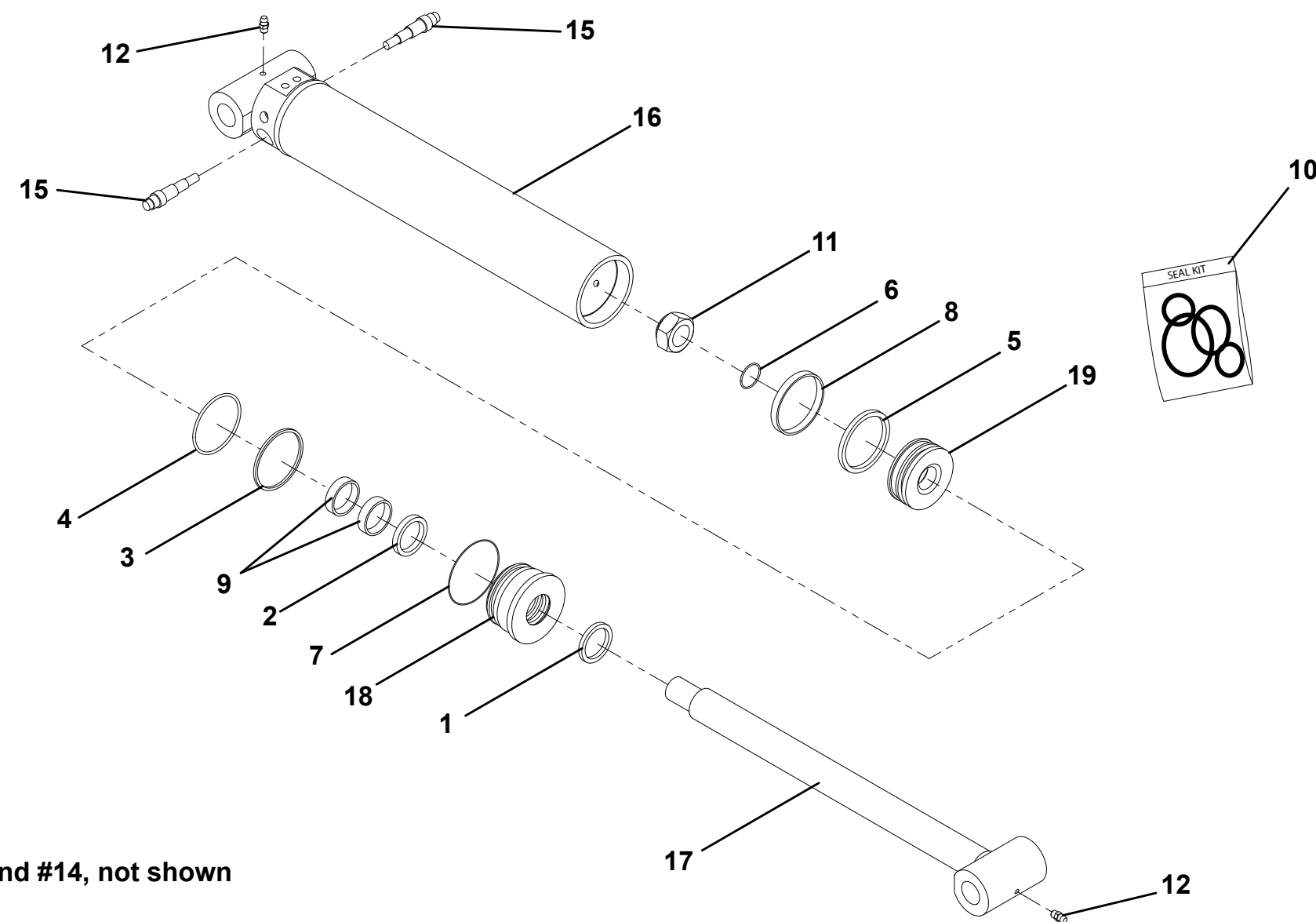
REAR SPADE INSTALLATION



SPADE CYLINDER ASSEMBLY - 732000006

ITEM	PART NO.	DESCRIPTION	QTY
1	9796250080	Seal, Wiper	1
2	7019828	Seal	1
3	9754250009	Ring, Back-up	1
4	9796250057	Seal, "O" Ring	1
5	9796250073	Seal	1
6	9796250061	Seal, "O" Ring	1
7	9796250066	Seal, "O" Ring	1
8	9724250014	Ring, Wear	1
9	9754250015	Ring, Wear	2
10	7577000167	Kit, Seal	1
11	7003212	Locknut	1
12	7005322	Grease Fitting	2
13	7005365	Plug, Port	2
14	70021648	Plug, Port	2
15	70050215	Valve, Counterbalance	2
16	9912250004	Assembly, Tube	1
17	9763250009	Assembly, Rod	1
18	9553250009	Head	1
19	70050531	Piston	1

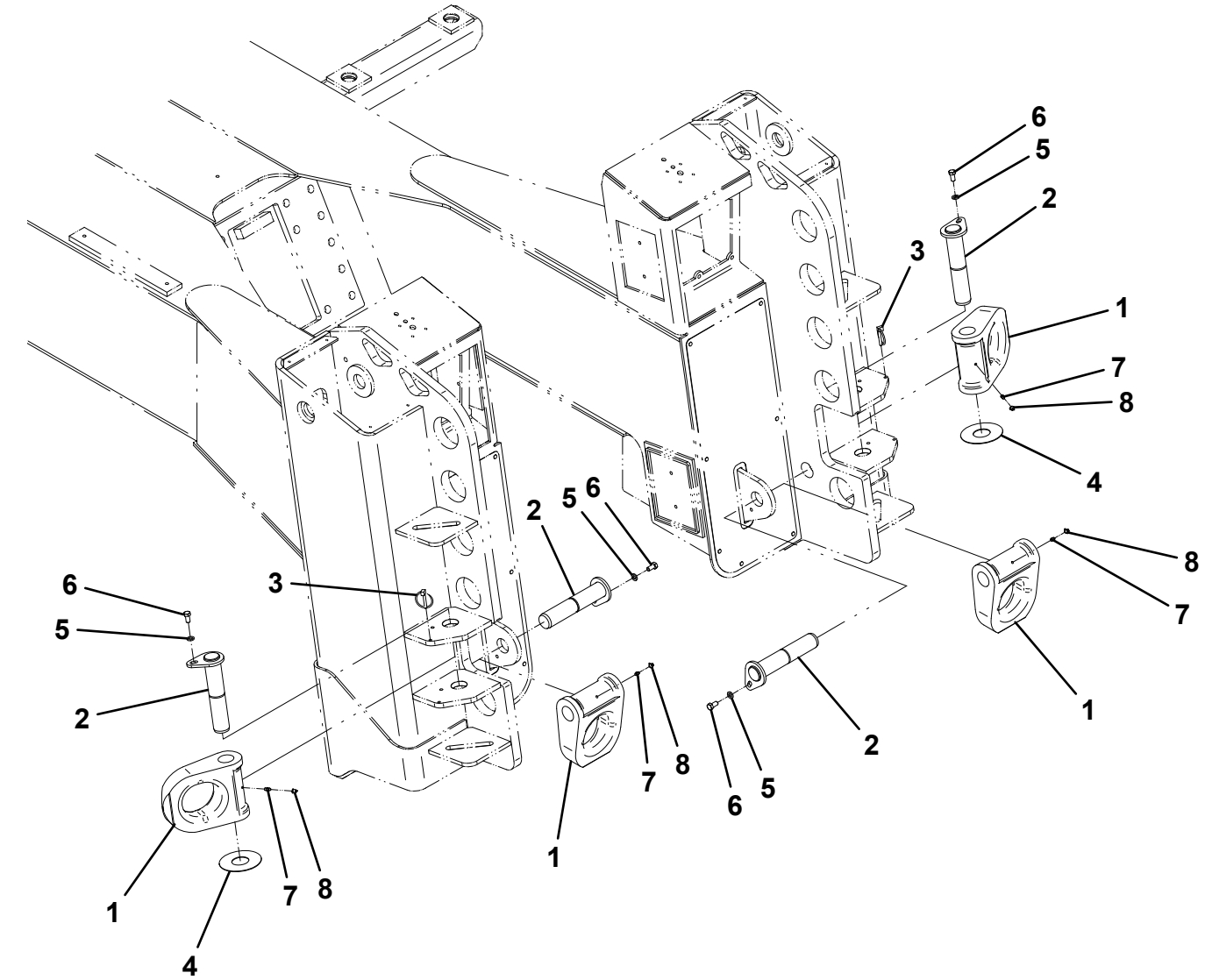
SPADE CYLINDER ASSEMBLY - 732000006



TAIL BOARD D-RING INSTALLATION

ITEM	PART NO.	DESCRIPTION	QTY
1	4754000004	D-Ring	4
2	3691000174	Pin	4
3	7691000047	Lynch Pin	2
4	4949000055	Washer, Nylatron	2
5	7115160650	Capscrew, 0.38"-16NC x 2.00"	4
6	7950160000	Lockwasher, 0.38" ID	4
7	7440030000	Grease Fitting	4
8	7253000002	Cap, Grease Fitting	4

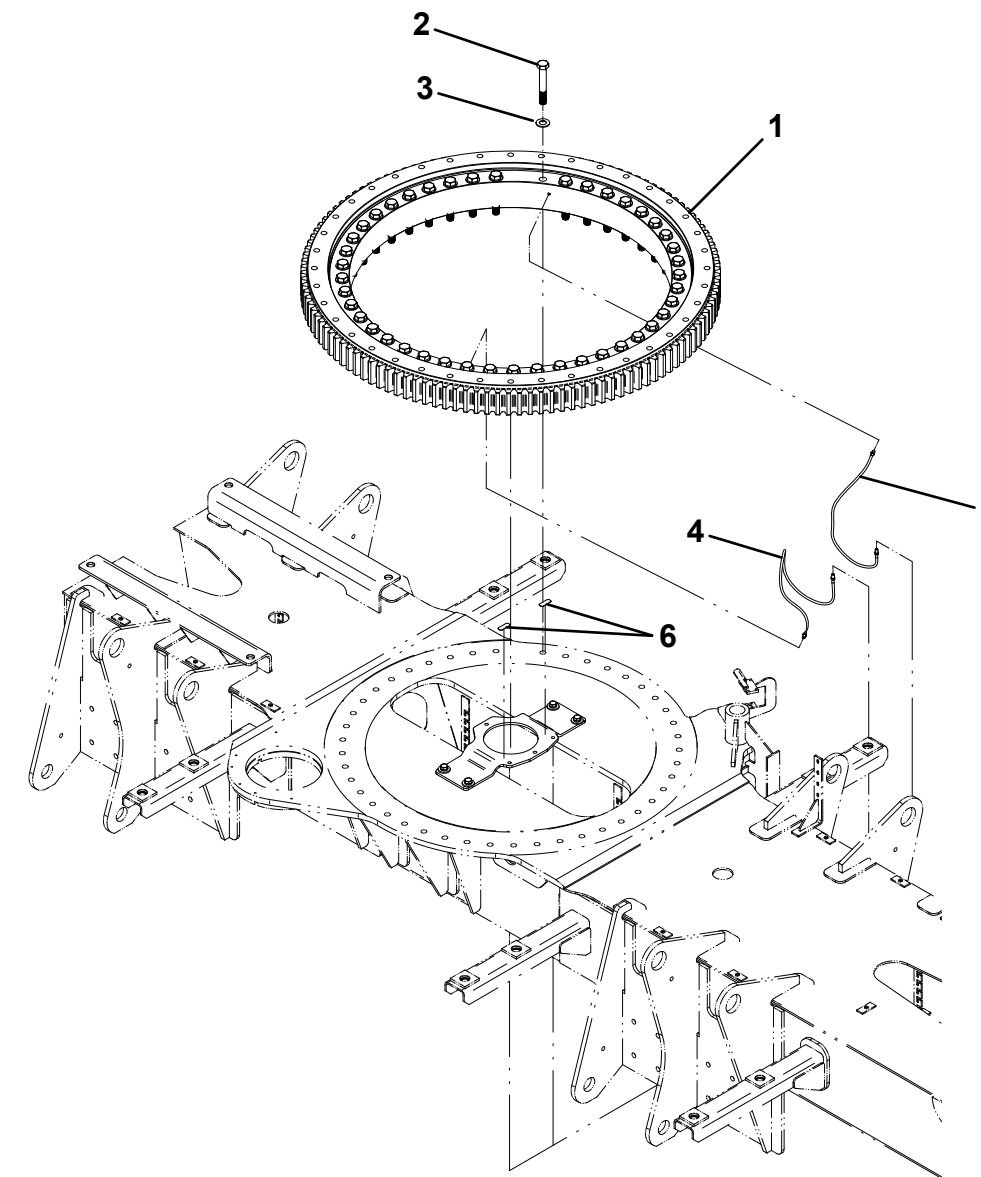
TAIL BOARD D-RING INSTALLATION



SLEW BEARING INSTALLATION

ITEM	PART NO.	DESCRIPTION	QTY
1	1001127316	Bearing	1
2	0682652	Capscrew, 1.00"-8NC x 6.50"	44
3	10701259	Flatwasher, 1.00" ID	44
4	1001136692	Hose, Grease	1
5	1001118961	Hose, Grease	1
6	1001131060	Decal, Bearing Grease	2

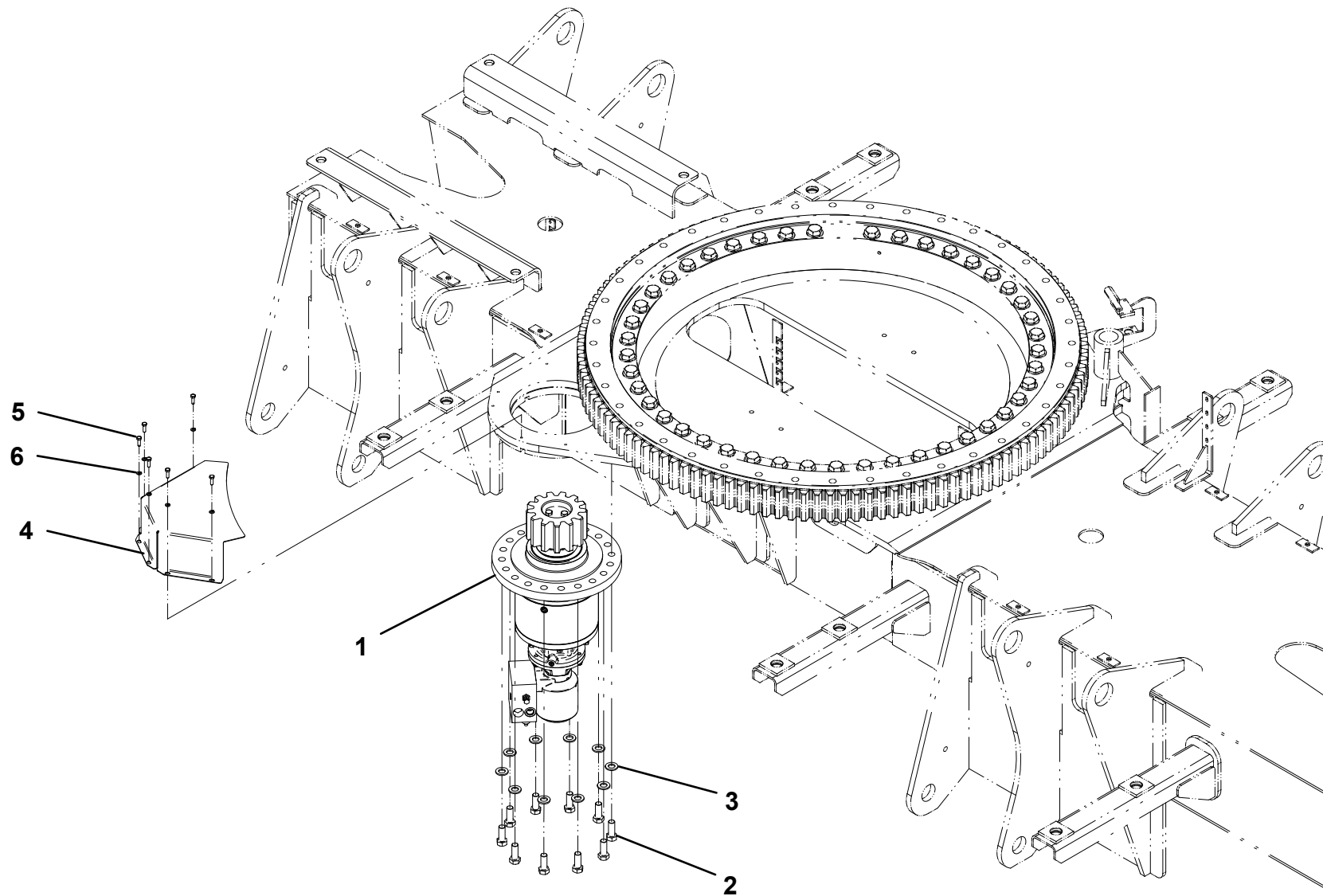
SLEW BEARING INSTALLATION



SLEW DRIVE INSTALLATION

ITEM	PART NO.	DESCRIPTION	QTY
1	1001127324	Motor, Planetary Gear Assembly	1
2	7118221650	Capscrew, 0.75"-10NC x 2.00"	10
3	7950220142	Flatwasher, 0.75" ID	10
4	1001130840	Cover	1
5	7115150850	Capscrew, 0.31"-18NC x 1.00"	6
6	7950150000	Lockwasher, 0.31" ID	6

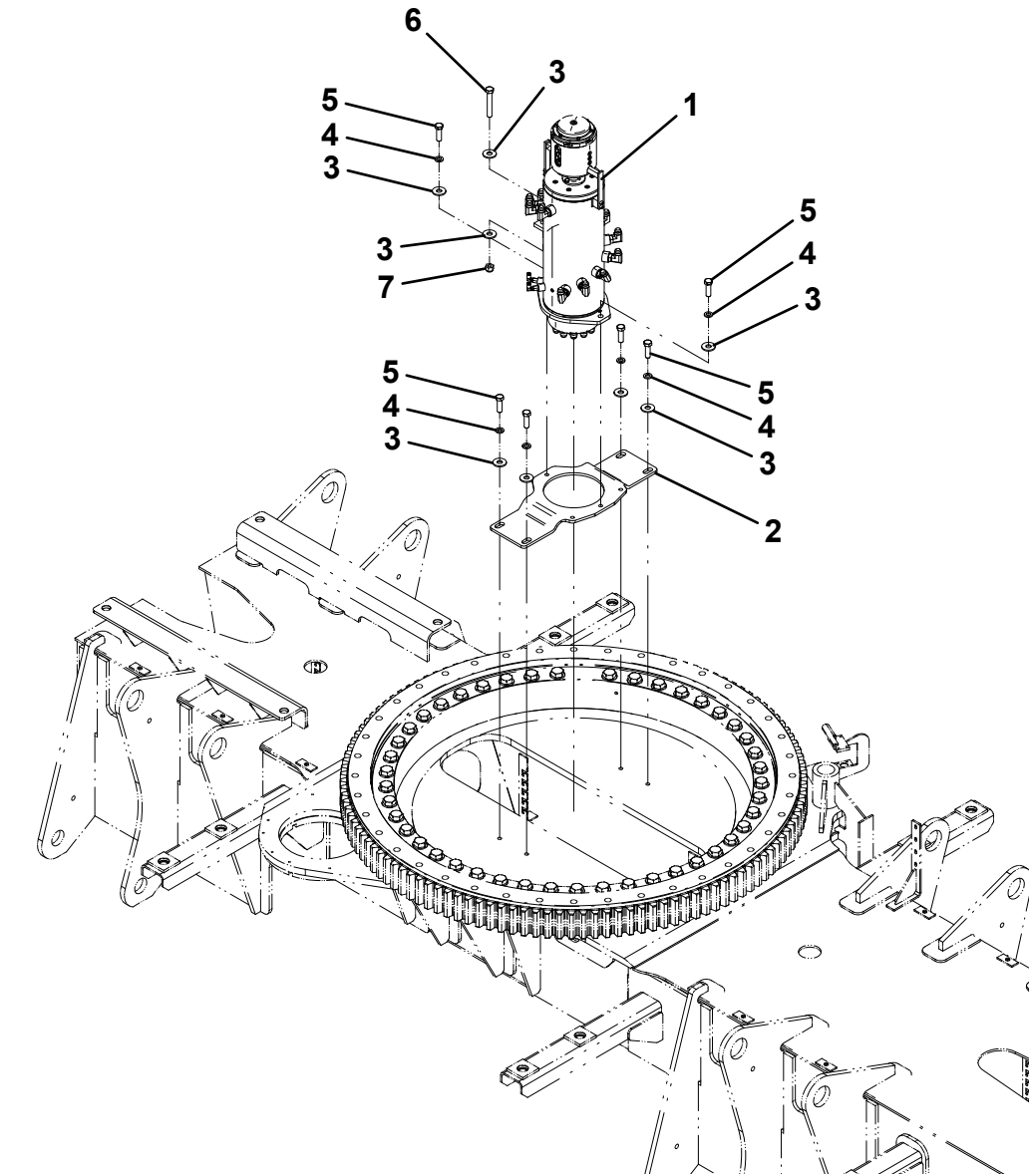
SLEW DRIVE INSTALLATION



SWIVEL INSTALLATION

ITEM	PART NO.	DESCRIPTION	QTY
1	1001129628	Swivel Assembly, Hydraulic/Electric	1
2	1001129987	Bracket	1
3	7950200161	Flatwasher, 0.63" ID	8
4	7950200000	Lockwasher, 0.63" ID	6
5	7115201650	Capscrew, 0.63"-11NC x 2.00"	6
6	7115203250	Capscrew, 0.63"-11NC x 4.00"	1
7	7660202601	Locknut, 0.63"-11NC	1

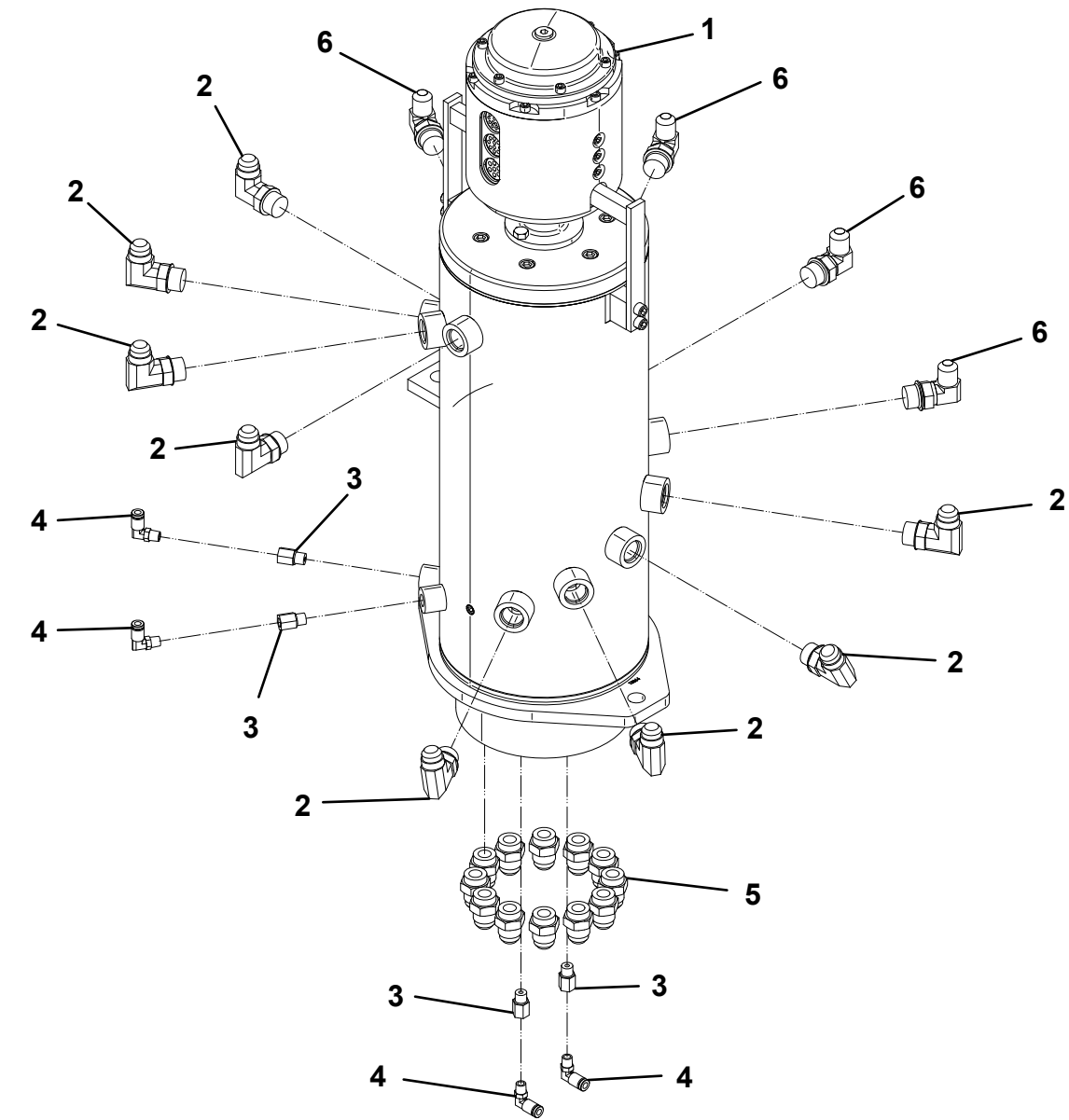
SWIVEL INSTALLATION



SWIVEL ASSEMBLY, HYDRAULIC/ELECTRIC - 1001129628

ITEM	PART NO.	DESCRIPTION	QTY
1	1001127656	Hydraulic/Electric Swivel	1
2	7445101045	Elbow	8
3	7443000414	Adapter	4
4	7443000173	Elbow	4
5	7445101043	Adapter	12
6	7445081045	Elbow	4

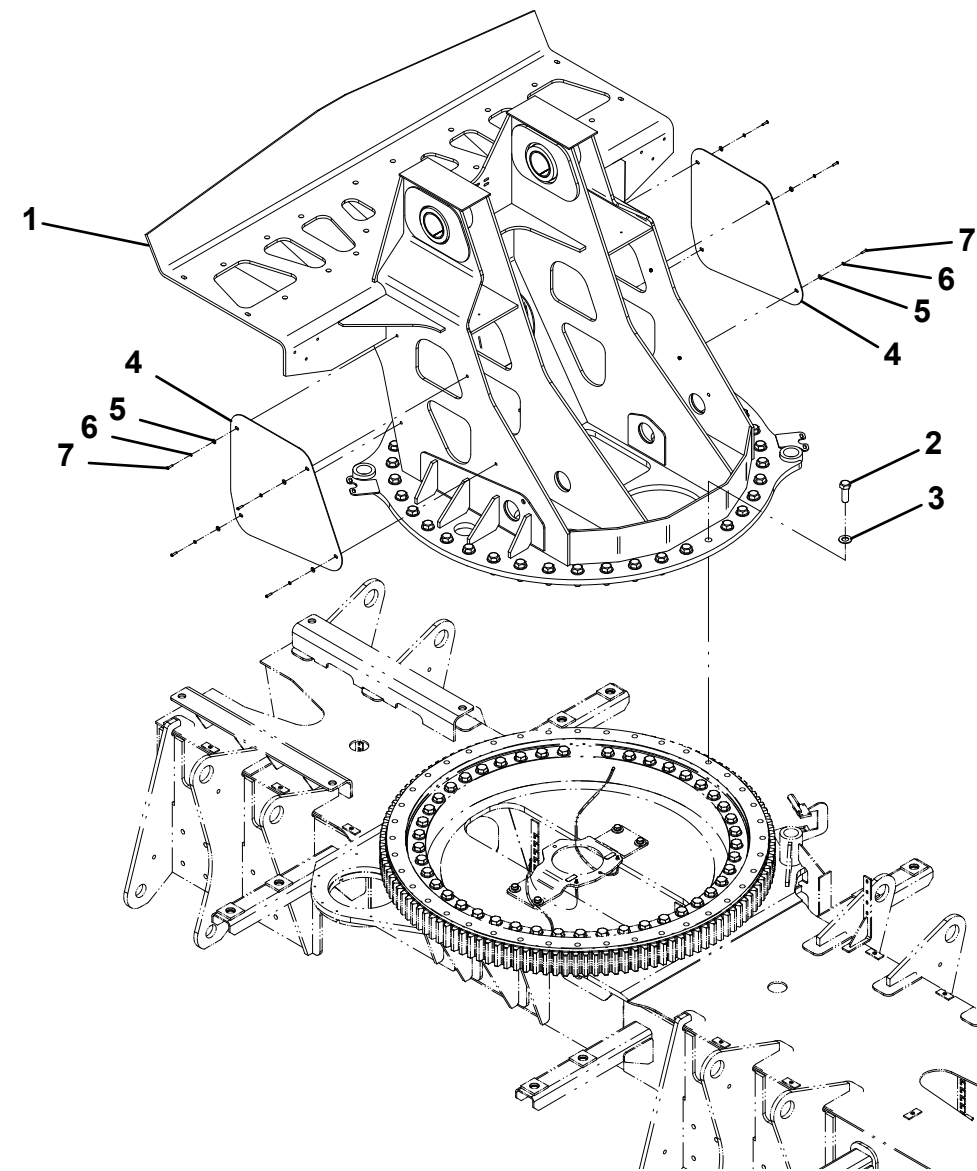
SWIVEL ASSEMBLY, HYDRAULIC/ELECTRIC - 1001129628



TURNTABLE INSTALLATION

ITEM	PART NO.	DESCRIPTION	QTY
1	1001128391	Turntable Weldment	1
2	0682622	Capscrew, 1.00"-8NC x 2.75"	40
3	10701259	Flatwasher, 1.00" ID	40
4	1001134239	Cover	2
5	7950140161	Flatwasher, 0.25" ID	8
6	7950140000	Lockwasher, 0.25" ID	8
7	7114140818	Capscrew, 0.25"-20NC x 1.00"	8

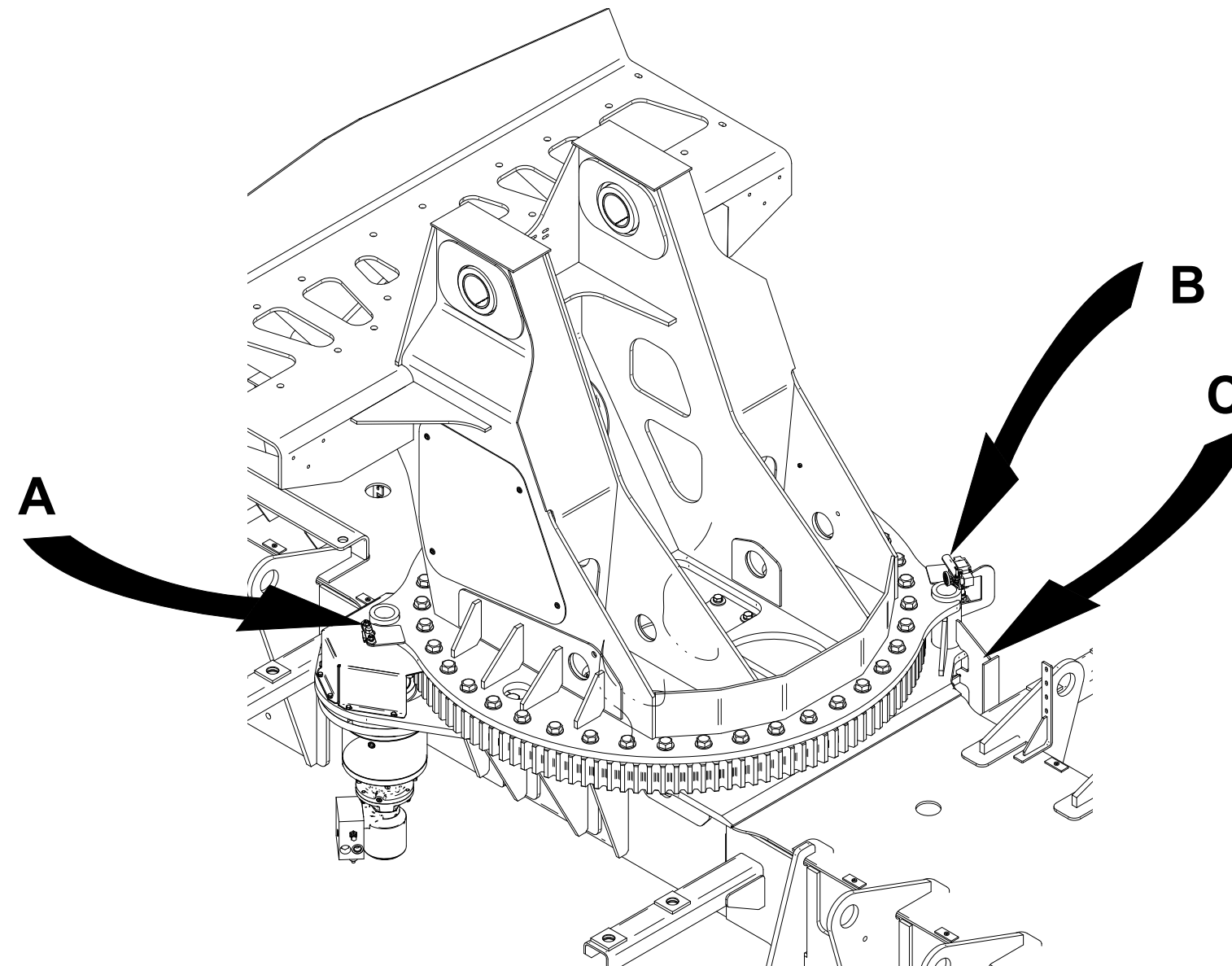
TURNTABLE INSTALLATION



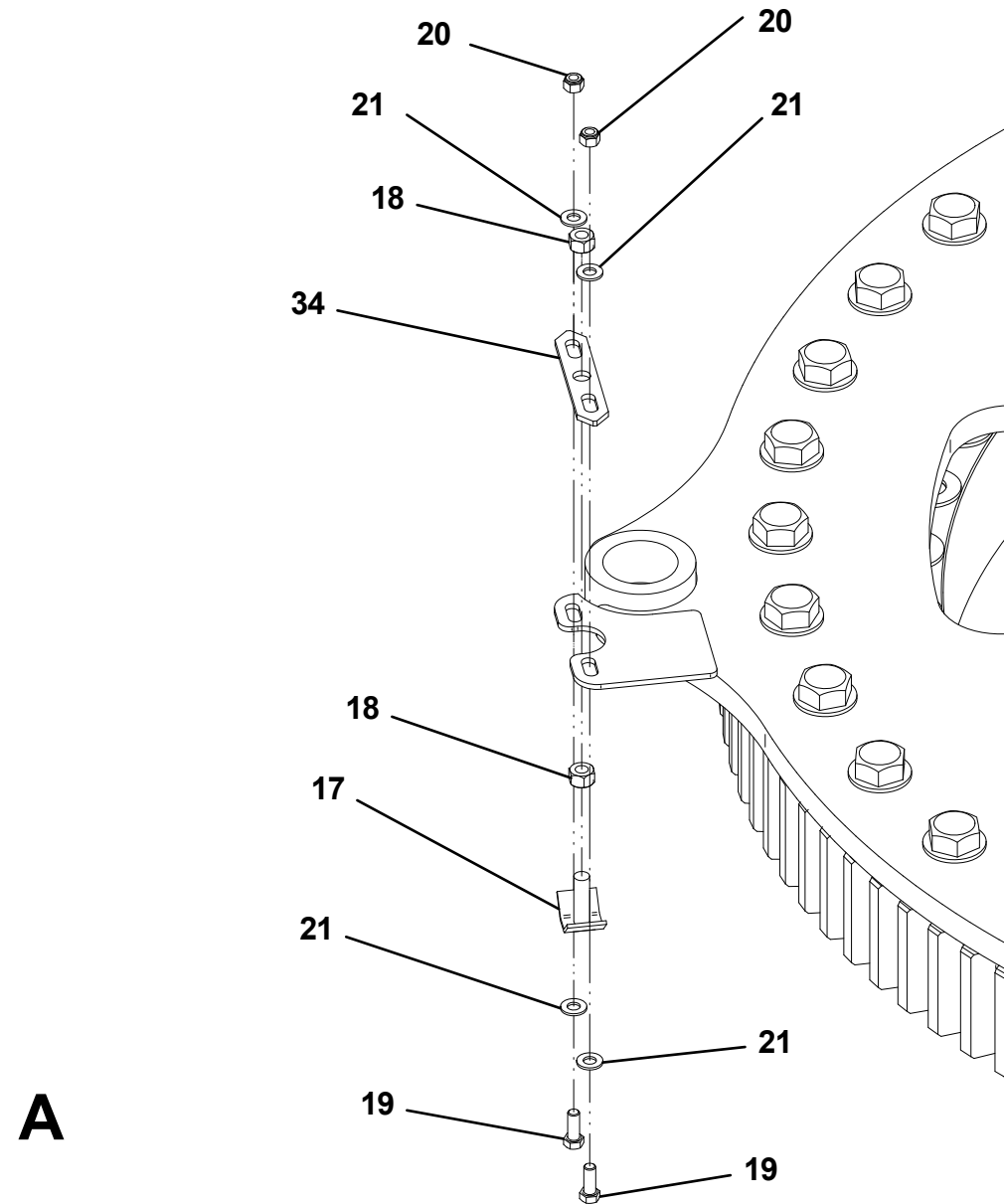
HOUSE LOCK INSTALLATION

ITEM	PART NO.	DESCRIPTION	QTY
1	7178000038	Bracket	1
2	7320000069	Cylinder	1
3	7277000012	Clevis, 0.44"-20NF	1
4	7660170230	Nut, 0.44"-20NF	1
5	7115140850	Bolt, 0.25"-20NC x 1.00"	4
6	7660142601	Locknut, 0.25"-20NC	4
7	7950140141	Flatwasher, 0.25" ID	8
8	4706004174	Plate	2
9	4706004173	Plate	1
10	7843000038	Spring	2
11	7990000027	Clevis, 0.50"-13NC x 2.25"	1
12	7660180200	Nut, 0.50"-13NC	1
13	4763000295	Threaded Rod, 0.50"-13NC	1
14	1001157970	Plate	1
15	7935000273	Air Valve	1
16	7114100518	Capscrew, #10-24NC x 1.00"	4
17	1001142626	Bracket	2
18	7660180001	Nut, 0.50"-13NC	4
19	7115160850	Bolt	8
20	7660162601	Locknut, 0.38"-16NC	4
21	7950160141	Flatwasher, 0.38" ID	18
22	1001156061	Switch Grid Lockout	1
23	7115141450	Bolt, 0.25"-20NC x 1.75"	1
24	7660140001	Nut, 0.25"-20NC	2
25	7114101618	Capscrew, #10-24NC x 2.00"	4
26	7950180141	Flatwasher, 0.50" ID	2
27	7691000050	Pin	1
28	4912000369	Tube, 0.75" OD x 0.48" ID x 0.75"	2
29	4691000450	Pin	1
30	1001129470	Pin	1
31	7950160000	Lockwasher, 0.38" ID	4
32	7660102601	Locknut, #10-24NC	8
33	7691000049	Pin	1
34	4811000942	Sheet	2
35	7690021210	Pin	2
36	7346000056	Fitting Liquid	1

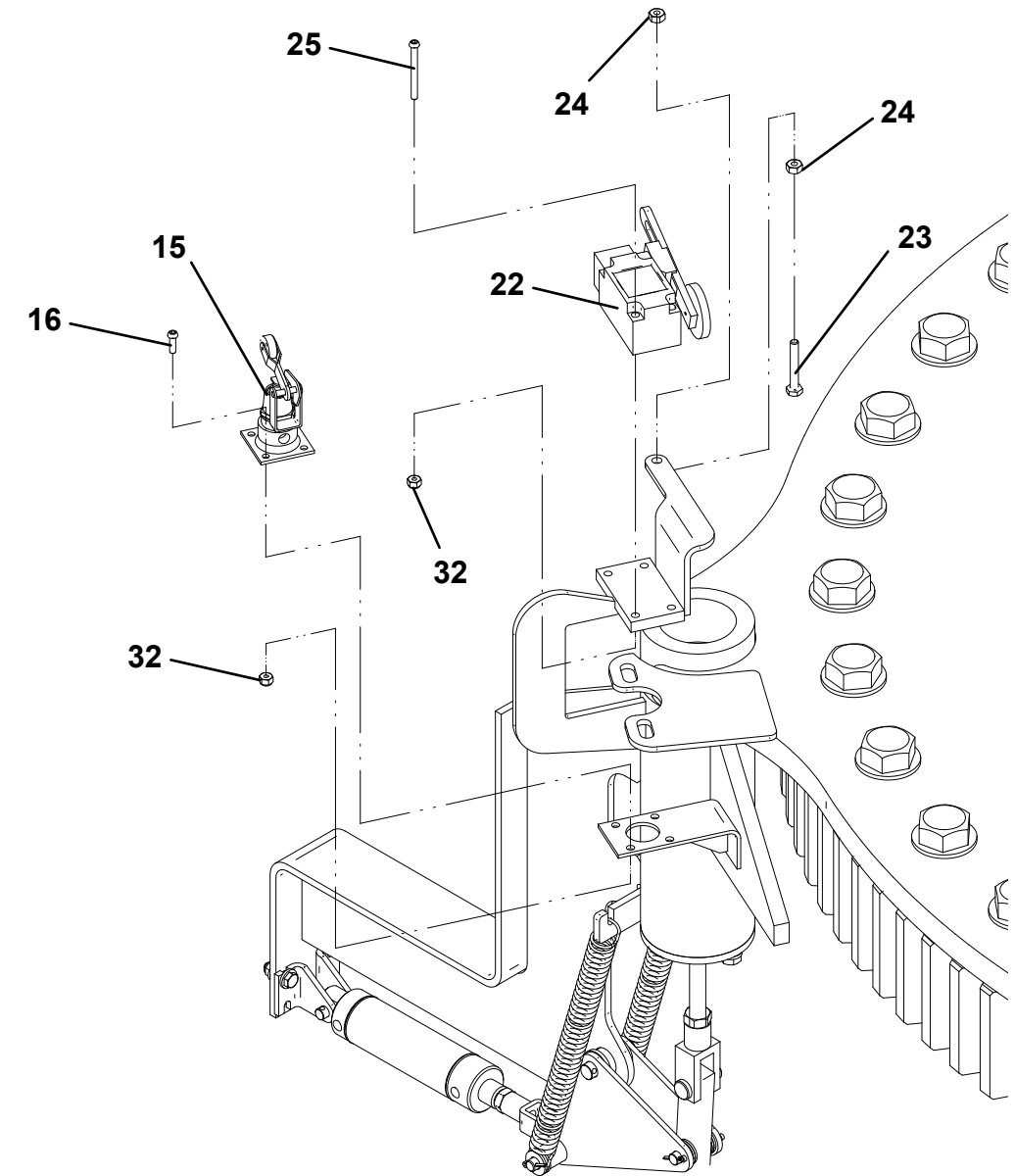
HOUSE LOCK INSTALLATION



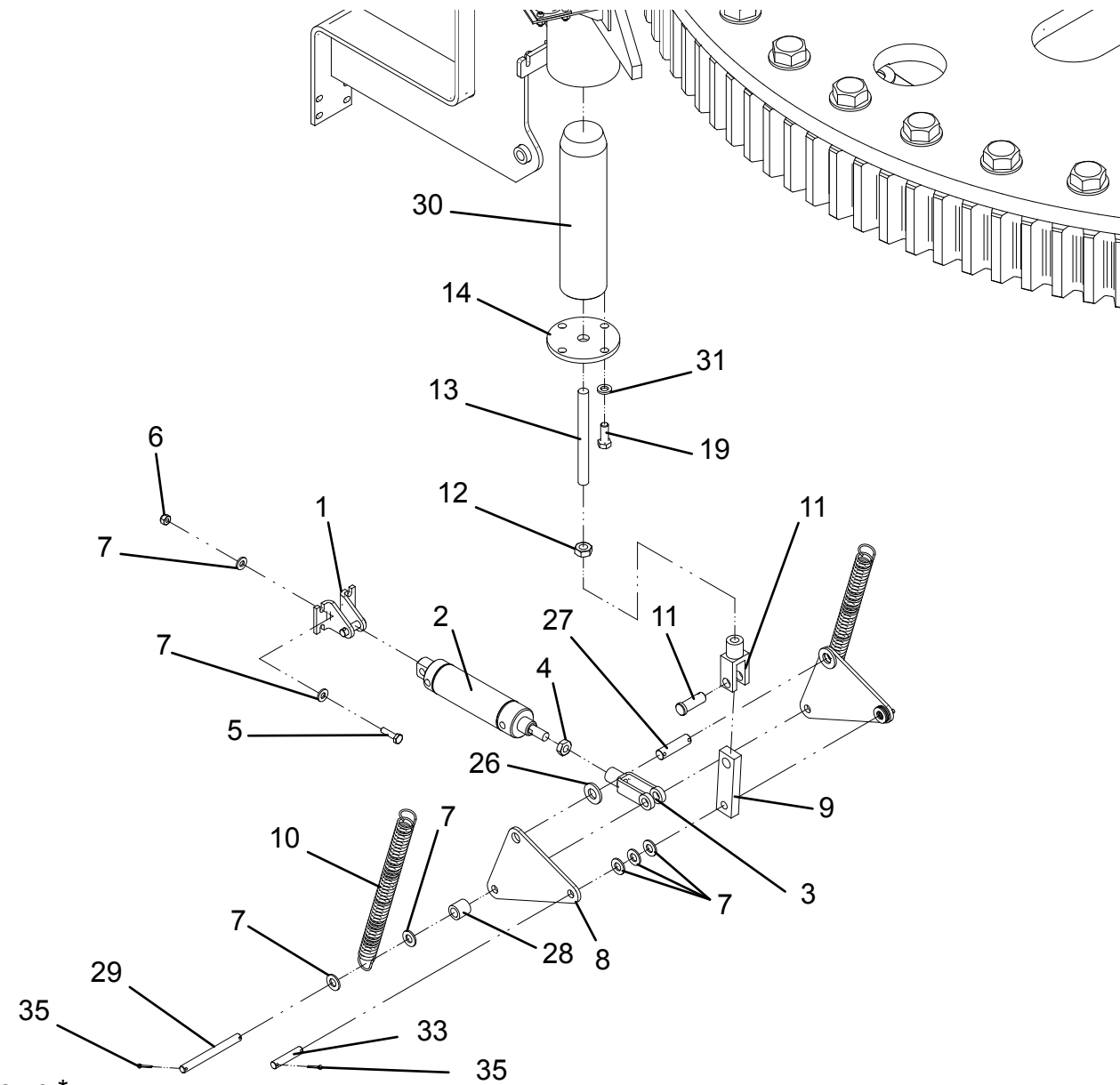
HOUSE LOCK INSTALLATION



HOUSE LOCK INSTALLATION



HOUSE LOCK INSTALLATION



C

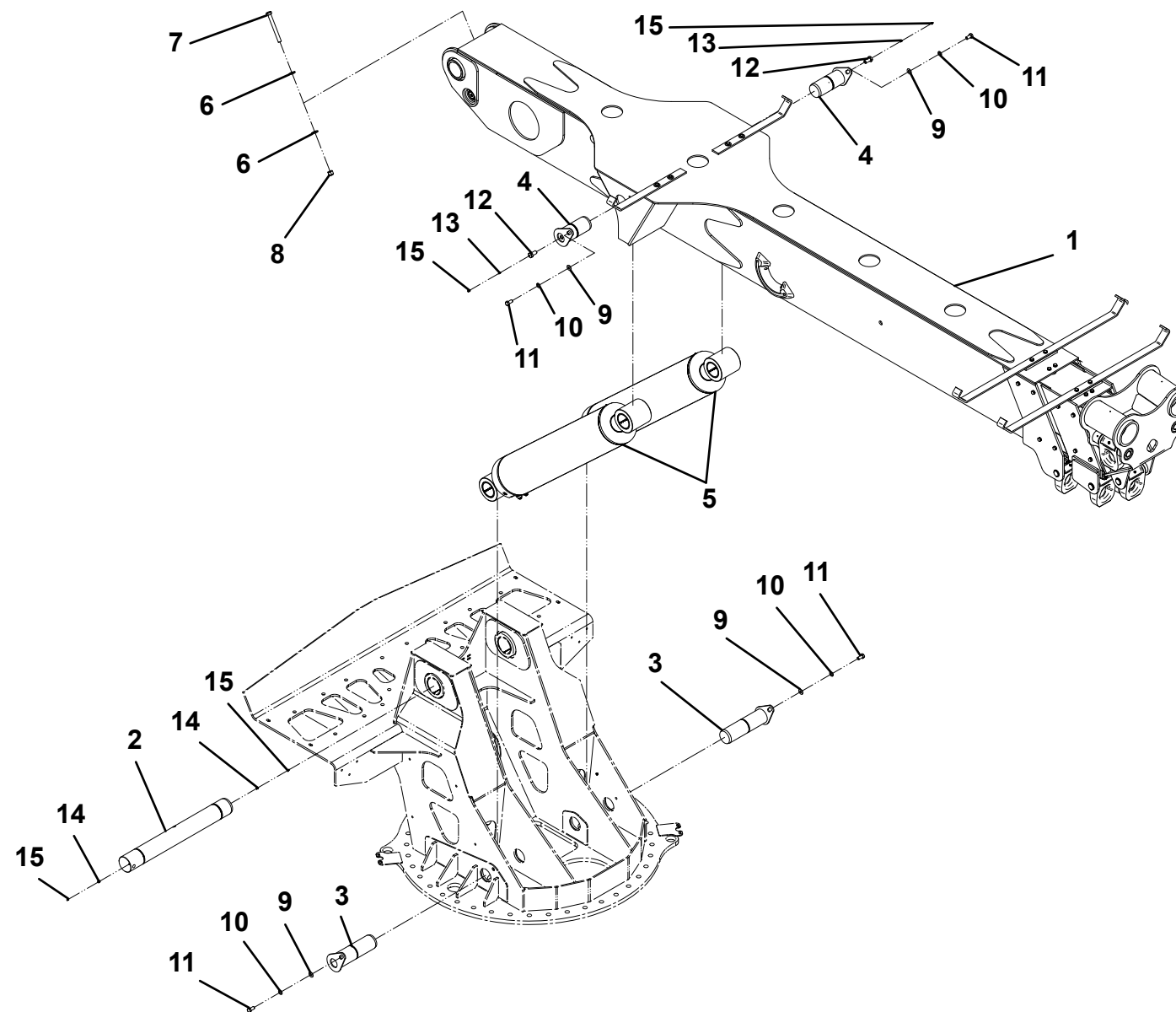
* Number 36 Not Shown *

THIS PAGE INTENTIONALLY LEFT BLANK

WRECKER BOOM INSTALLATION - 3 PIECE

ITEM	PART NO.	DESCRIPTION	QTY
1	1001128463	Boom Assembly, 3 Piece	1
2	4691000556	Pin	1
3	1001128283	Pin	2
4	3691000252	Pin	2
5	1001127313	Lift Cylinder Assembly	2
6	7950220141	Flatwasher, 0.75" ID	2
7	7118225650	Capscrew, 0.75"-10NC x 7.00"	1
8	7660222601	Locknut, 0.75"-10NC	1
9	7950200141	Flatwasher, 0.63"-11NC x 1.25"	4
10	7950200000	Lockwasher, 0.63" ID	4
11	7115201050	Capscrew, 0.63"-11NC x 1.25"	4
12	4120000021	Capscrew, 0.75"-10NC x 1.50"	2
13	7440030000	Grease Fitting	2
14	7440000000	Grease Fitting	2
15	7253000002	Cap, Grease Fitting	4

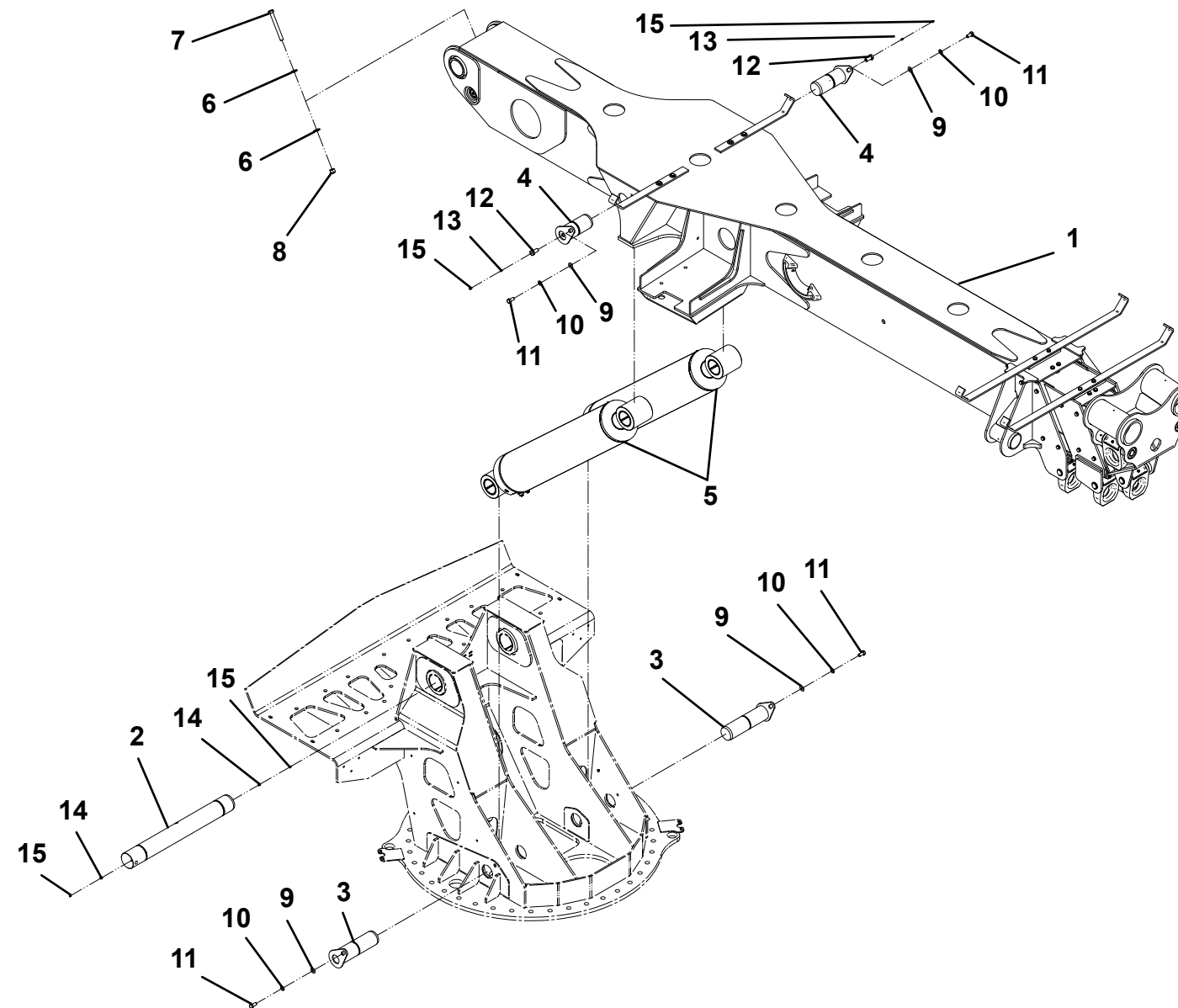
WRECKER BOOM INSTALLATION - 3 PIECE



WRECKER BOOM INSTALLATION - 3 PIECE W/ AUXILIARY WINCHES

ITEM	PART NO.	DESCRIPTION	QTY
1	1001158540	Boom Assembly, 3 Piece	1
2	4691000556	Pin	1
3	1001128283	Pin	2
4	3691000252	Pin	2
5	1001127313	Lift Cylinder Assembly	2
6	7950220141	Flatwasher, 0.75" ID	2
7	7118225650	Capscrew, 0.75"-10NC x 7.00"	1
8	7660222601	Locknut, 0.75"-10NC	1
9	7950200141	Flatwasher, 0.63"-11NC x 1.25"	4
10	7950200000	Lockwasher, 0.63" ID	4
11	7115201050	Capscrew, 0.63"-11NC x 1.25"	4
12	4120000021	Capscrew, 0.75"-10NC x 1.50"	2
13	7440030000	Grease Fitting	2
14	7440000000	Grease Fitting	2
15	7253000002	Cap, Grease Fitting	4

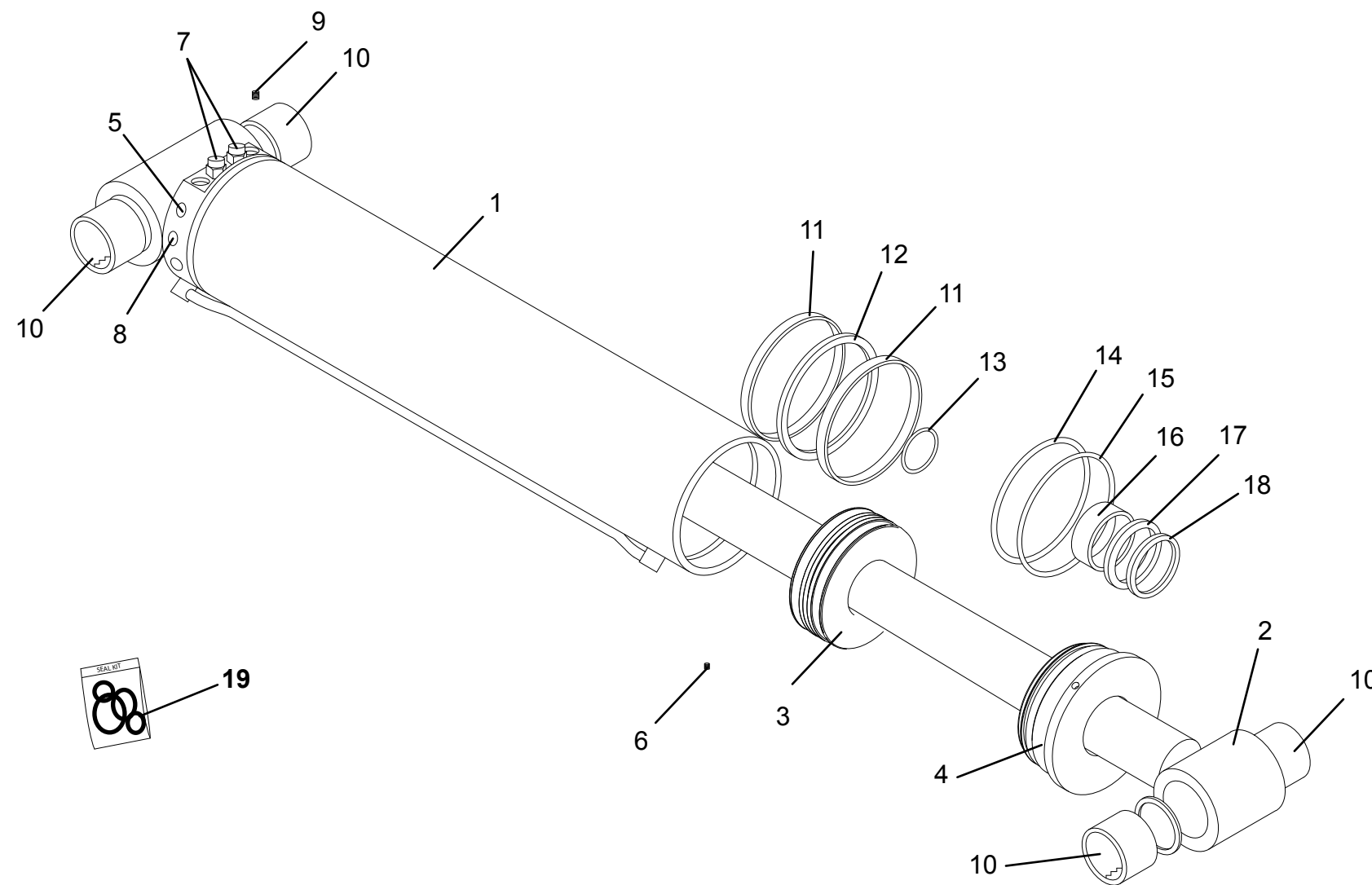
WRECKER BOOM INSTALLATION - 3 PIECE W/ AUXILIARY WINCHES



WRECKER BOOM LIFT CYLINDER - 1001127313

ITEM	PART NO.	DESCRIPTION	QTY
1	70050403	Barrel Assembly	1
2	70050404	Rod Assembly	1
3	70050411	Piston	1
4	70050416	Rod Bearing	1
5	70022067	Steel SAE O-Ring Plug #4	4
6	7029760	Locking Screw	1
7	70050407	Counterbalance Valve	2
8	70050408	Grease Fitting	1
9	70050409	Set Screw	1
10	70050410	Connex Bushing	4
11	70050415	Wear Ring, Piston	2
12	70050413	Rectangular Piston Seal	1
13	91034041	O-Ring	1
14	70050420	O-Ring	1
15	70050421	Backup Ring	1
16	70050423	Wear Ring Rod	1
17	70050422	Rod Seal	1
18	70050419	Seal Wiper	1
19	70050412	Seal Kit	1

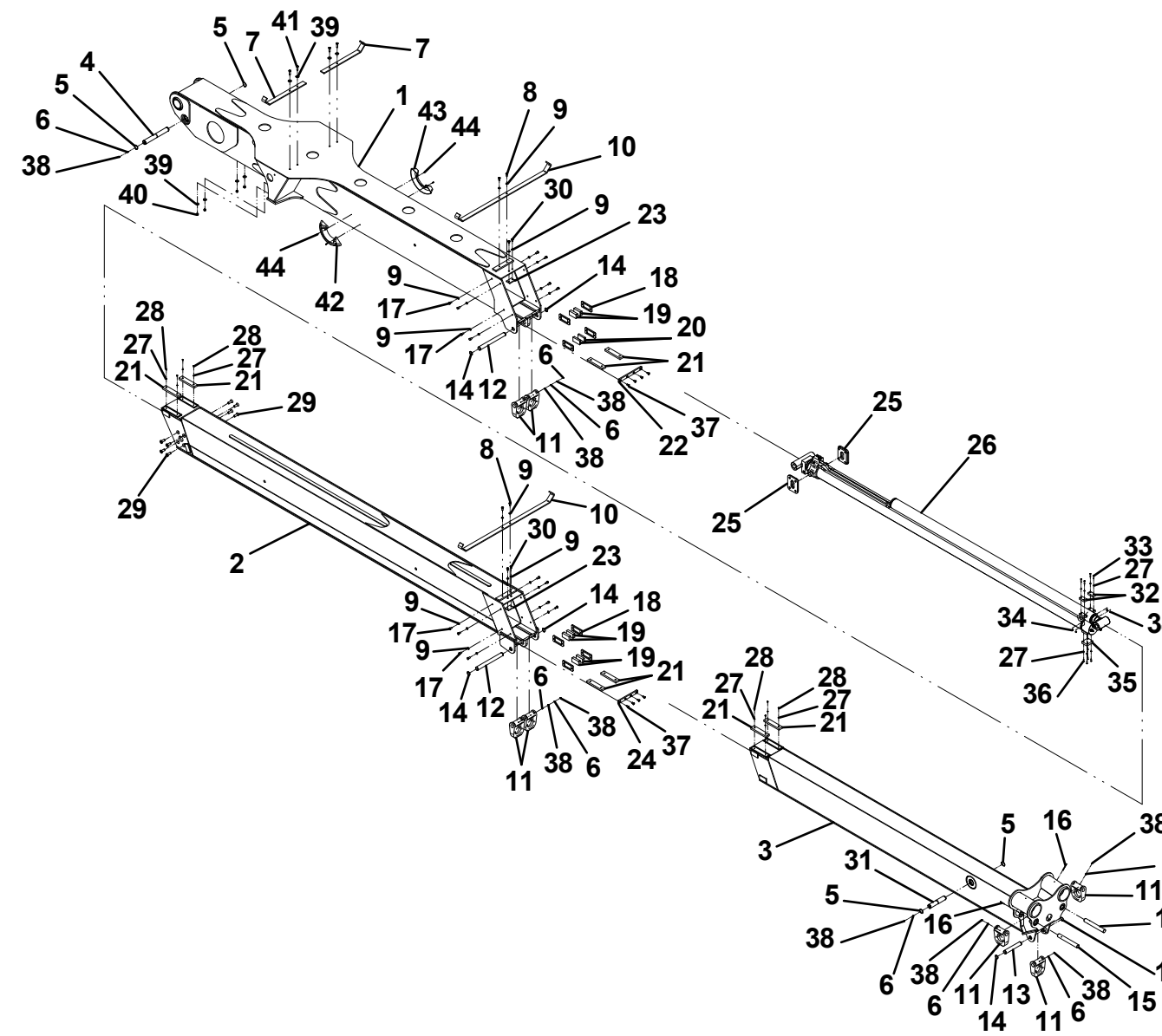
WRECKER BOOM LIFT CYLINDER - 1001127313



WRECKER BOOM ASSEMBLY - 1001128463

ITEM	PART NO.	DESCRIPTION	QTY	ITEM	PART NO.	DESCRIPTION	QTY
1	1001127853	Boom Weldment, Base Section	1	40	7660182601	Locknut, 0.50"-13NC	4
2	1001127841	Boom Weldment, Mid Section	1	41	7115181450	Capscrew, 0.50"-13NC x 1.75"	4
3	1001127836	Boom Weldment, Fly Section	1	42	7470000014	Gauge, Angle Indicator- LH	1
4	4691000417	Pin	1	43	7470000019	Gauge, Angle Indicator- RH	1
5	7754000055	Retaining Ring	4	44	7114100418	Capscrew, #10-24NC x 0.50"	4
6	7440030000	Grease Fitting	9				
7	4062000522	Bar	2				
8	7115180850	Capscrew, 0.50"-13NC x 1.00"	4				
9	7950180000	Lockwasher, 0.59" ID	24				
10	4062000589	Bar	2				
11	4754000004	D-Ring	7				
12	1001129006	Pin	2				
13	1001129393	Pin	1				
14	7754000014	Retaining Ring	6				
15	4691000285	Pin	2				
16	7690144840	Pin, Spring	2				
17	7108180850	Capscrew, 0.50"-20NF x 1.00"	16				
18	4178000811	Bracket	8				
19	4679000314	Pad	6				
20	4679000313	Pad	2				
21	4679000140	Pad	2				
22	1001129004	Plate	1				
23	4062000715	Bar	2				
24	1001129005	Plate	1				
25	3706000241	Plate Weldment	2				
26	7320000085	Extension Cylinder Assembly	2				
27	7950140000	Lockwasher, 0.25" ID	16				
28	7118140427	Capscrew, 0.25"-20NC x 0.50"	8				
29	7120000040	Capscrew, 0.75"-10NC x 2.00"	8				
30	7115180650	Capscrew, 0.50"-13NC x 0.75"	4				
31	4691000416	Pin	1				
32	4679000319	Pad	2				
33	7114141218	Capscrew, 0.25"-20NC x 1.50"	4				
34	7660142601	Locknut, 0.25"-20NC	4				
35	4679000326	Pad	1				
36	7114140818	Capscrew, 0.25"-20NC x 1.00"	4				
37	7118180820	Capscrew, 0.50"-13NC x 1.00"	8				
38	7253000002	Grease Fitting	9				
39	7950180161	Flatwasher, 0.50" ID	8				

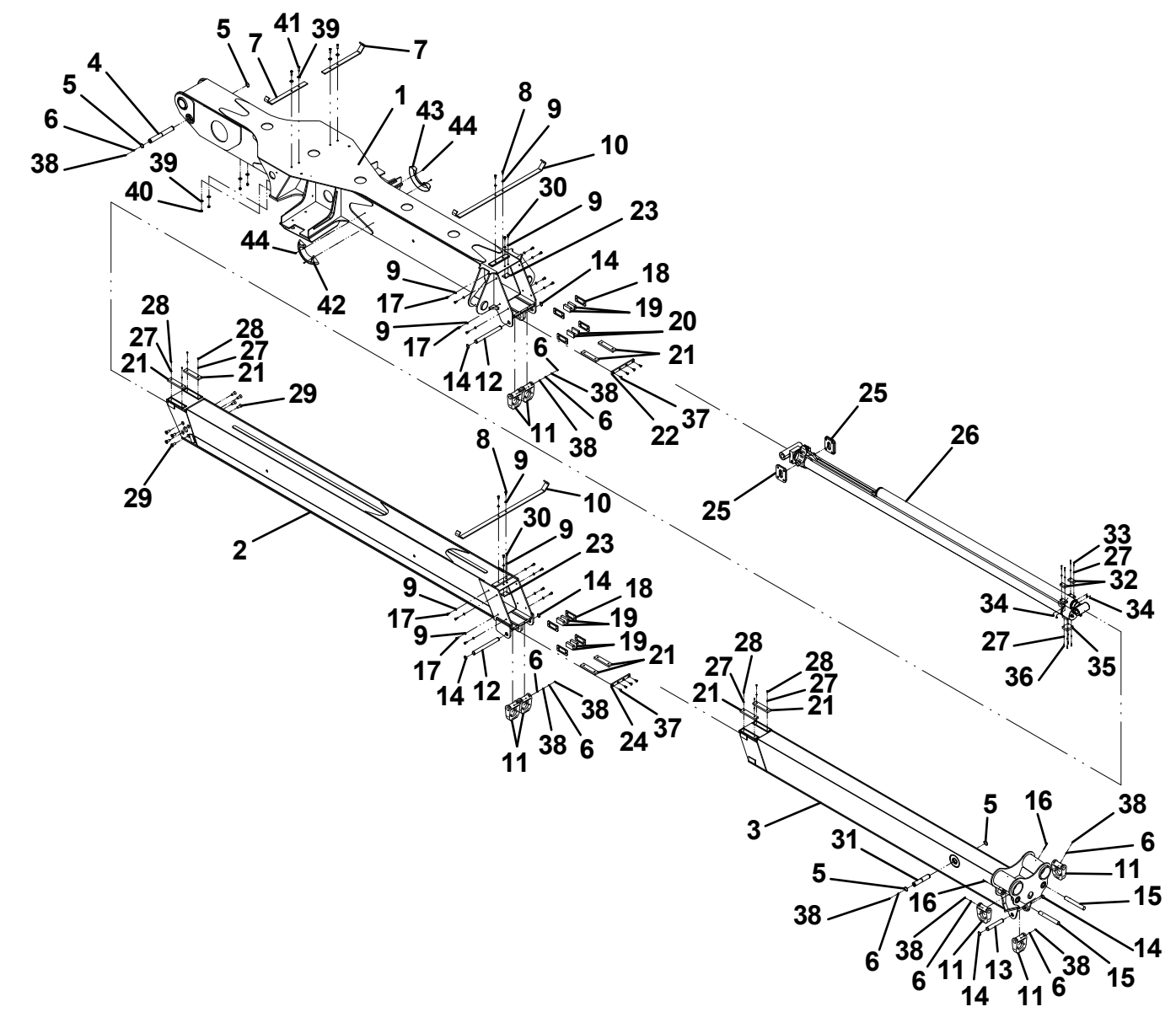
WRECKER BOOM ASSEMBLY - 1001128463



WRECKER BOOM ASSEMBLY - 1001158540 - W/AUXILIARY WINCH

ITEM	PART NO.	DESCRIPTION	QTY	ITEM	PART NO.	DESCRIPTION	QTY
1	1001158448	Boom Weldment, Base Section	1	40	7660182601	Locknut, 0.50"-13NC	4
2	1001127841	Boom Weldment, Mid Section	1	41	7115181450	Capscrew, 0.50"-13NC x 1.75"	4
3	1001127836	Boom Weldment, Fly Section	1	42	7470000014	Gauge, Angle Indicator- LH	1
4	4691000417	Pin	1	43	7470000019	Gauge, Angle Indicator- RH	1
5	7754000055	Retaining Ring	4	44	7114100418	Capscrew, #10-24NC x 0.50"	4
6	7440030000	Grease Fitting	9				
7	4062000522	Bar	2				
8	7115180850	Capscrew, 0.50"-13NC x 1.00"	4				
9	7950180000	Lockwasher, 0.59" ID	24				
10	4062000589	Bar	2				
11	4754000004	D-Ring	7				
12	1001129006	Pin	2				
13	1001129393	Pin	1				
14	7754000014	Retaining Ring	6				
15	4691000285	Pin	2				
16	7690144840	Pin, Spring	2				
17	7108180850	Capscrew, 0.50"-20NF x 1.00"	16				
18	4178000811	Bracket	8				
19	4679000314	Pad	6				
20	4679000313	Pad	2				
21	4679000140	Pad	2				
22	1001129004	Plate	1				
23	4062000715	Bar	2				
24	1001129005	Plate	1				
25	3706000241	Plate Weldment	2				
26	7320000085	Extension Cylinder Assembly	2				
27	7950140000	Lockwasher, 0.25" ID	16				
28	7118140427	Capscrew, 0.25"-20NC x 0.50"	8				
29	7120000040	Capscrew, 0.75"-10NC x 2.00"	8				
30	7115180650	Capscrew, 0.50"-13NC x 0.75"	4				
31	4691000416	Pin	1				
32	4679000319	Pad	2				
33	7114141218	Capscrew, 0.25"-20NC x 1.50"	4				
34	7660142601	Locknut, 0.25"-20NC	4				
35	4679000326	Pad	1				
36	7114140818	Capscrew, 0.25"-20NC x 1.00"	4				
37	7118180820	Capscrew, 0.50"-13NC x 1.00"	8				
38	7253000002	Grease Fitting	9				
39	7950180161	Flatwasher, 0.50" ID	8				

WRECKER BOOM ASSEMBLY - 1001158540 - W/AUXILIARY WINCH

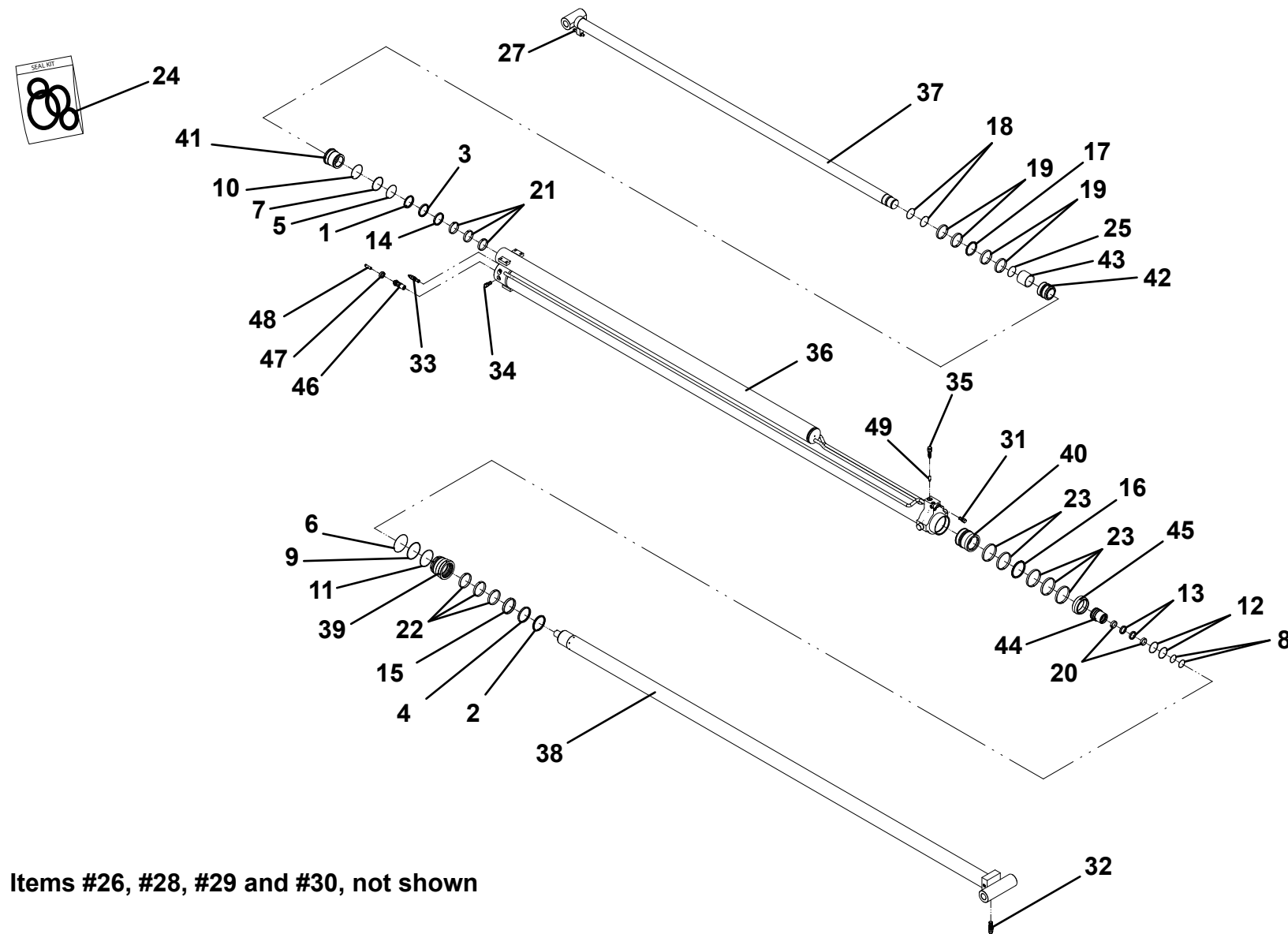


EXTENSION CYLINDER ASSEMBLY - 732000085

ITEM	PART NO.	DESCRIPTION	QTY	ITEM	PART NO.	DESCRIPTION	QTY
1	83304143	Seal, Wiper	1	40	70050583	Piston	1
2	9796250084	Seal, Wiper	1	41	70050584	Head	1
3	9796250071	Seal	1	42	70050585	Piston	1
4	70050556	Seal	1	43	70050586	Spacer	1
5	70050557	Seal, "O"Ring	1	44	70050587	Adapter, RT	1
6	70050558	Seal, "O"Ring	1	45	70050588	Spacer	1
7	9754250009	Ring, Back-up	1	46	70050589	Assembly, Valve	1
8	70050559	Seal, "O"Ring	2	47	70050590	Valve Retainer	1
9	9754250054	Ring, Back-up	1	48	70050591	Assembly, Pad Plunger	1
10	9796250058	Seal, "O"Ring	1	49	70050592	Plunger	1
11	9796250149	Seal, "O"Ring	1				
12	70050560	Seal, "O"Ring	2				
13	70050561	Seal	2				
14	70050562	Seal	1				
15	70050563	Seal	1				
16	70050564	Seal	1				
17	70050565	Seal	1				
18	70050566	Seal, "O"Ring	2				
19	9754250014	Ring, Wear	4				
20	83304181	Ring, Wear	2				
21	83304140	Ring, Wear	3				
22	70050568	Ring, Wear	3				
23	9754250055	Ring, Wear	5				
24	70050569	Kit, Seal	1				
25	70050570*	Seal, "O"Ring	1				
26	70021774	Setscrew	4				
27	70050572	Locknut	2				
28	7005365	Plug, Port	2				
29	70021648	Plug, Port	4				
30	7023593	Plug, Port	5				
31	70050574	Valve, Check	1				
32	70050575	Valve, Counterbalance	1				
33	70050576	Valve, Relief	1				
34	70050577	Valve, Check	1				
35	70050578	Valve, Directional	1				
36	70050579	Assembly, Tube	1				
37	70050580	Assembly, Rod-Tube	1				
38	70050581	Assembly, Rod-Tube	1				
39	70050582	Head	1				

* Not Part of Seal Kit

EXTENSION CYLINDER ASSEMBLY - 732000085

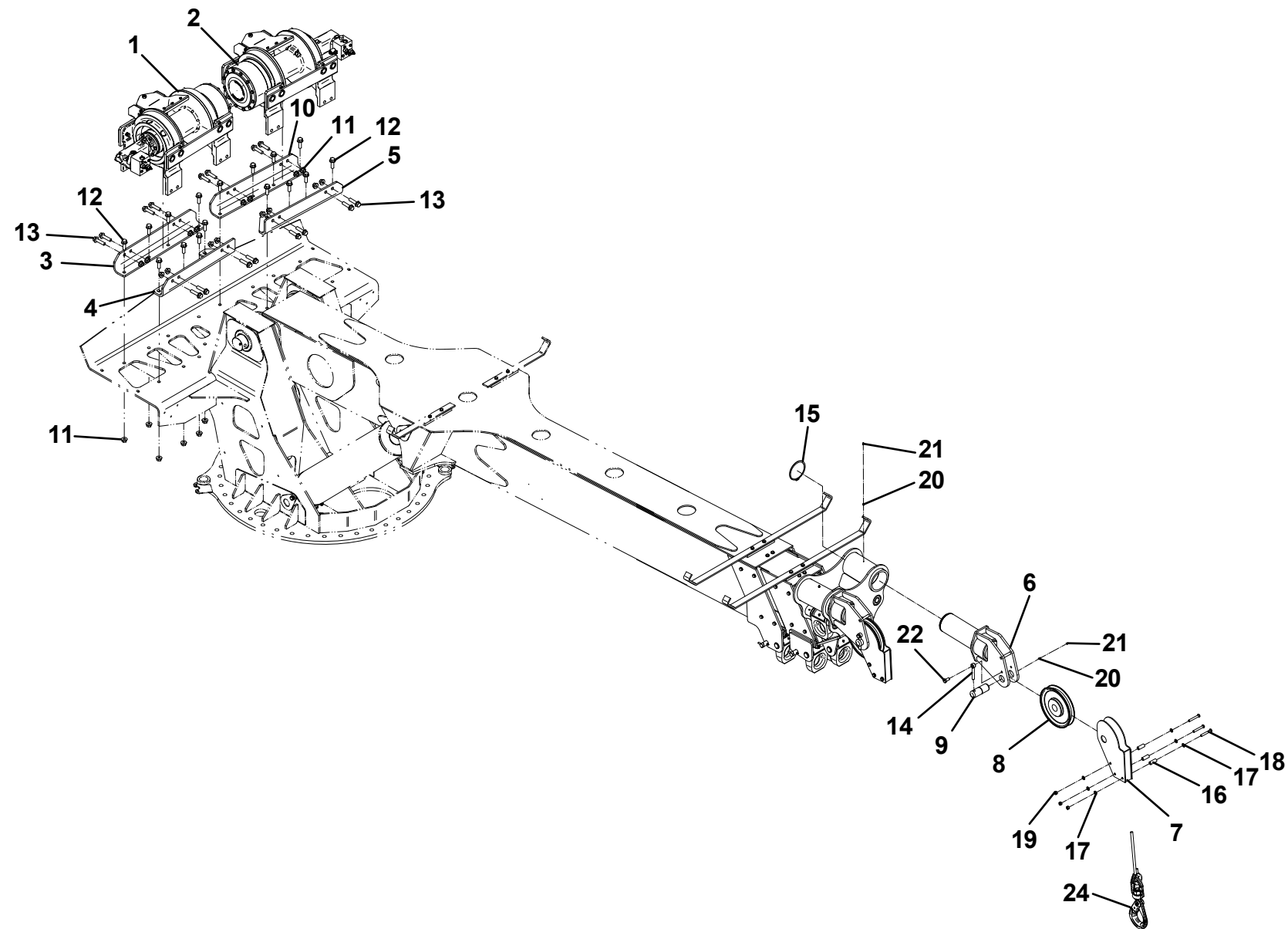


Items #26, #28, #29 and #30, not shown

WINCH INSTALLATION - 2 SPEED 50K RAMSEY

ITEM	PART NO.	DESCRIPTION	QTY
1	1001128323	Winch, Ramsey 50K - LH	1
2	1001129495	Winch, Ramsey 50K - RH	1
3	1001129540	Angle, Winch Front - LH	1
4	1001129541	Angle, Winch Rear - LH	1
5	1001129543	Angle, Winch Rear - RH	1
6	1001169618	Sheave Support Weldment	2
7	3249000037	Cable Guide Weldment	2
8	7809000018	Sheave, 12" Dia.	2
9	1001170037	Pin	2
10	1001129542	Angle, Winch Front - RH	1
11	7660222308	Locknut, 0.75"-10NC	32
12	7118221816	Capscrew, 0.75"-10NC x 2.25"	16
13	7118222416	Capscrew, 0.75"-10NC x 3.00"	16
14	3841258	Rod	2
15	7754000083	Retaining Ring	2
16	4831000108	Spacer	6
17	7950180153	Flatwasher, 0.50" ID	12
18	7115182850	Capscrew, 0.50"-13NC x 3.50"	6
19	7660182601	Locknut, 0.50"-13NC	6
20	7440030000	Grease Fitting	4
21	7253000002	Cap, Grease Fitting	4
22	7115201050	Bolt, 0.63"-11NC x 1.25"	2
23	0100011	Thread Locker	A/R
24	7248000149	Cable, 0.75" x 250'	2
	1001135127	Cable, 0.75" x 250' w/ Swivel Hook	2

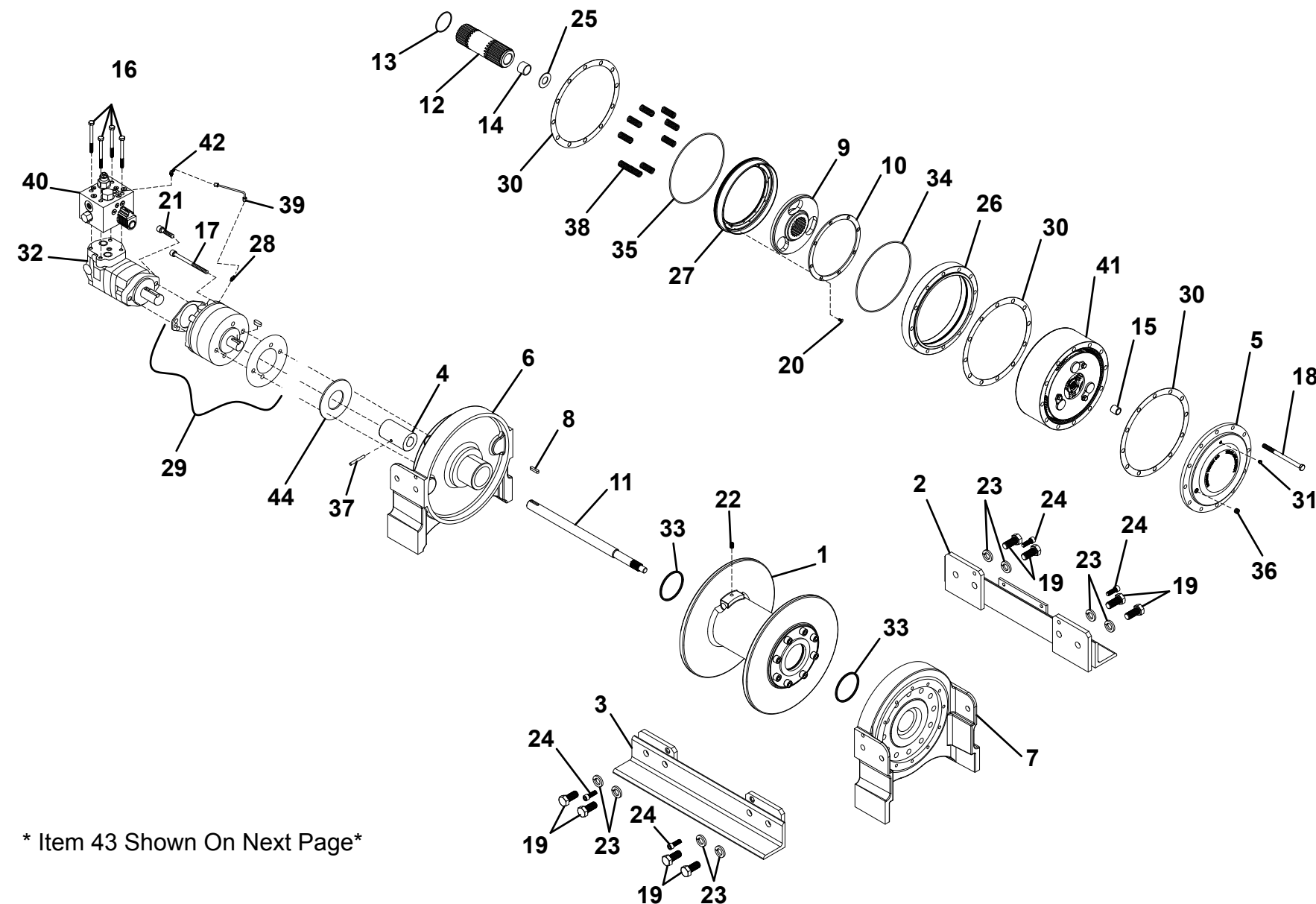
WINCH INSTALLATION - 2 SPEED 50K RAMSEY



RAMSEY 50K WINCH - 1001128323 & 1001129495

ITEM	PART NO.	DESCRIPTION	QTY	ITEM	PART NO.	DESCRIPTION	QTY
1	9970960027	Drum Assembly	1	40	9935960067	Valve Control (B - Rotation)	1
2	70050332	Angle	1	41	70050359	Gearbox	1
3	70050333	Angle	1	42	9443960010	Fitting	1
4	70050334	Coupling	1	43	70050360	Tensioner Assembly	1
5	70050335	Gear Housing Cover	1	44	70050396	Plate Retainer	1
6	70050336	Bearing	1				
7	70050337	Bearing	1				
8	70050338	Key	1				
9	70050339	Clutch	1				
10	70050340	Clutch Retaining Key	1				
11	70050341	Input Shaft	1				
12	70050342	Output Coupling	1				
13	70050343	Spacer	1				
14	70050344	Bushing	1				
15	70050345	Bushing	1				
16	7105163650	Capscrew, 0.38"-24NF x 4.00"	4				
17	70050346	Capscrew, 0.50"-13NC x 3.50"	2				
18	7115185650	Capscrew, 0.50"-13NC x 7.00"	12				
19	7115241650	Capscrew, 0.88"-9NC x 2.00"	8				
20	70050347	Capscrew, 0.25"-20NC x 0.50"	8				
21	9120960024	Capscrew, 0.50"-13NC x 1.25"	2				
22	7785181200	Setscrew, 0.50"-13NC x 0.75"	1				
23	9949960044	Lockwasher, 0.88" ID	8				
24	9120960054	Bolt, 0.50" x 0.75"	4				
25	70050348	Thrust Washer	1				
26	70050349	Cylinder	1				
27	70050350	Piston	1				
28	9443960019	Fitting	1				
29	70050351	Brake Assembly	1				
30	9796960157	Gasket	3				
31	9970456008	Relief Fitting	1				
32	70050352	Motor	1				
33	9796960159	Quad Ring	2				
34	70050353	O-Ring	1				
35	70050354	O-Ring	1				
36	70050355	Pipe Plug	1				
37	70050356	Pin	1				
38	70050357	Spring	9				
39	70050358	Tube Assembly	1				

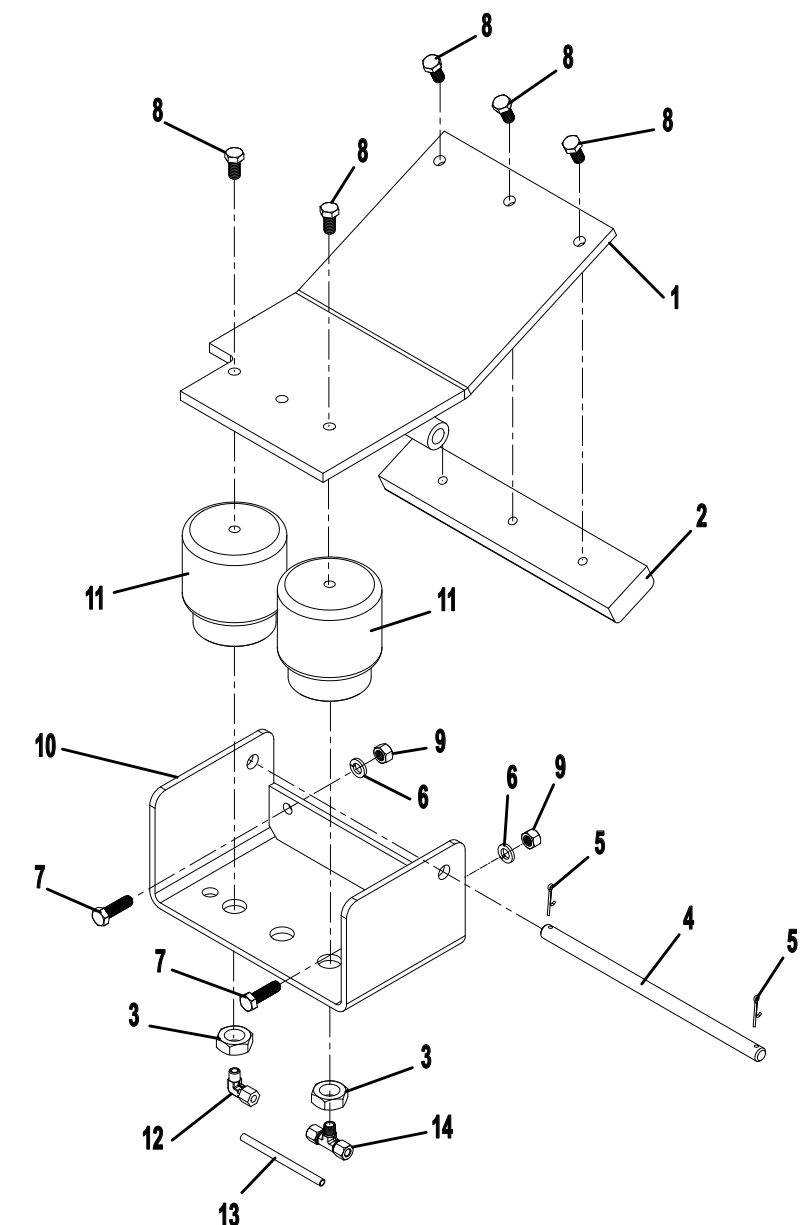
RAMSEY 50K WINCH - 1001128323 & 1001129495



RAMSEY WINCH CABLE TENSIONER ASSEMBLY - 70050360

ITEM	PART NO.	DESCRIPTION	QTY
1	70050366	Plate	1
2	9064960008	Rub Bar	1
3	70050364	Nut, 0.50"-16NF	2
4	9691960032	Pin	1
5	4691960030	Cotter Pin	2
6	9970418177	Lockwasher, 0.38" ID	2
7	70050364	Capscrew, 0.38" x 1.25"	2
8	9120960042	Capscrew, 0.38" x 0.75"	5
9	70050363	Nut, 0.38"	2
10	70050362	Bracket, Air Tensioner	1
11	70050361	Air Actuator	2
12	9443960021	Fitting	1
13	9570960005	Tube	1
14	9443960020	Tee	1

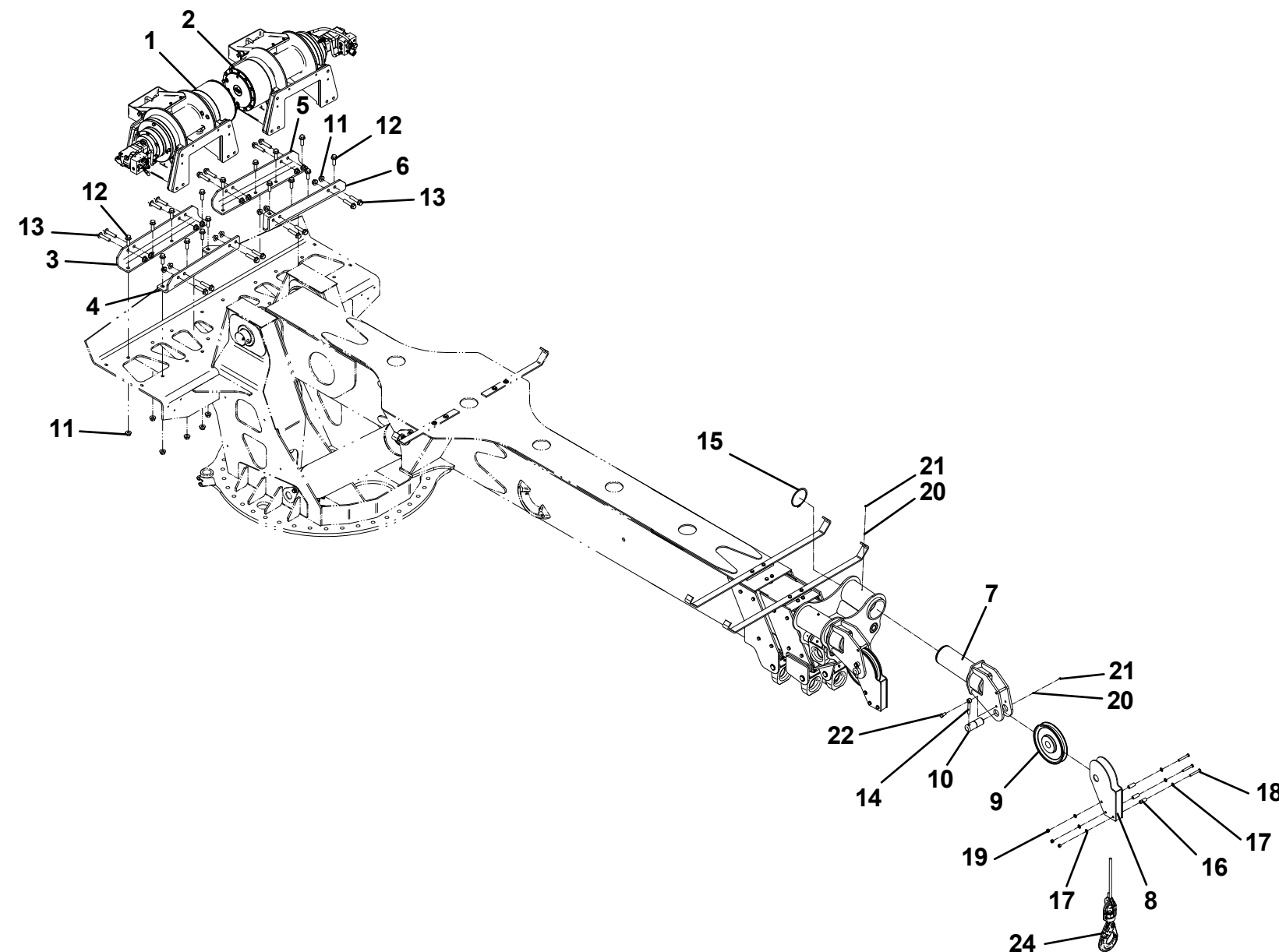
RAMSEY WINCH CABLE TENSIONER ASSEMBLY - 70050360



WINCH INSTALLATION - 2 SPEED 50K DP

ITEM	PART NO.	DESCRIPTION	QTY
1	1001145566	Winch, DP 50K - LH	1
2	7970000169	Winch, DP 50K - RH	1
3	1001145521	Angle, Winch Front - LH	1
4	1001145522	Angle, Winch Rear - LH	1
5	1001145523	Angle, Winch Front - LH	1
6	1001145524	Angle, Winch Front - RH	1
7	1001169618	Sheave Support Weldment	2
8	3249000037	Cable Guide Weldment	2
9	7809000018	Sheave, 12" Dia.	2
10	1001170037	Pin	2
11	7660222308	Locknut, 0.75"-10NC	32
12	7118221816	Capscrew, 0.75"-10NC x 2.25"	16
13	7118222816	Capscrew, 0.75"-10NC x 3.50"	16
14	3841258	Rod	2
15	7754000083	Retaining Ring	2
16	4831000108	Spacer	6
17	7950180153	Flatwasher, 0.50" ID	12
18	7115182850	Capscrew, 0.50"-13NC x 3.50"	6
19	7660182601	Locknut, 0.50"-13NC	6
20	7440030000	Grease Fitting	4
21	7253000002	Cap, Grease Fitting	4
22	7115201050	Bolt, 0.63"-11NC x 1.25"	2
23	0100011	Thread Locker	A/R
24	7248000149	Cable, 0.75" x 250'	2
	1001135127	Cable, 0.75" x 250' w/ Swivel Hook	

WINCH INSTALLATION - 2 SPEED 50K DP



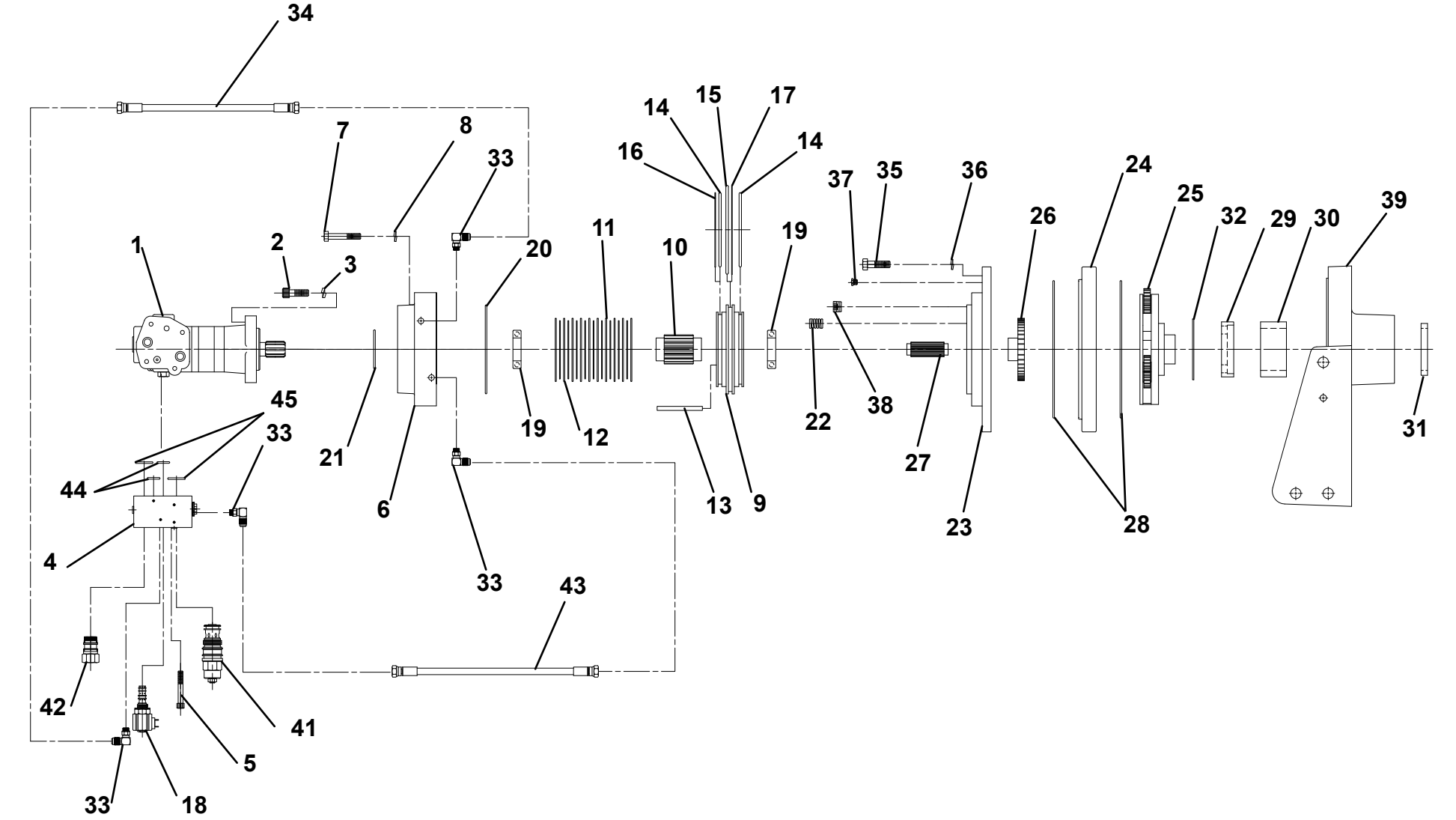
DP WINCH 50K - MOTOR END INSTALLATION

ITEM	PART NO.	DESCRIPTION	QTY
1	70050367	Motor, Hydraulic	1
2	7118181205	Capscrew, 0.50"-13NC x 1.50"	2
3	7950180800	Lockwasher, 0.50"	2
4	70050368	Valve, Counterbalance	1
5	70050370	Capscrew, 0.38"-24NF x 2.50"	4
6	9571960006	Housing, Brake Outer	1
7	7118172050	Capscrew, 0.44" x 2.50"	6
8	7950170000	Lockwasher, 0.44"	6
9	9698960008	Piston, Brake	1
10	9806960013	Shaft, Brake	1
11	**	Plate, Friction Disk	10
12	**	Plate, Brake Drive	9
13	9691960021	Pin	2
14	>	O-Ring, 5.38" ID	2
15	>	O-Ring, 6.50" ID	1
16	>	Ring, 5.28" ID	1
17	>	Ring, 6.25" ID	1
18	70050371	Cartridge, Valve	1
19	9082960013	Bearing	2
20	>	O-Ring, 6.75" ID	1
21	9796960090	O-Ring, 3.00" ID	1
22	**	Spring	12
23	7007960040	Adapter, Brake	1
24	9472960032	Gear, Ring 92 Teeth	1
25	9472960029	Carrier, Planetary Assembly	1
26	9472960033	Gear, Sun	1
27	9806960014	Shaft, Extension	1
28	9796960085	O-Ring, 10.50" ID	2
29	9706960027	Plate, Thrust - 45	1
30	9082960014	Bearing	1
31	9796960087	Seal, 3.25" ID	1
32	9754960029	Retainer Ring	1
33	7445040445	Adapter	3
34	70050372	Hose, 0.25" - R1 x 16.00"	1
35	7115182250	Capscrew, 0.50"-13NC x 2.75"	4
36	7950180000	Lockwasher, 0.50" ID	4
37	9183960001	Vent	1
38	9701960010	Plug	2
39	9177960002	Support, Motor End	1

ITEM	PART NO.	DESCRIPTION	QTY
40	9443960006*	Adapter	1
41	9935960026	Cartridge, Counterbalance	1
42	9701960013	Plug Assembly	1
43	70050373	Hose, 0.25" - R1 x 14.00"	1
44	70050369	O-Ring, 1.12" ID	2
45	9796960088	O-Ring, 0.81" ID	2

* Item Not Shown
** Items Sold Only As Part Of Kit - 9577960119
> Items Sold Only As Part Of Kit - 9577960120

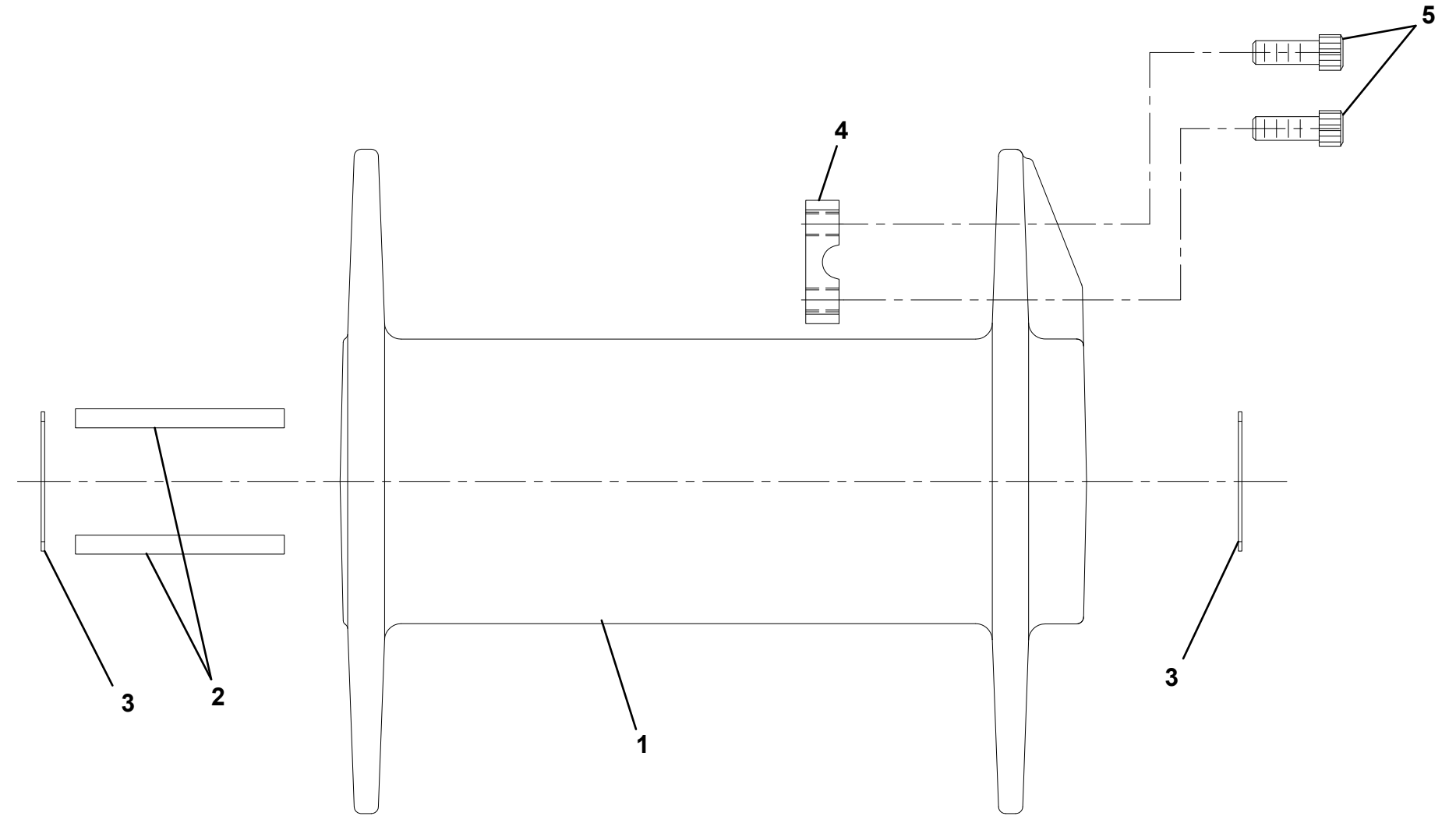
DP WINCH 50K - MOTOR END INSTALLATION



DP WINCH 50K - DRUM INSTALLATION

ITEM	PART NO.	DESCRIPTION	QTY
1	70050381	Drum, Winch	1
2	70050382	Key, Shaft Output	2
3	70050383	Retaining Ring	2
4	9280960002	Clip, Cable - Threaded	1
5	7110201823	Capscrew, 0.63"-11NC x 2.25"	2

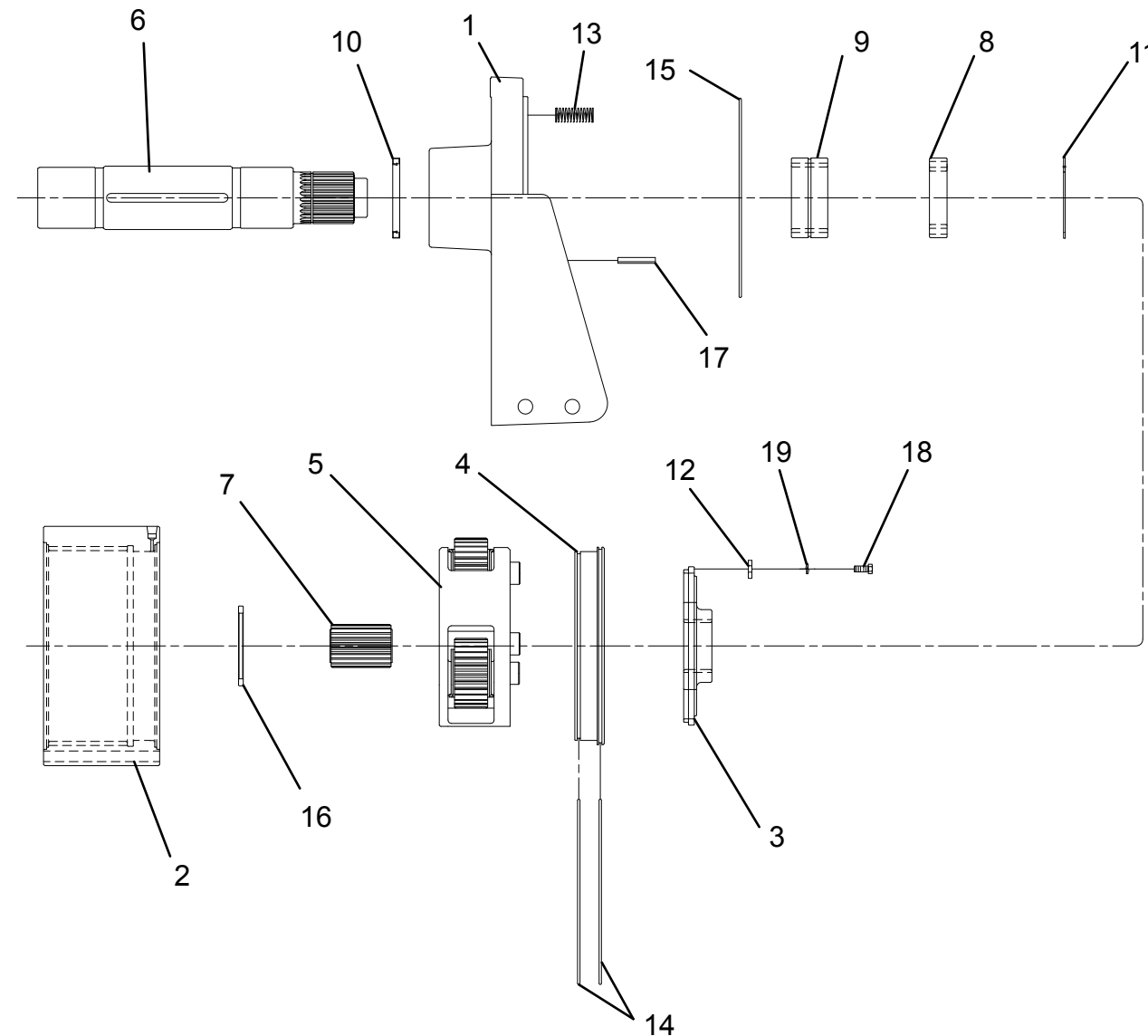
DP WINCH 50K - DRUM INSTALLATION



DP WINCH 50K - GEAR END INSTALLATION

ITEM	PART NO.	DESCRIPTION	QTY
1	9177960001	Support, Gear End	1
2	9472960036	Gear, Ring - 103 Teeth	1
3	9281960004	Clutch	1
4	9698960009	Piston	1
5	9472960030	Carrier Assembly	1
6	9806960015	Shaft, Output	1
7	70050380	Gear, Sun	1
8	9154960027	Ring, Thrust	1
9	9082960014	Bearing, Roller	1
10	9796960087	Seal	1
11	9754960029	Retaining Ring	1
12	9698960010	Piston Retainer	3
13	9843960025	Spring	3
14	9796960093	O-Ring, 9.75" ID	2
15	9796960085	O-Ring, 10.50" ID	1
16	9949960013	Washer, Nylon 4.25" OD	1
17	7690153245	Pin	2
18	7115150650	Capscrew, 0.32"-18NC x 0.75"	6
19	9949960050	Lockwasher, 0.32" ID	6

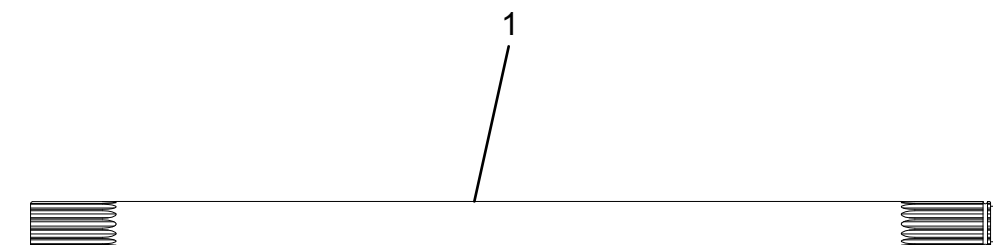
DP WINCH 50K - GEAR END INSTALLATION



DP WINCH 50K - INPUT SHAFT

ITEM	PART NO.	DESCRIPTION	QTY
1	70050374	Input Shaft	1

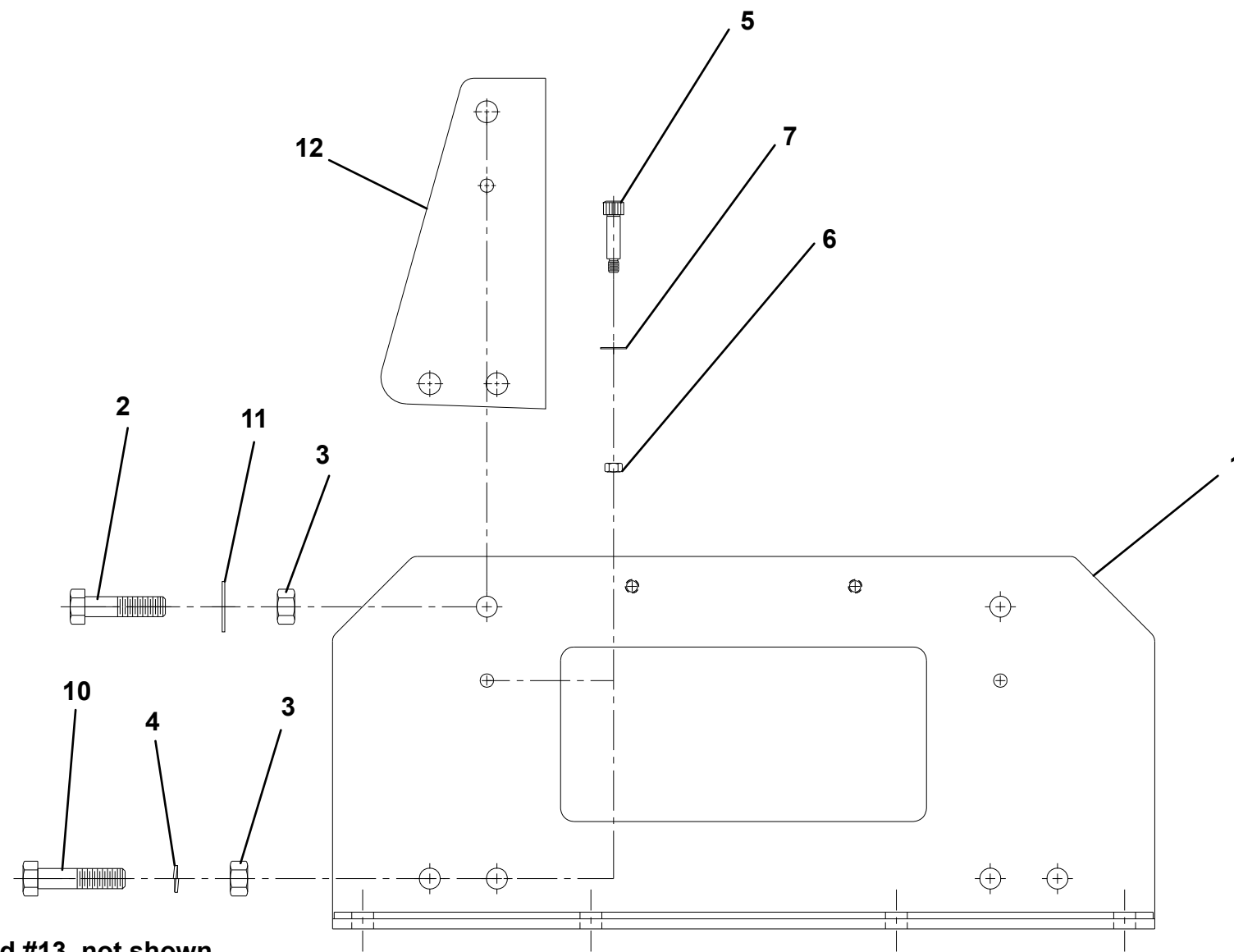
DP WINCH 50K - INPUT SHAFT



DP WINCH 50K - BASE MOUNT INSTALLATION

ITEM	PART NO.	DESCRIPTION	QTY
1	9073960002	Base, Mount	2
2	7115222450	Capscrew, 0.75"-10NC x 3.00"	4
3	7660220001	Nut, 0.75"-10NC	12
4	7950220000	Lockwasher, 0.75" ID	8
5	9120960020	Bolt, 0.50" x 2.00"	4
6	9661960033	Nut, 0.38"-16NC	4
7	9949960051	Flatwasher, 0.38" ID	4
8	70050384	Plate, Winch Information	1
9	70050147	Rivet	4
10	7115222650	Capscrew, 0.75"-10NC x 3.25"	8
11	7950220151	Flatwasher, 0.75" ID	4
12	9831960007	Spacer	4
13	9577960113	Kit, Cable Hold Down	1

DP WINCH 50K - BASE MOUNT INSTALLATION

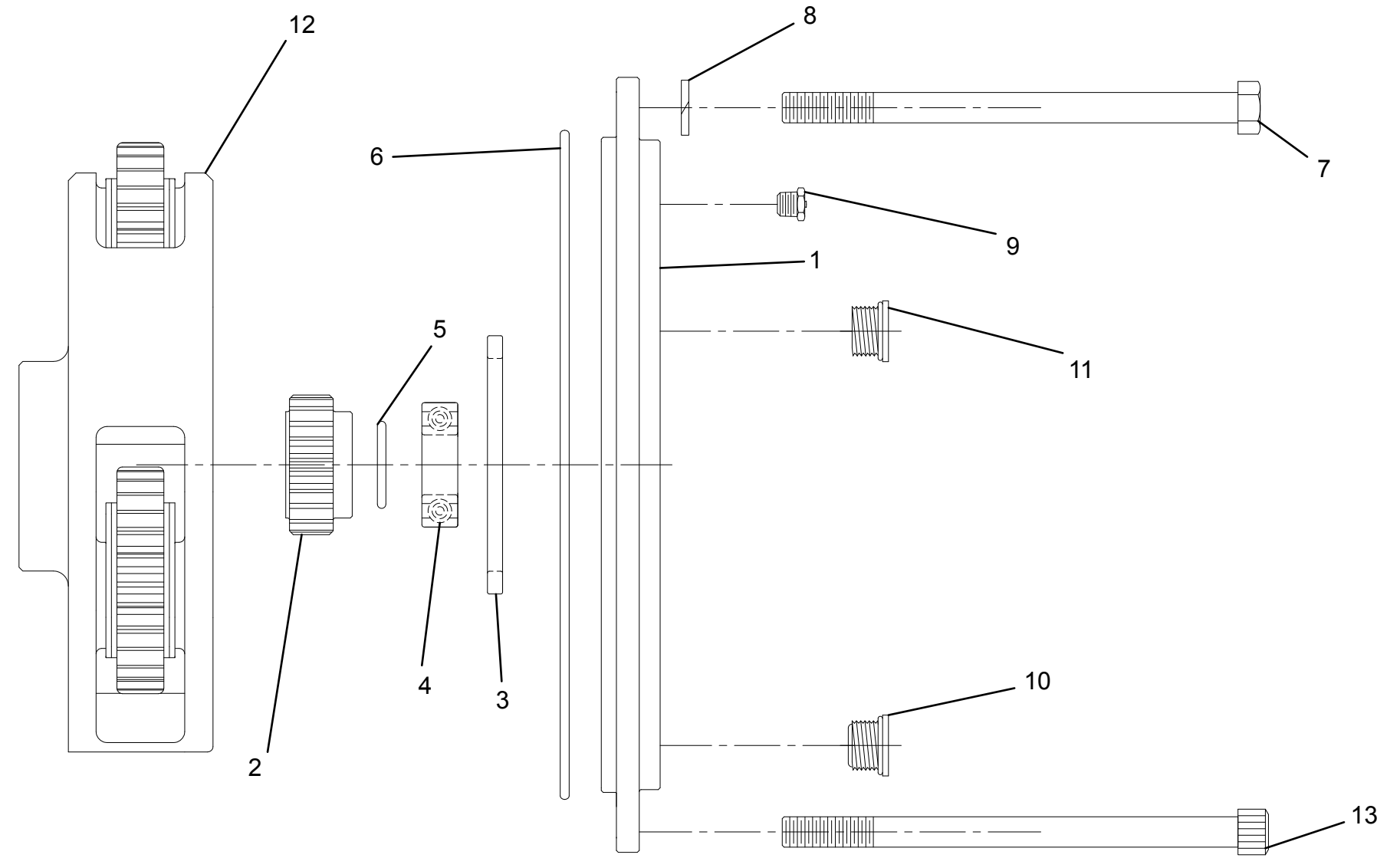


Items #8, #9, and #13, not shown

DP WINCH 50K - GEAR END COVER INSTALLATION

ITEM	PART NO.	DESCRIPTION	QTY
1	70050375	Cover	1
2	70050376	Gear, Sun Primary 29 Teeth	1
3	9949960013	Washer, Thrust - Nylon 4.25" OD x .25"	1
4	9082960015	Bearing	1
5	9754960030	Retaining Ring	1
6	9796960085	O-Ring, 10.50" ID	1
7	70050377	Capscrew, 0.50"-13NC x 7.50"	10
8	7950180000	Lockwasher, 0.50" ID	10
9	9183960001	Vent	1
10	9701960012	Plug	1
11	9701960011	Plug	1
12	70050378	Carrier Assembly	1
13	70050379	Capscrew, 0.50"-13NC x 7.00"	2

DP WINCH 50K - GEAR END COVER INSTALLATION

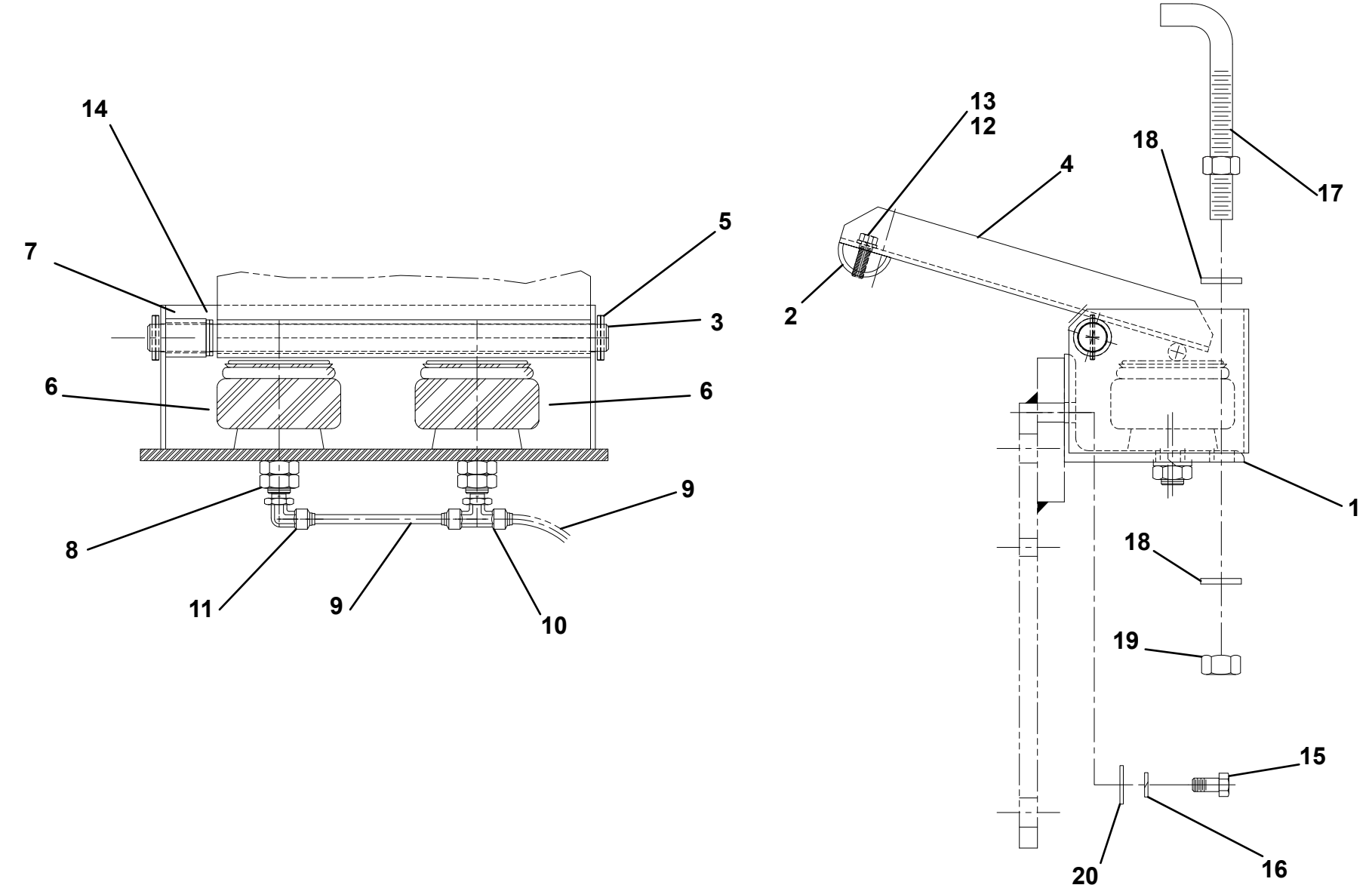


DP WINCH 50K - CABLE HOLD DOWN KIT

ITEM	PART NO.	DESCRIPTION	QTY
1	9178960011	Bracket	1
2	9064960001	Bar	1
3	9691960019	Pin	1
4	9020960002	Arm, Pivot	1
5	9690960039	Cotter Pin	2
6	9843960023	Spring, Air Cushion	2
7	9831960009	Spacer	1
8	7660200200	Nut, 0.63"-11NC	4
9	9912960010	Tubing	1
10	7443000205	Adapter	1
11	7443000204	Adapter	1
12	9949960050	Lockwasher, 0.63" ID	3
13	9120960063	Capscrew, 0.63"-18NC x 1.00"	3
14	9949960012	Washer	2
15	7115181650	Capscrew, 0.50"-13NC x 1.00"	2
16	7950180000	Lockwasher, 0.50" ID	2
17	9120960019	Bolt, 0.63" x 6.50" 90 Degree	1
18	7950200151	Flatwasher, 0.63" ID	2
19	7660200001	Nut, 0.63"-11NC	1
20	70050385	Flatwasher, 0.50" ID	2

All items can be purchased as Assembly 9577960113

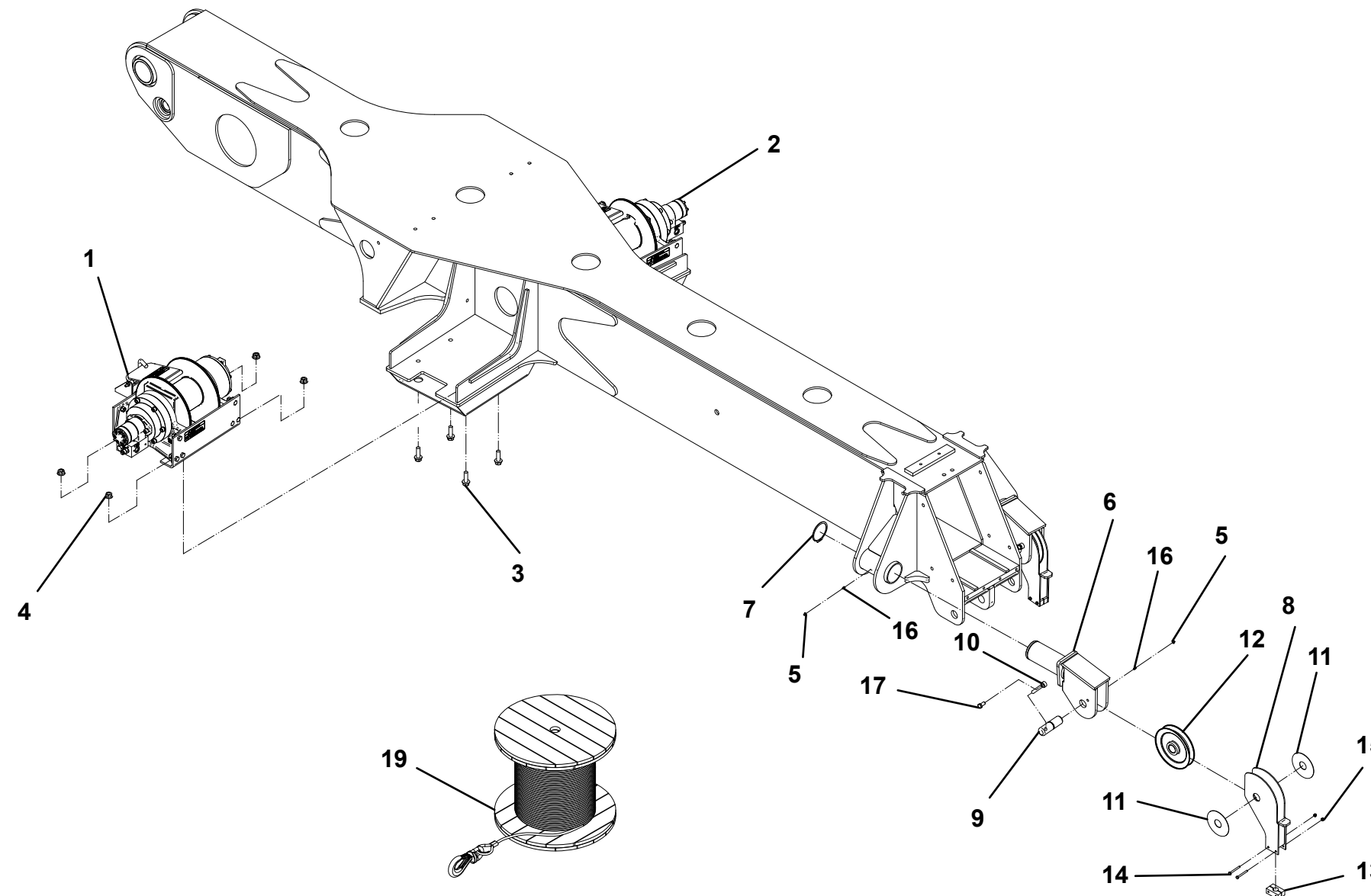
DP WINCH 50K - CABLE HOLD DOWN KIT



AUXILIARY WINCH INSTALLATION

ITEM	PART NO.	DESCRIPTION	QTY
1	1001157913	Winch, DP20	1
2	1001157914	Winch, DP20	1
3	7118201616	Capscrew, 0.63"-11NC x 2.00"	8
4	7661000018	Nut, 0.63"-11NC	8
5	7253000002	Grease Fitting Cap	4
6	1001169617	Sheave Support Weldment	2
7	7754000049	Retaining Ring	2
8	3249000012	Cable Guide Weldment	2
9	1001169893	Pin	2
10	3841203	Rod	2
11	4949000045	Washer, 1.53" ID x 0.06"	4
12	1001157954	Sheave	2
13	4249000002	Cable Guide	4
14	7115142050	Capscrew, 0.25"-20NC x 2.50"	4
15	7660142604	Locknut, 0.25"-20NC	4
16	7440030000	Grease Fitting	4
17	7115180850	Capscrew, 0.50"-13NC x 1.00"	2
18	100011	Thread Locker	A/R
19	1001159354	Wire Rope w/ Swivel	2

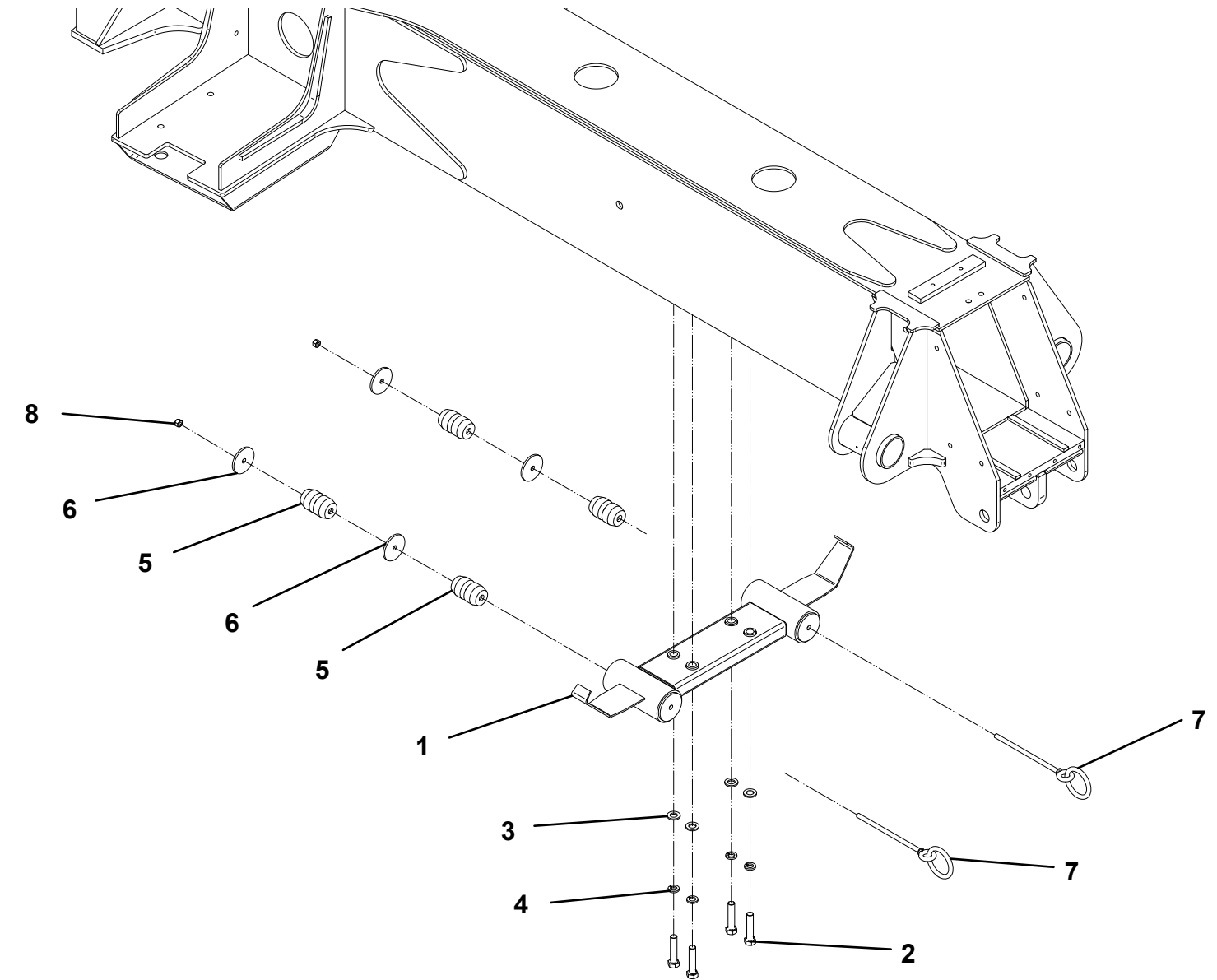
AUXILIARY WINCH INSTALLATION



AUXILIARY WINCH CABLE TIE-BACK INSTALLATION

ITEM	PART NO.	DESCRIPTION	QTY
1	1001158198	Bracket, Cable Tie-Back	1
2	7118222850	Capscrew, 0.75"-10NC x 3.50"	4
3	7950220141	Flatwasher, 0.75" ID	4
4	7950220000	Lockwasher 0.75"ID	4
5	7189000014	Spring	4
6	4831000115	Spacer	4
7	7120000053	Ring Bolt, 0.50"-13NC x 10.00"	2
8	7660182601	Locknut, 0.50"-13NC	2

AUXILIARY WINCH CABLE TIE-BACK INSTALLATION



DP WINCH 20K - MOTER END INSTALLATION

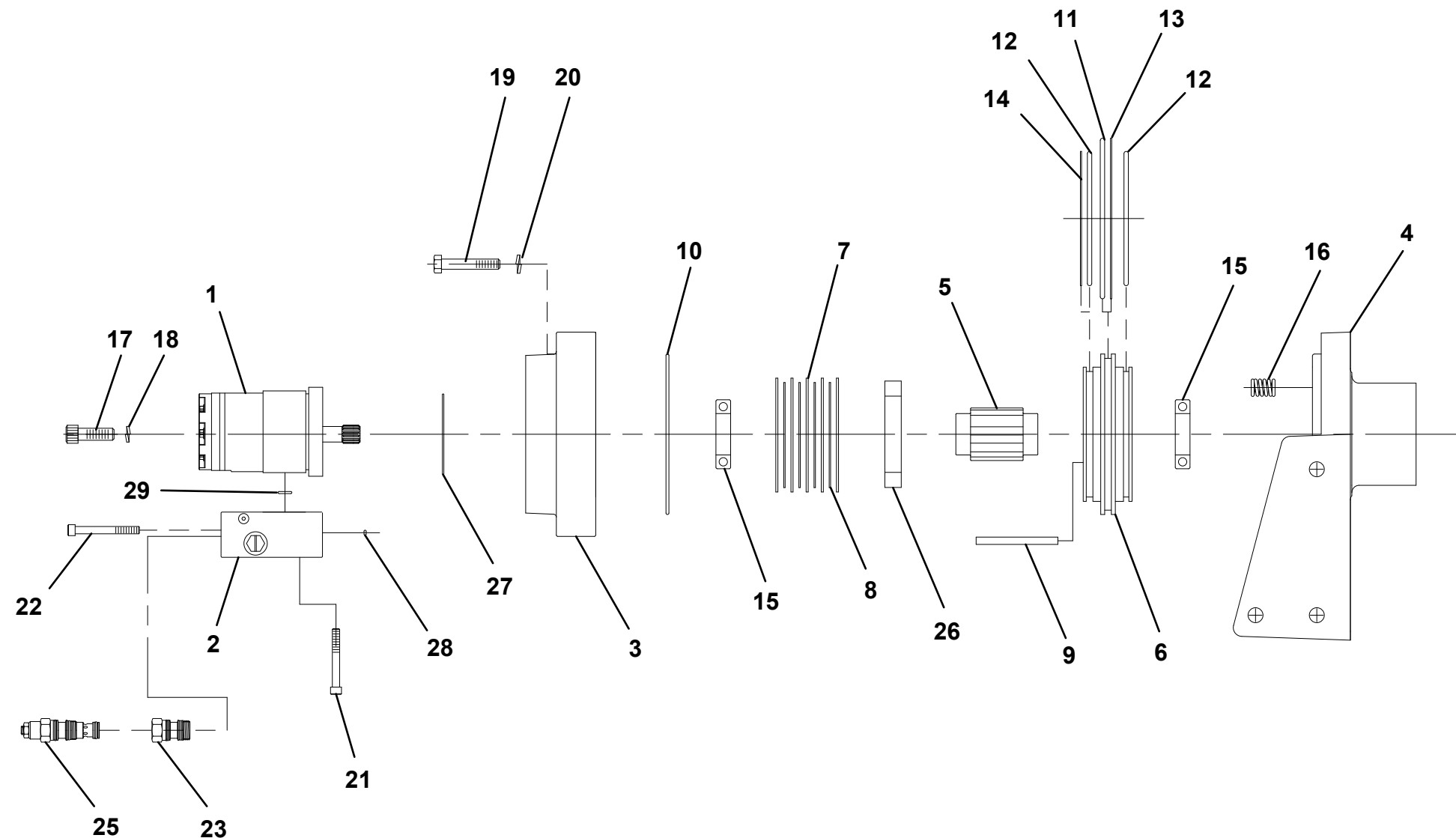
ITEM	PART NO.	DESCRIPTION	QTY
1	70050113	Motor, Hydraulic	1
2	70050739	Valve, Counterbalance	1
3	70050741	Housing, Brake	1
4	70050742	Support, Motor End	2
5	70050743	Shaft, Brake	1
6	9698960008	Piston, Brake	1
7	**	Plate, Friction Disc	5
8	**	Plate, Brake Drive	4
9	9691960021	Pin	2
10	<	O-Ring, 7.00" ID	1
11	<	O-Ring, 6.50" ID	1
12	<	O-Ring, 5.38" ID	2
13	<	Ring, 6.25" ID	1
14	<	Ring, 5.28" ID	1
15	9082960013	Bearing	2
16	**	Spring	12
17	70050127	Capscrew, 0.50"-13NC x 1.25"	2
18	7950180800	Lockwasher, 0.50"	2
19	7118172050	Capscrew, 0.44"-14NC x 2.50"	6
20	7950170000	Lockwasher, 0.44"	6
21	70050744	Capscrew, 0.31"-18NC x 2.00"	4
22	70050126	Capscrew, 0.25"-20NC x 4.50"	1
23	70050132	Plug	1
24	70050401*	Tag, Warning	1
25	70050129	Cartridge, Counterbalance	1
26	9831960008	Spacer, Brake	1
27	9796960145	O-Ring, 3.25" ID	1
28	70050115	O-Ring, 0.13" ID	1
29	70050740	O-Ring, 0.69" ID	2

* Item Not Shown

** Available only in Kit 9577960119

< Available only in Kit 9577960120

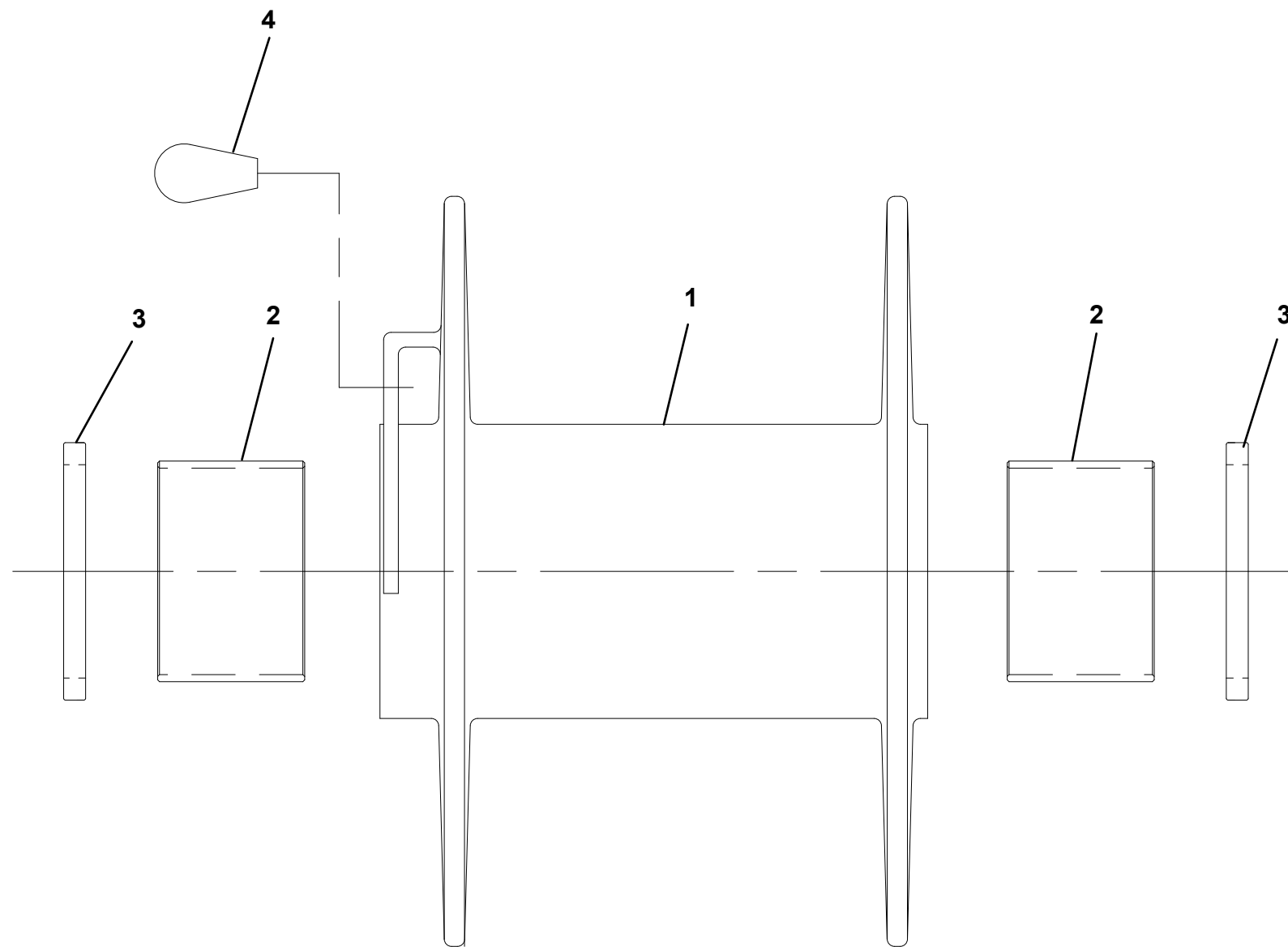
DP WINCH 20K - MOTOR END INSTALLATION



DP WINCH 20K - DRUM INSTALLATION

ITEM	PART NO.	DESCRIPTION	QTY
1	70050745	Drum	1
2	70050746	Bearing	2
3	70050747	Seal, 3.63" ID	2
4	70050749	Wedge, 0.56"	1

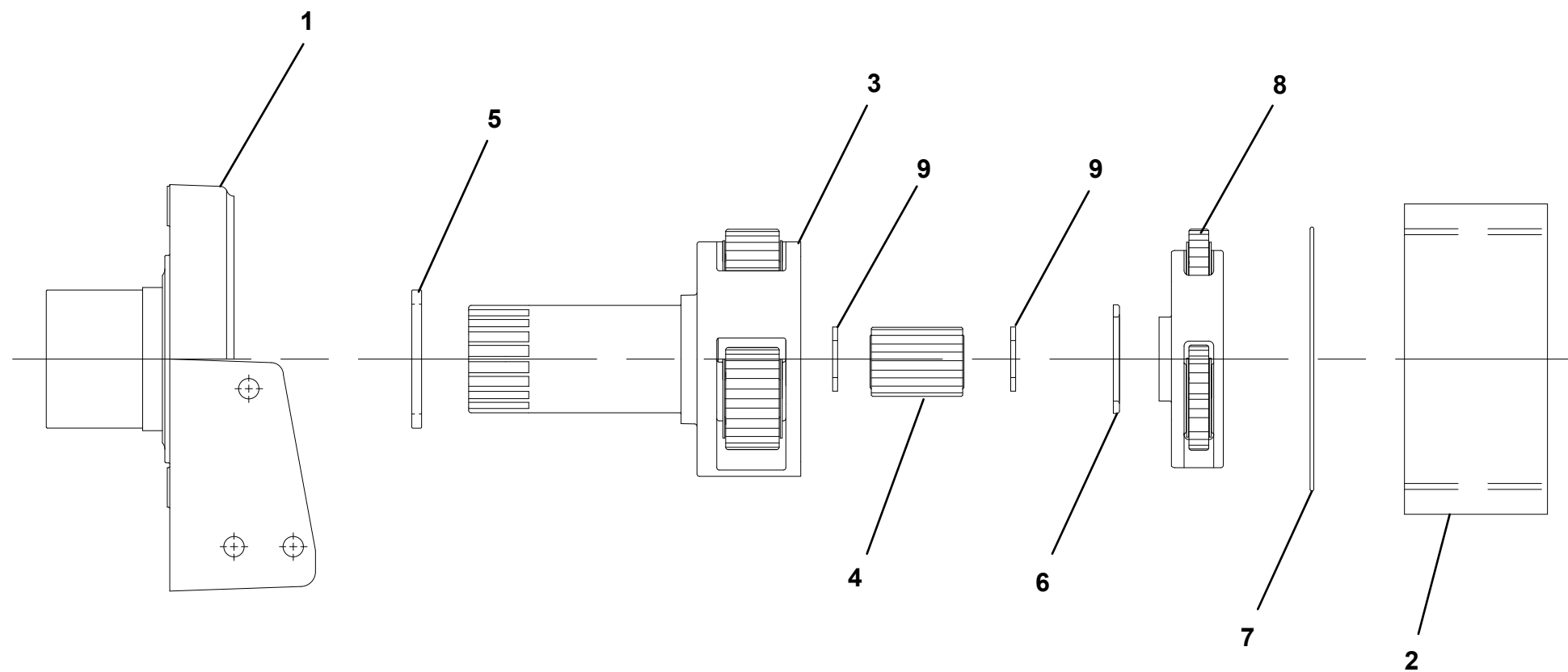
DP WINCH 20K - DRUM INSTALLATION



DP WINCH 20K - GEAR END INSTALLATION

ITEM	PART NO.	DESCRIPTION	QTY
1	70050750	Support, Gear End	1
2	70050139	Gear, Ring	1
3	70050751	Carrier Assembly	1
4	70050140	Gear	1
5	70050752	Washer, Thrust - Nylon	1
6	9949000056	Washer, Thrust - Nylon	1
7	9796960188	O-Ring, 6.50" ID	1
8	70050141	Carrier	1
9	9949960057	Washer, Thrust	2

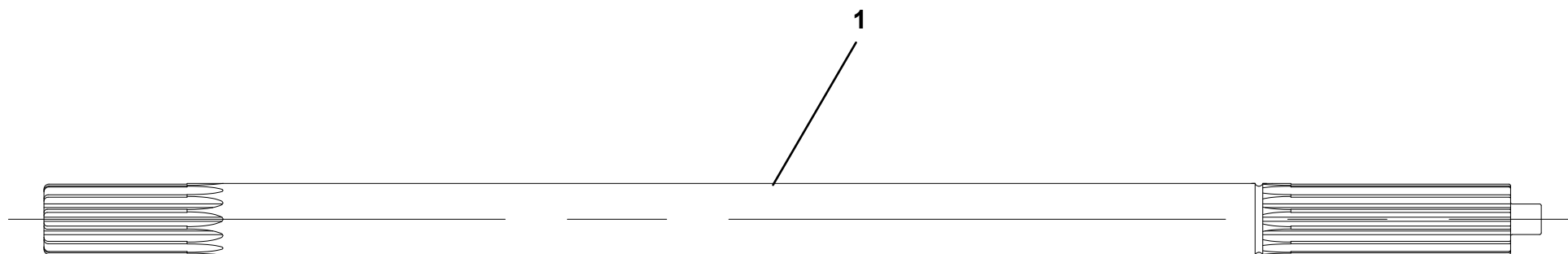
DP WINCH 20K - GEAR END INSTALLATION



DP WINCH 20K - INPUT SHAFT INSTALLATION

ITEM	PART NO.	DESCRIPTION	QTY
1	70050753	Input Shaft	1

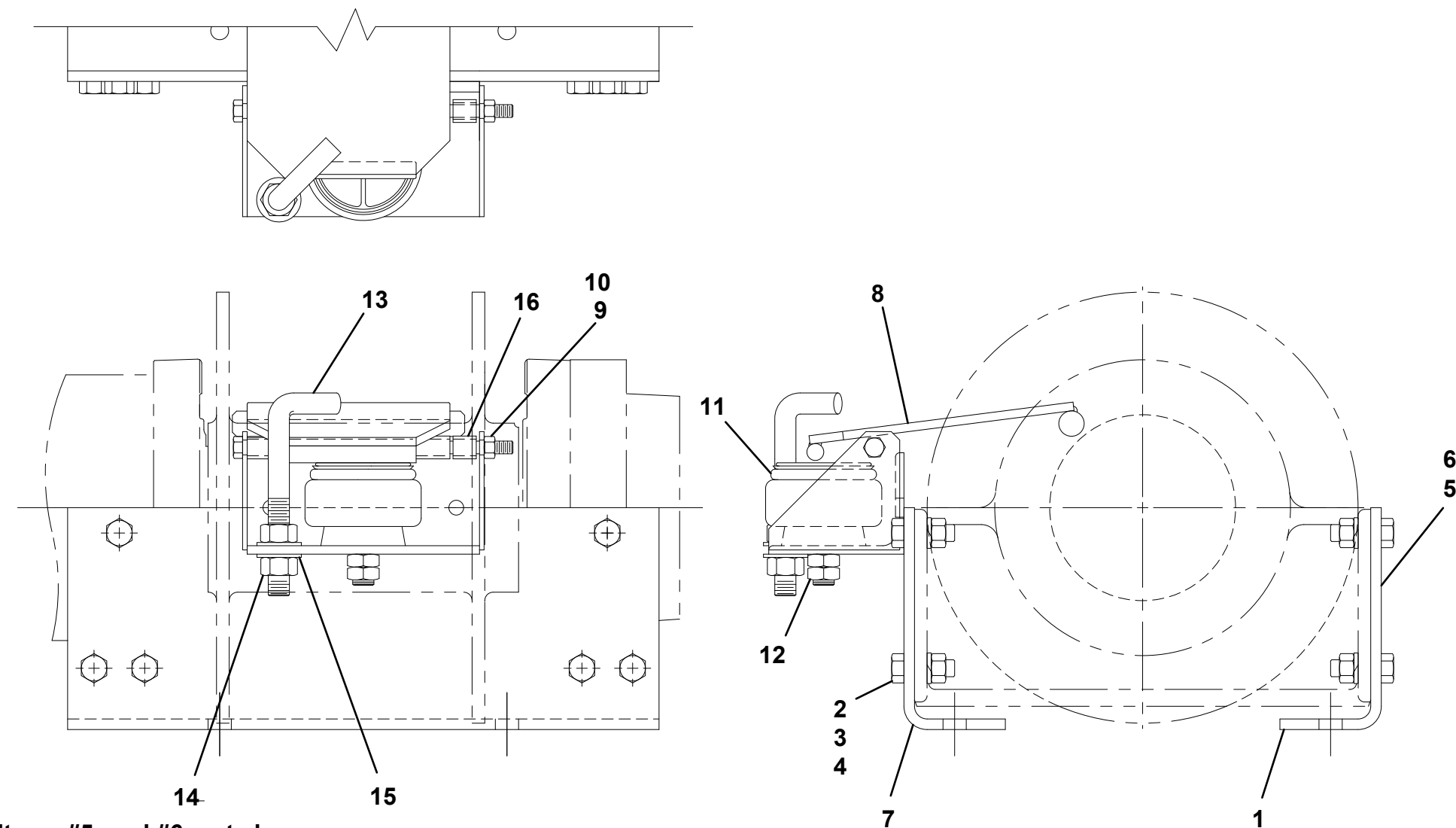
DP WINCH 20K - INPUT SHAFT INSTALLATION



DP WINCH 20K - BASE MOUNT INSTALLATION

ITEM	PART NO.	DESCRIPTION	QTY
1	70050754	Base, Angle	1
2	70050755	Capscrew, 0.50"-13NC x 1.50"	12
3	70050756	Nut, 0.50"-13NC	12
4	7950180000	Lockwasher, 0.50" ID	12
5	70050384	Plate, Winch Information	1
6	70050147	Rivet	4
7	70050757	Base, Angle	1
8	70050758	Arm, Rub Bar	1
9	70050759	Capscrew, 0.38"-16NC x 8.00"	1
10	9661960034	Locknut, 0.38"-16NC	1
11	9843960023	Spring, Air Cushion	1
12	7660200200	Nut, 0.63"-11NC	2
13	9120960019	Bolt, 0.63" x 6.50" 90 Degree	1
14	7660200001	Nut, 0.63"-11NC	1
15	7950200151	Flatwasher, 0.63" ID	2
16	70050760	Spacer, Rub Bar	1

DP WINCH 20K - BASE MOUNT INSTALLATION



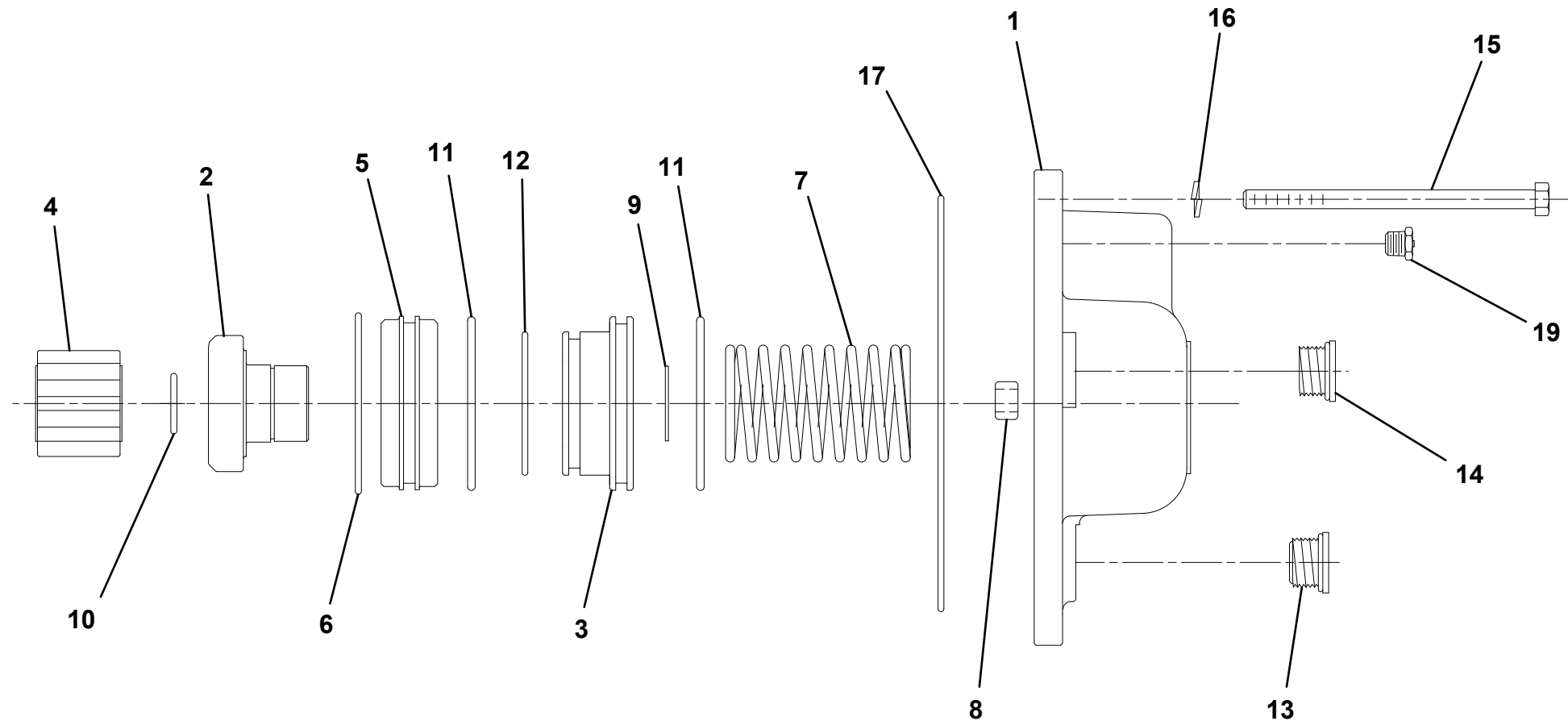
Items #5, and #6, not shown

DP WINCH 20K - GEAR END COVER INSTALLATION

ITEM	PART NO.	DESCRIPTION	QTY
1	70050151	Cover	1
2	70050085	Coupling, Drive	1
3	70050086	Piston	1
4	70050152	Gear	1
5	9698960015	Piston, Cylinder	1
6	9754960026	Ring, Retainer	1
7	9843960032	Spring	1
8	9209960026	Bushing	1
9	9754960046	Ring, Retainer	1
10	9754960047	Ring, Retainer	1
11	9796960116	O-Ring, 2.63" ID	2
12	9796960118	O-Ring, 2.13" ID	1
13	9701960012	Plug	1
14	9701960011	Plug	1
15	70050761	Capscrew, 0.44"-18NC x 4.75"	8
16	9949960050	Lockwasher, 0.44" ID	8
17	9796960188	O-Ring, 6.50" ID	1
18	9701960018*	Caplug	1
19	9183960001	Vent	1

* Item Not Shown

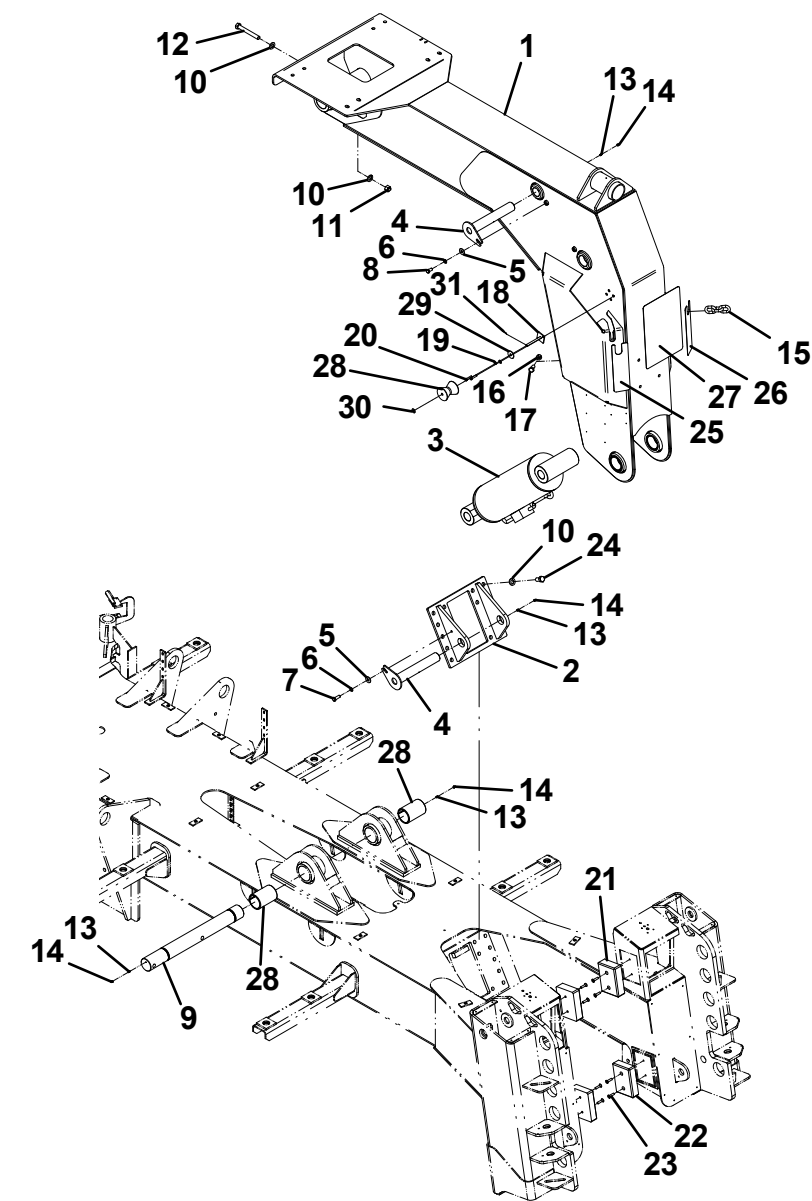
DP WINCH 20K - GEAR END COVER INSTALLATION



UNDERLIFT BOOM INSTALLATION - 30,000/35,000 LB

ITEM	PART NO.	DESCRIPTION	QTY
1	1001128440	Underlift Knee Boom	1
2	1001128450	Bracket, Lift Cylinder Support	1
3	7320000040	Underlift Lift Cylinder Assembly	1
4	3691000171	Pin	2
5	7950180161	Flatwasher, 0.50" ID	3
6	7950180000	Lockwasher, 0.59" ID	3
7	7115181250	Capscrew, 0.50"-13NC x 1.50"	1
8	7115180850	Capscrew, 0.50"-13NC x 1.00"	2
9	1001128697	Pin	1
10	7950220141	Flatwasher, 0.75" ID	18
11	7660222601	Locknut, 0.75"-10NC	1
12	682248	Capscrew, 0.75"-10NC x 6.00"	1
13	7440030000	Grease Fitting	7
14	7253000002	Cap, Grease Fitting	7
15	7262000025	Chain	2
16	7660202601	Locknut, 0.63"-11NC	2
17	7115201250	Capscrew, 0.63"-11NC x 1.50"	2
18	1001172053	Bracket	2
19	7950160141	Flatwasher, 0.38" ID	4
20	7115161450	Capscrew, 0.38"-16NC x 1.75"	4
21	1001129534	Pad, Top	2
22	1001129535	Pad, Bottom	2
23	7115161223	Capscrew, 0.38"-16NC x 1.50"	8
24	682212	Capscrew, 0.75"-10NC x 1.50"	16
25	1001151184	Decal, Wear - LH	1
26	1001151185	Decal, Wear - RH	1
27	1001151049	Decal, Wear	1
28	1001172054	Roller, Chain	2
29	7949000015	Washer	2
30	7950180141	Flatwasher, 0.50" ID	2
31	7691000042	Pin	2

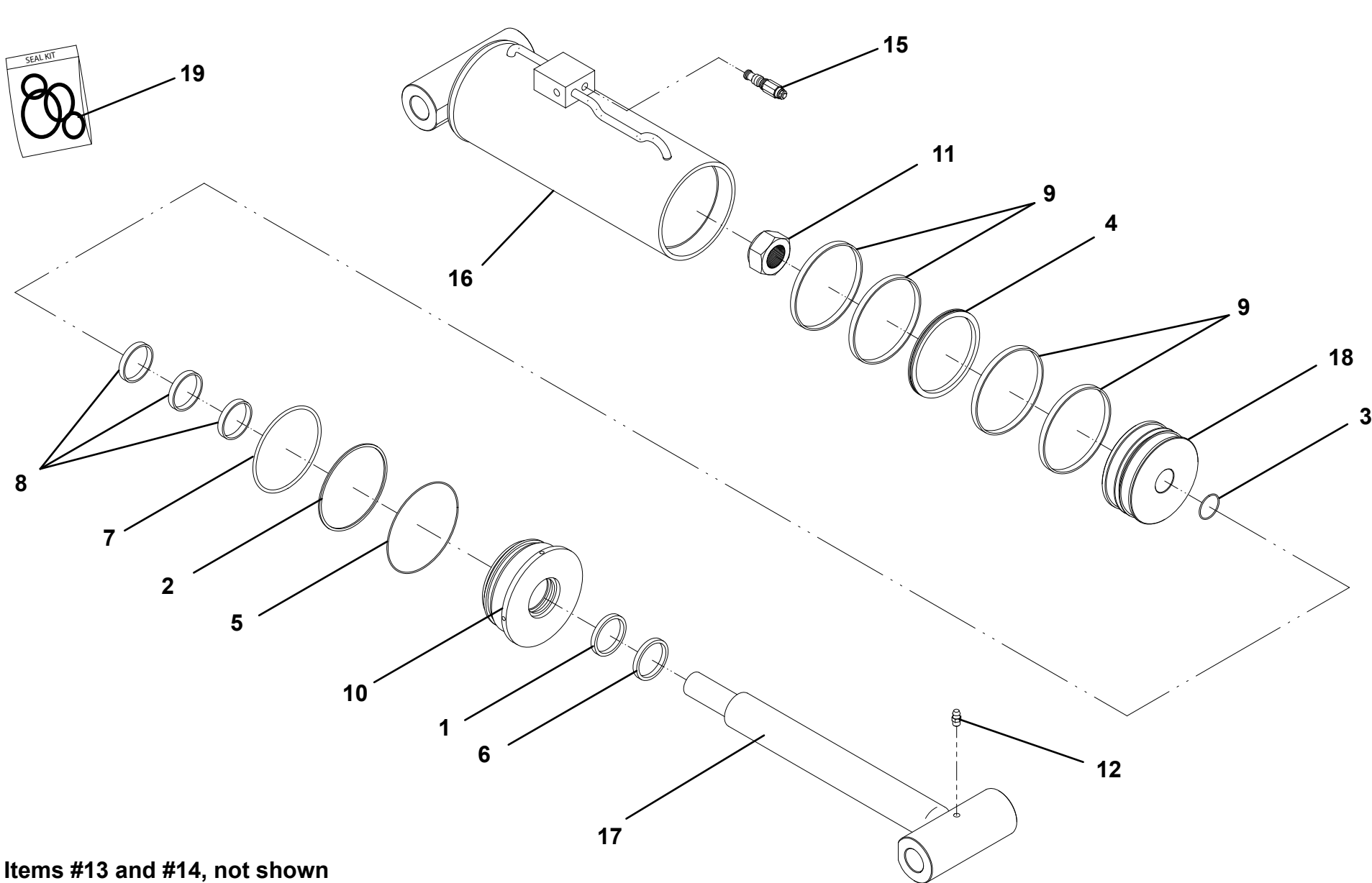
UNDERLIFT BOOM INSTALLATION - 30,000/35,000 LB



UNDERLIFT LIFT CYLINDER ASSEMBLY - 732000040

ITEM	PART NO.	DESCRIPTION	QTY
1	9796250071	Seal	1
2	9754250043	Ring, Back-up	1
3	9796250062	Seal, "O" Ring	1
4	9796250113	Seal	1
5	9796250124	Seal, "O" Ring	1
6	9796250125	Seal, Wiper	1
7	9796250117	Seal, "O" Ring	1
8	83304140	Ring, Wear	3
9	9754250045	Ring, Wear	4
10	7019892	Head	1
11	7005314	Locknut	1
12	7005348	Grease Fitting	1
13	7005365	Plug, Port	1
14	70021648	Plug, Port	2
15	70050216	Valve, Counterbalance	1
16	9912250018	Assembly, Tube	1
17	9763250022	Assembly, Rod	1
18	9698250017	Piston	1
19	7577250255	Kit, Seal	1

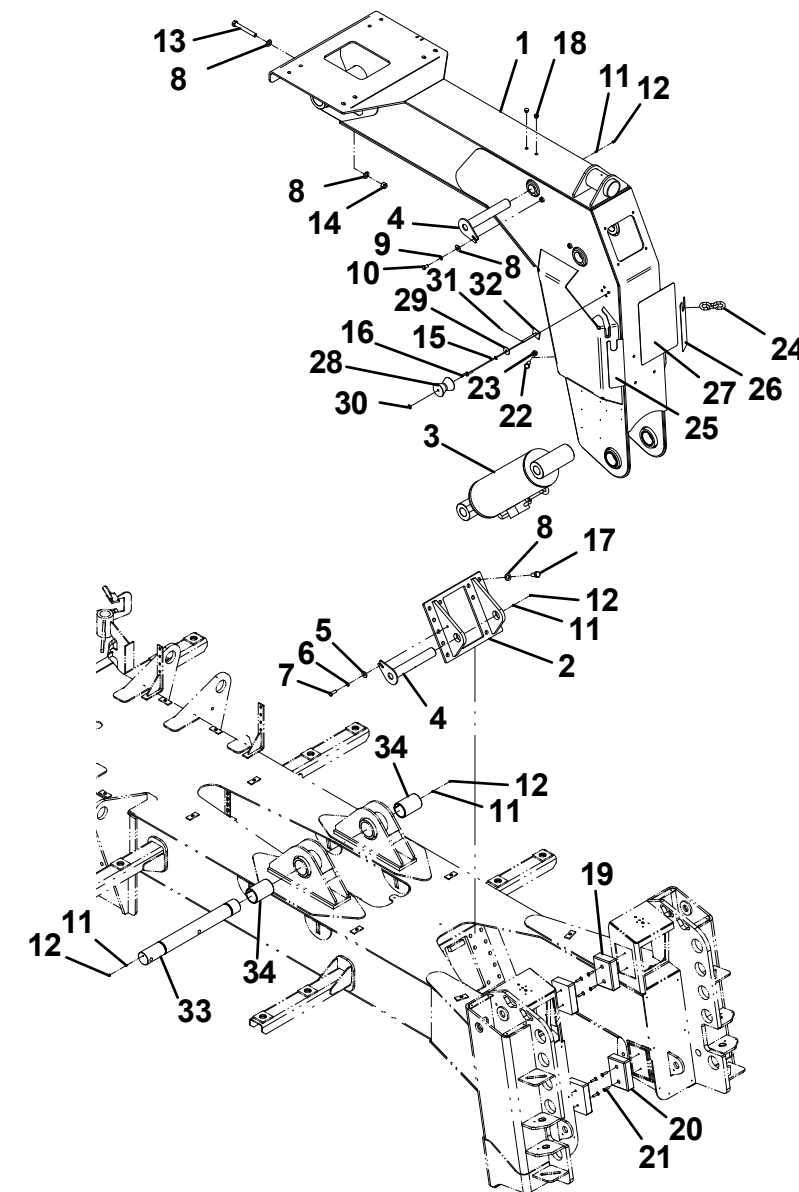
UNDERLIFT LIFT CYLINDER ASSEMBLY - 732000040



UNDERLIFT BOOM INSTALLATION - 53,000/56,500 LB

ITEM	PART NO.	DESCRIPTION	QTY
1	1001133242	Underlift Knee Boom	1
2	1001133286	Bracket, Lift Cylinder Support	1
3	7320000063	Underlift Lift Cylinder Assembly	1
4	3691000231	Pin	1
5	7950180161	Flatwasher, 0.50" ID	1
6	7950180000	Lockwasher, 0.59" ID	1
7	7115181250	Capscrew, 0.50"-13NC x 1.50"	1
8	7950220141	Flatwasher, 0.75" ID	20
9	7950220000	Lockwasher, 0.75" ID	2
10	7115220850	Capscrew, 0.75"-10NC x 1.00"	2
11	7440030000	Grease Fitting	5
12	7253000002	Cap, Grease Fitting	7
13	682248	Capscrew, 0.75"-10NC x 6.00"	1
14	7660222601	Locknut, 0.75"-10NC	1
15	7950160141	Flatwasher, 0.38" ID	4
16	7115161450	Capscrew, 0.38"-16NC x 1.75"	4
17	682212	Capscrew, 0.75"-10NC x 1.50"	16
18	7189000017	Rubber Bumper	2
19	4679000127	Pad, Top	2
20	4679000245	Pad, Bottom	2
21	7115160623	Capscrew, 0.38"-16NC x 7.00"	8
22	7115201250	Capscrew, 0.63"-11NC x 1.50"	2
23	7660202601	Locknut, 0.63"-11NC	2
24	7262000025	Chain	2
25	1001151184	Decal, Wear - LH	1
26	1001151185	Decal, Wear - RH	1
27	1001151050	Decal, Wear	1
28	1001172054	Chain Roller	2
29	7949000015	Washer	2
30	7950180141	Flatwasher, 0.50" ID	2
31	7691000042	Pin	2
32	1001172053	Bracket	2
33	1001128697	Pin	1
34	1001128160	Bushing	2

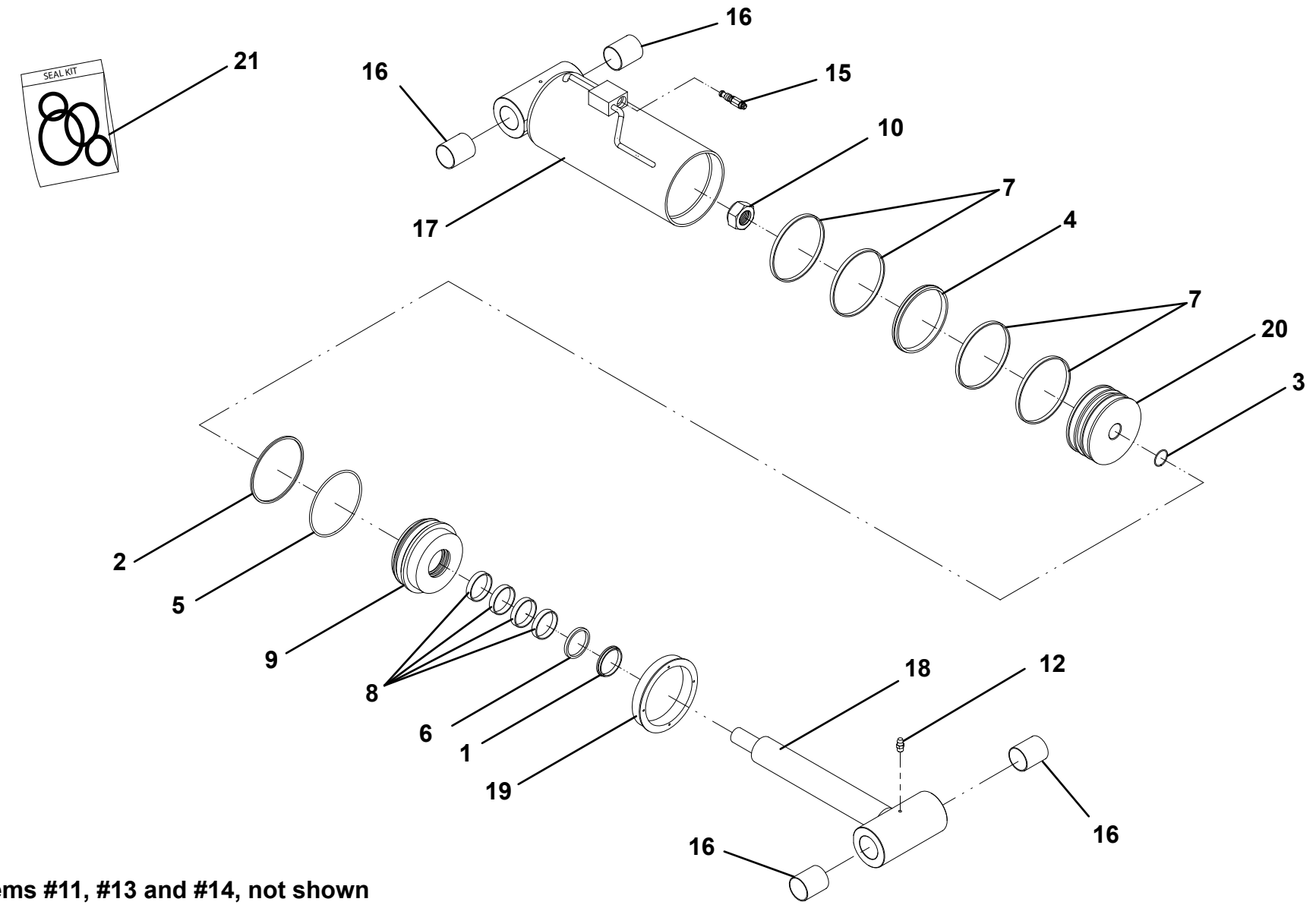
UNDERLIFT BOOM INSTALLATION - 53,000/56,500 LB



UNDERLIFT LIFT CYLINDER ASSEMBLY - 732000063

ITEM	PART NO.	DESCRIPTION	QTY
1	9796250083	Seal, Wiper	1
2	9754250011	Ring, Back-up	1
3	9796250062	Seal, "O" Ring	1
4	70050544	Seal	1
5	7796250068	Seal, "O" Ring	1
6	70050545	Seal	1
7	9754250017	Ring, Wear	4
8	80004049	Ring, Wear	4
9	70050549	Head	1
10	7005314	Locknut	1
11	70021757	Setscrew	1
12	7005348	Grease Fitting	2
13	7005365	Plug, Port	1
14	70021648	Plug, Port	2
15	70050215	Valve, Counterbalance	1
16	70050232	Bushing	4
17	70050546	Assembly, Tube	1
18	70050547	Assembly, Rod	1
19	9254250007	Headcap	1
20	70050548	Piston	1
21	7577000334	Kit, Seal	1

UNDERLIFT LIFT CYLINDER ASSEMBLY - 732000063

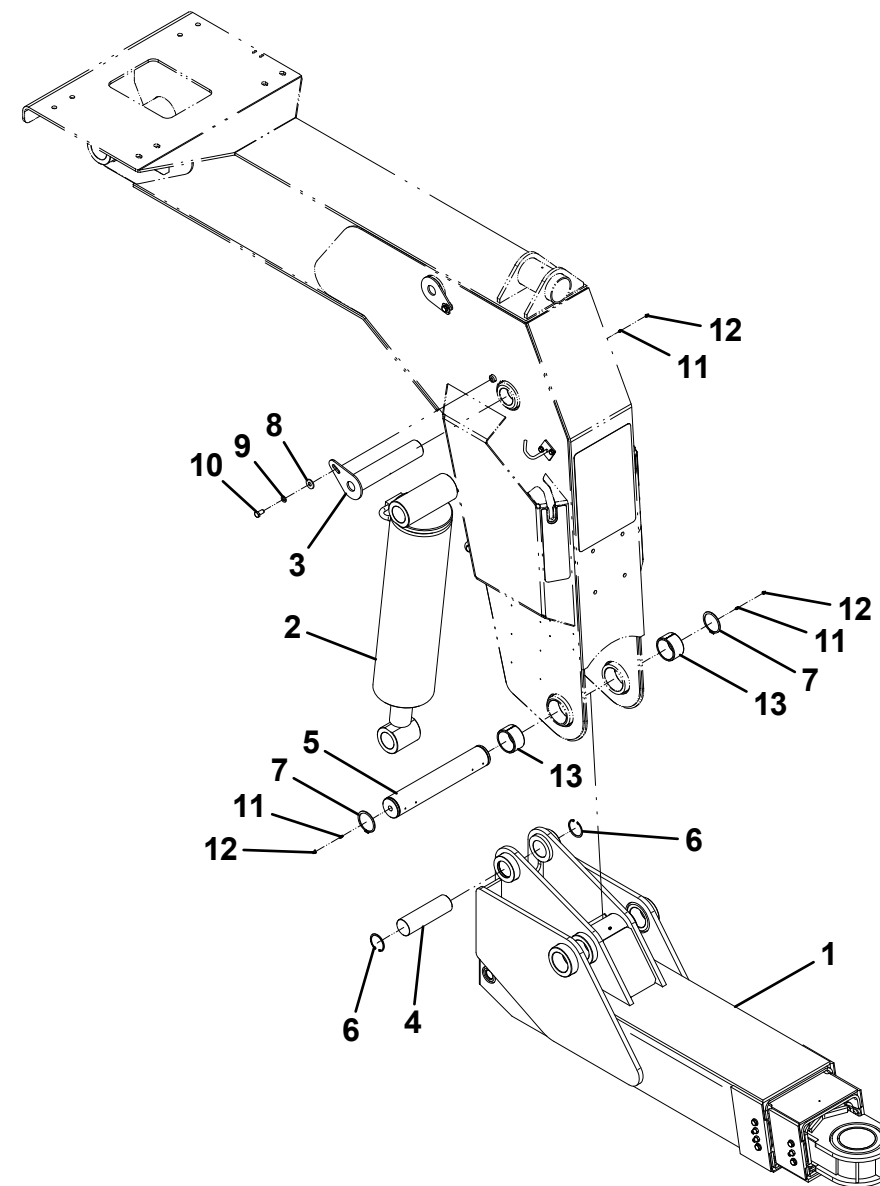


Items #11, #13 and #14, not shown

UNDERLIFT INSTALLATION - 30,000/35,000 LB

ITEM	PART NO.	DESCRIPTION	QTY
1	317000433	Underlift Boom Assembly - 30,000 LB	1
	317000220	Underlift Boom Assembly - 35,000 LB	
2	732000039	Underlift Tilt Cylinder Assembly	1
3	3691000160	Pin	1
4	4691000317	Pin	1
5	4691000311	Pin	1
6	7754000051	Retaining Ring	2
7	7754000018	Retaining Ring	2
8	7950180161	Flatwasher, 0.50" ID	1
9	7950180000	Lockwasher, 0.50" ID	1
10	7115180850	Capscrew, 0.50"-13NC x 1.00"	1
11	7440030000	Grease Fitting	2
12	7253000002	Cap, Grease Fitting	2
13	7209000029	Bushing	2

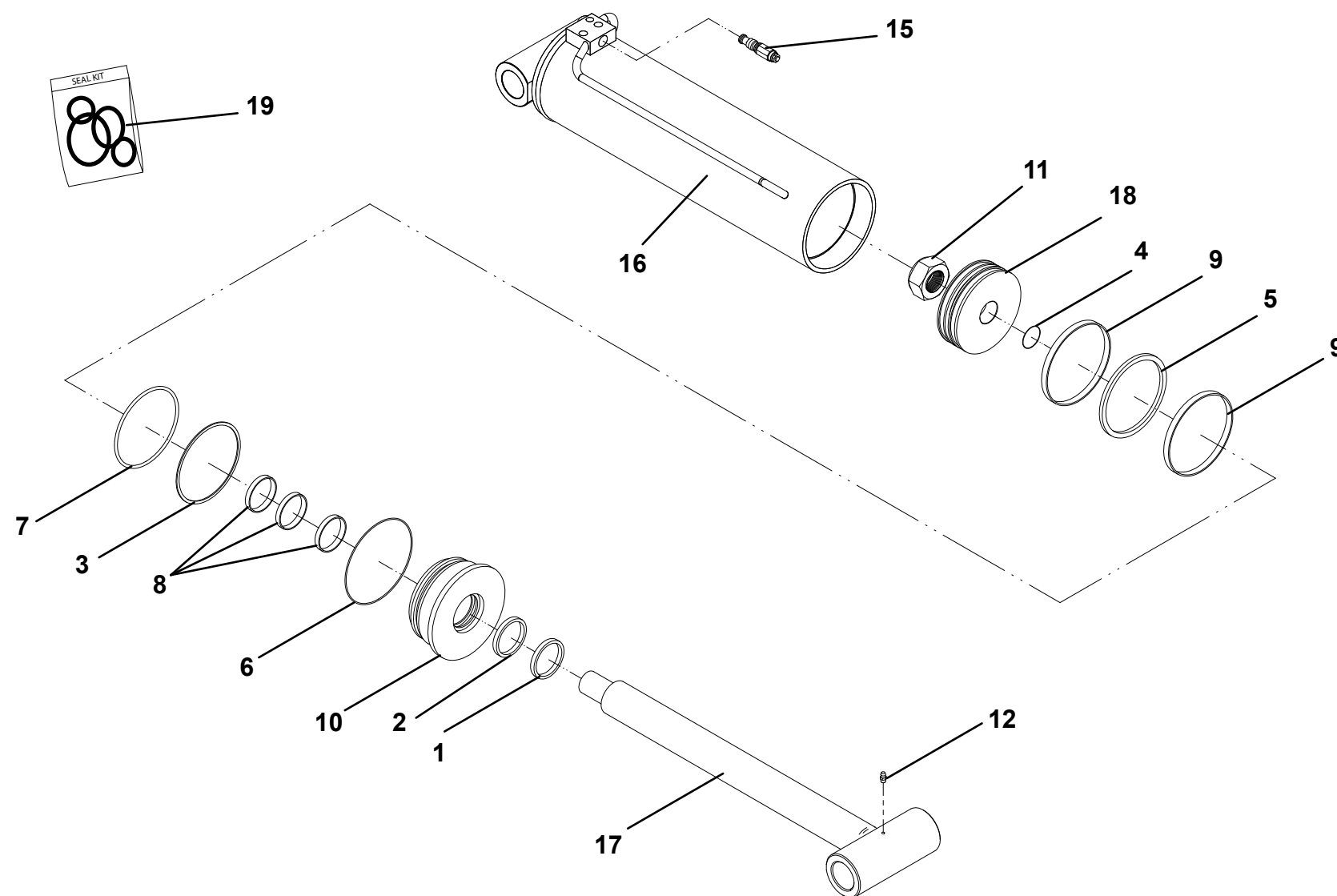
UNDERLIFT INSTALLATION - 30,000/35,000 LB



UNDERLIFT TILT CYLINDER ASSEMBLY - 732000039

ITEM	PART NO.	DESCRIPTION	QTY
1	83304143	Seal, Wiper	1
2	9796250071	Seal	1
3	9754250043	Ring, Back-up	1
4	9796250062	Seal, "O" Ring	1
5	9796250113	Seal	1
6	9796250124	Seal, "O" Ring	1
7	9796250117	Seal, "O" Ring	1
8	83304140	Ring, Wear	3
9	9754250045	Ring, Wear	2
10	7019892	Head	1
11	7005314	Locknut	1
12	7005348	Grease Fitting	1
13	7005365	Plug, Port	3
14	70021648	Plug, Port	2
15	70050216	Valve, Counterbalance	1
16	70050542	Assembly, Tube	1
17	70050543	Assembly, Rod	1
18	9698250014	Piston	1
19	7577250204	Kit, Seal	1

UNDERLIFT TILT CYLINDER ASSEMBLY - 732000039

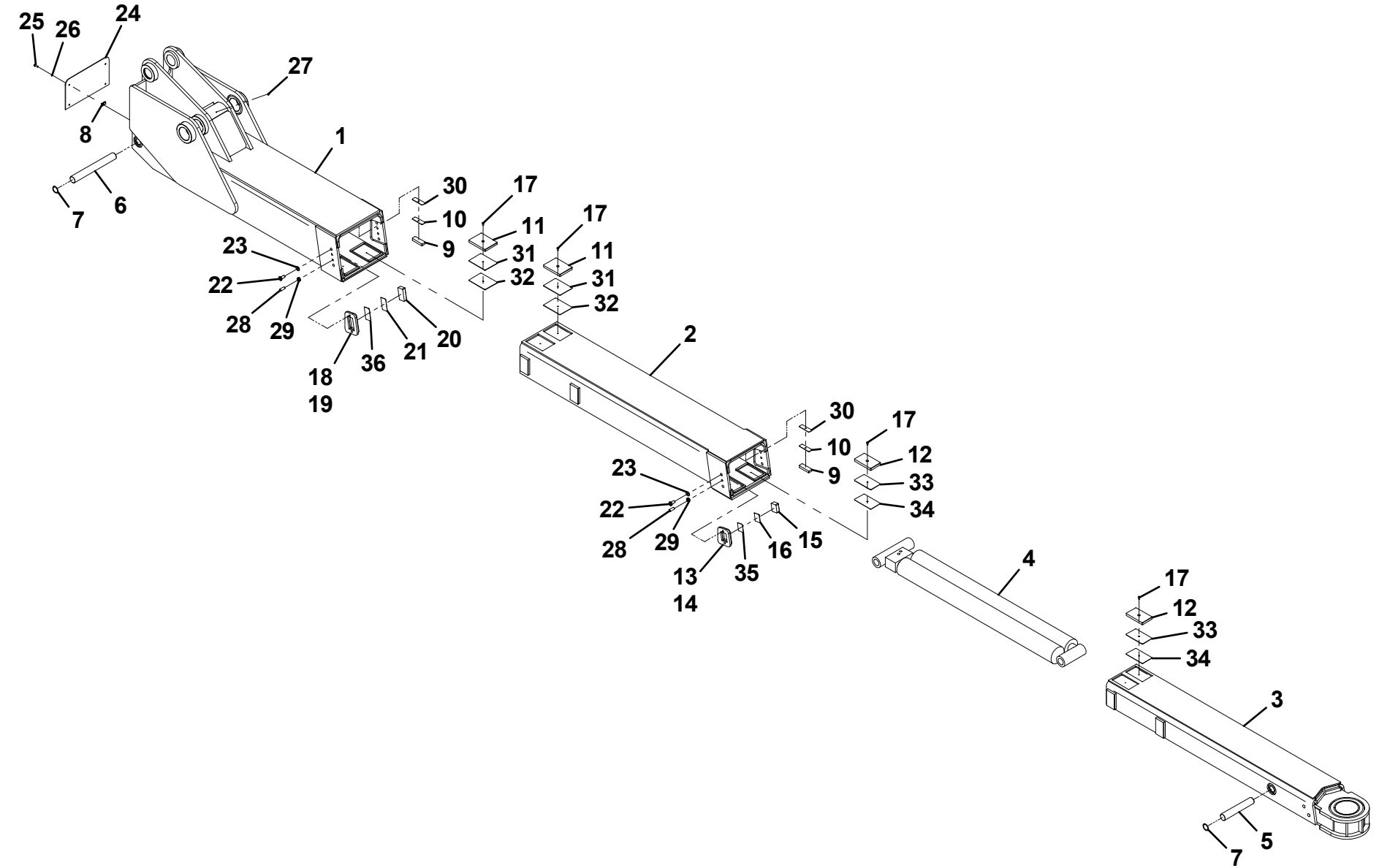


Items #13 and #14, not shown

UNDERLIFT ASSEMBLY - 3170000433 - 30,000 LB

ITEM	PART NO.	DESCRIPTION	QTY
1	3170000432	Base Section Boom Weldment	1
2	3170000431	Mid Section Boom Weldment	1
3	3170000430	Fly Section Boom Weldment	1
4	7320000076	Underlift Extension Cylinder Assembly	1
5	4691000318	Pin	1
6	4691000316	Pin	1
7	7754000043	Retaining Ring	4
8	7661000019	U-Nut, 0.25"-20NC	4
9	4679000159	Pad	2
10	4706003708	Plate	2
11	4679000161	Pad	4
12	4679000158	Pad	4
13	3706000177	Plate	1
14	3706000178	Plate	1
15	4679000206	Pad	2
16	4706003144	Plate	2
17	7114140418	Capscrew, 0.25"-20NC x 0.50"	8
18	3706000179	Plate - LH	1
19	3706000180	Plate - RH	1
20	4679000205	Pad	2
21	4706003719	Plate	2
22	7105180850	Capscrew, 0.50"-20NF x 1.00"	8
23	7950180153	Flatwasher, 0.50" ID	8
24	4706002467	Plate	1
25	7115140650	Capscrew, 0.25"-20NC x 0.75"	4
26	7950140000	Lockwasher, 0.25" ID	4
27	7440030000	Grease Fitting	1
28	7786000008	Screw, 0.50"-20NF x 1.25"	6
29	7660180230	Nut, 0.50"-20NF	6
30	4706003709	Plate	4
31	4706003721	Plate	4
32	4706003722	Plate	4
33	4706003723	Plate	4
34	4706003724	Plate	4
35	4706003725	Plate	2
36	4706003720	Plate	2

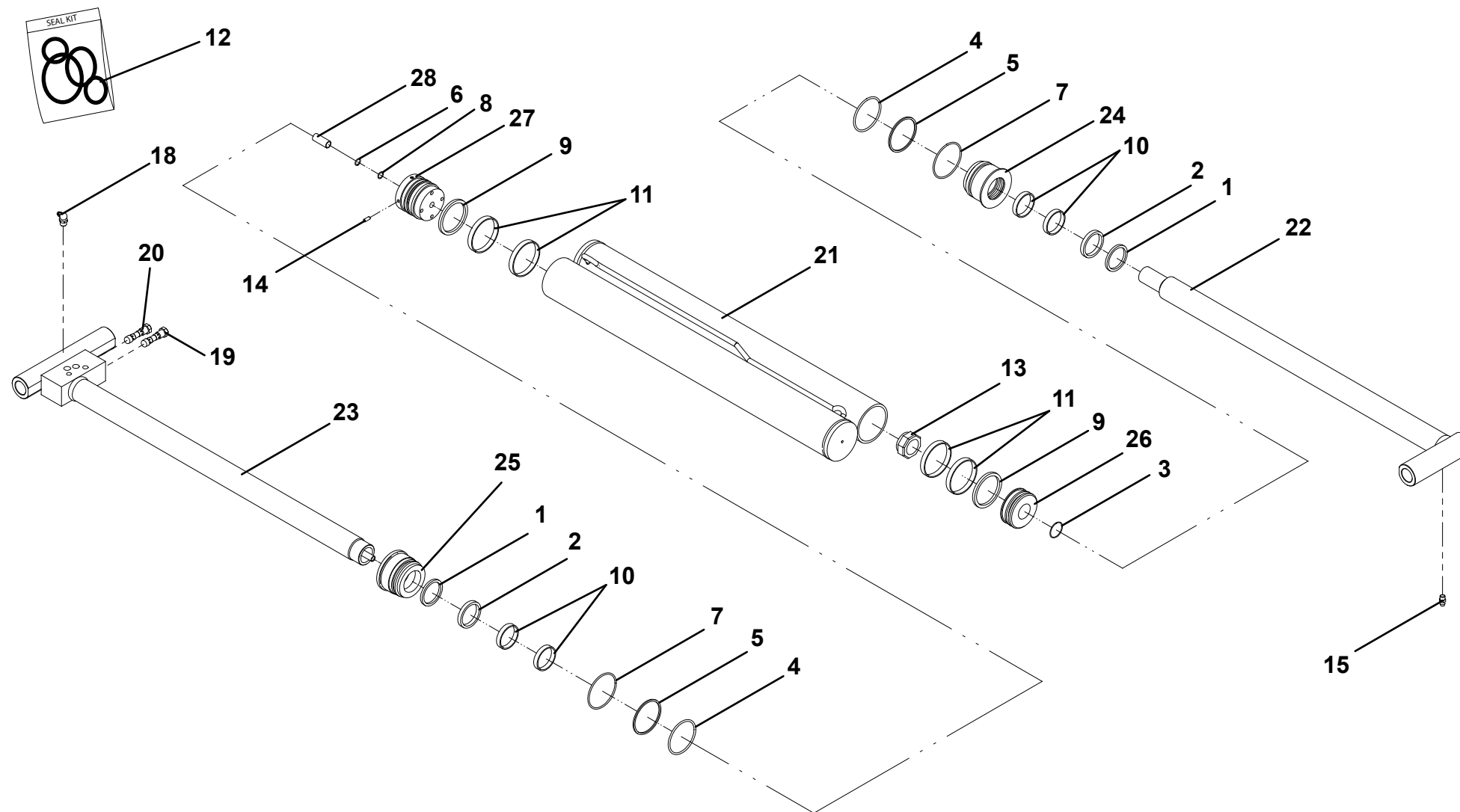
UNDERLIFT ASSEMBLY - 3170000433 - 30,000 LB



UNDERLIFT EXTENSION CYLINDER ASSEMBLY - 7320000076

ITEM	PART NO.	DESCRIPTION	QTY
1	9796250080	Seal, Wiper	2
2	7019828	Seal	2
3	9796250133	Seal, "O" Ring	1
4	7019846	Seal, "O" Ring	2
5	7019845	Ring, Back-up	2
6	9796250135	Seal, "O" Ring	1
7	7019844	Seal, "O" Ring	2
8	9796250137	Seal, "O" Ring	2
9	9796250138	Seal	2
10	9754250015	Ring, Wear	4
11	9754250049	Ring, Wear	4
12	7577250271	Kit, Seal	1
13	7003212	Locknut	1
14	7003281	Setscrew	4
15	7005348	Grease Fitting	1
16	7005365	Plug, Port	5
17	70021648	Plug, Port	2
18	7440030400	Grease Fitting	1
19	70050218	Valve, Cartridge	1
20	70050217	Valve, Counterbalance	1
21	70050553	Assembly, Tube	1
22	70050554	Assembly, Rod	1
23	70050555	Assembly, Rod-Tube	1
24	9553250015	Head	1
25	9254250009	Head	1
26	9698250018	Piston	1
27	9698250019	Piston	1
28	9007250005	Adapter, RT Tube	1

UNDERLIFT EXTENSION CYLINDER ASSEMBLY - 7320000076

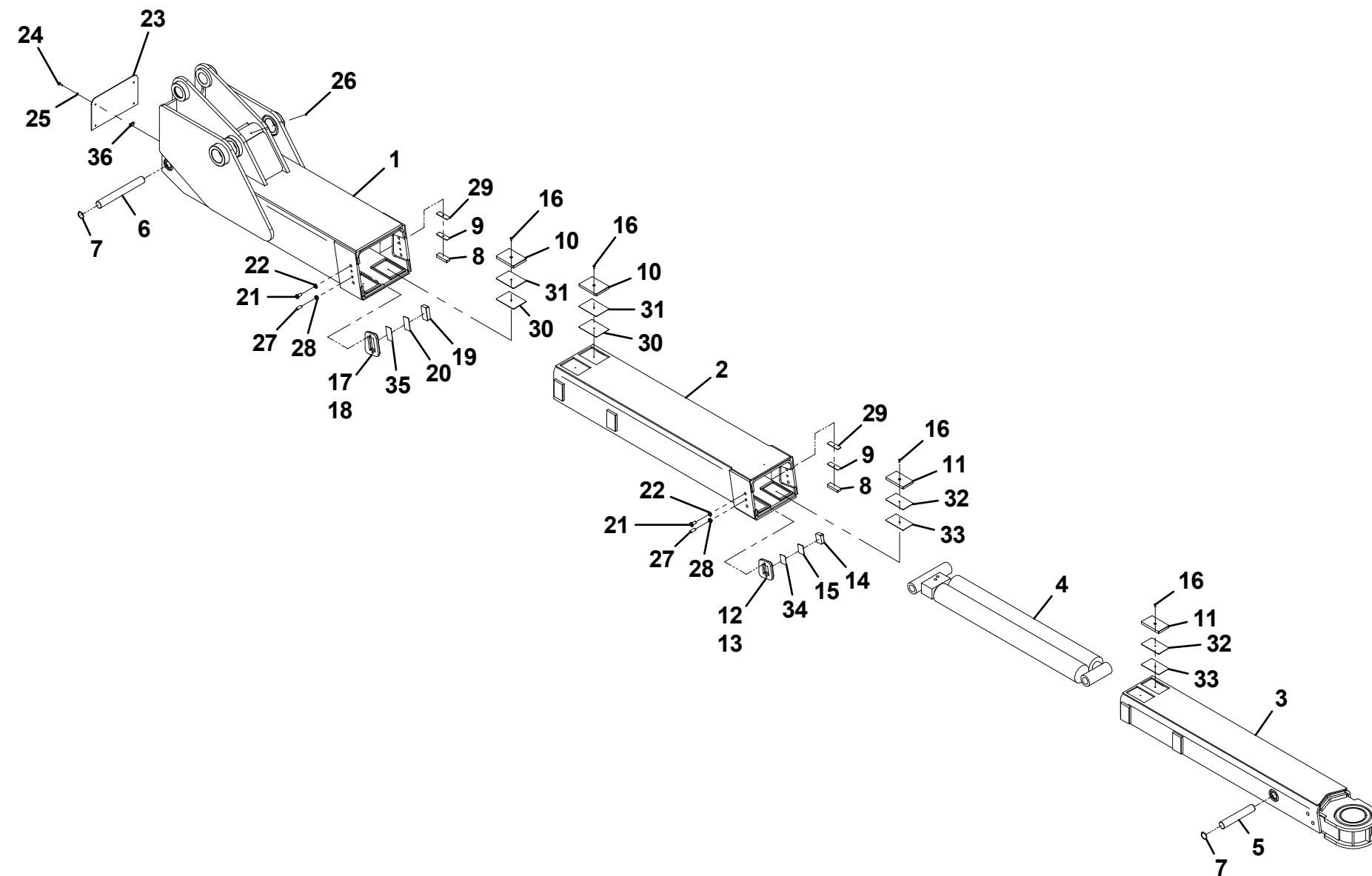


Items #16 and #17, not shown

UNDERLIFT ASSEMBLY - 3170000220 - 35,000 LB

ITEM	PART NO.	DESCRIPTION	QTY
1	3170000224	Base Section Boom Weldment	1
2	3170000223	Mid Section Boom Weldment	1
3	3170000221	Fly Section Boom Weldment	1
4	7320000042	Underlift Extension Cylinder Assembly	1
5	4691000318	Pin	1
6	4691000316	Pin	1
7	7754000043	Retaining Ring	4
8	4679000159	Pad	2
9	4706003708	Plate	2
10	4679000161	Pad	4
11	4679000158	Pad	4
12	3706000177	Plate	1
13	3706000178	Plate	1
14	4679000206	Pad	2
15	4706003144	Plate	2
16	7114140418	Capscrew, 0.25"-20NC x 0.50"	8
17	3706000179	Plate - LH	1
18	3706000180	Plate - RH	1
19	4679000205	Pad	2
20	4706003719	Plate	2
21	7105180850	Capscrew, 0.50"-20NF x 1.00"	8
22	7950170153	Flatwasher, 0.50" ID	8
23	4706002467	Plate	1
24	7115140650	Capscrew, 0.25"-20NC x 0.75"	4
25	7950140000	Lockwasher, 0.25" ID	4
26	7440030000	Grease Fitting	1
27	7786000008	Screw, 0.50"-20NF x 1.25"	6
28	7660180230	Nut, 0.50"-20NF	6
29	4706003709	Plate	4
30	4706003721	Plate	4
31	4706003722	Plate	4
32	4706003723	Plate	4
33	4706003724	Plate	4
34	4706003725	Plate	2
35	4706003720	Plate	2
36	7661000019	U-Nut, 0.25"-20NC	4

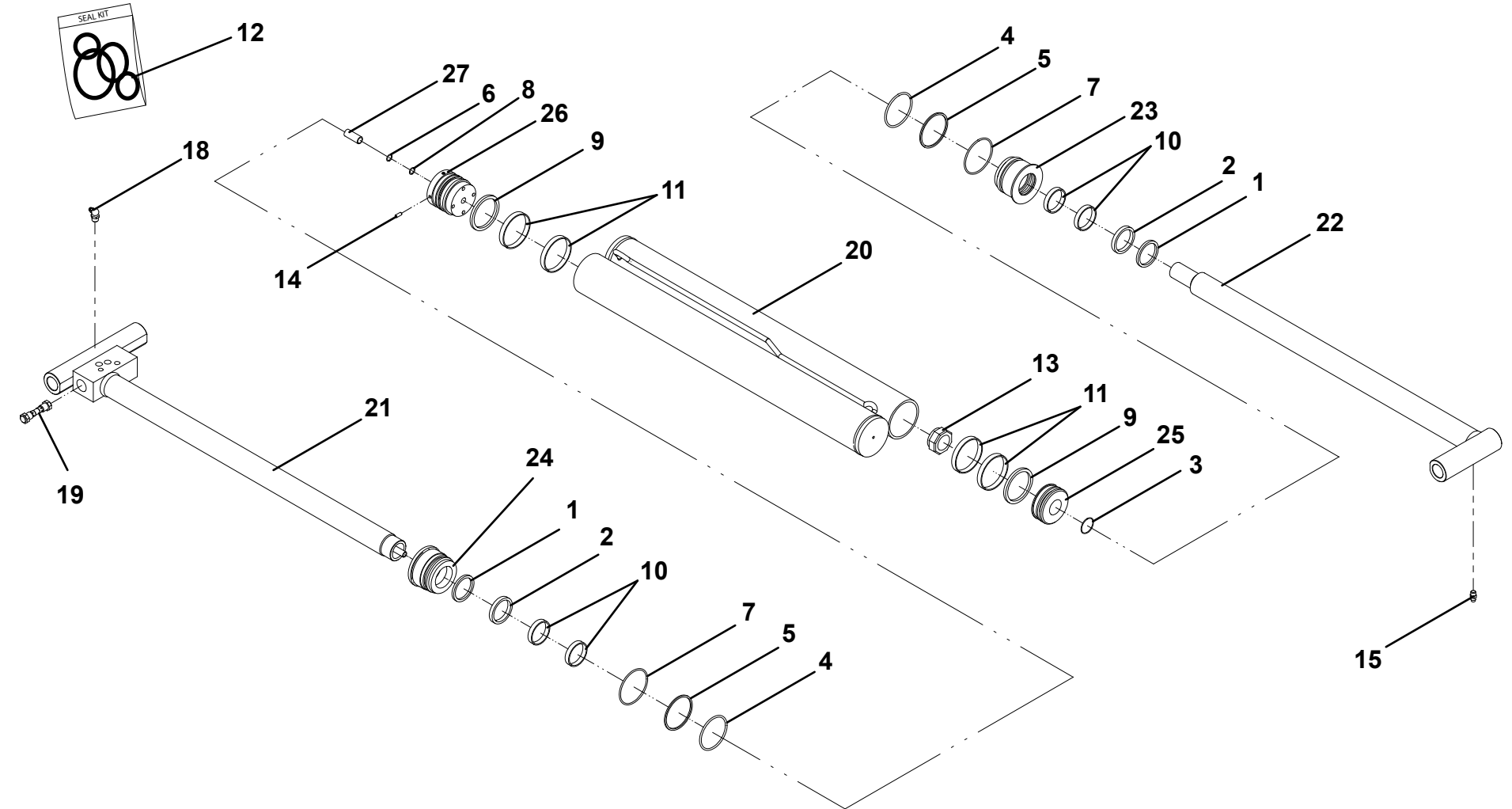
UNDERLIFT ASSEMBLY - 3170000220 - 35,000 LB



UNDERLIFT EXTENSION CYLINDER ASSEMBLY - 732000042

ITEM	PART NO.	DESCRIPTION	QTY
1	9796250080	Seal, Wiper	2
2	7019828	Seal	2
3	9796250133	Seal, "O" Ring	1
4	7019846	Seal, "O" Ring	2
5	7019845	Ring, Back-up	2
6	9796250135	Seal, "O" Ring	2
7	7019844	Seal, "O" Ring	2
8	9796250137	Seal, "O" Ring	2
9	9796250138	Seal	2
10	9754250015	Ring, Wear	4
11	9754250049	Ring, Wear	4
12	7577250271	Kit, Seal	1
13	7003212	Locknut	1
14	7003281	Setscrew	4
15	7005348	Grease Fitting	1
16	70050365	Plug, Port	2
17	70021648	Plug, Port	2
18	7440030400	Grease Fitting	1
19	9935250025	Kit, Check Cartridge	1
20	9912250021	Assembly, Tube	1
21	9763250025	Assembly, Rod	1
22	9763250026	Assembly, Rod-Tube	1
23	9553250015	Head	1
24	9553250016	Head	1
25	9698250018	Piston	1
26	9698250019	Piston	1
27	9007250005	Adapter, RT Tube	1

UNDERLIFT EXTENSION CYLINDER ASSEMBLY - 732000042

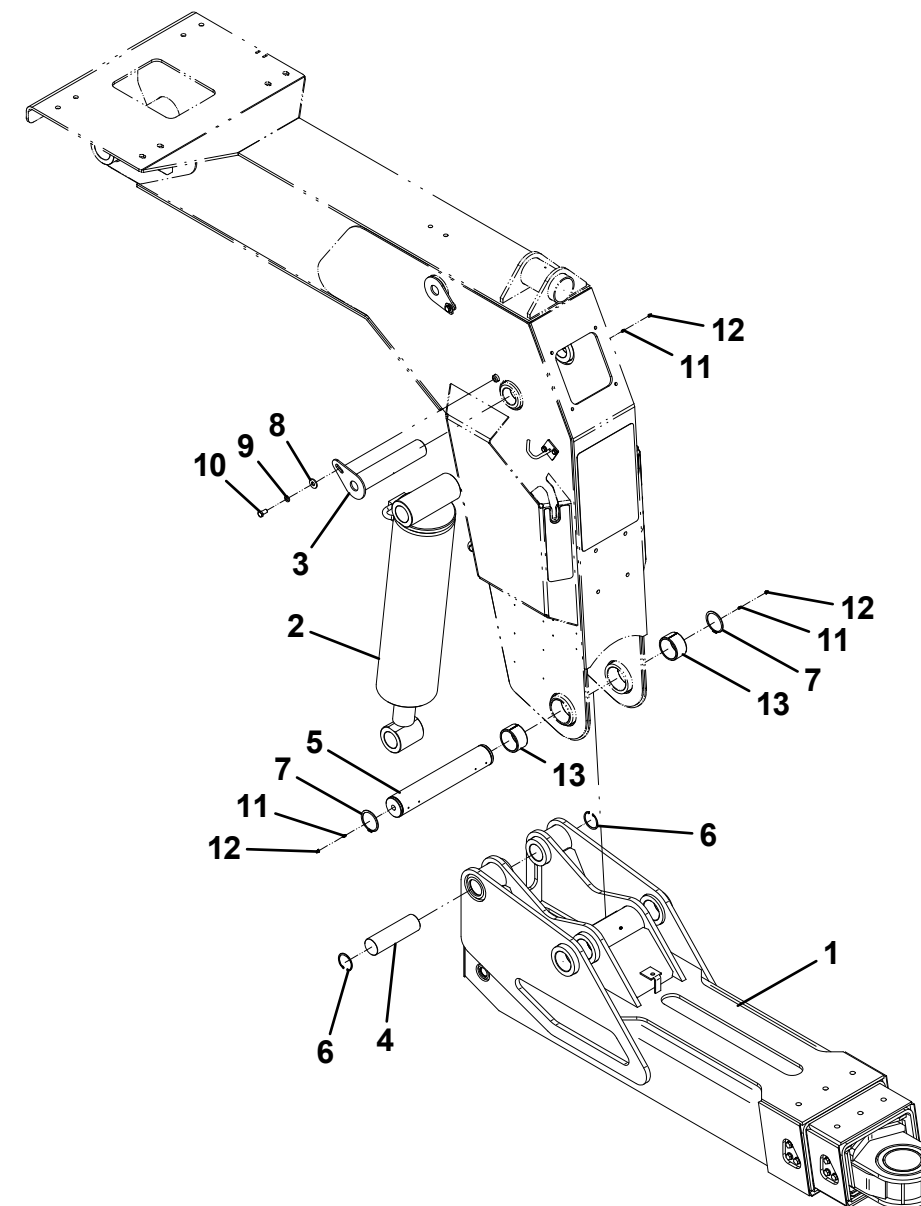


Items #16 and #17, not shown

UNDERLIFT INSTALLATION - 53,000/56,500 LB

ITEM	PART NO.	DESCRIPTION	QTY
1	3507100001	Underlift Boom Assembly - 53,000 LB	1
	3170000407	Underlift Boom Assembly - 56,500 LB	
2	7320000096	Underlift Tilt Cylinder Assembly	1
3	3691000232	Pin	1
4	4691000290	Pin	1
5	4691000291	Pin	1
6	7754000051	Retaining Ring	2
7	7754000018	Retaining Ring	2
8	7950220141	Flatwasher, 0.75" ID	1
9	7950000000	Lockwasher, 0.75" ID	1
10	7115220850	Capscrew, 0.75"-10NC x 1.00"	1
11	7440030000	Grease Fitting	2
12	7253000002	Cap, Grease Fitting	2
13	7209000029	Bushing	2

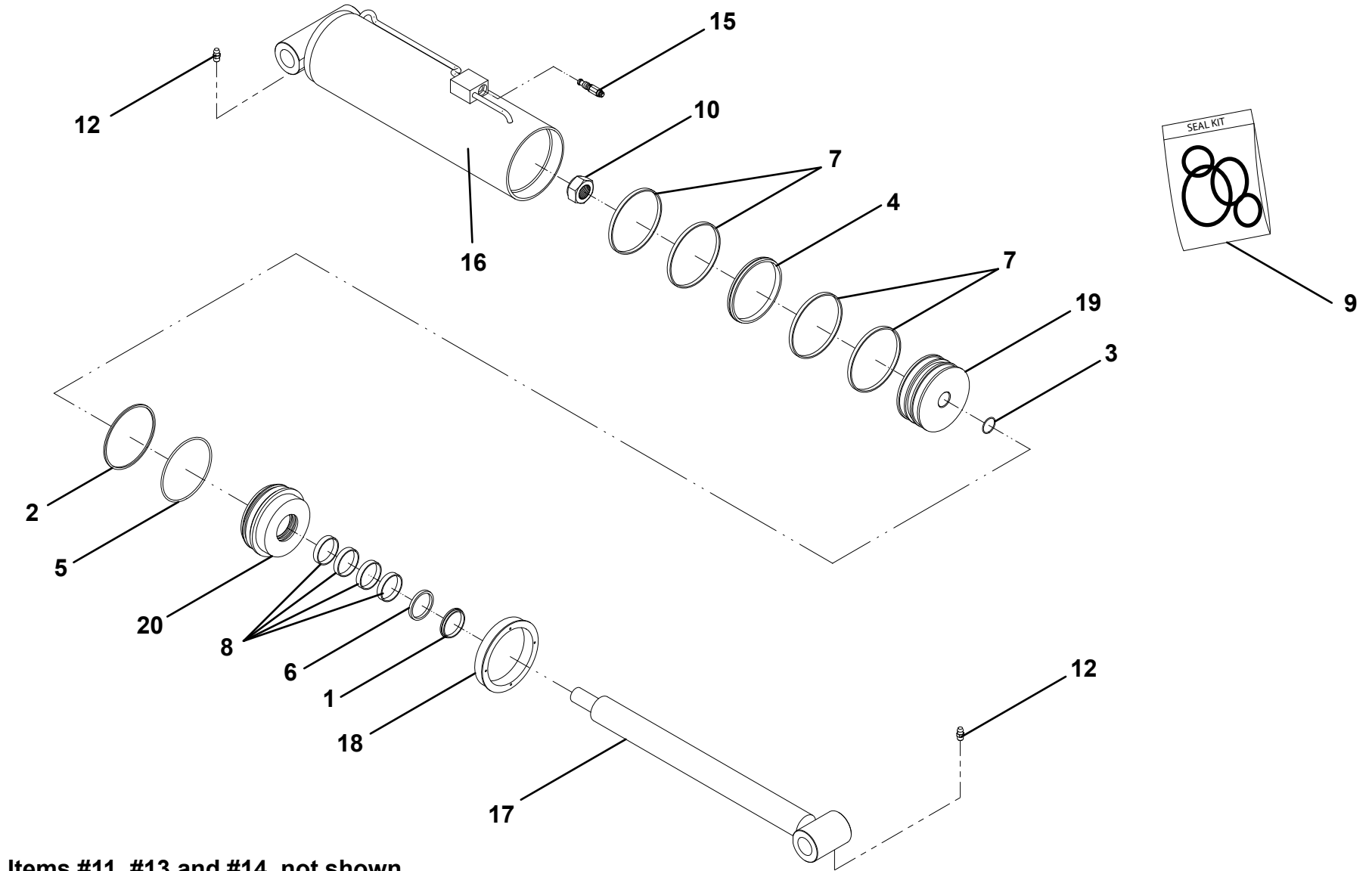
UNDERLIFT INSTALLATION - 53,000/56,500 LB



UNDERLIFT TILT CYLINDER ASSEMBLY - 7320000096

ITEM	PART NO.	DESCRIPTION	QTY
1	9796250083	Seal, Wiper	1
2	9754250011	Ring, Back-up	1
3	9796250062	Seal, "O" Ring	1
4	70050544	Seal	1
5	9796250068	Seal, "O" Ring	1
6	70050545	Seal	1
7	9754250017	Ring, Wear	4
8	80004049	Ring, Wear	4
9	7577000063	Kit, Seal	1
10	7005314	Locknut	1
11	70021757	Setscrew	1
12	7005348	Grease Fitting	2
13	70021648	Plug, Port	2
14	7005365	Plug, Port	1
15	70050215	Valve, Counterbalance	1
16	70050594	Assembly, Tube	1
17	70050595	Assembly, Rod	1
18	9254250007	Headcap	1
19	70050548	Piston	1
20	70050549	Head	1

UNDERLIFT TILT CYLINDER ASSEMBLY - 7320000096

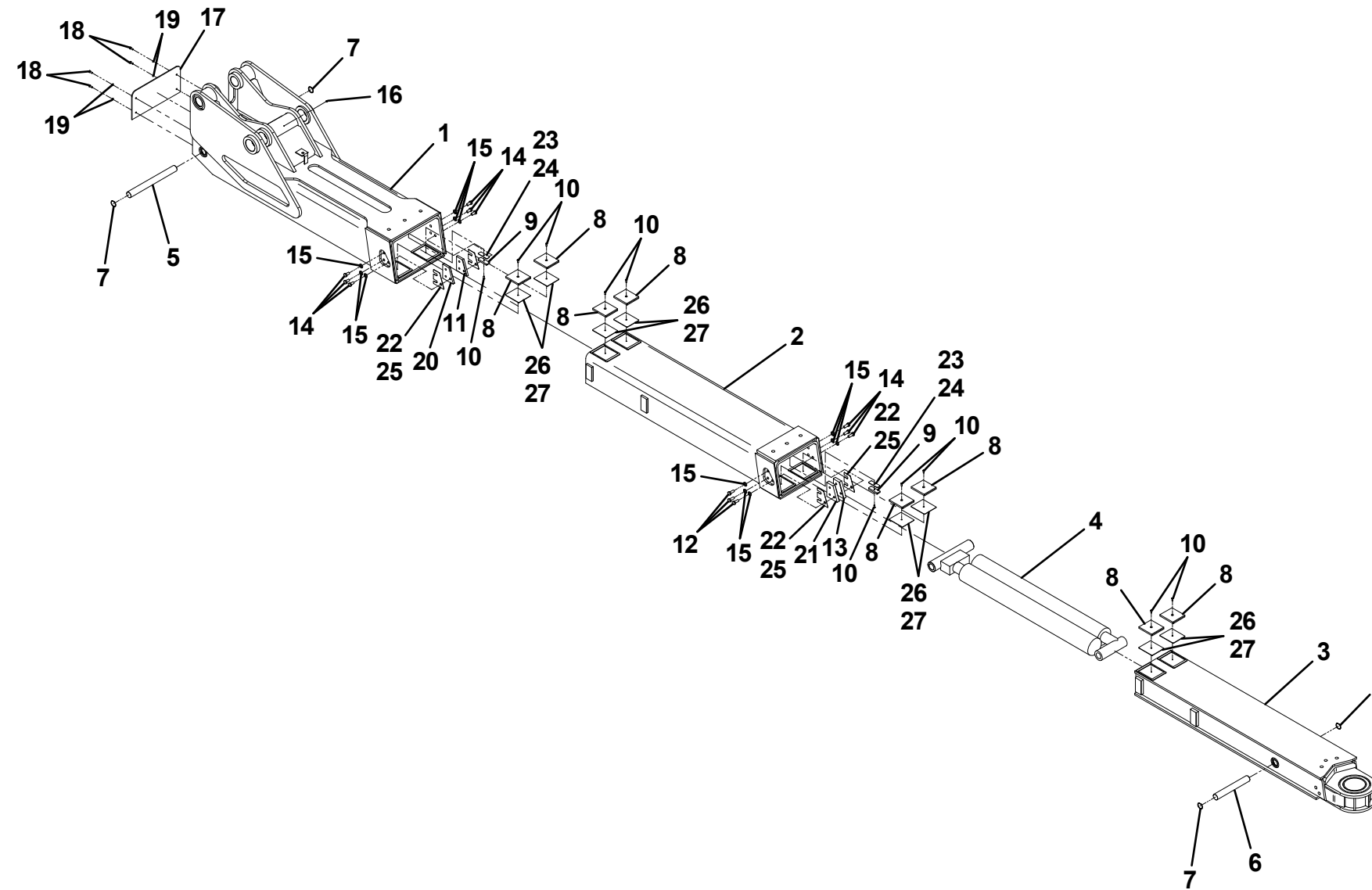


Items #11, #13 and #14, not shown

UNDERLIFT ASSEMBLY - 3507100001 - 53,000 LB

ITEM	PART NO.	DESCRIPTION	QTY
1	3170000125	Base Section Boom Weldment	1
2	3170000124	Mid Section Boom Weldment	1
3	3170000123	Fly Section Boom Weldment	1
4	7320000026	Underlift Extension Cylinder Assembly	1
5	4691000292	Pin	1
6	4691000293	Pin	1
7	7754000043	Retaining Ring	4
8	4679000146	Pad	8
9	4679000147	Pad	2
10	7114140518	Capscrew, 0.25"-20NC x 0.63"	10
11	4706002209	Plate	1
12	7108181050	Capscrew, 0.50"-20NF x 1.25"	6
13	4706002208	Plate	1
14	7108180850	Capscrew, 0.50"-20NF x 1.00"	6
15	7950180153	Flatwasher, 0.50" ID	12
16	7440030000	Grease Fitting	1
17	4706002207	Plate	1
18	7115140650	Plate	4
19	7950140000	Lockwasher, 0.25" ID	4
20	4706002211	Plate	1
21	4706002210	Plate	1
22	4812000057	Shim, 14GA	2
23	4706003708	Plate	2
24	4706003709	Plate	2
25	4706003710	Plate	4
26	4706003717	Plate	8
27	4706003718	Plate	8

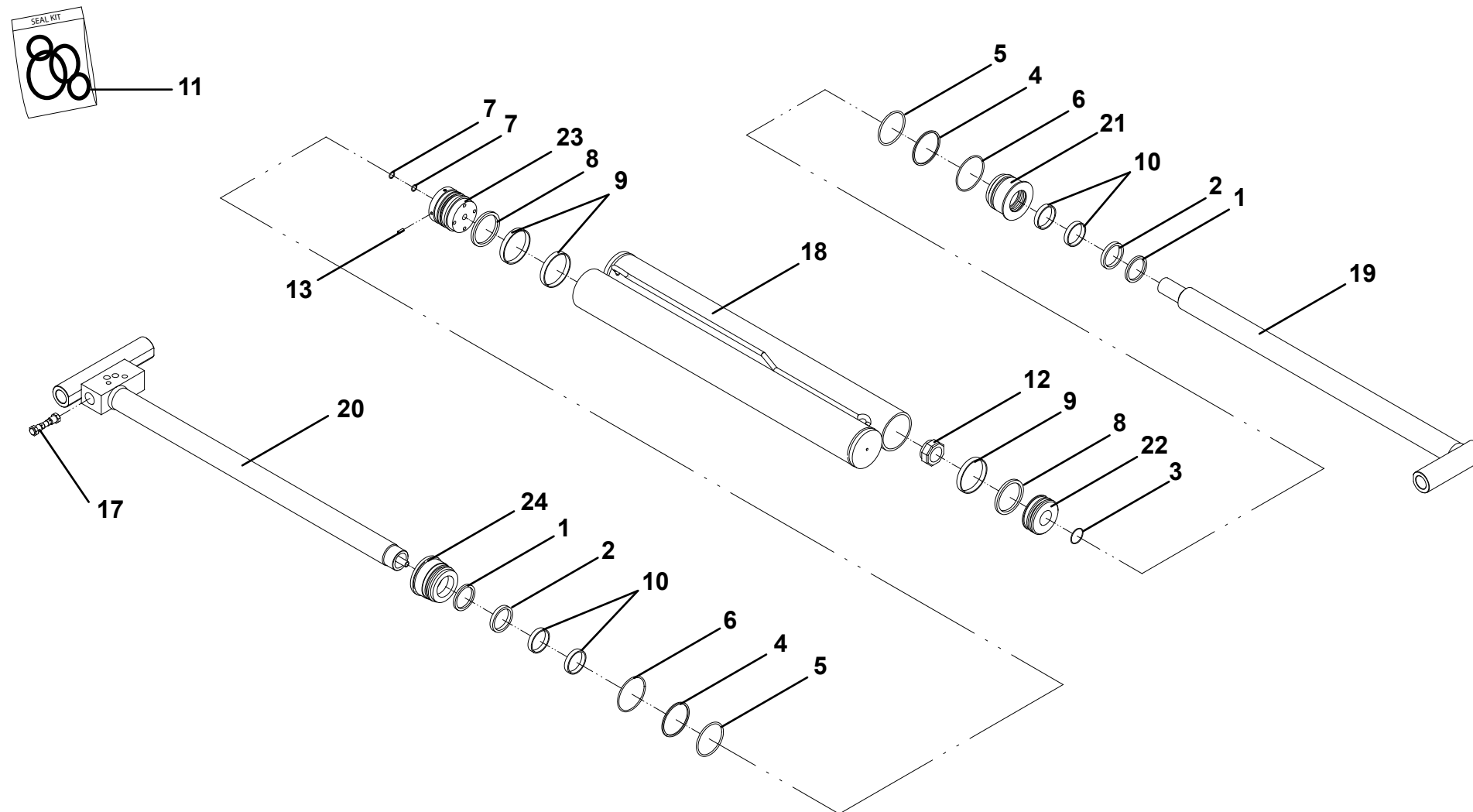
UNDERLIFT ASSEMBLY - 3507100001 - 53,000 LB



UNDERLIFT EXTENSION CYLINDER ASSEMBLY - 732000026

ITEM	PART NO.	DESCRIPTION	QTY
1	9796250081	Seal, Wiper	2
2	7019829	Seal	2
3	7023518	Seal, "O" Ring	1
4	9754250009	Ring, Back-up	2
5	9796250057	Seal, "O" Ring	2
6	9796250058	Seal, "O" Ring	2
7	70050534	Seal, "O" Ring	2
8	9796250073	Seal	2
9	9754250014	Ring, Wear	3
10	70050568	Ring, Wear	4
11	7577250334	Kit, Seal	1
12	7003116	Locknut	1
13	70050535	Setscrew	4
14	7005348	Grease Fitting	2
15	7005365	Plug, Port	2
16	70021648	Plug, Port	2
17	9935250025	Kit, Check Cartridge	1
18	70050536	Assembly, Tube	1
19	70050537	Assembly, Rod	1
20	70050538	Assembly, Rod-Tube	1
21	9553250010	Head	1
22	7024101	Piston	1
23	70050540	Piston	1
24	70050541	Head	1

UNDERLIFT EXTENSION CYLINDER ASSEMBLY - 732000026

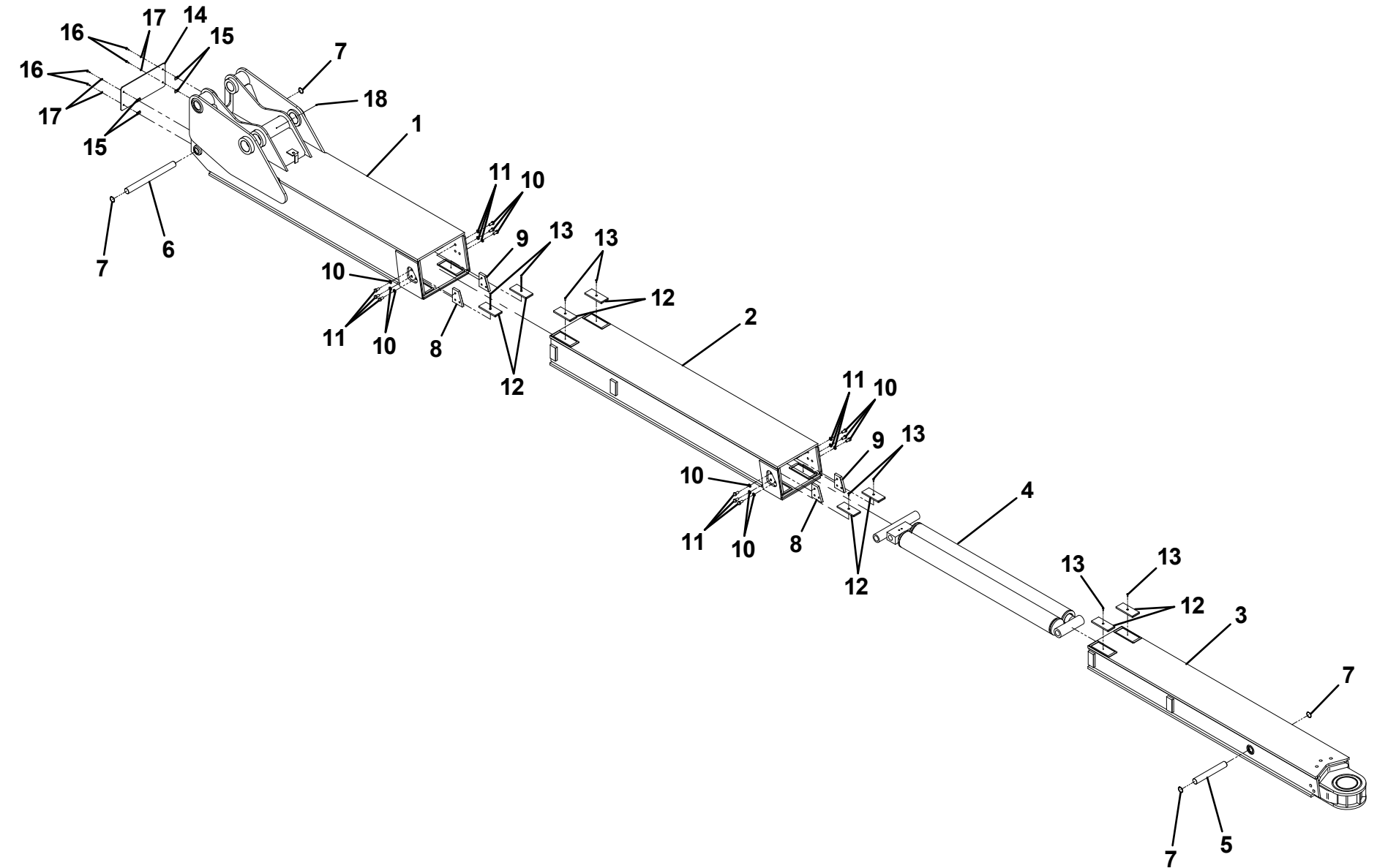


Items #14, #15 and #16, not shown

UNDERLIFT ASSEMBLY - 3170000407 - 56,500 LB

ITEM	PART NO.	DESCRIPTION	QTY
1	3170000400	Base Section Boom Weldment	1
2	3170000401	Mid Section Boom Weldment	1
3	3170000406	Fly Section Boom Weldment	1
4	7320000068	Underlift Extension Cylinder Assembly	1
5	4691000293	Pin	1
6	4691000321	Pin	1
7	7754000043	Retaining Ring	4
8	4706005262	Plate	2
9	4706005263	Plate	2
10	7108180850	Capscrew, 0.50"-20NF x 1.00"	12
11	7950180000	Lockwasher, 0.50" ID	12
12	4679000277	Pad, 0.38" Thk	8
	4679000293	Pad, 0.25" Thk	
13	7114140518	Capscrew, 0.25"-20NC x 0.63"	8
14	4706005281	Plate	1
15	7661000019	U-Nut, 0.25"-20NC	4
16	7115140650	Capscrew, 0.25"-20NC x 0.75"	4
17	7950140000	Lockwasher, 0.25" ID	4
18	7440030000	Grease Fitting	1

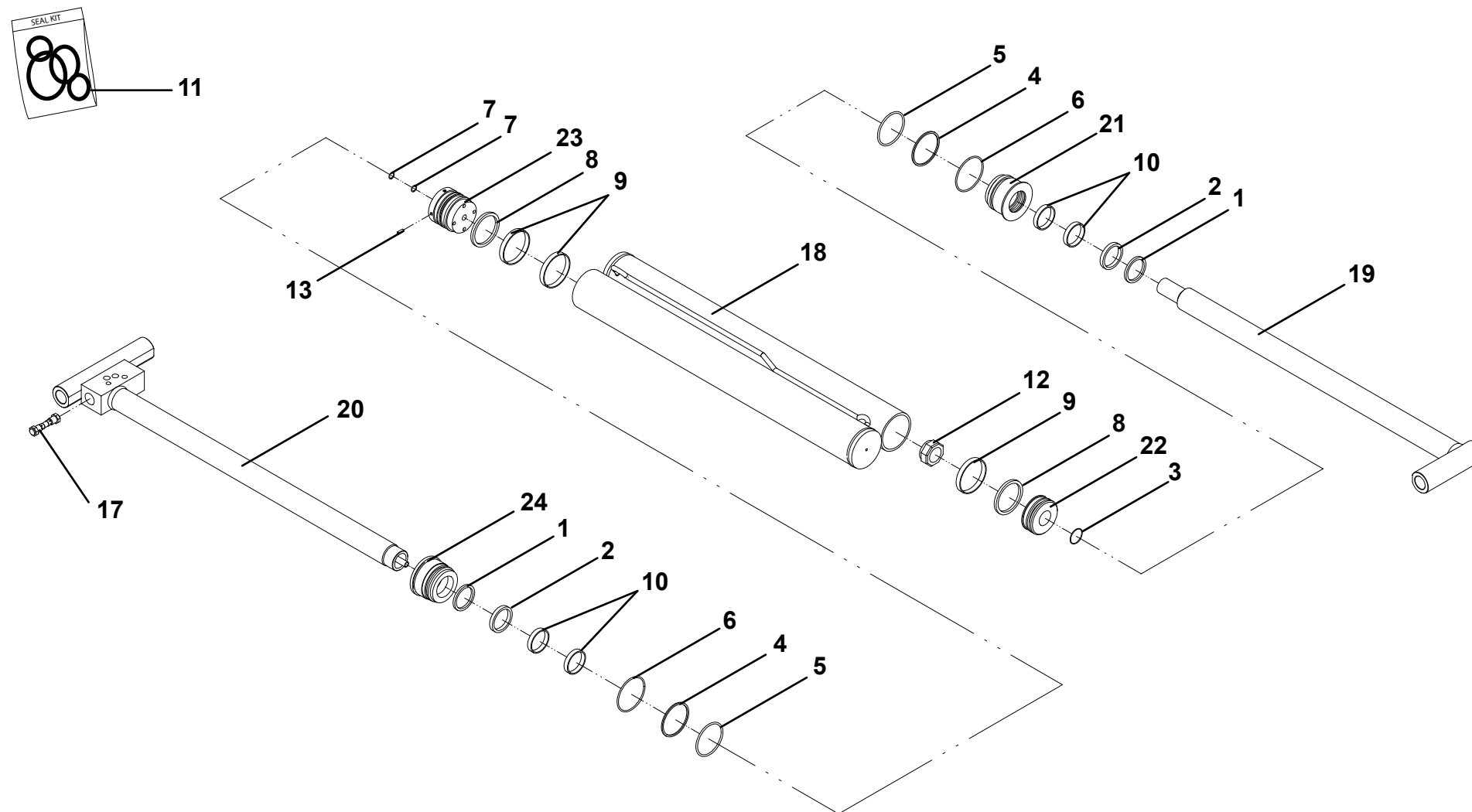
UNDERLIFT ASSEMBLY - 3170000407 - 56,500 LB



UNDERLIFT EXTENSION CYLINDER ASSEMBLY - 732000068

ITEM	PART NO.	DESCRIPTION	QTY
1	9796250081	Seal, Wiper	2
2	7019829	Seal	2
3	7023518	Seal, "O" Ring	1
4	9754250009	Ring, Back-up	2
5	9796250057	Seal, "O" Ring	2
6	9796250058	Seal, "O" Ring	2
7	70050534	Seal, "O" Ring	2
8	9796250073	Seal	2
9	9754250014	Ring, Wear	3
10	80004056	Ring, Wear	4
11	7577250334	Kit, Seal	1
12	7003116	Locknut	1
13	70050535	Setscrew	4
14	7005348	Grease Fitting	2
15	7005365	Plug, Port	2
16	70021648	Plug, Port	2
17	9935250025	Kit, Check Cartridge	1
18	70050550	Assembly, Tube	1
19	70050551	Assembly, Rod	1
20	70050552	Assembly, Rod-Tube	1
21	9553250010	Head	1
22	7024101	Piston	1
23	70050540	Piston	1
24	70050541	Head	1

UNDERLIFT EXTENSION CYLINDER ASSEMBLY - 732000068



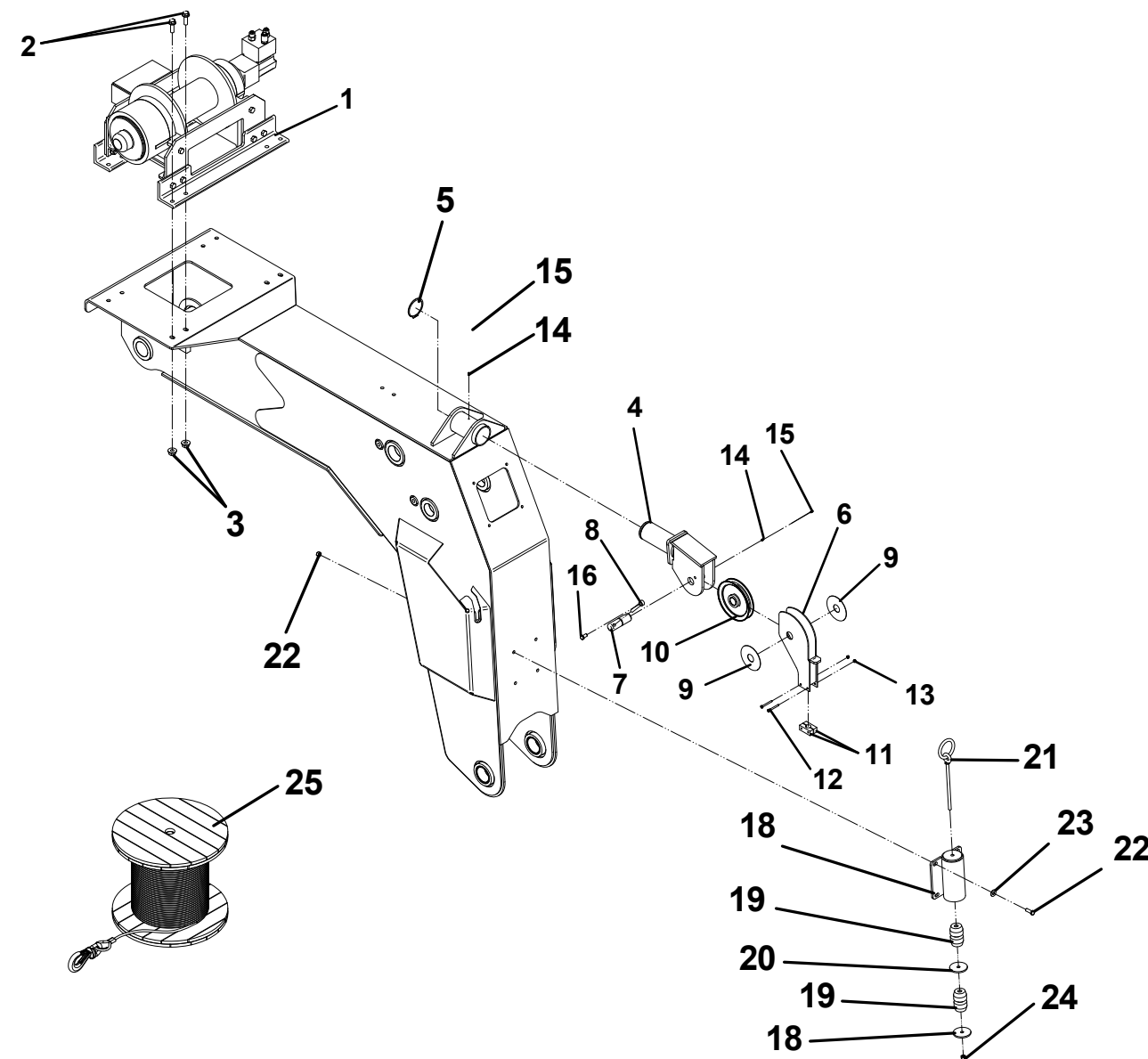
Items #14, #15 and #16, not shown

DRAG WINCH INSTALLATION

ITEM	PART NO.	DESCRIPTION	QTY
1	797000069	Winch - DP35	1
2	7118201616	Capscrew, 0.63"-11NC x 2.00"	8
3	7661000018	Nut, 0.63"-11NC	8
4	1001169617	Sheave Support	1
5	7754000049	Retaining Ring	1
6	3249000012	Cable Guide Weldment	1
7	1001169893	Pin	1
8	3841203	Rod, Keeper	1
9	4949000045	Washer, 5.00" OD x 1.53" ID	2
10	7809000006	Sheave	1
11	4249000002	Cable Guide	2
12	7115142050	Capscrew, 0.25"-20NC x 2.50"	2
13	7660142604	Locknut, 0.25"-20NC	2
14	7440030000	Grease Fitting	2
15	7253000002	Grease Fitting Cap	2
16	7115180850	Capscrew .520"-13NC x 1.00" Hex Head	1
17	0100011	Thread Locker 0.25-0.75 Fasteners	A/R
18	3912000034*	Tie Back Tube	1
19	7189000014*	Spring	2
20	4831000115*	Spacer	2
21	7120000053*	Ring Bolt, 0.50"-13NC x 10.00"	1
22	7115181250*	Capscrew, 0.50"-13NC x 1.50"	4
23	7950180150*	Flatwasher, 0.50" ID	4
24	7660182601*	Locknut, 0.50"-13NC	5
25	7248000148	Wire Rope - Galv	250ft
	1001136470	Wire Rope	250ft

* Item Sold as Complete Assembly - 3249000038

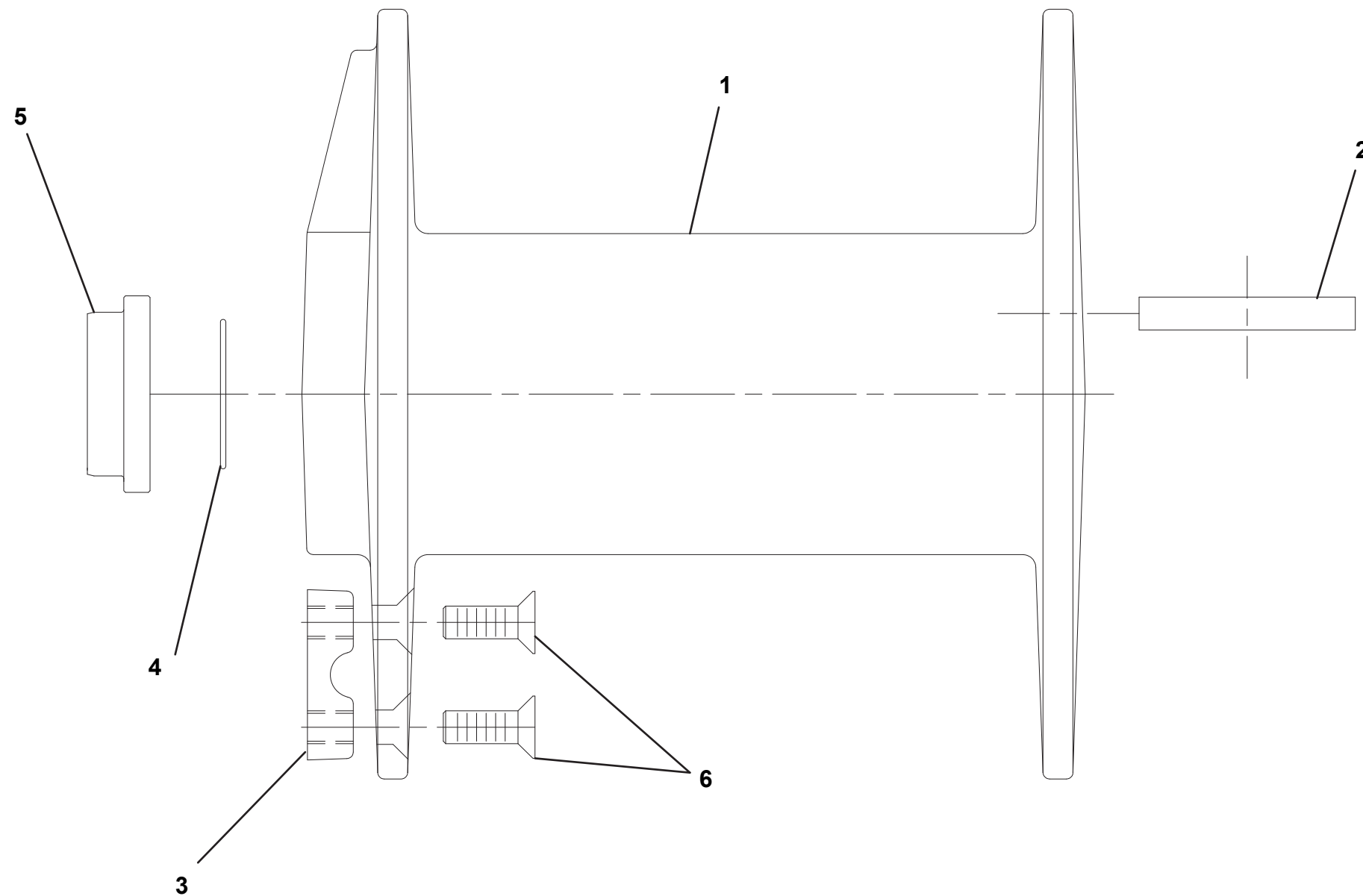
DRAG WINCH INSTALLATION



DP WINCH 35K - CABLE WINCH DRUM INSTALLATION

ITEM	PART NO.	DESCRIPTION	QTY
1	9970960020	Drum	1
2	9575960012	Key, Drum	2
3	9280960002	Clip	1
4	9796960089	O-Ring, 2.50" ID	1
5	9831960018	Spacer	1
6	7110201423	Capscrew, 0.63"-11NC x 1.75"	2

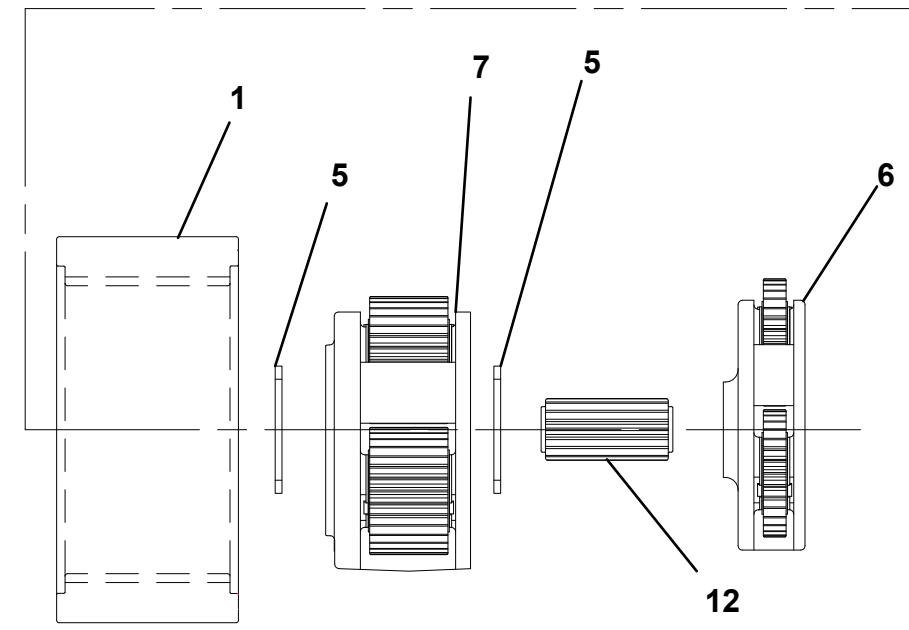
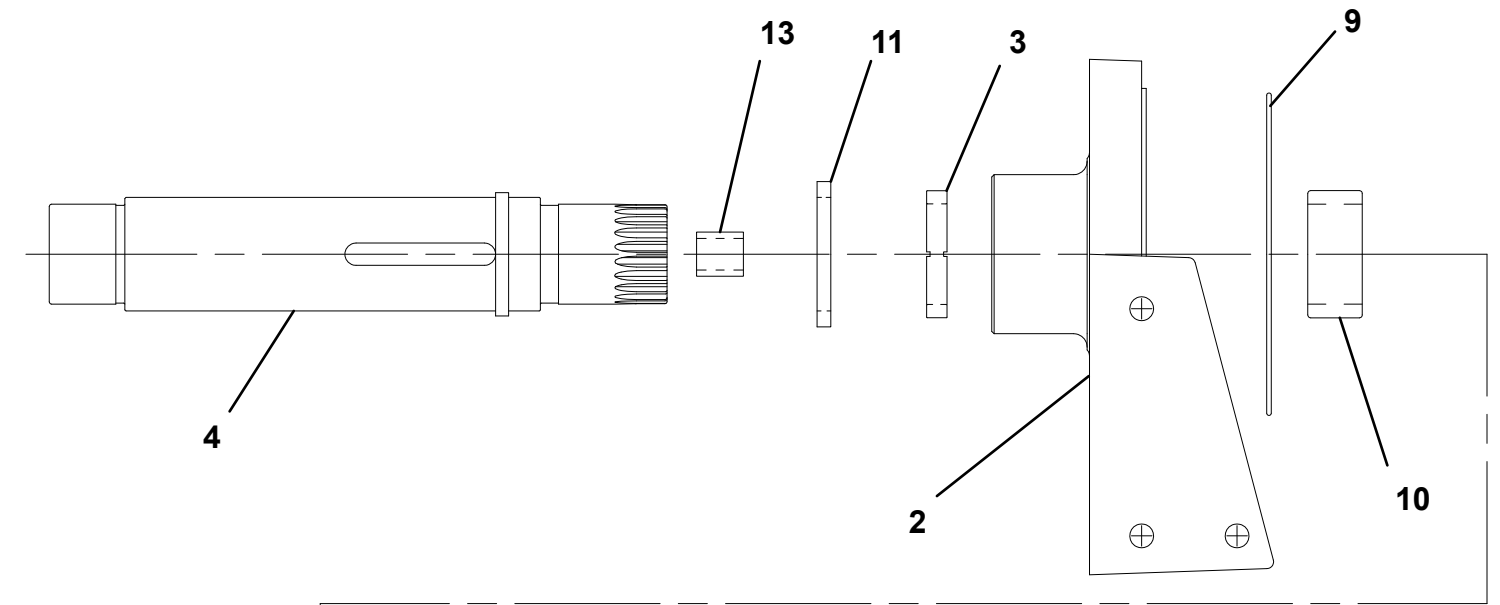
DP WINCH 35K - CABLE DRUM INSTALLATION



DP WINCH 35K - GEAR END INSTALLATION

ITEM	PART NO.	DESCRIPTION	QTY
1	9472960056	Gear	1
2	9177960003	Support, Gear End	1
3	9949960028	Thrust Washer, 3.82" OD x 0.046"	1
4	9806960021	Shaft, Output	1
5	9949960027	Thrust Washer, 3.50" OD x 0.19"	2
6	9472960052	Carrier Assembly, Primary	1
7	9472960053	Carrier Assembly, Secondary	1
8	9330960006	Label, Warning	1
9	9796960120	O-Ring, 8.75" ID	1
10	9082960018	Bearing	1
11	9796960121	Seal, 3.13" ID x 0.38"	1
12	9472960055	Gear, Sun Secondary	1
13	9209960025	Bushing	1

DP WINCH 35K - GEAR END INSTALLATION

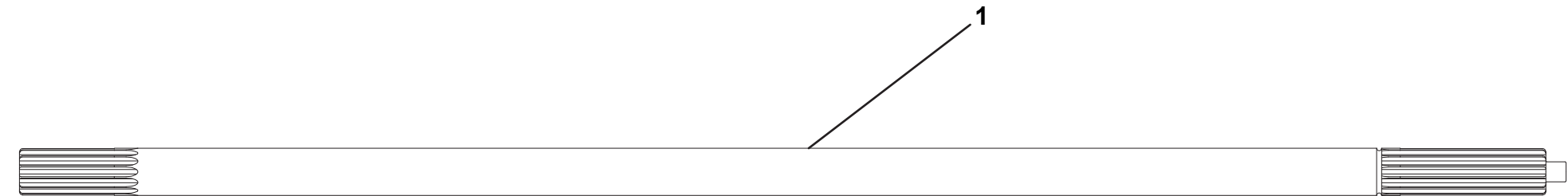


Items #8 not shown

DP WINCH 35K - INPUT SHAFT INSTALLATION

ITEM	PART NO.	DESCRIPTION	QTY
1	9806960020	Input Shaft	1

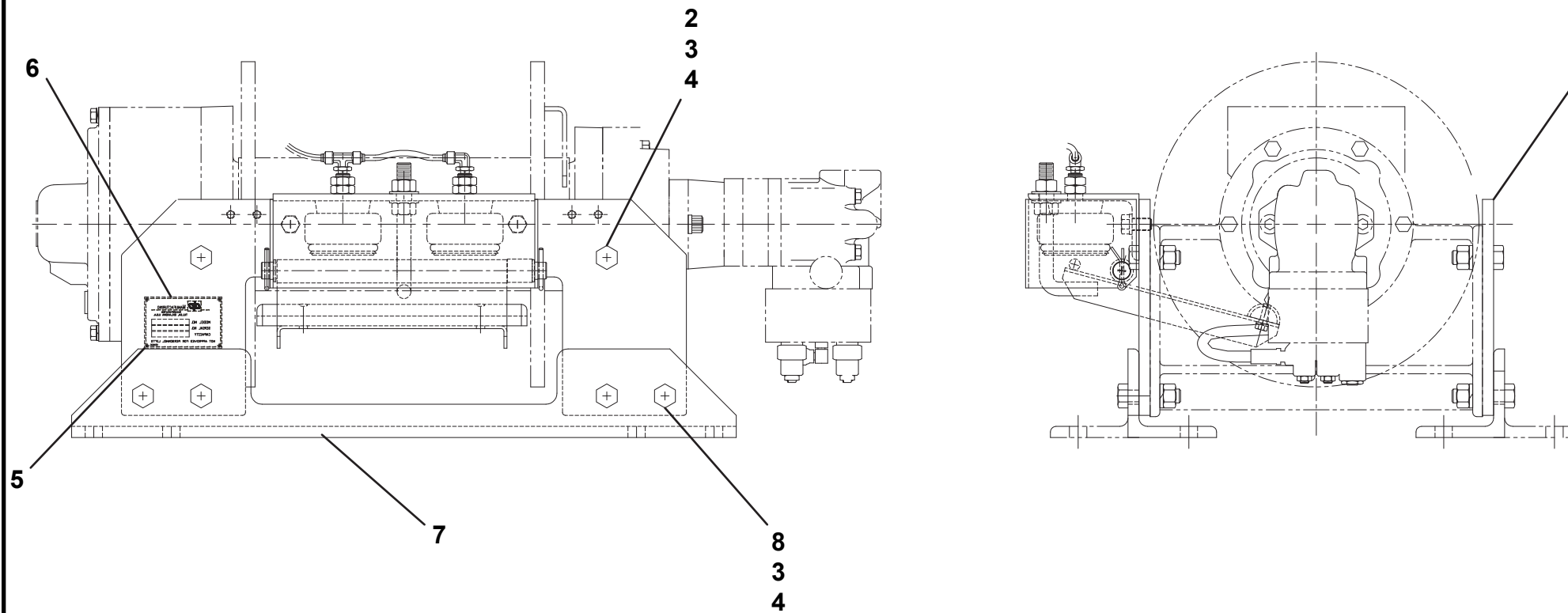
DP WINCH 35K - INPUT SHAFT INSTALLATION



DP WINCH 35K - BASE MOUNT INSTALLATION

ITEM	PART NO.	DESCRIPTION	QTY
1	9073960003	Base Mount	2
2	7115201850	Capscrew, 0.63"-11NC x 2.25"	4
3	7660200001	Nut, 0.63"-11NC	12
4	7950200000	Lockwasher, 0.63" ID	12
5	70050147	Rivet	4
6	70050384	Plate, Winch ID	1
7	9073960004	Base Mount	2
8	7115202250	Capscrew, 0.63"-11NC x 2.75"	8

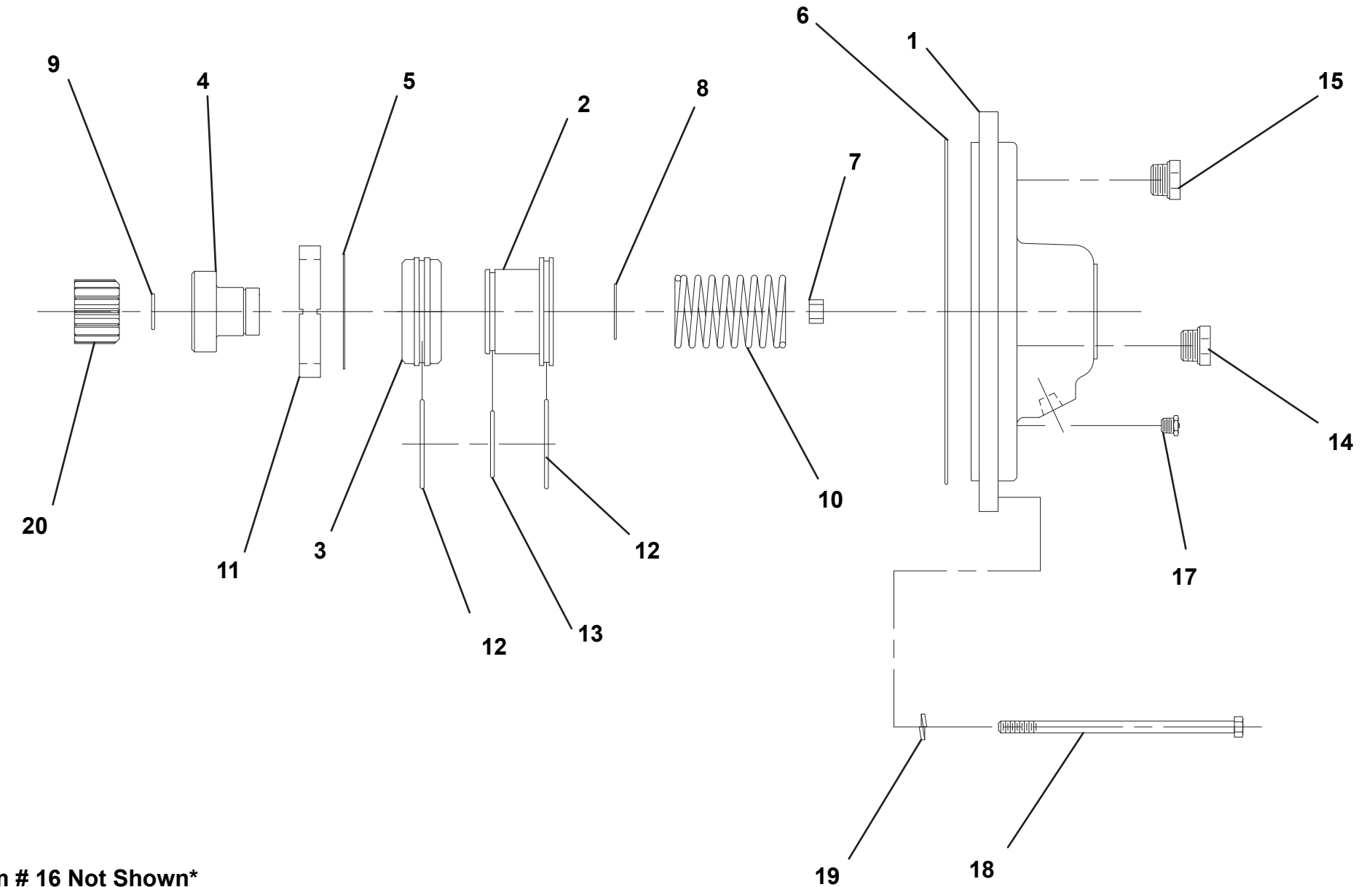
DP WINCH 35K - BASE MOUNT INSTALLATION



DP WINCH 35K - GEAR END COVER INSTALLATION

ITEM	PART NO.	DESCRIPTION	QTY
1	9314960022	Cover, Gear End	1
2	9698960016	Piston	1
3	9698960015	Cylinder, Piston	1
4	9309960011	Coupling	1
5	9754960026	Retainer Ring	1
6	9796960120	O-Ring, 8.75" ID	1
7	9209960026	Bushing	1
8	9754960046	Retainer Ring	1
9	9754960047	Retainer Ring	1
10	9843960032	Spring	1
11	9949960028	Thrust Washer	1
12	9796960119	O-Ring, 2.63" ID	2
13	9796960118	O-Ring, 2.13" ID	1
14	9701960011	Plug	1
15	9701960012	Plug	1
16	9701960018	Plug	1
17	9183960001	Vent	1
18	7118165250	Capscrew, 0.38"-16NC x 6.50"	12
19	7950160000	Lockwasher, 0.38" ID	12
20	9472960054	Gear, 15 Teeth	1

DP WINCH 35K - GEAR END COVER INSTALLATION

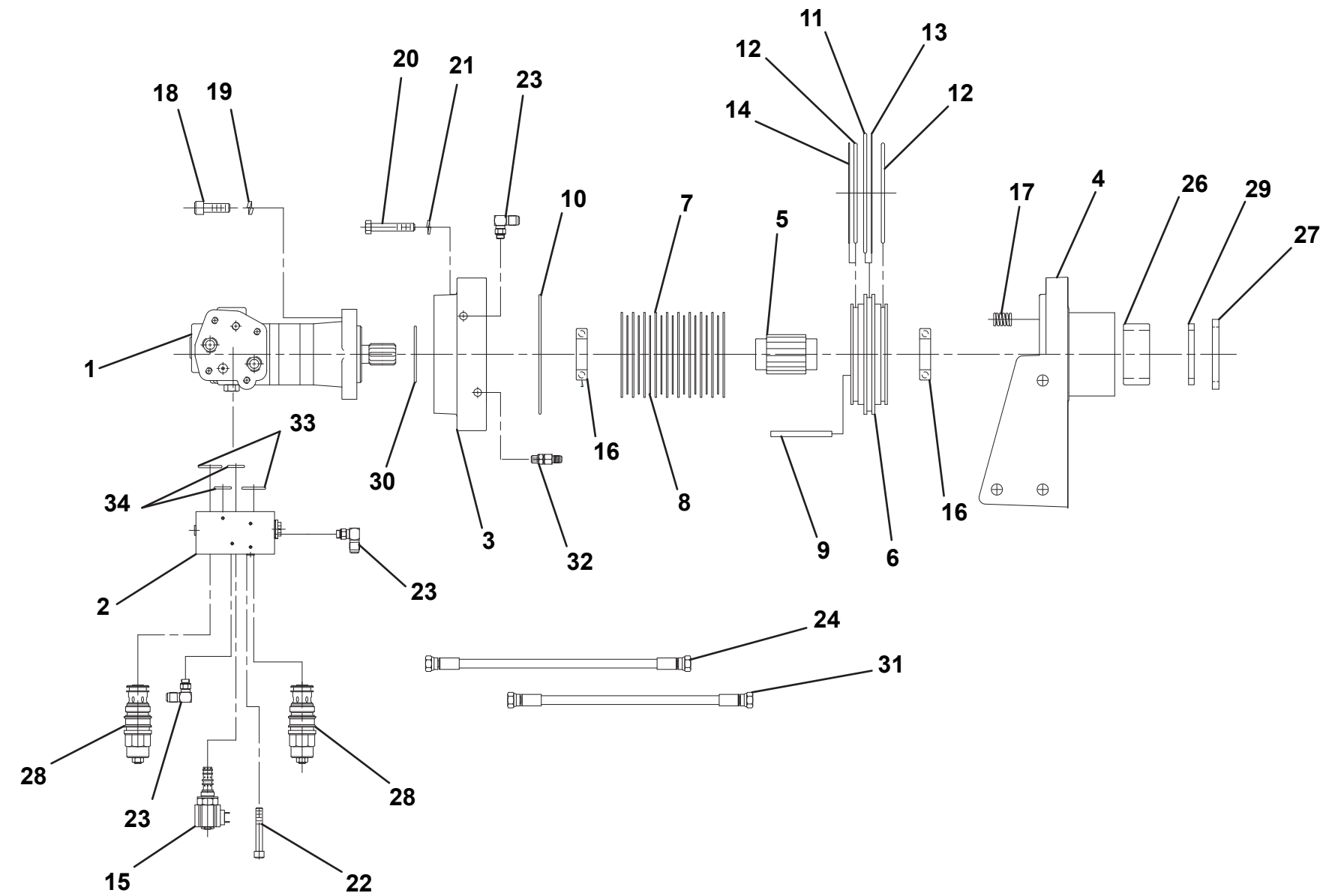


DP WINCH - MOTOR END INSTALLATION

ITEM	PART NO.	DESCRIPTION	QTY
1	70050399	Motor, Hydraulic	1
2	70050368	Valve, Counterbalance	1
3	9571960006	Brake Housing	1
4	9177960004	Support, Motor End	1
5	6906960019	Shaft Brake	1
6	9698960008	Piston, Brake	1
7	#	Plate, Friction Disc	10
8	#	Plate, Drive Brake	9
9	9691960021	Pin	2
10	##	O-Ring, 6.75" ID	1
11	##	O-Ring, 6.50" ID	1
12	##	O-Ring, 5.38" ID	2
13	##	Ring, Back-Up 6.50" ID	1
14	##	Ring, Back-Up 5.278" ID	1
15	70050371	Cartridge	1
16	9082960013	Bearing, 1.75" ID	2
17	#	Compression Spring	12
18	7118181205	Capscrew, 0.50"-13NC x 1.50"	2
19	7950180800	Lockwasher, 0.50" ID	2
20	7118172050	Capscrew, 0.44"-14NC x 2.50"	6
21	7950170000	Lockwasher, 0.44" ID	6
22	70050370	Capscrew, 0.38"-24NF x 2.50"	4
23	7445040445	Adapter	3
24	70050400	Hose	1
25	70050401*	Tag, Warning	1
26	9082960018	Bearing	1
27	<	Seal, 3.13" ID	1
28	9935960026	Cartridge	2
29	9949960028	Thrust Washer	1
30	<	O-Ring, 3.00" ID	1
31	70050372	Hose	1
32	9443960006	Adapter	1
33	70050369<	O-Ring, 1.13" ID	2
34	9796960088<	O-Ring, 0.82" ID	2

< Part Sold With Winch Service Kit - 70050402
Part Sold With Disk & Spring Kit - 9577960139
Part Sold With Brake Seal Kit - 9577960120

DP WINCH - MOTOR END INSTALLATION

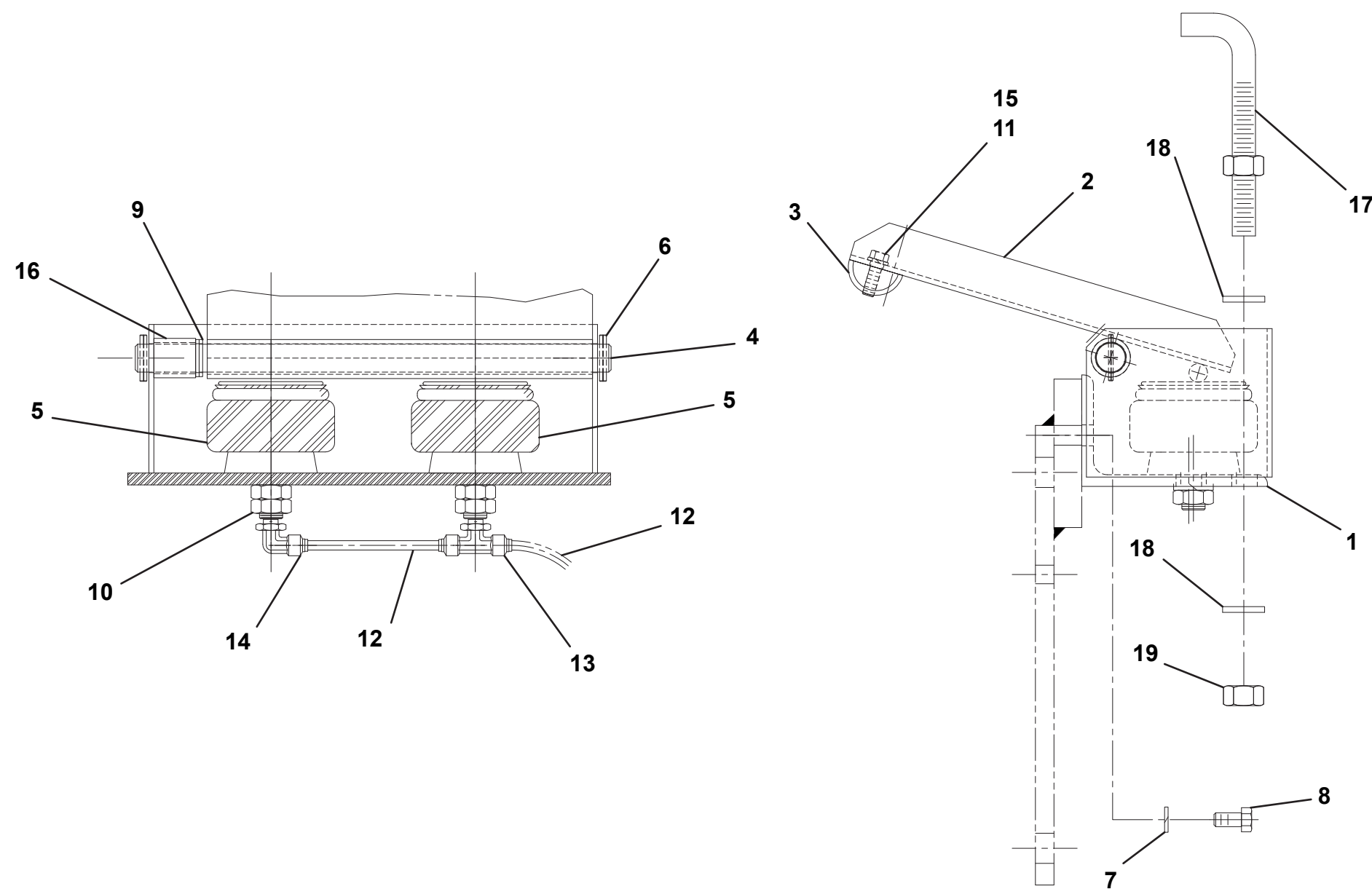


Items #25 not shown

DP WINCH - CABLE HOLD DOWN KIT

ITEM	PART NO.	DESCRIPTION	QTY
1	9178960011	Mounting Bracket	1
2	9020960002	Pivot Arm	1
3	9064960007	Rub Bar	1
4	9691960019	Pin	1
5	9843960023	Air Spring	2
6	9690960039	Cotter Pin	2
7	7950180000	Lockwasher, 0.50" ID	2
8	7115181650	Capscrew, 0.50"-13NC x 1.00"	2
9	9949960012	Thrust Washer	2
10	7660200200	Nut, 0.63"-11NC	4
11	9120960063	Capscrew, 0.32"-18NC x 1.00"	2
12	9912960010	Tubing	3
13	7443000205	Adapter	3
14	7443000204	Adapter	1
15	9949960050	Lockwasher, 0.32" ID	2
16	9831960009	Spacer	1
17	9120960019	Anchor Bolt	1
18	7950200151	Flatwasher, 0.63" ID	2
19	7660200001	Nut, 0.63"-11NC	1

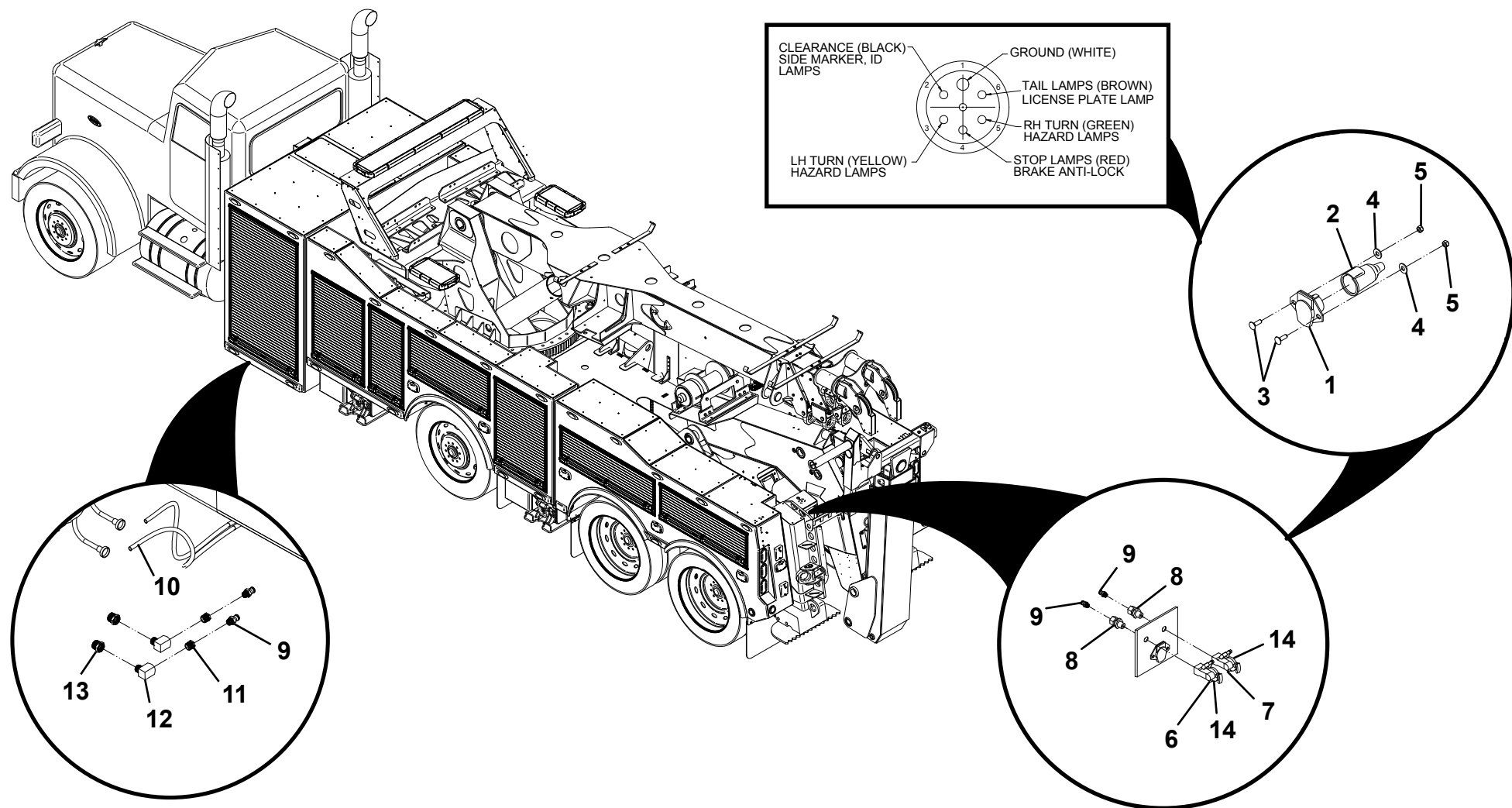
DP WINCH - CABLE HOLD DOWN KIT



TRAILER AUXILIARY INSTALLATION

ITEM	PART NO.	DESCRIPTION	QTY
1	7346000055	Electrical Receptacle	1
2	7346000078	Electrical Boot	1
3	7115150864	Bolt, 0.31"-18NC x 1.00"	2
4	7950150161	Flatwasher, 0.31" ID	2
5	7660152601	Locknut, 0.31"-18NC	2
6	7312000015	Gladhand, Blue	1
7	7312000016	Gladhand, Red	1
8	7446502518	Fitting	2
9	7445060435	Fitting	4
10	7565000014	Airline, 0.38" OD	50ft
11	7443000148	Bushing	2
12	7443000146	Elbow	2
13	7443000145	Bushing	2
14	7577000145	Seal Kit	1

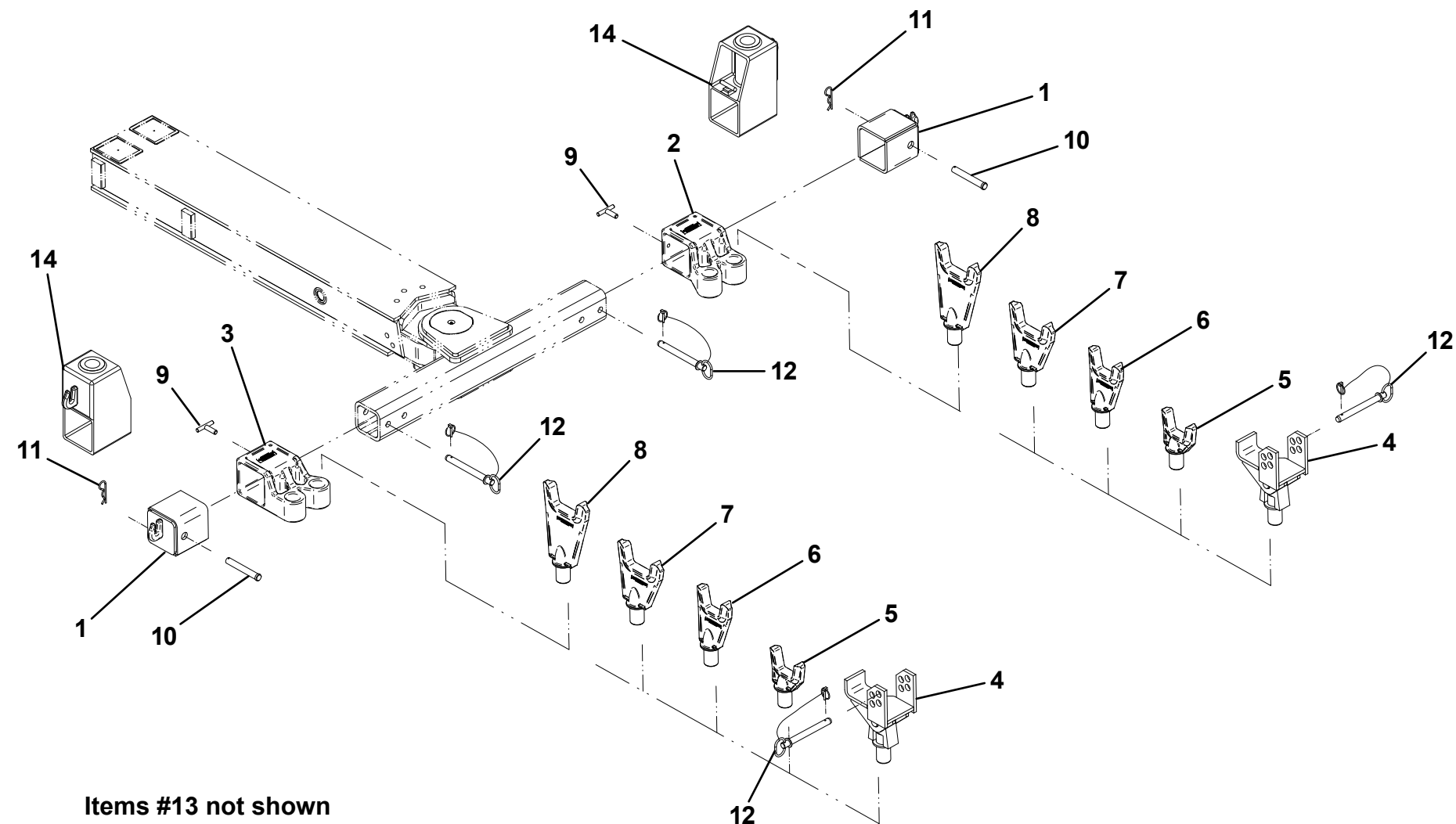
TRAILER AUXILIARY INSTALLATION



UNDERLIFT TOOLS - FRAME FORKS

ITEM	PART NO.	DESCRIPTION	QTY
1	3007000004	Adapter, Chain Hook	2
2	7007000056	Adapter, Frame Fork - RH	1
3	7007000055	Adapter, Frame Fork - LH	1
4	3178000226	Spring Lift Bracket	2
5	7454000006	Fork, 3.00" Short	2
6	7454000005	Fork, 3.00" Medium	2
7	7454000003	Fork, 4.50" Medium	2
8	7454000004	Fork, 4.50" Long	2
9	3551000036	T-Handle	2
10	7691000022	Pin	2
11	7691000020	Hairpin	2
12	7691000021	Hitch Pin	2
13	1001159568	Strap, Tie-Down	2
14	1001170172	Optional Frame Fork Riser	2

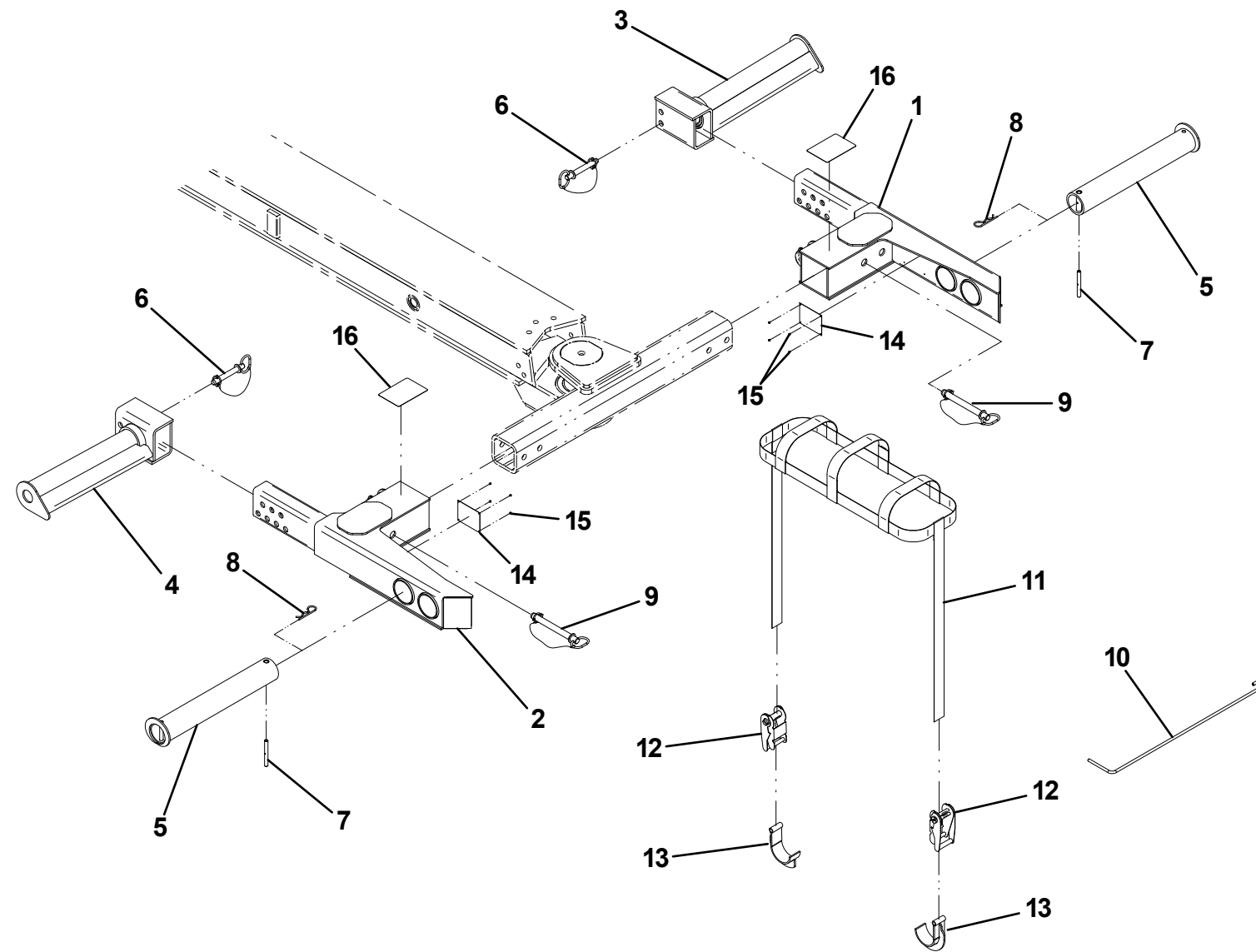
UNDERLIFT TOOLS - FRAME FORKS



UNDERLIFT TOOLS - 14,000 LB TIRE LIFT

ITEM	PART NO.	DESCRIPTION	QTY
1	3484000048	Tire Lift Grid - RH	1
2	3484000049	Tire Lift Grid - LH	1
3	3020000120	Tire Lift Arm Weldment - RH	1
4	3020000119	Tire Lift Arm Weldment - LH	1
5	3912000038	Tire Lift Tube Weldment - 23" Long	2
	3912000033	Tire Lift Tube Weldment - 27.5" Long	2
6	7691000026	Hitch Pin	2
7	4691000274	Pin	2
8	7691000020	Hairpin	2
9	7691000021	Hitch Pin	2
10	4561000012	Hook, Pull	1
11	7894000037	Strap, 2" Wide (Standard - Yellow)	2
	7894000041	Strap, 2" Wide (Optional - Orange)	
12	7894000028	Ratchet, 2" Wide Strap	4
13	3561000008	Hook, 2" Wide Strap	4
14	7330000550	Decal	2
15	7759000004	Rivet	8
16	7330000278	Decal	2

UNDERLIFT TOOLS - 14,000 LB TIRE LIFT



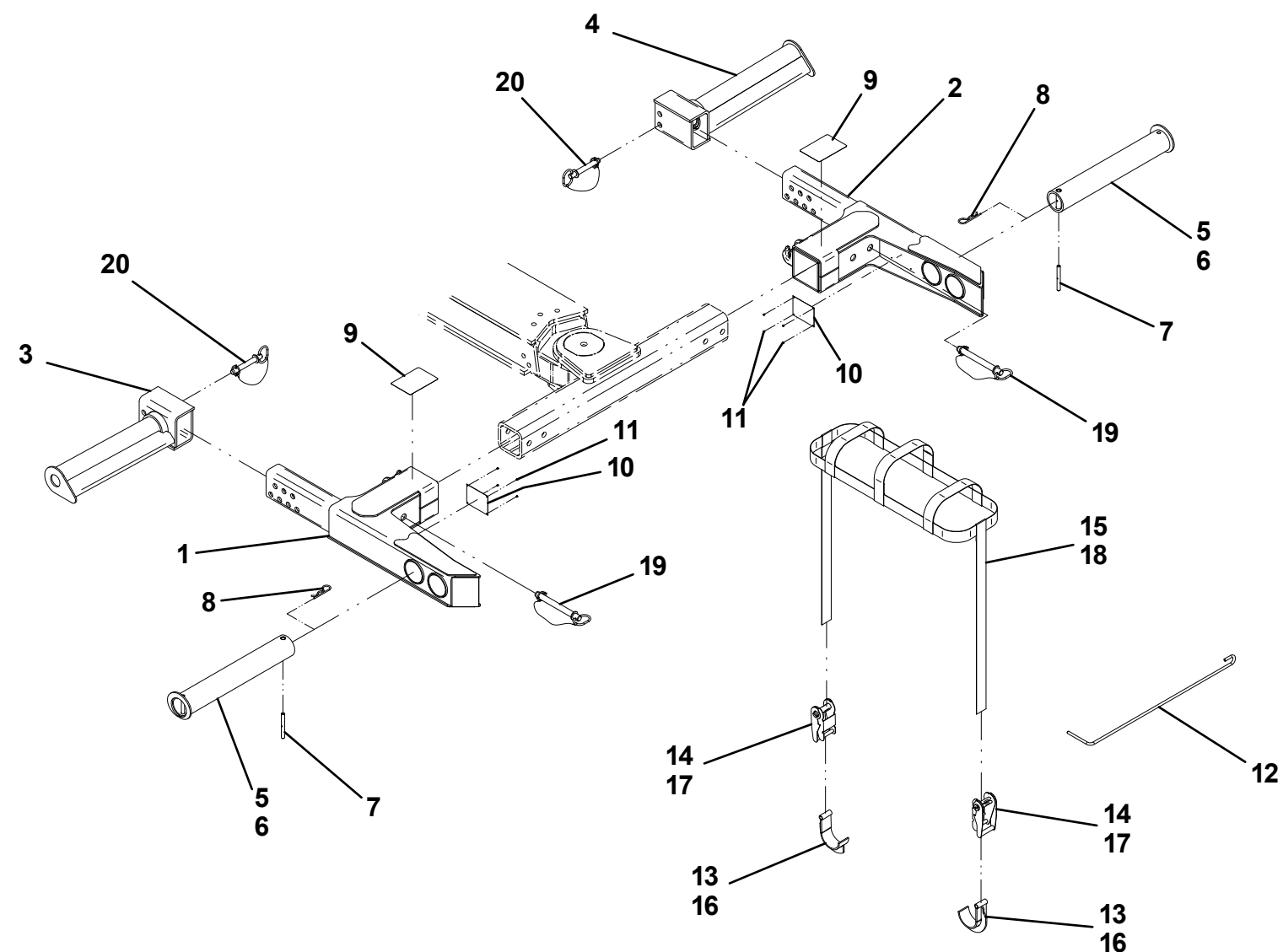
UNDERLIFT TOOLS - 25,000 LB TIRE LIFT

ITEM	PART NO.	DESCRIPTION	QTY
1	3484000072^	Tire Lift Grid - LH	1
2	3484000073^	Tire Lift Grid - RH	1
3	3020000119^	Tire Lift Arm Weldment - LH	1
4	3020000120^	Tire Lift Arm Weldment - RH	1
5	3912000038^	Tire Lift Tube Weldment - 23" Long	2
6	3912000033^	Tire Lift Tube Weldment - 27.5" Long	2
7	4691000274^	Pin	2
8	7691000020^	Hairpin	2
9	7330000278^	Decal	2
10	7330000550^	Decal	2
11	7759000004^	Rivet	8
12	4561000012^	Hook, Pull	1
13	3561000015*	Hook, 3" Wide Strap	4
14	7894000060*	Ratchet, 3" Wide Strap	4
15	7894000057*	Strap, 3" Wide	2
16	3561000008^	Hook, 2" Wide Strap	4
17	7894000028^	Ratchet, 2" Wide Strap	4
18	7894000037^	Strap, 2" Wide	2
19	7691000021	Hitch Pin	2
20	7691000026^	Hitch Pin	2

^ Also available as - 2502880300

* Available in Strap Kit - 7577000368

UNDERLIFT TOOLS - 25,000 LB TIRE LIFT

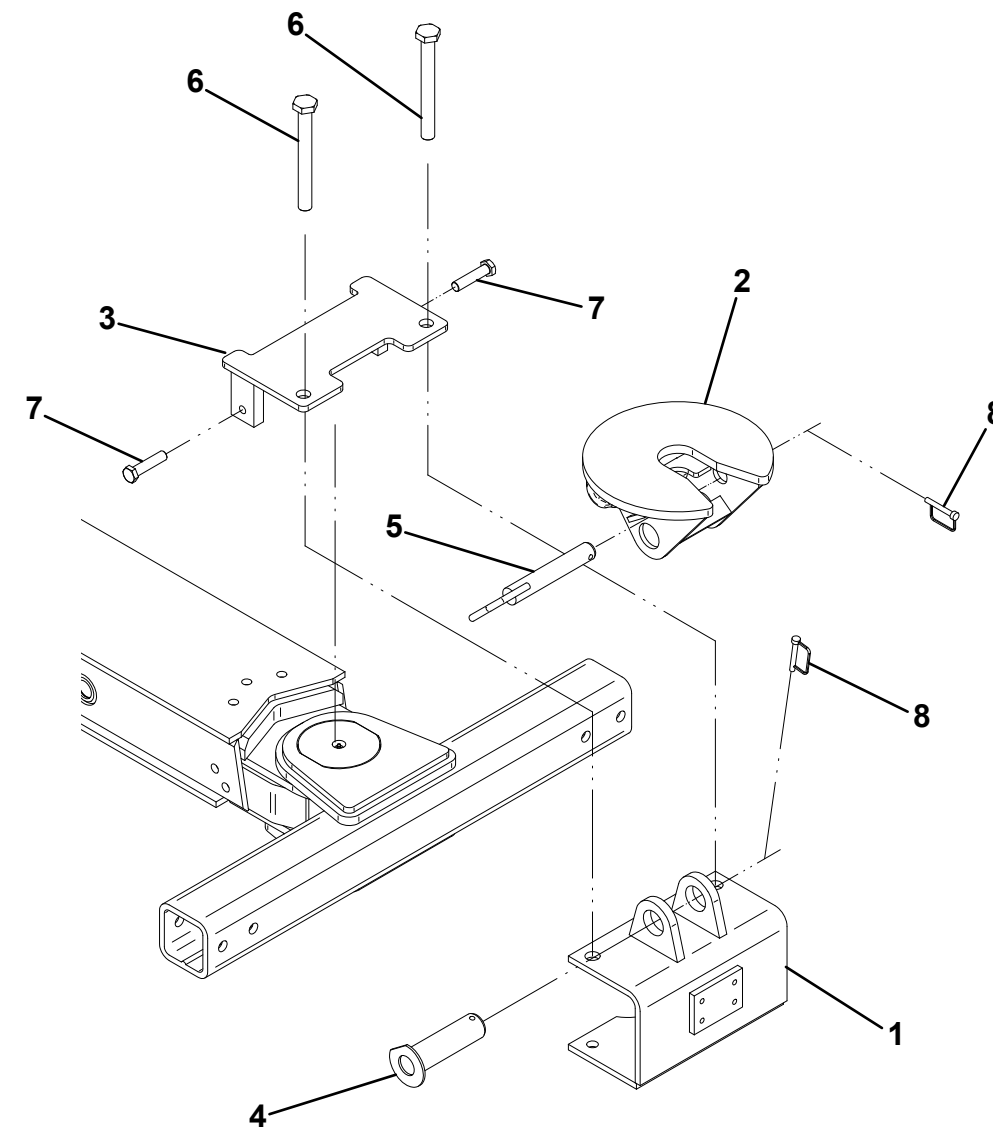


UNDERLIFT TOOLS - FIFTH WHEEL ATTACHMENT

ITEM	PART NO.	DESCRIPTION	QTY
1	3178000240*	Bracket Weldment	1
2	3178000499*	Bracket, Fifth Wheel Weldment	1
3	3706000080*	Plate Weldment	1
4	3691000144*	Pin	1
5	3691000145*	Pin	1
6	7118267250*	Capscrew, 1.00"-8NC x 9.00"	2
7	7120000036*	Capscrew, 0.75"-10NC x 3.25"	2
8	7691000025*	Pin	2

* Also available as - 2503880033

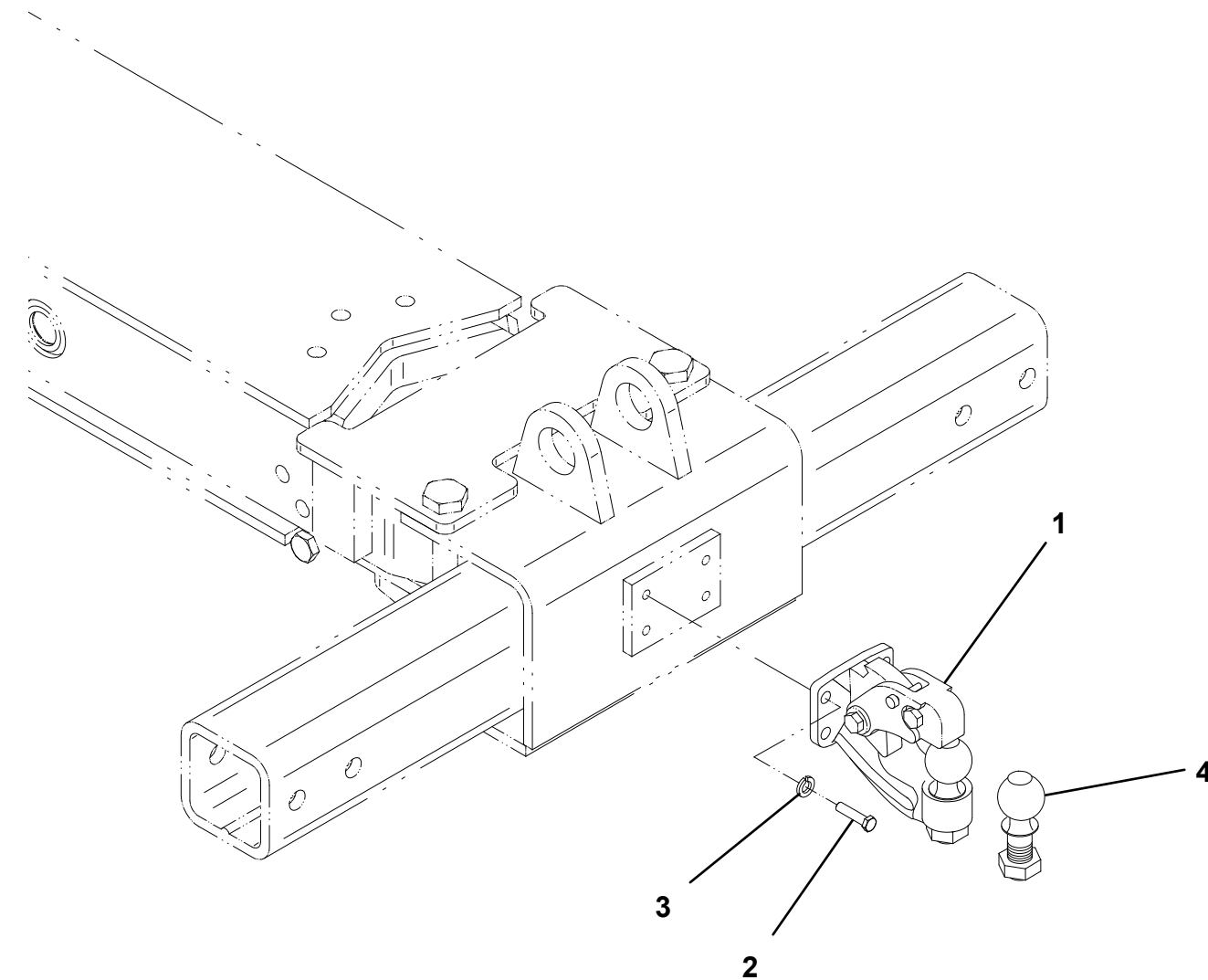
UNDERLIFT TOOLS - FIFTH WHEEL ATTACHMENT



UNDERLIFT TOOLS - PINTLE HOOK

ITEM	PART NO.	DESCRIPTION	QTY
1	7561000020	Hitch, Pintle Hook with 2" Dia. Ball	1
2	7118181250	Capscrew, 0.50"-13NC x 1.50"	4
3	7950180000	Lockwasher, 0.50" ID	4
4	7056000003	Ball, 1.88" Dia	1
	7056000004	Ball, 2.00" Dia	
	7056000005	Ball, 2.31" Dia	
	7056000006	Ball, 50mm Dia	

UNDERLIFT TOOLS - PINTLE HOOK

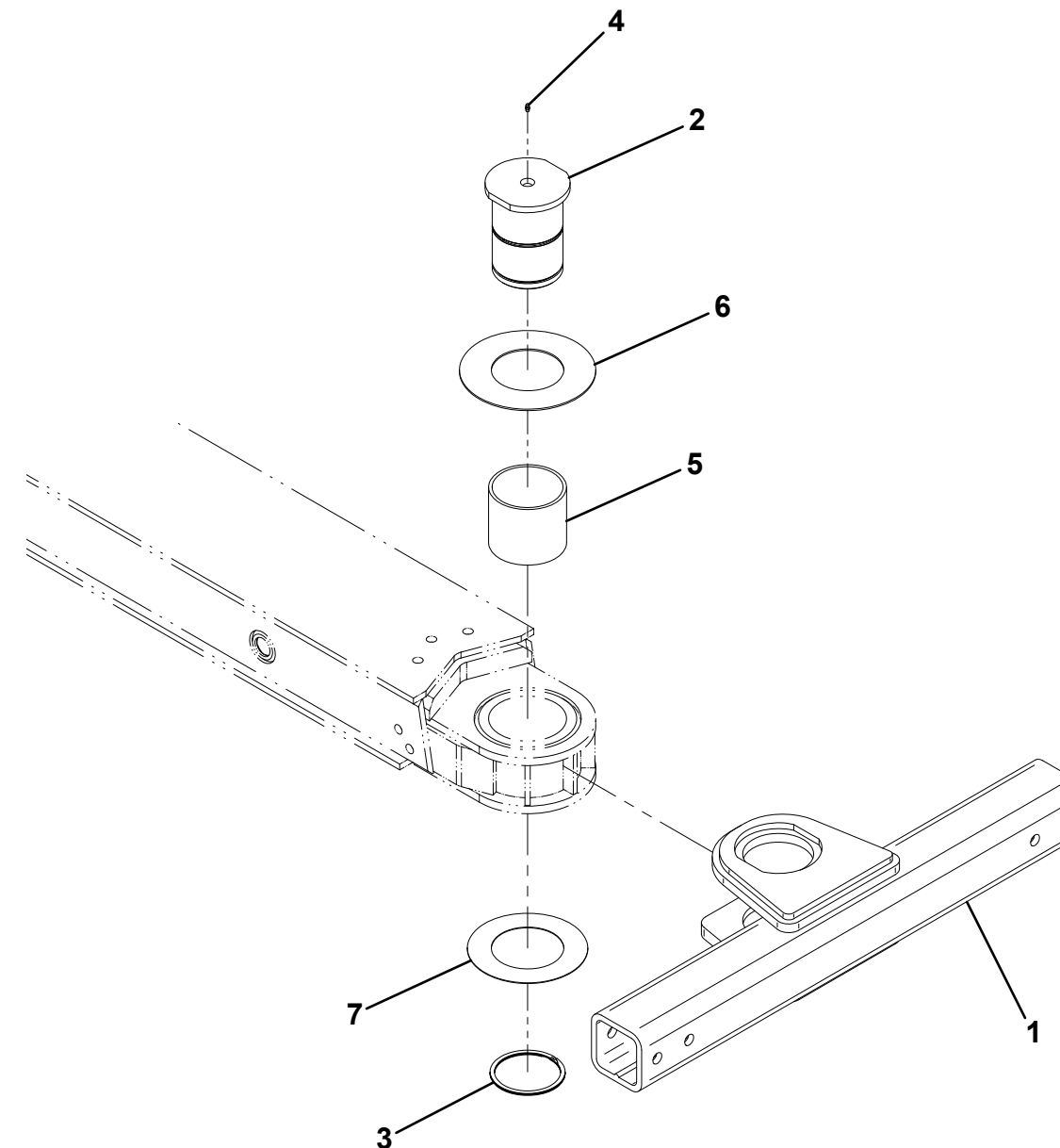


CROSSTUBE INSTALLATION

ITEM	PART NO.	DESCRIPTION	QTY
1	3913000094	Crosstube Weldment	1
2	4691000242	Pin	1
3	7754000042	Retaining Ring	1
4	7440300000	Grease Fitting	1
5	7209000022	Bushing	1
6	4949000041*	Washer, 0.125" Thk	1
7	4949000042*	Washer, 0.63" Thk	2

* Available in Shim Kit - 3577000018

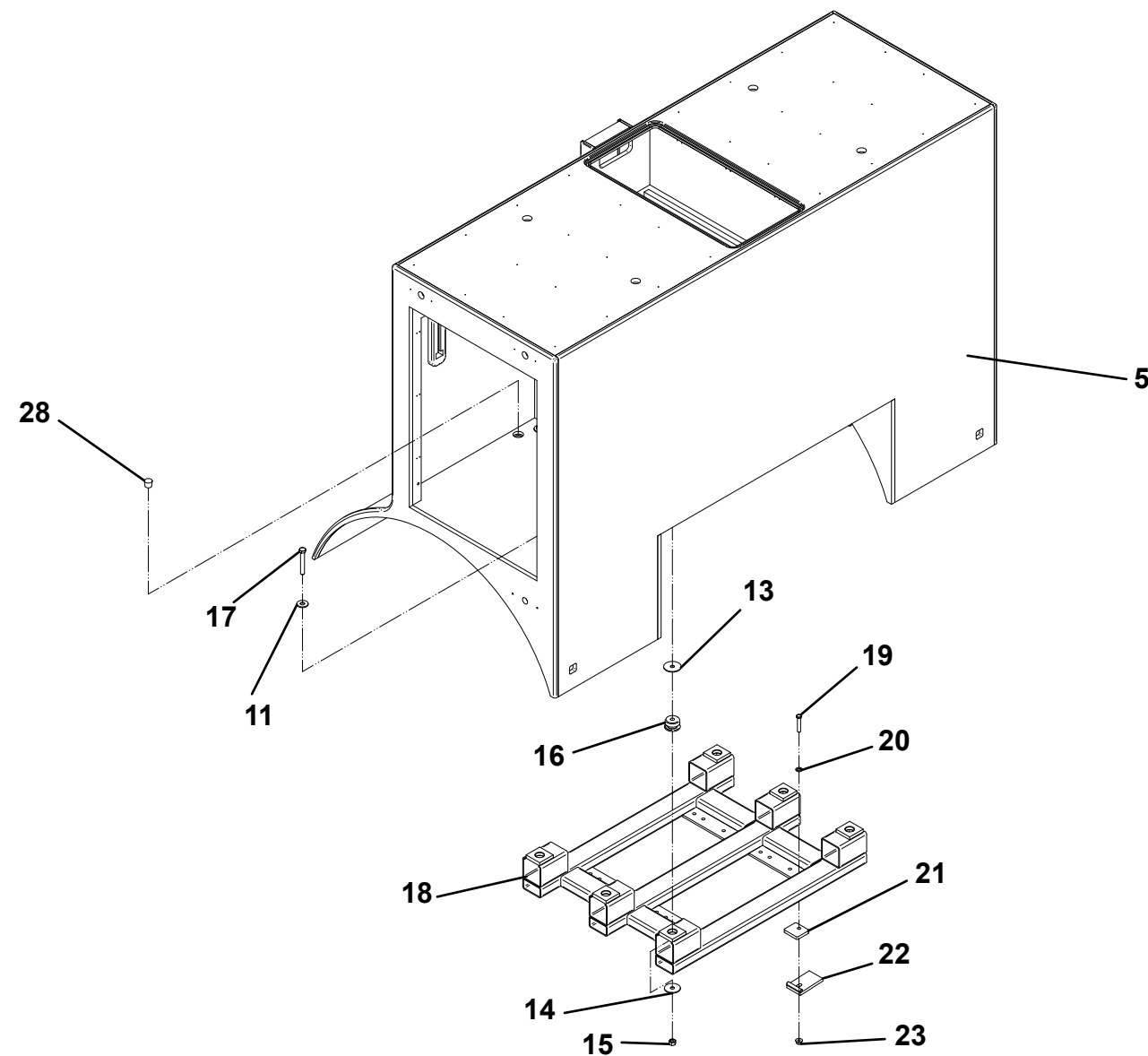
CROSSTUBE INSTALLATION



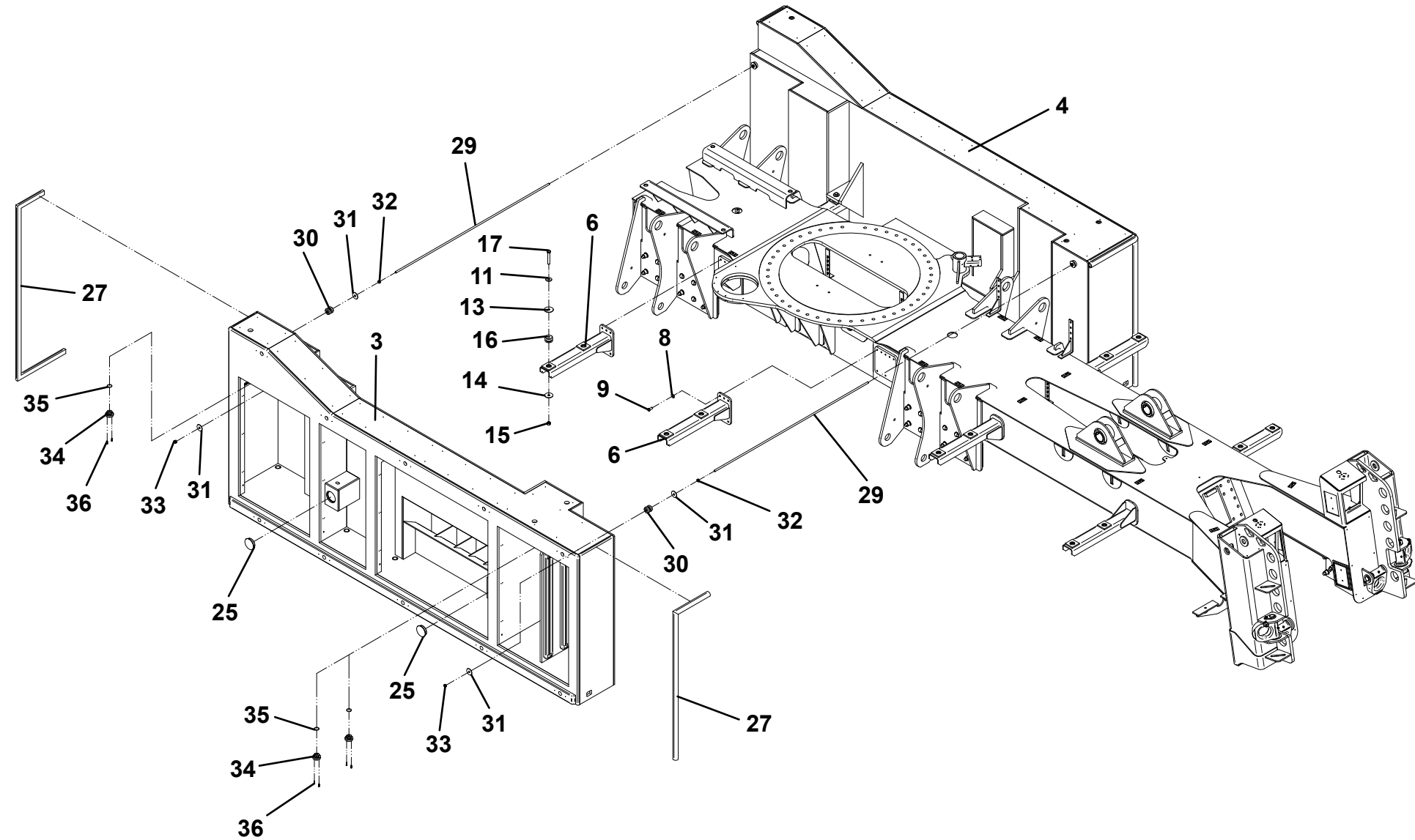
JFB BODY INSTALLATION

ITEM	PART NO.	DESCRIPTION	QTY
1	1001166095	Body, Rear LH	1
2	1001166097	Body, Rear RH	1
3	1001181245	Body, Mid LH	1
4	1001181244	Body, Mid RH	1
5	1001181248	Body, Tunnel Box	1
6	1001164154	Mount, Mid Body	4
7	1001164193	Mount, Rear Body	2
8	7950180150	Flatwasher, 0.50" ID	28
9	7115181050	Capscrew, 0.50"-13NC x 1.25"	20
10	7660182601	Locknut, 0.50"-13NC	4
11	7950200161	Flatwasher, 0.63" ID	26
12	7115203250	Capscrew, 0.62"-11NC x 4.00"	8
13	7949000019	Washer	26
14	7949000020	Washer	26
15	7660200001	Nut, 0.63"-11NC	26
16	7636000008	Mount	26
17	0642034	Capscrew, 0.62"-11NC x 4.25"	18
18	1001182562	Support	1
19	7115182250	Capscrew, 0.50"-13NC x 2.75"	8
20	7950180252	Flatwasher, 0.50"	8
21	4705000705	Plate	8
22	3274000011	Bar	8
23	7660182301	Locknut, 0.50"-13NC	8
24	7115181250	Capscrew, 0.50"-13NC x 1.50"	4
25	1001151789	Plug	5
26	0100011	Thread Lock	A/R
27	8632000011	Rubber Seal	45ft
28	1001173847	Plug	20
29	1001178305	Rod	2
30	1001178306	Mount	4
31	1001138172	Washer	8
32	7660180200	Nut, 0.50"-13NC	4
33	7660182601	Locknut, 0.50"-13NC	4
34	1001189283	Nut	18
35	1001189321	O-Ring	18
36	1001178261	Screw, #10 x 1.00"	36

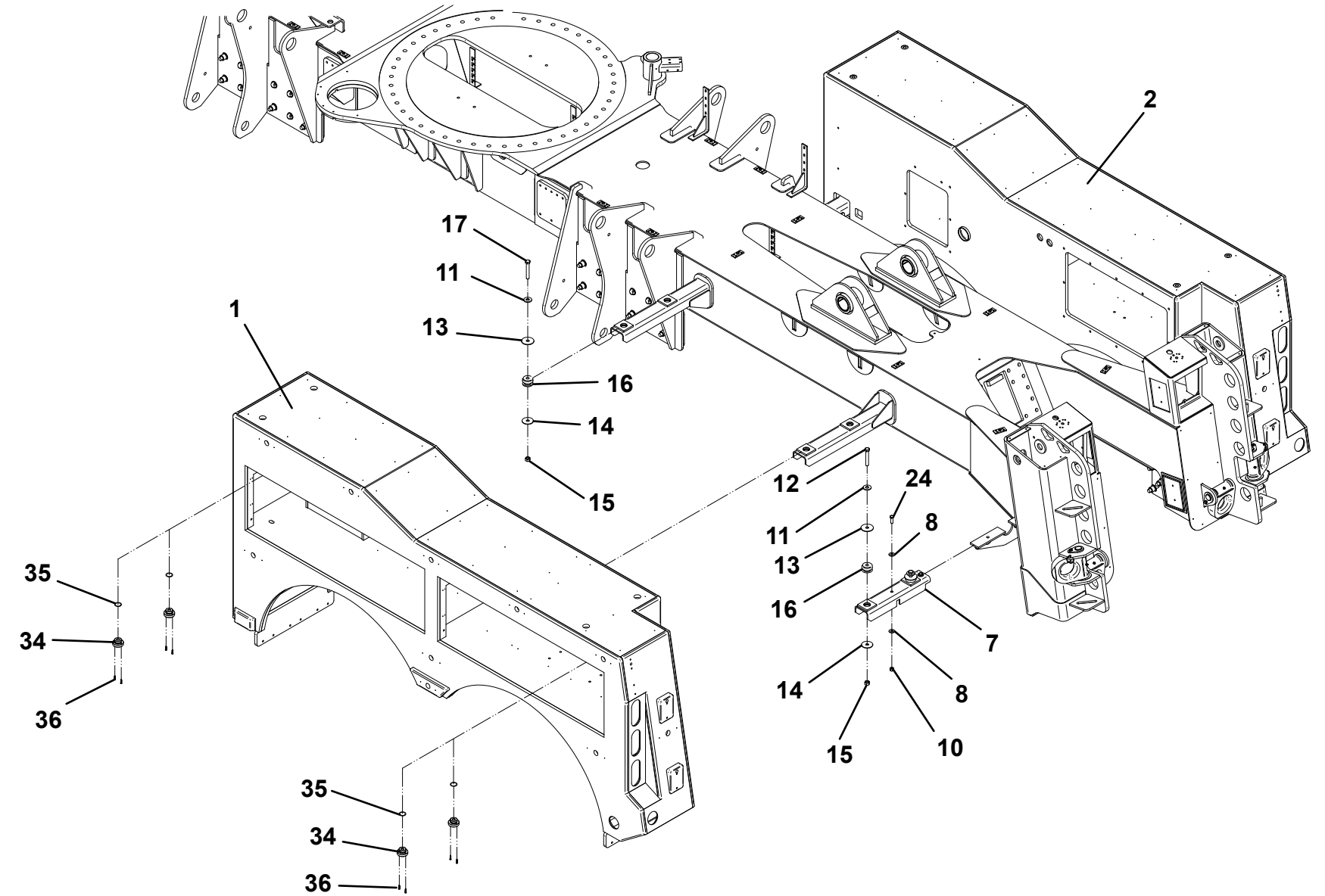
JFB BODY INSTALLATION



JFB BODY INSTALLATION



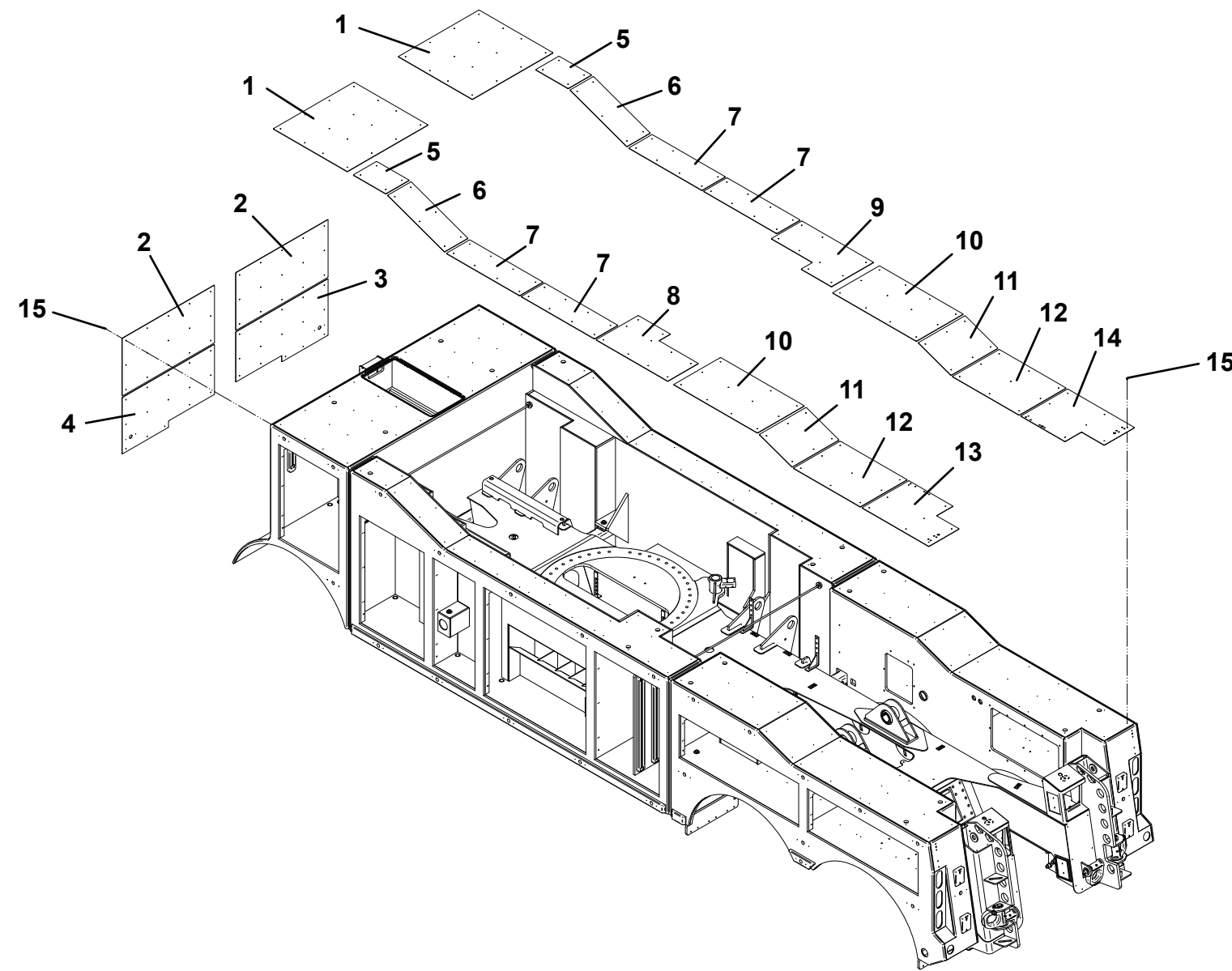
JFB BODY INSTALLATION



DIAMOND PLATE INSTALLATION

ITEM	PART NO.	DESCRIPTION	QTY
1	1001182657	Plate	2
2	1001172127	Plate	2
3	1001182658	Plate	1
4	1001182659	Plate	1
5	1001163428	Plate	2
6	1001163446	Plate	2
7	1001163447	Plate	4
8	1001163453	Plate	1
9	1001163454	Plate	1
10	1001163615	Plate	2
11	1001163626	Plate	2
12	1001163628	Plate	2
13	1001163629	Plate	1
14	1001163630	Plate	1
15	1001166322	Screw,#10-12 x 0.62"	232

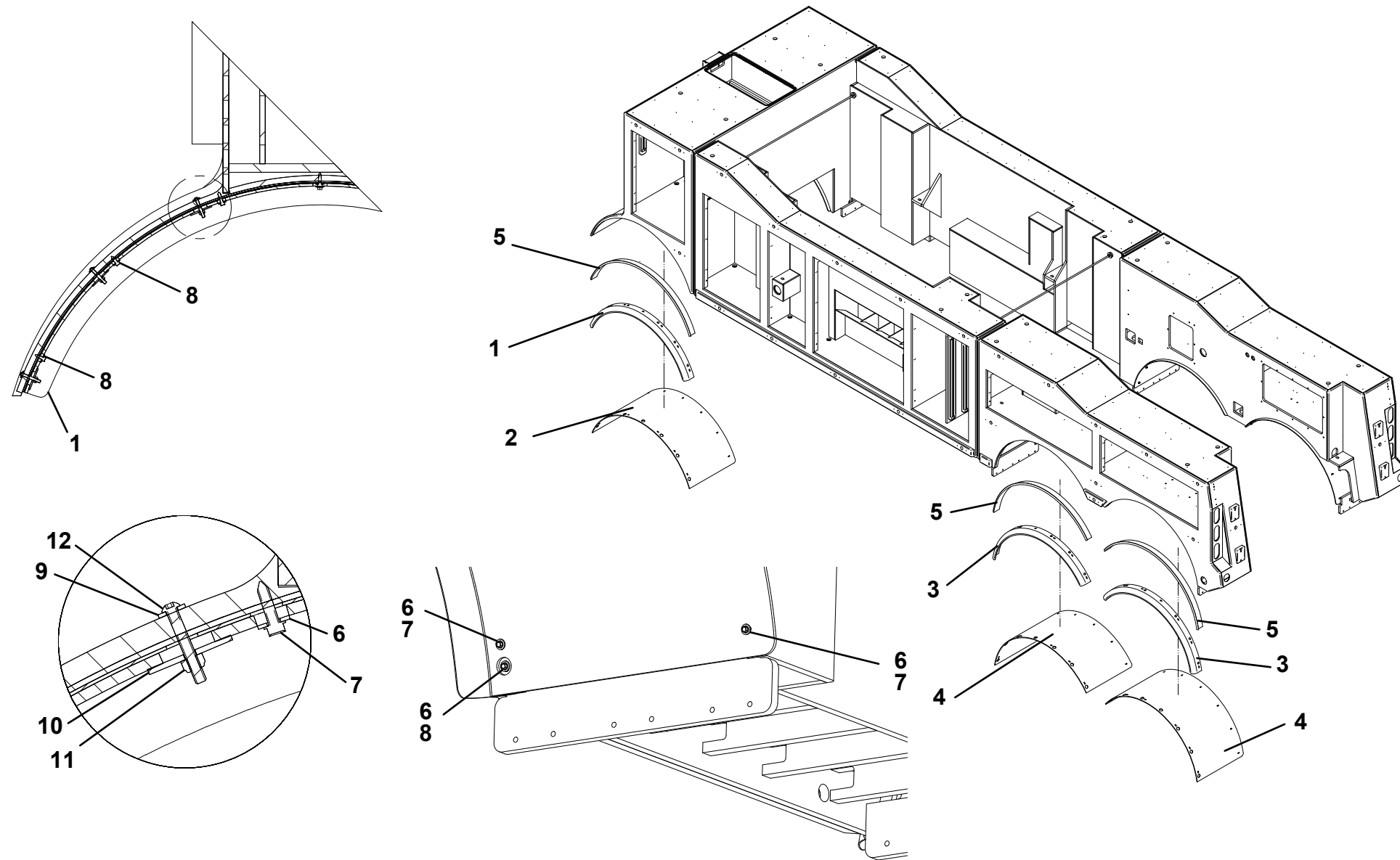
DIAMOND PLATE INSTALLATION



FENDER FLARE AND LINER INSTALLATION

ITEM	PART NO.	DESCRIPTION	QTY
1	1001193553	Fender, Mid Body	2
2	1001193554	Fender Liner, Mid Body	2
3	1001163358	Fender, Rear Body	4
4	1001167352	Fender Liner, Rear Body	4
5	1001167358	Moulding	0.4
6	7950140163	Flatwasher, 0.25" ID	120
7	7790141651	Screw, 0.25" x 1.00"	78
8	7790141251	Screw, 0.25" x 0.75"	42
9	7950140143	Flatwasher, 0.25" ID	6
10	1001192905	Washer, 0.281" ID	6
11	7660142601	Locknut, 0.25" ID	6
12	1001170935	Screw, 0.25" - 20NC x 1.75"	6

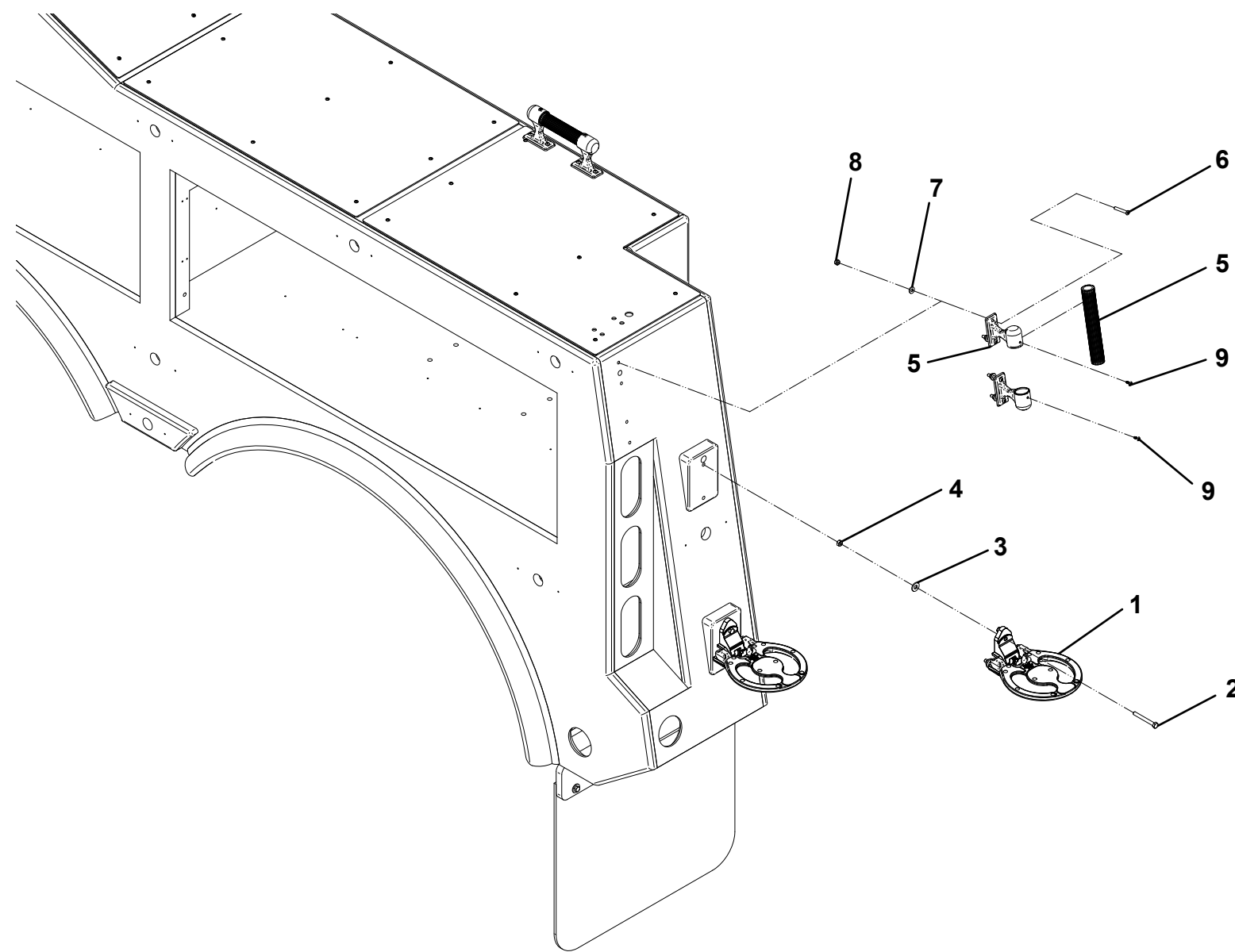
FENDER FLARE AND LINER INSTALLATION



GRAB HANDLE AND STEP INSTALLATION

ITEM	PART NO.	DESCRIPTION	QTY
1	1001167456	Step	4
2	1001167455	Screw, 0.31"-18NC x 2.75"	8
3	7950150153	Flatwasher, 0.31" ID	8
4	7660152601	Locknut, 0.31"-18NC	8
5	1001170849	Handle	4
6	1001170935	Screw, 0.25"-20NC x 1.75"	16
7	7950140143	Flatwasher, 0.25" ID	16
8	7660142601	Locknut, 0.25"-20NC	16
9	1001170937	Screw, #10-24 x 0.50"	8

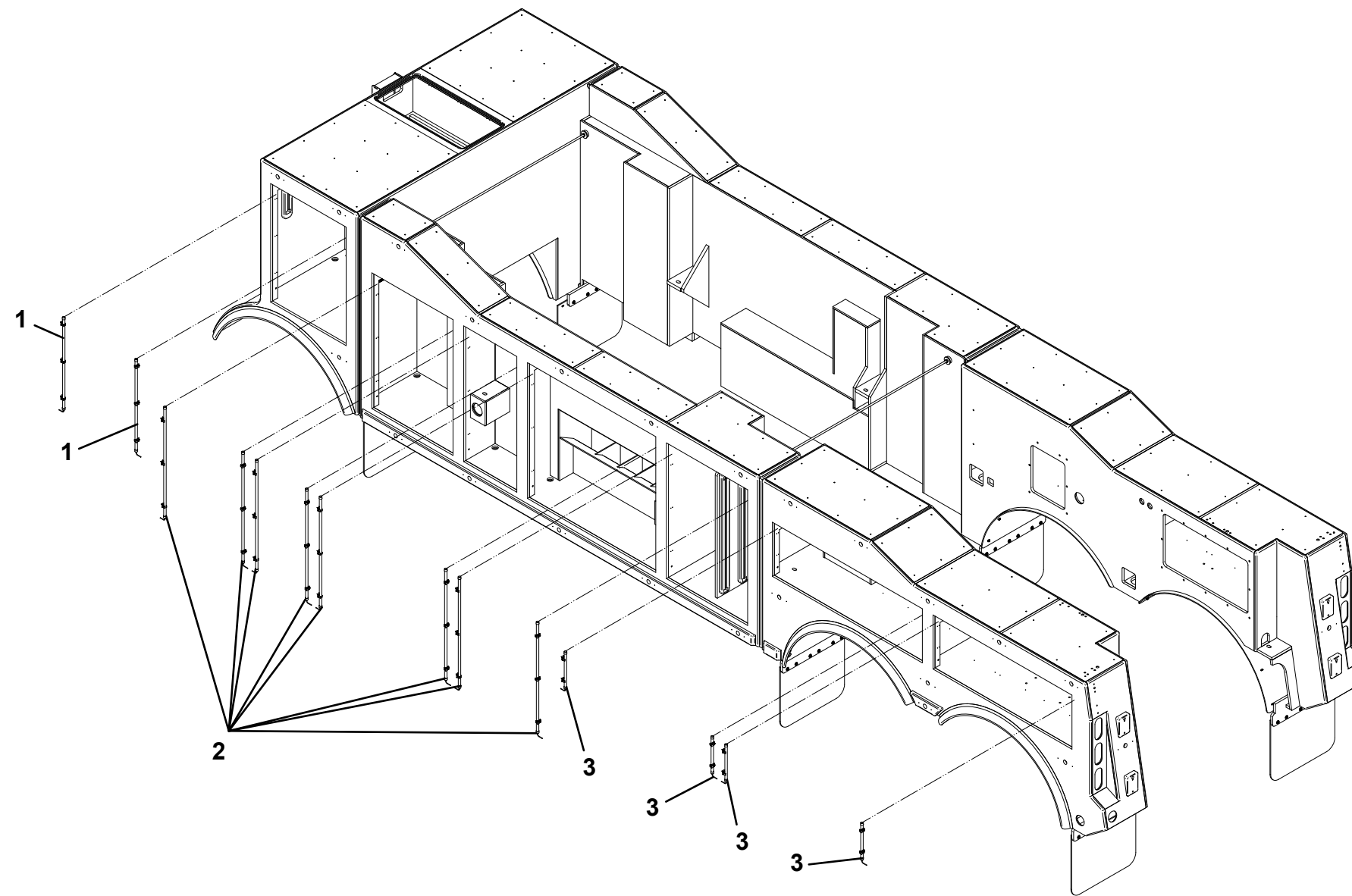
GRAB HANDLE AND STEP INSTALLATION



COMPARTMENT LIGHT INSTALLATION

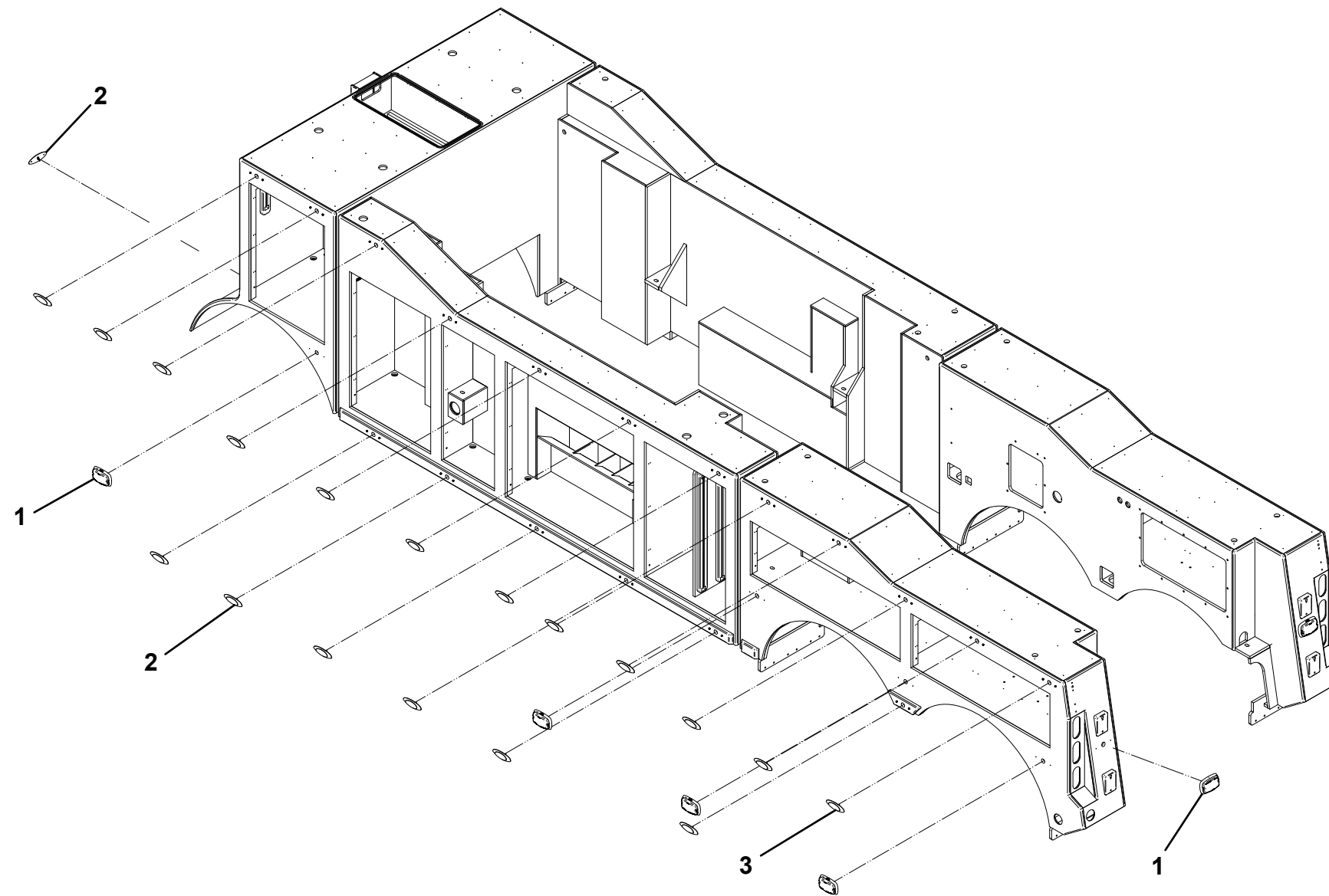
ITEM	PART NO.	DESCRIPTION	QTY
1	1001182503	LED Light, 30"	4
2	1001166547	LED Light, 36"	16
4	1001166549	LED Light, 12"	8
5	1001154530	Screw, #8 x 0.62"	152

COMPARTMENT LIGHT INSTALLATION



BODY LIGHT INSTALLATION

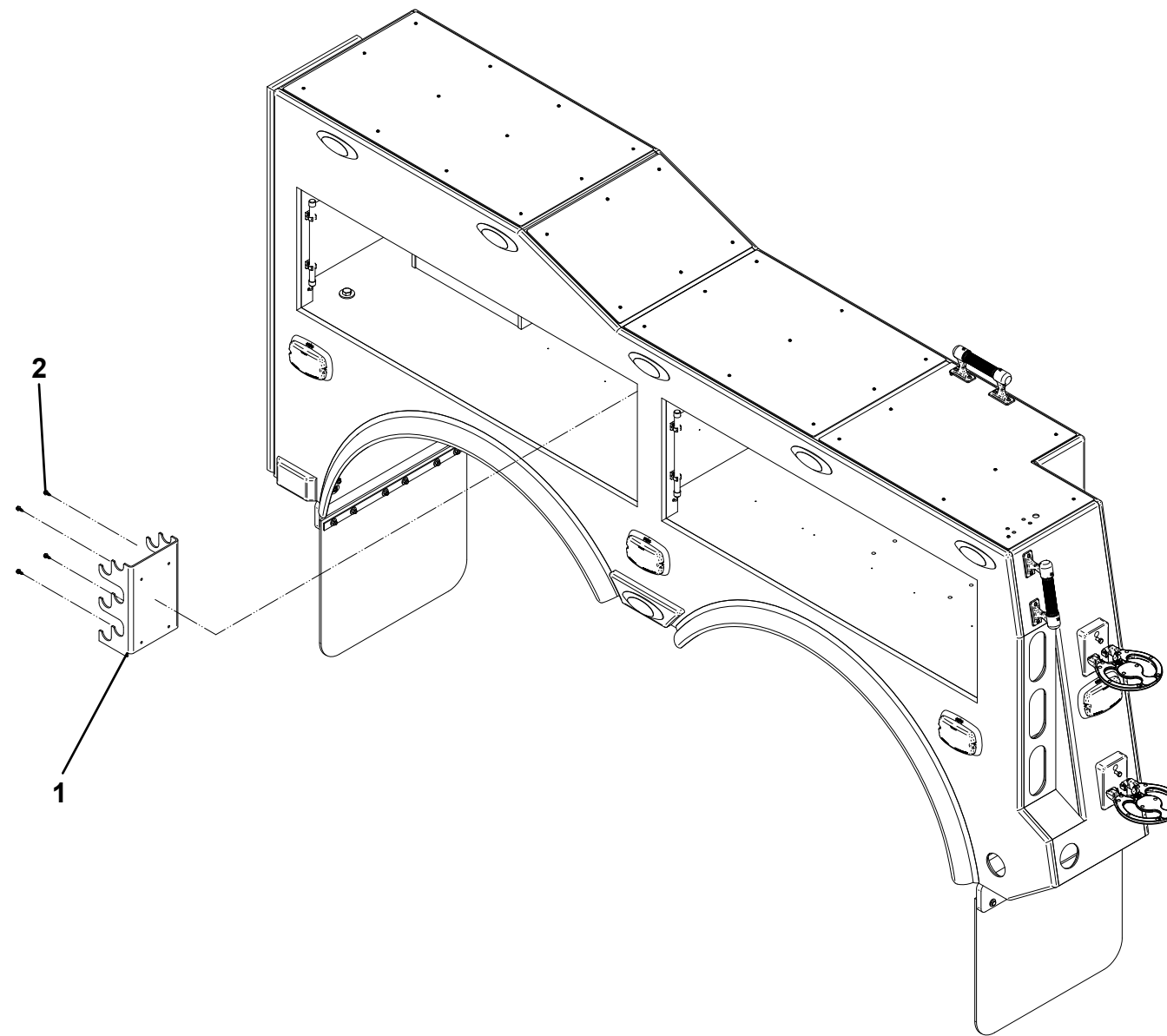
ITEM	PART NO.	DESCRIPTION	QTY
1	1001130427	Light, Whelen	10
2	7590000262	Light, Amber	36
3	7590000282	Light, Red	2
4	1001154101	Screw, #10 x 0.50"	76

BODY LIGHT INSTALLATION

PIN STORAGE INSTALLATION

ITEM	PART NO.	DESCRIPTION	QTY
1	1001180725	Bracket	2
2	1001141265	Screw, #14 x 0.75"	8

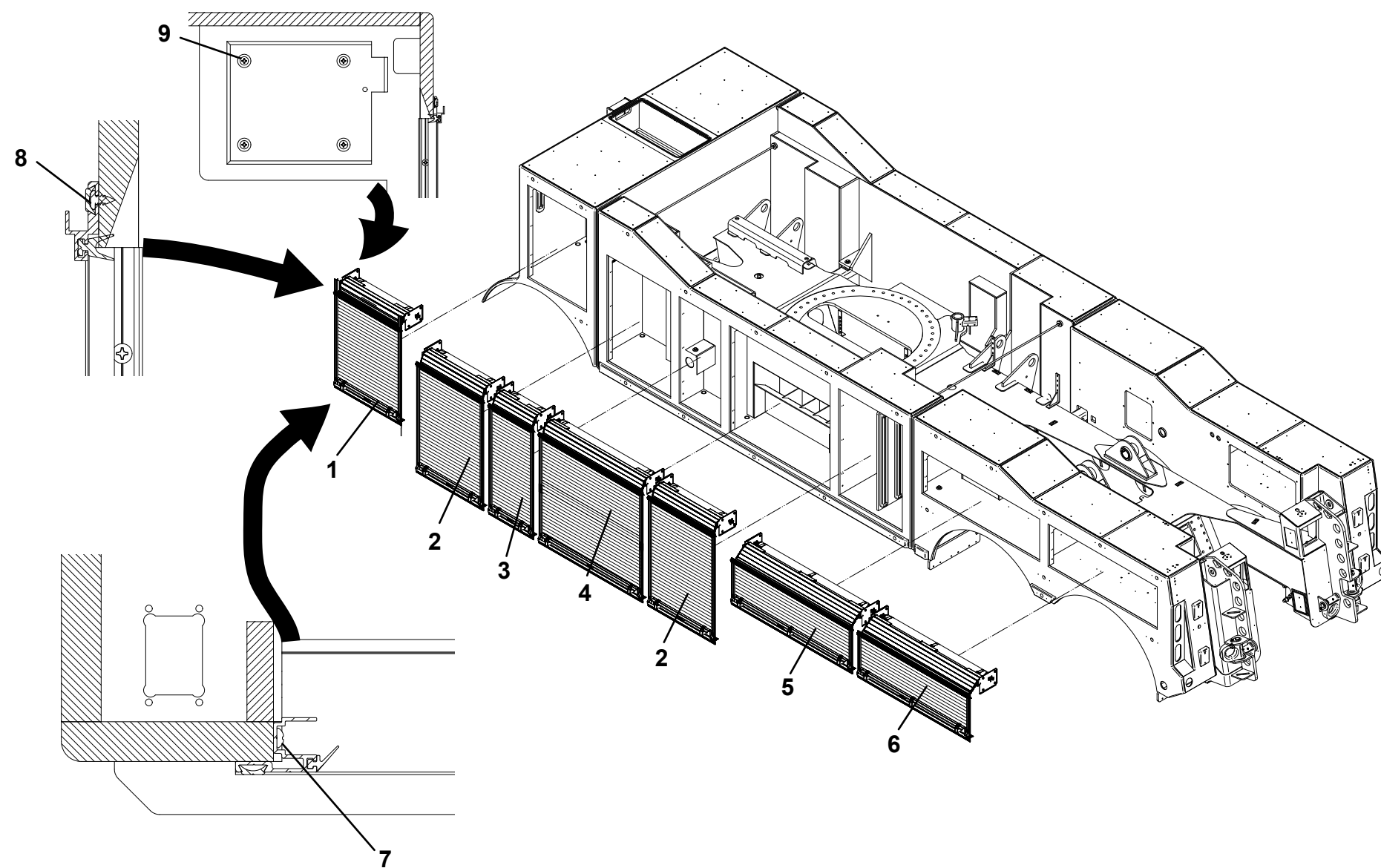
PIN STORAGE INSTALLATION



JFB BODY DOOR INSTALLATION

ITEM	PART NO.	DESCRIPTION	QTY
1	1001182666	Door, 40.25" x 70.56"	2
2	1001171669	Door, 30.38" x 44.00"	4
3	1001171670	Door, 19.88" x 44.00"	2
4	1001182667	Door, 48.00" x 23.44"	2
5	1001171672	Door, 56.13" x 17.54"	2
6	1001171673	Door, 52.00" x 17.54"	2
7	1001166322	Screw, #10 x 0.62"	96
8	1001172004	Screw, #10 x 0.38"	60
9	1001176936	Screw, #14 x 0.75"	112

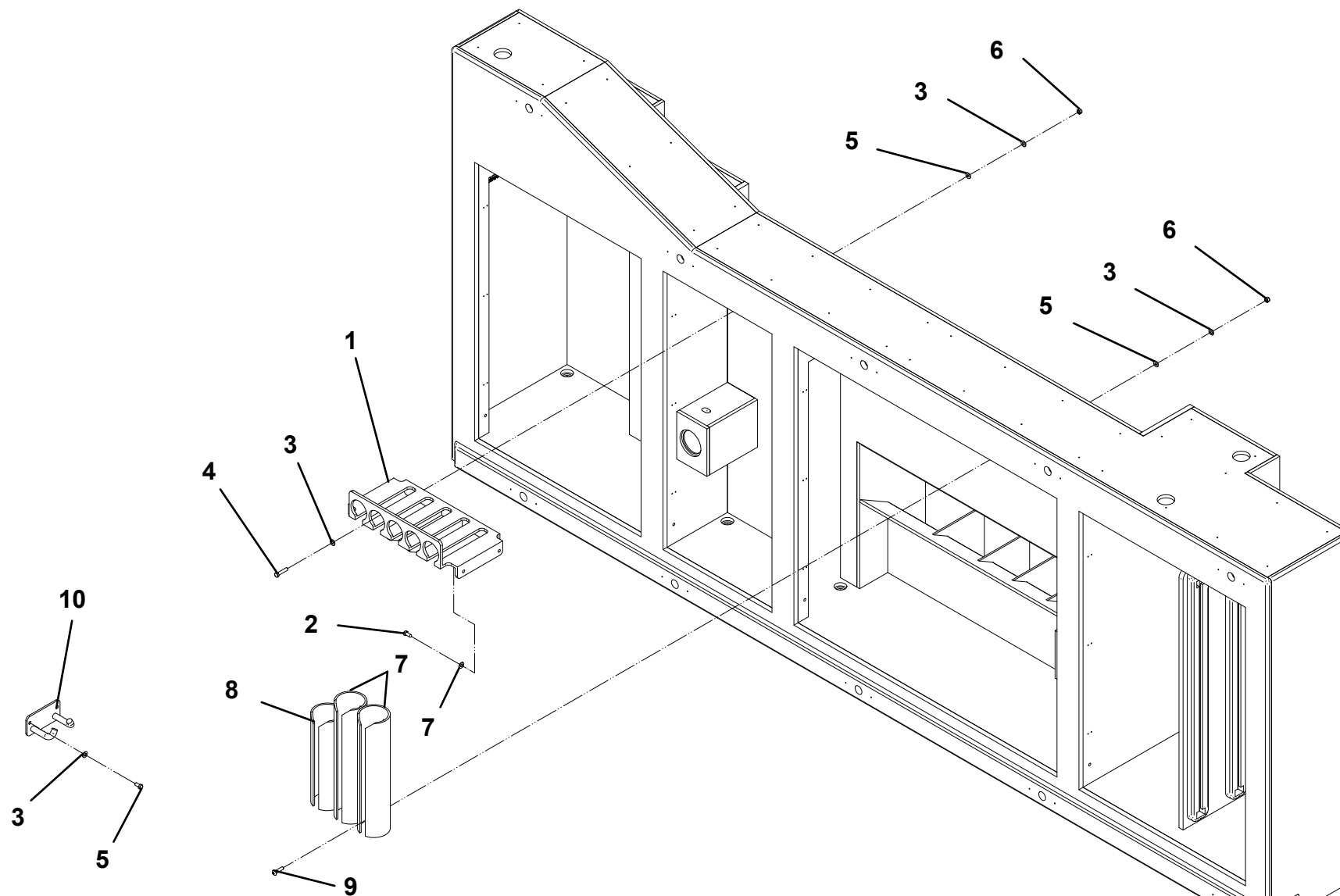
JFB BODY DOOR INSTALLATION



SHACKLE STORAGE RACK INSTALLATION

ITEM	PART NO.	DESCRIPTION	QTY
1	1001182794	Bracket	2
2	1001168428	Screw, 0.38" x 1.00"	10
3	7950160143	Flatwasher, 0.38" ID	31
4	1001168544	Screw, 0.38"-16NC x 1.75"	6
5	1001166974	Washer, 0.38" Rubber	15
6	7660162601	Locknut, 0.38"-16NC	15
7	1001184475	Tube, 1.25"	2
8	1001191609	Tube, 1.50"	1
9	7114161218	Capscrew, 0.38"-16NC x 1.50"	9
10	1001193719	Bracket	1

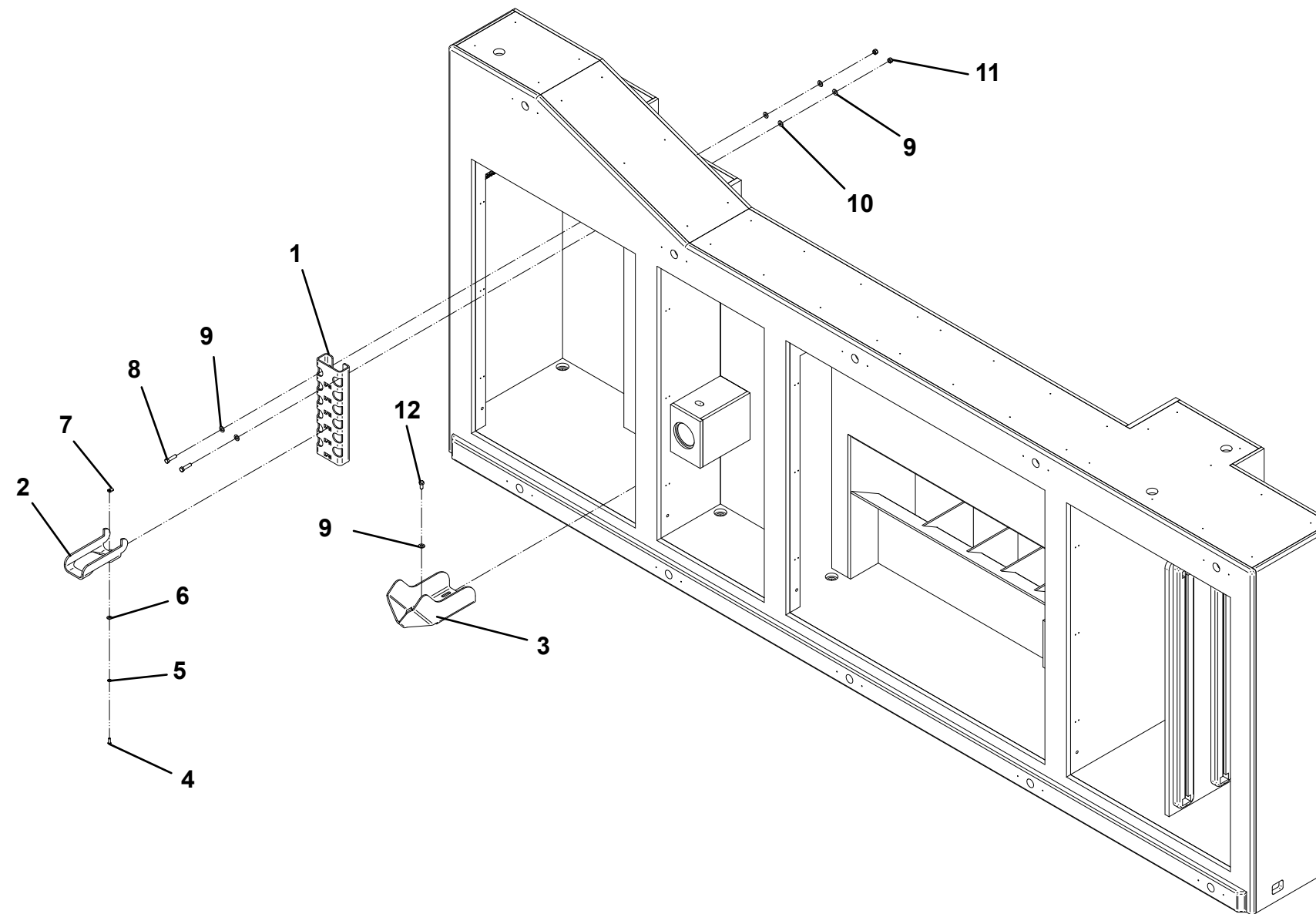
SHACKLE STORAGE RACK INSTALLATION



SNATCH BLOCK STORAGE RACK INSTALLATION

ITEM	PART NO.	DESCRIPTION	QTY
1	1001164558	Channel	4
2	1001164560	Bracket, Top Mount	4
3	1001164562	Bracket, Bottom Mount	4
4	7114140618	Capscrew, 0.25"-20NC x 0.75"	4
5	7950140003	Lockwasher, 0.25" ID	4
6	7950140143	Flatwasher, 0.25" ID	4
7	1001168733	Nut, 0.25"-20NC	4
8	1001168993	Screw, 0.38" x 1.50"	16
9	7950160143	Flatwasher, 0.38" ID	48
10	1001166974	Washer, 0.38" ID	16
11	7660162601	Locknut, 0.38"-16NC	16
12	1001168428	Screw, 0.38" x 1.00"	16

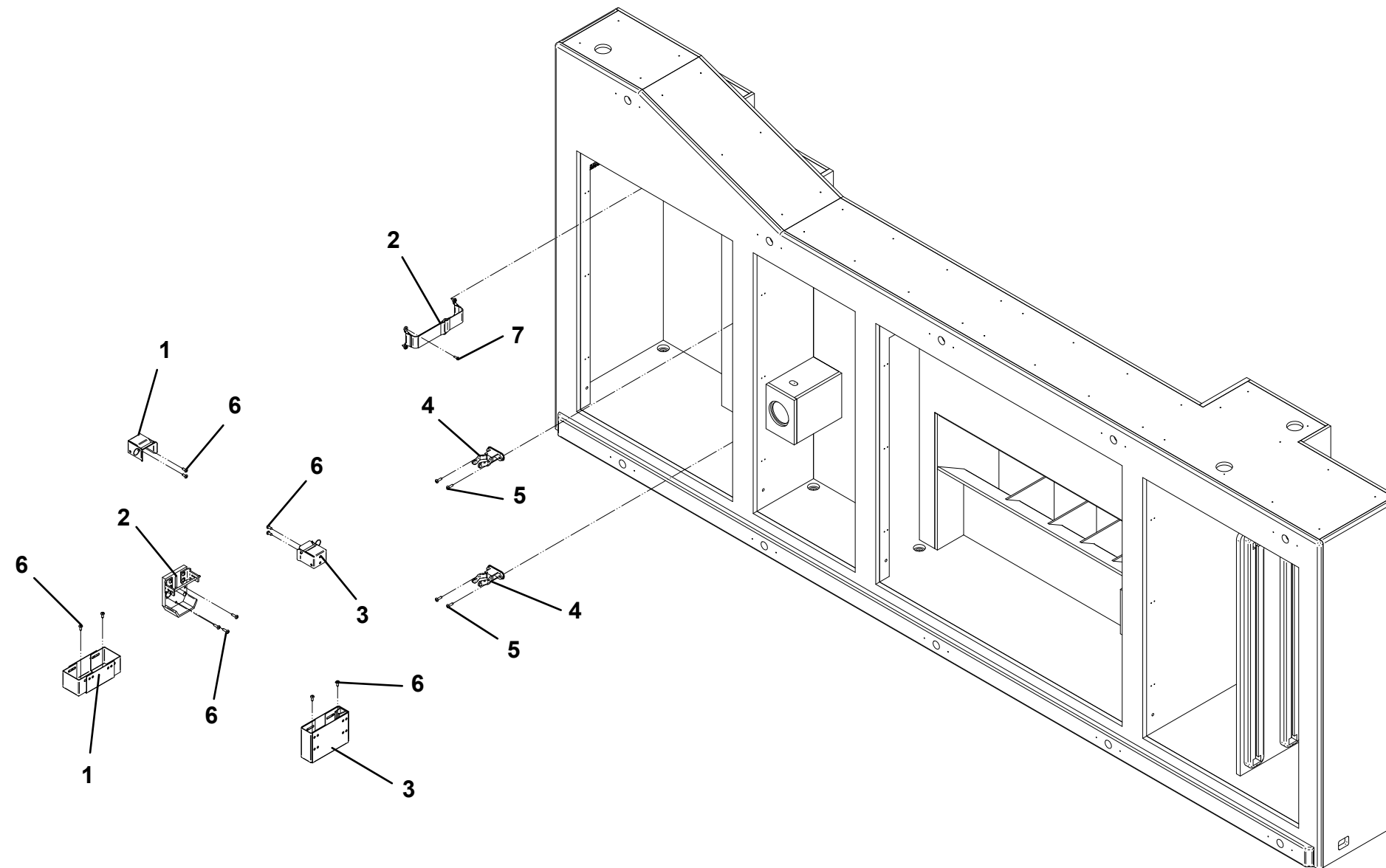
SNATCH BLOCK STORAGE RACK INSTALLATION



TOOL STORAGE INSTALLATION

ITEM	PART NO.	DESCRIPTION	QTY
1	1001175249	Sledge Hammer Mount	1
2	1001175248	Bolt Cutter Mount	1
3	1001175252	Ax Mount	1
4	1001175059	Clamp	2
5	0751408	Screw, 0.25" x 1.00"	7
6	0751406	Screw, 0.25" x 0.75"	8
7	0751006	Screw, #10 x 0.75"	4

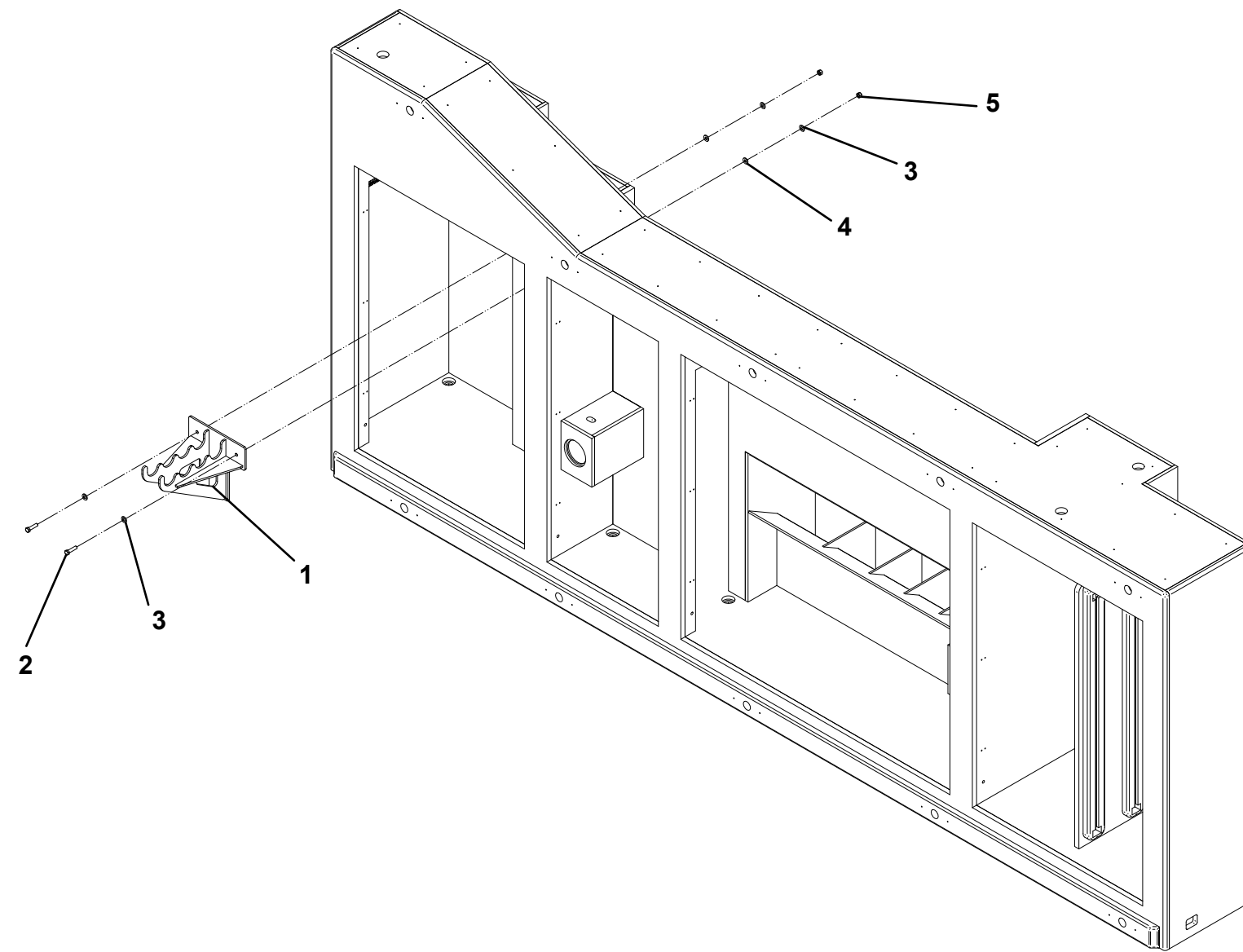
TOOL STORAGE INSTALLATION



CHAIN BINDER STORAGE INSTALLATION

ITEM	PART NO.	DESCRIPTION	QTY
1	1001182853	Support	1
2	1001168993	Screw, 0.38" x 1.50"	3
3	7950160143	Flatwasher, 0.38" ID	6
4	1001166974	Washer, Rubber 0.38" ID	3
5	7660162601	Locknut, 0.38"-16NC	3

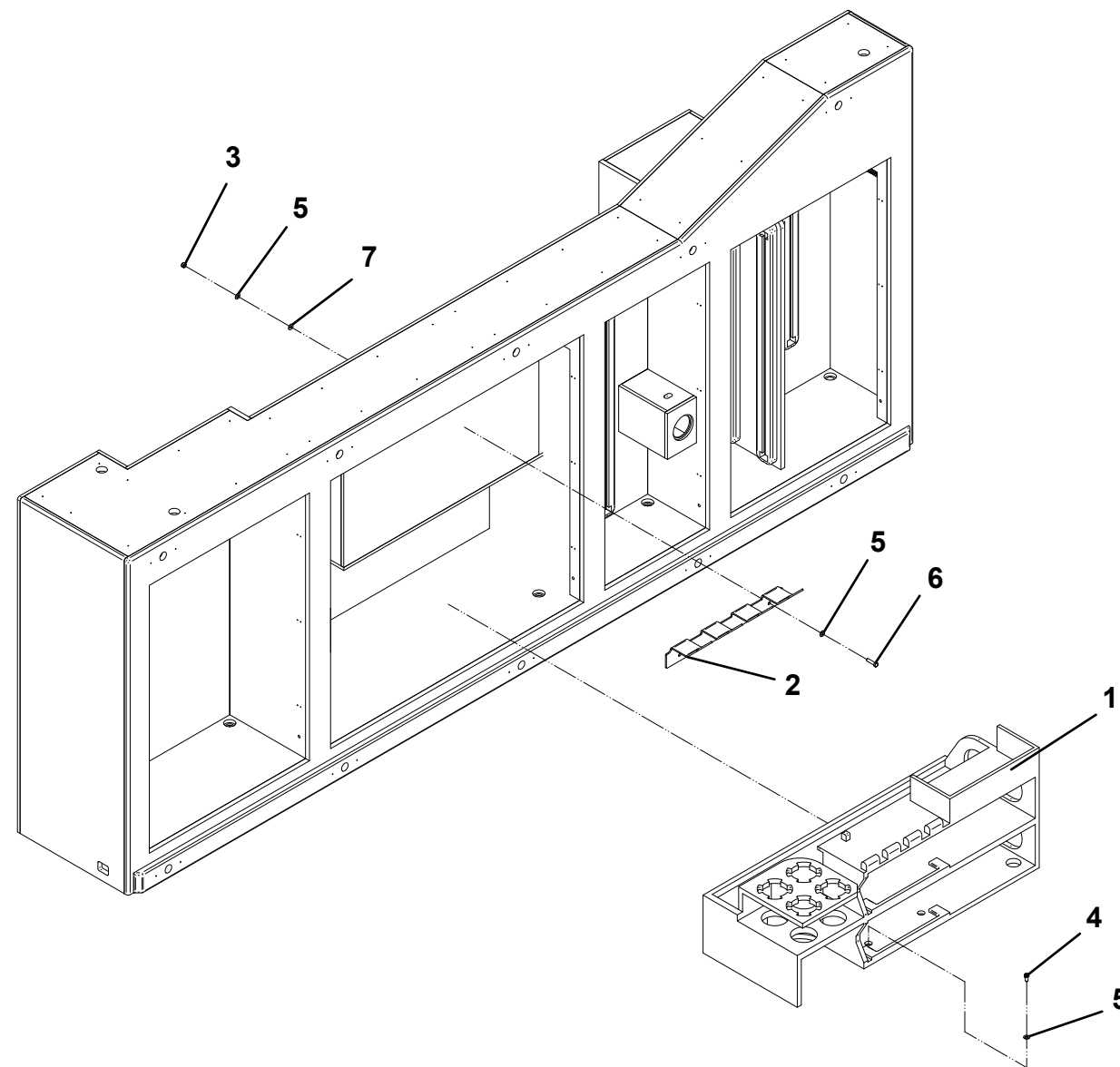
CHAIN BINDER STORAGE INSTALLATION



TIRE LIFT STORAGE INSTALLATION

ITEM	PART NO.	DESCRIPTION	QTY
1	1001182247	Tray	1
2	1001182248	Bracket	1
3	7660162601	Locknut, 0.38"-16NC	3
4	1001168428	Screw, 0.38" x 1.00"	4
5	7950160143	Flatwasher, 0.38" ID	10
6	1001168993	Screw, 0.38" x 1.50"	3
7	1001166974	Washer, 0.38" ID	3

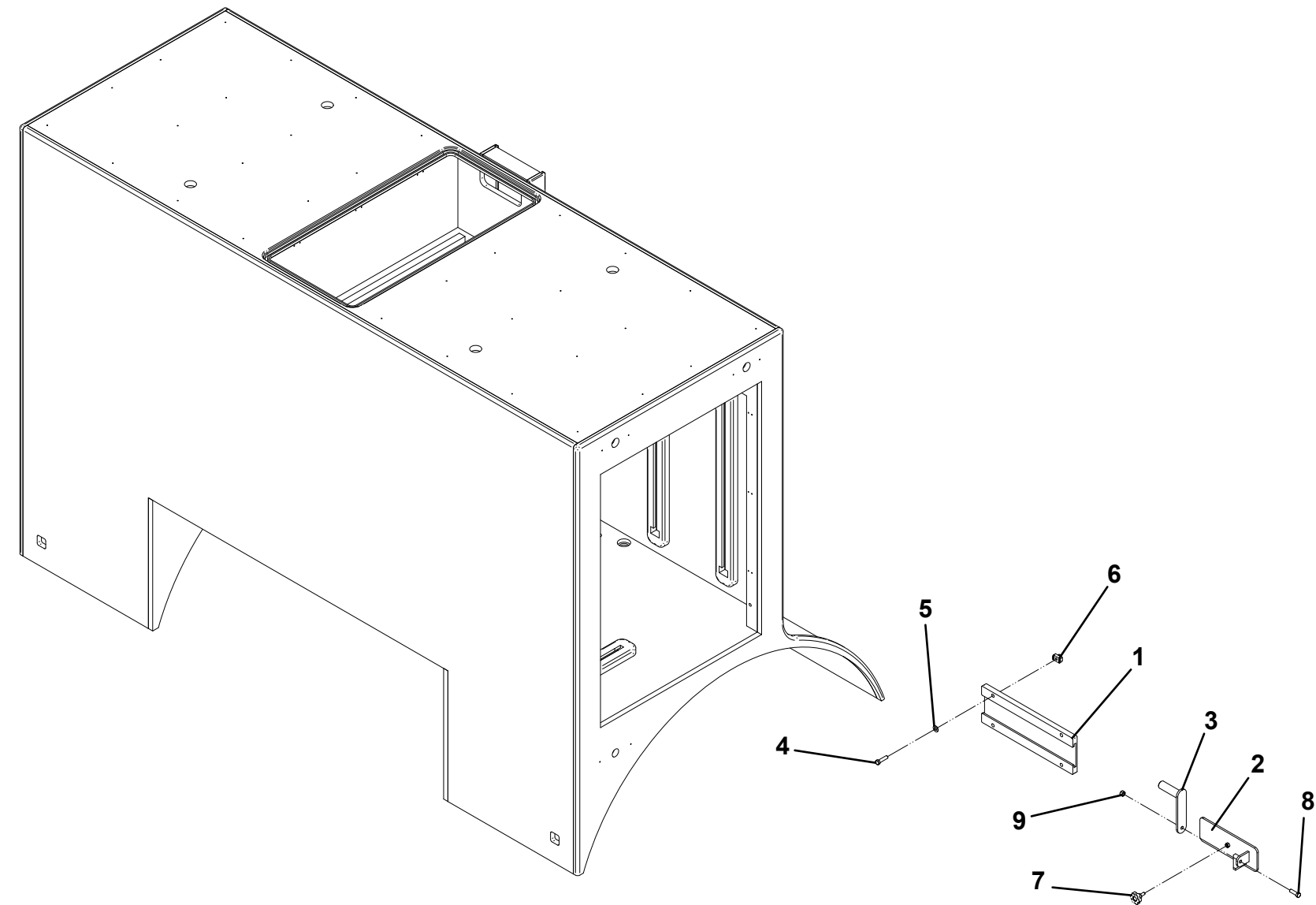
TIRE LIFT STORAGE INSTALLATION



TRAFFIC CONE STORAGE INSTALLATION

ITEM	PART NO.	DESCRIPTION	QTY
1	1001182913	Bracket	1
2	1001182914	Support	1
3	1001182915	Support, Pivot	1
4	1001168993	Screw, 0.38" x 1.50"	4
5	7950160143	Flatwasher, 0.38" ID	4
6	1001166644	Nut, 0.38"-16NC Spring	4
7	1001170425	Bolt, Knob .31"-18NC x 0.75"	1
8	1001169080	Bolt, 0.38"-16NC x 1.25"	1
9	7660162601	Locknut, 0.38"-16NC	1

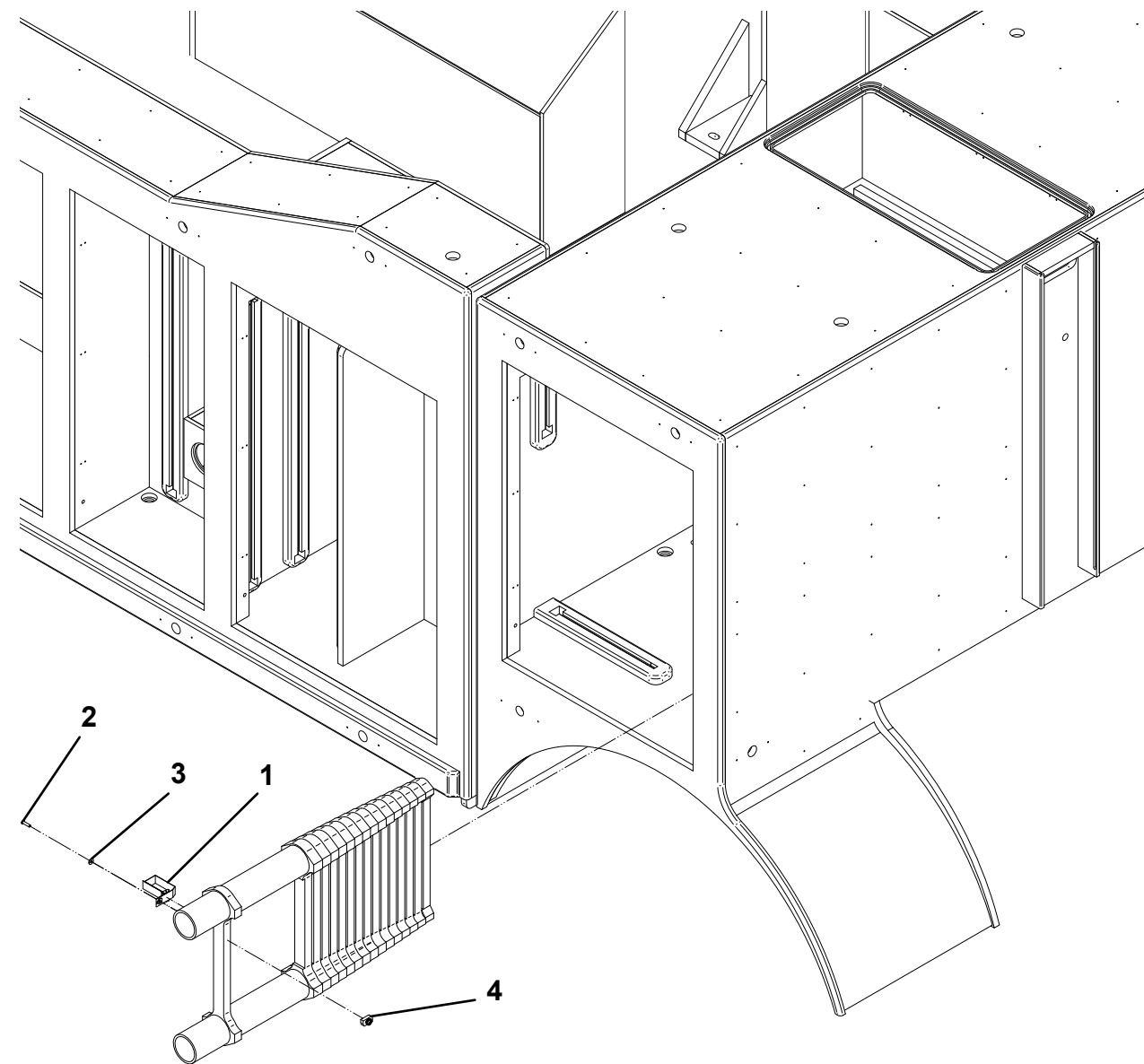
TRAFFIC CONE STORAGE INSTALLATION



LADDER STORAGE INSTALLATION

ITEM	PART NO.	DESCRIPTION	QTY
1	1001167286	Strap	1
2	7114140818	Capscrew, 0.25"-20NC x 1.00"	1
3	7950140143	Flatwasher, 0.25" ID	1
4	1001183037	Nut, 0.25"-20NC	1

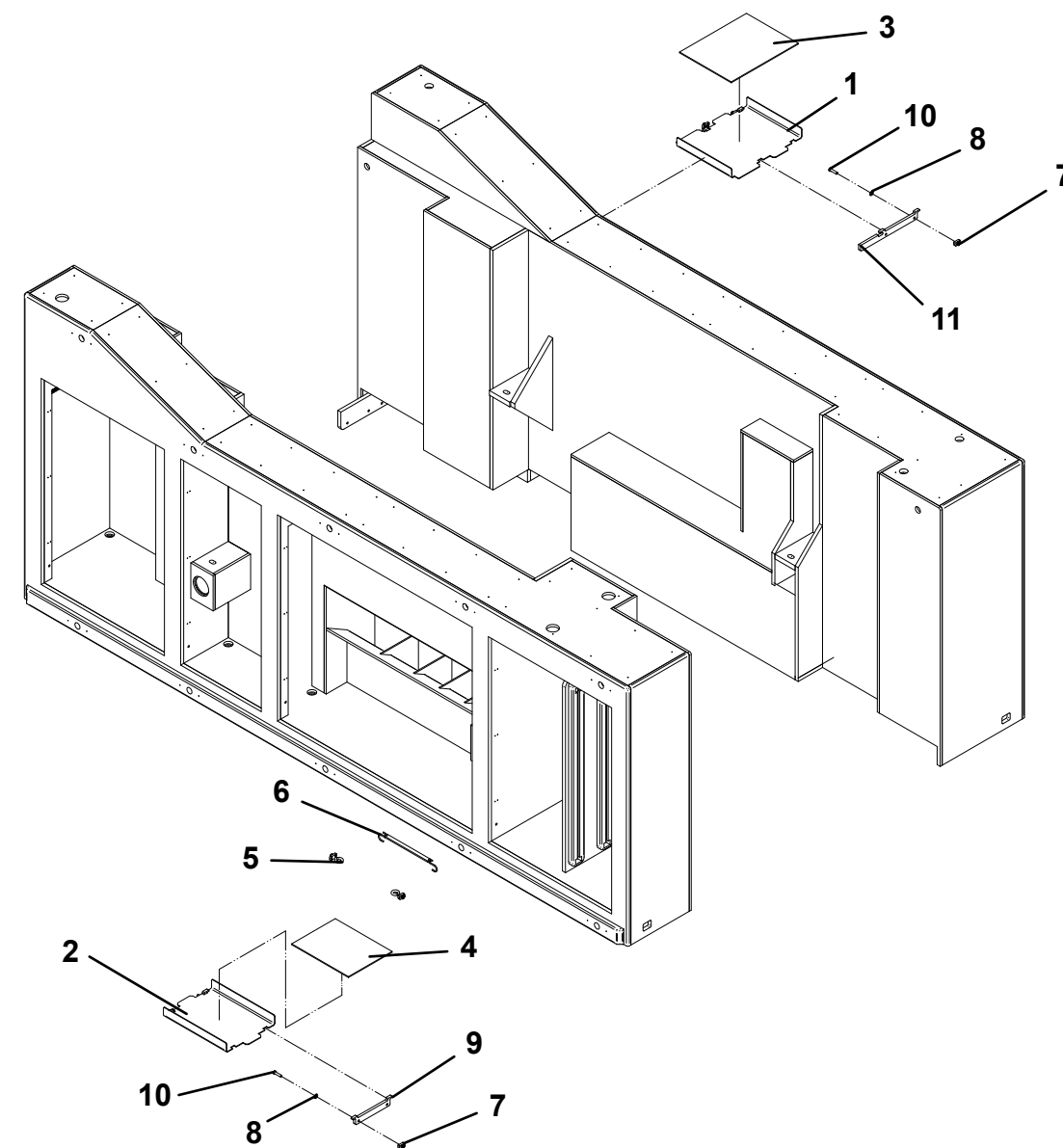
LADDER STORAGE INSTALLATION



MID BODY SHELVING INSTALLATION

ITEM	PART NO.	DESCRIPTION	QTY
1	1001182251	Storage Shelf, PS	3
2	1001182764	Storage Shelf, DS	1
3	1001174341	Pad	3
4	1001183340	Pad	1
5	1001175231	Eye Bolt, 0.38"-16NC	4
6	1001191736	Strap	2
7	1001166644	SpringNut, 0.38"-16NC	20
8	7950160143	Flatwasher, 0.38" ID	16
9	1001168985	Support	2
10	1001168993	Screw, 0.38" x 1.50"	16
11	1001168986	Support	6

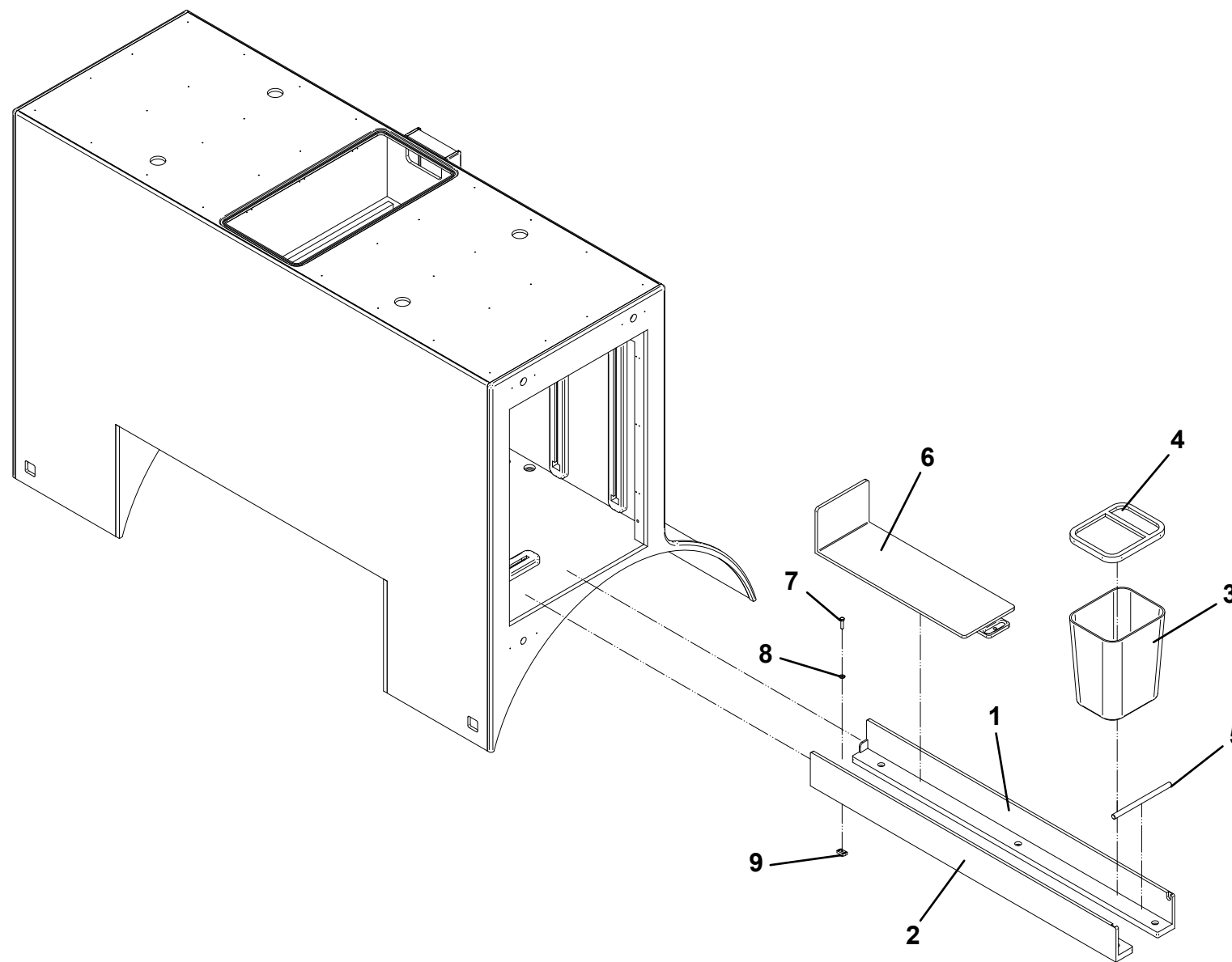
MID BODY SHELVING INSTALLATION



STAY DRY STORAGE INSTALLATION

ITEM	PART NO.	DESCRIPTION	QTY
1	1001182940	Bracket, RH	1
2	1001182941	Bracket, LH	1
3	1001182961	Bucket	6
4	1001182962	Bucket Lid	6
5	1001182946	Rod	1
6	1001182942	Bracket, Sled	1
7	1001168993	Screw, 0.38" x 1.50"	6
8	7950160143	Flatwasher, 0.38" ID	6
9	1001166644	Nut, Spring 0.38"-16NC	6

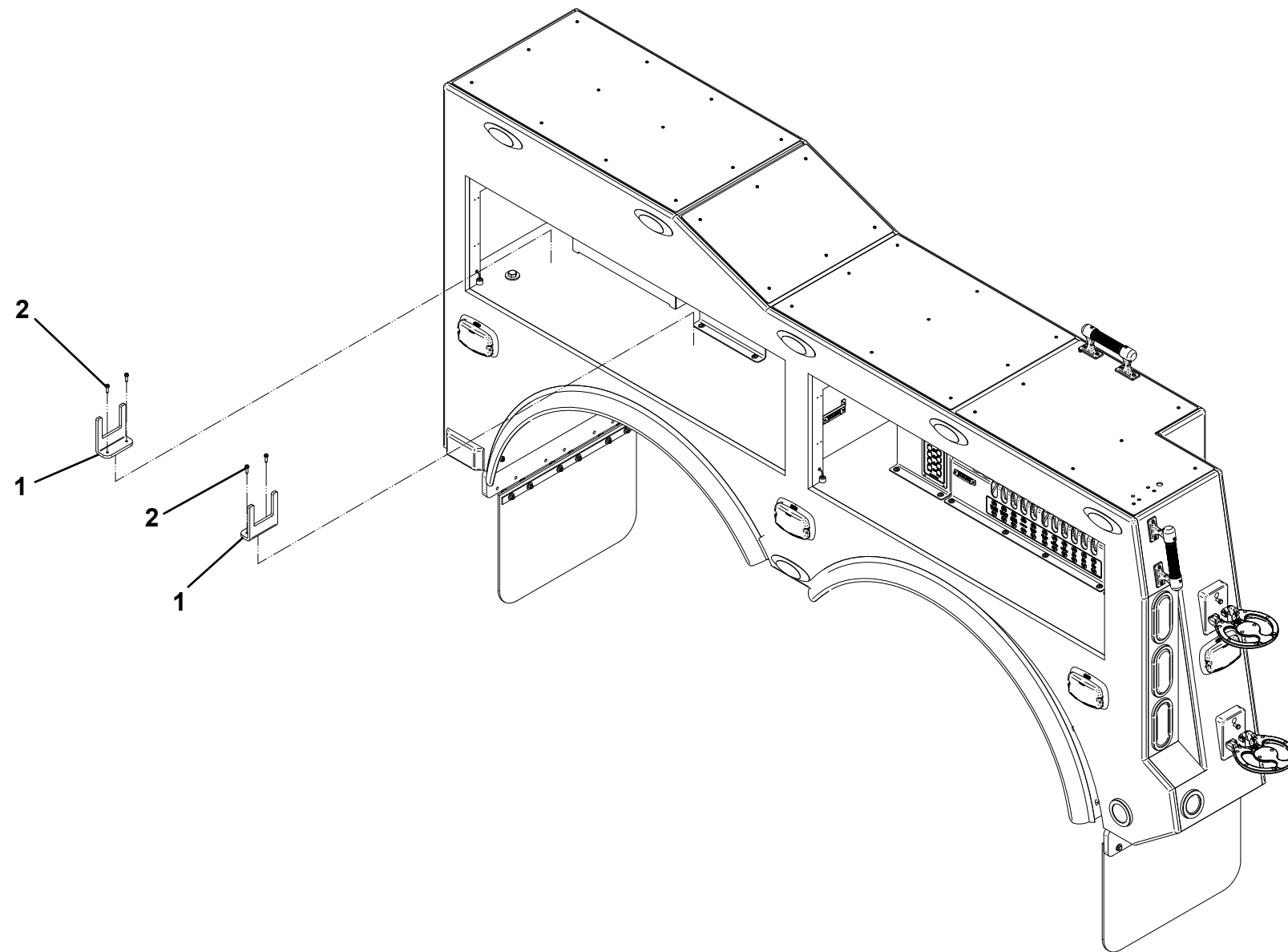
STAY DRY STORAGE INSTALLATION



TOW LIGHT STORAGE INSTALLATION

ITEM	PART NO.	DESCRIPTION	QTY
1	1001170618	Bracket	2
2	7790141651	Screw, 0.25" x 1.00"	4

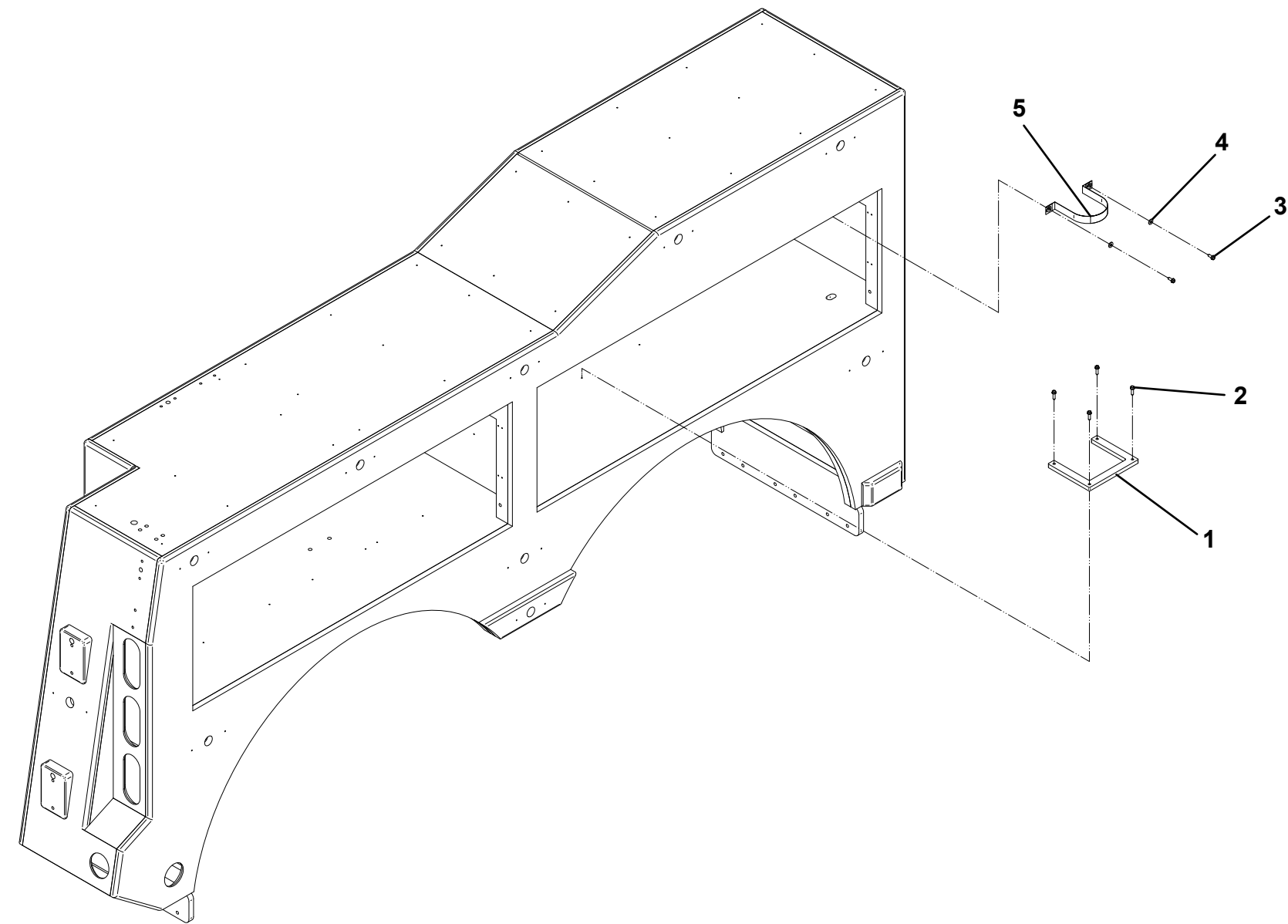
TOW LIGHT STORAGE INSTALLATION



BOTTLE JACK STORAGE INSTALLATION

ITEM	PART NO.	DESCRIPTION	QTY
1	1001170839	Bracket	1
2	7790141651	Screw, 0.25" x 1.00"	4
3	7790141251	Screw, 0.25" x 0.75"	2
4	7950140143	Flatwasher, 0.25" ID	2
5	1001167286	Strap	2

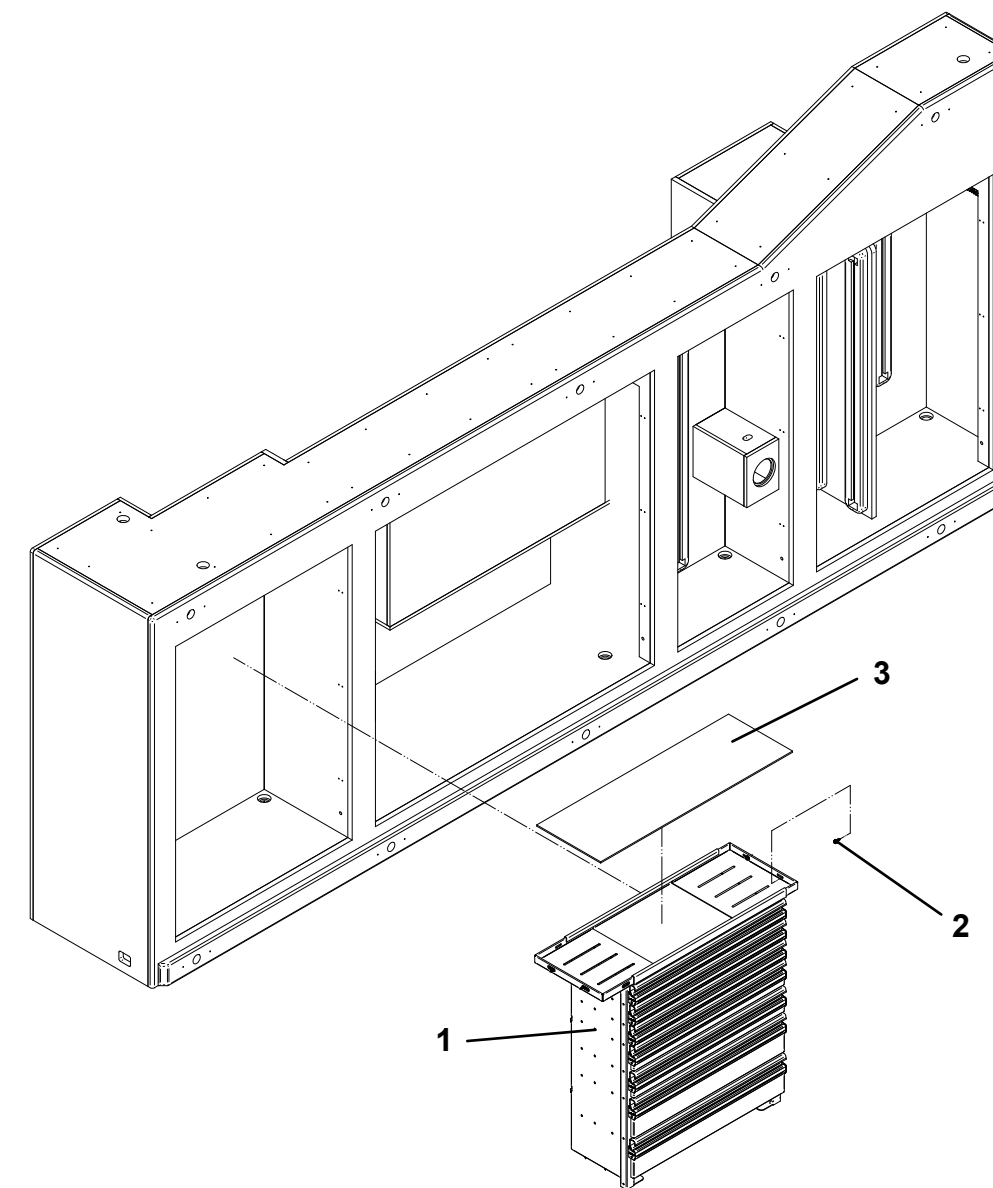
BOTTLE JACK STORAGE INSTALLATION



TOOLBOX INSTALLATION

ITEM	PART NO.	DESCRIPTION	QTY
1	1001170846	Toolbox	1
2	1001141265	Screw, #14 x 0.75"	13
3	1001170995	Pad	1

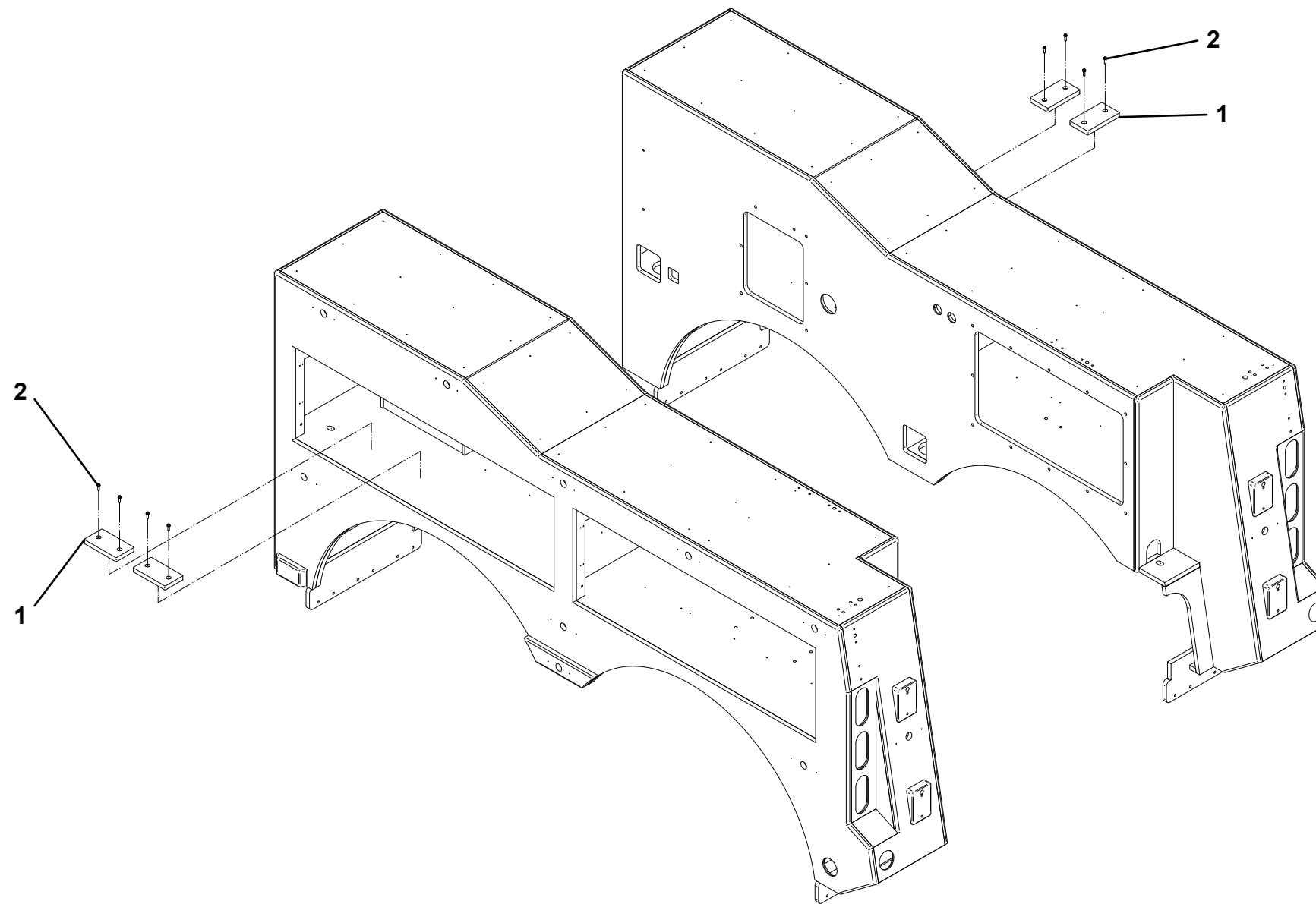
TOOLBOX INSTALLATION



WHEEL CHOCK STORAGE INSTALLATION

ITEM	PART NO.	DESCRIPTION	QTY
1	1001170707	Wheel Chock Stops	4
2	7790141651	Screw, 0.25" x 1.00"	8

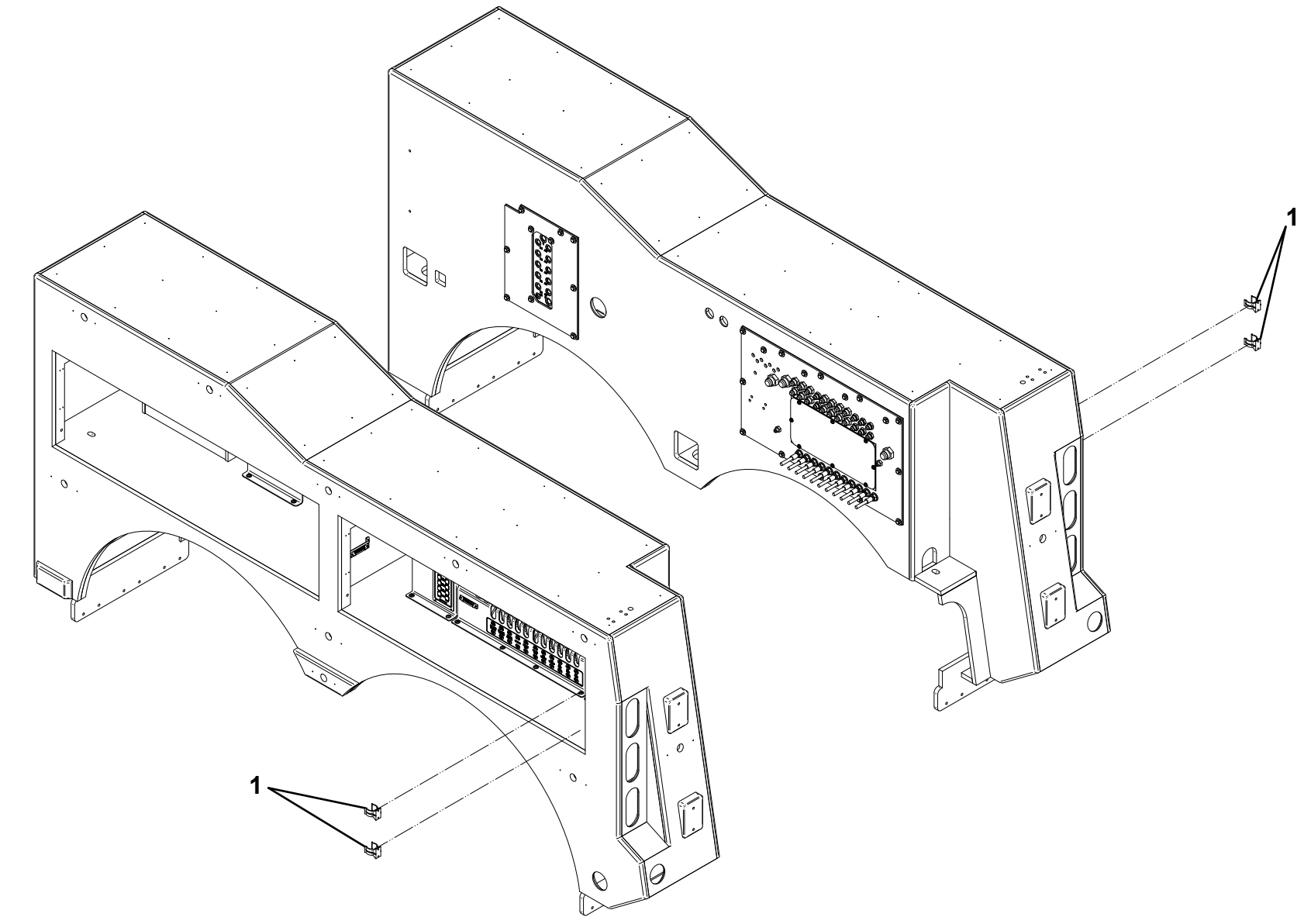
WHEEL CHOCK STORAGE INSTALLATION



FLASHLIGHT MOUNT INSTALLATION

ITEM	PART NO.	DESCRIPTION	QTY
1	1001170725	Mount w/ Mounting Screws	2

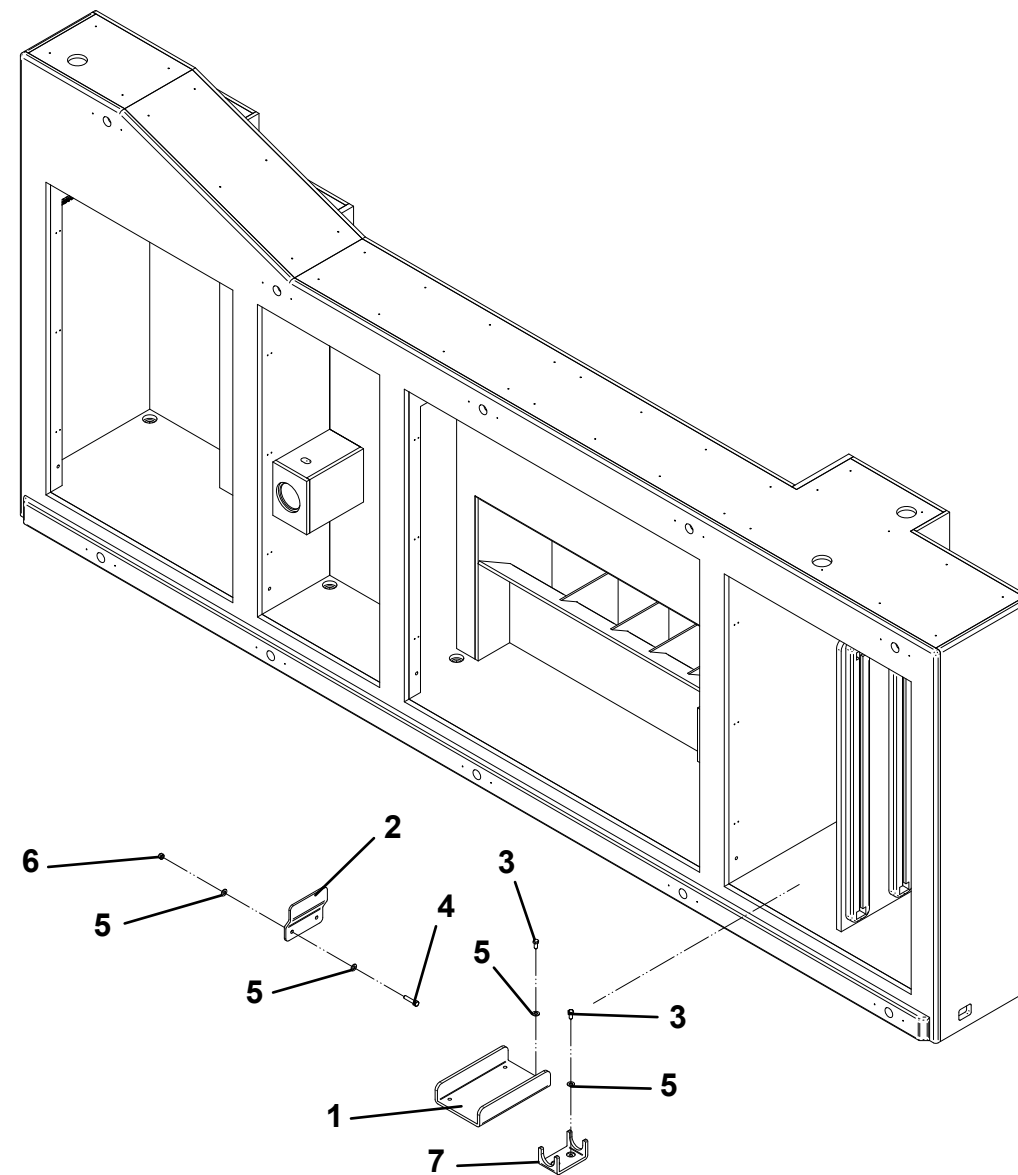
FLASHLIGHT MOUNT INSTALLATION



FIFTH WHEEL STORAGE INSTALLATION

ITEM	PART NO.	DESCRIPTION	QTY
1	1001183001	Channel	1
2	1001183002	Bracket	1
3	1001168428	Screw, 0.38" x 1.00"	6
4	1001168544	Screw, 0.38"-16NC x 1.75"	2
5	7950160143	Flatwasher, 0.38" ID	10
6	7660162601	Locknut, 0.38"-16NC	2
7	1001191810	Bracket	1

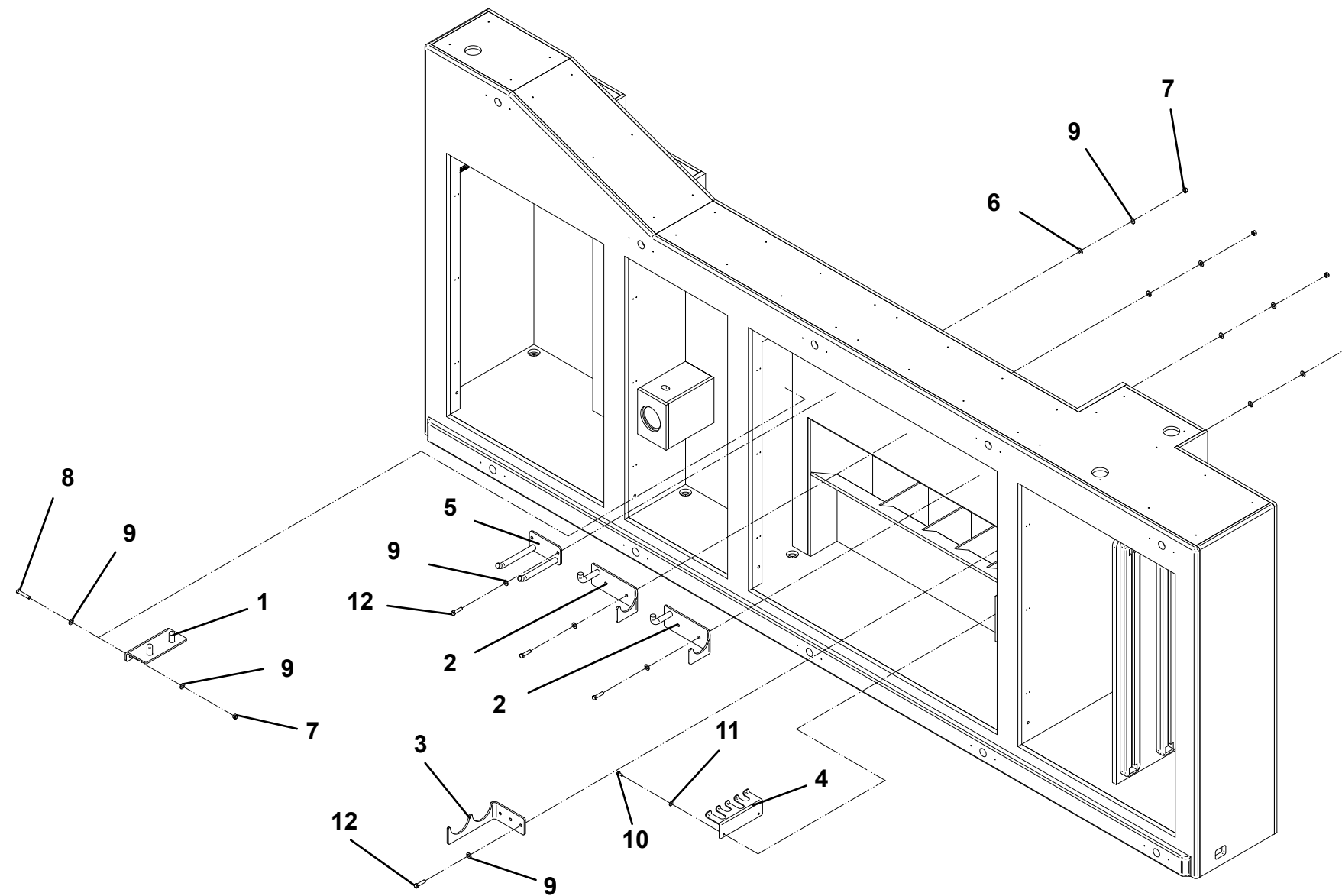
FIFTH WHEEL STORAGE INSTALLATION



SPREADER BAR RACK INSTALLATION

ITEM	PART NO.	DESCRIPTION	QTY
1	1001174138	Support	1
2	1001174140	Support	2
3	1001191613	Bracket	1
4	1001160799	Bracket	1
5	1001183142	Support	1
6	1001166974	Washer, 0.38" ID	9
7	7660162601	Locknut, 0.38"-16NC	11
8	1001169083	Bolt, 0.38"-16NC x 2.00"	2
9	7950160143	Flatwasher, 0.38" ID	22
10	7790141251	Screw, 0.25" x 0.75"	2
11	7950140143	Flatwasher, 0.25" ID	2
12	1001168993	Screw, 0.38" x 1.50"	9

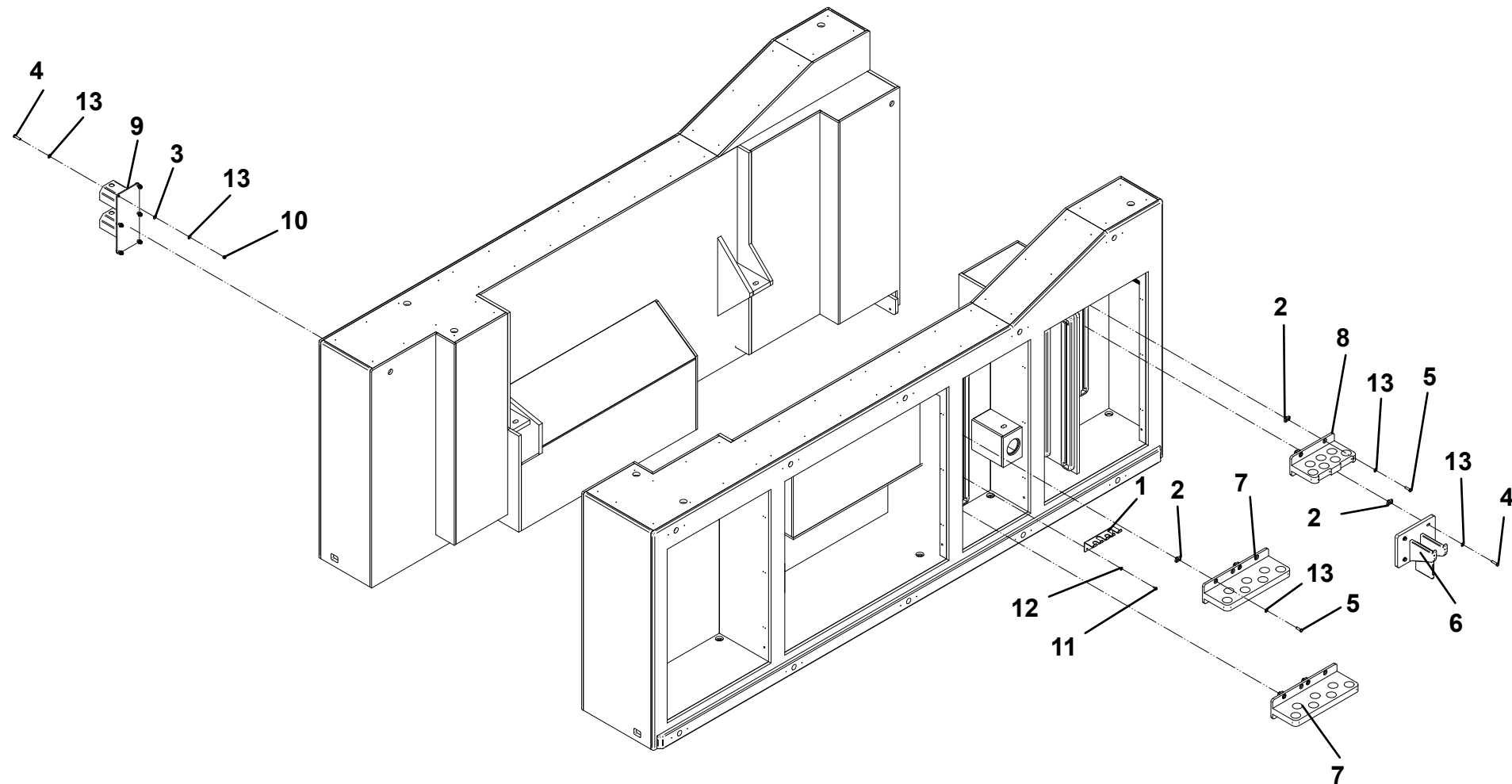
SPREADER BAR RACK INSTALLATION



FRAME FORK STORAGE INSTALLATION

ITEM	PART NO.	DESCRIPTION	QTY
1	1001160799	Bracket	1
2	1001166644	Nut, Spring 0.38"-16NC	16
3	1001166974	Washer, 0.38" ID	6
4	1001168993	Screw, 0.38" x 1.50"	10
5	1001169080	Bolt, 0.38"-16NC x 1.25"	12
6	1001170139	Bracket	1
7	1001170141	Bracket	2
8	1001170143	Bracket	1
9	1001182756	Mount	1
10	7660162601	Locknut, 0.38"-16NC	6
11	7790141251	Screw, 0.25" x 0.75"	2
12	7950140143	Flatwasher, 0.25" ID	2
13	7950160143	Flatwasher, 0.38" ID	28

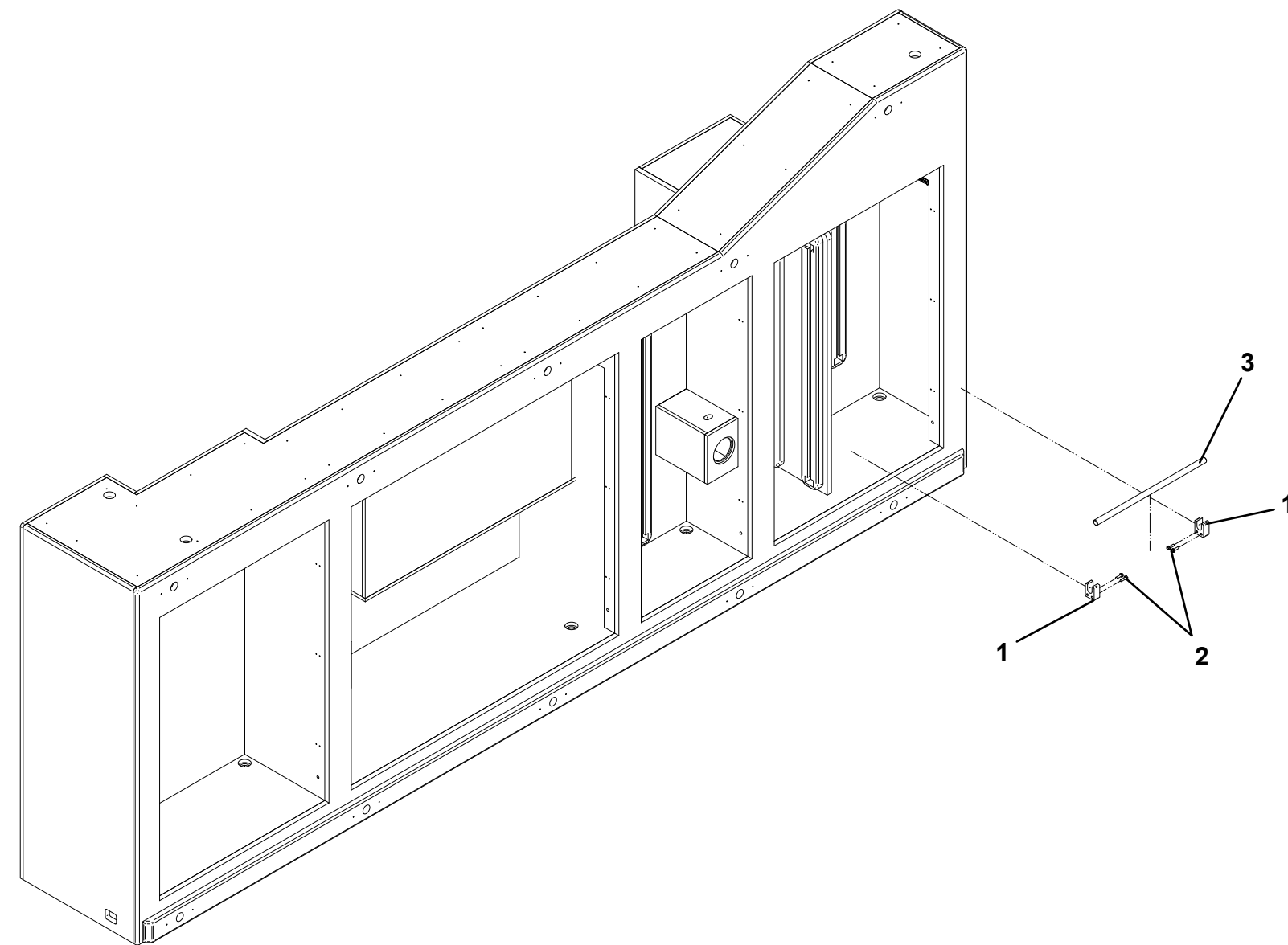
FRAME FORK STORAGE INSTALLATION



FORK RISER STORAGE INSTALLATION

ITEM	PART NO.	DESCRIPTION	QTY
1	1001182252	Bracket	2
2	7790141651	Screw, 0.25" x 1.00"	4
3	7806000008	Shaft	1

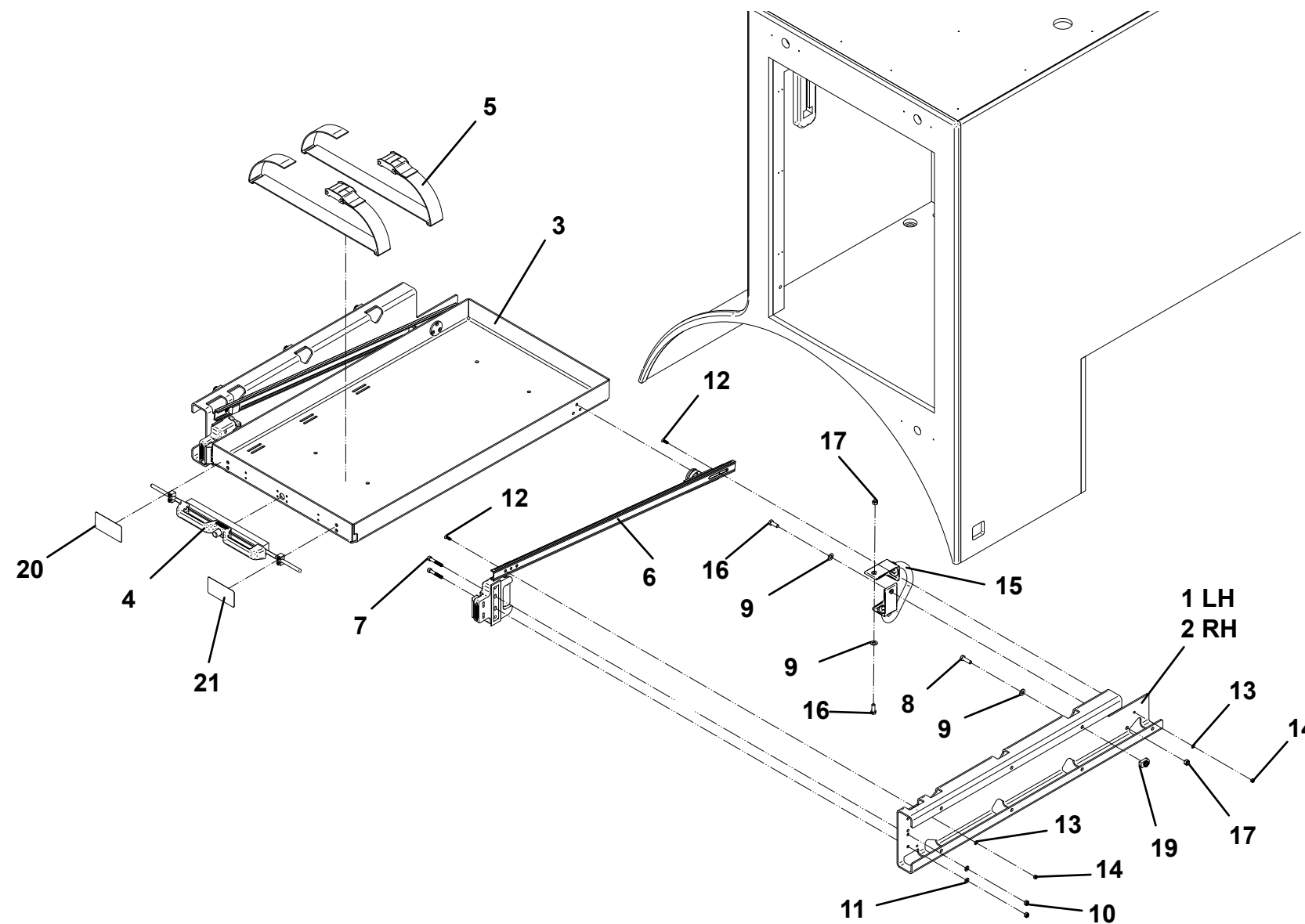
FORK RISER STORAGE INSTALLATION



SLIDE OUT TOOL STORAGE DRAWER INSTALLATION

ITEM	PART NO.	DESCRIPTION	QTY
1	1001183735	Bracket LH	2
2	1001183736	Bracket RH	2
3	1001182841	Tray	2
4	1001170332	Latch, Handle	2
5	1001170428	Strap	4
6	1001170331	Roller Assembly	2
7	1001170328	Screw, M8-50	8
8	1001169080	Bolt, 0.38"-16NC x 1.25"	24
9	7950160141	Flatwasher, 0.38" ID	30
10	1001170330	Nut, M8	8
11	1001170329	Washer, M8	8
12	1001170305	Bolt, #6-20NC	8
13	1001160307	Washer, M6	8
14	1001170310	Nut, M6	8
15	1001179349	Strap	4
16	7114160850	Cap screw, 0.38"-16NC x 1.00"	8
17	7660162601	Locknut, 0.38"-16NC	8
18	3020029	Lubricant	A/R
19	1001166644	Channel Spring, 0.38"-16NC	24
20	1001170090	Decal	2
21	1001170091	Decal	2

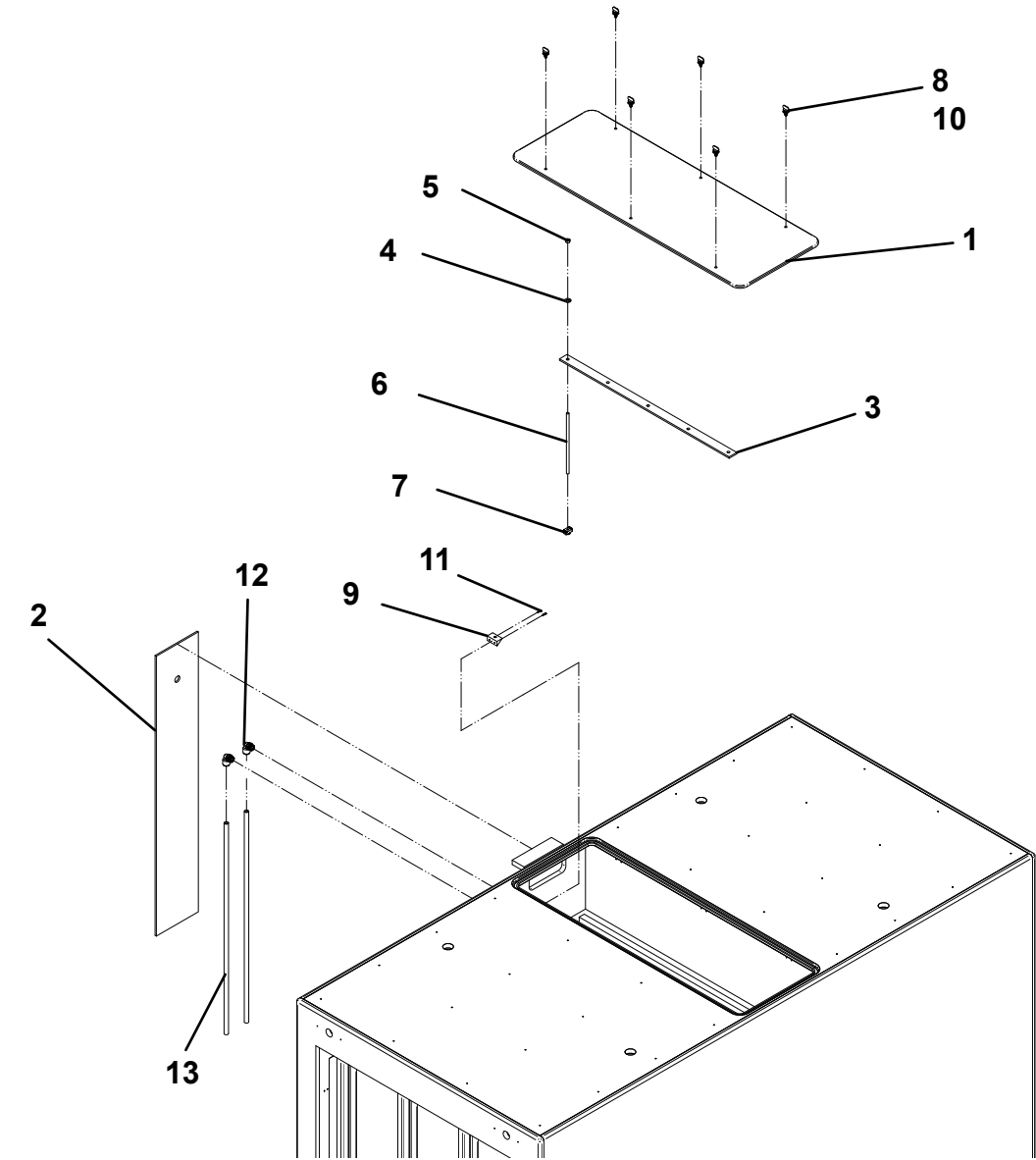
SLIDE OUT TOOL STORAGE DRAWER INSTALLATION



BATTERY INSTALLATION

ITEM	PART NO.	DESCRIPTION	QTY
1	1001182569	Cover	1
2	1001182568	Cover	1
3	1001183200	Bar	1
4	7950160153	Flatwasher, 0.38" ID	5
5	7660162604	Locknut, 0.38"-16NC	5
6	1001166670	Rod, 0.38"-16NC	5
7	1001166644	Nut, 0.38"-16NC	5
8	1001166930	Latch	6
9	1001122235	Bracket	6
10	3760308	Ring	6
11	0750505	Screw, M5 x 0.62"	12
12	7446100836	Fitting	2
13	7565000015	Tube	6.0ft
14	1001188538	Cable, Red	8 ft
15	1060706	Cable, Black	8 ft
16	1001188500	Connector	8

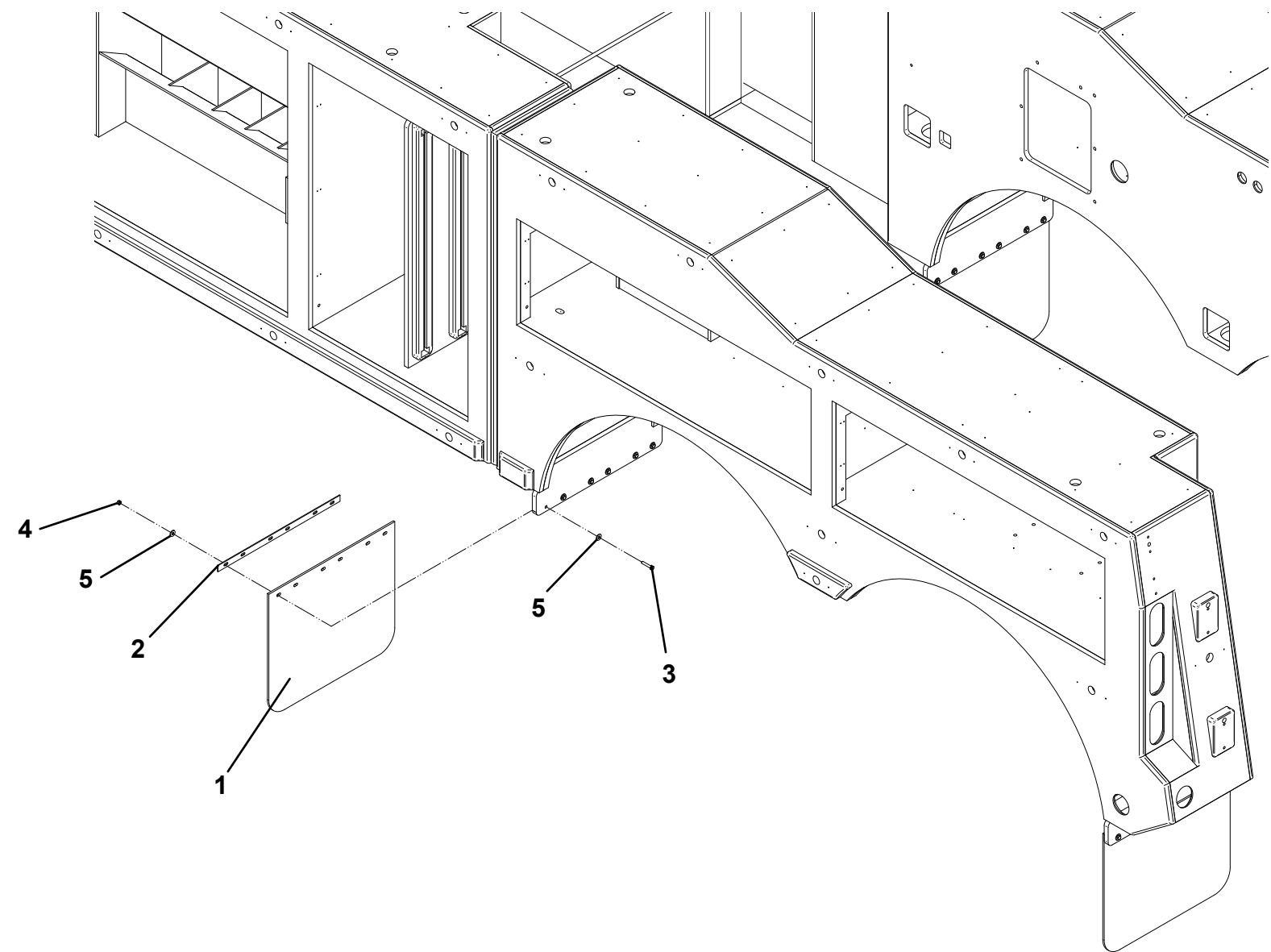
BATTERY INSTALLATION



MUDFLAP INSTALLATION

ITEM	PART NO.	DESCRIPTION	QTY
1	1001174051	Mud Flap	6
2	4706001815	Plate	6
3	7115151450	Capscrew, 0.31"-18NC x 1.75"	34
4	7660152601	Locknut, 0.31"-18NC	34
5	7950150161	Flatwasher, 0.31" ID	68

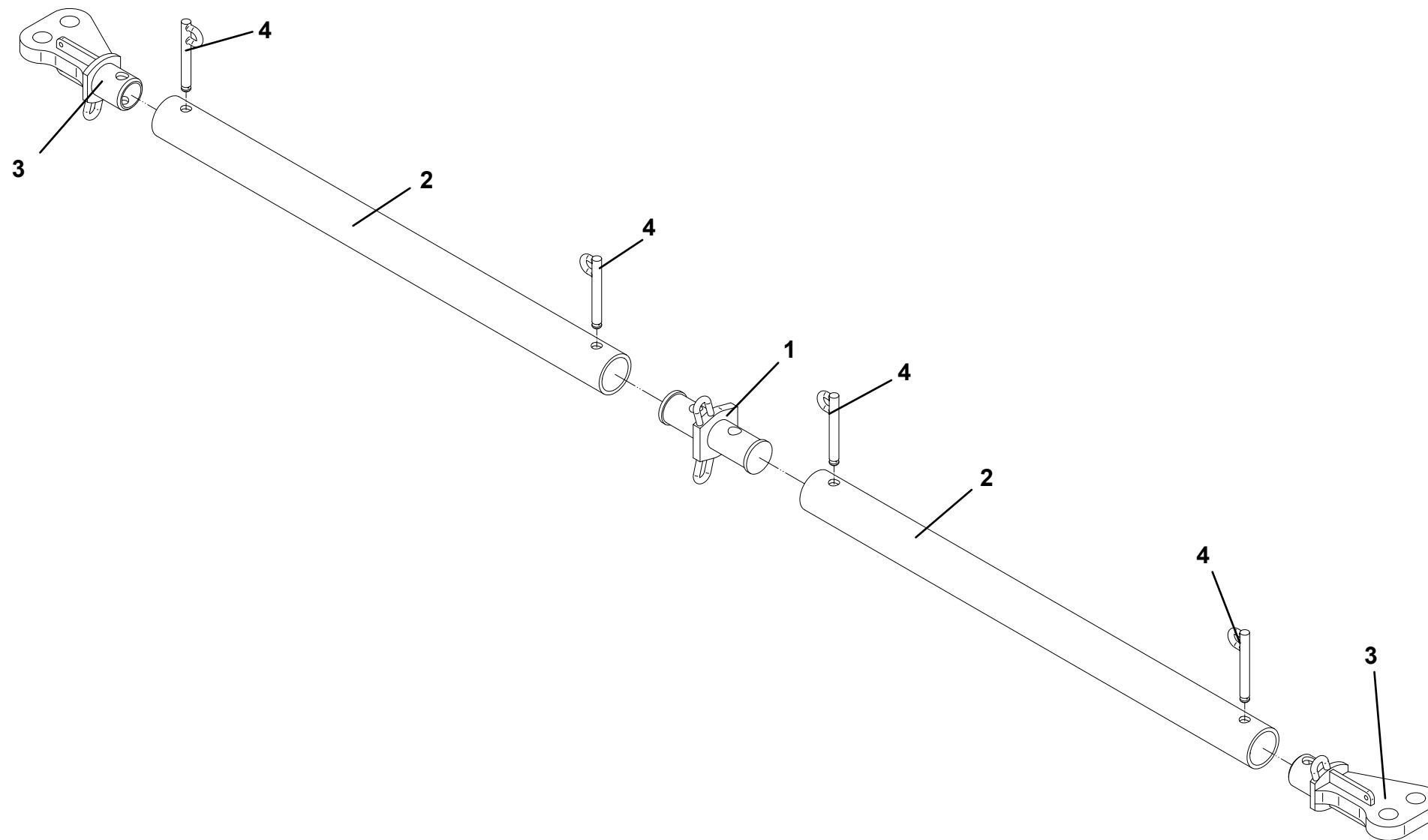
MUDFLAP INSTALLATION



SPREADER BAR KIT - 1001175920

ITEM	PART NO.	DESCRIPTION	QTY
1	70050922	Center Bar	1
2	70050923	Spreader Bar Tube	2
3	70050924	Spreader Bar Ends	2
4	70050925	Pin	4

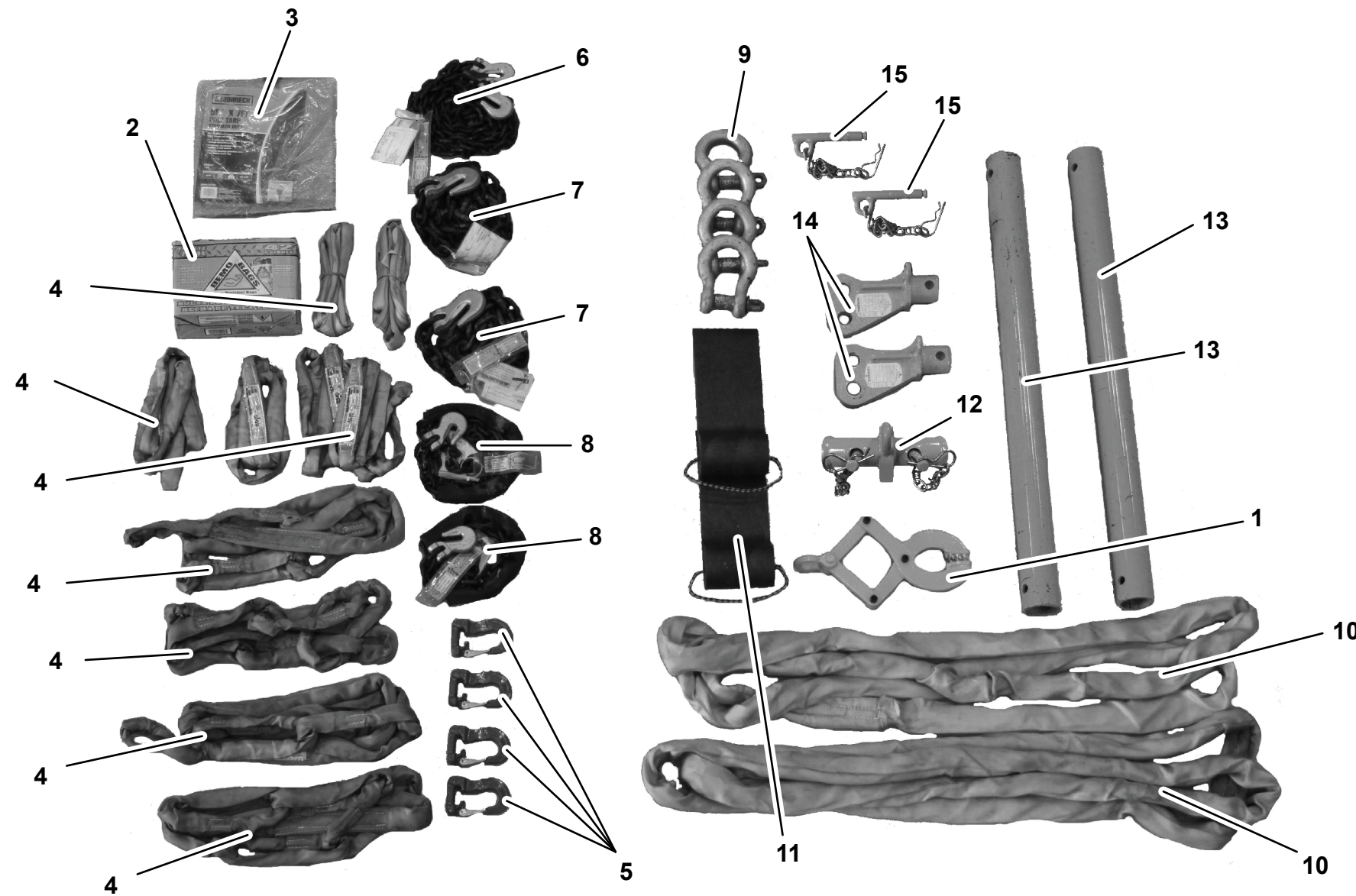
SPREADER BAR KIT - 1001175920



SPREADER BAR ACCESSORY PACKAGE - 1001174493

ITEM	PART NO.	DESCRIPTION	QTY
1	70050831	Pallet Lifting Jaw	1
2	70050832	42 Gallon Demo Bag	2
3	70050833	Poly Tarp	2
4	70050834	Green Eye and Eye Round Sling, 96"	4
5	70050835	Green Round Sling Hook	4
6	70050836	Recovery Chain, 0.38" x 10' - 8,800 LB	1
7	70050837	Recovery Chain Hook One End 0.5" x 6"	2
8	70050838	Recover Chain Hook	2
9	70050839	Shackle	4
10	70050840	Blue Round Sling 10'	2
11	70050841	Skate	2
12	70050922	Center Bar	1
13	70050923	Spreader Bar Tube	2
14	70050924	Spreader Bar Ends	2
15	70050925	Pin	4

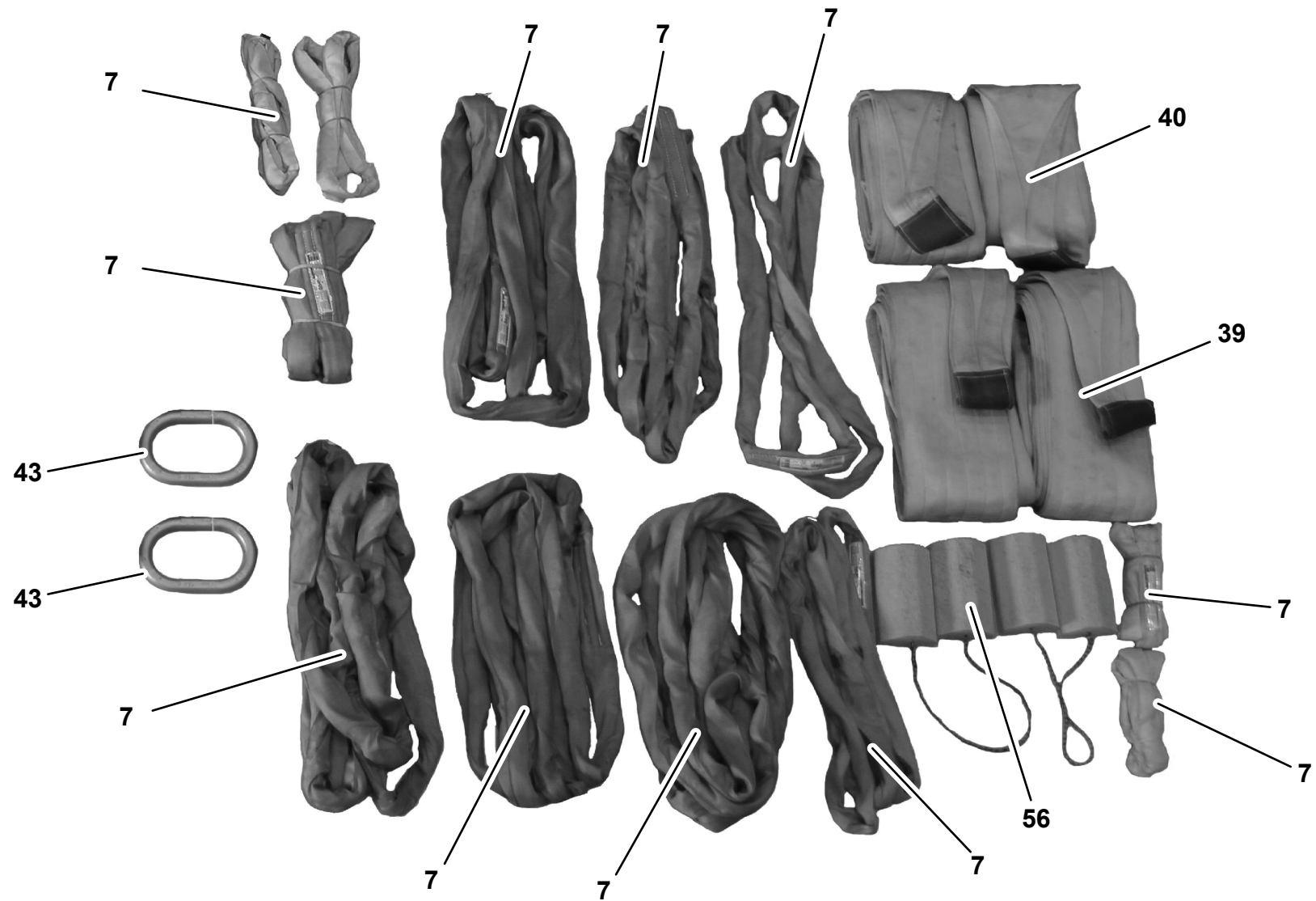
SPREADER BAR ACCESSORY PACKAGE - 1001174493

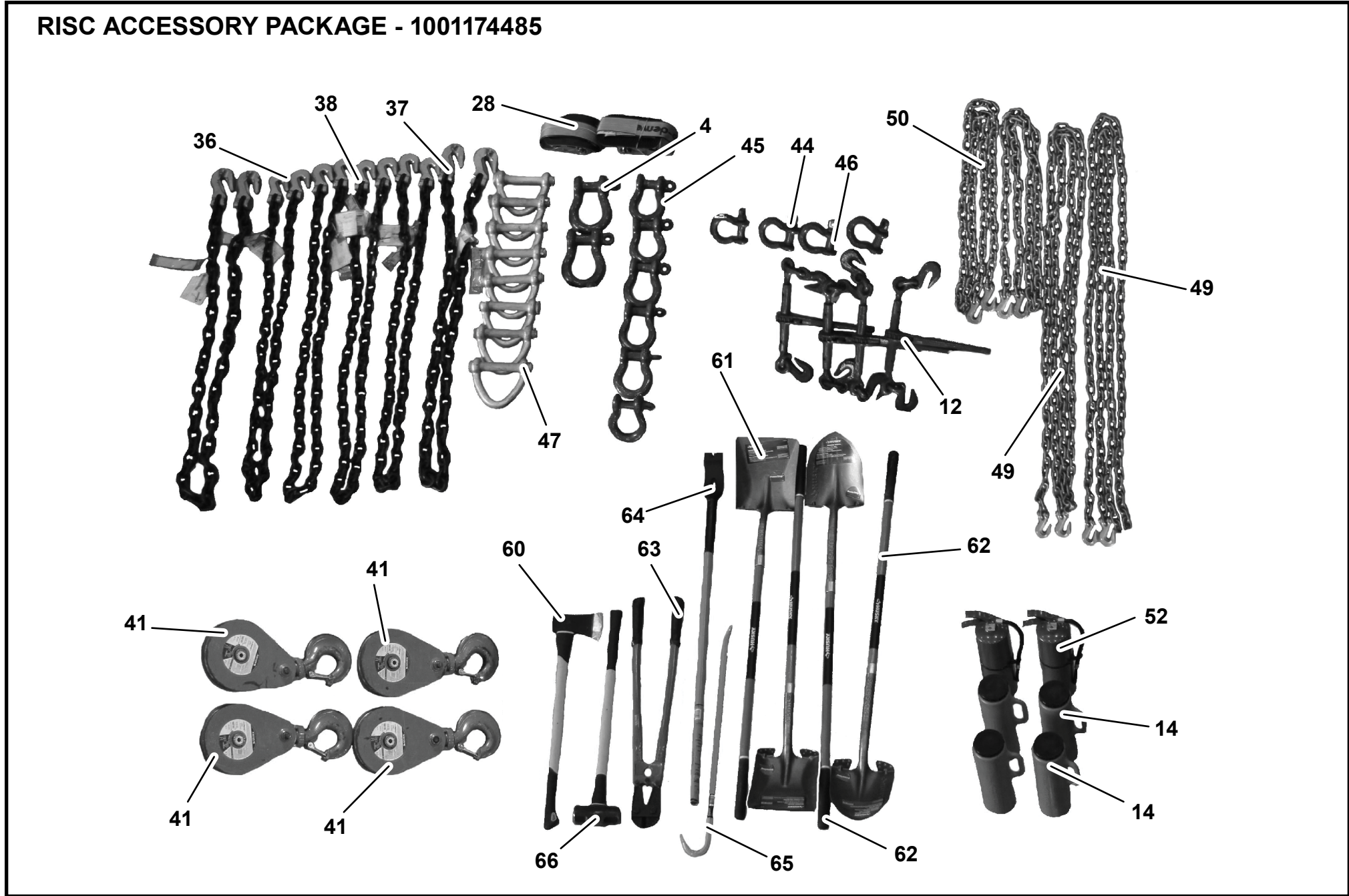
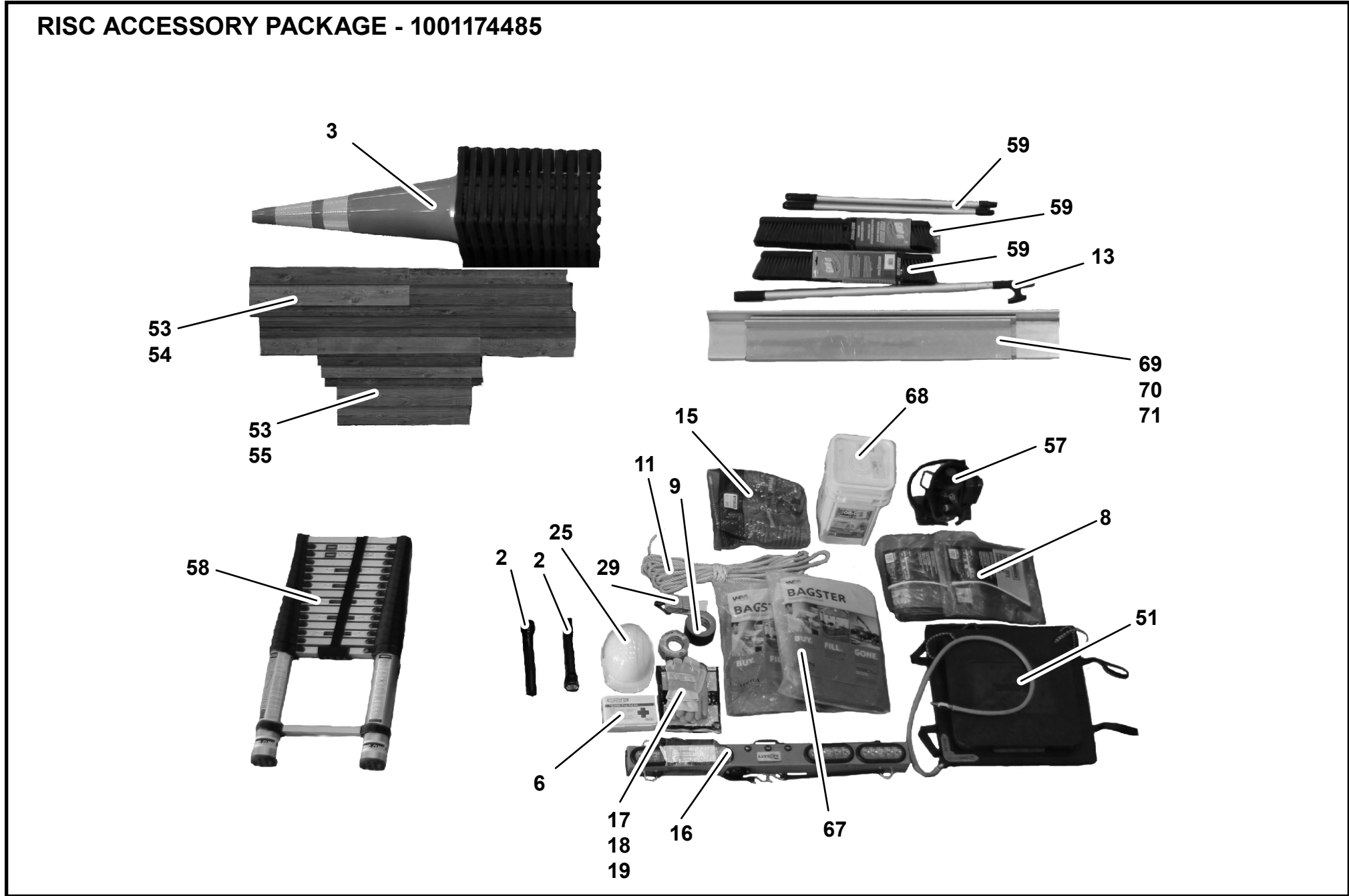


RISC ACCESSORY PACKAGE - 1001174485

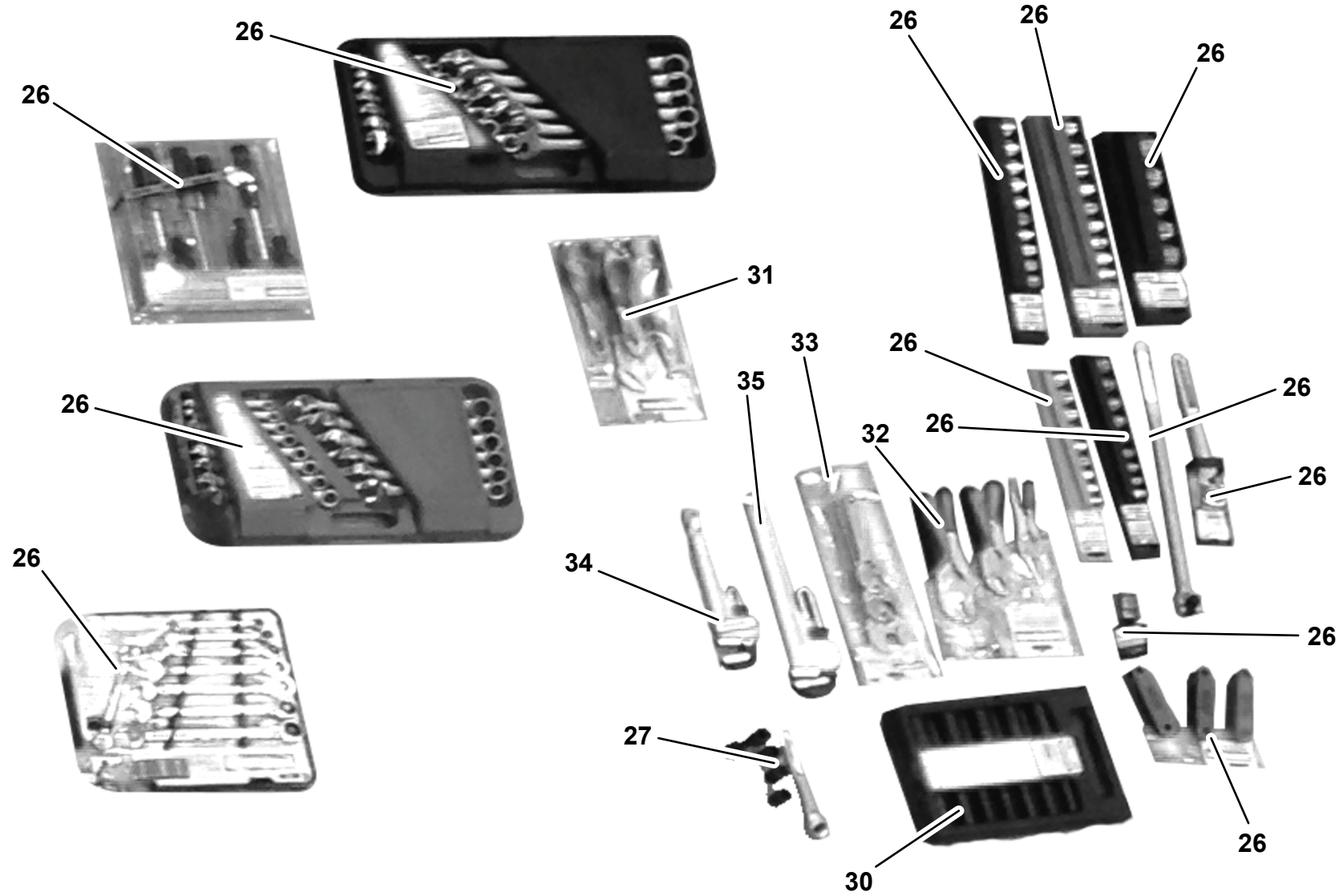
ITEM	PART NO.	DESCRIPTION	QTY	ITEM	PART NO.	DESCRIPTION	QTY
1	70050850	Brake Release Kit	1	40	70050889	Recovery Strap, 16'	2
2	70050851	Flashlight	2	41	70050890	Snatch Block	4
3	70050852	Traffic Cone	12	42	70050891	Shackle Kit	1
4	70050853	Crosby Shackle	2	43	70050892	Master Link	2
5	70050854	Spill Absorbent Kit	2	44	70050893	Shackle, 1.00", 17,000 LB	2
6	70050855	First Aid Kit	1	45	70050894	Shackle, 1.25", 24,000 LB	6
7	70050856	Endless Round Sling Kit	1	46	70050895	Shackle, 1.50", 34,000 LB	2
8	70050857	Tarp	2	47	70050896	Web Shackle	8
9	70050858	Duct Tape	2	48	70050897	Transport Chain	1
10	70050859	Sewer Cover Mat	2	49	70050898	Chain, 0.38" x 20'	2
11	70050860	Rope	1	50	70050899	Chain, 0.38" x 10'	2
12	70050861	Load Binder	4	51	70050900	Air Cushion	1
13	70050862	Retrieval Tool	1	52	70050901	Fire Extinguisher	2
14	70050863	Flare	48	53	70050902	Cribbing Kit	1
15	70050864	Brake Air Hose Kit	1	54	70050903	Cribbing, 4.00" x 6.00" x 4'	4
16	70050865	Wireless Tow Light	1	55	70050904	Cribbing, 4.00" x 4.00" x 2'	8
17	70050866	Reflective Vest	2	56	70050905	Wheel Chocks	4
18	70050867	Chemical Gloves	1	57	70050906	Hydraulic Jack	1
19	70050868	Safety Gloves	2	58	70050907	Ladder	1
20	70050869	Crosby Users Lifting Guide	1	59	70050908	Push Broom	2
21	70050870	Log Book	1	60	70050909	Axe	1
22	70050871	Inspection Book	1	61	70050910	Shovel, Flat Blade	2
23	70050872	Emergency Response Book	1	62	70050911	Shovel, Round Blade	2
24	70050873	FMC Safety Regulation Book	1	63	70050912	Bolt Cutter	1
25	70050874	New Hire Kit	1	64	70050913	Grizzley Bar	1
26	70050875	Tool Set	1	65	70050914	Crow Bar	1
27	70050876	Drive Shaft Sockets	6	66	70050915	Sledge Hammer	1
28	70050877	Under Reach Strap	2	67	70050916	Trash Can	2
29	70050878	Steering Wheel Lock	1	68	70050917	Spill Kit	1
30	70050879	Impact Socket	1	69	70050918	Angle Kit	1
31	70050880	Pliers Kit	1	70	70050919	Angle, 36.00"	2
32	70050881	Vise Kit	1	71	70050920	Angle, 48.00"	1
33	70050882	Adjustable Wrench Kit	1				
34	70050883	Pipe Wrench, 10"	1				
35	70050884	Pipe Wrench, 14"	1				
36	70050885	Chain, 0.38" x 10'	2				
37	70050886	Chain, 0.625" x 10'	2				
38	70050887	Chain, 0.50" x 10'	2				
39	70050888	Recovery Strap, 26'	2				

RISC ACCESSORY PACKAGE - 1001174485

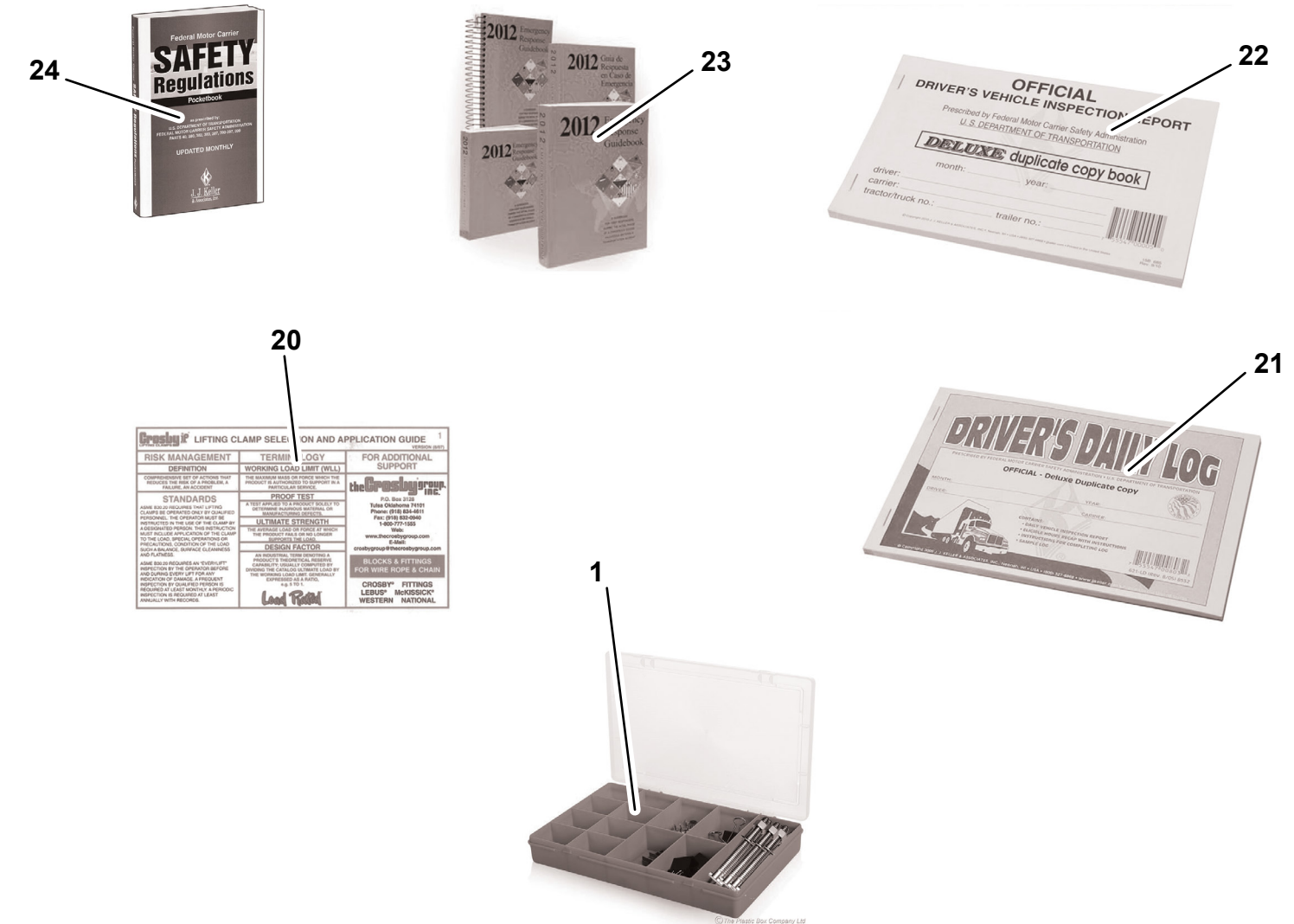




RISC ACCESSORY PACKAGE - 1001174485



RISC ACCESSORY PACKAGE - 1001174485



RUGGED ACCESSORY PACKAGE - 1001174490

ITEM	PART NO.	DESCRIPTION	QTY
1	70050842	Snatch Block, 0.875" x 8.00"	2
2	70050843	Recovery Chain, 0.38" x 10'	1
3	70050844	Recovery Chain, 0.50" x 2'	2
4	70050845	Recovery Sling, 0.50"	2
5	70050846	Recover Chain Locking Clevis, 0.50" x 10'	4
6	70050847	Copper Ground Stake	2
7	70050848	Brass Mallet	1
8	70050849	Ground Wire	3

RUGGED ACCESSORY PACKAGE - 1001174490



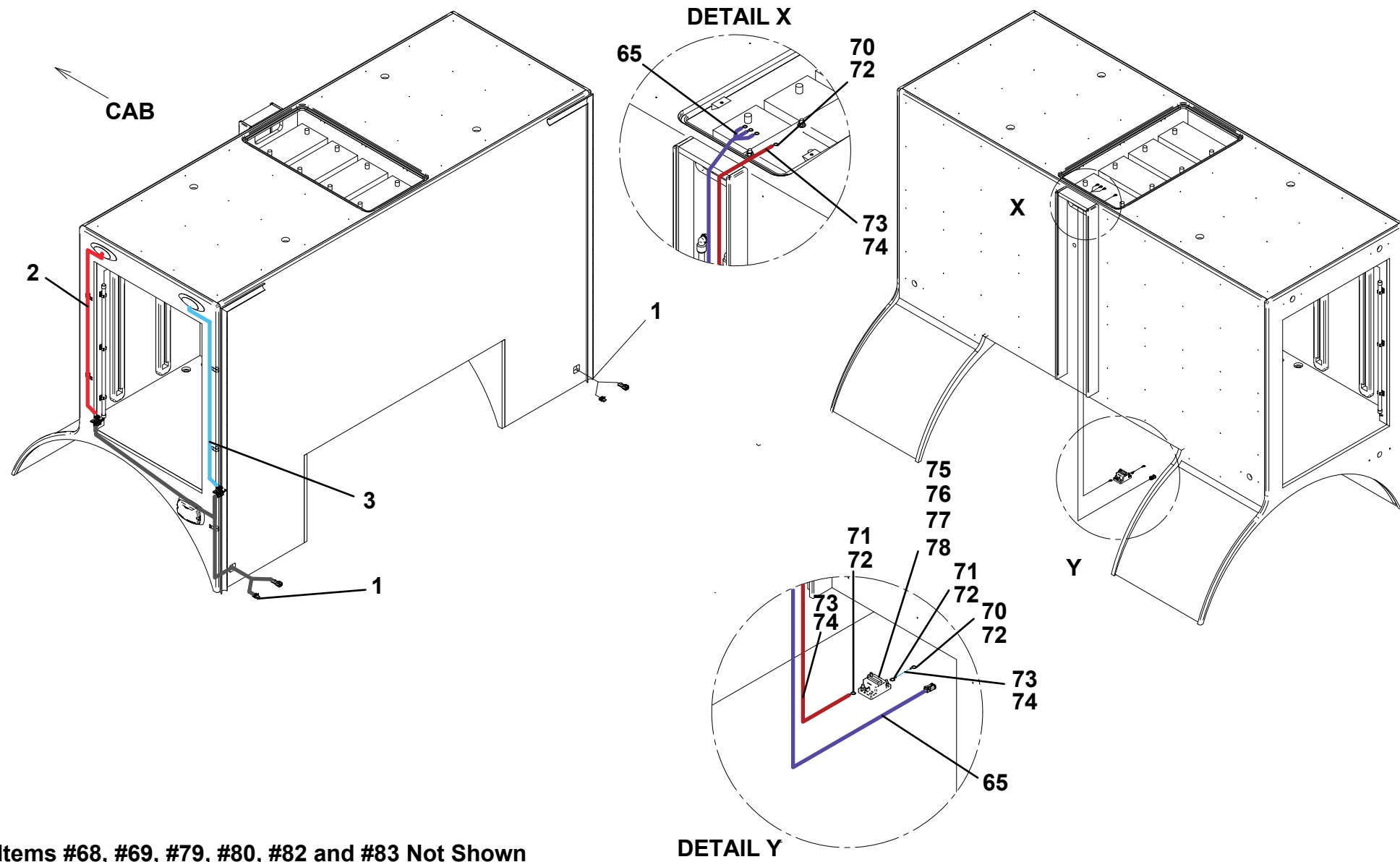
BODY LIGHTING & WIRING INSTALLATION

ITEM	PART NO.	DESCRIPTION	QTY	ITEM	PART NO.	DESCRIPTION	QTY
1	1001182369	Harness	2	40	7457000012	Fuse	3
2	1001182371	Harness	2	41	7661000023	Locknut, #10-32NF	17
3	1001182372	Harness	2	42	7120000035	Capscrew, 0.31"-18NC x 0.50"	1
4	7280000006	Clip	157	43	7949000053	Washer, 0.31"ID	1
5	1001146735	Rivet	157	44	7115150650	Capscrew, 0.31"-18NC x 0.75"	1
6	1001141592	Bolt, #8 x 0.50"	76	45	7950150000	Washer, 0.31" ID	1
7	1001182360	Harness	2	46	7950150161	Flatwasher, 0.31" ID	1
8	1001162321	Harness	2	47	1001162904	Harness	1
9	1001182376	Harness	2	48	1001144012	Harness	4
10	1001162399	Harness	2	49	7740000003	Relay	1
11	7590000343	Light	4	50	7740000008	Relay	1
12	1001174681	Light	4	51	751003	Screw	2
13	1001174680	Light	2	52	1001162928	Harness	1
14	7493000026	Grommet	6	53	1001162982	Harness	1
15	1001171549	Harness	1	54	1001162947	Harness	1
16	1001171550	Harness	1	55	7114080618	Screw, #8-32 x 0.75"	6
17	1001162519	Harness	2	56	7660082500	Locknut, #8-32NC	6
18	1001171538	Harness	2	57	1001168320	Terminal	1
19	7870000143	Switch	4	58	1001168321	Terminal	1
20	1001134451	Decal	2	59	1001168322	Terminal	1
21	1001163669	Plate	1	60	1001168323	Cable	1
22	7115161650	Capscrew, 0.38"-16NC x 2.00"	12	61	1001168325	Cable	1
23	7660162601	Locknut, 0.38"-16NC	12	62	1001168326	Cable	1
24	1001166974	Washer, 0.38" ID	12	63	1001168328	Cable	1
25	7950160161	Flatwasher, 0.38"	24	64	1001162714	Harness	1
26	1001163926	Plate	1	65	1001162945	Harness	1
27	1001122235	Bracket	4	66	1001150426	Harness	1
28	3760308	Retaining Ring	4	67	7590000262	Light	42
29	1001166930	Latch	4	68	7114080418	Capscrew, #8-32NC x 0.50"	8
30	750504	Screw, #5 x 0.50	8	69	7660082604	Locknut, #8-32NC	8
31	1001167607	Vent Plug	2	70	7345242202	Terminal	2
32	7870000123	Power Panel	1	71	7345222202	Terminal	2
33	7114100618	Capscrew, #10-24NC x 0.75"	6	72	7346000045	Tubing	0.25
34	7660102604	Locknut, #10-24NC	6	73	7978000011	Loom	40ft
35	7740000001	Relay	13	74	8597650001	Loom	40ft
36	7457000023	Fuse	3	75	7870000043	Breaker	1
37	7457000019	Fuse	13	76	7115141250	Capscrew, 0.25"-20NC x 1.50"	2
38	7457000011	Fuse	4	77	7950140141	Flatwasher, 0.25" ID	2
39	7457000006	Fuse	1	78	7660142601	Locknut, 0.25"-20NC	2

BODY LIGHTING & WIRING INSTALLATION

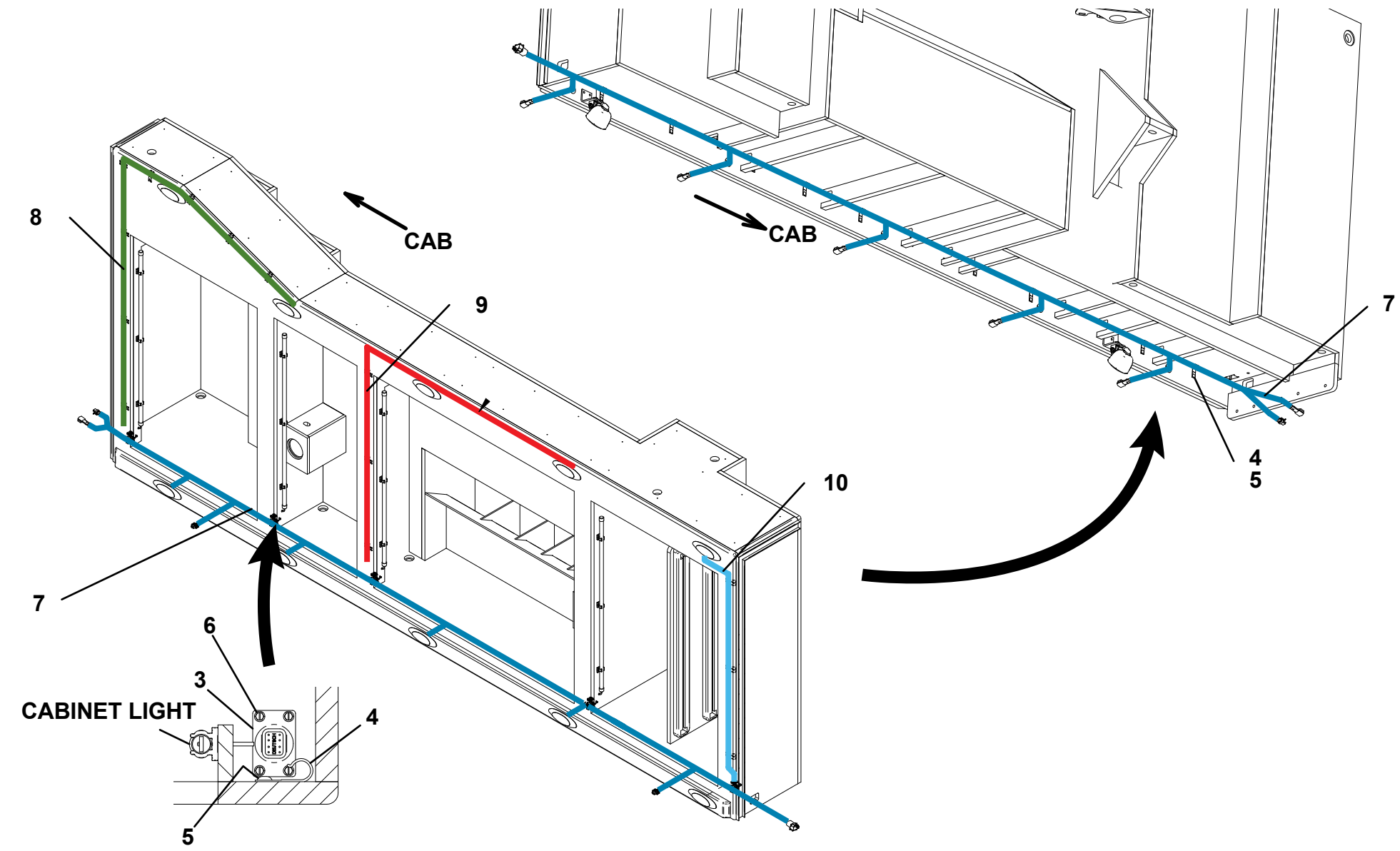
ITEM	PART NO.	DESCRIPTION	QTY
79	7178000025	Bracket	1
80	7590000105	Light	1
81	1001167452	Decal	2
82	7345001704	Terminal	16
83	7346000039	Tubing	0.5
84	7493000009	Grommet	4

BODY LIGHTING & WIRING INSTALLATION

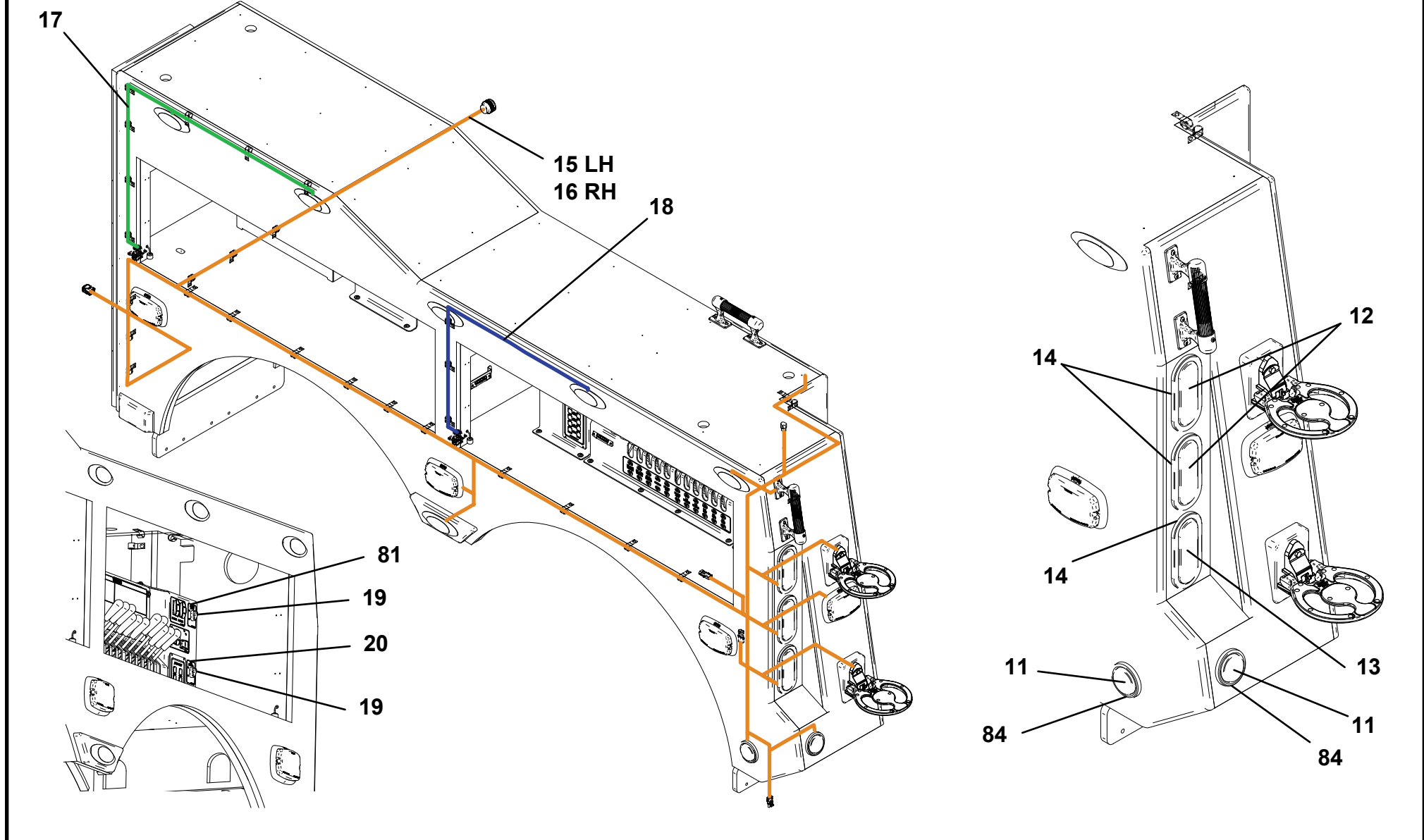


Items #68, #69, #79, #80, #82 and #83 Not Shown

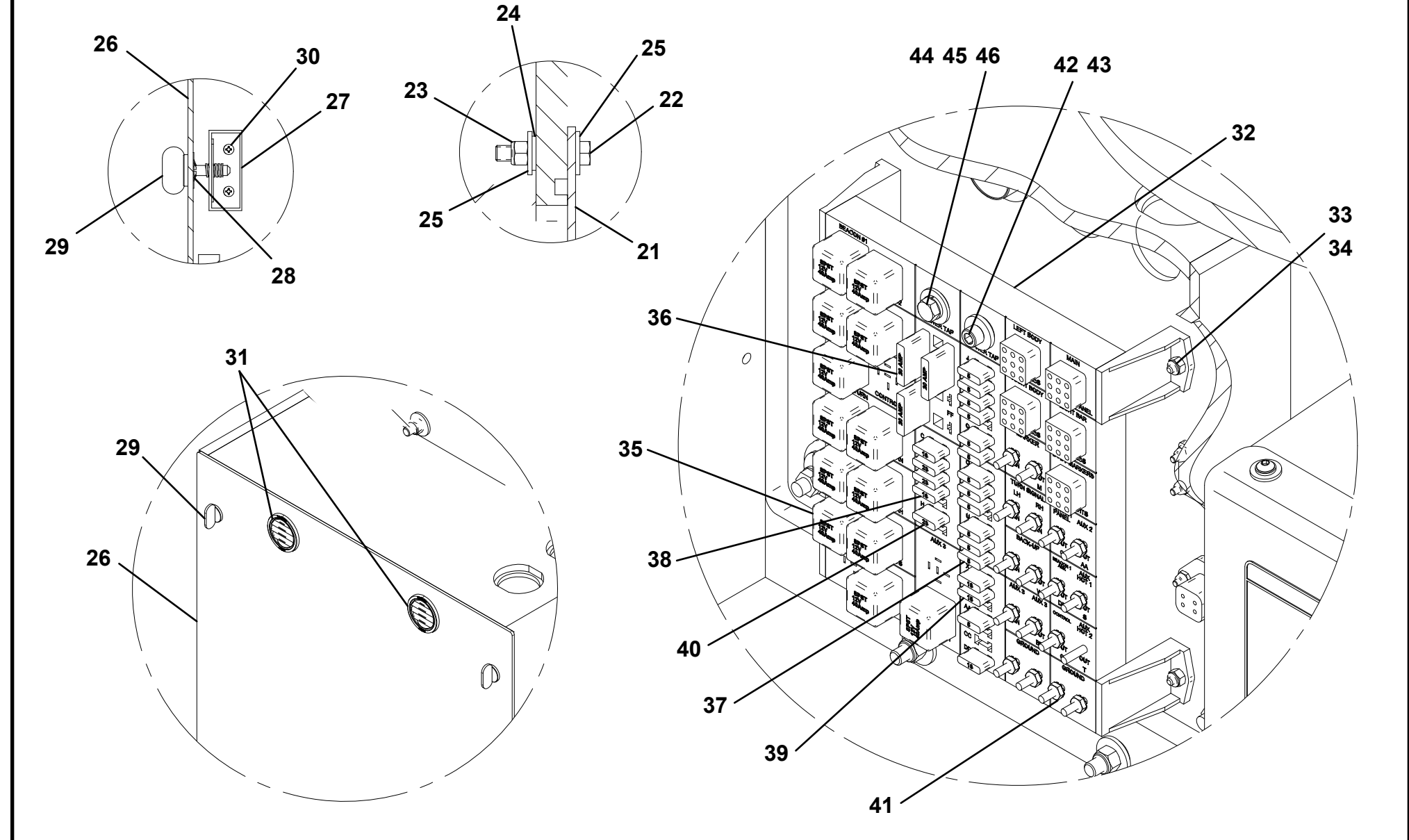
BODY LIGHTING & WIRING INSTALLATION



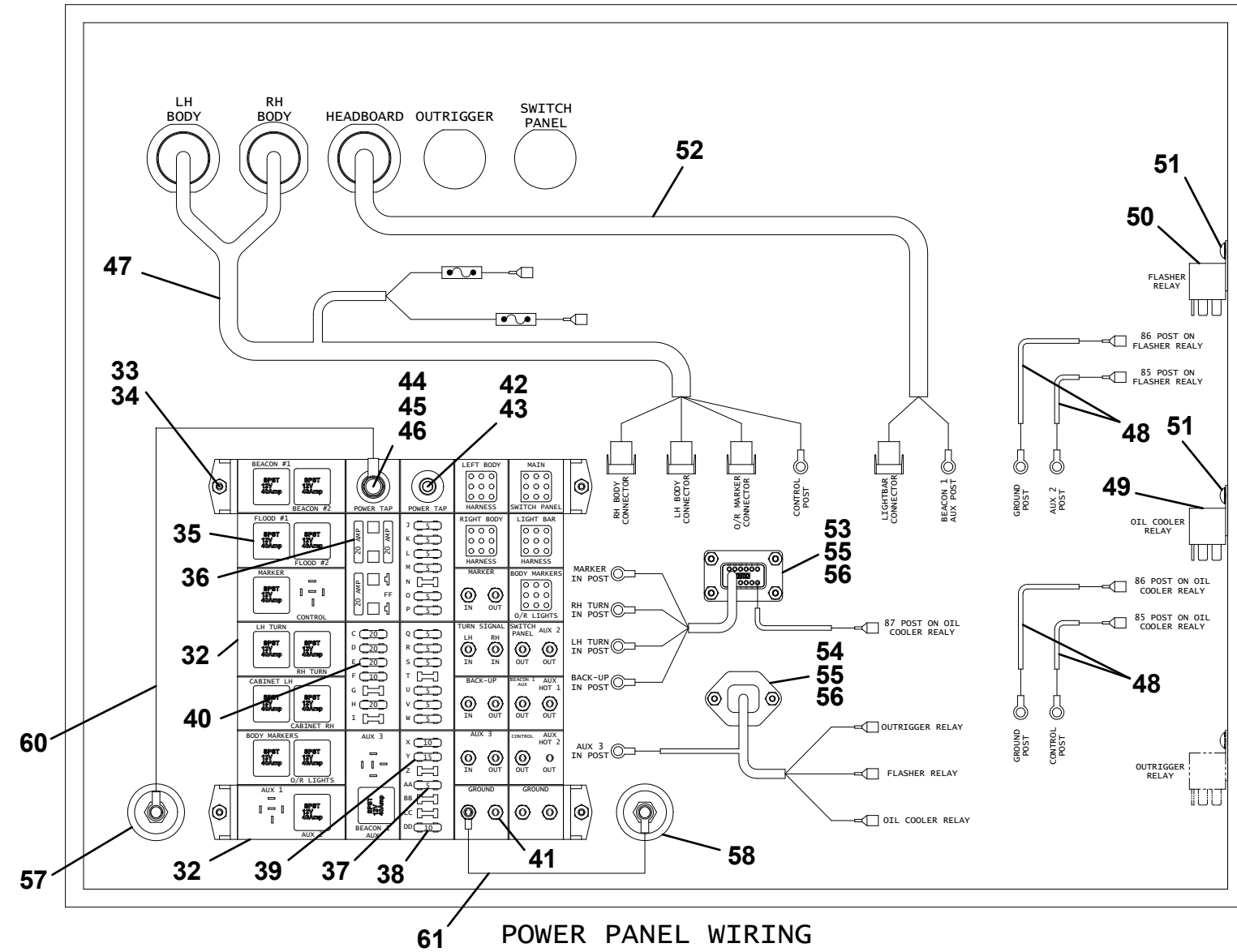
BODY LIGHTING & WIRING INSTALLATION



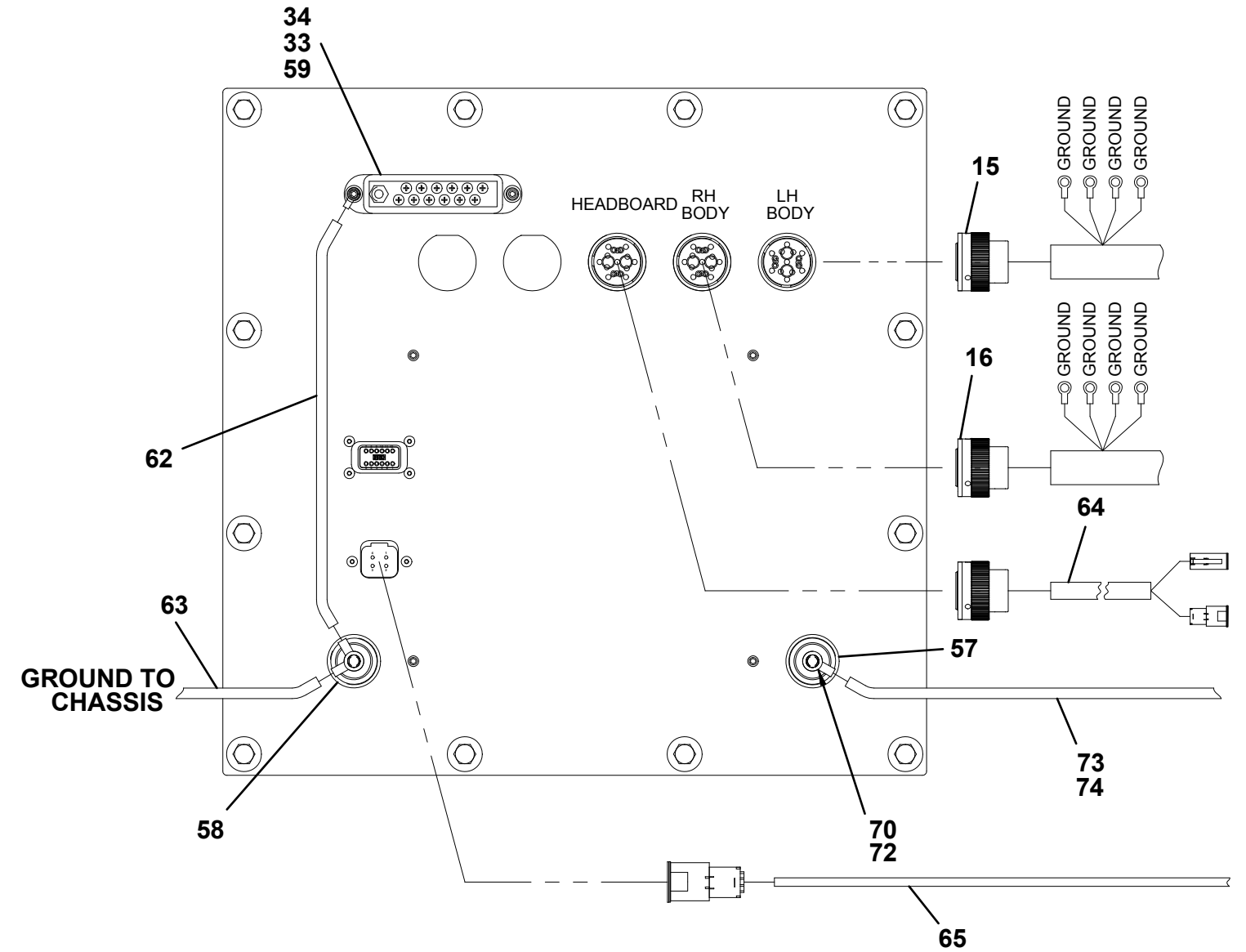
BODY LIGHTING & WIRING INSTALLATION

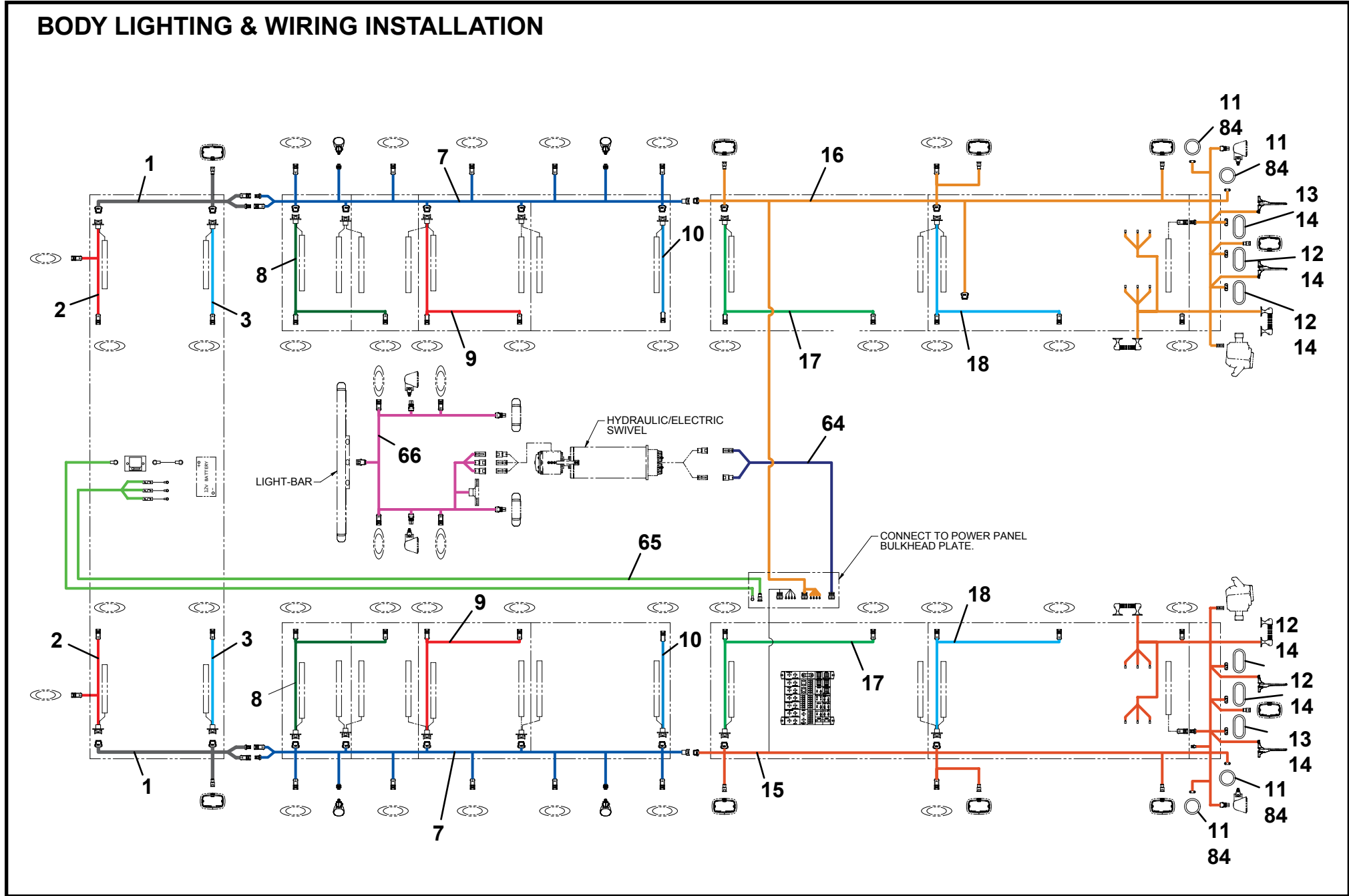


BODY LIGHTING & WIRING INSTALLATION



BODY LIGHTING & WIRING INSTALLATION



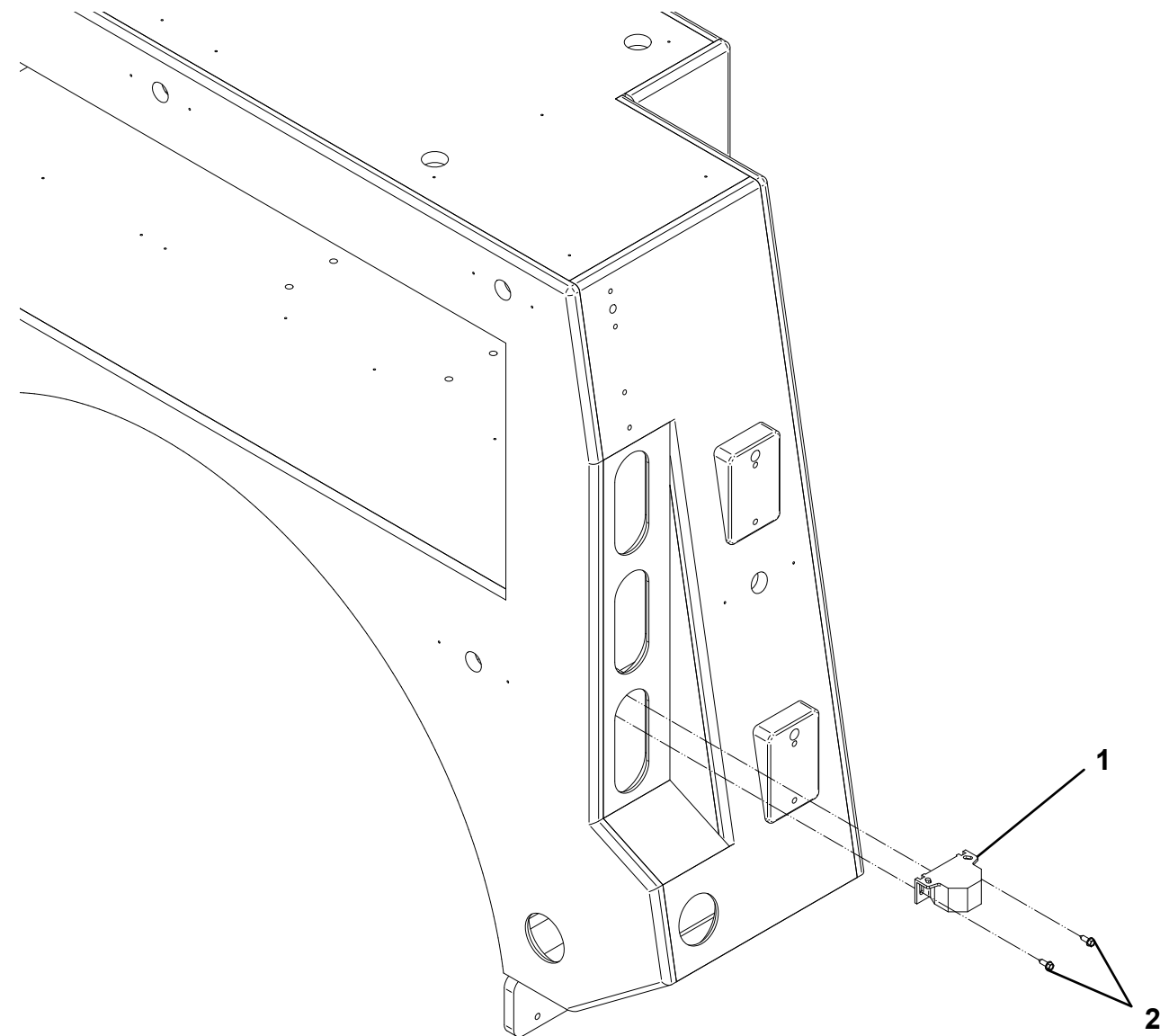


THIS PAGE INTENTIONALLY LEFT BLANK

BACK-UP ALARM INSTALLATION

ITEM	PART NO.	DESCRIPTION	QTY
1	7011000006	Alarm, Backup	1
2	7790141251	Screw, #14 x 0.75"	2

BACK-UP ALARM INSTALLATION

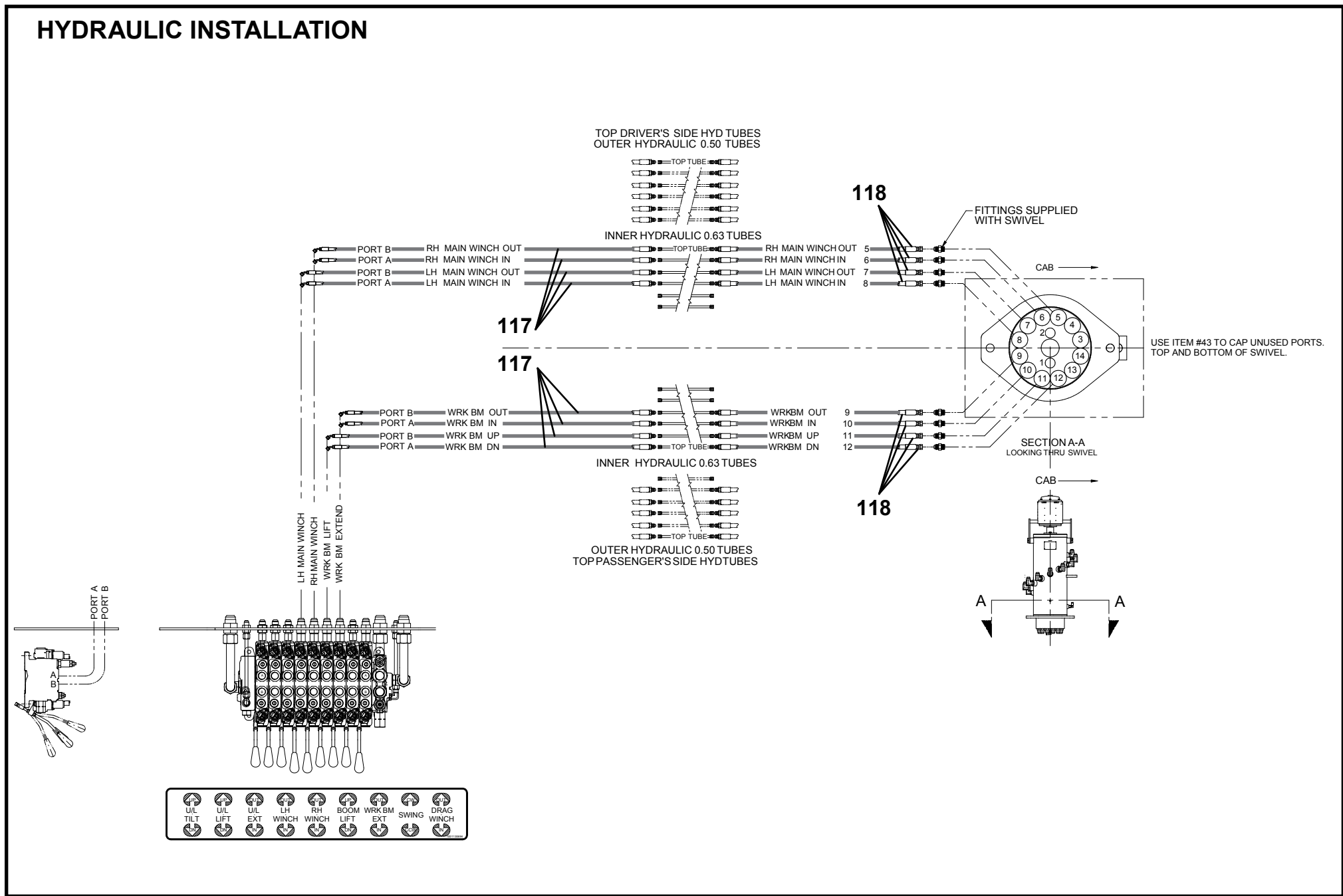
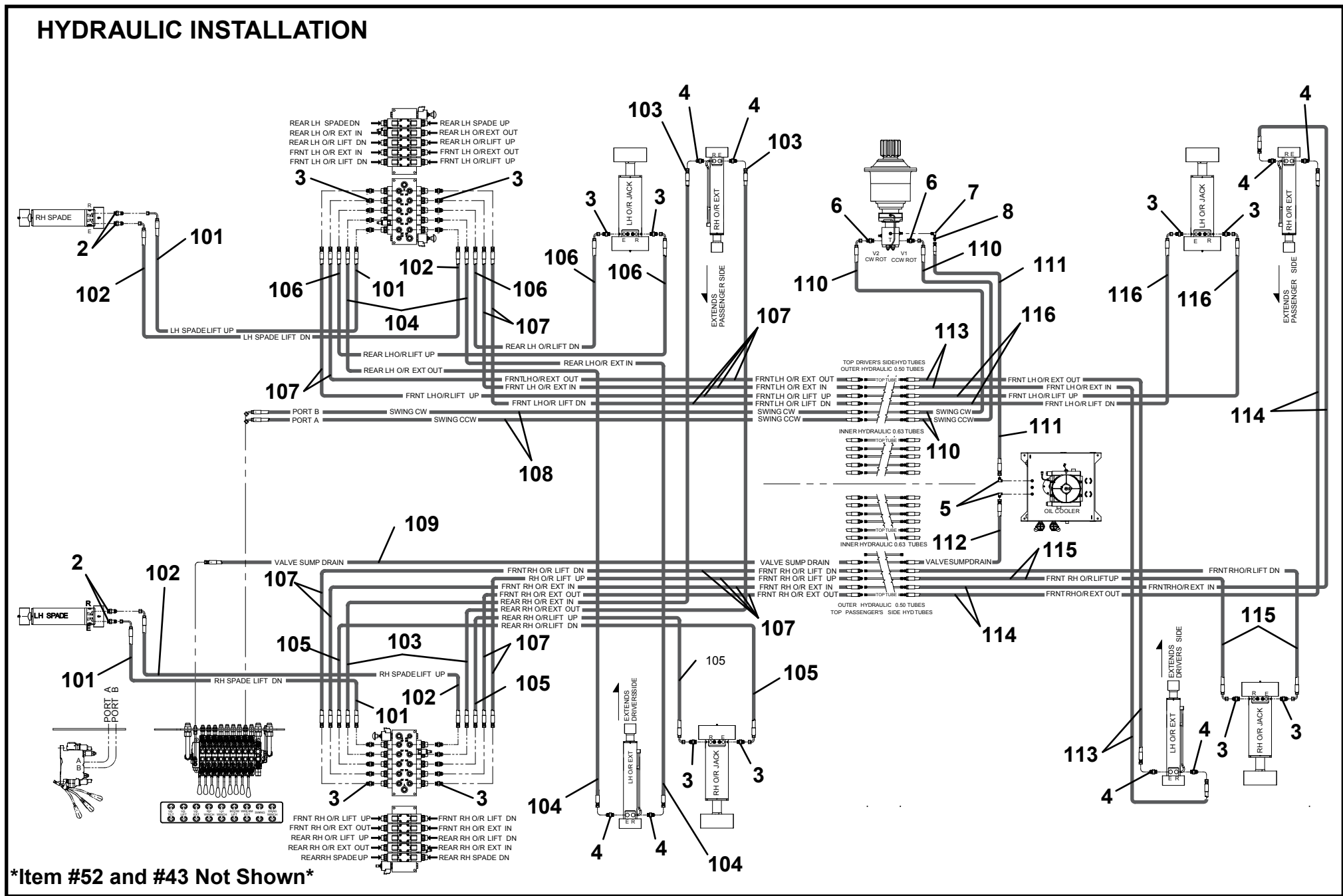


HYDRAULIC INSTALLATION

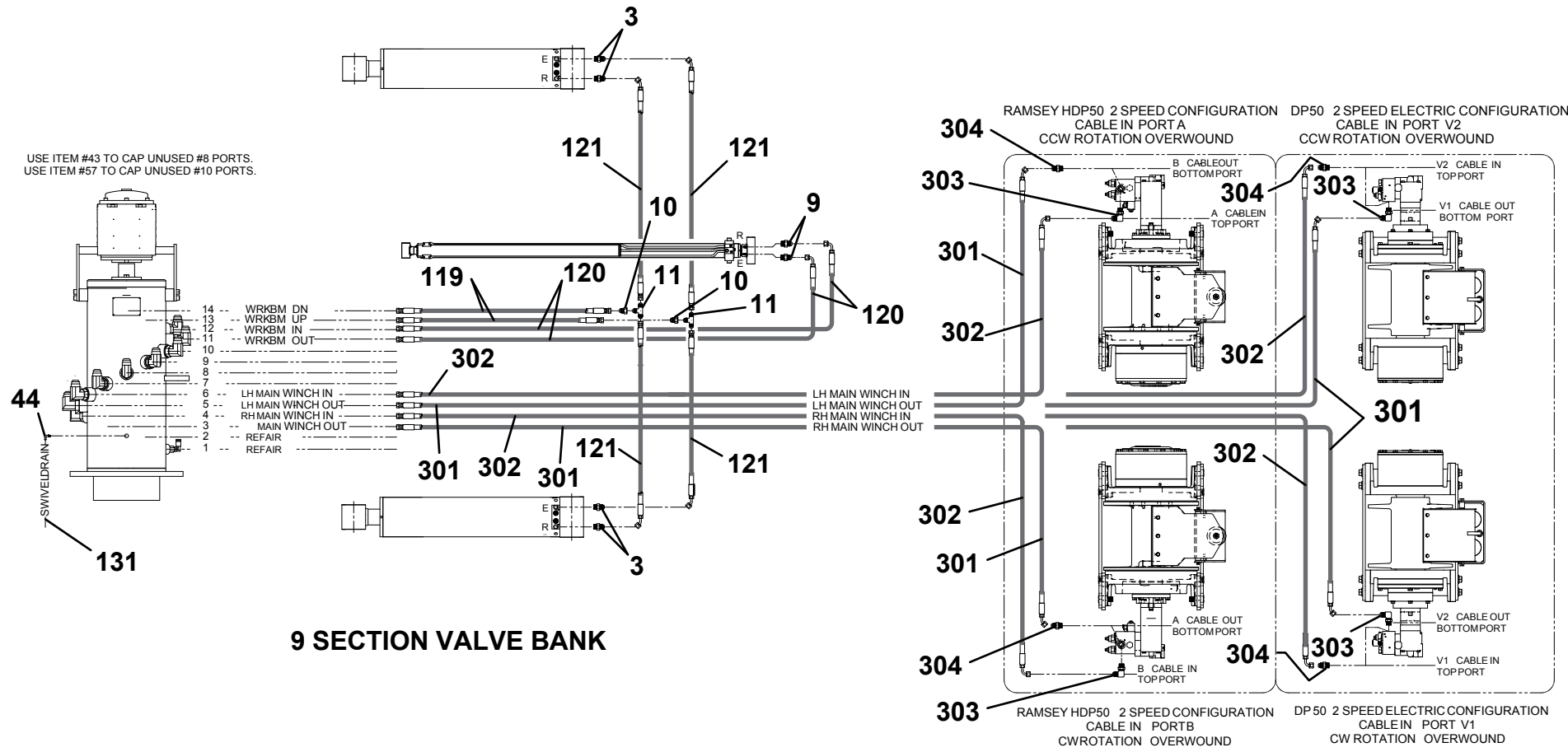
ITEM	PART NO.	DESCRIPTION	QTY	ITEM	PART NO.	DESCRIPTION	QTY
1	1001136811*	Hose Kit	1	40	7443000258	Fitting	2
2	7445080644	Fitting	4	41	1001130426	Hydraulic Tank Assembly	1
3	7445080843	Adapter	32	42	7445101018	Fitting	10
4	7445080643	Adapter	8	43	7443000173	Fitting	1
5	2220773	Adapter	2	44	7274000076	Clamp	8
6	7445081043	Adapter	2	45	7785152420	Set Screw, 0.31"-18NC x 1.50"	8
7	2220775	Adapter	1	46	7660152601	Locknut, 0.31"-18NC	22
8	7443000108	Restrictor	1	47	7115151050	Capscrew 0.31"-18NC x 1.25"	14
9	7445100843	Adapter	2	48	7950150161	Flatwasher 0.31" ID	14
10	7445081039	Adapter	2	49	4706003844	Plate	6
11	7445080837	Union	2	50	1001137048	Clamp	5
12	1001136881	Adapter	2	51	1001137049	Clamp	3
13	7470000004	Gauge, Panel Mount Pressure	2	52	7894000004	Tie Strap	50
14	7790060676	Screw, #6 x 0.38"	6	53	1001137052	Clamp	19
15	7445040421	Fitting	2	54	1001143937	Clamp	2
16	7445040425	Union	2	55	7470000002	Gauge	2
17	7443000408	Fitting	1			*Hose Kit - 1001136811*	
18	1001131302	Pipe, Tube 1.00" Pressure	1	101	1001136814	Hose Assembly	2
19	7445161622	Union	1	102	1001136817	Hose Assembly	2
20	7445161620	Elbow	2	103	4567130135	Hose Assembly	2
21	7430000004	Filter Assembly	2	104	1001136821	Hose Assembly	2
22	7443000158	Elbow	2	105	1001136824	Hose Assembly	2
23	7445161245	Elbow	1	106	4567132085	Hose Assembly	2
24	7445161243	Fitting	1	107	4569140046	Hose Assembly	8
25	1001130611	Pipe	1	108	1001136833	Hose Assembly	2
26	1001130610	Ball Valve	1	109	1001136836	Hose Assembly	1
27	1001130597	Hose Insert	1	110	1001136841	Hose Assembly	2
28	1001130587	T-bolt Clamp	2	111	4567120069	Hose Assembly	1
29	1001130607	Elbow	1	112	4570000361	Hose Assembly	1
30	1001130608	Flange	1	113	1001136843	Hose Assembly	2
31	4178000349	Bracket	1	114	1001136844	Hose Assembly	2
32	7660200200	Nut, 0.63"-11NC	2	115	1001136845	Hose Assembly	2
33	1001130609	Flange	1	116	1001136846	Hose Assembly	2
34	1001130589	Elbow	1	117	1001136851	Hose Assembly	8
35	7445060643	Adapter	1	118	4569160030	Hose Assembly	8
36	7445101043	Adapter	2	119	4567150016	Hose Assembly	2
37	7445060648	Fitting	1	120	1001136861	Hose Assembly	2
38	2221051	Fitting	2	121	1001136876	Hose Assembly	4
39	7445161637	Fitting	2	122	1001136883	Hose Assembly	2

HYDRAULIC INSTALLATION

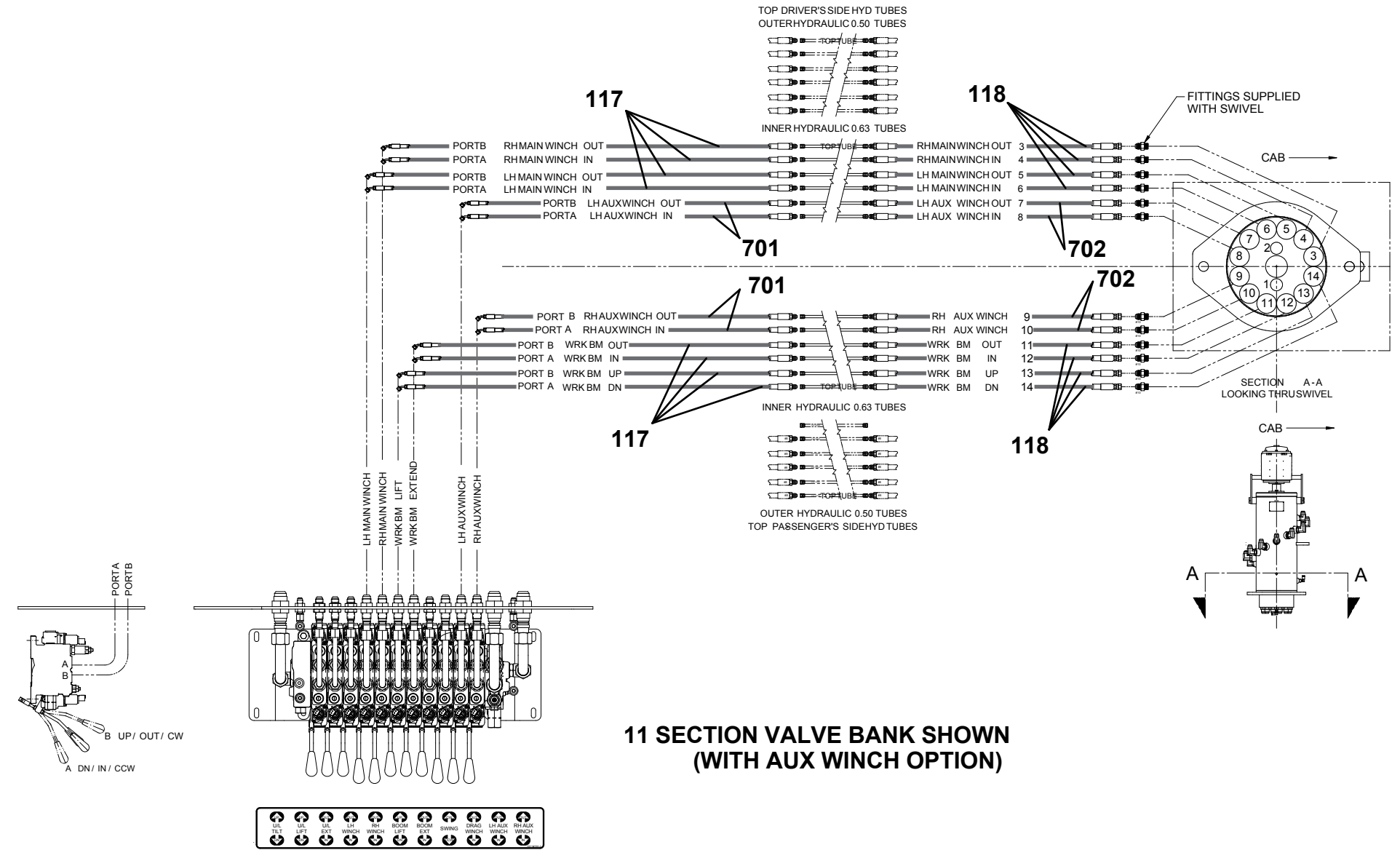
ITEM	PART NO.	DESCRIPTION	QTY	ITEM	PART NO.	DESCRIPTION	QTY
123	1001136884	Hose Assembly	4				
124	4567112024	Hose Assembly	2	701	1001164055	Hose Assembly	4
125	4567112038	Hose Assembly	1	702	4569160030	Hose Assembly	4
126	4567110065	Hose Assembly	1	703	1001163364	Hose Assembly	4
127	4567122064	Hose Assembly	1	704	1001166373	Hose Assembly	4
128	4567120071	Hose Assembly	1	705	7445080845	Adapter	4
129	1001136891	Hose Assembly	4				
130	1001136893	Hose Assembly	1				
131	7565000016	Tubing, Airline	1.5ft				
132	1001136957	Hose Assembly	1				
133	1001136958	Hose Assembly	1				
134	1001136960	Hose Assembly	1				
135	4569180044	Hose Assembly	1				
136	4567182031	Hose Assembly	1				
		UL530/565 Hydraulic Installation					
201	7445060643	Adapter	8				
202	4570000167	Hose Assembly	4				
203	4619000006	Manifold	1				
204	7115161650	Capscrew, 0.38"-16NC x 2.00"	2				
205	7950160000	Lockwasher, 0.38" ID	2				
206	4567120022	Hose Assembly	2				
		DP 50 Winch Hydraulic Installation					
301	1001136772	Hose Assembly	2				
302	1001136792	Hose Assembly	2				
303	7445101045	Elbow	2				
304	7445101043	Adapter	2				
		DP 35 Winch Hydraulic Installation					
401	7445100845	Elbow	1				
402	1001136761	Hose Assembly	2				
403	7445100843	Adapter	1				
404	2220973	Adapter	1				
		Supply/Pressure Hose Installation					
501	1001136896	Hose Assembly	1				
502	1001136939	Hose Assembly	9.5ft				
		UL300/ 350 Hydraulic Installation					
601	7445060643	Adapter	4				
602	4570000218	Hose Assembly	2				
603	1001136807	Hose Assembly	2				



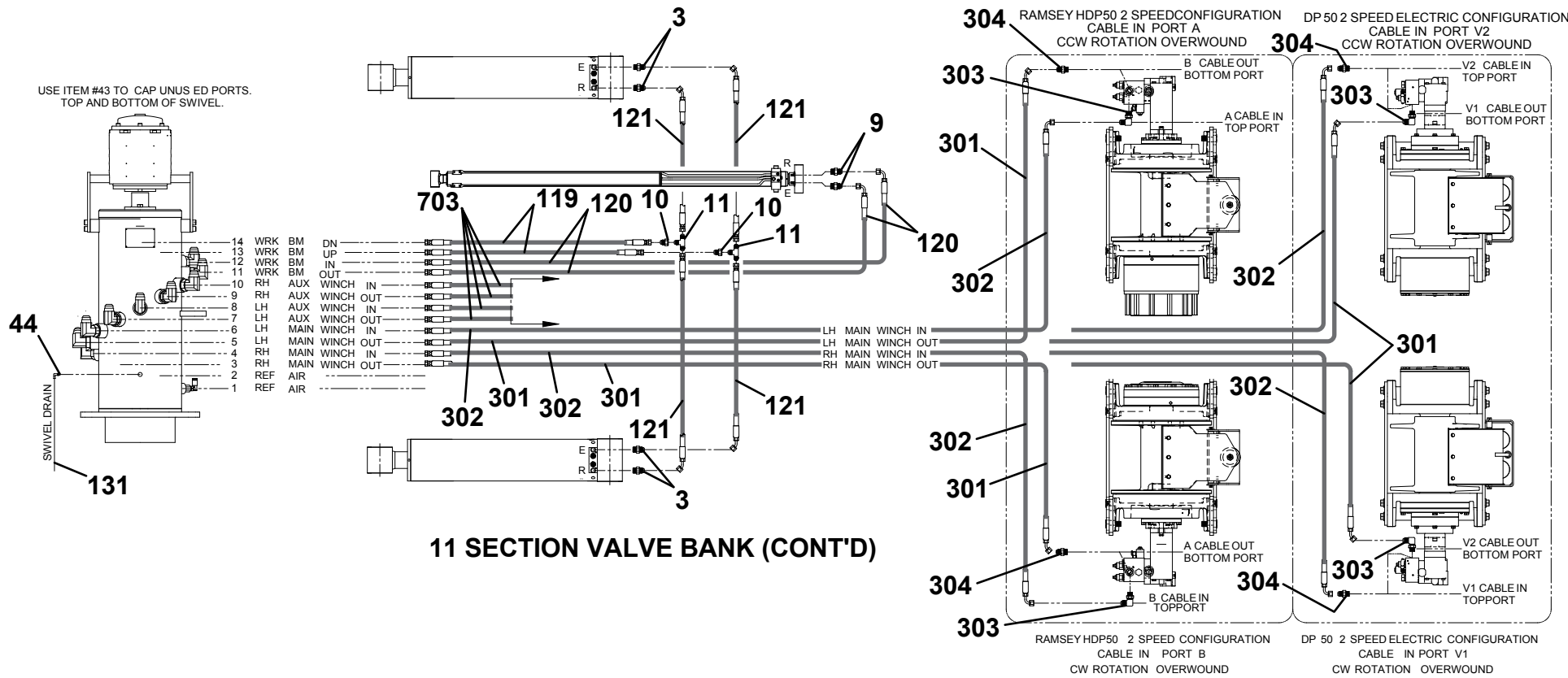
HYDRAULIC INSTALLATION



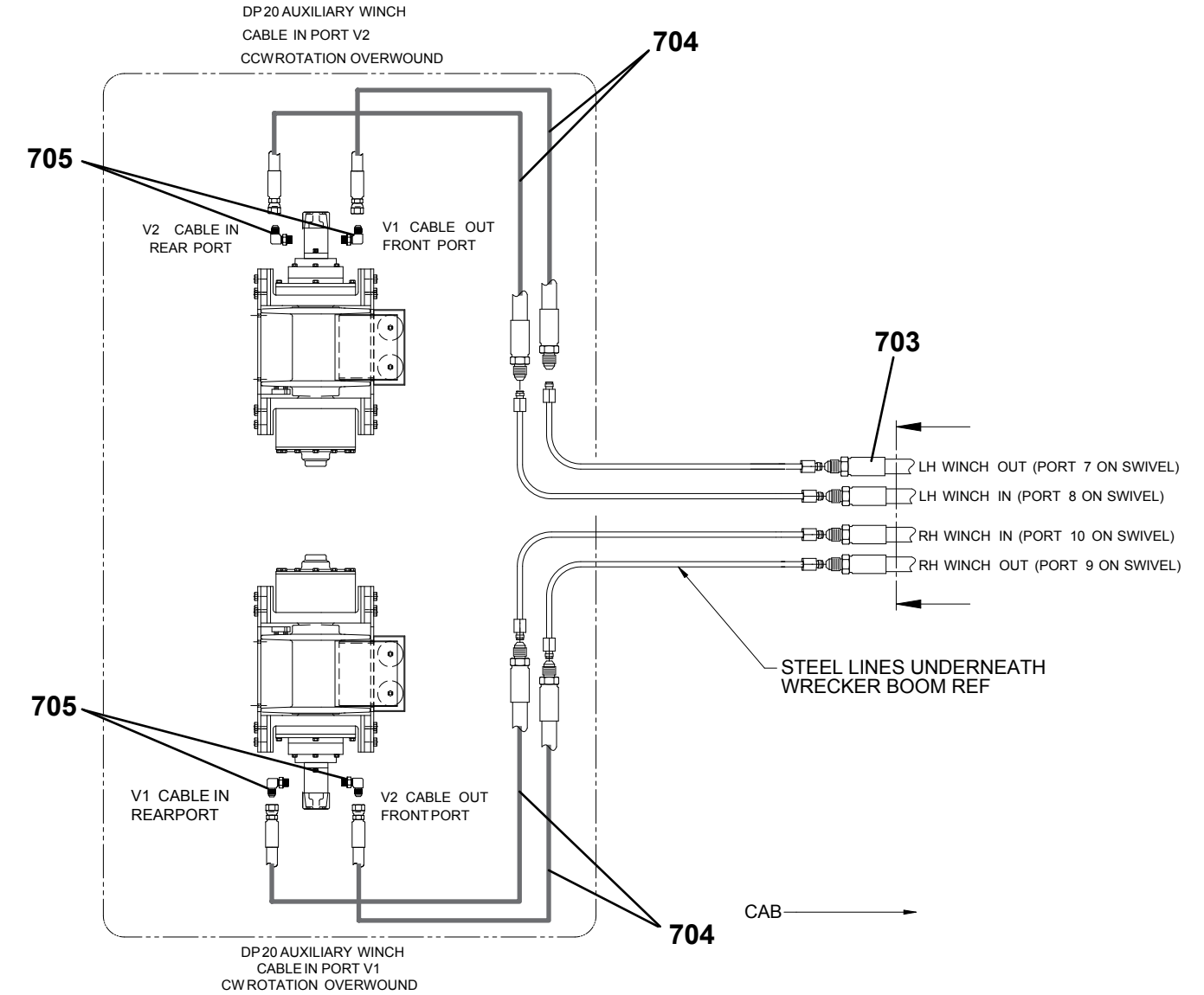
HYDRAULIC INSTALLATION



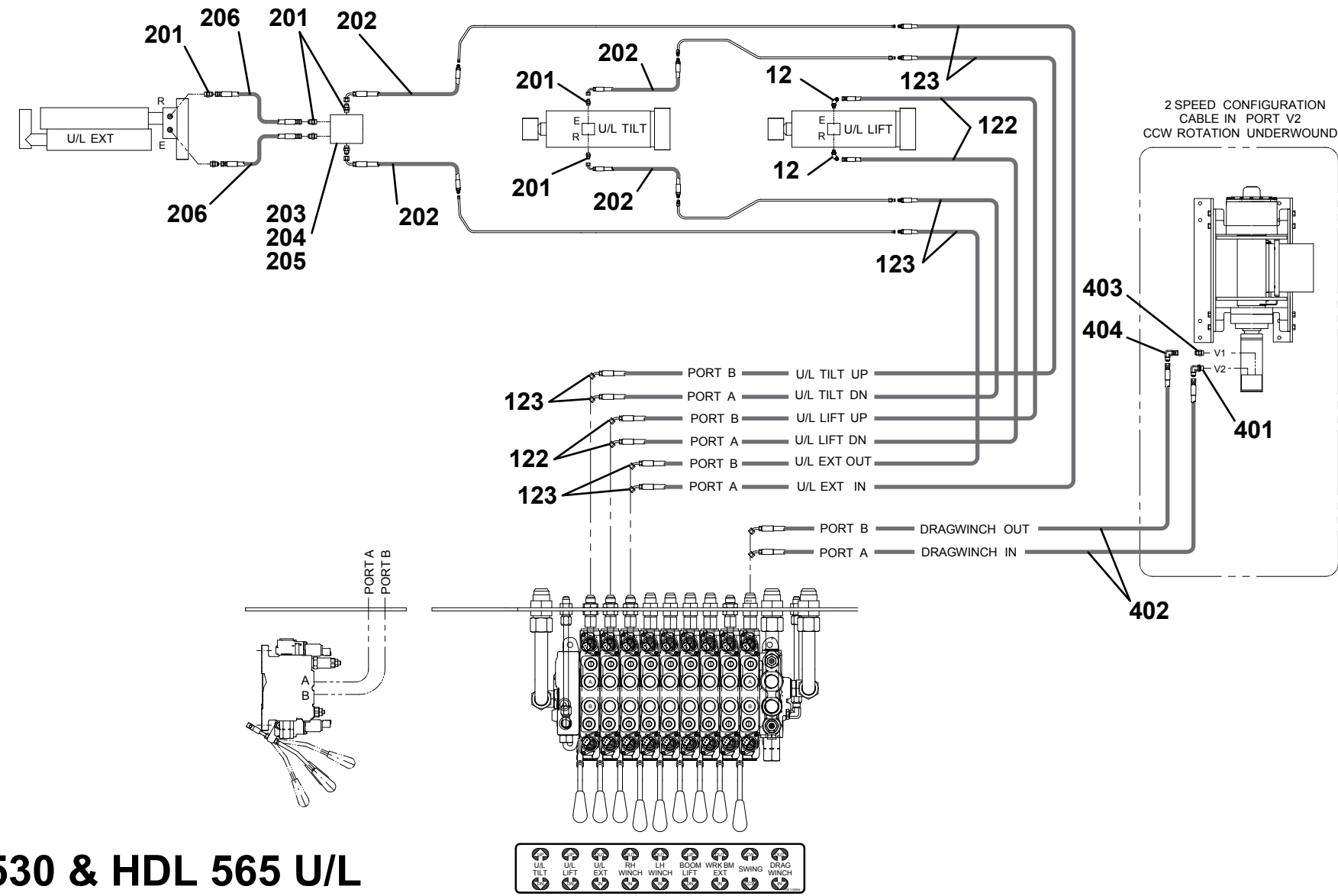
HYDRAULIC INSTALLATION



HYDRAULIC INSTALLATION

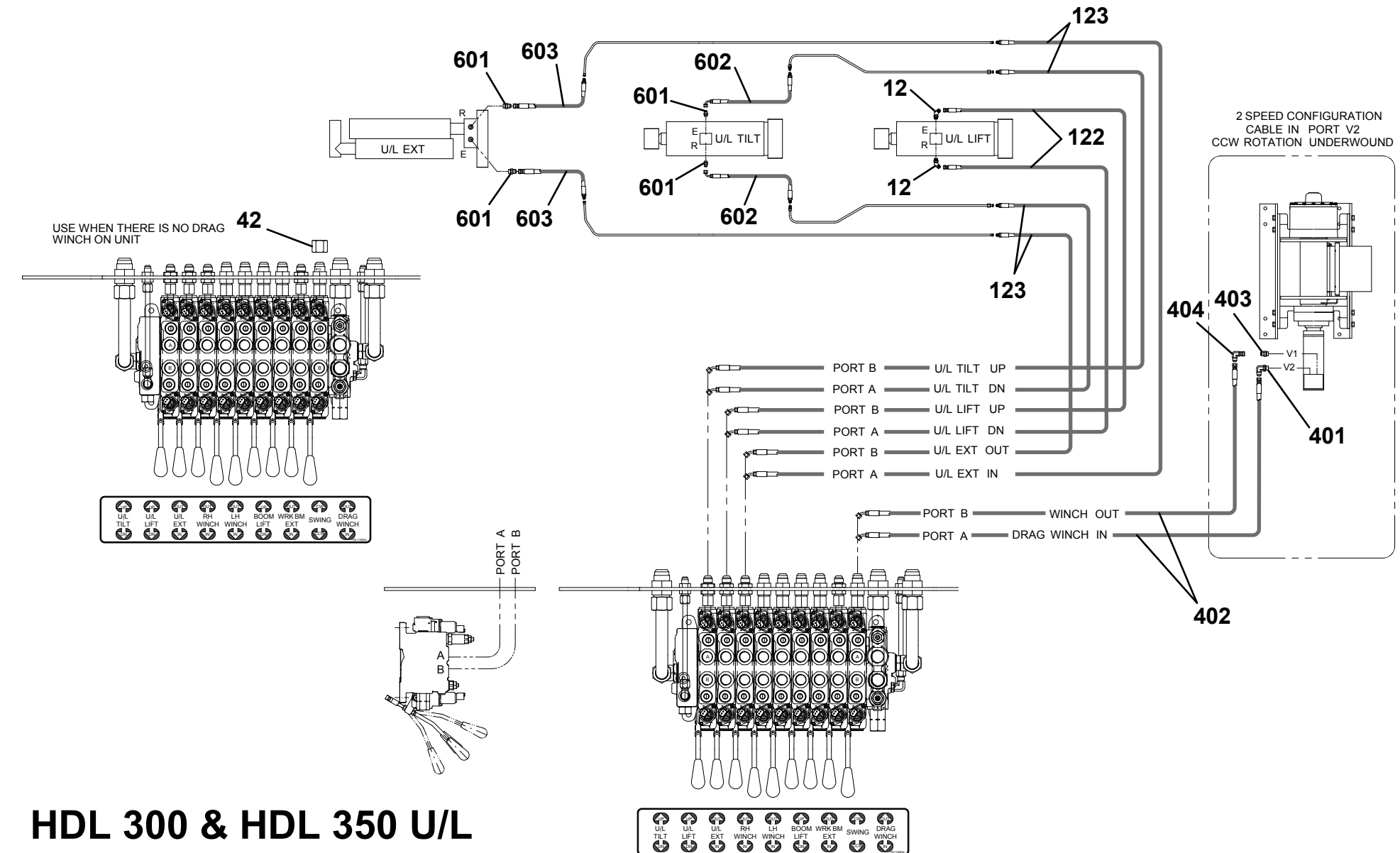


HYDRAULIC INSTALLATION



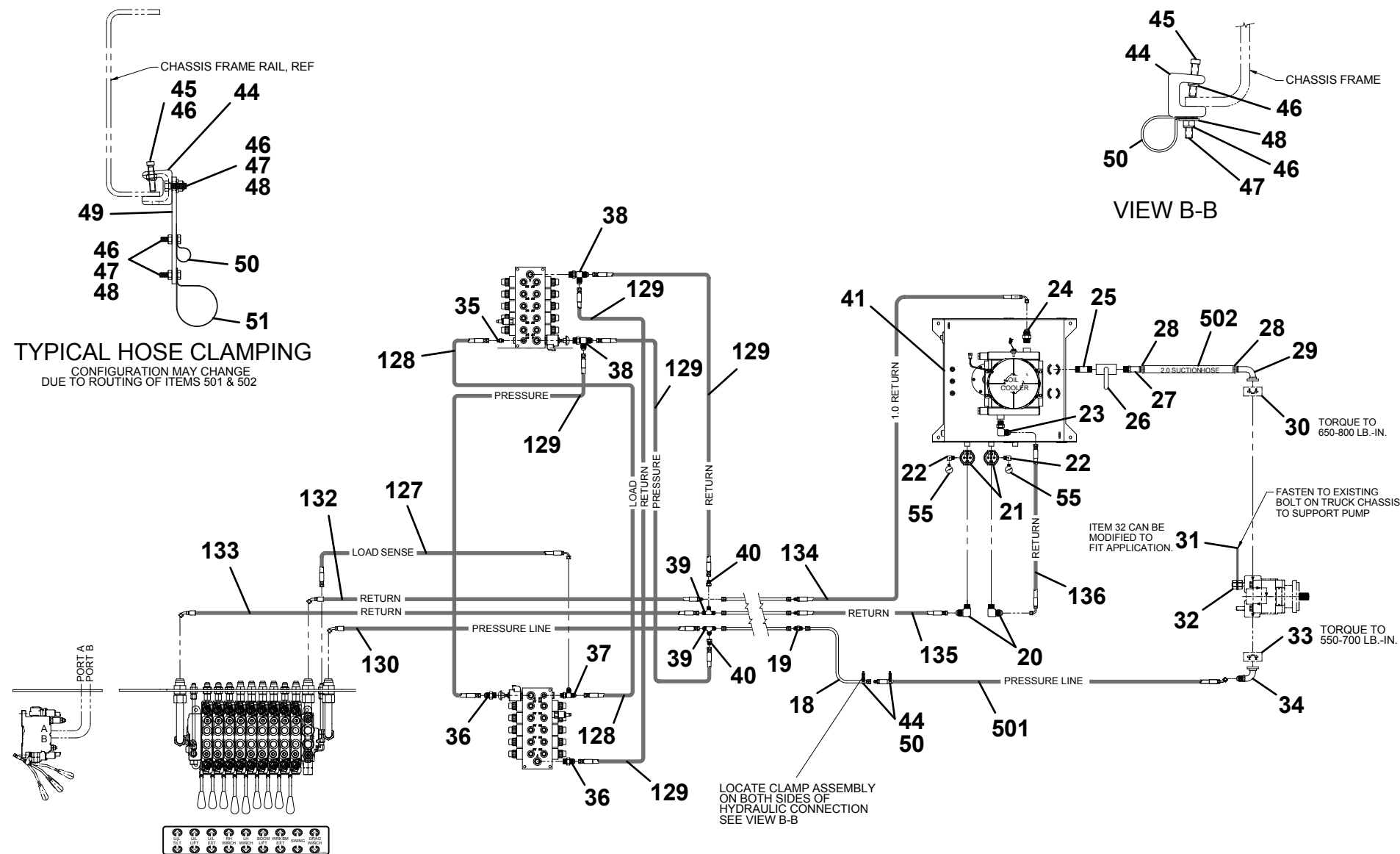
HDL 530 & HDL 565 U/L

HYDRAULIC INSTALLATION

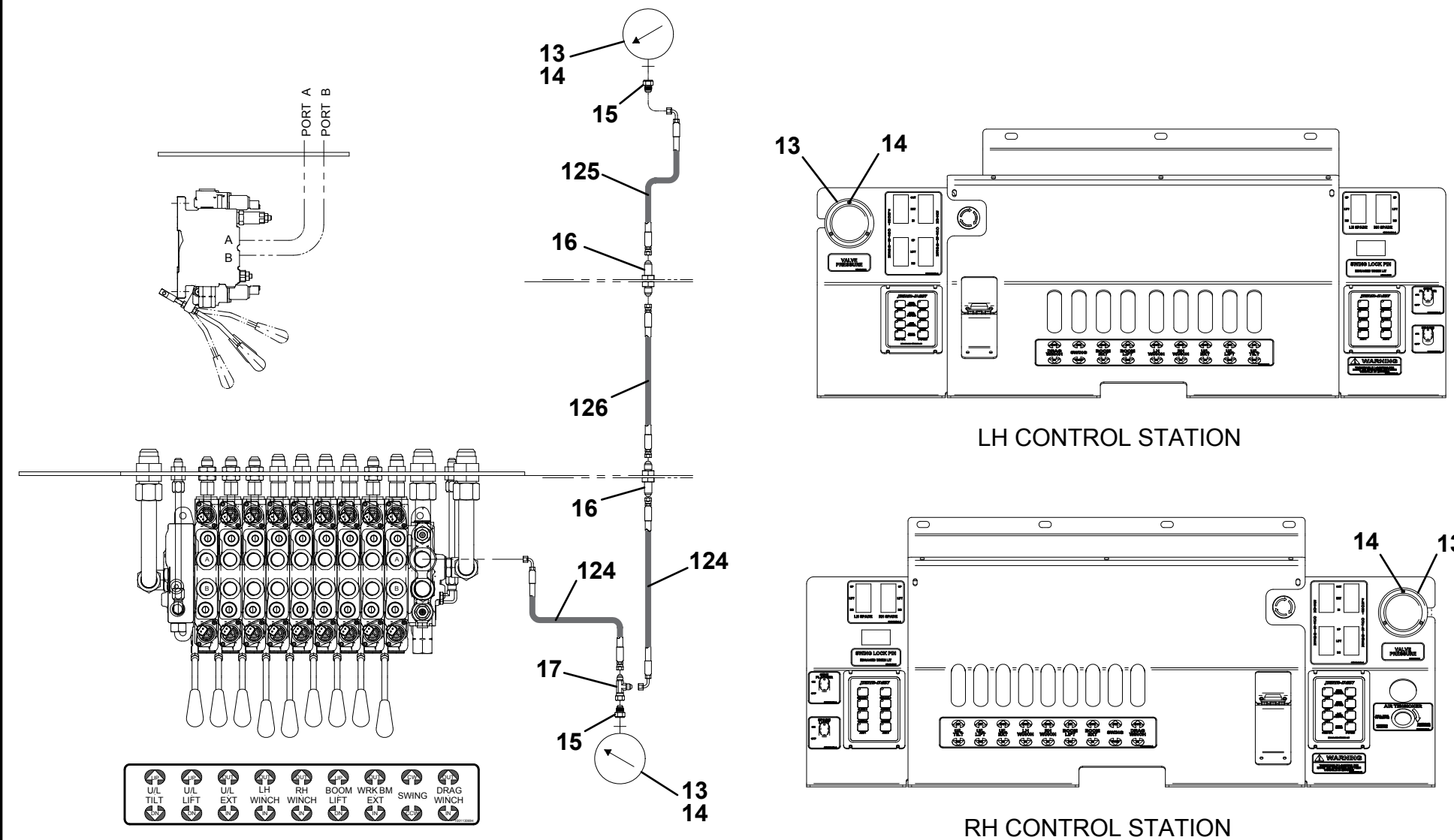


HDL 300 & HDL 350 U/L

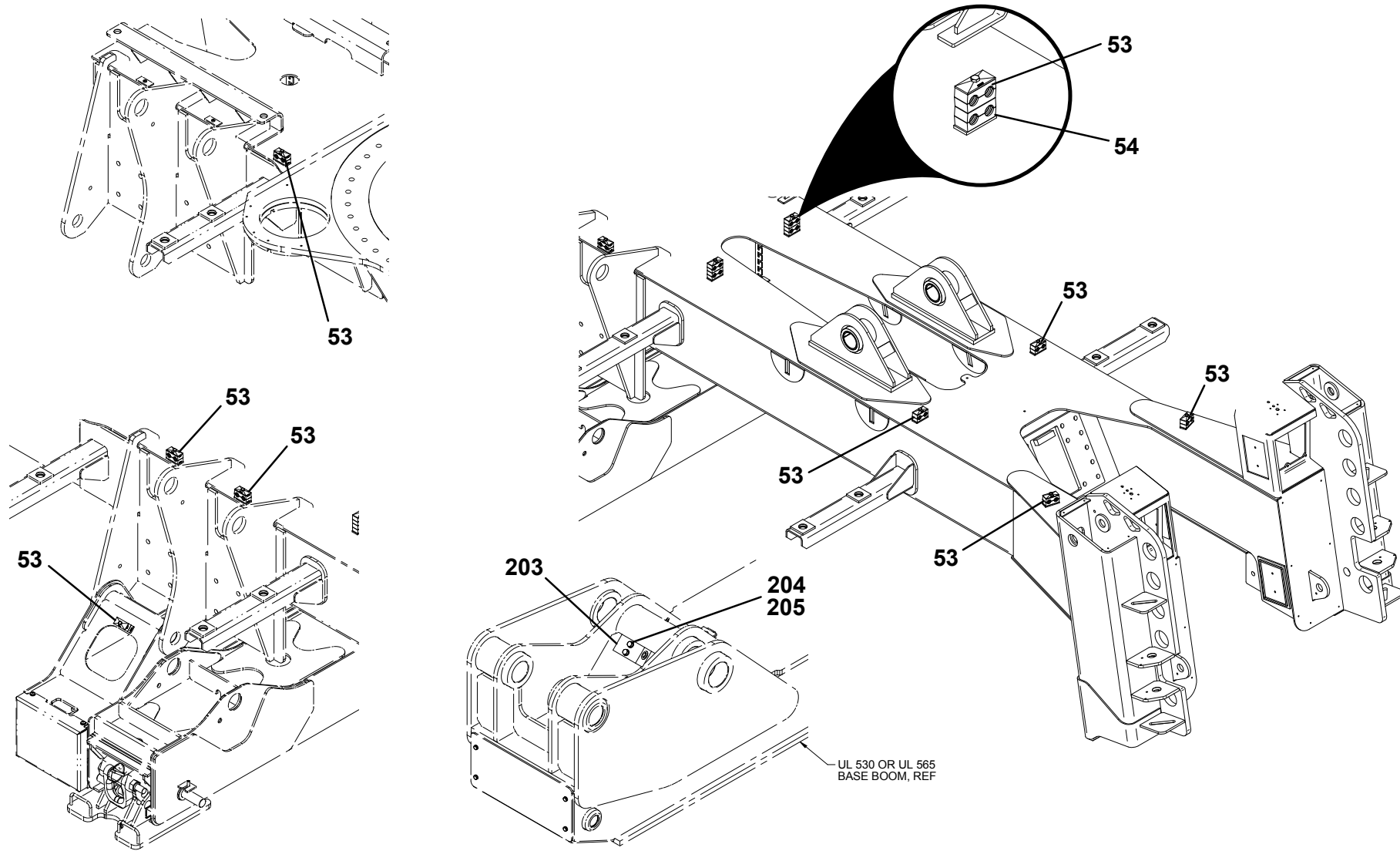
HYDRAULIC INSTALLATION



HYDRAULIC INSTALLATION



HYDRAULIC INSTALLATION

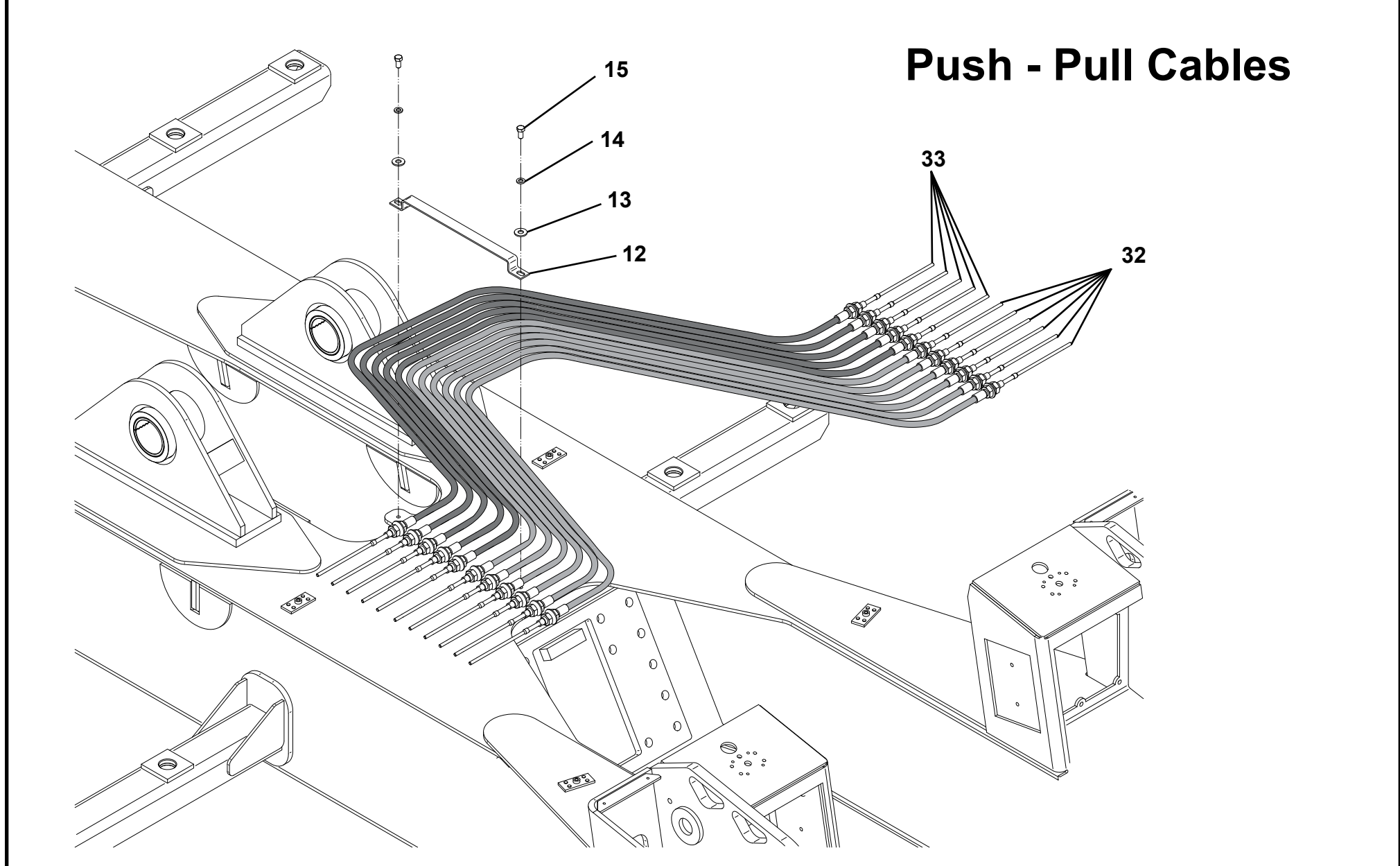


THIS PAGE INTENTIONALLY LEFT BLANK

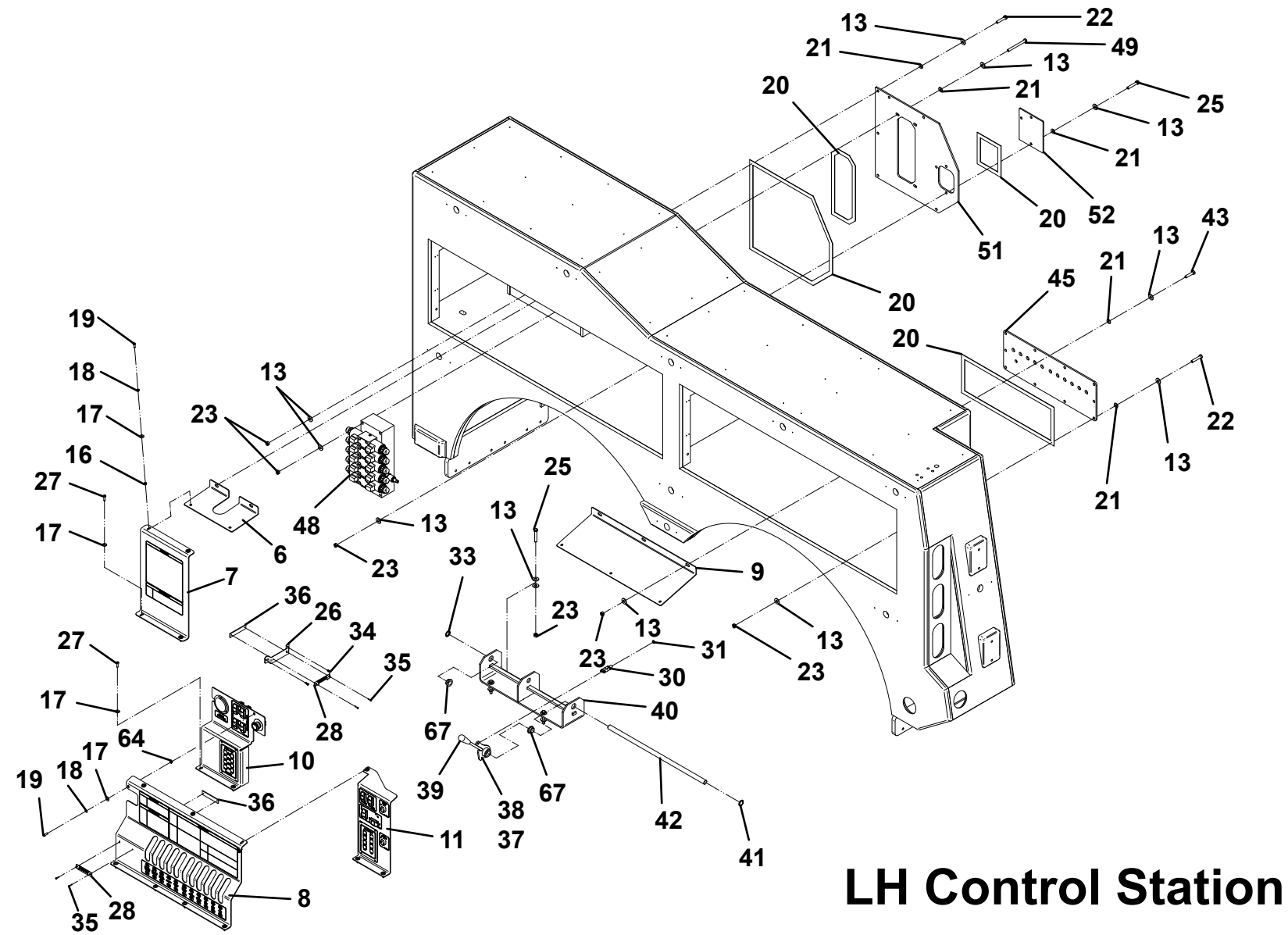
CONTROLS INSTALLATION - 9 SECTION & 11 SECTION

ITEM	PART NO.	DESCRIPTION	QTY	ITEM	PART NO.	DESCRIPTION	QTY
1	1001171113	Valve Assembly, 9 Section	1	35	7120000047	Screw, #4-40NC x 0.62"	8
	1001166966	Valve Assembly, 11 Section	1	36	1001156079	Bar	4
2	1001172652	Panel, RH 9 Section	1	37	1001130086	Handle, Long	3
	1001172758	Panel, RH 11 Section	1	38	1001130087	Handle, Short	6
3	1001172651	Panel, Top	1	39	1001130491	Ball Knob	9
4	1001154069	Panel, RH	1	40	1001130262	Bracket, 9 Section	1
5	1001154274	Panel, RH	1		1001157245	Bracket, 11 Section	1
6	1001134411	Panel	2	41	7754000009	Retaining Ring	2
7	1001134412	Panel	2	42	7806000008	Shaft, 9 Section	1
8	1001154275	Panel, 9 Section	1		1001157309	Shaft, 11 Section	1
	1001157228	Panel, 11 Section	1	43	7115161450	Capscrew, 0.38"-16NC x 1.75"	3
9	1001130347	Panel	1	45	1001171114	Plate, 9 Section	1
10	1001154276	Panel	1		1001163681	Plate, 11 Section	1
11	1001163690	Panel	1	48	1001134376	Valve	2
12	4062000717	Bar	1	49	7115163250	Capscrew, 0.38"-16NC x 4.00"	6
13	7950160161	Flatwasher, 0.38"	120	50	1001137159	Plate	1
14	7950160000	Lockwasher, 0.38" ID	2	51	1001163674	Plate	1
15	7115160650	Bolt, 0.38"-16NC X 0.75"	2	52	1001163687	Plate	1
16	7413000002	Nutsert 0.25"-20NC	21	53	1001154277	Decal, Remote	1
17	7950140161	Flatwasher, 0.25"	34	54	1001134433	Decal, Air Tensioner	1
18	7950140000	Lockwasher, 0.25" ID	22	55	1001134462	Decal, Outriggers	1
19	7114140618	Capscrew, 0.25"-20NC x 0.75"	22	56	1001131032	Decal, Valve pressure	2
20	7796000012	Seal	30ft	57	1001134461	Decal, Spades	2
21	1001166974	Washer, 0.38" ID	51	58	1001154075	Decal, Swing	2
22	7115161650	Bolt, 0.38"-16NC x 2.00"	35	59	1001134450	Decal, 9 Section - RH	1
23	7660162601	Locknut, 0.38"-16NC	59		1001157232	Decal, 11 section - RH	1
25	7115161850	Capscrew, 0.38"-16NC x 2.25"	11	60	1001136146	Decal	2
26	1001167099	Level	2	61	1001137160	Decal	2
27	751408	Screw, 0.25" x 1.00"	20	62	1001134463	Decal, Outrigger	1
28	1001156279	Inclinometer	4	63	1001130696	Decal, 9 Section - LH	1
29	1001166978	Washer, 0.25"	8		1001157233	Decal, 11 Section - LH	1
30	7577000273	Yoke, 9 Section	18	64	7660140001	Nut, 0.25"-20NC	1
	7577000273	Yoke, 11 Section	22	65	1001157240	Panel	1
31	7660140230	Nut, 0.25"-28NF, 9 Section	18	67	7082000005	Bearing	2
	7660140230	Nut, 0.25"-28NF, 11 Section	22	68	7115161050	Capscrew, 0.38"-16NC x 1.25"	4
32	1001163652	Cable, 107"	6				
33	1001163651	Cable, 99" - 9 Section	3				
	1001163651	Cable, 99" - 11 Section	5				
34	1001166322	Screw, #10-12NC x 0.62"	4				

CONTROLS INSTALLATION - 9 SECTION & 11 SECTION

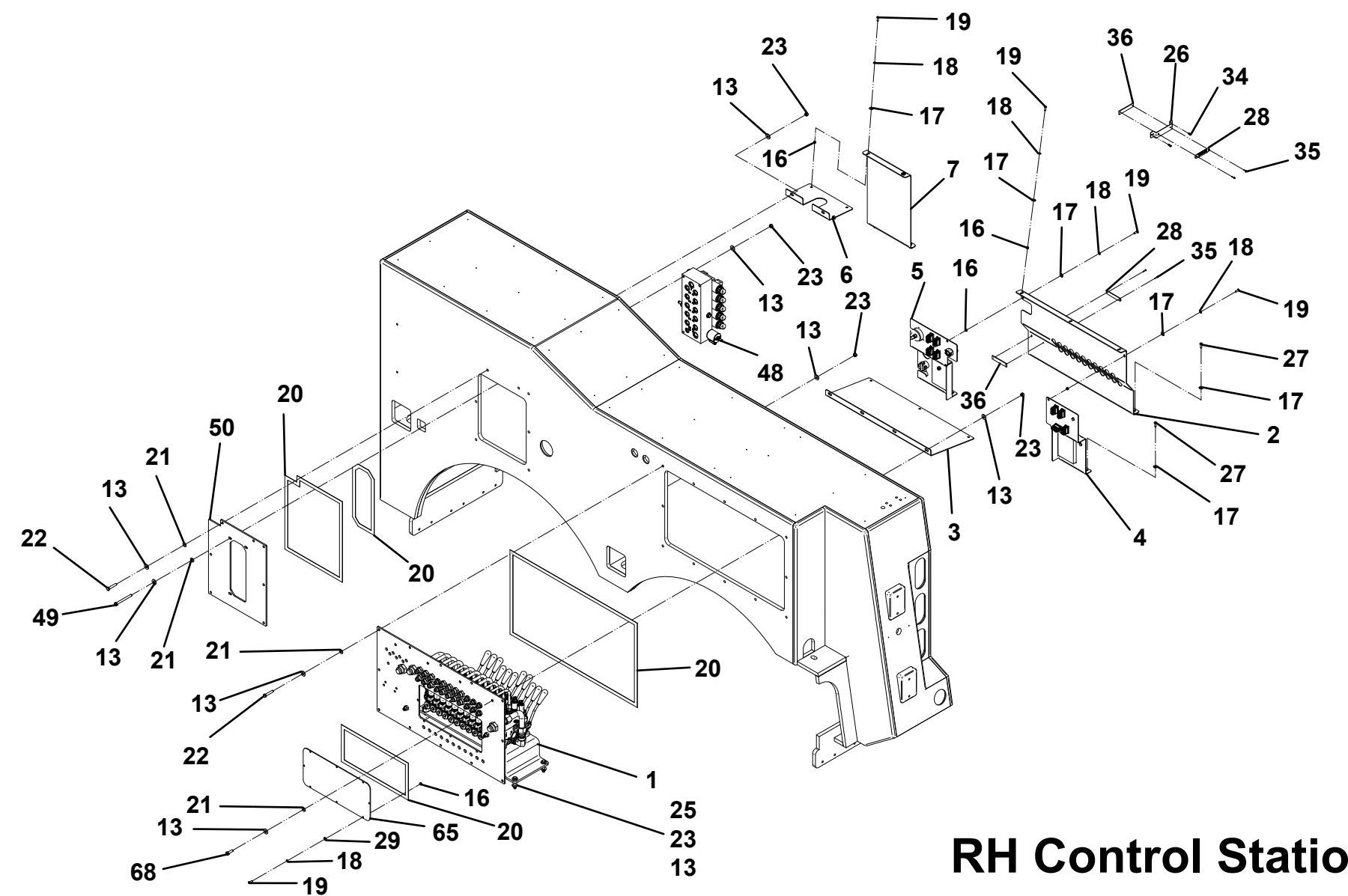


CONTROLS INSTALLATION - 9 SECTION & 11 SECTION



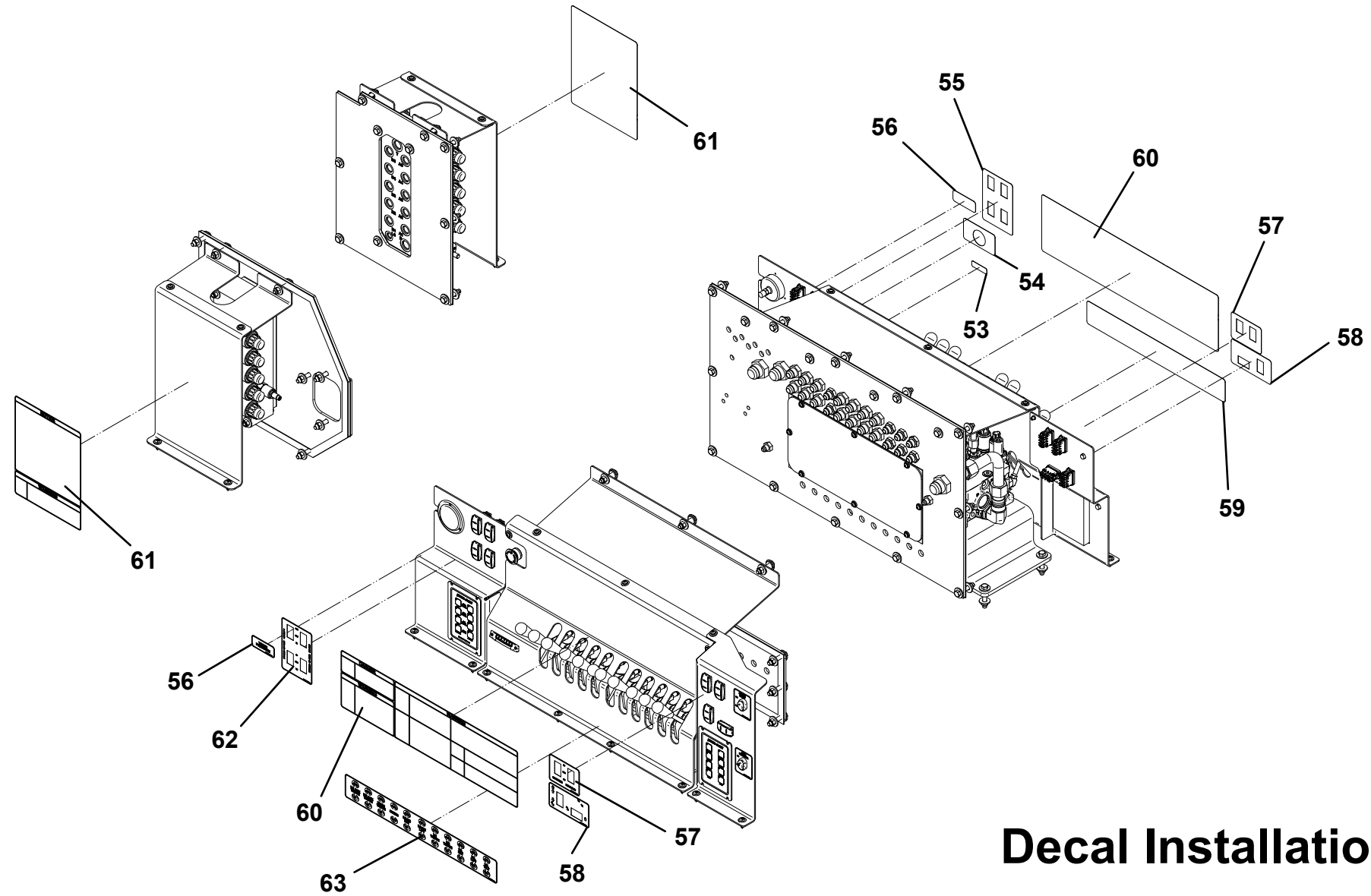
LH Control Station

CONTROLS INSTALLATION - 9 SECTION & 11 SECTION



RH Control Station

CONTROLS INSTALLATION - 9 SECTION & 11 SECTION



Decal Installation

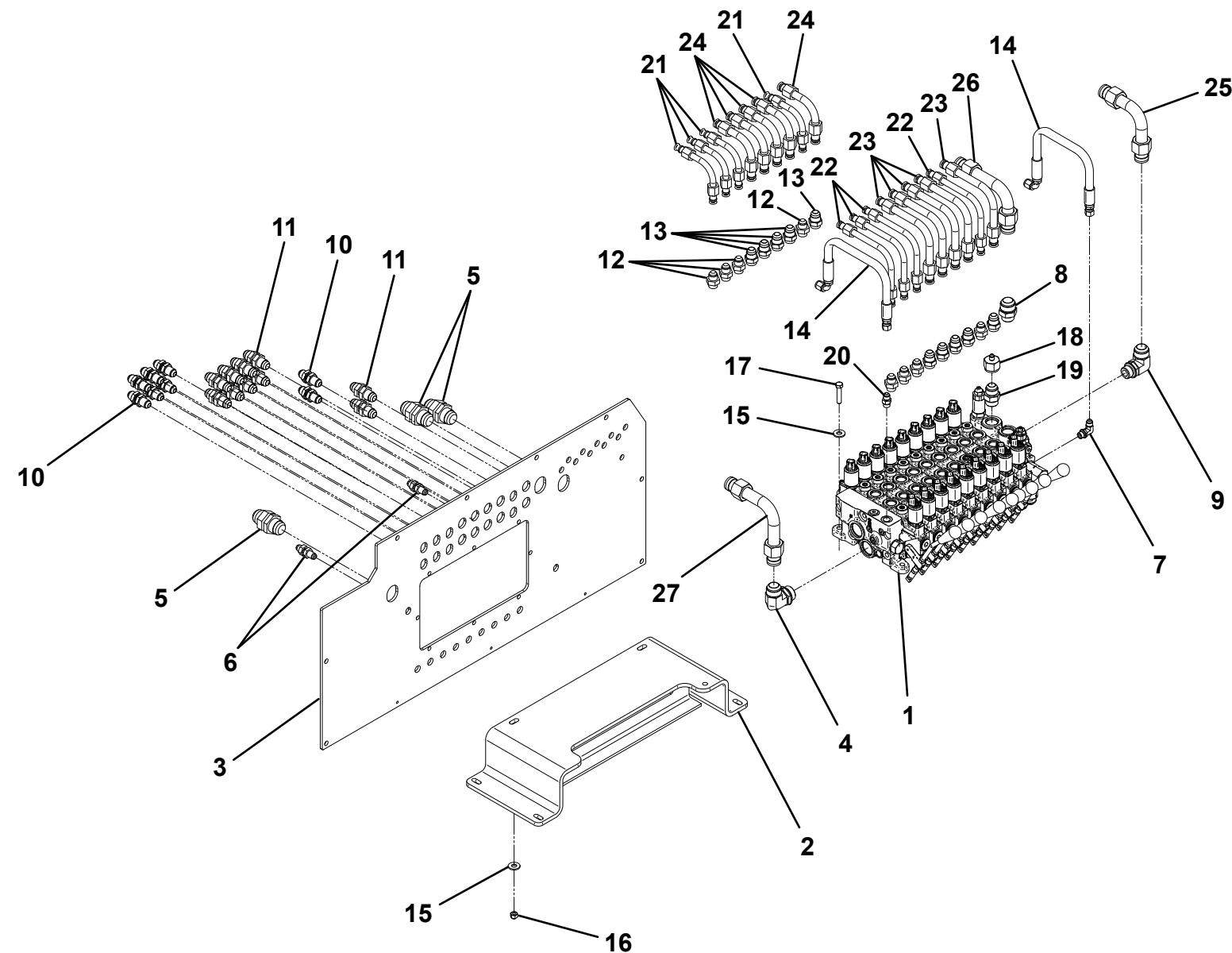
THIS PAGE INTENTIONALLY LEFT BLANK

VALVE ASSEMBLY, 9 SECTION - 1001171113

ITEM	PART NO.	DESCRIPTION	QTY
1	1001127671	Valve, 9 Section Control	1
2	1001130258	Mount, Control Valve	1
3	1001171106	Plate, Bulkhead	1
4	7445161645	Fitting, Elbow	1
5	7445161625	Fitting, Union Bulkhead	3
6	7445060625	Fitting, Union Bulkhead	2
7	7445060645	Fitting, Elbow	1
8	7445161243	Fitting, Adapter	1
9	7445161245	Fitting, Elbow	1
10	7445080825	Fitting, Union Bulkhead	8
11	7445101025	Fitting, Union Bulkhead	10
12	7445081043	Fitting, Adapter	8
13	7445101043	Fitting, Adapter	10
14	4567122014	Hose Assembly	2
15	7950160161	Flatwasher, 0.38" ID	6
16	7660162601	Locknut, 0.38"-16NC	3
17	7115161450	Capscrew, 0.38"-16NC x 1.75"	3
18	7443000207	Fitting, Reducer	1
19	7445121243	Fitting, Adapter	1
20	7445060643	Fitting, Adapter	1
21	1001130208*	Pipe, Tube Assembly 0.50" Dia "A" Port	4
22	1001130209*	Pipe, Tube Assembly 0.50" Dia "B" Port	4
23	1001130210*	Pipe, Tube Assembly 0.62" Dia "A" Port	5
24	1001130211*	Pipe, Tube Assembly 0.62" Dia "B" Port	5
25	1001130215*	Pipe, Tube Assembly 1.00" Dia Inlet	1
26	1001130216*	Pipe, Tube Assembly 1.00" Dia Inlet	1
27	1001130217*	Pipe, Tube Assembly 1.00" Dia Outlet	1

* Available in Pipe Kit - 1001130218

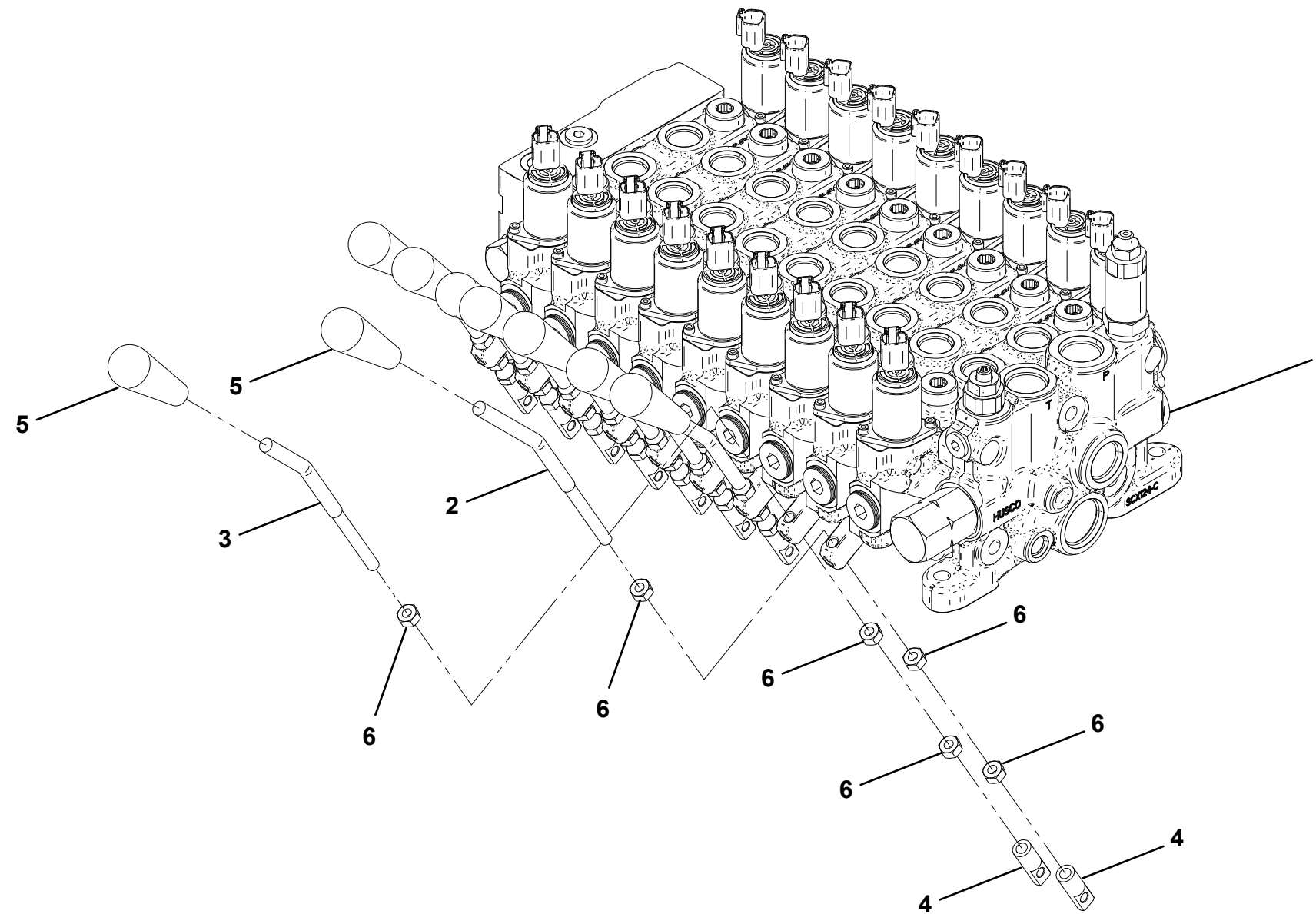
VALVE ASSEMBLY, 9 SECTION - 1001177113



VALVE ASSEMBLY, 9 SECTION - 1001127671

ITEM	PART NO.	DESCRIPTION	QTY
1	1001131131	Valve, 9 Section Control	1
2	1001131124	Handle, Long Control	3
3	1001131123	Handle, Short Control	6
4	1001131129	Adapter	9
5	1001130491	Ball, Knob	9
6	7660150000	Nut, 0.31"-18NC	27

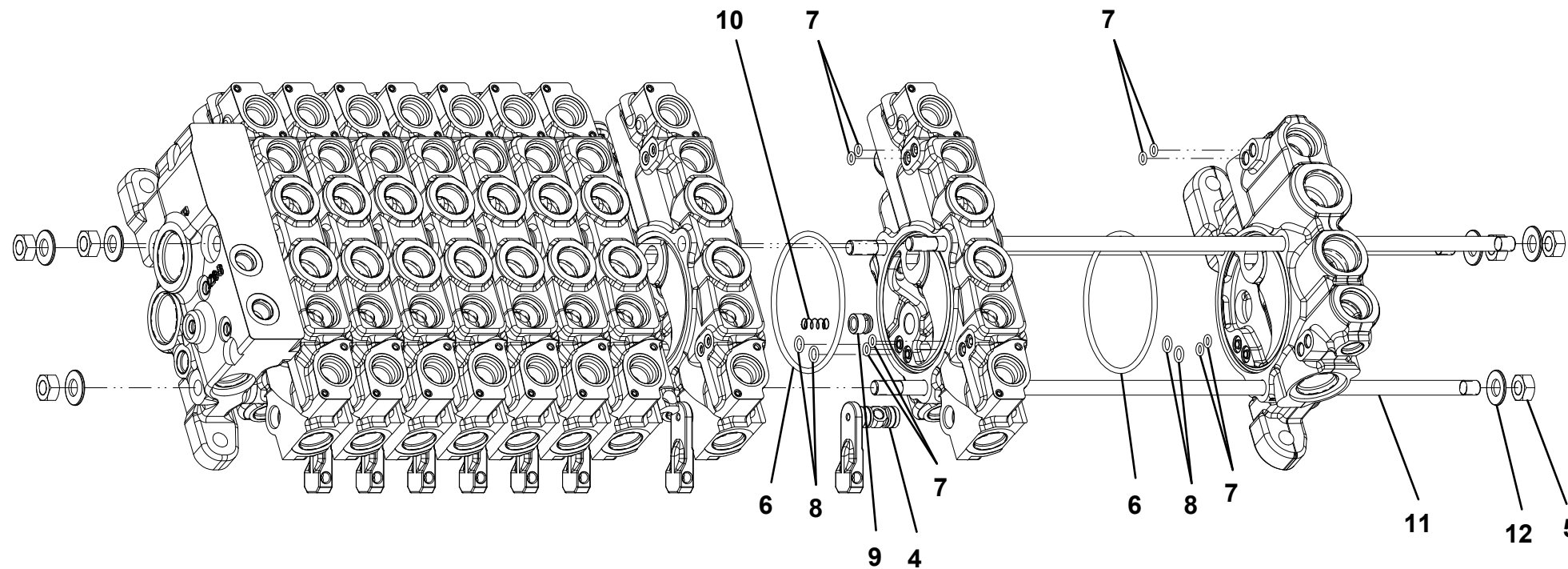
VALVE ASSEMBLY, 9 SECTION - 1001127671

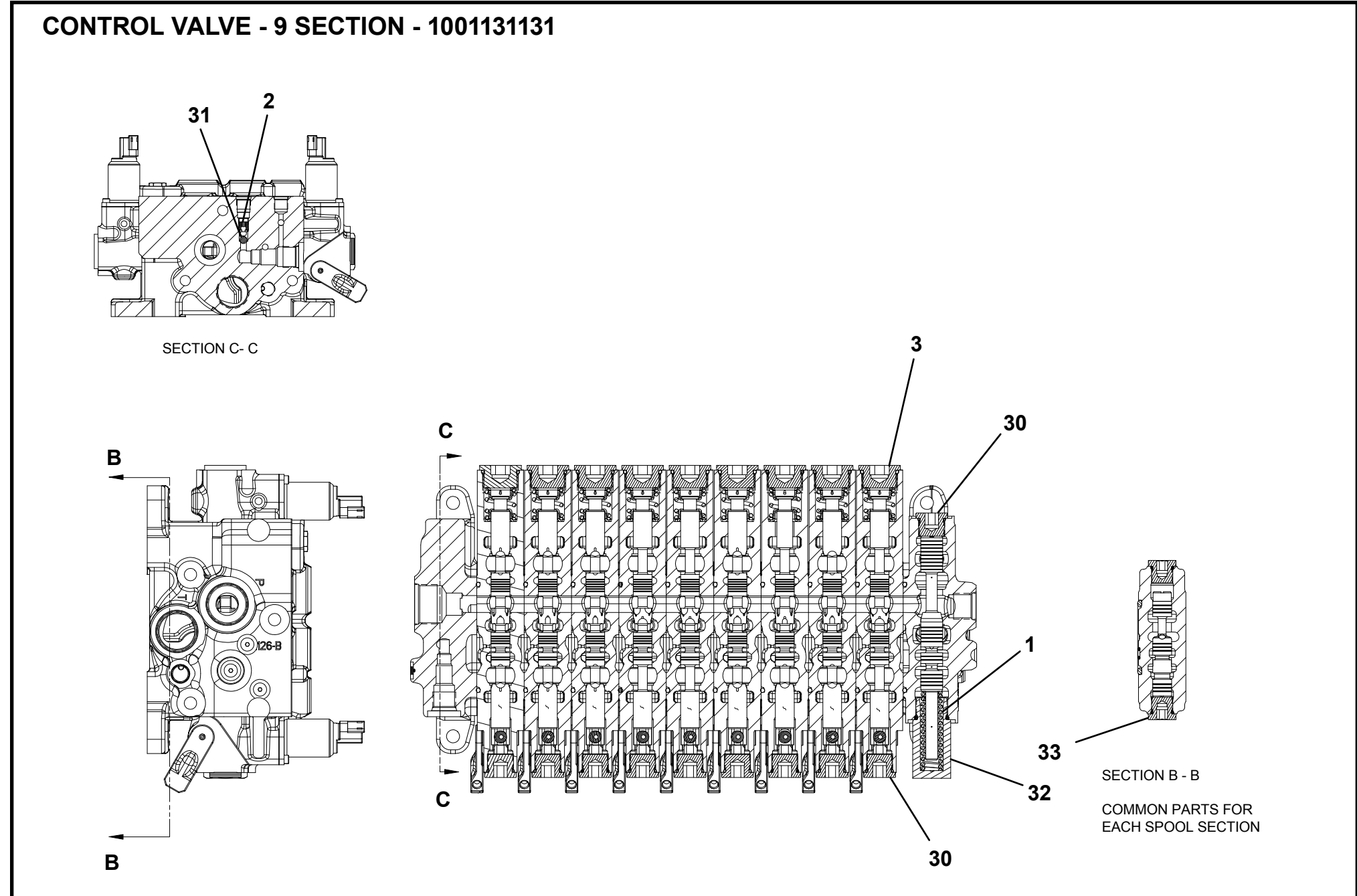
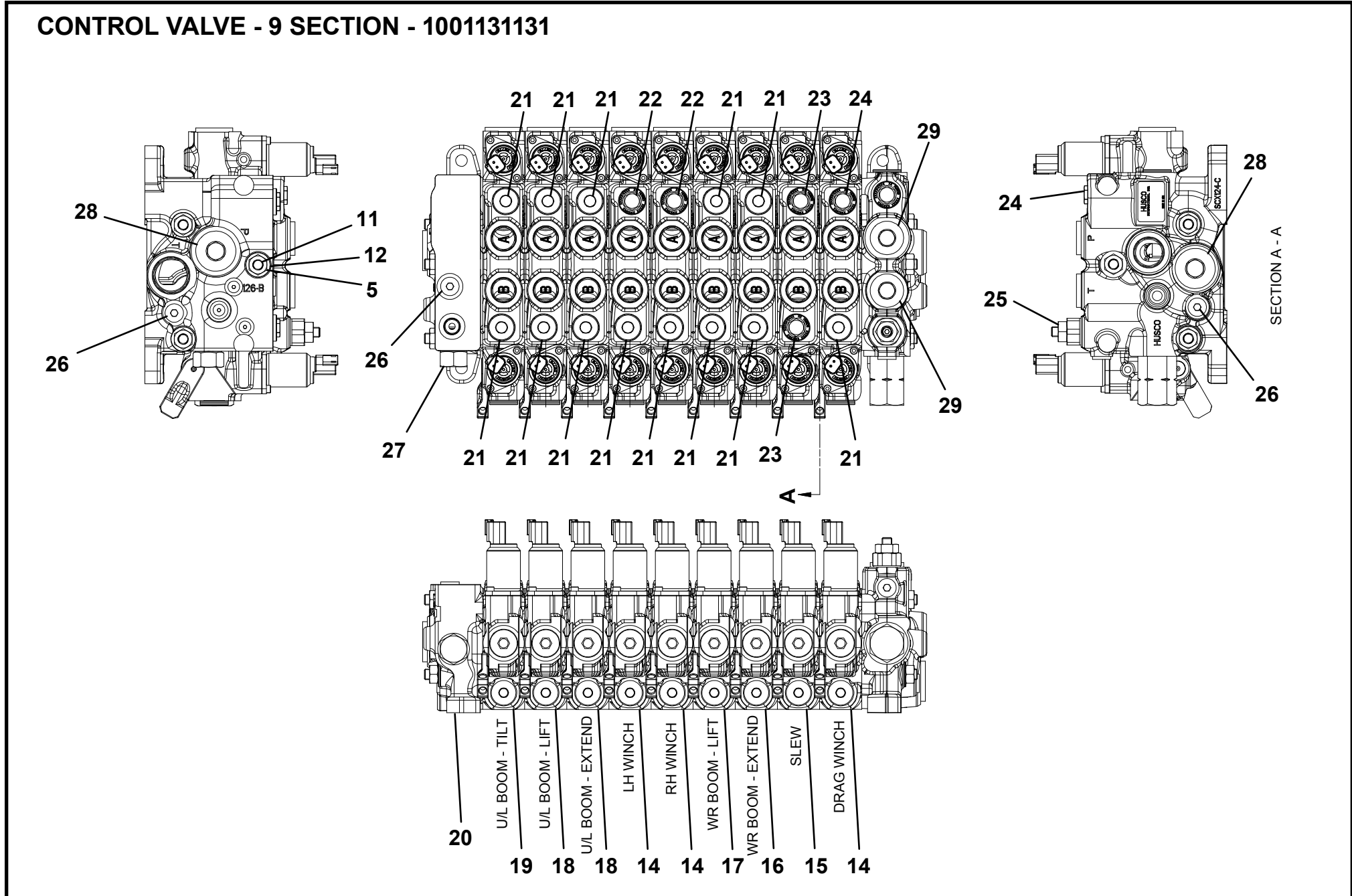


CONTROL VALVE - 9 SECTION - 1001131131

ITEM	PART NO.	DESCRIPTION	QTY
1	70050492	Spring	1
2	70050501	Set Screw	1
3	70050502	Plug Assembly - SAE	9
4	70050510	Lever Assembly	8
5	70050481	Nut	6
6	8034697	O-Ring	10
7	70050508	O-Ring	40
8	70050507	O-Ring	20
9	10837929	Poppet	9
10	10837937	Spring	9
11	70050483	Tie Rod	3
12	70050482	Washer - Compression	6
13	70050491	Inlet Section Assembly	1
14	70050490	Spool Section Assembly	3
15	70050489	Spool Section Assembly	1
16	70050488	Spool Section Assembly	1
17	70050487	Spool Section Assembly	1
18	70050486	Spool Section Assembly	2
19	70050485	Spool Section Assembly	1
20	70050484	Outlet Section Assembly	1
21	70050480	Shut Off Plug Assembly	13
22	70050479	Relief Valve Assembly	3
23	70050478	Relief Valve Assembly	2
24	70050477	Relief Valve Assembly	1
25	70050476	Drain Regulator Assembly	1
26	70050475	Plug Assembly - SAE	3
27	70050474	Pressure Regulating Valve Assembly	1
28	70050473	Plug Assembly - SAE	2
29	70050472	Plug Assembly - SAE	2
30	70050503	Plug Assembly - Metric	10
31	70050506	Ball	1
32	70050505	Cap Assembly	1
33	70050504	Plug Assembly - Metric	16

CONTROL VALVE - 9 SECTION - 1001131131



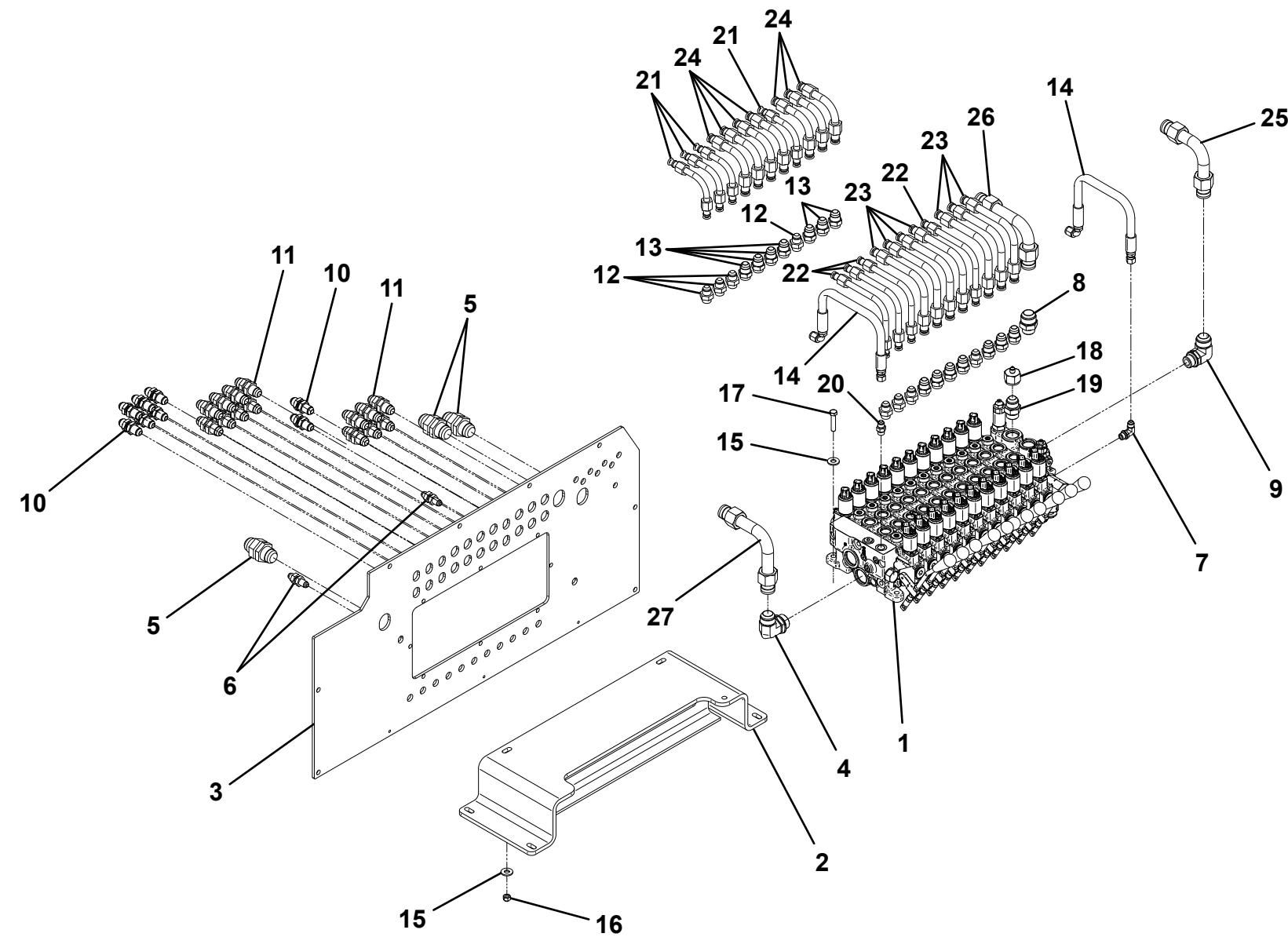


VALVE ASSEMBLY, 11 SECTION - 1001166966

ITEM	PART NO.	DESCRIPTION	QTY
1	1001127327	Valve, 11 Section Control	1
2	1001157110	Mount, Control Valve	1
3	1001163682	Plate, Bulkhead	1
4	7445161645	Fitting, Elbow	1
5	7445161625	Fitting, Union Bulkhead	3
6	7445060625	Fitting, Union Bulkhead	2
7	7445060645	Fitting, Elbow	1
8	7445161243	Fitting, Adapter	1
9	7445161245	Fitting, Elbow	1
10	7445080825	Fitting, Union Bulkhead	8
11	7445101025	Fitting, Union Bulkhead	14
12	7445081043	Fitting, Adapter	8
13	7445101043	Fitting, Adapter	14
14	4567122014	Hose Assembly	2
15	7950160161	Flatwasher, 0.38" ID	6
16	7660162601	Locknut, 0.38"-16NC	3
17	7115161450	Capscrew, 0.38"-16NC x 1.75"	3
18	7443000207	Fitting, Reducer	1
19	7445121243	Fitting, Adapter	1
20	7445060643	Fitting, Adapter	1
21	1001130208*	Pipe, Tube Assembly 0.50" Dia "A" Port	4
22	1001130209*	Pipe, Tube Assembly 0.50" Dia "B" Port	4
23	1001130210*	Pipe, Tube Assembly 0.62" Dia "A" Port	7
24	1001130211*	Pipe, Tube Assembly 0.62" Dia "B" Port	7
25	1001130215*	Pipe, Tube Assembly 1.00" Dia Inlet	1
26	1001130216*	Pipe, Tube Assembly 1.00" Dia Inlet	1
27	1001130217*	Pipe, Tube Assembly 1.00" Dia Outlet	1

* Available in Pipe Kit - 1001157212

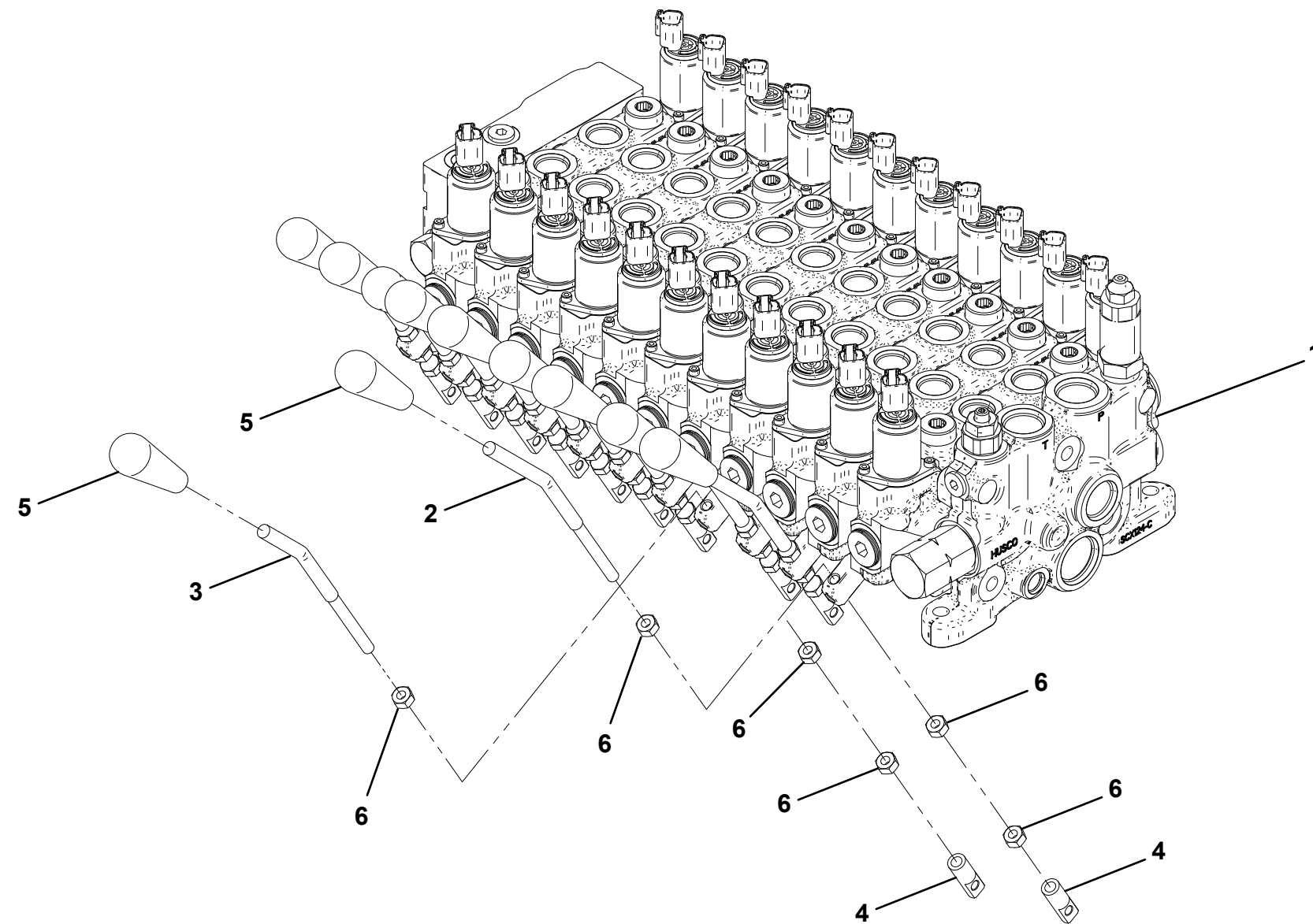
VALVE ASSEMBLY, 11 SECTION - 1001166966



VALVE ASSEMBLY, 11 SECTION - 1001127327

ITEM	PART NO.	DESCRIPTION	QTY
1	1001157093	Valve, 11 Section Control	1
2	1001131124	Handle, Long Control	5
3	1001131123	Handle, Short Control	6
4	1001131129	Adapter	11
5	1001130491	Ball, Knob	11
6	7660150000	Nut, 0.31"-18NC	33

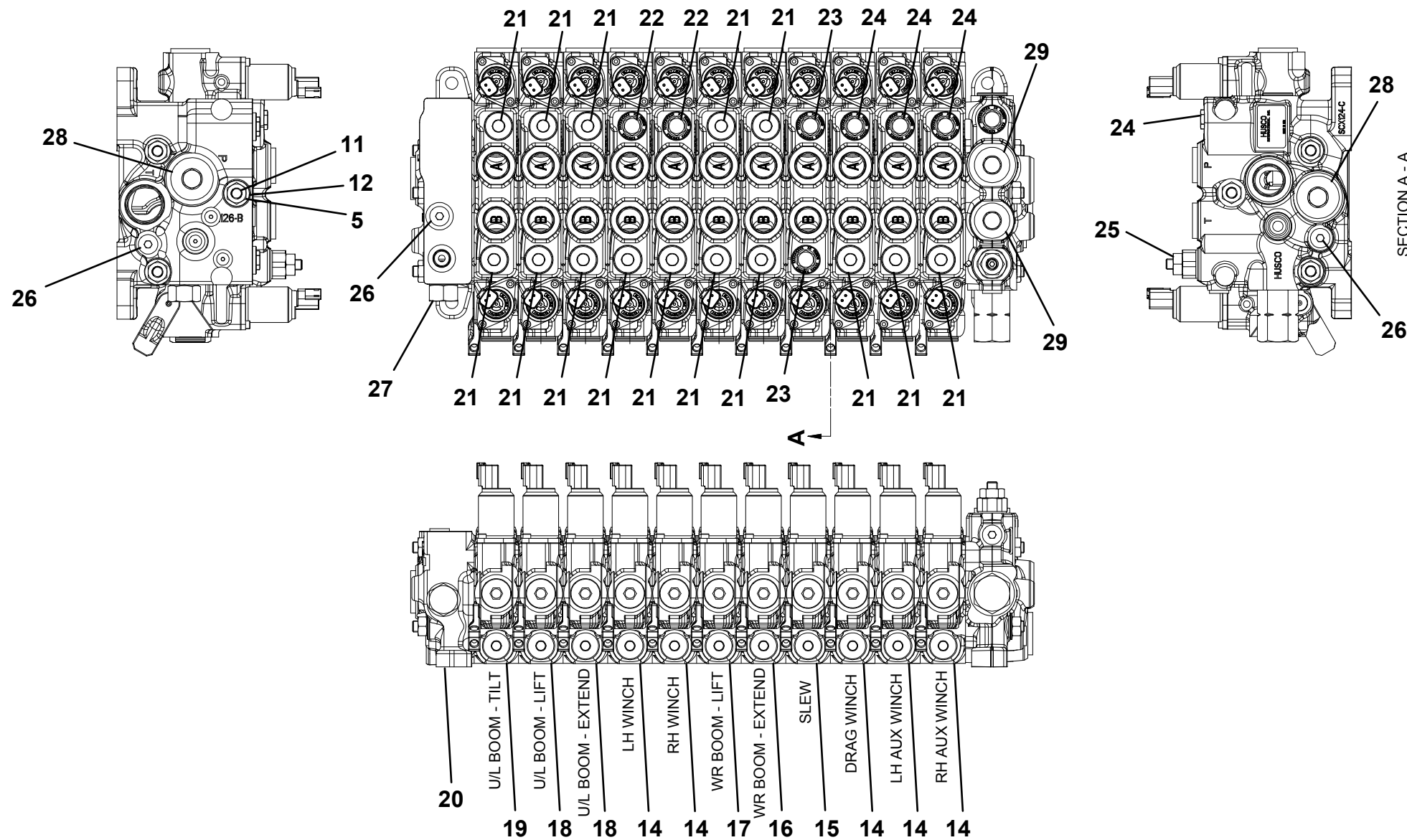
VALVE ASSEMBLY, 11 SECTION - 1001127327



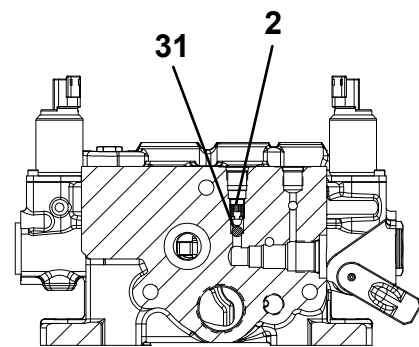
CONTROL VALVE - 11 SECTION - 1001157093

ITEM	PART NO.	DESCRIPTION	QTY
1	70050492	Spring	1
2	70050501	Set Screw	1
3	70050502	Plug Assembly - SAE	11
4	70050510	Lever Assembly	10
5	70050481	Nut	6
6	8034697	O-Ring	12
7	70050508	O-Ring	48
8	70050507	O-Ring	24
9	10837929	Poppet	11
10	10837937	Spring	11
11	70050734	Tie Rod	3
12	70050482	Washer - Compression	6
13	70050491	Inlet Section Assembly	1
14	70050490	Spool Section Assembly	5
15	70050489	Spool Section Assembly	1
16	70050488	Spool Section Assembly	1
17	70050487	Spool Section Assembly	1
18	70050486	Spool Section Assembly	2
19	70050485	Spool Section Assembly	1
20	70050484	Outlet Section Assembly	1
21	70050480	Shut Off Plug Assembly	15
22	70050479	Relief Valve Assembly	3
23	70050478	Relief Valve Assembly	2
24	70050477	Relief Valve Assembly	3
25	70050476	Drain Regulator Assembly	1
26	70050475	Plug Assembly - SAE	3
27	70050474	Pressure Regulating Valve Assembly	1
28	70050473	Plug Assembly - SAE	2
29	70050472	Plug Assembly - SAE	2
30	70050503	Plug Assembly - Metric	12
31	70050506	Ball	1
32	70050505	Cap Assembly	1
33	70050504	Plug Assembly - Metric	20

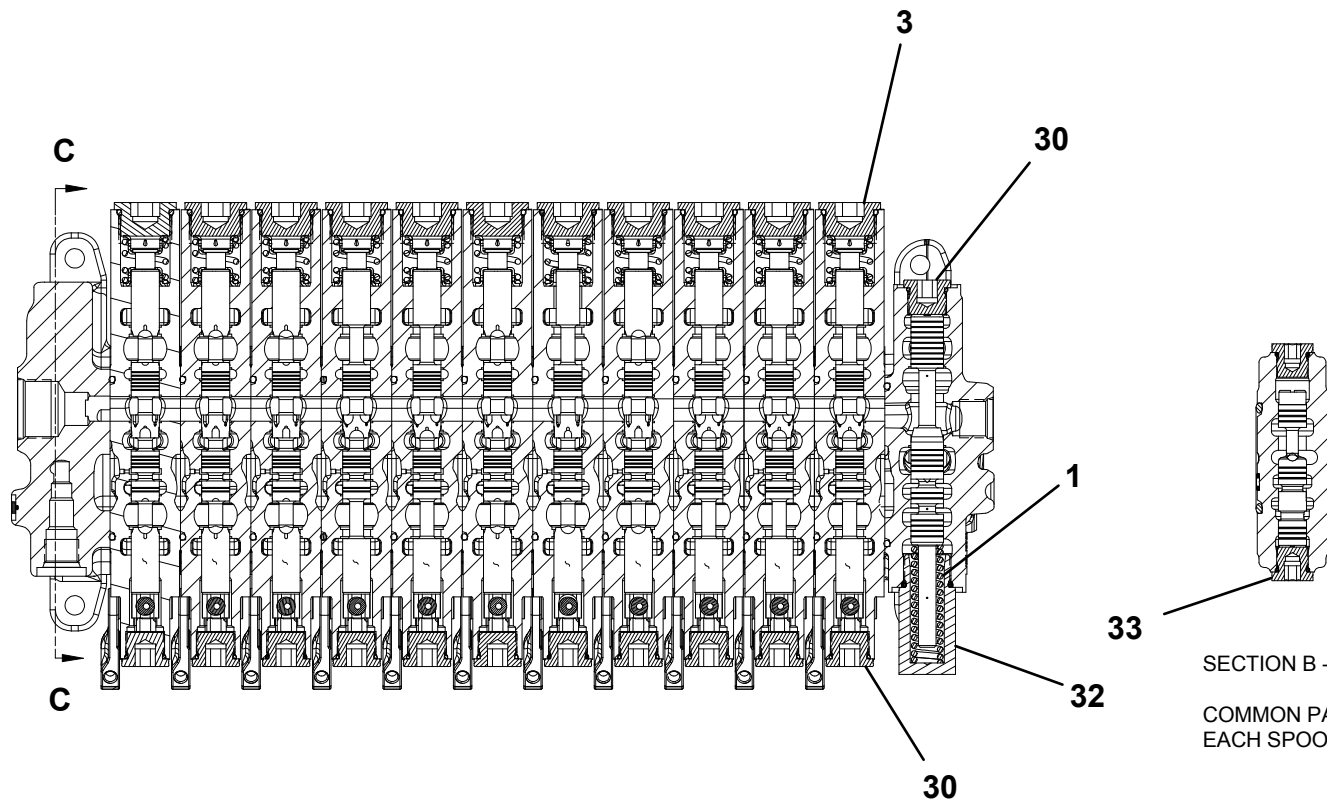
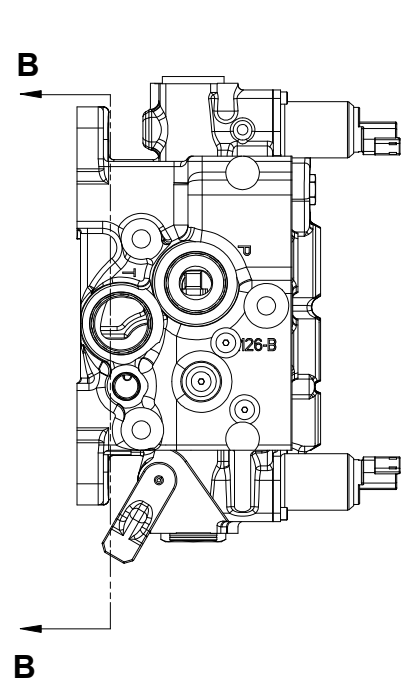
CONTROL VALVE - 11 SECTION - 1001157093



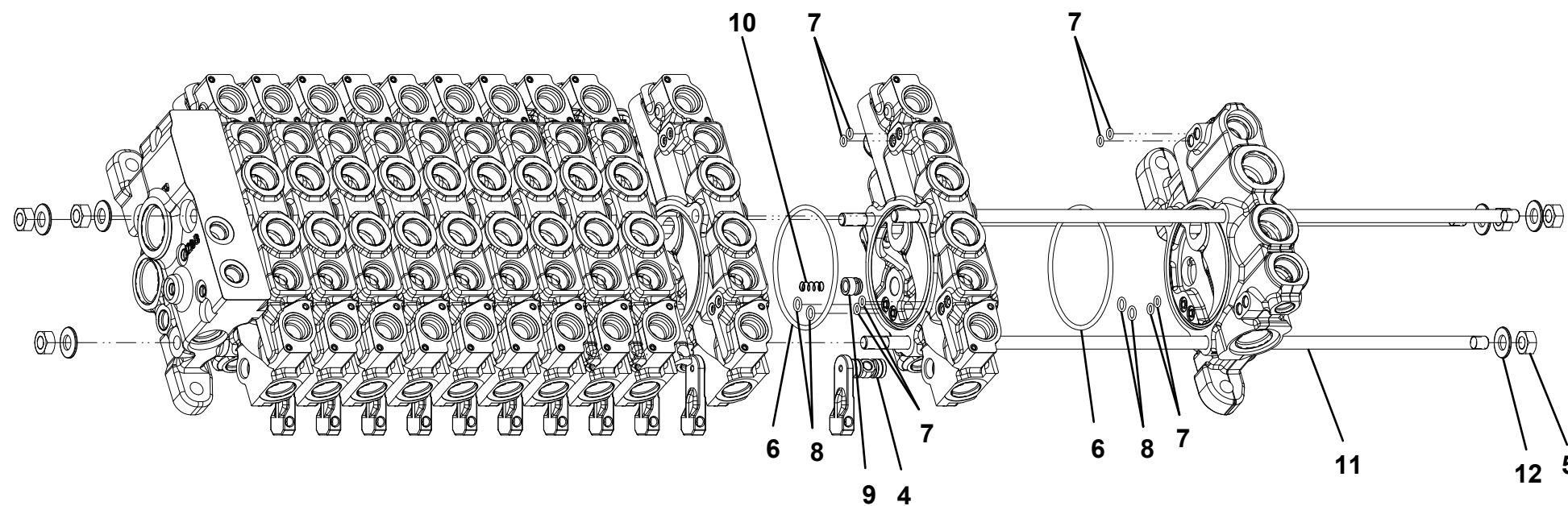
CONTROL VALVE - 11 SECTION - 1001157093



SECTION C - C



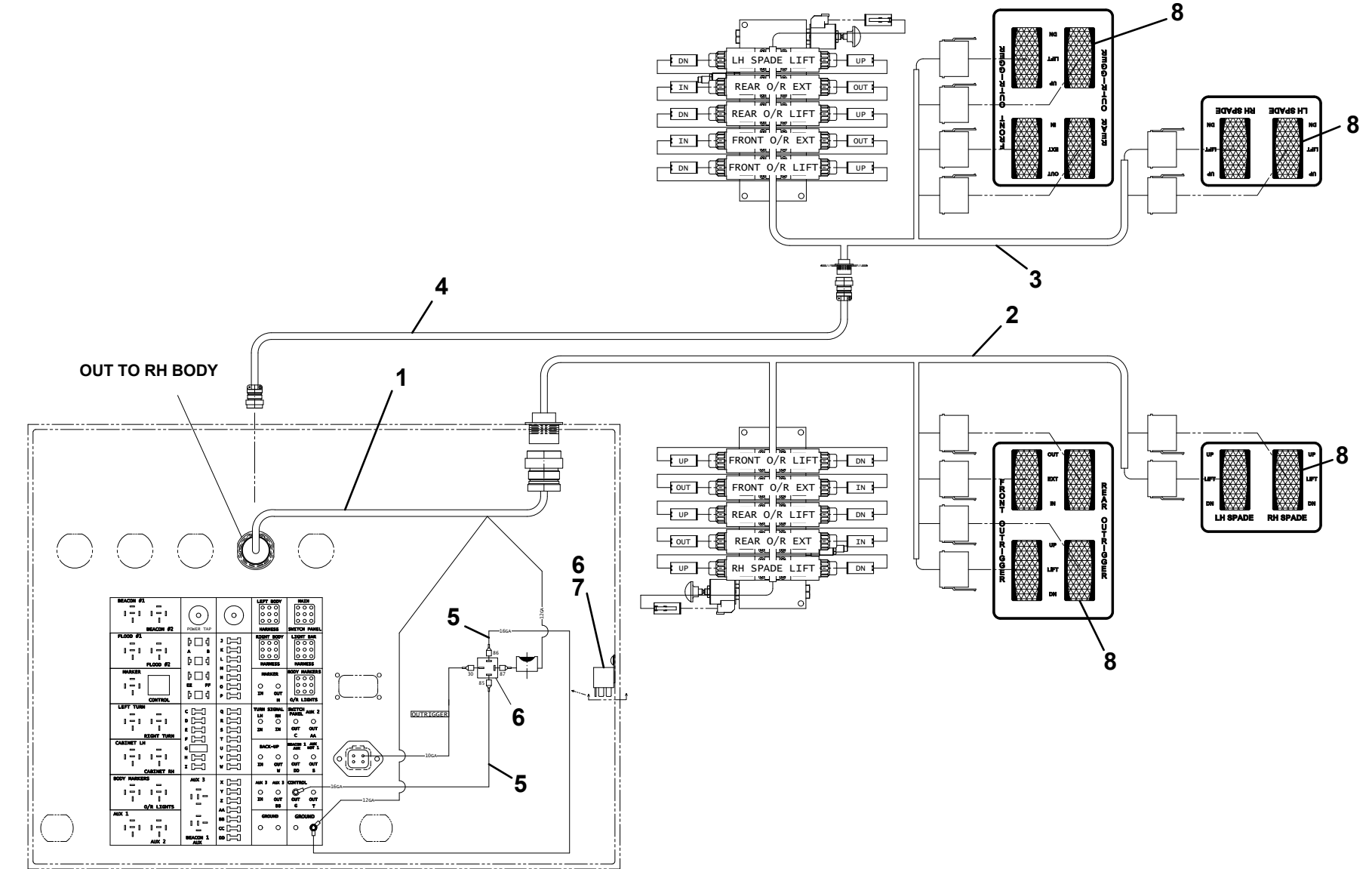
CONTROL VALVE - 11 SECTION - 1001157093



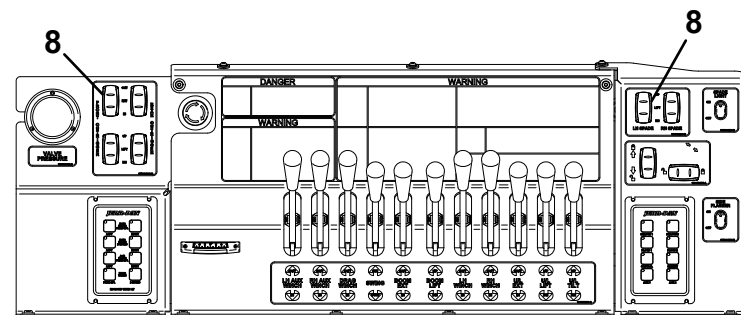
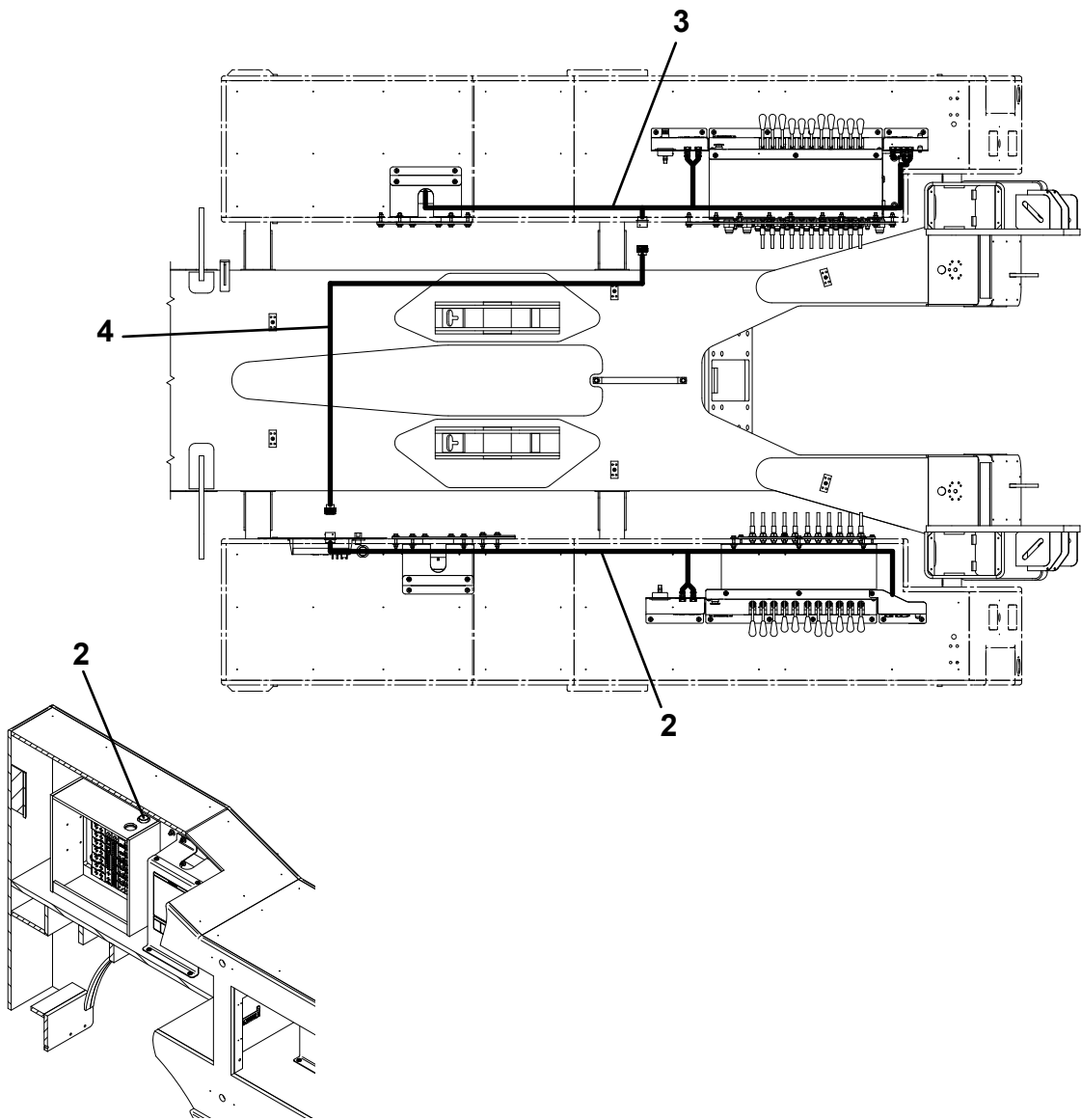
OUTRIGGER CONTROLS INSTALLATION

ITEM	PART NO.	DESCRIPTION	QTY
1	1001163012	Harness	1
2	1001162993	Harness	1
3	1001163153	Harness	1
4	1001163094	Harness	1
5	1001144012	Harness	2
6	7740000003	Relay	1
7	0751003	Screw, #10 x 0.38"	1
8	1001136270	Switch	12

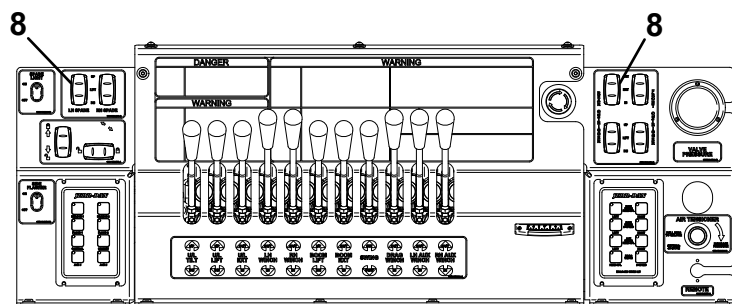
OUTRIGGER CONTROLS INSTALLATION



OUTRIGGER CONTROLS INSTALLATION



LH CONTROL STATION



RH CONTROL STATION

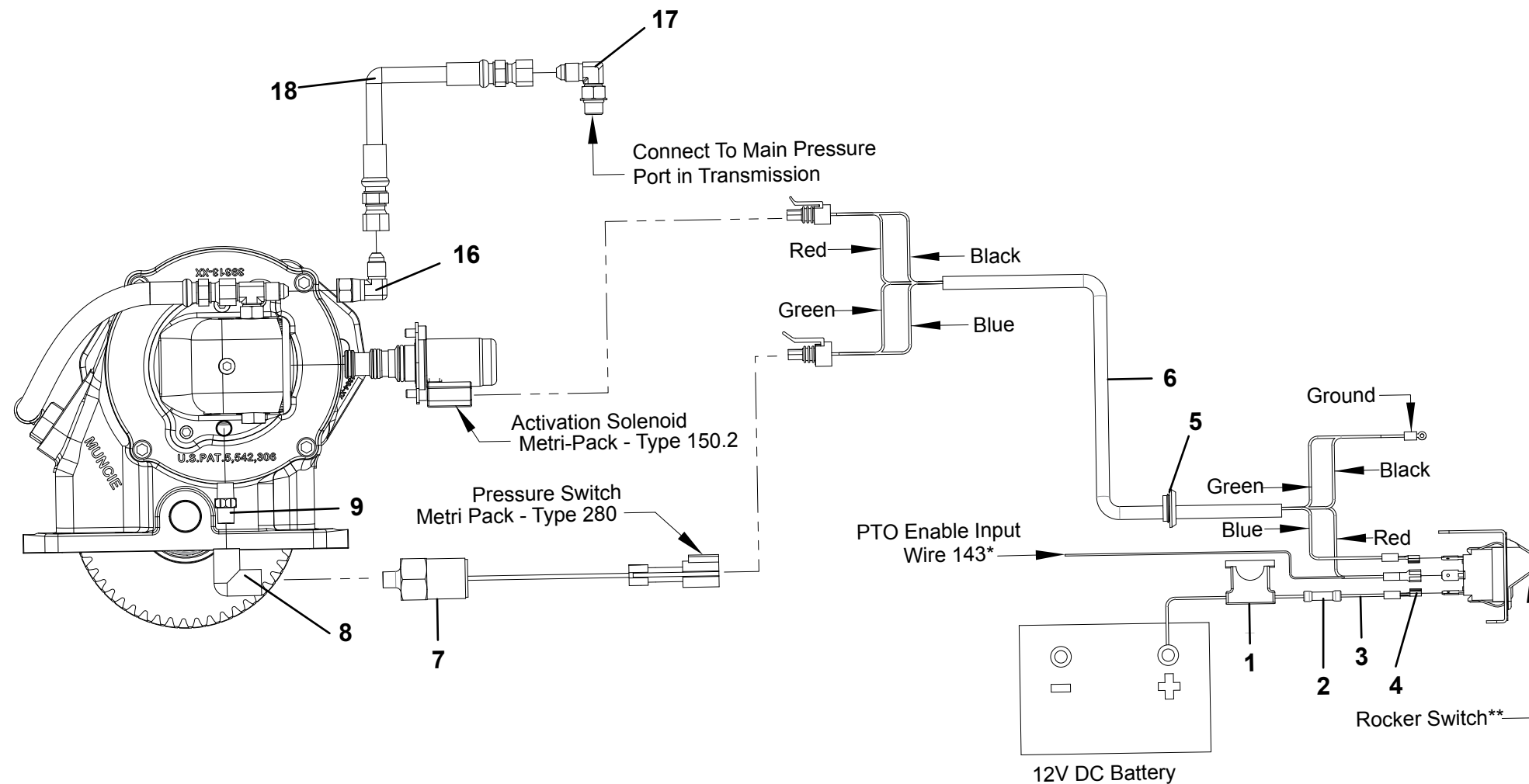
THIS PAGE INTENTIONALLY LEFT BLANK

CS24 SERIES PTO INSTALLATION

ITEM	PART NO.	DESCRIPTION	QTY
1	70050316	Fuse Assembly	
2	70050315	Butt Splice	
3	70050312	Wire	
4	70050314	Connector	
5	70050325	Grommet	
6	70050328	Wire Harness	
7	7870000062	Pressure Switch	
8	70050329	Elbow	
9	70050330	Nipple	
10	70050313	Terminal	
11	70050331	Connector	
12	7706000005	Switch Bracket	
13	7706000001	Face Plate	
14	7870000045	Switch, 12V	
15	70050319	Bolt Kit	
16	7443000431*	Fitting	
17	7443000244*	Fitting	
18	70050468*	Hose	

* Also available as Hose Kit - 70050467

CS24 SERIES PTO INSTALLATION



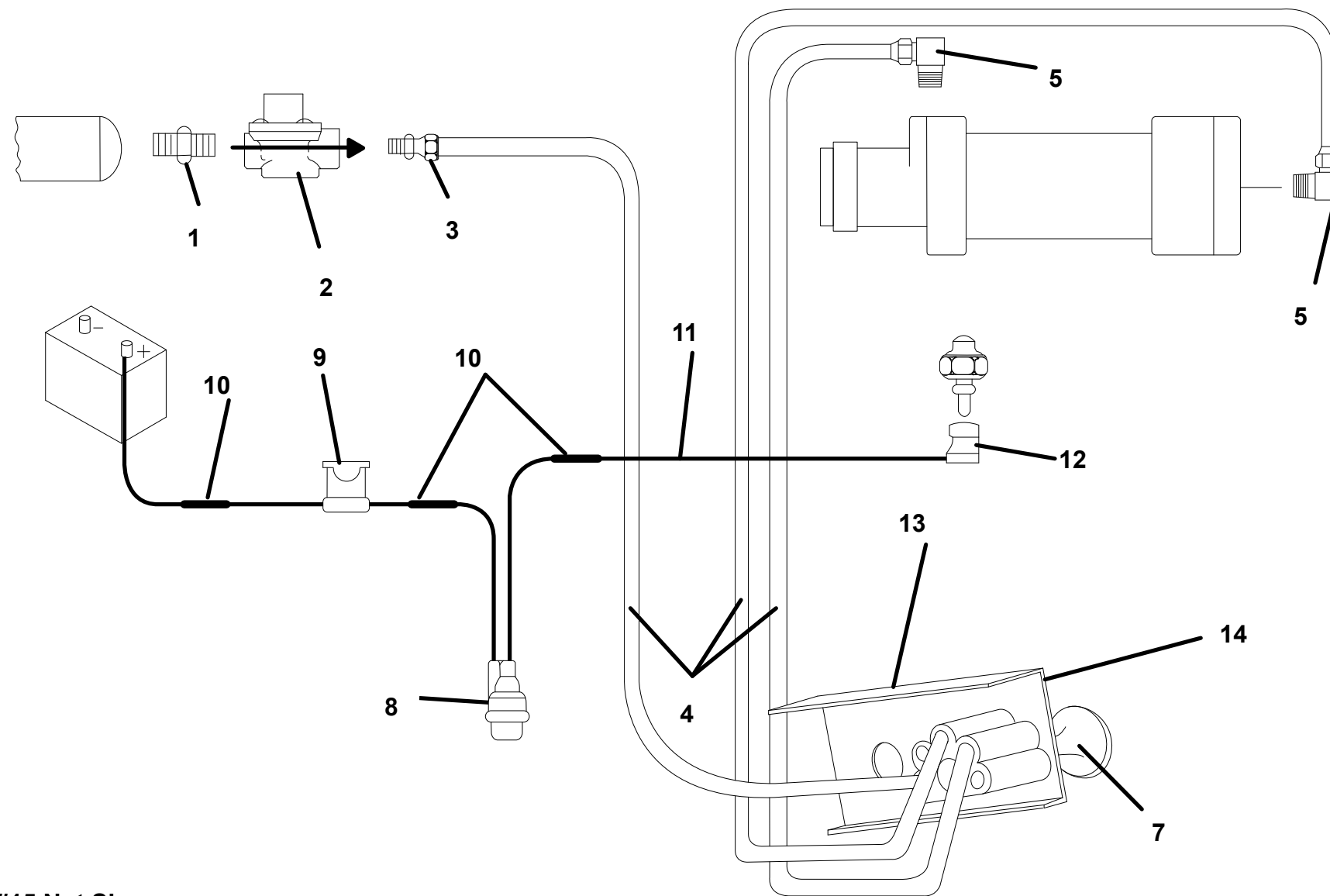
*Item # 10, 11, 12, 13 14, and 15 Not Shown

82 SERIES PTO INSTALLATION

ITEM	PART NO.	DESCRIPTION	QTY
1	70050308	Nipple	1
2	9935740034	Valve, Pressure Protection	1
3	70050309	Fitting	1
4	7565000019	Air Tubing - 30Ft	1
5	70050310	Fitting	2
6	70050320	Fitting	1
7	70050567	Valve, Air	1
8	7590000049	12V Light	1
	70050321	24V Light	1
9	70050316	Fuse Assembly	1
10	70050315	Butt Splice	3
11	70050312	Wire	15
12	70050318	Connector	1
13	70050571	Dash Bracket	1
14	70050573	Face Plate	1
15	70050319	Bolt Kit	1

* Also all available as Installation Kit - 9577760232

82 SERIES PTO INSTALLATION

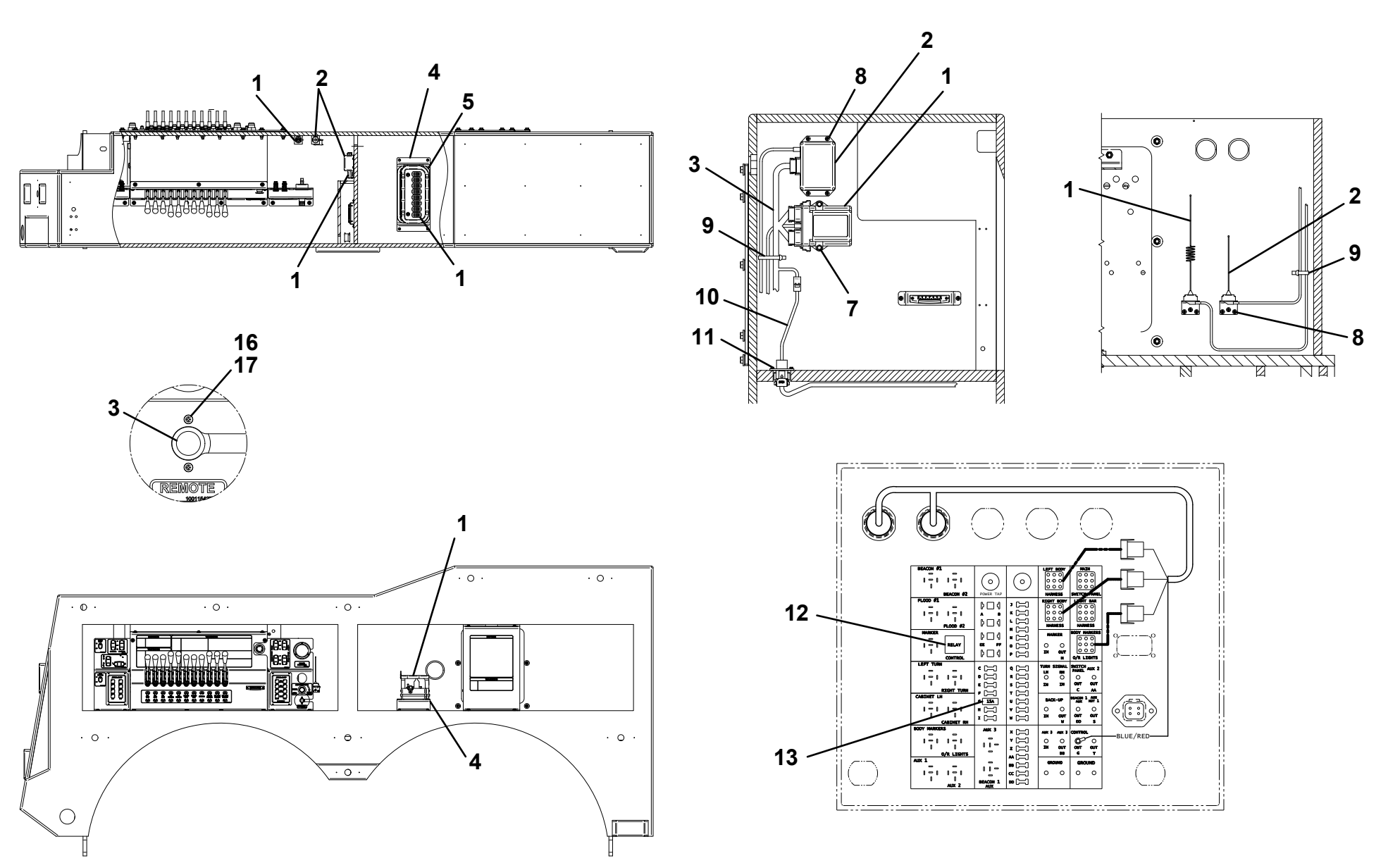


Item #15 Not Shown

WIRELESS REMOTE INSTALLATION

ITEM	PART NO.	DESCRIPTION	QTY	ITEM	PART NO.	DESCRIPTION	QTY
1	1001143542	Control, Wireless 16 Function	1			CONTROLLER SERVICE PARTS	
2	7295000146	Control, Wireless 6 Function	1				
3	1001130891	Harness	1			1001143542 - Control, Wireless 16 Function	
4	4178000699	Bracket	1				
5	8632000012	Trim Lock	2.5ft			1001143565 Receiver	1
6	7790141251	Screw, 0.25" x 0.75"	4			1001143564 Transmitter	1
7	7790142051	Screw, 0.25" x 1.25"	2			9295310061 Antenna Kit	1
8	1001166322	Screw, #10-12 x 0.62"	10			9552310033 Tether - 25 Ft	1
9	5526000553	Tie Strap	5				
10	1001167448	Harness	1			7295000146 - Control, Wireless 6 Function	
11	1001141592	Bolt, #8 x 0.50"	4			9295310027 Transmitter	1
12	7740000001	Relay, 40 Amp	1			9295310029 Transmitter Rubber Boot	1
13	7457000006	Fuse, 15 Amp	1			9295310030 Transmitter Belt Clip	1
14	7075000006*	Battery, D 1.5V	3			9295310031 Transmitter Battery Retainer	1
15	7075000003*	Battery, 9V	1			9295310068 Receiver	1
16	7120000047	Screw, #4-40NC x 0.62"	2			9295310069 Antenna Kit	1
17	7660040000	Nut, #4-40NC	2				

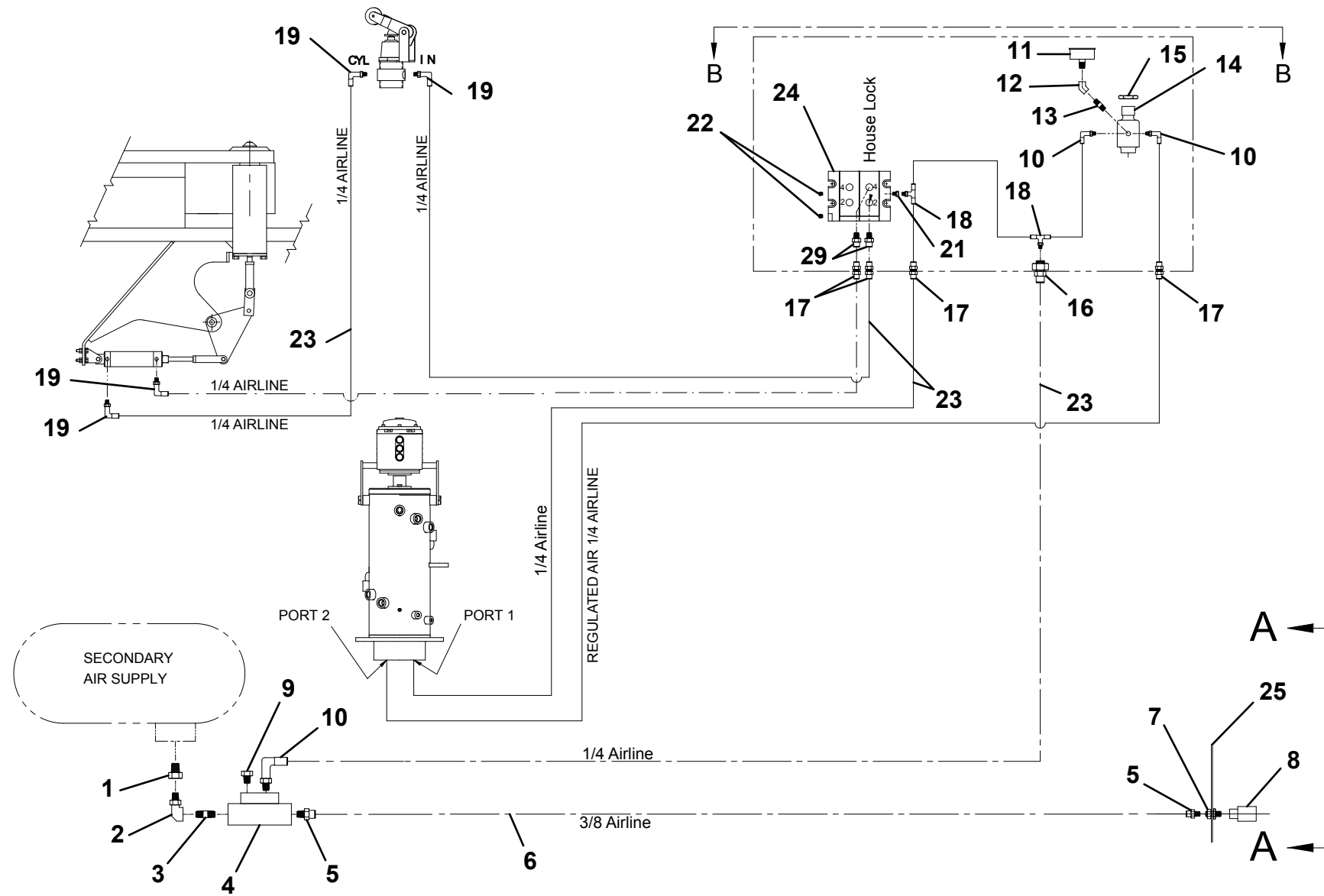
WIRELESS REMOTE INSTALLATION



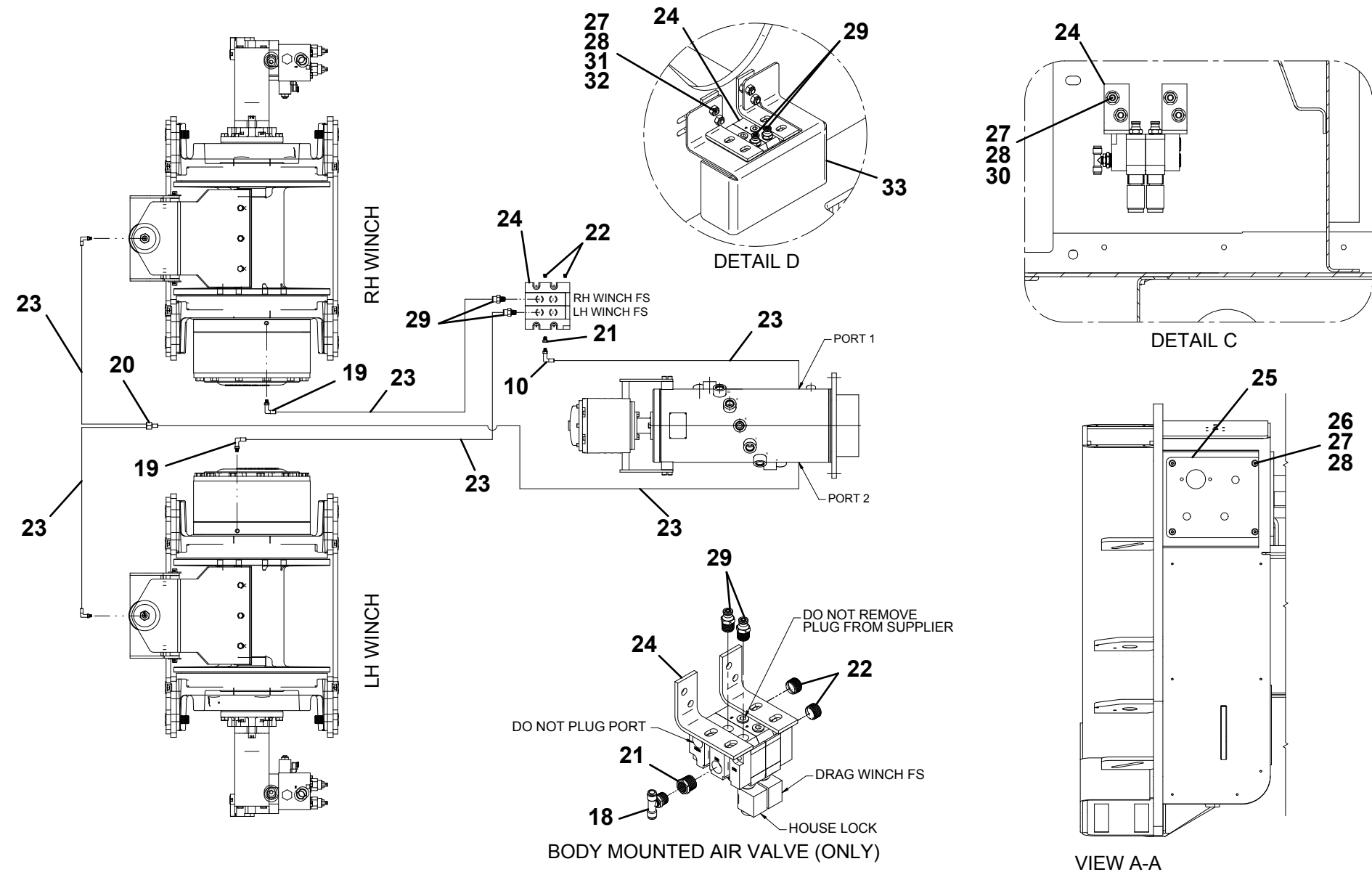
AIR INSTALLATION

ITEM	PART NO.	DESCRIPTION	QTY
1	7443000154	Bushing	1
2	7443000155	Fitting	1
3	7443000156	Nipple	1
4	7935000120	Valve, Pressure Protection Valve	1
5	7443000175	Fitting	2
6	7565000014	Airline Tubing, 0.38" OD	30ft
7	7446502518	Fitting, Bulkhead	1
8	7312000017	Coupling, Quick Disconnect	1
9	7444020013	Plug	1
10	7443000139	Fitting	4
11	7470000006	Gauge, Air Pressure	1
12	7443000396	Fitting	1
13	7443000397	Fitting	1
14	7295000029	Air Regulator	1
15	7661000041	Panel	1
16	7443000243	Fitting	1
17	7443000178	Union, Bulkhead	4
18	7443000270	Fitting	2
19	7443000173	Fitting	6
20	7443000448	Fitting	1
21	7443000148	Bushing	2
22	7444030037	Plug	4
23	7565000016	Airline Tubing, 0.25"	200ft
24	1001129800	Air Valve	2
25	4706006033	Plate	1
26	7114150818	Capscrew, 0.31"-18NC x 1.00"	4
27	7950150143	Flatwasher, 0.31"ID	16
28	7660152604	Locknut, 0.31"-18NC	12
29	7443000329	Fitting	4
30	7115150850	Capscrew, 0.31"-18NC x 1.00"	4
31	7660150001	Nut, 0.31"-18NC	4
32	7115151250	Capscrew, 0.31"-18NC x 1.50"	4
33	1001135301	Shield, Air Valve	1

AIR INSTALLATION



AIR INSTALLATION

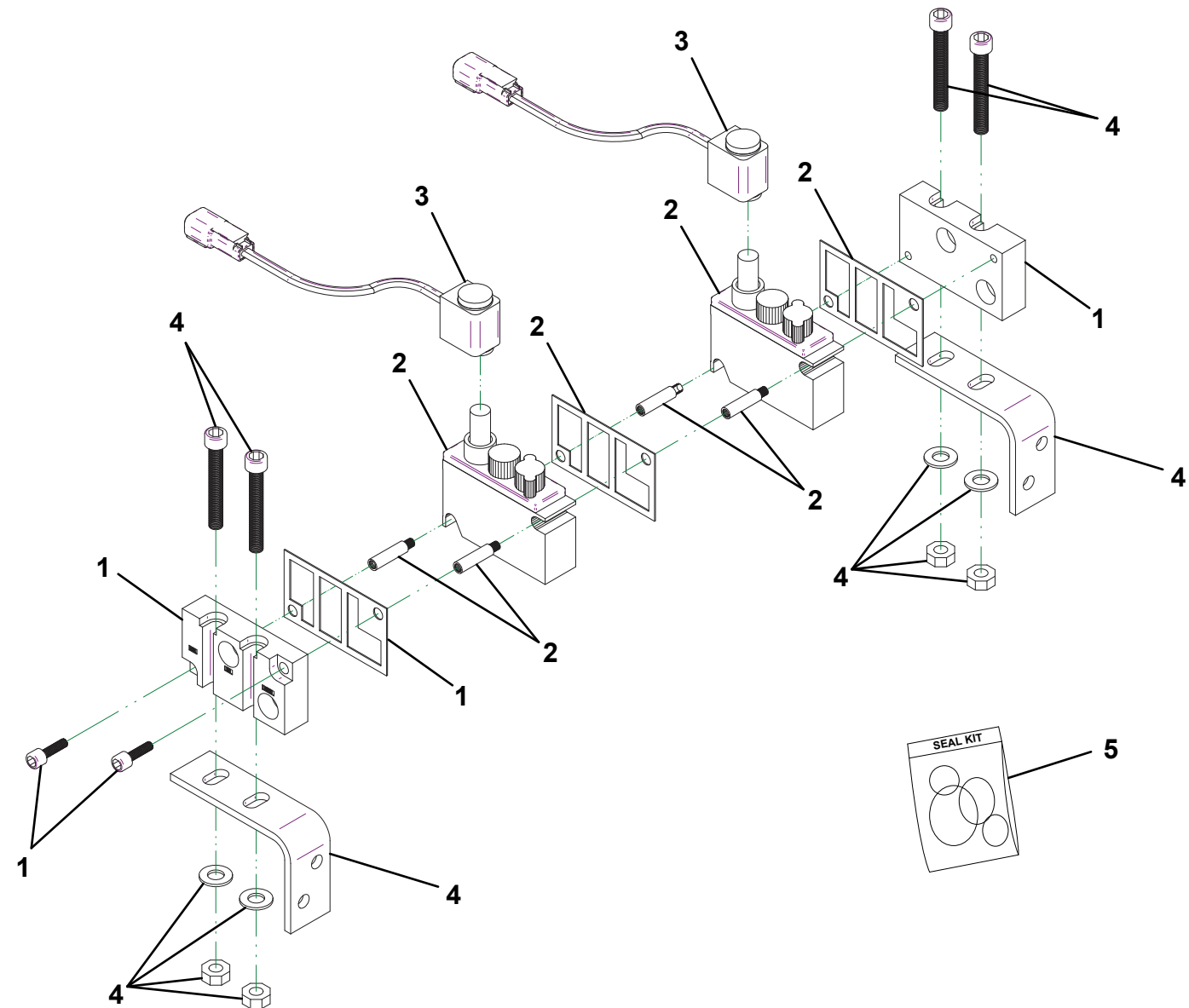


THIS PAGE INTENTIONALLY LEFT BLANK

AIR VALVE - 1001129800

ITEM	PART NO.	DESCRIPTION	QTY
1	70050526	Kit, Stacking	1
2	70050527	Valve	2
3	70050528	Coil	2
4	70050529	Kit, Mounting Bracket	1
5	70050530	Kit, Spool Seal	2

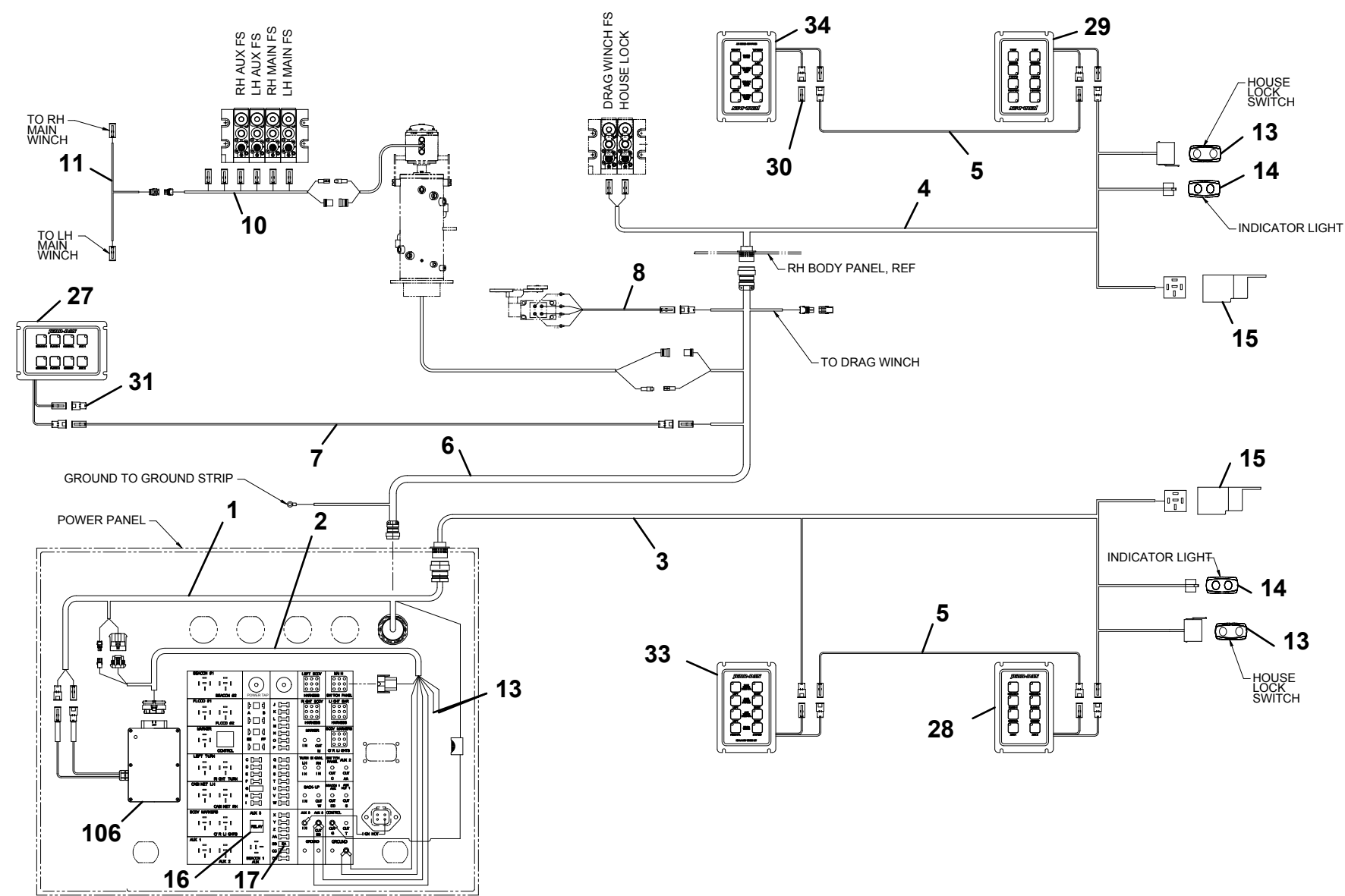
AIR VALVE - 1001129800



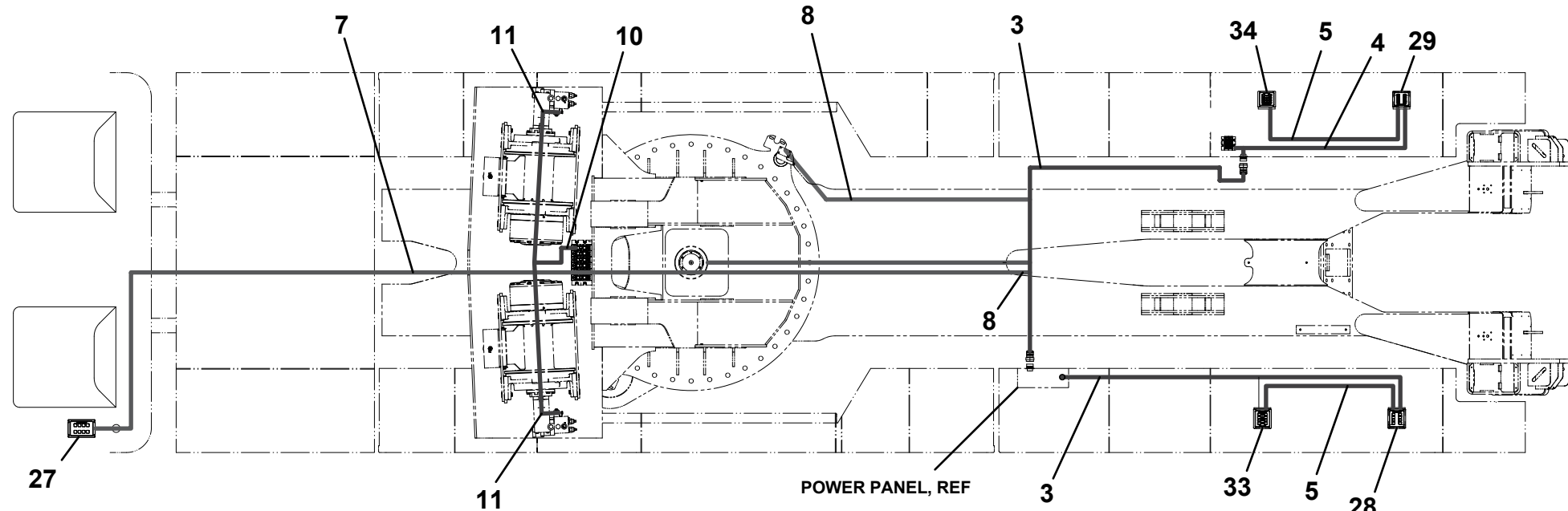
M-PLEX ELECTRICAL INSTALLATION

ITEM	PART NO.	DESCRIPTION	QTY
1	1001163074	Harness	1
2	1001163016	Harness	1
3	1001163024	Harness	1
4	1001163129	Harness	1
5	7552000456	Harness	2
6	1001163102	Harness	1
7	7552000455	Harness	1
8	1001154068	Harness	1
9	1001167310	Strap	20
10	1001130883	Harness	1
11	1001130884	Harness	1
12	7346000039	Tube, 0.25"ID	0.1
13	1001154073	Switch	2
14	1001154074	Elec Assy, Illuminated Plug	2
15	3740080	Relay	2
16	7740000001	Relay	1
17	7457000019	Fuse	1
18	1001162827	Plate	1
19	4686000254	Plate	1
20	7790141651	Screw, 0.25" x 1.00"	4
21	7950140141	Flatwasher, 0.25"	24
22	7661000024	Nut, #10-24NC	4
23	7114100418	Capscrew, #10-24NC x 0.50"	24
24	7950100103	Flatwasher, #10 ID	24
25	7660102604	Locknut, #10-24NC	20
26	0751406	Screw	20
27	7870000155	Switch Panel	1
28	7870000159	Switch Panel	1
29	1001135134	Switch Panel	1
30	7346000276	Harness Terminal	1
31	7346000277	Harness Terminal	1
32	1001135089	Switch Panel	1
33	1001134354	Switch Panel	1
34	1001135136	Switch Panel	1

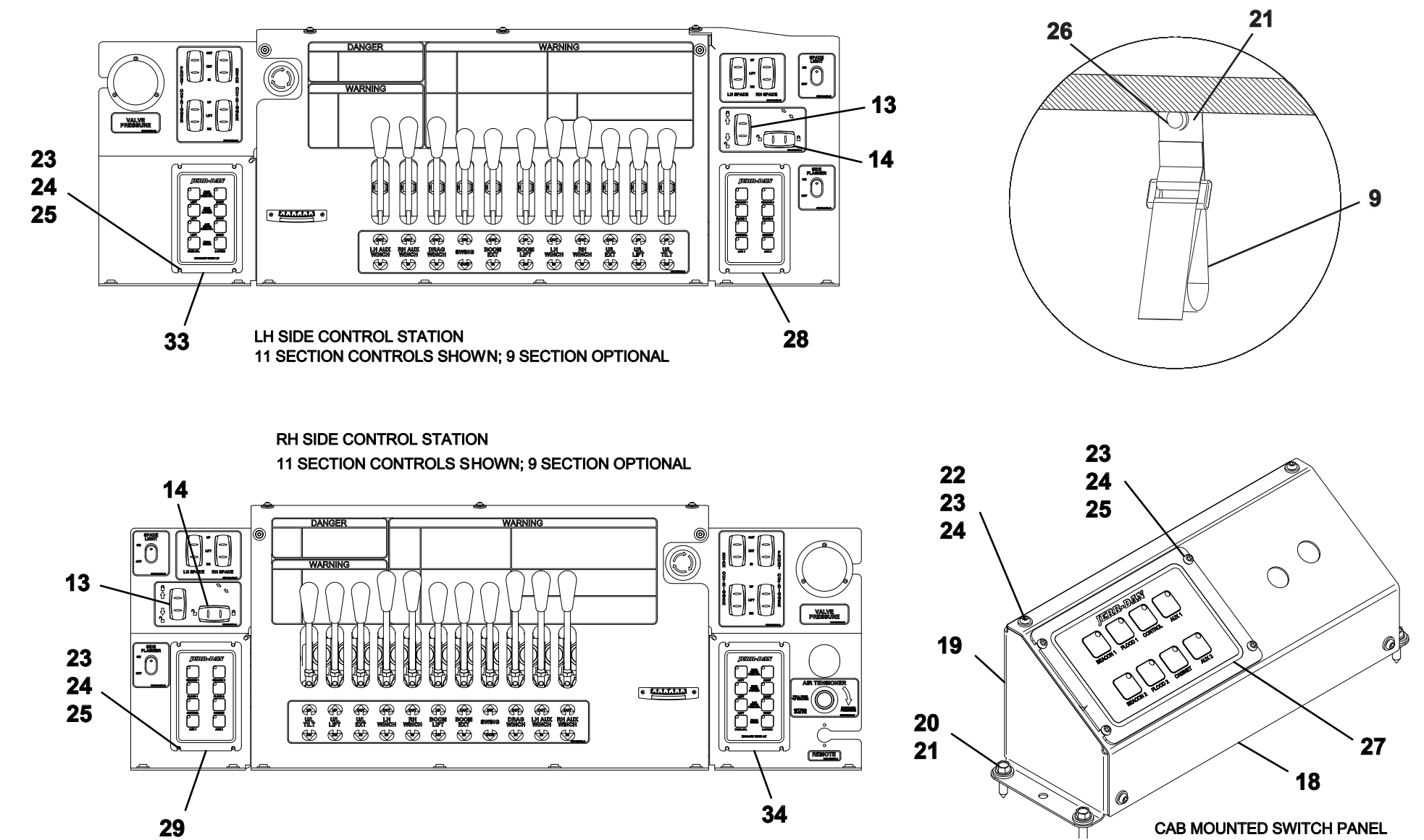
M-PLEX ELECTRICAL INSTALLATION



M-PLEX ELECTRICAL INSTALLATION



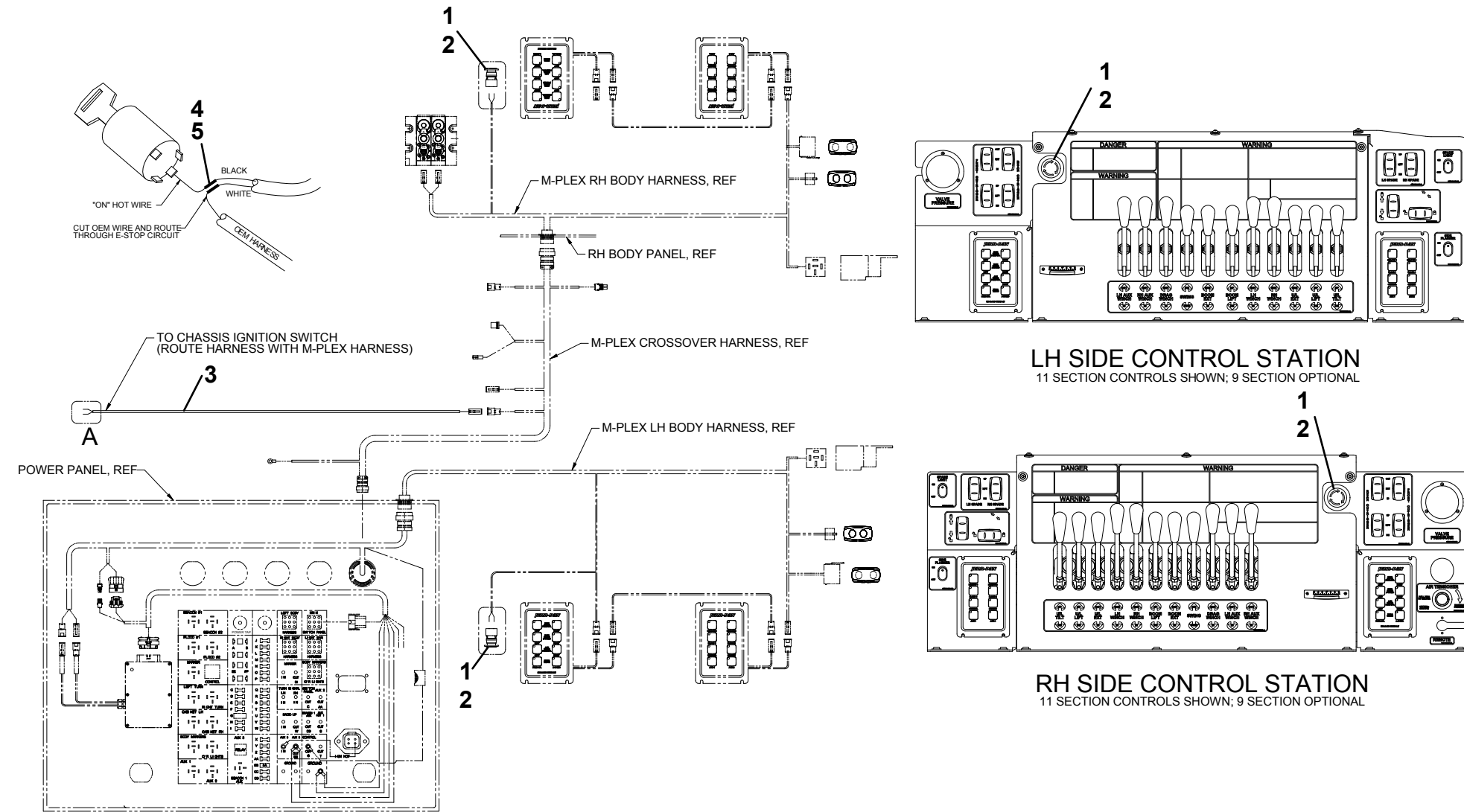
M-PLEX ELECTRICAL INSTALLATION



EMERGENCY STOP INSTALLATION

ITEM	PART NO.	DESCRIPTION	QTY
1	7870000128	Switch, Push Button	2
2	7870000129	Switch, Contact Block	2
3	1001171394	Harness	1
4	7345001714	Terminal	2
5	7348000039	Tubing	.125ft

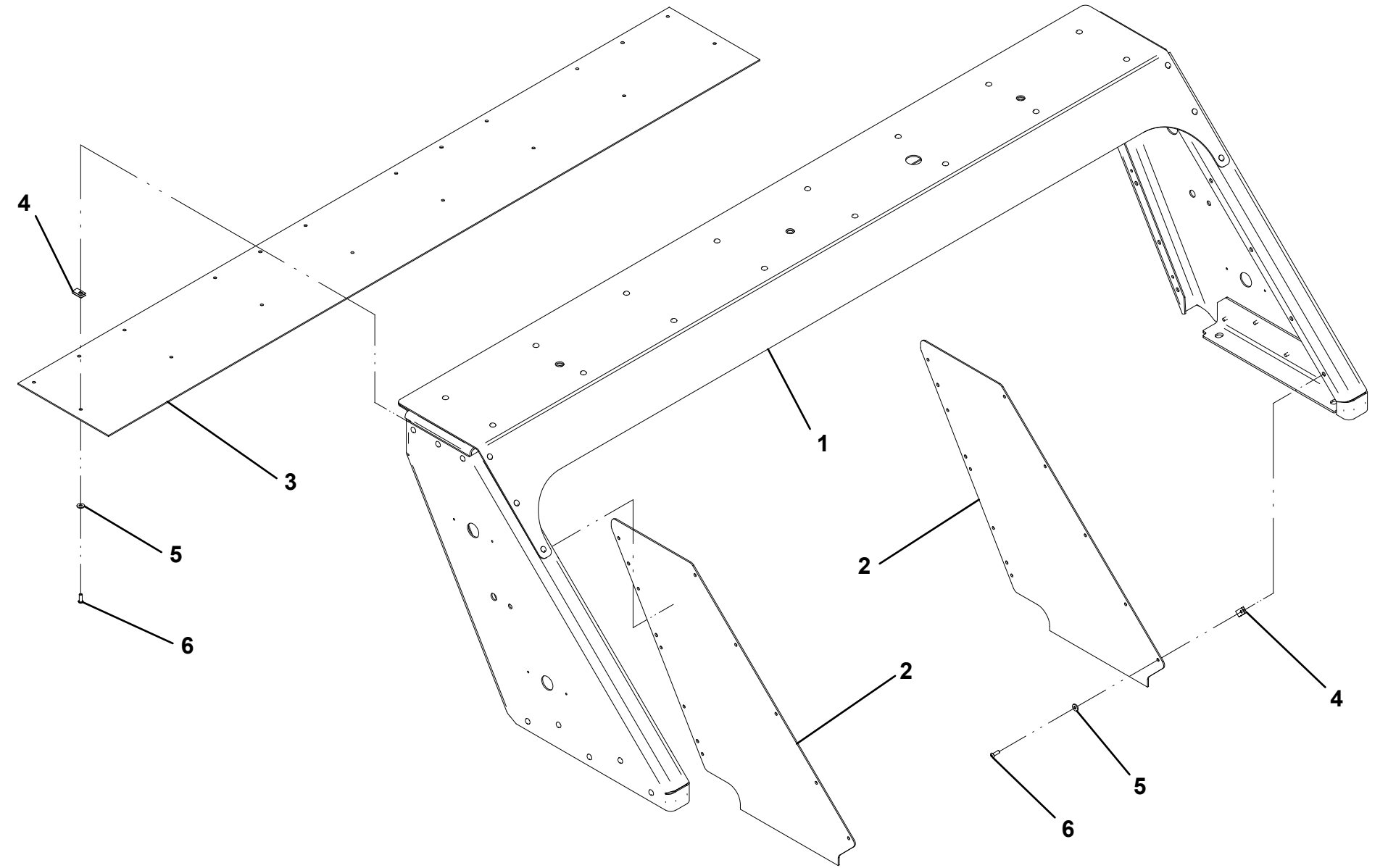
EMERGENCY STOP INSTALLATION



HEADBOARD ASSEMBLY - 1001150180

ITEM	PART NO.	DESCRIPTION	QTY
1	1001150151	Headboard Bondment	1
2	1001129818	Panel, Headboard Cover LH & RH	2
3	1001129820	Panel, Headboard Cover Top	1
4	7661000019	U-Nut, 0.25"-20NC	36
5	7950140143	Flatwasher, 0.25" ID	36
6	7114140618	Capscrew, 0.25"-20NC x 0.75"	36

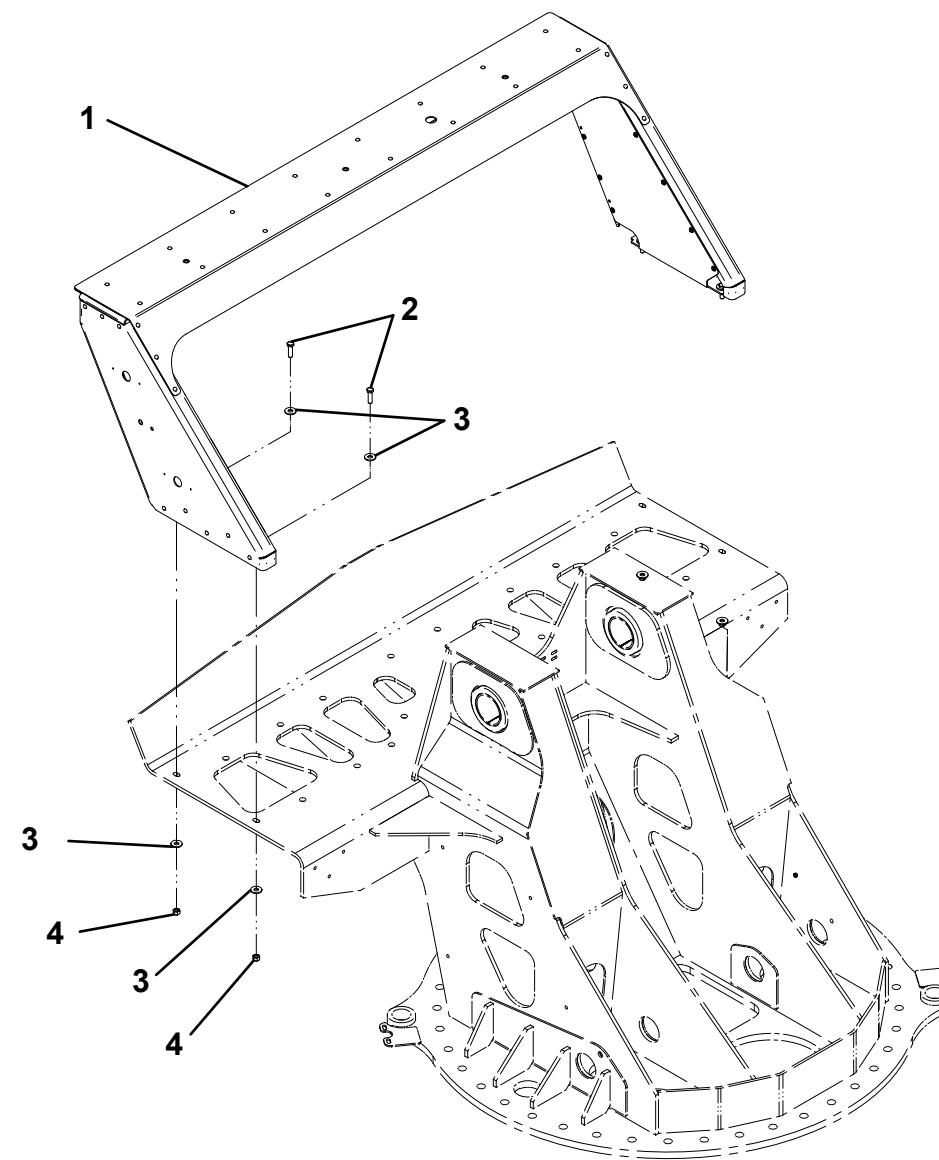
HEADBOARD ASSEMBLY - 1001150180



HEADBOARD INSTALLATION - 1001150422

ITEM	PART NO.	DESCRIPTION	QTY
1	1001150180	Headboard, Assembly	1
2	7115181450	Capscrew, 0.50"-13NC x 1.75"	4
3	7950180161	Flatwasher, 0.50" ID	8
4	7660182601	Locknut, 0.50"-13NC	4

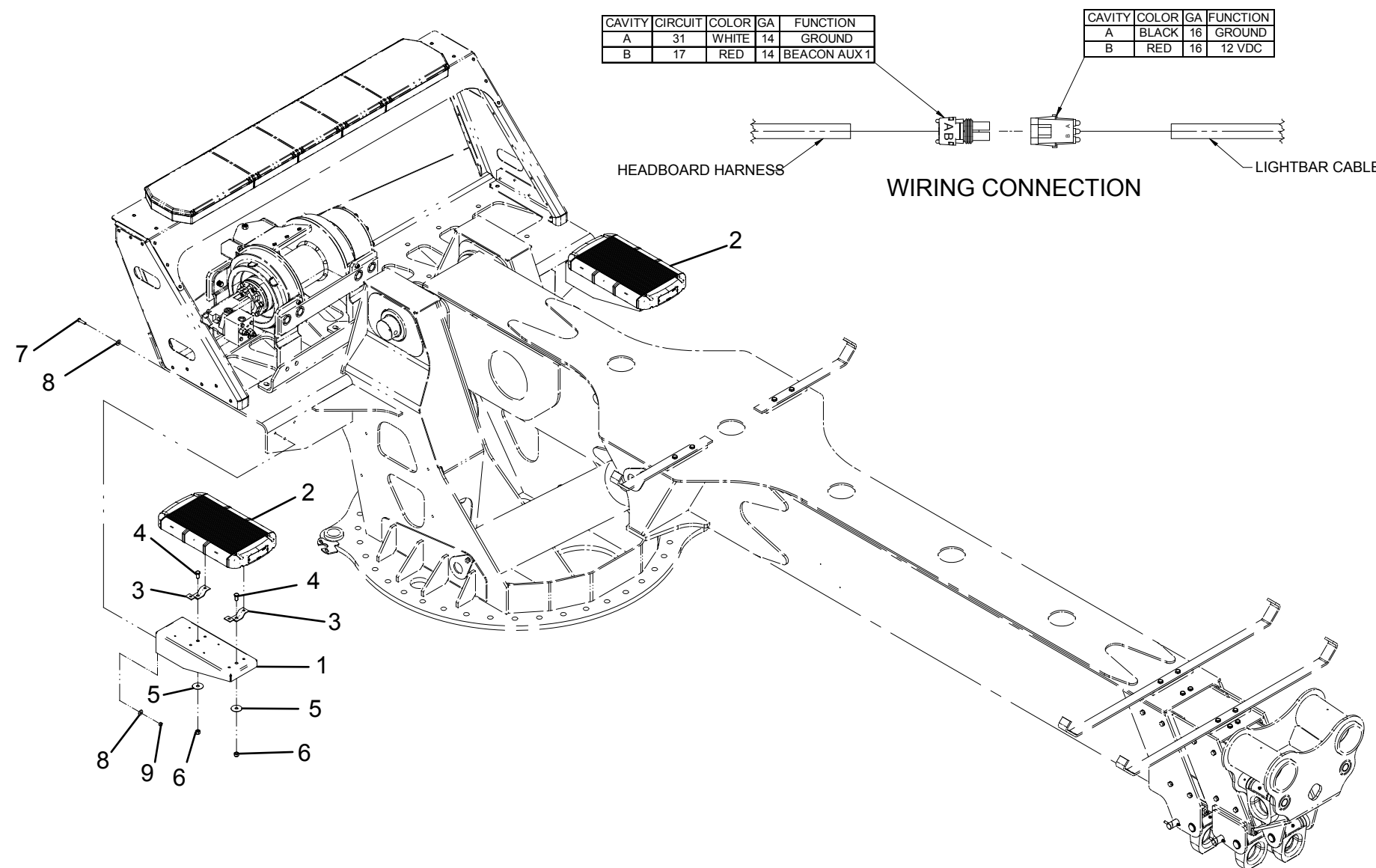
HEADBOARD INSTALLATION - 1001150422



WING LIGHT INSTALLATION - 1001129862

ITEM	PART NO.	DESCRIPTION	QTY
1	1001129828	Bracket	2
2	1001129861	Light Bar, 22" WHELEN	2
3	4178000402	Bracket	4
4	7115180850	Capscrew, 0.50"-13NC x 1.00"	4
5	7949000072	Washer, 2.00" OD x 0.50" ID	4
6	7660182601	Locknut, 0.50"-13NC	4
7	7115161250	Bolt, 0.38"-16NC x 1.50"	6
8	7950160161	Flatwasher, 0.38" ID	12
9	7660162601	Locknut, 0.38"-16NC	6
10	7894000042	Tie Strap	4

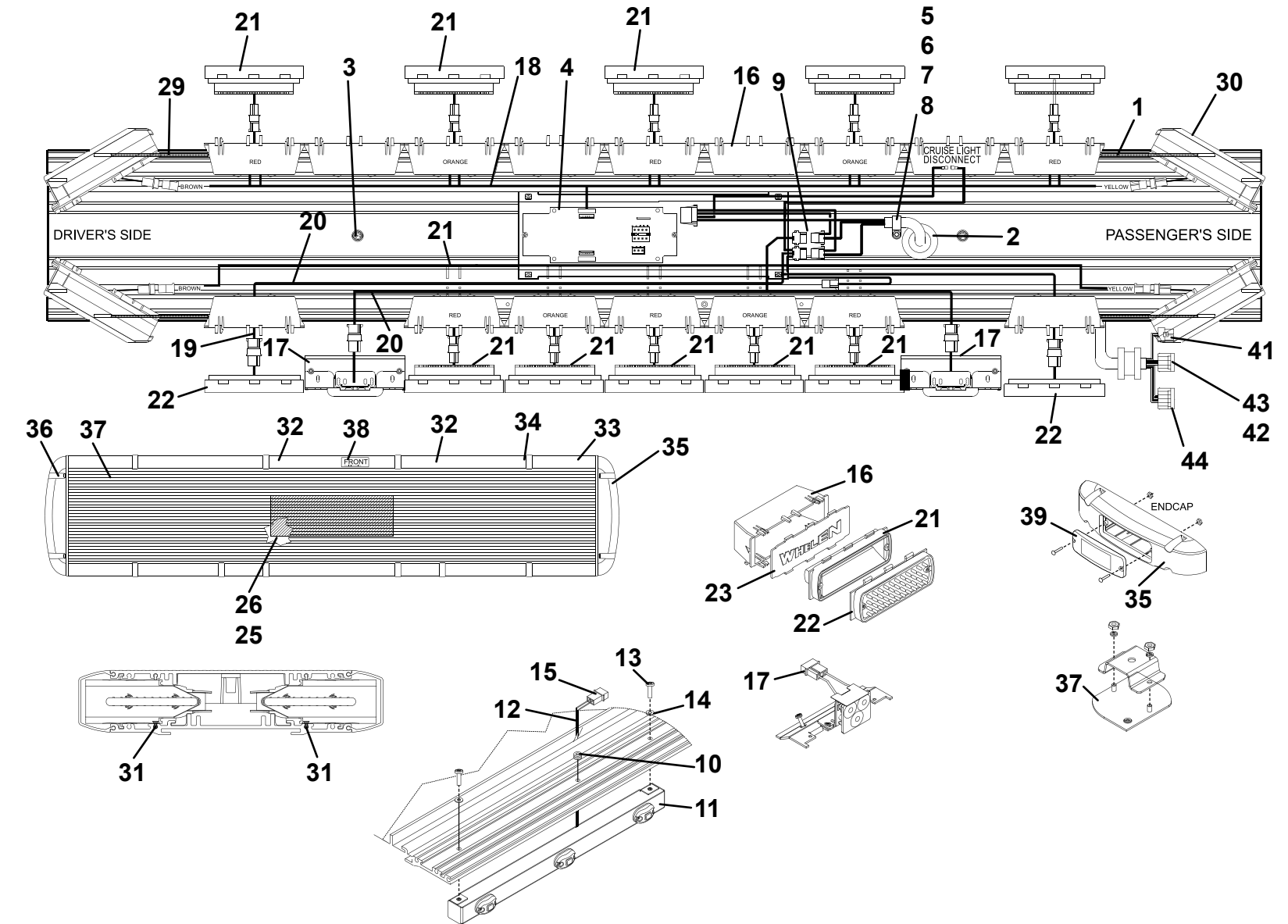
WING LIGHT INSTALLATION - 1001129862



LIGHTBAR 72" LED - WHELEN

ITEM	PART NO.	DESCRIPTION	QTY	ITEM	PART NO.	DESCRIPTION	QTY
1	70050392	Base	1	40	70050207	Label, Model & Serial Number	1
2	70050169	Grommet	1	41	70050208	Connector	1
3	70050170	Plug	2	42	70050209	Connector	1
4	70050163	Assembly, HC I/O Liberty, Jerr-Dan	1	43	70050210	Connector	1
5	70050171	Cable	1	44	70050211	Connector	1
6	70050172	Screw, #10-24NC x 1.00"	1				
7	70050393	Clamp	1				
8	70050174	Wiznut, #10-24NC	1				
9	70050175	Housing	2				
10	70050176	Grommet	1				
11	70050177	Light Cluster	1				
12	70050178	Harness	1				
13	70050179	Screw, #10-32NF x 0.50"	2				
14	70050180	Washer, #10 ID	2				
15	70050181	Housing	1				
16	70050182	Housing	16				
17	70050183	LR11 TD Single Full 20 Deg.	2				
18	70050394	Harness	2				
19	70050185	Harness	1				
20	70050186	Harness	1				
21	70050187	Light Assembly, LED	10				
22	70050188	500 BTT Max	2				
23	70050189	Panel	4				
24	70050190	End Support Bracket	2				
25	70050191	Insulator	1				
26	70050192	Decal	1				
27	70050395	Top Cover	1				
28	70050194	Screw, #10-24NC x 0.38"	4				
29	70050195	Spacer	4				
30	70050196	Corner LED Assembly	4				
31	70050197	Spacer	4				
32	70050199	Lens	6				
33	70050200	Lens	4				
34	70050201	Lens Divider	8				
35	70050202	End Cap	2				
36	70050203	Screw, #10-24NC x 1.25"	8				
37	70050204	Rotational Mtg Adapter	3				
38	70050205	Label, "Front"	1				
39	70050206	Label, Jerr-Dan Logo	1				

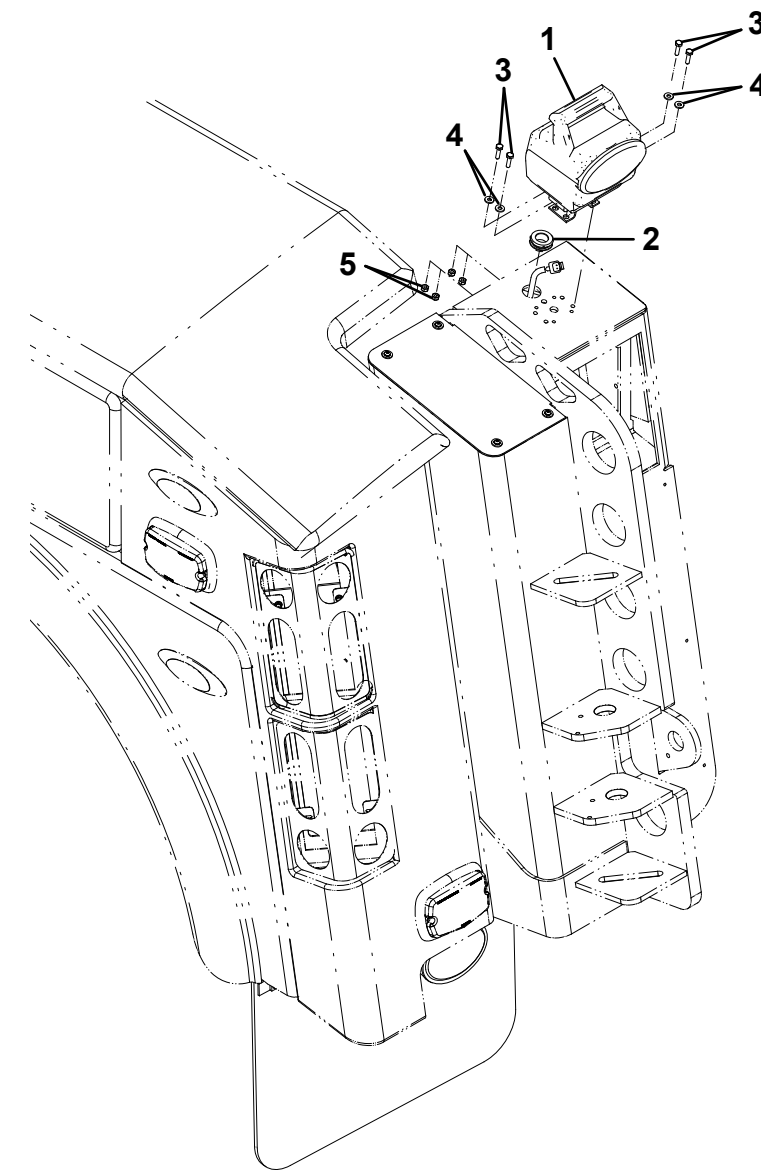
LIGHTBAR 72" LED - WHELEN



UPPER HOOK-UP LIGHTS INSTALLATION

ITEM	PART NO.	DESCRIPTION	QTY
1	1001131171	Lamp	2
2	7493000003	Grommet	2
3	7115140850	Capscrew, 0.25"-20NC x 1.00"	8
4	7950140143	Flatwasher, 0.25" ID	8
5	7660142604	Locknut, 0.25"-20NC	8
6	7894000010	Tie Strap	6

UPPER HOOK-UP LIGHTS INSTALLATION



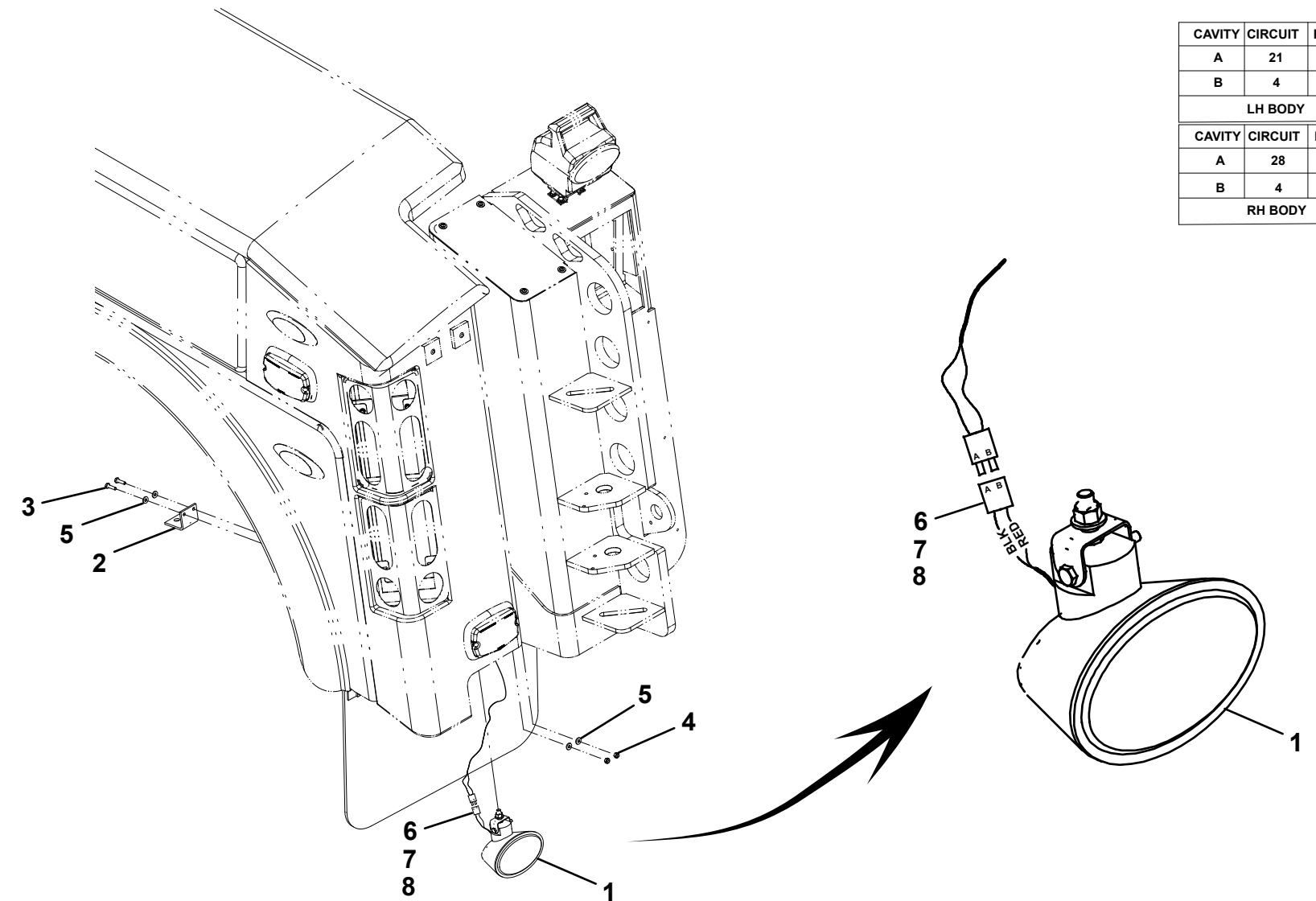
CAVITY	CIRCUIT	FUNCTION
1	21	GROUND
2	4	FLOOD 2
LH BODY		
CAVITY	CIRCUIT	FUNCTION
1	28	GROUND
2	4	FLOOD 2
RH BODY		

Item #6, Not Shown

LOWER HOOK-UP LIGHTS INSTALLATION

ITEM	PART NO.	DESCRIPTION	QTY
1	1001131160	Lamp	1
2	4178000659	Bracket	2
3	7115140850	Capscrew, 0.25"-20NC x 1.00"	4
4	7660142601	Locknut, 0.25"-20NC	4
5	7950140143	Flatwasher, 0.25" ID	8
6	7346000094	Electrical Connector	2
7	7346000035	Electrical Terminal	4
8	7346000037	Electrical Seal	4
9	7274000026	Clamp	6
10	8597650002	Wire Loom	1ft
11	7894000010	Tie Strap	6

LOWER HOOK-UP LIGHTS INSTALLATION



CAVITY	CIRCUIT	FUNCTION
A	21	GROUND
B	4	FLOOD 2
LH BODY		
CAVITY	CIRCUIT	FUNCTION
A	28	GROUND
B	4	FLOOD 2
RH BODY		

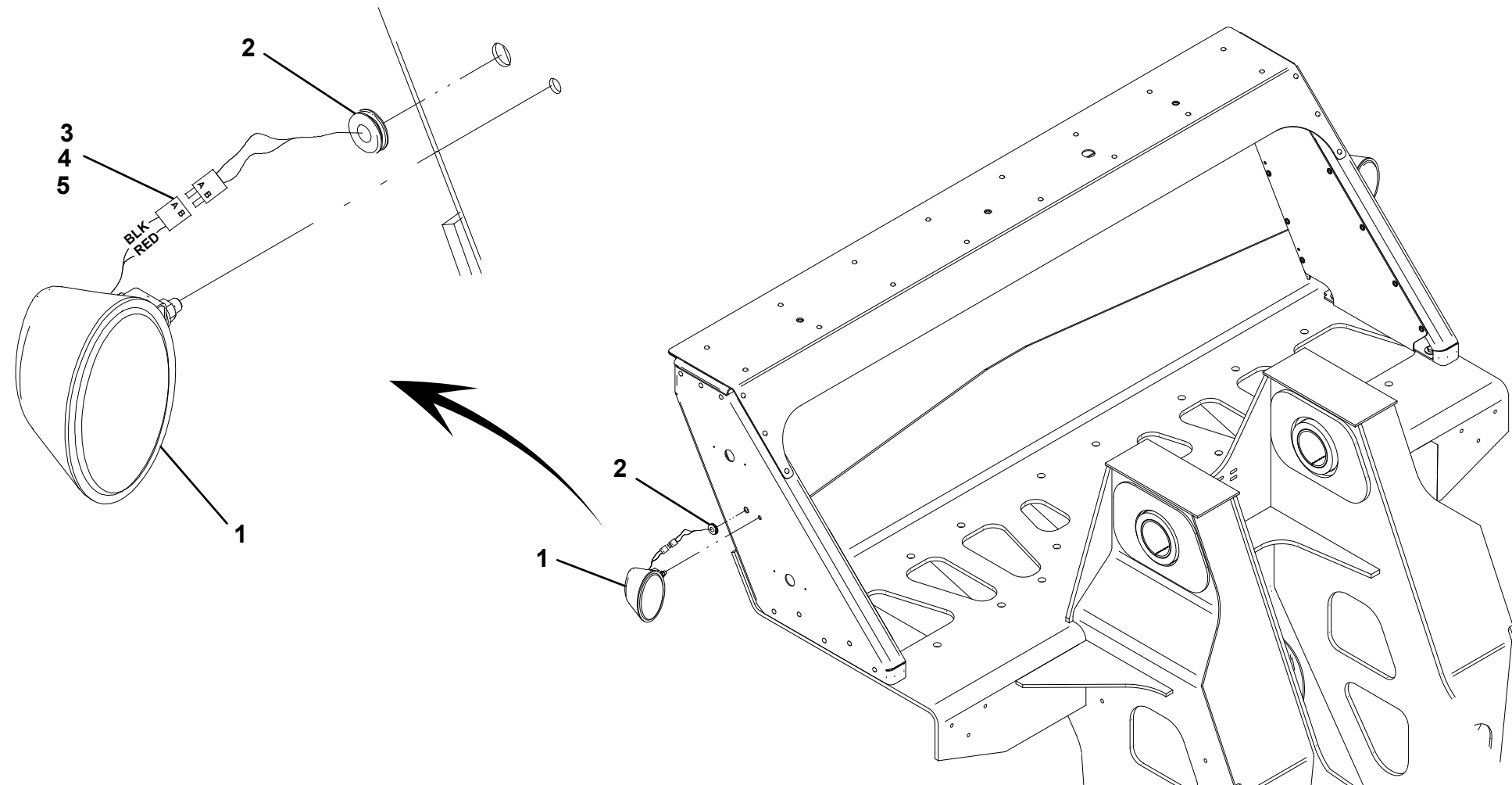
Items #9, #10 and #11, Not Shown

UPPER WORK LIGHTS INSTALLATION

ITEM	PART NO.	DESCRIPTION	QTY
1	1001131160	Lamp	2
2	7493000021	Grommet	2
3	7346000094	Electrical Connector	2
4	7346000035	Electrical Terminal	4
5	7346000037	Electrical Seal	4
6	8597650002	Wire Loom	1ft
7	7894000010	Tie Strap	6

UPPER WORK LIGHTS INSTALLATION

CAVITY	CIRCUIT	FUNCTION
A	30	GROUND
B	3	FLOOD 1



Items #6, and #7, Not Shown

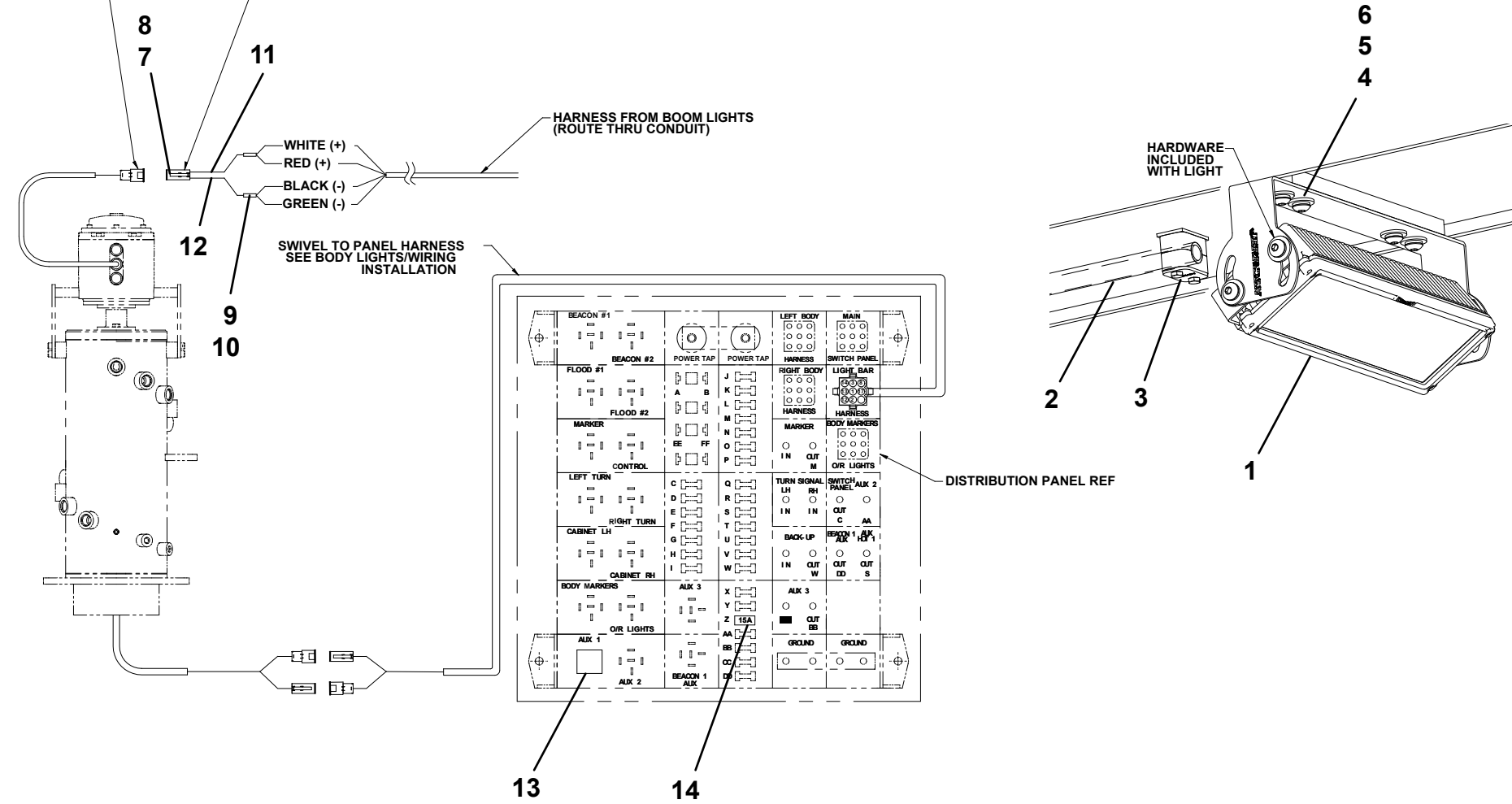
WRECKER BOOM LIGHTS INSTALLATION

ITEM	PART NO.	DESCRIPTION	QTY
1	1001130429	Lamp	1
2	4695000026	Pipe	1
3	7247000095	Assembly, Clamp	4
4	7114160618	Capscrew, 0.38"-16NC x 0.75"	4
5	7950160003	Lockwasher, 0.38" ID	4
6	7950160163	Flatwasher, 0.38" ID	4
7	4461018	Electrical Terminal	1
8	4460509	Electrical Socket	2
9	7345001914	Electrical Terminal	2
10	7346000039	Tubing, Heat Shrink	8in
11	8977030200	Wire, #12Ga. - Red	1ft
12	8977030300	Wire, #12Ga. - White	1ft
13	7740000001	Relay, 12V - 40 Amp	1
14	7457000006	Fuse, 15 Amp	1

WRECKER BOOM LIGHTS INSTALLATION

CAVITY	CIRCUIT	COLOR	GA	FUNCTION
1	13	BROWN/BLACK	12	GROUND
2	12	YELLOW/BLACK	12	AUX 1

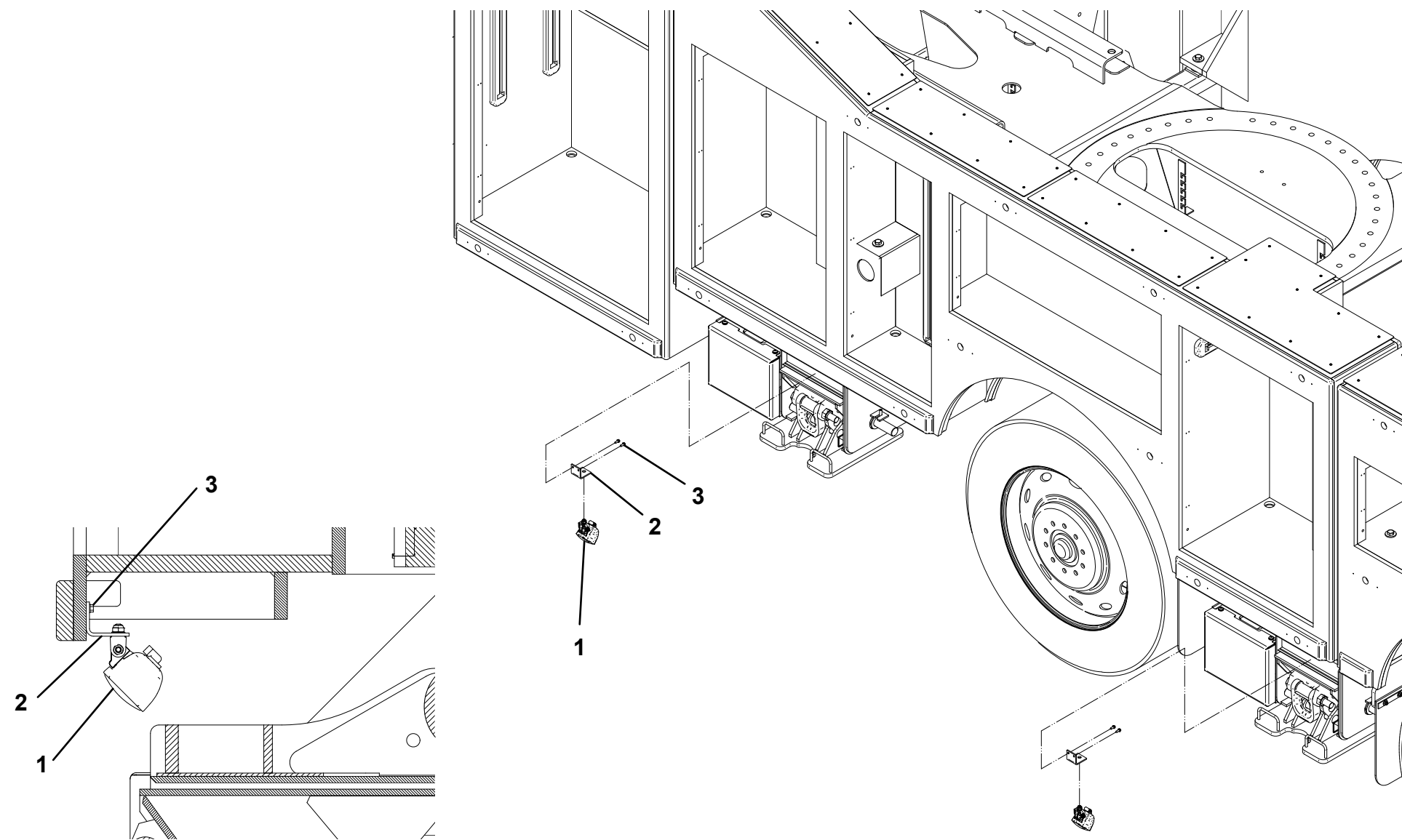
CAVITY	COLOR	GA	FUNCTION
1	WHITE	12	GROUND
2	RED	12	AUX 1



OUTRIGGER LIGHT INSTALLATION

ITEM	PART NO.	DESCRIPTION	QTY
1	7590000350	Light	4
2	4178000659	Bracket	4
3	7790141251	Screw, 0.25" x 0.75"	8

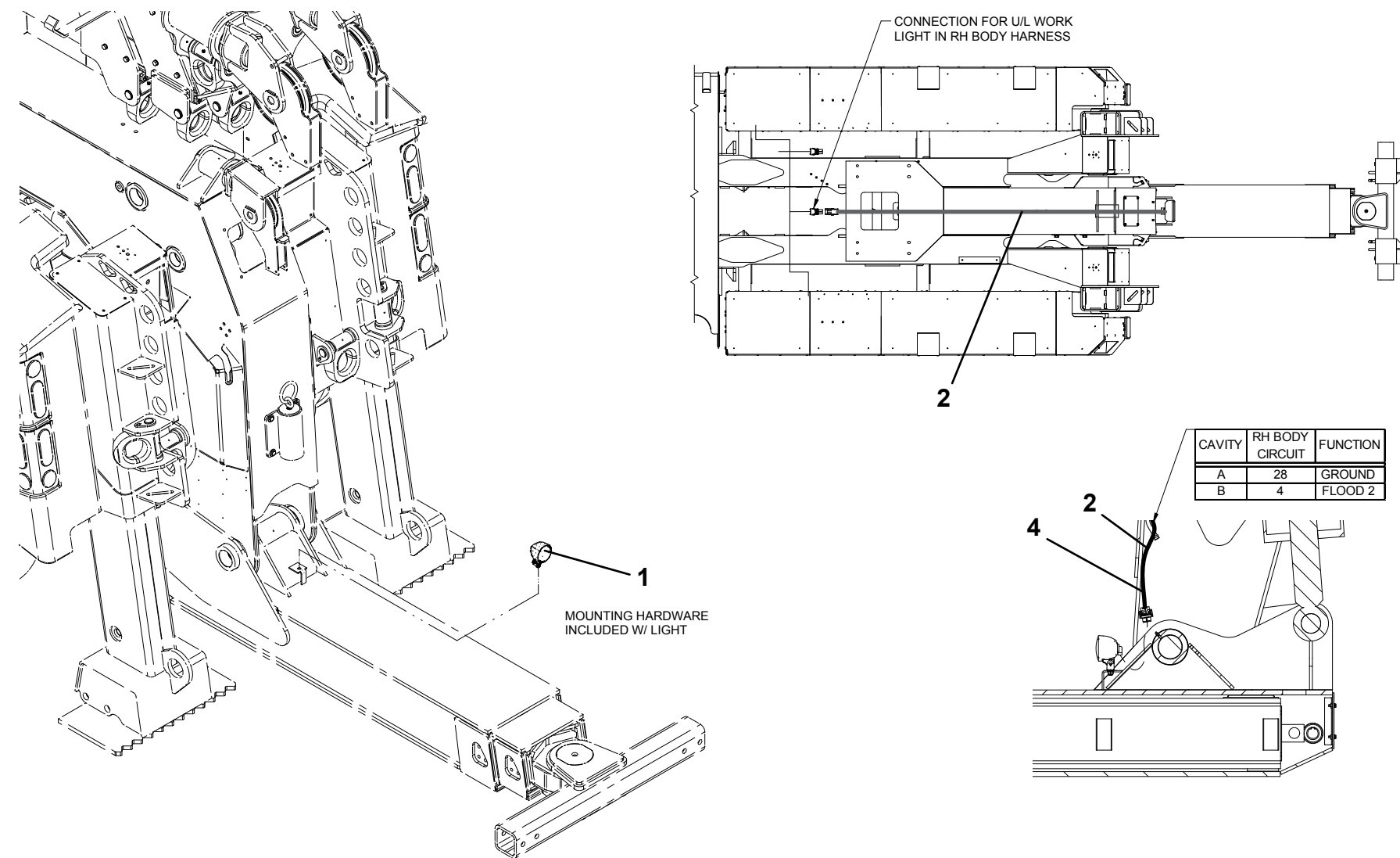
OUTRIGGER LIGHT INSTALLATION



UNDERLIFT LIGHT INSTALLATION

ITEM	PART NO.	DESCRIPTION	QTY
1	7590000350	Light	1
2	1001130467	Harness	1
3	7894000010	Tie Strap	12
4	8597650002	Wire Loom	6in

UNDERLIFT LIGHT INSTALLATION

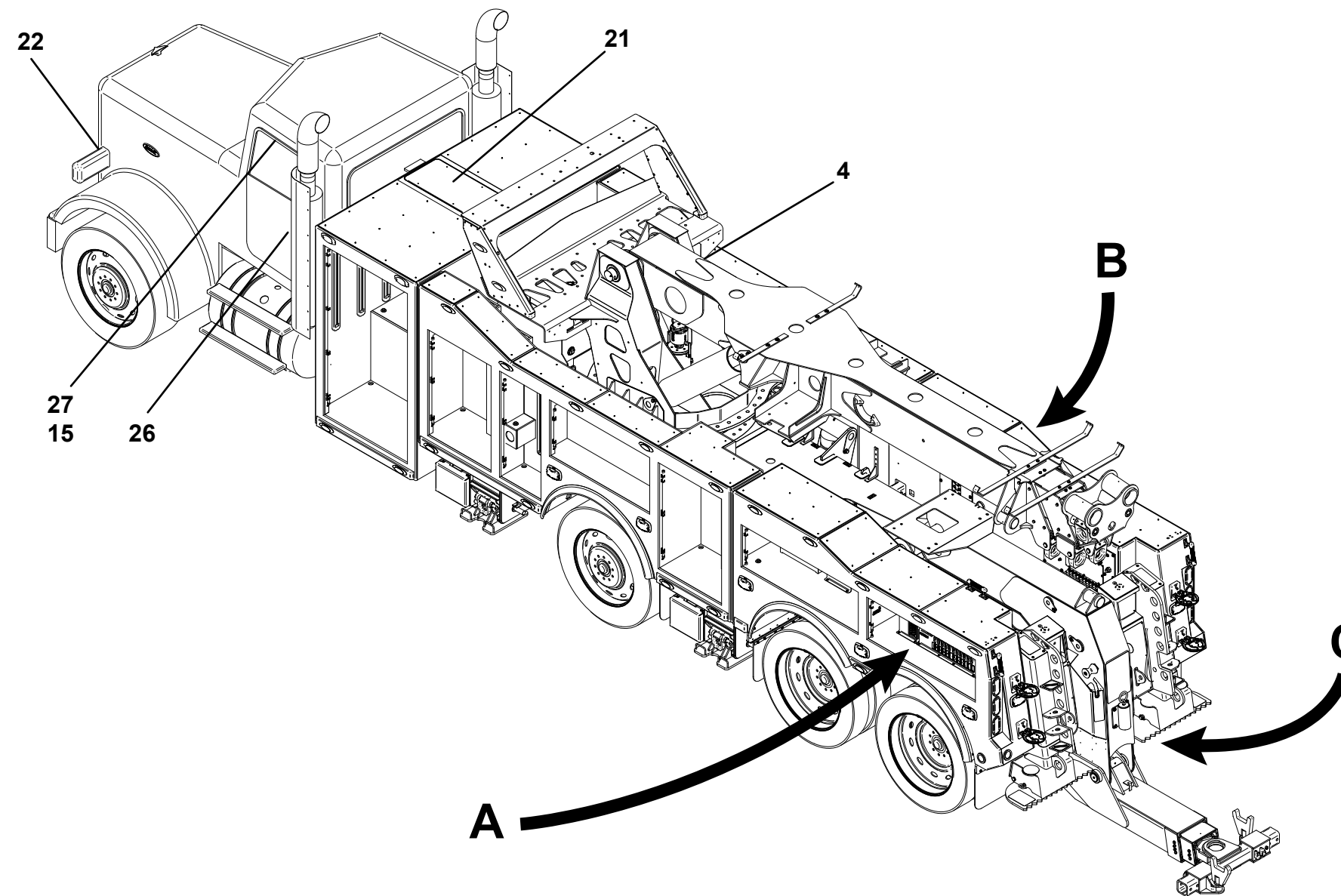


ITEM #3 NOT SHOWN

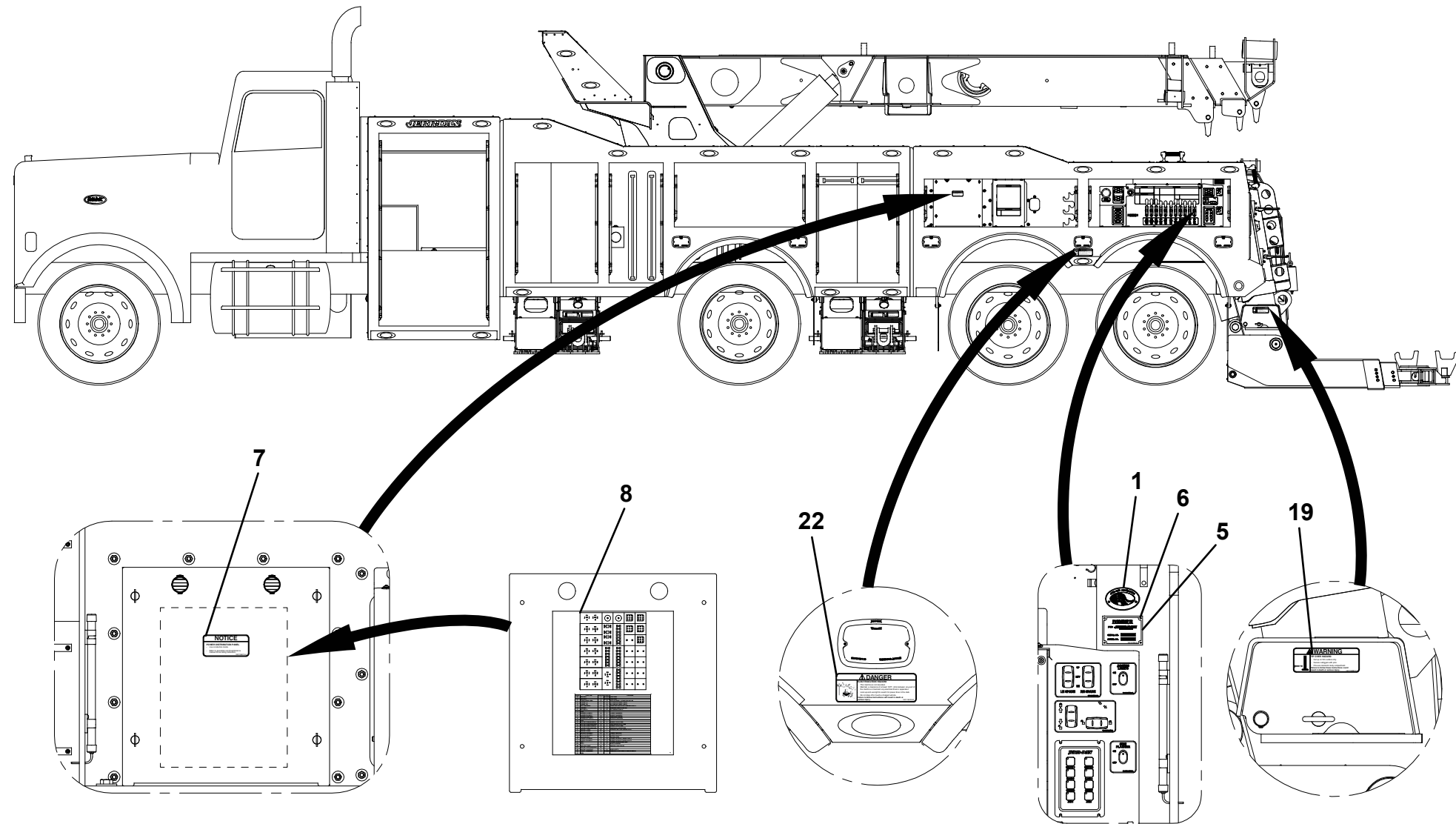
DECAL INSTALLATION

ITEM	PART NO.	DESCRIPTION	QTY
1	7330000143	Decal, Made in USA	1
2	1001136175	Decal, Lube Chart	1
3	1001137185	Decal, Outrigger/Spade Warning	4
4	1001136119	Decal, Hydraulic Fluid	1
5	1001127220	Decal	1
6	7759000004	Rivet	14
7	1001136075	Decal, High Voltage	1
8	7330000688	Decal, Fuse Panel	1
9	1001153789	Decal, Jerr-Dan Logo	2
10	7330000208	Decal, Service Air	1
11	7330000209	Decal, Supply Air	1
12	7330000210	Decal, Aux. Air	1
13	1001136094	Decal, Crushing Hazard	2
14	1001136091	Decal, Towed Load Hazard	2
15	1001142828	Decal, Fall Hazard	1
16	1001132242	Decal	1
17	1001132346	Patent Placard	1
18	1001137169	Decal, Pinch Hazard	2
19	1001136080	Decal, Recovery Stability	2
20	1001142452	Decal, No Step	2
21	1001138612	Decal, Battery Warning	1
22	1001136103	Decal, Power Line Warning	4
23	1001138538	Decal, Load Chart	2
24	1001165802	Decal, Load Chart	2
25	1001138537	Decal, Hook Notice	2
26	7330000689	Decal	1
27	1001141227	Decal, Backing Hazard	1
28	1001174339	Decal, Spade Housing Step	4
29	1001174343	Decal, Spade Step Circle	2
30	1001174346	Decal, Spade Step	4

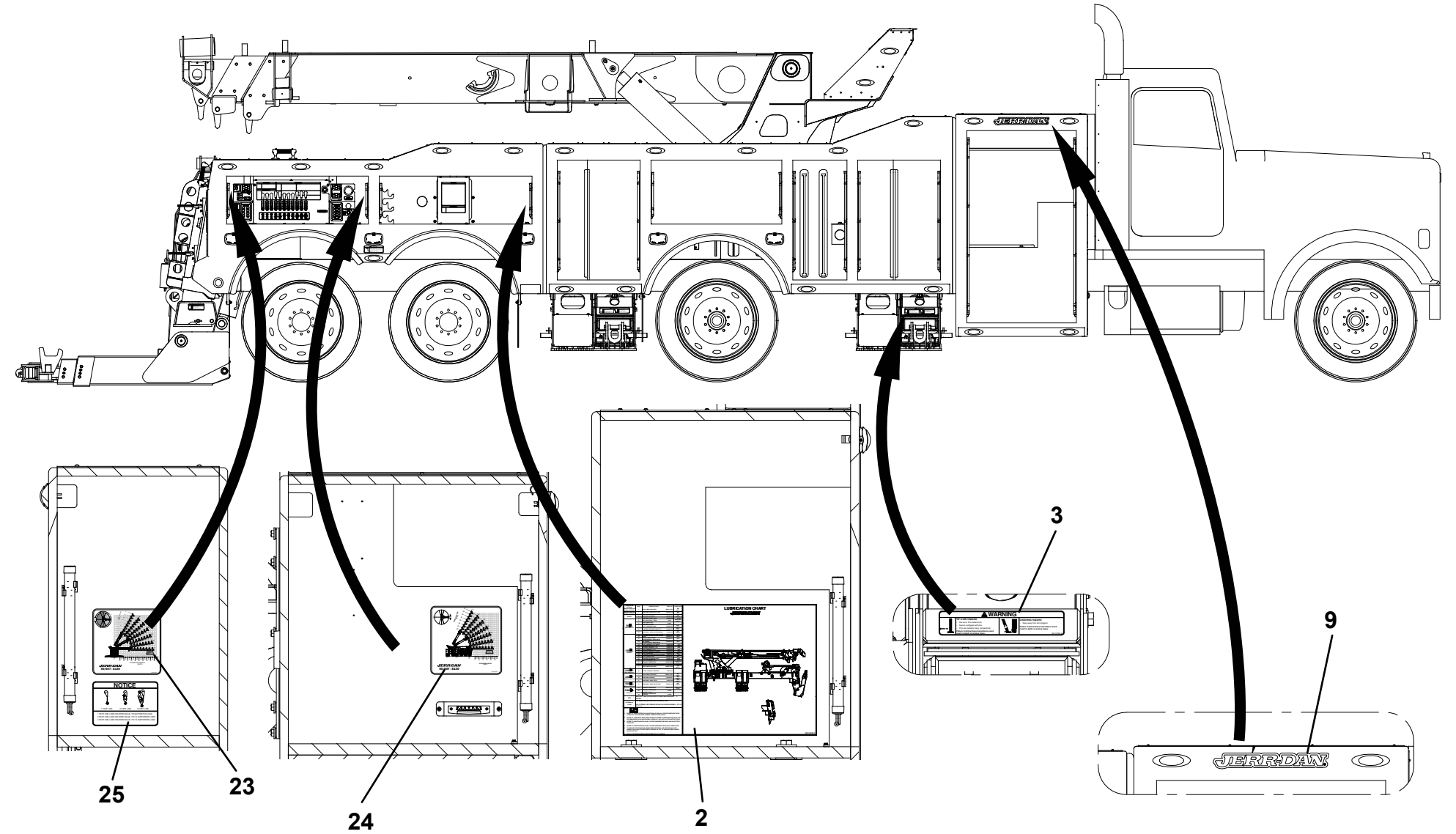
DECAL INSTALLATION



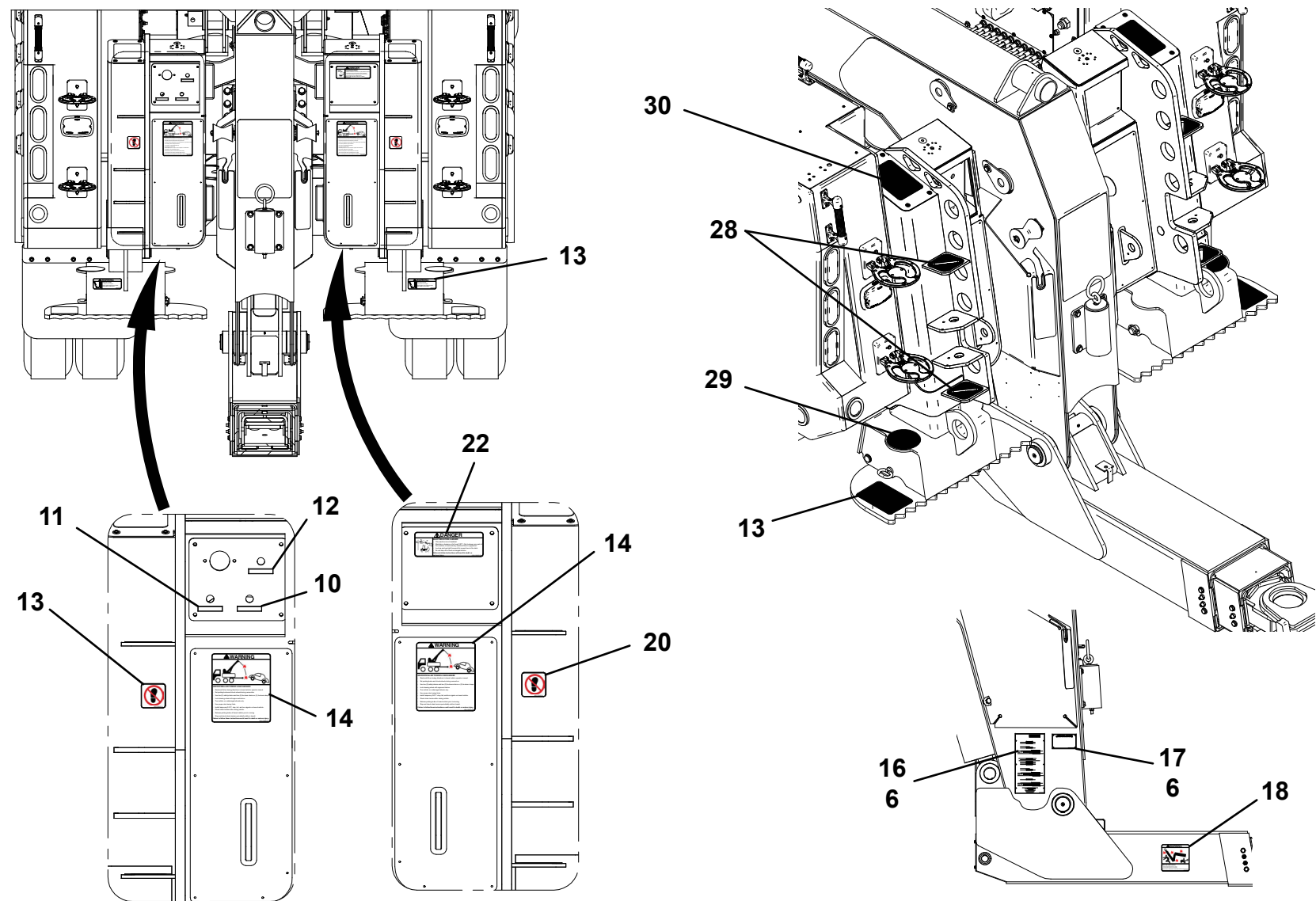
DECAL INSTALLATION



DECAL INSTALLATION

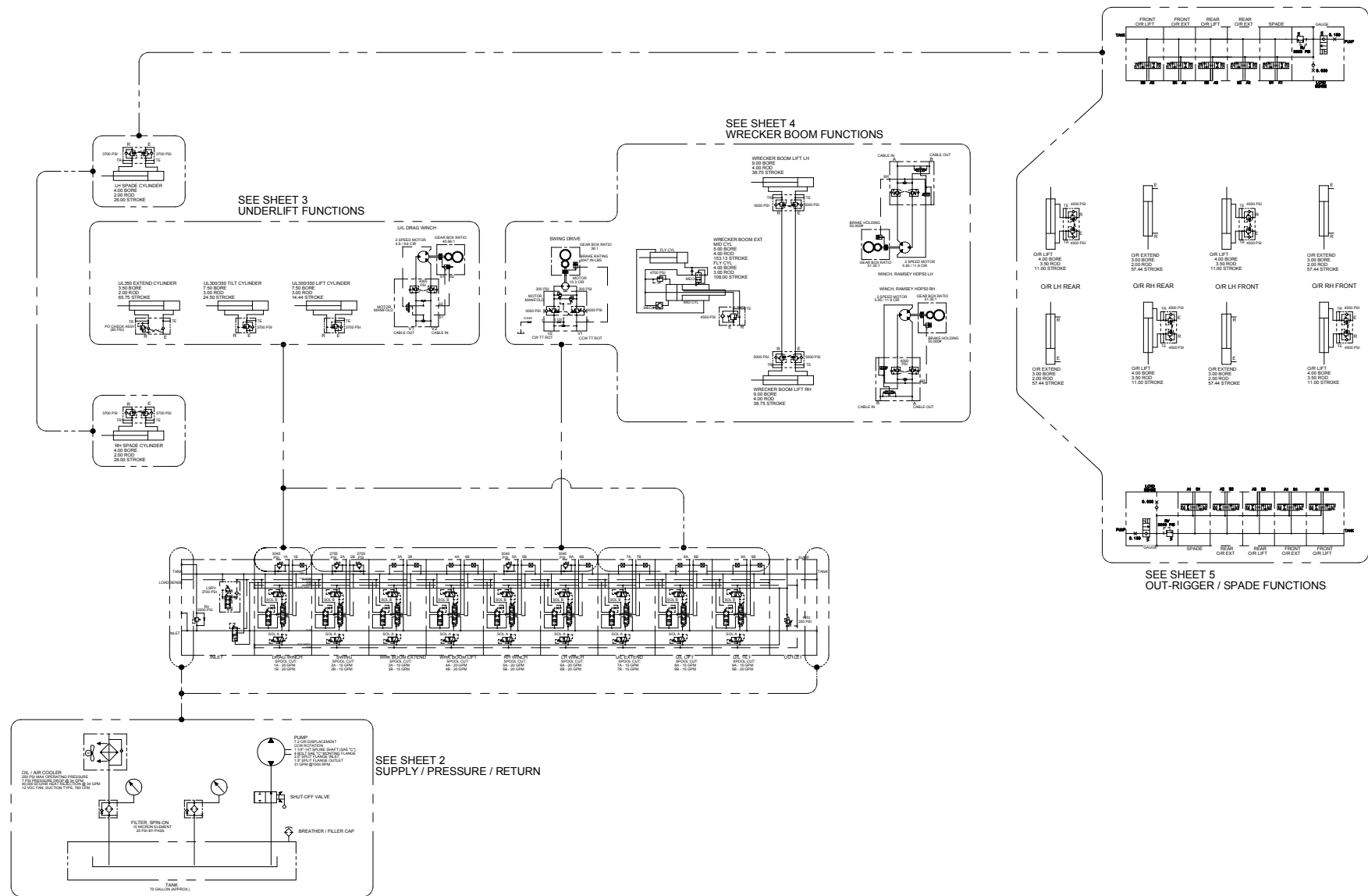


DECAL INSTALLATION

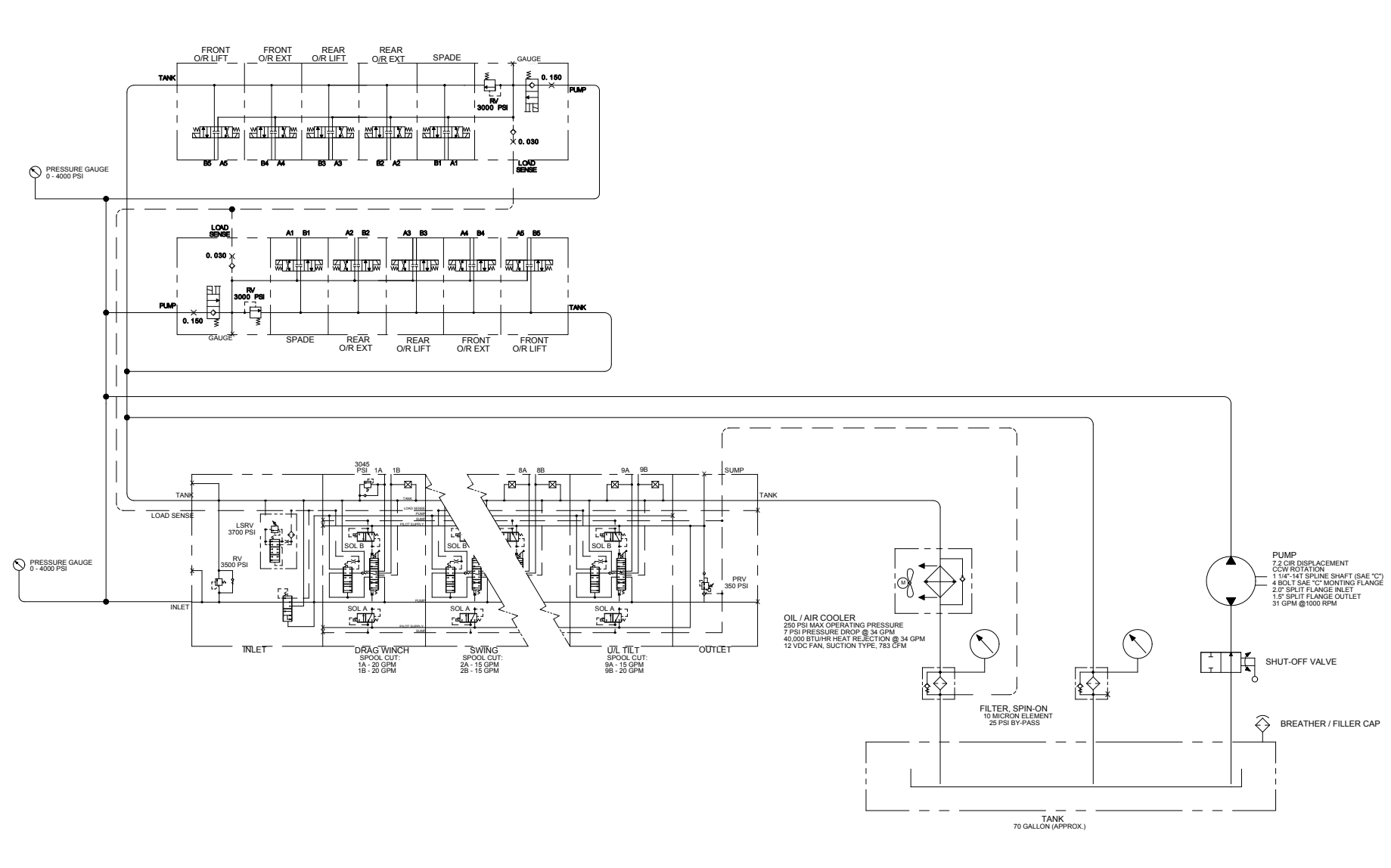


THIS PAGE INTENTIONALLY LEFT BLANK

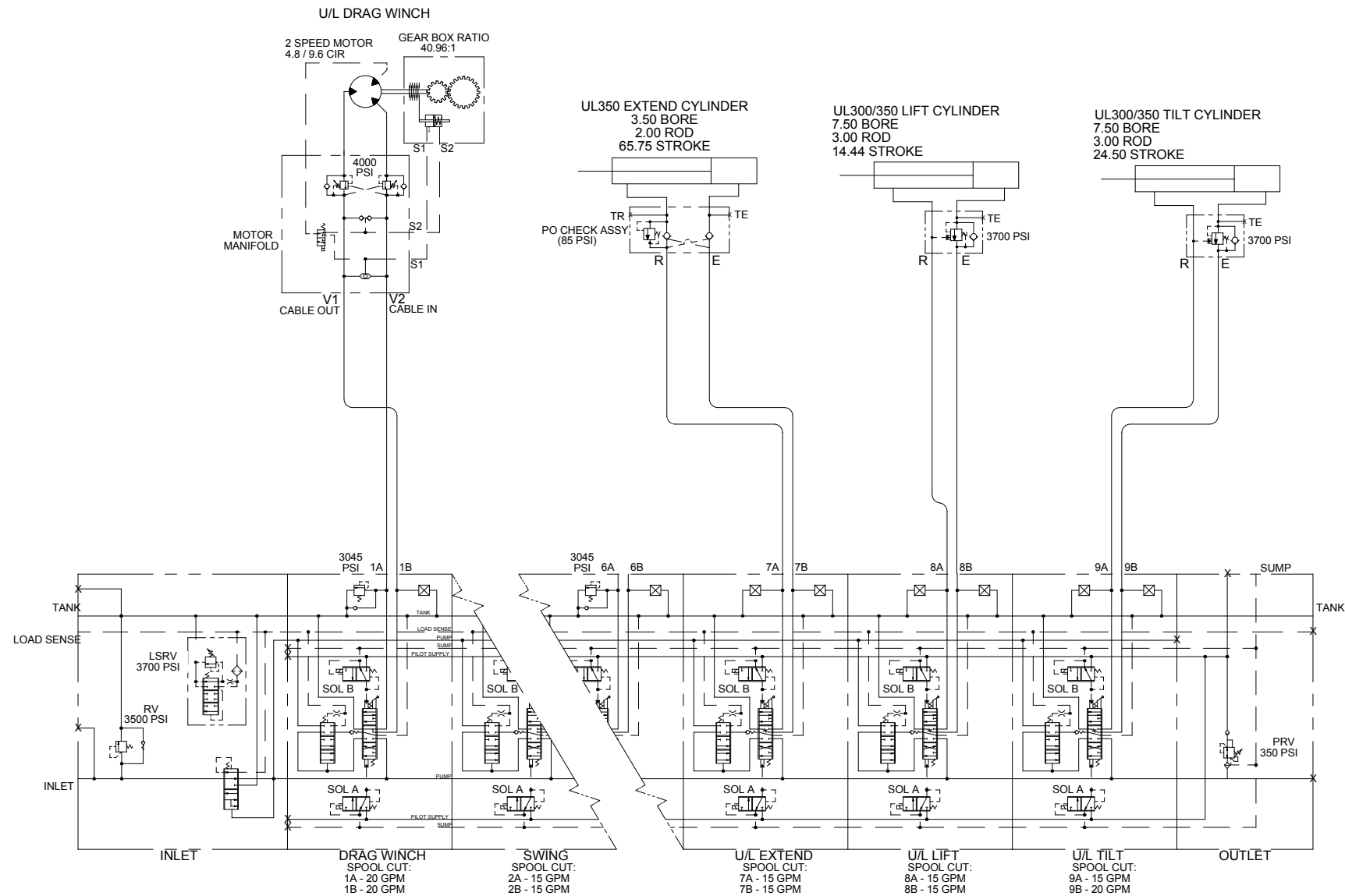
HYDRAULIC SCHEMATIC



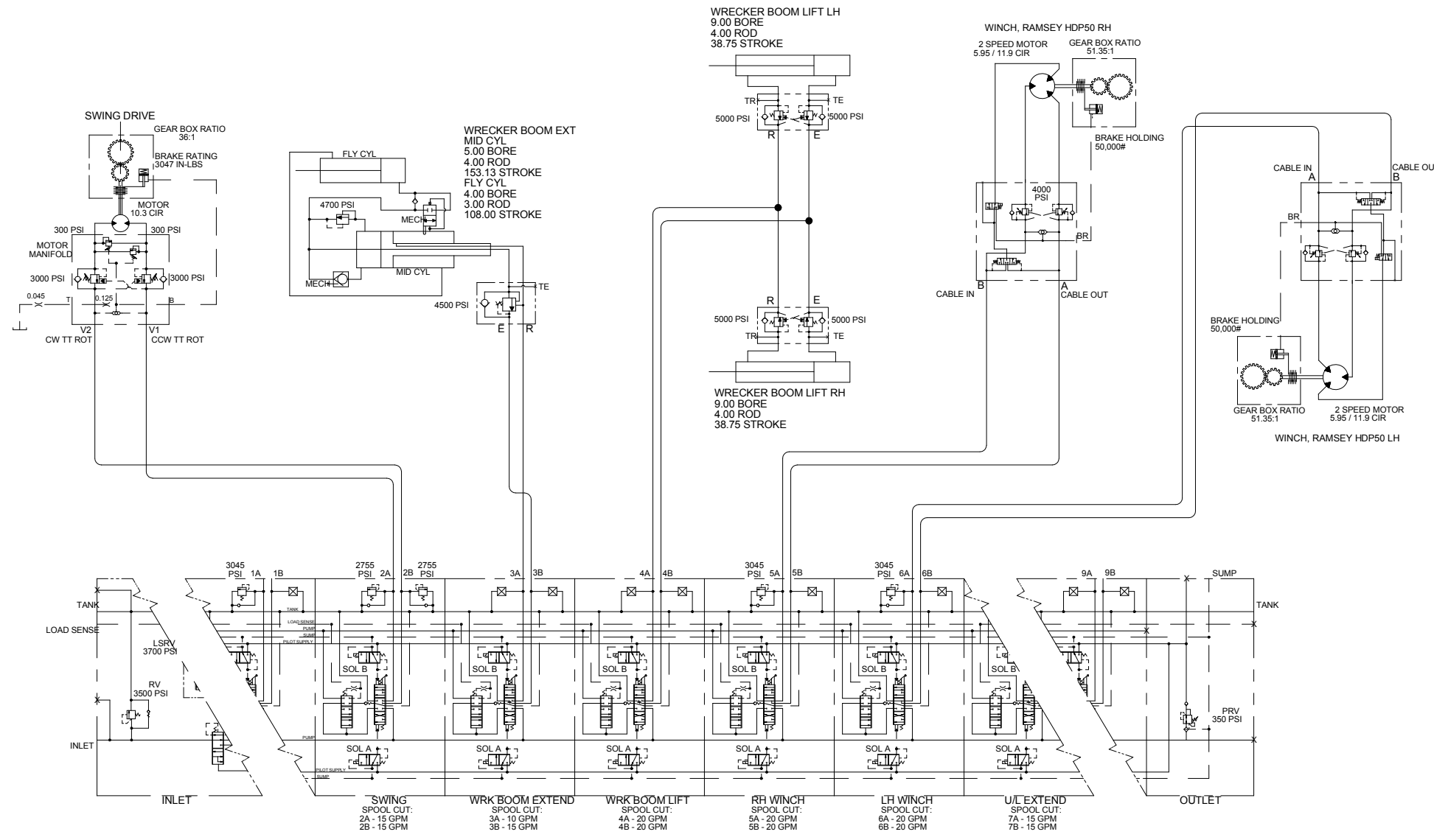
HYDRAULIC SCHEMATIC



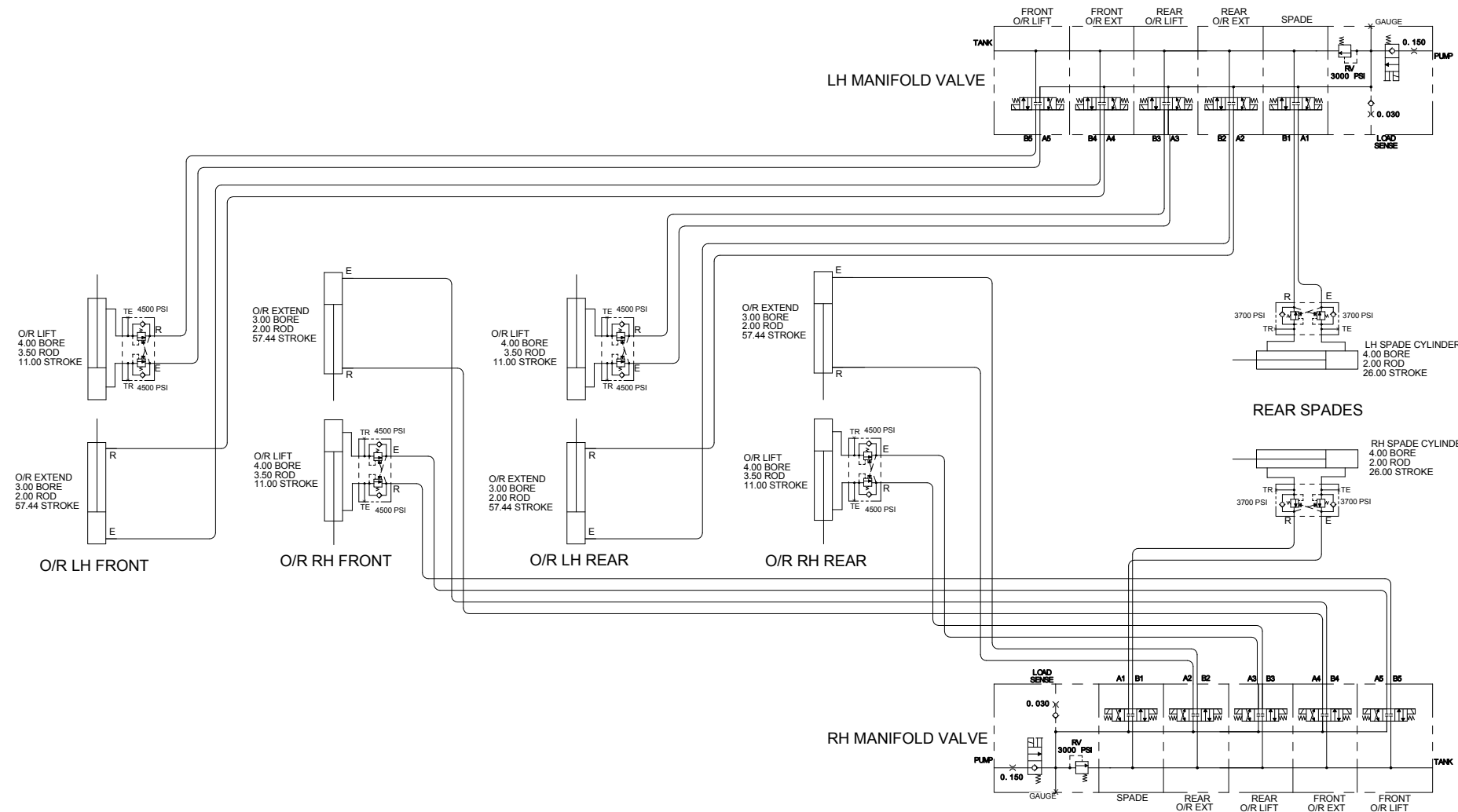
HYDRAULIC SCHEMATIC



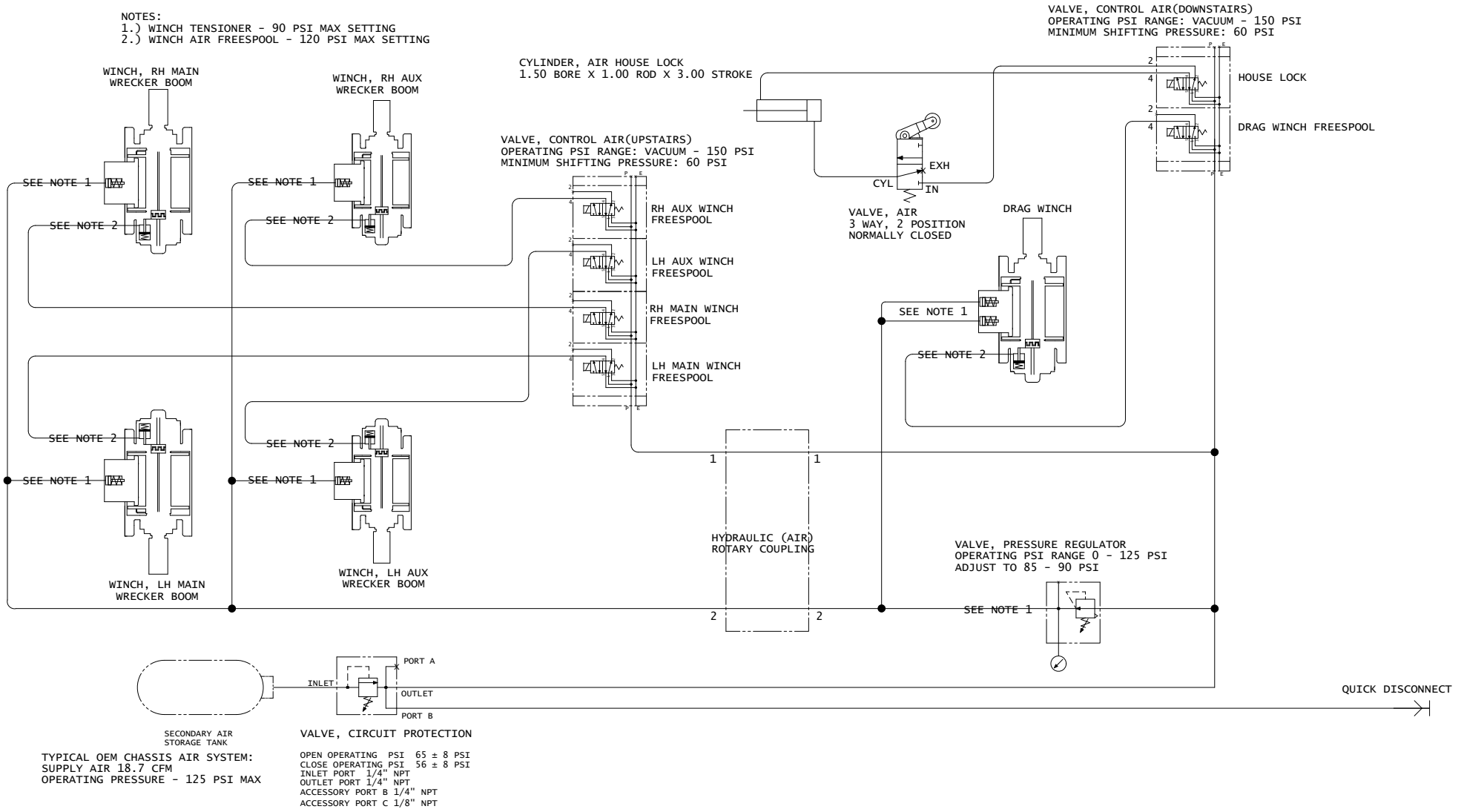
HYDRAULIC SCHEMATIC



HYDRAULIC SCHEMATIC



AIR SCHEMATIC



PART NUMBER INDEX

Part Number	Page	Part Number	Page	Part Number	Page	Part Number	Page
0100011	26, 32, 72, 78, 94, 142, 172	7005314	112, 116, 120, 132	70050127	98	70050200	320
641614	32	7005322	40	70050129	98	70050201	320
642034	172	7005348	112, 116, 120, 124, 128, 132, 136, 140	70050132	98	70050202	320
682016	32			70050139	102	70050203	320
0682212	24, 26, 110, 114	7005365	40, 70, 112, 116, 120, 124, 132, 136, 140	70050140	102	70050204	320
682220	26			70050141	102	70050205	320
0682248	110, 114	7019828	40, 124, 128	70050147	88, 106, 150	70050206	320
0682622	52	7019829	136, 140	70050151	108	70050207	320
0682652	44	7019844	124, 128	70050152	108	70050208	320
750504	244	7019845	124, 128	70050163	320	70050209	320
0750505	228	7019846	124, 128	70050169	320	70050210	320
751003	244, 292	7019892	112, 120	70050170	320	70050211	320
0751006	194	7023518	136, 140	70050171	320	70050215	40, 116, 132
0751406	194, 308	7023593	70	70050172	320	70050216	112, 120
0751408	194, 270	7024101	136, 140	70050174	320	70050217	124
1060706	228	7024444	20	70050175	320	70050218	124
2220773	256	7024445	20	70050176	320	70050232	116
2220775	256	7029760	28, 34, 64	70050177	320	70050273	22
2220973	257	8034697	280, 288	70050178	320	70050274	22
2221051	256	10701259	44, 52	70050179	320	70050275	22
3020029	32	10837929	280, 288	70050180	320	70050276	22
3272001	32	10837937	280, 288	70050181	320	70050277	22
3272201	26	70021648	40, 70, 112, 116, 120, 124, 128, 132, 136, 140	70050182	320	70050278	22
3311605	32			70050183	320	70050279	22
3740080	308	70021757	116, 132	70050185	320	70050280	22
3760308	228, 244	70021774	70	70050186	320	70050281	22
3841203	94, 142	70022067	28, 64	70050187	320	70050282	22
3841258	32, 72, 78	70022563	36	70050188	320	70050308	298
3841287	26	70022564	36	70050189	320	70050309	298
3931624	32	70022603	28	70050190	320	70050310	298
4460509	328	70023370	36	70050191	320	70050312	298
4461018	328	70023371	36	70050192	320	70050315	298
4712200	26	70050085	108	70050194	320	70050316	298
7003116	136, 140	70050086	108	70050195	320	70050318	298
7003212	40, 124, 128	70050113	98	70050196	320	70050319	298
7003281	124, 128	70050115	98	70050197	320	70050320	298
		70050126	98	70050199	320	70050321	298

PART NUMBER INDEX

Part Number	Page	Part Number	Page	Part Number	Page	Part Number	Page
70050332	74	70050369	80, 154	70050410	64	70050451	34
70050333	74	70050370	80, 154	70050411	64	70050452	34
70050334	74	70050371	80, 154	70050412	64	70050472	280, 288
70050335	74	70050372	80, 154	70050413	64	70050473	280, 288
70050336	74	70050373	80	70050414	34	70050474	280, 288
70050337	74	70050374	86	70050415	64	70050475	280, 288
70050338	74	70050375	90	70050416	64	70050476	280, 288
70050339	74	70050376	90	70050419	64	70050477	280, 288
70050340	74	70050377	90	70050420	64	70050478	280, 288
70050341	74	70050378	90	70050421	64	70050479	280, 288
70050342	74	70050379	90	70050422	64	70050480	280, 288
70050343	74	70050380	84	70050423	64	70050481	280, 288
70050344	74	70050381	82	70050424	28	70050482	280, 288
70050345	74	70050382	82	70050425	28	70050483	280
70050346	74	70050383	82	70050426	28	70050484	280, 288
70050347	74	70050384	88, 106, 150	70050427	28	70050485	280, 288
70050348	74	70050385	92	70050428	28	70050486	280, 288
70050349	74	70050386	20	70050430	28	70050487	280, 288
70050350	74	70050387	20	70050431	28	70050488	280, 288
70050351	74	70050388	20	70050432	28	70050489	280, 288
70050352	74	70050389	20	70050433	28	70050490	280, 288
70050353	74	70050390	20	70050434	28	70050491	280, 288
70050354	74	70050391	20	70050435	28	70050492	280, 288
70050355	74	70050392	320	70050436	28	70050501	280, 288
70050356	74	70050393	320	70050437	34	70050502	280, 288
70050357	74	70050394	320	70050438	28, 34	70050503	280, 288
70050358	74	70050395	320	70050439	28, 34	70050504	280, 288
70050359	74	70050396	74	70050440	28	70050505	280, 288
70050360	74, 76	70050399	154	70050441	34	70050506	280, 288
70050361	76	70050400	154	70050442	34	70050507	280, 288
70050362	76	70050401	98, 154	70050444	34	70050508	280, 288
70050363	76	70050402	154	70050445	34	70050510	280, 288
70050364	76	70050403	64	70050446	34	70050526	306
70050365	128	70050404	64	70050447	34	70050527	306
70050366	76	70050407	64	70050448	34	70050528	306
70050367	80	70050408	64	70050449	34	70050529	306
70050368	80, 154	70050409	64	70050450	34	70050530	306

PART NUMBER INDEX

Part Number	Page	Part Number	Page	Part Number	Page	Part Number	Page
70050531	40	70050571	298	70050752	102	70050838	234
70050534	136, 140	70050572	70	70050753	104	70050839	234
70050535	136, 140	70050573	298	70050754	106	70050840	234
70050536	136	70050574	70	70050755	106	70050841	234
70050537	136	70050575	70	70050756	106	70050842	242
70050538	136	70050576	70	70050757	106	70050843	242
70050540	136, 140	70050577	70	70050758	106	70050844	242
70050541	136, 140	70050578	70	70050759	106	70050845	242
70050542	120	70050579	70	70050760	106	70050846	242
70050543	120	70050580	70	70050761	108	70050847	242
70050544	116, 132	70050581	70	70050791	36	70050848	242
70050545	116, 132	70050582	70	70050792	36	70050849	242
70050546	116	70050583	70	70050793	36	70050922	232, 234
70050547	116	70050584	70	70050794	36	70050923	232, 234
70050548	116, 132	70050585	70	70050795	36	70050924	232, 234
70050549	116, 132	70050586	70	70050796	36	70050925	232, 234
70050550	140	70050587	70	70050797	36	80004049	116, 132
70050551	140	70050588	70	70050798	36	80004056	140
70050552	140	70050589	70	70050799	36	83304140	70, 112, 120
70050553	124	70050590	70	70050800	36	83304143	70, 120
70050554	124	70050591	70	70050801	36	83304173	20
70050555	124	70050592	70	70050802	36	83304174	20
70050556	70	70050594	132	70050803	36	83304181	70
70050557	70	70050595	132	70050804	36	88671001	26
70050558	70	70050734	288	70050805	36	90022234	28
70050559	70	70050739	98	70050806	36	90022282	28
70050560	70	70050740	98	70050807	36	91024100	34
70050561	70	70050741	98	70050808	36	91034041	64
70050562	70	70050742	98	70050809	36	91034051	34
70050563	70	70050743	98	70050810	36	1001003803	30
70050564	70	70050744	98	70050831	234	1001118961	44
70050565	70	70050745	100	70050832	234	1001122235	228, 244
70050566	70	70050746	100	70050833	234	1001127220	334
70050567	298	70050747	100	70050834	234	1001127311	24, 26, 28
70050568	70, 136	70050749	100	70050835	234	1001127312	30, 34, 36
70050569	70	70050750	102	70050836	234	1001127313	60, 62, 64
70050570	70	70050751	102	70050837	234	1001127315	18

PART NUMBER INDEX

Part Number	Page	Part Number	Page	Part Number	Page	Part Number	Page
1001127316	44	1001129786	8	1001130883	308	1001135667	30, 32
1001127324	46	1001129800	302, 306	1001130884	308	1001136075	334
1001127327	284, 286	1001129818	314	1001130891	300	1001136080	334
1001127656	50	1001129820	314	1001131032	270	1001136091	334
1001127671	276, 278	1001129828	318	1001131060	44	1001136094	334
1001127836	66, 68	1001129861	318	1001131123	278, 286	1001136103	334
1001127841	66, 68	1001129987	48	1001131124	278, 286	1001136119	334
1001127853	66	1001130086	270	1001131129	278, 286	1001136146	270
1001127918	30	1001130087	270	1001131131	278, 280	1001136175	334
1001127996	18, 20	1001130208	276, 284	1001131160	324, 326	1001136270	292
1001128160	114	1001130209	276, 284	1001131171	322	1001136470	142
1001128283	60, 62	1001130210	276, 284	1001131302	256	1001136692	44
1001128323	72, 74	1001130211	276, 284	1001132242	334	1001136761	257
1001128391	52	1001130215	276, 284	1001132346	334	1001136772	257
1001128440	110	1001130216	276, 284	1001133242	114	1001136792	257
1001128450	110	1001130217	276, 284	1001133286	114	1001136807	257
1001128463	60	1001130218	276	1001133571	10, 14	1001136811	256
1001128697	110, 114	1001130258	276	1001134239	52	1001136811*	256
1001129004	66, 68	1001130262	270	1001134354	308	1001136814	256
1001129005	66, 68	1001130347	270	1001134376	270	1001136817	256
1001129006	66, 68	1001130395	10, 14	1001134411	270	1001136821	256
1001129393	66, 68	1001130426	256	1001134412	270	1001136824	256
1001129405	24	1001130427	184	1001134433	270	1001136833	256
1001129406	30	1001130429	328	1001134450	270	1001136836	256
1001129416	24	1001130437	18	1001134451	244	1001136841	256
1001129470	54	1001130467	332	1001134461	270	1001136843	256
1001129495	72, 74	1001130491	270, 278, 286	1001134462	270	1001136844	256
1001129498	30	1001130587	256	1001134463	270	1001136845	256
1001129534	110	1001130589	256	1001134739	10, 14	1001136846	256
1001129535	110	1001130597	256	1001134740	10, 14	1001136851	256
1001129540	72	1001130607	256	1001135089	308	1001136861	256
1001129541	72	1001130608	256	1001135127	72, 78	1001136876	256
1001129542	72	1001130609	256	1001135134	308	1001136881	256
1001129543	72	1001130610	256	1001135136	308	1001136883	256
1001129628	48, 50	1001130611	256	1001135301	302	1001136884	257
1001129777	8	1001130696	270	1001135645	8	1001136891	257
1001129778	8	1001130840	46	1001135652	30	1001136893	257

PART NUMBER INDEX

Part Number	Page	Part Number	Page	Part Number	Page	Part Number	Page
1001136896	257	1001151049	110	1001158448	68	1001163652	270
1001136939	257	1001151050	114	1001158540	62	1001163669	244
1001136957	257	1001151184	110, 114	1001158844	32	1001163674	270
1001136958	257	1001151185	110, 114	1001159354	94	1001163681	270
1001136960	257	1001151763	18, 22	1001159568	160	1001163682	284
1001137048	256	1001151789	172	1001160799	220, 222	1001163687	270
1001137049	256	1001153789	334	1001162321	244	1001163690	270
1001137052	256	1001154068	308	1001162399	244	1001163926	244
1001137159	270	1001154069	270	1001162519	244	1001164154	172
1001137160	270	1001154073	308	1001162714	244	1001164193	172
1001137169	334	1001154074	308	1001162827	308	1001164558	192
1001137185	334	1001154075	270	1001162904	244	1001164560	192
1001138172	172	1001154101	184	1001162928	244	1001164562	192
1001138537	334	1001154274	270	1001162945	244	1001165802	334
1001138538	334	1001154275	270	1001162947	244	1001166095	172
1001138612	334	1001154276	270	1001162982	244	1001166097	172
1001141227	334	1001154277	270	1001162993	292	1001166322	176, 188, 270, 300
1001141265	186, 212	1001154530	182	1001163012	292	1001166547	182
1001141592	244, 300	1001154786	30, 32	1001163016	308	1001166549	182
1001142452	334	1001156061	54	1001163024	308	1001166644	200, 204, 206, 222, 228
1001142626	54	1001156079	270	1001163074	308	1001166670	228
1001142828	334	1001156279	270	1001163094	292	1001166930	228, 244
1001143542	300	1001157093	286, 288	1001163102	308	1001166966	270, 284
1001143564	300	1001157110	284	1001163129	308	1001166974	190, 192, 196, 198, 220, 222, 244, 270
1001143565	300	1001157212	284	1001163153	292	1001166978	270
1001143937	256	1001157228	270	1001163358	178	1001167099	270
1001144012	18, 244, 292	1001157232	270	1001163428	176	1001167286	202, 210
1001144068	18	1001157233	270	1001163446	176	1001167310	308
1001145521	78	1001157240	270	1001163447	176	1001167352	178
1001145522	78	1001157245	270	1001163453	176	1001167358	178
1001145523	78	1001157309	270	1001163454	176	1001167358	178
1001145524	78	1001157913	94	1001163615	176	1001167448	300
1001145566	78	1001157914	94	1001163626	176	1001167452	245
1001146735	244	1001157954	94	1001163628	176	1001167455	180
1001150151	314	1001157970	54	1001163629	176	1001167456	180
1001150180	316	1001158142	10, 14	1001163630	176	1001167607	244
1001150426	244	1001158198	96	1001163651	270	1001168320	244

PART NUMBER INDEX

Part Number	Page	Part Number	Page	Part Number	Page	Part Number	Page
1001168321	244	1001171538	244	1001179129	32	1001182941	206
1001168322	244	1001171549	244	1001179131	26	1001182942	206
1001168323	244	1001171550	244	1001179132	32	1001182946	206
1001168325	244	1001171669	188	1001179143	32	1001182961	206
1001168326	244	1001171670	188	1001179153	26	1001182962	206
1001168328	244	1001171672	188	1001179160	32	1001183001	218
1001168428	190, 192, 198, 218	1001171673	188	1001179170	32	1001183002	218
1001168544	190, 218	1001172004	188	1001180725	186	1001183037	202
1001168733	192	1001172053	110, 114	1001181244	172	1001183142	220
1001168985	204	1001172054	110, 114	1001181245	172	1001183200	228
1001168986	204	1001172127	176	1001181248	172	1001183340	204
1001168993	192, 196, 198, 200, 204, 206, 220, 222	1001172651	270	1001182247	198	1001184475	190
1001169080	200, 222	1001172652	270	1001182248	198	1001188500	228
1001169083	220	1001172758	270	1001182251	204	1001188538	228
1001169617	94, 142	1001173847	172	1001182252	224	1001189283	172
1001169618	72, 78	1001174051	230	1001182360	244	1001189321	172
1001169893	94, 142	1001174138	220	1001182369	244	1001191609	190
1001170037	72, 78	1001174140	220	1001182371	244	1001191613	220
1001170139	222	1001174339	334	1001182372	244	1001191736	204
1001170141	222	1001174341	204	1001182376	244	1001191810	218
1001170143	222	1001174343	334	1001182503	182	1001192905	178
1001170172	160	1001174346	334	1001182562	172	1001193553	178
1001170425	200	1001174680	244	1001182568	228	1001193554	178
1001170618	208	1001174681	244	1001182569	228	1001193719	190
1001170707	214	1001175059	194	1001182657	176	2502880300	164
1001170725	216	1001175231	204	1001182658	176	3007000004	160
1001170839	210	1001175248	194	1001182659	176	3020000119	162, 164
1001170846	212	1001175249	194	1001182666	188	3020000120	162, 164
1001170849	180	1001175252	194	1001182667	188	3170000123	134
1001170935	178, 180	1001176936	188	1001182756	222	3170000124	134
1001170937	180	1001178261	172	1001182764	204	3170000125	134
1001170995	212	1001178305	172	1001182794	190	3170000220	118, 126
1001171106	276	1001178306	172	1001182853	196	3170000221	126
1001171113	270, 276	1001178692	32	1001182913	200	3170000223	126
1001171114	270	1001178865	32	1001182914	200	3170000224	126
1001171394	312	1001178867	32	1001182915	200	3170000400	138
		1001179003	32	1001182940	206	3170000401	138

PART NUMBER INDEX

Part Number	Page	Part Number	Page	Part Number	Page	Part Number	Page
3170000406	138	3706000080	166	4569160030	256	4691000416	66, 68
3170000407	130, 138	3706000177	122, 126	4569180044	257	4691000417	66, 68
3170000430	122	3706000178	122, 126	4570000167	257	4691000450	54
3170000431	122	3706000179	122, 126	4570000218	257	4691000489	30
3170000432	122	3706000180	122, 126	4570000361	256	4691000556	60, 62
3170000433	118, 122	3706000241	66, 68	4619000006	257	4691960030	76
3178000226	160	3706000261	38	4679000127	114	4695000026	328
3178000240	166	3706000348	30	4679000140	66, 68	4705000705	172
3178000499	166	3912000033	162, 164	4679000146	134	4706001815	230
3249000012	94, 142	3912000034	142	4679000147	134	4706002207	134
3249000037	72, 78	3912000038	162, 164	4679000158	122, 126	4706002208	134
3263000118	38	3913000094	170	4679000159	122, 126	4706002209	134
3272605001	32	4062000522	66, 68	4679000161	122, 126	4706002210	134
3274000011	172	4062000589	66, 68	4679000205	122, 126	4706002211	134
3484000048	162	4062000715	66, 68	4679000206	122, 126	4706002467	122, 126
3484000049	162	4062000717	270	4679000243	30	4706003144	122, 126
3484000072	164	4120000021	60, 62	4679000245	114	4706003708	122, 126, 134
3484000073	164	4178000349	256	4679000277	138	4706003709	122, 126, 134
3507100001	130, 134	4178000402	318	4679000293	138	4706003710	134
3551000036	160	4178000659	324, 330	4679000313	66, 68	4706003716	38
3561000008	162, 164	4178000699	300	4679000314	66, 68	4706003717	134
3561000015	164	4178000811	66, 68	4679000319	66, 68	4706003718	134
3691000126	38	4249000002	94, 142	4679000326	66, 68	4706003719	122, 126
3691000144	166	4561000012	162, 164	4686000254	308	4706003720	122, 126
3691000145	166	4567110065	257	4691000200	38	4706003721	122, 126
3691000160	118	4567112024	257	4691000242	170	4706003722	122, 126
3691000171	110	4567112038	257	4691000274	162, 164	4706003723	122, 126
3691000174	42	4567120022	257	4691000285	66, 68	4706003724	122, 126
3691000223	30, 32	4567120069	256	4691000290	130	4706003725	122, 126
3691000227	24, 26	4567120071	257	4691000291	130	4706003844	256
3691000228	24, 26	4567122014	276, 284	4691000292	134	4706004173	54
3691000231	114	4567122064	257	4691000293	134, 138	4706004174	54
3691000232	130	4567130135	256	4691000311	118	4706005262	138
3691000247	30	4567132085	256	4691000316	122, 126	4706005263	138
3691000252	60, 62	4567150016	256	4691000317	118	4706005281	138
3691000253	30	4567182031	257	4691000318	122, 126	4706006033	302
3691000267	38	4569140046	256	4691000321	138	4754000004	42, 66, 68

PART NUMBER INDEX

Part Number	Page	Part Number	Page	Part Number	Page	Part Number	Page
4754000006	30, 32	7114101618	54	7115181250	110, 114, 172	7120000053	96
4763000295	54	7114140418	122, 126	7115181250*	142	7120000053*	142
4811000942	54	7114140518	38, 134, 138	7115181450	66, 68, 316	7120000062	8
4812000057	134	7114140618	30, 192, 270, 314	7115181650	92, 156	7178000025	245
4831000108	72, 78	7114140818	52, 66, 68, 202	7115181850	18	7178000038	54
4831000115	96	7114141218	66, 68	7115182250	80, 172	7189000014	96
4831000115*	142	7114150818	302	7115182850	72, 78	7189000014*	142
4912000369	54	7114160618	328	7115185650	74	7189000017	114
4949000041*	170	7114160818	30	7115201050	60, 62, 72, 78	7209000022	170
4949000042*	170	7114160850	32	7115201250	110, 114	7209000023	10, 14
4949000045	94, 142	7114161218	190	7115201650	48	7209000024	10, 14
4949000055	42	7115140650	122, 126, 134, 138	7115201850	150	7209000029	118, 130
5526000553	300	7115140850	54, 322, 324	7115202250	150	7209000033	10, 14
6906960019	154	7115141250	244	7115203250	48, 172	7247000095	328
7007000036	10, 14	7115141450	54	7115220850	114, 130	7248000148	142
7007000055	160	7115142050	94, 142	7115222450	88	7248000149	72, 78
7007000056	160	7115150650	10, 14, 84, 244	7115222650	88	7253000002	24, 26, 30, 32, 42, 60, 62, 66, 68, 72, 78, 94, 110, 114, 118, 130, 142
7007960040	80	7115150664	10, 14	7115241650	74	7262000025	110, 114
7011000006	254	7115150850	46, 302	7118140427	66, 68	7274000026	324
7056000003	168	7115150864	158	7118165250	152	7274000030	10, 14
7056000004	168	7115151050	256	7118172050	80, 98, 154	7274000076	256
7056000005	168	7115151250	302	7118180820	66, 68	7274000088	10, 14
7056000006	168	7115151450	230	7118181205	80, 154	7277000012	54
7075000003*	300	7115160623	114	7118181250	168	7280000006	244
7075000006*	300	7115160650	42, 270	7118201616	94, 142	7293000006	8
7082000005	270	7115160850	18, 22, 54	7118221650	46	7295000029	302
7105163650	74	7115161050	270	7118221816	72, 78	7295000146	300
7105180850	122, 126	7115161223	110	7118221850	24	7312000015	158
7108180850	66, 68, 134, 138	7115161250	318	7118222416	72	7312000016	158
7108181050	134	7115161450	110, 114, 270, 276, 284	7118222816	78	7312000017	302
7110201423	144	7115161650	38, 244, 257, 270	7118222850	96	7320000006	38, 40
7110201823	82	7115161850	270	7118225650	60, 62	7320000026	134, 136
7114080418	244	7115163250	270	7118267250	166	7320000039	118, 120
7114080618	244	7115180650	66, 68	7120000035	244	7320000040	110, 112
7114100418	66, 68, 308	7115180850	66, 68, 94, 110, 118, 142, 318	7120000036	166	7320000040	110, 112
7114100518	54	7115181050	172	7120000040	66, 68	7320000042	126, 128
7114100618	244			7120000047	270, 300		

PART NUMBER INDEX

Part Number	Page	Part Number	Page	Part Number	Page	Part Number	Page
7320000063	114, 116	7440300000	170	7445080825	276, 284	7493000003	322
7320000068	138, 140	7443000108	256	7445080837	256	7493000009	245
7320000069	54	7443000139	302	7445080843	256	7493000021	326
7320000076	122, 124	7443000145	158	7445081039	256	7493000026	244
7320000085	66, 68, 70	7443000146	158	7445081043	256, 276, 284	7552000455	308
7320000096	130, 132	7443000148	158, 302	7445081045	50	7552000456	308
7330000143	334	7443000154	302	7445100843	256, 257	7561000020	168
7330000208	334	7443000155	302	7445100845	257	7565000014	158, 302
7330000209	334	7443000156	302	7445101018	256	7565000015	228
7330000210	334	7443000158	256	7445101025	276, 284	7565000016	257, 302
7330000278	162, 164	7443000173	50, 256, 302	7445101043	50, 256, 257, 276, 284	7565000019	298
7330000550	162, 164	7443000175	302	7445101045	50, 257	7577000063	132
7330000688	334	7443000178	302	7445121243	276, 284	7577000145	158
7330000689	334	7443000204	92, 156	7445161243	256, 276, 284	7577000167	40
7345001704	245	7443000205	92, 156	7445161245	256, 276, 284	7577000273	270
7345001714	312	7443000207	276, 284	7445161620	256	7577000334	116
7345001914	328	7443000243	302	7445161622	256	7577000368	164
7345222202	244	7443000258	256	7445161625	276, 284	7577250204	120
7345242202	244	7443000270	302	7445161637	256	7577250255	112
7346000035	324, 326	7443000329	302	7445161645	276, 284	7577250271	124, 128
7346000037	324, 326	7443000396	302	7446100836	228	7577250334	136, 140
7346000039	245, 308, 328	7443000397	302	7446502518	158, 302	7590000049	298
7346000045	244	7443000408	256	7454000003	160	7590000105	245
7346000055	158	7443000414	50	7454000004	160	7590000262	184, 244
7346000056	54	7443000448	302	7454000005	160	7590000282	184
7346000078	158	7444020013	302	7454000006	160	7590000343	244
7346000094	324, 326	7444030037	302	7457000006	244, 300, 328	7590000350	330, 332
7346000276	308	7445040421	256	7457000011	244	7636000008	172
7346000277	308	7445040425	256	7457000012	244	7660040000	300
7348000039	312	7445040445	80, 154	7457000019	244, 308	7660082500	244
7413000002	270	7445060435	158	7457000023	244	7660082604	244
7430000004	256	7445060625	276, 284	7470000002	256	766102601	54
7440000000	24, 60, 62	7445060643	256, 257, 276, 284	7470000004	256	766102604	244, 308
7440030000	42, 60, 62, 66, 68, 72, 78, 94, 110, 114, 118, 122, 126, 130, 134, 138, 142	7445060645	276, 284	7470000006	302	766140001	54, 270
7440030400	30, 32, 124, 128	7445060648	256	7470000014	66, 68	766140230	270
		7445080643	256	7470000019	66, 68	7660142601	54, 66, 68, 178, 180, 244, 324
		7445080644	256	7491000207	38		

PART NUMBER INDEX

Part Number	Page	Part Number	Page	Part Number	Page	Part Number	Page
7660142604	94, 142, 322	7691000020	160, 162, 164	7796250068	116	7950140153	38
7660150000	278, 286	7691000021	160, 162, 164	7806000008	224, 270	7950140161	52, 270
7660150001	302	7691000022	160	7809000006	142	7950140163	178
7660152601	158, 180, 230, 256	7691000025	166	7809000018	72, 78	7950150000	10, 14, 46, 244
7660152604	302	7691000026	162, 164	7843000038	54	7950150143	302
7660160000	22	7691000042	110, 114	7870000043	244	7950150153	180
7660162601	18, 38, 54, 190, 192, 196, 198, 200, 218, 220, 222, 244, 270, 276, 284, 318	7691000047	42	7870000123	244	7950150161	158, 230, 244, 256
7660162604	228	7691000048	30, 32	7870000128	312	7950160000	22, 30, 42, 54, 152, 257, 270
7660170230	54	7691000049	54	7870000129	312	7950160003	328
7660180001	54	7691000050	54	7870000143	244	7950160141	30, 54, 110, 114
7660180200	54, 172	7740000001	244, 300, 308, 328	7870000155	308	7950160143	32, 190, 192, 196, 198, 200, 204, 206, 218, 220, 222
7660180230	122, 126	7740000003	18, 244, 292	7870000159	308	7950160153	228
7660182301	172	7740000008	244	7894000004	256	7950160161	18, 22, 38, 244, 270, 276, 284, 318
7660182601	18, 66, 68, 72, 78, 96, 172, 316, 318	7754000008	38	7894000010	322, 324, 326, 332	7950160163	328
7660182601*	142	7754000009	270	7894000028	162, 164	7950170000	80, 98, 154
7660200001	92, 106, 150, 156, 172	7754000014	66, 68	7894000037	162, 164	7950170153	126
7660200200	92, 106, 156, 256	7754000018	118, 130	7894000041	162	7950180000	66, 68, 80, 90, 92, 106, 110, 114, 118, 138, 156, 168
7660202601	48, 110, 114	7754000033	38	7894000042	318	7950180141	18, 54, 110, 114
7660220001	88	7754000042	170	7894000057	164	7950180150	172
7660222308	72, 78	7754000043	122, 126, 134, 138	7894000060	164	7950180150*	142
7660222601	24, 60, 62, 110, 114	7754000049	94, 142	7935000120	302	7950180153	72, 78, 122, 134
7660262600	30	7754000051	118, 130	7935000273	54	7950180161	66, 68, 110, 114, 118, 316
7661000018	94, 142	7754000055	66, 68	7949000015	18, 110, 114	7950180252	172
7661000019	122, 126, 138, 314	7754000058	30	7949000016	18	7950180800	80, 98, 154
7661000022	10, 14	7754000083	72, 78	7949000019	172	7950200000	48, 60, 62, 150
7661000023	244	7759000004	162, 164, 334	7949000020	172	7950200141	60, 62
7661000024	308	7785152420	256	7949000025	38	7950200151	92, 106, 156
7661000027	10, 14	7785181200	74	7949000053	244	7950200161	48, 172
7661000041	302	7786000008	122, 126	7949000072	318	7950220000	24, 88, 96, 114
7663000006	18	7790060676	256	7950000000	130	7950220141	24, 60, 62, 96, 110, 114, 130
7690021210	54	7790100856	18	7950100103	308	7950220142	46
7690144840	66, 68	7790141251	178, 210, 220, 222, 254, 300, 330	7950140000	52, 66, 68, 122, 126, 134, 138, 270		
7690153245	84	7790141651	178, 208, 210, 214, 224, 308	7950140003	192		
7691000019	38	7790142051	300	7950140141	54, 244, 308		
		7796000012	270	7950140143	178, 180, 192, 202, 210, 220, 222, 314, 322, 324		

PART NUMBER INDEX

Part Number	Page	Part Number	Page	Part Number	Page	Part Number	Page
7950220151	88	9209960026	108, 152	9575960012	144	9754960026	108, 152
7970000069	142	9254250007	116, 132	9577760232	298	9754960029	80, 84
7970000169	78	9254250009	124	9577960113	88, 92	9754960030	90
7978000011	244	9280960002	82, 144	9577960119	80, 98	9754960046	108, 152
7990000027	54	9281960004	84	9577960120	80, 98, 154	9754960047	108, 152
8597650001	244	9295310027	300	9577960139	154	9763250009	40
8597650002	324, 326, 332	9295310029	300	9661960033	88	9763250022	112
8632000011	172	9295310030	300	9661960034	106	9763250025	128
8632000012	300	9295310031	300	9690960039	92, 156	9763250026	128
8977030200	328	9295310061	300	9691960019	92, 156	9796250057	40, 136, 140
8977030300	328	9295310068	300	9691960021	80, 98, 154	9796250058	70, 136, 140
9007250005	124, 128	9295310069	300	9691960032	76	9796250061	40
9020960002	92, 156	9309960011	152	9698250014	120	9796250062	112, 116, 120, 132
9064960001	92	9314960022	152	9698250017	112	9796250066	40
9064960007	156	9330960006	146	9698250018	124, 128	9796250068	132
9064960008	76	9443960006	80, 154	9698250019	124, 128	9796250071	70, 112, 120
9073960002	88	9443960010	74	9698960008	80, 98, 154	9796250073	40, 136, 140
9073960003	150	9443960019	74	9698960009	84	9796250080	40, 124, 128
9073960004	150	9443960020	76	9698960015	108, 152	9796250081	136, 140
9082960013	80, 98, 154	9443960021	76	9698960016	152	9796250083	116, 132
9082960014	80, 84	9472960029	80	9701960010	80	9796250084	70
9082960015	90	9472960030	84	9701960011	90, 108, 152	9796250113	112, 120
9082960018	146, 154	9472960032	80	9701960012	90, 108, 152	9796250117	112, 120
9120960019	92, 106, 156	9472960033	80	9701960013	80	9796250124	112, 120
9120960020	88	9472960036	84	9701960018	108, 152	9796250125	112
9120960024	74	9472960052	146	9706960027	80	9796250133	124, 128
9120960042	76	9472960053	146	9724250014	40	9796250135	124, 128
9120960054	74	9472960054	152	9754250009	40, 70, 136, 140	9796250137	124, 128
9120960063	92, 156	9472960055	146	9754250011	116, 132	9796250138	124, 128
9154960027	84	9472960056	146	9754250014	70, 136, 140	9796250149	70
9177960001	84	9552310033	300	9754250015	40, 124, 128	9796960085	80, 84, 90
9177960002	80	9553250009	40	9754250017	116, 132	9796960087	80, 84
9177960003	146	9553250010	136, 140	9754250043	112, 120	9796960088	80, 154
9177960004	154	9553250015	124, 128	9754250045	112, 120	9796960089	144
9178960011	92, 156	9553250016	128	9754250049	124, 128	9796960090	80
9183960001	80, 90, 108, 152	9570960005	76	9754250054	70	9796960093	84
9209960025	146	9571960006	80, 154	9754250055	70	9796960116	108

PART NUMBER INDEX

Part Number	Page	Part Number	Page	Part Number	Page
9796960118	108	9949960057	102		
9796960119	152	9970418177	76		
9796960120	146, 152	9970456008	74		
9796960121	146	9970960020	144		
9796960145	98	9970960027	74		
9796960157	74				
9796960159	74				
9796960188	102, 108				
9806960013	80				
9806960014	80				
9806960015	84				
9806960020	148				
9806960021	146				
9831960007	88				
9831960008	98				
9831960009	92, 156				
9831960018	144				
9843960023	92, 106, 156				
9843960025	84				
9843960032	108, 152				
9912250004	40				
9912250018	112				
9912250021	128				
9912960010	92, 156				
9935250025	128, 136, 140				
9935740034	298				
9935960026	80, 154				
9935960067	74				
9935960068	74				
9949000056	102				
9949960012	92, 156				
9949960013	84, 90				
9949960027	146				
9949960028	146, 152, 154				
9949960044	74				
9949960050	84, 92, 108, 156				
9949960051	88				



5376000170-0