

JD10XLP Carrier PARTS MANUAL

JERR-DAN[®]

An Oshkosh Corporation Company

13224 Fountainhead Plaza
Hagerstown, MD 21742
Phone (717) 597-7111
www.jerr-dan.com

5-376-000223
Rev 0 - Jan 1, 2019

© 2019 Jerr-Dan Corporation. All Rights Reserved

This manual covers the following Jerr-Dan Models:

2410TRS
2410TRSW
2610TRS
2610TRSW
2810TRS
2810TRSW

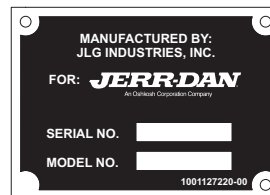
Jerr-Dan Corporation strives to provide information that is accurate, complete and useful. Descriptions and illustrative material contained within this manual are as accurate as known at the time of publication and are subject to change, without notice, as a result of continuous product improvements. Jerr-Dan reserves the right to amend the information in this document at any time without prior notice.

Information contained in this manual reflects how this vehicle was built at the factory. Modifications or additions by the distributor or owner are not reflected in this manual.

This parts manual does not include service parts information for the commercial chassis (IHC, Ford, GM, etc.).

That information is provided by the chassis manufacturer.

When ordering parts, please refer to your unit's Serial Number and Model Number. This information is be found on the aluminum tag riveted to the inside of the driver's side rear compartment of the main body.



Additional or replacement manuals can be ordered by calling Jerr-Dan Parts at 717-597-7111.

Price and availability will be quoted at time of the request.

Please report comments and/or errors by contacting Jerr-Dan Corporation's Technical Publications Department by e-mail at technicalpublications@jerr-dan.com or by FAX on 717-485-7162.

Manufactured under one or more of the following patents: 5,575,606; 5,672,042; 5,697,741; 5,713,714; 5,722,810; 5,782,596; 5,839,775 and 6,315,515 B1 with other Patents Pending.

Jerr-Dan and the Jerr-Dan logo are registered trademarks and Run Hard is a service mark of Jerr-Dan Corporation, Hagerstown, MD USA.

The material in this document is confidential and the property of Jerr-Dan Corporation. No part of this document may be photocopied,

Reproduced or translated to another language without the express written consent of Jerr-Dan Corporation.

THIS PAGE INTENTIONALLY LEFT BLANK

TABLE OF CONTENTS

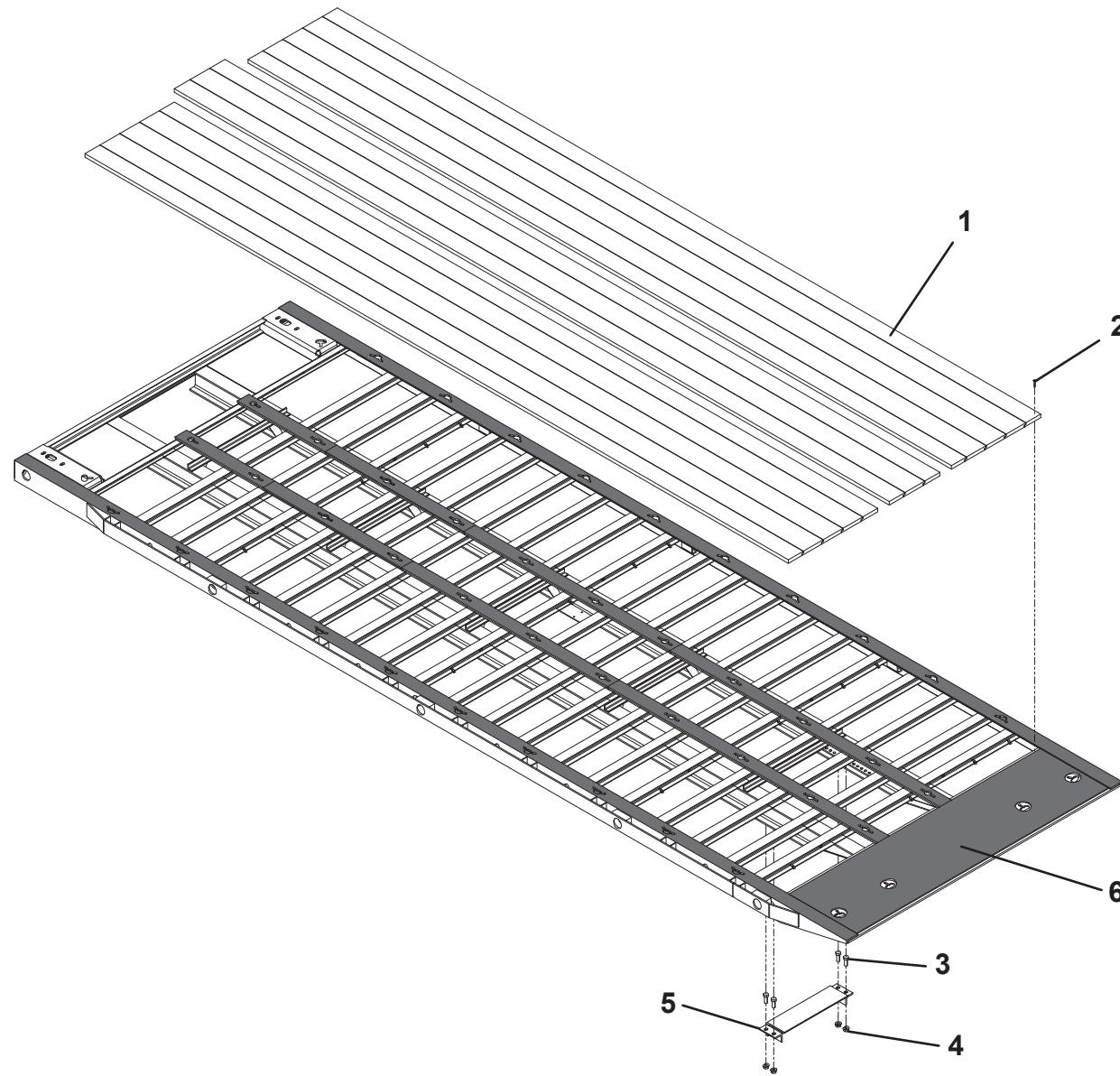
Deck - Steel 24' X 96".....	6	Hydraulic Lines and Fittings - 28' Rental Spec Carrier.....	88
Deck - Steel 24' X 102".....	8	SPR Hose Installation 156" CA - Generic.....	92
Deck - Steel 26' X 96".....	10	SPR Hose Installation 160" CA - Generic.....	94
Deck - Steel 26' X 102".....	12	SPR Hose Installation 168" CA - Generic.....	96
Deck - Steel 28' X 96".....	14	SPR Hose Installation 192" CA - Generic.....	98
Deck - Steel 28' X 102".....	16	SPR Hose Installation 218" CA - Generic.....	100
Headboard Installation - 45.50".....	18	SPR Hose Installation 242" CA - Generic.....	102
Headboard Installation - 57.50".....	20	SPR Hose Installation 168" CA Std Cab Ford.....	104
Winch Installation - 15K Winch.....	22	SPR Hose Installation 196" CT Ext Cab IHC NGV.....	106
15K Winch Assembly.....	24	SPR Hose Installation 162" CA Std Cab Peterbilt.....	108
15K Winch Assembly - Roller Head Assembly.....	26	SPR Hose Installation 196" CT Std Cab Freightliner.....	110
Freespool Installation W/ Pressure Protection Valve.....	28	Deck Light Installation.....	112
Freespool Installation W/O Pressure Protection Valve.....	30	Lights & Wiring, Bolt-On Headboard - 24 and 26FT.....	114
Subframe Installation.....	32	Lights & Wiring, bolt-on headboard 28Ft.....	116
Cylinder Assembly - 1001167764.....	34	Lightbox Installation.....	118
Cylinder Assembly - 1001166855.....	36	Switch Panels.....	120
Slide Pad Installation.....	38	Emergency Lightbar, Amber, RS Carrier.....	124
Hold Down Slide Pad Installation - 24ft.....	40	Headboard Work Lights, LED.....	126
Hold Down Slide Pad Installation - 26ft.....	42	Rear Work Lights, LED 10V-30V.....	128
Hold Down Slide Pad Installation - 28ft.....	44	Work Lights at Winch LED, 10V-30V.....	130
Mudflap Installation - 30" Long.....	46	Remote Control Transmitter Holder.....	132
Mudflap Installation - 36" Long.....	48	Automatic Throttle Up.....	134
Bumper Installation - Short.....	50	Stabilizer Installation.....	136
Bumper Installation - Long.....	52	Cylinder Assembly - 1001167767.....	138
Hydraulic Reservoir Installation.....	54	Decal Installation Conspicuity Pintle.....	140
Hydraulic Reservoir Assembly.....	56	Decal Installation Pintle Hitch on Stabilizer.....	142
Toolbox, 36" Installation.....	58	Ladder, Folding 3-step, Front Left.....	144
Toolbox, 48" Installation.....	60	Ladder, Folding 3-Step, Front Left/Right.....	146
Toolbox, 60" Installation.....	62	Saddle Spacers.....	148
Bracket, Kit Short Mounting.....	64	Air Supply Disconnect.....	150
Controls Installation.....	66	Hydraulic Filter Cover Plate.....	152
Controls Installation - Passenger Side.....	68	High Visibility Reflective Tape.....	154
Valve Assembly - 1001215843.....	70	Traffic Cone Holder.....	156
Control Station Assembly.....	72	Backup Camera JD Supplied.....	158
Control Station Assembly - Passenger Side.....	74	Backup Camera Chassis Supplied.....	160
Electrical Controls Installation.....	76	Decal Installation.....	162
Electrical Controls Installation - Passenger Side.....	78	Decal Installation, Conspicuity.....	166
Hydraulic Lines and Fittings - 24' Rental Spec Carrier.....	80	Part Number Index.....	169
Hydraulic Lines and Fittings - 26' Rental Spec Carrier.....	84		

DECK - STEEL 24' X 96''

ITEM	PART NO.	DESCRIPTION	QTY
1	8611960004	Board	13
2	7786000007	Screw, 0.31" - 18NC x 2.00"	286
3	7115221650	Bolt, 0.75" - 10NC x 2.00"	4
4	7660222308	Locknut, 0.75" - 10NC	4
5	3017000104	Angle, Roll Cylinder	1
6	1001228780	Complete Deck Assembly	1

Complete Deck Assembly includes Marker lights and Harness

DECK - STEEL 24' X 96"

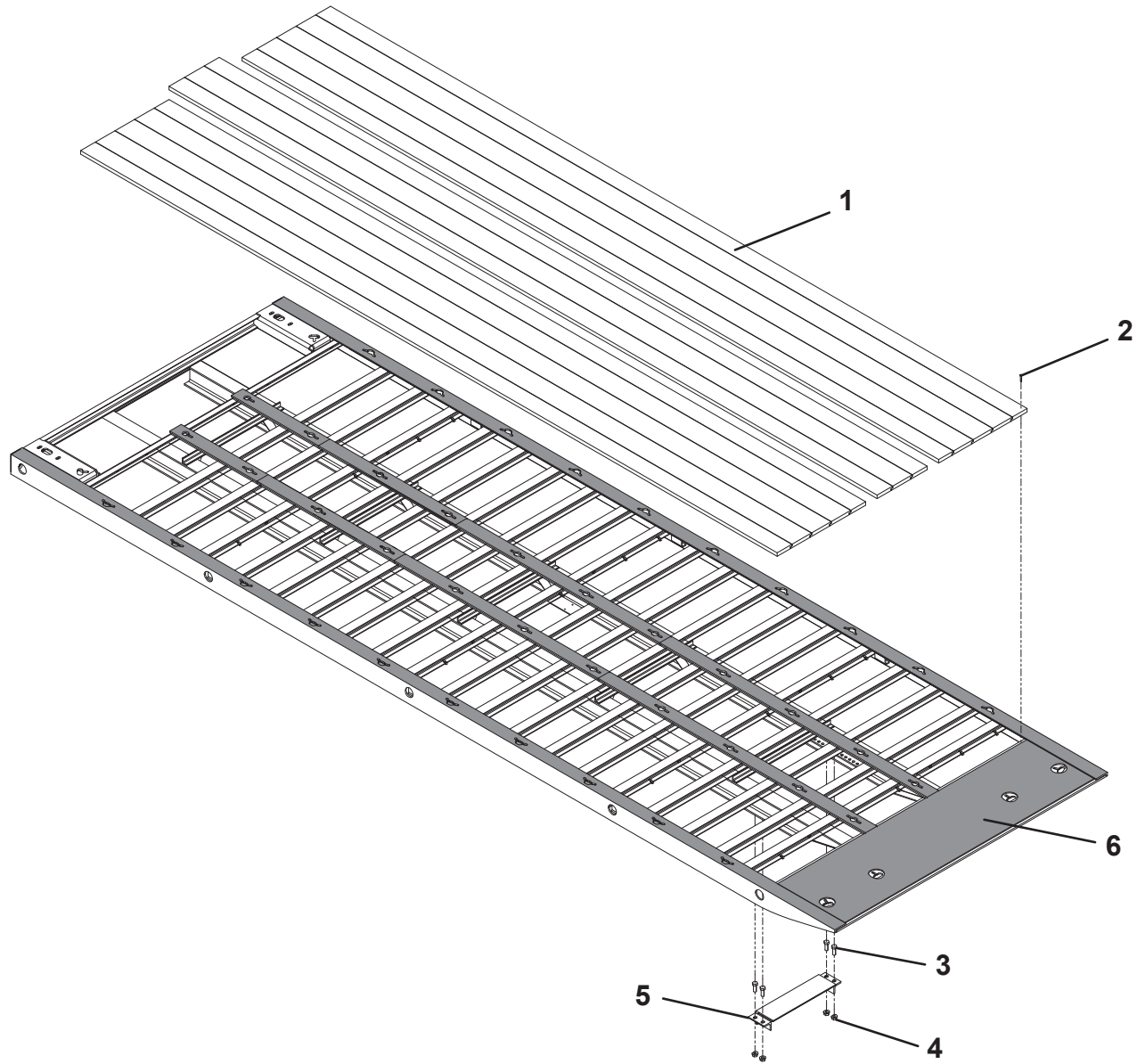


DECK - STEEL 24' X 102"

ITEM	PART NO.	DESCRIPTION	QTY
1	8611960004	Board	13
2	7786000007	Screw, 0.31" - 18NC x 2.00"	286
3	7115221650	Bolt, 0.75" - 10NC x 2.00"	4
4	7660222308	Locknut, 0.75" - 10NC	4
5	3017000104	Angle, Roll Cylinder	1
6	1001228781	Complete Deck Assembly	1

Complete Deck Assembly includes Marker lights and Harness

DECK - STEEL 24' X 102"

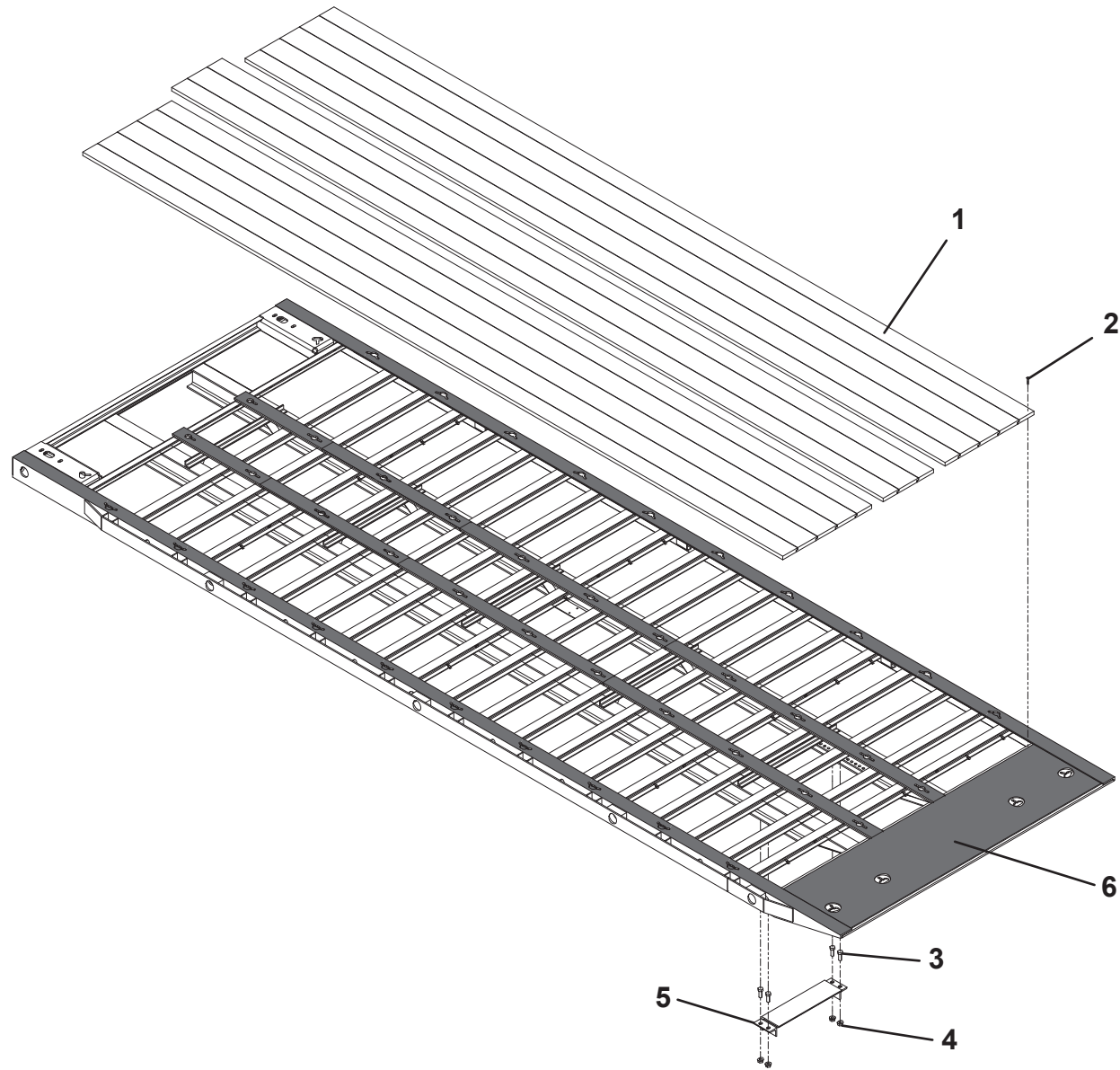


DECK - STEEL 26' X 96"

ITEM	PART NO.	DESCRIPTION	QTY
1	8611960004	Board	13
2	7786000007	Screw, 0.31" - 18NC x 2.00"	312
3	7115221650	Bolt, 0.75" - 10NC x 2.00"	4
4	7660222308	Locknut, 0.75" - 10NC	4
5	3017000104	Roll Cylinder Weldment	1
6	1001228782	Complete Deck Assembly	1

Complete Deck Assembly includes Marker lights and Harness

DECK - STEEL 26' X 96"

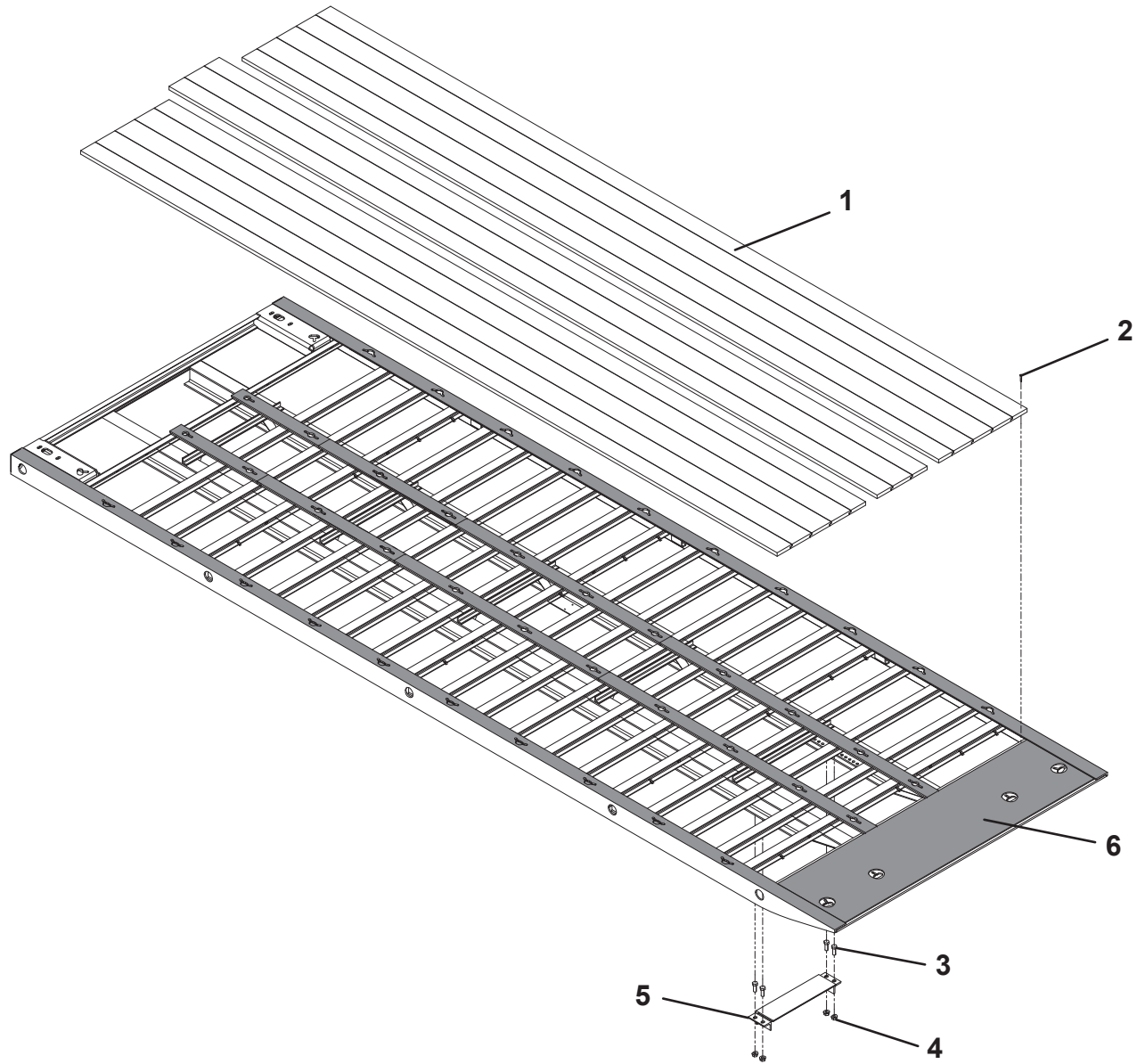


DECK - STEEL 26' X 102"

ITEM	PART NO.	DESCRIPTION	QTY
1	8611960004	Board	13
2	7786000007	Screw, 0.31" - 18NC x 2.00"	312
3	7115221650	Bolt, 0.75" - 10NC x 2.00"	4
4	7660222308	Locknut, 0.75" - 10NC	4
5	3017000104	Angle, Roll Cylinder	1
6	1001228783	Complete Deck Assembly	1

Complete Deck Assembly includes Marker lights and Harness

DECK - STEEL 26' X 102"

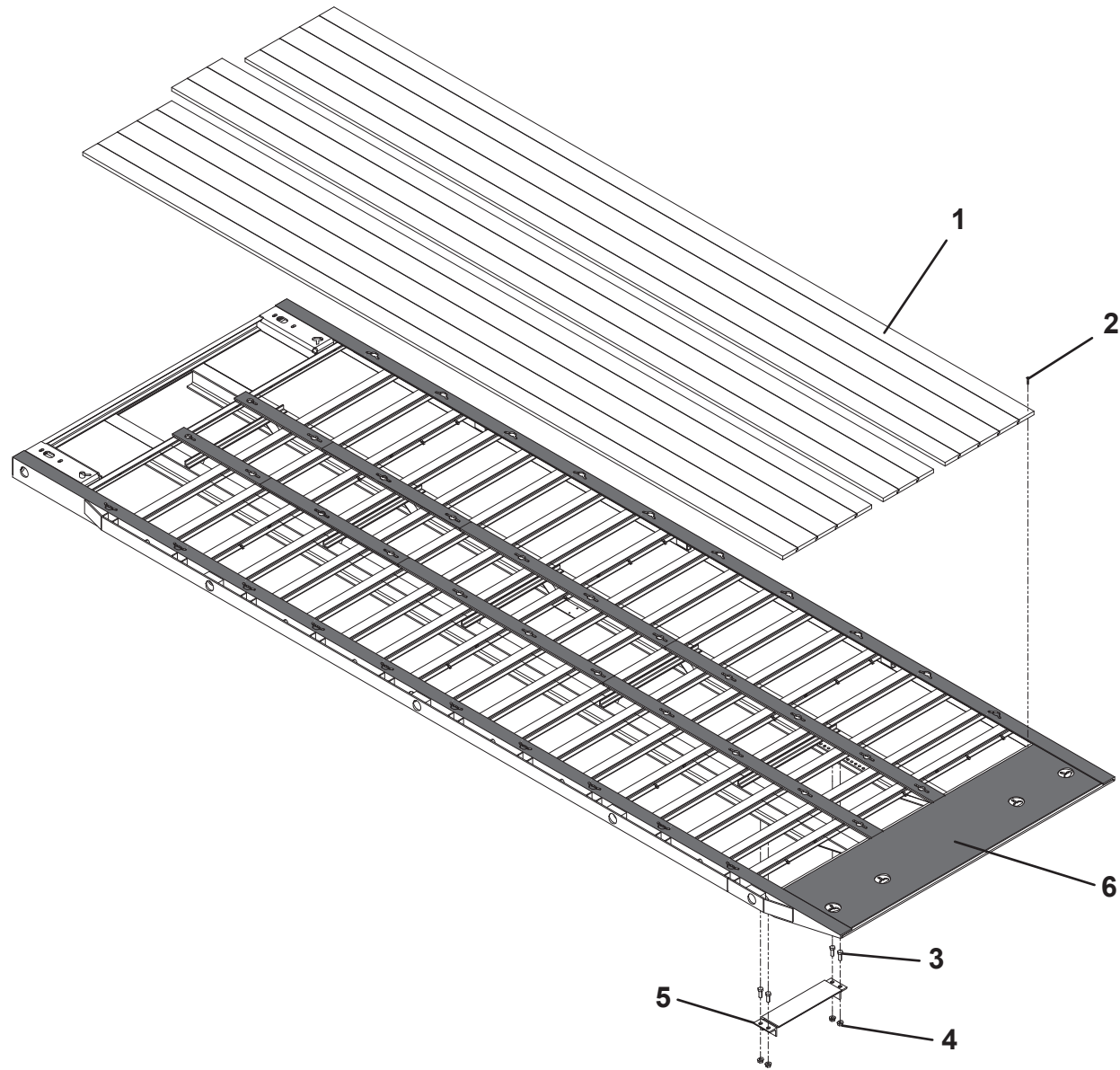


DECK - STEEL 28' X 96"

ITEM	PART NO.	DESCRIPTION	QTY
1	8611960004	Board	13
2	7786000007	Screw, 0.31" - 18NC x 2.00"	338
3	7115221650	Bolt, 0.75" - 10NC x 2.00"	4
4	7660222308	Locknut, 0.75" - 10NC	4
5	3017000104	Roll Cylinder Weldment	1
6	1001228784	Complete Deck Assembly	1

Complete Deck Assembly includes Marker lights and Harness

DECK - STEEL 28' X 96"

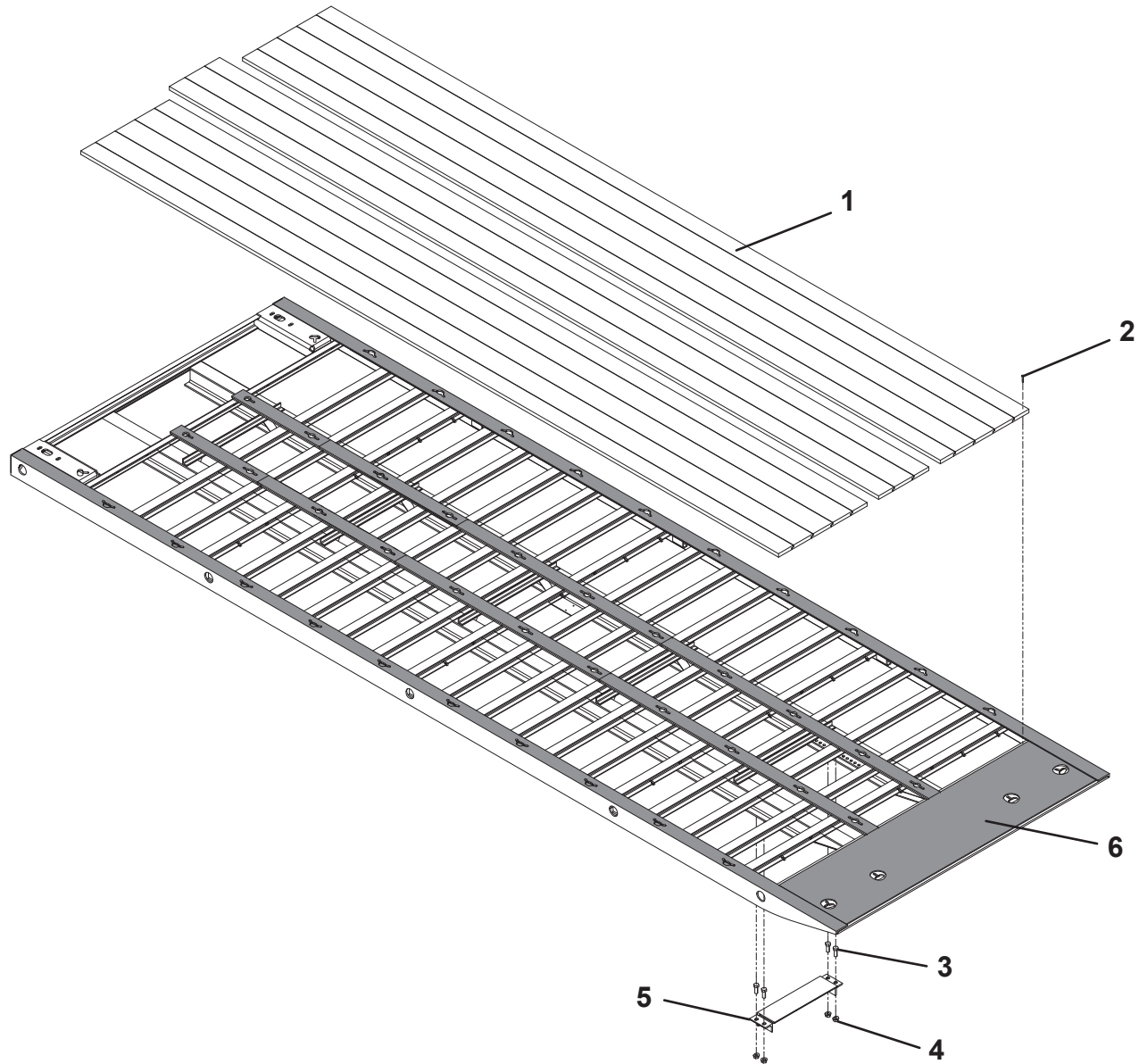


DECK - STEEL 28' X 102"

ITEM	PART NO.	DESCRIPTION	QTY
1	8611960004	Board	13
2	7786000007	Screw, 0.31" - 18NC x 2.00"	338
3	7115221650	Bolt, 0.75" - 10NC x 2.00"	4
4	7660222308	Locknut, 0.75" - 10NC	4
5	3017000104	Angle, Roll Cylinder	1
6	1001228785	Complete Deck Assembly	1

Complete Deck Assembly includes Marker lights and Harness

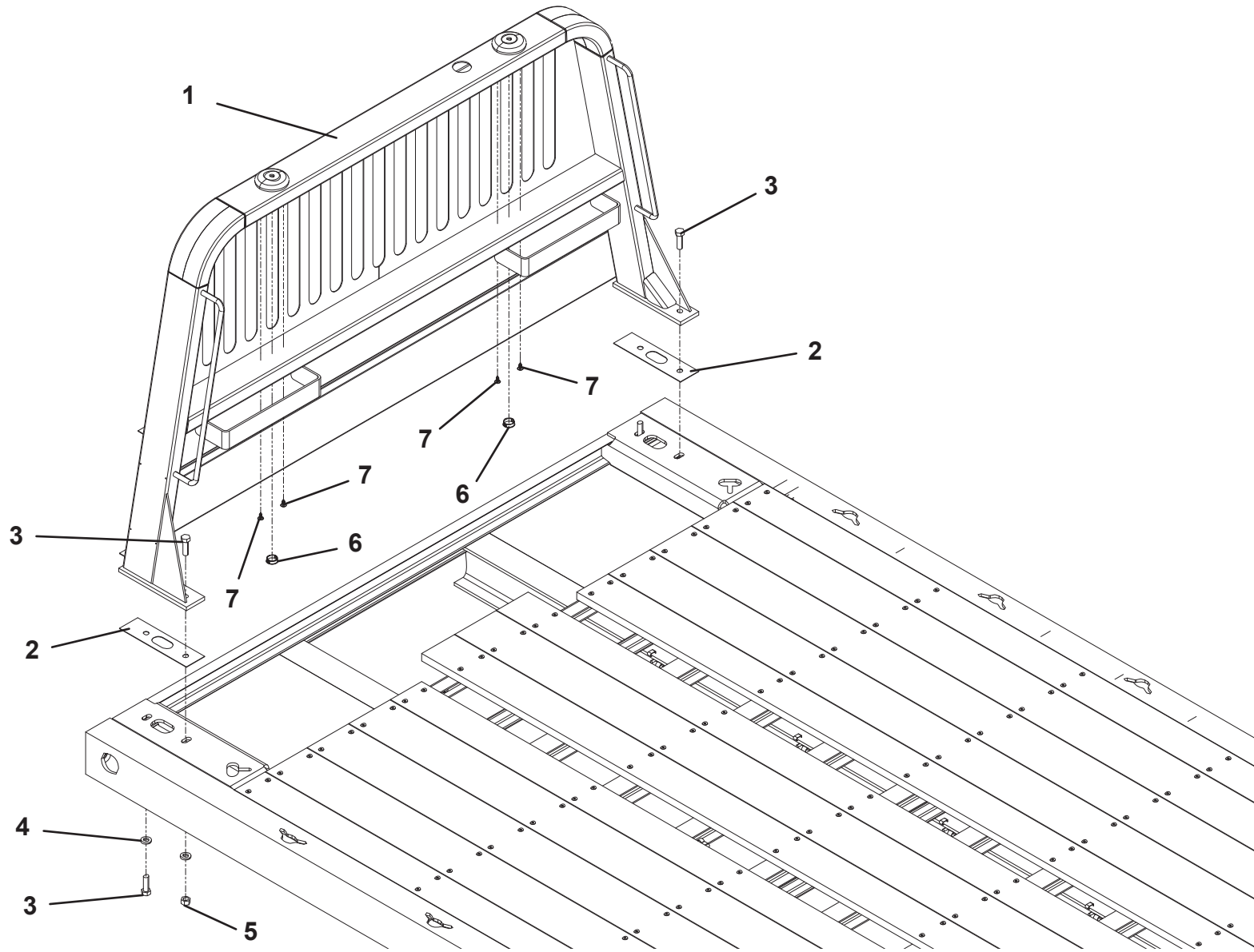
DECK - STEEL 28' X 102"



HEADBOARD INSTALLATION - 45.50"

ITEM	PART NO.	DESCRIPTION	QTY
1	1001216306	Headboard, 45.50"	1
2	4796000037	Gasket	2
3	0652016	Capscrew, 0.63" - 18NC x 2.00"	4
4	4892000	Washer, 0.63" ID	4
5	7660200035	Nut, 0.63" - 18NC	2
6	7701000049	Plug	2
7	7413000013	Fastener	4

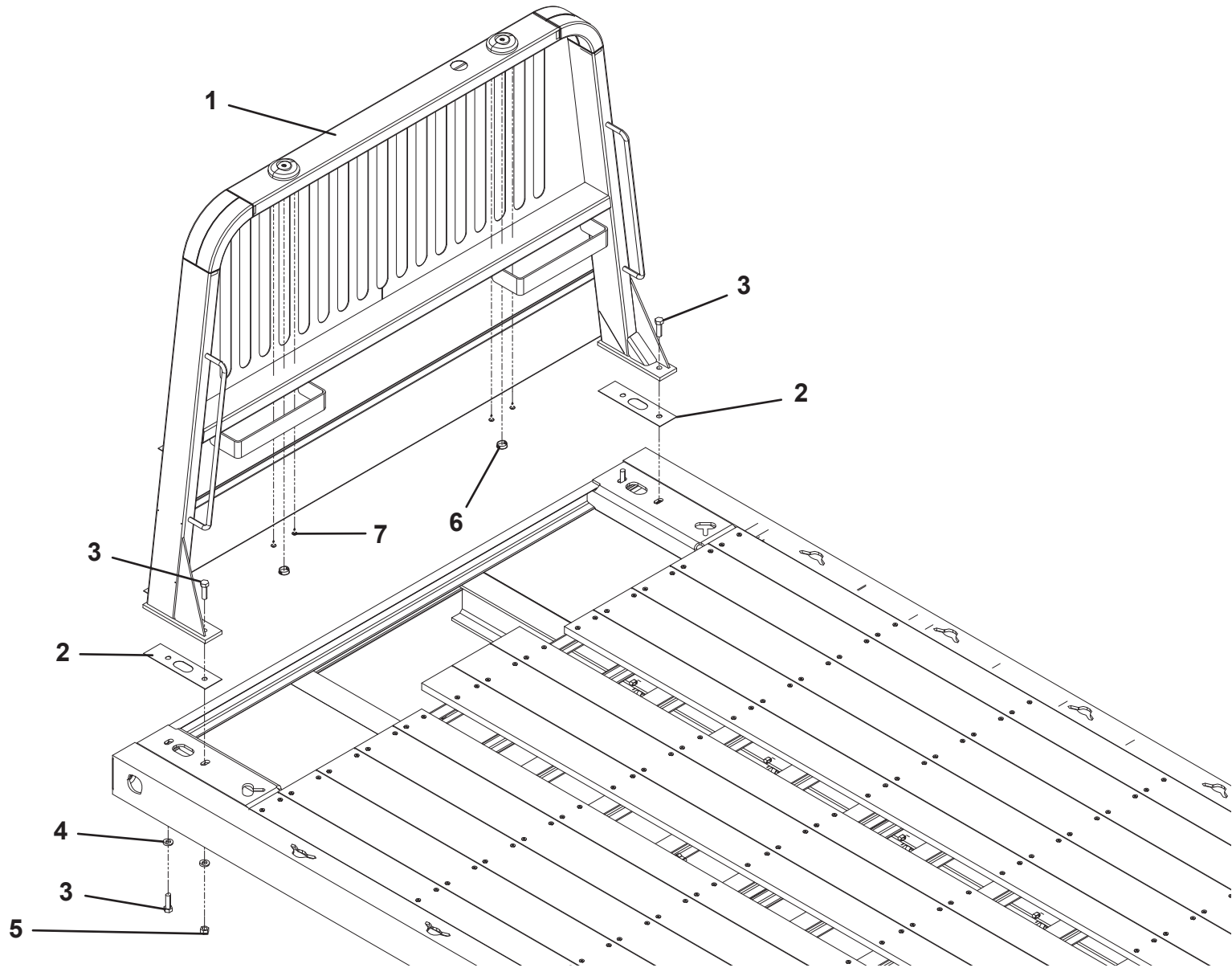
HEADBOARD INSTALLATION - 45.50"



HEADBOARD INSTALLATION - 57.50"

ITEM	PART NO.	DESCRIPTION	QTY
1	1001215845	Headboard, 57.50"	1
2	4796000037	Gasket	2
3	0652016	Capscrew, 0.63" - 18NC x 2.00"	4
4	4892000	Washer, 0.63" ID	4
5	7660200035	Nut, 0.63" - 18NC	2
6	7701000049	Plug	2
7	7413000013	Fastener	4

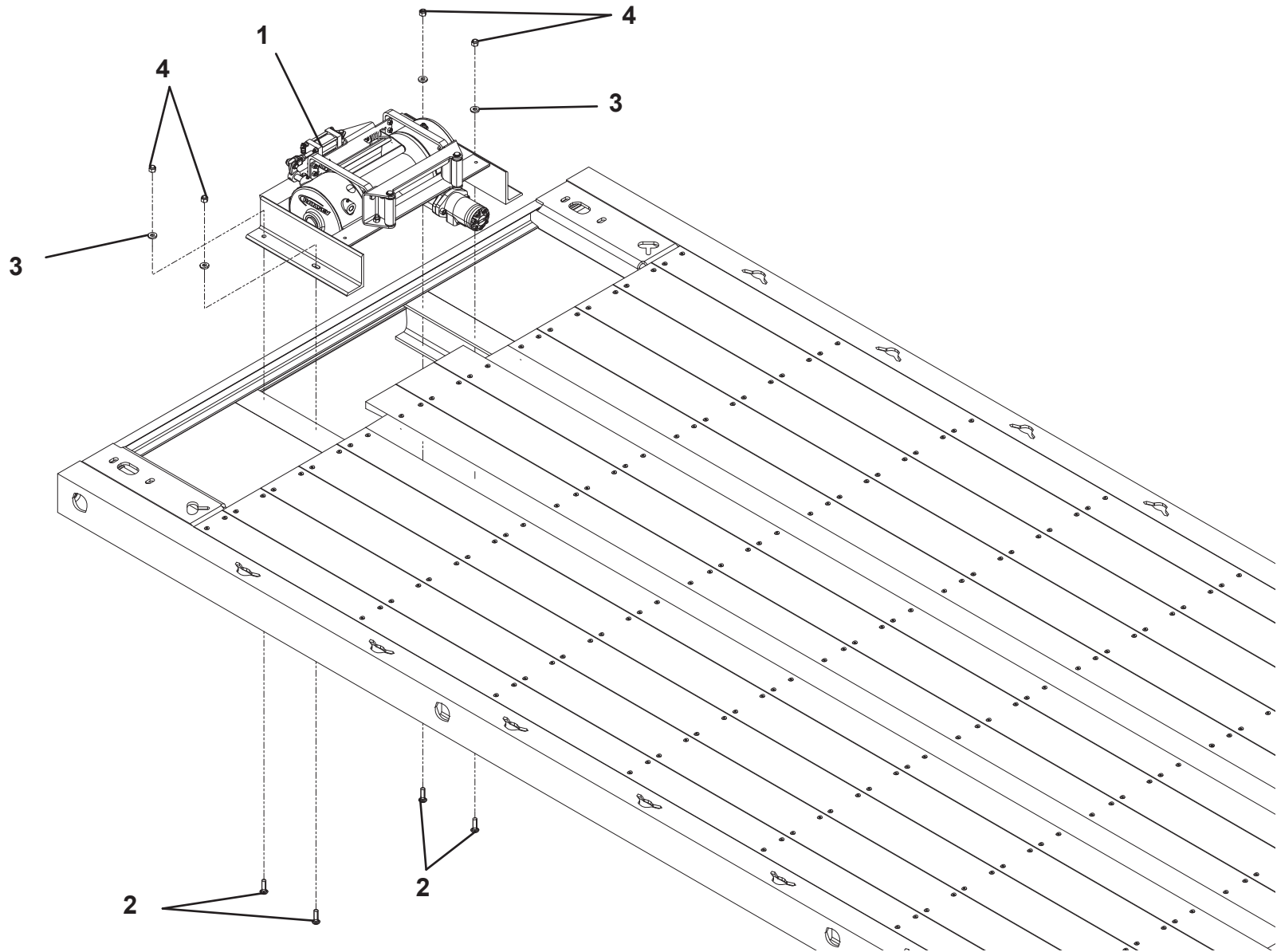
HEADBOARD INSTALLATION - 57.50"



WINCH INSTALLATION - 15K WINCH

ITEM	PART NO.	DESCRIPTION	QTY
1	1001217651	Winch, 15K	1
2	1001138545	Bolt, 0.50" - 13NC x 1.75"	4
3	4891800	Washer, 0.50" ID	4
4	7660182601	Locknut, 0.50" - 13NC	4

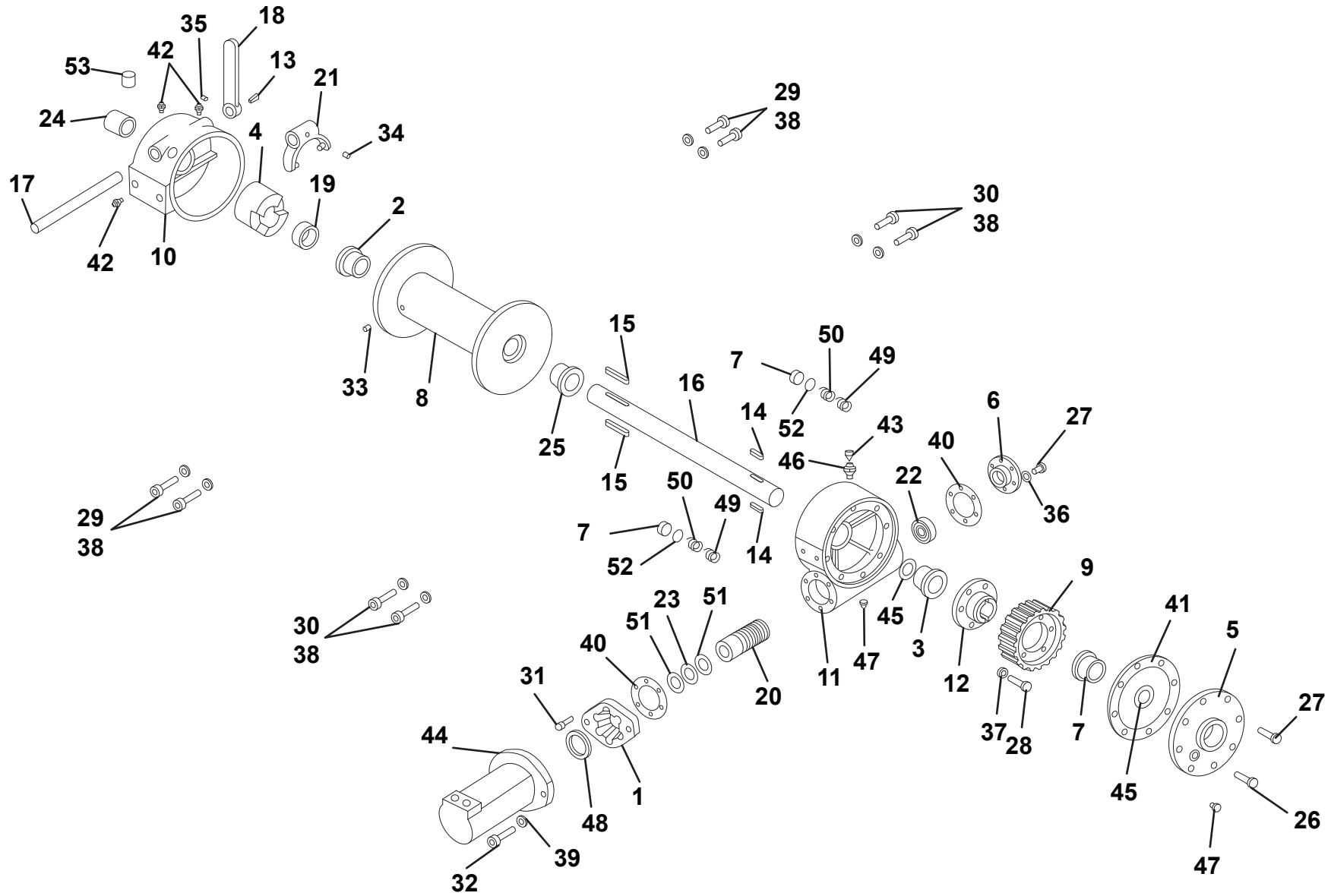
WINCH INSTALLATION - 15K WINCH



15K WINCH ASSEMBLY

ITEM	PART NO.	DESCRIPTION	QTY	ITEM	PART NO.	DESCRIPTION	QTY
1	70050110	Adapter	1	40	9970442182	Gasket	2
2	9970308046	Bushing	1	41	9796960052	Gasket	1
3	9209600008	Bushing	2	42	70050714	Fitting	3
4	9281960002	Clutch Jaw	1	43	9970456008	Fitting	1
5	70051364	Cover	1	44	70051375	Motor	1
6	70050702	Bearing Cap	1	45	70050716	Quad Ring	2
7	9970330010	Drag Brake Shoe	2	46	9970468002	Reducer	1
8	70051365	Drum	1	47	9970468011	Plug	2
9	9472960023	Gear	1	48	9970486079	Seal	1
10	70051366	Clutch Housing	1	49	9970494088	Spring	2
11	70051367	Gear Housing	1	50	9843960018	Spring	2
12	70051368	Hub Gear	1	51	9949960002	Washer	2
13	9970342024	Key	1	52	9970530094	Spacer	2
14	9575960020	Key	2	53	9970472013	Plug	1
15	9575960015	Key	2				
16	70051369	Shaft	1				
17	70051370	Shaft	1				
18	70051371	Shaft	1				
19	9970362007	Spacer	1				
20	9472960059	Worm Gear	1				
21	70050706	Yoke	1				
22	9970402044	Bearing	1				
23	9082960005	Bearing	1				
24	9970412005	Bushing	1				
25	9970412006	Bushing	1				
26	70050707	Capscrew, 0.31" - NC x 0.25"	1				
27	70051372	Capscrew, 0.31" - 18NC	13				
28	70051373	Capscrew, 0.38" - 16NC	6				
29	70050708	Capscrew, 0.062" - 14NC	4				
30	70050709	Capscrew, 0.44" - 14NC	4				
31	70050710	Capscrew, 0.31" - 18NC	6				
32	9120960061	Capscrew, 0.28" - 18NC	2				
33	9786960015	Setscrew, 0.38" - 16NC	1				
34	9786960017	Setscrew, 0.31" - 18NC	1				
35	9970416112	Setscrew, 0.31" - 18NC	1				
36	9970418163	Lockwasher, 0.31" ID	6				
37	70051374	Lockwasher, 0.38" ID	6				
38	70050712	Lockwasher, 0.062" ID	8				
39	9949960031	Lockwasher, 0.50" ID	2				

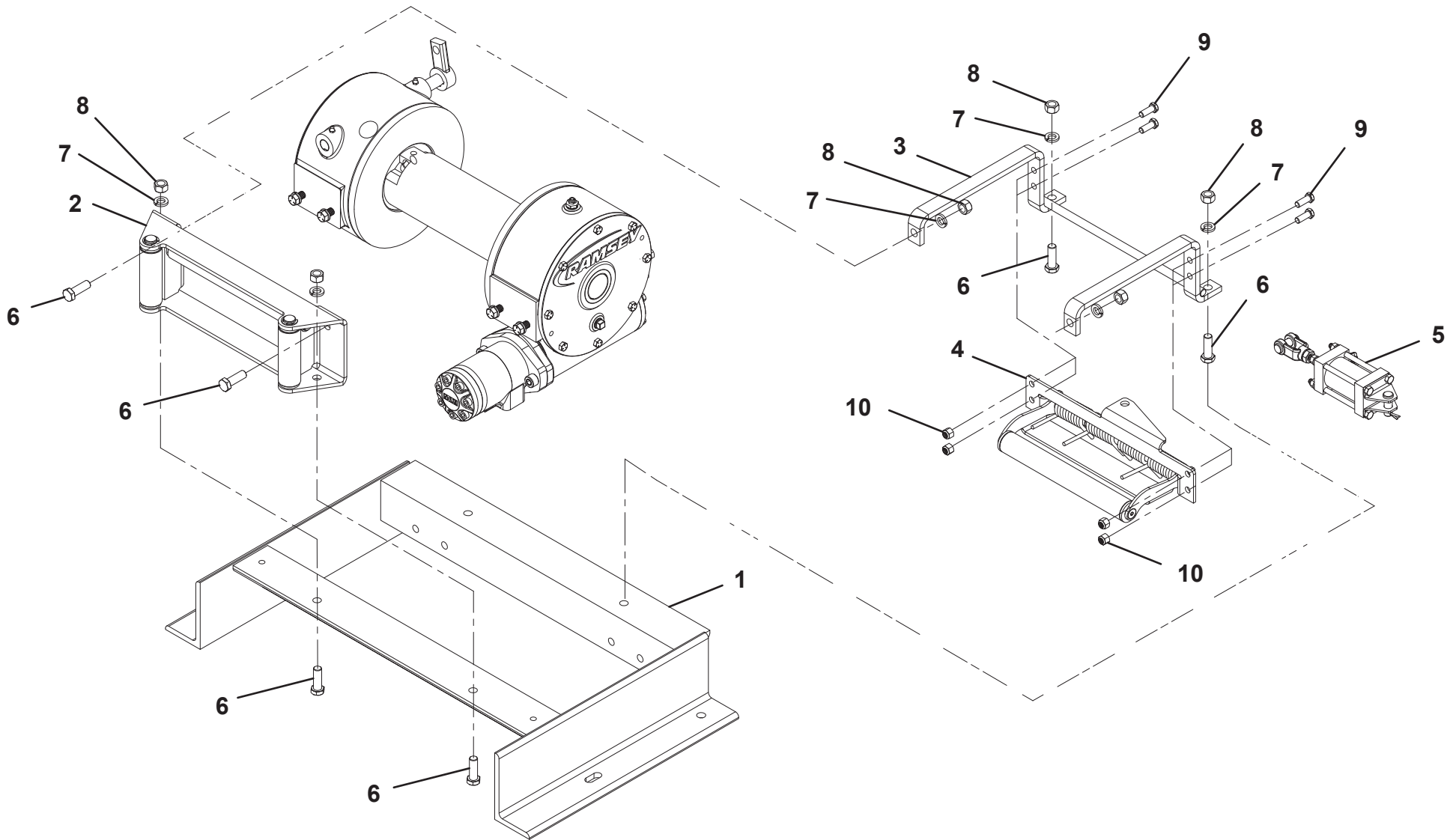
15K WINCH ASSEMBLY



15K WINCH ASSEMBLY - ROLLER HEAD ASSEMBLY

ITEM	PART NO.	DESCRIPTION	QTY
1	70051376	Mounting Frame	1
2	70051377	Roller Fairlead	1
3	70051378	Support Bracket	1
4	70051379	Roller Tensioner	1
5	70051380	Air Cylinder	1
6	70051381	Capscrew, 0.50" - 13NC	6
7	9949960031	Lockwasher, 0.50" ID	6
8	9661960022	Nut, 0.50" - 13NC	6
9	70051373	Capscrew, 0.38"-16NC	4
10	70051382	Nut, 0.38" - 16NC	4

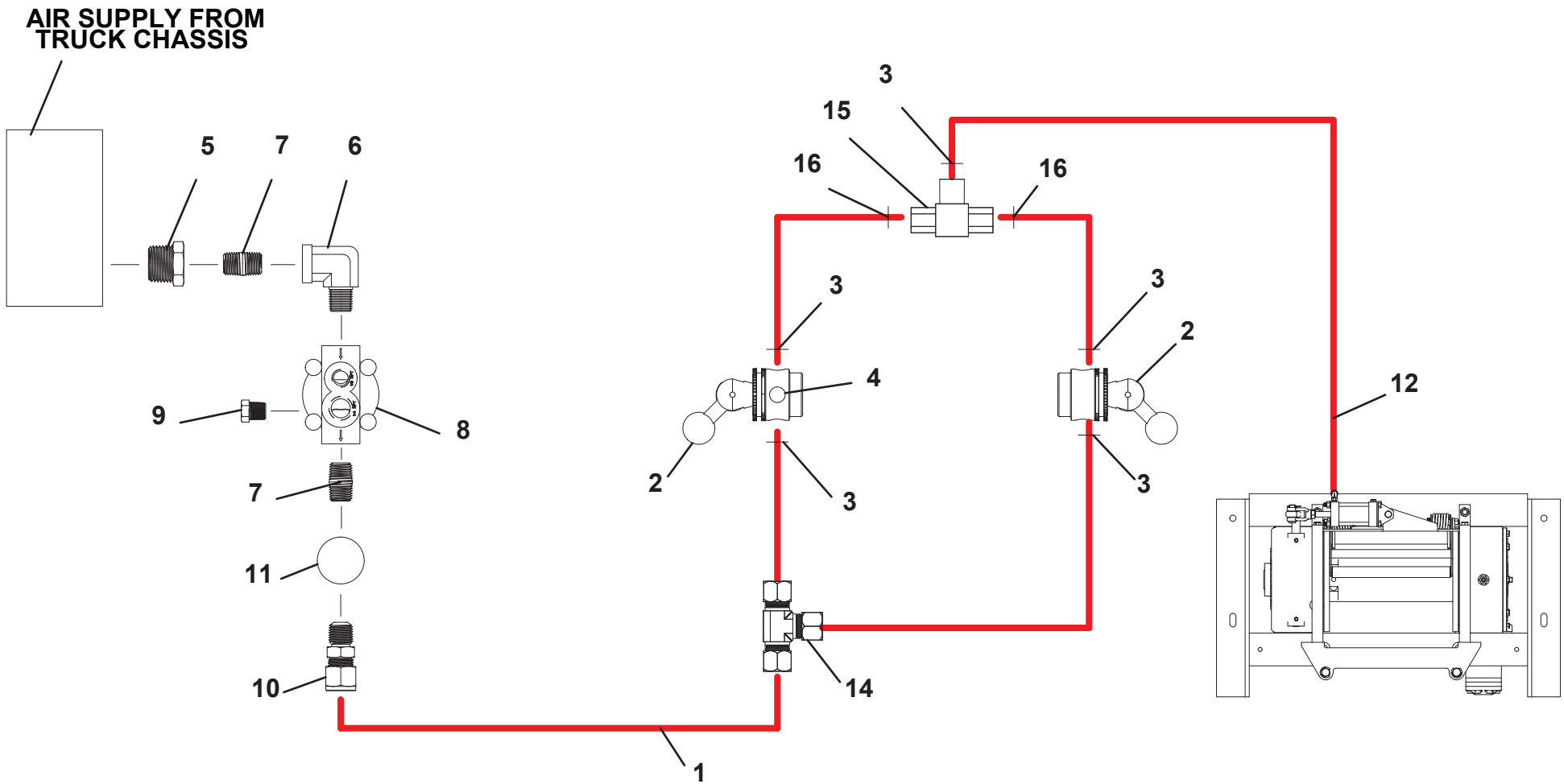
15K WINCH ASSEMBLY - ROLLER HEAD ASSEMBLY



FREESPOOL INSTALLATION W/ PRESSURE PROTECTION VALVE

ITEM	PART NO.	DESCRIPTION	QTY
1	7565000014	Airline Tubing	80
2	7935000182	Valve	2
3	7443000364	Fitting	5
4	7640000002	Muffler	2
5	7443000154	Bushing	1
6	7443000155	Fitting	1
7	7443000156	Fitting	2
8	7935000120	Valve	1
9	7443000152	Plug	1
10	7443000366	Fitting	1
11	7935000248	Valve	1
12	8597650001	Loom	1
13	7894000004	Tie Strap	16
14	7443000371	Fitting	1
15	7935000229	Valve	1
16	7443000365	Fitting	2

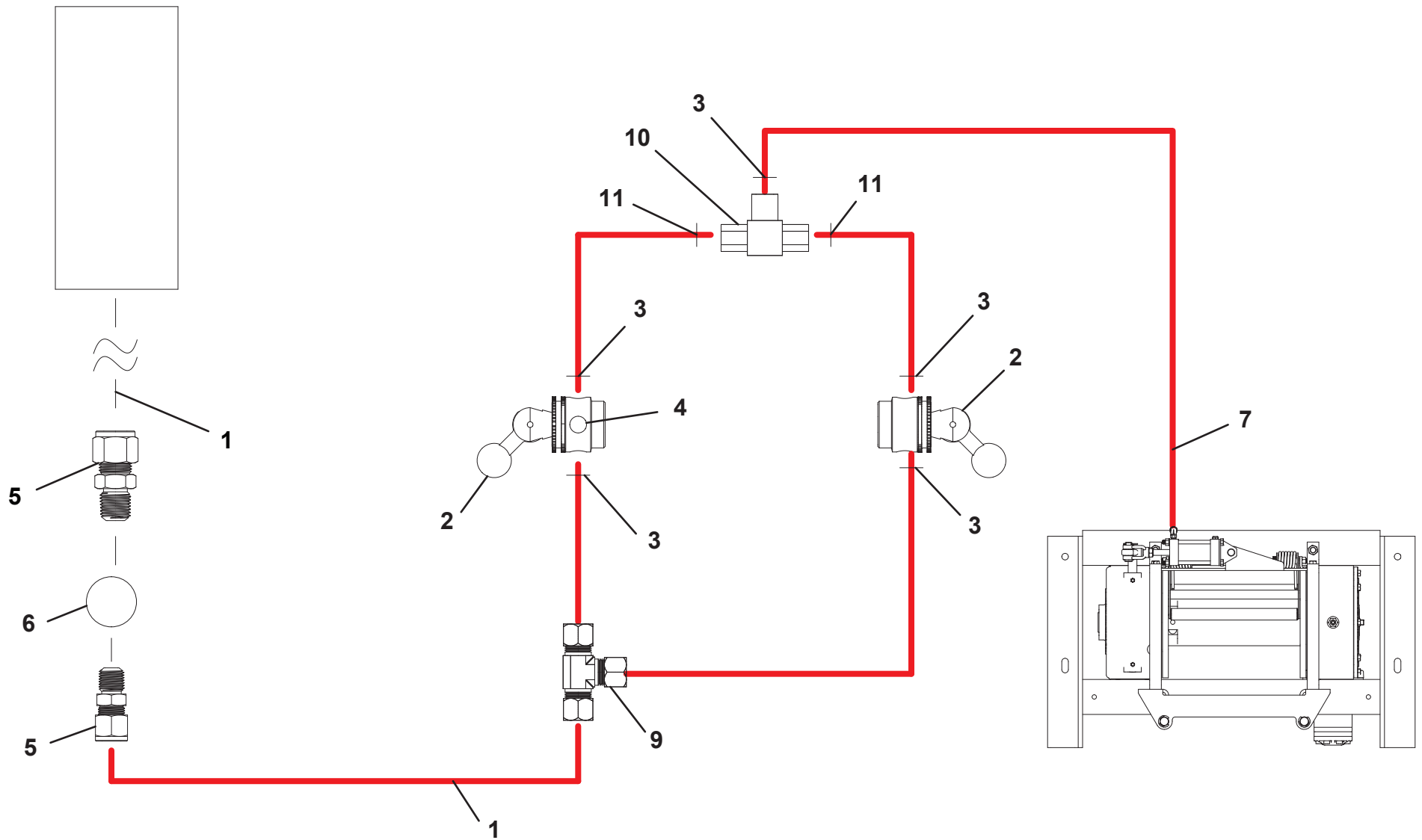
FREESPOOL INSTALLATION W/ PRESSURE PROTECTION VALVE



FREESPOOL INSTALLATION W/O PRESSURE PROTECTION VALVE

ITEM	PART NO.	DESCRIPTION	QTY
1	7565000014	Airline	80
2	7935000182	Valve	2
3	7443000364	Fitting	5
4	7640000002	Muffler	2
5	7443000366	Fitting	2
6	7935000248	Valve	1
7	8597650001	Loom	1
8	7894000004	Tie Strap	16
9	7443000371	Fitting	1
10	7935000229	Valve	1
11	7443000365	Fitting	2

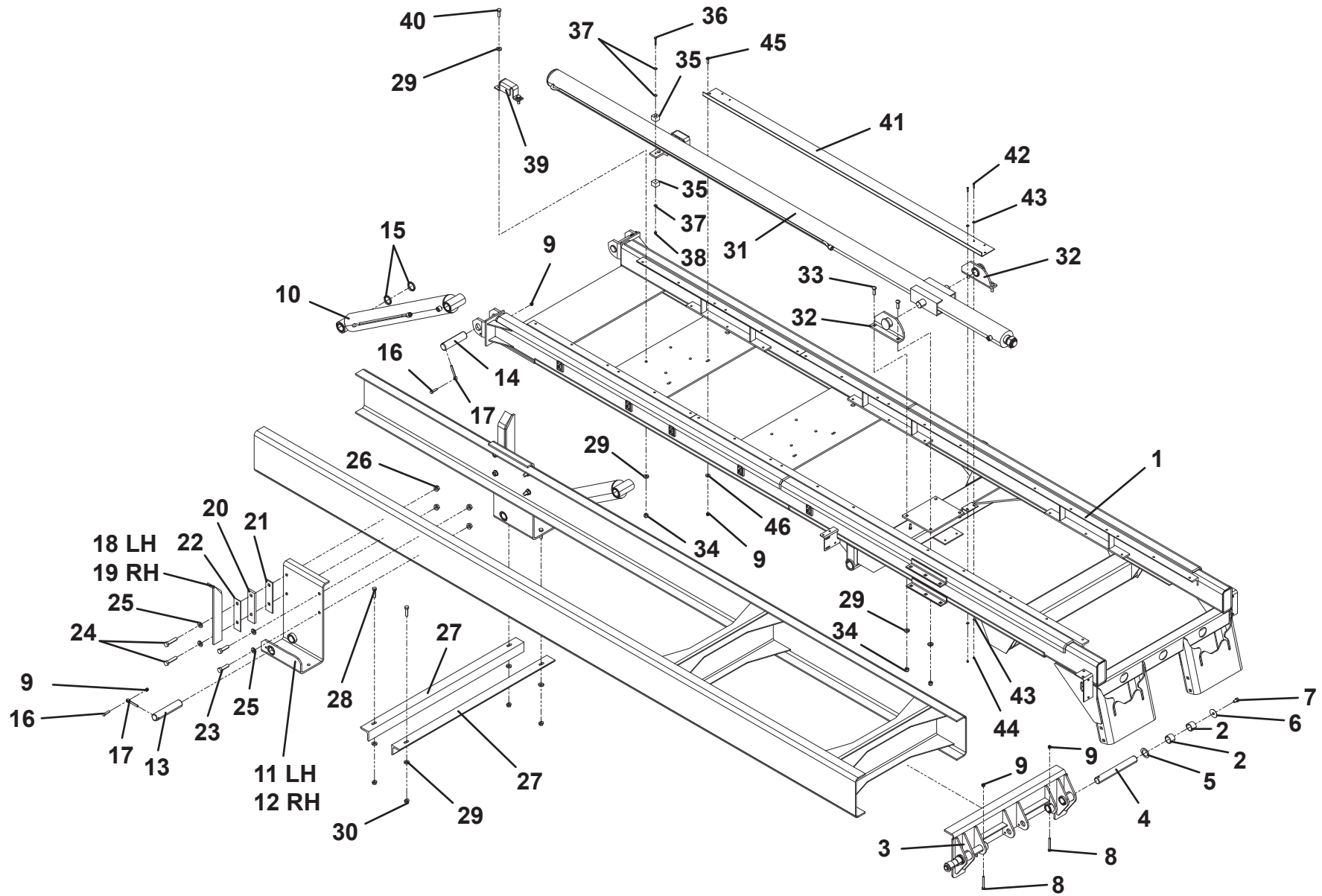
FREESPOOL INSTALLATION W/O PRESSURE PROTECTION VALVE



SUBFRAME INSTALLATION

ITEM	PART NO.	DESCRIPTION	QTY	ITEM	PART NO.	DESCRIPTION	QTY
1	1001216675	Frame Weldment	1	40	0641812	Capscrew, 0.50"-13 x 1.50"	4
2	7082000017	Bearing	4	41	1001162798	Plate	1
3	1001162403	Trunnion Mount	1	42	7114100818	Screw, #10-24 x 1.00"	2
4	4691000573	Pin	2	43	4751300	Washer, 0.18" ID	4
5	7949000008	Washer, 1.52" ID	2	44	3300455	Nut, #10-24	2
6	7949000072	Washer, 0.50" ID	2	45	0741610	Capscrew, 0.38"-16 x 1.25"	1
7	0641806	Capscrew, 0.50"-13 x 0.75"	2	46	4751600	Washer, 0.38" ID	1
8	0641624	Capscrew, 0.38"-16 x 3.00"	2				
9	3300492	Nut, 0.38"-16	7				
10	1001167764	Cylinder	2				
11	3178000288	Bracket, LH	1				
12	3178000289	Bracket, RH	1				
13	1001188206	Pin	2				
14	1001188141	Pin	2				
15	4209000204	Bushing	4				
16	0641612	Capscrew, 0.38"-16 x 1.50"	4				
17	3841143	Keeper	4				
18	3062000015	Bar	1				
19	3062000014	Bar	1				
20	4831000079	Spacer	A/R				
21	4831000083	Spacer	A/R				
22	4831000084	Spacer	A/R				
23	7105201850	Capscrew, 0.63"-18 x 2.25"	4				
24	7105202250	Capscrew, 0.63"-18 x 2.75"	4				
25	4892000	Washer, 0.63" ID	8				
26	7660202347	Locknut, 0.63"-18NF	8				
27	4017001093	Angle	2				
28	0651816	Capscrew, 0.50"-20 x 2.00"	4				
29	4891800	Washer, 0.50" ID	16				
30	7660182333	Locknut, 0.50"-20NF	4				
31	1001166855	Cylinder	1				
32	3636000144	Mount	2				
33	7115181464	Bolt, 0.50"-13 x 1.75"	4				
34	7660182601	Locknut, 0.50"-13NC	8				
35	7189000026	Bumper	4				
36	7114141450	Capscrew, 0.25"-20 x 1.75"	2				
37	7950140143	Flatwasher, 0.25" ID	6				
38	7660142604	Locknut, 0.25"-20NC	2				
39	4178000912	Bracket	2				

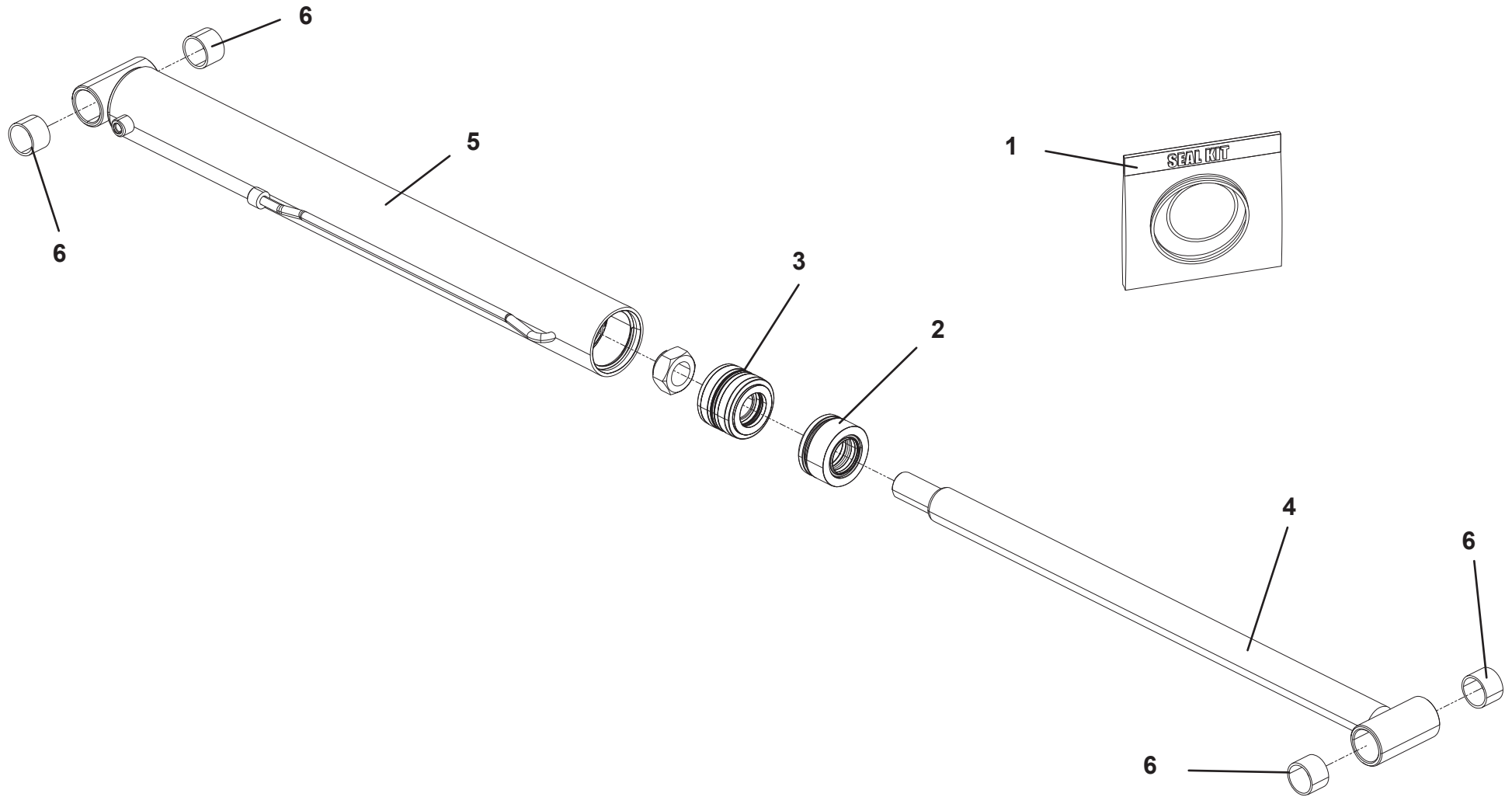
SUBFRAME INSTALLATION



CYLINDER ASSEMBLY - 1001167764

ITEM	PART NO.	DESCRIPTION	QTY
1	70051167	Seal Kit	1
2	70051170	Head Assembly	1
3	70051171	Piston Assembly	1
4	70051392	Rod	1
5	70051393	Shell	1
6	7082000018	Bushing	4

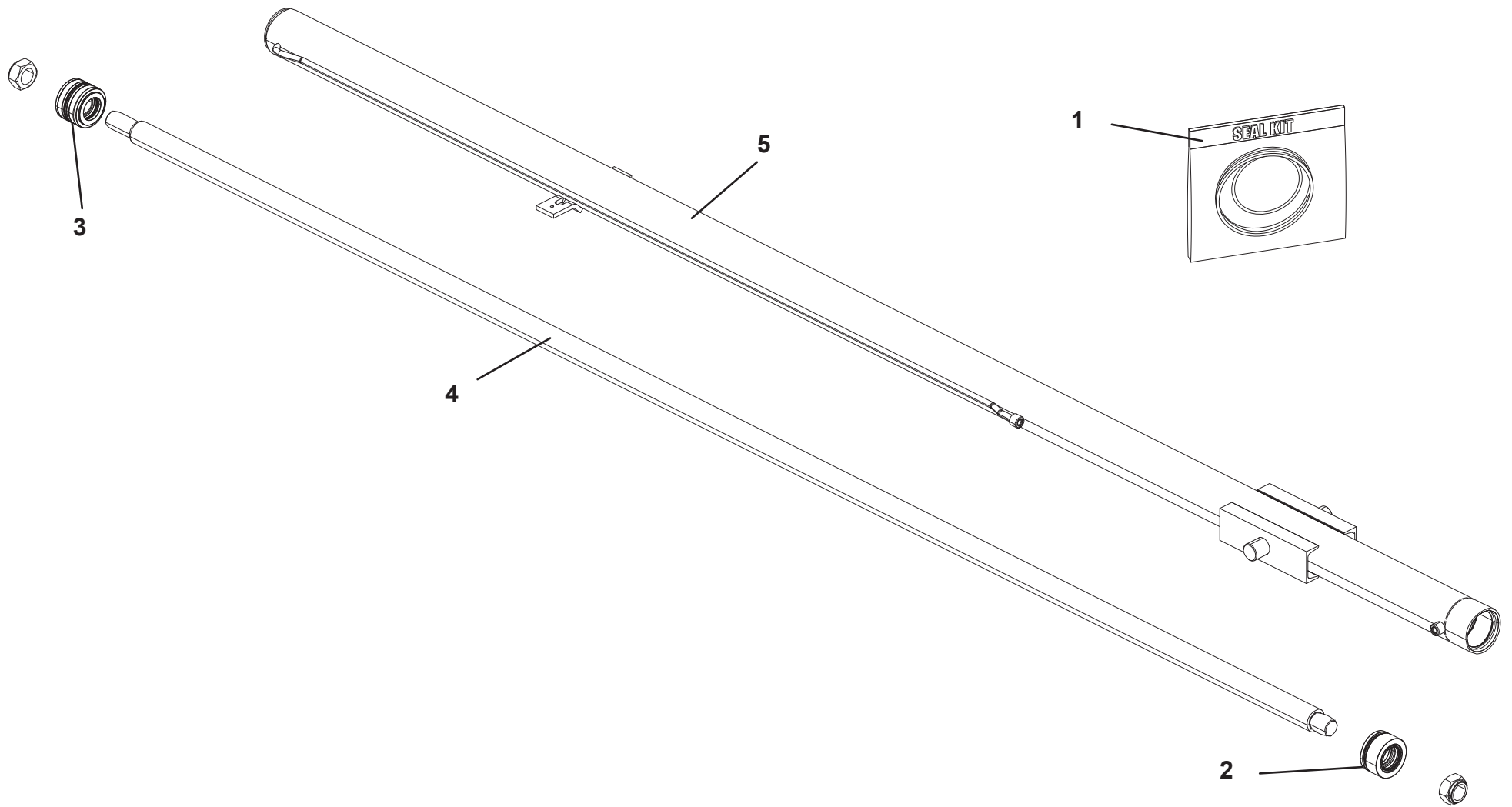
CYLINDER ASSEMBLY - 1001167764



CYLINDER ASSEMBLY - 1001166855

ITEM	PART NO.	DESCRIPTION	QTY
1	70051167	Seal Kit	1
2	70051170	Head Kit	1
3	70051171	Piston Kit	1
4	70051394	Rod	1
5	70051395	Shell	1
6	1001148309	Locknut, 1.50" - 12NC	1

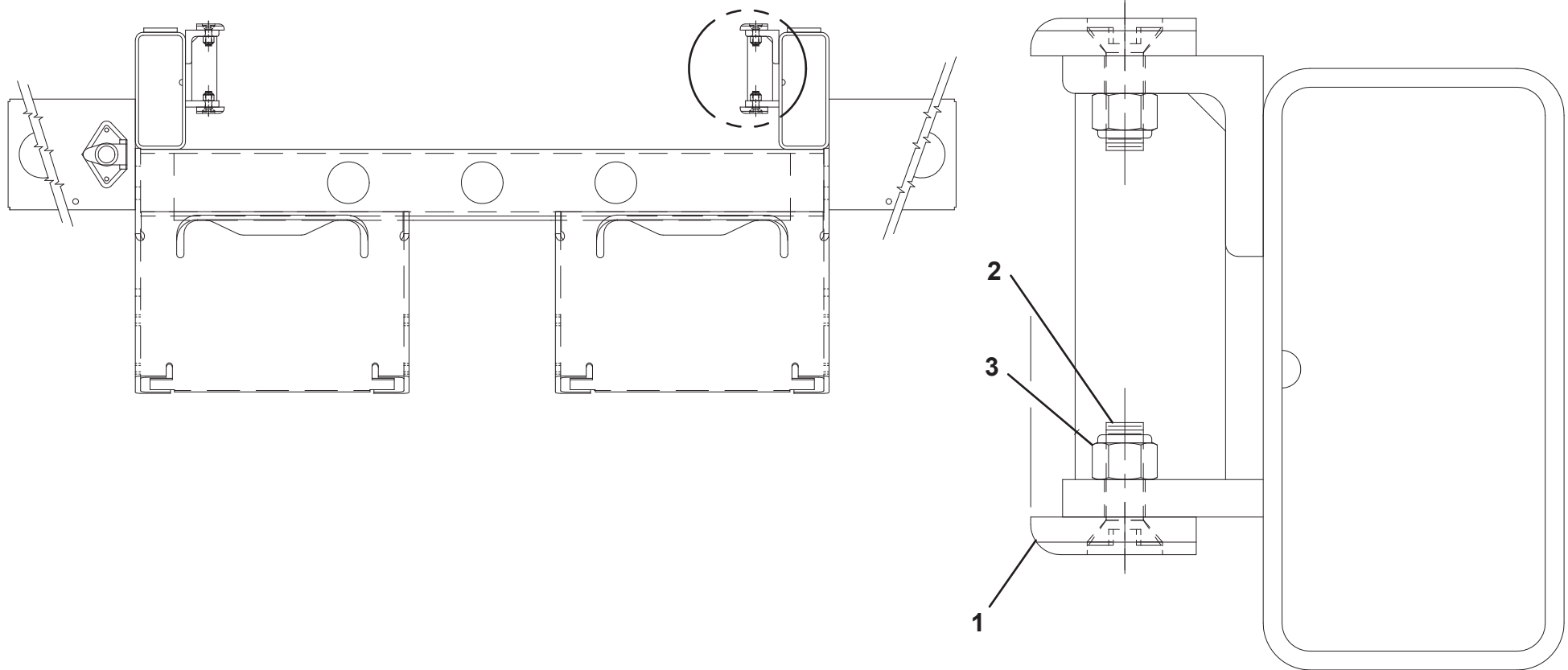
CYLINDER ASSEMBLY - 1001166855



SLIDE PAD INSTALLATION

ITEM	PART NO.	DESCRIPTION	QTY
1	4679000145	Pad	16
2	7118161026	Capscrew, 0.38" - 16NC x 1.25"	48
3	7660162601	Locknut, 0.38" - 16NC	48

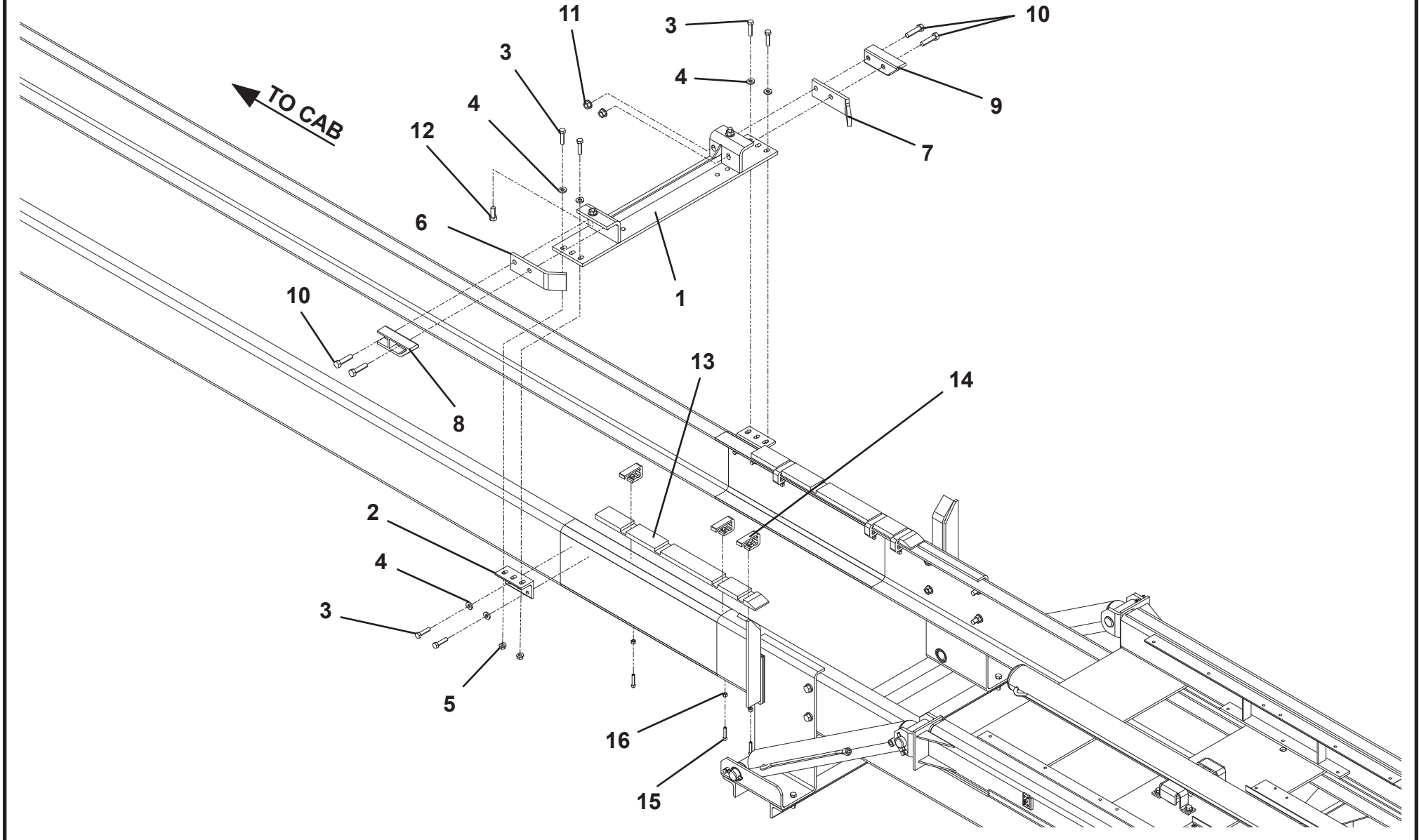
SLIDE PAD INSTALLATION



HOLD DOWN SLIDE PAD INSTALLATION - 24FT

ITEM	PART NO.	DESCRIPTION	QTY
1	3558000021	Hold Down Weldment	1
2	4017001271	Angle	2
3	0651816	Capscrew, 0.50"-20 X 2.00"	8
4	4891800	Washer, 0.50" ID	8
5	7660182333	Locknut, 0.50"-20NF	8
6	4706003025	Plate, LH	1
7	4706003026	Plate, RH	1
8	7259000015	Hold Down Shoe, LH	1
9	7259000016	Hold Down Shoe, RH	1
10	7105202050	Capscrew, 0.63"-18NF X 2.50"	4
11	7660202347	Locknut, 0.63"-18NF	4
12	7105201250	Capscrew, 0.63"-18NF X 1.50"	2
13	1001151248	Pad	2
14	7274000125	Clamp	6
15	7120000032	Screw, 0.38"-16NC X 1.75"	6
16	03311601	Nut, 0.38"-16NC	6

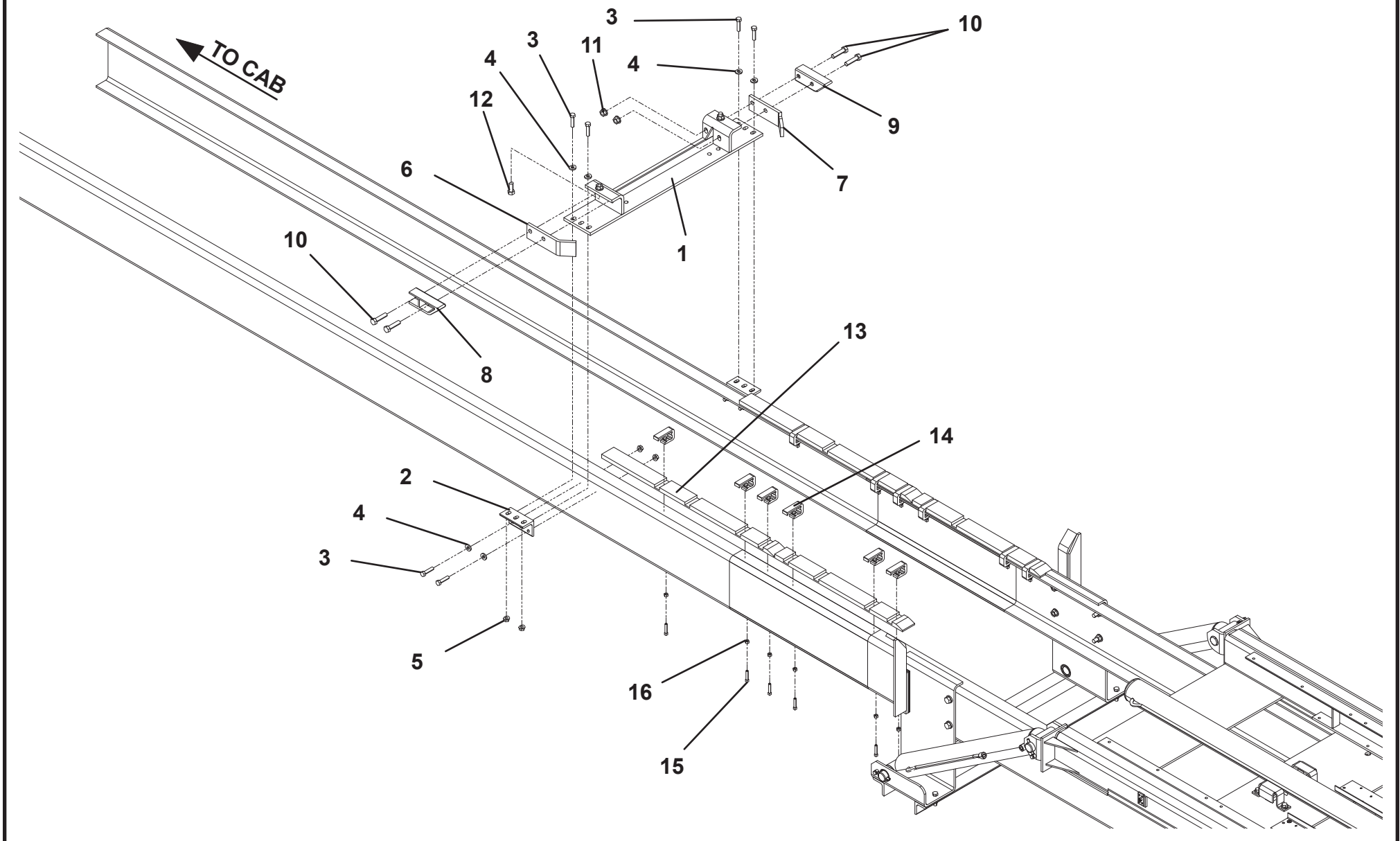
HOLD DOWN SLIDE PAD INSTALLATION - 24FT



HOLD DOWN SLIDE PAD INSTALLATION - 26FT

ITEM	PART NO.	DESCRIPTION	QTY
1	3558000021	Hold Down Weldment	1
2	4017001271	Angle	2
3	0651816	Capscrew, 0.50"-20 X 2.00"	8
4	4891800	Washer, 0.50" ID	8
5	7660182333	Locknut, 0.50"-20NF	8
6	4706003025	Plate, LH	1
7	4706003026	Plate, RH	1
8	7259000015	Hold Down Shoe, LH	1
9	7259000016	Hold Down Shoe, RH	1
10	7105202050	Capscrew, 0.63"-18NF X 2.50"	4
11	7660202347	Locknut, 0.63"-18NF	4
12	7105201250	Capscrew, 0.63"-18NF X 1.50"	2
13	1001151248	Pad	4
14	7274000125	Clamp	12
15	7120000032	Screw, 0.38"-16NC X 1.75"	12
16	03311601	Nut, 0.38"-16NC	12

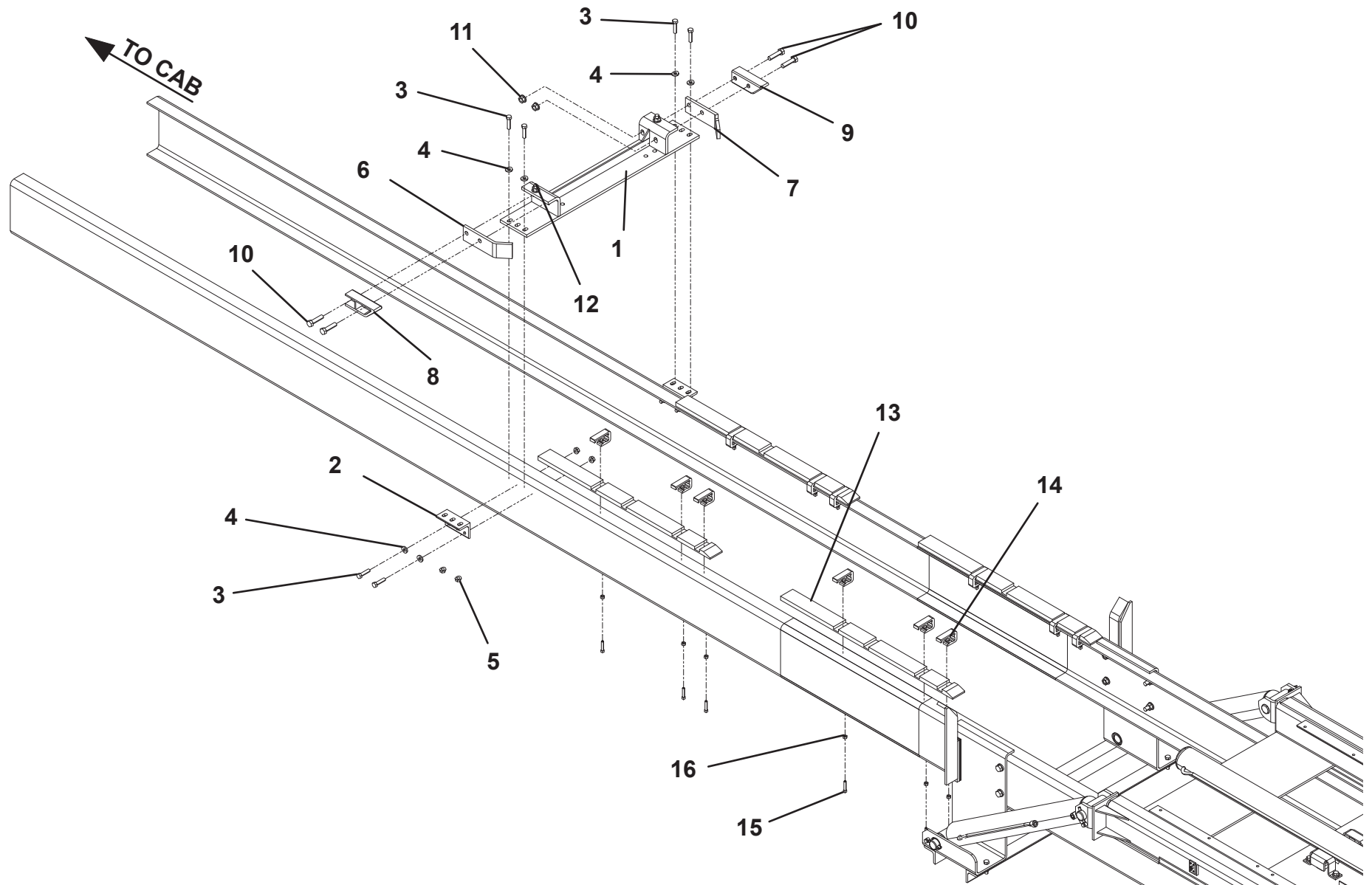
HOLD DOWN SLIDE PAD INSTALLATION - 26FT



HOLD DOWN SLIDE PAD INSTALLATION - 28FT

ITEM	PART NO.	DESCRIPTION	QTY
1	3558000021	Hold Down Weldment	1
2	4017001271	Angle	2
3	0651816	Capscrew, 0.50"-20 X 2.00"	8
4	4891800	Washer, 0.50" ID	8
5	7660182333	Locknut, 0.50"-20NF	8
6	4706003025	Plate, LH	1
7	4706003026	Plate, RH	1
8	7259000015	Hold Down Shoe, LH	1
9	7259000016	Hold Down Shoe, RH	1
10	7105202050	Capscrew, 0.63"-18NF X 2.50"	4
11	7660202347	Locknut, 0.63"-18NF	4
12	7105201250	Capscrew, 0.63"-18NF X 1.50"	2
13	1001151248	Pad	4
14	7274000125	Clamp	12
15	7120000032	Screw, 0.38"-16NC X 1.75"	12
16	03311601	Nut, 0.38"-16NC	12

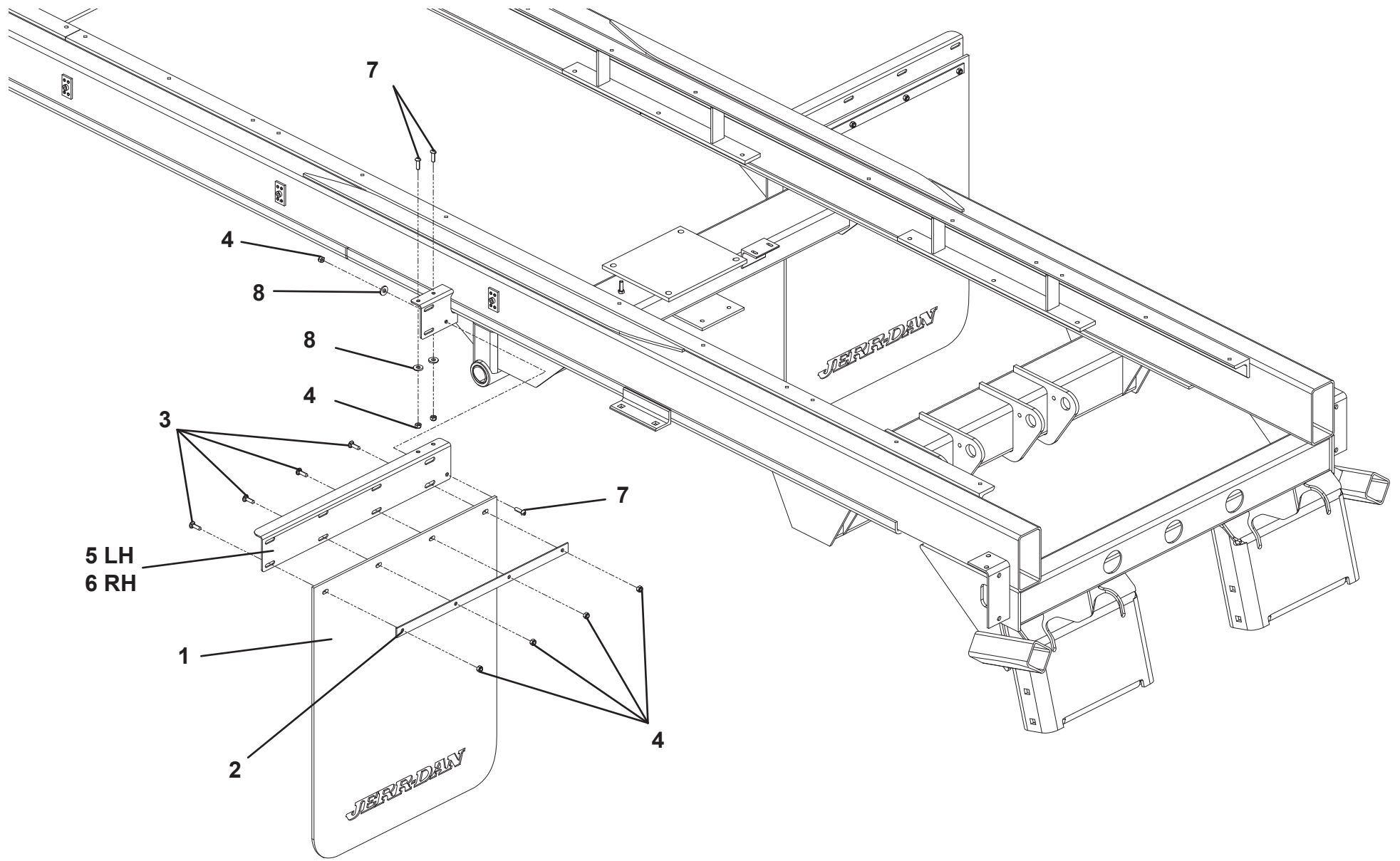
HOLD DOWN SLIDE PAD INSTALLATION - 28FT



MUDFLAP INSTALLATION - 30" LONG

ITEM	PART NO.	DESCRIPTION	QTY
1	7638000004	Mudflap	2
2	4706006427	Plate	2
3	7111150864	Bolt, 0.31" - 18NC x 1.00"	8
4	7660152601	Locknut, 0.31" - 18NC	14
5	4017001742	Angle, LH	1
6	4017001743	Angle, RH	1
7	7114150818	Capscrew, 0.31" - 18NC x 1.00"	6
8	7950150153	Flatwasher, 0.31" ID	6

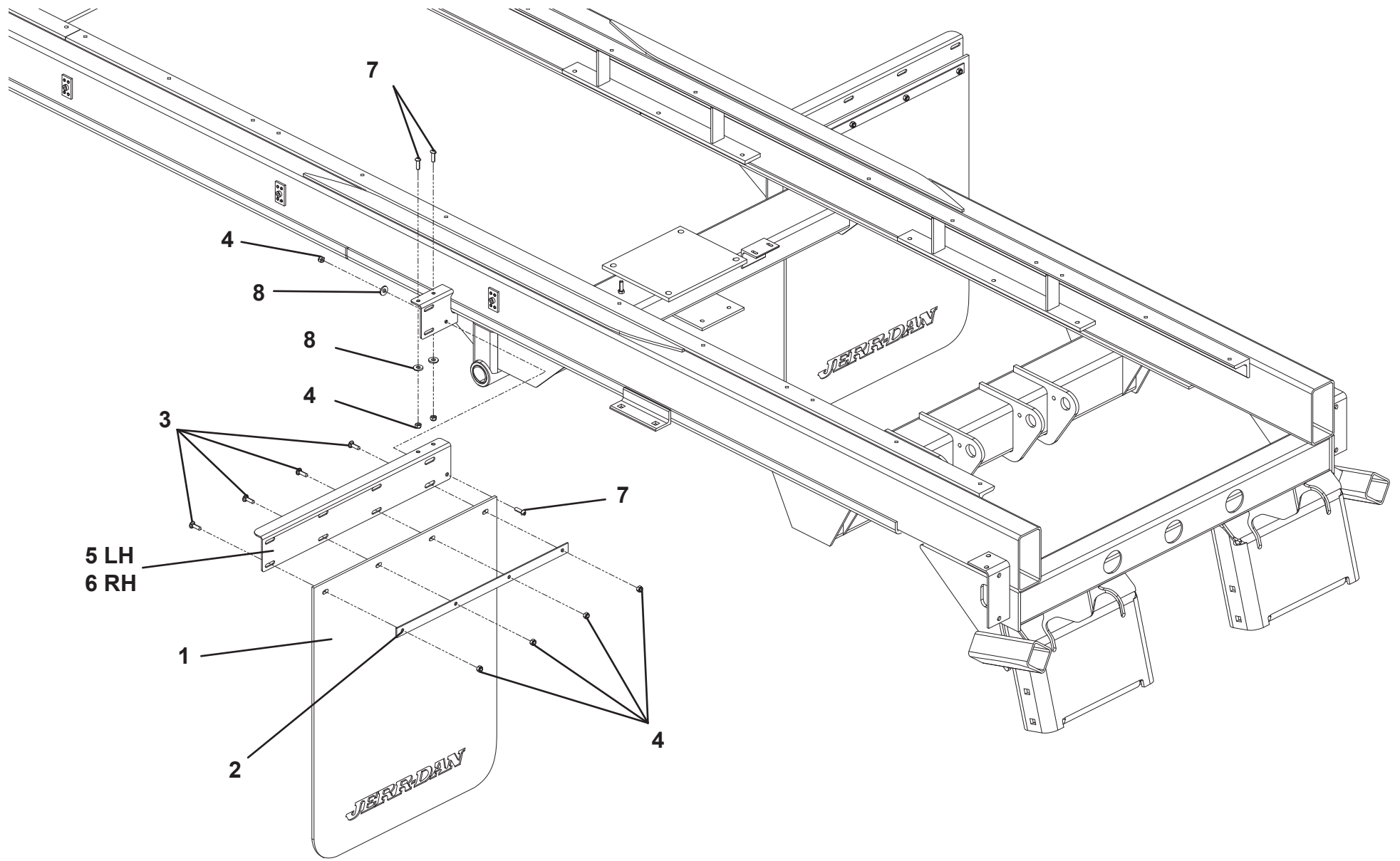
MUDFLAP INSTALLATION - 30" LONG



MUDFLAP INSTALLATION - 36" LONG

ITEM	PART NO.	DESCRIPTION	QTY
1	7638000013	Mudflap	2
2	4706006427	Plate	2
3	7111150864	Bolt, 0.31" - 18NC x 1.00"	8
4	7660152601	Locknut, 0.31" - 18NC	14
5	4017001742	Angle, LH	1
6	4017001743	Angle, RH	1
7	7114150818	Capscrew, 0.31" - 18NC x 1.00"	6
8	7950150153	Flatwasher, 0.31" ID	6

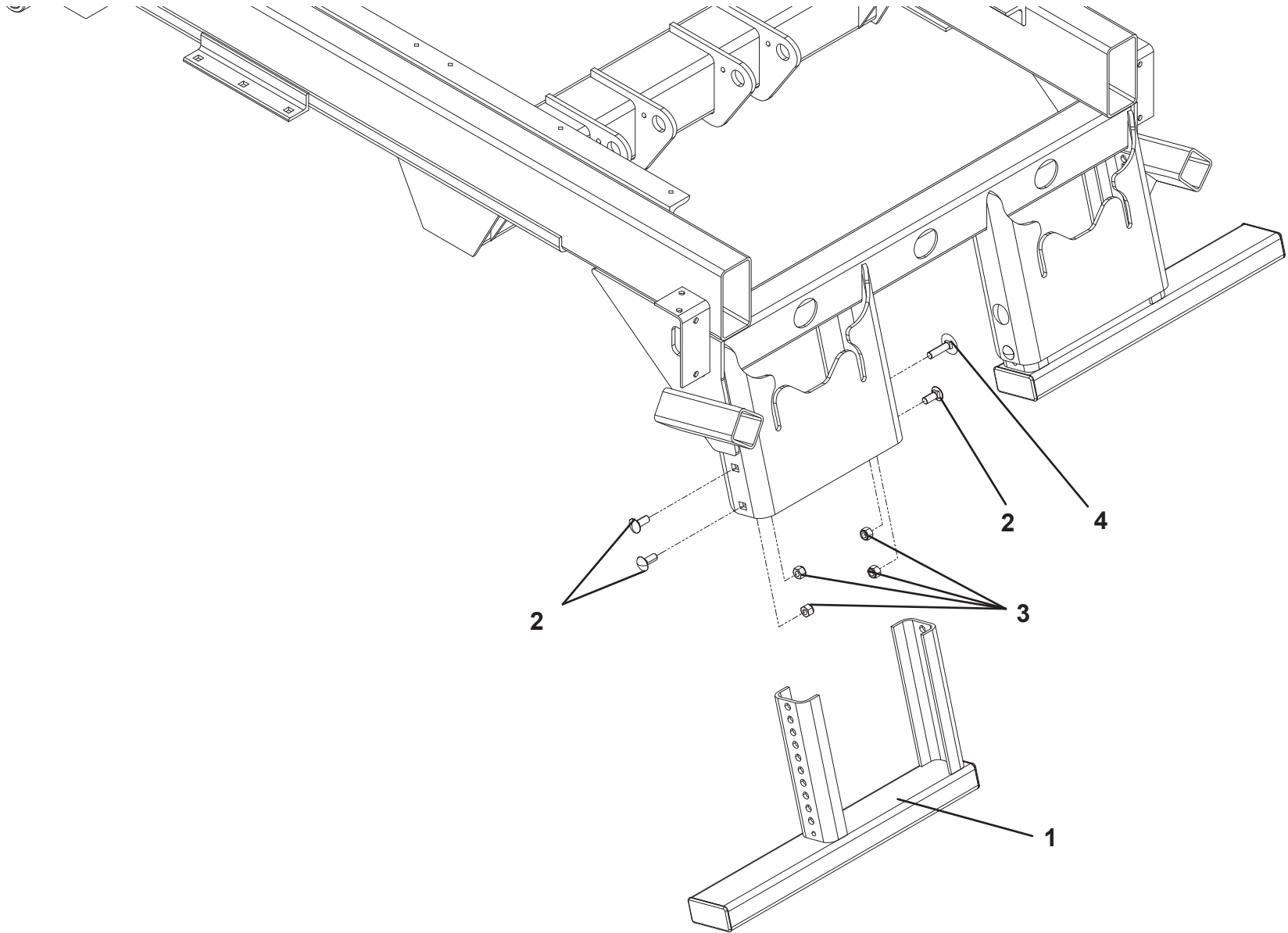
MUDFLAP INSTALLATION - 36" LONG



BUMPER INSTALLATION - SHORT

ITEM	PART NO.	DESCRIPTION	QTY
1	1001177603	Bumper - 13 Inch	2
2	7115181064	Bolt, 0.50" - 13NC x 1.25"	6
3	7660182601	Locknut, 0.50"-13NC	8
4	7115181664	Bolt, 0.50" - 13NC x 2.00"	2

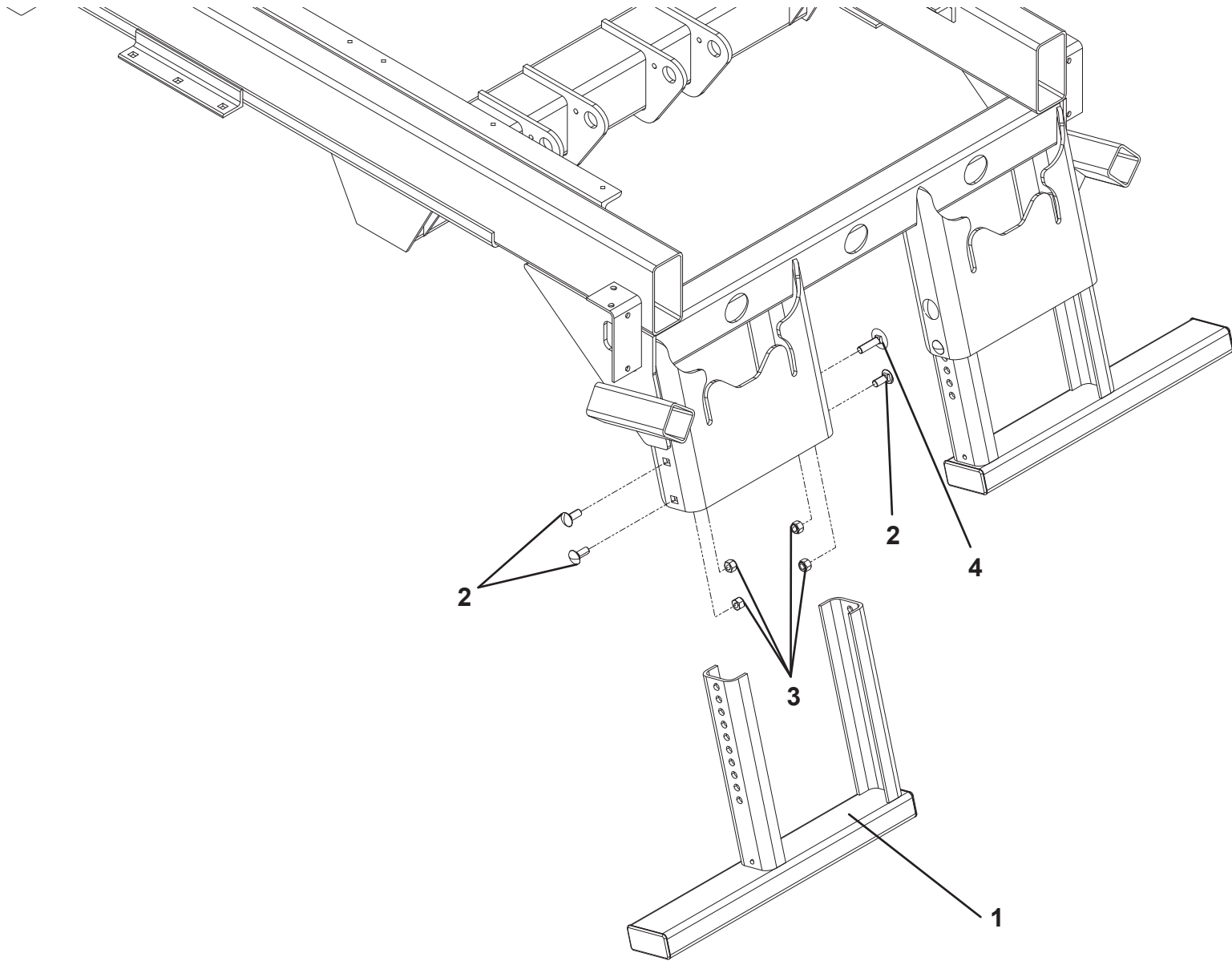
BUMPER INSTALLATION - SHORT



BUMPER INSTALLATION - LONG

ITEM	PART NO.	DESCRIPTION	QTY
1	1001177605	Bumper, Long - 17 Inch	2
2	7115181064	Bolt, 0.50" - 13NC x 1.25"	6
3	7660182601	Locknut, 0.50" - 13NC	8
4	7115181664	Bolt, 0.50" - 13NC x 2.00"	2

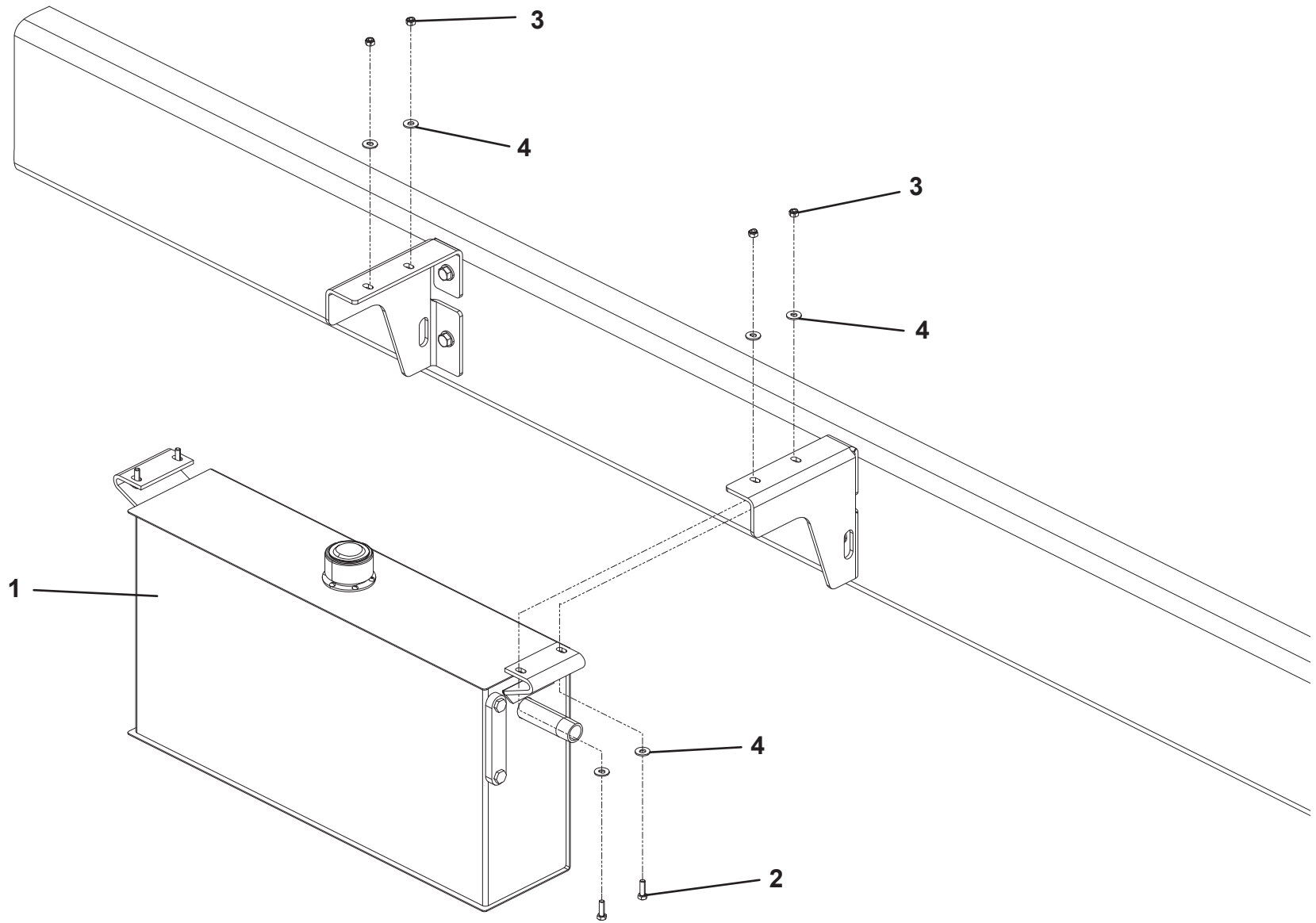
BUMPER INSTALLATION - LONG



HYDRAULIC RESEVOIR INSTALLATION

ITEM	PART NO.	DESCRIPTION	QTY
1	3750000018	Hydraulic Oil Reservoir	1
2	7115151050	Capscrew, 0.31" - 18NC x 1.25"	4
3	7660152601	Locknut, 0.31" - 18NC	4
4	7950150161	Flatwasher, 0.31" ID	8

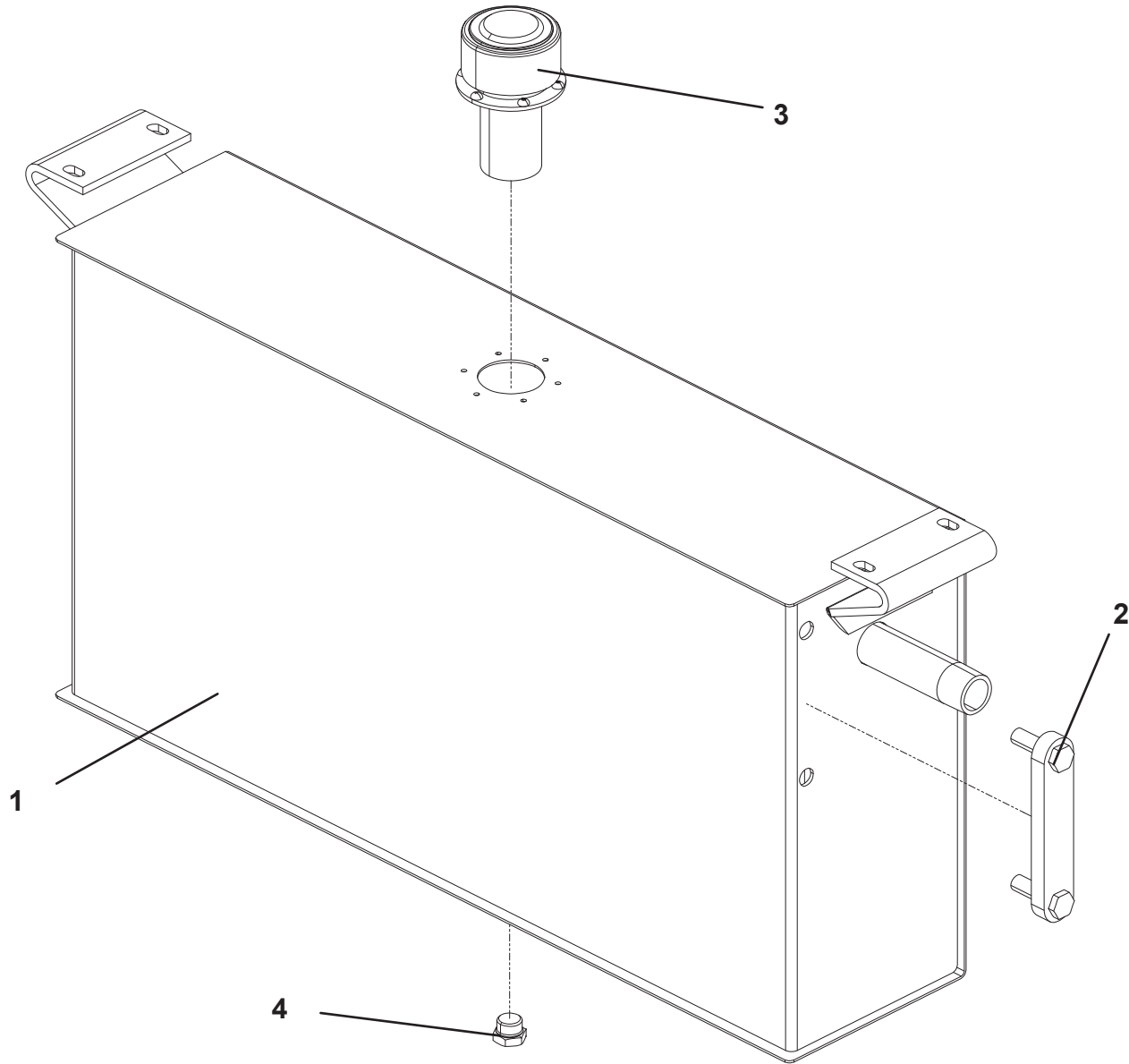
HYDRAULIC RESEVOIR INSTALLATION



HYDRAULIC RESERVOIR ASSEMBLY

ITEM	PART NO.	DESCRIPTION	QTY
1	3750000018	Hydraulic Tank Assembly	1
2	7470000027*	Oil Level Gauge	1
3	7183000004*	Breather Filter	1
4	7701000031*	Plug w/O-Ring	1

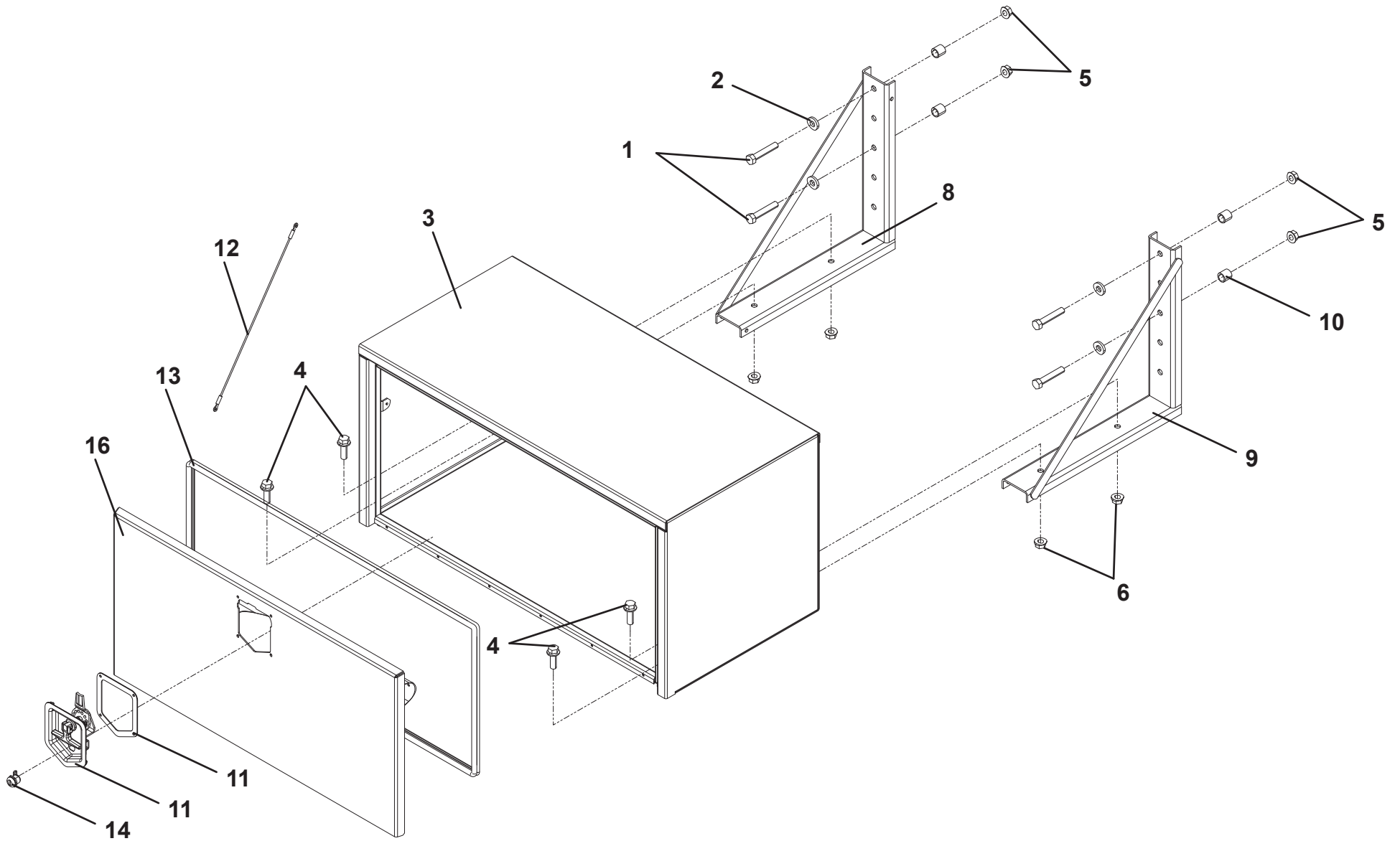
HYDRAULIC RESERVOIR ASSEMBLY



TOOLBOX, 36" INSTALLATION

ITEM	PART NO.	DESCRIPTION	QTY
1	0651822	Capscrew, 0.50" - 20NC x 2.75"	4
2	4891800	Washer, 0.50" ID	4
3	1001217570	Toolbox, 36"	1
4	7118181216	Capscrew, 0.50" - 13NC x 1.50"	4
5	7660182301	Locknut, 0.50" - 13NC	4
6	7660182333	Locknut, 0.50" - 20NF	4
7	1001218889	Mount Kit	1
		Mount Kit - 1001218889	
8	70051428	Bracket, LH	1
9	70051429	Bracket, RH	1
10	70051430	Hardware Kit	1
		Tool Box Replacement Parts	
11	70051431	Latch, (Latch, Gasket, Keys and Cylinder)	1
12	70051432	Lanyard	1
13	70051433	Gasket, Door	1
14	70051434	Lock Cylinder and Key	1
15	70051435	Key	1
16	70051436	Door, (Latch, Door, and Hinge)	1

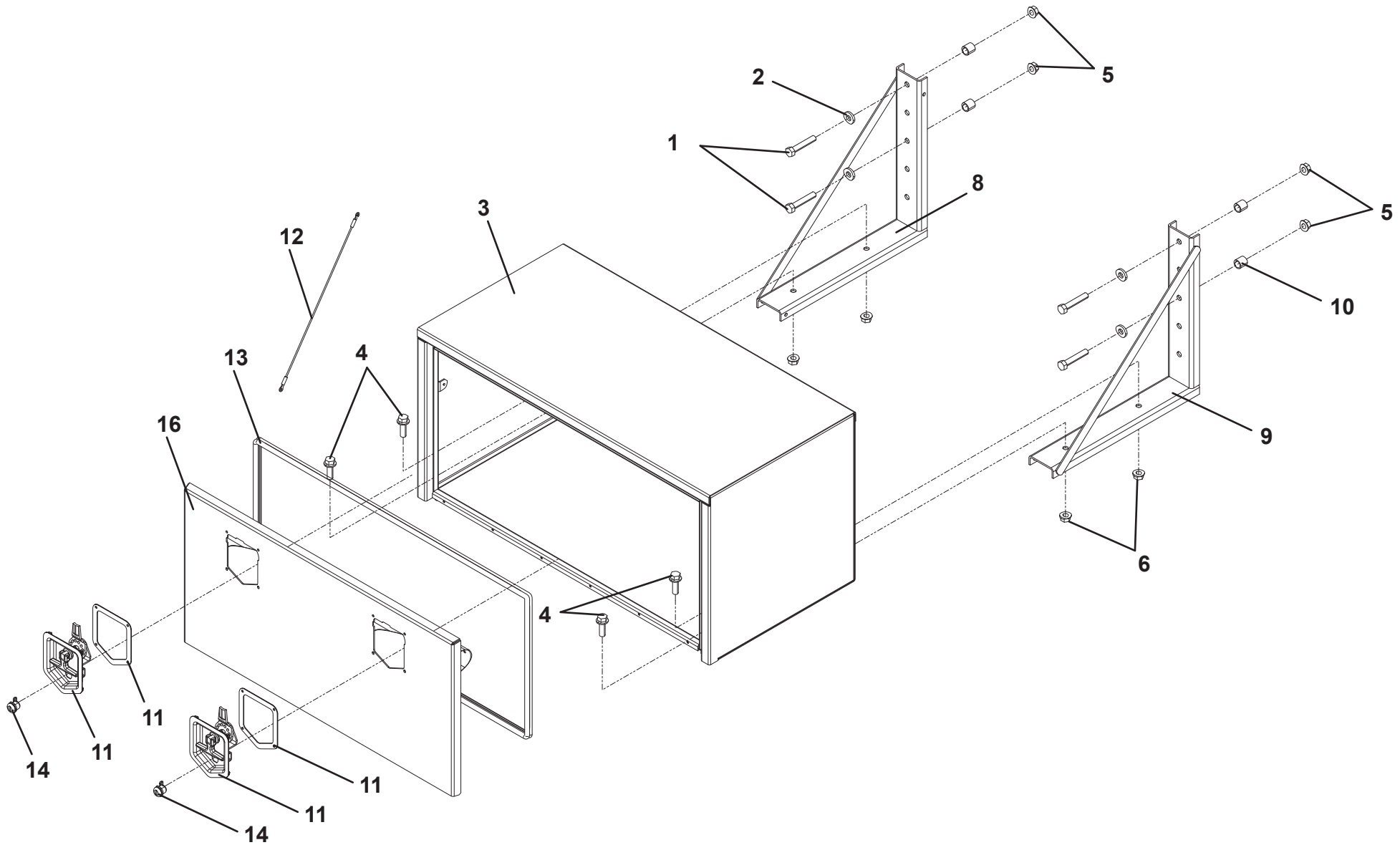
TOOLBOX, 36" INSTALLATION



TOOLBOX, 48" INSTALLATION

ITEM	PART NO.	DESCRIPTION	QTY
1	0651822	Capscrew, 0.50" - 20NC x 2.75"	4
2	4891800	Washer, 0.50" ID	4
3	1001217569	Toolbox, 48"	1
4	7118181216	Capscrew, 0.50" - 13NC x 1.50"	4
5	7660182301	Locknut, 0.50" - 13NC	4
6	7660182333	Locknut, 0.50" - 20NF	4
7	1001218889	Mount Kit	1
		Mount Kit - 1001218889	
8	70051428	Bracket, LH	1
9	70051429	Bracket, RH	1
10	70051430	Hardware Kit	1
		Tool Box Replacement Parts	
11	70051431	Latch, (Latch, Gasket, Keys and Cylinder)	1
12	70051432	Lanyard	1
13	70051433	Gasket, Door	1
14	70051434	Lock Cylinder and Key	1
15	70051435	Key	1
16	70051437	Door, (Latch, Door, and Hinge)	1

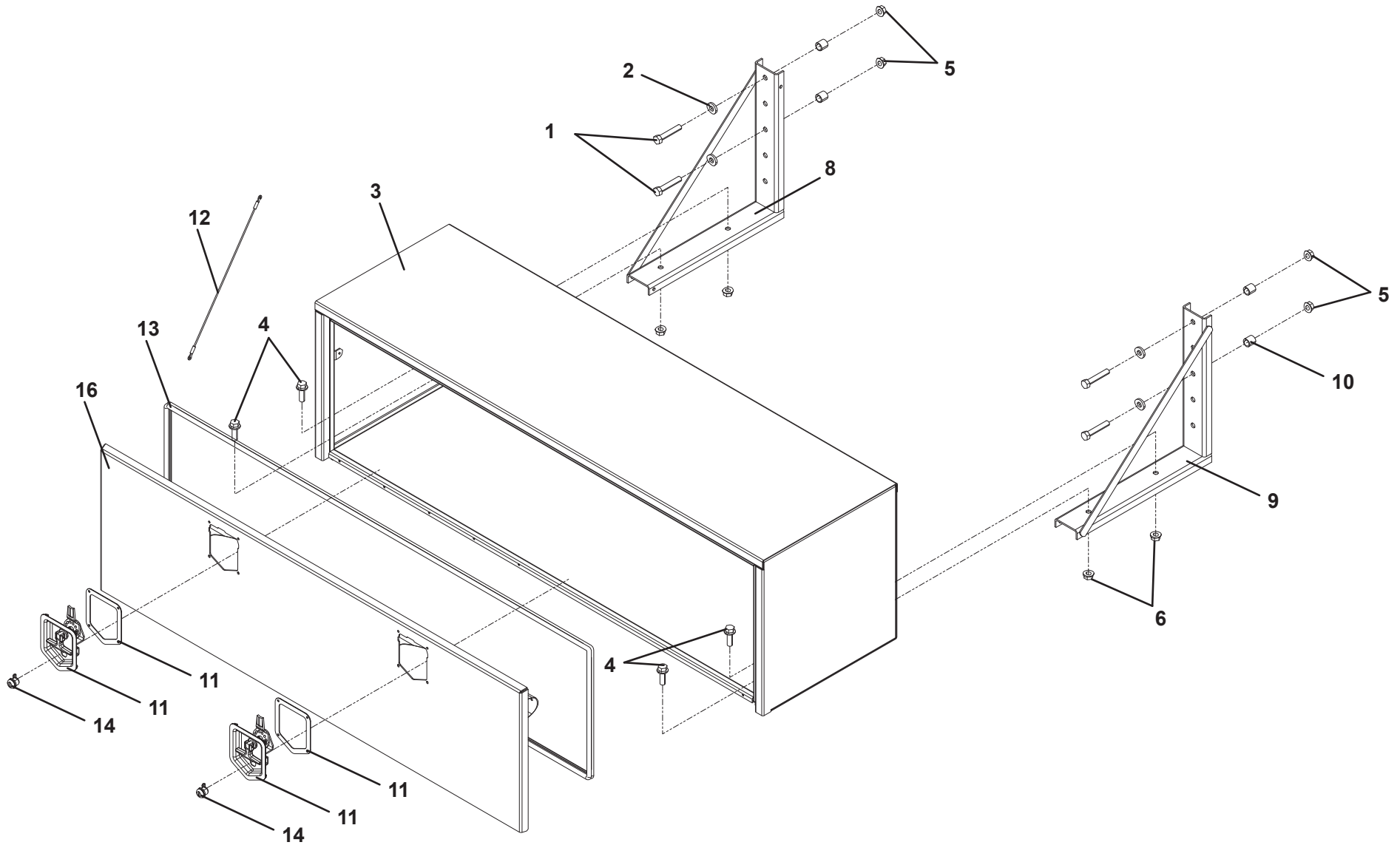
TOOLBOX, 48" INSTALLATION



TOOLBOX, 60" INSTALLATION

ITEM	PART NO.	DESCRIPTION	QTY
1	0651822	Capscrew, 0.50" - 20NC x 2.75"	4
2	4891800	Washer, 0.50" ID	4
3	1001217570	Toolbox, 60"	1
4	7118181216	Capscrew, 0.50" - 13NC x 1.50"	4
5	7660182301	Locknut, 0.50" - 13NC	4
6	7660182333	Locknut, 0.50" - 20NF	4
7	1001218889	Mount Kit	1
		Mount Kit - 1001218889	
8	70051428	Bracket, LH	1
9	70051429	Bracket, RH	1
10	70051430	Hardware Kit	1
		Tool Box Replacement Parts	
11	70051431	Latch, (Latch, Gasket, Keys and Cylinder)	1
12	70051432	Lanyard	1
13	70051433	Gasket, Door	1
14	70051434	Lock Cylinder and Key	1
15	70051435	Key	1
16	70051438	Door, (Latch, Door, and Hinge)	1

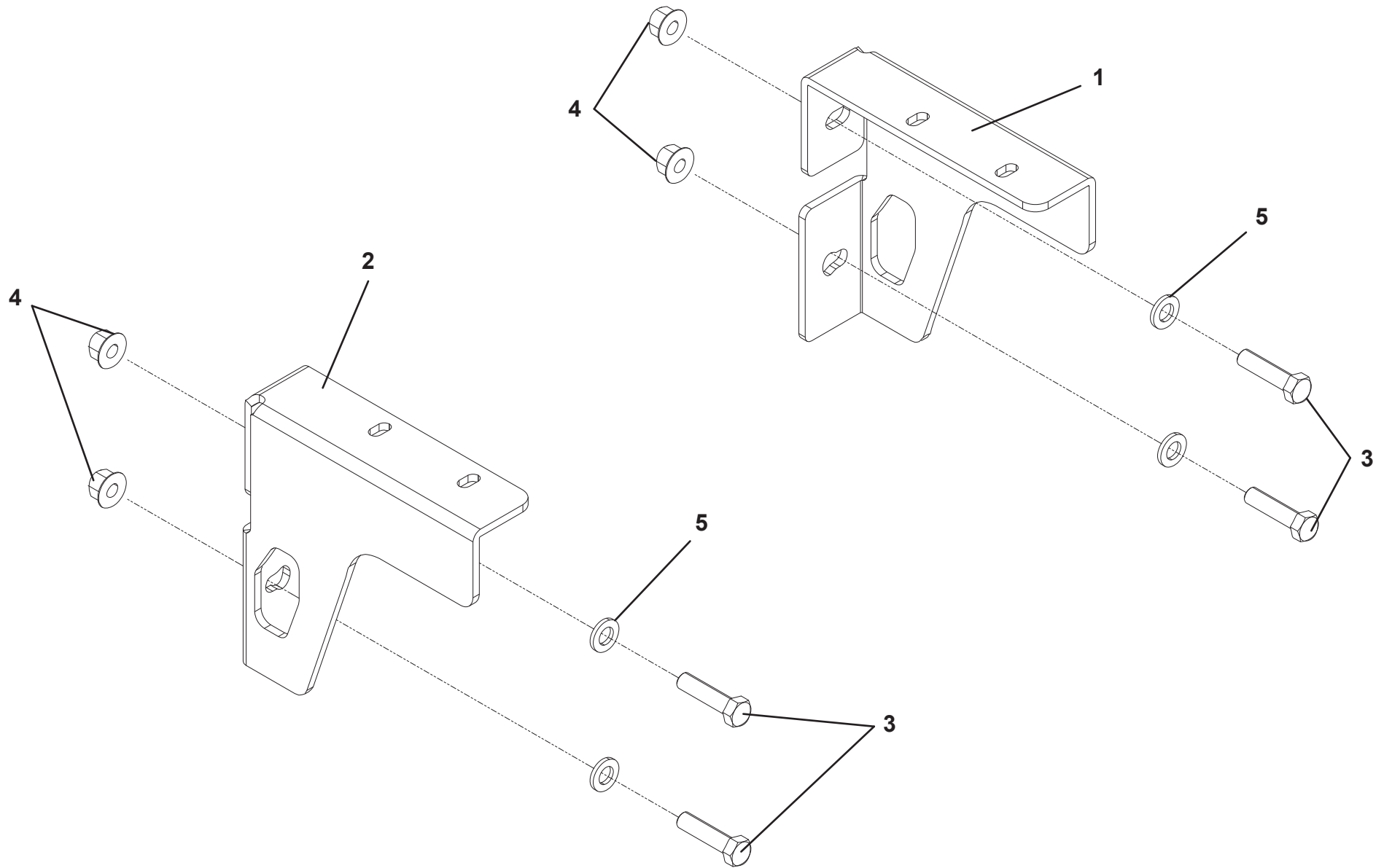
TOOLBOX, 60" INSTALLATION



BRACKET, KIT SHORT MOUNTING

ITEM	PART NO.	DESCRIPTION	QTY
1	4178000330	Bracket, RH	1
2	4178000331	Bracket, LH	1
3	7105181650	Capscrew, 0.50" - 20NF x 2.00"	4
4	7660182333	Locknut, 0.50" - 20NF	4
5	7950180153	Flatwasher, 0.50" ID	4

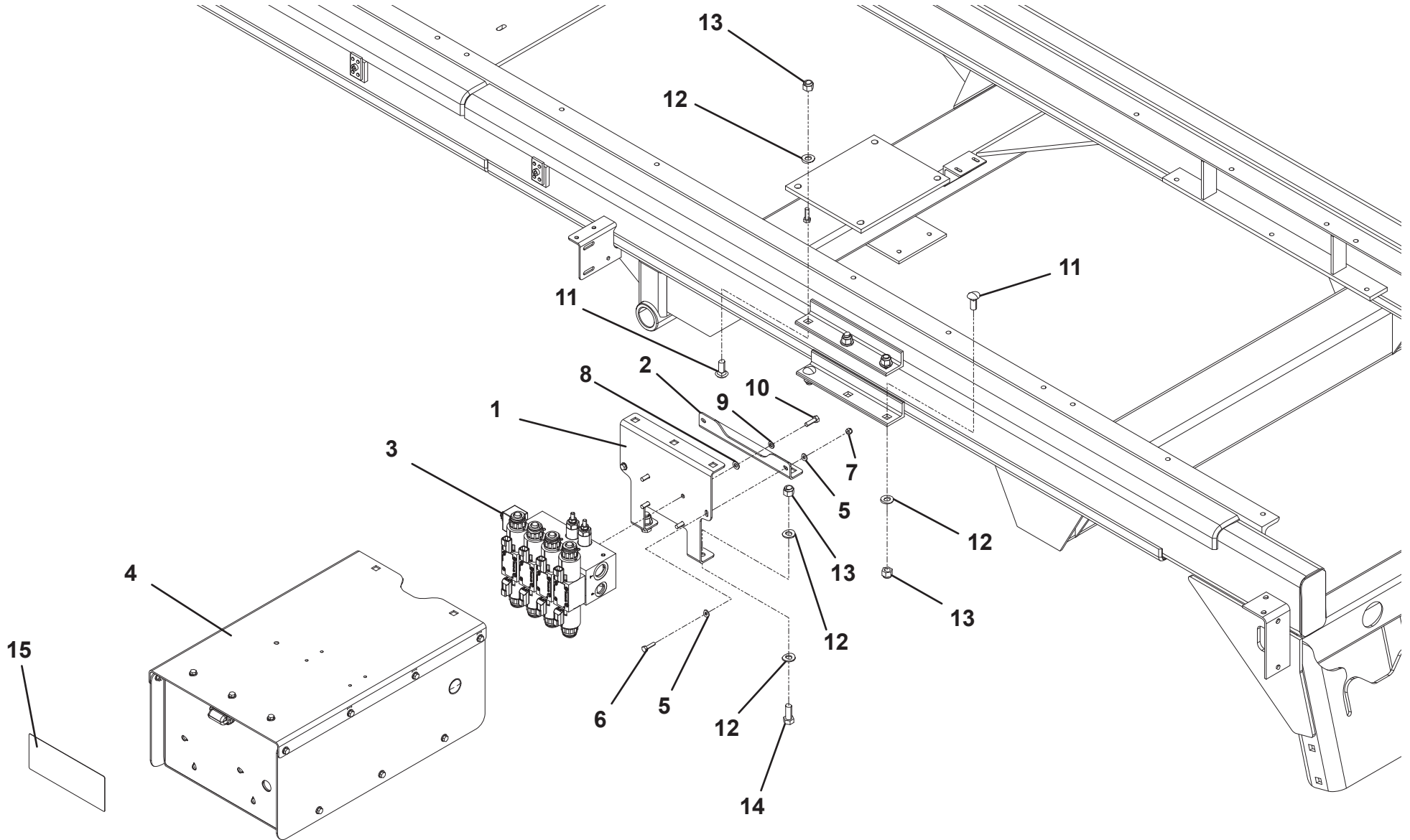
BRACKET, KIT SHORT MOUNTING



CONTROLS INSTALLATION

ITEM	PART NO.	DESCRIPTION	QTY
1	1001217304	Plate	1
2	1001217305	Plate	1
3	1001215843	Valve, 4 Section	1
4	1001217890	Control Station Assembly	1
5	4711400	Washer, 0.25" ID	4
6	0641408	Screw, 0.25" - 20NC x 1.00"	2
7	7660142601	Locknut, 0.25" - 20NC	2
8	4711500	Washer, 0.31" ID	4
9	4761500	Lockwasher, 0.31" ID	4
10	0641508	Screw, 0.31" - 18NC x 1.00"	4
11	7115181064	Bolt, 0.50" - 13NC x 1.25"	5
12	4711800	Washer, 0.50" ID	9
13	7660182601	Locknut, 0.50" - 13NC	7
14	0641810	Capscrew, 0.50" - 13NC x 1.25"	2
15	1001222313	Decal, Operating Instructions	1

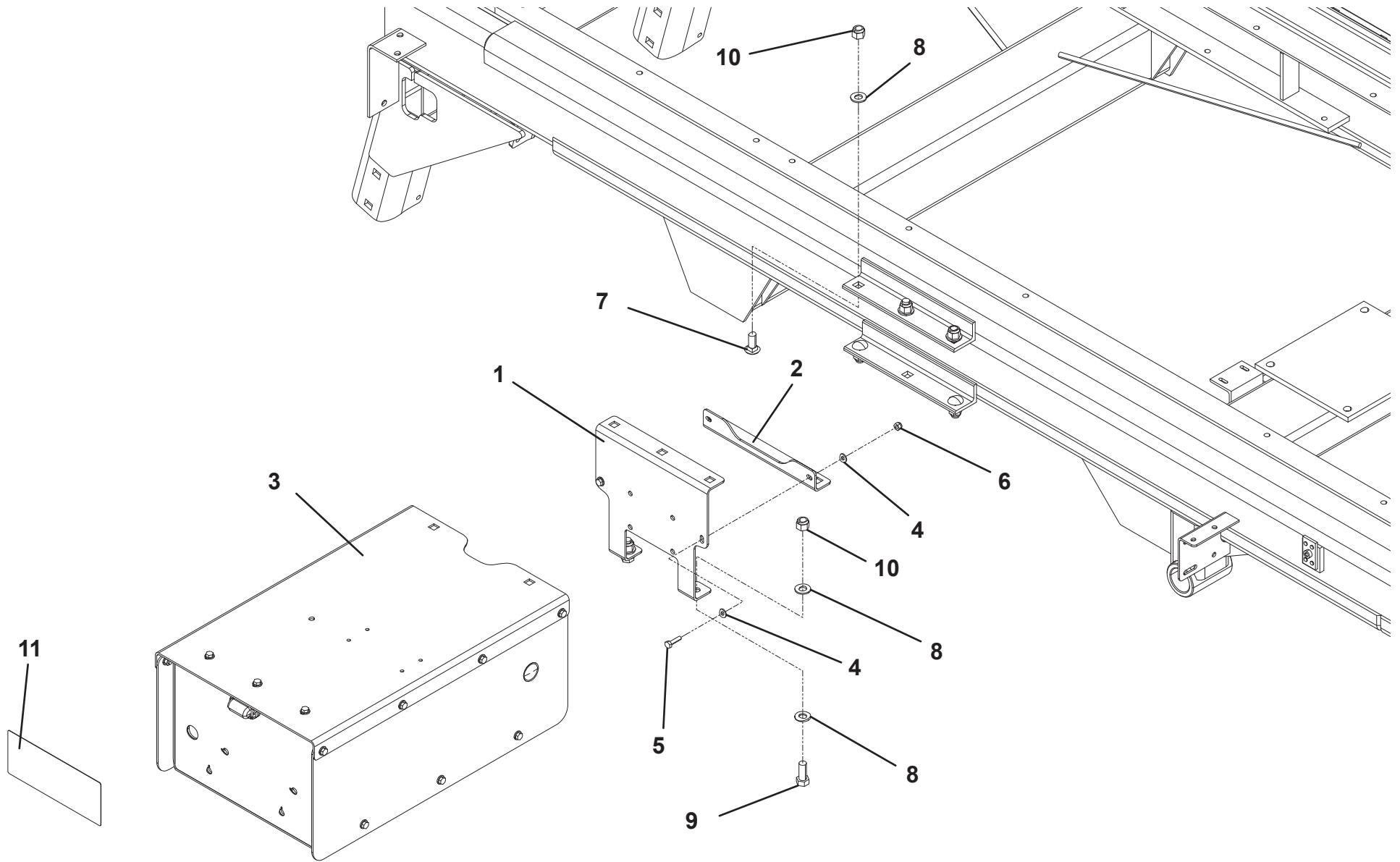
CONTROLS INSTALLATION



CONTROLS INSTALLATION - PASSENGER SIDE

ITEM	PART NO.	DESCRIPTION	QTY
1	1001217304	Plate	1
2	1001217305	Plate	1
3	1001228124	Control Station Assembly	1
4	4711400	Washer, 0.25" ID	4
5	0641408	Screw, 0.25" - 20NC x 1.00"	2
6	7660142601	Locknut, 0.25" - 20NC	2
7	7115181064	Bolt, 0.50" - 13NC x 1.25"	5
8	4711800	Washer, 0.50" ID	9
9	0641810	Capscrew, 0.50" - 13NC x 1.25"	2
10	7660182601	Locknut, 0.50" - 13NC	7
11	1001222313	Decal, Operating Instructions	1

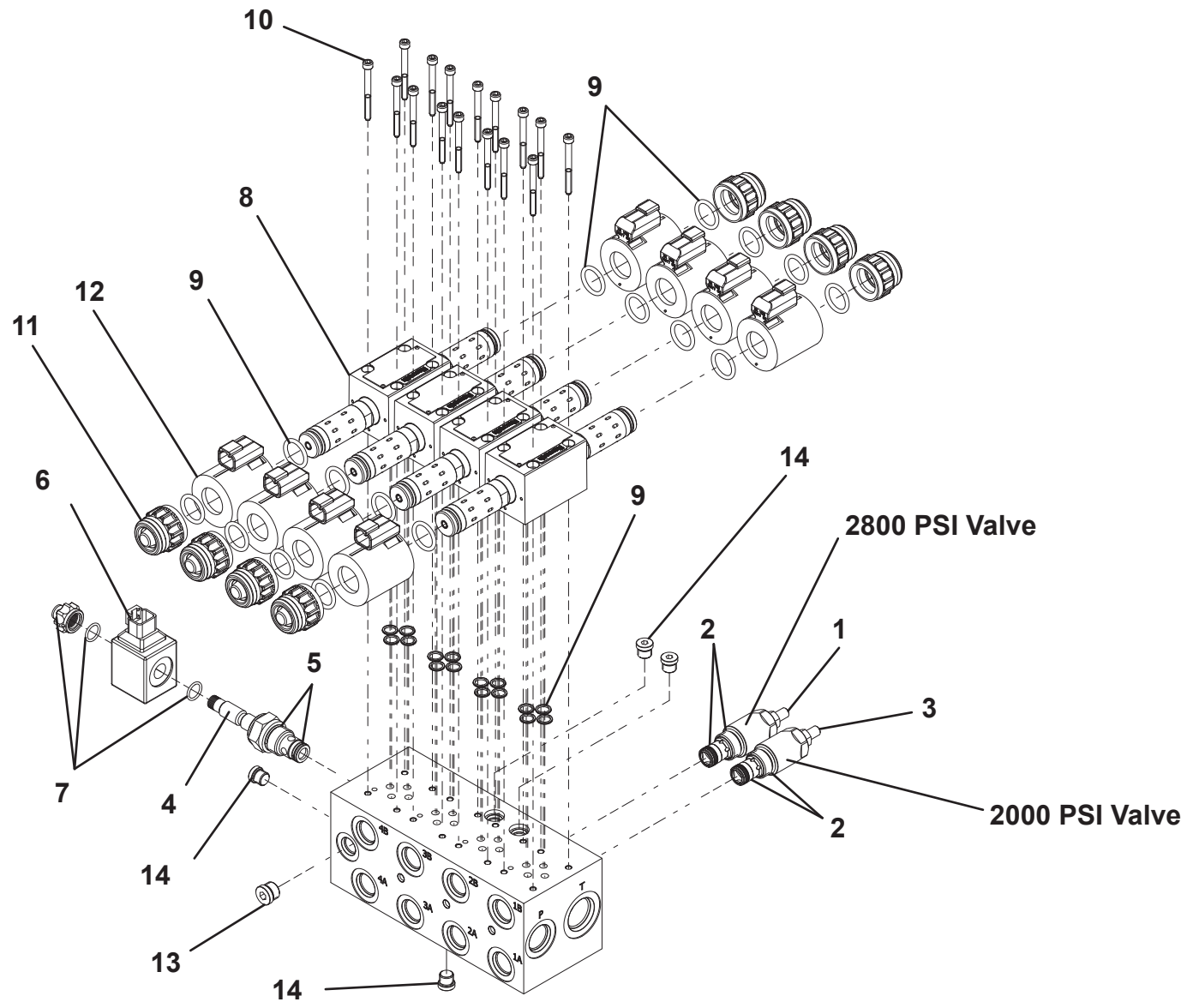
CONTROLS INSTALLATION - PASSENGER SIDE



VALVE ASSEMBLY - 1001215843

ITEM	PART NO.	DESCRIPTION	QTY
1	70051449	Valve, Cartridge - 2800 PSI	1
2	70004602	Seal Kit	2
3	70051450	Valve, Cartridge - 2000 PSI	1
4	70051357	Valve	1
5	70023867	Seal Kit	1
6	70022147	Coil	1
7	70004051	Seal Kit	1
8	70051355	Valve Directional	4
9	7012773	Seal Kit	4
10	7018942	Capscrew, #10 - 24NC x 2.00"	16
11	70004460	Coil Cover	8
12	70051356	Nut	8
13	70005199	Plug	1
14	70005200	Plug	4

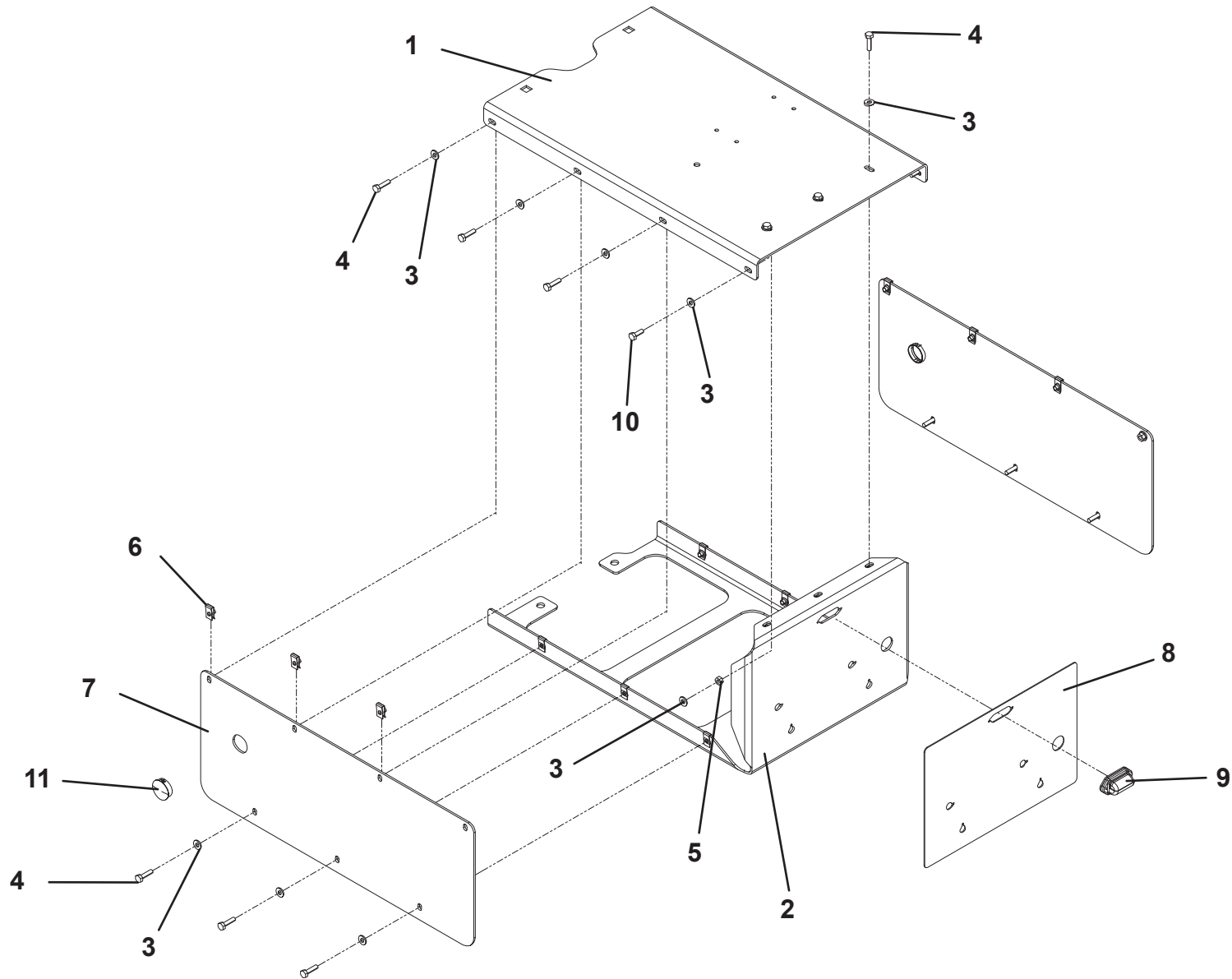
VALVE ASSEMBLY - 1001215843



CONTROL STATION ASSEMBLY

ITEM	PART NO.	DESCRIPTION	QTY
1	1001217302	Panel, Top	1
2	1001217303	Panel, Bottom	1
3	4711400	Washer, 0.25" ID	22
4	0641408	Capscrew, 0.25" - 20NC x 1.00"	15
5	3311405	Nut, 0.25" - 20NC	5
6	7661000042	U-Nut, 0.25" - 20NC	12
7	1001217491	Plate, Side	2
8	1001217301	Decal	1
9	1001143764	Lamp	1
10	0641406	Capscrew, 0.25" - 20NC x 0.75"	2
11	7701000049	Plug	2

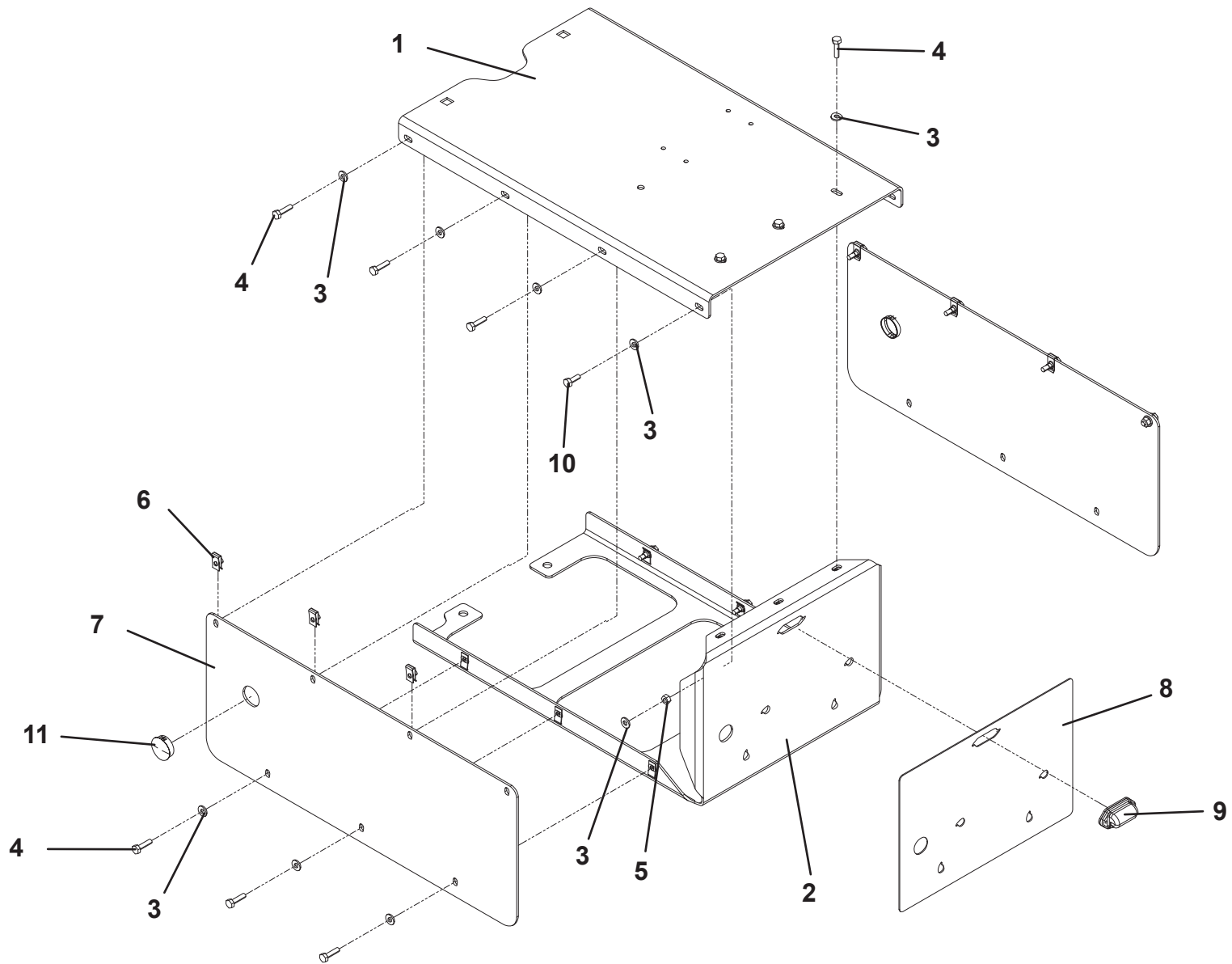
CONTROL STATION ASSEMBLY



CONTROL STATION ASSEMBLY - PASSENGER SIDE

ITEM	PART NO.	DESCRIPTION	QTY
1	1001217302	Panel, Top	1
2	1001228117	Panel, Bottom - Passenger Side	1
3	4711400	Washer, 0.25" ID	22
4	0641408	Capscrew, 0.25" - 20NC x 1.00"	15
5	3311405	Nut, 0.25" - 20NC	5
6	7661000042	U-Nut, 0.25" - 20NC	12
7	1001217491	Plate, Side	2
8	1001228116	Decal	1
9	1001143764	Lamp	1
10	0641406	Capscrew, 0.25" - 20NC x 0.75"	2
11	7701000049	Plug	2

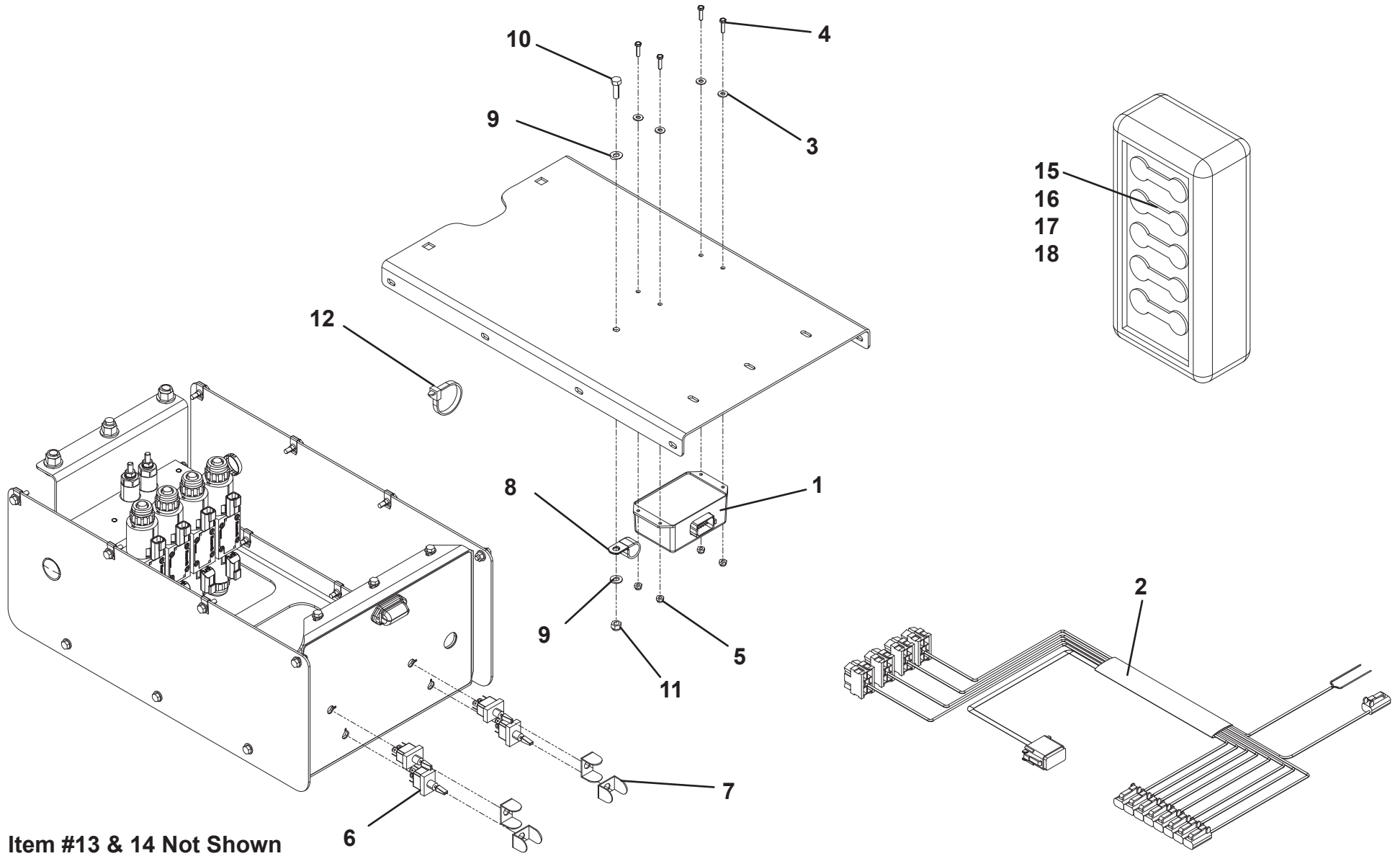
CONTROL STATION ASSEMBLY - PASSENGER SIDE



ELECTRICAL CONTROLS INSTALLATION

ITEM	PART NO.	DESCRIPTION	QTY
1	1001216351	Control, Wireless Remote	1
2	1001215846	Harness	1
3	4751300	Washer, 0.18" ID	4
4	0721006	Screw, #10 - 24NC x 0.75"	4
5	7660102601	Nut, #10 - 24NC	4
6	1001227917	Toggle Switch	4
7	4060906	Guard	4
8	7274000040	Clamp	1
9	4711500	Washer, 0.31" ID	2
10	0641508	Capscrew, 0.31" - 18NC x 1.00"	1
11	7660152601	Locknut, 0.31" - 18NC	1
12	5526000553	Tie Strap	20
13	7346000039	Tubing	A/R
14	0100048	Silicone Gel	A/R
15	70051464	Transmitter	1
16	70051465	Belt Clip	1
17	70051466	Rubber Boot	1
18	70051467	Reciever	1

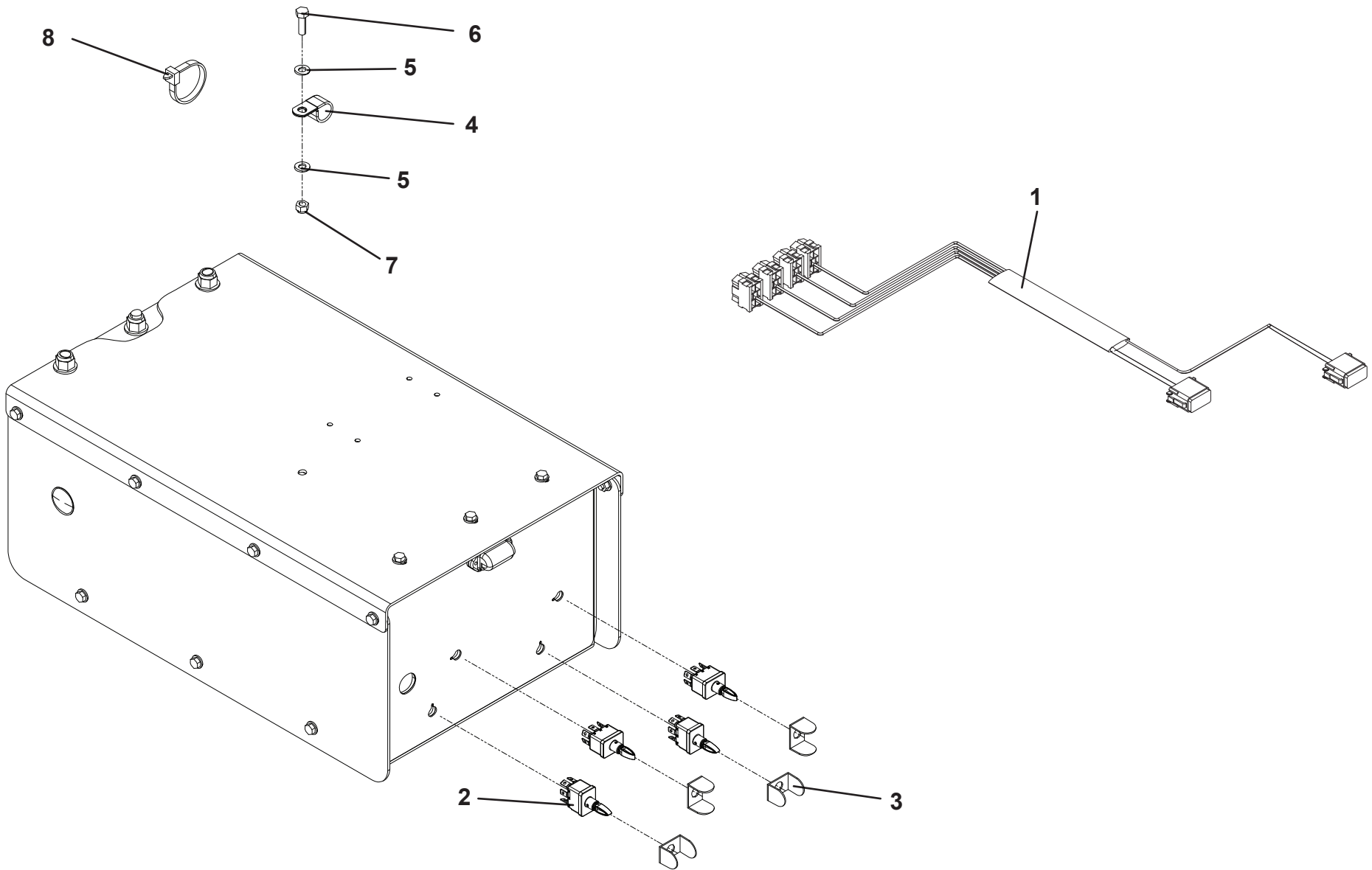
ELECTRICAL CONTROLS INSTALLATION



ELECTRICAL CONTROLS INSTALLATION - PASSENGER SIDE

ITEM	PART NO.	DESCRIPTION	QTY
1	1001228111	Harness	1
2	1001227917	Switch	4
3	4060906	Switch Guard	4
4	7274000040	Clamp	1
5	4711500	Washer, 0.31" ID	2
6	0641508	Capscrew, 0.31" - 18NC x 1.00"	1
7	7660152601	Locknut, 0.31" - 18NC	1
8	5526000553	Tie Strap	20

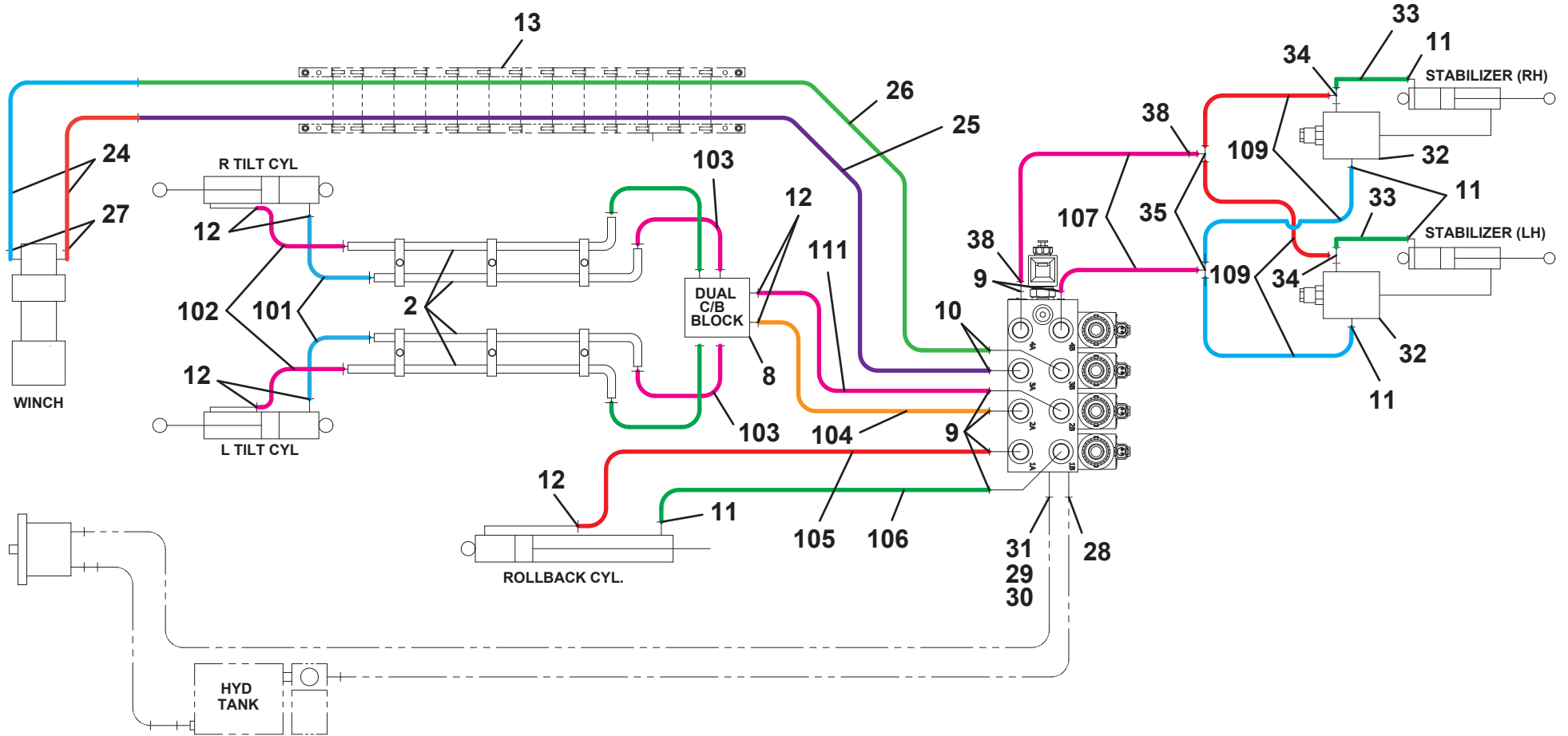
ELECTRICAL CONTROLS INSTALLATION - PASSENGER SIDE



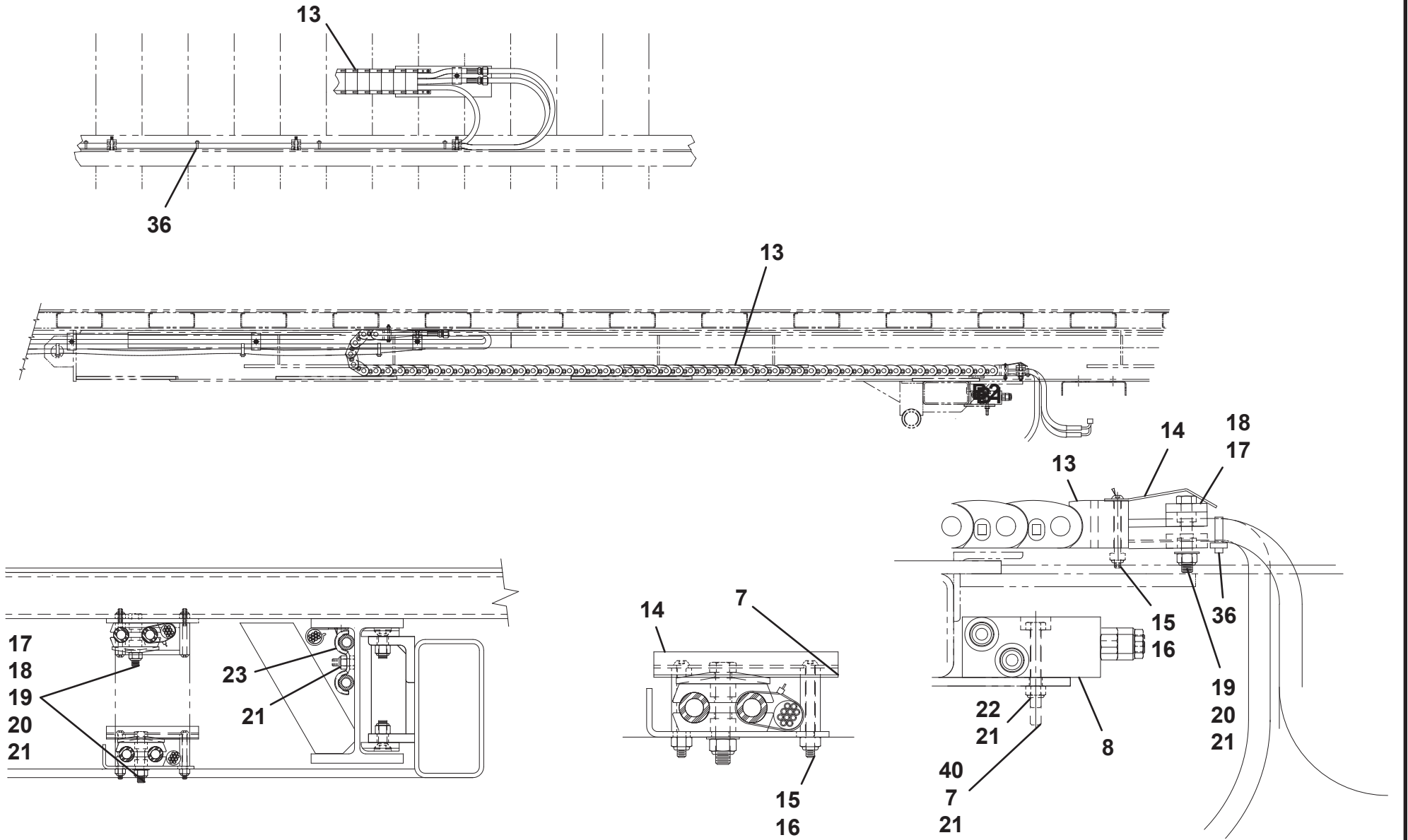
HYDRAULIC LINES AND FITTINGS - 24' RENTAL SPEC CARRIER

ITEM	PART NO.	DESCRIPTION	QTY	ITEM	PART NO.	DESCRIPTION	QTY
1	1001218095	Hose Kit	1	40	1001167455	Capscrew, 0.31" - 18NC x 2.75"	1
2	7912000349	Tube Assembly	4				
3	7274000064	Clamo	6			Hose Kit #1001218095	
4	1001189466	Cover Plate	2	101	1001220682	Hose Assembly	2
5	1001200207	Cover Plate Mid	2	102	4567120066	Hose Assembly	2
6	0641504	Capscrew, 0.31" - 18 x 5.00"	10	103	4570000379	Hose Assembly	4
7	4711500	Flatwasher, 0.31" ID	21	104	4567122038	Hose Assembly	1
8	7935000306	Valve Assembly	1	105	4567120077	Hose Assembly	1
9	1001104423	Adapter	6	106	4567120056	Hose Assembly	1
10	2220381	Adapter	2	107	4567120026	Hose Assembly	2
11	7445060645	Elbow	5	109	4567123051	Hose Assembly	4
12	7445060643	Adapter	7	111	4567123044	Hose Assembly	1
13	7904000001	Track	1				
14	4706003038	Plate	1				
15	7114101618	Capscrew, #10-24NC x 2.00"	4				
16	3300455	Nut, #10-24NC	4				
17	7274000038	Clamp	4				
18	7274000039	Clamp	2				
19	4751500	Flatwasher, 0.31" ID	3				
20	0641516	Capscrew, 0.31" - 18NC x 2.00"	2				
21	7660152601	Locknut, 0.31" - 18NC	11				
22	0641518	Capscrew, 0.31"-18NC x 2.25"	1				
23	7274000066	Clamp	6				
24	4567430153	Hose Assembly	2				
25	4569433147	Hose Assembly	1				
26	4569432147	Hose Assembly	1				
27	7445081045	Elbow	2				
28	7443000168	Adapter	1				
29	7443000241	Fitting	1				
30	7445080845	Elbow	1				
31	7445080818	Nut, #10	1				
32	7935000305	Valve Assembly	2				
33	4567122016	Hose Assembly	2				
34	7445060648	Tee	2				
35	2220490	Adapter	2				
36	7894000004	Tie Strap	10				
37	1001220732	Clamp	4				
38	7443000196	Restrictor	2				
39	7274000063	Clamp	1				

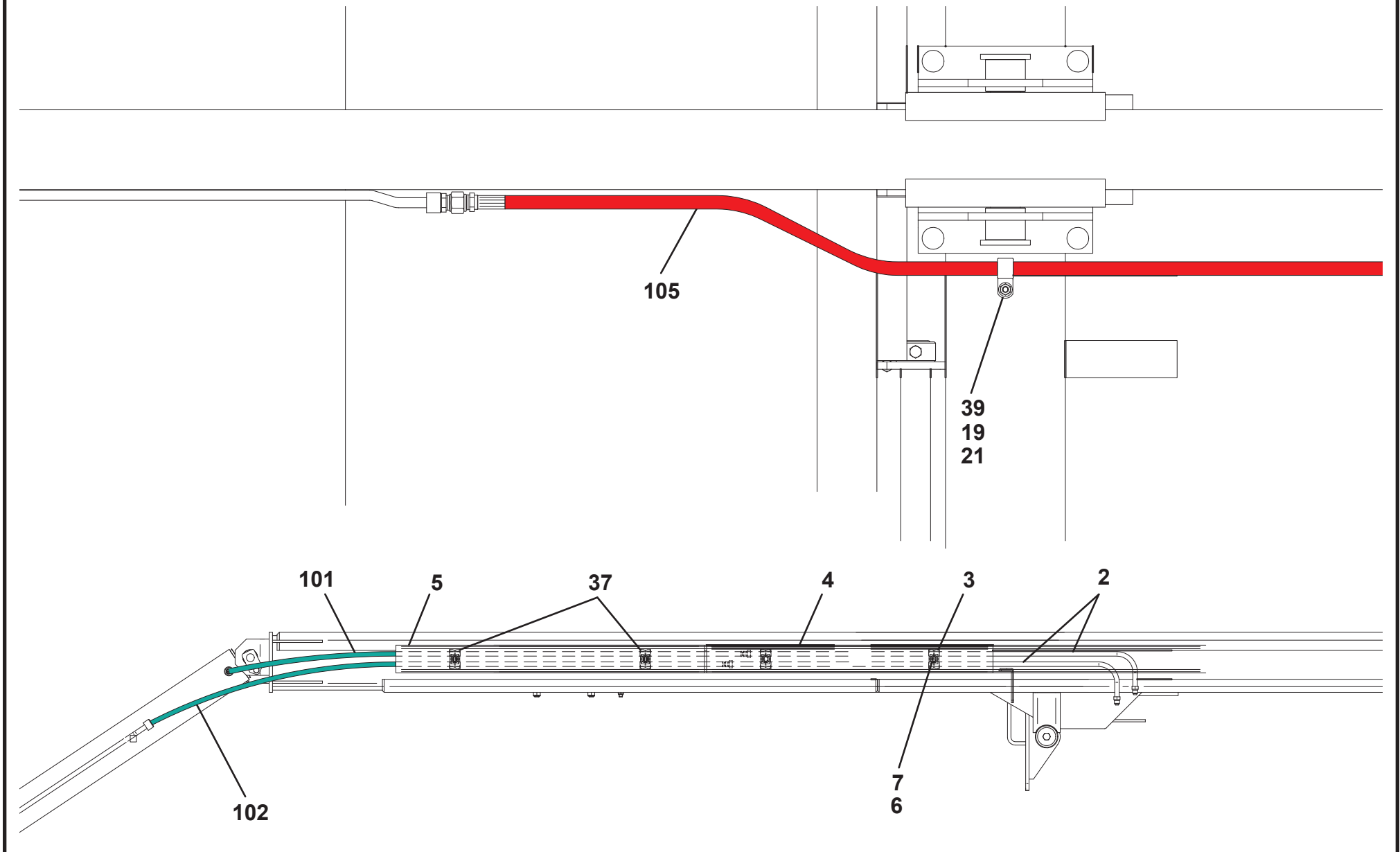
HYDRAULIC LINES AND FITTINGS - 24' RENTAL SPEC CARRIER



HYDRAULIC LINES AND FITTINGS - 24' RENTAL SPEC CARRIER



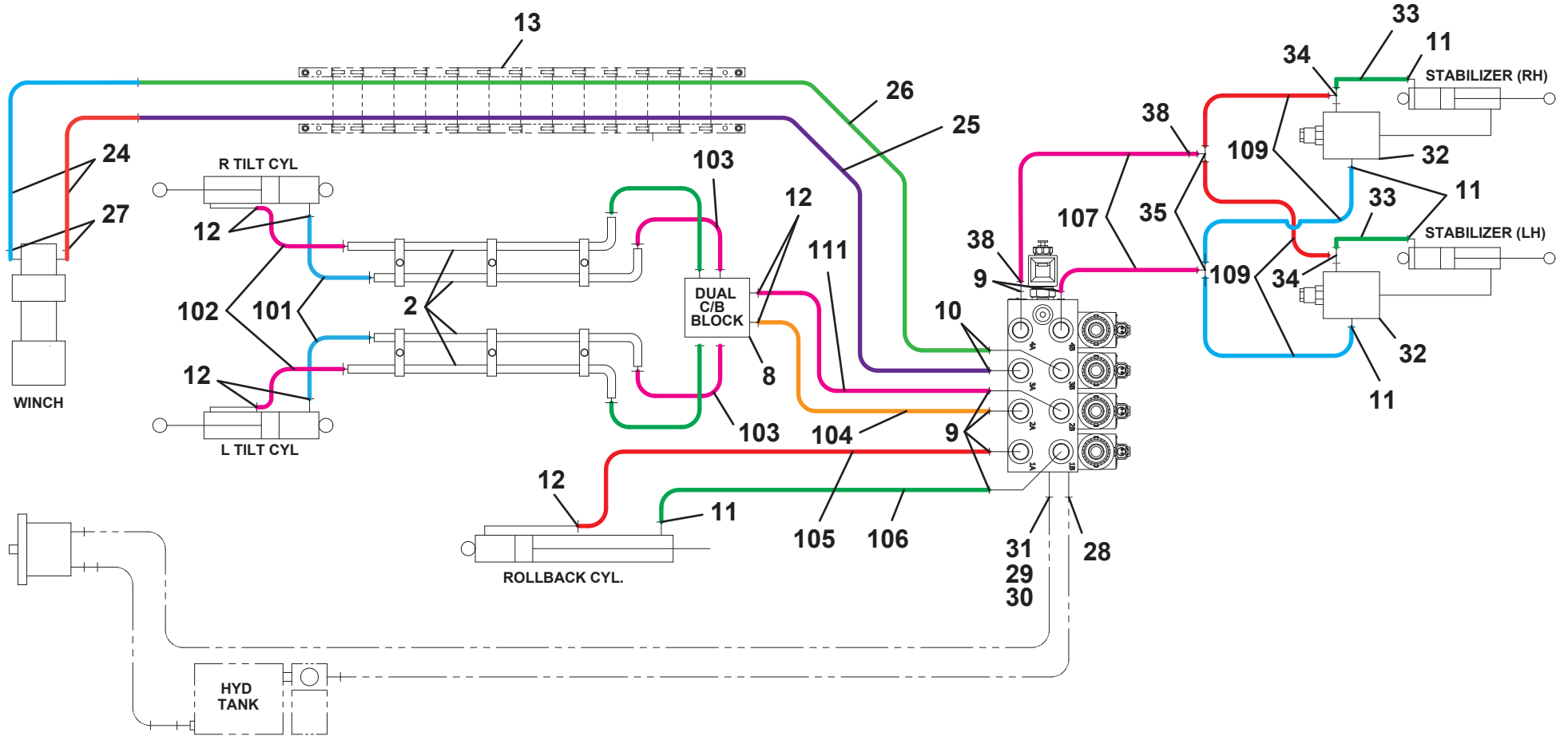
HYDRAULIC LINES AND FITTINGS - 24' RENTAL SPEC CARRIER



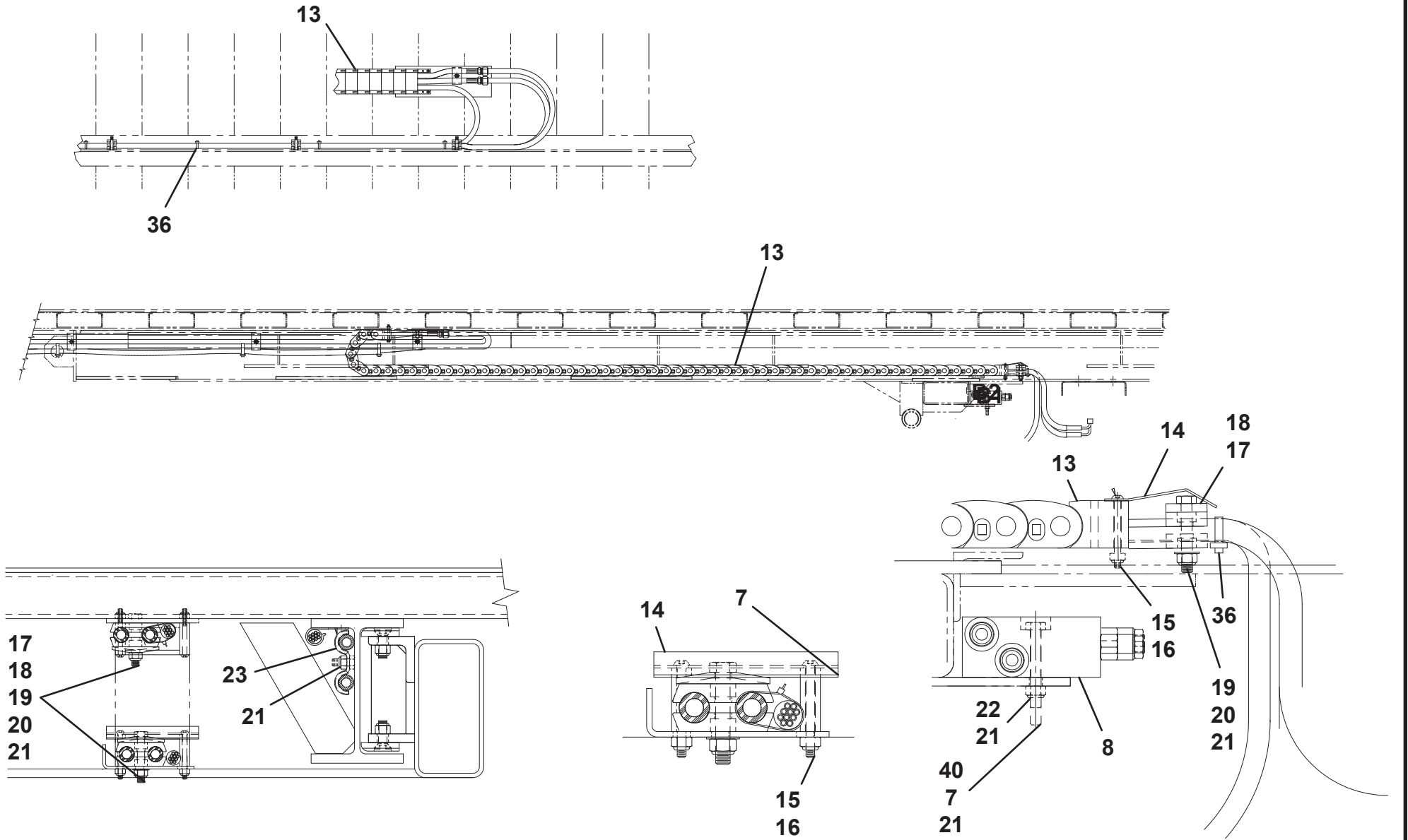
HYDRAULIC LINES AND FITTINGS - 26' RENTAL SPEC CARRIER

ITEM	PART NO.	DESCRIPTION	QTY	ITEM	PART NO.	DESCRIPTION	QTY
1	1001218095	Hose Kit	1	40	1001167455	Capscrew, 0.31" - 18NC x 2.75"	1
2	7912000349	Tube Assembly	4				
3	7274000064	Clamo	6			Hose Kit #1001218095	
4	1001189466	Cover Plate	2	101	1001220682	Hose Assembly	2
5	1001200207	Cover Plate Mid	2	102	4567120066	Hose Assembly	2
6	0641504	Capscrew, 0.31" - 18 x 5.00"	10	103	4570000379	Hose Assembly	4
7	4711500	Flatwasher, 0.31" ID	21	104	4567122038	Hose Assembly	1
8	7935000306	Valve Assembly	1	105	4567120077	Hose Assembly	1
9	1001104423	Adapter	6	106	4567120056	Hose Assembly	1
10	2220381	Adapter	2	107	4567120026	Hose Assembly	2
11	7445060645	Elbow	5	109	4567123051	Hose Assembly	4
12	7445060643	Adapter	7	111	4567123044	Hose Assembly	1
13	7904000001	Track	1				
14	4706003038	Plate	1				
15	7114101618	Capscrew, #10-24NC x 2.00"	4				
16	3300455	Nut, #10-24NC	4				
17	7274000038	Clamp	4				
18	7274000039	Clamp	2				
19	4751500	Flatwasher, 0.31" ID	3				
20	0641516	Capscrew, 0.31" - 18NC x 2.00"	2				
21	7660152601	Locknut, 0.31" - 18NC	11				
22	0641518	Capscrew, 0.31"-18NC x 2.25"	1				
23	7274000066	Clamp	6				
24	4567430177	Hose Assembly	2				
25	4569433147	Hose Assembly	1				
26	4569432147	Hose Assembly	1				
27	7445081045	Elbow	2				
28	7443000168	Adapter	1				
29	7443000241	Fitting	1				
30	7445080845	Elbow	1				
31	7445080818	Nut, #10	1				
32	7935000305	Valve Assembly	2				
33	4567122016	Hose Assembly	2				
34	7445060648	Tee	2				
35	2220490	Adapter	2				
36	7894000004	Tie Strap	10				
37	1001220732	Clamp	4				
38	7443000196	Restrictor	2				
39	7274000063	Clamp	1				

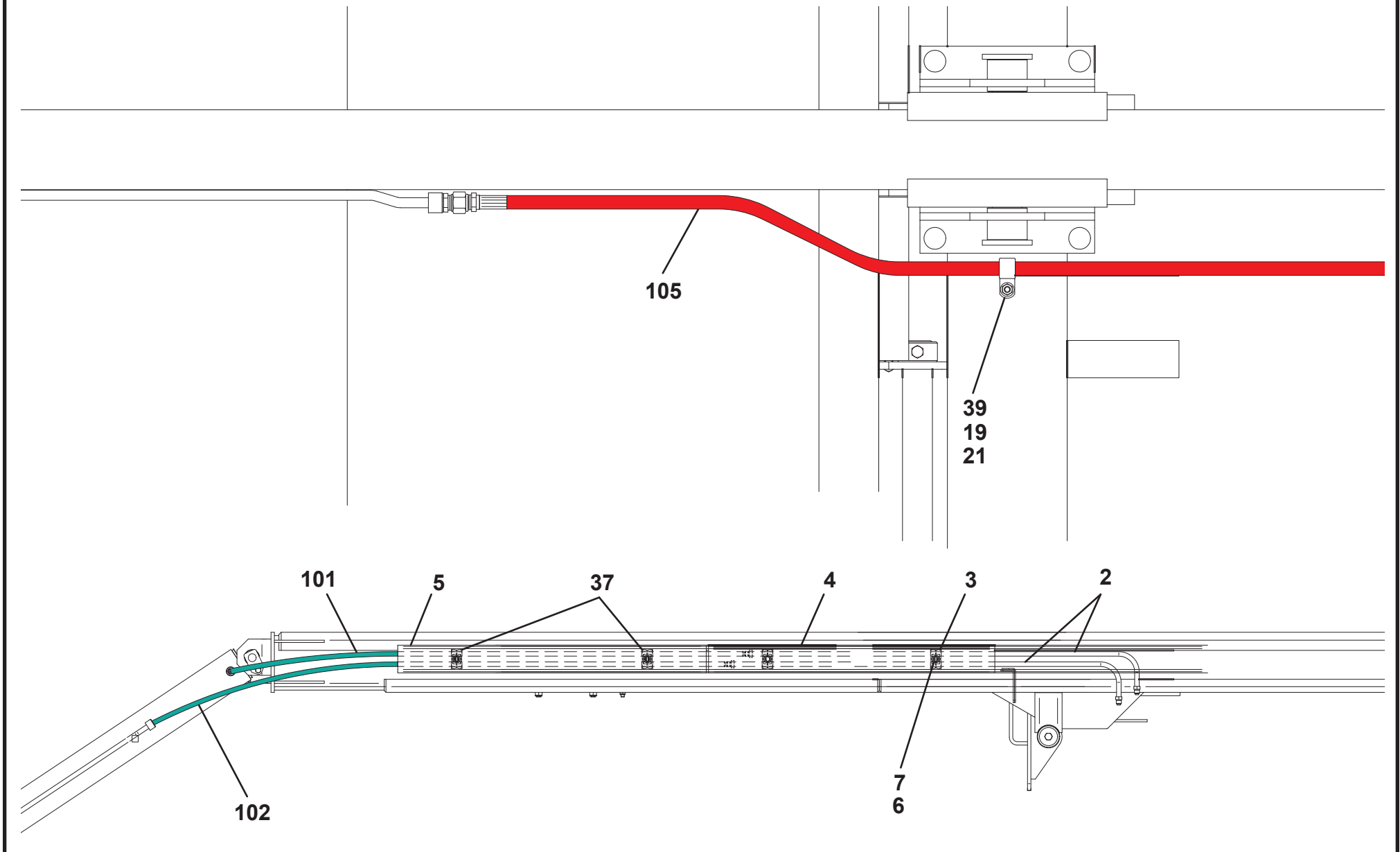
HYDRAULIC LINES AND FITTINGS - 26' RENTAL SPEC CARRIER



HYDRAULIC LINES AND FITTINGS - 26' RENTAL SPEC CARRIER



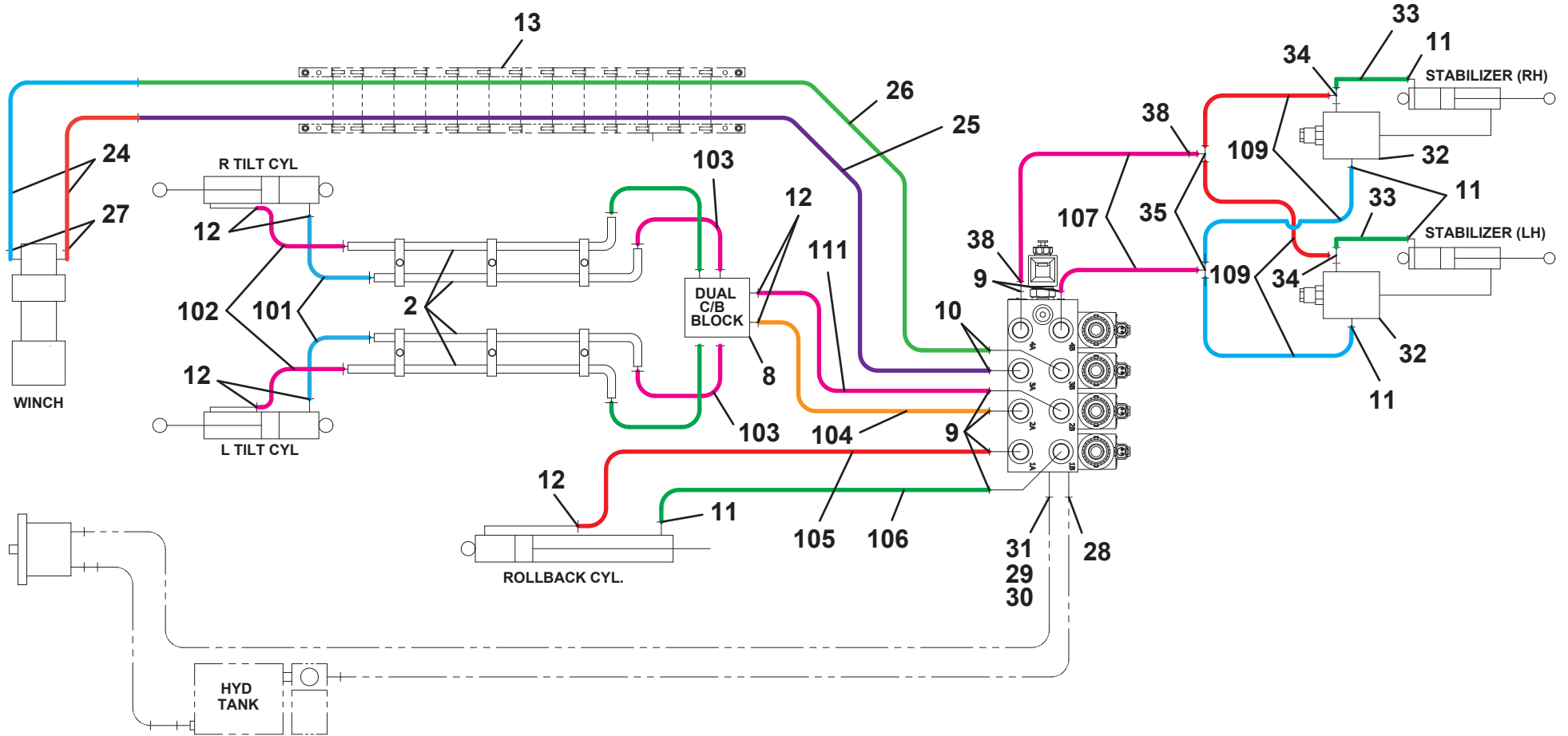
HYDRAULIC LINES AND FITTINGS - 26' RENTAL SPEC CARRIER



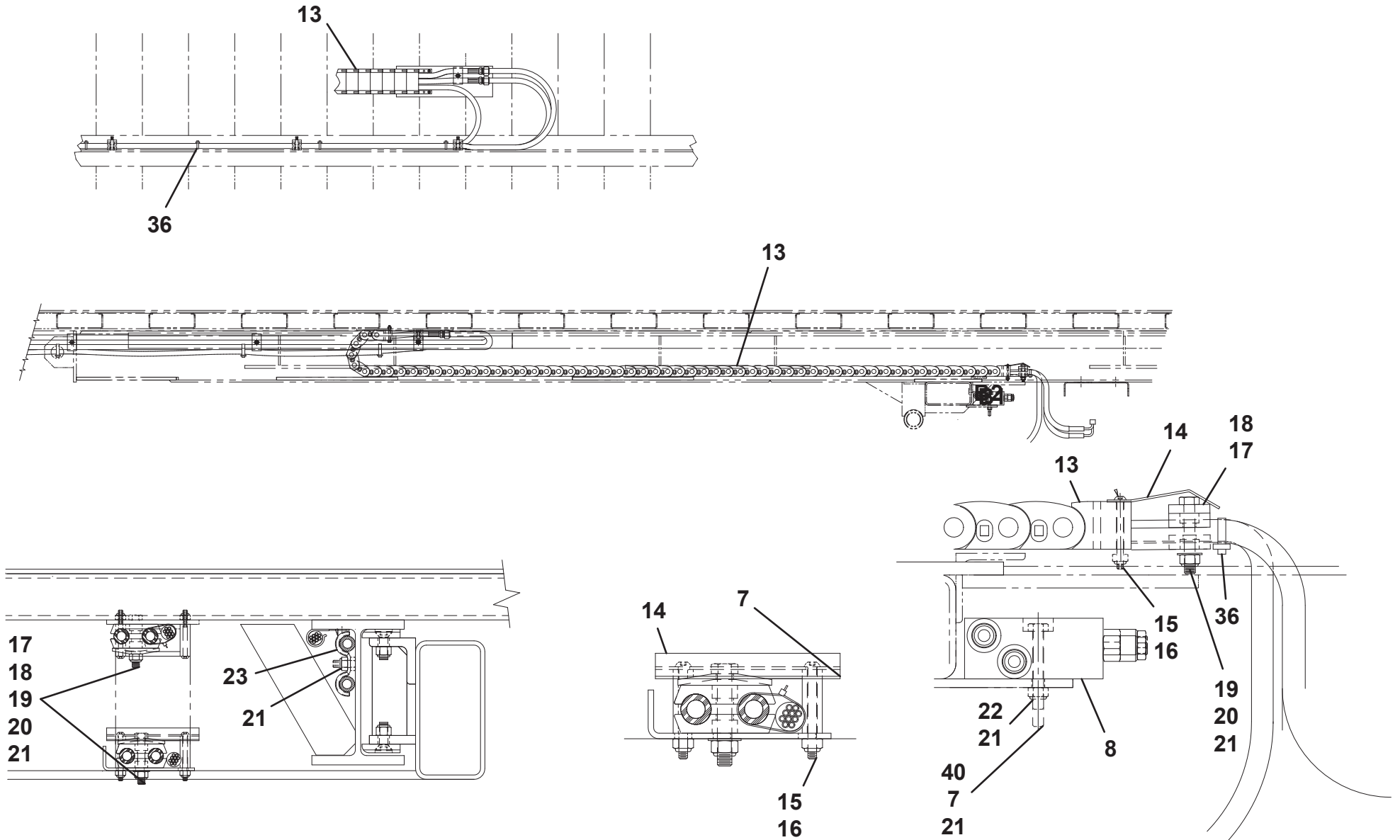
HYDRAULIC LINES AND FITTINGS - 28' RENTAL SPEC CARRIER

ITEM	PART NO.	DESCRIPTION	QTY	ITEM	PART NO.	DESCRIPTION	QTY
1	1001218095	Hose Kit	1	40	1001167455	Capscrew, 0.31" - 18NC x 2.75"	1
2	7912000349	Tube Assembly	4				
3	7274000064	Clamo	6			Hose Kit #1001218095	
4	1001189466	Cover Plate	2	101	1001220682	Hose Assembly	2
5	1001200207	Cover Plate Mid	2	102	4567120066	Hose Assembly	2
6	0641504	Capscrew, 0.31" - 18 x 5.00"	10	103	4570000379	Hose Assembly	4
7	4711500	Flatwasher, 0.31" ID	21	104	4567122038	Hose Assembly	1
8	7935000306	Valve Assembly	1	105	4567120077	Hose Assembly	1
9	1001104423	Adapter	6	106	4567120056	Hose Assembly	1
10	2220381	Adapter	2	107	4567120026	Hose Assembly	2
11	7445060645	Elbow	5	109	4567123051	Hose Assembly	4
12	7445060643	Adapter	7	111	4567123044	Hose Assembly	1
13	7904000001	Track	1				
14	4706003038	Plate	1				
15	7114101618	Capscrew, #10-24NC x 2.00"	4				
16	3300455	Nut, #10-24NC	4				
17	7274000038	Clamp	4				
18	7274000039	Clamp	2				
19	4751500	Flatwasher, 0.31" ID	3				
20	0641516	Capscrew, 0.31" - 18NC x 2.00"	2				
21	7660152601	Locknut, 0.31" - 18NC	11				
22	0641518	Capscrew, 0.31"-18NC x 2.25"	1				
23	7274000066	Clamp	6				
24	4567430199	Hose Assembly	2				
25	4569433147	Hose Assembly	1				
26	4569432147	Hose Assembly	1				
27	7445081045	Elbow	2				
28	7443000168	Adapter	1				
29	7443000241	Fitting	1				
30	7445080845	Elbow	1				
31	7445080818	Nut, #10	1				
32	7935000305	Valve Assembly	2				
33	4567122016	Hose Assembly	2				
34	7445060648	Tee	2				
35	2220490	Adapter	2				
36	7894000004	Tie Strap	10				
37	1001220732	Clamp	4				
38	7443000196	Restrictor	2				
39	7274000063	Clamp	1				

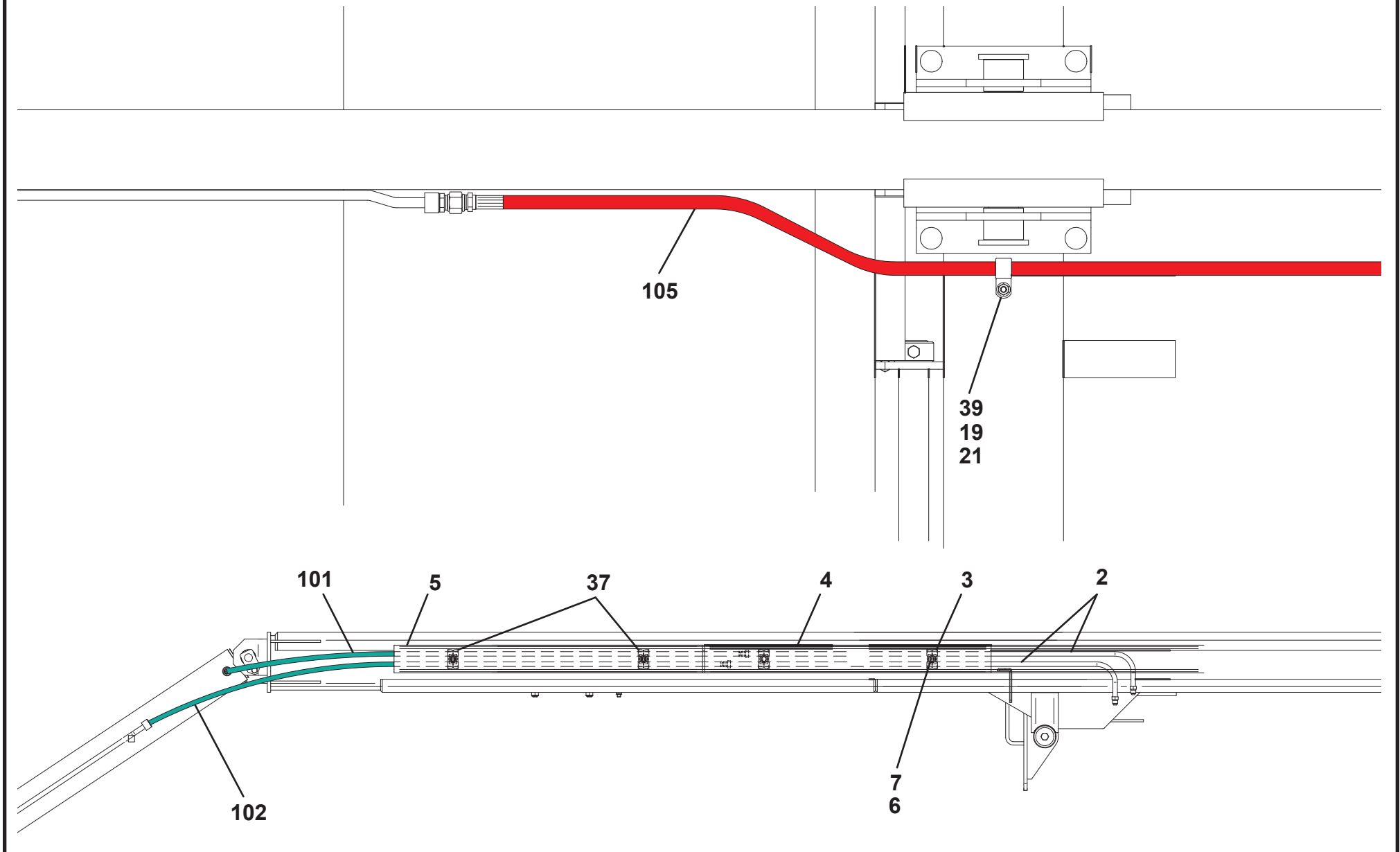
HYDRAULIC LINES AND FITTINGS - 28' RENTAL SPEC CARRIER



HYDRAULIC LINES AND FITTINGS - 28' RENTAL SPEC CARRIER



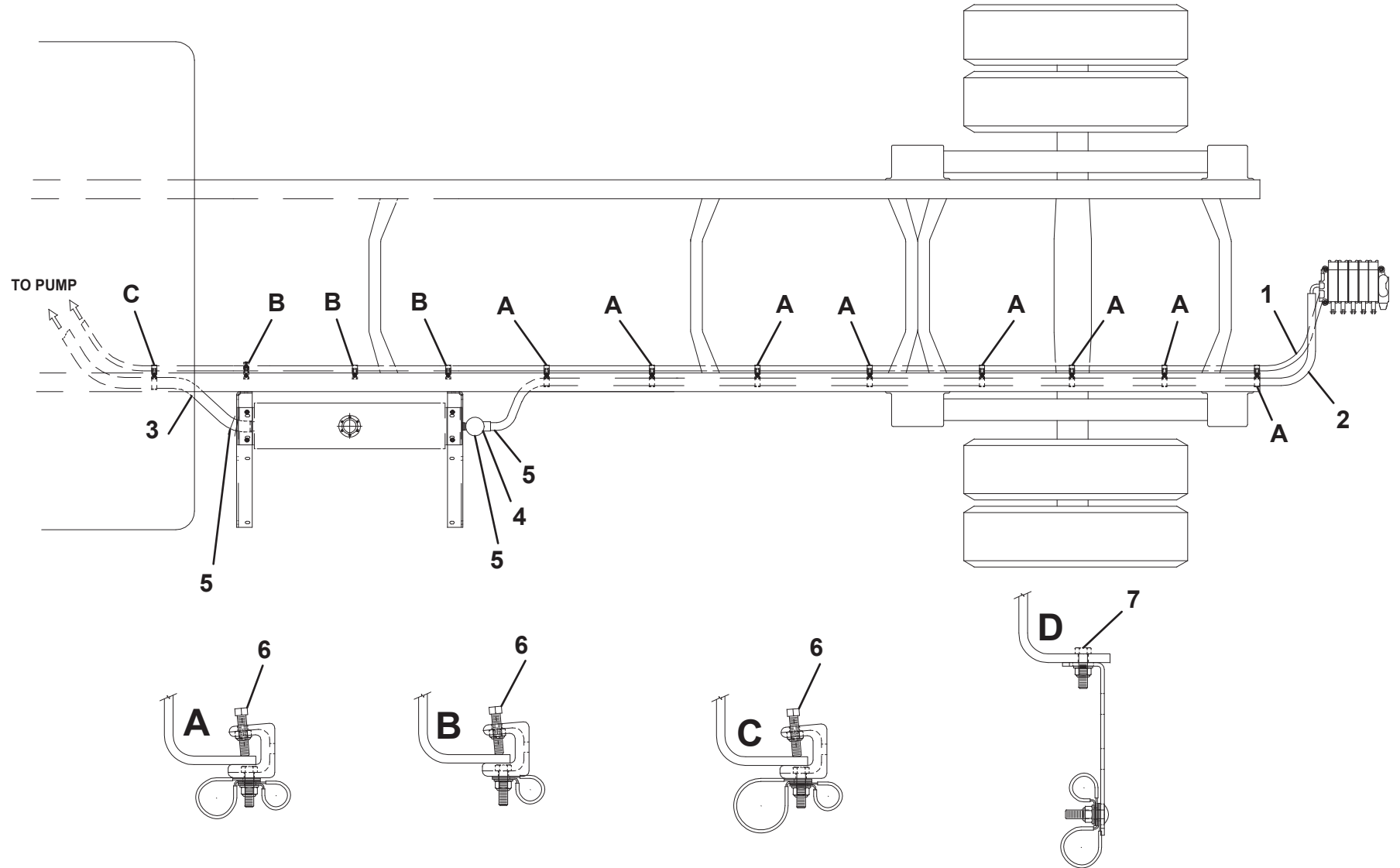
HYDRAULIC LINES AND FITTINGS - 28' RENTAL SPEC CARRIER



SPR HOSE INSTALLATION 156" CA - GENERIC

ITEM	PART NO.	DESCRIPTION	QTY
1	4567130244	Hose Assy 0.50" X 244" Lg St-St F	1
2	4570000113	Hose Return 0.75" X 176.00"	1
3	4570000112	Hose Supply 1.25" X 63.00"	1
4	7430000003	Filter Assy Oil W/Element #Aa	1
5	1001132801	Clamp, Fitting Kit RB Hyd Tank	1
6	1001132794	Clamp, Kit Cast Alum SPR Hose	13
7	1001132800	Clamp, Kit STL Bar SPR Hose	5

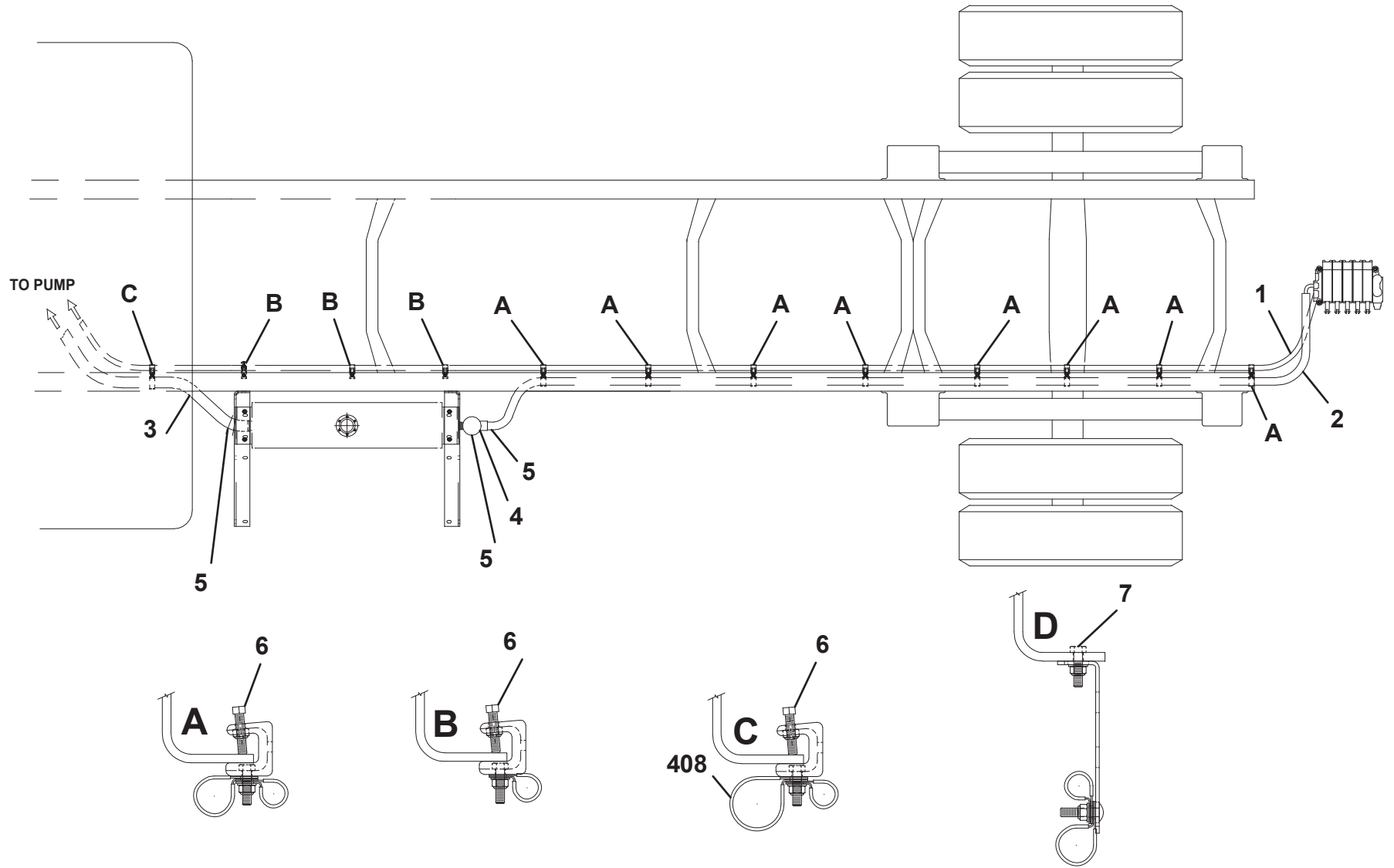
SPR HOSE INSTALLATION 156" CA - GENERIC



SPR HOSE INSTALLATION 160" CA - GENERIC

ITEM	PART NO.	DESCRIPTION	QTY
1	4567130248	Hose Assy 0.50" X 248" Lg St-St F	1
2	4570000114	Hose Return 0.75" X 180.00"	1
3	4570000112	Hose Supply 1.25" X 63.00"	1
4	7430000003	Filter Assy Oil W/Element #Aa	1
5	1001132801	Clamp, Fitting Kit RB Hyd Tank	1
6	1001132794	Clamp, Kit Cast Alum SPR Hose	14
7	1001132800	Clamp, Kit STL Bar SPR Hose	5

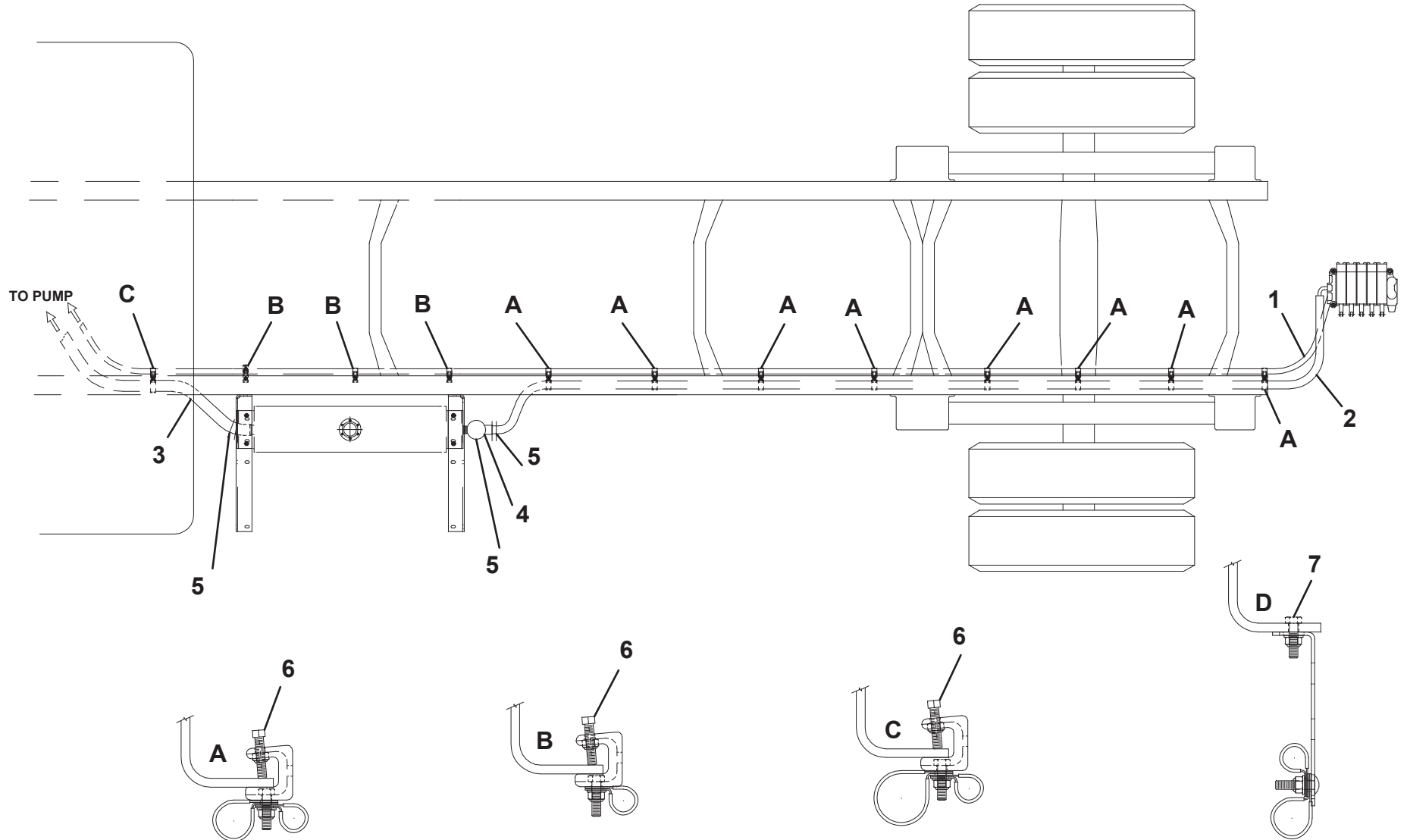
SPR HOSE INSTALLATION 160" CA - GENERIC



SPR HOSE INSTALLATION 168" CA - GENERIC

ITEM	PART NO.	DESCRIPTION	QTY
1	4567130264	Hose Assy 0.50" X 264.00" St-St	1
2	4570000159	Hose 0.75" ID X 183.00" Return	1
3	4570000046	Suction Hose 1.25" X 83"	1
4	7430000003	Filter Assy Oil W/Element #Aa	1
5	1001132801	Clamp, Fitting Kit RB Hyd Tank	1
6	1001132794	Clamp, Kit Cast Alum SPR Hose	12
7	1001132800	Clamp, Kit STL Bar SPR Hose	10

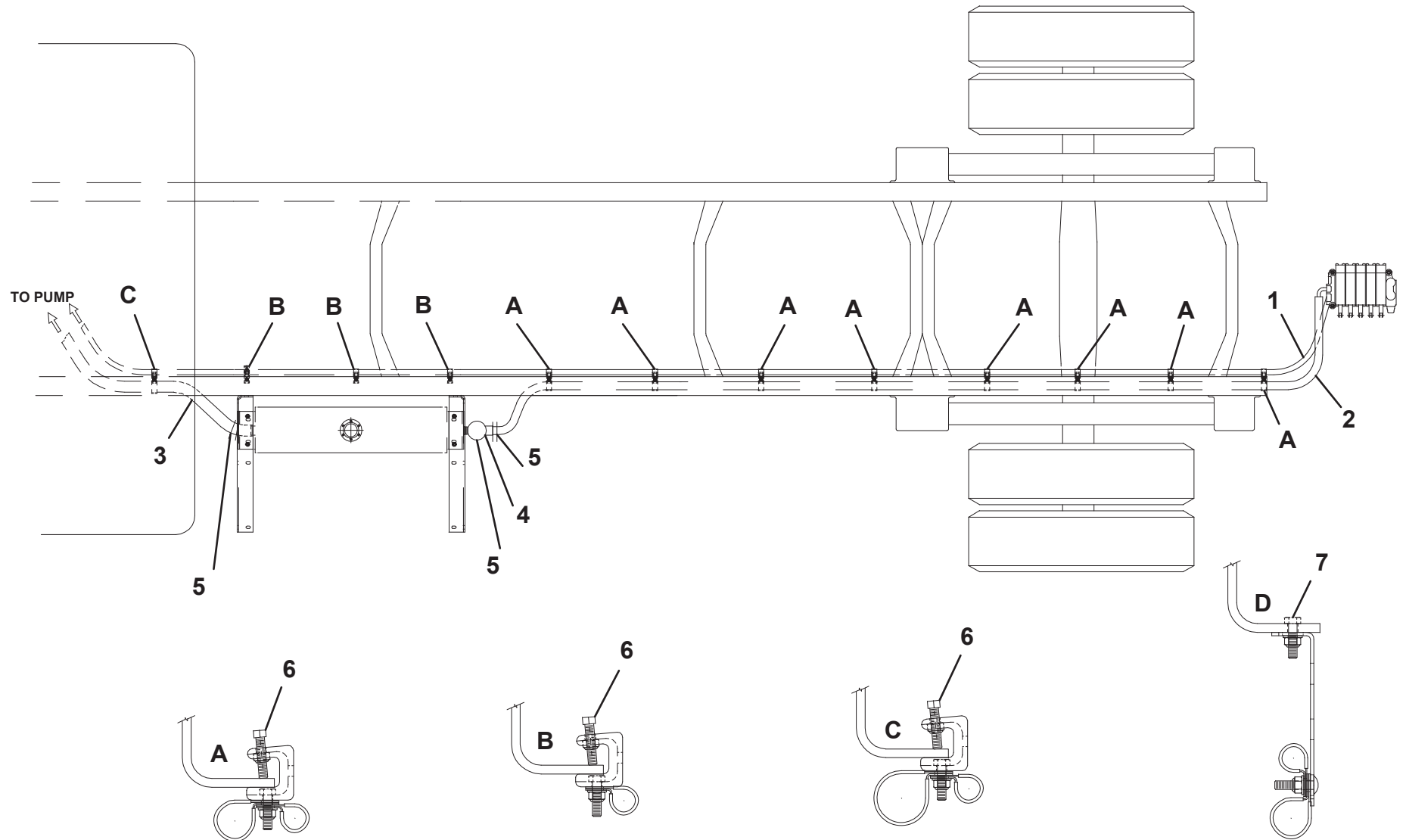
SPR HOSE INSTALLATION 168" CA - GENERIC



SPR HOSE INSTALLATION 192" CA - GENERIC

ITEM	PART NO.	DESCRIPTION	QTY
1	4567130290	Hose Assy 0.50 X 290.00" St-St	1
2	4570000160	Hose 0.75" ID X 207.00" Return	1
3	4570000046	Suction Hose 1.25" X 83"	1
4	7430000003	Filter Assy Oil W/Element #Aa	1
5	1001132801	Clamp, Fitting Kit RB Hyd Tank	1
6	1001132794	Clamp, Kit Cast Alum SPR Hose	14
7	1001132800	Clamp, Kit STL Bar SPR Hose	10

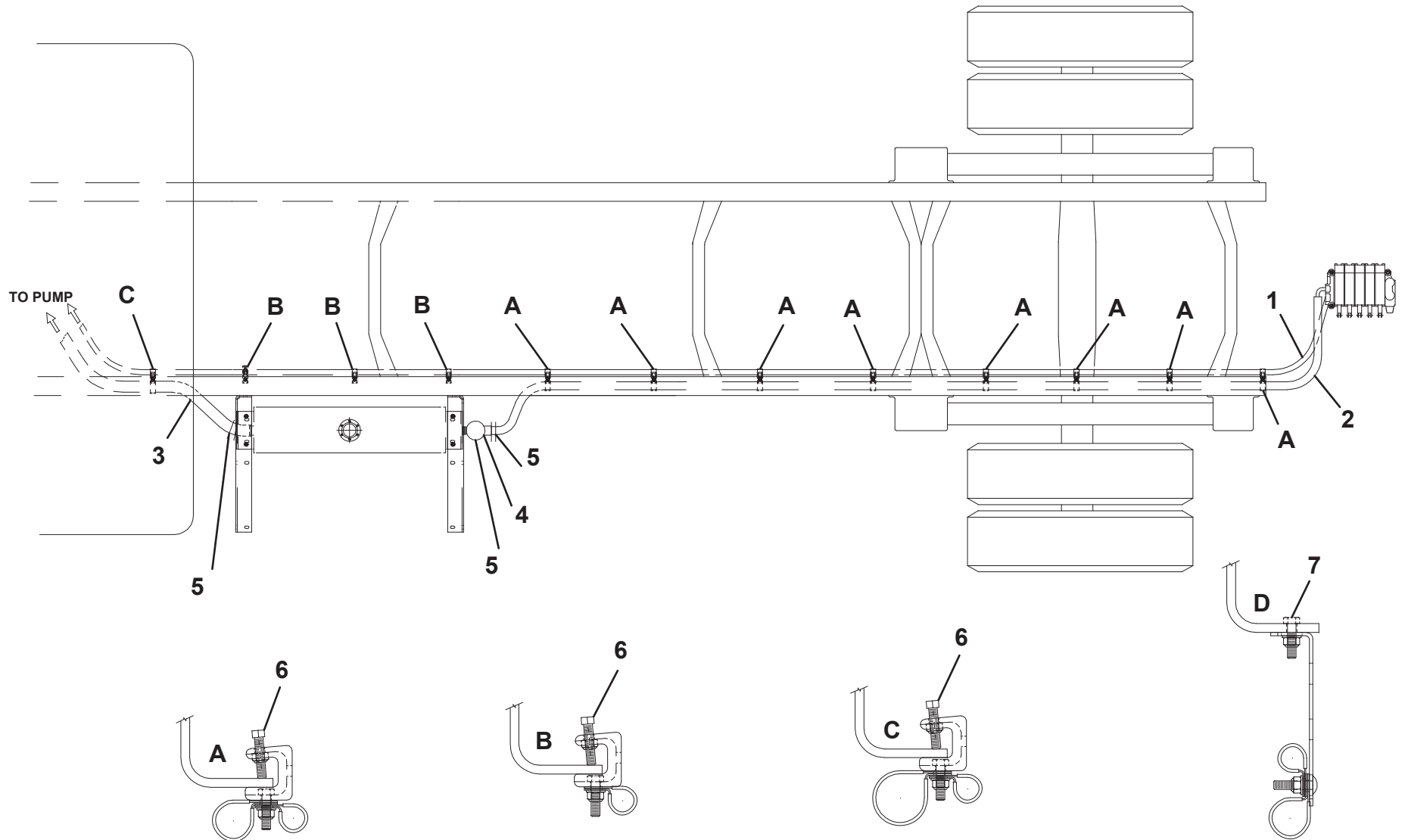
SPR HOSE INSTALLATION 192" CA - GENERIC



SPR HOSE INSTALLATION 218" CA - GENERIC

ITEM	PART NO.	DESCRIPTION	QTY
1	4567130316	Hose Assy 0.50" X 316.00" St-St	1
2	4570000161	Hose 0.75" ID X 233.00" Return	1
3	4570000046	Suction Hose 1.25" X 83"	1
4	7430000003	Filter Assy Oil W/Element #Aa	1
5	1001132801	Clamp, Fitting Kit RB Hyd Tank	1
6	1001132794	Clamp, Kit Cast Alum SPR Hose	15
7	1001132800	Clamp, Kit STL Bar SPR Hose	10

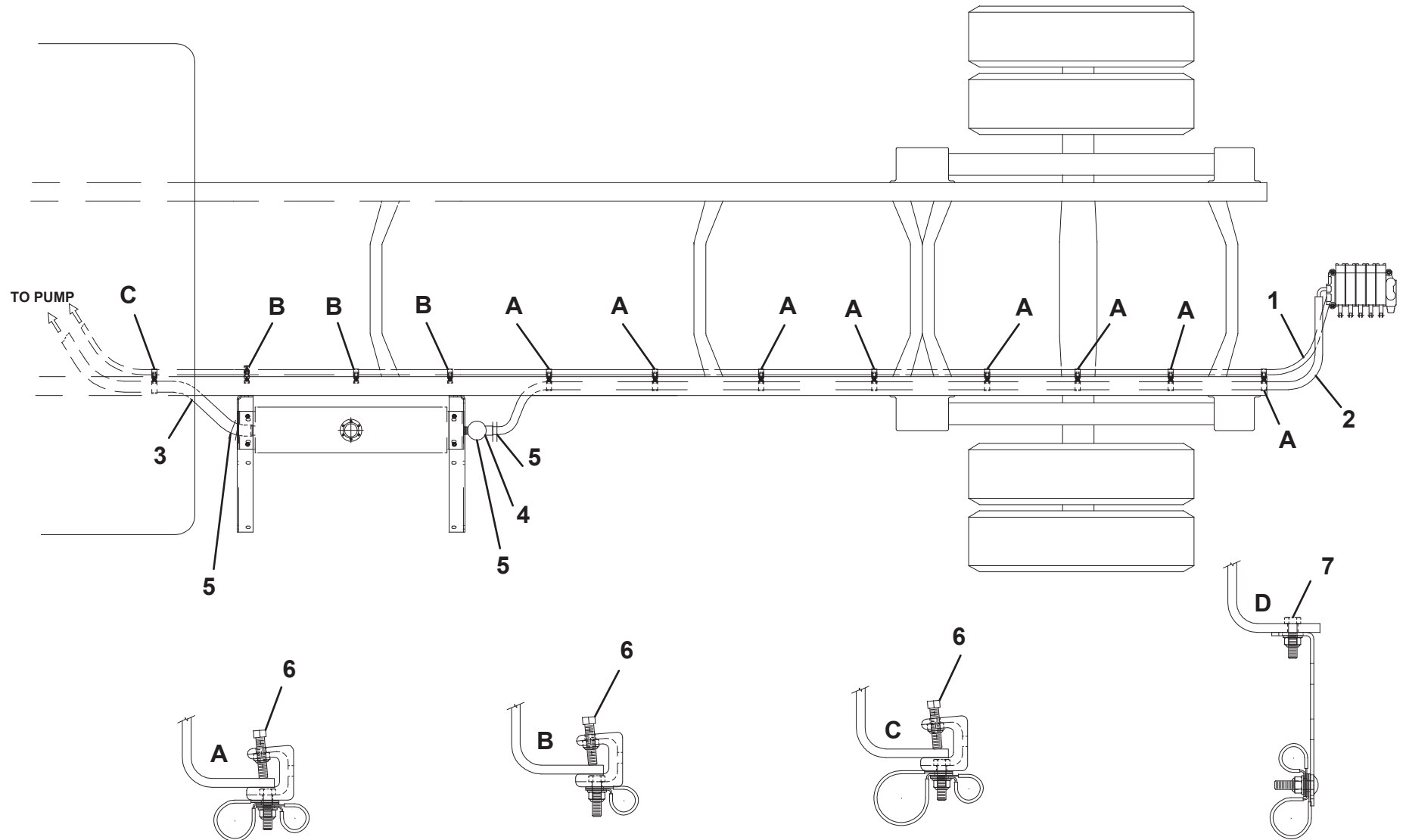
SPR HOSE INSTALLATION 218" CA - GENERIC



SPR HOSE INSTALLATION 242" CA - GENERIC

ITEM	PART NO.	DESCRIPTION	QTY
1	4567130340	Hose Assy 0.50" X 340.00" St-St	1
2	4570000182	Hose 0.75" ID X 257.00" Return	1
3	4570000046	Suction Hose 1.25" X 83"	1
4	7430000003	Filter Assy Oil W/Element #Aa	1
5	1001132801	Clamp, Fitting Kit RB Hyd Tank	1
6	1001132794	Clamp, Kit Cast Alum SPR Hose	15
7	1001132800	Clamp, Kit STL Bar SPR Hose	10

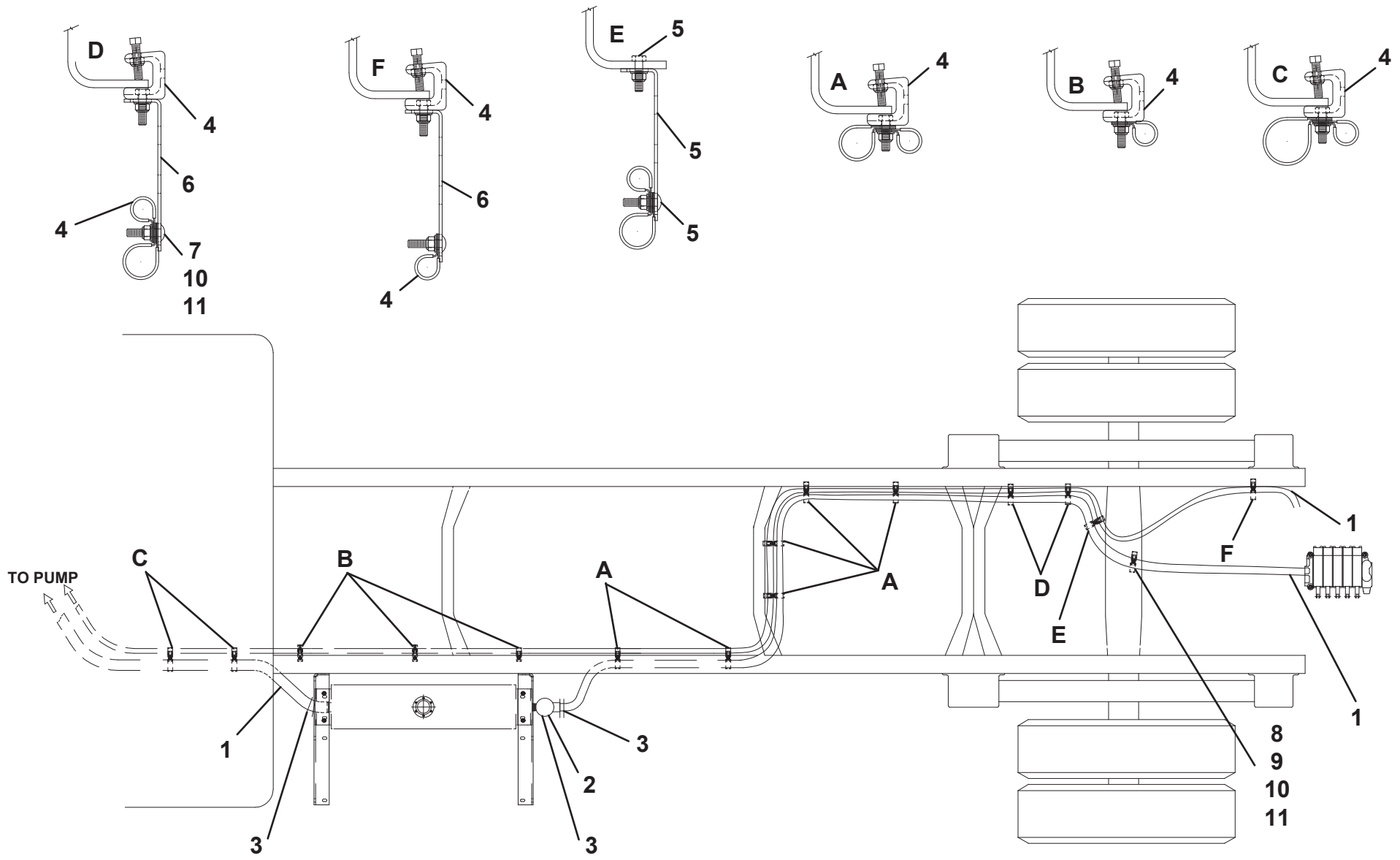
SPR HOSE INSTALLATION 242" CA - GENERIC



SPR HOSE INSTALLATION 168" CA STD CAB FORD

ITEM	PART NO.	DESCRIPTION	QTY
1	1001132711	Hose,Kit Spr 24 Md Frd Std 168	1
2	7430000003	Filter Assy Oil W/Element #Aa	1
3	1001132801	Clamp,Fitting Kit Rb Hyd Tank	1
4	1001132794	Clamp,Kit Cast Alum SPR Hose	14
5	1001132800	Clamp,Kit STL Bar SPR Hose	1
6	4706003844	Plate 0.13" X 1.00" X 7.50"	3
7	7115151064	Bolt 0.31"-18NC X 1.25" Carriage	3
8	7274000041	Clamp 1.25" Dia Loop #Cov2113	1
9	7115151050	Capscrew 0.31"-18NC X 1.25" Hex	1
10	7950150161	Flatwasher 0.31" Nom Wide - Pla	4
11	7660152601	Locknut 0.31"-18NC Gr5 Hex Nyloc	4

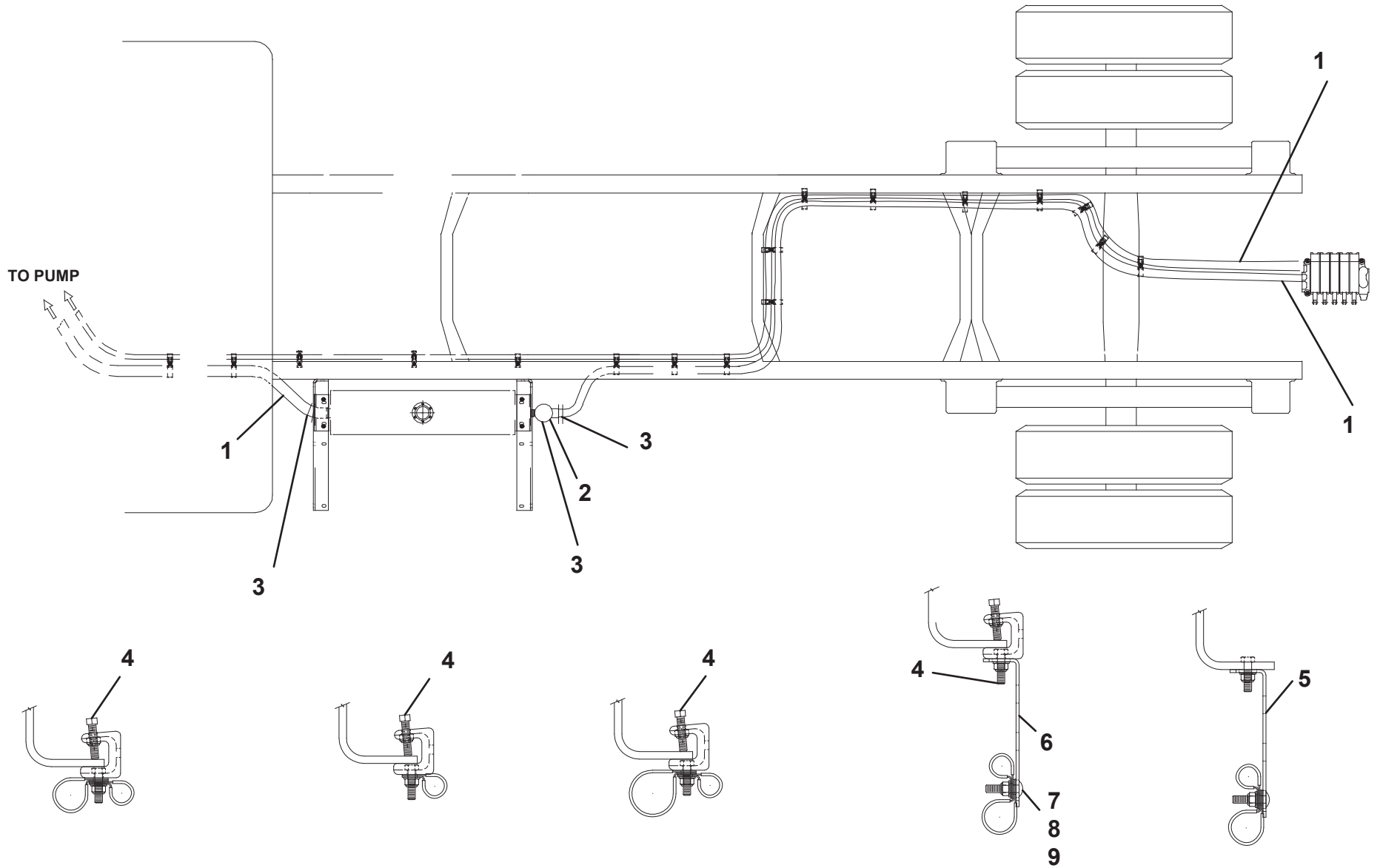
SPR HOSE INSTALLATION 168" CA STD CAB FORD



SPR HOSE INSTALLATION 196" CT EXT CAB IHC

ITEM	PART NO.	DESCRIPTION	QTY
1	1001132714	Hose, Kit Spr 28HD IHC St 196"CT	1
2	7430000003	Filter Assy Oil W/Element #AA	1
3	1001132801	Clamp, Fitting Kit Rb Hyd Tank	1
4	1001132794	Clamp, Kit Cast Alum SPR Hose	15
5	1001132800	Clamp, Kit STL Bar SPR Hose	4
6	4706003844	Plate 0.13" X 1.00" X 7.50"	4
7	7115151064	Bolt 0.31"-18NC X 1.25" Carriage	4
8	7950150161	Flatwasher 0.31" Nom Wide - Plated	4
9	7660152601	Locknut .031"-18NC Gr5 Hex Nyloc	4

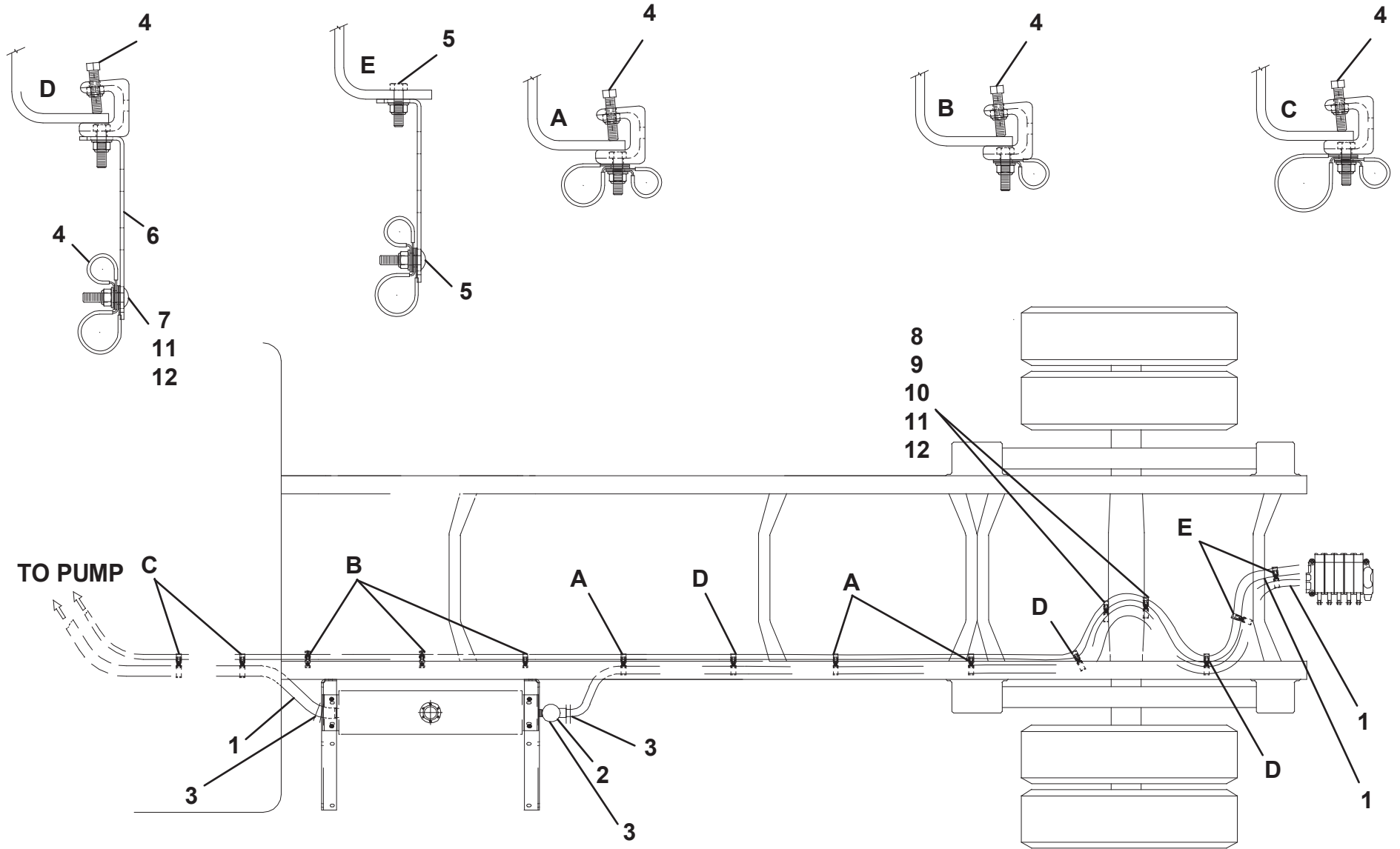
SPR HOSE INSTALLATION 196" CT EXT CAB IHC NGV



SPR HOSE INSTALLATION 162" CA STD CAB PETERBILT

ITEM	PART NO.	DESCRIPTION	QTY
1	1001132717	Hose,Kit Spr 22 MD HD Pb Std 162	1
2	7430000003	Filter Assy Oil W/Element #Aa	1
3	1001132801	Clamp, Fitting Kit Rb Hyd Tank	1
4	1001132794	Clamp, Kit Cast Alum SPR Hose	11
5	1001132800	Clamp, Kit STL Bar SPR Hose	2
6	4706003844	Plate 0.13" X 1.00" X 7.50"	3
7	7115151064	Bolt 0.31"-18NC X 1.25" Carriage	3
8	7274000040	Clamp 0.81" Dia Loop #Cov1413Z	2
9	7274000041	Clamp 1.25" Dia Loop #Cov2113	2
10	7115151050	Capscrew 0.31"-18NC X 1.25" Hex	2
11	7950150161	Flatwasher 0.31" Nom Wide - Plated	5
12	7660152601	Locknut 0.31"-18NC Gr5 Hex Nyloc	5

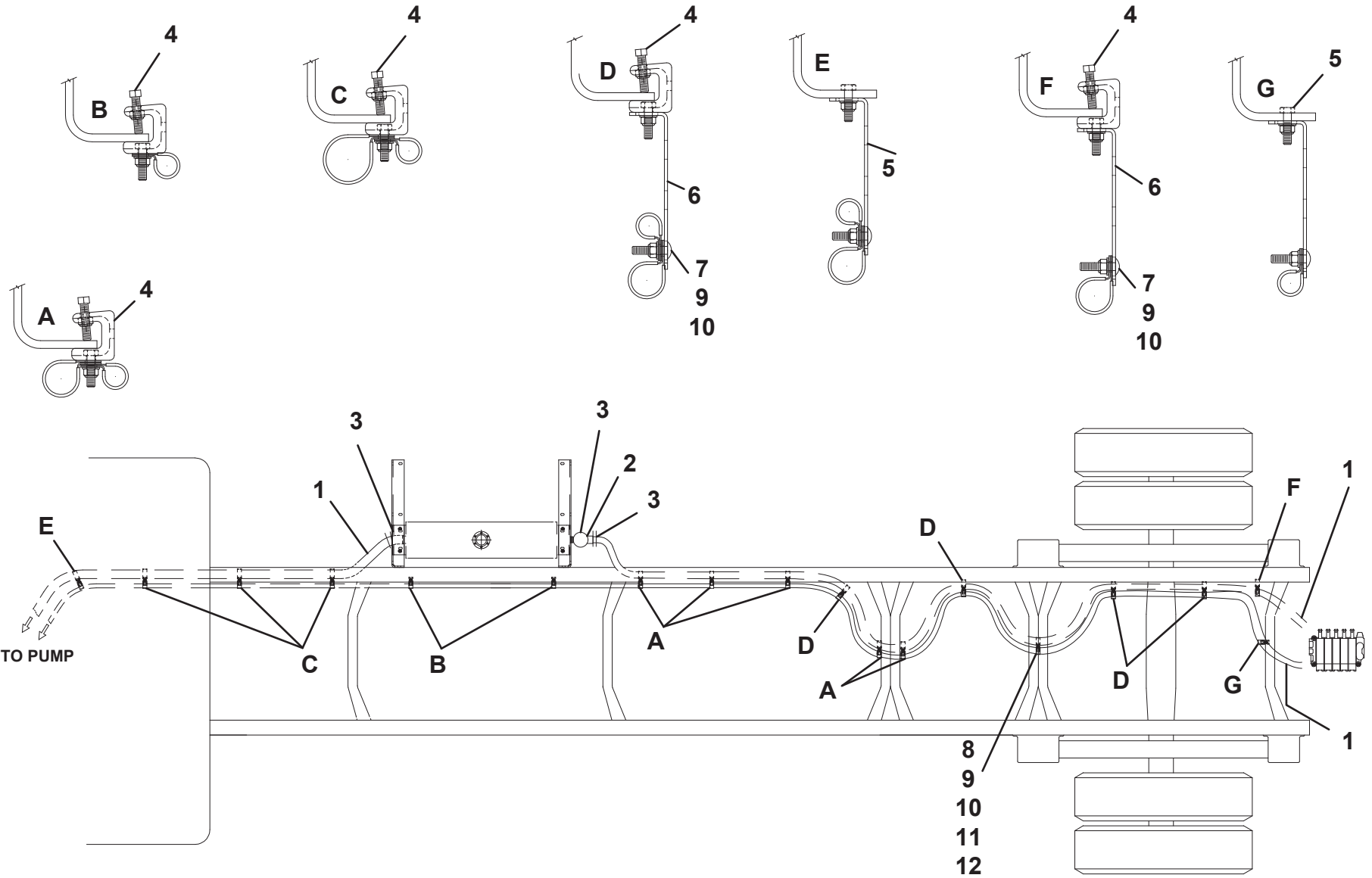
SPR HOSE INSTALLATION 162" CA STD CAB PETERBILT



SPR HOSE INSTALLATION 196" CT STD CAB FREIGHTLIN-

ITEM	PART NO.	DESCRIPTION	QTY
1	1001132721	Hose,Kit Spr 28MDHD FL Std 196	1
2	7430000003	Filter Assy Oil W/Element #Aa	1
3	1001132801	Clamp, Fitting Kit RB Hyd Tank	1
4	1001132794	Clamp, Kit Cast Alum SPR Hose	15
5	1001132800	Clamp,Kit STL Bar SPR Hose	2
6	4706003844	Plate 0.13" X 1.00" X 7.50"	5
7	7115151064	Bolt 0.31"-18NC X 1.25" Carriage	5
8	7115151050	Capscrew 0.31"-18NC X 1.25" Hex	1
9	7950150161	Flatwasher 0.31" Nom Wide - Pla	6
10	7660152601	Locknut 0.31"-18NC Gr5 Hex Nyloc	6
11	7274000040	Clamp 0.81" Dia Loop #Cov1413Z	1
12	7274000041	Clamp 1.25" Dia Loop #Cov2113	1

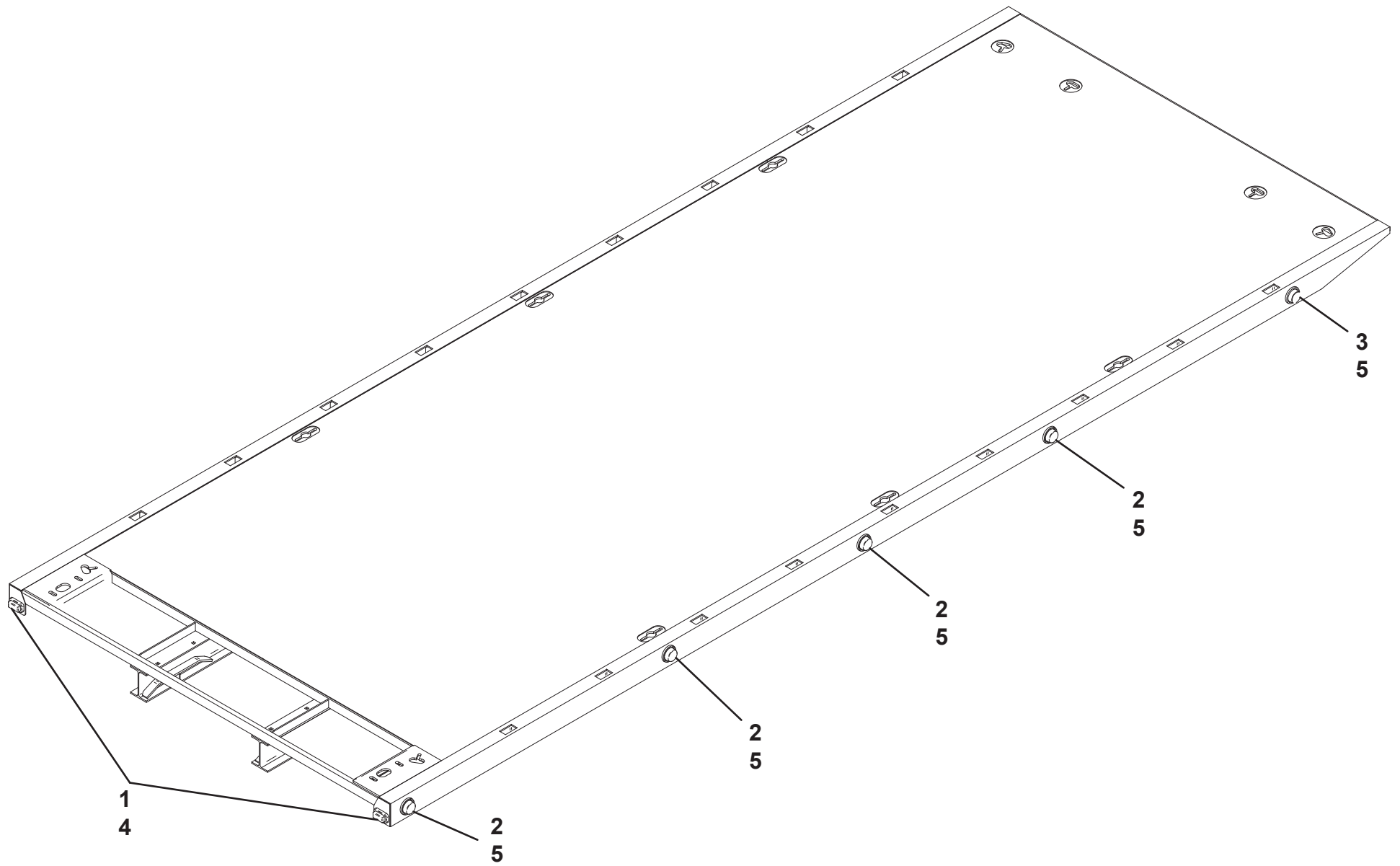
SPR HOSE INSTALLATION 196" CT STD CAB FREIGHTLINER



DECK LIGHT INSTALLATION

ITEM	PART NO.	DESCRIPTION	QTY
1	7590000339	Light, Amber	2
2	7590000342	Light, Amber	8
3	7590000343	Light, Red	2
4	7493000010	Gommet	2
5	7493000009	Grommet	10

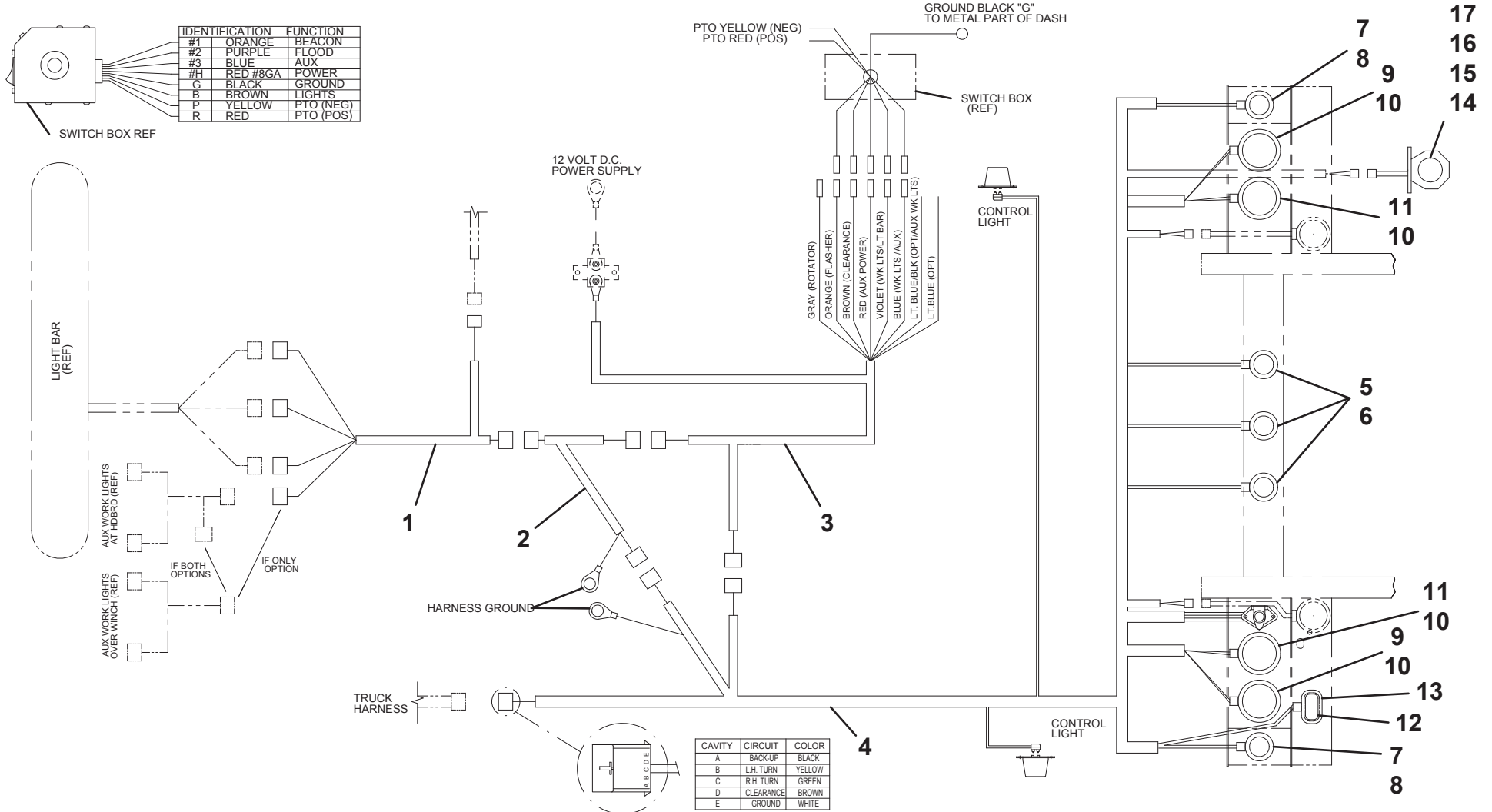
DECK LIGHT INSTALLATION



LIGHTS & WIRING, BOLT-ON HEADBOARD - 24 AND 26FT

ITEM	PART NO.	DESCRIPTION	QTY
1	7552000187	Harness	1
2	7552000186	Harness	1
3	7552000178	Harness	1
4	1001173952	Harness	1
5	7590000340	Light, Red	3
6	7493000023	Grommet	3
7	7590000343	Light, Red	2
8	7493000009	Grommet	2
9	7590000341	Light, Red	2
10	7493000002	Grommet	4
11	1001142769	Light, Clear	2
12	1001142771	Light	1
13	7493000010	Grommet	1
14	7011000006	Alarm Backup	1
15	7114140528	Screw, 0.25" - 20NC x 0.63"	2
16	7660142601	Locknut, 0.25" - 20NC	2
17	7949000023	Washer, 0.26" ID	2
18	4346000005	Heat Shrink Tubing	5

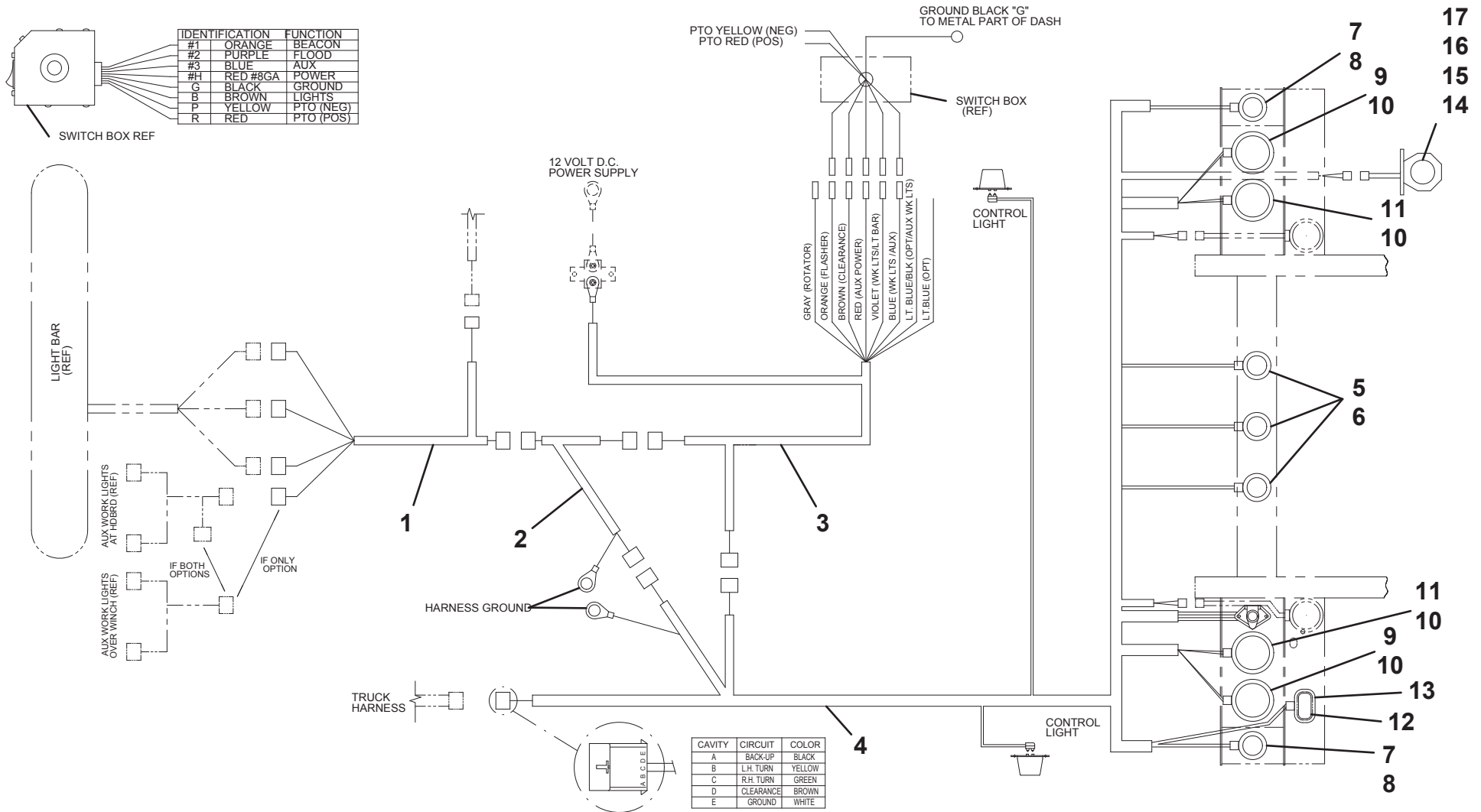
LIGHTS & WIRING, BOLT-ON HEADBOARD - 24 AND 26FT



LIGHTS & WIRING, BOLT-ON HEADBOARD 28FT

ITEM	PART NO.	DESCRIPTION	QTY
1	7552000188	Harness, Bic Deck-Winch 28'	1
2	7552000186	Harness, Bic Sub-Deck 24/26/28	1
3	7552000178	Harness, Sub-Cab	1
4	1001173952	Harness, Subframe SD/MD/HD	1
5	7590000340	Light 2.00" Dia Red 10-LED TI#3	3
6	7493000023	Light, Grommet Black	3
7	7590000343	Light 2.50" Dia Red Rflx 4-Led	2
8	7493000009	Light, Grommet Black	2
9	7590000341	Light 4.00" Dia Stt Red 24-LED	2
10	7493000002	Light, Grommet Black	4
11	1001142769	Light, Back Up LED Rnd Clear	2
12	1001142771	Lamp, Rect Clear LED License P	1
13	7493000010	Light, Grommet Black	1
14	7011000006	Alarm Backup Ecco #520-Jerr	1
15	7114140528	Screw 0.25"-20NC X 0.63" S/S Mac	2
16	7660142601	Locknut 0.25" -20NC Gr5 Hex Nyl	2
17	7949000023	Washer 0.687"OD X 0.26"ID Nylon	2
18	4346000005	Heat Shrink Tubing 1.5" Lg	5

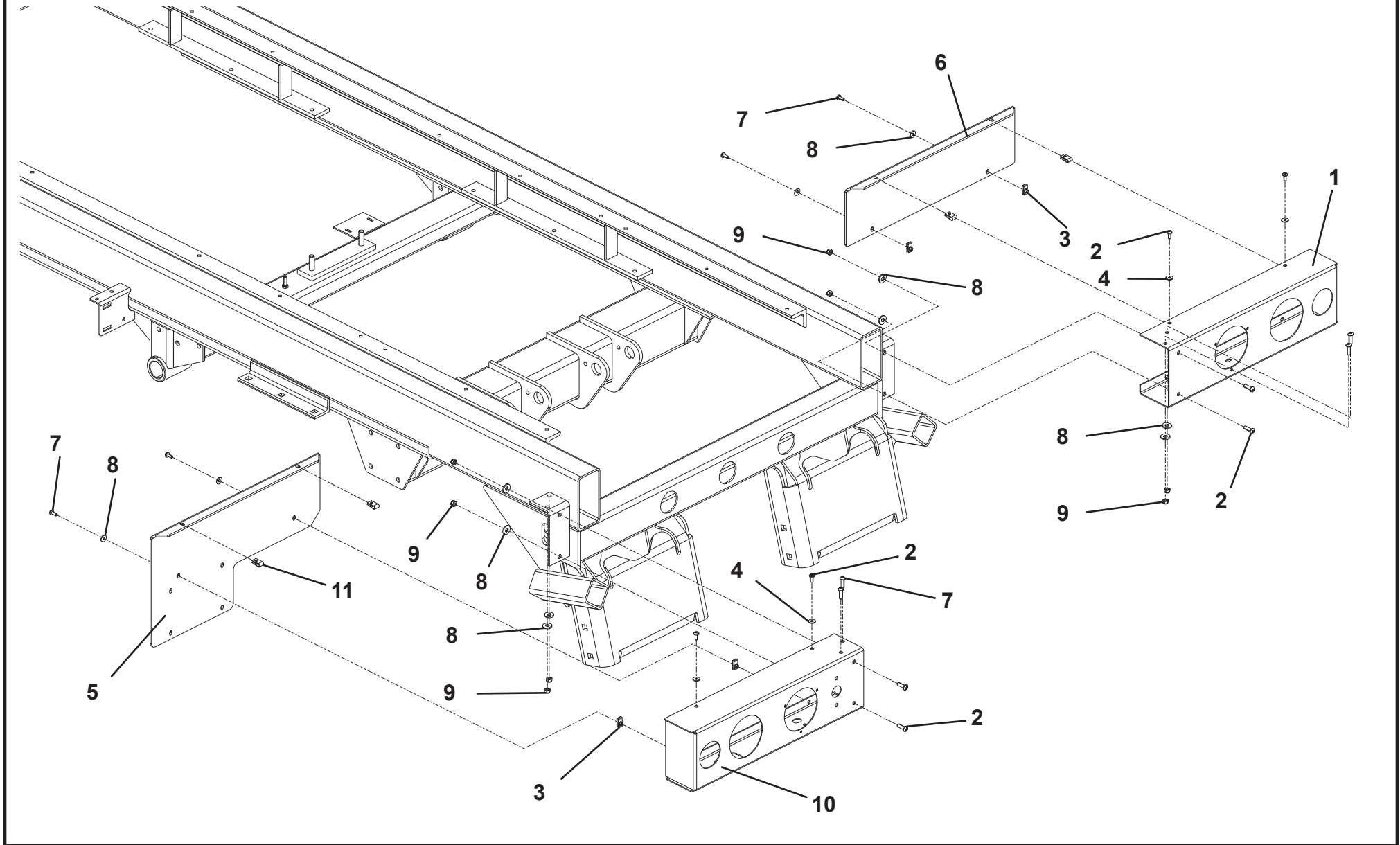
LIGHTS & WIRING, BOLT-ON HEADBOARD 28FT



LIGHTBOX INSTALLATION

ITEM	PART NO.	DESCRIPTION	QTY
1	1001188615	Cover, RH Carrier Light Box	1
2	7114140529	Screw, 0.25"- 20NC x 0.63"	8
3	7661000042	U-Nut, 0.25" - 20NC	4
4	7949000023	Washer, 0.26"ID	8
5	1001173945	Bracket, LH Lightbox	1
6	1001173944	Bracket, RH Lightbox	1
7	7114150818	Capscrew, 0.31"-18NC x 1.00"	8
8	7950150153	Flatwasher, 0.31" ID	8
9	7660152601	Locknut, 0.31" - 18NC	8
10	1001188616	Cover, LH Carrier Light Box	1
11	7661000064	U-Nut, 0.25" - 20NC	4

LIGHTBOX INSTALLATION



SWITCH PANELS

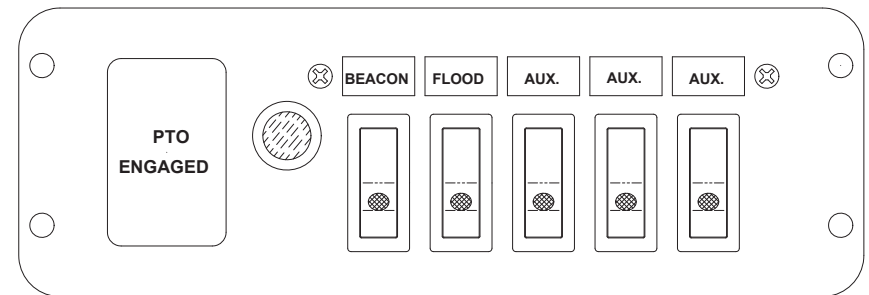
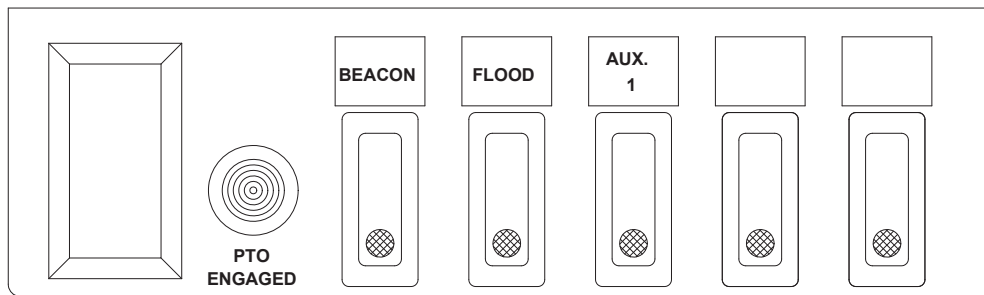
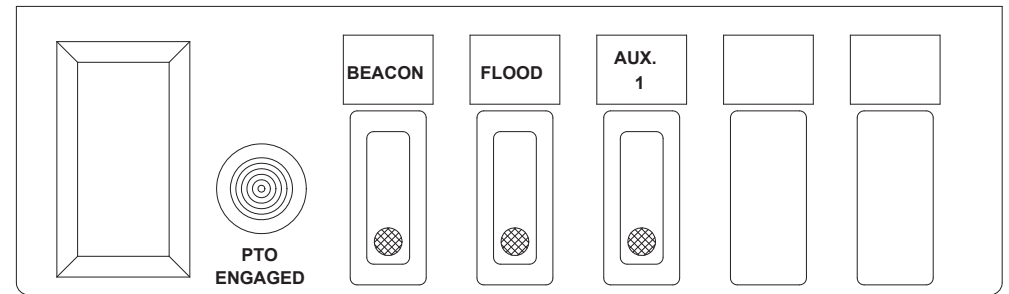
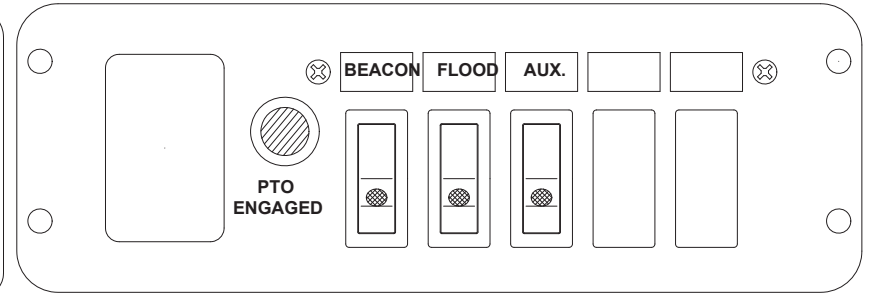
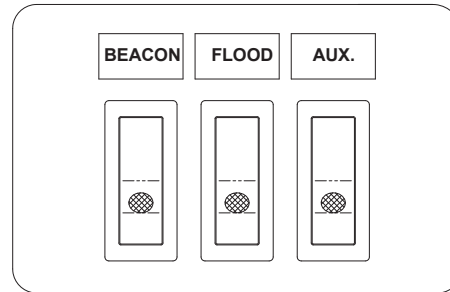
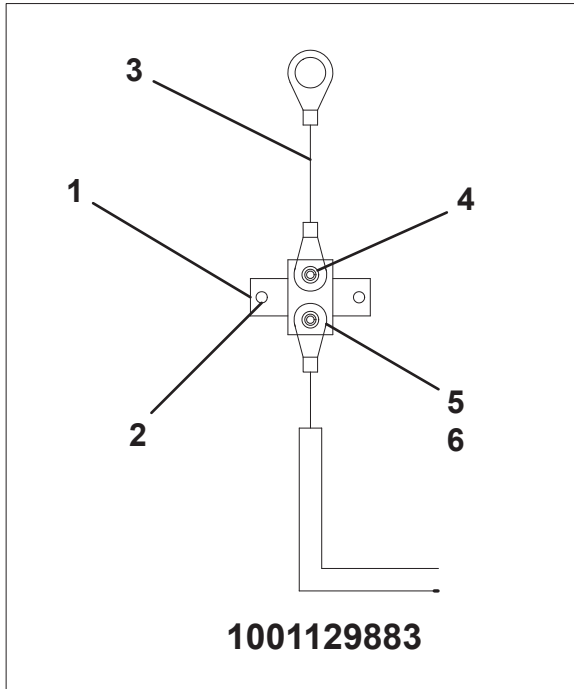
ITEM	PART NO.	DESCRIPTION	QTY
1	7870000113	3 FUNCTION IN-DASH MINI Switch Panel 3 Button In-Dash	1
		3 FUNCTION IN-DASH COMPACT	
1	1001135700	Install, 3 Function In-Dash Compact	1
	7870000100	Switch Panel 3 Button In Dash	1
	7330000288	Decal Switch Box Label Insert	1
	7345001913	Connector #423005 12-10 Insula	4
	7345211701	Terminal 14-16 #10 Ring #4521	1
	7345001713	Connector 16-14 Butt #422005	1
	4346000005	Heat Shrink Tubing 1.5" Lg	1
		3 FUNCTION UNDER-DASH COMPACT	
1	1001135756	Install, 3 Func Under-Dash Cmpt	1
	7870000134	Switch Panel Compact 3 Button	1
	7330000288	Decal Switch Box Label Insert	1
	7346000242	Connector Closed End Butt 2x12	2
	7345001713	Connector 16-14 Butt #422005	4
	7345211701	Terminal 14-16 #10 Ring #4521	1
	4346000005	Heat Shrink Tubing 1.5" Lg	1
	8597650003	Wire 1.00" Convoluted Loom #17	2
	5526000553	Tie Plastic Strap - 0.31" W X 8"	6
		5 FUNCTION IN-DASH COMPACT	
1	1001135701	Install, 5 Func In-Dash Compact	1
	7870000106	Switch Panel 5 Button In Dash	1
	7330000288	Decal Switch Box Label Insert	1
	7345001913	Connector #423005 12-10 Insula	6
	7345211701	Terminal 14-16 #10 Ring #4521	1
	7345001713	Connector 16-14 Butt #422005	1

ITEM	PART NO.	DESCRIPTION	QTY
		5 FUNCTION UNDER-DASH COMPACT	
1	1001135757	Install, 5 Func Under-Dash Cmpt	1
	7870000137	Switch Panel Compact 5 Button	1
	7330000288	Decal Switch Box Label Insert	1
	7346000242	Connector Closed End Butt 2x12	2
	7345001713	Connector 16-14 Butt #422005	5
	7345211701	Terminal 14-16 #10 Ring #4521	1
	8597650003	Wire 1.00" Convoluted Loom #17	2
	5526000553	Tie Plastic Strap - 0.31" W X 8"	6
		5 FUNCTION IN-DASH, PETERBILT	
1	1001135701	Install, 5 Func In-Dash Compact	1
	1001135814	Panel, 5 Func In-Dash Cmpt Pete	1
	1001135815	Screw-Spec, 8x3/8 Pan Shmtl Blk	4
	7870000106	Switch Panel 5 Button In Dash	1
	7330000288	Decal Switch Box Label Insert	1
	7345001913	Connector #423005 12-10 Insula	6
	7345211701	Terminal 14-16 #10 Ring #4521	1
	7345001713	Connector 16-14 Butt #422005	1
		5 FUNCTION IN-DASH, IHC W/O OEM PANEL	
1	1001135701	Install,5 Func In-Dash Compact	
	1001135813	Panel,5 Func In-Dash Cmpt Ihc	
	7870000106	Switch Panel 5 Button In Dash	1
	7330000288	Decal Switch Box Label Insert	1
	7345001913	Connector #423005 12-10 Insula	6
	7345211701	Terminal 14-16 #10 Ring #4521	1
	7345001713	Connector 16-14 Butt #422005	1

SWITCH PANELS

ITEM	PART NO.	DESCRIPTION	QTY
SWITCH PANEL, 6 FUNCTION, FREIGHTLINER OEM			
1	7493000003	Grommet #2570-26012 Rubber	1
2	7345001713	Connector 16-14 Butt #422005	3
3	7345001913	Connector #423005 12-10 Insula	3
4	4460019	Terminal, Ring 0.375"	1
5	4460042	Terminal, Ring #10	6
6	7330000288	Decal Switch Box Label Insert	1
SWITCH PANEL, 4 FUNCTION IN-DASH, FORD F650/750			
1	7345001914	Terminal #223005 10-12 Non-Ins	2
2	7346000242	Connector Closed End Butt 2x12	1
3	4346000005	Heat Shrink Tubing 1.5" Lg	7
4	1001129095	Terminal, Female Lg F650 Chassis	4
5	7978000020	Wire #14Ga Blue Primary #11145	1.5
6	1001135622	Decal, Ford OEM Switch AI/UI/LI	1
6	7330000627	Decal Control Switch	1
6	7330000628	Decal Control Switch Rev 01	1
SWITCH PANEL, 6 FUNCTION IN-DASH, IHC OEM			
1	7577000329	Kit, Ngv Rpm Term & Seal (#258	1
2	7345001714	Terminal #222005 14-16 Non-Ins	1
50 AMP BREAKER INSTALLATION			
1	7457000004	Breaker 50 Amp Circuit #75155	1
2	7120000034	Screw #10 X 0.75" Self Drilling	2
3	1001129882	Harness, 8Ga Breaker	1
4	7950100151	Flatwasher 0.19" Nom Reg - Plat	2
5	7345221902	Terminal 0.25" Non-Insulated O-Ring	1
6	4346000005	Heat Shrink Tubing 1.5" Lg	1

SWITCH PANELS

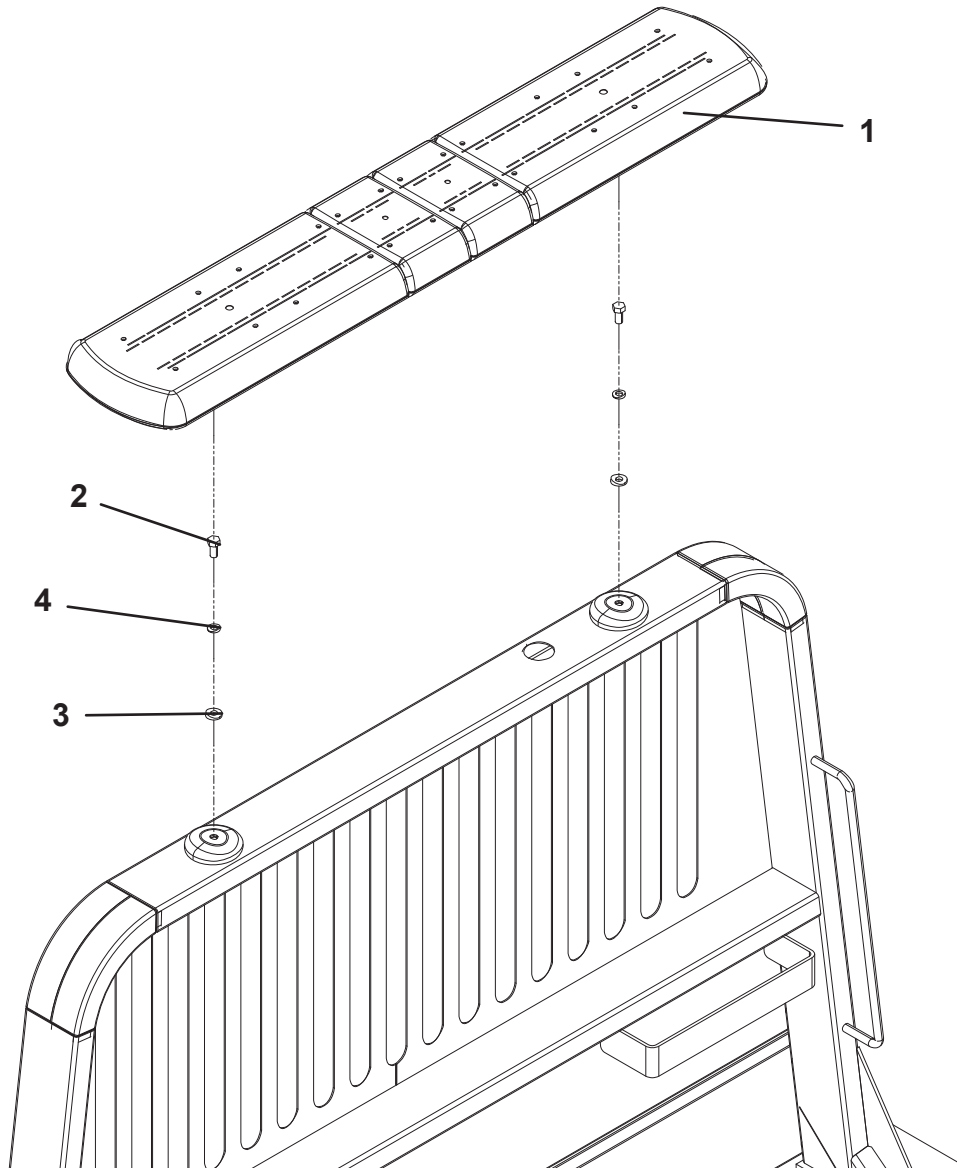


PAGE LEFT

EMERGENCY LIGHTBAR, AMBER, RS CARRIER

ITEM	PART NO.	DESCRIPTION	QTY
1	1001217565	Lamp,RS Carrier Lightbar	1
2	0641808	Capscrew, 5.50" - 13NC x 1.00"	2
3	4891800	Washer, 0.50" ID	2
4	4761800	Lockwasher, 0.50" ID	2

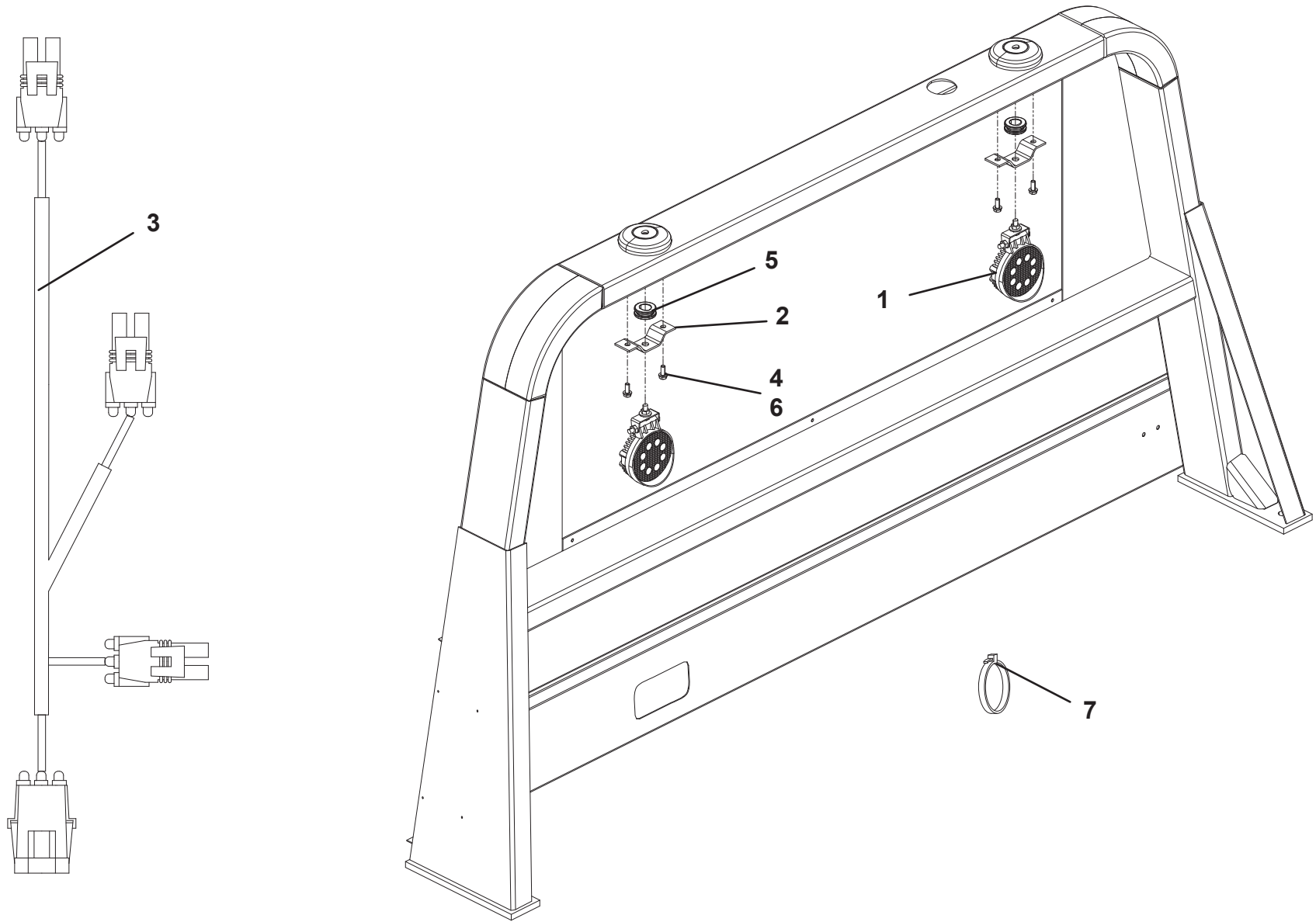
EMERGENCY LIGHTBAR, AMBER, RS CARRIER



HEADBOARD WORK LIGHTS, LED

ITEM	PART NO.	DESCRIPTION	QTY
1	1001176337	Light, Work LED 10V-30V	2
2	4178000402	Bracket	2
3	7552000222	Harness	1
4	7790151253	Screw, 0.31" - 18NC x 0.75"	4
5	7493000003	Grommet	2
6	7950150161	Flatwasher, 0.31" ID	2
7	5526000553	Tie Plastic Strap	4

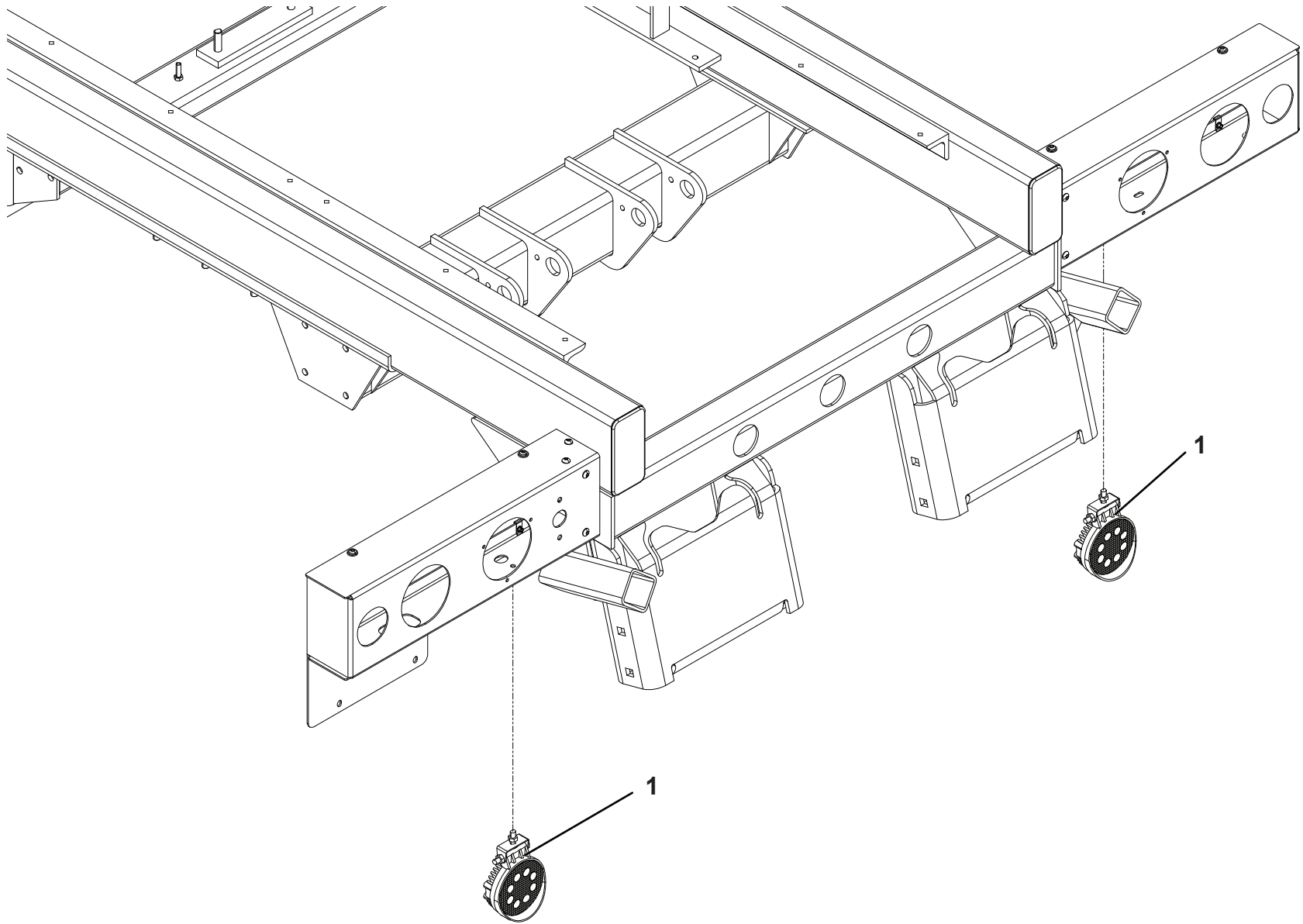
HEADBOARD WORK LIGHTS, LED



REAR WORK LIGHTS, LED 10V-30V

ITEM	PART NO.	DESCRIPTION	QTY
1	1001176337	Light, Work LED 10V-30V	2

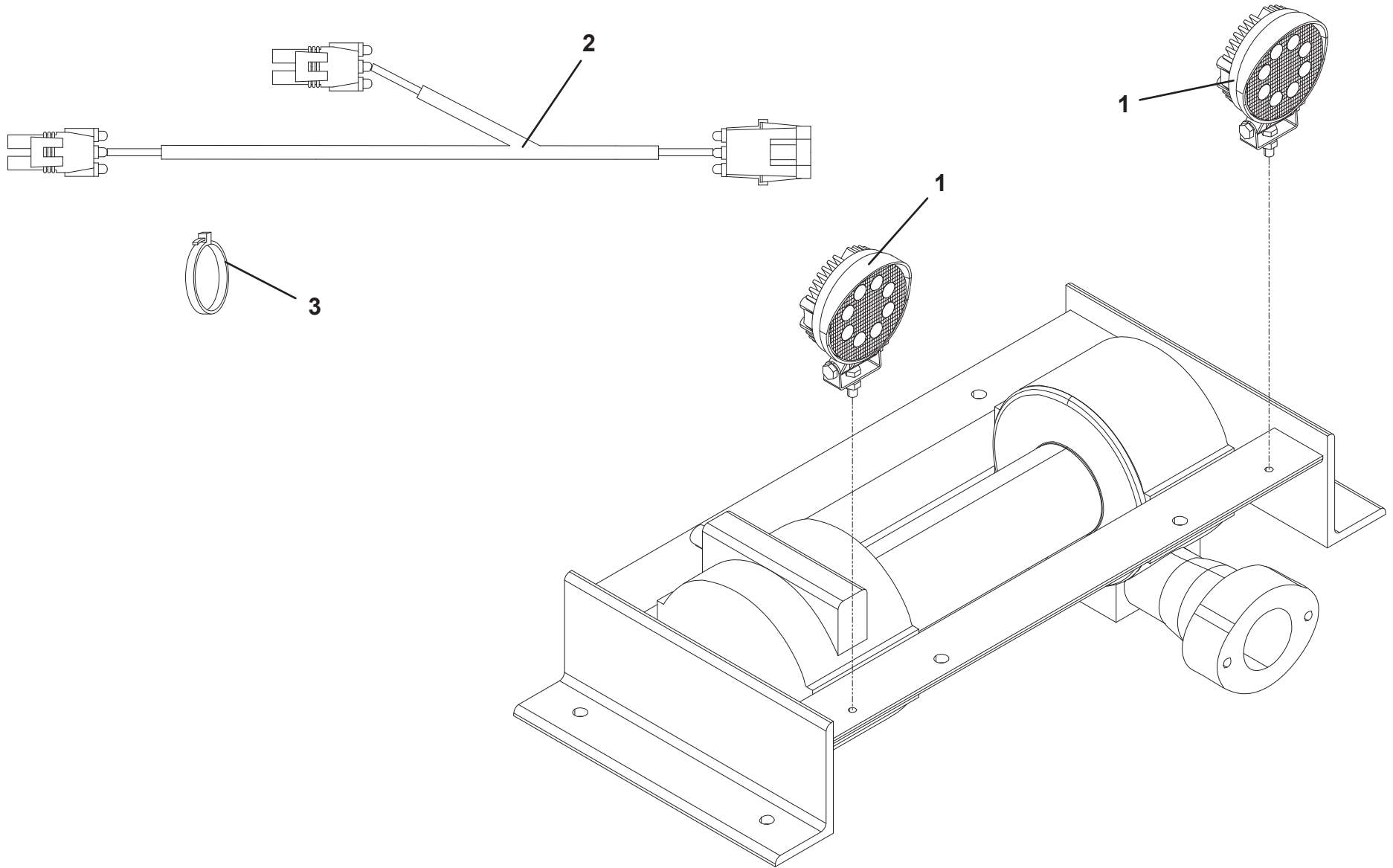
REAR WORK LIGHTS, LED 10V-30V



WORK LIGHTS AT WINCH LED, 10V-30V

ITEM	PART NO.	DESCRIPTION	QTY
1	1001176337	Light, Work LED 10V-30V	2
2	7552000166	Harness, Deck Work Light	1
3	5526000553	Tie Plastic Strap	4

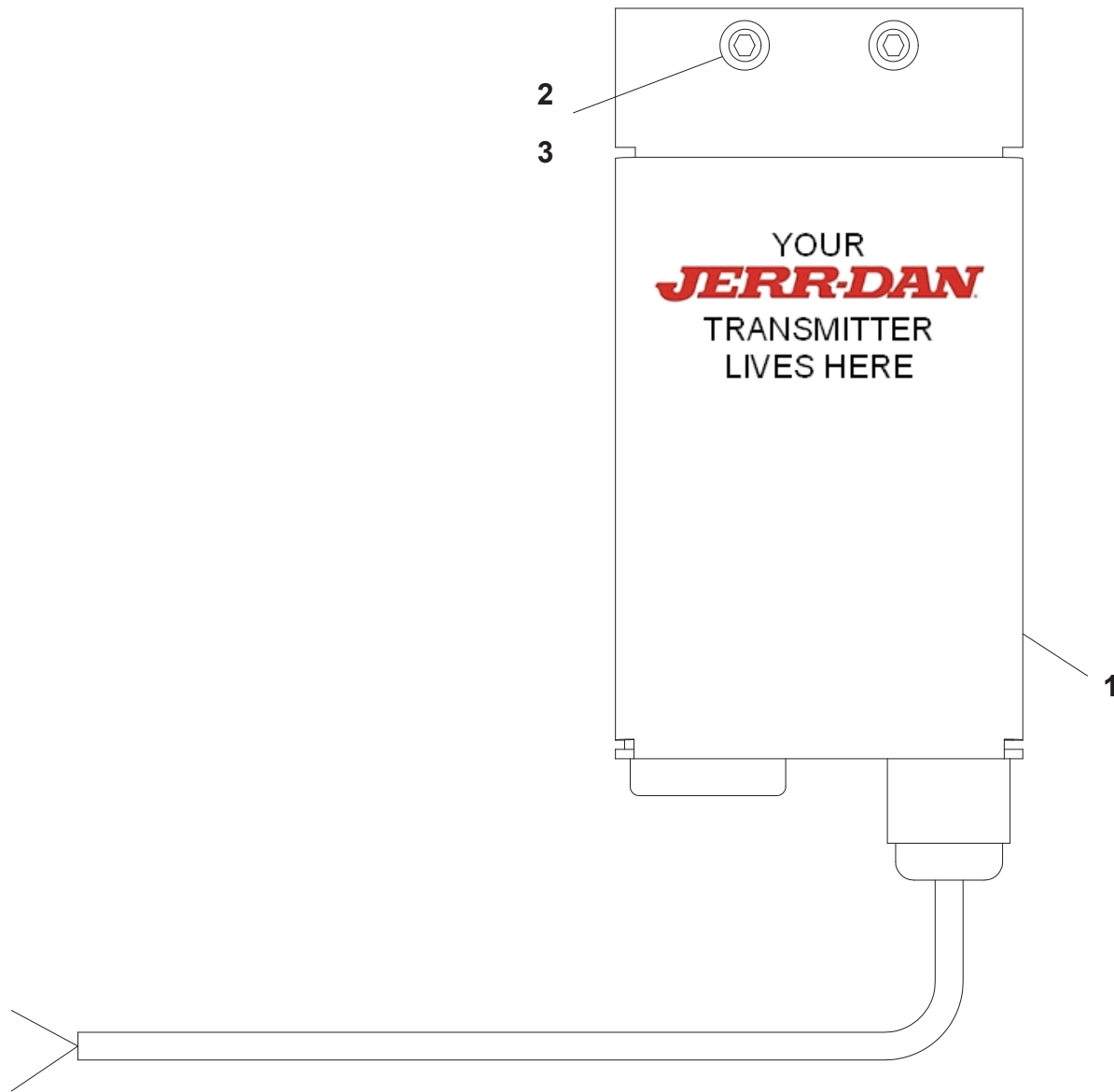
WORK LIGHTS AT WINCH LED, 10V-30V



REMOTE CONTROL TRANSMITTER HOLDER

ITEM	PART NO.	DESCRIPTION	QTY
1	7002000521	Elec Assy Box, Alarm Miratron	1
2	7661000056	Nut, #10 - 24NC	1
3	7114100518	Capscrew, #10 - 24NC x 0.62"	2

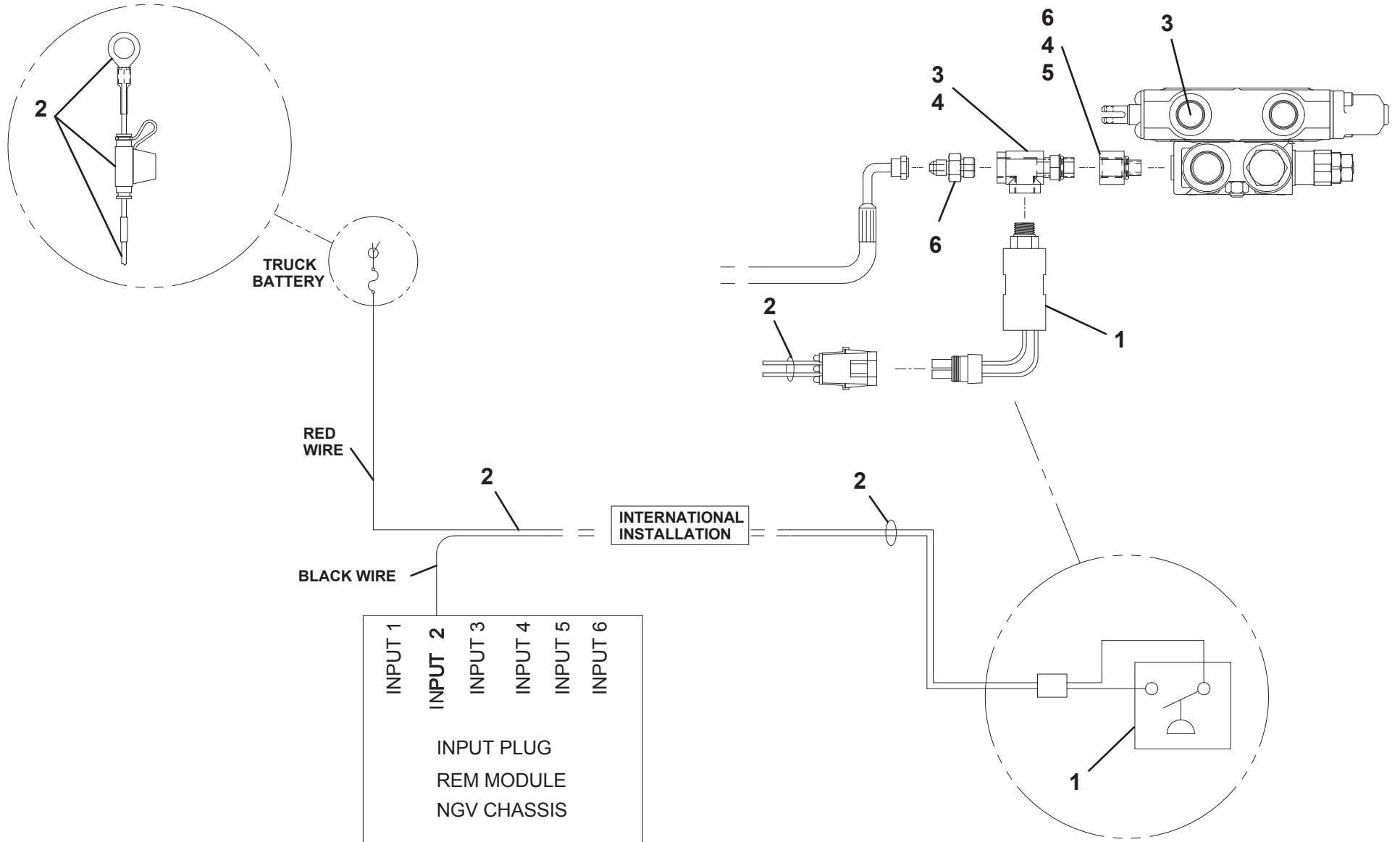
REMOTE CONTROL TRANSMITTER HOLDER



AUTOMATIC THROTTLE UP

ITEM	PART NO.	DESCRIPTION	QTY
1	7346000208	Switch Pressure W/ Micro Switch	1
2	7552000241	Harness, Remote Throttle	1
3	7443000428	Fitting	1
4	7443000432	Fitting	1
5	7443000469	Fitting	1
6	7445040643	Adapter	1

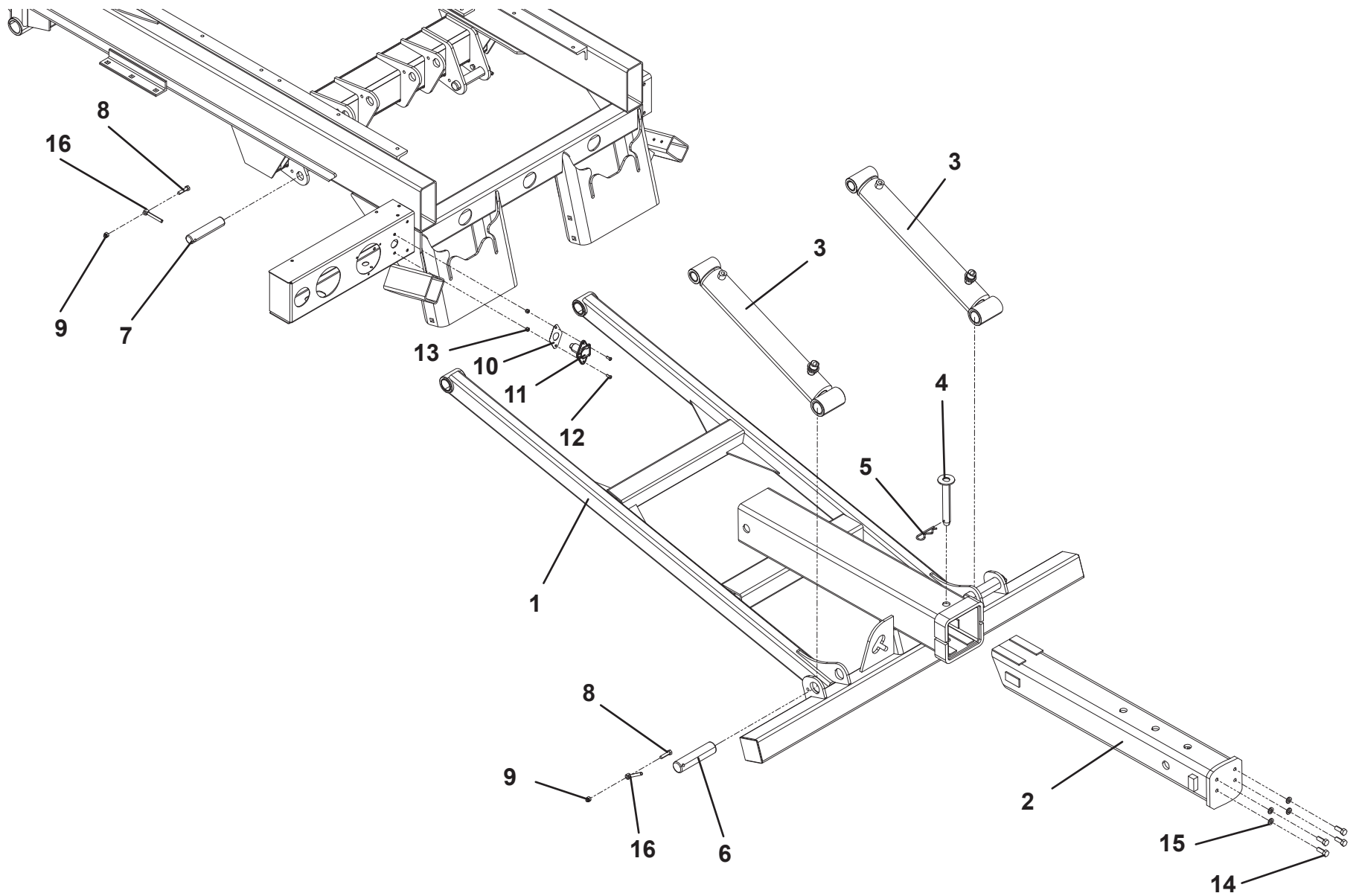
AUTOMATIC THROTTLE UP



STABILIZER INSTALLATION

ITEM	PART NO.	DESCRIPTION	QTY
1	3849000028	Stabilizer Weld W/ Pintle Boom	1
2	1001127297	Boom	1
3	1001167767	Cylinder	2
4	3691000064	Pin	1
5	7691000001	Pin	1
6	1001188141	Pin	2
7	1001188129	Pin	2
8	0641612	Capscrew, 0.38" - 16NC x 1.50"	4
9	3300492	Nut, 0.38" - 16NC	4
10	7796000048	Gasket	1
11	7291000010	Plug	1
12	7114140528	Screw, 0.25" - 20NC x 0.63"	2
13	7660142601	Locknut, 0.25" - 20NC	2
14	0691810	Screw, 0.50" - 20NC x 1.25"	4
15	4761800	Washer, 0.50" ID	4
16	3841143	Rod, Keeper	4

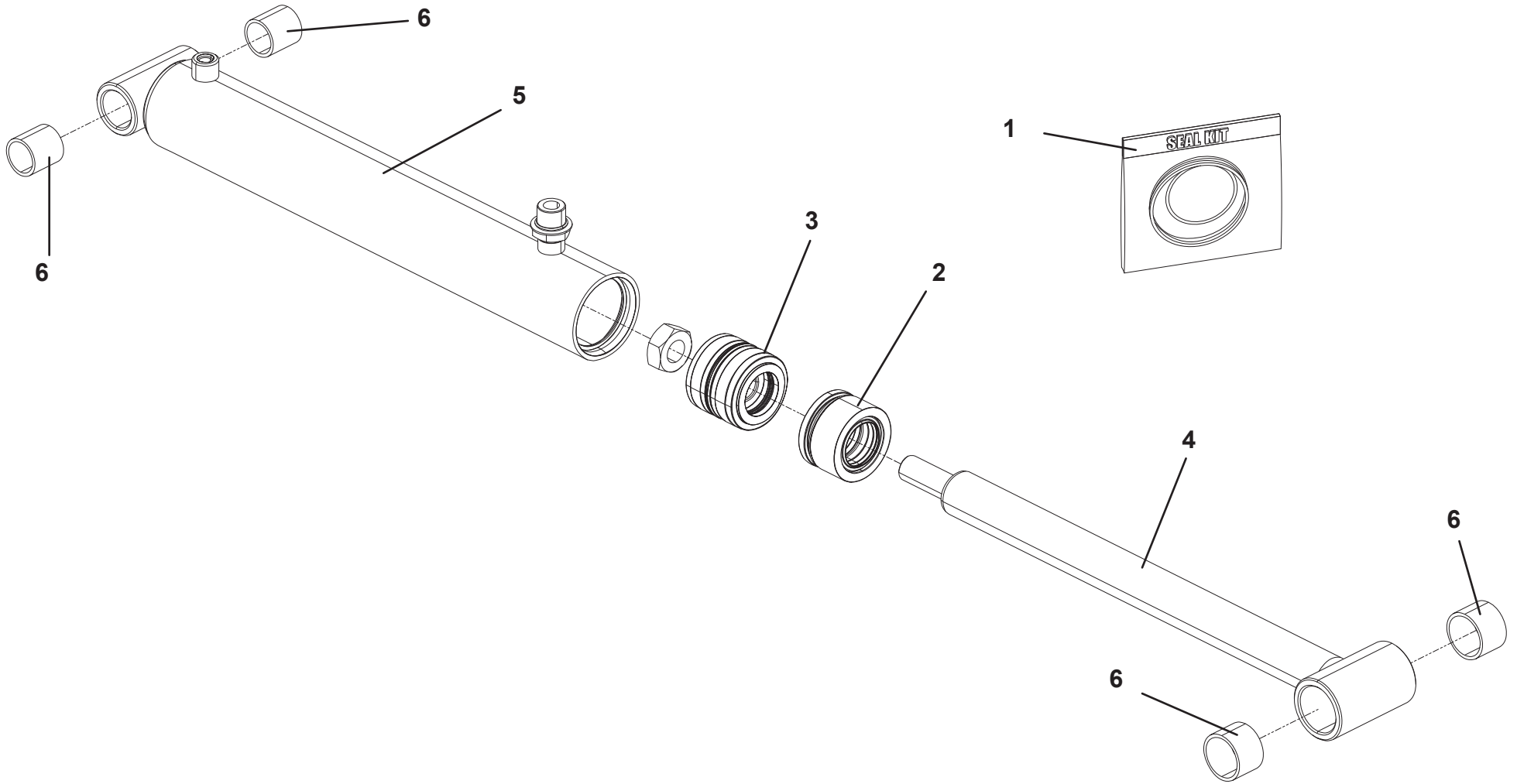
STABILIZER INSTALLATION



CYLINDER ASSEMBLY - 1001167767

ITEM	PART NO.	DESCRIPTION	QTY
1	70051168	Seal Kit	1
2	70051172	Head Kit	1
3	70051173	Piston Kit	1
4	70051388	Rod	1
5	70051389	Shell	1
6	7082000018	Bushing	4

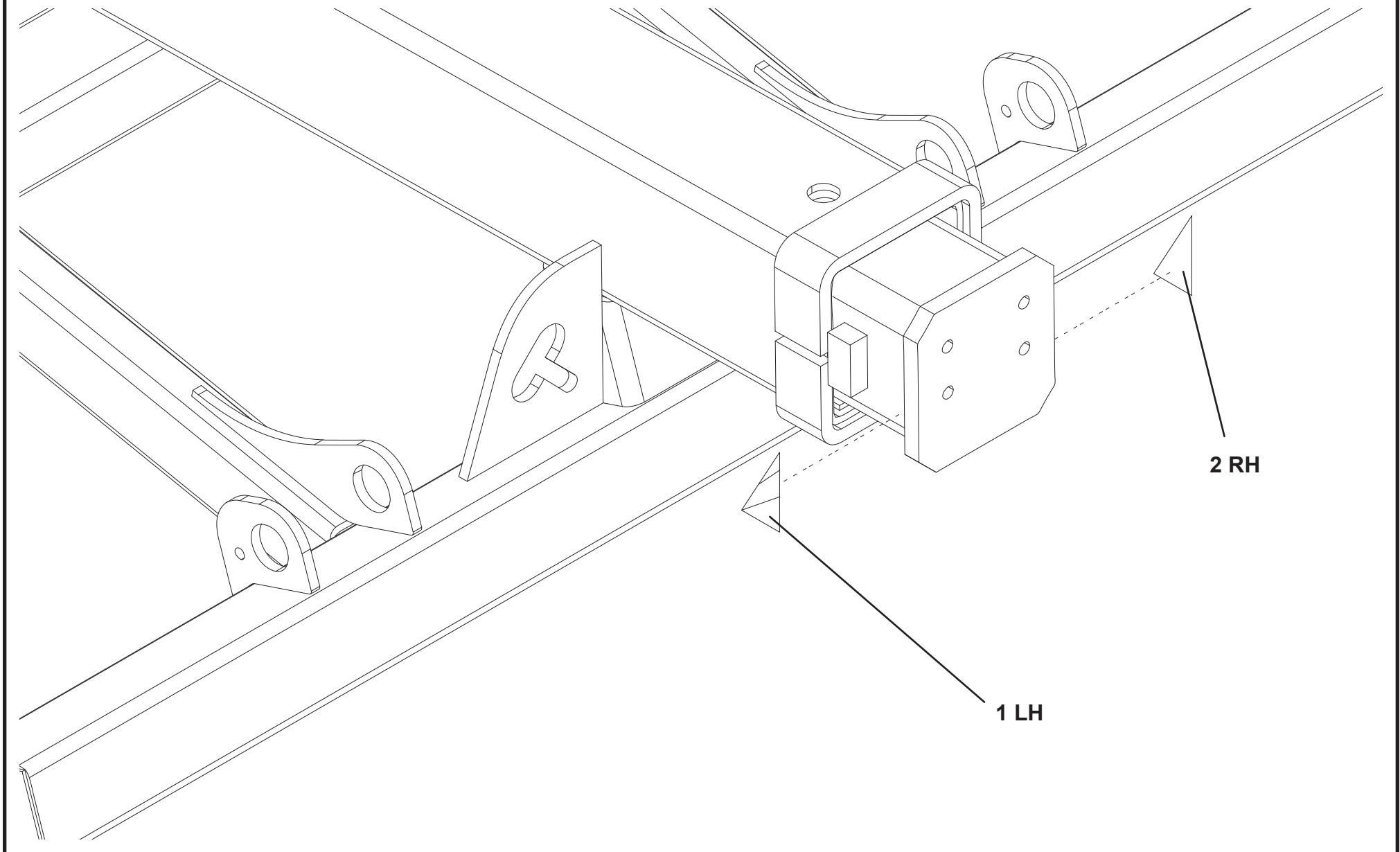
CYLINDER ASSEMBLY - 1001167767



DECAL INSTALLATION CONSPICUITY PINTLE

ITEM	PART NO.	DESCRIPTION	QTY
1	7330000645	Decal, Red Retroreflective LH	1
2	7330000646	Decal, Red Retroreflective RH	1

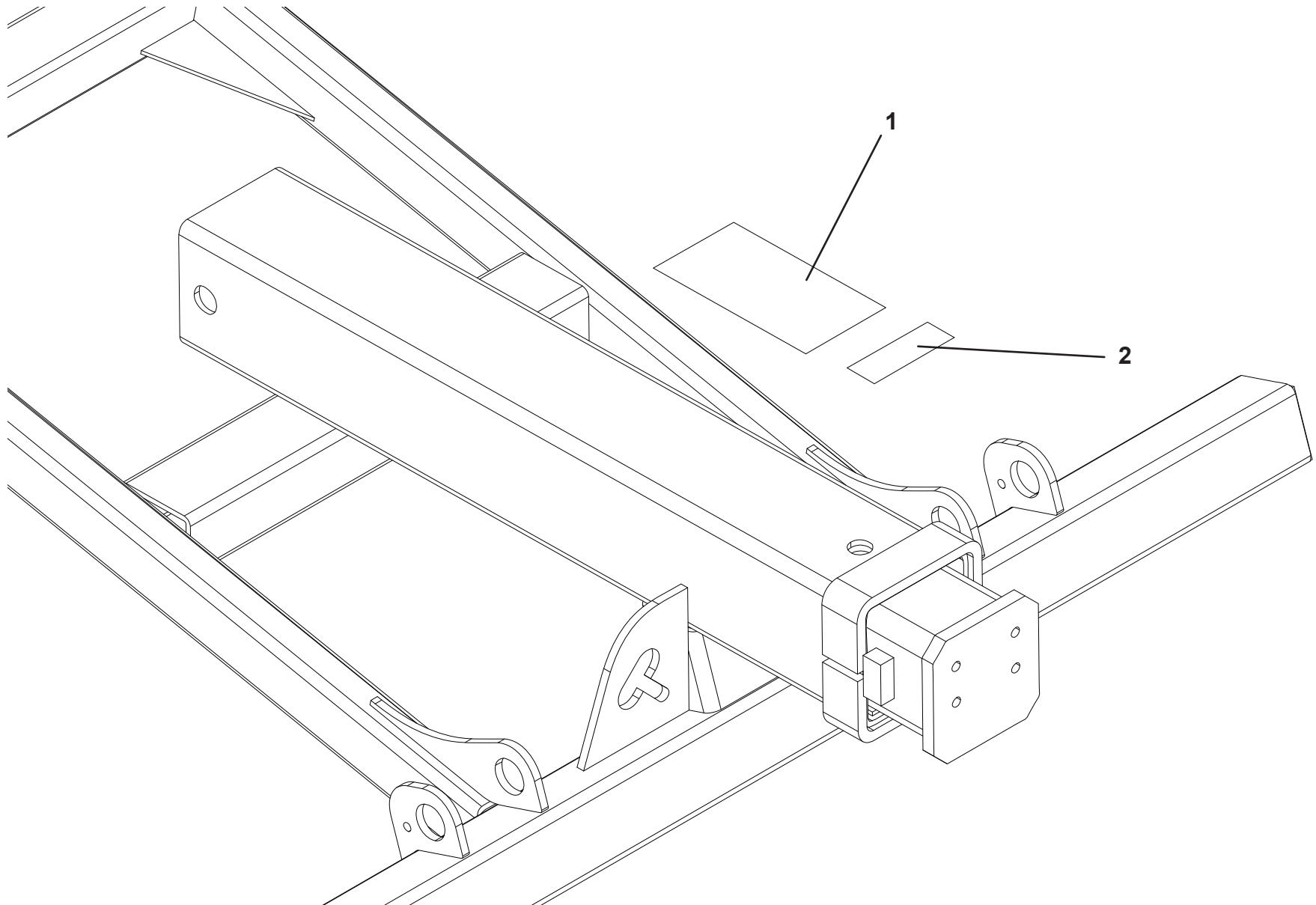
DECAL INSTALLATION CONSPICUITY PINTLE



DECAL INSTALLATION PINTLE HITCH ON STABILIZ-

ITEM	PART NO.	DESCRIPTION	QTY
1	7330000684	Decal Safety	1
2	7330000391	Decal - Warning - Tow Boom	1

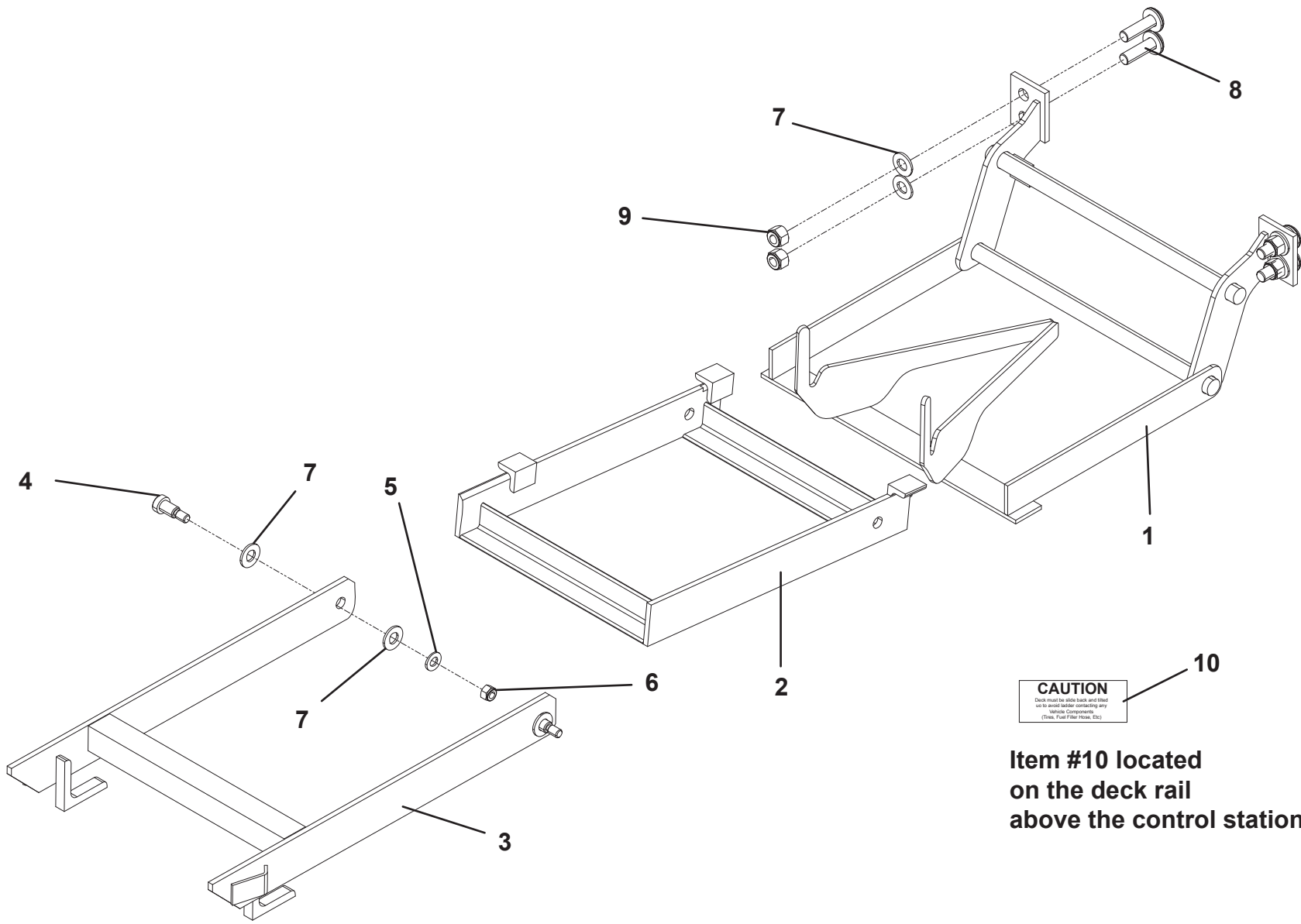
DECAL INSTALLATION PINTLE HITCH ON STABILIZER



LADDER, FOLDING 3-STEP, FRONT LEFT

ITEM	PART NO.	DESCRIPTION	QTY
1	3178000555	Bracket Weld Ladder Mount	1
2	3002000009	Accessory Weld Ladder Top	1
3	3002000008	Accessory Weld Ladder Bottom	1
4	7115180606	Bolt, 0.50" - 13NC x 0.75"	2
5	7950160161	Flatwasher, 0.38" ID	2
6	7660162601	Locknut, 0.38" - 16NC	2
7	7950180141	Flatwasher, 0.50" ID	12
8	7114181418	Capscrew, 0.50" - 13NC x 1.75"	4
9	7660182601	Locknut, 0.50" - 13NC	4
10	1001131998	Decal,Caution Ladder Carrier	2

LADDER, FOLDING 3-STEP, FRONT LEFT



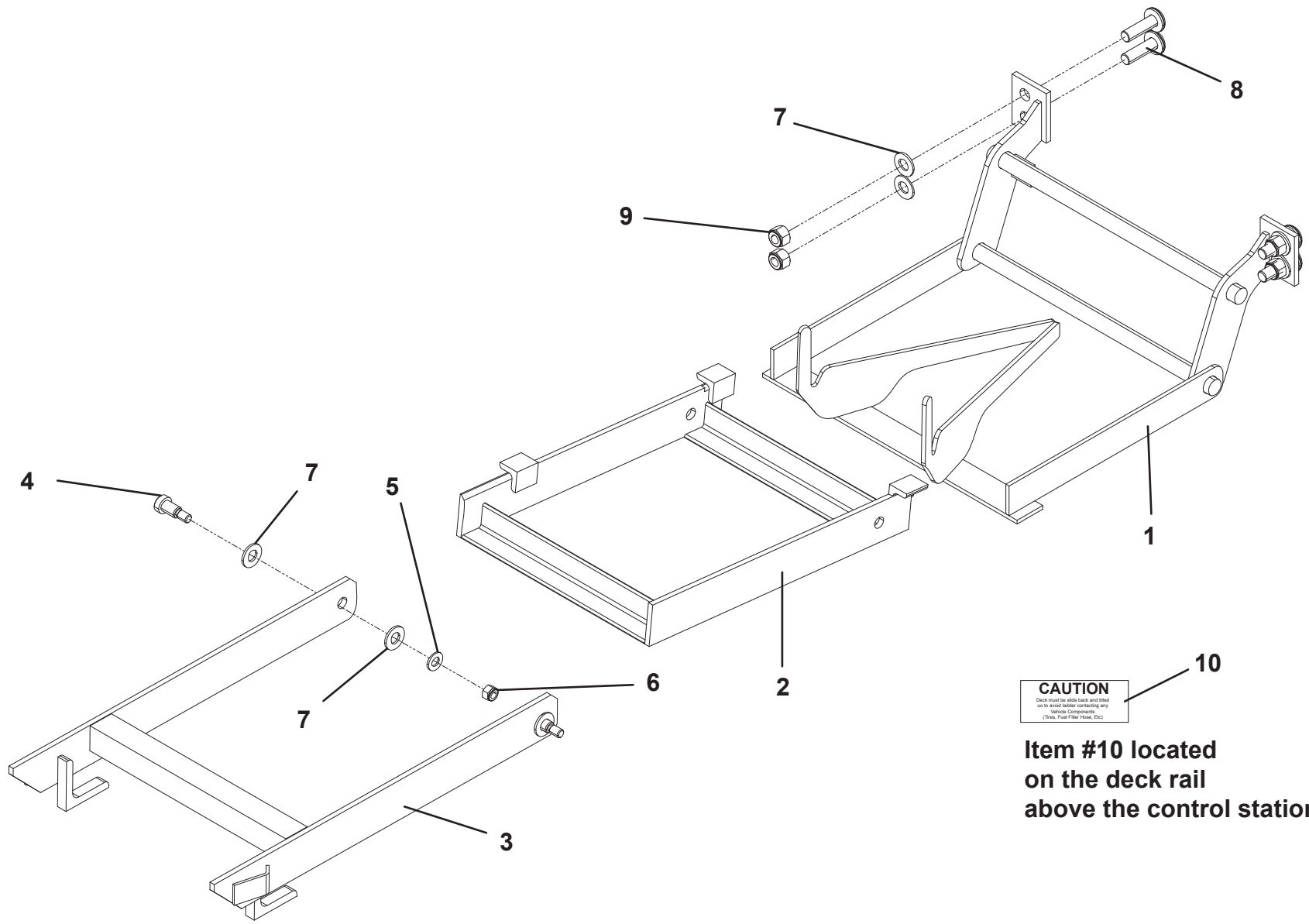
CAUTION
Deck must be slide back and then
roll to avoid ladder contacting any
Vehicle Components
(Tires, Fuel Tank, Hose, Etc.)

**Item #10 located
on the deck rail
above the control station**

LADDER, FOLDING 3-STEP, FRONT LEFT/RIGHT

ITEM	PART NO.	DESCRIPTION	QTY
1	3178000555	Bracket Weld Ladder Mount	2
2	3002000009	Accessory Weld Ladder Top	2
3	3002000008	Accessory Weld Ladder Bottom	2
4	7115180606	Bolt, 0.50" - 13NC x 0.75"	4
5	7950160161	Flatwasher, 0.38" ID	4
6	7660162601	Locknut, 0.38" - 16NC	4
7	7950180141	Flatwasher, 0.50" ID	24
8	7114181418	Capscrew, 0.50" - 13NC x 1.75"	8
9	7660182601	Locknut, 0.50" - 13NC	8
10	1001131998	Decal,Caution Ladder Carrier	2

LADDER, FOLDING 3-STEP, FRONT LEFT/RIGHT



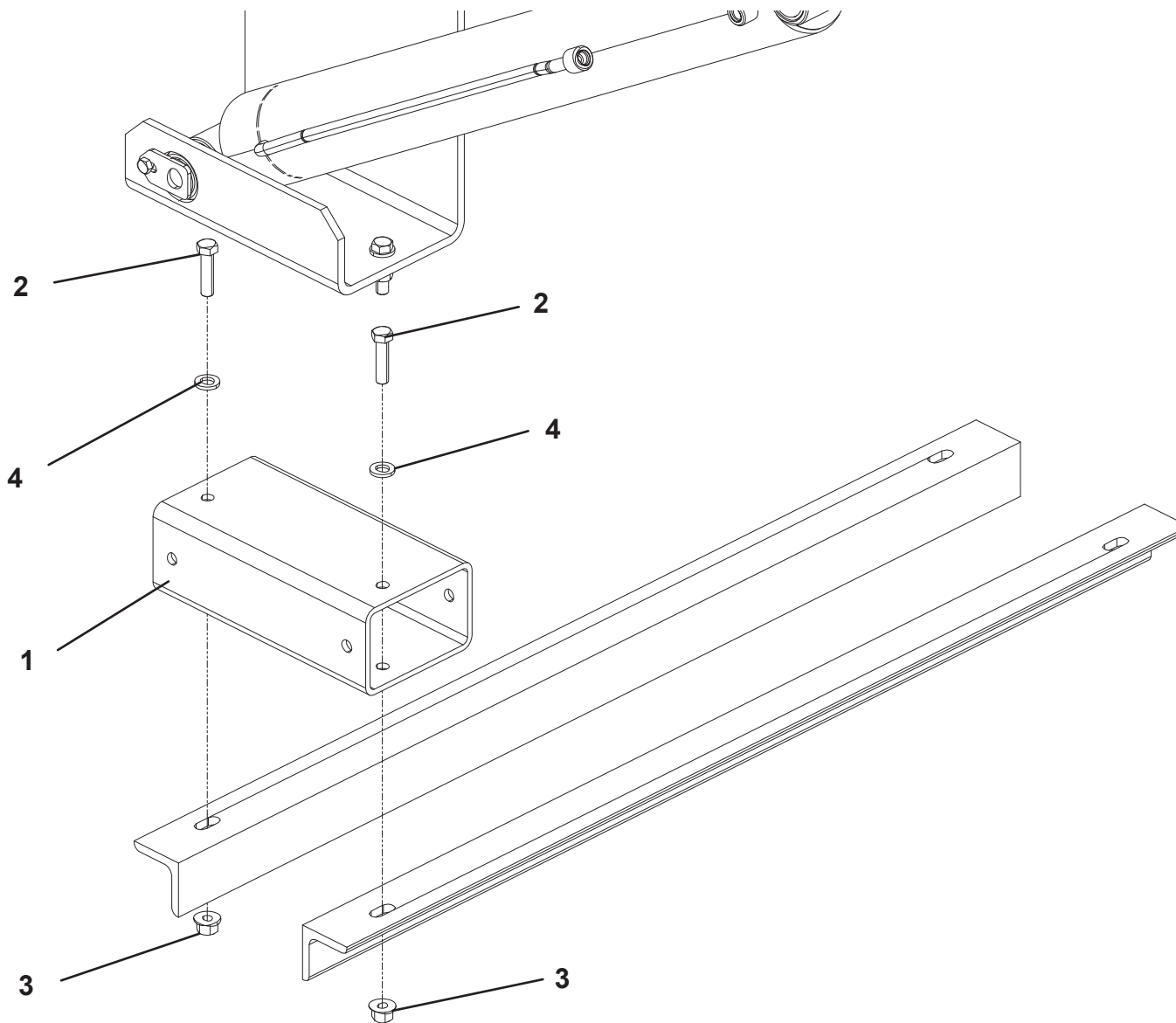
CAUTION
Deck must be able back and tilted
so to avoid ladder contacting any
Vehicle Component
(Tires, Fuel Filter Hoses, Etc)

**Item #10 located
on the deck rail
above the control station**

SADDLE SPACERS

ITEM	PART NO.	DESCRIPTION	QTY
1	1001175531	Tube	2
2	7105181650	Capscrew, 0.50" - 20NF x 2.00"	4
3	7660182333	Locknut, 0.50" - 20NF	4
4	7950180153	Flatwasher, 0.50" ID	4

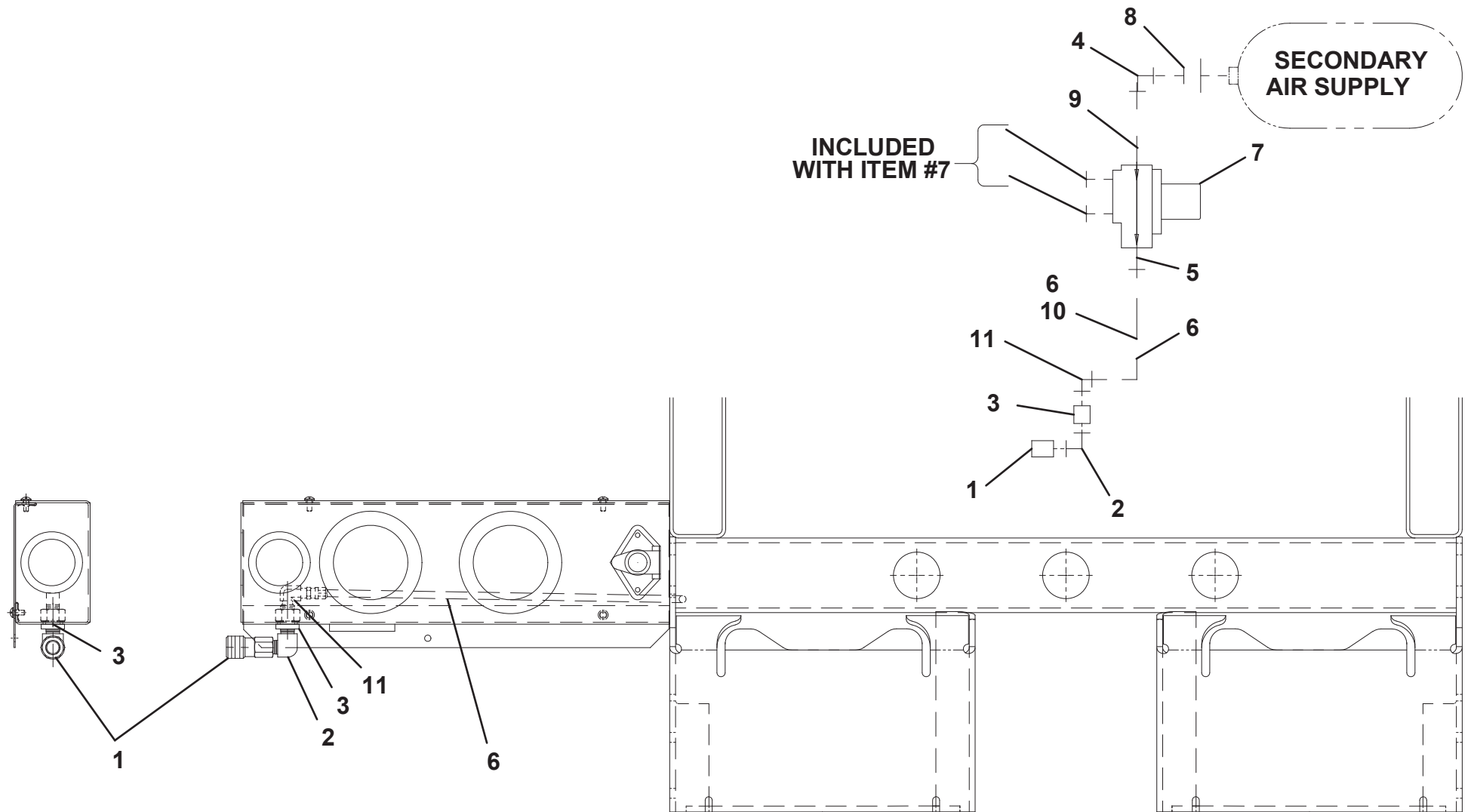
SADDLE SPACERS



AIR SUPPLY DISCONNECT

ITEM	PART NO.	DESCRIPTION	QTY
1	7312000017	Coupling	1
2	7445080853	Elbow	1
3	7446502518	Fitting	1
4	7443000155	Elbow	1
5	7446060435	Fitting	2
6	7565000014	Tubing	32
7	7935000120	Valve	1
8	7443000154	Bushing	1
9	7443000156	Fitting	1
10	7894000031	Cable Tie	6
11	7443000366	Fitting	1

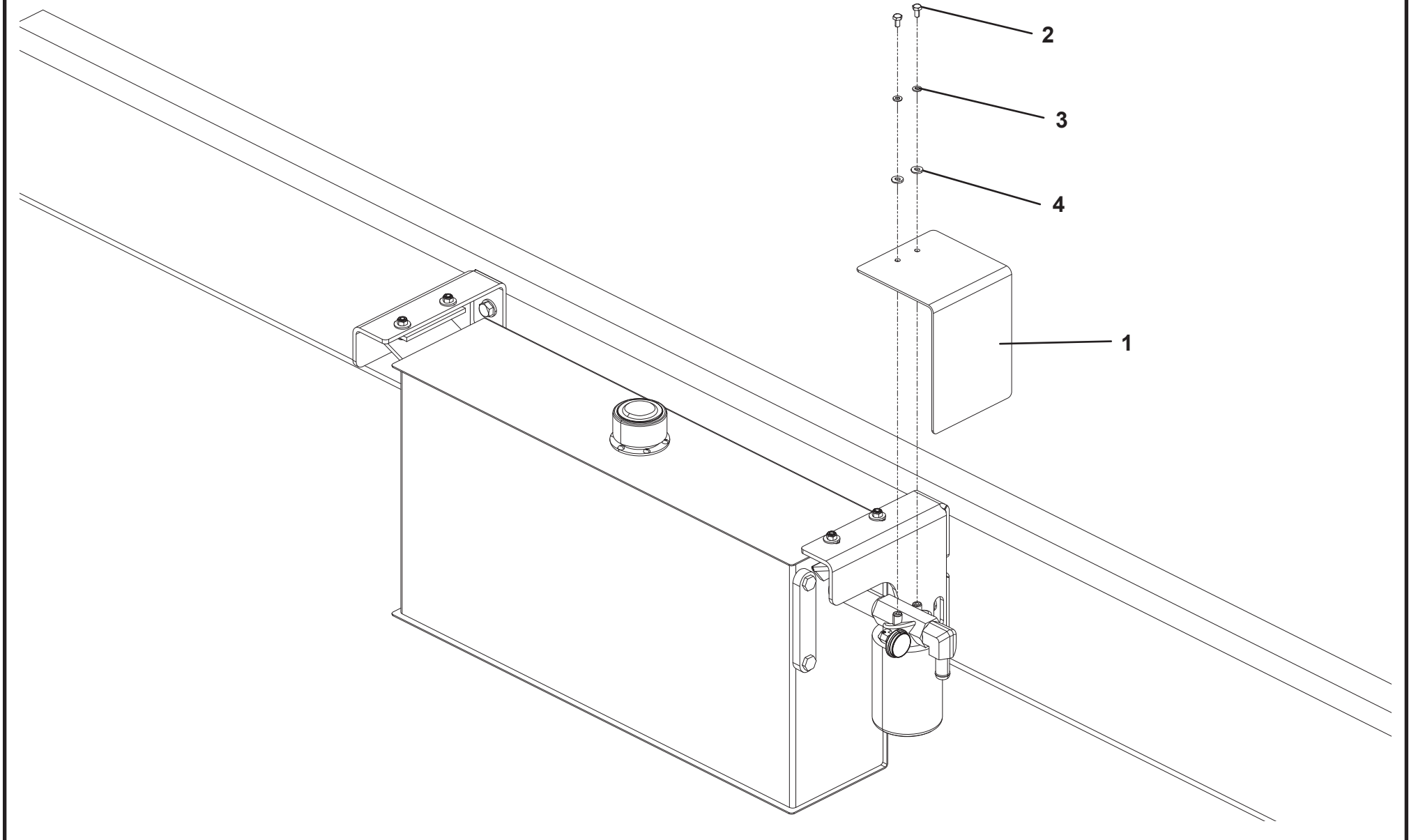
AIR SUPPLY DISCONNECT



HYDRAULIC FILTER COVER PLATE

ITEM	PART NO.	DESCRIPTION	QTY
1	1001181417	Cover, Hyd Filter Cover Plate	1
2	7115140450	Capscrew, 0.25" - 20NC x 0.50"	2
3	7950140000	Lockwasher, 0.25" ID	2
4	7950140141	Flatwasher, 0.25" ID	2

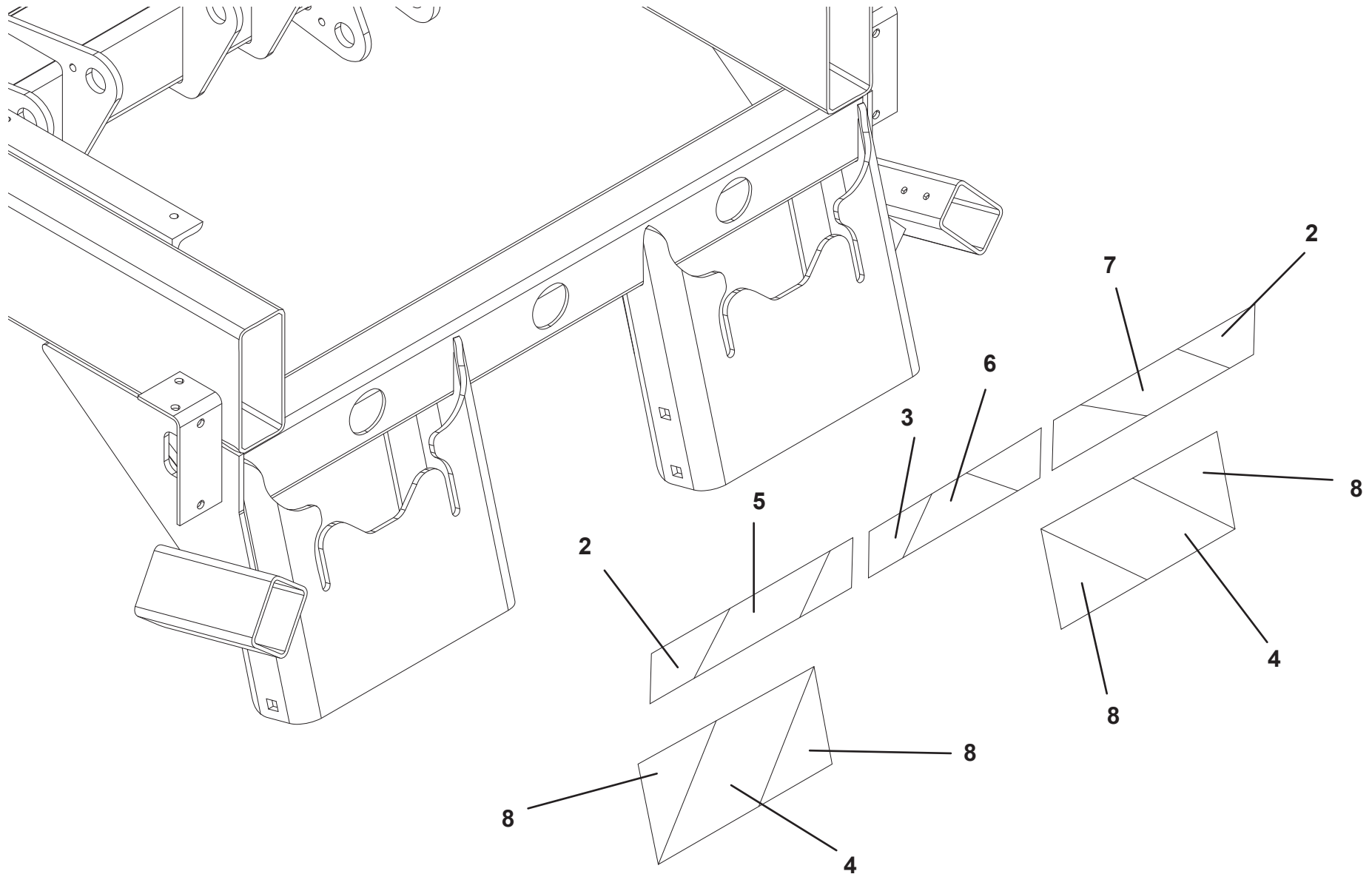
HYDRAULIC FILTER COVER PLATE



HIGH VISIBILITY REFLECTIVE TAPE

ITEM	PART NO.	DESCRIPTION	QTY
1	1001203302	Decal, Conspicuity Tape Kit	1
2	1001203295	Tape, Yellow Outside	2
3	1001203296	Tape, Yellow Center	1
4	1001203297	Tape, Yellow Chainbox	2
5	1001203298	Tape, Red Left Side	1
6	1001203299	Tape, Red Center	1
7	1001203300	Tape, Red Right Side	1
8	1001203301	Tape, Red Chainbox	4

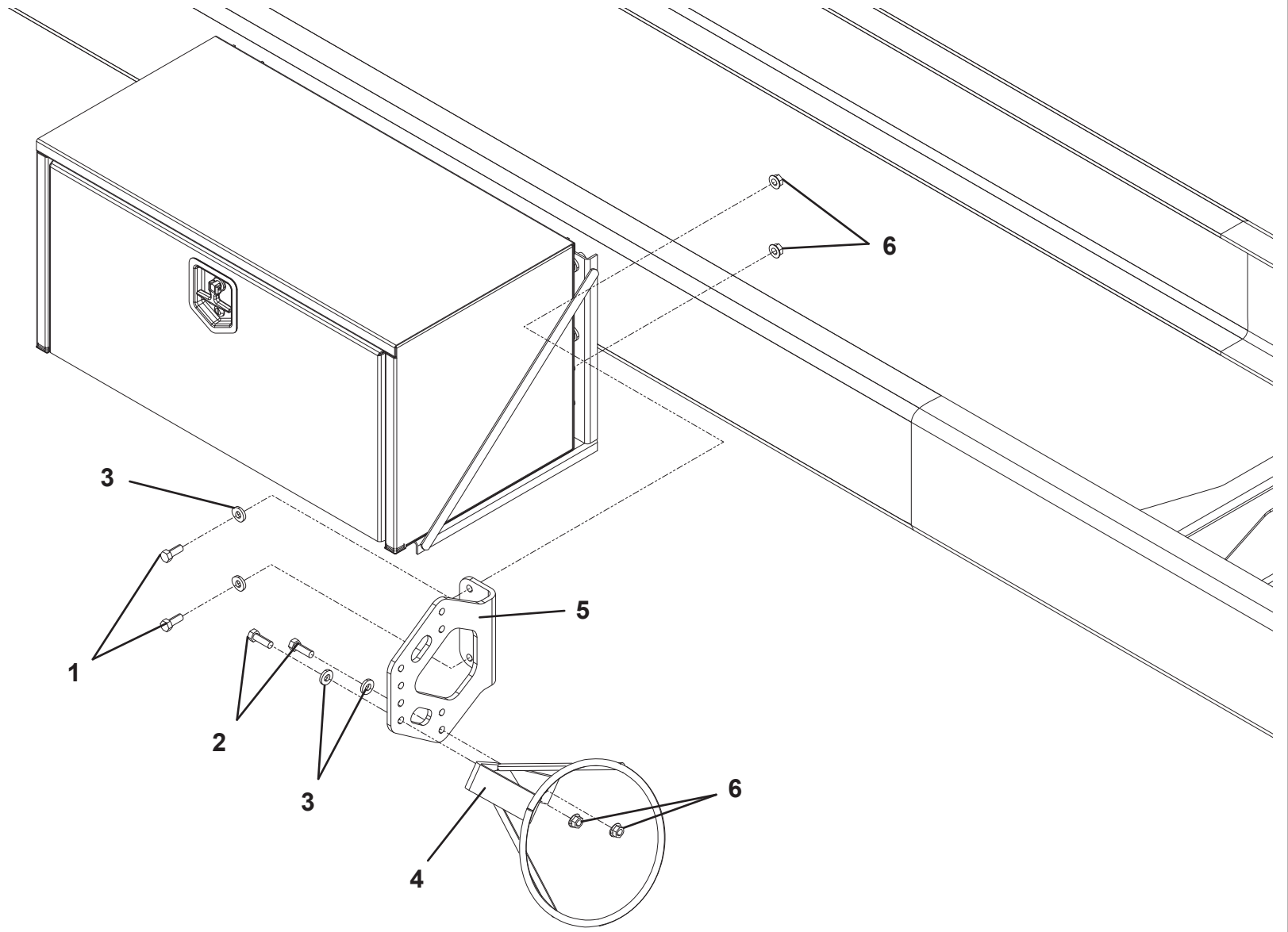
HIGH VISIBILITY REFLECTIVE TAPE



TRAFFIC CONE HOLDER

ITEM	PART NO.	DESCRIPTION	QTY
1	0641810	Capscrew, 0.50" - 13NF x 1.25"	2
2	0641812	Capscrew, 0.50" - 13NF x 1.50"	2
3	4891800	Washer, 0.50" ID	4
4	1001217582	Accessory, Traffic Cone Holder	1
5	1001218342	Bracket	1
6	7660182333	Locknut, 0.50" - 20NF	4

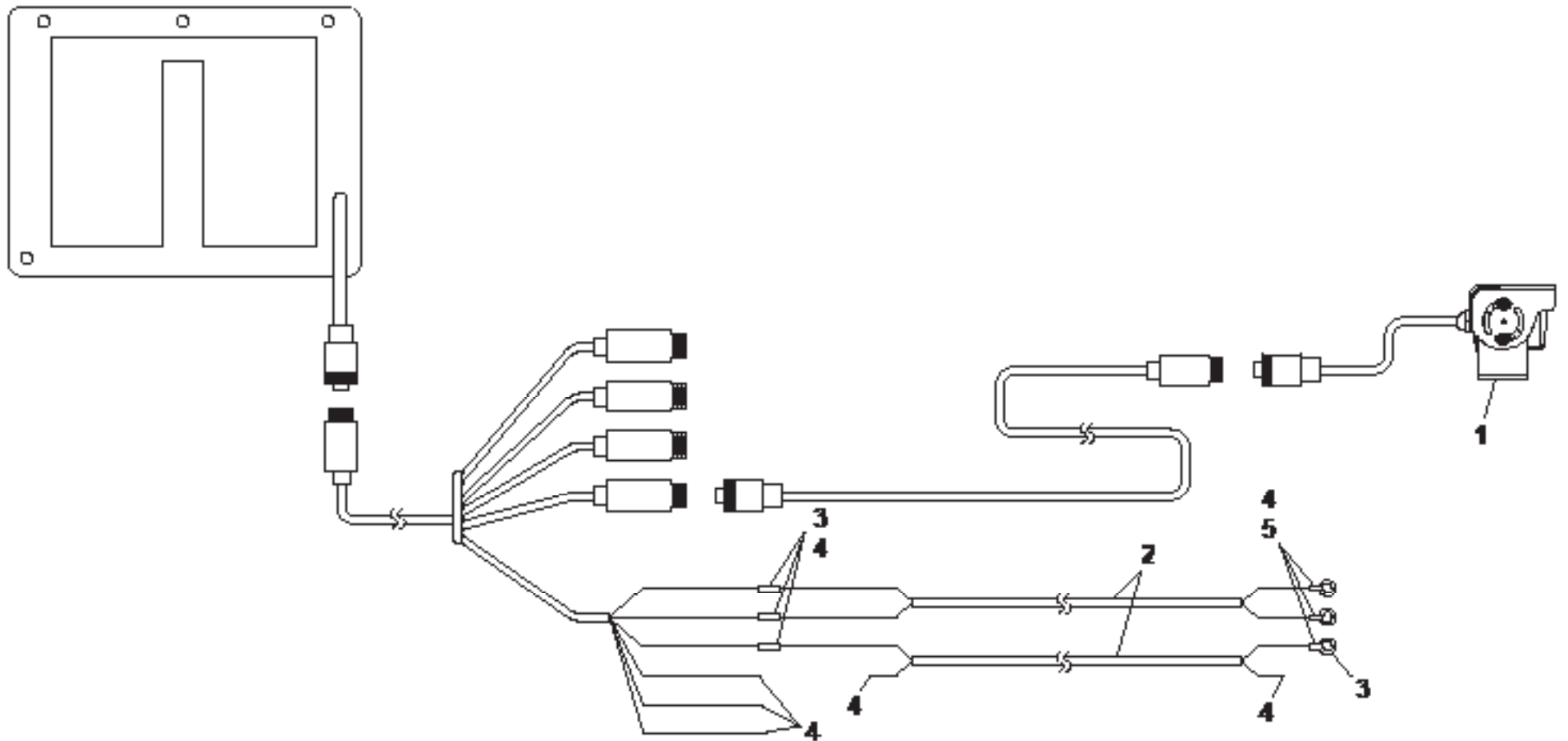
TRAFFIC CONE HOLDER



BACKUP CAMERA JD SUPPLIED

ITEM	PART NO.	DESCRIPTION	QTY
1	1001219309	Accessory,Kit Backup Camera	1
2	8977010103	Terminal	50
3	7345001704	Terminal	4
4	7346000039	Tube	0.25
5	7345211702	Terminal	3
6	8597650002	Wire	60
7	7894000010	Tie Strap	40
8	7120000034	Screw, #10 x 0.75"	2
9	7280000018	Clip	2

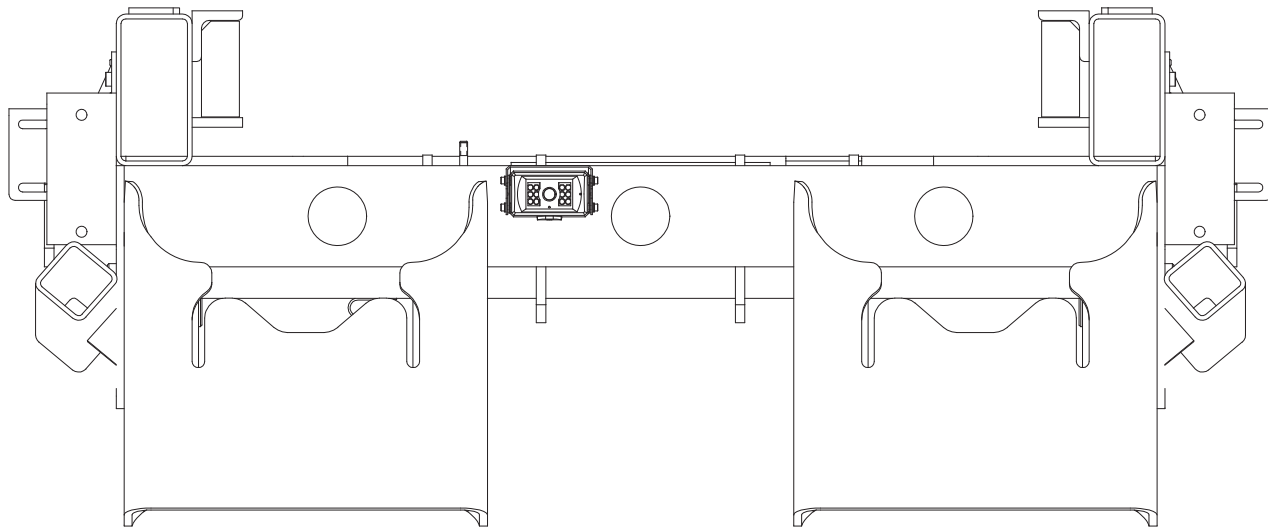
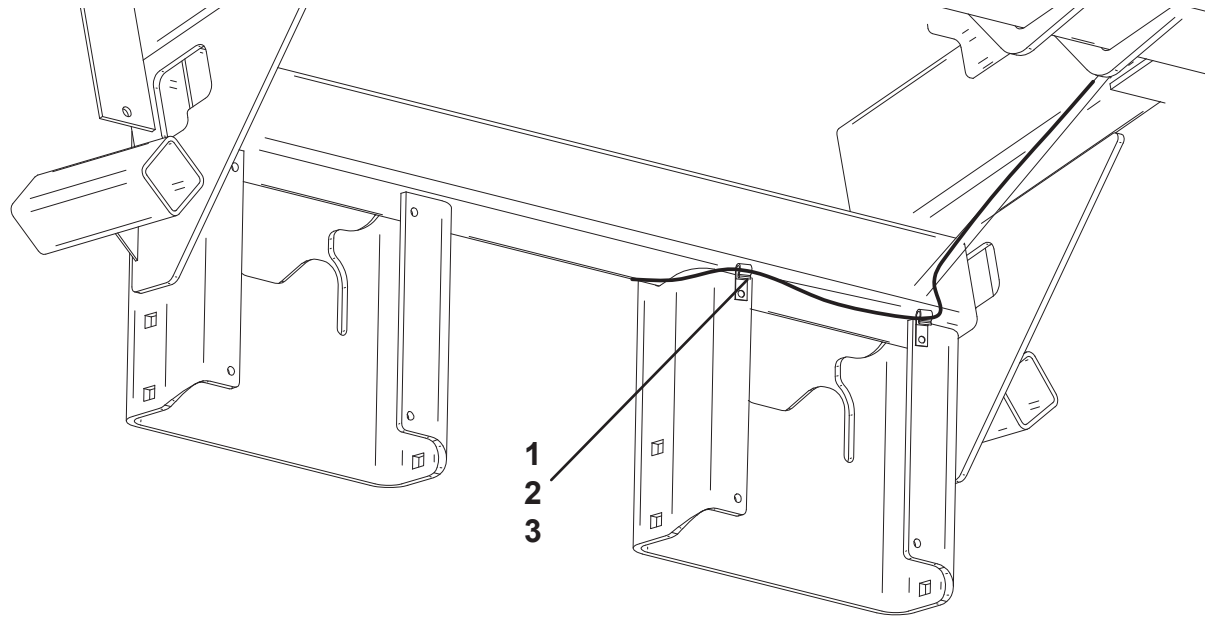
BACKUP CAMERA JD SUPPLIED



BACKUP CAMERA CHASSIS SUPPLIED

ITEM	PART NO.	DESCRIPTION	QTY
1	7120000034	Screw, #10 x 0.75"	2
2	5526000553	Tie Strap	40
3	7280000018	Clip	2

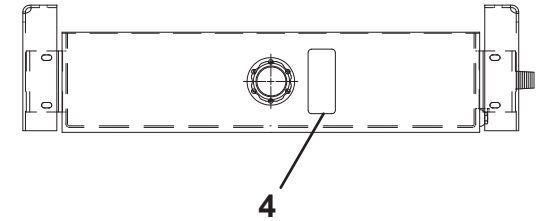
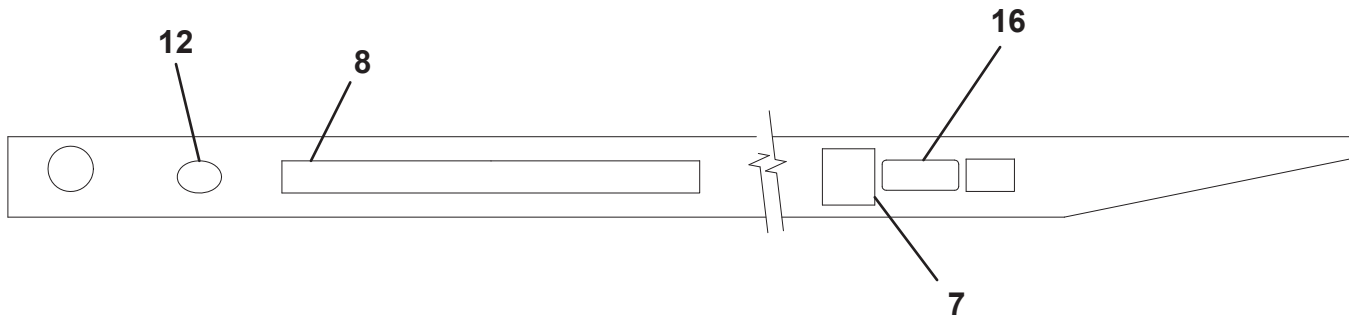
BACKUP CAMERA CHASSIS SUPPLIED



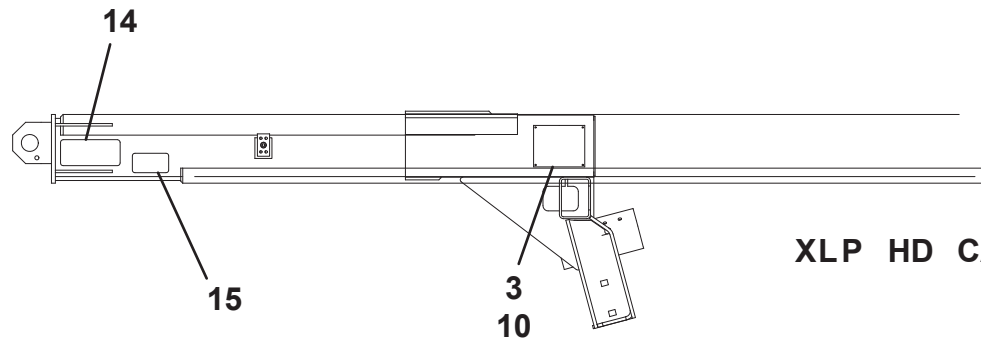
DECAL INSTALLATION

ITEM	PART NO.	DESCRIPTION	QTY
1	1001127221	Decal, Incident Tag	1
2	7330000689	Decal, NTEA Cert	1
3	1001132766	Decal, Patent	1
4	7330000272	Decal, Oil Level	1
5	1001190626	Decal, Winch Warning	1
6	7330000478	Decal, Lube Chart	1
7	1001154689	Decal, Arrow	2
8	1001153789	Decal, Jerr-Dan Amber	3
9	1001132765	Decal, Rating	1
10	7759000004	Pop Rivet	12
11	1001190625	Decal, Checklist	1
12	7330000143	Decal, Made in the USA	1
13	7330000139	Decal, Checklist	1
14	1001168591	Decal, Slide Pad Lubrication	1
15	7330000599	Decal, Pinch Point	2
16	7330000176	Decal, Air Suspension	3

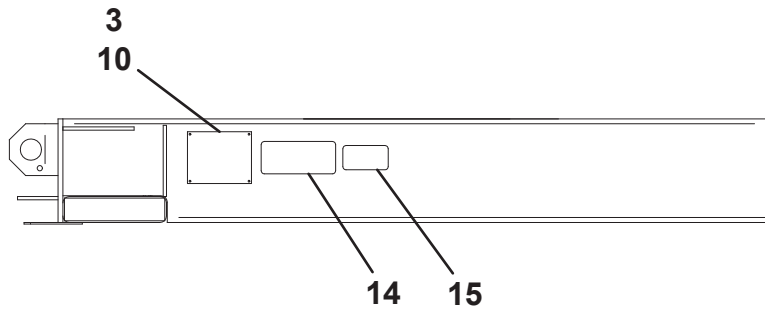
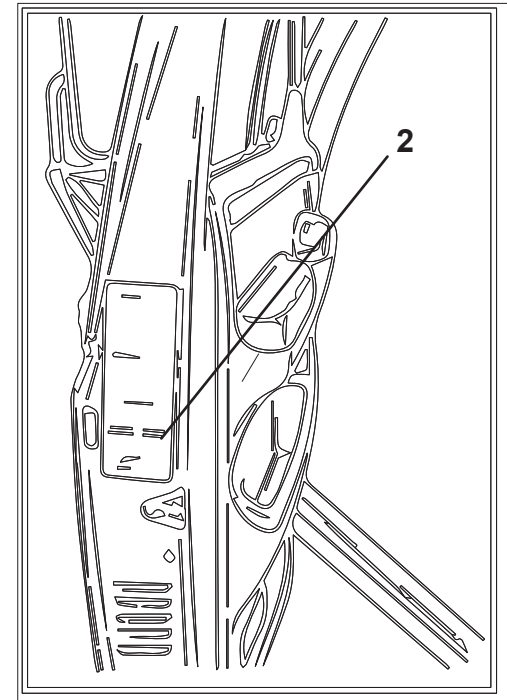
DECAL INSTALLATION



HYDRAULIC TANK (TOP VIEW)



XLP HD CARRIERS

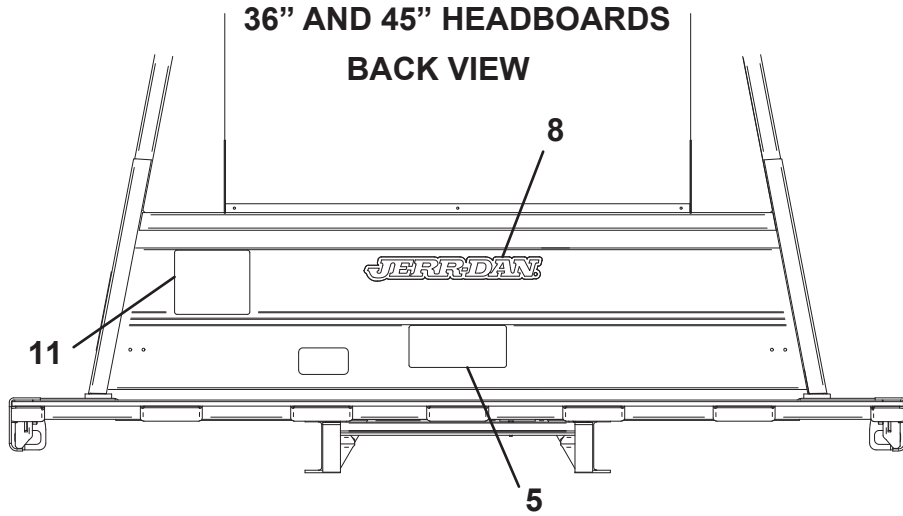


STD HD CARRIERS

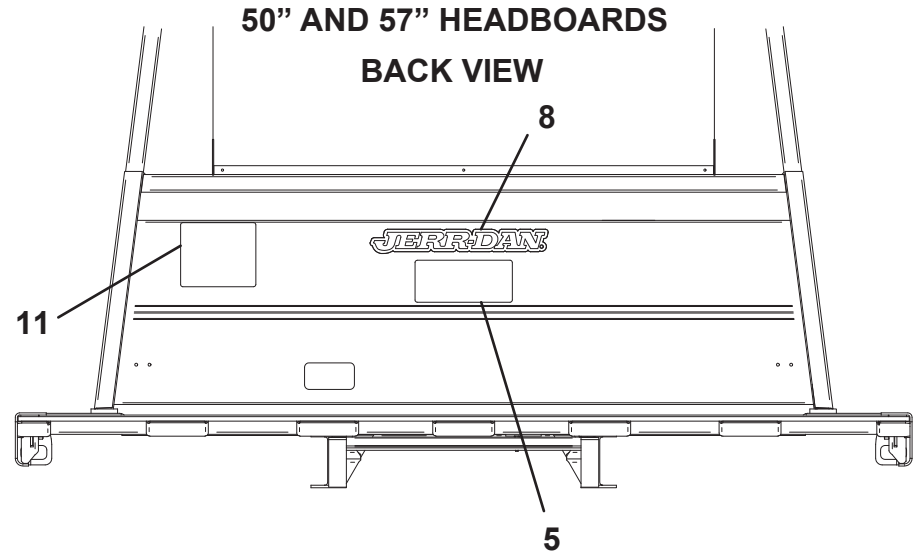
DECAL INSTALLATION

DELUXE FIXED HEIGHT HEADBOARD DECAL LOCATIONS

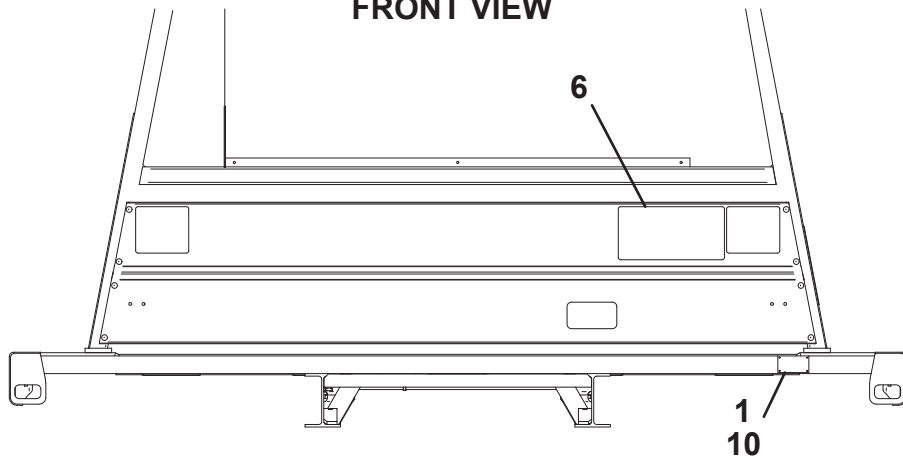
36" AND 45" HEADBOARDS
BACK VIEW



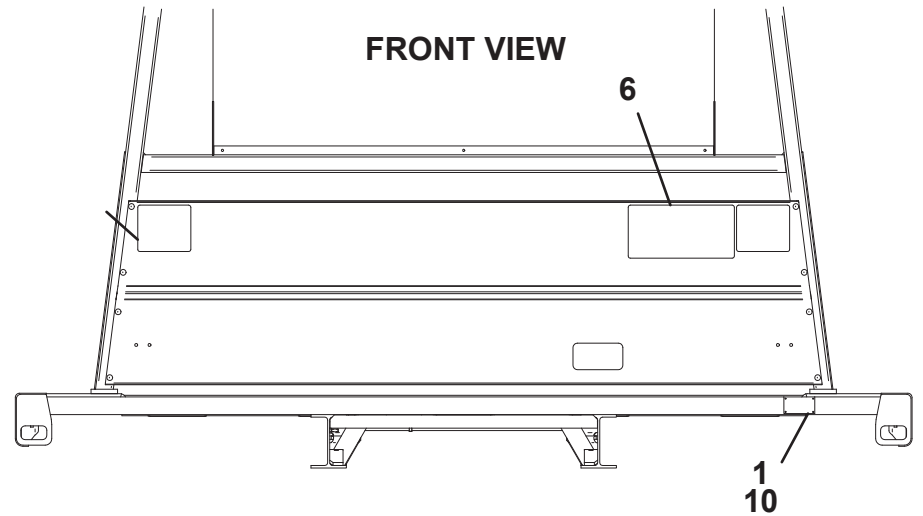
50" AND 57" HEADBOARDS
BACK VIEW



FRONT VIEW

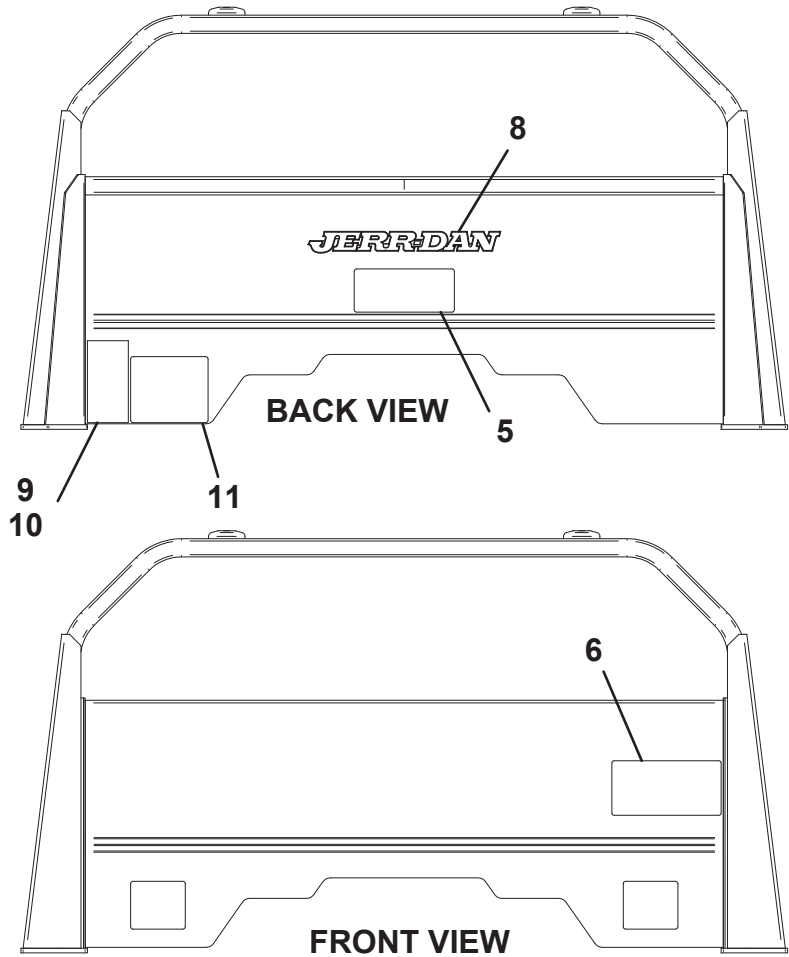


FRONT VIEW

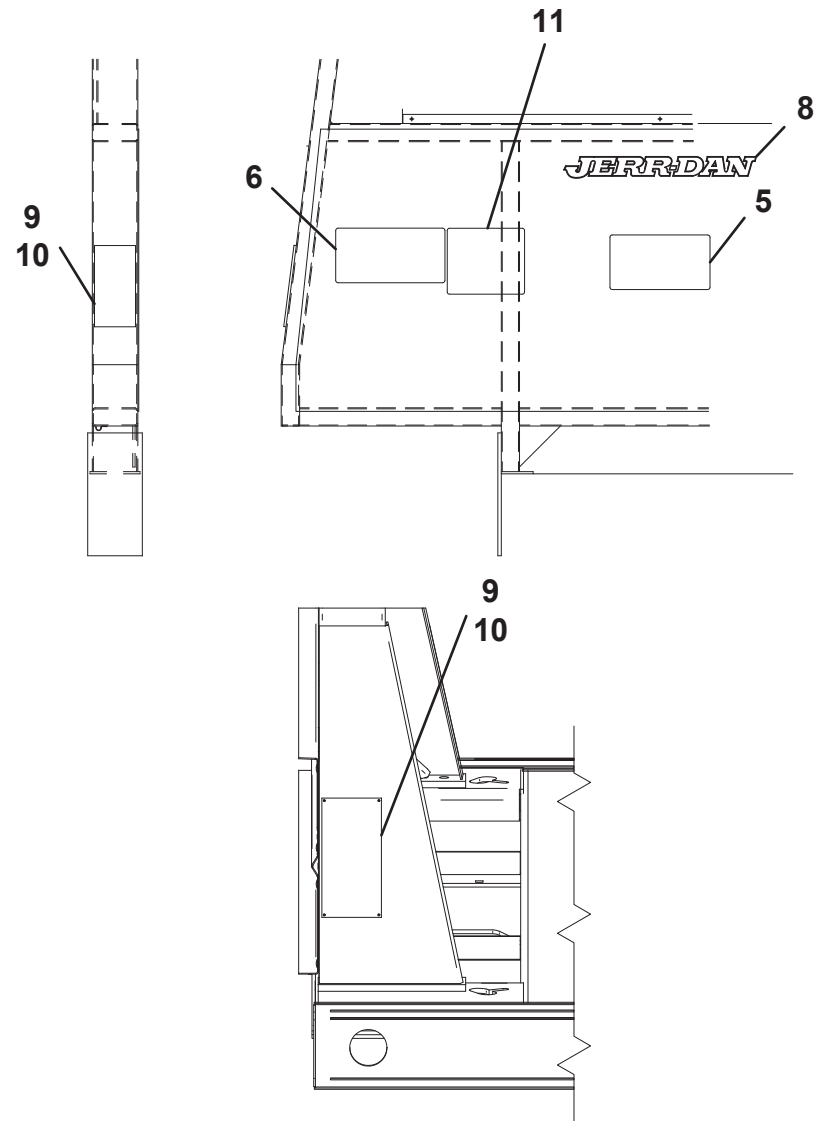


DECAL INSTALLATION

ADJUSTABLE HEADBOARD DECAL LOCATIONS



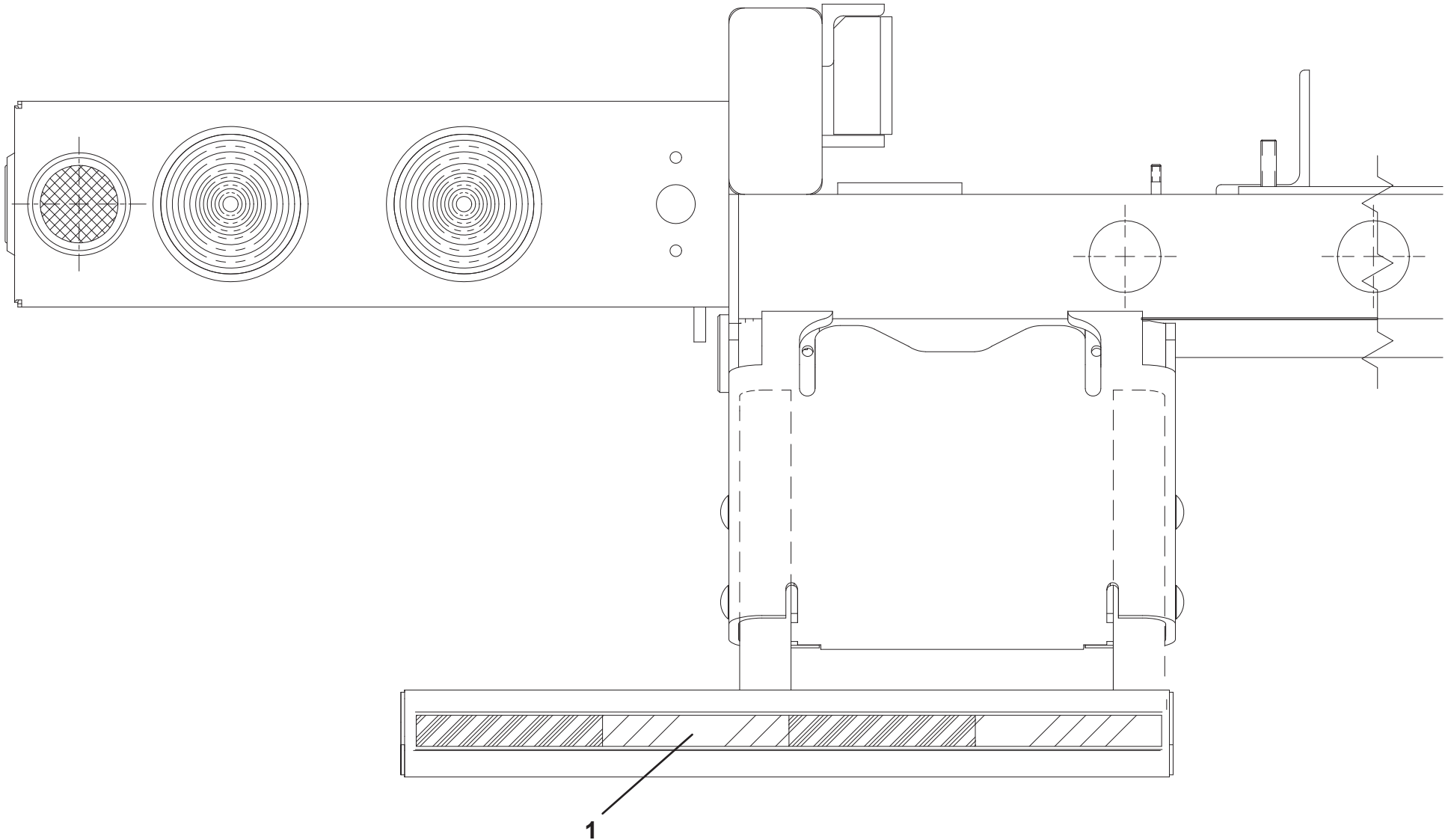
FIXED STATIONARY HEADBOARD ONLY



DECAL INSTALLATION, CONSPICUITY

ITEM	PART NO.	DESCRIPTION	QTY
1	7330000428	Decal	2

DECAL INSTALLATION, CONSPICUITY



THIS PAGE INTENTIONALLY LEFT BLANK

PART NUMBER INDEX

Part Number	Page	Part Number	Page	Part Number	Page	Part Number	Page
0100048	76	4892000	18, 20, 32	70051372	24	1001135700	120
0641406	72, 74	7012773	70	70051373	24, 26	1001135701	120
0641408	66, 68, 72, 74	7018942	70	70051374	24	1001135756	120
0641504	80, 84, 88	70004051	70	70051375	24	1001135757	120
0641508	66, 76, 78	70004460	70	70051376	26	1001135813	120
0641516	80, 84, 88	70004602	70	70051377	26	1001135814	120
0641518	80, 84, 88	70005199	70	70051378	26	1001135815	120
641612	32, 136	70005200	70	70051379	26	1001138545	22
641624	32	70022147	70	70051380	26	1001142769	114, 116
641806	32	70023867	70	70051381	26	1001142771	114, 116
0641808	124	70050110	24	70051382	26	1001143764	72, 74
641810	66, 68, 156	70050702	24	70051388	138	1001148309	36
641812	32, 156	70050706	24	70051392	34	1001151248	40, 42, 44
651816	32, 40, 42, 44	70050707	24	70051393	34	1001153789	162
0651822	58, 60, 62	70050708	24	70051394	36	1001154689	162
0652016	18, 20	70050709	24	70051395	36	1001162403	32
0691810	136	70050710	24	70051428	58, 60, 62	1001162798	32
0721006	76	70050712	24	70051429	58, 60, 62	1001166855	32
741610	32	70050714	24	70051430	58, 60, 62	1001167455	80, 84, 88
2220381	80, 84, 88	70050716	24	70051431	58, 60, 62	1001167764	32
2220490	80, 84, 88	70051167	34, 36	70051432	58, 60, 62	1001167767	136
3300455	32, 80, 84, 88	70051168	138	70051433	58, 60, 62	1001168591	162
3300492	32, 136	70051170	34, 36	70051434	58, 60, 62	1001173944	118
3311405	72, 74	70051171	34, 36	70051435	58, 60, 62	1001173945	118
3311601	40, 42, 44	70051172	138	70051436	58	1001173952	114, 116
3841143	32, 136	70051173	138	70051437	60, 62	1001175531	148
4060906	76, 78	70051355	70	70051449	70	1001176337	126, 130
4711400	66, 68, 72, 74	70051356	70	70051450	70	1001177603	50
4711500	66, 76, 78, 80, 84, 88	70051357	70	70051464	76	1001177605	52
4711800	66, 68	70051364	24	70051465	76	1001181417	152
4751300	32, 76	70051365	24	70051467	76	1001188129	136
4751500	80, 84, 88	70051366	24	1001104423	80, 84, 88	1001188141	32, 136
4751600	32	70051367	24	1001127221	162	1001188206	32
4761500	66	70051368	24	1001127297	136	1001188615	118
4761800	124, 136	70051369	24	1001131998	144, 146	1001188616	118
4891800 ...	22, 32, 40, 42, 44, 58, 60, 62	70051370	24	1001132765	162	1001189466	80, 84, 88
		70051371	24	1001132766	162	1001190625	162

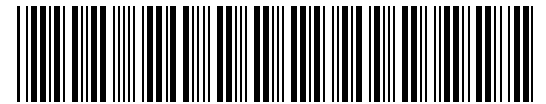
Part Number	Page	Part Number	Page	Part Number	Page	Part Number	Page
1001190626.....	162	1001228116.....	74	4567123044.....	80, 84, 88	7115140450.....	152
1001200207.....	80, 84, 88	1001228117.....	74	4567123051.....	80, 84, 88	7115151050.....	54
1001203295.....	154	1001228124.....	68	4567430153.....	80, 84, 88	7115180606.....	144, 146
1001203296.....	154	1001228780.....	6	4569432147.....	80, 84, 88	7115181064.....	50, 52, 66, 68
1001203297.....	154	1001228781.....	8	4569433147.....	80, 84, 88	7115181464.....	32
1001203298.....	154	1001228782.....	10	4570000379.....	80, 84, 88	7115181664.....	50, 52
1001203299.....	154	1001228784.....	14	4679000145.....	38	7115221650.....	6, 10, 12, 14, 16
1001203300.....	154	1001228785.....	16	4691000573.....	32	7118161026.....	38
1001203301.....	154	3002000008.....	144, 146	4706003025.....	40, 42, 44	7118181216.....	58, 60, 62
1001203302.....	154	3002000009.....	144, 146	4706003026.....	40, 42, 44	7120000032.....	40, 42, 44
1001215843.....	66	3017000104.....	10, 12, 14, 16	4706003038.....	80, 84, 88	7120000034.....	158, 160
1001215845.....	20	3062000014.....	32	4706006427.....	46, 48	7183000004.....	56
1001215846.....	76	3062000015.....	32	4796000037.....	18, 20	7189000026.....	32
1001216306.....	18	3178000288.....	32	4831000079.....	32	7259000015.....	40, 42, 44
1001216351.....	76	3178000289.....	32	4831000083.....	32	7259000016.....	40, 42, 44
1001216675.....	32	3178000555.....	144, 146	4831000084.....	32	7274000038.....	80, 84, 88
1001217301.....	72	3558000021.....	40, 42, 44	5526000553.....	76, 78, 120, 126, 130, 160	7274000039.....	80, 84, 88
1001217302.....	72, 74	3636000144.....	32	7002000521.....	132	7274000040.....	76, 78, 80, 84, 88
1001217303.....	72	3691000064.....	136	7011000006.....	114, 116	7274000064.....	80, 84, 88
1001217304.....	66, 68	3750000018.....	54, 56	7017000104.....	6	7274000066.....	80, 84, 88
1001217305.....	66, 68	3849000028.....	136	7082000017.....	32	7274000125.....	40, 42, 44
1001217491.....	72, 74	4017001093.....	32	7082000018.....	34, 138	7280000018.....	158, 160
1001217565.....	124	4017001271.....	40, 42, 44	7105181650.....	64, 148	7291000010.....	136
1001217569.....	60	4017001742.....	46, 48	7105201250.....	40, 42, 44	7312000017.....	150
1001217570.....	58, 62	4017001743.....	46, 48	7105201850.....	32	7330000139.....	162
1001217582.....	156	4178000330.....	64	7105202050.....	40, 42, 44	7330000143.....	162
1001217651.....	22	4178000331.....	64	7105202250.....	32	7330000176.....	162
1001217890.....	66	4178000402.....	126	7111150864.....	46, 48	7330000272.....	162
1001218095.....	80, 84, 88	4178000912.....	32	7114100518.....	132	7330000288.....	120
1001218342.....	156	4209000204.....	32	7114100818.....	32	7330000391.....	142
1001218889.....	58, 60, 62	4346000005.....	114, 116, 120	7114101618.....	80, 84, 88	7330000428.....	166
1001219309.....	158	4567120026.....	80, 84, 88	7114140528.....	114, 116, 136	7330000478.....	162
1001220682.....	80, 84, 88	4567120056.....	80, 84, 88	7114140529.....	118	7330000599.....	162
1001220732.....	80, 84, 88	4567120066.....	80, 84, 88	7114141450.....	32	7330000645.....	140
1001222313.....	66, 68	4567120077.....	80, 84, 88	7114150818.....	46, 48, 118	7330000646.....	140
10012227917.....	76, 78	4567122016.....	80, 84, 88	7114181418.....	144, 146	7330000684.....	142
1001228111.....	78	4567122038.....	80, 84, 88			7330000689.....	162

Part Number	Page	Part Number	Page	Part Number	Page	Part Number	Page
7345001704.....	158	7493000010.....	112, 114, 116	7701000049.....	18, 20, 72, 74	9082960005.....	24
7345001713.....	120	7493000023.....	114, 116	7759000004.....	162	9120960061.....	24
7345001913.....	120	7552000166.....	130	7786000007.....	6, 10, 12, 14, 16	9209600008.....	24
7345211701.....	120	7552000178.....	114, 116	7790151253.....	126	9281960002.....	24
7345211702.....	158	7552000186.....	114, 116	7796000048.....	136	9472960023.....	24
7346000039.....	76, 158	7552000187.....	114	7870000100.....	120	9472960059.....	24
7346000208.....	134	7552000188.....	116	7870000106.....	120	9575960015.....	24
7346000242.....	120	7552000222.....	126	7870000113.....	120	9575960020.....	24
7413000013.....	18, 20	7552000241.....	134	7870000134.....	120	9661960022.....	26
7443000152.....	28	7565000014.....	28, 30, 150	7870000137.....	120	9786960015.....	24
7443000154.....	28, 150	7590000339.....	112	7894000004.....	28, 30, 80, 84, 88	9786960017.....	24
7443000155.....	28, 150	7590000340.....	114, 116	7894000010.....	158	9796960052.....	24
7443000156.....	28, 150	7590000341.....	114, 116	7894000031.....	150	9843960018.....	24
7443000168.....	80, 84, 88	7590000342.....	112	7904000001.....	80, 84, 88	9949960002.....	24
7443000196.....	80, 84, 88	7590000343.....	112, 114, 116	7912000349.....	80, 84, 88	9949960031.....	24, 26
7443000241.....	80, 84, 88	7638000004.....	46	7935000120.....	28, 150	9970308046.....	24
7443000364.....	28, 30	7638000013.....	48	7935000182.....	28, 30	9970330010.....	24
7443000365.....	28, 30	7640000002.....	28, 30	7935000229.....	28, 30	9970342024.....	24
7443000366.....	28, 30, 150	7660102601.....	76	7935000248.....	28, 30	9970362007.....	24
7443000371.....	28	7660142601.....	66, 68, 114, 116, 136	7935000305.....	80, 84, 88	9970402044.....	24
7443000428.....	134	7660142604.....	32	7935000306.....	80, 84, 88	9970412005.....	24
7443000432.....	134	7660152601.....	46, 48, 54, 76, 78, 80, 84, 88	7949000008.....	32	9970412006.....	24
7443000469.....	134	7660162601.....	38, 144, 146	7949000023.....	114, 116, 118	9970416112.....	24
7445040643.....	134	7660182301.....	58, 60, 62	7949000072.....	32	9970418163.....	24
7445060643.....	80, 84, 88	7660182333.....	32, 40, 42, 44, 58, 64, 60, 62	7950140000.....	152	9970442182.....	24
7445060645.....	80, 84, 88	7660182601.....	22, 32, 50, 52, 66, 68, 144, 146	7950140141.....	152	9970456008.....	24
7445060648.....	80, 84, 88	7660200035.....	18, 20	7950140143.....	32	9970468002.....	24
7445080818.....	80, 84, 88	7660202347.....	32, 40, 42, 44	7950150153.....	46, 48, 118	9970468011.....	24
7445080845.....	80, 84, 88	7660222308.....	6, 10, 12, 14, 16	7950150161.....	54, 126	9970472013.....	24
7445080853.....	150	7661000042.....	72, 74, 118	7950160161.....	144, 146	9970486079.....	24
7445081045.....	80, 84, 88	7661000056.....	132	7950180141.....	144, 146	9970494088.....	24
7446060435.....	150	7661000064.....	118	7950180153.....	64, 148	9970530094.....	24
7446502518.....	150	7691000001.....	136	8597650001.....	28, 30		
7470000027.....	56	7701000031.....	56	8597650002.....	158		
7493000002.....	114, 116			8597650003.....	120		
7493000003.....	126			8611960004.....	6, 8, 10, 12, 14, 16		
7493000009.....	112, 114, 116			8977010103.....	158		

THIS PAGE INTENTIONALLY LEFT BLANK



Phone (800) 926-9666



5376000190-0