

JERR-DAN[®]

Illustrated Parts Manual

***Model
10 TON
XLP RENTAL
SPEC CARRIER***

**P/N
5376000223
March 30, 2023 - Rev A**

JERR-DAN[®]

An Oshkosh Corporation Company

REVISION LOG

March 30, 2023 - A - Original Issue of Manual (Edited to 1001136902 Revision P-AC)

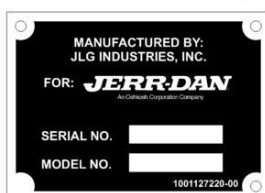
GENERAL INFORMATION

JerrDan, LLC (Jerr-Dan) strives to provide information that is accurate, complete and useful. Descriptions and illustrative material contained within this manual are as accurate as known at the time of publication and are subject to change, without notice, as a result of continuous product improvements. Jerr-Dan reserves the right to amend the information in this document at any time without prior notice.

Information contained in this manual reflects how this vehicle was built at the factory. Modifications or additions by the distributor or owner are not reflected in this manual.

This parts manual does not include service parts information for the commercial chassis (IHC, Ford, GM, etc.). That information is provided by the chassis manufacturer.

When ordering parts, please refer to your unit's Serial Number and Model Number. This information is be found on the aluminum tag riveted to the inside of the driver's side rear compartment of the main body.



Additional or replacement manuals can be ordered by calling Jerr-Dan Parts at 717-597-7111. Price and availability will be quoted at time of the request.

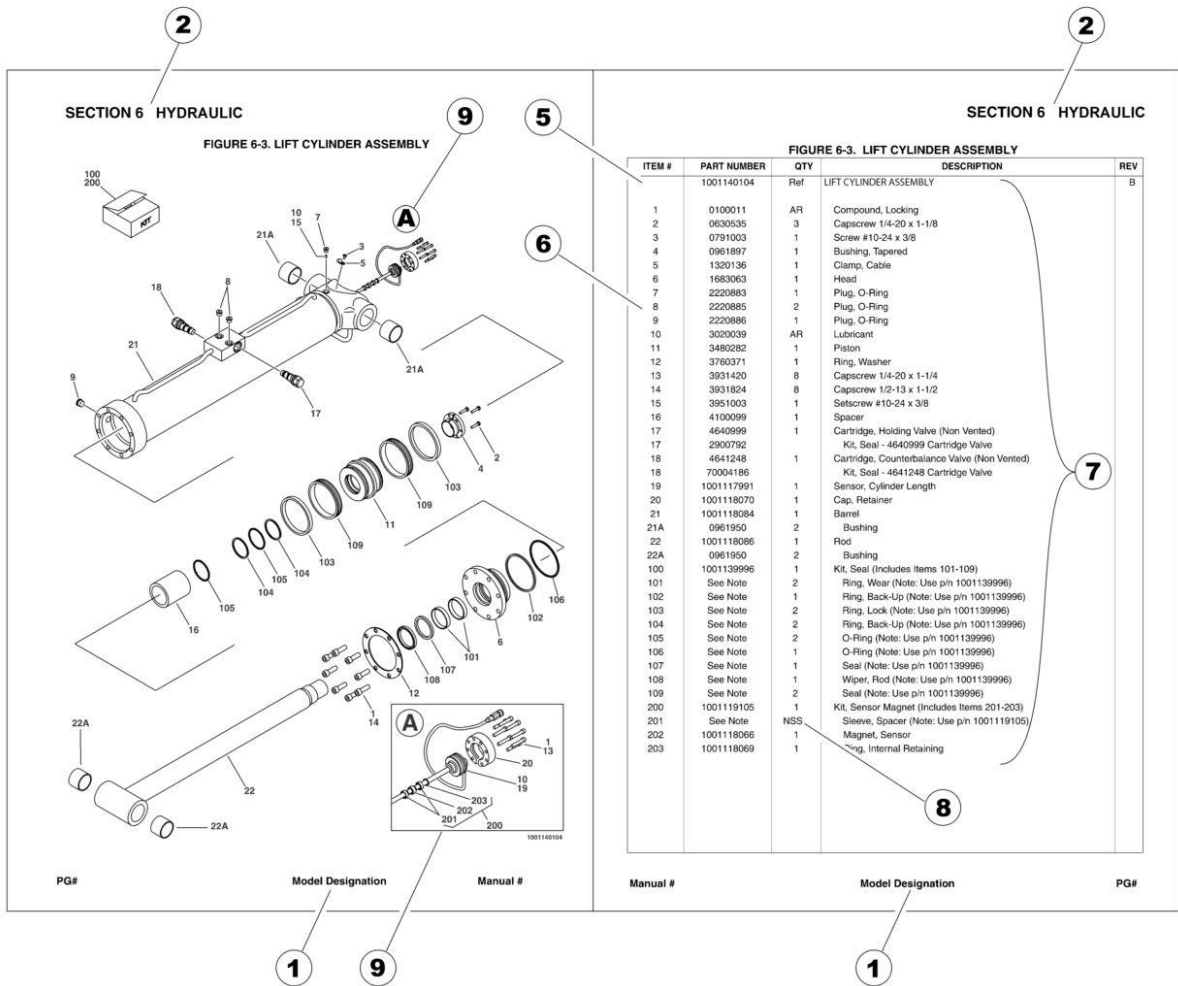
Please report comments and/or errors by contacting Jerr-Dan. Contact numbers are located on rear cover of Manual.

Manufactured under one or more of the following patents: 5,575,606; 5,672,042; 5,697,741; 5,713,714; 5,722,810; 5,782,596; 5,839,775 and 6,315,515 B1 with other Patents Pending.

Jerr-Dan and the Jerr-Dan logo are registered trademarks and Run Hard is a service mark of JerrDan, LLC, Hagerstown, MD USA.

The material in this document is confidential and the property of Jerr-Dan. No part of this document may be photocopied, reproduced or translated to another language without the express written consent of Jerr-Dan.

GENERAL INFORMATION



1) MACHINE IDENTIFICATION

Machines are identified by model and in some cases a combination of models, serial number (SN) or regional standard (i.e ANSI, CE, CSA). Components may also be identified by SN or manufacturer. Common components that may be identified by these characteristics are engines and hydraulic components.

2) PARTS MANUAL ORGANIZATION

Product information in this manual is organized under section titles. Subframe, Hydraulic and Electrical are a few examples. Each section is organized by figure and page number. The information within the Figure is then organized by item number, part number, description and corresponding illustration (s).

3) TABLE OF CONTENTS (NOT SHOWN)

A table of contents is found toward the beginning of the manual. Figure number, description and page number are provided for quick reference to the page containing the related information.

4) BUILD DOCUMENTS (NOT SHOWN)

The Build Documents, located near the end of the manual, reference components not available at the purchase level. These PN lists assembly instructions and assist in the maintenance of the parts manual.

GENERAL INFORMATION

5) NON-SERVICED PARTS

In some instances, it is necessary to display non-serviced parts, assemblies or installations. In the case of assemblies and installations there will be a Ref in the Qty. column. In case of parts that are not available for service within assemblies or components, there will be a NSS (Not Sold Separately) or NLA (No Longer Available) listed in the Qty. column of the manual.

6) PARTS LIST ITEM NUMBERS

Numbers shown in the item# column correspond to numbers used in the associated illustration (s). Item numbers which are missing from the sequence in the parts list are not used on that page.

7) INDENTED PARTS DESCRIPTION

An indented part description is included in the item under which it is indented.

8) ABBREVIATION AND SYMBOLS

AC.....	Alternating Current	L.....	Liter
ALUM.....	Aluminum	LD.....	Light Duty
AG.....	Agricultural	LB(LBS).....	Pounds
ANSI.....	American National Standards Institute	LCD.....	Liquid Crystal Display
AR.....	As Required	LED.....	Light Emitting Diodes
AUS.....	Australias	LH.....	Left Hand
ASSY.....	Assembly	M(m).....	Metric/Meter
AUX.....	Auxiliary	MD.....	Medium Duty
AWG.....	American Wire Gauge	MM (mm).....	Milimeter
CA.....	Cab To Axle	mA.....	Miliamps
CE.....	European Conformity	NLA.....	No Longer Available
CCW.....	Counter Clockwise	NPT.....	National Pipe Threads
CM.....	Centimeter	NSS.....	Not Sold Separately
CT.....	Cab To Tandem	OD.....	Outside Diameter
CW.....	Clockwise	ORB.....	O-Ring Boss
CSA.....	Canadian Standards Association	ORFS.....	O-Ring Face Seal
CYL.....	Cylinder	OZ (oz).....	Ounces
DIA.....	Diameter	PG.....	Page
DC.....	Direct Current	PN.....	Part Number
DOT.....	Department of Transportation	PTO.....	Power Take Off
EMS.....	Emergency Stop	QT(qt.).....	Quarts
ENG.....	Engine	QTY.....	Quantity
FT(ft).....	Feet	REF.....	Reference
GA(Ga).....	Gauge	REV.....	Revision Level
GAL.....	Gallons	RH.....	Right Hand
GVW.....	Gross Vehicle Weight	SAE.....	Society of Automotive Engineers
HD.....	Heavy Duty	SD.....	Standard Duty
HYD.....	Hydraulic	SN.....	Serial Number
Hz.....	Hertz	SPEC(S).....	Specifications
ID.....	Inside Diameter	SS.....	Stainless Steel
IN.....	inches	STD.....	Standards
IND.....	Independent	STL.....	Steel
IRL.....	Independent Reach/Lift	UGM.....	Universal Ground Module
INT.....	Integrated	V.....	Volts
ISO.....	International Organization for Standards	W.....	Watts
JIC.....	Joint Industry Council	WB.....	Wheel Base
KG.....	Kilogram	#.....	Number

9) ILLUSTRATION REFERENCE LETTERS

When necessary, illustrations may contain reference letters that are intended to track information (i. e. hoses, harnesses) from one point to another or to track visual enlargement of components to show details that may be located in another area on the illustration.

Note: Due to continuous product improvements, Jerr-Dan Corporation reserves the right to make specification changes without prior notification. Contact Jerr-Dan for updated information.

TABLE OF CONTENTS

SECTION 1 - SUBFRAME	11
FIGURE 1-1. SUBFRAME INSTALLATION.....	12
FIGURE 1-2. SUBFRAME INSTALLATION (GALVANIZED).....	14
FIGURE 1-3. CYLINDER ASSEMBLY - TILT	16
FIGURE 1-4. CYLINDER ASSEMBLY - ROLL	18
FIGURE 1-5. LIGHT BOX AND COVER INSTALLATION	20
FIGURE 1-6. SUBFRAME PAD INSTALLATION	22
FIGURE 1-7. HOLD DOWN INSTALLATION (24FT DECK).....	24
FIGURE 1-8. HOLD DOWN INSTALLATION (26FT DECK).....	26
FIGURE 1-9. HOLD DOWN INSTALLATION (28FT DECK).....	28
FIGURE 1-10. TOOLBOX INSTALLATION - 36IN.....	30
FIGURE 1-11. TOOLBOX INSTALLATION - 48IN.....	32
FIGURE 1-12. TOOLBOX INSTALLATION - 48IN (WITH DEEP BRACKETS)	34
FIGURE 1-13. TOOLBOX INSTALLATION - 60IN.....	36
FIGURE 1-14. TOOLBOX INSTALLATION - 60IN (WITH DEEP BRACKETS)	38
FIGURE 1-15. REAR STABILIZER - COMPLETE (WITH MANUAL EXTEND PINTLE MOUNTING).....	40
FIGURE 1-16. REAR STABILIZER INSTALLATION WITH MANUAL EXTEND PINTLE MOUNTING.....	42
FIGURE 1-17. CYLINDER ASSEMBLY - STABILIZER	44
FIGURE 1-18. MUDFLAPS INSTALLATION (STANDARD).....	46
FIGURE 1-19. MUDFLAPS INSTALLATION (HIGH MOUNT).....	48
FIGURE 1-20. BUMPER INSTALLATION - REAR (SHORT)	50
FIGURE 1-21. BUMPER INSTALLATION - REAR (LONG).....	52
SECTION 2 - DECK	55
FIGURE 2-1. DECK INSTALLATION (24FT X 96IN).....	56
FIGURE 2-2. DECK INSTALLATION (24FT X 96IN) (XLP MODEL)	58
FIGURE 2-3. DECK INSTALLATION (24FT X 102IN).....	60
FIGURE 2-4. DECK INSTALLATION (24FT X 102IN) (XLP MODEL)	62
FIGURE 2-5. DECK INSTALLATION (26FT X 96IN).....	64
FIGURE 2-6. DECK INSTALLATION (26FT X 96IN) (XLP MODEL)	66
FIGURE 2-7. DECK INSTALLATION (26FT X 102IN).....	68
FIGURE 2-8. DECK INSTALLATION (26FT X 102IN) (XLP MODEL)	70
FIGURE 2-9. DECK INSTALLATION (28FT X 96IN).....	72
FIGURE 2-10. DECK INSTALLATION (28FT X 96IN) (XLP MODEL)	74
FIGURE 2-11. DECK INSTALLATION (28FT X 102IN).....	76
FIGURE 2-12. DECK INSTALLATION (28FT X 102IN) (XLP MODEL)	78
FIGURE 2-13. WINCH INSTALLATION - 15K LBS	80
FIGURE 2-14. WINCH ASSEMBLY - 15K LBS	82
FIGURE 2-15. HEADBOARD INSTALLATION (45.5IN)	84
FIGURE 2-16. HEADBOARD INSTALLATION (50.5IN).....	86
FIGURE 2-17. HEADBOARD INSTALLATION (57.5IN).....	88
FIGURE 2-18. FREE SPOOL INSTALLATION (WITH PRESSURE PROTECTION VALVE).....	90
FIGURE 2-19. FREE SPOOL INSTALLATION (WITHOUT PRESSURE PROTECTION VALVE)	92
FIGURE 2-20. ANTI-SLIP PAINT INSTALLATION (DECK APPROACH END)	94
FIGURE 2-21. ANTI-SLIP PAINT INSTALLATION (DECK SIDES & APPROACH END).....	96
FIGURE 2-22. ANTI-SLIP PAINT INSTALLATION (DECK - INNER LENGTH).....	98
SECTION 3 - CONTROLS	101
FIGURE 3-1. CONTROLS INSTALLATION - DRIVERS SIDE	102
FIGURE 3-2. CONTROLS INSTALLATION - DRIVERS SIDE (ELECTRICAL).....	104
FIGURE 3-3. CONTROLS INSTALLATION - PASSENGERS SIDE.....	106
FIGURE 3-4. CONTROLS INSTALLATION - PASSENGERS SIDE (ELECTRICAL)	108
FIGURE 3-5. CONTROL STATION ASSEMBLY (DRIVERS SIDE)	110
FIGURE 3-6. CONTROL STATION ASSEMBLY (PASSENGERS SIDE)	112
FIGURE 3-7. VALVE ASSEMBLY	114
FIGURE 3-8. REMOTE CONTROL INSTALLATION - TRANSMITTER HOLDER	116
SECTION 4 - HYDRAULIC	119
FIGURE 4-1. HOSE INSTALLATION (156IN CA).....	120
FIGURE 4-2. HOSE INSTALLATION (160IN CA).....	122
FIGURE 4-3. HOSE INSTALLATION (162IN CA) (PETERBILT STD CAB)	124
FIGURE 4-4. HOSE INSTALLATION (168IN CA).....	126

TABLE OF CONTENTS

FIGURE 4-5. HOSE INSTALLATION (168IN CA) (FORD STD CAB)	128
FIGURE 4-6. HOSE INSTALLATION (192IN CA)	130
FIGURE 4-7. HOSE INSTALLATION (196IN CT) (IHC EXT CAB).....	132
FIGURE 4-8. HOSE INSTALLATION (196IN CT) (FREIGHTLINER STD CAB)	134
FIGURE 4-9. HOSE INSTALLATION (218IN CA)	136
FIGURE 4-10. HOSE INSTALLATION (242IN CA)	138
FIGURE 4-11. HOSE INSTALLATION - WINCH (24FT DECK)	140
FIGURE 4-12. HOSE INSTALLATION - WINCH (26FT DECK)	144
FIGURE 4-13. HOSE INSTALLATION - WINCH (28FT DECK)	148
FIGURE 4-14. TANK (HYDRAULIC) AND BRACKETS INSTALLATION (STANDARD TOP MOUNT)	152
FIGURE 4-15. TANK (HYDRAULIC) AND BRACKETS INSTALLATION (ALTERNATIVE SIDE MOUNT).....	154
FIGURE 4-16. TANK (HYDRAULIC) ASSEMBLY (TOP MOUNT)	156
FIGURE 4-17. TANK (HYDRAULIC) ASSEMBLY (SIDE MOUNT)	158
FIGURE 4-18. FILTER (HYDRAULIC) COVER PLATE INSTALLATION.....	160
SECTION 5 - ELECTRICAL.....	163
FIGURE 5-1. BREAKER INSTALLATION - 50AMP	164
FIGURE 5-2. CAMERA INSTALLATION - BACKUP (J-D SUPPLIED)	166
FIGURE 5-3. CAMERA INSTALLATION - BACKUP (OEM CHASSIS SUPPLIED)	168
FIGURE 5-4. CAMERA INSTALLATION - BACKUP (REAR VIEW MIRROR)	170
FIGURE 5-5. CAMERA INSTALLATION - CARGO CAMERA (WIRELESS HEADBOARD MOUNTED).....	172
FIGURE 5-6. CAMERA HARNESS (CARGO CAMERA)	174
FIGURE 5-7. LIGHTS - DECK LIGHTS HARNESS	176
FIGURE 5-8. LIGHTS INSTALLATION - DECK MARKER LIGHTS	178
FIGURE 5-9. LIGHTS INSTALLATION - TAILLIGHTS (24FT/26FT DECK) (Prior to SN 0220023727).....	180
FIGURE 5-10. LIGHTS INSTALLATION - TAILLIGHTS (28FT DECK) (Prior to SN 0220023727)	182
FIGURE 5-11. LIGHTS INSTALLATION - TAILLIGHTS (SN 0220023727 to Present)	184
FIGURE 5-12. LIGHTS INSTALLATION - LIGHTBAR	186
FIGURE 5-13. LIGHTBAR ASSEMBLY	188
FIGURE 5-14. LIGHTS INSTALLATION - WORKLIGHTS AT HEADBORAD	190
FIGURE 5-15. LIGHTS INSTALLATION - WORKLIGHTS AT WINCH	192
FIGURE 5-16. LIGHTS INSTALLATION - WORKLIGHTS AT REAR.....	194
FIGURE 5-17. REMOTE CONTROL HARNESS (DRIVERS SIDE).....	196
FIGURE 5-18. REMOTE CONTROL HARNESS (PASSENGERS SIDE)	198
FIGURE 5-19. SUBFRAME HARNESS	200
FIGURE 5-20. SUBFRAME TO CAB HARNESS	202
FIGURE 5-21. SUBFRAME TO DECK HARNESS.....	204
FIGURE 5-22. SUBFRAME TO WINCH HARNESS (24FT/26FT DECK) (Prior to SN 0220023727).....	206
FIGURE 5-23. SUBFRAME TO WINCH HARNESS (28FT DECK) (Prior to SN 0220023727)	208
FIGURE 5-24. SUBFRAME TO WINCH HARNESS (SN 0220023727 to Present).....	210
FIGURE 5-25. SWITCH INSTALLATION - 3 FUNCTION IN-DASH COMPACT (Prior to SN 0220023727)	212
FIGURE 5-26. SWITCH INSTALLATION - 3 FUNCTION IN-DASH COMPACT (SN 0220023727 to Present)	214
FIGURE 5-27. SWITCH INSTALLATION - 3 FUNCTION IN-DASH MINI (Prior to SN 0220023727).....	216
FIGURE 5-28. SWITCH INSTALLATION - 3 FUNCTION IN-DASH MINI (SN 0220023727 to Present).....	218
FIGURE 5-29. SWITCH INSTALLATION - 3 FUNCTION UNDER-DASH COMPACT (Prior to SN 0220023727)	220
FIGURE 5-30. SWITCH INSTALLATION - 3 FUNCTION UNDER-DASH COMPACT (SN 0220023727 to Present)	222
FIGURE 5-31. SWITCH INSTALLATION - 4 FUNCTION (Prior to SN 0220023727).....	224
FIGURE 5-32. SWITCH INSTALLATION - 4 FUNCTION (SN 0220023727 to Present)	226
FIGURE 5-33. SWITCH INSTALLATION - 5 FUNCTION IN-DASH COMPACT (Prior to SN 0220023727)	228
FIGURE 5-34. SWITCH INSTALLATION - 5 FUNCTION IN-DASH COMPACT (SN 0220023727 to Present)	230
FIGURE 5-35. SWITCH INSTALLATION - 5 FUNCTION IN-DASH COMPACT (IHC) (Prior to SN 0220023727).....	232
FIGURE 5-36. SWITCH INSTALLATION - 5 FUNCTION IN-DASH COMPACT (IHC) (SN 0220023727 to Present).....	234
FIGURE 5-37. SWITCH INSTALLATION - 5 FUNCTION IN-DASH COMPACT (PETERBILT) (Prior to SN 0220023727)	236
FIGURE 5-38. SWITCH INSTALLATION - 5 FUNCTION IN-DASH COMPACT (PETERBILT) (SN 0220023727 to Present)....	238
FIGURE 5-39. SWITCH INSTALLATION - 5 FUNCTION UNDER-DASH COMPACT (Prior to SN 0220023727)	240
FIGURE 5-40. SWITCH INSTALLATION - 5 FUNCTION UNDER-DASH COMPACT (SN 0220023727 to Present)	242
SECTION 6 - DECALS	245
FIGURE 6-1. DECALS INSTALLATION - HEAVY DUTY CARRIERS	246
FIGURE 6-2. DECAL INSTALLATION - HIGH VISIBILITY	250
SECTION 7 - ACCESSORIES.....	253
FIGURE 7-1. KITS LIST	254
FIGURE 7-2. 7-WAY ELECTRICAL CONNECTOR	256

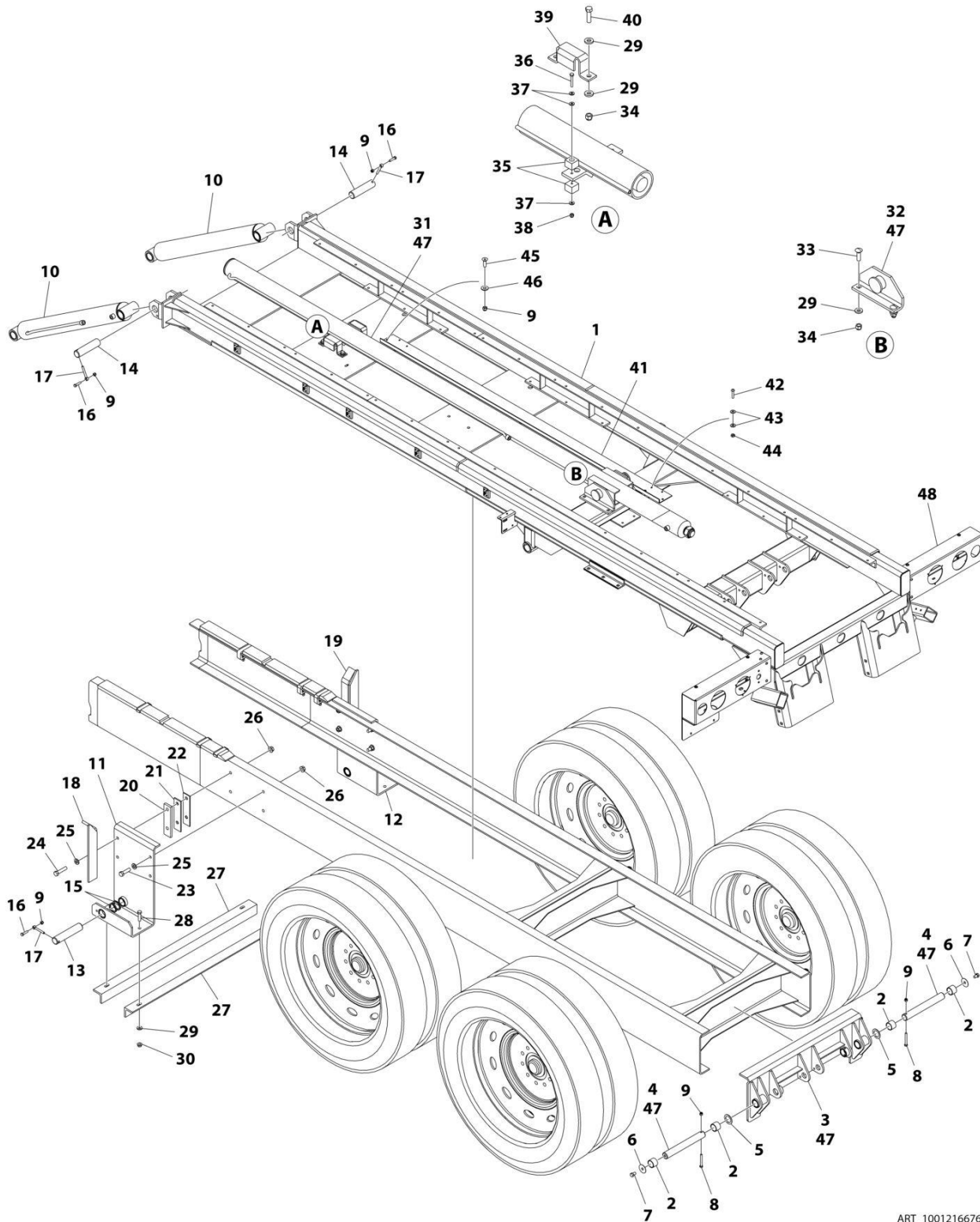
TABLE OF CONTENTS

FIGURE 7-3. 7-WAY ELECTRICAL CONNECTOR INSTALLATION	258
FIGURE 7-4. AIR SUPPLY DISCONNECT	260
FIGURE 7-5. GLAD HANDS INSTALLATION (WITHOUT MOUNTING BRACKET)	262
FIGURE 7-6. GLAD HANDS INSTALLATION (WITH MOUNTING BRACKET)	264
FIGURE 7-7. GLAD HAND BRACKET INSTALLATION	266
FIGURE 7-8. LADDER, FOLDING 3-STEP, FRONT LEFT INSTALLATION.....	268
FIGURE 7-9. LADDER, FOLDING 3-STEP, FRONT LEFT/RIGHT INSTALLATION.....	270
FIGURE 7-10. SADDLE SPACERS INSTALLATION	272
FIGURE 7-11. THROTTLE CONTROL - REMOTE	274
FIGURE 7-12. TOW PINTLE - DUPLEX PINTLE HITCH	276
FIGURE 7-13. TRAFFIC CONE HOLDER INSTALLATION	278
SECTION 8 - BUILD DOCUMENTS.....	281
FIGURE 8-1. BUILD DOC_5376000223.....	282
PART NUMBER INDEX	285

SECTION 1 - SUBFRAME

SECTION 1 - SUBFRAME

FIGURE 1-1. SUBFRAME INSTALLATION



ART_1001216676

SECTION 1 - SUBFRAME

FIGURE 1-1. SUBFRAME INSTALLATION

ITEM	PART NUMBER	QTY	DESCRIPTION	REV
	1001216676	Ref	SUBFRAME INSTALLATION	C
1	1001216675	1	Sub-Frame	
2	7082000017	4	Bearing	
3	1001162403	1	Mount, Trunnion	
4	4691000573	2	Pin	
5	7949000008	2	Washer 2-1/4	
6	7949000072	2	Washer 2	
7	0641806	2	Bolt 1/2 x 3/4	
8	0641624	2	Bolt 3/8 x 3	
9	3300492	7	Nut 3/8	
10	1001167764	2	Tilt Cylinder Assembly (See Separate Breakdown in this Section)	
11	3178000288	1	Bracket (LH)	
12	3178000289	1	Bracket (RH)	
13	1001188206	2	Pin	
14	1001188141	2	Pin	
15	4209000204	4	Bushing	
16	0641612	4	Bolt 3/8 x 1-1/2	
17	3841143	4	Keeper, Shaft	
18	3062000015	1	Bar, Body Guide (LH)	
19	3062000014	1	Bar, Body Guide (RH)	
20	4831000079	AR	Spacer 1/2	
21	4831000083	AR	Spacer 1/4	
22	4831000084	AR	Spacer 1/8	
23	7105201850	4	Bolt 5/8 x 2-1/2	
24	7105202250	4	Bolt 5/8 x 2-3/4	
25	4892000	8	Washer 5/8	
26	7660202347	8	Nut 5/8	
27	4017001093	2	Angle	
28	0651816	4	Bolt 1/2 x 2	
29	4891800	16	Washer 1/2	
30	7660182333	4	Nut 1/2	
31	1001166855	1	Roll Cylinder Assembly (See Separate Breakdown in this Section)	
32	3636000144	2	Mount, Trunnion	
33	7115181464	4	Bolt 1/2 x 1-3/4	
34	7660182601	8	Nut 1/2	
35	7189000026	4	Bumper	
36	7114141450	2	Bolt 1/4 x 1-3/4	
37	7950140143	6	Washer 1/4	
38	7660142604	2	Nut 1/4	
39	4178000912	2	Bracket	
40	0641812	4	Bolt 1/2 x 1-1/2	
41	1001162798	1	Plate	
42	7114100818	2	Bolt #10 x 1	
43	4751300	4	Washer 3/16	
44	3300455	2	Nut #10	
45	0741610	1	Screw 3/8 x 1-1/4	
46	4751600	1	Washer 3/8	
47	3020039	AR	Lubricant	
48	1001173948	1	Lightbox and Cover Installation (See Separate Breakdown in this Section)	

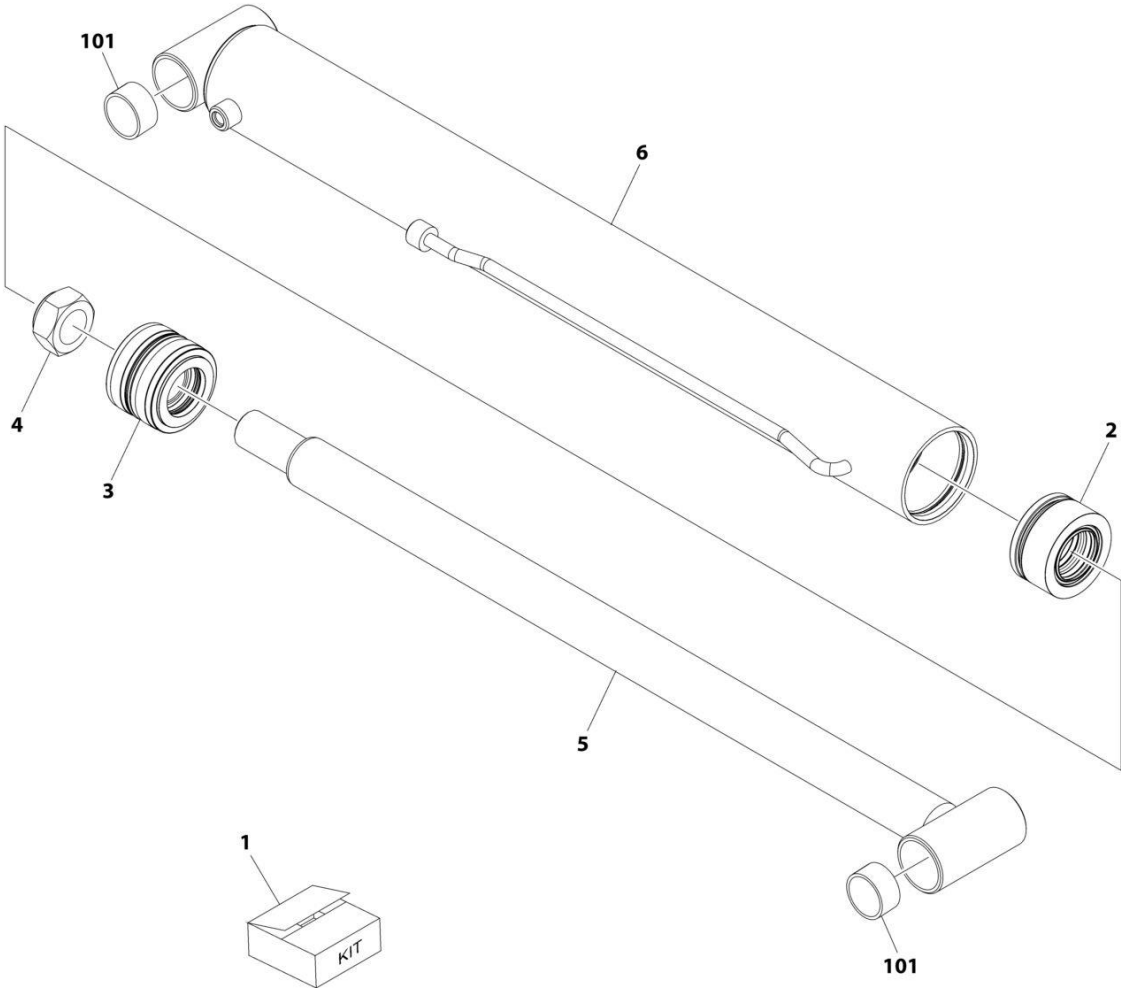
SECTION 1 - SUBFRAME

FIGURE 1-2. SUBFRAME INSTALLATION (GALVANIZED)

ITEM	PART NUMBER	QTY	DESCRIPTION	REV
	1001229071	Ref	SUBFRAME INSTALLATION (GALVANIZED)	B
1	1001229070	1	Sub-Frame	
2	7082000017	4	Bearing	
3	1001162403	1	Mount, Trunnion Service/Aftermarket Kits List	
4	4691000573	2	Pin	
5	7949000008	2	Washer 2-1/4	
6	7949000072	2	Washer 2	
7	0641806	2	Bolt 1/2 x 3/4	
8	0641624	2	Bolt 3/8 x 3	
9	3300492	7	Nut 3/8	
10	1001167764	2	Tilt Cylinder Assembly (See Separate Breakdown in this Section)	
11	3178000288	1	Bracket (LH)	
12	3178000289	1	Bracket (RH)	
13	1001188206	2	Pin	
14	1001188141	2	Pin	
15	4209000204	4	Bushing	
16	0641612	4	Bolt 3/8 x 1-1/2	
17	3841143	4	Keeper, Shaft	
18	3062000015	1	Bar, Body Guide (LH)	
19	3062000014	1	Bar, Body Guide (RH)	
20	4831000079	AR	Spacer 1/2	
21	4831000083	AR	Spacer 1/4	
22	4831000084	AR	Spacer 1/8	
23	7105201850	4	Bolt 5/8 x 2-1/2	
24	7105202250	4	Bolt 5/8 x 2-3/4	
25	4892000	8	Washer 5/8	
26	7660202347	8	Nut 5/8	
27	4017001093	2	Angle	
28	0651816	4	Bolt 1/2 x 2	
29	4891800	16	Washer 1/2	
30	7660182333	4	Nut 1/2	
31	1001166855	1	Roll Cylinder Assembly (See Separate Breakdown in this Section)	
32	3636000144	2	Mount, Trunnion	
33	7115181464	4	Bolt 1/2 x 1-3/4	
34	7660182601	8	Nut 1/2	
35	7189000026	4	Bumper	
36	7114141450	2	Bolt 1/4 x 1-3/4	
37	7950140143	6	Washer 1/4	
38	7660142604	2	Nut 1/4	
39	4178000912	2	Bracket	
40	0641812	4	Bolt 1/2 x 1-1/2	
41	1001162798	1	Plate	
42	7114100818	2	Bolt #10 x 1	
43	4751300	4	Washer 3/16	
44	3300455	2	Nut #10	
45	0741610	1	Screw 3/8 x 1-1/4	
46	4751600	1	Washer 3/8	
47	3020039	AR	Lubricant	
48	1001173949	1	Lightbox and Cover Installation (See Separate Breakdown in this Section)	

SECTION 1 - SUBFRAME

FIGURE 1-3. CYLINDER ASSEMBLY - TILT



ART_100116764

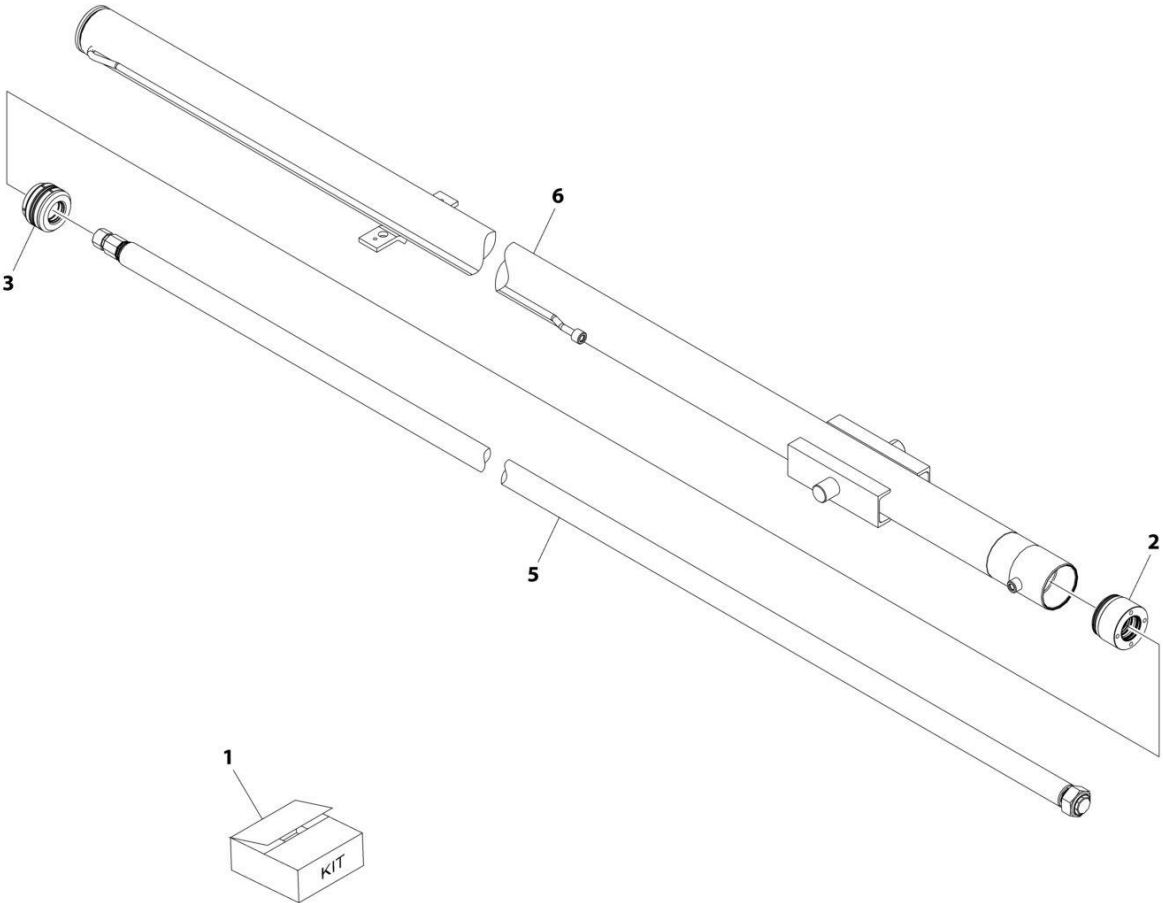
SECTION 1 - SUBFRAME

FIGURE 1-3. CYLINDER ASSEMBLY - TILT

ITEM	PART NUMBER	QTY	DESCRIPTION	REV
	1001167764	Ref	Tilt Cylinder Assembly	C
1	70051167	1	Kit, Seal	
2	70051170	1	Kit, Head	
3	70051171	1	Kit, Piston	
4	70051391	1	Rod End	
5	70051392	1	Rod	
6	70051393	1	Barrel	
101	7082000018	4	Bushing	

SECTION 1 - SUBFRAME

FIGURE 1-4. CYLINDER ASSEMBLY - ROLL



ART_1001166855

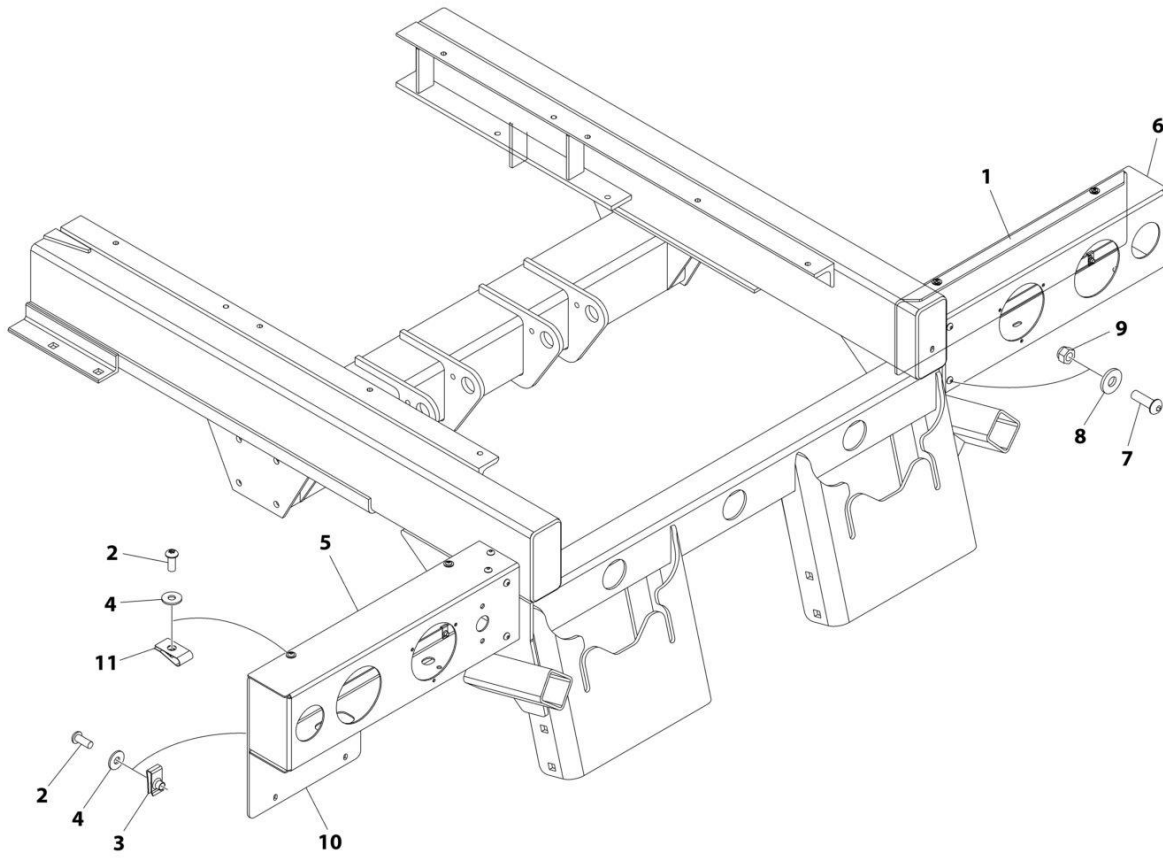
SECTION 1 - SUBFRAME

FIGURE 1-4. CYLINDER ASSEMBLY - ROLL

ITEM	PART NUMBER	QTY	DESCRIPTION	REV
	1001166855	Ref	Roll Cylinder Assembly	C
1	70051167	1	Kit, Seal	
2	70051170	1	Kit, Head	
3	70051171	1	Kit, Piston	
4	70051174	1	Instruction Assembly/Disassembly (not shown)	
5	70051394	1	Rod	
6	70051395	1	Barrel	

SECTION 1 - SUBFRAME

FIGURE 1-5. LIGHT BOX AND COVER INSTALLATION



ART_1001173949

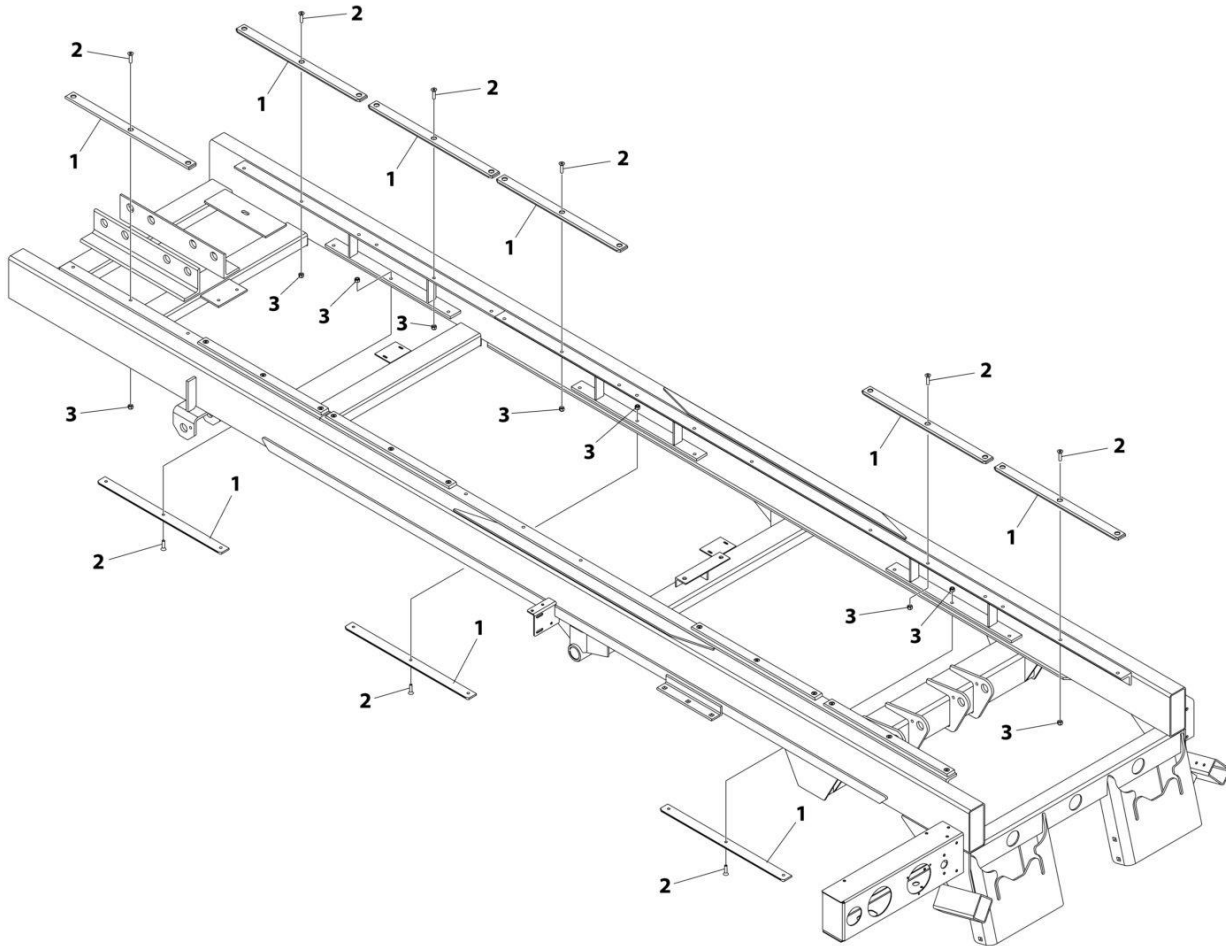
SECTION 1 - SUBFRAME

FIGURE 1-5. LIGHT BOX AND COVER INSTALLATION

ITEM	PART NUMBER	QTY	DESCRIPTION	REV
	1001173949	Ref	LIGHT BOX AND COVER INSTALLATION	B
1	1001188615	1	Cover, Light Box (RH)	
2	7114140529	8	Screw 1/4 x 5/8	
3	7661000042	4	U-Nut 1/4	
4	7949000023	8	Washer	
5	1001173947	1	Bracket, Light Box (LH)	
6	1001173946	1	Bracket, Light Box (RH)	
7	7114150818	8	Screw 3/8 x 1	
8	7950150153	8	Washer 3/8	
9	7660152601	8	Nut 3/8	
10	1001188616	1	Cover, Light Box (LH)	
11	7661000064	4	U-Nut 1/4	

SECTION 1 - SUBFRAME

FIGURE 1-6. SUBFRAME PAD INSTALLATION



ART_267900005

SECTION 1 - SUBFRAME

FIGURE 1-6. SUBFRAME PAD INSTALLATION

ITEM	PART NUMBER	QTY	DESCRIPTION	REV
	2679000005	Ref	MAIN SUBFRAME PAD INSTALLATION	B
1	4679000145	16	Pad	
2	7118161026	48	Capscrew 3/8 x 1-1/4	
3	7660162601	48	Nut 3/8	

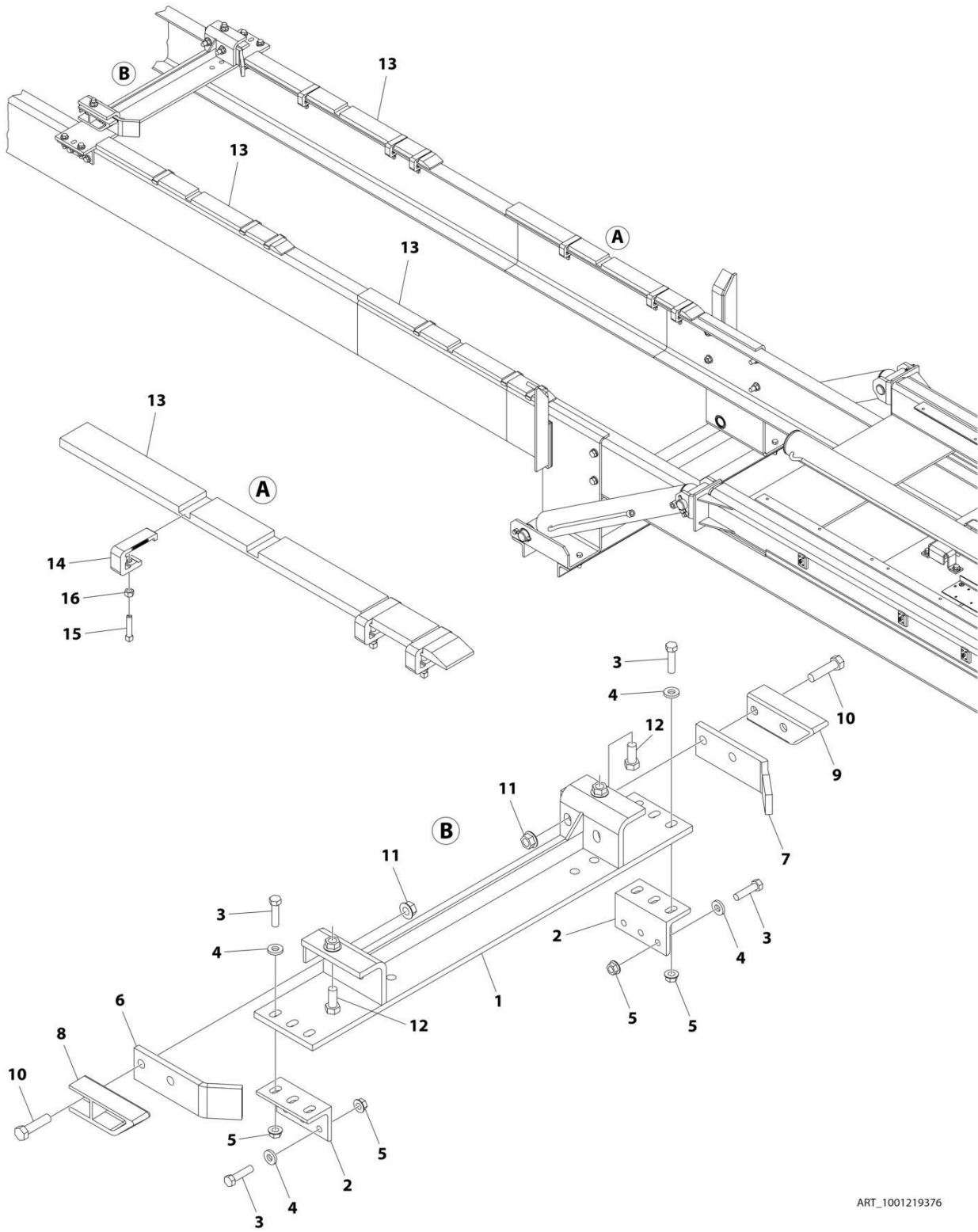
SECTION 1 - SUBFRAME

FIGURE 1-7. HOLD DOWN INSTALLATION (24FT DECK)

ITEM	PART NUMBER	QTY	DESCRIPTION	REV
	1001219375	Ref	HOLD DOWN AND SLIDE PAD INSTALLATION	C
1	3558000021	1	Hold Down Weldment	
2	4017001271	2	Angle	
3	0651816	8	Bolt 1/2 x 2	
4	4891800	8	Washer 1/2	
5	7660182333	8	Nut 1/2	
6	4706003025	1	Plate, LH	
7	4706003026	1	Plate, RH	
8	7259000015	1	Hold Down, LH	
9	7259000016	1	Hold Down, RH	
10	7105202050	4	Bolt 5/8 x 2-1/2	
11	7660202347	4	Nut 5/8	
12	7105201250	2	Bolt 5/8 x 1-1/2	
13	1001151248	2	Pad	
14	7274000125	6	Clamp	
15	7120000032	6	Screw 3/8 x 1-3/4	
16	3271601	6	Nut 3/8	

SECTION 1 - SUBFRAME

FIGURE 1-8. HOLD DOWN INSTALLATION (26FT DECK)



ART_1001219376

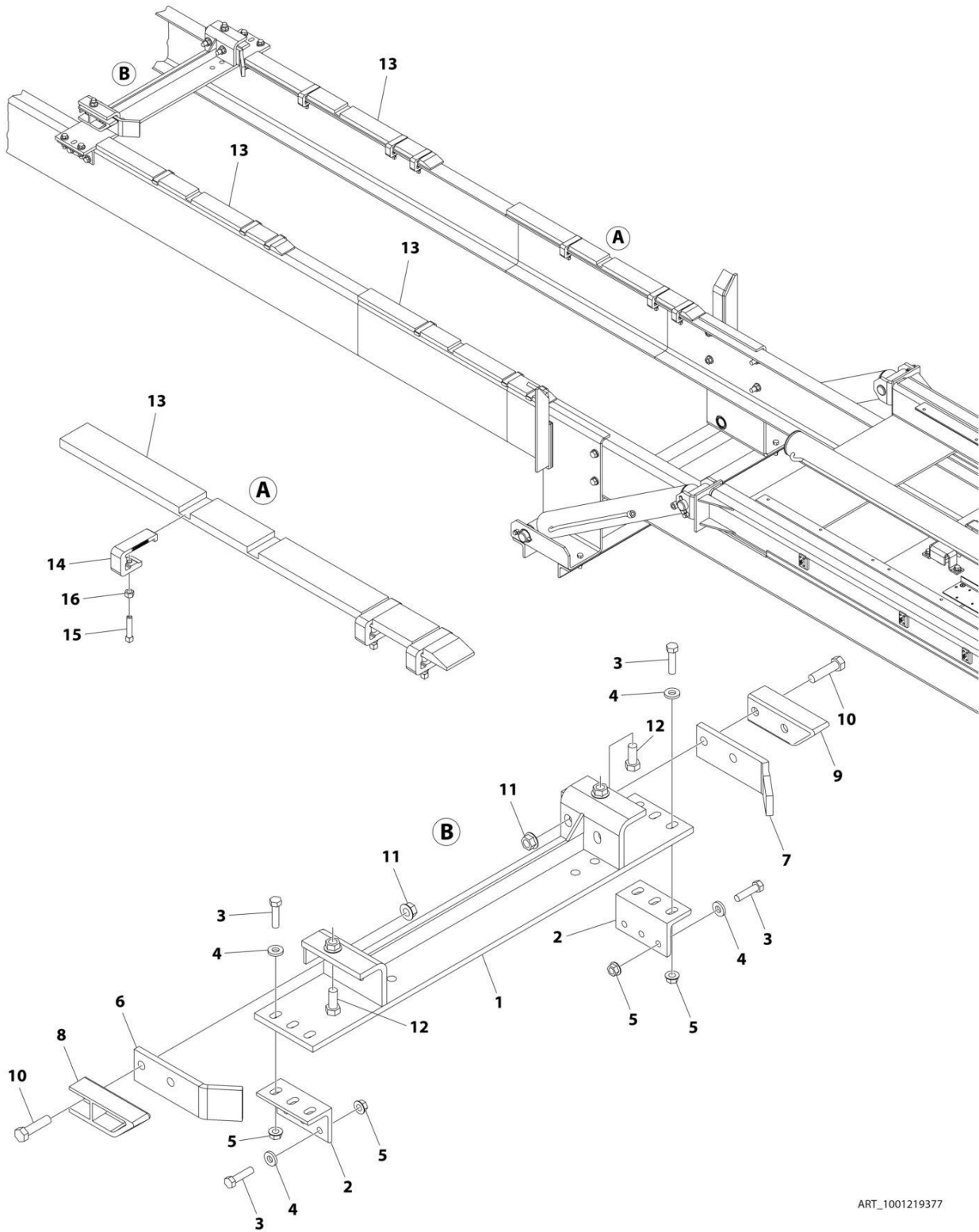
SECTION 1 - SUBFRAME

FIGURE 1-8. HOLD DOWN INSTALLATION (26FT DECK)

ITEM	PART NUMBER	QTY	DESCRIPTION	REV
	1001219376	Ref	HOLD DOWN WELDMENT INSTALLATION - 26FT DECK	D
1	3558000021	1	Hold Down Weldment	
2	4017001271	2	Angle	
3	0651816	8	Bolt 1/2 x 2	
4	4891800	8	Washer 1/2	
5	7660182333	8	Nut 1/2	
6	4706003025	1	Plate, LH	
7	4706003026	1	Plate, RH	
8	7259000015	1	Hold Down, LH	
9	7259000016	1	Hold Down, RH	
10	7105202050	4	Capscrew 5/8 x 2-1/2	
11	7660202347	4	Nut 5/8	
12	7105201250	2	Capscrew 5/8 x 1-1/2	
13	1001151248	4	Pad	
14	7274000125	12	Clamp	
15	7120000032	12	Screw 3/8 x 1-3/4	
16	3271601	12	Nut 3/8	

SECTION 1 - SUBFRAME

FIGURE 1-9. HOLD DOWN INSTALLATION (28FT DECK)



ART_1001219377

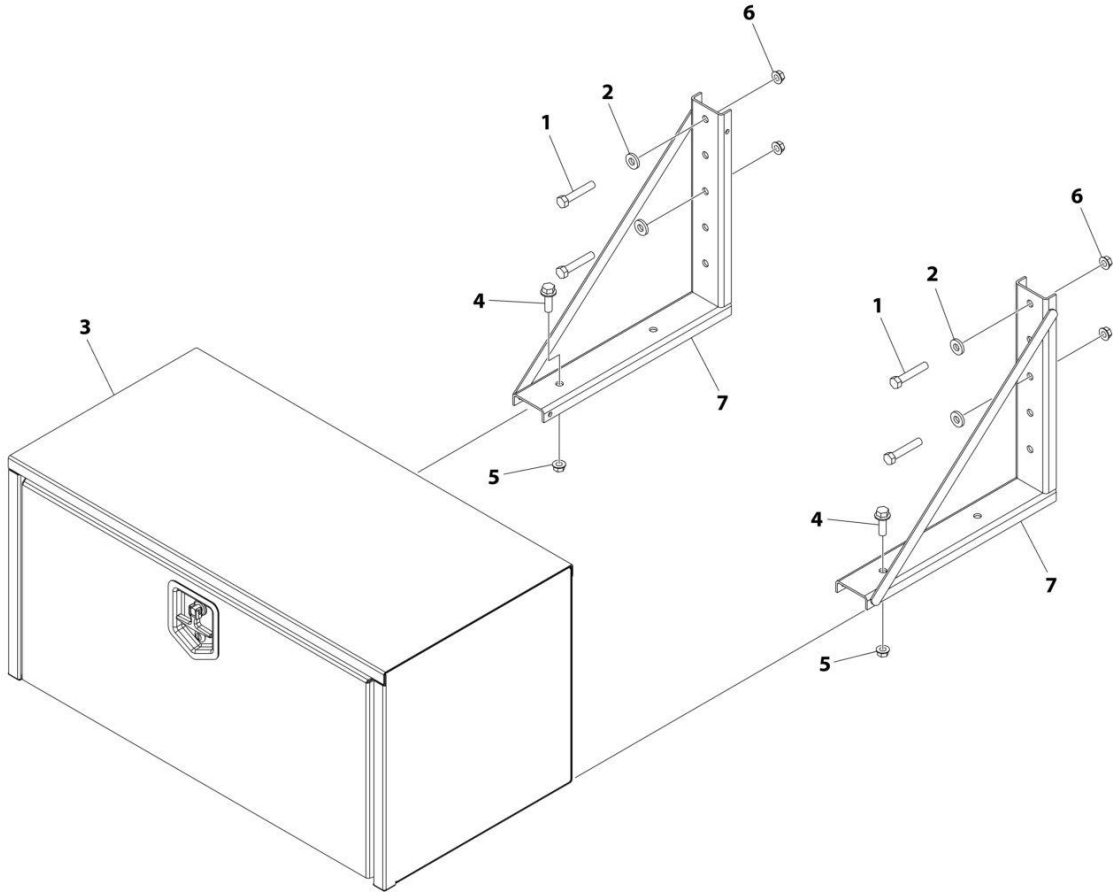
SECTION 1 - SUBFRAME

FIGURE 1-9. HOLD DOWN INSTALLATION (28FT DECK)

ITEM	PART NUMBER	QTY	DESCRIPTION	REV
	1001219377	Ref	HOLD DOWN WELD INSTALLATION - 28FT DECK	D
1	3558000021	1	Hold Down Weldment	
2	4017001271	2	Angle	
3	0651816	8	Bolt 1/2 x 2	
4	4891800	8	Washer 1/2	
5	7660182333	8	Nut 1/2	
6	4706003025	1	Plate, LH	
7	4706003026	1	Plate, RH	
8	7259000015	1	Hold Down, LH	
9	7259000016	1	Hold Down, RH	
10	7105202050	4	Capscrew 5/8 x 2-1/2	
11	7660202347	4	Nut 5/8	
12	7105201250	2	Capscrew 5/8 x 1-1/2	
13	1001151248	4	Pad	
14	7274000125	12	Clamp	
15	7120000032	12	Screw 3/8 x 1-3/4	
16	3271601	12	Nut 3/8	

SECTION 1 - SUBFRAME

FIGURE 1-10. TOOLBOX INSTALLATION - 36IN



ART_1001219245

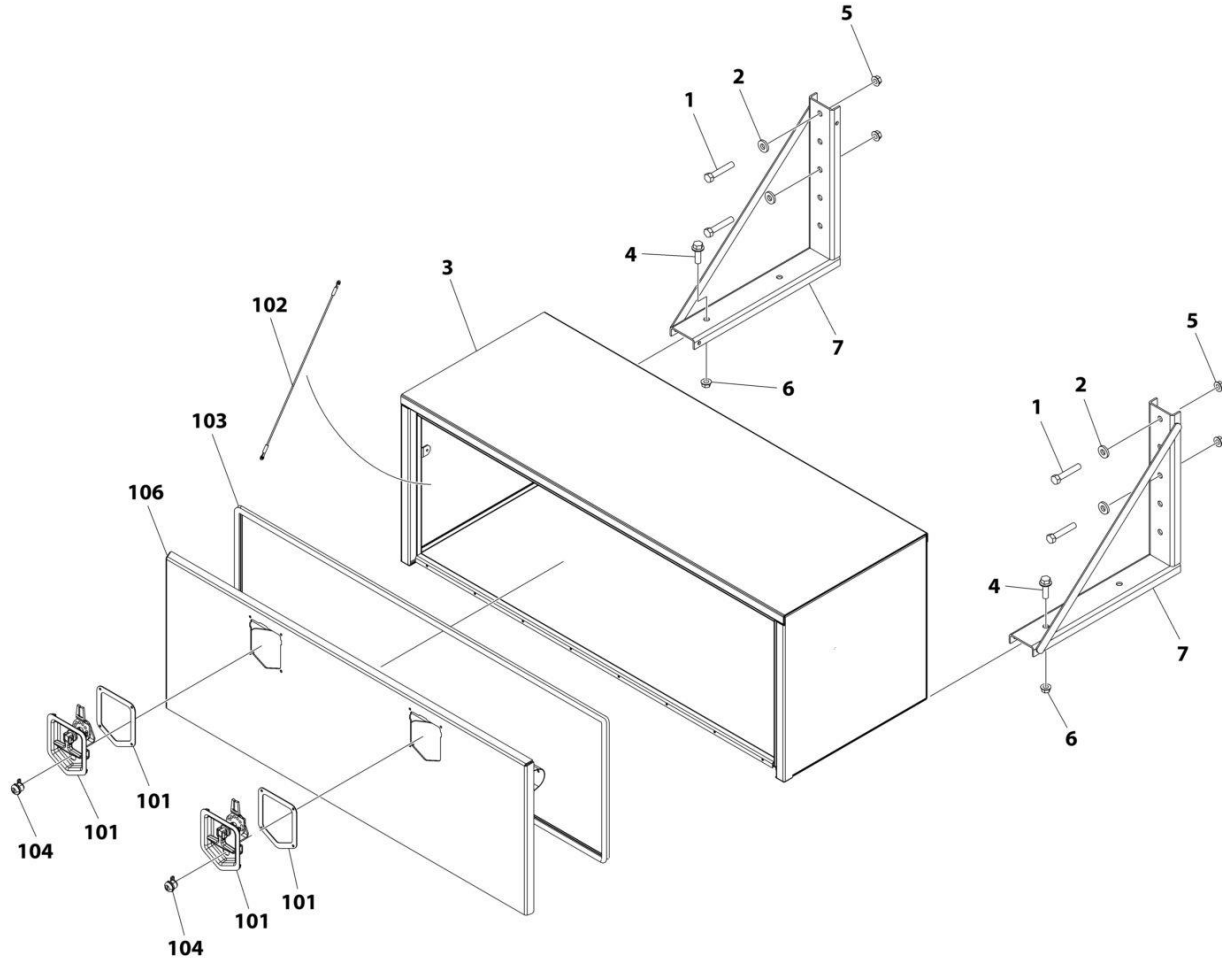
SECTION 1 - SUBFRAME

FIGURE 1-10. TOOLBOX INSTALLATION - 36IN

ITEM	PART NUMBER	QTY	DESCRIPTION	REV
	1001219245	Ref	TOOLBOX INSTALLATION - 36IN	B
1	0651822	4	Bolt 1/2 x 2-3/4	
2	4891800	4	Washer 1/2	
3	1001217568	1	Toolbox Assembly	
4	7118181216	4	Bolt 1/2 x 1-1/2	
5	7660182301	4	Nut 1/2	
6	7660182333	4	Nut 1/2	
7	1001218889	1	Bracket	

SECTION 1 - SUBFRAME

FIGURE 1-11. TOOLBOX INSTALLATION - 48IN



ART_1001219246

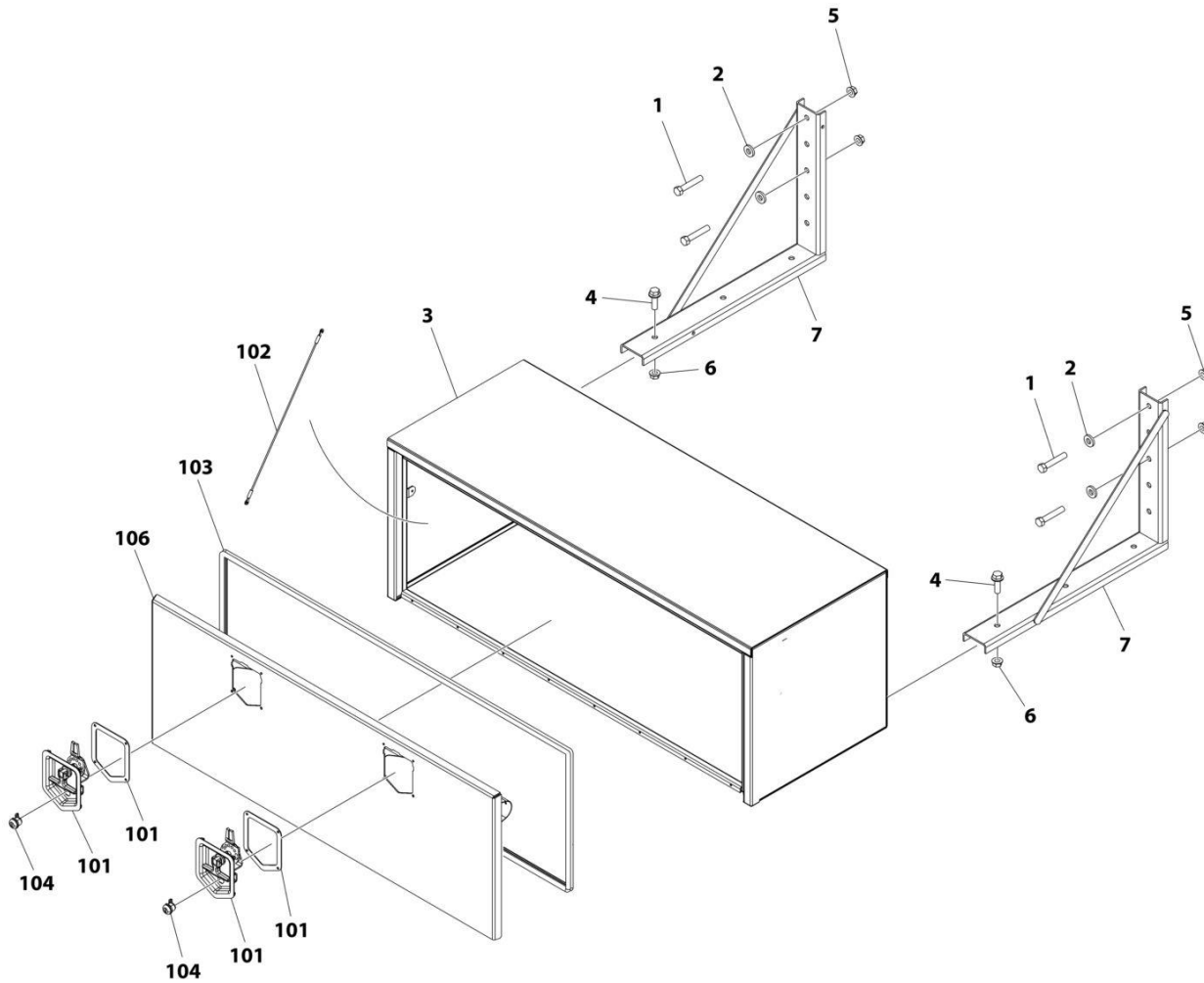
SECTION 1 - SUBFRAME

FIGURE 1-11. TOOLBOX INSTALLATION - 48IN

ITEM	PART NUMBER	QTY	DESCRIPTION	REV
	1001219246	Ref	TOOLBOX INSTALLATION - 48IN (STANDARD BRACKETS)	B
1	0651822	4	Bolt 1/2 x 2-3/4	
2	4891800	4	Washer 1/2	
3	1001217569	1	Toolbox Assembly (Includes Items 101-106)	
4	7118181216	4	Capscrew 1/2 x 1-1/2	
5	7660182301	4	Nut 1/2	
6	7660182333	4	Nut 1/2	
7	1001218889	1	Mount Kit	
	1001217569	Ref	TOOLBOX ASSEMBLY	B
101	70051431	1	Latch (Latch, Gasket, Keys and Cylinder)	
102	70051432	1	Lanyard	
103	70051433	1	Gasket, Door	
104	70051434	1	Lock Cylinder and Key	
105	70051435	1	Key (Not Shown)	
106	70051437	1	Door (Latch, Door and Hinge)	

SECTION 1 - SUBFRAME

FIGURE 1-12. TOOLBOX INSTALLATION - 48IN (WITH DEEP BRACKETS)



ART_1001235754

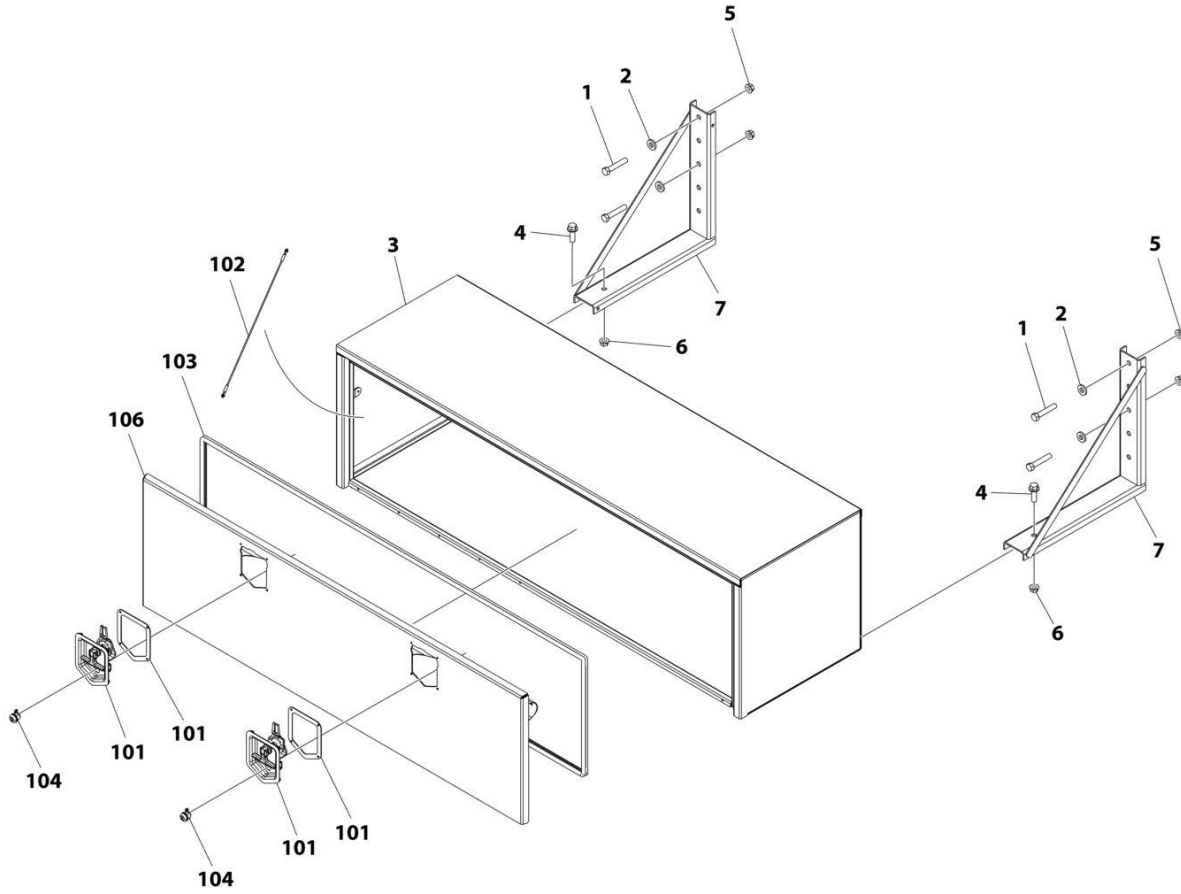
SECTION 1 - SUBFRAME

FIGURE 1-12. TOOLBOX INSTALLATION - 48IN (WITH DEEP BRACKETS)

ITEM	PART NUMBER	QTY	DESCRIPTION	REV
	1001235754	Ref	TOOLBOX INSTALLATION - 48IN (DEEP BRACKETS)	A
1	0651822	4	Bolt 1/2 x 2-3/4	
2	4891800	4	Washer 1/2	
3	1001217569	1	Toolbox Assembly (Includes Items 101-106)	
4	7118181216	4	Bolt 1/2 x 1-1/2	
5	7660182301	4	Nut 1/2	
6	7660182333	4	Nut 1/2	
7	1001235700	1	Mount Kit	
	1001217569	Ref	TOOLBOX ASSEMBLY	B
101	70051431	1	Latch (Latch, Gasket, Keys and Cylinder)	
102	70051432	1	Lanyard	
103	70051433	1	Gasket, Door	
104	70051434	1	Lock Cylinder and Key	
105	70051435	1	Key (Not Shown)	
106	70051437	1	Door (Latch, Door and Hinge)	

SECTION 1 - SUBFRAME

FIGURE 1-13. TOOLBOX INSTALLATION - 60IN



ART_1001219247

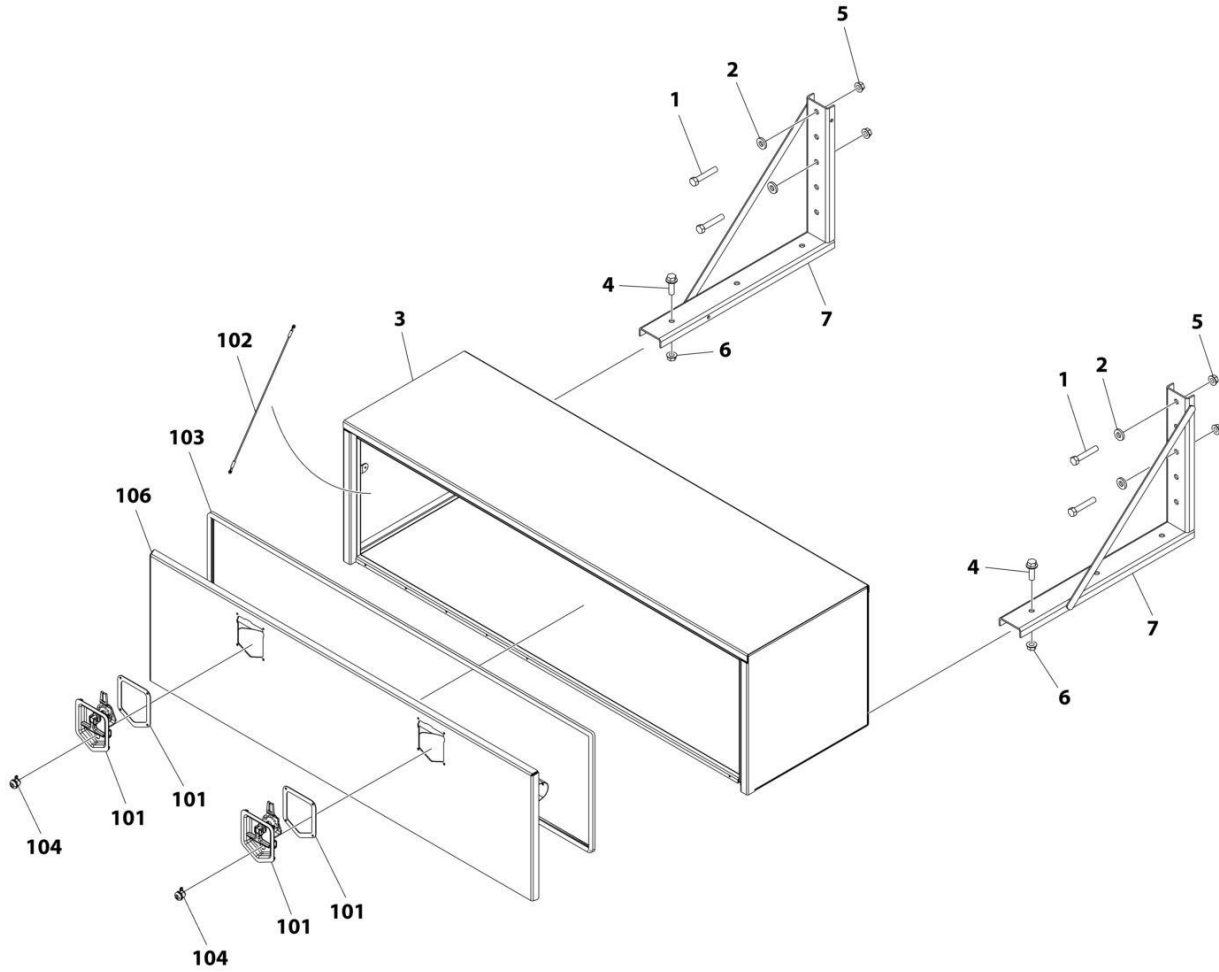
SECTION 1 - SUBFRAME

FIGURE 1-13. TOOLBOX INSTALLATION - 60IN

ITEM	PART NUMBER	QTY	DESCRIPTION	REV
	1001219247	Ref	TOOLBOX INSTALLATION - 60IN (STANDARD BRACKETS)	B
1	0651822	4	Bolt 1/2 x 2-3/4	
2	4891800	4	Washer 1/2	
3	1001217570	1	Toolbox Assembly (Includes Items 101-106)	
4	7118181216	4	Capscrew 1/2 x 1-1/2	
5	7660182301	4	Nut 1/2	
6	7660182333	4	Nut 1/2	
7	1001218889	1	Mount Kit	
	1001217570	Ref	TOOLBOX ASSEMBLY	B
101	70051431	1	Latch (Latch, Gasket, Keys and Cylinder)	
102	70051432	1	Lanyard	
103	70051433	1	Gasket, Door	
104	70051434	1	Lock Cylinder and Key	
105	70051435	1	Key (Not Shown)	
106	70051438	1	Door (Latch, Door and Hinge)	

SECTION 1 - SUBFRAME

FIGURE 1-14. TOOLBOX INSTALLATION - 60IN (WITH DEEP BRACKETS)



ART_1001235756

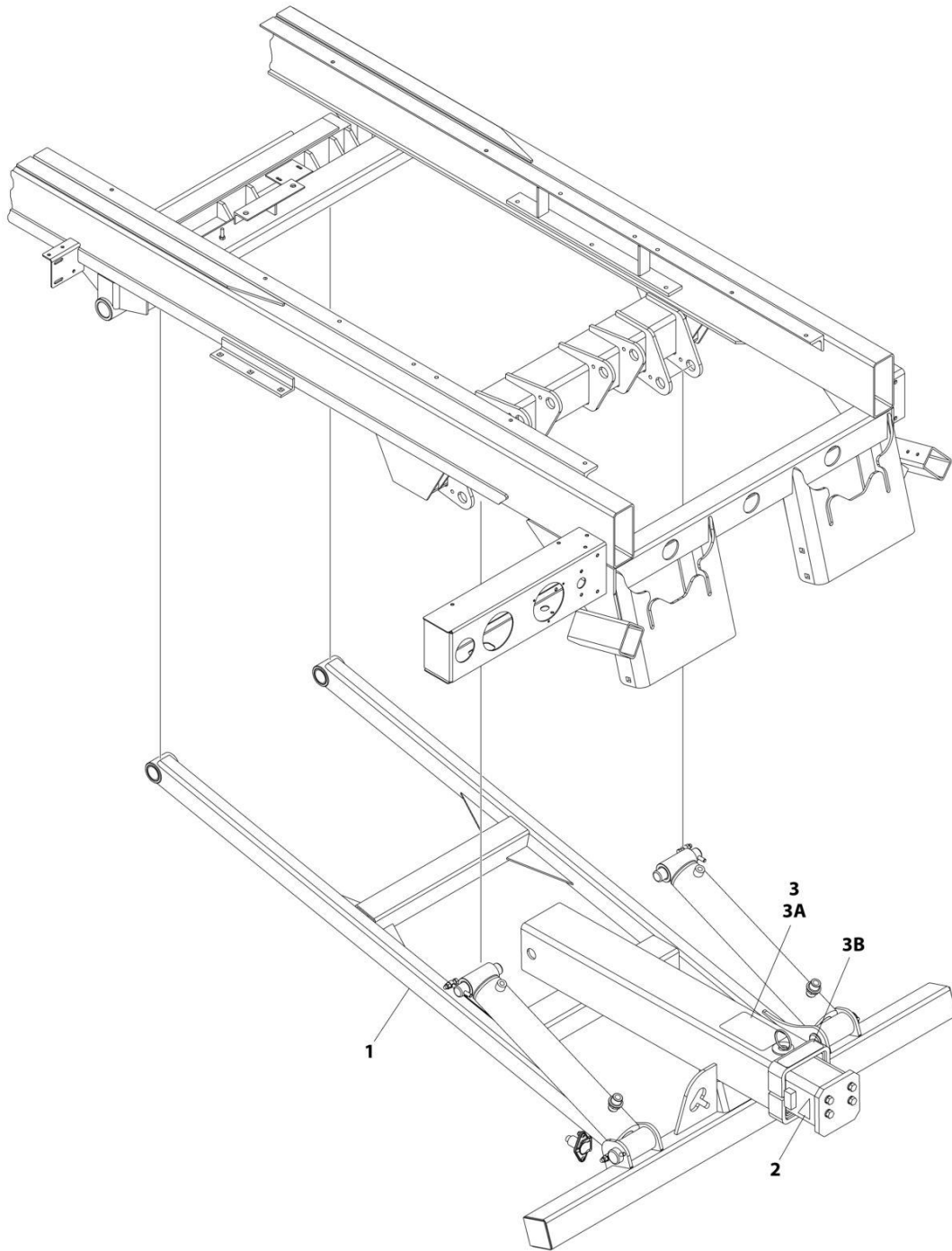
SECTION 1 - SUBFRAME

FIGURE 1-14. TOOLBOX INSTALLATION - 60IN (WITH DEEP BRACKETS)

ITEM	PART NUMBER	QTY	DESCRIPTION	REV
	1001235756	Ref	TOOLBOX INSTALLATION - 60IN (DEEP BRACKETS)	A
1	0651822	4	Bolt 1/2 x 2-3/4	
2	4891800	4	Washer 1/2	
3	1001217570	1	Toolbox Assembly (Includes Items 101-106)	
4	7118181216	4	Bolt 1/2 x 1-1/2	
5	7660182301	4	Nut 1/2	
6	7660182333	4	Nut 1/2	
7	1001235700	1	Mount Kit	
	1001217570	Ref	TOOLBOX ASSEMBLY	B
101	70051431	1	Latch (Latch, Gasket, Keys and Cylinder)	
102	70051432	1	Lanyard	
103	70051433	1	Gasket, Door	
104	70051434	1	Lock Cylinder and Key	
105	70051435	1	Key (Not Shown)	
106	70051438	1	Door (Latch, Door and Hinge)	

SECTION 1 - SUBFRAME

FIGURE 1-15. REAR STABILIZER - COMPLETE (WITH MANUAL EXTEND PINTLE MOUNTING)



ART_1001219380

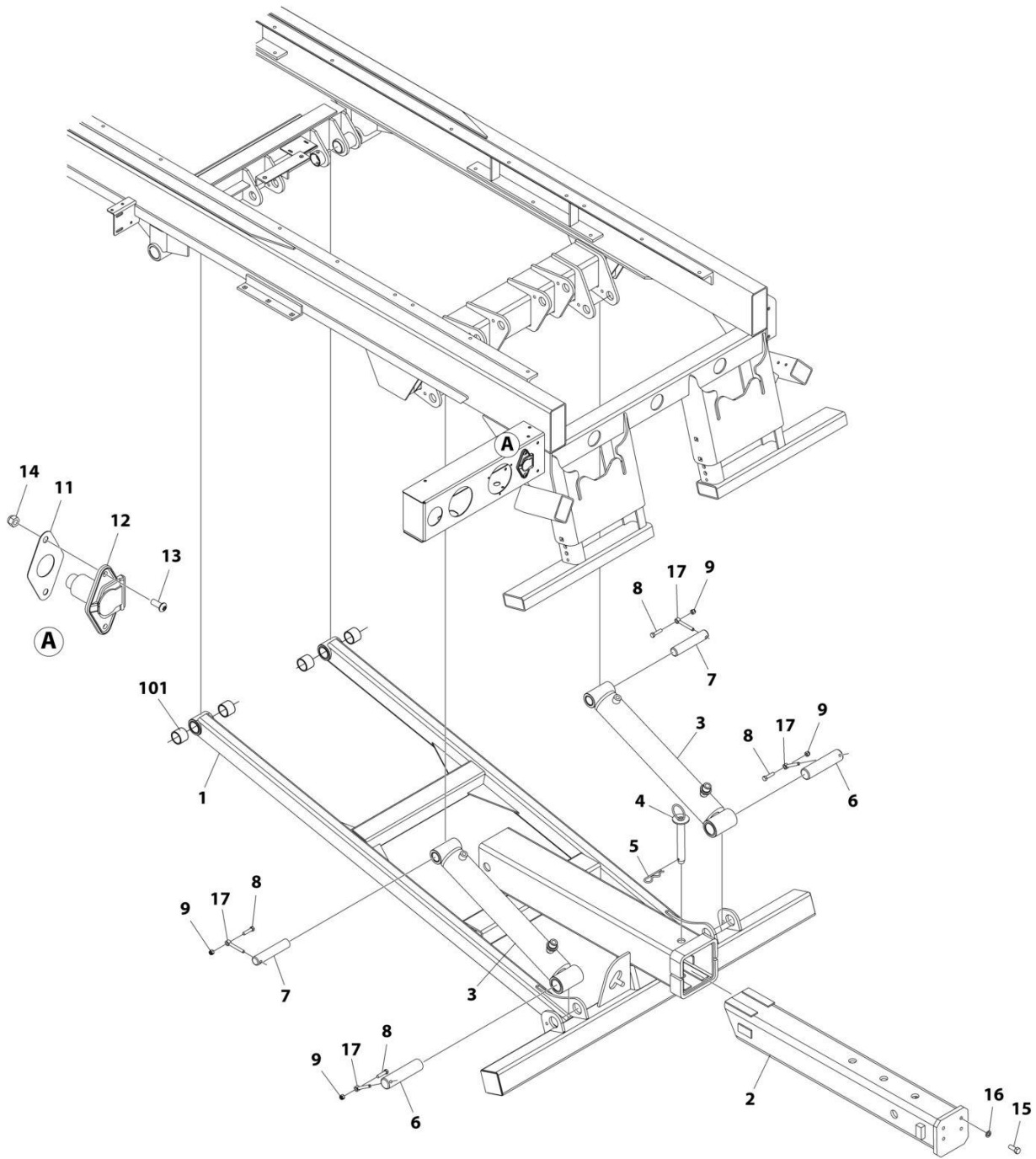
SECTION 1 - SUBFRAME

FIGURE 1-15. REAR STABILIZER - COMPLETE (WITH MANUAL EXTEND PINTLE MOUNTING)

ITEM	PART NUMBER	QTY	DESCRIPTION	REV
	1001219380	Ref	REAR STABILIZER INSTALLATION,	A
1	2849000040	1	Rear Stabilizer Installation (See Separate Breakdown in this Section)	
2	2330000041	Ref	Decal Installation, Pintle Hitch	
2	7330000645	1	Decal - Red, Retro-reflective LH	
2	7330000646	1	Decal - Red, Retro-reflective RH	
3	2330000061	Ref	Decal Installation	
3A	7330000684	1	Decal - Safety	
3B	7330000391	1	Decal - Warning, Tow Boom Configuration	

SECTION 1 - SUBFRAME

FIGURE 1-16. REAR STABILIZER INSTALLATION WITH MANUAL EXTEND PINTLE MOUNTING



ART_284900040

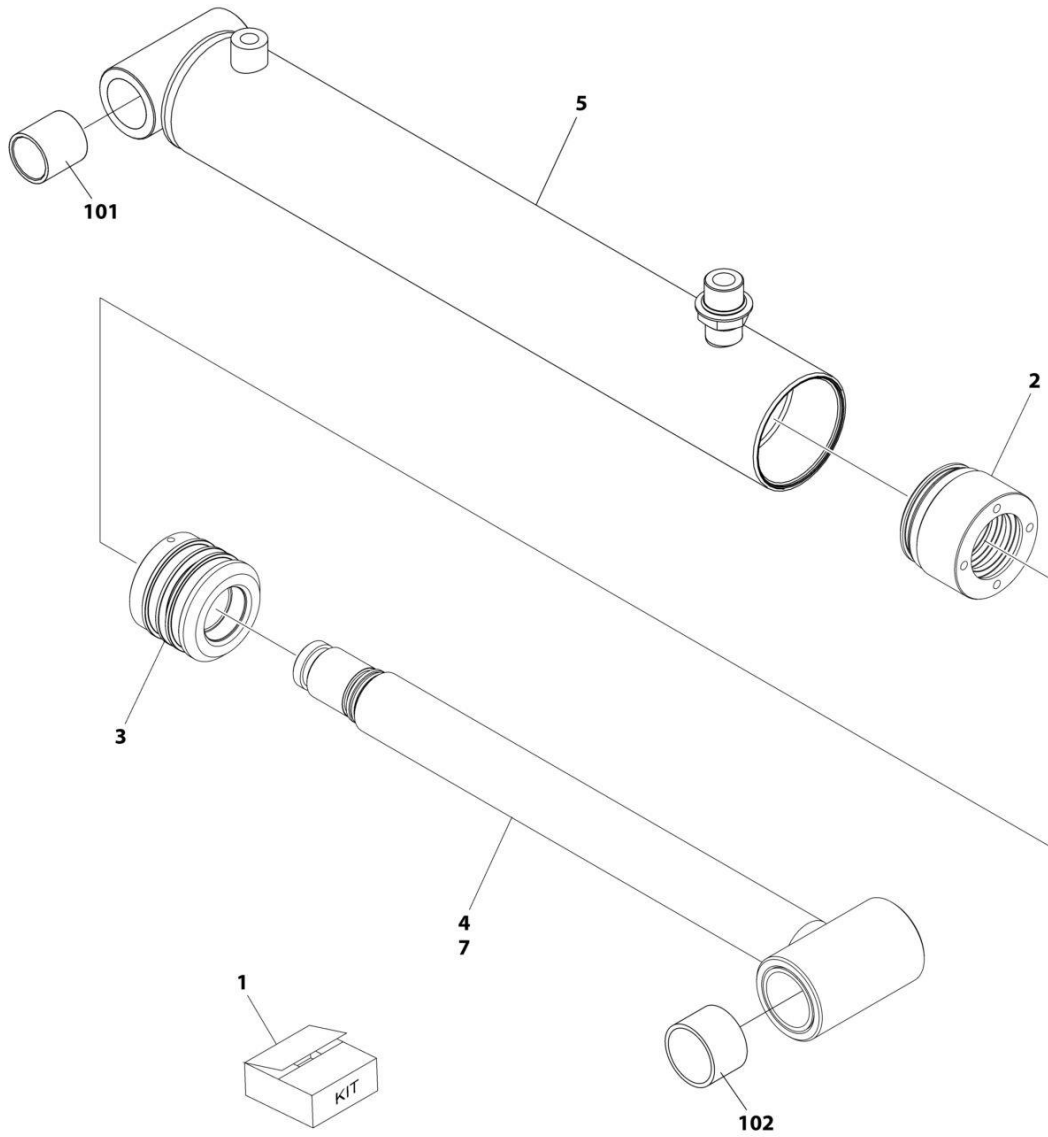
SECTION 1 - SUBFRAME

FIGURE 1-16. REAR STABILIZER INSTALLATION WITH MANUAL EXTEND PINTLE MOUNTING

ITEM	PART NUMBER	QTY	DESCRIPTION	REV
	2849000040	Ref	Rear Stabilizer Installation With Manual Extend Pintle Mounting	E
1	3849000028	1	Stabilizer Weldment	
2	1001127297	1	Boom Weldment	
3	1001167767	2	Stabilizer Cylinder Assembly (See Separate Breakdown in CYLINDER Section)	
4	3691000064	1	Pin	
5	7691000001	1	Hair Pin	
6	1001188140	2	Pin	
7	1001188129	2	Pin	
8	0641612	4	Bolt 3/8 x 1-1/2	
9	3300492	4	Nut 3/8	
11	7796000048	1	Gasket	
12	7291000010	1	Connector, Receptacle Female	
13	7114140528	2	Screw 1/4 x 5/8	
14	7660142601	2	Nut 1/4	
15	0691810	4	Capscrew 1/2 x 1-1/4	
16	4761800	4	Washer 1/2	
17	3841143	4	Keeper, Shaft	
101	7082000017	4	Bearing	

SECTION 1 - SUBFRAME

FIGURE 1-17. CYLINDER ASSEMBLY - STABILIZER



ART_1001167767

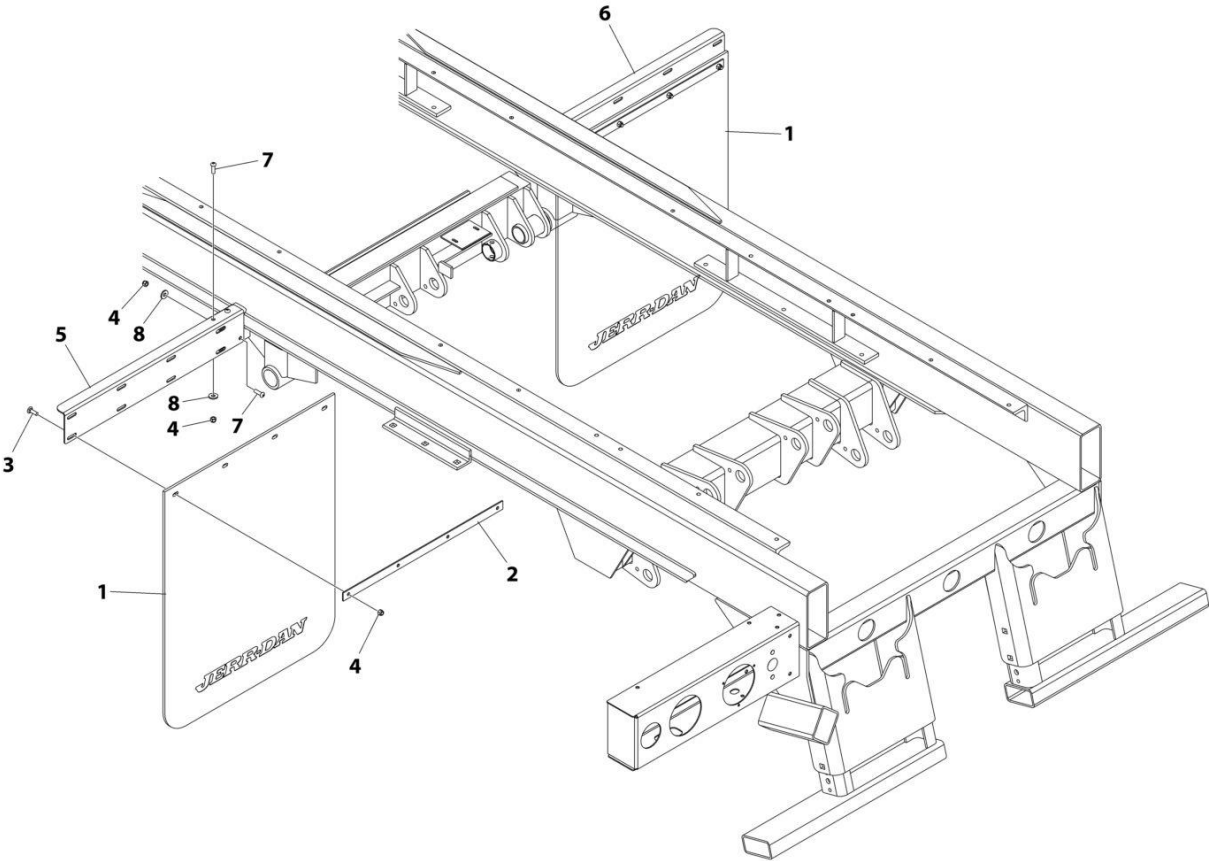
SECTION 1 - SUBFRAME

FIGURE 1-17. CYLINDER ASSEMBLY - STABILIZER

ITEM	PART NUMBER	QTY	DESCRIPTION	REV
	1001167767	Ref	Stabilizer Cylinder Assembly	C
1	70051168	1	Kit, Seal	
2	70051172	1	Kit, Head	
3	70051173	1	Kit, Piston	
4	70051388	1	Rod	
5	70051389	1	Barrel	
6	70051390	1	Head Bushing (not shown)	
7	70051391	1	Rod End	
101	7082000016	2	Bearing	
102	7082000018	2	Bearing	

SECTION 1 - SUBFRAME

FIGURE 1-18. MUDFLAPS INSTALLATION (STANDARD)



ART_263800017

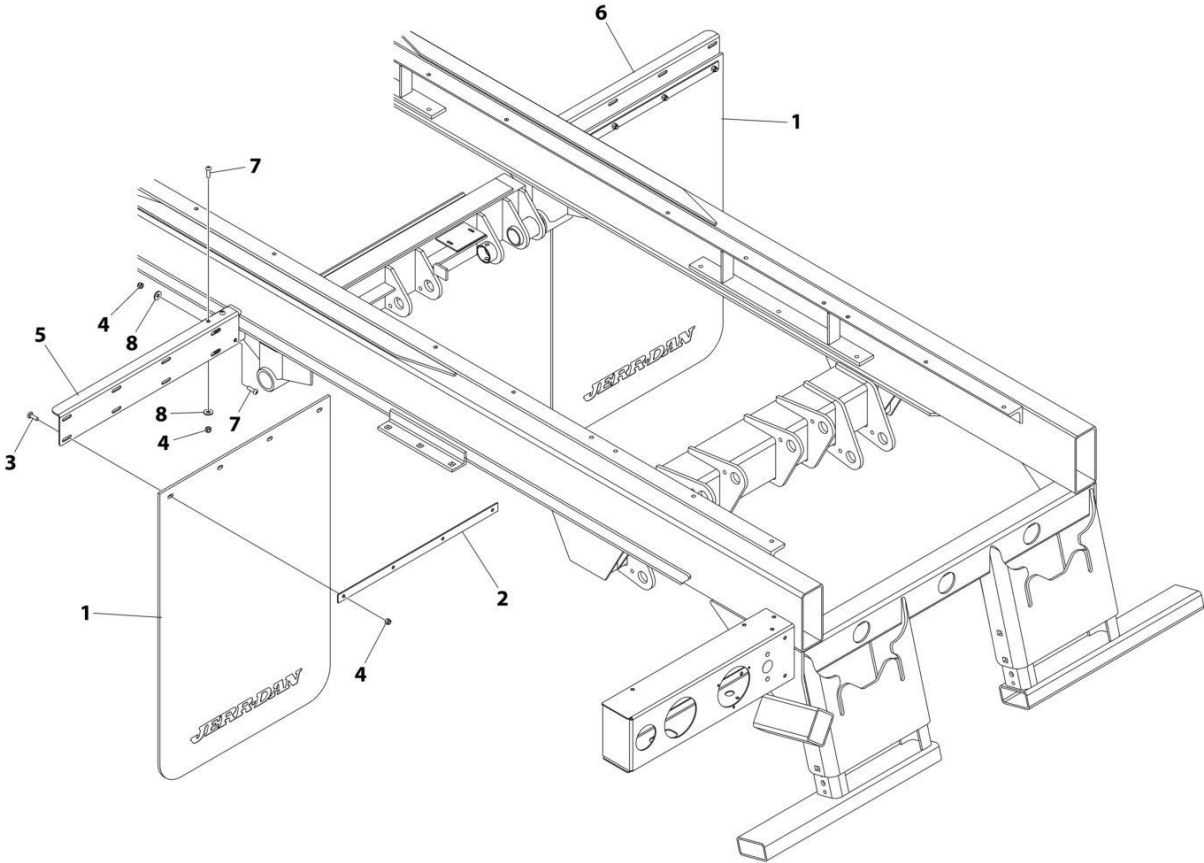
SECTION 1 - SUBFRAME

FIGURE 1-18. MUDFLAPS INSTALLATION (STANDARD)

ITEM	PART NUMBER	QTY	DESCRIPTION	REV
	2638000017	Ref	Mud Flaps, Standard	B
1	7638000004	2	Mud Flaps with Jerr-Dan Logo	
2	4706006427	2	Plate	
3	7111150864	8	Bolt 5/16 x 1	
4	7660152601	14	Nut 5/16	
5	4017001742	1	Angle (LH)	
6	4017001743	1	Angle (RH)	
7	7114150818	6	Capscrew 5/16 x 1	
8	7950150153	6	Washer 5/16	

SECTION 1 - SUBFRAME

FIGURE 1-19. MUDFLAPS INSTALLATION (HIGH MOUNT)



ART_263800019

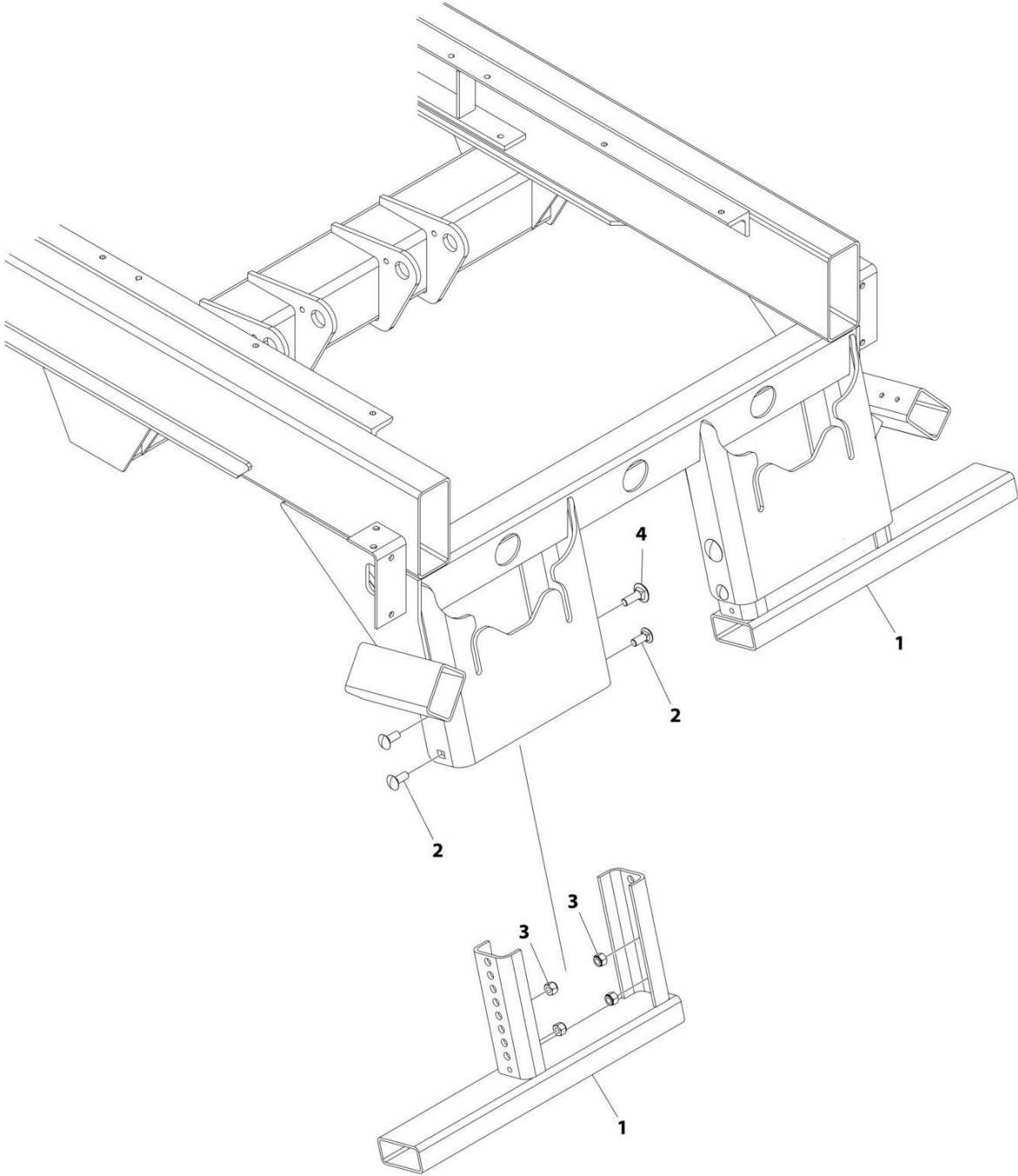
SECTION 1 - SUBFRAME

FIGURE 1-19. MUDFLAPS INSTALLATION (HIGH MOUNT)

ITEM	PART NUMBER	QTY	DESCRIPTION	REV
	2638000019	Ref	Mud Flap - High	D
1	7638000013	2	Mud Flap with Jerr-Dan Logo	
2	4706006427	2	Plate	
3	7111150864	8	Bolt 5/16 x 1	
4	7660152601	14	Nut 5/16	
5	4017001742	1	Angle (LH)	
6	4017001743	1	Angle (RH)	
7	7114150818	6	Capscrew 5/16 x 1	
8	7950150153	6	Washer 5/16	

SECTION 1 - SUBFRAME

FIGURE 1-20. BUMPER INSTALLATION - REAR (SHORT)



ART_1001177633

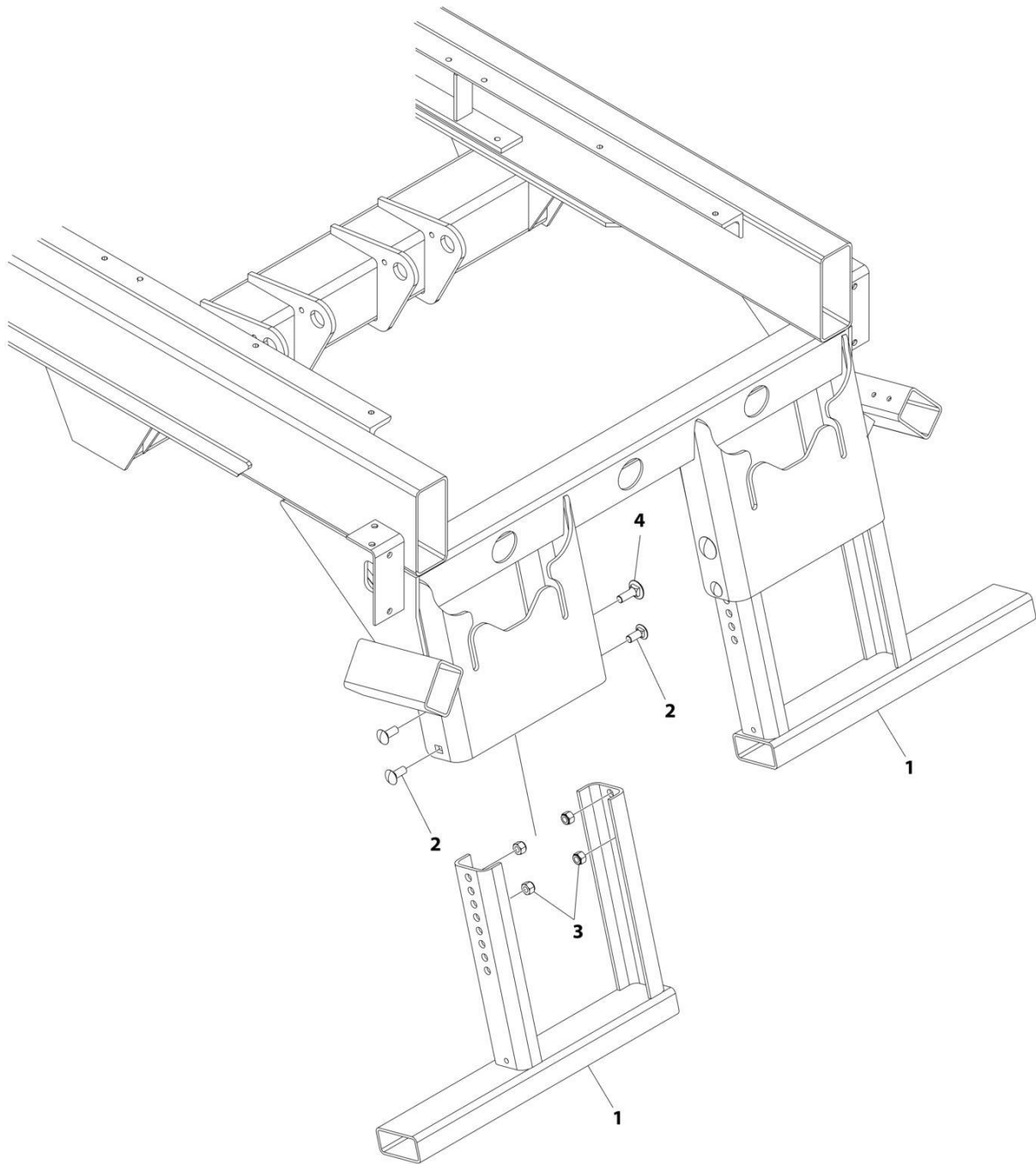
SECTION 1 - SUBFRAME

FIGURE 1-20. BUMPER INSTALLATION - REAR (SHORT)

ITEM	PART NUMBER	QTY	DESCRIPTION	REV
	1001177633	Ref	Rear Bumper - Short Galvanized	B
1	1001177603	2	Bumper	
2	7115181064	6	Bolt 1/2 x 1-1/4	
3	7660182601	8	Nut 1/2	
4	7115181664	2	Bolt 1/2 x 2	

SECTION 1 - SUBFRAME

FIGURE 1-21. BUMPER INSTALLATION - REAR (LONG)



ART_1001177634

SECTION 1 - SUBFRAME

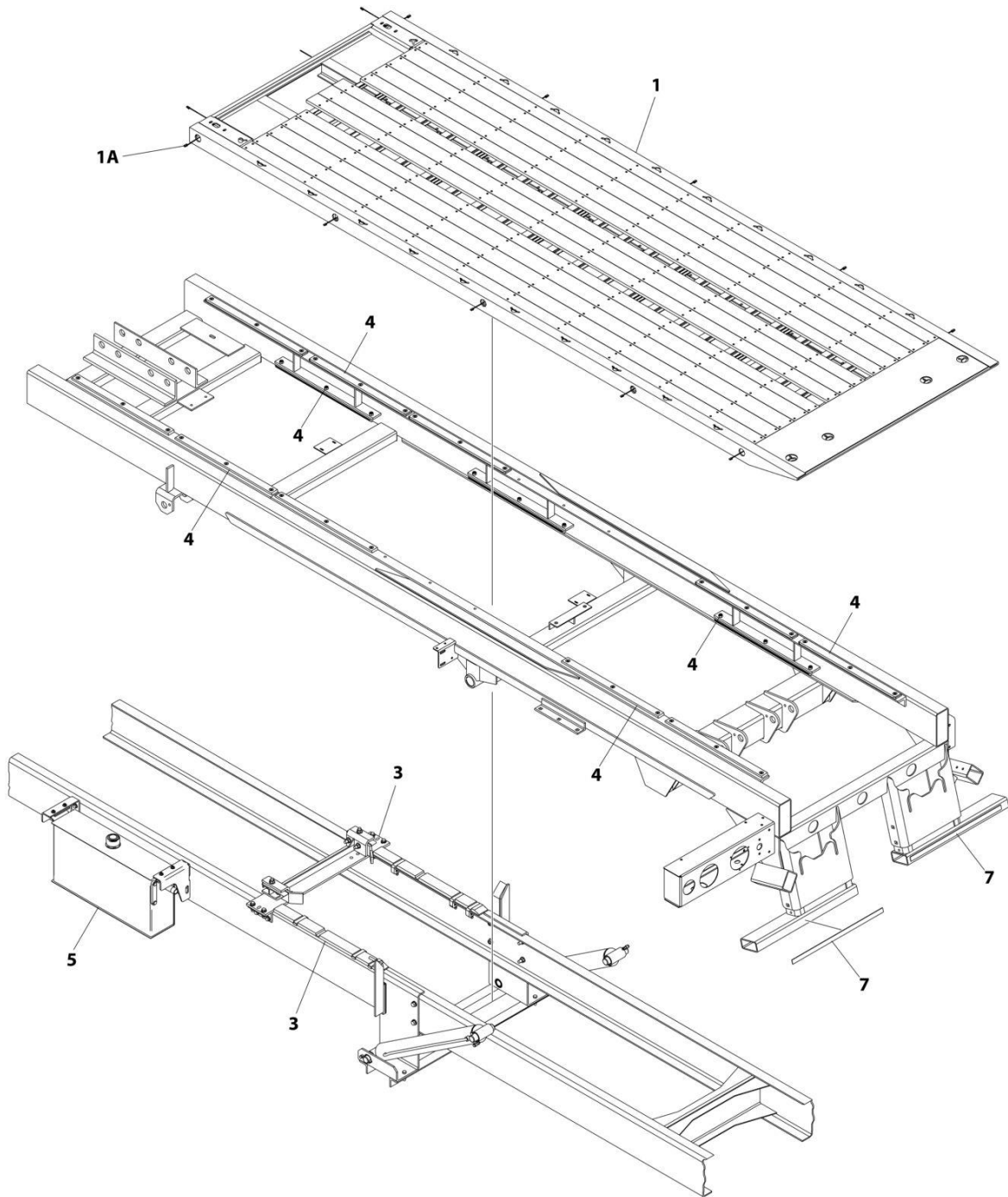
FIGURE 1-21. BUMPER INSTALLATION - REAR (LONG)

ITEM	PART NUMBER	QTY	DESCRIPTION	REV
	1001177634	Ref	Rear Bumper - Long Galvanized	B
1	1001177605	2	Bumper	
2	7115181064	6	Bolt 1/2 x 1-1/4	
3	7660182601	8	Nut 1/2	
4	7115181664	2	Bolt 1/2 x 2	

SECTION 2 - DECK

SECTION 2 - DECK

FIGURE 2-1. DECK INSTALLATION (24FT X 96IN)



ART_1001219155

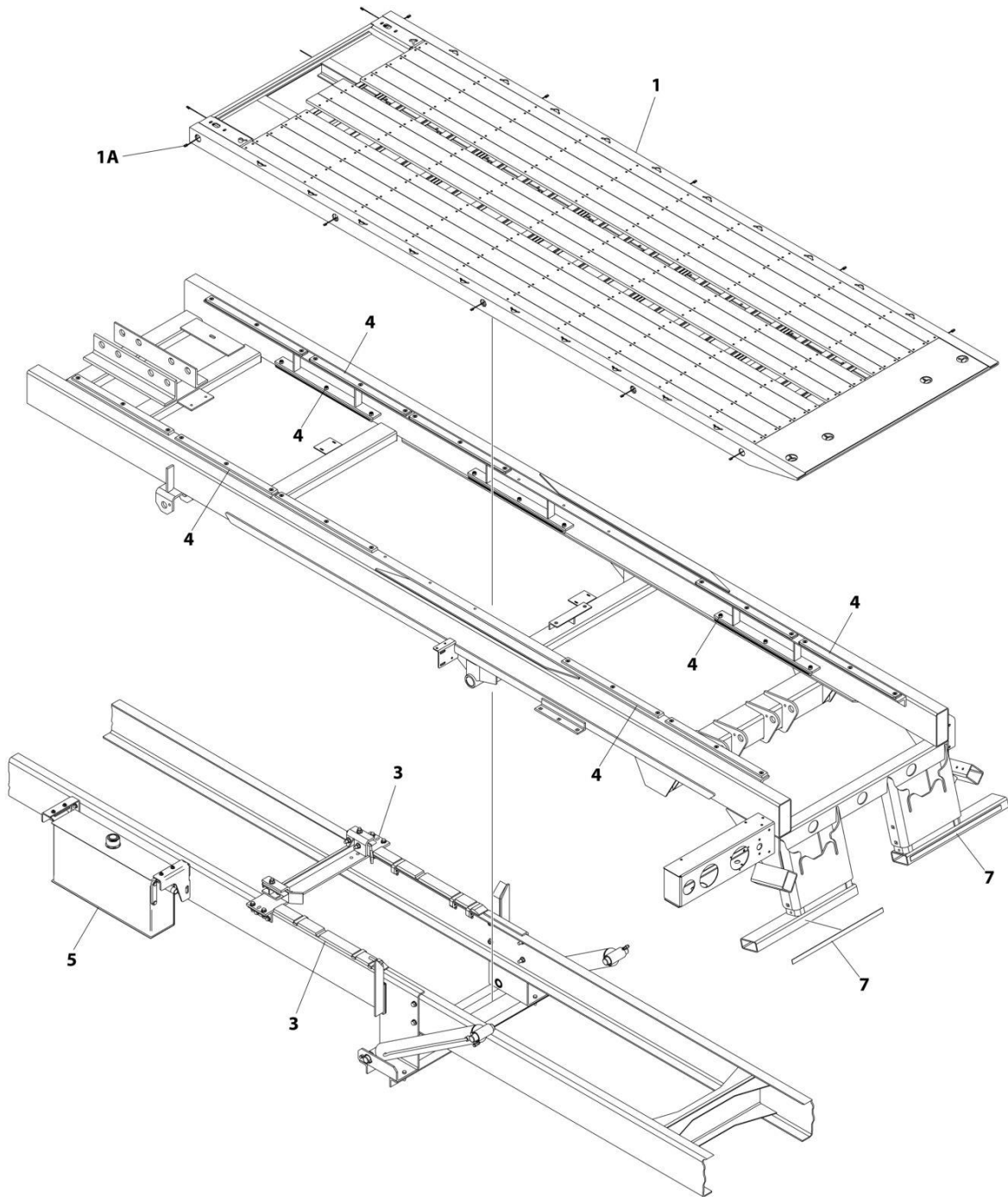
SECTION 2 - DECK

FIGURE 2-1. DECK INSTALLATION (24FT X 96IN)

ITEM	PART NUMBER	QTY	DESCRIPTION	REV
	1001219155	Ref	DECK INSTALLATION, STEEL R-SPEC (24FT X 96IN)	A
1	1001215913	1	Deck Installation, 24ft (Steel)	
1A	7552000212	1	Deck Light Harness (See Separate Breakdown in ELECTRICAL Section)	
2	1001219372	1	Winch Hydraulic Installation, 24ft Deck (Not Shown - See Separate Breakdown in this Section)	
3	1001219375	1	Hold Down Weld Installation (See Separate Breakdown in SUBFRAME Section)	
4	2679000005	1	Main Subframe Pad Installation (See Separate Breakdown in SUBFRAME Section)	
5	2750000008	1	Hydraulic Reservoir and Bracket Mount (See Separate Breakdown in HYDRAULIC Section)	
6	2330000045	1	Heavy Duty Decals Installation (Not Shown - See Separate Breakdown in DECAL Section)	
7	2330000055	Ref	Conspicuity Decal Installation	
7	7330000428	1	Decal - Red/White Reflective	

SECTION 2 - DECK

FIGURE 2-2. DECK INSTALLATION (24FT X 96IN) (XLP MODEL)



ART_1001258253

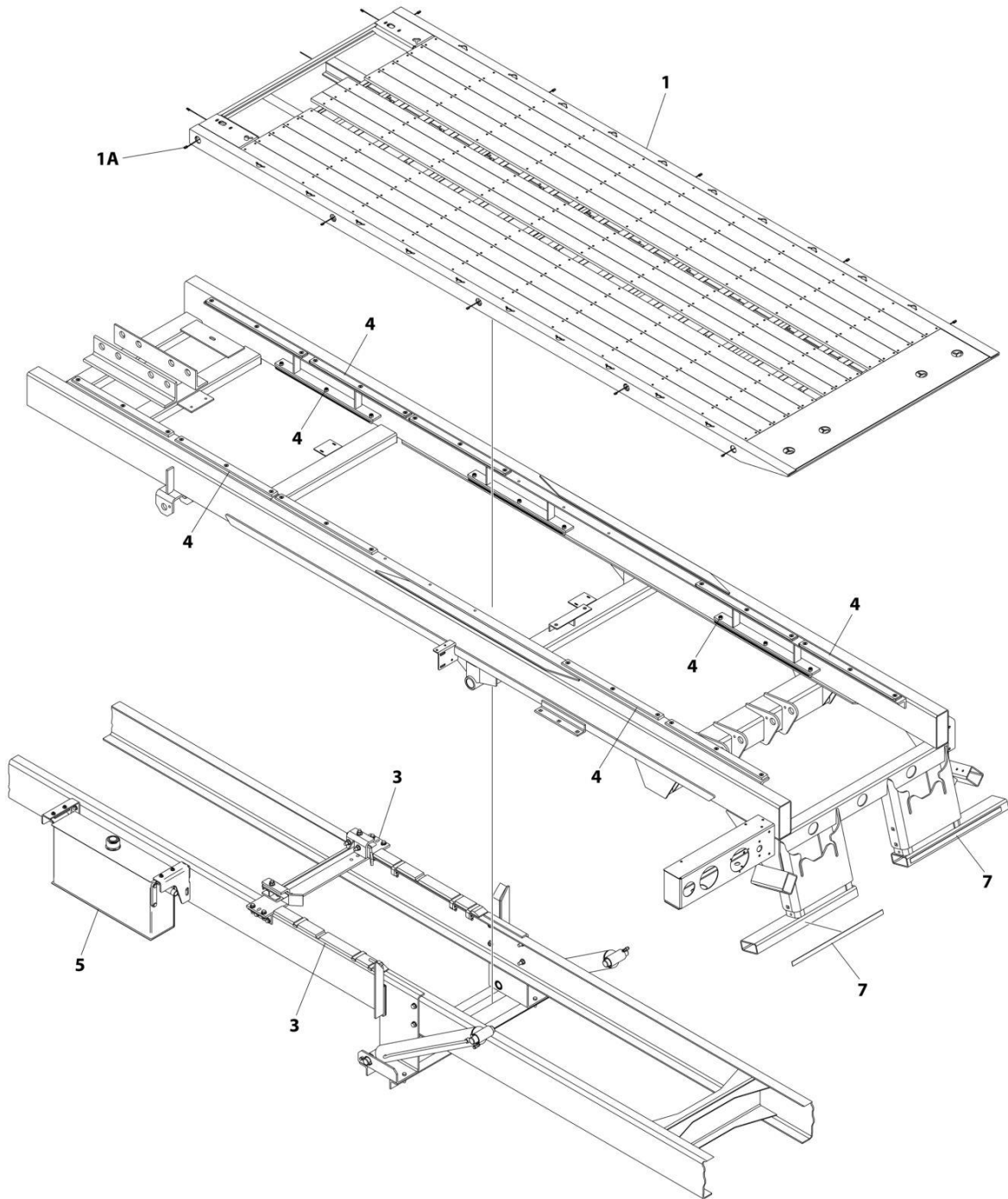
SECTION 2 - DECK

FIGURE 2-2. DECK INSTALLATION (24FT X 96IN) (XLP MODEL)

ITEM	PART NUMBER	QTY	DESCRIPTION	REV
	1001258253	Ref	DECK INSTALLATION, STEEL XLP (24FT X 96IN)	A
1	1001215913	1	Deck Installation, 24ft (Steel)	
1A	7552000212	1	Deck Light Harness (See Separate Breakdown in ELECTRICAL Section)	
2	1001219372	1	Winch Hydraulic Installation, 24ft Deck (Not Shown - See Separate Breakdown in this Section)	
3	1001219375	1	Hold Down Weld Installation (See Separate Breakdown in SUBFRAME Section)	
4	2679000005	1	Main Subframe Pad Installation (See Separate Breakdown in SUBFRAME Section)	
5	2750000008	1	Hydraulic Reservoir and Bracket Mount (See Separate Breakdown in HYDRAULIC Section)	
6	2330000045	1	Heavy Duty Decals Installation (Not Shown - See Separate Breakdown in DECAL Section)	
7	2330000055	Ref	Conspicuity Decal Installation	
7	7330000428	1	Decal - Red/White Reflective	

SECTION 2 - DECK

FIGURE 2-3. DECK INSTALLATION (24FT X 102IN)



ART_1001219156

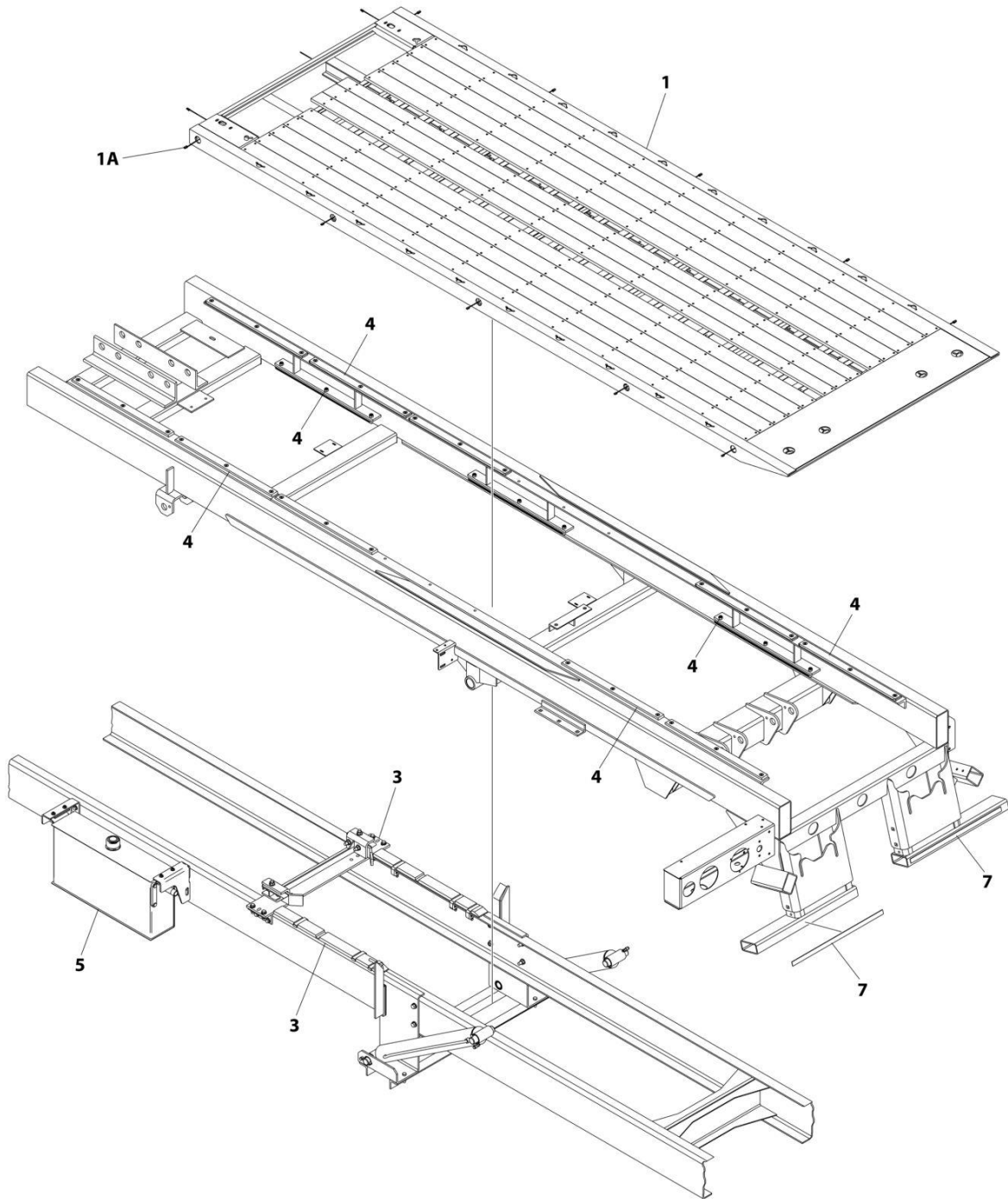
SECTION 2 - DECK

FIGURE 2-3. DECK INSTALLATION (24FT X 102IN)

ITEM	PART NUMBER	QTY	DESCRIPTION	REV
	1001219156	Ref	DECK INSTALLATION, STEEL R-SPEC (24FT X 102IN)	A
1	1001215914	1	Deck Installation, 24ft (Steel)	
1A	7552000212	1	Deck Light Harness (See Separate Breakdown in ELECTRICAL Section)	
2	1001219372	1	Winch Hydraulic Installation, 24ft Deck (Not Shown - See Separate Breakdown in this Section)	
3	1001219375	1	Hold Down Weld Installation (See Separate Breakdown in SUBFRAME Section)	
4	2679000005	1	Main Subframe Pad Installation (See Separate Breakdown in SUBFRAME Section)	
5	2750000008	1	Hydraulic Reservoir and Bracket Mount (See Separate Breakdown in HYDRAULIC Section)	
6	2330000045	1	Heavy Duty Decals Installation (Not Shown - See Separate Breakdown in DECAL Section)	
7	2330000055	Ref	Conspicuity Decal Installation	
7	7330000428	1	Decal - Red/White Reflective	

SECTION 2 - DECK

FIGURE 2-4. DECK INSTALLATION (24FT X 102IN) (XLP MODEL)



ART_1001258254

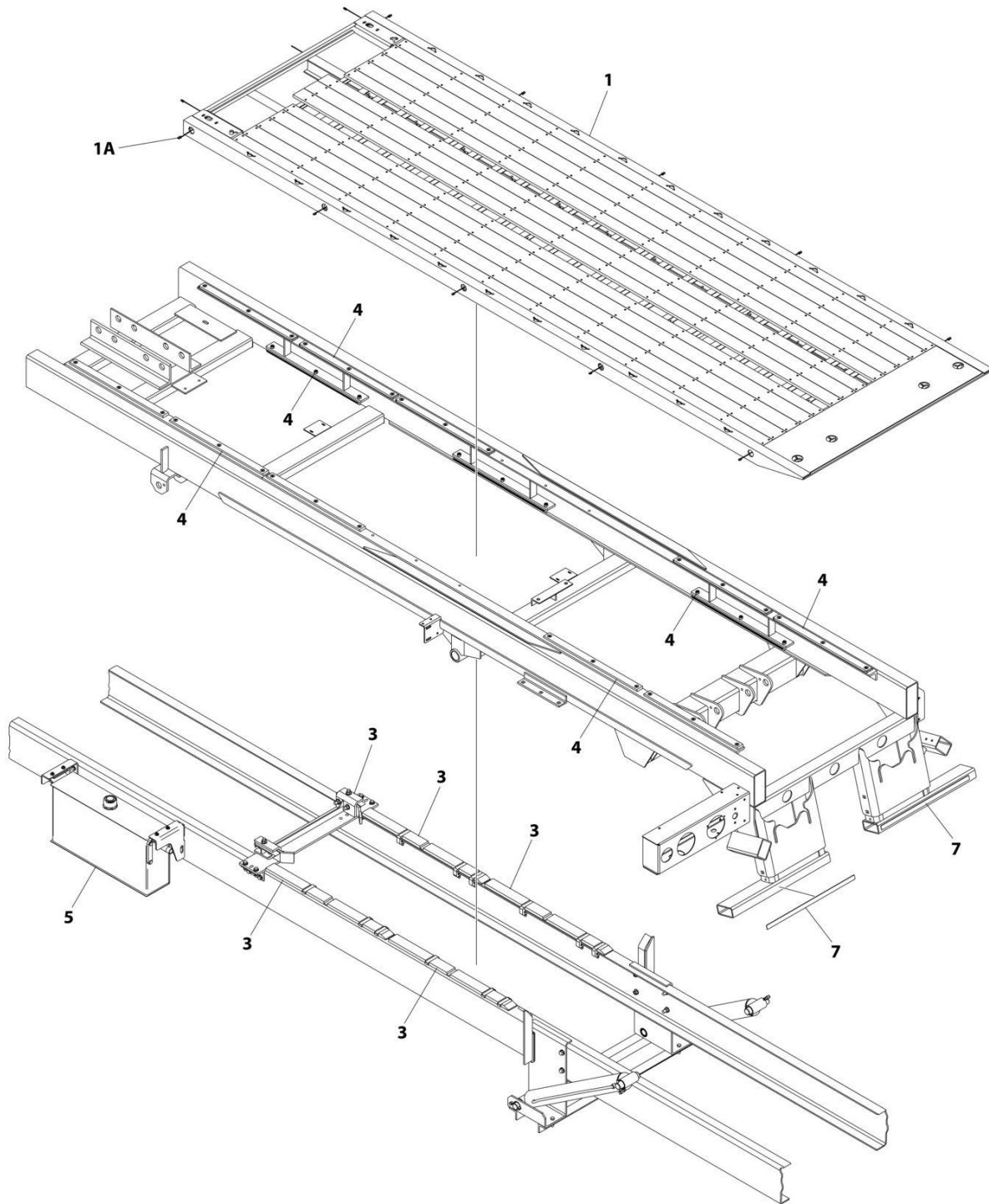
SECTION 2 - DECK

FIGURE 2-4. DECK INSTALLATION (24FT X 102IN) (XLP MODEL)

ITEM	PART NUMBER	QTY	DESCRIPTION	REV
	1001258254	Ref	DECK INSTALLATION, STEEL XLP (24FT X 102IN)	A
1	1001215914	1	Deck Installation, 24ft (Steel)	
1A	7552000212	1	Deck Light Harness (See Separate Breakdown in ELECTRICAL Section)	
2	1001219372	1	Winch Hydraulic Installation, 24ft Deck (Not Shown - See Separate Breakdown in this Section)	
3	1001219375	1	Hold Down Weld Installation (See Separate Breakdown in SUBFRAME Section)	
4	2679000005	1	Main Subframe Pad Installation (See Separate Breakdown in SUBFRAME Section)	
5	2750000008	1	Hydraulic Reservoir and Bracket Mount (See Separate Breakdown in HYDRAULIC Section)	
6	2330000045	1	Heavy Duty Decals Installation (Not Shown - See Separate Breakdown in DECAL Section)	
7	2330000055	Ref	Conspicuity Decal Installation	
7	7330000428	1	Decal - Red/White Reflective	

SECTION 2 - DECK

FIGURE 2-5. DECK INSTALLATION (26FT X 96IN)



ART_1001219157

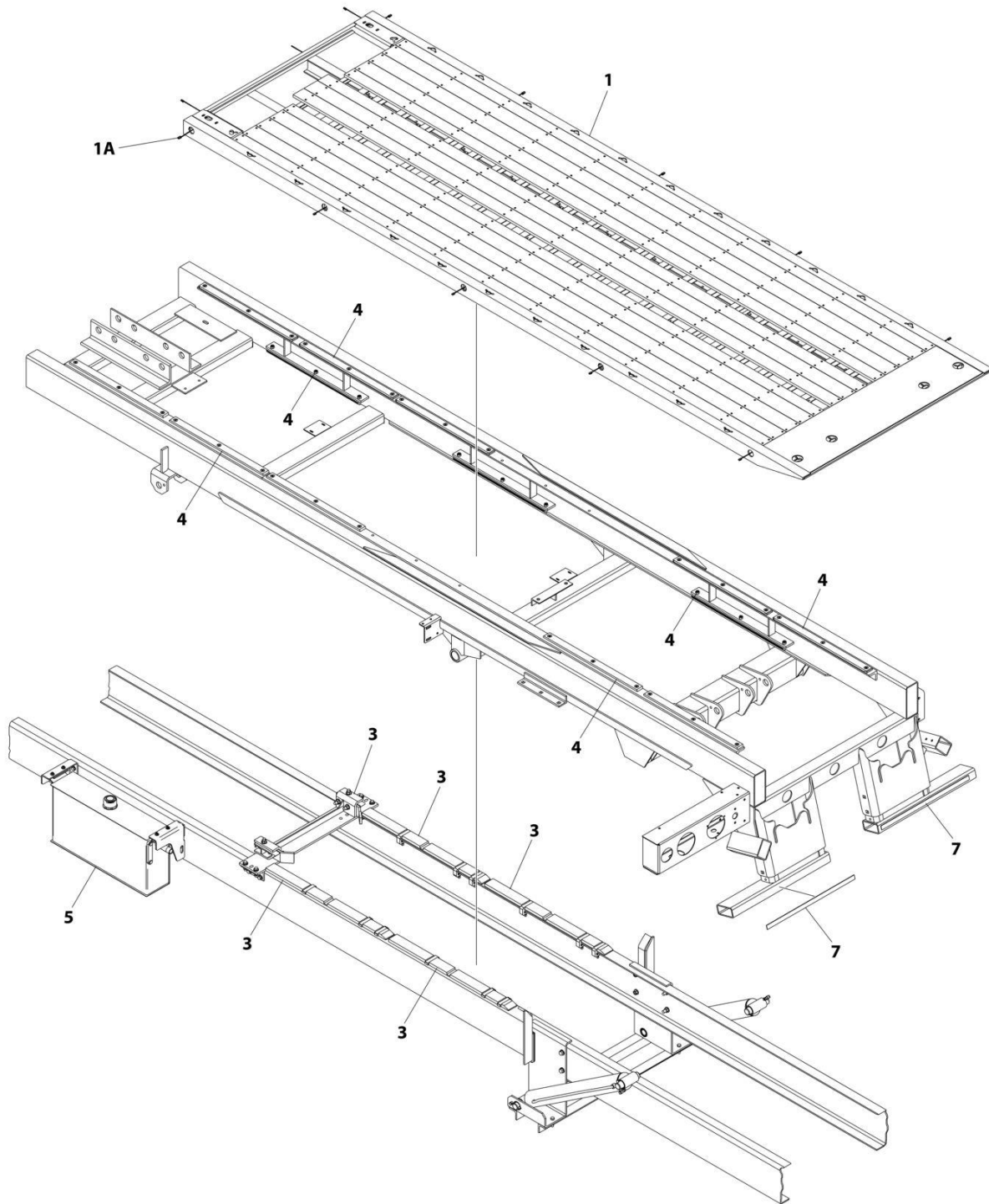
SECTION 2 - DECK

FIGURE 2-5. DECK INSTALLATION (26FT X 96IN)

ITEM	PART NUMBER	QTY	DESCRIPTION	REV
	1001219157	Ref	DECK INSTALLATION, STEEL R-SPEC (26FT X 96IN)	A
1	1001215915	1	Deck Installation, 26ft (Steel)	
1A	7552000212	1	Deck Light Harness (See Separate Breakdown in ELECTRICAL Section)	
2	1001219373	1	Winch Hydraulic Installation, 26ft Deck (Not Shown - See Separate Breakdown in this Section)	
3	1001219376	1	Hold Down Weld Installation (See Separate Breakdown in SUBFRAME Section)	
4	2679000005	1	Main Subframe Pad Installation (See Separate Breakdown in SUBFRAME Section)	
5	2750000008	1	Hydraulic Reservoir and Bracket Mount (See Separate Breakdown in HYDRAULIC Section)	
6	2330000045	1	Heavy Duty Decals Installation (Not Shown - See Separate Breakdown in DECAL Section)	
7	2330000055	Ref	Conspicuity Decal Installation	
7	7330000428	1	Decal - Red/White Reflective	

SECTION 2 - DECK

FIGURE 2-6. DECK INSTALLATION (26FT X 96IN) (XLP MODEL)



ART_1001258255

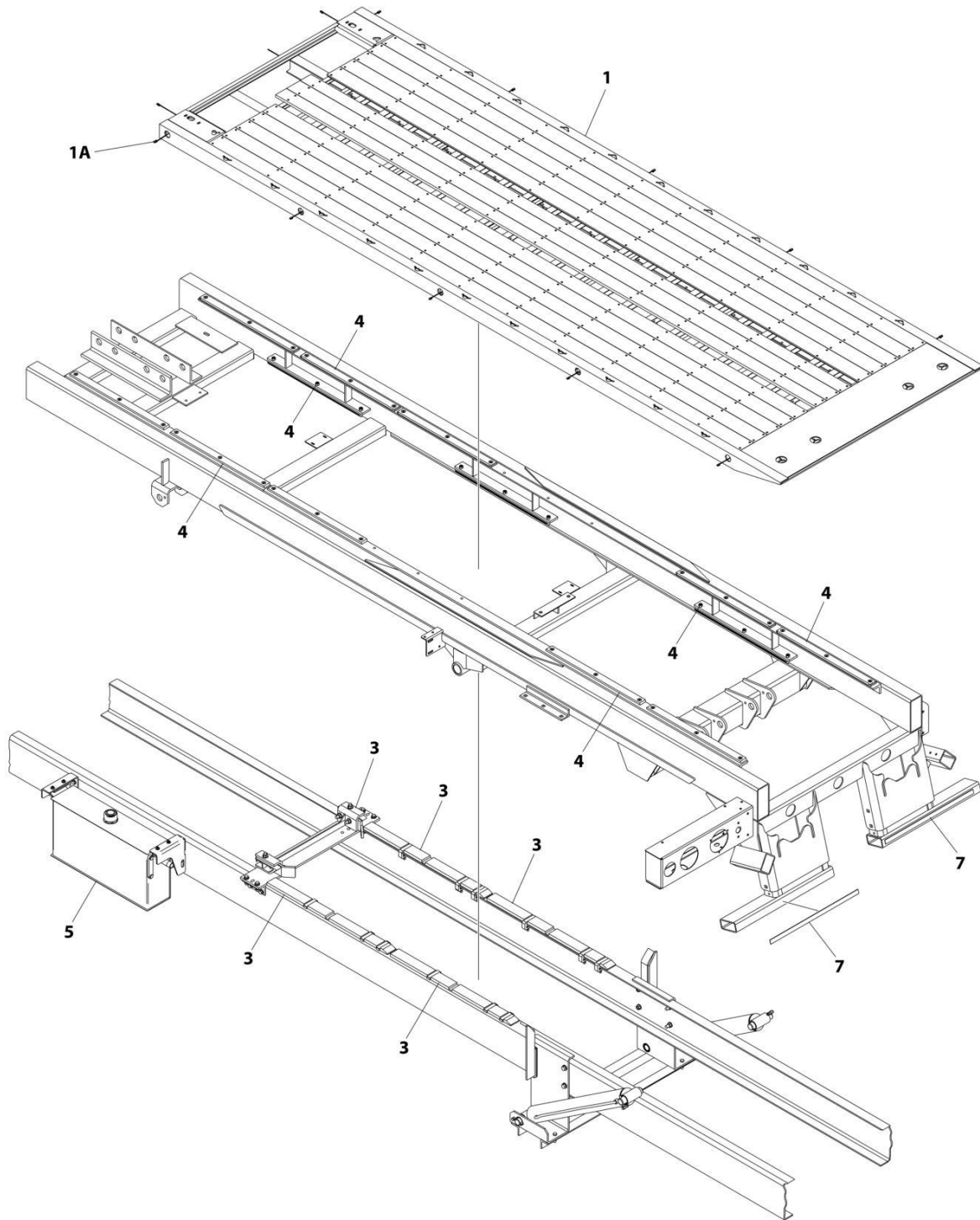
SECTION 2 - DECK

FIGURE 2-6. DECK INSTALLATION (26FT X 96IN) (XLP MODEL)

ITEM	PART NUMBER	QTY	DESCRIPTION	REV
	1001258255	Ref	DECK INSTALLATION, STEEL XLP (26FT X 96IN)	A
1	1001215915	1	Deck Installation, 26ft (Steel)	
1A	7552000212	1	Deck Light Harness (See Separate Breakdown in ELECTRICAL Section)	
2	1001219373	1	Winch Hydraulic Installation, 26ft Deck (Not Shown - See Separate Breakdown in this Section)	
3	1001219376	1	Hold Down Weld Installation (See Separate Breakdown in SUBFRAME Section)	
4	2679000005	1	Main Subframe Pad Installation (See Separate Breakdown in SUBFRAME Section)	
5	2750000008	1	Hydraulic Reservoir and Bracket Mount (See Separate Breakdown in HYDRAULIC Section)	
6	2330000045	1	Heavy Duty Decals Installation (Not Shown - See Separate Breakdown in DECAL Section)	
7	2330000055	Ref	Conspicuity Decal Installation	
7	7330000428	1	Decal - Red/White Reflective	

SECTION 2 - DECK

FIGURE 2-7. DECK INSTALLATION (26FT X 102IN)



ART_1001219158

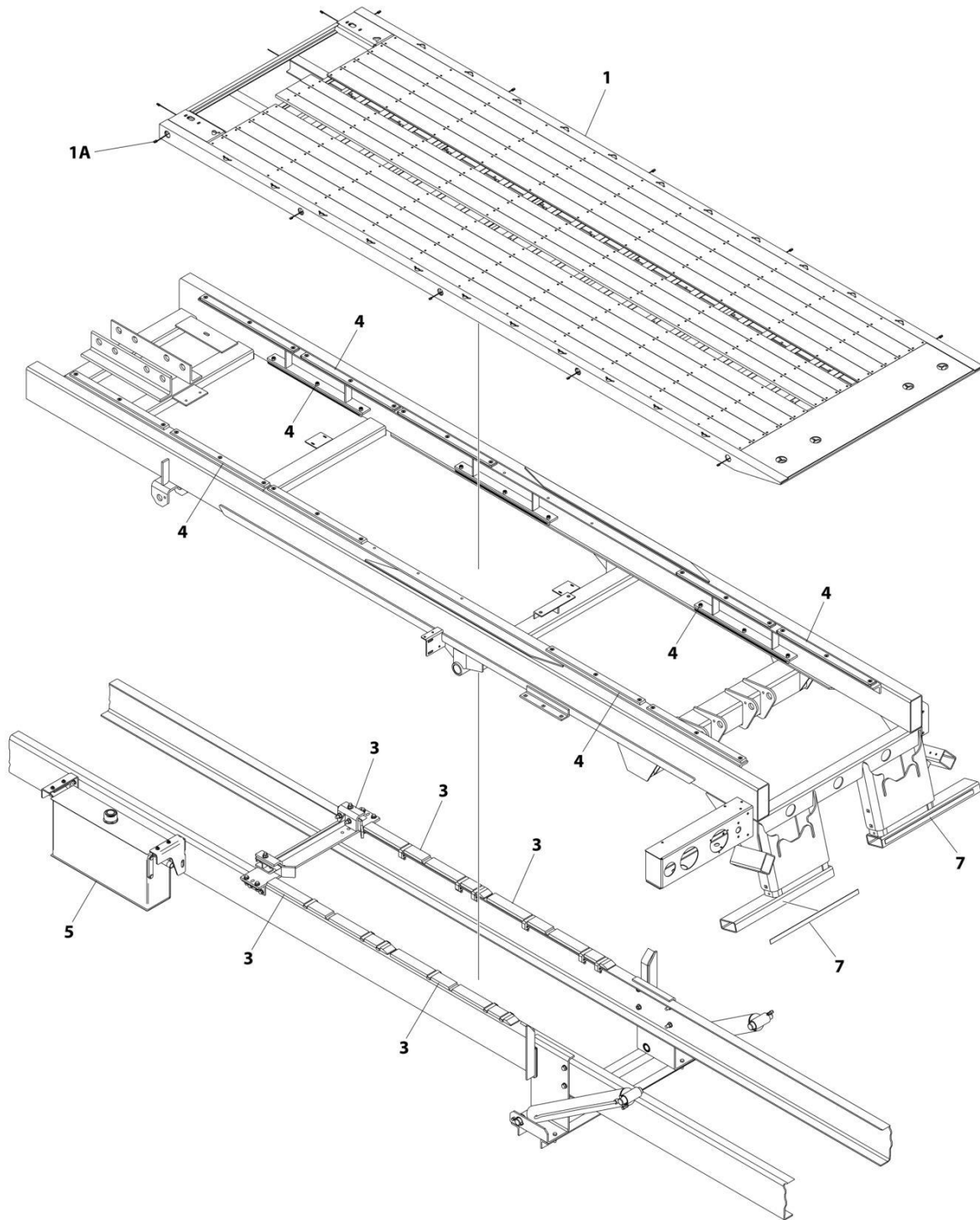
SECTION 2 - DECK

FIGURE 2-7. DECK INSTALLATION (26FT X 102IN)

ITEM	PART NUMBER	QTY	DESCRIPTION	REV
	1001219158	Ref	DECK INSTALLATION, STEEL R-SPEC (26FT X 102IN)	A
1	1001215916	1	Deck Installation, 26ft (Steel)	
1A	7552000212	1	Deck Light Harness (See Separate Breakdown in ELECTRICAL Section)	
2	1001219373	1	Winch Hydraulic Installation, 26ft Deck (Not Shown - See Separate Breakdown in this Section)	
3	1001219376	1	Hold Down Weld Installation (See Separate Breakdown in SUBFRAME Section)	
4	2679000005	1	Main Subframe Pad Installation (See Separate Breakdown in SUBFRAME Section)	
5	2750000008	1	Hydraulic Reservoir and Bracket Mount (See Separate Breakdown in HYDRAULIC Section)	
6	2330000045	1	Heavy Duty Decals Installation (Not Shown - See Separate Breakdown in DECAL Section)	
7	2330000055	Ref	Conspicuity Decal Installation	
7	7330000428	1	Decal - Red/White Reflective	

SECTION 2 - DECK

FIGURE 2-8. DECK INSTALLATION (26FT X 102IN) (XLP MODEL)



ART_1001258256

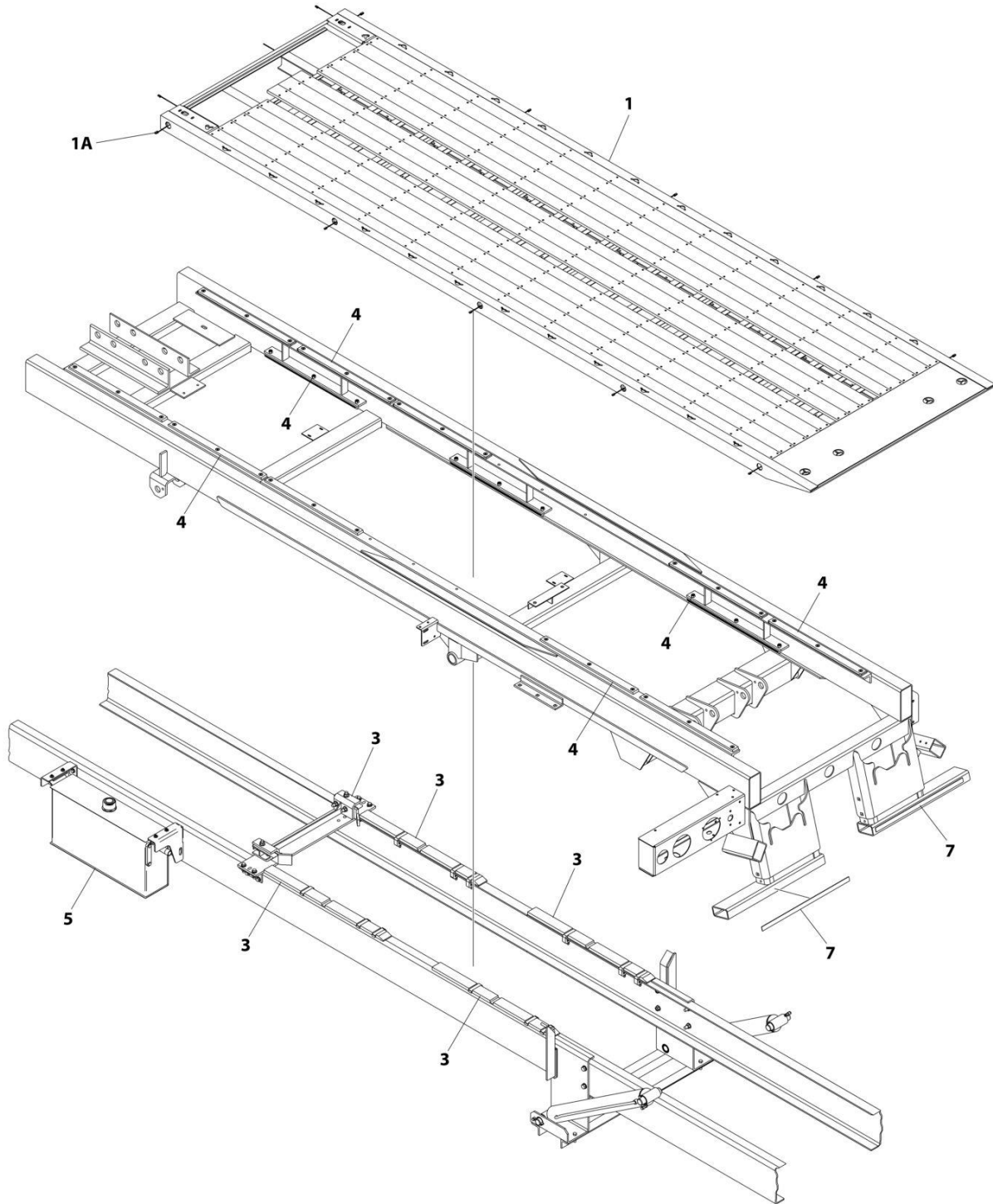
SECTION 2 - DECK

FIGURE 2-8. DECK INSTALLATION (26FT X 102IN) (XLP MODEL)

ITEM	PART NUMBER	QTY	DESCRIPTION	REV
	1001258256	Ref	DECK INSTALLATION, STEEL XLP (26FT X 102IN)	A
1	1001215916	1	Deck Installation, 26ft (Steel)	
1A	7552000212	1	Deck Light Harness (See Separate Breakdown in ELECTRICAL Section)	
2	1001219373	1	Winch Hydraulic Installation, 26ft Deck (Not Shown - See Separate Breakdown in this Section)	
3	1001219376	1	Hold Down Weld Installation (See Separate Breakdown in SUBFRAME Section)	
4	2679000005	1	Main Subframe Pad Installation (See Separate Breakdown in SUBFRAME Section)	
5	2750000008	1	Hydraulic Reservoir and Bracket Mount (See Separate Breakdown in HYDRAULIC Section)	
6	2330000045	1	Heavy Duty Decals Installation (Not Shown - See Separate Breakdown in DECAL Section)	
7	2330000055	Ref	Conspicuity Decal Installation	
7	7330000428	1	Decal - Red/White Reflective	

SECTION 2 - DECK

FIGURE 2-9. DECK INSTALLATION (28FT X 96IN)



ART_1001219159

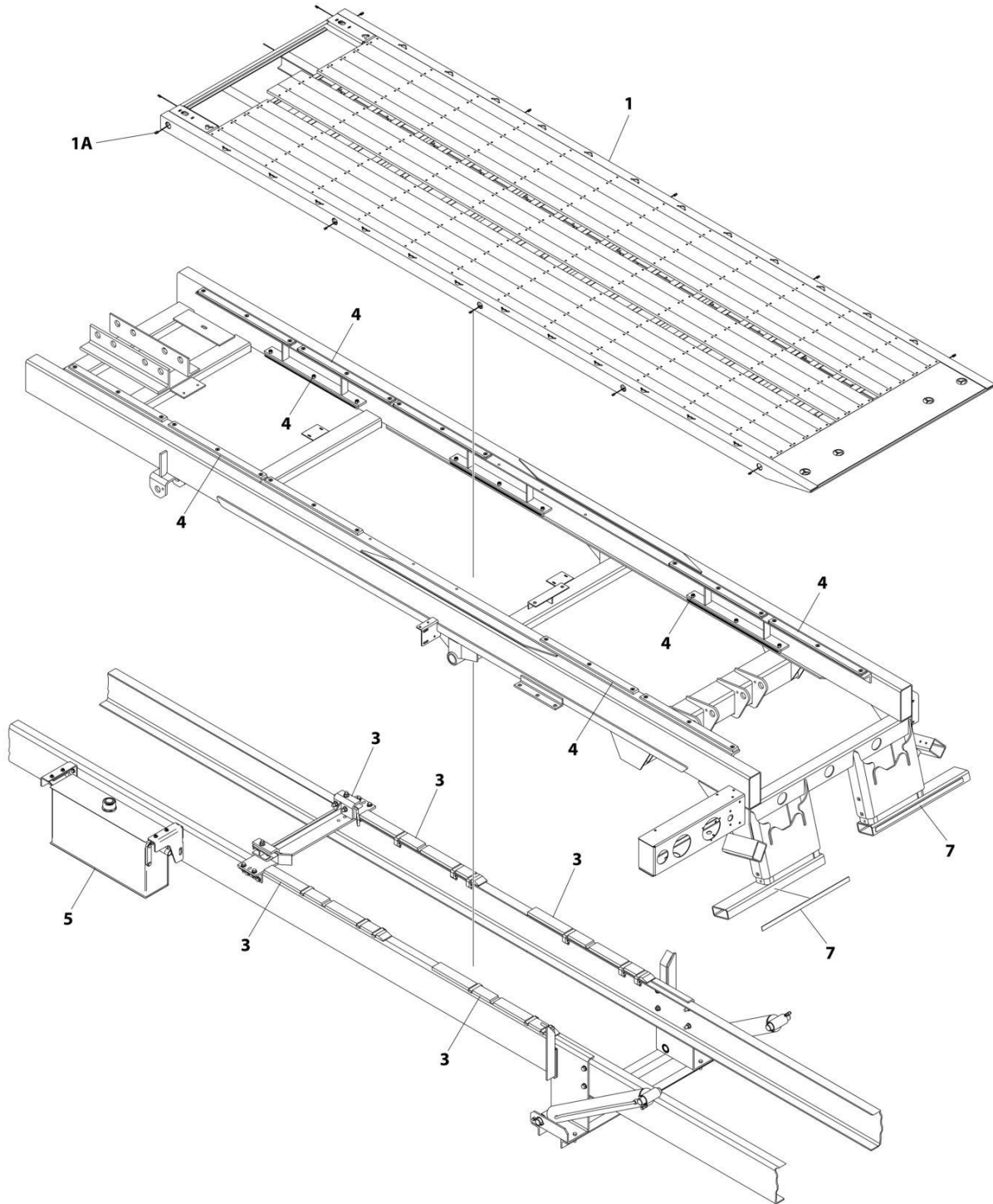
SECTION 2 - DECK

FIGURE 2-9. DECK INSTALLATION (28FT X 96IN)

ITEM	PART NUMBER	QTY	DESCRIPTION	REV
	1001219159	Ref	DECK INSTALLATION, STEEL R-SPEC (28FT X 96IN)	A
1	1001215917	1	Deck Installation, 28ft (Steel)	
1A	7552000212	1	Deck Light Harness (See Separate Breakdown in ELECTRICAL Section)	
2	1001219374	1	Winch Hydraulic Installation, 28ft Deck (Not Shown - See Separate Breakdown in this Section)	
3	1001219377	1	Hold Down Weld Installation (See Separate Breakdown in SUBFRAME Section)	
4	2679000005	1	Main Subframe Pad Installation (See Separate Breakdown in SUBFRAME Section)	
5	2750000008	1	Hydraulic Reservoir and Bracket Mount (See Separate Breakdown in HYDRAULIC Section)	
6	2330000045	1	Heavy Duty Decals Installation (Not Shown - See Separate Breakdown in DECAL Section)	
7	2330000055	Ref	Conspicuity Decal Installation	
7	7330000428	1	Decal - Red/White Reflective	

SECTION 2 - DECK

FIGURE 2-10. DECK INSTALLATION (28FT X 96IN) (XLP MODEL)



ART_1001258257

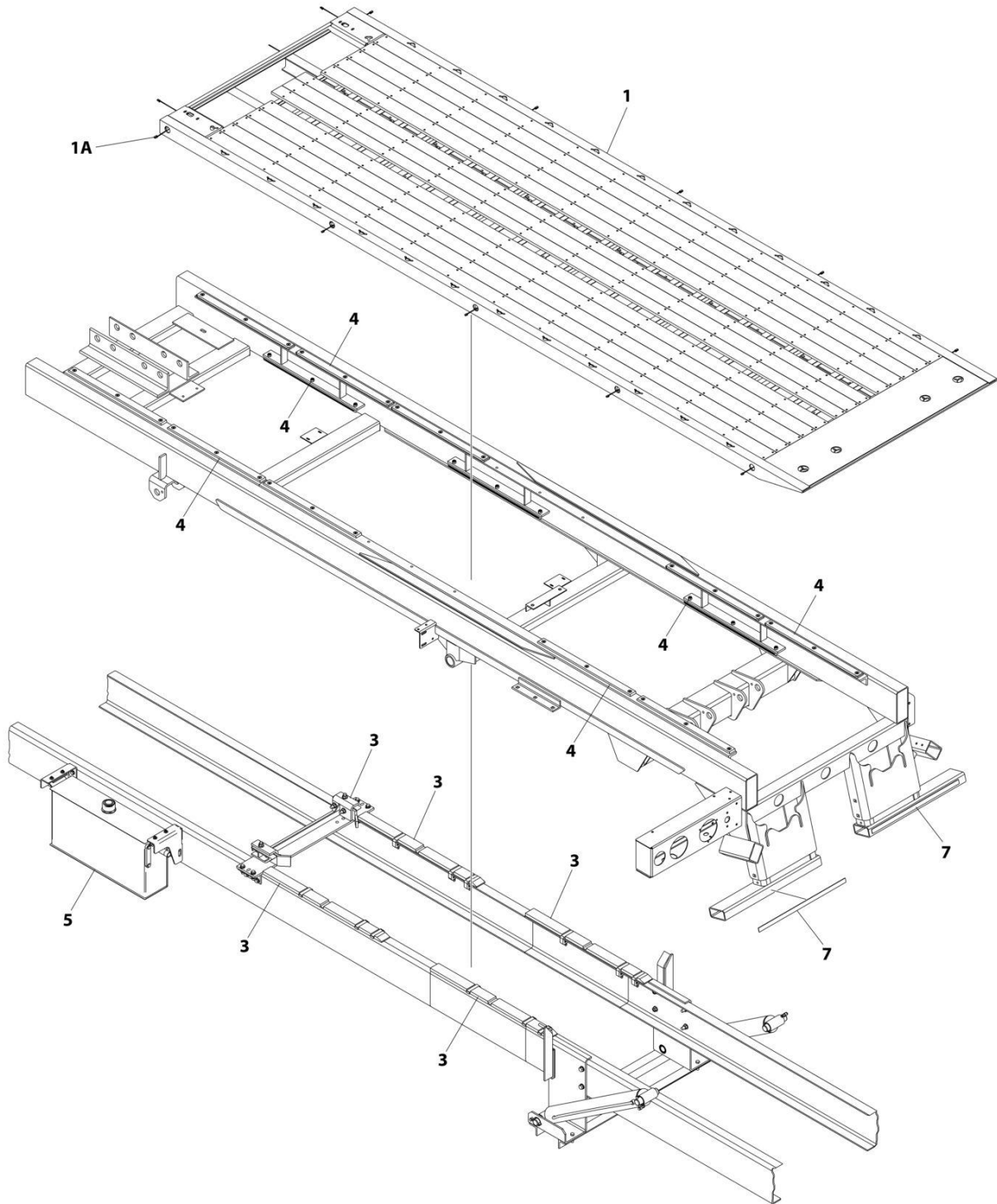
SECTION 2 - DECK

FIGURE 2-10. DECK INSTALLATION (28FT X 96IN) (XLP MODEL)

ITEM	PART NUMBER	QTY	DESCRIPTION	REV
	1001258257	Ref	DECK INSTALLATION, STEEL XLP (28FT X 96IN)	A
1	1001215917	1	Deck Installation, 28ft (Steel)	
1A	7552000212	1	Deck Light Harness (See Separate Breakdown in ELECTRICAL Section)	
2	1001219374	1	Winch Hydraulic Installation, 28ft Deck (Not Shown - See Separate Breakdown in this Section)	
3	1001219377	1	Hold Down Weld Installation (See Separate Breakdown in SUBFRAME Section)	
4	2679000005	1	Main Subframe Pad Installation (See Separate Breakdown in SUBFRAME Section)	
5	2750000008	1	Hydraulic Reservoir and Bracket Mount (See Separate Breakdown in HYDRAULIC Section)	
6	2330000045	1	Heavy Duty Decals Installation (Not Shown - See Separate Breakdown in DECAL Section)	
7	2330000055	Ref	Conspicuity Decal Installation	
7	7330000428	1	Decal - Red/White Reflective	

SECTION 2 - DECK

FIGURE 2-11. DECK INSTALLATION (28FT X 102IN)



ART_1001219160

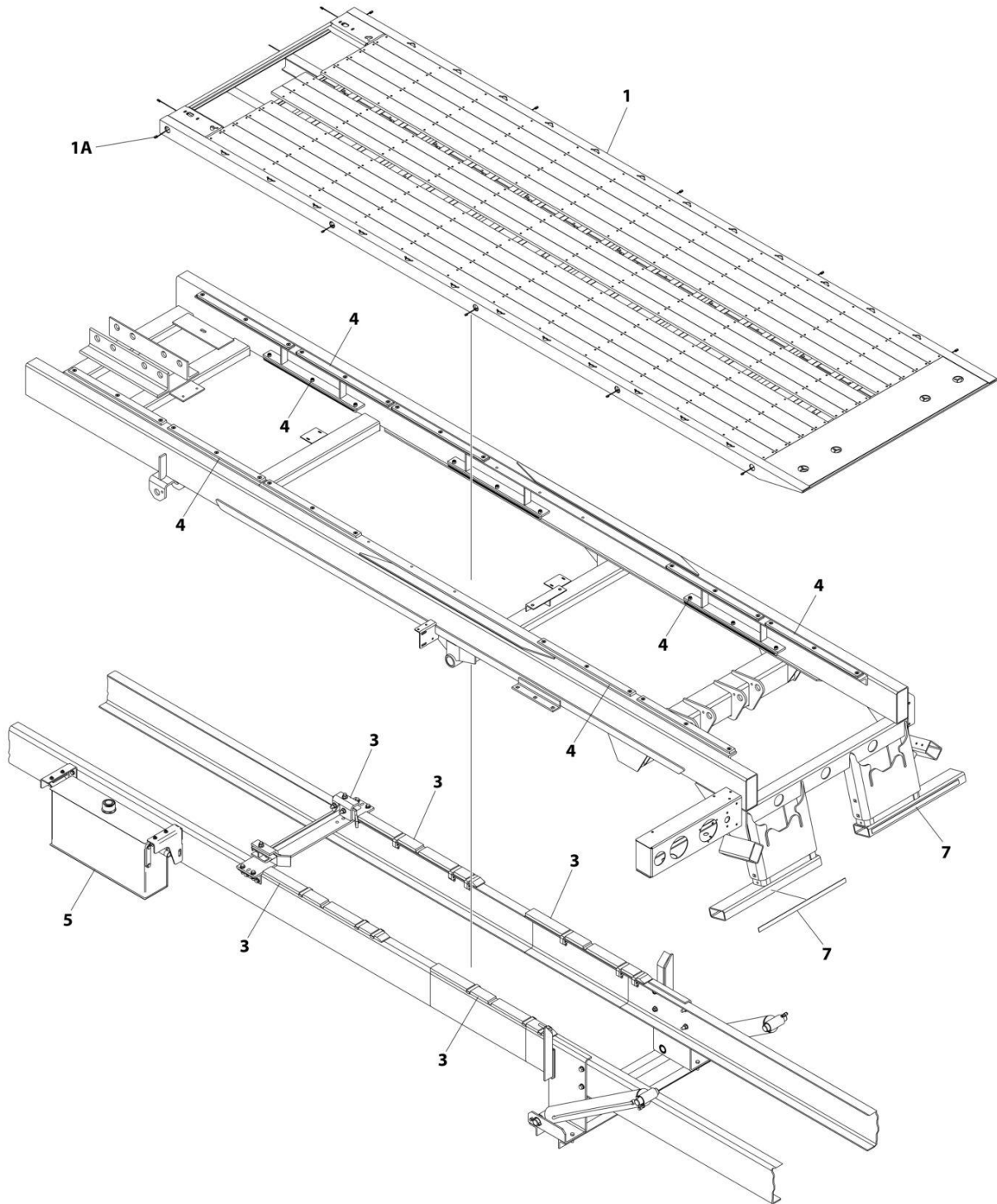
SECTION 2 - DECK

FIGURE 2-11. DECK INSTALLATION (28FT X 102IN)

ITEM	PART NUMBER	QTY	DESCRIPTION	REV
	1001219160	Ref	DECK INSTALLATION, STEEL R-SPEC (28FT X 102IN)	A
1	1001215918	1	Deck Installation, 28ft (Steel)	
1A	7552000212	1	Deck Light Harness (See Separate Breakdown in ELECTRICAL Section)	
2	1001219374	1	Winch Hydraulic Installation, 28ft Deck (Not Shown - See Separate Breakdown in this Section)	
3	1001219377	1	Hold Down Weld Installation (See Separate Breakdown in SUBFRAME Section)	
4	2679000005	1	Main Subframe Pad Installation (See Separate Breakdown in SUBFRAME Section)	
5	2750000008	1	Hydraulic Reservoir and Bracket Mount (See Separate Breakdown in HYDRAULIC Section)	
6	2330000045	1	Heavy Duty Decals Installation (Not Shown - See Separate Breakdown in DECAL Section)	
7	2330000055	Ref	Conspicuity Decal Installation	
7	7330000428	1	Decal - Red/White Reflective	

SECTION 2 - DECK

FIGURE 2-12. DECK INSTALLATION (28FT X 102IN) (XLP MODEL)



ART_1001258258

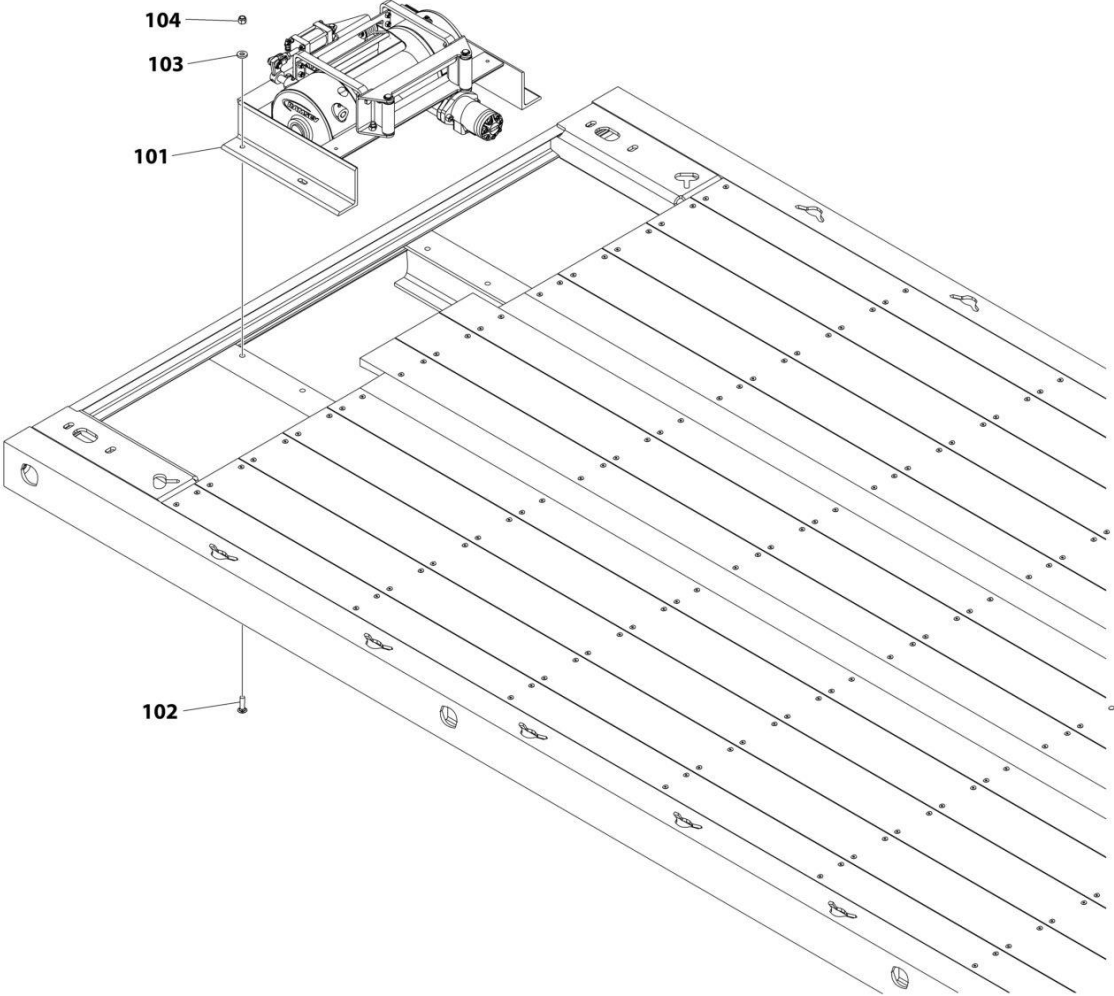
SECTION 2 - DECK

FIGURE 2-12. DECK INSTALLATION (28FT X 102IN) (XLP MODEL)

ITEM	PART NUMBER	QTY	DESCRIPTION	REV
	1001258258	Ref	DECK INSTALLATION, STEEL XLP (28FT X 102IN)	A
1	1001215918	1	Deck Installation, 28ft (Steel)	
1A	7552000212	1	Deck Light Harness (See Separate Breakdown in ELECTRICAL Section)	
2	1001219374	1	Winch Hydraulic Installation, 28ft Deck (Not Shown - See Separate Breakdown in this Section)	
3	1001219377	1	Hold Down Weld Installation (See Separate Breakdown in SUBFRAME Section)	
4	2679000005	1	Main Subframe Pad Installation (See Separate Breakdown in SUBFRAME Section)	
5	2750000008	1	Hydraulic Reservoir and Bracket Mount (See Separate Breakdown in HYDRAULIC Section)	
6	2330000045	1	Heavy Duty Decals Installation (Not Shown - See Separate Breakdown in DECAL Section)	
7	2330000055	Ref	Conspicuity Decal Installation	
7	7330000428	1	Decal - Red/White Reflective	

SECTION 2 - DECK

FIGURE 2-13. WINCH INSTALLATION - 15K LBS



ART_1001219204

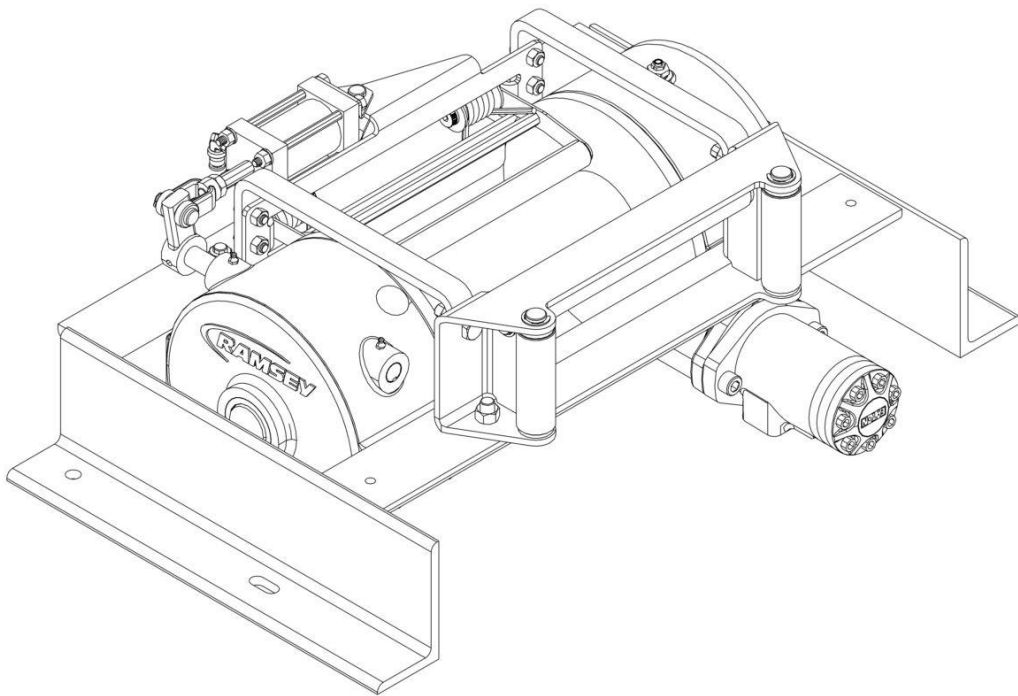
SECTION 2 - DECK

FIGURE 2-13. WINCH INSTALLATION - 15K LBS

ITEM	PART NUMBER	QTY	DESCRIPTION	REV
	1001219204	Ref	WINCH INSTALLATION - 15000 LBS	A
1	1001219205	1	Winch Assembly (Not Shown) (Includes Items 101-104)	
2	1001147861	1	Winch Hole Loc (Not Shown)	
	1001219205	Ref	WINCH ASSEMBLY	B
101	1001217651	1	Winch Assembly - 15K LBS (See Separate Breakdown in this Section)	
102	1001138545	4	Bolt 1/2 x 1-3/4	
103	4891800	4	Washer 1/2	
104	7660182601	4	Nut 1/2	

SECTION 2 - DECK

FIGURE 2-14. WINCH ASSEMBLY - 15K LBS



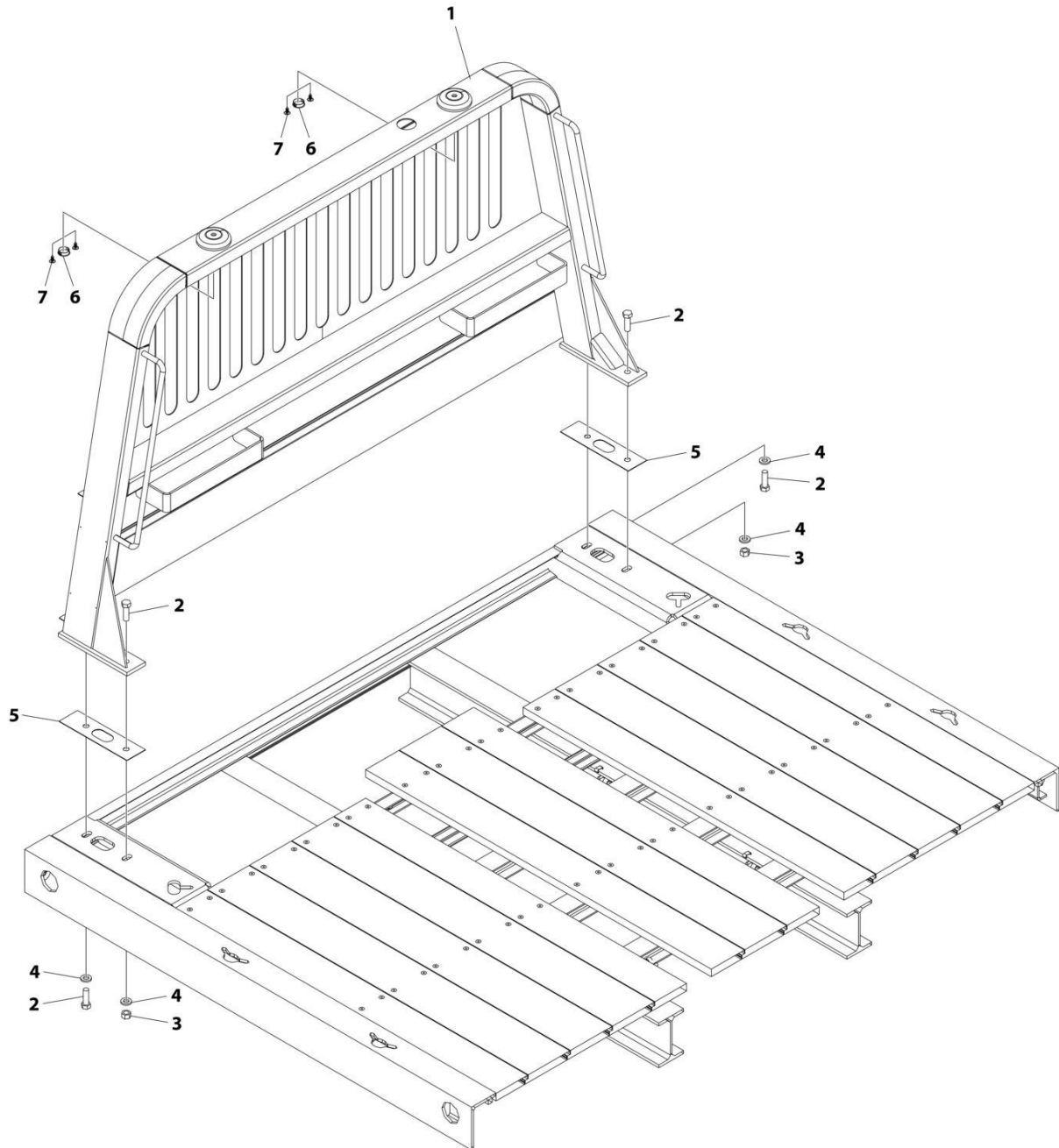
ART_1001217651

FIGURE 2-14. WINCH ASSEMBLY - 15K LBS

ITEM	PART NUMBER	QTY	DESCRIPTION	REV
	1001217651	Ref	WINCH ASSEMBLY	C
		Ref	Note: No Other Service Parts Available at Time of Printing	
	70051891	1	Winch, Replacement (Winch Only - No Motor, Wire Rope, etc)	

SECTION 2 - DECK

FIGURE 2-15. HEADBOARD INSTALLATION (45.5IN)



ART_1001217885

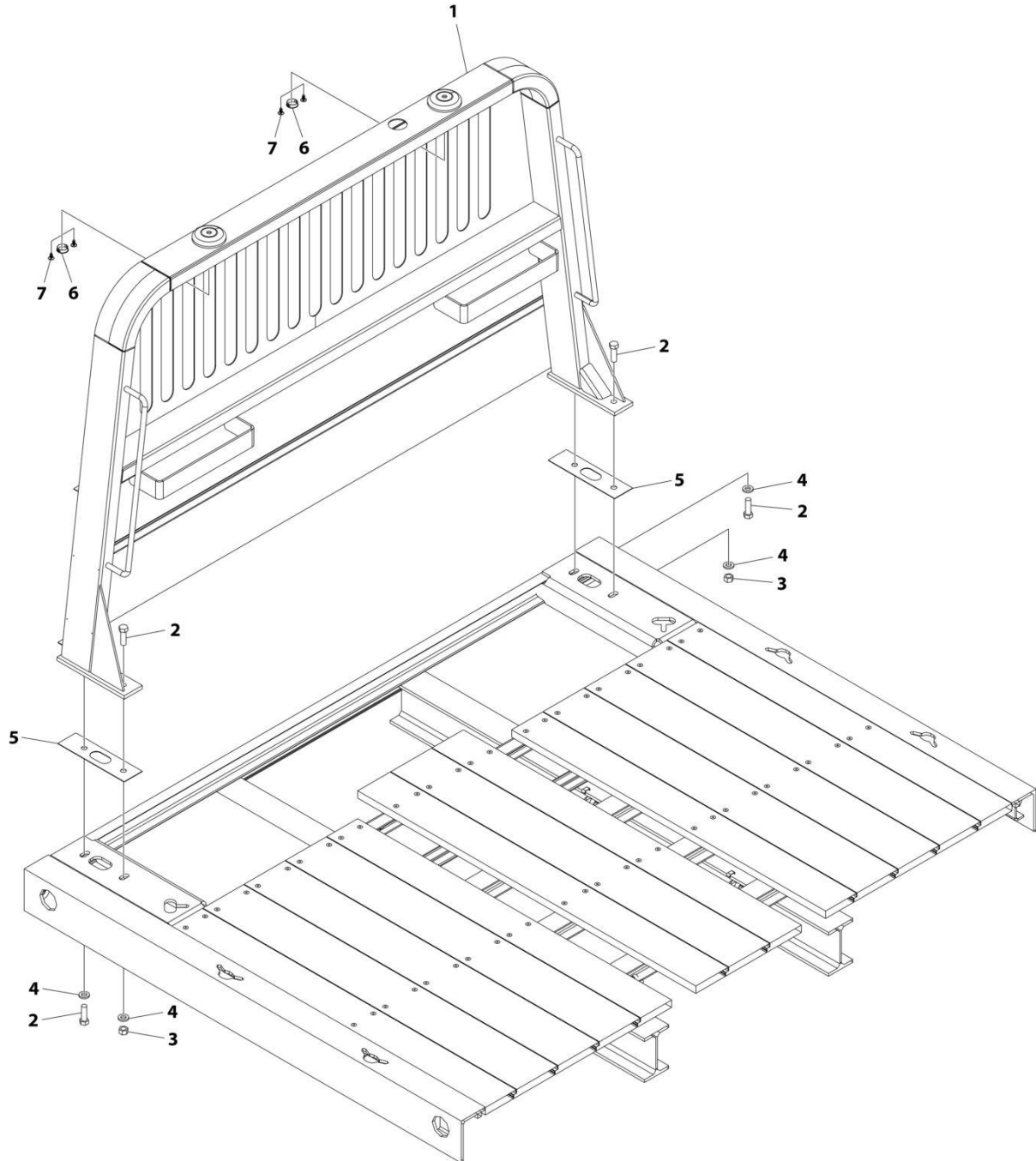
SECTION 2 - DECK

FIGURE 2-15. HEADBOARD INSTALLATION (45.5IN)

ITEM	PART NUMBER	QTY	DESCRIPTION	REV
	1001217885	Ref	HEADBOARD INSTALLATION - 45.5IN	B
1	1001216306	1	Headboard Weldment	
2	4796000037	2	Gasket	
3	0652016	4	Bolt 5/8 x 2	
4	4892000	4	Washer 5/8	
5	7660200035	2	Nut M16	
6	7701000049	2	Plug	
7	7413000013	4	Push-In Fastener	

SECTION 2 - DECK

FIGURE 2-16. HEADBOARD INSTALLATION (50.5IN)



ART_1001236077

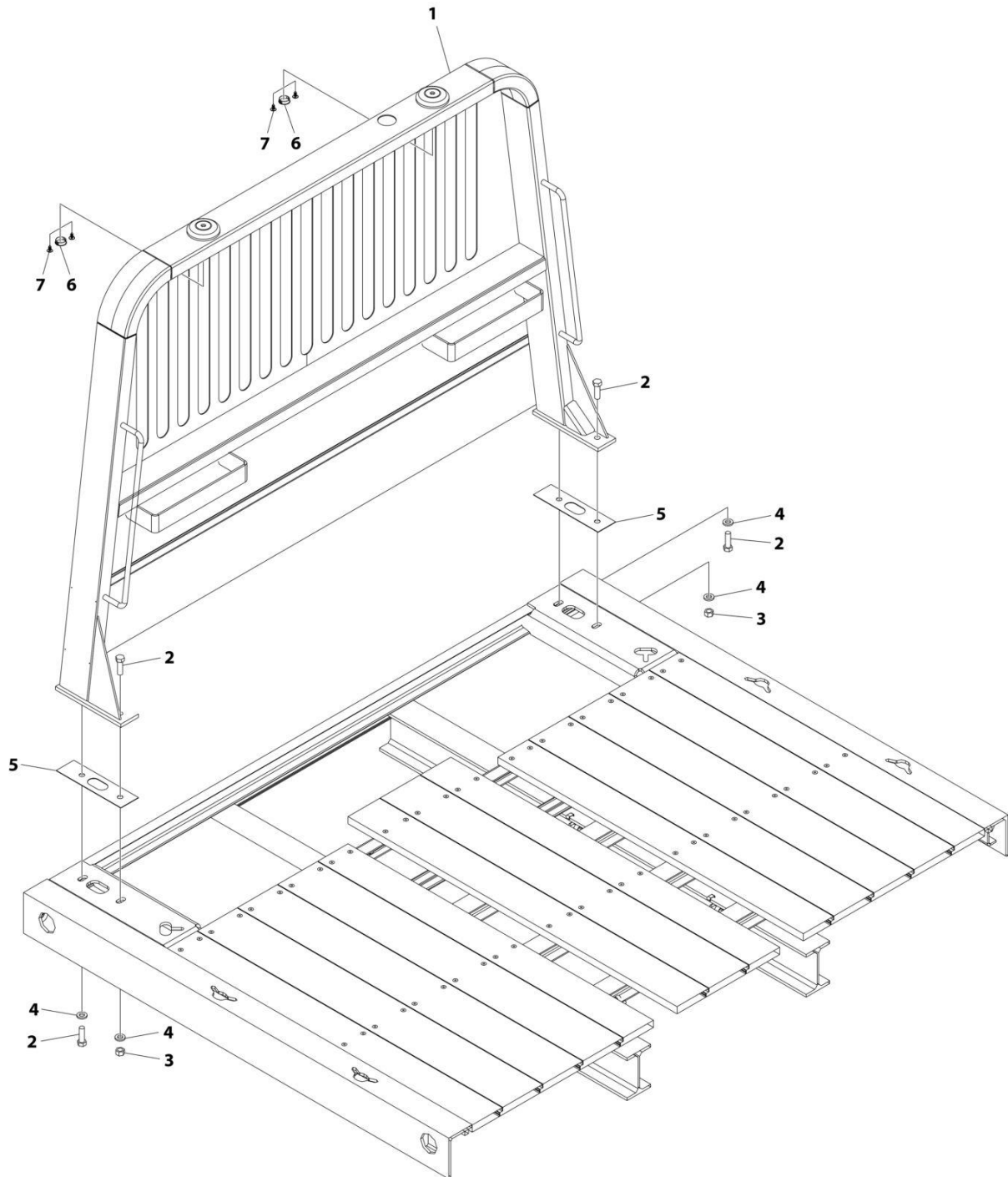
SECTION 2 - DECK

FIGURE 2-16. HEADBOARD INSTALLATION (50.5IN)

ITEM	PART NUMBER	QTY	DESCRIPTION	REV
	1001236077	Ref	HEADBOARD INSTALLATION - 50.5IN	A
1	1001236076	1	Headboard Weldment	
2	4796000037	2	Gasket	
3	0652016	4	Bolt 5/8 x 2	
4	4892000	4	Washer 5/8	
5	7660200035	2	Nut M16	
6	7701000049	2	Plug	
7	7413000013	4	Push-In Fastener	

SECTION 2 - DECK

FIGURE 2-17. HEADBOARD INSTALLATION (57.5IN)



ART_1001217884

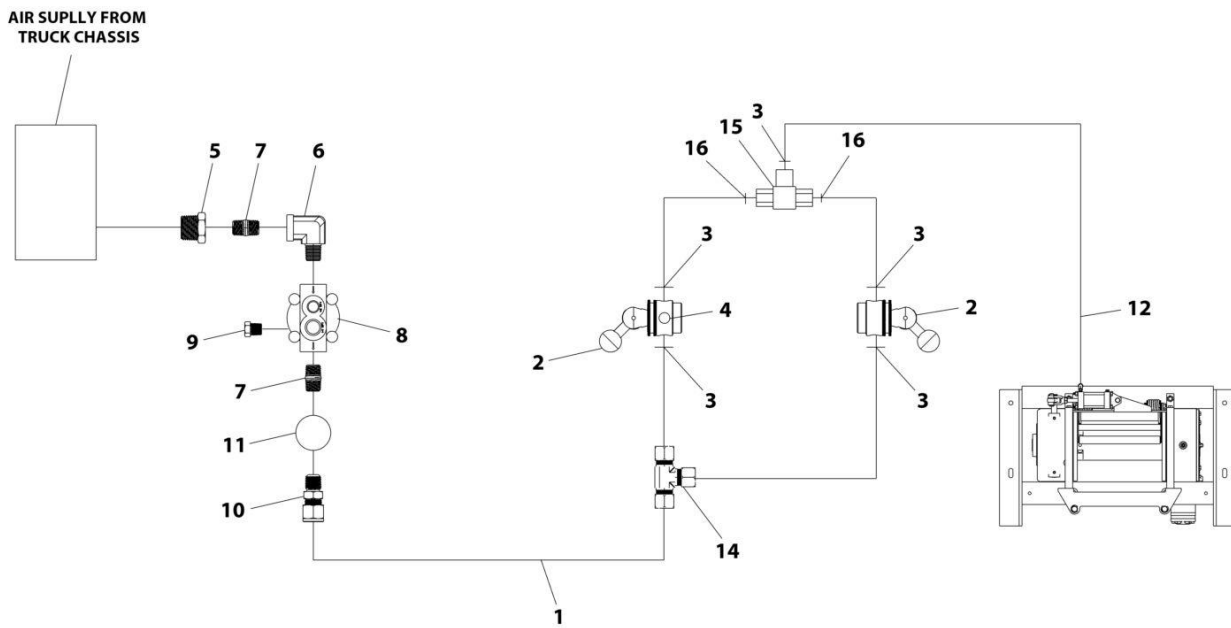
SECTION 2 - DECK

FIGURE 2-17. HEADBOARD INSTALLATION (57.5IN)

ITEM	PART NUMBER	QTY	DESCRIPTION	REV
	1001217884	Ref	HEADBOARD INSTALLATION - 57.5IN	B
1	1001215845	1	Headboard Weldment	
2	4796000037	2	Gasket	
3	0652016	4	Bolt 5/8 x 2	
4	4892000	4	Washer 5/8	
5	7660200035	2	Nut M16	
6	7701000049	2	Plug	
7	7413000013	4	Push-In Fastener	

SECTION 2 - DECK

FIGURE 2-18. FREE SPOOL INSTALLATION (WITH PRESSURE PROTECTION VALVE)



ART_1001219378

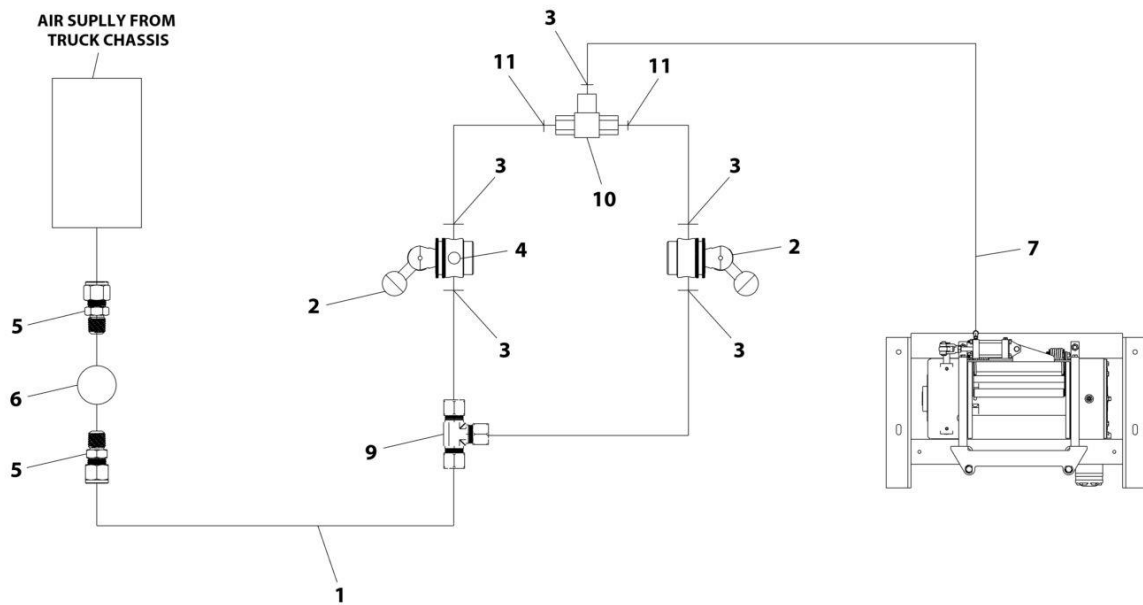
SECTION 2 - DECK

FIGURE 2-18. FREE SPOOL INSTALLATION (WITH PRESSURE PROTECTION VALVE)

ITEM	PART NUMBER	QTY	DESCRIPTION	REV
	1001219378	Ref	FREE SPOOL INSTALLATION - WITH PPV	C
1	7565000014	80 ft	Tubing, Airline	
2	7935000182	2	Valve, Air	
3	7443000364	5	Fitting, Straight	
4	7640000002	2	Muffler, Air Exhaust	
5	7443000154	1	Bushing	
6	7443000155	1	Fitting, 90	
7	7443000156	2	Nipple	
8	7935000120	1	Valve, Pressure Protection	
9	7443000152	1	Plug	
10	7443000366	1	Fitting, Straight	
11	7935000248	1	Regulator, Air	
12	8597650001	1	Loom	
13	7894000004	16	Tie-Strap (Not Shown)	
14	7443000371	1	Fitting, Tee	
15	7935000229	1	Valve, Shuttle	
16	7443000365	2	Fitting, Straight	

SECTION 2 - DECK

FIGURE 2-19. FREE SPOOL INSTALLATION (WITHOUT PRESSURE PROTECTION VALVE)



ART_1001219379

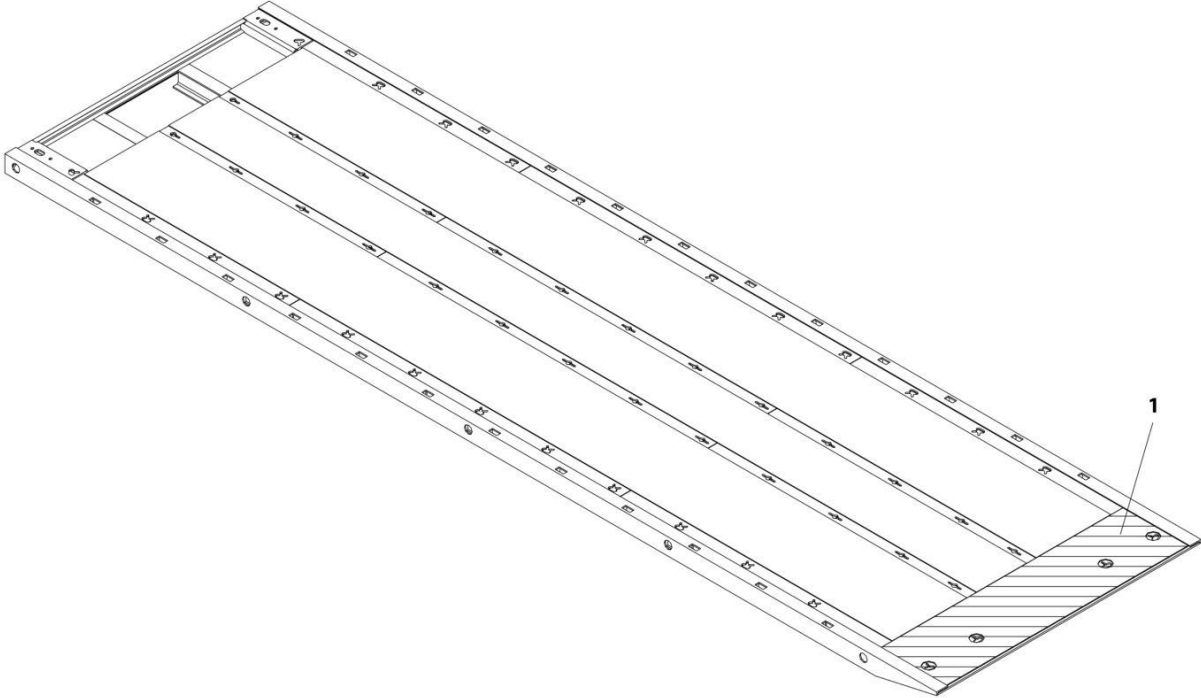
SECTION 2 - DECK

FIGURE 2-19. FREE SPOOL INSTALLATION (WITHOUT PRESSURE PROTECTION VALVE)

ITEM	PART NUMBER	QTY	DESCRIPTION	REV
	1001219379	Ref	FREE SPOOL INSTALLATION - WITHOUT PPV	C
1	7565000014	80 ft	Tubing, Airline	
2	7935000182	2	Valve, Air	
3	7443000364	5	Fitting, Straight	
4	7640000002	2	Muffler, Air Exhaust	
5	7443000366	2	Fitting, Straight	
6	7935000248	1	Regulator, Air	
7	8597650001	1	Loom	
8	7894000004	16	Tie-Strap (Not Shown)	
9	7443000371	1	Fitting, Tee	
10	7935000229	1	Valve, Shuttle	
11	7443000365	2	Fitting, Straight	

SECTION 2 - DECK

FIGURE 2-20. ANTI-SLIP PAINT INSTALLATION (DECK APPROACH END)



ART_1001232775

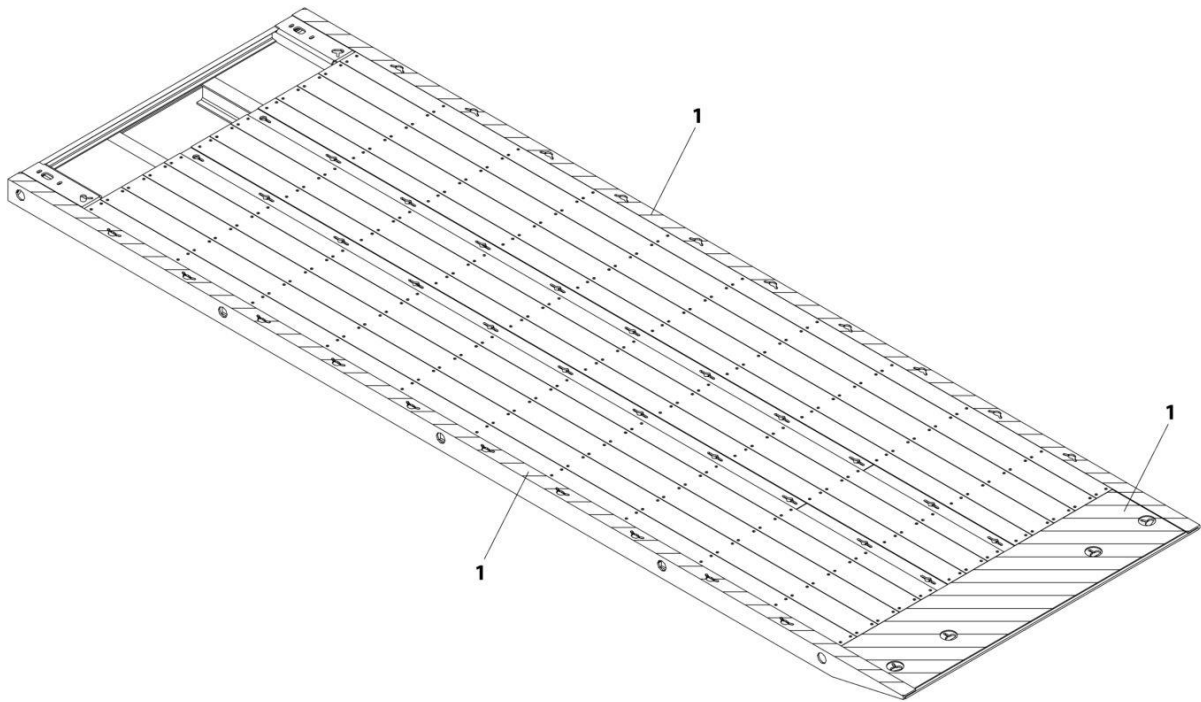
SECTION 2 - DECK

FIGURE 2-20. ANTI-SLIP PAINT INSTALLATION (DECK APPROACH END)

ITEM	PART NUMBER	QTY	DESCRIPTION	REV
1	1001232775	Ref	ANTI-SLIP PAINT INSTALLATION (DECK APPROACH END)	B
	1001219737	AR	Paint, Non-Skid Yellow (1GAL Can)	

SECTION 2 - DECK

FIGURE 2-21. ANTI-SLIP PAINT INSTALLATION (DECK SIDES & APPROACH END)



ART_1001219381

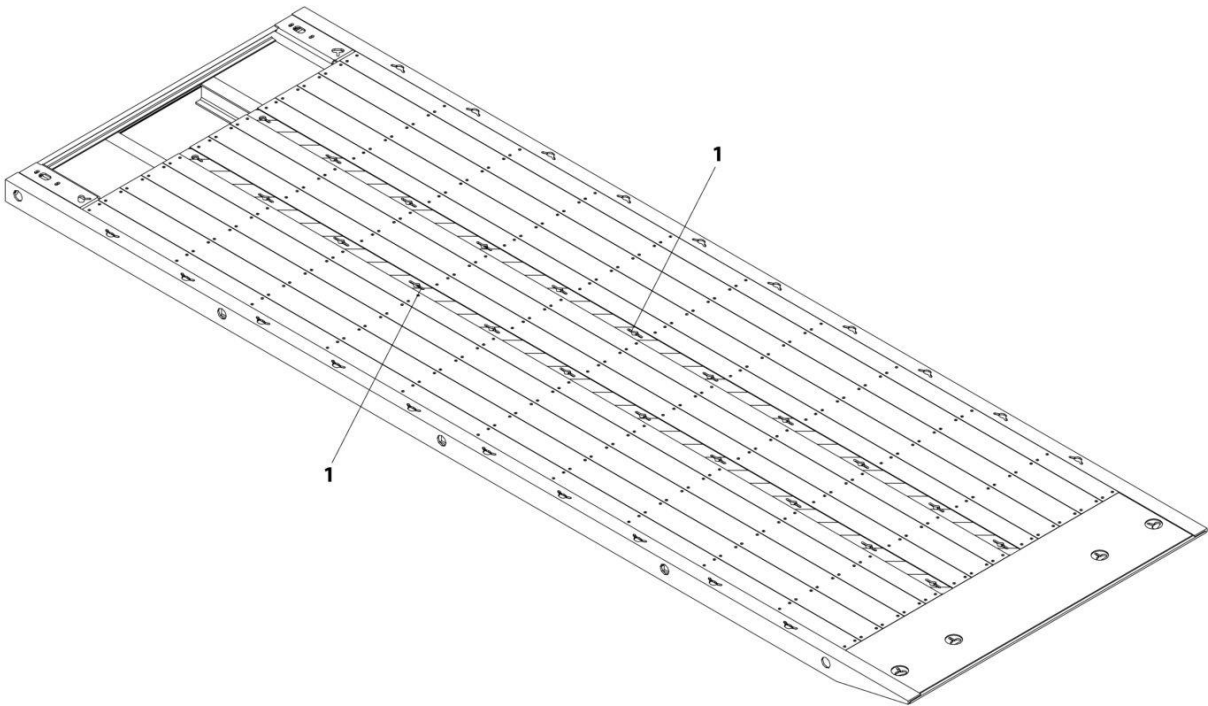
SECTION 2 - DECK

FIGURE 2-21. ANTI-SLIP PAINT INSTALLATION (DECK SIDES & APPROACH END)

ITEM	PART NUMBER	QTY	DESCRIPTION	REV
	1001219381	Ref	ANTI-SLIP PAINT INSTALLATION (DECK SIDES & APPROACH END)	A
1	1001219737	AR	Paint, Non-Skid Yellow (1GAL Can)	

SECTION 2 - DECK

FIGURE 2-22. ANTI-SLIP PAINT INSTALLATION (DECK - INNER LENGTH)



ART_1001220235

SECTION 2 - DECK

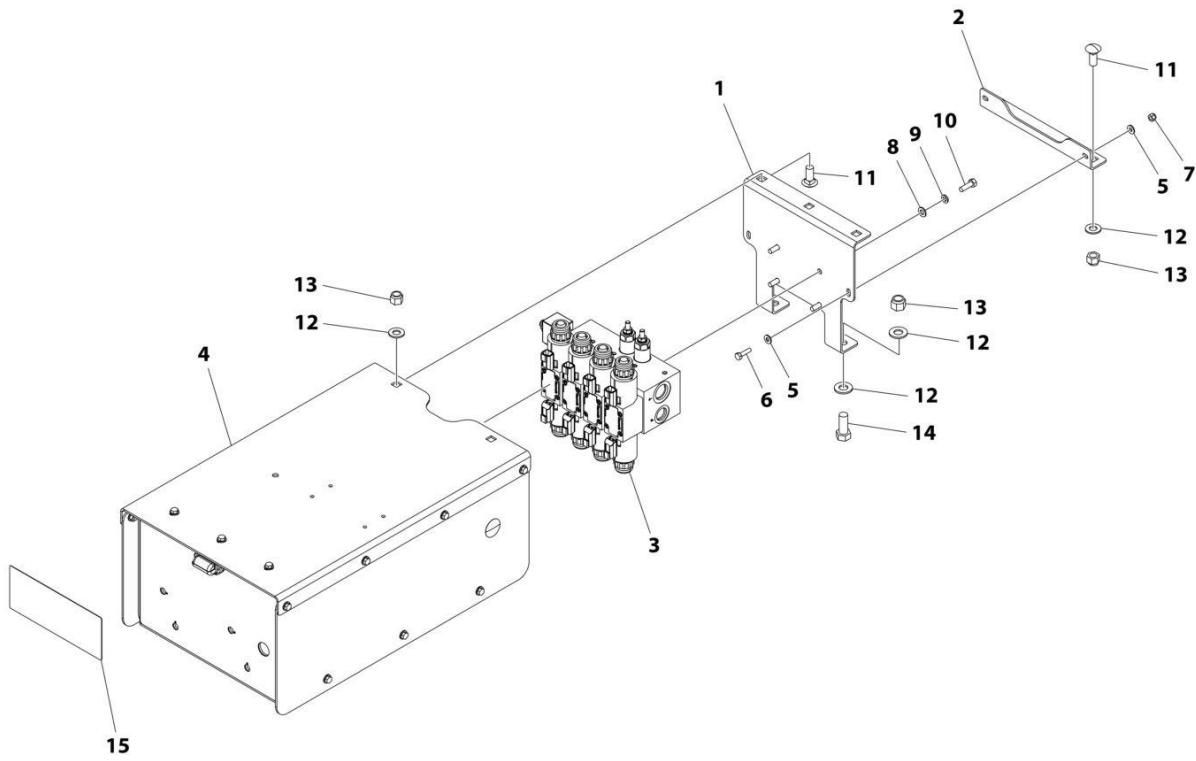
FIGURE 2-22. ANTI-SLIP PAINT INSTALLATION (DECK - INNER LENGTH)

ITEM	PART NUMBER	QTY	DESCRIPTION	REV
1	1001220235	Ref	ANTI-SLIP PAINT INSTALLATION (DECK - INNER LENGTH)	A
	1001219737	AR	Paint, Non-Skid Yellow (1GAL Can)	

SECTION 3 - CONTROLS

SECTION 3 - CONTROLS

FIGURE 3-1. CONTROLS INSTALLATION - DRIVERS SIDE



ART_1001217889

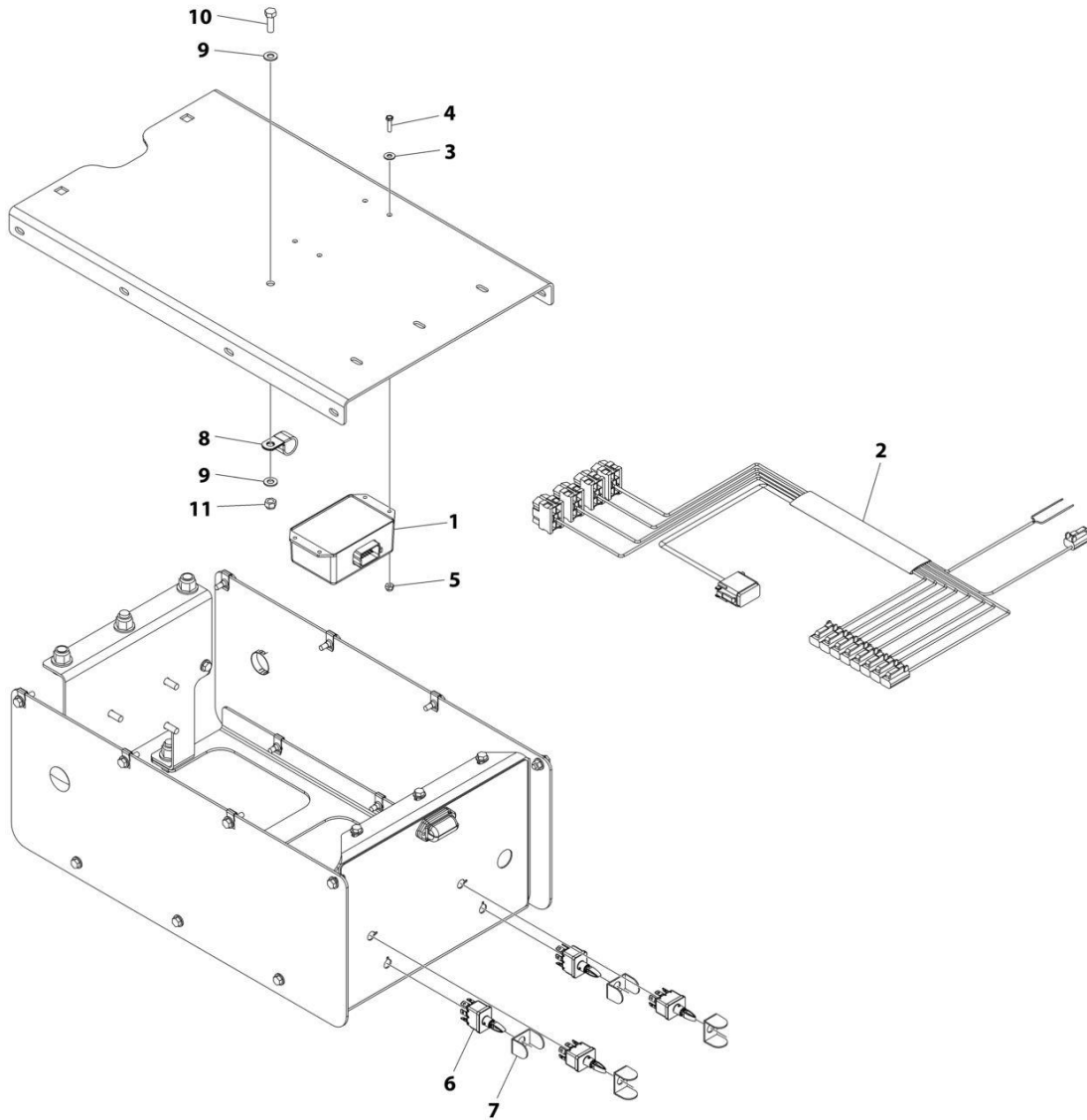
SECTION 3 - CONTROLS

FIGURE 3-1. CONTROLS INSTALLATION - DRIVERS SIDE

ITEM	PART NUMBER	QTY	DESCRIPTION	REV
	1001217889	Ref	CONTROLS INSTALLATION - DRIVER SIDE	B
1	1001217304	1	Plate	
2	1001217305	1	Plate	
3	1001215843	1	Valve Assembly (See Separate Breakdown in this Section)	
4	1001217890	1	Control Station Assembly (See Separate Breakdown in this Section)	
5	4711400	4	Washer 1/4	
6	0641408	2	Bolt 1/4 x 1	
7	7660142601	2	Nut 1/4	
8	4711500	4	Washer 5/16	
9	4761500	4	Washer 5/16	
10	0641508	4	Bolt 5/16 x 1	
11	7115181064	5	Bolt 1/2 x 1-1/4	
12	4711800	9	Washer 1/2	
13	7660182601	7	Nut 1/2	
14	0641810	2	Bolt 1/2 x 1-1/4	
15	1001222313	1	Decal, Operating Instructions	

SECTION 3 - CONTROLS

FIGURE 3-2. CONTROLS INSTALLATION - DRIVERS SIDE (ELECTRICAL)



ART_1001217891

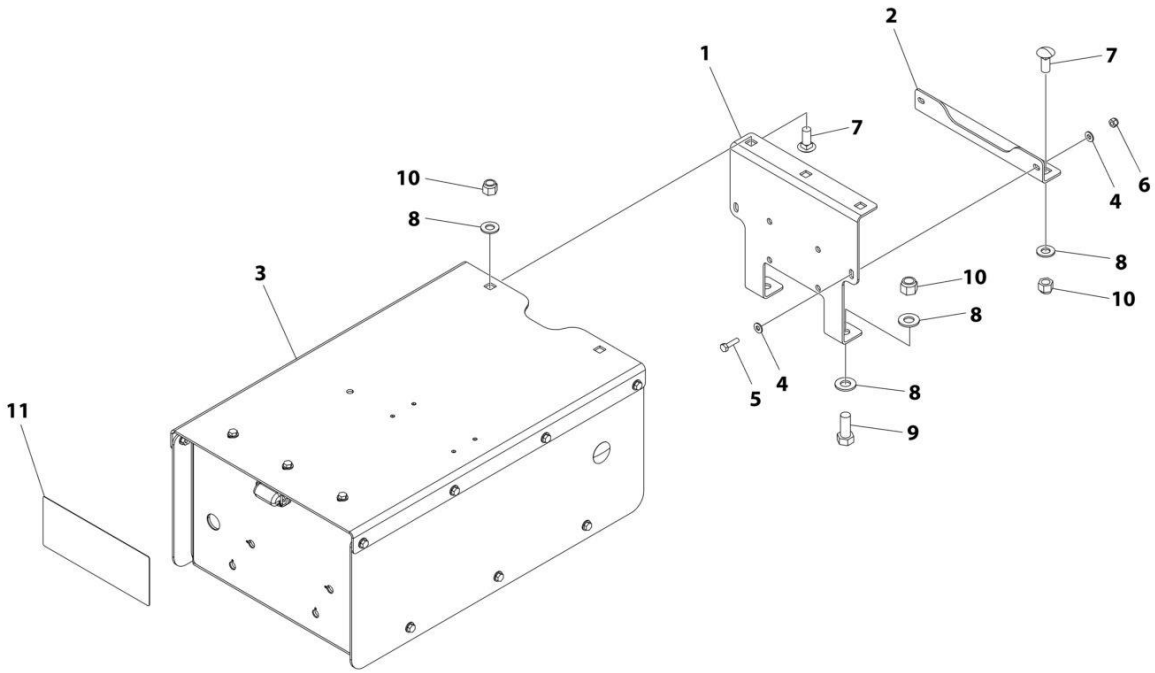
SECTION 3 - CONTROLS

FIGURE 3-2. CONTROLS INSTALLATION - DRIVERS SIDE (ELECTRCIAL)

ITEM	PART NUMBER	QTY	DESCRIPTION	REV
	1001217891	Ref	ELECTRICAL CONTROLS INSTALLATION - DRIVER SIDE	C
1	1001216351	1	Control, Wireless Remote	
2	1001215846	1	Harness, Remote Control (See Separate Breakdown in ELECTRICAL Section)	
3	4751300	4	Washer 3/16	
4	0721006	4	Bolt #10 x 3/4	
5	7660102601	4	Nut #10	
6	1001227917	4	Toggle Switch	
7	4060906	4	Guard	
8	7274000040	1	Clamp	
9	4711500	2	Washer 5/16	
10	0641508	1	Bolt 5/16 x 1	
11	7660152601	1	Nut 5/16	
12	5526000553	20	Tie-Strap (Not Shown)	
13	7346000039	AR	Tubing (Not Shown)	
14	0100048	AR	Compound Locking (Not Shown)	

SECTION 3 - CONTROLS

FIGURE 3-3. CONTROLS INSTALLATION - PASSENGERS SIDE



ART_1001228133

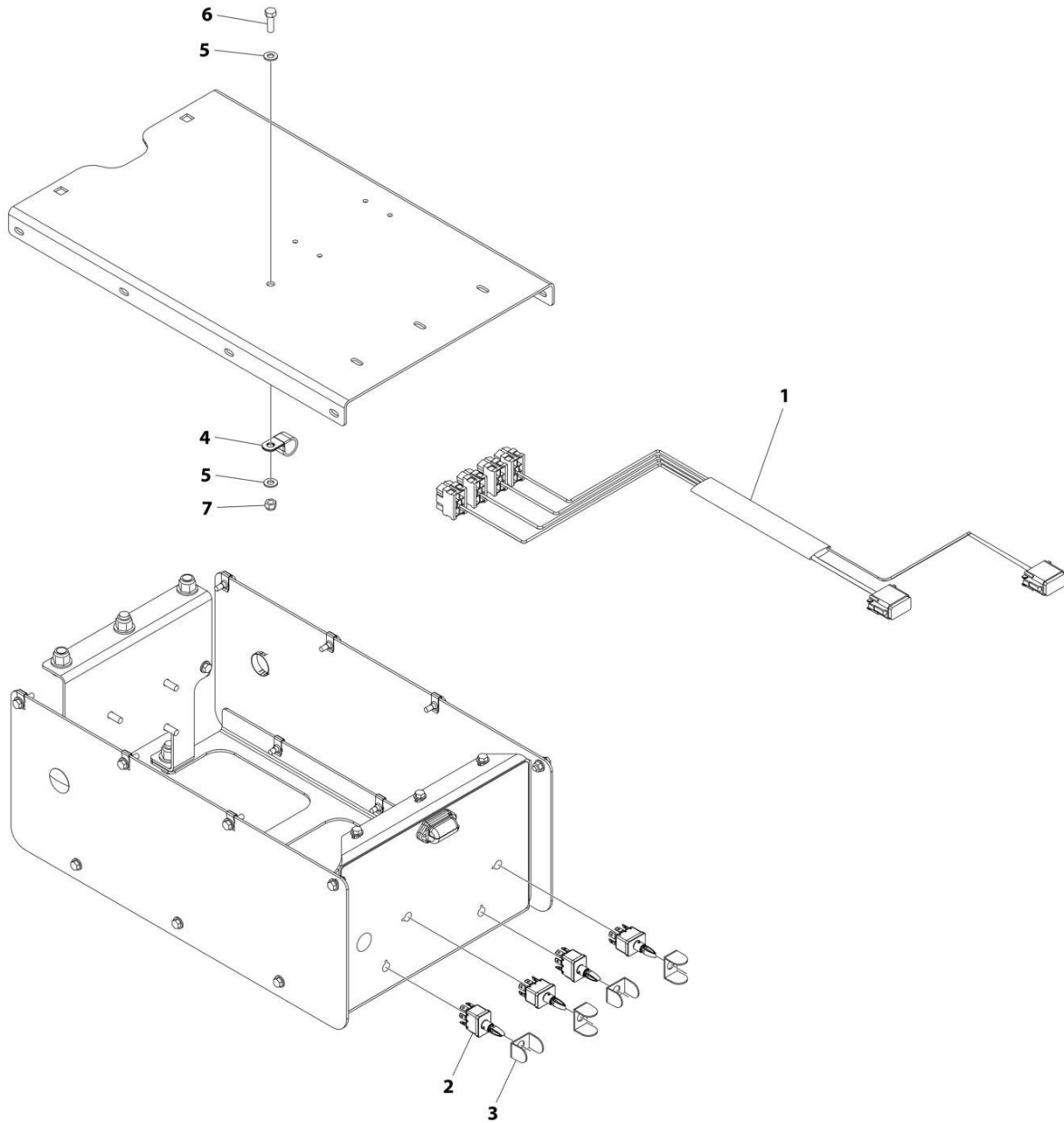
SECTION 3 - CONTROLS

FIGURE 3-3. CONTROLS INSTALLATION - PASSENGERS SIDE

ITEM	PART NUMBER	QTY	DESCRIPTION	REV
	1001228133	Ref	CONTROLS INSTALLATION - PASSENGER SIDE	A
1	1001217304	1	Plate	
2	1001217305	1	Plate	
3	1001228124	1	Control Station Assembly (See Separate Breakdown in this Section)	
4	4711400	4	Washer 1/4	
5	0641408	2	Bolt 1/4 x 1	
6	7660142601	2	Nut 1/4	
7	7115181064	5	Bolt 1/2 x 1-1/4	
8	4711800	9	Washer 1/2	
9	0641810	2	Bolt 1/2 x 1-1/4	
10	7660182601	7	Nut 1/2	
11	1001222313	1	Decal, Operating Instructions	

SECTION 3 - CONTROLS

FIGURE 3-4. CONTROLS INSTALLATION - PASSENGERS SIDE (ELECTRICAL)



ART_1001228134

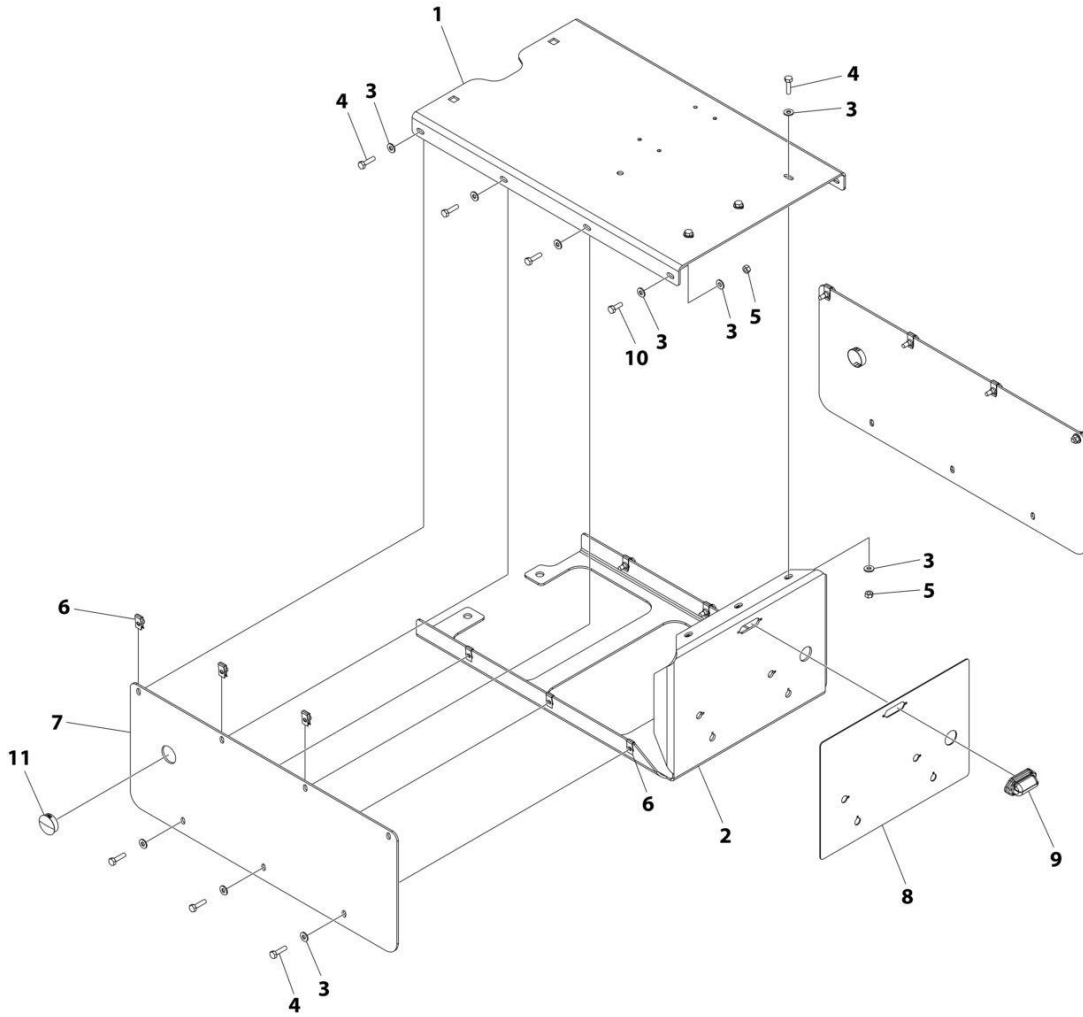
SECTION 3 - CONTROLS

FIGURE 3-4. CONTROLS INSTALLATION - PASSENGERS SIDE (ELECTRICAL)

ITEM	PART NUMBER	QTY	DESCRIPTION	REV
	1001228134	Ref	ELECTRICAL CONTROLS INSTALLATION - PASSENGER SIDE	A
1	1001228111	1	Harness, Remote Control (See Separate Breakdown in ELECTRICAL Section)	
2	1001227917	4	Toggle Switch	
3	4060906	4	Guard	
4	7274000040	1	Clamp	
5	4711500	2	Washer 5/16	
6	0641508	1	Bolt 5/16 x 1	
7	7660152601	1	Nut 5/16	
8	5526000553	20	Tie-Strap (Not Shown)	
9	0100048	AR	Compound Locking (Not Shown)	

SECTION 3 - CONTROLS

FIGURE 3-5. CONTROL STATION ASSEMBLY (DRIVERS SIDE)



ART_1001217890

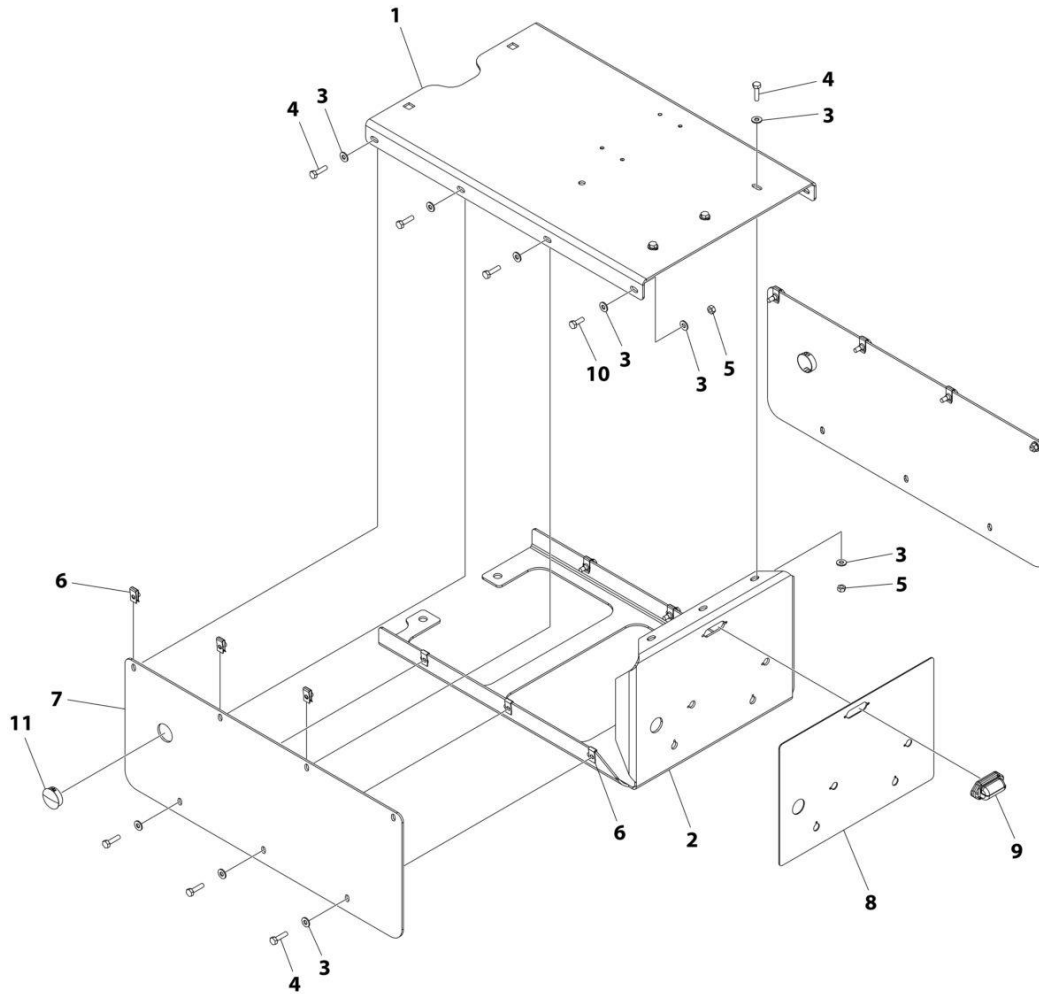
SECTION 3 - CONTROLS

FIGURE 3-5. CONTROL STATION ASSEMBLY (DRIVERS SIDE)

ITEM	PART NUMBER	QTY	DESCRIPTION	REV
	1001217890	Ref	CONTROL STATION ASSEMBLY - DRIVER SIDE	C
1	1001217302	1	Panel, Top	
2	1001217303	1	Panel, Bottom	
3	4711400	22	Washer 1/4	
4	0641408	15	Bolt 1/4 x 1	
5	3311405	5	Nut 1/4	
6	7661000042	12	Nut 1/4	
7	1001217491	2	Plate, Side	
8	1001217301	1	Decal	
9	1001143764	1	Lamp	
10	0641406	2	Bolt 1/4 x 3/4	
11	7701000049	2	Plug	

SECTION 3 - CONTROLS

FIGURE 3-6. CONTROL STATION ASSEMBLY (PASSENGERS SIDE)



ART_1001228124

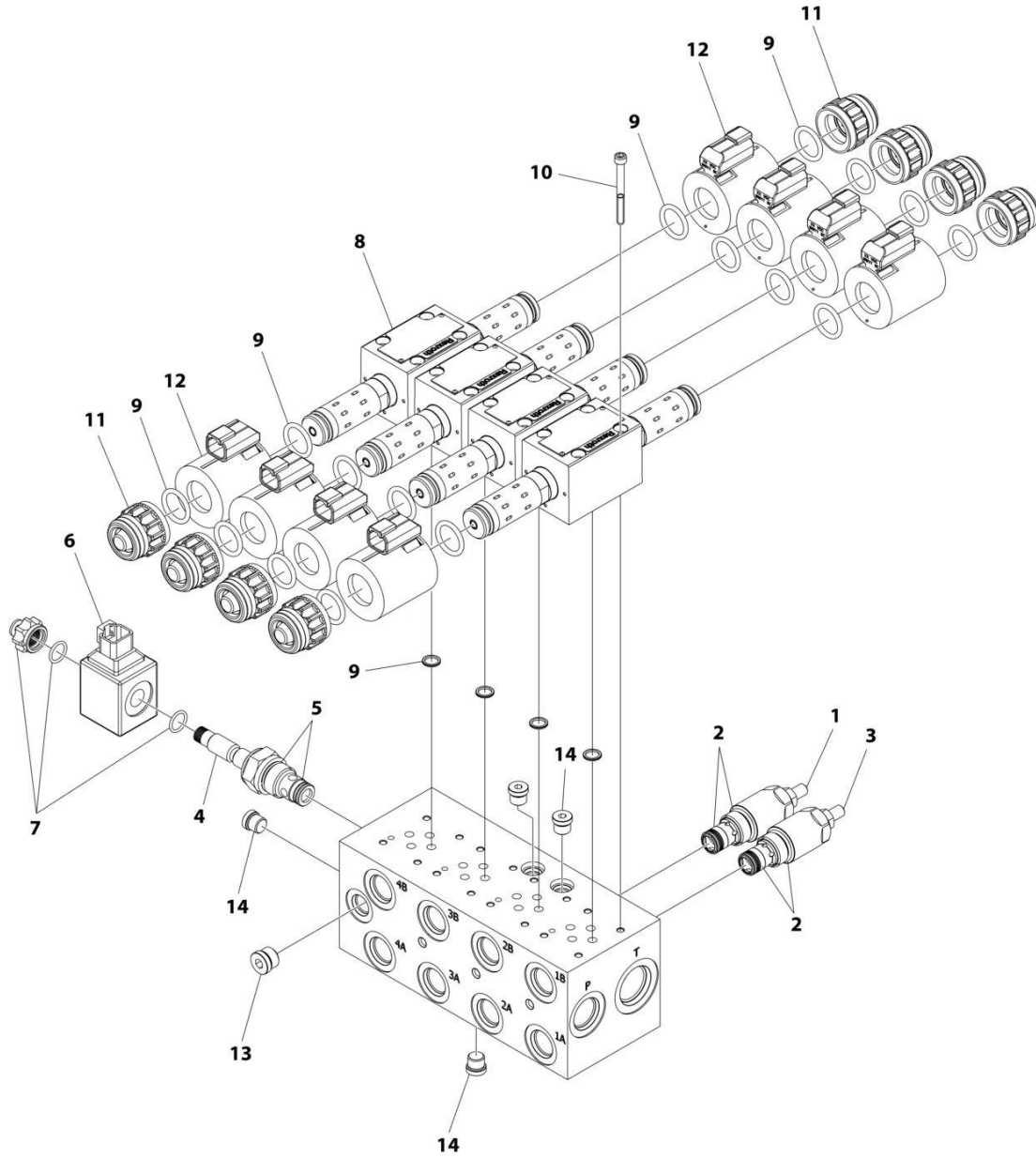
SECTION 3 - CONTROLS

FIGURE 3-6. CONTROL STATION ASSEMBLY (PASSENGERS SIDE)

ITEM	PART NUMBER	QTY	DESCRIPTION	REV
	1001228124	Ref	CONTROL STATION ASSEMBLY - PASSENGER SIDE	A
1	1001217302	1	Panel, Top	
2	1001228117	1	Panel, Bottom	
3	4711400	22	Washer 1/4	
4	0641408	15	Bolt 1/4 x 1	
5	3311405	5	Nut 1/4	
6	7661000042	12	Nut 1/4	
7	1001217491	2	Plate, Side	
8	1001228116	1	Decal	
9	1001143764	1	Lamp	
10	0641406	2	Bolt 1/4 x 3/4	
11	7701000049	2	Plug	

SECTION 3 - CONTROLS

FIGURE 3-7. VALVE ASSEMBLY



ART_1001215843

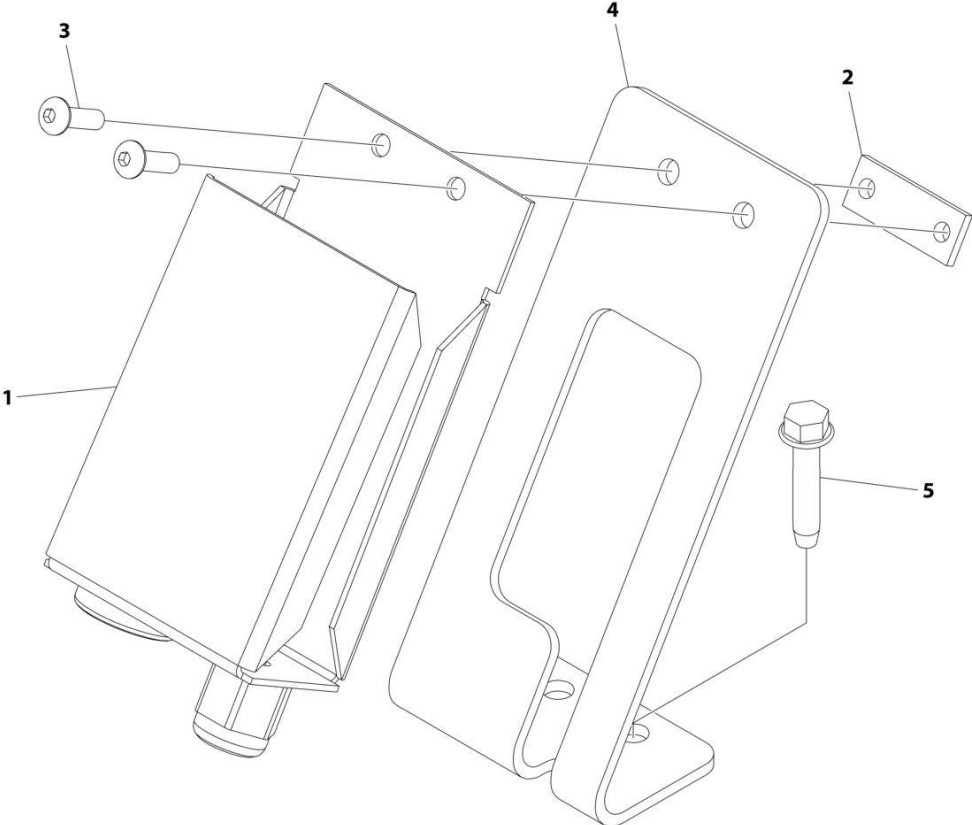
SECTION 3 - CONTROLS

FIGURE 3-7. VALVE ASSEMBLY

ITEM	PART NUMBER	QTY	DESCRIPTION	REV
	1001215843	Ref	VALVE ASSEMBLY	E
1	70051449	1	Valve, Cartridge	
2	70004602	2	Seal Kit	
3	70051450	1	Valve, Cartridge	
4	70051357	1	Valve	
5	70023867	1	Seal Kit	
6	70022147	1	Coil	
7	70004051	1	Seal Kit	
8	70051355	4	Valve Directional	
9	7012773	4	Seal Kit	
10	7018942	16	Capscrew #10 x 2	
11	70004460	8	Coil Cover	
12	70051356	8	Nut	
13	70005199	1	Plug	
14	70005200	4	Plug	

SECTION 3 - CONTROLS

FIGURE 3-8. REMOTE CONTROL INSTALLATION - TRANSMITTER HOLDER



ART_2002000031

SECTION 3 - CONTROLS

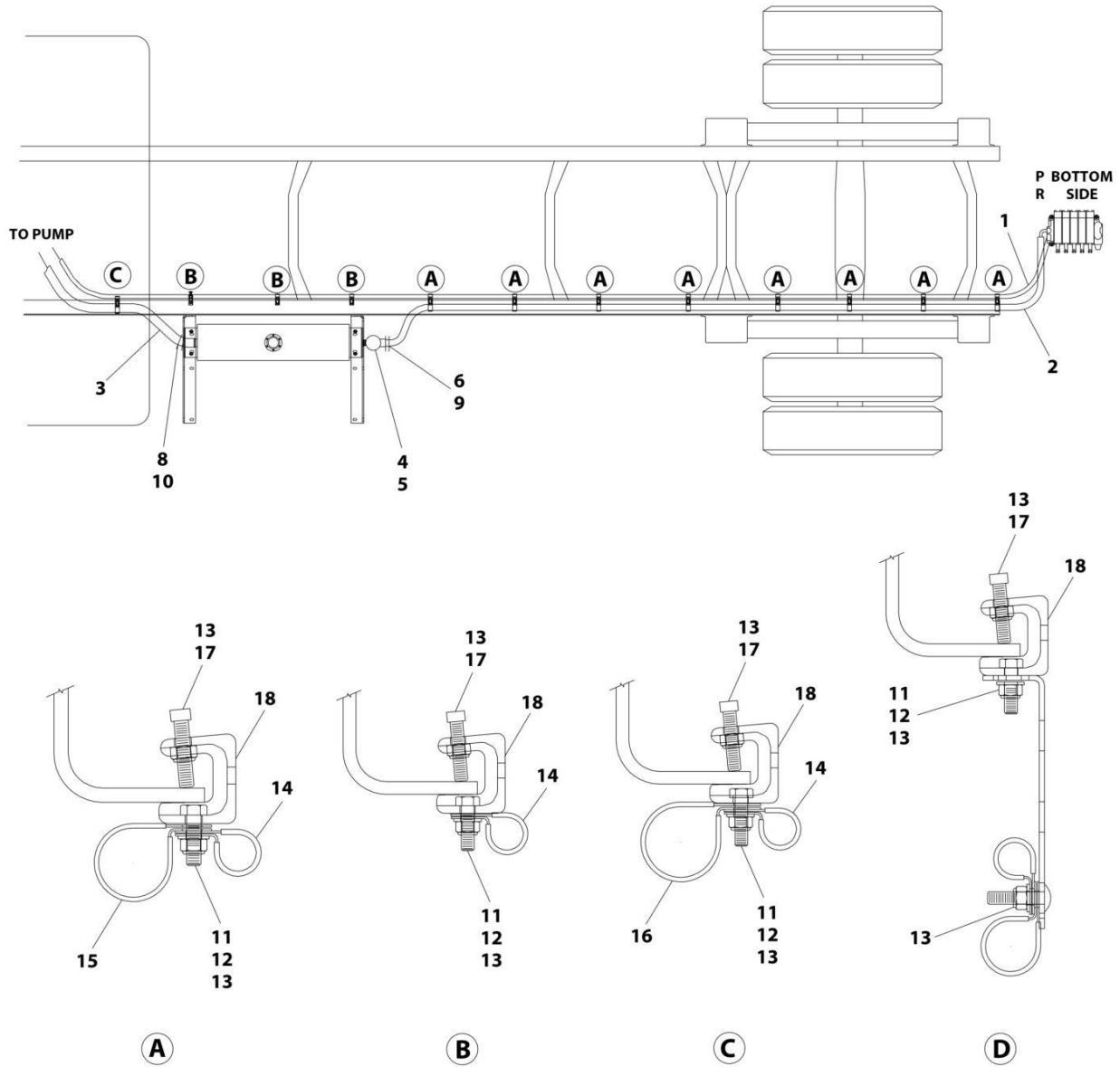
FIGURE 3-8. REMOTE CONTROL INSTALLATION - TRANSMITTER HOLDER

ITEM	PART NUMBER	QTY	DESCRIPTION	REV
	2002000031	Ref	Remote Control 6 Function U/L Transmitter Holder	D
1	7002000521	1	Accessory, Box	
2	7661000056	1	Nut #10	
3	7114100518	2	Screw #10 x 5/8	
4	1001230127	1	Mount	
5	7790142051	2	Screw 1/4 x 1-1/4	

SECTION 4 - HYDRAULIC

SECTION 4 - HYDRAULIC

FIGURE 4-1. HOSE INSTALLATION (156IN CA)



ART_2570000097

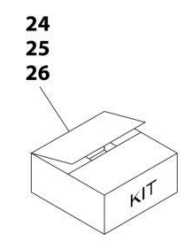
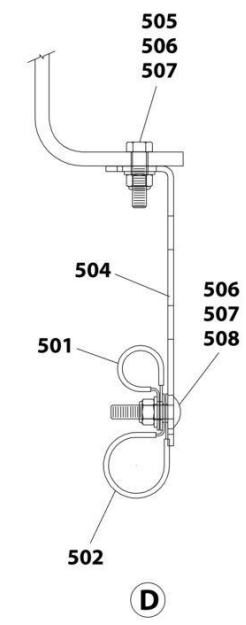
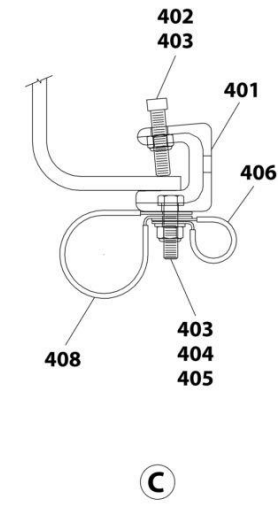
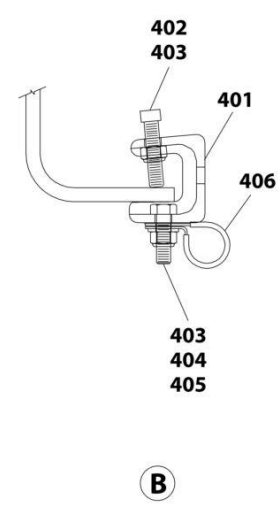
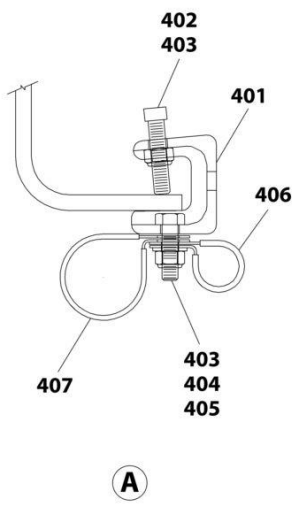
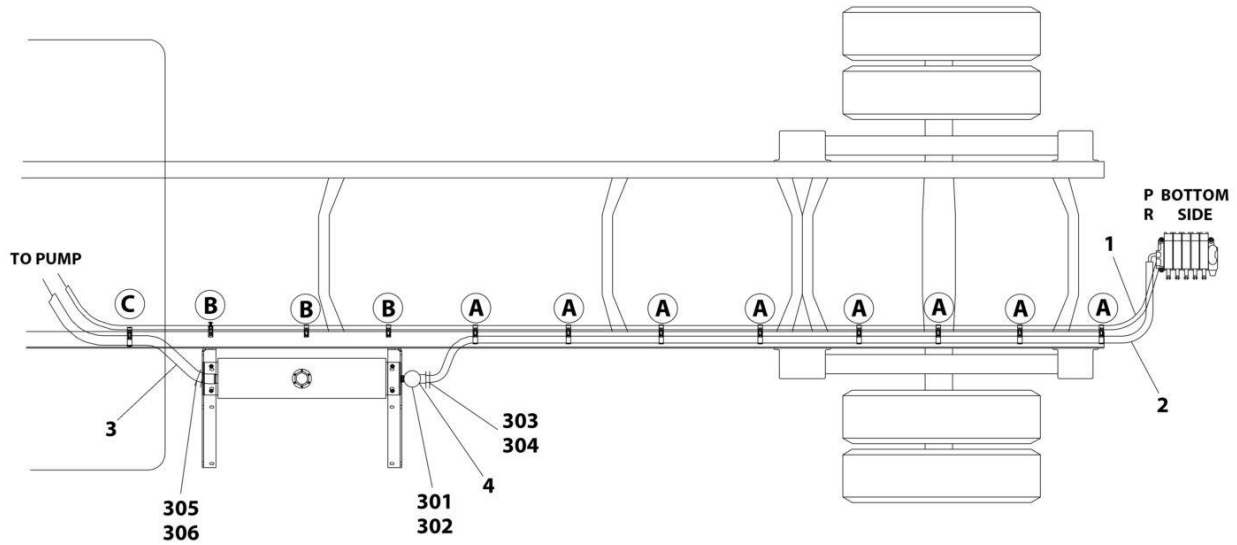
SECTION 4 - HYDRAULIC

FIGURE 4-1. HOSE INSTALLATION (156IN CA)

ITEM	PART NUMBER	QTY	DESCRIPTION	REV
	2570000097	Ref	SPR HOSE INSTALLATION 156IN CA	B
1	4567130244	1	Hose	
2	4570000113	1	Hose	
3	4570000112	1	Hose	
4	7430000003	1	Filter, Oil	
4	7431000001	1	Element, Replacement Oil Filter	
5	7470000002	1	Oil Guage	
6	7443000319	1	Fitting, 90	
8	7443000013	1	Nipple	
9	7274000080	2	Hose Clamp	
10	7274000002	2	Hose Clamp	
11	7785152420	13	Set Screw 5/16 x 1-1/2	
12	7950150161	13	Washer 5/16	
13	7660152601	26	Nut 5/16	
14	7274000040	13	Clamp	
15	7274000041	8	Clamp	
16	7274000042	3	Clamp	
17	7115151050	13	Bolt 5/16 x 1-1/4	
18	7274000076	13	Clamp	

SECTION 4 - HYDRAULIC

FIGURE 4-2. HOSE INSTALLATION (160IN CA)



ART_2570000098

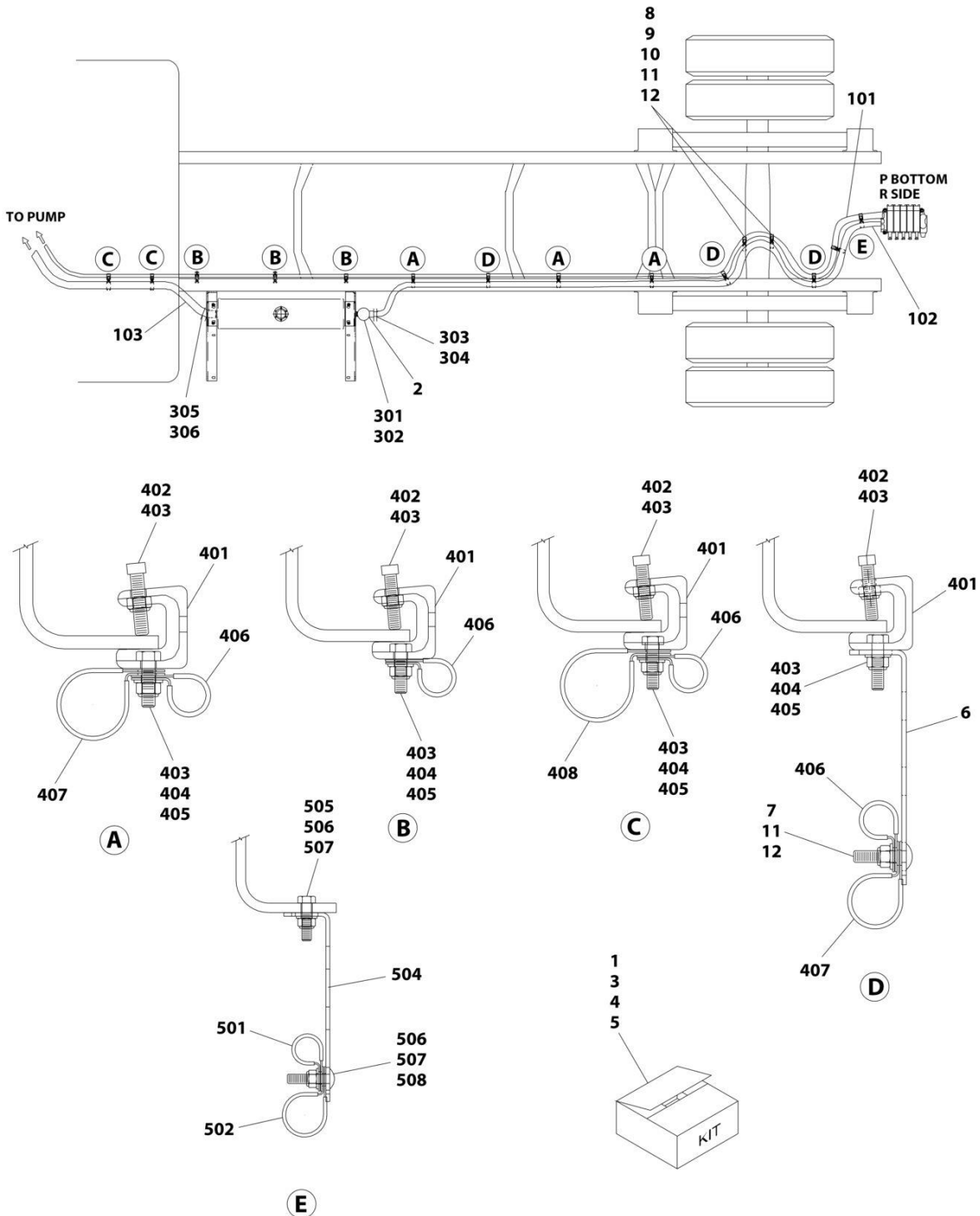
SECTION 4 - HYDRAULIC

FIGURE 4-2. HOSE INSTALLATION (160IN CA)

ITEM	PART NUMBER	QTY	DESCRIPTION	REV
	2570000098	Ref	HOSE INSTALLATION - 160IN CA - GENERIC	3
1	4567130248	1	Hose	
2	4570000114	1	Hose	
3	4570000112	1	Hose	
4	7430000003	1	Filter, Oil	
4	7431000001	1	Element, Replacement Oil Filter	
24	1001132801	1	Clamp, Hose Kit (Includes Items 301-306)	
25	1001132794	14	Clamp, Hose Kit (Includes Items 401-408)	
26	1001132800	5	Clamp, Hose Kit (Includes Items 501-508)	
301	7470000002	1	Gauge, Oil Filter Head	
302	7443000158	1	Fitting, 90	
303	7443000319	1	Fitting, 90	
304	7274000080	2	Clamp	
305	7443000013	1	Nipple	
306	7274000002	2	Clamp	
401	7274000076	1	Clamp	
402	7785152420	1	Screw 5/16 x 1-1/2	
403	7660152601	2	Nut 5/16	
404	7115151050	1	Capscrew 5/16 x 1-1/4	
405	7950150161	1	Washer 5/16	
406	7274000040	1	Clamp	
407	7274000041	1	Clamp	
408	7274000042	1	Clamp	
501	7274000040	1	Clamp	
502	7274000041	1	Clamp	
503	7274000042	1	Clamp	
504	4706003844	1	Plate	
505	7115151050	1	Capscrew 5/16 x 1-1/4	
506	7950150161	3	Washer 5/16	
507	7660152601	2	Nut 5/16	
508	7115151064	1	Bolt 5/16 x 1-1/4	

SECTION 4 - HYDRAULIC

FIGURE 4-3. HOSE INSTALLATION (162IN CA) (PETERBILT STD CAB)



ART_1001132748

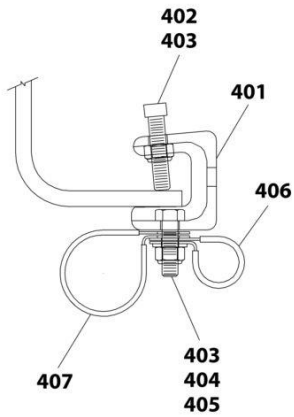
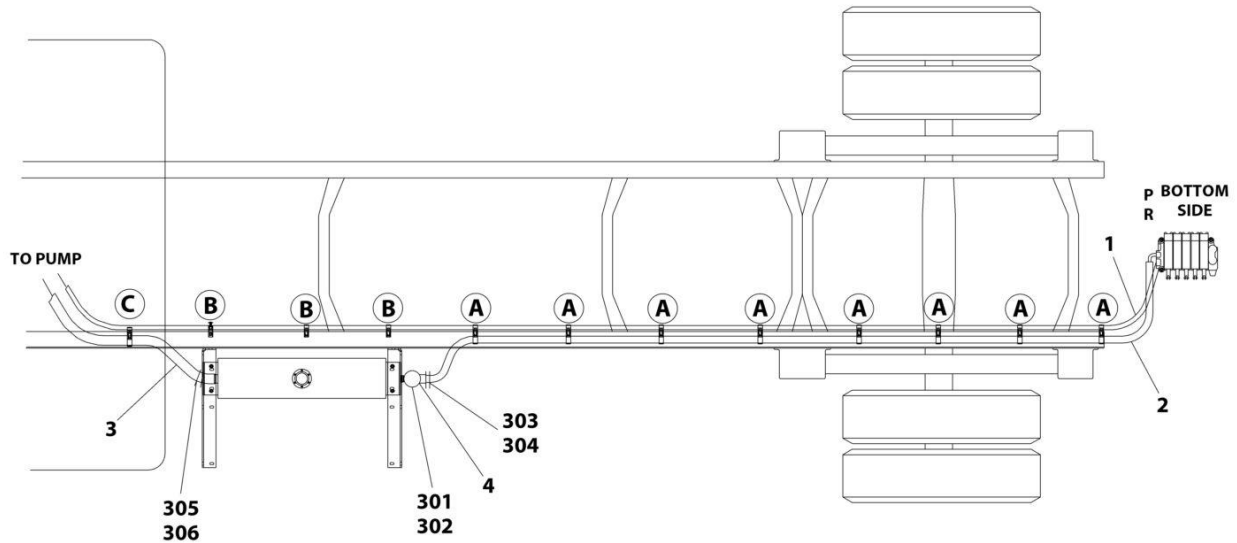
SECTION 4 - HYDRAULIC

FIGURE 4-3. HOSE INSTALLATION (162IN CA) (PETERBILT STD CAB)

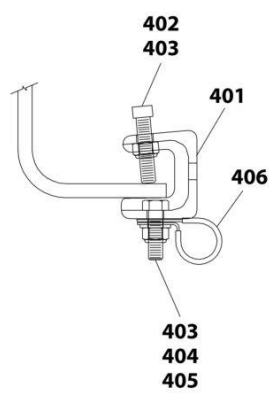
ITEM	PART NUMBER	QTY	DESCRIPTION	REV
	1001132748	Ref	HOSE INSTALLATION - 162IN CA (STD CAB PETERBILT)	0
1	1001132717	1	Hose Kit (Include Items 101-103)	
2	7430000003	1	Filter, Oil	
2	7431000001	1	Element, Replacement Oil Filter	
3	1001132801	1	Clamp, Hose Kit (Includes Items 301-306)	
4	1001132794	11	Clamp, Hose Kit (includes items 401-408)	
5	1001132800	2	Clamp, Hose Kit (Includes Items 501-508)	
6	4706003844	3	Plate	
7	7115151064	3	Bolt 5/16 x 1-1/4	
8	7274000040	2	Clamp	
9	7274000041	2	Clamp	
10	7115151050	2	Capscrew 5/16 x 1-1/4	
11	7950150161	5	Washer 5/16	
12	7660152601	5	Nut 5/16	
101	4567130290	1	Hose	
102	4570000121	1	Hose	
103	1001132601	1	Hose	
301	7470000002	1	Gauge, Oil Filter Head	
302	7443000158	1	Fitting, 90	
303	7443000319	1	Fitting, 90	
304	7274000080	2	Clamp	
305	7443000013	1	Nipple	
306	7274000002	2	Clamp	
401	7274000076	1	Clamp	
402	7785152420	1	Screw 5/16 x 1-1/2	
403	7660152601	2	Nut 5/16	
404	7115151050	1	Capscrew 5/16 x 1-1/4	
405	7950150161	1	Washer 5/16	
406	7274000040	1	Clamp	
407	7274000041	1	Clamp	
408	7274000042	1	Clamp	
501	7274000040	1	Clamp	
502	7274000041	1	Clamp	
503	7274000042	1	Clamp (Not Shown)	
504	4706003844	1	Plate	
505	7115151050	1	Capscrew 5/16 x 1-1/4	
506	7950150161	3	Washer 5/16	
507	7660152601	2	Nut 5/16	
508	7115151064	1	Bolt 5/16 x 1-1/4	

SECTION 4 - HYDRAULIC

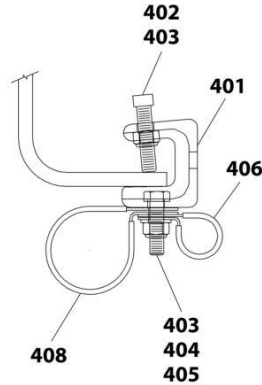
FIGURE 4-4. HOSE INSTALLATION (168IN CA)



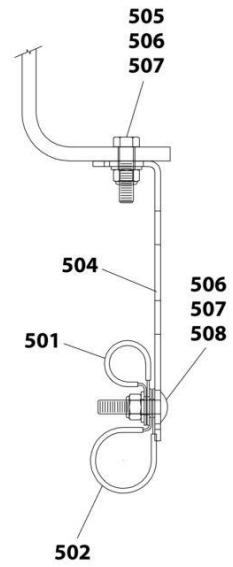
A



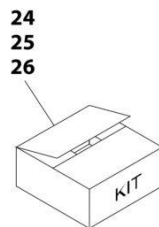
B



C



D



ART_2570000100

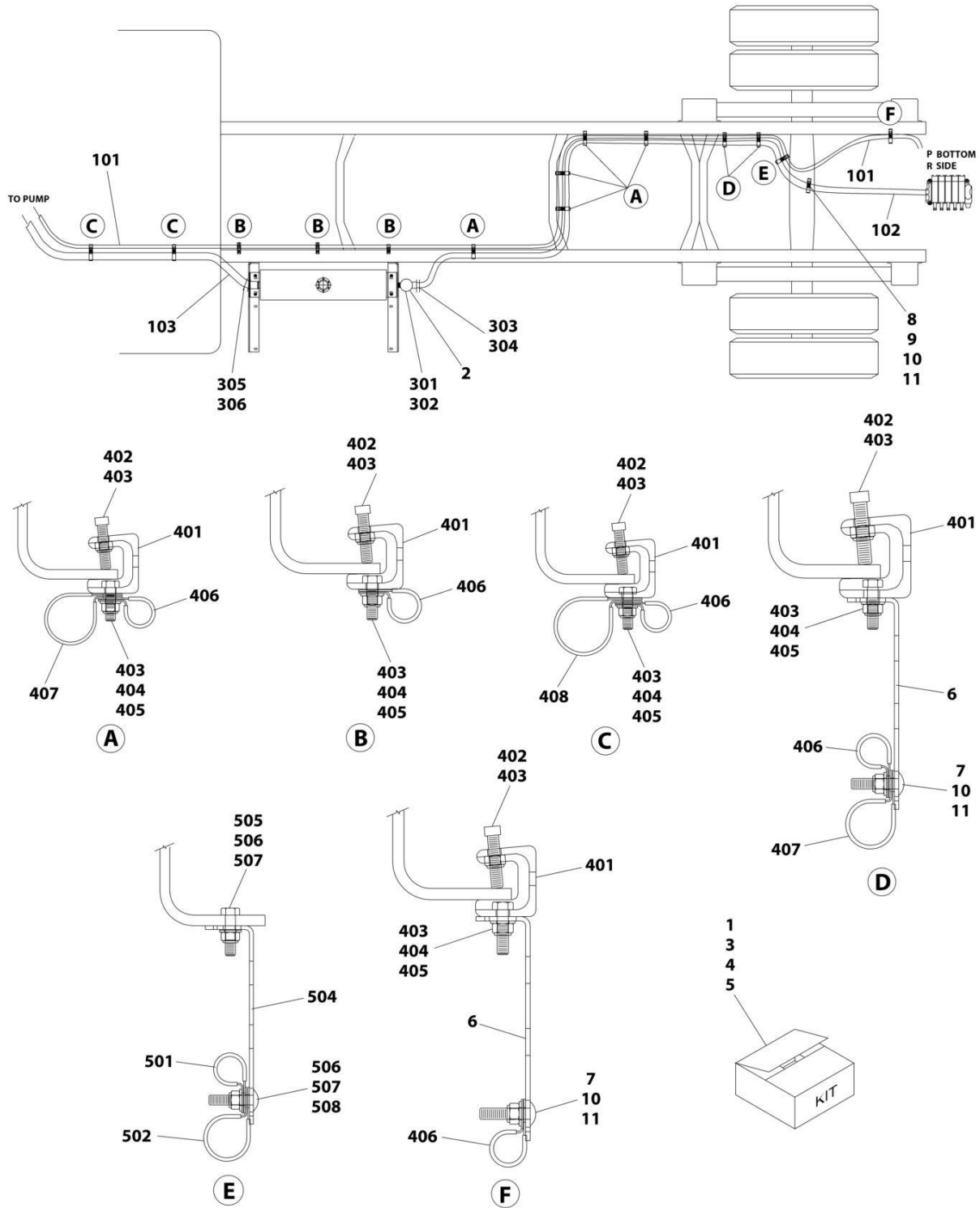
SECTION 4 - HYDRAULIC

FIGURE 4-4. HOSE INSTALLATION (168IN CA)

ITEM	PART NUMBER	QTY	DESCRIPTION	REV
	2570000100	Ref	SPR HOSE INSTALLATION - 168IN CA	D
1	4567130264	1	Hose	
2	4570000159	1	Hose	
3	4570000046	1	Hose	
4	7430000003	1	Filter, Oil	
4	7431000001	1	Element, Replacement Oil Filter	
24	1001132801	1	Clamp, Hose Kit (Includes Items 301-306)	
25	1001132794	12	Clamp, Hose Kit (Includes Items 401-408)	
26	1001132800	10	Clamp, Hose Kit (Includes Items 501-508)	
301	7470000002	1	Gauge, Oil Filter Head	
302	7443000158	1	Fitting, 90	
303	7443000319	1	Fitting, 90	
304	7274000080	2	Clamp	
305	7443000013	1	Nipple	
306	7274000002	2	Clamp	
401	7274000076	1	Clamp	
402	7785152420	1	Screw 5/16 x 1-1/2	
403	7660152601	2	Nut 5/16	
404	7115151050	1	Capscrew 5/16 x 1-1/4	
405	7950150161	1	Washer 5/16	
406	7274000040	1	Clamp	
407	7274000041	1	Clamp	
408	7274000042	1	Clamp	
501	7274000040	1	Clamp	
502	7274000041	1	Clamp	
503	7274000042	1	Clamp (Not Shown)	
504	4706003844	1	Plate	
505	7115151050	1	Capscrew 5/16 x 1-1/4	
506	7950150161	3	Washer 5/16	
507	7660152601	2	Nut 5/16	
508	7115151064	1	Bolt 5/16 x 1-1/4	

SECTION 4 - HYDRAULIC

FIGURE 4-5. HOSE INSTALLATION (168IN CA) (FORD STD CAB)



ART_1001132742

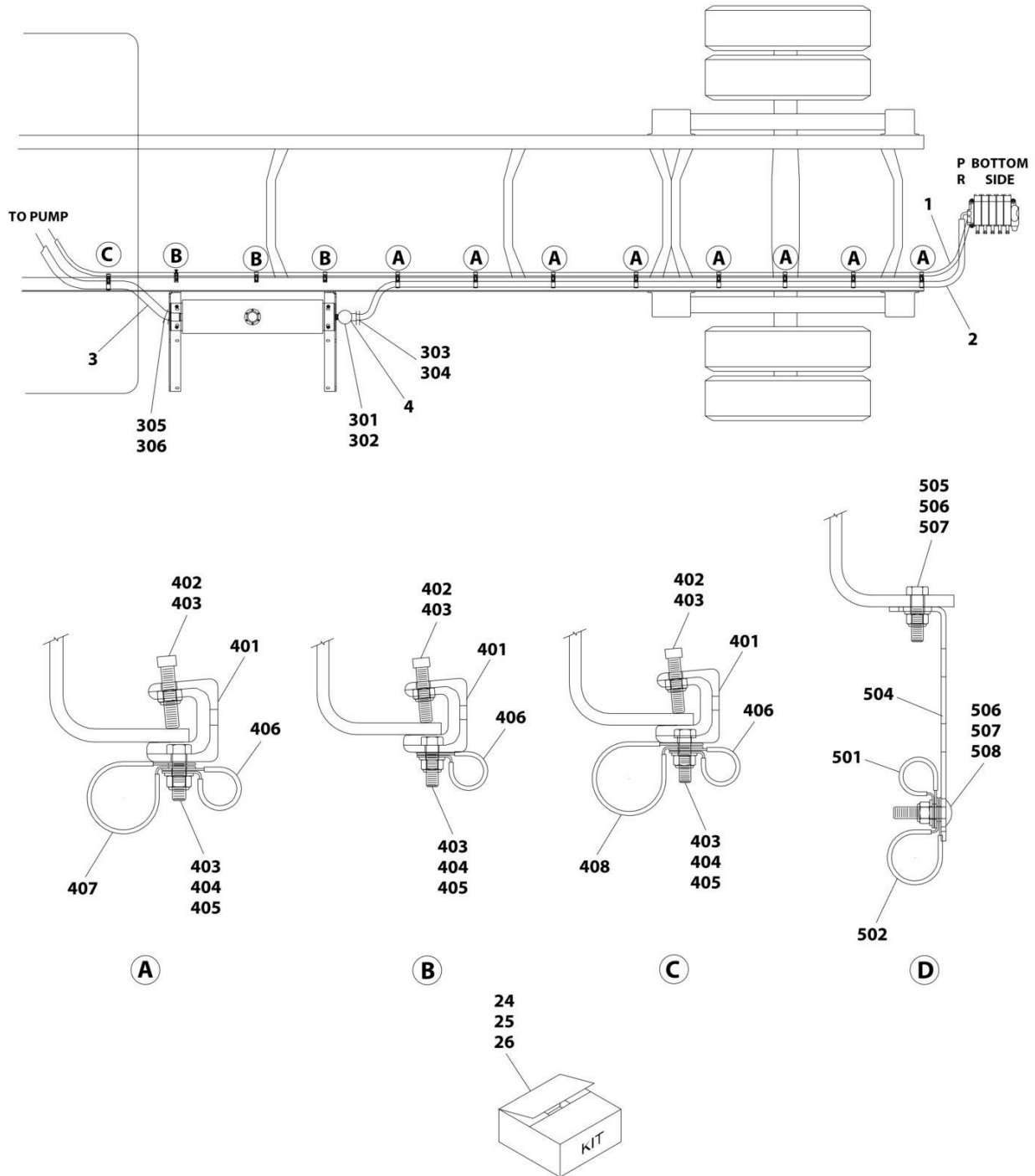
SECTION 4 - HYDRAULIC

FIGURE 4-5. HOSE INSTALLATION (168IN CA) (FORD STD CAB)

ITEM	PART NUMBER	QTY	DESCRIPTION	REV
	1001132742	Ref	HOSE INSTALLATION - 168IN CA (STD CAB FORD)	0
1	1001132711	1	Hose Kit (Include Items 101-103)	
2	7430000003	1	Filter, Oil	
3	1001132801	1	Clamp, Hose Kit (Includes Items 301-306)	
4	1001132794	14	Clamp, Hose Kit (Includes Items 401-408)	
4	7431000001	1	Element, Replacement Oil Filter	
5	1001132800	1	Clamp, Hose Kit (Includes Items 501-508)	
6	4706003844	3	Plate	
7	7115151064	3	Bolt 5/16 x 1-1/4	
8	7274000041	1	Clamp	
9	7115151050	1	Capscrew 5/16 x 1-1/4	
10	7950150161	4	Washer 5/16	
11	7660152601	4	Nut 5/16	
101	4567130300	1	Hose	
102	1001132683	1	Hose	
103	4570000044	1	Hose	
301	7470000002	1	Gauge, Oil Filter Head	
302	7443000158	1	Fitting, 90	
303	7443000319	1	Fitting, 90	
304	7274000080	2	Clamp	
305	7443000013	1	Nipple	
306	7274000002	2	Clamp	
401	7274000076	1	Clamp	
402	7785152420	1	Screw 5/16 x 1-1/2	
403	7660152601	2	Nut 5/16	
404	7115151050	1	Capscrew 5/16 x 1-1/4	
405	7950150161	1	Washer 5/16	
406	7274000040	1	Clamp	
407	7274000041	1	Clamp	
408	7274000042	1	Clamp	
501	7274000040	1	Clamp	
502	7274000041	1	Clamp	
503	7274000042	1	Clamp (Not Shown)	
504	4706003844	1	Plate	
505	7115151050	1	Capscrew 5/16 x 1-1/4	
506	7950150161	3	Washer 5/16	
507	7660152601	2	Nut 5/16	
508	7115151064	1	Bolt 5/16 x 1-1/4	

SECTION 4 - HYDRAULIC

FIGURE 4-6. HOSE INSTALLATION (192IN CA)



ART_2570000101

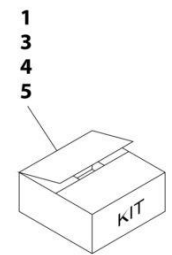
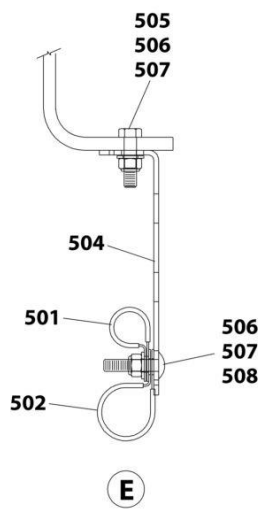
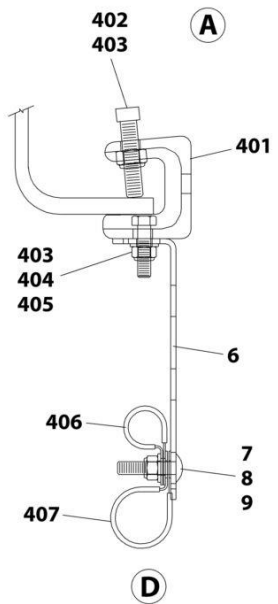
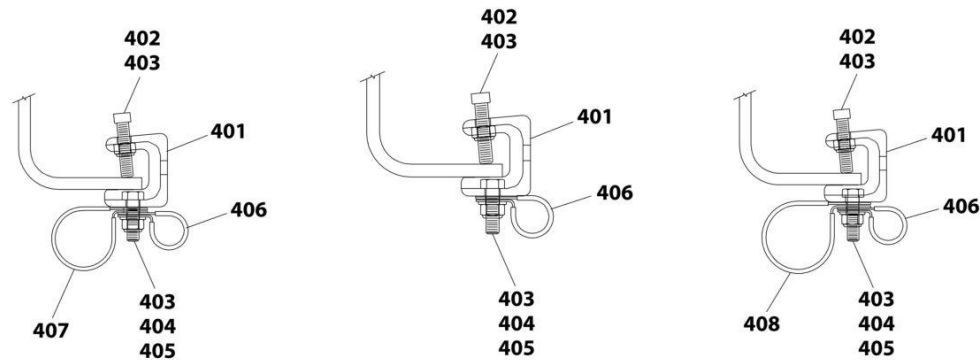
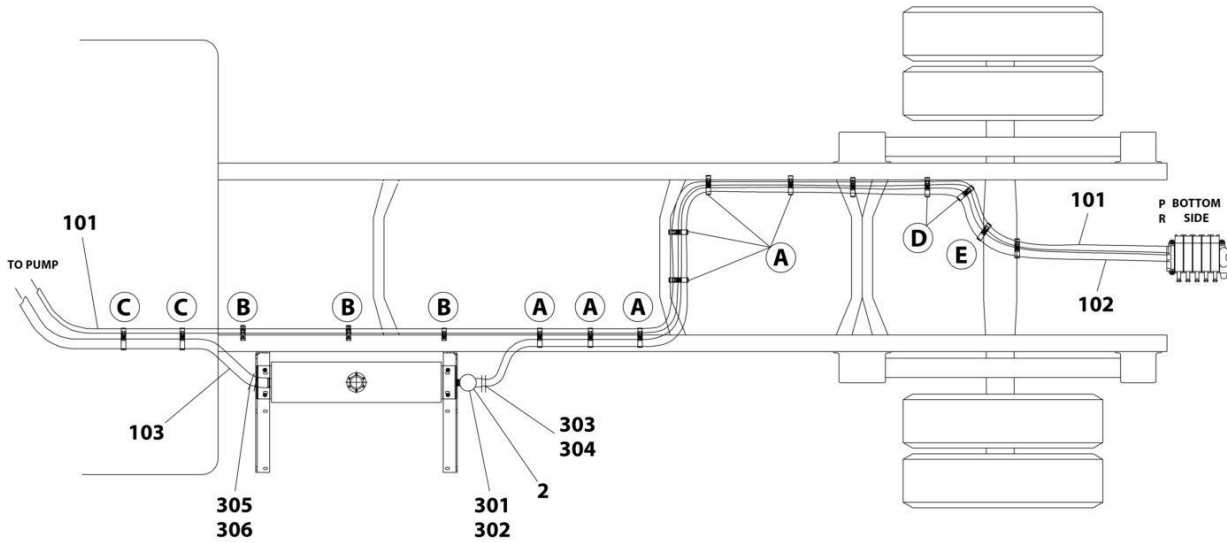
SECTION 4 - HYDRAULIC

FIGURE 4-6. HOSE INSTALLATION (192IN CA)

ITEM	PART NUMBER	QTY	DESCRIPTION	REV
	2570000101	Ref	HOSE INSTALLATION - 192IN CA - GENERIC	D
1	4567130290	1	Hose	
2	4570000160	1	Hose	
3	4570000046	1	Hose	
4	7430000003	1	Filter, Oil	
4	7431000001	1	Element, Replacement Oil Filter	
24	1001132801	1	Clamp, Hose Kit (Includes Items 301-306)	
25	1001132794	14	Clamp, Hose Kit (Includes Items 401-408)	
26	1001132800	10	Clamp, Hose Kit (Includes Items 501-508)	
301	7470000002	1	Gauge, Oil Filter Head	
302	7443000158	1	Fitting, 90	
303	7443000319	1	Fitting, 90	
304	7274000080	2	Clamp	
305	7443000013	1	Nipple	
306	7274000002	2	Clamp	
401	7274000076	1	Clamp	
402	7785152420	1	Screw 5/16 x 1-1/2	
403	7660152601	2	Nut 5/16	
404	7115151050	1	Capscrew 5/16 x 1-1/4	
405	7950150161	1	Washer 5/16	
406	7274000040	1	Clamp	
407	7274000041	1	Clamp	
408	7274000042	1	Clamp	
501	7274000040	1	Clamp	
502	7274000041	1	Clamp	
503	7274000042	1	Clamp (Not Shown)	
504	4706003844	1	Plate	
505	7115151050	1	Capscrew 5/16 x 1-1/4	
506	7950150161	3	Washer 5/16	
507	7660152601	2	Nut 5/16	
508	7115151064	1	Bolt 5/16 x 1-1/4	

SECTION 4 - HYDRAULIC

FIGURE 4-7. HOSE INSTALLATION (196IN CT) (IHC EXT CAB)



ART_1001132745

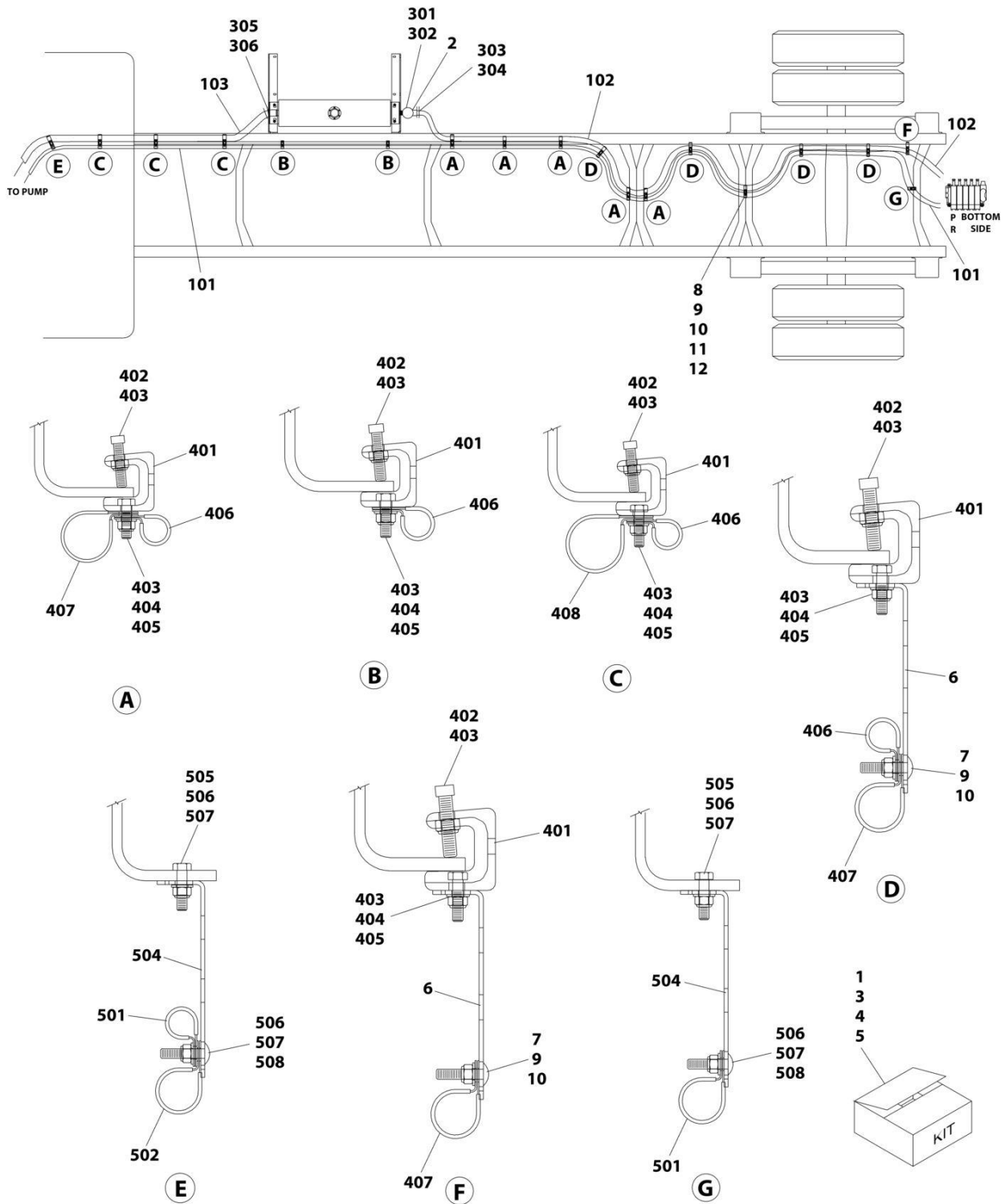
SECTION 4 - HYDRAULIC

FIGURE 4-7. HOSE INSTALLATION (196IN CT) (IHC EXT CAB)

ITEM	PART NUMBER	QTY	DESCRIPTION	REV
	1001132745	Ref	HOSE & CLAMP INSTALLATION - 196IN CT STD CAB (INTERNATIONAL)	0
1	1001132714	1	Hose Kit (includes items 101-103)	
2	7430000003	1	Filter, Oil	
2	7431000001	1	Element, Replacement Oil Filter	
3	1001132801	1	Clamp, Hose (includes items 301-306)	
4	1001132794	15	Clamp, Hose (includes items 401-408)	
5	1001132800	4	Clamp, Hose (includes items 501-508)	
6	4706003844	4	Plate	
7	7115151064	4	Bolt 5/16 x 1-1/4	
8	7950150161	4	Washer 5/16	
9	7660152601	4	Nut 5/16	
101	4567130330	1	Hose	
102	1001132688	1	Hose	
103	1001132595	1	Hose	
301	7470000002	1	Gauge, Oil Filter Head	
302	7443000158	1	Fitting, 90	
303	7443000319	1	Fitting, 90	
304	7274000080	2	Clamp	
305	7443000013	1	Nipple	
306	7274000002	2	Clamp	
401	7274000076	1	Clamp	
402	7785152420	1	Screw 5/16 x 1-1/2	
403	7660152601	2	Nut 5/16	
404	7115151050	1	Capscrew 5/16 x 1-1/4	
405	7950150161	1	Washer 5/16	
406	7274000040	1	Clamp	
407	7274000041	1	Clamp	
408	7274000042	1	Clamp	
501	7274000040	1	Clamp	
502	7274000041	1	Clamp	
503	7274000042	1	Clamp (Not Shown)	
504	4706003844	1	Plate	
505	7115151050	1	Capscrew 5/16 x 1-1/4	
506	7950150161	3	Washer 5/16	
507	7660152601	2	Nut 5/16	
508	7115151064	1	Bolt 5/16 x 1-1/4	

SECTION 4 - HYDRAULIC

FIGURE 4-8. HOSE INSTALLATION (196IN CT) (FREIGHTLINER STD CAB)



ART_1001132751

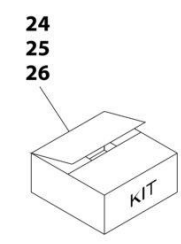
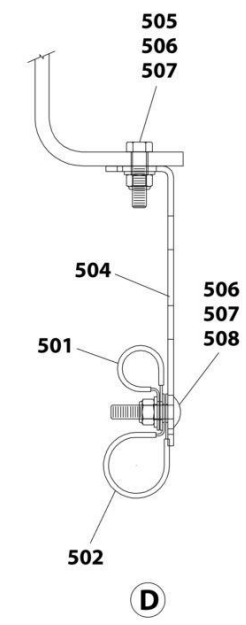
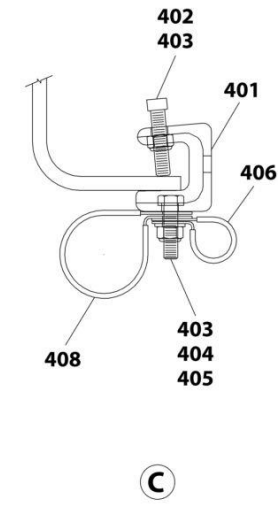
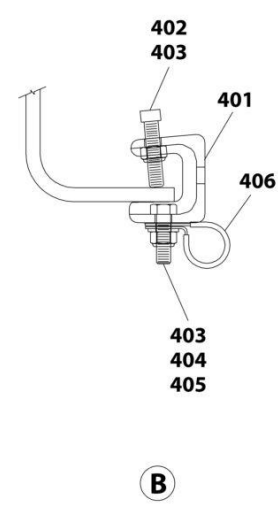
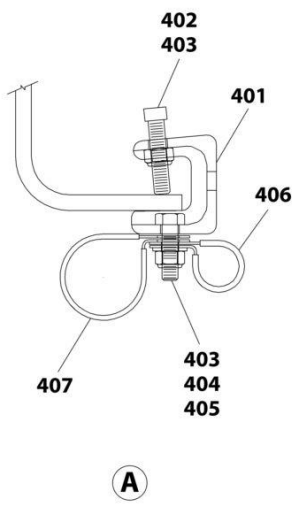
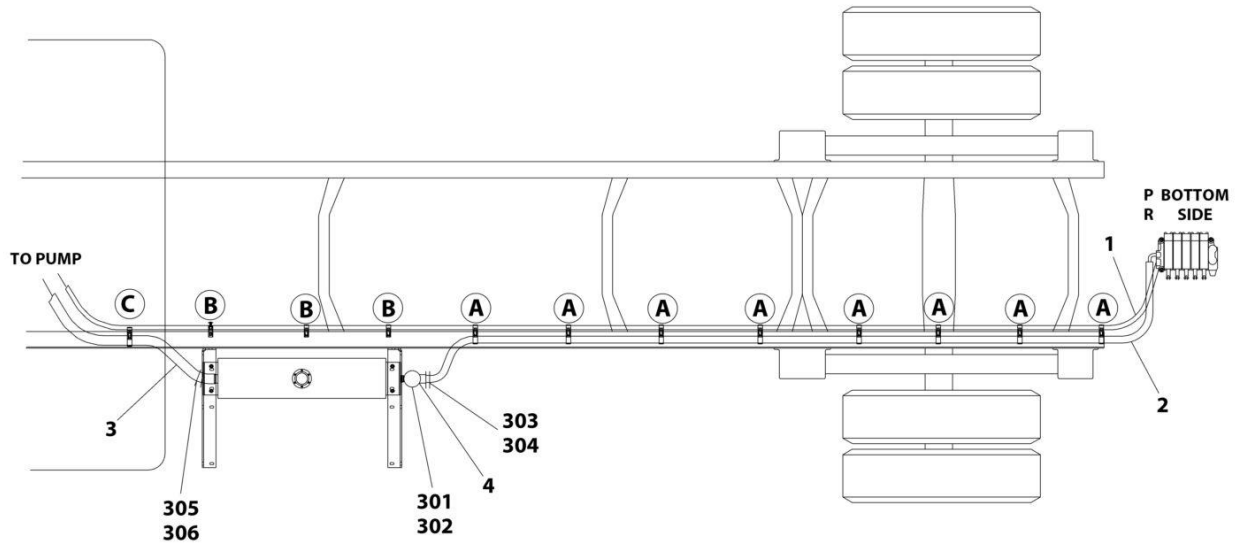
SECTION 4 - HYDRAULIC

FIGURE 4-8. HOSE INSTALLATION (196IN CT) (FREIGHTLINER STD CAB)

ITEM	PART NUMBER	QTY	DESCRIPTION	REV
	1001132751	Ref	HOSE & CLAMP INSTALLATION - 196IN CT STD CAB (FREIGHTLINER)	0
1	1001132721	1	Hose Kit (Includes Item 101-103)	
2	7430000003	1	Filter, Oil	
2	7431000001	1	Element, Replacement Oil Filter	
3	1001132801	1	Clamp, Hose (Includes item 301-306)	
4	1001132794	15	Clamp, Hose (Includes item 401-408)	
5	1001132800	2	Clamp, Hose (Includes Item 501-508)	
6	4706003844	5	Plate	
7	7115151064	5	Bolt 5/16 x 1-1/4	
8	7115151050	1	Capscrew 5/16 x 1-1/4	
9	7950150161	6	Washer 5/16	
10	7660152601	6	Nut 5/16	
11	7274000040	1	Clamp, Hose	
12	7274000041	1	Clamp, Hose	
101	4567130330	1	Hose	
102	1001132688	1	Hose	
103	1001132595	1	Hose	
301	7470000002	1	Gauge, Oil Filter Head	
302	7443000158	1	Fitting, 90	
303	7443000319	1	Fitting, 90	
304	7274000080	2	Clamp	
305	7443000013	1	Nipple	
306	7274000002	2	Clamp	
401	7274000076	1	Clamp	
402	7785152420	1	Screw 5/16 x 1-1/2	
403	7660152601	2	Nut 5/16	
404	7115151050	1	Capscrew 5/16 x 1-1/4	
405	7950150161	1	Washer 5/16	
406	7274000040	1	Clamp	
407	7274000041	1	Clamp	
408	7274000042	1	Clamp	
501	7274000040	1	Clamp	
502	7274000041	1	Clamp	
503	7274000042	1	Clamp (Not Shown)	
504	4706003844	1	Plate	
505	7115151050	1	Capscrew 5/16 x 1-1/4	
506	7950150161	3	Washer 5/16	
507	7660152601	2	Nut 5/16	
508	7115151064	1	Bolt 5/16 x 1-1/4	

SECTION 4 - HYDRAULIC

FIGURE 4-9. HOSE INSTALLATION (218IN CA)



ART_2570000102

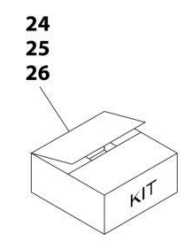
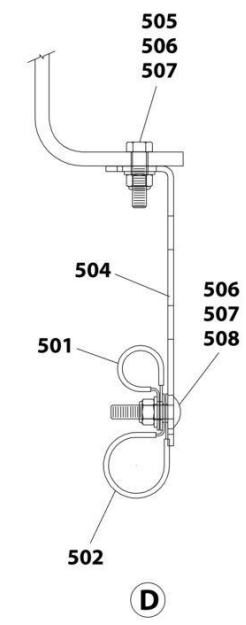
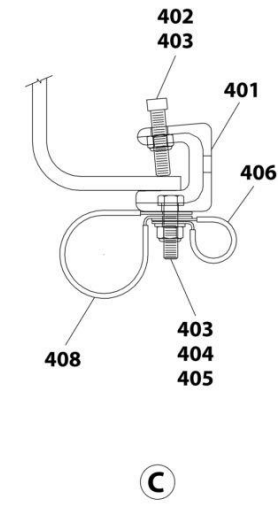
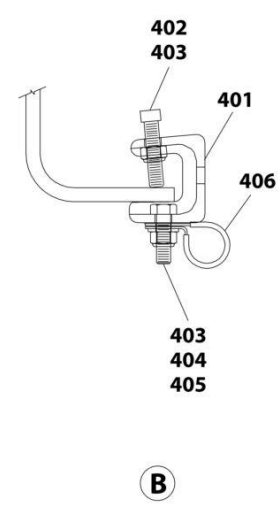
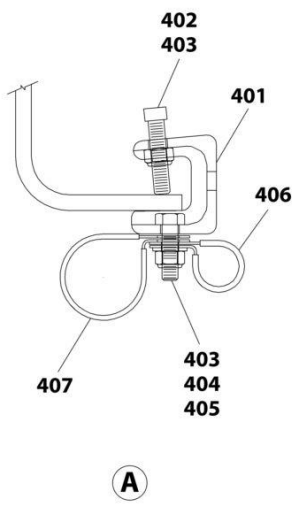
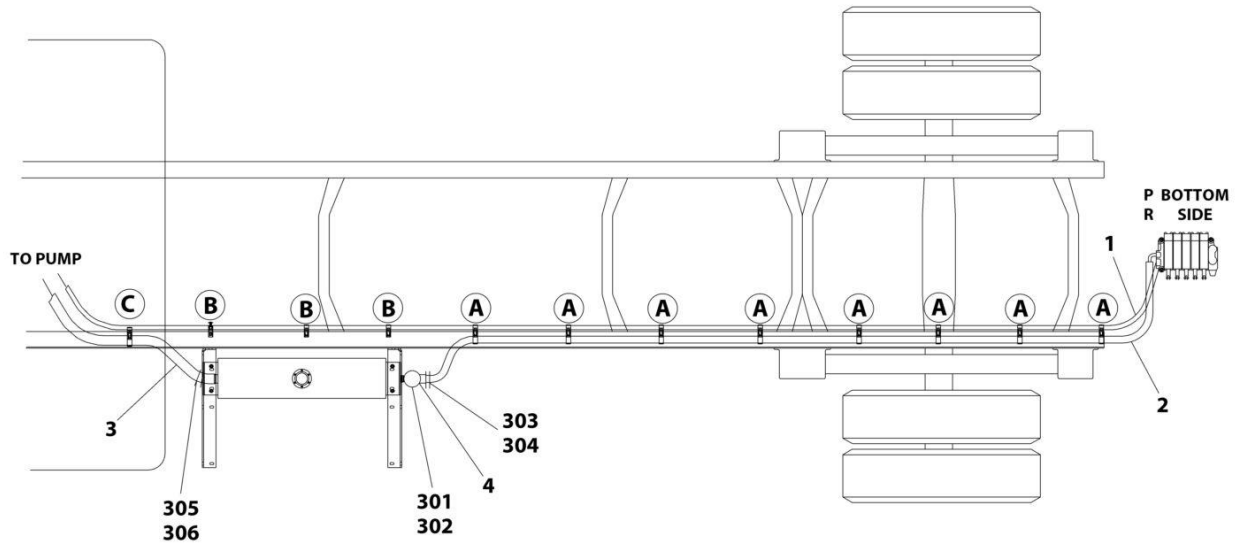
SECTION 4 - HYDRAULIC

FIGURE 4-9. HOSE INSTALLATION (218IN CA)

ITEM	PART NUMBER	QTY	DESCRIPTION	REV
	2570000102	Ref	HOSE INSTALLATION - 218IN CA - GENERIC	D
1	4567130316	1	Hose	
2	4570000161	1	Hose	
3	4570000046	1	Hose	
4	7430000003	1	Filter, Oil	
4	7431000001	1	Element, Replacement Oil Filter	
24	1001132801	1	Clamp, Hose Kit (Includes Items 301-306)	
25	1001132794	15	Clamp, Hose Kit (Includes Items 401-408)	
26	1001132800	10	Clamp, Hose Kit (Includes Items 501-508)	
301	7470000002	1	Gauge, Oil Filter Head	
302	7443000158	1	Fitting, 90	
303	7443000319	1	Fitting, 90	
304	7274000080	2	Clamp	
305	7443000013	1	Nipple	
306	7274000002	2	Clamp	
401	7274000076	1	Clamp	
402	7785152420	1	Screw 5/16 x 1-1/2	
403	7660152601	2	Nut 5/16	
404	7115151050	1	Capscrew 5/16 x 1-1/4	
405	7950150161	1	Washer 5/16	
406	7274000040	1	Clamp	
407	7274000041	1	Clamp	
408	7274000042	1	Clamp	
501	7274000040	1	Clamp	
502	7274000041	1	Clamp	
503	7274000042	1	Clamp (Not Shown)	
504	4706003844	1	Plate	
505	7115151050	1	Capscrew 5/16 x 1-1/4	
506	7950150161	3	Washer 5/16	
507	7660152601	2	Nut 5/16	
508	7115151064	1	Bolt 5/16 x 1-1/4	

SECTION 4 - HYDRAULIC

FIGURE 4-10. HOSE INSTALLATION (242IN CA)



ART_2570000103

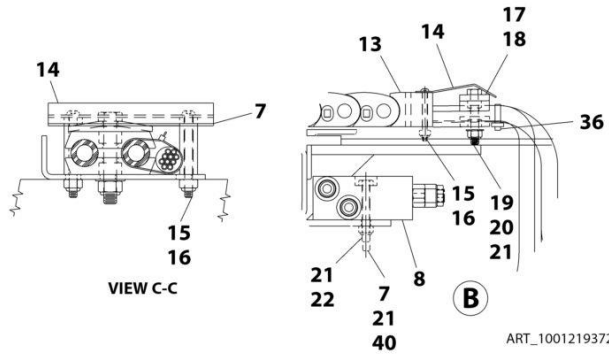
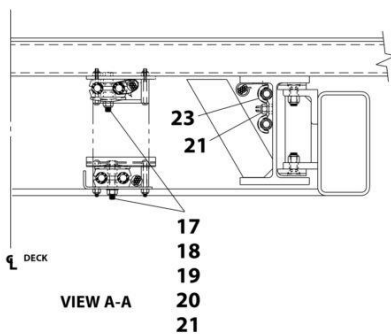
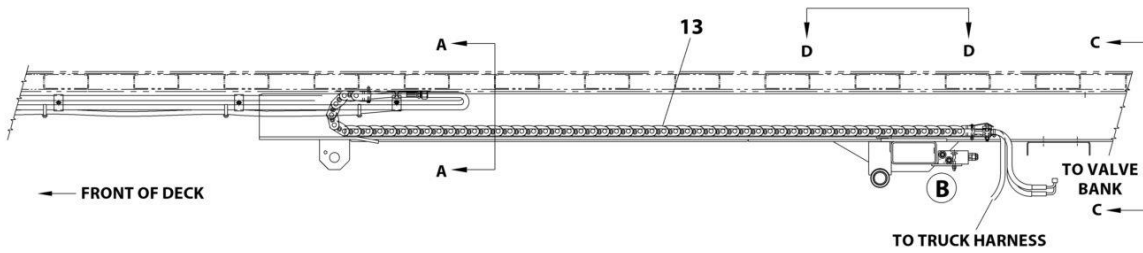
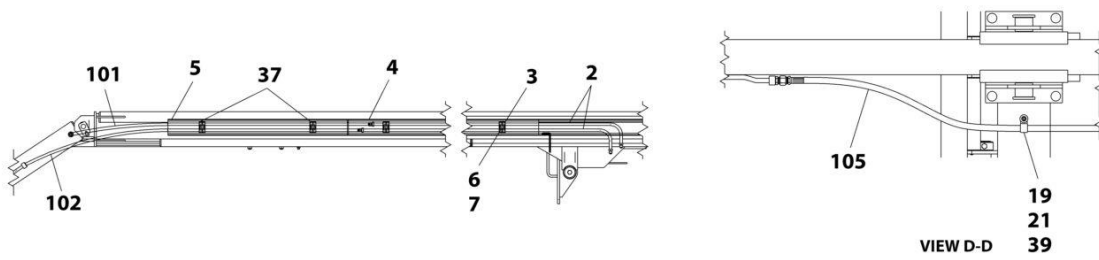
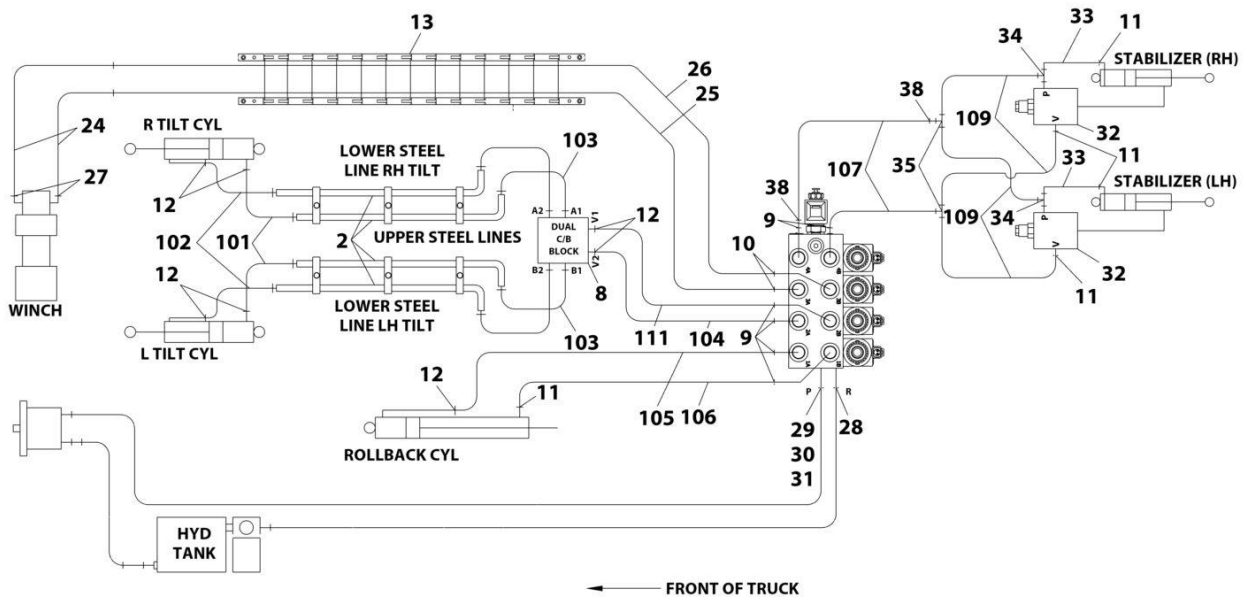
SECTION 4 - HYDRAULIC

FIGURE 4-10. HOSE INSTALLATION (242IN CA)

ITEM	PART NUMBER	QTY	DESCRIPTION	REV
	2570000103	Ref	HOSE & CLAMP INSTALLATION - 242IN CA - GENERIC	D
1	4567130340	1	Hose	
2	4570000182	1	Hose	
3	4570000046	1	Hose	
4	7430000003	1	Filter, Oil	
4	7431000001	1	Element, Replacement Oil Filter	
24	1001132801	1	Clamp, Hose Kit (includes items 301-306)	
25	1001132794	15	Clamp, Hose Kit (includes items 401-408)	
26	1001132800	10	Clamp, Hose Kit (includes items 501-508)	
301	7470000002	1	Gauge, Oil Filter Head	
302	7443000158	1	Fitting, 90	
303	7443000319	1	Fitting, 90	
304	7274000080	2	Clamp	
305	7443000013	1	Nipple	
306	7274000002	2	Clamp	
401	7274000076	1	Clamp	
402	7785152420	1	Screw 5/16 x 1-1/2	
403	7660152601	2	Nut 5/16	
404	7115151050	1	Capscrew 5/16 x 1-1/4	
405	7950150161	1	Washer 5/16	
406	7274000040	1	Clamp	
407	7274000041	1	Clamp	
408	7274000042	1	Clamp	
501	7274000040	1	Clamp	
502	7274000041	1	Clamp	
503	7274000042	1	Clamp (Not Shown)	
504	4706003844	1	Plate	
505	7115151050	1	Capscrew 5/16 x 1-1/4	
506	7950150161	3	Washer 5/16	
507	7660152601	2	Nut 5/16	
508	7115151064	1	Bolt 5/16 x 1-1/4	

SECTION 4 - HYDRAULIC

FIGURE 4-11. HOSE INSTALLATION - WINCH (24FT DECK)



ART_1001219372

SECTION 4 - HYDRAULIC

FIGURE 4-11. HOSE INSTALLATION - WINCH (24FT DECK)

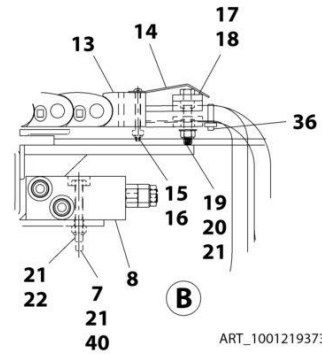
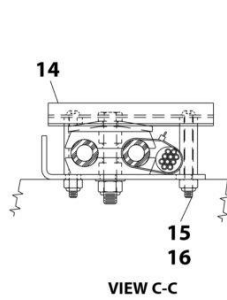
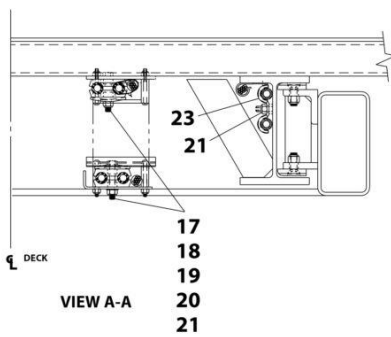
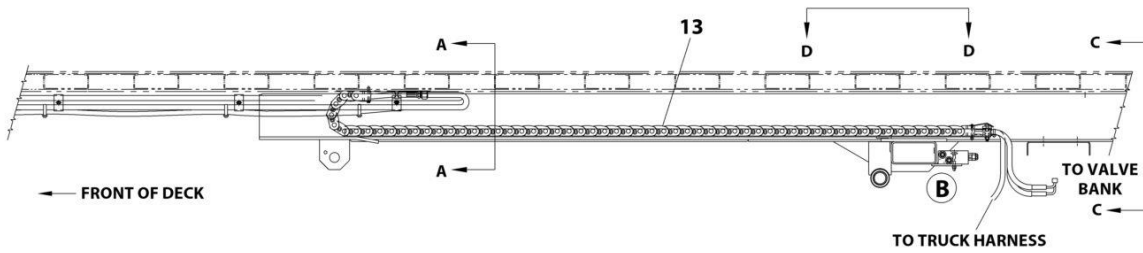
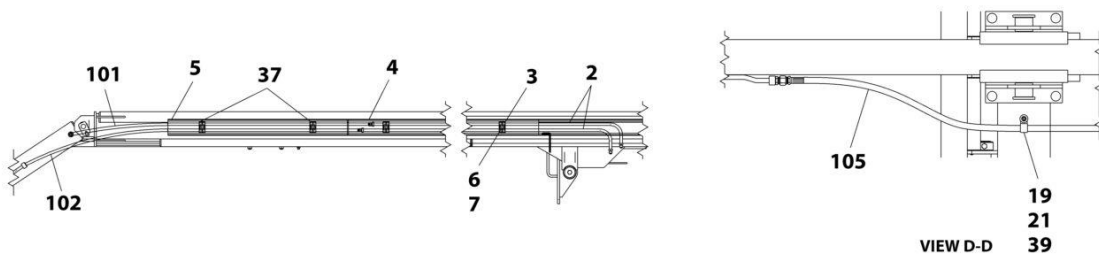
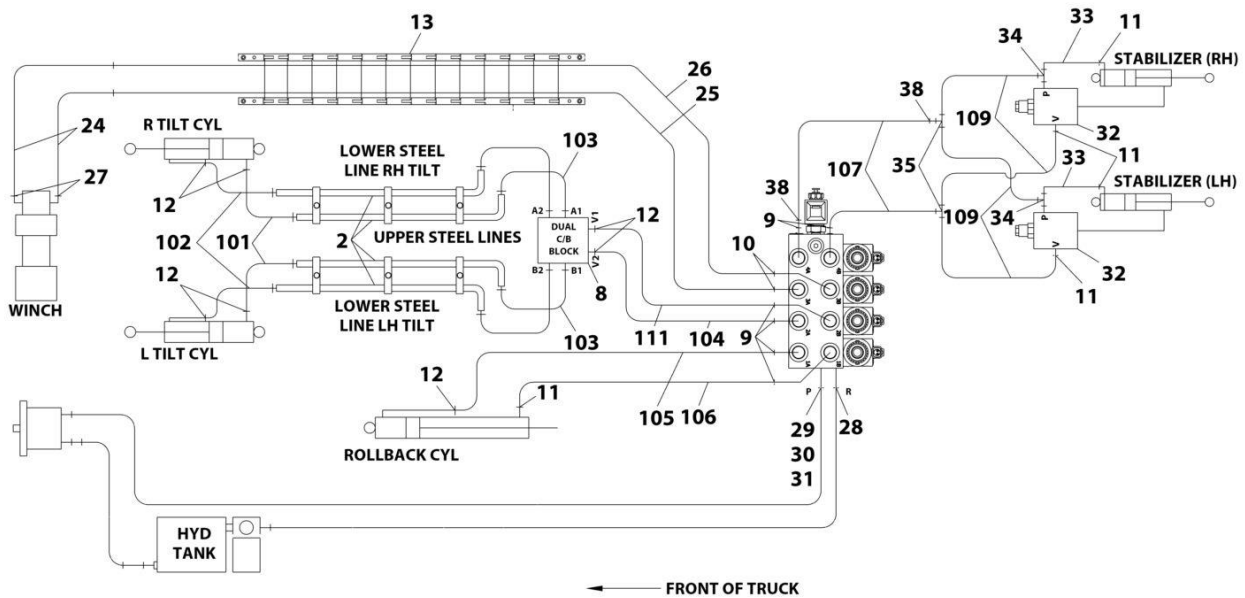
ITEM	PART NUMBER	QTY	DESCRIPTION	REV
	1001219372	Ref	HYDRAULIC HOSE INSTALLATION - 24FT XLP	D
1	1001218095	1	Hose Kit (Not Shown) (Includes Items 101-111)	
2	7912000349	4	Tube	
3	7274000064	6	Clamp	
4	1001189466	2	Cover	
5	1001200207	2	Clamp	
6	0641504	10	Bolt 5/16 x 1/2	
7	4711500	21	Washer 5/16	
8	7935000306	1	Valve Assembly	
9	1001104423	6	Fitting, Straight	
10	2220381	2	Fitting, Straight	
11	7445060645	5	Fitting, 90	
12	7445060643	7	Fitting, Straight	
13	7904000001	1	Cable Track	
14	4706003038	1	Plate	
15	7114101618	4	Capscrew #10 x 2	
16	3300455	4	Nut #10	
17	7274000038	4	Clamp	
18	7274000039	2	Cover	
19	4751500	3	Washer	
20	0641516	2	Bolt 5/16 x 2	
21	7660152601	11	Nut 5/16	
22	0641518	1	Bolt 5/16 x 2-1/4	
23	7274000066	6	Clamp	
24	4567430153	2	Hose	
25	4569433147	1	Hose	
26	4569432147	1	Hose	
27	7445081045	2	Fitting, 90	
28	7443000168	1	Fitting, Straight	
29	7443000241	1	Fitting	
30	7445080845	1	Fitting, 90	
31	7445080818	1	Nut #8	
32	7935000305	2	Valve Assembly - Counter Balance	
32	900115	2	Valve, Counter Balance Cartridge (1 Per Assembly)	
32	960006	2	Seal Kit - 900115 Cartridge Valve (1 Per Cartridge)	
33	4567122016	2	Hose	
34	7445060648	2	Tee, Run	
35	2220490	2	Fitting, Straight	
36	7894000004	10	Tie-Strap	
37	1001220732	4	Clamp	
38	7443000196	2	Restrictor	
39	7274000063	1	Clamp	
40	1001167455	1	Bolt 5/16 x 2-3/4	
	1001218095	Ref	HOSE KIT	
101	1001220682	2	Hose	
102	4567120066	2	Hose	
103	4570000379	4	Hose	
104	4567122038	1	Hose	
105	4567120077	1	Hose	
106	4567120056	1	Hose	

SECTION 4 - HYDRAULIC

ITEM	PART NUMBER	QTY	DESCRIPTION	REV
107	4567120026	2	Hose	
109	4567123051	4	Hose	
111	4567123044	1	Hose	

SECTION 4 - HYDRAULIC

FIGURE 4-12. HOSE INSTALLATION - WINCH (26FT DECK)



ART_1001219373

SECTION 4 - HYDRAULIC

FIGURE 4-12. HOSE INSTALLATION - WINCH (26FT DECK)

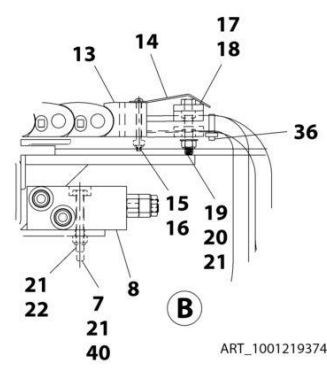
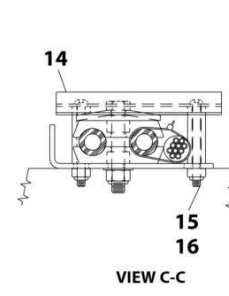
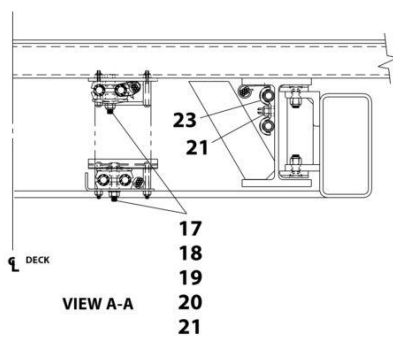
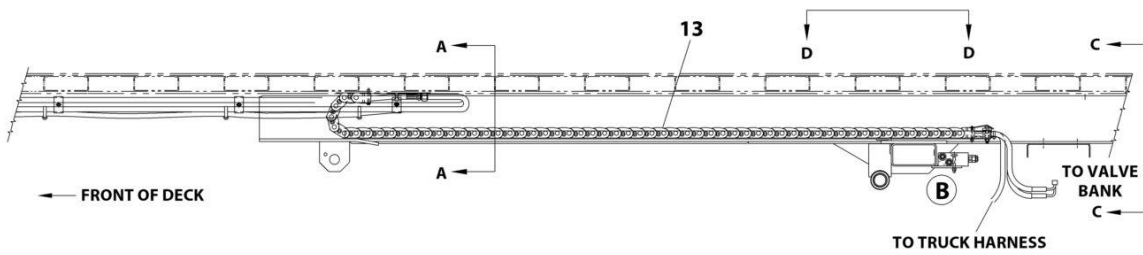
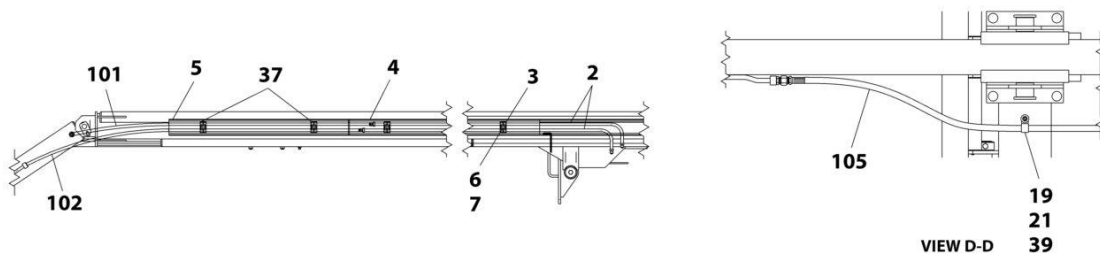
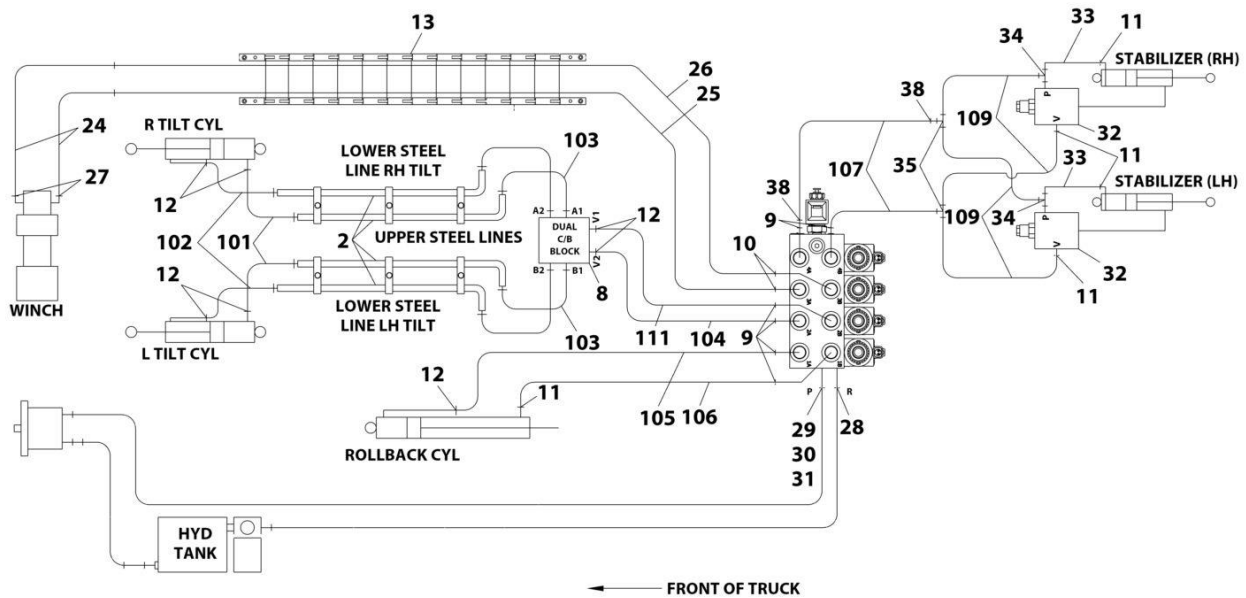
ITEM	PART NUMBER	QTY	DESCRIPTION	REV
	1001219373	Ref	HYDRAULIC HOSE INSTALLATION - 26FT XLP	D
1	1001218095	1	Hose Kit (Not Shown) (Includes Items 101-111)	
2	7912000349	4	Tube	
3	7274000064	6	Clamp	
4	1001189466	2	Cover	
5	1001200207	2	Clamp	
6	0641504	10	Bolt 5/16 x 1/2	
7	4711500	21	Washer 5/16	
8	7935000306	1	Valve Assembly	
9	1001104423	6	Fitting, Straight	
10	2220381	2	Fitting, Straight	
11	7445060645	5	Fitting, 90	
12	7445060643	7	Fitting, Straight	
13	7904000001	1	Cable Track	
14	4706003038	1	Plate	
15	7114101618	4	Capscrew #10 x 2	
16	3300455	4	Nut #10	
17	7274000038	4	Clamp	
18	7274000039	2	Cover	
19	4751500	3	Washer	
20	0641516	2	Bolt 5/16 x 2	
21	7660152601	12	Nut 5/16	
22	0641518	1	Bolt 5/16 x 2-1/4	
23	7274000066	7	Clamp	
24	4567430177	2	Hose	
25	4569433147	1	Hose	
26	4569432147	1	Hose	
27	7445081045	2	Fitting, 90	
28	7443000168	1	Fitting, Straight	
29	7443000241	1	Fitting	
30	7445080845	1	Fitting, 90	
31	7445080818	1	Nut #8	
32	7935000305	2	Valve Assembly - Counter Balance	
32	900115	2	Valve, Counter Balance Cartridge (1 Per Assembly)	
32	960006	2	Seal Kit - 900115 Cartridge Valve (1 Per Cartridge)	
33	4567122016	2	Hose	
34	7445060648	2	Tee, Run	
35	2220490	2	Fitting, Straight	
36	7894000004	10	Tie-Strap	
37	1001220732	4	Clamp	
38	7443000196	2	Restrictor	
39	7274000063	1	Clamp	
40	1001167455	1	Bolt 5/16 x 2-3/4	
	1001218095	Ref	HOSE KIT	
101	1001220682	2	Hose	
102	4567120066	2	Hose	
103	4570000379	4	Hose	
104	4567122038	1	Hose	
105	4567120077	1	Hose	
106	4567120056	1	Hose	

SECTION 4 - HYDRAULIC

ITEM	PART NUMBER	QTY	DESCRIPTION	REV
107	4567120026	2	Hose	
109	4567123051	4	Hose	
111	4567123044	1	Hose	

SECTION 4 - HYDRAULIC

FIGURE 4-13. HOSE INSTALLATION - WINCH (28FT DECK)



SECTION 4 - HYDRAULIC

FIGURE 4-13. HOSE INSTALLATION - WINCH (28FT DECK)

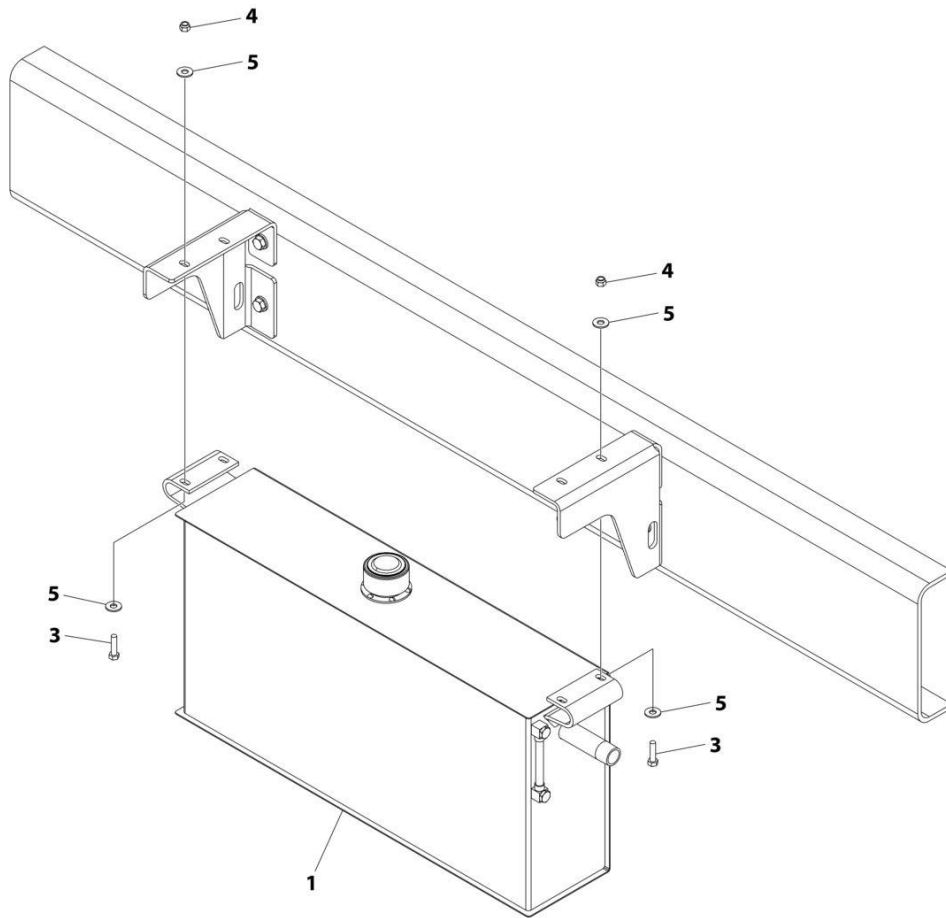
ITEM	PART NUMBER	QTY	DESCRIPTION	REV
	1001219374	Ref	HYDRAULIC HOSE INSTALLATION - 28FT XLP	D
1	1001218095	1	Hose Kit (Not Shown) (Includes Items 101-111)	
2	7912000349	4	Tube	
3	7274000064	6	Clamp	
4	1001189466	2	Cover	
5	1001200207	2	Clamp	
6	0641504	10	Bolt 5/16 x 1/2	
7	4711500	21	Washer 5/16	
8	7935000306	1	Valve Assembly	
9	1001104423	6	Fitting, Straight	
10	2220381	2	Fitting, Straight	
11	7445060645	5	Fitting, 90	
12	7445060643	7	Fitting, Straight	
13	7904000001	1	Cable Track	
14	4706003038	1	Plate	
15	7114101618	4	Capscrew #10 x 2	
16	3300455	4	Nut #10	
17	7274000038	4	Clamp	
18	7274000039	2	Cover	
19	4751500	3	Washer	
20	0641516	2	Bolt 5/16 x 2	
21	7660152601	13	Nut 5/16	
22	0641518	1	Bolt 5/16 x 2-1/4	
23	7274000066	8	Clamp	
24	4567430199	2	Hose	
25	4569433147	1	Hose	
26	4569432147	1	Hose	
27	7445081045	2	Fitting, 90	
28	7443000168	1	Fitting, Straight	
29	7443000241	1	Fitting	
30	7445080845	1	Fitting, 90	
31	7445080818	1	Nut #8	
32	7935000305	2	Valve Assembly - Counter Balance	
32	900115	2	Valve, Counter Balance Cartridge (1 Per Assembly)	
32	960006	2	Seal Kit - 900115 Cartridge Valve (1 Per Cartridge)	
33	4567122016	2	Hose	
34	7445060648	2	Tee, Run	
35	2220490	2	Fitting, Straight	
36	7894000004	10	Tie-Strap	
37	1001220732	4	Clamp	
38	7443000196	2	Restrictor	
39	7274000063	1	Clamp	
40	1001167455	1	Bolt 5/16 x 2-3/4	
	1001218095	Ref	HOSE KIT	
101	1001220682	2	Hose	
102	4567120066	2	Hose	
103	4570000379	4	Hose	
104	4567122038	1	Hose	
105	4567120077	1	Hose	
106	4567120056	1	Hose	

SECTION 4 - HYDRAULIC

ITEM	PART NUMBER	QTY	DESCRIPTION	REV
107	4567120026	2	Hose	
109	4567123051	4	Hose	
111	4567123044	1	Hose	

SECTION 4 - HYDRAULIC

FIGURE 4-14. TANK (HYDRAULIC) AND BRACKETS INSTALLATION (STANDARD TOP MOUNT)



ART_275000008

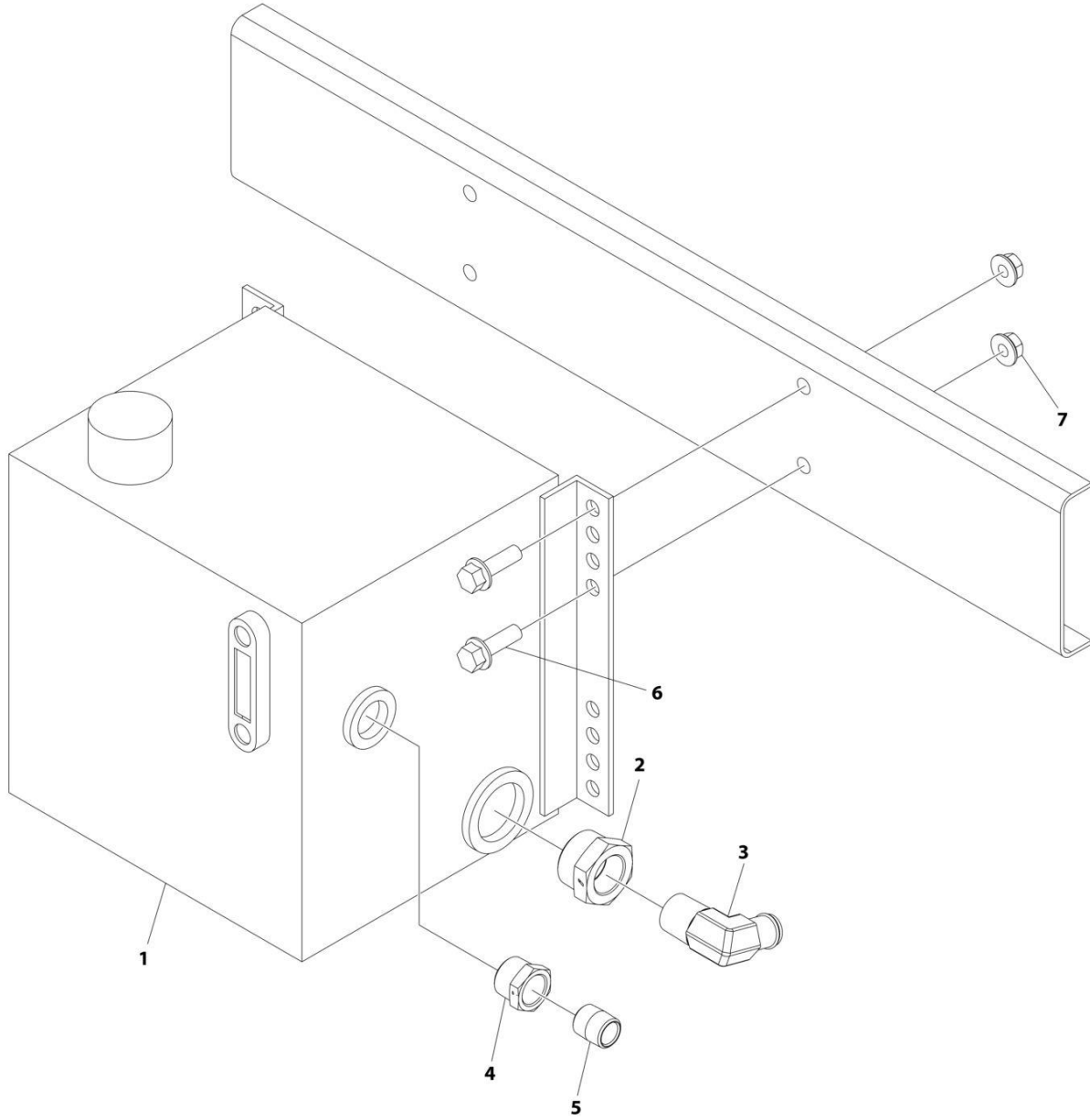
SECTION 4 - HYDRAULIC

FIGURE 4-14. TANK (HYDRAULIC) AND BRACKETS INSTALLATION (STANDARD TOP MOUNT)

ITEM	PART NUMBER	QTY	DESCRIPTION	REV
1	2750000008	Ref	Hydraulic Reservoir and Bracket Mount	C
	3750000018	1	Hydraulic Tank Assembly (See Seperate Breakdown in HYDRAULIC Section)	
3	7115151050	4	Capscrew 5/8 x 1-1/4	
4	7660152601	4	Nut 5/8	
5	7950150161	8	Washer 5/8	

SECTION 4 - HYDRAULIC

FIGURE 4-15. TANK (HYDRAULIC) AND BRACKETS INSTALLATION (ALTERNATIVE SIDE MOUNT)



ART_1001284419

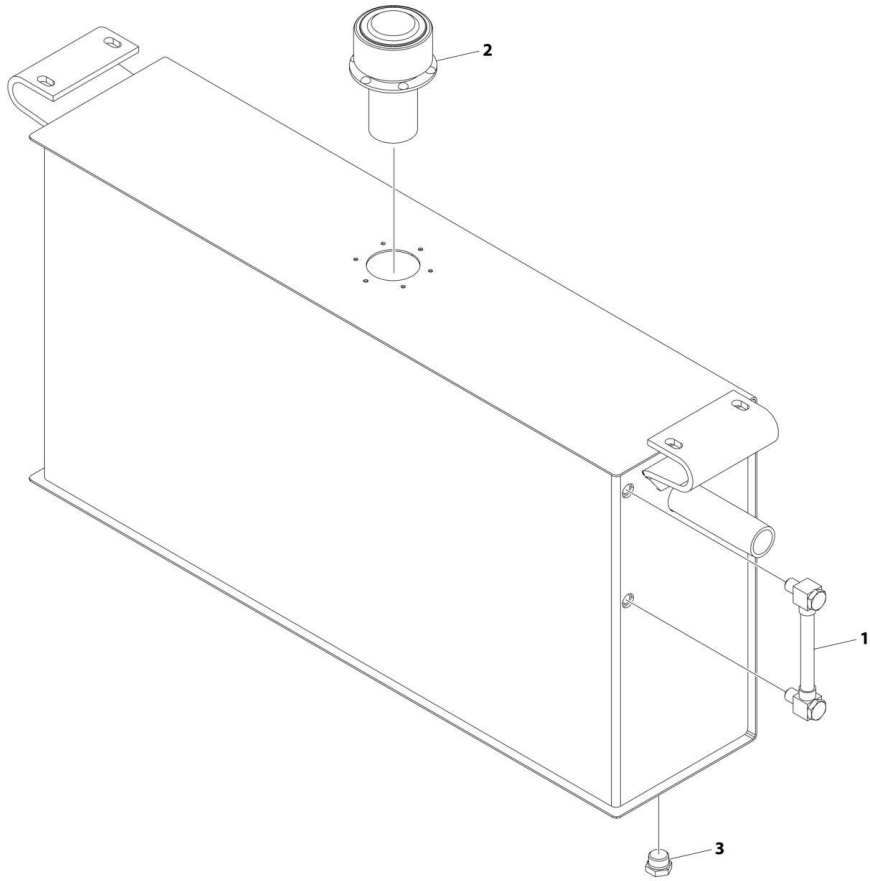
SECTION 4 - HYDRAULIC

FIGURE 4-15. TANK (HYDRAULIC) AND BRACKETS INSTALLATION (ALTERNATIVE SIDE MOUNT)

ITEM	PART NUMBER	QTY	DESCRIPTION	REV
	1001284419	Ref	TANK INSTALLATION - HYDRAULIC	A
1	1001284178	1	Hydraulic Tank Assembly (See Separate Breakdown in this Section)	
2	1001284179	1	Filter	
3	7443000412	1	Fitting, 90	
4	7444100850	1	Bushing	
5	7650080125	1	Nipple	
6	7118201616	4	Capscrew 5/8 x 2	
7	7661000018	4	Nut 5/8	

SECTION 4 - HYDRAULIC

FIGURE 4-16. TANK (HYDRAULIC) ASSEMBLY (TOP MOUNT)



ART_375000018

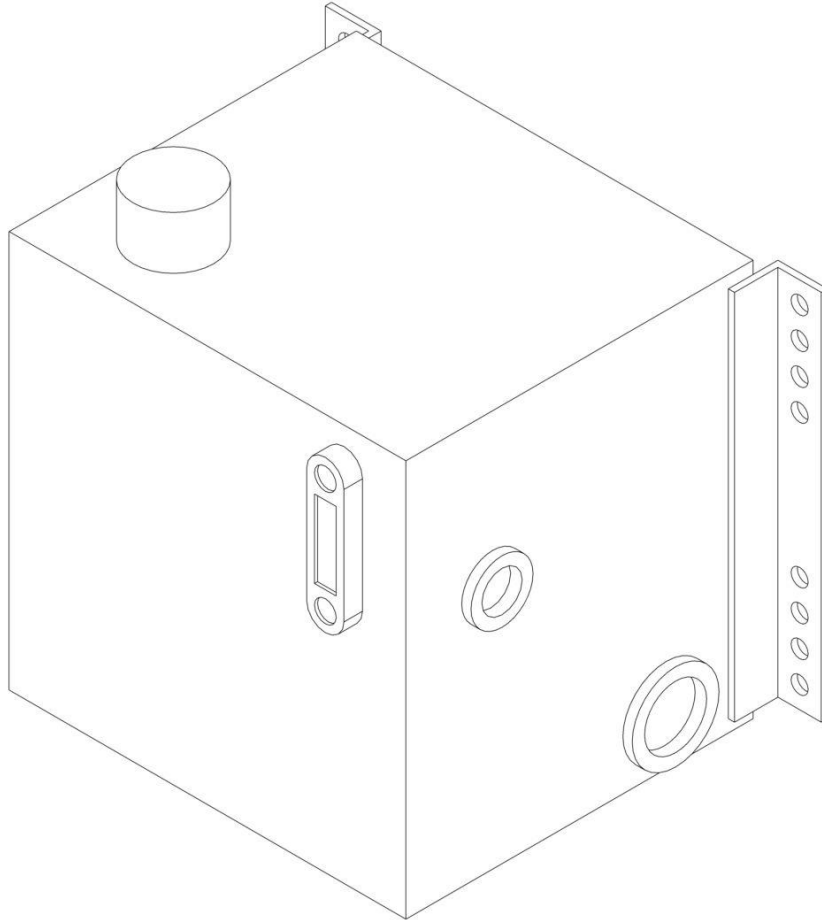
SECTION 4 - HYDRAULIC

FIGURE 4-16. TANK (HYDRAULIC) ASSEMBLY (TOP MOUNT)

ITEM	PART NUMBER	QTY	DESCRIPTION	REV
	375000018	1	Hydraulic Assembly - Tank	1
1	747000027	1	Oil Level Gauge	
2	718300004	1	Breather Filter	
3	770100031	1	Plug w/O-ring	

SECTION 4 - HYDRAULIC

FIGURE 4-17. TANK (HYDRAULIC) ASSEMBLY (SIDE MOUNT)



ART_1001284178

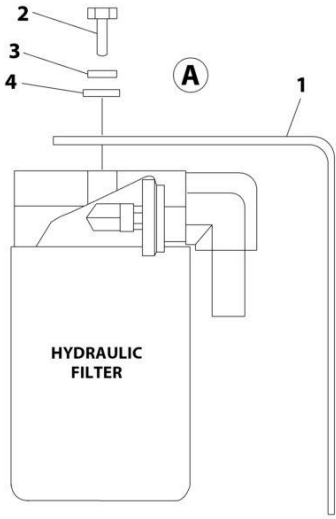
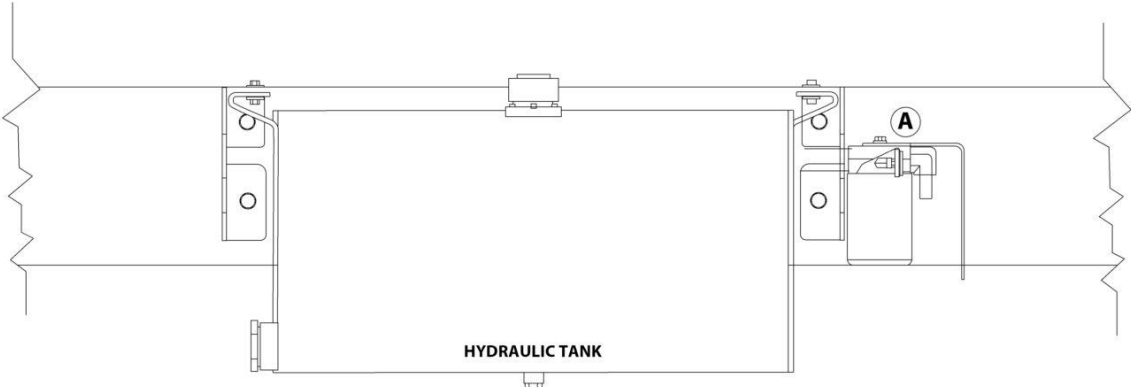
SECTION 4 - HYDRAULIC

FIGURE 4-17. TANK (HYDRAULIC) ASSEMBLY (SIDE MOUNT)

ITEM	PART NUMBER	QTY	DESCRIPTION	REV
	1001284178	Ref Ref	HYDRAULIC TANK ASSEMBLY Note: No Service Parts Available at Time of Printing	A

SECTION 4 - HYDRAULIC

FIGURE 4-18. FILTER (HYDRAULIC) COVER PLATE INSTALLATION



ART_1001168319

SECTION 4 - HYDRAULIC

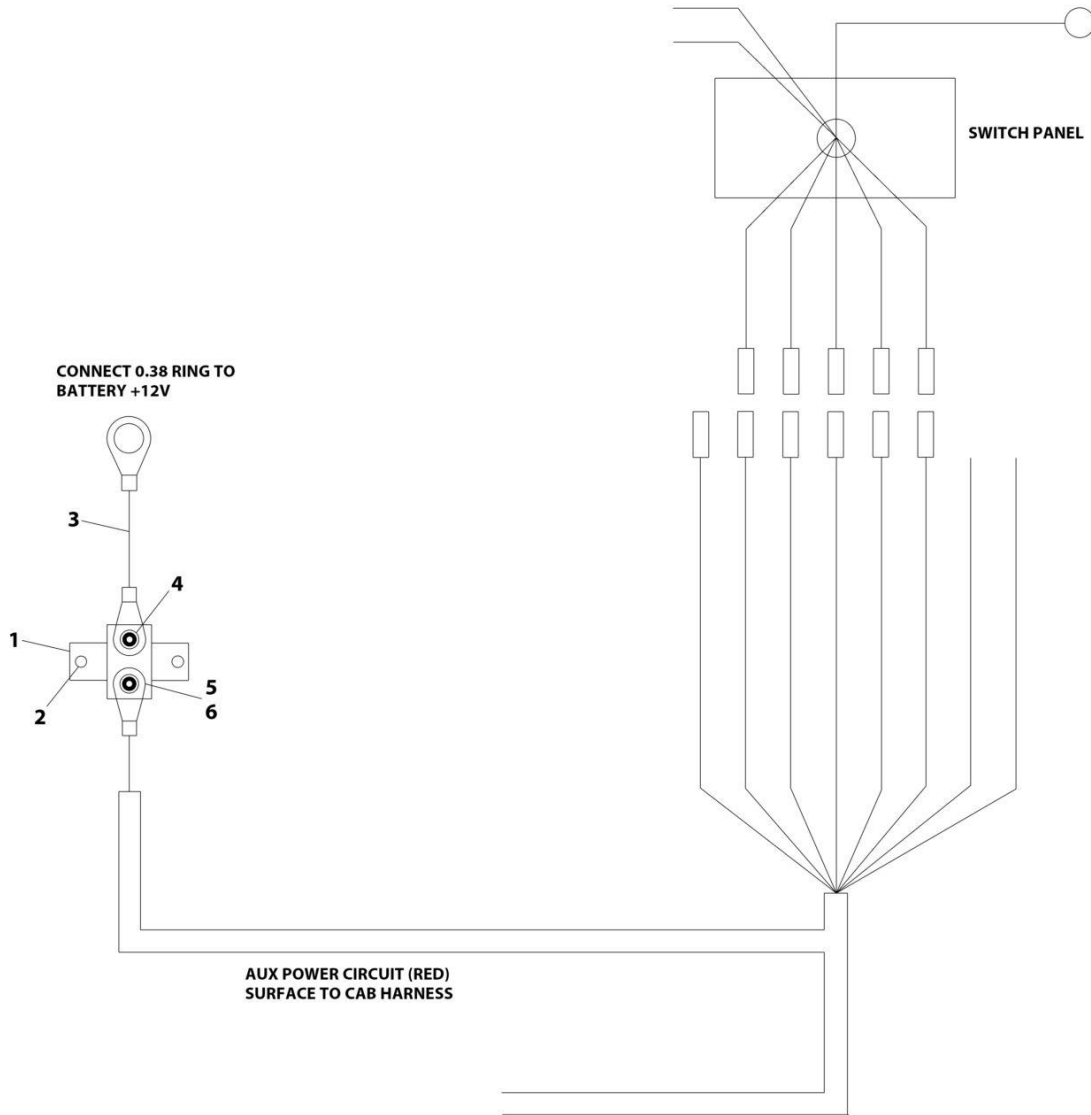
FIGURE 4-18. FILTER (HYDRAULIC) COVER PLATE INSTALLATION

ITEM	PART NUMBER	QTY	DESCRIPTION	REV
	1001168319	Ref	Filter (Hydraulic) Cover Plate Installation	B
1	1001181417	1	Cover	
2	7115140450	2	Capscrew 1/4 x 1/2	
3	7950140000	2	Washer 1/4	
4	7950140141	2	Washer 1/4	

SECTION 5 - ELECTRICAL

SECTION 5 - ELECTRICAL

FIGURE 5-1. BREAKER INSTALLATION - 50AMP



ART_1001129883

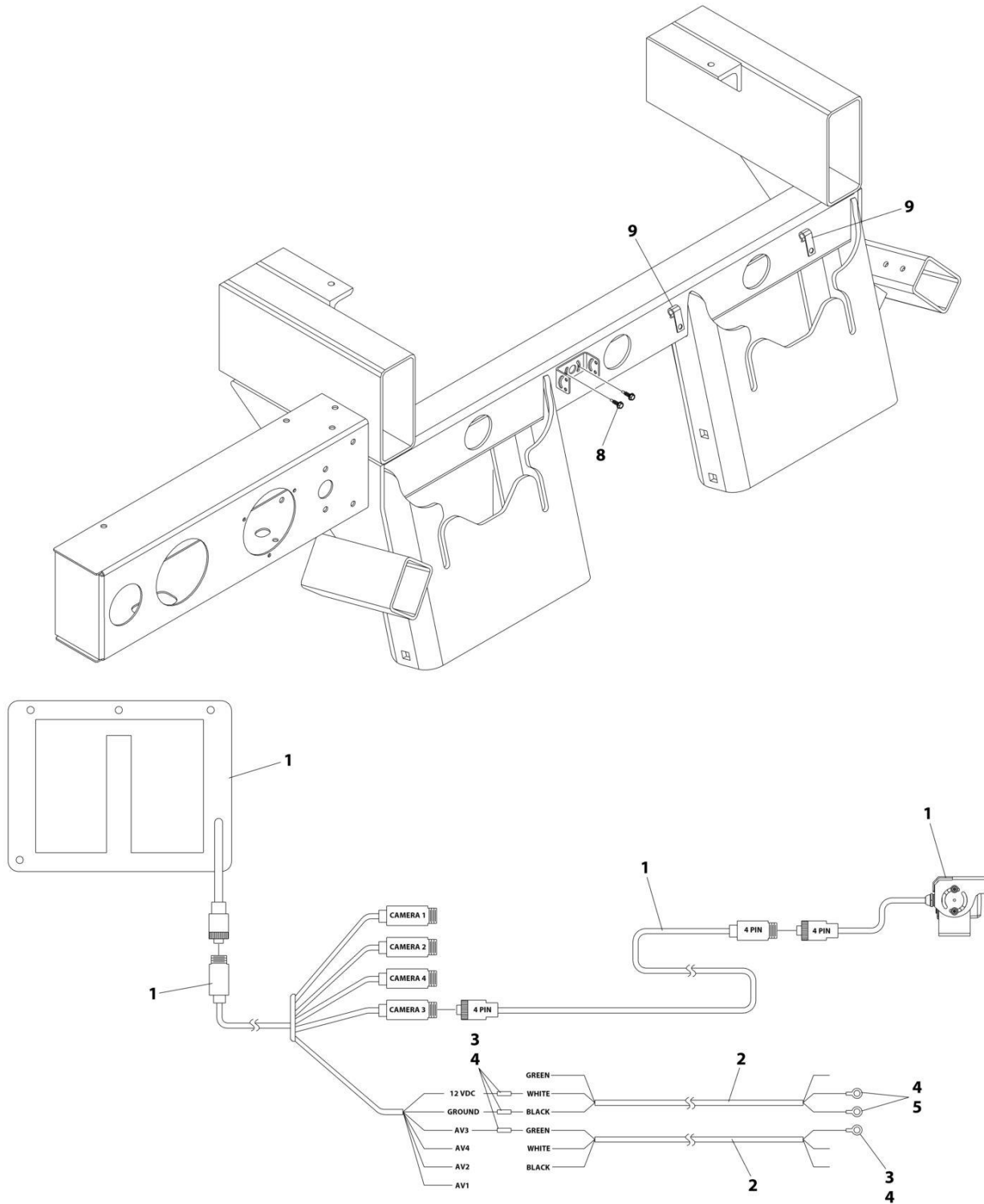
SECTION 5 - ELECTRICAL

FIGURE 5-1. BREAKER INSTALLATION - 50AMP

ITEM	PART NUMBER	QTY	DESCRIPTION	REV
	1001129883	Ref	50A BREAKER INSTALLATION	C
1	7457000004	1	Breaker, 50A	
2	7120000034	2	Screw #10 x 3/4	
3	1001129882	1	Harness	
4	7950100151	2	Washer 3/16	
5	7345221902	1	Terminal	
6	4346000005	1	Heat Shrink	

SECTION 5 - ELECTRICAL

FIGURE 5-2. CAMERA INSTALLATION - BACKUP (J-D SUPPLIED)



ART_1001219321

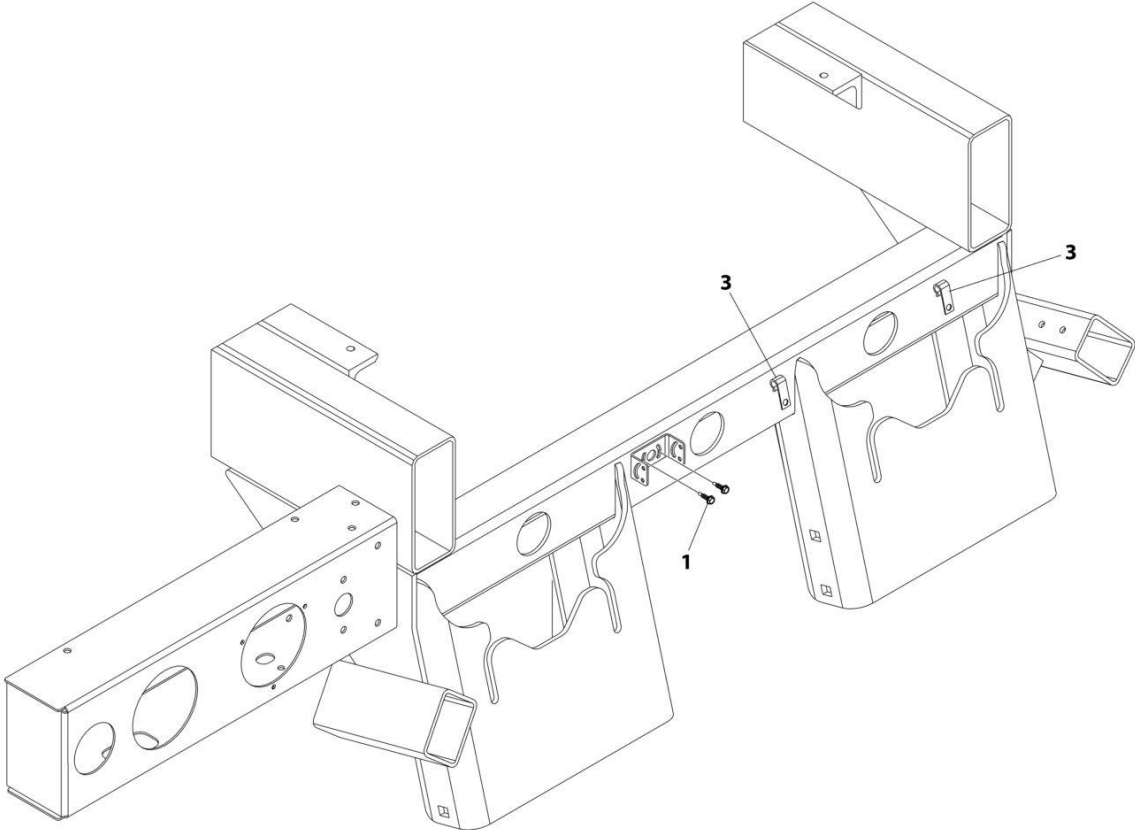
SECTION 5 - ELECTRICAL

FIGURE 5-2. CAMERA INSTALLATION - BACKUP (J-D SUPPLIED)

ITEM	PART NUMBER	QTY	DESCRIPTION	REV
	1001219321	Ref	Backup Camera Carrier Installation	E
1	1001219309	1	Camera	
2	5525000537	AR	Wire	
3	7345001714	4	Terminal	
4	7346000039	AR	Tubing	
5	7345211702	3	Terminal	
6	8597650002	AR	Wire (Not Shown)	
7	7894000010	40	Tie Strap (Not Shown)	
8	7120000034	2	Screw #10 x 3/4	
9	7280000018	2	Clip	

SECTION 5 - ELECTRICAL

FIGURE 5-3. CAMERA INSTALLATION - BACKUP (OEM CHASSIS SUPPLIED)



ART_1001220181

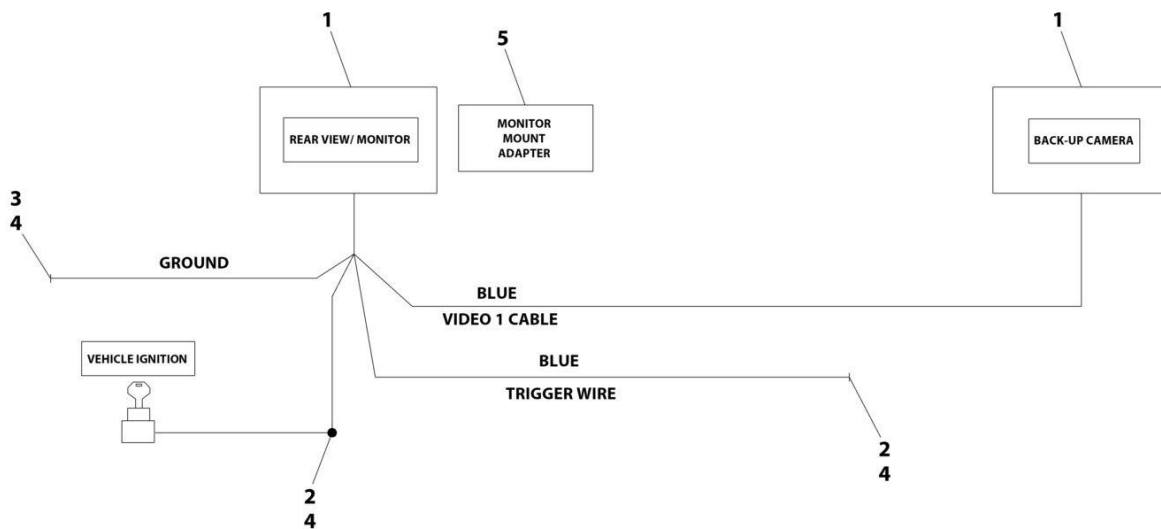
SECTION 5 - ELECTRICAL

FIGURE 5-3. CAMERA INSTALLATION - BACKUP (OEM CHASSIS SUPPLIED)

ITEM	PART NUMBER	QTY	DESCRIPTION	REV
	1001220181	Ref	Backup Camera Installation - Chassis (OEM Supplied)	B
1	7120000034	2	Screw #10 x 3/4	
2	5526000553	40	Tie Strap	
3	7280000018	2	Clip	

SECTION 5 - ELECTRICAL

FIGURE 5-4. CAMERA INSTALLATION - BACKUP (REAR VIEW MIRROR)



ART_1001142974

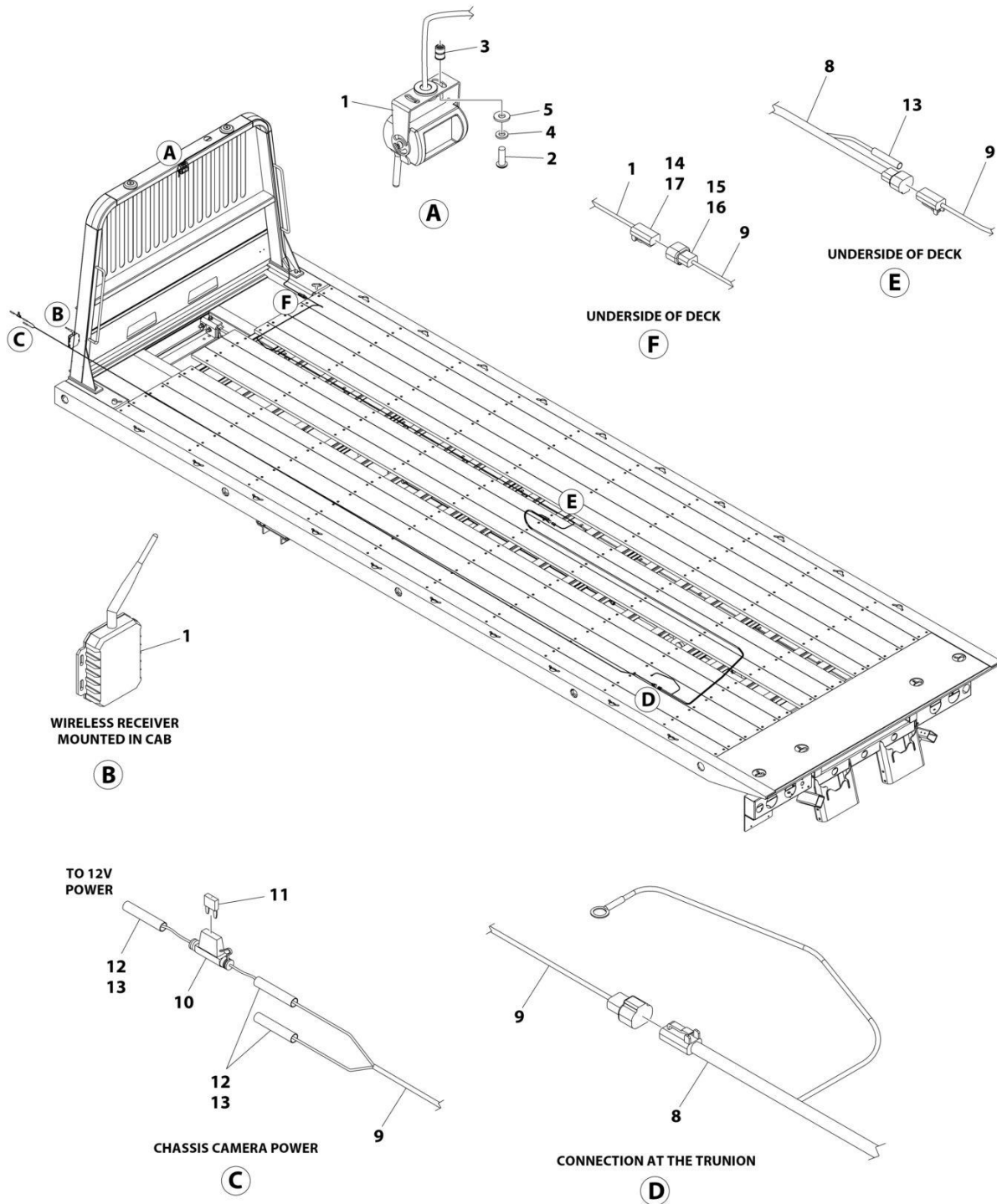
SECTION 5 - ELECTRICAL

FIGURE 5-4. CAMERA INSTALLATION - BACKUP (REAR VIEW MIRROR)

ITEM	PART NUMBER	QTY	DESCRIPTION	REV
	1001142974	Ref	BACKUP CAMERA IN REAR VIEW MIRROR INSTALLATION	B
1	1001139909	1	Camera System	
2	7345001914	2	Terminal	
3	7345221902	1	Terminal	
4	7346000039	AR	Tubing	
5	1001229606	1	Monitor Mount Adapter	

SECTION 5 - ELECTRICAL

FIGURE 5-5. CAMERA INSTALLATION - CARGO CAMERA (WIRELESS HEADBOARD MOUNTED)



ART_1001257876

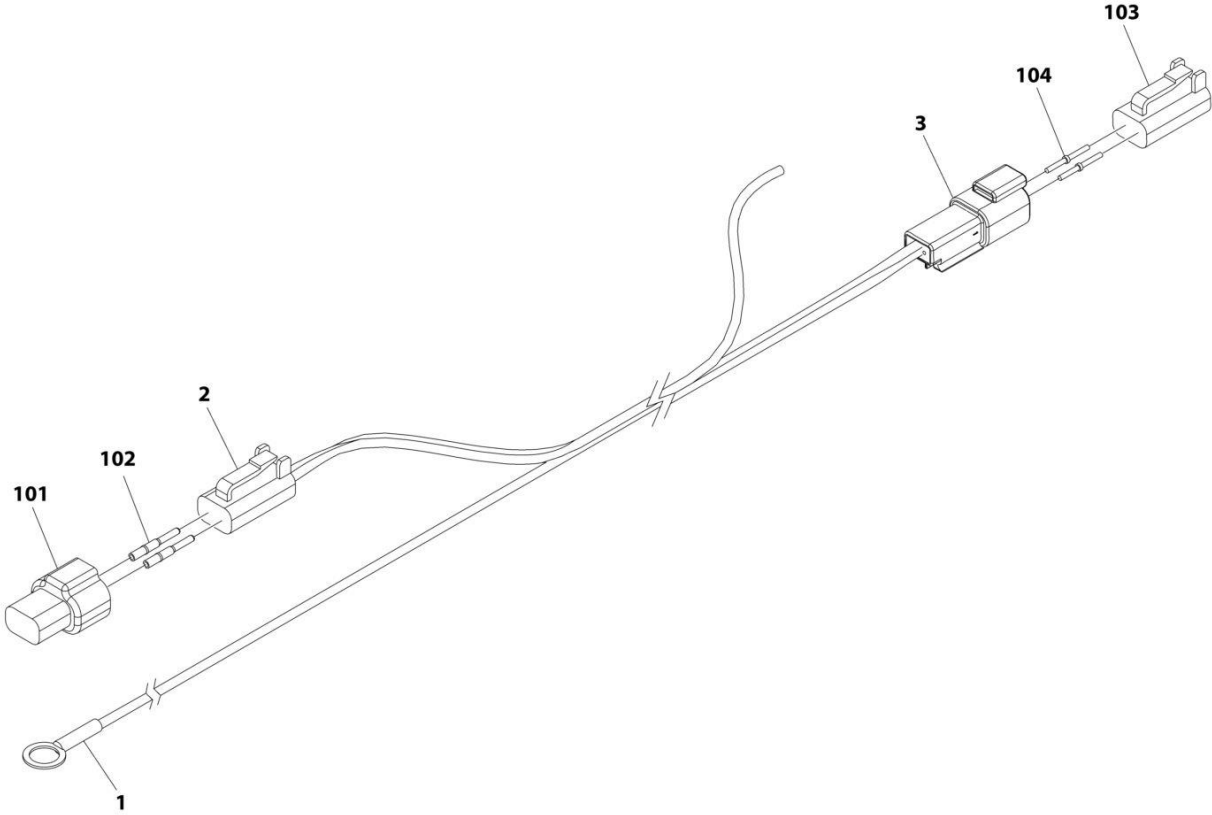
SECTION 5 - ELECTRICAL

FIGURE 5-5. CAMERA INSTALLATION - CARGO CAMERA (WIRELESS HEADBOARD MOUNTED)

ITEM	PART NUMBER	QTY	DESCRIPTION	REV
	1001257876	Ref	CARGO CAMERA, WIRELESS HEADBOARD, INSTALLATION	B
1	1001237244	1	Kit, Wireless Backup Camera	
2	7114140618	2	Screw 1/4 x 3/4	
3	7413000002	2	Nut 1/4	
4	7950140003	2	Washer 1/4	
5	7950140143	2	Washer 1/4	
8	1001280899	1	Camera Harness (See Separate Breakdown in this Section)	
9	8977010103	1	Wire #16 GA 2-Conductor	
10	2400066	1	Fuse, Holder	
11	1001228388	1	Fuse, Lamp	
12	7345001714	3	Terminal	
13	4346000005	4	Heat Shrink	
14	4460891	1	Plug, 2 Position	
15	4460897	1	Receptacle, 2 Position	
16	4460464	2	Pin, Male	
17	4460465	2	Socket, Female	

SECTION 5 - ELECTRICAL

FIGURE 5-6. CAMERA HARNESS (CARGO CAMERA)



ART_1001280899

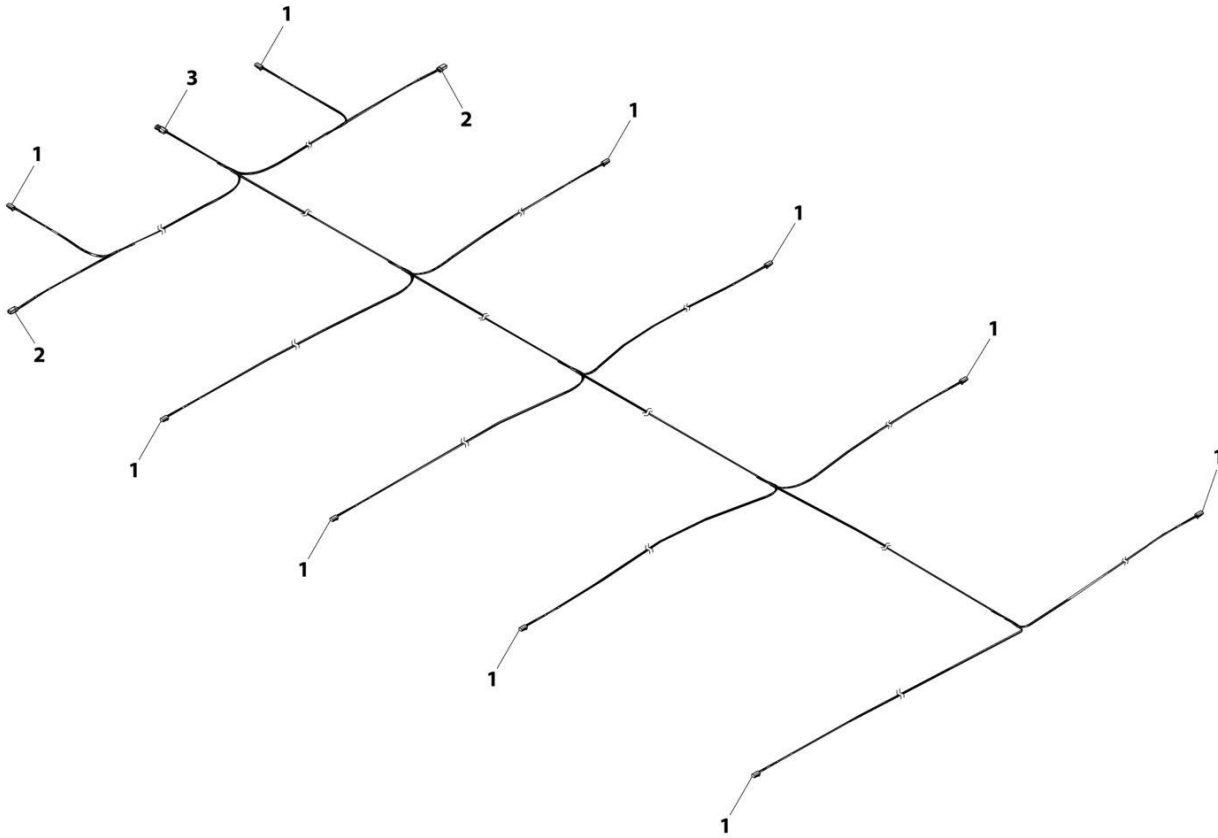
SECTION 5 - ELECTRICAL

FIGURE 5-6. CAMERA HARNESS (CARGO CAMERA)

ITEM	PART NUMBER	QTY	DESCRIPTION	REV
	1001280899	Ref	CAMERA HARNESS	A
1	4460256	1	Terminal, Ring	
2	4460891	1	Plug, Male - 2 Position	
2	4460942	2	Socket, Female	
3	4460897	1	Receptacle, Female - 2 Position	
3	4460941	2	Pin, Male	
101	4460897	1	Receptacle, Female - 2 Position	
102	4460464	2	Pin, Male	
103	4460891	1	Plug, Male - 2 Position	
104	4460465	2	Socket, Female	

SECTION 5 - ELECTRICAL

FIGURE 5-7. LIGHTS - DECK LIGHTS HARNESS



ART_7552000212

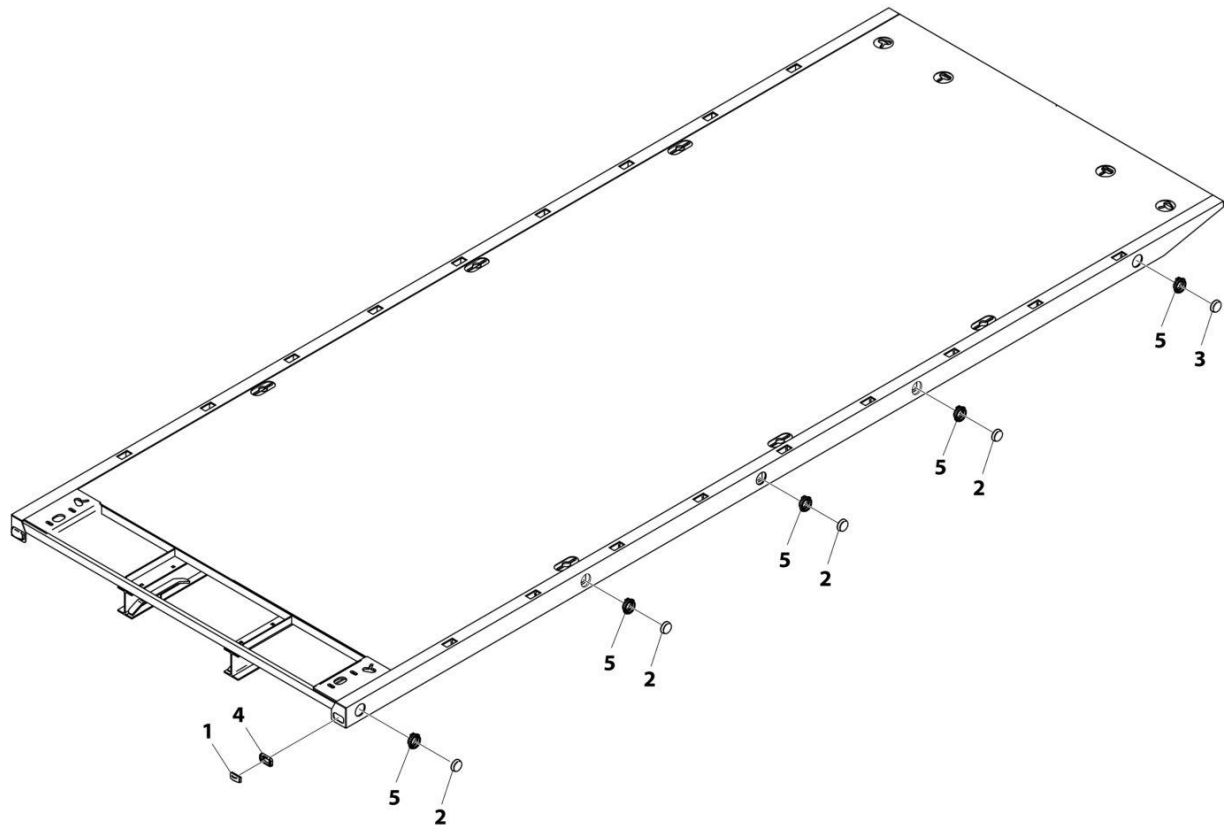
SECTION 5 - ELECTRICAL

FIGURE 5-7. LIGHTS - DECK LIGHTS HARNESS

ITEM	PART NUMBER	QTY	DESCRIPTION	REV
	7552000212	Ref	DECK LIGHTS HARNESS	D
1	1001275791	10	Connector (Marker Light)	
2	NPN	2	Connector (Clearance Light)	
3	4461157	1	Receptacle, Female - 2 Position (Power in)	
3	4460475	2	Terminal (Power in)	
3	NPN	2	Seal (Power in)	

SECTION 5 - ELECTRICAL

FIGURE 5-8. LIGHTS INSTALLATION - DECK MARKER LIGHTS



ART_2590000215

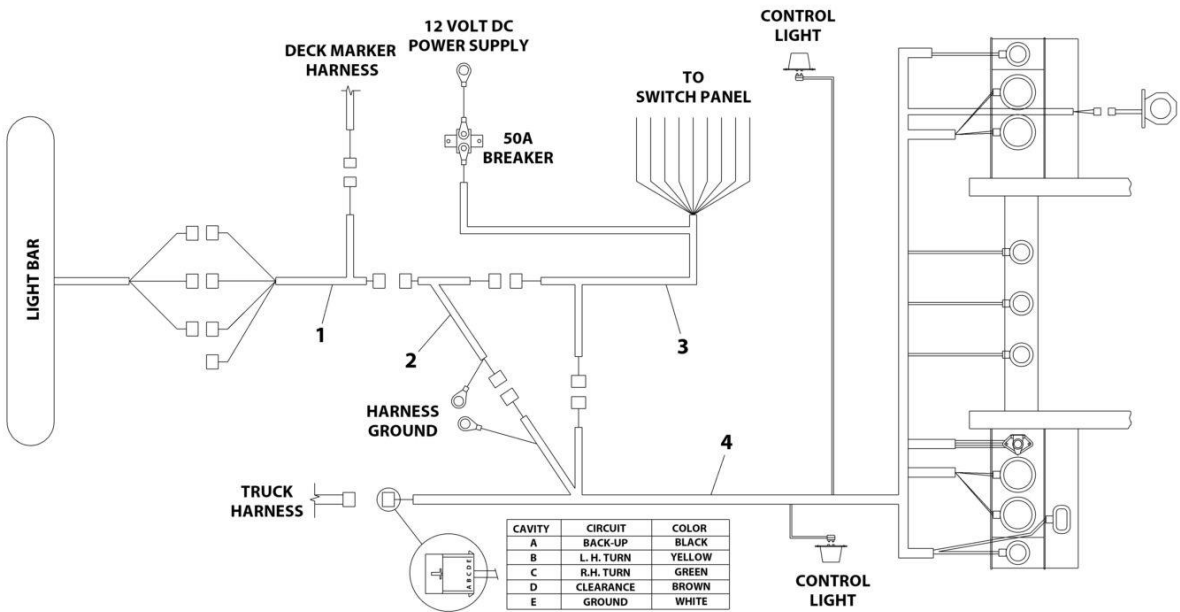
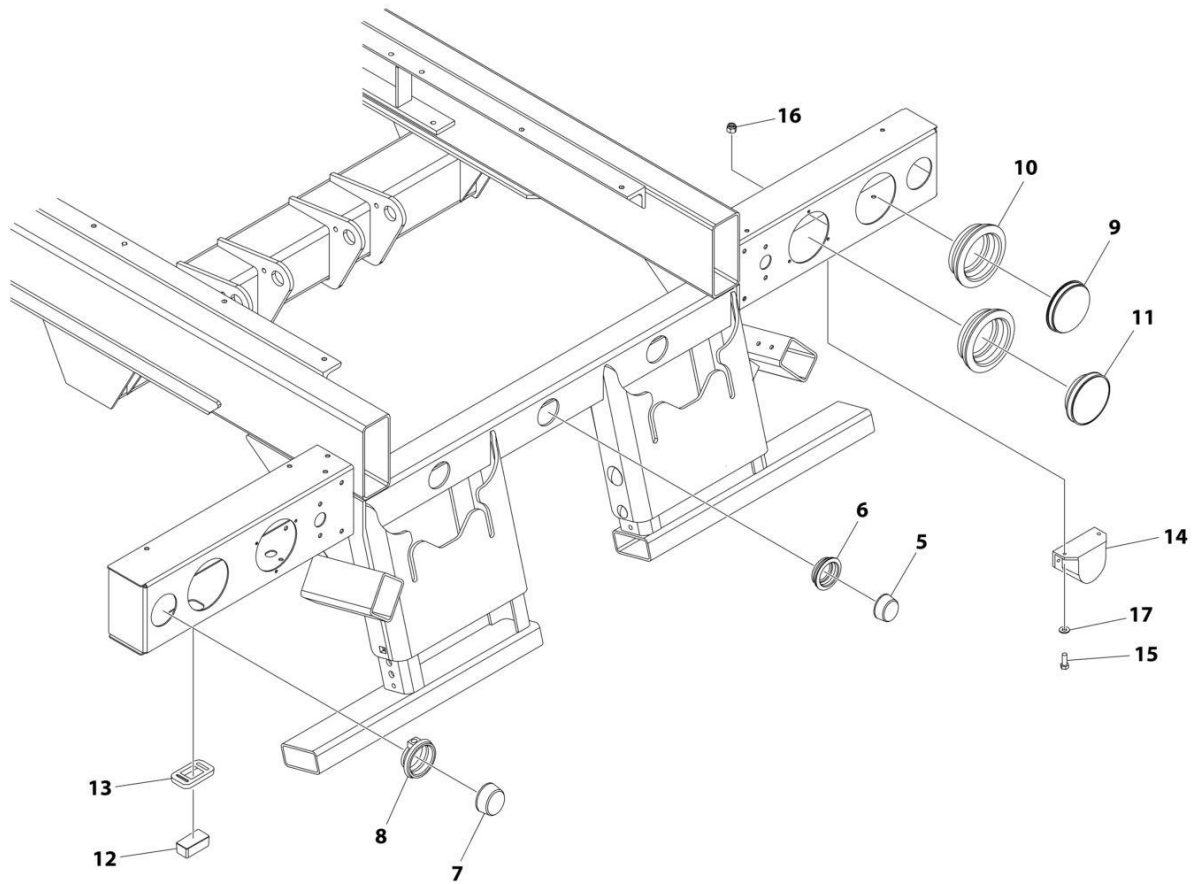
SECTION 5 - ELECTRICAL

FIGURE 5-8. LIGHTS INSTALLATION - DECK MARKER LIGHTS

ITEM	PART NUMBER	QTY	DESCRIPTION	REV
	2590000215	Ref	LIGHTS INSTALLATION - STANDARD CARRIER DECK	B
1	7590000339	2	Marker Light - Amber (LED)	
2	7590000342	8	Marker Light - Amber (LED)	
3	7590000343	2	Marker Light - Red (LED)	
4	7493000010	2	Grommet	
5	7493000009	10	Grommet	

SECTION 5 - ELECTRICAL

FIGURE 5-9. LIGHTS INSTALLATION - TAILLIGHTS (24FT/26FT DECK) (Prior to SN 0220023727)



ART_1001260346

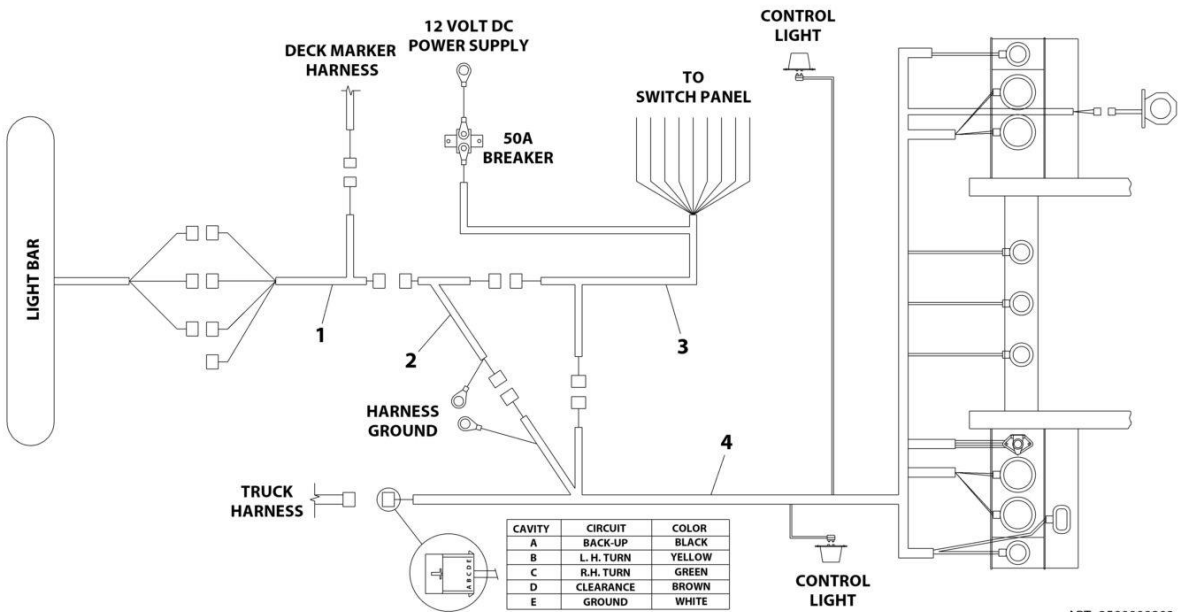
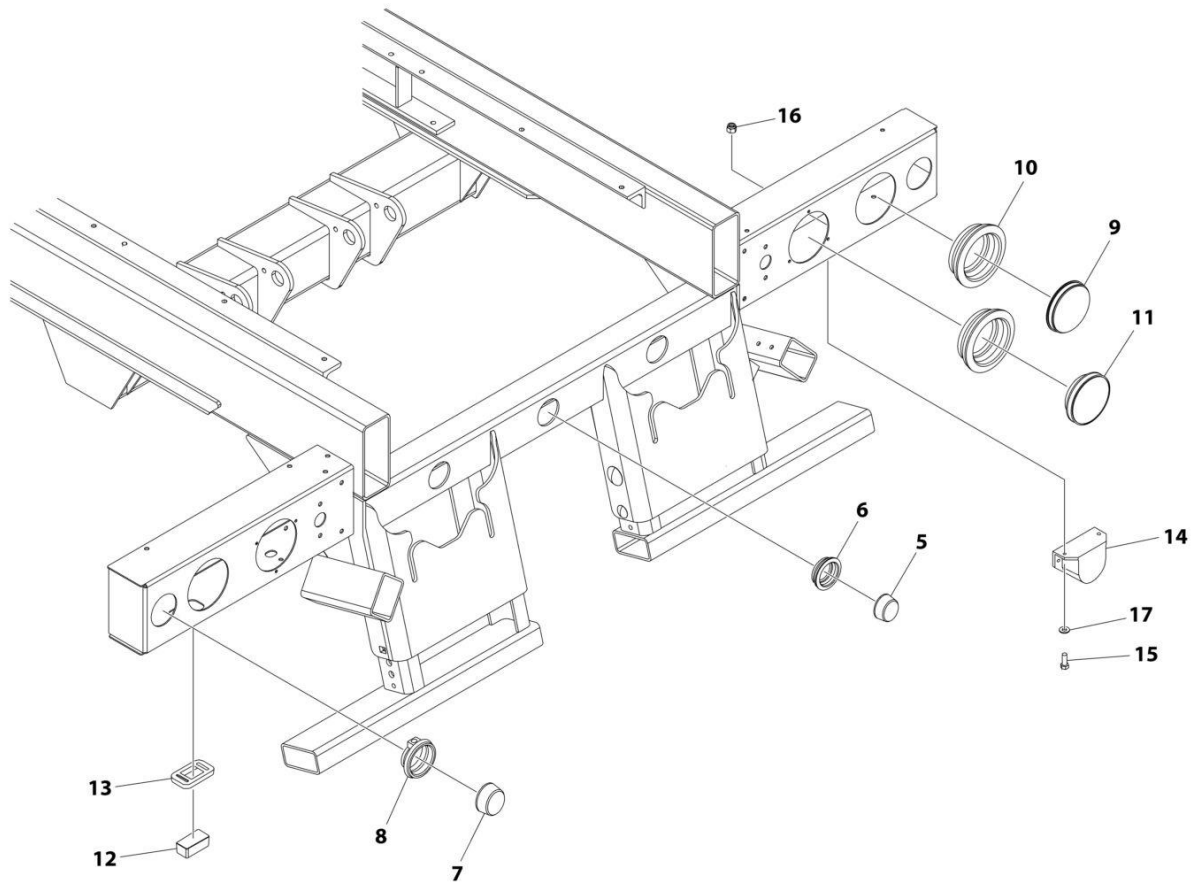
SECTION 5 - ELECTRICAL

FIGURE 5-9. LIGHTS INSTALLATION - TAILLIGHTS (24FT/26FT DECK) (Prior to SN 0220023727)

ITEM	PART NUMBER	QTY	DESCRIPTION	REV
	2590000202	Ref	LIGHTS AND WIRING INSTALLATION - BOLT-ON HEADBOARD	F
1	7552000187	1	Subframe to Winch Harness (See Separate Breakdown in this Section)	
2	7552000186	1	Subframe to Deck Harness (See Separate Breakdown in this Section)	
3	7552000178	1	Subframe to Cab Harness (See Separate Breakdown in this Section)	
4	1001173952	1	Subframe Harness (See Separate Breakdown in this Section)	
5	7590000340	3	Marker Light - Red (LED)	
6	7493000023	3	Grommet	
7	7590000343	2	Marker Light - Red (LED)	
8	7493000009	2	Grommet	
9	7590000341	2	Marker Light - Red (LED)	
10	7493000002	4	Grommet	
11	1001142769	2	Backup Alarm	
12	1001142771	1	Lamp	
13	7493000010	1	Grommet	
14	7011000006	1	Backup Alarm	
15	7114140528	2	Screw 1/4 x 5/8	
16	7660142601	2	Nut 1/4	
17	7949000023	2	Washer	
24	4346000005	5	Heat Shrink (Not Shown)	

SECTION 5 - ELECTRICAL

FIGURE 5-10. LIGHTS INSTALLATION - TAILLIGHTS (28FT DECK) (Prior to SN 0220023727)



ART_2590000203

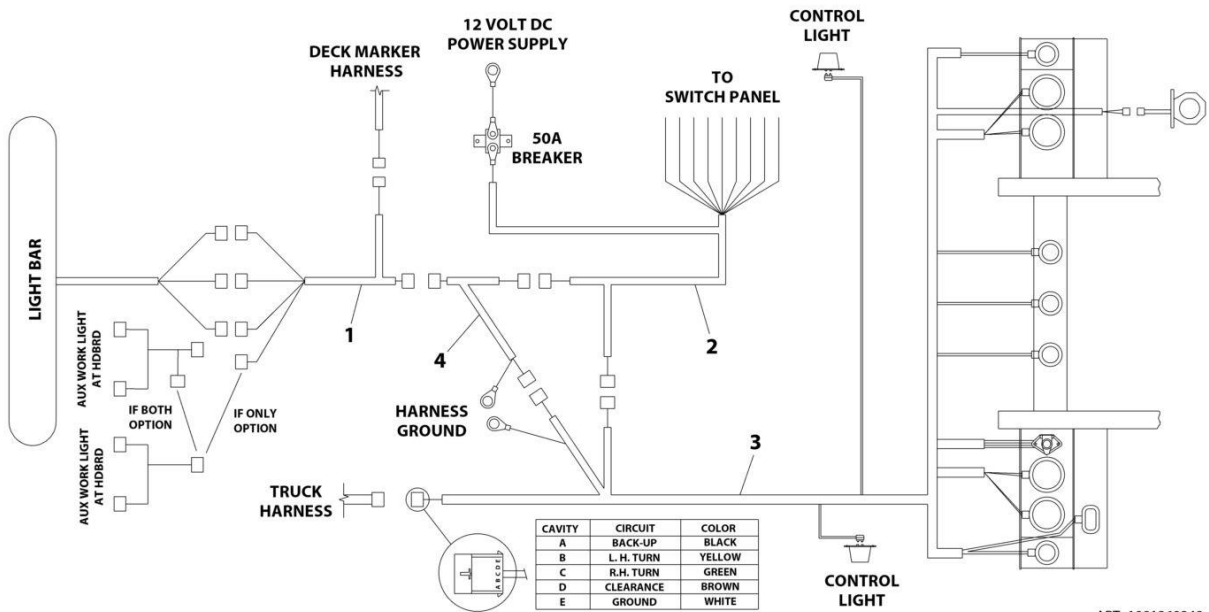
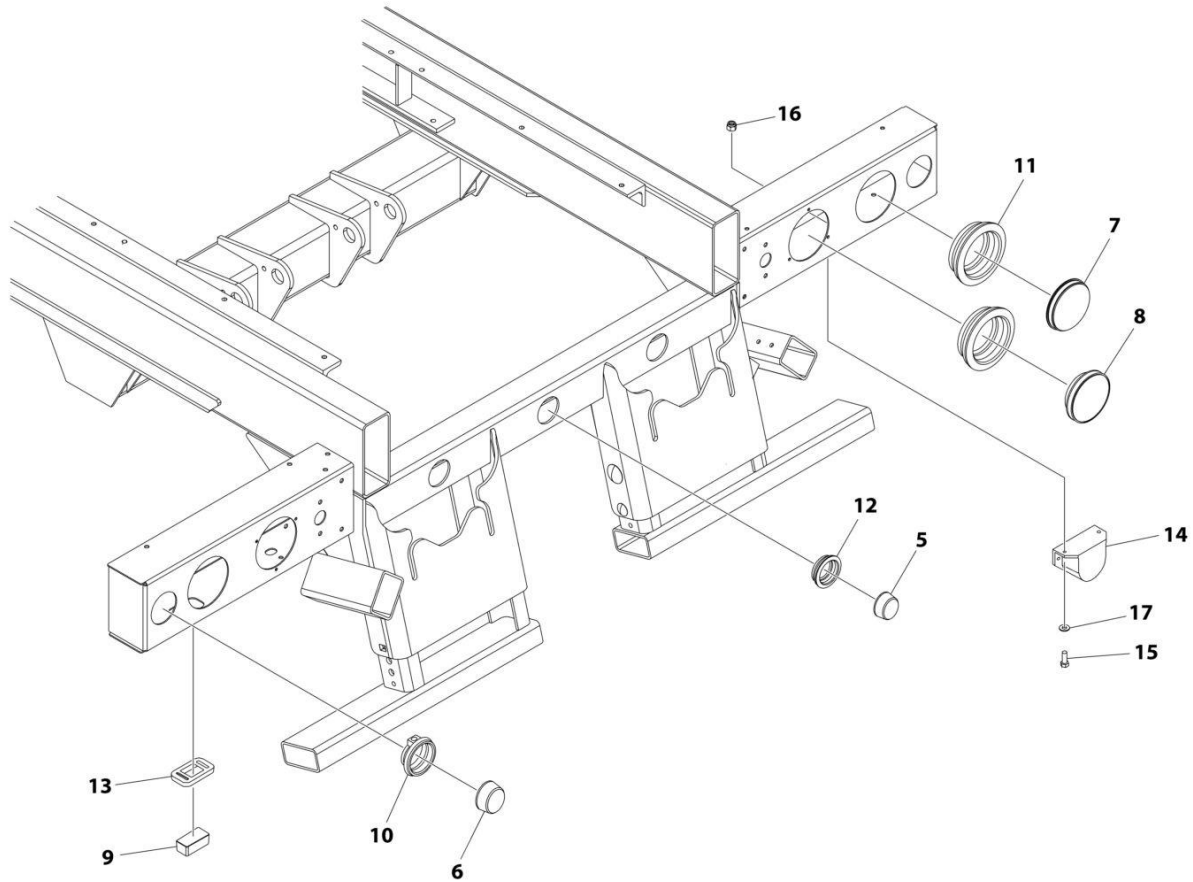
SECTION 5 - ELECTRICAL

FIGURE 5-10. LIGHTS INSTALLATION - TAILLIGHTS (28FT DECK) (Prior to SN 0220023727)

ITEM	PART NUMBER	QTY	DESCRIPTION	REV
	2590000203	Ref	LIGHTS AND WIRING INSTALLATION - WITH BOLT-ON HEADBOARD (28-30FT)	F
1	7552000188	1	Subframe to Winch Harness (See Separate Breakdown in this Section)	
2	7552000186	1	Subframe to Deck Harness (See Separate Breakdown in this Section)	
3	7552000178	1	Subframe to Cab Harness (See Separate Breakdown in this Section)	
4	1001173952	1	Subframe Harness (See Separate Breakdown in this Section)	
5	7590000340	3	Marker Light - Red (LED)	
6	7493000023	3	Grommet	
7	7590000343	2	Marker Light - Red (LED)	
8	7493000009	2	Grommet	
9	7590000341	2	Marker Light - Red (LED)	
10	7493000002	4	Grommet	
11	1001142769	2	Backup Alarm	
12	1001142771	1	Lamp	
13	7493000010	1	Grommet	
14	7011000006	1	Backup Alarm	
15	7114140528	2	Screw 1/4 x 5/8	
16	7660142601	2	Nut 1/4	
17	7949000023	2	Washer	
24	4346000005	5	Heat Shrink (Not Shown)	

SECTION 5 - ELECTRICAL

FIGURE 5-11. LIGHTS INSTALLATION - TAILLIGHTS (SN 0220023727 to Present)



ART_1001260348

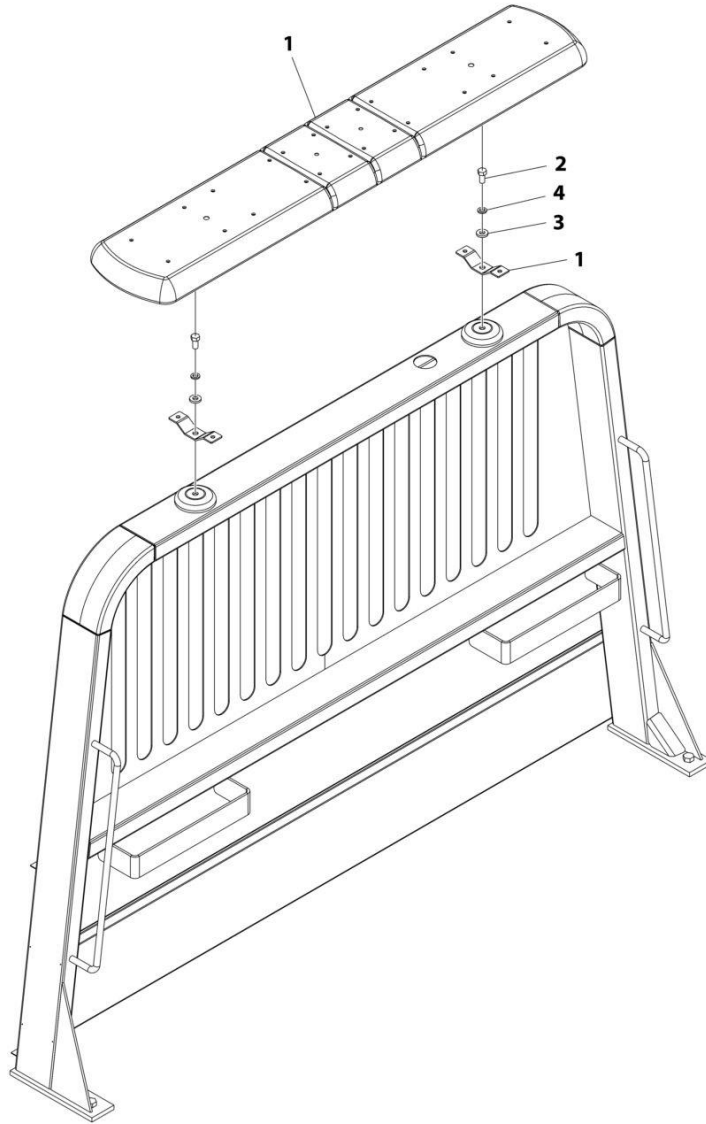
SECTION 5 - ELECTRICAL

FIGURE 5-11. LIGHTS INSTALLATION - TAILLIGHTS (SN 0220023727 to Present)

ITEM	PART NUMBER	QTY	DESCRIPTION	REV
	1001260348	Ref	LIGHTS - WORKLIGHTS INSTALLATION (ON HEADBOARD FOR 28-30FT DECK)	B
1	1001260351	1	Subframe to Winch Harness (See Separate Breakdown in this Section)	
2	7552000178	1	Subframe to Cab Harness (See Separate Breakdown in this Section)	
3	1001173952	1	Subframe Harness (See Separate Breakdown in this Section)	
4	7552000186	1	Subframe to Deck Harness (See Separate Breakdown in this Section)	
5	7590000340	3	Marker Light - Red (LED)	
6	7590000343	2	Marker Light - Red (LED)	
7	7590000341	2	Marker Light - Red (LED)	
8	1001142769	2	Lamp	
9	1001142771	1	Lamp	
10	7493000009	2	Grommet	
11	7493000002	4	Grommet	
12	7493000023	3	Grommet	
13	7493000010	1	Grommet	
14	7011000006	1	Backup Alarm	
15	7114140528	2	Screw 1/4 x 5/8	
16	7660142601	2	Nut 1/4	
17	7949000023	2	Washer	
18	4346000005	5	Heat Shrink (Not Shown)	

SECTION 5 - ELECTRICAL

FIGURE 5-12. LIGHTS INSTALLATION - LIGHTBAR



ART_1001219208

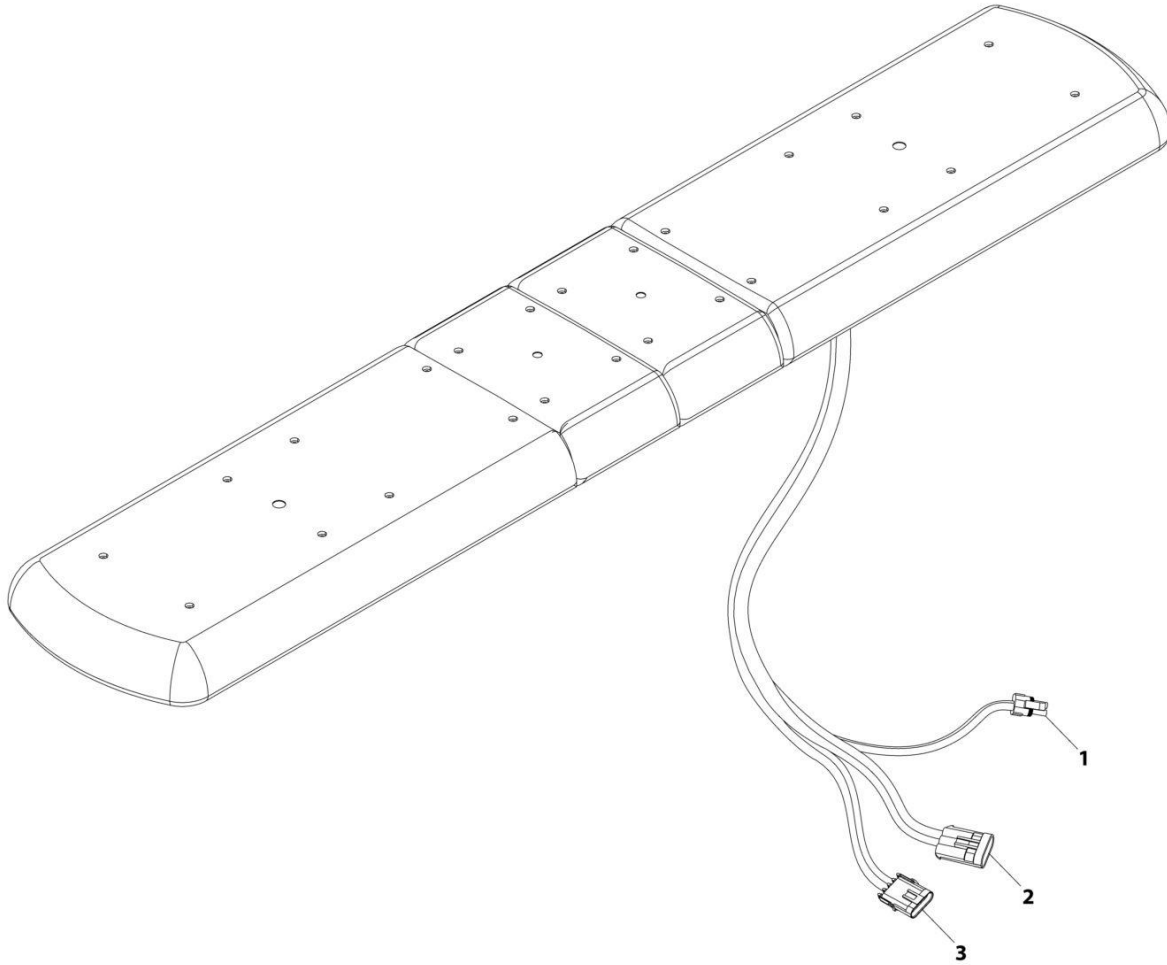
SECTION 5 - ELECTRICAL

FIGURE 5-12. LIGHTS INSTALLATION - LIGHTBAR

ITEM	PART NUMBER	QTY	DESCRIPTION	REV
	1001219208	Ref	LIGHTS - LIGHT BAR INSTALLATION	B
1	1001217565	1	Lightbar Assembly (See Separate Breakdown in this Section)	
2	0641808	2	Bolt 1/2 x 1	
3	4891800	2	Washer 1/2	
4	4761800	2	Washer 1/2	

SECTION 5 - ELECTRICAL

FIGURE 5-13. LIGHTBAR ASSEMBLY



ART_1001217565

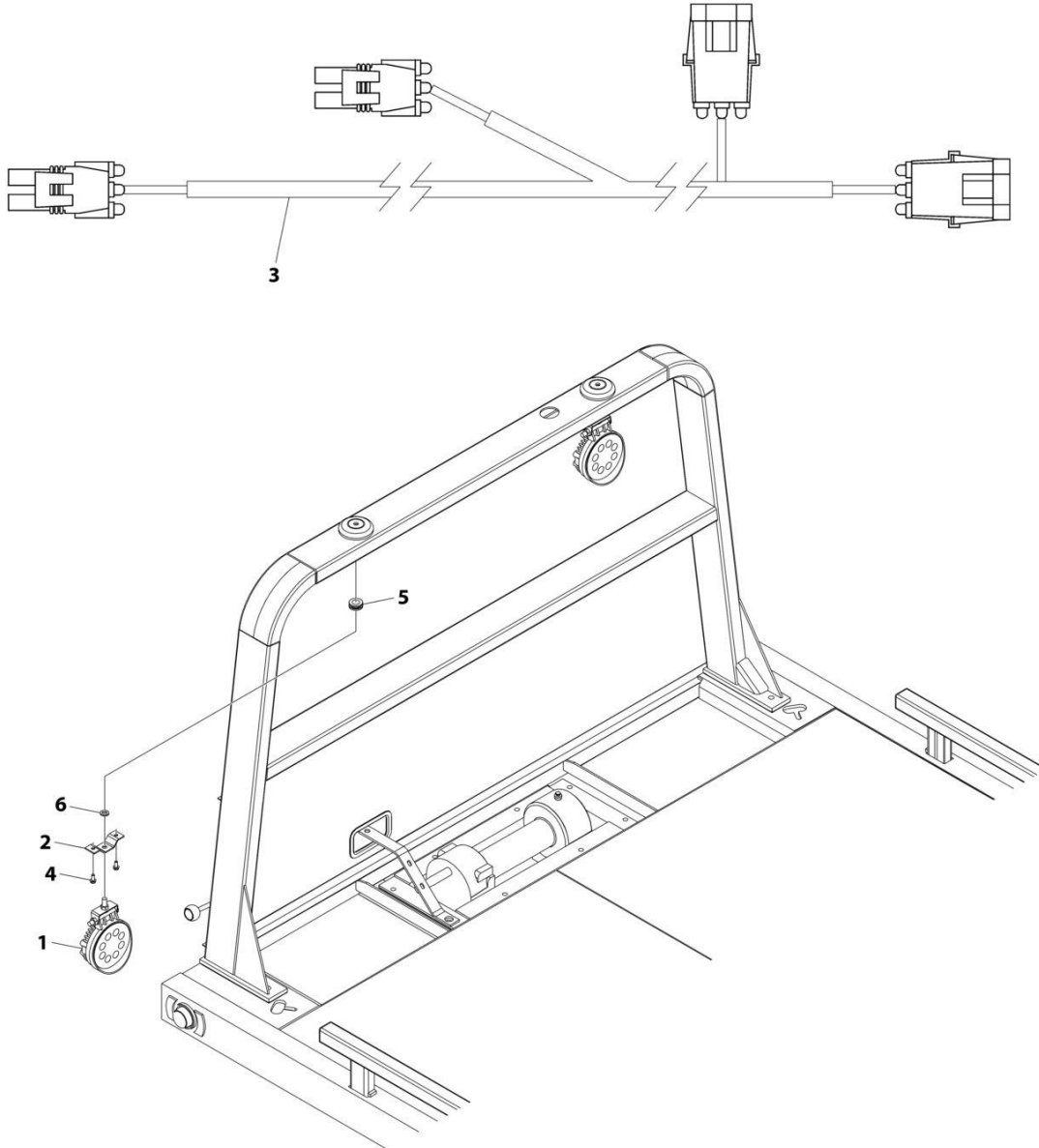
SECTION 5 - ELECTRICAL

FIGURE 5-13. LIGHTBAR ASSEMBLY

ITEM	PART NUMBER	QTY	DESCRIPTION	REV
	1001217565	Ref	LIGHTBAR ASSEMBLY	B
		Ref	Note: No Other Service Parts Available at Time of Printing	
1	4460742	1	Plug, Male - 2 Position	
1	NPN	2	Terminal	
1	NPN	2	Seal	
2	8220934	1	Plug, Male - 3 Position	
2	8220100	AR	Terminal (10GA)	
2	NPN	AR	Terminal (14GA)	
2	NPN	AR	Seal (10GA)	
2	NPN	AR	Seal (14GA)	
2	4460465	11	Socket, Female	
2	7346000109	1	Lock	
3	4460844	1	Plug, Male - 4 Position	
3	4460850	4	Pin, Male	
3	4460466	1	Plug, Terminal	

SECTION 5 - ELECTRICAL

FIGURE 5-14. LIGHTS INSTALLATION - WORKLIGHTS AT HEADBORAD



ART_1001176428

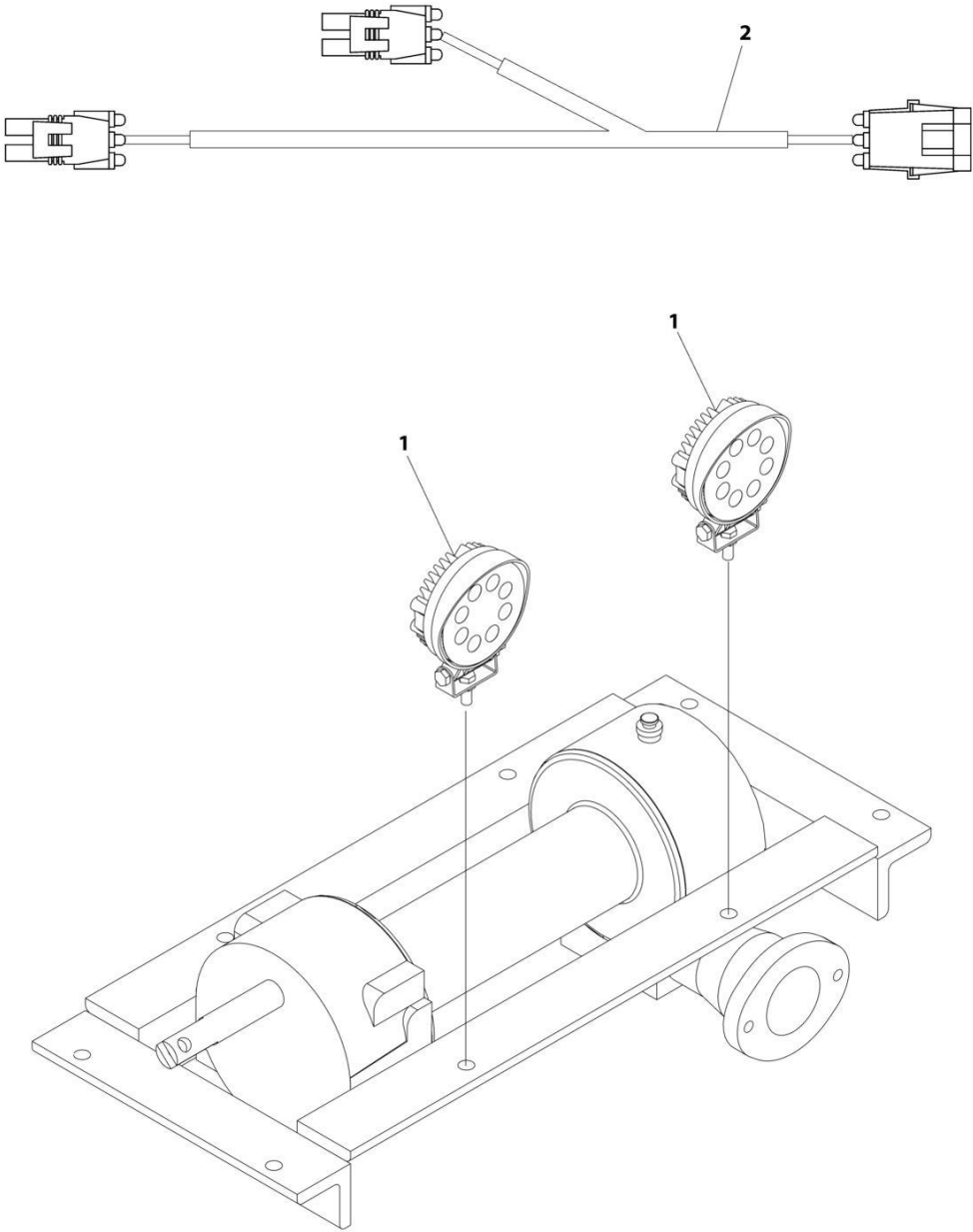
SECTION 5 - ELECTRICAL

FIGURE 5-14. LIGHTS INSTALLATION - WORKLIGHTS AT HEADBORAD

ITEM	PART NUMBER	QTY	DESCRIPTION	REV
	1001176428	Ref	LED WORK LIGHTS REAR HEADBOARD INSTALLATION	B
1	1001176337	2	Lamp, LED Work Light 10V-30V (Prior to SN 0220026465)	
1	1001273634	2	Lamp, LED Work Light 10V-30V (SN 0220026465 to Present)	
2	4178000402	2	Bracket	
3	7552000222	1	Harness, Headboard Work Light	
3	4460742	3	Plug, Male - 2 Position	
3	4461157	1	Receptacle, Female - 2 Position	
3	4460457	8	Terminal	
3	8220081	8	Seal	
4	7790151253	4	Screw 5/16 x 3/4	
5	7493000003	2	Grommet	
6	7950150161	2	Washer 5/16	
7	5526000553	4	Tie-Strap (Not Shown)	

SECTION 5 - ELECTRICAL

FIGURE 5-15. LIGHTS INSTALLATION - WORKLIGHTS AT WINCH



ART_1001176431

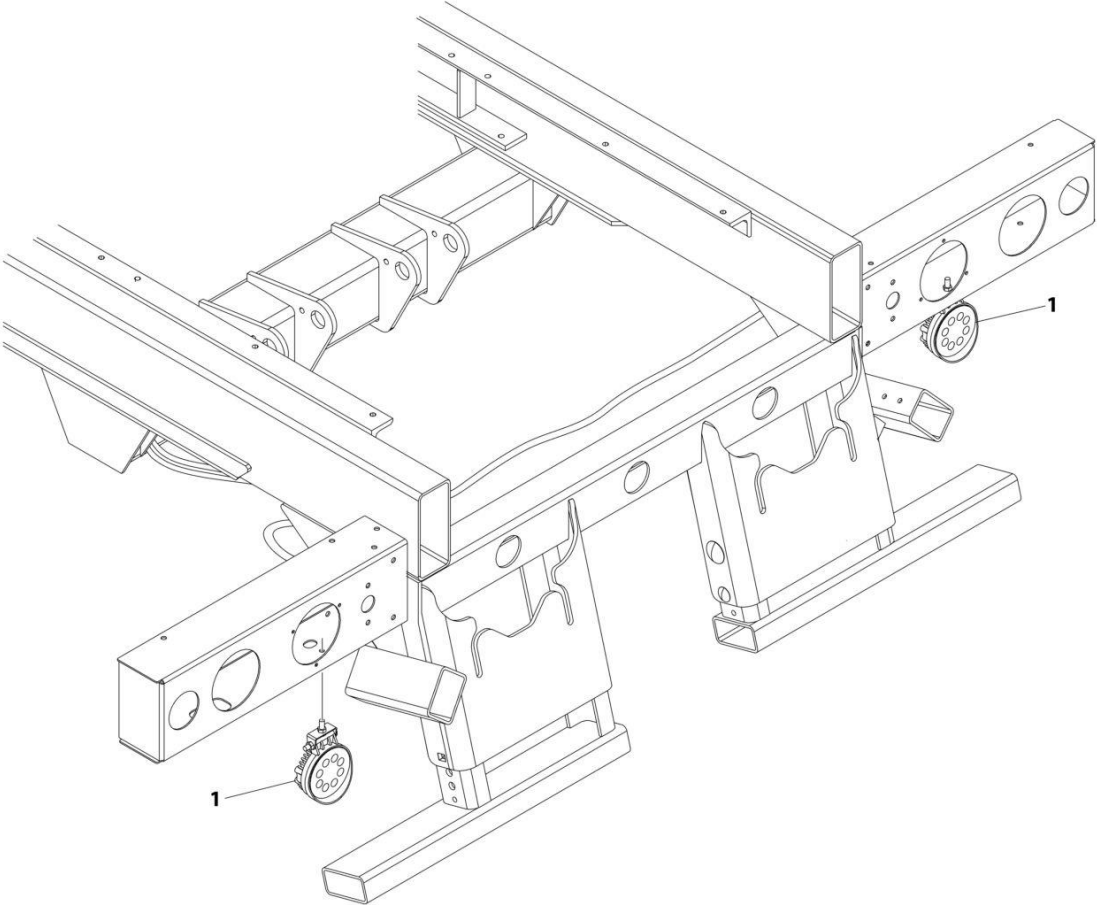
SECTION 5 - ELECTRICAL

FIGURE 5-15. LIGHTS INSTALLATION - WORKLIGHTS AT WINCH

ITEM	PART NUMBER	QTY	DESCRIPTION	REV
	1001176431	Ref	LED WORK LIGHTS WINCH INSTALLATION	C
1	1001176337	2	Lamp, LED Work Light 10V-30V (Prior to SN 0220026465)	
1	1001273634	2	Lamp, LED Work Light 10V-30V (SN 0220026465 to Present)	
2	7552000166	1	Harness, Deck Work Light	
2	4460742	2	Plug, Male - 2 Position	
2	4461157	1	Receptacle, Female - 2 Position	
2	4460457	6	Terminal	
2	8220081	6	Seal	
3	5526000553	4	Tie-Strap (Not Shown)	

SECTION 5 - ELECTRICAL

FIGURE 5-16. LIGHTS INSTALLATION - WORKLIGHTS AT REAR



ART_1001176430

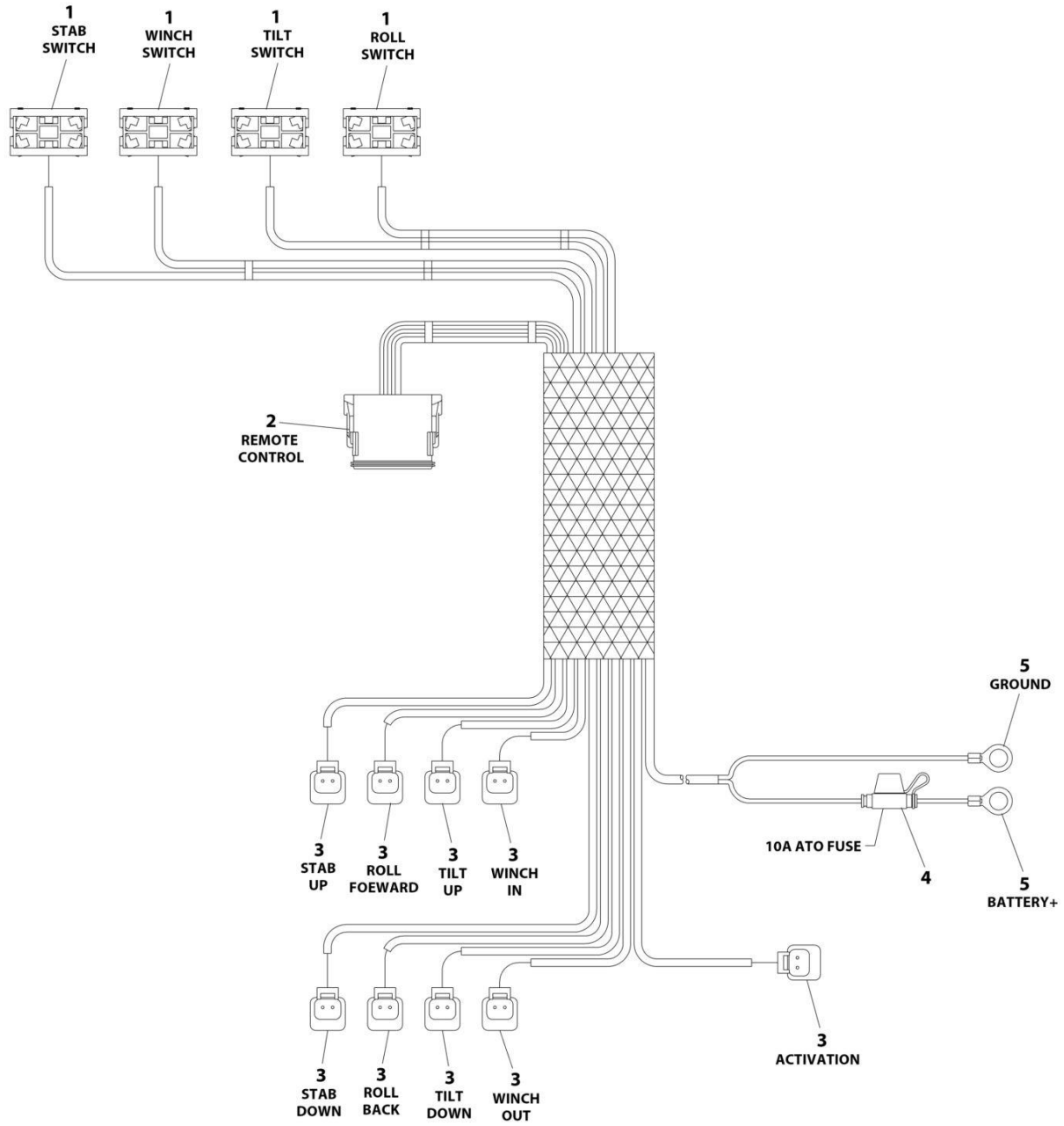
SECTION 5 - ELECTRICAL

FIGURE 5-16. LIGHTS INSTALLATION - WORKLIGHTS AT REAR

ITEM	PART NUMBER	QTY	DESCRIPTION	REV
	1001176430	Ref	LED WORK LIGHTS REAR INSTALLATION	B
1	1001176337	2	Lamp, LED Work Light 10V-30V (Prior to SN 0220026465)	
1	1001273634	2	Lamp, LED Work Light 10V-30V (SN 0220026465 to Present)	

SECTION 5 - ELECTRICAL

FIGURE 5-17. REMOTE CONTROL HARNESS (DRIVERS SIDE)



ART_1001215846

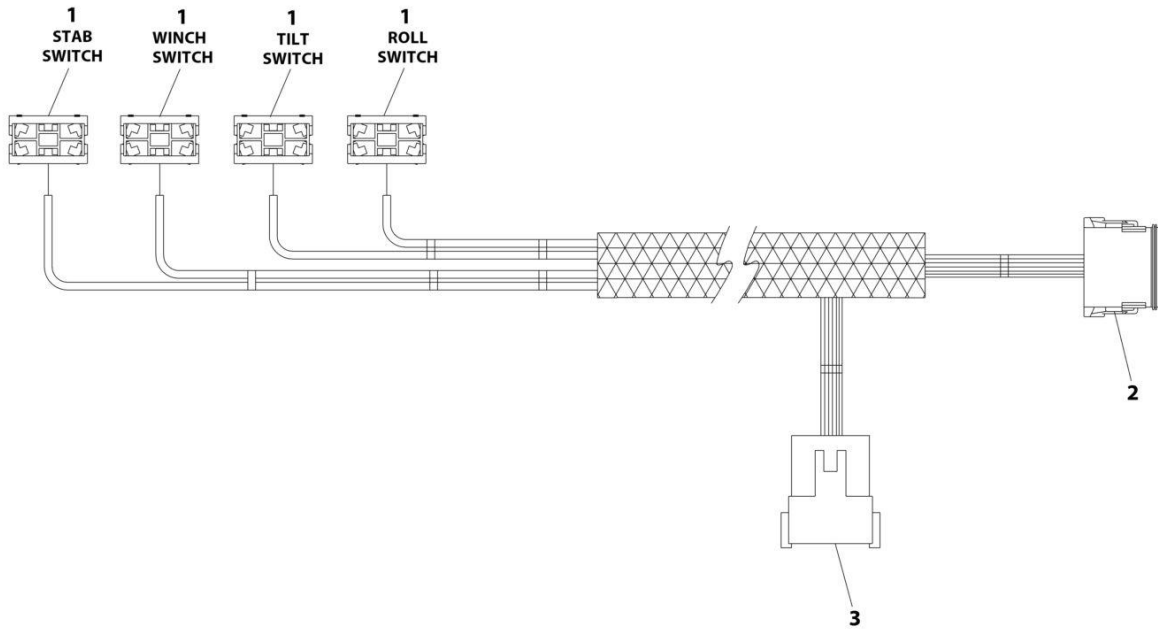
SECTION 5 - ELECTRICAL

FIGURE 5-17. REMOTE CONTROL HARNESS (DRIVERS SIDE)

ITEM	PART NUMBER	QTY	DESCRIPTION	REV
	1001215846	Ref	REMOTE CONTROL HARNESS	C
1	4460418	4	Connector - 6 Position	
1	4460419	24	Terminal	
2	4460933	1	Plug, Male - 12 Position	
2	4460465	11	Socket, Female	
2	4460466	1	Plug, Terminal	
3	4460891	9	Plug, Male - 2 Position	
3	4460465	18	Socket, Female	
4	NPN	1	Fuseholder (with Cover)	
4	NPN	1	Fuse 10Amp	
5	NPN	2	Terminal, Ring	

SECTION 5 - ELECTRICAL

FIGURE 5-18. REMOTE CONTROL HARNESS (PASSENGERS SIDE)



ART_1001228111

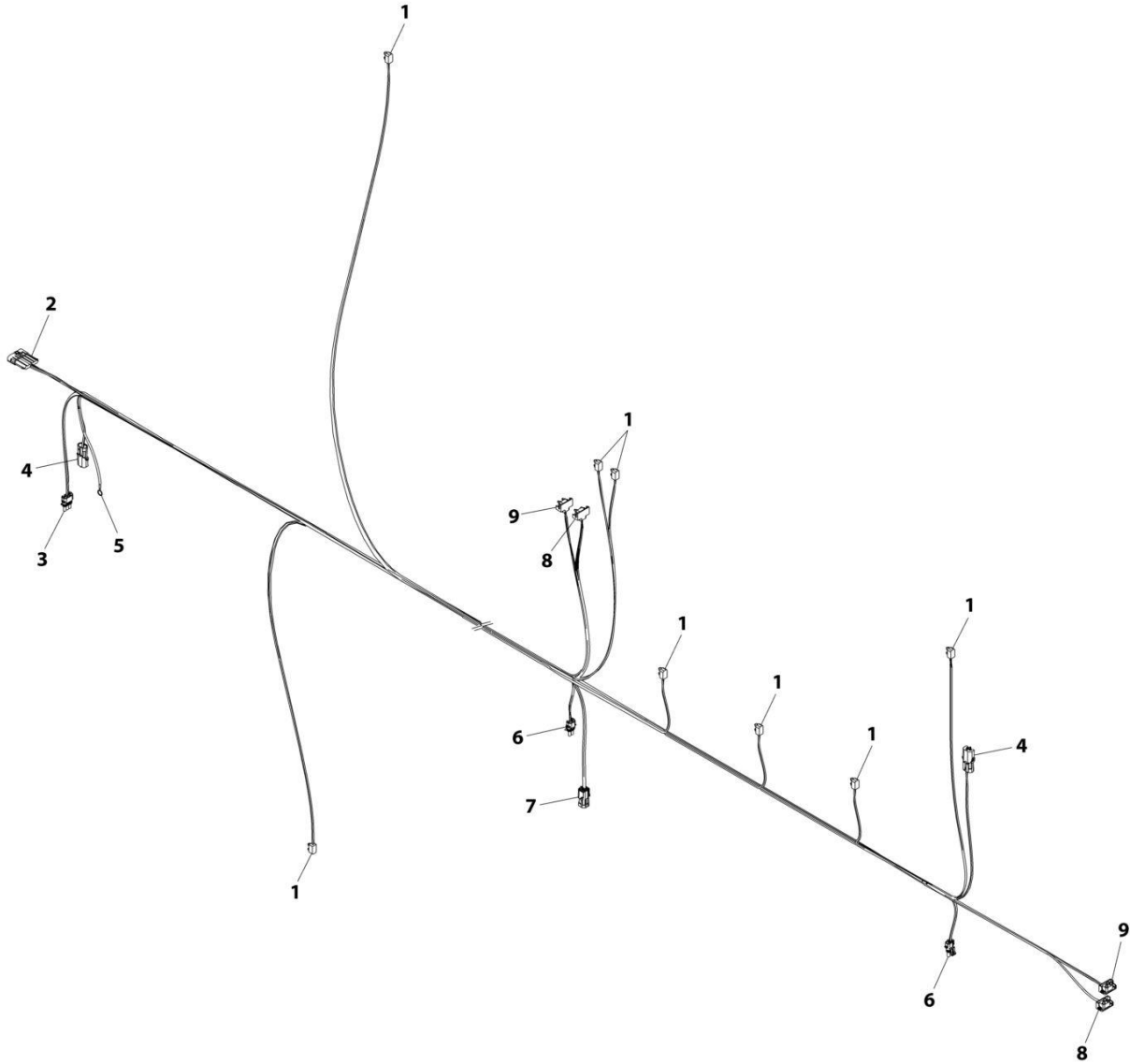
SECTION 5 - ELECTRICAL

FIGURE 5-18. REMOTE CONTROL HARNESS (PASSENGERS SIDE)

ITEM	PART NUMBER	QTY	DESCRIPTION	REV
	1001228111	Ref	REMOTE CONTROL HARNESS	B
1	4460418	4	Connector - 6 Position	
1	4460419	24	Terminal	
2	4460933	1	Plug, Male - 12 Position	
2	4460465	11	Socket, Female	
2	4460466	1	Plug, Terminal	
3	4460970	1	Receptacle, Female - 12 Position	
3	4460464	11	Pin, Male	
3	4460466	1	Plug, Terminal	

SECTION 5 - ELECTRICAL

FIGURE 5-19. SUBFRAME HARNESS



ART_1001173952

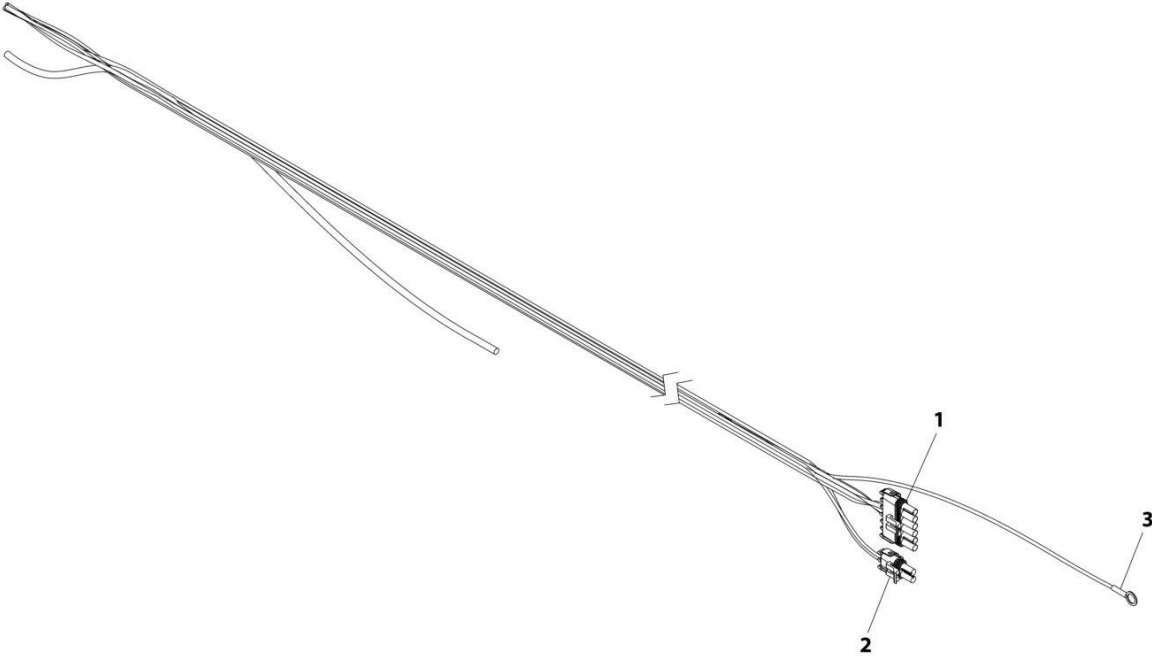
SECTION 5 - ELECTRICAL

FIGURE 5-19. SUBFRAME HARNESS

ITEM	PART NUMBER	QTY	DESCRIPTION	REV
	1001173952	Ref	SUBFRAME HARNESS	C
1	1001275791	8	Connector & Lead Wire - 2 Position (Marker Lights)	
2	1001121727	1	Connector - 5 Position	
2	1001116729	5	Terminal	
2	1001190037	5	Seal	
3	4460459	1	Plug, Male - 3 Position	
3	4460457	3	Terminal	
3	1001190037	3	Seal	
4	4461157	2	Plug, Male - 2 Position	
4	4460457	4	Terminal	
4	1001190037	4	Seal	
5	4460019	1	Terminal, Ring	
6	4460742	2	Plug, Male - 2 Position	
6	4460457	4	Terminal	
7	80963062	1	Plug, Male - 4 Position	
7	4460457	4	Terminal	
7	1001190037	4	Seal	
8	1001275792	2	Connector & Lead Wire - 2 Position (Stop/Turn/Taillights)	
9	1001275793	2	Connector & Lead Wire - 2 Position (Stop/Turn/Taillights)	

SECTION 5 - ELECTRICAL

FIGURE 5-20. SUBFRAME TO CAB HARNESS



ART_7552000178

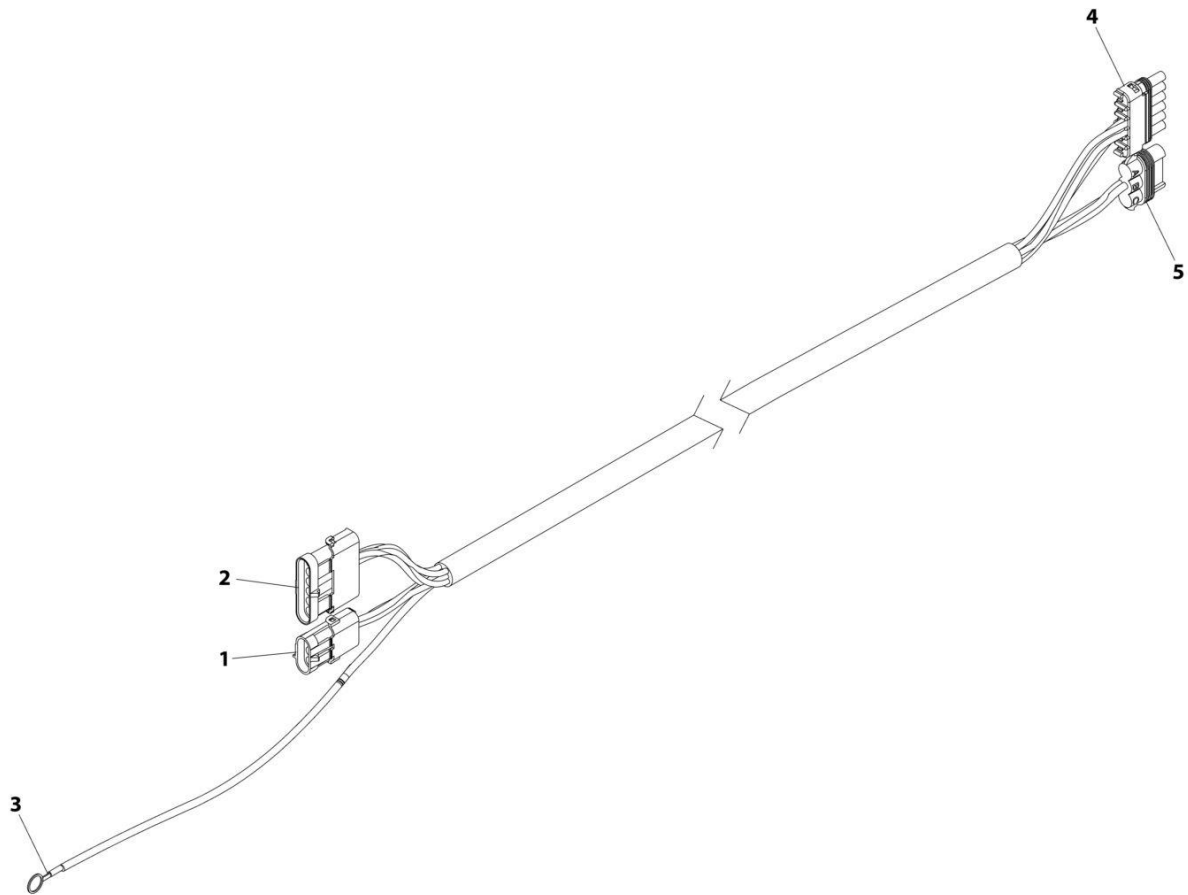
SECTION 5 - ELECTRICAL

FIGURE 5-20. SUBFRAME TO CAB HARNESS

ITEM	PART NUMBER	QTY	DESCRIPTION	REV
	7552000178	Ref	SUBFRAME TO CAB HARNESS (WITH BOLT-ON HEADBOARD) (26-30FT DECK)	B
1	4460461	1	Connector	
1	4460790	5	Terminal	
1	8220089	5	Seal	
1	1001116727	1	Plug, Terminal	
2	4460742	1	Connector	
2	4460457	2	Terminal	
2	8220081	2	Seal	
3	4460256	1	Terminal, Ring	

SECTION 5 - ELECTRICAL

FIGURE 5-21. SUBFRAME TO DECK HARNESS



ART_7552000186

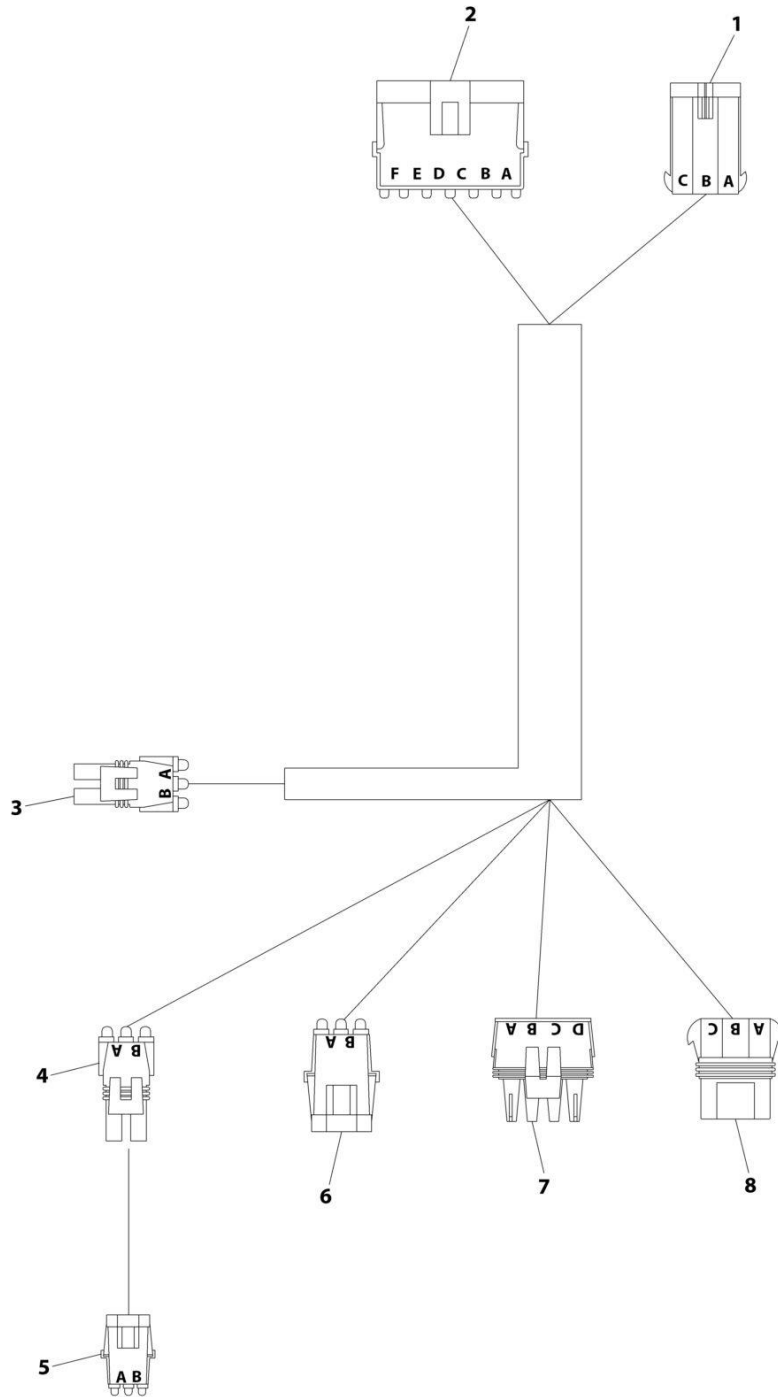
SECTION 5 - ELECTRICAL

FIGURE 5-21. SUBFRAME TO DECK HARNESS

ITEM	PART NUMBER	QTY	DESCRIPTION	REV
	7552000186	Ref	SUBFRAME TO DECK HARNESS	B
1	4460476	1	Connector - 3 Position	
1	4460850	3	Terminal	
1	8220089	3	Seal	
2	80963064	1	Connector - 6 Position	
2	4460850	5	Terminal	
2	8220089	3	Seal	
2	1001116727	1	Plug, Terminal	
3	4460019	1	Terminal, Ring	
4	4460461	1	Plug, Male - 2 Position	
4	4460790	6	Terminal	
4	8220089	6	Seal	
5	8220935	1	Connector - 3 Position	
5	8220936	1	Lock	
5	8220099	3	Terminal	
5	1001277283	2	Seal	
5	1001277284	1	Seal	

SECTION 5 - ELECTRICAL

FIGURE 5-22. SUBFRAME TO WINCH HARNESS (24FT/26FT DECK) (Prior to SN 0220023727)



ART_7552000187

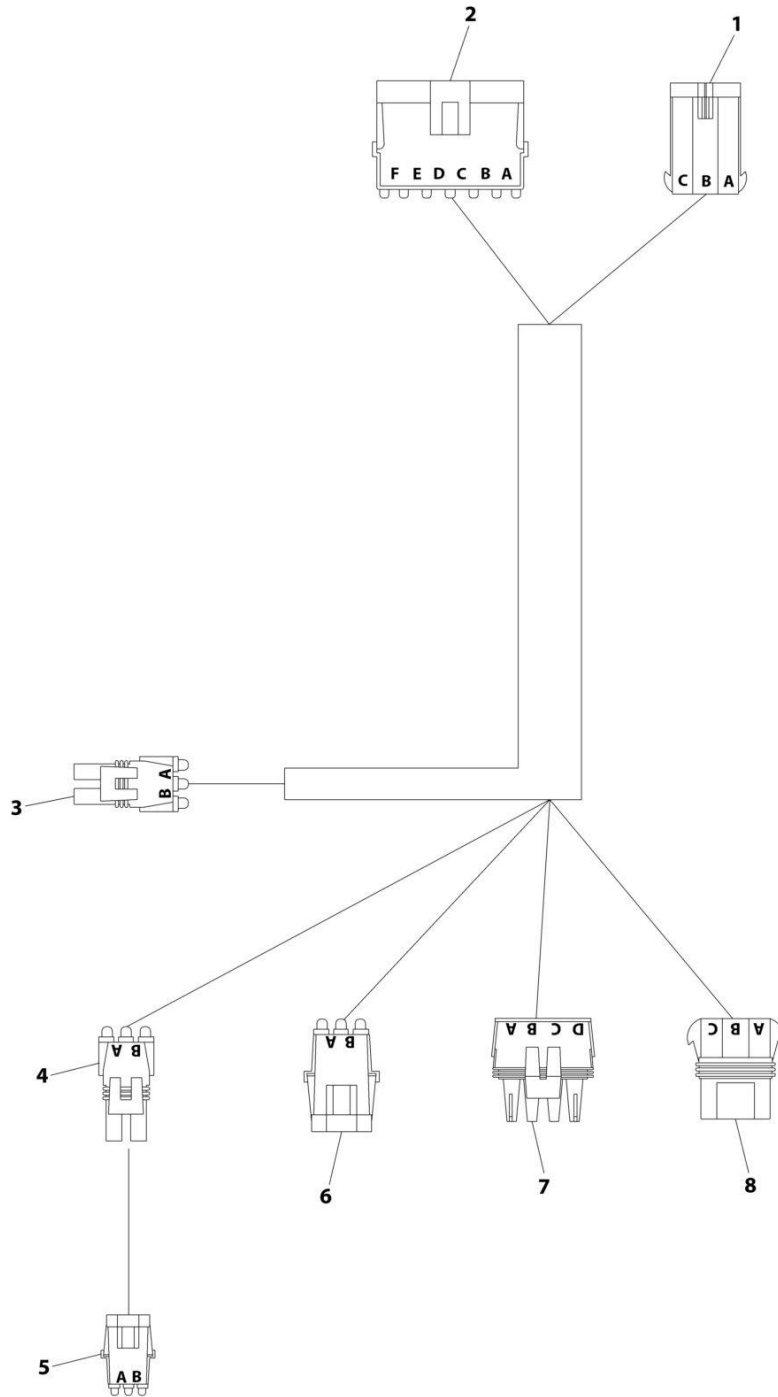
SECTION 5 - ELECTRICAL

FIGURE 5-22. SUBFRAME TO WINCH HARNESS (24FT/26FT DECK) (Prior to SN 0220023727)

ITEM	PART NUMBER	QTY	DESCRIPTION	REV
	7552000187	Ref	SUBFRAME TO WINCH HARNESS	B
1	8220934	1	Connector - 3 Position	
1	NPN	1	Lock	
1	8220100	2	Terminal	
1	NPN	3	Seal	
1	NPN	1	Terminal	
1	NPN	1	Seal	
2	80963064	1	Connector - 6 Position	
2	4460850	3	Terminal	
2	NPN	3	Seal	
2	4460475	3	Terminal	
2	NPN	3	Seal	
3	4460742	1	Plug, Male - 2 Position	
3	4460457	2	Terminal	
3	NPN	2	Seal	
4	4460742	1	Plug, Male - 2 Position	
4	4460790	2	Terminal	
4	NPN	2	Seal	
5	4460867	1	Receptacle, Female - 2 Position	
5	1001116727	2	Plug, Terminal	
6	4460867	1	Receptacle, Female - 2 Position	
6	4460850	2	Terminal	
6	NPN	2	Seal	
7	4460460	1	Plug, Male - 4 Position	
7	4460790	1	Terminal	
7	NPN	1	Seal	
7	4460457	4	Terminal	
7	NPN	4	Seal	
8	8220935	1	Connector - 3 Position	
8	7346000108	1	Lock	
8	8220099	3	Terminal	
8	NPN	2	Seal	
8	NPN	1	Seal	

SECTION 5 - ELECTRICAL

FIGURE 5-23. SUBFRAME TO WINCH HARNESS (28FT DECK) (Prior to SN 0220023727)



ART_7552000188

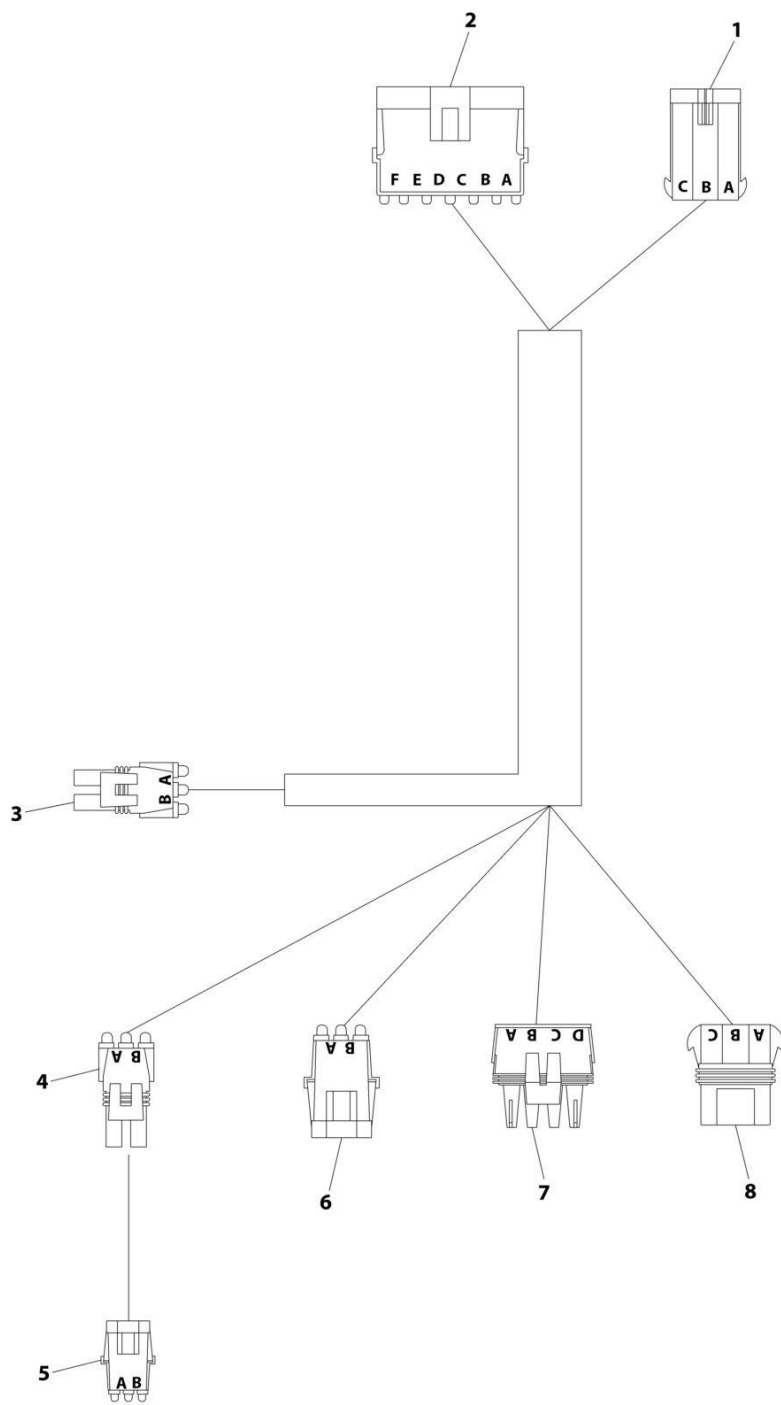
SECTION 5 - ELECTRICAL

FIGURE 5-23. SUBFRAME TO WINCH HARNESS (28FT DECK) (Prior to SN 0220023727)

ITEM	PART NUMBER	QTY	DESCRIPTION	REV
	7552000188	Ref	SUBFRAME TO WINCH HARNESS	B
1	8220934	1	Connector - 3 Position	
1	NPN	1	Lock	
1	8220100	2	Terminal	
1	NPN	3	Seal	
1	NPN	1	Terminal	
1	NPN	1	Seal	
2	80963064	1	Connector - 6 Position	
2	4460850	3	Terminal	
2	NPN	3	Seal	
2	4460475	3	Terminal	
2	NPN	3	Seal	
3	4460742	1	Plug, Male - 2 Position	
3	4460457	2	Terminal	
3	NPN	2	Seal	
4	4460742	1	Plug, Male - 2 Position	
4	4460790	2	Terminal	
4	NPN	2	Seal	
5	4460867	1	Receptacle, Female - 2 Position	
5	1001116727	2	Plug, Terminal	
6	4460867	1	Receptacle, Female - 2 Position	
6	4460850	2	Terminal	
6	NPN	2	Seal	
7	4460460	1	Plug, Male - 4 Position	
7	4460790	1	Terminal	
7	NPN	1	Seal	
7	4460457	4	Terminal	
7	NPN	4	Seal	
8	8220935	1	Connector - 3 Position	
8	7346000109	1	Lock	
8	8220099	3	Terminal	
8	NPN	2	Seal	
8	NPN	1	Seal	

SECTION 5 - ELECTRICAL

FIGURE 5-24. SUBFRAME TO WINCH HARNESS (SN 0220023727 to Present)



ART_1001260351

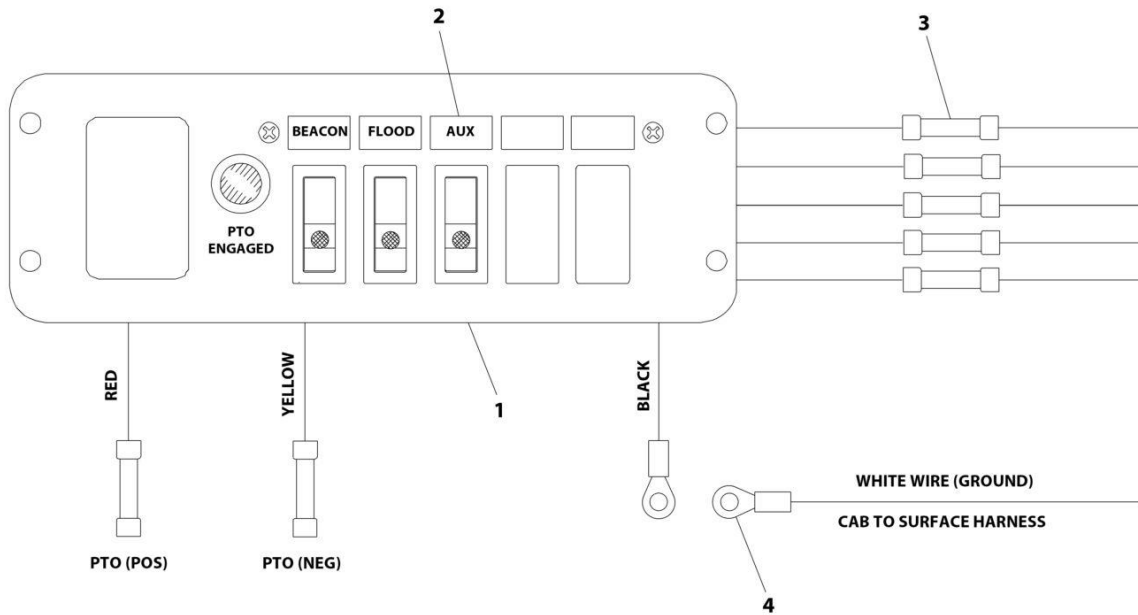
SECTION 5 - ELECTRICAL

FIGURE 5-24. SUBFRAME TO WINCH HARNESS (SN 0220023727 to Present)

ITEM	PART NUMBER	QTY	DESCRIPTION	REV
	1001260351	Ref	SUBFRAME TO WINCH HARNESS	B
1	8220934	1	Connector - 3 Position	
1	NPN	1	Lock	
1	8220100	2	Terminal	
1	NPN	3	Seal	
1	NPN	1	Terminal	
1	NPN	1	Seal	
2	80963064	1	Connector - 6 Position	
2	4460850	3	Terminal	
2	NPN	3	Seal	
2	4460475	3	Terminal	
2	NPN	3	Seal	
3	4460742	1	Plug, Male - 2 Position	
3	4460457	2	Terminal	
3	NPN	2	Seal	
4	4460742	1	Plug, Male - 2 Position	
4	4460790	2	Terminal	
4	NPN	2	Seal	
5	4460867	1	Receptacle, Female - 2 Position	
5	1001116727	2	Plug, Terminal	
6	4460867	1	Receptacle, Female - 2 Position	
6	4460850	2	Terminal	
6	NPN	2	Seal	
7	4460460	1	Plug, Male - 4 Position	
7	4460790	1	Terminal	
7	NPN	1	Seal	
7	4460457	4	Terminal	
7	NPN	4	Seal	
8	8220935	1	Connector - 3 Position	
8	7346000109	1	Lock	
8	8220099	3	Terminal	
8	NPN	2	Seal	
8	NPN	1	Seal	

SECTION 5 - ELECTRICAL

FIGURE 5-25. SWITCH INSTALLATION - 3 FUNCTION IN-DASH COMPACT (Prior to SN 0220023727)



ART_1001135700

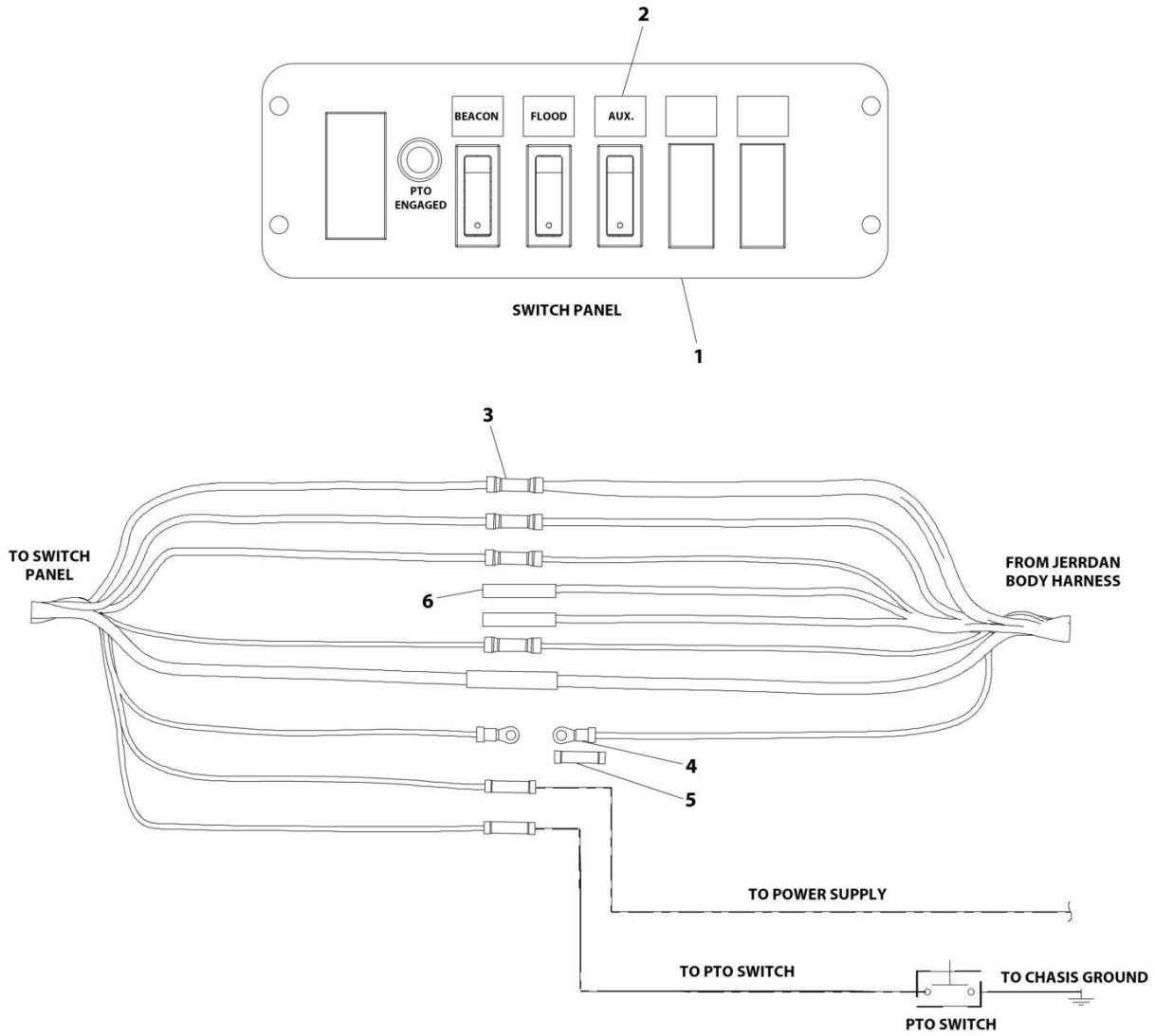
SECTION 5 - ELECTRICAL

FIGURE 5-25. SWITCH INSTALLATION - 3 FUNCTION IN-DASH COMPACT (Prior to SN 0220023727)

ITEM	PART NUMBER	QTY	DESCRIPTION	REV
	1001135700	Ref	3 Function In-Dash Compact Installation	B
1	7870000100	1	Switch Panel	
2	7330000288	1	Decal	
3	7345001913	4	Connector	
4	7345211701	1	Terminal	
4	7345001713	1	Connector	
5	4346000005	1	Heat Shrink (Not Shown)	

SECTION 5 - ELECTRICAL

FIGURE 5-26. SWITCH INSTALLATION - 3 FUNCTION IN-DASH COMPACT (SN 0220023727 to Present)



ART_1001261002

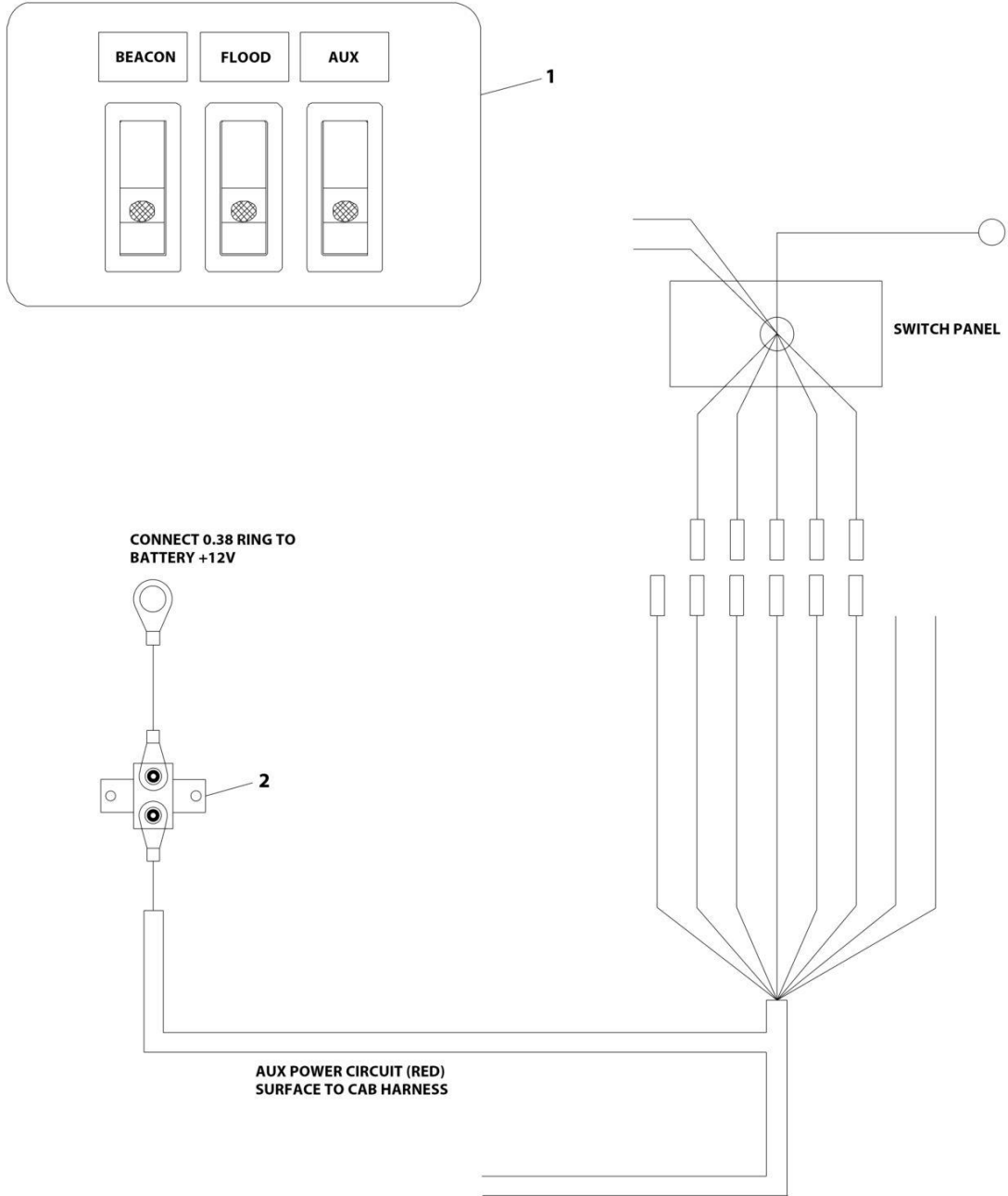
SECTION 5 - ELECTRICAL

FIGURE 5-26. SWITCH INSTALLATION - 3 FUNCTION IN-DASH COMPACT (SN 0220023727 to Present)

ITEM	PART NUMBER	QTY	DESCRIPTION	REV
	1001261002	Ref	3 FUNCTION IN-DASH COMPACT SWITCH PANEL INSTALLATION	B
1	7870000100	1	Switch Panel	
2	7330000288	1	Decal	
3	4460018	4	Connector	
4	4460042	1	Terminal, Ring	
5	4460035	1	Connector	
6	4346000005	2	Heat Shrink	

SECTION 5 - ELECTRICAL

FIGURE 5-27. SWITCH INSTALLATION - 3 FUNCTION IN-DASH MINI (Prior to SN 0220023727)



ART_SP31MPKG

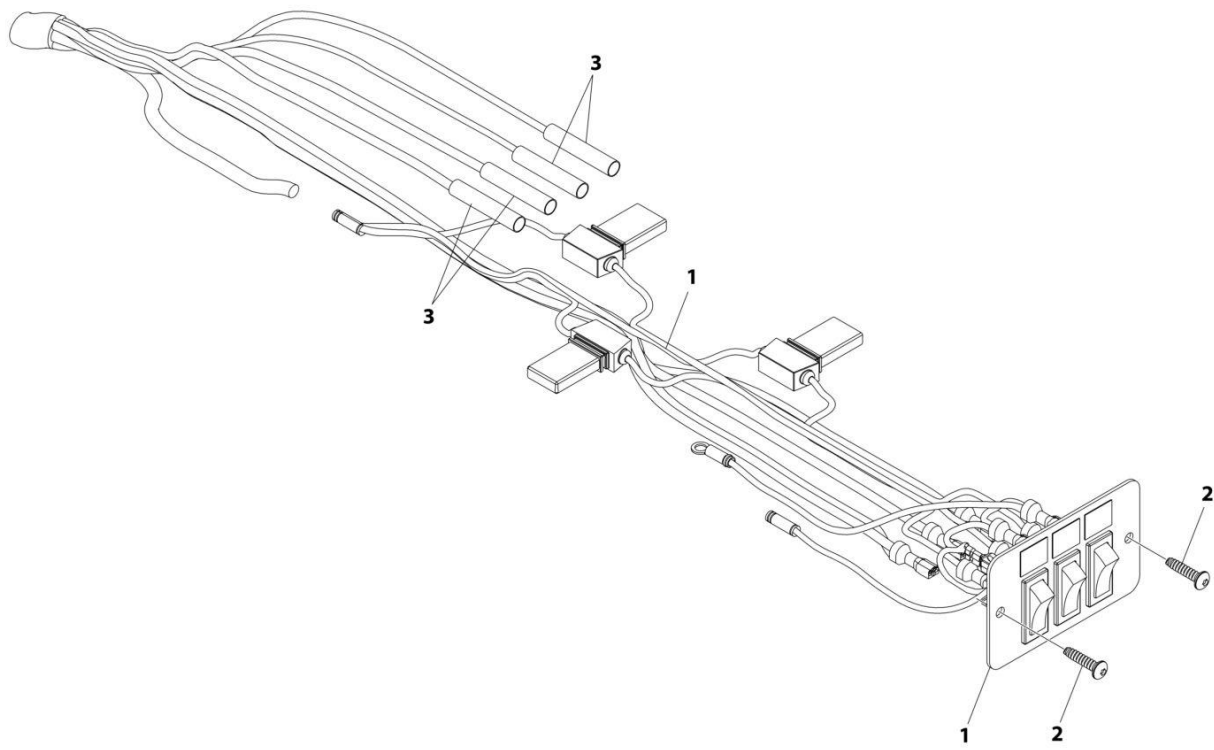
SECTION 5 - ELECTRICAL

FIGURE 5-27. SWITCH INSTALLATION - 3 FUNCTION IN-DASH MINI (Prior to SN 0220023727)

ITEM	PART NUMBER	QTY	DESCRIPTION	REV
	SP3IMPKG	Ref	3 FUNCTION IN-DASH MINI SWITCH PANEL	B
1	7870000113	1	Switch Panel	
2	1001129883	1	Breaker Installation (See Separate Breakdown in this Section)	

SECTION 5 - ELECTRICAL

FIGURE 5-28. SWITCH INSTALLATION - 3 FUNCTION IN-DASH MINI (SN 0220023727 to Present)



ART_1001260898

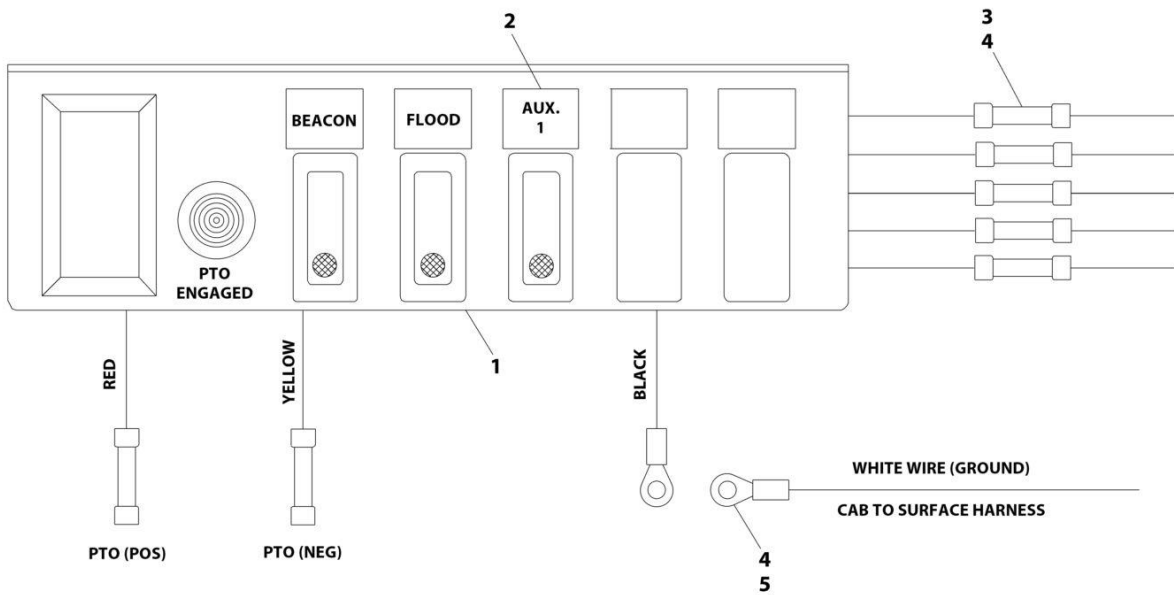
SECTION 5 - ELECTRICAL

FIGURE 5-28. SWITCH INSTALLATION - 3 FUNCTION IN-DASH MINI (SN 0220023727 to Present)

ITEM	PART NUMBER	QTY	DESCRIPTION	REV
	1001260898	Ref	3 FUNCTION IN-DASH MINI SWITCH PANEL INSTALLATION	A
1	7870000113	1	Switch Panel (Sold as Assembly)	
2	1001196552	2	Screw #8 x 3/4	
3	4346000005	4	Heat Shrink	

SECTION 5 - ELECTRICAL

FIGURE 5-29. SWITCH INSTALLATION - 3 FUNCTION UNDER-DASH COMPACT (Prior to SN 0220023727)



ART_1001135756

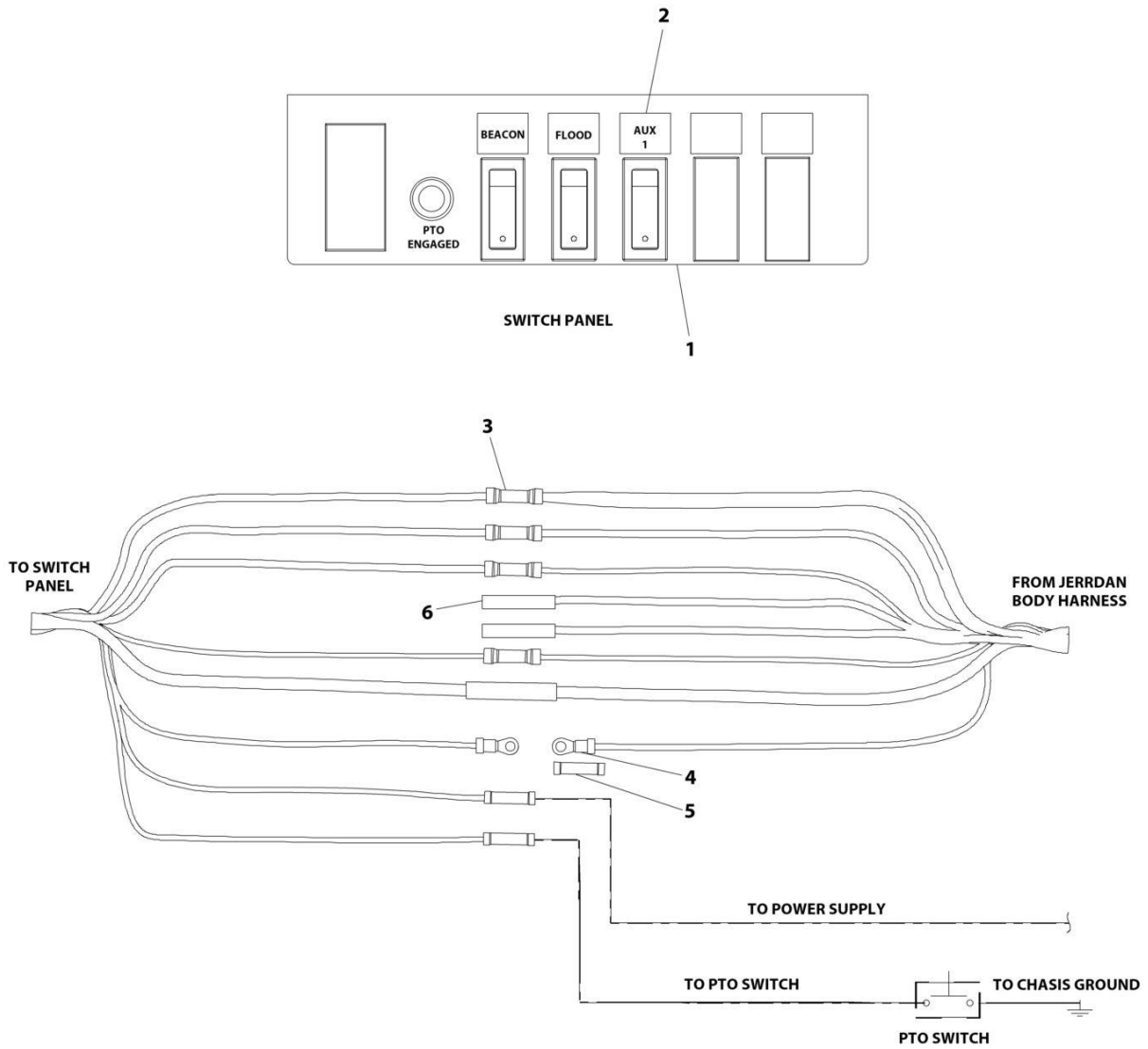
SECTION 5 - ELECTRICAL

FIGURE 5-29. SWITCH INSTALLATION - 3 FUNCTION UNDER-DASH COMPACT (Prior to SN 0220023727)

ITEM	PART NUMBER	QTY	DESCRIPTION	REV
	1001135756	1	3 Function Under-Dash Compact Assembly	B
1	7870000134	1	Switch Panel	
2	7330000288	1	Decal	
3	7346000242	2	Connector	
4	7345001713	4	Connector	
5	7345211701	1	Terminal	
6	4346000005	1	Heat Shrink (Not Shown)	
7	8597650003	2	Wire (Not Shown)	
8	5526000553	6	Tie Strap (Not Shown)	

SECTION 5 - ELECTRICAL

FIGURE 5-30. SWITCH INSTALLATION - 3 FUNCTION UNDER-DASH COMPACT (SN 0220023727 to Present)



ART_1001261004

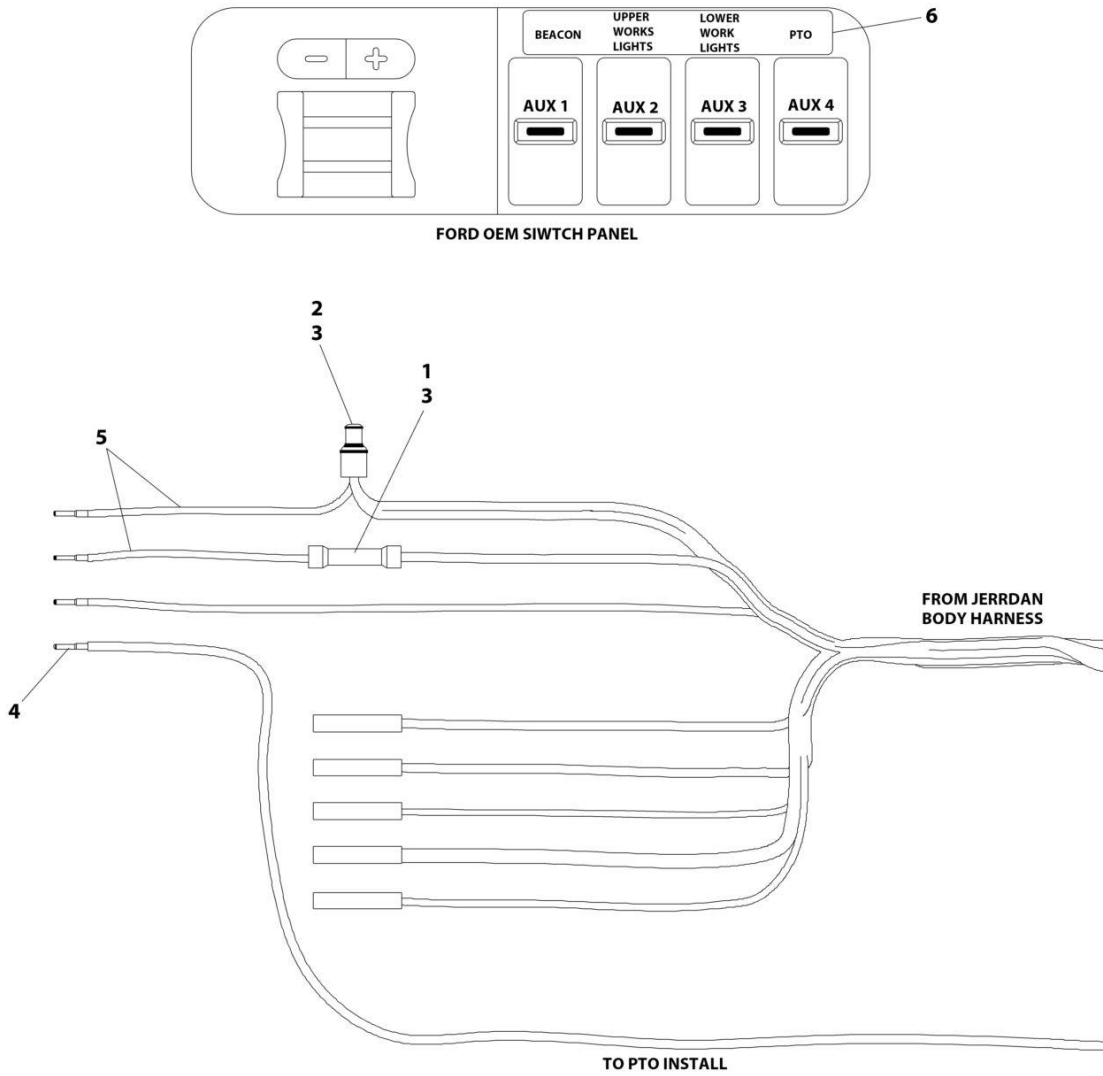
SECTION 5 - ELECTRICAL

FIGURE 5-30. SWITCH INSTALLATION - 3 FUNCTION UNDER-DASH COMPACT (SN 0220023727 to Present)

ITEM	PART NUMBER	QTY	DESCRIPTION	REV
	1001261004	Ref	3 FUNCTION UNDER-DASH COMPACT INSTALLATION	B
1	7870000134	1	Switch Panel	
2	7330000288	1	Decal	
3	4460018	4	Connector	
4	4460042	1	Terminal, Ring	
5	4460035	1	Connector	
6	4346000005	2	Heat Shrink	

SECTION 5 - ELECTRICAL

FIGURE 5-31. SWITCH INSTALLATION - 4 FUNCTION (Prior to SN 0220023727)



ART_1001135524

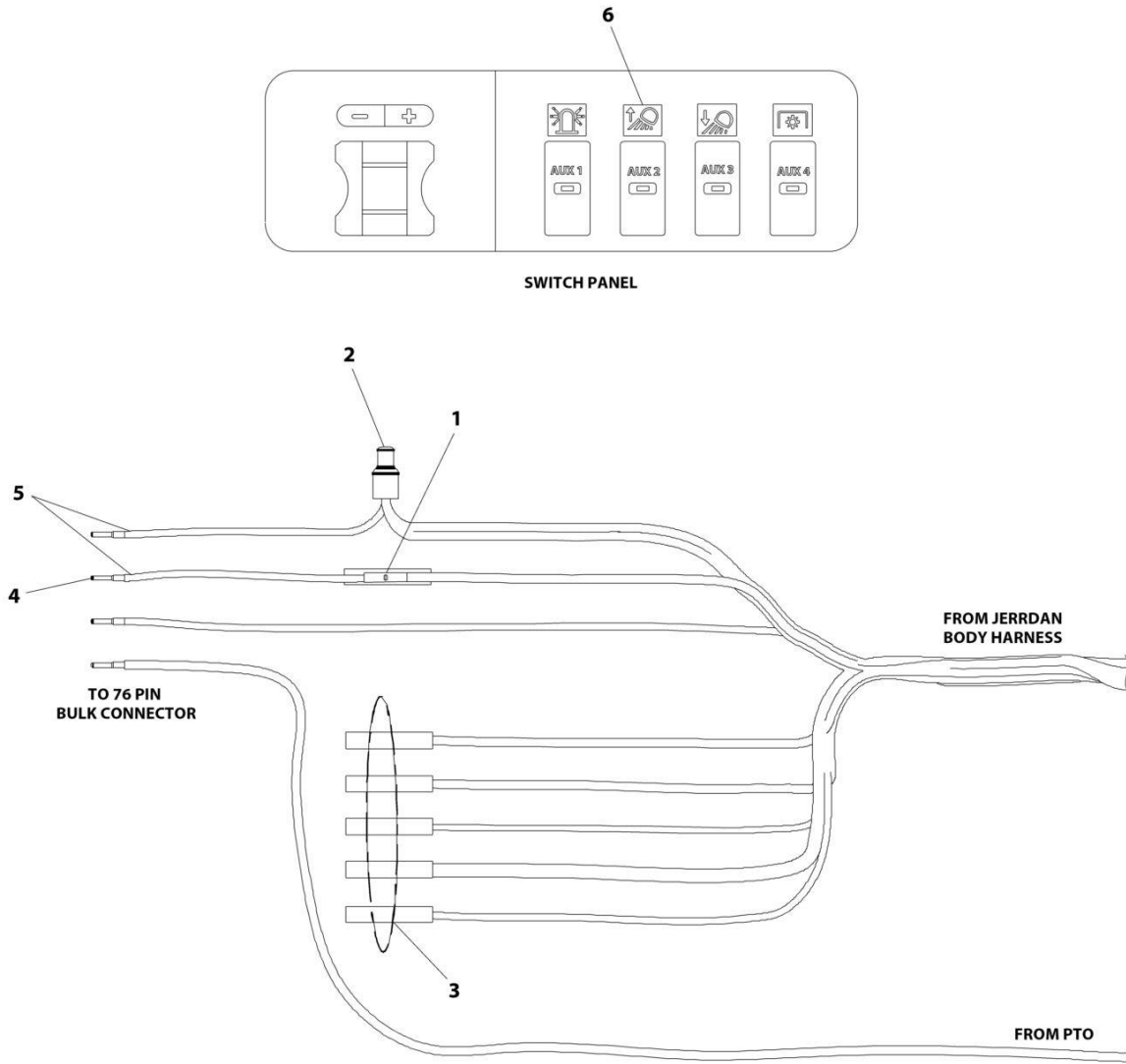
SECTION 5 - ELECTRICAL

FIGURE 5-31. SWITCH INSTALLATION - 4 FUNCTION (Prior to SN 0220023727)

ITEM	PART NUMBER	QTY	DESCRIPTION	REV
	1001135524	Ref	4 FUNCTION IN-DASH SWITCH PANEL, FORD F650/750 OEM 2011+	C
1	7345001914	2	Terminal	
2	7346000242	1	Connector	
3	4346000005	7	Heat Shrink, Tubing	
4	1001129095	4	Terminal	
5	7978000020	AR	Wire	
6	7330000627	AR	Decal	
6	7330000628	AR	Decal	
6	1001135622	AR	Decal	

SECTION 5 - ELECTRICAL

FIGURE 5-32. SWITCH INSTALLATION - 4 FUNCTION (SN 0220023727 to Present)



ART_1001261008

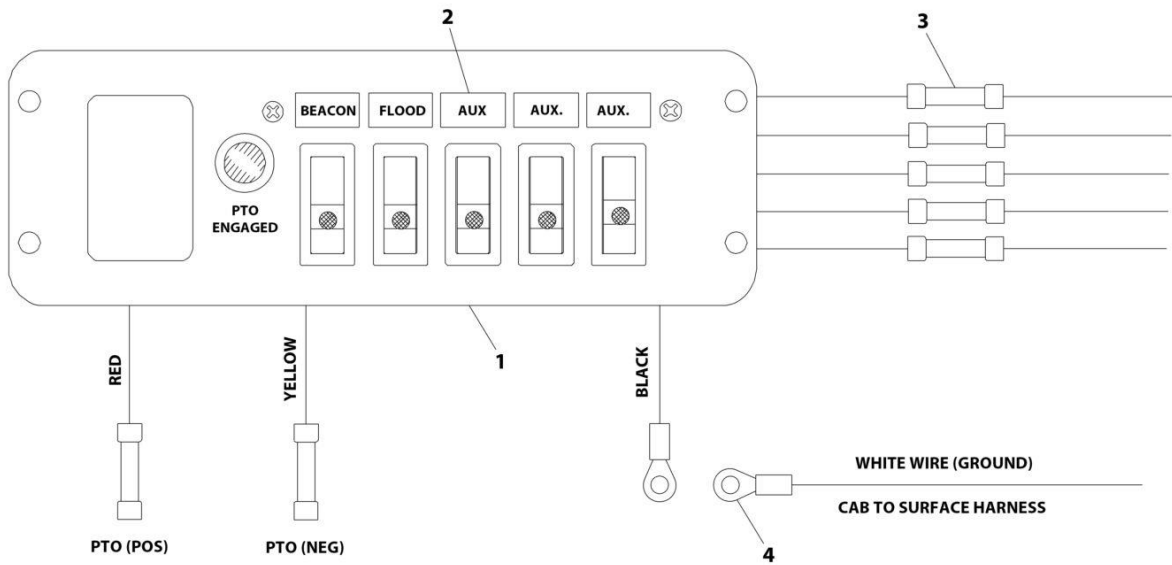
SECTION 5 - ELECTRICAL

FIGURE 5-32. SWITCH INSTALLATION - 4 FUNCTION (SN 0220023727 to Present)

ITEM	PART NUMBER	QTY	DESCRIPTION	REV
	1001261008	Ref	4 FUNCTION IN-DASH SWITCH PANEL, FORD F650/750 OEM 2011+	A
1	7345001914	1	Terminal	
2	7346000242	1	Connector	
3	4346000005	7	Heat Shrink, Tubing	
4	1001129095	4	Terminal	
5	7978000020	AR	Wire	
6	1001221375	AR	Decal	

SECTION 5 - ELECTRICAL

FIGURE 5-33. SWITCH INSTALLATION - 5 FUNCTION IN-DASH COMPACT (Prior to SN 0220023727)



ART_1001135701

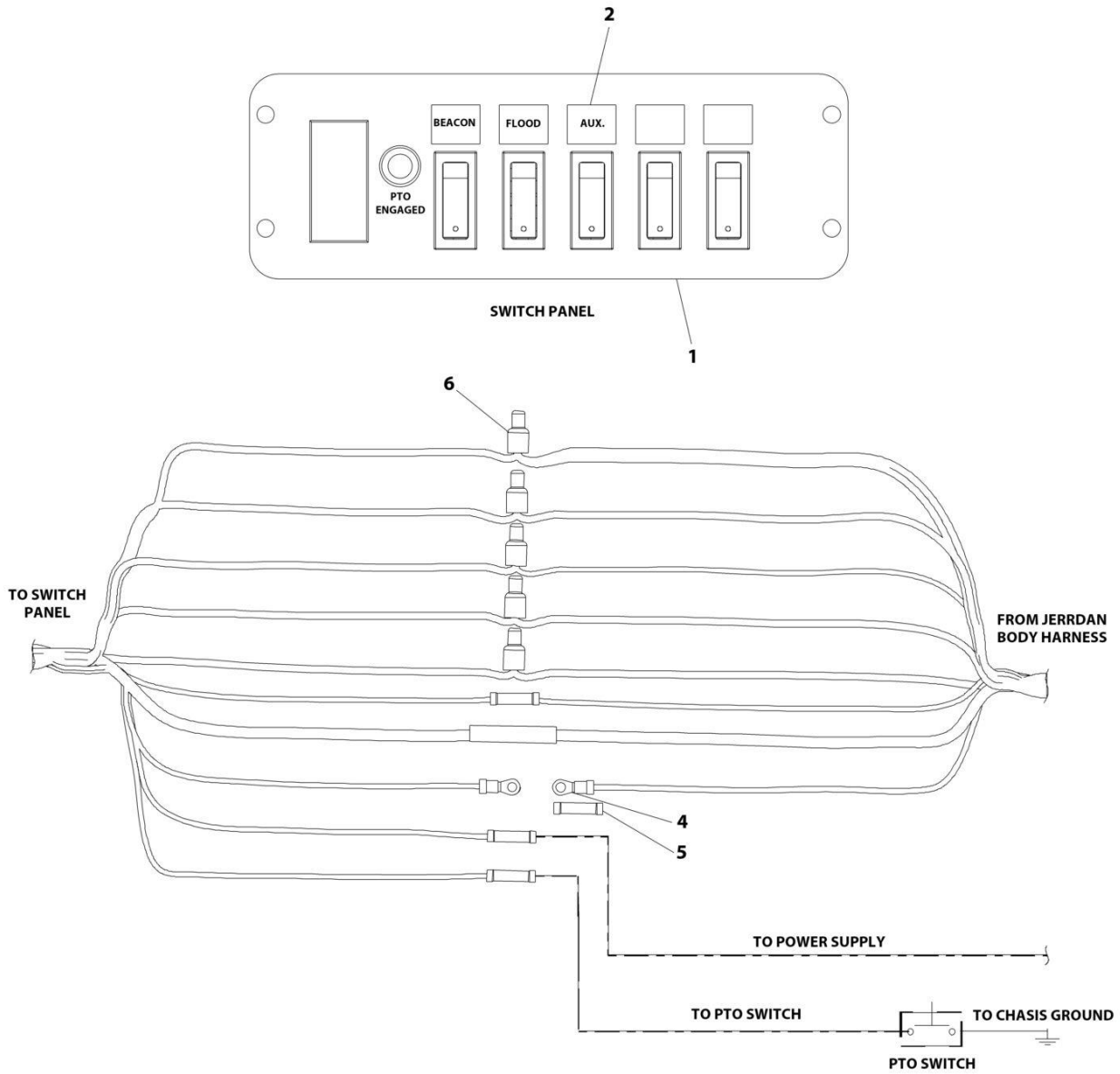
SECTION 5 - ELECTRICAL

FIGURE 5-33. SWITCH INSTALLATION - 5 FUNCTION IN-DASH COMPACT (Prior to SN 0220023727)

ITEM	PART NUMBER	QTY	DESCRIPTION	REV
	1001135701	Ref	5 FUNCTION IN-DASH COMPACT SWITCH PANEL ASSEMBLY	B
1	7870000106	1	Switch Panel	
2	7330000288	1	Decal	
3	7345001913	6	Connector	
4	7345211701	1	Terminal	
4	7345001713	1	Connector	

SECTION 5 - ELECTRICAL

FIGURE 5-34. SWITCH INSTALLATION - 5 FUNCTION IN-DASH COMPACT (SN 0220023727 to Present)



ART_1001261005

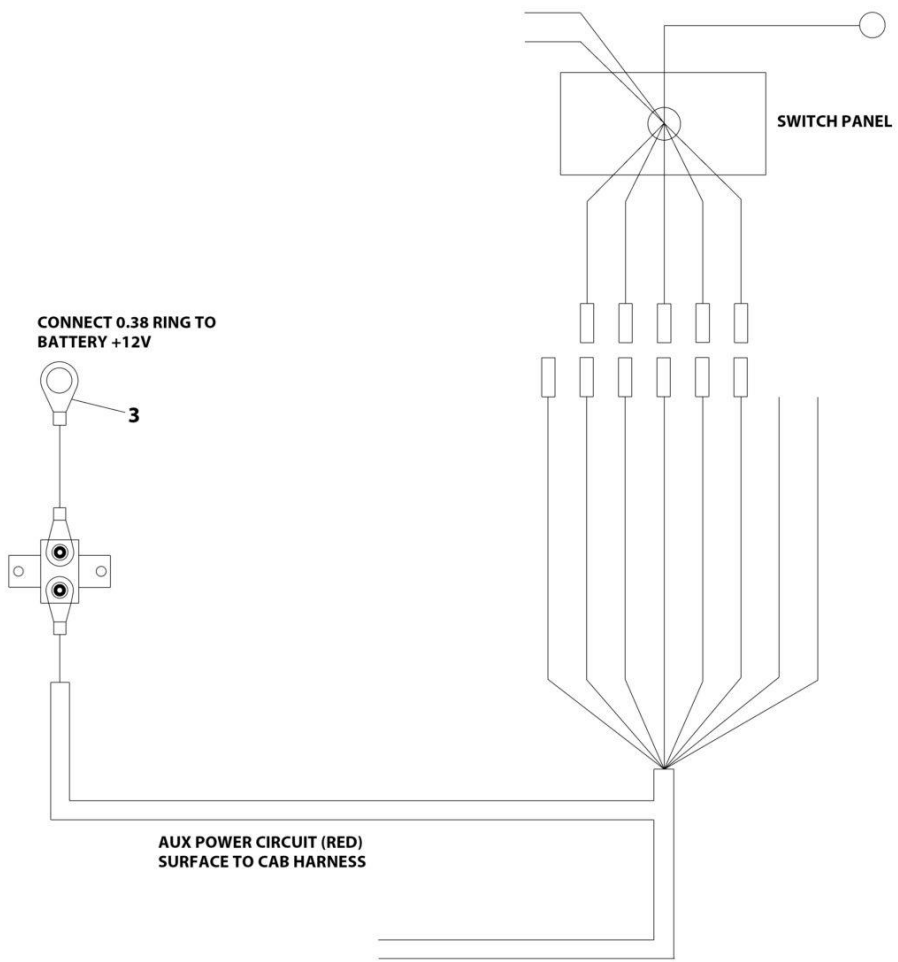
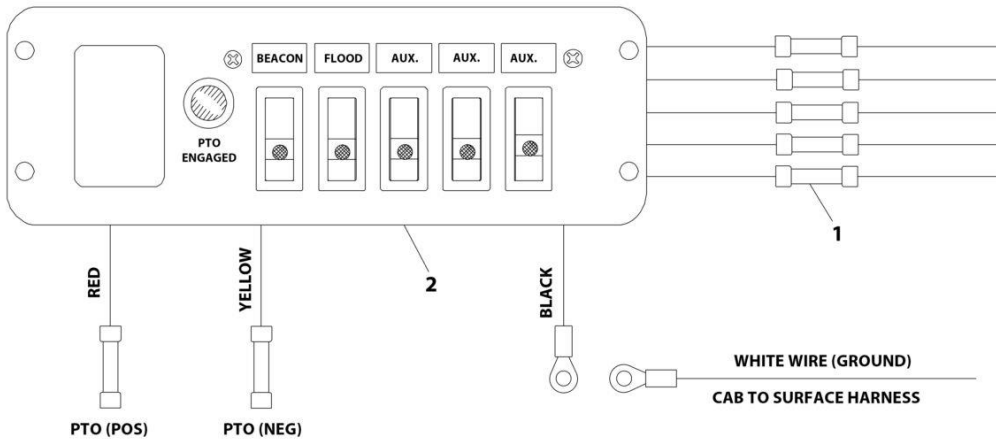
SECTION 5 - ELECTRICAL

FIGURE 5-34. SWITCH INSTALLATION - 5 FUNCTION IN-DASH COMPACT (SN 0220023727 to Present)

ITEM	PART NUMBER	QTY	DESCRIPTION	REV
	1001261005	Ref	5 FUNCTION IN-DASH COMPACT SWITCH PANEL INSTALLATION	B
1	7870000106	1	Switch Panel	
2	7330000288	1	Decal	
4	4460042	1	Terminal, Ring	
5	4460035	2	Connector	
6	7346000242	5	Connector	

SECTION 5 - ELECTRICAL

FIGURE 5-35. SWITCH INSTALLATION - 5 FUNCTION IN-DASH COMPACT (IHC) (Prior to SN 0220023727)



ART_1001135811

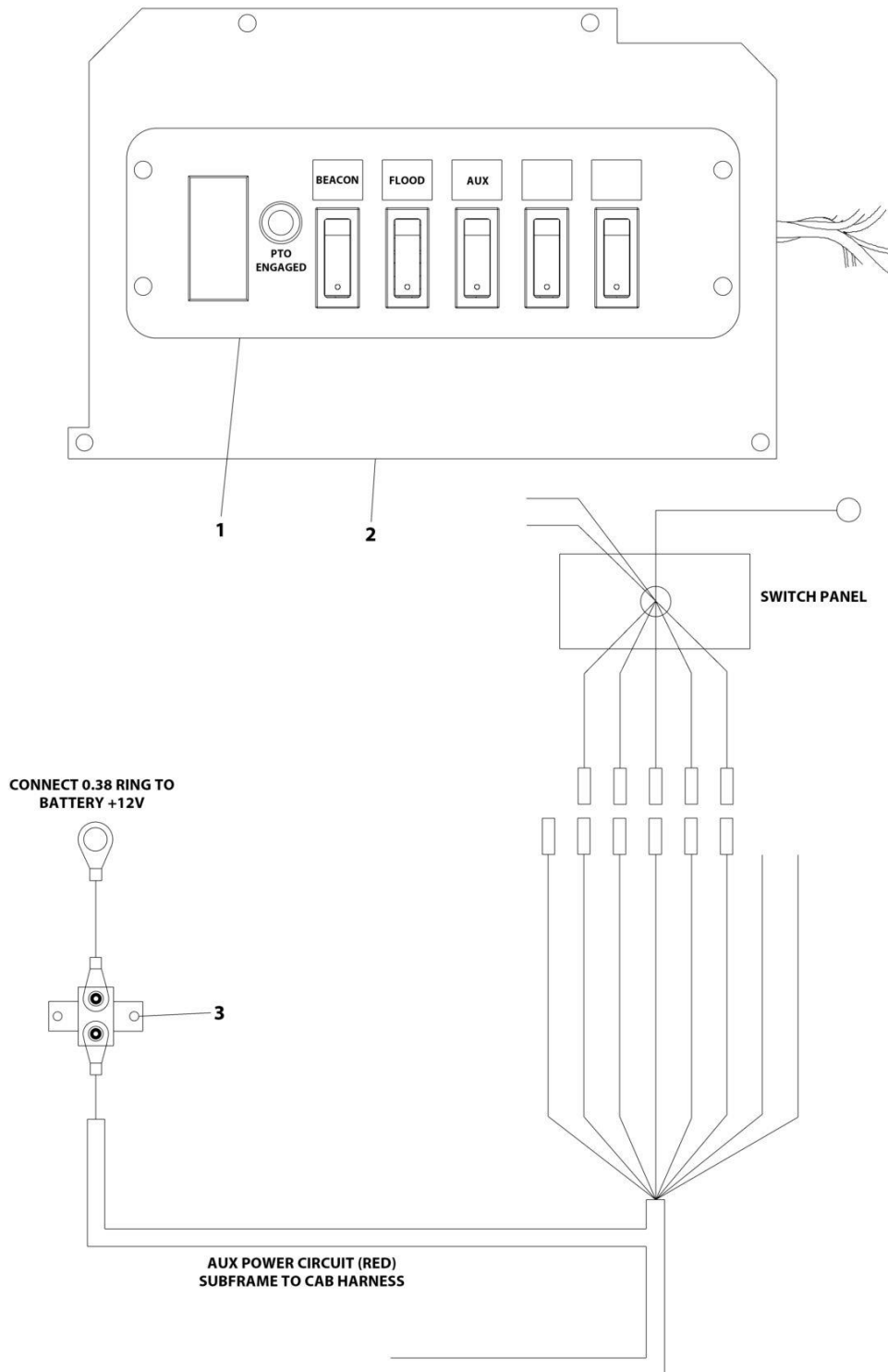
SECTION 5 - ELECTRICAL

FIGURE 5-35. SWITCH INSTALLATION - 5 FUNCTION IN-DASH COMPACT (IHC) (Prior to SN 0220023727)

ITEM	PART NUMBER	QTY	DESCRIPTION	REV
	1001135811	Ref	5 FUNCTION IN-DASH SWITCH PANEL, IHC WITHOUT OEM	B
1	1001135701	1	5 Function In-Dash Compact Installation (See Separate Breakdown in this Section)	
2	1001135813	1	Switch Panel	
3	1001129883	1	Breaker Installation (See Separate Breakdown in this Section)	

SECTION 5 - ELECTRICAL

FIGURE 5-36. SWITCH INSTALLATION - 5 FUNCTION IN-DASH COMPACT (IHC) (SN 0220023727 to Present)



ART_1001262053

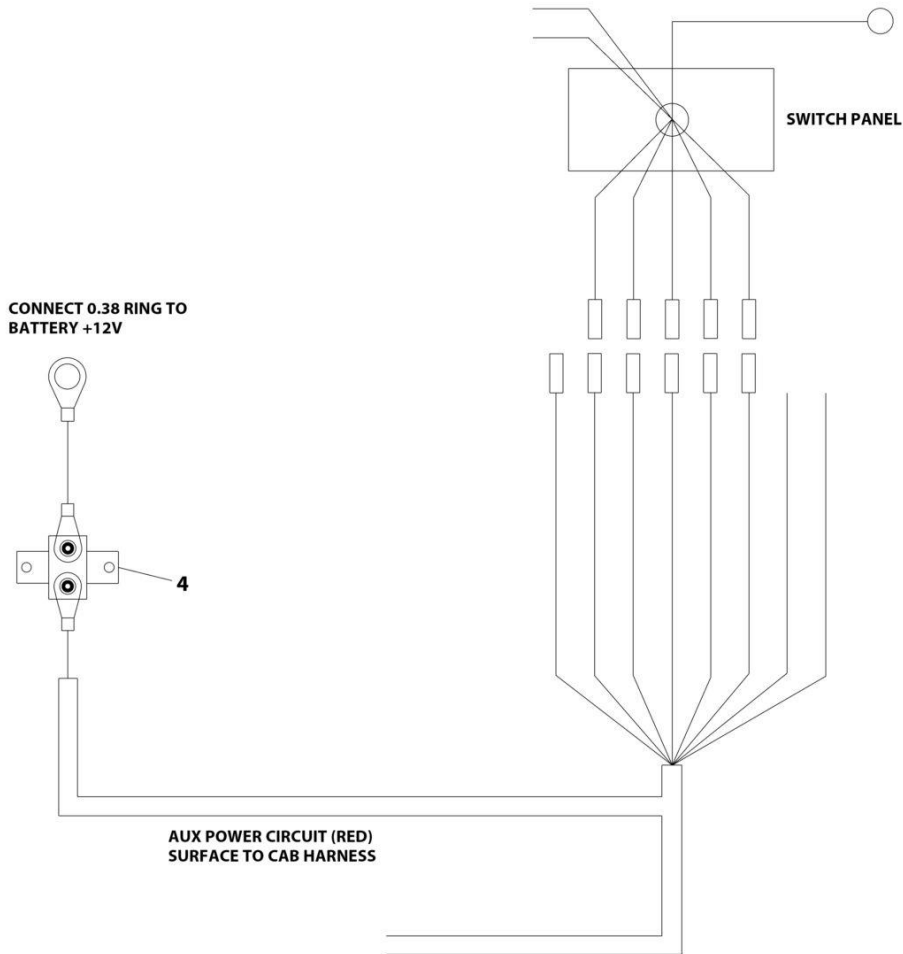
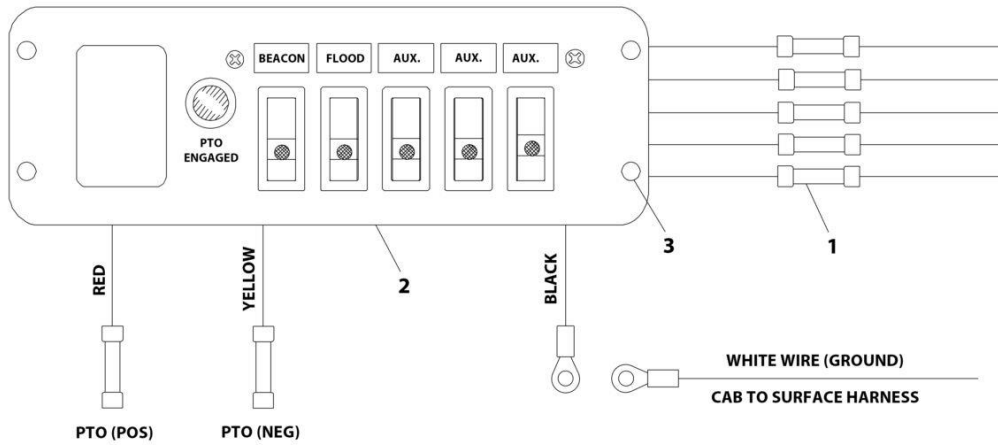
SECTION 5 - ELECTRICAL

FIGURE 5-36. SWITCH INSTALLATION - 5 FUNCTION IN-DASH COMPACT (IHC) (SN 0220023727 to Present)

ITEM	PART NUMBER	QTY	DESCRIPTION	REV
	1001262053	Ref	5 FUNCTION IN-DASH SWITCH PANEL, IHC WITHOUT OEM	A
1	1001261005	1	5 Function In-Dash Switch Panel Installation (See Separate Breakdown in this Section)	
2	1001135813	1	Switch Panel	
3	1001129883	1	Breaker Installation (See Separate Breakdown in this Section)	

SECTION 5 - ELECTRICAL

FIGURE 5-37. SWITCH INSTALLATION - 5 FUNCTION IN-DASH COMPACT (PETERBILT) (Prior to SN 0220023727)



ART_1001135812

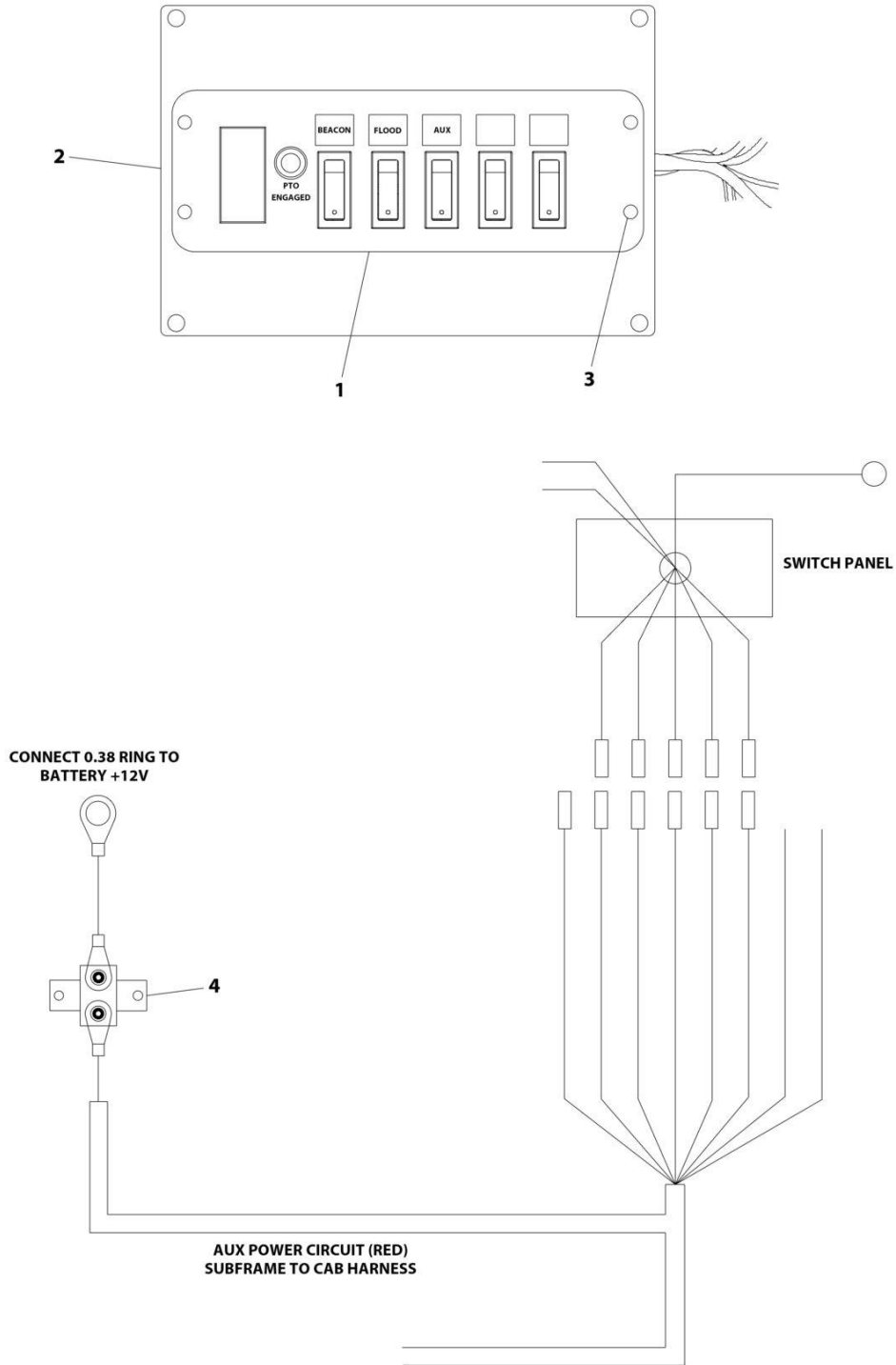
SECTION 5 - ELECTRICAL

FIGURE 5-37. SWITCH INSTALLATION - 5 FUNCTION IN-DASH COMPACT (PETERBILT) (Prior to SN 0220023727)

ITEM	PART NUMBER	QTY	DESCRIPTION	REV
	1001135812	Ref	5 FUNCTION IN-DASH SWITCH PANEL, PETERBILT	B
1	1001135701	1	5 Function In-Dash Switch Panel Installation (See Separate Breakdown in this Section)	
2	1001135814	1	Switch Panel	
3	1001135815	4	Screw #8 x 3/8	
4	1001129883	1	Breaker Installation (See Separate Breakdown in this Section)	

SECTION 5 - ELECTRICAL

FIGURE 5-38. SWITCH INSTALLATION - 5 FUNCTION IN-DASH COMPACT (PETERBILT) (SN 0220023727 to Present)



ART_1001262052

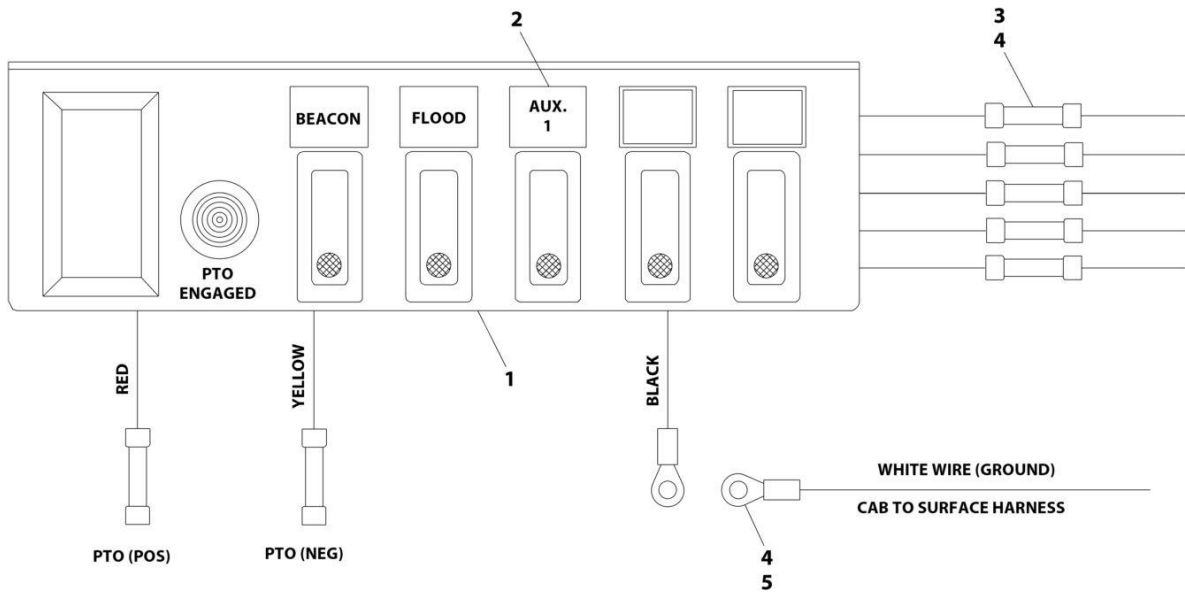
SECTION 5 - ELECTRICAL

FIGURE 5-38. SWITCH INSTALLATION - 5 FUNCTION IN-DASH COMPACT (PETERBILT) (SN 0220023727 to Present)

ITEM	PART NUMBER	QTY	DESCRIPTION	REV
	1001262052	Ref	5 FUNCTION IN-DASH SWITCH PANEL, PETERBILT	A
1	1001261005	1	5 Function In-Dash Switch Panel Installation (See Separate Breakdown in this Section)	
2	1001135814	1	Switch Panel	
3	1001135815	1	Screw #8 x 3/8	
4	1001129883	1	Breaker Installation (See Separate Breakdown in this Section)	

SECTION 5 - ELECTRICAL

FIGURE 5-39. SWITCH INSTALLATION - 5 FUNCTION UNDER-DASH COMPACT (Prior to SN 0220023727)



ART_1001135757

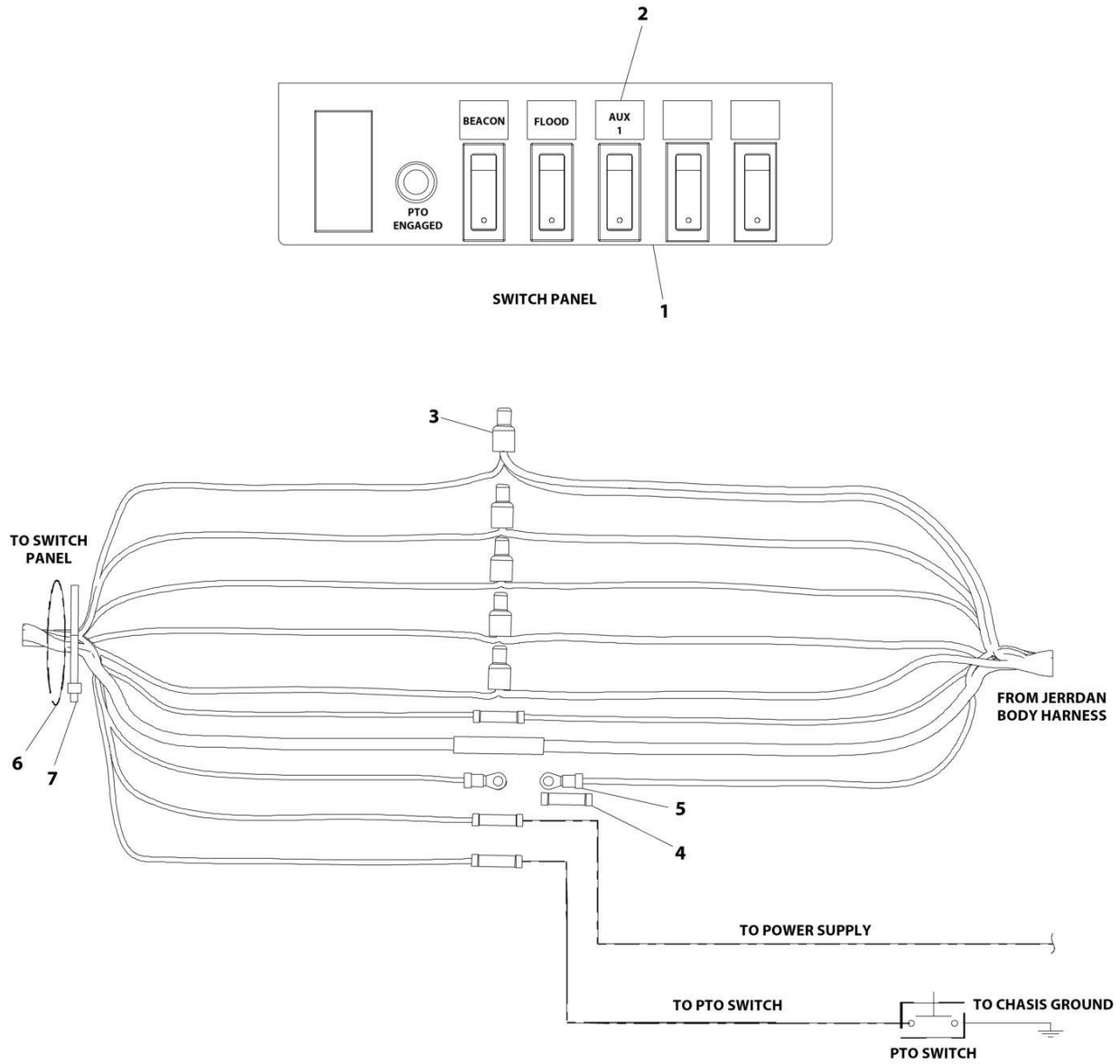
SECTION 5 - ELECTRICAL

FIGURE 5-39. SWITCH INSTALLATION - 5 FUNCTION UNDER-DASH COMPACT (Prior to SN 0220023727)

ITEM	PART NUMBER	QTY	DESCRIPTION	REV
	1001135757	1	5 FUNCTION UNDER-DASH SWITCH PANEL ASSEMBLY	A
1	7870000137	1	Switch Panel	
2	7330000288	1	Decal	
3	7346000242	2	Connector	
4	7345001713	5	Connector	
5	7345211701	1	Terminal	
6	8597650003	2	Wire (Not Shown)	
7	5526000553	6	Tie Strap (Not Shown)	

SECTION 5 - ELECTRICAL

FIGURE 5-40. SWITCH INSTALLATION - 5 FUNCTION UNDER-DASH COMPACT (SN 0220023727 to Present)



ART_1001261006

SECTION 5 - ELECTRICAL

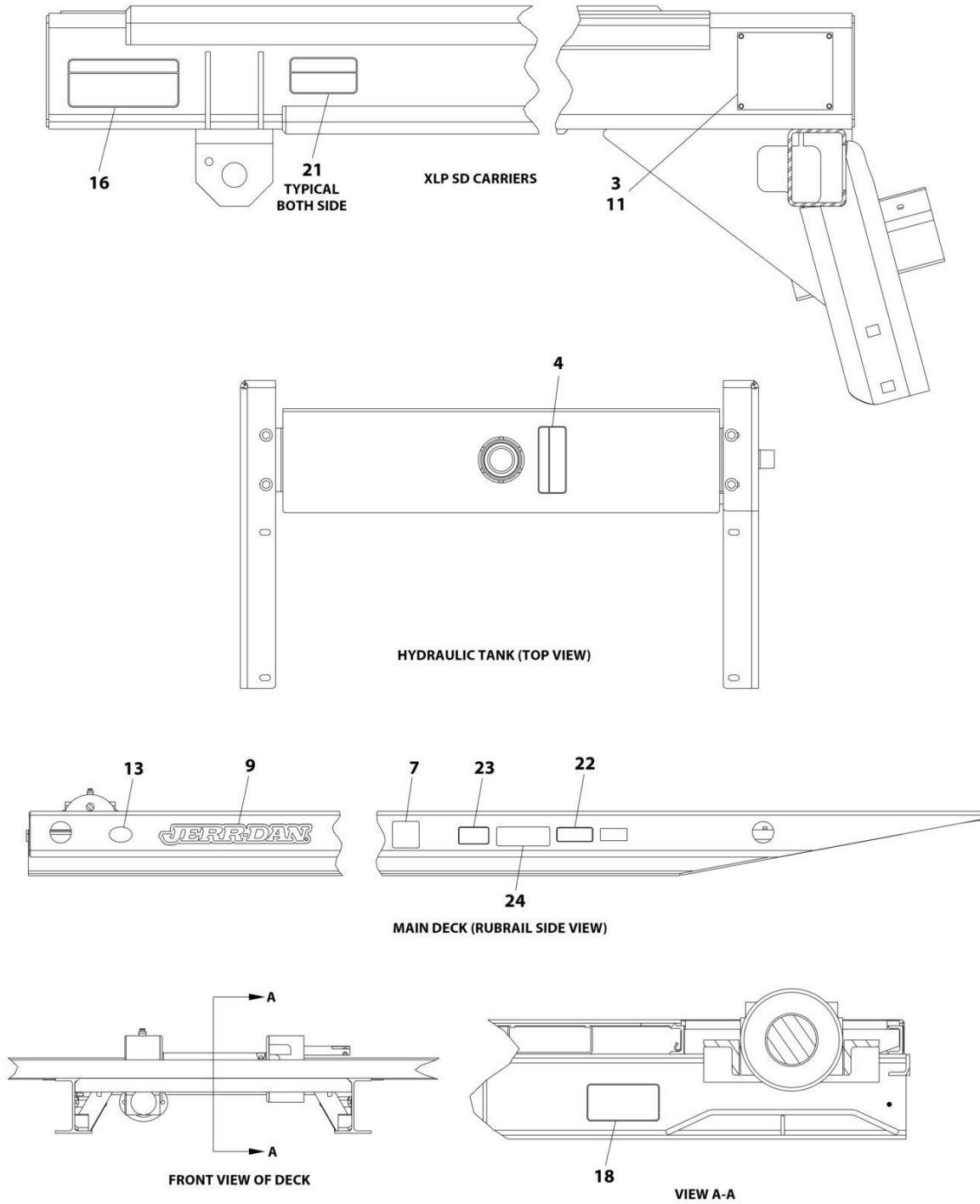
FIGURE 5-40. SWITCH INSTALLATION - 5 FUNCTION UNDER-DASH COMPACT (SN 0220023727 to Present)

ITEM	PART NUMBER	QTY	DESCRIPTION	REV
	1001261006	Ref	5 FUNCTION UNDER-DASH COMPACT SWITCH PANEL INSTALLATION	B
1	7870000137	1	Switch Panel	
2	7330000288	1	Decal	
3	7346000242	5	Connector	
4	4460035	2	Connector	
5	4460042	1	Terminal, Ring	
6	8597650003	2	Wire	
7	5526000553	6	Tie Strap	

SECTION 6 - DECALS

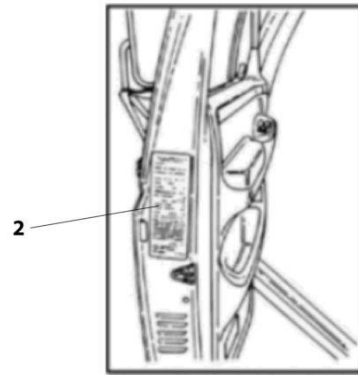
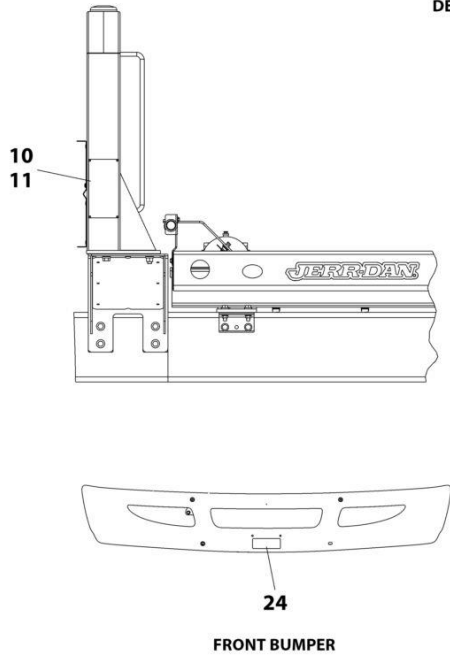
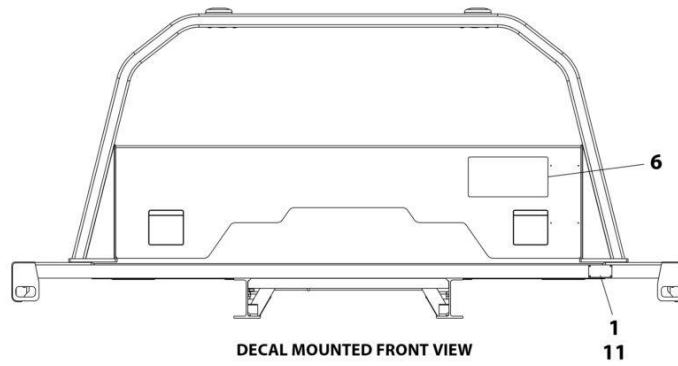
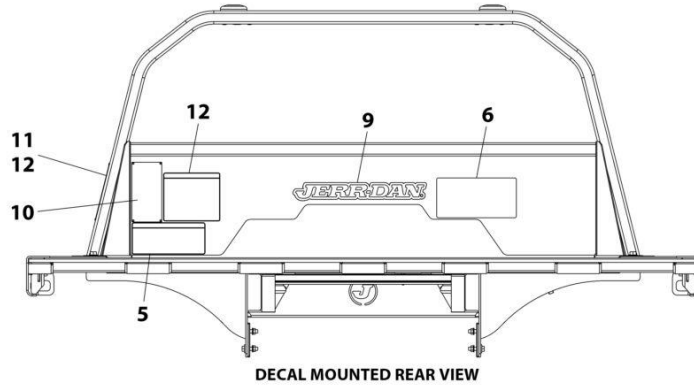
SECTION 6 - DECALS

FIGURE 6-1. DECALS INSTALLATION - HEAVY DUTY CARRIERS



ART_2330000045_10F2

SECTION 6 - DECALS



ART_2330000045_2OF2

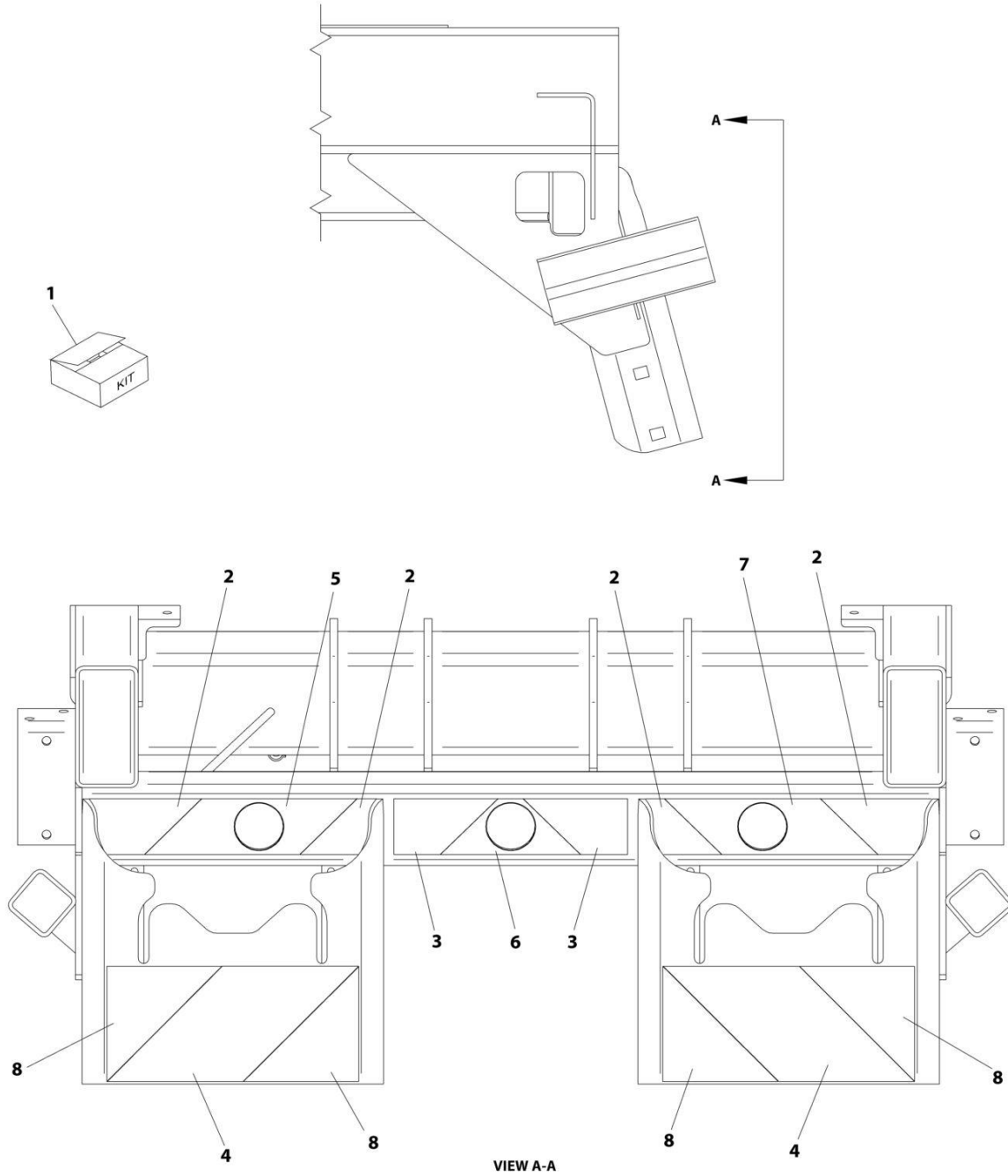
SECTION 6 - DECALS

FIGURE 6-1. DECALS INSTALLATION - HEAVY DUTY CARRIERS

ITEM	PART NUMBER	QTY	DESCRIPTION	REV
	2330000045	Ref	HEAVY DUTY CARRIER DECAL INSTALLATION	N
1	1001127221	1	Decal - Ident Tag	
2	7330000689	1	Decal - Certification	
3	1001132766	1	Decal - Patent/Subframe	
4	7330000272	1	Decal - Oil Level	
5	1001190626	1	Decal - Winch Warning	
6	7330000478	1	Decal - Lub Chart Bic	
7	1001154689	2	Decal - Arrow Rollback Tilt	
9	1001153789	3	Decal - Amber Reflect	
10	1001132765	1	Decal - Structural Capacity	
11	7759000004	12	Pop Rivet	
12	1001190625	1	Decal - Checklist	
13	7330000143	1	Decal - Made in the USA	
14	7330000139	1	Decal - Wheel Lift (Not Shown)	
16	1001168591	1	Decal - Slide Pad Lubrication	
18	7330000330	1	Decal - Hose Track Carrier	
21	7330000599	2	Decal - Pinch Point	
22	7330000176	3	Decal - Air Suspension	
23	1001231801	2	Decal - Warning Prop 65 Diesel	
24	1001230968	3	Decal - Electrocution Hazard	

SECTION 6 - DECALS

FIGURE 6-2. DECAL INSTALLATION - HIGH VISIBILITY



ART_1001203303

SECTION 6 - DECALS

FIGURE 6-2. DECAL INSTALLATION - HIGH VISIBILITY

ITEM	PART NUMBER	QTY	DESCRIPTION	REV
	1001203303	Ref	High Visibility Reflective Tape Intallation	A
1	1001203302	1	Decal - Conspicuity Tape Kit (Includes Items 2-8)	
2	1001203295	1	Tape, Yellow	
3	1001203296	1	Tape, Yellow	
4	1001203297	1	Tape, Yellow	
5	1001203298	1	Tape, Red	
6	1001203299	1	Tape, Red	
7	1001203300	1	Tape, Red	
8	1001203301	1	Tape, Red	

SECTION 7 - ACCESSORIES

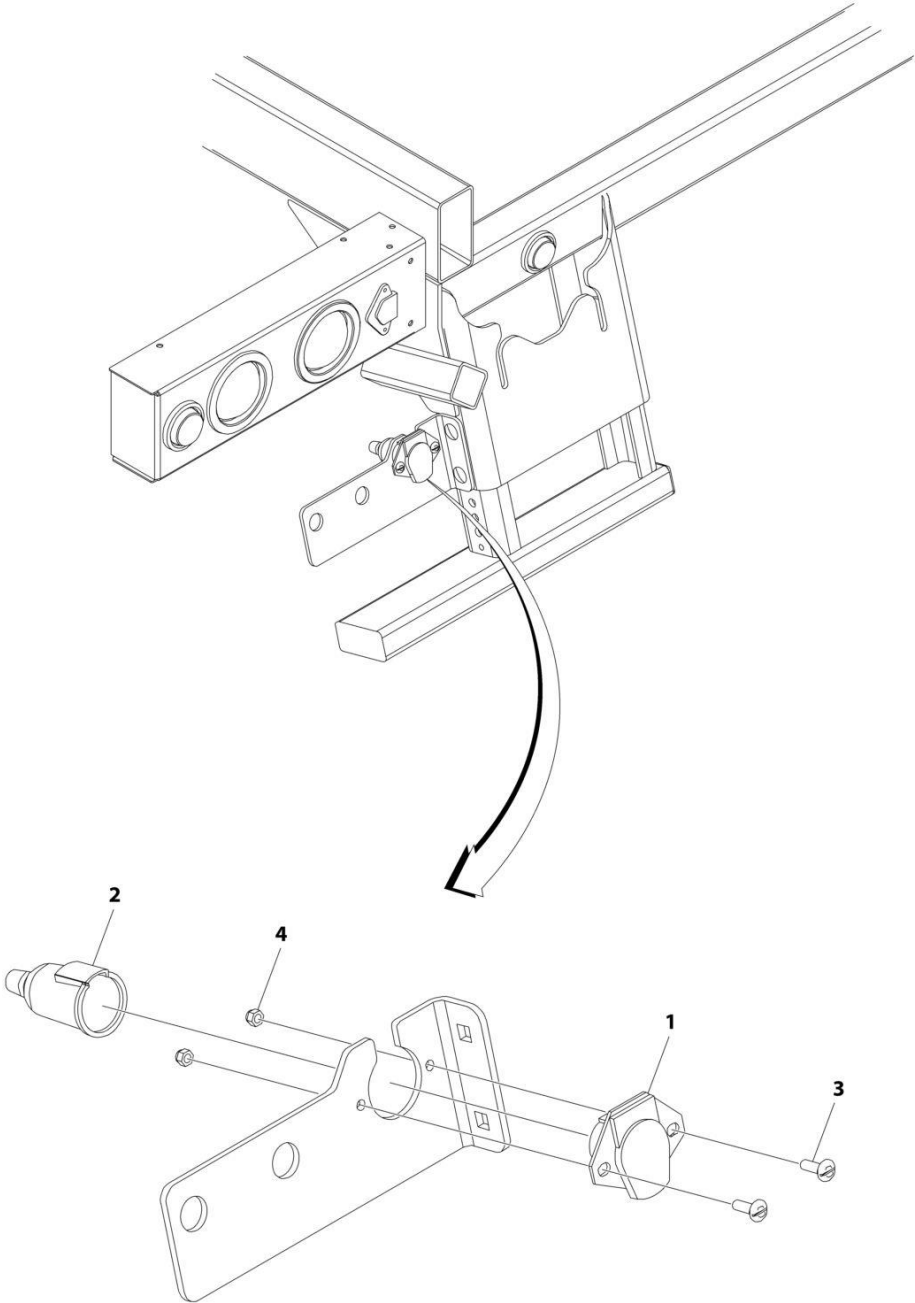
SECTION 7 - ACCESSORIES

FIGURE 7-1. KITS LIST

ITEM	PART NUMBER	QTY	DESCRIPTION	REV
	1001241870	Ref	KITS LIST	L
		Ref	Note: Contact JERR-DAN Parts Department for exact contents of kit:	
	3570000008	Ref	Hose Kit - 28FT Deck sub-Frame Retrofit with Emergency Lights	
	3249000004S	Ref	Roller Cable Guide Kit	

SECTION 7 - ACCESSORIES

FIGURE 7-2. 7-WAY ELECTRICAL CONNECTOR



ART_2346000008

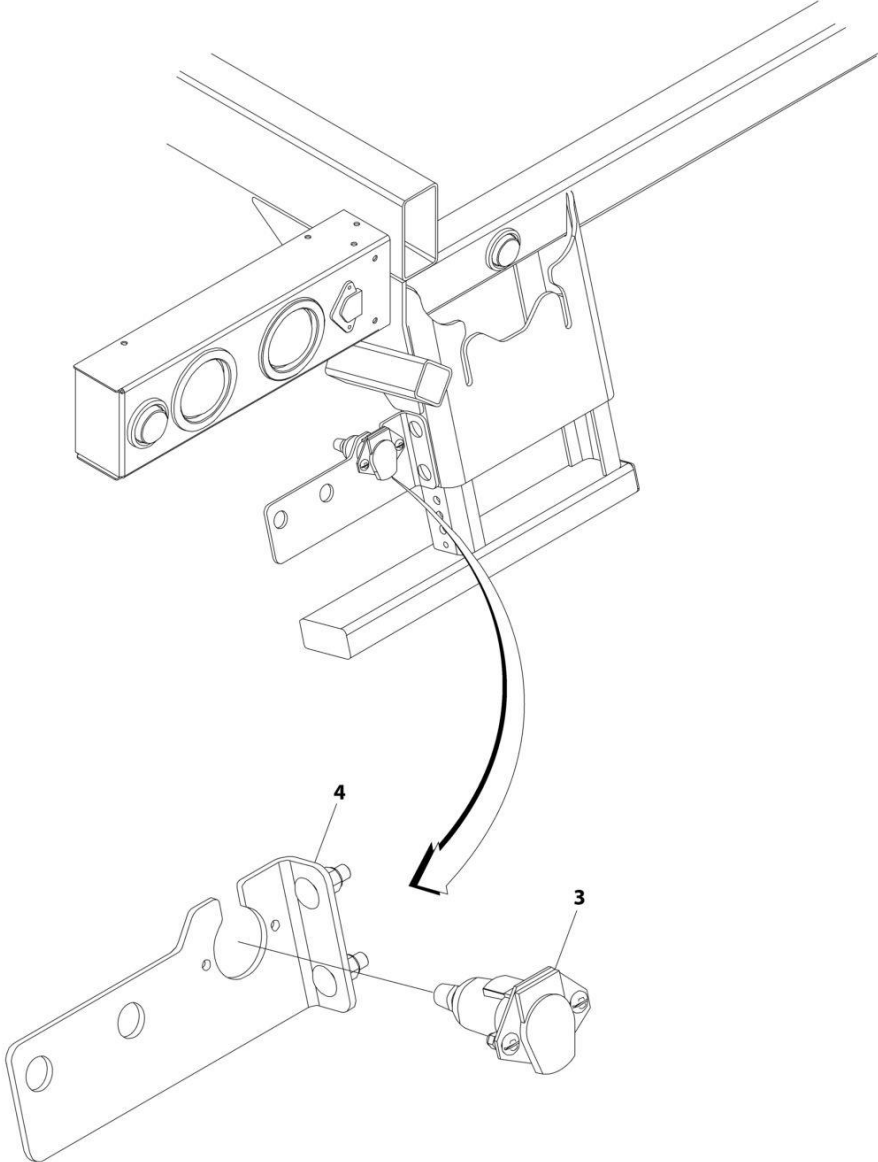
SECTION 7 - ACCESSORIES

FIGURE 7-2. 7-WAY ELECTRICAL CONNECTOR

ITEM	PART NUMBER	QTY	DESCRIPTION	REV
	2346000008	Ref	7-Way Electrical Connector	0
1	7346000055	1	Electrical Receptacle 7-way Connect	
2	7346000078	1	Electrical Boot	
3	7111150813	2	Screw 5/16 x 1	
4	7660152601	2	Nut 5/16	

SECTION 7 - ACCESSORIES

FIGURE 7-3. 7-WAY ELECTRICAL CONNECTOR INSTALLATION



ART_A7WCON

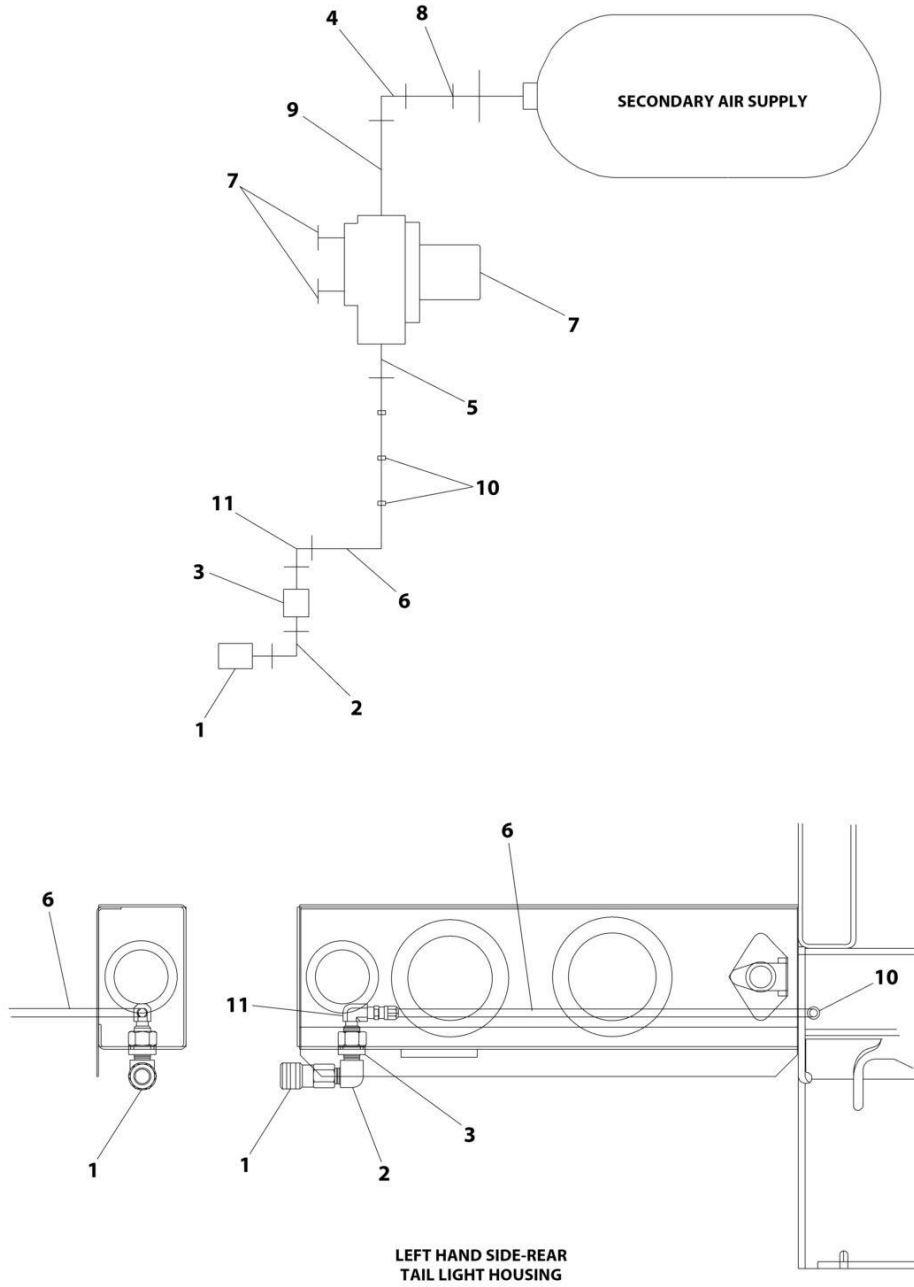
SECTION 7 - ACCESSORIES

FIGURE 7-3. 7-WAY ELECTRICAL CONNECTOR INSTALLATION

ITEM	PART NUMBER	QTY	DESCRIPTION	REV
	A7WCON	Ref	7 Way Electric Connector Installation	0
1	7346000132	1	Electrical Adapter 7 to 4 way (Not Shown)	
2	7346000157	1	Electrical Adapter 7 to 6 way (Not Shown)	
3	2346000008	1	7-Way Electrical Connector (See Separate Breakdown in this Section)	
4	2178000037	Ref	Glad Hands Bracket Installation	
4	4178000666	1	Bracket	
4	7115181464	2	Bolt 1/2 x 1-3/4	
4	7660182601	2	Nut 1/2	

SECTION 7 - ACCESSORIES

FIGURE 7-4. AIR SUPPLY DISCONNECT



ART_2002000009

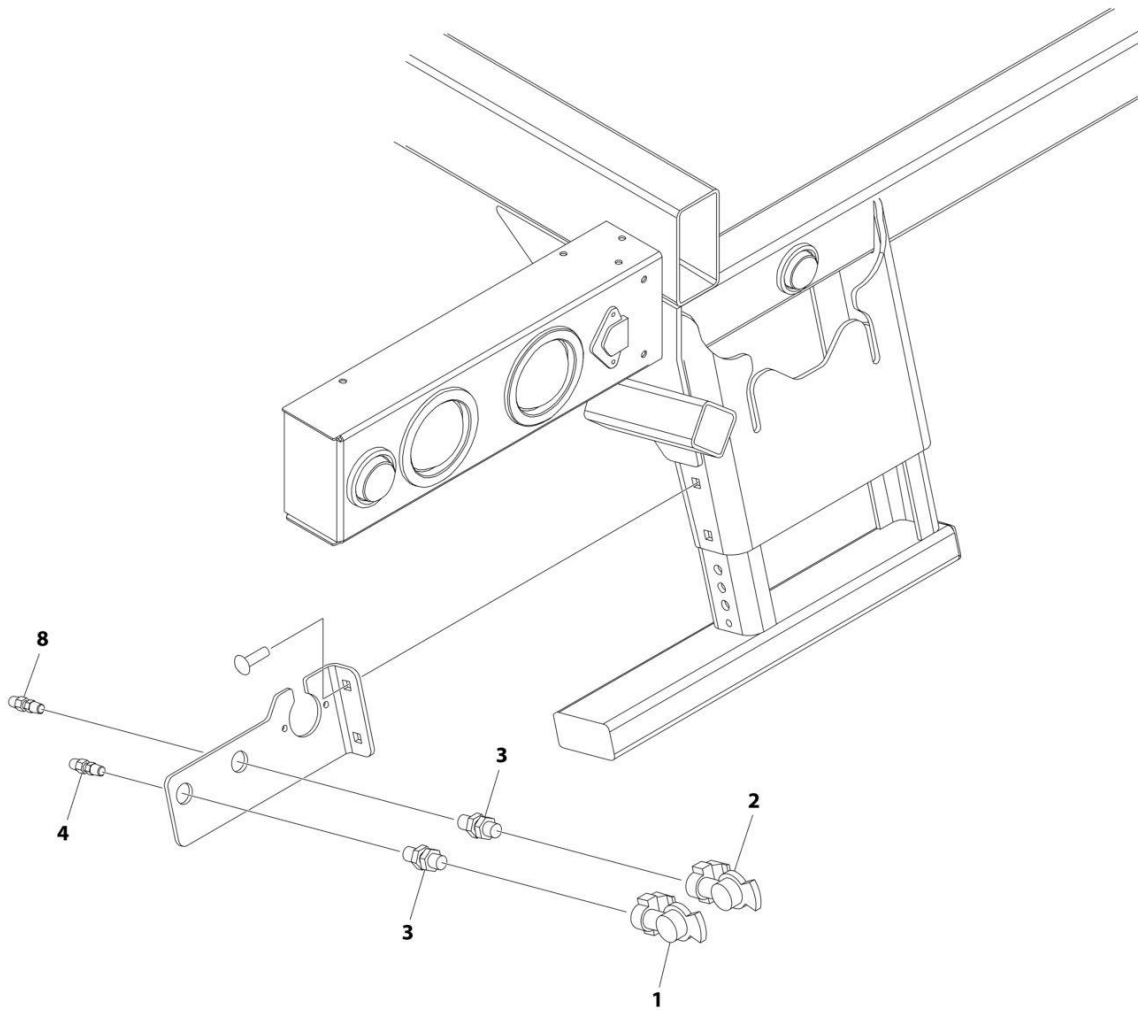
SECTION 7 - ACCESSORIES

FIGURE 7-4. AIR SUPPLY DISCONNECT

ITEM	PART NUMBER	QTY	DESCRIPTION	REV
	2002000009	Ref	AIR SUPPLY DISCONNECT	E
1	7312000017	1	Fitting, Coupling	
2	7445080853	1	Fitting, 90	
3	7446502518	1	Fitting	
4	7443000155	1	Fitting, 90	
5	7446060435	2	Tube	
6	7565000014	32	Tubing, Airline	
7	7935000120	1	Valve, Pressure Protection	
8	7443000154	1	Bushing	
9	7443000156	1	Fitting, Nipple	
10	7894000031	6	Tie-Strap	
11	7443000366	1	Fitting, Tube	

SECTION 7 - ACCESSORIES

FIGURE 7-5. GLAD HANDS INSTALLATION (WITHOUT MOUNTING BRACKET)



ART_2002000016

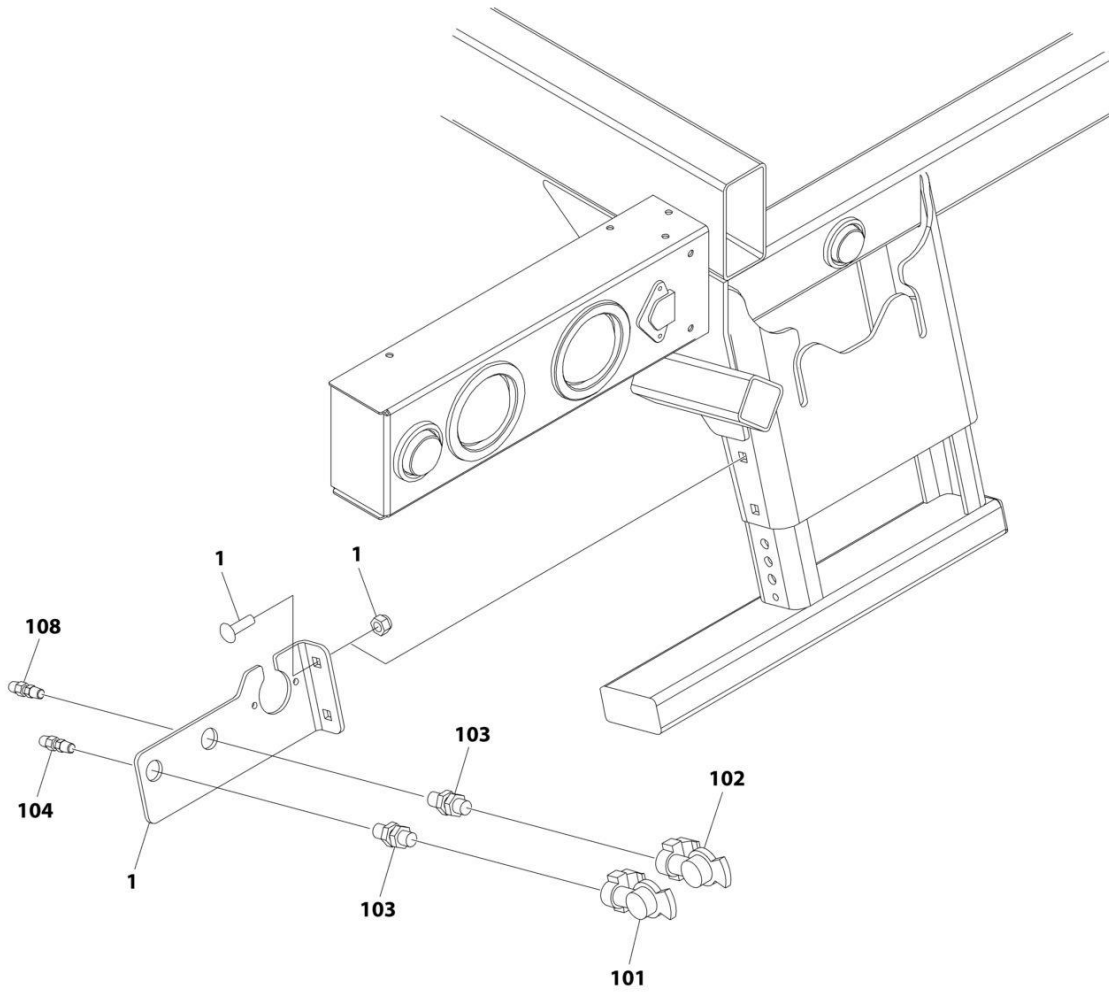
SECTION 7 - ACCESSORIES

FIGURE 7-5. GLAD HANDS INSTALLATION (WITHOUT MOUNTING BRACKET)

ITEM	PART NUMBER	QTY	DESCRIPTION	REV
	2002000016	Ref	Glad Hands Installation	D
1	7312000016	1	Gladhand	
2	7312000015	1	Gladhand	
3	7446502518	2	Fitting, Straight	
4	7446060435	1	Fitting, Straight	
6	7565000014	50 ft	Tubing, Airline (Not Shown)	
7	7312000013	2	Fitting (Not Shown)	
8	7446502506	1	Connector, Tubing	

SECTION 7 - ACCESSORIES

FIGURE 7-6. GLAD HANDS INSTALLATION (WITH MOUNTING BRACKET)



ART_1001270102

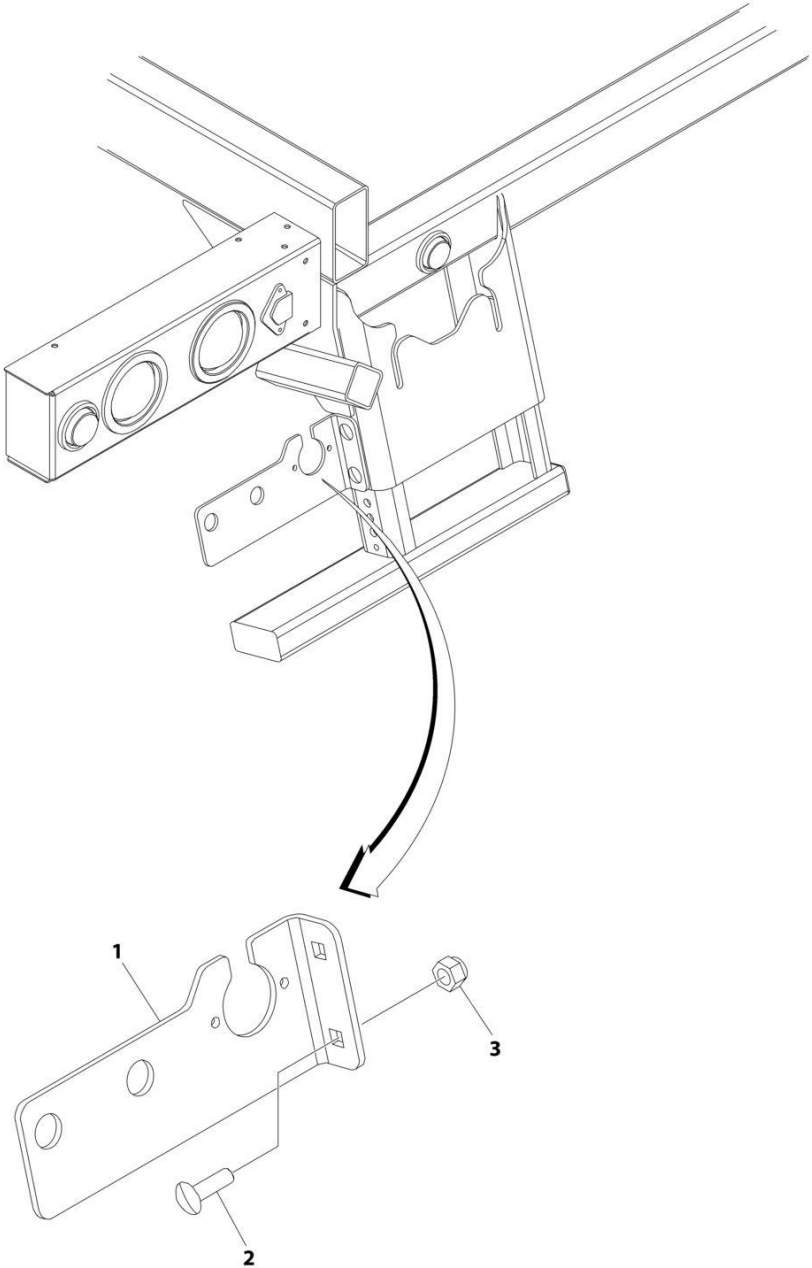
SECTION 7 - ACCESSORIES

FIGURE 7-6. GLAD HANDS INSTALLATION (WITH MOUNTING BRACKET)

ITEM	PART NUMBER	QTY	DESCRIPTION	REV
	1001270102	Ref	GLAND HAND INSTALLATION WITH MOUNTING BRACKET	A
1	2178000037	Ref	Glad Hand Bracket Installation	
1	4178000666	1	Bracket	
1	7115181464	2	Bolt 1/2 x 1-3/4	
1	7660182601	2	Nut 1/2	
101	7312000016	1	Gladhand	
102	7312000015	1	Gladhand	
103	7446502518	2	Fitting, Straight	
104	7446060435	1	Fitting, Straight	
106	7565000014	50 ft	Airline Tubing (Not Shown)	
107	7312000013	2	Union (Not Shown)	
108	7446502506	1	Connector	

SECTION 7 - ACCESSORIES

FIGURE 7-7. GLAD HAND BRACKET INSTALLATION



ART_2178000037

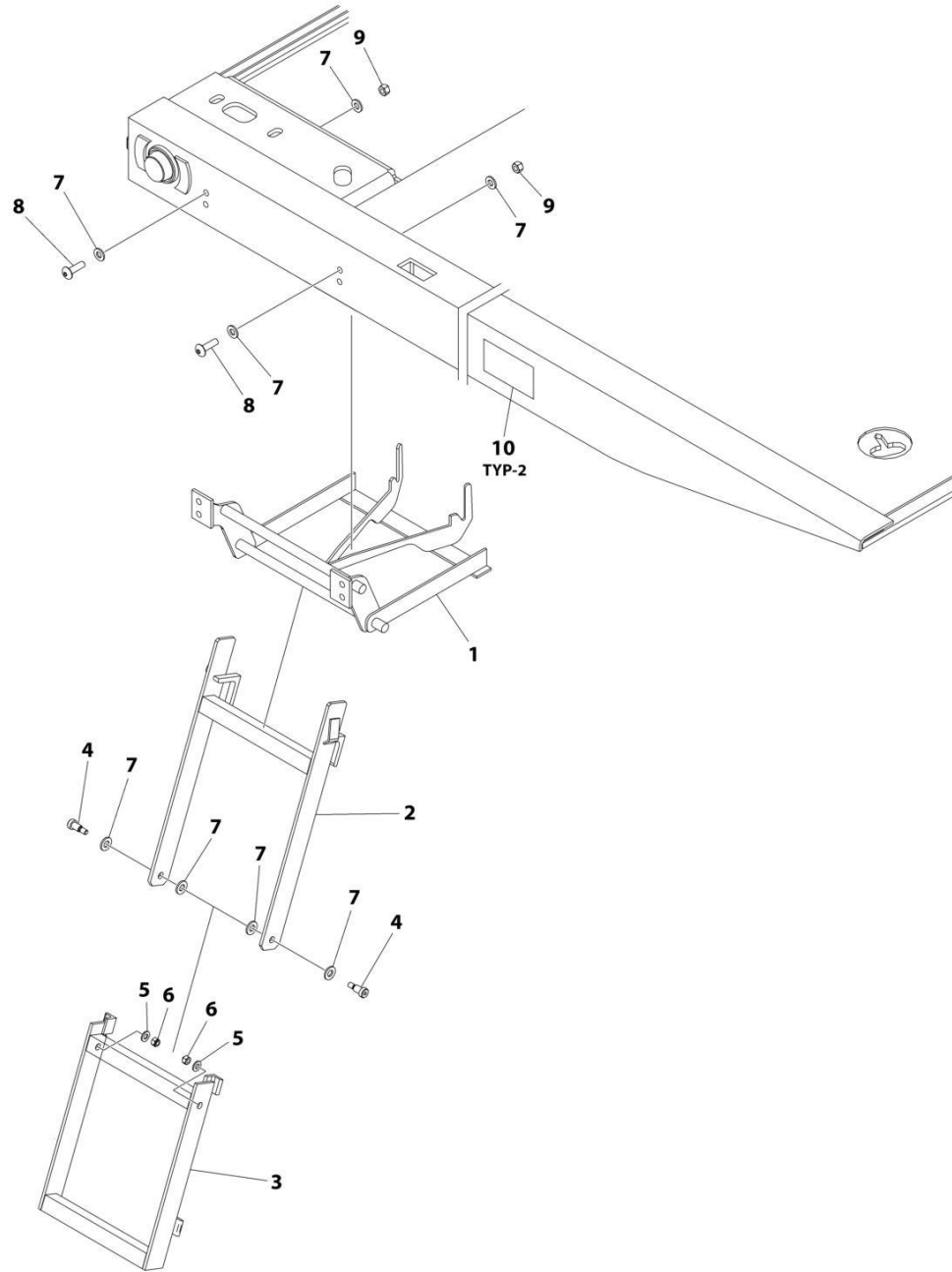
SECTION 7 - ACCESSORIES

FIGURE 7-7. GLAD HAND BRACKET INSTALLATION

ITEM	PART NUMBER	QTY	DESCRIPTION	REV
	2178000037	Ref	GLAD HAND BRACKET INSTALLATION	0
1	4178000666	1	Bracket	
2	7115181464	2	Bolt 1/2 x 1-3/4	
3	7660182601	2	Nut 1/2	

SECTION 7 - ACCESSORIES

FIGURE 7-8. LADDER, FOLDING 3-STEP, FRONT LEFT INSTALLATION



ART_1001142329

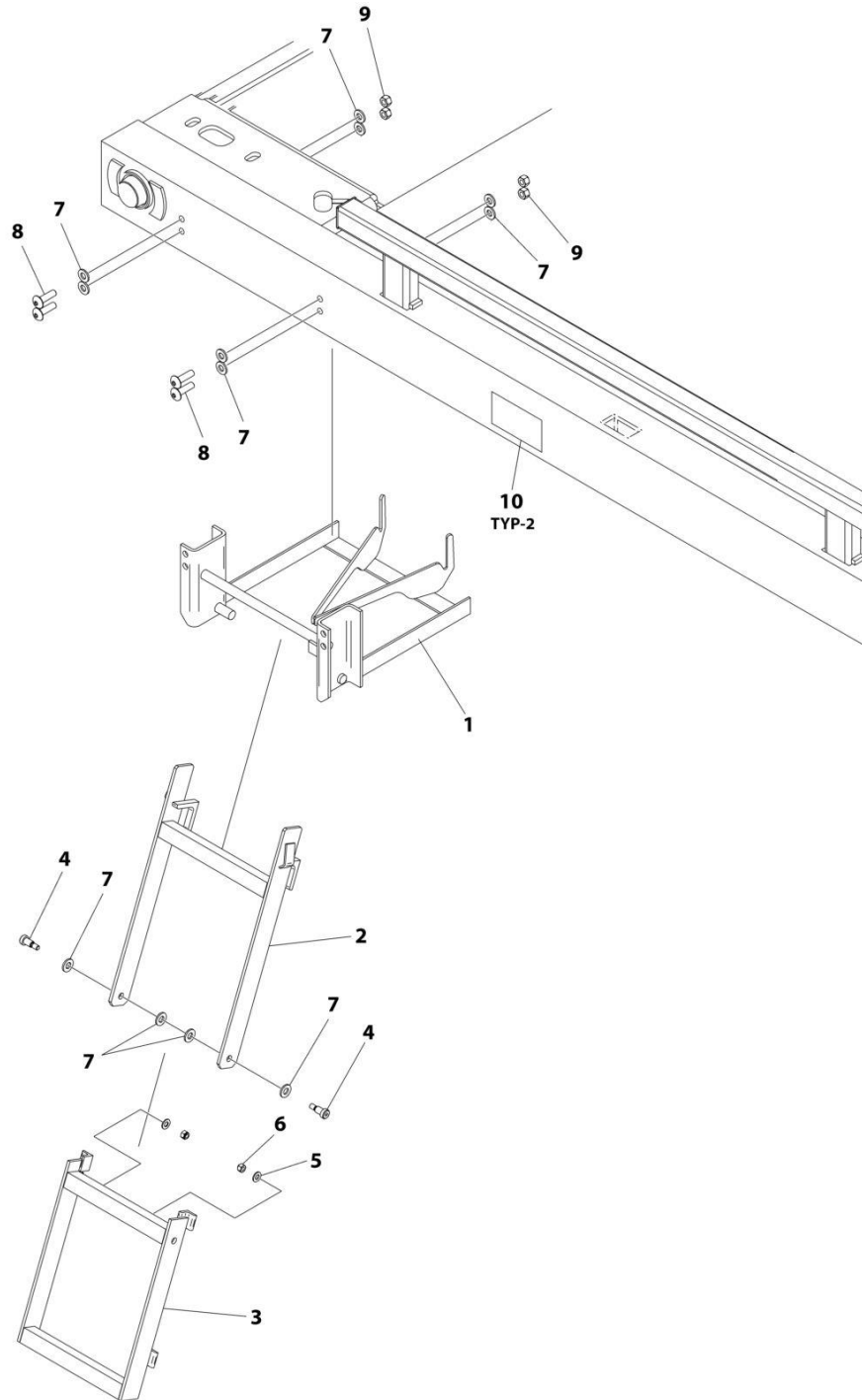
SECTION 7 - ACCESSORIES

FIGURE 7-8. LADDER, FOLDING 3-STEP, FRONT LEFT INSTALLATION

ITEM	PART NUMBER	QTY	DESCRIPTION	REV
	1001142329	Ref	LADDER, FOLDING 3-STEP, FRONT LEFT INSTALLATION	B
1	3178000555	1	Bracket	
2	3002000009	1	Top Ladder Weld, Accessory	
3	3002000008	1	Bottom Ladder Weld, Accessory	
4	7115180606	2	Bolt 1/2 x 3/4	
5	7950160161	2	Washer	
6	7660162601	2	Nut	
7	7950180141	12	Washer 1/2	
8	7114181418	4	Capscrew 1/2 x 1- 3/4	
9	7660182601	4	Nut 1/2	
10	1001131998	2	Decal	
11	1001142333	1	Front Left Drill, Ladder, Specification (Not Shown)	

SECTION 7 - ACCESSORIES

FIGURE 7-9. LADDER, FOLDING 3-STEP, FRONT LEFT/RIGHT INSTALLATION



ART_1001142330

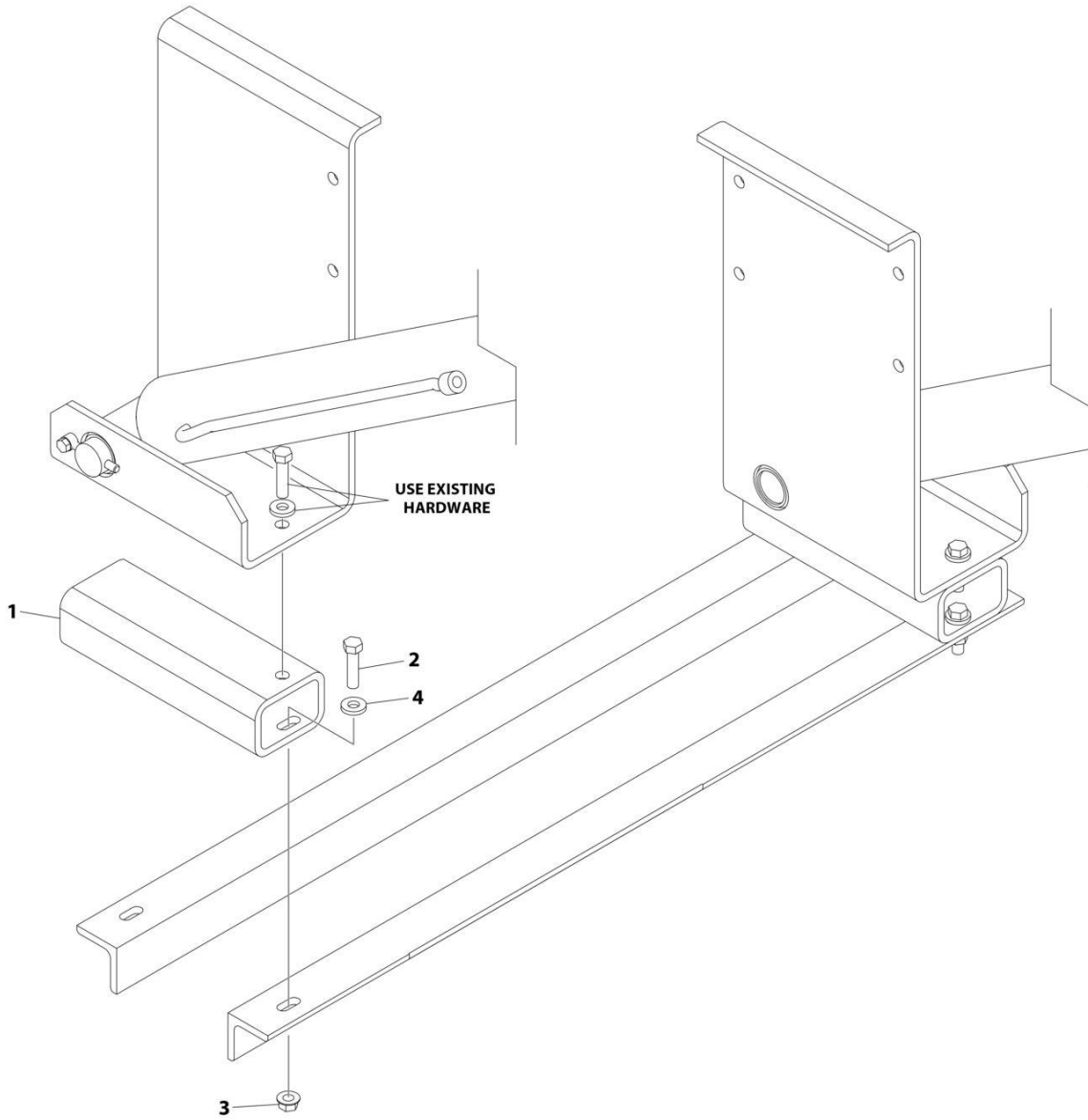
SECTION 7 - ACCESSORIES

FIGURE 7-9. LADDER, FOLDING 3-STEP, FRONT LEFT/RIGHT INSTALLATION

ITEM	PART NUMBER	QTY	DESCRIPTION	REV
	1001142330	Ref	FOLDING DECK LADDER	B
1	3178000555	2	Bracket Weldment	
2	3002000009	2	Ladder Top Weldment	
3	3002000008	2	Ladder Bottom Weldment	
4	7115180606	4	Bolt 1/2 x 3/4	
5	7950160161	4	Washer 3/8	
6	7660162601	4	Nut	
7	7950180141	24	Washer 1/2	
8	7114181418	8	Capscrew 1/2 x 1- 3/4	
9	7660182601	8	Nut 1/2	
10	1001131998	2	Decal	
11	1001142334	1	Front Left/Right Drill, Ladder, Specification (Not Shown)	

SECTION 7 - ACCESSORIES

FIGURE 7-10. SADDLE SPACERS INSTALLATION



ART_1001175532

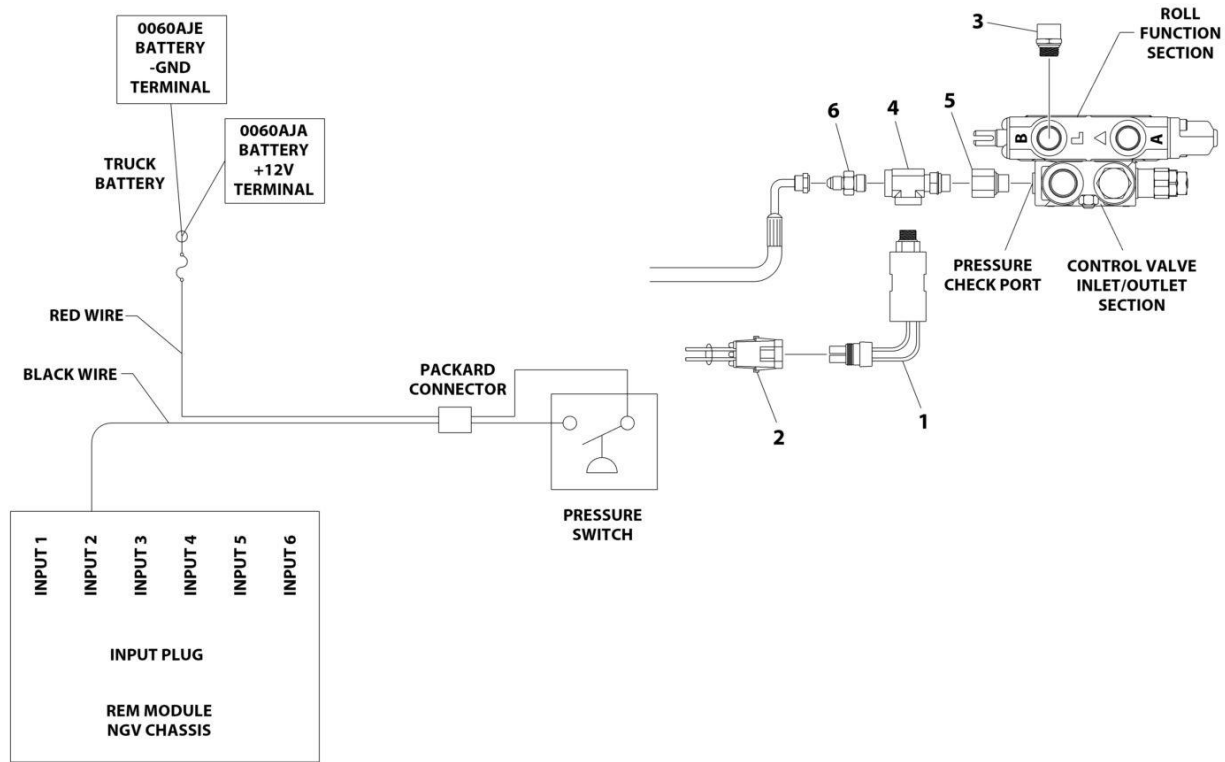
SECTION 7 - ACCESSORIES

FIGURE 7-10. SADDLE SPACERS INSTALLATION

ITEM	PART NUMBER	QTY	DESCRIPTION	REV
	1001175532	Ref	Saddle Spacer Installation	A
1	1001175531	2	Saddle Spacer	
2	7105181650	4	Capscrew 1/2 x 2	
3	7660182333	4	Nut 1/2	
4	7950180153	4	Washer 1/2	

SECTION 7 - ACCESSORIES

FIGURE 7-11. THROTTLE CONTROL - REMOTE



ART_2870000013

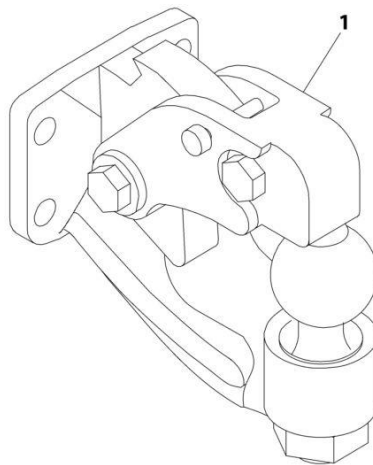
SECTION 7 - ACCESSORIES

FIGURE 7-11. THROTTLE CONTROL - REMOTE

ITEM	PART NUMBER	QTY	DESCRIPTION	REV
	2870000013	Ref	REMOTE THROTTLE CONTROL	D
1	7346000208	1	Pressure Switch	
2	7552000241	1	Harness, Throttle Control	
2	4460867	1	Plug, Male - 2 Position	
2	4460850	2	Terminal	
2		Ref	Seal	
2		Ref	Fuse - 5 Amp ATO (Purchase Locally)	
3	7443000428	1	Valve, Check	
4	7443000432	1	Fitting, Tee	
5	7443000469	1	Fitting, Straight	
6	7445040643	1	Fitting, Straight	

SECTION 7 - ACCESSORIES

FIGURE 7-12. TOW PINTLE - DUPLEX PINTLE HITCH



ART_DPH-16B

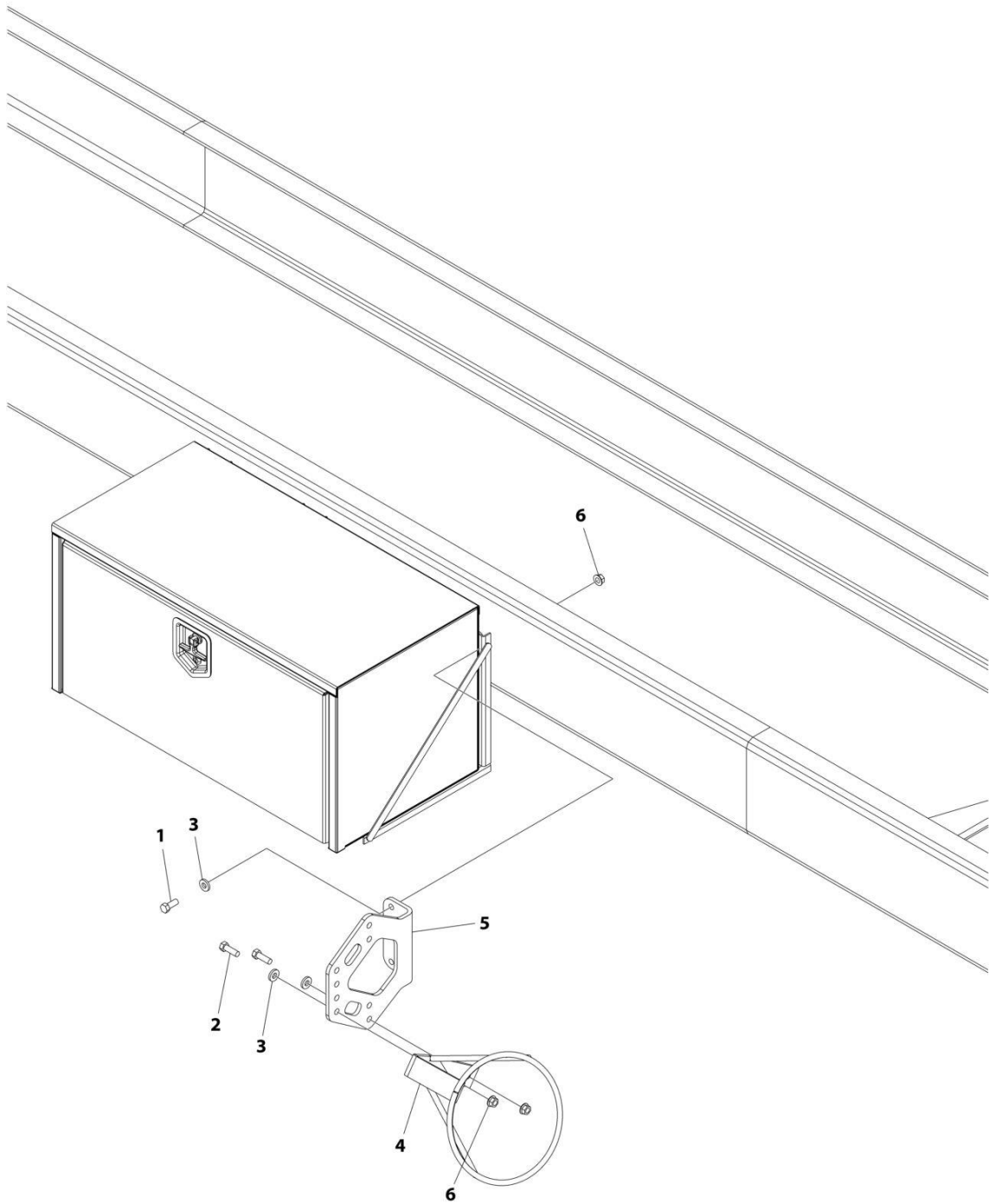
SECTION 7 - ACCESSORIES

FIGURE 7-12. TOW PINTLE - DUPLEX PINTLE HITCH

ITEM	PART NUMBER	QTY	DESCRIPTION	REV
1	DPH-16B 7556000003	Ref 1	TRAILER PINTLE WITH BALL Pintle Hitch	B

SECTION 7 - ACCESSORIES

FIGURE 7-13. TRAFFIC CONE HOLDER INSTALLATION



ART_1001219382

SECTION 7 - ACCESSORIES

FIGURE 7-13. TRAFFIC CONE HOLDER INSTALLATION

ITEM	PART NUMBER	QTY	DESCRIPTION	REV
	1001219382	Ref	CONE HOLDER INSTALLATION	B
1	0641810	2	Bolt 1/2 x 1-1/4	
2	0641812	2	Bolt 1/2 x 1-1/2	
3	4891800	4	Washer 1/2	
4	1001217582	1	Holder, Traffic Cone	
5	1001218342	1	Bracket	
6	7660182333	4	Nut 1/2	

SECTION 8 - BUILD DOCUMENTS

SECTION 8 - BUILD DOCUMENTS

FIGURE 8-1. BUILD DOC_5376000223

ITEM	PART NUMBER	QTY	DESCRIPTION	REV
	Note	Ref	Note: This list is for build tracking purposes only. Parts in this list are not available at this inventory stocking level. Parts in this list may not be applicable to all models. For more specific parts information contact Jerr-Dan Parts Department	
	1001241870	Ref	SERVICE/AFTERMARKET KIT LIST	H
	2178000028	Ref	BRACKET KIT, SHORT MOUNTING	
	CMKSTD-SD	Ref	CHASSIS MOUNTING KIT,- STANDARD	
	1001220105	Ref	CHASSIS MOUNTING KIT - FORD 2016+ F650/F750	
	1001134108	Ref	CHASSIS MOUNTING KIT - IHC 2011+	
	1001217892	Ref	CONTROLS INSTALLATION	
	1001217889	Ref	CONTROLS INSTALLATION - DRIVERS SIDE (SEE SEPARATE BREAKDOWN IN CONTROLS SECTION)	
	1001217891	Ref	ELECTRICAL CONTROLS INSTALLATION - DRIVERS SIDE (SEE SEPARATE BREAKDOWN IN CONTROLS SECTION)	
	1001228133	Ref	CONTROLS INSTALLATION - PASSENGERS SIDE (SEE SEPARATE BREAKDOWN IN CONTROLS SECTION)	
	1001228134	Ref	ELECTRICAL CONTROLS INSTALLATION - PASSENGERS SIDE (SEE SEPARATE BREAKDOWN IN CONTROLS SECTION)	
	2706000012	Ref	KEY SLOTS INSTALLATION - DUAL 180 DEGREES	
	NPN	Ref	PTO INSTALLATION (Replacement is based on individual characteristics of the unit - Contact Jerr-Dan Parts Dept.)	
	NPN	Ref	PUMP INSTALLATION (Replacement is based on individual characteristics of the unit - Contact Jerr-Dan Parts Dept.)	
	1001228185	Ref	SEAM SEALER INSTALLATION - DECK	
	1001161142	Ref	SPECIFICATION, CARRIER LUBRICATION INSTALL	
	STAB-HIGH	Ref	STABILIZER MODIFICATION (HIGH FRAMES)	
	1001136272	Ref	STAKES/RUBRAILS/PIPES INSTALLATION (24FT STEEL DECK)	
	1001136273	Ref	STAKES/RUBRAILS/PIPES INSTALLATION (26FT STEEL DECK)	
	1001136274	Ref	STAKES/RUBRAILS/PIPES INSTALLATION (28FT STEEL DECK)	
	SP3ICPKG	Ref	SWITCH - 3 FUNCTION IN-DASH COMPACT (Prior to SN 0220023727)	
	1001135700	Ref	SWITCH INSTALLATION - 3 FUNCTION IN-DASH COMPACT (SEE SEPARATE BREAKDOWN IN ELECTRICAL SECTION) (Prior to SN 0220023727)	
	1001129883	Ref	BREAKER INSTALLATION - 50AMP (SEE SEPARATE BREAKDOWN IN ELECTRICAL SECTION) (Prior to SN 0220023727)	
	1001262046	Ref	SWITCH - 3 FUNCTION IN-DASH COMPACT (SN 0220023727 to Present)	
	1001261002	Ref	SWITCH INSTALLATION - 3 FUNCTION IN-DASH COMPACT (SEE SEPARATE BREAKDOWN IN ELECTRICAL SECTION) (SN 0220023727 to Present)	
	1001129883	Ref	BREAKER INSTALLATION - 50AMP (SEE SEPARATE BREAKDOWN IN ELECTRICAL SECTION) (SN 0220023727 to Present)	
	SP3IMPKG	Ref	SWITCH - 3 FUNCTION IN-DASH MINI (Prior to SN 0220023727)	
	7870000113	Ref	SWITCH INSTALLATION - 3 FUNCTION IN-DASH MINI (SEE SEPARATE BREAKDOWN IN ELECTRICAL SECTION) (Prior to SN 0220023727)	
	1001129883	Ref	BREAKER INSTALLATION - 50AMP (SEE SEPARATE BREAKDOWN IN ELECTRICAL SECTION) (Prior to SN 0220023727)	
	1001262045	Ref	SWITCH - 3 FUNCTION IN-DASH MINI (SN 0220023727 to	

SECTION 8 - BUILD DOCUMENTS

ITEM	PART NUMBER	QTY	DESCRIPTION	REV
			Present)	
	1001260898	Ref	SWITCH INSTALLATION - 3 FUNCTION IN-DASH MINI (SEE SEPARATE BREAKDOWN IN ELECTRICAL SECTION) (SN 0220023727 to Present)	
	1001129883	Ref	BREAKER INSTALLATION - 50AMP (SEE SEPARATE BREAKDOWN IN ELECTRICAL SECTION) (SN 0220023727 to Present)	
	SP3CPKG	Ref	SWITCH - 3 FUNCTION UNDER-DASH COMPACT (Prior to SN 0220023727)	
	1001135756	Ref	SWITCH INSTALLATION - 3 FUNCTION UNDER-DASH COMPACT (SEE SEPARATE BREAKDOWN IN ELECTRICAL SECTION) (Prior to SN 0220023727)	
	1001129883	Ref	BREAKER INSTALLATION - 50AMP (SEE SEPARATE BREAKDOWN IN ELECTRICAL SECTION) (Prior to SN 0220023727)	
	1001262048	Ref	SWITCH - 3 FUNCTION UNDER-DASH COMPACT (SN 0220023727 to Present)	
	1001261004	Ref	SWITCH INSTALLATION - 3 FUNCTION UNDER-DASH COMPACT (SEE SEPARATE BREAKDOWN IN ELECTRICAL SECTION) (SN 0220023727 to Present)	
	1001129883	Ref	BREAKER INSTALLATION - 50AMP (SEE SEPARATE BREAKDOWN IN ELECTRICAL SECTION) (SN 0220023727 to Present)	
	SP5ICPKG	Ref	SWITCH - 5 FUNCTION IN-DASH COMPACT (Prior to SN 0220023727)	
	1001135701	Ref	SWITCH INSTALLATION - 5 FUNCTION IN-DASH COMPACT (SEE SEPARATE BREAKDOWN IN ELECTRICAL SECTION) (Prior to SN 0220023727)	
	1001129883	Ref	BREAKER INSTALLATION - 50AMP (SEE SEPARATE BREAKDOWN IN ELECTRICAL SECTION) (Prior to SN 0220023727)	
	1001262049	Ref	SWITCH - 5 FUNCTION IN-DASH COMPACT (SN 0220023727 to Present)	
	1001261005	Ref	SWITCH INSTALLATION - 5 FUNCTION IN-DASH COMPACT (SEE SEPARATE BREAKDOWN IN ELECTRICAL SECTION) (SN 0220023727 to Present)	
	1001129883	Ref	BREAKER INSTALLATION - 50AMP (SEE SEPARATE BREAKDOWN IN ELECTRICAL SECTION) (SN 0220023727 to Present)	
	SP5CPKG	Ref	SWITCH - 5 FUNCTION UNDER-DASH COMPACT (Prior to SN 0220023727)	
	1001135757	Ref	SWITCH INSTALLATION - 5 FUNCTION UNDER-DASH COMPACT (SEE SEPARATE BREAKDOWN IN ELECTRICAL SECTION) (Prior to SN 0220023727)	
	1001129883	Ref	BREAKER INSTALLATION - 50AMP (SEE SEPARATE BREAKDOWN IN ELECTRICAL SECTION) (Prior to SN 0220023727)	
	1001262050	Ref	SWITCH - 5 FUNCTION UNDER-DASH COMPACT (SN 0220023727 to Present)	
	1001129883	Ref	BREAKER INSTALLATION - 50AMP (SEE SEPARATE BREAKDOWN IN ELECTRICAL SECTION) (SN 0220023727 to Present)	
	1001261006	Ref	SWITCH INSTALLATION - 5 FUNCTION UNDER-DASH COMPACT (SEE SEPARATE BREAKDOWN IN ELECTRICAL SECTION) (SN 0220023727 to Present)	
	1001137290	Ref	SWITCH - 6 FUNCTION (FREIGHTLINER)	
	2978000001	Ref	SWITCH - 6 FUNCTION (IHC) (Prior to SN 0220023727)	
	1001261016	Ref	SWITCH - 6 FUNCTION (IHC) (SN 0220023727 to Present)	
	1001219410	Ref	TOOLBOX 36IN (QTY 2 OF PN 1001219245)	

SECTION 8 - BUILD DOCUMENTS

ITEM	PART NUMBER	QTY	DESCRIPTION	REV
	1001219411	Ref	TOOLBOX 48IN (QTY 2 OF PN 1001219246)	
	1001235755	Ref	TOOLBOX 48IN (WITH DEEP BRACKETS) (QTY 2 OF PN 1001235754)	
	1001219412	Ref	TOOLBOX 60IN (QTY 2 OF PN 1001219247)	
	1001235757	Ref	TOOLBOX 60IN (WITH DEEP BRACKETS) (QTY 2 OF PN 1001235756)	

PART NUMBER INDEX

SECTION 8 - BUILD DOCUMENTS

0100048.....105, 109	1001135757 241, 283	1001200207 141, 145, 149	1001219375.....25, 57, 59, 61, 63
0641406.....111, 113	1001135811 233	1001203295 251	1001219376.....27, 65, 67, 69, 71
0641408.... 103, 107, 111, 113	1001135812 237	1001203296 251	1001219377.....29, 73, 75, 77, 79
0641504..... 141, 145, 149	1001135813 233, 235	1001203297 251	1001219378.....91
0641508..... 103, 105, 109	1001135814 237, 239	1001203298 251	1001219379.....93
0641516..... 141, 145, 149	1001135815 237, 239	1001203299 251	1001219380.....41
0641518..... 141, 145, 149	1001136272 282	1001203300 251	1001219381.....97
0641612..... 13, 15, 43	1001136273 282	1001203301 251	1001219382.....279
0641624..... 13, 15	1001136274 282	1001203302 251	1001219410.....283
0641806..... 13, 15	1001137290 283	1001203303 251	1001219411.....284
0641808.....187	1001138545 81	1001215843 103, 115	1001219412.....284
0641810..... 103, 107, 279	1001139909 171	1001215845 89	1001219737.....95, 97, 99
0641812..... 13, 15, 279	1001142329 269	1001215846 105, 197	1001220105.....282
0651816.... 13, 15, 25, 27, 29	1001142330 271	1001215913 57, 59	1001220181.....169
0651822....31, 33, 35, 37, 39	1001142333 269	1001215914 61, 63	1001220235.....99
0652016.....85, 87, 89	1001142334 271	1001215915 65, 67	1001220682..... 141, 145, 149
0691810.....43	1001142769 181, 183, 185	1001215916 69, 71	1001220732..... 141, 145, 149
0721006.....105	1001142771 181, 183, 185	1001215917 73, 75	1001221375.....227
0741610..... 13, 15	1001142974 171	1001215918 77, 79	1001222313..... 103, 107
1001104423.....141, 145, 149	1001143764 111, 113	1001216306 85	1001227917..... 105, 109
1001116727203, 205, 207, 209, 211	1001147861 81	1001216351 105	1001228111..... 109, 199
1001116729.....201	1001151248 25, 27, 29	1001216675 13	1001228116.....113
1001121727201	1001153789 248	1001216676 13	1001228117.....113
1001127221248	1001154689 248	1001217301 111	1001228124..... 107, 113
100112729743	1001154689 248	1001217302 111, 113	1001228133..... 107, 282
1001129095.....225, 227	1001161142 282	1001217303 111	1001228134..... 109, 282
1001129882.....165	1001162403 13, 15	1001217304 103, 107	1001228185.....282
1001129883.....165, 217, 233, 235, 237, 239, 282, 283	1001162798 13, 15	1001217305 103, 107	1001228388.....173
1001131998.....269, 271	1001166855 13, 15, 19	1001217491 111, 113	1001229070.....15
1001132595.....133, 135	1001167455 141, 145, 149	1001217565 187, 189	1001229071.....15
1001132601.....125	1001167764 13, 15, 17	1001217568 31	1001229606.....171
1001132683.....129	1001167767 43, 45	1001217569 33, 35	1001230127.....117
1001132688.....133, 135	1001168319 161	1001217570 37, 39	1001230968.....248
1001132711129	1001168591 248	1001217582 279	1001231801.....248
1001132714133	1001173946 21	1001217651 81, 83	1001232775.....95
1001132717125	1001173947 21	1001217651 81, 83	1001235700..... 35, 39
1001132721135	1001173948 13	1001217884 89	1001235754.....35
1001132742.....129	1001173949 15, 21	1001217885 85	1001235755.....284
1001132745.....133	1001173952 181, 183, 185, 201	1001217889 103, 282	1001235756.....39
1001132748125	1001175531 273	1001217890 103, 111	1001235757.....284
1001132751135	1001175532 273	1001217891 105, 282	1001236076.....87
1001132765.....248	1001176337 191, 193, 195	1001217892 282	1001236077.....87
1001132766.....248	1001176428 191	1001218095 141, 145, 149	1001237244.....173
1001132794.....123, 125, 127, 129, 131, 133, 135, 137, 139	1001176430 195	1001218342 279	1001241870.....254, 282
1001132800.....123, 125, 127, 129, 131, 133, 135, 137, 139	1001176431 193	1001218889 31, 33, 37	1001257876.....173
1001132801.....123, 125, 127, 129, 131, 133, 135, 137, 139	1001176428 191	1001219155 57	1001258253.....59
1001134108.....282	1001176430 195	1001219156 61	1001258254.....63
1001135524.....225	1001176431 193	1001219157 65	1001258255.....67
1001135622.....225	1001177603 51	1001219158 69	1001258256.....71
1001135700.....213, 282	1001177605 53	1001219159 73	1001258257.....75
1001135701.....229, 233, 237, 283	1001177633 51	1001219160 77	1001258258.....79
1001135756.....221, 283	1001177634 53	1001219204 81	1001260348.....185
	1001181417 161	1001219205 81	1001260351..... 185, 211
	1001188129 43	1001219208 187	1001260898.....219, 283
	1001188140 43	1001219245 31	1001261002.....215, 282
	1001188141 13, 15	1001219246 33	1001261004.....223, 283
	1001188206 13, 15	1001219247 37	1001261005.....231, 235, 239, 283
	1001188615 21	1001219309 167	1001261006.....243, 283
	1001188616 21	1001219321 167	1001261008.....227
	1001189466 141, 145, 149	1001219372 ... 57, 59, 61, 63, 141	1001261016.....283
	1001190037 201	1001219373 ... 65, 67, 69, 71, 145	
	1001190625 248	1001219374 ... 73, 75, 77, 79, 149	
	1001190626 248		
	1001196552 219		

SECTION 8 - BUILD DOCUMENTS

1001262045	282	3271601	25, 27, 29	4567120056	141, 145, 149	4891800 ...	13, 15, 25, 27, 29, 31, 33, 35, 37, 39, 81, 187, 279
1001262046	282	3300455	13, 15, 141, 145, 149	4567120066	141, 145, 149	4892000 ...	13, 15, 85, 87, 89
1001262048	283	3300492	13, 15, 43	4567120077	141, 145, 149	5525000537	167
1001262049	283	3311405	111, 113	4567122016	141, 145, 149	5526000553	105, 109, 169, 191, 193, 221, 241, 243
1001262050	283	3558000021	25, 27, 29	4567122038	141, 145, 149	70004051	115
1001262052	239	3570000008	254	4567123044	142, 146, 150	70004460	115
1001262053	235	3636000144	13, 15	4567123051	142, 146, 150	70004602	115
1001270102	265	3691000064	43	4567130244	121	70005199	115
1001273634	191, 193, 195	3750000018	153, 157	4567130248	123	70005200	115
1001275791	177, 201	3841143	13, 15, 43	4567130264	127	7002000521	117
1001275792	201	3849000028	43	4567130290	125, 131	70022147	115
1001275793	201	4017001093	13, 15	4567130300	129	70023867	115
1001277283	205	4017001271	25, 27, 29	4567130316	137	70051167	17, 19
1001277284	205	4017001742	47, 49	4567130330	133, 135	70051168	45
1001280899	173, 175	4017001743	47, 49	4567130340	139	70051170	17, 19
1001284178	155, 159	4060906	105, 109	4567430153	141	70051171	17, 19
1001284179	155	4178000402	191	4567430177	145	70051172	45
1001284419	155	4178000666	259, 265, 267	4567430199	149	70051173	45
2002000009	261	4178000912	13, 15	4569432147	141, 145, 149	70051174	19
2002000016	263	4209000204	13, 15	4570000044	129	70051355	115
2002000031	117	4346000005	165, 173, 181, 183, 185, 213, 215, 219, 221, 223, 225, 227	4570000046	127, 131, 137, 139	70051356	115
2178000028	282	4460018	215, 223	4570000112	121, 123	70051357	115
2178000037	259, 265, 267	4460019	201, 205	4570000113	121	70051388	45
2220381	141, 145, 149	4460035	215, 223, 231, 243	4570000114	123	70051389	45
2220490	141, 145, 149	4460042	215, 223, 231, 243	4570000121	125	70051390	45
2330000041	41	4460256	175, 203	4570000122	125	70051391	17, 45
2330000045	57, 59, 61, 63, 65, 67, 69, 71, 73, 75, 77, 79, 248	4460418	197, 199	4570000123	123	70051392	17
2330000055	57, 59, 61, 63, 65, 67, 69, 71, 73, 75, 77, 79	4460419	197, 199	4570000124	123	70051393	17
2330000061	41	4460457	191, 193, 201, 203, 207, 209, 211	4570000125	125	70051394	19
2346000008	257, 259	4460459	201	4570000126	125	70051395	19
2400066	173	4460460	207, 209, 211	4570000127	127	70051431	33, 35, 37, 39
2570000097	121	4460461	203, 205	4570000128	127	70051432	33, 35, 37, 39
2570000098	123	4460464	173, 175, 199	4570000129	131	70051433	33, 35, 37, 39
2570000100	127	4460465	173, 175, 189, 197, 199	4570000130	131	70051434	33, 35, 37, 39
2570000101	131	4460466	189, 197, 199	4570000131	131	70051435	33, 35, 37, 39
2570000102	137	4460475	177, 207, 209, 211	4570000132	137	70051437	33, 35
2570000103	139	4460476	205	4570000133	137	70051438	37, 39
2590000202	181	4460742	189, 191, 193, 201, 203, 207, 209, 211	4570000134	139	70051449	115
2590000203	183	4460790	203, 205, 207, 209, 211	4570000135	139	70051450	115
2590000215	179	4460844	189	4570000136	139	70051891	83
2638000017	47	4460850	189, 205, 207, 209, 211, 275	4570000137	139	7011000006	181, 183, 185
2638000019	49	4460867	207, 209, 211, 275	4570000138	139	7012773	115
2679000005	23, 57, 59, 61, 63, 65, 67, 69, 71, 73, 75, 77, 79	4460891	173, 175, 197	4570000139	139	7018942	115
2706000012	282	4460897	173, 175	4570000140	139	7082000016	45
2750000008	57, 59, 61, 63, 65, 67, 69, 71, 73, 75, 77, 79, 153	4460933	197, 199	4570000141	139	7082000017	13, 15, 43
2849000040	41, 43	4460941	175	4570000142	139	7082000018	17, 45
2870000013	275	4460942	175	4570000143	139	7105181650	273
2978000001	283	4460970	199	4570000144	139	7105201250	25, 27, 29
3002000008	269, 271	4461157	177, 191, 193, 201	4570000145	139	7105201850	13, 15
3002000009	269, 271	4567120026	142, 146, 150	4570000146	139	7105202050	25, 27, 29
3020039	13, 15			4570000147	139	7105202250	13, 15
3062000014	13, 15			4570000148	139	7111150813	257
3062000015	13, 15			4570000149	139	7111150864	47, 49
3178000288	13, 15			4570000150	139	7114100518	117
3178000289	13, 15			4570000151	139	7114100818	13, 15
3178000555	269, 271			4570000152	139	7114101618	141, 145, 149
3249000004S	254			4570000153	139	7114140528	43, 181, 183, 185
				4570000154	139	7114140529	21
				4570000155	139	7114140618	173

SECTION 8 - BUILD DOCUMENTS

7114141450.....	13, 15	7330000288	213, 215, 221, 223, 229, 231, 241, 243	7443000366	91, 93, 261	7660102601.....	105
7114150818.....	21, 47, 49	7330000330	248	7443000371	91, 93	7660142601.....	43, 103, 107, 181, 183, 185
7114181418.....	269, 271	7330000391	41	7443000412	155	7660142604.....	13, 15
7115140450.....	161	7330000428	57, 59, 61, 63, 65, 67, 69, 71, 73, 75, 77, 79	7443000428	275	7660152601.....	21, 47, 49, 105, 109, 121, 123, 125, 127, 129, 131, 133, 135, 137, 139,
7115151050.....	121, 123, 125, 127, 129, 131, 133, 135, 137, 139, 153	7330000478	248	7443000469	275	7660162601.....	23, 269, 271
7115151064.....	123, 125, 127, 129, 131, 133, 135, 137, 139	7330000599	248	7444100850	155	7660182301.....	31, 33, 35, 37, 39
7115180606.....	269, 271	7330000627	225	7445040643	275	7660182333.....	13, 15, 25, 27, 29, 31, 33, 35, 37, 39, 273, 279
7115181064.....	51, 53, 103, 107	7330000628	225	7445060645	141, 145, 149	7660182601.....	13, 15, 51, 53, 81, 103, 107, 259, 265, 267, 269, 271
7115181464.....	13, 15, 259, 265, 267	7330000645	41	7445060648	141, 145, 149	7660200035.....	85, 87, 89
7115181664.....	51, 53	7330000646	41	7445080818	141, 145, 149	7660202347.....	13, 15, 25, 27, 29
7118161026.....	23	7330000684	41	7445080845	141, 145, 149	7661000018.....	155
7118181216.....	31, 33, 35, 37, 39	7330000689	248	7445080853	261	7661000042.....	21, 111, 113
7118201616.....	155	7345001713	213, 221, 229, 241	7445081045	141, 145, 149	7661000056.....	117
7120000032.....	25, 27, 29	7345001714	167, 173	7446060435	261, 263, 265	7661000064.....	21
7120000034.....	165, 167, 169	7345001913	213, 229	7446502506	263, 265	7691000001.....	43
7183000004.....	157	7345001914	171, 225, 227	7446502518	261, 263, 265	7701000031.....	157
7189000026.....	13, 15	7345211701	213, 221, 229, 241	7457000004	165	7701000049.....	85, 87, 89, 111, 113
7259000015.....	25, 27, 29	7345211702	167	7470000002	121, 123, 125, 127, 129, 131, 133, 135, 137, 139	7759000004.....	248
7259000016.....	25, 27, 29	7345221902	165, 171	7470000027	157	7785152420.....	121, 123, 125, 127, 129, 131, 133, 135, 137, 139
7274000002.....	121, 123, 125, 127, 129, 131, 133, 135, 137, 139	7346000039	105, 167, 171	7493000002	181, 183, 185	7790142051.....	117
7274000038.....	141, 145, 149	7346000055	257	7493000003	191	7790151253.....	191
7274000039.....	141, 145, 149	7346000078	257	7493000009	179, 181, 183, 185	7796000048.....	43
7274000040.....	105, 109, 121, 123, 125, 127, 129, 131, 133, 135, 137, 139	7346000108	207	7493000010	179, 181, 183, 185	7870000100.....	213, 215
7274000041.....	121, 123, 125, 127, 129, 131, 133, 135, 137, 139	7346000109	189, 209, 211	7493000023	181, 183, 185	7870000106.....	229, 231
7274000042.....	121, 123, 125, 127, 129, 131, 133, 135, 137, 139	7346000132	259	7493000027	181, 183, 185	7870000113.....	217, 219, 282
7274000063.....	141, 145, 149	7346000157	259	7552000166	193	7870000134.....	221, 223
7274000064.....	141, 145, 149	7346000208	275	7552000178	181, 183, 185, 203	7870000137.....	241, 243
7274000066.....	141, 145, 149	7346000242	221, 225, 227, 231, 241, 243	7552000186	181, 183, 185, 205	7894000004.....	91, 93, 141, 145, 149
7274000076.....	121, 123, 125, 127, 129, 131, 133, 135, 137, 139	7413000002	173	7552000187	181, 207	7894000010.....	167
7274000080.....	121, 123, 125, 127, 129, 131, 133, 135, 137, 139	7413000013	85, 87, 89	7552000188	183, 209	7894000031.....	261
7274000125.....	25, 27, 29	7430000003	121, 123, 125, 127, 129, 131, 133, 135, 137, 139	7552000212	57, 59, 61, 63, 65, 67, 69, 71, 73, 75, 77, 79, 177	7904000001.....	141, 145, 149
7280000018.....	167, 169	7431000001	121, 123, 125, 127, 129, 131, 133, 135, 137, 139	7590000339	179	7912000349.....	141, 145, 149
7291000010.....	43	7443000013	121, 123, 125, 127, 129, 131, 133, 135, 137, 139	7590000340	181, 183, 185	7935000120.....	91, 261
7312000013.....	263, 265	7443000152	91	7590000341	181, 183, 185	7935000182.....	91, 93
7312000015.....	263, 265	7443000154	91, 261	7590000342	179	7935000229.....	91, 93
7312000016.....	263, 265	7443000155	91, 261	7590000343	179, 181, 183, 185	7935000248.....	91, 93
7312000017.....	261	7443000156	91, 261	7638000004	47	7935000305.....	141, 145, 149
7330000139.....	248	7443000158	123, 125, 127, 129, 131, 133, 135, 137, 139	7638000013	49	7935000306.....	141, 145, 149
7330000143.....	248	7443000168	141, 145, 149	7640000002	91, 93	7949000008.....	13, 15
7330000176.....	248	7443000196	141, 145, 149	7650080125	155	7949000023.....	21, 181, 183, 185
7330000272.....	248	7443000241	141, 145, 149			7949000072.....	13, 15
		7443000319	121, 123, 125, 127, 129, 131, 133, 135, 137, 139			7950100151.....	165
		7443000364	91, 93			7950140000.....	161
		7443000365	91, 93			7950140003.....	173
						7950140141.....	161
						7950140143.....	13, 15, 173

SECTION 8 - BUILD DOCUMENTS

7950150153 21, 47, 49	80963064 . 205, 207, 209, 211	8220935....205, 207, 209, 211	A7WCON 259
7950150161 121, 123, 125, 127, 129, 131, 133, 135, 137, 139, 153, 191	8220081 191, 193, 203	8220936.....205	CMKSTD-SD..... 282
7950160161 269, 271	8220089 203, 205	8597650001.....91, 93	DPH-16B..... 277
7950180141 269, 271	8220099 ... 205, 207, 209, 211	8597650002.....167	SP3CPKG 283
7950180153 273	8220100 ... 189, 207, 209, 211	8597650003.....221, 241, 243	SP3ICPKG 282
7978000020 225, 227	8220934 ... 189, 207, 209, 211	8977010103.....173	SP3IMPKG..... 217, 282
80963062 201		900115..... 141, 145, 149	SP5CPKG 283
		960006..... 141, 145, 149	STAB-HIGH..... 282

JERR-DAN[®]

***Corporate Office
13224 Fountainhead Plaza
Hagerstown, MD 21742 USA***

***☎ (717) 597-7111 (Corporate)
☎ (800) 926-9666 (Customer Support)***

***Visit our website
www.jerrdan.com***



OSHKOSH™