

JERR-DAN[®]

Illustrated Parts Manual

Model
JD HPL35/HPL60
STANDARD DUTY
WRECKER

SN 0230002518 to Present

P/N
5376000249

March 1, 2023 - Rev A

JERR-DAN[®]

An Oshkosh Corporation Company

REVISION LOG

March 1, 2023 - A - Original Release of Manual (Edited to 1001139632 Revision A to S)

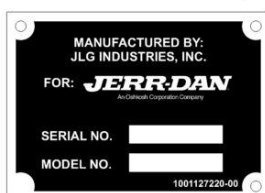
GENERAL INFORMATION

JerrDan, LLC (Jerr-Dan) strives to provide information that is accurate, complete and useful. Descriptions and illustrative material contained within this manual are as accurate as known at the time of publication and are subject to change, without notice, as a result of continuous product improvements. Jerr-Dan reserves the right to amend the information in this document at any time without prior notice.

Information contained in this manual reflects how this vehicle was built at the factory. Modifications or additions by the distributor or owner are not reflected in this manual.

This parts manual does not include service parts information for the commercial chassis (IHC, Ford, GM, etc.). That information is provided by the chassis manufacturer.

When ordering parts, please refer to your unit's Serial Number and Model Number. This information is be found on the aluminum tag riveted to the inside of the driver's side rear compartment of the main body.



Additional or replacement manuals can be ordered by calling Jerr-Dan Parts at 717-597-7111. Price and availability will be quoted at time of the request.

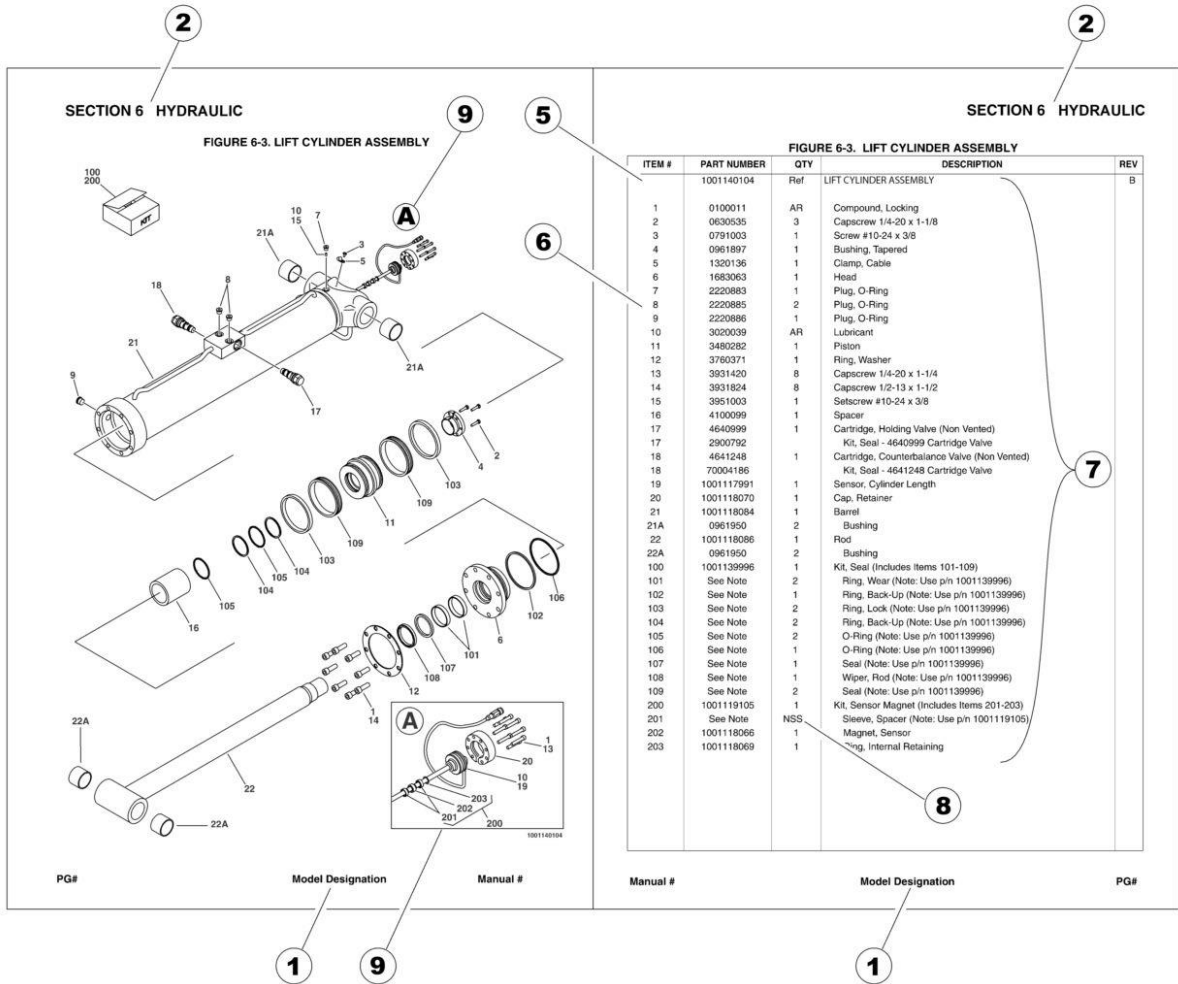
Please report comments and/or errors by contacting Jerr-Dan. Contact numbers are located on rear cover of Manual.

Manufactured under one or more of the following patents: 5,575,606; 5,672,042; 5,697,741; 5,713,714; 5,722,810; 5,782,596; 5,839,775 and 6,315,515 B1 with other Patents Pending.

Jerr-Dan and the Jerr-Dan logo are registered trademarks and Run Hard is a service mark of JerrDan, LLC, Hagerstown, MD USA.

The material in this document is confidential and the property of Jerr-Dan. No part of this document may be photocopied, reproduced or translated to another language without the express written consent of Jerr-Dan.

GENERAL INFORMATION



1) MACHINE IDENTIFICATION

Machines are identified by model and in some cases a combination of models, serial number (SN) or regional standard (i.e ANSI, CE, CSA). Components may also be identified by SN or manufacturer. Common components that may be identified by these characteristics are engines and hydraulic components.

2) PARTS MANUAL ORGANIZATION

Product information in this manual is organized under section titles. Subframe, Hydraulic and Electrical are a few examples. Each section is organized by figure and page number. The information within the Figure is then organized by item number, part number, description and corresponding illustration (s).

3) TABLE OF CONTENTS (NOT SHOWN)

A table of contents is found toward the beginning of the manual. Figure number, description and page number are provided for quick reference to the page containing the related information.

4) BUILD DOCUMENTS (NOT SHOWN)

The Build Documents, located near the end of the manual, reference components not available at the purchase level. These PN's list assembly instructions and assist in the maintenance of the parts manual.

GENERAL INFORMATION

5) NON-SERVICED PARTS

In some instances, it is necessary to display non-serviced parts, assemblies or installations. In the case of assemblies and installations there will be a Ref in the Qty. column. In case of parts that are not available for service within assemblies or components, there will be a NSS (Not Sold Separately) or NLA (No Longer Available) listed in the Qty. column of the manual.

6) PARTS LIST ITEM NUMBERS

Numbers shown in the item# column correspond to numbers used in the associated illustration (s). Item numbers which are missing from the sequence in the parts list are not used on that page.

7) INDENTED PARTS DESCRIPTION

An indented part description is included in the item under which it is indented.

8) ABBREVIATION AND SYMBOLS

AC.....	Alternating Current	L.....	Liter
ALUM.....	Aluminum	LD.....	Light Duty
AG.....	Agricultural	LB(LBS).....	Pounds
ANSI.....	American National Standards Institute	LCD.....	Liquid Crystal Display
AR.....	As Required	LED.....	Light Emitting Diodes
AUS.....	Australias	LH.....	Left Hand
ASSY.....	Assembly	M(m).....	Metric/Meter
AUX.....	Auxiliary	MD.....	Medium Duty
AWG.....	American Wire Gauge	MM (mm).....	Milimeter
CA.....	Cab To Axle	mA.....	Miliamps
CE.....	European Conformity	NLA.....	No Longer Available
CCW.....	Counter Clockwise	NPT.....	National Pipe Threads
CM.....	Centimeter	NSS.....	Not Sold Separately
CT.....	Cab To Tandem	OD.....	Outside Diameter
CW.....	Clockwise	ORB.....	O-Ring Boss
CSA.....	Canadian Standards Association	ORFS.....	O-Ring Face Seal
CYL.....	Cylinder	OZ (oz).....	Ounces
DIA.....	Diameter	PG.....	Page
DC.....	Direct Current	PN.....	Part Number
DOT.....	Department of Transportation	PTO.....	Power Take Off
EMS.....	Emergency Stop	QT(qt.).....	Quarts
ENG.....	Engine	QTY.....	Quantity
FT(ft).....	Feet	REF.....	Reference
GA(Ga).....	Gauge	REV.....	Revision Level
GAL.....	Gallons	RH.....	Right Hand
GVW.....	Gross Vehicle Weight	SAE.....	Society of Automotive Engineers
HD.....	Heavy Duty	SD.....	Standard Duty
HYD.....	Hydraulic	SN.....	Serial Number
Hz.....	Hertz	SPEC(S).....	Specifications
ID.....	Inside Diameter	SS.....	Stainless Steel
IN.....	inches	STD.....	Standards
IND.....	Independent	STL.....	Steel
IRL.....	Independent Reach/Lift	UGM.....	Universal Ground Module
INT.....	Integrated	V.....	Volts
ISO.....	International Organization for Standards	W.....	Watts
JIC.....	Joint Industry Council	WB.....	Wheel Base
KG.....	Kilogram	#.....	Number

9) ILLUSTRATION REFERENCE LETTERS

When necessary, illustrations may contain reference letters that are intended to track information (i. e. hoses, harnesses) from one point to another or to track visual enlargement of components to show details that may be located in another area on the illustration.

Note: Due to continuous product improvements, Jerr-Dan Corporation reserves the right to make specification changes without prior notification. Contact Jerr-Dan for updated information.

TABLE OF CONTENTS

SECTION 1 - SUBFRAME	15
FIGURE 1-1. SUBFRAME INSTALLATION (STANDARD).....	16
FIGURE 1-2. SUBFRAME INSTALLATION (IHC TERRASTAR).....	18
FIGURE 1-3. CHASSIS MOUNTING KIT - GENERIC.....	20
FIGURE 1-4. CHASSIS MOUNTING KIT - CHEVY/GMC DIESEL WITH 60IN CA	22
FIGURE 1-5. CHASSIS MOUNTING KIT - CHEVY/GMC GAS WITH 60IN CA (SN 0230002518 through 0230003431)	24
FIGURE 1-6. CHASSIS MOUNTING KIT - CHEVY/GMC GAS WITH 60IN CA (SN 0230003432 to Present).....	26
FIGURE 1-7. CHASSIS MOUNTING KIT - CV515 2019+ WITH 165IN+ WHEELBASE	28
FIGURE 1-8. CHASSIS MOUNTING KIT - CV515 2019+ WITH 165IN+ WHEELBASE & TIMBREN.....	30
FIGURE 1-9. CHASSIS MOUNTING KIT - DODGE 2011 - 2012 4500/5000 WITH 60IN CA	32
FIGURE 1-10. CHASSIS MOUNTING KIT - DODGE 2011 - 2012 4500/5000 WITH 84IN CA	34
FIGURE 1-11. CHASSIS MOUNTING KIT - DODGE 2013+ 4500/5000 WITH 60IN CA	36
FIGURE 1-12. CHASSIS MOUNTING KIT - DODGE 2013+ 4500/5000 WITH 84IN CA	38
FIGURE 1-13. CHASSIS MOUNTING KIT - FORD 2010 & EARLIER	40
FIGURE 1-14. CHASSIS MOUNTING KIT - FORD 2011-2016 F350/F450/F550 DIESEL WITH 60IN CA	42
FIGURE 1-15. CHASSIS MOUNTING KIT - FORD 2011-2016 F350/F450/F550 DIESEL WITH 84IN CA	46
FIGURE 1-16. CHASSIS MOUNTING KIT - FORD 2011-2016 F550 19K GVWR DIESEL WITH 84IN CA	50
FIGURE 1-17. CHASSIS MOUNTING KIT - FORD 2011-2016 F650/F750 GAS	54
FIGURE 1-18. CHASSIS MOUNTING KIT - FORD 2017+ DIESEL WITH 60IN CA.....	56
FIGURE 1-19. CHASSIS MOUNTING KIT - FORD 2017+ DIESEL WITH 84IN CA.....	60
FIGURE 1-20. CHASSIS MOUNTING KIT – IHC	64
FIGURE 1-21. CHASSIS MOUNTING KIT - TERRASTAR	66
FIGURE 1-22. MUDFLAPS INSTALLATION - CUSTOMER SUPPLIED (NARROW) (ALUMINUM BODY).....	68
FIGURE 1-23. MUDFLAPS INSTALLATION - CUSTOMER SUPPLIED (NARROW) (STEEL BODY)	70
FIGURE 1-24. MUDFLAPS INSTALLATION - CUSTOMER SUPPLIED (WIDE) (ALUMINUM BODY).....	72
FIGURE 1-25. MUDFLAPS INSTALLATION - CUSTOMER SUPPLIED (WIDE) (STEEL BODY)	74
FIGURE 1-26. MUDFLAPS INSTALLATION - CUSTOMER SUPPLIED (EXTRA WIDE) (STEEL BODY)	76
FIGURE 1-27. MUDFLAPS INSTALLATION - FACTORY SUPPLIED (24IN WIDE) (ALUMINUM BODY ON IHC – HIGH BASE) 78	
FIGURE 1-28. MUDFLAPS INSTALLATION - FACTORY SUPPLIED (24IN WIDE) (STEEL BODY ON IHC – HIGH BASE)	80
FIGURE 1-29. MUDFLAPS INSTALLATION - FACTORY SUPPLIED (19IN WIDE) (ALUMINUM BODY – WIDE TRACK)	82
SECTION 2 - BOOM	85
FIGURE 2-1. BOOM INSTALLATION - 8K LBS BOOM (8000 LBS SINGLE WINCH)	86
FIGURE 2-2. BOOM EXTENSION INSTALLATION - HPL35 BOLT-ON (SPEEDWAY SPECS) (SN 0230002518 through 0230003297)	90
FIGURE 2-3. BOOM INSTALLATION - 18.5K LBS BOOM (8000 LBS SINGLE WINCH)	92
FIGURE 2-4. BOOM INSTALLATION - 18.5K LBS BOOM (8000 LBS DUAL WINCH).....	96
FIGURE 2-5. BOOM INSTALLATION - 18.5K LBS BOOM (8000 LBS DUAL WINCH) (SPEEDWAY SPECS)	100
FIGURE 2-6. BOOM INSTALLATION - 18.5K LBS BOOM (8000 LBS DUAL WINCH) (WITH COUNTERBALANCE VALVES) .	104
FIGURE 2-7. BOOM INSTALLATION - 24K LBS BOOM (10000 LBS SINGLE WINCH)	108
FIGURE 2-8. BOOM INSTALLATION - 24K LBS BOOM (10000 LBS DUAL WINCH).....	112
FIGURE 2-9. BOOM INSTALLATION - 24K LBS BOOM (10000 LBS DUAL WINCH) (WITH COUNTERBALANCE VALVES ...	116
FIGURE 2-10. BOOM INSTALLATION - 24K LBS BOOM (12000 LBS SINGLE WINCH) (WEST COAST SPECS)	120
FIGURE 2-11. BOOM INSTALLATION - 24K LBS BOOM (12000 LBS DUAL WINCH).....	124
FIGURE 2-12. BOOM INSTALLATION - 24K LBS BOOM (12000 LBS DUAL WINCH) (WEST COAST SPECS).....	128
FIGURE 2-13. NO BOOM/RECOVERY WINCH ONLY INSTALLATION (8000 LBS SINGLE WINCH DECK MOUNTED)	132
FIGURE 2-14. CYLINDER ASSEMBLY - BOOM EXTEND/RETRACT (8K BOOM).....	134
FIGURE 2-15. CYLINDER ASSEMBLY - BOOM EXTEND/RETRACT (18.5K & 24K BOOMS)	136
FIGURE 2-16. CYLINDER ASSEMBLY - BOOM LIFT (8K BOOM).....	138
FIGURE 2-17. CYLINDER ASSEMBLY - BOOM LIFT (18.5K & 24K BOOMS) (WITH COUNTERBALANCE VALVE)	140
FIGURE 2-18. CYLINDER ASSEMBLY - BOOM LIFT (18.5K & 24K BOOMS) (WITHOUT COUNTERBALANCE VALVE).....	142
FIGURE 2-19. MOTOR ASSEMBLY - WINCH DRIVE (8000LBS WINCH)	144
FIGURE 2-20. MOTOR ASSEMBLY - WINCH DRIVE (10000LBS SINGLE WINCH ONLY & 12000 LBS WINCH)	146
FIGURE 2-21. MOTOR ASSEMBLY - WINCH DRIVE (12000LBS WINCH) (WEST COAST SPECS) (SN 0230005919 TO PRESENT) (SN 0230005919 to Present)	148
FIGURE 2-22. WINCH ASSEMBLY - 8000 LBS LH (8K & 18.5 & BOOM - BOOM MOUNTED).....	150
FIGURE 2-23. WINCH ASSEMBLY - 8000 LBS RH (8K & 18.5 & BOOM - BOOM MOUNTED)	152
FIGURE 2-24. WINCH ASSEMBLY - 8000 LBS RH (DECK MOUNTED)	154
FIGURE 2-25. WINCH ASSEMBLY - 8K LBS SINGLE WINCH (RECOVERY WINCH - USED WITH BOOM/WINCH ONLY UNITS).....	156
FIGURE 2-26. WINCH ASSEMBLY - 12000 LBS (WEST COAST SPECS) (SN 0230002518 through 0230005918)	158
FIGURE 2-27. WINCH ASSEMBLY - 12000 LBS LH (STANDARD SPECS)	160
FIGURE 2-28. WINCH ASSEMBLY - 12000 LBS RH (STANDARD SPECS)	162
FIGURE 2-29. WINCH ASSEMBLY – 12000 LBS LH (WEST COAST SPECS) (SN 0230005919 to Present).....	164

TABLE OF CONTENTS

FIGURE 2-30. WINCH ASSEMBLY – 12000 LBS RH (WEST COAST SPECS) (SN 0230005919 to Present).....	166
FIGURE 2-31. CABLE TENSIONER - 8000LBS BOOM WINCH.....	168
FIGURE 2-32. CABLE TENSIONER - 8000 LBS WINCH (DECK MOUNTED).....	170
FIGURE 2-33. CABLE TENSIONER - 10000LBS BOOM WINCH.....	172
FIGURE 2-34. CABLE TENSIONER - 12000LBS BOOM WINCH.....	174
FIGURE 2-35. CABLE ASSEMBLY - 3/8X40FT (SINGLE WINCH) (SN 0230002518 through 0230005336).....	176
FIGURE 2-36. CABLE ASSEMBLY - 3/8X40FT (SINGLE WINCH) (SN 0230005336 to Present).....	178
FIGURE 2-37. CABLE ASSEMBLY - 3/8X100FT WITH 2TON HOOK (SINGLE WINCH) (STANDARD SPECS) (SN 0230002518 through 0230005336).....	180
FIGURE 2-38. CABLE ASSEMBLY - 3/8X100FT WITH 2TON HOOK (SINGLE WINCH) (GSA SPECS) (SN 0230002518 through 0230005336).....	182
FIGURE 2-39. CABLE ASSEMBLY - 3/8X100FT WITH 3TON HOOK (SINGLE WINCH) (STANDARD SPECS) (SN 0230002518 through 0230005336).....	184
FIGURE 2-40. CABLE ASSEMBLY - 3/8X101FT WITH 2TON HOOK (SINGLE WINCH) (STANDARD SPECS) (SN 0230005336 to Present).....	186
FIGURE 2-41. CABLE ASSEMBLY - 3/8X101FT WITH 2TON HOOK (DUAL WINCHES) (STANDARD SPECS).....	188
FIGURE 2-42. CABLE ASSEMBLY - 7/16X101FT (SINGLE WINCH) (SN 0230002518 through 0230005336).....	190
FIGURE 2-43. CABLE ASSEMBLY - 7/16X101FT (SINGLE WINCH) (SN 0230005336 to Present).....	192
FIGURE 2-44. CABLE ASSEMBLY - 7/16X101FT (DUAL WINCHES).....	194
FIGURE 2-45. CABLE ASSEMBLY - 7/16X150FT (SINGLE WINCH) (SN 0230002518 through 0230005336).....	196
FIGURE 2-46. CABLE ASSEMBLY - 7/16X150FT (SINGLE WINCH) (SN 0230005336 to Present).....	198
FIGURE 2-47. CABLE ASSEMBLY - 7/16X150FT (DUAL WINCHES).....	200
FIGURE 2-48. CABLE ASSEMBLY - 1/2X200FT (SINGLE WINCH) (SN 0230002518 through 0230005336).....	202
FIGURE 2-49. ANGLE INDICATOR INSTALLATION - WRECKER BOOM (UL SPECS) (SN 0230002518 through 0230007544).....	204
FIGURE 2-50. ANGLE INDICATOR INSTALLATION - WRECKER BOOM (SN 0230002518 through 0230007544).....	206
SECTION 3 - UNDERLIFT.....	209
FIGURE 3-1. UNDERLIFT INSTALLATION - 3500LBS (HPL35).....	210
FIGURE 3-2. UNDERLIFT INSTALLATION - 3500LBS (HPL35 WITH HPL60 FLY).....	212
FIGURE 3-3. UNDERLIFT INSTALLATION - 5000LBS (HPL60 WITH LOW BASE).....	214
FIGURE 3-4. UNDERLIFT INSTALLATION - 5000LBS (HPL60 WITH HIGH BASE).....	216
FIGURE 3-5. UNDERLIFT BOOM ASSEMBLY - 3500LBS (HPL35).....	218
FIGURE 3-6. UNDERLIFT BOOM ASSEMBLY - 3500LBS (HPL35 WITH HPL60 FLY).....	220
FIGURE 3-7. UNDERLIFT BOOM ASSEMBLY- 5000LBS (HPL60 WITH LOW BASE).....	222
FIGURE 3-8. UNDERLIFT BOOM ASSEMBLY- 5000LBS (HPL60 WITH HIGH BASE).....	224
FIGURE 3-9. CYLINDER ASSEMBLY - UNDERLIFT EXTEND/RETRACT.....	226
FIGURE 3-10. CYLINDER ASSEMBLY - UNDERLIFT BOOM EXTEND/RETRACT.....	228
FIGURE 3-11. CYLINDER ASSEMBLY - UNDERLIFT TILT (HPL35).....	230
FIGURE 3-12. CYLINDER ASSEMBLY - UNDERLIFT TILT (HPL60).....	232
FIGURE 3-13. GRID INSTALLATION - MANUAL 3500LBS.....	234
FIGURE 3-14. GRID INSTALLATION - MANUAL 5000LBS.....	236
FIGURE 3-15. GRID INSTALLATION - PIVOTING T-37.....	238
FIGURE 3-16. CROSSBAR CAM-LOCK INSTALLATION - WHEEL LIFT.....	240
SECTION 4 - BODY.....	243
FIGURE 4-1. BODY INSTALLATION - ALUMINUM (BOTH SIDE TOOLBOXES - 60IN/84IN CA).....	244
FIGURE 4-2. BODY INSTALLATION - ALUMINUM (BOTH SIDE TOOLBOXES - 60IN/84IN CA) (AAA SPECS).....	246
FIGURE 4-3. BODY INSTALLATION - ALUMINUM (BOTH SIDE TOOLBOXES - 60IN/84IN CA) (ALBERTA SPECS).....	248
FIGURE 4-4. BODY INSTALLATION - ALUMINUM (BOTH SIDE TOOLBOXES - 60IN/84IN CA) (GSA SPECS).....	250
FIGURE 4-5. BODY INSTALLATION - ALUMINUM (DRIVERS SIDE TOOLBOX - 60IN CA).....	252
FIGURE 4-6. BODY INSTALLATION - ALUMINUM (DRIVERS SIDE TOOLBOX - 84IN CA).....	254
FIGURE 4-7. BODY INSTALLATION - ALUMINUM (NO TOOLBOXES - 60IN CA).....	256
FIGURE 4-8. BODY INSTALLATION - ALUMINUM (NO TOOLBOXES - 84IN CA).....	258
FIGURE 4-9. BODY INSTALLATION - STEEL (BOTH SIDE TOOLBOXES - 60IN/84IN CA).....	260
FIGURE 4-10. BODY INSTALLATION - STEEL (DRIVERS SIDE TOOLBOX - 60IN/84IN CA).....	262
FIGURE 4-11. BODY ASSEMBLY - ALUMINUM (BOTH SIDE TOOLBOXES - 60IN/84IN CA).....	264
FIGURE 4-12. BODY ASSEMBLY - ALUMINUM (BOTH SIDE TOOLBOXES - 60IN/84IN CA) (AAA SPECS).....	266
FIGURE 4-13. BODY ASSEMBLY - ALUMINUM (BOTH SIDE TOOLBOXES - 60IN/84IN CA) (ALBERTA SPECS).....	268
FIGURE 4-14. BODY ASSEMBLY - ALUMINUM (BOTH SIDE TOOLBOXES - 60IN/84IN CA) (GSA SPECS).....	270
FIGURE 4-15. BODY ASSEMBLY - ALUMINUM (DRIVERS SIDE TOOLBOX - 60IN CA).....	272
FIGURE 4-16. BODY ASSEMBLY - ALUMINUM (DRIVERS SIDE TOOLBOX - 84IN CA).....	274
FIGURE 4-17. BODY ASSEMBLY - ALUMINUM (NO TOOLBOXES - 60IN CA).....	276
FIGURE 4-18. BODY ASSEMBLY - ALUMINUM (NO TOOLBOXES - 84IN CA).....	278
FIGURE 4-19. BODY ASSEMBLY - STEEL (BOTH SIDE TOOLBOXES - 60IN/84IN CA).....	280

TABLE OF CONTENTS

FIGURE 4-20. BODY ASSEMBLY - STEEL (DRIVERS SIDE TOOLBOX - 60IN/84IN CA).....	282
FIGURE 4-21. BATTERY COVER INSTALLATION	284
FIGURE 4-22. FENDER FLARE INSTALLATION - ALUMINUM BODY (2.25IN).....	286
FIGURE 4-23. FENDER FLARE INSTALLATION - ALUMINUM BODY (4IN).....	288
FIGURE 4-24. FENDER FLARE INSTALLATION - STEEL BODY (2.25IN).....	290
FIGURE 4-25. FENDER FLARE INSTALLATION - STEEL BODY (4IN).....	292
FIGURE 4-26. CHAIN & GUARD INSTALLATION	294
FIGURE 4-27. PYLON INSTALLATION - 17IN.....	296
FIGURE 4-28. PYLON INSTALLATION - 20IN.....	298
FIGURE 4-29. PYLON INSTALLATION - 24IN TOOLBOX MOUNTED (ALUMINUM BODY) (SN 0230002518 through 0230009713)	300
FIGURE 4-30. PYLON INSTALLATION - 24IN TOOLBOX MOUNTED (ALUMINUM BODY) (SN 0230009714 to Present)	302
FIGURE 4-31. PYLON INSTALLATION - 24IN TOOLBOX MOUNTED (STEEL BODY).....	304
FIGURE 4-32. PYLON INSTALLATION - 27IN.....	306
FIGURE 4-33. PYLON INSTALLATION - 27IN TOOLBOX MOUNTED (ALUMINUM BODY) (SN 0230002518 through 0230009713)	308
FIGURE 4-34. PYLON INSTALLATION - 27IN TOOLBOX MOUNTED (ALUMINUM BODY) (SN 0230009714 to Present)	310
FIGURE 4-35. PYLON INSTALLATION - 27IN TOOLBOX MOUNTED (STEEL BODY).....	312
FIGURE 4-36. PYLON INSTALLATION - 32IN.....	314
FIGURE 4-37. PYLON INSTALLATION - 34IN BODY MOUNTED (ALUMINUM BODY) (SN 0230002518 through 0230009713)	316
FIGURE 4-38. PYLON INSTALLATION - 34IN BODY MOUNTED (ALUMINUM BODY) (SN 0230009714 to Present).....	318
FIGURE 4-39. PYLON INSTALLATION - 37IN BODY MOUNTED (ALUMINUM BODY) (SN 0230009714 to Present).....	320
FIGURE 4-40. PYLON INSTALLATION - 37IN BODY MOUNTED WITH SIDE MARKERS (ALUMINUM BODY) (SN 0230002518 through 0230009713)	322
FIGURE 4-41. PYLON INSTALLATION - 37IN BODY MOUNTED WITH SIDE MARKERS (ALUMINUM BODY) (SN 0230009714 to Present).....	324
FIGURE 4-42. PYLON INSTALLATION - 34IN BODY MOUNTED (STEEL BODY).....	326
FIGURE 4-43. PYLON INSTALLATION - 34IN TOOLBOX MOUNTED (ALUMINUM BODY) (SN 0230002518 through 0230009713)	328
FIGURE 4-44. PYLON INSTALLATION - 34IN TOOLBOX MOUNTED (ALUMINUM BODY) (SN 0230009714 to Present)	330
FIGURE 4-45. PYLON INSTALLATION – 34IN TOOLBOX MOUNTED WITH SIDE MARKERS (ALUMINUM BODY) (SN 0230009714 to Present)	332
FIGURE 4-46. PYLON INSTALLATION - 34IN TOOLBOX MOUNTED (STEEL BODY).....	334
FIGURE 4-47. PYLON INSTALLATION - 37IN BODY MOUNTED (ALUMINUM BODY) (SN 0230002518 through 0230009713)	336
FIGURE 4-48. PYLON INSTALLATION - 37IN TOOLBOX MOUNTED (ALUMINUM BODY) (SN 0230002518 through 0230009713)	338
FIGURE 4-49. PYLON INSTALLATION - 37IN TOOLBOX MOUNTED (ALUMINUM BODY) (SN 0230009714 to Present)	340
FIGURE 4-50. PYLON INSTALLATION - 37IN TOOLBOX MOUNTED (STEEL BODY).....	342
FIGURE 4-51. PYLON INSTALLATION - 40IN BODY MOUNTED (ALUMINUM BODY) (SN 0230002518 through 0230009713)	344
FIGURE 4-52. PYLON INSTALLATION - 40IN BODY MOUNTED (ALUMINUM BODY) (SN 0230009714 to Present).....	346
FIGURE 4-53. PYLON INSTALLATION - 40IN BODY MOUNTED (STEEL BODY).....	348
FIGURE 4-54. PYLON INSTALLATION - 40IN TOOLBOX MOUNTED (ALUMINUM BODY) (SN 0230002518 through 0230009713)	350
FIGURE 4-55. PYLON INSTALLATION - 40IN TOOLBOX MOUNTED (ALUMINUM BODY) (SN 0230009714 to Present)	352
FIGURE 4-56. PYLON INSTALLATION - 40IN TOOLBOX MOUNTED (STEEL BODY).....	354
FIGURE 4-57. PYLON INSTALLATION - 42IN BODY MOUNTED WITH SIDE MARKERS (ALUMINUM BODY).....	356
FIGURE 4-58. PYLON INSTALLATION - 50IN BODY MOUNTED (STEEL BODY).....	358
FIGURE 4-59. TUNNEL TOOLBOX INSTALLATION (ALUMINUM) (24IN IMPORT TRUCKS) (SN 0230002518 through 0230004178)	360
FIGURE 4-60. TUNNEL TOOLBOX INSTALLATION (ALUMINUM) (24IN IMPORT TRUCKS) (SN 0230004179 through 0230009713)	362
FIGURE 4-61. TUNNEL TOOLBOX INSTALLATION (ALUMINUM) (24IN IMPORT TRUCKS) (SN 0230009714 to Present)....	364
FIGURE 4-62. TUNNEL TOOLBOX INSTALLATION (ALUMINUM) (48IN IMPORT TRUCKS)	366
FIGURE 4-63. TUNNEL TOOLBOX INSTALLATION (ALUMINUM) (24IN CHEVY & GMC).....	368
FIGURE 4-64. TUNNEL TOOLBOX INSTALLATION (ALUMINUM) (24IN FORD, DODGE & IHC - STANDARD SPECS)	372
FIGURE 4-65. TUNNEL TOOLBOX INSTALLATION (ALUMINUM) (24IN FORD, DODGE & IHC - GSA SPECS)	376
FIGURE 4-66. TUNNEL TOOLBOX INSTALLATION (ALUMINUM) (24IN WITH RH BATTERY DRAWER)	380
FIGURE 4-67. TUNNEL TOOLBOX INSTALLATION (STEEL) (24IN CHEVY & GMC)	384
FIGURE 4-68. TUNNEL TOOLBOX INSTALLATION (STEEL) (24IN FORD, DODGE & IHC).....	386
FIGURE 4-69. TUNNEL TOOLBOX INSTALLATION (STEEL) (24IN IMPORT TRUCKS).....	388
FIGURE 4-70. PULL-OUT DRAWER INSTALLATION	390
FIGURE 4-71. STONE GUARD INSTALLATION (WITHOUT TUNNEL BOX)	392
FIGURE 4-72. STONE GUARD INSTALLATION (WITH TUNNEL BOX)	394
FIGURE 4-73. D-RING INSTALLATION (REAR OF TRUCK) (SN 0230002518 through 0230003707)	396

TABLE OF CONTENTS

SECTION 5 - CONTROLS.....	399
FIGURE 5-1. CONTROLS AND VALVE INSTALLATION - 3 BANK (MANUAL) (SN 0230002518 through 0230004926).....	400
FIGURE 5-2. CONTROLS AND VALVE INSTALLATION - 3 BANK (MANUAL) (SN 0230004626 to Present).....	402
FIGURE 5-3. CONTROLS AND VALVE INSTALLATION - 4 BANK (MANUAL).....	404
FIGURE 5-4. CONTROLS AND VALVE INSTALLATION - 4 BANK (ELECTRIC SOLENOID).....	406
FIGURE 5-5. CONTROLS AND VALVE INSTALLATION - 6 BANK (MANUAL).....	408
FIGURE 5-6. CONTROLS AND VALVE INSTALLATION - 6 BANK (ELECTRIC SOLENOID).....	410
FIGURE 5-7. CONTROLS AND VALVE INSTALLATION - 7 BANK (MANUAL).....	412
FIGURE 5-8. CONTROLS AND VALVE INSTALLATION - 7 BANK (MANUAL) (SPEEDWAY).....	414
FIGURE 5-9. CONTROLS AND VALVE INSTALLATION - 7 BANK (ELECTRIC 2 SOLENOID).....	416
FIGURE 5-10. CONTROLS AND VALVE INSTALLATION - 7 BANK (ELECTRIC 4 SOLENOID).....	418
FIGURE 5-11. CONTROLS AND VALVE INSTALLATION - 7 BANK (ELECTRIC 7 SOLENOID).....	420
FIGURE 5-12. CONTROL VALVE ASSEMBLY (ELECTRIC 2 SOLENOID).....	422
FIGURE 5-13. CONTROL VALVE ASSEMBLY (ELECTRIC 4 SOLENOID).....	424
FIGURE 5-14. CONTROL VALVE ASSEMBLY (ELECTRIC 7 SOLENOID).....	426
FIGURE 5-15. VALVE ASSEMBLY (MANUAL).....	428
FIGURE 5-16. REMOTE CONTROL INSTALLATION.....	430
FIGURE 5-17. REMOTE CONTROL INSTALLATION (GSA SPECS).....	432
FIGURE 5-18. HANDLE LEVER ASSEMBLY - 8000LBS WINCH (LH).....	434
FIGURE 5-19. HANDLE LEVER ASSEMBLY - 8000LBS WINCH (RH).....	436
FIGURE 5-20. HANDLE LEVER ASSEMBLY - 8000LBS WINCH (LH) (SPEEDWAY SPECS).....	438
FIGURE 5-21. HANDLE LEVER ASSEMBLY - 8000LBS WINCH (RH) (SPEEDWAY SPECS).....	440
FIGURE 5-22. HANDLE LEVER ASSEMBLY - 10000LBS WINCH (LH).....	442
FIGURE 5-23. HANDLE LEVER ASSEMBLY - 10000LBS WINCH (RH).....	444
FIGURE 5-24. HANDLE LEVER ASSEMBLY - 12000LBS WINCH (LH).....	446
FIGURE 5-25. HANDLE LEVER ASSEMBLY - 12000LBS WINCH (RH).....	448
SECTION 6 - HYDRAULIC.....	451
FIGURE 6-1. HOSE AND CLAMP INSTALLATION (CHEVY/GMC - 137IN WB).....	452
FIGURE 6-2. HOSE AND CLAMP INSTALLATION (CHEVY/GMC - 162IN WB).....	454
FIGURE 6-3. HOSE AND CLAMP INSTALLATION (CV515 - 165IN WB - LH PTO).....	456
FIGURE 6-4. HOSE AND CLAMP INSTALLATION (CV515 - 165IN WB - RH PTO).....	458
FIGURE 6-5. HOSE AND CLAMP INSTALLATION (CV515 - 175IN WB - LH PTO).....	460
FIGURE 6-6. HOSE AND CLAMP INSTALLATION (CV515 - 175IN WB - RH PTO).....	462
FIGURE 6-7. HOSE AND CLAMP INSTALLATION (CV515 - 199IN WB - LH PTO).....	464
FIGURE 6-8. HOSE AND CLAMP INSTALLATION (CV515 - 199IN WB - RH PTO).....	466
FIGURE 6-9. HOSE AND CLAMP INSTALLATION (FORD - 140IN WB).....	468
FIGURE 6-10. HOSE AND CLAMP INSTALLATION (FORD - 145IN WB).....	470
FIGURE 6-11. HOSE AND CLAMP INSTALLATION (FORD - 164IN WB).....	472
FIGURE 6-12. HOSE AND CLAMP INSTALLATION (FORD - 169IN WB).....	474
FIGURE 6-13. HOSE AND CLAMP INSTALLATION (FORD - 176IN WB).....	476
FIGURE 6-14. HOSE AND CLAMP INSTALLATION (FORD - 180IN WB).....	478
FIGURE 6-15. HOSE AND CLAMP INSTALLATION (FORD - 189IN WB).....	480
FIGURE 6-16. HOSE AND CLAMP INSTALLATION (FORD - 193IN WB).....	482
FIGURE 6-17. HOSE AND CLAMP INSTALLATION (FORD - 200IN WB).....	484
FIGURE 6-18. HOSE AND CLAMP INSTALLATION (FORD - 204IN WB).....	486
FIGURE 6-19. HOSE INSTALLATION - BOOM WINCH (8K LBS BOOM - 8000LBS SINGLE WINCH).....	488
FIGURE 6-20. HOSE INSTALLATION - BOOM WINCH (18.5K LBS BOOM - 8000LBS SINGLE WINCH).....	490
FIGURE 6-21. HOSE INSTALLATION - BOOM WINCH (18.5K LBS BOOM - 8000LBS DUAL WINCH).....	492
FIGURE 6-22. HOSE INSTALLATION - BOOM WINCH (18.5K LBS BOOM - 8000 LBS DUAL WINCH) (SPEEDWAY SPECS).....	494
FIGURE 6-23. HOSE INSTALLATION - BOOM WINCH (18.5K LBS BOOM - 8000 LBS DUAL WINCH) (WITH COUNTERBALANCE VALVES).....	496
FIGURE 6-24. HOSE INSTALLATION - BOOM WINCH (24K LBS BOOM - 10000LBS BOOM SINGLE WINCH).....	498
FIGURE 6-25. HOSE INSTALLATION - BOOM WINCH (24K LBS BOOM - 10000LBS BOOM DUAL WINCH).....	500
FIGURE 6-26. HOSE INSTALLATION - BOOM WINCH (24K LBS BOOM - 10000 LBS DUAL WINCH) (WITH COUNTERBALANCE VALVES).....	502
FIGURE 6-27. HOSE INSTALLATION - BOOM WINCH (24K LBS BOOM - 12000 LBS SINGLE WINCH) (WEST COAST SPECS).....	504
FIGURE 6-28. HOSE INSTALLATION - BOOM WINCH (24K LBS BOOM - 12000LBS BOOM DUAL WINCH).....	506
FIGURE 6-29. HOSE INSTALLATION - BOOM WINCH (24K LBS BOOM - 12000 LBS DUAL WINCH) (WEST COAST SPECS).....	508
FIGURE 6-30. HOSE INSTALLATION - WHEEL LIFT (HPL35).....	510
FIGURE 6-31. HOSE INSTALLATION - WHEEL LIFT (HPL60).....	512
FIGURE 6-32. TANK AND FILTER (HYDRAULIC) INSTALLATION (STANDARD).....	514
FIGURE 6-33. TANK AND FILTER (HYDRAULIC) INSTALLATION (GSA SPECS).....	516

TABLE OF CONTENTS

FIGURE 6-34. TANK AND FILTER (HYDRAULIC) INSTALLATION (SPEEDWAY SPECS)	518
SECTION 7 - ELECTRICAL	521
FIGURE 7-1. ALARM INSTALLATION - BACK-UP (FIXED) (CHEVY/GMC)	522
FIGURE 7-2. ALARM INSTALLATION - BACK-UP (FIXED) (FORD/IHC).....	524
FIGURE 7-3. ALARM INSTALLATION - BACK-UP (VARIABLE)	526
FIGURE 7-4. ALARM HARNESS - BACK-UP (FIXED) (CHEVY/GMC)	528
FIGURE 7-5. BACKUP CAMERA IINSTALLATION (WITH DVR).....	530
FIGURE 7-6. BACKUP CAMERA IN REAR VIEW MIRROR INSTALLATION	532
FIGURE 7-7. BACKUP CAMERA INSTALLATION (CHASSIS SUPPLIED).....	534
FIGURE 7-8. BACKUP CAMERA INSTALLATION (CHASSIS SUPPLIED) (CV515).....	536
FIGURE 7-9. BODY ELECTRICAL INSTALLATION (SN 0230002518 through 0230008713)	538
FIGURE 7-10. BODY ELECTRICAL INSTALLATION (SN 0230008714 to Present).....	540
FIGURE 7-11. BODY HARNESS (SN 0230002518 through 0230008713)	542
FIGURE 7-12. BODY HARNESS (SN 0230008714 to Present)	544
FIGURE 7-13. BREAKER INSTALLATION - 50AMP.....	546
FIGURE 7-14. CAB TO SUBFRAME HARNESS (SN 0230002518 through 0230008713)	548
FIGURE 7-15. CAB TO SUBFRAME HARNESS (SN 0230008714 to Present)	550
FIGURE 7-16. CABINET LIGHT AND FUSE INSTALLATION	552
FIGURE 7-17. LIGHTBAR INSTALLATION - CODE 3 BRAND (58IN 4 LIGHT)	554
FIGURE 7-18. LIGHTBAR INSTALLATION - CODE 3 BRAND (58IN 10 LIGHT)	556
FIGURE 7-19. LIGHTBAR INSTALLATION - ECCO (60IN)	558
FIGURE 7-20. LIGHTBAR INSTALLATION - WHELEN BRAND (60IN 4 LIGHT)	560
FIGURE 7-21. LIGHTBAR INSTALLATION - WHELEN BRAND (60IN 4 LIGHT)	562
FIGURE 7-22. LIGHTBAR ASSEMBLY - CODE 3 BRAND (58IN 4 LIGHT)	564
FIGURE 7-23. LIGHTBAR ASSEMBLY - CODE 3 BRAND (58IN 10 LIGHT)	566
FIGURE 7-24. LIGHTBAR ASSEMBLY - ECCO 60IN.....	568
FIGURE 7-25. LIGHTBAR ASSEMBLY - WHELEN 60IN.....	570
FIGURE 7-26. LIGHTBAR BRACKET INSTALLATION (FOLDING) (ALUMINUM BODY)	574
FIGURE 7-27. LIGHTBAR BRACKET INSTALLATION (FOLDING) (STEEL BODY).....	576
FIGURE 7-28. LIGHTS - PYLON MARKER LIGHT INSTALLATION.....	578
FIGURE 7-29. LIGHTS - PYLON MARKER LIGHT INSTALLATION.....	580
FIGURE 7-30. LIGHTS - PYLON MARKER LIGHT INSTALLATION (PYLON/HEADBOARD MOUNTED)	582
FIGURE 7-31. LIGHTS - PYLON LIGHTS HARNESS (BODY MOUNTED PYLON) (SN 0230002518 through 0230009713)....	584
FIGURE 7-32. LIGHTS - PYLON LIGHTS HARNESS (BODY MOUNTED PYLON) (SN 0230008714 to Present).....	586
FIGURE 7-33. LIGHTS - PYLON LIGHTS HARNESS (BODY MOUNTED PYLON WITH SIDE MARKER LIGHTS) (SN 0230002518 through 0230009713).....	588
FIGURE 7-34. LIGHTS - PYLON LIGHTS HARNESS (TOOLBOX MOUNTED PYLON) (SN 0230002518 through 0230009713)	590
FIGURE 7-35. LIGHTS - PYLON LIGHTS HARNESS (TOOLBOX MOUNTED PYLON) (SN 0230008714 to Present)	592
FIGURE 7-36. LIGHTS - PYLON LIGHTS HARNESS (TOOLBOX MOUNTED PYLON WITH SIDE MARKER LIGHTS) (SN 0230008714 to Present)	594
FIGURE 7-37. LIGHTS - TAILLIGHT CONVERSION.....	596
FIGURE 7-38. LIGHTS - TUNNEL TOOLBOX LIGHTS INSTALLATION (ALUMINUM BODY)	598
FIGURE 7-39. LIGHTS - TUNNEL TOOLBOX LIGHTS INSTALLATION (STEEL BODY)	600
FIGURE 7-40. LIGHTS - WORKLIGHTS INSTALLATION (LOWER HOOK UP MOUNTED)	602
FIGURE 7-41. LIGHTS - WORKLIGHTS INSTALLATION (PYLON MOUNTED) (RECTANGULAR).....	604
FIGURE 7-42. LIGHTS - WORKLIGHTS INSTALLATION (PYLON MOUNTED) (ROUND)	606
FIGURE 7-43. LIGHTS INSTALLATION (ALUMINUM BODY - BOTH SIDE TOOLBOXES) (SN 0230002518 through 0230009713)	608
FIGURE 7-44. LIGHTS INSTALLATION (ALUMINUM BODY - BOTH SIDE TOOLBOXES) (SN 0230009714 to Present)	610
FIGURE 7-45. LIGHTS INSTALLATION (ALUMINUM BODY - DRIVER SIDE TOOLBOX ONLY) (SN 0230002518 through 0230009713)	612
FIGURE 7-46. LIGHTS INSTALLATION (ALUMINUM BODY - DRIVER SIDE TOOLBOX ONLY) (SN 0230009714 to Present)	614
FIGURE 7-47. LIGHTS INSTALLATION (ALUMINUM BODY - NO TOOLBOXES)	616
FIGURE 7-48. LIGHTS INSTALLATION (STEEL BODY).....	618
FIGURE 7-49. PTO ELECTRICAL ASSEMBLY - FORD PTO.....	620
FIGURE 7-50. REMOTE CONTROL HARNESS.....	622
FIGURE 7-51. REMOTE CONTROL HARNESS (IN CAB).....	624
FIGURE 7-52. SWITCH PANEL INSTALLATION - 2 FUNCTION (SN 0230002518 through 0230009713)	626
FIGURE 7-53. SWITCH PANEL INSTALLATION - 3 FUNCTION (IN DASH COMPACT)	628
FIGURE 7-54. SWITCH PANEL INSTALLATION - 3 FUNCTION (IN DASH COMPACT.....	630
FIGURE 7-55. SWITCH PANEL INSTALLATION - 3 FUNCTION (CVC 2019+) (SN 0230002518 through 0230009713)	632
FIGURE 7-56. SWITCH PANEL INSTALLATION - 3 FUNCTION (CVC 2019+) (SN 0230009714 to Present).....	634
FIGURE 7-57. SWITCH PANEL INSTALLATION - 3 FUNCTION (DODGE 2013+) (SN 0230002518 through 0230009713)	636
FIGURE 7-58. SWITCH PANEL INSTALLATION - 3 FUNCTION (DODGE 2013+).....	638

TABLE OF CONTENTS

FIGURE 7-59. SWITCH PANEL INSTALLATION - 3 FUNCTION (UNDER DASH COMPACT) (SN 0230002518 through 0230009713)	640
FIGURE 7-60. SWITCH PANEL INSTALLATION – 3/4 FUNCTION (3 UNDER/4 IN DASH COMPACT)	642
FIGURE 7-61. SWITCH PANEL INSTALLATION – 4 FUNCTION (SN 0230002518 through 0230009713)	644
FIGURE 7-62. SWITCH PANEL INSTALLATION - 4 FUNCTION (SN 0230009714 to Present)	646
FIGURE 7-63. SWITCH PANEL INSTALLATION - 4 FUNCTION (FORD F450-F550 2011-2016 - AAA SPECS) (SN 0230002518 through 0230009713)	648
FIGURE 7-64. SWITCH PANEL INSTALLATION - 4 FUNCTION (FORD F450-F550 2011-2016 - AAA SPECS) (SN 0230009714 to Present)	650
FIGURE 7-65. SWITCH PANEL INSTALLATION - 4 FUNCTION (FORD F650-F750 2011-2016) (SN 0230002518 through 0230009713)	652
FIGURE 7-66. SWITCH PANEL INSTALLATION - 4 FUNCTION (FORD F650-F750 2011-2016) (SN 0230009714 to Present)	654
FIGURE 7-67. SWITCH PANEL INSTALLATION - 5 FUNCTION (IN DASH COMPACT) (SN 0230002518 through 0230009713)	656
FIGURE 7-68. SWITCH PANEL INSTALLATION - 5 FUNCTION (IN DASH COMPACT)	658
FIGURE 7-69. SWITCH PANEL INSTALLATION - 5 FUNCTION (UNDER DASH COMPACT)	660
FIGURE 7-70. SWITCH PANEL INSTALLATION - 5 FUNCTION (UNDER DASH COMPACT) (SN 0230002518 through 0230009713)	662
FIGURE 7-71. SWITCH PANEL INSTALLATION - 6 FUNCTION (FORD F450-F550 2017+) (SN 0230002518 through 0230009713)	664
FIGURE 7-72. SWITCH PANEL INSTALLATION - 6 FUNCTION (FORD F450-F550 2017+) (SN 0230009714 to Present)	666
FIGURE 7-73. TUNNEL BOX HARNESS (SN 0230002518 through 0230009713)	668
FIGURE 7-74. TUNNEL BOX HARNESS (SN 0230009714 to Present)	670
FIGURE 7-75. HARNESS CLAMP SUPPORT INSTALLATION (TOP OF BODY) (SN 0230002518 through 0230007545)	672
SECTION 8 - DECAL	675
FIGURE 8-1. DECAL INSTALLATION - STANDARD (HPL35) (SN 0230002518 through 0230006187)	676
FIGURE 8-2. DECAL INSTALLATION - STANDARD (HPL35) (SN 0230006187 to Present)	678
FIGURE 8-3. DECAL INSTALLATION - STANDARD (HPL60) (SN 0230002518 through 0230003297)	680
FIGURE 8-4. DECAL INSTALLATION - STANDARD (HPL60) (SN 0230003298 through 0230006186)	682
FIGURE 8-5. DECAL INSTALLATION - STANDARD (HPL60) (SN 0230006187 to Present)	684
FIGURE 8-6. DECAL INSTALLATION - HPL35 (RED)	686
FIGURE 8-7. DECAL INSTALLATION - HPL35 (WHITE)	688
FIGURE 8-8. DECAL INSTALLATION - HPL60 (RED)	690
FIGURE 8-9. DECAL INSTALLATION - HPL60 (WHITE)	692
FIGURE 8-10. DECAL INSTALLATION - WHEEL LIFT GRID (MANUAL)	694
FIGURE 8-11. DECAL INSTALLATION - WHEEL LIFT GRID (PIVOTING)	696
FIGURE 8-12. DECAL INSTALLATION (GSA SPECS - COUGAR) (SN 0230002518 through 0230007544)	698
SECTION 9 - ACCESSORIES	701
FIGURE 9-1. KITS LIST	702
FIGURE 9-2. BUMPER INSTALLATION - PUSH (FRONT WITH GRILL GUARD) (DODGE 2011+)	704
FIGURE 9-3. BUMPER INSTALLATION - PUSH (FRONT WITH GRILL GUARD) (FORD F450-F550 2011-2016)	706
FIGURE 9-4. BUMPER INSTALLATION - PUSH (FRONT WITH GRILL GUARD) (FORD F450-F550 2017+)	708
FIGURE 9-5. BUMPER INSTALLATION - PUSH (FRONT) (CV515 4X2 2019+)	710
FIGURE 9-6. BUMPER INSTALLATION - PUSH (FRONT) (CV515 4X4 2019+)	712
FIGURE 9-7. BUMPER INSTALLATION - PUSH (FRONT) (FORD F450-F550 2011-2016)	714
FIGURE 9-8. BUMPER INSTALLATION - PUSH (FRONT) (FORD F450-F550 2017+)	716
FIGURE 9-9. BUMPER INSTALLATION - PUSH (FRONT) (FORD F650-F750 2011-2016)	718
FIGURE 9-10. BUMPER INSTALLATION - PUSH (FRONT) (FREIGHTLINER 2008+)	720
FIGURE 9-11. DOLLY INSTALLATION (ALUMINUM)	722
FIGURE 9-12. DOLLY INSTALLATION (STEEL)	724
FIGURE 9-13. FIRE EXTINGUISHER	726
FIGURE 9-14. FORK - FRAME (LARGE)	728
FIGURE 9-15. FORK - FRAME (SMALL)	730
FIGURE 9-16. FORK - SPRING HANGAR (1 PAIR)	732
FIGURE 9-17. FORK HOLDERS - HIGH (1 PAIR)	734
FIGURE 9-18. FORK HOLDERS - LOW (1 PAIR)	736
FIGURE 9-19. FORK RISERS	738
FIGURE 9-20. FUEL CAN STORAGE TRAY INSTALLATION (SN 0230003432 to Present)	740
FIGURE 9-21. FUEL CAN STORAGE TRAY INSTALLATION (SN 0230002518 through 0230003431)	742
FIGURE 9-22. HITCH ASSEMBLY - DUAL LINE (MEDIUM DUTY)	744
FIGURE 9-23. MUDFLAPS INSTALLATION - FACTORY SUPPLIED (19IN WIDE) (ALUMINUM BODY)	746
FIGURE 9-24. MUDFLAPS INSTALLATION - FACTORY SUPPLIED (19IN WIDE) (STEEL BODY)	748
FIGURE 9-25. MUDFLAPS INSTALLATION - FACTORY SUPPLIED (24IN WIDE) (ALUMINUM BODY)	750

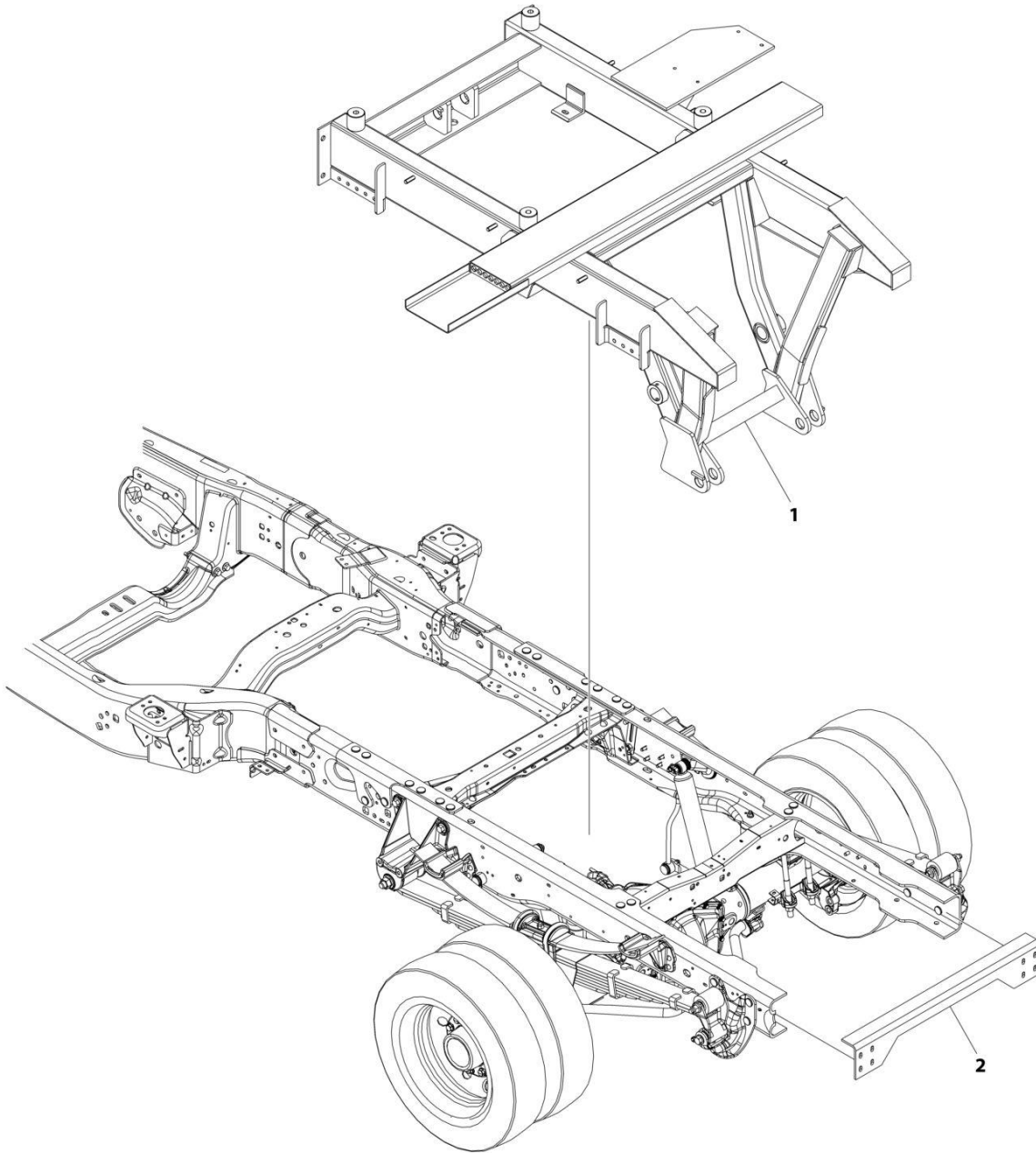
TABLE OF CONTENTS

FIGURE 9-26. MUDFLAPS INSTALLATION - FACTORY SUPPLIED (24IN WIDE) (STEEL BODY ON FORD/DODGE).....	752
FIGURE 9-27. MUDFLAPS INSTALLATION - FACTORY SUPPLIED (24IN WIDE) (STEEL BODY ON IHC).....	754
FIGURE 9-28. SAFETY TRIANGLE KIT.....	756
FIGURE 9-29. SCOTCH BLOCKS WITH STORAGE BRACKETS (LARGE).....	758
FIGURE 9-30. SCOTCH BLOCKS WITH STORAGE BRACKETS (SMALL).....	760
FIGURE 9-31. TOW LIGHTS - MAGNETIC.....	762
FIGURE 9-32. TOW LIGHTS - MAGNETIC/SUCTION.....	764
FIGURE 9-33. TOW SLING ASSEMBLY - DUAL LINE (LIGHT DUTY).....	766
FIGURE 9-34. TOW SLING ASSEMBLY - SINGLE LINE.....	768
FIGURE 9-35. VALVE STEM EXTENSION KIT.....	770
FIGURE 9-36. WHEEL CHOCKS - RUBBER.....	772
SECTION 10 - BUILD DOCUMENTS.....	775
FIGURE 10-1. BUILD DOC_5376000249.....	776
PART NUMBER INDEX.....	779

SECTION 1 - SUBFRAME

SECTION 1 - SUBFRAME

FIGURE 1-1. SUBFRAME INSTALLATION (STANDARD)



ART_1001125909

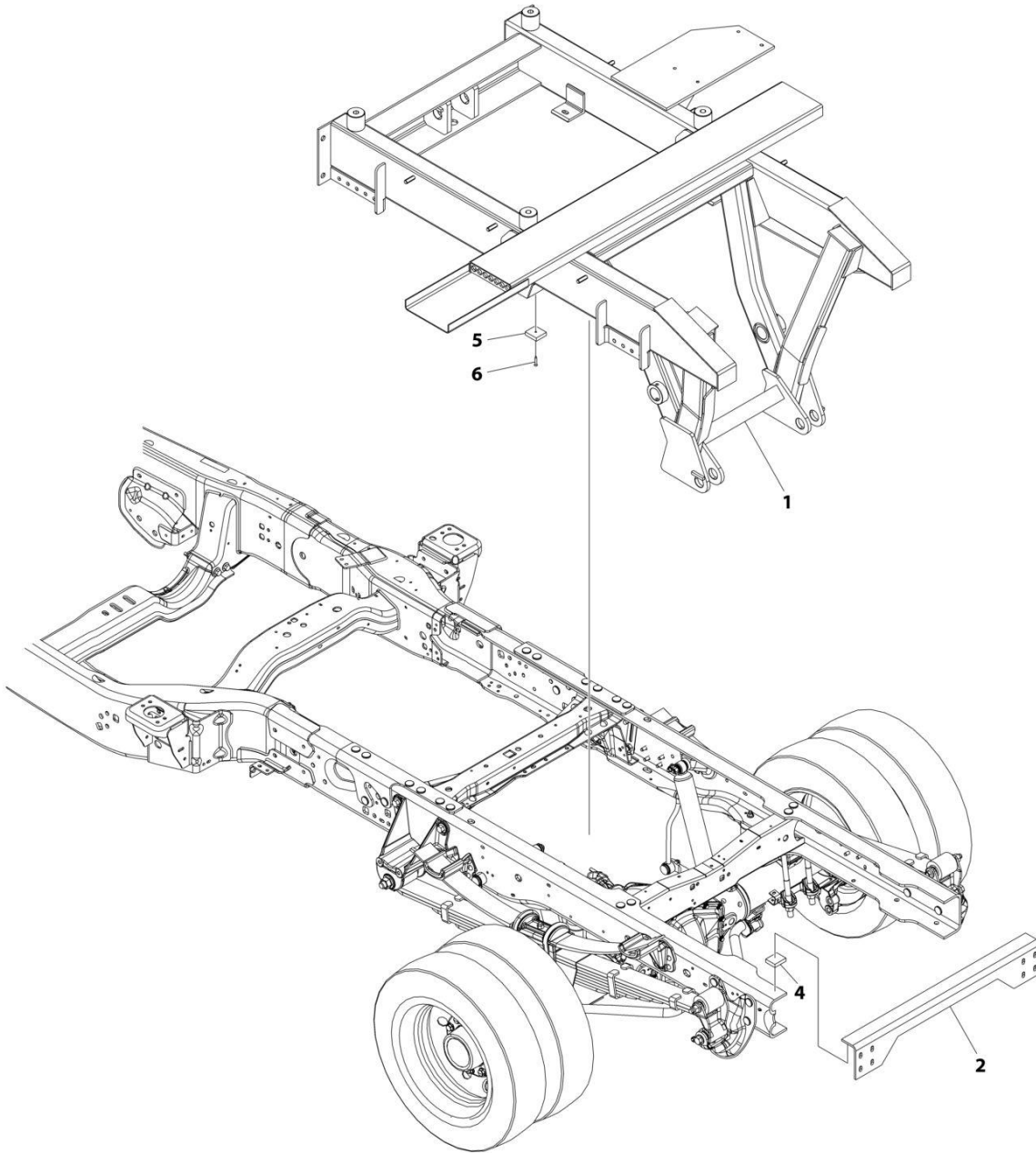
SECTION 1 - SUBFRAME

FIGURE 1-1. SUBFRAME INSTALLATION (STANDARD)

ITEM	PART NUMBER	QTY	DESCRIPTION	REV
	1001125909	Ref	SUBFRAME INSTALLATION (STANDARD)	B
1	1001125910	1	Subframe	
2	4017000387	1	Angle	

SECTION 1 - SUBFRAME

FIGURE 1-2. SUBFRAME INSTALLATION (IHC TERRASTAR)



ART_1001157352

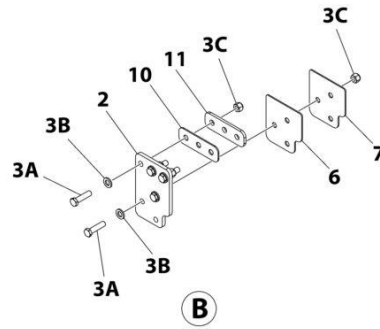
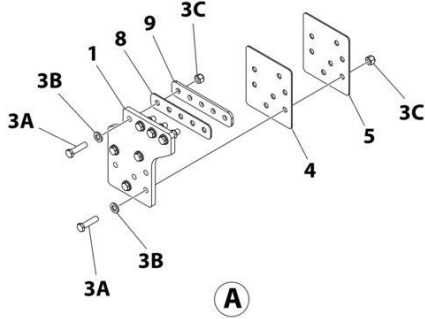
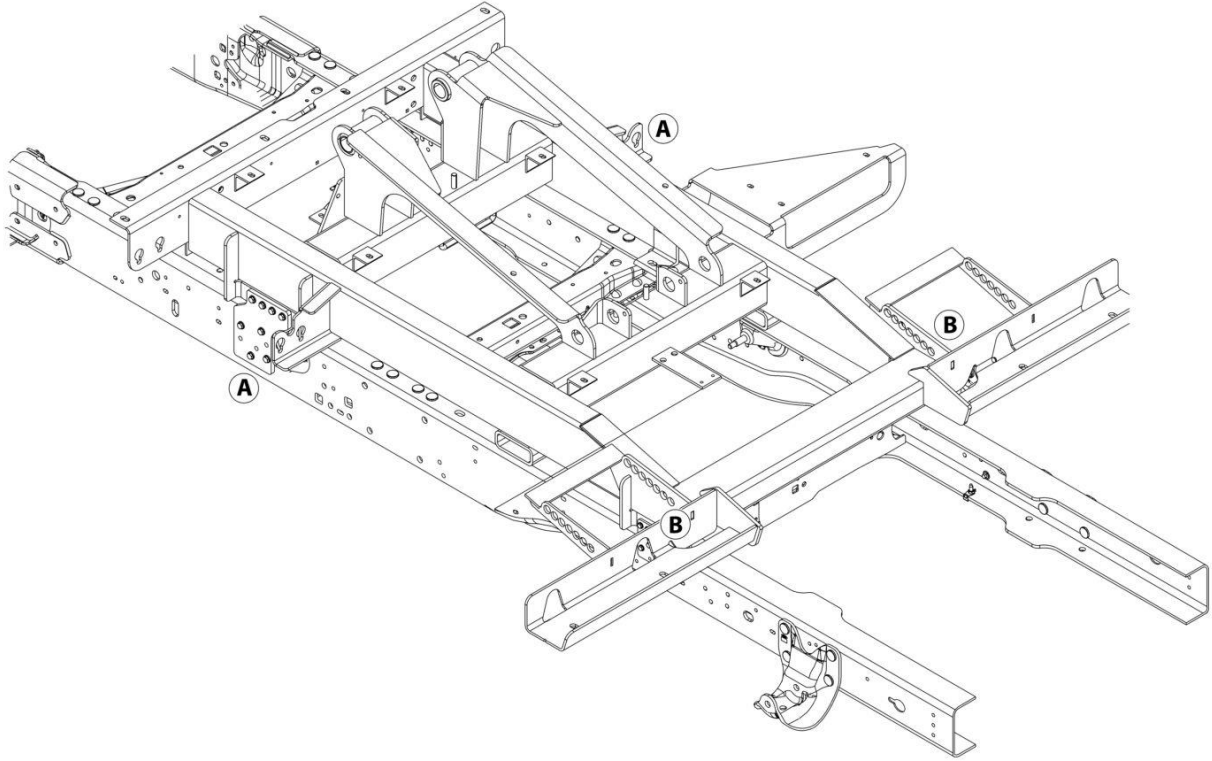
SECTION 1 - SUBFRAME

FIGURE 1-2. SUBFRAME INSTALLATION (IHC TERRASTAR)

ITEM	PART NUMBER	QTY	DESCRIPTION	REV
	1001157352	Ref	SUBFRAME INSTALLATION (IHC TERRASTAR)	B
1	1001125910	1	Subframe	
2	4017000387	1	Angle	
3	4705000507	2	Plate	
4	1001158994	2	Pad	
5	7786000007	2	Bolt 5/16 x 2	

SECTION 1 - SUBFRAME

FIGURE 1-3. CHASSIS MOUNTING KIT - GENERIC



ART_1001127338

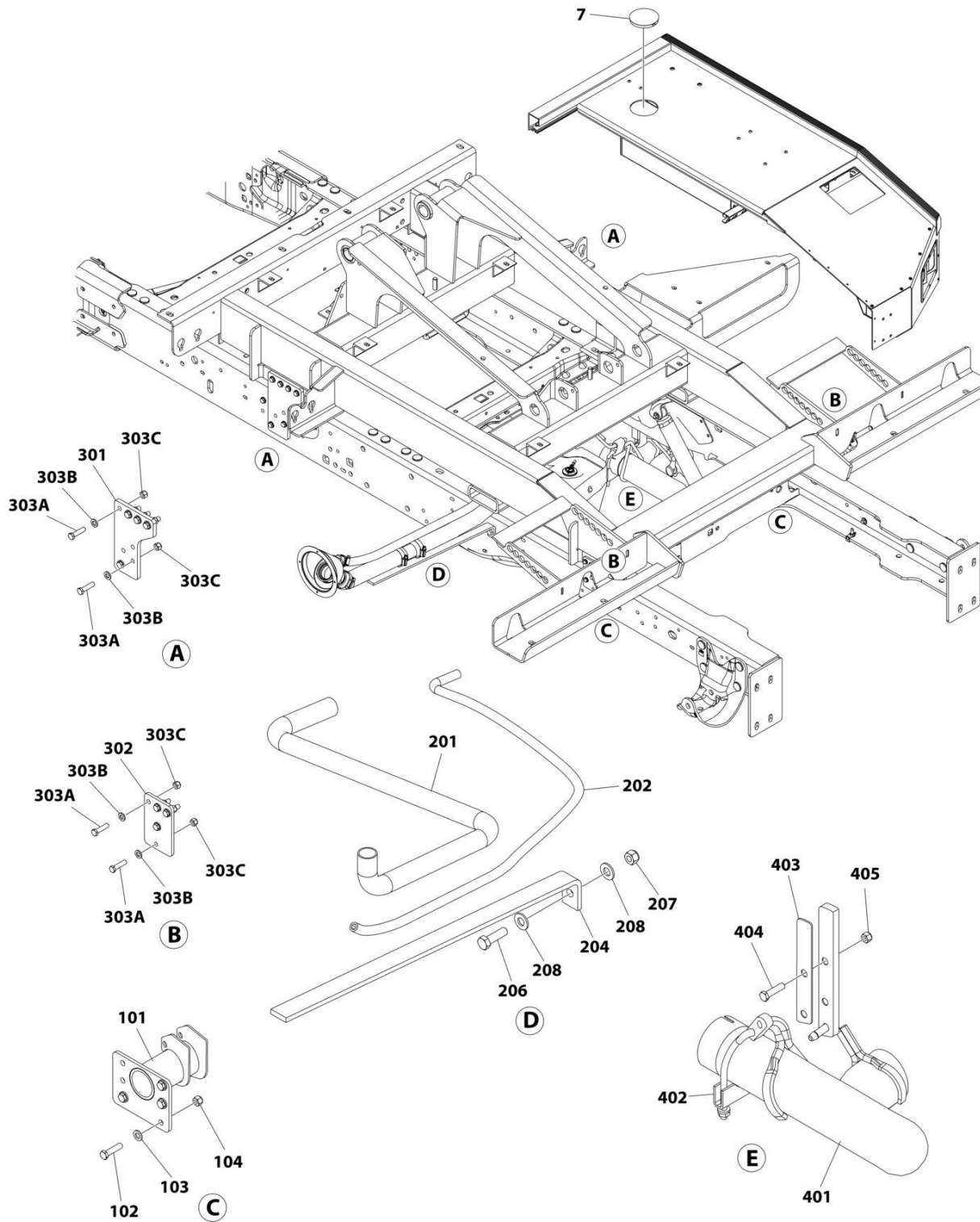
SECTION 1 - SUBFRAME

FIGURE 1-3. CHASSIS MOUNTING KIT - GENERIC

ITEM	PART NUMBER	QTY	DESCRIPTION	REV
	1001127338	Ref	CHASSIS MOUNTING KIT - GENERIC	0
1	4706005904	2	Plate	
2	4706006442	2	Plate (Rear)	
3	7577000693	1	Kit-Saddle (Not Shown) (See Items 3A-3C for Breakdown)	
3A	7115181650	26	Bolt 1/2 x 2	
3B	7950180153	26	Washer 1/2	
3C	7660182601	26	Nut 1/2	
4	1001127340	2	Shim	
5	1001127341	2	Shim	
6	4812000142	2	Shim	
7	1001127342	2	Shim	
8	4811001194	2	Plate	
9	4706005906	2	Plate	
10	1001127387	2	Shim	
11	1001127388	2	Shim	

SECTION 1 - SUBFRAME

FIGURE 1-4. CHASSIS MOUNTING KIT - CHEVY/GMC DIESEL WITH 60IN CA



ART_1001132118

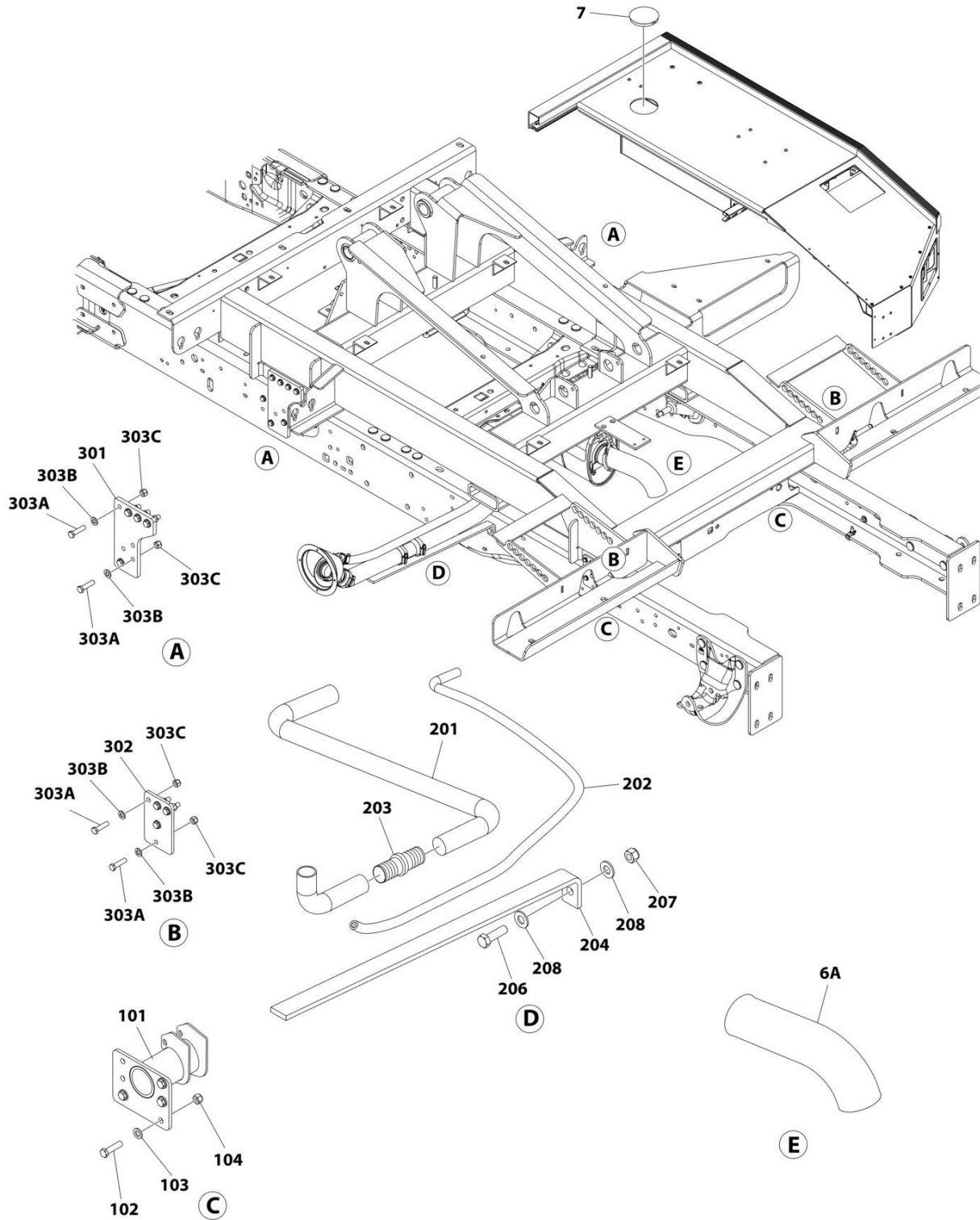
SECTION 1 - SUBFRAME

FIGURE 1-4. CHASSIS MOUNTING KIT - CHEVY/GMC DIESEL WITH 60IN CA

ITEM	PART NUMBER	QTY	DESCRIPTION	REV
	1001132118	Ref	CHASSIS MOUNTING KIT - CHEVY/GMC 2011 DIESEL WITH 60IN CA	D
1	1001131398	Ref	Shock Mount Installation (Not Shown) (See Items 101-104 for Breakdown)	
2	2570000174	Ref	Hose Installation (Not Shown) (See Items 201-208 for Breakdown)	
3	1001131517	Ref	Saddle Plate Installation (Not Shown) (See Items 301-304 for Breakdown)	
6	1001132111	Ref	Exhaust Rework Installation (Not Shown) (See Items 401-405 for Breakdown)	
7	7701000075	1	Plug	
	1001131398	Ref	SHOCK MOUNT INSTALLATION	0
101	1001131340	1	Mount, Shock	
102	7115181450	4	Bolt 1/2 x 1-3/4	
103	7950180153	4	Washer 1/2	
104	7660182601	4	Nut 1/2	
	2570000174	Ref	HOSE INSTALLATION	B
201	7570000037	1	Hose	
202	7570000021	1	Hose	
204	4533000415	1	Bracket	
205	5526000553	8	Tie-Strap (Not Shown)	
206	7115161050	1	Bolt 3/8 x 1-1/4	
207	7660162601	1	Nut 3/8	
208	7950160141	2	Washer 3/8	
	1001131517	Ref	SADDLE PLATE INSTALLATION	0
301	1001131515	2	Plate	
302	1001131516	2	Plate Rear	
303	7577000634	1	Kit-Saddle Bolt (Not Shown)	
303A	7115181650	26	Bolt 1/2 x 2	
303B	7950180153	26	Washer 1/2	
303C	7660182601	26	Nut 1/2	
304	7115181050	8	Bolt 1/2 x 1-1/4 (Not Shown)	
	1001132111	Ref	EXHAUST REWORK INSTALLATION	0
401	1001132104	1	Pipe, Exhaust	
402	7274000110	1	Clamp, Muffler	
403	1001132003	1	Bracket	
404	7115181250	2	Bolt 1/2 x 1-1/2	
405	7660182601	2	Nut 1/2	

SECTION 1 - SUBFRAME

FIGURE 1-5. CHASSIS MOUNTING KIT - CHEVY/GMC GAS WITH 60IN CA (SN 0230002518 through 0230003431)



ART_SP-MKGMG11HPL

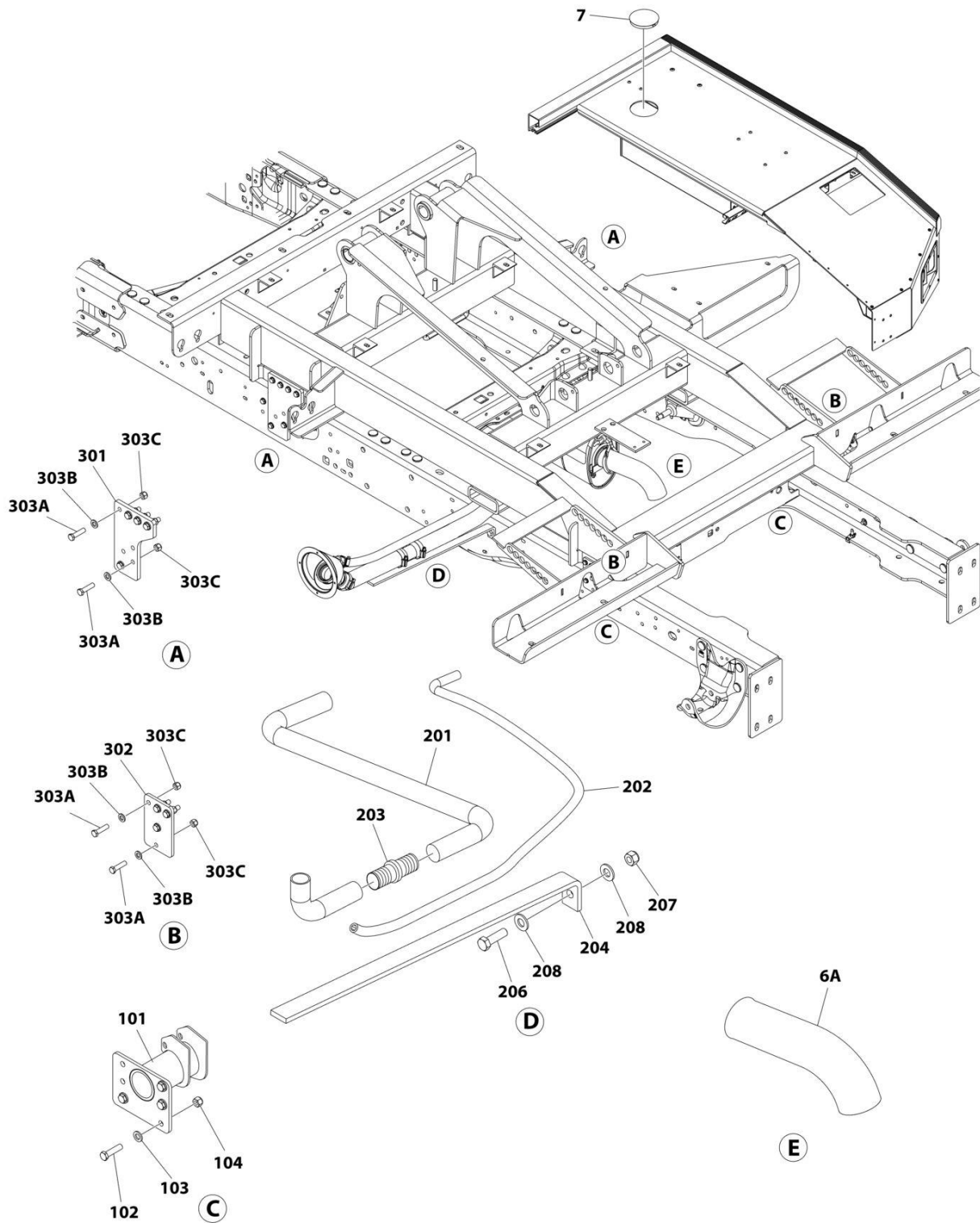
SECTION 1 - SUBFRAME

FIGURE 1-5. CHASSIS MOUNTING KIT - CHEVY/GMC GAS WITH 60IN CA (SN 0230002518 through 0230003431)

ITEM	PART NUMBER	QTY	DESCRIPTION	REV
	SP-MKGMG11HPL	Ref	CHASSIS MOUNTING KIT - CHEVY/GMC 2011 GAS WITH 60IN CA	D
1	1001131398	Ref	Shock Mount Installation (Not Shown) (See Items 101-104 for Breakdown)	
2	2570000170	Ref	Hose Installation (Not Shown) (See Items 201-208 for Breakdown)	
3	1001151517	Ref	Saddle Plate Installation (Not Shown) (See Items 301-304 for Breakdown)	
6	1001131725	Ref	Exhaust Rework Installation (Not Shown)	
6A	1001131704	1	Pipe, Exhaust	
7	7701000075	1	Plug	
	1001131398	Ref	SHOCK MOUNT INSTALLATION	0
101	1001131340	1	Mount, Shock	
102	7115181450	4	Bolt 1/2 x 1-3/4	
103	7950180153	4	Washer 1/2	
104	7660182601	4	Nut 1/2	
	2570000170	Ref	HOSE INSTALLATION	B
201	7570000028	1	Hose	
202	7570000021	1	Hose	
203	7443000354	2	Fitting	
204	4533000415	1	Bracket	
205	5526000553	8	Tie-Strap (Not Shown)	
206	7115161050	1	Bolt 3/8 x 1-1/4	
207	7660162601	1	Nut 3/8	
208	7950160141	2	Washer 3/8	
	1001131517	Ref	SADDLE PLATE INSTALLATION	0
301	1001131515	2	Plate	
302	1001131516	2	Plate Rear	
303	7577000634	1	Kit-Saddle Bolt (Not Shown)	
303A	7115181650	26	Bolt 1/2 x 2	
303B	7950180153	26	Washer 1/2	
303C	7660182601	26	Nut 1/2	
304	7115181050	8	Bolt 1/2 x 1-1/4 (Not Shown)	

SECTION 1 - SUBFRAME

FIGURE 1-6. CHASSIS MOUNTING KIT - CHEVY/GMC GAS WITH 60IN CA (SN 0230003432 to Present)



ART_1001211209

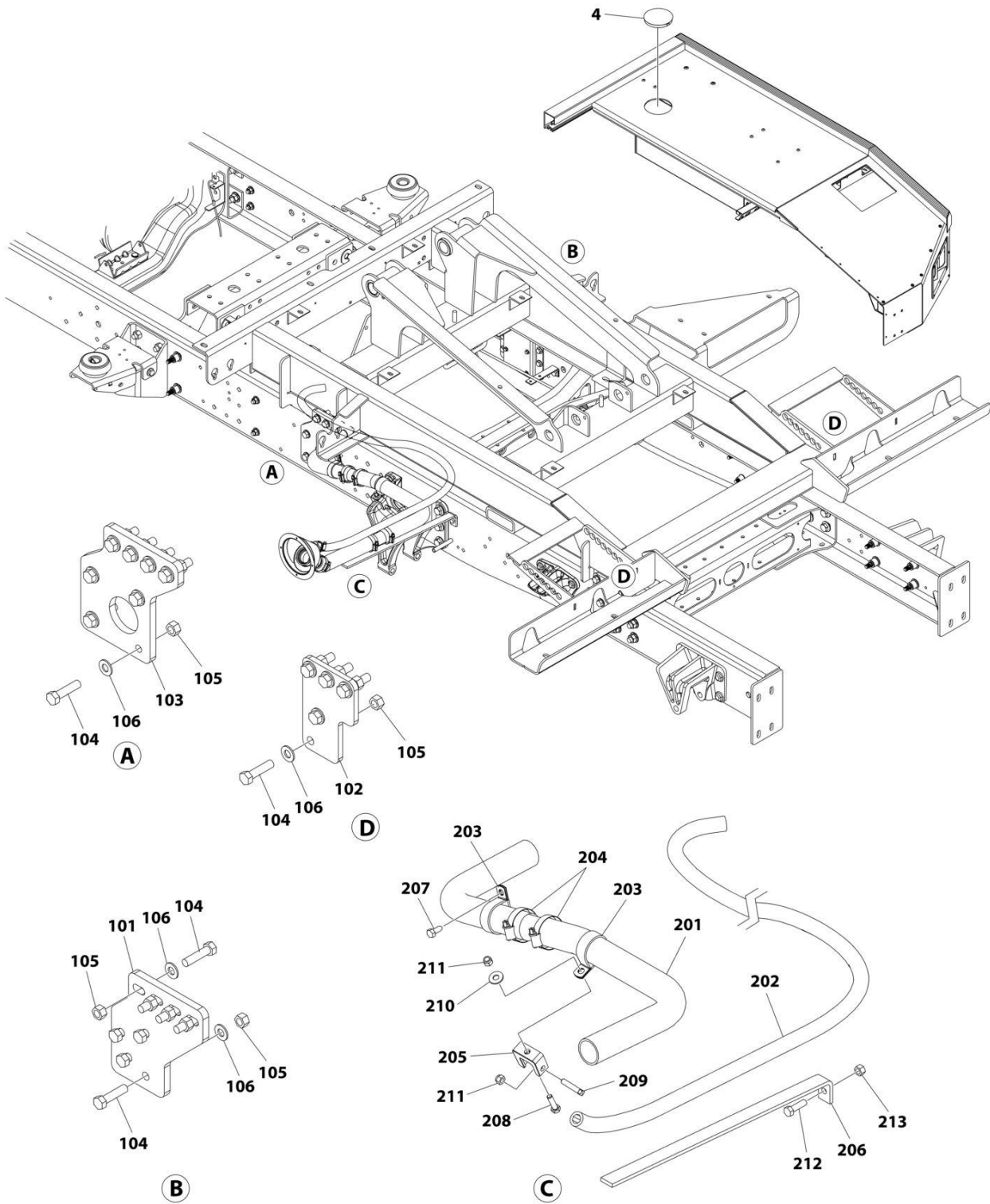
SECTION 1 - SUBFRAME

FIGURE 1-6. CHASSIS MOUNTING KIT - CHEVY/GMC GAS WITH 60IN CA (SN 0230003432 to Present)

ITEM	PART NUMBER	QTY	DESCRIPTION	REV
	1001211209	Ref	CHASSIS MOUNTING KIT - CHEVY/GMC 2011 GAS WITH 60IN CA	A
1	1001131398	Ref	Shock Mount Installation (Not Shown) (See Items 101-104 for Breakdown)	
2	2570000170	Ref	Hose Installation (Not Shown) (See Items 201-208 for Breakdown)	
3	1001151517	Ref	Saddle Plate Installation (Not Shown) (See Items 301-304 for Breakdown)	
4	1001131725	Ref	Exhaust Rework Installation (Not Shown)	
4A	1001131704	1	Pipe, Exhaust	
5	7701000075	1	Plug	
	1001131398	Ref	SHOCK MOUNT INSTALLATION	0
101	1001131340	1	Mount, Shock	
102	7115181450	4	Bolt 1/2 x 1-3/4	
103	7950180153	4	Washer 1/2	
104	7660182601	4	Nut 1/2	
	2570000170	Ref	HOSE INSTALLATION	B
201	7570000028	1	Hose	
202	7570000021	1	Hose	
203	7443000354	2	Fitting	
204	4533000415	1	Bracket	
205	5526000553	8	Tie-Strap (Not Shown)	
206	7115161050	1	Bolt 3/8 x 1-1/4	
207	7660162601	1	Nut 3/8	
208	7950160141	2	Washer 3/8	
	1001131517	Ref	SADDLE PLATE INSTALLATION	0
301	1001131515	2	Plate	
302	1001131516	2	Plate Rear	
303	7577000634	1	Kit-Saddle Bolt (Not Shown)	
303A	7115181650	26	Bolt 1/2 x 2	
303B	7950180153	26	Washer 1/2	
303C	7660182601	26	Nut 1/2	
304	7115181050	8	Bolt 1/2 x 1-1/4 (Not Shown)	

SECTION 1 - SUBFRAME

FIGURE 1-7. CHASSIS MOUNTING KIT - CV515 2019+ WITH 165IN+ WHEELBASE



ART_1001257134

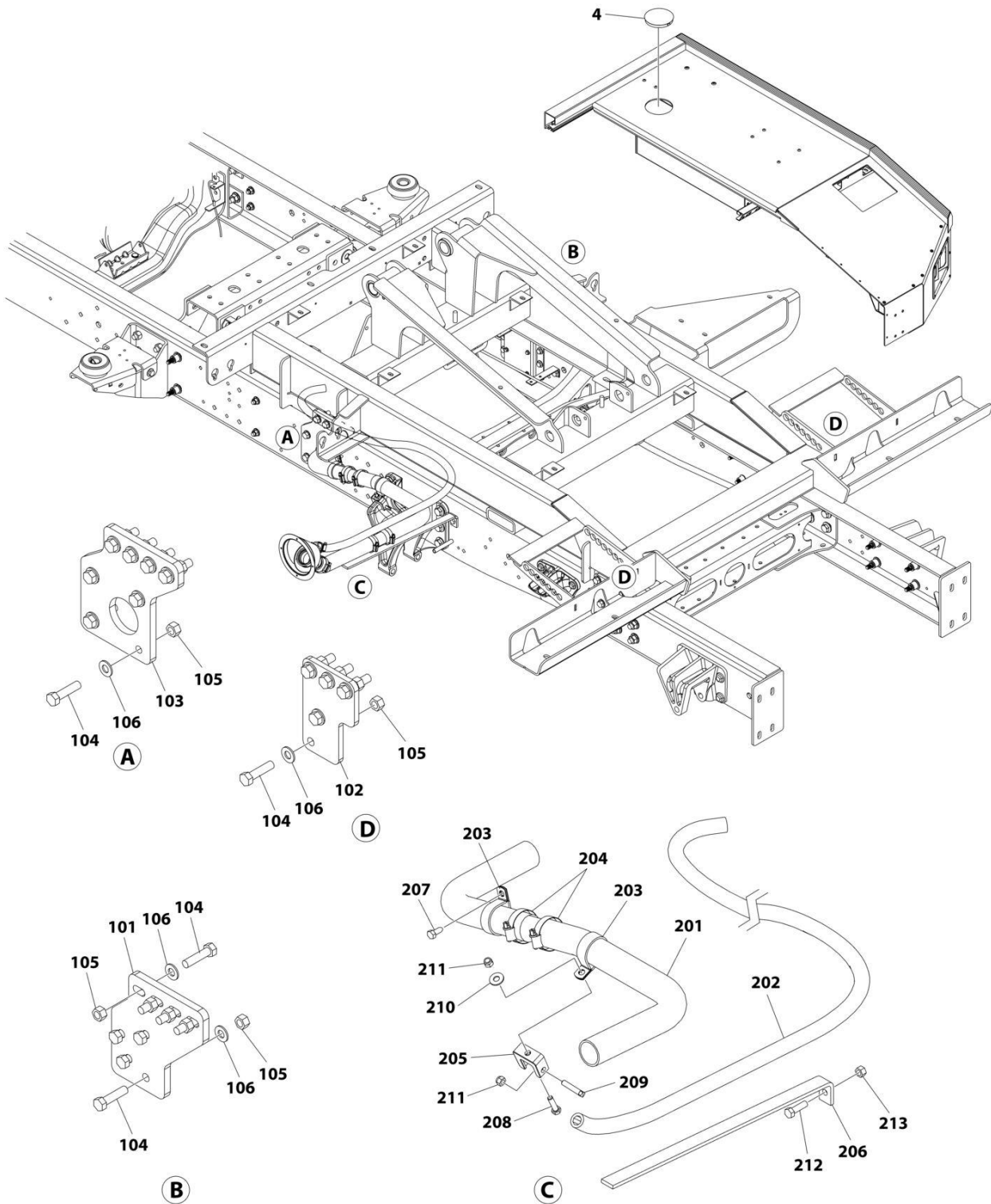
SECTION 1 - SUBFRAME

FIGURE 1-7. CHASSIS MOUNTING KIT - CV515 2019+ WITH 165IN+ WHEELBASE

ITEM	PART NUMBER	QTY	DESCRIPTION	REV
1	1001257134	Ref	CHASSIS MOUNTING KIT - CV515 2019+ WITH 165IN WB	A
	1001257135	Ref	Subframe Installation (Not Shown) (See Items 101-106 for Breakdown)	
2	1001257310	Ref	Fuel Filler Installation (Not Shown) (See Items 201-215 for Breakdown)	
3	1001255482	1	Kit, Electrical Connection (Not Shown)	
4	7701000075	1	Plug	
	1001257135	Ref	SUBFRAME INSTALLATION	A
101	1001255943	1	Plate (Front)	
102	1001255944	2	Plate (Rear)	
103	1001257136	1	Plate (Front)	
104	0681816	26	Bolt 1/2 x 2	
105	3271805	26	Nut 1/2	
106	4711800	26	Washer 1/2	
	1001257310	Ref	FUEL FILLER INSTALLATION	A
201	7570000037	1	Hose	
202	1001256269	1	Hose	
203	7274000042	2	Clamp	
204	7274000005	3	Clamp	
205	7274000076	1	Clamp	
206	4533000415	1	Bracket	
207	3941506	1	Tap-Screw	
208	7115151050	1	Bolt 5/16 x 1-1/4	
209	7785152420	1	Screw 5/16 x 1-1/2	
210	7950150161	1	Washer 5/16	
211	7660152601	2	Nut 5/16	
212	0641610	1	Bolt 3/8 x 1-1/4	
213	3271605	1	Nut 3/8	
214	7894000004	7	Tie-Strap (Not Shown)	
215	4819000008	1	Sleeve, Hose (Not Shown)	

SECTION 1 - SUBFRAME

FIGURE 1-8. CHASSIS MOUNTING KIT - CV515 2019+ WITH 165IN+ WHEELBASE & TIMBREN



ART_1001257431

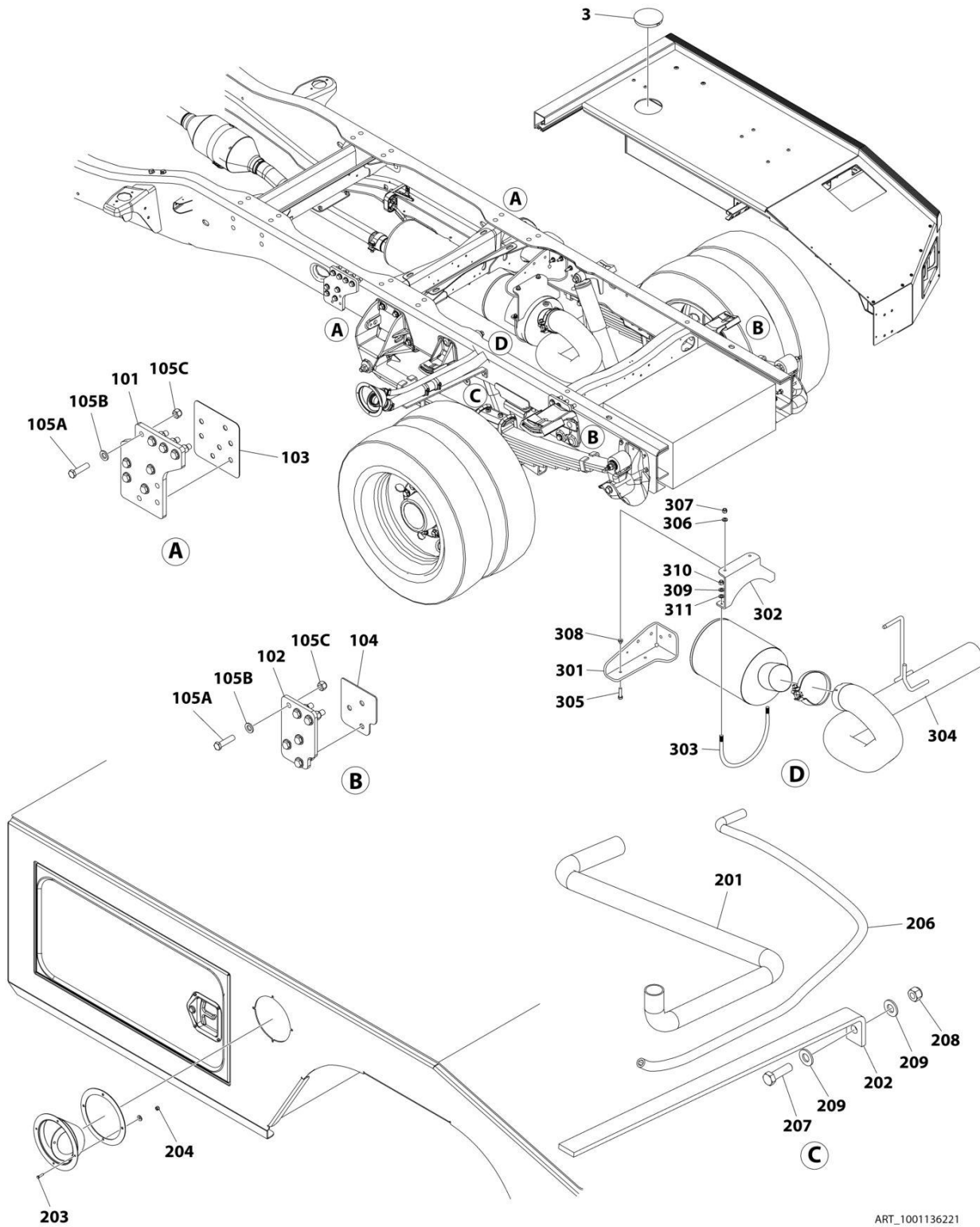
SECTION 1 - SUBFRAME

FIGURE 1-8. CHASSIS MOUNTING KIT - CV515 2019+ WITH 165IN+ WHEELBASE & TIMBREN

ITEM	PART NUMBER	QTY	DESCRIPTION	REV
	1001257431	Ref	CHASSIS MOUNTING KIT - CV515 2019+ WITH 165IN WB WITH TIMBRENS	A
1	1001257135	Ref	Subframe Installation (Not Shown) (See Items 101-106 for Breakdown)	
2	1001257310	Ref	Fuel Filler Installation (Not Shown) (See Items 201-215 for Breakdown)	
3	1001255482	1	Kit, Electrical Connection (Not Shown)	
4	7701000075	1	Plug	
5	1001256789	1	Rear Suspension Installation (Not Shown)	
5A	1001256801	1	Spring, Timbren (Not Shown)	
	1001257135	Ref	SUBFRAME INSTALLATION	A
101	1001255943	1	Plate (Front)	
102	1001255944	2	Plate (Rear)	
103	1001257136	1	Plate (Front)	
104	0681816	26	Bolt 1/2 x 2	
105	3271805	26	Nut 1/2	
106	4711800	26	Washer 1/2	
	1001257310	Ref	FUEL FILLER INSTALLATION	A
201	7570000037	1	Hose	
202	1001256269	1	Hose	
203	7274000042	2	Clamp	
204	7274000005	3	Clamp	
205	7274000076	1	Clamp	
206	4533000415	1	Bracket	
207	3941506	1	Tap-Screw	
208	7115151050	1	Bolt 5/16 x 1-1/4	
209	7785152420	1	Screw 5/16 x 1-1/2	
210	7950150161	1	Washer 5/16	
211	7660152601	2	Nut 5/16	
212	0641610	1	Bolt 3/8 x 1-1/4	
213	3271605	1	Nut 3/8	
214	7894000004	7	Tie-Strap (Not Shown)	
215	4819000008	1	Sleeve, Hose (Not Shown)	

SECTION 1 - SUBFRAME

FIGURE 1-9. CHASSIS MOUNTING KIT - DODGE 2011 - 2012 4500/5000 WITH 60IN CA



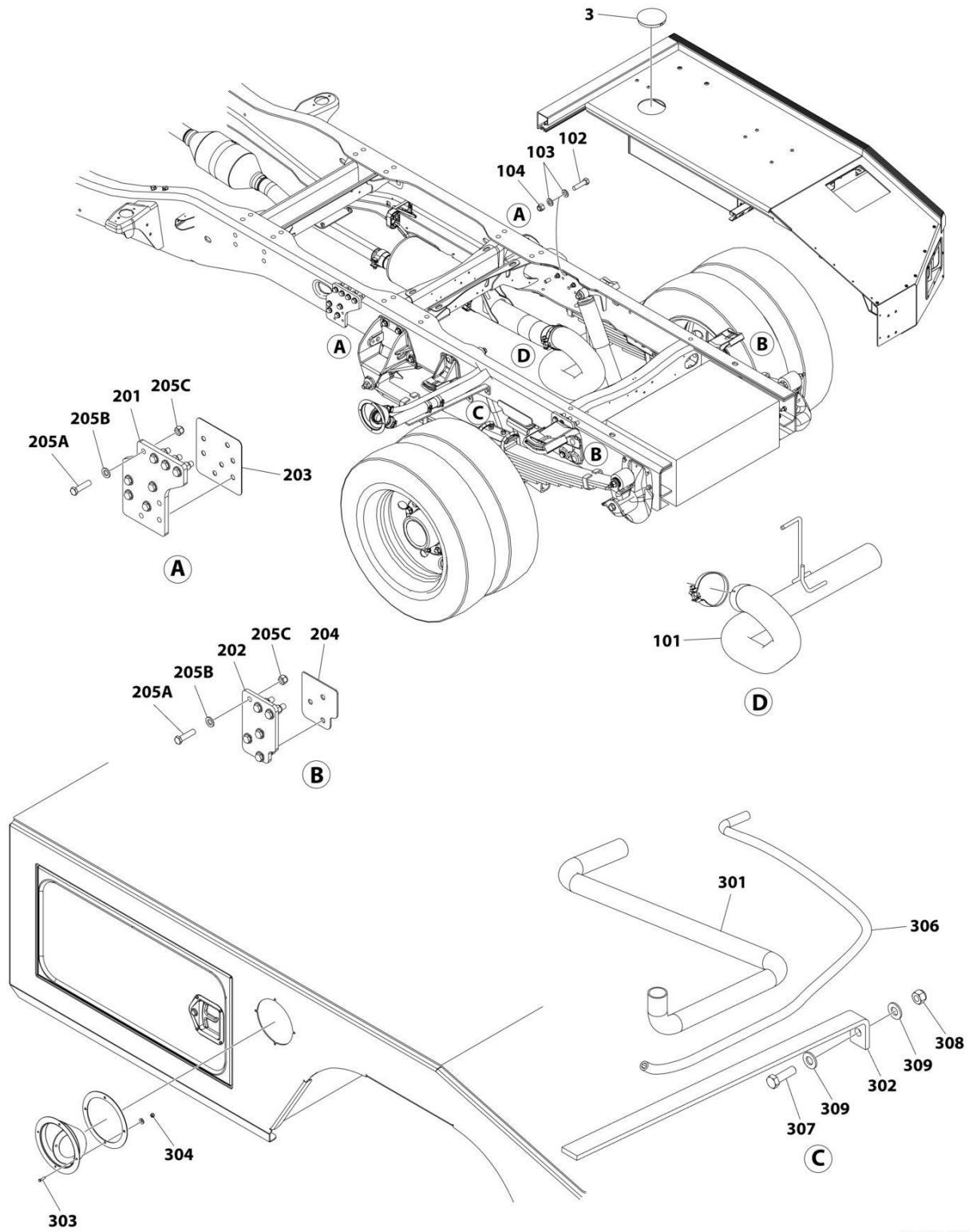
SECTION 1 - SUBFRAME

FIGURE 1-9. CHASSIS MOUNTING KIT - DODGE 2011 - 2012 4500/5000 WITH 60IN CA

ITEM	PART NUMBER	QTY	DESCRIPTION	REV
1	1001136221	Ref	CHASSIS MOUNTING KIT - DODGE 2011 - 2012 WITH 60IN CA	B
	1001137361	Ref	Subframe Installation (Not Shown) (See Items 101-105 for Breakdown)	
2	2570000157	Ref	Hose Installation (Not Shown) (See Items 201-209 for Breakdown)	B
3	7701000075	1	Plug	
4	1001136040	Ref	Exhaust Installation (Not Shown) (See Items 301-311 for Breakdown)	
	1001137361	Ref	SUBFRAME INSTALLATION	
101	4706005904	2	Plate (Front)	
102	4706006442	2	Plate (Rear)	
103	1001127340	2	Shim (Front)	
104	4812000142	2	Shim (Rear)	
105	7577000634	1	Hardware Kit (Not Shown)	
105A	7115181650	20	Bolt 1/2 x 2	
105B	7950180153	20	Washer 1/2	A
105C	7660182601	20	Nut 1/2	
	2570000157	Ref	HOSE INSTALLATION	
201	7570000037	1	Hose	
202	4533000415	1	Gas Filler Bracket	
203	7114100810	4	Screw #10 x 1	
204	7660102604	4	Nut #10	
205	5526000553	8	Tie-Strap (Not Shown)	
206	7570000036	AR	Hose Fuel Vent	
207	7115161050	1	Bolt 3/8 x 1-1/4	
208	7660162601	1	Nut 3/8	B
209	7950160141	2	Washer 3/8	
	1001136040	Ref	EXHAUST INSTALLATION	
301	1001136036	1	Bracket	
302	1001136037	1	Bracket	
303	1001136038	1	Rod	
304	1001136039	1	Pipe, Exhaust	
305	0641616	5	Bolt 3/8 x 2	
306	7950160153	10	Washer 3/8	
307	3271601	5	Nut 3/8 Grade 8	
308	7636000021	2	Mount, Center Bonded	
309	7950140153	2	Washer 1/4	
310	7660140001	2	Nut 1/4	
311	4761400	2	Washer 1/4	

SECTION 1 - SUBFRAME

FIGURE 1-10. CHASSIS MOUNTING KIT - DODGE 2011 - 2012 4500/5000 WITH 84IN CA



ART_1001136265

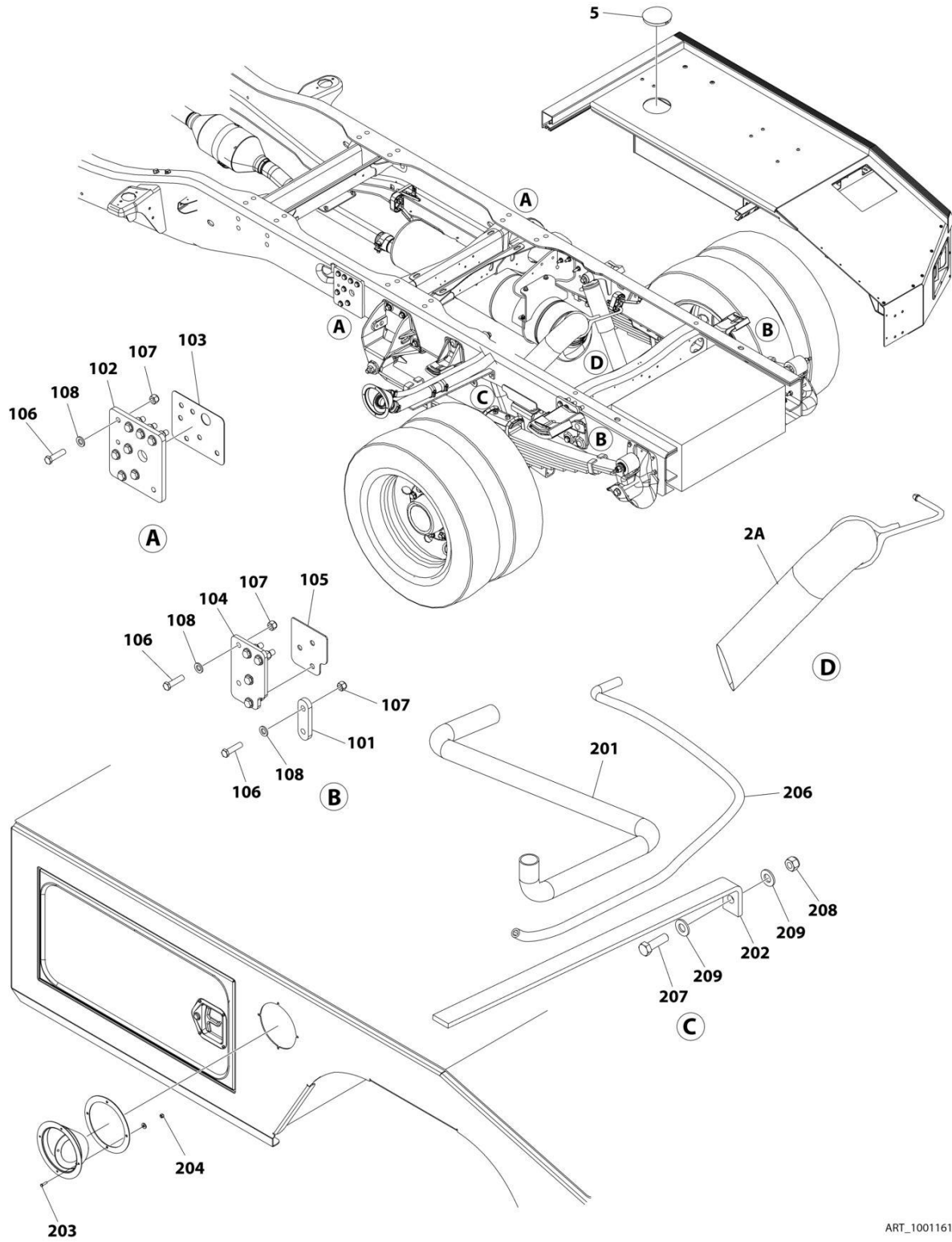
SECTION 1 - SUBFRAME

FIGURE 1-10. CHASSIS MOUNTING KIT - DODGE 2011 - 2012 4500/5000 WITH 84IN CA

ITEM	PART NUMBER	QTY	DESCRIPTION	REV
	1001136265	Ref	CHASSIS MOUNTING KIT - DODGE 2011 - 2012 WITH 84IN CA	B
1	1001136263	Ref	Exhaust Installation (Not Shown) (See Items 101-104 for Breakdown)	
2	1001137362	Ref	Subframe Installation (Not Shown) (See Items 201-205 for Breakdown)	
3	7701000075	1	Plug	
4	2570000157	Ref	Hose Installation (Not Shown) (See Items 301-309 for Breakdown)	
	1001136263	Ref	EXHAUST INSTALLATION	A
101	1001136039	1	Pipe, Exhaust	
102	7115161250	3	Bolt 3/8 x 1/2	
103	7950160153	6	Washer 3/8	
104	7660160000	3	Nut 3/8 Grade 8	
	1001137362	Ref	SUBFRAME INSTALLATION	B
201	4706005904	2	Plate (Front)	
202	4706006442	2	Plate (Rear)	
203	4811001194	2	Shim (Front)	
204	4812000142	2	Shim (Rear)	
205	7577000634	1	Hardware Kit (Not Shown)	
205A	7115181650	20	Bolt 1/2 x 2	
205B	7950180153	20	Washer 1/2	
205C	7660182601	20	Nut 1/2	
	2570000157	Ref	HOSE INSTALLATION	A
301	7570000037	1	Hose	
302	4533000415	1	Gas Filler Bracket	
303	7114100610	4	Screw #10 x 1	
304	7660102604	4	Nut #10	
305	5526000553	8	Tie-Strap (Not Shown)	
306	7570000036	AR	Hose Fuel Vent	
307	7115161050	1	Bolt 3/8 x 1-1/4	
308	7660162601	1	Nut 3/8	
309	7950160141	2	Washer 3/8	

SECTION 1 - SUBFRAME

FIGURE 1-11. CHASSIS MOUNTING KIT - DODGE 2013+ 4500/5000 WITH 60IN CA



ART_1001161670

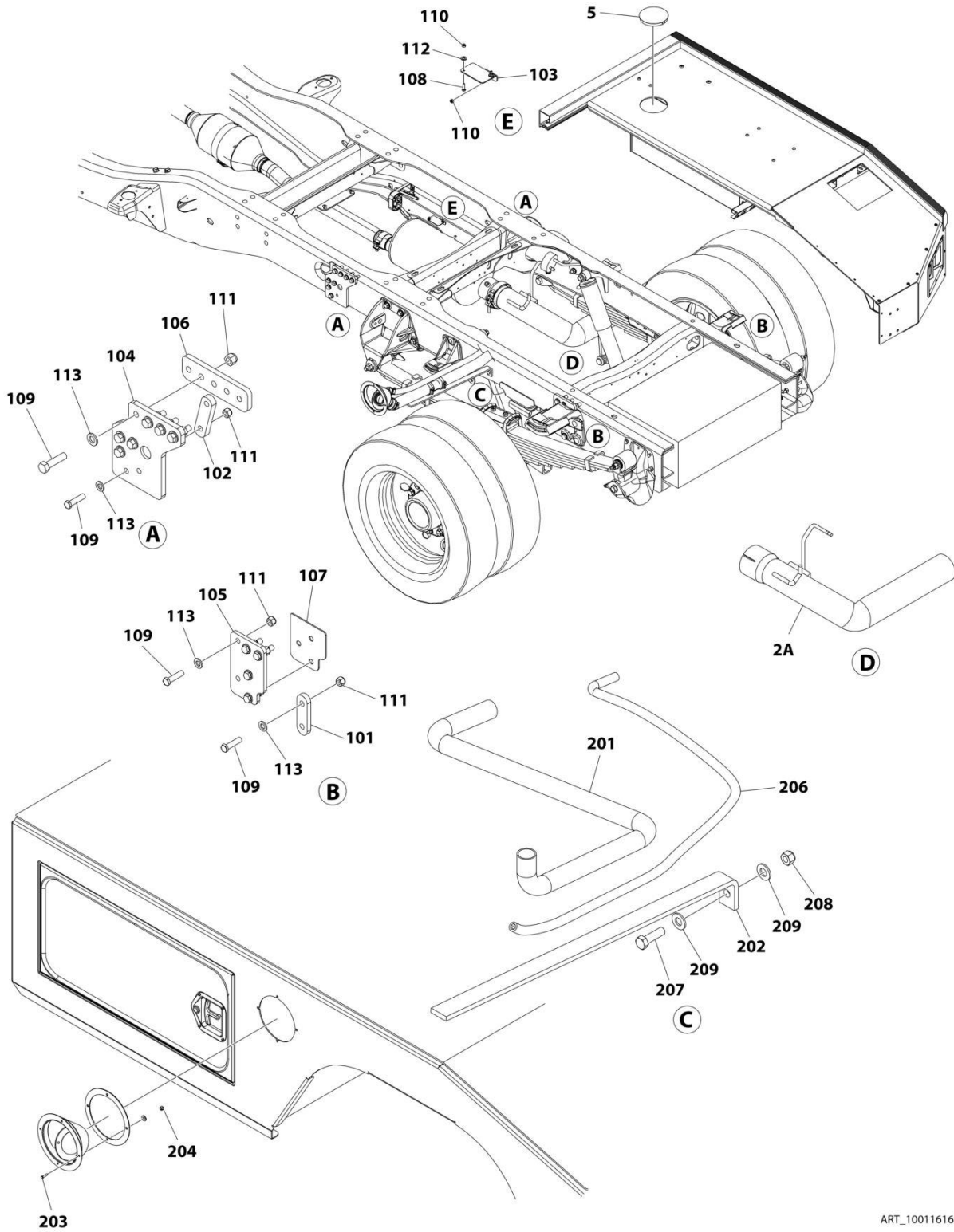
SECTION 1 - SUBFRAME

FIGURE 1-11. CHASSIS MOUNTING KIT - DODGE 2013+ 4500/5000 WITH 60IN CA

ITEM	PART NUMBER	QTY	DESCRIPTION	REV
1	1001161670	Ref	CHASSIS MOUNTING KIT - DODGE 2013+ WITH 60IN CA	A
	1001160934	Ref	Subframe Installation (Not Shown) (See Items 101-108 for Breakdown)	
2	1001161088	Ref	Exhaust Installation (Not Shown)	A
2A	1001161139	1	Pipe, Exhaust	
3	2570000157	Ref	Hose Installation (Not Shown) (See Items 201-209 for Breakdown)	
4	1001161328	Ref	LED Wring (Not Shown)	C
5	7701000075	1	Plug	
	1001160934	Ref	SUBFRAME INSTALLATION	B
101	1001160779	2	Shim	
102	1001160942	2	Plate (Front)	
103	1001160988	2	Shim	
104	4706006442	2	Plate (Rear)	
105	4812000142	2	Shim	
106	7115181650	30	Bolt 1/2 x 2	
107	7660182601	30	Nut 1/2	
108	7950180153	30	Washer 1/2	
	2570000157	Ref	HOSE INSTALLATION	A
201	7570000037	1	Hose	
202	4533000415	1	Gas Filler Bracket	
203	7114100810	4	Screw #10 x 1	
204	7660102604	4	Nut #10	
205	5526000553	8	Tie-Strap (Not Shown)	
206	7570000036	AR	Hose Fuel Vent	
207	7115161050	1	Bolt 3/8 x 1-1/4	
208	7660162601	1	Nut 3/8	
209	7950160141	2	Washer 3/8	

SECTION 1 - SUBFRAME

FIGURE 1-12. CHASSIS MOUNTING KIT - DODGE 2013+ 4500/5000 WITH 84IN CA



ART_1001161671

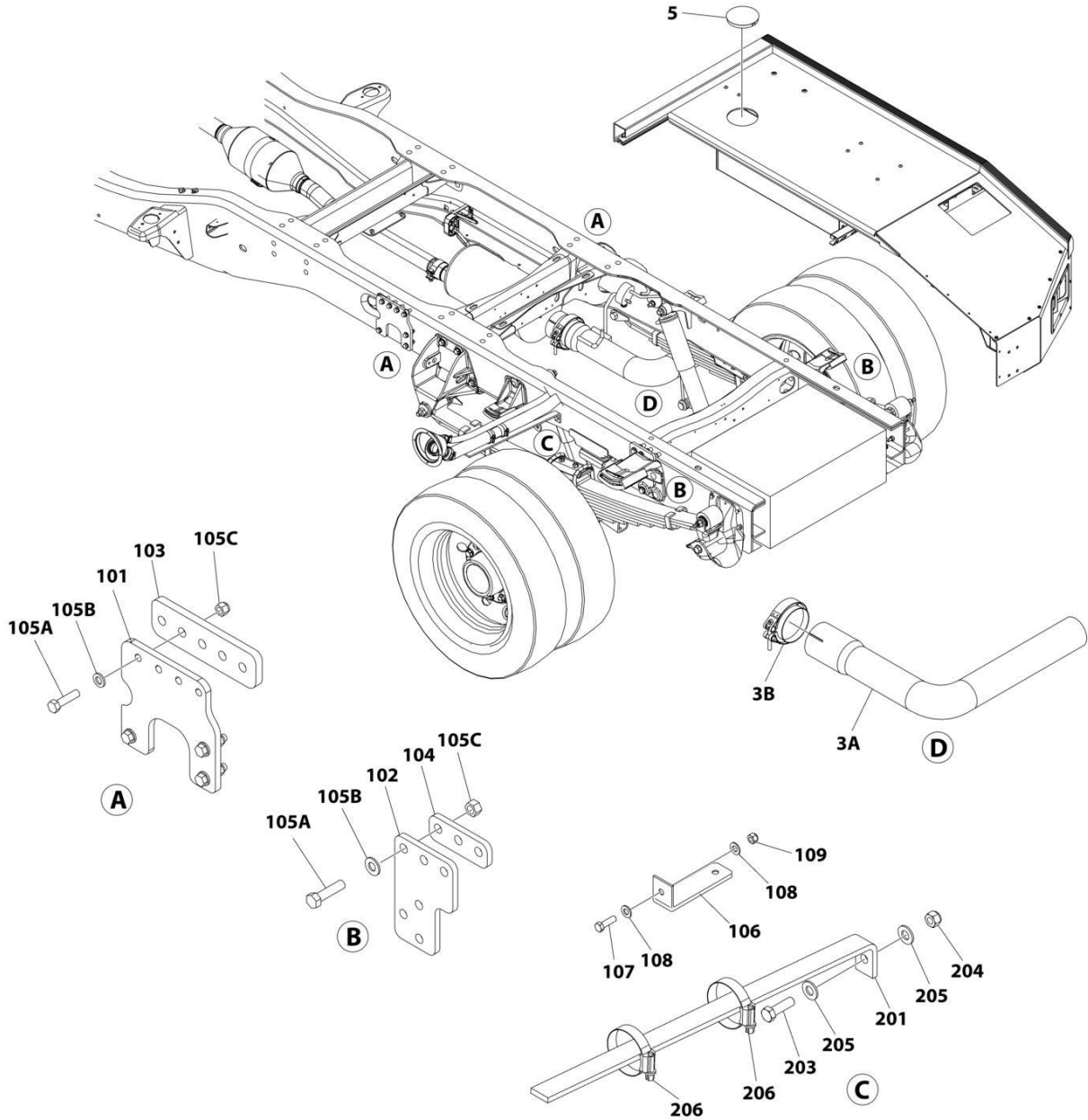
SECTION 1 - SUBFRAME

FIGURE 1-12. CHASSIS MOUNTING KIT - DODGE 2013+ 4500/5000 WITH 84IN CA

ITEM	PART NUMBER	QTY	DESCRIPTION	REV
	1001161671	Ref	CHASSIS MOUNTING KIT - DODGE 2013+ WITH 84IN CA	A
1	1001160935	Ref	Subframe Installation (Not Shown) (See Items 101-113 for Breakdown)	
2	1001161087	Ref	Exhaust Installation (Not Shown)	
2A	1001161084	1	Pipe, Exhaust	
3	2570000157	Ref	Hose Installation (Not Shown) (See Items 201-209 for Breakdown)	
4	1001161328	Ref	LED Wring (Not Shown)	C
5	7701000075	1	Plug	
	1001160935	Ref	SUBFRAME INSTALLATION	B
101	1001160779	2	Shim	
102	1001160835	2	Shim	
103	1001160919	1	Bracket	
104	1001160942	2	Plate	
105	4706006442	2	Plate	
106	4811001194	2	Plate	
107	4812000142	2	Shim	
108	7115140850	2	Bolt 1/4 x 1	
109	7115181650	30	Bolt 1/2 x 2	
110	7660142601	3	Nut 1/4	
111	7660182601	30	Nut 1/2	
112	7950140153	2	Washer 1/4	
113	7950180153	30	Washer 1/2	
	2570000157	Ref	HOSE INSTALLATION	A
201	7570000037	1	Hose	
202	4533000415	1	Gas Filler Bracket	
203	7114100810	4	Screw #10 x 1	
204	7660102604	4	Nut #10	
205	5526000553	8	Tie-Strap (Not Shown)	
206	7570000036	AR	Hose Fuel Vent	
207	7115161050	1	Bolt 3/8 x 1-1/4	
208	7660162601	1	Nut 3/8	
209	7950160141	2	Washer 3/8	

SECTION 1 - SUBFRAME

FIGURE 1-13. CHASSIS MOUNTING KIT - FORD 2010 & EARLIER



ART_CMKFRDG08-HPL

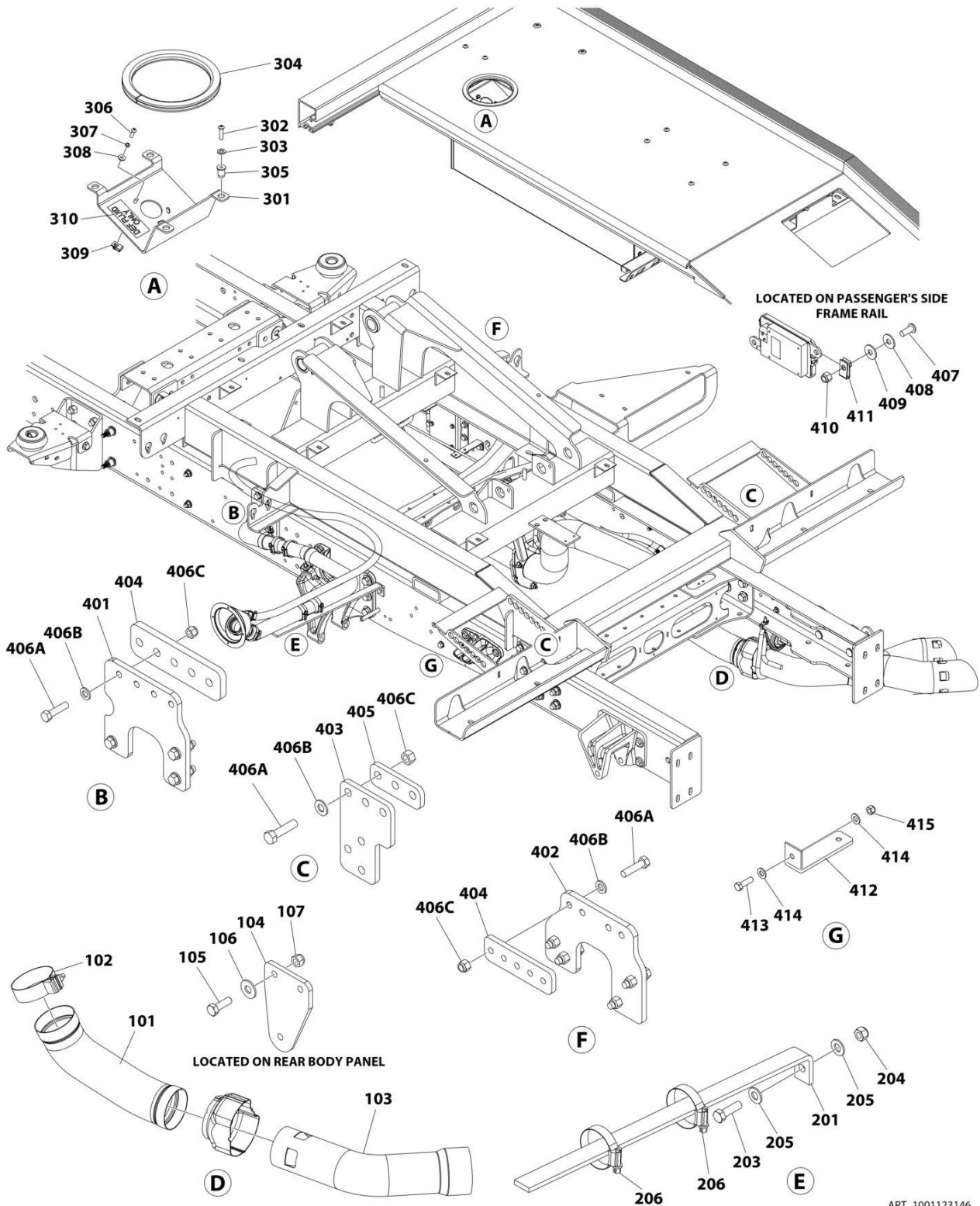
SECTION 1 - SUBFRAME

FIGURE 1-13. CHASSIS MOUNTING KIT - FORD 2010 & EARLIER

ITEM	PART NUMBER	QTY	DESCRIPTION	REV
	CMKFRDG08-HPL	Ref	CHASSIS MOUNTING KIT - FORD 2010 & EARLIER	B
1	1001137357	Ref	Ford Subframe Installation (Not Shown) (See Items 101-109 for Breakdown)	
2	2570000171	Ref	Fuel Filler Support (Not Shown) (See Items 201-206 for Breakdown)	
3	2500350651	Ref	Exhaust Rework Installation (Not Shown)	
3A	7696000065	1	Pipe, Exhaust	
3B	7274000016	1	Clamp, Exhaust	
5	7701000075	1	Plug	
	1001137357	Ref	SUBFRAME INSTALLATION	A
101	4706005903	2	Plate	
102	4706006442	2	Plate (Rear)	
103	4811001194	2	Plate	
104	1001127387	2	Shim	
105	7577000693	1	Kit, Saddle Bolts (Not Shown)	
105A	7115181650	26	Bolt 1/2 x 2	
105B	7950180153	26	Washer 1/2	
105C	7660182601	26	Nut 1/2	
106	4706003198	1	Plate	
107	7115150850	1	Bolt 5/16 x 1	
108	7950150161	2	Washer 5/16	
109	7660152601	1	Nut 5/16	
	2570000171	Ref	FUEL FILLER SUPPORT	A
201	4533000415	1	Gas Filler Bracket	
202	5526000553	8	Tie-Strap (Not Shown)	
203	7115161050	1	Bolt 3/8 x 1-1/4	
204	7660162601	1	Nut 3/8	
205	7950160141	2	Washer 3/8	
206	7274000005	2	Clamp	

SECTION 1 - SUBFRAME

FIGURE 1-14. CHASSIS MOUNTING KIT - FORD 2011-2016 F350/F450/F550 DIESEL WITH 60IN CA



ART_1001123146

SECTION 1 - SUBFRAME

FIGURE 1-14. CHASSIS MOUNTING KIT - FORD 2011-2016 F350/F450/F550 DIESEL WITH 60IN CA

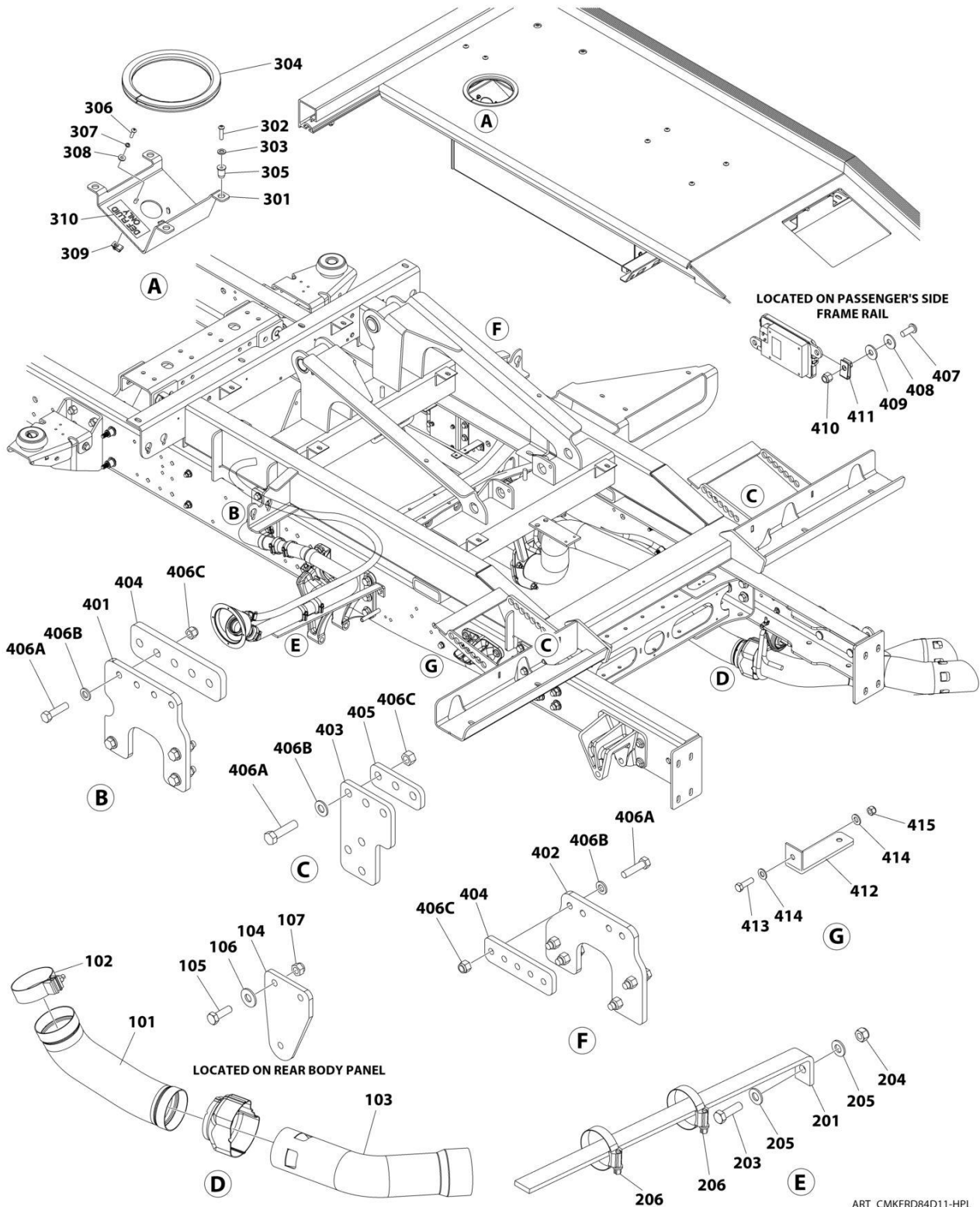
ITEM	PART NUMBER	QTY	DESCRIPTION	REV
	1001123146	Ref	CHASSIS MOUNTING KIT - FORD 2011-2016 F350/F450/F550 DIESEL WITH 60 IN CA	B
2	3511350119	Ref	Exhaust Rework Installation (Not Shown) (See Items 101-108 for Breakdown)	
3	2570000171	Ref	Fuel Filler Support (Not Shown) (See Items 201-206 for Breakdown)	
4	1001137358	Ref	Ford Subframe Installation (Not Shown) (See Items 401-415 for Breakdown)	
5	2509350151	Ref	Flange Installation (Not Shown) (See Items 301-310 for Breakdown)	
	3511350119	Ref	EXHAUST REWORK INSTALLATION	A
101	7696000068	1	Pipe, Exhaust	
102	7274000111	2	Clamp, Exhaust	
103	7696000070	1	Pipe	
104	4178000743	2	Bracket	
105	7115150850	4	Bolt 5/16 x 1	
106	7950150161	8	Washer 5/16	
107	7660152601	4	Nut 5/16	
108	4377000002	1	Exhaust Cut-Off Template (Not Shown)	
	2570000171	Ref	FUEL FILLER SUPPORT	A
201	4533000415	1	Gas Filler Bracket	
202	5526000553	8	Tie-Strap (Not Shown)	
203	7115161050	1	Bolt 3/8 x 1-1/4	
204	7660162601	1	Nut 3/8	
205	7950160141	2	Washer 3/8	
206	7274000005	2	Clamp	
	2509350151	Ref	FLANGE INSTALLATION	A
301	4811001399	1	Plate	
301	4178000920	1	Bracket	
302	7114140818	4	Bolt 1/4 x 1	
302	7114141018	4	Screw 1/4 x 1-1/4	
303	7950140003	4	Washer 1/4	
303	8632000002	1	Trim Lock	
304	7950140143	4	Washer 1/4	
305	7413000002	4	Nut 1/4	
305	7661000006	4	Nut 1/4	
306	7114100618	3	Screw #10 x 3/4	
307	7950100003	3	Washer 3/16	
308	7950100143	3	Washer 3/16	
309	7661000024	3	Nut #10	
310	7330000867	1	Decal	
	1001137358	Ref	SUBFRAME INSTALLATION	A
401	4706005903	1	Plate	
402	4706006397	1	Plate	
403	4706006442	2	Plate (Rear)	
404	4811001194	2	Plate	
405	1001127387	2	Shim	
406	7577000693	1	Kit, Saddle Bolts (Not Shown)	
406A	7115181650	26	Bolt 1/2 x 2	
406B	7950180153	26	Washer 1/2	
406C	7660182601	26	Nut 1/2	

SECTION 1 - SUBFRAME

ITEM	PART NUMBER	QTY	DESCRIPTION	REV
407	7115141650	2	Bolt 1/4 x 2	
408	7950140003	2	Washer 1/4	
409	7950140143	2	Washer 1/4	
410	7661000022	2	Nut 5/16	
411	7661000042	2	Nut, Tinnerman 1/4	
412	4706003198	1	Plate	
413	7115150850	1	Bolt 5/16 x 1	
414	7950150161	2	Washer 5/16	
415	7660152601	1	Nut 5/16	

SECTION 1 - SUBFRAME

FIGURE 1-15. CHASSIS MOUNTING KIT - FORD 2011-2016 F350/F450/F550 DIESEL WITH 84IN CA



SECTION 1 - SUBFRAME

FIGURE 1-15. CHASSIS MOUNTING KIT - FORD 2011-2016 F350/F450/F550 DIESEL WITH 84IN CA

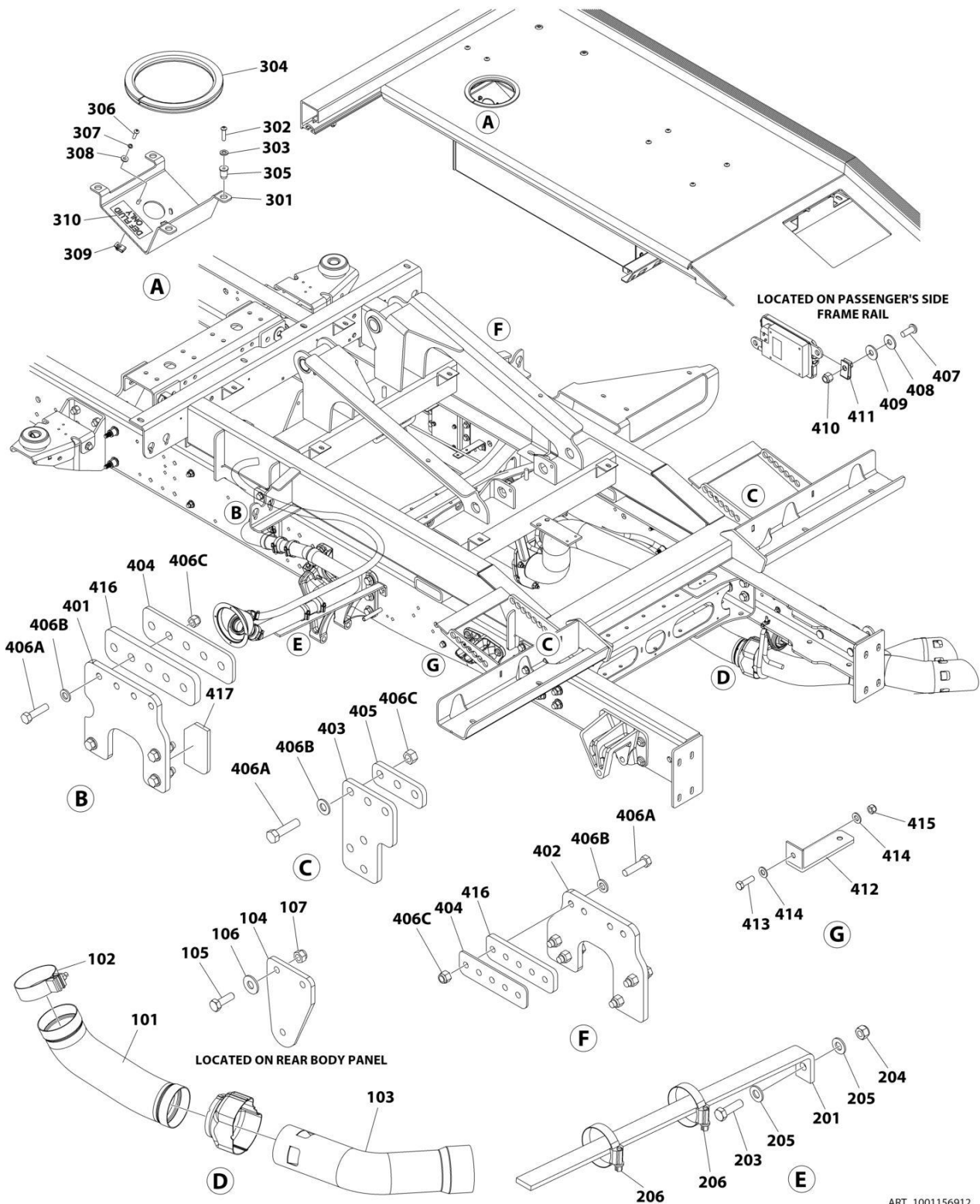
ITEM	PART NUMBER	QTY	DESCRIPTION	REV
	CMKFRD84D11-HPL	Ref	CHASSIS MOUNTING KIT - FORD 2011-2016 F350/F450/F550 DIESEL WITH 84IN CA	B
2	3511350119	Ref	Exhaust Rework Installation (Not Shown) (See Items 101-108 for Breakdown)	
3	2570000171	Ref	Fuel Filler Support (Not Shown) (See Items 201-206 for Breakdown)	
4	2509350151	Ref	Flange Installation (Not Shown) (See Items 301-310 for Breakdown)	
5	1001137358	Ref	Ford Subframe Installation (Not Shown) (See Items 401-415 for Breakdown)	
6	4570000378	1	Hose, Urea Fill (Not Shown)	
	3511350119	Ref	EXHAUST REWORK INSTALLATION	A
101	7696000068	1	Pipe, Exhaust	
102	7274000111	2	Clamp, Exhaust	
103	7696000070	1	Pipe	
104	4178000743	2	Bracket	
105	7115150850	4	Bolt 5/16 x 1	
106	7950150161	8	Washer 5/16	
107	7660152601	4	Nut 5/16	
108	4377000002	1	Exhaust Cut-Off Template (Not Shown)	
	2570000171	Ref	FUEL FILLER SUPPORT	A
201	4533000415	1	Gas Filler Bracket	
202	5526000553	8	Tie-Strap (Not Shown)	
203	7115161050	1	Bolt 3/8 x 1-1/4	
204	7660162601	1	Nut 3/8	
205	7950160141	2	Washer 3/8	
206	7274000005	2	Clamp	
	2509350151	Ref	FLANGE INSTALLATION	A
301	4811001399	1	Plate	
301	4178000920	1	Bracket	
302	7114140818	4	Bolt 1/4 x 1	
302	7114141018	4	Screw 1/4 x 1-1/4	
303	7950140003	4	Washer 1/4	
303	8632000002	1	Trim Lock	
304	7950140143	4	Washer 1/4	
305	7413000002	4	Nut 1/4	
305	7661000006	4	Nut 1/4	
306	7114100618	3	Screw #10 x 3/4	
307	7950100003	3	Washer 3/16	
308	7950100143	3	Washer 3/16	
309	7661000024	3	Nut #10	
310	7330000867	1	Decal	
	1001137358	Ref	SUBFRAME INSTALLATION	A
401	4706005903	1	Plate	
402	4706006397	1	Plate	
403	4706006442	2	Plate (Rear)	
404	4811001194	2	Plate	
405	1001127387	2	Shim	
406	7577000693	1	Kit, Saddle Bolts (Not Shown)	
406A	7115181650	26	Bolt 1/2 x 2	
406B	7950180153	26	Washer 1/2	

SECTION 1 - SUBFRAME

ITEM	PART NUMBER	QTY	DESCRIPTION	REV
406C	7660182601	26	Nut 1/2	
407	7115141650	2	Bolt 1/4 x 2	
408	7950140003	2	Washer 1/4	
409	7950140143	2	Washer 1/4	
410	7661000022	2	Nut 5/16	
411	7661000042	2	Nut, Tinnerman 1/4	
412	4706003198	1	Plate	
413	7115150850	1	Bolt 5/16 x 1	
414	7950150161	2	Washer 5/16	
415	7660152601	1	Nut 5/16	

SECTION 1 - SUBFRAME

FIGURE 1-16. CHASSIS MOUNTING KIT - FORD 2011-2016 F550 19K GVWR DIESEL WITH 84IN CA



ART_1001156912

SECTION 1 - SUBFRAME

FIGURE 1-16. CHASSIS MOUNTING KIT - FORD 2011-2016 F550 19K GVWR DIESEL WITH 84IN CA

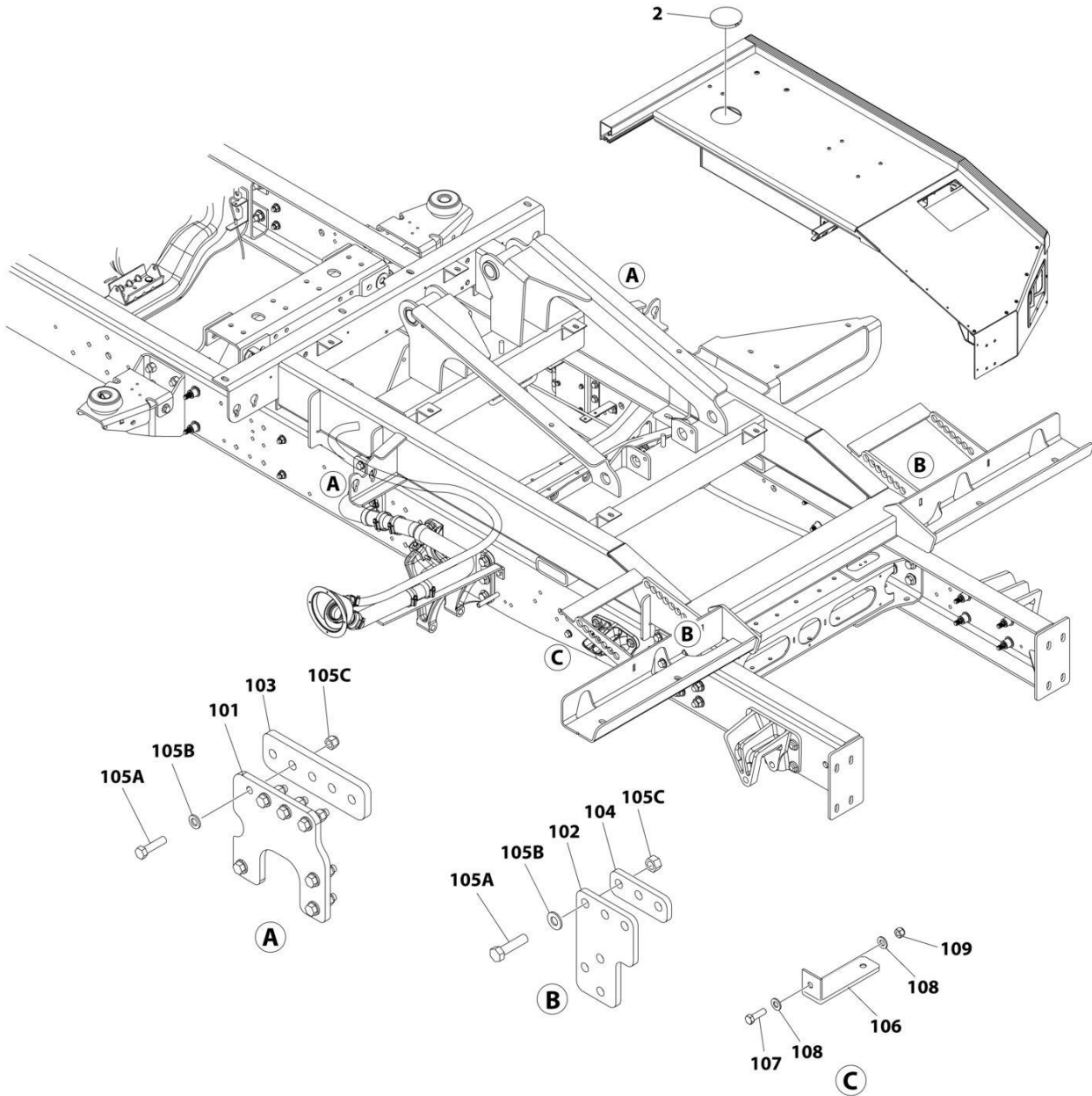
ITEM	PART NUMBER	QTY	DESCRIPTION	REV
	1001156912	Ref	CHASSIS MOUNTING KIT - FORD 2011-2016 F550 19K GVWR DIESEL WITH 84IN CA	A
1	3511350119	Ref	Exhaust Rework Installation (Not Shown) (See Items 101-108 for Breakdown)	
2	2570000171	Ref	Fuel Filler Support (Not Shown) (See Items 201-206 for Breakdown)	
3	2509350151	Ref	Flange Installation (Not Shown) (See Items 301-310 for Breakdown)	
4	4570000378	1	Hose, Urea Fill (Not Shown)	
5	1001156911	Ref	Ford Subframe Installation (Not Shown) (See Items 401-417 for Breakdown)	
	3511350119	Ref	EXHAUST REWORK INSTALLATION	A
101	7696000068	1	Pipe, Exhaust	
102	7274000111	2	Clamp, Exhaust	
103	7696000070	1	Pipe	
104	4178000743	2	Bracket	
105	7115150850	4	Bolt 5/16 x 1	
106	7950150161	8	Washer 5/16	
107	7660152601	4	Nut 5/16	
108	4377000002	1	Exhaust Cut-Off Template (Not Shown)	
	2570000171	Ref	FUEL FILLER SUPPORT	A
201	4533000415	1	Gas Filler Bracket	
202	5526000553	8	Tie-Strap (Not Shown)	
203	7115161050	1	Bolt 3/8 x 1-1/4	
204	7660162601	1	Nut 3/8	
205	7950160141	2	Washer 3/8	
206	7274000005	2	Clamp	
	2509350151	Ref	FLANGE INSTALLATION	A
301	4811001399	1	Plate	
301	4178000920	1	Bracket	
302	7114140818	4	Bolt 1/4 x 1	
302	7114141018	4	Screw 1/4 x 1-1/4	
303	7950140003	4	Washer 1/4	
303	8632000002	1	Trim Lock	
304	7950140143	4	Washer 1/4	
305	7413000002	4	Nut 1/4	
305	7661000006	4	Nut 1/4	
306	7114100618	3	Screw #10 x 3/4	
307	7950100003	3	Washer 3/16	
308	7950100143	3	Washer 3/16	
309	7661000024	3	Nut #10	
310	7330000867	1	Decal	
	1001156911	Ref	SUBFRAME INSTALLATION	A
401	4706005903	1	Plate	
402	4706006397	1	Plate	
403	4706006442	2	Plate (Rear)	
404	4811001194	2	Plate	
405	1001127387	2	Shim	
406	7577000693	1	Kit, Saddle Bolts (Not Shown)	
406A	7115181650	26	Bolt 1/2 x 2	
406B	7950180153	26	Washer 1/2	

SECTION 1 - SUBFRAME

ITEM	PART NUMBER	QTY	DESCRIPTION	REV
406C	7660182601	26	Nut 1/2	
407	7115141650	2	Bolt 1/4 x 2	
408	7950140003	2	Washer 1/4	
409	7950140143	2	Washer 1/4	
410	7661000022	2	Nut 5/16	
411	7661000042	2	Nut, Tinnerman 1/4	
412	4706003198	1	Plate	
413	7115150850	1	Bolt 5/16 x 1	
414	7950150161	2	Washer 5/16	
415	7660152601	1	Nut 5/16	
416	4706005906	2	Plate	
417	4706005907	1	Plate	

SECTION 1 - SUBFRAME

FIGURE 1-17. CHASSIS MOUNTING KIT - FORD 2011-2016 F650/F750 GAS



ART_1001134111

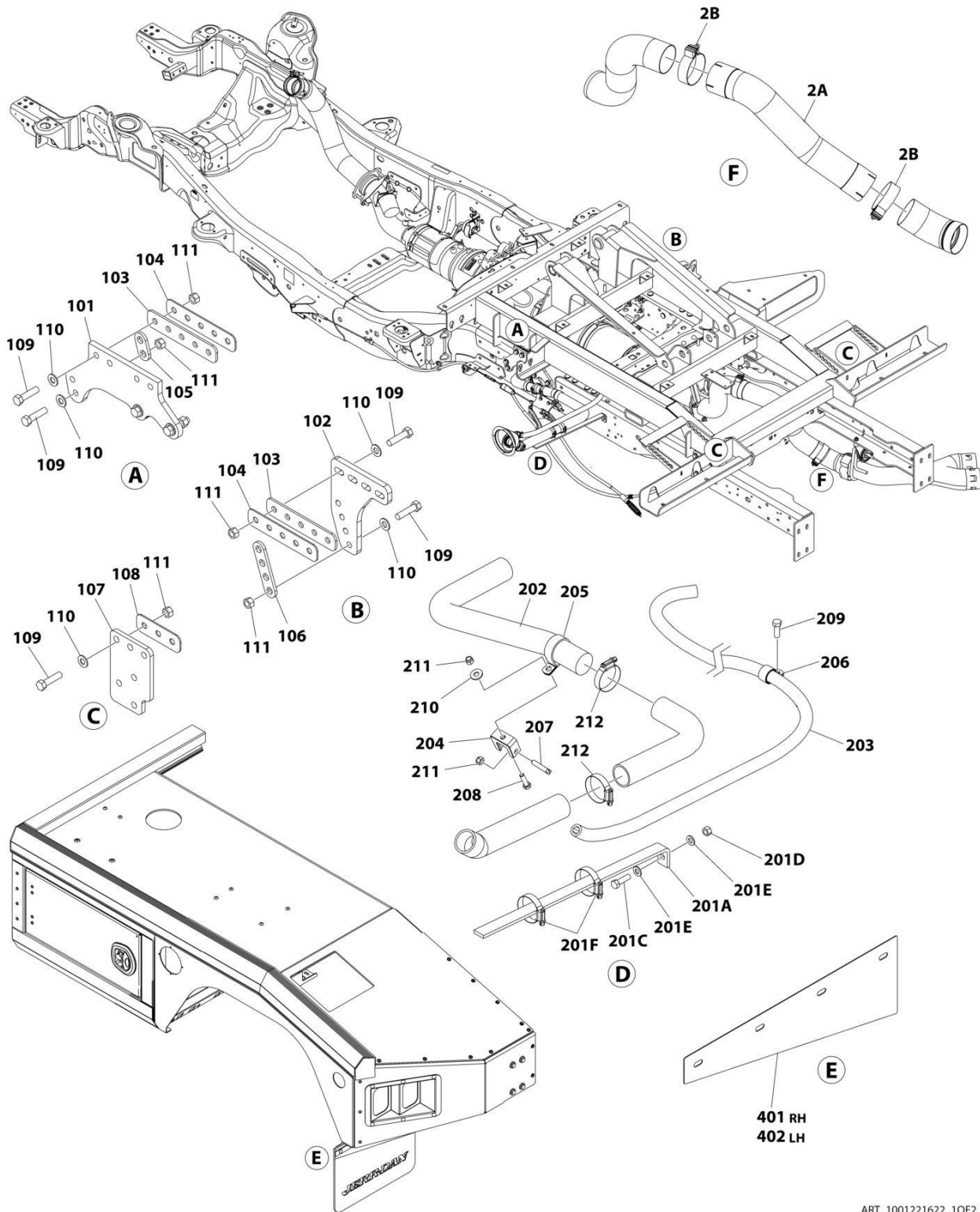
SECTION 1 - SUBFRAME

FIGURE 1-17. CHASSIS MOUNTING KIT - FORD 2011-2016 F650/F750 GAS

ITEM	PART NUMBER	QTY	DESCRIPTION	REV
1	1001134111	Ref	CHASSIS MOUNTING KIT - FORD 2011-2016 F650/F750 GAS	B
	1001137357	Ref	Ford Subframe Installation (Not Shown) (See Items 101-109 for Breakdown)	
2	7701000075	1	Plug	
3	7346000210	1	Flasher (Not Shown)	
4	1001129095	4	Terminal (Not Shown)	
5	1001131625	1	Fitting, Straight (FNPTF/ MPP) (Not Shown)	
	1001137357	Ref	SUBFRAME INSTALLATION	A
101	4706005903	2	Plate	
102	4706006442	2	Plate (Rear)	
103	4811001194	2	Plate	
104	1001127387	2	Shim	
105	7577000693	1	Kit, Saddle Bolts (Not Shown)	
105A	7115181650	26	Bolt 1/2 x 2	
105B	7950180153	26	Washer 1/2	
105C	7660182601	26	Nut 1/2	
106	4706003198	1	Plate	
107	7115150850	1	Bolt 5/16 x 1	
108	7950150161	2	Washer 5/16	
109	7660152601	1	Nut 5/16	

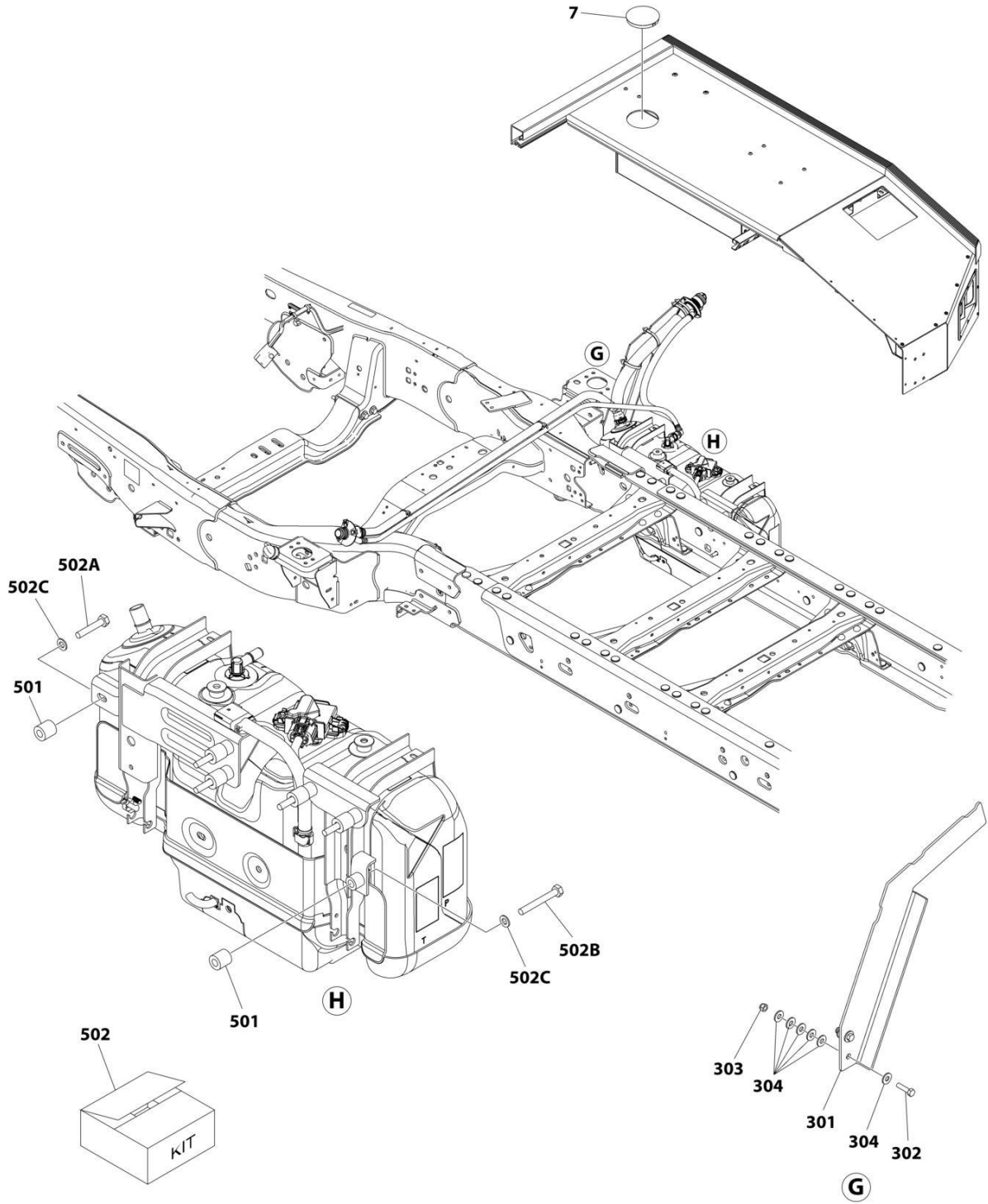
SECTION 1 - SUBFRAME

FIGURE 1-18. CHASSIS MOUNTING KIT - FORD 2017+ DIESEL WITH 60IN CA



ART_1001221622_10F2

SECTION 1 - SUBFRAME



ART_1001221622_20F2

SECTION 1 - SUBFRAME

FIGURE 1-18. CHASSIS MOUNTING KIT - FORD 2017+ DIESEL WITH 60IN CA

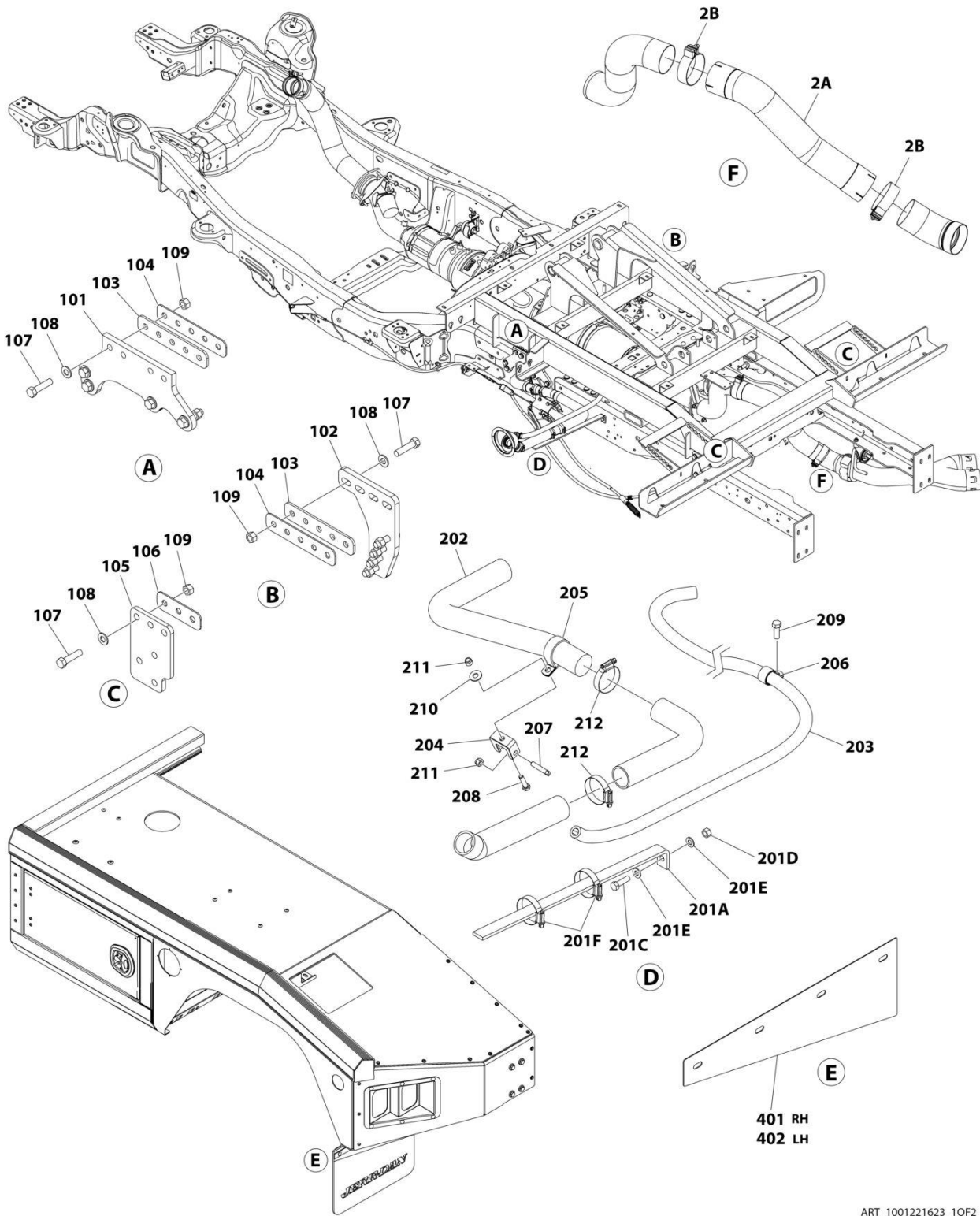
ITEM	PART NUMBER	QTY	DESCRIPTION	REV
	1001221622	Ref	CHASSIS MOUNTING KIT - FORD 2017+ DIESEL WITH 60IN CA	C
1	1001221591	Ref	Subframe Installation (Not Shown) (See Items 101-111 for Breakdown)	
2	1001221664	Ref	Exhaust Rework Installation (Not Shown)	
2A	1001221874	1	Pipe, Exhaust	
2B	7274000111	2	Clamp, Exhaust	
3	1001224887	Ref	Fuel Filler Installation (Not Shown) (See Items 201-213 for Breakdown)	
4	1001220909	Ref	Tank Filler Installation (Not Shown) (See Items 301-305 for Breakdown)	
5	1001221651	Ref	Anti-Sail Brackets Installation (Not Shown) (See Items 401-402 for Breakdown)	
6	1001220832	Ref	Rework DEF Tank Installation (Not Shown) (See Items 501-502 for Breakdown)	
7	7701000075	1	Plug	
	1001221591	Ref	SUBFRAME INSTALLATION	A
101	1001221468	1	Plate	
102	1001220078	1	Plate, Saddle	
103	4706005906	2	Plate	
104	4811001194	2	Plate	
105	1001221624	1	Shim	
106	1001221625	1	Shim	
107	4706006442	2	Plate, Saddle	
108	1001127387	2	Shim	
109	0681816	28	Bolt 1/2 x 2	
110	4711800	28	Nut 1/2	
111	3271805	28	Washer 1/2	
	1001224887	Ref	FUEL FILLER INSTALLATION	A
201	2570000171	1	Fuel Filler Support (Not Shown)	
201A	4533000415	1	Gas Filler Bracket	
201B	5526000553	8	Tie-Strap (Not Shown)	
201C	7115161050	1	Bolt 3/8 x 1-1/4	
201D	7660162601	1	Nut 3/8	
201E	7950160141	2	Washer 3/8	
201F	7274000005	2	Clamp	
202	7570000037	1	Hose	
203	7570000017	1	Hose	
204	7274000076	1	Clamp	
205	7274000071	1	Clamp	
206	7274000105	1	Clamp	
207	7785152420	1	Screw 5/16 x 1-1/2	
208	7115151050	1	Bolt 5/16 x 1-1/4	
209	3941506	1	Tap Screw	
210	7950150161	1	Washer 5/16	
211	7660152601	2	Nut 5/16	
212	7274000005	2	Clamp	
213	7443000483	1	Fitting (Not Shown)	
	1001220909	Ref	TANK FILLER INSTALLATION	B
301	1001221232	1	Bracket	
302	0641510	2	Bolt 5/16 x 1-1/4	
303	7660152601	2	Nut 5/16	

SECTION 1 - SUBFRAME

ITEM	PART NUMBER	QTY	DESCRIPTION	REV
304	4751500	12	Washer 5/16	
305	5526000553	4	Tie-Strap (Not Shown)	
	1001221651	Ref	ANTI-SAIL BRACKETS INSTALLATION	A
401	1001221652	1	Bracket, Anti-Sail RH	
402	1001221653	1	Bracket, Anti-Sail LH	
	1001220832	Ref	REWORK DEF TANK INSTALLATION	A
501	1001220833	6	Shim	
502	1001221065	1	Tank Hardware Kit	
502A	0701019	1	Bolt M10 x 55	
502B	0701024	5	Bolt M10 x 80	
502C	4812000	6	Washer M10	

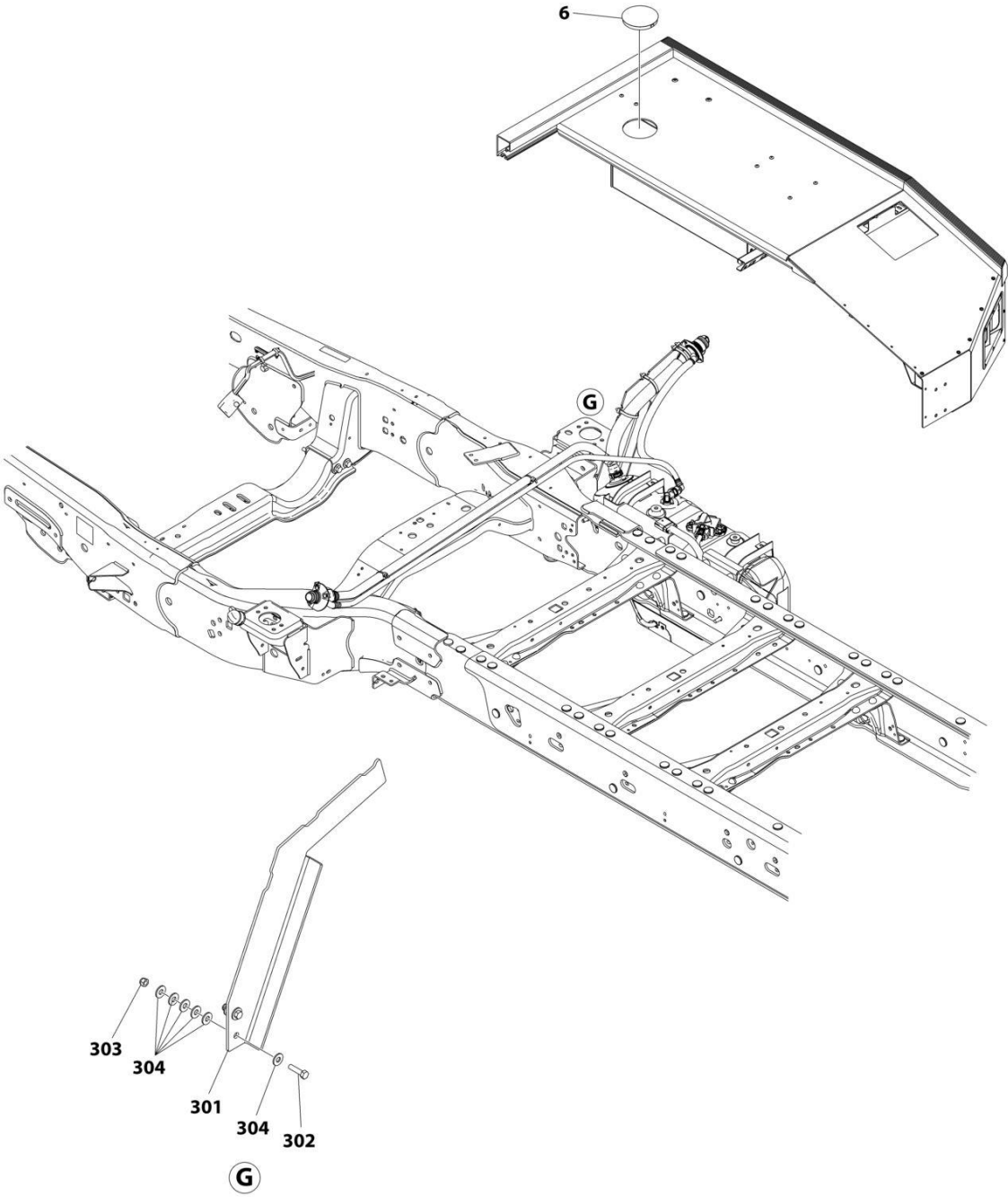
SECTION 1 - SUBFRAME

FIGURE 1-19. CHASSIS MOUNTING KIT - FORD 2017+ DIESEL WITH 84IN CA



ART_1001221623_10F2

SECTION 1 - SUBFRAME



ART_1001221623_20F2

SECTION 1 - SUBFRAME

FIGURE 1-19. CHASSIS MOUNTING KIT - FORD 2017+ DIESEL WITH 84IN CA

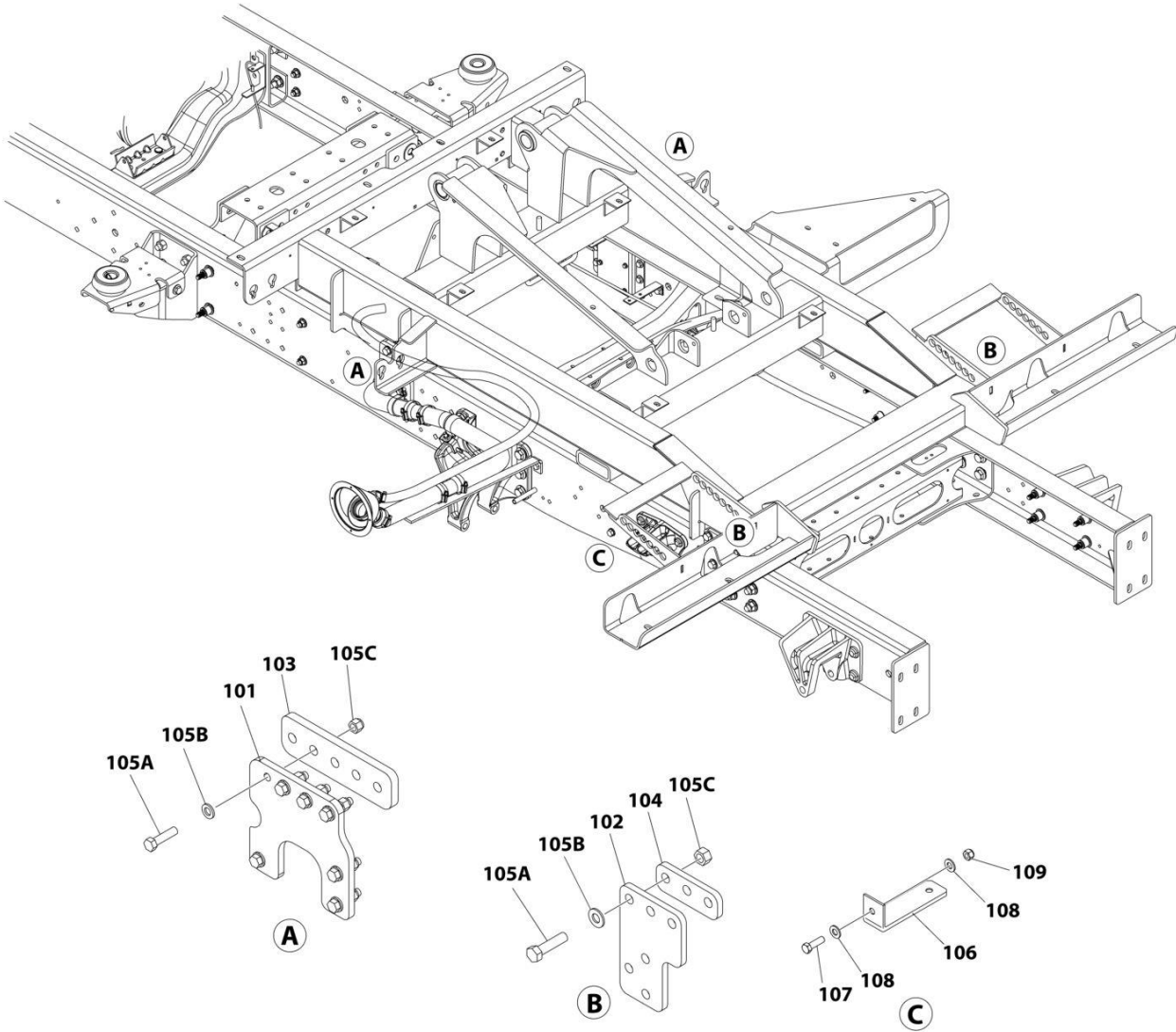
ITEM	PART NUMBER	QTY	DESCRIPTION	REV
	1001221623	Ref	CHASSIS MOUNTING KIT - FORD 2017+ DIESEL WITH 84IN CA	C
1	1001221592	Ref	Subframe Installation (Not Shown) (See Items 101-109 for Breakdown)	
2	1001221664	Ref	Exhaust Rework Installation (Not Shown)	
2A	1001221874	1	Pipe, Exhaust	
2B	7274000111	2	Clamp, Exhaust	
3	1001224887	Ref	Fuel Filler Installation (Not Shown) (See Items 201-213 for Breakdown)	
4	1001220909	Ref	Tank Filler Installation (Not Shown) (See Items 301-305 for Breakdown)	
5	1001221651	Ref	Anti-Sail Brackets Installation (Not Shown) (See Items 401-402 for Breakdown)	
6	7701000075	1	Plug	
	1001221592	Ref	SUBFRAME INSTALLATION	A
101	1001221468	1	Plate	
102	1001220078	1	Plate, Saddle	
103	4706005906	2	Plate	
104	4811001194	2	Plate	
105	4706006442	2	Plate, Rear Saddle	
106	1001127387	2	Shim	
107	0681816	28	Bolt 1/2 x 2	
108	4711800	28	Washer 1/2	
109	3271805	28	Nut 1/2	
	1001224887	Ref	FUEL FILLER INSTALLATION	A
201	2570000171	1	Fuel Filler Support (Not Shown)	
201A	4533000415	1	Gas Filler Bracket	
201B	5526000553	8	Tie-Strap (Not Shown)	
201C	7115161050	1	Bolt 3/8 x 1-1/4	
201D	7660162601	1	Nut 3/8	
201E	7950160141	2	Washer 3/8	
201F	7274000005	2	Clamp	
202	7570000037	1	Hose	
203	7570000017	1	Hose	
204	7274000076	1	Clamp	
205	7274000071	1	Clamp	
206	7274000105	1	Clamp	
207	7785152420	1	Screw 5/16 x 1-1/2	
208	7115151050	1	Bolt 5/16 x 1-1/4	
209	3941506	1	Tap Screw	
210	7950150161	1	Washer 5/16	
211	7660152601	2	Nut 5/16	
212	7274000005	2	Clamp	
213	7443000483	1	Fitting (Not Shown)	
	1001220909	Ref	TANK FILLER INSTALLATION	B
301	1001221232	1	Bracket	
302	0641510	2	Bolt 5/16 x 1-1/4	
303	7660152601	2	Nut 5/16	
304	4751500	12	Washer 5/16	
305	5526000553	4	Tie-Strap (Not Shown)	
	1001221651	Ref	ANTI-SAIL BRACKETS INSTALLATION	A

SECTION 1 - SUBFRAME

ITEM	PART NUMBER	QTY	DESCRIPTION	REV
401	1001221652	1	Bracket, Anti-Sail RH	
402	1001221653	1	Bracket, Anti-Sail LH	

SECTION 1 - SUBFRAME

FIGURE 1-20. CHASSIS MOUNTING KIT – IHC



ART_1001134105

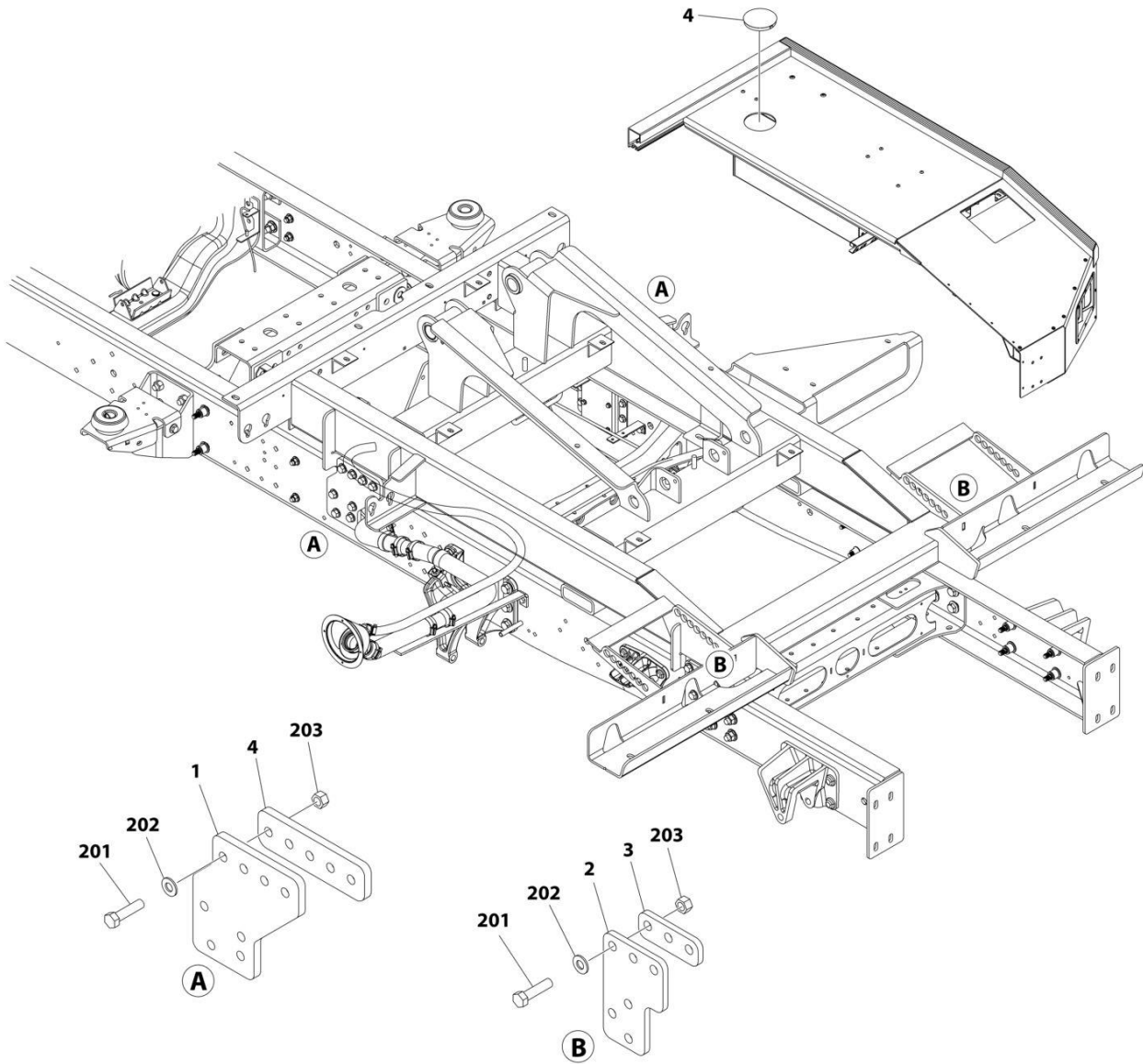
SECTION 1 - SUBFRAME

FIGURE 1-20. CHASSIS MOUNTING KIT – IHC

ITEM	PART NUMBER	QTY	DESCRIPTION	REV
	1001134105	Ref	CHASSIS MOUNTING KIT - IHC	B
1	1001137357	Ref	Subframe Installation (Not Shown) (See Items 101-109 for Breakdown)	
2	2978000001	1	Remote Module Wiring Installation (Not Shown)	
3	1001131625	1	Fitting, Straight FNPTF/ MPP (Not Shown)	
	1001137357	Ref	SUBFRAME INSTALLATION	A
101	4706005903	2	Plate	
102	4706006442	2	Plate (Rear)	
103	4811001194	2	Plate	
104	1001127387	2	Shim	
105	7577000693	1	Kit, Saddle Bolts (Not Shown)	
105A	7115181650	26	Bolt 1/2 x 2	
105B	7950180153	26	Washer 1/2	
105C	7660182601	26	Nut 1/2	
106	4706003198	1	Plate	
107	7115150850	1	Bolt 5/16 x 1	
108	7950150161	2	Washer 5/16	
109	7660152601	1	Nut 5/16	

SECTION 1 - SUBFRAME

FIGURE 1-21. CHASSIS MOUNTING KIT - TERRASTAR



ART_1001157805

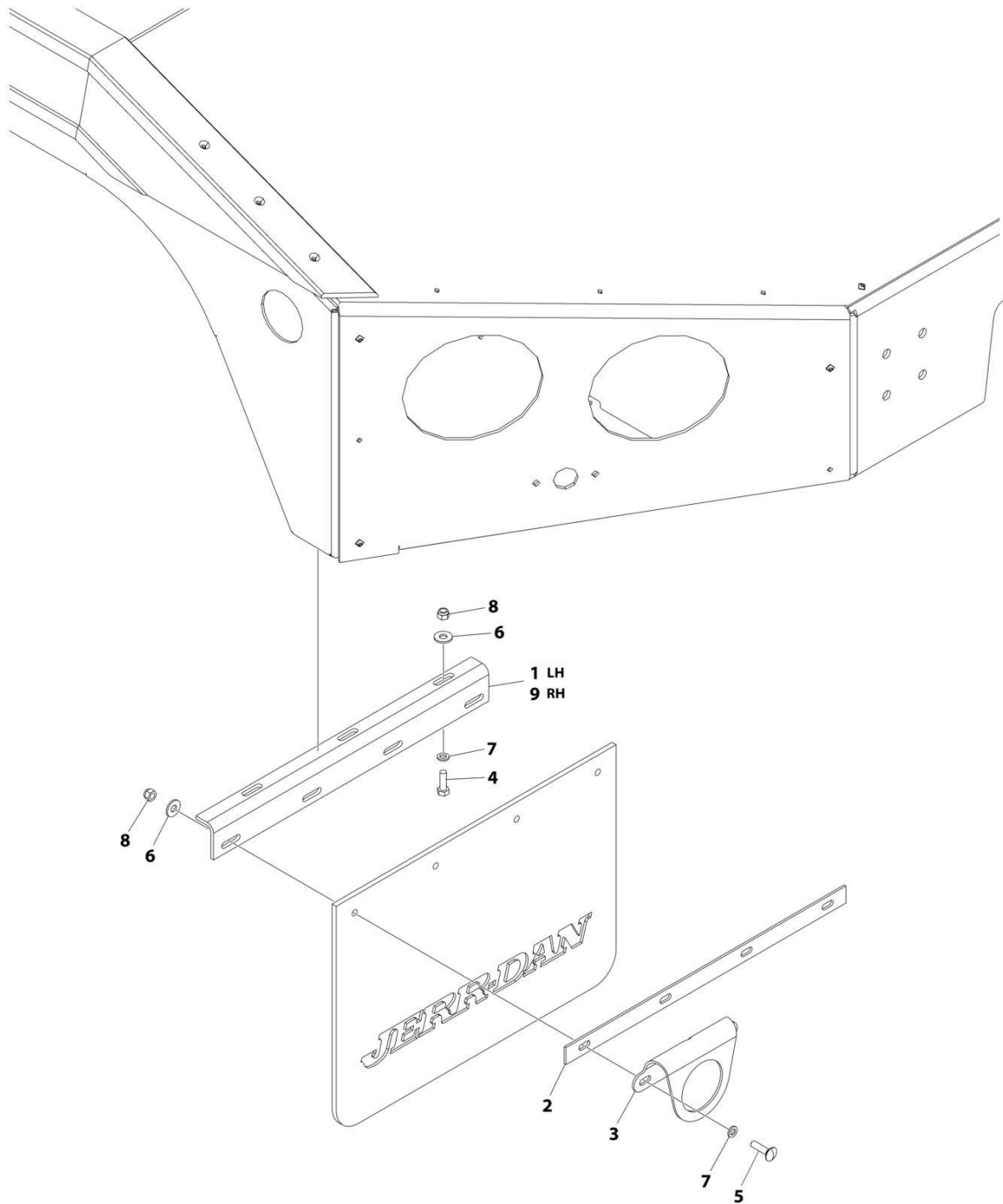
SECTION 1 - SUBFRAME

FIGURE 1-21. CHASSIS MOUNTING KIT - TERRASTAR

ITEM	PART NUMBER	QTY	DESCRIPTION	REV
	1001157805	Ref	CHASSIS MOUNTING KIT - TERRASTAR	A
1	4706005904	2	Plate	
2	4706006442	2	Plate	
3	1001127387	2	Shim	
4	4706005906	2	Plate	
5	7577000693	1	Kit, Saddle Bolt (Not Shown)	
201	7115181650	26	Bolt 1/2 x 2	
202	7950180153	26	Washer 1/2	
203	7660182601	26	Nut 1/2	

SECTION 1 - SUBFRAME

FIGURE 1-22. MUDFLAPS INSTALLATION - CUSTOMER SUPPLIED (NARROW) (ALUMINUM BODY)



ART_1001139499

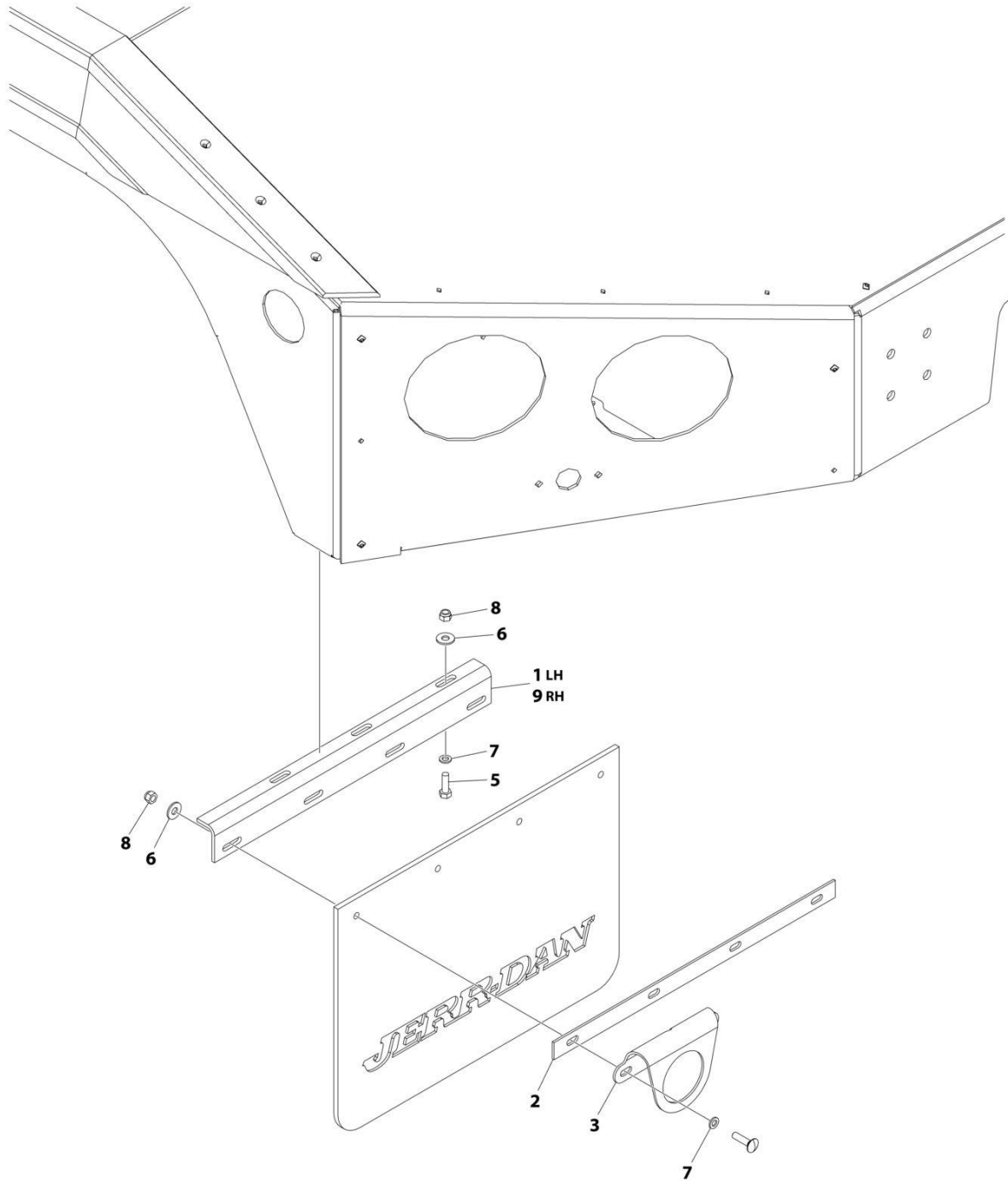
SECTION 1 - SUBFRAME

FIGURE 1-22. MUDFLAPS INSTALLATION - CUSTOMER SUPPLIED (NARROW) (ALUMINUM BODY)

ITEM	PART NUMBER	QTY	DESCRIPTION	REV
	1001139499	Ref	MUDFLAPS INSTALLATION	B
1	4017000478	1	Angle	
2	4706001123	2	Plate	
3	4178000073	2	Bracket	
4	7111150850	6	Bolt 5/16 x 1	
5	7111151010	8	Screw 5/16 x 1-1/4	
6	7950150161	14	Washer 5/16	
7	7950150000	14	Washer 5/16	
8	7660150000	14	Nut 5/16	
9	4017000482	1	Angle	

SECTION 1 - SUBFRAME

FIGURE 1-23. MUDFLAPS INSTALLATION - CUSTOMER SUPPLIED (NARROW) (STEEL BODY)



ART_1001139501

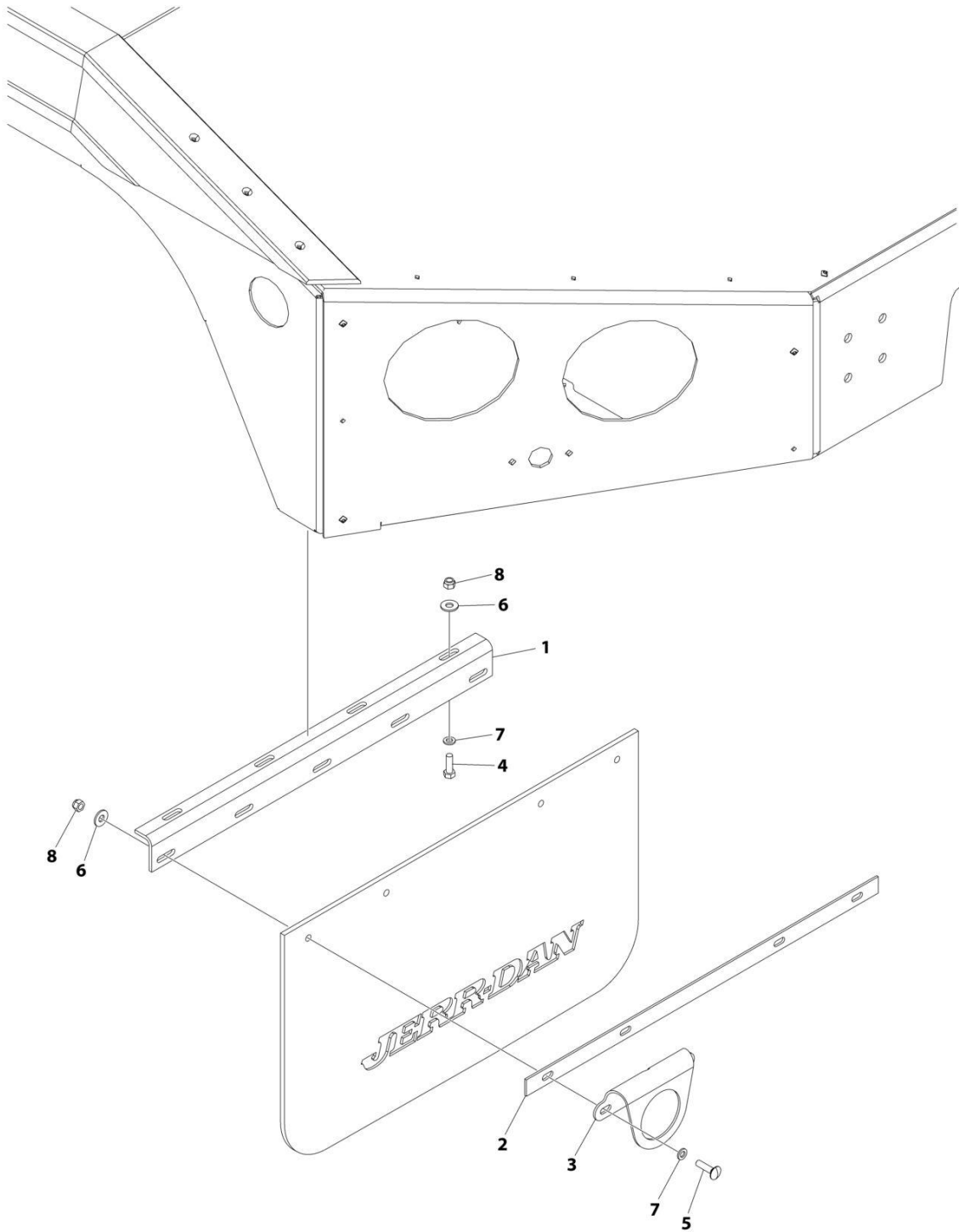
SECTION 1 - SUBFRAME

FIGURE 1-23. MUDFLAPS INSTALLATION - CUSTOMER SUPPLIED (NARROW) (STEEL BODY)

ITEM	PART NUMBER	QTY	DESCRIPTION	REV
	1001139501	Ref	MUDFLAPS INSTALLATION	A
1	4017000492	1	Angle	
2	4706001123	2	Plate	
3	4178000073	2	Bracket	
5	7111150850	6	Bolt 5/16 x 1	
6	7950150161	14	Washer 5/16	
7	7950150000	14	Washer 5/16	
8	7660150000	14	Nut 5/16	
9	4017000493	1	Angle	

SECTION 1 - SUBFRAME

FIGURE 1-24. MUDFLAPS INSTALLATION - CUSTOMER SUPPLIED (WIDE) (ALUMINUM BODY)



ART_1001139498

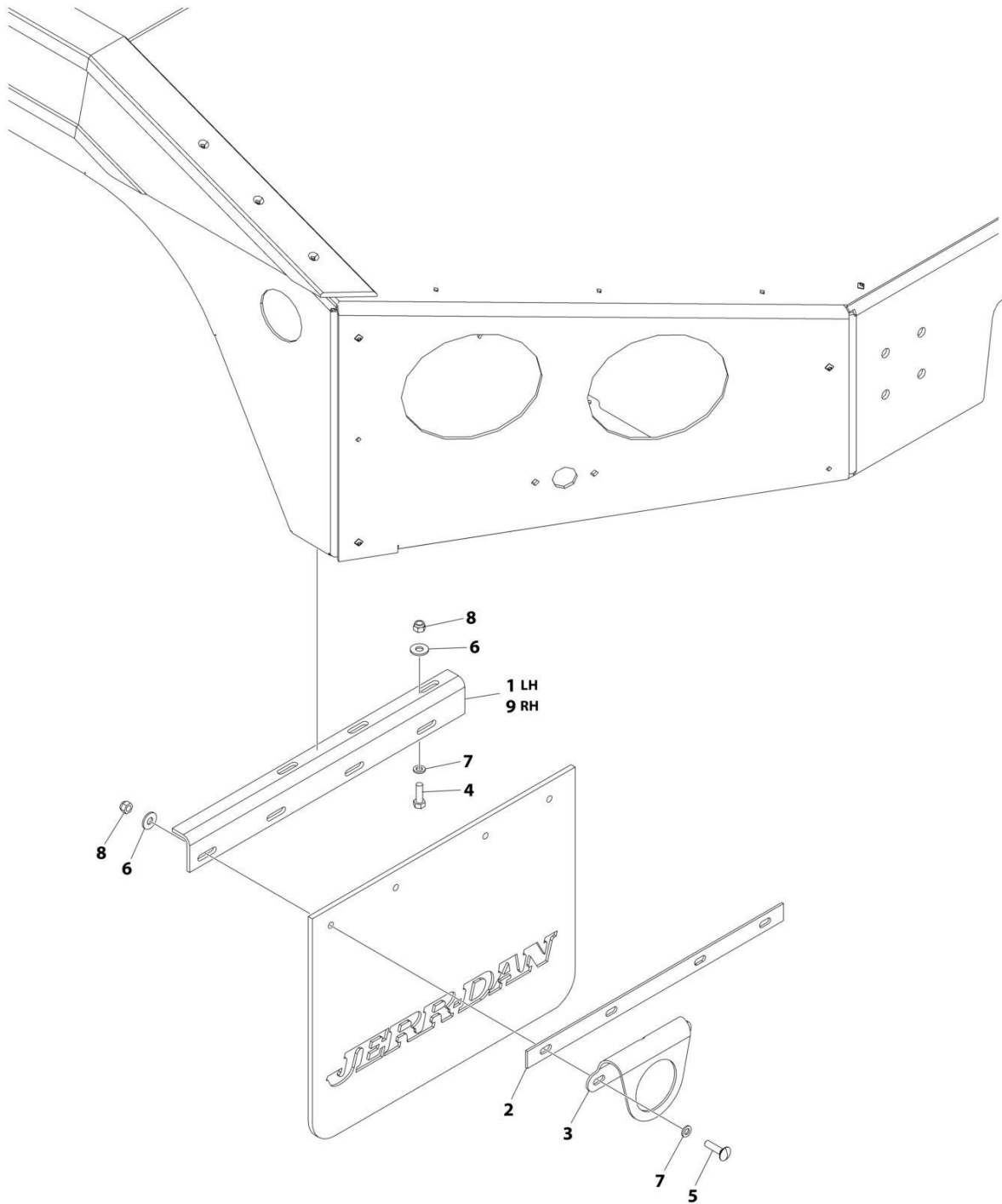
SECTION 1 - SUBFRAME

FIGURE 1-24. MUDFLAPS INSTALLATION - CUSTOMER SUPPLIED (WIDE) (ALUMINUM BODY)

ITEM	PART NUMBER	QTY	DESCRIPTION	REV
	1001139498	Ref	MUDFLAPS INSTALLATION	B
1	4017000481	2	Angle	
2	4706001125	2	Plate	
3	4178000073	2	Bracket	
4	7111150850	6	Bolt 5/16 x 1	
5	7111151010	8	Screw 5/16 x 1-1/4	
6	7950150161	14	Washer 5/16	
7	7950150000	14	Washer 5/16	
8	7660150000	14	Nut 5/16	

SECTION 1 - SUBFRAME

FIGURE 1-25. MUDFLAPS INSTALLATION - CUSTOMER SUPPLIED (WIDE) (STEEL BODY)



ART_1001139500

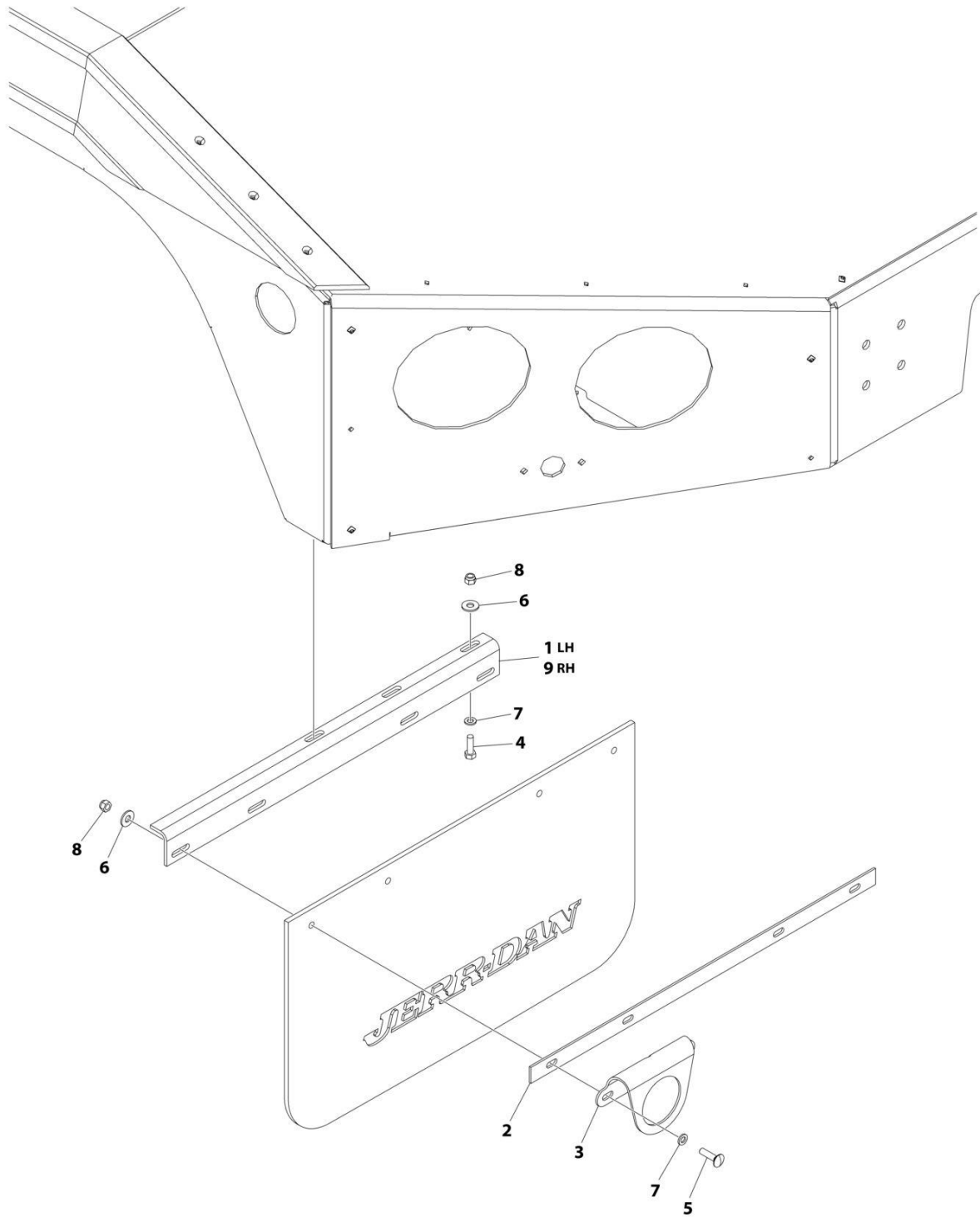
SECTION 1 - SUBFRAME

FIGURE 1-25. MUDFLAPS INSTALLATION - CUSTOMER SUPPLIED (WIDE) (STEEL BODY)

ITEM	PART NUMBER	QTY	DESCRIPTION	REV
	1001139500	Ref	MUDFLAPS INSTALLATION	A
1	4017000494	1	Angle	
2	4706001124	2	Plate	
3	4178000073	2	Bracket	
4	7111150850	6	Bolt 5/16 x 1	
5	7111151010	8	Screw 5/16 x 1-1/4	
6	7950150161	14	Washer 5/16	
7	7950150000	14	Washer 5/16	
8	7660150000	14	Nut 5/16	
9	4017000495	1	Angle	

SECTION 1 - SUBFRAME

FIGURE 1-26. MUDFLAPS INSTALLATION - CUSTOMER SUPPLIED (EXTRA WIDE) (STEEL BODY)



ART_1001139502

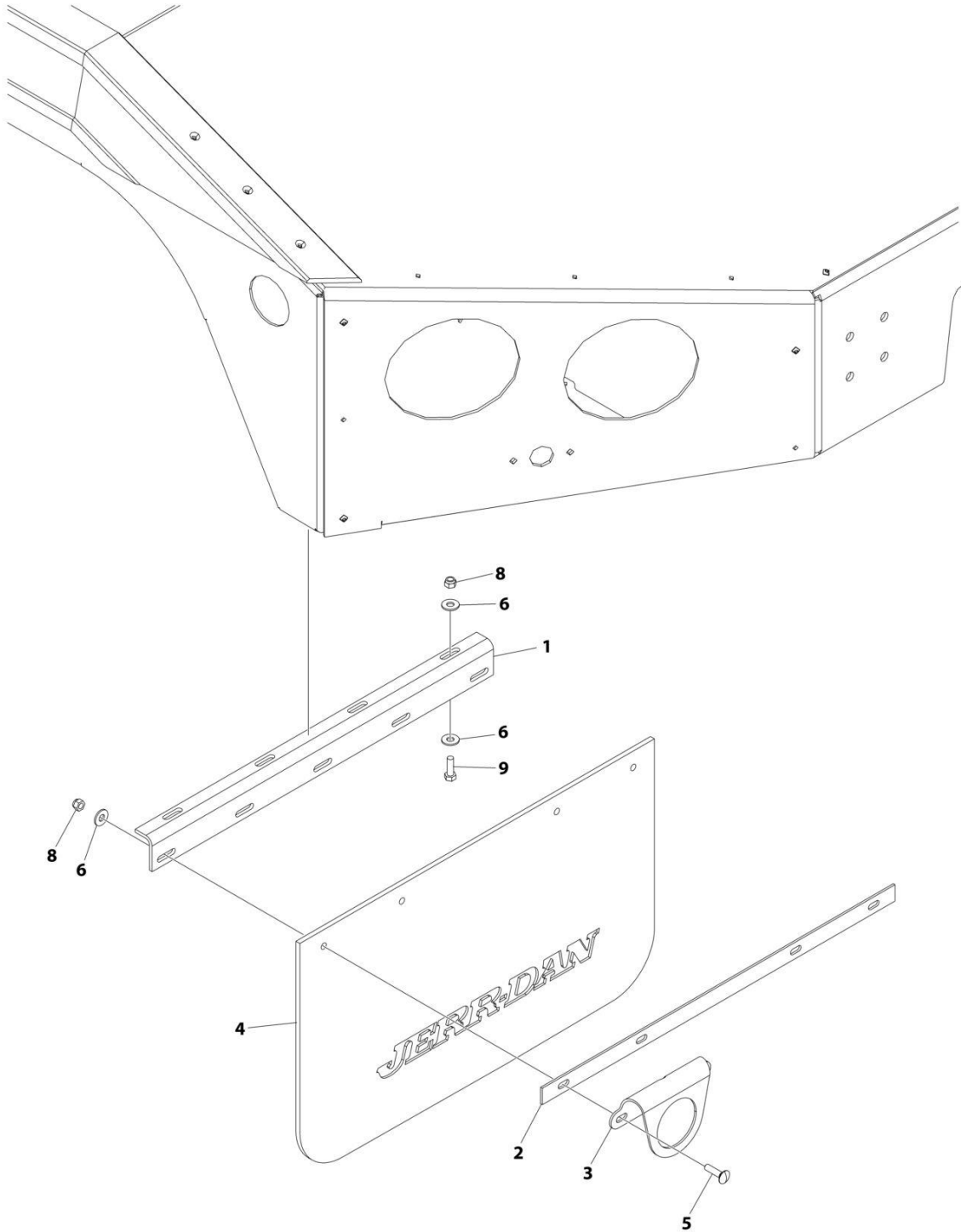
SECTION 1 - SUBFRAME

FIGURE 1-26. MUDFLAPS INSTALLATION - CUSTOMER SUPPLIED (EXTRA WIDE) (STEEL BODY)

ITEM	PART NUMBER	QTY	DESCRIPTION	REV
	1001139502	Ref	MUDFLAPS INSTALLATION	A
1	4017000496	1	Angle	
2	4706001125	2	Plate	
3	4178000073	2	Bracket	
4	7111150850	6	Bolt 5/16 x 1	
5	7111151010	8	Screw 5/16 x 1-1/4	
6	7950150161	14	Washer 5/16	
7	7950150000	14	Washer 5/16	
8	7660150000	14	Nut 5/16	
9	4017000497	1	Angle	

SECTION 1 - SUBFRAME

FIGURE 1-27. MUDFLAPS INSTALLATION - FACTORY SUPPLIED (24IN WIDE) (ALUMINUM BODY ON IHC - HIGH BASE)



ART_2502080042

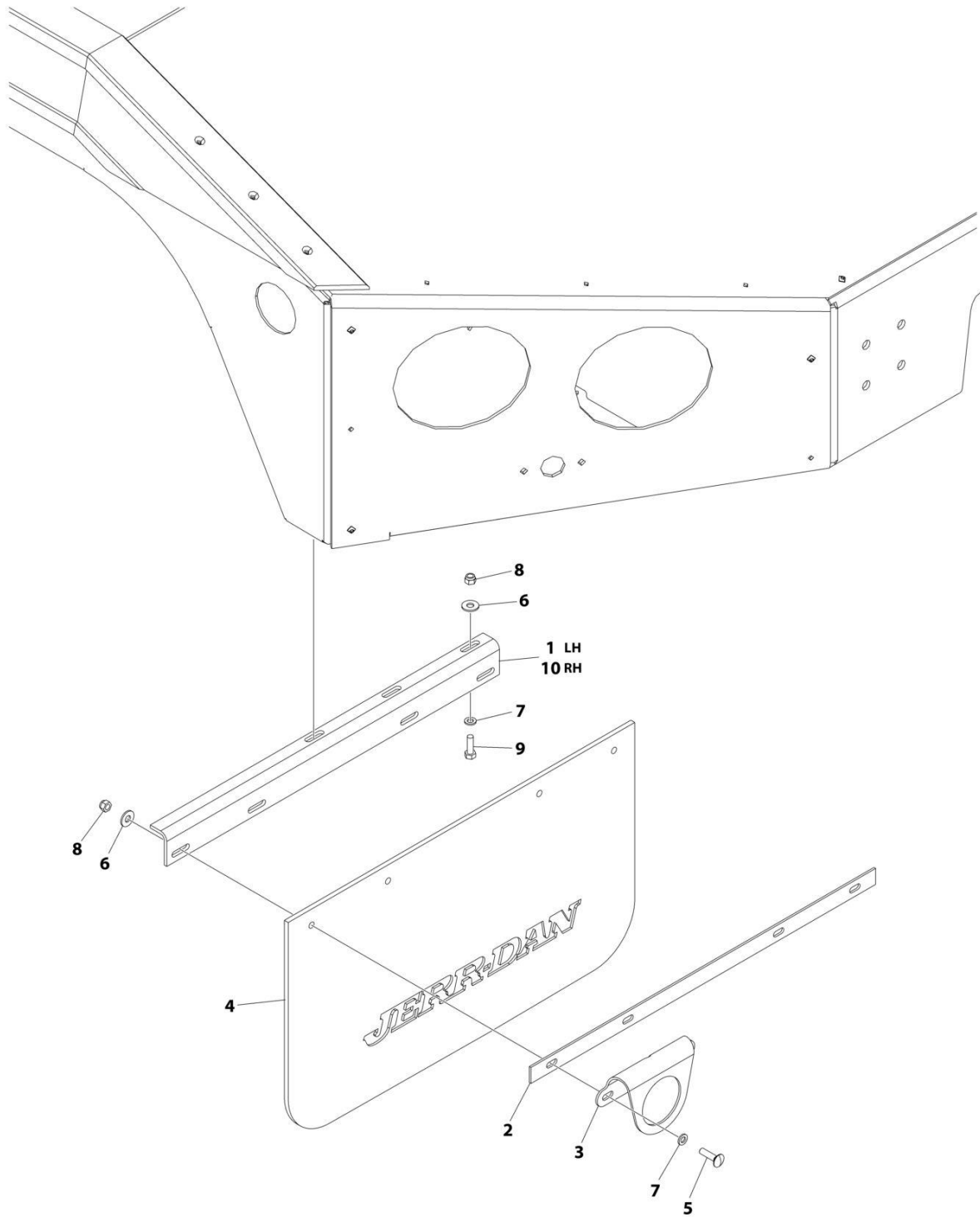
SECTION 1 - SUBFRAME

FIGURE 1-27. MUDFLAPS INSTALLATION - FACTORY SUPPLIED (24IN WIDE) (ALUMINUM BODY ON IHC – HIGH BASE)

ITEM	PART NUMBER	QTY	DESCRIPTION	REV
	2502080042	Ref	MUDFLAPS INSTALLATION	B
1	4017000481	2	Angle	
2	4706001125	2	Plate	
3	4178000073	2	Bracket	
4	4638000001	2	Mud Flap	
5	7115151064	8	Bolt 5/16 x 1-1/4	
6	4751500	20	Washer 5/16	
8	7660152601	14	Nut 5/16	
9	0641508	6	Bolt 5/16 x 1	

SECTION 1 - SUBFRAME

FIGURE 1-28. MUDFLAPS INSTALLATION - FACTORY SUPPLIED (24IN WIDE) (STEEL BODY ON IHC - HIGH BASE)



ART_2502080047

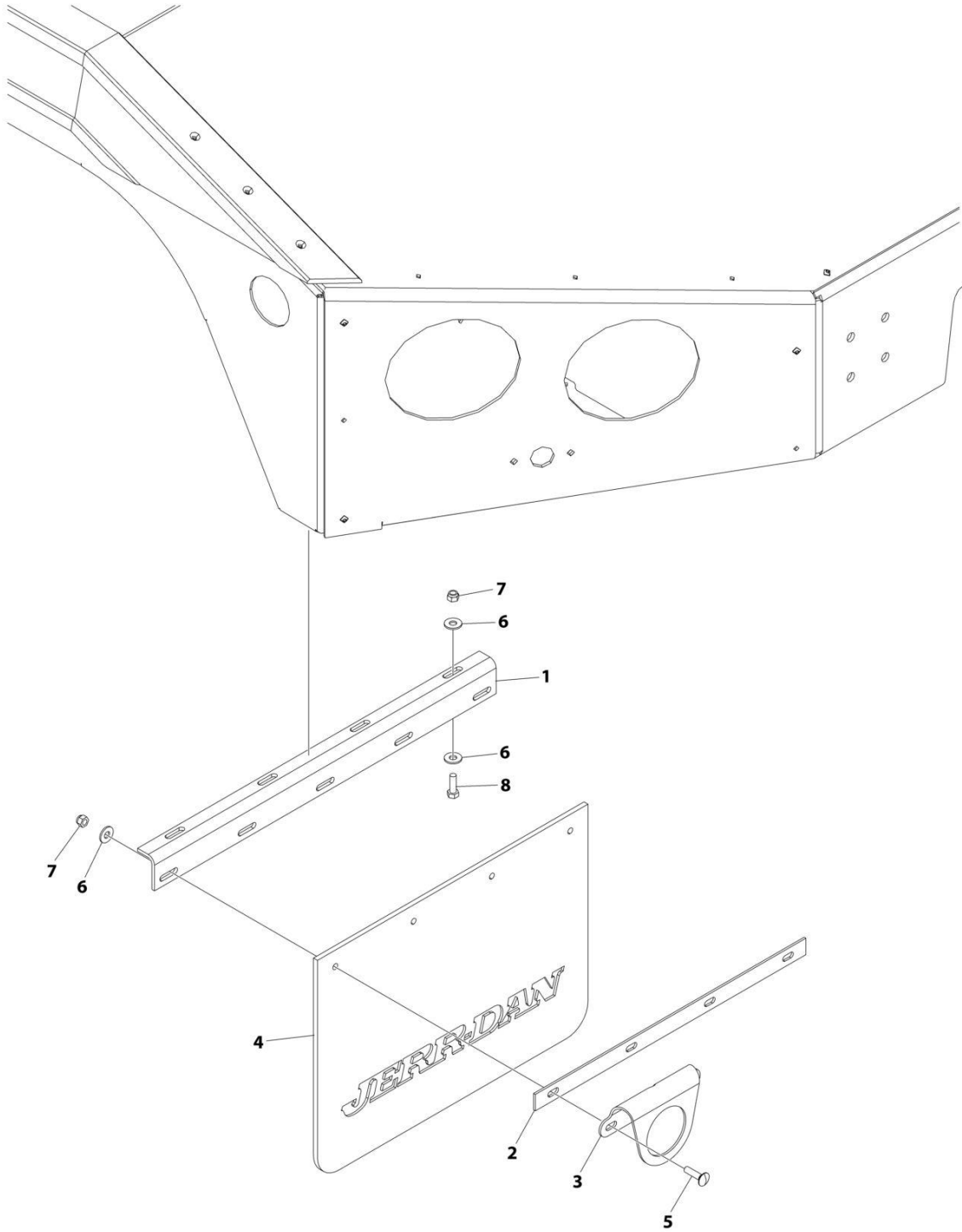
SECTION 1 - SUBFRAME

FIGURE 1-28. MUDFLAPS INSTALLATION - FACTORY SUPPLIED (24IN WIDE) (STEEL BODY ON IHC - HIGH BASE)

ITEM	PART NUMBER	QTY	DESCRIPTION	REV
	2502080047	Ref	MUDFLAPS INSTALLATION	0
1	4017000496	1	Angle	
2	4706001125	2	Plate	
3	4178000073	2	Bracket	
4	4638000001	2	Mud Flap	
5	7111151010	8	Screw 5/16 x 1-1/4	
6	7950150161	14	Washer 5/16	
7	7950150000	14	Washer 5/16	
8	7660150000	14	Nut 5/16	
9	7111150850	6	Bolt 5/16 x 1	
10	4017000497	1	Angle	

SECTION 1 - SUBFRAME

FIGURE 1-29. MUDFLAPS INSTALLATION - FACTORY SUPPLIED (19IN WIDE) (ALUMINUM BODY - WIDE TRACK)



ART_1001221808

SECTION 1 - SUBFRAME

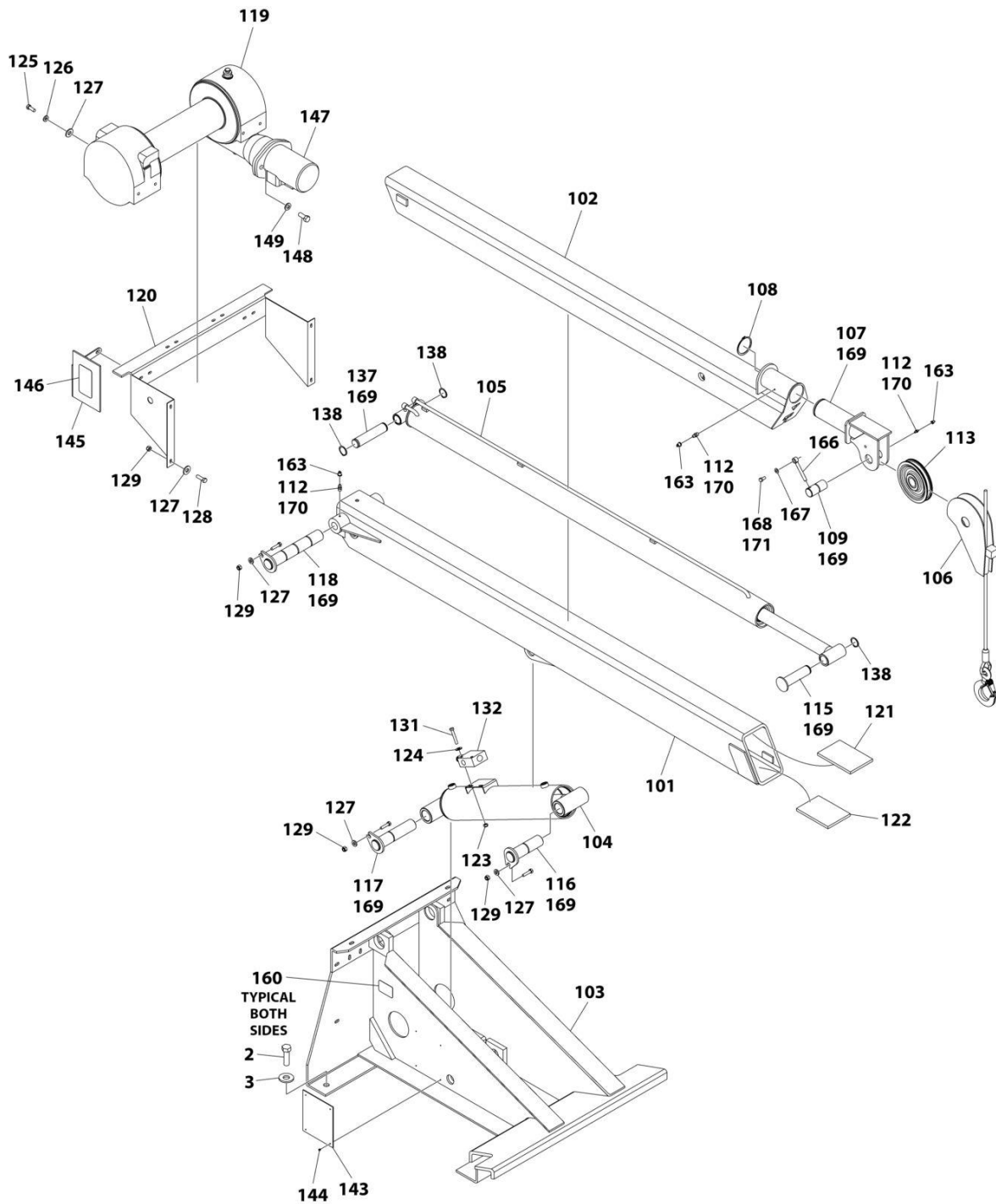
FIGURE 1-29. MUDFLAPS INSTALLATION - FACTORY SUPPLIED (19IN WIDE) (ALUMINUM BODY – WIDE TRACK)

ITEM	PART NUMBER	QTY	DESCRIPTION	REV
	1001221808	Ref	MUDFLAPS INSTALLATION	A
1	4017000481	2	Angle	
2	4706001123	2	Plate	
3	4178000073	2	Bracket	
4	7638000003	2	Mud Flap	
5	7115151064	8	Bolt 5/16 x 1-1/4	
6	4751500	20	Washer 5/16	
7	7660152601	14	Nut 5/16	
8	0641508	6	Bolt 5/16 x 1	

SECTION 2 - BOOM

SECTION 2 - BOOM

FIGURE 2-1. BOOM INSTALLATION - 8K LBS BOOM (8000 LBS SINGLE WINCH)



ART_2502100063_10F2

SECTION 2 - BOOM

FIGURE 2-1. BOOM INSTALLATION - 8K LBS BOOM (8000 LBS SINGLE WINCH)

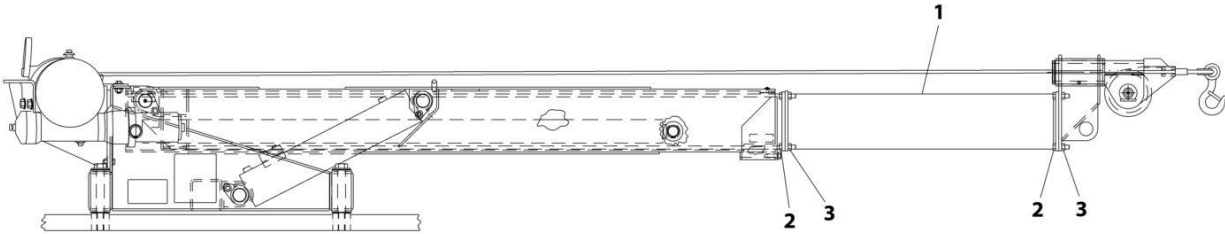
ITEM	PART NUMBER	QTY	DESCRIPTION	REV
	2502100063	Ref	WRECKER BOOM - SINGLE 8000 LBS WINCH	C
1	3502100014	1	Wrecker Boom Assembly (Not Shown) (Includes Items 101-172)	
2	7115245650	4	Bolt 7/8 x 7	
3	7950240162	4	Washer 7/8	
4	3020039	AR	Lubricant (Not Shown)	
	3502100014	Ref	WRECKER BOOM ASSEMBLY	Q
101	3170000067	1	Base Boom	
102	3170000066	1	Fly Boom	
103	3073000005	1	Frame	
104	3320000044	1	Cylinder Assembly (See Separate Breakdown in this Section)	
105	3320000045	1	Extension Cylinder Assembly (See Separate Breakdown in this Section)	
106	3510900068	1	Cable Guide (Prior to SN 0230003739)	
106	1001206167	1	Cable Guide (SN 0230003739 to Present)	
107	3512900006	1	Sheave Support (Prior to SN 0230003739)	
107	1001206161	1	Sheave Support (SN 0230003739 to Present)	
108	7754000005	1	Ring Retaining	
109	3691000002	1	Pin (Prior to SN 0230003739)	
109	1001206171	1	Pin (SN 0230003739 to Present)	
110	7754000006	1	Ring Retaining (Prior to SN 0230003739)	
111	4209000019	2	Bushing (Prior to SN 0230003739)	
112	7440030000	7	Fitting, Grease (Prior to SN 0230003739)	
112	88671008	7	Fitting, Grease (SN 0230003739 to Present)	
113	7809000001	1	Sheave	
115	3691000113	1	Pin	
116	3691000103	1	Pin	
117	3691000104	1	Pin	
118	3691000105	1	Pin	
119	7970000104	1	Winch (RH) (See Separate Breakdown in this Section)	
120	4314000024	1	Cover Plate	
121	4679000088	1	Pad	
122	4679000089	1	Pad	
123	7660152601	2	Nut 5/16	
124	4751500	2	Washer 5/16	
125	0641608	8	Bolt 3/8 x 1	
126	4761600	8	Washer 3/8	
127	4891600	19	Washer 3/8	
128	0641610	4	Bolt 3/8 x 1-1/4	
129	7660162601	7	Nut 3/8	
131	0641516	2	Bolt 5/16 x 2	
132	7935000001	1	Counterbalance Valve (Prior to SN 0230002518)	
132	7935000308	1	Counterbalance Valve (SN 0230002518 to Present)	
137	4691000120	1	Pin	
138	7754000019	3	Ring Retaining	
140	7701000030	2	Plug (Not Shown)	
143	7330000145	1	Decal (Prior to SN 0230002518)	
143	1001132574	1	Decal (SN 0230002518 to Present)	
144	7759000004	4	Rivet	
145	4706001255	1	Plate	
146	7330000138	1	Decal	

SECTION 2 - BOOM

ITEM	PART NUMBER	QTY	DESCRIPTION	REV
147	7626000014	1	Motor (See Separate Breakdown in this Section)	
148	0641812	2	Bolt 1/2 x 1-1/2	
149	7950180400	2	Washer 1/2	
160	7330000546	2	Decal	
161	7701000068	1	Plug (Not Shown) (Prior to SN 0230004926)	
162	7935000174	1	Relief Valve (Not Shown) (Prior to SN 0230004926)	
163	7253000002	7	Cap, Grease Fitting	
165	7330000126	1	Decal - Lubrication (Not Shown - Located Inside Driver Side Toolbox Door) (SN 0230003739 to Present)	
166	3841143	1	Keeper, Pin (SN 0230003739 to Present)	
167	4711600	1	Washer 3/8 (SN 0230003739 to Present)	
168	0651606	1	Bolt 3/8 x 3/4 (SN 0230003739 to Present)	
169	3020039	AR	Lube (SN 0230003739 to Present)	
170	3020029	AR	Grease (SN 0230003739 to Present)	
171	1001095650	AR	Adhesive (SN 0230003739 to Present)	
172	7330000124	1	Decal - Lubricant (Not Shown - Located Inside Driver Side Toolbox Door) (SN 0230003739 to Present)	

SECTION 2 - BOOM

FIGURE 2-2. BOOM EXTENSION INSTALLATION - HPL35 BOLT-ON (SPEEDWAY SPECS) (SN 0230002518 through 0230003297)



ART_1001127743

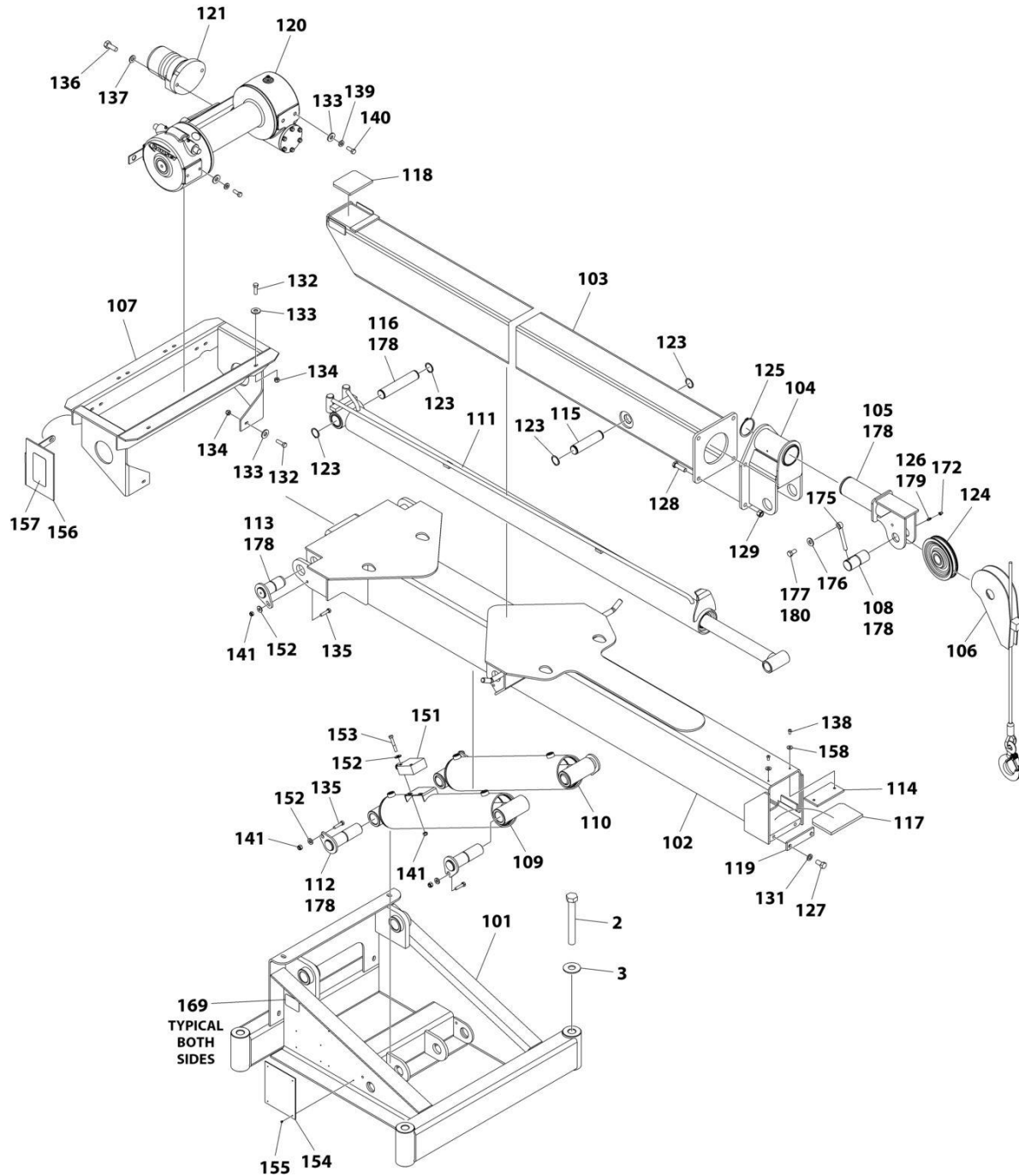
SECTION 2 - BOOM

FIGURE 2-2. BOOM EXTENSION INSTALLATION - HPL35 BOLT-ON (SPEEDWAY SPECS) (SN 0230002518 through 0230003297)

ITEM	PART NUMBER	QTY	DESCRIPTION	REV
	1001127743	Ref	BOOM EXTENSION INSTALLATION - HPL35 BOLT-ON	0
1	3512100111	1	Extension, Boom - Bolt-on	
2	7115201650	4	Capscrew 5/8 x 2	
3	7660202601	4	Nut 5/8	

SECTION 2 - BOOM

FIGURE 2-3. BOOM INSTALLATION - 18.5K LBS BOOM (8000 LBS SINGLE WINCH)



ART_2511100084_10F2

SECTION 2 - BOOM

FIGURE 2-3. BOOM INSTALLATION - 18.5K LBS BOOM (8000 LBS SINGLE WINCH)

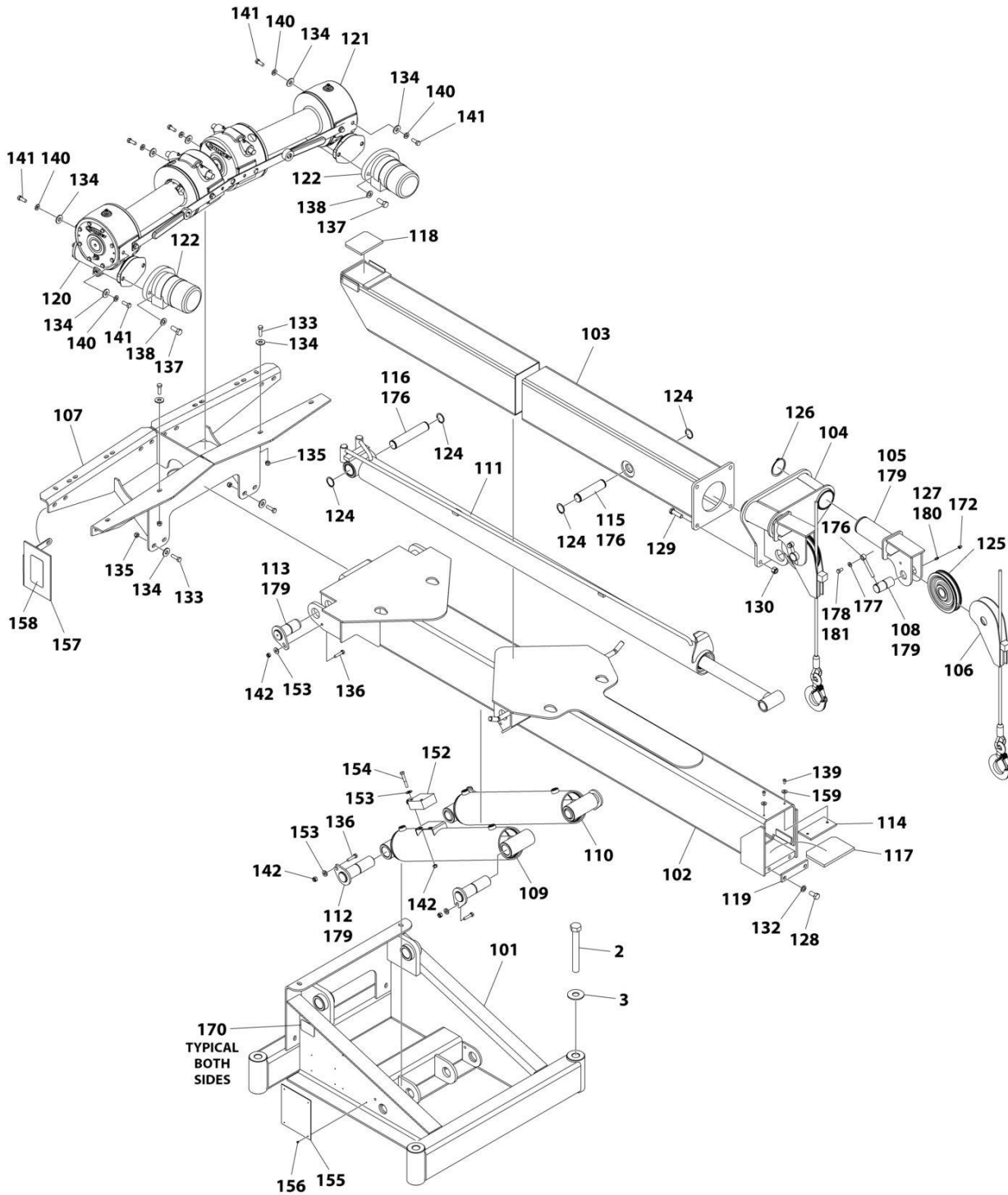
ITEM	PART NUMBER	QTY	DESCRIPTION	REV
	2511100084	Ref	WRECKER BOOM - SINGLE 8000 LBS WINCH	C
1	3511100086	1	Wrecker Boom Assembly (Not Shown) (Includes Items 101-181)	
2	7115245650	4	Bolt 7/8 x 7	
3	7950240161	4	Washer 7/8	
4	3020039	AR	Lubricant (Not Shown)	
	3511100086	Ref	WRECKER BOOM ASSEMBLY	R
101	3511100079	1	Frame	
102	3510100062	1	Base Boom	
103	3510100060	1	Fly Boom	
104	3510100058	1	Boom Nose	
105	3512900006	1	Sheave Support (Prior to SN 0230003739)	
105	1001206161	1	Sheave Support (SN 0230003739 to Present)	
106	3510900068	1	Cable Guide (Prior to SN 0230003739)	
106	1001206167	1	Cable Guide (SN 0230003739 to Present)	
107	3510100050	1	Single Winch Mount	
108	3691000002	1	Pin (Prior to SN 0230003739)	
108	1001206171	1	Pin (SN 0230003739 to Present)	
109	3320000011	1	Lift Cylinder Assembly (See Separate Breakdown in this Section)	
110	3320000012	1	Lift Cylinder Assembly (See Separate Breakdown in this Section)	
111	3320000007	1	Extension Cylinder Assembly (See Separate Breakdown in this Section)	
112	3691000075	4	Pin	
113	3691000076	2	Pin	
114	4706000067	1	Plate	
115	4691000027	1	Pin	
116	4691000179	1	Pin	
117	4679000005	1	Pad	
118	4679000004	1	Pad	
119	4706000160	1	Plate	
120	7970000103	1	Winch (See Separate Breakdown in this Section)	
121	7626000014	1	Orbit Motor (See Separate Breakdown in this Section)	
123	7754000006	5	Ring Retaining (Prior to SN 0230003739)	
123	3760133	4	Ring Retaining (SN 0230003739 to Present)	
124	7809000001	1	Sheave	
125	7754000005	1	Ring	
126	7440030000	8	Fitting, Grease (Prior to SN 0230003739)	
126	88671008	8	Fitting, Grease (SN 0230003739 to Present)	
127	0641808	2	Bolt 1/2 x 1	
128	0641812	4	Bolt 1/2 x 1-1/2	
129	7660182601	4	Nut 1/2	
130	4209000019	AR	Bushing (Prior to SN 0230003739)	
131	4761800	2	Washer	
132	0641610	4	Bolt 3/8 x 1-1/4	
133	4891600	16	Washer 3/8	
134	7660162601	4	Nut 3/8	
135	0641510	6	Bolt 5/16 x 1-1/4	
136	0641810	2	Bolt 1/2 x 1-1/4	
137	7950180400	2	Washer 1/2	
138	7118140418	2	Capscrew 1/4 x 1/2	
139	4761600	8	Washer 3/8	

SECTION 2 - BOOM

ITEM	PART NUMBER	QTY	DESCRIPTION	REV
140	0641608	8	Bolt 3/8 x 1	
141	7660152601	8	Nut 5/16	
151	7935000001	1	Counterbalance Valve (Prior to SN 0230002518)	
151	7935000308	1	Counterbalance Valve (SN 0230002518 to Present)	
152	4751500	8	Washer 5/16	
153	0641516	2	Bolt 5/16 x 2	
154	7330000145	1	Decal (Prior to SN 0230002518)	
154	1001132574	1	Decal (SN 0230002518 to Present)	
155	7759000004	4	Rivet	
156	4706001255	1	Plate	
157	7330000138	1	Decal	
158	4751400	2	Washer 1/4	
169	7330000546	2	Decal	
170	7701000068	AR	Plug (Not Shown) (Prior to SN 0230004926)	
171	7935000174	AR	Relief Valve (Not Shown) (Prior to SN 0230004926)	
172	7253000002	8	Cap, Grease Fitting	
174	7330000126	1	Decal - Lubrication (Not Shown - Located Inside Driver Side Toolbox Door) (SN 0230003739 to Present)	
175	3841143	1	Keeper, Pin (SN 0230003739 to Present)	
176	4711600	1	Washer 3/8 (SN 0230003739 to Present)	
177	0651606	1	Bolt 3/8 x 3/4 (SN 0230003739 to Present)	
178	3020039	AR	Lube (SN 0230003739 to Present)	
179	3020029	AR	Grease (SN 0230003739 to Present)	
180	1001095650	AR	Adhesive (SN 0230003739 to Present)	
181	7330000124	1	Decal - Lubricant (Not Shown - Located Inside Driver Side Toolbox Door) (SN 0230003739 to Present)	

SECTION 2 - BOOM

FIGURE 2-4. BOOM INSTALLATION - 18.5K LBS BOOM (8000 LBS DUAL WINCH)



ART_2511100083_1OF2

SECTION 2 - BOOM

FIGURE 2-4. BOOM INSTALLATION - 18.5K LBS BOOM (8000 LBS DUAL WINCH)

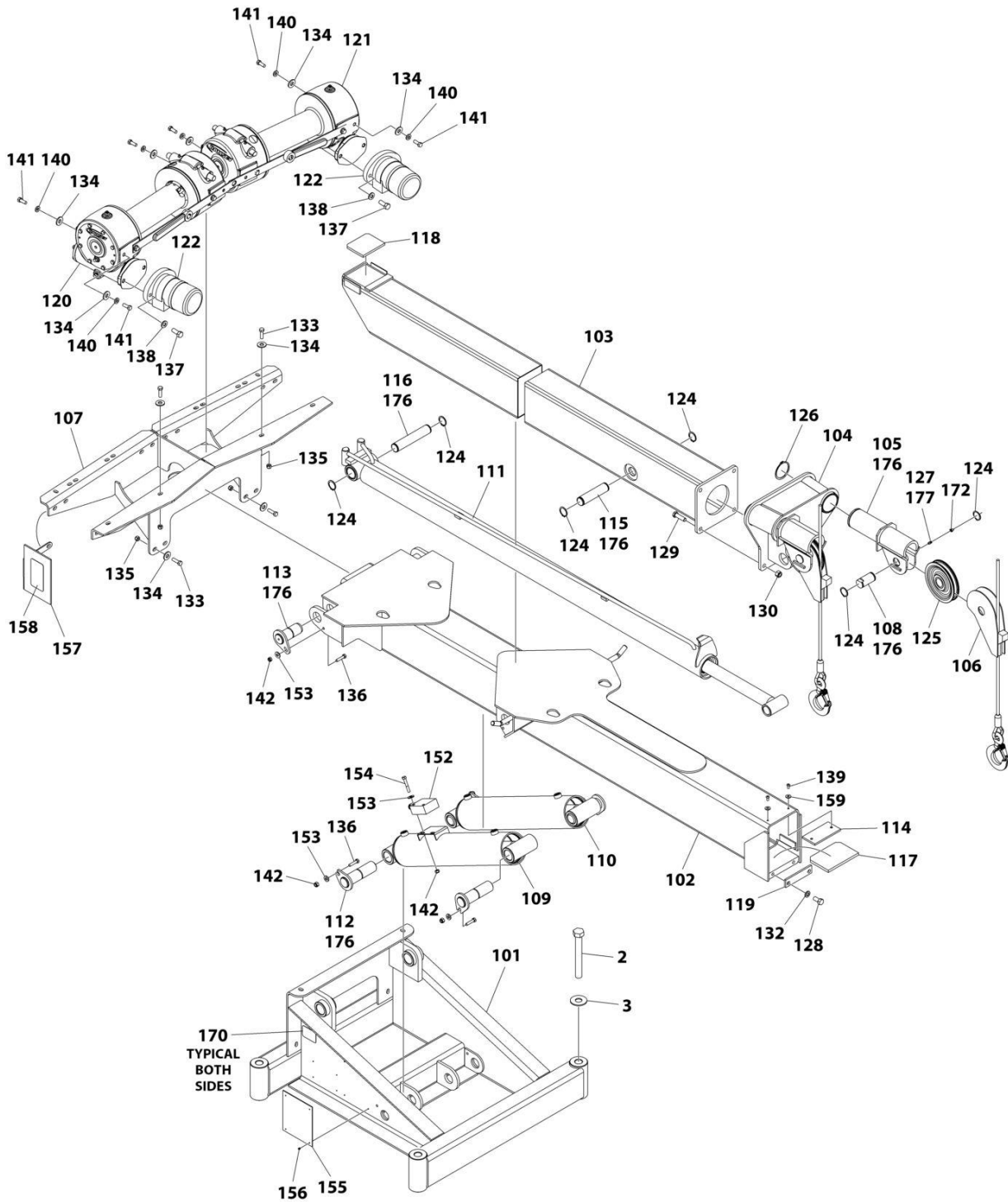
ITEM	PART NUMBER	QTY	DESCRIPTION	REV
	2511100083	Ref	WRECKER BOOM - DUAL 8000 LBS WINCH	C
1	3511100085	1	Wrecker Boom Assembly (Not Shown) (Includes Items 101-181)	
2	7115245650	4	Bolt 7/8 x 7	
3	7950240161	4	Washer 7/8	
4	3020039	AR	Lubricant (Not Shown)	
	3511100085	Ref	WRECKER BOOM ASSEMBLY	S
101	3511100079	1	Frame	
102	3510100062	1	Base Boom	
103	3510100060	1	Fly Boom	
104	3502100024	1	Boom Nose (Prior to SN 0230003739)	
104	1001206499	1	Boom Nose (SN 0230003739 to Present)	
105	3502900023	2	Sheave Support (Prior to SN 0230003739)	
105	1001206161	2	Sheave Support (SN 0230003739 to Present)	
106	3249000002	2	Cable Guide (Prior to SN 0230003739)	
106	1001206167	2	Cable Guide (SN 0230003739 to Present)	
107	3510100051	1	Dual Winch Mount	
108	3691000134	2	Pin (Prior to SN 0230003739)	
108	1001206171	2	Pin (SN 0230003739 to Present)	
109	3320000011	1	Tilt Cylinder Assembly (See Separate Breakdown in this Section)	
110	3320000012	1	Tilt Cylinder Assembly (See Separate Breakdown in this Section)	
111	3320000007	1	Extension Cylinder Assembly (See Separate Breakdown in this Section)	
112	3691000075	4	Pin	
113	3691000076	2	Pin	
114	4706000067	1	Plate	
115	4691000027	1	Pin	
116	4691000179	1	Pin	
117	4679000005	1	Pad	
118	4679000004	1	Pad	
119	4706000160	1	Plate	
120	7970000103	1	Winch (LH) (See Separate Breakdown in this Section)	
121	7970000104	1	Winch (RH) (See Separate Breakdown in this Section)	
122	7626000014	2	Motor (See Separate Breakdown in this Section)	
124	7754000006	6	Ring Retaining (Prior to SN 0230003739)	
124	3760133	4	Ring Retaining (SN 0230003739 to Present)	
125	7809000001	2	Sheave	
126	7754000018	2	Ring (Prior to SN 0230003739)	
126	7754000005	2	Ring (SN 0230003739 to Present)	
127	7440030000	10	Fitting, Grease (Prior to SN 0230003739)	
127	8871008	10	Fitting, Grease (SN 0230003739 to Present)	
128	0641808	2	Bolt 1/2 x 1	
129	0641814	4	Bolt 1/2 x 1-3/4	
130	7660182601	4	Nut 1/2	
132	4761800	2	Washer	
133	0641610	6	Bolt 3/8 x 1-1/4	
134	4891600	28	Washer 3/8	
135	7660162601	6	Nut 3/8	
136	0641510	6	Bolt 5/16 x 1-1/4	
137	0641810	4	Bolt 1/2 x 1-1/4	
138	7950180400	4	Washer 1/2	

SECTION 2 - BOOM

ITEM	PART NUMBER	QTY	DESCRIPTION	REV
139	7118140418	2	Capscrew 1/4 x 1/2	
140	4761600	16	Washer 3/8	
141	0641608	16	Bolt 3/8 x 1	
142	7660152601	8	Nut 5/16	
152	7935000001	1	Counterbalance Valve (Prior to SN 0230002518)	
152	7935000308	1	Counterbalance Valve (SN 0230002518 to Present)	
153	4761500	8	Washer 5/16	
154	0641516	2	Bolt 5/16 x 2	
155	7330000145	1	Decal (Prior to SN 0230002518)	
155	1001132574	1	Decal (SN 0230002518 to Present)	
156	7759000004	4	Rivet	
157	4706001255	1	Plate	
158	7330000138	1	Decal	
159	4751400	2	Washer 1/4	
170	7330000546	2	Decal	
171	7935000174	1	Relief Valve (Not Shown) (Prior to SN 0230004926)	
172	7253000002	10	Cap, Grease Fitting	
174	7330000126	1	Decal - Lubrication (Not Shown - Located Inside Driver Side Toolbox Door) (SN 0230003739 to Present)	
175	7330000124	1	Decal - Lubricant (Not Shown - Located Inside Driver Side Toolbox Door) (SN 0230003739 to Present)	
176	3841143	1	Keeper, Pin (SN 0230003739 to Present)	
177	4711600	1	Washer 3/8 (SN 0230003739 to Present)	
178	0651606	1	Bolt 3/8 x 3/4 (SN 0230003739 to Present)	
179	3020039	AR	Lube (SN 0230003739 to Present)	
180	3020029	AR	Grease (SN 0230003739 to Present)	
181	1001095650	AR	Adhesive (SN 0230003739 to Present)	

SECTION 2 - BOOM

FIGURE 2-5. BOOM INSTALLATION - 18.5K LBS BOOM (8000 LBS DUAL WINCH) (SPEEDWAY SPECS)



ART_1001130055_1OF2

SECTION 2 - BOOM

FIGURE 2-5. BOOM INSTALLATION - 18.5K LBS BOOM (8000 LBS DUAL WINCH) (SPEEDWAY SPECS)

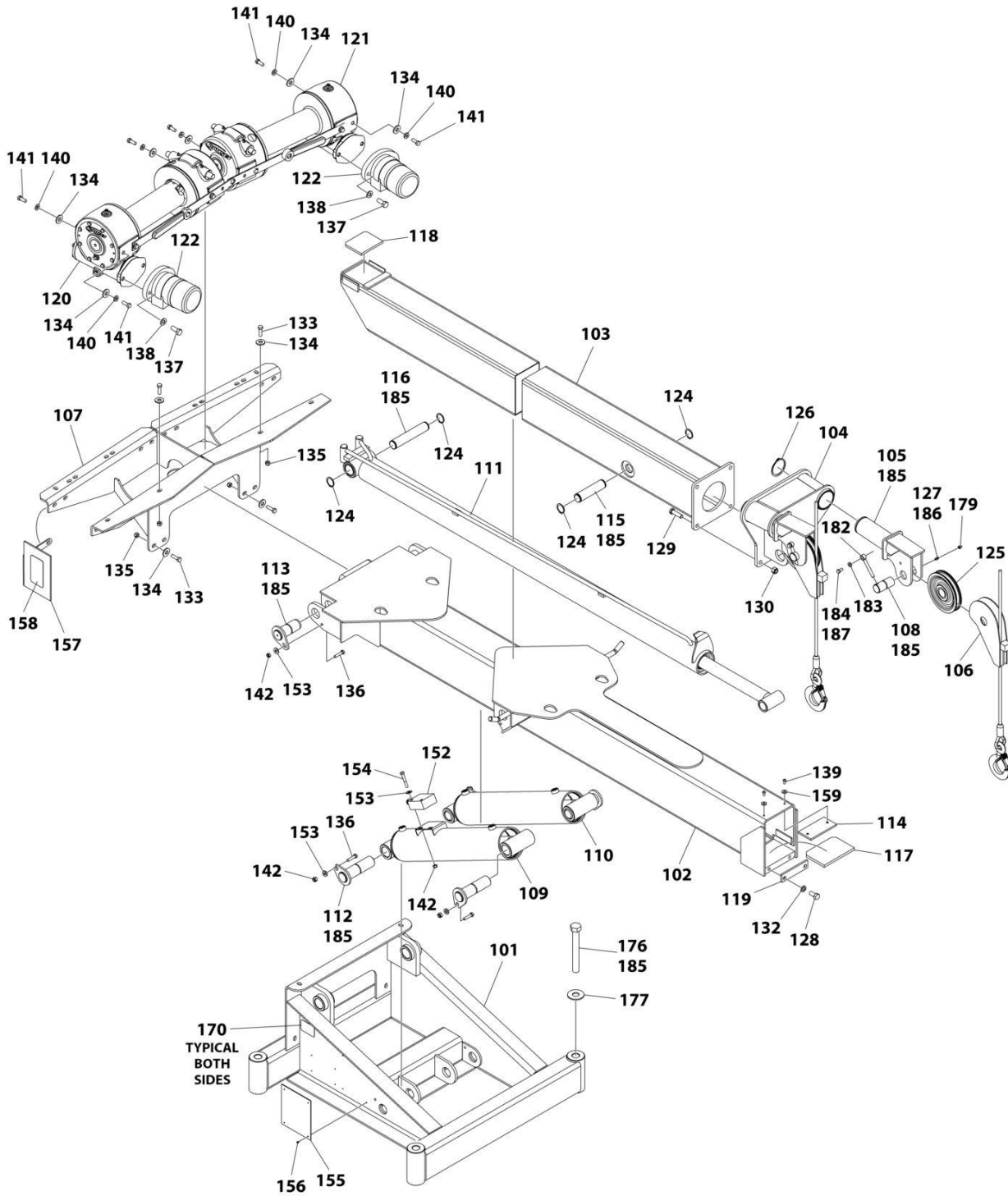
ITEM	PART NUMBER	QTY	DESCRIPTION	REV
	1001130055	Ref	BOOM INSTALLATION - 18.5K LBS BOOM	C
1	1001130056	1	Wrecker Boom Assembly (Not Shown) (Includes Items 101-177)	
2	7115245650	4	Bolt 7/8 x 7	
3	7950240161	4	Washer 7/8	
4	3020039	AR	Lubricant (Not Shown)	
	1001130056	Ref	WRECKER BOOM ASSEMBLY	E
101	3511100079	1	Frame	
102	3510100062	1	Base Boom	
103	3911000062	1	Fly Boom	
104	1001139970	1	Boom Nose	
105	3502900023	2	Sheave Support	
106	3249000002	2	Cable Guide	
107	3510100051	1	Dual Winch Mount	
108	3691000134	2	Pin	
109	3320000011	1	Tilt Cylinder Assembly (See Separate Breakdown in this Section)	
110	3320000012	1	Tilt Cylinder Assembly (See Separate Breakdown in this Section)	
111	3320000007	1	Extension Cylinder Assembly (See Separate Breakdown in this Section)	
112	3691000075	4	Pin	
113	3691000076	2	Pin	
114	4706000067	1	Plate	
115	4691000133	1	Pin	
116	4691000179	1	Pin	
117	4679000005	1	Pad	
118	4679000004	1	Pad	
119	4706000160	1	Plate	
120	7970000103	1	Winch (LH) (See Separate Breakdown in this Section)	
121	7970000104	1	Winch (RH) (See Separate Breakdown in this Section)	
122	7626000014	2	Motor (See Separate Breakdown in this Section)	
124	7754000006	6	Ring Retaining (Prior to SN 0230003739)	
124	3760133	6	Ring Retaining (SN 0230003739 to Present)	
125	7809000001	2	Sheave	
126	7754000018	2	Ring	
127	7440030000	10	Fitting, Grease (Prior to SN 0230003739)	
127	8871008	10	Fitting, Grease (SN 0230003739 to Present)	
128	0641808	2	Bolt 1/2 x 1	
129	0642014	4	Bolt 5/8 x 1-3/4	
130	7660182601	4	Nut 1/2	
132	4761800	2	Washer	
133	0641610	6	Bolt 3/8 x 1-1/4	
134	4891600	28	Washer 3/8	
135	7660162601	6	Nut 3/8	
136	0641510	6	Bolt 5/16 x 1-1/4	
137	0641810	4	Bolt 1/2 x 1-1/4	
138	7950180400	4	Washer 1/2	
139	7118140418	2	Capscrew 1/4 x 1/2	
140	4761600	16	Washer 3/8	
141	0641608	16	Bolt 3/8 x 1	
142	7660152601	8	Nut 5/16	

SECTION 2 - BOOM

ITEM	PART NUMBER	QTY	DESCRIPTION	REV
152	793500001	1	Counterbalance Valve (Prior to SN 0230002518)	
152	7935000308	1	Counterbalance Valve (SN 0230002518 to Present)	
153	4761500	8	Washer 5/16	
154	0641516	2	Bolt 5/16 x 2	
155	7330000145	1	Decal (Prior to SN 0230002518)	
155	1001132574	1	Decal (SN 0230002518 to Present)	
156	7759000004	4	Rivet	
157	4706001255	1	Plate	
158	7330000138	1	Decal	
159	4751400	2	Washer 1/4	
170	7330000546	2	Decal	
171	7935000174	1	Relief Valve (Not Shown) (Prior to SN 0230004926)	
172	7253000002	10	Cap, Grease Fitting	
174	7330000126	1	Decal - Lubrication (Not Shown - Located Inside Driver Side Toolbox Door) (SN 0230003739 to Present)	
175	7330000124	1	Decal - Lubricant (Not Shown - Located Inside Driver Side Toolbox Door) (SN 0230003739 to Present)	
176	3020039	AR	Lube (SN 0230003739 to Present)	
177	3020029	AR	Grease (SN 0230003739 to Present)	

SECTION 2 - BOOM

FIGURE 2-6. BOOM INSTALLATION - 18.5K LBS BOOM (8000 LBS DUAL WINCH) (WITH COUNTERBALANCE VALVES)



ART_1001133553_10F2

SECTION 2 - BOOM

FIGURE 2-6. BOOM INSTALLATION - 18.5K LBS BOOM (8000 LBS DUAL WINCH) (WITH COUNTERBALANCE VALVES)

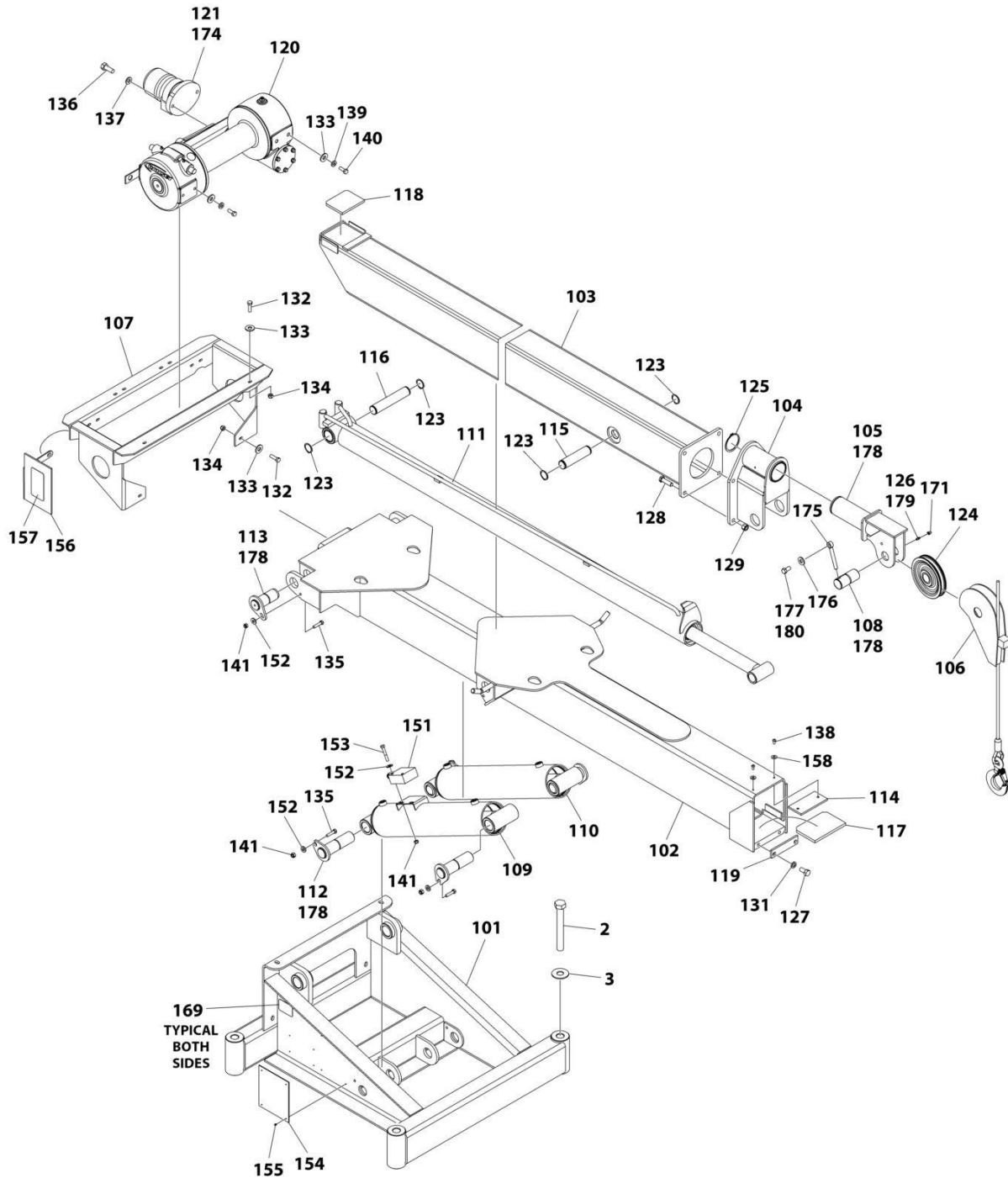
ITEM	PART NUMBER	QTY	DESCRIPTION	REV
	1001133553	Ref	WRECKER BOOM - DUAL 8000 LBS WINCH	D
101	3511100079	1	Frame	
102	3510100062	1	Base Boom	
103	3510100060	1	Fly Boom	
104	3502100024	1	Boom Nose (Prior to SN 0230003739)	
104	1001206499	1	Boom Nose (SN 0230003739 to Present)	
105	3502900023	2	Sheave Support (Prior to SN 0230003739)	
105	1001206161	2	Sheave Support (SN 0230003739 to Present)	
106	3249000002	2	Cable Guide (Prior to SN 0230003739)	
106	1001206167	2	Cable Guide (SN 0230003739 to Present)	
107	1001133464	1	Dual Winch Mount	
108	3691000134	2	Pin (Prior to SN 0230003739)	
108	1001206171	2	Pin (SN 0230003739 to Present)	
109	3320000011	1	Tilt Cylinder Assembly (See Separate Breakdown in this Section)	
110	3320000012	1	Tilt Cylinder Assembly (See Separate Breakdown in this Section)	
111	3320000007	1	Extension Cylinder Assembly (See Separate Breakdown in this Section)	
112	3691000075	4	Pin	
113	3691000076	2	Pin	
114	4706000067	1	Plate	
115	4691000027	1	Pin	
116	4691000179	1	Pin	
117	4679000005	1	Pad	
118	4679000004	1	Pad	
119	4706000160	1	Plate	
120	7970000103	1	Winch (LH) (See Separate Breakdown in this Section)	
121	7970000104	1	Winch (RH) (See Separate Breakdown in this Section)	
122	7626000014	2	Motor (See Separate Breakdown in this Section)	
124	7754000006	6	Ring Retaining (Prior to SN 0230003739)	
124	3760133	4	Ring Retaining (SN 0230003739 to Present)	
125	7809000001	2	Sheave	
126	7754000018	2	Ring (Prior to SN 0230003739)	
126	7754000005	2	Ring (SN 0230003739 to Present)	
127	7440030000	10	Fitting, Grease (Prior to SN 0230003739)	
127	8871008	10	Fitting, Grease (SN 0230003739 to Present)	
128	0641808	2	Bolt 1/2 x 1	
129	0641814	4	Bolt 1/2 x 1-3/4	
130	7660182601	4	Nut 1/2	
132	4761800	2	Washer	
133	0641610	6	Bolt 3/8 x 1-1/4	
134	4891600	28	Washer 3/8	
135	7660162601	6	Nut 3/8	
136	0641510	6	Bolt 5/16 x 1-1/4	
137	0641810	4	Bolt 1/2 x 1-1/4	
138	7950180400	4	Washer 1/2	
139	7118140418	2	Capscrew 1/4 x 1/2	
140	4761600	16	Washer 3/8	
141	0641608	16	Bolt 3/8 x 1	
142	7660152601	8	Nut 5/16	

SECTION 2 - BOOM

ITEM	PART NUMBER	QTY	DESCRIPTION	REV
152	793500001	1	Counterbalance Valve (Prior to SN 0230002518)	
152	7935000308	1	Counterbalance Valve (SN 0230002518 to Present)	
153	4761500	8	Washer 5/16	
154	0641516	2	Bolt 5/16 x 2	
155	7330000145	1	Decal (Prior to SN 0230002518)	
155	1001132574	1	Decal (SN 0230002518 to Present)	
156	7759000004	4	Rivet	
157	4706001255	1	Plate	
158	7330000138	1	Decal	
159	7950140161	1	Washer 1/4	
170	7330000546	2	Decal	
176	7115245650	4	Bolt 7/8 x 7	
177	7950240161	4	Washer 7/8	
179	7253000002	10	Cap, Grease Fitting	
180	7330000126	1	Decal - Lubrication (Not Shown - Located Inside Driver Side Toolbox Door) (SN 0230003739 to Present)	
181	7330000124	1	Decal - Lubricant (Not Shown - Located Inside Driver Side Toolbox Door) (SN 0230003739 to Present)	
182	3841143	2	Keeper, Pin (SN 0230003739 to Present)	
183	4711600	2	Washer 3/8 (SN 0230003739 to Present)	
184	0651606	2	Bolt 3/8 x 3/4 (SN 0230003739 to Present)	
185	3020039	AR	Lube (SN 0230003739 to Present)	
186	3020029	AR	Grease (SN 0230003739 to Present)	
187	1001095650	AR	Adhesive (SN 0230003739 to Present)	

SECTION 2 - BOOM

FIGURE 2-7. BOOM INSTALLATION - 24K LBS BOOM (10000 LBS SINGLE WINCH)



ART_2512100047_10F2

SECTION 2 - BOOM

FIGURE 2-7. BOOM INSTALLATION - 24K LBS BOOM (10000 LBS SINGLE WINCH)

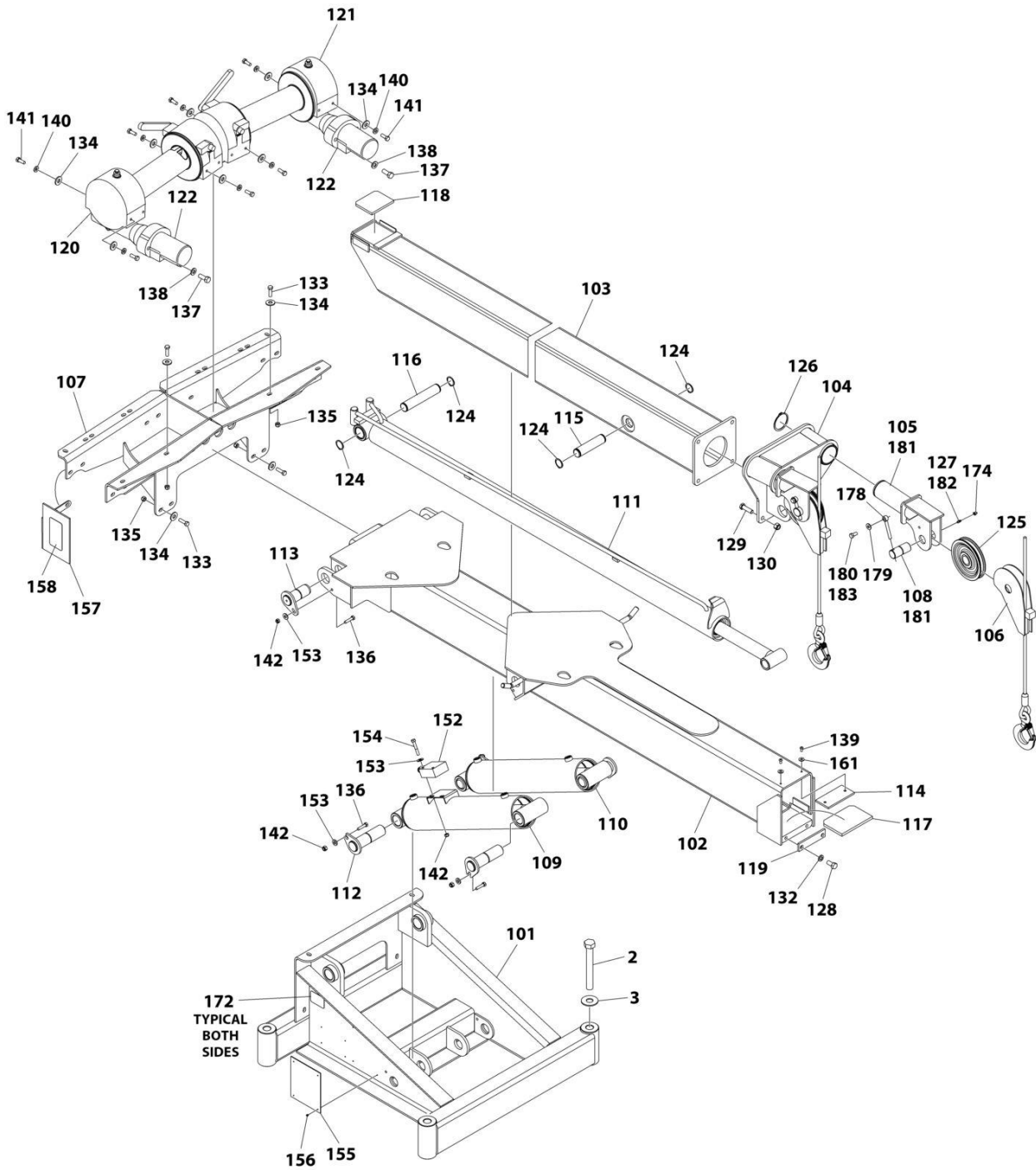
ITEM	PART NUMBER	QTY	DESCRIPTION	REV
	2512100047	Ref	WRECKER BOOM - SINGLE 10000 LBS WINCH	C
1	3512100073	1	Wrecker Boom Assembly (Not Shown) (Includes Items 101-181)	
2	7115245650	4	Bolt 7/8 x 7	
3	7950240161	4	Washer 7/8	
4	3020039	AR	Lubricant (Not Shown)	
	3512100073	Ref	WRECKER BOOM ASSEMBLY	Q
101	3512100071	1	Frame	
102	3512100004	1	Base Boom	
103	3512100005	1	Fly Boom	
104	3510100058	1	Boom Nose	
105	3512900006	1	Sheave Support (Prior to SN 0230003739)	
105	1001206161	1	Sheave Support (SN 0230003739 to Present)	
106	3510900068	1	Cable Guide (Prior to SN 0230003739)	
106	1001206167	1	Cable Guide (SN 0230003739 to Present)	
107	3512100040	1	Single Winch Mount	
108	3691000002	1	Pin (Prior to SN 0230003739)	
108	1001206171	1	Pin (SN 0230003739 to Present)	
109	3320000011	1	Tilt Cylinder Assembly (See Separate Breakdown in this Section)	
110	3320000012	1	Tilt Cylinder Assembly (See Separate Breakdown in this Section)	
111	3320000007	1	Extension Cylinder Assembly (See Separate Breakdown in this Section)	
112	3691000075	4	Pin	
113	3691000081	2	Pin	
114	4706000067	1	Plate	
115	4691000133	1	Pin	
116	4691000179	1	Pin	
117	4679000005	1	Pad	
118	4679000004	1	Pad	
119	4706000160	1	Plate	
120	7970000020	1	Winch (See Separate Breakdown in this Section)	
121	7626000013	1	Motor (See Separate Breakdown in this Section)	
123	7754000006	5	Ring Retaining (Prior to SN 0230003739)	
123	3760133	4	Ring Retaining (SN 0230003739 to Present)	
124	7809000001	1	Sheave	
125	7754000005	1	Ring	
126	7440030000	8	Fitting, Grease (Prior to SN 0230003739)	
126	88671008	8	Fitting, Grease (SN 0230003739 to Present)	
127	0641808	2	Bolt 1/2 x 1	
128	0641812	4	Bolt 1/2 x 1-1/2	
129	7660182601	4	Nut 1/2	
130	4209000019	2	Bushing (Prior to SN 0230003739)	
131	4761800	2	Washer	
132	7118171250	4	Bolt 7/16 x 1-1/2	
133	4891600	16	Washer 3/8	
134	7660172601	4	Nut 7/16	
135	7118151250	6	Bolt 5/16 x 1-1/2	
136	0641810	2	Bolt 1/2 x 1-1/4	
137	7950180400	2	Washer 1/2	
138	7118140418	2	Capscrew 1/4 x 1/2	
139	7950170000	8	Washer 7/16	

SECTION 2 - BOOM

ITEM	PART NUMBER	QTY	DESCRIPTION	REV
140	0641708	8	Bolt 7/16 x 1	
141	7660152601	8	Nut 5/16	
151	7935000001	1	Counterbalance Valve (Prior to SN 0230002518)	
151	7935000308	1	Counterbalance Valve (SN 0230002518 to Present)	
152	4751500	8	Washer 5/16	
153	0641516	2	Bolt 5/16 x 2	
154	7330000145	1	Decal (Prior to SN 0230002518)	
154	1001132574	1	Decal (SN 0230002518 to Present)	
155	7759000004	4	Rivet	
156	4706001255	1	Plate	
157	7330000138	1	Decal	
158	4751400	2	Washer 1/4	
169	7330000546	2	Decal	
170	7701000068	2	Plug (Not Shown) (Prior to SN 0230004926)	
171	7253000002	8	Cap, Grease Fitting	
173	7330000126	1	Decal - Lubrication (Not Shown - Located Inside Driver Side Toolbox Door)	
174	7755326000	1	O - Ring	
175	3841143	1	Keeper, Pin (SN 00230003739 to Present)	
176	4711600	1	Washer 3/8 (SN 00230003739 to Present)	
177	0651606	1	Bolt 3/8 x 3/4 (SN 00230003739 to Present)	
178	3020039	AR	Lube (SN 00230003739 to Present)	
179	3020029	AR	Grease (SN 00230003739 to Present)	
180	1001095650	AR	Adhesive (SN 00230003739 to Present)	
181	7330000124	1	Decal - Lubricant (Not Shown - Located Inside Driver Side Toolbox Door) (SN 00230003739 to Present)	

SECTION 2 - BOOM

FIGURE 2-8. BOOM INSTALLATION - 24K LBS BOOM (10000 LBS DUAL WINCH)



ART_2512100046_10F2

SECTION 2 - BOOM

FIGURE 2-8. BOOM INSTALLATION - 24K LBS BOOM (10000 LBS DUAL WINCH)

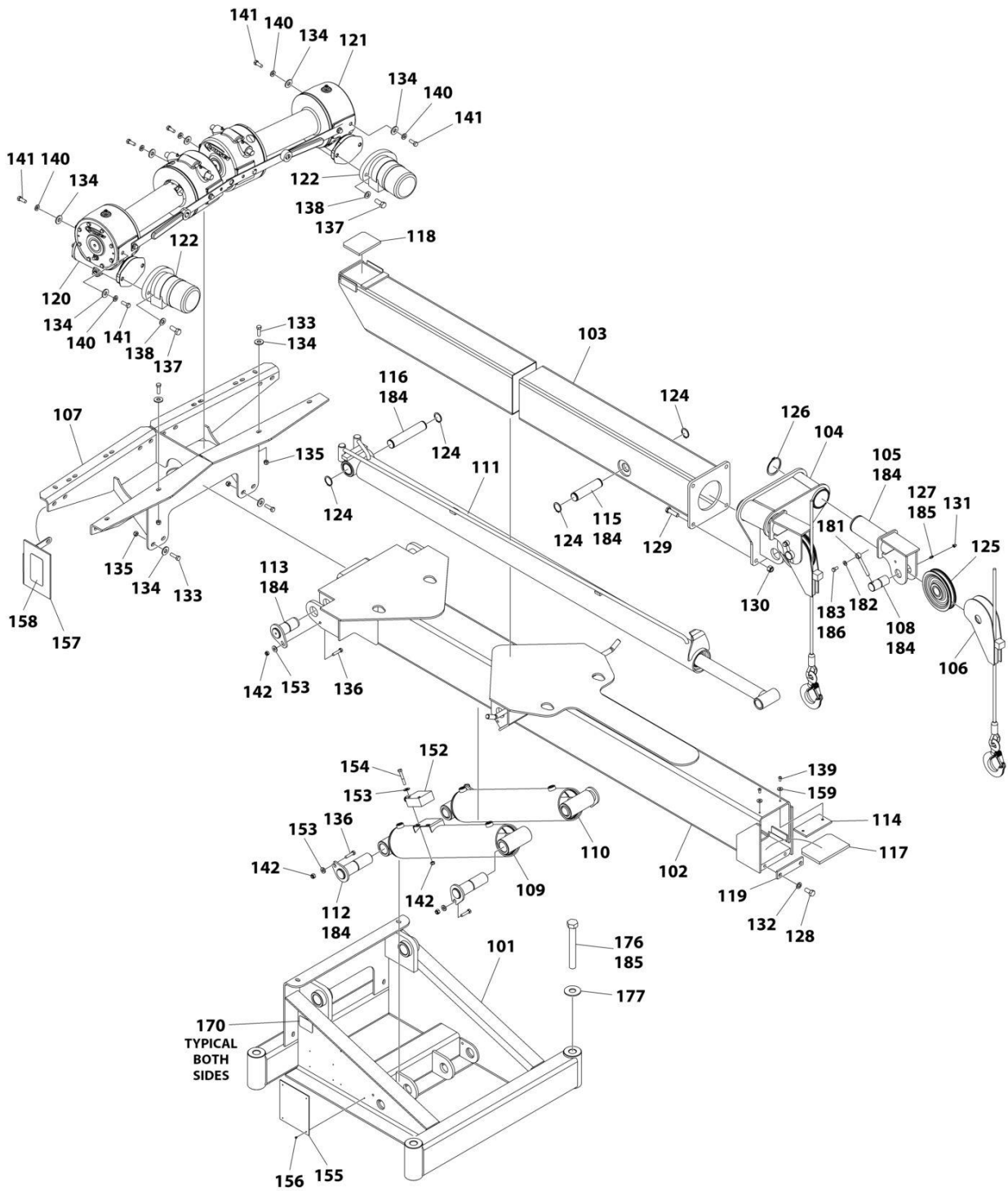
ITEM	PART NUMBER	QTY	DESCRIPTION	REV
	2512100046	Ref	WRECKER BOOM - DUAL 10000 LBS WINCH	E
1	3512100072	1	Wrecker Boom Assembly (Not Shown) (Includes Items 101-183)	
2	7115245650	4	Bolt 7/8 x 7	
3	7950240161	4	Washer 7/8	
4	3020039	AR	Lubricant (Not Shown)	
	3512100072	Ref	WRECKER BOOM ASSEMBLY	T
101	3512100071	1	Frame	
102	3512100004	1	Base Boom	
103	3512100005	1	Fly Boom	
104	3502100024	1	Boom Nose (Prior to SN 0230003739)	
104	1001206499	1	Boom Nose (SN 0230003739 to Present)	
105	3502900023	2	Sheave Support (Prior to SN 0230003739)	
105	1001206161	2	Sheave Support (SN 0230003739 to Present)	
106	3249000002	2	Cable Guide (Prior to SN 0230003739)	
106	1001206167	2	Cable Guide (SN 0230003739 to Present)	
107	3510100051	1	Dual Winch Mount	
108	3691000134	2	Pin (Prior to SN 0230003739)	
108	1001206171	2	Pin (SN 0230003739 to Present)	
109	3320000011	1	Tilt Cylinder Assembly (See Separate Breakdown in this Section)	
110	3320000012	1	Tilt Cylinder Assembly (See Separate Breakdown in this Section)	
111	3320000007	1	Extension Cylinder Assembly (See Separate Breakdown in this Section)	
112	3691000075	4	Pin	
113	3691000081	2	Pin	
114	4706000067	1	Plate	
115	4691000133	1	Pin	
116	4691000179	1	Pin	
117	4679000005	1	Pad	
118	4679000004	1	Pad	
119	4706000160	1	Plate	
120	7970000138	1	Winch (LH) (See Separate Breakdown in this Section)	
121	7970000139	1	Winch (RH) (See Separate Breakdown in this Section)	
122	7626000014	2	Motor (See Separate Breakdown in this Section)	
124	7754000006	6	Ring Retaining (Prior to SN 0230003739)	
124	3760133	6	Ring Retaining (SN 0230003739 to Present)	
125	7809000001	2	Sheave	
126	7754000018	2	Ring (Prior to SN 0230003739)	
126	7754000005	2	Ring (SN 0230003739 to Present)	
127	7440030000	10	Fitting, Grease (Prior to SN 0230003739)	
127	88671008	10	Fitting, Grease (SN 0230003739 to Present)	
128	0641808	2	Bolt 1/2 x 1	
129	0641814	4	Bolt 1/2 x 1-3/4	
130	7660182601	4	Nut 1/2	
132	4761800	2	Washer 1/2	
133	7118171250	6	Bolt 7/16 x 1-1/2	
134	4891600	28	Washer 3/8	
135	7660172601	6	Nut 7/16	
136	7118151250	6	Bolt 5/16 x 1-1/2	
137	0641810	4	Bolt 1/2 x 1-1/4	
138	7950180400	4	Washer 1/2	

SECTION 2 - BOOM

ITEM	PART NUMBER	QTY	DESCRIPTION	REV
139	7118140418	2	Capscrew 1/4 x 1/2	
140	7950170000	16	Washer 7/16	
141	0641708	16	Bolt 7/16 x 1	
142	7660152601	8	Nut 5/16	
152	7935000001	1	Counterbalance Valve (Prior to SN 0230002518)	
152	7935000308	1	Counterbalance Valve (SN 0230002518 to Present)	
153	4751500	8	Washer 5/16	
154	0641516	2	Bolt 5/16 x 2	
155	7330000145	1	Decal (Prior to SN 0230002518)	
155	1001132574	1	Decal (SN 0230002518 to Present)	
156	7759000004	4	Rivet	
157	4706001255	1	Plate	
158	7330000138	1	Decal	
161	4751400	2	Washer 1/4	
172	7330000546	2	Decal	
173	7935000174	2	Relief Valve (Not Shown) (Prior to SN 0230004926)	
174	7253000002	10	Cap, Grease Fitting	
176	7330000126	1	Decal - Lubrication (Not Shown - Located Inside Driver Side Toolbox Door) (SN 0230003739 to Present)	
177	7330000124	1	Decal - Lubricant (Not Shown - Located Inside Driver Side Toolbox Door) (SN 0230003739 to Present)	
178	3841143	1	Keeper, Pin (SN 0230003739 to Present)	
179	4711600	1	Washer 3/8 (SN 0230003739 to Present)	
180	0651606	1	Bolt 3/8 x 3/4 (SN 0230003739 to Present)	
181	3020039	AR	Lube (SN 0230003739 to Present)	
182	3020029	AR	Grease (SN 0230003739 to Present)	
183	1001095650	AR	Adhesive (SN 0230003739 to Present)	

SECTION 2 - BOOM

FIGURE 2-9. BOOM INSTALLATION - 24K LBS BOOM (10000 LBS DUAL WINCH) (WITH COUNTERBALANCE VALVES)



ART_1001135528_10F2

SECTION 2 - BOOM

FIGURE 2-9. BOOM INSTALLATION - 24K LBS BOOM (10000 LBS DUAL WINCH) (WITH COUNTERBALANCE VALVES)

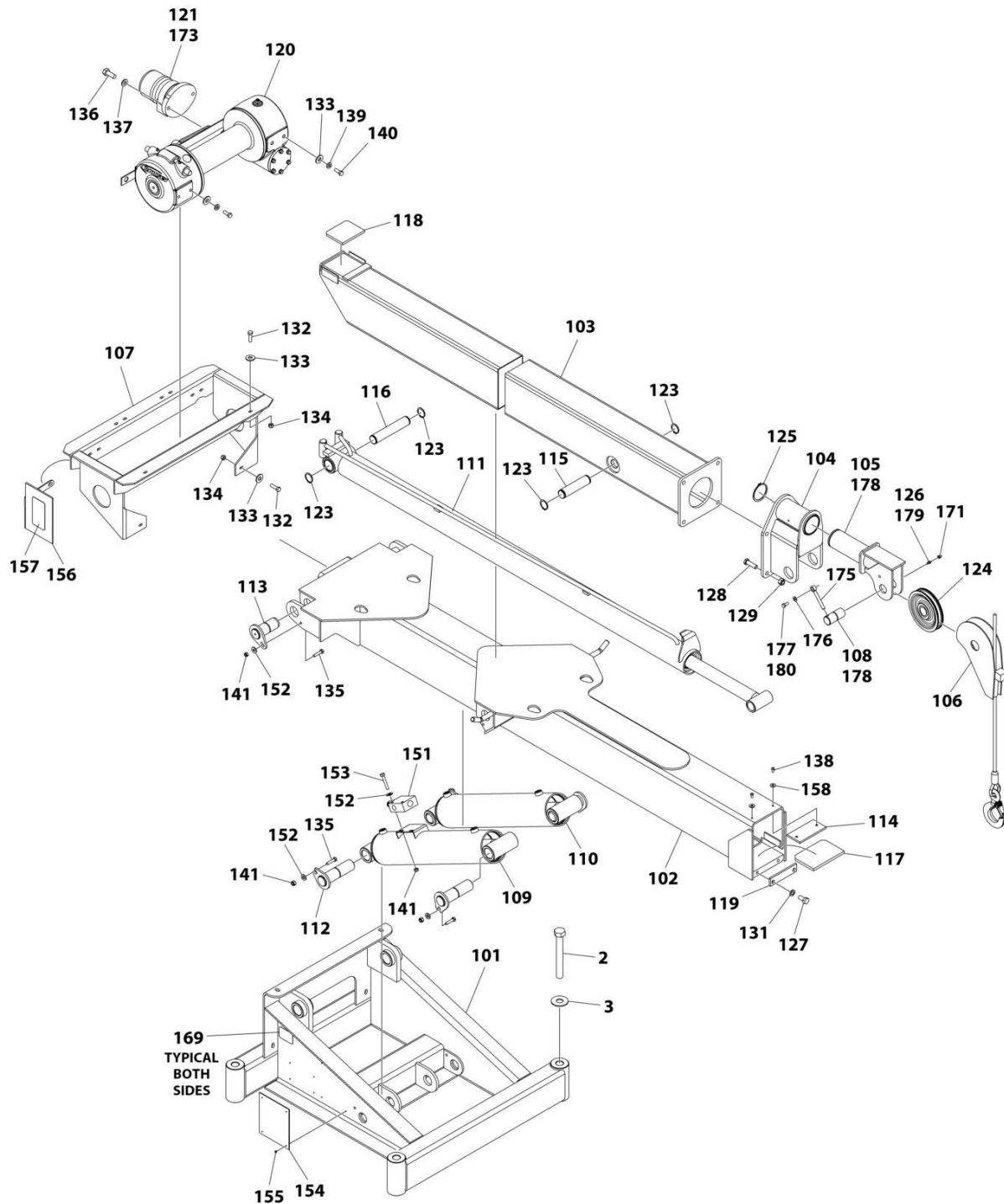
ITEM	PART NUMBER	QTY	DESCRIPTION	REV
	1001135528	Ref	WRECKER BOOM - DUAL 10000 LBS WINCH	D
101	3512100071	1	Frame	
102	3512100004	1	Base Boom	
103	3512100005	1	Fly Boom	
104	3502100024	1	Boom Nose (Prior to SN 0230003739)	
104	1001206499	1	Boom Nose (SN 0230003739 to Present)	
105	3502900023	2	Sheave Support (Prior to SN 0230003739)	
105	1001206161	2	Sheave Support (SN 0230003739 to Present)	
106	3249000002	2	Cable Guide (Prior to SN 0230003739)	
106	1001206167	2	Cable Guide (SN 0230003739 to Present)	
107	1001133464	1	Dual Winch Mount	
108	3691000134	2	Pin (Prior to SN 0230003739)	
108	1001206171	2	Pin (SN 0230003739 to Present)	
109	3320000011	1	Tilt Cylinder Assembly (See Separate Breakdown in this Section)	
110	3320000012	1	Tilt Cylinder Assembly (See Separate Breakdown in this Section)	
111	3320000007	1	Extension Cylinder Assembly (See Separate Breakdown in this Section)	
112	3691000075	4	Pin	
113	3691000081	2	Pin	
114	4706000067	1	Plate	
115	4691000133	1	Pin	
116	4691000179	1	Pin	
117	4679000005	1	Pad	
118	4679000004	1	Pad	
119	4706000160	1	Plate	
120	7970000138	1	Winch (LH) (See Separate Breakdown in this Section)	
121	7970000139	1	Winch (RH) (See Separate Breakdown in this Section)	
122	7626000014	2	Motor (See Separate Breakdown in this Section)	
124	7754000006	6	Ring Retaining (Prior to SN 0230003739)	
124	3760133	4	Ring Retaining (SN 0230003739 to Present)	
125	7809000001	2	Sheave	
126	7754000018	2	Ring (Prior to SN 0230003739)	
126	7754000005	2	Ring (SN 0230003739 to Present)	
127	7440030000	10	Fitting, Grease (Prior to SN 0230003739)	
127	88671008	10	Fitting, Grease (SN 0230003739 to Present)	
128	0641808	2	Bolt 1/2 x 1	
129	0641814	4	Bolt 1/2 x 1-3/4	
130	7660182601	4	Nut 1/2	
131	7253000002	10	Cap, Grease Fitting	
132	4761800	2	Washer 1/2	
133	7118171250	6	Bolt 7/16 x 1-1/2	
134	4891600	28	Washer 3/8	
135	7660172601	6	Nut 7/16	
136	7118151250	6	Bolt 5/16 x 1-1/2	
137	0641810	4	Bolt 1/2 x 1-1/4	
138	7950180400	4	Washer 1/2	
139	7118140418	2	Capscrew 1/4 x 1/2	
140	7950170000	16	Washer 7/16	
141	7115170850	16	Bolt	

SECTION 2 - BOOM

ITEM	PART NUMBER	QTY	DESCRIPTION	REV
142	7660152601	8	Nut 5/16	
152	7935000001	1	Counterbalance Valve (Prior to SN 0230002518)	
152	7935000308	1	Counterbalance Valve (SN 0230002518 to Present)	
153	4761500	8	Washer 5/16	
154	0641516	2	Bolt 5/16 x 2	
155	7330000145	1	Decal (Prior to SN 0230002518)	
155	1001132574	1	Decal (SN 0230002518 to Present)	
156	7759000004	4	Rivet	
157	4706001255	1	Plate	
158	7330000138	1	Decal	
159	4751400	2	Washer 1/4	
170	7330000546	2	Decal	
176	7115245650	4	Bolt 7/8 x 7	
177	7950240161	4	Washer 7/8	
179	7330000126	1	Decal - Lubrication (Not Shown - Located Inside Driver Side Toolbox Door) (SN 0230003739 to Present)	
180	7330000124	1	Decal - Lubricant (Not Shown - Located Inside Driver Side Toolbox Door) (SN 0230003739 to Present)	
181	3841143	2	Keeper, Pin (SN 0230003739 to Present)	
182	4711600	2	Washer 3/8 (SN 0230003739 to Present)	
183	0651606	2	Bolt 3/8 x 3/4 (SN 0230003739 to Present)	
184	3020039	AR	Lube (SN 0230003739 to Present)	
185	3020029	AR	Grease (SN 0230003739 to Present)	
186	1001095650	AR	Adhesive (SN 0230003739 to Present)	

SECTION 2 - BOOM

FIGURE 2-10. BOOM INSTALLATION - 24K LBS BOOM (12000 LBS SINGLE WINCH) (WEST COAST SPECS)



ART_2512100082_10F2

SECTION 2 - BOOM

FIGURE 2-10. BOOM INSTALLATION - 24K LBS BOOM (12000 LBS SINGLE WINCH) (WEST COAST SPECS)

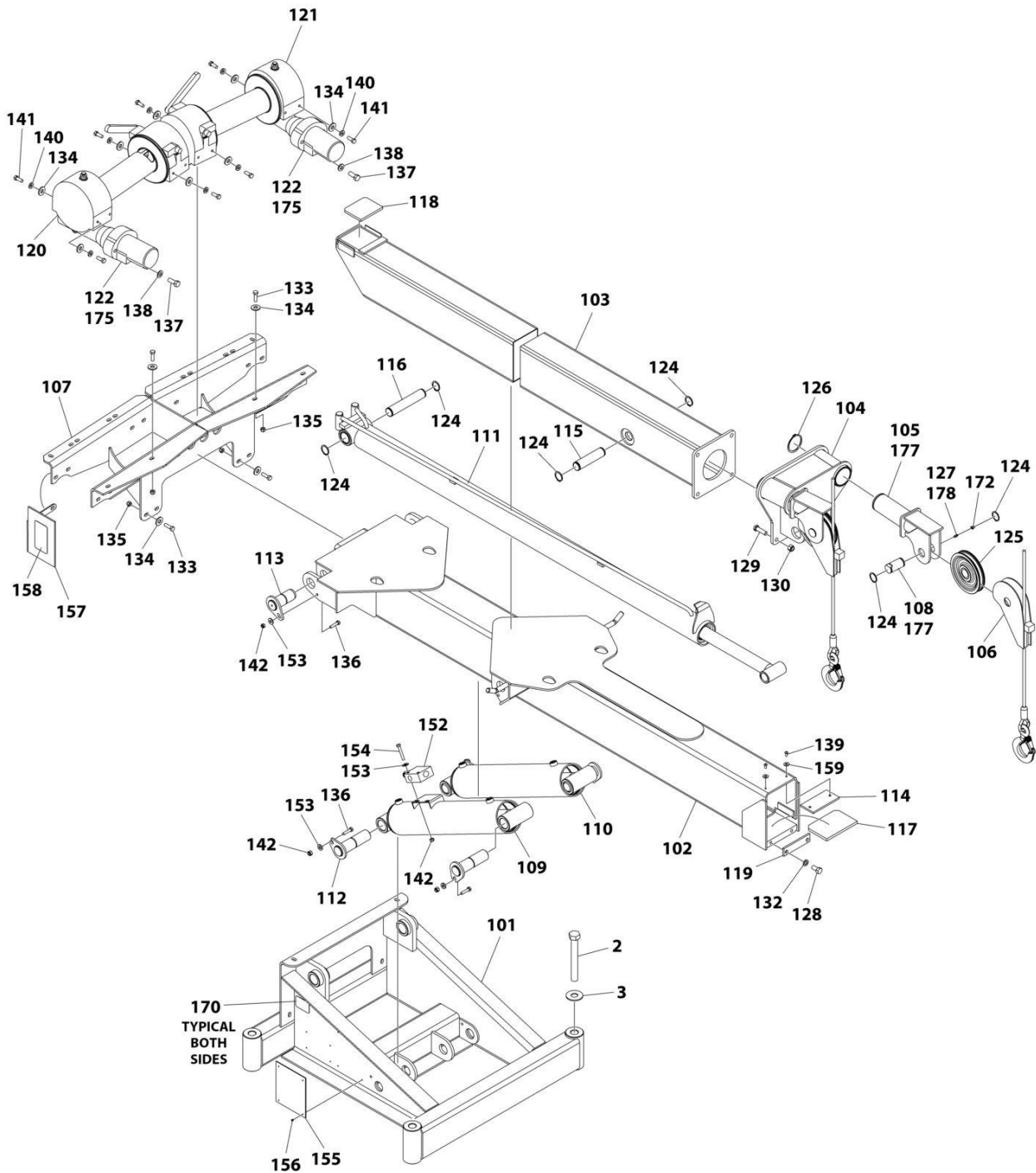
ITEM	PART NUMBER	QTY	DESCRIPTION	REV
	2512100082	Ref	WRECKER BOOM - SINGLE 10000 LBS WINCH	C
1	3512100119	1	Wrecker Boom Assembly (Not Shown) (Includes Items 101-181)	
2	7115245650	4	Bolt 7/8 x 7	
3	7950240161	4	Washer 7/8	
4	3020039	AR	Lubricant (Not Shown)	
	3512100119	Ref	WRECKER BOOM ASSEMBLY	L
101	3512100071	1	Frame	
102	3512100004	1	Base Boom	
103	3512100005	1	Fly Boom	
104	3510100058	1	Boom Nose	
105	3512900006	1	Sheave Support (Prior to SN 0230003739)	
105	1001206161	1	Sheave Support (SN 0230003739 to Present)	
106	3510900068	1	Cable Guide (Prior to SN 0230003739)	
106	1001206167	1	Cable Guide (SN 0230003739 to Present)	
107	3512100040	1	Single Winch Mount	
108	3691000002	1	Pin (Prior to SN 0230003739)	
108	1001206171	1	Pin (SN 0230003739 to Present)	
109	3320000011	1	Tilt Cylinder Assembly (See Separate Breakdown in this Section)	
110	3320000012	1	Tilt Cylinder Assembly (See Separate Breakdown in this Section)	
111	3320000007	1	Extension Cylinder Assembly (See Separate Breakdown in this Section)	
112	3691000075	4	Pin	
113	3691000081	2	Pin	
114	4706000067	1	Plate	
115	4691000133	1	Pin	
116	4691000179	1	Pin	
117	4679000005	1	Pad	
118	4679000004	1	Pad	
119	4706000160	1	Plate	
120	7970000020	1	Winch (See Separate Breakdown in this Section) (Prior to SN 0230005919)	
120	1001236329	1	Winch (See Separate Breakdown in this Section) (SN 0230005919 to Present)	
121	7626000013	1	Motor (See Separate Breakdown in this Section) (Prior to SN 0230005919)	
121	7626000018	1	Motor (See Separate Breakdown in this Section) (SN 0230005919 to Present)	
123	7754000006	5	Ring Retaining (Prior to SN 0230003739)	
123	3760133	5	Ring Retaining (SN 0230003739 to Present)	
124	7809000001	1	Sheave	
125	7754000005	1	Ring	
126	7440030000	8	Fitting, Grease (Prior to SN 0230003739)	
126	8871008	8	Fitting, Grease (SN 0230003739 to Present)	
127	0641808	2	Bolt 1/2 x 1	
128	0641814	4	Bolt 1/2 x 1-3/4	
129	7660182601	4	Nut 1/2	
130	4209000019	2	Bushing (Prior to SN 0230003739)	
131	4761800	2	Washer	
132	7118171250	4	Bolt 7/16 x 1-1/2	
133	4891600	16	Washer 3/8	

SECTION 2 - BOOM

ITEM	PART NUMBER	QTY	DESCRIPTION	REV
134	7660172601	4	Nut 7/16	
135	7118151250	6	Bolt 5/16 x 1-1/2	
136	0641810	2	Bolt 1/2 x 1-1/4	
137	7950180400	2	Washer 1/2	
138	7118140418	2	Capscrew 1/4 x 1/2	
139	7950170000	8	Washer 7/16	
140	0641708	8	Bolt 7/16 x 1	
141	7660152601	8	Nut 5/16	
151	7935000001	1	Counterbalance Valve (Prior to SN 0230002518)	
151	7935000308	1	Counterbalance Valve (SN 0230002518 to Present)	
152	4751500	8	Washer 5/16	
153	0641516	2	Bolt 5/16 x 2	
154	7330000145	1	Decal (Prior to SN 0230002518)	
154	1001132574	1	Decal (SN 0230002518 to Present)	
155	7759000004	4	Rivet	
156	4706001255	1	Plate	
157	7330000138	1	Decal	
158	4751400	2	Washer 1/4	
169	7330000546	2	Decal	
170	7701000068	2	Plug (Not Shown) (Prior to SN 0230004926)	
171	7253000002	8	Cap, Grease Fitting	
173	7755326000	1	O-Ring	
174	7330000126	1	Decal - Lubrication (Not Shown - Located Inside Driver Side Toolbox Door)	
175	3841143	1	Keeper, Pin (SN 00230003739 to Present)	
176	4711600	1	Washer 3/8 (SN 00230003739 to Present)	
177	0651606	1	Bolt 3/8 x 3/4 (SN 00230003739 to Present)	
178	3020039	AR	Lubricant (Not Shown) (SN 00230003739 to Present)	
179	3020029	AR	Grease (Not Shown) (SN 00230003739 to Present)	
180	1001095650	AR	Adhesive (SN 00230003739 to Present)	
181	7330000124	1	Decal - Lubricant (Not Shown - Located Inside Driver Side Toolbox Door) (SN 00230003739 to Present)	

SECTION 2 - BOOM

FIGURE 2-11. BOOM INSTALLATION - 24K LBS BOOM (12000 LBS DUAL WINCH)



ART_2512100063_10F2

SECTION 2 - BOOM

FIGURE 2-11. BOOM INSTALLATION - 24K LBS BOOM (12000 LBS DUAL WINCH)

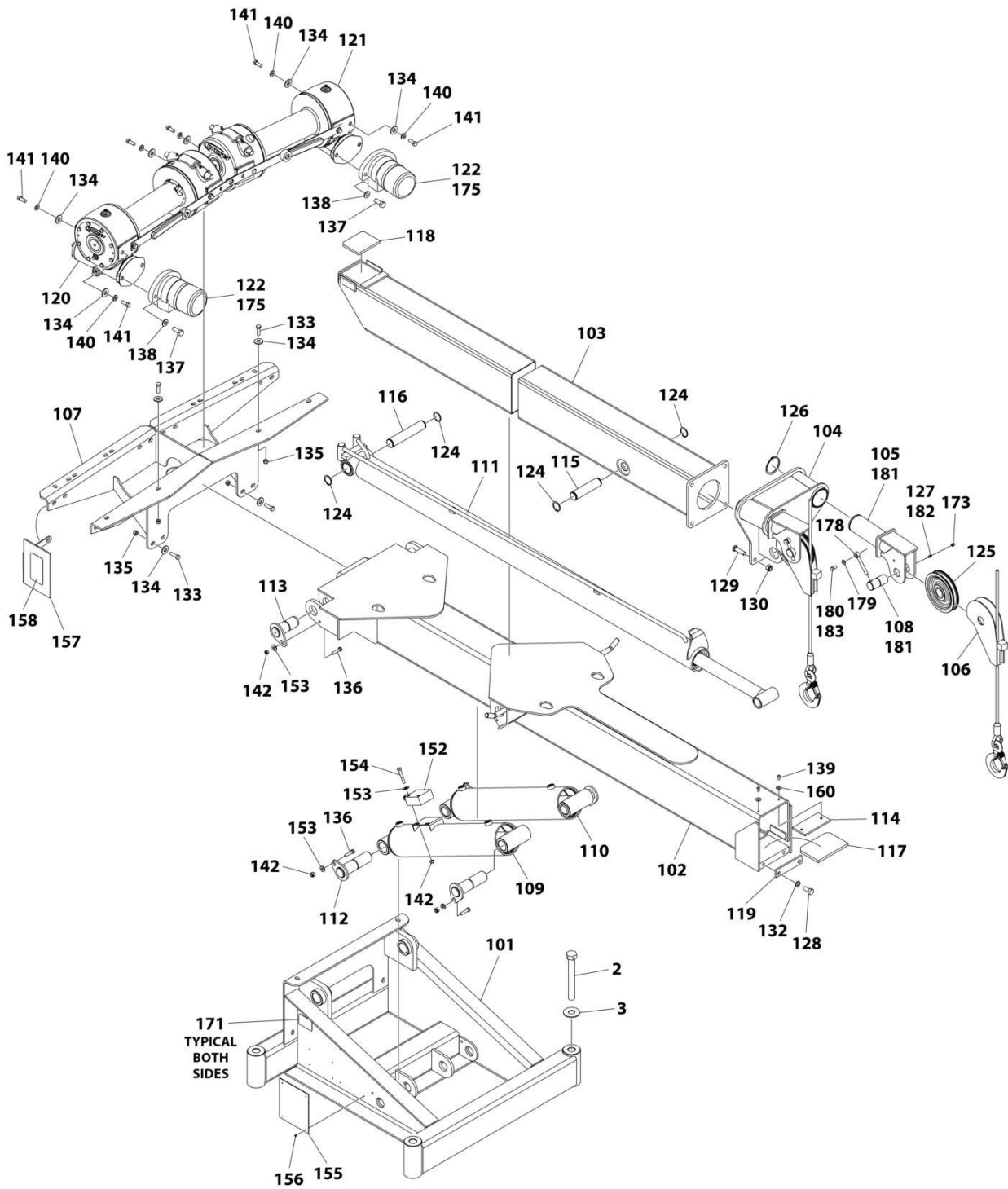
ITEM	PART NUMBER	QTY	DESCRIPTION	REV
	2512100063	Ref	WRECKER BOOM - DUAL 12000 LBS WINCH	C
1	3512100090	1	Wrecker Boom Assembly (Not Shown) (Includes Items 101-178)	
2	7115245650	4	Bolt 7/8 x 7	
3	7950240161	4	Washer 7/8	
4	3020039	1	Lubricant (Not Shown)	
	3512100090	Ref	WRECKER BOOM ASSEMBLY	J
101	3512100071	1	Frame	
102	3512100004	1	Base Boom	
103	3512100005	1	Fly Boom	
104	3502100024	1	Boom Nose	
105	3502900023	2	Sheave Support	
106	3249000002	2	Cable Guide	
107	3512100089	1	Dual Winch Mount	
108	3691000134	2	Pin	
109	3320000011	1	Tilt Cylinder Assembly (See Separate Breakdown in this Section)	
110	3320000012	1	Tilt Cylinder Assembly (See Separate Breakdown in this Section)	
111	3320000007	1	Extension Cylinder Assembly (See Separate Breakdown in this Section)	
112	3691000075	4	Pin	
113	3691000081	2	Pin	
114	4706000067	1	Plate	
115	4691000133	1	Pin	
116	4691000179	1	Pin	
117	4679000005	1	Pad	
118	4679000004	1	Pad	
119	4706000160	1	Plate	
120	7970000025	1	Winch (LH) (See Separate Breakdown in this Section)	
121	7970000026	1	Winch (RH) (See Separate Breakdown in this Section)	
122	7626000013	2	Motor (See Separate Breakdown in this Section)	
124	7754000006	6	Ring Retaining (Prior to SN 0230003739)	
124	3760133	1	Ring Retaining (SN 0230003739 to Present)	
125	7809000001	2	Sheave	
126	7754000018	2	Ring	
127	7440030000	10	Fitting, Grease (Prior to SN 0230003739)	
127	88671008	10	Fitting, Grease (SN 0230003739 to Present)	
128	0641808	2	Bolt 1/2 x 1	
129	0641814	4	Bolt 1/2 x 1-3/4	
130	7660182601	4	Nut 1/2	
132	4761800	2	Washer	
133	7118171250	6	Bolt 7/16 x 1-1/2	
134	4891600	28	Washer 3/8	
135	7660172601	6	Nut 7/16	
136	7118151250	6	Bolt 5/16 x 1-1/2	
137	0641810	4	Bolt 1/2 x 1-1/4	
138	7950180400	4	Washer 1/2	
139	7118140418	2	Capscrew 1/4 x 1/2	
140	7950170000	16	Washer 7/16	
141	0641708	16	Bolt 7/16 x 1	
142	7660152601	8	Nut 5/16	
152	7935000001	1	Counterbalance Valve (Prior to SN 0230002518)	

SECTION 2 - BOOM

ITEM	PART NUMBER	QTY	DESCRIPTION	REV
152	7935000308	1	Counterbalance Valve (SN 0230002518 to Present)	
153	4751500	8	Washer 5/16	
154	0641516	2	Bolt 5/16 x 2	
155	7330000145	1	Decal (Prior to SN 0230002518)	
155	1001132574	1	Decal (SN 0230002518 to Present)	
156	7759000004	4	Rivet	
157	4706001255	1	Plate	
158	7330000138	1	Decal	
159	4751400	2	Washer 1/4	
170	7330000546	2	Decal	
171	7701000068	2	Plug (Not Shown)	
172	7253000002	10	Fitting	
174	7330000126	1	Decal - Lubricant (Not Shown - Located Inside Driver Side Toolbox Door) (SN 0230003739 to Present)	
175	7755326000	1	O-Ring	
176	7330000124	1	Decal - Lubricant (Not Shown - Located Inside Driver Side Toolbox Door) (SN 0230003739 to Present)	
177	3020039	1	Lubricant (Not Shown) (SN 0230003739 to Present)	
178	3020029	1	Grease (Not Shown) (SN 0230003739 to Present)	

SECTION 2 - BOOM

FIGURE 2-12. BOOM INSTALLATION - 24K LBS BOOM (12000 LBS DUAL WINCH) (WEST COAST SPECS)



ART_2512100081_10F2

SECTION 2 - BOOM

FIGURE 2-12. BOOM INSTALLATION - 24K LBS BOOM (12000 LBS DUAL WINCH) (WEST COAST SPECS)

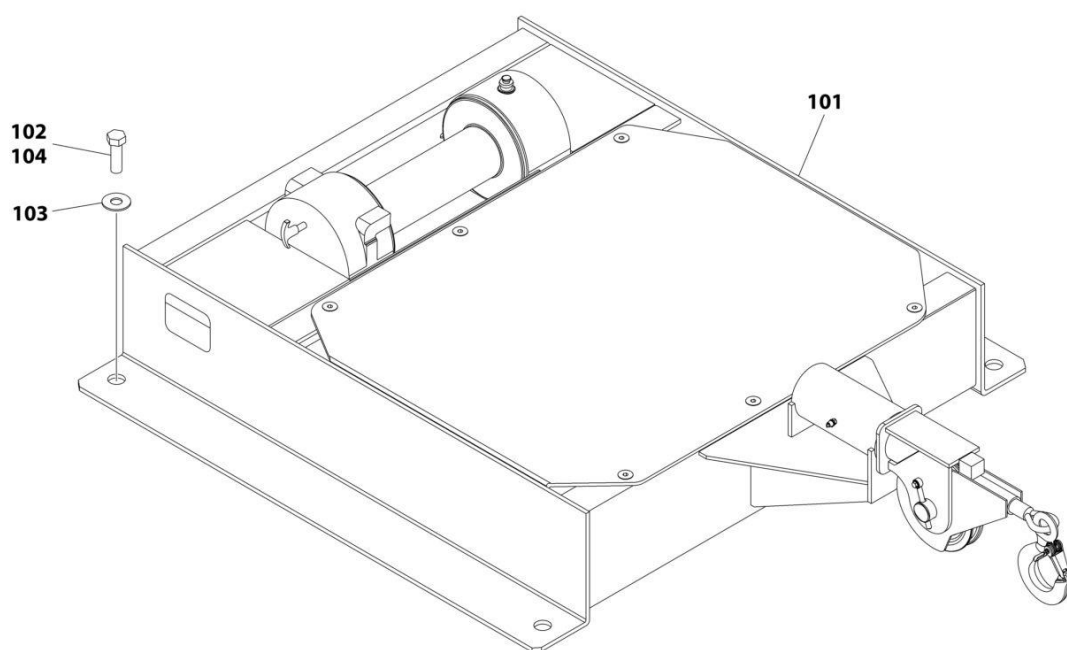
ITEM	PART NUMBER	QTY	DESCRIPTION	REV
	2512100081	Ref	WRECKER BOOM - DUAL 10000 LBS WINCH	C
1	3512100118	1	Wrecker Boom Assembly (Not Shown) (Includes Items 101-183)	
2	7115245650	4	Bolt 7/8 x 7	
3	7950240161	4	Washer 7/8	
4	3020039	AR	Lubricant (Not Shown)	
	3512100118	Ref	WRECKER BOOM ASSEMBLY	L
101	3512100071	1	Frame	
102	3512100004	1	Base Boom	
103	3512100005	1	Fly Boom	
104	3502100024	1	Boom Nose (Prior to SN 0230003739)	
104	1001206499	1	Boom Nose (SN 0230003739 to Present)	
105	3502900023	2	Sheave Support (Prior to SN 0230003739)	
105	1001206161	2	Sheave Support (SN 0230003739 to Present)	
106	3249000002	2	Cable Guide (Prior to SN 0230003739)	
106	1001206167	2	Cable Guide (SN 0230003739 to Present)	
107	3512100009	1	Dual Winch Mount	
108	3691000134	2	Pin (Prior to SN 0230003739)	
108	1001206171	2	Pin (SN 0230003739 to Present)	
109	3320000011	1	Tilt Cylinder Assembly (See Separate Breakdown in this Section)	
110	3320000012	1	Tilt Cylinder Assembly (See Separate Breakdown in this Section)	
111	3320000007	1	Extension Cylinder Assembly (See Separate Breakdown in this Section)	
112	3691000075	4	Pin	
113	3691000081	2	Pin	
114	4706000067	1	Plate	
115	4691000133	1	Pin	
116	4691000179	1	Pin	
117	4679000005	1	Pad	
118	4679000004	1	Pad	
119	4706000160	1	Plate	
120	7970000138	1	Winch (LH) (See Separate Breakdown in this Section) (Prior to SN 0230005919)	
120	1001236329	1	Winch (LH) (See Separate Breakdown in this Section) (SN 0230005919 to Present)	
121	7970000139	1	Winch (RH) (See Separate Breakdown in this Section) (Prior to SN 0230005919)	
121	1001236330	1	Winch (RH) (See Separate Breakdown in this Section) (SN 0230005919 to Present)	
122	7626000014	2	Motor (See Separate Breakdown in this Section) (Prior to SN 0230005919)	
122	7626000018	1	Motor (See Separate Breakdown in this Section) (SN 0230005919 to Present)	
124	7754000006	6	Ring Retaining (Prior to SN 0230003739)	
124	3760133	6	Ring Retaining (SN 0230003739 to Present)	
125	7809000001	2	Sheave	
126	7754000018	2	Ring (Prior to SN 0230003739)	
126	7754000005	2	Ring (SN 0230003739 to Present)	
127	7440030000	10	Fitting, Grease (Prior to SN 0230003739)	
127	88671008	10	Fitting, Grease (SN 0230003739 to Present)	
128	0641808	2	Bolt 1/2 x 1	

SECTION 2 - BOOM

ITEM	PART NUMBER	QTY	DESCRIPTION	REV
129	0641814	4	Bolt 1/2 x 1-3/4	
130	7660182601	4	Nut 1/2	
132	4761800	2	Washer 1/2	
133	7118171250	6	Bolt 7/16 x 1-1/2	
134	4891600	28	Washer 3/8	
135	7660172601	6	Nut 7/16	
136	7118151250	6	Bolt 5/16 x 1-1/2	
137	0641810	4	Bolt 1/2 x 1-1/4	
138	7950180400	4	Washer 1/2	
139	7118140418	2	Capscrew 1/4 x 1/2	
140	7950170000	16	Washer 7/16	
141	0641708	16	Bolt 7/16 x 1	
142	7660152601	8	Nut 5/16	
152	7935000001	1	Counterbalance Valve (Prior to SN 0230002518)	
152	7935000308	1	Counterbalance Valve (SN 0230002518 to Present)	
153	4751500	8	Washer 5/16	
154	0641516	2	Bolt 5/16 x 2	
155	7330000145	1	Decal (Prior to SN 0230002518)	
155	1001132574	1	Decal (SN 0230002518 to Present)	
156	7759000004	4	Rivet	
157	4706001255	1	Plate	
158	7330000138	1	Decal	
160	4751400	2	Washer 1/4	
171	7330000546	2	Decal	
172	7701000068	1	Plug (Not Shown) (Prior to SN 0230004926)	
173	7253000002	10	Cap, Grease Fitting	
175	7755326000	2	O-Ring	
176	7330000126	1	Decal - Lubrication (Not Shown - Located Inside Driver Side Toolbox Door) (SN 0230003739 to Present)	
177	7330000124	1	Decal - Lubricant (Not Shown - Located Inside Driver Side Toolbox Door) (SN 0230003739 to Present)	
178	3841143	1	Keeper, Pin (SN 0230003739 to Present)	
179	4711600	1	Washer 3/8 (SN 0230003739 to Present)	
180	0651606	1	Bolt 3/8 x 3/4 (SN 0230003739 to Present)	
181	3020039	AR	Lubricant (Not Shown) (SN 0230003739 to Present)	
182	3020029	AR	Grease (Not Shown) (SN 0230003739 to Present)	
183	1001095650	AR	Adhesive (SN 0230003739 to Present)	

SECTION 2 - BOOM

FIGURE 2-13. NO BOOM/RECOVERY WINCH ONLY INSTALLATION (8000 LBS SINGLE WINCH DECK MOUNTED)



ART_2502900043

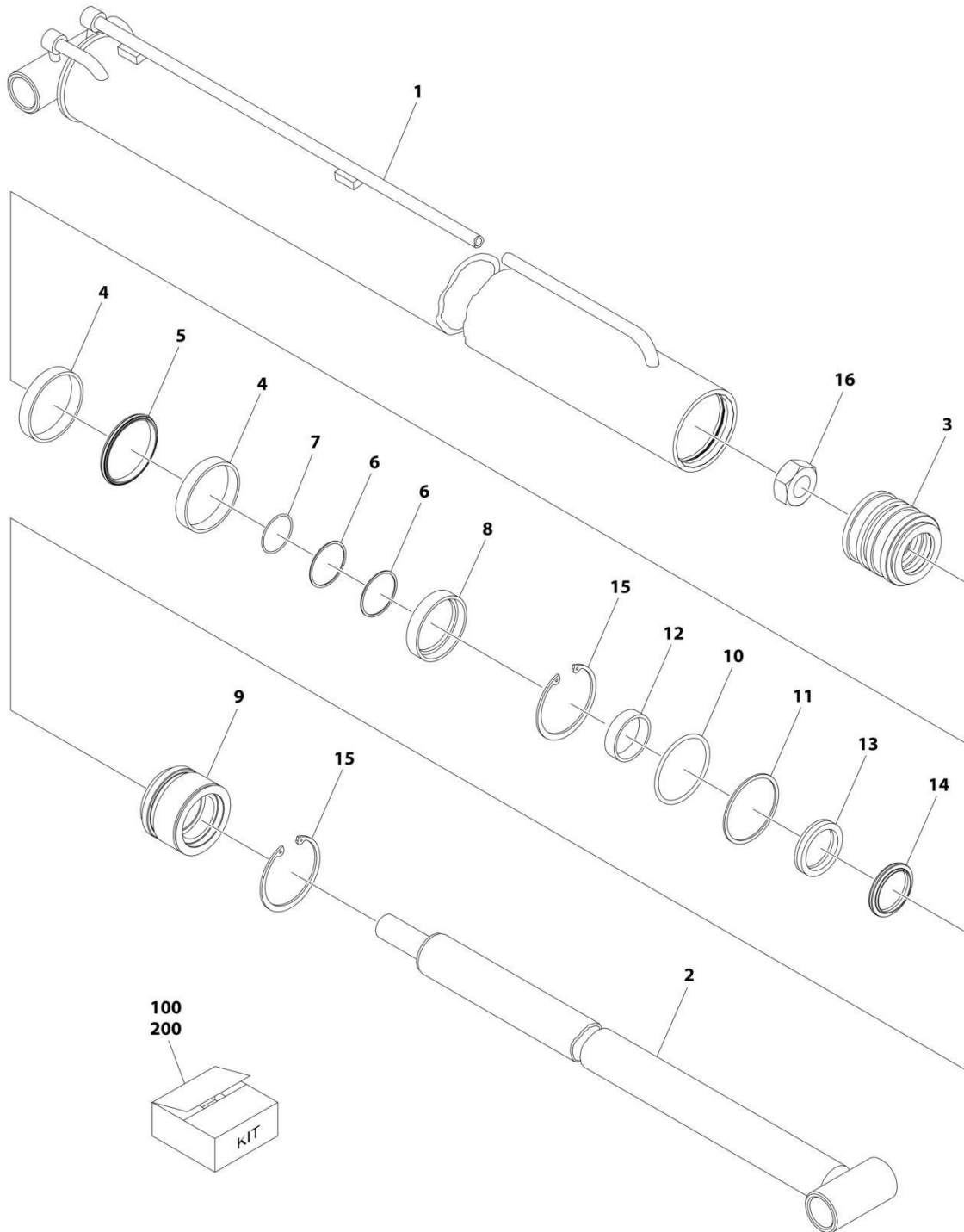
SECTION 2 - BOOM

FIGURE 2-13. NO BOOM/RECOVERY WINCH ONLY INSTALLATION (8000 LBS SINGLE WINCH DECK MOUNTED)

ITEM	PART NUMBER	QTY	DESCRIPTION	REV
	2502900043	Ref	NO BOOM/RECOVERY WINCH ONLY INSTALLATION	E
101	3502900009	1	Winch Assembly (See Separate Breakdown in this Section)	
102	7115241250	4	Bolt 7/8 x 1-1/2	
103	7950240161	4	Washer 7/8	
104	3020039	AR	Lubricant	

SECTION 2 - BOOM

FIGURE 2-14. CYLINDER ASSEMBLY - BOOM EXTEND/RETRACT (8K BOOM)



ART_332000045

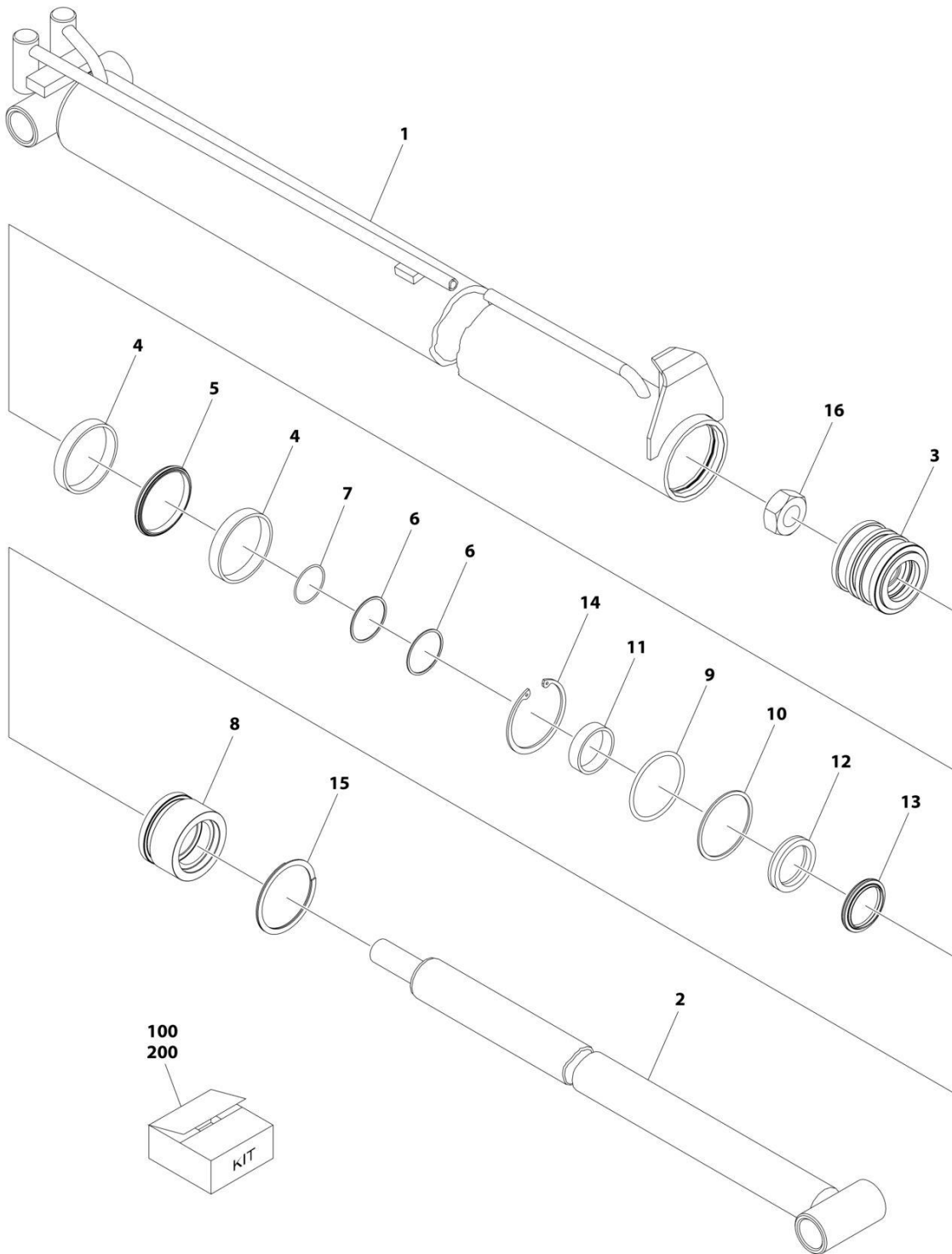
SECTION 2 - BOOM

FIGURE 2-14. CYLINDER ASSEMBLY - BOOM EXTEND/RETRACT (8K BOOM)

ITEM	PART NUMBER	QTY	DESCRIPTION	REV
	3320000045	Ref	EXTENSION CYLINDER ASSEMBLY	D
1	3071000043	1	Barrel	
2	3763000057	1	Rod	
3	4698000011	1	Piston (Note: Use Item 100)	
4	7754000030	2	Ring, Wear (Note: Use Item 100)	
5	7796000062	1	T-Seal, Piston (Note: Use Item 100)	
6	7755214609	2	Ring, Back-up (Note: Use Item 100)	
7	7755214000	1	O-Ring, Piston (Note: Use Item 100)	
8	4831000117	1	Spacer	
9	4553000015	1	Head (Note: Use Item 200)	
10	7755327000	1	O-Ring (Note: Use Item 200)	
11	7755327609	1	Ring, Back-up (Note: Use Item 200)	
12	7754000036	1	Ring, Wear (Note: Use Item 200)	
13	7796000023	1	Seal, Rod (Note: Use Item 200)	
14	7796000005	1	Seal, Wiper (Note: Use Item 200)	
15	7754000001	2	Retaining Ring	
16	7661000037	1	Nut 5/8	
100	3698000015	1	Piston Assembly - Kit Box (Include Items 3, 4, 5, 6 & 7)	
200	3553000015	1	Head Assembly - Kit Box (Include Items 9, 10, 11, 12, 13 & 14)	

SECTION 2 - BOOM

FIGURE 2-15. CYLINDER ASSEMBLY - BOOM EXTEND/RETRACT (18.5K & 24K BOOMS)



ART_332000007

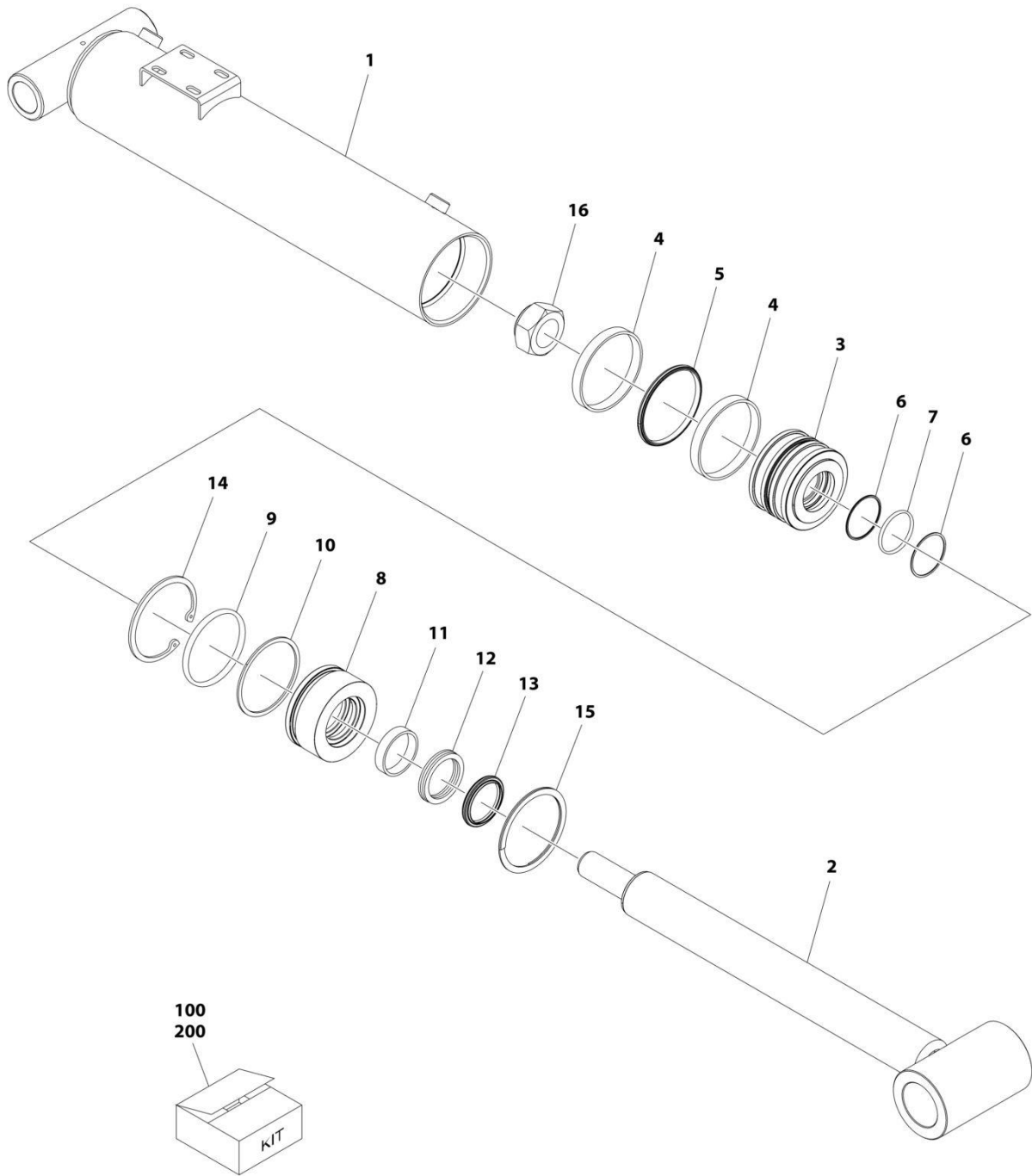
SECTION 2 - BOOM

FIGURE 2-15. CYLINDER ASSEMBLY - BOOM EXTEND/RETRACT (18.5K & 24K BOOMS)

ITEM	PART NUMBER	QTY	DESCRIPTION	REV
	3320000007	Ref	EXTENSION CYLINDER ASSEMBLY	D
1	3071000007	1	Barrel	
2	3763000040	1	Rod	
3	4698000007	1	Piston (Note: Use Item 100)	
4	7754000003	2	Ring, Wear (Note: Use Item 100)	
5	7796000063	1	T-Seal, Piston (Note: Use Item 100)	
6	7755224609	2	Ring, Back-up (Note: Use Item 100)	
7	7755224000	1	O-Ring, Piston (Note: Use Item 100)	
8	4553000008	1	Head (Note: Use Item 200)	
9	7755334000	1	O-Ring (Note: Use Item 200)	
10	7755334609	1	Ring, Back-up (Note: Use Item 200)	
11	7754000004	1	Ring, Wear (Note: Use Item 200)	
12	7796000024	1	Seal, Rod (Note: Use Item 200)	
13	7796000008	1	Seal, Wiper (Note: Use Item 200)	
14	7754000002	1	Retaining Ring	
15	7754000026	1	Retaining Ring	
16	7661000034	1	Nut 1	
100	3698000001	1	Piston Assembly - Kit Box (Include Items 3, 4, 5, 6 & 7)	
200	3553000011	1	Head Assembly - Kit Box (Include Items 8, 9, 10, 11, 12 & 13)	

SECTION 2 - BOOM

FIGURE 2-16. CYLINDER ASSEMBLY - BOOM LIFT (8K BOOM)



ART_332000044

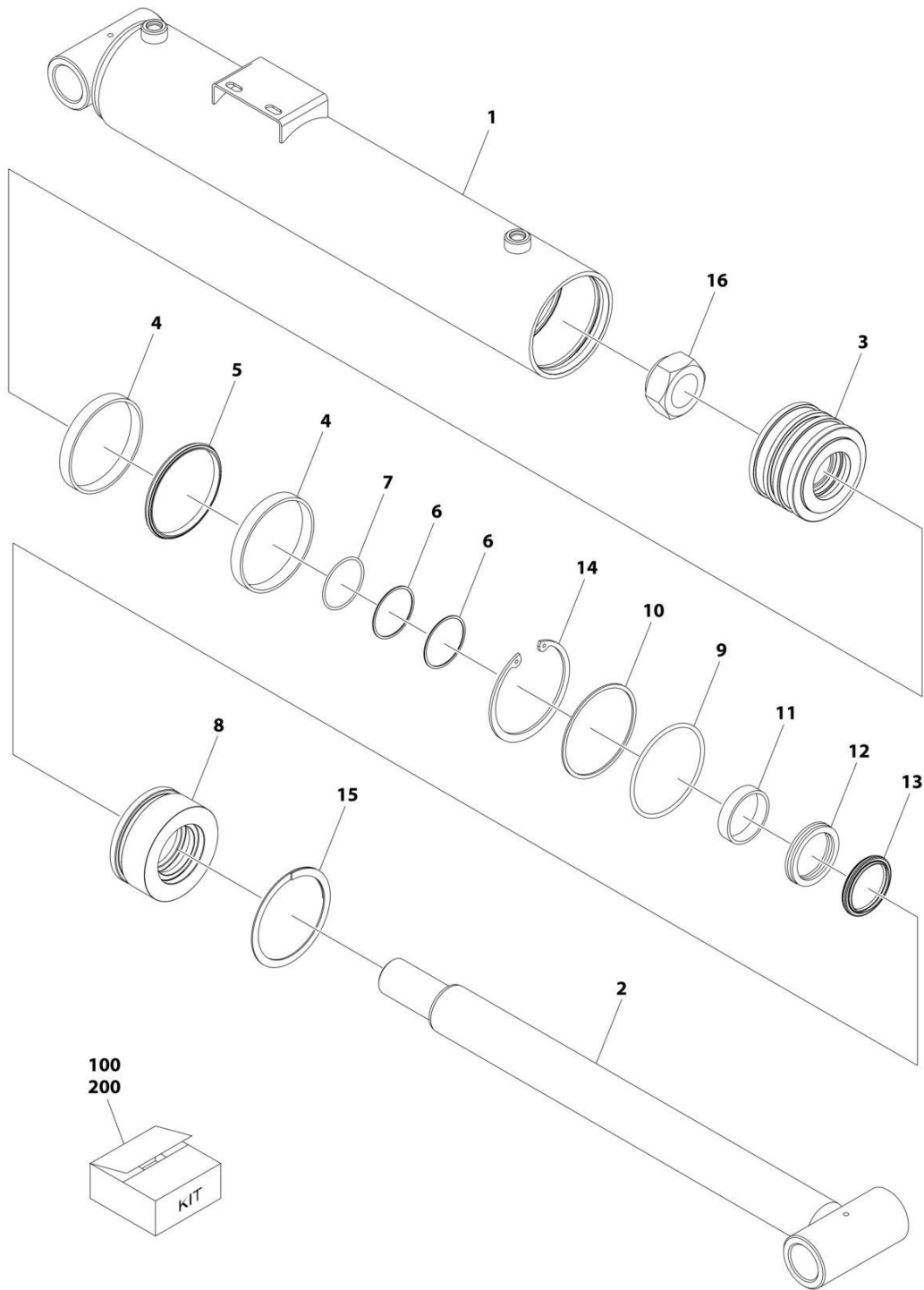
SECTION 2 - BOOM

FIGURE 2-16. CYLINDER ASSEMBLY - BOOM LIFT (8K BOOM)

ITEM	PART NUMBER	QTY	DESCRIPTION	REV
	3320000044	Ref	CYLINDER ASSEMBLY	C
1	3071000042	1	Barrel	
2	3763000056	1	Rod	
3	3698000008	1	Piston (Note: Use Item 100)	
4	7754000011	2	Ring, Wear (Note: Use Item 100)	
5	7796000065	1	T-Seal, Piston (Note: Use Item 100)	
6	7755226609	2	Ring, Back-up (Note: Use Item 100)	
7	7755226000	1	O-Ring, Piston (Note: Use Item 100)	
8	4553000009	1	Head (Note: Use Item 200)	
9	7755342000	1	O-Ring (Note: Use Item 200)	
10	7755342609	1	Ring, Back-up (Note: Use Item 200)	
11	7754000012	1	Ring, Wear (Note: Use Item 200)	
12	7796000025	1	Seal, Rod (Note: Use Item 200)	
13	7796000011	1	Seal, Wiper (Note: Use Item 200)	
14	7754000013	1	Retaining Ring	
15	7754000028	1	Retaining Ring	
16	7661000035	1	Nut 1-1/2	
100	3698000002	1	Piston Assembly - Kit Box (Include Items 3, 4, 5, 6 & 7)	
200	3553000012	1	Head Assembly - Kit Box (Include Items 8, 9, 10, 11, 12 & 13)	

SECTION 2 - BOOM

FIGURE 2-17. CYLINDER ASSEMBLY - BOOM LIFT (18.5K & 24K BOOMS) (WITH COUNTERBALANCE VALVE)



ART_332000011

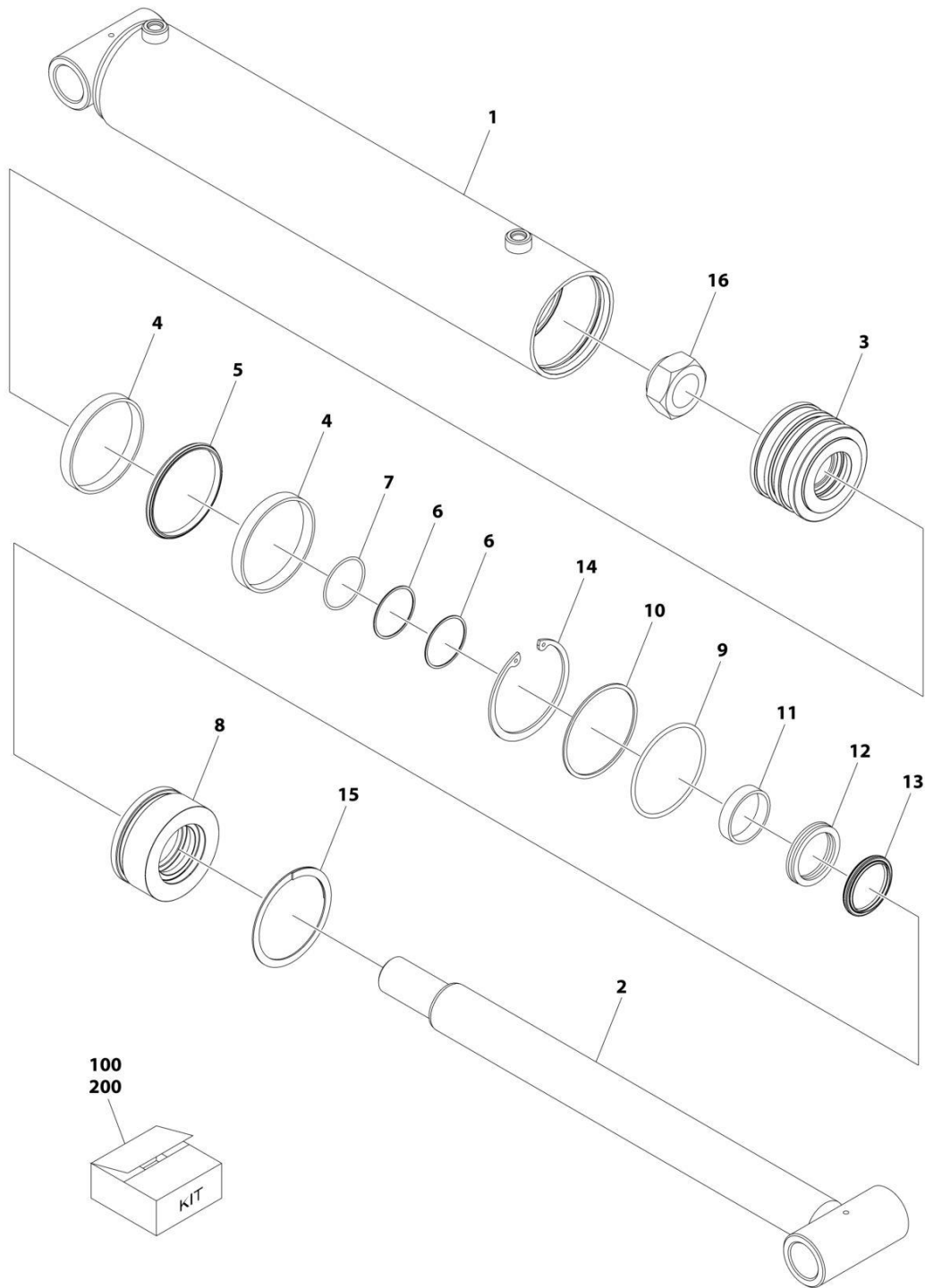
SECTION 2 - BOOM

FIGURE 2-17. CYLINDER ASSEMBLY - BOOM LIFT (18.5K & 24K BOOMS) (WITH COUNTERBALANCE VALVE)

ITEM	PART NUMBER	QTY	DESCRIPTION	REV
	3320000011	Ref	TILT CYLINDER ASSEMBLY	F
1	3071000011	1	Barrel	
2	3763000041	1	Rod	
3	4698000008	1	Piston (Note: Use Item 100)	
4	7754000011	2	Ring, Wear (Note: Use Item 100)	
5	7796000065	1	T-Seal, Piston (Note: Use Item 100)	
6	7755226609	2	Ring, Back-up (Note: Use Item 100)	
7	7755226000	1	O-Ring, Piston (Note: Use Item 100)	
8	4553000009	1	Head (Note: Use Item 200)	
9	7755342000	1	O-Ring (Note: Use Item 200)	
10	7755342609	1	Ring, Back-up (Note: Use Item 200)	
11	7754000012	1	Ring, Wear (Note: Use Item 200)	
12	7796000025	1	Seal, Rod (Note: Use Item 200)	
13	7796000011	1	Seal, Wiper (Note: Use Item 200)	
14	7754000013	1	Retaining Ring	
15	7754000028	1	Retaining Ring	
16	7661000035	1	Nut 1-1/2	
100	3698000002	1	Piston Assembly - Kit Box (Include Items 3, 4, 5, 6 & 7)	
200	3553000012	1	Head Assembly - Kit Box (Include Items 8, 9, 10, 11, 12 & 13)	

SECTION 2 - BOOM

FIGURE 2-18. CYLINDER ASSEMBLY - BOOM LIFT (18.5K & 24K BOOMS) (WITHOUT COUNTERBALANCE VALVE)



ART_332000012

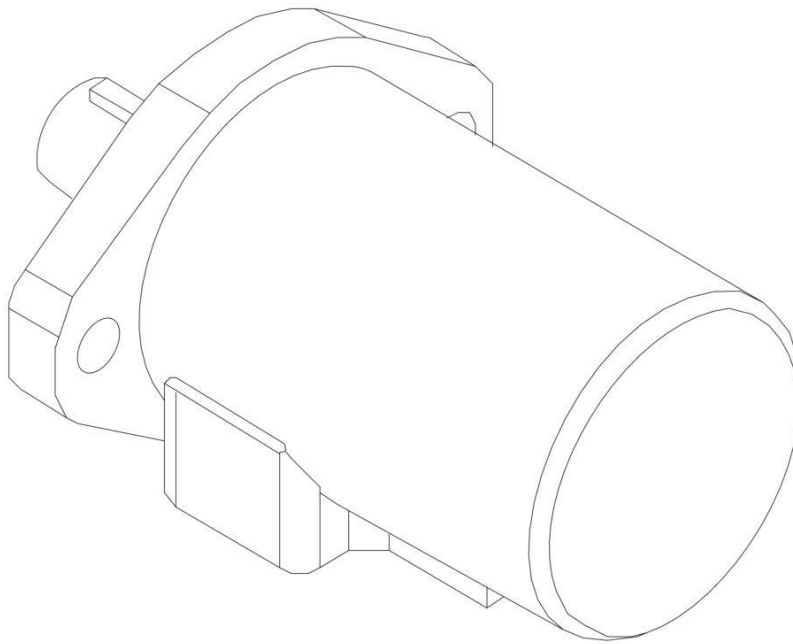
SECTION 2 - BOOM

FIGURE 2-18. CYLINDER ASSEMBLY - BOOM LIFT (18.5K & 24K BOOMS) (WITHOUT COUNTERBALANCE VALVE)

ITEM	PART NUMBER	QTY	DESCRIPTION	REV
	3320000012	Ref	TILT CYLINDER ASSEMBLY	F
1	3071000012	1	Barrel	
2	3763000041	1	Rod	
3	4698000008	1	Piston (Note: Use Item 100)	
4	7754000011	2	Ring, Wear (Note: Use Item 100)	
5	7796000065	1	T-Seal, Piston (Note: Use Item 100)	
6	7755226609	2	Ring, Back-up (Note: Use Item 100)	
7	7755226000	1	O-Ring, Piston (Note: Use Item 100)	
8	4553000009	1	Head (Note: Use Item 200)	
9	7755342000	1	O-Ring (Note: Use Item 200)	
10	7755342609	1	Ring, Back-up (Note: Use Item 200)	
11	7754000012	1	Ring, Wear (Note: Use Item 200)	
12	7796000025	1	Seal, Rod (Note: Use Item 200)	
13	7796000011	1	Seal, Wiper (Note: Use Item 200)	
14	7754000013	1	Retaining Ring	
15	7754000028	1	Retaining Ring	
16	7661000035	1	Nut 1-1/2	
100	3698000002	1	Piston Assembly - Kit Box (Include Items 3, 4, 5, 6 & 7)	
200	3553000012	1	Head Assembly - Kit Box (Include Items 8, 9, 10, 11, 12 & 13)	

SECTION 2 - BOOM

FIGURE 2-19. MOTOR ASSEMBLY - WINCH DRIVE (8000LBS WINCH)



ART_7626000014

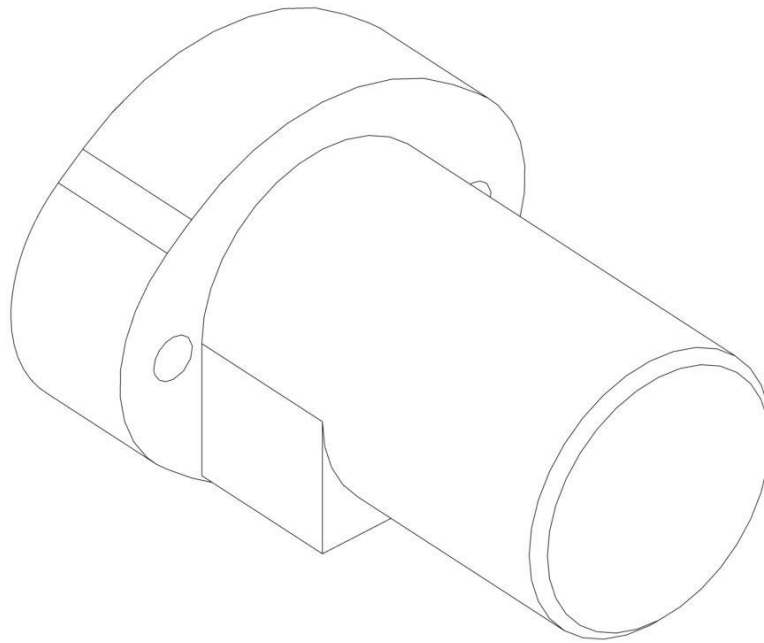
SECTION 2 - BOOM

FIGURE 2-19. MOTOR ASSEMBLY - WINCH DRIVE (8000LBS WINCH)

ITEM	PART NUMBER	QTY	DESCRIPTION	REV
	7626000014	Ref Ref	ORBIT MOTOR Note: No Service Part Available at the Time of Printing	B

SECTION 2 - BOOM

FIGURE 2-20. MOTOR ASSEMBLY - WINCH DRIVE (10000LBS SINGLE WINCH ONLY & 12000 LBS WINCH)



ART_7626000013

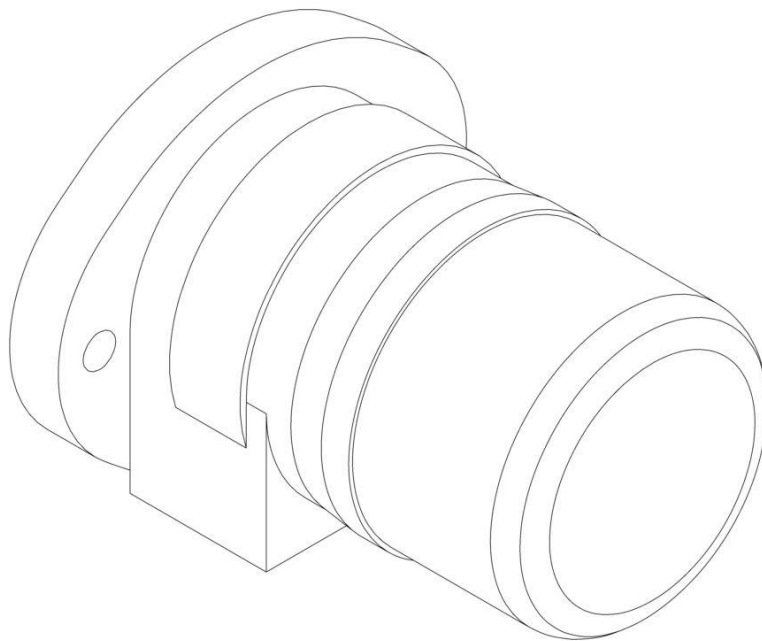
SECTION 2 - BOOM

FIGURE 2-20. MOTOR ASSEMBLY - WINCH DRIVE (10000LBS SINGLE WINCH ONLY & 12000 LBS WINCH)

ITEM	PART NUMBER	QTY	DESCRIPTION	REV
	7626000013	Ref	MOTOR ASSEMBLY - WINCH DRIVE (10000LBS SINGLE WINCH ONLY & 12000 LBS WINCH)	
		Ref	Note: No Service Parts Available at Time of Printing	

SECTION 2 - BOOM

FIGURE 2-21. MOTOR ASSEMBLY - WINCH DRIVE (12000LBS WINCH) (WEST COAST SPECS) (SN 0230005919 TO PRESENT) (SN 0230005919 to Present)



ART_7626000018

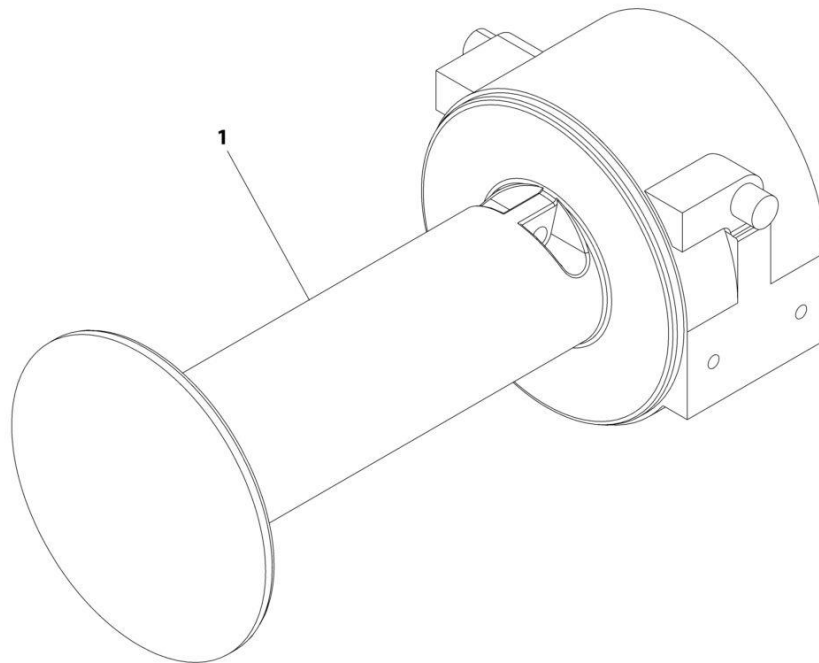
SECTION 2 - BOOM

FIGURE 2-21. MOTOR ASSEMBLY - WINCH DRIVE (12000LBS WINCH) (WEST COAST SPECS) (SN 0230005919 TO PRESENT) (SN 0230005919 to Present)

ITEM	PART NUMBER	QTY	DESCRIPTION	REV
	7626000018	Ref	MOTOR ASSEMBLY - WINCH DRIVE (12000LBS WINCH) (WEST COAST SPECS)	0
		Ref	Note: No Service Parts Available at Time of Printing	

SECTION 2 - BOOM

FIGURE 2-22. WINCH ASSEMBLY - 8000 LBS LH (8K & 18.5 & BOOM - BOOM MOUNTED)



ART_7970000103

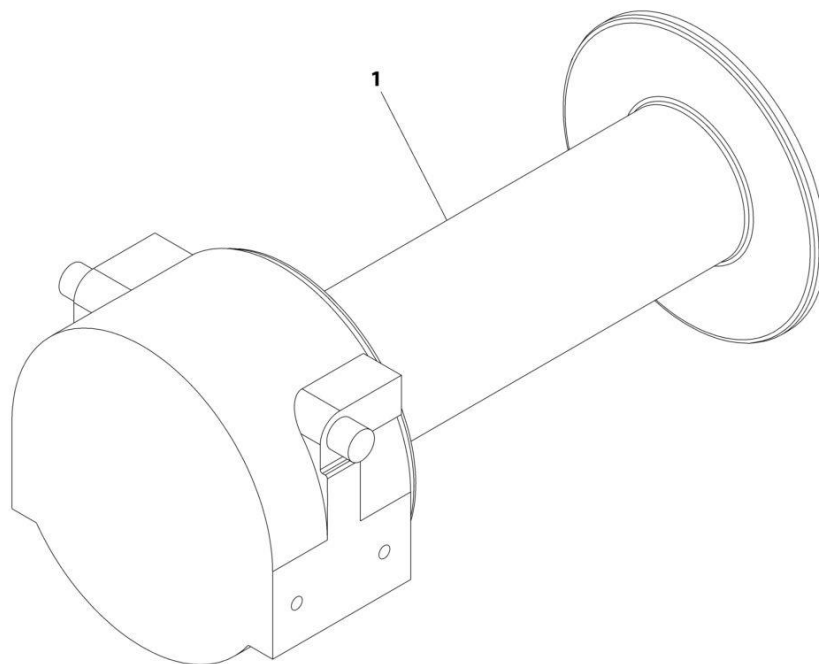
SECTION 2 - BOOM

FIGURE 2-22. WINCH ASSEMBLY - 8000 LBS LH (8K & 18.5 & BOOM - BOOM MOUNTED)

ITEM	PART NUMBER	QTY	DESCRIPTION	REV
	7970000103	Ref Ref	WINCH ASSEMBLY Note: No Service Part Available at the Time of Printing	0

SECTION 2 - BOOM

FIGURE 2-23. WINCH ASSEMBLY - 8000 LBS RH (8K & 18.5 & BOOM - BOOM MOUNTED)



ART_7970000104

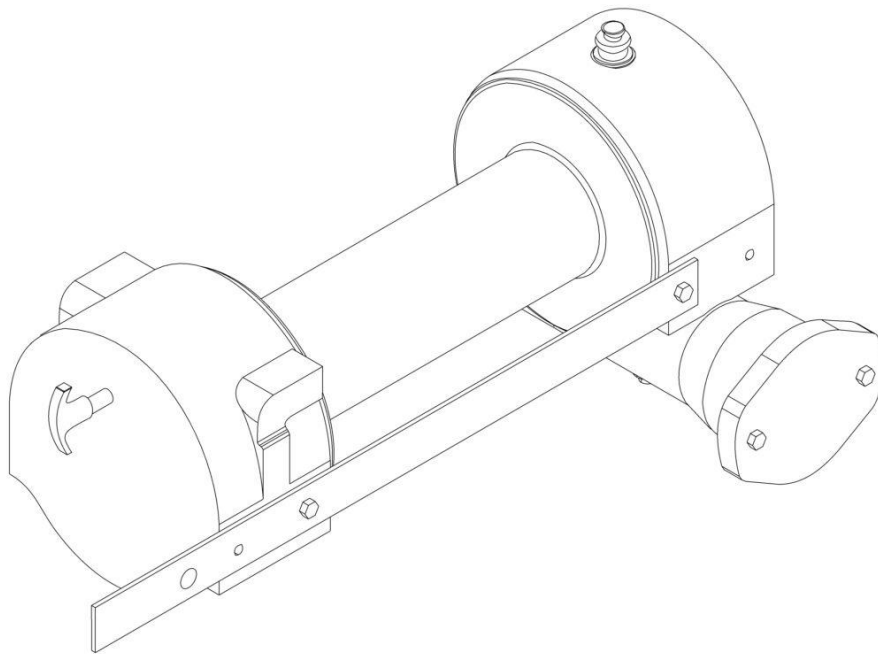
SECTION 2 - BOOM

FIGURE 2-23. WINCH ASSEMBLY - 8000 LBS RH (8K & 18.5 & BOOM - BOOM MOUNTED)

ITEM	PART NUMBER	QTY	DESCRIPTION	REV
	7970000104	Ref Ref	WINCH ASSEMBLY Note: No Service Part Available at the Time of Printing	0

SECTION 2 - BOOM

FIGURE 2-24. WINCH ASSEMBLY - 8000 LBS RH (DECK MOUNTED)



ART_7970000147

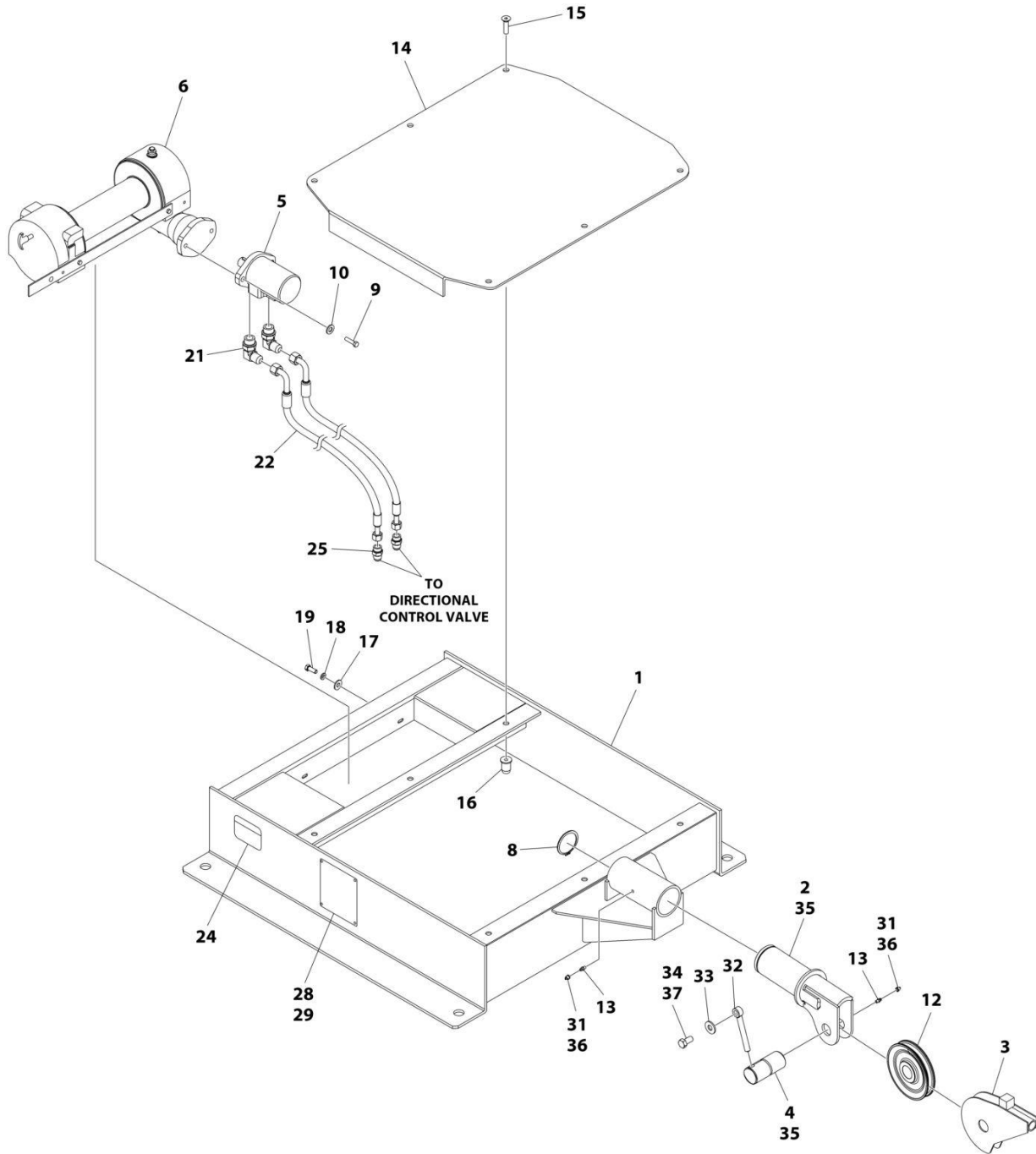
SECTION 2 - BOOM

FIGURE 2-24. WINCH ASSEMBLY - 8000 LBS RH (DECK MOUNTED)

ITEM	PART NUMBER	QTY	DESCRIPTION	REV
	7970000147	Ref Ref	WINCH ASSEMBLY Note: No Service Parts Available at Time of Printing	0

SECTION 2 - BOOM

FIGURE 2-25. WINCH ASSEMBLY - 8K LBS SINGLE WINCH (RECOVERY WINCH - USED WITH BOOM/WINCH ONLY UNITS)



ART_3502900009_G

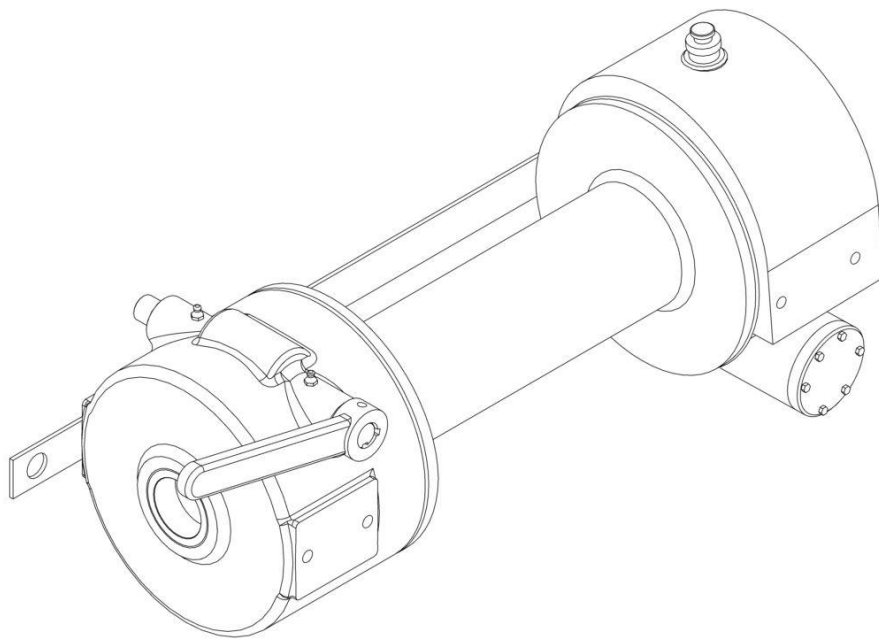
SECTION 2 - BOOM

FIGURE 2-25. WINCH ASSEMBLY - 8K LBS SINGLE WINCH (RECOVERY WINCH - USED WITH BOOM/WINCH ONLY UNITS)

ITEM	PART NUMBER	QTY	DESCRIPTION	REV
	3502900009	Ref	RECOVERY WINCH ASSEMBLY	G
1	3502900010	1	Winch Mount	
2	3512900006	1	Sheave Support (Prior to SN 0230003739)	
2	1001206161	1	Sheave Support (SN 0230003739 to Present)	
3	3510900068	1	Cable Guide (Prior to SN 0230003739)	
3	1001206167	1	Cable Guide (SN 0230003739 to Present)	
4	3691000002	1	Pin (Prior to SN 0230003739)	
4	1001206171	1	Pin (SN 0230003739 to Present)	
5	7626000014	1	Motor (See Separate Breakdown in this Section)	
6	7970000147	1	Winch Assembly (See Separate Breakdown in this Section)	
8	7754000005	1	Retaining Ring	
9	0641812	2	Bolt 1/2 x 1-1/2	
10	7950180400	2	Washer 1/2	
12	7809000001	1	Sheave	
13	88671008	2	Fitting, Grease	
14	4314000004	1	Cover Plate	
15	7114140823	6	Capscrew 1/4 x 1	
16	7661000006	6	Nut 1/4	
17	4751600	8	Washer 3/8	
18	4761600	8	Washer 3/8	
19	0641608	8	Bolt 3/8 x 1	
21	7445081045	AR	Fitting, 90	
22	4567332075	2	Hose	
24	7330000546	1	Decal	
25	7445080843	2	Fitting, Straight	
26	7701000068	AR	Plug (Not Shown) (Prior to SN 0230004926)	
27	7935000174	AR	Relief Valve (Not Shown) (Prior to SN 0230004926)	
28	1001132574	1	Decal - Boom Placard	
29	7759000004	4	Rivet	
30	7330000125	1	Decal - Lubrication (Not Shown - Located Inside Driver Side Toolbox Door)	
31	7253000002	2	Cap, Grease Fitting	
32	3841143	1	Keeper, Pin	
33	4711600	1	Washer 3/8	
34	0651606	1	Bolt 3/8 x 3/4	
35	3020039	AR	Lube	
36	3020029	AR	Grease	
37	1001095650	AR	Adhesive	
38	7330000124	1	Decal - Lubricant (Not Shown - Located Inside Driver Side Toolbox Door)	

SECTION 2 - BOOM

FIGURE 2-26. WINCH ASSEMBLY - 12000 LBS (WEST COAST SPECS) (SN 0230002518 through 0230005918)



ART_7970000020

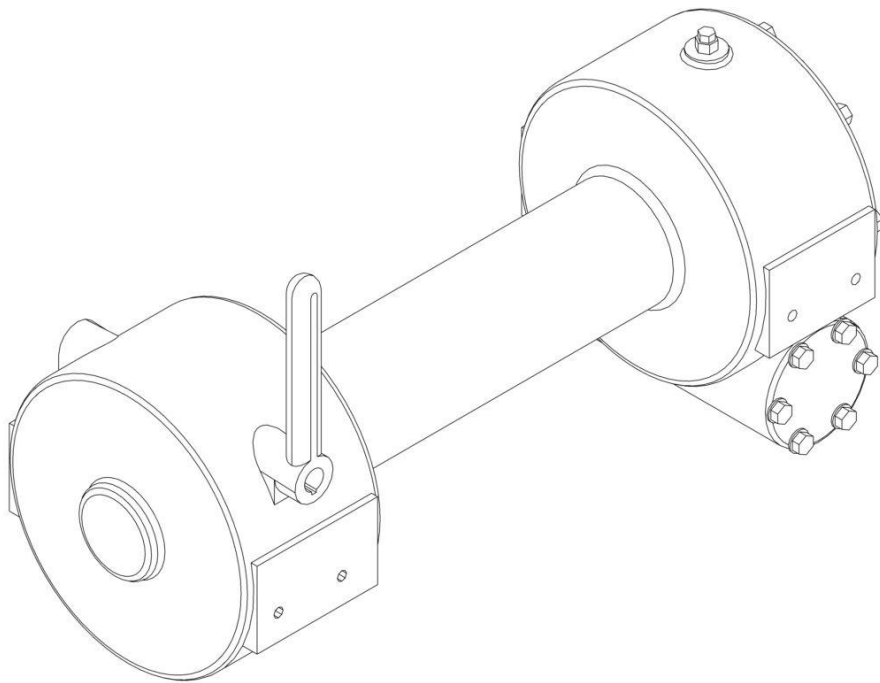
SECTION 2 - BOOM

FIGURE 2-26. WINCH ASSEMBLY - 12000 LBS (WEST COAST SPECS) (SN 0230002518 through 0230005918)

ITEM	PART NUMBER	QTY	DESCRIPTION	REV
	7970000020	Ref Ref	WINCH ASSEMBLY - 12000 LBS (WEST COAST SPECS) Note: No Service Parts Available at Time of Printing	1

SECTION 2 - BOOM

FIGURE 2-27. WINCH ASSEMBLY - 12000 LBS LH (STANDARD SPECS)



ART_797000025

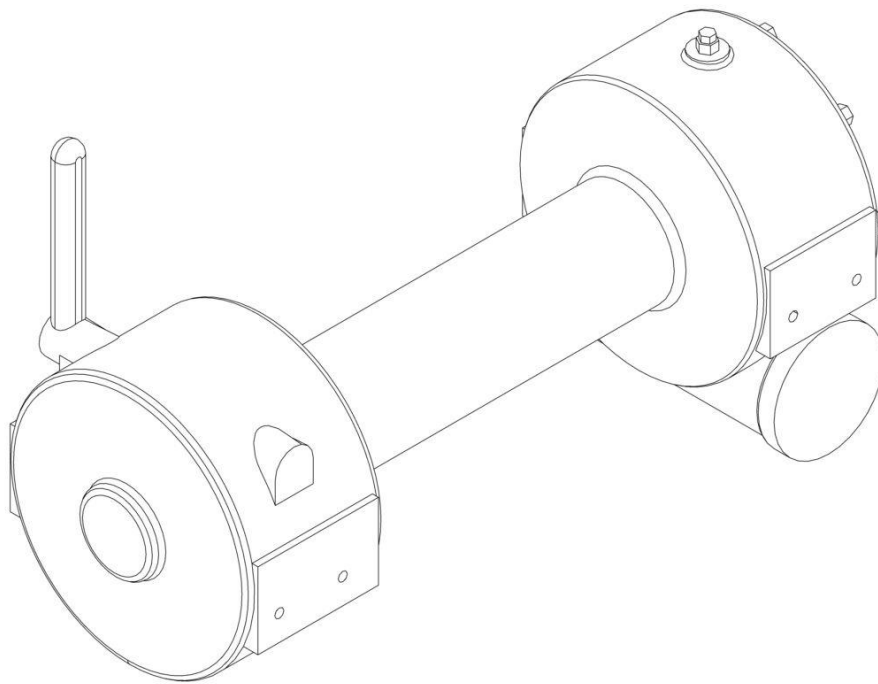
SECTION 2 - BOOM

FIGURE 2-27. WINCH ASSEMBLY - 12000 LBS LH (STANDARD SPECS)

ITEM	PART NUMBER	QTY	DESCRIPTION	REV
	7970000025	Ref Ref	WINCH ASSEMBLY - 12000 LBS LH Note: No Service Parts Available at Time of Printing	B

SECTION 2 - BOOM

FIGURE 2-28. WINCH ASSEMBLY - 12000 LBS RH (STANDARD SPECS)



ART_797000026

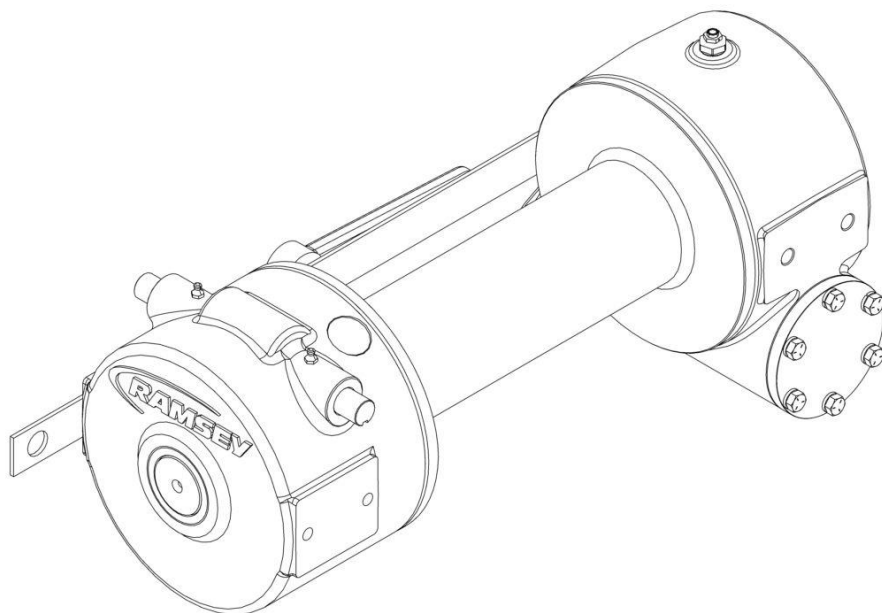
SECTION 2 - BOOM

FIGURE 2-28. WINCH ASSEMBLY - 12000 LBS RH (STANDARD SPECS)

ITEM	PART NUMBER	QTY	DESCRIPTION	REV
	7970000026	Ref Ref	WINCH ASSEMBLY - 12000 LBS RH Note: No Service Parts Available at Time of Printing	B

SECTION 2 - BOOM

FIGURE 2-29. WINCH ASSEMBLY – 12000 LBS LH (WEST COAST SPECS) (SN 0230005919 to Present)



ART_1001236329

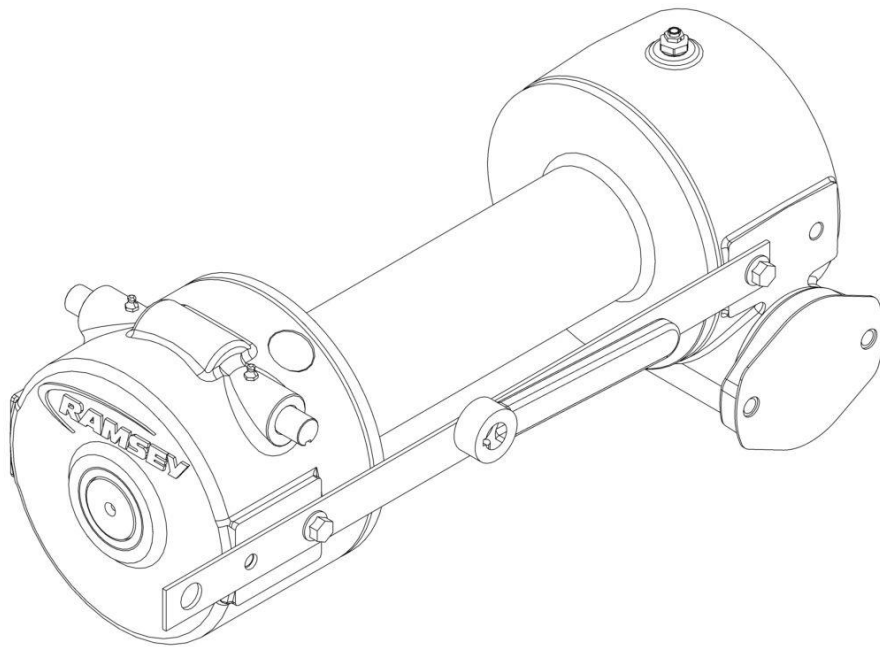
SECTION 2 - BOOM

FIGURE 2-29. WINCH ASSEMBLY – 12000 LBS LH (WEST COAST SPECS) (SN 0230005919 to Present)

ITEM	PART NUMBER	QTY	DESCRIPTION	REV
	1001236329	Ref Ref	WINCH ASSEMBLY - 12000 LBS LH (WEST COAST SPECS) Note: No Service Parts Available at Time of Printing	A

SECTION 2 - BOOM

FIGURE 2-30. WINCH ASSEMBLY – 12000 LBS RH (WEST COAST SPECS) (SN 0230005919 to Present)



ART_1001236330

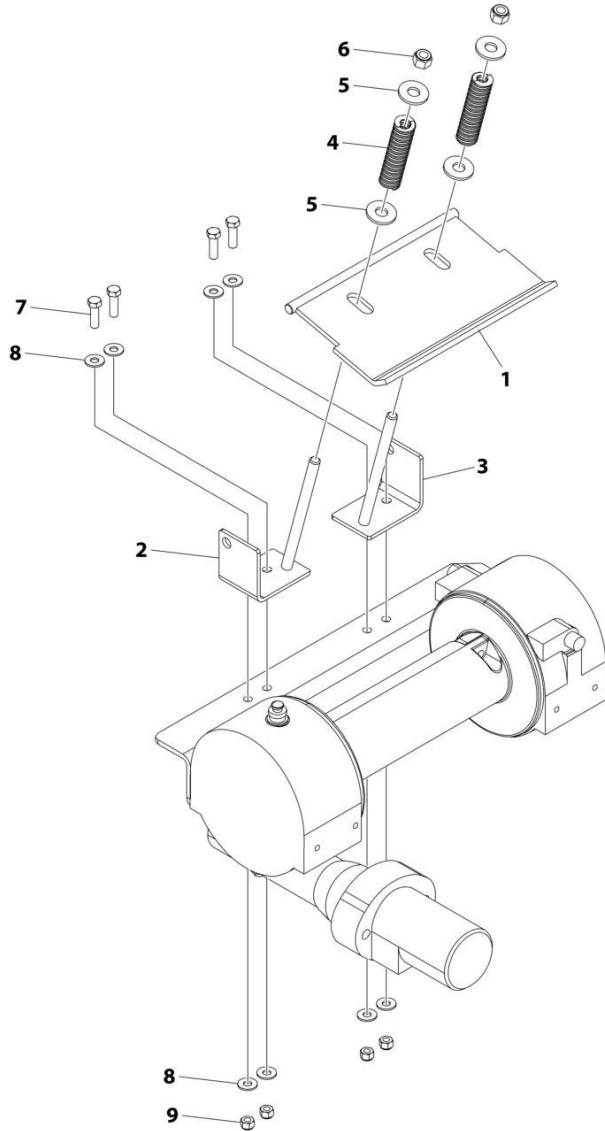
SECTION 2 - BOOM

FIGURE 2-30. WINCH ASSEMBLY – 12000 LBS RH (WEST COAST SPECS) (SN 0230005919 to Present)

ITEM	PART NUMBER	QTY	DESCRIPTION	REV
	1001236330	Ref Ref	WINCH ASSEMBLY - 12000 LBS RH (WEST COAST SPECS) Note: No Service Parts Available at Time of Printing	A

SECTION 2 - BOOM

FIGURE 2-31. CABLE TENSIONER - 8000LBS BOOM WINCH



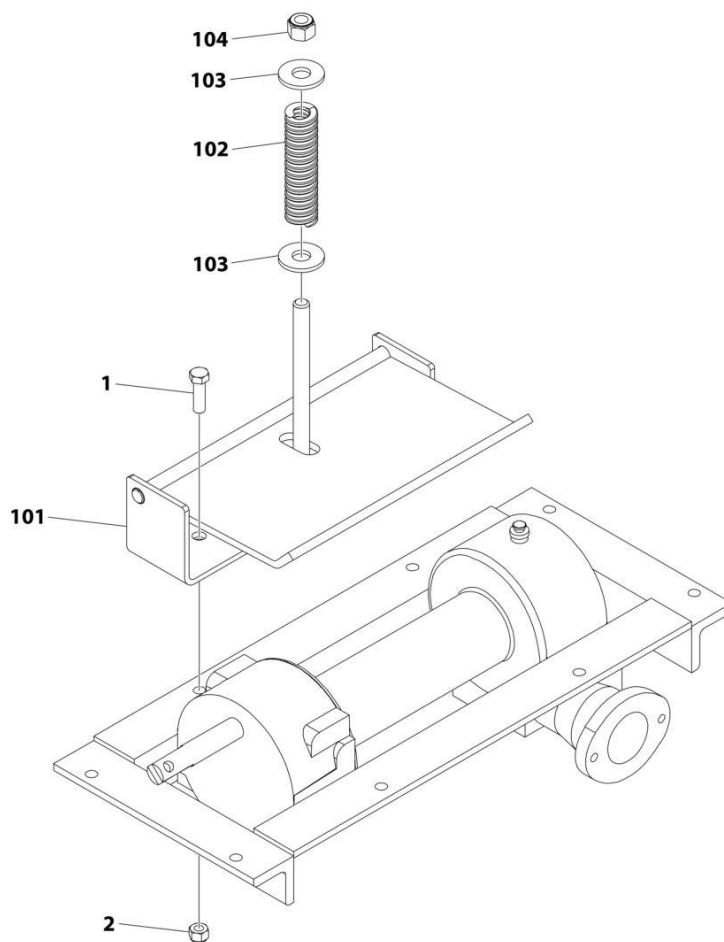
ART_2500900643

SECTION 2 - BOOM**FIGURE 2-31. CABLE TENSIONER - 8000LBS BOOM WINCH**

ITEM	PART NUMBER	QTY	DESCRIPTION	REV
	2500900643	Ref	CABLE TENSIONER INSTALLATION - WINCH	A
1	3706000099	1	Plate	
2	3017000003	1	Angle (LH)	
3	3017000002	1	Angle (RH)	
4	7843000004	2	Spring	
5	7950180161	4	Washer 1/2	
6	7660182601	2	Nut 1/2	
7	7115161050	4	Bolt 3/8 x 1-1/4	
8	7950150161	8	Washer 5/16	
9	7660162601	4	Nut 3/8	

SECTION 2 - BOOM

FIGURE 2-32. CABLE TENSIONER - 8000 LBS WINCH (DECK MOUNTED)



ART_2500900139

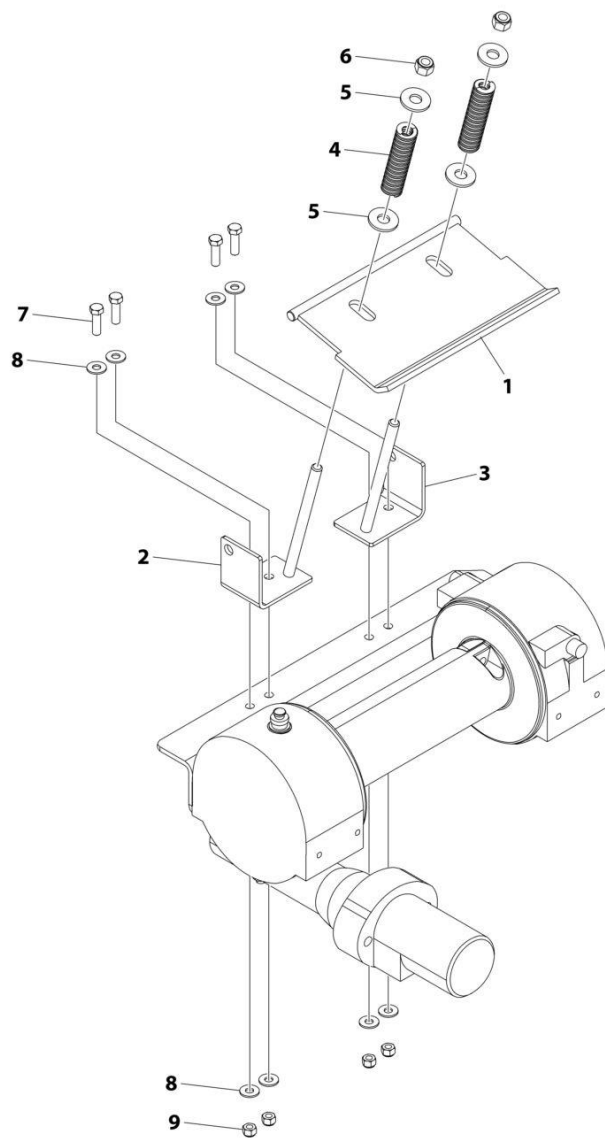
SECTION 2 - BOOM

FIGURE 2-32. CABLE TENSIONER - 8000 LBS WINCH (DECK MOUNTED)

ITEM	PART NUMBER	QTY	DESCRIPTION	REV
	2500900139	Ref	CABLE TENSIONER INSTALLATION - WINCH	A
1	7115161050	2	Bolt 3/8 x 1-1/4	
2	7660182600	2	Nut 3/8	
3	3500900016	1	Cable Tensioner Assembly	

SECTION 2 - BOOM

FIGURE 2-33. CABLE TENSIONER - 10000LBS BOOM WINCH



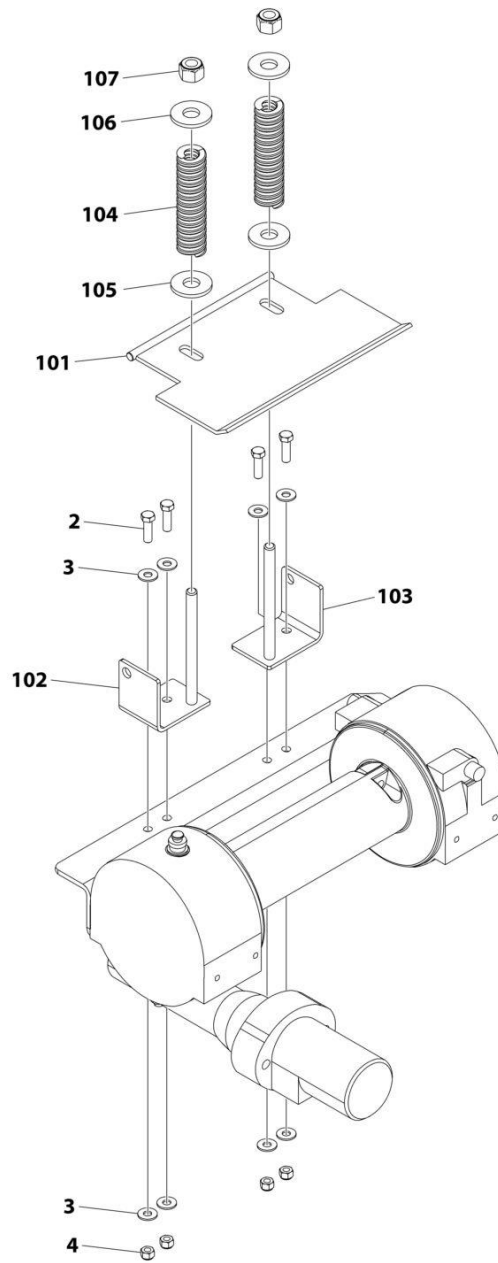
ART_2500900373

FIGURE 2-33. CABLE TENSIONER - 10000LBS BOOM WINCH

ITEM	PART NUMBER	QTY	DESCRIPTION	REV
	2500900373	Ref	CABLE TENSIONER INSTALLATION - WINCH	B
1	3706000024	1	Plate	
2	3017000003	1	Angle (LH)	
3	3017000002	1	Angle (RH)	
4	7843000004	2	Spring	
5	7950180161	4	Washer 1/2	
6	7660182601	2	Nut 1/2	
7	7115161050	4	Bolt 3/8 x 1-1/4	
8	7950150161	8	Washer 5/16	
9	7660162601	4	Nut 3/8	

SECTION 2 - BOOM

FIGURE 2-34. CABLE TENSIONER - 12000LBS BOOM WINCH



ART_2500900562

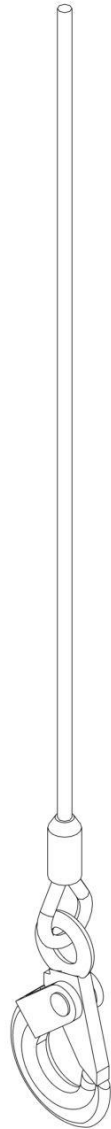
SECTION 2 - BOOM

FIGURE 2-34. CABLE TENSIONER - 12000LBS BOOM WINCH

ITEM	PART NUMBER	QTY	DESCRIPTION	REV
	2500900562	Ref	CABLE TENSIONER INSTALLATION - WINCH	0
1	3500900061	1	Cable Tensioner Assembly (Not Shown) (Includes Items 101-107)	
2	7115161050	4	Bolt 3/8 x 1-1/4	
3	7950150161	8	Washer 5/16	
4	7660162601	4	Nut 3/8	
	3500900061	Ref	CABLE TENSIONER ASSEMBLY	A
101	3706000052	1	Plate	
102	3017000024	1	Angle	
103	3017000023	1	Angle	
104	7843000004	2	Spring	
105	7950200161	2	Washer	
106	7950180161	AR	Washer 1/2	
107	7660182601	2	Nut 1/2	

SECTION 2 - BOOM

FIGURE 2-35. CABLE ASSEMBLY - 3/8X40FT (SINGLE WINCH) (SN 0230002518 through 0230005336)



ART_724800001

SECTION 2 - BOOM

FIGURE 2-35. CABLE ASSEMBLY - 3/8X40FT (SINGLE WINCH) (SN 0230002518 through 0230005336)

ITEM	PART NUMBER	QTY	DESCRIPTION	REV
	7248000001	Ref	CABLE ASSEMBLY - 3/8x40FT (SINGLE WINCH)	2

SECTION 2 - BOOM

FIGURE 2-36. CABLE ASSEMBLY - 3/8X40FT (SINGLE WINCH) (SN 0230005336 to Present)



ART_1001228282

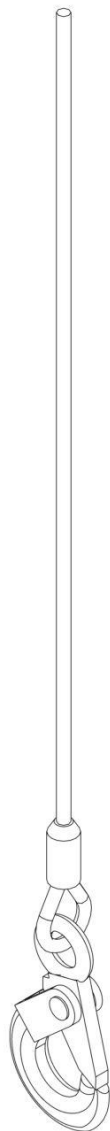
SECTION 2 - BOOM

FIGURE 2-36. CABLE ASSEMBLY - 3/8X40FT (SINGLE WINCH) (SN 0230005336 to Present)

ITEM	PART NUMBER	QTY	DESCRIPTION	REV
	1001228282	Ref	CABLE ASSEMBLY - 3/8x40FT (SINGLE WINCH)	

SECTION 2 - BOOM

FIGURE 2-37. CABLE ASSEMBLY - 3/8X100FT WITH 2TON HOOK (SINGLE WINCH) (STANDARD SPECS) (SN 0230002518 through 0230005336)



ART_724800003

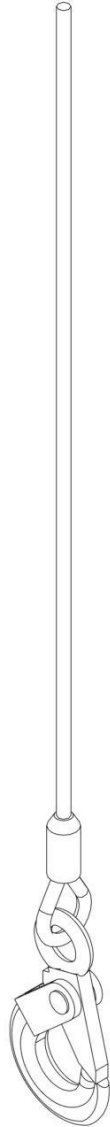
SECTION 2 - BOOM

FIGURE 2-37. CABLE ASSEMBLY - 3/8X100FT WITH 2TON HOOK (SINGLE WINCH) (STANDARD SPECS) (SN 0230002518 through 0230005336)

ITEM	PART NUMBER	QTY	DESCRIPTION	REV
	7248000003	Ref	CABLE ASSEMBLY - 3/8x100FT WITH 2TON HOOK (SINGLE WINCH)	5

SECTION 2 - BOOM

**FIGURE 2-38. CABLE ASSEMBLY - 3/8X100FT WITH 2TON HOOK (SINGLE WINCH) (GSA SPECS)
(SN 0230002518 through 0230005336)**



ART_7248000108

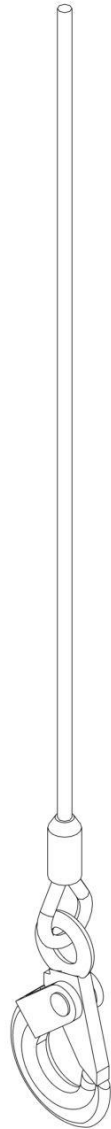
SECTION 2 - BOOM

**FIGURE 2-38. CABLE ASSEMBLY - 3/8X100FT WITH 2TON HOOK (SINGLE WINCH) (GSA SPECS)
(SN 0230002518 through 0230005336)**

ITEM	PART NUMBER	QTY	DESCRIPTION	REV
	7248000108	Ref	CABLE ASSEMBLY - 3/8x100FT WITH 2TON HOOK (SINGLE WINCH)	2

SECTION 2 - BOOM

FIGURE 2-39. CABLE ASSEMBLY - 3/8X100FT WITH 3TON HOOK (SINGLE WINCH) (STANDARD SPECS) (SN 0230002518 through 0230005336)



ART_1001139924

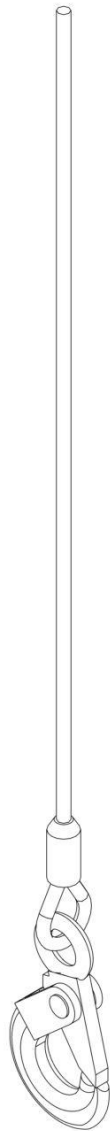
SECTION 2 - BOOM

FIGURE 2-39. CABLE ASSEMBLY - 3/8X100FT WITH 3TON HOOK (SINGLE WINCH) (STANDARD SPECS) (SN 0230002518 through 0230005336)

ITEM	PART NUMBER	QTY	DESCRIPTION	REV
	1001139924	Ref	CABLE ASSEMBLY - 3/8x100FT WITH 3TON HOOK (SINGLE WINCH)	A

SECTION 2 - BOOM

FIGURE 2-40. CABLE ASSEMBLY - 3/8X101FT WITH 2TON HOOK (SINGLE WINCH) (STANDARD SPECS) (SN 0230005336 to Present)



ART_1001228283

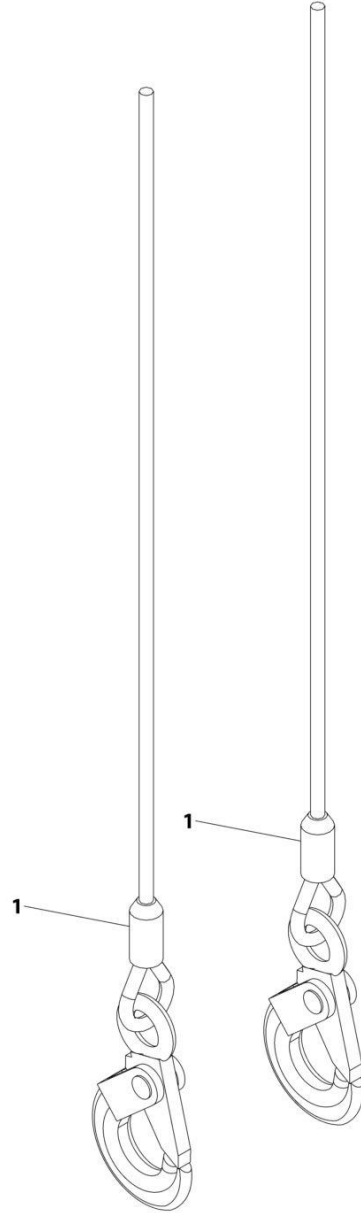
SECTION 2 - BOOM

FIGURE 2-40. CABLE ASSEMBLY - 3/8X101FT WITH 2TON HOOK (SINGLE WINCH) (STANDARD SPECS) (SN 0230005336 to Present)

ITEM	PART NUMBER	QTY	DESCRIPTION	REV
	1001228283	Ref	CABLE ASSEMBLY - 3/8x101FT WITH 2TON HOOK (SINGLE WINCH)	

SECTION 2 - BOOM

FIGURE 2-41. CABLE ASSEMBLY - 3/8X101FT WITH 2TON HOOK (DUAL WINCHES) (STANDARD SPECS)



ART_1001181890

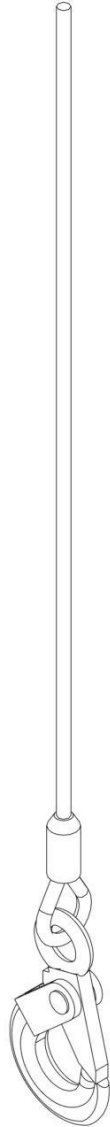
SECTION 2 - BOOM

FIGURE 2-41. CABLE ASSEMBLY - 3/8X101FT WITH 2TON HOOK (DUAL WINCHES) (STANDARD SPECS)

ITEM	PART NUMBER	QTY	DESCRIPTION	REV
	1001181890	Ref	CABLE ASSEMBLY - 3/8x101FT WITH 2TON HOOK (DUAL WINCHES)	A
1	7248000003	2	Cable Assembly	

SECTION 2 - BOOM

FIGURE 2-42. CABLE ASSEMBLY - 7/16X101FT (SINGLE WINCH) (SN 0230002518 through 0230005336)



ART_7248000015

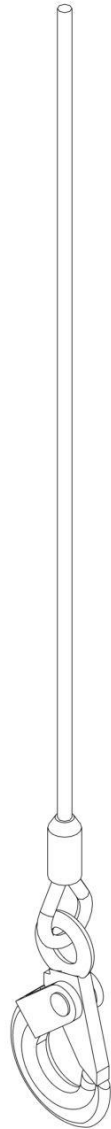
SECTION 2 - BOOM

FIGURE 2-42. CABLE ASSEMBLY - 7/16X101FT (SINGLE WINCH) (SN 0230002518 through 0230005336)

ITEM	PART NUMBER	QTY	DESCRIPTION	REV
	7248000015	Ref	CABLE ASSEMBLY - 7/16x101FT (SINGLE WINCH)	5

SECTION 2 - BOOM

FIGURE 2-43. CABLE ASSEMBLY - 7/16X101FT (SINGLE WINCH) (SN 0230005336 to Present)



ART_1001228284

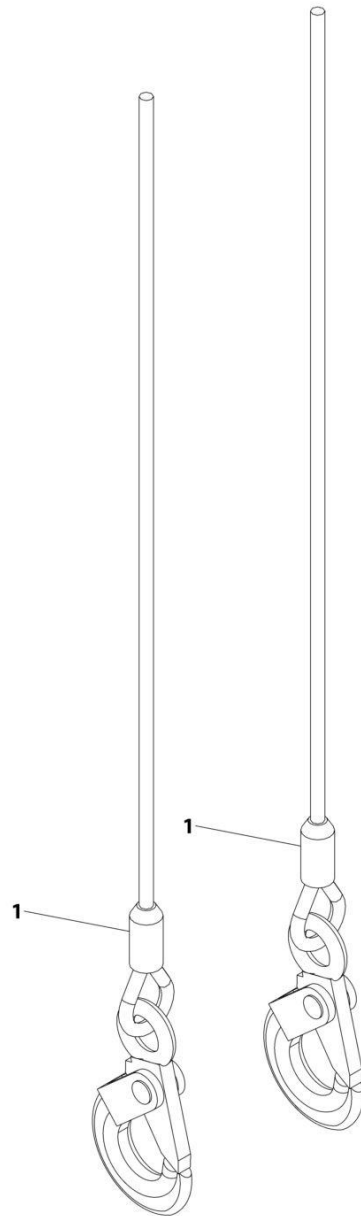
SECTION 2 - BOOM

FIGURE 2-43. CABLE ASSEMBLY - 7/16X101FT (SINGLE WINCH) (SN 0230005336 to Present)

ITEM	PART NUMBER	QTY	DESCRIPTION	REV
	1001228284	Ref	CABLE ASSEMBLY - 7/16x101FT (SINGLE WINCH)	

SECTION 2 - BOOM

FIGURE 2-44. CABLE ASSEMBLY - 7/16X101FT (DUAL WINCHES)



ART_1001181888

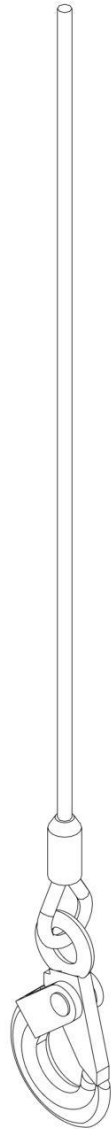
SECTION 2 - BOOM

FIGURE 2-44. CABLE ASSEMBLY - 7/16X101FT (DUAL WINCHES)

ITEM	PART NUMBER	QTY	DESCRIPTION	REV
1	1001181888	Ref	CABLE ASSEMBLY - 7/16x101FT (DUAL WINCHES)	A
	7248000015	2	Cable Assembly	

SECTION 2 - BOOM

FIGURE 2-45. CABLE ASSEMBLY - 7/16X150FT (SINGLE WINCH) (SN 0230002518 through 0230005336)



ART_724800023

SECTION 2 - BOOM

FIGURE 2-45. CABLE ASSEMBLY - 7/16X150FT (SINGLE WINCH) (SN 0230002518 through 0230005336)

ITEM	PART NUMBER	QTY	DESCRIPTION	REV
	7248000023	Ref	CABLE ASSEMBLY - 7/16x150FT (SINGLE WINCH)	0

SECTION 2 - BOOM

FIGURE 2-46. CABLE ASSEMBLY - 7/16X150FT (SINGLE WINCH) (SN 0230005336 to Present)



ART_1001228285

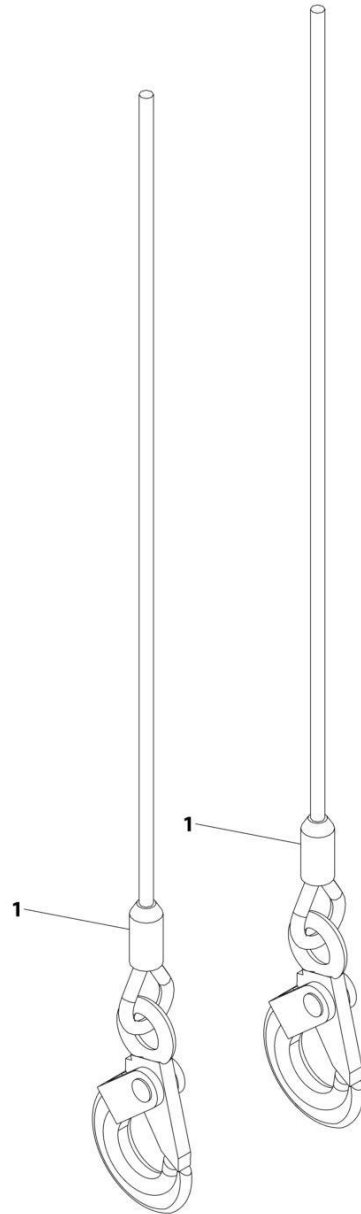
SECTION 2 - BOOM

FIGURE 2-46. CABLE ASSEMBLY - 7/16X150FT (SINGLE WINCH) (SN 0230005336 to Present)

ITEM	PART NUMBER	QTY	DESCRIPTION	REV
	1001228285	Ref	CABLE ASSEMBLY - 7/16x150FT (SINGLE WINCH)	

SECTION 2 - BOOM

FIGURE 2-47. CABLE ASSEMBLY - 7/16X150FT (DUAL WINCHES)



ART_1001181887

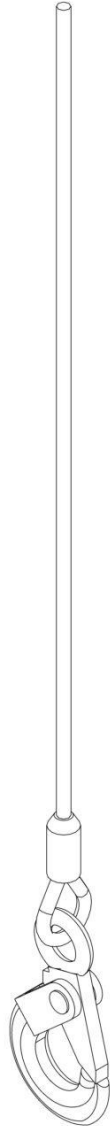
SECTION 2 - BOOM

FIGURE 2-47. CABLE ASSEMBLY - 7/16X150FT (DUAL WINCHES)

ITEM	PART NUMBER	QTY	DESCRIPTION	REV
1	1001181887 7248000023	Ref 2	CABLE ASSEMBLY - 7/16x150FT (DUAL WINCHES) Cable Assembly	A

SECTION 2 - BOOM

FIGURE 2-48. CABLE ASSEMBLY - 1/2X200FT (SINGLE WINCH) (SN 0230002518 through 0230005336)



ART_7248000025

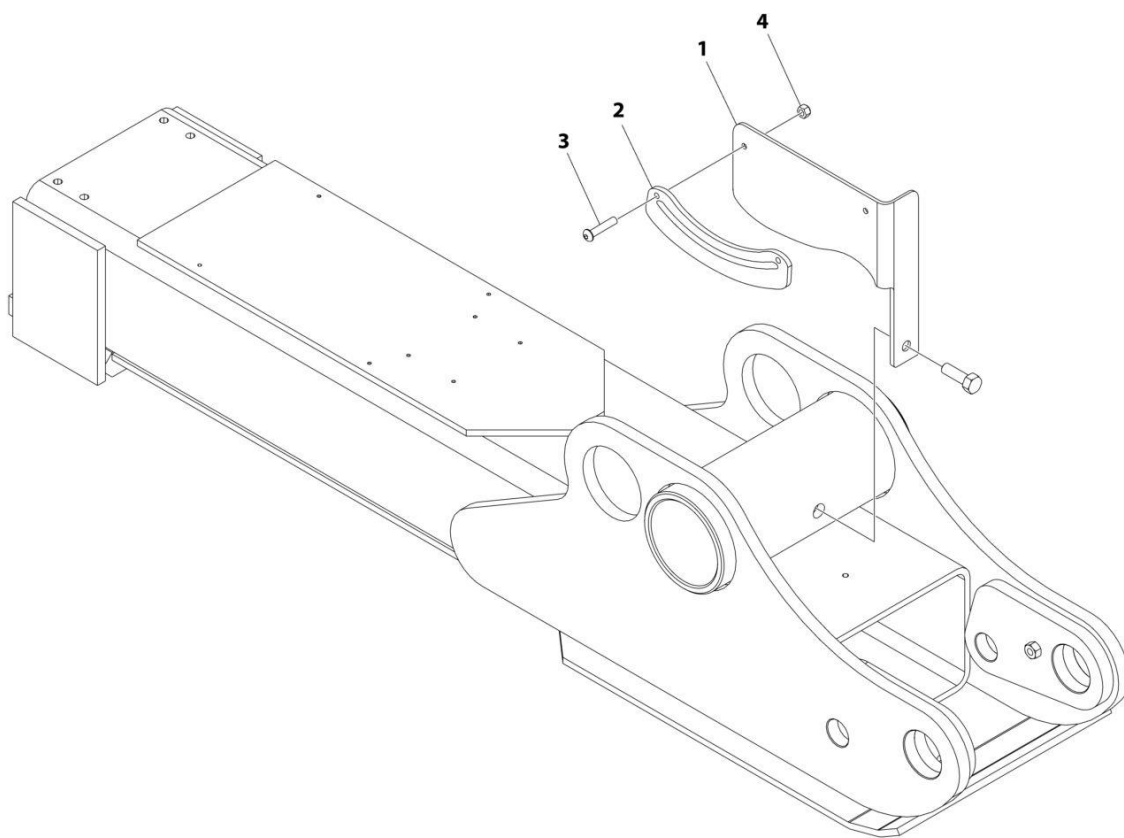
SECTION 2 - BOOM

FIGURE 2-48. CABLE ASSEMBLY - 1/2X200FT (SINGLE WINCH) (SN 0230002518 through 0230005336)

ITEM	PART NUMBER	QTY	DESCRIPTION	REV
	7248000025	Ref	CABLE ASSEMBLY - 1/2x200FT (SINGLE WINCH)	3

SECTION 2 - BOOM

FIGURE 2-49. ANGLE INDICATOR INSTALLATION - WRECKER BOOM (UL SPECS) (SN 0230002518 through 0230007544)



ART_247000008

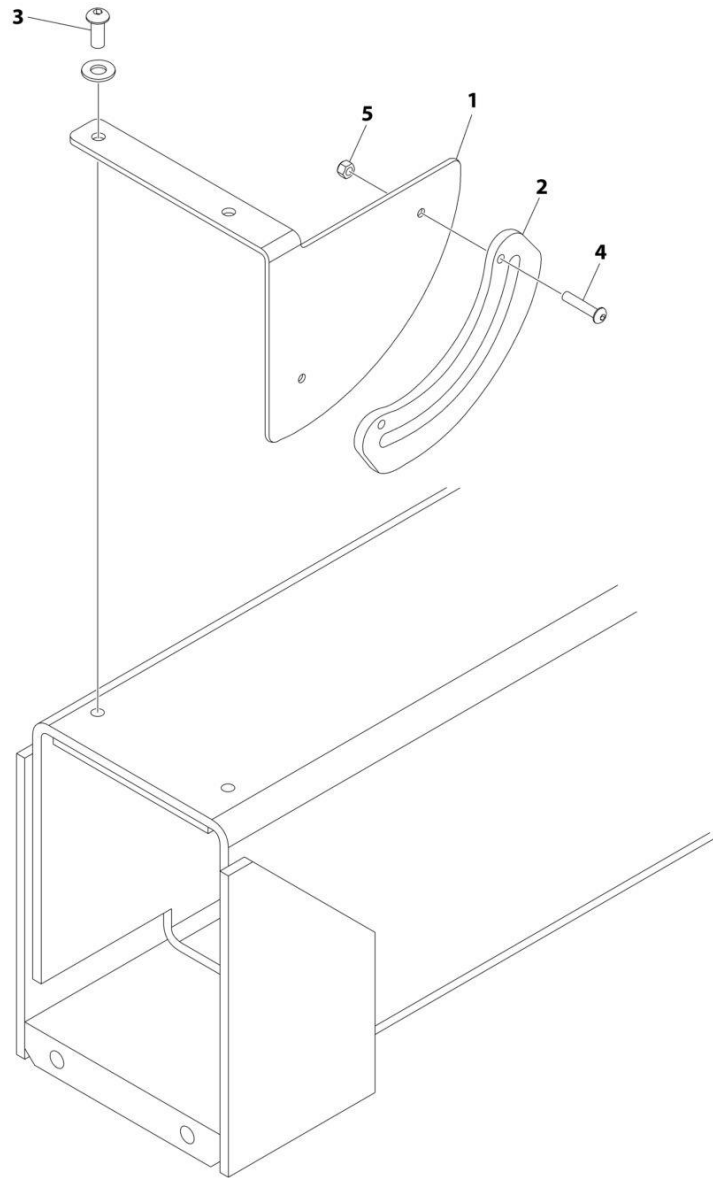
SECTION 2 - BOOM

FIGURE 2-49. ANGLE INDICATOR INSTALLATION - WRECKER BOOM (UL SPECS) (SN 0230002518 through 0230007544)

ITEM	PART NUMBER	QTY	DESCRIPTION	REV
	2470000008	Ref	ANGLE INDICATOR INSTALLATION - WRECKER BOOM	0
1	4178000915	1	Bracket	
2	7470000017	1	Gauge, Angle Indicator	
3	7114080618	2	Screw #8 x 3/4	
4	7660082604	2	Nut #8	

SECTION 2 - BOOM

FIGURE 2-50. ANGLE INDICATOR INSTALLATION - WRECKER BOOM (SN 0230002518 through 0230007544)



ART_247000007

SECTION 2 - BOOM

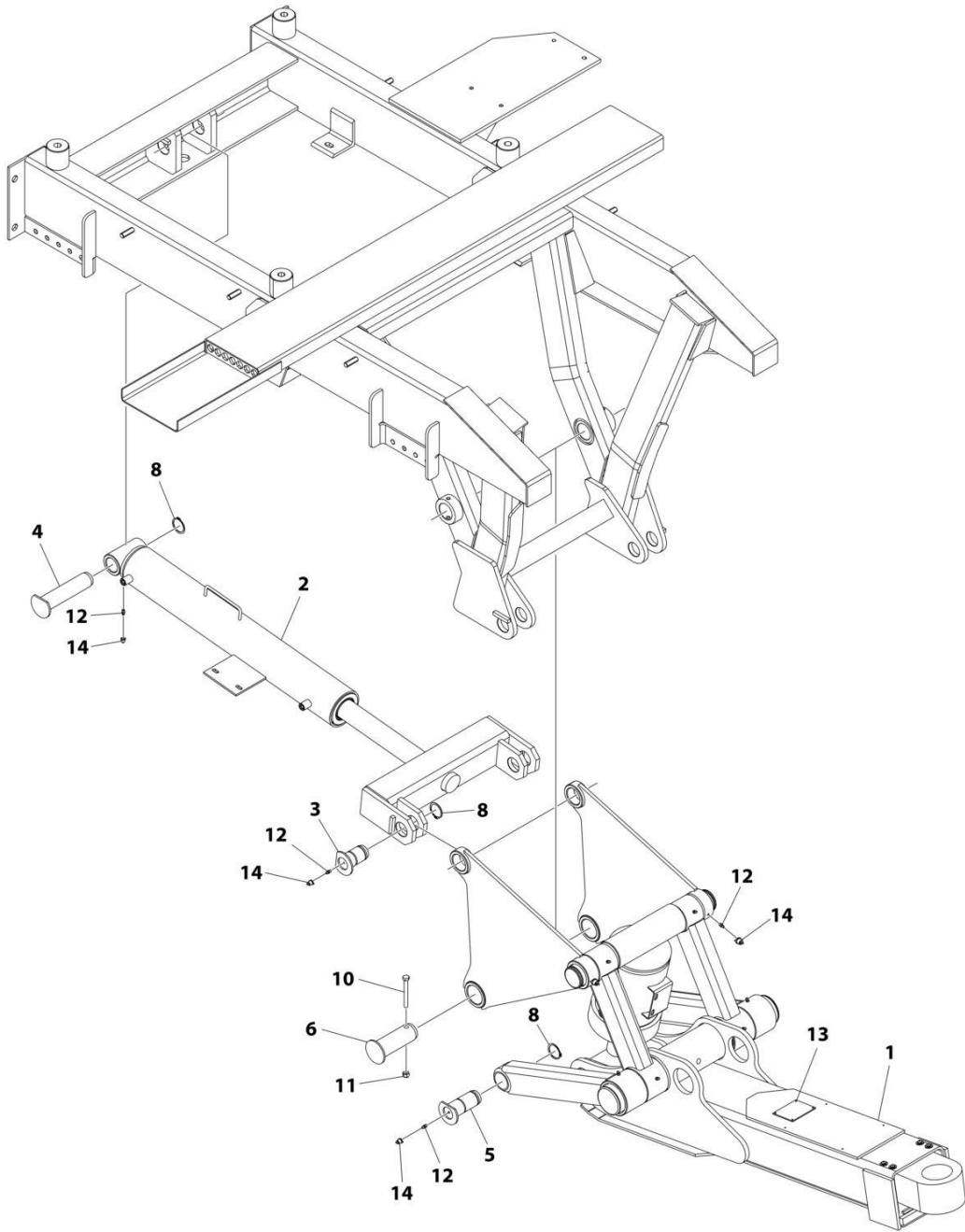
FIGURE 2-50. ANGLE INDICATOR INSTALLATION - WRECKER BOOM (SN 0230002518 through 0230007544)

ITEM	PART NUMBER	QTY	DESCRIPTION	REV
	2470000007	Ref	ANGLE INDICATOR INSTALLATION - WRECKER BOOM	0
1	4178000914	1	Bracket	
2	7470000015	1	Gauge, Boom Angle Indicator	
3	7114140518	2	Bolt 1/4 x 5/8	
4	7114080618	2	Screw #8 x 3/4	
5	7660082604	2	Nut #8	

SECTION 3 - UNDERLIFT

SECTION 3 - UNDERLIFT

FIGURE 3-1. UNDERLIFT INSTALLATION - 3500LBS (HPL35)



ART_3511100102

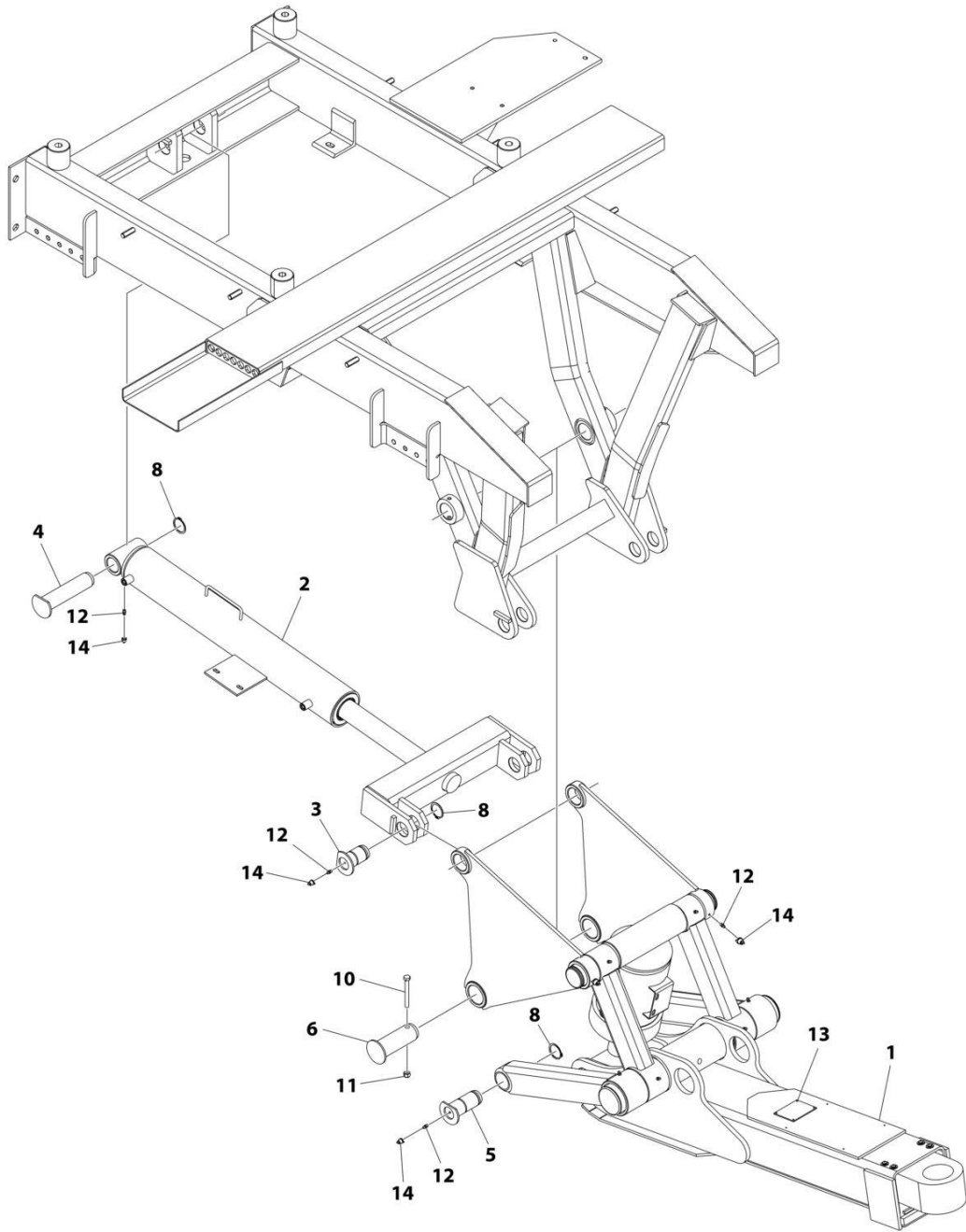
SECTION 3 - UNDERLIFT

FIGURE 3-1. UNDERLIFT INSTALLATION - 3500LBS (HPL35)

ITEM	PART NUMBER	QTY	DESCRIPTION	REV
	3511100102	Ref	UNDERLIFT INSTALLATION	F
1	3511100071	1	Boom Assembly - Underlift (See Separate Breakdown in this Section)	
2	3320000228	1	Cylinder Assembly - Underlift Extend/Retract (See Separate Breakdown in this Section)	
3	3691000060	2	Pin	
4	3691000063	1	Pin	
5	3691000066	2	Pin	
6	3691000086	2	Pin	
8	7754000033	5	Ring, Retaining	
10	7115162650	2	Bolt 3/8 x 3-1/4	
11	7660162601	2	Nut 3/8	
12	7440030000	7	Fitting, Straight	
13	7759000004	4	Pop Rivet	
14	7253000002	7	Fitting, Cap	

SECTION 3 - UNDERLIFT

FIGURE 3-2. UNDERLIFT INSTALLATION - 3500LBS (HPL35 WITH HPL60 FLY)



ART_1001128622

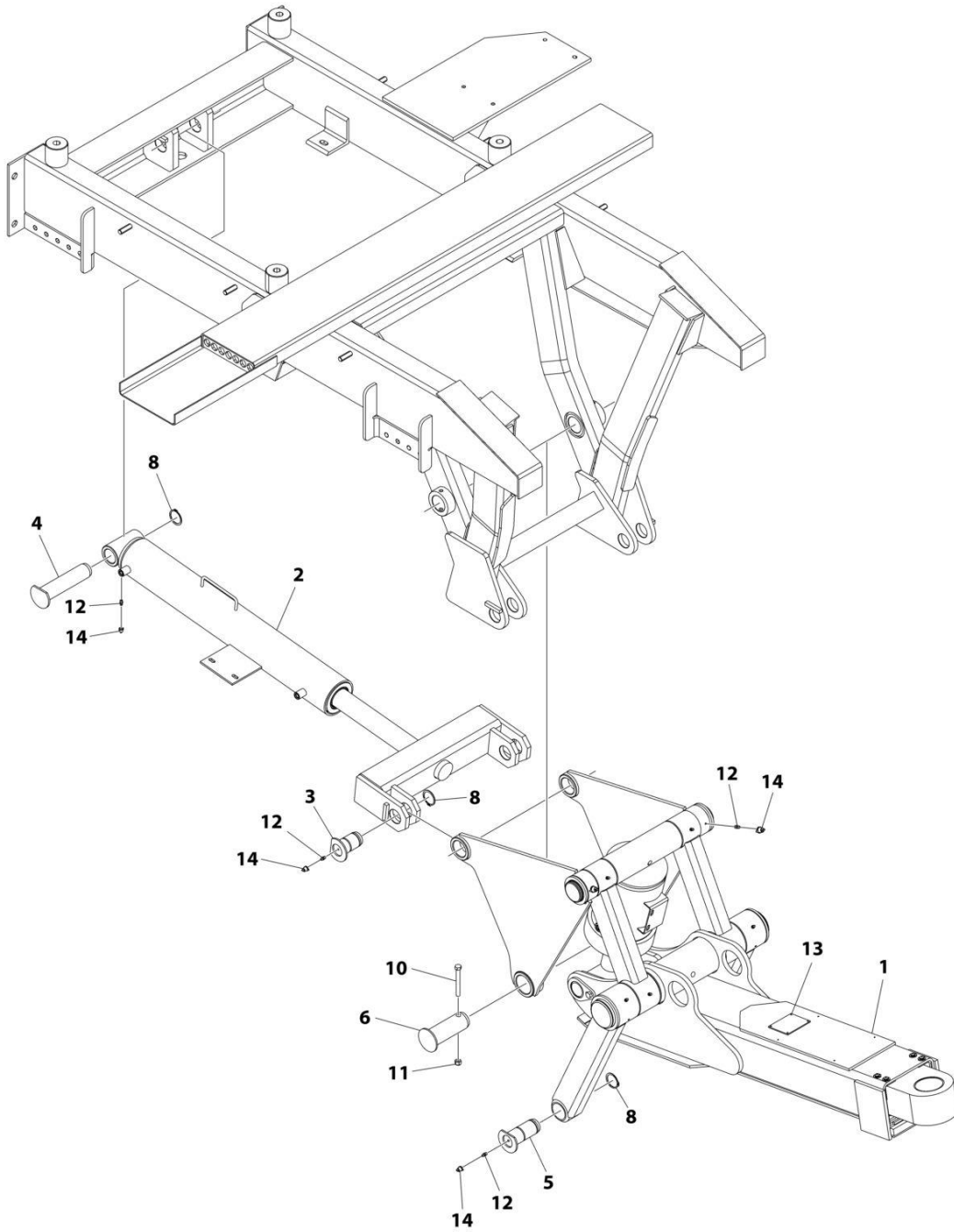
SECTION 3 - UNDERLIFT

FIGURE 3-2. UNDERLIFT INSTALLATION - 3500LBS (HPL35 WITH HPL60 FLY)

ITEM	PART NUMBER	QTY	DESCRIPTION	REV
	1001128622	Ref	UNDERLIFT INSTALLATION	B
1	1001128621	1	Boom Assembly - Underlift (See Separate Breakdown in this Section)	
2	3320000228	1	Cylinder Assembly - Underlift Extend/Retract (See Separate Breakdown in this Section)	
3	3691000060	2	Pin	
4	3691000063	1	Pin	
5	3691000066	2	Pin	
6	3691000086	2	Pin	
8	7754000033	5	Ring, Retaining	
10	7115162650	2	Bolt 3/8 x 3-1/4	
11	7660162601	2	Nut 3/8	
12	7440030000	7	Fitting, Straight	
13	7759000004	4	Pop Rivet	
14	7253000002	7	Fitting, Cap	

SECTION 3 - UNDERLIFT

FIGURE 3-3. UNDERLIFT INSTALLATION - 5000LBS (HPL60 WITH LOW BASE)



ART_3512100091

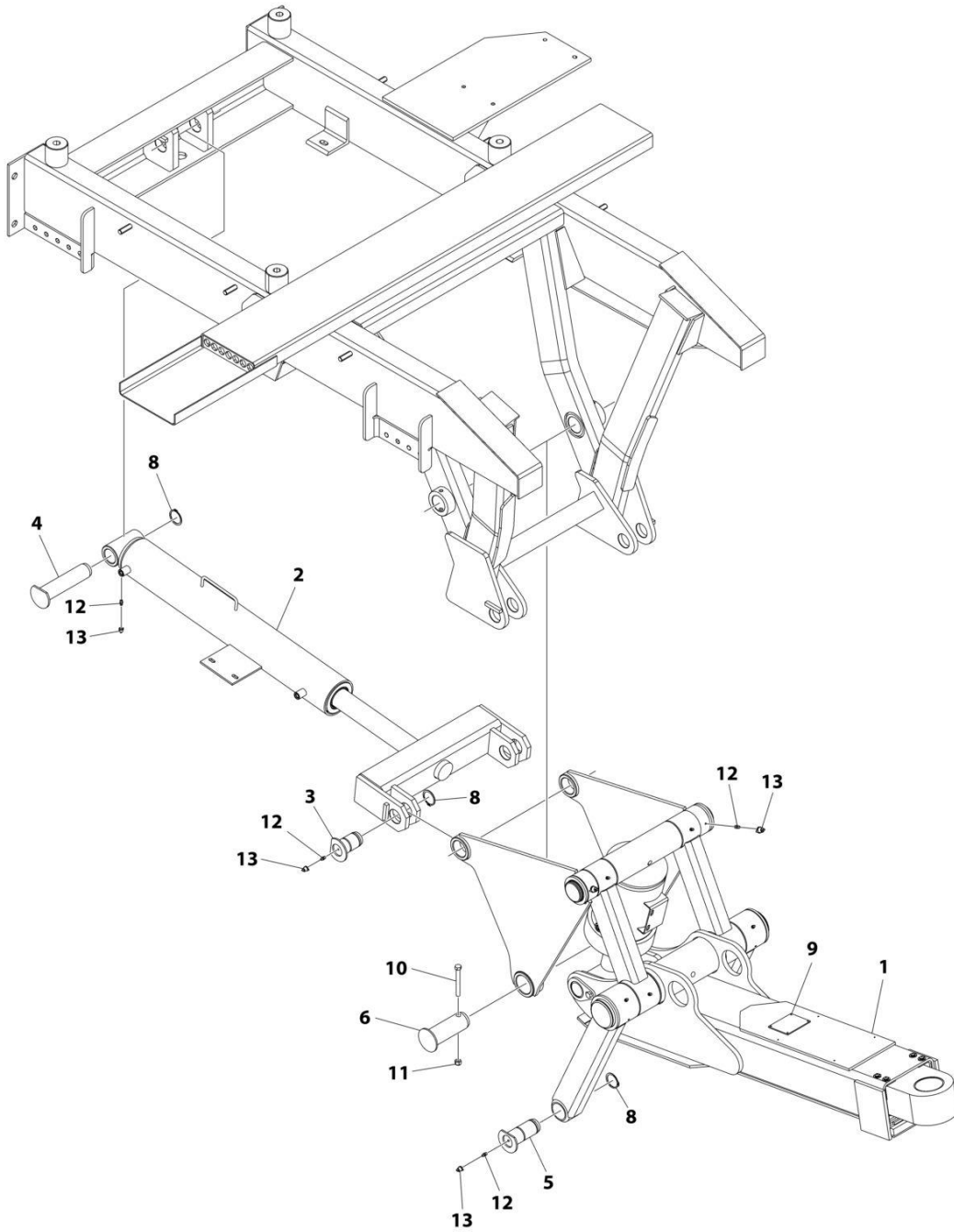
SECTION 3 - UNDERLIFT

FIGURE 3-3. UNDERLIFT INSTALLATION - 5000LBS (HPL60 WITH LOW BASE)

ITEM	PART NUMBER	QTY	DESCRIPTION	REV
	3512100091	Ref	UNDERLIFT INSTALLATION	C
1	3512100019	1	Boom Assembly - Underlift (See Separate Breakdown in this Section)	
2	3320000228	1	Cylinder Assembly - Underlift Extend/Retract (See Separate Breakdown in this Section)	
3	3691000060	2	Pin	
4	3691000063	1	Pin	
5	3691000066	2	Pin	
6	3691000086	2	Pin	
8	7754000033	5	Ring, Retaining	
10	7115162650	2	Bolt 3/8 x 3-1/4	
11	7660162601	2	Nut 3/8	
12	7440030000	7	Fitting, Straight	
13	7759000004	4	Pop Rivet	
14	7253000002	7	Fitting, Cap	

SECTION 3 - UNDERLIFT

FIGURE 3-4. UNDERLIFT INSTALLATION - 5000LBS (HPL60 WITH HIGH BASE)



ART_3512100128

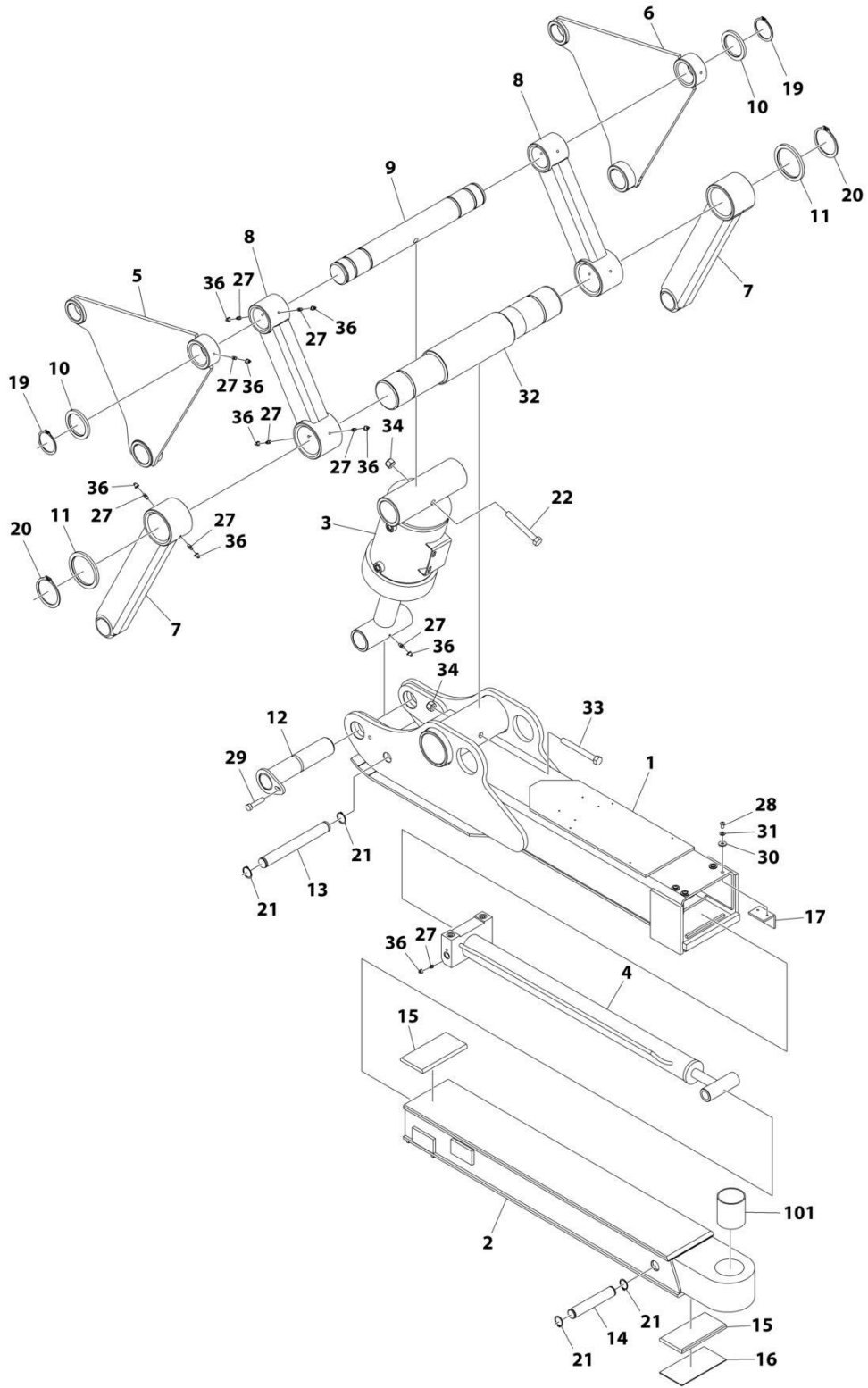
SECTION 3 - UNDERLIFT

FIGURE 3-4. UNDERLIFT INSTALLATION - 5000LBS (HPL60 WITH HIGH BASE)

ITEM	PART NUMBER	QTY	DESCRIPTION	REV
	3512100128	Ref	UNDERLIFT INSTALLATION	B
1	3512100084	1	Boom Assembly - Underlift (See Separate Breakdown in this Section)	
2	3320000228	1	Cylinder Assembly - Underlift Extend/Retract (See Separate Breakdown in this Section)	
3	3691000060	2	Pin	
4	3691000063	1	Pin	
5	3691000066	2	Pin	
6	3691000086	2	Pin	
8	7754000033	5	Ring, Retaining	
9	7759000004	4	Pop Rivet	
10	7115162650	2	Bolt 3/8 x 3-1/4	
11	7660162601	2	Nut 3/8	
12	7440030000	7	Fitting, Straight	
13	7253000002	7	Fitting, Cap	

SECTION 3 - UNDERLIFT

FIGURE 3-5. UNDERLIFT BOOM ASSEMBLY - 3500LBS (HPL35)



ART_3511100071

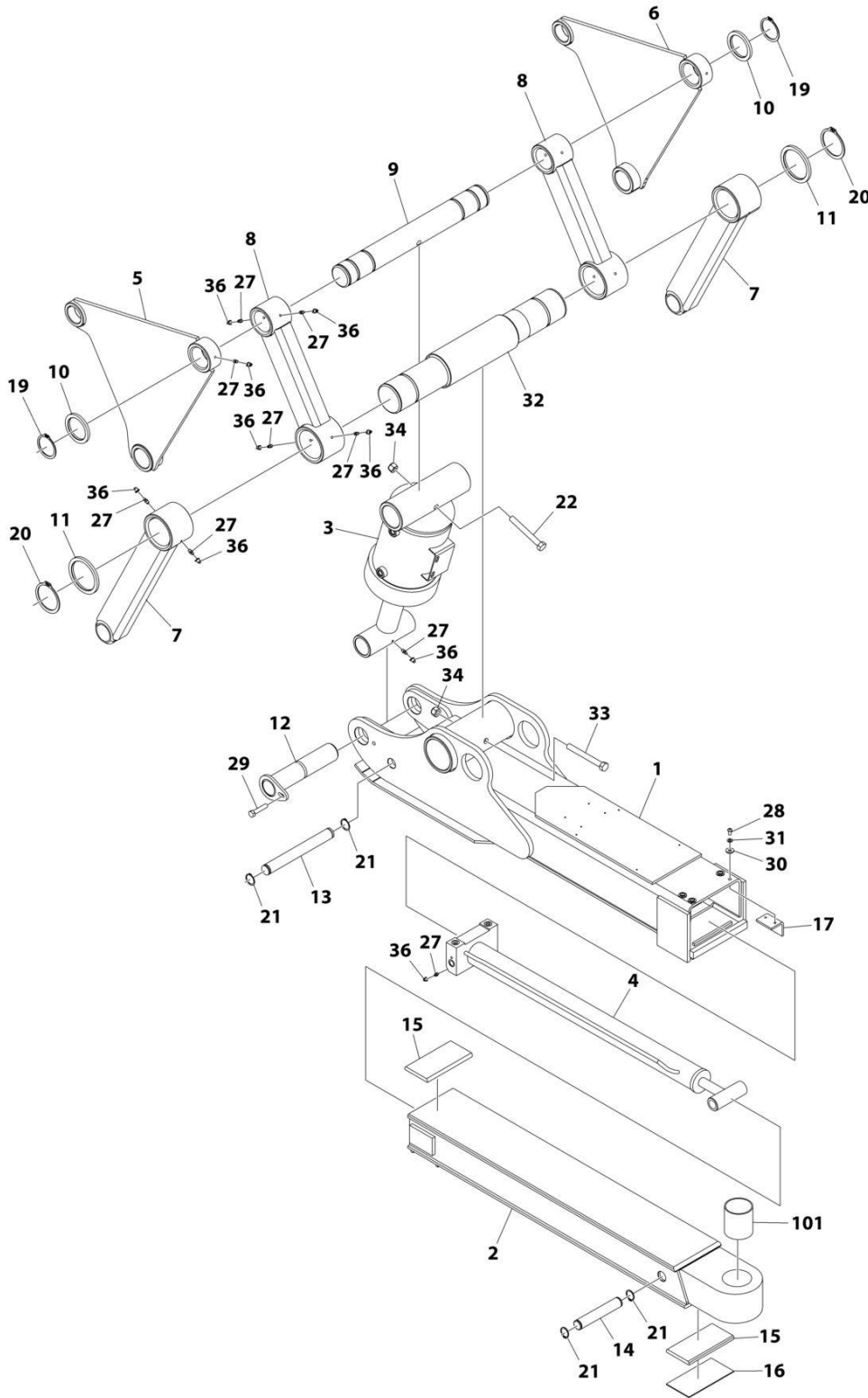
SECTION 3 - UNDERLIFT

FIGURE 3-5. UNDERLIFT BOOM ASSEMBLY - 3500LBS (HPL35)

ITEM	PART NUMBER	QTY	DESCRIPTION	REV
	3511100071	Ref	BOOM ASSEMBLY - UNDERLIFT	M
1	3511100059	1	Base, Underlift	
2	3170000487	1	Fly, Underlift (Includes Item 101)	
3	3320000016	1	Cylinder Assembly - Underlift Tilt (See Separate Breakdown in this Section)	
4	7320000078	1	Cylinder Assembly - Underlift Boom Extend/Retract (See Separate Breakdown in this Section)	
5	3512100018	1	Arm, LH	
6	3512100017	1	Arm, RH	
7	3511100054	2	Tube	
8	3511100008	2	Tube	
9	4691000054	1	Pin	
10	4949000019	2	Washer 1/4	
11	4949000018	2	Washer 1/5	
12	3691000077	1	Pin	
13	4691000121	1	Pin	
14	4691000120	1	Pin	
15	4679000046	2	Pad	
16	4812000038	1	Shim	
17	4017000459	2	Angle	
19	7754000017	2	Ring, Retaining	
20	7754000018	2	Ring, Retaining	
21	7754000019	4	Ring, Retaining	
22	7115183250	1	Bolt 1/2 x 4	
27	7440030000	17	Fitting, Straight	
28	7114140418	4	Capscrew 1/4 x 1/2	
29	7118151424	1	Bolt 5/16 x 1-3/4	
30	7950140153	4	Washer 1/4	
31	7950140003	4	Washer 1/4	
32	4691000197	1	Pin	
33	7115183650	1	Bolt 1/2 x 4-1/2	
34	7660182601	2	Nut 1/2	
36	7253000002	17	Fitting	
101	7082000021	1	Bearing	

SECTION 3 - UNDERLIFT

FIGURE 3-6. UNDERLIFT BOOM ASSEMBLY - 3500LBS (HPL35 WITH HPL60 FLY)



ART_1001128621

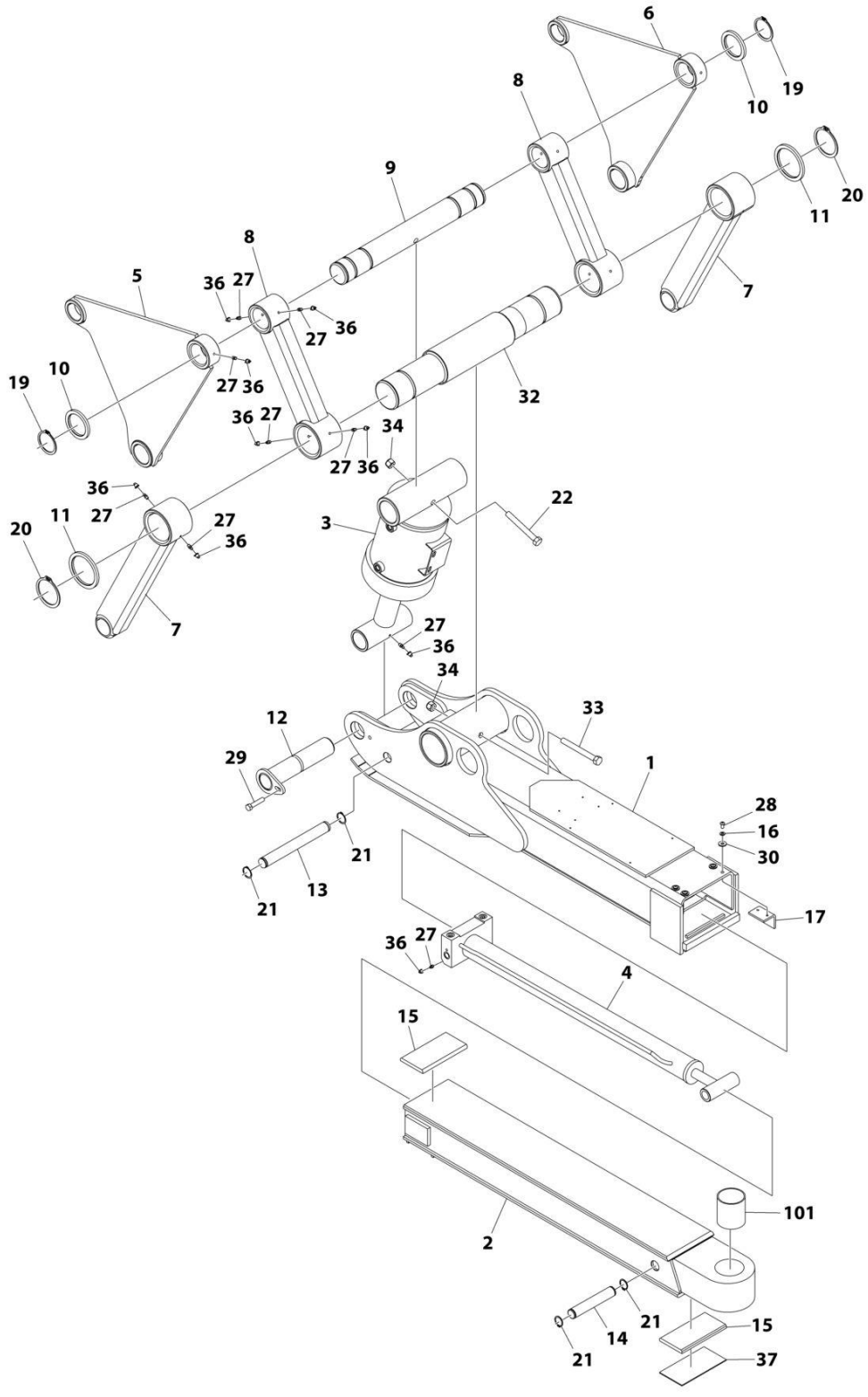
SECTION 3 - UNDERLIFT

FIGURE 3-6. UNDERLIFT BOOM ASSEMBLY - 3500LBS (HPL35 WITH HPL60 FLY)

ITEM	PART NUMBER	QTY	DESCRIPTION	REV
	1001128621	Ref	BOOM ASSEMBLY - UNDERLIFT	B
1	3511100059	1	Base, Underlift	
2	3170000488	1	Fly, Underlift	
3	3320000016	1	Cylinder Assembly - Underlift Tilt (See Separate Breakdown in this Section)	
4	7320000078	1	Cylinder Assembly - Underlift Boom Extend/Retract (See Separate Breakdown in this Section)	
5	3512100018	1	Arm, LH	
6	3512100017	1	Arm, RH	
7	3511100054	2	Tube	
8	3511100008	2	Tube	
9	4691000054	1	Pin	
10	4949000019	2	Washer 1/4	
11	4949000018	2	Washer 1/5	
12	3691000077	1	Pin	
13	4691000121	1	Pin	
14	4691000444	1	Pin	
15	4679000046	2	Pad	
16	4812000038	1	Shim	
17	4017000459	2	Angle	
19	7754000017	2	Ring, Retaining	
20	7754000018	2	Ring, Retaining	
21	7754000019	4	Ring, Retaining	
22	7115183250	1	Bolt 1/2 x 4	
27	7440030000	17	Fitting, Straight	
28	7114140418	4	Capscrew 1/4 x 1/2	
29	7118151424	1	Bolt 5/16 x 1-3/4	
30	7950140153	4	Washer 1/4	
31	7950140003	4	Washer 1/4	
32	4691000197	1	Pin	
33	7115183650	1	Bolt 1/2 x 4-1/2	
34	7660182601	2	Nut 1/2	
36	7253000002	17	Fitting	
101	7082000021	1	Bearing	

SECTION 3 - UNDERLIFT

FIGURE 3-7. UNDERLIFT BOOM ASSEMBLY- 5000LBS (HPL60 WITH LOW BASE)



ART_3512100019

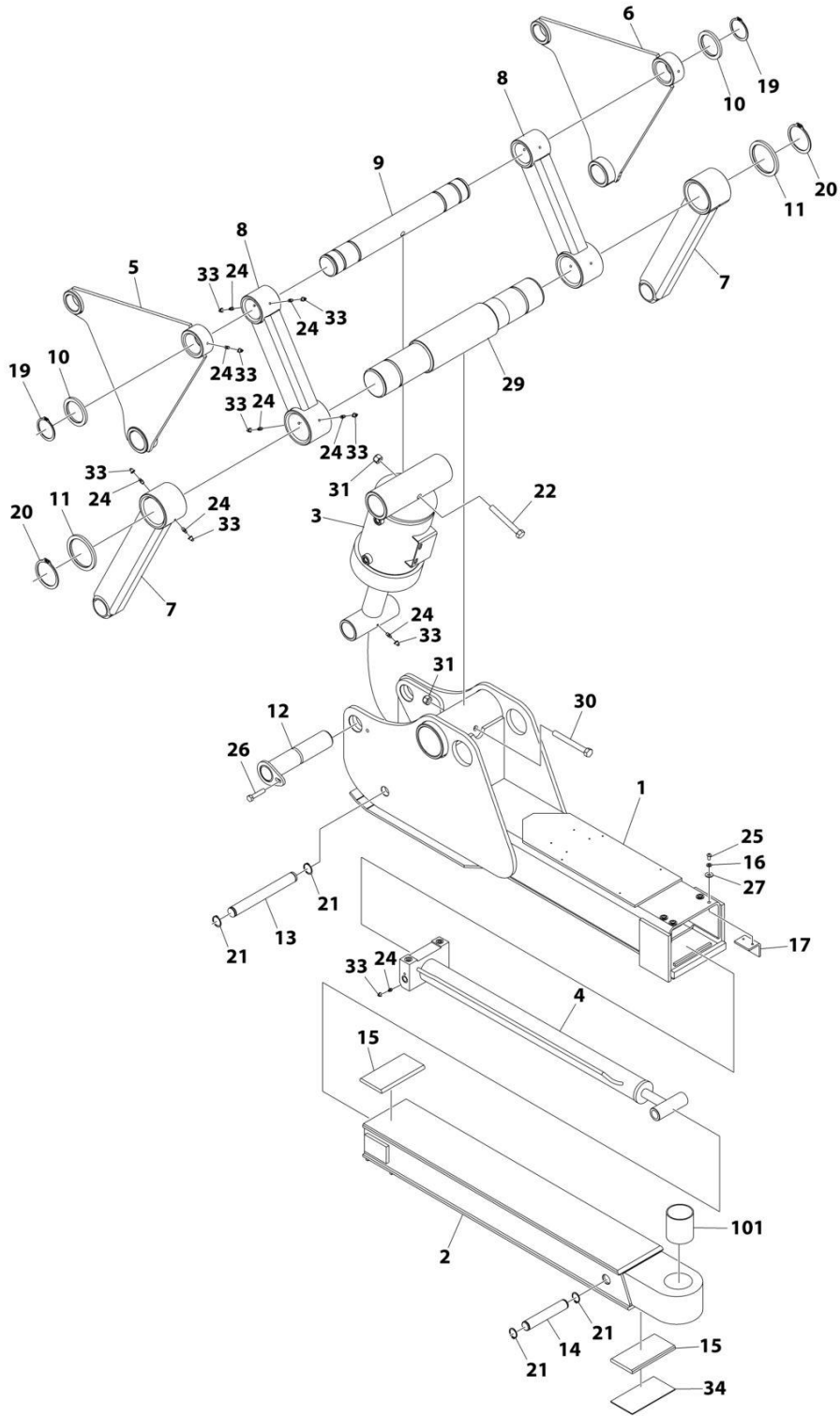
SECTION 3 - UNDERLIFT

FIGURE 3-7. UNDERLIFT BOOM ASSEMBLY- 5000LBS (HPL60 WITH LOW BASE)

ITEM	PART NUMBER	QTY	DESCRIPTION	REV
	3512100019	Ref	BOOM ASSEMBLY - UNDERLIFT	O
1	3511100059	1	Base, Underlift	
2	3170000488	1	Fly, Underlift (Includes Item 101)	
3	3320000038	1	Cylinder Assembly - Underlift Tilt (See Separate Breakdown in this Section)	
4	7320000078	1	Cylinder Assembly - Underlift Boom Extend/Retract (See Separate Breakdown in this Section)	
5	3512100018	1	Arm, LH	
6	3512100017	1	Arm, RH	
7	3511100054	2	Tube	
8	3511100008	2	Tube	
9	4691000054	1	Pin	
10	4949000019	2	Washer 1/4	
11	4949000018	2	Washer 1/5	
12	3691000077	1	Pin	
13	4691000121	1	Pin	
14	4691000444	1	Pin	
15	4679000046	2	Pad	
16	7950140003	4	Washer 1/4	
17	4017000459	2	Angle	
19	7754000017	2	Ring, Retaining	
20	7754000018	2	Ring, Retaining	
21	7754000019	4	Ring, Retaining	
22	7115183250	1	Bolt 1/2 x 4	
27	7440030000	17	Fitting, Straight	
28	7114140418	4	Capscrew 1/4 x 1/2	
29	7118151424	1	Bolt 5/16 x 1-3/4	
30	7950140153	4	Washer 1/4	
32	4691000197	1	Pin	
33	7115183650	1	Bolt 1/2 x 4-1/2	
34	7660182601	2	Nut 1/2	
36	7253000002	17	Fitting	
37	4812000038	1	Shim	
101	7082000021	1	Bearing	

SECTION 3 - UNDERLIFT

FIGURE 3-8. UNDERLIFT BOOM ASSEMBLY- 5000LBS (HPL60 WITH HIGH BASE)



ART_3512100084

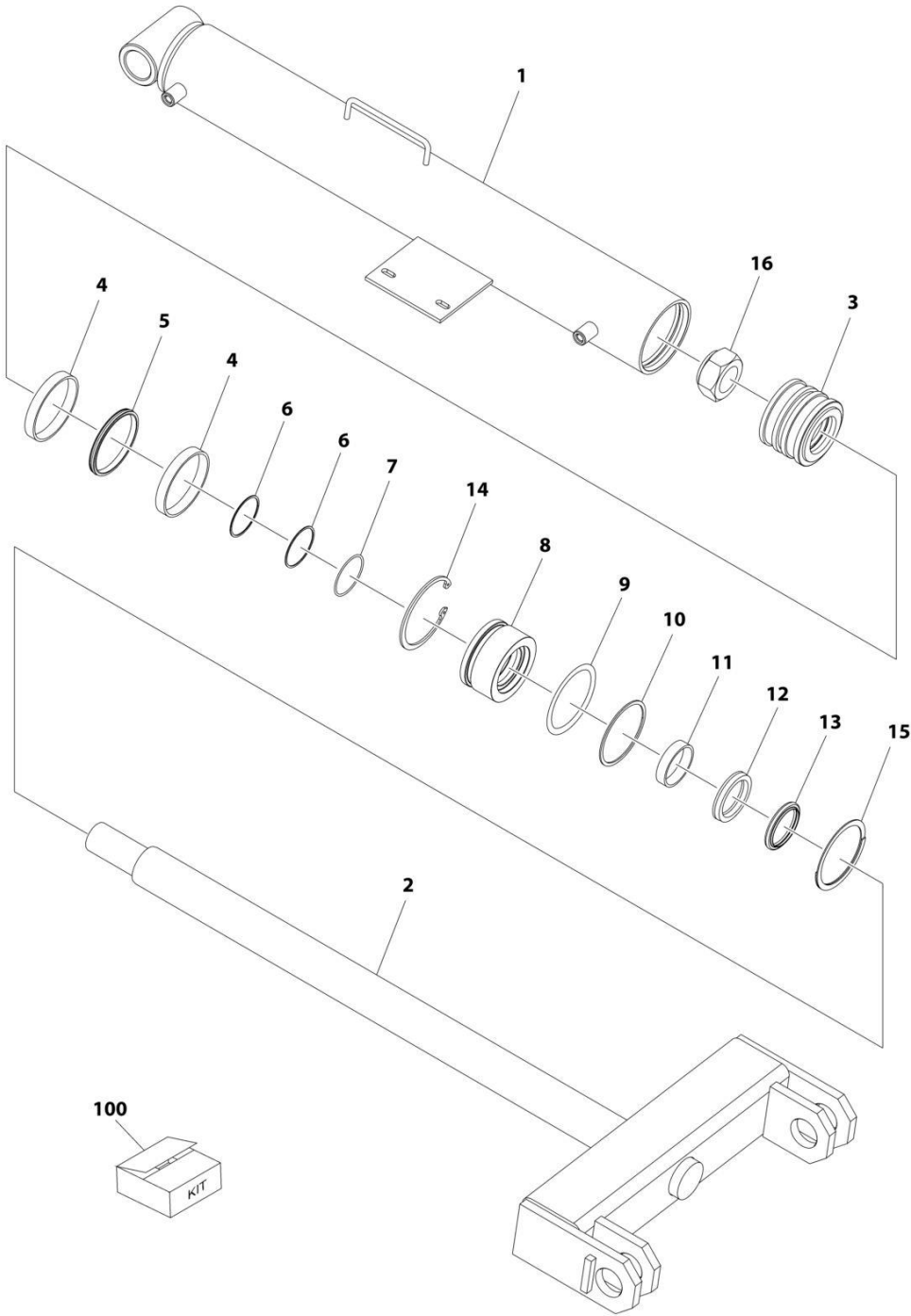
SECTION 3 - UNDERLIFT

FIGURE 3-8. UNDERLIFT BOOM ASSEMBLY- 5000LBS (HPL60 WITH HIGH BASE)

ITEM	PART NUMBER	QTY	DESCRIPTION	REV
	3512100084	Ref	BOOM ASSEMBLY - UNDERLIFT	L
1	3512100083	1	Base, Underlift	
2	3170000488	1	Fly, Underlift (Includes Item 101)	
3	3320000038	1	Cylinder Assembly - Underlift Tilt (See Separate Breakdown in this Section)	
4	7320000078	1	Cylinder Assembly - Underlift Boom Extend/Retract (See Separate Breakdown in this Section)	
5	3512100018	1	Arm, LH	
6	3512100017	1	Arm, RH	
7	3511100054	2	Tube	
8	3511100008	2	Tube	
9	4691000054	1	Pin	
10	4949000019	2	Washer 1/4	
11	4949000018	2	Washer 1/5	
12	3691000077	1	Pin	
13	4691000121	1	Pin	
14	4691000444	1	Pin	
15	4679000046	2	Pad	
16	7950140003	4	Washer 1/4	
17	4017000459	2	Angle	
19	7754000017	2	Ring, Retaining	
20	7754000018	2	Ring, Retaining	
21	7754000019	4	Ring, Retaining	
22	7115183250	1	Bolt 1/2 x 4	
24	7440030000	17	Fitting, Straight	
25	7114140418	4	Capscrew 1/4 x 1/2	
26	7118151424	1	Bolt 5/16 x 1-3/4	
27	7950140153	4	Washer 1/4	
29	4691000197	1	Pin	
30	7115183650	1	Bolt 1/2 x 4-1/2	
31	7660182601	2	Nut 1/2	
33	7253000002	17	Fitting	
34	4812000038	1	Shim	
101	7082000021	1	Bearing	

SECTION 3 - UNDERLIFT

FIGURE 3-9. CYLINDER ASSEMBLY - UNDERLIFT EXTEND/RETRACT



ART_3320000228

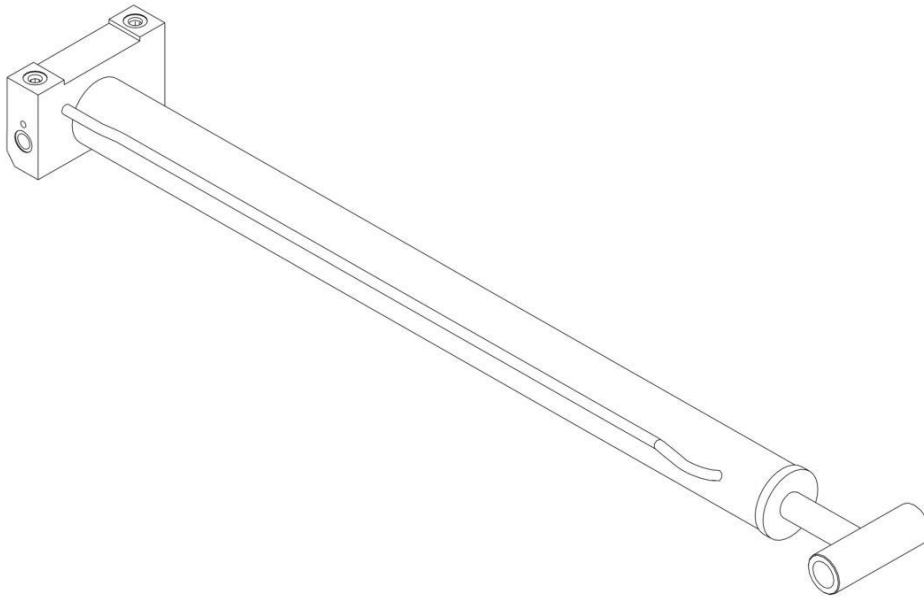
SECTION 3 - UNDERLIFT

FIGURE 3-9. CYLINDER ASSEMBLY - UNDERLIFT EXTEND/RETRACT

ITEM	PART NUMBER	QTY	DESCRIPTION	REV
	3320000228	Ref	CYLINDER ASSEMBLY - UNDERLIFT EXTEND/RETRACT	1
1	3071000212	1	Barrel	
2	3763000186	1	Rod	
3	4698000009	1	Piston	
4	7796000013	2	Wear Ring (Note: Use Item 100)	
5	7796000064	1	Piston Seal (Note: Use Item 100)	
6	7755226609	2	Backup Ring (Note: Use Item 100)	
7	7755226000	1	O-Ring (Note: Use Item 100)	
8	4553000010	1	Head	
9	7755338000	1	O-Ring (Note: Use Item 100)	
10	7755338609	1	Backup Ring (Note: Use Item 100)	
11	7754000012	1	Wear Ring (Note: Use Item 100)	
12	7796000025	1	Rod Seal (Note: Use Item 100)	
13	7796000011	1	Wiper Seal (Note: Use Item 100)	
14	7754000016	1	Retaining Ring (Note: Use Item 100)	
15	7754000027	1	Retaining Ring (Note: Use Item 100)	
16	7661000035	1	Nut 1-1/2	
100	See Note	Ref	Seal Kit (Note: Purchase Individual Components)	

SECTION 3 - UNDERLIFT

FIGURE 3-10. CYLINDER ASSEMBLY - UNDERLIFT BOOM EXTEND/RETRACT



ART_732000078

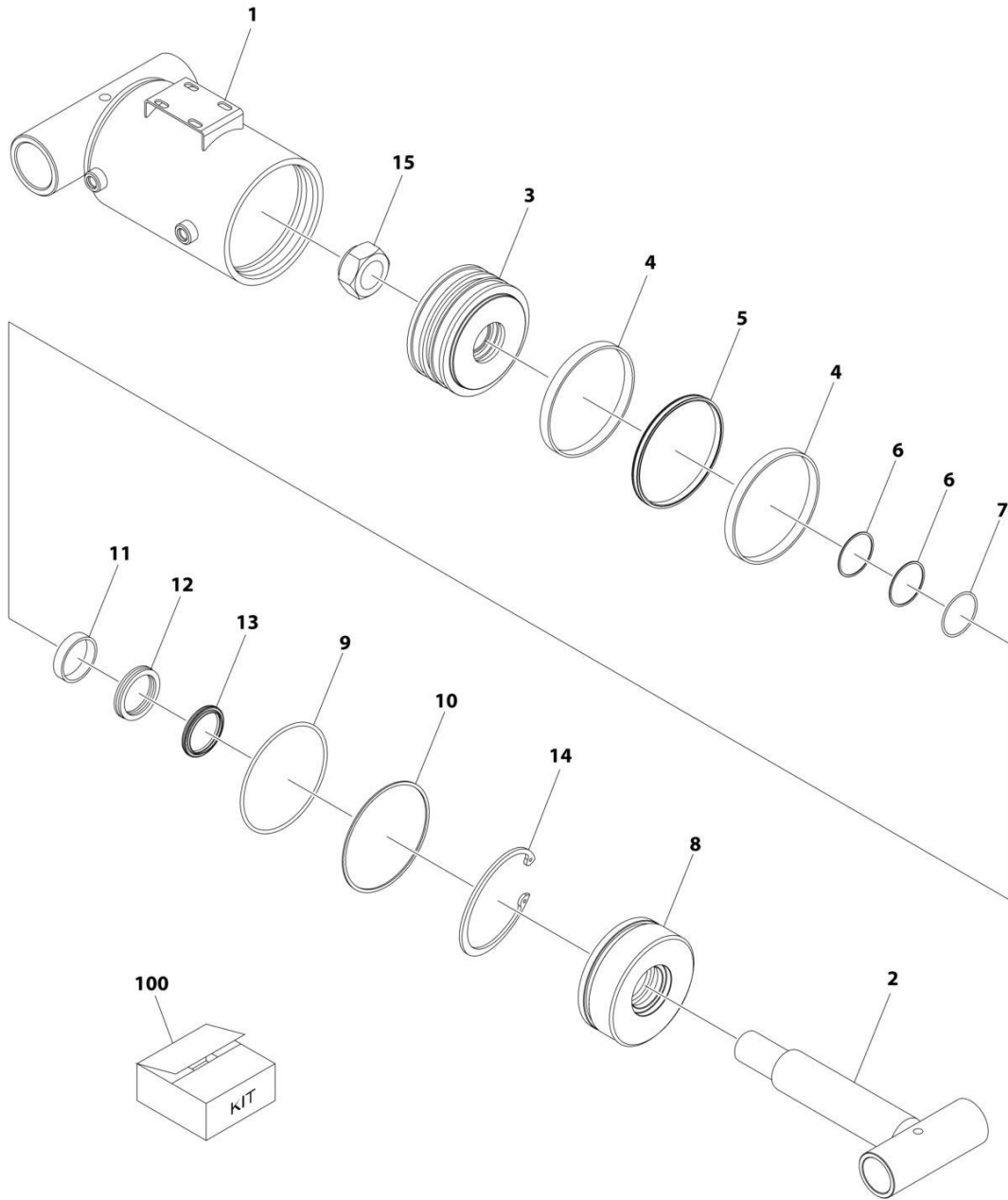
SECTION 3 - UNDERLIFT

FIGURE 3-10. CYLINDER ASSEMBLY - UNDERLIFT BOOM EXTEND/RETRACT

ITEM	PART NUMBER	QTY	DESCRIPTION	REV
	7320000078	Ref	CYLINDER ASSEMBLY - UNDERLIFT BOOM EXTEND/RETRACT	2
		Ref	Note: No Other Service Parts Available.	
	9577820242	1	Seal Kit - 7320000078 Cylinder	

SECTION 3 - UNDERLIFT

FIGURE 3-11. CYLINDER ASSEMBLY - UNDERLIFT TILT (HPL35)



ART_3320000016

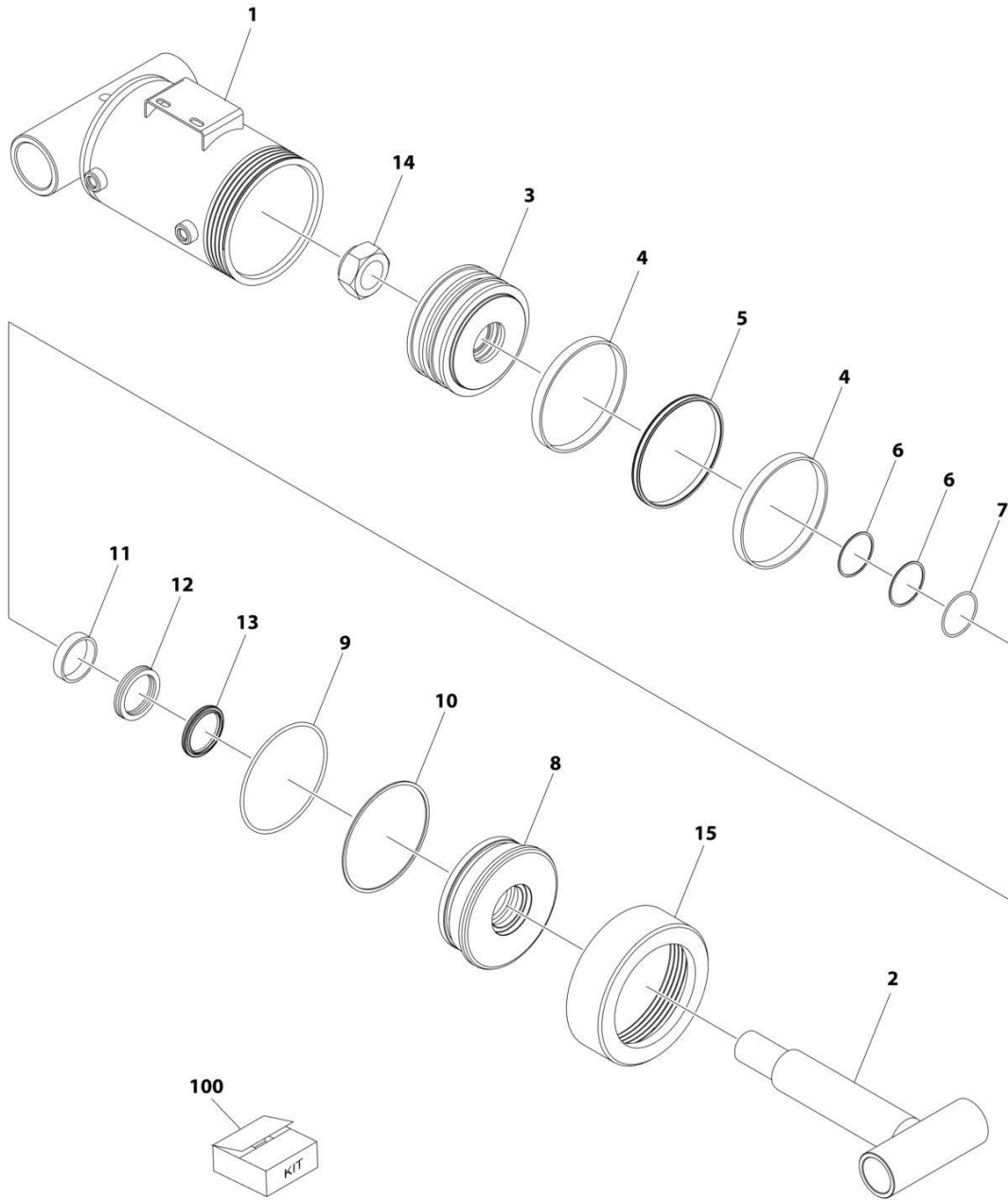
SECTION 3 - UNDERLIFT

FIGURE 3-11. CYLINDER ASSEMBLY - UNDERLIFT TILT (HPL35)

ITEM	PART NUMBER	QTY	DESCRIPTION	REV
	3320000016	Ref	CYLINDER ASSEMBLY - UNDERLIFT TILT	I
1	3071000017	1	Barrel	
2	3763000043	1	Rod	
3	4698000008	1	Piston	
4	7754000011	2	Wear Ring (Note: Use Item 100)	
5	7796000065	1	Piston Seal (Note: Use Item 100)	
6	7755226609	2	Backup Ring (Note: Use Item 100)	
7	7755226000	1	O-Ring (Note: Use Item 100)	
8	4553000009	1	Head	
9	7755342000	1	O-Ring (Note: Use Item 100)	
10	7755338609	1	Backup Ring (Note: Use Item 100)	
11	7754000012	1	Wear Ring (Note: Use Item 100)	
12	7796000025	1	Rod Seal (Note: Use Item 100)	
13	7796000011	1	Wiper Seal (Note: Use Item 100)	
14	7754000028	1	Retaining Ring (Note: Use Item 100)	
15	7661000035	1	Nut 1-1/2	
100	See Note	Ref	Seal Kit (Note: Purchase Individual Components)	

SECTION 3 - UNDERLIFT

FIGURE 3-12. CYLINDER ASSEMBLY - UNDERLIFT TILT (HPL60)



ART_3320000038

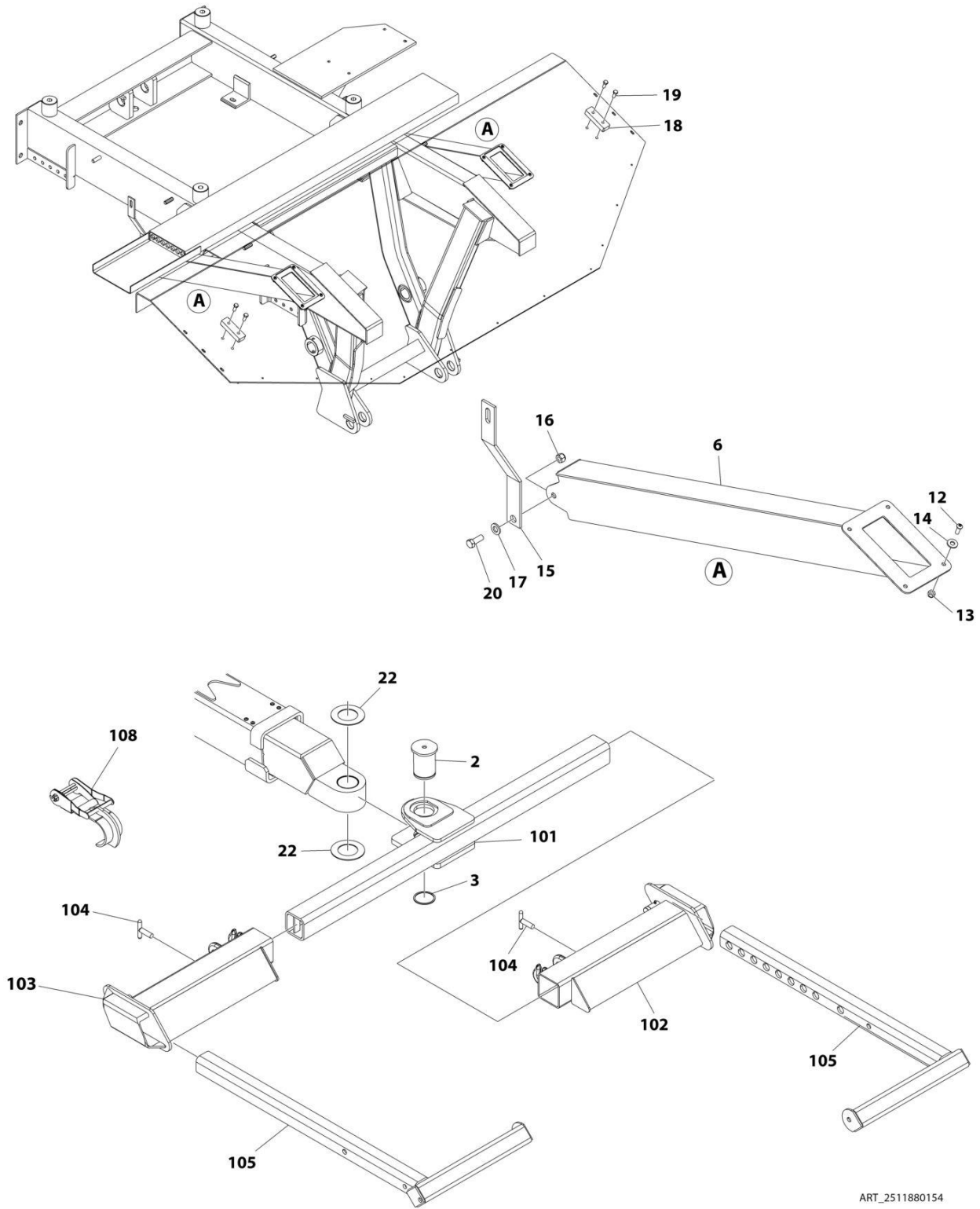
SECTION 3 - UNDERLIFT

FIGURE 3-12. CYLINDER ASSEMBLY - UNDERLIFT TILT (HPL60)

ITEM	PART NUMBER	QTY	DESCRIPTION	REV
	3320000038	Ref	CYLINDER ASSEMBLY - UNDERLIFT TILT	D
1	3071000039	1	Barrel	
2	3763000051	1	Rod	
3	4698000014	1	Piston	
4	7754000031	2	Wear Ring (Note: Use Item 100)	
5	7796000066	1	Piston Seal (Note: Use Item 100)	
6	7755226609	2	Backup Ring (Note: Use Item 100)	
7	7755226000	1	O-Ring (Note: Use Item 100)	
8	4553000014	1	Head	
9	7755354000	1	O-Ring (Note: Use Item 100)	
10	7755338609	1	Backup Ring (Note: Use Item 100)	
11	7754000012	1	Wear Ring (Note: Use Item 100)	
12	7796000025	1	Rod Seal (Note: Use Item 100)	
13	7796000011	1	Wiper Seal (Note: Use Item 100)	
14	7661000035	1	Nut 1-1/2	
15	4254000001	1	Cap	
100		Ref	Seal Kit (Purchase Individual Components)	

SECTION 3 - UNDERLIFT

FIGURE 3-13. GRID INSTALLATION - MANUAL 3500LBS



ART_2511880154

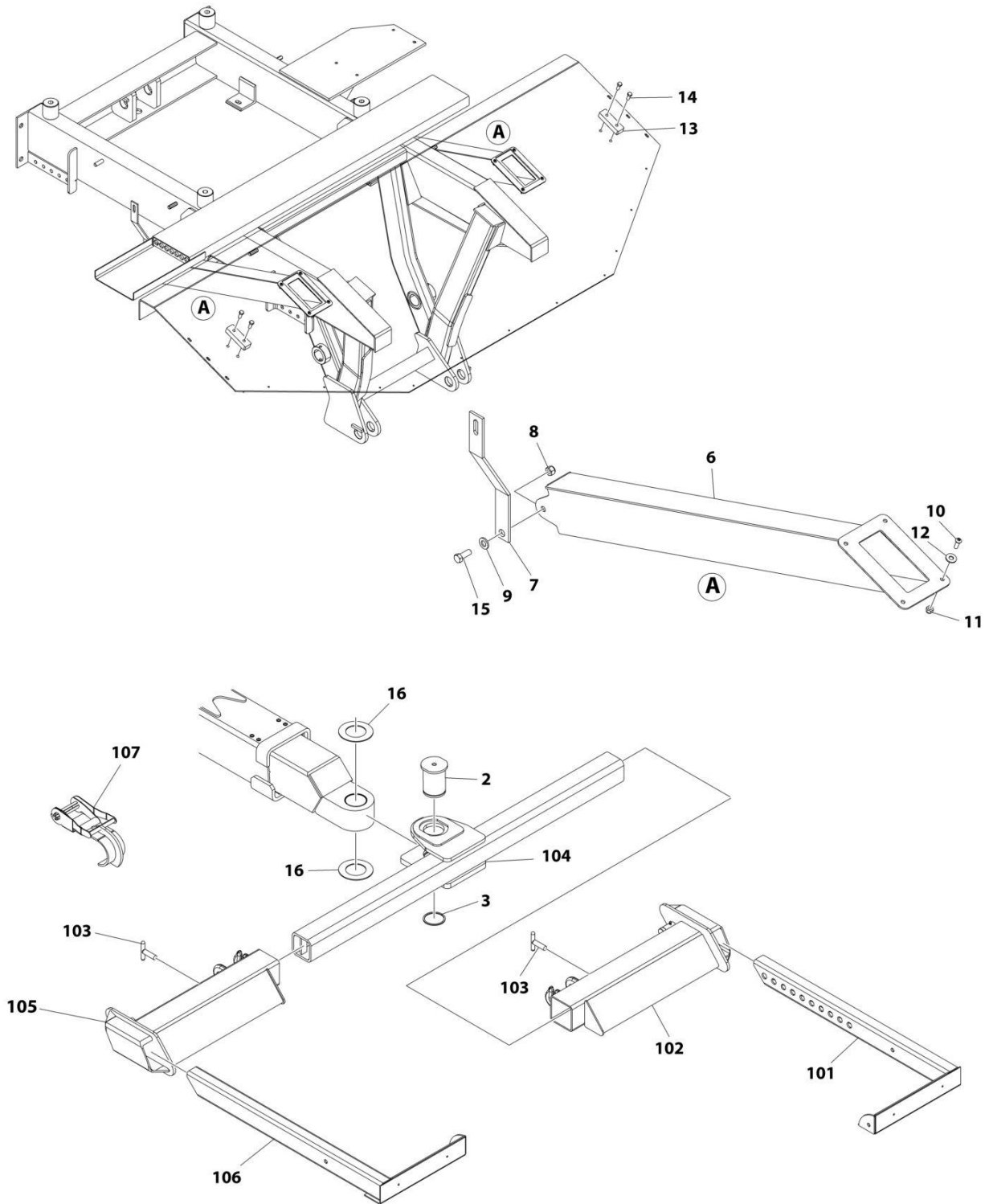
SECTION 3 - UNDERLIFT

FIGURE 3-13. GRID INSTALLATION - MANUAL 3500LBS

ITEM	PART NUMBER	QTY	DESCRIPTION	REV
	2511880154	Ref	WHEEL GRID INSTALLATION WITH IN-DECK STORAGE	F
1	3511880087	1	Wheel Grid Assembly (Not Shown - Include Items 101-108)	
2	4691000427	1	Pin	
3	7754000024	1	Retaining Ring	
6	3502880041	2	Storage Tube	
12	7114140818	8	Capscrew 1/4 x 1	
13	7413000002	8	Nut 1/4	
14	7950140161	8	Washer 1/4	
15	4706002098	2	Plate	
16	7660161600	2	Nut 3/8	
17	7950160251	2	Washer 3/8	
18	7679000010	2	Pad	
19	7790101276	4	Bolt #10 x 3/4	
20	7115160850	2	Bolt 3/8 x 1	
22	4949000047	2	Washer, 5 OD	
	3511880087	Ref	WHEEL GRID ASSEMBLY	E
101	3512880076	1	Pivot Tube	
102	3484000090	1	Grid - RH	
103	3484000091	1	Grid - LH	
104	3551000036	2	T-Handle	
105	3020000132	2	Arm	
108	7894000034	2	Wheel Lift Tire Strap	

SECTION 3 - UNDERLIFT

FIGURE 3-14. GRID INSTALLATION - MANUAL 5000LBS



ART_2512880073

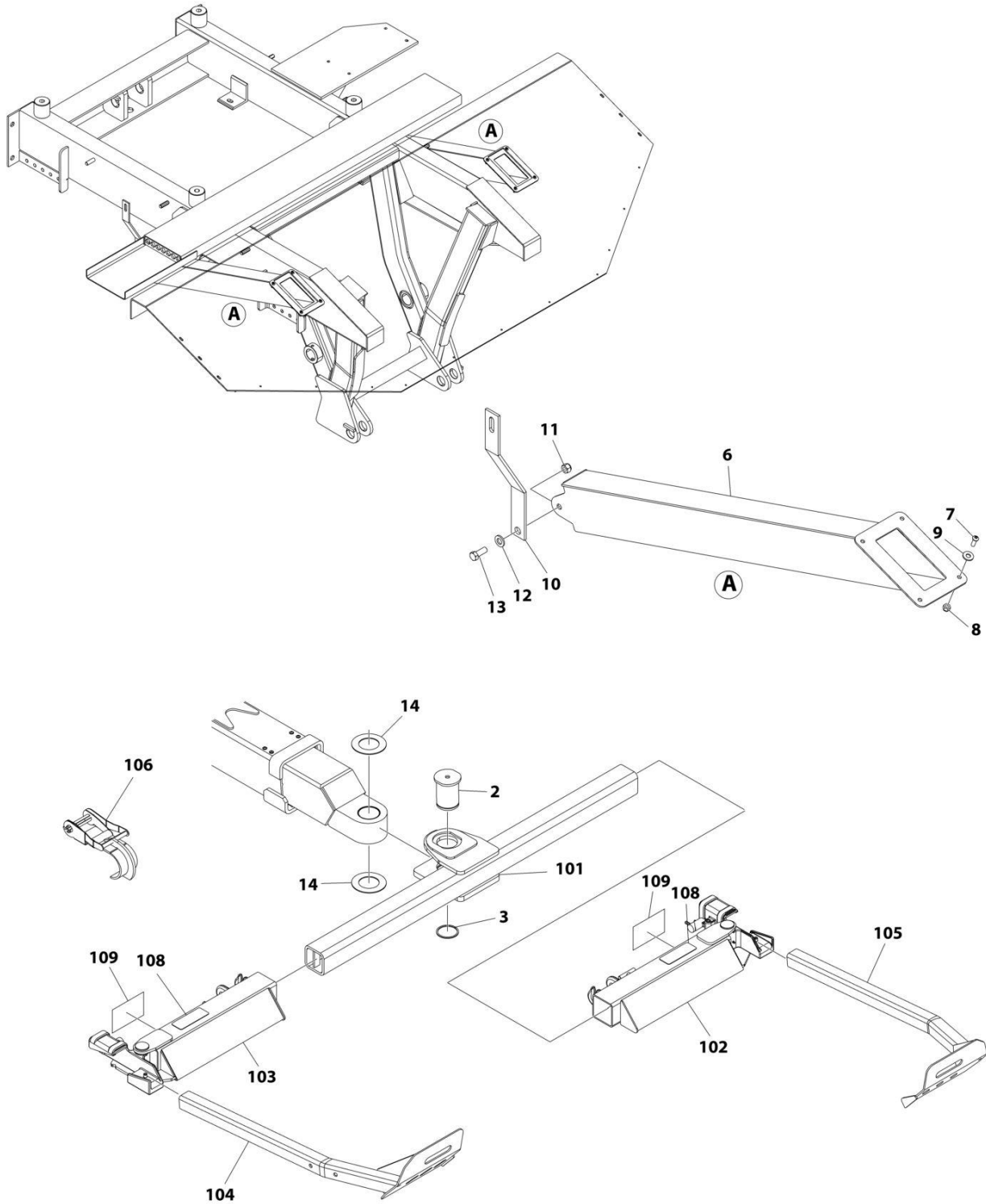
SECTION 3 - UNDERLIFT

FIGURE 3-14. GRID INSTALLATION - MANUAL 5000LBS

ITEM	PART NUMBER	QTY	DESCRIPTION	REV
	2512880073	Ref	WHEEL GRID INSTALLATION - COUGAR BIAS	C
1	3512880106	1	Wheel Grid Assembly (Not Shown - Include Items 101-107)	
2	4691000427	1	Pin	
3	7754000024	1	Retaining Ring	
6	3502880040	2	Storage Tube	
7	4706002098	2	Plate	
8	7660161600	2	Nut 3/8	
9	7950160251	2	Washer 3/8	
10	7114140818	8	Capscrew 1/4 x 1	
11	7660142600	8	Nut 1/4	
12	7950140161	8	Washer 1/4	
13	7679000010	2	Pad	
14	7790101276	4	Bolt #10 x 3/4	
15	7115160850	2	Bolt 3/8 x 1	
16	4949000047	2	Washer, 5 OD	
	3512880106	Ref	WHEEL GRID ASSEMBLY	0
101	3020000038	1	Arm - RH	
102	3484000030	1	Grid - RH	
103	3551000036	2	T-Handle	
104	3512880076	1	Pivot Tube	
105	3484000031	1	Grid - LH	
106	3020000037	1	Arm - LH	
107	7894000034	2	Wheel Lift Tire Strap	

SECTION 3 - UNDERLIFT

FIGURE 3-15. GRID INSTALLATION - PIVOTING T-37



ART_2502880223

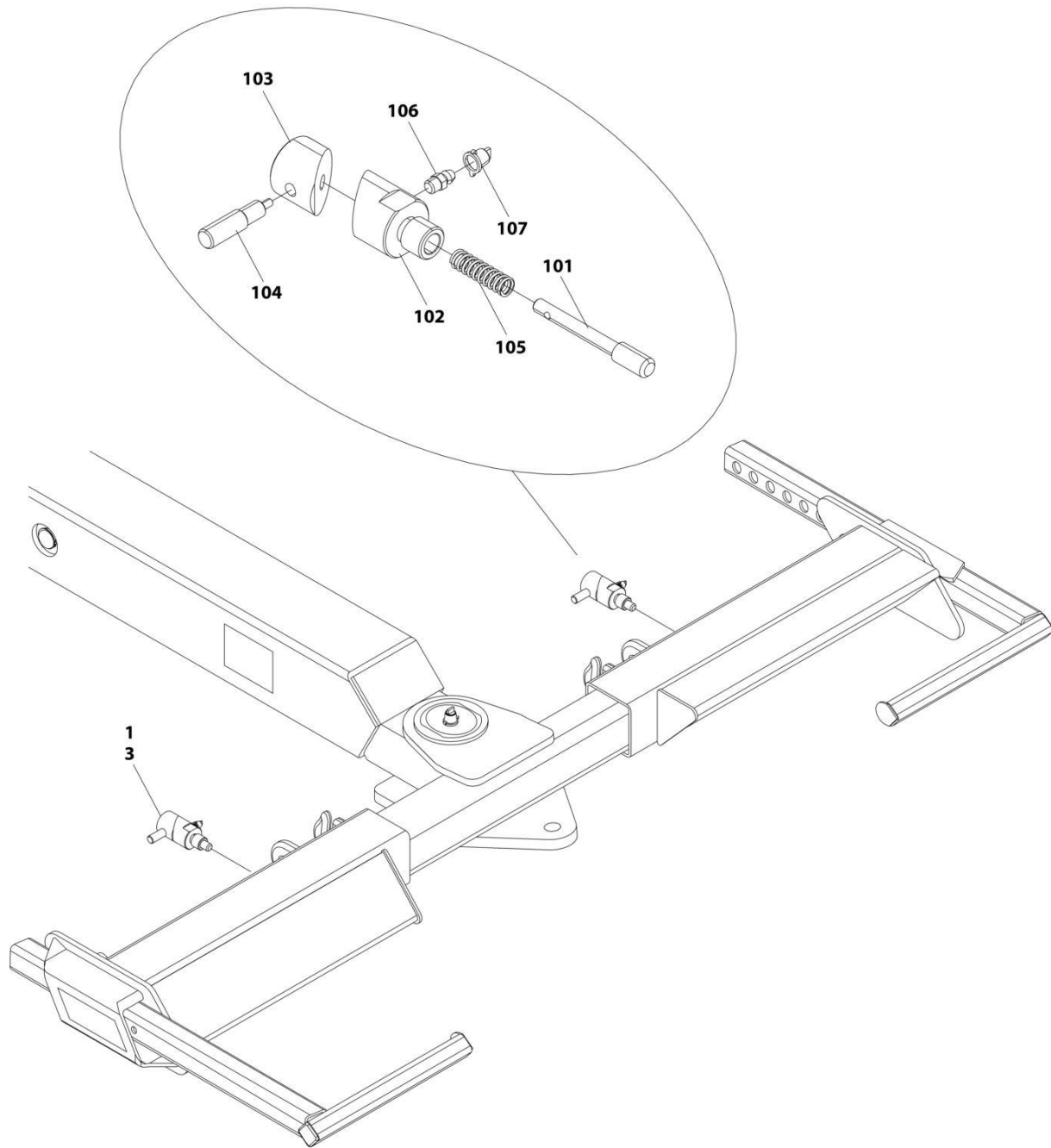
SECTION 3 - UNDERLIFT

FIGURE 3-15. GRID INSTALLATION - PIVOTING T-37

ITEM	PART NUMBER	QTY	DESCRIPTION	REV
	2502880223	Ref	WHEEL GRID INSTALLATION	B
1	3484000042	1	Wheel Grid Assembly (Not Shown - Include Items 101-109)	
2	4691000427	1	Pin	
3	7754000024	1	Retaining Ring	
6	3502880041	2	Storage Tube	
7	7114140818	8	Capscrew 1/4 x 1	
8	7660142600	8	Nut 1/4	
9	7950140161	8	Washer 1/4	
10	4706002098	2	Plate	
11	7660161600	2	Nut 3/8	
12	7950160251	2	Washer 3/8	
13	7115160850	2	Bolt 3/8 x 1	
14	4949000047	2	Washer, 5 OD	
	3484000042	Ref	WHEEL GRID ASSEMBLY	C
101	3512880076	1	Pivot Tube	
102	3484000046	1	Grid Assembly - RH	
103	3484000047	1	Grid Assembly - LH	
104	3020000029	1	L-Arm Weld - LH	
105	3020000030	1	L-Arm Weld - RH	
106	7894000034	2	Wheel Lift Tire Strap	
108	7330000683	1	Decal - Safety	
109	7330000384	2	Decal - Grid Service (T-37 Manual Grid)	

SECTION 3 - UNDERLIFT

FIGURE 3-16. CROSSBAR CAM-LOCK INSTALLATION - WHEEL LIFT



ART_1001160195

SECTION 3 - UNDERLIFT

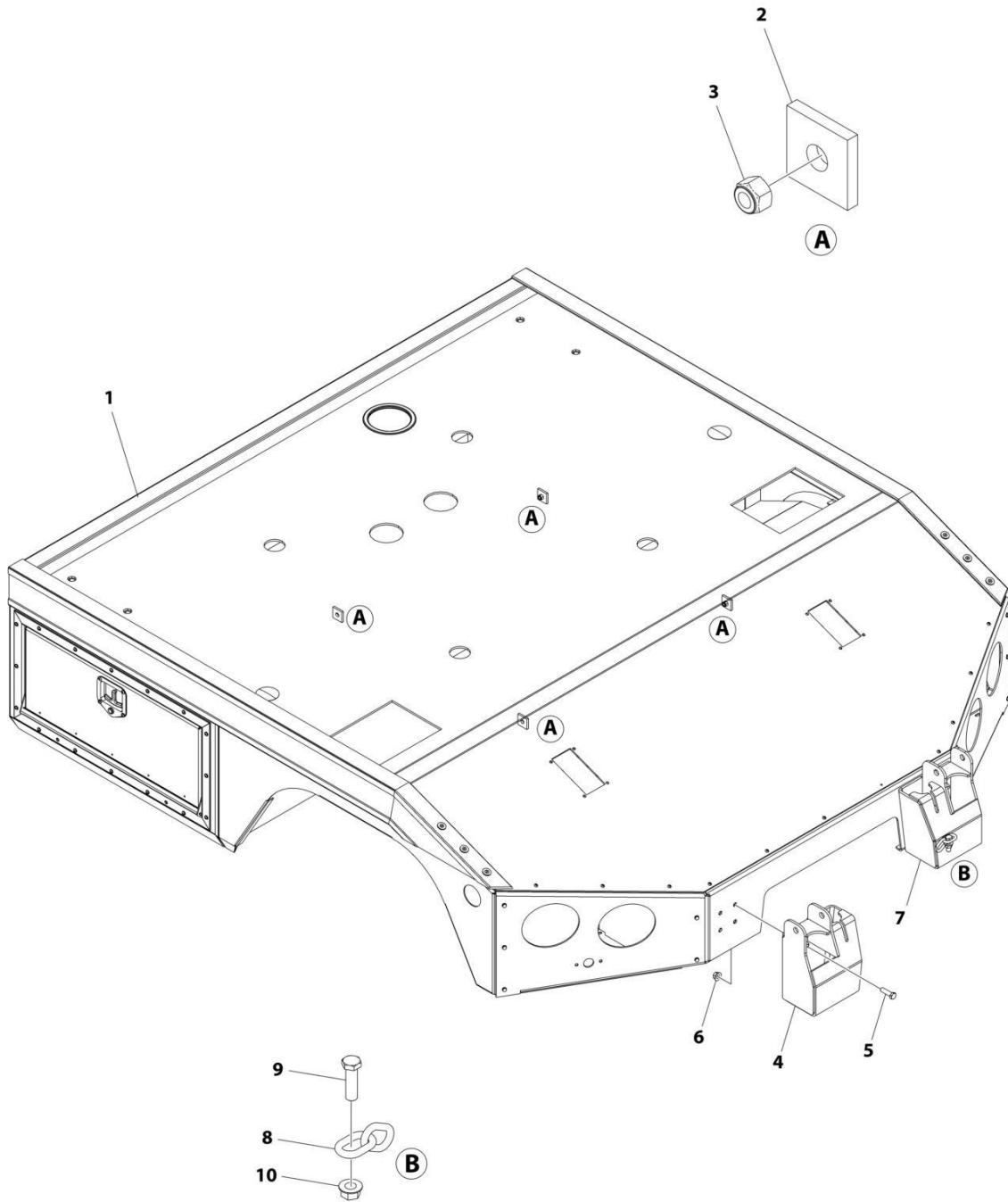
FIGURE 3-16. CROSSBAR CAM-LOCK INSTALLATION - WHEEL LIFT

ITEM	PART NUMBER	QTY	DESCRIPTION	REV
	1001160195	Ref	Wheel Lift Crossbar Cam-Lock	A
1	1001153950	2	Cam Lock (includes items 101 through 107)	
3	0100011	AR	Compound Locking	
101	1001153944	2	Pin	
102	1001153945	2	Cam-Lock Tube	
103	1001153946	2	Cam-Lock Cap	
104	1001153947	2	Handle	
105	1001153971	1	Spring	
106	7440030000	2	Fitting, Grease	
107	7253000002	2	Cap, Grease	

SECTION 4 - BODY

SECTION 4 - BODY

FIGURE 4-1. BODY INSTALLATION - ALUMINUM (BOTH SIDE TOOLBOXES - 60IN/84IN CA)



ART_2502080269

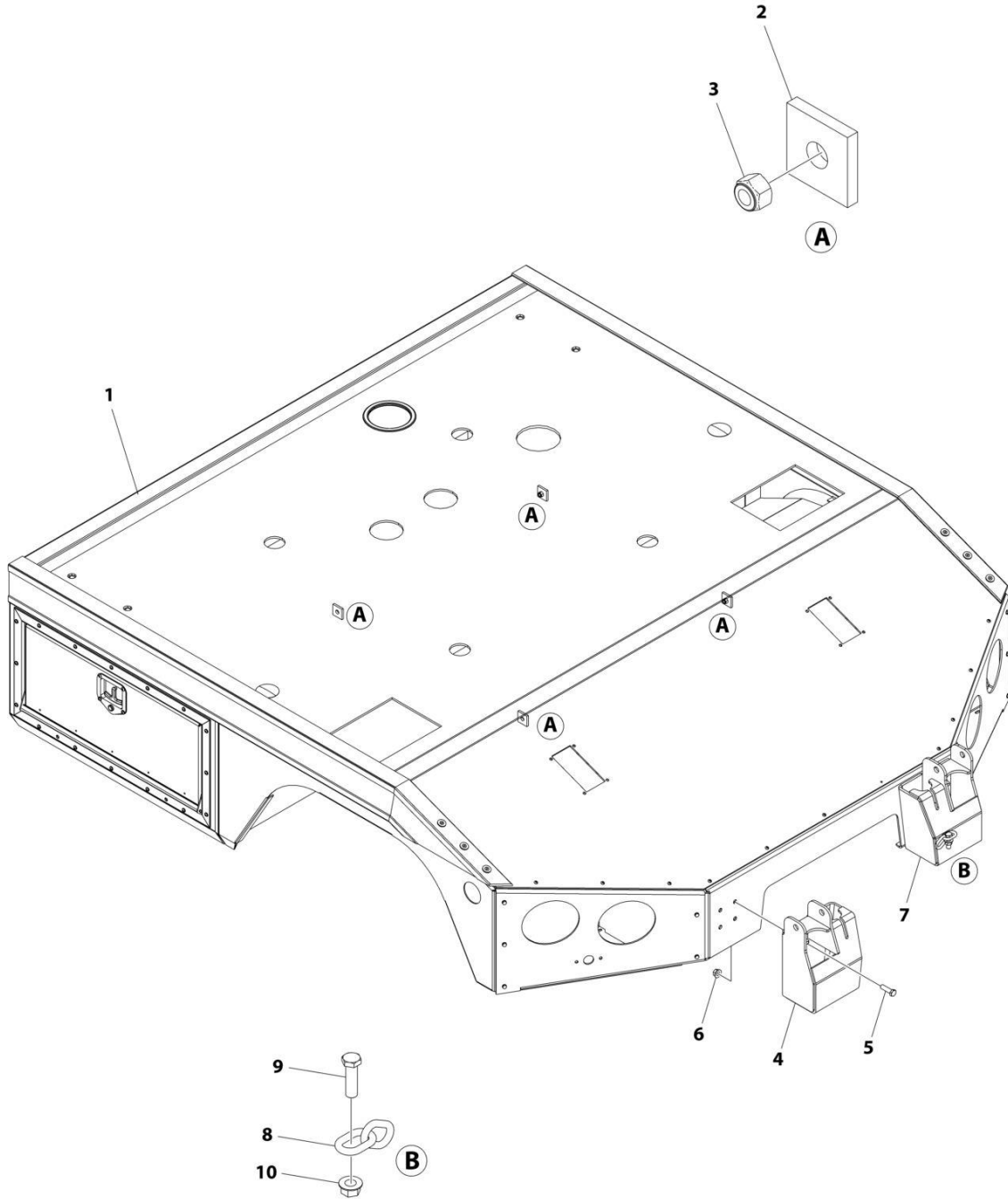
SECTION 4 - BODY

FIGURE 4-1. BODY INSTALLATION - ALUMINUM (BOTH SIDE TOOLBOXES - 60IN/84IN CA)

ITEM	PART NUMBER	QTY	DESCRIPTION	REV
	2502080269	Ref	BODY INSTALLATION	C
1	3502080178	1	Body Assembly (See Separate Breakdown in this Section)	
2	4706000717	4	Plate	
3	7660182601	4	Nut 1/2	
4	3708000002	1	Chain Box LH	
5	0641814	8	Bolt 1/2 x 1-3/4	
6	7660182301	8	Nut 1/2	
7	3708000003	1	Chain Box RH	
8	7262000040	2	Chain	
9	0641710	2	Bolt 7/16 x 1-1/4	
10	7660172600	2	Nut 7/16	

SECTION 4 - BODY

FIGURE 4-2. BODY INSTALLATION - ALUMINUM (BOTH SIDE TOOLBOXES - 60IN/84IN CA) (AAA SPECS)



ART_1001129587

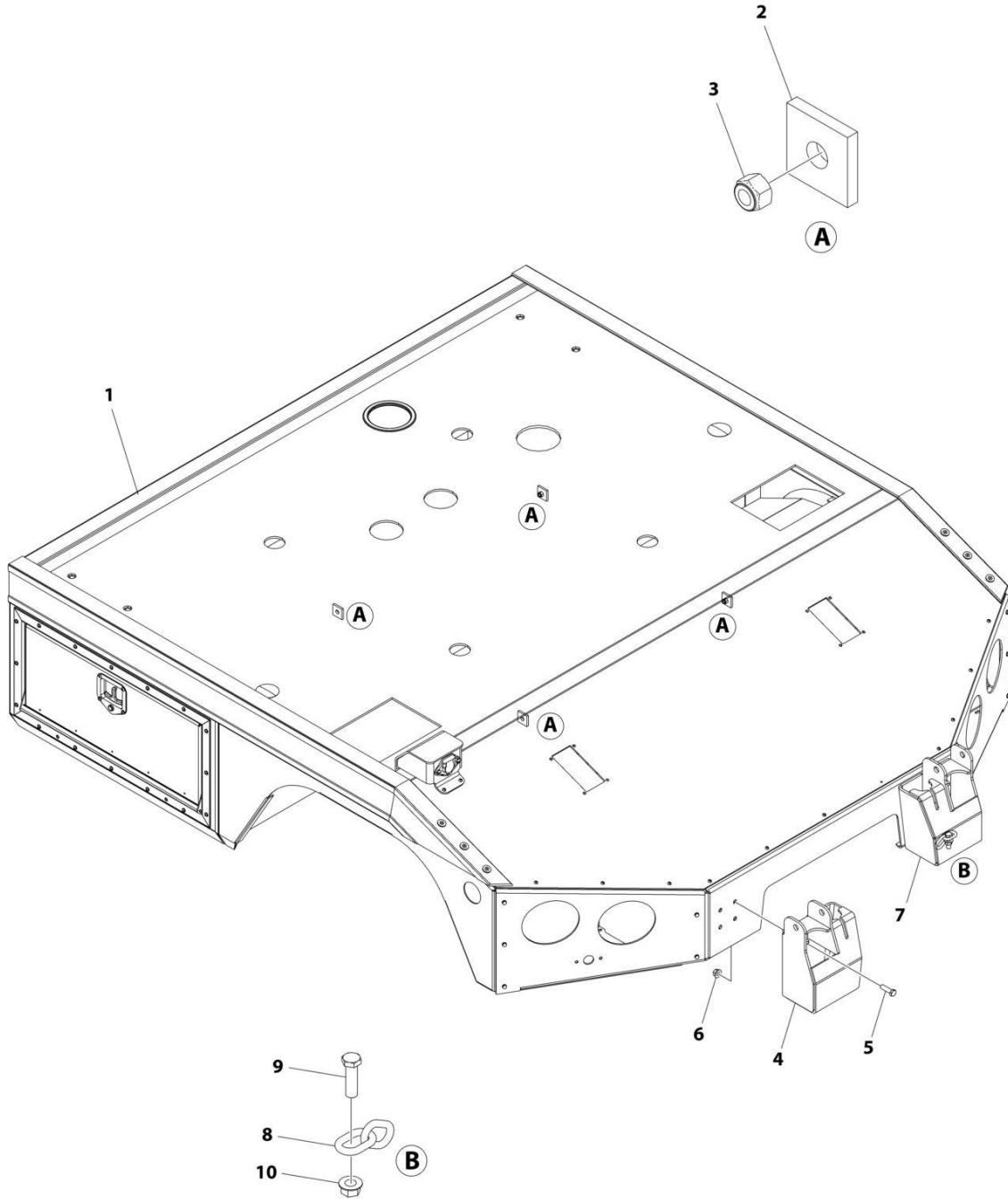
SECTION 4 - BODY

FIGURE 4-2. BODY INSTALLATION - ALUMINUM (BOTH SIDE TOOLBOXES - 60IN/84IN CA) (AAA SPECS)

ITEM	PART NUMBER	QTY	DESCRIPTION	REV
	1001129587	Ref	BODY INSTALLATION	C
1	1001129586	1	Body Assembly (See Separate Breakdown in this Section)	
2	4706000717	4	Plate	
3	7660182601	4	Nut 1/2	
4	3708000002	1	Chain Box LH	
5	7115181450	8	Bolt 1/2 x 1-3/4	
6	7660182301	8	Nut 1/2	
7	3708000003	1	Chain Box RH	
8	7262000020	2	Chain	
9	7115171050	2	Bolt 7/16 x 1-1/4	
10	7660172600	2	Nut 7/16	

SECTION 4 - BODY

FIGURE 4-3. BODY INSTALLATION - ALUMINUM (BOTH SIDE TOOLBOXES - 60IN/84IN CA)
(ALBERTA SPECS)



ART_1001128597

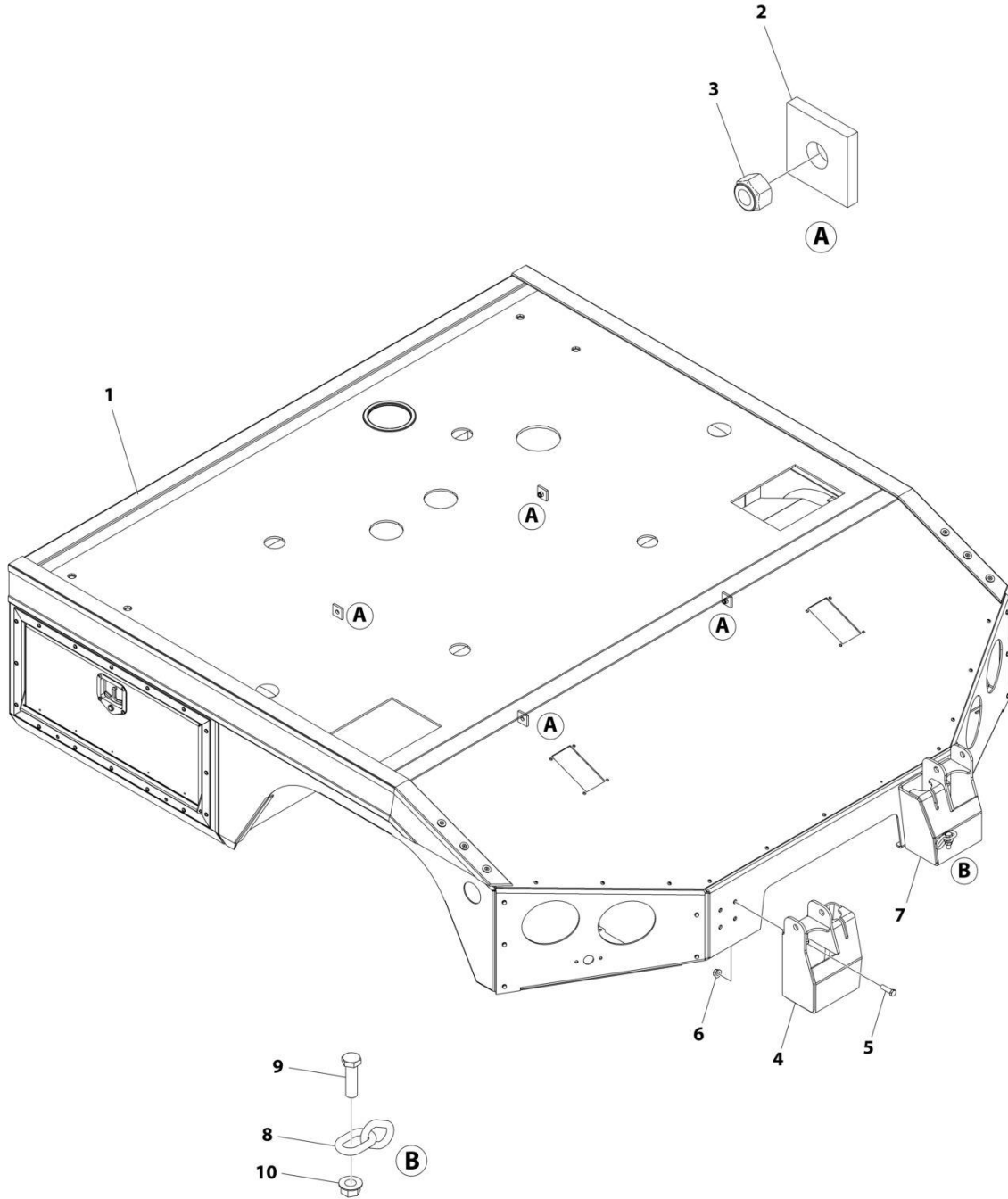
SECTION 4 - BODY

**FIGURE 4-3. BODY INSTALLATION - ALUMINUM (BOTH SIDE TOOLBOXES - 60IN/84IN CA)
(ALBERTA SPECS)**

ITEM	PART NUMBER	QTY	DESCRIPTION	REV
	1001128597	Ref	BODY INSTALLATION	C
1	1001128882	1	Body Assembly (See Separate Breakdown in this Section)	
2	4706000717	4	Plate	
3	7660182601	4	Nut 1/2	
4	3708000002	1	Chain Box LH	
5	0641814	8	Bolt 1/2 x 1-3/4	
6	7660182301	8	Nut 1/2	
7	3708000003	1	Chain Box RH	
8	7262000040	2	Chain	
9	0641710	2	Bolt 7/16 x 1-1/4	
10	7660172600	2	Nut 7/16	

SECTION 4 - BODY

FIGURE 4-4. BODY INSTALLATION - ALUMINUM (BOTH SIDE TOOLBOXES - 60IN/84IN CA) (GSA SPECS)



ART_1001144529

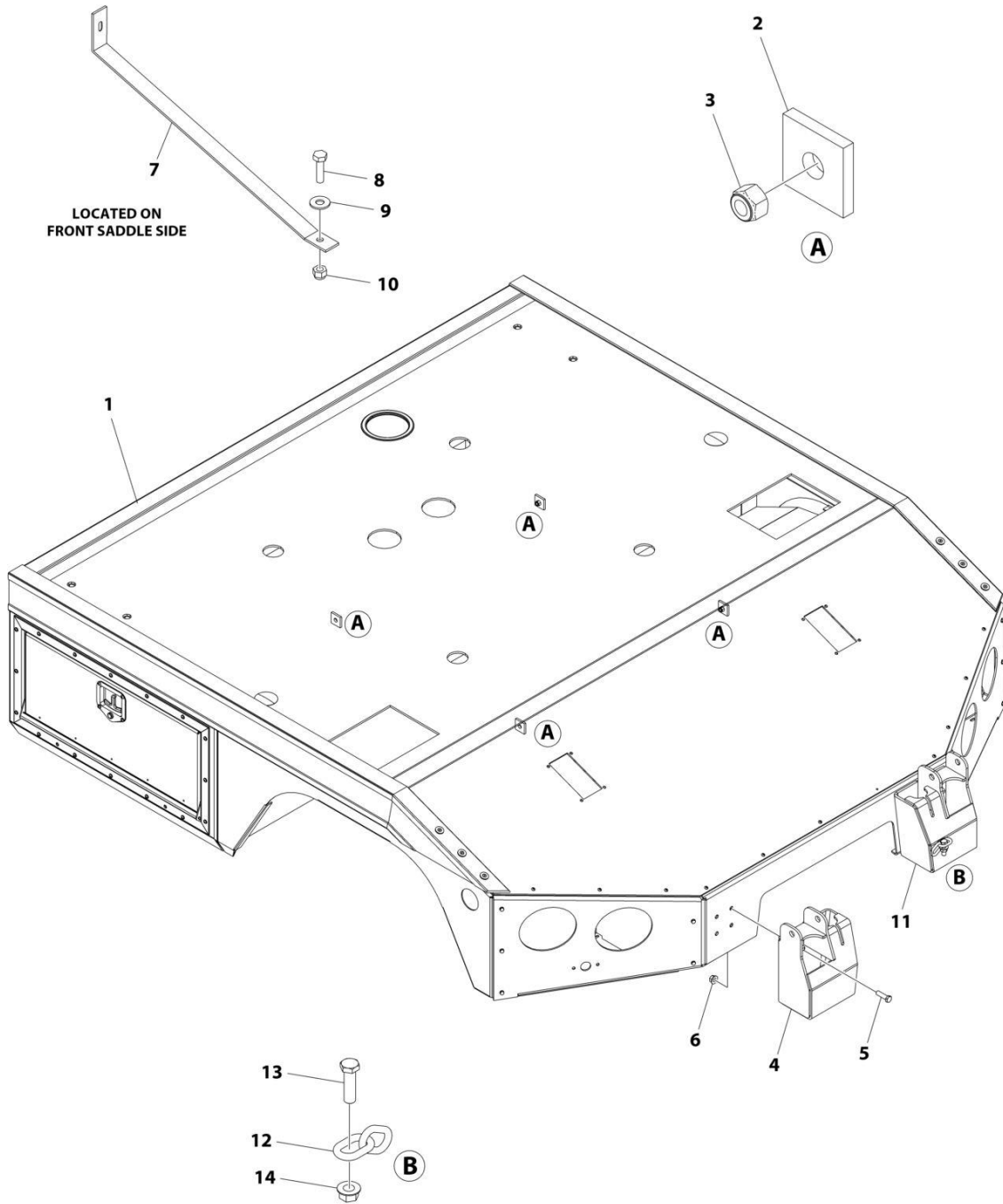
SECTION 4 - BODY

FIGURE 4-4. BODY INSTALLATION - ALUMINUM (BOTH SIDE TOOLBOXES - 60IN/84IN CA) (GSA SPECS)

ITEM	PART NUMBER	QTY	DESCRIPTION	REV
	1001144529	Ref	BODY INSTALLATION	C
1	1001144618	1	Body Assembly (See Separate Breakdown in this Section)	
2	4706000717	4	Plate	
3	7660182601	4	Nut 1/2	
4	3708000002	1	Chain Box LH	
5	7115181450	8	Bolt 1/2 x 1-3/4	
6	7660182301	8	Nut 1/2	
7	3708000003	1	Chain Box RH	
8	7262000040	2	Chain	
9	7115171050	2	Bolt 7/16 x 1-1/4	
10	7660172600	2	Nut 7/16	

SECTION 4 - BODY

FIGURE 4-5. BODY INSTALLATION - ALUMINUM (DRIVERS SIDE TOOLBOX - 60IN CA)



ART_2502080268

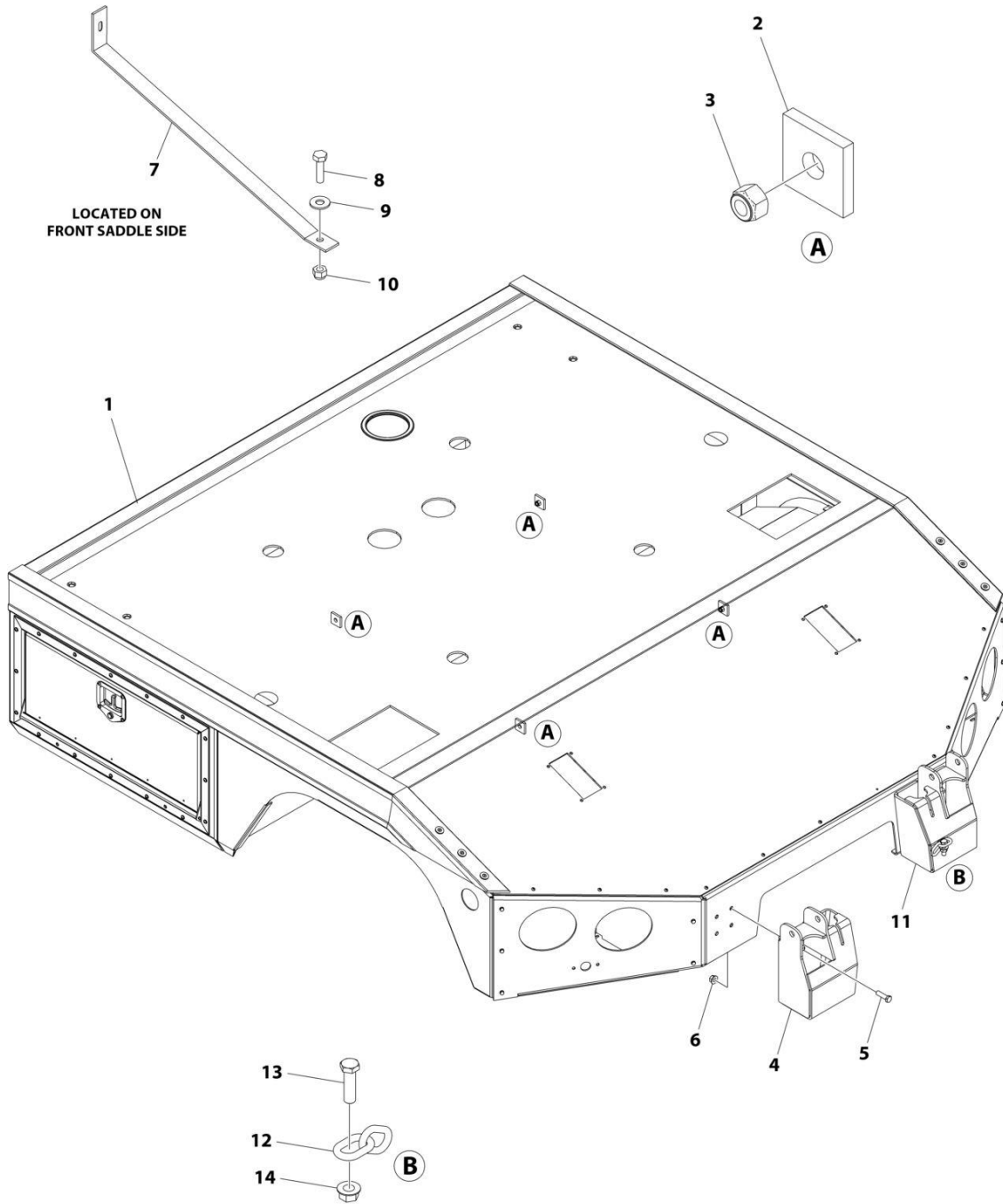
SECTION 4 - BODY

FIGURE 4-5. BODY INSTALLATION - ALUMINUM (DRIVERS SIDE TOOLBOX - 60IN CA)

ITEM	PART NUMBER	QTY	DESCRIPTION	REV
	2502080268	Ref	BODY INSTALLATION	C
1	3502080177	1	Body Assembly (See Separate Breakdown in this Section)	
2	4706000717	4	Plate	
3	7660182601	4	Nut 1/2	
4	3708000002	1	Chain Box LH	
5	0641814	8	Bolt 1/2 x 1-3/4	
6	7660182301	8	Nut 1/2	
7	4178000186	1	Bracket	
8	0641408	1	Bolt 1/4 x 1	
9	4751400	1	Washer 1/4	
10	7660142600	1	Nut 1/4	
11	3708000003	1	Chain Box RH	
12	7262000040	2	Chain	
13	0641710	2	Bolt 7/16 x 1-1/4	
14	7660172600	2	Nut 7/16	

SECTION 4 - BODY

FIGURE 4-6. BODY INSTALLATION - ALUMINUM (DRIVERS SIDE TOOLBOX - 84IN CA)



ART_2502080271

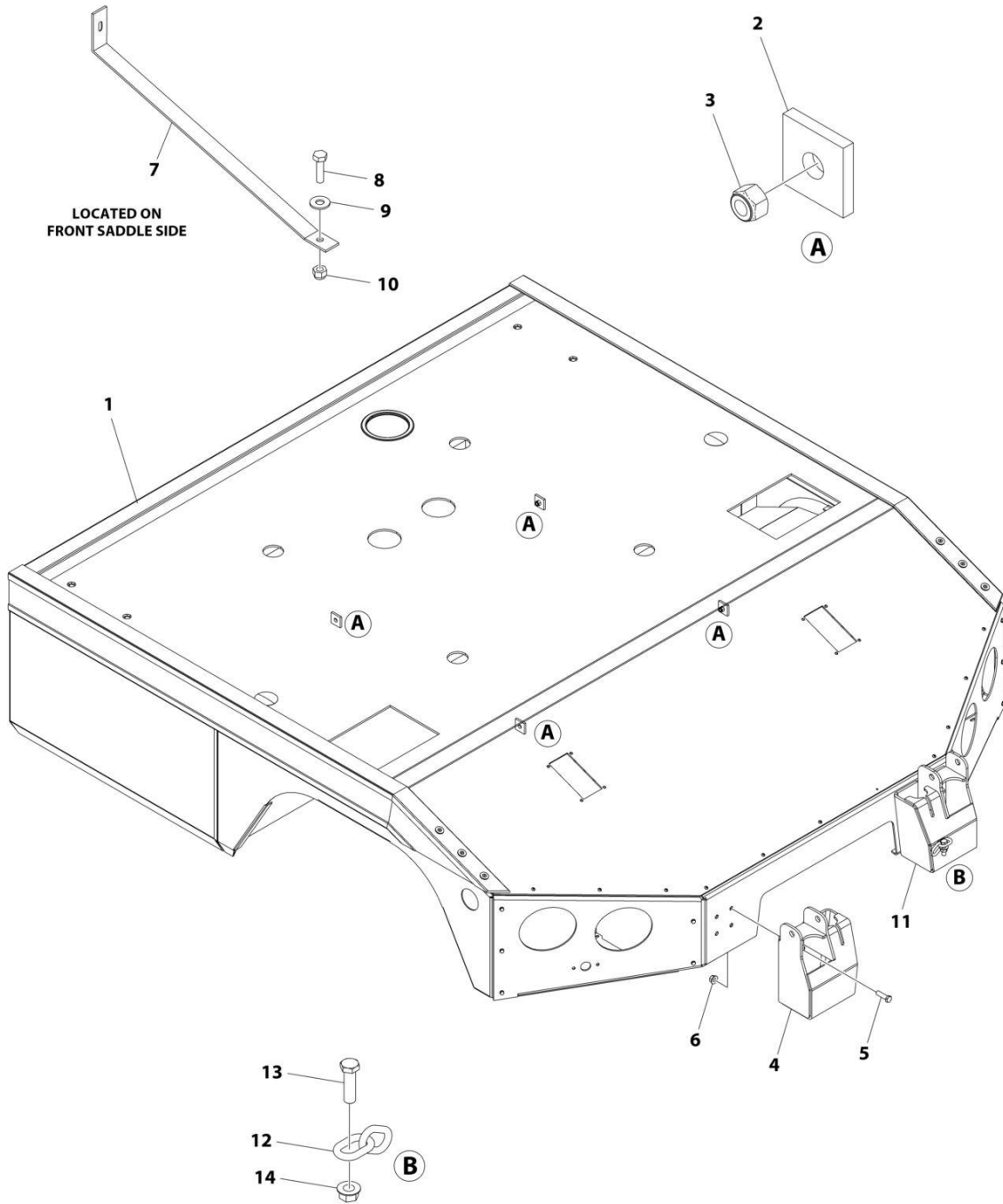
SECTION 4 - BODY

FIGURE 4-6. BODY INSTALLATION - ALUMINUM (DRIVERS SIDE TOOLBOX - 84IN CA)

ITEM	PART NUMBER	QTY	DESCRIPTION	REV
	2502080271	Ref	BODY INSTALLATION	C
1	3502080180	1	Body Assembly (See Separate Breakdown in this Section)	
2	4706000717	4	Plate	
3	7660182601	4	Nut 1/2	
4	3708000002	1	Chain Box LH	
5	0641814	8	Bolt 1/2 x 1-3/4	
6	7660182301	8	Nut 1/2	
7	4178000186	1	Bracket	
8	0641408	1	Bolt 1/4 x 1	
9	4751400	1	Washer 1/4	
10	7660142600	1	Nut 1/4	
11	3708000003	1	Chain Box RH	
12	7262000040	2	Chain	
13	0641710	2	Bolt 7/16 x 1-1/4	
14	7660172600	2	Nut 7/16	

SECTION 4 - BODY

FIGURE 4-7. BODY INSTALLATION - ALUMINUM (NO TOOLBOXES - 60IN CA)



ART_2502080270

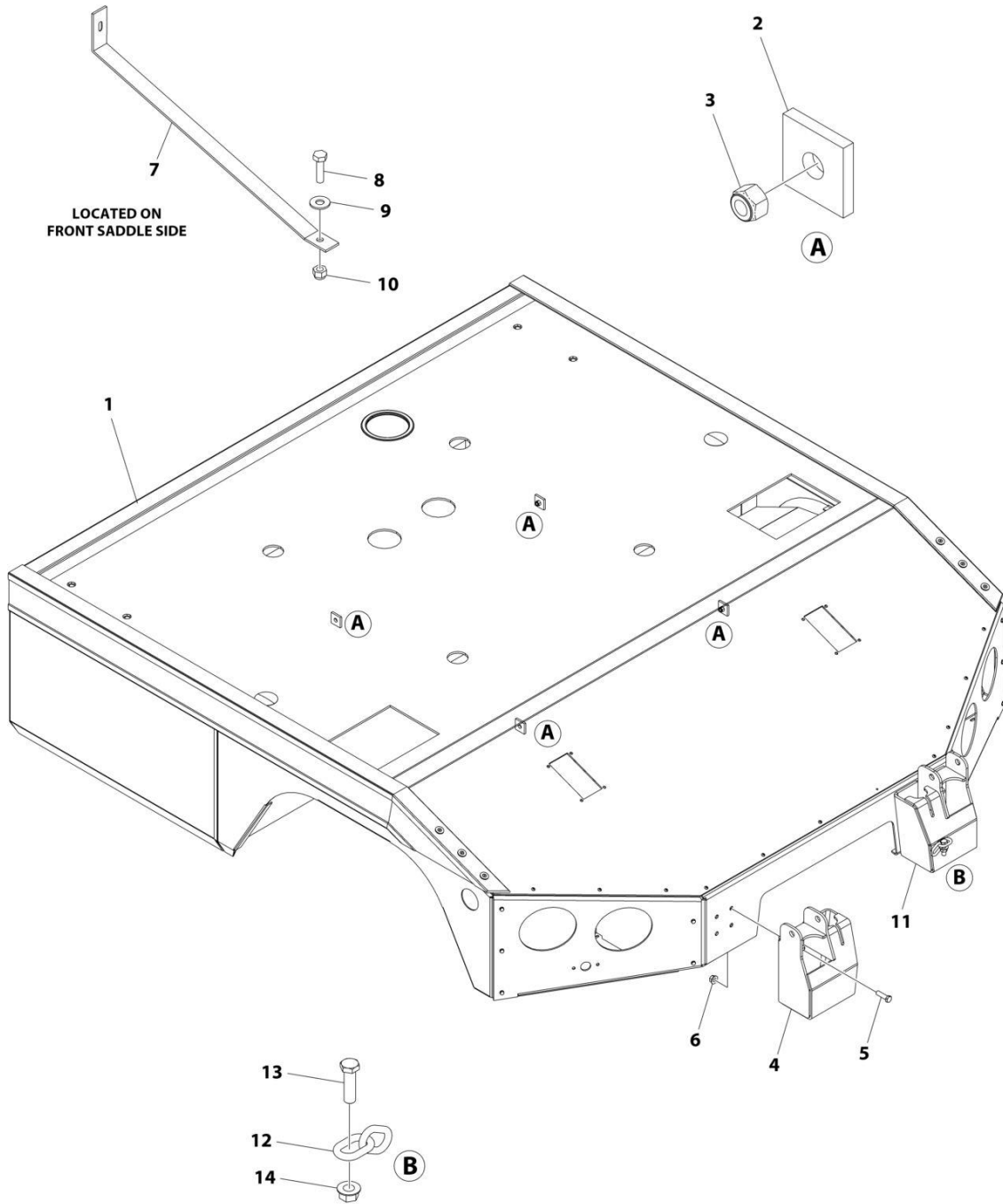
SECTION 4 - BODY

FIGURE 4-7. BODY INSTALLATION - ALUMINUM (NO TOOLBOXES - 60IN CA)

ITEM	PART NUMBER	QTY	DESCRIPTION	REV
	2502080270	Ref	BODY INSTALLATION	B
1	3502080179	1	Body Assembly (See Separate Breakdown in this Section)	
2	4706000717	4	Plate	
3	7660182601	4	Nut 1/2	
4	3708000002	1	Chain Box LH	
5	7115181450	8	Bolt 1/2 x 1-3/4	
6	7660182301	8	Nut 1/2	
7	4178000186	2	Bracket	
8	7115140850	2	Bolt 1/4 x 1	
9	7950140161	2	Washer 1/4	
10	7660142600	2	Nut 1/4	
11	3708000003	1	Chain Box RH	
12	7262000040	2	Chain	
13	7115171050	2	Bolt 7/16 x 1-1/4	
14	7660172600	2	Nut 7/16	

SECTION 4 - BODY

FIGURE 4-8. BODY INSTALLATION - ALUMINUM (NO TOOLBOXES - 84IN CA)



ART_2502080272

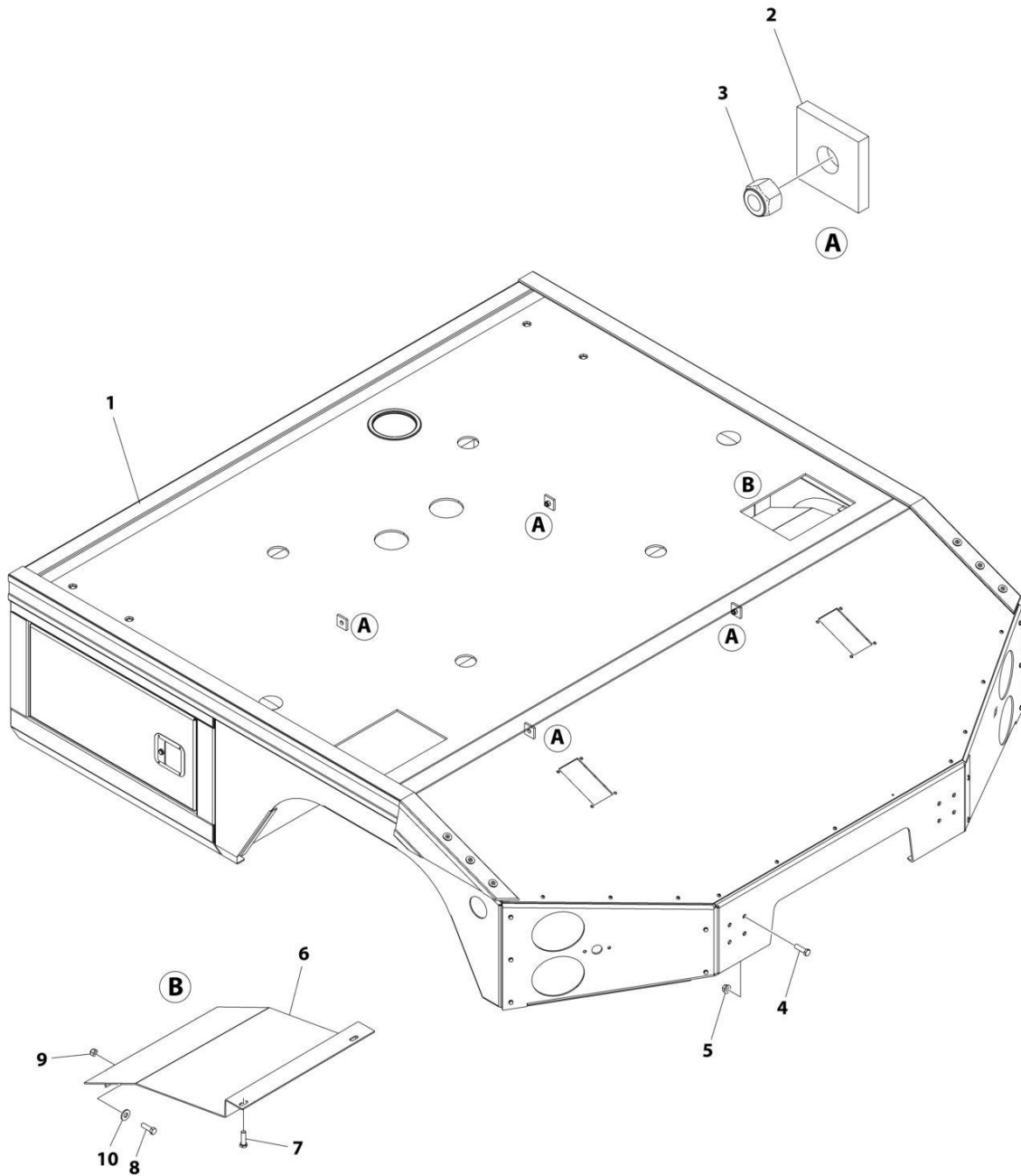
SECTION 4 - BODY

FIGURE 4-8. BODY INSTALLATION - ALUMINUM (NO TOOLBOXES - 84IN CA)

ITEM	PART NUMBER	QTY	DESCRIPTION	REV
	2502080272	Ref	BODY INSTALLATION	B
1	3502080181	1	Body Assembly (See Separate Breakdown in this Section)	
2	4706000717	4	Plate	
3	7660182601	4	Nut 1/2	
4	3708000002	1	Chain Box LH	
5	7115181450	8	Bolt 1/2 x 1-3/4	
6	7660182301	8	Nut 1/2	
7	4178000186	2	Bracket	
8	7115140850	2	Bolt 1/4 x 1	
9	7950140161	2	Washer 1/4	
10	7660142600	2	Nut 1/4	
11	3708000003	1	Chain Box RH	
12	7262000040	2	Chain	
13	7115171050	2	Bolt 7/16 x 1-1/4	
14	7660172600	2	Nut 7/16	

SECTION 4 - BODY

FIGURE 4-9. BODY INSTALLATION - STEEL (BOTH SIDE TOOLBOXES - 60IN/84IN CA)



ART_2502080276

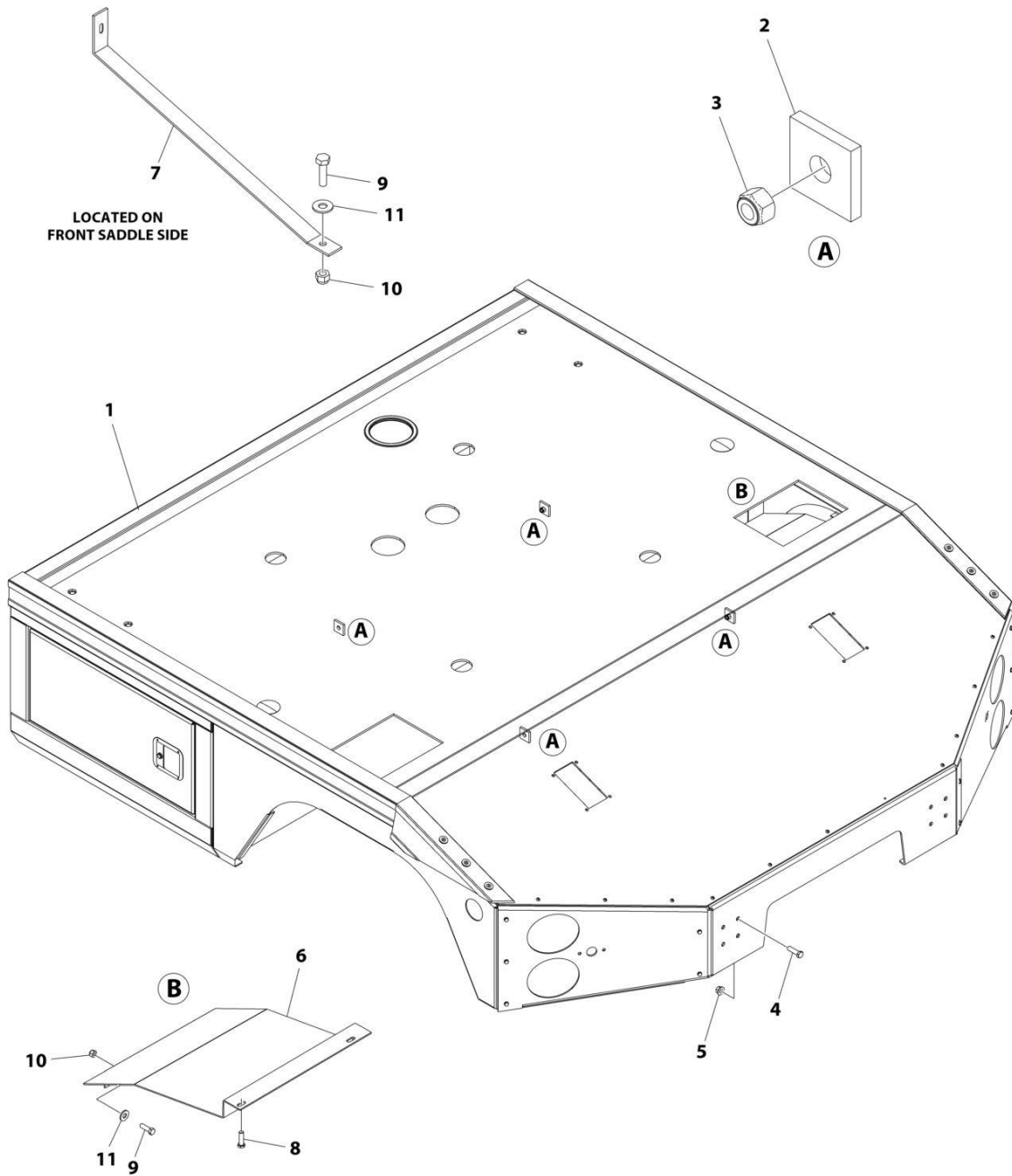
SECTION 4 - BODY

FIGURE 4-9. BODY INSTALLATION - STEEL (BOTH SIDE TOOLBOXES - 60IN/84IN CA)

ITEM	PART NUMBER	QTY	DESCRIPTION	REV
	2502080276	Ref	BODY ASSEMBLY	A
1	3502080183	1	Body Assembly (See Separate Breakdown in this Section)	
2	4706000717	6	Plate	
3	7660182601	6	Nut 1/2	
4	7115181450	8	Bolt 1/2 x 1-3/4	
5	7660182301	8	Nut 1/2	
6	4706001516	1	Plate	
7	7790141056	2	Bolt 1/1 x 5/8	
8	7115140850	1	Bolt 1/4 x 1	
9	7660142600	1	Nut 1/4	
10	7950140161	1	Washer 1/4	

SECTION 4 - BODY

FIGURE 4-10. BODY INSTALLATION - STEEL (DRIVERS SIDE TOOLBOX - 60IN/84IN CA)



ART_2502080275

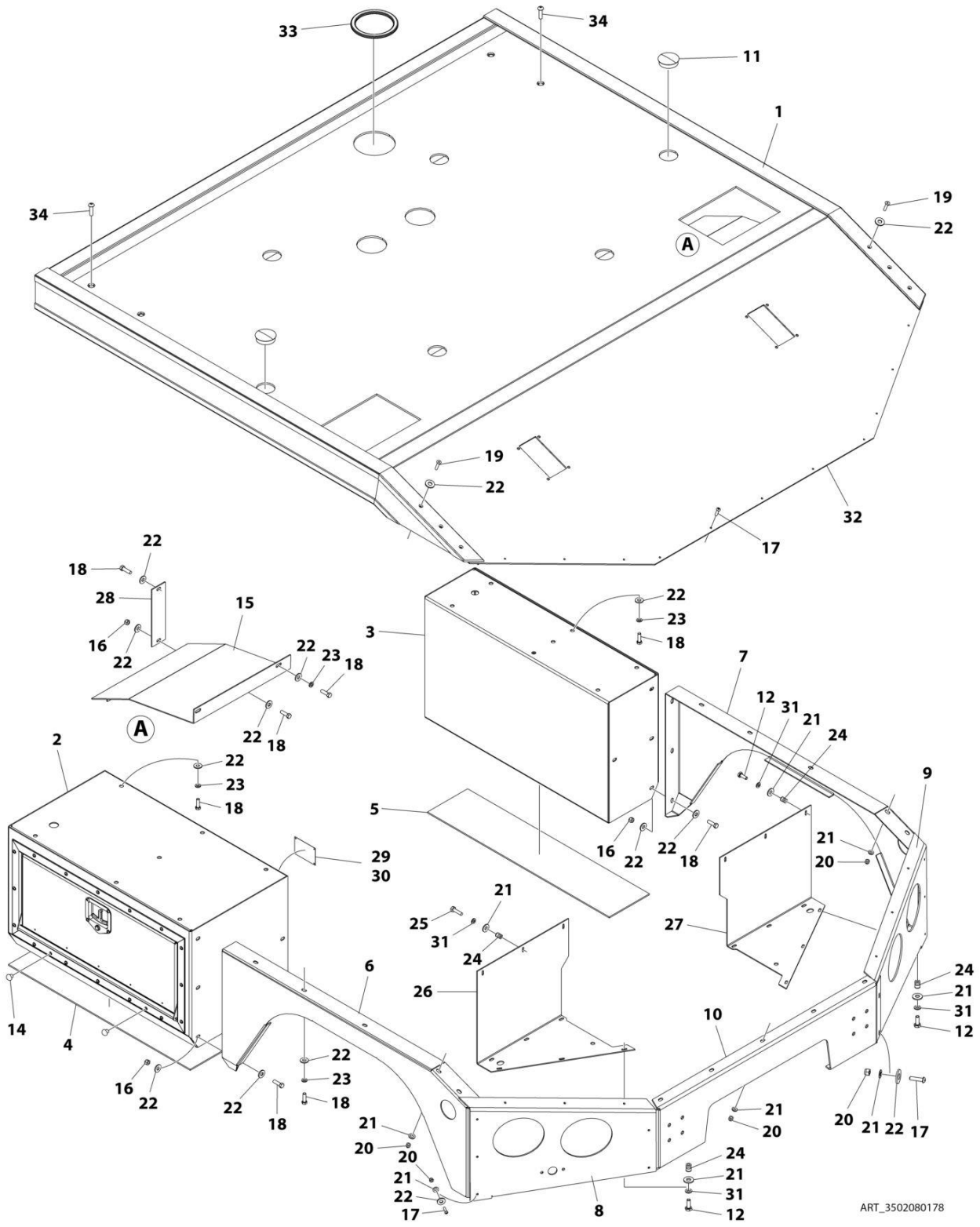
SECTION 4 - BODY

FIGURE 4-10. BODY INSTALLATION - STEEL (DRIVERS SIDE TOOLBOX - 60IN/84IN CA)

ITEM	PART NUMBER	QTY	DESCRIPTION	REV
	2502080275	Ref	BODY ASSEMBLY	A
1	3502080182	1	Body Assembly (See Separate Breakdown in this Section)	
2	4706000717	6	Plate	
3	7660182601	6	Nut 1/2	
4	7115181450	8	Bolt 1/2 x 1-3/4	
5	7660182301	8	Nut 1/2	
6	4706001516	1	Plate	
7	4178000186	1	Bracket	
8	7790141056	2	Bolt 1/1 x 5/8	
9	7115140850	2	Bolt 1/4 x 1	
10	7660142600	2	Nut 1/4	
11	7950140161	2	Washer 1/4	

SECTION 4 - BODY

FIGURE 4-11. BODY ASSEMBLY - ALUMINUM (BOTH SIDE TOOLBOXES - 60IN/84IN CA)



ART_3502080178

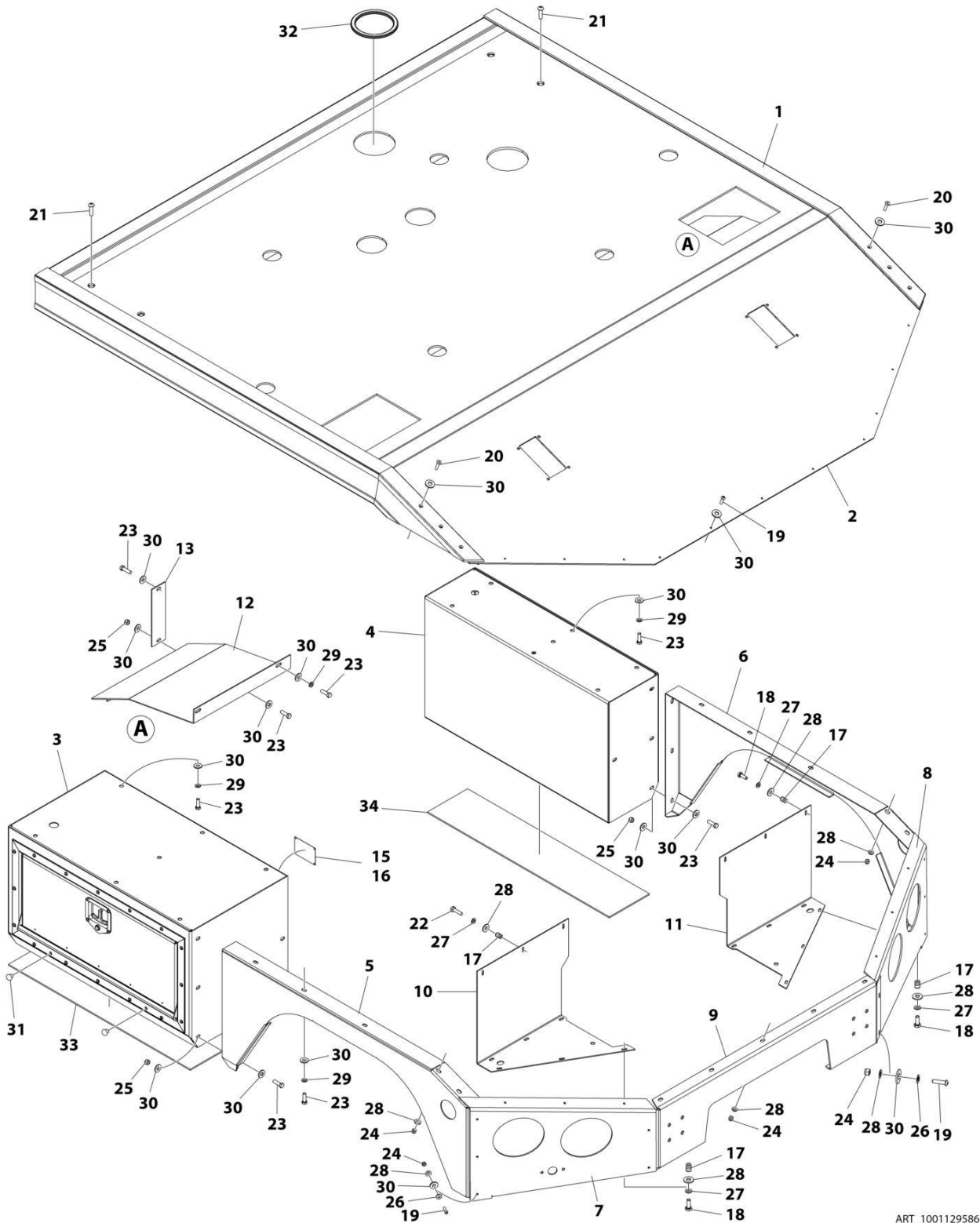
SECTION 4 - BODY

FIGURE 4-11. BODY ASSEMBLY - ALUMINUM (BOTH SIDE TOOLBOXES - 60IN/84IN CA)

ITEM	PART NUMBER	QTY	DESCRIPTION	REV
	3502080178	Ref	BODY ASSEMBLY	C
1	3512300117	1	Deck (aluminum)	
2	1001129585	1	Tool Box LH (See Separate Breakdown in this Section)	
3	1001129584	1	Tool Box RH (See Separate Breakdown in this Section)	
4	4679000070	1	Pad	
5	4679000069	1	Pad	
6	4415000049	1	Fender LH	
7	4415000048	1	Fender RH	
8	3502300022	1	Tail - LH	
9	3502300021	1	Tail - RH	
10	4706002282	1	Plate	
11	7701000003	2	Plug	
12	0641406	9	Bolt 1/4 x 3/4	
14	7189000007	4	Bumper	
15	4706002286	1	Plate	
16	7660162601	7	Nut 3/8	
17	7114140818	21	Capscrew 1/4 x 1	
18	0641610	31	Bolt 3/8 x 1-1/4	
19	7114141023	6	Capscrew 1/4 x 1-1/4	
20	7660142600	27	Nut 1/4	
21	4751400	35	Washer 1/4	
22	4751600	52	Washer 3/8	
23	4761600	24	Washer 3/8	
24	7413000002	12	Nut 1/4	
25	0641408	3	Bolt 1/4 x 1	
26	4706001333	1	Plate	
27	4706001334	1	Plate	
28	4706001519	1	Plate	
29	See Note	NSS	Nameplate, Manufacturer Serial Number (Note: Not Available for Purchase)	
30	7759000004	4	Pop Rivet	
31	4761400	12	Washer 1/4	
32	3502300054	1	Tail Plate	
33	8632000018	1.5 ft / 0.46m	Edge Trim	
34	7114181418	4	Capscrew 1/2 x 1-3/4	

SECTION 4 - BODY

FIGURE 4-12. BODY ASSEMBLY - ALUMINUM (BOTH SIDE TOOLBOXES - 60IN/84IN CA) (AAA SPECS)



ART_1001129586

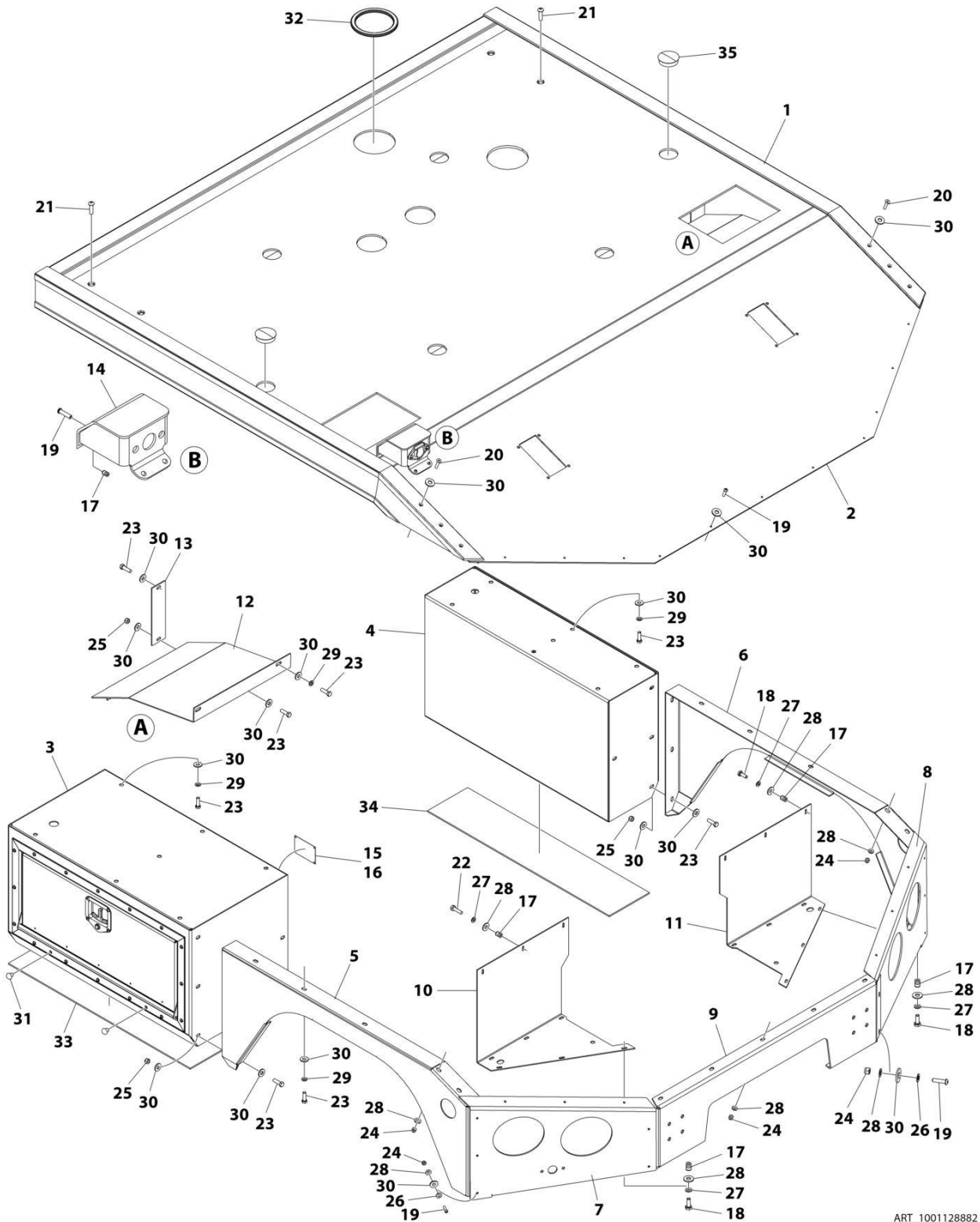
SECTION 4 - BODY

FIGURE 4-12. BODY ASSEMBLY - ALUMINUM (BOTH SIDE TOOLBOXES - 60IN/84IN CA) (AAA SPECS)

ITEM	PART NUMBER	QTY	DESCRIPTION	REV
	1001129586	Ref	BODY ASSEMBLY	B
1	3512300117	1	Deck (Aluminum)	
2	3502300054	1	Tail Plate	
3	1001129585	1	Tool Box LH (See Separate Breakdown in this Section)	
4	1001129584	1	Tool Box RH (See Separate Breakdown in this Section)	
5	4415000049	1	Fender LH	
6	4415000048	1	Fender RH	
7	3502300022	1	Tail - LH	
8	3502300021	1	Tail - RH	
9	4706002282	1	Plate	
10	4706001333	1	Plate	
11	4706001334	1	Plate	
12	4706002286	1	Plate	
13	4706001519	1	Plate	
15	1001127220	1	Decal	
16	7759000004	4	Pop Rivet	
17	7413000002	12	Nut 1/4	
18	7111140650	9	Bolt 1/4 x 3/4	
19	7114140818	21	Capscrew 1/4 x 1	
20	7114141023	6	Capscrew 1/4 x 1-1/4	
21	7114181418	4	Capscrew 1/2 x 1-3/4	
22	7115140850	3	Bolt 1/4 x 1	
23	7115161050	32	Bolt 3/8 x 1-1/4	
24	7660142600	27	Nut 1/4	
25	7660162601	7	Nut 3/8	
26	7949000056	10	Washer 1/2	
27	7950140000	12	Washer 1/4	
28	7950140161	39	Washer 1/4	
29	7950160000	24	Washer 3/8	
30	7950160161	58	Washer 3/8	
31	7189000007	4	Bumper	
32	8632000018	1	Edge Trim	
33	4679000070	1	Pad	
34	4679000069	1	Pad	

SECTION 4 - BODY

FIGURE 4-13. BODY ASSEMBLY - ALUMINUM (BOTH SIDE TOOLBOXES - 60IN/84IN CA) (ALBERTA SPECS)



ART_1001128882

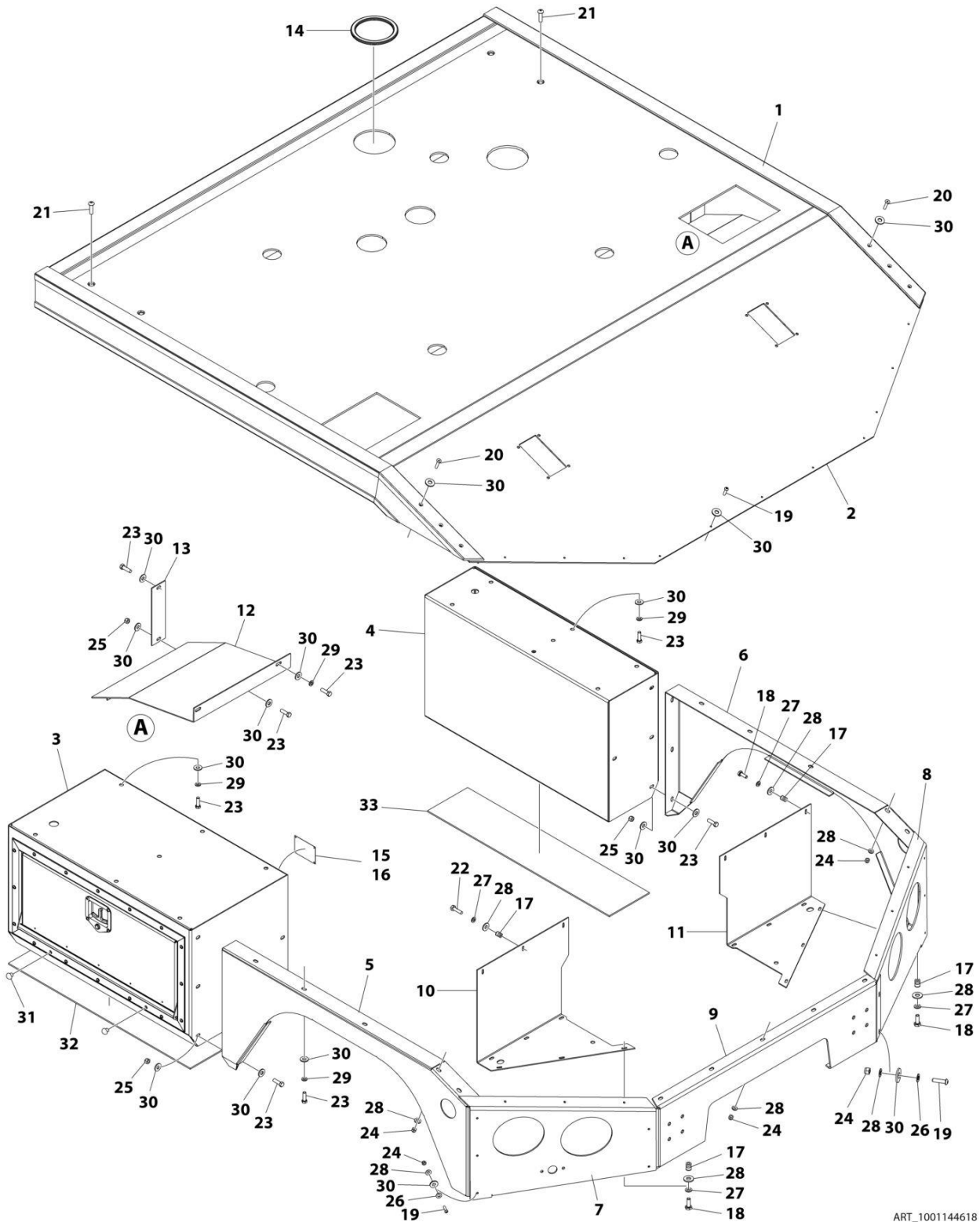
SECTION 4 - BODY

FIGURE 4-13. BODY ASSEMBLY - ALUMINUM (BOTH SIDE TOOLBOXES - 60IN/84IN CA) (ALBERTA SPECS)

ITEM	PART NUMBER	QTY	DESCRIPTION	REV
	1001128882	Ref	BODY ASSEMBLY	D
1	3512300117	1	Deck (Aluminum)	
2	3502300054	1	Tail Plate	
3	1001129585	1	Tool Box LH (See Separate Breakdown in this Section)	
4	1001129584	1	Tool Box RH (See Separate Breakdown in this Section)	
5	4415000049	1	Fender LH	
6	4415000048	1	Fender RH	
7	1001128438	1	Tail - LH	
8	3502300021	1	Tail - RH	
9	4706002282	1	Plate	
10	4706001333	1	Plate	
11	4706001334	1	Plate	
12	4706002286	1	Plate	
13	4706001519	1	Plate	
14	1001128326	1	Box, 4-Way Receptacle	
15	1001127220	1	Decal, ID Tag	
16	7759000004	4	Pop Rivet	
17	7413000002	16	Nut 1/4	
18	0641406	9	Bolt 1/4 x 3/4	
19	7114140818	25	Capscrew 1/4 x 1	
20	7114141023	6	Capscrew 1/4 x 1-1/4	
21	7114181418	4	Capscrew 1/2 x 1-3/4	
22	0641408	3	Bolt 1/4 x 1	
23	0641610	32	Bolt 3/8 x 1-1/4	
24	7660142600	27	Nut 1/4	
25	7660162601	7	Nut 3/8	
26	7949000056	10	Washer 1/2	
27	4761400	12	Washer 1/4	
28	4751400	39	Washer 1/4	
29	4761600	24	Washer 3/8	
30	4751600	58	Washer 3/8	
31	7189000007	4	Bumper	
32	8632760025	1	Edge Trim	
33	4679000070	1	Pad	
34	4679000069	1	Pad	
35	7701000003	2	Plug	
36	7552000396	1	Harness, 4-Way Plug Extension (Not Shown)	

SECTION 4 - BODY

FIGURE 4-14. BODY ASSEMBLY - ALUMINUM (BOTH SIDE TOOLBOXES - 60IN/84IN CA) (GSA SPECS)



ART_1001144618

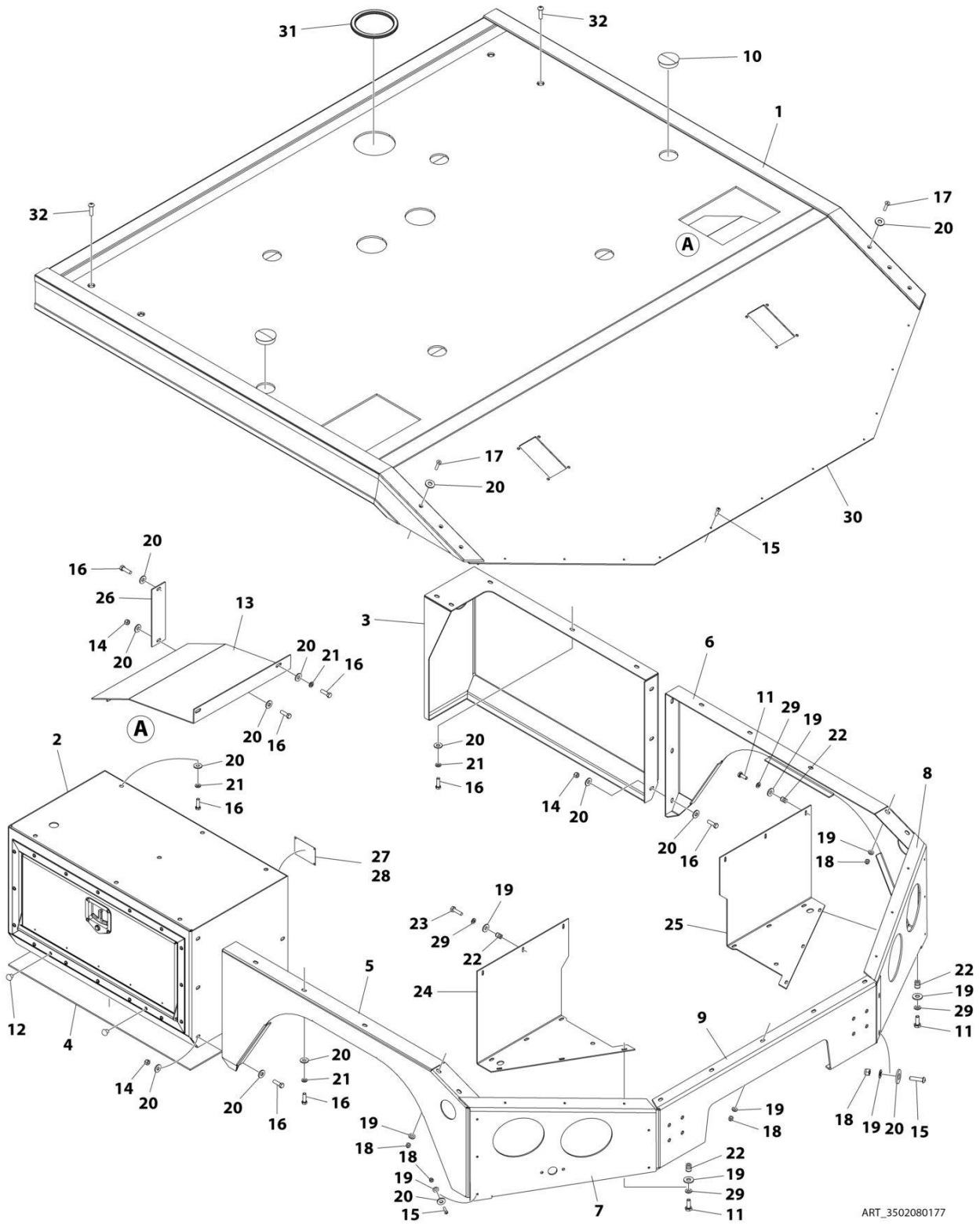
SECTION 4 - BODY

FIGURE 4-14. BODY ASSEMBLY - ALUMINUM (BOTH SIDE TOOLBOXES - 60IN/84IN CA) (GSA SPECS)

ITEM	PART NUMBER	QTY	DESCRIPTION	REV
	1001144618	Ref	BODY ASSEMBLY	B
1	3512300117	1	Deck (Aluminum)	
2	3502300054	1	Tail Plate	
3	1001144633	1	Tool Box LH (See Separate Breakdown in this Section)	
4	1001144631	1	Tool Box RH (See Separate Breakdown in this Section)	
5	4415000049	1	Fender LH	
6	4415000048	1	Fender RH	
7	3502300022	1	Tail - LH	
8	3502300021	1	Tail - RH	
9	4706002282	1	Plate	
10	4706001333	1	Plate	
11	4706001334	1	Plate	
12	4706002286	1	Plate	
13	4706001519	1	Plate	
14	8632000018	2	Edge Trim	
15	1001127220	1	Decal, ID Tag	
16	7759000004	4	Pop Rivet	
17	7413000002	12	Nut 1/4	
18	7111140650	9	Bolt 1/4 x 3/4	
19	7114140818	21	Capscrew 1/4 x 1	
20	7114141023	6	Capscrew 1/4 x 1-1/4	
21	7114181418	4	Capscrew 1/2 x 1-3/4	
22	7115140850	3	Bolt 1/4 x 1	
23	7115161050	32	Bolt 3/8 x 1-1/4	
24	7660142600	27	Nut 1/4	
25	7660162601	7	Nut 3/8	
26	7949000056	10	Washer 1/2	
27	7950140000	12	Washer 1/4	
28	7950140161	39	Washer 1/4	
29	7950160000	24	Washer 3/8	
30	7950160161	58	Washer 3/8	
31	7189000007	4	Bumper	
32	4679000070	1	Pad	
33	4679000069	1	Pad	

SECTION 4 - BODY

FIGURE 4-15. BODY ASSEMBLY - ALUMINUM (DRIVERS SIDE TOOLBOX - 60IN CA)



ART_3502080177

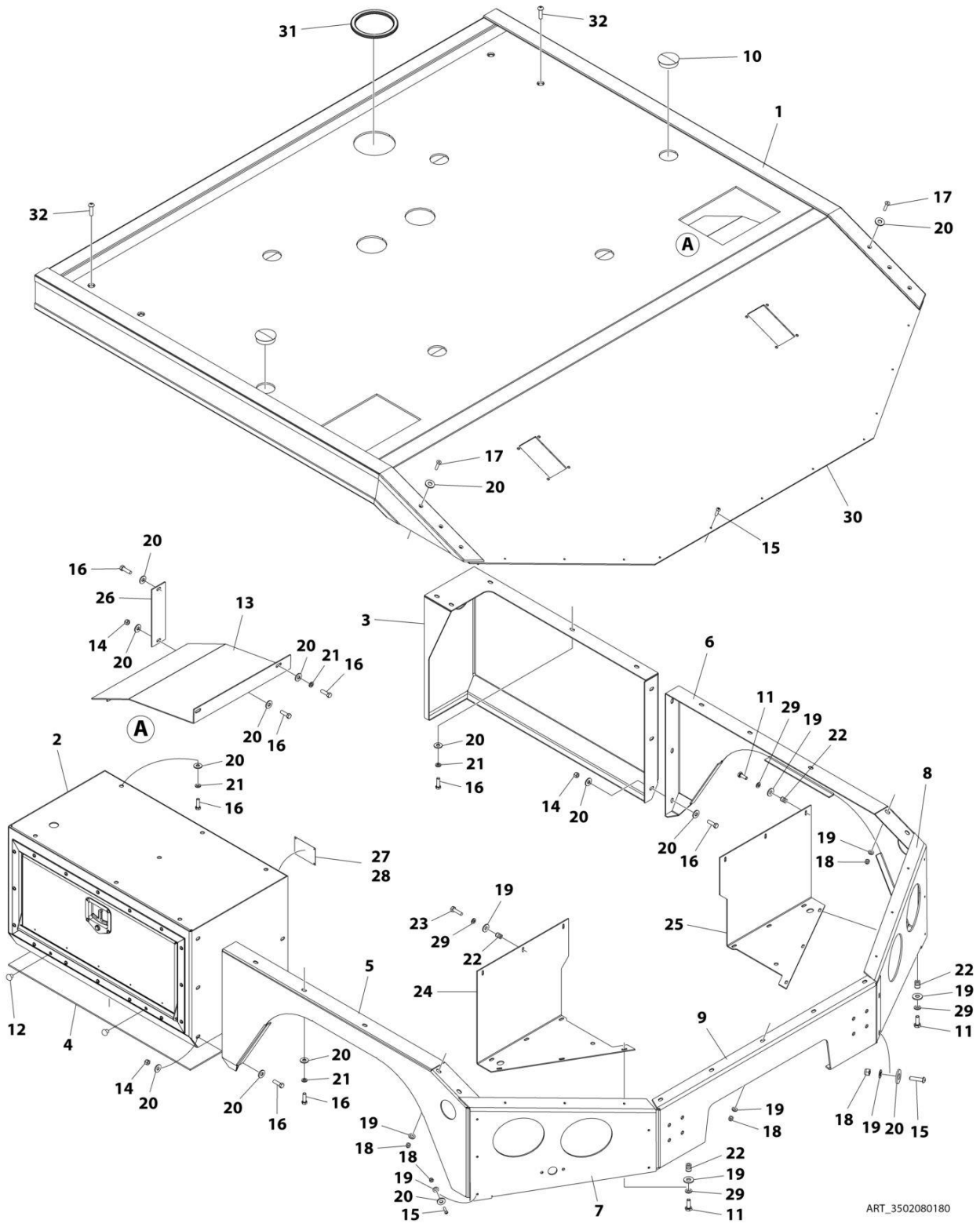
SECTION 4 - BODY

FIGURE 4-15. BODY ASSEMBLY - ALUMINUM (DRIVERS SIDE TOOLBOX - 60IN CA)

ITEM	PART NUMBER	QTY	DESCRIPTION	REV
	3502080177	Ref	BODY ASSEMBLY	C
1	3512300117	1	Deck (aluminum)	
2	1001129585	1	Tool Box LH (See Separate Breakdown in this Section)	
3	3686000004	1	Body Panel - RH	
4	4679000070	1	Pad	
5	4415000049	1	Fender LH	
6	4415000048	1	Fender RH	
7	3502300022	1	Tail - LH	
8	3502300021	1	Tail - RH	
9	4706002282	1	Plate	
10	7701000003	2	Plug	
11	0641406	9	Bolt 1/4 x 3/4	
12	7189000007	2	Bumper	
13	4706002286	1	Plate	
14	7660162601	7	Nut 3/8	
15	7114140818	21	Capscrew 1/4 x 1	
16	0641610	29	Bolt 3/8 x 1-1/4	
17	7114141023	6	Capscrew 1/4 x 1-1/4	
18	7660142600	27	Nut 1/4	
19	4751400	35	Washer 1/4	
20	4751600	50	Washer 3/8	
21	4761600	22	Washer 3/8	
22	7413000002	12	Nut 1/4	
23	0641408	3	Bolt 1/4 x 1	
24	4706001333	1	Plate	
25	4706001334	1	Plate	
26	4706001519	1	Plate	
27	See Note	NSS	Nameplate, Manufacturer Serial Number (Note: Not Available for Purchase)	
28	7759000004	4	Pop Rivet	
29	4761400	12	Washer 1/4	
30	3502300054	1	Tail Plate	
31	8632000018	1.5 ft / 0.46m	Edge Trim	
32	7114181418	4	Capscrew 1/2 x 1-3/4	

SECTION 4 - BODY

FIGURE 4-16. BODY ASSEMBLY - ALUMINUM (DRIVERS SIDE TOOLBOX - 84IN CA)



ART_3502080180

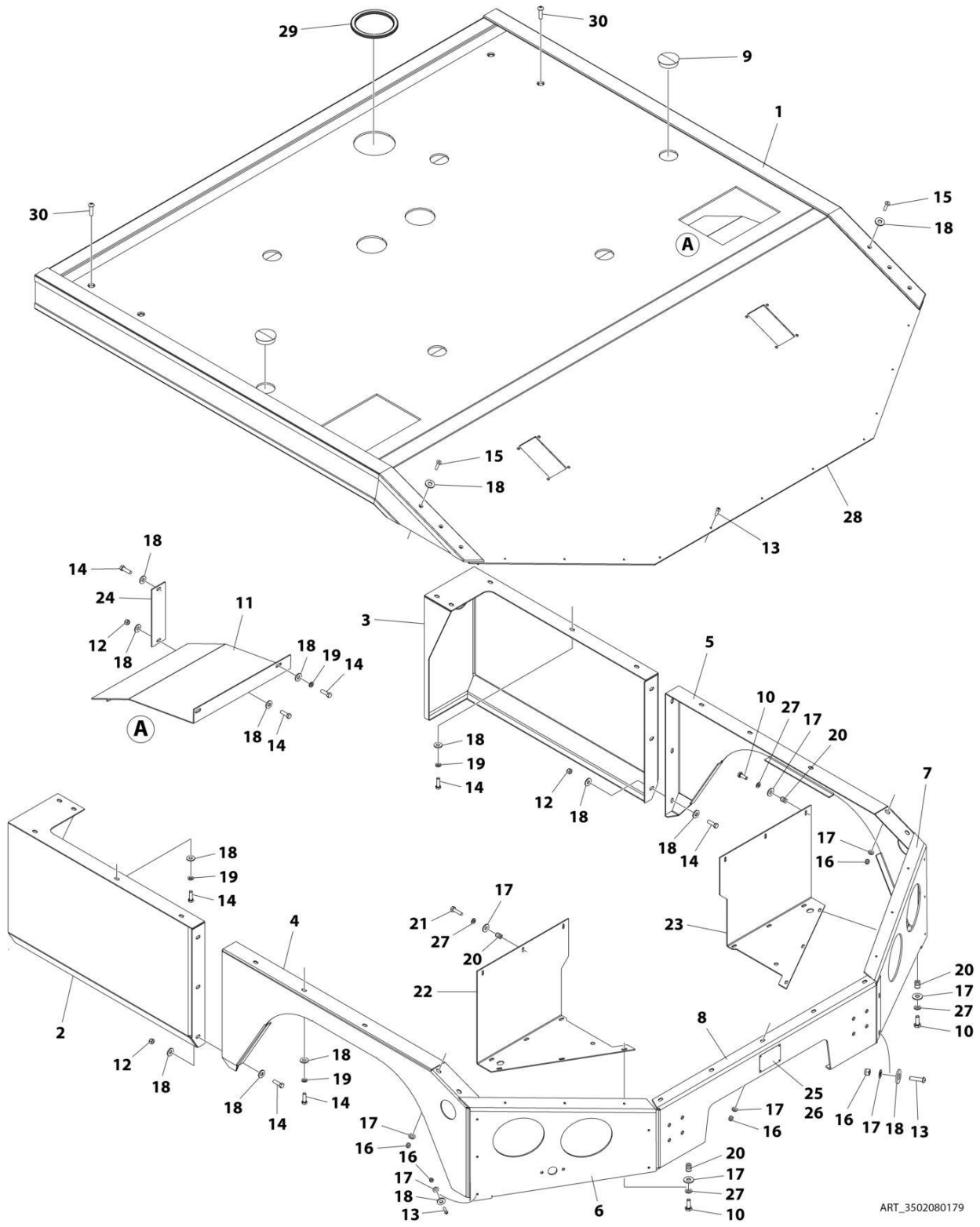
SECTION 4 - BODY

FIGURE 4-16. BODY ASSEMBLY - ALUMINUM (DRIVERS SIDE TOOLBOX - 84IN CA)

ITEM	PART NUMBER	QTY	DESCRIPTION	REV
	3502080180	Ref	BODY ASSEMBLY	C
1	3512300117	1	Deck (aluminum)	
2	1001129585	1	Tool Box LH (See Separate Breakdown in this Section)	
3	4686000031	1	Body Panel - RH	
4	4679000070	1	Pad	
5	4415000049	1	Fender LH	
6	4415000048	1	Fender RH	
7	3502300022	1	Tail - LH	
8	3502300021	1	Tail - RH	
9	4706002282	1	Plate	
10	7701000003	2	Plug	
11	0641406	9	Bolt 1/4 x 3/4	
12	7189000007	2	Bumper	
13	4706002286	1	Plate	
14	7660162601	7	Nut 3/8	
15	7114140818	21	Capscrew 1/4 x 1	
16	0641610	29	Bolt 3/8 x 1-1/4	
17	7114141023	6	Capscrew 1/4 x 1-1/4	
18	7660142600	27	Nut 1/4	
19	4751400	35	Washer 1/4	
20	4751600	50	Washer 3/8	
21	4761600	22	Washer 3/8	
22	7413000002	12	Nut 1/4	
23	0641408	3	Bolt 1/4 x 1	
24	4706001333	1	Plate	
25	4706001334	1	Plate	
26	4706001519	1	Plate	
27	See Note	NSS	Nameplate, Manufacturer Serial Number (Note: Not Available for Purchase)	
28	7759000004	4	Pop Rivet	
29	4761400	12	Washer 1/4	
30	3502300054	1	Tail Plate	
31	8632000018	1.5 ft / 0.46m	Edge Trim	
32	7114181418	4	Capscrew 1/2 x 1-3/4	

SECTION 4 - BODY

FIGURE 4-17. BODY ASSEMBLY - ALUMINUM (NO TOOLBOXES - 60IN CA)



ART_3502080179

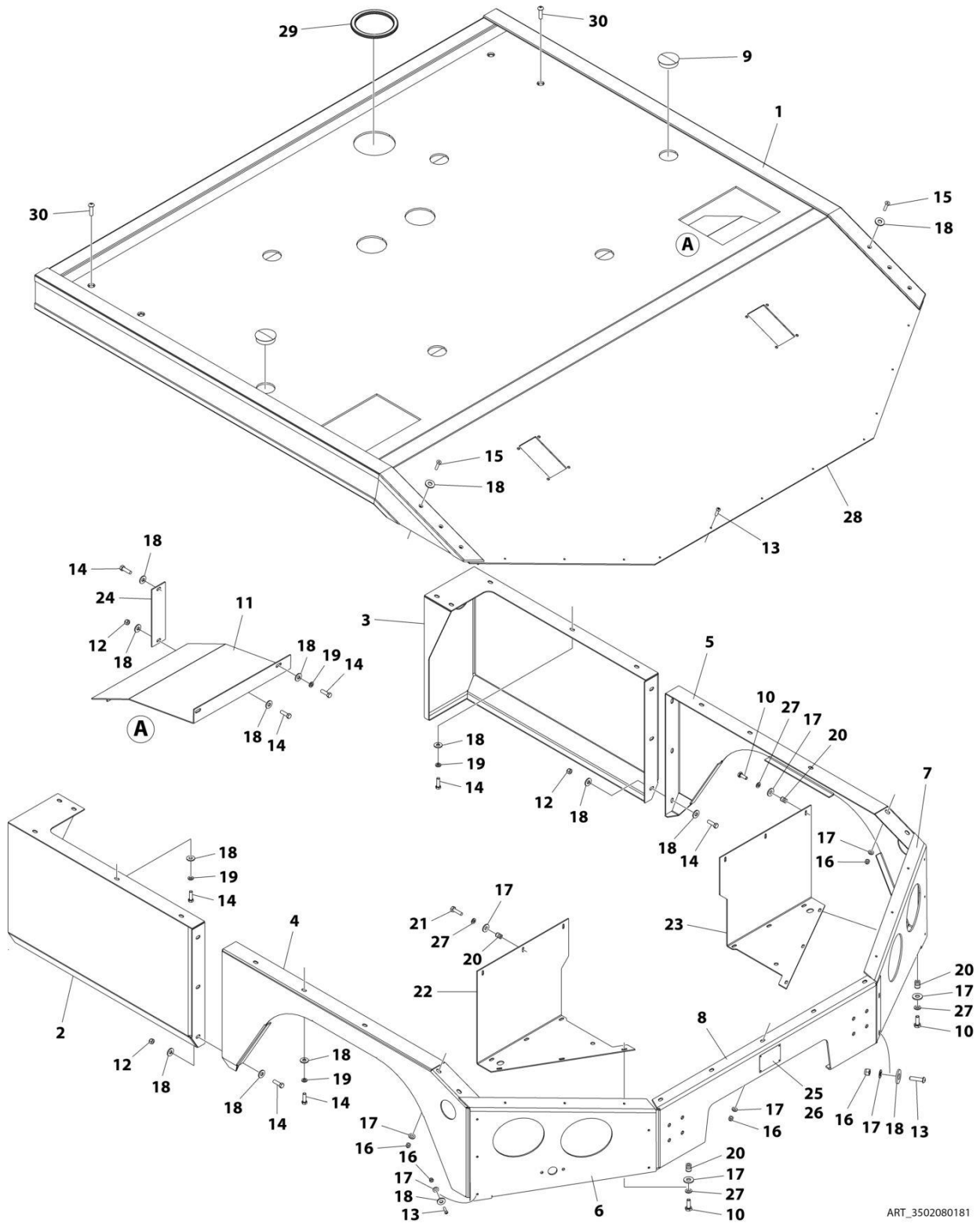
SECTION 4 - BODY

FIGURE 4-17. BODY ASSEMBLY - ALUMINUM (NO TOOLBOXES - 60IN CA)

ITEM	PART NUMBER	QTY	DESCRIPTION	REV
	3502080179	Ref	BODY ASSEMBLY	B
1	3512300117	1	Deck (aluminum)	
2	3686000005	1	Body Panel - LH	
3	3686000004	1	Body Panel - RH	
4	4415000049	1	Fender LH	
5	4415000048	1	Fender RH	
6	3502300022	1	Tail - LH	
7	3502300021	1	Tail - RH	
8	4706002282	1	Plate	
9	7701000003	2	Plug	
10	7111140650	9	Bolt 1/4 x 3/4	
11	4706002286	1	Plate	
12	7660162601	7	Nut 3/8	
13	7114140818	21	Capscrew 1/4 x 1	
14	7115161050	27	Bolt 3/8 x 1-1/4	
15	7114141023	6	Capscrew 1/4 x 1-1/4	
16	7660142600	27	Nut 1/4	
17	7950140161	35	Washer 1/4	
18	7950160161	48	Washer 3/8	
19	7950160000	20	Washer 3/8 ID	
20	7413000002	12	Nut 1/4	
21	7115140850	3	Bolt 1/4 x 1	
22	4706001333	1	Plate	
23	4706001334	1	Plate	
24	4706001519	1	Plate	
25	See Note	NSS	Nameplate, Manufacturer Serial Number (Note: Not Available for Purchase)	
26	7759000004	4	Pop Rivet	
27	7950140000	12	Washer 1/4	
28	3502300054	1	Tail Plate	
29	8632000018	1	Edge Trim	
30	7114181418	4	Capscrew 1/2 x 1-3/4	

SECTION 4 - BODY

FIGURE 4-18. BODY ASSEMBLY - ALUMINUM (NO TOOLBOXES - 84IN CA)



ART_3502080181

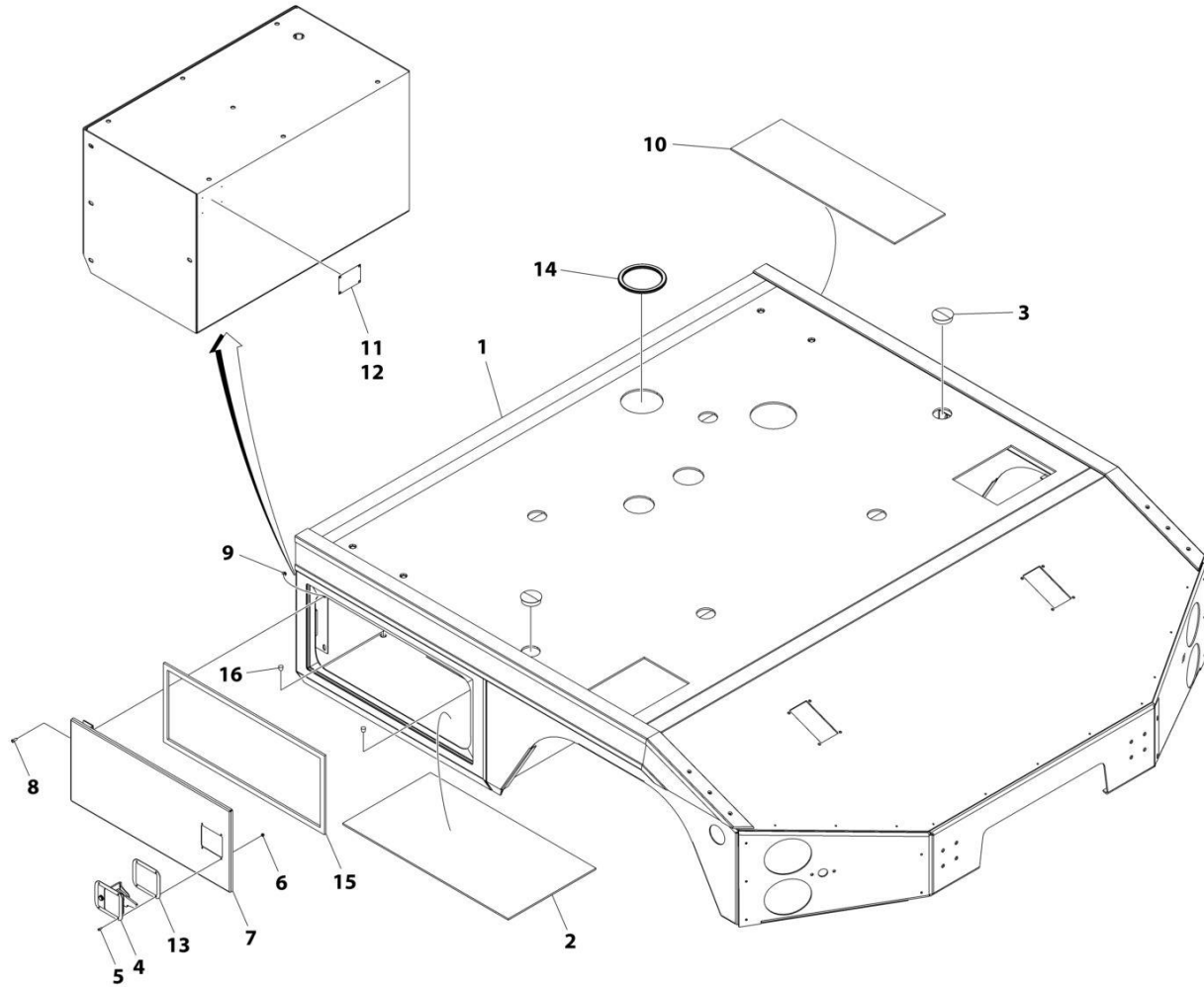
SECTION 4 - BODY

FIGURE 4-18. BODY ASSEMBLY - ALUMINUM (NO TOOLBOXES - 84IN CA)

ITEM	PART NUMBER	QTY	DESCRIPTION	REV
	3502080181	Ref	BODY ASSEMBLY	B
1	3512300117	1	Deck (aluminum)	
2	4686000030	1	Body Panel - LH	
3	4686000031	1	Body Panel - RH	
4	4415000049	1	Fender LH	
5	4415000048	1	Fender RH	
6	3502300022	1	Tail - LH	
7	3502300021	1	Tail - RH	
8	4706002282	1	Plate	
9	7701000003	2	Plug	
10	7111140650	9	Bolt 1/4 x 3/4	
11	4706002286	1	Plate	
12	7660162601	7	Nut 3/8	
13	7114140818	21	Capscrew 1/4 x 1	
14	7115161050	27	Bolt 3/8 x 1-1/4	
15	7114141023	6	Capscrew 1/4 x 1-1/4	
16	7660142600	27	Nut 1/4	
17	7950140161	35	Washer 1/4	
18	7950160161	48	Washer 3/8	
19	7950160000	20	Washer 3/8 ID	
20	7413000002	12	Nut 1/4	
21	7115140850	3	Bolt 1/4 x 1	
22	4706001333	1	Plate	
23	4706001334	1	Plate	
24	4706001519	1	Plate	
25	See Note	NSS	Nameplate, Manufacturer Serial Number (Note: Not Available for Purchase)	
26	7759000004	4	Pop Rivet	
27	7950140000	12	Washer 1/4	
28	3502300054	1	Tail Plate	
29	8632000018	1	Edge Trim	
30	7114181418	4	Capscrew 1/2 x 1-3/4	

SECTION 4 - BODY

FIGURE 4-19. BODY ASSEMBLY - STEEL (BOTH SIDE TOOLBOXES - 60IN/84IN CA)



ART_3502080183

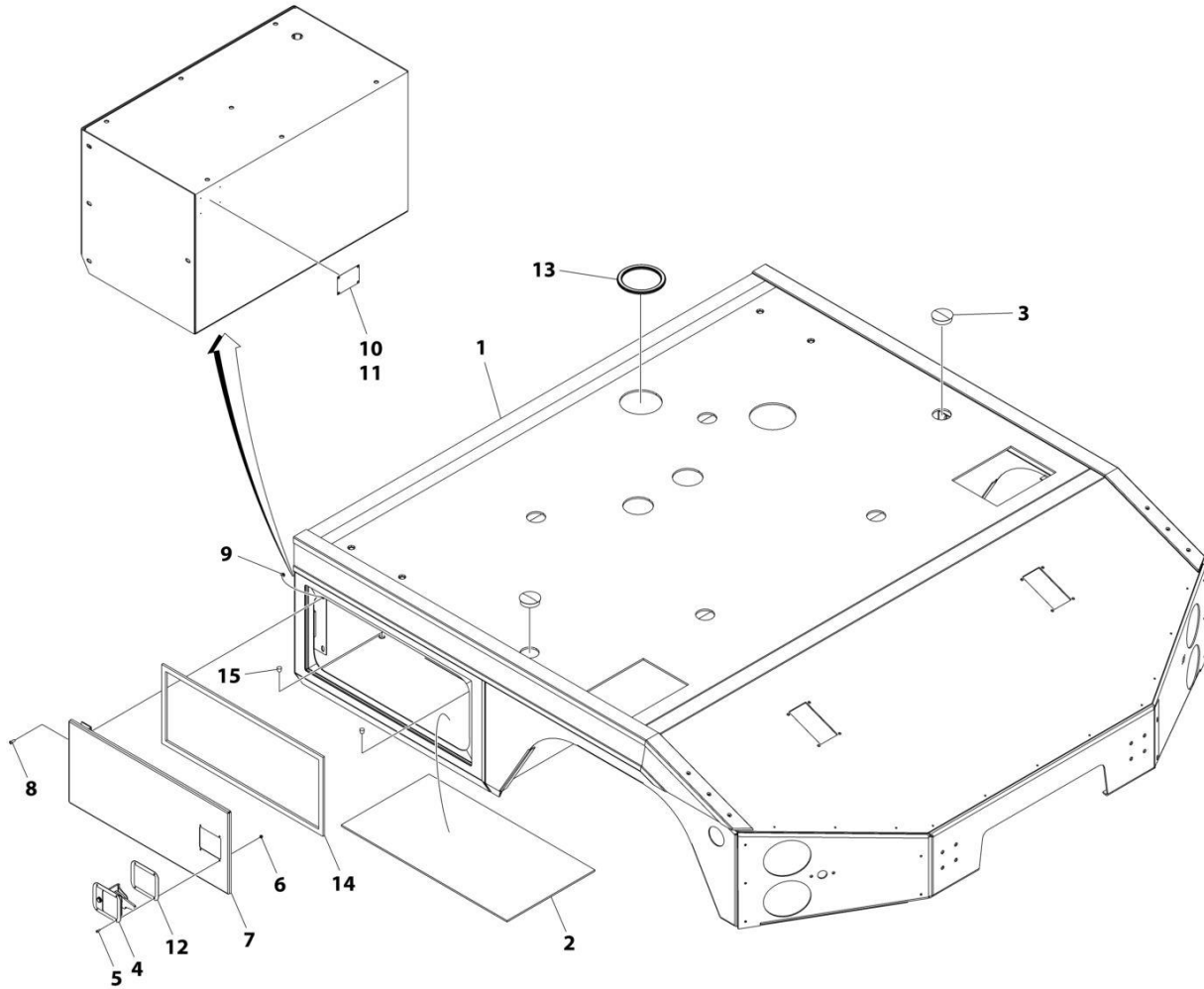
SECTION 4 - BODY

FIGURE 4-19. BODY ASSEMBLY - STEEL (BOTH SIDE TOOLBOXES - 60IN/84IN CA)

ITEM	PART NUMBER	QTY	DESCRIPTION	REV
	3502080183	Ref	BODY ASSEMBLY	C
1	3097000535	1	Deck (Steel) (Left & Right Side Toolbox)	
2	4679000087	1	Pad	
3	7701000003	2	Plug	
4	7595000002	2	Paddle Handle	
5	7114080418	8	Capscrew #8 x 1/2	
6	7660082500	8	Nut #8	
7	3706000040	2	Plate	
8	7118160516	4	Capscrew 3/8 x 5/8	
9	7660162301	4	Nut 3/8	
10	4679000084	1	Pad	
11	See Note	NSS	Nameplate, Manufacturer Serial Number (Note: Not Available for Purchase)	
12	7759000004	4	Pop Rivet	
13	7796000031	2	Gasket	
14	8632000018	1.5 ft / 0.46m	Edge Trim	
15	7796000002	12 ft / 3.66m	Seal	
16	7701000032	4	Plug	

SECTION 4 - BODY

FIGURE 4-20. BODY ASSEMBLY - STEEL (DRIVERS SIDE TOOLBOX - 60IN/84IN CA)



ART_3502080182

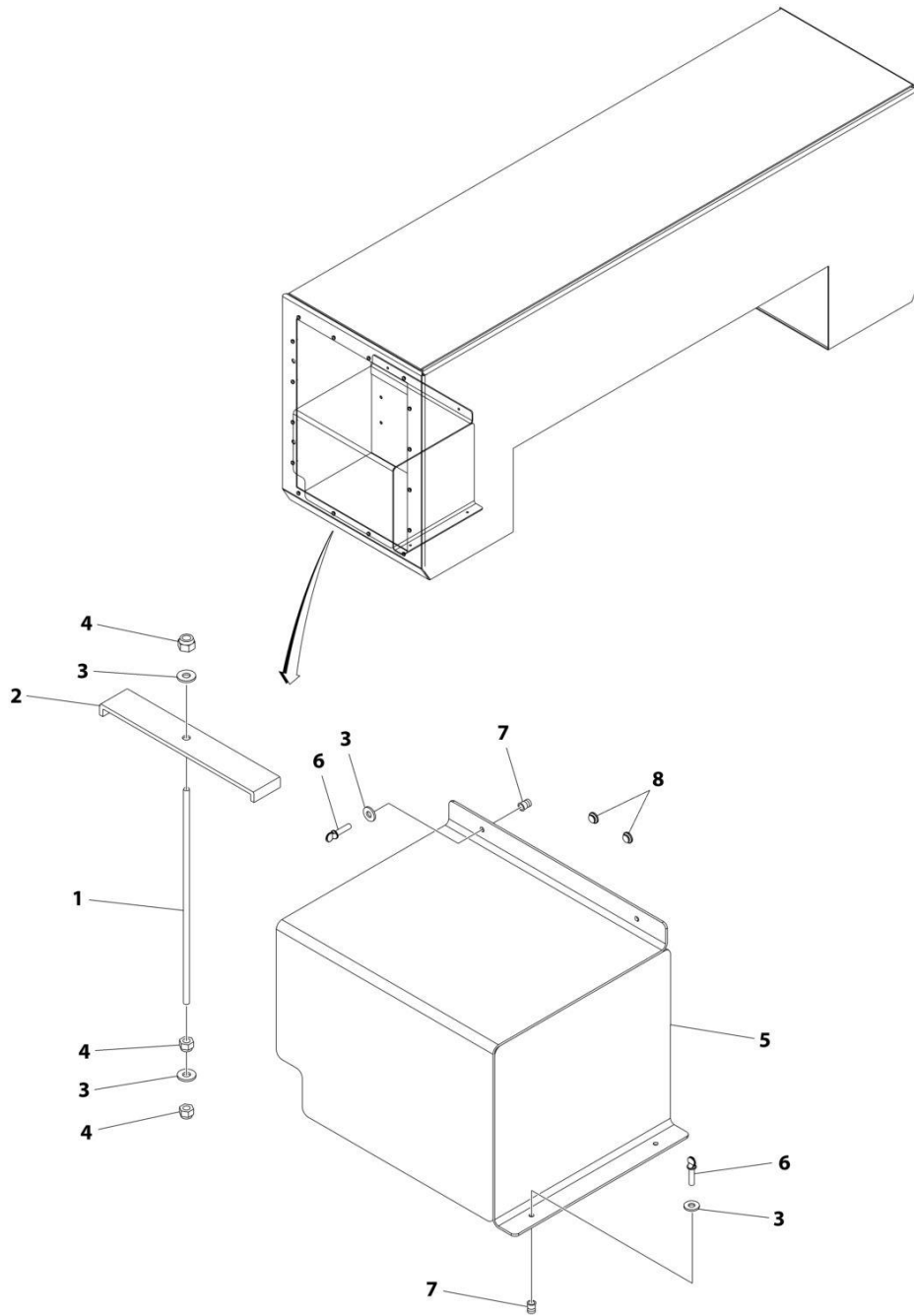
SECTION 4 - BODY

FIGURE 4-20. BODY ASSEMBLY - STEEL (DRIVERS SIDE TOOLBOX - 60IN/84IN CA)

ITEM	PART NUMBER	QTY	DESCRIPTION	REV
	3502080182	Ref	BODY ASSEMBLY	C
1	3097000534	1	Deck (Steel) (Left Side Toolbox)	
2	4679000087	1	Pad	
3	7701000003	2	Plug	
4	7595000002	1	Paddle Handle	
5	7114080418	4	Capscrew #8 x 1/2	
6	7660082500	4	Nut #8	
7	3706000040	1	Plate	
8	7118160516	2	Capscrew 3/8 x 5/8	
9	7660162301	2	Nut 3/8	
10	See Note	NSS	Nameplate, Manufacturer Serial Number (Note: Not Available for Purchase)	
11	7759000004	4	Pop Rivet	
12	7796000031	1	Gasket	
13	8632000018	1.5 ft / 0.46m	Edge Trim	
14	7796000002	6 ft / 1.83m	Seal	
15	7701000032	2	Plug	

SECTION 4 - BODY

FIGURE 4-21. BATTERY COVER INSTALLATION



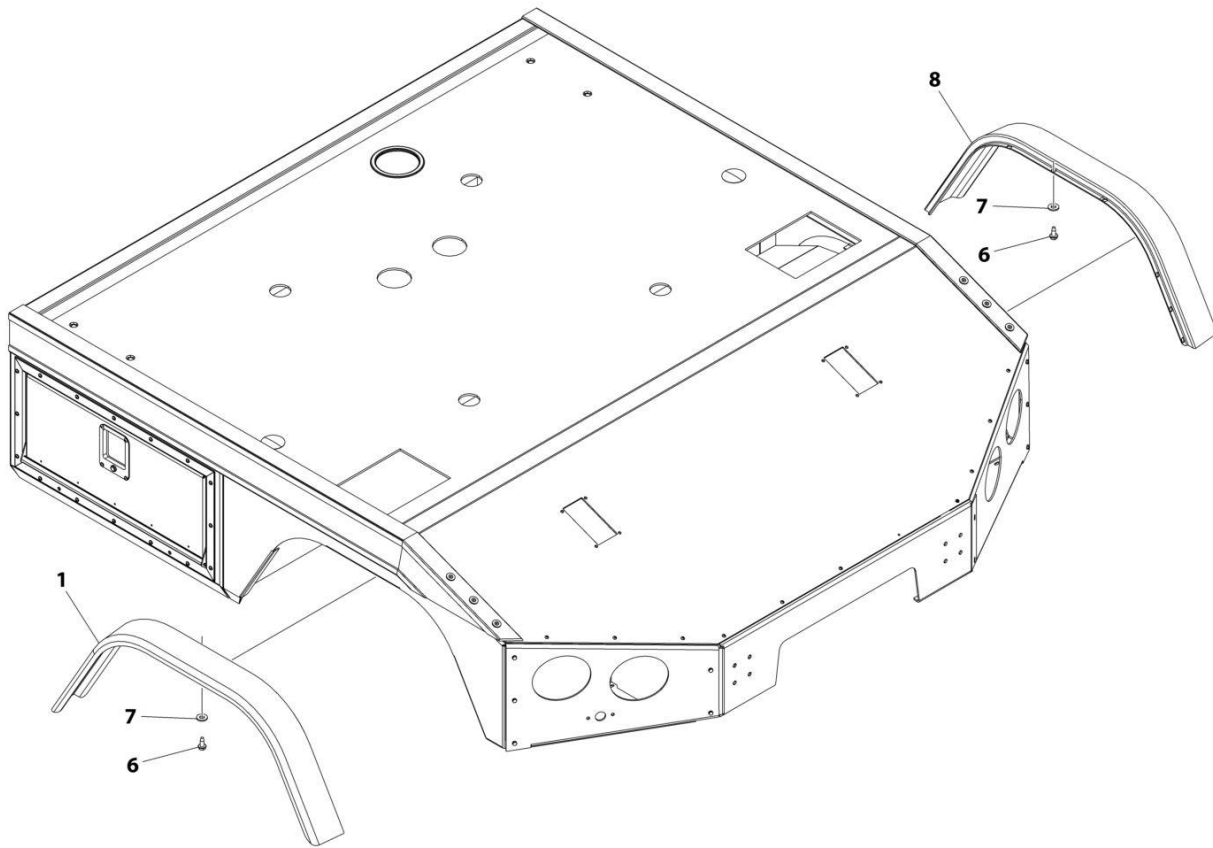
ART_231400023

FIGURE 4-21. BATTERY COVER INSTALLATION

ITEM	PART NUMBER	QTY	DESCRIPTION	REV
	2314000023	Ref	BATTERY BOX - TUNNEL TOOLBOX	A
1	4763000418	1	Threaded Rod	
2	4062000687	1	Bar	
3	7950140153	6	Washer 1/4 ID	
4	7660142604	3	Nut 1/4	
5	3314000050	1	Coverplate	
6	7120000070	4	Thumbscrew 1/4 x 1	
7	7413000002	4	Nutsert 1/4	
8	7493000014	2	Grommet	

SECTION 4 - BODY

FIGURE 4-22. FENDER FLARE INSTALLATION - ALUMINUM BODY (2.25IN)



ART_2502080078

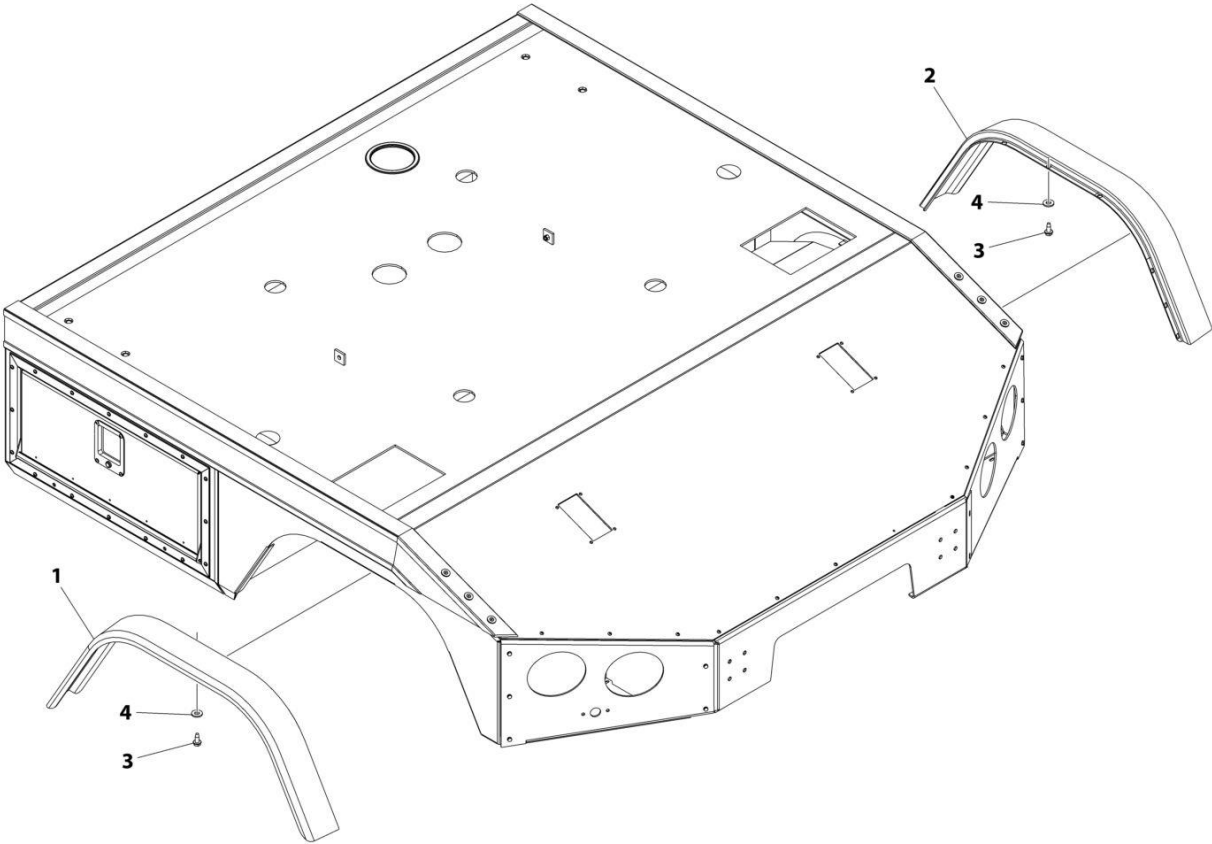
SECTION 4 - BODY

FIGURE 4-22. FENDER FLARE INSTALLATION - ALUMINUM BODY (2.25IN)

ITEM	PART NUMBER	QTY	DESCRIPTION	REV
	2502080078	Ref	FIBER GLASS FENDER FLARES INSTALLATION	A
1	1001131454	1	Flare, Fender (RH)	
6	7790100856	18	Screw #10 x 1/2	
7	7950100151	18	Washer	
8	1001131455	1	Flare, Fender (LH)	

SECTION 4 - BODY

FIGURE 4-23. FENDER FLARE INSTALLATION - ALUMINUM BODY (4IN)



ART_2502080163

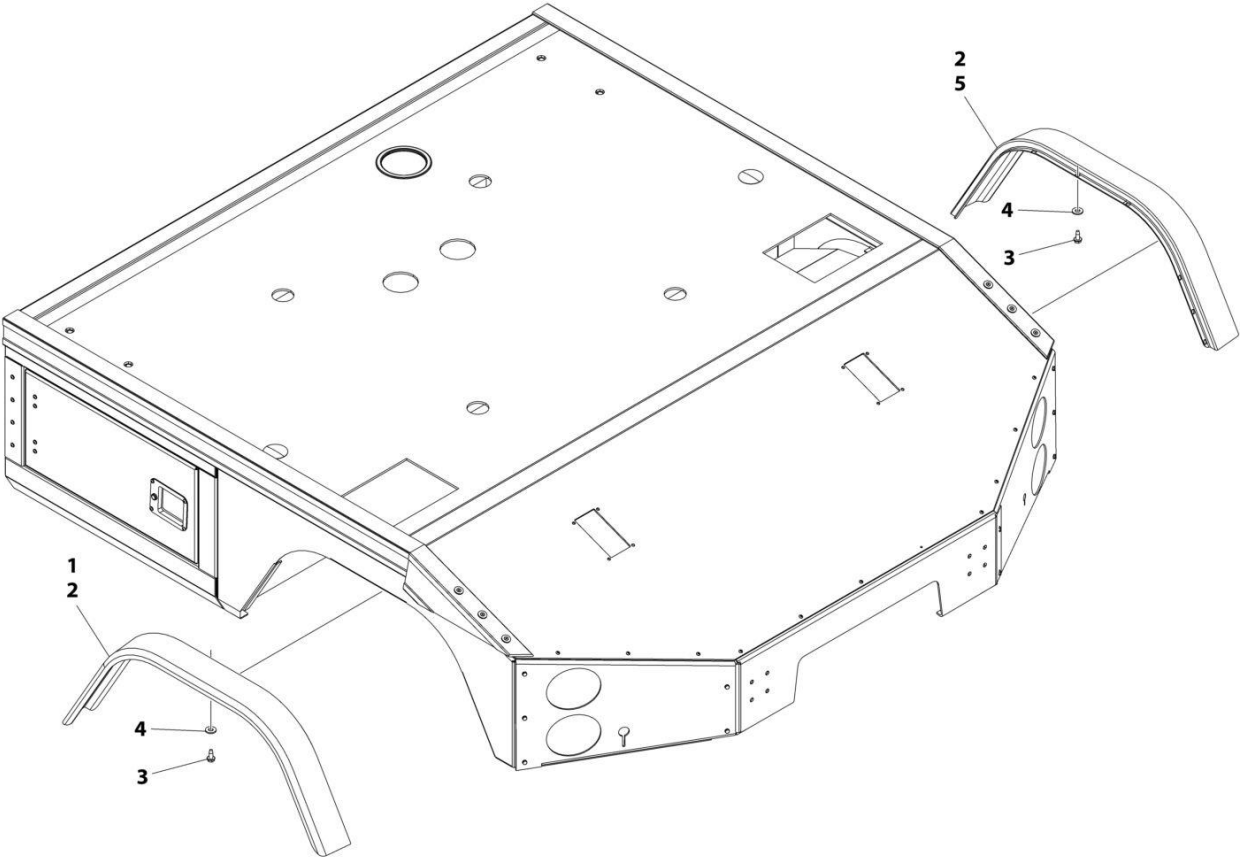
SECTION 4 - BODY

FIGURE 4-23. FENDER FLARE INSTALLATION - ALUMINUM BODY (4IN)

ITEM	PART NUMBER	QTY	DESCRIPTION	REV
	2502080163	Ref	FIBER GLASS FLARES INSTALLATION	0
1	7415000017	1	Flare, Fender (RH)	
2	7415000018	1	Flare, Fender (LH)	
3	7790141056	16	Screw 1/4 x 5/8	
4	7950140141	16	Washer 1/4	

SECTION 4 - BODY

FIGURE 4-24. FENDER FLARE INSTALLATION - STEEL BODY (2.25IN)



ART_2502080080

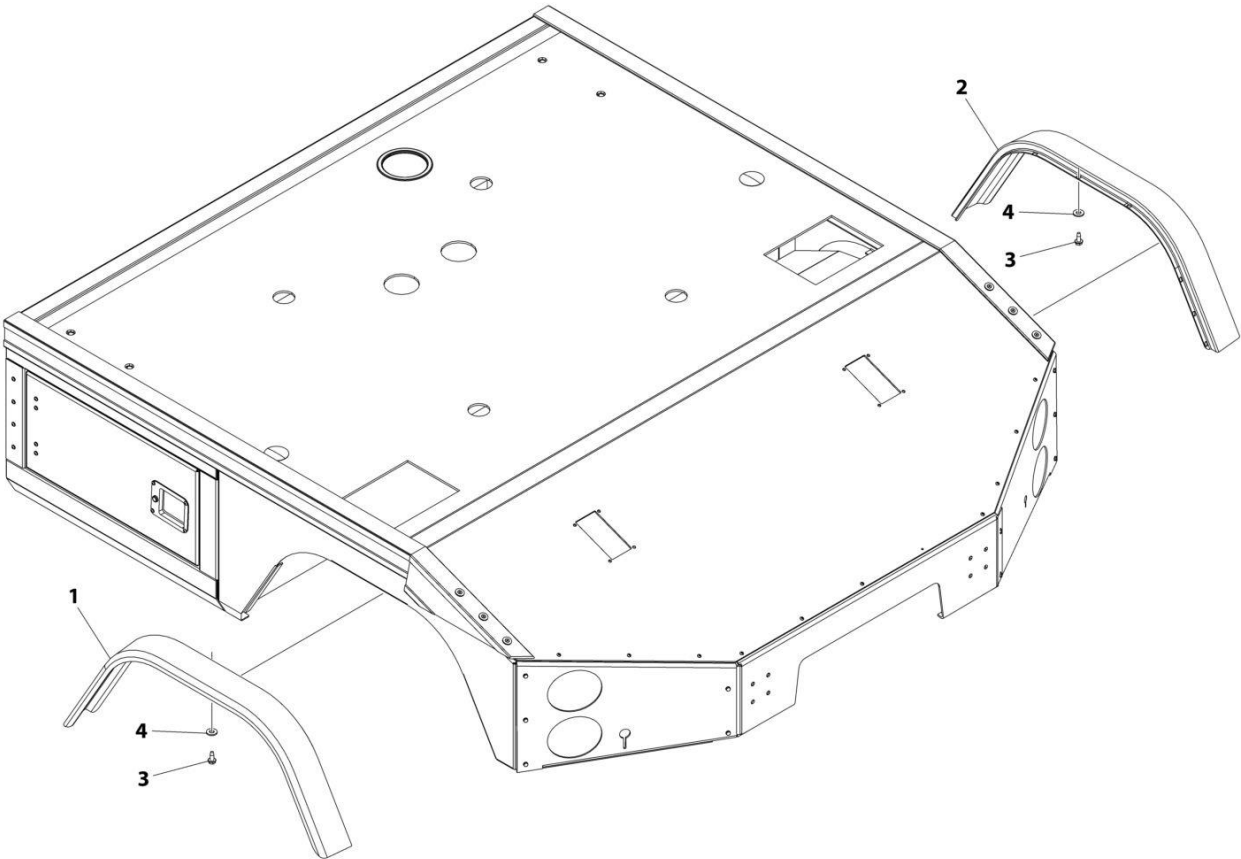
SECTION 4 - BODY

FIGURE 4-24. FENDER FLARE INSTALLATION - STEEL BODY (2.25IN)

ITEM	PART NUMBER	QTY	DESCRIPTION	REV
	2502080080	Ref	FIBER GLASS FENDER FLARES INSTALLATION	A
1	1001131454	1	Flare, Fender (RH)	
2	4706001262	2	Plate	
3	7790100856	22	Screw #10 x 1/2	
4	7950100151	22	Washer	
5	1001131455	1	Flare, Fender (LH)	

SECTION 4 - BODY

FIGURE 4-25. FENDER FLARE INSTALLATION - STEEL BODY (4IN)



ART_2502080164

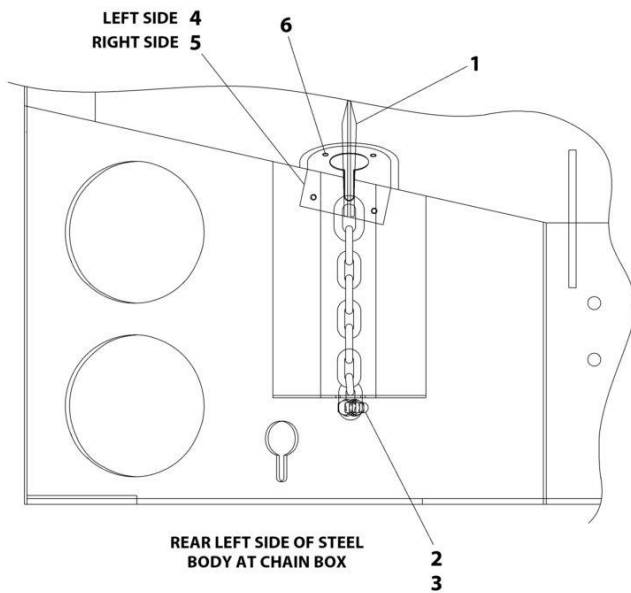
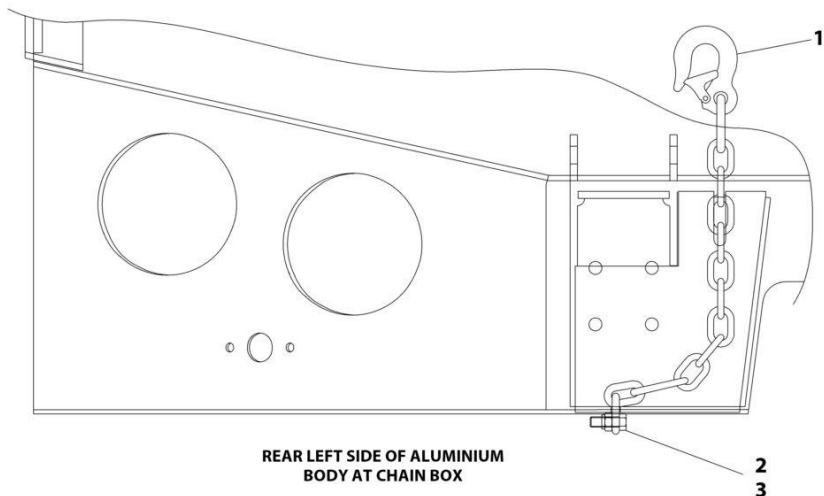
SECTION 4 - BODY

FIGURE 4-25. FENDER FLARE INSTALLATION - STEEL BODY (4IN)

ITEM	PART NUMBER	QTY	DESCRIPTION	REV
	2502080164	Ref	FIBER GLASS FLARES INSTALLATION	0
1	7415000017	1	Flare, Fender (RH)	
2	7415000018	1	Flare, Fender (LH)	
3	7790141056	16	Screw 1/4 x 5/8	
4	7950140141	16	Washer 1/4	

SECTION 4 - BODY

FIGURE 4-26. CHAIN & GUARD INSTALLATION



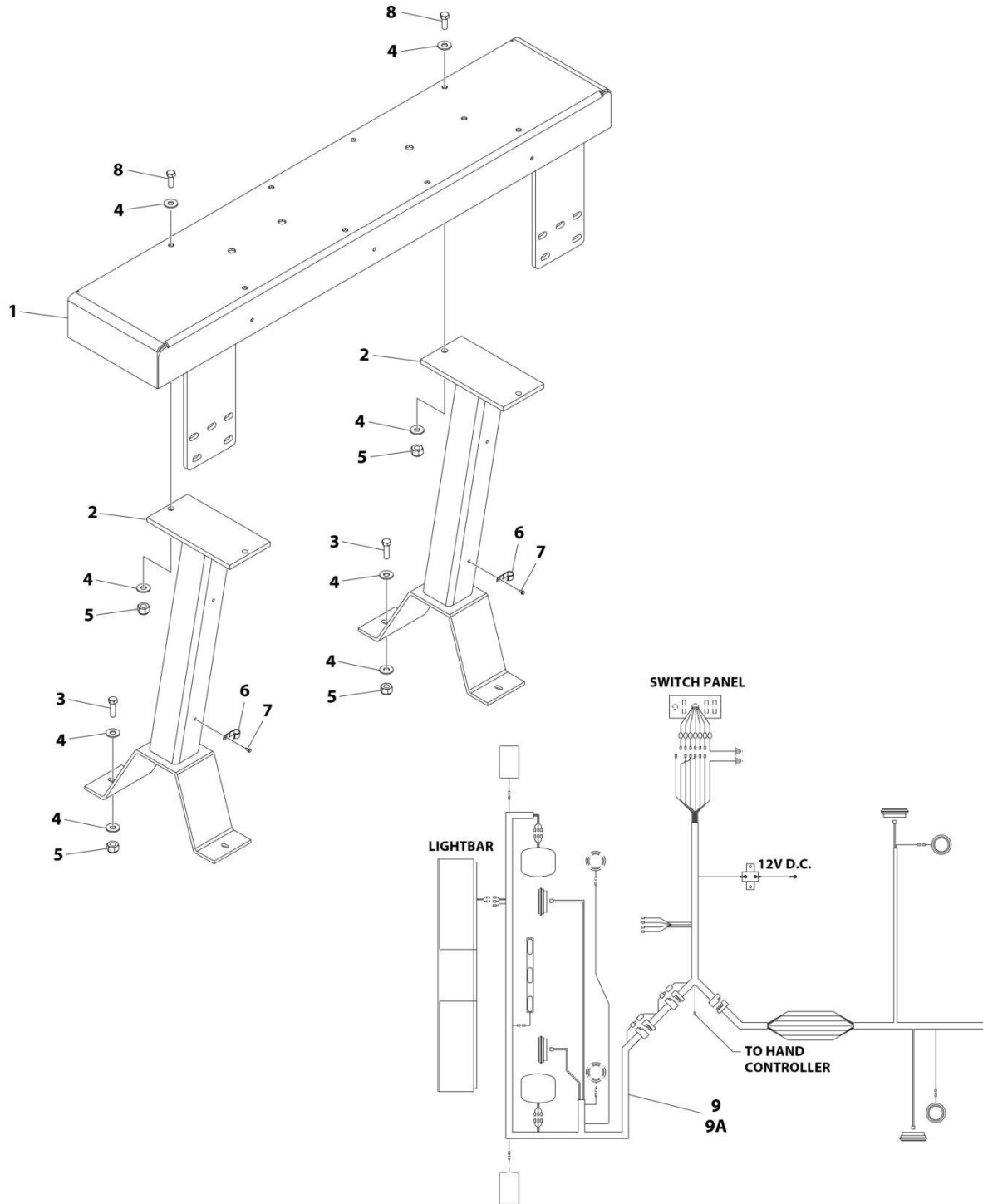
ART_2262870001

FIGURE 4-26. CHAIN & GUARD INSTALLATION

ITEM	PART NUMBER	QTY	DESCRIPTION	REV
	2262870001	Ref	CHAIN AND GUARD INSTALLATION	C
1	7262000040	2	Chain	
2	7115171050	2	Bolt 7/16 x 1-1/4	
3	7660172600	2	Nut 7/16	
4	4314000030	1	Cover Plate - LH	
5	4314000029	1	Cover Plate - RH	
6	7759000007	8	Drive Rivet	

SECTION 4 - BODY

FIGURE 4-27. PYLON INSTALLATION - 17IN



ART_2511150017

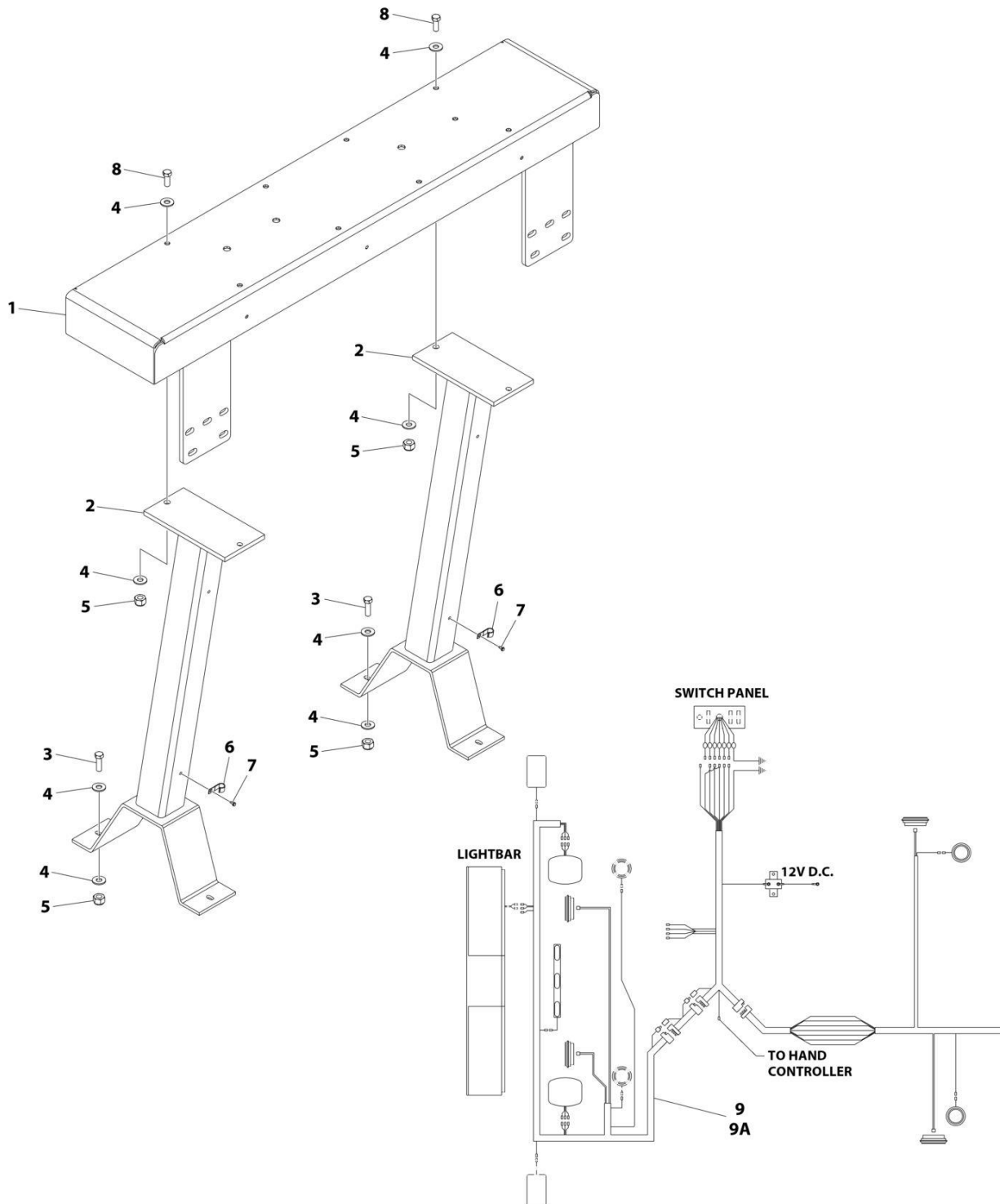
SECTION 4 - BODY

FIGURE 4-27. PYLON INSTALLATION - 17IN

ITEM	PART NUMBER	QTY	DESCRIPTION	REV
	2511150017	Ref	PYLON INSTALLATION	F
1	3263000011	1	Channel	
2	3178000060	2	Bracket	
3	7115161050	4	Bolt 3/8 x 1-1/4	
4	7950150161	16	Washer 5/16	
5	7660162601	8	Nut 3/8	
6	7280000006	2	Clip	
7	7790100856	2	Screw #10 x 1/2	
8	7115160850	4	Bolt 3/8 x 1	
9	2502330285	1	Wiring Installation	
9A	7552000239	1	Harness, Pylon Light (See Separate Breakdown in this Section)	

SECTION 4 - BODY

FIGURE 4-28. PYLON INSTALLATION - 20IN



ART_2511570117

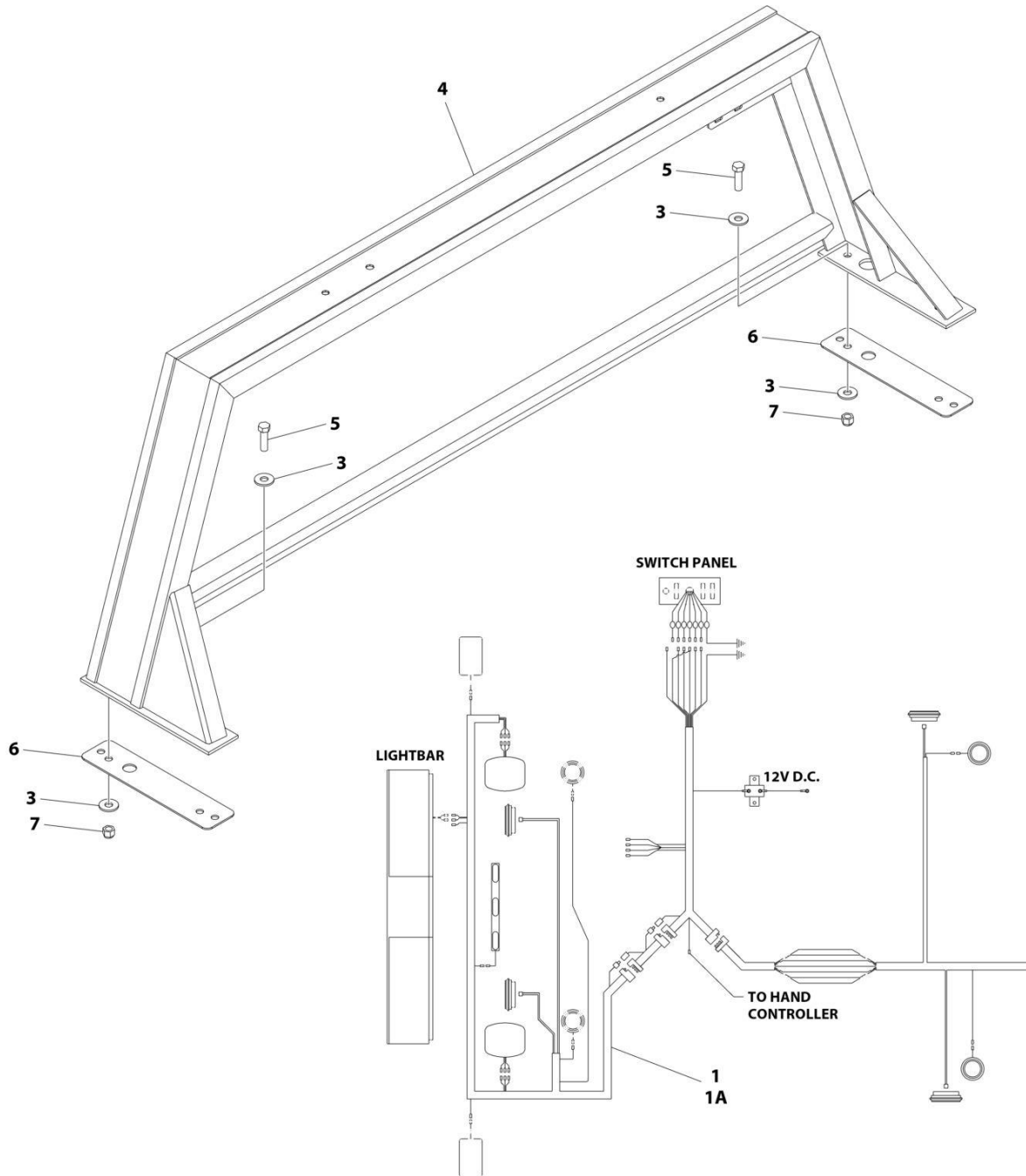
SECTION 4 - BODY

FIGURE 4-28. PYLON INSTALLATION - 20IN

ITEM	PART NUMBER	QTY	DESCRIPTION	REV
	2511570117	Ref	WINCH MOUNTED LIGHT PYLON	A
1	3263000011	1	Channel	
2	3178000530	2	Bracket	
3	7115161050	4	Bolt 3/8 x 1-1/4	
4	7950150161	16	Washer 5/16	
5	7660162601	8	Nut 3/8	
6	7280000006	2	Clip	
7	7790100856	2	Screw #10 x 1/2	
8	7115160850	4	Bolt 3/8 x 1	
9	2502330285	1	Wiring Installation	
9A	7552000239	1	Harness, Pylon Light (See Separate Breakdown in ELECTRICAL Section)	

SECTION 4 - BODY

FIGURE 4-29. PYLON INSTALLATION - 24IN TOOLBOX MOUNTED (ALUMINUM BODY) (SN 0230002518 through 0230009713)



ART_2241000011

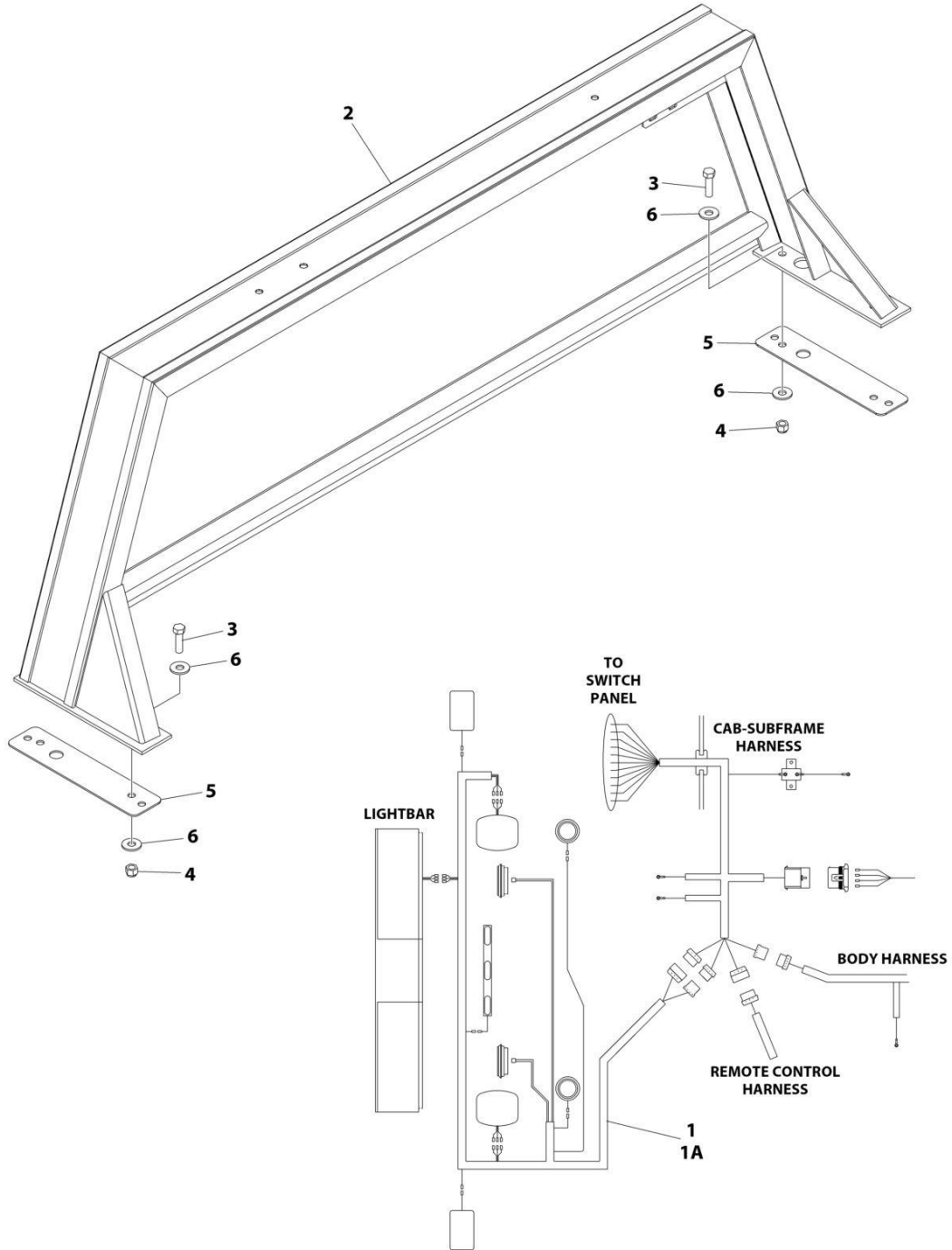
SECTION 4 - BODY

FIGURE 4-29. PYLON INSTALLATION - 24IN TOOLBOX MOUNTED (ALUMINUM BODY) (SN 0230002518 through 0230009713)

ITEM	PART NUMBER	QTY	DESCRIPTION	REV
	2241000011	Ref	HEADBOARD - TOOLBOX MOUNT	D
1	2502330284	1	Wiring, Headboard	
1A	7552000238	1	Harness, Pylon Light (See Separate Breakdown in ELECTRICAL Section)	
3	7950180161	8	Washer 1/2	
4	3241000037	1	Headboard	
5	7115181450	4	Bolt 1/2 x 1-3/4	
6	7796000047	2	Gasket	
7	7660182601	4	Nut 1/2	

SECTION 4 - BODY

FIGURE 4-30. PYLON INSTALLATION - 24IN TOOLBOX MOUNTED (ALUMINUM BODY) (SN 0230009714 to Present)



ART_1001267028

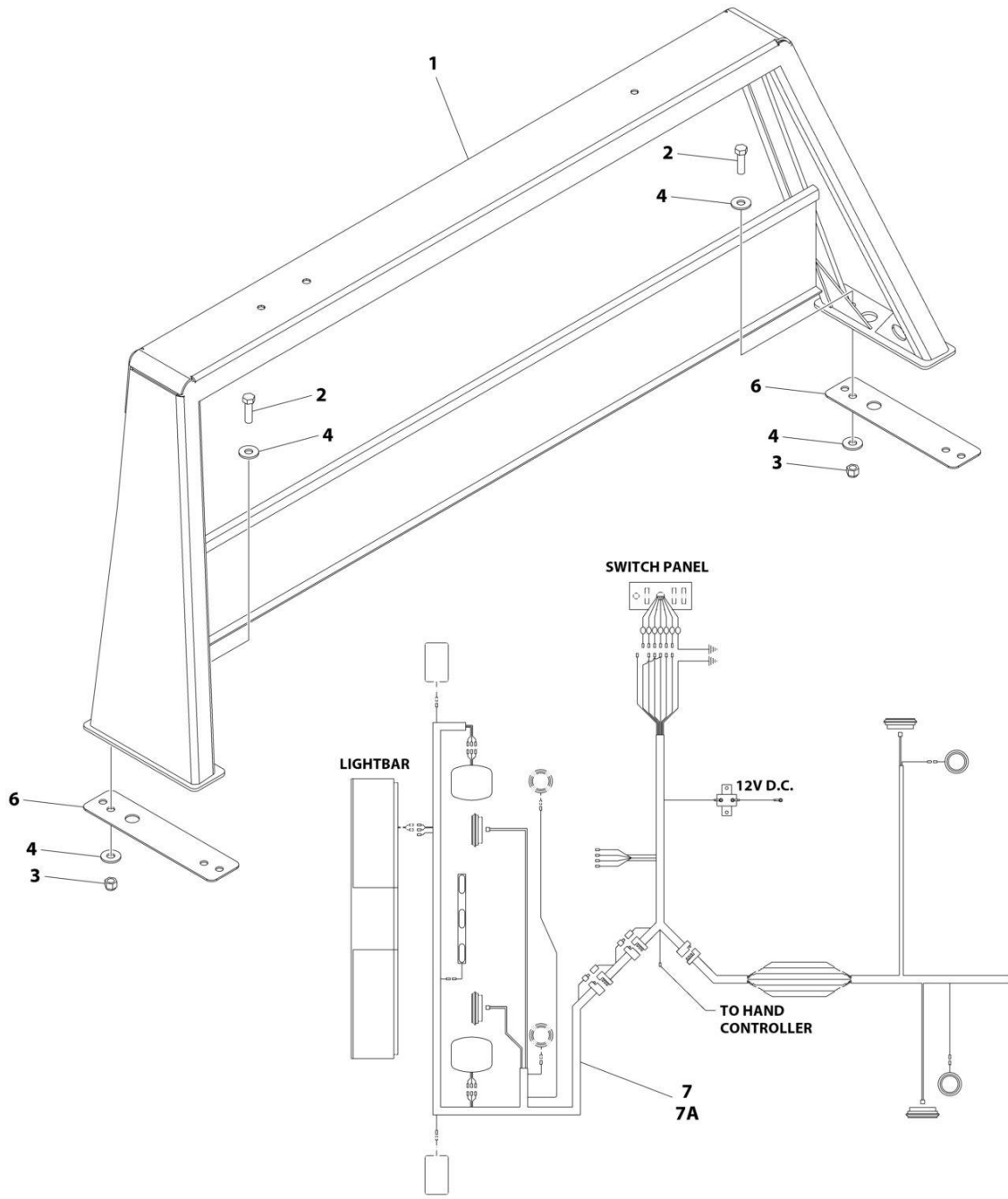
SECTION 4 - BODY

FIGURE 4-30. PYLON INSTALLATION - 24IN TOOLBOX MOUNTED (ALUMINUM BODY) (SN 0230009714 to Present)

ITEM	PART NUMBER	QTY	DESCRIPTION	REV
	1001267028	Ref	HEADBOARD - TOOLBOX MOUNT	A
1	1001266958	1	Wiring, Headboard	
1A	1001266466	1	Harness, Pylon Light (See Separate Breakdown in ELECTRICAL Section)	
2	3241000037	1	Headboard	
3	7115181450	4	Bolt 1/2 x 1-3/4	
4	7660182601	4	Nut 1/2	
5	7796000047	2	Gasket	
6	7950180161	8	Washer 1/2	

SECTION 4 - BODY

FIGURE 4-31. PYLON INSTALLATION - 24IN TOOLBOX MOUNTED (STEEL BODY)



ART_2241000008

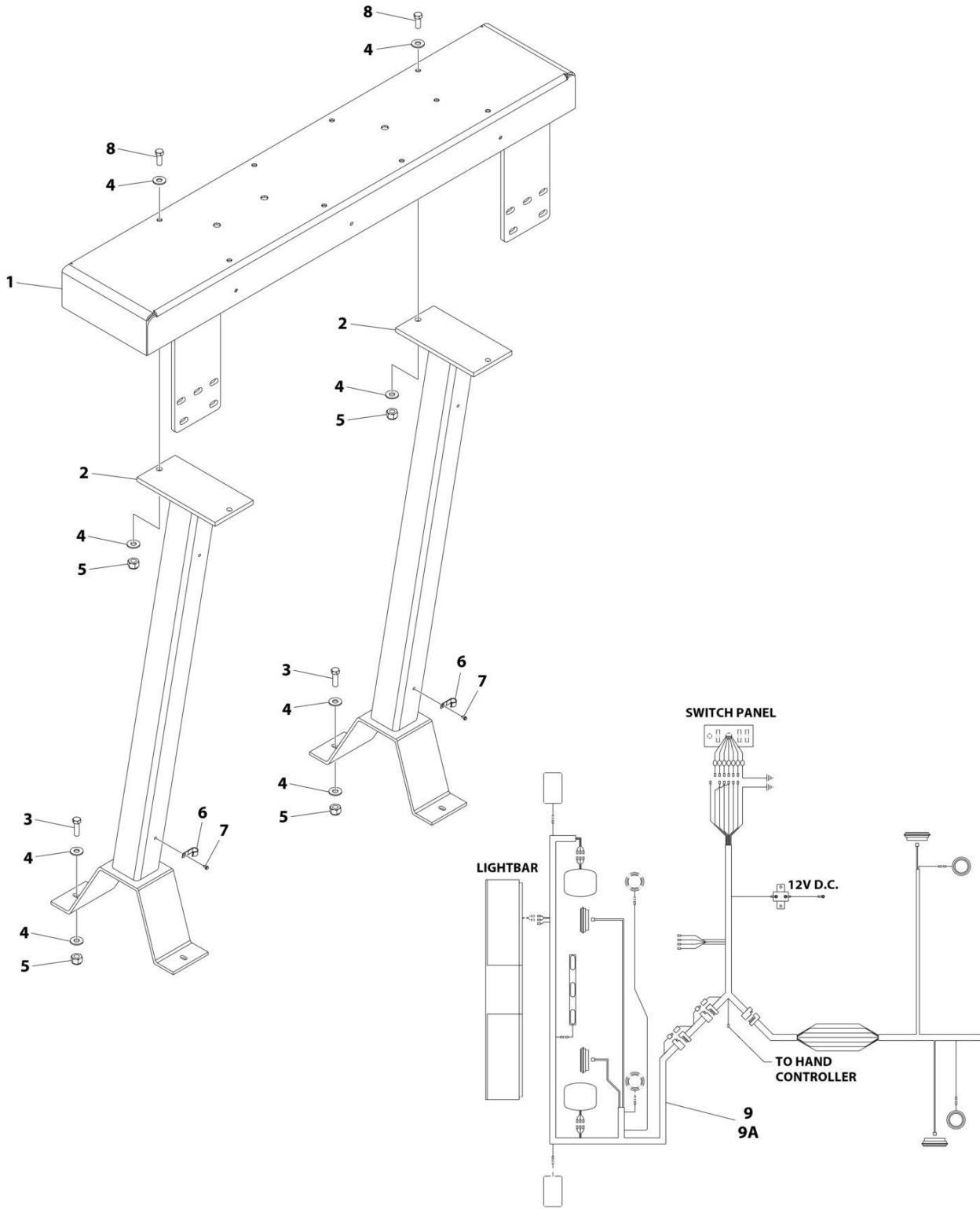
SECTION 4 - BODY

FIGURE 4-31. PYLON INSTALLATION - 24IN TOOLBOX MOUNTED (STEEL BODY)

ITEM	PART NUMBER	QTY	DESCRIPTION	REV
	2241000008	Ref	HEADBOARD - TOOLBOX MOUNT	B
1	3241000034	1	Headboard	
2	7115181450	4	Bolt 1/2 x 1-3/4	
3	7660182601	4	Nut 1/2	
4	7950180161	8	Washer 1/2	
6	7796000047	2	Gasket	
7	2502330284	1	Wiring, Headboard	
7A	7552000238	1	Harness, Pylon Light (See Separate Breakdown in ELECTRICAL Section)	

SECTION 4 - BODY

FIGURE 4-32. PYLON INSTALLATION - 27IN



ART_2511570105

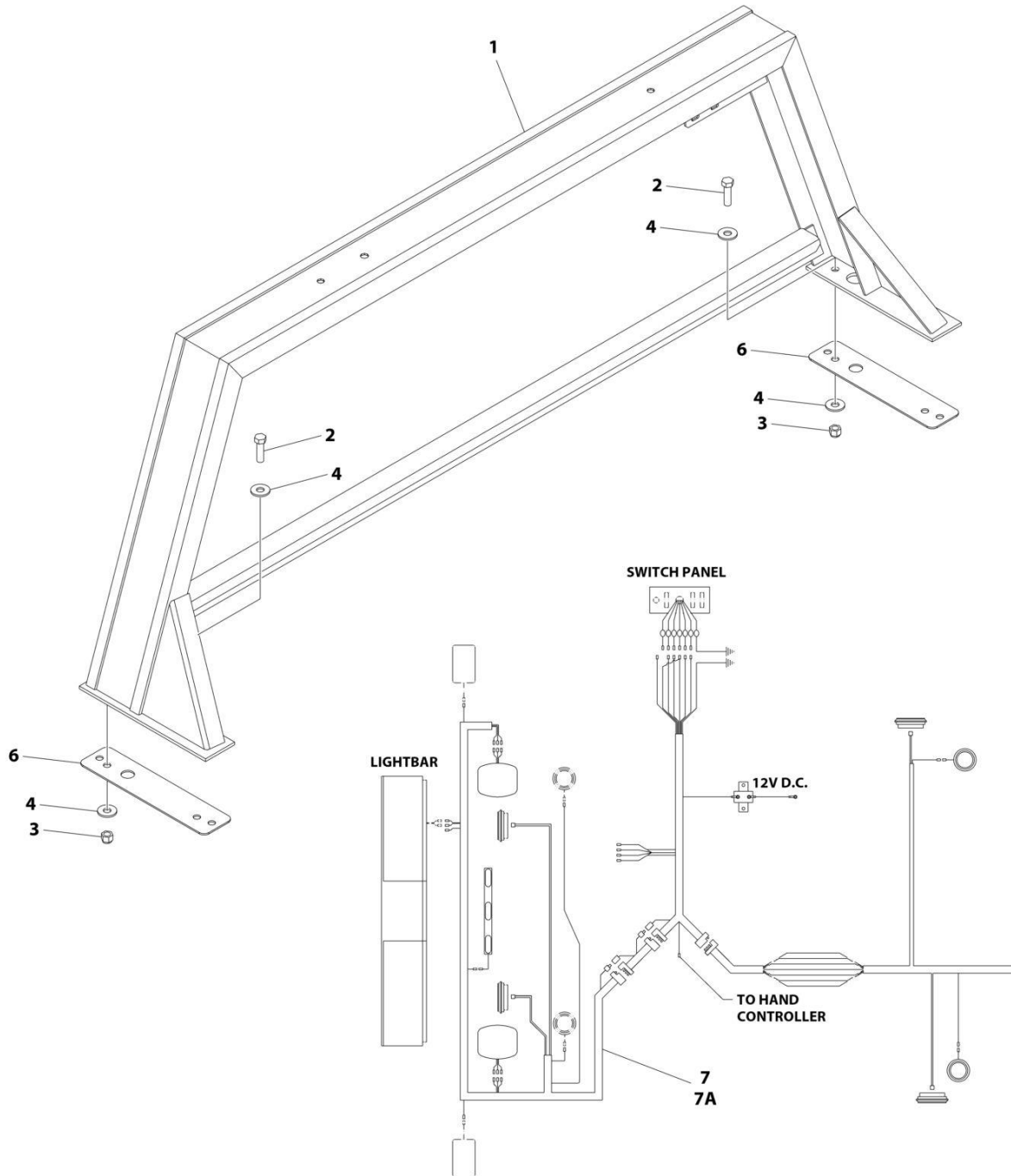
SECTION 4 - BODY

FIGURE 4-32. PYLON INSTALLATION - 27IN

ITEM	PART NUMBER	QTY	DESCRIPTION	REV
	2511570105	Ref	WINCH MOUNTED LIGHT PYLON	E
1	3263000011	1	Channel	
2	3178000100	2	Bracket	
3	7115161050	4	Bolt 3/8 x 1-1/4	
4	7950150161	16	Washer 5/16	
5	7660162601	8	Nut 3/8	
6	7280000006	2	Clip	
7	7790100856	2	Screw #10 x 1/2	
8	7115160850	4	Bolt 3/8 x 1	
9	2502330285	1	Wiring Installation	
9A	7552000239	1	Harness, Pylon Light (See Separate Breakdown in ELECTRICAL Section)	

SECTION 4 - BODY

FIGURE 4-33. PYLON INSTALLATION - 27IN TOOLBOX MOUNTED (ALUMINUM BODY) (SN 0230002518 through 0230009713)



ART_2241000091

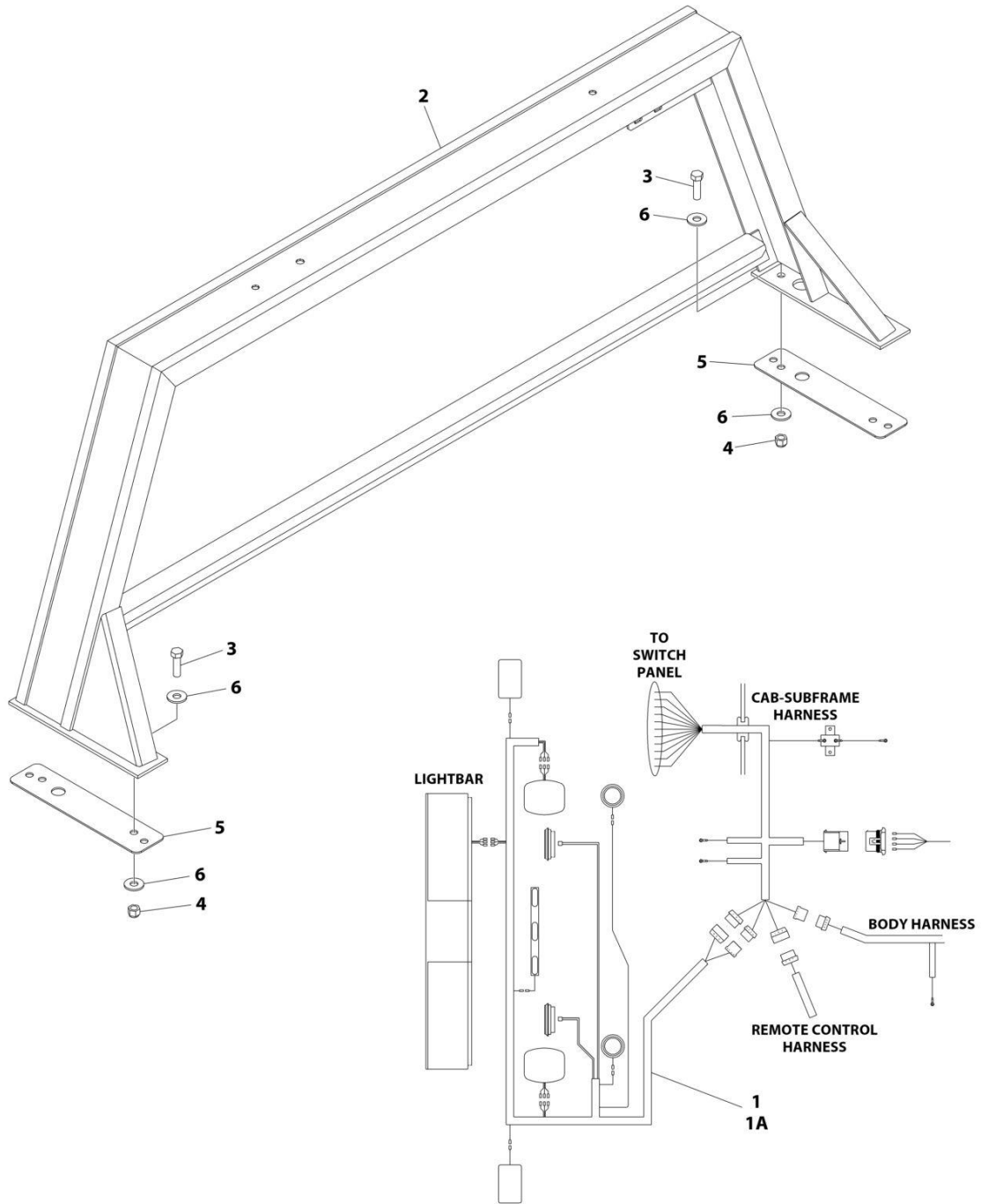
SECTION 4 - BODY

FIGURE 4-33. PYLON INSTALLATION - 27IN TOOLBOX MOUNTED (ALUMINUM BODY) (SN 0230002518 through 0230009713)

ITEM	PART NUMBER	QTY	DESCRIPTION	REV
	2241000091	Ref	HEADBOARD - TOOLBOX MOUNT	C
1	3241000188	1	Headboard	
2	7115181450	4	Bolt 1/2 x 1-3/4	
3	7660182601	4	Nut 1/2	
4	7950180161	8	Washer 1/2	
6	7796000047	2	Gasket	
7	2502330284	1	Wiring, Headboard	
7A	7552000238	1	Harness, Pylon Light (See Separate Breakdown in ELECTRICAL Section)	

SECTION 4 - BODY

FIGURE 4-34. PYLON INSTALLATION - 27IN TOOLBOX MOUNTED (ALUMINUM BODY) (SN 0230009714 to Present)



ART_1001267029

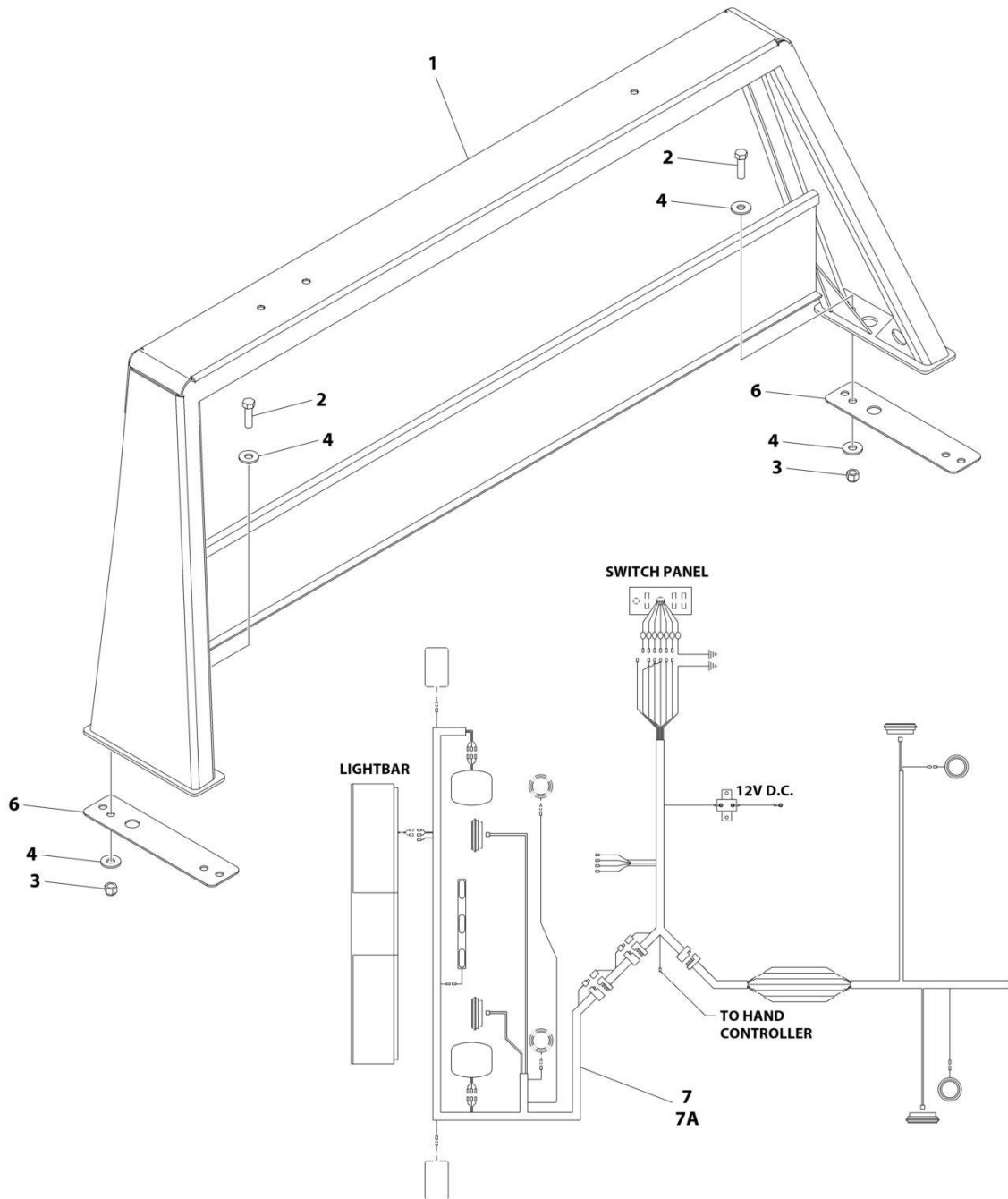
SECTION 4 - BODY

FIGURE 4-34. PYLON INSTALLATION - 27IN TOOLBOX MOUNTED (ALUMINUM BODY) (SN 0230009714 to Present)

ITEM	PART NUMBER	QTY	DESCRIPTION	REV
	1001267029	Ref	HEADBOARD - TOOLBOX MOUNT	A
1	1001266958	1	Wiring, Headboard	
1A	1001266466	1	Harness, Pylon Light (See Separate Breakdown in ELECTRICAL Section)	
2	3241000188	1	Headboard	
3	7115181450	4	Bolt 1/2 x 1-3/4	
4	7660182601	4	Nut 1/2	
5	7796000047	2	Gasket	
6	7950180161	8	Washer 1/2	

SECTION 4 - BODY

FIGURE 4-35. PYLON INSTALLATION - 27IN TOOLBOX MOUNTED (STEEL BODY)



ART_2241000092

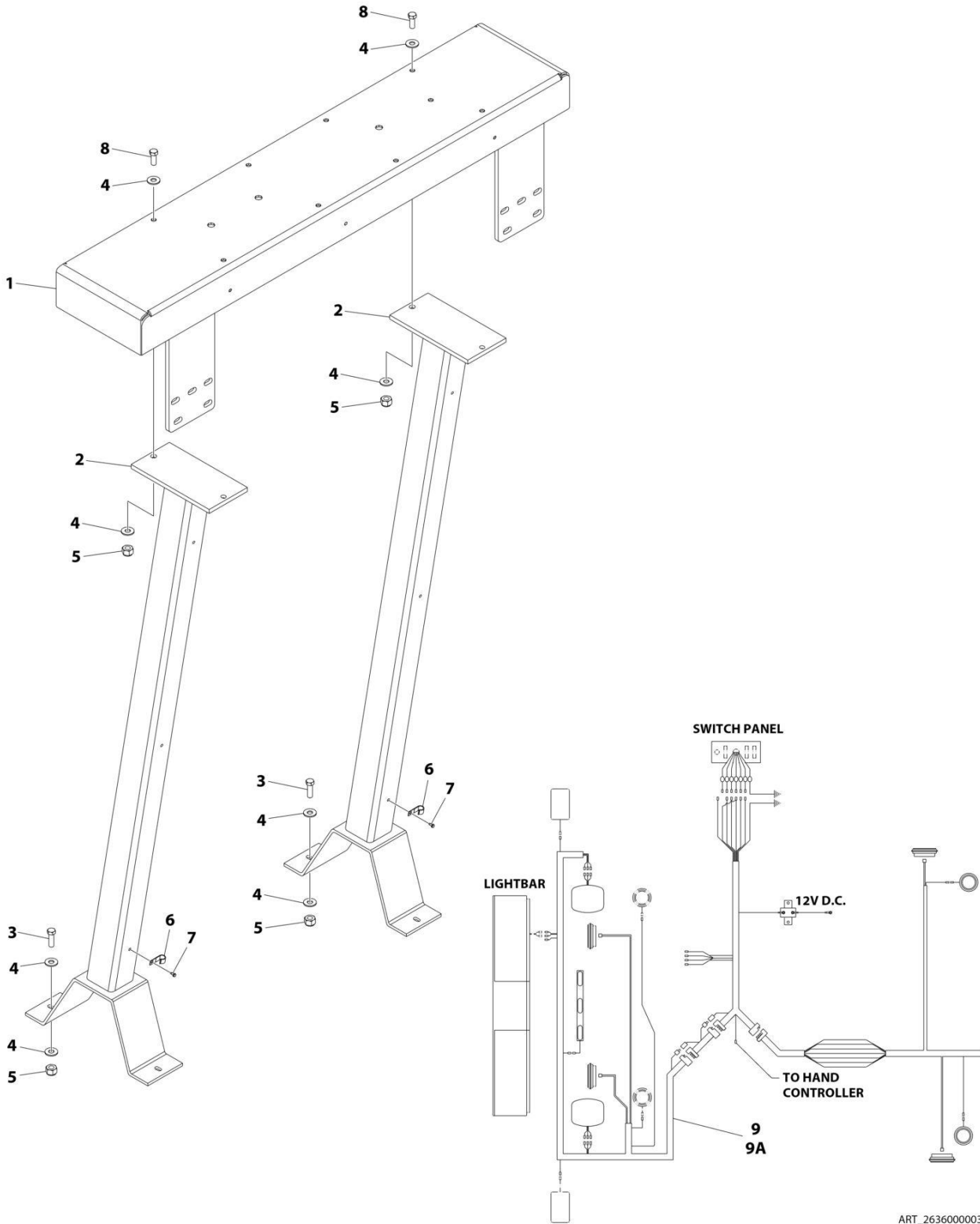
SECTION 4 - BODY

FIGURE 4-35. PYLON INSTALLATION - 27IN TOOLBOX MOUNTED (STEEL BODY)

ITEM	PART NUMBER	QTY	DESCRIPTION	REV
	2241000092	Ref	HEADBOARD - TOOLBOX MOUNT	A
1	3241000189	1	Headboard	
2	7115181450	4	Bolt 1/2 x 1-3/4	
3	7660182601	4	Nut 1/2	
4	7950180161	8	Washer 1/2	
6	7796000047	2	Gasket	
7	2502330284	1	Wiring, Headboard	
7A	7552000238	1	Harness, Pylon Light (See Separate Breakdown in ELECTRICAL Section)	

SECTION 4 - BODY

FIGURE 4-36. PYLON INSTALLATION - 32IN



ART_263600003

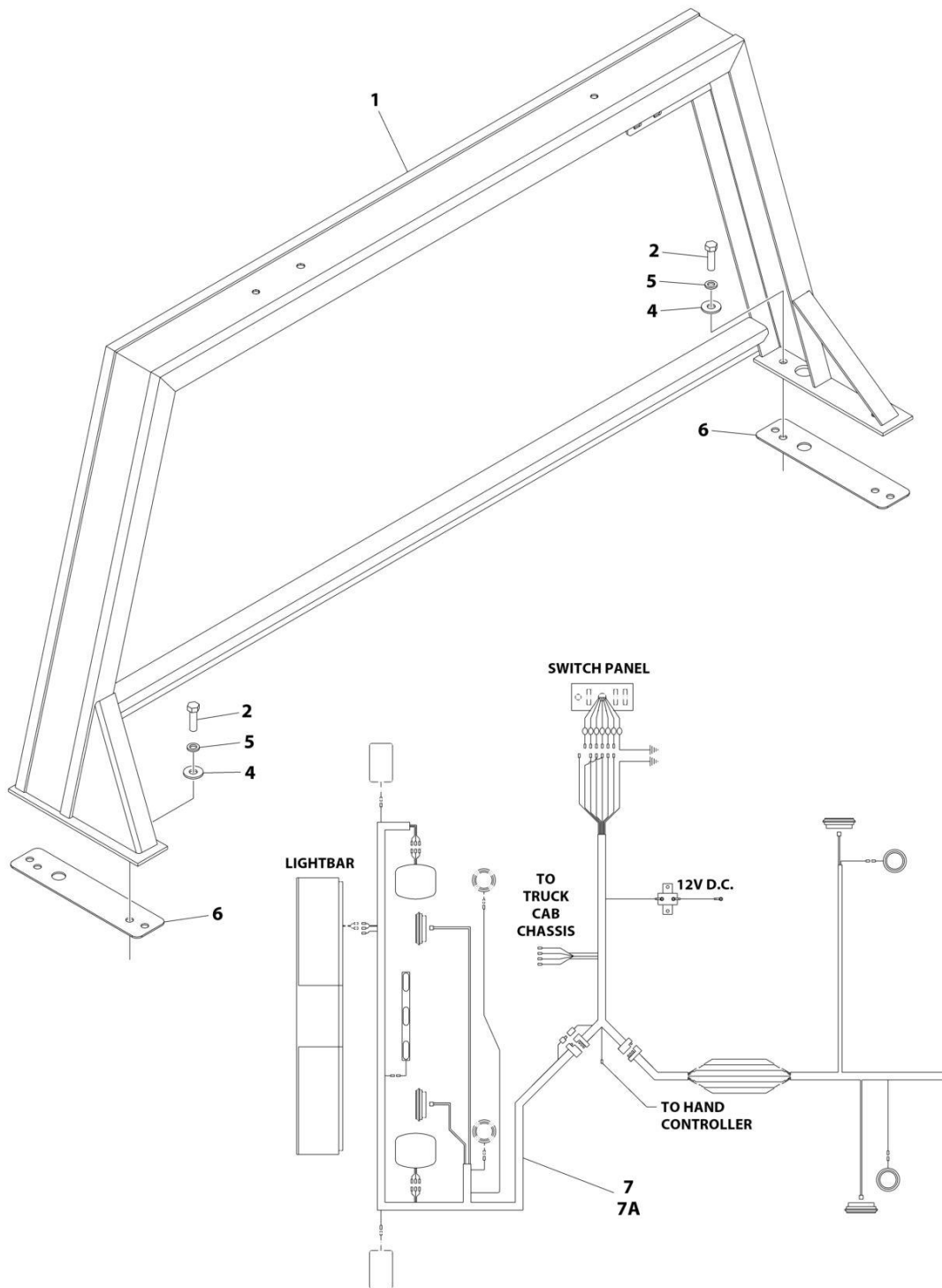
SECTION 4 - BODY

FIGURE 4-36. PYLON INSTALLATION - 32IN

ITEM	PART NUMBER	QTY	DESCRIPTION	REV
	2636000003	Ref	WINCH MOUNTED LIGHT PYLON	B
1	3263000011	1	Channel	
2	3636000046	2	Bracket	
3	7115161050	4	Bolt 3/8 x 1-1/4	
4	7950150161	16	Washer 5/16	
5	7660162601	8	Nut 3/8	
6	7280000006	3	Clip	
7	7790100856	3	Screw #10 x 1/2	
8	7115160850	4	Bolt 3/8 x 1	
9	2502330285	1	Wiring Installation	
9A	7552000239	1	Harness, Pylon Light (See Separate Breakdown in ELECTRICAL Section)	

SECTION 4 - BODY

FIGURE 4-37. PYLON INSTALLATION - 34IN BODY MOUNTED (ALUMINUM BODY) (SN 0230002518 through 0230009713)



ART_2241000012_E

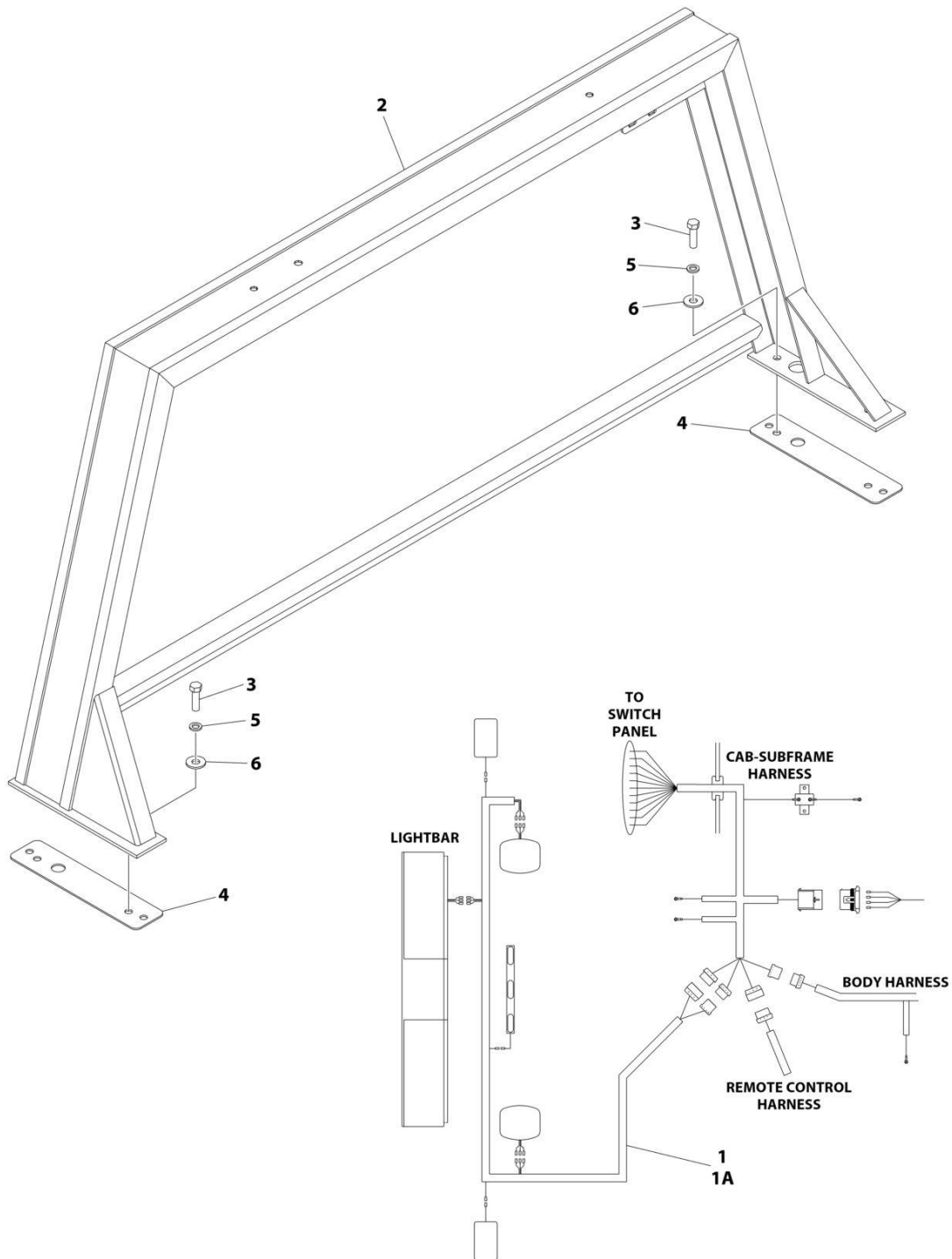
SECTION 4 - BODY

FIGURE 4-37. PYLON INSTALLATION - 34IN BODY MOUNTED (ALUMINUM BODY) (SN 0230002518 through 0230009713)

ITEM	PART NUMBER	QTY	DESCRIPTION	REV
	2241000012	Ref	HEADBOARD - BODY MOUNT	E
1	3241000038	1	Headboard	
2	7115181450	4	Bolt 1/2 x 1-3/4	
4	7950180161	4	Washer 1/2	
5	7950180000	4	Washer 19/32	
6	7796000047	2	Gasket	
7	1001137205	1	Wiring, Headboard	
7A	7552000239	1	Harness, Pylon Light (See Separate Breakdown in ELECTRICAL Section)	
7B	7493000003	1	Grommet (Not Shown)	

SECTION 4 - BODY

FIGURE 4-38. PYLON INSTALLATION - 34IN BODY MOUNTED (ALUMINUM BODY) (SN 0230009714 to Present)



ART_1001267023

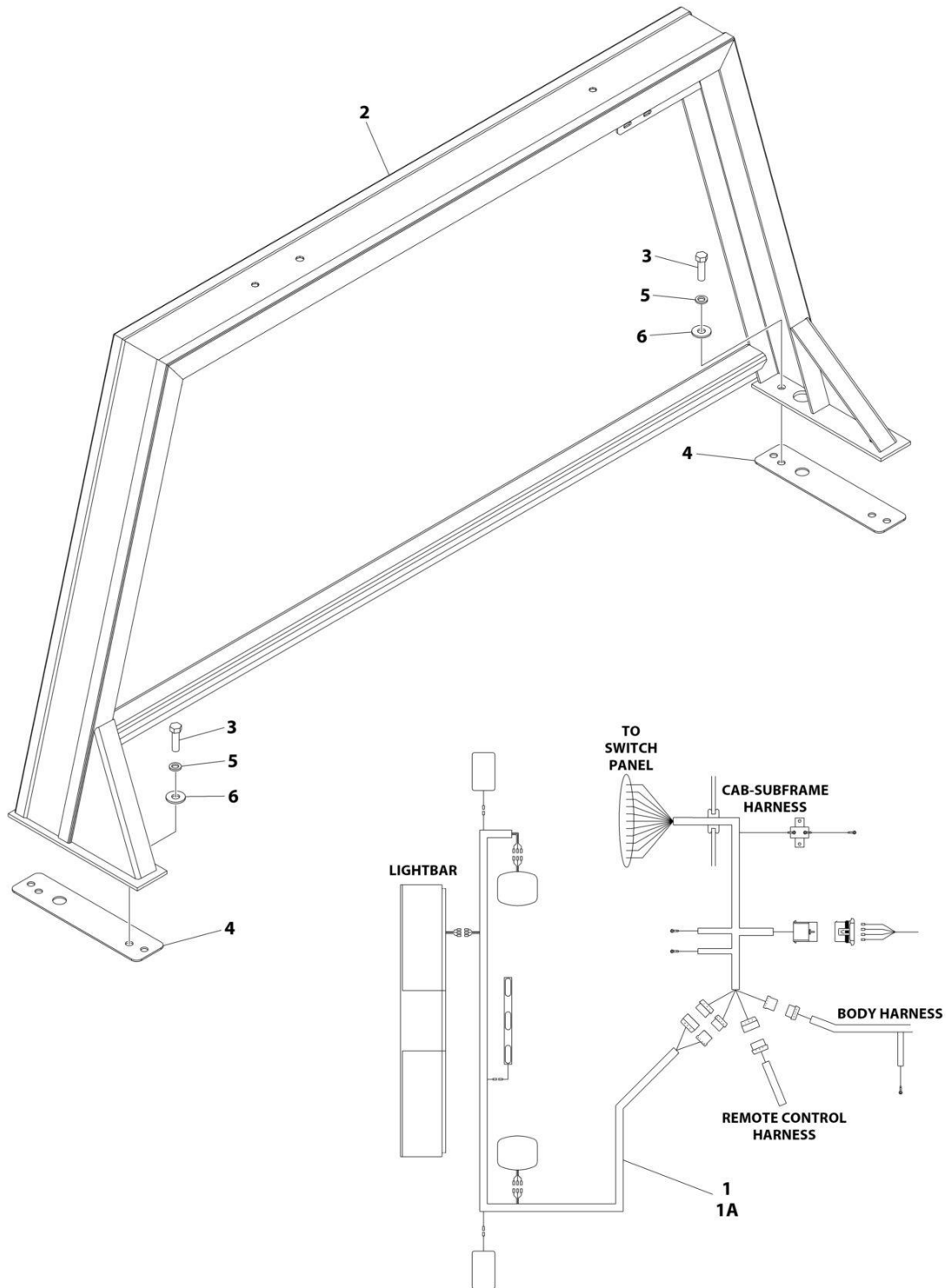
SECTION 4 - BODY

FIGURE 4-38. PYLON INSTALLATION - 34IN BODY MOUNTED (ALUMINUM BODY) (SN 0230009714 to Present)

ITEM	PART NUMBER	QTY	DESCRIPTION	REV
	1001267023	Ref	HEADBOARD - BODY MOUNT	A
1	1001266957	1	Wiring, Headboard	
1A	1001266076	1	Harness, Pylon Light (See Separate Breakdown in ELECTRICAL Section)	
2	3241000038	1	Headboard	
3	7115181450	4	Bolt 1/2 x 1-3/4	
4	7796000047	2	Gasket	
5	7950180000	4	Washer 19/32	
6	7950180161	4	Washer 1/2	

SECTION 4 - BODY

FIGURE 4-39. PYLON INSTALLATION - 37IN BODY MOUNTED (ALUMINUM BODY) (SN 0230009714 to Present)



ART_1001267024

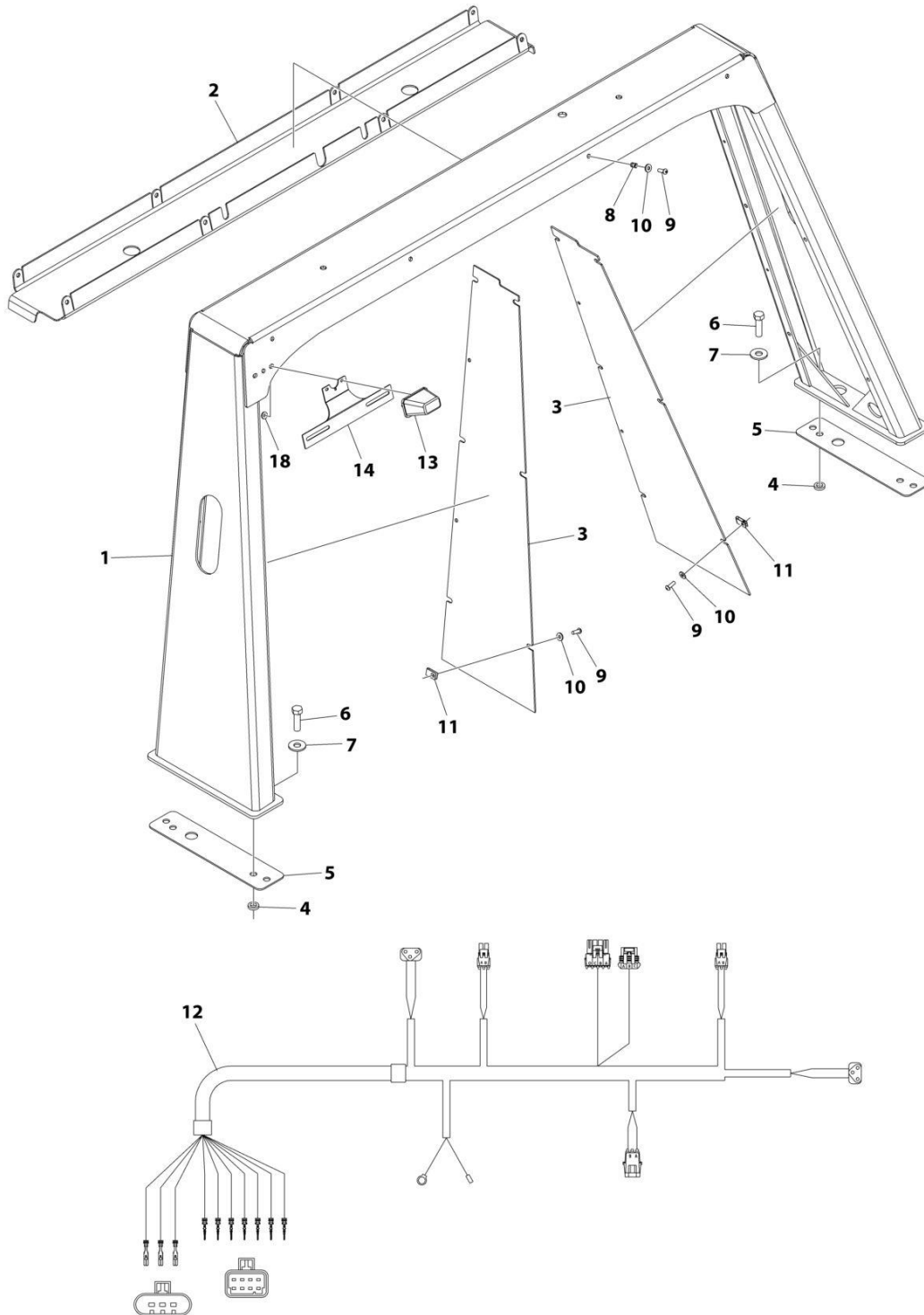
SECTION 4 - BODY

FIGURE 4-39. PYLON INSTALLATION - 37IN BODY MOUNTED (ALUMINUM BODY) (SN 0230009714 to Present)

ITEM	PART NUMBER	QTY	DESCRIPTION	REV
	1001267024	Ref	HEADBOARD - BODY MOUNT	A
1	1001266957	1	Wiring, Headboard	
1A	1001266076	1	Harness, Pylon Light (See Separate Breakdown in ELECTRICAL Section)	
2	3241000241	1	Headboard	
3	7115181450	4	Bolt 1/2 x 1-3/4	
4	7796000047	2	Gasket	
5	7950180000	4	Washer 19/32	
6	7950180161	4	Washer 1/2	

SECTION 4 - BODY

FIGURE 4-40. PYLON INSTALLATION - 37IN BODY MOUNTED WITH SIDE MARKERS (ALUMINUM BODY) (SN 0230002518 through 0230009713)



ART_1001135859

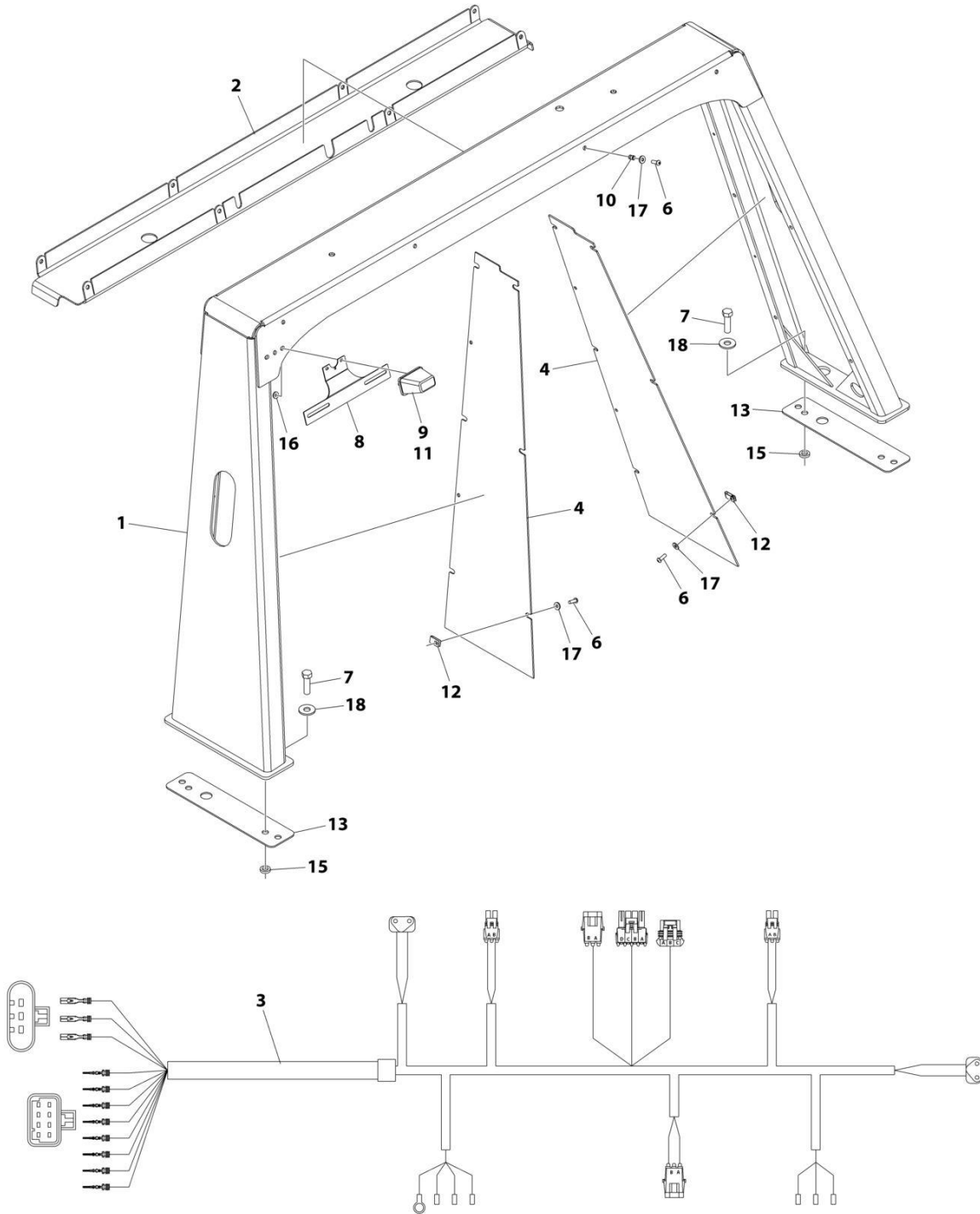
SECTION 4 - BODY

FIGURE 4-40. PYLON INSTALLATION - 37IN BODY MOUNTED WITH SIDE MARKERS (ALUMINUM BODY) (SN 0230002518 through 0230009713)

ITEM	PART NUMBER	QTY	DESCRIPTION	REV
	1001135859	Ref	PYLON INSTALLATION - 37IN BODY MOUNTED WITH SIDE MARKERS	C
1	1001135860	1	Bracket	
2	1001135862	1	Coverplate, Top	
3	4706005002	2	Cover Plate	
4	7949000058	4	Washer	
5	7796000047	2	Gasket	
6	7115181450	4	Bolt 1/2 x 1-3/4	
7	7950180161	4	Washer 1/2	
8	7413000002	8	Nut 1/4	
9	7114140618	20	Capscrew 1/4 x 3/4	
10	7950140143	20	Washer 1/4	
11	7661000019	12	U Nut 1/4	
12	1001135980	1	Harness, Pylon Light (See Separate Breakdown in ELECTRICAL Section)	
13	7590000105	1	Light	
14	7178000025	1	License Plate Bracket	
15	7346000039	AR	Tube (Not Shown)	
16	7894000042	1	Tie-Strap (Not Shown)	
17	5526000553	1	Tie-Strap (Not Shown)	
18	7950100163	2	Washer #10	

SECTION 4 - BODY

FIGURE 4-41. PYLON INSTALLATION - 37IN BODY MOUNTED WITH SIDE MARKERS (ALUMINUM BODY) (SN 0230009714 to Present)



ART_1001267025

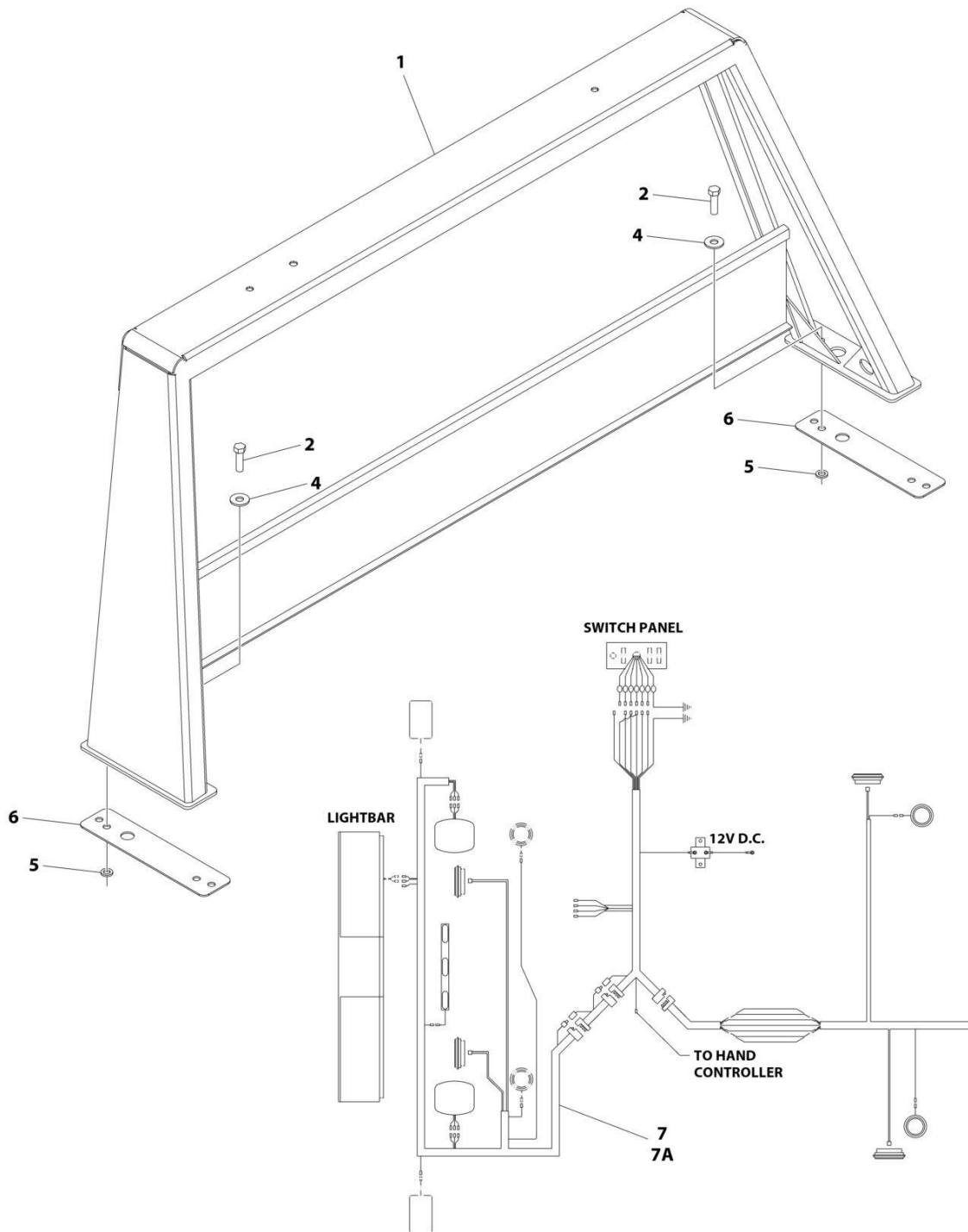
SECTION 4 - BODY

FIGURE 4-41. PYLON INSTALLATION - 37IN BODY MOUNTED WITH SIDE MARKERS (ALUMINUM BODY) (SN 0230009714 to Present)

ITEM	PART NUMBER	QTY	DESCRIPTION	REV
	1001267025	Ref	PYLON INSTALLATION - 37IN BODY MOUNTED WITH SIDE MARKERS (ALUMINUM BODY)	A
1	1001135860	1	Bracket	
2	1001135862	1	Coverplate, Top	
3	1001266076	1	Harness, Pylon Light (See Separate Breakdown in ELECTRICAL Section)	
4	4706005002	2	Cover Plate	
5	5526000553	1	Tie-Strap (Not Shown)	
6	7114140618	20	Capscrew 1/4 x 3/4	
7	7115181450	4	Bolt 1/2 x 1-3/4	
8	7178000025	1	License Plate Bracket	
9	7346000039	AR	Tube	
10	7413000002	8	Nut 1/4	
11	7590000105	1	Light	
12	7661000019	12	U Nut 1/4	
13	7796000047	2	Gasket	
14	7894000042	1	Tie-Strap (Not Shown)	
15	7949000058	4	Washer	
16	7950100163	2	Washer #10	
17	7950140143	20	Washer 1/4	
18	7950180161	4	Washer 1/2	

SECTION 4 - BODY

FIGURE 4-42. PYLON INSTALLATION - 34IN BODY MOUNTED (STEEL BODY)



ART_224100009_D

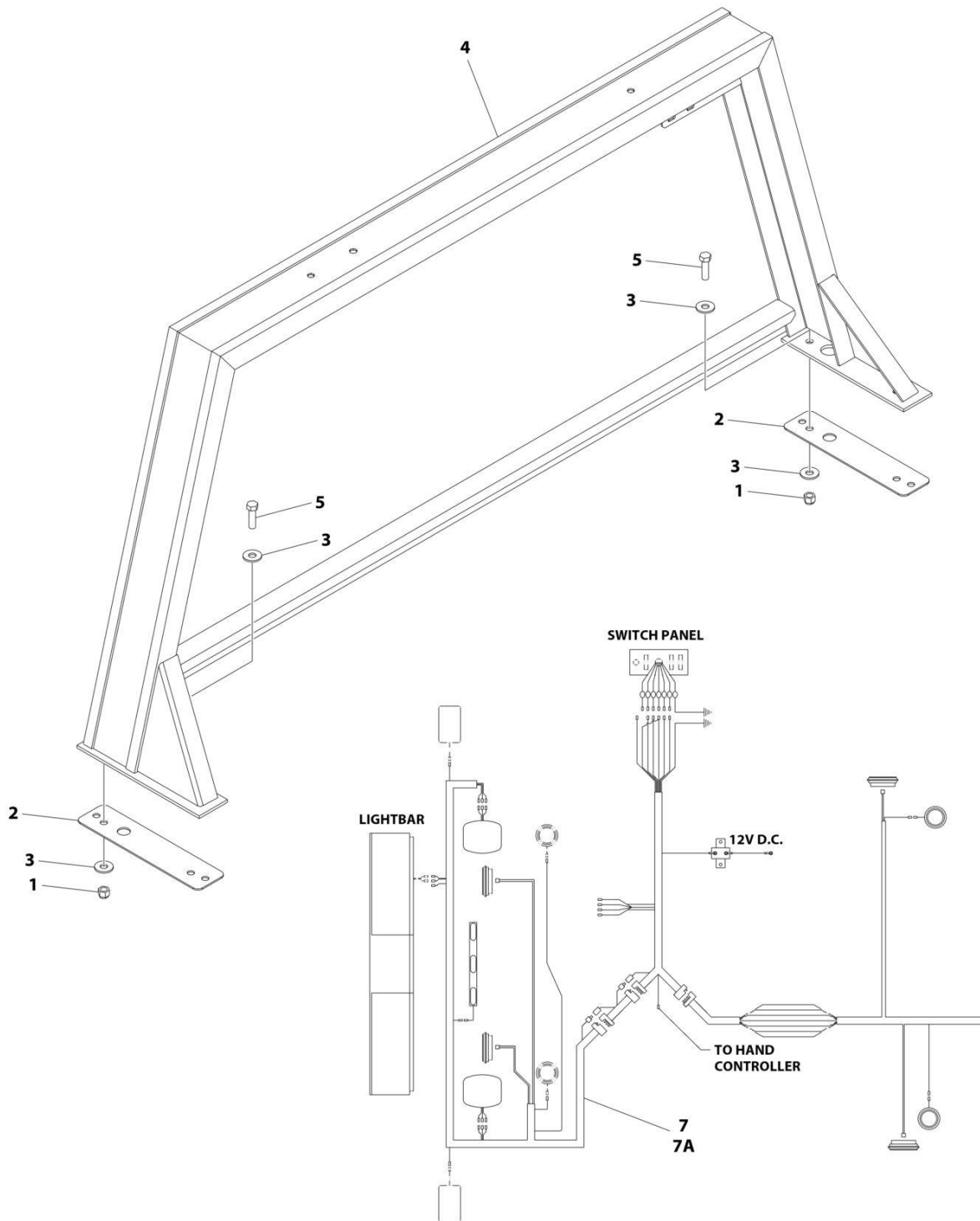
SECTION 4 - BODY

FIGURE 4-42. PYLON INSTALLATION - 34IN BODY MOUNTED (STEEL BODY)

ITEM	PART NUMBER	QTY	DESCRIPTION	REV
	2241000009	Ref	HEADBOARD - BODY MOUNT	D
1	3241000035	1	Headboard	
2	7115181450	4	Bolt 1/2 x 1-3/4	
4	7950180161	4	Washer 1/2	
5	7950180000	4	Washer 19/32	
6	7796000047	2	Gasket	
7	1001137205	1	Wiring, Headboard	
7A	7552000239	1	Harness, Pylon Lights (See Separate Breakdown in ELECTRICAL Section)	
7B	7493000003	1	Grommet (Not Shown)	

SECTION 4 - BODY

FIGURE 4-43. PYLON INSTALLATION - 34IN TOOLBOX MOUNTED (ALUMINIM BODY) (SN 0230002518 through 0230009713)



ART_2241000014

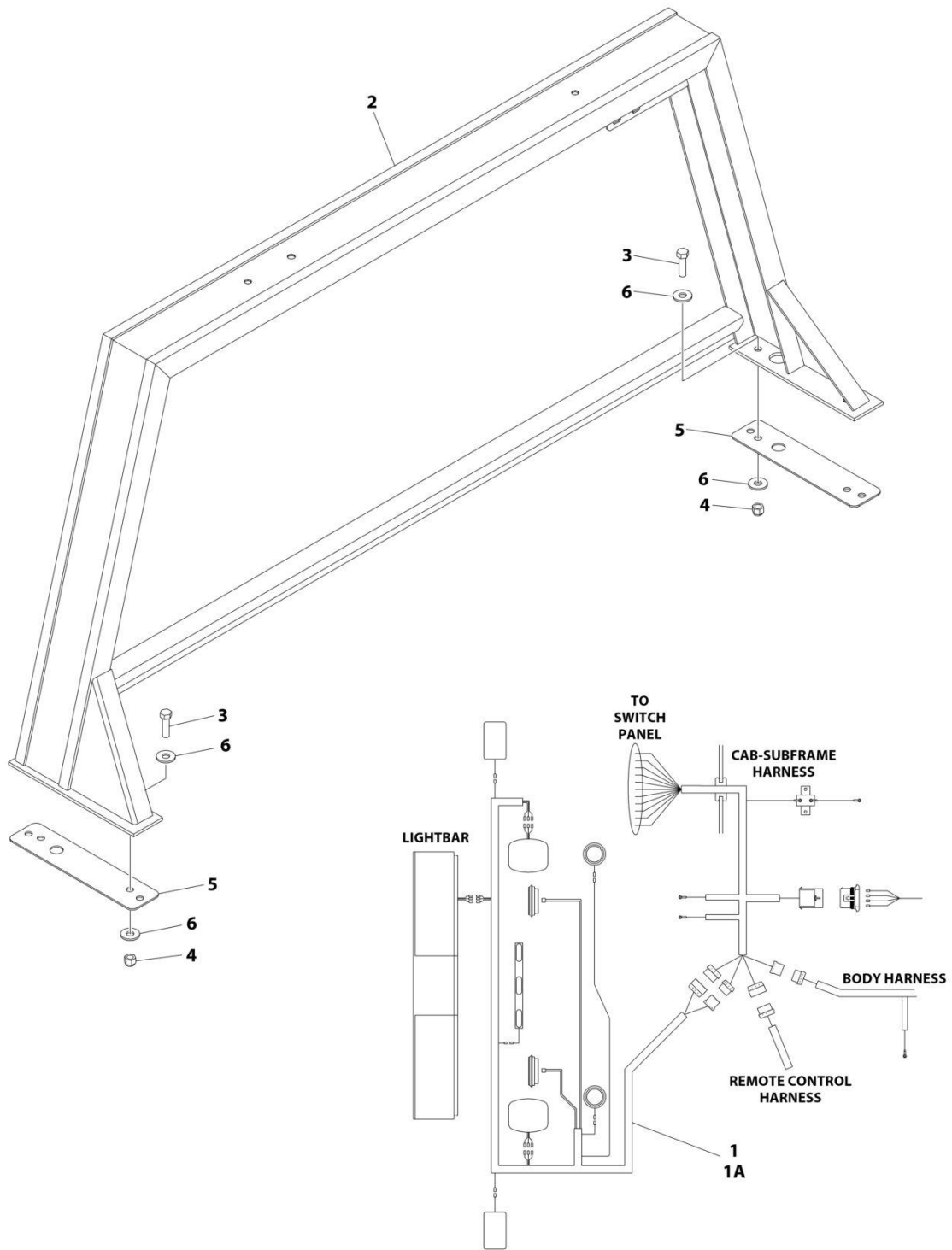
SECTION 4 - BODY

FIGURE 4-43. PYLON INSTALLATION - 34IN TOOLBOX MOUNTED (ALUMINIM BODY) (SN 0230002518 through 0230009713)

ITEM	PART NUMBER	QTY	DESCRIPTION	REV
	2241000014	Ref	HEADBOARD - TOOLBOX MOUNT	C
1	7660182601	4	Nut 1/2	
2	7796000047	2	Gasket	
3	7950180161	8	Washer 1/2	
4	3241000038	1	Headboard	
5	7115181450	4	Bolt 1/2 x 1-3/4	
7	2502330284	1	Wiring, Headboard	
7A	7552000238	1	Harness, Pylon Lights (See Separate Breakdown in ELECTRICAL Section)	

SECTION 4 - BODY

FIGURE 4-44. PYLON INSTALLATION - 34IN TOOLBOX MOUNTED (ALUMINUM BODY) (SN 0230009714 to Present)



ART_1001267030

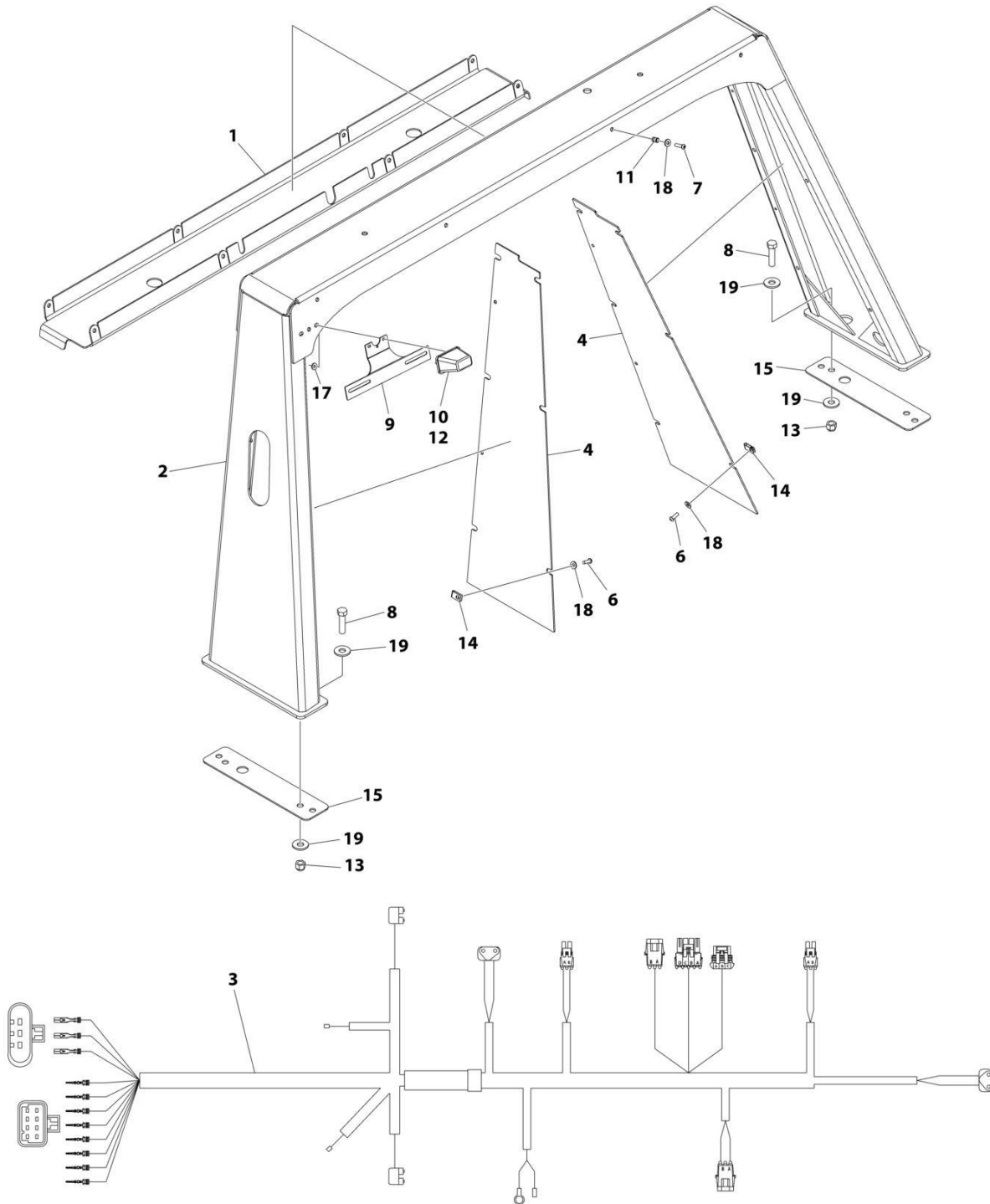
SECTION 4 - BODY

FIGURE 4-44. PYLON INSTALLATION - 34IN TOOLBOX MOUNTED (ALUMINUM BODY) (SN 0230009714 to Present)

ITEM	PART NUMBER	QTY	DESCRIPTION	REV
	1001267030	Ref	HEADBOARD - TOOLBOX MOUNT	A
1	1001266958	1	Wiring, Headboard	
1A	1001266466	1	Harness, Pylon Light (See Separate Breakdown in ELECTRICAL Section)	
2	3241000038	1	Headboard	
3	7115181450	4	Bolt 1/2 x 1-3/4	
4	7660182601	4	Nut 1/2	
5	7796000047	2	Gasket	
6	7950180161	8	Washer 1/2	

SECTION 4 - BODY

FIGURE 4-45. PYLON INSTALLATION – 34IN TOOLBOX MOUNTED WITH SIDE MARKERS
(ALUMINUM BODY) (SN 0230009714 to Present)



ART_1001267238

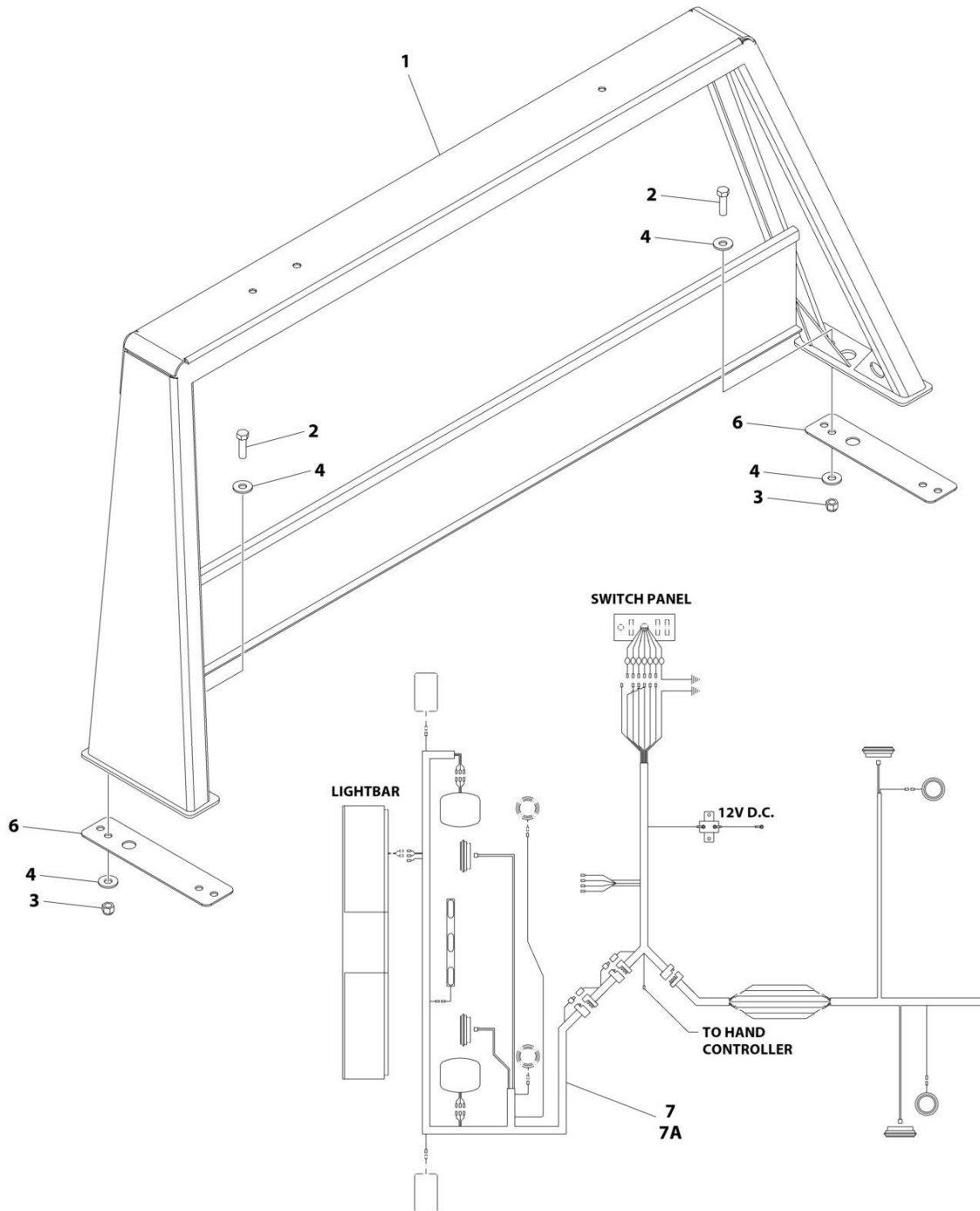
SECTION 4 - BODY

**FIGURE 4-45. PYLON INSTALLATION – 34IN TOOLBOX MOUNTED WITH SIDE MARKERS
(ALUMINUM BODY) (SN 0230009714 to Present)**

ITEM	PART NUMBER	QTY	DESCRIPTION	REV
	1001267238	Ref	PYLON INSTALLATION - 34IN TOOLBOX MOUNTED WITH SIDE MARKERS	B
1	1001135862	1	Coverplate, Top	
2	1001257163	1	Headboard	
3	1001271096	1	Harness, Pylon Light (See Separate Breakdown in ELECTRICAL Section)	
4	4314000224	2	Coverplate	
5	5526000553	10	Tie-Strap (Not Shown)	
6	7114140618	12	Capscrew 1/4 x 3/4	
7	7114140818	8	Capscrew 1/4 x 1	
8	7115181650	4	Bolt 1/2 x 2	
9	7178000025	1	License Plate Bracket	
10	7346000039	AR	Tube	
11	7413000002	8	Nut 1/4	
12	7590000105	1	Light	
13	7660182601	4	Nut 1/2	
14	7661000019	12	U Nut 1/4	
15	7796000047	2	Gasket	
16	7894000042	6	Tie-Strap (Not Shown)	
17	7950100163	2	Washer #10	
18	7950140143	20	Washer 1/4	
19	7950180161	8	Washer 1/2	

SECTION 4 - BODY

FIGURE 4-46. PYLON INSTALLATION - 34IN TOOLBOX MOUNTED (STEEL BODY)



ART_2241000016

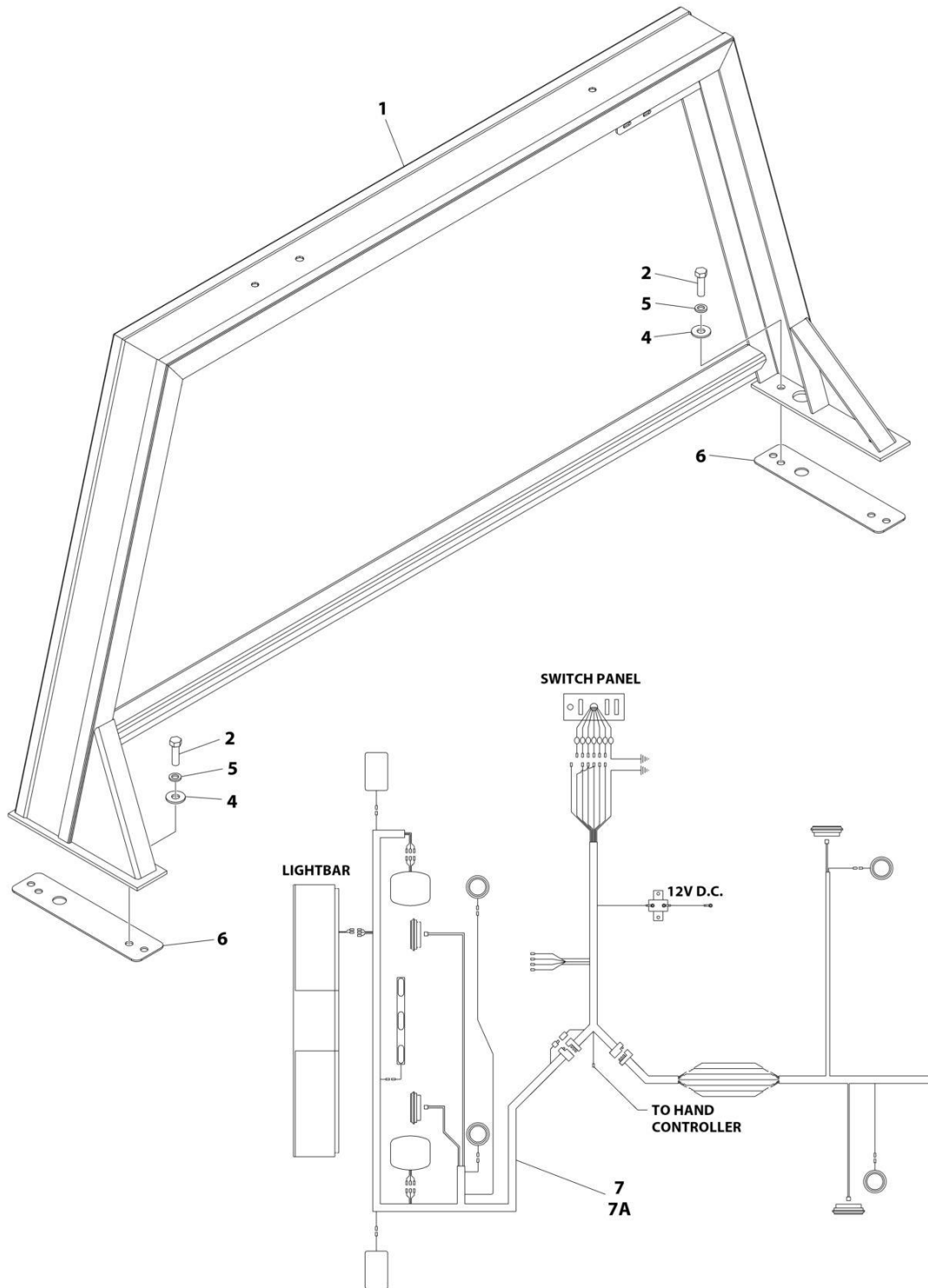
SECTION 4 - BODY

FIGURE 4-46. PYLON INSTALLATION - 34IN TOOLBOX MOUNTED (STEEL BODY)

ITEM	PART NUMBER	QTY	DESCRIPTION	REV
	2241000016	Ref	HEADBOARD - TOOLBOX MOUNT	B
1	3241000035	1	Headboard	
2	7115181450	4	Bolt 1/2 x 1-3/4	
3	7660182601	4	Nut 1/2	
4	7950180161	8	Washer 1/2	
6	7796000047	2	Gasket	
7	2502330284	1	Wiring, Headboard	
7A	7552000238	1	Harness, Pylon Lights (See Separate Breakdown in ELECTRICAL Section)	

SECTION 4 - BODY

FIGURE 4-47. PYLON INSTALLATION - 37IN BODY MOUNTED (ALUMINUM BODY) (SN 0230002518 through 0230009713)



ART_2241000139

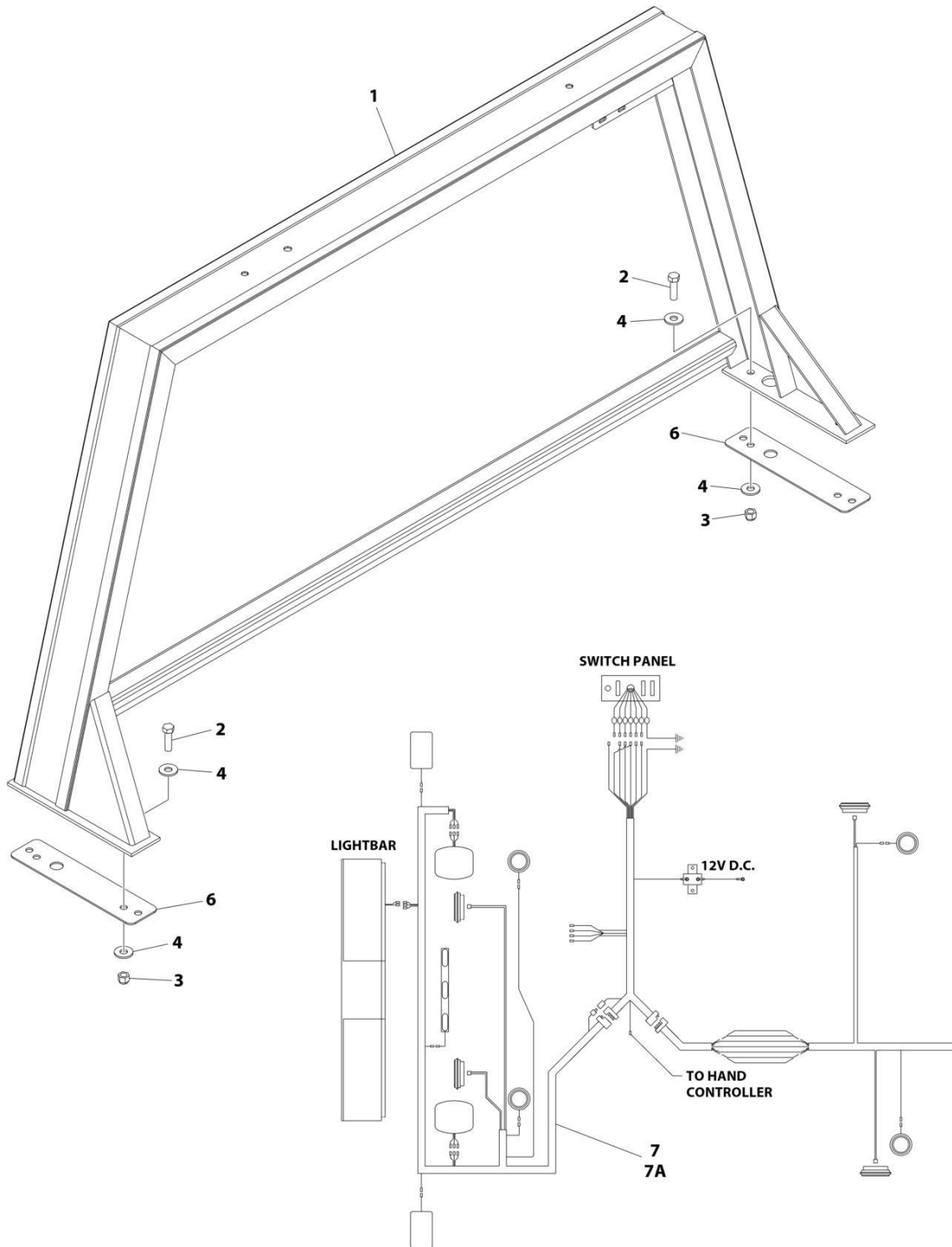
SECTION 4 - BODY

FIGURE 4-47. PYLON INSTALLATION - 37IN BODY MOUNTED (ALUMINUM BODY) (SN 0230002518 through 0230009713)

ITEM	PART NUMBER	QTY	DESCRIPTION	REV
	2241000139	Ref	HEADBOARD - BODY MOUNT	C
1	3241000241	1	Headboard	
2	7115181450	4	Bolt 1/2 x 1-3/4	
4	7950180161	4	Washer 1/2	
5	7950180000	4	Washer 19/32	
6	7796000047	2	Gasket	
7	1001137205	1	Wiring, Headboard	
7A	7552000239	1	Harness, Pylon Light (See Separate Breakdown in ELECTRICAL Section)	
7B	7493000003	1	Grommet (Not Shown)	

SECTION 4 - BODY

FIGURE 4-48. PYLON INSTALLATION - 37IN TOOLBOX MOUNTED (ALUMINUM BODY) (SN 0230002518 through 0230009713)



ART_2241000140

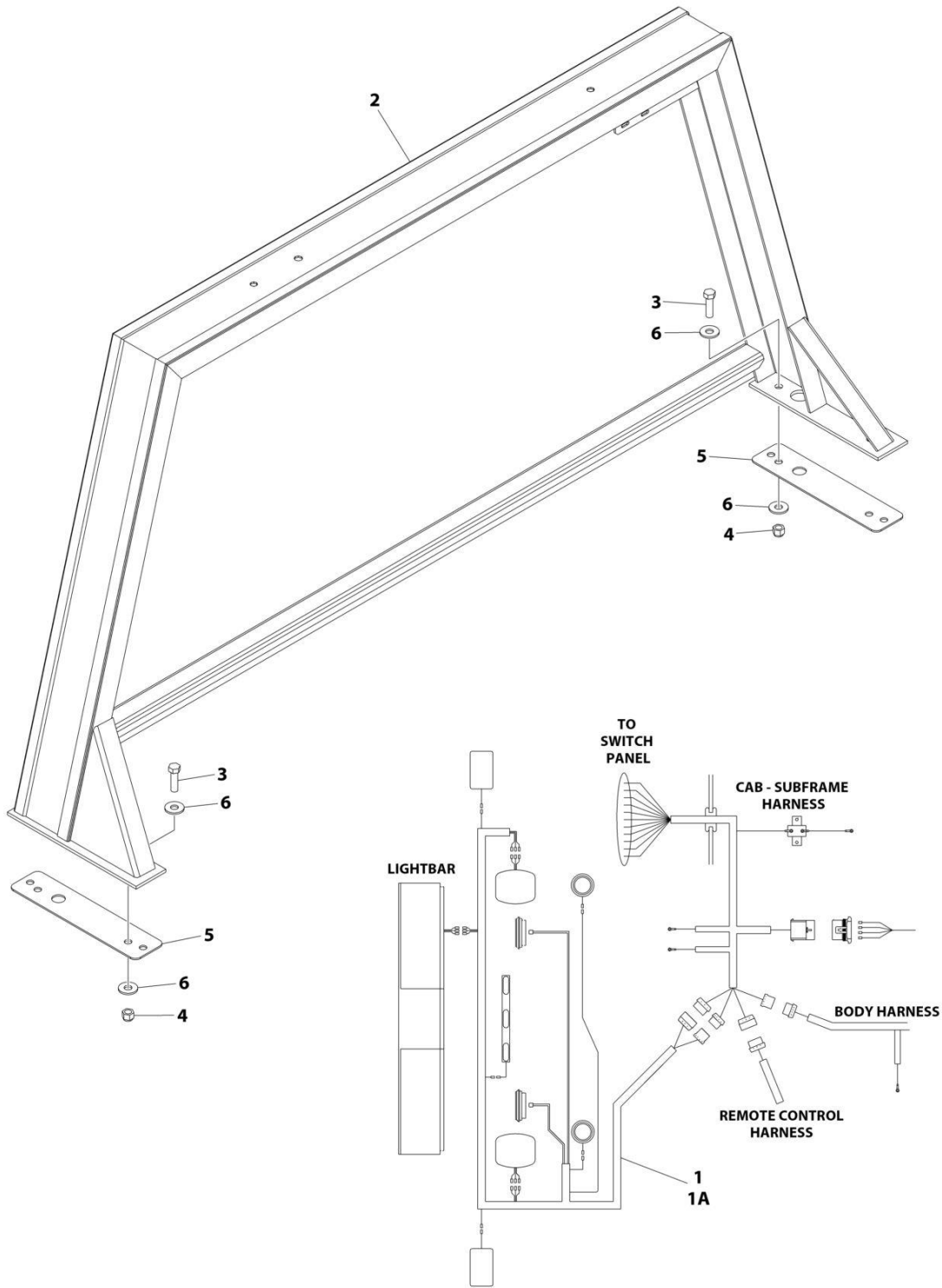
SECTION 4 - BODY

**FIGURE 4-48. PYLON INSTALLATION - 37IN TOOLBOX MOUNTED (ALUMINUM BODY) (SN
0230002518 through 0230009713)**

ITEM	PART NUMBER	QTY	DESCRIPTION	REV
	2241000140	Ref	HEADBOARD - TOOLBOX MOUNT	B
1	3241000241	1	Headboard	
2	7115181450	4	Bolt 1/2 x 1-3/4	
3	7660182601	4	Nut 1/2	
4	7950180161	8	Washer 1/2	
6	7796000047	2	Gasket	
7	2502330284	1	Wiring, Headboard	
7A	7552000238	1	Harness, Pylon Lights (See Separate Breakdown in ELECTRICAL Section)	

SECTION 4 - BODY

FIGURE 4-49. PYLON INSTALLATION - 37IN TOOLBOX MOUNTED (ALUMINUM BODY) (SN 0230009714 to Present)



ART_1001267031

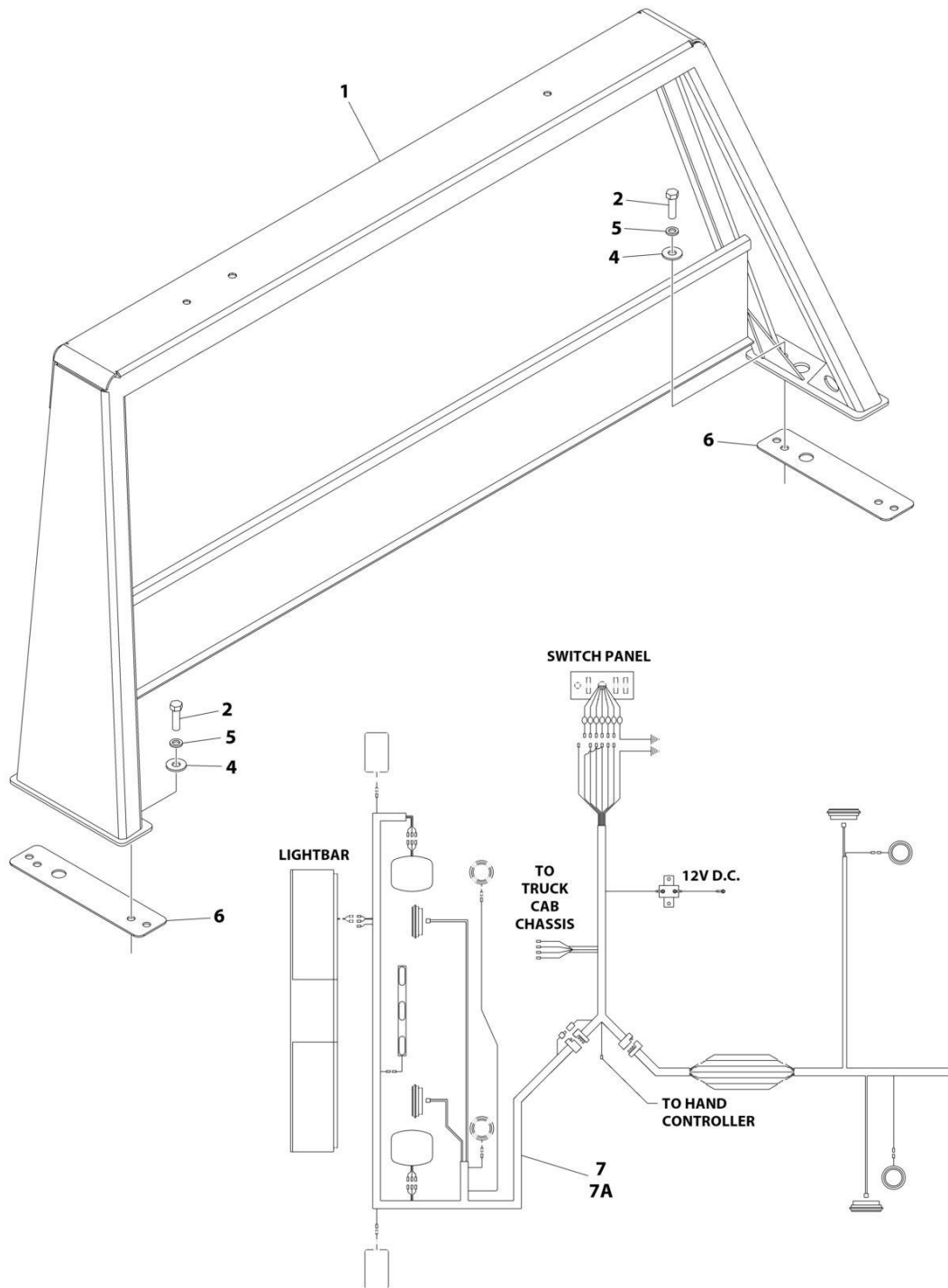
SECTION 4 - BODY

FIGURE 4-49. PYLON INSTALLATION - 37IN TOOLBOX MOUNTED (ALUMINUM BODY) (SN 0230009714 to Present)

ITEM	PART NUMBER	QTY	DESCRIPTION	REV
	1001267031	Ref	HEADBOARD - TOOLBOX MOUNT	A
1	1001266958	1	Wiring, Headboard	
1A	1001266466	1	Harness, Pylon Light (See Separate Breakdown in ELECTRICAL Section)	
2	3241000241	1	Headboard	
3	7115181450	4	Bolt 1/2 x 1-3/4	
4	7660182601	4	Nut 1/2	
5	7796000047	2	Gasket	
6	7950180161	8	Washer 1/2	

SECTION 4 - BODY

FIGURE 4-50. PYLON INSTALLATION - 37IN TOOLBOX MOUNTED (STEEL BODY)



ART_2241000109

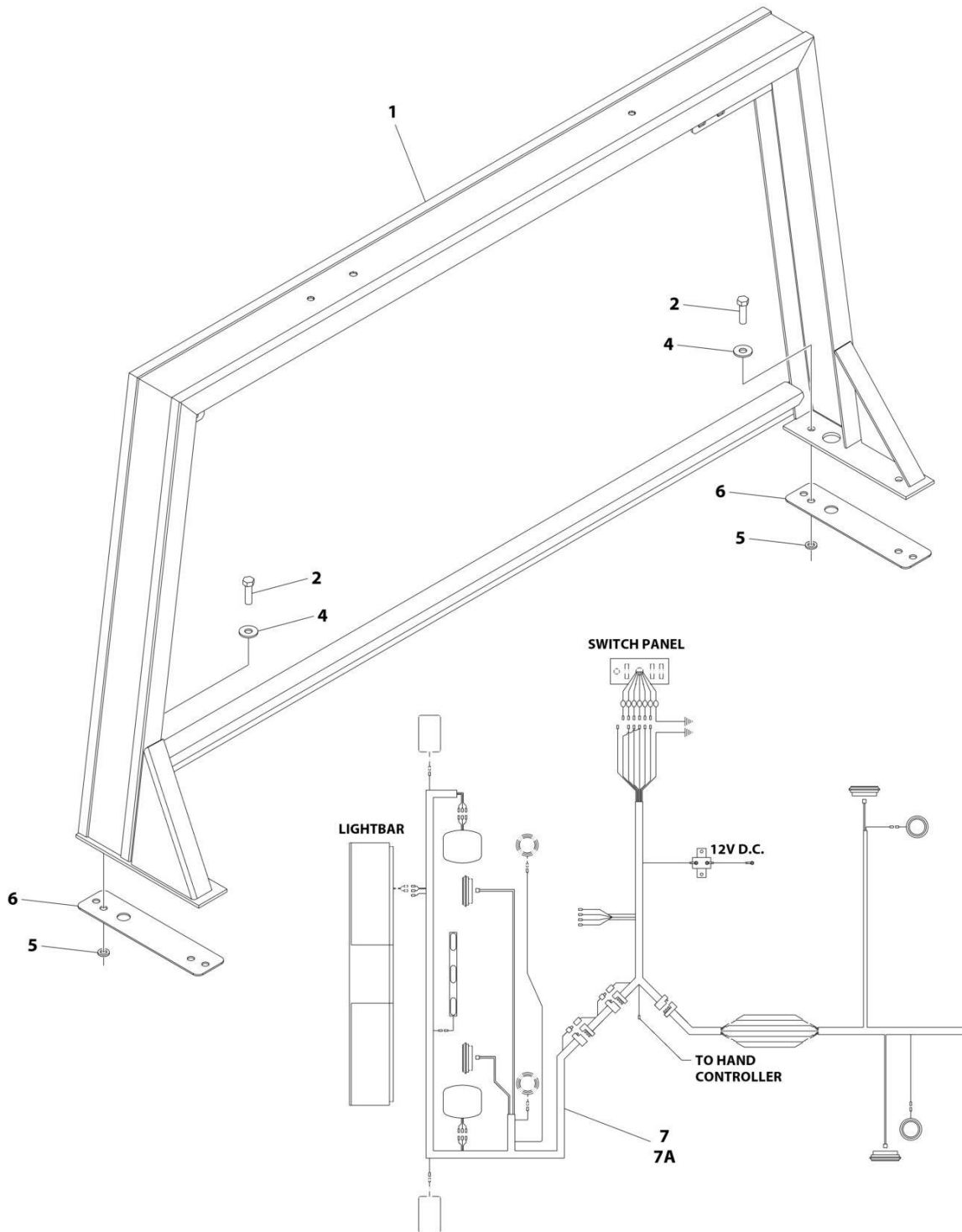
SECTION 4 - BODY

FIGURE 4-50. PYLON INSTALLATION - 37IN TOOLBOX MOUNTED (STEEL BODY)

ITEM	PART NUMBER	QTY	DESCRIPTION	REV
	2241000109	Ref	HEADBOARD - TOOLBOX MOUNT	B
1	3241000202	1	Headboard	
2	7115181450	4	Bolt 1/2 x 1-3/4	
4	7950180161	4	Washer 1/2	
5	7950180000	4	Washer 19/32	
6	7796000047	2	Gasket	
7	1001137205	1	Wiring, Headboard	
7A	7552000239	1	Harness, Pylon Light (See Separate Breakdown in ELECTRICAL Section)	
7B	7493000003	1	Grommet (Not Shown)	

SECTION 4 - BODY

FIGURE 4-51. PYLON INSTALLATION - 40IN BODY MOUNTED (ALUMINUM BODY) (SN 0230002518 through 0230009713)



ART_2241000103_C

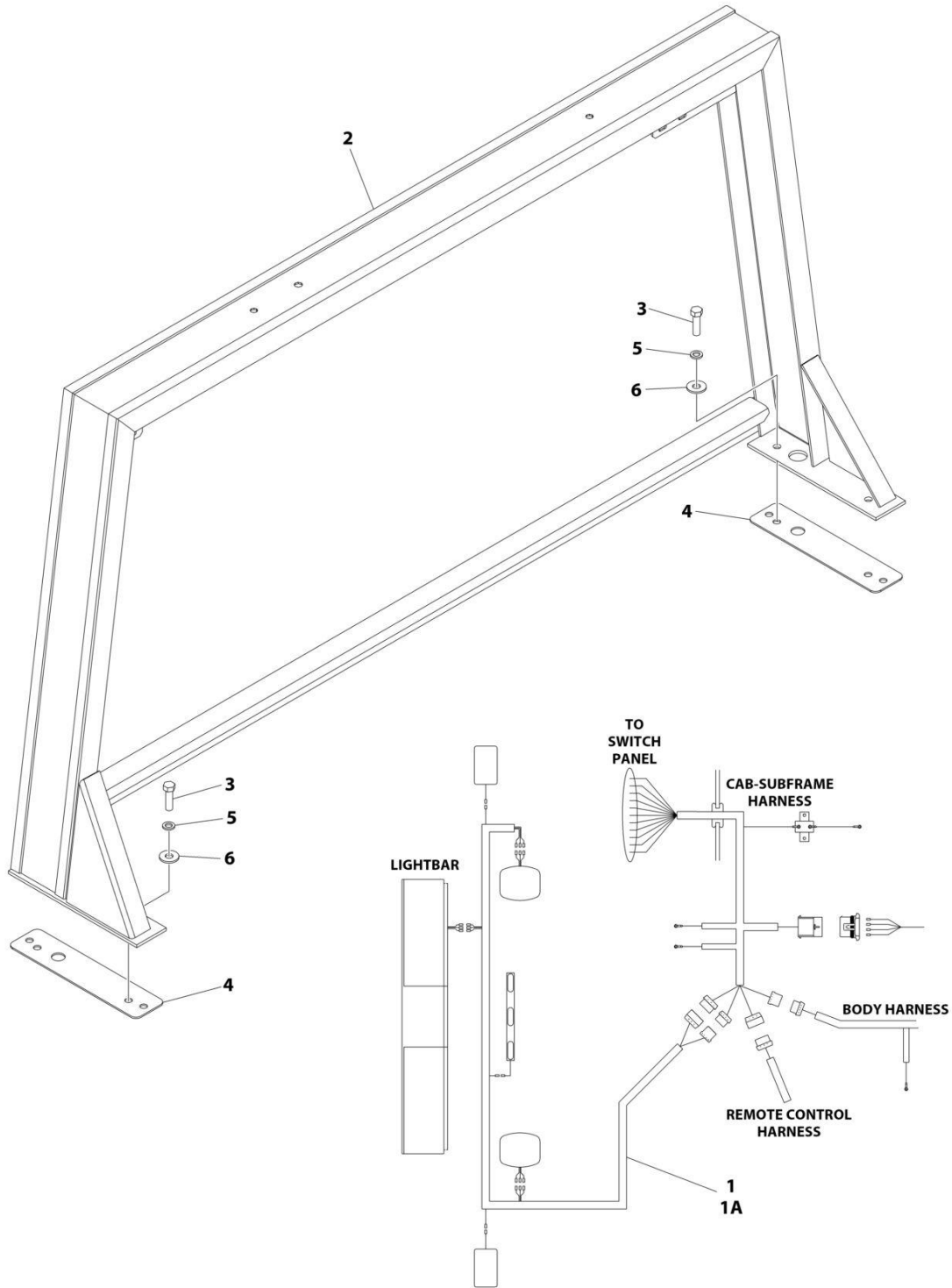
SECTION 4 - BODY

FIGURE 4-51. PYLON INSTALLATION - 40IN BODY MOUNTED (ALUMINUM BODY) (SN 0230002518 through 0230009713)

ITEM	PART NUMBER	QTY	DESCRIPTION	REV
	2241000103	Ref	HEADBOARD - BODY MOUNT	C
1	3241000124	1	Headboard	
2	7115181450	4	Bolt 1/2 x 1-3/4	
4	7950180161	4	Washer 1/2	
5	7950180000	4	Washer 19/32	
6	7796000047	2	Gasket	
7	1001137205	1	Wiring, Headboard	
7A	7552000239	1	Harness, Pylon Lights (See Separate Breakdown in ELECTRICAL Section)	
7B	7493000003	1	Grommet (Not Shown)	

SECTION 4 - BODY

FIGURE 4-52. PYLON INSTALLATION - 40IN BODY MOUNTED (ALUMINUM BODY) (SN 0230009714 to Present)



ART_1001267026

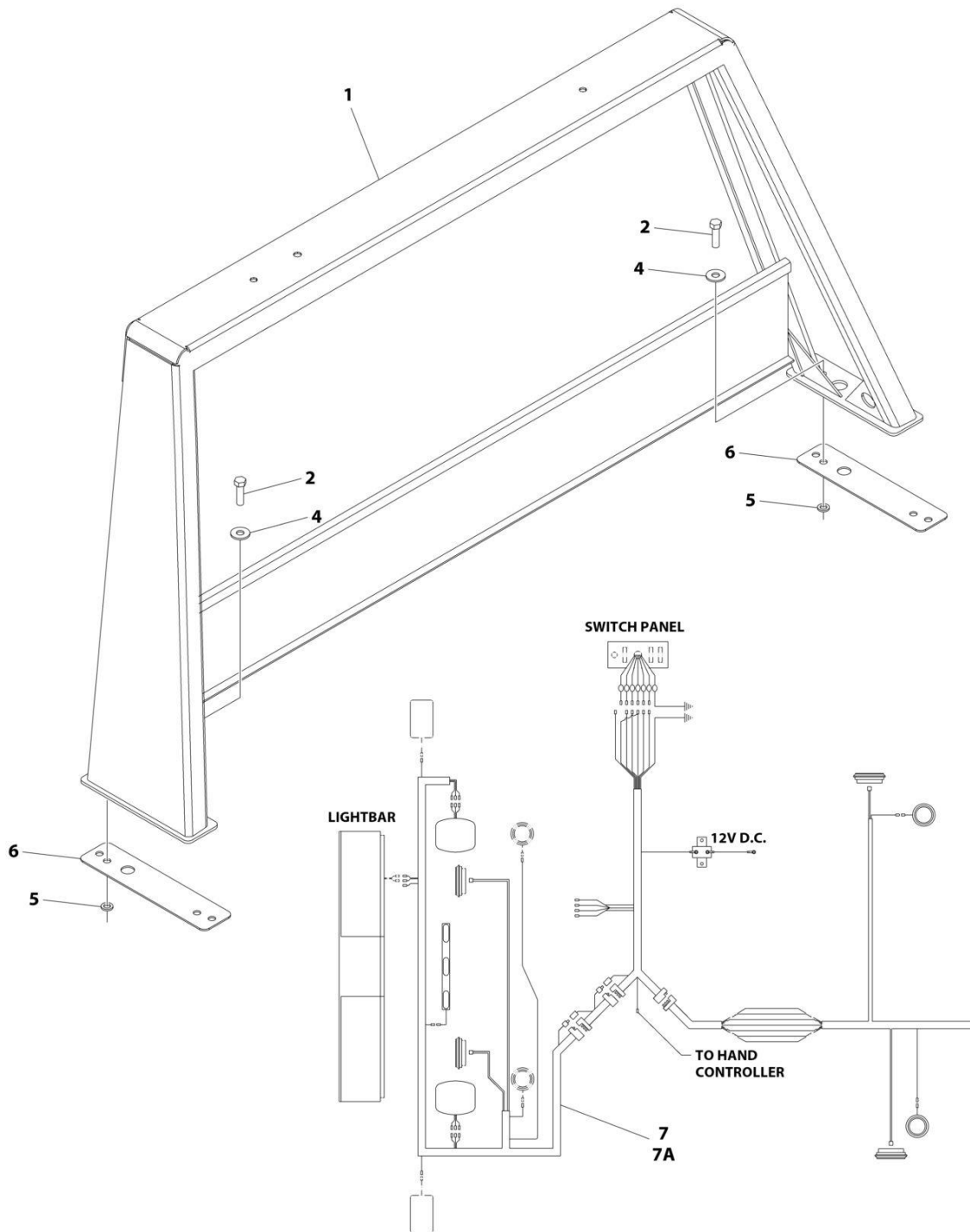
SECTION 4 - BODY

FIGURE 4-52. PYLON INSTALLATION - 40IN BODY MOUNTED (ALUMINUM BODY) (SN 0230009714 to Present)

ITEM	PART NUMBER	QTY	DESCRIPTION	REV
	1001267026	Ref	HEADBOARD - BODY MOUNT	A
1	1001266957	1	Wiring, Headboard	
1A	1001266076	1	Harness, Pylon Light (See Separate Breakdown in ELECTRICAL Section)	
2	3241000124	1	Headboard	
3	7115181450	4	Bolt 1/2 x 1-3/4	
4	7796000047	2	Gasket	
5	7950180000	4	Washer 19/32	
6	7950180161	4	Washer 1/2	

SECTION 4 - BODY

FIGURE 4-53. PYLON INSTALLATION - 40IN BODY MOUNTED (STEEL BODY)



ART_2241000010_D

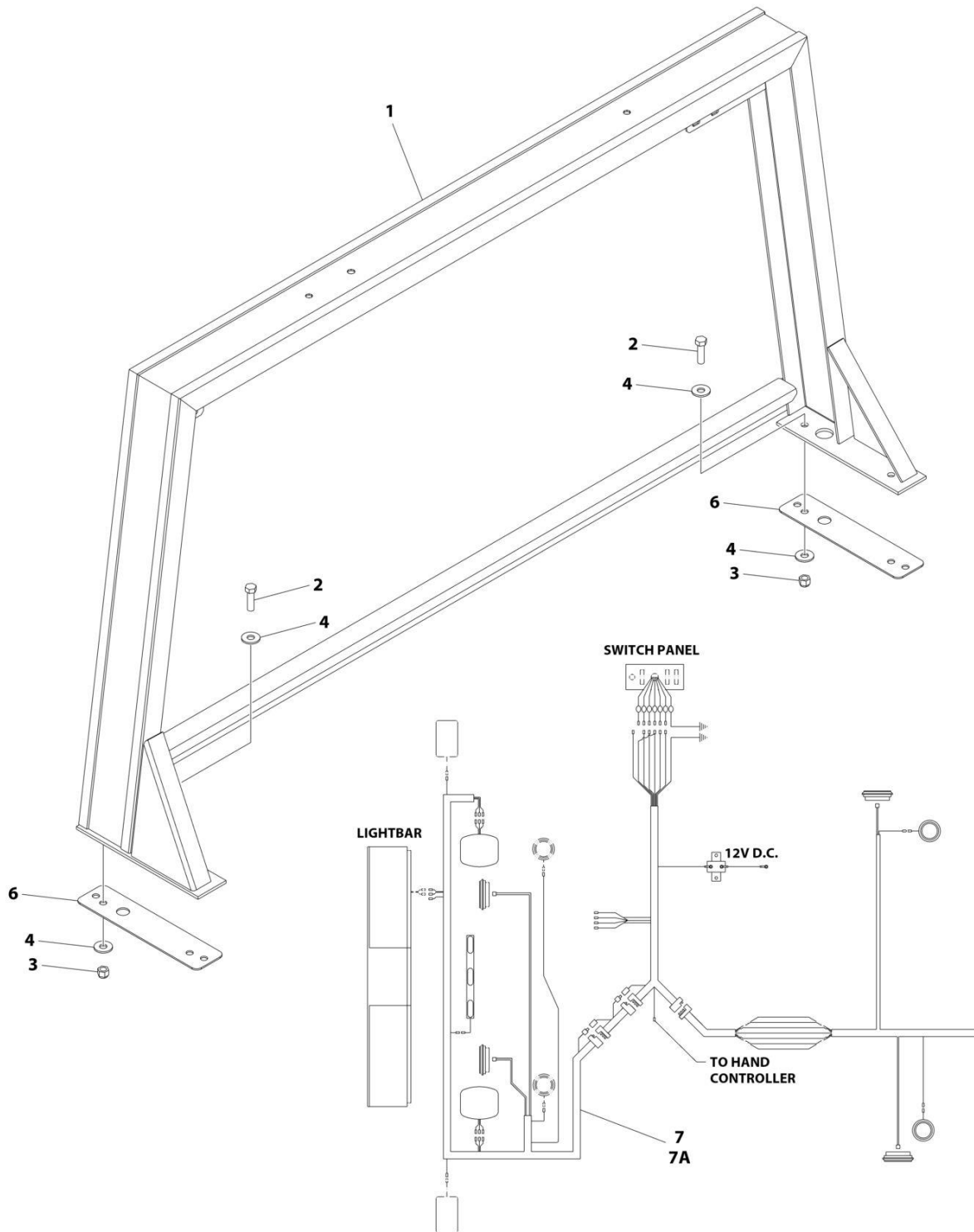
SECTION 4 - BODY

FIGURE 4-53. PYLON INSTALLATION - 40IN BODY MOUNTED (STEEL BODY)

ITEM	PART NUMBER	QTY	DESCRIPTION	REV
	2241000010	Ref	HEADBOARD - BODY MOUNT	D
1	3241000036	1	Headboard	
2	7115181450	4	Bolt 1/2 x 1-3/4	
4	7950180161	4	Washer 1/2	
5	7950180000	4	Washer 19/32	
6	7796000047	2	Gasket	
7	1001137205	1	Wiring, Headboard	
7A	7552000239	1	Harness, Pylon Lights (See Separate Breakdown in ELECTRICAL Section)	
7B	7493000003	1	Grommet (Not Shown)	

SECTION 4 - BODY

FIGURE 4-54. PYLON INSTALLATION - 40IN TOOLBOX MOUNTED (ALUMINUM BODY) (SN 0230002518 through 0230009713)



ART_2241000102

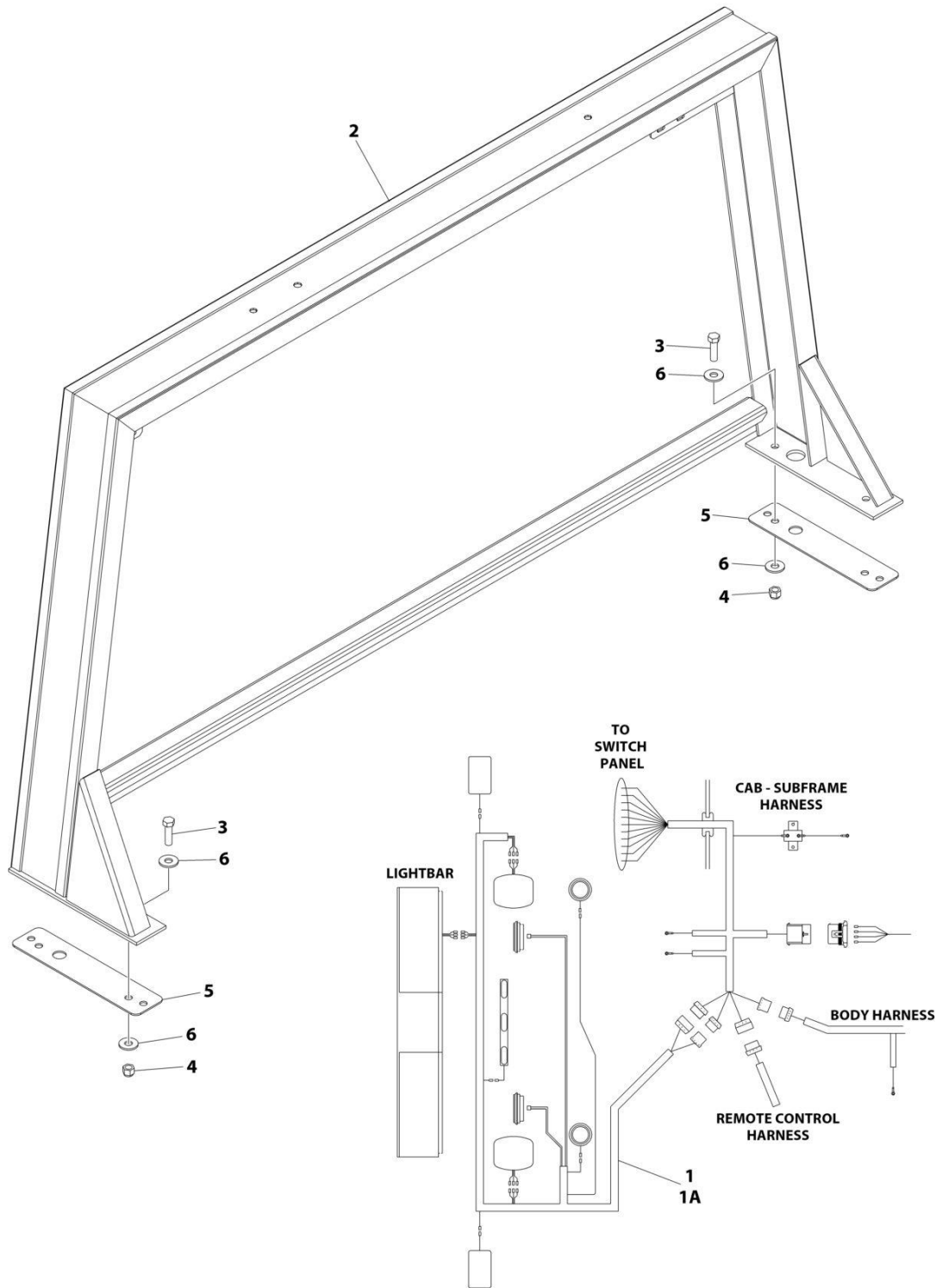
SECTION 4 - BODY

**FIGURE 4-54. PYLON INSTALLATION - 40IN TOOLBOX MOUNTED (ALUMINUM BODY) (SN
0230002518 through 0230009713)**

ITEM	PART NUMBER	QTY	DESCRIPTION	REV
	2241000102	Ref	HEADBOARD - TOOLBOX MOUNT	B
1	3241000124	1	Headboard	
2	7115181450	4	Bolt 1/2 x 1-3/4	
3	7660182601	4	Nut 1/2	
4	7950180161	8	Washer 1/2	
6	7796000047	2	Gasket	
7	2502330284	1	Wiring, Headboard	
7A	7552000238	1	Harness, Pylon Lights (See Separate Breakdown in ELECTRICAL Section)	

SECTION 4 - BODY

FIGURE 4-55. PYLON INSTALLATION - 40IN TOOLBOX MOUNTED (ALUMINUM BODY) (SN 0230009714 to Present)



ART_1001267032

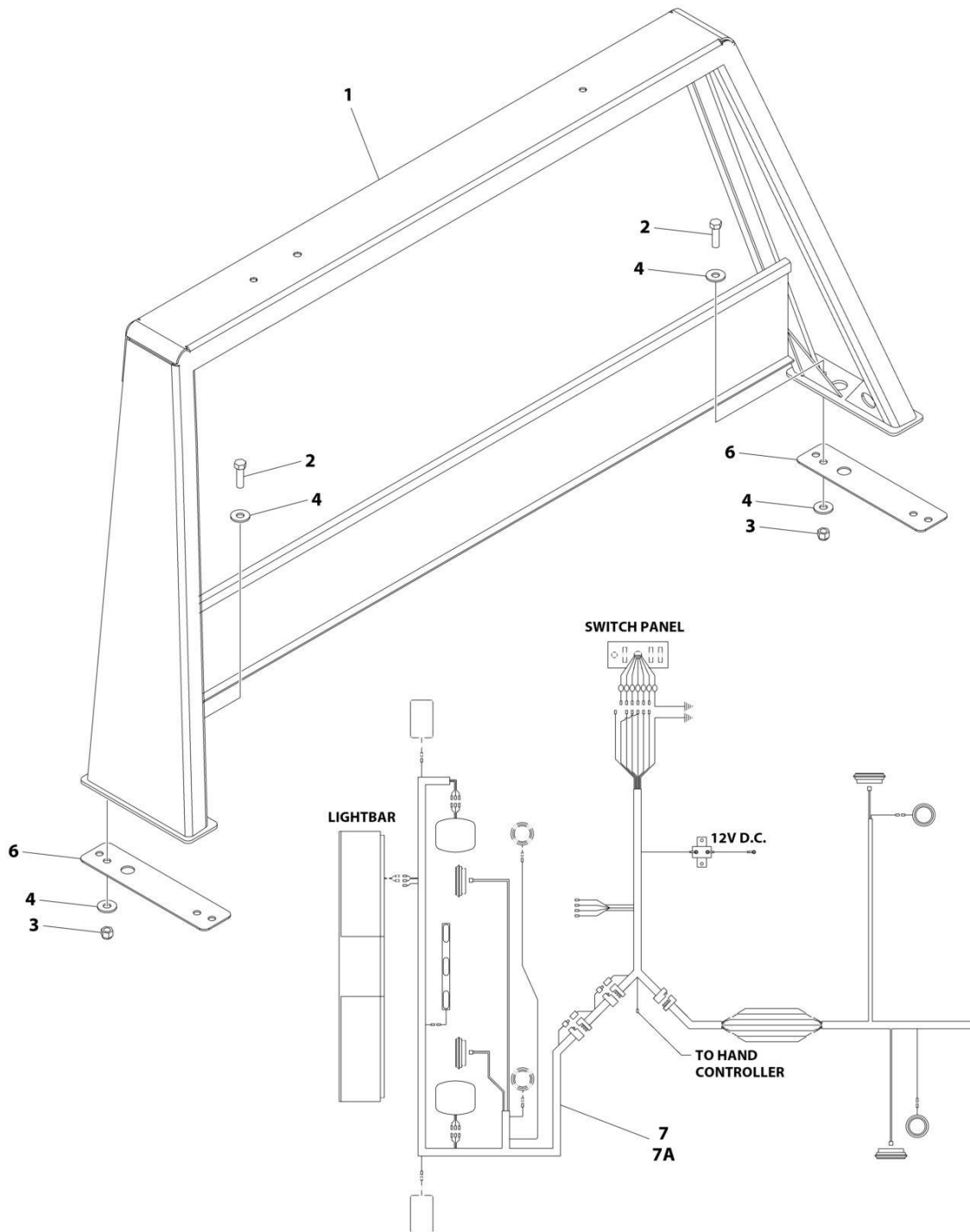
SECTION 4 - BODY

FIGURE 4-55. PYLON INSTALLATION - 40IN TOOLBOX MOUNTED (ALUMINUM BODY) (SN 0230009714 to Present)

ITEM	PART NUMBER	QTY	DESCRIPTION	REV
	1001267032	Ref	HEADBOARD - TOOLBOX MOUNT	A
1	1001266958	1	Wiring, Headboard	
1A	1001266466	1	Harness, Pylon Light (See Separate Breakdown in ELECTRICAL Section)	
2	3241000124	1	Headboard	
3	7115181450	4	Bolt 1/2 x 1-3/4	
4	7660182601	4	Nut 1/2	
5	7796000047	2	Gasket	
6	7950180161	8	Washer 1/2	

SECTION 4 - BODY

FIGURE 4-56. PYLON INSTALLATION - 40IN TOOLBOX MOUNTED (STEEL BODY)



ART_2241000017

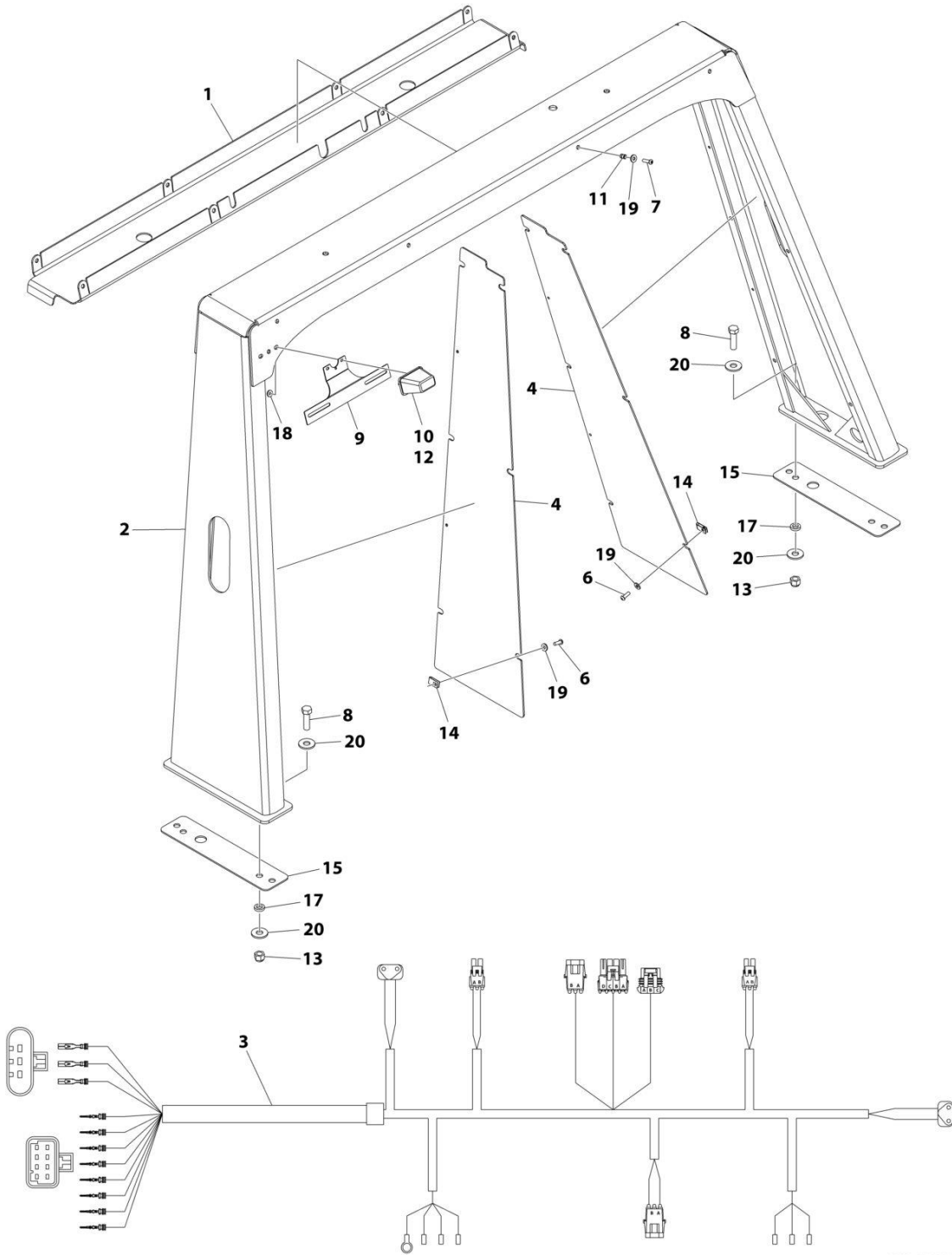
SECTION 4 - BODY

FIGURE 4-56. PYLON INSTALLATION - 40IN TOOLBOX MOUNTED (STEEL BODY)

ITEM	PART NUMBER	QTY	DESCRIPTION	REV
	2241000017	Ref	HEADBOARD - TOOLBOX MOUNT	B
1	3241000036	1	Headboard	
2	7115181450	4	Bolt 1/2 x 1-3/4	
3	7660182601	4	Nut 1/2	
4	7950180161	8	Washer 1/2	
6	7796000047	2	Gasket	
7	2502330284	1	Wiring, Headboard	
7A	7552000238	1	Harness, Pylon Lights (See Separate Breakdown in ELECTRICAL Section)	

SECTION 4 - BODY

FIGURE 4-57. PYLON INSTALLATION - 42IN BODY MOUNTED WITH SIDE MARKERS (ALUMINUM BODY)



ART_1001267027

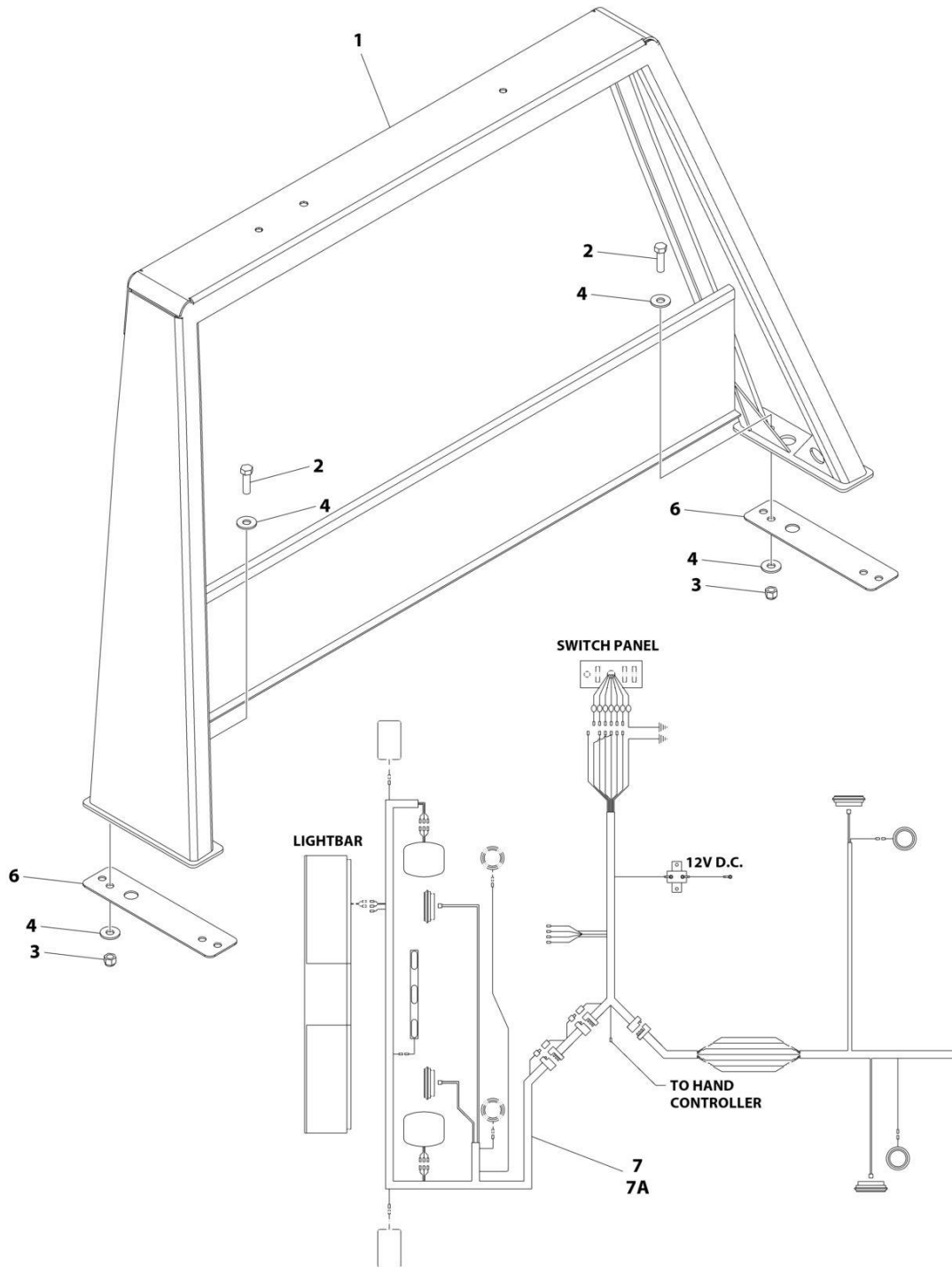
SECTION 4 - BODY

FIGURE 4-57. PYLON INSTALLATION - 42IN BODY MOUNTED WITH SIDE MARKERS (ALUMINUM BODY)

ITEM	PART NUMBER	QTY	DESCRIPTION	REV
	1001267027	Ref	PYLON INSTALLATION - 42IN BODY MOUNTED WITH SIDE MARKERS	A
1	1001135862	1	Coverplate, Top	
2	1001257164	1	Headboard	
3	1001266076	1	Harness, Pylon Light (See Separate Breakdown in ELECTRICAL Section)	
4	4314000103	2	Cover Plate	
5	5526000553	10	Tie-Strap (Not Shown)	
6	7114140618	12	Capscrew 1/4 x 3/4	
7	7114140818	8	Capscrew 1/4 x 1	
8	7115181450	4	Bolt 1/2 x 1-3/4	
9	7178000025	1	License Plate Bracket	
10	7346000039	AR	Tube	
11	7413000002	8	Nut 1/4	
12	7590000105	1	Light	
13	7660182601	4	Nut 1/2	
14	7661000019	12	U Nut 1/4	
15	7796000047	2	Gasket	
16	7894000042	6	Tie-Strap (Not Shown)	
17	7949000058	4	Washer	
18	7950100163	2	Washer #10	
19	7950140143	20	Washer 1/4	
20	7950180161	8	Washer 1/2	

SECTION 4 - BODY

FIGURE 4-58. PYLON INSTALLATION - 50IN BODY MOUNTED (STEEL BODY)



ART_2241000020_D

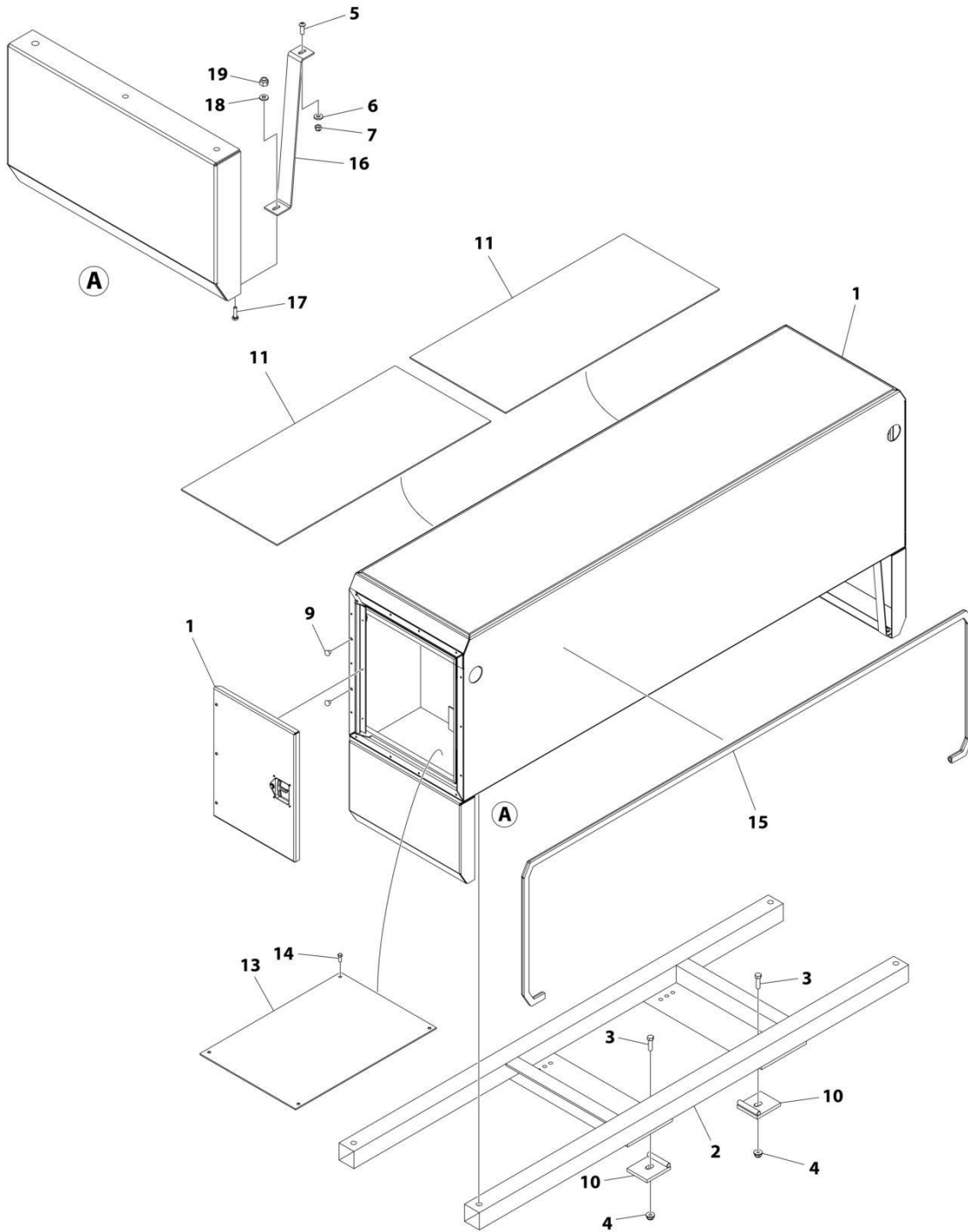
SECTION 4 - BODY

FIGURE 4-58. PYLON INSTALLATION - 50IN BODY MOUNTED (STEEL BODY)

ITEM	PART NUMBER	QTY	DESCRIPTION	REV
	2241000020	Ref	HEADBOARD - BODY MOUNT	D
1	3241000046	1	Headboard	
2	7115181450	4	Bolt 1/2 x 1-3/4	
3	7660182601	4	Nut 1/2	
4	7950180161	8	Washer 1/2	
6	7796000047	2	Gasket	
7	1001137205	1	Wiring, Headboard	
7A	7552000239	1	Harness, Pylon Lights (See Separate Breakdown in ELECTRICAL Section)	
7B	7493000003	1	Grommet (Not Shown)	

SECTION 4 - BODY

FIGURE 4-59. TUNNEL TOOLBOX INSTALLATION (ALUMINUM) (24IN IMPORT TRUCKS) (SN 0230002518 through 0230004178)



ART_2899000019_G

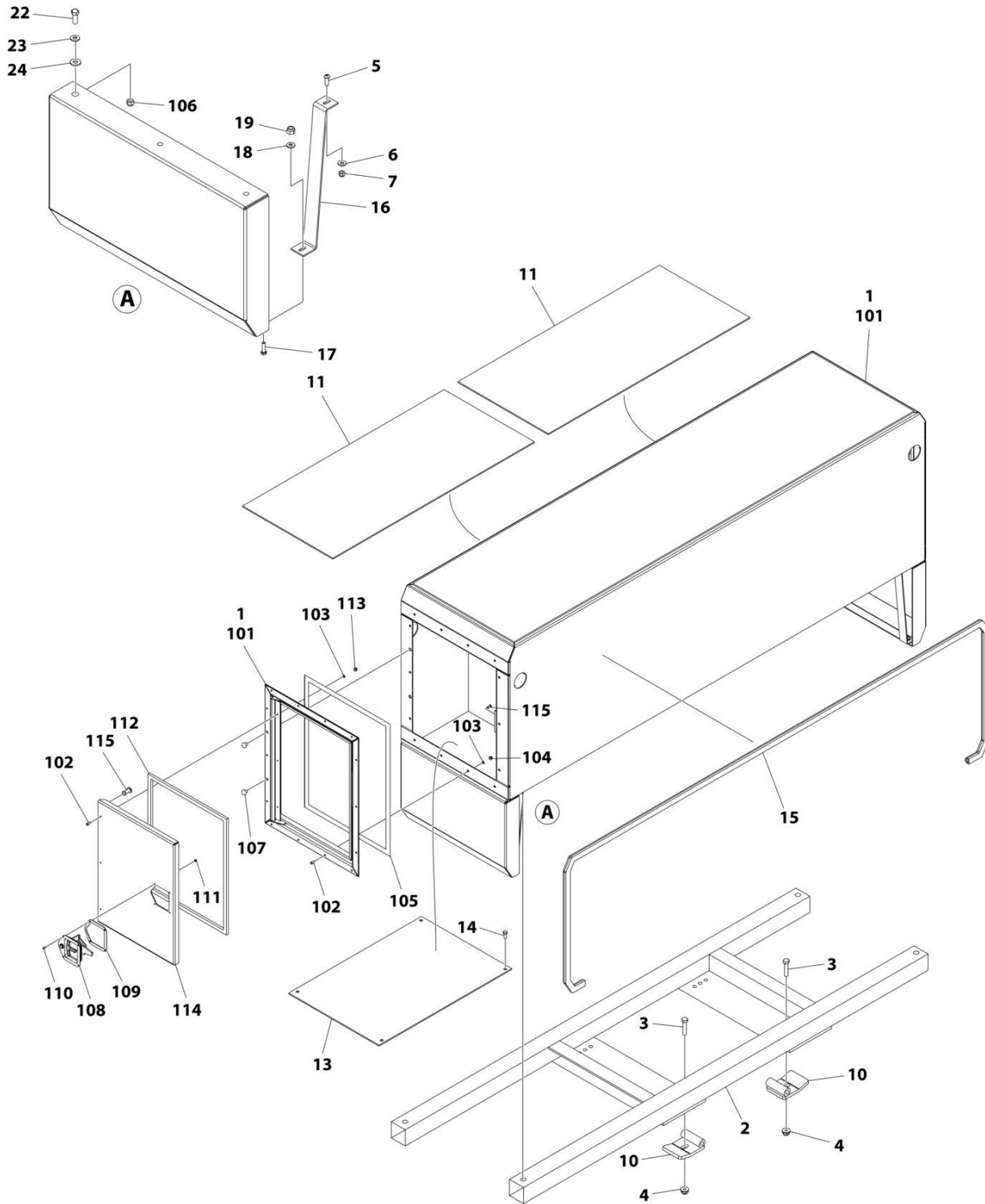
SECTION 4 - BODY

FIGURE 4-59. TUNNEL TOOLBOX INSTALLATION (ALUMINUM) (24IN IMPORT TRUCKS) (SN 0230002518 through 0230004178)

ITEM	PART NUMBER	QTY	DESCRIPTION	REV
	2899000019	Ref	TUNNEL TOOLBOX INSTALLATION	G
1	3899000028	1	Toolbox	
2	3455000018	1	Frame	
3	7115181450	4	Bolt 1/2 x 1-3/4	
4	7660182301	4	Nut 1/2	
5	7115161010	4	Screw 3/8 x 1-1/4	
6	7950160161	4	Washer 3/8	
7	7660162601	4	Nut 3/8	
9	7189000010	4	Bumper	
10	3274000007	4	Clamp	
11	4679000090	2	Pad	
12	7552000237	1	Harness, Tunnel Box Extension (Not Shown) (See Separate Breakdown in ELECTRICAL Section)	
13	4706001450	1	Plate	
14	7790141076	4	Bolt 1/4 x 5/8	
15	7796000078	12	Gasket	
16	4178000187	4	Bracket	
17	7114140611	4	Bolt 1/4 x 3/4	
18	7950140153	4	Washer 1/4	
19	7660142604	4	Nut 1/4	
20	4812000047	4	Shim (Not Shown)	
21	7346000038	1	Strap (Not Shown)	

SECTION 4 - BODY

FIGURE 4-60. TUNNEL TOOLBOX INSTALLATION (ALUMINUM) (24IN IMPORT TRUCKS) (SN 0230004179 through 0230009713)



ART_2899000019_I

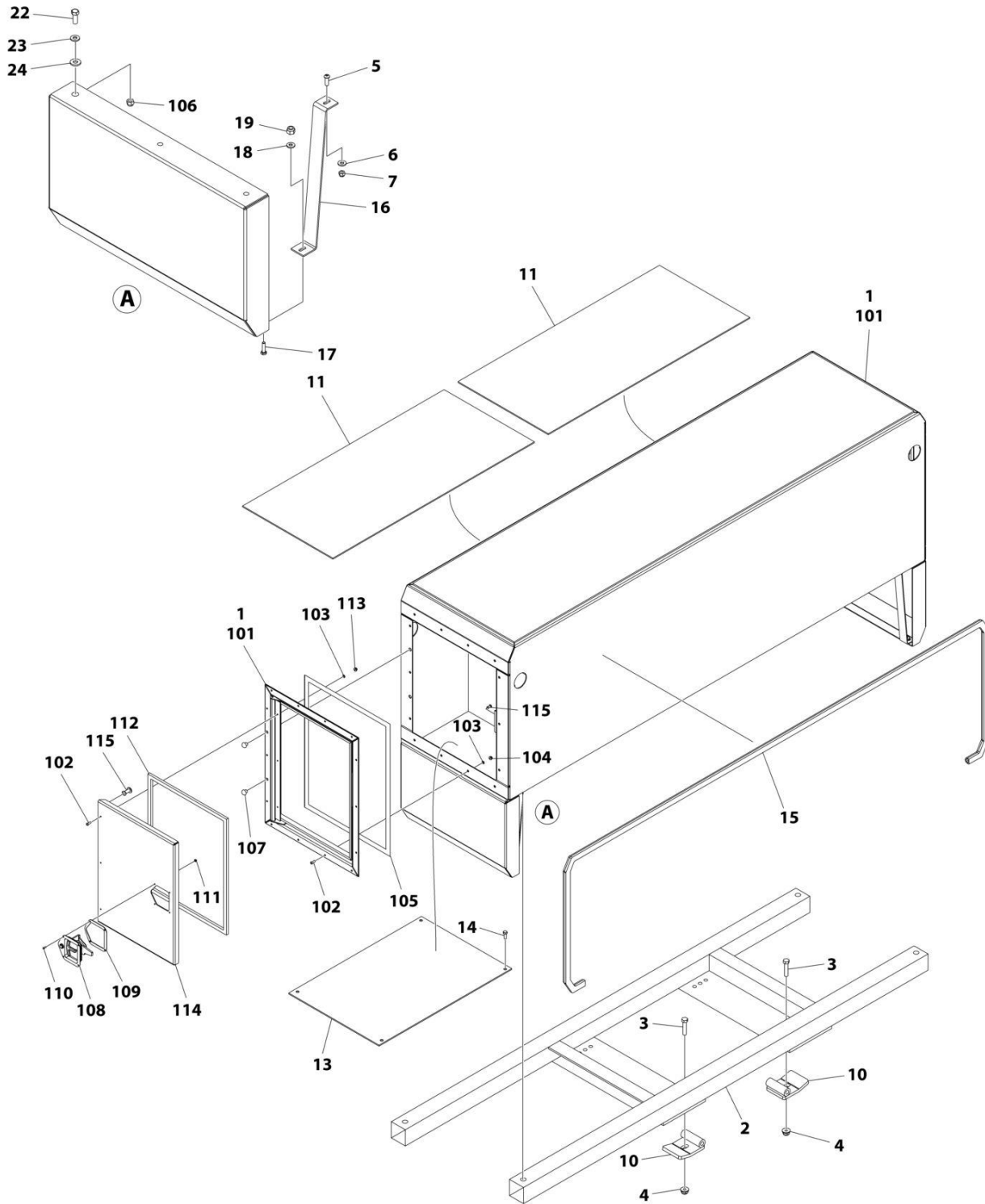
SECTION 4 - BODY

FIGURE 4-60. TUNNEL TOOLBOX INSTALLATION (ALUMINUM) (24IN IMPORT TRUCKS) (SN 0230004179 through 0230009713)

ITEM	PART NUMBER	QTY	DESCRIPTION	REV
	2899000019	Ref	TUNNEL TOOLBOX INSTALLATION	I
1	1001135818	1	Toolbox (Include Items 101-115)	
2	3455000018	1	Frame	
3	0641818	4	Bolt 1/2 x 2-1/4	
4	7660182301	4	Nut 1/2	
5	7115161010	4	Screw 3/8 x 1-1/4	
6	7950160161	4	Washer 3/8	
7	7660162601	4	Nut 3/8	
10	1001220359	4	Clamp	
11	4679000090	2	Pad	
12	7552000237	1	Harness, Tunnel Box Extension (Not Shown) (See Separate Breakdown in ELECTRICAL Section)	
13	4706001450	1	Plate	
14	7790141076	4	Bolt 1/4 x 5/8	
15	7632046140	1	Moulding	
16	4178000187	4	Bracket	
17	7114140611	4	Bolt 1/4 x 3/4	
18	7950140153	4	Washer 1/4	
19	7660142604	4	Nut 1/4	
20	4812000047	4	Shim (Not Shown)	
21	7346000038	1	Strap (Not Shown)	
22	7115160850	6	Bolt 3/8 x 1	
23	7950160000	6	Washer 3/8	
24	7950160161	6	Washer 3/8	
	1001135818	Ref	TOOLBOX	B
101	1001135511	1	Box Assembly 24in	
102	7114140618	34	Capscrew 1/4 x 3/4	
103	7949000056	34	Washer 1/2	
104	7661000062	28	Nut 1/4	
105	7796000012	AR	Seal	
106	7413000003	6	Nut 3/8	
107	7189000007	4	Bumper	
108	7585000012	2	Latch, T-Handle	
109	7796000084	2	Gasket	
110	7114080418	8	Capscrew #8 x 1/2	
111	7660082500	8	Locknut #8	
112	7796000002	AR	Seal	
113	7660142601	6	Nut 1/4	
114	4706003611	2	Plate	
115	7759000017	4	Rivet	

SECTION 4 - BODY

FIGURE 4-61. TUNNEL TOOLBOX INSTALLATION (ALUMINUM) (24IN IMPORT TRUCKS) (SN 0230009714 to Present)



ART_2899000019_J

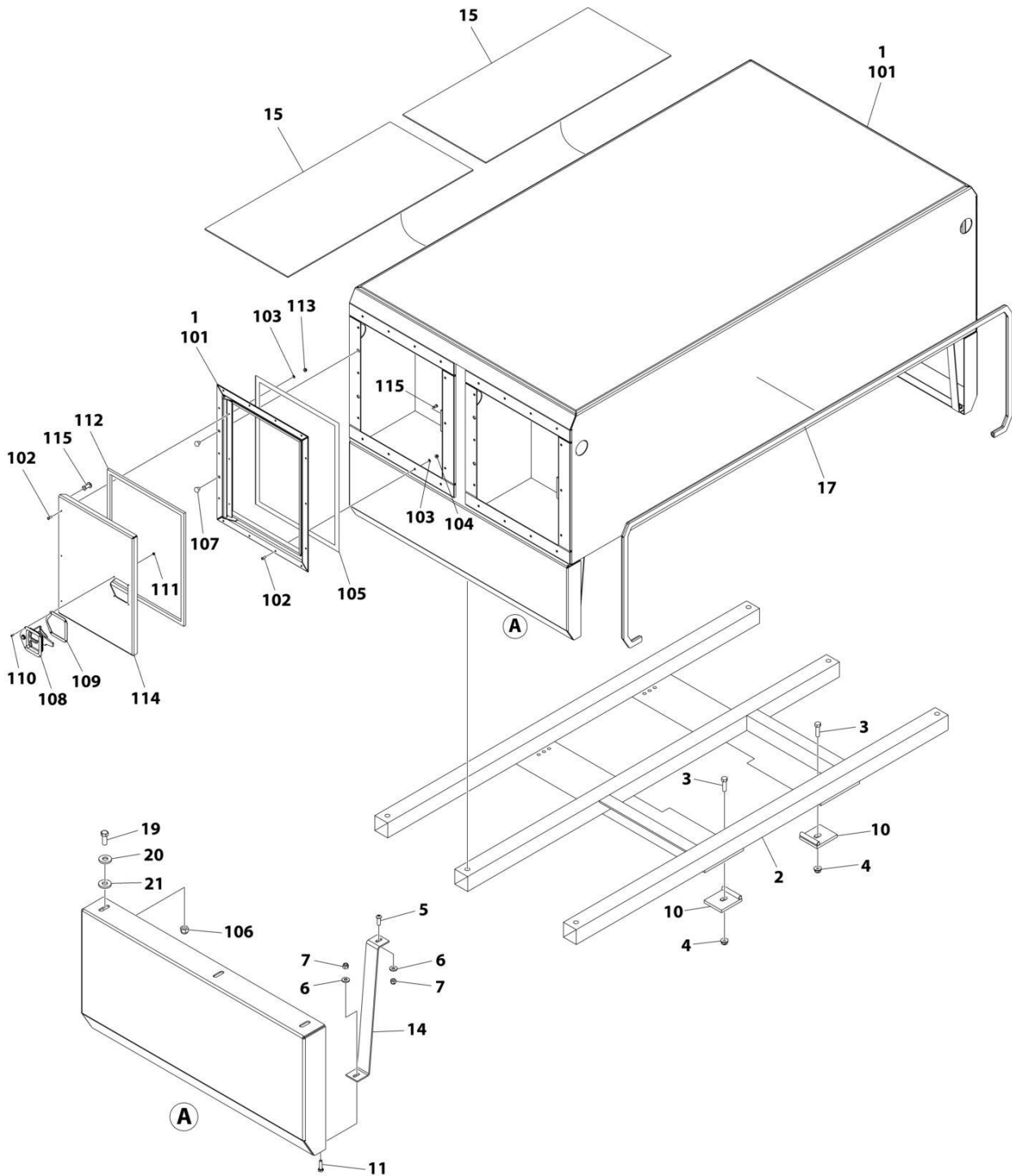
SECTION 4 - BODY

FIGURE 4-61. TUNNEL TOOLBOX INSTALLATION (ALUMINUM) (24IN IMPORT TRUCKS) (SN 0230009714 to Present)

ITEM	PART NUMBER	QTY	DESCRIPTION	REV
	2899000019	Ref	TUNNEL TOOLBOX INSTALLATION	J
1	1001135818	1	Toolbox (Include Items 101-115)	
2	3455000018	1	Frame	
3	0641818	4	Bolt 1/2 x 2-1/4	
4	7660182301	4	Nut 1/2	
5	7115161010	4	Screw 3/8 x 1-1/4	
6	7950160161	4	Washer 3/8	
7	7660162601	4	Nut 3/8	
10	1001220359	4	Clamp	
11	4679000090	2	Pad	
12	1001267650	1	Harness, Tunnel Box Extension (Not Shown) (See Separate Breakdown in ELECTRICAL Section)	
13	4706001450	1	Plate	
14	7790141076	4	Bolt 1/4 x 5/8	
15	7632046140	1	Moulding	
16	4178000187	4	Bracket	
17	7114140611	4	Bolt 1/4 x 3/4	
18	7950140153	4	Washer 1/4	
19	7660142604	4	Nut 1/4	
20	4812000047	4	Shim (Not Shown)	
21	7346000038	1	Strap (Not Shown)	
22	7115160850	6	Bolt 3/8 x 1	
23	7950160000	6	Washer 3/8	
24	7950160161	6	Washer 3/8	
	1001135818	Ref	TOOLBOX	B
101	1001135511	1	Box Assembly 24in	
102	7114140618	34	Capscrew 1/4 x 3/4	
103	7949000056	34	Washer 1/2	
104	7661000062	28	Nut 1/4	
105	7796000012	AR	Seal	
106	7413000003	6	Nut 3/8	
107	7189000007	4	Bumper	
108	7585000012	2	Latch, T-Handle	
109	7796000084	2	Gasket	
110	7114080418	8	Capscrew #8 x 1/2	
111	7660082500	8	Locknut #8	
112	7796000002	AR	Seal	
113	7660142601	6	Nut 1/4	
114	4706003611	2	Plate	
115	7759000017	4	Rivet	

SECTION 4 - BODY

FIGURE 4-62. TUNNEL TOOLBOX INSTALLATION (ALUMINUM) (48IN IMPORT TRUCKS)



ART_2899000020_D

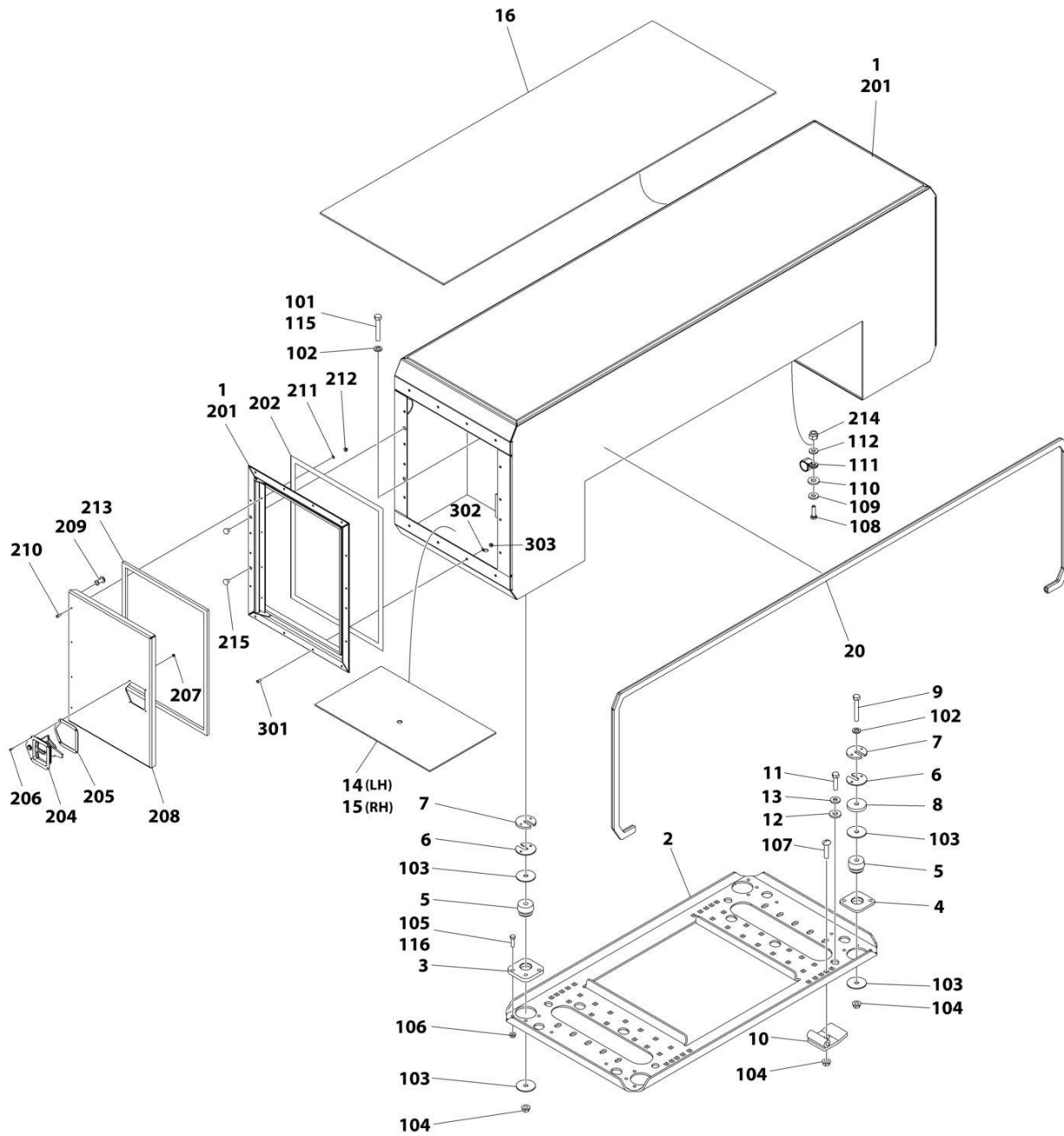
SECTION 4 - BODY

FIGURE 4-62. TUNNEL TOOLBOX INSTALLATION (ALUMINUM) (48IN IMPORT TRUCKS)

ITEM	PART NUMBER	QTY	DESCRIPTION	REV
	2899000020	Ref	TUNNEL TOOLBOX INSTALLATION	D
1	1001135817	1	Toolbox (Includes Items 101-115)	
2	3455000019	1	Frame	
3	7115181450	4	Bolt 1/2 x 1-3/4	
4	7660182301	4	Nut 1/2	
5	7115161050	6	Screw 3/8 x 1-1/4	
6	7950160161	10	Washer 3/8	
7	7660162601	10	Nut 3/8	
8	4812000047	4	Shim (Not Shown)	
10	3274000007	4	Clamp	
11	7114160818	4	Bolt 3/8 x 1	
14	4178000187	4	Bracket	
15	4679000090	4	Pad	
16	7552000237	2	Harness, Tunnel Box Extension (Not Shown) (See Separate Breakdown in ELECTRICAL Section)	
17	7796000078	12	Gasket	
18	7346000038	1	Strap (Not Shown)	
19	7115160850	10	Bolt 3/8 x 1	
20	7950160000	10	Nut 3/8	
21	7950160161	10	Washer 3/8	
	1001135817	Ref	TOOLBOX	B
101	1001135510	1	Box Assembly	
102	7114140618	68	Capscrew 1/4 x 3/4	
103	7949000056	68	Washer 1/2	
104	7661000062	56	Nut 1/4	
105	7796000012	29	Seal	
106	7413000003	10	Nut 3/8	
107	7189000007	8	Bumper	
108	7585000012	4	T-Handle Latch	
109	7796000084	4	Gasket	
110	7114080418	16	Capscrew #8 x 1/2	
111	7660082500	16	Nut #8	
112	7796000002	20	Seal	
113	7660142601	12	Nut 1/4	
114	4706003611	4	Plate	
115	7759000017	8	Rivet	

SECTION 4 - BODY

FIGURE 4-63. TUNNEL TOOLBOX INSTALLATION (ALUMINUM) (24IN CHEVY & GMC)



ART_289900080

SECTION 4 - BODY

FIGURE 4-63. TUNNEL TOOLBOX INSTALLATION (ALUMINUM) (24IN CHEVY & GMC)

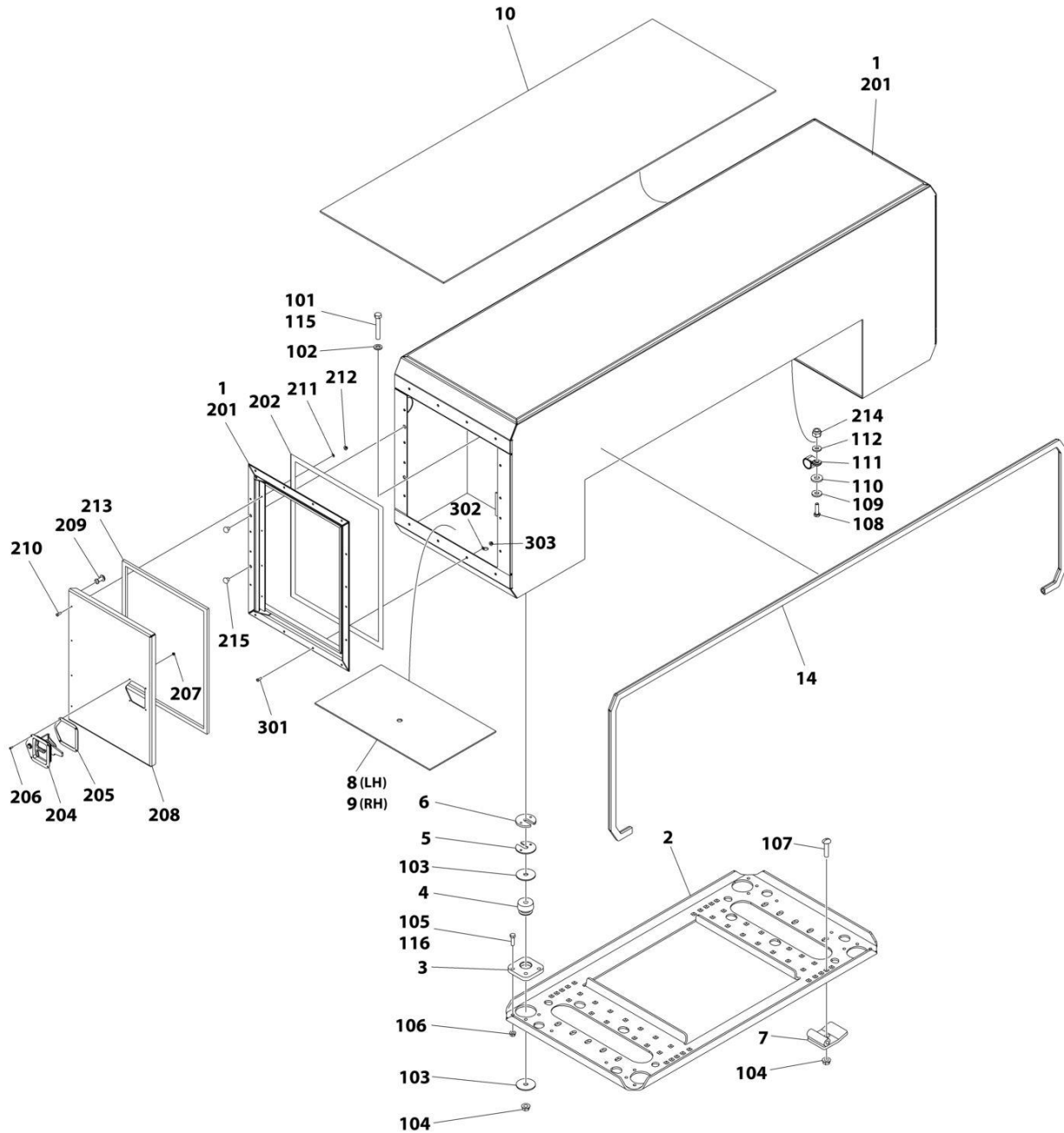
ITEM	PART NUMBER	QTY	DESCRIPTION	REV
	2899000080	Ref	TUNNEL TOOLBOX INSTALLATION	D
1	1001135957	1	Tunnel Toolbox Assembly (See Items 201-215 for Breakdown)	
2	4636000041	1	Mount	
3	4706005869	2	Plate	
4	4706005880	2	Plate	
5	7636000005	4	Mount, Rubber	
6	4812000108	2	Shim 0.25	
7	4812000107	4	Shim 0.12	
8	4831000121	2	Spacer	
9	7115183250	2	Bolt 1/2 x 4	
10	1001220359	2	Clamp	
11	7120000075	2	Bolt M14 x 35	
12	7949000019	2	Washer	
13	7950200000	2	Washer 5/8	
14	4679000329	1	Pad (LH)	
15	4679000330	1	Pad (RH)	
16	4679000331	1	Pad	
19	7552000237	1	Harness, Tunnel Box Extension (Not Shown) (See Separate Breakdown in ELECTRICAL Section)	
20	7796000078	12 ft/4 m	Gasket	
21	7346000038	1	Strap, Grounding (Not Shown)	
22	7577000667	1	Hardware Kit (Not Shown) (See Items 101-116 for Breakdown)	
23	4812000047	AR	Shim (Not Shown)	
	7577000667	Ref	HARDWARE KIT	C
101	7115182850	4	Bolt 1/2 x 3-1/2	
102	7950180252	4	Washer 1/2	
103	7949000013	8	Washer 2-3/8	
104	7660182301	8	Nut 1/2	
105	7115161250	12	Bolt 3/8 x 1-1/2	
106	7660162301	12	Nut 3/8	
107	7115181864	4	Bolt 1/2 x 2-14	
108	7114140618	3	Bolt 1/4 x 3/4	
109	7950140000	3	Washer 1/4	
110	7950140153	3	Washer 1/4	
111	7274000105	3	Clamp	
112	7950140500	3	Washer 1/4	
114	7894000042	4	Tie-Strap (Not Shown)	
115	0641824	1	Bolt 1/2 x 3	
116	0641610	1	Bolt 5/8 x 1-1/4	
	1001135957	Ref	TUNNEL TOOLBOX ASSEMBLY	C
201	1001135961	1	Box, Tunnel (No Doors)	
202	7796000012	16 ft/5 m	Seal	
203	7577000666	1	Hardware Kit (Not Shown) (See Items 301-303 for Breakdown)	
204	7585000012	2	Latch, T-Handle	
205	7796000084	2	Gasket	
206	7114080418	8	Capscrew #8 x 1/2	
207	7660082500	8	Nut #8	
208	4706003611	2	Plate	
209	7759000017	4	Rivet	
210	7114140618	8	Screw 1/4 x 3/4	

SECTION 4 - BODY

ITEM	PART NUMBER	QTY	DESCRIPTION	REV
211	7949000056	8	Washer 1/4	0
212	7661000062	8	Nut 1/4	
213	7796000002	10	Seal	
214	7413000002	3	Nut 1/4	
215	7189000007	4	Bumper	
	7577000666	Ref	HARDWARE KIT	
301	7114140618	32	Bolt 1/4 x 3/4	
302	7949000056	32	Washer 1/4	
303	7661000062	32	Nut 1/4	

SECTION 4 - BODY

FIGURE 4-64. TUNNEL TOOLBOX INSTALLATION (ALUMINUM) (24IN FORD, DODGE & IHC - STANDARD SPECS)



ART_2899000079

SECTION 4 - BODY

FIGURE 4-64. TUNNEL TOOLBOX INSTALLATION (ALUMINUM) (24IN FORD, DODGE & IHC - STANDARD SPECS)

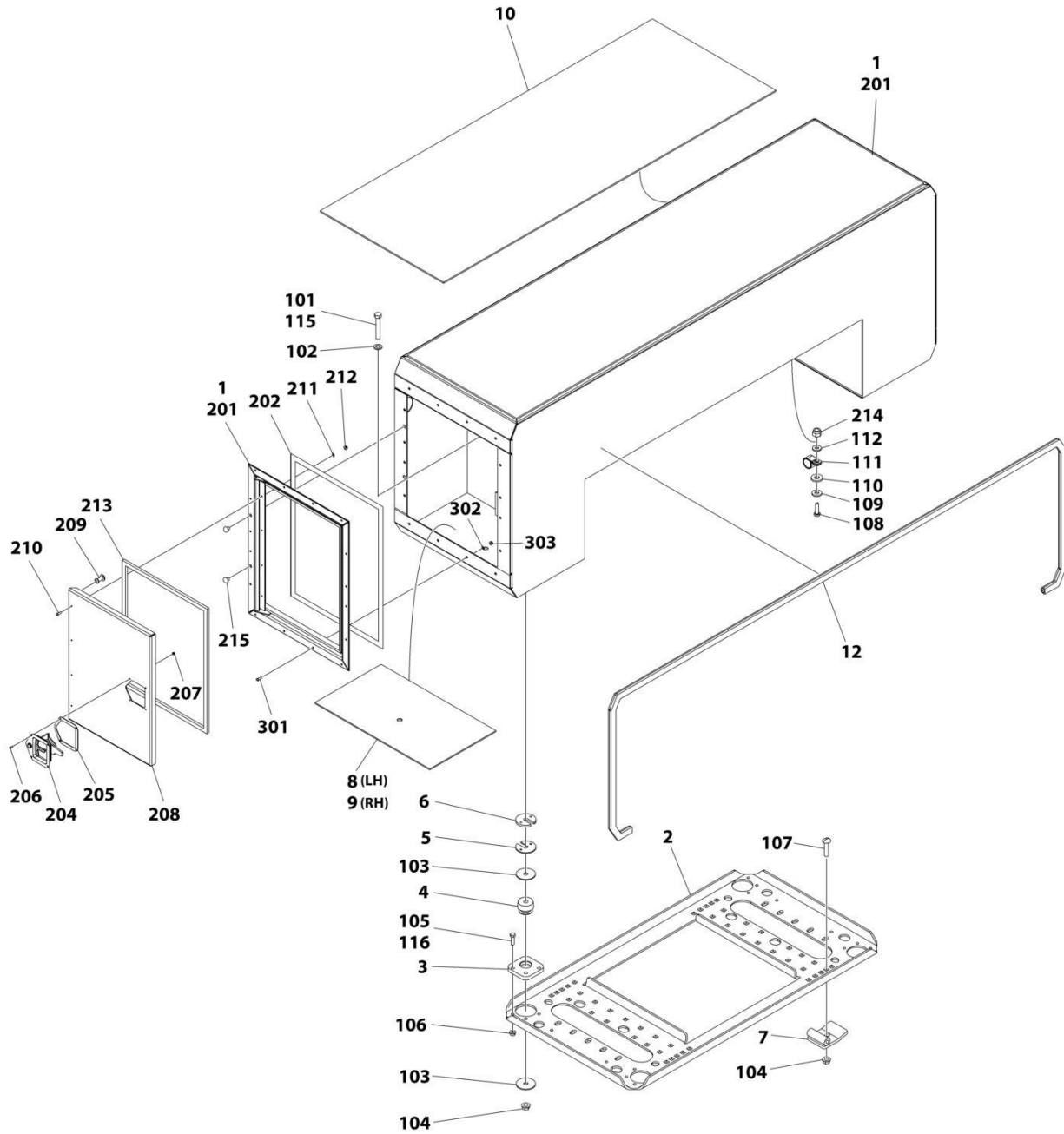
ITEM	PART NUMBER	QTY	DESCRIPTION	REV
	2899000079	Ref	TUNNEL TOOLBOX INSTALLATION (ALUMINUM) (24IN CHEVY & GMC)	F
1	1001135957	1	Tunnel Toolbox Assembly (See Items 201-215 for Breakdown)	
2	4636000041	1	Mount	
3	4706005869	4	Plate	
4	7636000005	4	Mount, Rubber	
5	4812000108	4	Shim 0.25	
6	4812000107	4	Shim 0.12	
7	1001220359	4	Clamp	
8	4679000329	1	Pad (LH)	
9	4679000330	1	Pad (RH)	
10	4679000331	1	Pad	
13	7552000237	1	Harness, Tunnel Box Extension (Not Shown) (See Separate Breakdown in ELECTRICAL Section) (SN 0230002518 through 0230009713)	
13	1001267650	1	Harness, Tunnel Box Extension (Not Shown) (See Separate Breakdown in ELECTRICAL Section) (SN 0230009714 to Present)	
14	7796000078	12 ft/4 m	Gasket	
15	7346000038	1	Strap Grounding (Not Shown)	
16	7577000667	1	Hardware Kit (Not Shown) (See Item 101-116 for Breakdown)	
17	4812000047	AR	Shim (Not Shown)	
	7577000667	Ref	HARDWARE KIT	C
101	7115182850	4	Bolt 1/2 x 3-1/2	
102	7950180252	4	Washer 1/2	
103	7949000013	8	Washer 2-3/8	
104	7660182301	8	Nut 1/2	
105	7115161250	12	Bolt 3/8 x 1-1/2	
106	7660162301	12	Nut 3/8	
107	7115181864	4	Bolt 1/2 x 2-14	
108	7114140618	3	Bolt 1/4 x 3/4	
109	7950140000	3	Washer 1/4	
110	7950140153	3	Washer 1/4	
111	7274000105	3	Clamp	
112	7950140500	3	Washer 1/4	
114	7894000042	4	Tie-Strap (Not Shown)	
115	0641824	1	Bolt 1/2 x 3	
116	0641610	1	Bolt 5/8 x 1-1/4	
	1001135957	Ref	TUNNEL TOOLBOX ASSEMBLY	C
201	1001135961	1	Box, Tunnel (No Doors)	
202	7796000012	16 ft/5 m	Seal	
203	7577000666	1	Hardware Kit (Not Shown) (See Items 301-303 for Breakdown)	
204	7585000012	2	Latch, T-Handle	
205	7796000084	2	Gasket	
206	7114080418	8	Capscrew #8 x 1/2	
207	7660082500	8	Nut #8	
208	4706003611	2	Plate	
209	7759000017	4	Rivet	
210	7114140618	8	Screw 1/4 x 3/4	
211	7949000056	8	Washer 1/4	

SECTION 4 - BODY

ITEM	PART NUMBER	QTY	DESCRIPTION	REV
212	7661000062	8	Nut 1/4	0
213	7796000002	10	Seal	
214	7413000002	3	Nut 1/4	
215	7189000007	4	Bumper	
	7577000666	Ref	HARDWARE KIT	
301	7114140618	32	Bolt 1/4 x 3/4	
302	7949000056	32	Washer 1/4	
303	7661000062	32	Nut 1/4	

SECTION 4 - BODY

FIGURE 4-65. TUNNEL TOOLBOX INSTALLATION (ALUMINUM) (24IN FORD, DODGE & IHC - GSA SPECS)



ART_1001144663

SECTION 4 - BODY

FIGURE 4-65. TUNNEL TOOLBOX INSTALLATION (ALUMINUM) (24IN FORD, DODGE & IHC - GSA SPECS)

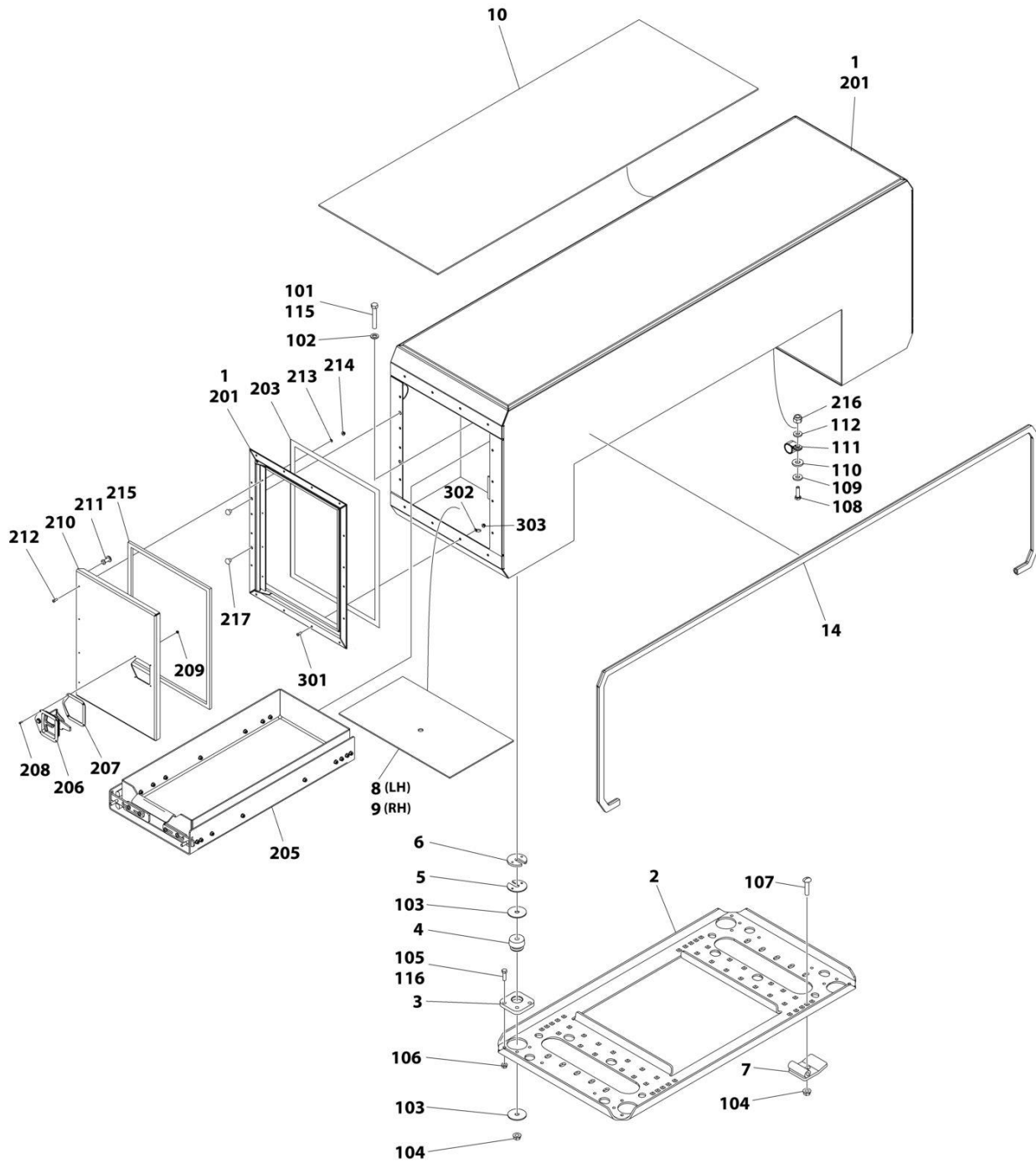
ITEM	PART NUMBER	QTY	DESCRIPTION	REV
	1001144663	Ref	TUNNEL TOOLBOX INSTALLATION (ALUMINUM) (24IN FORD, DODGE & IHC- GSA SPECS)	B
1	1001144662	1	Tunnel Toolbox Assembly (See Item 201-215 for Breakdown)	
2	4636000041	1	Mount	
3	4706005869	4	Plate	
4	7636000005	4	Mount, Rubber	
5	4812000108	4	Shim 0.25	
6	4812000107	4	Shim 0.12	
7	1001220359	4	Clamp	
8	4679000329	1	Pad (LH)	
9	4679000330	1	Pad (RH)	
10	4679000331	1	Pad	
11	7552000237	1	Harness, Tunnel Box Extension (Not Shown) (See Separate Breakdown in ELECTRICAL Section)	
12	7796000078	12 ft/4 m	Gasket	
13	7346000038	1	Strap Grounding (Not Shown)	
14	7577000667	1	Hardware Kit (Not Shown) (See Item 101-116 for Breakdown)	
15	4812000047	AR	Shim (Not Shown)	
	7577000667	Ref	HARDWARE KIT	C
101	7115182850	4	Bolt 1/2 x 3-1/2	
102	7950180252	4	Washer 1/2	
103	7949000013	8	Washer 2-3/8	
104	7660182301	8	Nut 1/2	
105	7115161250	12	Bolt 3/8 x 1-1/2	
106	7660162301	12	Nut 3/8	
107	7115181864	4	Bolt 1/2 x 2-14	
108	7114140618	3	Bolt 1/4 x 3/4	
109	7950140000	3	Washer 1/4	
110	7950140153	3	Washer 1/4	
111	7274000105	3	Clamp	
112	7950140500	3	Washer 1/4	
114	7894000042	4	Tie-Strap (Not Shown)	
115	0641824	1	Bolt 1/2 x 3	
116	0641610	1	Bolt 5/8 x 1-1/4	
	1001144662	Ref	TUNNEL TOOLBOX ASSEMBLY	C
201	1001144661	1	Box, Tunnel (No Doors)	
202	7796000012	16 ft/5 m	Seal	
203	7577000666	1	Hardware Kit (Not Shown) (See Items 301-303 for Breakdown)	
204	7585000012	2	Latch, T-Handle	
205	7796000084	2	Gasket	
206	7114080418	8	Capscrew #8 x 1/2	
207	7660082500	8	Nut #8	
208	4706003611	2	Plate	
209	7759000017	4	Rivet	
210	7114140618	8	Screw 1/4 x 3/4	
211	7949000056	8	Washer 1/4	
212	7661000062	8	Nut 1/4	
213	7796000002	10	Seal	
214	7413000002	3	Nut 1/4	

SECTION 4 - BODY

ITEM	PART NUMBER	QTY	DESCRIPTION	REV
215	7189000007	4	Bumper	0
	7577000666	Ref	HARDWARE KIT	
301	7114140618	32	Bolt 1/4 x 3/4	
302	7949000056	32	Washer 1/4	
303	7661000062	32	Nut 1/4	

SECTION 4 - BODY

FIGURE 4-66. TUNNEL TOOLBOX INSTALLATION (ALUMINUM) (24IN WITH RH BATTERY DRAWER)



ART_1001134161

SECTION 4 - BODY

FIGURE 4-66. TUNNEL TOOLBOX INSTALLATION (ALUMINUM) (24IN WITH RH BATTERY DRAWER)

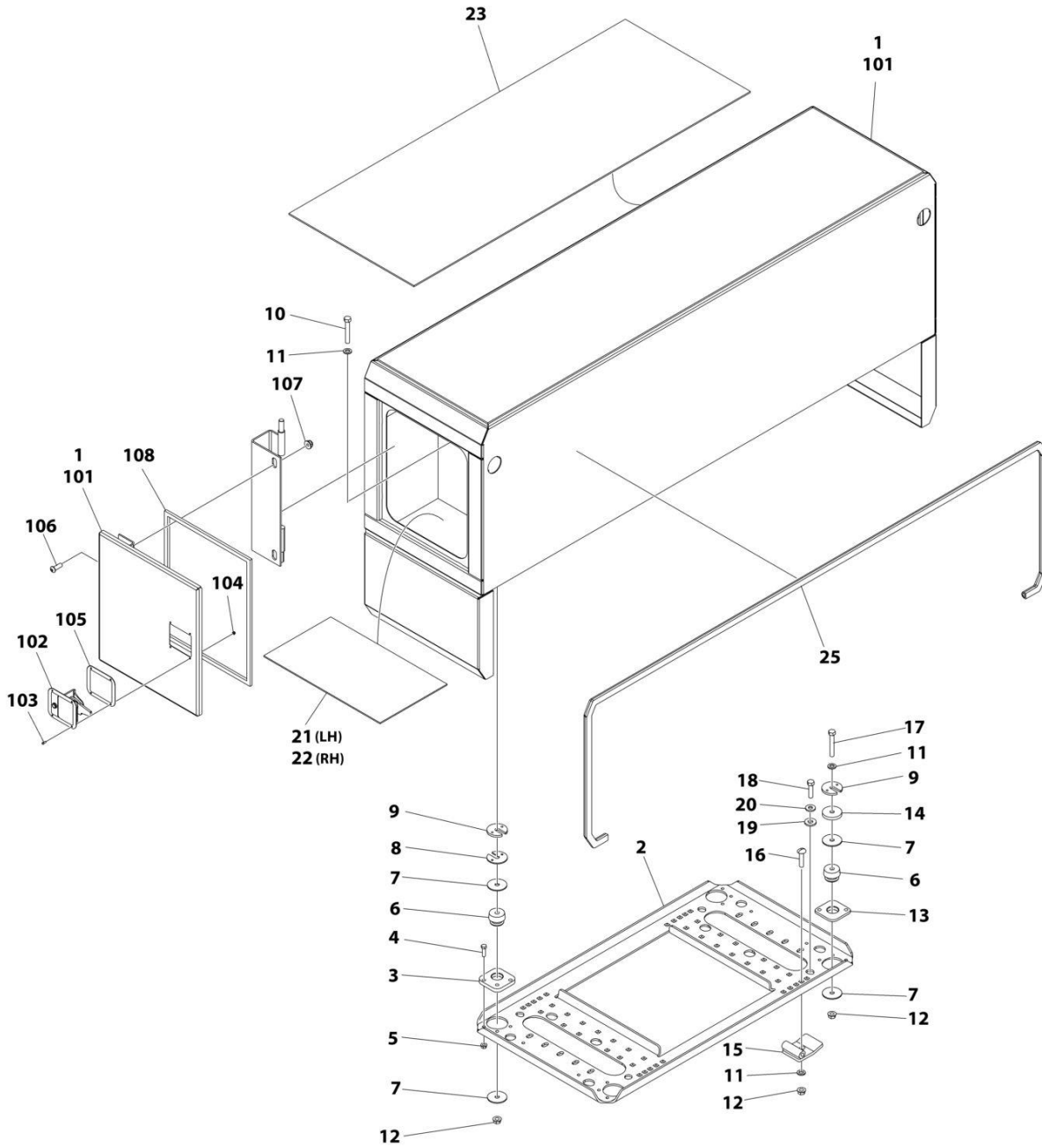
ITEM	PART NUMBER	QTY	DESCRIPTION	REV
	1001134161	Ref	TUNNEL TOOLBOX INSTALLATION (ALUMINUM) (24IN WITH RH BATTERY DRAWER)	C
1	1001134162	1	Tunnel Toolbox Assembly (See Items 201-217 for Breakdown)	
2	4636000041	1	Mount	
3	4706005869	4	Plate	
4	7636000005	4	Mount, Rubber	
5	4812000108	4	Shim 0.25	
6	4812000107	4	Shim 0.12	
7	1001220359	4	Clamp	
8	4679000329	1	Pad (LH)	
9	4679000330	1	Pad (RH)	
10	4679000331	1	Pad	
13	7552000237	1	Harness, Tunnel Box Extension (Not Shown) (See Separate Breakdown in ELECTRICAL Section)	
14	7796000078	12 ft/4 m	Gasket	
15	7346000038	1	Strap Grounding (Not Shown)	
16	7577000667	1	Hardware Kit (Not Shown) (See Items 101-116 for Breakdown)	
17	4812000047	AR	Shim (Not Shown)	
	7577000667	Ref	HARDWARE KIT	C
101	7115182850	4	Bolt 1/2 x 3-1/2	
102	7950180252	4	Washer 1/2	
103	7949000013	8	Washer 2-3/8	
104	7660182301	8	Nut 1/2	
105	7115161250	12	Bolt 3/8 x 1-1/2	
106	7660162301	12	Nut 3/8	
107	7115181864	4	Bolt 1/2 x 2-14	
108	7114140618	3	Bolt 1/4 x 3/4	
109	7950140000	3	Washer 1/4	
110	7950140153	3	Washer 1/4	
111	7274000105	3	Clamp	
112	7950140500	3	Washer 1/4	
114	7894000042	4	Tie-Strap (Not Shown)	
115	0641824	1	Bolt 1/2 x 3	
116	0641610	1	Bolt 5/8 x 1-1/4	
	1001134162	Ref	TUNNEL TOOLBOX ASSEMBLY	D
201	1001135962	1	Box, Tunnel (No Doors)	
203	7796000012	16 ft/5 m	Seal	
204	7577000666	1	Hardware Kit (Not Shown) (See Items 301-303 for Breakdown)	
205	2002000034	1	Pull-Out Drawer - Tunnel Toolbox (See Separate Breakdown in this Section)	
206	7585000012	2	Latch, T-Handle	
207	7796000084	2	Gasket	
208	7114080418	8	Capscrew #8 x 1/2	
209	7660082500	8	Nut #8	
210	4706003611	2	Plate	
211	7759000017	4	Rivet	
212	7114140618	8	Screw 1/4 x 3/4	
213	7949000056	8	Washer 1/4	
214	7661000062	8	Nut 1/4	
215	7796000002	10	Seal	

SECTION 4 - BODY

ITEM	PART NUMBER	QTY	DESCRIPTION	REV
216	7413000002	3	Nut 1/4	0
217	7189000007	4	Bumper	
	7577000666	Ref	HARDWARE KIT	
301	7114140618	32	Bolt 1/4 x 3/4	
302	7949000056	32	Washer 1/4	
303	7661000062	32	Nut 1/4	

SECTION 4 - BODY

FIGURE 4-67. TUNNEL TOOLBOX INSTALLATION (STEEL) (24IN CHEVY & GMC)



ART_2899000078

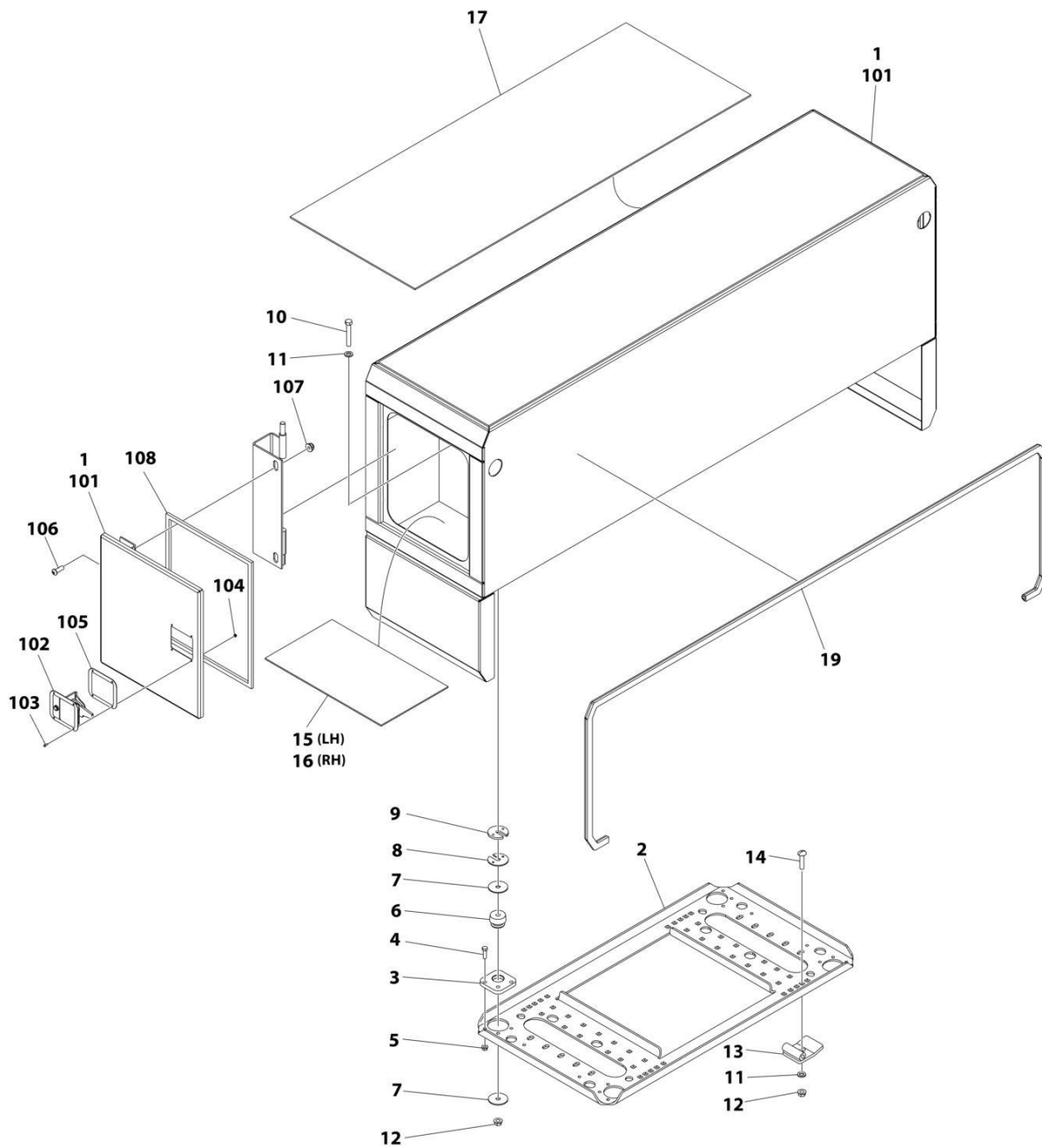
SECTION 4 - BODY

FIGURE 4-67. TUNNEL TOOLBOX INSTALLATION (STEEL) (24IN CHEVY & GMC)

ITEM	PART NUMBER	QTY	DESCRIPTION	REV
	2899000078	Ref	TUNNEL TOOLBOX INSTALLATION (STEEL) (24IN CHEVY & GMC)	C
1	1001136072	Ref	Tunnel Box Assembly (See Items 101-108 for Breakdown)	
2	4636000041	1	Mount	
3	4706005869	2	Plate	
4	7115161250	10	Bolt 3/8 x 1-1/2	
5	7660162301	10	Nut 3/8	
6	7636000005	4	Mount, Rubber	
7	7949000013	8	Washer 2-3/8	
8	4812000108	2	Shim 0.25	
9	4812000107	4	Shim 0.12	
10	7115182850	2	Bolt 1/2 x 3-1/2	
11	7950180252	6	Washer 1/2	
12	7660182601	6	Nut 1/2	
13	4706005880	2	Plate	
14	4831000121	2	Spacer	
15	3274000007	2	Clamp	
16	7115181864	2	Bolt 1/2 x 2-14	
17	7115183250	2	Bolt 1/2 x 4	
18	7120000075	2	Screw M14 x 35	
19	7949000019	2	Washer	
20	7950200000	2	Washer 5/8	
21	4679000329	1	Pad (LH)	
22	4679000330	1	Pad (RH)	
23	4679000331	1	Pad	
24	7552000237	1	Harness, Tunnel Box Extension (Not Shown) (See Separate Breakdown in ELECTRICAL Section)	
25	7796000078	12 ft/4 m	Gasket	
26	7346000038	1	Strap Grounding (Not Shown)	
	1001136072	Ref	TUNNEL TOOLBOX ASSEMBLY	C
101	1001136071	1	Box, Tunnel	
102	7595000002	2	Latch, Paddle Handle	
103	7114080418	8	Capscrew #8	
104	7660082500	8	Nut #8	
105	7796000031	2	Gasket	
106	7118160516	4	Bolt 3/8 x 5/8 Grade 8	
107	7660162301	4	Nut 3/8	
108	7796000002	7 in/18 cm	Seal	

SECTION 4 - BODY

FIGURE 4-68. TUNNEL TOOLBOX INSTALLATION (STEEL) (24IN FORD, DODGE & IHC)



ART_2899000077

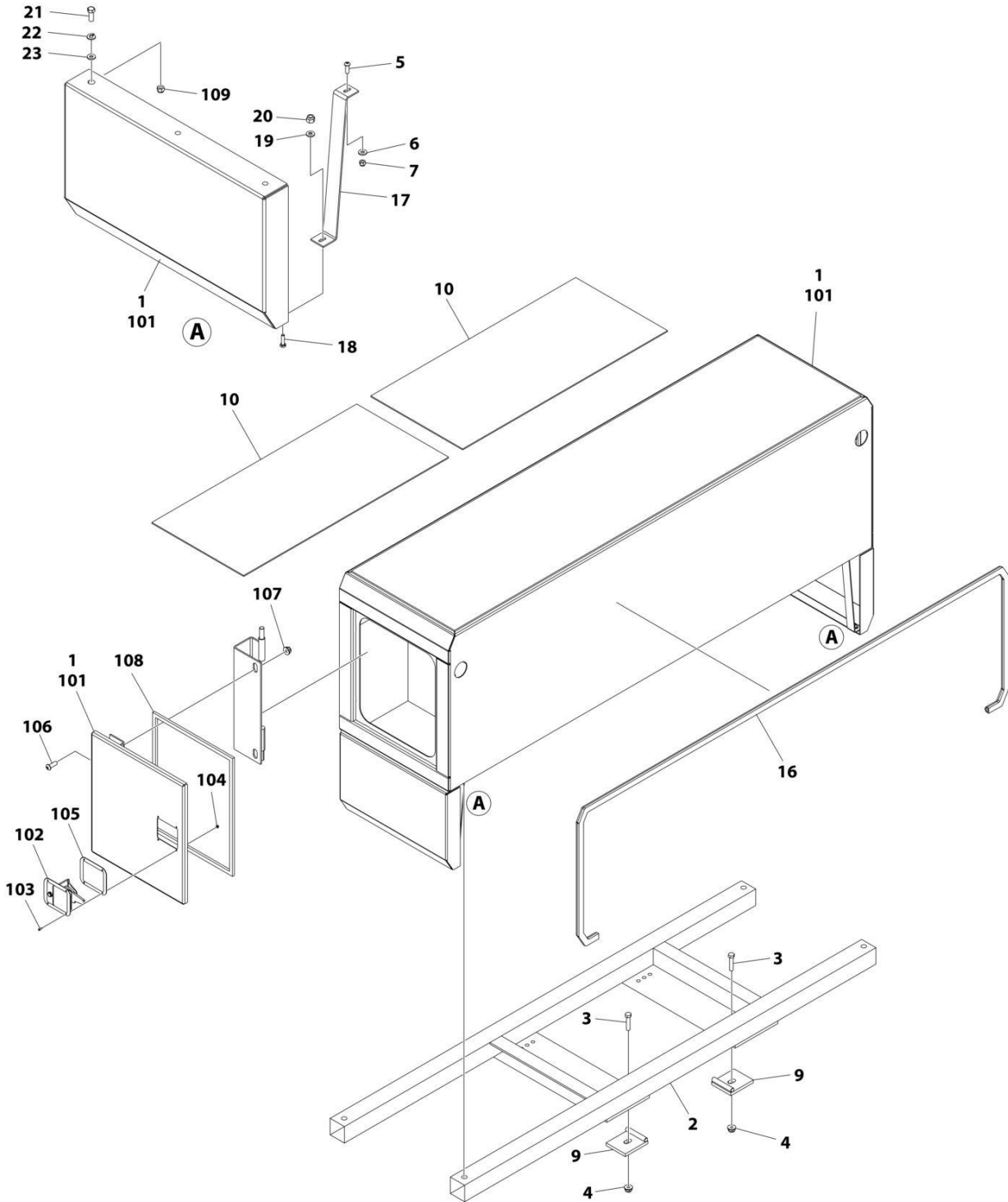
SECTION 4 - BODY

FIGURE 4-68. TUNNEL TOOLBOX INSTALLATION (STEEL) (24IN FORD, DODGE & IHC)

ITEM	PART NUMBER	QTY	DESCRIPTION	REV
	2899000077	Ref	TUNNEL TOOLBOX INSTALLATION (STEEL) (24IN FORD, DODGE & IHC)	C
1	1001136072	1	Tunnel Box Assembly (See Items 101-108 for Breakdown)	
2	4636000041	1	Mount	
3	4706005869	4	Plate	
4	7115161250	12	Bolt 3/8 x 1-1/2	
5	7660162301	12	Nut 3/8	
6	7636000005	4	Mount, Rubber	
7	7949000013	8	Washer 2-3/8	
8	4812000108	4	Shim 0.25	
9	4812000107	4	Shim 0.12	
10	7115182850	4	Bolt 1/2 x 3-1/2	
11	7950180252	8	Washer 1/2	
12	7660182601	8	Nut 1/2	
13	3274000007	4	Clamp	
14	7115181864	4	Bolt 1/2 x 2-14	
15	4679000329	1	Pad (LH)	
16	4679000330	1	Pad (RH)	
17	4679000331	1	Pad	
18	7552000237	1	Harness, Tunnel Box Extension (Not Shown) (See Separate Breakdown in ELECTRICAL Section)	
19	7796000078	12 ft/4 m	Gasket	
20	7346000038	1	Strap Grounding (Not Shown)	
	1001136072	Ref	TUNNEL TOOLBOX ASSEMBLY	C
101	1001136071	1	Box, Tunnel	
102	7796000002	2	Latch, Paddle Handle	
103	7114080418	8	Capscrew #8	
104	7660082500	8	Nut #8	
105	7796000031	2	Gasket	
106	7118160516	4	Bolt 3/8 x 5/8 Grade 8	
107	7660162301	4	Nut 3/8	
108	7595000002	7 in/18 cm	Seal	

SECTION 4 - BODY

FIGURE 4-69. TUNNEL TOOLBOX INSTALLATION (STEEL) (24IN IMPORT TRUCKS)



ART_2502740065

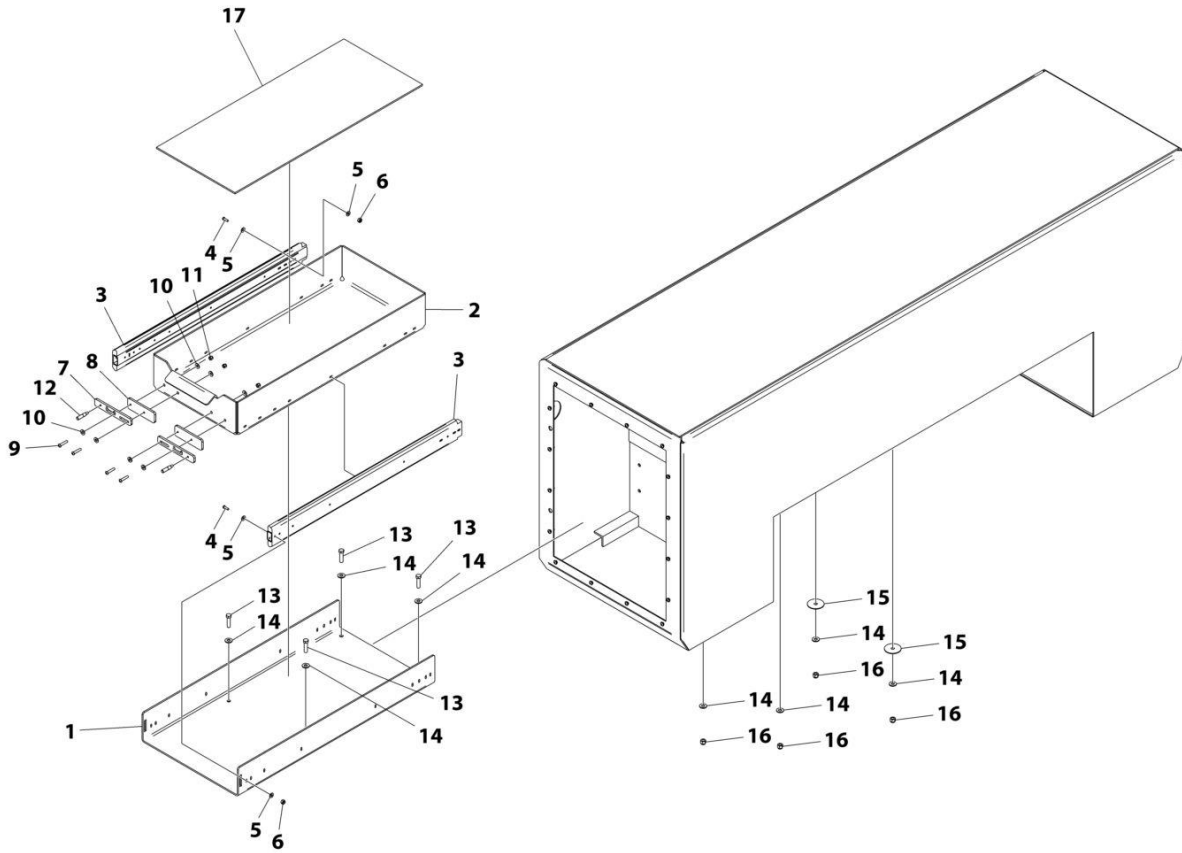
SECTION 4 - BODY

FIGURE 4-69. TUNNEL TOOLBOX INSTALLATION (STEEL) (24IN IMPORT TRUCKS)

ITEM	PART NUMBER	QTY	DESCRIPTION	REV
	2502740065	Ref	TUNNEL TOOLBOX INSTALLATION (STEEL) (24IN IMPORT TRUCKS)	G
1	1001135062	1	Tunnel Box Assembly (See Items 101-109 for Breakdown)	
2	3455000018	1	Frame	
3	7115181450	4	Bolt 1/2 x 1-3/4	
4	7660182301	4	Nut 1/2	
5	7115161010	4	Screw 3/8 x 1-1/4	
6	7950160161	4	Washer 3/8	
7	7660162601	4	Nut 3/8	
9	3274000007	4	Clamp	
10	4679000090	2	Pad	
11	7552000237	1	Harness, Tunnel Box Extension (Not Shown) (See Separate Breakdown in ELECTRICAL Section)	
16	7796000078	12 ft/4 m	Gasket	
17	4178000187	4	Bracket	
18	7114140611	4	Bolt 1/4 x 3/4	
19	7950140153	4	Washer 1/4	
20	7660142604	4	Nut 1/4	
21	7115160850	6	Bolt 3/8 x 1	
22	7950160000	6	Washer 3/8	
23	7950160161	6	Washer 3/8	
	1001135062	Ref	TUNNEL TOOLBOX ASSEMBLY	A
101	1001135391	1	Box, Tunnel	
102	7595000002	2	Latch, Paddle Handle	
103	7114080418	8	Capscrew #8 x 1/2	
104	7660082500	8	Nut #8	
105	7796000031	2	Gasket	
106	7118160516	4	Bolt 3/8 x 5/8 Grade 8	
107	7660162301	4	Nut 3/8	
108	7595000002	7 in/18 cm	Seal	
109	7413000003	6	Nut 3/8	

SECTION 4 - BODY

FIGURE 4-70. PULL-OUT DRAWER INSTALLATION



ART_2002000034

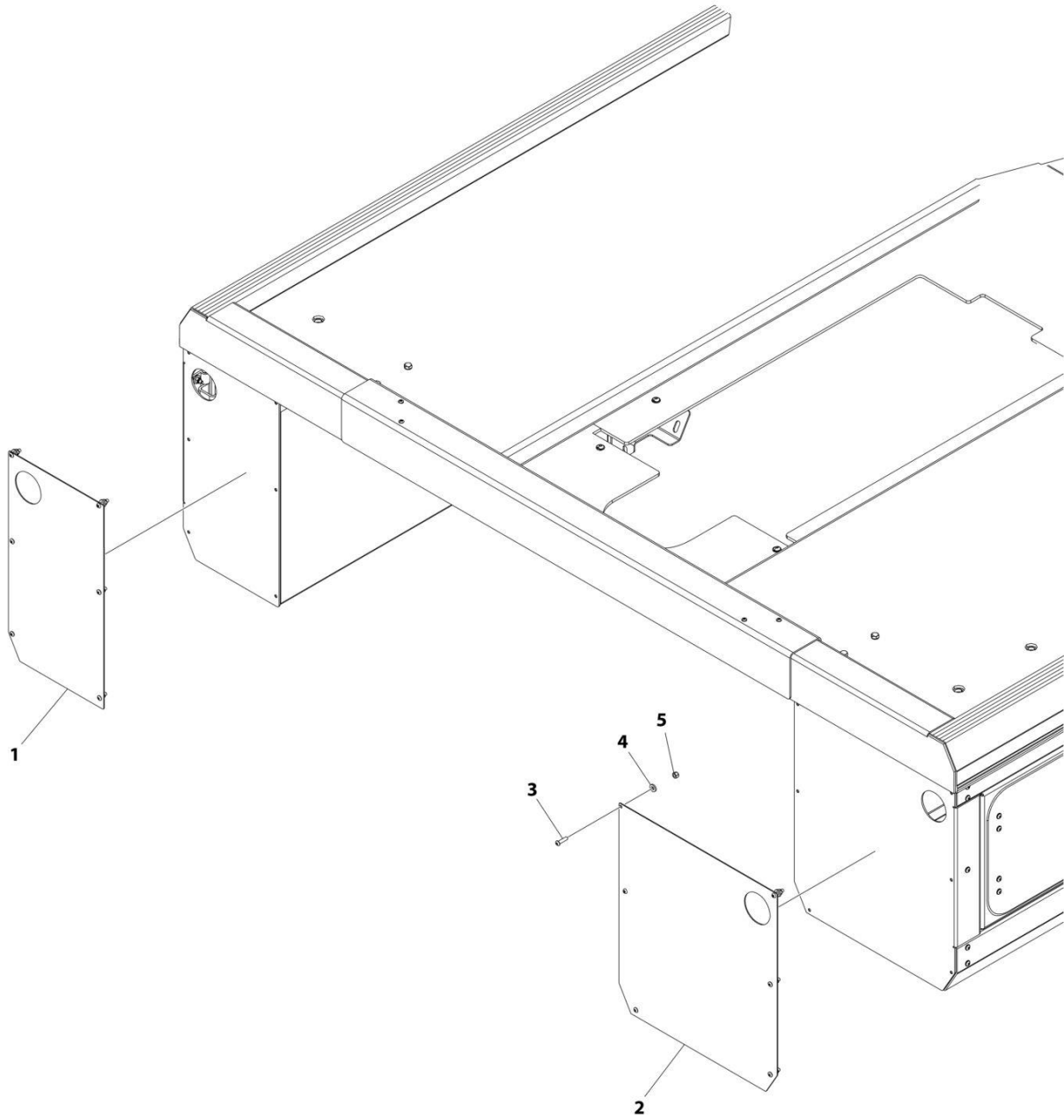
SECTION 4 - BODY

FIGURE 4-70. PULL-OUT DRAWER INSTALLATION

ITEM	PART NUMBER	QTY	DESCRIPTION	REV
	2002000034	Ref	PULL-OUT DRAWER - TUNNEL TOOLBOX	B
1	4811001178	1	Sheet	
2	4811001179	1	Sheet	
3	7821000006	1	Slide	
4	0741006	34	Screw #10 x 3/4	
5	7950100103	68	Washer #10	
6	7660102601	34	Nut #10	
7	4706005865	2	Plate	
8	4706005864	2	Plate	
9	7114141018	4	Screw 1/4 x 1-1/4	
10	7950140141	8	Washer 1/4	
11	7660142601	4	Nut 1/4	
12	4763000184	2	Rod	
13	7115161250	4	Bolt 3/8 x 1-1/2	
14	7950160153	8	Washer 3/8	
15	7949000015	2	Washer	
16	7660162601	4	Nut 3/8	
17	4679000253	1	Pad	

SECTION 4 - BODY

FIGURE 4-71. STONE GUARD INSTALLATION (WITHOUT TUNNEL BOX)



ART_100112777

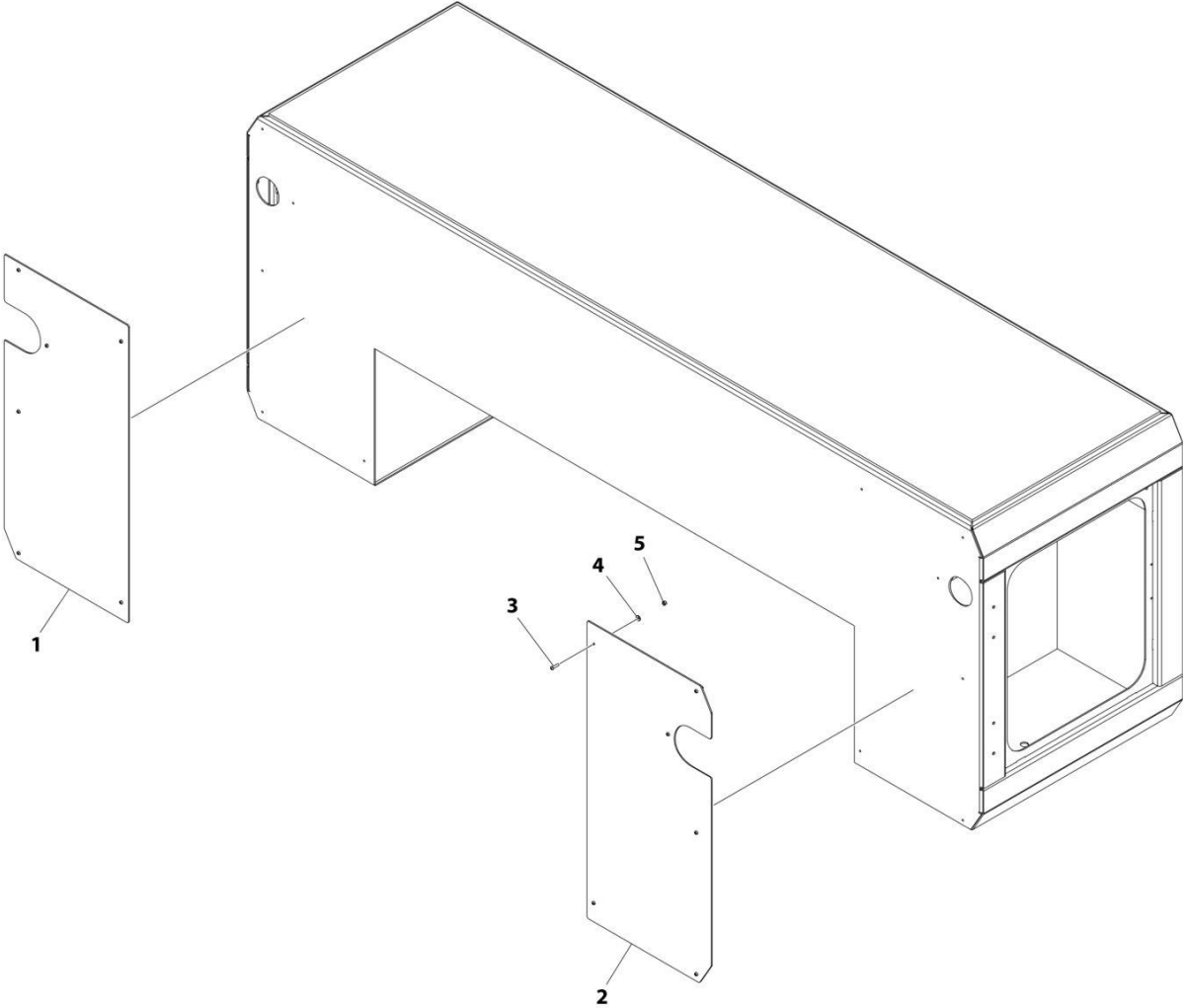
SECTION 4 - BODY

FIGURE 4-71. STONE GUARD INSTALLATION (WITHOUT TUNNEL BOX)

ITEM	PART NUMBER	QTY	DESCRIPTION	REV
	1001127777	Ref	STONE GUARD INSTALLATION (WITHOUT TUNNEL BOX)	B
1	1001135020	1	Panel, RH	
2	1001135021	1	Panel, LH	
3	7114100618	12	Capscrew #10 x 3/4	
4	7950100103	12	Washer #10	
5	7660102604	12	Nut #10	

SECTION 4 - BODY

FIGURE 4-72. STONE GUARD INSTALLATION (WITH TUNNEL BOX)



ART_1001130412

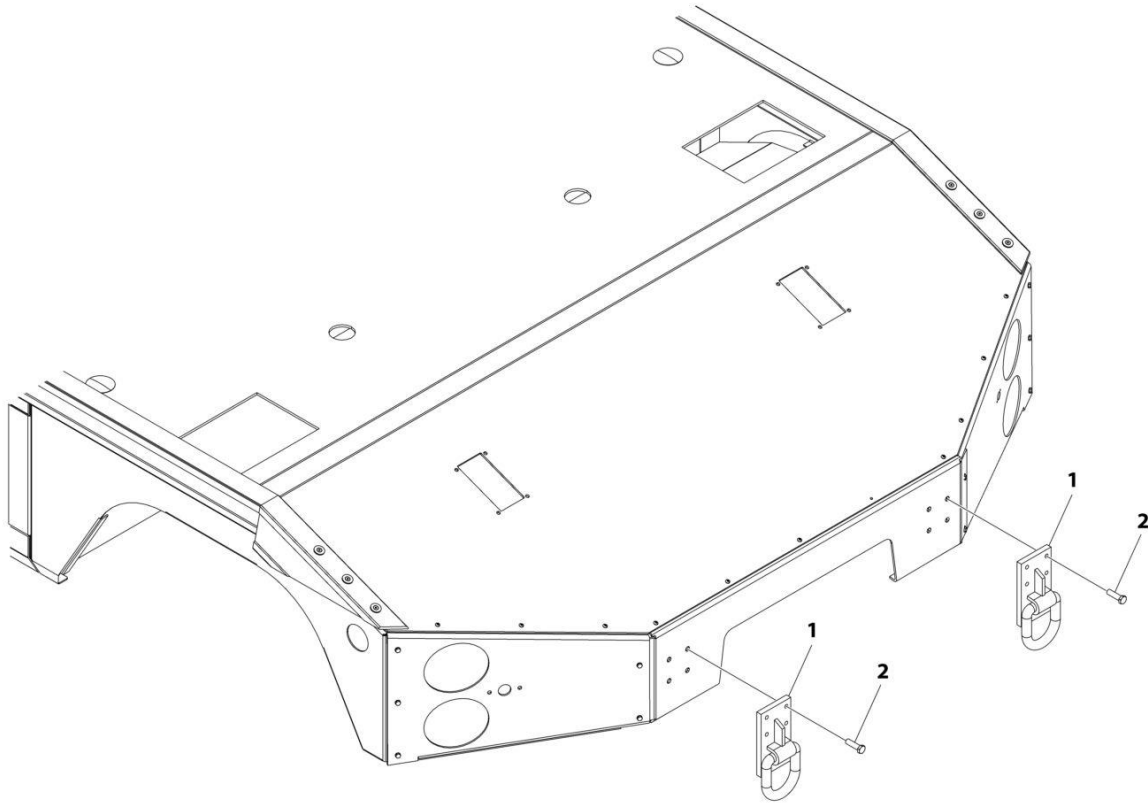
SECTION 4 - BODY

FIGURE 4-72. STONE GUARD INSTALLATION (WITH TUNNEL BOX)

ITEM	PART NUMBER	QTY	DESCRIPTION	REV
	1001130412	Ref	STONE GUARD INSTALLATION (WITH TUNNEL BOX)	0
1	1001130420	1	Panel, RH	
2	1001130419	1	Panel, LH	
3	7114100618	12	Capscrew #10 x 3/4	
4	7950100103	12	Washer #10	
5	7660102604	12	Nut #10	

SECTION 4 - BODY

FIGURE 4-73. D-RING INSTALLATION (REAR OF TRUCK) (SN 0230002518 through 0230003707)



ART_2502870049

SECTION 4 - BODY

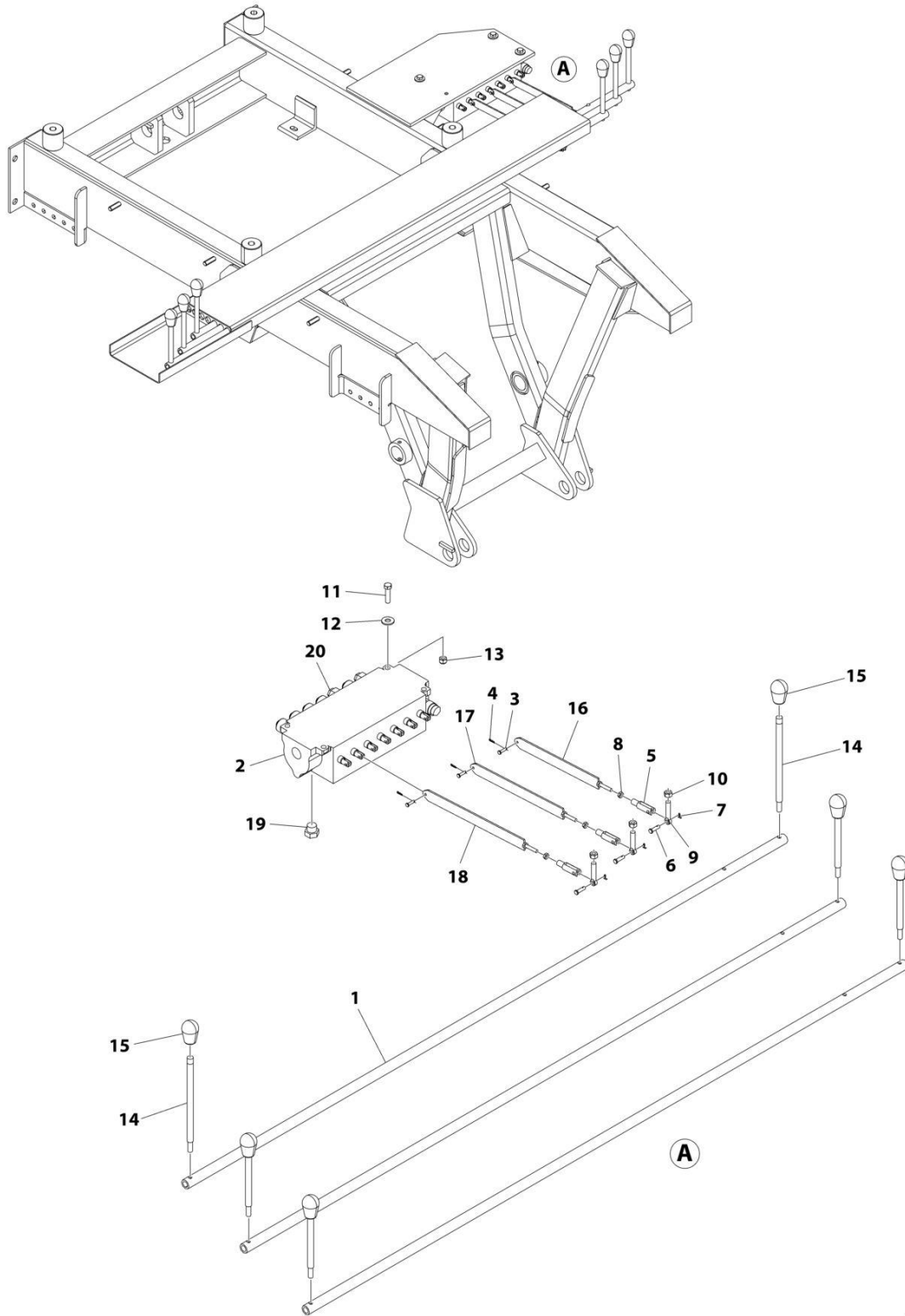
FIGURE 4-73. D-RING INSTALLATION (REAR OF TRUCK) (SN 0230002518 through 0230003707)

ITEM	PART NUMBER	QTY	DESCRIPTION	REV
	2502870049	Ref	D-RING INSTALLATION	0
1	3556000022	2	Hitch D-Ring	
2	7115181650	8	Bolt 1/2 x 2	

SECTION 5 - CONTROLS

SECTION 5 - CONTROLS

FIGURE 5-1. CONTROLS AND VALVE INSTALLATION - 3 BANK (MANUAL) (SN 0230002518 through 0230004926)



ART_3935000146_A

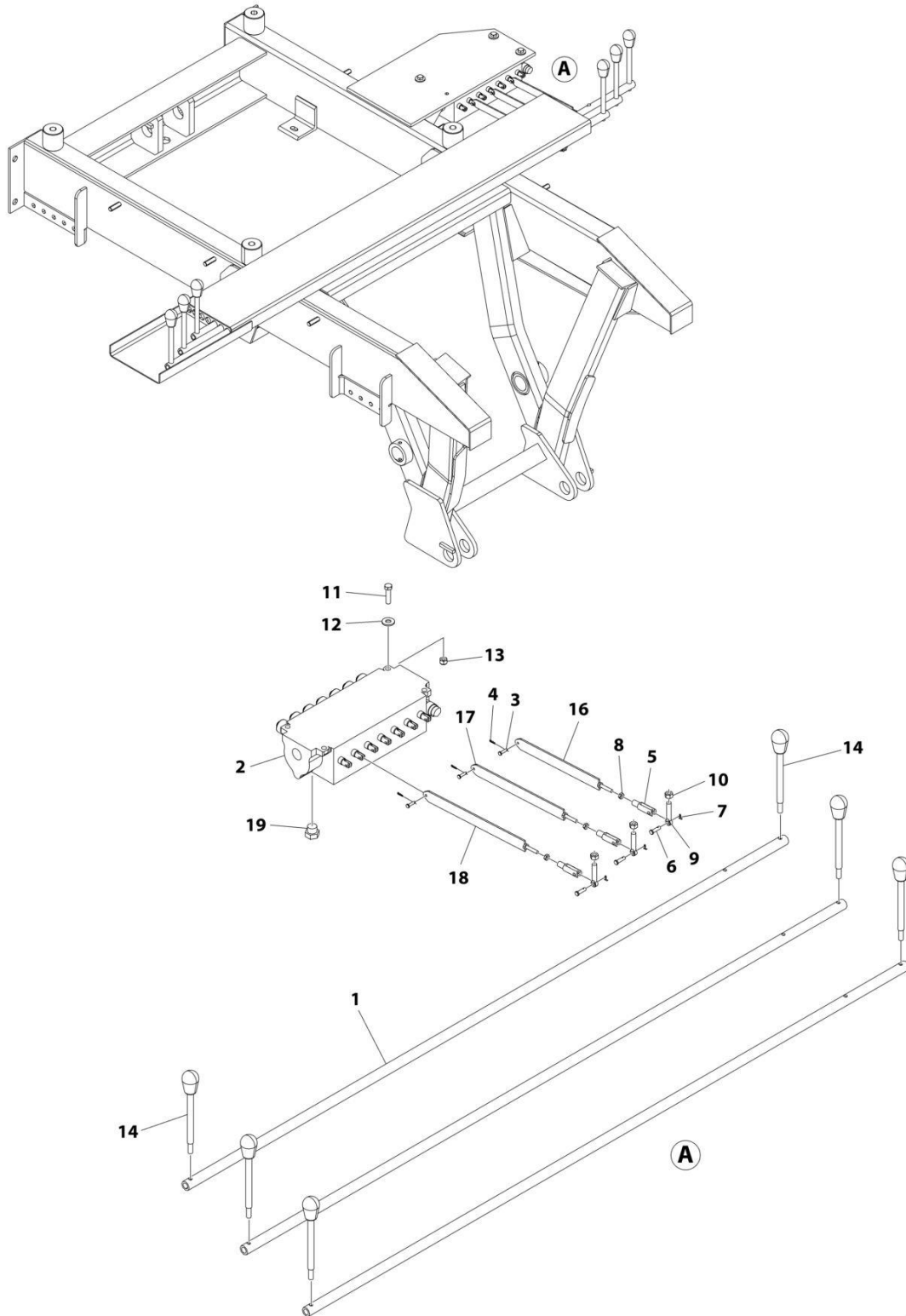
SECTION 5 - CONTROLS

FIGURE 5-1. CONTROLS AND VALVE INSTALLATION - 3 BANK (MANUAL) (SN 0230002518 through 0230004926)

ITEM	PART NUMBER	QTY	DESCRIPTION	REV
	3935000146	Ref	CONTROL AND VALVE ASSEMBLY	A
1	4763000154	3	Rod	
2	7935000261	1	Valve Assembly (See Separate Breakdown in this Section)	
3	7690101200	3	Pin, Clevis	
4	7691000056	3	Pin, Cotter	
5	7990000003	3	Yoke	
6	7690141200	3	Pin, Clevis	
7	7690000810	3	Pin, Cotter	
8	7660140230	3	Nut 1/4	
9	7765000006	3	Rod	
10	7660160000	3	Nut 3/8	
11	7115161250	3	Bolt 3/8 x 1-1/2	
12	7950160252	3	Washer 3/8	
13	7660162601	3	Nut 3/8	
14	4763000150	6	Handle	
15	7551000002	6	Knob	
16	3763000157	1	Rod	
17	3763000158	1	Rod	
18	3763000159	1	Rod	
19	7443000048	8	Plug, Fitting	
20	7701000068	2	Plug Shut-off	

SECTION 5 - CONTROLS

FIGURE 5-2. CONTROLS AND VALVE INSTALLATION - 3 BANK (MANUAL) (SN 0230004626 to Present)



ART_3935000146_C

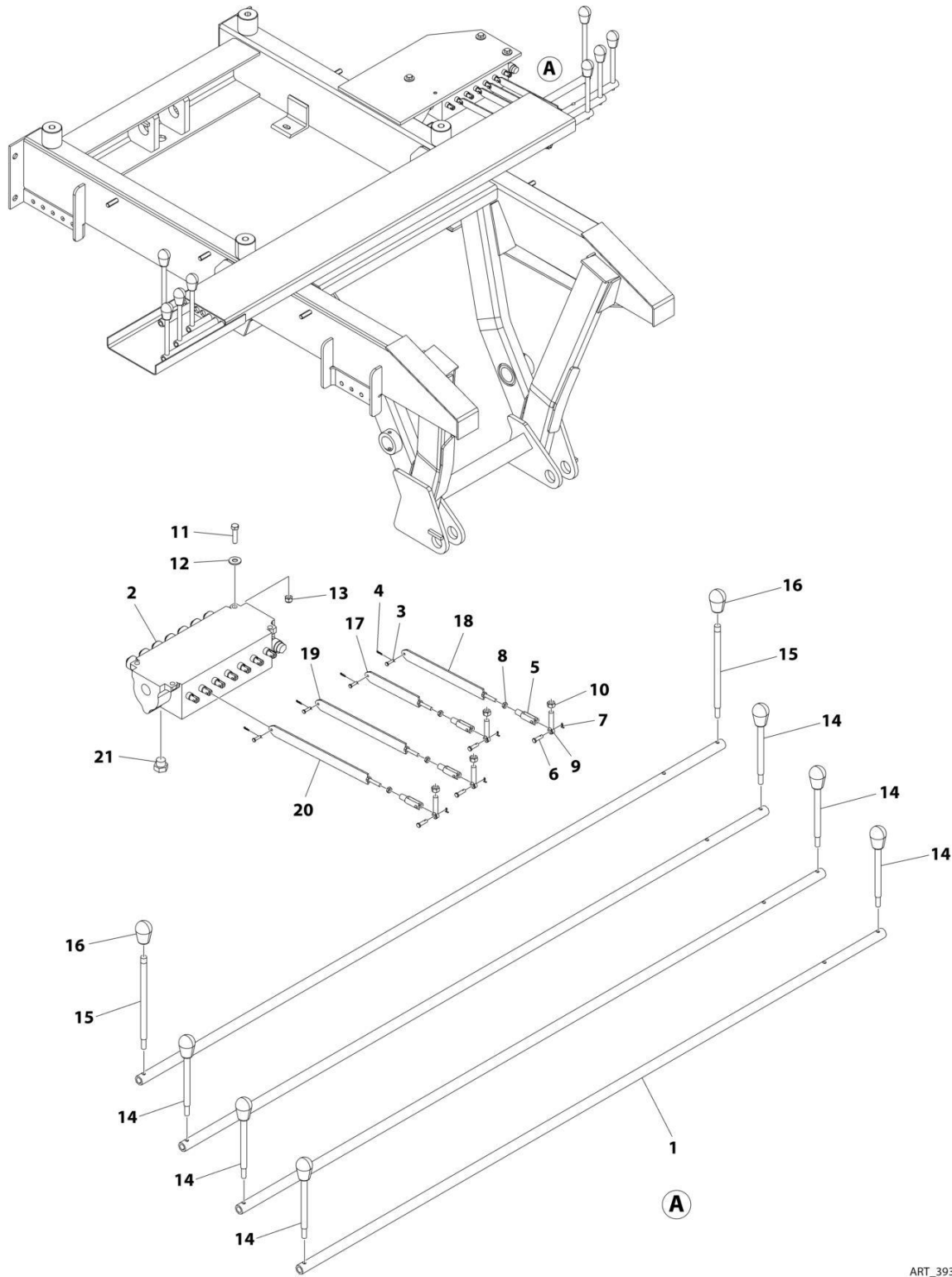
SECTION 5 - CONTROLS

FIGURE 5-2. CONTROLS AND VALVE INSTALLATION - 3 BANK (MANUAL) (SN 0230004626 to Present)

ITEM	PART NUMBER	QTY	DESCRIPTION	REV
	3935000146	Ref	CONTROL AND VALVE ASSEMBLY	C
1	4763000154	3	Rod	
2	7935000261	1	Control Valve	
3	7690101200	3	Clevis Pin	
4	7691000056	3	Cotter Hairpin	
5	7990000003	3	Yoke	
6	7690141200	3	Clevis Pin	
7	7690000810	3	Cotter Pin	
8	7660140230	3	Nut 1/4	
9	7765000006	3	Rod	
10	7660160000	3	Nut 3/8	
11	7115161250	3	Bolt 3/8 x 1-1/2	
12	7950160252	3	Washer 3/8	
13	7660162601	3	Nut 3/8	
14	3551000056	6	Handle	
16	3763000157	1	Rod	
17	3763000158	1	Rod	
18	3763000159	1	Rod	
19	7443000048	8	Plug, Fitting	

SECTION 5 - CONTROLS

FIGURE 5-3. CONTROLS AND VALVE INSTALLATION - 4 BANK (MANUAL)



ART_3935000149

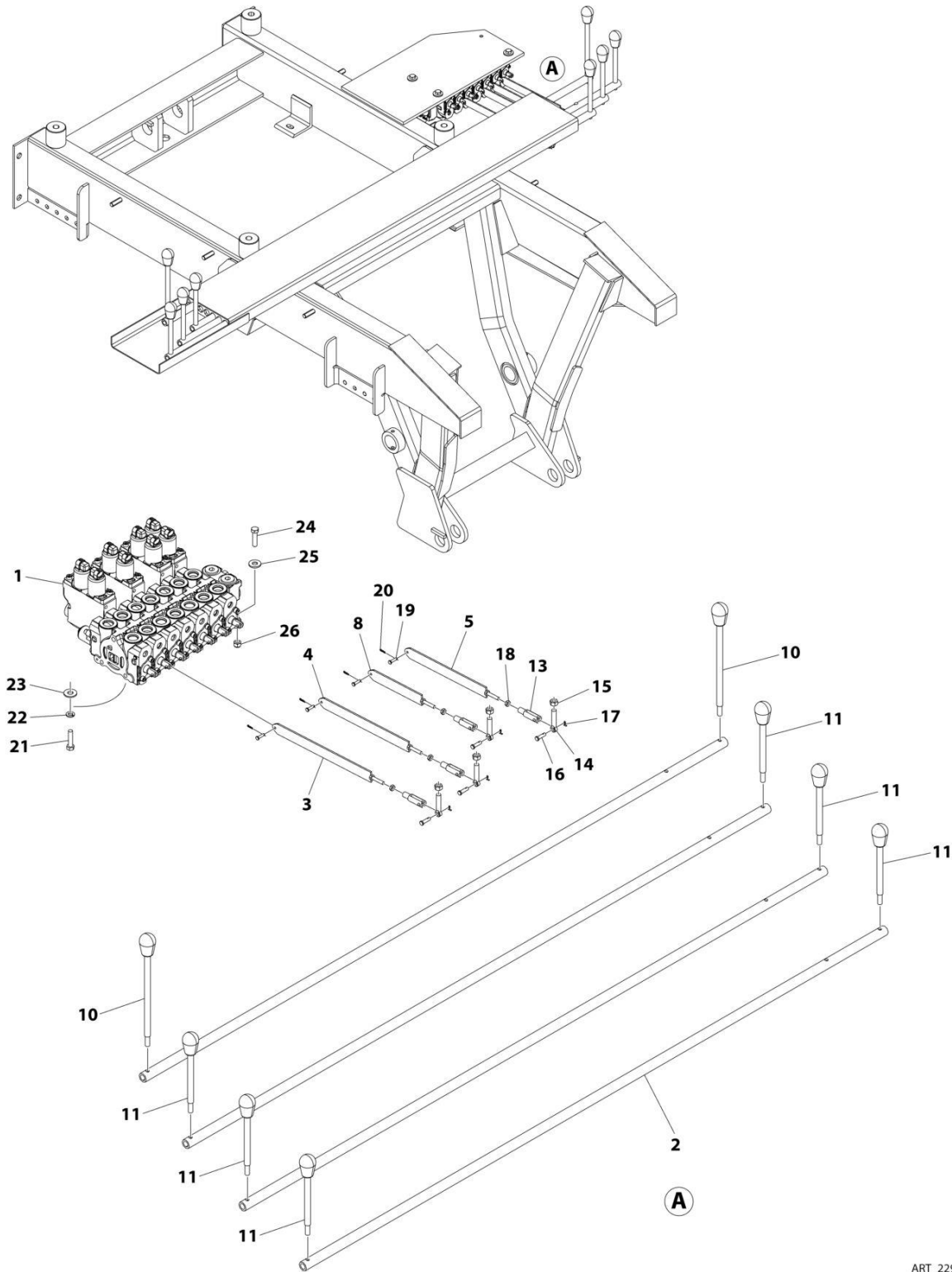
SECTION 5 - CONTROLS

FIGURE 5-3. CONTROLS AND VALVE INSTALLATION - 4 BANK (MANUAL)

ITEM	PART NUMBER	QTY	DESCRIPTION	REV
	3935000149	Ref	CONTROL AND VALVE ASSEMBLY	B
1	4763000154	7	Rod	
2	7935000261	1	Valve Assembly (See Separate Breakdown in this Section)	
3	7690101200	4	Pin, Clevis	
4	7691000056	4	Pin, Cotter	
5	7990000003	4	Yoke	
6	7690141200	4	Pin, Clevis	
7	7690000810	4	Pin, Cotter	
8	7660140230	4	Nut 1/4	
9	7765000006	4	Rod	
10	7660160000	4	Nut 3/8	
11	7115161250	3	Bolt 3/8 x 1-1/2	
12	7950160252	3	Washer 3/8	
13	7660162601	3	Nut 3/8	
14	4763000150	6	Handle	
15	4763000151	2	Handle	
16	7551000002	8	Knob	
17	3763000154	1	Rod	
18	3763000157	1	Rod	
19	3763000158	1	Rod	
20	3763000159	1	Rod	
21	7443000048	8	Plug, Fitting	

SECTION 5 - CONTROLS

FIGURE 5-4. CONTROLS AND VALVE INSTALLATION - 4 BANK (ELECTRIC SOLENOID)



ART_2296000157

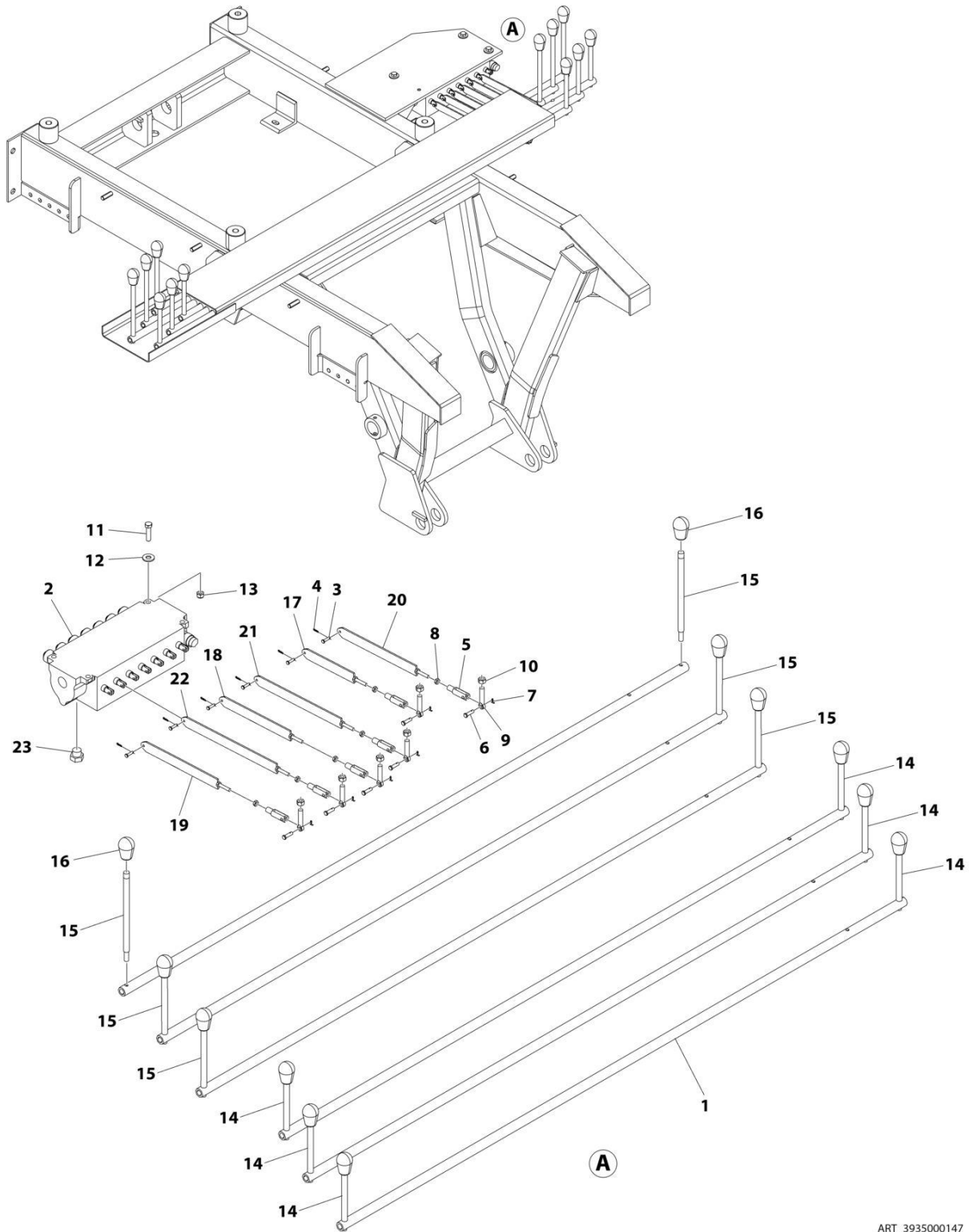
SECTION 5 - CONTROLS

FIGURE 5-4. CONTROLS AND VALVE INSTALLATION - 4 BANK (ELECTRIC SOLENOID)

ITEM	PART NUMBER	QTY	DESCRIPTION	REV
	2296000157	Ref	CONTROLS AND VALVE INSTALLATION	C
1	3935000220	1	Valve Assembly (See Separate Breakdown in this Section)	
2	4763000154	4	Rod	
3	3763000159	1	Rod	
4	3763000158	1	Rod	
5	3763000157	1	Rod	
8	3763000154	1	Rod	
10	3551000057	2	Handle	
10	3551000036	1	Knob	
11	3551000056	6	Handle	
11	3551000036	1	Knob	
13	7990000003	4	Yoke	
14	7765000006	4	Rod	
15	7660160000	4	Nut 3/8	
16	7690141200	4	Pin, Clevis	
17	7690000810	4	Pin, Cotter	
18	7660140230	4	Nut 1/4	
19	7690101200	4	Pin, Clevis	
20	7691000056	4	Pin, Cotter	
21	7115151050	1	Bolt 3/8 x 1-1/2	
22	7950150000	1	Washer 5/16	
23	7950150160	1	Washer 5/16	
24	7115161250	2	Bolt 3/8 x 1-1/2	
25	7950160161	2	Washer 3/8	
26	7660162601	2	Nut 3/8	
27	7443000048	6	Plug, Fitting (Not Shown)	

SECTION 5 - CONTROLS

FIGURE 5-5. CONTROLS AND VALVE INSTALLATION - 6 BANK (MANUAL)



ART_3935000147

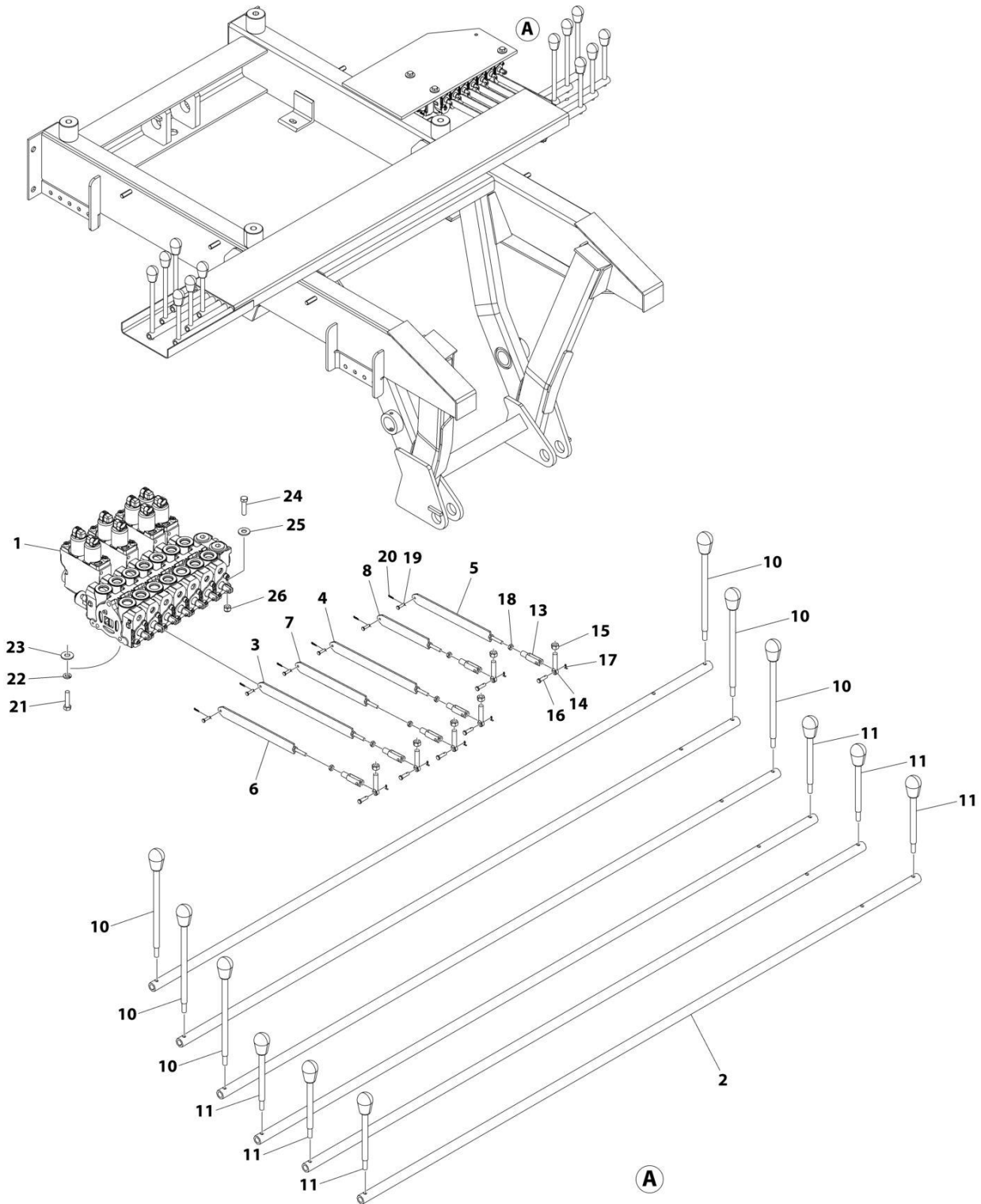
SECTION 5 - CONTROLS

FIGURE 5-5. CONTROLS AND VALVE INSTALLATION - 6 BANK (MANUAL)

ITEM	PART NUMBER	QTY	DESCRIPTION	REV
	3935000147	Ref	CONTROL AND VALVE ASSEMBLY	B
1	4763000154	7	Rod	
2	7935000261	1	Valve Assembly (See Separate Breakdown in this Section)	
3	7690101200	6	Clevis Pin	
4	7691000056	6	Cotter Hairpin	
5	7990000003	6	Yoke	
6	7690141200	6	Clevis Pin	
7	7690000810	6	Cotter Pin	
8	7660140230	6	Nut 1/4	
9	7765000006	6	Rod	
10	7660160000	6	Nut 3/8	
11	7115161250	3	Bolt 3/8 x 1-1/2	
12	7950160252	3	Washer 3/8	
13	7660162601	3	Nut 3/8	
14	4763000150	6	Handle	
15	4763000151	6	Handle	
16	7551000002	12	Knob	
17	3763000154	1	Rod	
18	3763000155	1	Rod	
19	3763000156	1	Rod	
20	3763000157	1	Rod	
21	3763000158	1	Rod	
22	3763000159	1	Rod	
23	7443000048	2	Plug Fitting	

SECTION 5 - CONTROLS

FIGURE 5-6. CONTROLS AND VALVE INSTALLATION - 6 BANK (ELECTRIC SOLENOID)



ART_2296000156

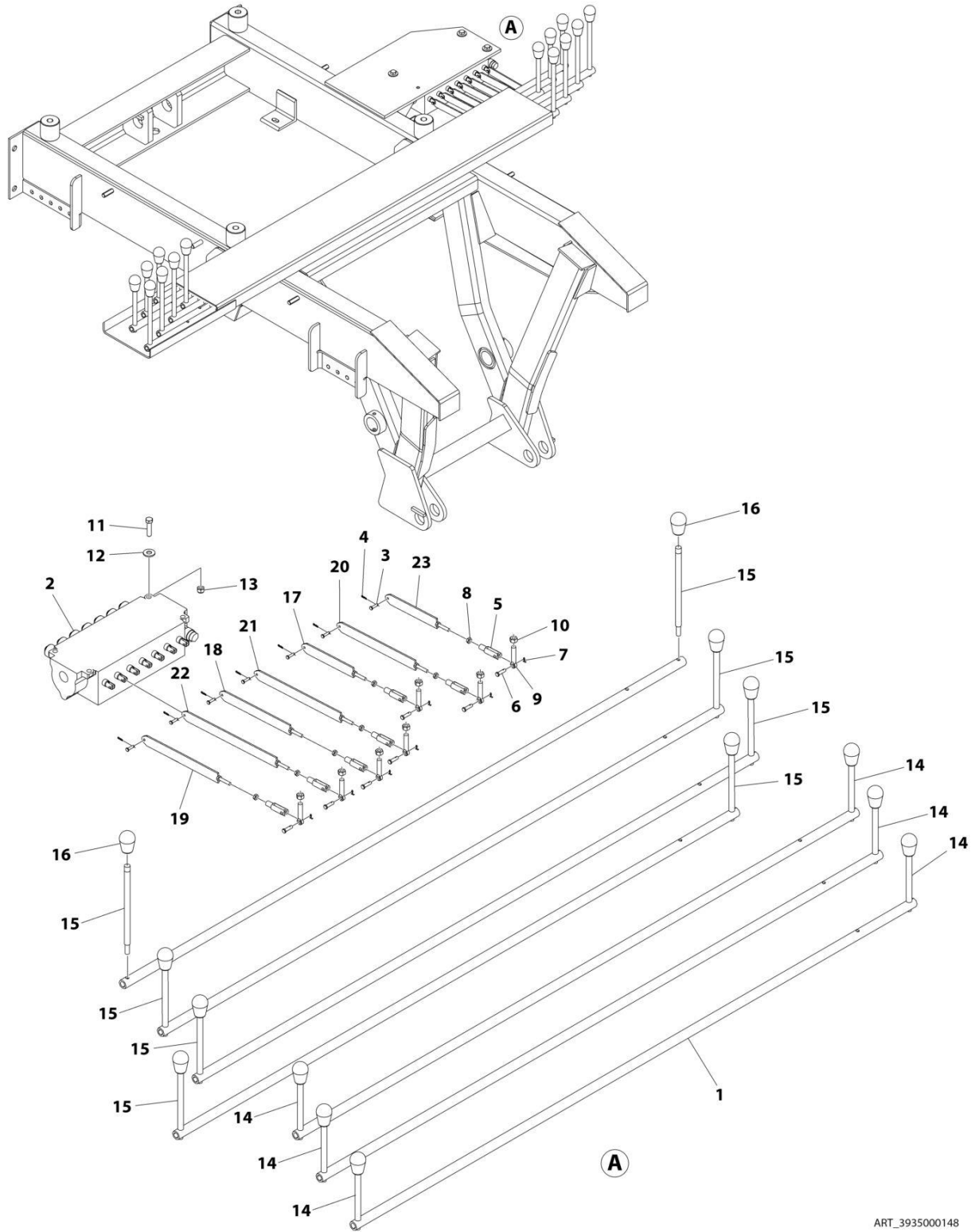
SECTION 5 - CONTROLS

FIGURE 5-6. CONTROLS AND VALVE INSTALLATION - 6 BANK (ELECTRIC SOLENOID)

ITEM	PART NUMBER	QTY	DESCRIPTION	REV
	2296000156	Ref	CONTROLS AND VALVE INSTALLATION	C
1	3935000220	1	Valve Assembly (See Separate Breakdown in this Section)	
2	4763000154	6	Rod	
3	3763000159	1	Rod	
4	3763000158	1	Rod	
5	3763000157	1	Rod	
6	3763000156	1	Rod	
7	3763000155	1	Rod	
8	3763000154	1	Rod	
10	3551000057	6	Handle	
10	3551000036	1	Knob	
11	3551000056	6	Handle	
11	3551000036	1	Knob	
13	7990000003	6	Yoke	
14	7765000006	6	Rod	
15	7660160000	6	Nut 3/8	
16	7690141200	6	Pin, Clevis	
17	7690000810	6	Pin, Cotter	
18	7660140230	6	Nut 1/4	
19	7690101200	6	Pin, Clevis	
20	7691000056	6	Pin, Cotter	
21	7115151050	1	Bolt 3/8 x 1-1/2	
22	7950150000	1	Washer 5/16	
23	7950150160	1	Washer 5/16	
24	7115161250	2	Bolt 3/8 x 1-1/2	
25	7950160161	2	Washer 3/8	
26	7660162601	2	Nut 3/8	
27	7443000048	2	Plug, Fitting	

SECTION 5 - CONTROLS

FIGURE 5-7. CONTROLS AND VALVE INSTALLATION - 7 BANK (MANUAL)



ART_3935000148

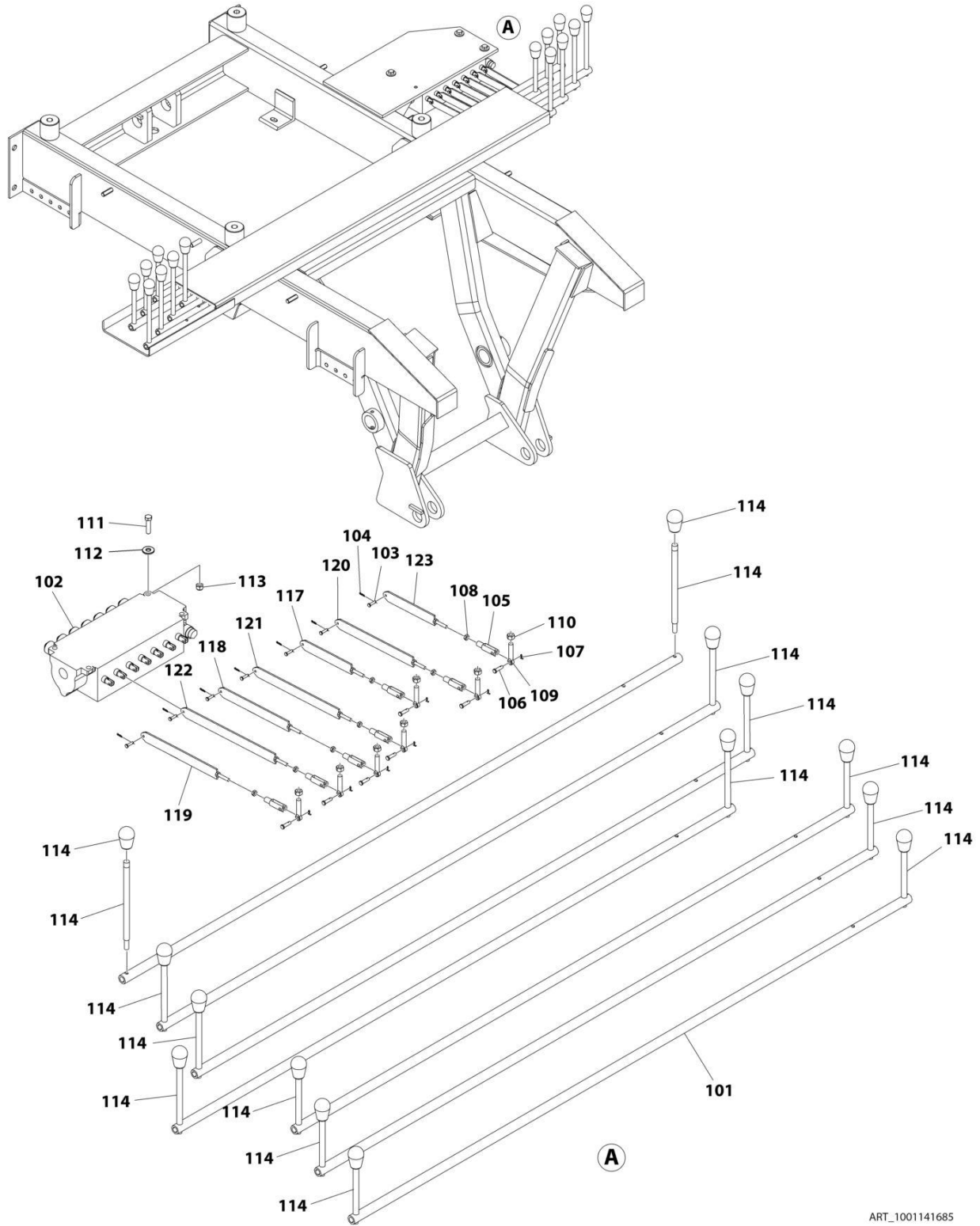
SECTION 5 - CONTROLS

FIGURE 5-7. CONTROLS AND VALVE INSTALLATION - 7 BANK (MANUAL)

ITEM	PART NUMBER	QTY	DESCRIPTION	REV
	3935000148	Ref	CONTROL AND VALVE ASSEMBLY DUAL WINCH	C
1	4763000154	7	Rod	
2	7935000261	1	Valve Assembly (See Separate Breakdown in this Section)	
3	7690101200	7	Clevis Pin	
4	7691000056	7	Cotter Hairpin	
5	7990000003	7	Yoke	
6	7690141200	7	Clevis Pin	
7	7690000810	7	Cotter Pin	
8	7660140230	7	Nut 1/4	
9	7765000006	7	Rod	
10	7660160000	7	Nut 3/8	
11	7115161250	3	Bolt 3/8 x 1-1/2	
12	7950160252	3	Washer 3/8	
13	7660162601	3	Nut 3/8	
14	4763000150	6	Handle	
15	4763000151	8	Handle	
16	7551000002	14	Knob	
17	3763000154	1	Rod	
18	3763000155	1	Rod	
19	3763000156	1	Rod	
20	3763000157	1	Rod	
21	3763000158	1	Rod	
22	3763000159	1	Rod	
23	3763000153	1	Rod	

SECTION 5 - CONTROLS

FIGURE 5-8. CONTROLS AND VALVE INSTALLATION - 7 BANK (MANUAL) (SPEEDWAY)



ART_1001141685

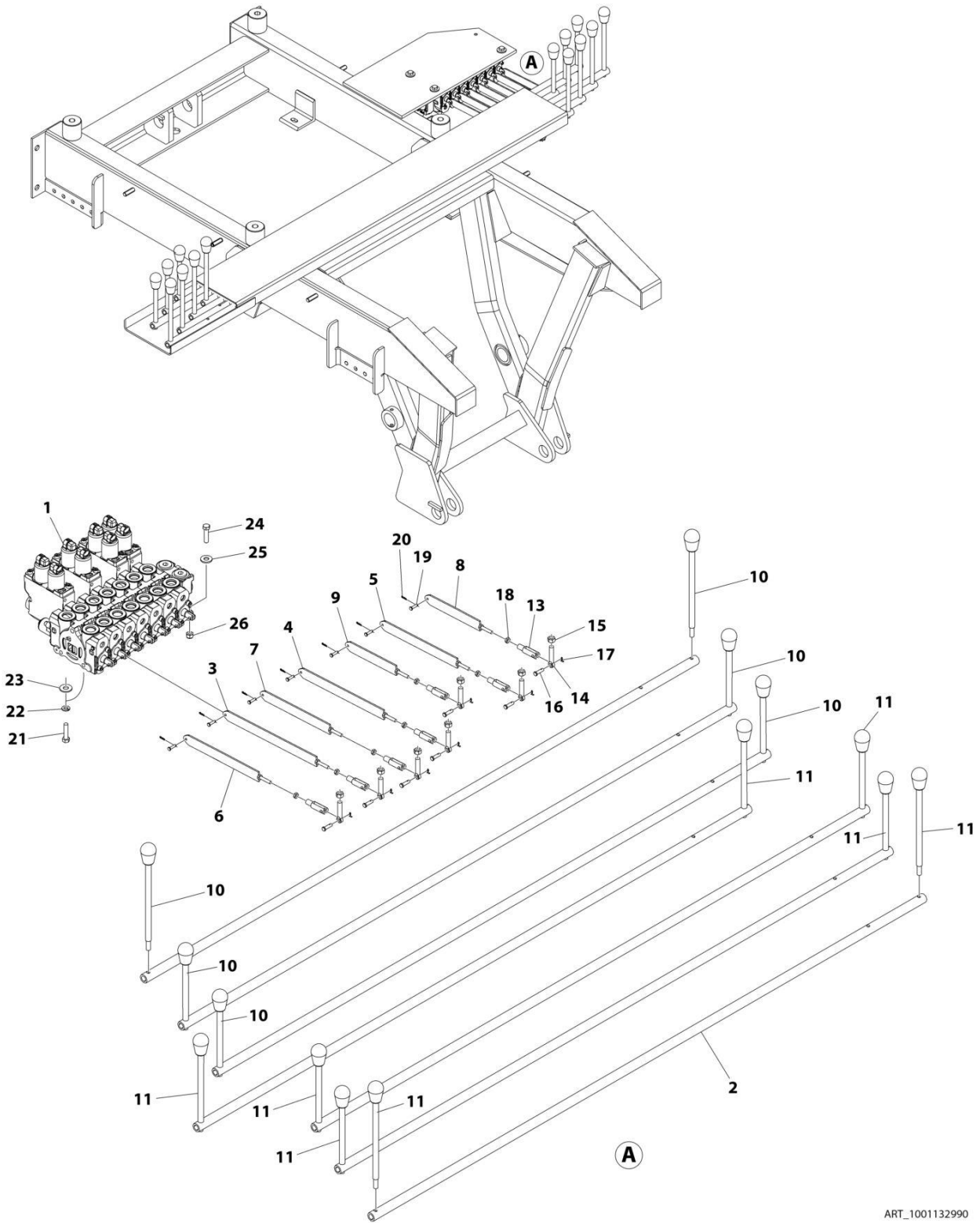
SECTION 5 - CONTROLS

FIGURE 5-8. CONTROLS AND VALVE INSTALLATION - 7 BANK (MANUAL) (SPEEDWAY)

ITEM	PART NUMBER	QTY	DESCRIPTION	REV
	1001141685	Ref	CONTROLS AND VALVE INSTALLATION	A
1	1001141630	Ref	Controls and Valve Assembly (Not Shown)	
101	4763000154	7	Rod	
102	7935000261	1	Valve Assembly (See Separate Breakdown in this Section)	
103	7690101200	7	Clevis Pin	
104	7691000056	7	Cotter Hairpin	
105	7990000003	7	Yoke	
106	7690141200	7	Clevis Pin	
107	7690000810	7	Cotter Pin	
108	7660140230	7	Nut 1/4	
109	7765000006	7	Rod	
110	7660160000	7	Nut 3/8	
111	7115161250	3	Bolt 3/8 x 1-1/2	
112	7950160162	3	Washer 3/8	
113	7660162601	3	Nut 3/8	
114	1001141627	1	Handle	
117	3763000154	1	Rod	
118	3763000155	1	Rod	
119	3763000156	1	Rod	
120	3763000157	1	Rod	
121	3763000158	1	Rod	
122	3763000159	1	Rod	
123	3763000153	1	Rod	

SECTION 5 - CONTROLS

FIGURE 5-9. CONTROLS AND VALVE INSTALLATION - 7 BANK (ELECTRIC 2 SOLENOID)



ART_1001132990

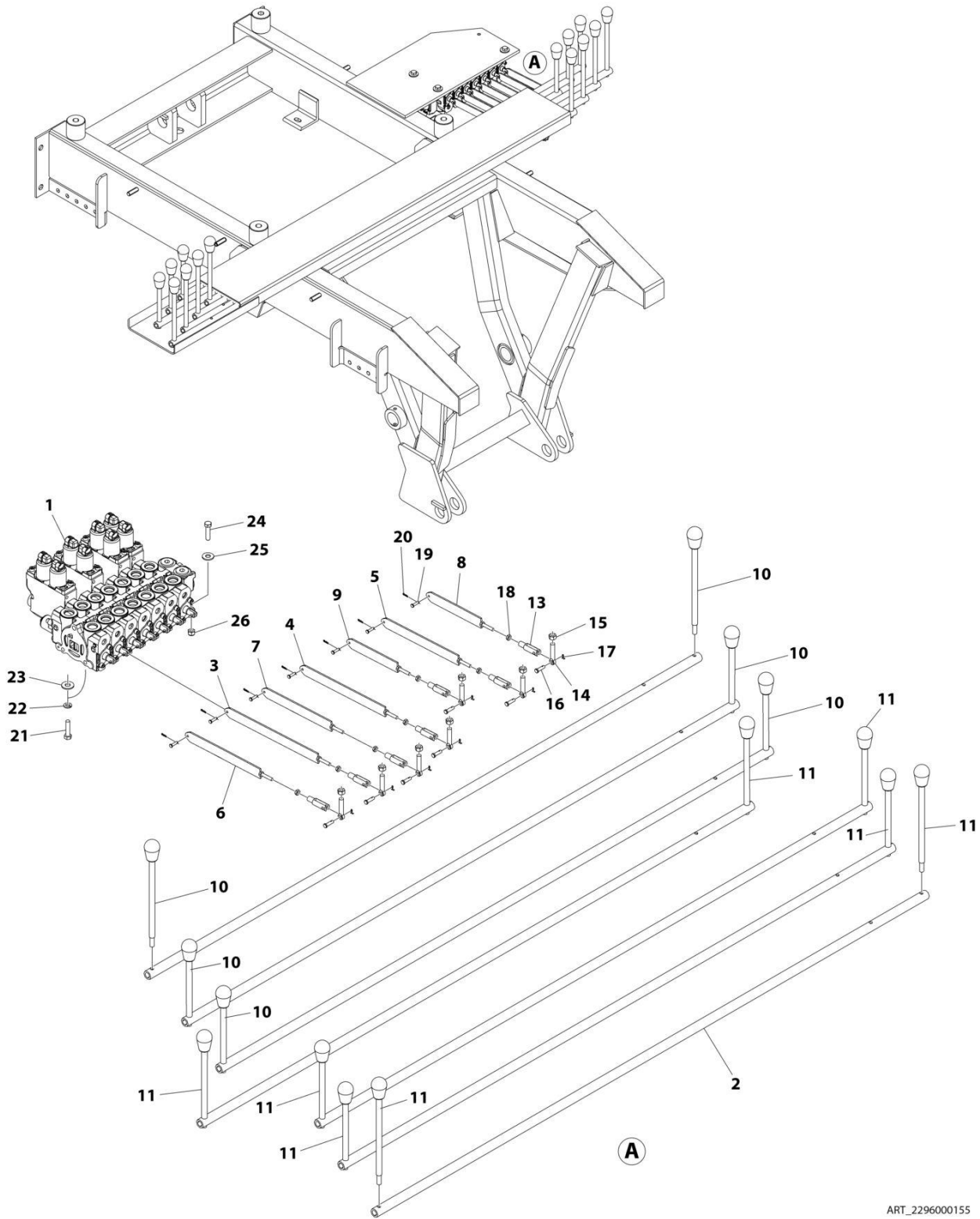
SECTION 5 - CONTROLS

FIGURE 5-9. CONTROLS AND VALVE INSTALLATION - 7 BANK (ELECTRIC 2 SOLENOID)

ITEM	PART NUMBER	QTY	DESCRIPTION	REV
	1001132990	Ref	CONTROLS AND VALVE INSTALLATION	B
1	1001132190	1	Valve Assembly (See Separate Breakdown in this Section)	
2	4763000154	7	Rod	
3	3763000159	1	Rod	
4	3763000158	1	Rod	
5	3763000157	1	Rod	
6	3763000156	1	Rod	
7	3763000155	1	Rod	
8	3763000154	1	Rod	
9	3763000153	1	Rod	
10	3551000057	8	Handle	
10	3551000036	1	Knob	
11	3551000056	6	Handle	
11	3551000036	1	Knob	
13	7990000003	7	Yoke	
14	7765000006	7	Rod	
15	7660160000	7	Nut 3/8	
16	7690141200	7	Pin, Clevis	
17	7690000810	7	Pin, Cotter	
18	7660140230	7	Nut 1/4	
19	7690101200	7	Pin, Clevis	
20	7691000056	7	Pin, Cotter	
21	7115151050	1	Bolt 3/8 x 1-1/2	
22	7950150000	1	Washer 5/16	
23	7950150160	1	Washer 5/16	
24	7115161250	2	Bolt 3/8 x 1-1/2	
25	7950160161	2	Washer 3/8	
26	7660162601	2	Nut 3/8	

SECTION 5 - CONTROLS

FIGURE 5-10. CONTROLS AND VALVE INSTALLATION - 7 BANK (ELECTRIC 4 SOLENOID)



ART_2296000155

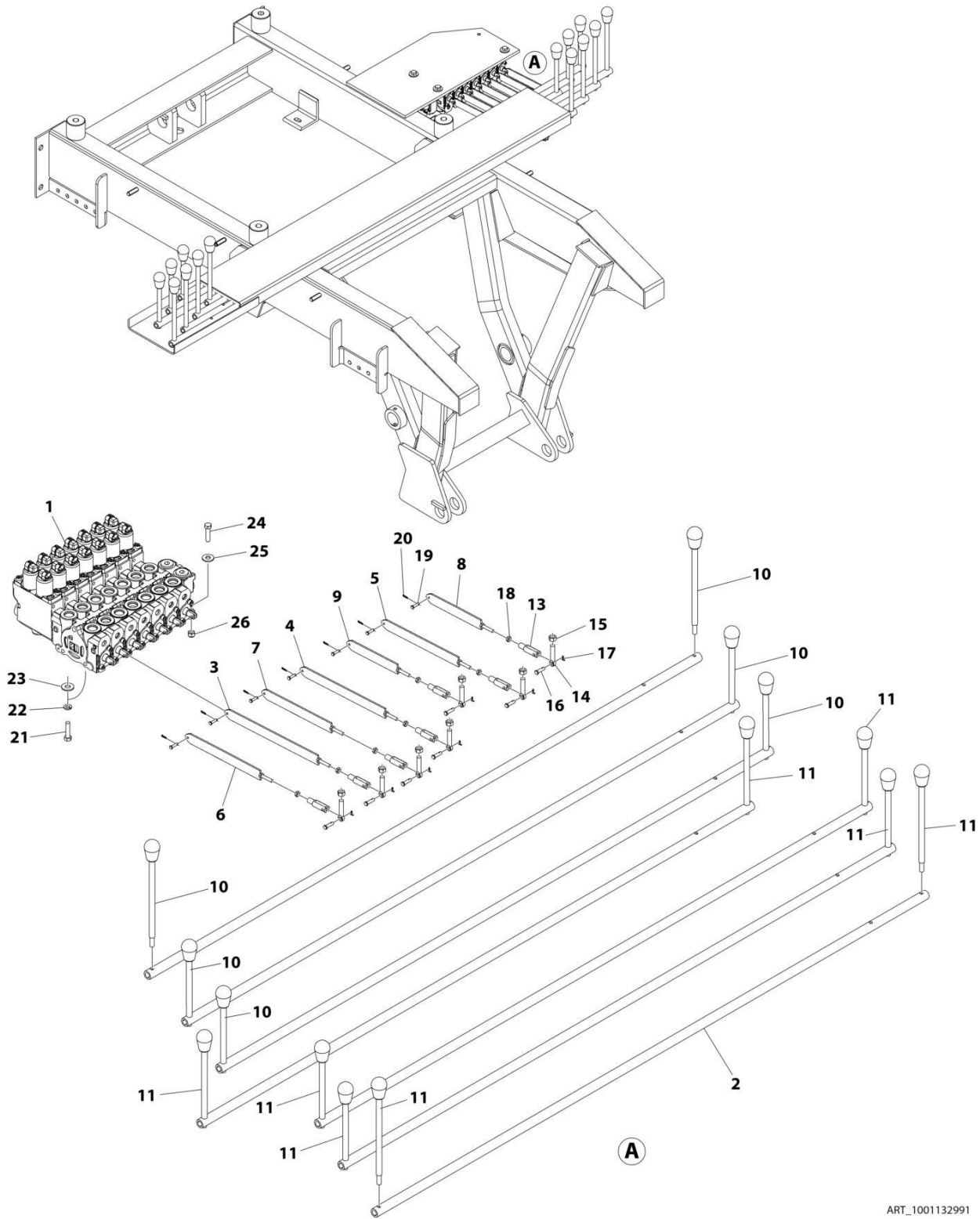
SECTION 5 - CONTROLS

FIGURE 5-10. CONTROLS AND VALVE INSTALLATION - 7 BANK (ELECTRIC 4 SOLENOID)

ITEM	PART NUMBER	QTY	DESCRIPTION	REV
	2296000155	Ref	CONTROLS AND VALVE INSTALLATION – 7 BANK (ELECTRIC 4 SOLENOID)	C
1	3935000220	1	Valve Assembly (See Separate Breakdown in this Section)	
2	4763000154	7	Rod	
3	3763000159	1	Rod	
4	3763000158	1	Rod	
5	3763000157	1	Rod	
6	3763000156	1	Rod	
7	3763000155	1	Rod	
8	3763000154	1	Rod	
9	3763000153	1	Rod	
10	3551000057	8	Handle	
10	3551000036	1	Knob	
11	3551000056	6	Handle	
11	3551000036	1	Knob	
13	7990000003	7	Yoke	
14	7765000006	7	Rod	
15	7660160000	7	Nut 3/8	
16	7690141200	7	Pin, Clevis	
17	7690000810	7	Pin, Cotter	
18	7660140230	7	Nut 1/4	
19	7690101200	7	Pin, Clevis	
20	7691000056	7	Pin, Cotter	
21	7115151050	1	Bolt 3/8 x 1-1/2	
22	7950150000	1	Washer 5/16	
23	7950150160	1	Washer 5/16	
24	7115161250	2	Bolt 3/8 x 1-1/2	
25	7950160161	2	Washer 3/8	
26	7660162601	2	Nut 3/8	

SECTION 5 - CONTROLS

FIGURE 5-11. CONTROLS AND VALVE INSTALLATION - 7 BANK (ELECTRIC 7 SOLENOID)



ART_1001132991

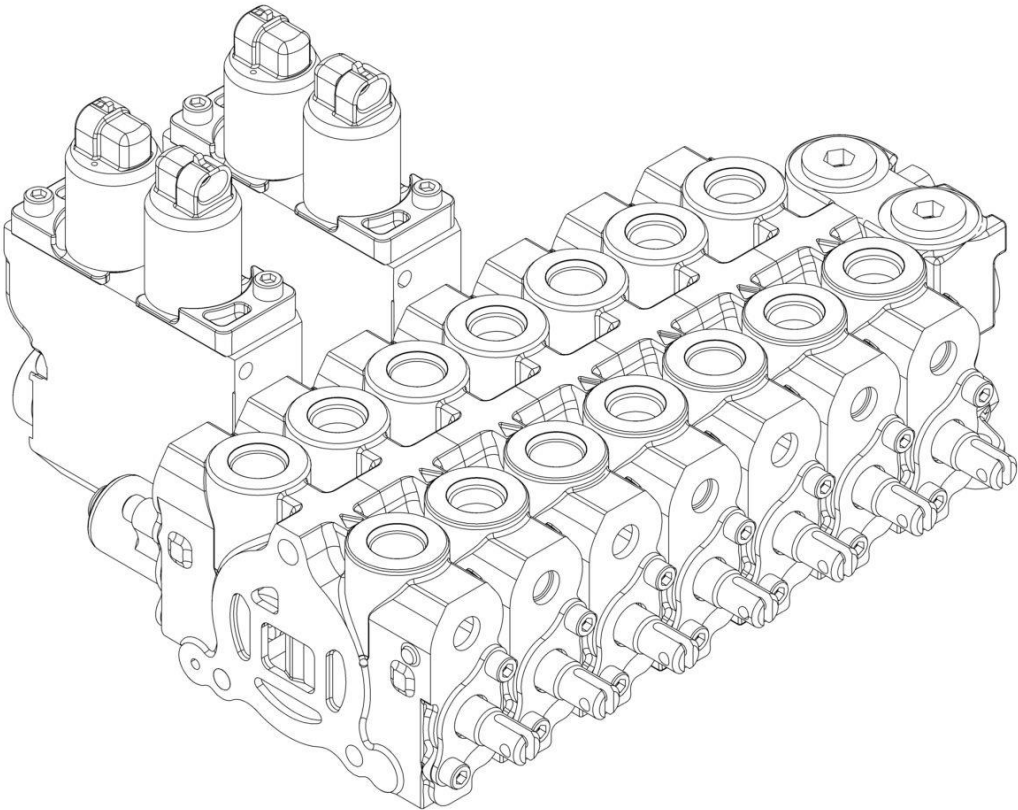
SECTION 5 - CONTROLS

FIGURE 5-11. CONTROLS AND VALVE INSTALLATION - 7 BANK (ELECTRIC 7 SOLENOID)

ITEM	PART NUMBER	QTY	DESCRIPTION	REV
	1001132991	Ref	CONTROLS AND VALVE INSTALLATION	B
1	1001132316	1	Valve Assembly (See Separate Breakdown in this Section)	
2	4763000154	7	Rod	
3	3763000159	1	Rod	
4	3763000158	1	Rod	
5	3763000157	1	Rod	
6	3763000156	1	Rod	
7	3763000155	1	Rod	
8	3763000154	1	Rod	
9	3763000153	1	Rod	
10	3551000057	8	Handle	
10	3551000036	1	Knob	
11	3551000056	6	Handle	
11	3551000036	1	Knob	
13	7990000003	7	Yoke	
14	7765000006	7	Rod	
15	7660160000	7	Nut 3/8	
16	7690141200	7	Pin, Clevis	
17	7690000810	7	Pin, Cotter	
18	7660140230	7	Nut 1/4	
19	7690101200	7	Pin, Clevis	
20	7691000056	7	Pin, Cotter	
21	7115151050	1	Bolt 3/8 x 1-1/2	
22	7950150000	1	Washer 5/16	
23	7950150160	1	Washer 5/16	
24	7115161250	2	Bolt 3/8 x 1-1/2	
25	7950160161	2	Washer 3/8	
26	7660162601	2	Nut 3/8	

SECTION 5 - CONTROLS

FIGURE 5-12. CONTROL VALVE ASSEMBLY (ELECTRIC 2 SOLENOID)



ART_1001132190

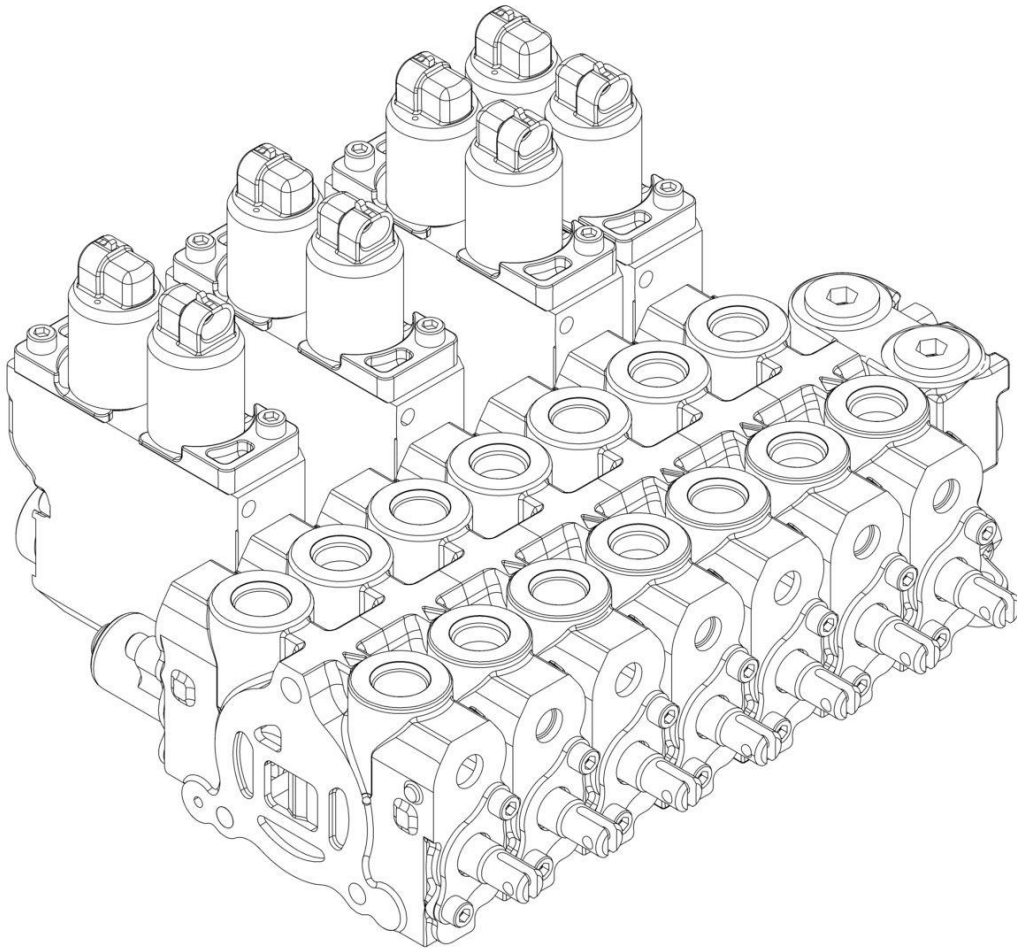
SECTION 5 - CONTROLS

FIGURE 5-12. CONTROL VALVE ASSEMBLY (ELECTRIC 2 SOLENOID)

ITEM	PART NUMBER	QTY	DESCRIPTION	REV
	1001132190	Ref Ref	CONTROL VALVE ASSEMBLY (ELECTRIC 2 SOLENOID) Note: No Service Parts Available at Time of Printing	A

SECTION 5 - CONTROLS

FIGURE 5-13. CONTROL VALVE ASSEMBLY (ELECTRIC 4 SOLENOID)



ART_3935000220

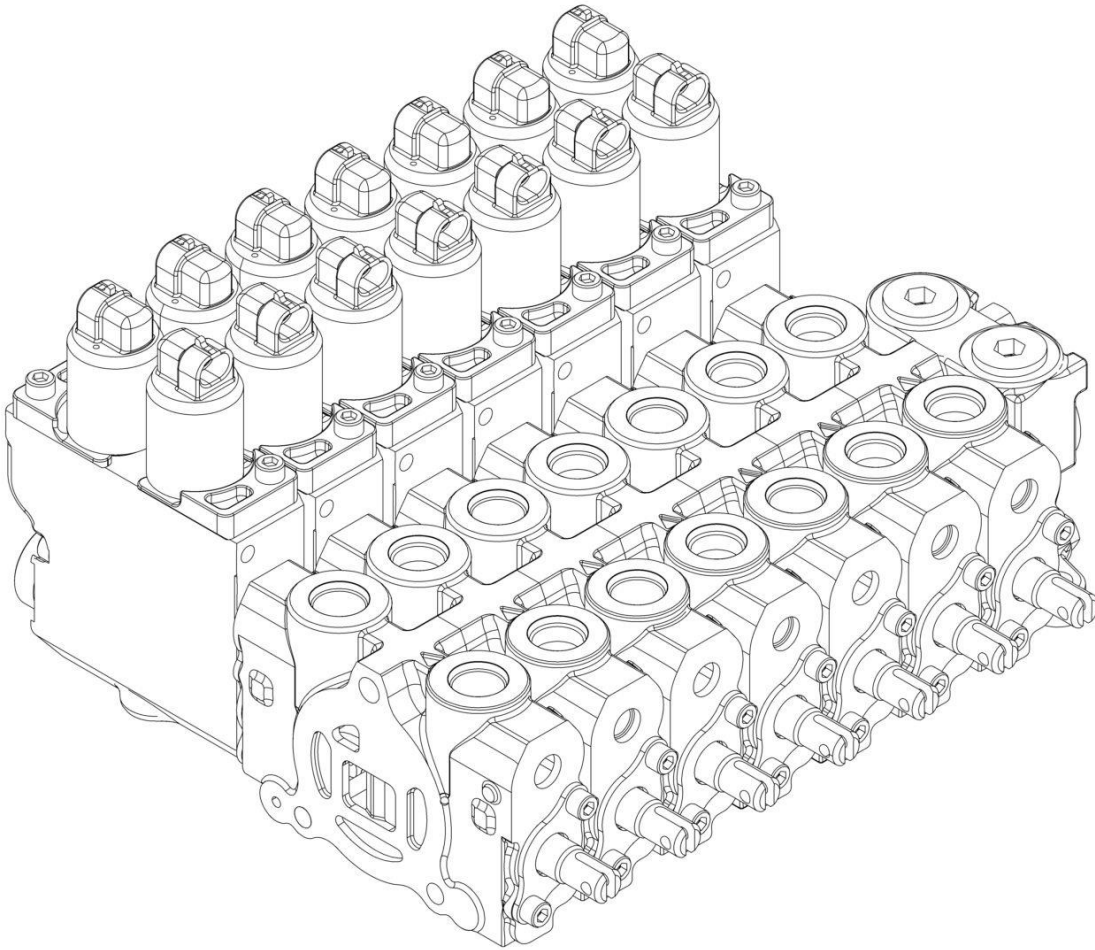
SECTION 5 - CONTROLS

FIGURE 5-13. CONTROL VALVE ASSEMBLY (ELECTRIC 4 SOLENOID)

ITEM	PART NUMBER	QTY	DESCRIPTION	REV
	3935000220	Ref Ref	CONTROL VALVE ASSEMBLY (ELECTRIC 4 SOLENOID) Note: No Service Parts Available at Time of Printing	B

SECTION 5 - CONTROLS

FIGURE 5-14. CONTROL VALVE ASSEMBLY (ELECTRIC 7 SOLENOID)



ART_1001132190

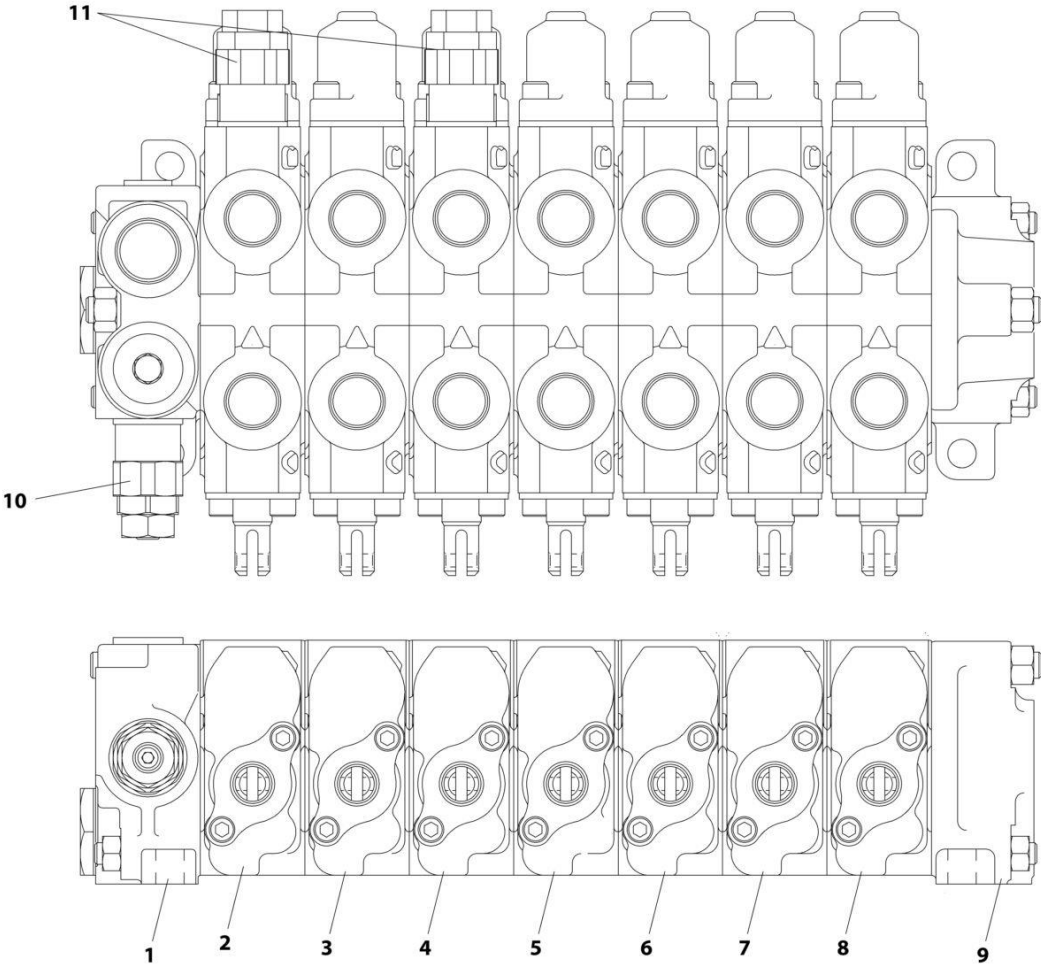
SECTION 5 - CONTROLS

FIGURE 5-14. CONTROL VALVE ASSEMBLY (ELECTRIC 7 SOLENOID)

ITEM	PART NUMBER	QTY	DESCRIPTION	REV
	1001132316	Ref Ref	CONTROL VALVE ASSEMBLY (ELECTRIC 7 SOLENOID) Note: No Service Parts Available at Time of Printing	B

SECTION 5 - CONTROLS

FIGURE 5-15. VALVE ASSEMBLY (MANUAL)



ART_7935000261

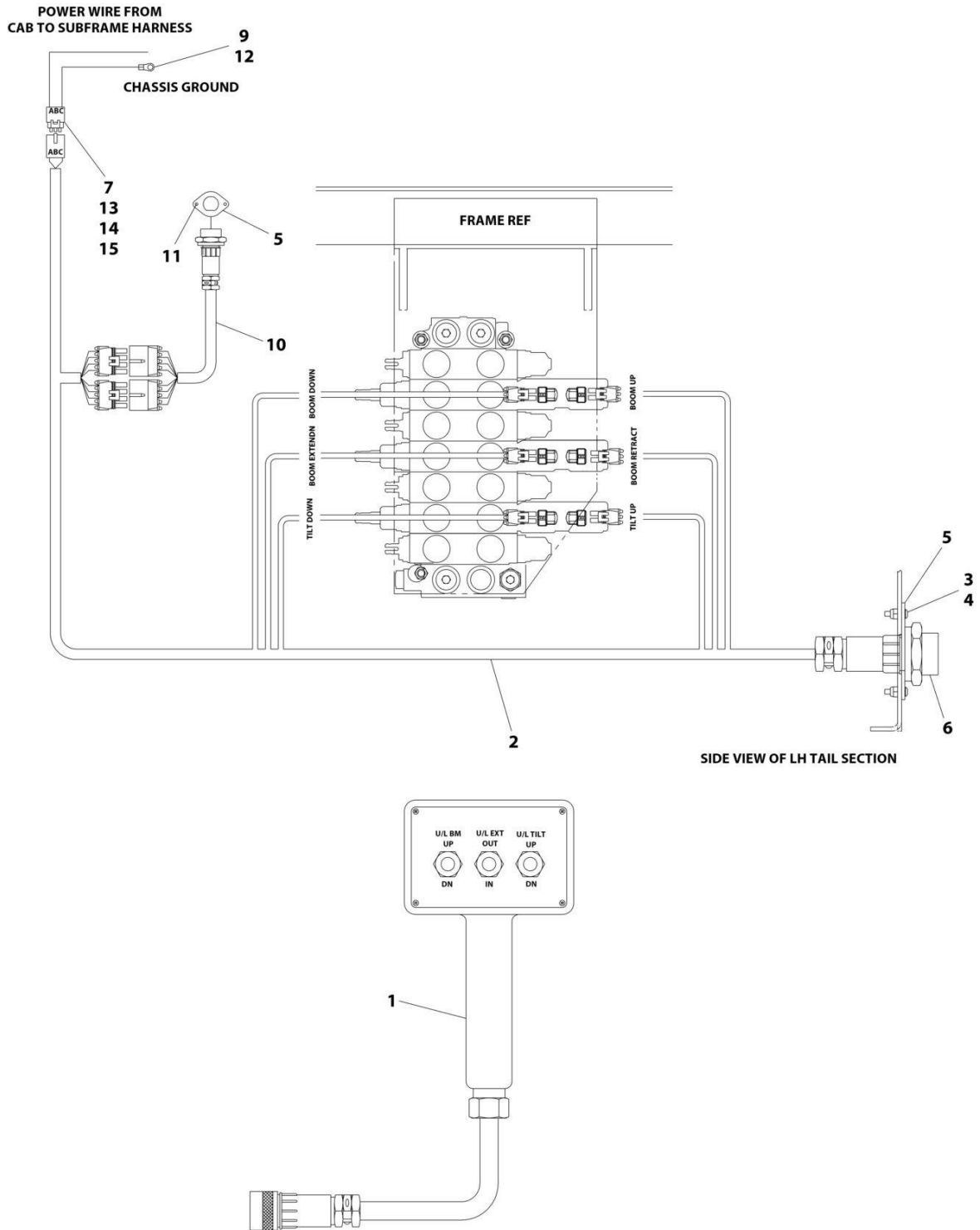
SECTION 5 - CONTROLS

FIGURE 5-15. VALVE ASSEMBLY (MANUAL)

ITEM	PART NUMBER	QTY	DESCRIPTION	REV
	7935000261	Ref	VALVE ASSEMBLY - 7 SECTION	C
1	7935000169	1	Inlet	
2	70050079	1	Spool Section	
3	7935000266	1	Spool Section	
4	70050079	1	Spool Section	
5	7935000266	1	Spool Section	
6	7935000266	1	Spool Section	
7	7935000266	1	Spool Section	
8	7935000266	1	Spool Section	
9	70051665	1	Outlet Section	
10	9935930106	1	Relief Valve	
11	7935000174	1	Relief Valve	

SECTION 5 - CONTROLS

FIGURE 5-16. REMOTE CONTROL INSTALLATION



ART_2502170297

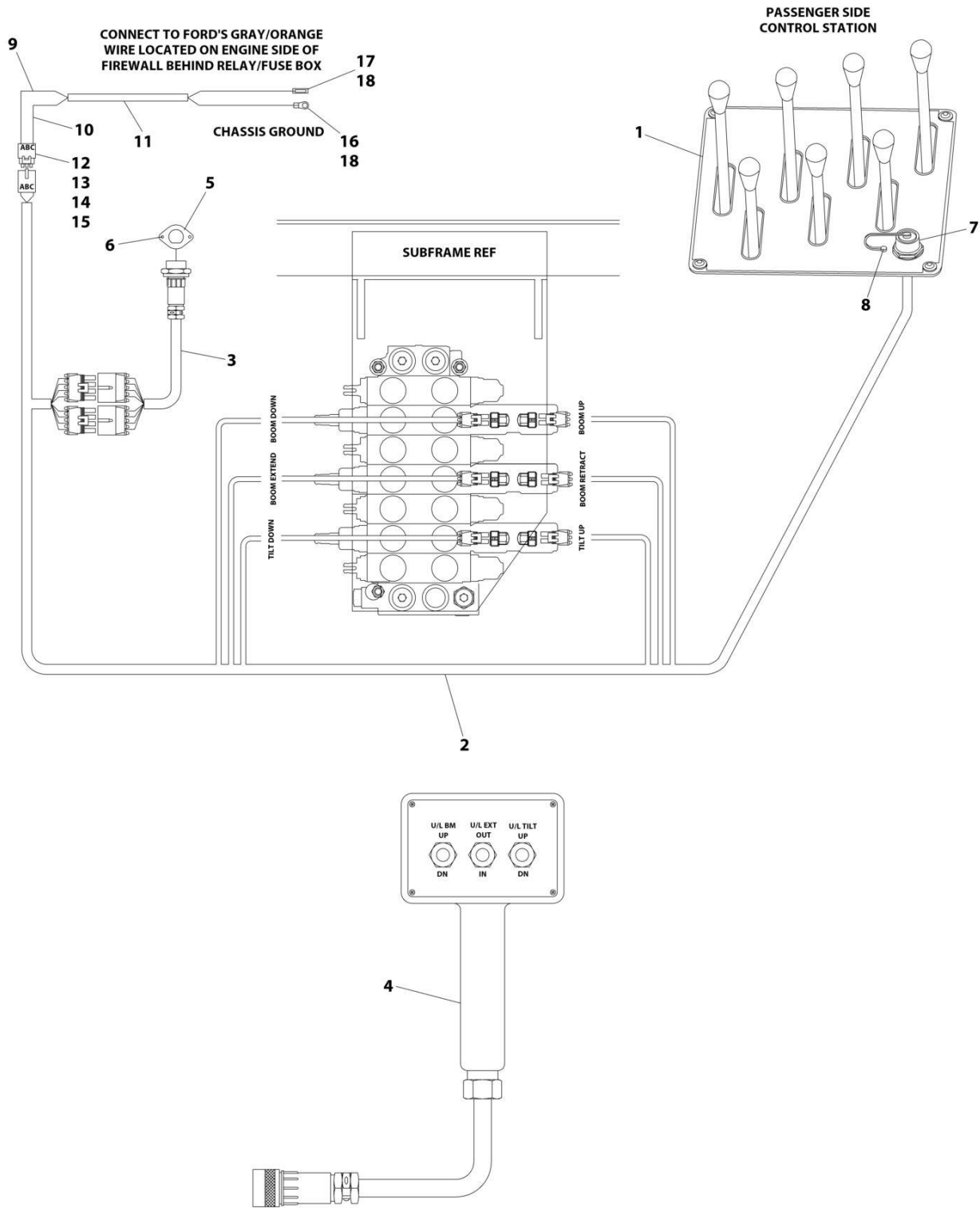
SECTION 5 - CONTROLS

FIGURE 5-16. REMOTE CONTROL INSTALLATION

ITEM	PART NUMBER	QTY	DESCRIPTION	REV
	2502170297	Ref	REMOTE CONTROL INSTALLATION	D
1	7295000105	1	Controller, Handheld	
2	7552000329	1	Harness, Remote Control (See Separate Breakdown in ELECTRICAL Section)	
3	7114080618	2	Screw #8 x 3/4	
4	7660082604	2	Nut #8	
5	4706003402	2	Plate	
6	7346000068	1	Dust Cap	
7	7346000139	1	Connector - 3 Position	
9	7345221702	1	Terminal, Ring	
10	7552000286	1	Harness, Remote Control (in CAB) (See Separate Breakdown in ELECTRICAL Section)	
11	1001197476	2	Rivet	
12	7346000039	AR	Tube	
13	7346000099	2	Terminal	
14	7346000037	2	Seal, Terminal	
15	7346000104	1	Plug, Terminal	

SECTION 5 - CONTROLS

FIGURE 5-17. REMOTE CONTROL INSTALLATION (GSA SPECS)



ART_2502170332

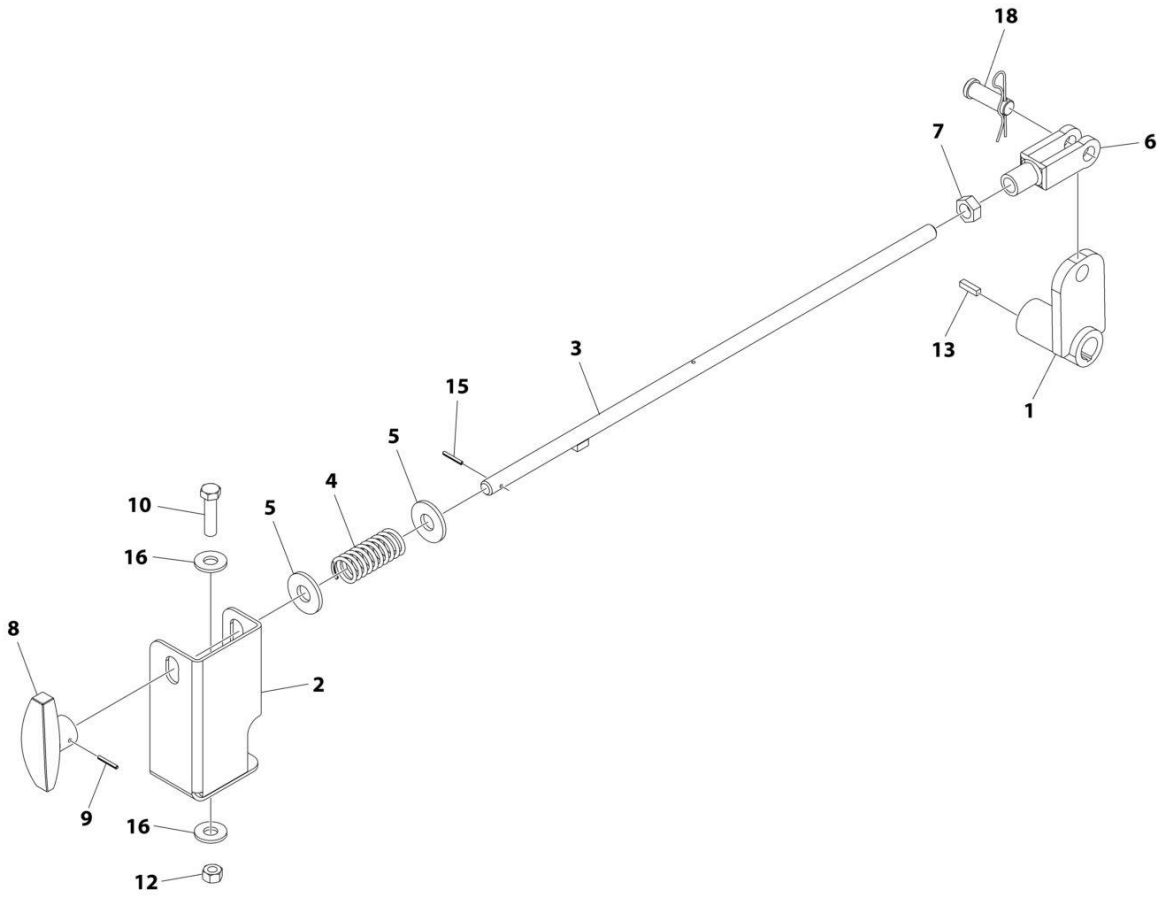
SECTION 5 - CONTROLS

FIGURE 5-17. REMOTE CONTROL INSTALLATION (GSA SPECS)

ITEM	PART NUMBER	QTY	DESCRIPTION	REV
	2502170332	Ref	REMOTE CONTROL INSTALLATION (GSA SPECS)	B
1	4314000233	1	Valve Assembly (See Separate Breakdown in this Section)	
2	7552000329	1	Harness, Remote Control (See Separate Breakdown in ELECTRICAL Section)	
3	7552000286	1	Harness, Remote Control (in CAB) (See Separate Breakdown in ELECTRICAL Section)	
4	7295000105	1	Controller, Handheld	
5	4706003402	1	Plate	
6	1001197476	2	Rivet	
7	7346000068	1	Dust Cap	
8	7759000004	1	Pop Rivet	
9	8977010400	10	Wire	
10	8977010300	10	Wire	
11	8597650002	10	Wire	
12	7346000139	1	Connector - 3 Position	
13	7346000099	2	Terminal	
14	7346000037	2	Seal, Terminal	
15	7346000104	1	Plug, Terminal	
16	7345221702	1	Terminal, Ring	
17	7345001714	1	Terminal	
18	7346000039	AR	Tube	

SECTION 5 - CONTROLS

FIGURE 5-18. HANDLE LEVER ASSEMBLY - 8000LBS WINCH (LH)



ART_2587000004

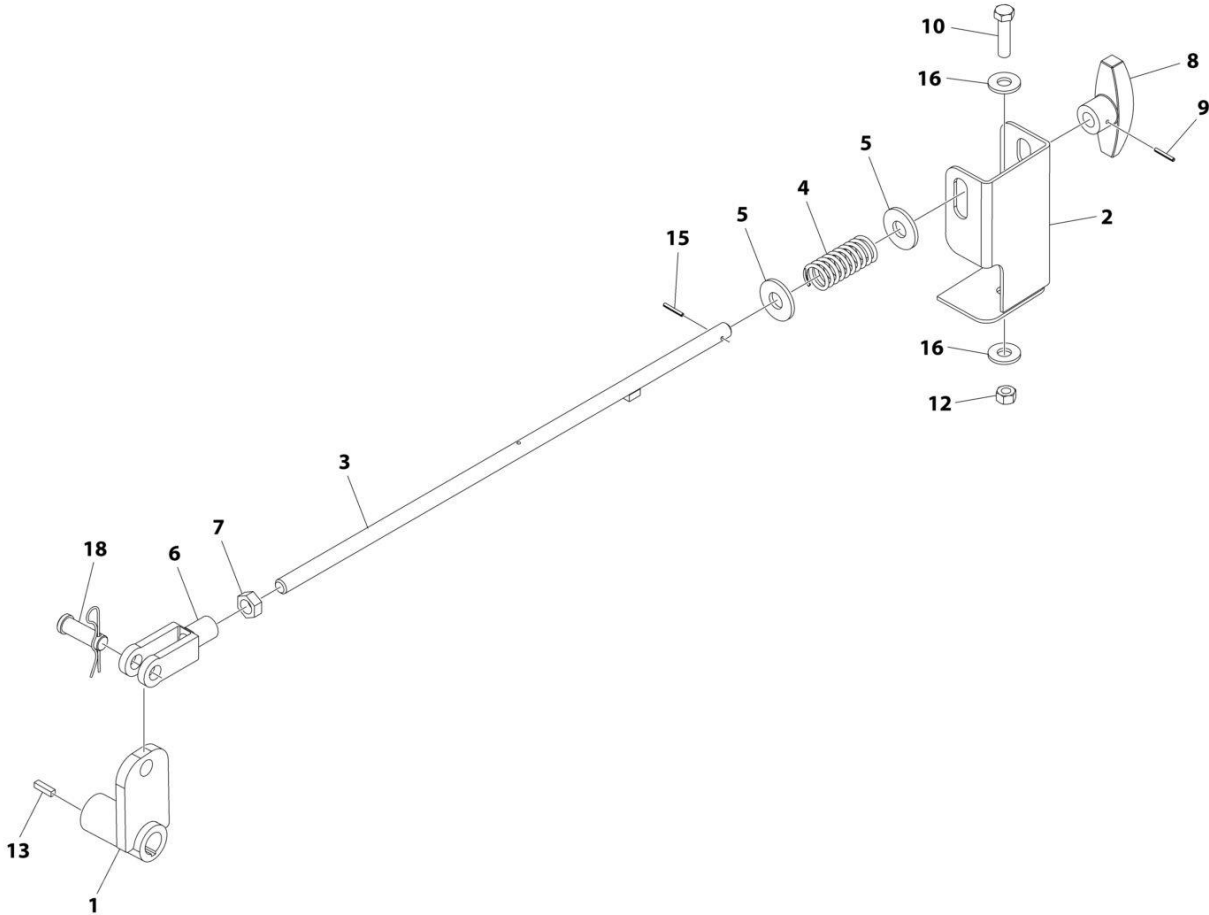
SECTION 5 - CONTROLS

FIGURE 5-18. HANDLE LEVER ASSEMBLY - 8000LBS WINCH (LH)

ITEM	PART NUMBER	QTY	DESCRIPTION	REV
	2587000004	Ref	HANDLE LEVER INSTALLATION	1
1	3587000007	1	Lever	
2	4178000166	1	Bracket	
3	3587000008	1	Handle	
4	7843000010	1	Spring	
5	7950180161	2	Washer 1/2	
6	7990000011	1	Yoke	
7	7660180030	1	Nut 1/2	
8	4551000005	1	T-Handle	
9	7690051641	1	Pin	
10	7115161250	1	Bolt 3/8 x 1-1/2	
12	7660160000	1	Nut 3/8	
13	4575060600	1	Key	
15	7690102041	1	Pin	
16	7950160162	2	Washer 3/8	
18	1001179025	1	Pin	

SECTION 5 - CONTROLS

FIGURE 5-19. HANDLE LEVER ASSEMBLY - 8000LBS WINCH (RH)



ART_2587000003

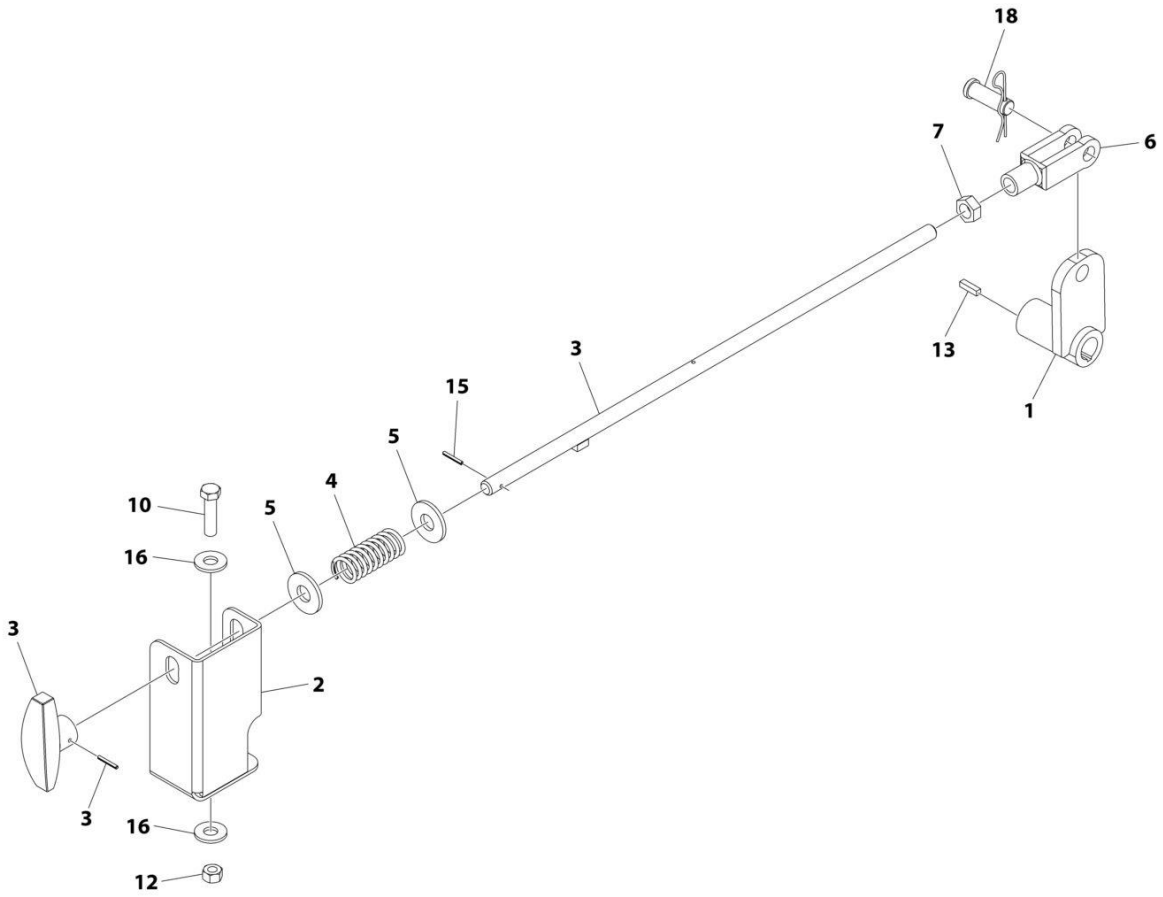
SECTION 5 - CONTROLS

FIGURE 5-19. HANDLE LEVER ASSEMBLY - 8000LBS WINCH (RH)

ITEM	PART NUMBER	QTY	DESCRIPTION	REV
	2587000003	Ref	HANDLE LEVER INSTALLATION	1
1	3587000007	1	Lever	
2	4178000167	1	Bracket	
3	3587000008	1	Handle	
4	7843000010	1	Spring	
5	7950180161	2	Washer 1/2	
6	7990000011	1	Yoke	
7	7660180030	1	Nut 1/2	
8	4551000005	1	T-Handle	
9	7690051641	1	Pin	
10	7115161250	1	Bolt 3/8 x 1-1/2	
12	7660160000	1	Nut 3/8	
13	4575060600	1	Key	
15	7690102041	1	Pin	
16	7950160162	2	Washer 3/8	
18	1001179025	1	Pin	

SECTION 5 - CONTROLS

FIGURE 5-20. HANDLE LEVER ASSEMBLY - 8000LBS WINCH (LH) (SPEEDWAY SPECS)



ART_1001142233

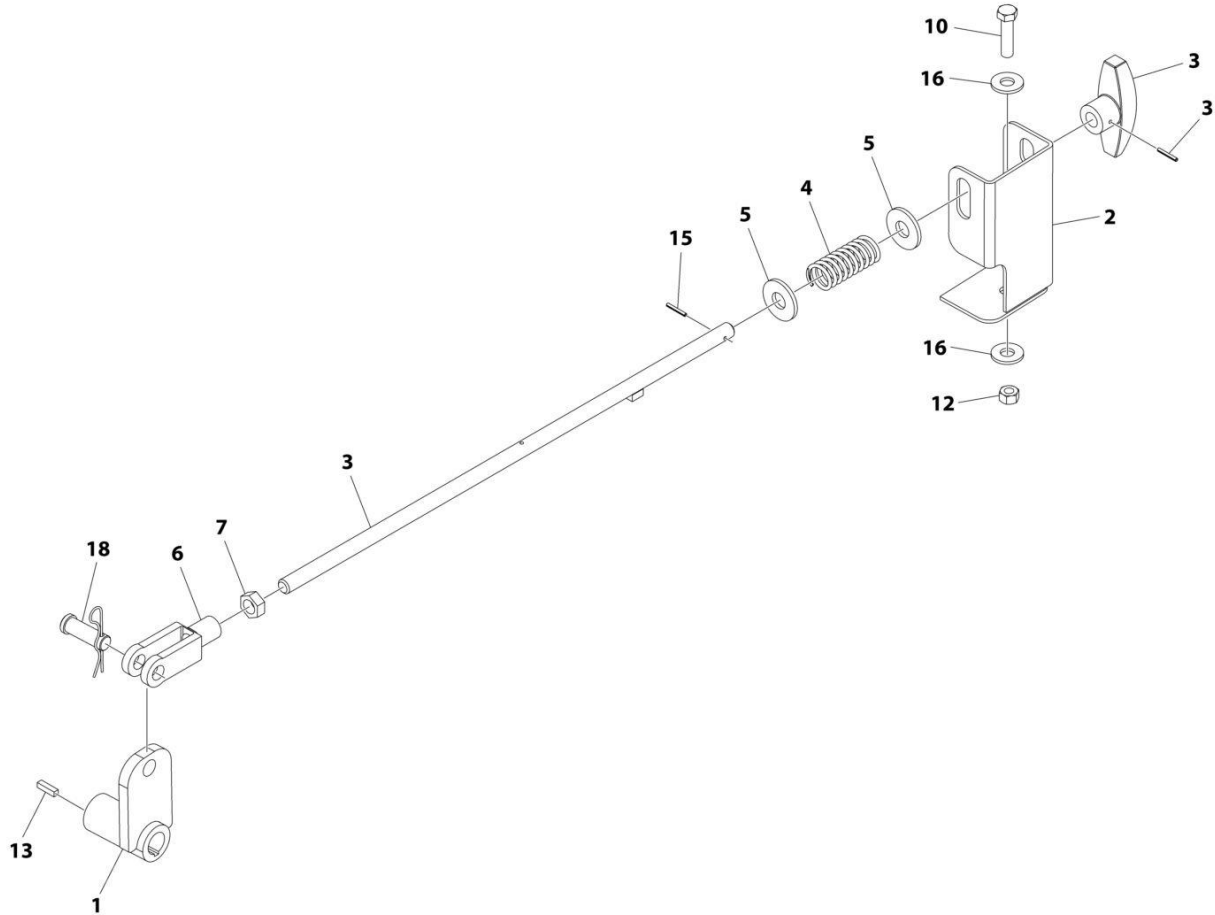
SECTION 5 - CONTROLS

FIGURE 5-20. HANDLE LEVER ASSEMBLY - 8000LBS WINCH (LH) (SPEEDWAY SPECS)

ITEM	PART NUMBER	QTY	DESCRIPTION	REV
	1001142233	Ref	HANDLE LEVER INSTALLATION	B
1	3587000007	1	Lever	
2	4178000166	1	Bracket	
3	1001142231	1	Handle	
4	7843000010	1	Spring	
5	7950180161	2	Washer 1/2	
6	7990000011	1	Yoke	
7	7660180030	1	Nut 1/2	
10	7115161250	1	Bolt 3/8 x 1-1/2	
12	7660160000	1	Nut 3/8	
13	4575060600	1	Key	
15	7690102041	1	Pin	
16	7950160162	2	Washer 3/8	
18	1001179025	1	Pin	

SECTION 5 - CONTROLS

FIGURE 5-21. HANDLE LEVER ASSEMBLY - 8000LBS WINCH (RH) (SPEEDWAY SPECS)



ART_1001142234

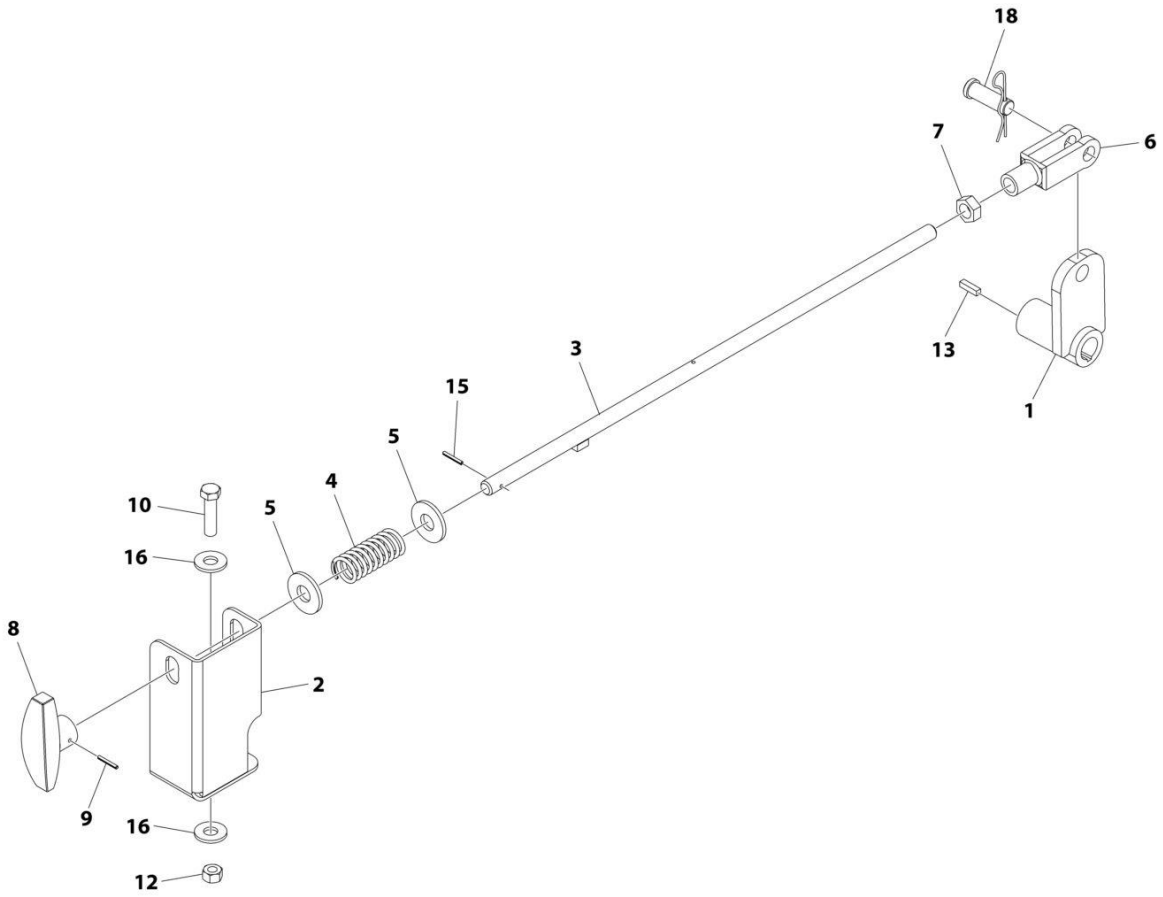
SECTION 5 - CONTROLS

FIGURE 5-21. HANDLE LEVER ASSEMBLY - 8000LBS WINCH (RH) (SPEEDWAY SPECS)

ITEM	PART NUMBER	QTY	DESCRIPTION	REV
	1001142234	Ref	HANDLE LEVER INSTALLATION	B
1	3587000007	1	Lever	
2	4178000167	1	Bracket	
3	1001142232	1	Handle	
4	7843000010	1	Spring	
5	7950180161	2	Washer 1/2	
6	7990000011	1	Yoke	
7	7660180030	1	Nut 1/2	
10	7115161250	1	Bolt 3/8 x 1-1/2	
12	7660160000	1	Nut 3/8	
13	4575060600	1	Key	
15	7690102041	1	Pin	
16	7950160162	2	Washer 3/8	
18	1001179025	1	Pin	

SECTION 5 - CONTROLS

FIGURE 5-22. HANDLE LEVER ASSEMBLY - 10000LBS WINCH (LH)



ART_2587000002

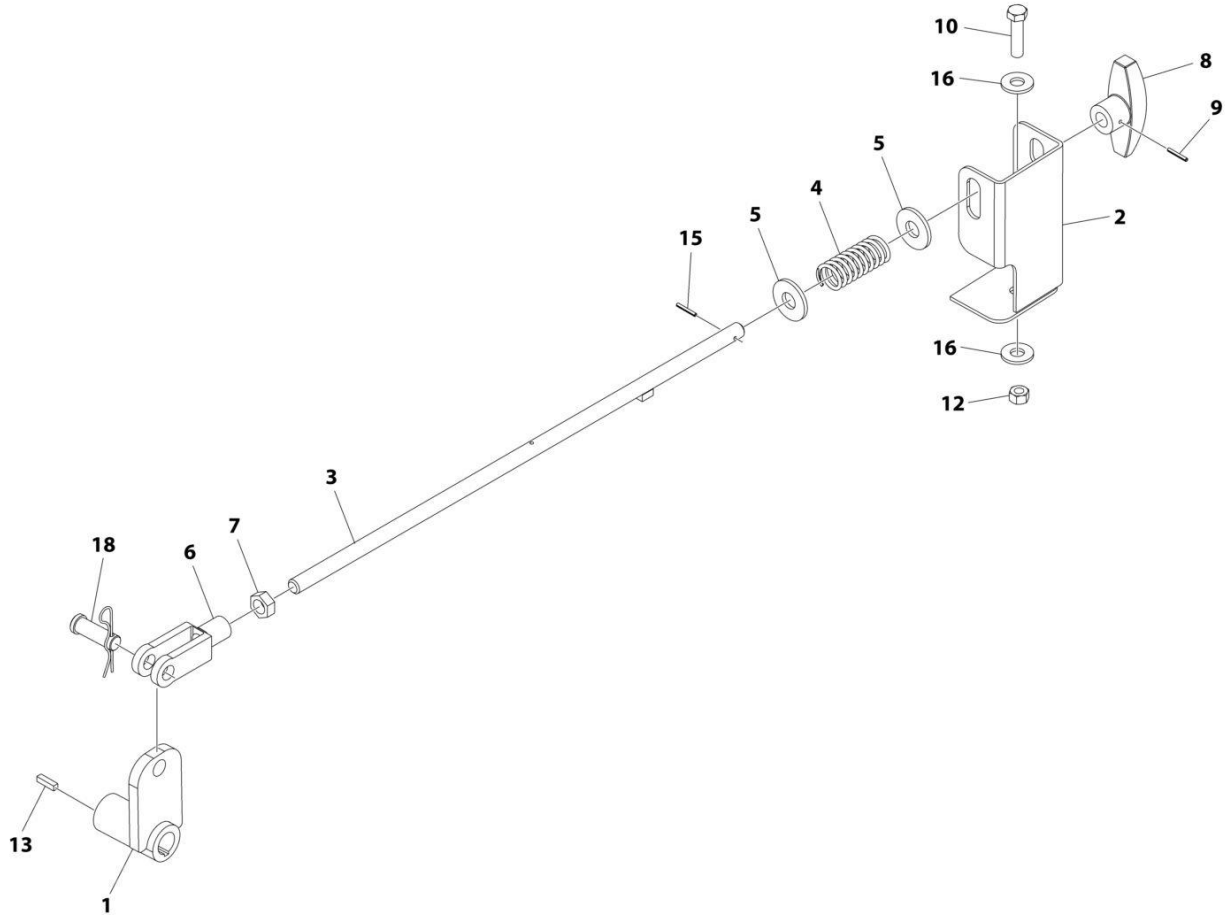
SECTION 5 - CONTROLS

FIGURE 5-22. HANDLE LEVER ASSEMBLY - 10000LBS WINCH (LH)

ITEM	PART NUMBER	QTY	DESCRIPTION	REV
	2587000002	Ref	HANDLE LEVER INSTALLATION	1
1	3587000007	1	Lever	
2	4178000166	1	Bracket	
3	3587000008	1	Handle	
4	7843000010	1	Spring	
5	7950180161	2	Washer 1/2	
6	7990000011	1	Yoke	
7	7660180030	1	Nut 1/2	
8	4551000005	1	T-Handle	
9	7690051641	1	Pin	
10	7115161250	1	Bolt 3/8 x 1-1/2	
12	7660160000	1	Nut 3/8	
13	4575060600	1	Key	
15	7690102041	1	Pin	
16	7950160162	2	Washer 3/8	
18	1001179025	1	Pin	

SECTION 5 - CONTROLS

FIGURE 5-23. HANDLE LEVER ASSEMBLY - 10000LBS WINCH (RH)



ART_2587000001

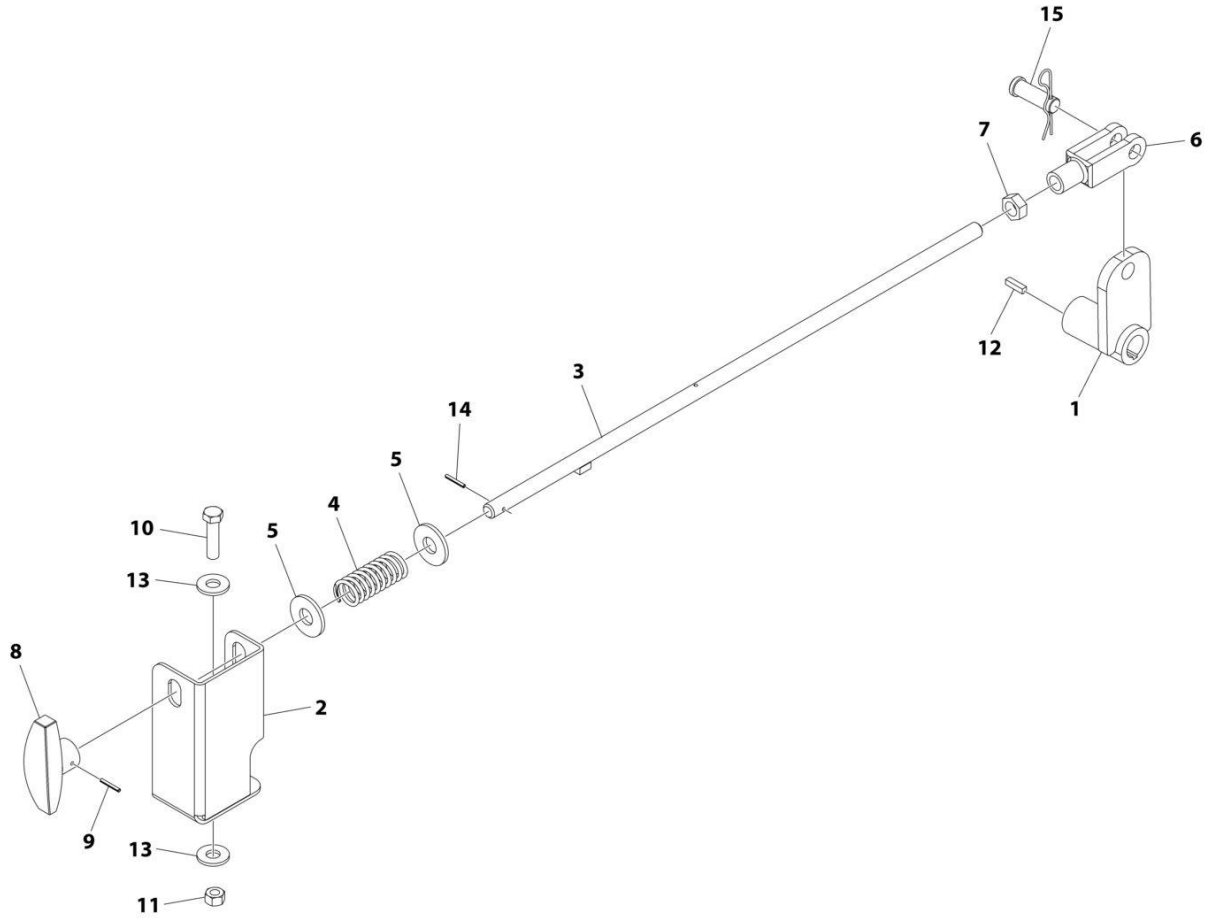
SECTION 5 - CONTROLS

FIGURE 5-23. HANDLE LEVER ASSEMBLY - 10000LBS WINCH (RH)

ITEM	PART NUMBER	QTY	DESCRIPTION	REV
	2587000001	Ref	HANDLE LEVER INSTALLATION	1
1	3587000007	1	Lever	
2	4178000167	1	Bracket	
3	3587000008	1	Handle	
4	7843000010	1	Spring	
5	7950180161	2	Washer 1/2	
6	7990000011	1	Yoke	
7	7660180030	1	Nut 1/2	
8	4551000005	1	T-Handle	
9	7690051641	1	Pin	
10	7115161250	1	Bolt 3/8 x 1-1/2	
12	7660160000	1	Nut 3/8	
13	4575060600	1	Key	
15	7690102041	1	Pin	
16	7950160162	2	Washer 3/8	
18	1001179025	1	Pin	

SECTION 5 - CONTROLS

FIGURE 5-24. HANDLE LEVER ASSEMBLY - 12000LBS WINCH (LH)



ART_258700008

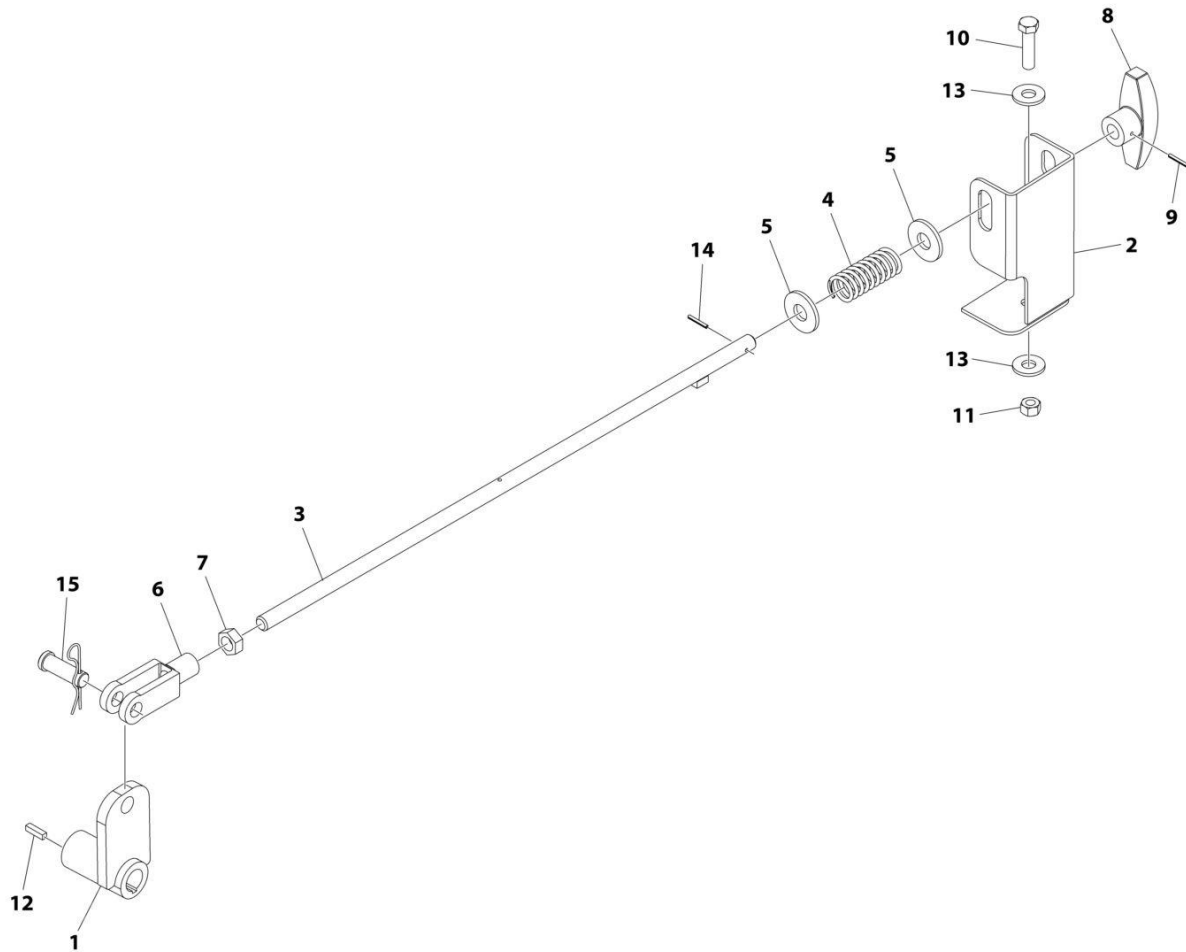
SECTION 5 - CONTROLS

FIGURE 5-24. HANDLE LEVER ASSEMBLY - 12000LBS WINCH (LH)

ITEM	PART NUMBER	QTY	DESCRIPTION	REV
	2587000008	Ref	HANDLE LEVER INSTALLATION	C
1	3587000007	1	Lever	
2	4178000166	1	Bracket	
3	3587000011	1	Lever	
4	7843000010	1	Spring	
5	7950180161	2	Washer 1/2	
6	7990000011	1	Yoke	
7	7660180030	1	Nut 1/2	
8	4551000005	1	T-Handle	
9	7690051641	1	Pin	
10	7115161250	1	Bolt 3/8 x 1-1/2	
11	7660160000	1	Nut 3/8	
12	4575060600	1	Key	
13	7950160162	2	Washer 3/8	
14	7690102041	1	Pin	
15	1001179025	1	Pin	

SECTION 5 - CONTROLS

FIGURE 5-25. HANDLE LEVER ASSEMBLY - 12000LBS WINCH (RH)



ART_2587000007

SECTION 5 - CONTROLS

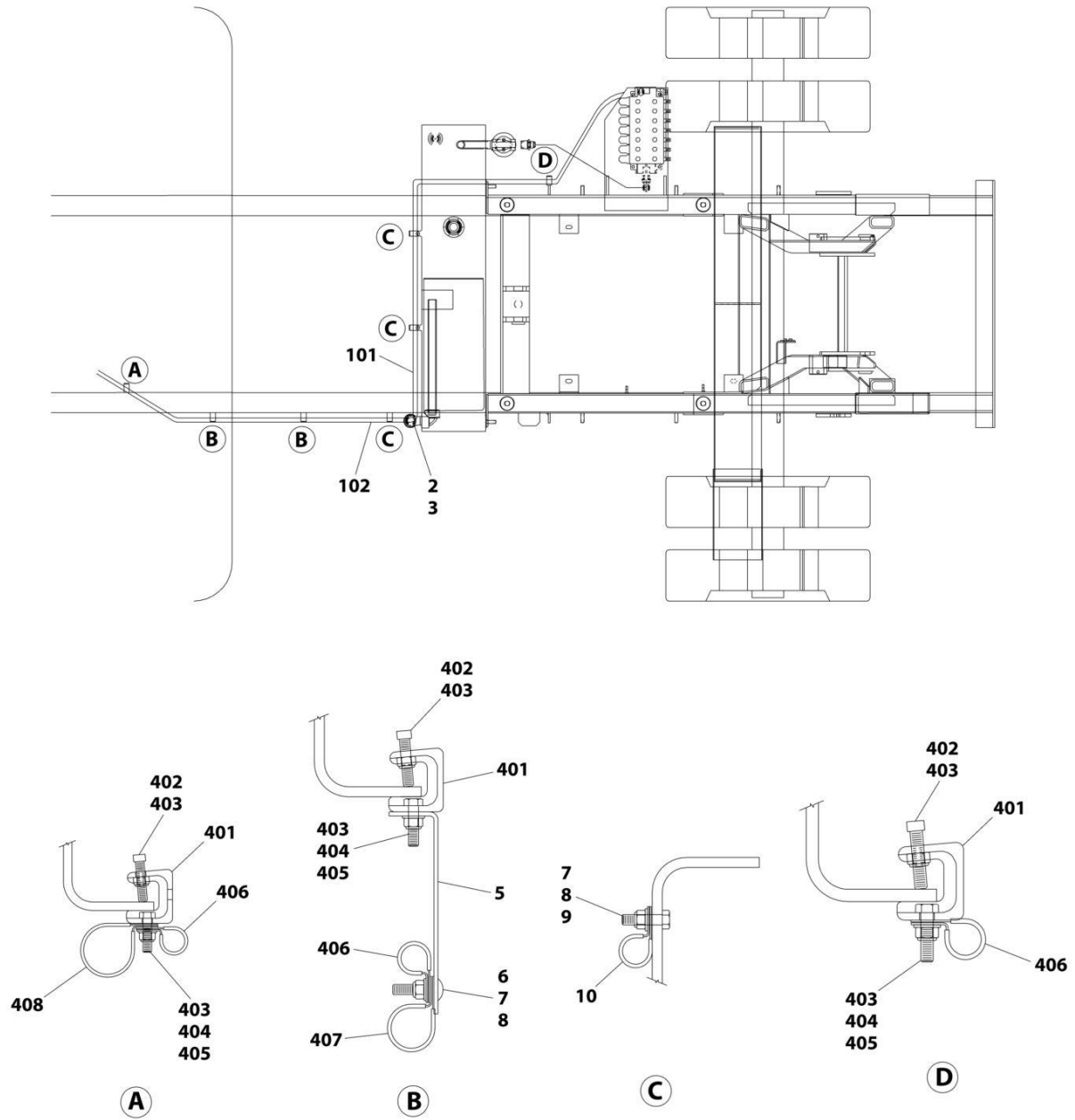
FIGURE 5-25. HANDLE LEVER ASSEMBLY - 12000LBS WINCH (RH)

ITEM	PART NUMBER	QTY	DESCRIPTION	REV
	2587000007	Ref	HANDLE LEVER INSTALLATION	C
1	3587000007	1	Lever	
2	4178000167	1	Bracket	
3	3587000011	1	Lever	
4	7843000010	1	Spring	
5	7950180161	2	Washer 1/2	
6	7990000011	1	Yoke	
7	7660180030	1	Nut 1/2	
8	4551000005	1	T-Handle	
9	7690051641	1	Pin	
10	7115161250	1	Bolt 3/8 x 1-1/2	
11	7660160000	1	Nut 3/8	
12	4575060600	1	Key	
13	7950160162	2	Washer 3/8	
14	7690102041	1	Pin	
15	1001179025	1	Pin	

SECTION 6 - HYDRAULIC

SECTION 6 - HYDRAULIC

FIGURE 6-1. HOSE AND CLAMP INSTALLATION (CHEVY/GMC - 137IN WB)



ART_1001132807

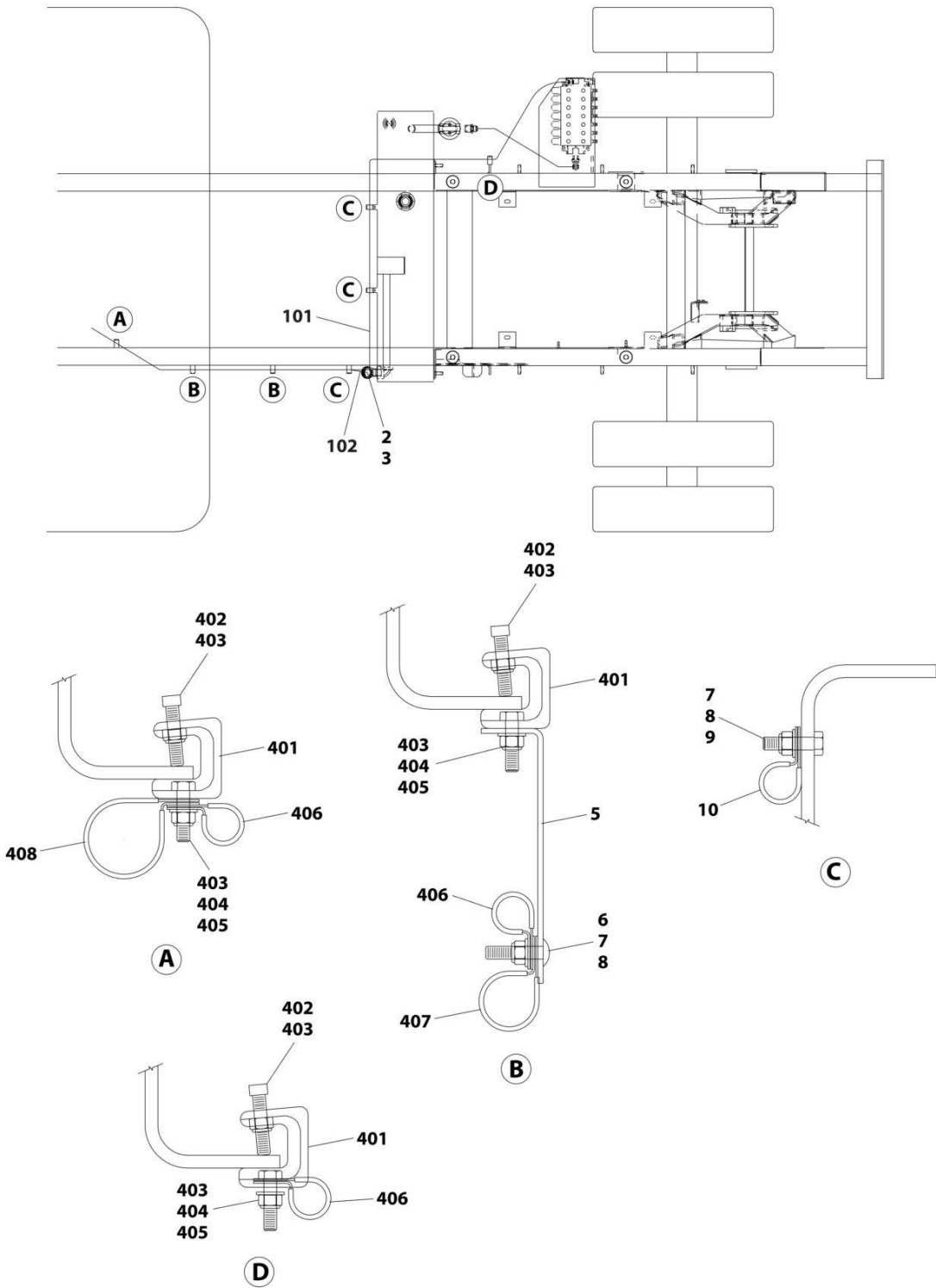
SECTION 6 - HYDRAULIC

FIGURE 6-1. HOSE AND CLAMP INSTALLATION (CHEVY/GMC - 137IN WB)

ITEM	PART NUMBER	QTY	DESCRIPTION	REV
	1001132807	Ref	HOSE AND CLAMP INSTALLATION (CHEVY/GMC - 137IN WB)	B
1	1001132832	1	Hose, Kit (Not Shown) (Includes Items 101-102)	
2	7443000013	1	Nipple	
3	7274000002	2	Clamp	
4	1001132794	8	Clamp, Hose Kit (Not Shown) (Includes Items 401-408)	
5	4706003844	4	Plate	
6	7115151064	4	Bolt 5/16 x 1-1/4	
7	7950150161	8	Washer 5/16	
8	7660152601	8	Nut 5/16	
9	7115151050	4	Bolt 5/16 x 1-1/4	
10	7819000013	2	Sleeve	
	1001132832	Ref	HOSE, KIT	0
101	4567630195	1	Hose	
102	1001132617	1	Hose	
	1001132794	Ref	CLAMP, HOSE KIT	B
401	7274000076	1	Clamp	
402	7785152420	1	Screw 5/16 x 1-1/2	
403	7660152601	2	Nut 5/16	
404	7115151050	1	Bolt 5/16 x 1-1/4	
405	7950150161	1	Washer 5/16	
406	7274000040	1	Clamp	
407	7274000041	1	Clamp	
408	7274000042	1	Clamp	

SECTION 6 - HYDRAULIC

FIGURE 6-2. HOSE AND CLAMP INSTALLATION (CHEVY/GMC - 162IN WB)



ART_1001138315

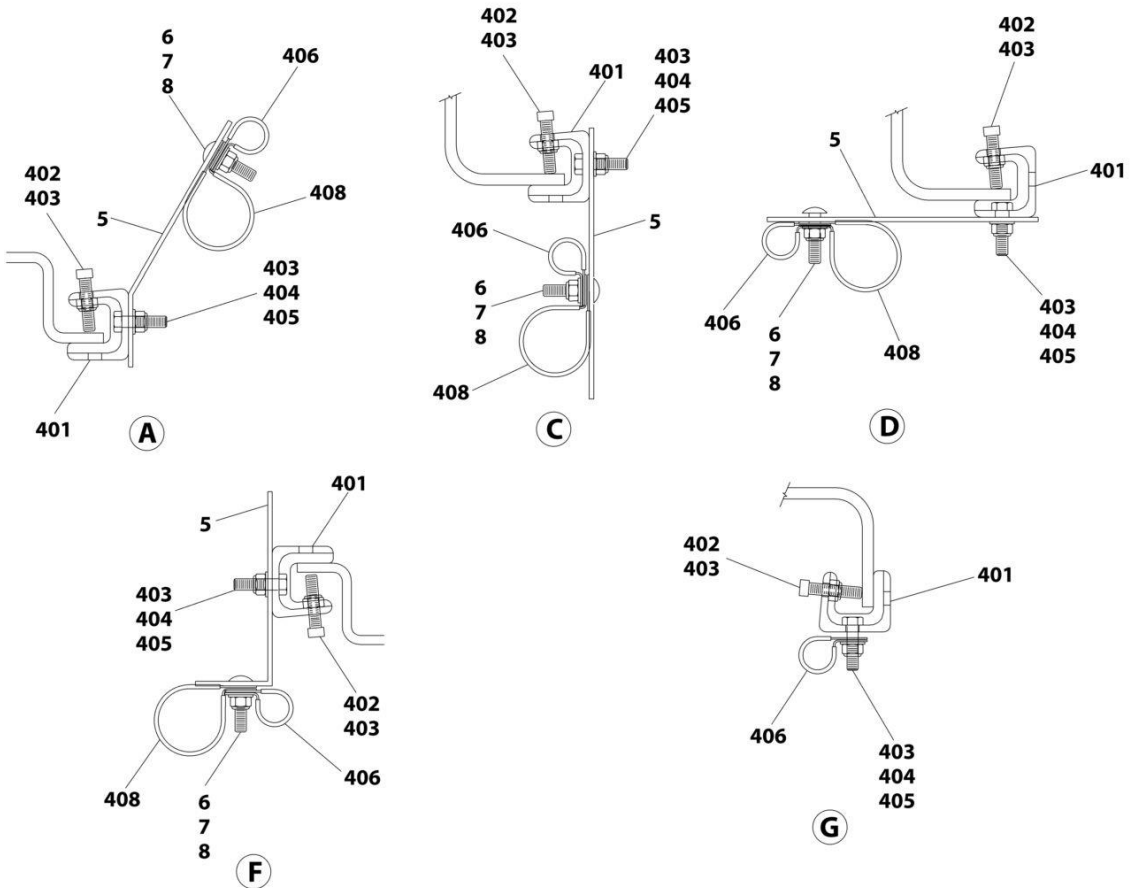
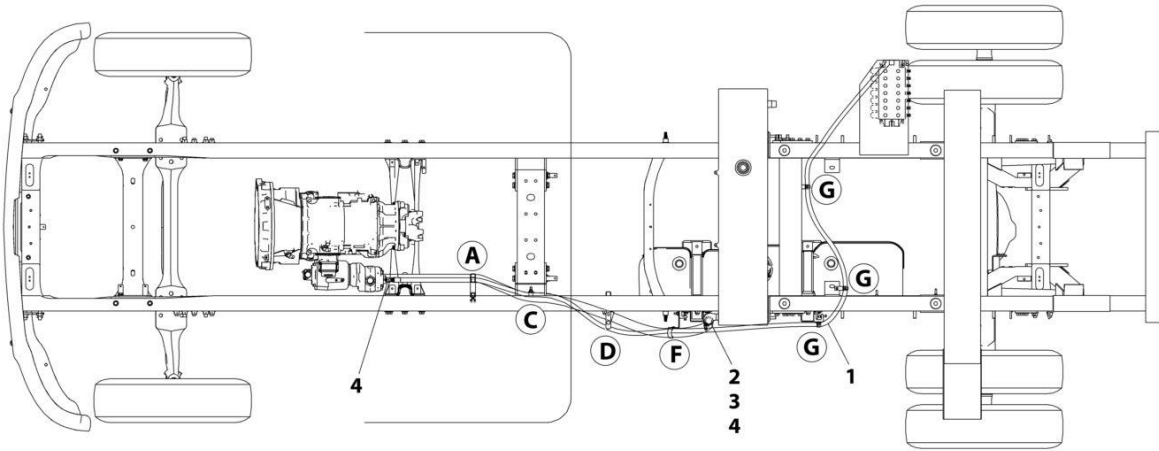
SECTION 6 - HYDRAULIC

FIGURE 6-2. HOSE AND CLAMP INSTALLATION (CHEVY/GMC - 162IN WB)

ITEM	PART NUMBER	QTY	DESCRIPTION	REV
	1001138315	Ref	HOSE AND CLAMP INSTALLATION (CHEVY-GMC - 152IN WB)	B
1	1001138316	Ref	Hose, Kit (Not Shown) (Includes Items 101-102)	
2	7443000013	1	Nipple	
3	7470000002	2	Gauge, Oil Filter Head	
4	1001132794	Ref	Clamp, Hose Kit (Not Shown) (Includes Items 401-408)	
5	4706003844	6	Plate	
6	7115151064	6	Bolt 5/16 x 1-1/4	
7	7950150161	10	Washer 5/16	
8	7660152601	10	Nut 5/16	
9	7115151050	4	Bolt 5/16 x 1-1/4	
10	7819000013	2	Sleeve	
	1001138316	Ref	HOSE, KIT	A
101	4567630219	1	Hose	
102	1001132624	1	Hose	
	1001132794	Ref	CLAMP, HOSE KIT	B
401	7274000076	1	Clamp	
402	7785152420	1	Screw 5/16 x 1-1/2	
403	7660152601	2	Nut 5/16	
404	7115151050	1	Bolt 5/16 x 1-1/4	
405	7950150161	1	Washer 5/16	
406	7274000040	1	Clamp	
407	7274000041	1	Clamp	
408	7274000042	1	Clamp (Not Shown)	

SECTION 6 - HYDRAULIC

FIGURE 6-3. HOSE AND CLAMP INSTALLATION (CV515 - 165IN WB - LH PTO)



ART_1001257482

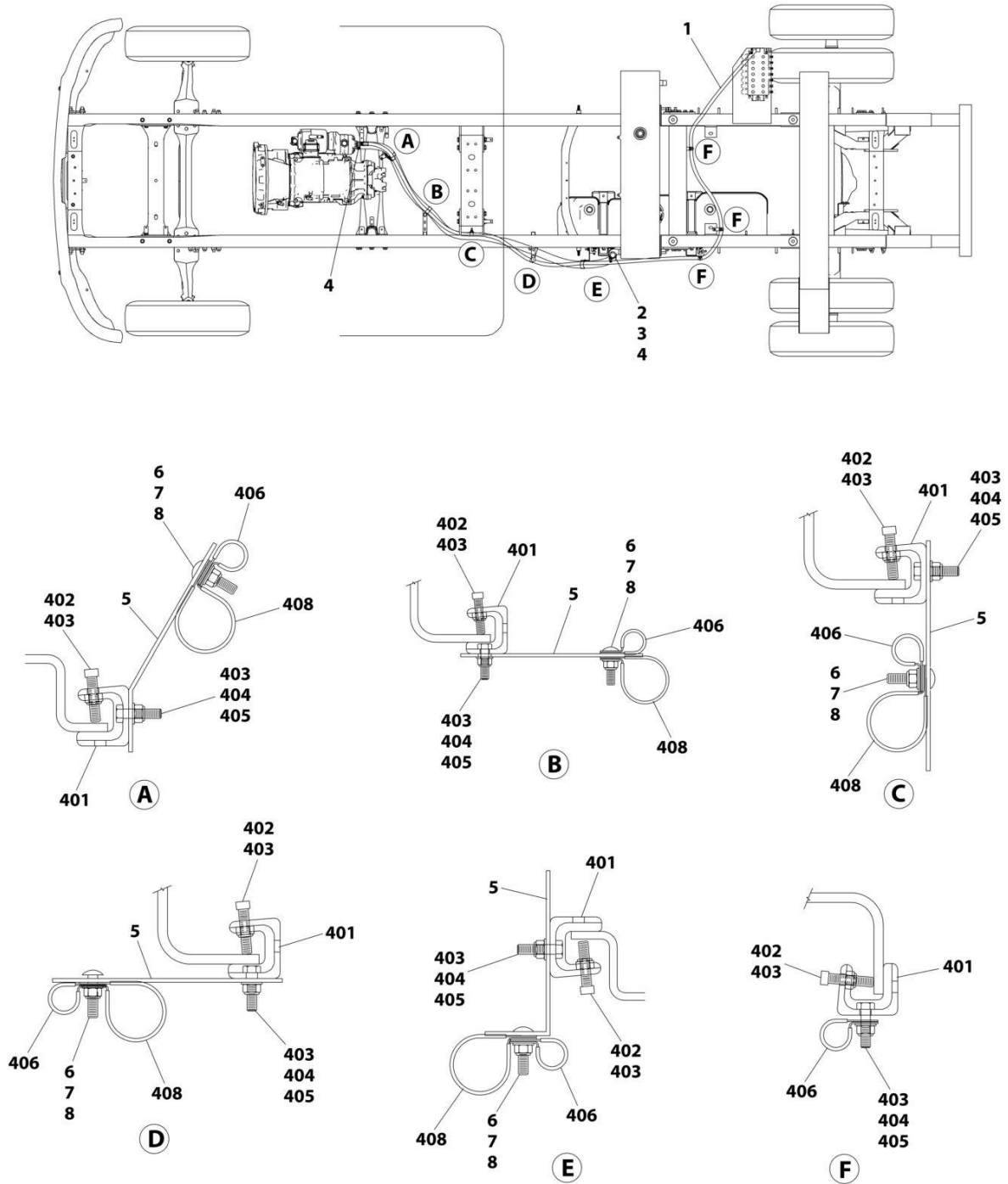
SECTION 6 - HYDRAULIC

FIGURE 6-3. HOSE AND CLAMP INSTALLATION (CV515 - 165IN WB - LH PTO)

ITEM	PART NUMBER	QTY	DESCRIPTION	REV
	1001257482	Ref	HOSE AND CLAMP INSTALLATION (CV515 - 165IN WB - LH PTO)	A
1	4567130165	1	Hose	
2	1001132604	1	Hose	
3	7443000013	1	Nipple	
4	7274000002	2	Clamp	
5	4706003844	4	Plate	
6	7115151064	4	Bolt 5/16 x 1-1/4	
7	7950150161	4	Washer 5/16	
8	7660152601	4	Nut 5/16	
400	1001132794	7	Clamp, Hose Kit (Not Shown)	
401	7274000076	7	Clamp	
402	7785152420	7	Screw 5/16 x 1-1/2	
403	7660152601	14	Nut 5/16	
404	7115151050	7	Bolt 5/16 x 1-1/4	
405	7950150161	7	Washer 5/16	
406	7274000040	7	Clamp	
407	7274000041	7	Clamp (Not Shown)	
408	7274000042	7	Clamp	
409	7274000105	7	Clamp (Not Shown)	

SECTION 6 - HYDRAULIC

FIGURE 6-4. HOSE AND CLAMP INSTALLATION (CV515 - 165IN WB - RH PTO)



ART_1001257485

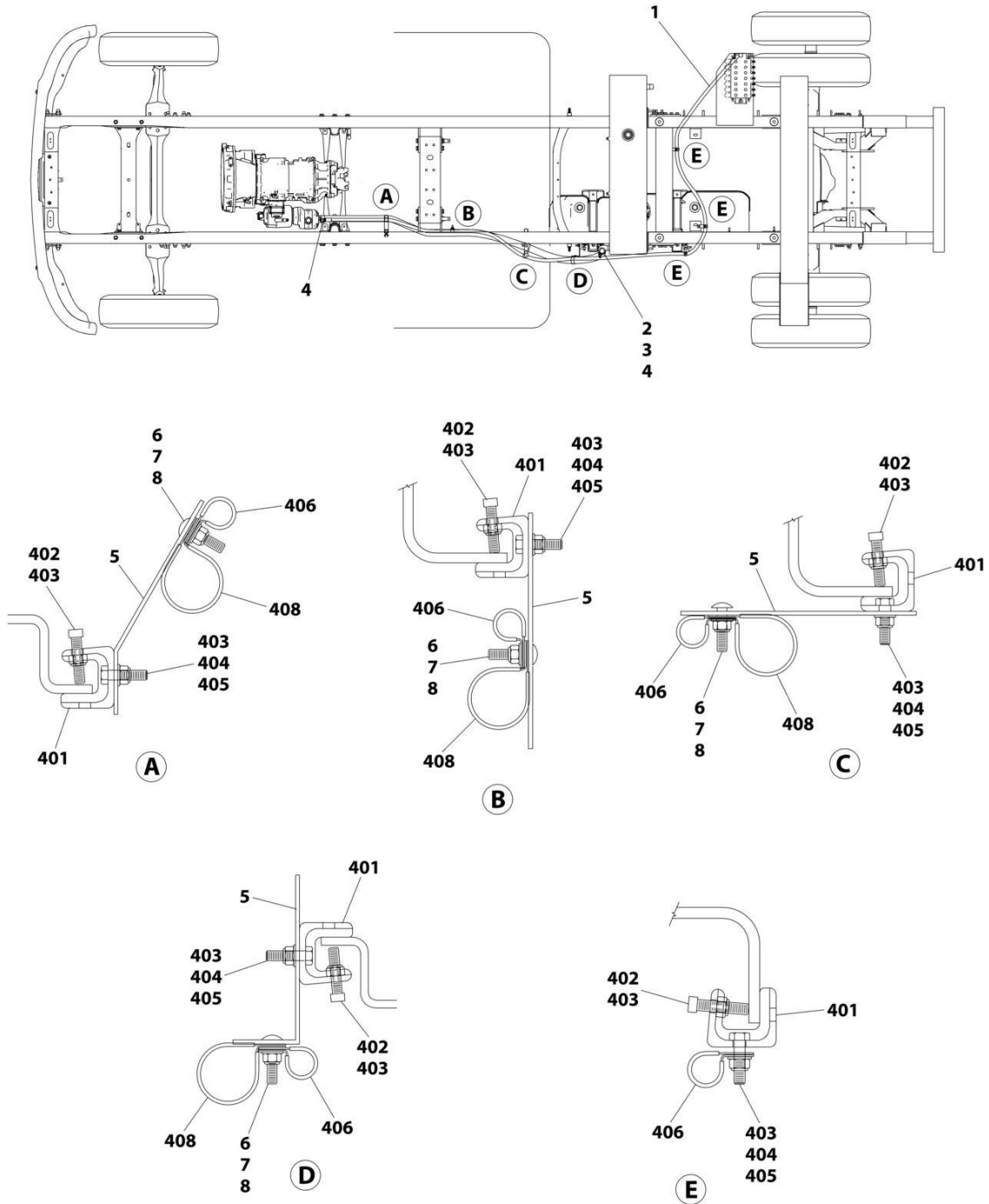
SECTION 6 - HYDRAULIC

FIGURE 6-4. HOSE AND CLAMP INSTALLATION (CV515 - 165IN WB - RH PTO)

ITEM	PART NUMBER	QTY	DESCRIPTION	REV
	1001257485	Ref	HOSE AND CLAMP INSTALLATION (CV515 - 165IN WB - RH PTO)	A
1	4567130175	1	Hose	
2	1001132605	1	Hose	
3	7443000013	1	Nipple	
4	7274000002	2	Clamp	
5	4706003844	5	Plate	
6	7115151064	5	Bolt 5/16 x 1-1/4	
7	7950150161	5	Washer 5/16	
8	7660152601	5	Nut 5/16	
9	7819000013	1	Sleeve (Not Shown)	
400	1001132794	8	Clamp, Hose Kit (Not Shown)	
401	7274000076	8	Clamp	
402	7785152420	8	Screw 5/16 x 1-1/2	
403	7660152601	16	Nut 5/16	
404	7115151050	8	Bolt 5/16 x 1-1/4	
405	7950150161	8	Washer 5/16	
406	7274000040	8	Clamp	
407	7274000041	8	Clamp (Not Shown)	
408	7274000042	8	Clamp	
409	7274000105	8	Clamp (Not Shown)	

SECTION 6 - HYDRAULIC

FIGURE 6-5. HOSE AND CLAMP INSTALLATION (CV515 - 175IN WB - LH PTO)



ART_1001257483

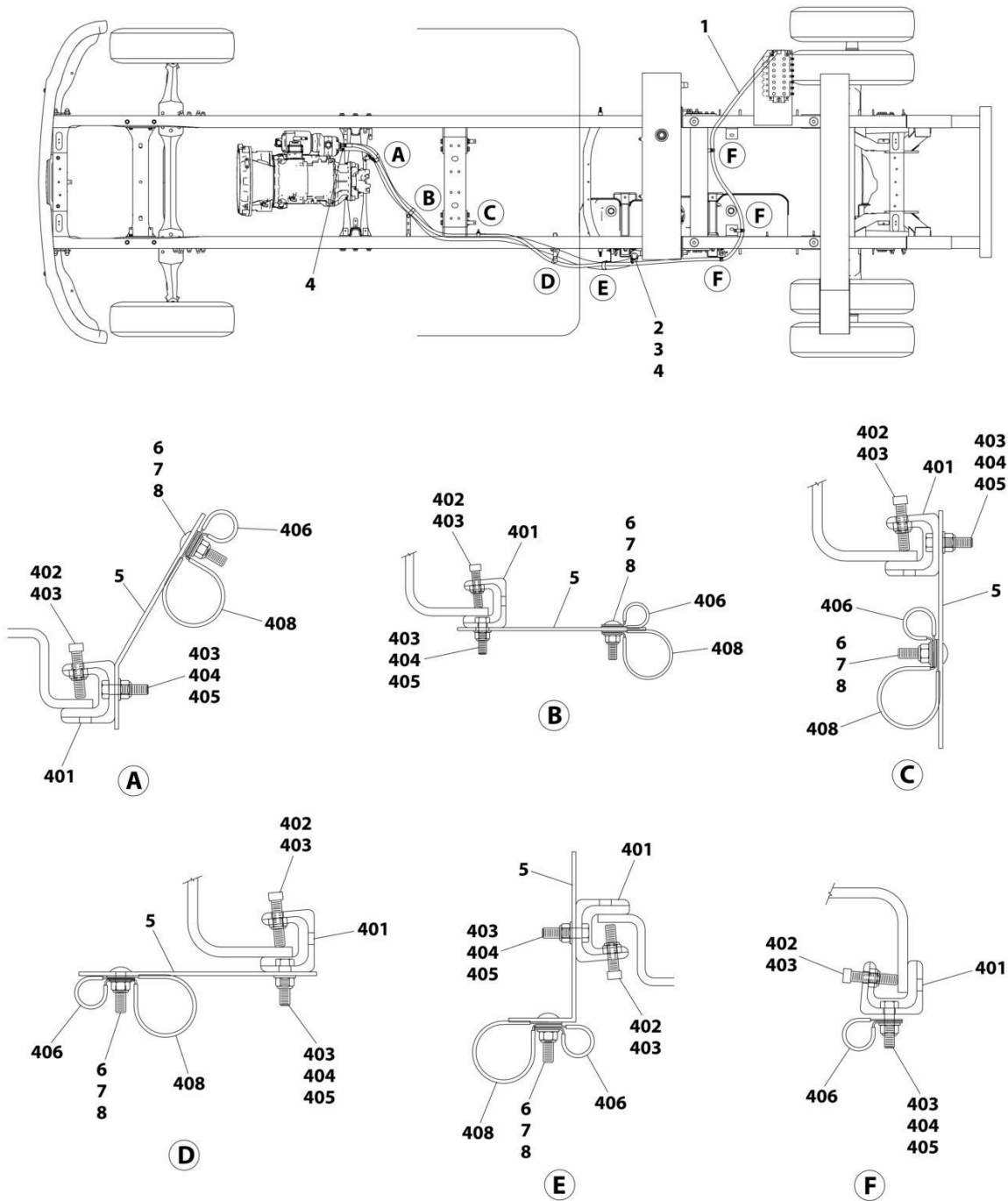
SECTION 6 - HYDRAULIC

FIGURE 6-5. HOSE AND CLAMP INSTALLATION (CV515 - 175IN WB - LH PTO)

ITEM	PART NUMBER	QTY	DESCRIPTION	REV
	1001257483	Ref	HOSE AND CLAMP INSTALLATION (CV515 - 175IN WB - LH PTO)	A
1	4567130175	1	Hose	
2	1001132605	1	Hose	
3	7443000013	1	Nipple	
4	7274000002	2	Clamp	
5	4706003844	4	Plate	
6	7115151064	4	Bolt 5/16 x 1-1/4	
7	7950150161	4	Washer 5/16	
8	7660152601	4	Nut 5/16	
400	1001132794	7	Clamp, Hose Kit (Not Shown)	
401	7274000076	7	Clamp	
402	7785152420	7	Screw 5/16 x 1-1/2	
403	7660152601	14	Nut 5/16	
404	7115151050	7	Bolt 5/16 x 1-1/4	
405	7950150161	7	Washer 5/16	
406	7274000040	7	Clamp	
407	7274000041	7	Clamp (Not Shown)	
408	7274000042	7	Clamp	
409	7274000105	7	Clamp (Not Shown)	

SECTION 6 - HYDRAULIC

FIGURE 6-6. HOSE AND CLAMP INSTALLATION (CV515 - 175IN WB - RH PTO)



ART_1001257486

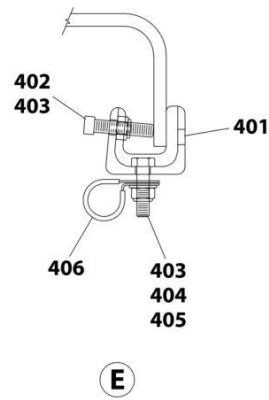
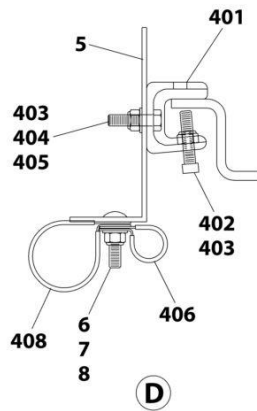
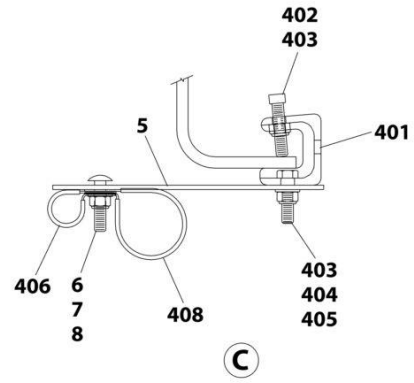
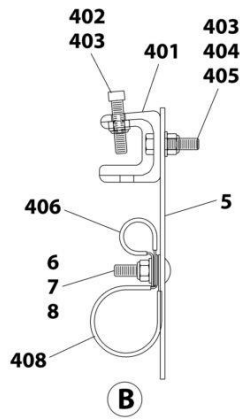
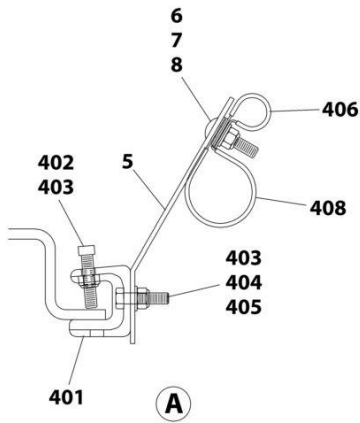
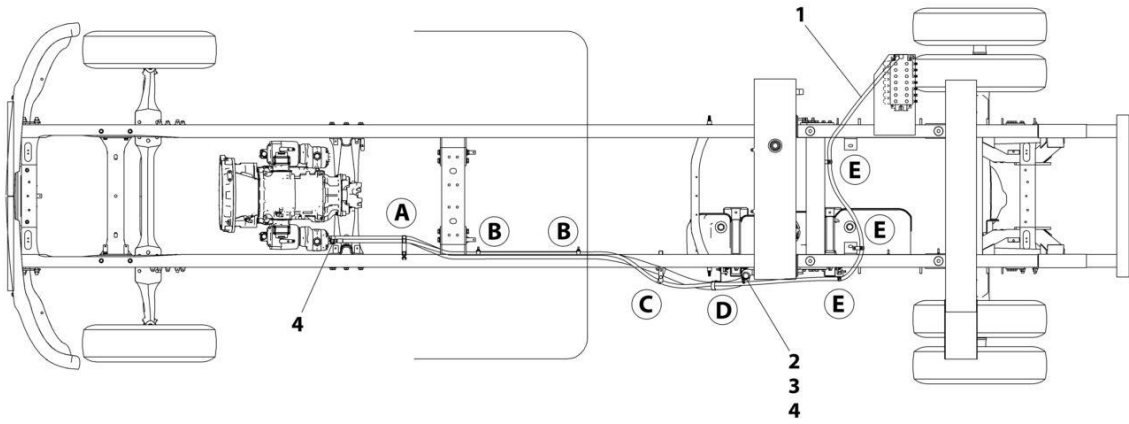
SECTION 6 - HYDRAULIC

FIGURE 6-6. HOSE AND CLAMP INSTALLATION (CV515 - 175IN WB - RH PTO)

ITEM	PART NUMBER	QTY	DESCRIPTION	REV
	1001257486	Ref	HOSE AND CLAMP INSTALLATION (CV515 - 175IN WB - RH PTO)	A
1	4567130185	1	Hose	
2	1001132609	1	Hose	
3	7443000013	1	Nipple	
4	7274000002	2	Clamp	
5	4706003844	5	Plate	
6	7115151064	5	Bolt 5/16 x 1-1/4	
7	7950150161	5	Washer 5/16	
8	7660152601	5	Nut 5/16	
9	7819000013	1	Sleeve (Not Shown)	
400	1001132794	8	Clamp, Hose Kit (Not Shown)	
401	7274000076	8	Clamp	
402	7785152420	8	Screw 5/16 x 1-1/2	
403	7660152601	16	Nut 5/16	
404	7115151050	8	Bolt 5/16 x 1-1/4	
405	7950150161	8	Washer 5/16	
406	7274000040	8	Clamp	
407	7274000041	8	Clamp (Not Shown)	
408	7274000042	8	Clamp	
409	7274000105	8	Clamp (Not Shown)	

SECTION 6 - HYDRAULIC

FIGURE 6-7. HOSE AND CLAMP INSTALLATION (CV515 - 199IN WB - LH PTO)



ART_1001257484

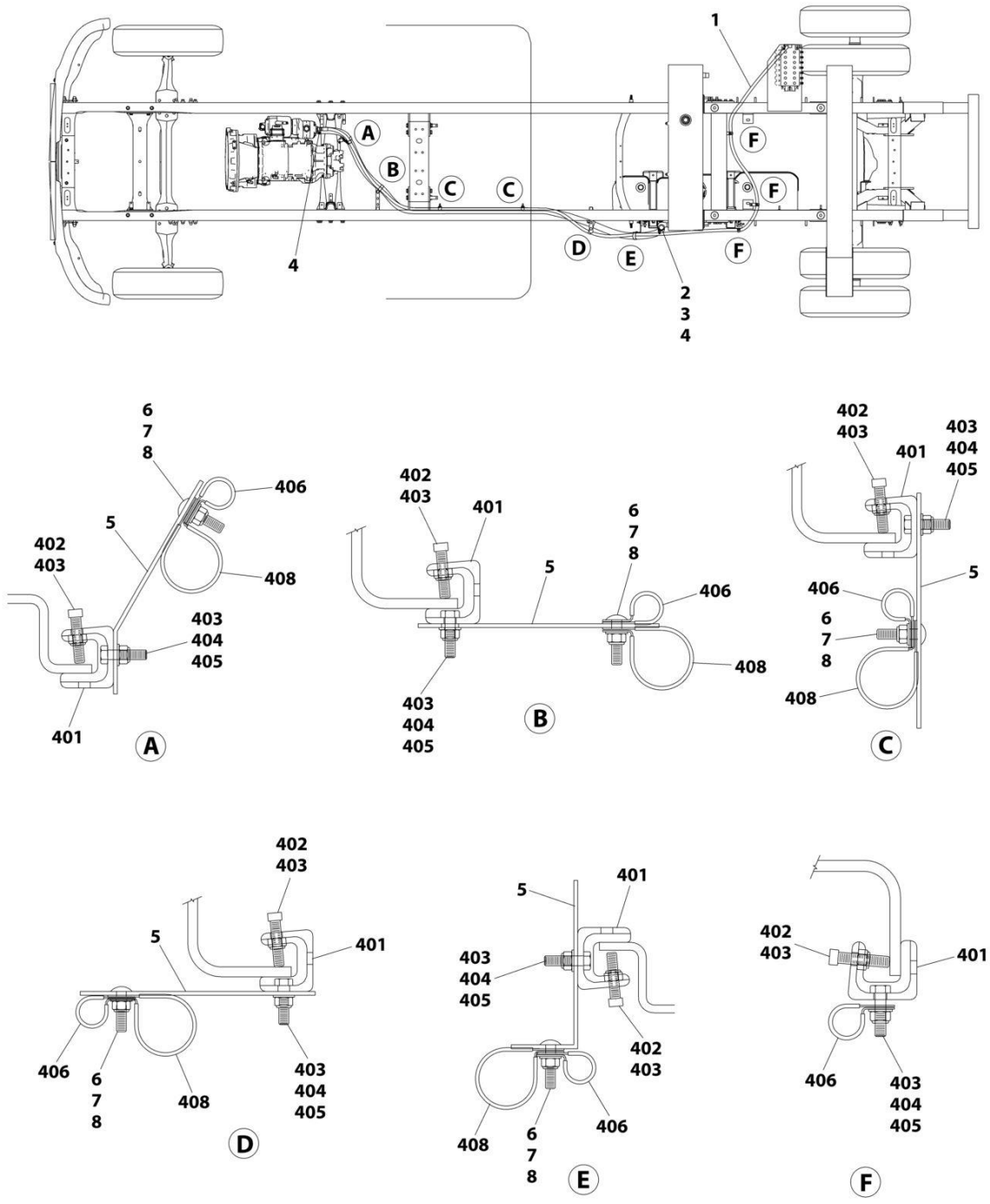
SECTION 6 - HYDRAULIC

FIGURE 6-7. HOSE AND CLAMP INSTALLATION (CV515 - 199IN WB - LH PTO)

ITEM	PART NUMBER	QTY	DESCRIPTION	REV
	1001257484	Ref	HOSE AND CLAMP INSTALLATION (CV515 - 199IN WB - LH PTO)	A
1	4567130200	1	Hose	
2	4570000308	1	Hose	
3	7443000013	1	Nipple	
4	7274000002	2	Clamp	
5	4706003844	5	Plate	
6	7115151064	5	Bolt 5/16 x 1-1/4	
7	7950150161	5	Washer 5/16	
8	7660152601	5	Nut 5/16	
400	1001132794	8	Clamp, Hose Kit (Not Shown)	
401	7274000076	8	Clamp	
402	7785152420	8	Screw 5/16 x 1-1/2	
403	7660152601	16	Nut 5/16	
404	7115151050	8	Bolt 5/16 x 1-1/4	
405	7950150161	8	Washer 5/16	
406	7274000040	8	Clamp	
407	7274000041	8	Clamp (Not Shown)	
408	7274000042	8	Clamp	
409	7274000105	8	Clamp (Not Shown)	

SECTION 6 - HYDRAULIC

FIGURE 6-8. HOSE AND CLAMP INSTALLATION (CV515 - 199IN WB - RH PTO)



ART_1001257487

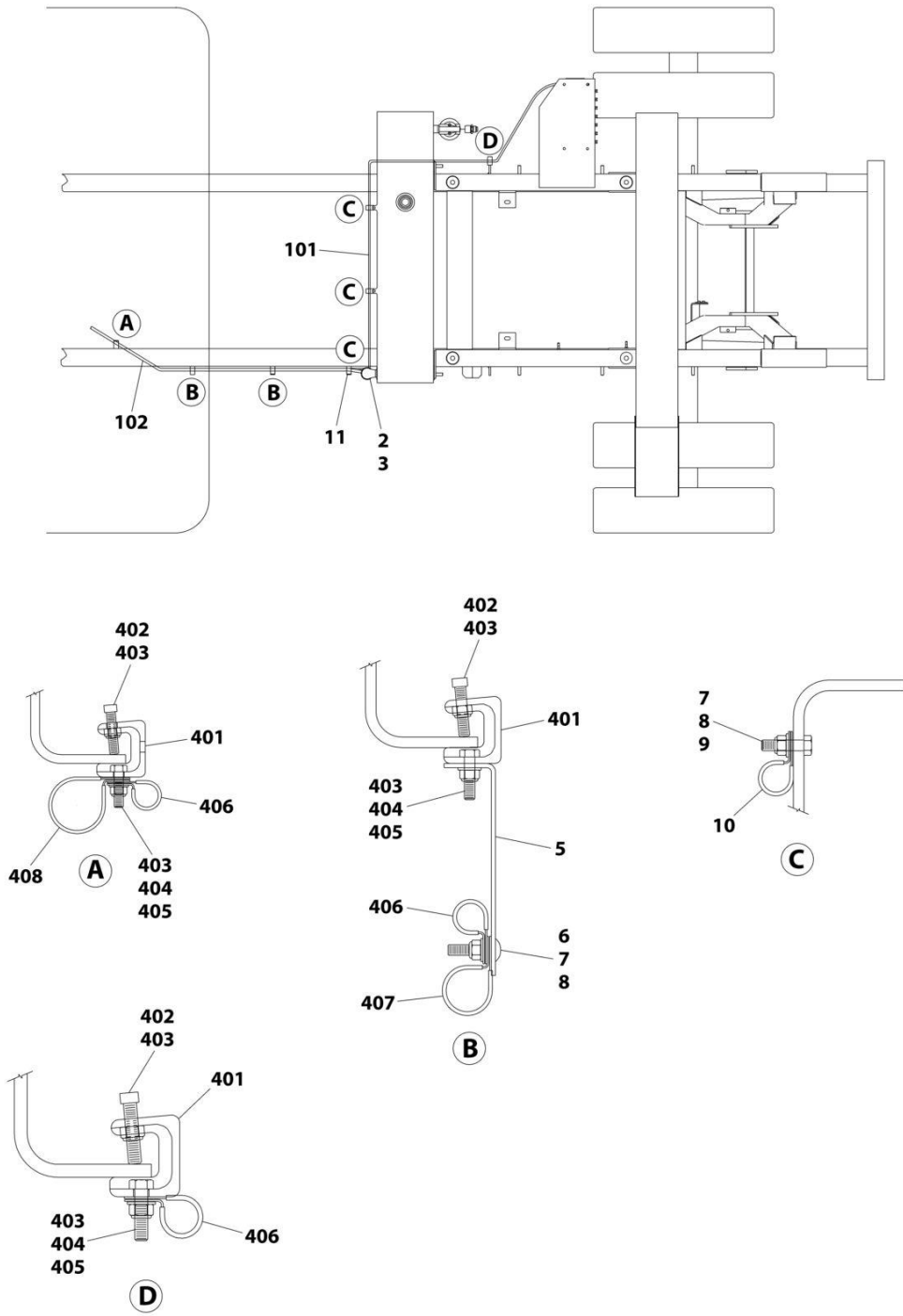
SECTION 6 - HYDRAULIC

FIGURE 6-8. HOSE AND CLAMP INSTALLATION (CV515 - 199IN WB - RH PTO)

ITEM	PART NUMBER	QTY	DESCRIPTION	REV
	1001257487	Ref	HOSE AND CLAMP INSTALLATION (CV515 - 199IN WB - RH PTO)	A
1	4567130208	1	Hose	
2	1001132617	1	Hose	
3	7443000013	1	Nipple	
4	7274000002	2	Clamp	
5	4706003844	6	Plate	
6	7115151064	6	Bolt 5/16 x 1-1/4	
7	7950150161	6	Washer 5/16	
8	7660152601	6	Nut 5/16	
9	7819000013	1	Sleeve (Not Shown)	
400	1001132794	9	Clamp, Hose Kit (Not Shown)	
401	7274000076	9	Clamp	
402	7785152420	9	Screw 5/16 x 1-1/2	
403	7660152601	18	Nut 5/16	
404	7115151050	9	Bolt 5/16 x 1-1/4	
405	7950150161	9	Washer 5/16	
406	7274000040	9	Clamp	
407	7274000041	9	Clamp (Not Shown)	
408	7274000042	9	Clamp	
409	7274000105	9	Clamp (Not Shown)	

SECTION 6 - HYDRAULIC

FIGURE 6-9. HOSE AND CLAMP INSTALLATION (FORD - 140IN WB)



ART_1001132804

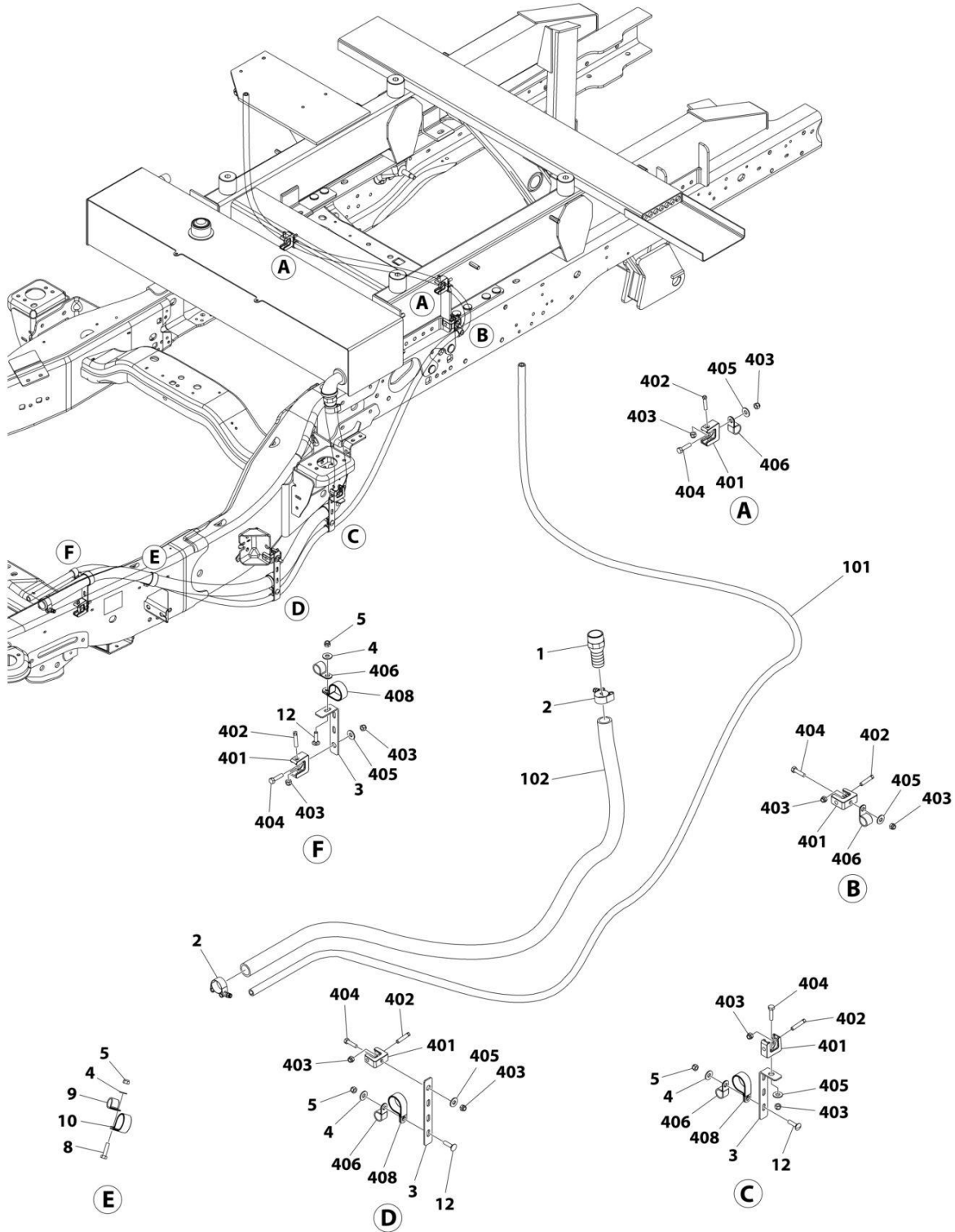
SECTION 6 - HYDRAULIC

FIGURE 6-9. HOSE AND CLAMP INSTALLATION (FORD - 140IN WB)

ITEM	PART NUMBER	QTY	DESCRIPTION	REV
	1001132804	Ref	HOSE AND CLAMP INSTALLATION (FORD - 140IN WB)	B
1	1001132829	1	Hose, Kit (Not Shown) (Includes Items 101-102)	
2	7443000013	1	Nipple	
3	7274000002	2	Clamp	
4	1001132794	5	Clamp, Hose Kit (Not Shown) (Includes Items 401-408)	
5	4706003844	1	Plate	
6	7115151064	1	Bolt 5/16 x 1-1/4	
7	7950150161	4	Washer 5/16	
8	7660152601	4	Nut 5/16	
9	7115151050	3	Bolt 5/16 x 1-1/4	
10	7274000040	3	Clamp	
11	7274000042	1	Clamp	
	1001132829	Ref	HOSE, KIT	0
101	4567630153	1	Hose	
102	4570000099	1	Hose	
	1001132794	Ref	CLAMP, HOSE KIT	B
401	7274000076	1	Clamp	
402	7785152420	1	Screw 5/16 x 1-1/2	
403	7660152601	2	Nut 5/16	
404	7115151050	1	Bolt 5/16 x 1-1/4	
405	7950150161	1	Washer 5/16	
406	7274000040	1	Clamp	
407	7274000041	1	Clamp	
408	7274000042	1	Clamp	

SECTION 6 - HYDRAULIC

FIGURE 6-10. HOSE AND CLAMP INSTALLATION (FORD - 145IN WB)



ART_1001222888

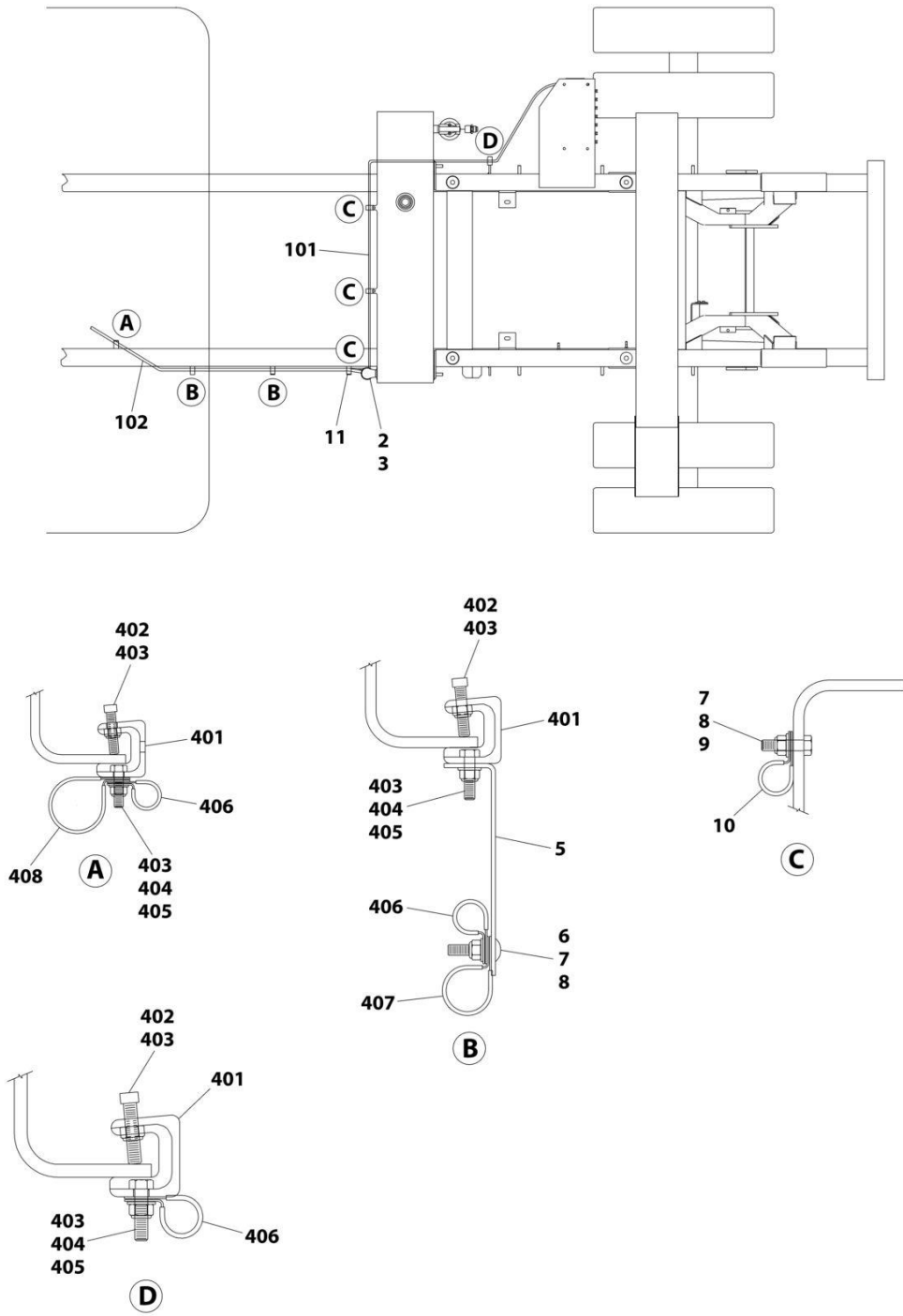
SECTION 6 - HYDRAULIC

FIGURE 6-10. HOSE AND CLAMP INSTALLATION (FORD - 145IN WB)

ITEM	PART NUMBER	QTY	DESCRIPTION	REV
	1001222888	Ref	HOSE AND CLAMP INSTALLATION (FORD - 145IN WB)	B
1	7443000013	1	Nipple	
2	7274000002	2	Clamp	
3	4706003844	3	Plate	
4	7950150161	4	Washer 5/16	
5	7660152601	4	Nut 5/16	
8	7115151050	1	Bolt 5/16 x 1-1/4	
9	7274000040	1	Clamp	
10	7274000042	1	Clamp	
12	7115151064	3	Bolt 5/16 x 1-1/4	
100	1001222908	1	Hose, Kit (Not Shown)	
101	4567130160	1	Hose	
102	4570000044	1	Hose	
400	1001132794	6	Clamp, Hose Kit (Not Shown)	
401	7274000076	6	Clamp	
402	7785152420	6	Screw 5/16 x 1-1/2	
403	7660152601	12	Nut 5/16	
404	7115151050	6	Bolt 5/16 x 1-1/4	
405	7950150161	6	Washer 5/16	
406	7274000040	6	Clamp	
407	7274000041	6	Clamp (Not Shown)	
408	7274000042	6	Clamp	

SECTION 6 - HYDRAULIC

FIGURE 6-11. HOSE AND CLAMP INSTALLATION (FORD - 164IN WB)



ART_1001132805

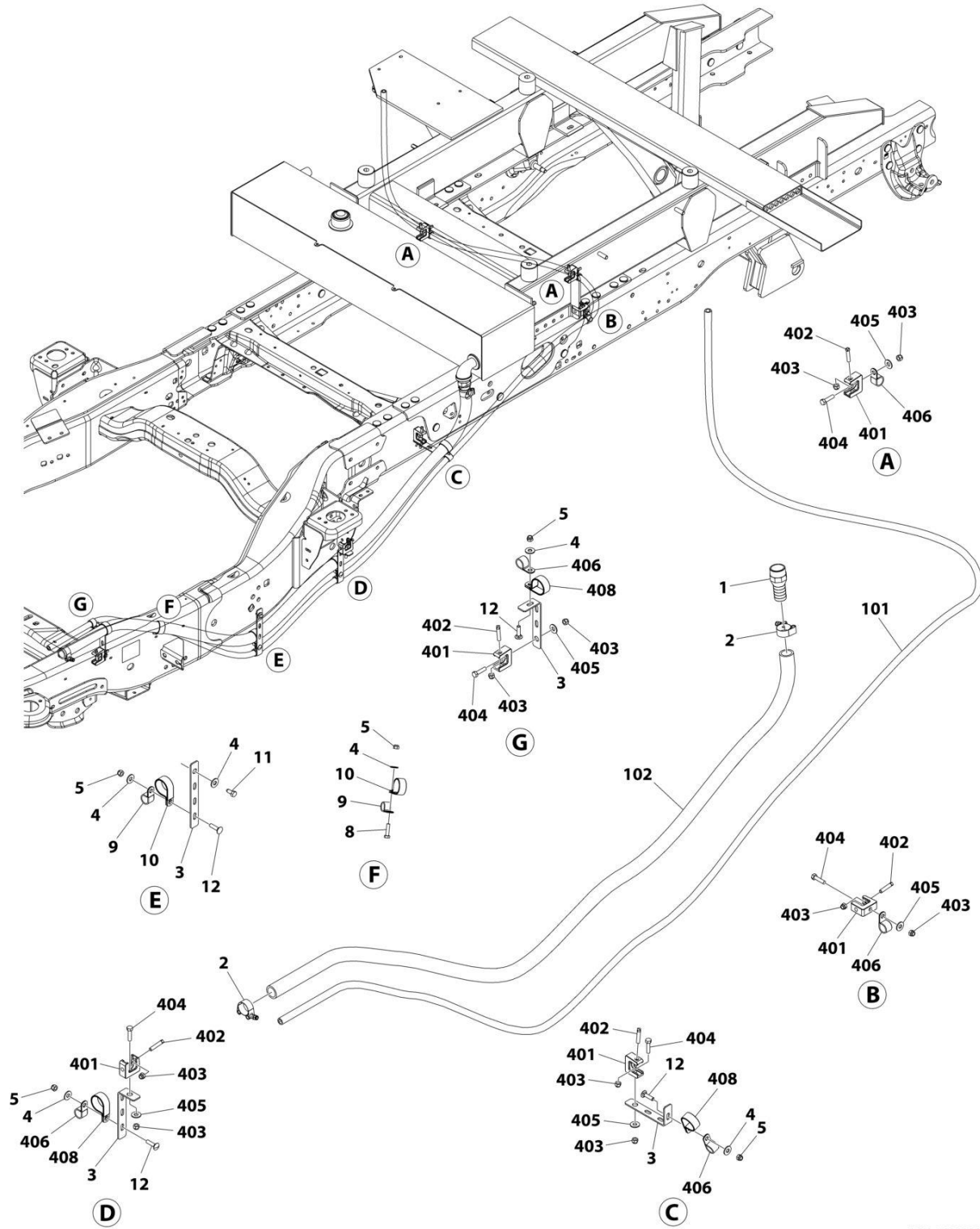
SECTION 6 - HYDRAULIC

FIGURE 6-11. HOSE AND CLAMP INSTALLATION (FORD - 164IN WB)

ITEM	PART NUMBER	QTY	DESCRIPTION	REV
	1001132805	Ref	HOSE AND CLAMP INSTALLATION (FORD - 164IN WB)	B
1	1001132830	1	Hose, Kit (Not Shown) (Includes Items 101-102)	
2	7443000013	1	Nipple	
3	7274000002	2	Clamp	
4	1001132794	6	Clamp, Hose Kit (Not Shown) (Includes Items 401-408)	
5	4706003844	2	Plate	
6	7115151064	2	Bolt 5/16 x 1-1/4	
7	7950150161	5	Washer 5/16	
8	7660152601	5	Nut 5/16	
9	7115151050	3	Bolt 5/16 x 1-1/4	
10	7274000040	3	Clamp	
11	7274000042	1	Clamp	
	1001132830	Ref	HOSE, KIT	0
101	4567630177	1	Hose	
102	1001132608	1	Hose	
	1001132794	1	CLAMP, HOSE KIT	B
401	7274000076	6	Clamp	
402	7785152420	6	Screw 5/16 x 1-1/2	
403	7660152601	12	Nut 5/16	
404	7115151050	6	Bolt 5/16 x 1-1/4	
405	7950150161	6	Washer 5/16	
406	7274000040	6	Clamp	
407	7274000041	6	Clamp	
408	7274000042	6	Clamp	

SECTION 6 - HYDRAULIC

FIGURE 6-12. HOSE AND CLAMP INSTALLATION (FORD - 169IN WB)



ART_1001222889

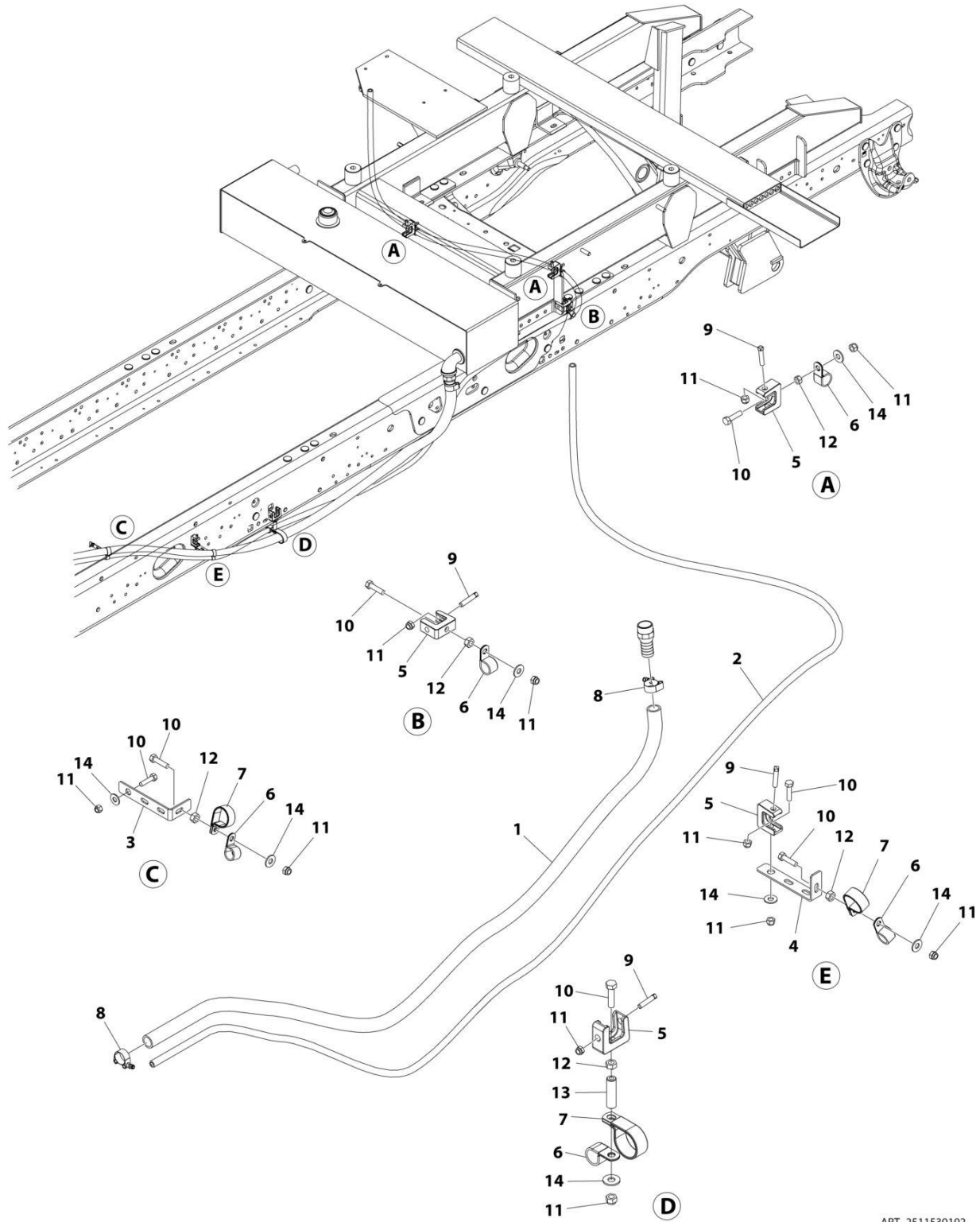
SECTION 6 - HYDRAULIC

FIGURE 6-12. HOSE AND CLAMP INSTALLATION (FORD - 169IN WB)

ITEM	PART NUMBER	QTY	DESCRIPTION	REV
	1001222889	Ref	HOSE AND CLAMP INSTALLATION (FORD - 169IN WB)	B
1	7443000013	1	Nipple	
2	7274000002	2	Clamp	
3	4706003844	4	Plate	
4	7950150161	6	Washer 5/16	
5	7660152601	5	Nut 5/16	
8	7115151050	1	Bolt 5/16 x 1-1/4	
9	7274000040	2	Clamp	
10	7274000042	2	Clamp	
11	3941506	1	Tap Screw	
12	7115151064	4	Bolt 5/16 x 1-1/4	
100	1001222909	1	Hose, Kit (Not Shown)	
101	4567130185	1	Hose	
102	1001132611	1	Hose	
400	1001132794	6	Clamp, Hose Kit (Not Shown)	
401	7274000076	6	Clamp	
402	7785152420	6	Screw 5/16 x 1-1/2	
403	7660152601	12	Nut 5/16	
404	7115151050	6	Bolt 5/16 x 1-1/4	
405	7950150161	6	Washer 5/16	
406	7274000040	6	Clamp	
407	7274000041	6	Clamp (Not Shown)	
408	7274000042	6	Clamp	

SECTION 6 - HYDRAULIC

FIGURE 6-13. HOSE AND CLAMP INSTALLATION (FORD - 176IN WB)



ART_2511530192

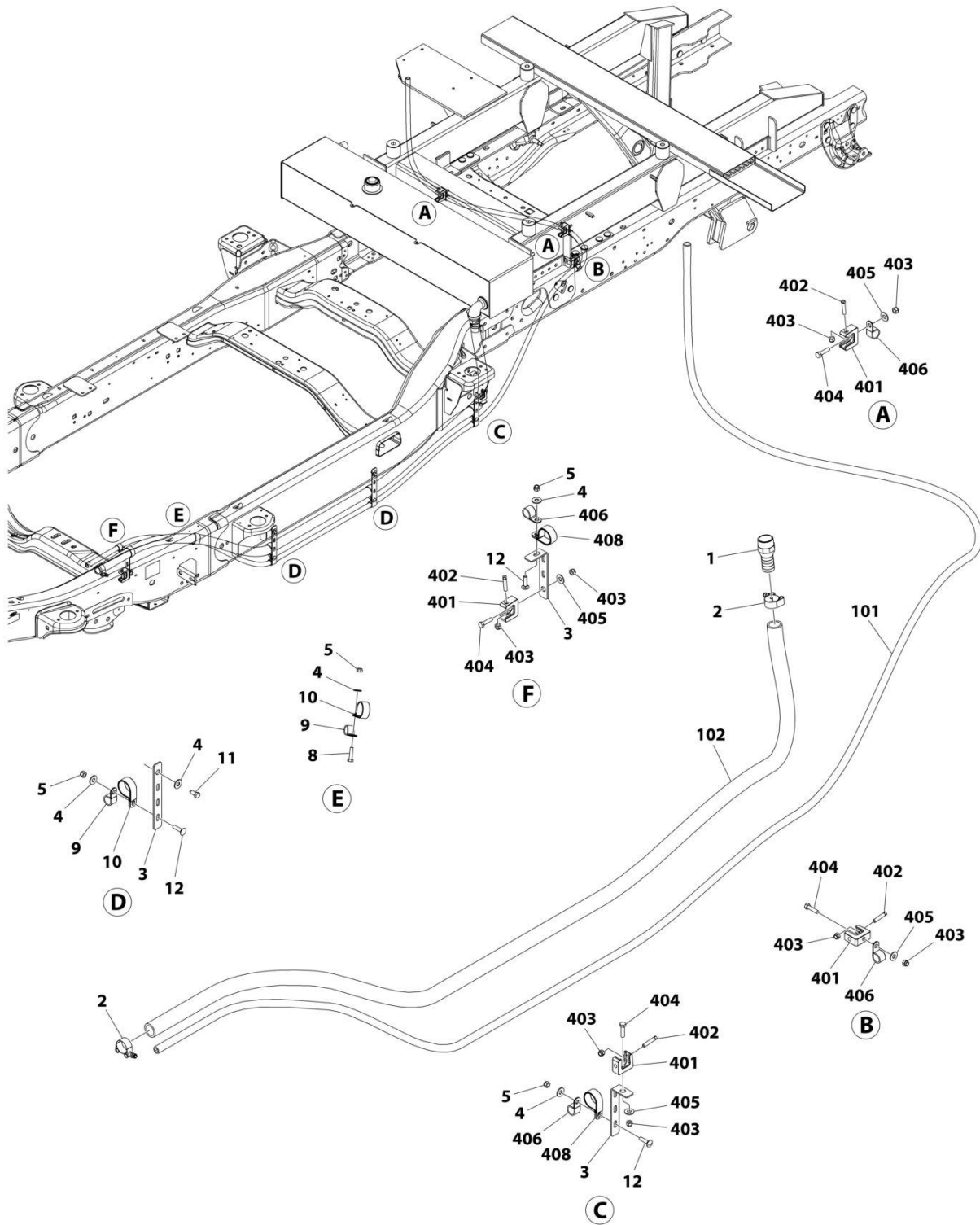
SECTION 6 - HYDRAULIC

FIGURE 6-13. HOSE AND CLAMP INSTALLATION (FORD - 176IN WB)

ITEM	PART NUMBER	QTY	DESCRIPTION	REV
	2511530192	Ref	HOSE AND CLAMP INSTALLATION (FORD - 176IN WB)	0
1	4570000374	1	Hose	
2	4567633183	1	Hose	
3	4178000369	1	Bracket	
4	4706003844	2	Plate	
5	7274000076	6	Clamp	
6	7274000105	7	Clamp	
7	7274000042	4	Clamp	
8	7274000002	2	Clamp	
9	7785152420	6	Screw 5/16 x 1-1/2	
10	7115151050	10	Bolt 5/16 x 1-1/4	
11	7660152601	15	Nut 5/16	
12	7660150000	9	Nut 5/16	
13	7661000027	1	Stacking Nut	
14	7950150161	10	Washer 5/16	

SECTION 6 - HYDRAULIC

FIGURE 6-14. HOSE AND CLAMP INSTALLATION (FORD - 180IN WB)



ART_1001222890

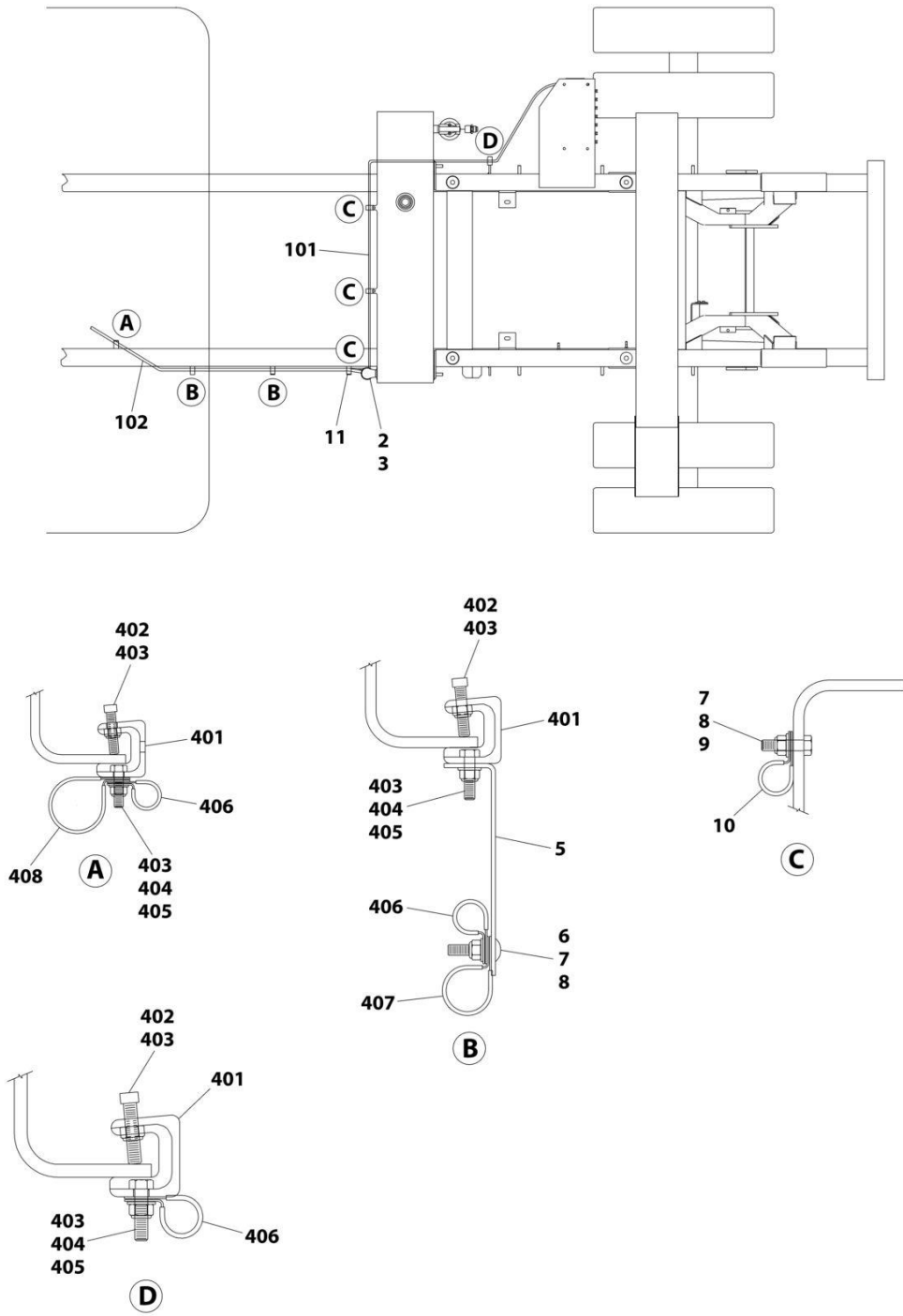
SECTION 6 - HYDRAULIC

FIGURE 6-14. HOSE AND CLAMP INSTALLATION (FORD - 180IN WB)

ITEM	PART NUMBER	QTY	DESCRIPTION	REV
	1001222890	Ref	HOSE AND CLAMP INSTALLATION (FORD - 180IN WB)	B
1	7443000013	1	Nipple	
2	7274000002	2	Clamp	
3	4706003844	4	Plate	
4	7950150161	7	Washer 5/16	
5	7660152601	5	Nut 5/16	
8	7115151050	1	Bolt 5/16 x 1-1/4	
9	7274000040	3	Clamp	
10	7274000042	3	Clamp	
11	3941506	2	Tap Screw	
12	7115151064	4	Bolt 5/16 x 1-1/4	
100	1001222910	1	Hose, Kit (Not Shown)	
101	4567130190	1	Hose	
102	1001132613	1	Hose	
400	1001132794	5	Clamp, Hose Kit (Not Shown)	
401	7274000076	5	Clamp	
402	7785152420	5	Screw 5/16 x 1-1/2	
403	7660152601	10	Nut 5/16	
404	7115151050	5	Bolt 5/16 x 1-1/4	
405	7950150161	5	Washer 5/16	
406	7274000040	5	Clamp	
407	7274000041	5	Clamp (Not Shown)	
408	7274000042	5	Clamp	

SECTION 6 - HYDRAULIC

FIGURE 6-15. HOSE AND CLAMP INSTALLATION (FORD - 189IN WB)



ART_1001132806

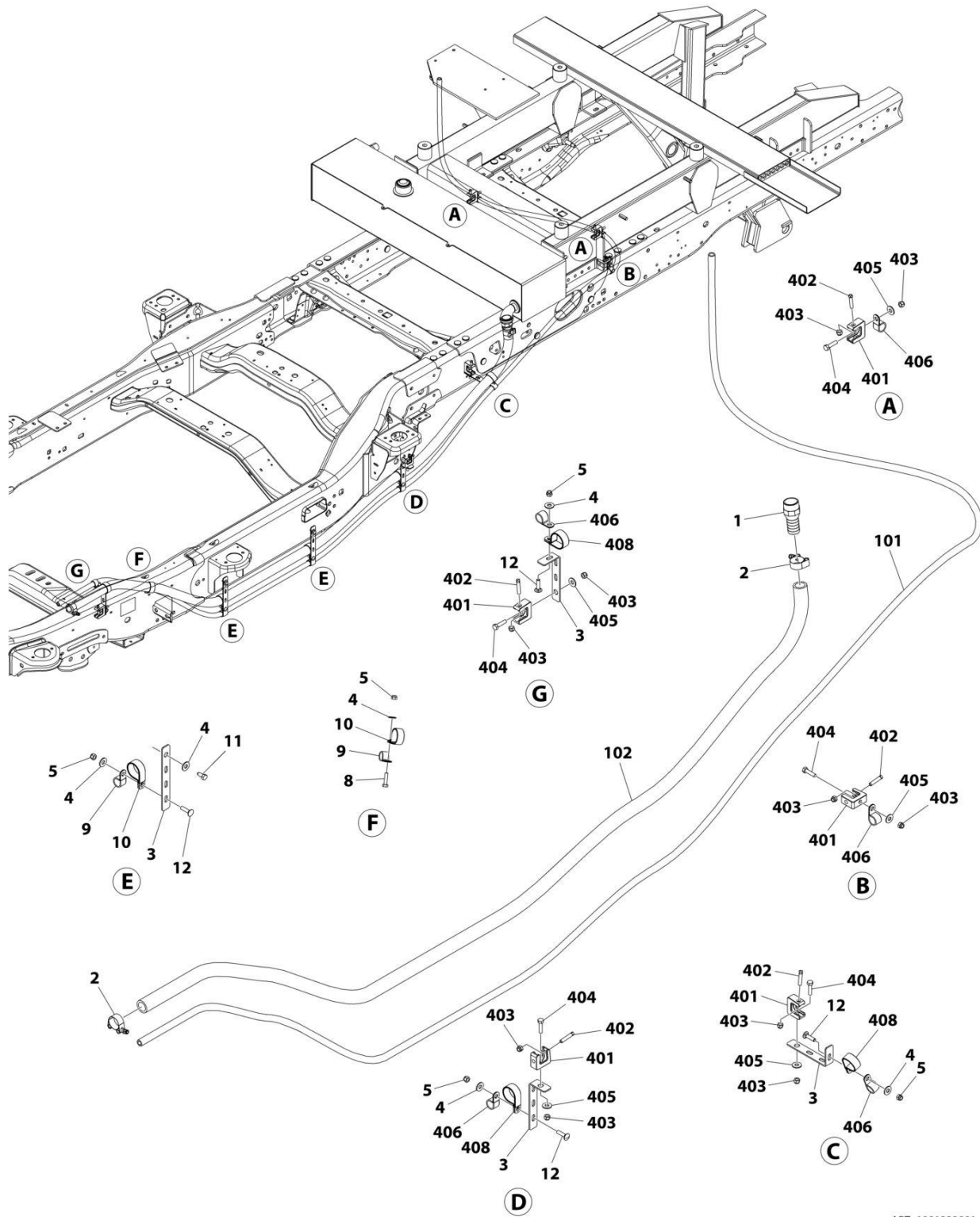
SECTION 6 - HYDRAULIC

FIGURE 6-15. HOSE AND CLAMP INSTALLATION (FORD - 189IN WB)

ITEM	PART NUMBER	QTY	DESCRIPTION	REV
	1001132806	Ref	HOSE AND CLAMP INSTALLATION (FORD - 189IN WB)	B
1	1001132831	1	Hose, Kit (Not Shown) (Includes Items 101-102)	
2	7443000013	1	Nipple	
3	7274000002	2	Clamp	
4	1001132794	7	Clamp, Hose Kit (Not Shown) (Includes Items 401-408)	
5	4706003844	3	Plate	
6	7115151064	3	Bolt 5/16 x 1-1/4	
7	7950150161	6	Washer 5/16	
8	7660152601	6	Nut 5/16	
9	7115151050	3	Bolt 5/16 x 1-1/4	
10	7274000040	3	Clamp	
11	7274000042	1	Clamp	
	1001132831	Ref	HOSE, KIT	0
101	4567630212	1	Hose	
102	1001132617	1	Hose	
	1001132794	Ref	CLAMP, HOSE KIT	B
401	7274000076	7	Clamp	
402	7785152420	7	Screw 5/16 x 1-1/2	
403	7660152601	14	Nut 5/16	
404	7115151050	7	Bolt 5/16 x 1-1/4	
405	7950150161	7	Washer 5/16	
406	7274000040	7	Clamp	
407	7274000041	7	Clamp	
408	7274000042	7	Clamp	

SECTION 6 - HYDRAULIC

FIGURE 6-16. HOSE AND CLAMP INSTALLATION (FORD - 193IN WB)



ART_1001222891

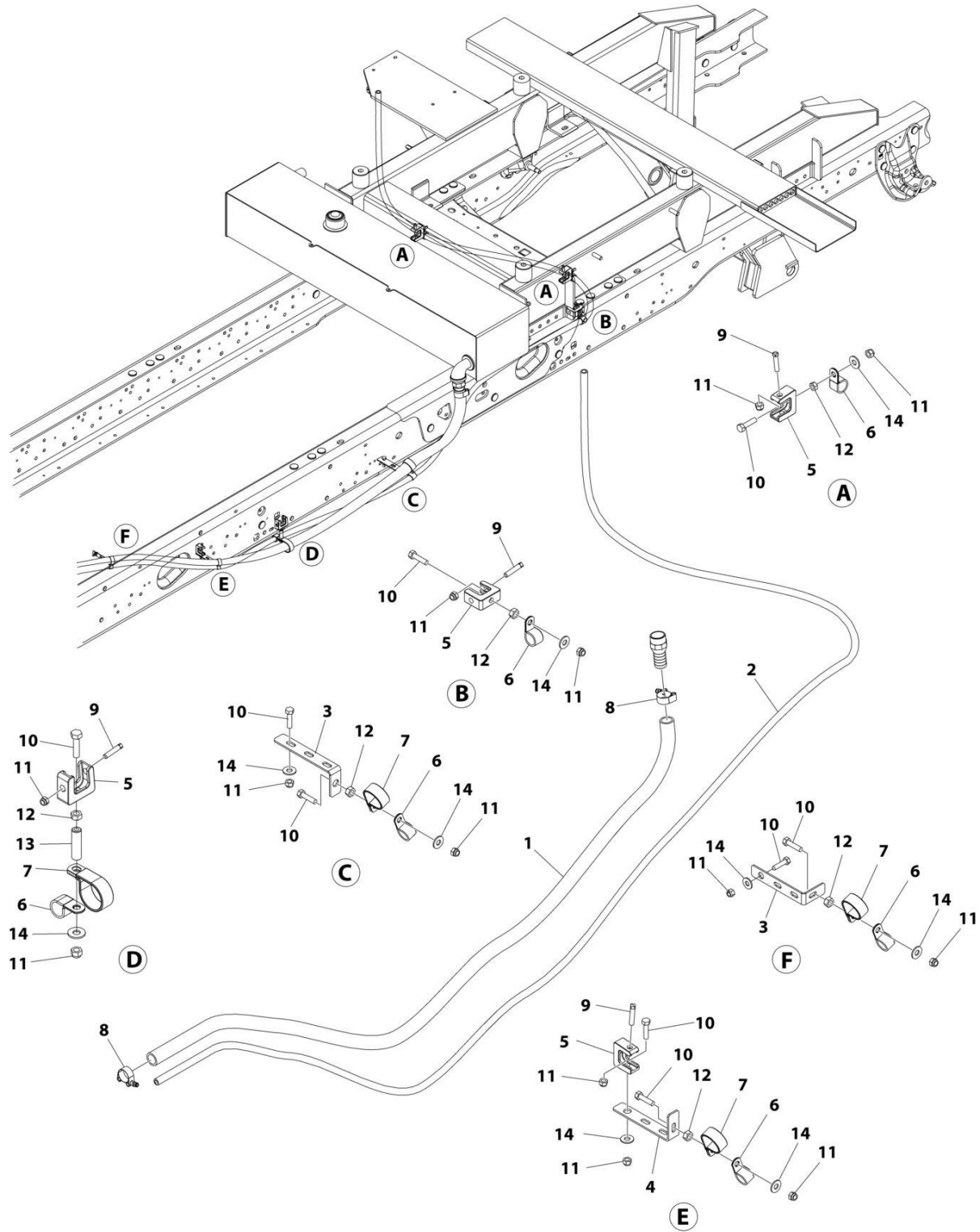
SECTION 6 - HYDRAULIC

FIGURE 6-16. HOSE AND CLAMP INSTALLATION (FORD - 193IN WB)

ITEM	PART NUMBER	QTY	DESCRIPTION	REV
	1001222891	Ref	HOSE AND CLAMP INSTALLATION (FORD - 193IN WB)	B
1	7443000013	1	Nipple	
2	7274000002	2	Clamp	
3	4706003844	5	Plate	
4	7950150161	8	Washer 5/16	
5	7660152601	6	Nut 5/16	
8	7115151050	1	Bolt 5/16 x 1-1/4	
9	7274000040	3	Clamp	
10	7274000042	3	Clamp	
11	3941506	2	Tap Screw	
12	7115151064	5	Bolt 5/16 x 1-1/4	
100	1001222911	1	Hose, Kit (Not Shown)	
101	4567130218	1	Hose	
102	4570000249	1	Hose	
400	1001132794	6	Clamp, Hose Kit (Not Shown)	
401	7274000076	6	Clamp	
402	7785152420	6	Screw 5/16 x 1-1/2	
403	7660152601	12	Nut 5/16	
404	7115151050	6	Bolt 5/16 x 1-1/4	
405	7950150161	6	Washer 5/16	
406	7274000040	6	Clamp	
407	7274000041	6	Clamp (Not Shown)	
408	7274000042	6	Clamp	

SECTION 6 - HYDRAULIC

FIGURE 6-17. HOSE AND CLAMP INSTALLATION (FORD - 200IN WB)



ART_2511530194

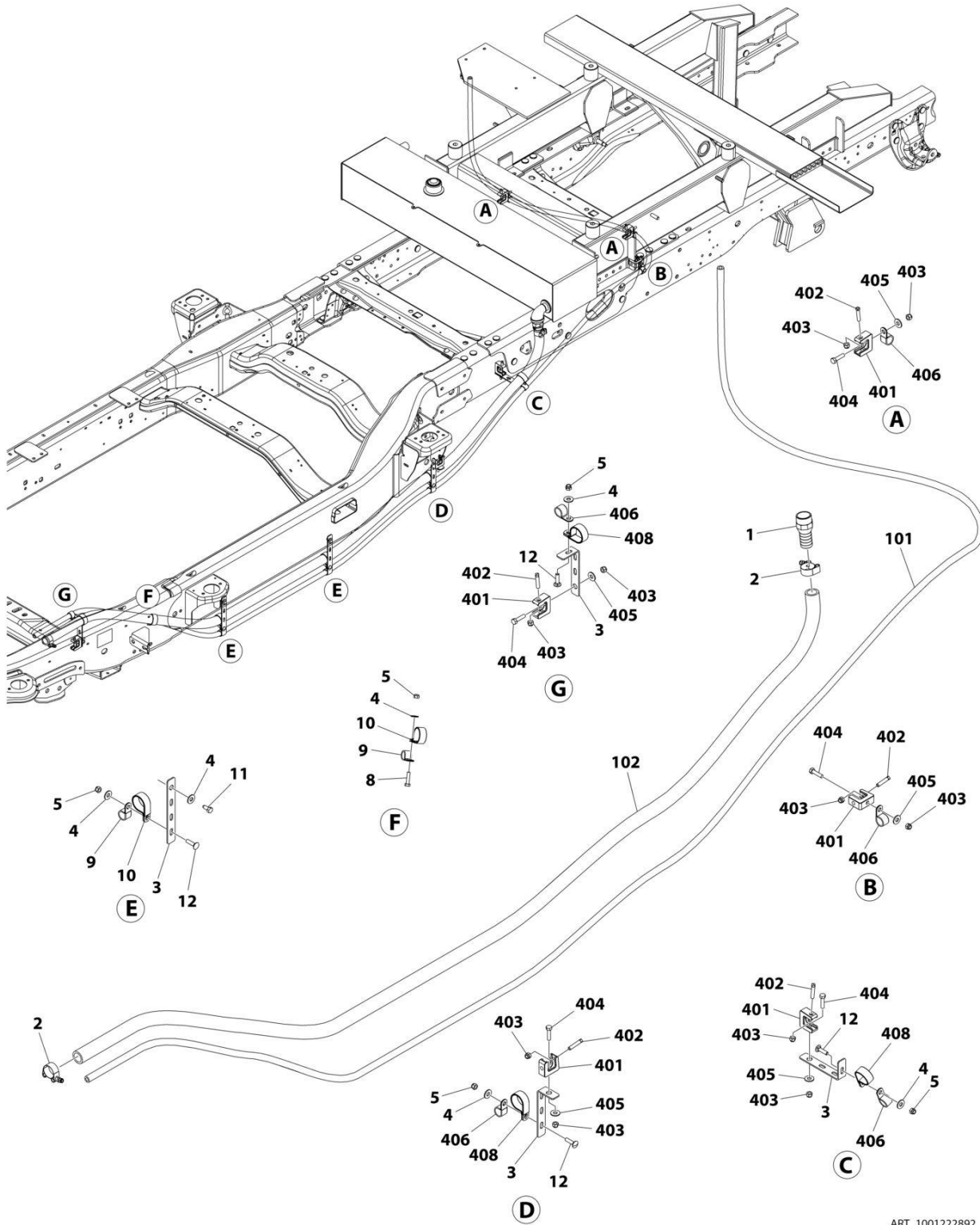
SECTION 6 - HYDRAULIC

FIGURE 6-17. HOSE AND CLAMP INSTALLATION (FORD - 200IN WB)

ITEM	PART NUMBER	QTY	DESCRIPTION	REV
	2511530194	Ref	HOSE AND CLAMP INSTALLATION (FORD - 200IN WB)	0
1	4570000375	1	Hose	
2	4567633207	1	Hose	
3	4178000369	2	Bracket	
4	4706003844	2	Plate	
5	7274000076	7	Clamp	
6	7274000105	9	Clamp	
7	7274000042	5	Clamp	
8	7274000002	2	Clamp	
9	7785152420	7	Screw 5/16 x 1-1/2	
10	7115151050	13	Bolt 5/16 x 1-1/4	
11	7660152601	19	Nut 5/16	
12	7660150000	11	Nut 5/16	
13	7661000027	1	Stacking Nut	
14	7950150161	13	Washer 5/16	

SECTION 6 - HYDRAULIC

FIGURE 6-18. HOSE AND CLAMP INSTALLATION (FORD - 204IN WB)



ART_1001222892

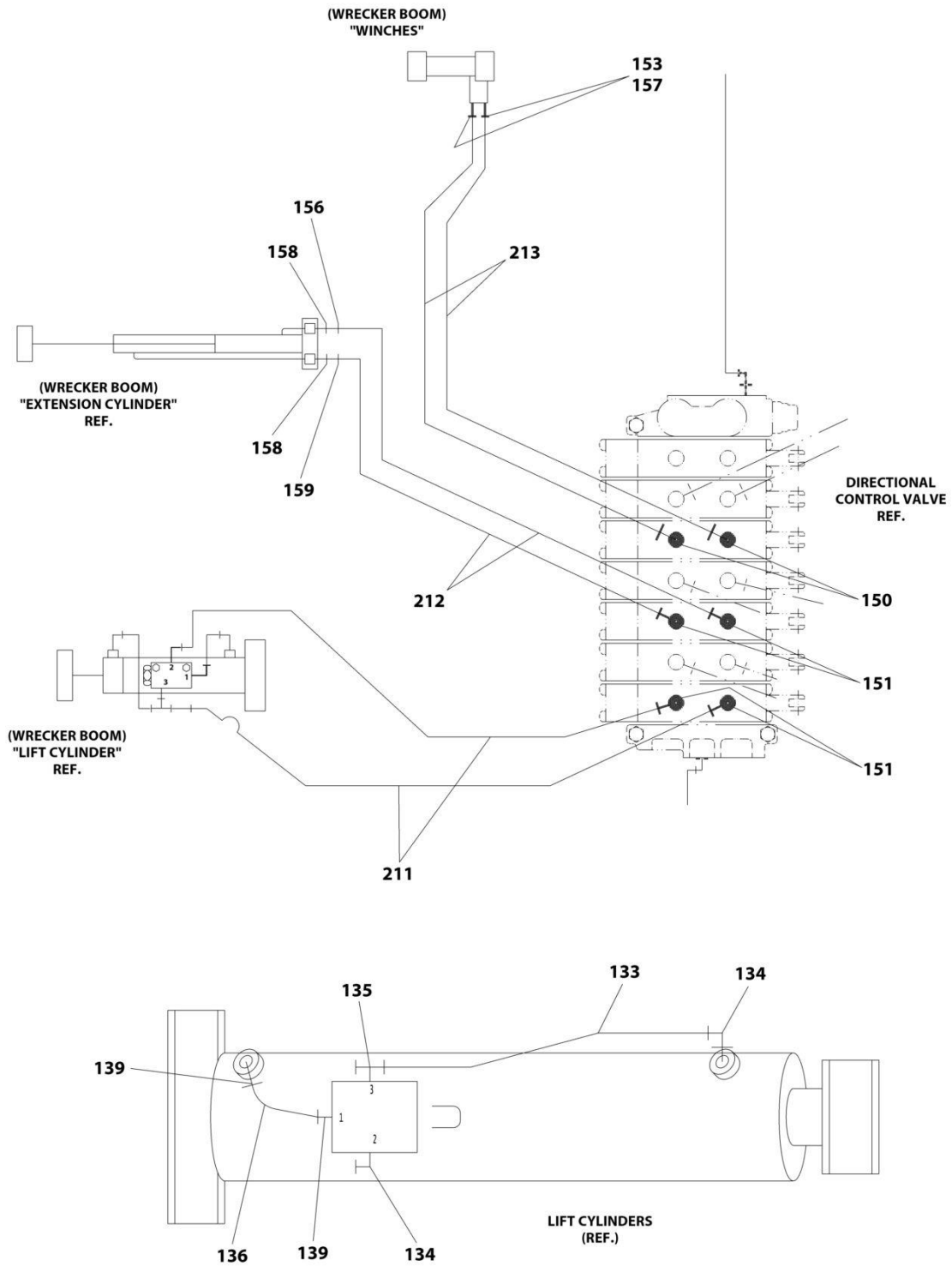
SECTION 6 - HYDRAULIC

FIGURE 6-18. HOSE AND CLAMP INSTALLATION (FORD - 204IN WB)

ITEM	PART NUMBER	QTY	DESCRIPTION	REV
	1001222892	Ref	HOSE AND CLAMP INSTALLATION (FORD - 204IN WB)	B
1	7443000013	1	Nipple	
2	7274000002	2	Clamp	
3	4706003844	5	Plate	
4	7950150161	8	Washer 5/16	
5	7660152601	6	Nut 5/16	
8	7115151050	1	Bolt 5/16 x 1-1/4	
9	7274000040	3	Clamp	
10	7274000042	3	Clamp	
11	3941506	2	Tap Screw	
12	7115151064	5	Bolt 5/16 x 1-1/4	
100	1001222912	1	Hose, Kit (Not Shown)	
101	4567130212	1	Hose	
102	4570000325	1	Hose	
400	1001132794	6	Clamp, Hose Kit (Not Shown)	
401	7274000076	6	Clamp	
402	7785152420	6	Screw 5/16 x 1-1/2	
403	7660152601	12	Nut 5/16	
404	7115151050	6	Bolt 5/16 x 1-1/4	
405	7950150161	6	Washer 5/16	
406	7274000040	6	Clamp	
407	7274000041	6	Clamp (Not Shown)	
408	7274000042	6	Clamp	

SECTION 6 - HYDRAULIC

FIGURE 6-19. HOSE INSTALLATION - BOOM WINCH (8K LBS BOOM - 8000LBS SINGLE WINCH)



ART_2502100063_2OF2

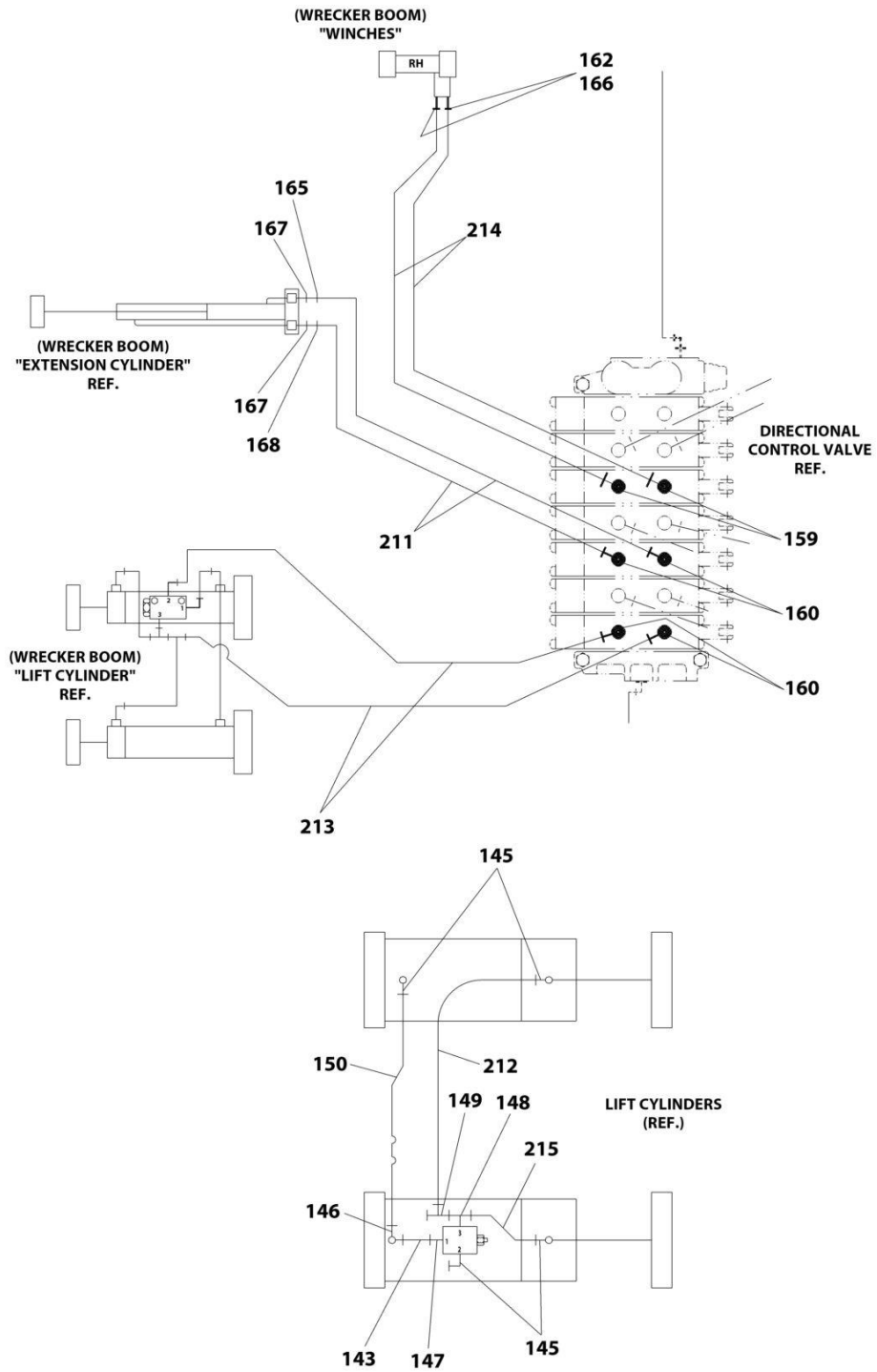
SECTION 6 - HYDRAULIC

FIGURE 6-19. HOSE INSTALLATION - BOOM WINCH (8K LBS BOOM - 8000LBS SINGLE WINCH)

ITEM	PART NUMBER	QTY	DESCRIPTION	REV
	2502100063	Ref	4 TON BOOM HYDRAULIC - SINGLE 8000 LBS WINCH	B
	3502100014	Ref	WRECKER BOOM HYDRAULICS	Q
133	7912000029	1	Tube	
134	7445060645	2	Fitting, 90	
135	7445060647	1	Fitting, Tee	
136	7912000028	1	Tube	
139	7445060646	1	Fitting, 45	
150	7445080843	2	Fitting, Straight	
151	7445060843	4	Fitting, Straight	
153	7445081043	2	Fitting, Straight	
156	7443000137	1	Fitting, 90	
157	7443000023	2	Fitting, 90	
158	7445060643	2	Fitting, Straight	
159	7445060672	1	Fitting, 90	
164	7577000627	1	Hose, Kit (Not Shown)	
211	4567322064	2	Hose	
212	4567122055	2	Hose	
213	4567332075	2	Hose	

SECTION 6 - HYDRAULIC

FIGURE 6-20. HOSE INSTALLATION - BOOM WINCH (18.5K LBS BOOM - 8000LBS SINGLE WINCH)



ART_2511100084_20F2

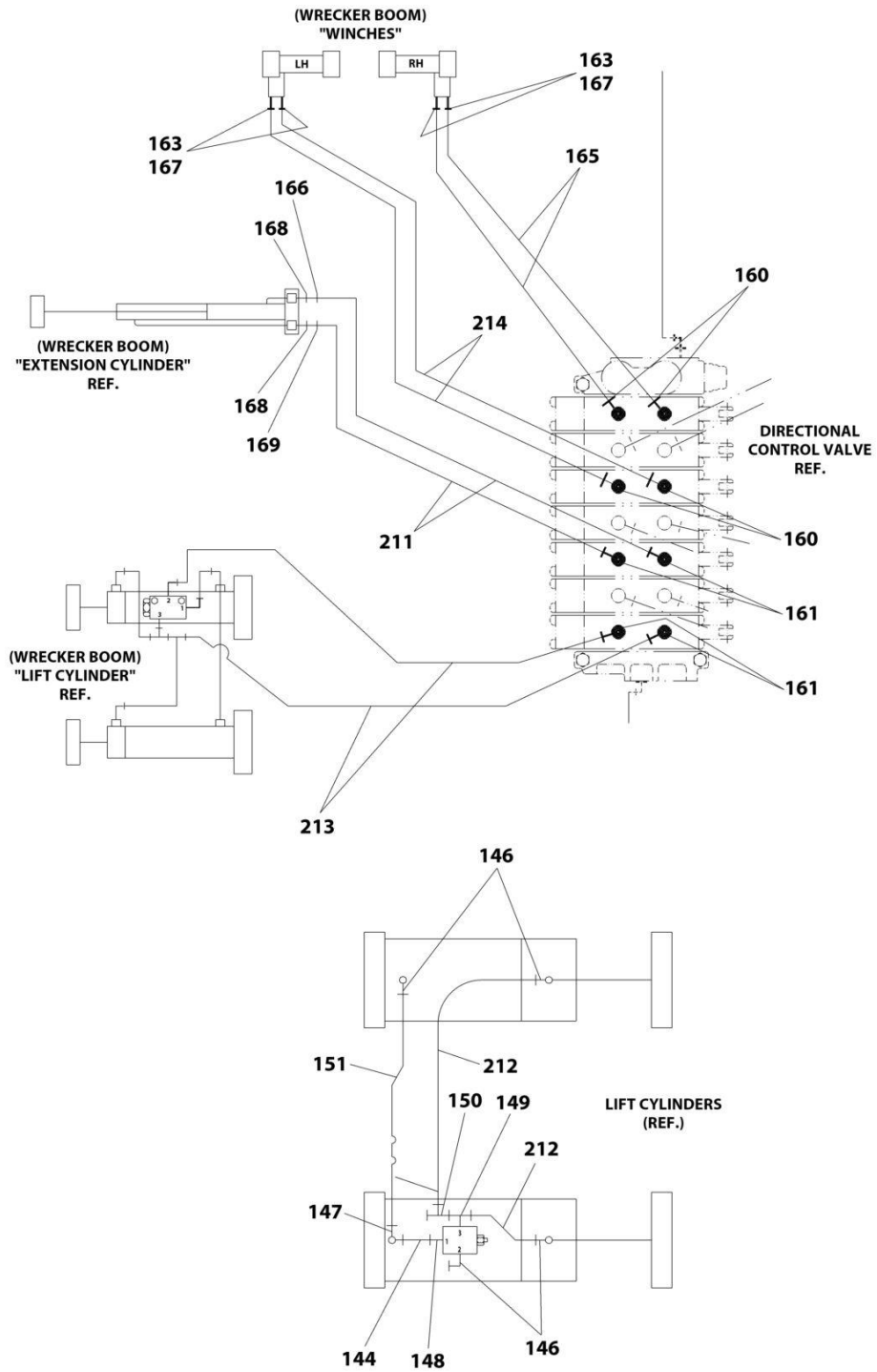
SECTION 6 - HYDRAULIC

FIGURE 6-20. HOSE INSTALLATION - BOOM WINCH (18.5K LBS BOOM - 8000LBS SINGLE WINCH)

ITEM	PART NUMBER	QTY	DESCRIPTION	REV
	2511100084	Ref	BOOM HYDRAULIC - SINGLE 8000 LBS WINCH	C
143	7912000001	1	Tube	
145	7445060645	4	Fitting, 90	
146	7445060648	1	Fitting, Tee	
147	7445060646	1	Fitting, 45	
148	7445060647	1	Fitting, Tee	
149	7443000030	1	Fitting, Tee	
150	7912000002	1	Tube	
159	7445080843	2	Fitting, Straight	
160	7445060843	4	Fitting, Straight	
162	7445081043	2	Fitting, Straight	
165	7443000137	1	Fitting, 90	
166	7443000023	2	Fitting, 90	
167	7445060643	2	Fitting, Straight	
168	7445060672	1	Fitting, 90	
173	7577000628	1	Hose, Kit (Not Shown)	
211	4567122055	2	Hose	
212	4567222022	1	Hose	
213	4567322064	2	Hose	
214	4567332075	2	Hose	
215	4570000008	1	Hose	

SECTION 6 - HYDRAULIC

FIGURE 6-21. HOSE INSTALLATION - BOOM WINCH (18.5K LBS BOOM - 8000LBS DUAL WINCH)



ART_2511100083_2OF2

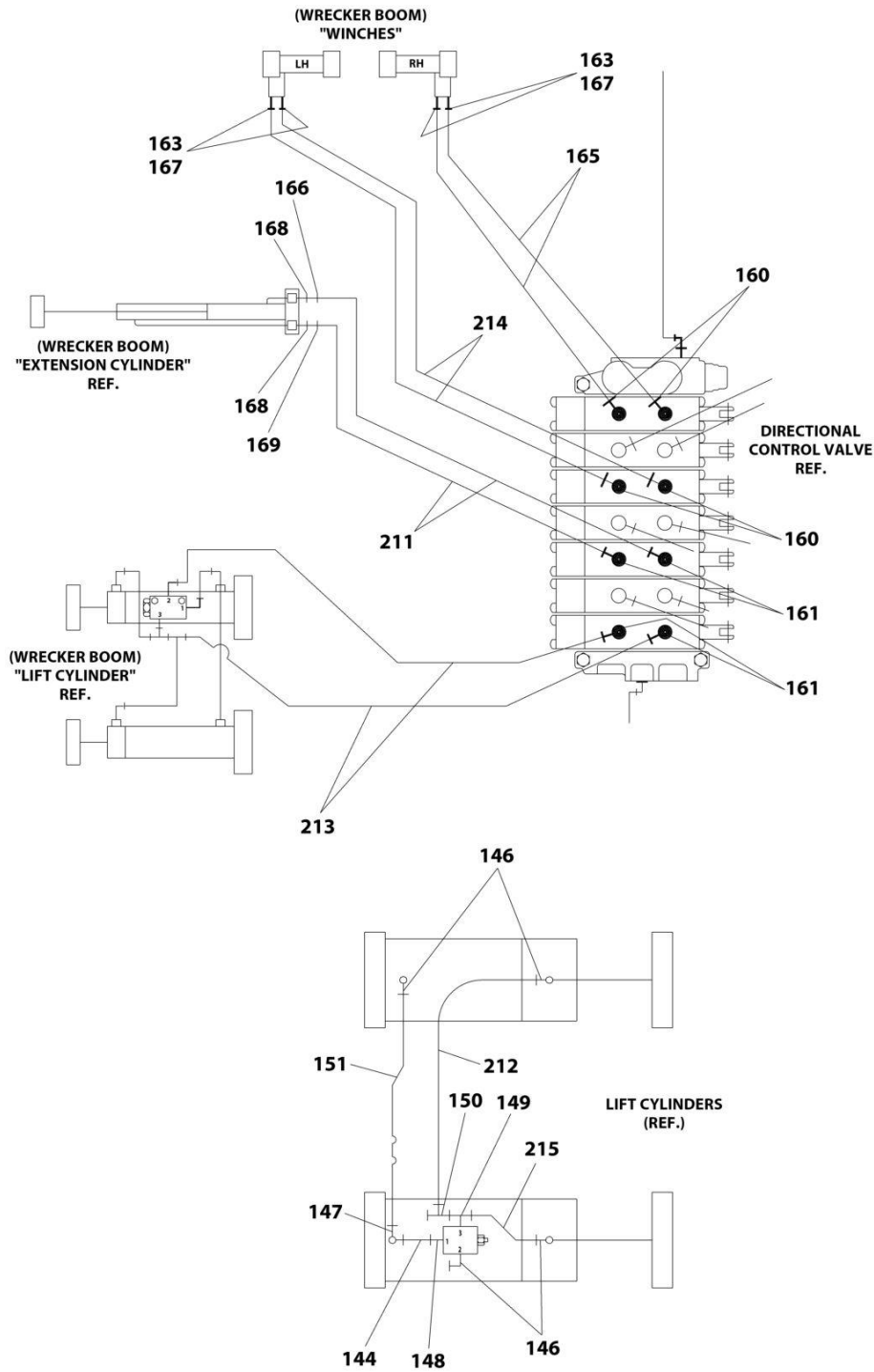
SECTION 6 - HYDRAULIC

FIGURE 6-21. HOSE INSTALLATION - BOOM WINCH (18.5K LBS BOOM - 8000LBS DUAL WINCH)

ITEM	PART NUMBER	QTY	DESCRIPTION	REV
	2511100083	Ref	BOOM HYDRAULIC - DUAL 8000 LBS WINCH	C
144	7912000001	1	Tube	
146	7445060645	4	Fitting, 90	
147	7445060648	1	Fitting, Tee	
148	7445060646	1	Fitting, 45	
149	7445060647	1	Fitting, Tee	
150	7443000030	1	Fitting, Tee	
151	7912000002	1	Tube	
160	7445080843	4	Fitting, Straight	
161	7445060843	4	Fitting, Straight	
163	7445081043	4	Fitting, Straight	
165	4567332075	2	Hose	
166	7443000137	1	Fitting, 90	
167	7443000023	4	Fitting, 90	
168	7445060643	2	Fitting, Straight	
169	7445060672	1	Fitting, 90	
173	7577000628	1	Hose, Kit (Not Shown)	
211	4567122055	2	Hose	
212	4567222022	1	Hose	
213	4567322064	2	Hose	
214	4567332075	2	Hose	
215	4570000008	1	Hose	

SECTION 6 - HYDRAULIC

FIGURE 6-22. HOSE INSTALLATION - BOOM WINCH (18.5K LBS BOOM - 8000 LBS DUAL WINCH) (SPEEDWAY SPECS)



ART_1001130055_20F2

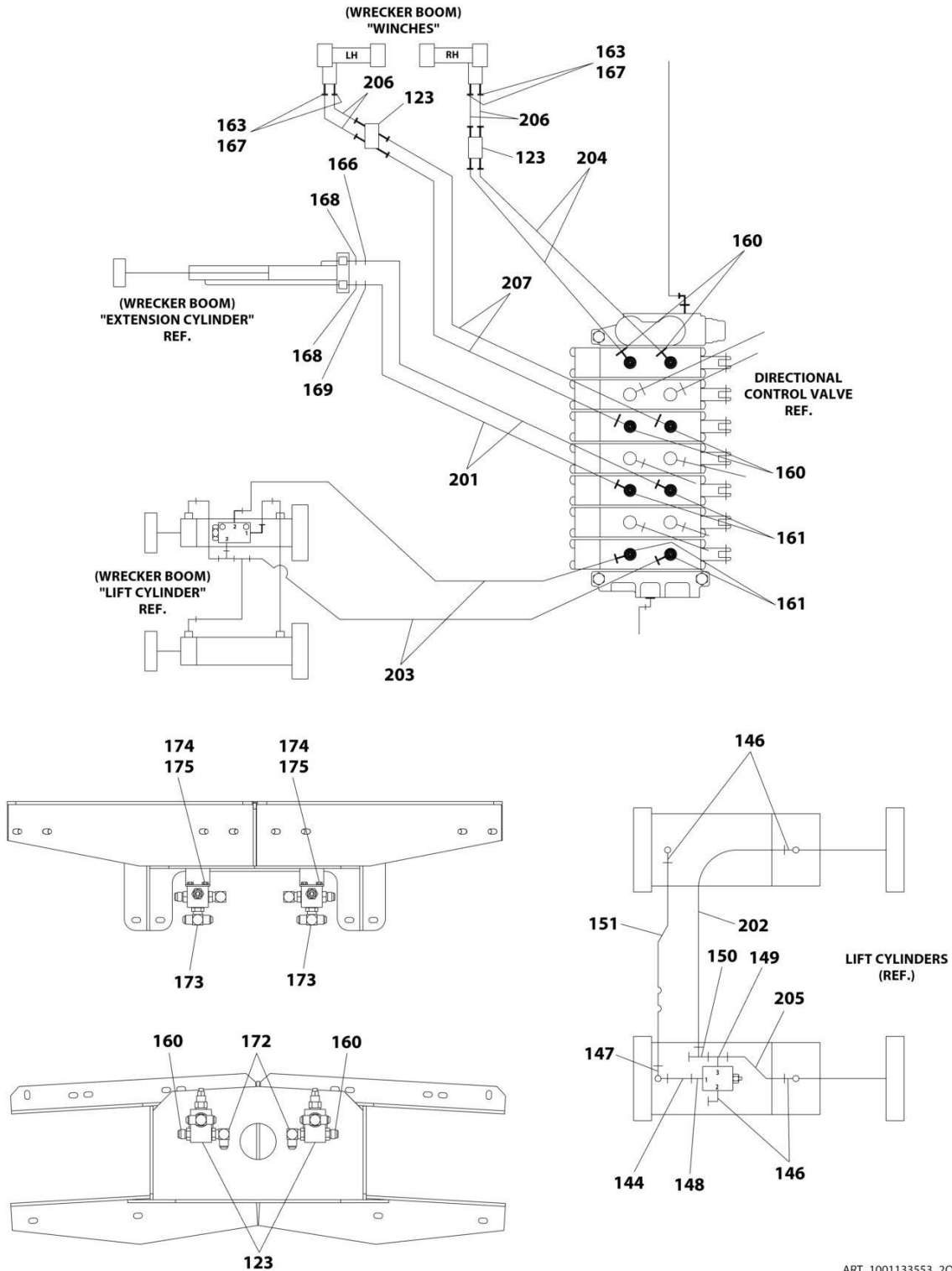
SECTION 6 - HYDRAULIC

**FIGURE 6-22. HOSE INSTALLATION - BOOM WINCH (18.5K LBS BOOM - 8000 LBS DUAL WINCH)
(SPEEDWAY SPECS)**

ITEM	PART NUMBER	QTY	DESCRIPTION	REV
	1001130055	Ref	WINCH HYDRAULIC - DUAL LBS WINCH	C
144	7912000001	1	Tube	
146	7445060645	4	Fitting, 90	
147	7445060648	1	Fitting, Tee	
148	7445060646	1	Fitting, 45	
149	7445060647	1	Fitting, Tee	
150	7443000030	1	Fitting, Tee	
151	7912000002	1	Tube	
160	7445080843	4	Fitting, Straight	
161	7445060843	4	Fitting, Straight	
163	7445081043	4	Fitting, Straight	
165	4567332075	2	Hose	
166	7443000137	1	Fitting, 90	
167	7443000023	4	Fitting, 90	
168	7445060643	2	Fitting, Straight	
169	7445060672	1	Fitting, 90	
173	7577000628	1	Hose, Kit (Not Shown)	
211	4567122055	2	Hose	
212	4567222022	1	Hose	
213	4567322064	2	Hose	
214	4567332075	2	Hose	
215	4570000008	1	Hose	

SECTION 6 - HYDRAULIC

**FIGURE 6-23. HOSE INSTALLATION - BOOM WINCH (18.5K LBS BOOM - 8000 LBS DUAL WINCH)
(WITH COUNTERBALANCE VALVES)**



ART_1001133553_20F2

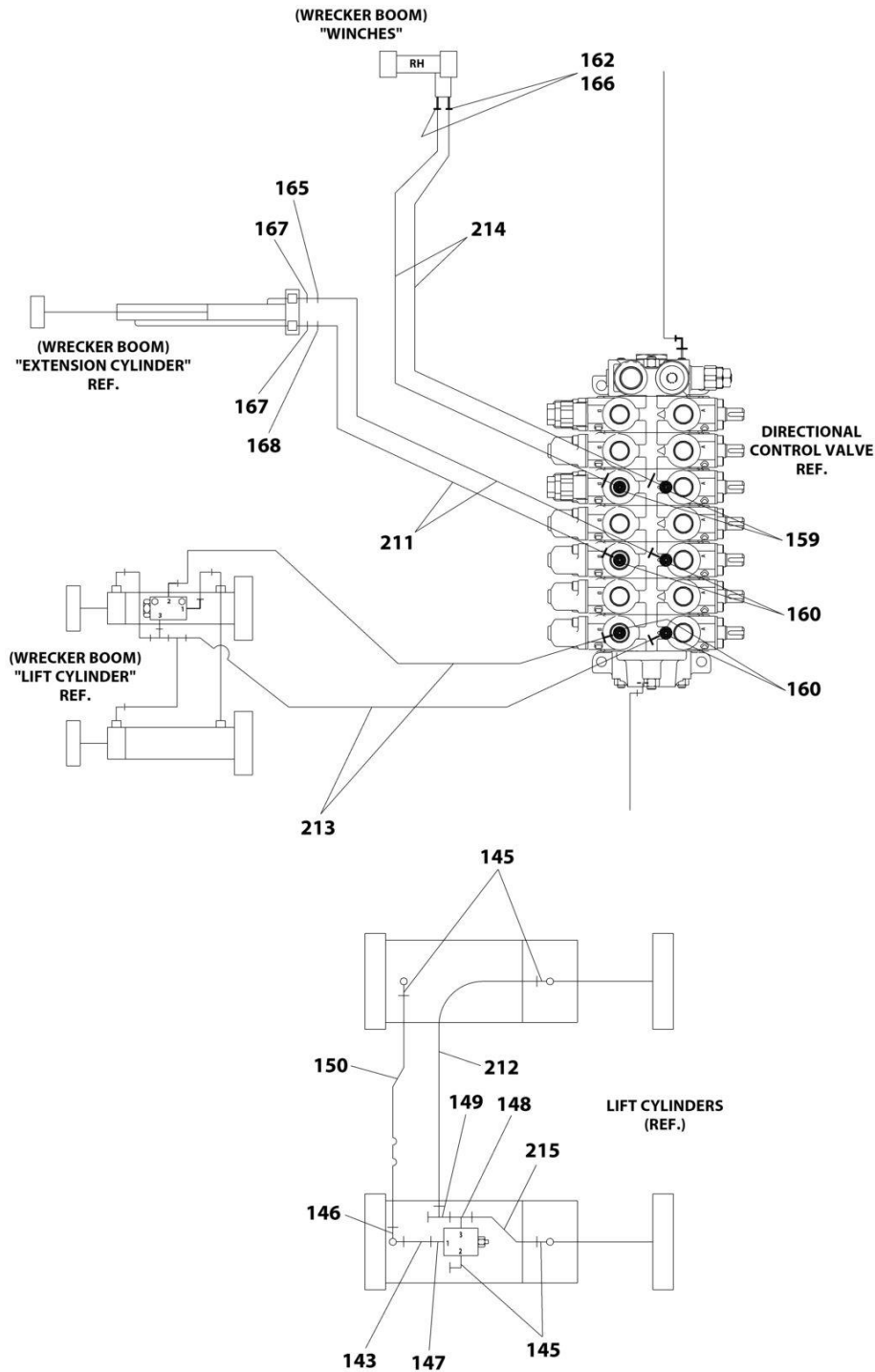
SECTION 6 - HYDRAULIC

**FIGURE 6-23. HOSE INSTALLATION - BOOM WINCH (18.5K LBS BOOM - 8000 LBS DUAL WINCH)
(WITH COUNTERBALANCE VALVES)**

ITEM	PART NUMBER	QTY	DESCRIPTION	REV
	1001133553	Ref	BOOM HYDRAULIC - DUAL 8000 LBS WINCH	C
123	7935000258	2	Valve, Relief	
144	7912000001	1	Tube	
146	7445060645	4	Fitting, 90	
147	7445060648	1	Fitting, Tee	
148	7445060646	1	Fitting, 45	
149	7445060647	1	Fitting, Tee	
150	7443000030	1	Fitting, Tee	
151	7912000002	1	Tube	
160	7445080843	4	Fitting, Straight	
161	7445060843	4	Fitting, Straight	
163	7445081043	4	Fitting, Straight	
166	7443000137	1	Fitting, 90	
167	7443000023	4	Fitting, 90	
168	7445060643	2	Fitting, Straight	
169	7445060672	1	Fitting, 90	
172	7445080845	2	Fitting, 90	
173	7445080847	2	Fitting, Tee	
174	4761400	4	Washer 1/4	
175	0641405	4	Bolt 1/4 x 5/8	
178	1001133537	1	Hose, Kit (Not Shown)	
201	4567122055	2	Hose	
202	4567222022	1	Hose	
203	4567322064	2	Hose	
204	4567132055	2	Hose	
205	4570000008	1	Hose	
206	4567132026	4	Hose	
207	4567132060	2	Hose	

SECTION 6 - HYDRAULIC

FIGURE 6-24. HOSE INSTALLATION - BOOM WINCH (24K LBS BOOM - 10000LBS BOOM SINGLE WINCH)



ART_2512100047_20F2

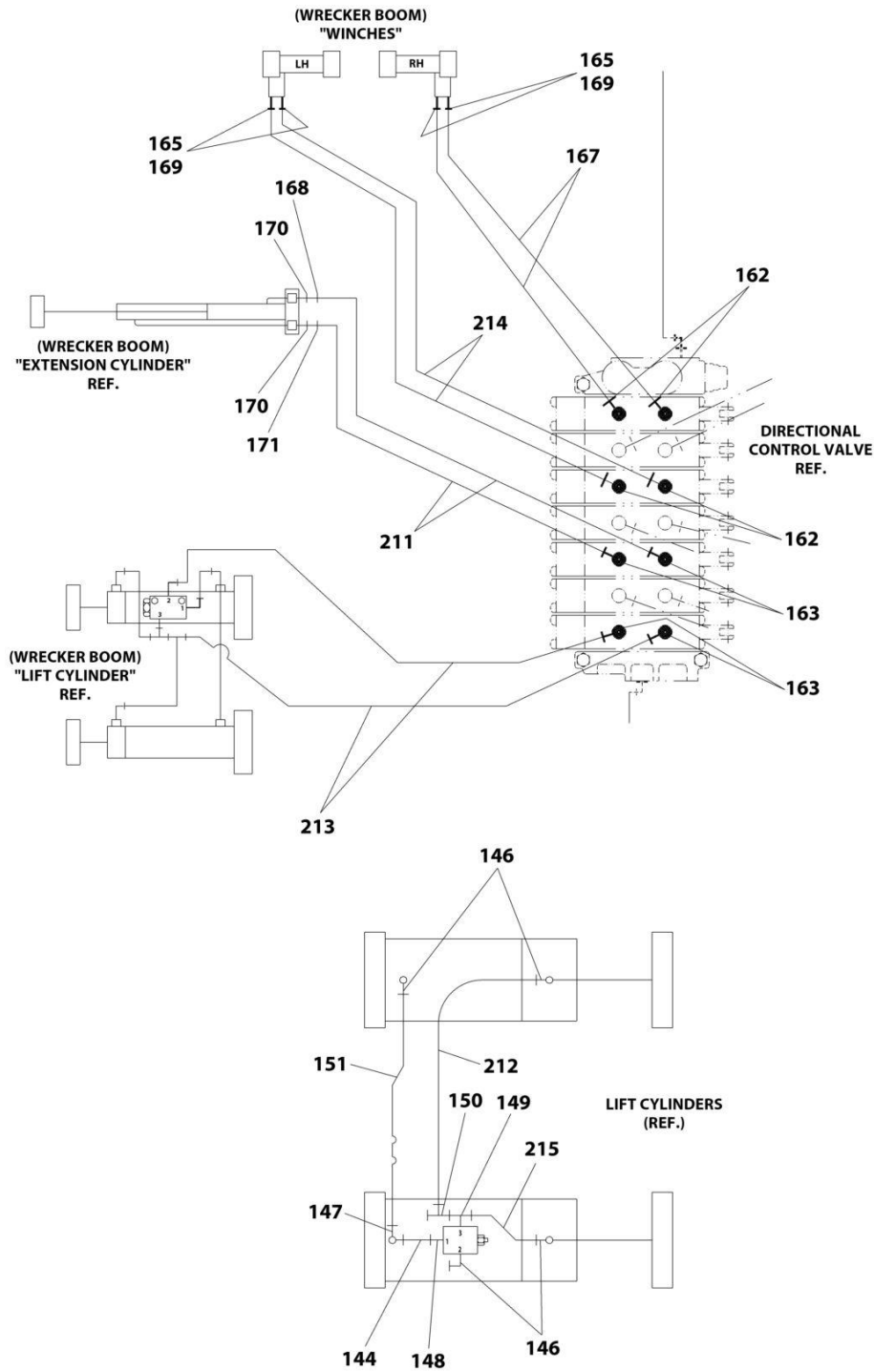
SECTION 6 - HYDRAULIC

FIGURE 6-24. HOSE INSTALLATION - BOOM WINCH (24K LBS BOOM - 10000LBS BOOM SINGLE WINCH)

ITEM	PART NUMBER	QTY	DESCRIPTION	REV
	2512100047	Ref	12 TON BOOM HYDRAULIC - SINGLE 10000 LBS WINCH	C
143	7912000001	1	Tube	
145	7445060645	4	Fitting, 90	
146	7445060648	1	Fitting, Tee	
147	7445060646	1	Fitting, 45	
148	7445060647	1	Fitting, Tee	
149	7443000030	1	Fitting, Tee	
150	7912000002	1	Tube	
159	7445080843	2	Fitting, Straight	
160	7445060843	4	Fitting, Straight	
162	7445081043	2	Fitting, Straight	
165	7443000137	1	Fitting, 90	
166	7443000023	2	Fitting, 90	
167	7445060643	2	Fitting, Straight	
168	7445060672	1	Fitting, 90	
172	7577000628	1	Hose, Kit (Not Shown)	
211	4567122055	2	Hose	
212	4567222022	1	Hose	
213	4567322064	2	Hose	
214	4567332075	2	Hose	
215	4570000008	1	Hose	

SECTION 6 - HYDRAULIC

FIGURE 6-25. HOSE INSTALLATION - BOOM WINCH (24K LBS BOOM - 10000LBS BOOM DUAL WINCH)



ART_2512100046_2OF2

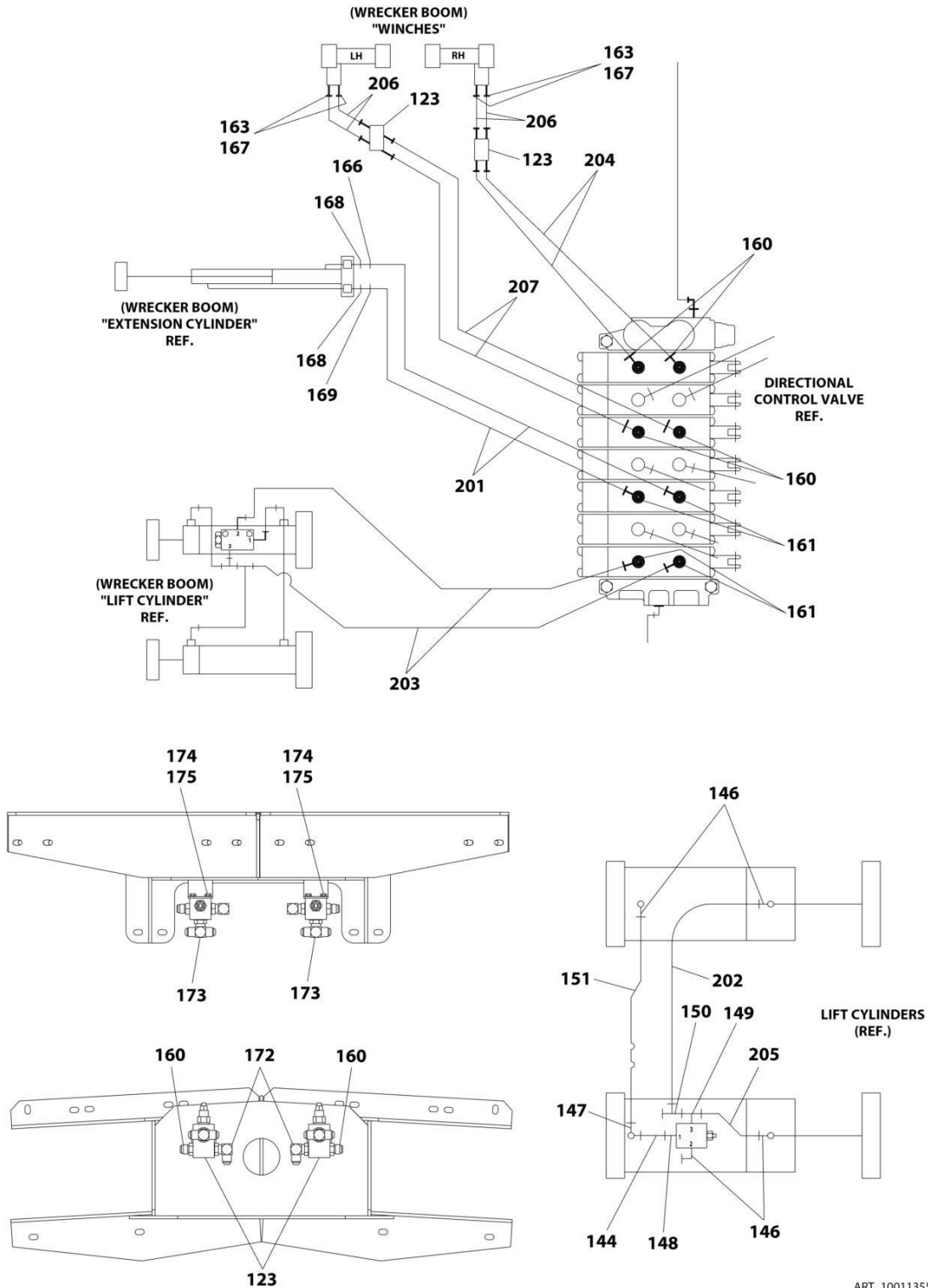
SECTION 6 - HYDRAULIC

FIGURE 6-25. HOSE INSTALLATION - BOOM WINCH (24K LBS BOOM - 10000LBS BOOM DUAL WINCH)

ITEM	PART NUMBER	QTY	DESCRIPTION	REV
	2512100046	Ref	BOOM HYDRAULIC - DUAL 10000 LBS WINCH	E
144	7912000001	1	Tube	
146	7445060645	4	Fitting, 90	
147	7445060648	1	Fitting, Tee	
148	7445060646	1	Fitting, 45	
149	7445060647	1	Fitting, Tee	
150	7443000030	1	Fitting, Tee	
151	7912000002	1	Tube	
162	7445080843	4	Fitting, Straight	
163	7445060843	4	Fitting, Straight	
165	7445081043	4	Fitting, Straight	
167	4567332075	2	Hose	
168	7443000137	1	Fitting, 90	
169	7443000023	4	Fitting, 90	
170	7445060643	2	Fitting, Straight	
171	7445060672	1	Fitting, 90	
175	7577000628	1	Hose, Kit (Not Shown)	
211	4567122055	2	Hose	
212	4567222022	1	Hose	
213	4567322064	2	Hose	
214	4567332075	2	Hose	
215	4570000008	1	Hose	

SECTION 6 - HYDRAULIC

**FIGURE 6-26. HOSE INSTALLATION - BOOM WINCH (24K LBS BOOM - 10000 LBS DUAL WINCH)
(WITH COUNTERBALANCE VALVES)**



ART_1001135528_20F2

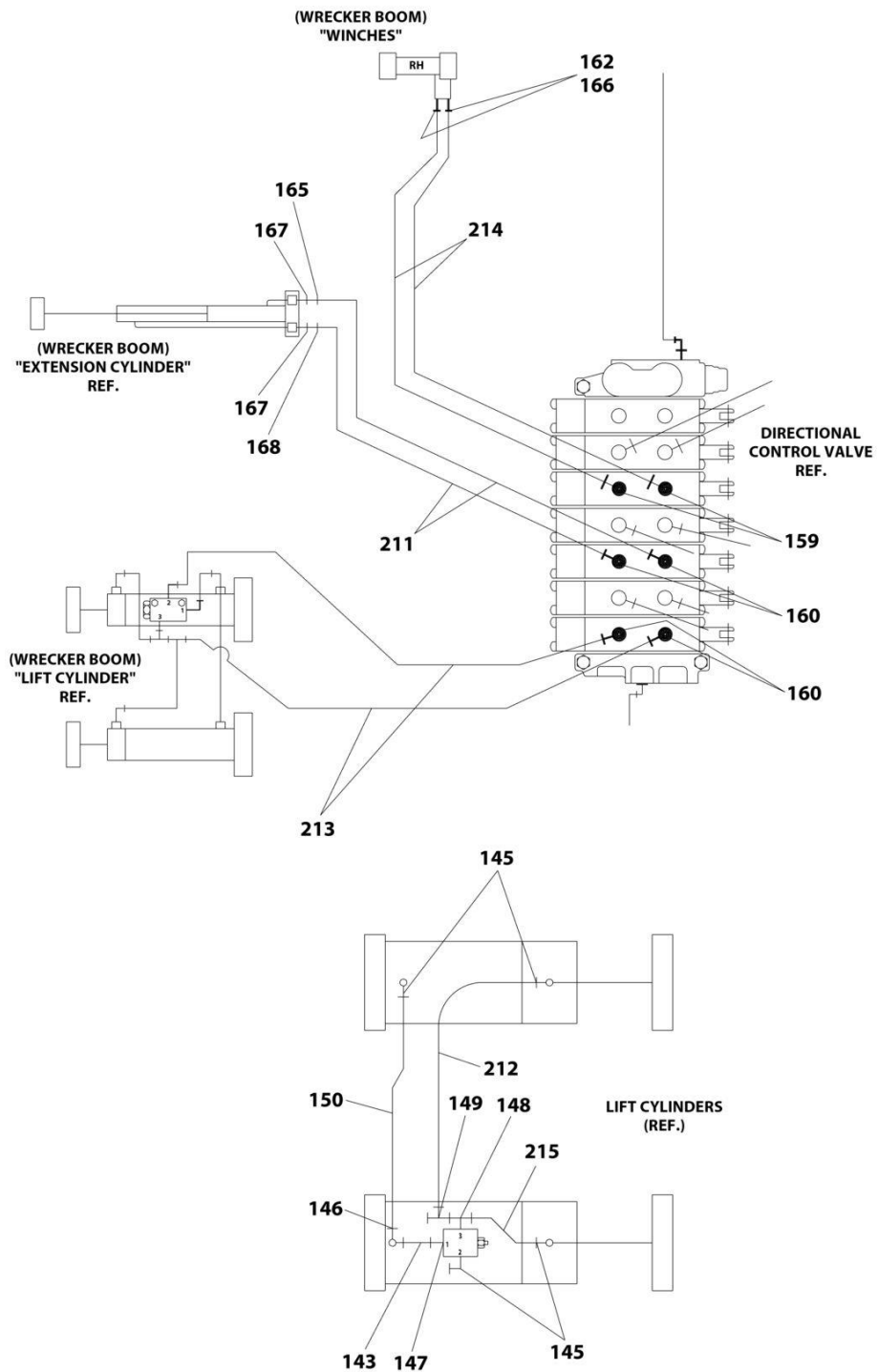
SECTION 6 - HYDRAULIC

**FIGURE 6-26. HOSE INSTALLATION - BOOM WINCH (24K LBS BOOM - 10000 LBS DUAL WINCH)
(WITH COUNTERBALANCE VALVES)**

ITEM	PART NUMBER	QTY	DESCRIPTION	REV
	1001135528	Ref	BOOM HYDRAULIC - DUAL 10000 LBS WINCH	D
123	7935000258	2	Valve, Relief	
144	7912000001	1	Tube	
146	7445060645	4	Fitting, 90	
147	7445060648	1	Fitting, Tee	
148	7445060646	1	Fitting, 45	
149	7445060647	1	Fitting, Tee	
150	7443000030	1	Fitting, Tee	
151	7912000002	1	Tube	
160	7445080843	4	Fitting, Straight	
161	7445060843	4	Fitting, Straight	
163	7445081043	4	Fitting, Straight	
166	7443000137	1	Fitting, 90	
167	7443000023	4	Fitting, 90	
168	7445060643	2	Fitting, Straight	
169	7445060672	1	Fitting, 90	
172	7445080845	2	Fitting, 90	
173	7445080847	2	Fitting, Tee	
174	4761400	4	Washer 1/4	
175	0641405	4	Bolt 1/4 x 5/8	
178	1001133537	1	Hose, Kit (Not Shown)	
201	4567122055	2	Hose	
202	4567222022	1	Hose	
203	4567322064	2	Hose	
204	4567132055	2	Hose	
205	4570000008	1	Hose	
206	4567132026	4	Hose	
207	4567132060	2	Hose	

SECTION 6 - HYDRAULIC

**FIGURE 6-27. HOSE INSTALLATION - BOOM WINCH (24K LBS BOOM - 12000 LBS SINGLE WINCH)
(WEST COAST SPECS)**



ART_2512100082_20F2

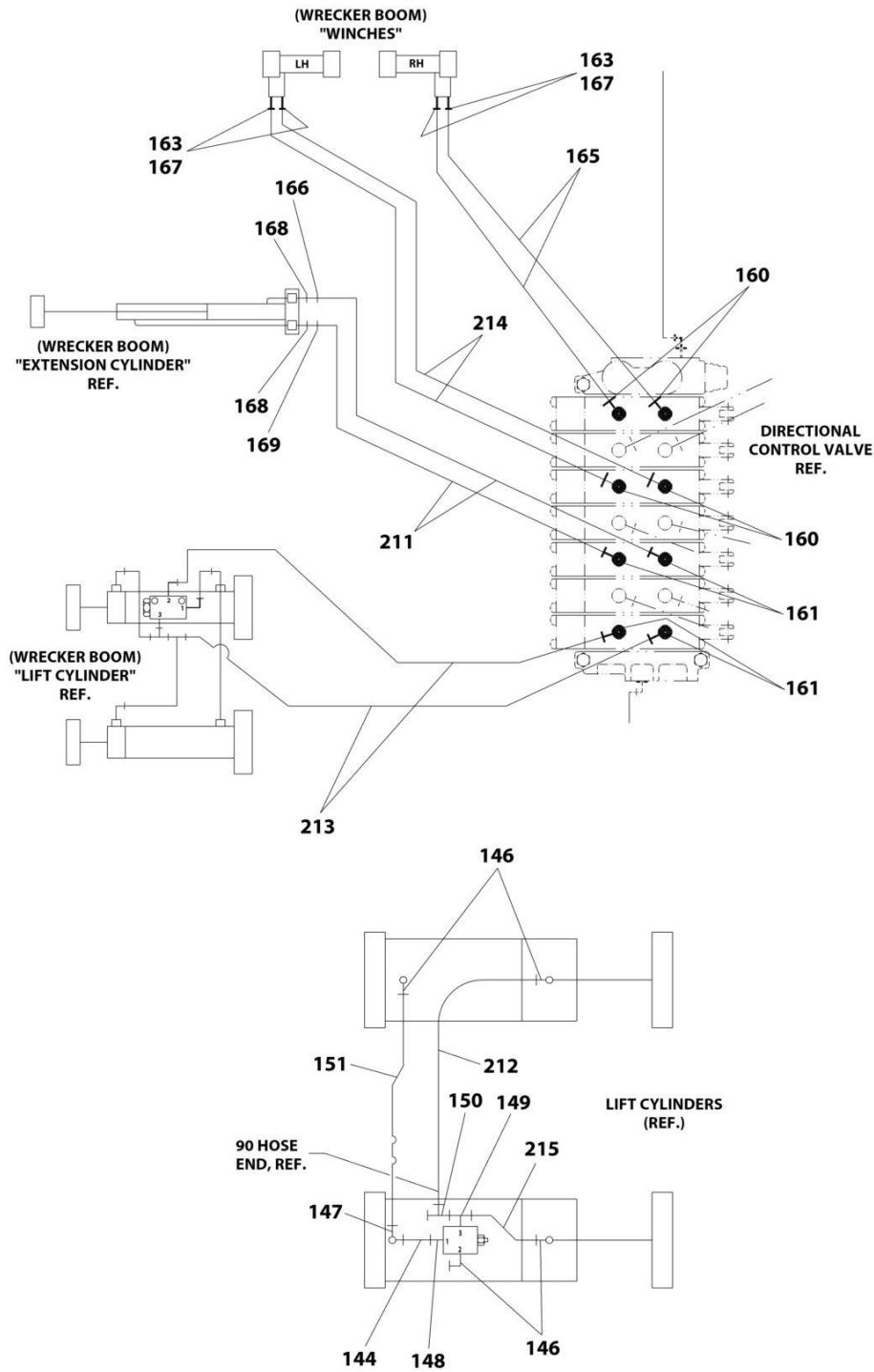
SECTION 6 - HYDRAULIC

**FIGURE 6-27. HOSE INSTALLATION - BOOM WINCH (24K LBS BOOM - 12000 LBS SINGLE WINCH)
(WEST COAST SPECS)**

ITEM	PART NUMBER	QTY	DESCRIPTION	REV
	2512100082	Ref	12 TON BOOM HYDRAULIC - SINGLE 10000 LBS WINCH	C
143	7912000001	1	Tube	
145	7445060645	4	Fitting, 90	
146	7445060648	1	Fitting, Tee	
147	7445060646	1	Fitting, 45	
148	7445060647	1	Fitting, Tee	
149	7443000030	1	Fitting, Tee	
150	7912000002	1	Tube	
159	7445080843	2	Fitting, Straight	
160	7445060843	4	Fitting, Straight	
162	7445081043	2	Fitting, Straight	
165	7443000137	1	Fitting, 90	
166	7443000023	2	Fitting, 90	
167	7445060643	2	Fitting, Straight	
168	7445060672	1	Fitting, 90	
172	7577000628	1	Hose, Kit (Not Shown)	
211	4567122055	2	Hose	
212	4567222022	1	Hose	
213	4567322064	2	Hose	
214	4567332075	2	Hose	
215	4570000008	1	Hose	

SECTION 6 - HYDRAULIC

FIGURE 6-28. HOSE INSTALLATION - BOOM WINCH (24K LBS BOOM - 12000LBS BOOM DUAL WINCH)



ART_2512100063_2OF2

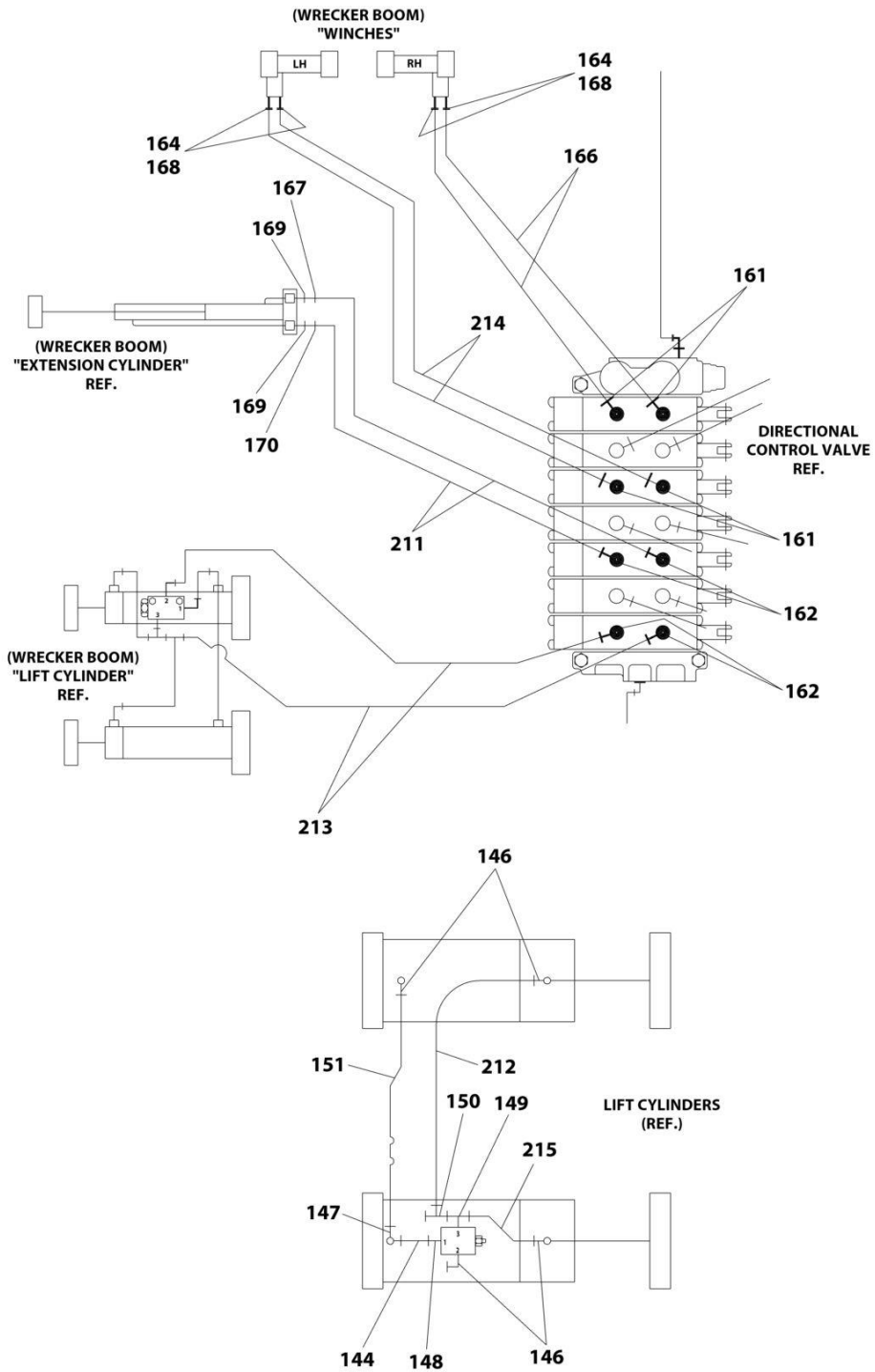
SECTION 6 - HYDRAULIC

FIGURE 6-28. HOSE INSTALLATION - BOOM WINCH (24K LBS BOOM - 12000LBS BOOM DUAL WINCH)

ITEM	PART NUMBER	QTY	DESCRIPTION	REV
	2512100063	Ref	BOOM HYDRAULIC - DUAL 12000 LBS WINCH	C
144	7912000001	1	Tube	
146	7445060645	4	Fitting, 90	
147	7445060648	1	Fitting, Tee	
148	7445060646	1	Fitting, 45	
149	7445060647	1	Fitting, Tee	
150	7443000030	1	Fitting, Tee	
151	7912000002	1	Tube	
160	7445080843	4	Fitting, Straight	
161	7445060843	4	Fitting, Straight	
163	7445081043	4	Fitting, Straight	
165	4567332075	2	Hose	
166	7443000137	1	Fitting, 90	
167	7443000023	4	Fitting, 90	
168	7445060643	2	Fitting, Straight	
169	7445060672	1	Fitting, 90	
173	7577000628	1	Hose, Kit (Not Shown)	
211	4567122055	2	Hose	
212	4567222022	1	Hose	
213	4567322064	2	Hose	
214	4567332075	2	Hose	
215	4570000008	1	Hose	

SECTION 6 - HYDRAULIC

**FIGURE 6-29. HOSE INSTALLATION - BOOM WINCH (24K LBS BOOM - 12000 LBS DUAL WINCH)
(WEST COAST SPECS)**



ART_2512100081_20F2

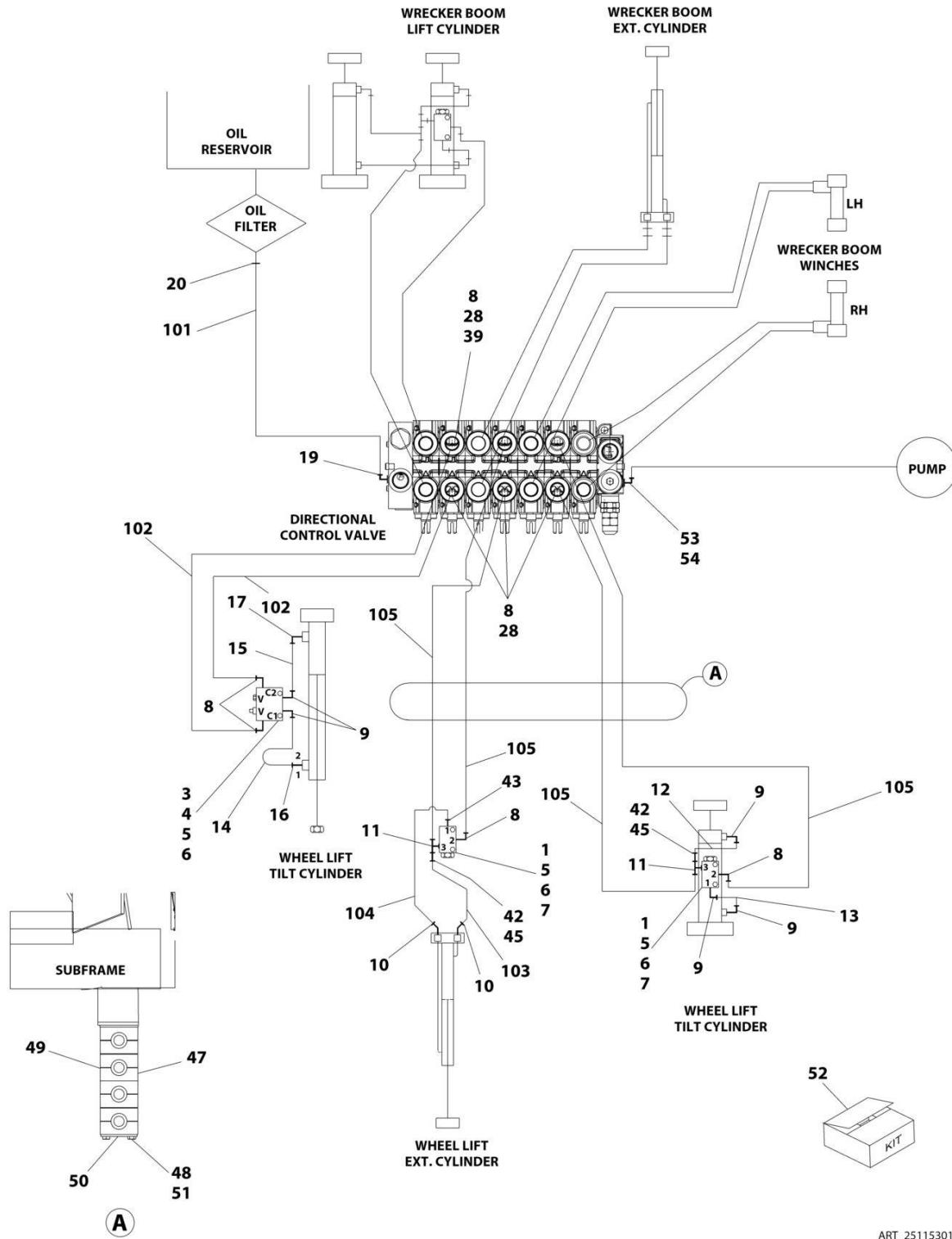
SECTION 6 - HYDRAULIC

**FIGURE 6-29. HOSE INSTALLATION - BOOM WINCH (24K LBS BOOM - 12000 LBS DUAL WINCH)
(WEST COAST SPECS)**

ITEM	PART NUMBER	QTY	DESCRIPTION	REV
	2512100081	Ref	BOOM HYDRAULIC - DUAL 10000 LBS WINCH	C
144	7912000001	1	Tube	
146	7445060645	4	Fitting, 90	
147	7445060648	1	Fitting, Tee	
148	7445060646	1	Fitting, 45	
149	7445060647	1	Fitting, Tee	
150	7443000030	1	Fitting, Tee	
151	7912000002	1	Tube	
161	7445080843	4	Fitting, Straight	
162	7445060843	4	Fitting, Straight	
164	7445081043	4	Fitting, Straight	
166	4567332075	2	Hose	
167	7443000137	1	Fitting, 90	
168	7443000023	4	Fitting, 90	
169	7445060643	2	Fitting, Straight	
170	7445060672	1	Fitting, 90	
174	7577000628	1	Hose, Kit (Not Shown)	
211	4567122055	2	Hose	
212	4567222022	1	Hose	
213	4567322064	2	Hose	
214	4567332075	2	Hose	
215	4570000008	1	Hose	

SECTION 6 - HYDRAULIC

FIGURE 6-30. HOSE INSTALLATION - WHEEL LIFT (HPL35)



ART_2511530173

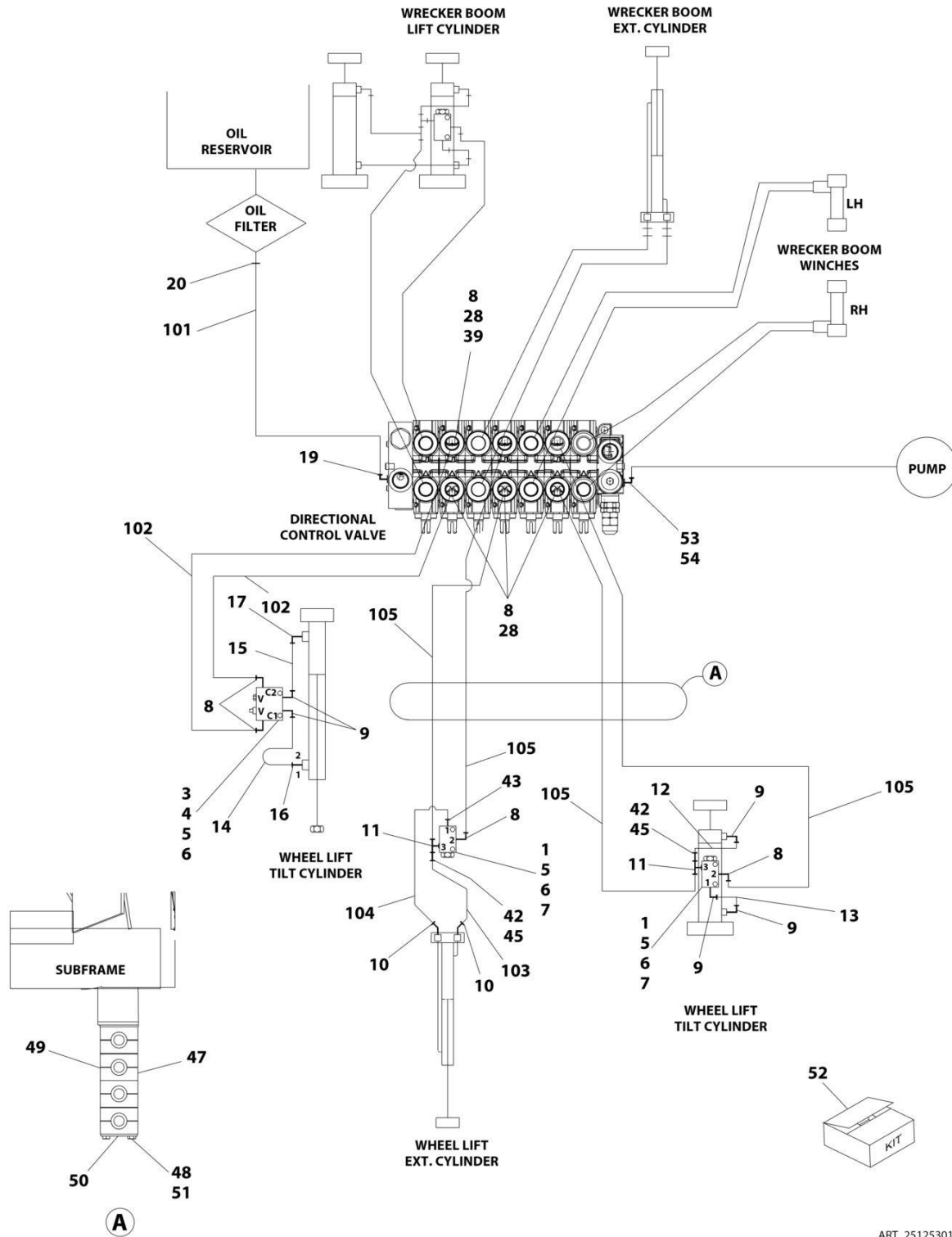
SECTION 6 - HYDRAULIC

FIGURE 6-30. HOSE INSTALLATION - WHEEL LIFT (HPL35)

ITEM	PART NUMBER	QTY	DESCRIPTION	REV
	2511530173	Ref	HYDRAULIC INSTALLATION - WHEEL LIFT	E
1	7935000308	2	Valve Assembly	
1	9935930102	1	Seal Kit	
3	7935000307	1	Valve Assembly	
3	9935930104	1	Seal Kit (Counterbalance Cartridge)	
4	7111151650	2	Bolt 5/16 x 2	
5	7950150161	4	Washer 5/16	
6	7660152601	4	Nut 5/16	
7	7115152650	2	Bolt 5/16 x 3-1/4	
8	7445060645	10	Fitting, 90	
9	7445040645	5	Fitting, 90	
10	7445040446	2	Fitting, 45	
11	7445060647	2	Fitting, Tee	
12	7912000030	1	Tube	
13	7912000013	1	Tube	
14	7912000005	1	Tube	
15	7912000017	1	Tube	
16	7445040443	1	Fitting, Straight	
17	7445040445	1	Fitting, 90	
19	7445121245	1	Fitting, 90	
20	7445121619	1	Fitting, Straight	
25	7819000005	1	Sleeve (Not Shown)	
28	7443000129	6	Reducer	
29	7274000042	2	Clamp (Not Shown)	
39	7443000108	1	Restrictor	
42	7443000105	2	Reducer	
43	7445040643	1	Fitting, Straight	
45	7443000106	2	Reducer	
47	7274000113	4	Clamp	
48	7274000114	6	Clamp	
49	7274000115	3	Clamp	
50	7274000116	1	Clamp	
51	7274000117	2	Clamp	
52	7577000626	Ref	Hose Kit (Includes items 101-105)	
53	7445081043	1	Fitting, Straight	
54	7445080818	1	Nut #8	
	7577000626	Ref	HOSE KIT	B
101	4567362021	1	Hose	
102	4567320044	2	Hose	
103	4567110024	1	Hose	
104	4567210021	1	Hose	
105	4567120115	4	Hose	

SECTION 6 - HYDRAULIC

FIGURE 6-31. HOSE INSTALLATION - WHEEL LIFT (HPL60)



ART_2512530128

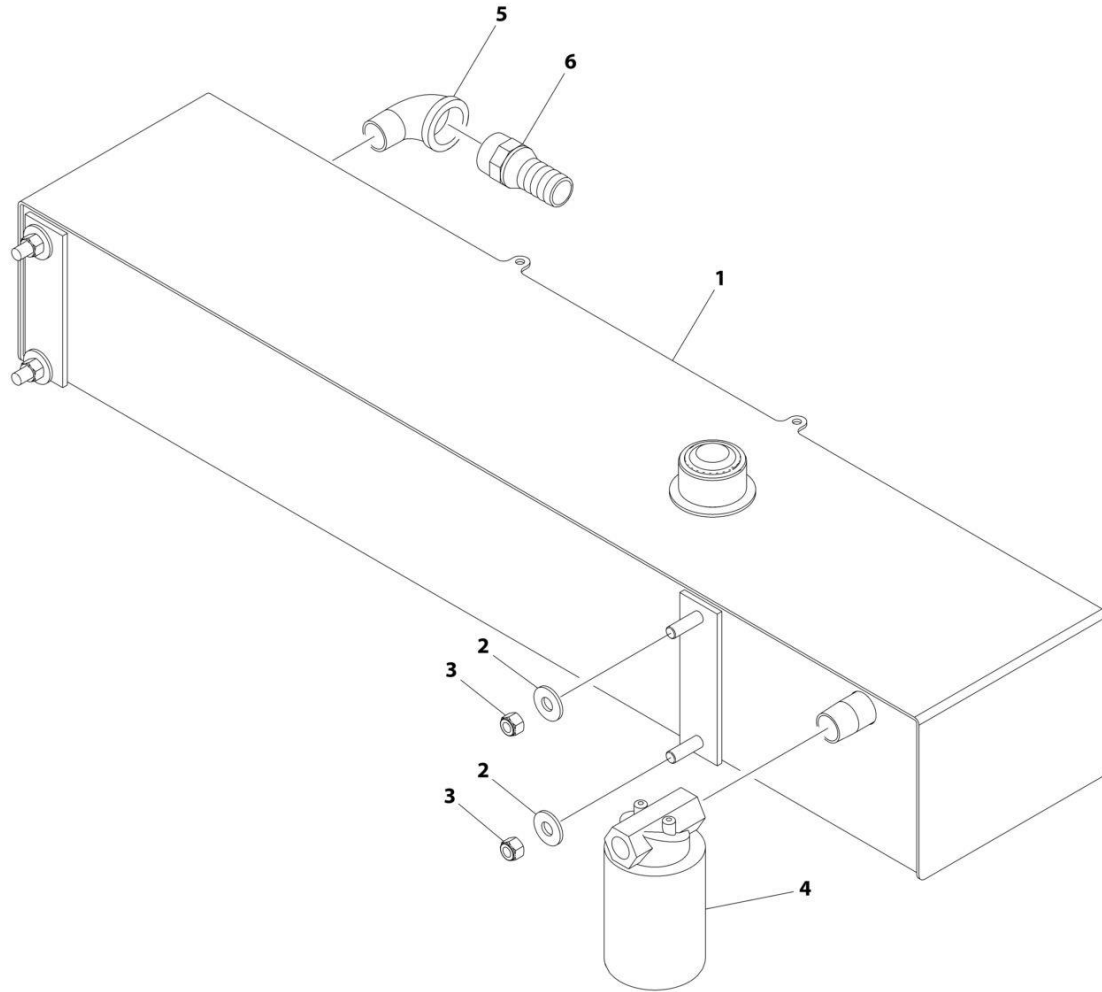
SECTION 6 - HYDRAULIC

FIGURE 6-31. HOSE INSTALLATION - WHEEL LIFT (HPL60)

ITEM	PART NUMBER	QTY	DESCRIPTION	REV
	2512530128	Ref	HYDRAULIC INSTALLATION - WHEEL LIFT	D
1	7935000308	2	Valve Assembly	
1	9935930102	1	Seal Kit	
3	7935000307	1	Valve Assembly	
3	9935930104	1	Seal Kit (Counterbalance Cartridge)	
4	7111151650	2	Bolt 5/16 x 2	
5	7950150161	4	Washer 5/16	
6	7660152601	4	Nut 5/16	
7	7115152650	2	Bolt 5/16 x 3-1/4	
8	7445060645	10	Fitting, 90	
9	7445040645	5	Fitting, 90	
10	7445040446	2	Fitting, 45	
11	7445060647	2	Fitting, Tee	
12	7912000031	1	Tube	
13	7912000020	1	Tube	
14	7912000005	1	Tube	
15	7912000017	1	Tube	
16	7445040443	1	Fitting, Straight	
17	7445040445	1	Fitting, 90	
19	7445121245	1	Fitting, 90	
20	7445121619	1	Fitting, Straight	
25	7819000005	1	Sleeve (Not Shown)	
28	7443000129	6	Reducer	
29	7274000042	2	Clamp (Not Shown)	
39	7443000108	1	Restrictor	
42	7443000105	2	Reducer	
43	7445040643	1	Fitting, Straight	
45	7443000106	2	Reducer	
47	7274000113	4	Clamp	
48	7274000114	6	Clamp	
49	7274000115	3	Clamp	
50	7274000116	1	Clamp	
51	7274000117	2	Clamp	
52	7577000626	Ref	Hose Kit (Includes items 101-105)	
53	7445081043	1	Fitting, Straight	
54	7445080818	1	Nut #8	
	7577000626	Ref	HOSE KIT	B
101	4567362021	1	Hose	
102	4567320044	2	Hose	
103	4567110024	1	Hose	
104	4567210021	1	Hose	
105	4567120115	4	Hose	

SECTION 6 - HYDRAULIC

FIGURE 6-32. TANK AND FILTER (HYDRAULIC) INSTALLATION (STANDARD)



ART_275000013

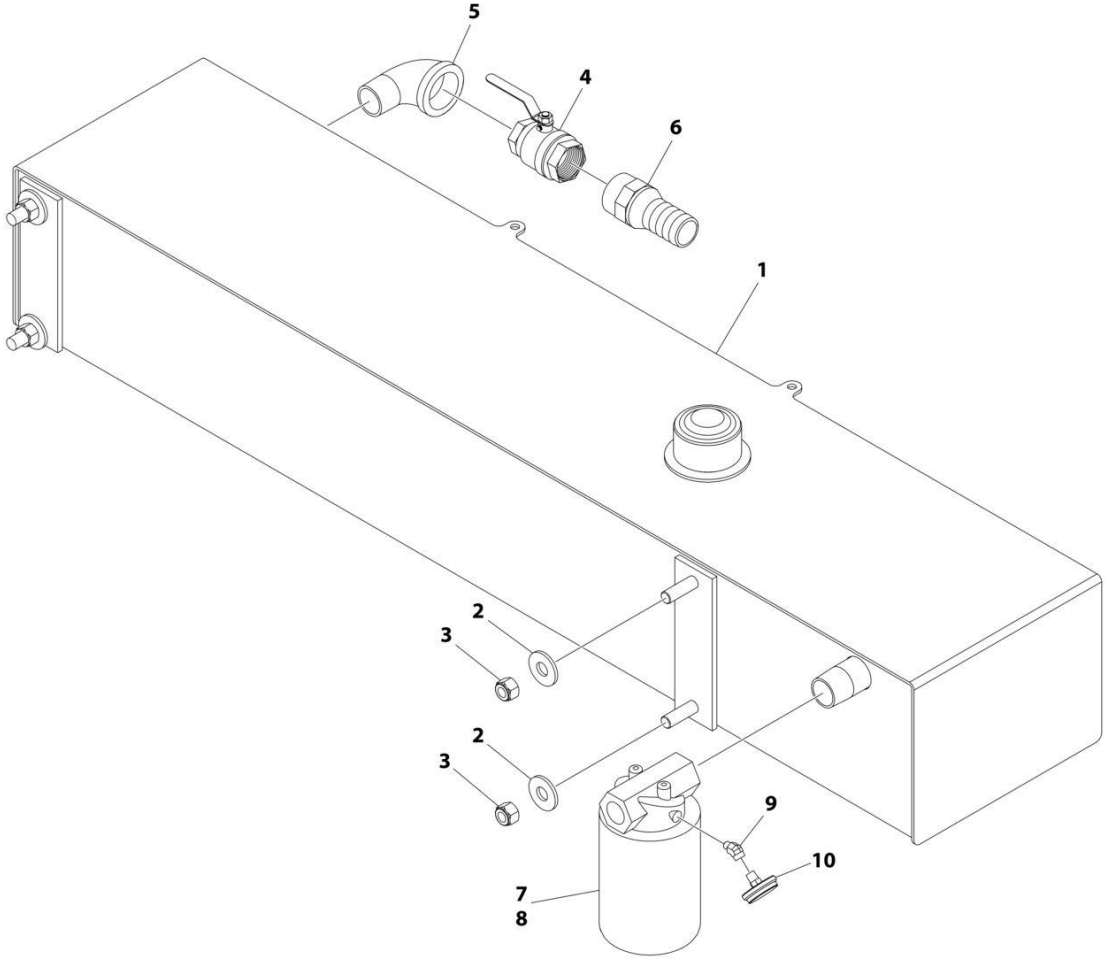
SECTION 6 - HYDRAULIC

FIGURE 6-32. TANK AND FILTER (HYDRAULIC) INSTALLATION (STANDARD)

ITEM	PART NUMBER	QTY	DESCRIPTION	REV
	2750000013	Ref	TANK AND FILTER (HYDRAULIC) INSTALLATION	0
1	3750000057	1	Tank	
2	7950180161	4	Washer 1/2	
3	7660182601	4	Nut 1/2	
4	7430000003	1	Filter Assembly	
4	7431000001	1	Element, Filter	
5	7444081070	1	Fitting, 90	
6	7443000013	1	Nipple	

SECTION 6 - HYDRAULIC

FIGURE 6-33. TANK AND FILTER (HYDRAULIC) INSTALLATION (GSA SPECS)



ART_275000014

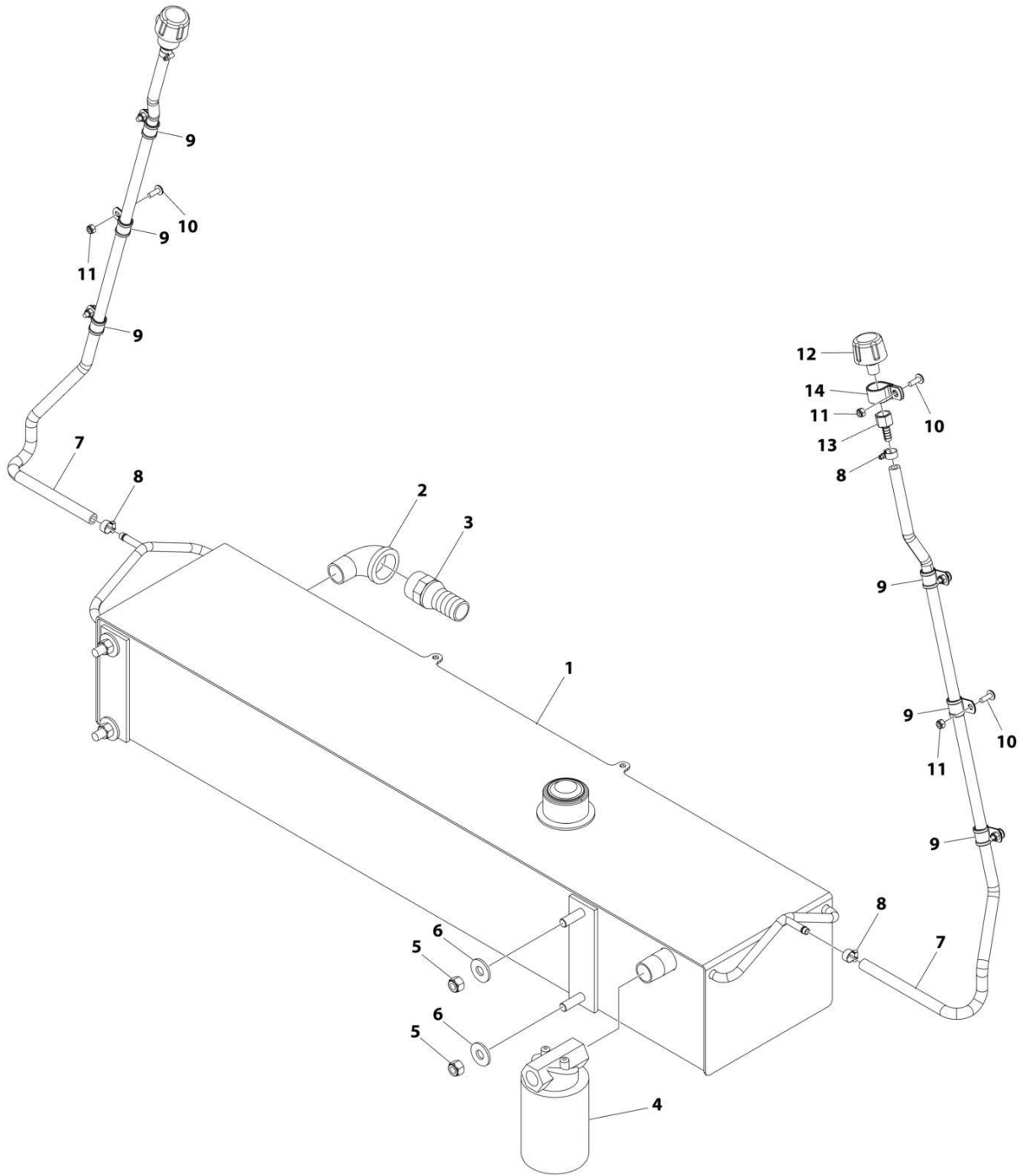
SECTION 6 - HYDRAULIC

FIGURE 6-33. TANK AND FILTER (HYDRAULIC) INSTALLATION (GSA SPECS)

ITEM	PART NUMBER	QTY	DESCRIPTION	REV
	2750000014	Ref	TANK AND FILTER (HYDRAULIC) INSTALLATION	0
1	3750000057	1	Tank	
2	7950180161	4	Washer 1/2	
3	7660182601	4	Nut 1/2	
4	7935000341	1	Valve	
5	7444081070	1	Fitting, 90	
6	7443000013	1	Nipple	
7	7430000002	1	Filter	
8	7431000004	1	Element, Filter	
9	7443000066	1	Fitting, 45	
10	7470000002	1	Gauge, Oil Filter Head	

SECTION 6 - HYDRAULIC

FIGURE 6-34. TANK AND FILTER (HYDRAULIC) INSTALLATION (SPEEDWAY SPECS)



ART_1001140724

SECTION 6 - HYDRAULIC

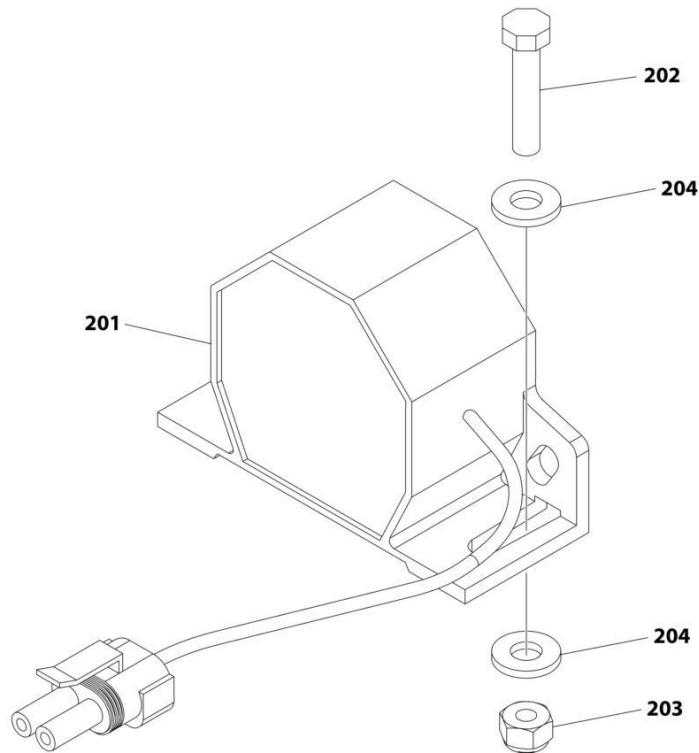
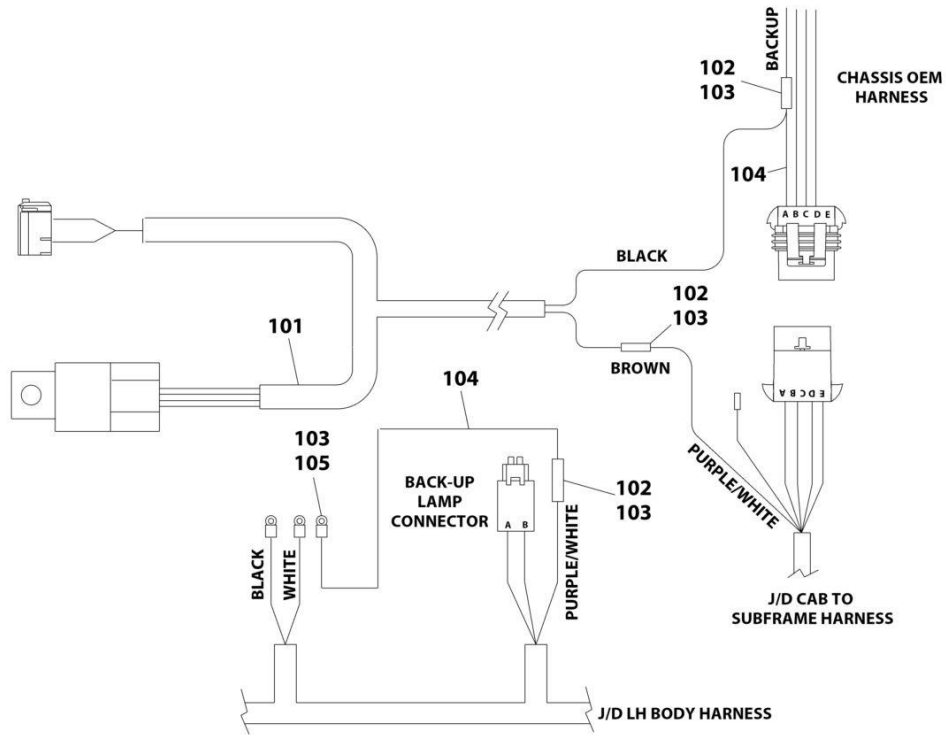
FIGURE 6-34. TANK AND FILTER (HYDRAULIC) INSTALLATION (SPEEDWAY SPECS)

ITEM	PART NUMBER	QTY	DESCRIPTION	REV
	1001140724	Ref	TANK AND FILTER (HYDRAULIC) INSTALLATION	A
1	1001140476	1	Tank	
2	7444081070	1	Fitting, 90	
3	7443000013	1	Nipple	
4	7430000003	1	Filter Assembly	
4	7431000001	1	Element, Filter	
5	7660182601	4	Nut 1/2	
6	7950180161	4	Washer 1/2	
7	8390001	9	Fuel Line Hose	
8	8410013	4	Clamp	
9	1320061	6	Clamp	
10	7111140613	8	Screw 1/4	
11	7660141600	8	Nut 1/4	
12	1001140610	2	Filter	
13	1001110145	2	Fitting	
14	7274000105	2	Clamp	

SECTION 7 - ELECTRICAL

SECTION 7 - ELECTRICAL

FIGURE 7-1. ALARM INSTALLATION - BACK-UP (FIXED) (CHEVY/GMC)



ART_BUAL-GMC

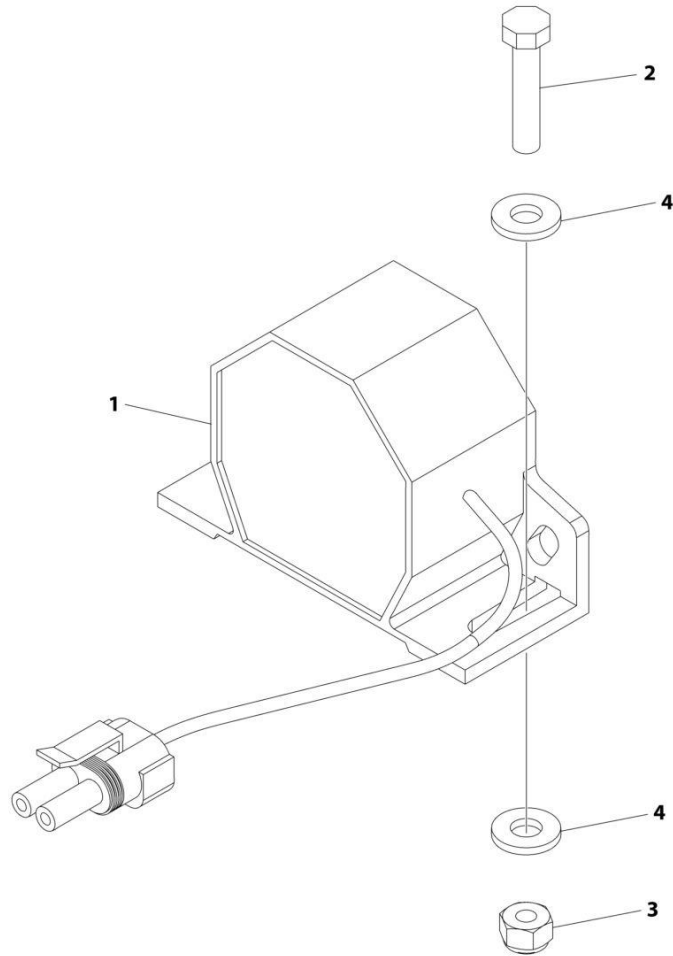
SECTION 7 - ELECTRICAL

FIGURE 7-1. ALARM INSTALLATION - BACK-UP (FIXED) (CHEVY/GMC)

ITEM	PART NUMBER	QTY	DESCRIPTION	REV
1	BUAL-GMC	Ref	ALARM INSTALLATION - BACK-UP (FIXED) (CHEVY/GMC)	0
	3509330132	Ref	Electrical Installation - Back-Up (Fixed) (Not Show) (See Items 101-106 for Breakdown)	
2	2011000002	Ref	Alarm Installation - Back-Up (Fixed) (Not Shown) (See Items 201-204 for Breakdown)	
101	3509330132	Ref	ELECTRIAL INSTALLATION - BACK-UP ALARM	B
	7552000410	1	Harness, Back-Up Alarm (CHEVY/GMC) (See Separate Breakdown in this Section)	
102	7345001714	3	Terminal	
103	7346000039	AR	Tubing	
104	8977010300	3 ft/1 m	Wire #16GA White	
105	7345211702	1	Terminal Ring	
106	5526000553	6	Tie-Strap (Not Shown)	
201	2011000002	Ref	ALARM INSTALLATION - BACK-UP (FIXED)	B
	7011000006	1	Alarm	
202	7111141050	2	Bolt 1/4 x 1-1/4	
203	7660142600	2	Nut 1/4	
204	7950140141	4	Washer 1/4	

SECTION 7 - ELECTRICAL

FIGURE 7-2. ALARM INSTALLATION - BACK-UP (FIXED) (FORD/IHC)



ART_2011000002

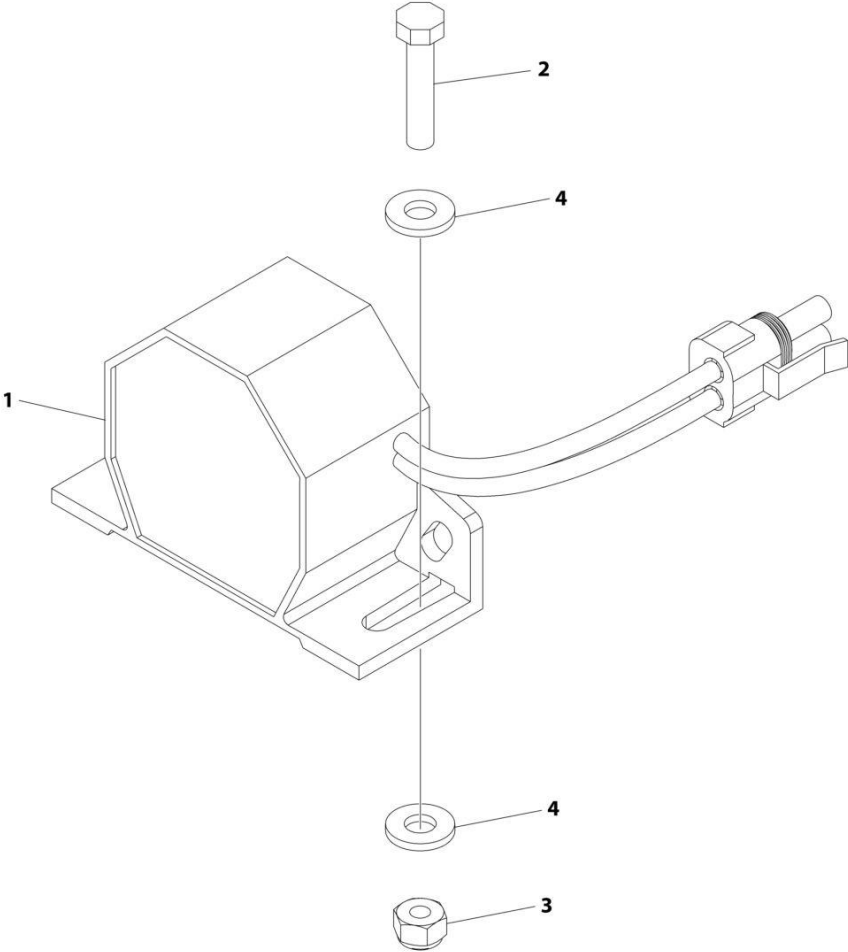
SECTION 7 - ELECTRICAL

FIGURE 7-2. ALARM INSTALLATION - BACK-UP (FIXED) (FORD/IHC)

ITEM	PART NUMBER	QTY	DESCRIPTION	REV
	2011000002	Ref	ALARM INSTALLATION - BACK-UP (FIXED)	B
1	7011000006	1	Alarm	
2	7111141050	2	Bolt 1/4 x 1-1/4	
3	7660142600	2	Nut 1/4	
4	7950140141	4	Washer 1/4	

SECTION 7 - ELECTRICAL

FIGURE 7-3. ALARM INSTALLATION - BACK-UP (VARIABLE)



ART_2011000003

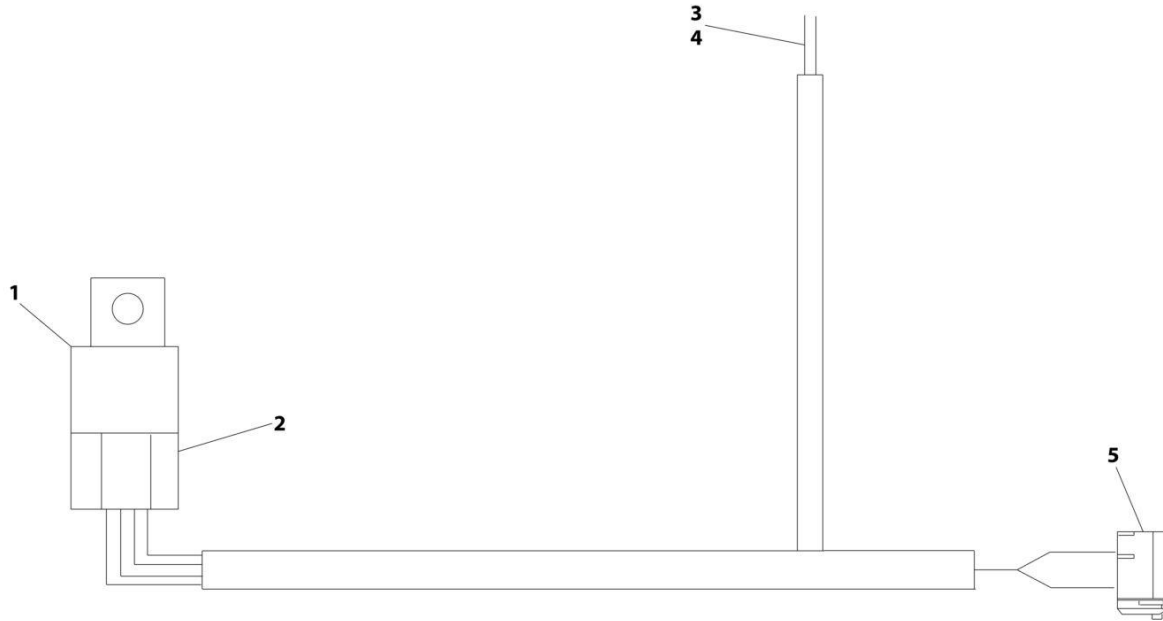
SECTION 7 - ELECTRICAL

FIGURE 7-3. ALARM INSTALLATION - BACK-UP (VARIABLE)

ITEM	PART NUMBER	QTY	DESCRIPTION	REV
	2011000003	Ref	ALARM INSTALLATION - BACK-UP (VARIABLE)	B
1	1001175061	1	Alarm	
2	7111141050	2	Bolt 1/4 x 1-1/4	
3	7660142600	2	Nut 1/4	
4	7950140141	4	Washer 1/4	

SECTION 7 - ELECTRICAL

FIGURE 7-4. ALARM HARNESS - BACK-UP (FIXED) (CHEVY/GMC)



ART_7552000410

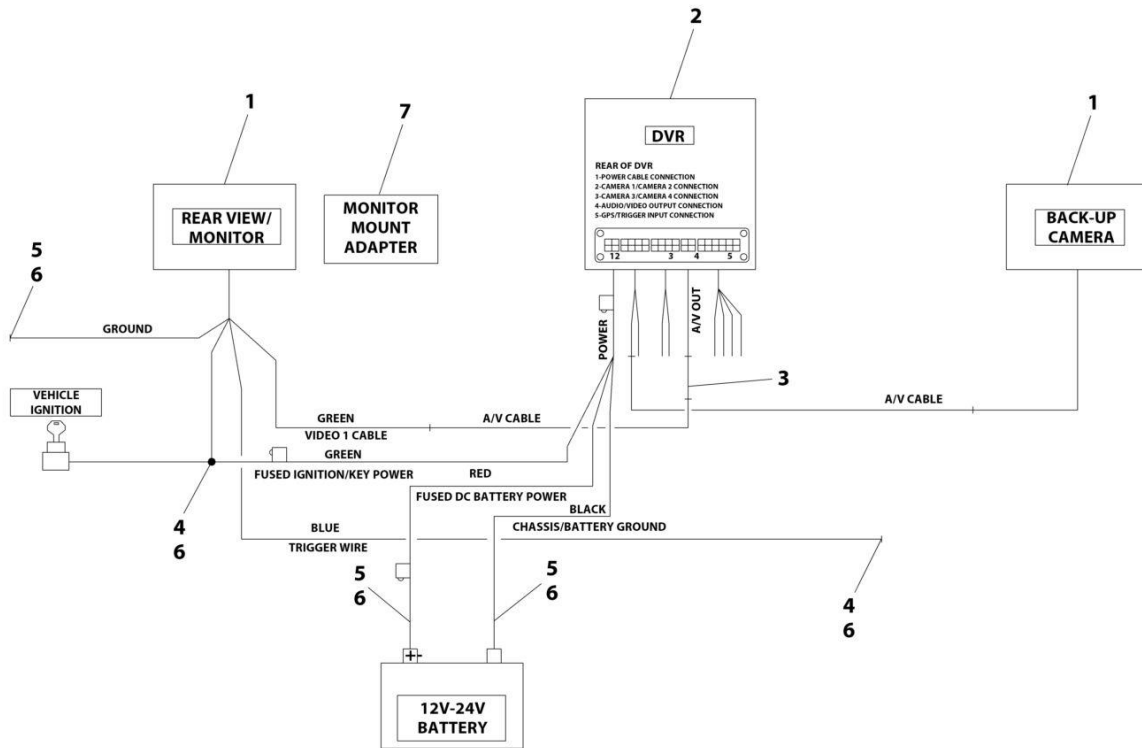
SECTION 7 - ELECTRICAL

FIGURE 7-4. ALARM HARNESS - BACK-UP (FIXED) (CHEVY/GMC)

ITEM	PART NUMBER	QTY	DESCRIPTION	REV
	7552000410	Ref	ALARM HARNESS - BACK-UP (FIXED) (CHEVY/GMC)	1
1	NPN	1	Relay	
2	NPN	1	Connector	
3	NPN	2	Connector, Male	
3	4460457	2	Socket, Female	
3	8220081	2	Seal	
4	NPN	2	Connector, Female	
4	4460475	2	Pin, Male	
4	8220081	2	Seal	
5	NPN	1	Connector	
5	NPN	1	Terminal	

SECTION 7 - ELECTRICAL

FIGURE 7-5. BACKUP CAMERA INSTALLATION (WITH DVR)



ART_1001142973

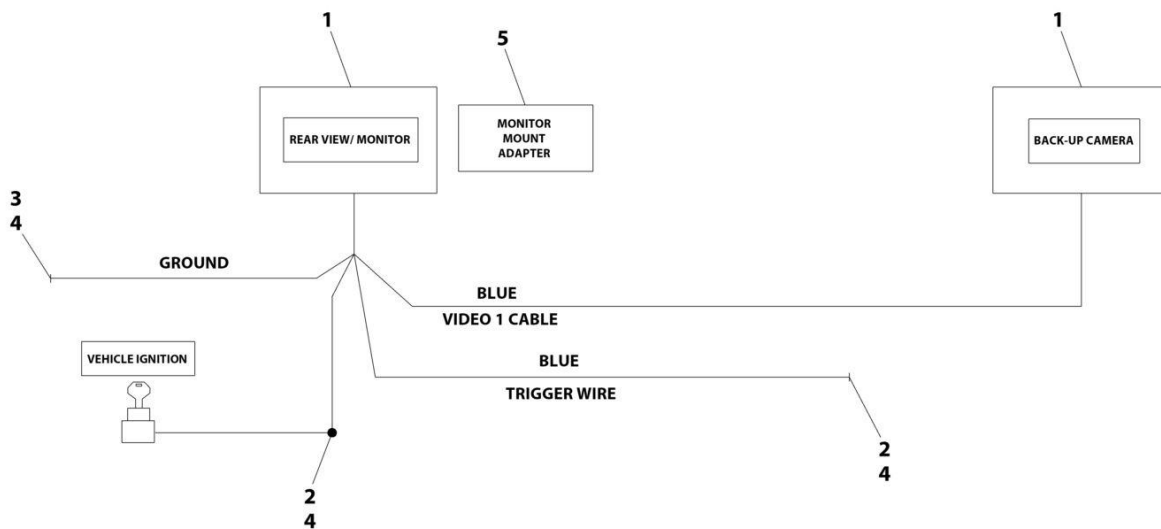
SECTION 7 - ELECTRICAL

FIGURE 7-5. BACKUP CAMERA IINSTALLATION (WITH DVR)

ITEM	PART NUMBER	QTY	DESCRIPTION	REV
	1001142973	Ref	BACK UP CAMERA INSTALLATION (WITH DVR)	C
1	1001139909	1	Camera System	
2	1001139911	1	DVR	
3	1001142453	1	Cable	
4	7345001914	2	Terminal	
5	7345221902	3	Terminal	
6	7346000039	AR	Tubing	
7	1001229606	1	Adapter	

SECTION 7 - ELECTRICAL

FIGURE 7-6. BACKUP CAMERA IN REAR VIEW MIRROR INSTALLATION



ART_1001142974

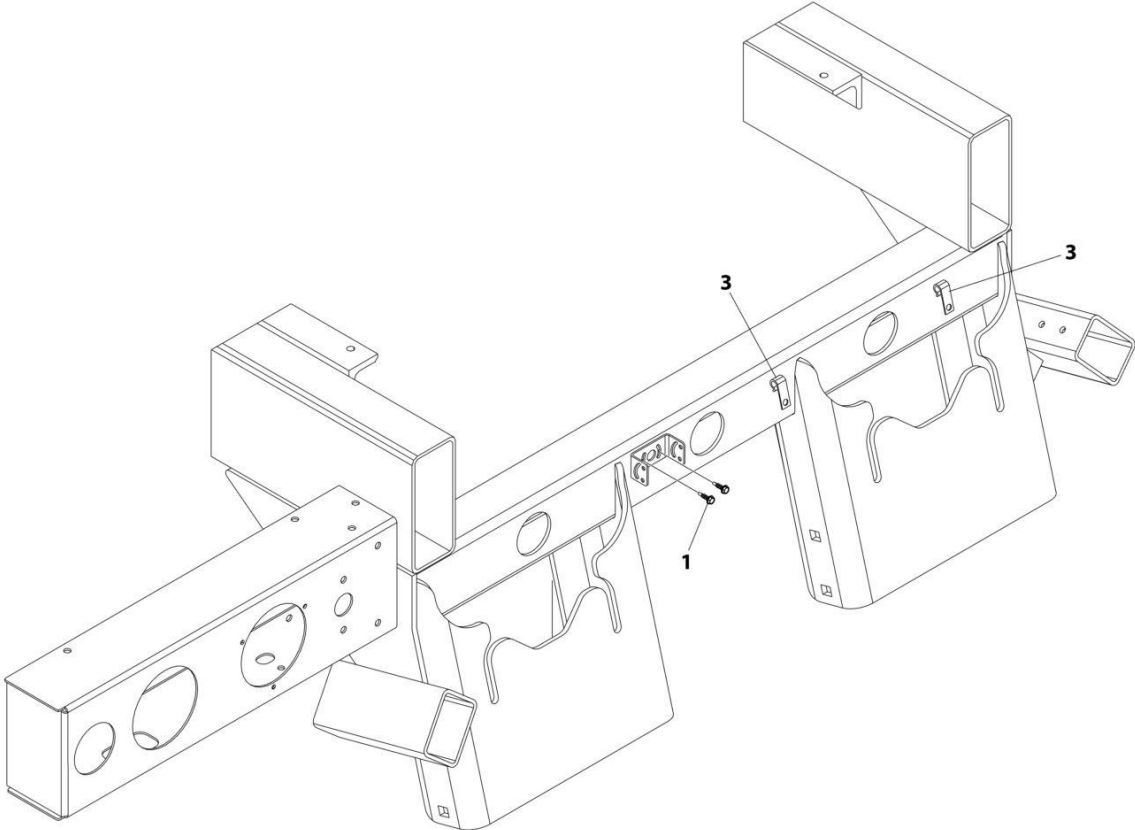
SECTION 7 - ELECTRICAL

FIGURE 7-6. BACKUP CAMERA IN REAR VIEW MIRROR INSTALLATION

ITEM	PART NUMBER	QTY	DESCRIPTION	REV
	1001142974	Ref	BACKUP CAMERA IN REAR VIEW MIRROR INSTALLATION	B
1	1001139909	1	Camera System	
2	7345001914	2	Terminal	
3	7345221902	1	Terminal	
4	7346000039	AR	Tubing	
5	1001229606	1	Monitor Mount Adapter	

SECTION 7 - ELECTRICAL

FIGURE 7-7. BACKUP CAMERA INSTALLATION (CHASSIS SUPPLIED)



ART_1001220181

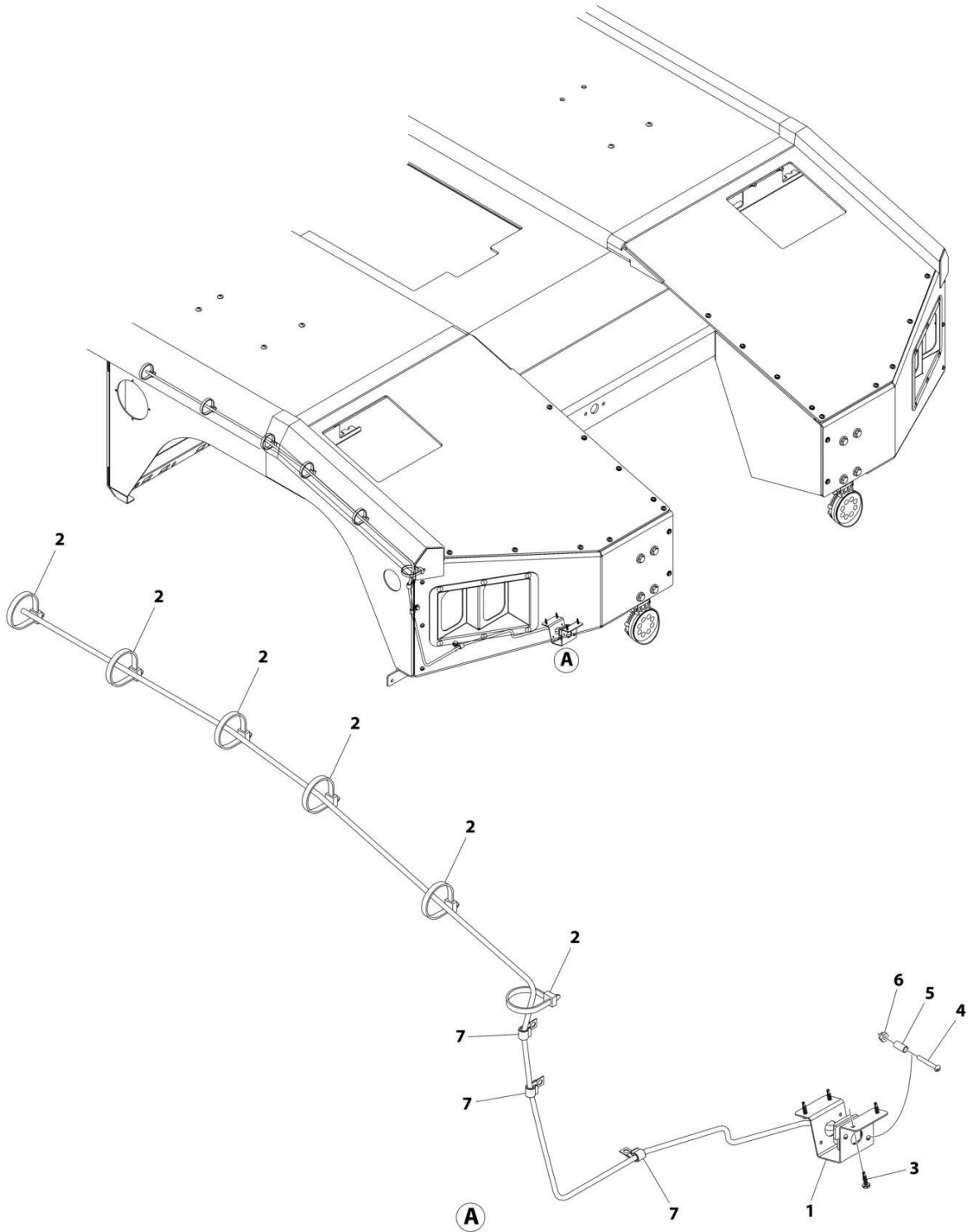
SECTION 7 - ELECTRICAL

FIGURE 7-7. BACKUP CAMERA INSTALLATION (CHASSIS SUPPLIED)

ITEM	PART NUMBER	QTY	DESCRIPTION	REV
	1001220181	Ref	Backup Camera Installation - Chassis (OEM Supplied)	B
1	7120000034	2	Screw #10 x 3/4	
2	5526000553	40	Tie Strap	
3	7280000018	2	Clip	

SECTION 7 - ELECTRICAL

FIGURE 7-8. BACKUP CAMERA INSTALLATION (CHASSIS SUPPLIED) (CV515)



ART_1001255485

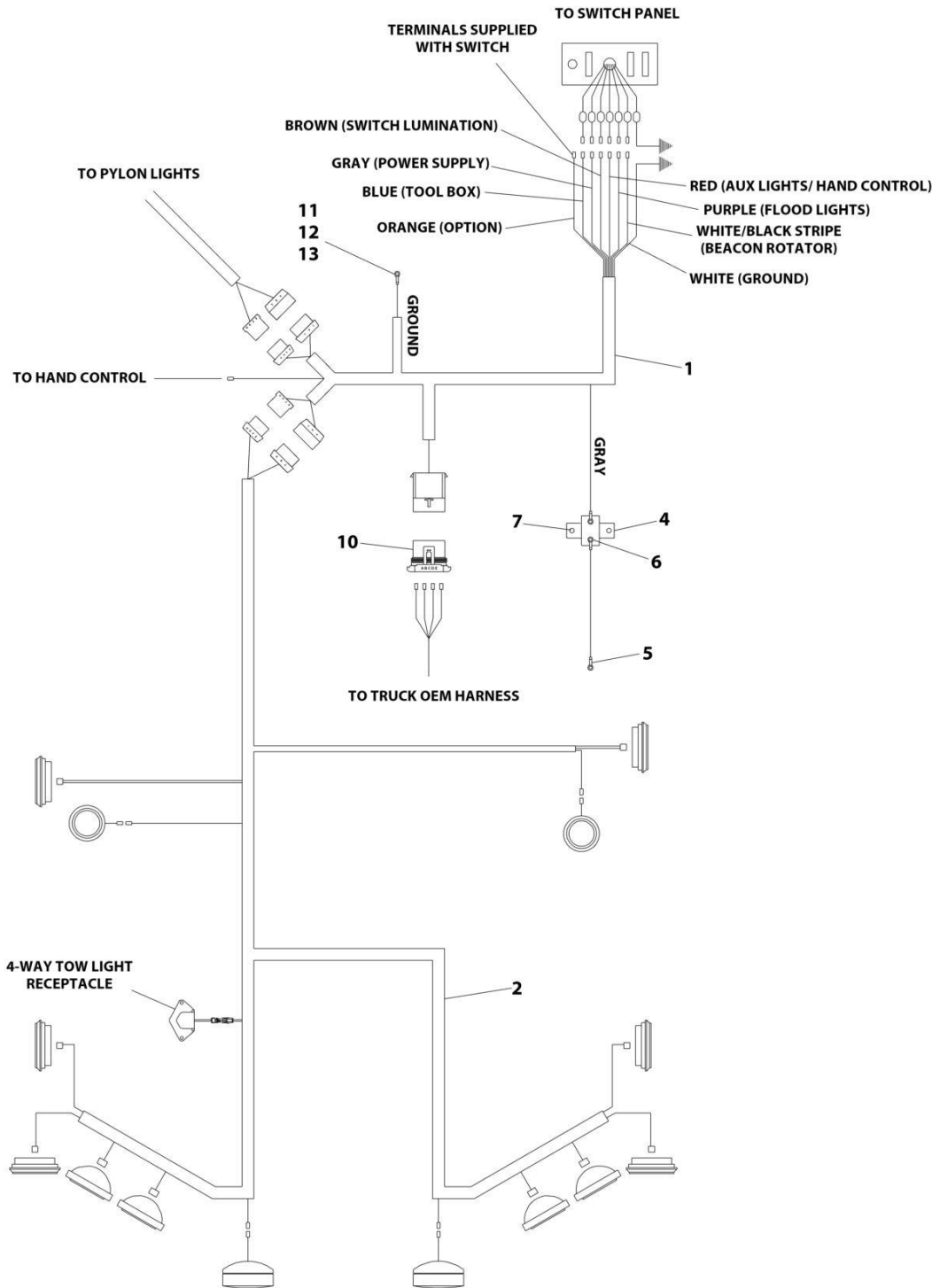
SECTION 7 - ELECTRICAL

FIGURE 7-8. BACKUP CAMERA INSTALLATION (CHASSIS SUPPLIED) (CV515)

ITEM	PART NUMBER	QTY	DESCRIPTION	REV
	1001255485	Ref	BACK UP CAMERA INSTALLATION - CHASSIS SUPPLIED (CV515 ONLY)	A
1	1001255484	1	Bracket	
2	5526000553	15	Tie Strap	
3	7120000034	4	Screw #10 x 3/4	
4	7114060810	2	Capscrew #6 x 1	
5	4564088	2	Spacer	
6	7660062604	2	Nut #6	
7	7280000018	5	Clip	

SECTION 7 - ELECTRICAL

FIGURE 7-9. BODY ELECTRICAL INSTALLATION (SN 0230002518 through 0230008713)



ART_2502330052

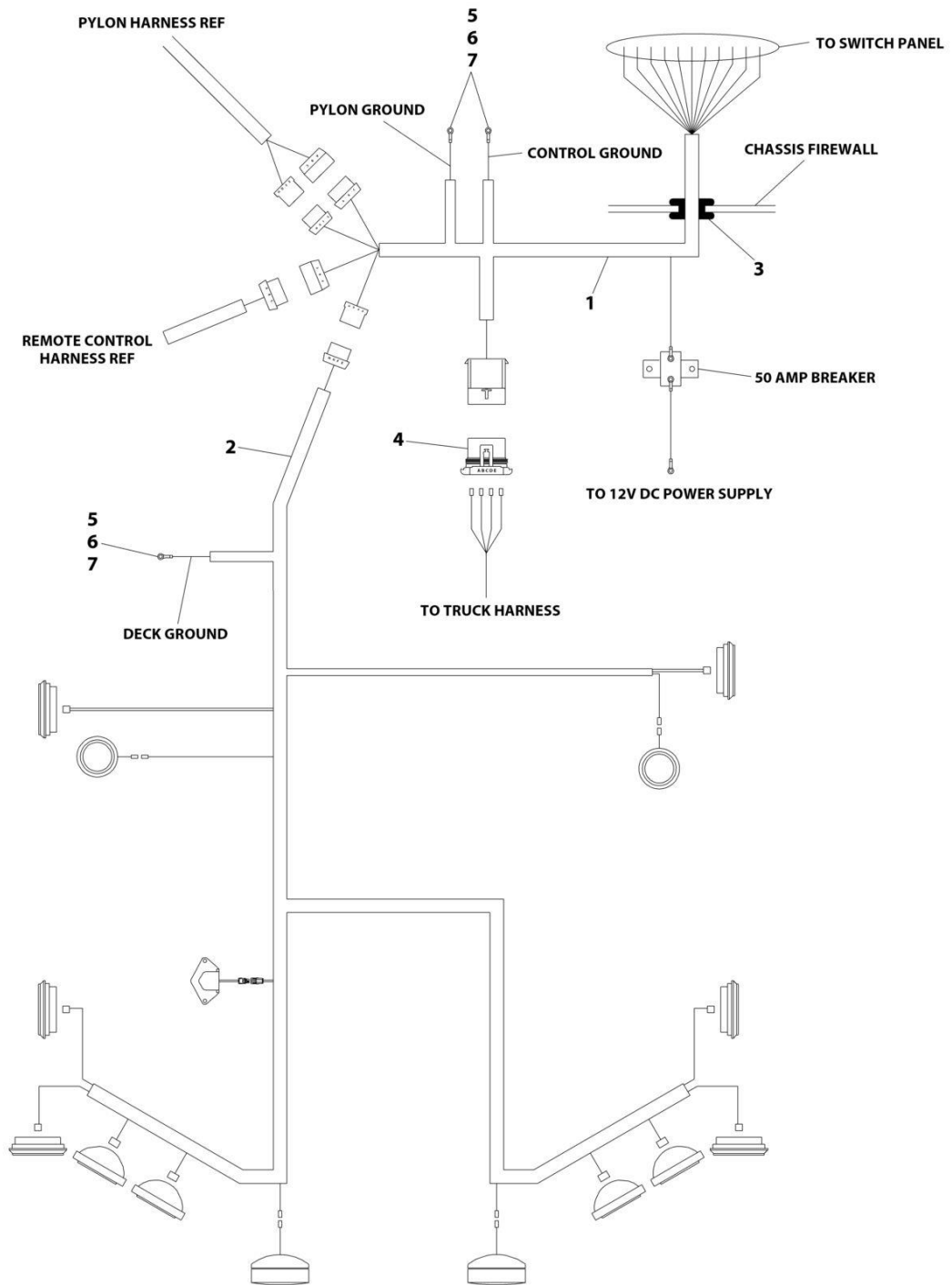
SECTION 7 - ELECTRICAL

FIGURE 7-9. BODY ELECTRICAL INSTALLATION (SN 0230002518 through 0230008713)

ITEM	PART NUMBER	QTY	DESCRIPTION	REV
	2502330052	Ref	BODY ELECTRICAL INSTALLATION	G
1	7552000234	1	Harness, Cab To Subframe (See Separate Breakdown In this Section)	
2	7552000235	1	Harness, Body (See Separate Breakdown In this Section)	
4	7457000004	AR	Breaker, Circuit	
5	1001129882	AR	Harness, Breaker	
6	79501100151	AR	Washer #10	
7	7790100856	AR	Screw #10 x 1/2	
9	7493000003	1	Grommet (Not Shown)	
10	7577000194	1	Kit, Chassis Wiring Connector	
11	7111141050	1	Bolt 1/4 x 1-1/4	
12	7660142600	1	Nut 1/4	
13	7950140141	2	Washer 1/4	
14	4346000005	AR	Heat Shrink (Not Shown)	

SECTION 7 - ELECTRICAL

FIGURE 7-10. BODY ELECTRICAL INSTALLATION (SN 0230008714 to Present)



ART_1001265917

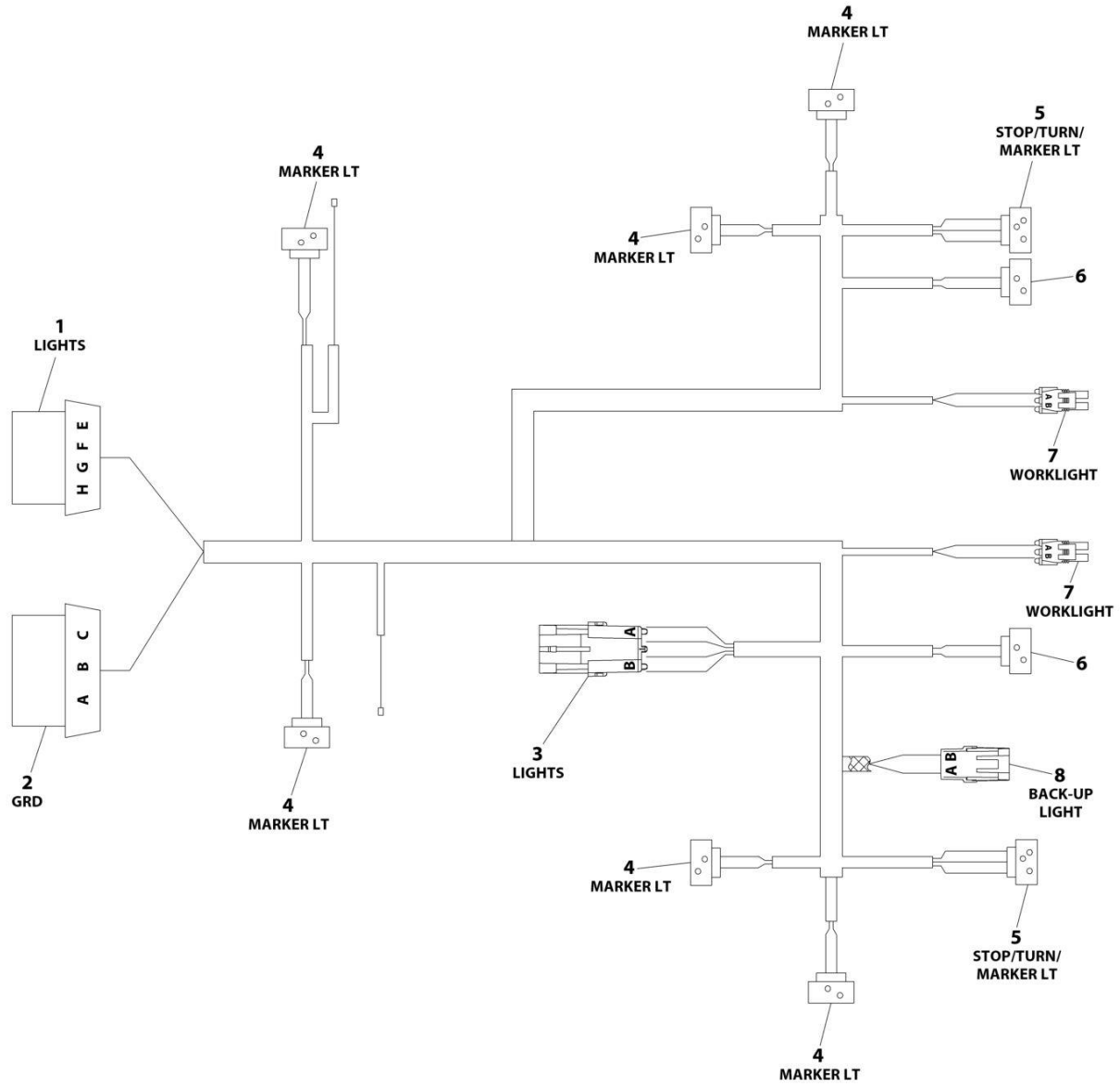
SECTION 7 - ELECTRICAL

FIGURE 7-10. BODY ELECTRICAL INSTALLATION (SN 0230008714 to Present)

ITEM	PART NUMBER	QTY	DESCRIPTION	REV
	1001265917	Ref	BODY ELECTRICAL INSTALLATION	A
1	1001263429	1	Harness, Cab To Subframe (See Separate Breakdown In this Section)	
2	1001265805	2	Harness, Body (See Separate Breakdown In this Section)	
3	7493000003	1	Grommet (Not Shown)	
4	7577000194	1	Kit, Chassis Wiring Connector	
5	7111141050	3	Bolt 1/4 x 1-1/4	
6	7660142600	3	Nut 1/4	
7	7950140141	6	Washer 1/4	

SECTION 7 - ELECTRICAL

FIGURE 7-11. BODY HARNESS (SN 0230002518 through 0230008713)



ART_7552000235

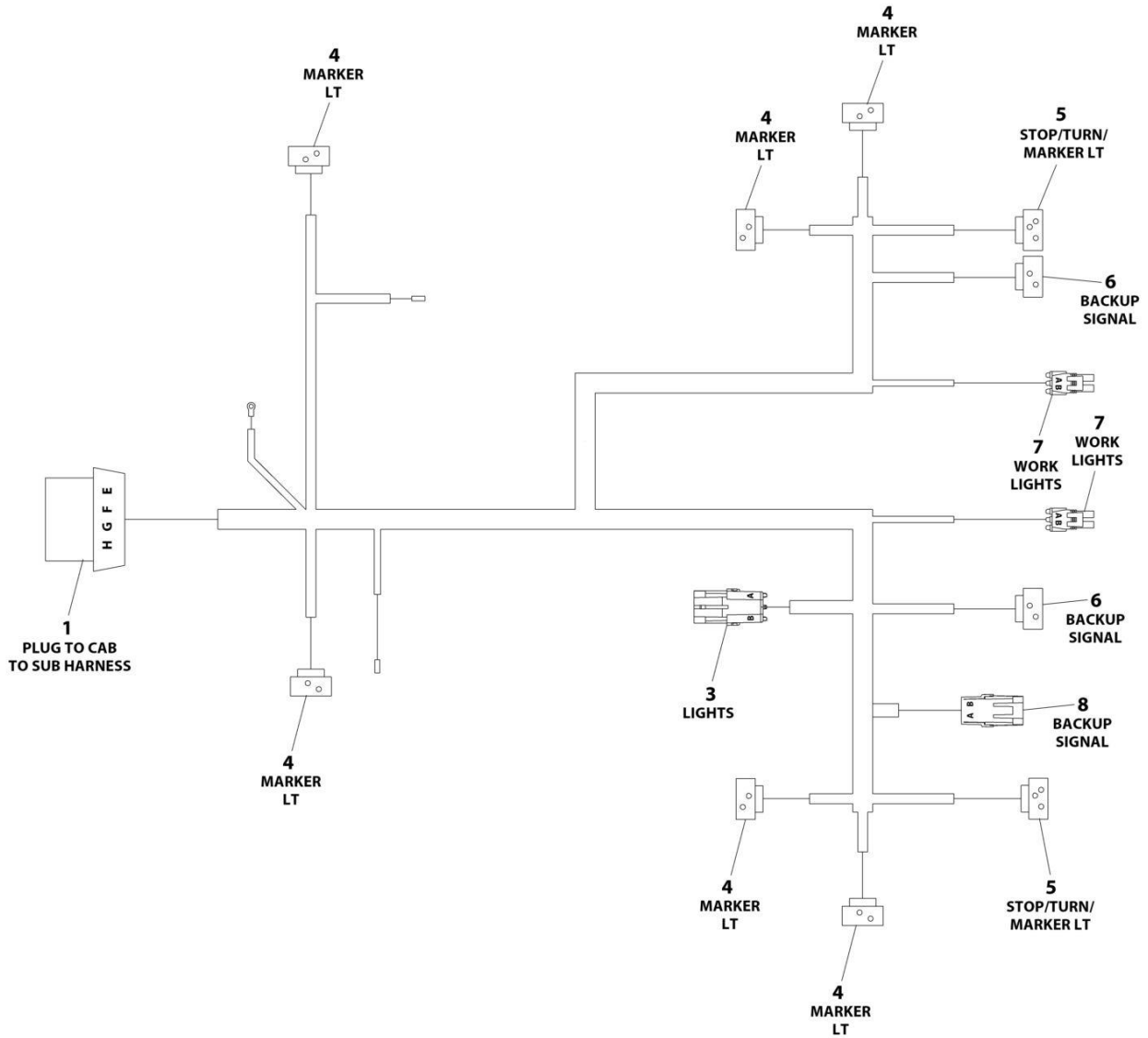
SECTION 7 - ELECTRICAL

FIGURE 7-11. BODY HARNESS (SN 0230002518 through 0230008713)

ITEM	PART NUMBER	QTY	DESCRIPTION	REV
	7552000235	Ref	BODY HARNESS	D
1	7346000144	1	Connector - 8 Position	
1	7346000147	6	Socket	
1	734600146	6	Seal	
1	7346000153	2	Plug, Terminal	
1	7346000145	1	Lock, Terminal	
2	7346000141	1	Connector - 3 Position	
2	7346000155	1	Terminal	
2	7346000104	2	Plug, Terminal	
2	7346000103	1	Seal	
2	7346000108	1	Lock	
3		Ref	Connector - 4 Position	
3	4460475	4	Terminal	
3		Ref	Seal	
4		Ref	Connector - 2 Position	
5		Ref	Connector - 3 Position	
6		Ref	Connector - 2 Position	
7	4460742	2	Connector - 2 Position	
7	4460457	4	Terminal	
7	4460458	4	Seal	
8	4460867	1	Connector	
8	4460475	2	Terminal	
8	4460458	2	Seal	

SECTION 7 - ELECTRICAL

FIGURE 7-12. BODY HARNESS (SN 0230008714 to Present)



ART_1001265805

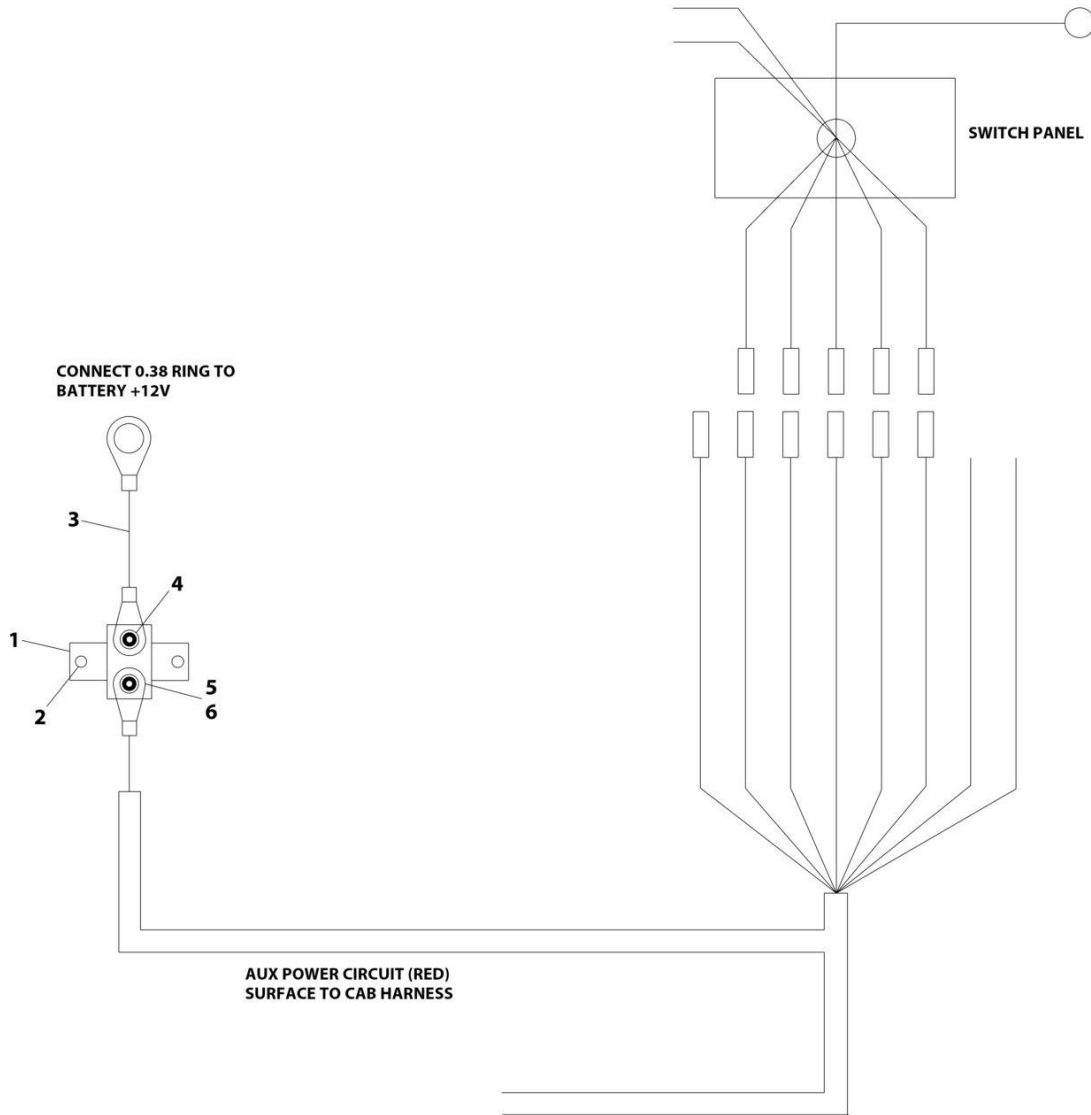
SECTION 7 - ELECTRICAL

FIGURE 7-12. BODY HARNESS (SN 0230008714 to Present)

ITEM	PART NUMBER	QTY	DESCRIPTION	REV
	1001265805	Ref	BODY HARNESS	B
1	4460588	1	Connector - 8 Position	
1	7346000147	6	Socket	
1	734600146	6	Seal	
1	7346000153	2	Plug, Terminal	
1	7346000145	1	Lock, Terminal	
3		Ref	Connector - 4 Position	
3	4460475	4	Terminal	
3		Ref	Seal	
4		Ref	Connector - 2 Position	
5		Ref	Connector - 3 Position	
6		Ref	Connector - 2 Position	
7	4460742	2	Connector - 2 Position	
7	4460457	4	Terminal	
7	4460458	4	Seal	
8	4460867	1	Connector	
8	4460475	2	Terminal	
8	4460458	2	Seal	

SECTION 7 - ELECTRICAL

FIGURE 7-13. BREAKER INSTALLATION - 50AMP



ART_1001129883

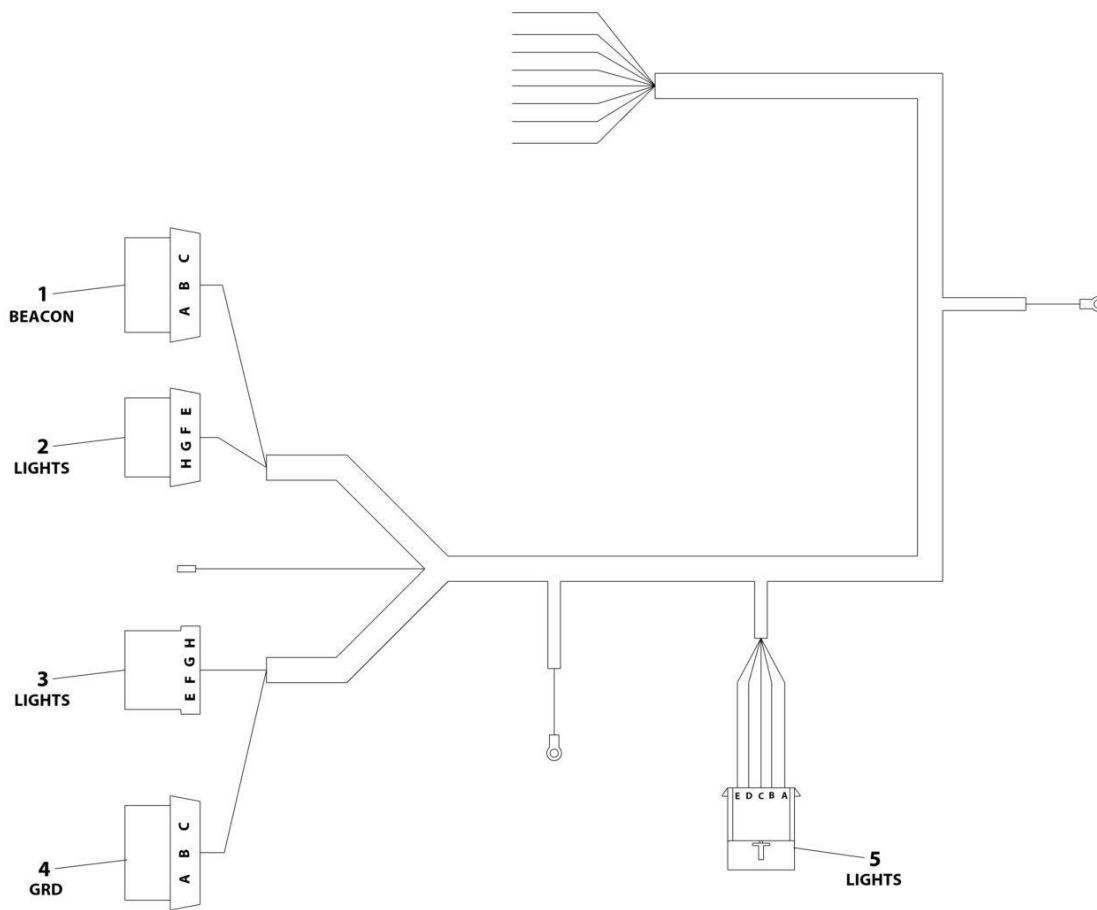
SECTION 7 - ELECTRICAL

FIGURE 7-13. BREAKER INSTALLATION - 50AMP

ITEM	PART NUMBER	QTY	DESCRIPTION	REV
	1001129883	Ref	50A BREAKER INSTALLATION	C
1	7457000004	1	Breaker, 50A	
2	7120000034	2	Screw #10 x 3/4	
3	1001129882	1	Harness	
4	7950100151	2	Washer 3/16	
5	7345221902	1	Terminal	
6	4346000005	1	Heat Shrink	

SECTION 7 - ELECTRICAL

FIGURE 7-14. CAB TO SUBFRAME HARNESS (SN 0230002518 through 0230008713)



ART_7552000234

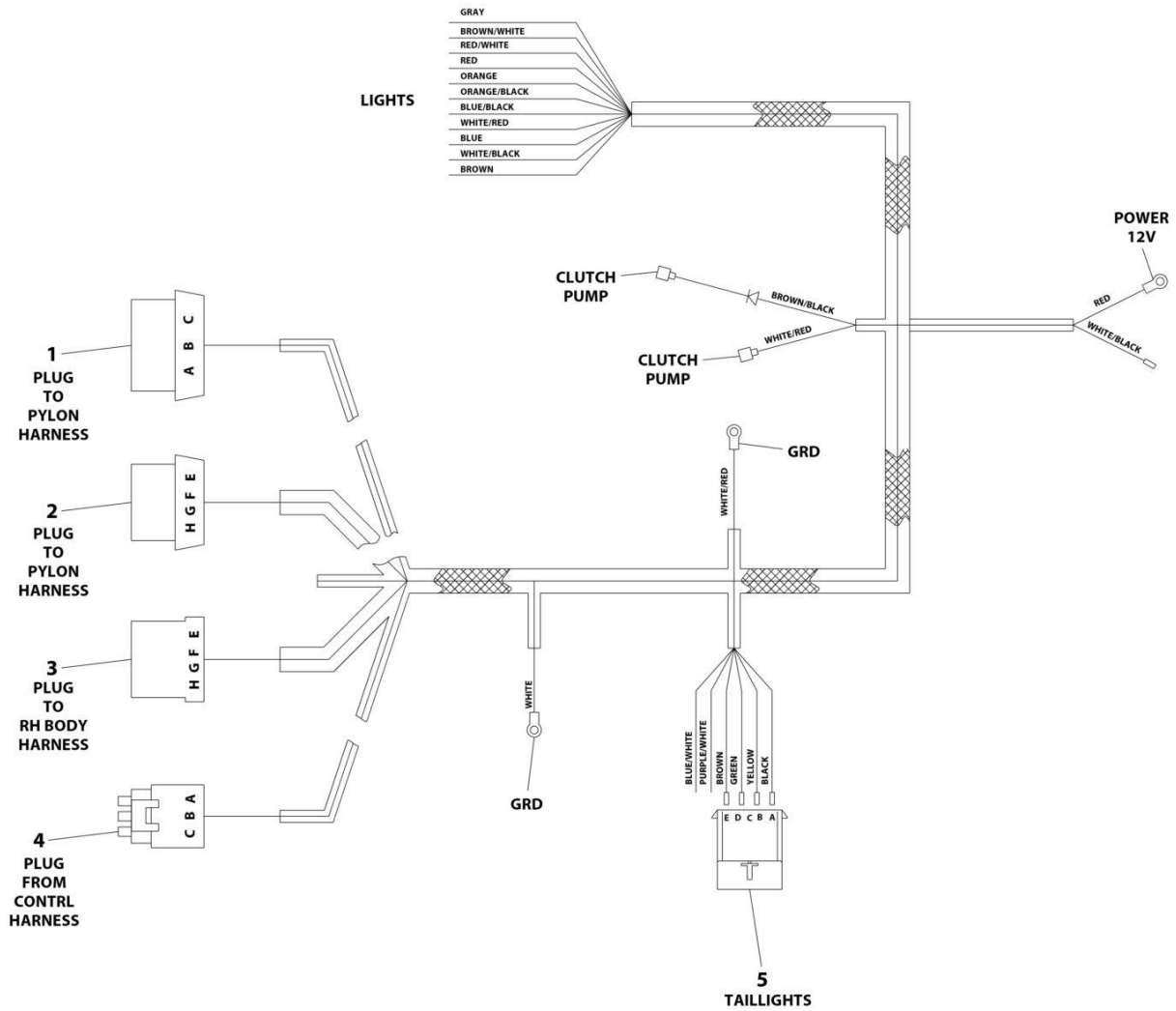
SECTION 7 - ELECTRICAL

FIGURE 7-14. CAB TO SUBFRAME HARNESS (SN 0230002518 through 0230008713)

ITEM	PART NUMBER	QTY	DESCRIPTION	REV
	7552000234	Ref	CAB AND SUBFRAME HARNESS	B
1	8220935	1	Connector	
1	7346000108	1	Lock	
1		Ref	Seal	
1	8220099	3	Terminal	
2	4460587	1	Connector	
2		Ref	Lock	
2	7346000146	1	Seal	
2	4460589	6	Terminal	
2	4461215	2	Plug, Terminal	
3	4460692	1	Connector	
3	4460695	1	Lock	
3	4460608	1	Seal	
3	4460693	6	Terminal	
3	4461215	2	Plug, Terminal	
4	8220934	1	Connector	
4	7346000108	1	Lock	
4	8220100	6	Terminal	
4	7346000146	6	Seal	
4	8220101	2	Plug, Terminal	
5	1001121727	1	Connector	
5		Ref	Lock	
5		Ref	Terminal	
5		Ref	Seal	

SECTION 7 - ELECTRICAL

FIGURE 7-15. CAB TO SUBFRAME HARNESS (SN 0230008714 to Present)



ART_1001263429

SECTION 7 - ELECTRICAL

FIGURE 7-15. CAB TO SUBFRAME HARNESS (SN 0230008714 to Present)

ITEM	PART NUMBER	QTY	DESCRIPTION	REV
	1001263429	Ref	CAB AND SUBFRAME HARNESS	A
1	8220935	1	Connector	
1		Ref	Lock	
1		Ref	Seal	
1	8220099	1	Terminal	
2	4460587	1	Connector	
2	4460588	1	Lock	
2	4460608	1	Seal	
2	4460589	1	Terminal	
3	4460692	1	Connector	
3	4460588	1	Lock	
3	4460608	1	Seal	
3	4460693	1	Terminal	
4		Ref	Connector	
4	4460457	1	Terminal	
4	8220081	1	Seal	
5	1001121727	1	Connector	
5		Ref	Lock	
5	1001116729	1	Terminal	
5		Ref	Seal	
5	1001116727	1	Plug	

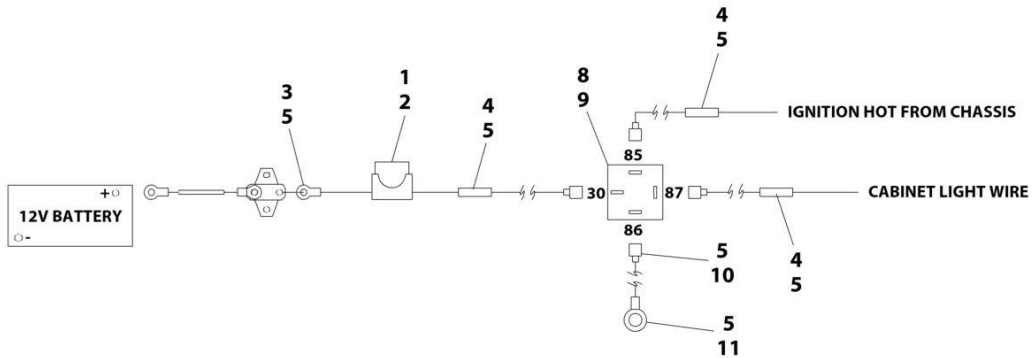
SECTION 7 - ELECTRICAL

FIGURE 7-16. CABINET LIGHT AND FUSE INSTALLATION

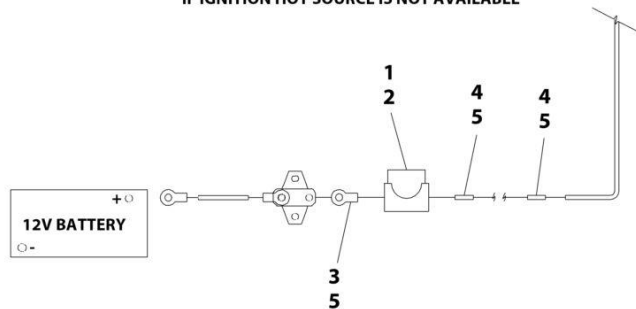
IF POSSIBLE, CONNECT THE CABINET LIGHT CIRCUIT TO AN IGNITION HOT SOURCE CAPABLE OF HANDLING A 10A DRAW



IF IGNITION HOT SOURCE IS NOT CAPABLE OF HANDLING AMP DRAW(10A)



IF IGNITION HOT SOURCE IS NOT AVAILABLE



ART_1001135689

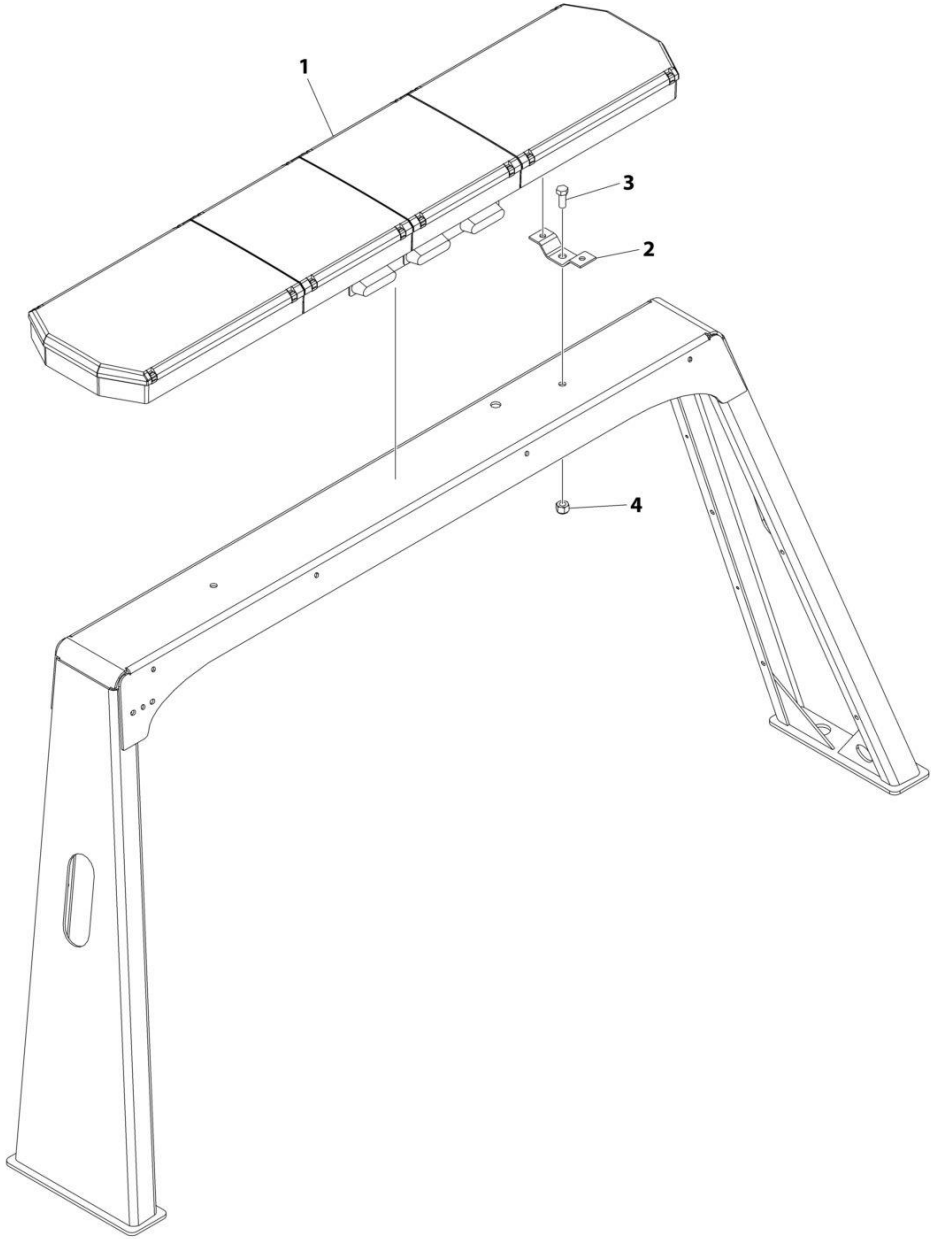
SECTION 7 - ELECTRICAL

FIGURE 7-16. CABINET LIGHT AND FUSE INSTALLATION

ITEM	PART NUMBER	QTY	DESCRIPTION	REV
	1001135689	Ref	CABINET LIGHT AND FUSE INSTALLATION	C
1	7346000126	1	Fuse Holder	
2	7457000014	1	Fuse	
3	7345221902	1	Terminal	
4	7345001714	3	Terminal	
5	4346000005	8	Heat Shrink Tubing	
8	7740000003	1	Relay	
9	7120000034	1	Screw #10 x 3/4	
10	7345001710	4	Tab	
11	7345221702	1	Terminal	

SECTION 7 - ELECTRICAL

FIGURE 7-17. LIGHTBAR INSTALLATION - CODE 3 BRAND (58IN 4 LIGHT)



ART_2590000279

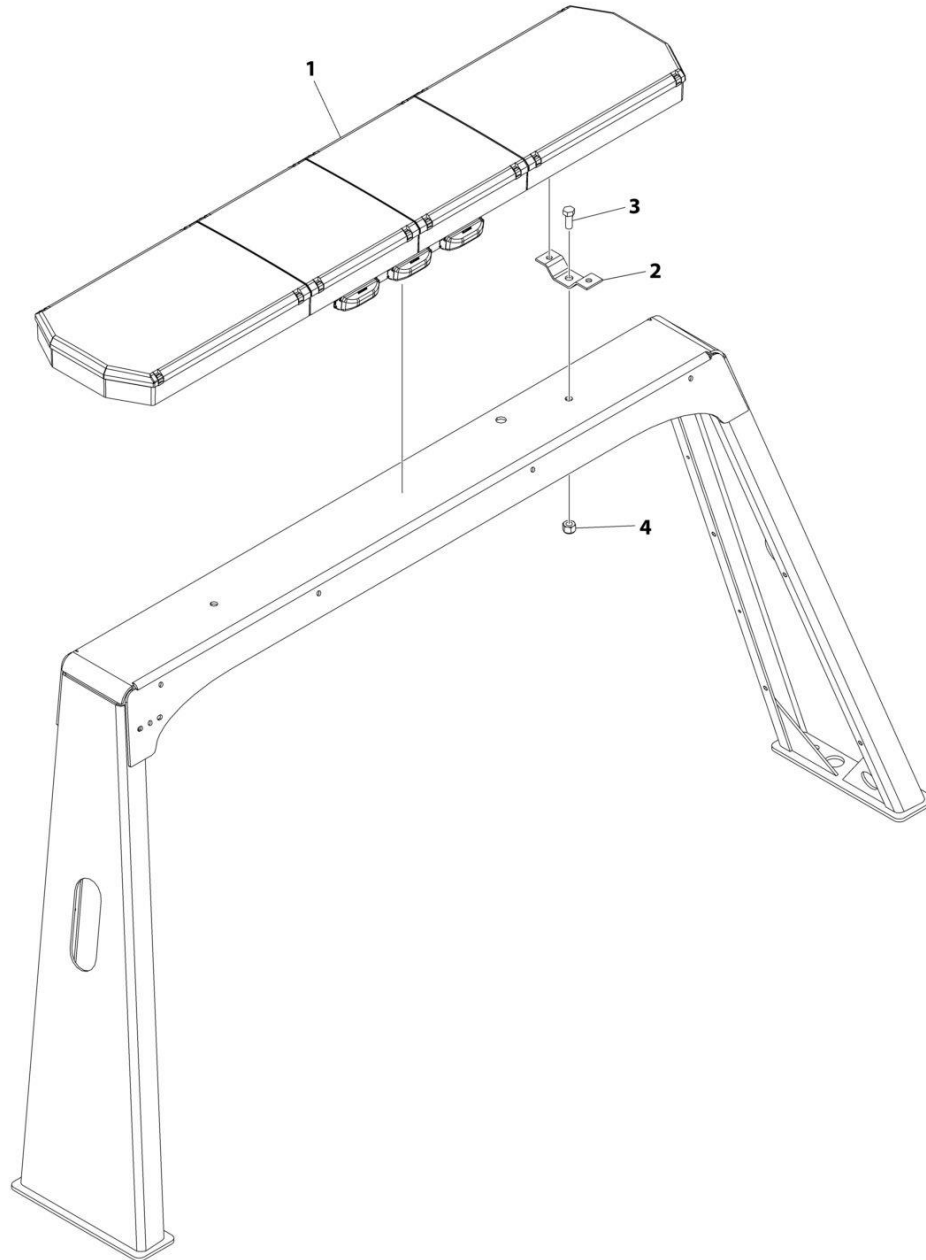
SECTION 7 - ELECTRICAL

FIGURE 7-17. LIGHTBAR INSTALLATION - CODE 3 BRAND (58IN 4 LIGHT)

ITEM	PART NUMBER	QTY	DESCRIPTION	REV
	2590000279	Ref	LIGHTBAR INSTALLATION	B
1	1001136992	1	Lightbar (See Separate Breakdown in this Section)	
2	4178000402	2	Bracket	
3	7115181050	2	Bolt 1/2 x 1-1/4	
4	7660182601	2	Nut 1/2	
5	7345001914	1	Terminal (Not Shown)	
6	7346000039	AR	Tube (Not Shown)	

SECTION 7 - ELECTRICAL

FIGURE 7-18. LIGHTBAR INSTALLATION - CODE 3 BRAND (58IN 10 LIGHT)



ART_2590000254

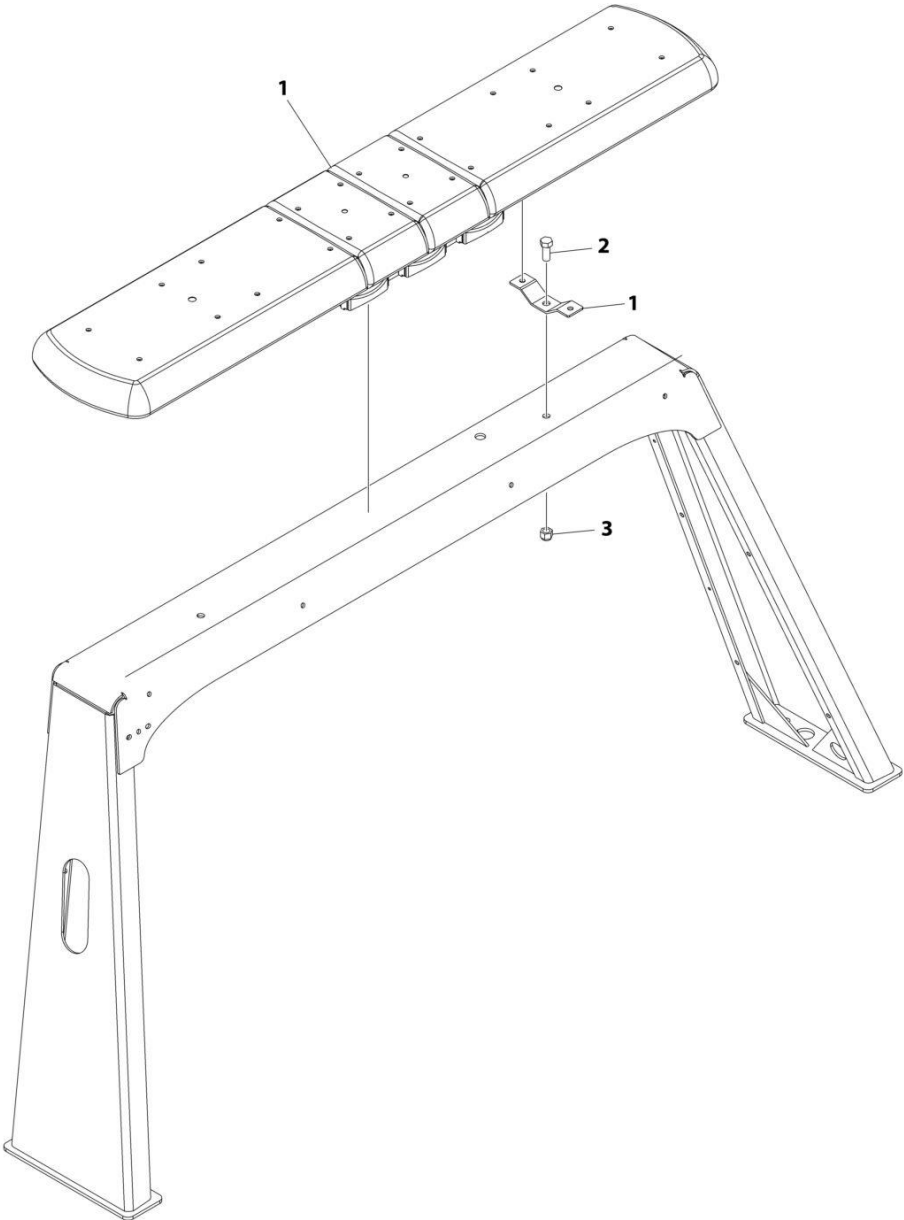
SECTION 7 - ELECTRICAL

FIGURE 7-18. LIGHTBAR INSTALLATION - CODE 3 BRAND (58IN 10 LIGHT)

ITEM	PART NUMBER	QTY	DESCRIPTION	REV
	2590000254	Ref	LIGHTBAR INSTALLATION	E
1	1001136990	1	Lightbar (See Separate Breakdown in this Section)	
2	4178000402	2	Bracket	
3	7115181050	2	Bolt 1/2 x 1-1/4	
4	7660182601	2	Nut 1/2	

SECTION 7 - ELECTRICAL

FIGURE 7-19. LIGHTBAR INSTALLATION - ECCO (60IN)



ART_1001259576

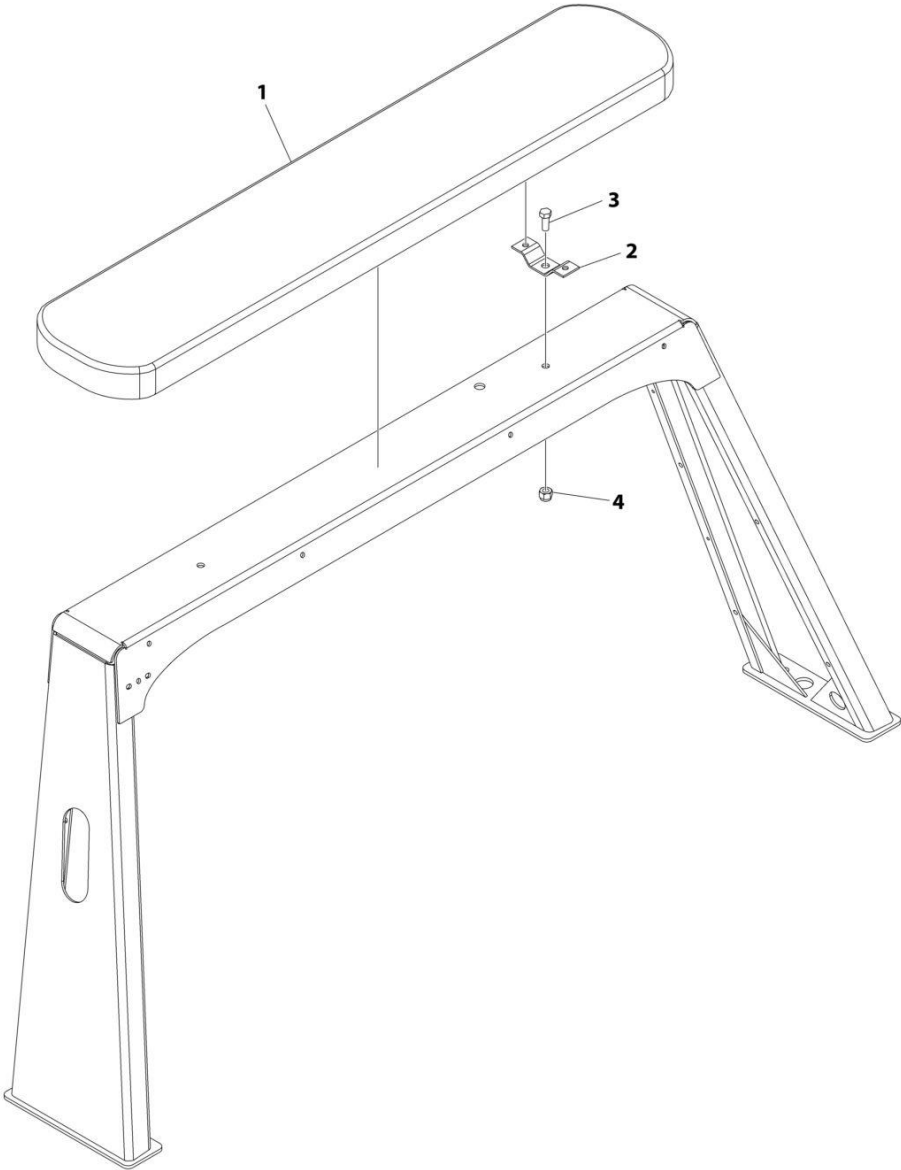
SECTION 7 - ELECTRICAL

FIGURE 7-19. LIGHTBAR INSTALLATION - ECCO (60IN)

ITEM	PART NUMBER	QTY	DESCRIPTION	REV
	1001259576	Ref	LIGHTBAR INSTALLATION - ECCO 60IN (STANDARD MOUNT)	A
1	1001247139	1	Lightbar Assembly (See Separate Breakdown in this Section)	
2	0641810	2	Bolt 1/2 x 1-1/4	
3	7660182601	2	Nut 1/2	

SECTION 7 - ELECTRICAL

FIGURE 7-20. LIGHTBAR INSTALLATION - WHELEN BRAND (60IN 4 LIGHT)



ART_1001137519

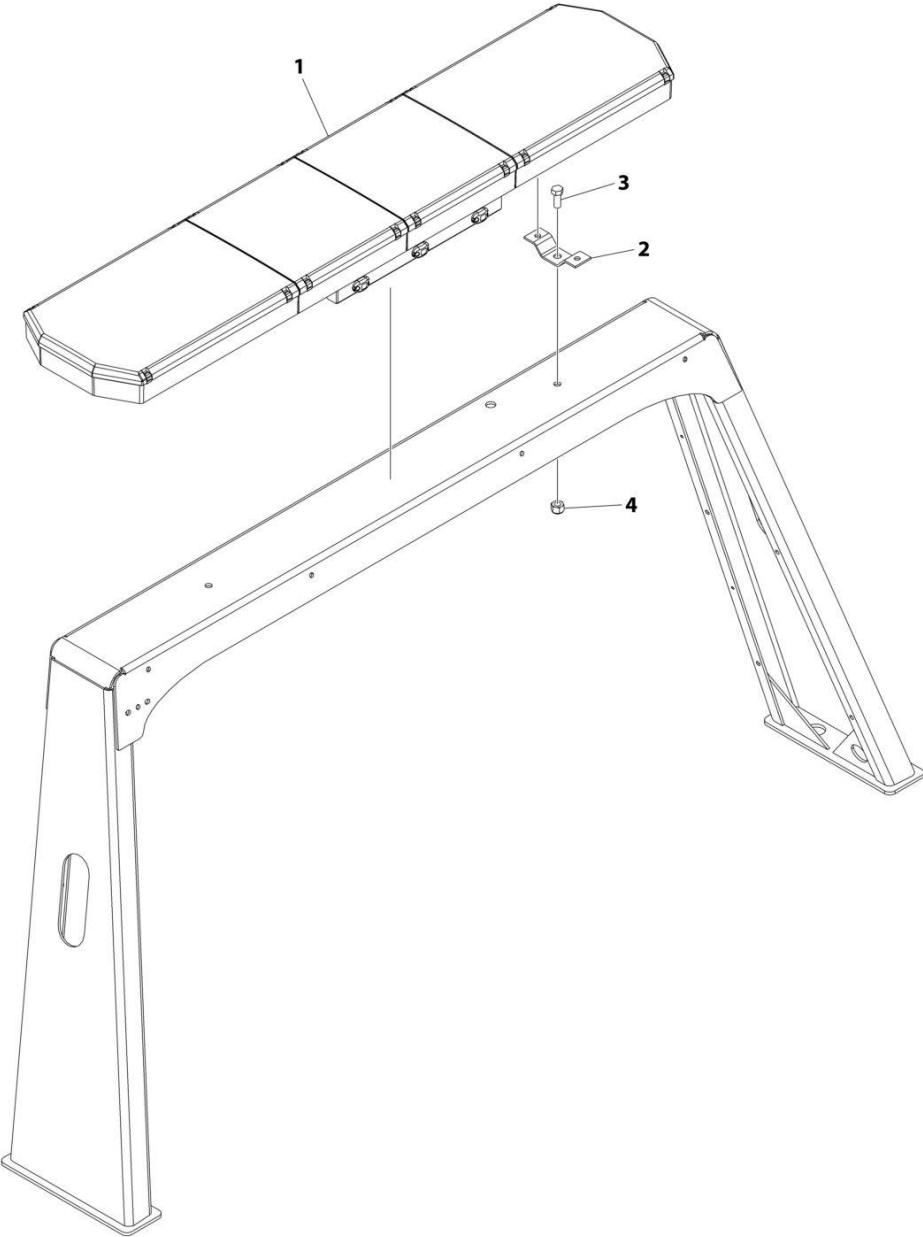
SECTION 7 - ELECTRICAL

FIGURE 7-20. LIGHTBAR INSTALLATION - WHELEN BRAND (60IN 4 LIGHT)

ITEM	PART NUMBER	QTY	DESCRIPTION	REV
	1001137519	Ref	LIGHT - LIGHTBAR INSTALLATION - 60IN AMBER 8 LED WHELEN (STANDARD MOUNT)	B
1	1001199475	1	Lamp (See Separate Breakdown in this Section)	
2	4178000402	2	Bracket	
3	7115181050	2	Bolt 1/2 x 1-1/4	
4	7660182601	2	Nut 1/2	

SECTION 7 - ELECTRICAL

FIGURE 7-21. LIGHTBAR INSTALLATION - WHELEN BRAND (60IN 4 LIGHT)



ART_1001137520

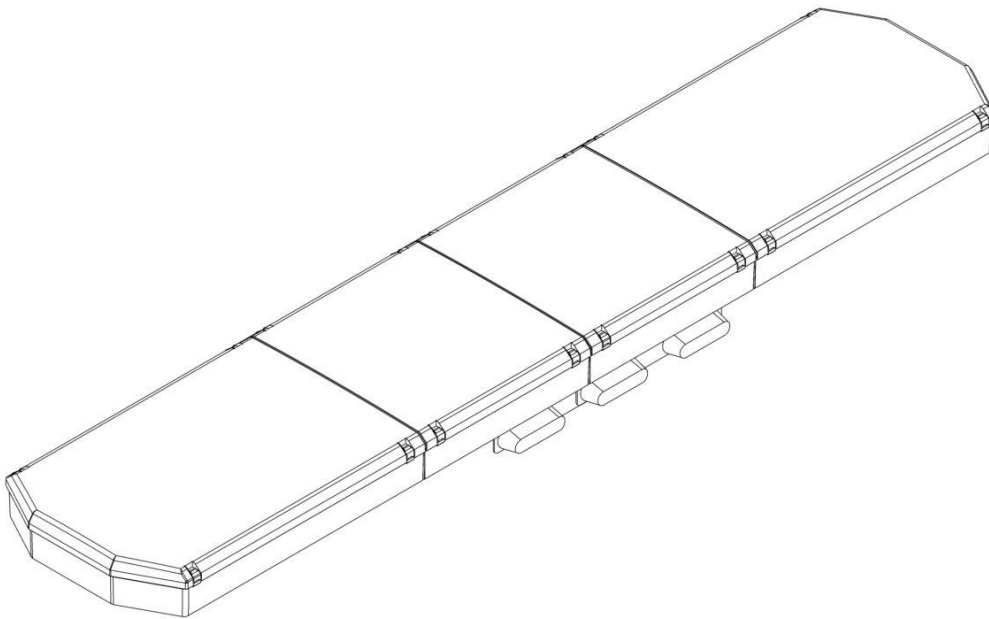
SECTION 7 - ELECTRICAL

FIGURE 7-21. LIGHTBAR INSTALLATION - WHELEN BRAND (60IN 4 LIGHT)

ITEM	PART NUMBER	QTY	DESCRIPTION	REV
	1001137520	Ref	LIGHTBAR INSTALLATION	B
1	1001199475	1	Lightbar Assembly (See Separate Breakdown in this Section)	
2	4178000402	2	Bracket	
3	7115181050	2	Bolt 1/2 x 1-1/4	
4	7660182601	2	Nut 1/2	

SECTION 7 - ELECTRICAL

FIGURE 7-22. LIGHTBAR ASSEMBLY - CODE 3 BRAND (58IN 4 LIGHT)



ART_1001136992

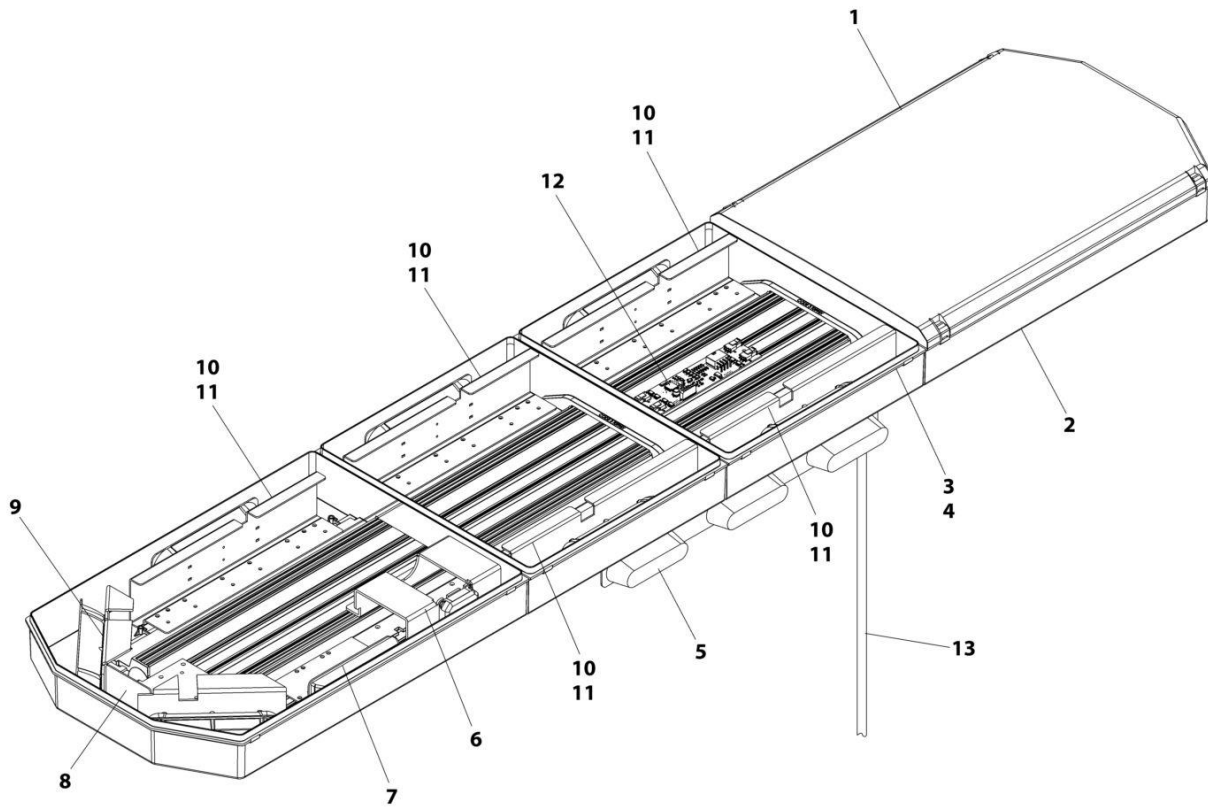
SECTION 7 - ELECTRICAL

FIGURE 7-22. LIGHTBAR ASSEMBLY - CODE 3 BRAND (58IN 4 LIGHT)

ITEM	PART NUMBER	QTY	DESCRIPTION	REV
	1001136992	Ref Ref	LIGHTBAR ASSEMBLY Note: No Service Parts Available at Time of Printing	A

SECTION 7 - ELECTRICAL

FIGURE 7-23. LIGHTBAR ASSEMBLY - CODE 3 BRAND (58IN 10 LIGHT)



ART_1001136990

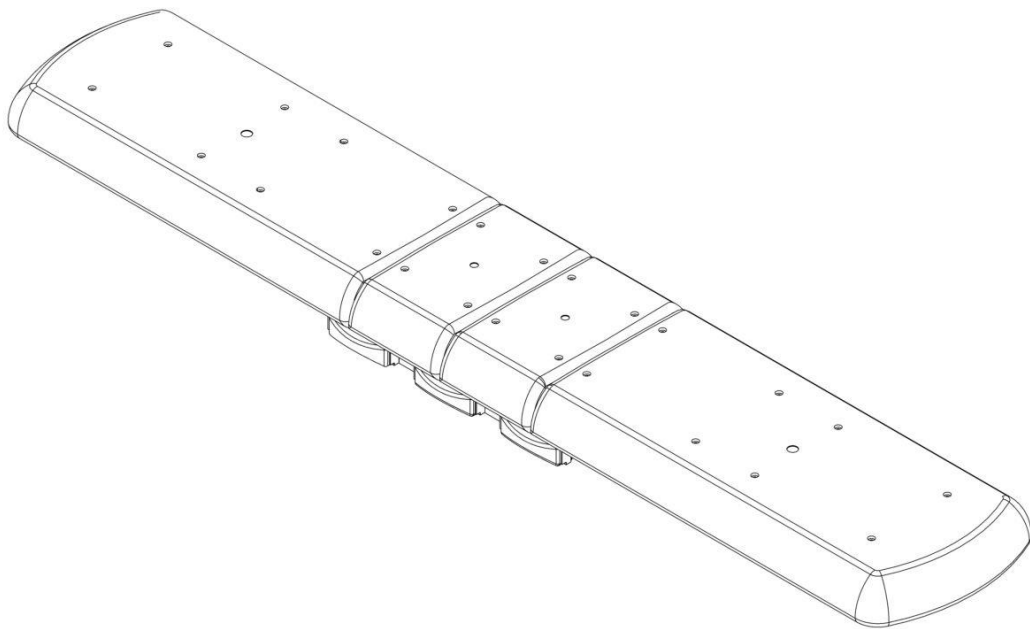
SECTION 7 - ELECTRICAL

FIGURE 7-23. LIGHTBAR ASSEMBLY - CODE 3 BRAND (58IN 10 LIGHT)

ITEM	PART NUMBER	QTY	DESCRIPTION	REV
	1001136990	Ref	LIGHTS - LAMP ASSEMBLY - 58IN AMBER CODE3	D
1	9590310197	2	Lens, Clear Upper Outboard	
2	9590310200	2	Lens, Clear, Lower Outboard	
3	9590310203	2	Lens, Clear Lower Center	
4	9590310195	2	Lens, Clear Upper Center	
5	1001126269	1	3 Light D.O.T. Strip	
6	70050164	2	Worklight, LED	
7	1001130702	2	Module, LED Stop/Tail/Turn	
8	70050166	4	Bracket, Blank	
9	9590310206	4	Module, Bracket	
10	9590310205	6	Module, Led Amber	
11	9590310202	6	Bracket, Mounting	
12	70050167	1	Controller, General	
13	70050165	1	Cable, Jerr-Dan 9 Wire	
14	70050980	1	Harness, Internal Input (Not Shown)	
15	70050981	1	Harness, Internal Output (Not Shown)	

SECTION 7 - ELECTRICAL

FIGURE 7-24. LIGHTBAR ASSEMBLY - ECCO 60IN



ART_1001247139

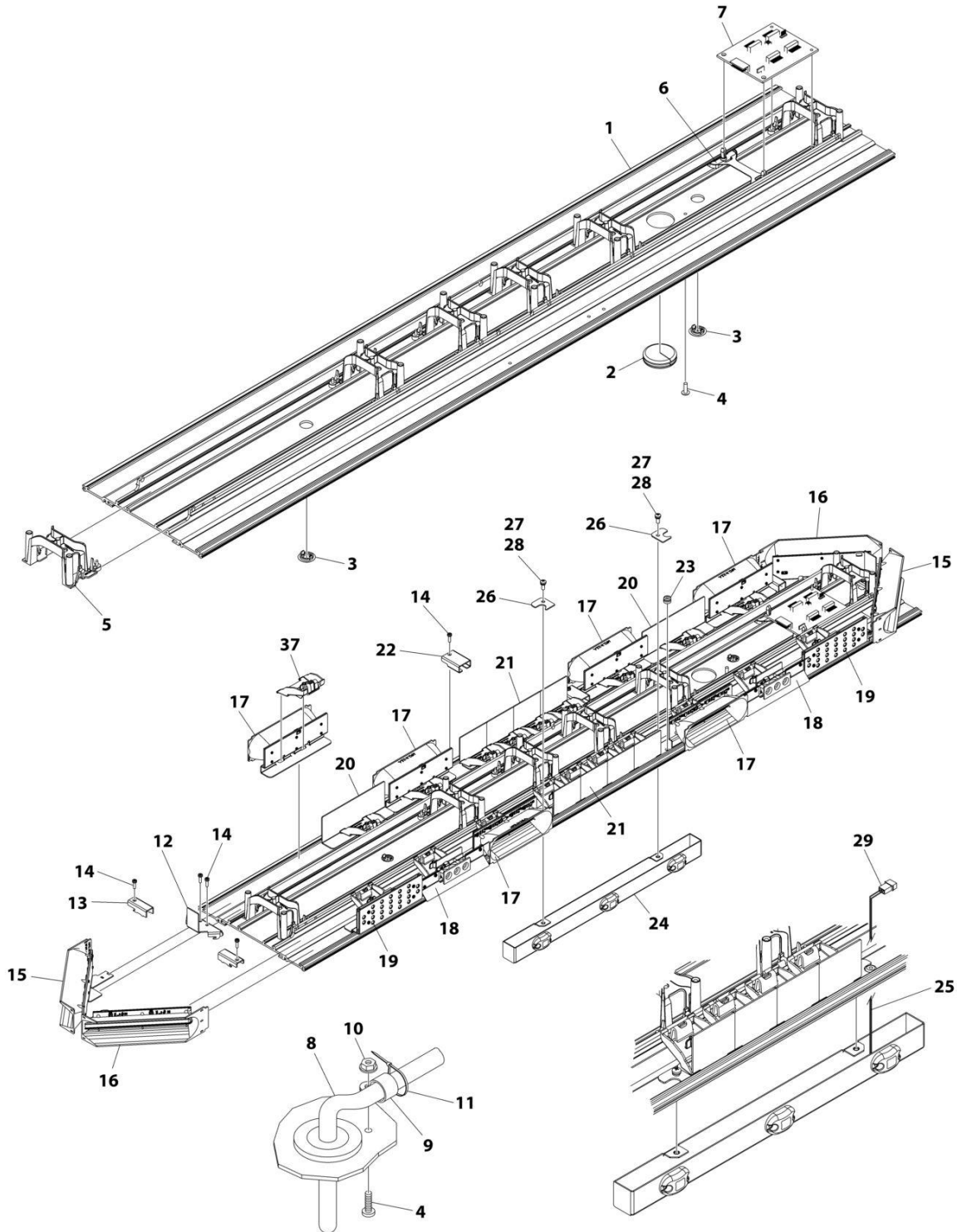
SECTION 7 - ELECTRICAL

FIGURE 7-24. LIGHTBAR ASSEMBLY - ECCO 60IN

ITEM	PART NUMBER	QTY	DESCRIPTION	REV
	1001247139	Ref	LIGHTBAR ASSEMBLY - ECCO	A
	70070000	AR	Module, Amber	
	70070001	1 pr	Light, Work/Alley	
	70070002	1	Cable Kit (Includes 2 Modules, Harness & Stop/Turn/Taillight Cables)	
	70070003	1	PC Board, Driver	

SECTION 7 - ELECTRICAL

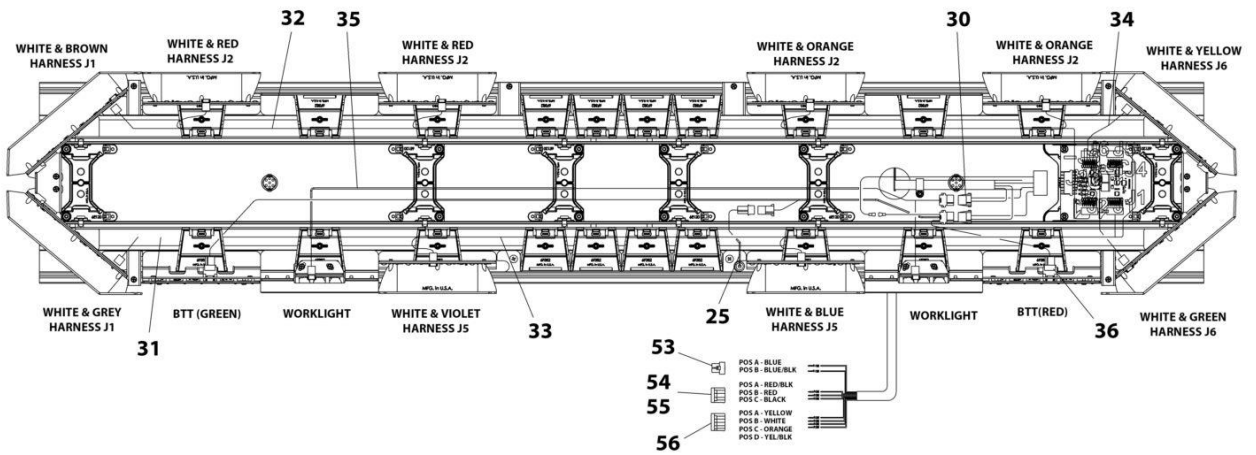
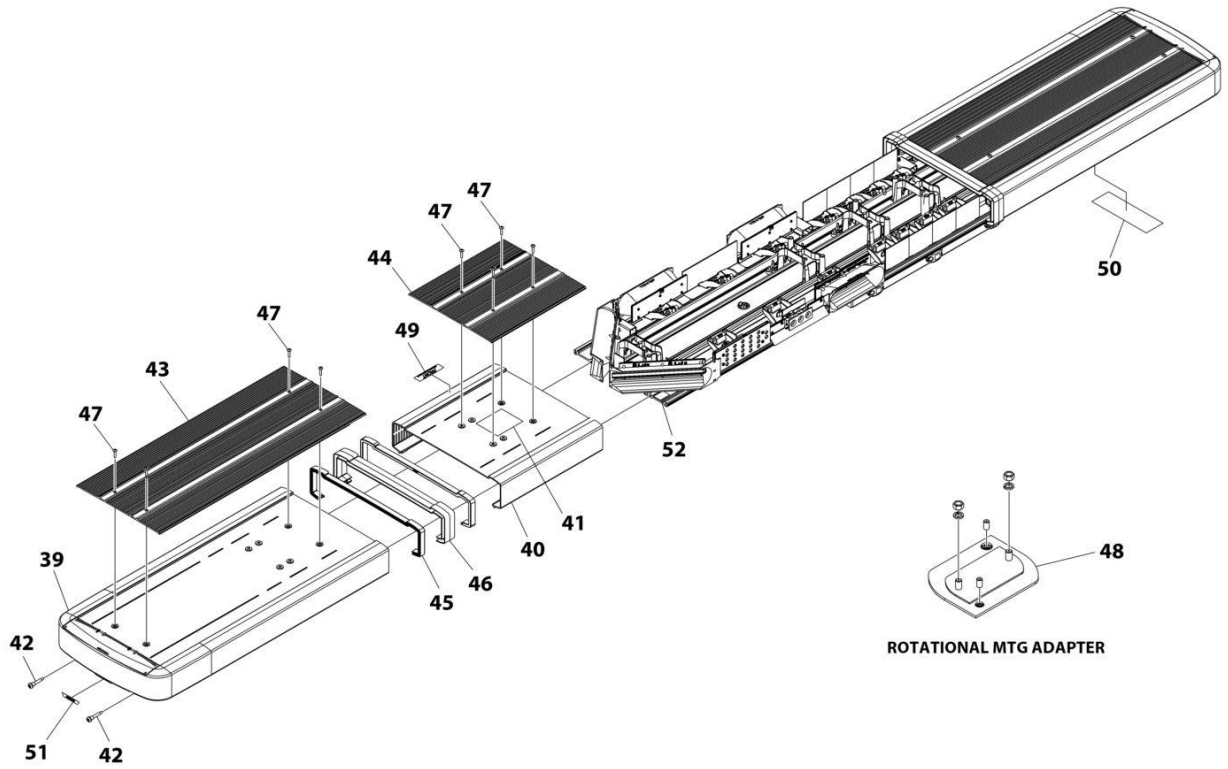
FIGURE 7-25. LIGHTBAR ASSEMBLY - WHELEN 60IN



INPUT CABLE DETAIL

ART_1001199475_10F2

SECTION 7 - ELECTRICAL



ART_1001199475_20F2

SECTION 7 - ELECTRICAL

FIGURE 7-25. LIGHTBAR ASSEMBLY - WHELEN 60IN

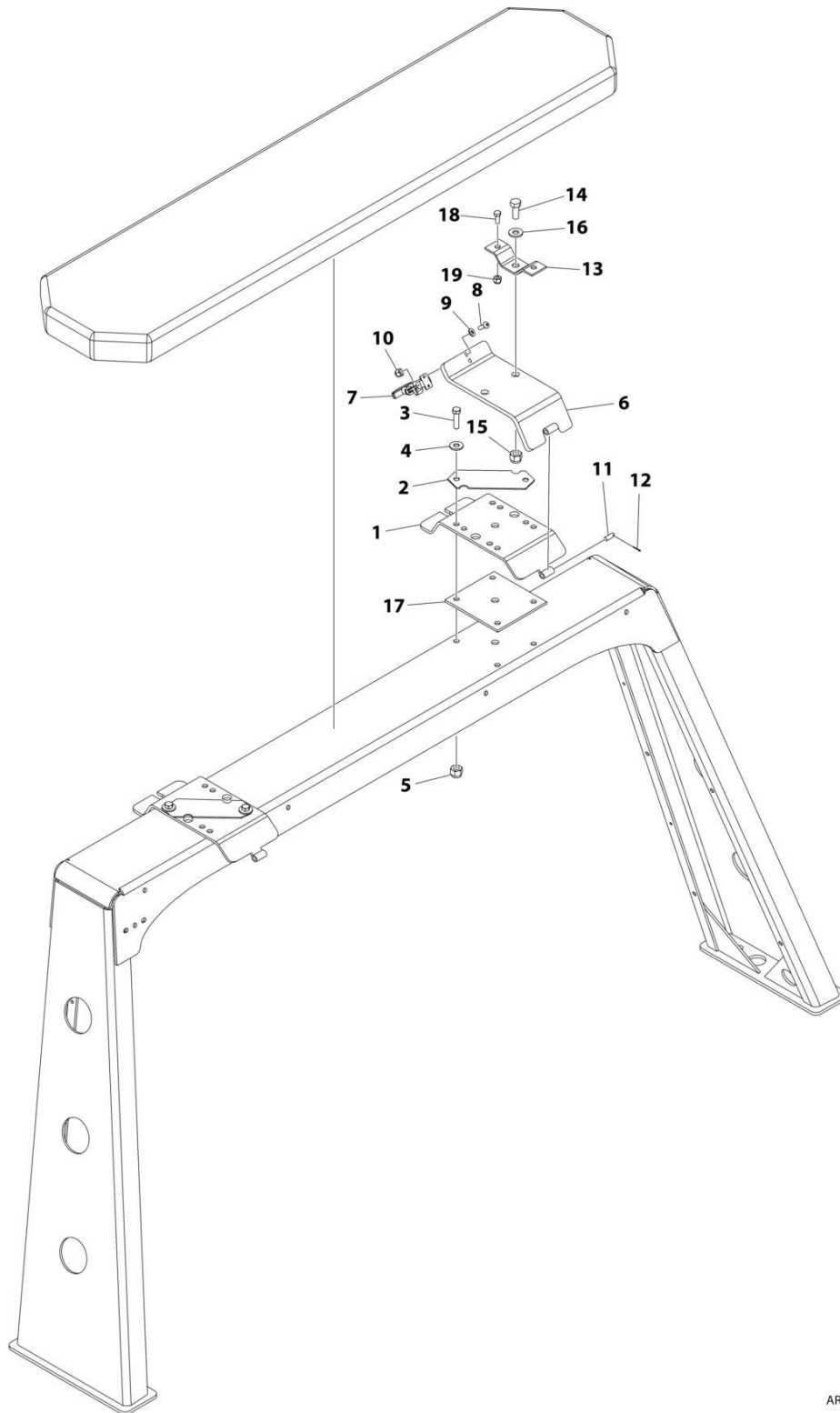
ITEM	PART NUMBER	QTY	DESCRIPTION	REV
	1001199475	Ref	LIGHTS - LAMP ASSEMBLY - 60IN AMBER WHELEN	B
1	70051058	1	Base	
2	70050169	1	Grommet	
3	70050170	2	Plug	
4	70051059	1	Screw #10 x 5/8	
5	70051021	6	Bracket	
6	70051022	1	Bracket	
7	70051023	1	Circuit Board	
8	70051060	1	Cable	
9	70050665	1	Clamp	
10	70050174	1	Nut #10	
11	70051026	AR	Tie Wrap	
12	70051027	2	Bracket	
13	70051035	4	Bracket	
14	70051028	10	Screw #6 x 1/2	
15	70051029	2	Lamp, Rear Amber	
16	70051030	2	Lamp, Front Amber	
17	70051063	6	Lamp, 6 LED	
18	70051064	2	Lamp, 3 LED	
19	70051065	2	Lamp	
20	70051066	2	Bracket	
21	70051036	8	Bracket	
22	70051039	2	Bracket	
23	70050176	1	Grommet	
24	70051068	1	Lamp	
25	70050178	1	Harness	
26	70051069	2	Bracket	
27	70050179	2	Screw #10 x 1/2	
28	70050180	2	Lockwasher #10	
29	70050181	1	Housing	
30	70050175	2	Housing	
31	70051070	1	Harness	
32	70051071	1	Harness	
33	70051072	1	Harness	
34	70051073	1	Harness	
35	70051074	1	Harness	
36	70051075	1	Harness	
37	70051044	20	Bracket	
38	70051045	AR	Tie Wrap (Not Shown)	
39	70051076	1	Lens	
40	70051077	1	Lens	
41	70051078	1	Label	
42	70050203	4	Screw #10 x 1-1/4	
43	70051062	2	Cover	
44	70051061	1	Cover	
45	70051048	4	Seal	
46	70051049	2	Lens	
47	70051053	12	Screw #10 x 7/8	
48	70050204	2	Adapter	
49	70051055	1	Label	

SECTION 7 - ELECTRICAL

ITEM	PART NUMBER	QTY	DESCRIPTION	REV
50	70050207	1	Label	
51	70051056	2	Label	
52	70051057	1	Label	
53	70050208	1	Housing	
54	70050209	1	Connector	
55	70050210	1	Housing	
56	70050211	1	Housing	

SECTION 7 - ELECTRICAL

FIGURE 7-26. LIGHTBAR BRACKET INSTALLATION (FOLDING) (ALUMINUM BODY)



ART_2512570086

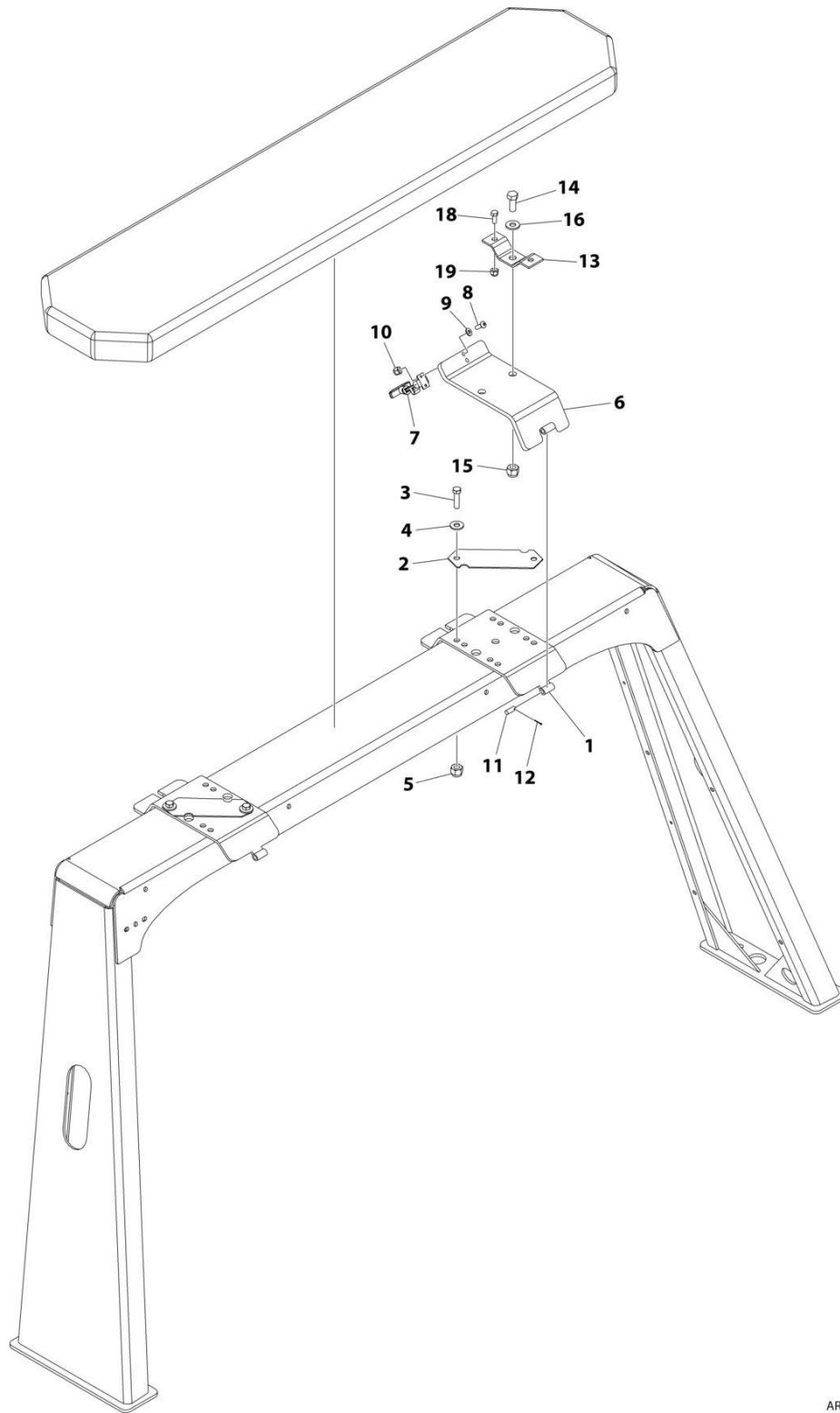
SECTION 7 - ELECTRICAL

FIGURE 7-26. LIGHTBAR BRACKET INSTALLATION (FOLDING) (ALUMINUM BODY)

ITEM	PART NUMBER	QTY	DESCRIPTION	REV
	2512570086	Ref	FOLD DOWN LIGHTBAR BRACKET	0
1	3178000443	2	Bottom Bracket	
2	4090000018	2	Belt	
3	7115161250	8	Bolt 3/8 x 1-1/2	
4	7950160161	8	Washer 3/8	
5	7660162601	8	Nut 3/8	
6	3178000444	2	Top Bracket	
7	7585000001	2	Draw Latch	
8	7114100518	4	Capscrew #10 x 5/8	
9	7950100103	4	Washer #10	
10	7660102604	4	Nut #10	
11	7690144800	2	Clevis Pin	
12	7690000810	2	Cotter Pin	
13	4178000402	4	Bracket	
14	7115190950	4	Bolt 1/2 x 1-1/8	
15	7660182601	4	Nut 1/2	
16	7950180150	4	Washer 1/2	
17	4831000120	2	Spacer	
18	7115150664	4	Bolt 5/8 x 3/4	
19	7660152601	4	Nut 5/8	

SECTION 7 - ELECTRICAL

FIGURE 7-27. LIGHTBAR BRACKET INSTALLATION (FOLDING) (STEEL BODY)



ART_2512570087

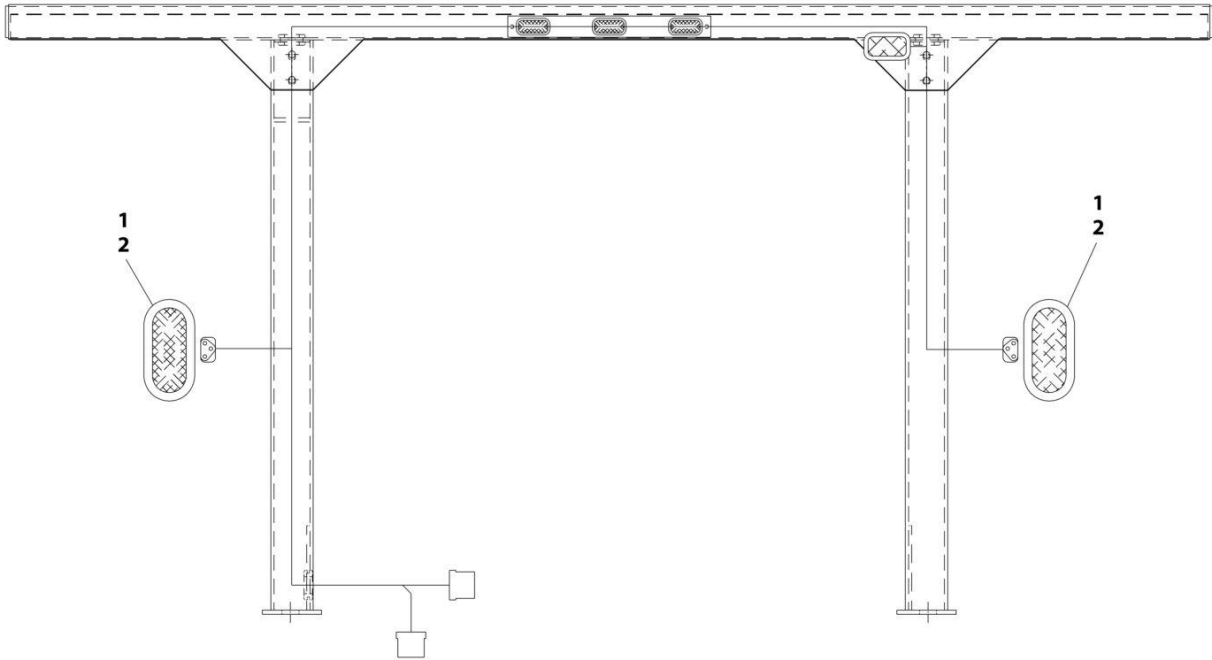
SECTION 7 - ELECTRICAL

FIGURE 7-27. LIGHTBAR BRACKET INSTALLATION (FOLDING) (STEEL BODY)

ITEM	PART NUMBER	QTY	DESCRIPTION	REV
	2512570087	Ref	LIGHTBAR BRACKET INSTALLATION	0
1	3178000443	2	Bottom Bracket	
2	4090000018	2	Belt	
3	7115161250	8	Bolt 3/8 x 1-1/2	
4	7950160161	8	Washer 3/8	
5	7660162601	8	Nut 3/8	
6	3178000444	2	Top Bracket	
7	7585000001	2	Draw Latch	
8	7114100518	4	Capscrew #10 x 5/8	
9	7950100103	4	Washer #10	
10	7660102604	4	Nut #10	
11	7690144800	2	Clevis Pin	
12	7690000810	2	Cotter Pin	
13	4178000402	4	Bracket	
14	7115190950	4	Bolt 1/2 x 1-1/8	
15	7660182601	4	Nut 1/2	
16	7950180150	4	Washer 1/2	
18	7115150664	4	Bolt 5/8 x 3/4	
19	7660152601	4	Nut 5/8	

SECTION 7 - ELECTRICAL

FIGURE 7-28. LIGHTS - PYLON MARKER LIGHT INSTALLATION



ART_2590000176

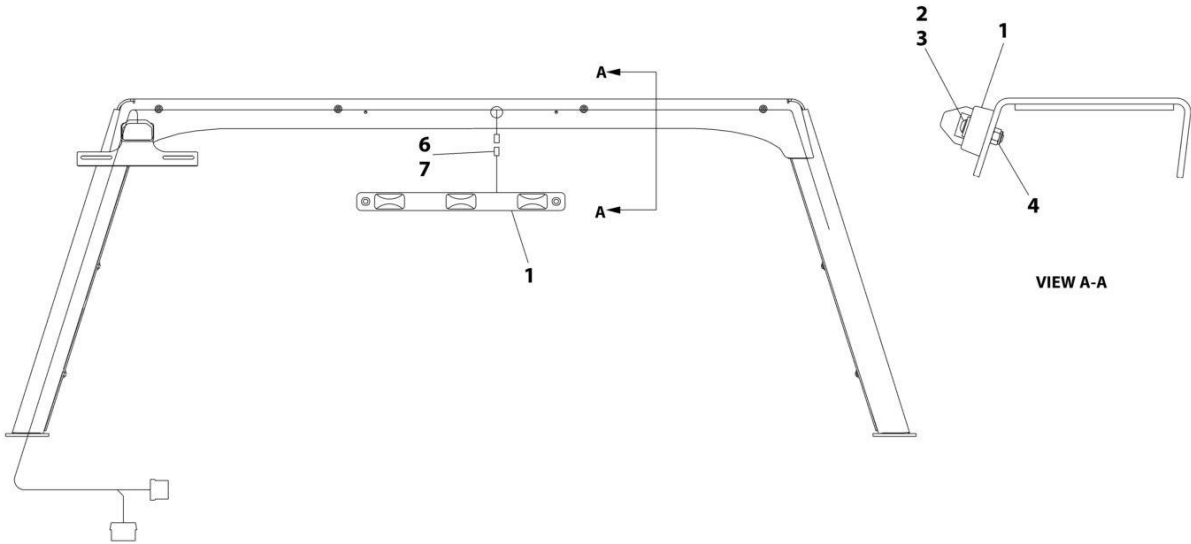
SECTION 7 - ELECTRICAL

FIGURE 7-28. LIGHTS - PYLON MARKER LIGHT INSTALLATION

ITEM	PART NUMBER	QTY	DESCRIPTION	REV
	2590000176	Ref	PYLON MARKER LIGHT INSTALLATION - 1 MARKER LIGHT PER SIDE	B
1	1001174682	2	Lamp, Amber	
2	7493000026	2	Grommet	
3	7894000010	2	Tie-Strap (Not Shown)	

SECTION 7 - ELECTRICAL

FIGURE 7-29. LIGHTS - PYLON MARKER LIGHT INSTALLATION



ART_2502330319

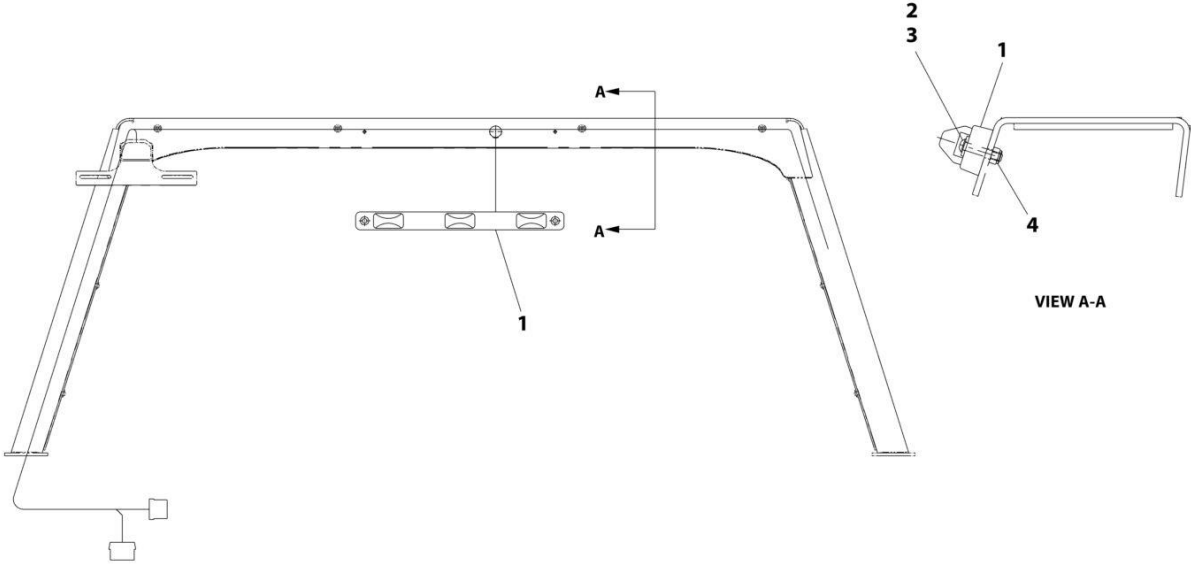
SECTION 7 - ELECTRICAL

FIGURE 7-29. LIGHTS - PYLON MARKER LIGHT INSTALLATION

ITEM	PART NUMBER	QTY	DESCRIPTION	REV
	2502330319	Ref	LIGHTS - PYLON MARKER LIGHT INSTALLATION	B
1	7590000316	1	Light	
2	7114141018	2	Screw 1/4 x 1-1/4	
3	7950140143	2	Washer 1/4	
4	7660142604	2	Nut 1/4	
6	7345001714	2	Terminal	
7	7346000039	AR	Tubing	

SECTION 7 - ELECTRICAL

FIGURE 7-30. LIGHTS - PYLON MARKER LIGHT INSTALLATION (PYLON/HEADBOARD MOUNTED)



ART_2590000177

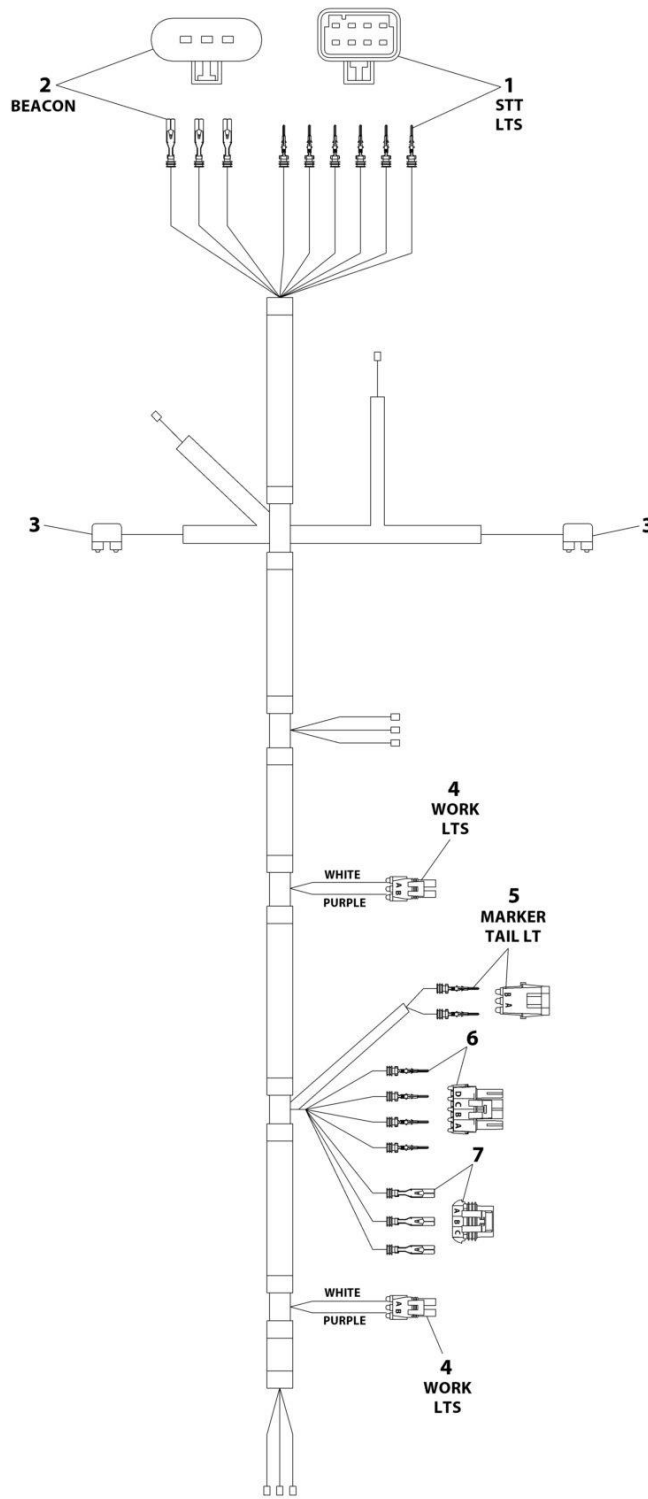
SECTION 7 - ELECTRICAL

FIGURE 7-30. LIGHTS - PYLON MARKER LIGHT INSTALLATION (PYLON/HEADBOARD MOUNTED)

ITEM	PART NUMBER	QTY	DESCRIPTION	REV
	2590000177	Ref	LIGHT - PYLON 3-LIGHT MARKER INSTALLATION	0
1	7590000316	1	Light	
2	7114141018	2	Screw 1/4 x 1-1/4	
3	7950140143	2	Washer 1/4	
4	7660142601	2	Nut 1/4	

SECTION 7 - ELECTRICAL

FIGURE 7-31. LIGHTS - PYLON LIGHTS HARNESS (BODY MOUNTED PYLON) (SN 0230002518 through 0230009713)



ART_7552000238

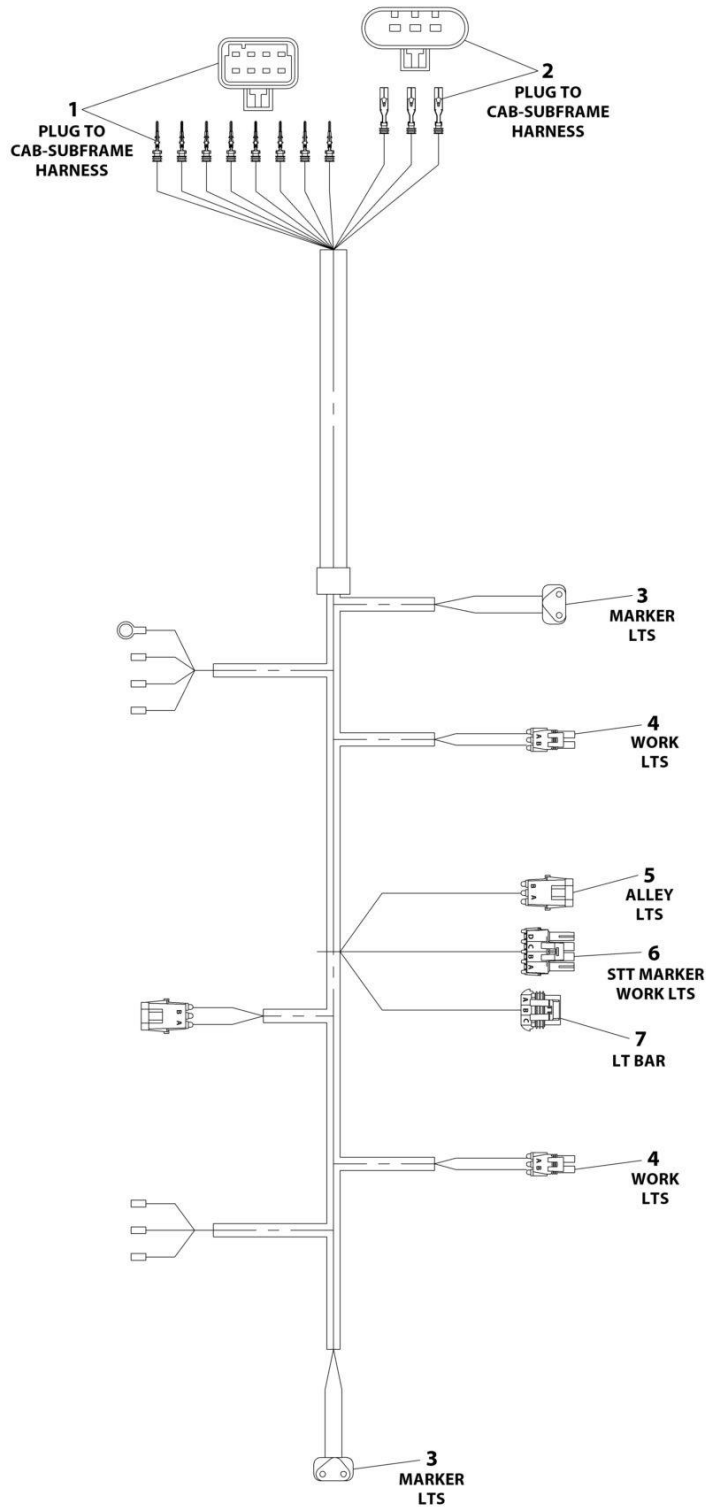
SECTION 7 - ELECTRICAL

FIGURE 7-31. LIGHTS - PYLON LIGHTS HARNESS (BODY MOUNTED PYLON) (SN 0230002518 through 0230009713)

ITEM	PART NUMBER	QTY	DESCRIPTION	REV
	7552000238	Ref	PYLON LIGHTS HARNESS	E
1	4460692	1	Connector	
1	4460695	1	Lock	
1	4460693	6	Terminal	
1	NPN	6	Seal	
1	4461215	2	Plug, Terminal	
2	8220934	1	Connector	
2	7346000109	1	Lock	
2	8220100	3	Terminal	
2	NPN	3	Seal	
3	1001275791	2	Connector	
4	4460742	2	Connector	
4	4460457	4	Terminal	
4	4460458	4	Seal	
5	4461157	1	Connector	
5	4460475	2	Terminal	
5	NPN	2	Seal	
6	NPN	1	Connector	
6	4460457	4	Terminal	
6	NPN	4	Seal	
7	NPN	1	Connector	
7	7346000109	1	Lock	
7	8220099	3	Terminal	
7	NPN	3	Seal	

SECTION 7 - ELECTRICAL

FIGURE 7-32. LIGHTS - PYLON LIGHTS HARNESS (BODY MOUNTED PYLON) (SN 0230008714 to Present)



ART_1001266076

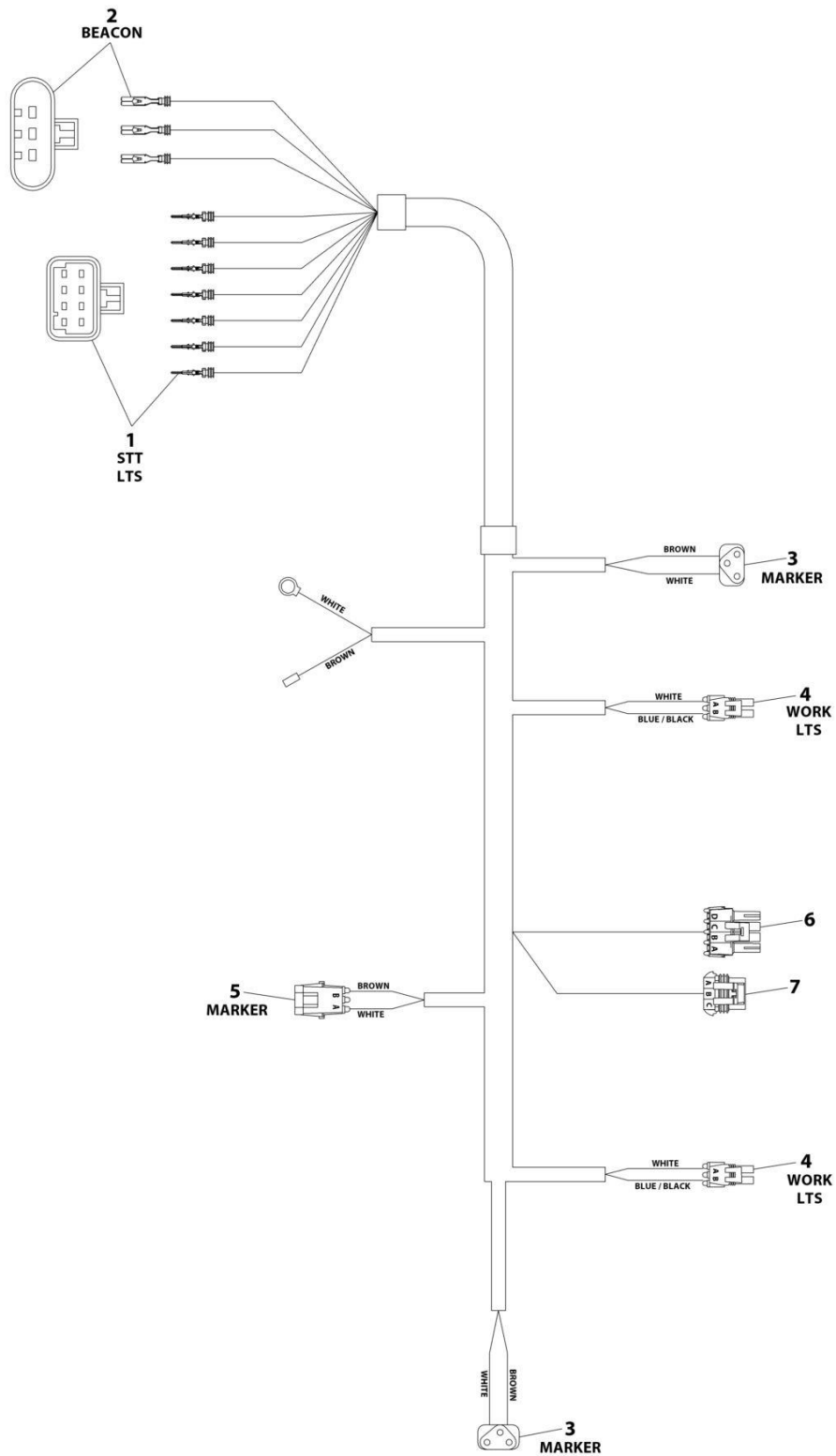
SECTION 7 - ELECTRICAL

FIGURE 7-32. LIGHTS - PYLON LIGHTS HARNESS (BODY MOUNTED PYLON) (SN 0230008714 to Present)

ITEM	PART NUMBER	QTY	DESCRIPTION	REV
	1001266076	Ref	PYLON LIGHTS HARNESS	A
1	4460692	1	Connector	
1	4460695	1	Lock	
1	NPN	7	Terminal	
1	4460608	7	Seal	
1	4461215	1	Plug, Terminal	
2	8220934	1	Connector	
2	7346000109	1	Lock	
2	8220100	1	Terminal	
2	NPN	2	Terminal	
2	NPN	1	Seal	
2	NPN	2	Seal	
3	NPN	2	Connector	
4	4460742	2	Connector	
4	4460457	4	Terminal	
4	4460458	4	Seal	
5	4461157	1	Connector	
5	4460475	2	Terminal	
5	NPN	2	Seal	
6	NPN	1	Connector	
6	4460457	4	Terminal	
6	4460458	4	Seal	
7	NPN	1	Connector	
7	7346000109	1	Lock	
7	8220099	3	Terminal	
7	NPN	3	Seal	

SECTION 7 - ELECTRICAL

FIGURE 7-33. LIGHTS - PYLON LIGHTS HARNESS (BODY MOUNTED PYLON WITH SIDE MARKER LIGHTS) (SN 0230002518 through 0230009713)



ART_1001135980

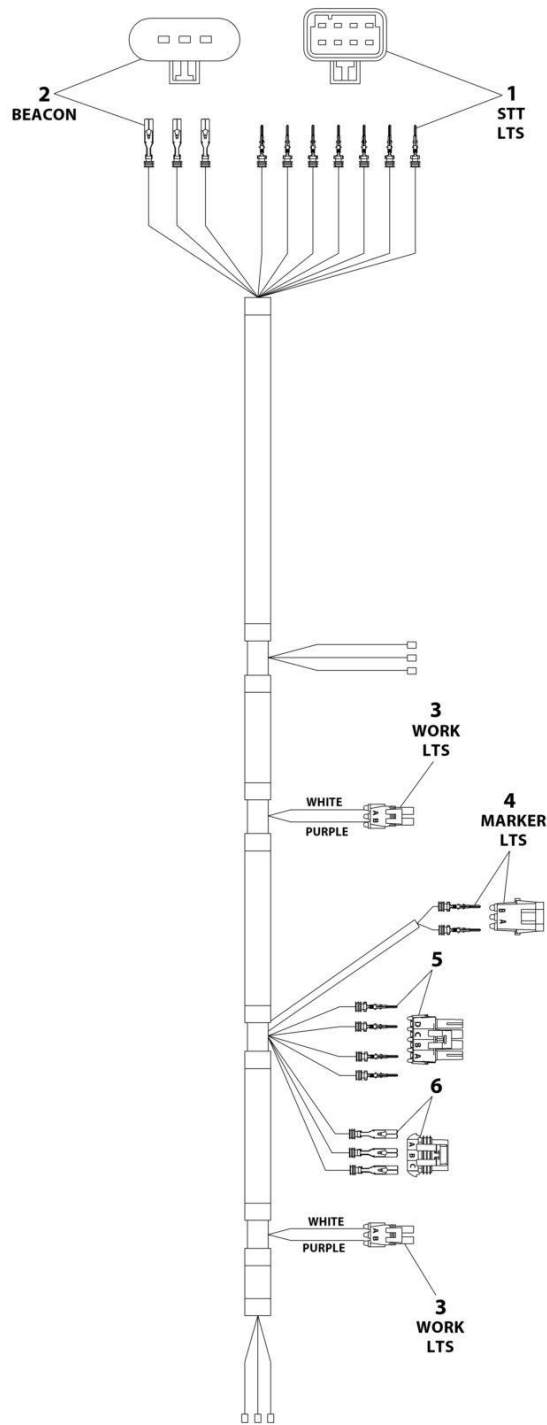
SECTION 7 - ELECTRICAL

FIGURE 7-33. LIGHTS - PYLON LIGHTS HARNESS (BODY MOUNTED PYLON WITH SIDE MARKER LIGHTS) (SN 0230002518 through 0230009713)

ITEM	PART NUMBER	QTY	DESCRIPTION	REV
	1001135980	Ref	PYLON LIGHTS HARNESS	E
1	4460692	1	Connector	
1	4460695	1	Lock	
1	NPN	5	Terminal	
1	4460608	5	Seal	
1	4461215	5	Plug, Terminal	
2	8220934	1	Connector	
2	7346000109	1	Lock	
2	8220100	1	Terminal	
2	NPN	2	Terminal	
2	NPN	1	Seal	
2	NPN	2	Seal	
3	NPN	2	Connector	
4	4460742	2	Connector	
4	4460457	4	Terminal	
4	4460458	4	Seal	
5	4461157	1	Connector	
5	4460475	2	Terminal	
5	NPN	2	Seal	
6	NPN	1	Connector	
6	4460457	4	Terminal	
6	4460458	4	Seal	
7	NPN	1	Connector	
7	7346000109	1	Lock	
7	8220099	3	Terminal	
7	NPN	3	Seal	

SECTION 7 - ELECTRICAL

FIGURE 7-34. LIGHTS - PYLON LIGHTS HARNESS (TOOLBOX MOUNTED PYLON) (SN 0230002518 through 0230009713)



ART_7552000239

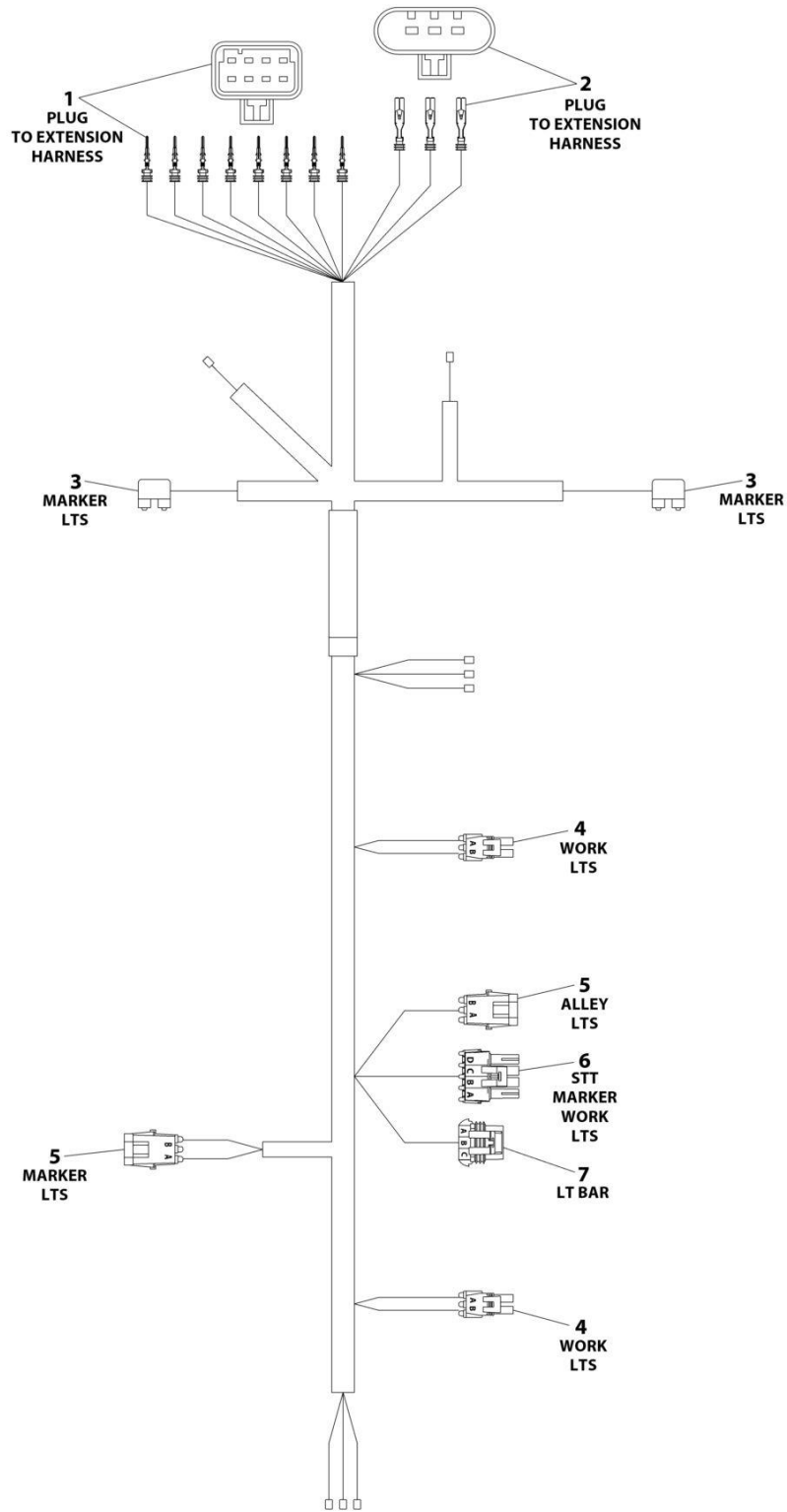
SECTION 7 - ELECTRICAL

FIGURE 7-34. LIGHTS - PYLON LIGHTS HARNESS (TOOLBOX MOUNTED PYLON) (SN 0230002518 through 0230009713)

ITEM	PART NUMBER	QTY	DESCRIPTION	REV
	7552000239	Ref	PYLON LIGHTS HARNESS	E
1	4460692	1	Connector	
1	4460695	1	Lock	
1	4460693	5	Terminal	
1	NPN	5	Seal	
1	4461215	3	Plug, Terminal	
2	8220934	1	Connector	
2	7346000109	1	Lock	
2	8220100	3	Terminal	
2	NPN	3	Seal	
3	4460742	2	Connector	
3	4460457	4	Terminal	
3	4460458	4	Seal	
4	4461157	1	Connector	
4	4460475	2	Terminal	
4	NPN	2	Seal	
5	NPN	1	Connector	
5	4460457	4	Terminal	
5	NPN	4	Seal	
6	NPN	1	Connector	
6	7346000109	1	Lock	
6	8220099	3	Terminal	
6	NPN	3	Seal	

SECTION 7 - ELECTRICAL

FIGURE 7-35. LIGHTS - PYLON LIGHTS HARNESS (TOOLBOX MOUNTED PYLON) (SN 0230008714 to Present)



ART_1001266466

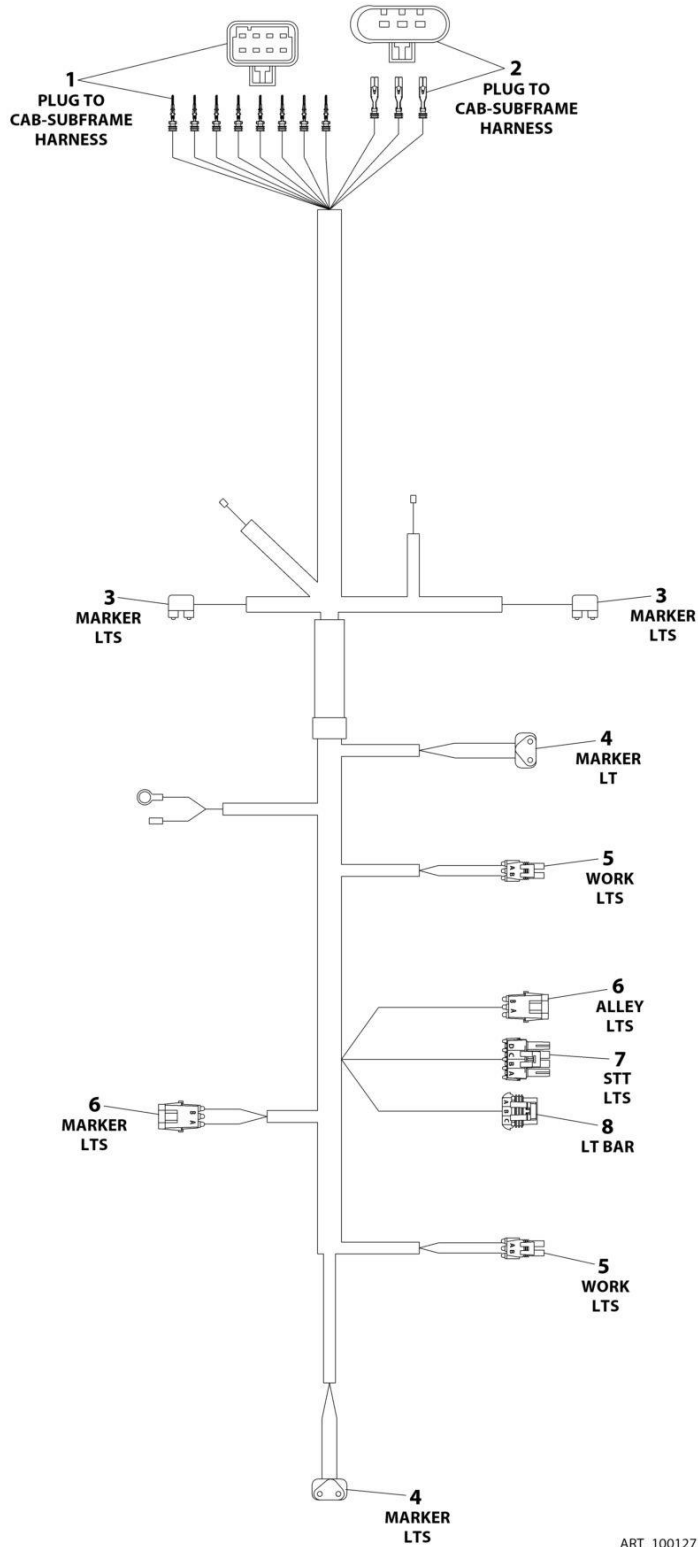
SECTION 7 - ELECTRICAL

FIGURE 7-35. LIGHTS - PYLON LIGHTS HARNESS (TOOLBOX MOUNTED PYLON) (SN 0230008714 to Present)

ITEM	PART NUMBER	QTY	DESCRIPTION	REV
	1001266466	Ref	PYLON LIGHTS HARNESS	A
1	4460692	1	Connector	
1	4460695	1	Lock	
1	NPN	8	Terminal	
1	4460608	8	Seal	
2	8220934	1	Connector	
2	7346000109	1	Lock	
2	8220100	1	Terminal	
2	NPN	2	Terminal	
2	NPN	1	Seal	
2	NPN	2	Seal	
3	NPN	2	Connector	
4	4460742	2	Connector	
4	4460457	4	Terminal	
4	4460458	4	Seal	
5	4461157	2	Connector	
5	4460475	4	Terminal	
5	NPN	4	Seal	
6	NPN	1	Connector	
6	4460457	4	Terminal	
6	4460458	4	Seal	
7	NPN	1	Connector	
7	7346000109	1	Lock	
7	8220099	3	Terminal	
7	NPN	3	Seal	

SECTION 7 - ELECTRICAL

FIGURE 7-36. LIGHTS - PYLON LIGHTS HARNESS (TOOLBOX MOUNTED PYLON WITH SIDE MARKER LIGHTS) (SN 0230008714 to Present)



ART_1001271096

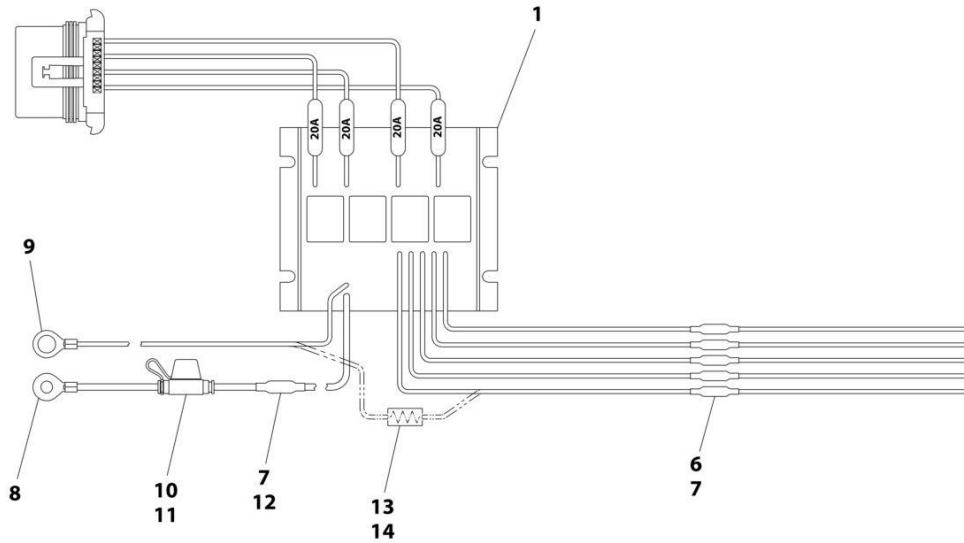
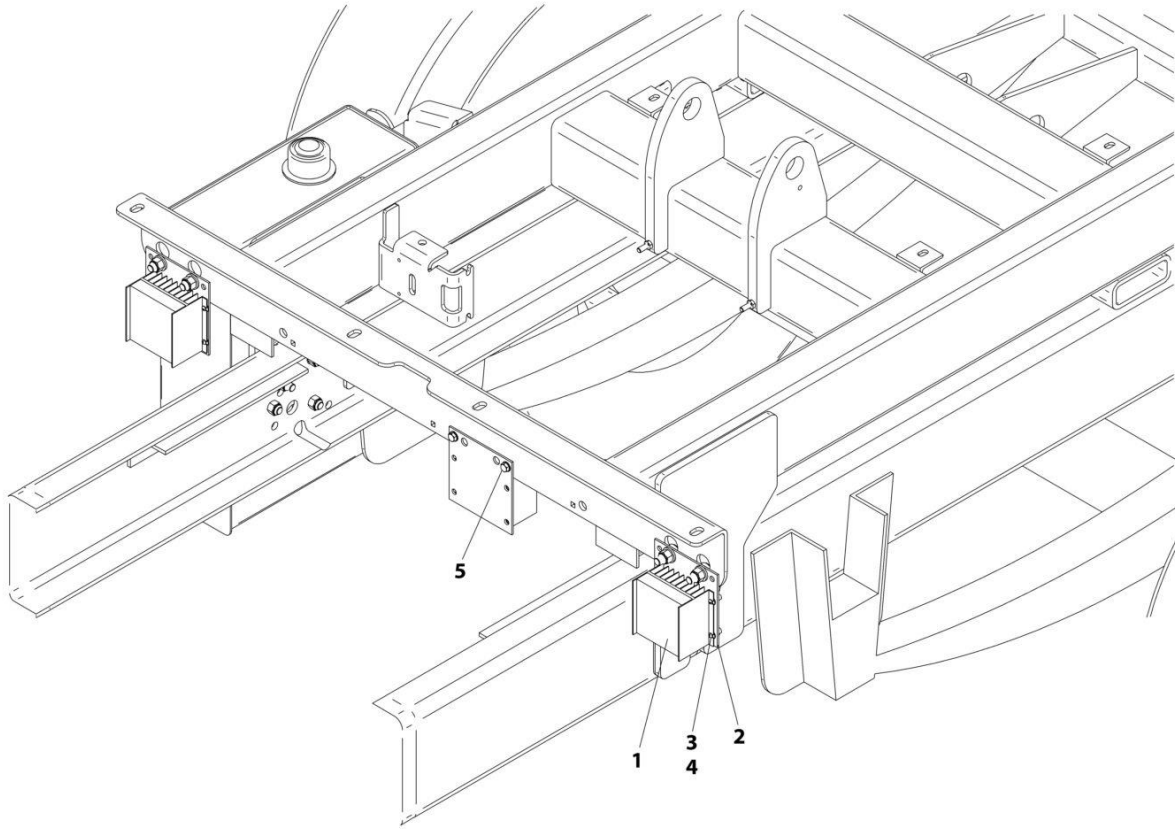
SECTION 7 - ELECTRICAL

FIGURE 7-36. LIGHTS - PYLON LIGHTS HARNESS (TOOLBOX MOUNTED PYLON WITH SIDE MARKER LIGHTS) (SN 0230008714 to Present)

ITEM	PART NUMBER	QTY	DESCRIPTION	REV
	1001271096	Ref	PYLON LIGHTS HARNESS	A
1	4460692	1	Connector	
1	4460695	1	Lock	
1	NPN	7	Terminal	
1	4460608	7	Seal	
1	4461215	1	Plug, Terminal	
2	8220934	1	Connector	
2	7346000109	1	Lock	
2	8220100	1	Terminal	
2	NPN	2	Terminal	
2	NPN	1	Seal	
2	NPN	2	Seal	
3	1001275791	2	Connector	
4	NPN	2	Connector	
5	4460742	2	Connector	
5	4460457	4	Terminal	
5	4460458	4	Seal	
6	4461157	2	Connector	
6	4460475	4	Terminal	
6	NPN	4	Seal	
7	NPN	1	Connector	
7	4460457	4	Terminal	
7	4460458	4	Seal	
8	NPN	1	Connector	
8	7346000109	1	Lock	
8	8220099	3	Terminal	
8	NPN	3	Seal	

SECTION 7 - ELECTRICAL

FIGURE 7-37. LIGHTS - TAILLIGHT CONVERSION



ART_234600003

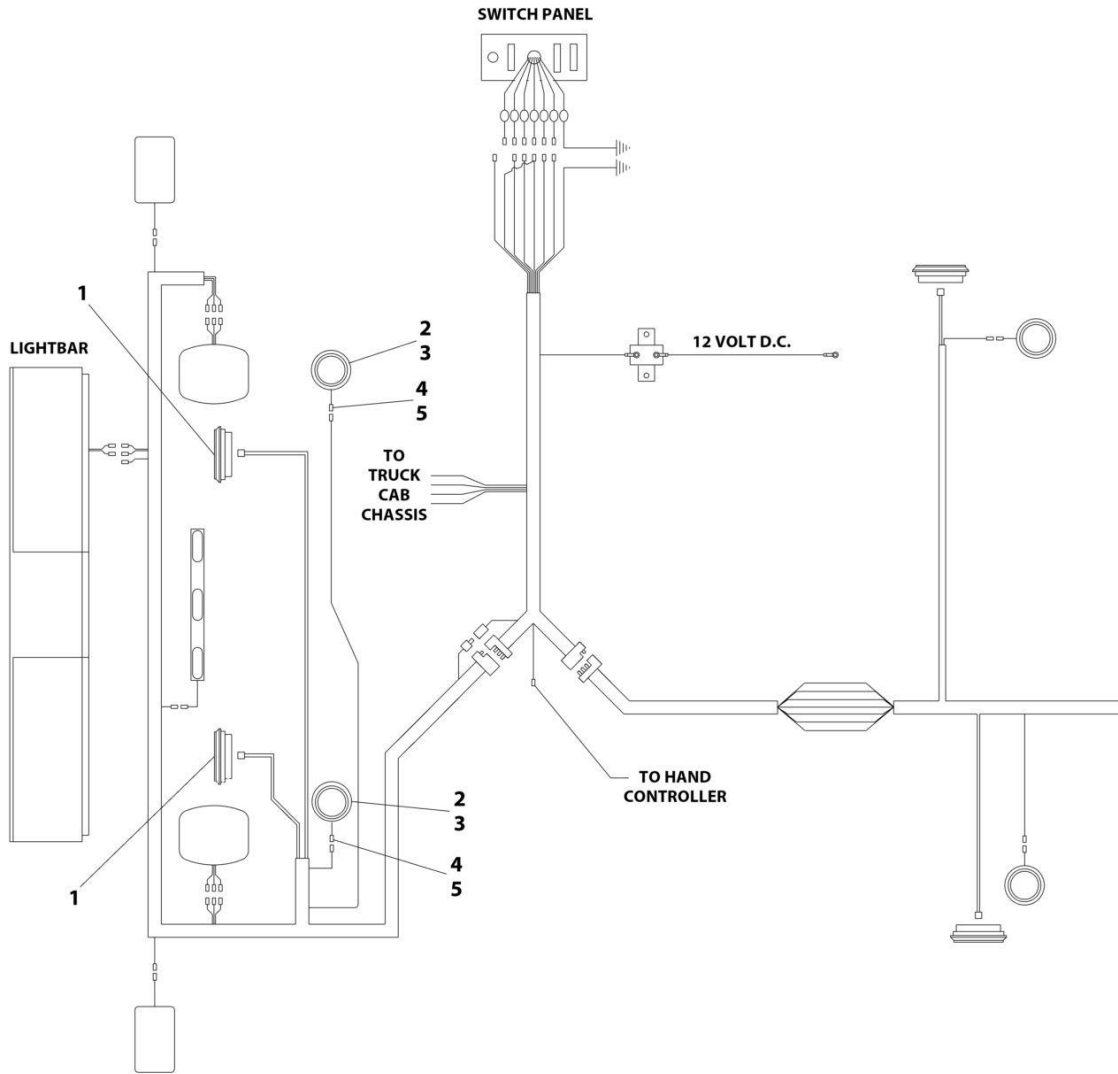
SECTION 7 - ELECTRICAL

FIGURE 7-37. LIGHTS - TAILLIGHT CONVERSION

ITEM	PART NUMBER	QTY	DESCRIPTION	REV
	2346000003	Ref	TAIL LIGHT CONVERTER	D
1	7297000008	1	Tail Light Converter	
2	4706002990	1	Plate	
3	7661000007	4	Nut #10	
4	7104100613	4	Capscrew #10 x 3/4	
5	7790151253	2	Bolt 5/16 x 3/4	
6	7345001714	5	Terminal	
7	7346000039	0.33 ft / 0.1m	Tube, 25in ID	
8	7345221902	1	Terminal	
9	7345241902	1	Terminal	
10	7346000126	1	Fuse Holder	
11	7457000017	1	Fuse - 30 amp	
12	7345001914	1	Terminal	
13	7346000209	1	Resistor (UD Chassis with Incandes't Lights)	
14	7346000220	1	Resistor (UD Chassis with Incandes't Lights)	

SECTION 7 - ELECTRICAL

FIGURE 7-38. LIGHTS - TUNNEL TOOLBOX LIGHTS INSTALLATION (ALUMINUM BODY)



ART_2502330280

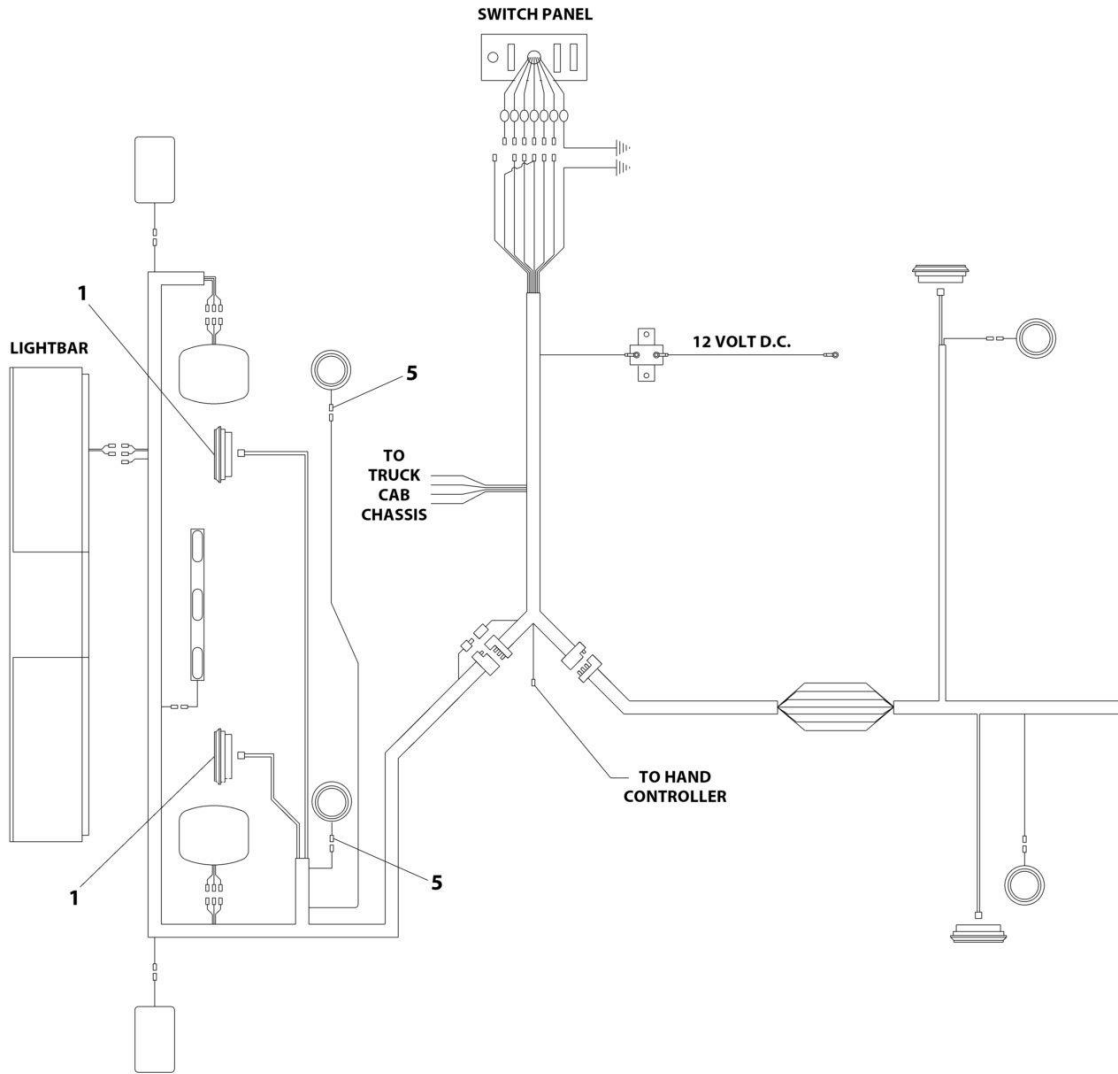
SECTION 7 - ELECTRICAL

FIGURE 7-38. LIGHTS - TUNNEL TOOLBOX LIGHTS INSTALLATION (ALUMINUM BODY)

ITEM	PART NUMBER	QTY	DESCRIPTION	REV
	2502330280	Ref	TUNNEL TOOLBOX LIGHTS INSTALLATION	C
1	7493000009	2	Grommet	
2	7590000001	2	Light with Switch	
3	7790060676	6	Screw #6 x 3/8	
4	7345001714	2	Terminal	
5	7346000039	AR	Tubing	

SECTION 7 - ELECTRICAL

FIGURE 7-39. LIGHTS - TUNNEL TOOLBOX LIGHTS INSTALLATION (STEEL BODY)



ART_2502330283

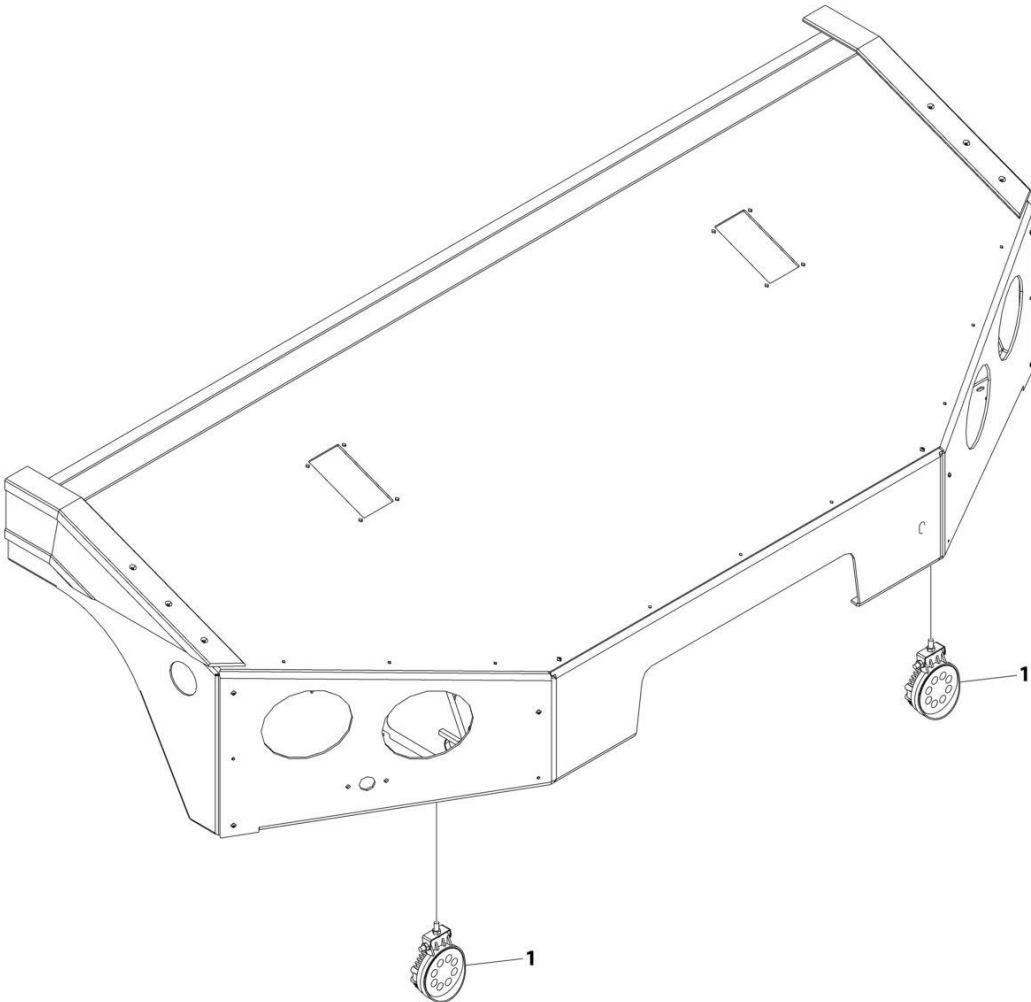
SECTION 7 - ELECTRICAL

FIGURE 7-39. LIGHTS - TUNNEL TOOLBOX LIGHTS INSTALLATION (STEEL BODY)

ITEM	PART NUMBER	QTY	DESCRIPTION	REV
	2502330283	Ref	LIGHTS - TUNNEL TOOLBOX LIGHTS INSTALLATION	A
1	7493000009	2	Grommet	
5	7346000039	AR	Tubing	

SECTION 7 - ELECTRICAL

FIGURE 7-40. LIGHTS - WORKLIGHTS INSTALLATION (LOWER HOOK UP MOUNTED)



ART_1001141919

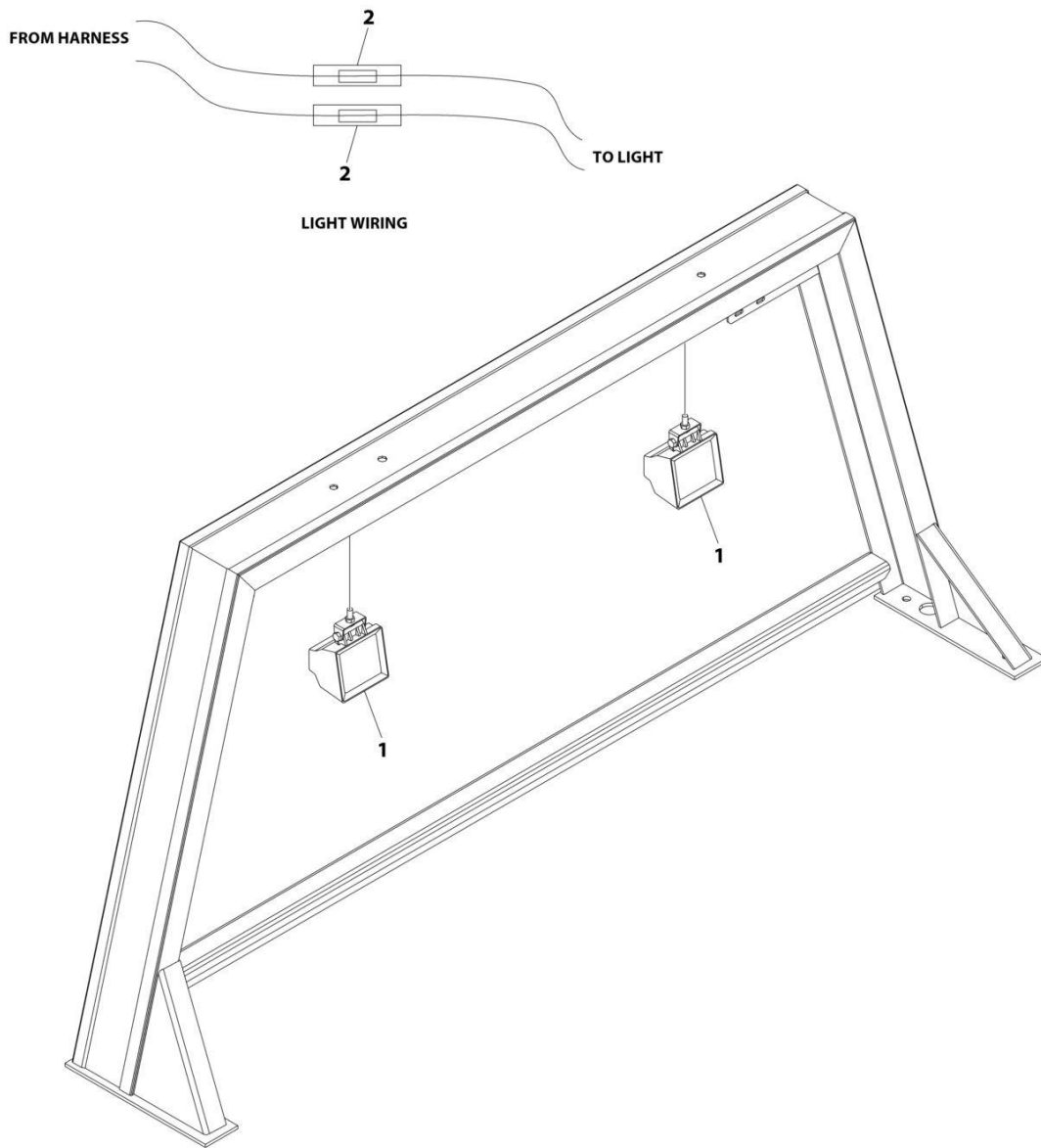
SECTION 7 - ELECTRICAL

FIGURE 7-40. LIGHTS - WORKLIGHTS INSTALLATION (LOWER HOOK UP MOUNTED)

ITEM	PART NUMBER	QTY	DESCRIPTION	REV
1	1001141919 1001273634	Ref 2	LIGHTS - WORKLIGHTS INSTALLATION Lamp	C

SECTION 7 - ELECTRICAL

FIGURE 7-41. LIGHTS - WORKLIGHTS INSTALLATION (PYLON MOUNTED) (RECTANGULAR)



ART_2590000280

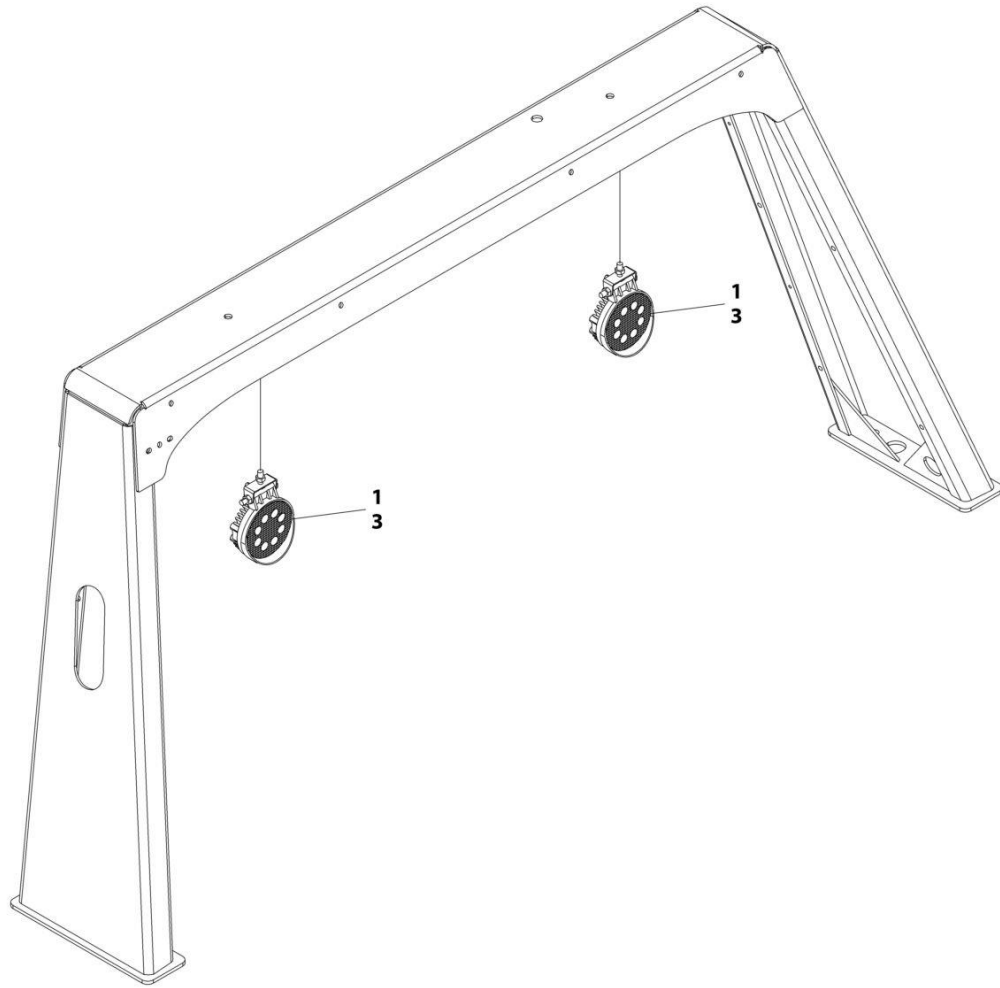
SECTION 7 - ELECTRICAL

FIGURE 7-41. LIGHTS - WORKLIGHTS INSTALLATION (PYLON MOUNTED) (RECTANGULAR)

ITEM	PART NUMBER	QTY	DESCRIPTION	REV
	2590000280	Ref	LIGHTS - WORKLIGHTS INSTALLATION	0
1	7590000268	2	Light, Trapezoidal	
2	4346000005	4	Heat Shrink Tubing	

SECTION 7 - ELECTRICAL

FIGURE 7-42. LIGHTS - WORKLIGHTS INSTALLATION (PYLON MOUNTED) (ROUND)



ART_2590000126

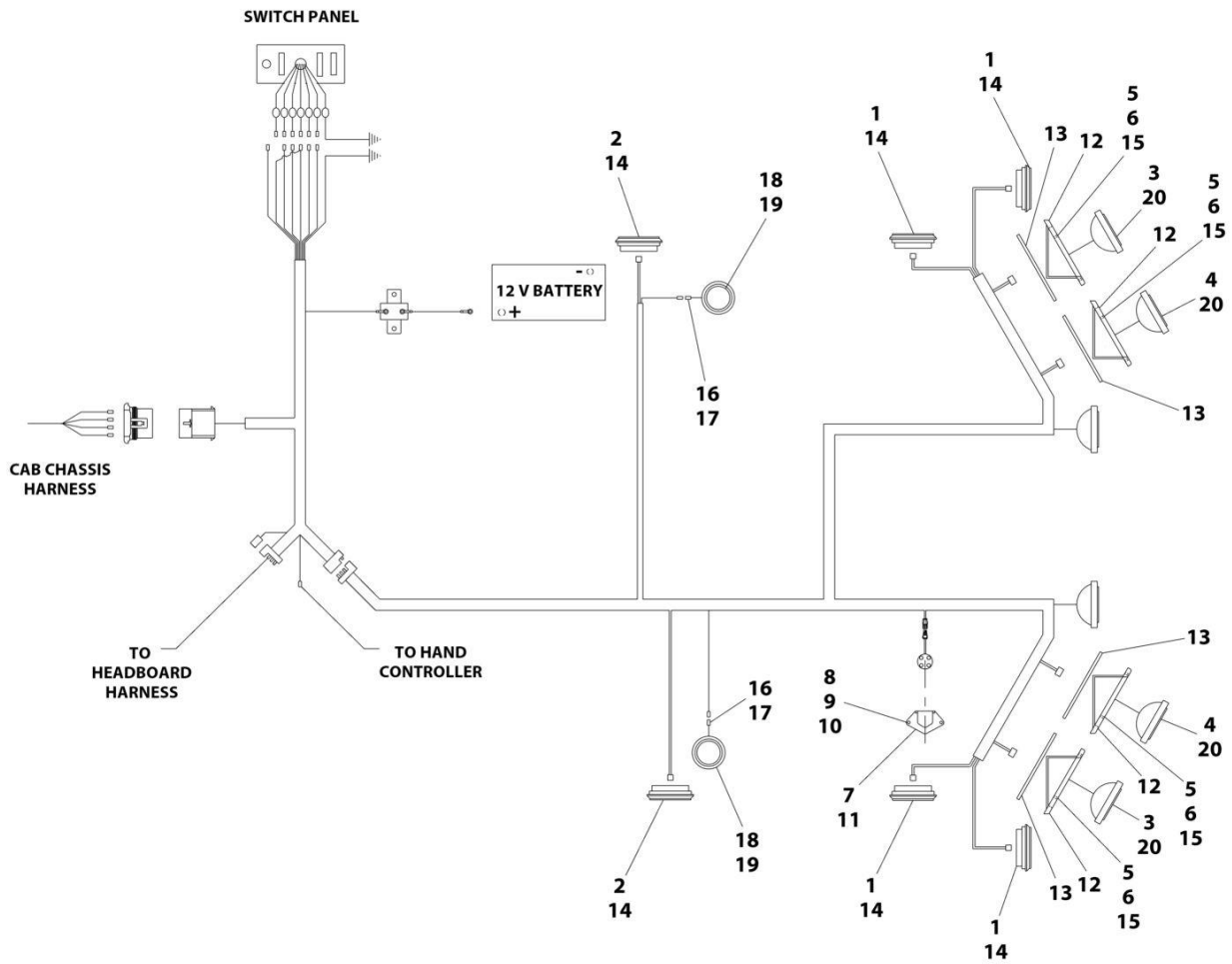
SECTION 7 - ELECTRICAL

FIGURE 7-42. LIGHTS - WORKLIGHTS INSTALLATION (PYLON MOUNTED) (ROUND)

ITEM	PART NUMBER	QTY	DESCRIPTION	REV
	2590000126	Ref	LIGHT - WORKLIGHT INSTALLATION (PYLON MOUNTED)	D
1	1001176337	2	Lamp (Prior to SN 0230009717)	
1	1001273634	2	Lamp (SN 0230009717 to Present)	
3	7493000011	2	Grommet	

SECTION 7 - ELECTRICAL

FIGURE 7-43. LIGHTS INSTALLATION (ALUMINUM BODY - BOTH SIDE TOOLBOXES) (SN 0230002518 through 0230009713)



ART_2502330316

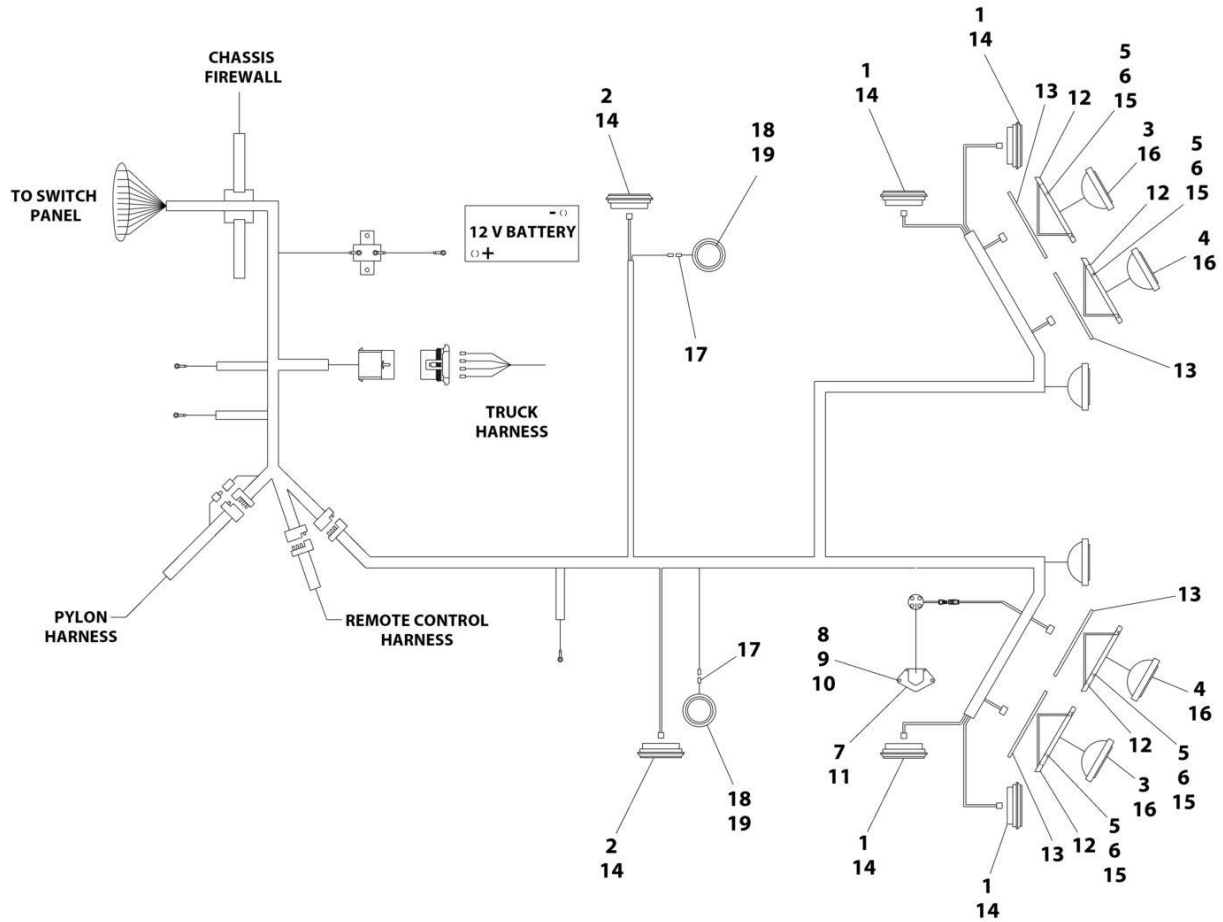
SECTION 7 - ELECTRICAL

FIGURE 7-43. LIGHTS INSTALLATION (ALUMINUM BODY - BOTH SIDE TOOLBOXES) (SN 0230002518 through 0230009713)

ITEM	PART NUMBER	QTY	DESCRIPTION	REV
	2502330316	Ref	LIGHTS INSTALLATION	D
1	7590000343	4	Light, Tail (Red)	
2	7590000342	2	Light, Marker (Amber)	
3	7590000241	2	Light, Stop, Turn and Tail (Red)	
4	7590000003	2	Light, Back-up (Clear)	
5	7259000004	4	Housing, Tail Light	
6	7120000072	12	Screw #10 x 1-1/4	
7	7291000010	1	Connector Assembly	
8	7111140613	2	Screw 1/4 x 3/4	
9	7950140000	2	Washer 1/4	
10	7413000002	2	Nut 1/4	
11	7796000048	1	Gasket, Connector	
12	7660102604	12	Nut #10	
13	7796000076	4	Gasket	
14	7493000009	6	Grommet (2.5IN Dia)	
15	7950100153	12	Washer #10	
16	7345001704	2	Terminal	
17	7346000039	AR	Tube	
18	7590000001	2	Light, Interior with Switch	
19	7790060676	6	Screw #6 x 3/8	
20	7493000002	4	Grommet (4IN Dia)	

SECTION 7 - ELECTRICAL

FIGURE 7-44. LIGHTS INSTALLATION (ALUMINUM BODY - BOTH SIDE TOOLBOXES) (SN 0230009714 to Present)



ART_1001266003

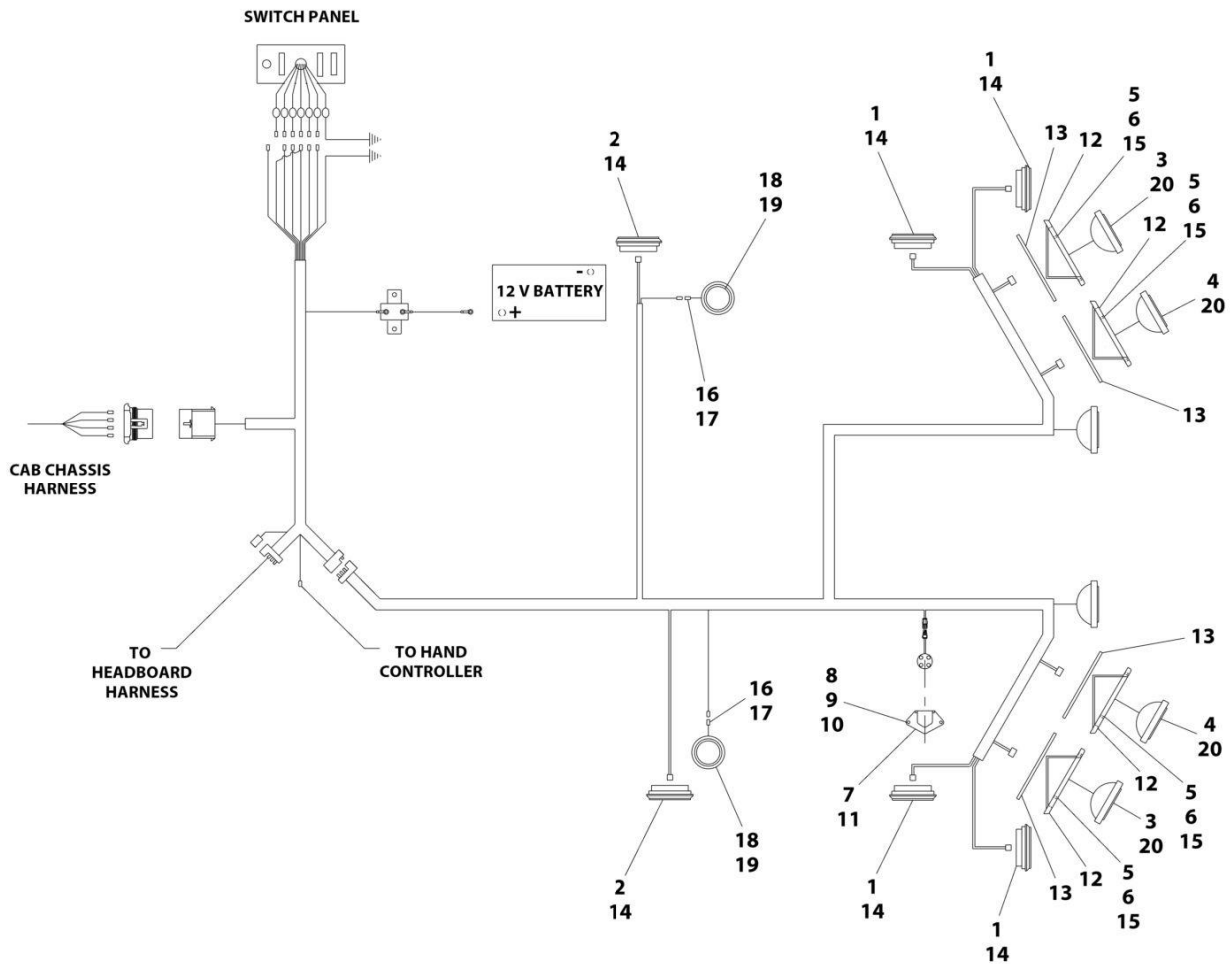
SECTION 7 - ELECTRICAL

FIGURE 7-44. LIGHTS INSTALLATION (ALUMINUM BODY - BOTH SIDE TOOLBOXES) (SN 0230009714 to Present)

ITEM	PART NUMBER	QTY	DESCRIPTION	REV
	1001266003	Ref	LIGHTS INSTALLATION	A
1	7590000343	4	Light, Tail (Red)	
2	7590000342	2	Light, Marker (Amber)	
3	7590000241	2	Light, Stop, Turn and Tail (Red)	
4	7590000003	2	Light, Back-up (Clear)	
5	7259000004	4	Housing, Tail Light	
6	7120000072	12	Screw #10 x 1-1/4	
7	7291000010	1	Connector Assembly	
8	7111140613	2	Screw 1/4 x 3/4	
9	7950140000	2	Washer 1/4	
10	7413000002	2	Nut 1/4	
11	7796000048	1	Gasket, Connector	
12	7660102604	12	Nut #10	
13	7796000076	4	Gasket	
14	7493000009	6	Grommet (2.5IN Dia)	
15	7950100153	12	Washer #10	
16	7493000002	4	Grommet (4IN Dia)	
17	7346000039	AR	Tube	
18	7590000001	2	Light, Interior with Switch	
19	7790060676	6	Screw #6 x 3/8	

SECTION 7 - ELECTRICAL

FIGURE 7-45. LIGHTS INSTALLATION (ALUMINUM BODY - DRIVER SIDE TOOLBOX ONLY) (SN 0230002518 through 0230009713)



ART_2502330315

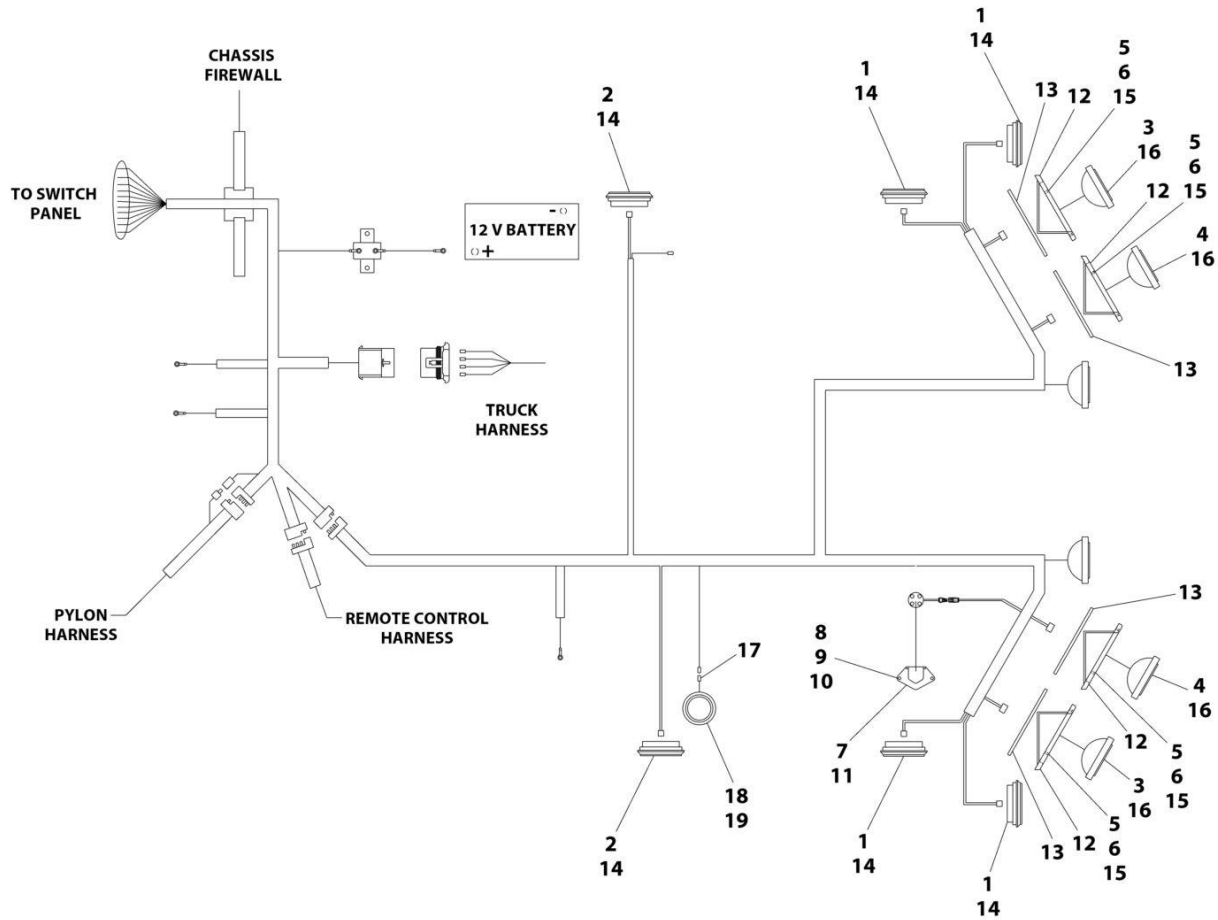
SECTION 7 - ELECTRICAL

FIGURE 7-45. LIGHTS INSTALLATION (ALUMINUM BODY - DRIVER SIDE TOOLBOX ONLY) (SN 0230002518 through 0230009713)

ITEM	PART NUMBER	QTY	DESCRIPTION	REV
	2502330315	Ref	LIGHTS INSTALLATION	D
1	7590000343	4	Light, Tail (Red)	
2	7590000342	2	Light, Marker (Amber)	
3	7590000241	2	Light, Stop, Turn and Tail (Red)	
4	7590000003	2	Light, Back-up (Clear)	
5	7259000004	4	Housing, Tail Light	
6	7120000072	12	Screw #10 x 1-1/4	
7	7291000010	1	Connector Assembly	
8	7111140613	2	Screw 1/4 x 3/4	
9	7950140000	2	Washer 1/4	
10	7413000002	2	Nut 1/4	
11	7796000048	1	Gasket, Connector	
12	7660102604	12	Nut #10	
13	7796000076	4	Gasket	
14	7493000009	6	Grommet (2.5IN Dia)	
15	7950100153	12	Washer #10	
16	7345001704	1	Terminal	
17	7346000039	AR	Tube	
18	7590000001	1	Light, Interior with Switch	
19	7790060676	3	Screw #6 x 3/8	
20	7493000002	4	Grommet (4IN Dia)	

SECTION 7 - ELECTRICAL

FIGURE 7-46. LIGHTS INSTALLATION (ALUMINUM BODY - DRIVER SIDE TOOLBOX ONLY) (SN 0230009714 to Present)



ART_1001266002

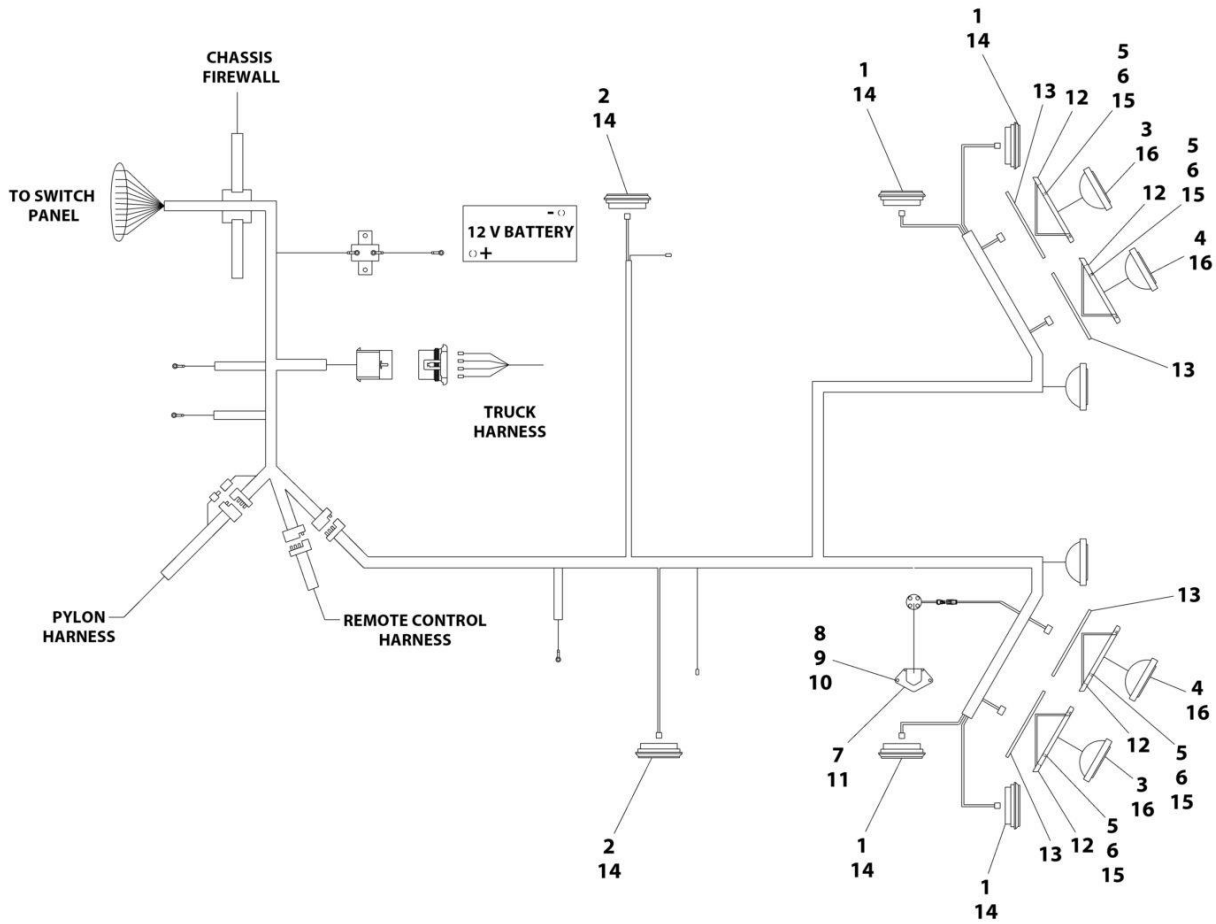
SECTION 7 - ELECTRICAL

FIGURE 7-46. LIGHTS INSTALLATION (ALUMINUM BODY - DRIVER SIDE TOOLBOX ONLY) (SN 0230009714 to Present)

ITEM	PART NUMBER	QTY	DESCRIPTION	REV
	1001266002	Ref	LIGHTS INSTALLATION	A
1	7590000343	4	Light, Tail (Red)	
2	7590000342	2	Light, Marker (Amber)	
3	7590000241	2	Light, Stop, Turn and Tail (Red)	
4	7590000003	2	Light, Back-up (Clear)	
5	7259000004	4	Housing, Tail Light	
6	7120000072	12	Screw #10 x 1-1/4	
7	7291000010	1	Connector Assembly	
8	7111140613	2	Screw 1/4 x 3/4	
9	7950140000	2	Washer 1/4	
10	7413000002	2	Nut 1/4	
11	7796000048	1	Gasket, Connector	
12	7660102604	12	Nut #10	
13	7796000076	4	Gasket	
14	7493000009	6	Grommet (2.5IN Dia)	
15	7950100153	12	Washer #10	
16	7493000002	4	Grommet (4IN Dia)	
17	7346000039	AR	Tube	
18	7590000001	1	Light, Interior with Switch	
19	7790060676	3	Screw #6 x 3/8	

SECTION 7 - ELECTRICAL

FIGURE 7-47. LIGHTS INSTALLATION (ALUMINUM BODY - NO TOOLBOXES)



ART_1001266004

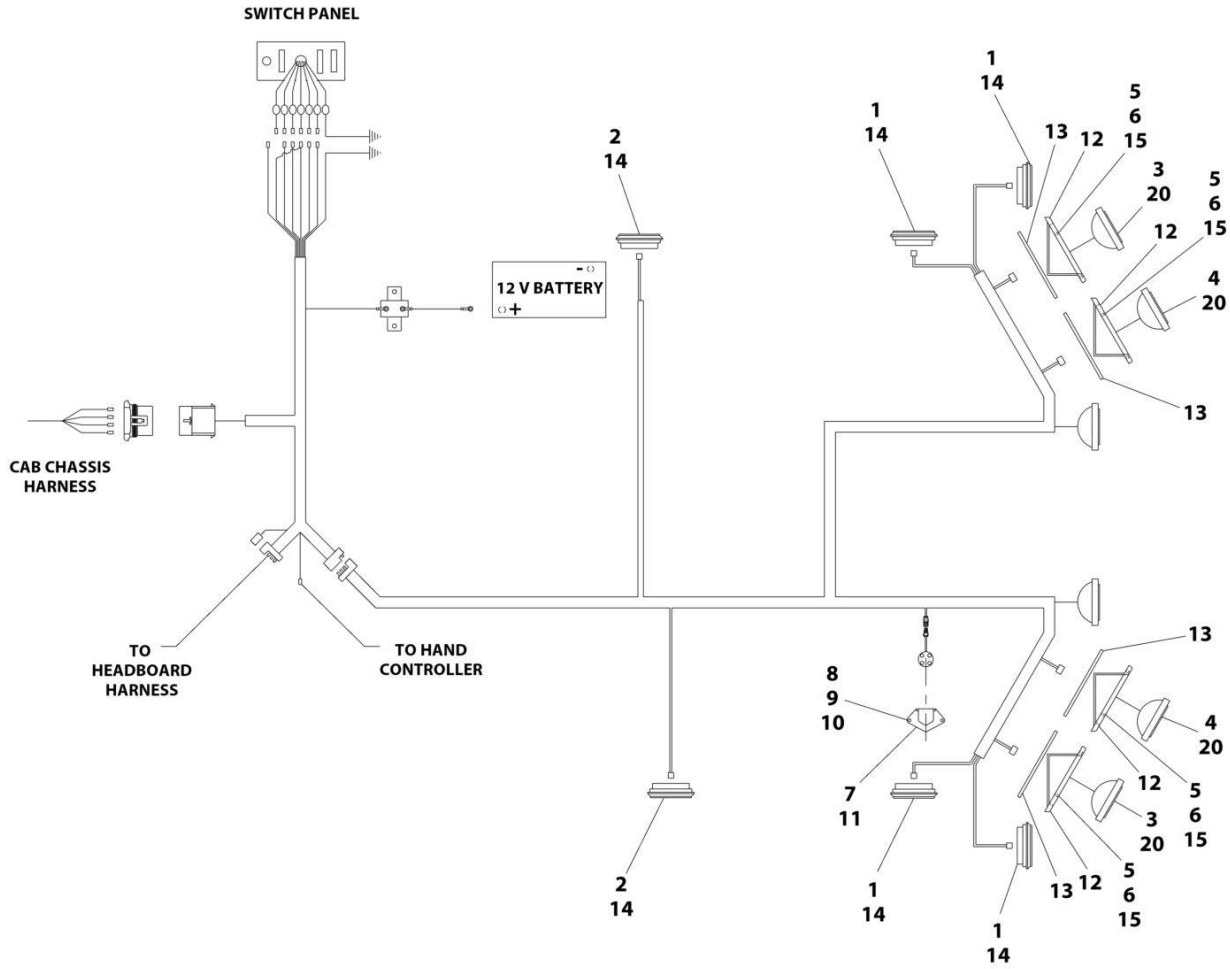
SECTION 7 - ELECTRICAL

FIGURE 7-47. LIGHTS INSTALLATION (ALUMINUM BODY - NO TOOLBOXES)

ITEM	PART NUMBER	QTY	DESCRIPTION	REV
	1001266004	Ref	LIGHTS INSTALLATION	A
1	7590000343	4	Light, Tail (Red)	
2	7590000342	2	Light, Marker (Amber)	
3	7590000241	2	Light, Stop, Turn and Tail (Red)	
4	7590000003	2	Light, Back-up (Clear)	
5	7259000004	4	Housing, Tail Light	
6	7120000072	12	Screw #10 x 1-1/4	
7	7291000010	1	Connector Assembly	
8	7111140613	2	Screw 1/4 x 3/4	
9	7950140000	2	Washer 1/4	
10	7413000002	2	Nut 1/4	
11	7796000048	1	Gasket, Connector	
12	7660102604	12	Nut #10	
13	7796000076	4	Gasket	
14	7493000009	6	Grommet (2.5IN Dia)	
15	7950100153	12	Washer #10	
16	7493000002	4	Grommet (4IN Dia)	

SECTION 7 - ELECTRICAL

FIGURE 7-48. LIGHTS INSTALLATION (STEEL BODY)



ART_2502330317

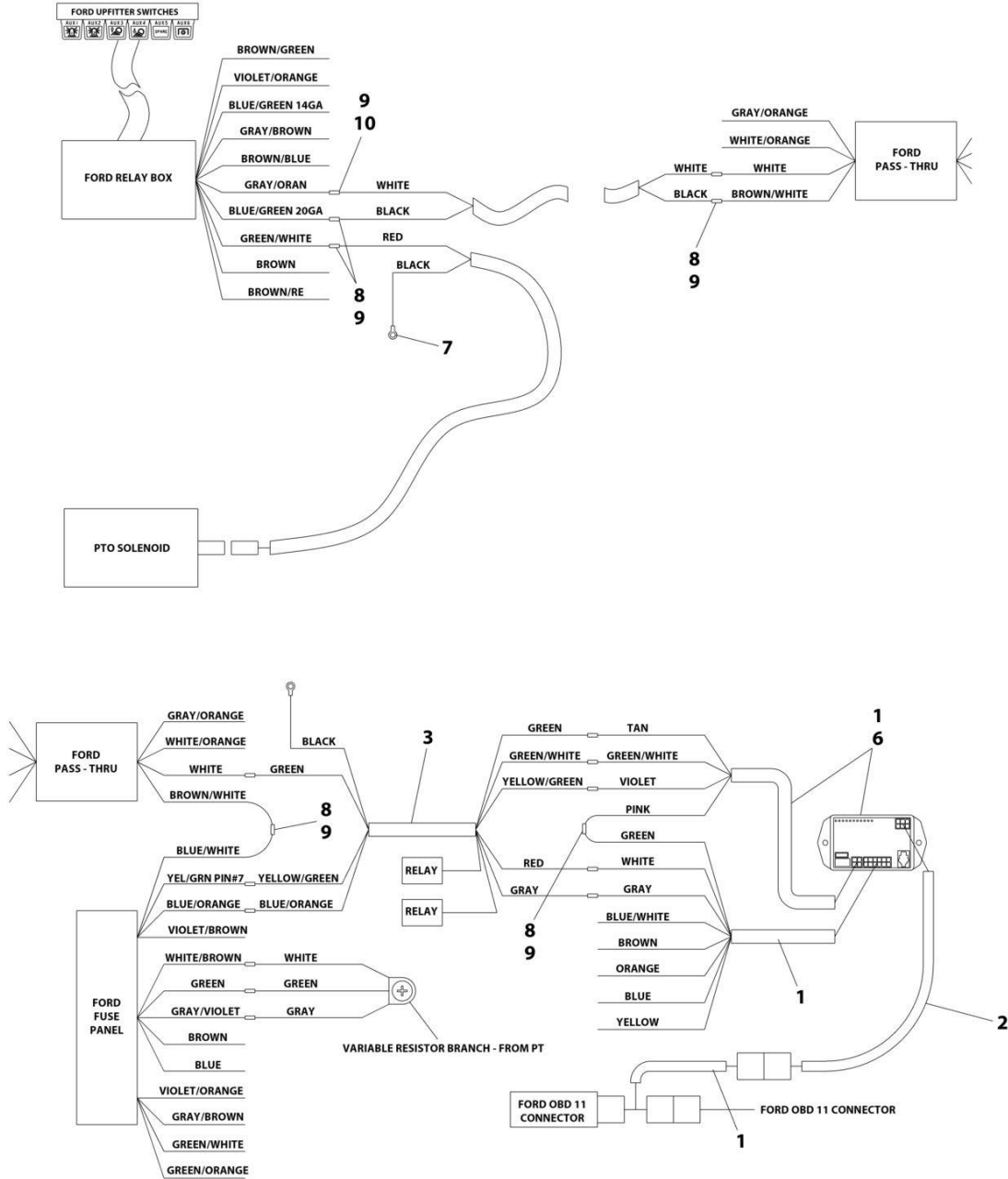
SECTION 7 - ELECTRICAL

FIGURE 7-48. LIGHTS INSTALLATION (STEEL BODY)

ITEM	PART NUMBER	QTY	DESCRIPTION	REV
	2502330317	Ref	LIGHTS INSTALLATION	D
1	7590000343	4	Light, Tail (Red)	
2	7590000342	2	Light, Marker (Amber)	
3	7590000241	2	Light, Stop, Turn and Tail (Red)	
4	7590000003	2	Light, Back-up (Clear)	
5	7259000004	4	Housing, Tail Light	
6	7120000072	12	Screw #10 x 1-1/4	
7	7291000010	1	Connector Assembly	
8	7111140613	2	Screw 1/4 x 3/4	
9	7950140000	2	Washer 1/4	
10	7413000002	2	Nut 1/4	
11	7796000048	1	Gasket, Connector	
12	7660102604	12	Nut #10	
13	7796000076	4	Gasket	
14	7493000009	6	Grommet (2.5IN Dia)	
15	7950100153	12	Washer #10	
20	7493000002	4	Grommet (4IN Dia)	

SECTION 7 - ELECTRICAL

FIGURE 7-49. PTO ELECTRICAL ASSEMBLY - FORD PTO



ART_1001225217

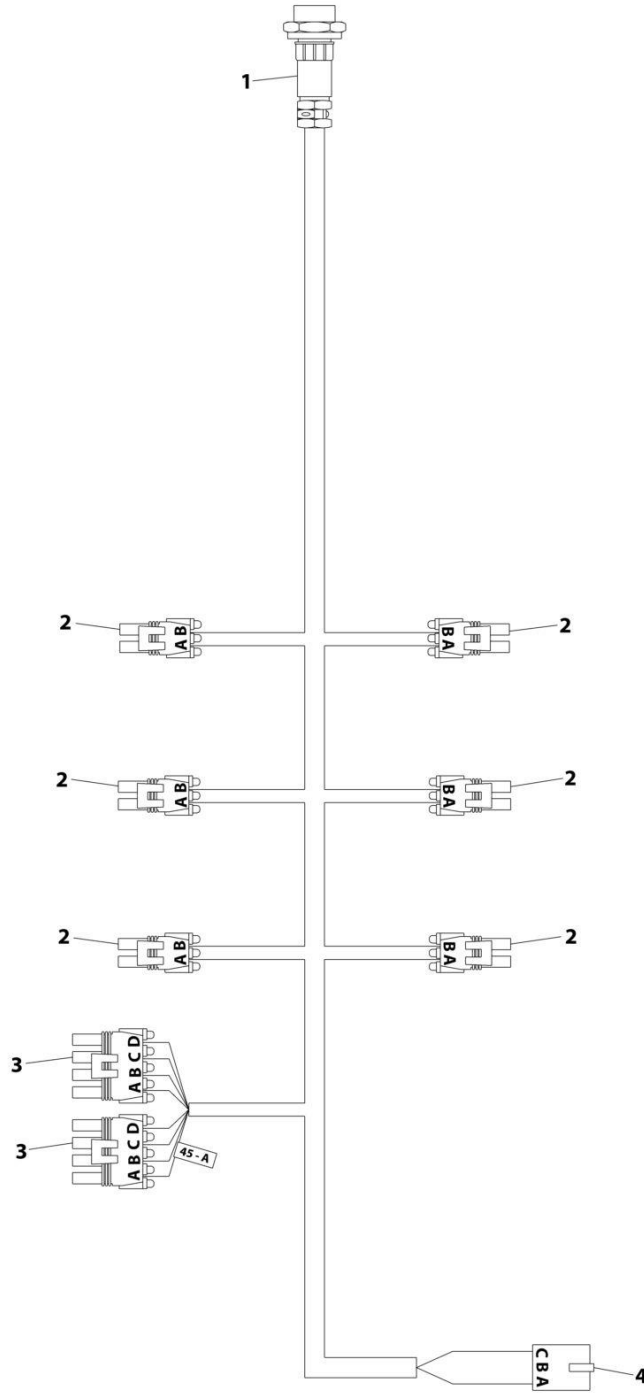
SECTION 7 - ELECTRICAL

FIGURE 7-49. PTO ELECTRICAL ASSEMBLY - FORD PTO

ITEM	PART NUMBER	QTY	DESCRIPTION	REV
	1001225217	Ref	ELECTRICAL ASSEMBLY - FORD PTO	D
1	1001225063	1	Control PTO	
2	1001226317	1	Harness, Data Link Extension	
3	1001225068	1	Harness, PTO Ford	
6	8892040001	0.5 ft	Tape	
7	7345221702	1	Terminal	
8	7345001714	6	Terminal	
9	7346000039	AR	Tubing	
10	7345001914	1	Terminal	
11	5376000192	1	Manual (Not Shown)	

SECTION 7 - ELECTRICAL

FIGURE 7-50. REMOTE CONTROL HARNESS



ART_7552000329

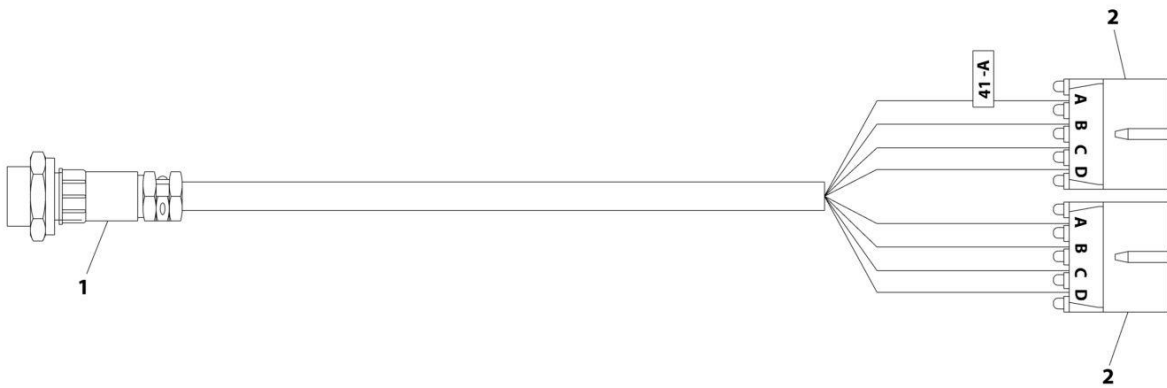
SECTION 7 - ELECTRICAL

FIGURE 7-50. REMOTE CONTROL HARNESS

ITEM	PART NUMBER	QTY	DESCRIPTION	REV
	7552000329	Ref	REMOTE CONTROL HARNESS	1
1	NPN	1	Connector - 8 Position	
1	NPN	8	Terminal	
1	NPN	1	Connector, Strain Relief	
2	4460955	6	Plug, Male - 2 Position	
2	4460842	12	Terminal	
3	7346000129	2	Plug, Male - 4 Position	
3	4460457	8	Socket, Female	
4	NPN	1	Connector - 3 Position	
4	4460475	3	Pin, Male	
4	4460458	3	Seal	

SECTION 7 - ELECTRICAL

FIGURE 7-51. REMOTE CONTROL HARNESS (IN CAB)



ART_7552000286

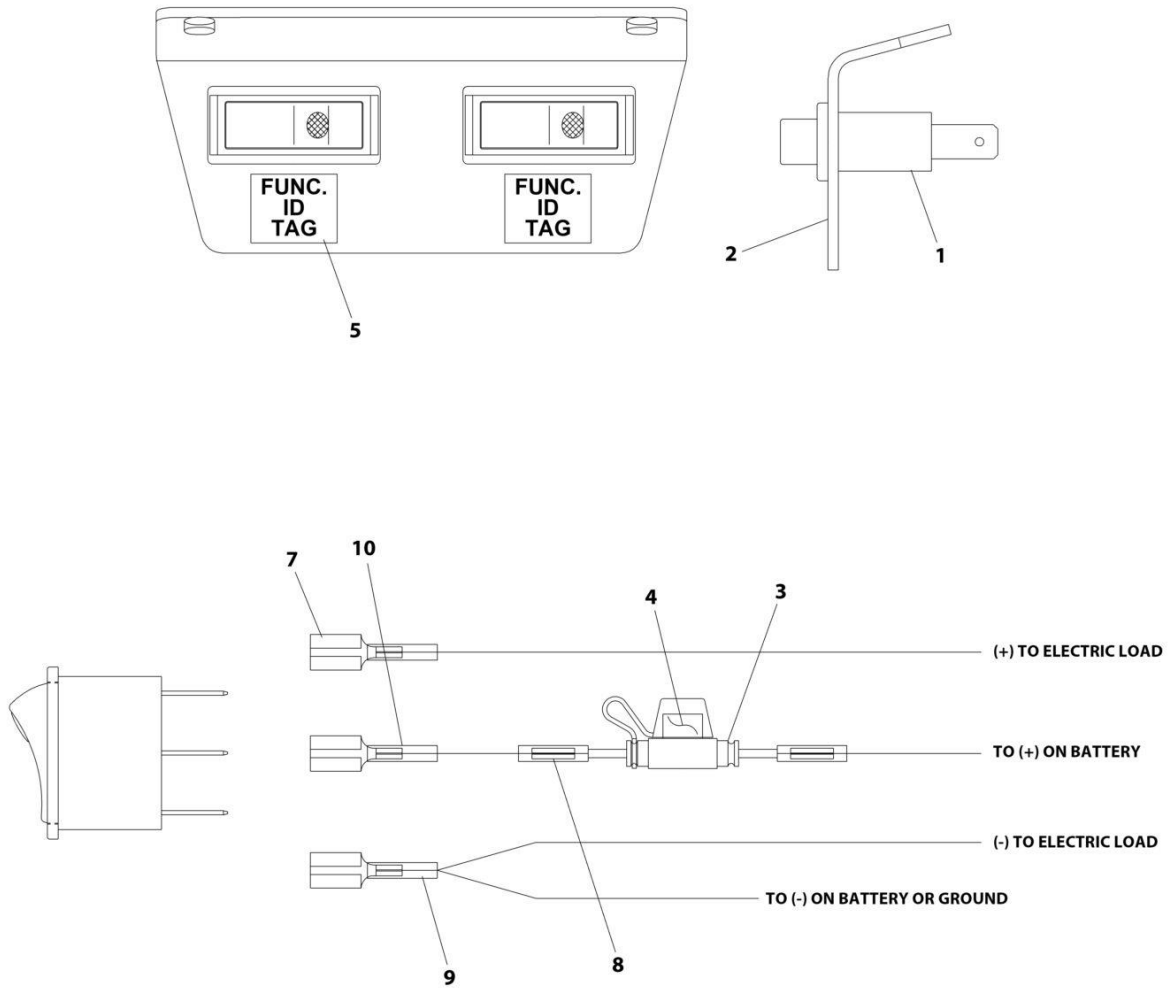
SECTION 7 - ELECTRICAL

FIGURE 7-51. REMOTE CONTROL HARNESS (IN CAB)

ITEM	PART NUMBER	QTY	DESCRIPTION	REV
	7552000286	Ref	REMOTE CONTROL HARNESS (IN CAB)	3
1	NPN	1	Connector - 8 Position	
1	NPN	8	Terminal	
1	NPN	1	Connector, Strain Relief	
2	7346000130	2	Receptacle, Female - 4 Position	
2	4460475	8	Pin, Male	
2	4460458	8	Seal	

SECTION 7 - ELECTRICAL

FIGURE 7-52. SWITCH PANEL INSTALLATION - 2 FUNCTION (SN 0230002518 through 0230009713)



ART_2870000012

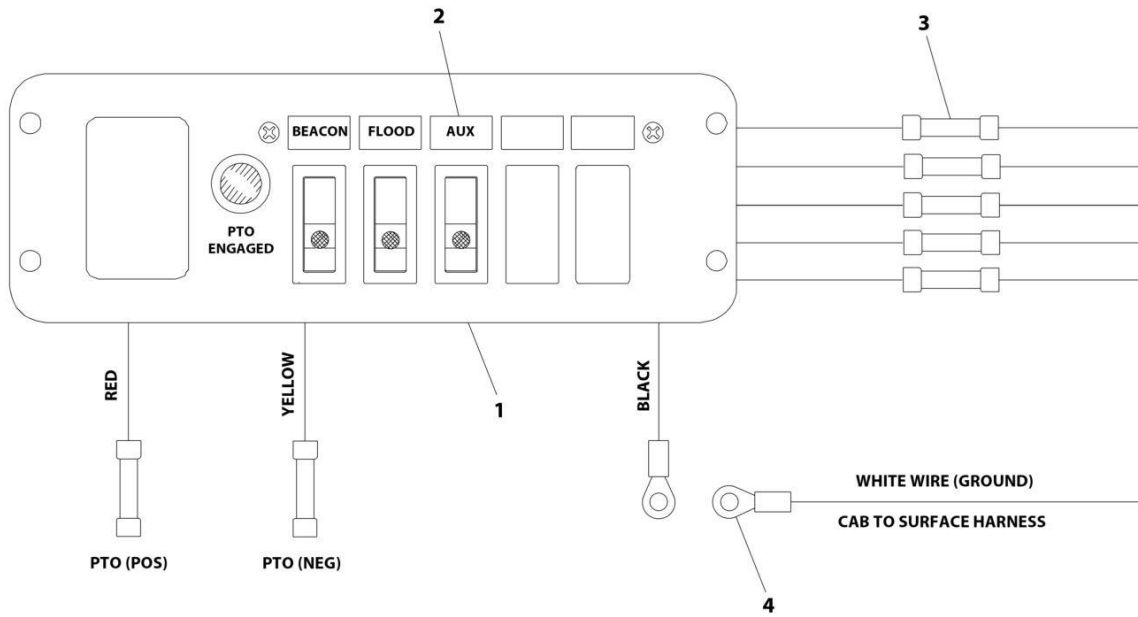
SECTION 7 - ELECTRICAL

FIGURE 7-52. SWITCH PANEL INSTALLATION - 2 FUNCTION (SN 0230002518 through 0230009713)

ITEM	PART NUMBER	QTY	DESCRIPTION	REV
	2870000012	Ref	SWITCH PANEL INSTALLATION - 2 FUNCTION	B
1	7870000083	2	Switch	
2	4178000427	1	Bracket	
3	7346000126	2	Fuse Holder	
4	7457000015	2	Fuse	
5	7330000288	1	Decal	
6	7120000034	2	Screw #10 x 3/4 (Not Shown)	
7	7345001710	4	Tab	
8	7345001914	4	Terminal	
9	4346000005	10	Heat Shrink Tubing	
10	7345001910	2	Tab	

SECTION 7 - ELECTRICAL

FIGURE 7-53. SWITCH PANEL INSTALLATION - 3 FUNCTION (IN DASH COMPACT)



ART_1001135700

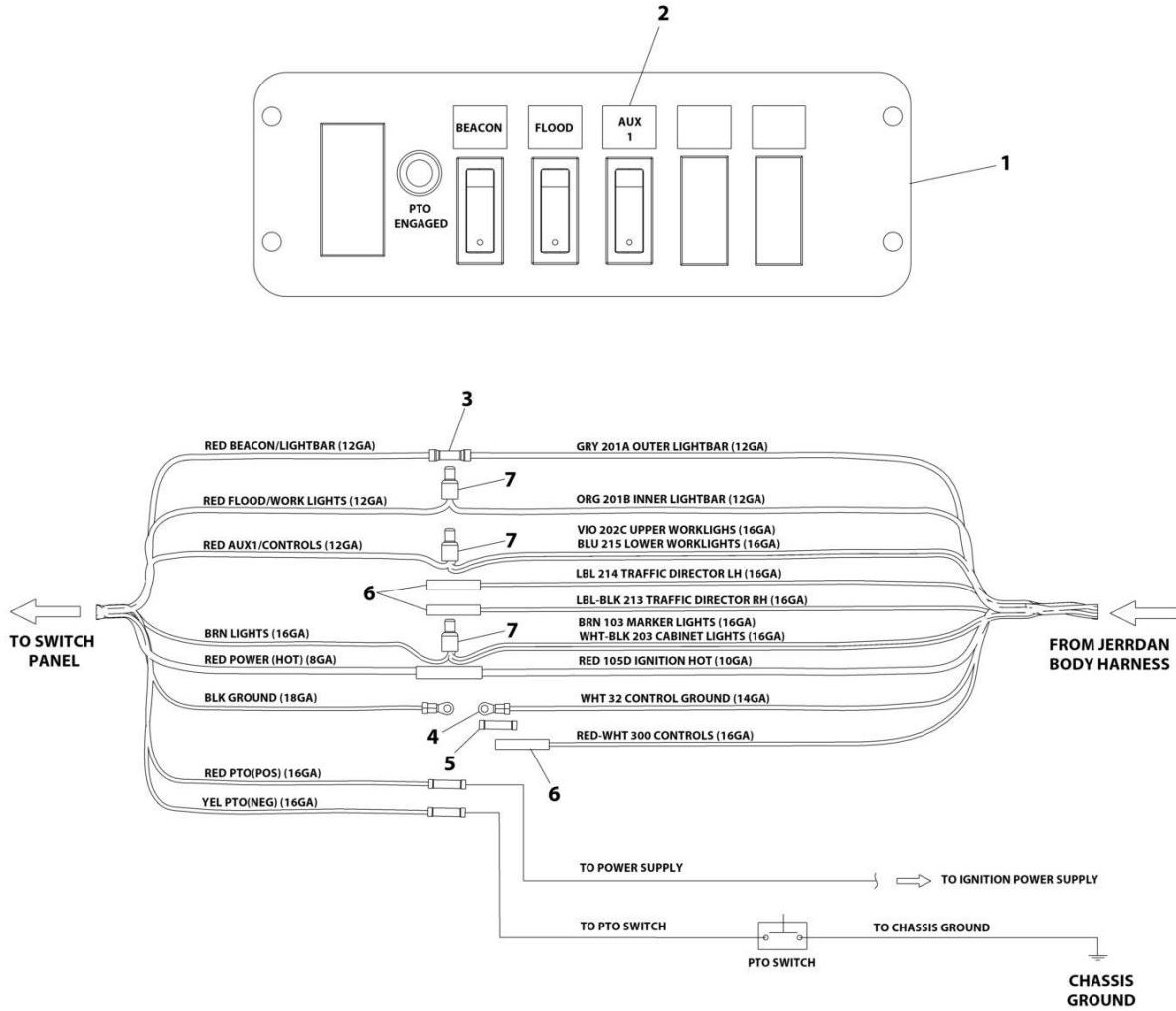
SECTION 7 - ELECTRICAL

FIGURE 7-53. SWITCH PANEL INSTALLATION - 3 FUNCTION (IN DASH COMPACT)

ITEM	PART NUMBER	QTY	DESCRIPTION	REV
	1001135700	Ref	3 Function In-Dash Compact Installation	B
1	7870000100	1	Switch Panel	
2	7330000288	1	Decal	
3	7345001913	4	Connector	
4	7345211701	1	Terminal	
4	7345001713	1	Connector	
5	4346000005	1	Heat Shrink (Not Shown)	

SECTION 7 - ELECTRICAL

FIGURE 7-54. SWITCH PANEL INSTALLATION - 3 FUNCTION (IN DASH COMPACT)



ART_1001266286

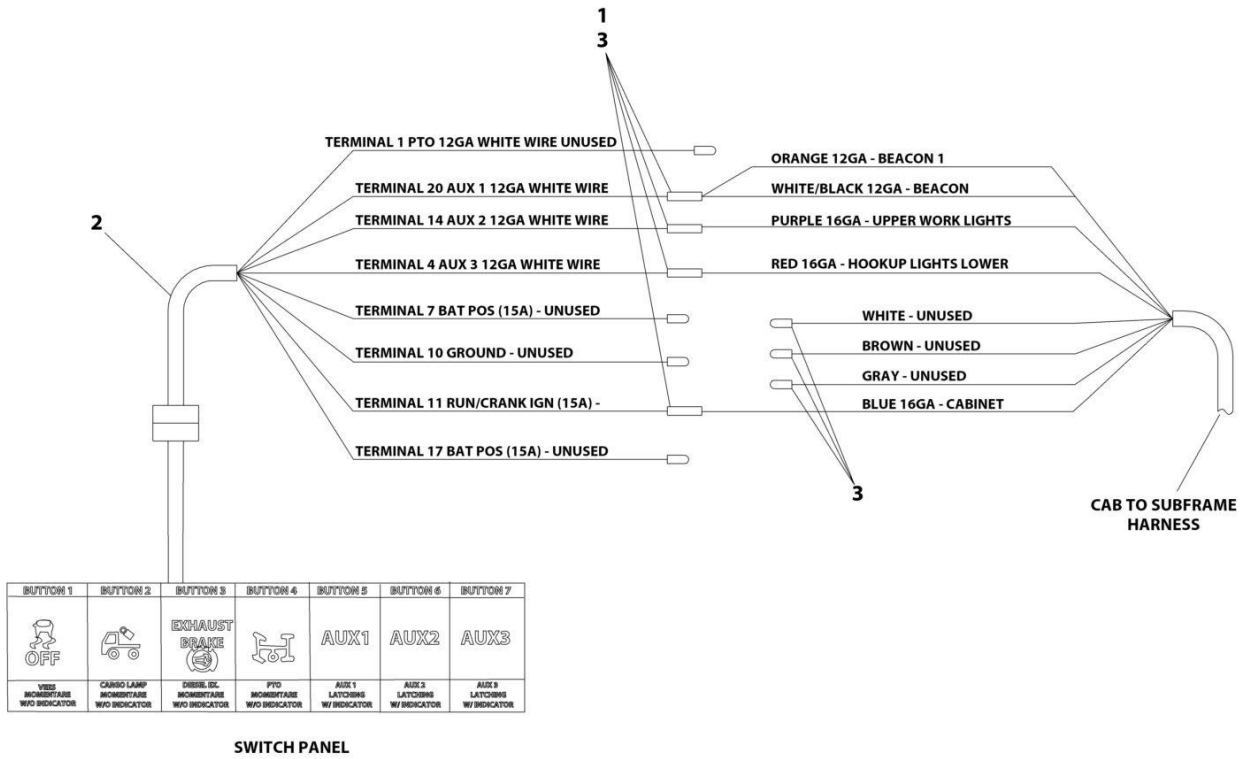
SECTION 7 - ELECTRICAL

FIGURE 7-54. SWITCH PANEL INSTALLATION - 3 FUNCTION (IN DASH COMPACT

ITEM	PART NUMBER	QTY	DESCRIPTION	REV
	1001266286	Ref	SWITCH PANEL INSTALLATION - 3 FUNCTION (IN DASH COMPACT)	A
1	7870000100	1	Switch Panel	
2	7330000288	1	Decal	
3	4460018	1	Terminal	
4	4460042	1	Terminal	
5	4460035	1	Terminal	
6	4346000005	3	Heat Shrink	
7	7346000242	3	Connector	

SECTION 7 - ELECTRICAL

FIGURE 7-55. SWITCH PANEL INSTALLATION - 3 FUNCTION (CVC 2019+) (SN 0230002518 through 0230009713)



ART_1001255523

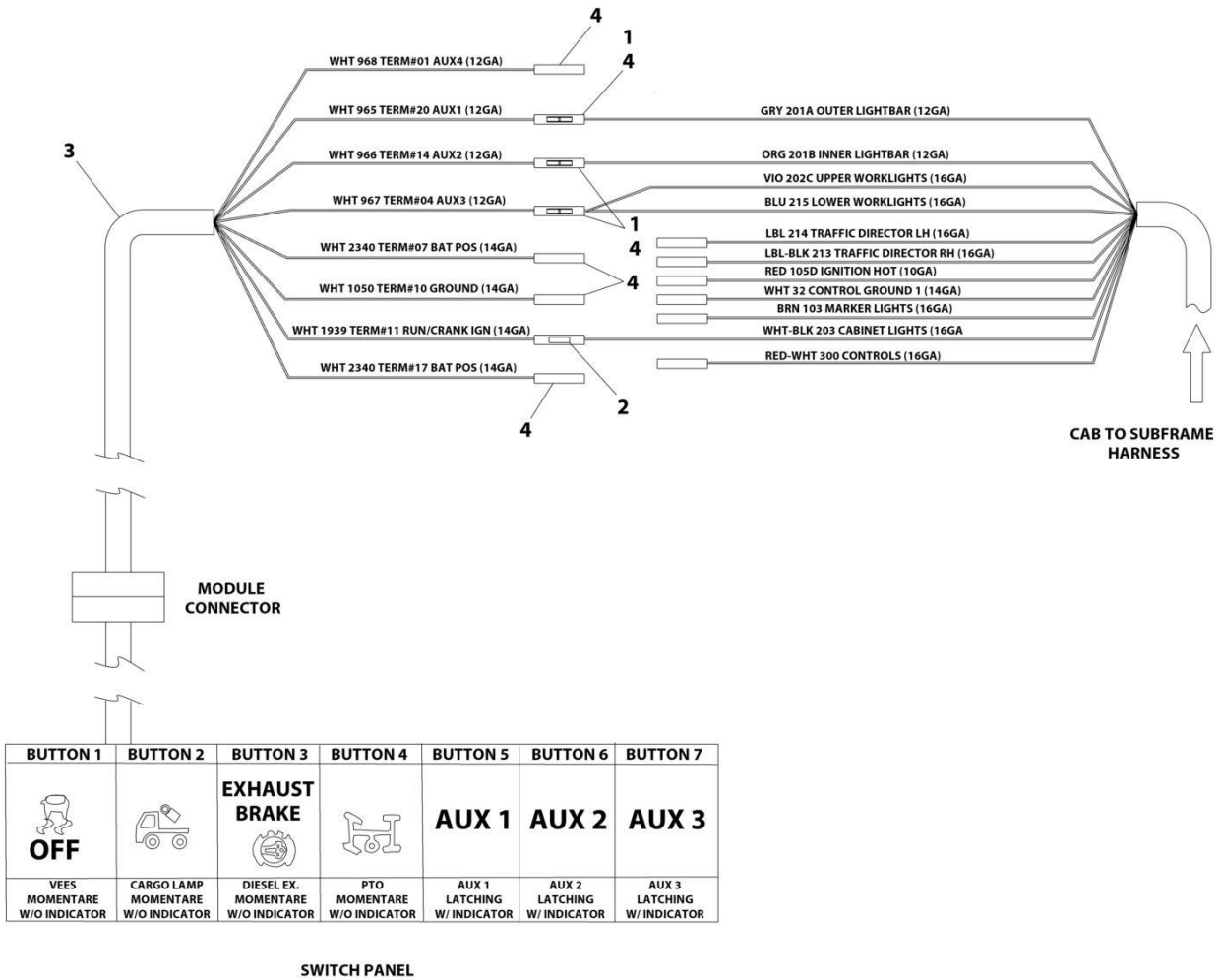
SECTION 7 - ELECTRICAL

FIGURE 7-55. SWITCH PANEL INSTALLATION - 3 FUNCTION (CVC 2019+) (SN 0230002518 through 0230009713)

ITEM	PART NUMBER	QTY	DESCRIPTION	REV
	1001255523	Ref	SWITCH PANEL INSTALLATION - 3 FUNCTION (CVC 2019+)	C
1	7345001914	4	Terminal	
2	1001254044	1	Harness	
3	7346000039	AR	Tubing	

SECTION 7 - ELECTRICAL

FIGURE 7-56. SWITCH PANEL INSTALLATION - 3 FUNCTION (CVC 2019+) (SN 0230009714 to Present)



ART_1001267980

SECTION 7 - ELECTRICAL

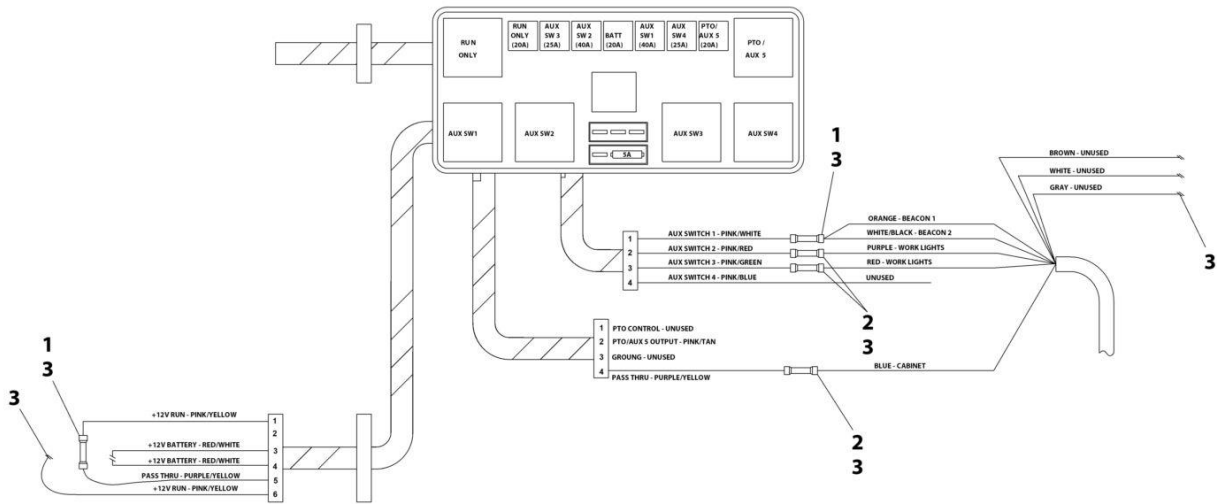
FIGURE 7-56. SWITCH PANEL INSTALLATION - 3 FUNCTION (CVC 2019+) (SN 0230009714 to Present)

ITEM	PART NUMBER	QTY	DESCRIPTION	REV
	1001267980	Ref	SWITCH PANEL INSTALLATION - 3 FUNCTION (CVC 2019+)	A
1	7345001914	3	Terminal	
2	7345001714	1	Terminal	
3	1001254044	1	Harness	
4	4346000005	10	Heat Shrink, Tubing	

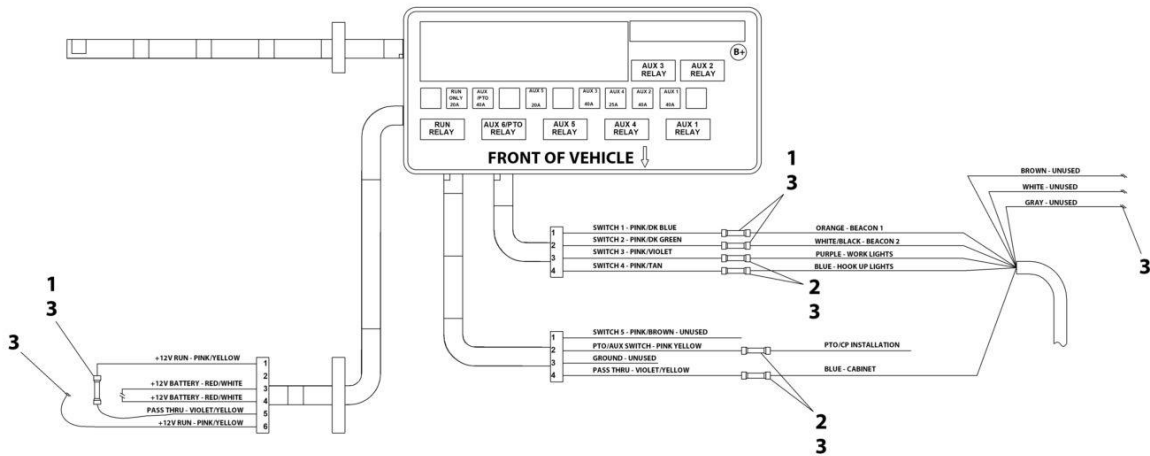
SECTION 7 - ELECTRICAL

FIGURE 7-57. SWITCH PANEL INSTALLATION - 3 FUNCTION (DODGE 2013+) (SN 0230002518 through 0230009713)

MODEL YEARS 2013-2018



MODEL YEARS 2019+



ART_1001170649

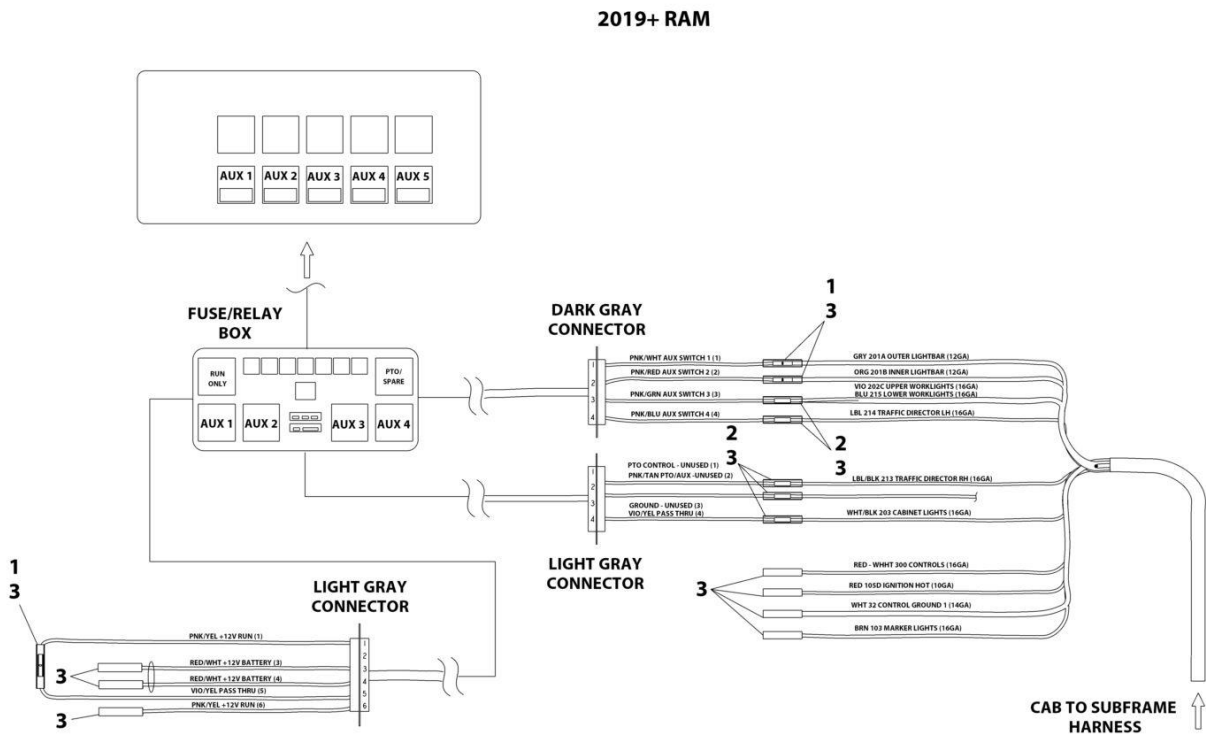
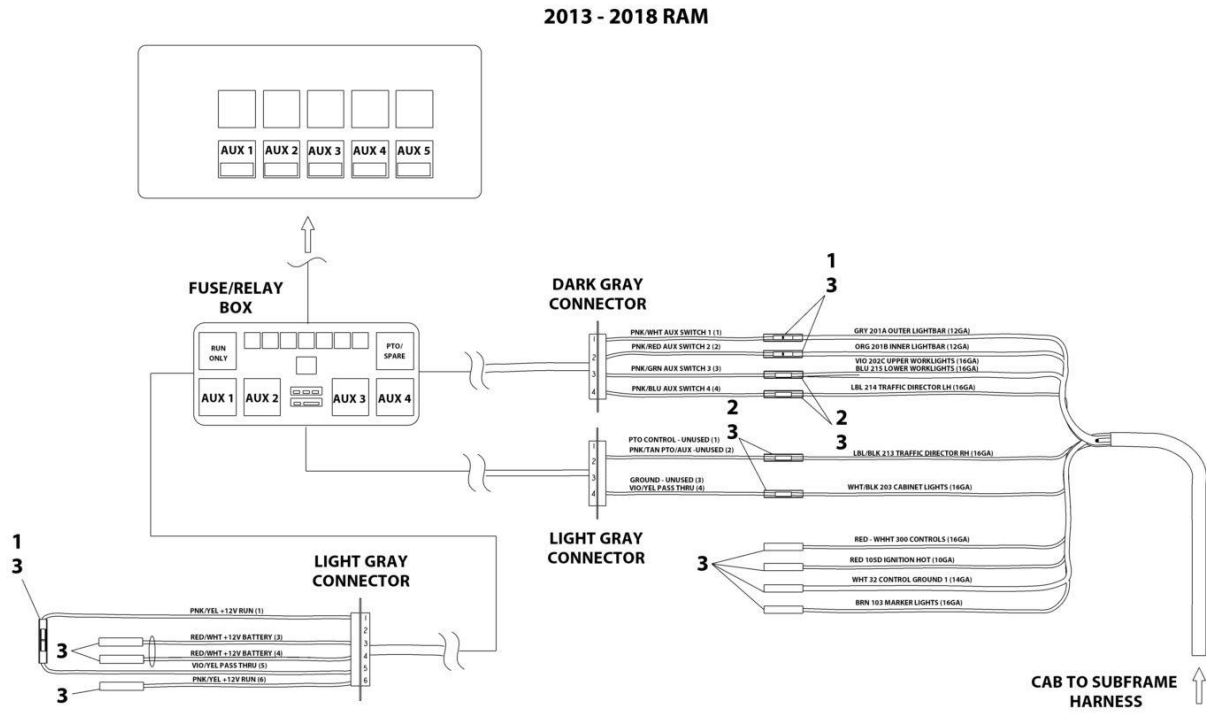
SECTION 7 - ELECTRICAL

FIGURE 7-57. SWITCH PANEL INSTALLATION - 3 FUNCTION (DODGE 2013+) (SN 0230002518 through 0230009713)

ITEM	PART NUMBER	QTY	DESCRIPTION	REV
	1001170649	Ref	SWITCH PANEL INSTALLATION - 3 FUNCTION (DODGE 2013+)	C
1	7345001914	3	Terminal	
2	7345001714	4	Terminal	
3	7346000039	AR	Tubing	

SECTION 7 - ELECTRICAL

FIGURE 7-58. SWITCH PANEL INSTALLATION - 3 FUNCTION (DODGE 2013+)



ART_1001267930

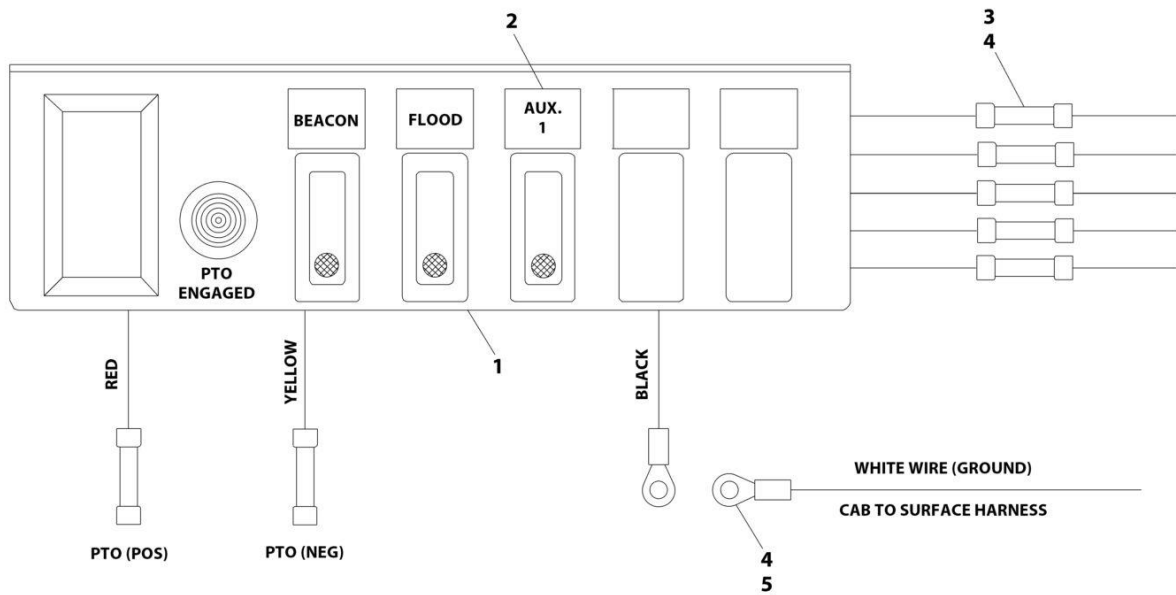
SECTION 7 - ELECTRICAL

FIGURE 7-58. SWITCH PANEL INSTALLATION - 3 FUNCTION (DODGE 2013+)

ITEM	PART NUMBER	QTY	DESCRIPTION	REV
	1001267930	Ref	SWITCH PANEL INSTALLATION - 3 FUNCTION (DODGE 2013+)	A
1	7345001914	3	Terminal	
2	7345001714	5	Terminal	
3	4346000005	15	Heat Shrink Tubing	

SECTION 7 - ELECTRICAL

FIGURE 7-59. SWITCH PANEL INSTALLATION - 3 FUNCTION (UNDER DASH COMPACT) (SN 0230002518 through 0230009713)



ART_1001135756

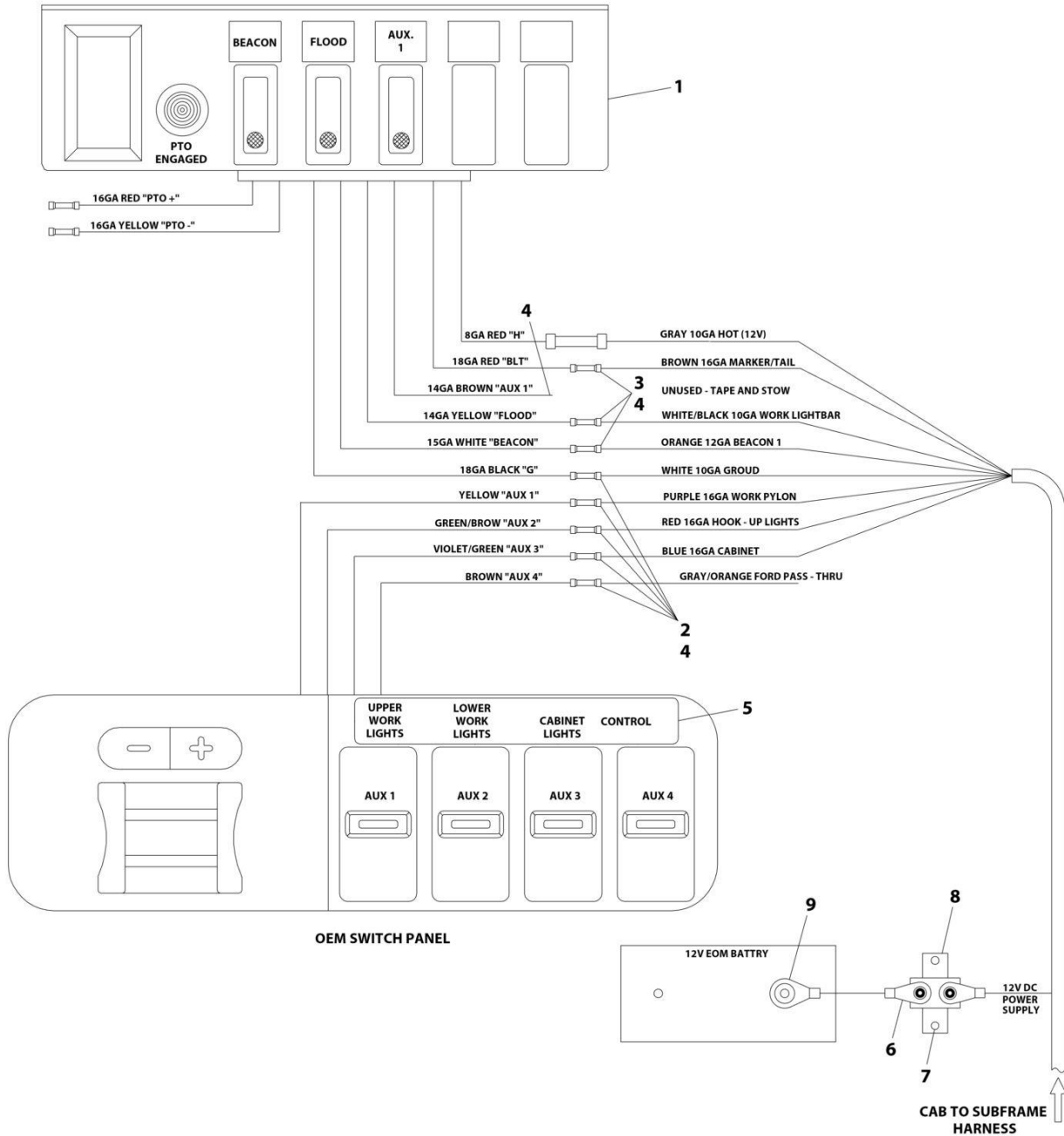
SECTION 7 - ELECTRICAL

FIGURE 7-59. SWITCH PANEL INSTALLATION - 3 FUNCTION (UNDER DASH COMPACT) (SN 0230002518 through 0230009713)

ITEM	PART NUMBER	QTY	DESCRIPTION	REV
	1001135756	1	3 Function Under-Dash Compact Assembly	B
1	7870000134	1	Switch Panel	
2	7330000288	1	Decal	
3	7346000242	2	Connector	
4	7345001713	4	Connector	
5	7345211701	1	Terminal	
6	4346000005	1	Heat Shrink (Not Shown)	
7	8597650003	2	Wire (Not Shown)	
8	5526000553	6	Tie Strap (Not Shown)	

SECTION 7 - ELECTRICAL

FIGURE 7-60. SWITCH PANEL INSTALLATION – 3/4 FUNCTION (3 UNDER/4 IN DASH COMPACT)



ART_2870000029

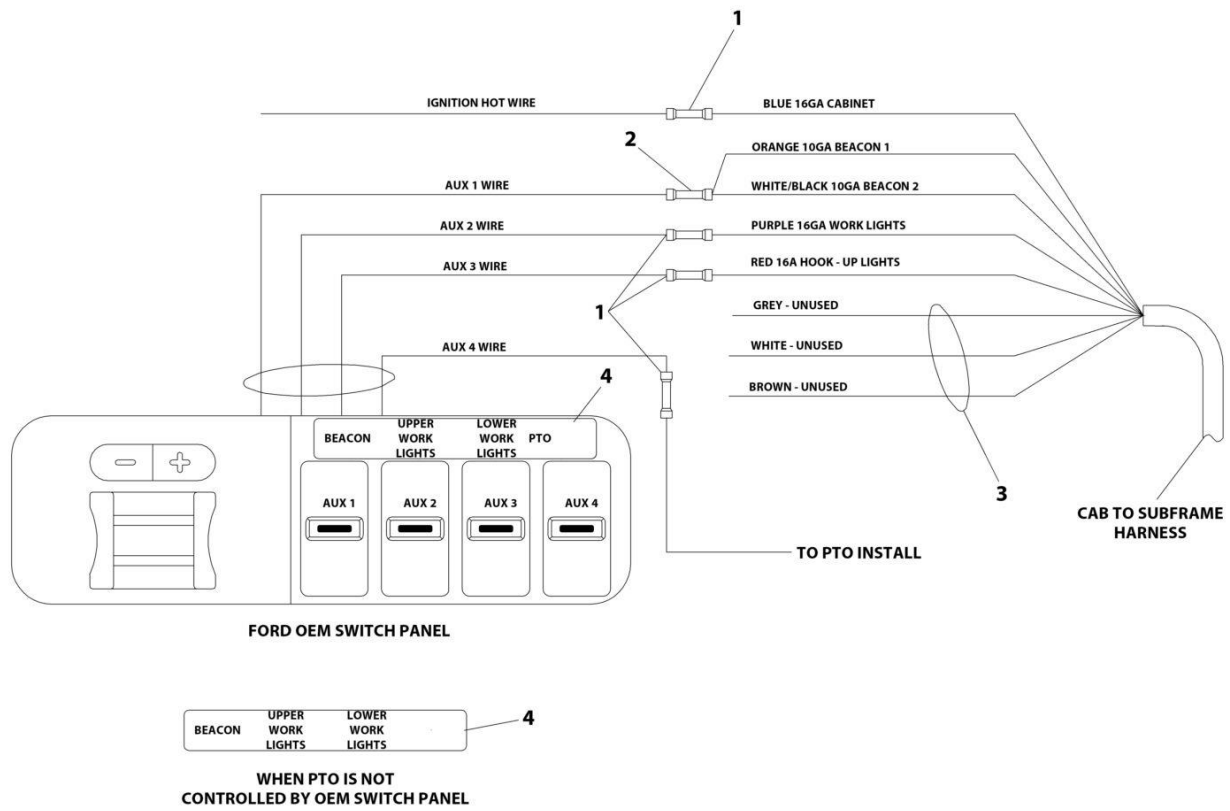
SECTION 7 - ELECTRICAL

FIGURE 7-60. SWITCH PANEL INSTALLATION – 3/4 FUNCTION (3 UNDER/4 IN DASH COMPACT)

ITEM	PART NUMBER	QTY	DESCRIPTION	REV
	2870000029	Ref	SWITCH PANEL INSTALLATION - 3/4 FUNCTION	B
1	7870000134	1	Switch Panel	
2	7345001714	5	Terminal	
3	7345001914	3	Terminal	
4	7346000039	AR	Tubing	
5	7330000871	1	Decal	
6	7950100151	1	Washer	
7	7790100856	2	Screw #10 x 1/2	
8	7457000004	1	Breaker 50Amp	
9	1001129882	1	Harness	

SECTION 7 - ELECTRICAL

FIGURE 7-61. SWITCH PANEL INSTALLATION – 4 FUNCTION (SN 0230002518 through 0230009713)



ART_1001135520

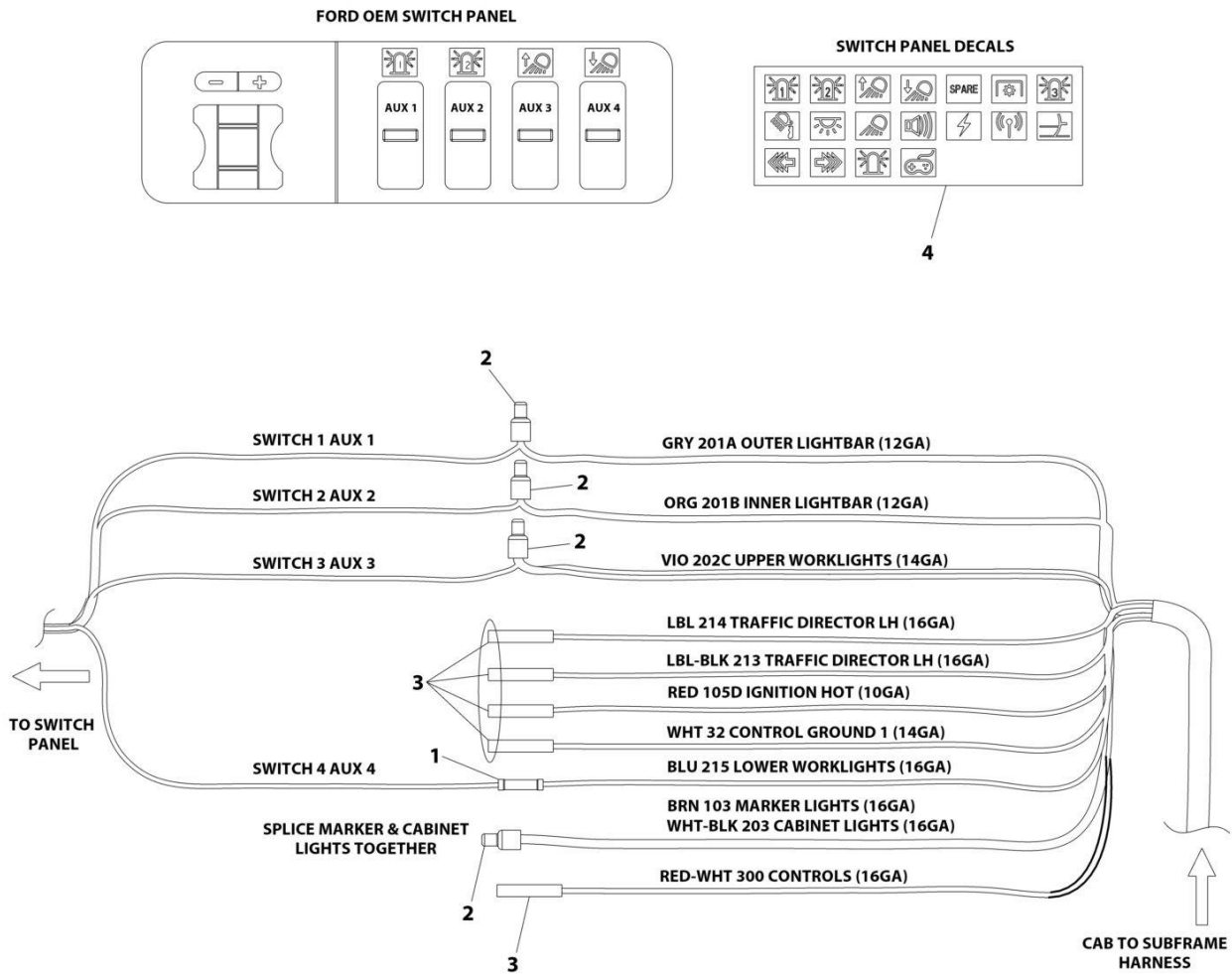
SECTION 7 - ELECTRICAL

FIGURE 7-61. SWITCH PANEL INSTALLATION – 4 FUNCTION (SN 0230002518 through 0230009713)

ITEM	PART NUMBER	QTY	DESCRIPTION	REV
	1001135520	Ref	SWITCH PANEL INSTALLATION - 4 FUNCTION (FORD F450-F550 2011-2016)	B
1	7345001713	4	Connector	
2	7346000242	1	Connector	
3	4346000005	3	Heat Shrink Tubing	
4	7330000627	AR	Decal	
4	7330000628	AR	Decal	

SECTION 7 - ELECTRICAL

FIGURE 7-62. SWITCH PANEL INSTALLATION - 4 FUNCTION (SN 0230009714 to Present)



ART_1001267503

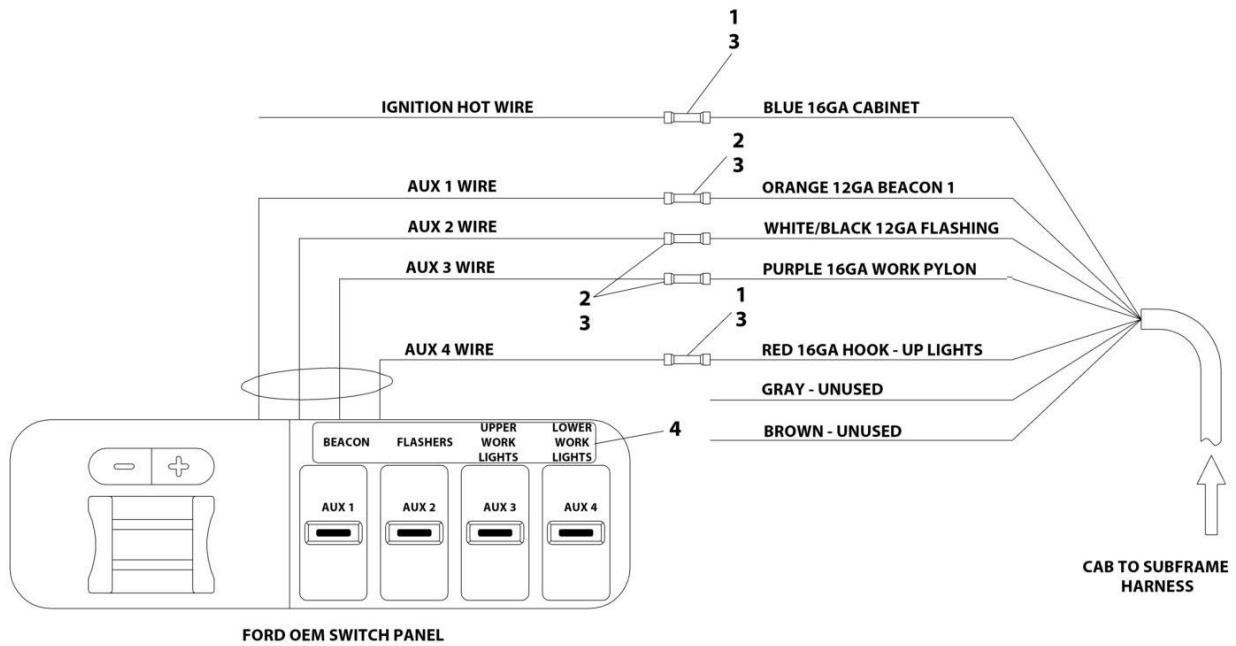
SECTION 7 - ELECTRICAL

FIGURE 7-62. SWITCH PANEL INSTALLATION - 4 FUNCTION (SN 0230009714 to Present)

ITEM	PART NUMBER	QTY	DESCRIPTION	REV
	1001267503	Ref	SWITCH PANEL INSTALLATION - 4 FUNCTION (FORD F450-F550 2011-2016)	A
1	4460035	1	Terminal	
2	7346000242	4	Connector	
3	4346000005	5	Heat Shrink Tubing	
4	1001221375	1	Decal	

SECTION 7 - ELECTRICAL

FIGURE 7-63. SWITCH PANEL INSTALLATION - 4 FUNCTION (FORD F450-F550 2011-2016 - AAA SPECS) (SN 0230002518 through 0230009713)



ART_1001136163

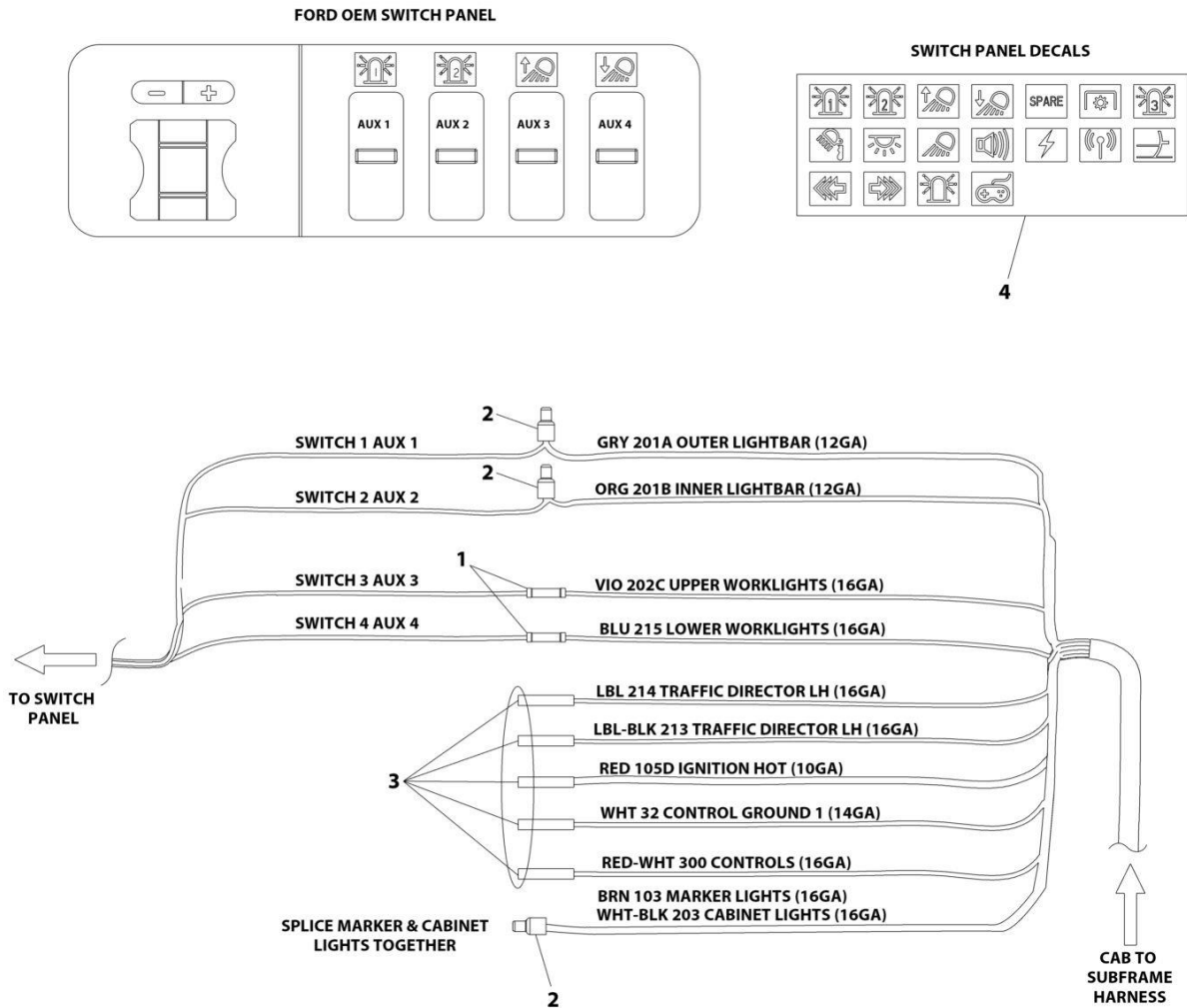
SECTION 7 - ELECTRICAL

FIGURE 7-63. SWITCH PANEL INSTALLATION - 4 FUNCTION (FORD F450-F550 2011-2016 - AAA SPECS) (SN 0230002518 through 0230009713)

ITEM	PART NUMBER	QTY	DESCRIPTION	REV
	1001136163	Ref	SWITCH PANEL INSTALLATION - 4 FUNCTION	B
1	7345001714	2	Terminal	
2	7345001914	3	Terminal	
3	7346000039	1	Tubing	
4	1001129461	1	Decal	

SECTION 7 - ELECTRICAL

FIGURE 7-64. SWITCH PANEL INSTALLATION - 4 FUNCTION (FORD F450-F550 2011-2016 - AAA SPECS) (SN 0230009714 to Present)



ART_1001266055

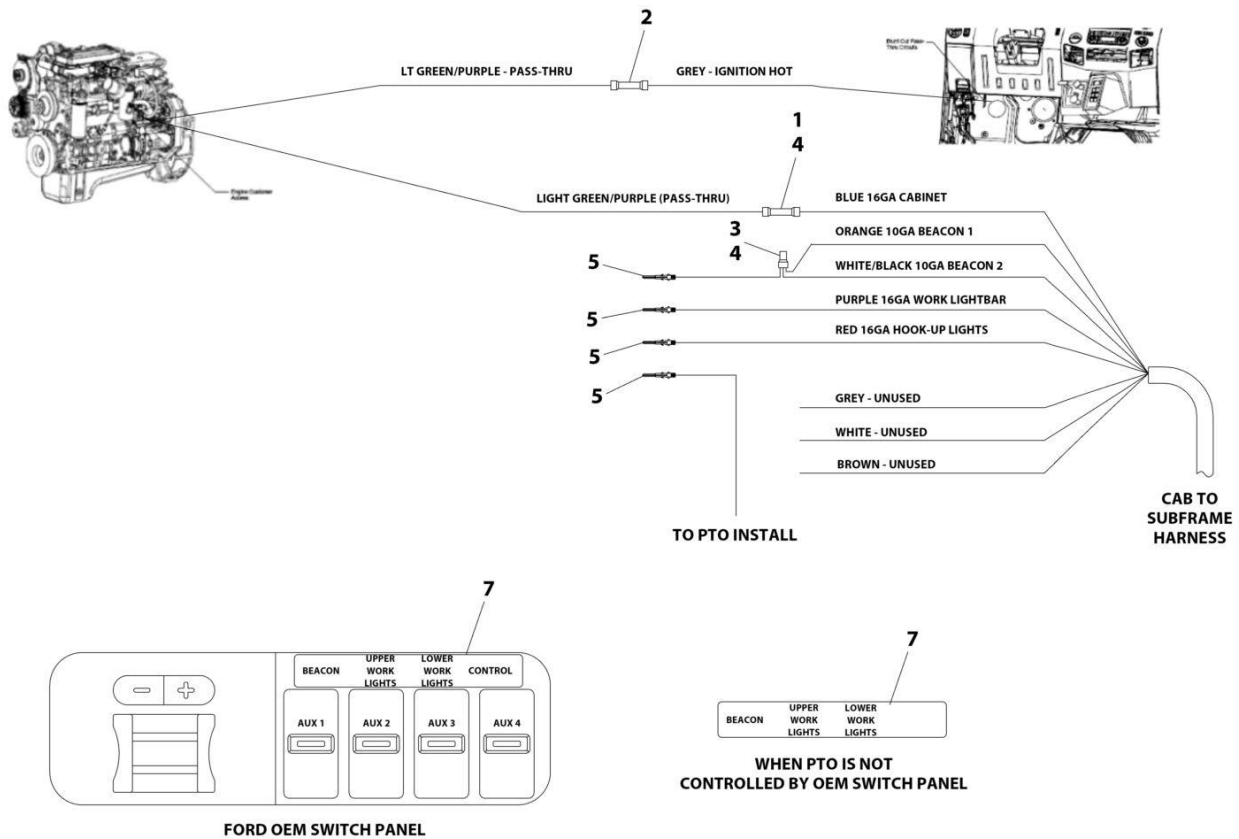
SECTION 7 - ELECTRICAL

FIGURE 7-64. SWITCH PANEL INSTALLATION - 4 FUNCTION (FORD F450-F550 2011-2016 - AAA SPECS) (SN 0230009714 to Present)

ITEM	PART NUMBER	QTY	DESCRIPTION	REV
	1001266055	Ref	SWITCH PANEL INSTALLATION - 4 FUNCTION	A
1	4460035	2	Terminal	
2	7346000242	3	Connector	
3	4346000005	5	Heat Shrink Tubing	
4	1001221375	1	Decal	

SECTION 7 - ELECTRICAL

FIGURE 7-65. SWITCH PANEL INSTALLATION - 4 FUNCTION (FORD F650-F750 2011-2016) (SN 0230002518 through 0230009713)



ART_1001135522

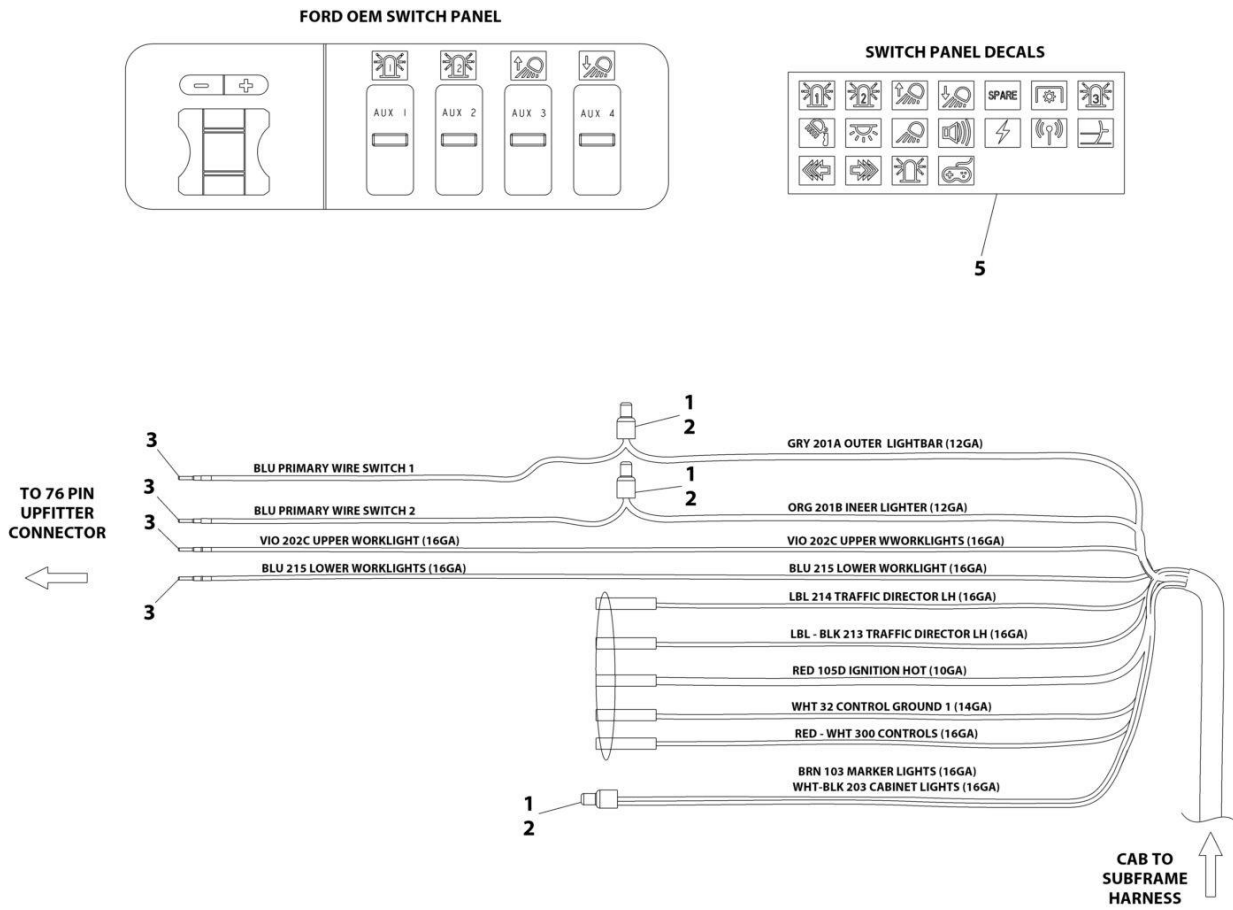
SECTION 7 - ELECTRICAL

FIGURE 7-65. SWITCH PANEL INSTALLATION - 4 FUNCTION (FORD F650-F750 2011-2016) (SN 0230002518 through 0230009713)

ITEM	PART NUMBER	QTY	DESCRIPTION	REV
	1001135522	Ref	SWITCH PANEL INSTALLATION - 4 FUNCTION	B
1	7345001714	1	Terminal	
2	7345001713	1	Connector	
3	7346000242	1	Connector	
4	4346000005	5	Heat Shrink Tubing	
5	1001129095	4	Terminal	
7	7330000627	AR	Decal	
7	7330000628	AR	Decal	

SECTION 7 - ELECTRICAL

FIGURE 7-66. SWITCH PANEL INSTALLATION - 4 FUNCTION (FORD F650-F750 2011-2016) (SN 0230009714 to Present)



ART_1001267668

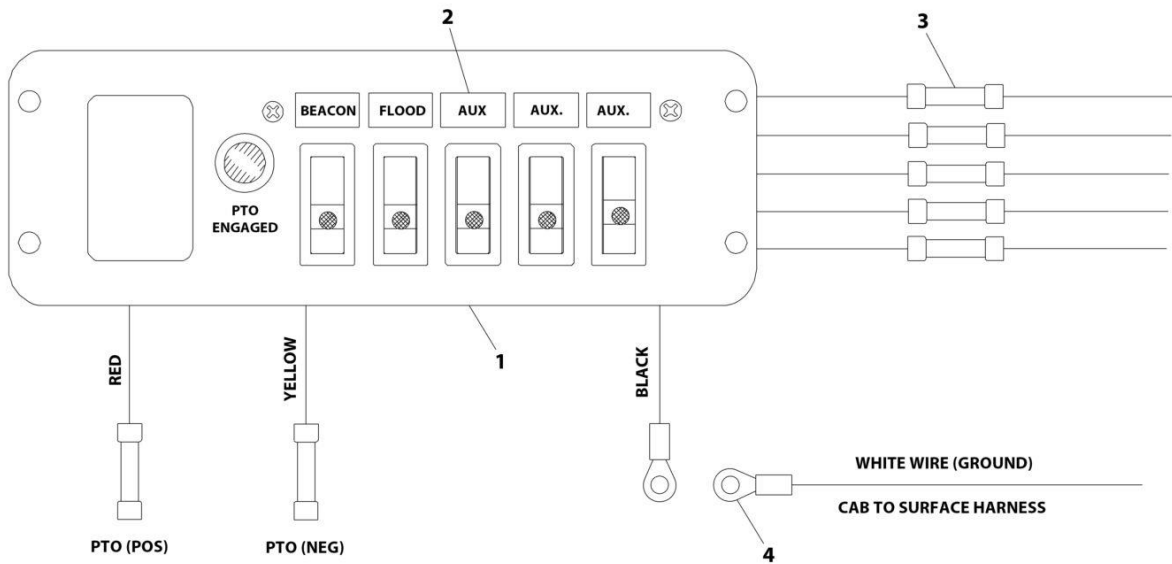
SECTION 7 - ELECTRICAL

FIGURE 7-66. SWITCH PANEL INSTALLATION - 4 FUNCTION (FORD F650-F750 2011-2016) (SN 0230009714 to Present)

ITEM	PART NUMBER	QTY	DESCRIPTION	REV
	1001267668	Ref	SWITCH PANEL INSTALLATION - 4 FUNCTION	A
1	7346000242	3	Connector	
2	4346000005	8	Heat Shrink Tubing	
3	1001129095	4	Terminal	
5	1001221375	1	Decal	

SECTION 7 - ELECTRICAL

FIGURE 7-67. SWITCH PANEL INSTALLATION - 5 FUNCTION (IN DASH COMPACT) (SN 0230002518 through 0230009713)



ART_1001135701

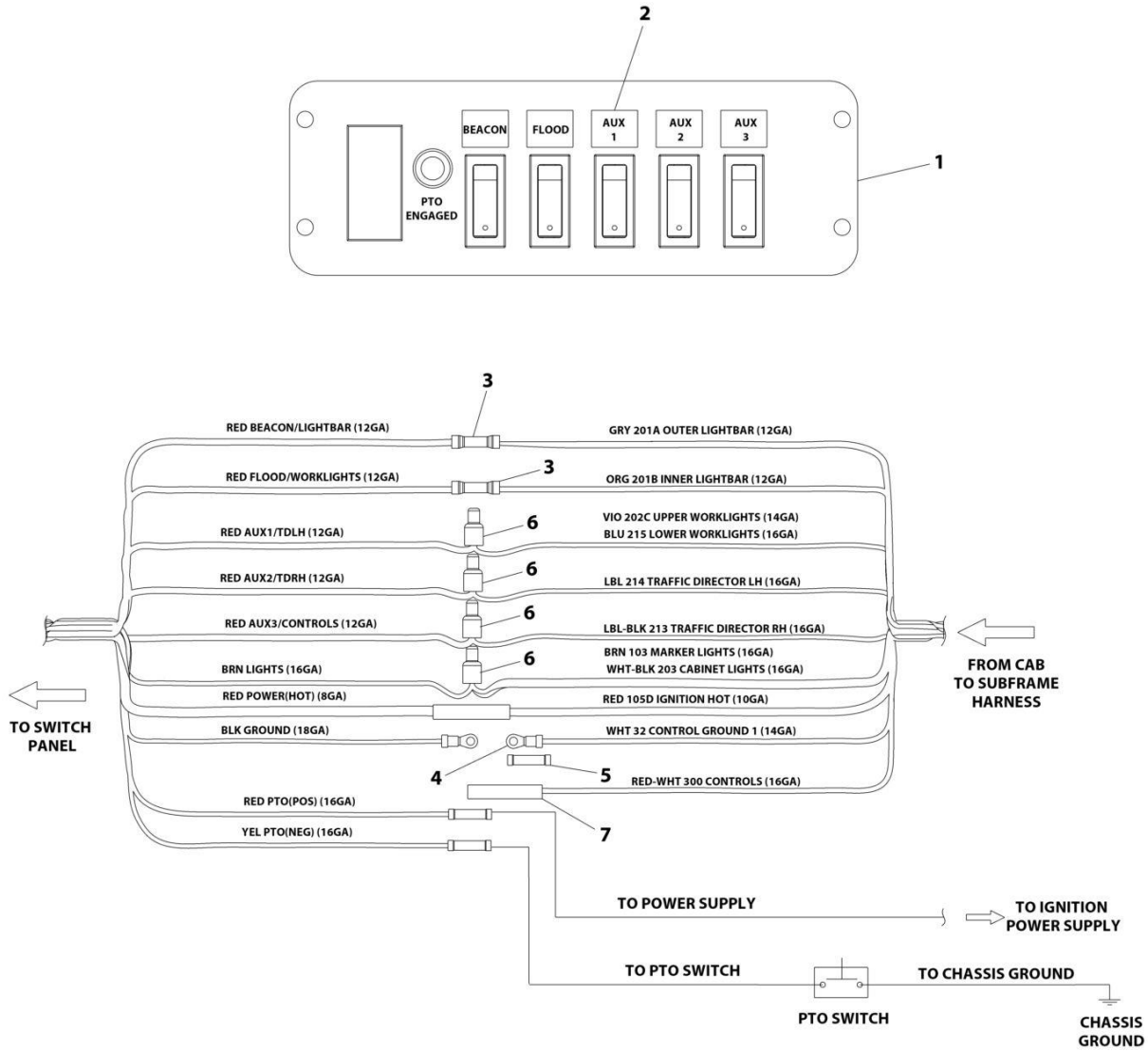
SECTION 7 - ELECTRICAL

FIGURE 7-67. SWITCH PANEL INSTALLATION - 5 FUNCTION (IN DASH COMPACT) (SN 0230002518 through 0230009713)

ITEM	PART NUMBER	QTY	DESCRIPTION	REV
	1001135701	Ref	5 FUNCTION IN-DASH COMPACT SWITCH PANEL ASSEMBLY	B
1	7870000106	1	Switch Panel	
2	7330000288	1	Decal	
3	7345001913	6	Connector	
4	7345211701	1	Terminal	
4	7345001713	1	Connector	

SECTION 7 - ELECTRICAL

FIGURE 7-68. SWITCH PANEL INSTALLATION - 5 FUNCTION (IN DASH COMPACT)



ART_1001266358

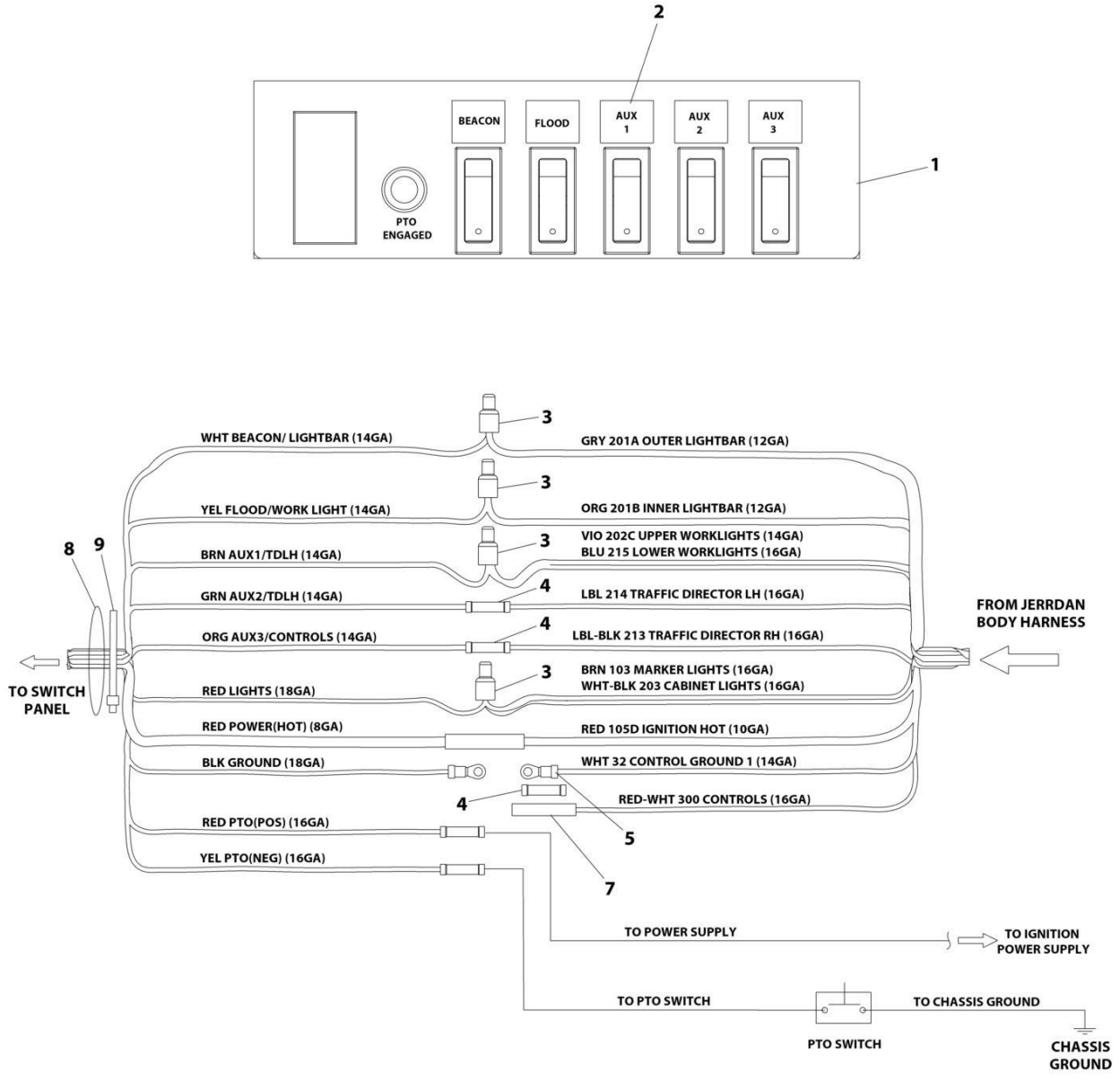
SECTION 7 - ELECTRICAL

FIGURE 7-68. SWITCH PANEL INSTALLATION - 5 FUNCTION (IN DASH COMPACT)

ITEM	PART NUMBER	QTY	DESCRIPTION	REV
	1001266358	Ref	SWITCH PANEL INSTALLATION - 5 FUNCTION	A
1	7870000106	1	Switch Panel	
2	7330000288	1	Decal	
3	4460018	2	Terminal	
4	4460042	1	Terminal	
5	4460035	1	Terminal	
6	7346000242	4	Connector	
7	4346000005	1	Heat Shrink Tubing	

SECTION 7 - ELECTRICAL

FIGURE 7-69. SWITCH PANEL INSTALLATION - 5 FUNCTION (UNDER DASH COMPACT)



ART_1001266360

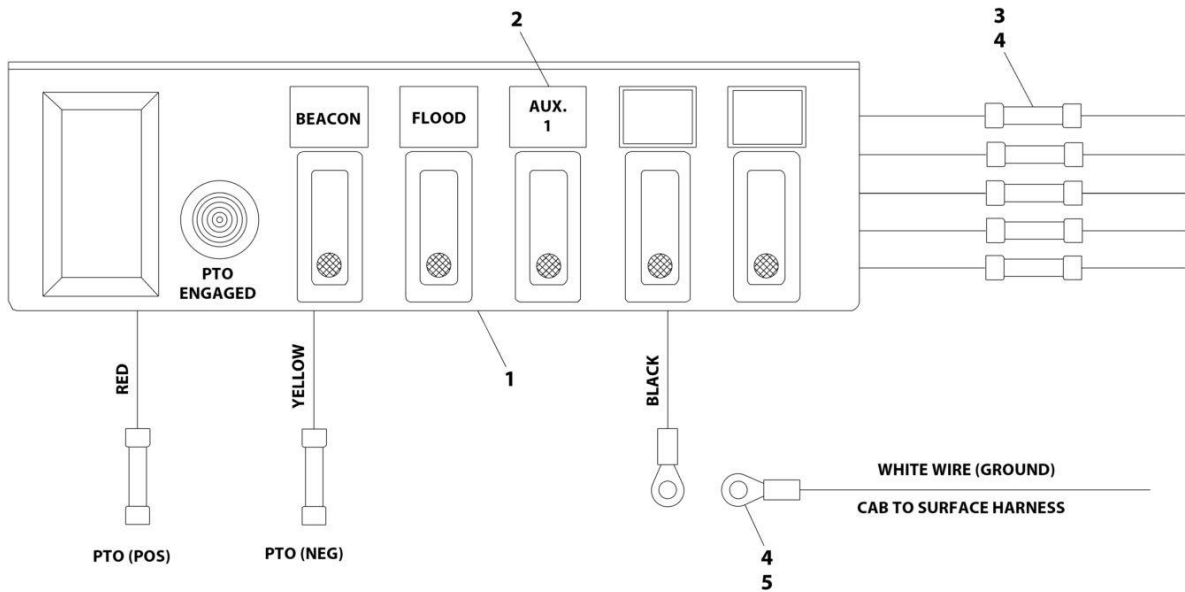
SECTION 7 - ELECTRICAL

FIGURE 7-69. SWITCH PANEL INSTALLATION - 5 FUNCTION (UNDER DASH COMPACT)

ITEM	PART NUMBER	QTY	DESCRIPTION	REV
	1001266360	Ref	SWITCH PANEL INSTALLATION - 5 FUNCTION (UNDER DASH COMPACT)	A
1	7870000137	1	Switch Panel	
2	7330000288	1	Decal	
3	7346000242	4	Connector	
4	4460035	3	Terminal	
5	4460042	1	Terminal	
7	4346000005	1	Heat Shrink Tubing	
8	8597650003	2 ft/0.6 m	Split Loom, Wire	
9	5526000553	6	Tie Strap	

SECTION 7 - ELECTRICAL

FIGURE 7-70. SWITCH PANEL INSTALLATION - 5 FUNCTION (UNDER DASH COMPACT) (SN 0230002518 through 0230009713)



ART_1001135757

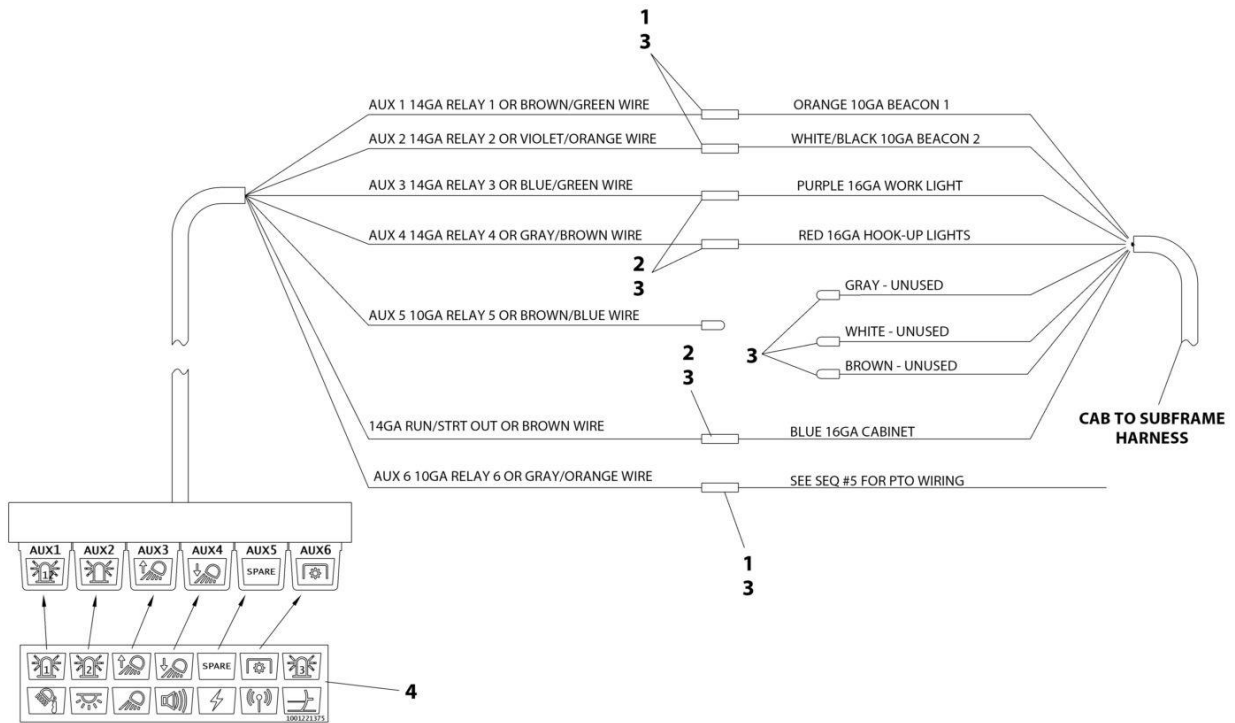
SECTION 7 - ELECTRICAL

FIGURE 7-70. SWITCH PANEL INSTALLATION - 5 FUNCTION (UNDER DASH COMPACT) (SN 0230002518 through 0230009713)

ITEM	PART NUMBER	QTY	DESCRIPTION	REV
	1001135757	1	5 FUNCTION UNDER-DASH SWITCH PANEL ASSEMBLY	A
1	7870000137	1	Switch Panel	
2	7330000288	1	Decal	
3	7346000242	2	Connector	
4	7345001713	5	Connector	
5	7345211701	1	Terminal	
6	8597650003	2	Wire (Not Shown)	
7	5526000553	6	Tie Strap (Not Shown)	

SECTION 7 - ELECTRICAL

FIGURE 7-71. SWITCH PANEL INSTALLATION - 6 FUNCTION (FORD F450-F550 2017+) (SN 0230002518 through 0230009713)



ART_1001221396

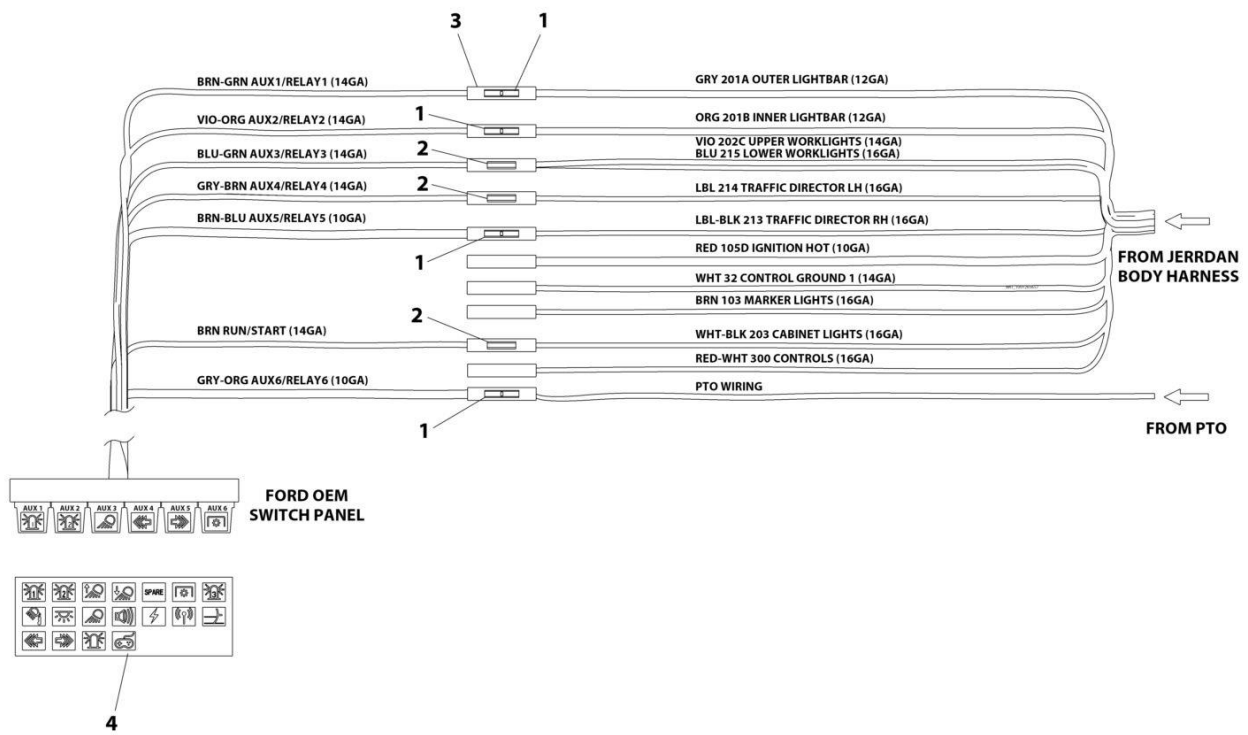
SECTION 7 - ELECTRICAL

FIGURE 7-71. SWITCH PANEL INSTALLATION - 6 FUNCTION (FORD F450-F550 2017+) (SN 0230002518 through 0230009713)

ITEM	PART NUMBER	QTY	DESCRIPTION	REV
	1001221396	Ref	SWITCH PANEL INSTALLATION - 6 FUNCTION	D
1	7345001914	3	Terminal	
2	7345001714	3	Terminal	
3	7346000039	AR	Tubing	
4	1001221375	1	Decal	
5	1001225217	1	Electrical Assembly - Ford PTO (Not Shown) (See Separate Breakdown in this Section)	

SECTION 7 - ELECTRICAL

FIGURE 7-72. SWITCH PANEL INSTALLATION - 6 FUNCTION (FORD F450-F550 2017+) (SN 0230009714 to Present)



ART_1001267250

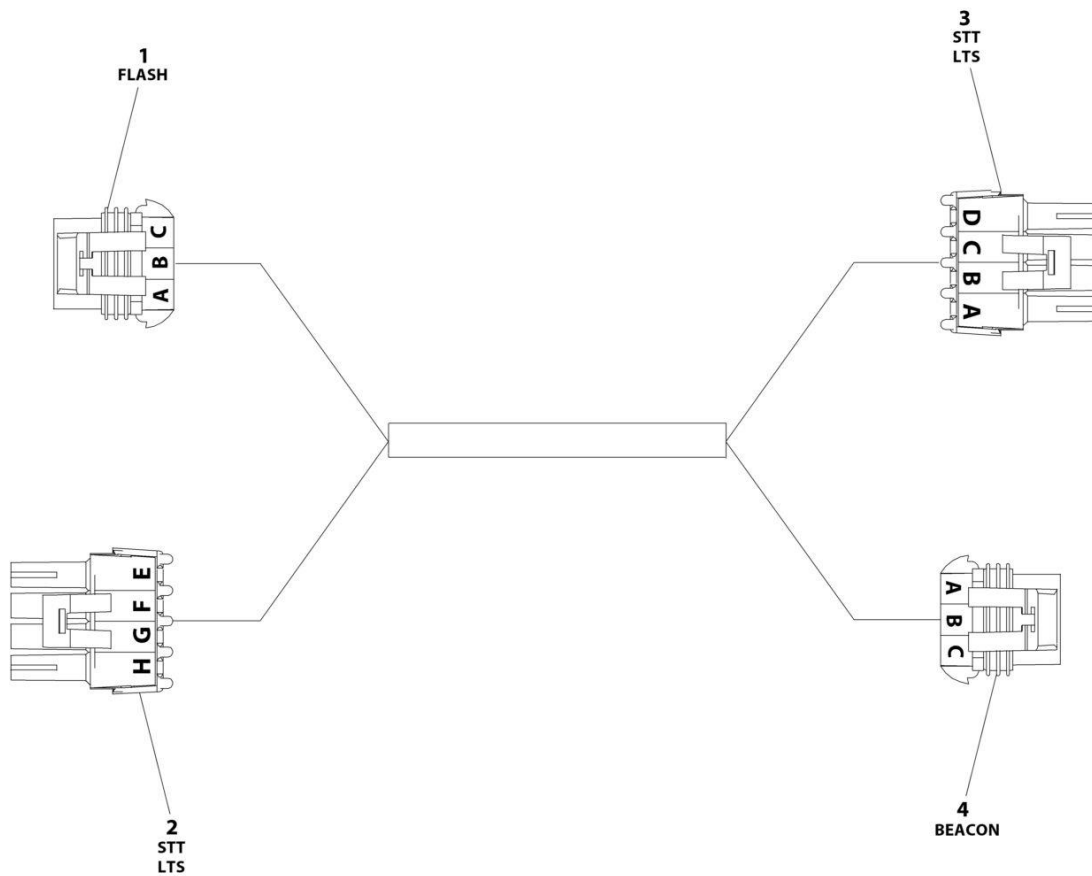
SECTION 7 - ELECTRICAL

FIGURE 7-72. SWITCH PANEL INSTALLATION - 6 FUNCTION (FORD F450-F550 2017+) (SN 0230009714 to Present)

ITEM	PART NUMBER	QTY	DESCRIPTION	REV
	1001267250	Ref	SWITCH PANEL INSTALLATION - 6 FUNCTION	A
1	7345001914	4	Terminal	
2	7345001714	3	Terminal	
3	4346000005	10	Tubing	
4	1001221375	1	Decal	
5	1001225217	1	Electrical Assembly - Ford PTO (Not Shown) (See Separate Breakdown in this Section)	

SECTION 7 - ELECTRICAL

FIGURE 7-73. TUNNEL BOX HARNESS (SN 0230002518 through 0230009713)



ART_7552000237

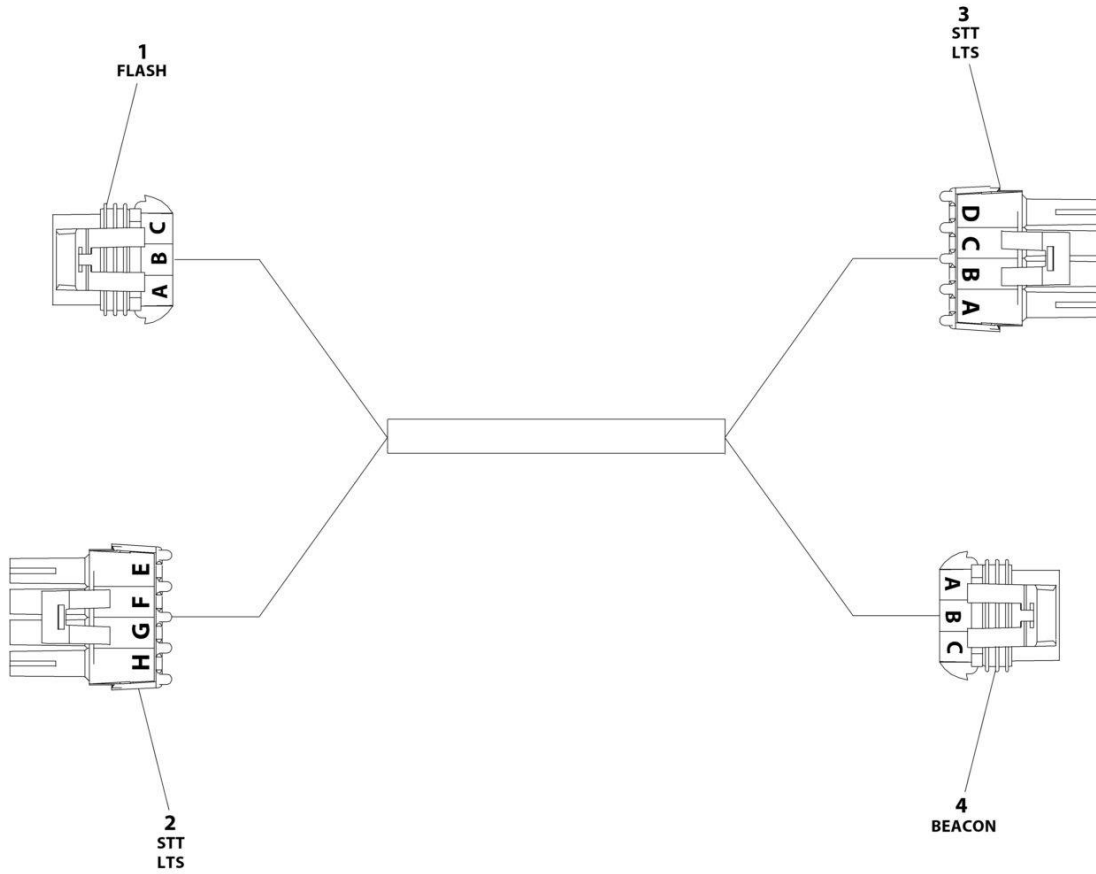
SECTION 7 - ELECTRICAL

FIGURE 7-73. TUNNEL BOX HARNESS (SN 0230002518 through 0230009713)

ITEM	PART NUMBER	QTY	DESCRIPTION	REV
	7552000237	Ref	TUNNEL BOX EXTENSION HARNESS	A
1	8220935	1	Connector	
1	8220099	2	Terminal	
1	7346000142	2	Seal	
1	7346000108	1	Lock	
1	8220101	1	Plug, Terminal	
2	4460587	1	Connector	
2	7346000147	6	Terminal	
2	7346000146	6	Seal	
2	4461215	2	Plug, Terminal	
2	4460588	1	Lock	
3	4460682	1	Connector	
3	4460693	6	Terminal	
3	4461215	2	Plug, Terminal	
3	7346000146	6	Seal	
3	4460695	1	Lock	
4	8220934	1	Connector	
4	8220100	2	Terminal	
4	8220101	1	Plug, Terminal	
4	7346000142	2	Seal	
4	7346000109	1	Lock	

SECTION 7 - ELECTRICAL

FIGURE 7-74. TUNNEL BOX HARNESS (SN 0230009714 to Present)



ART_1001267650

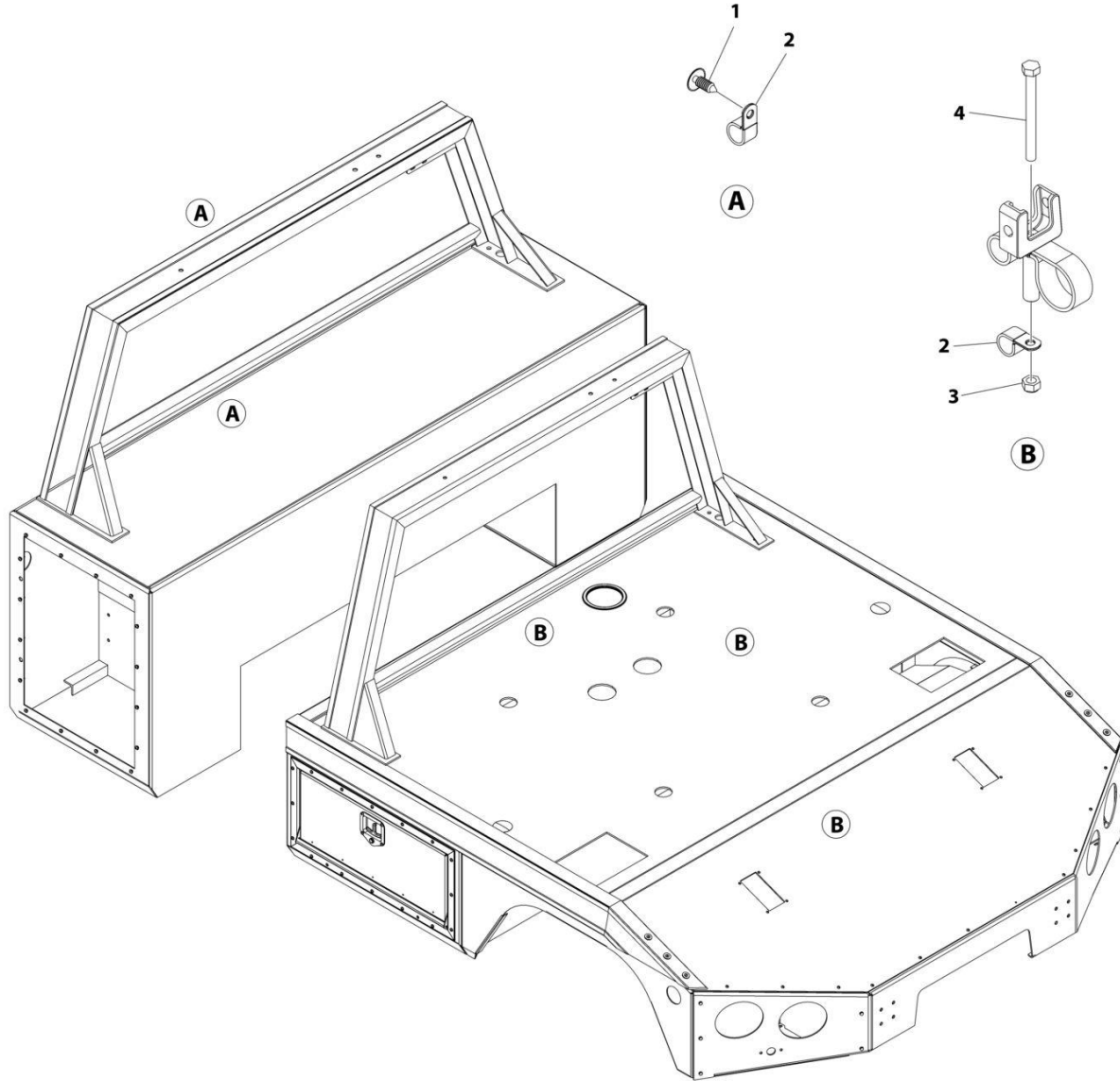
SECTION 7 - ELECTRICAL

FIGURE 7-74. TUNNEL BOX HARNESS (SN 0230009714 to Present)

ITEM	PART NUMBER	QTY	DESCRIPTION	REV
	1001267650	Ref	TUNNEL BOX EXTENSION HARNESS	A
1	8220935	1	Connector	
1	8220099	3	Terminal	
1	7346000142	3	Seal	
1	7346000108	1	Lock	
2	4460587	1	Connector	
2	7346000147	8	Terminal	
2	7346000146	8	Seal	
2	4460588	1	Lock	
3	4460682	1	Connector	
3	NPN	8	Terminal	
3	4460608	8	Seal	
3	4460695	1	Lock	
4	8220934	1	Connector	
4	8220100	2	Terminal	
4	NPN	1	Terminal	
4	8220101	1	Plug, Terminal	
4	NPN	3	Seal	
4	7346000109	1	Lock	

SECTION 7 - ELECTRICAL

FIGURE 7-75. HARNESS CLAMP SUPPORT INSTALLATION (TOP OF BODY) (SN 0230002518 through 0230007545)



ART_2274000002

SECTION 7 - ELECTRICAL

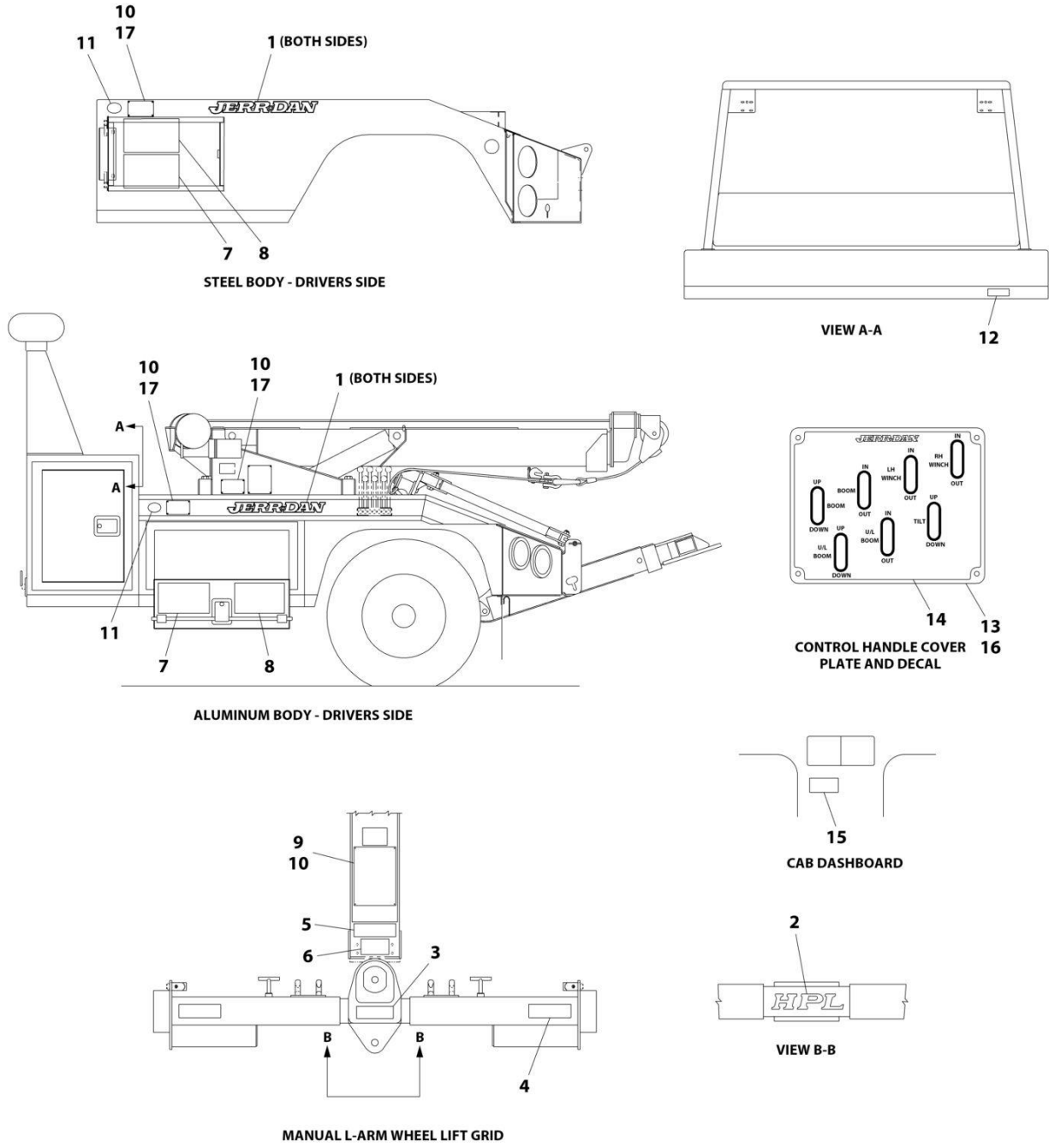
FIGURE 7-75. HARNESS CLAMP SUPPORT INSTALLATION (TOP OF BODY) (SN 0230002518 through 0230007545)

ITEM	PART NUMBER	QTY	DESCRIPTION	REV
	2274000002	Ref	HARNESS CLAMP SUPPORT INSTALLATION	0
1	7413000013	31	Push Fastener	
2	7274000105	43	Clamp	
3	7661000022	12	Nut 5/16	
4	7115150650	12	Capscrew 5/16 x 3/4	

SECTION 8 - DECAL

SECTION 8 - DECAL

FIGURE 8-1. DECAL INSTALLATION - STANDARD (HPL35) (SN 0230002518 through 0230006187)



ART_2511290158_B

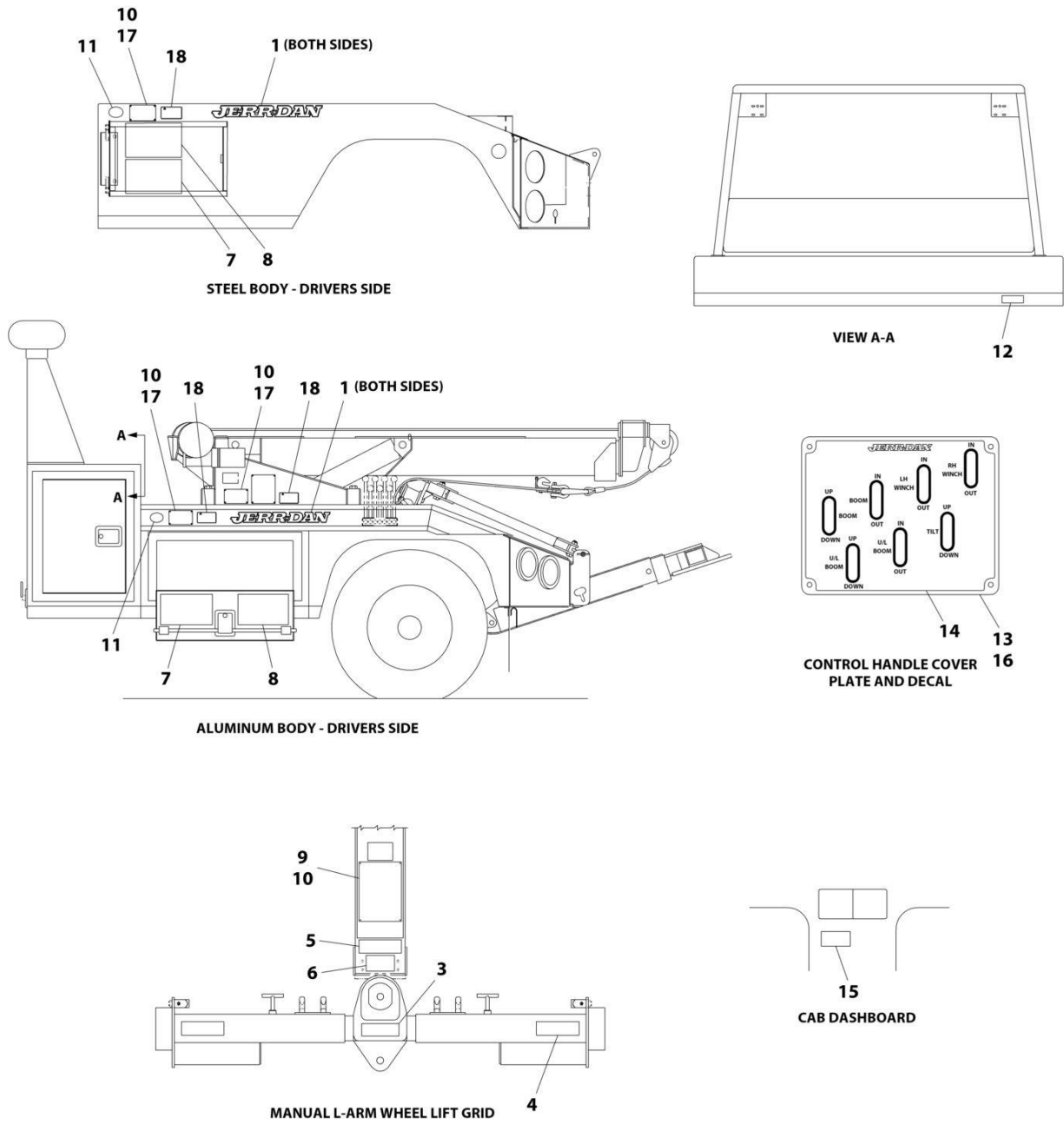
SECTION 8 - DECAL

FIGURE 8-1. DECAL INSTALLATION - STANDARD (HPL35) (SN 0230002518 through 0230006187)

ITEM	PART NUMBER	QTY	DESCRIPTION	REV
	2511290158	Ref	DECAL INSTALLATION HPL	B
1	7330000408	2	Jerr-Dan Nameplate	
2	7330000088	1	Decal - Reflective Red HPL	
2	7330000087	1	Decal - Reflective White HPL	
3	7330000122	1	Decal - Wheel Lift Polycarbonate	
4	7330000036	2	Decal - Wheel Lift	
5	7330000599	1	Decal - Moving Parts	
6	7330000060	1	Decal - Hitch	
7	7330000123	1	Decal - Lubrication	
8	7330000124	1	Decal - Lubrication Chart	
8	7330000125	1	Decal - Lubrication Chart	
8	7330000126	1	Decal - Lubrication Chart	
9	7330000146	1	Decal - Star Placard	
10	7759000004	8	Pop Rivet	
11	7330000143	1	Decal - Made In The USA	
12	7330000034	1	Decal - Caution	
13	4314000101	2	Coverplate	
14	7330000540	2	Decal - Controls	
15	7330000139	1	Decal - Checklist Reminder	
16	7790141076	8	Screw 1/4 x 5/8	
17	7330000717	1	Decal - Patent Placard	

SECTION 8 - DECAL

FIGURE 8-2. DECAL INSTALLATION - STANDARD (HPL35) (SN 0230006187 to Present)



ART_2511290158_D

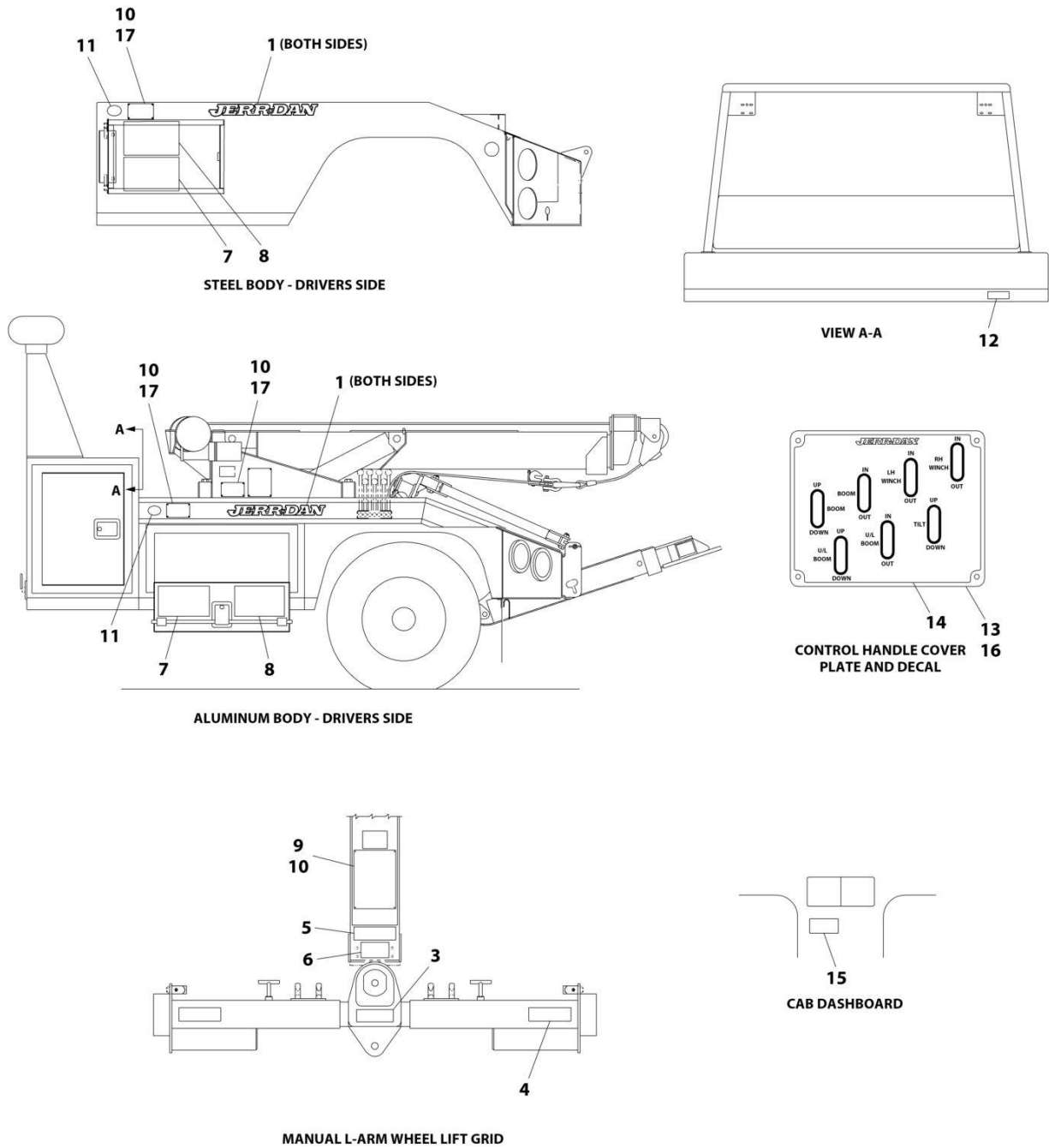
SECTION 8 - DECAL

FIGURE 8-2. DECAL INSTALLATION - STANDARD (HPL35) (SN 0230006187 to Present)

ITEM	PART NUMBER	QTY	DESCRIPTION	REV
	2511290158	Ref	DECAL INSTALLATION HPL	D
1	7330000408	2	Jerr-Dan Nameplate	
3	7330000122	1	Decal - Wheel Lift Polycarbonate	
4	7330000036	2	Decal - Wheel Lift	
5	7330000599	1	Decal - Moving Parts	
6	7330000060	1	Decal - Hitch	
7	7330000123	1	Decal - Lubrication	
8	7330000124	1	Decal - Lubrication Chart	
9	1001132563	1	Decal - Star Placard	
10	7759000004	8	Pop Rivet	
11	7330000143	1	Decal - Made In The USA	
12	7330000034	1	Decal - Caution	
13	4314000101	2	Coverplate	
14	7330000540	2	Decal - Controls	
15	7330000139	1	Decal - Checklist Reminder	
16	7790141076	8	Screw 1/4 x 5/8	
17	1001132346	1	Decal - Patent Placard	
18	1001231801	2	Decal - Warning	

SECTION 8 - DECAL

FIGURE 8-3. DECAL INSTALLATION - STANDARD (HPL60) (SN 0230002518 through 0230003297)



ART_2512290118_C

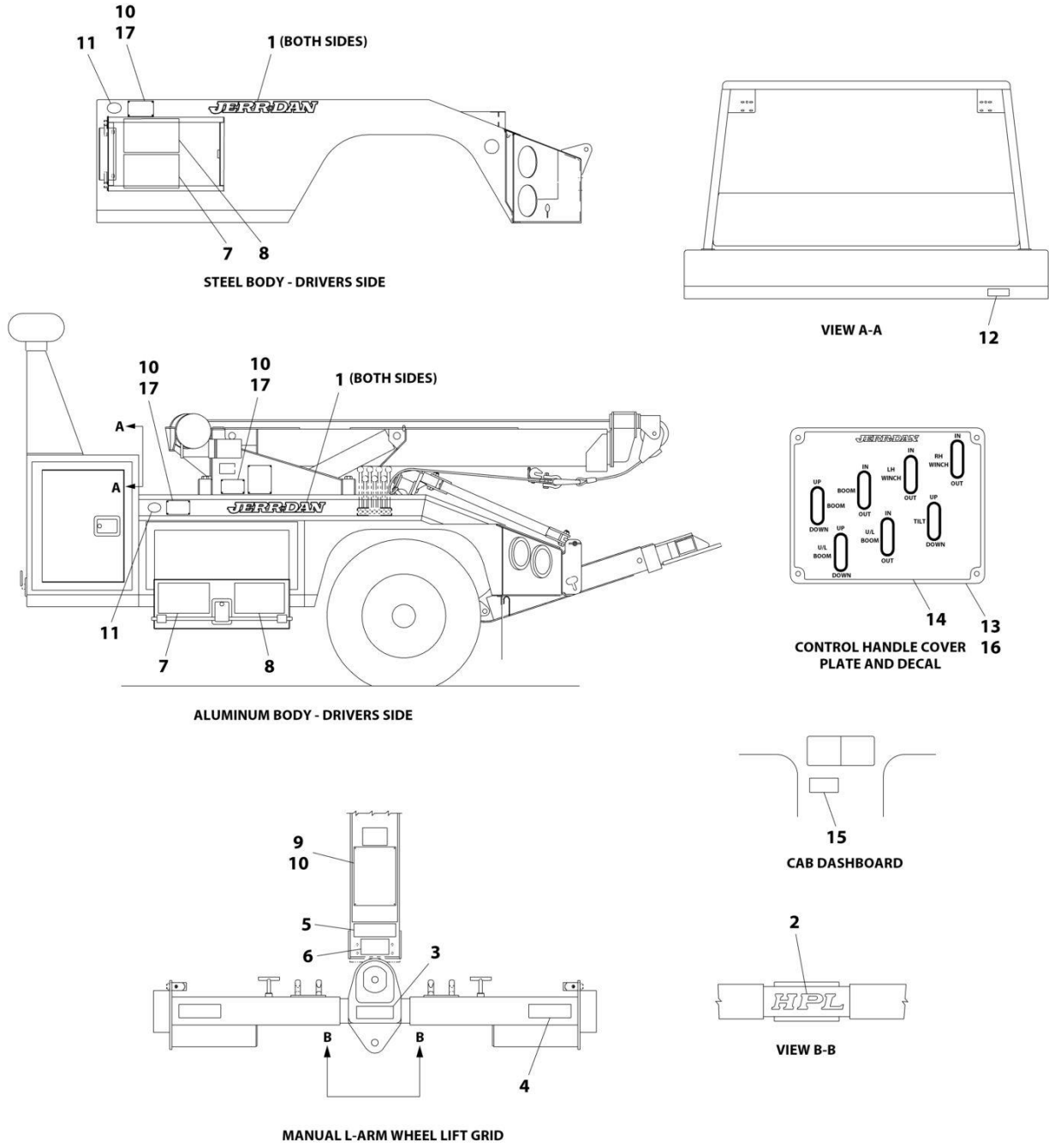
SECTION 8 - DECAL

FIGURE 8-3. DECAL INSTALLATION - STANDARD (HPL60) (SN 0230002518 through 0230003297)

ITEM	PART NUMBER	QTY	DESCRIPTION	REV
	2512290118	Ref	DECAL INSTALLATION COUGAR	C
1	7330000408	2	Jerr-Dan Nameplate	
3	7330000122	1	Decal - Wheel Lift Polycarbonate	
4	7330000036	2	Decal - Wheel Lift	
5	7330000599	1	Decal - Moving Parts	
6	7330000060	1	Decal - Hitch	
7	7330000123	1	Decal - Lubrication	
8	7330000124	1	Decal - Lubrication Chart	
9	1001132563	1	Decal - Star Placard	
10	7759000004	8	Pop Rivet	
11	7330000143	1	Decal - Made In The USA	
12	7330000034	1	Decal - Caution	
13	4314000101	2	Coverplate	
14	7330000540	2	Decal - Controls	
15	7330000139	1	Decal - Checklist Reminder	
16	7790141076	8	Screw 1/4 x 5/8	
17	1001132346	1	Decal - Patent Placard	

SECTION 8 - DECAL

FIGURE 8-4. DECAL INSTALLATION - STANDARD (HPL60) (SN 0230003298 through 0230006186)



ART_2511290158_B

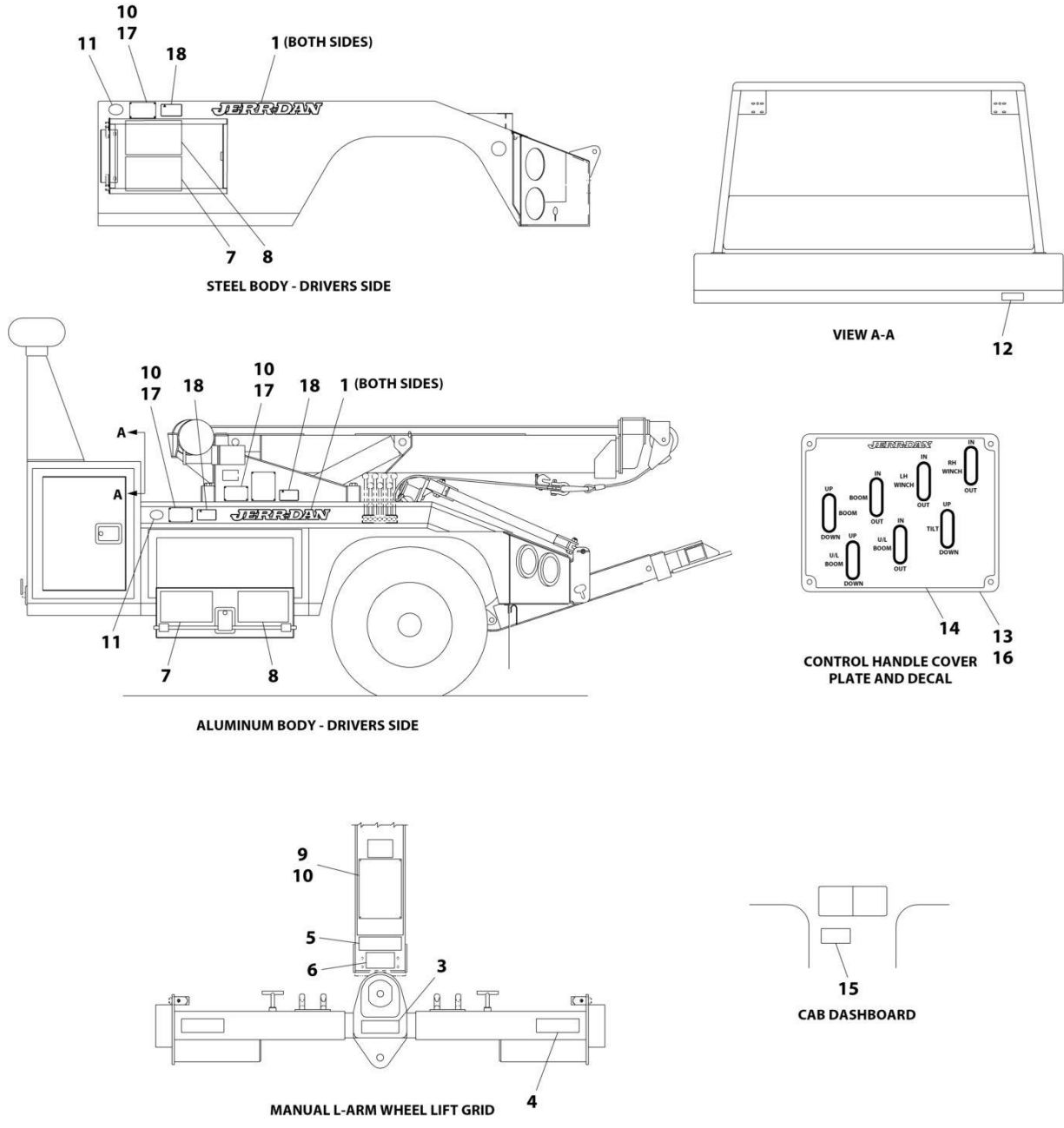
SECTION 8 - DECAL

FIGURE 8-4. DECAL INSTALLATION - STANDARD (HPL60) (SN 0230003298 through 0230006186)

ITEM	PART NUMBER	QTY	DESCRIPTION	REV
	2511290158	Ref	DECAL INSTALLATION HPL	B
1	7330000408	2	Jerr-Dan Nameplate	
2	7330000088	1	Decal - Reflective Red HPL	
2	7330000087	1	Decal - Reflective White HPL	
3	7330000122	1	Decal - Wheel Lift Polycarbonate	
4	7330000036	2	Decal - Wheel Lift	
5	7330000599	1	Decal - Moving Parts	
6	7330000060	1	Decal - Hitch	
7	7330000123	1	Decal - Lubrication	
8	7330000124	1	Decal - Lubrication Chart	
8	7330000125	1	Decal - Lubrication Chart	
8	7330000126	1	Decal - Lubrication Chart	
9	7330000146	1	Decal - Star Placard	
10	7759000004	8	Pop Rivet	
11	7330000143	1	Decal - Made In The USA	
12	7330000034	1	Decal - Caution	
13	4314000101	2	Coverplate	
14	7330000540	2	Decal - Controls	
15	7330000139	1	Decal - Checklist Reminder	
16	7790141076	8	Screw 1/4 x 5/8	
17	7330000717	1	Decal - Patent Placard	

SECTION 8 - DECAL

FIGURE 8-5. DECAL INSTALLATION - STANDARD (HPL60) (SN 0230006187 to Present)



ART_2511290158_D

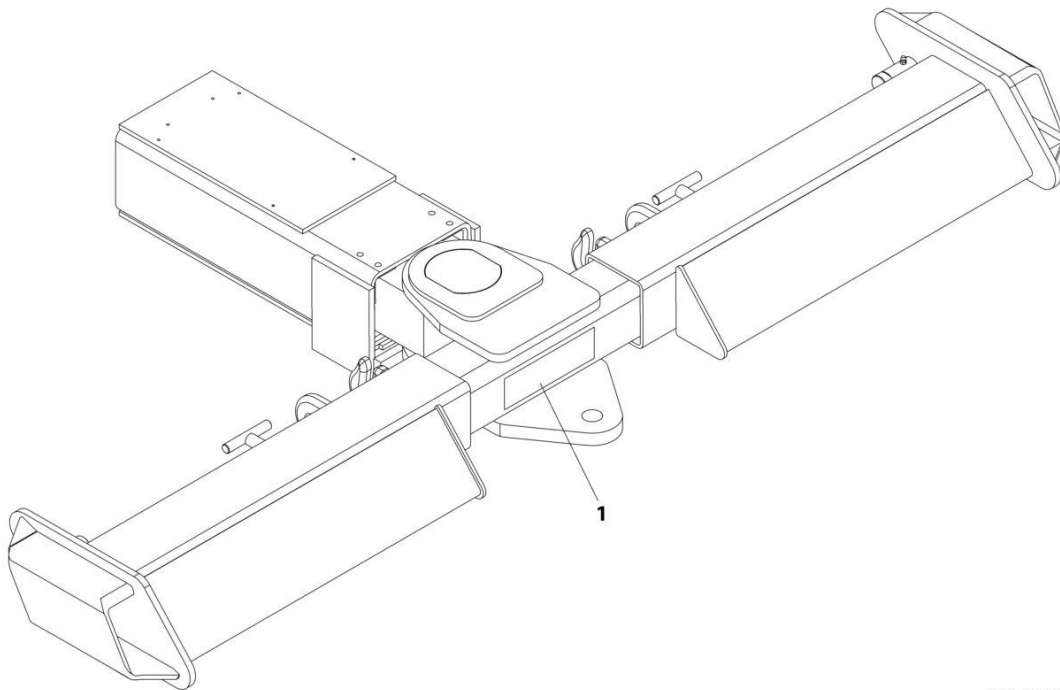
SECTION 8 - DECAL

FIGURE 8-5. DECAL INSTALLATION - STANDARD (HPL60) (SN 0230006187 to Present)

ITEM	PART NUMBER	QTY	DESCRIPTION	REV
	2511290158	Ref	DECAL INSTALLATION HPL	D
1	7330000408	2	Jerr-Dan Nameplate	
3	7330000122	1	Decal - Wheel Lift Polycarbonate	
4	7330000036	2	Decal - Wheel Lift	
5	7330000599	1	Decal - Moving Parts	
6	7330000060	1	Decal - Hitch	
7	7330000123	1	Decal - Lubrication	
8	7330000124	1	Decal - Lubrication Chart	
9	1001132563	1	Decal - Star Placard	
10	7759000004	8	Pop Rivet	
11	7330000143	1	Decal - Made In The USA	
12	7330000034	1	Decal - Caution	
13	4314000101	2	Coverplate	
14	7330000540	2	Decal - Controls	
15	7330000139	1	Decal - Checklist Reminder	
16	7790141076	8	Screw 1/4 x 5/8	
17	1001132346	1	Decal - Patent Placard	
18	1001231801	2	Decal - Warning	

SECTION 8 - DECAL

FIGURE 8-6. DECAL INSTALLATION - HPL35 (RED)



ART_1001132568

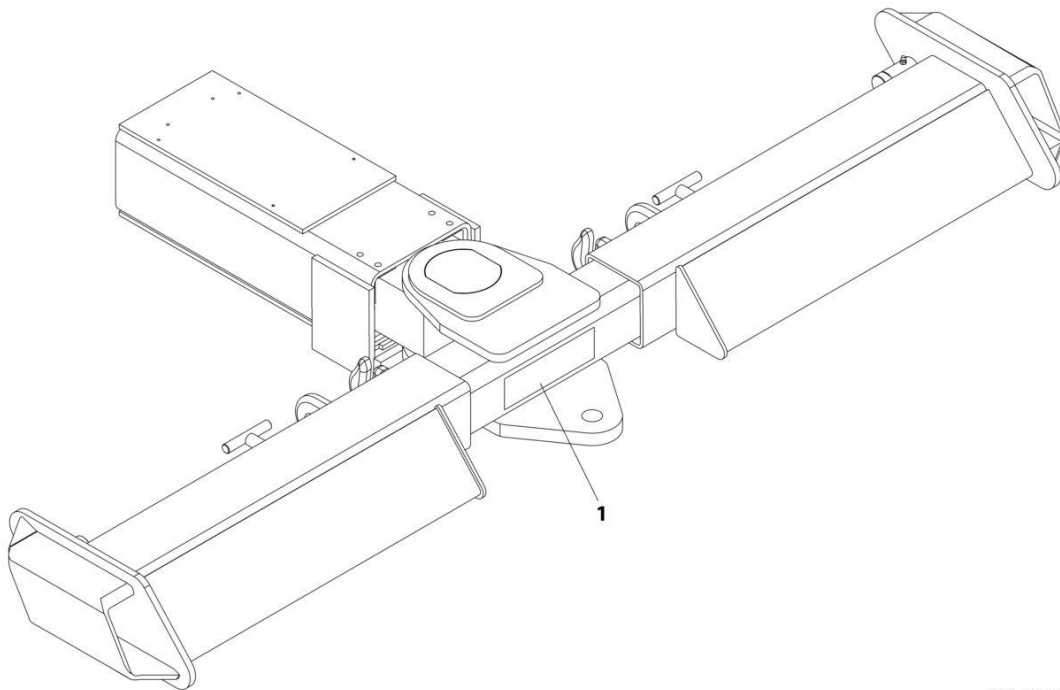
SECTION 8 - DECAL

FIGURE 8-6. DECAL INSTALLATION - HPL35 (RED)

ITEM	PART NUMBER	QTY	DESCRIPTION	REV
1	1001132568 7330000088	Ref 1	DECAL INSTALLATION - LOGO Decal - HPL (Red)	A

SECTION 8 - DECAL

FIGURE 8-7. DECAL INSTALLATION - HPL35 (WHITE)



ART_1001132569

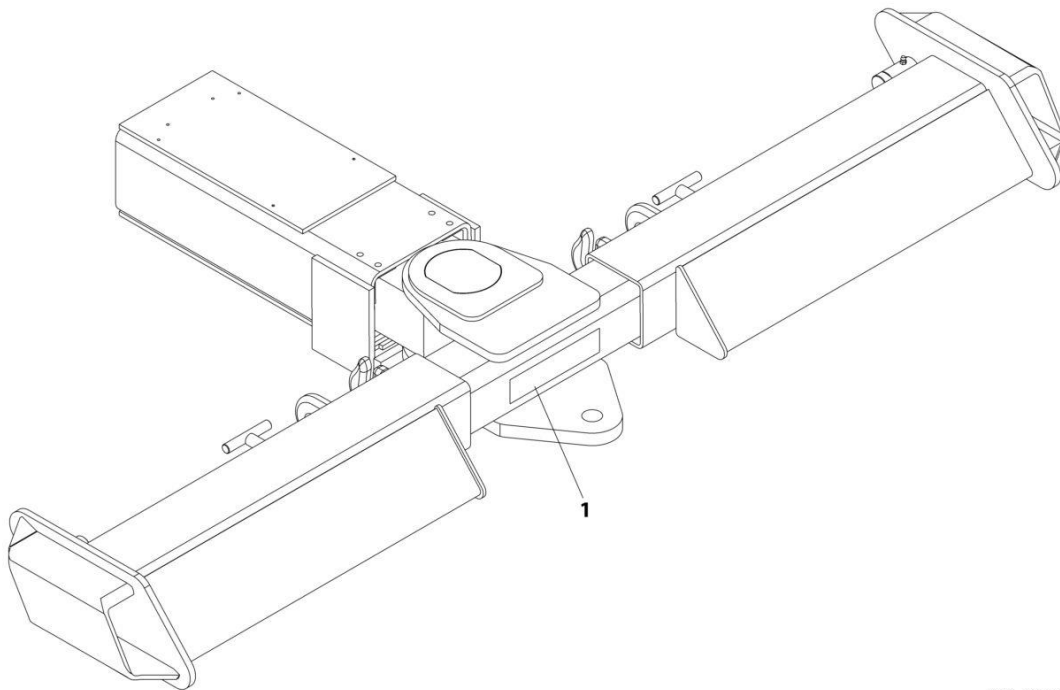
SECTION 8 - DECAL

FIGURE 8-7. DECAL INSTALLATION - HPL35 (WHITE)

ITEM	PART NUMBER	QTY	DESCRIPTION	REV
1	1001132569 7330000087	Ref 1	DECAL INSTALLATION - LOGO Decal - HPL (White)	A

SECTION 8 - DECAL

FIGURE 8-8. DECAL INSTALLATION - HPL60 (RED)



ART_1001132570

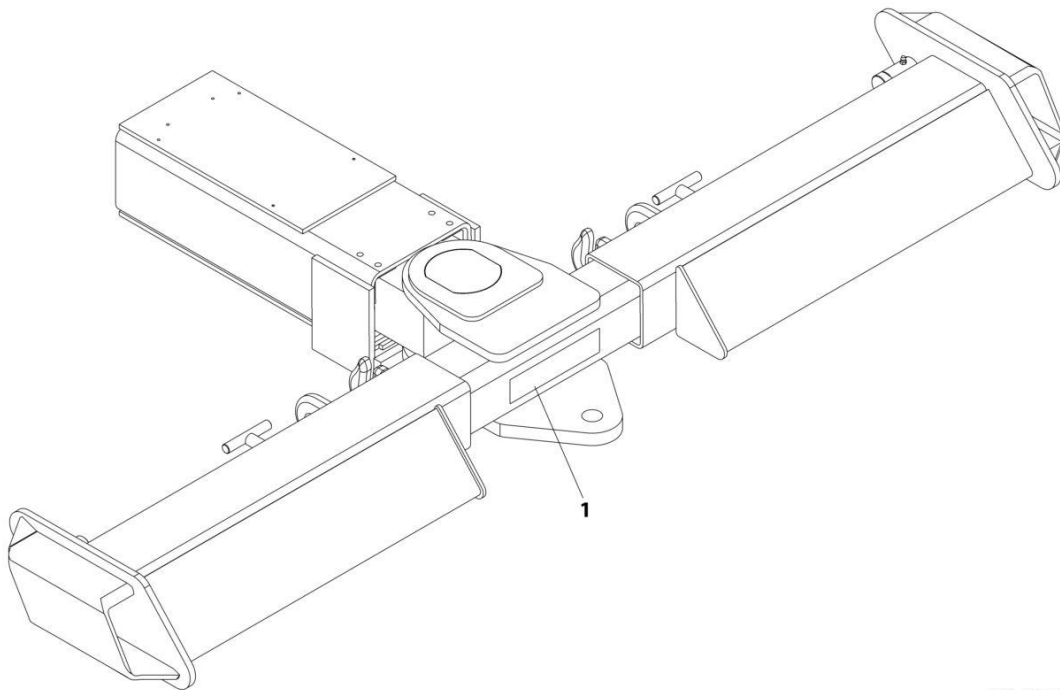
SECTION 8 - DECAL

FIGURE 8-8. DECAL INSTALLATION - HPL60 (RED)

ITEM	PART NUMBER	QTY	DESCRIPTION	REV
1	1001132570 7330000129	Ref 1	DECAL INSTALLATION - LOGO Decal - Cougar (Red)	A

SECTION 8 - DECAL

FIGURE 8-9. DECAL INSTALLATION - HPL60 (WHITE)



ART_1001132571

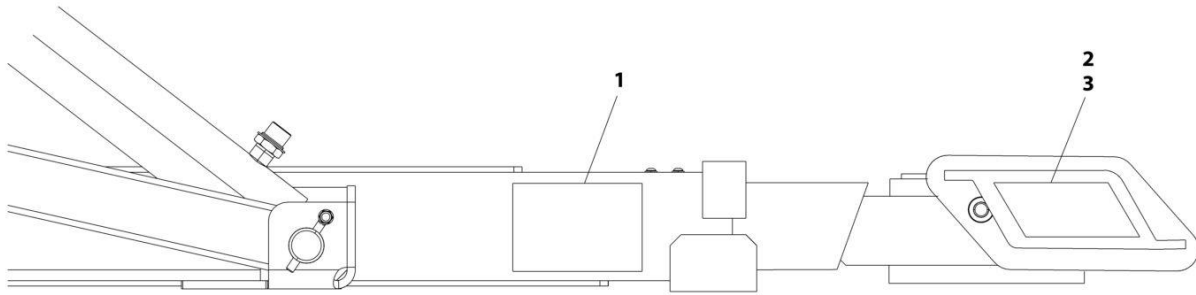
SECTION 8 - DECAL

FIGURE 8-9. DECAL INSTALLATION - HPL60 (WHITE)

ITEM	PART NUMBER	QTY	DESCRIPTION	REV
1	1001132571 7330000128	Ref 1	DECAL INSTALLATION - LOGO Decal - Cougar (White)	A

SECTION 8 - DECAL

FIGURE 8-10. DECAL INSTLLATION - WHEEL LIFT GRID (MANUAL)



ART_2330000035

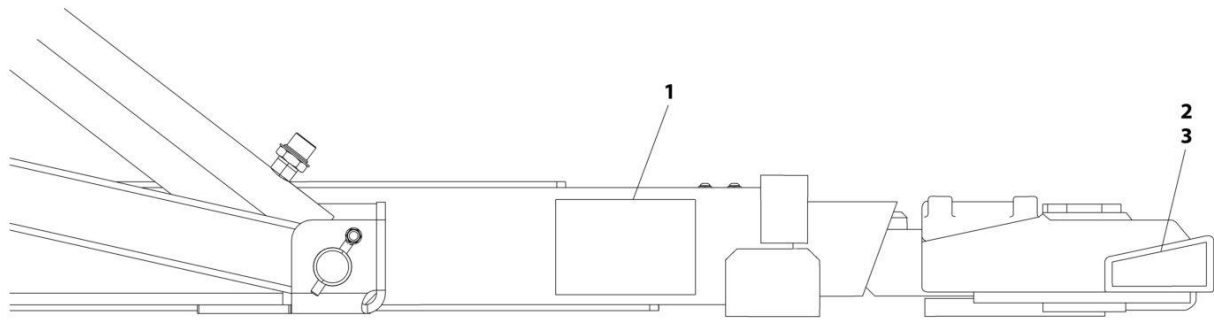
SECTION 8 - DECAL

FIGURE 8-10. DECAL INSTLLATION - WHEEL LIFT GRID (MANUAL)

ITEM	PART NUMBER	QTY	DESCRIPTION	REV
	2330000035	Ref	Wheel Lift Decal Installation	0
1	7330000419	2	Decal - Red Reflective (Boom)	
2	7330000417	1	Decal - LH Red Reflective (Grid)	
3	7330000418	1	Decal - RH Red Reflective (Grid)	

SECTION 8 - DECAL

FIGURE 8-11. DECAL INSTLLATION - WHEEL LIFT GRID (PIVOTING)



ART_2330000036

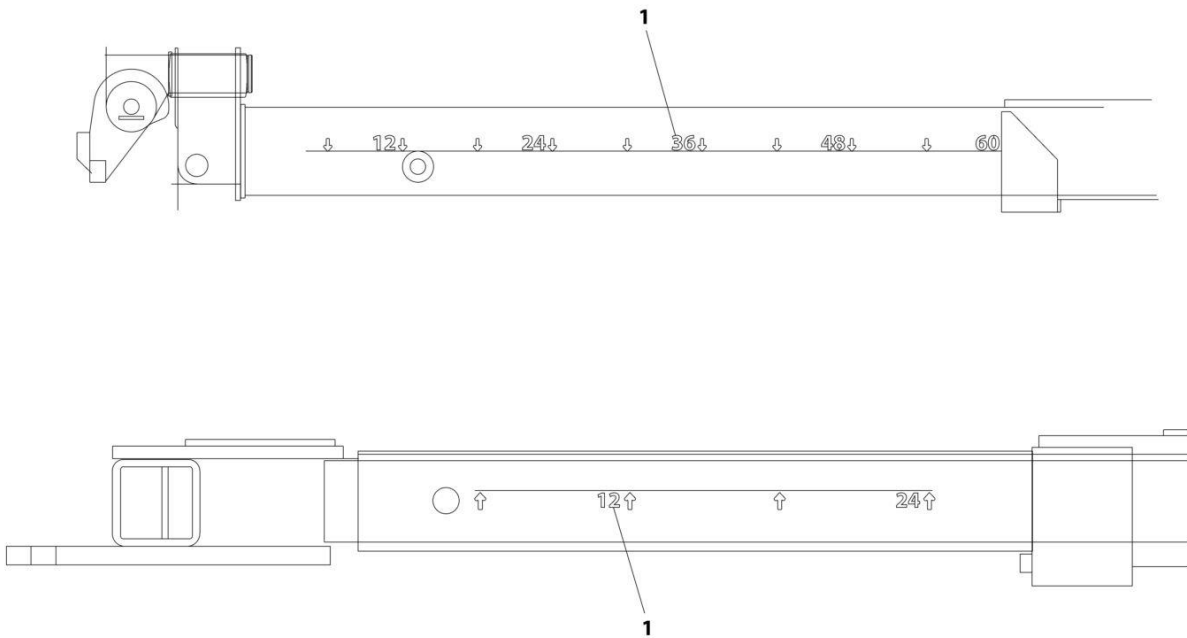
SECTION 8 - DECAL

FIGURE 8-11. DECAL INSTLLATION - WHEEL LIFT GRID (PIVOTING)

ITEM	PART NUMBER	QTY	DESCRIPTION	REV
	2330000036	Ref	Wheel Lift Decal Installation, T37	0
1	7330000419	2	Decal - Red Reflective (Boom)	
2	7330000420	1	Decal - LH Red Reflective (T37 Grid)	
3	7330000432	1	Decal - RH Red Reflective (T37 Grid)	

SECTION 8 - DECAL

FIGURE 8-12. DECAL INSTALLATION (GSA SPECS - COUGAR) (SN 0230002518 through 0230007544)



ART_2330000046

SECTION 8 - DECAL

FIGURE 8-12. DECAL INSTALLATION (GSA SPECS - COUGAR) (SN 0230002518 through 0230007544)

ITEM	PART NUMBER	QTY	DESCRIPTION	REV
1	2330000046 7330000529	Ref 1	DECAL INSTALLATION (GSA SPECS - COUGAR) Decal - Cougar (Under lift & Boom)	0

SECTION 9 - ACCESSORIES

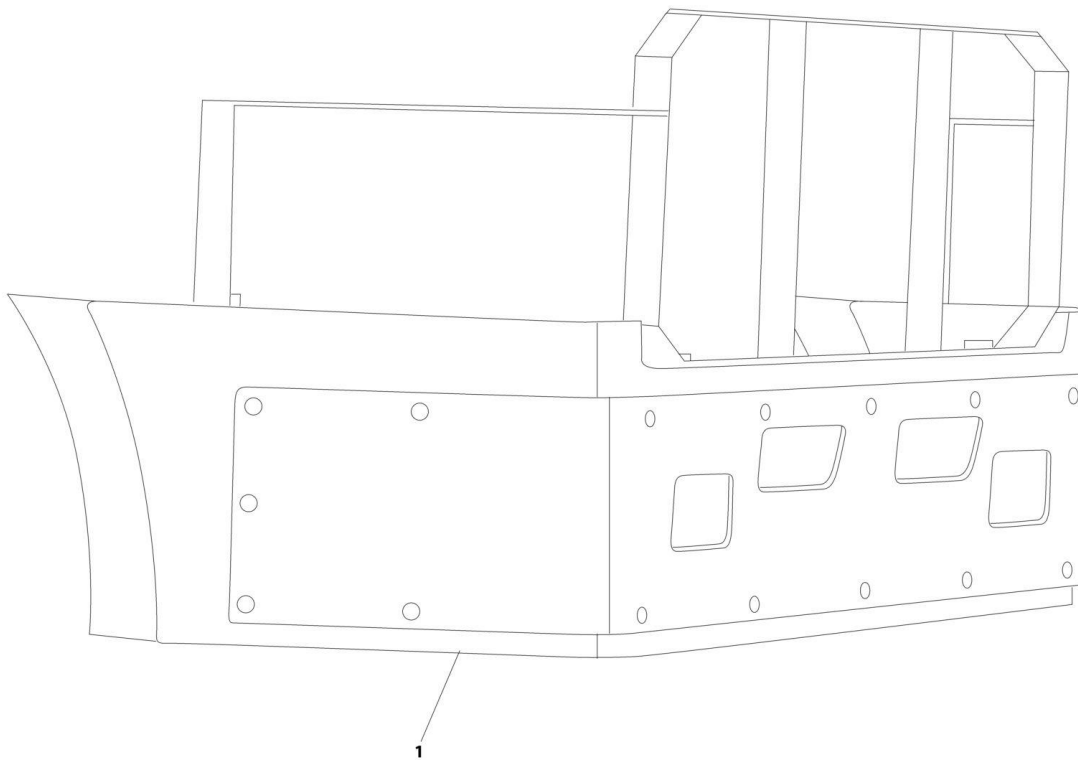
SECTION 9 - ACCESSORIES

FIGURE 9-1. KITS LIST

ITEM	PART NUMBER	QTY	DESCRIPTION	REV
	1001241869	Ref	KITS LIST	H
		Ref	Note: Contact JERR-DAN Parts Department for exact contents of kit:	
	1001290326	Ref	Cylinder Boot Kit (for Underlift Tilt Cylinder)	
	7002000505	1	Electrical Extension Cord- 25FT (GSA Specs)	
	FEX-GSARB	Ref	Fire & Emergency Kit (GSA Specs) (Includes Fire Extinguisher, Safety Triangle, Fuses & Breakers)	
	2512880041	Ref	Frame Fork Kit	
	3577000156	1	GSA 972 Accessories Kit (SN 0230002518 through 0230007544)	
	7262000048	2	Chain Assembly	
	7002000459	1	Snatch Block	
	7894000055	1	Steering Wheel Lock Strap	

SECTION 9 - ACCESSORIES

FIGURE 9-2. BUMPER INSTALLATION - PUSH (FRONT WITH GRILL GUARD) (DODGE 2011+)



ART_1001154361

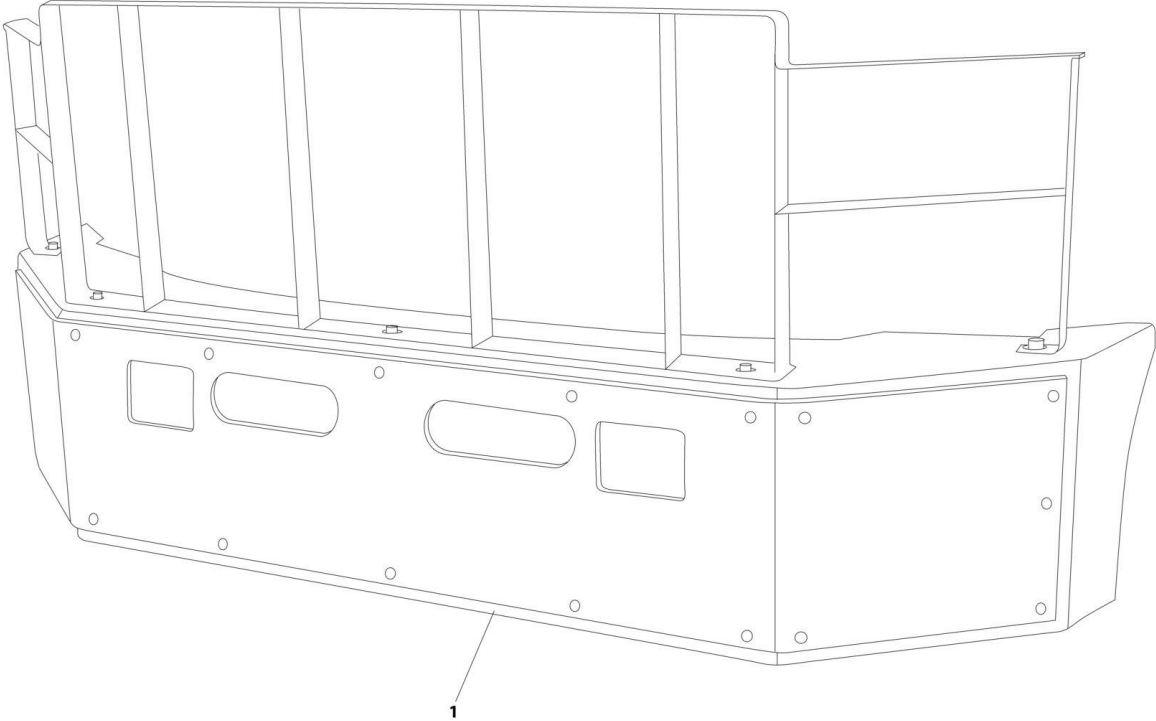
SECTION 9 - ACCESSORIES

FIGURE 9-2. BUMPER INSTALLATION - PUSH (FRONT WITH GRILL GUARD) (DODGE 2011+)

ITEM	PART NUMBER	QTY	DESCRIPTION	REV
	1001154361	Ref	BUMPER INSTALLATION - PUSH (FRONT) (WITH GRILLE GUARD (DODGE 2011+)	A
1	1001154382	1	Bumper	

SECTION 9 - ACCESSORIES

FIGURE 9-3. BUMPER INSTALLATION - PUSH (FRONT WITH GRILL GUARD) (FORD F450-F550 2011-2016)



ART_1001123179

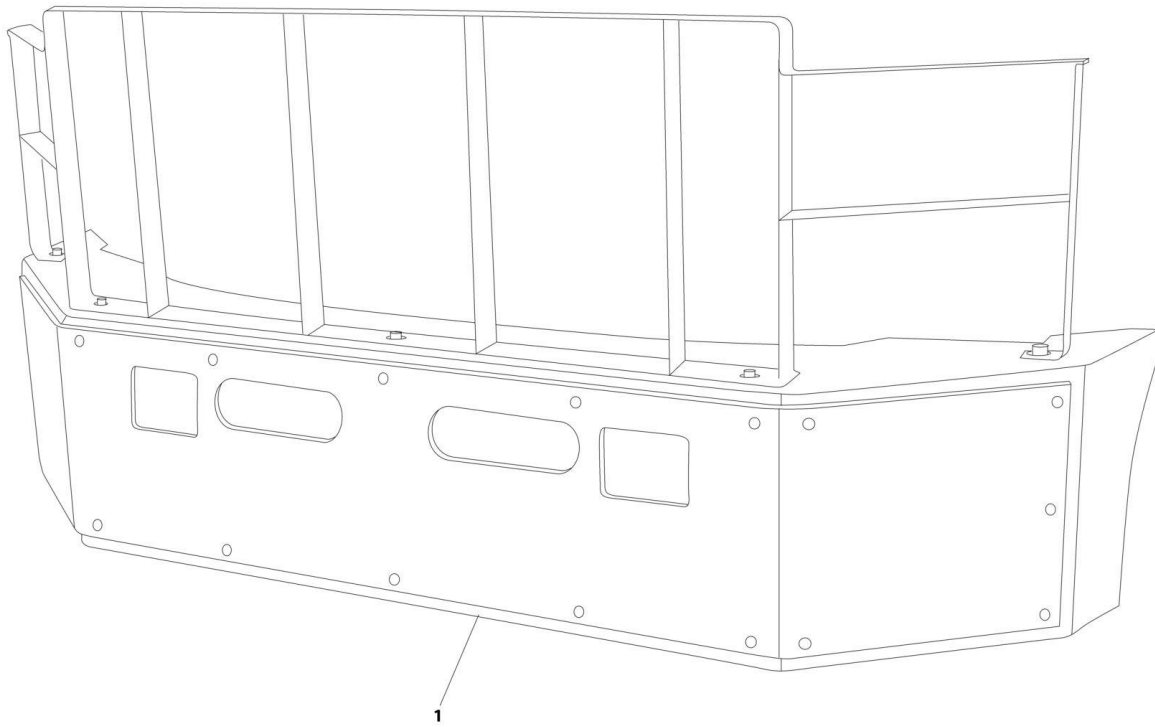
SECTION 9 - ACCESSORIES

FIGURE 9-3. BUMPER INSTALLATION - PUSH (FRONT WITH GRILL GUARD) (FORD F450-F550 2011-2016)

ITEM	PART NUMBER	QTY	DESCRIPTION	REV
	1001123179	Ref	BUMPER INSTALLATION - PUSH (FRONT) (WITH GRILLE GUARD) (FORD 2011-2016)	B
1	7190000066	1	Bumper	

SECTION 9 - ACCESSORIES

FIGURE 9-4. BUMPER INSTALLATION - PUSH (FRONT WITH GRILL GUARD) (FORD F450-F550 2017+)



ART_1001221467

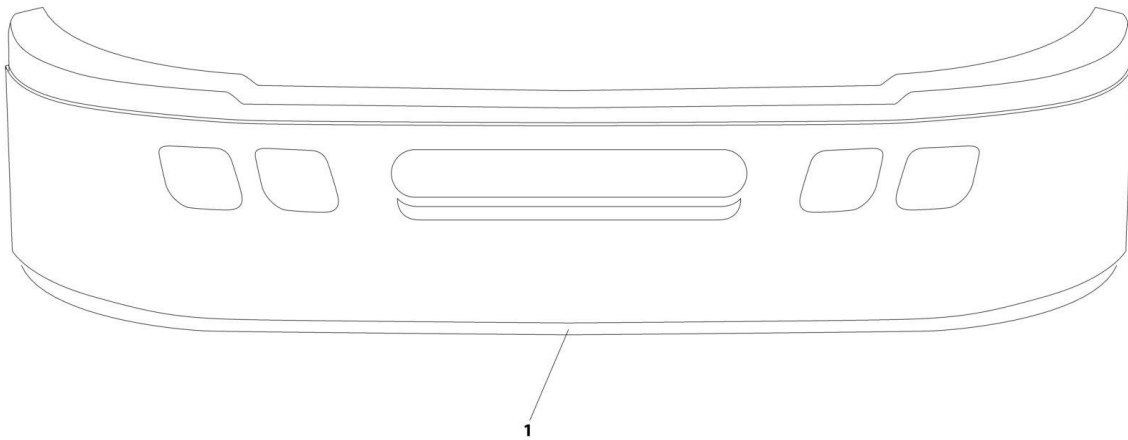
SECTION 9 - ACCESSORIES

FIGURE 9-4. BUMPER INSTALLATION - PUSH (FRONT WITH GRILL GUARD) (FORD F450-F550 2017+)

ITEM	PART NUMBER	QTY	DESCRIPTION	REV
	1001221467	Ref	BUMPER INSTALLATION - PUSH (FRONT) (WITH GRILLE GUARD) (FORD 2017+)	A
1	1001226915	1	Bumper	

SECTION 9 - ACCESSORIES

FIGURE 9-5. BUMPER INSTALLATION - PUSH (FRONT) (CV515 4X2 2019+)



ART_1001256227

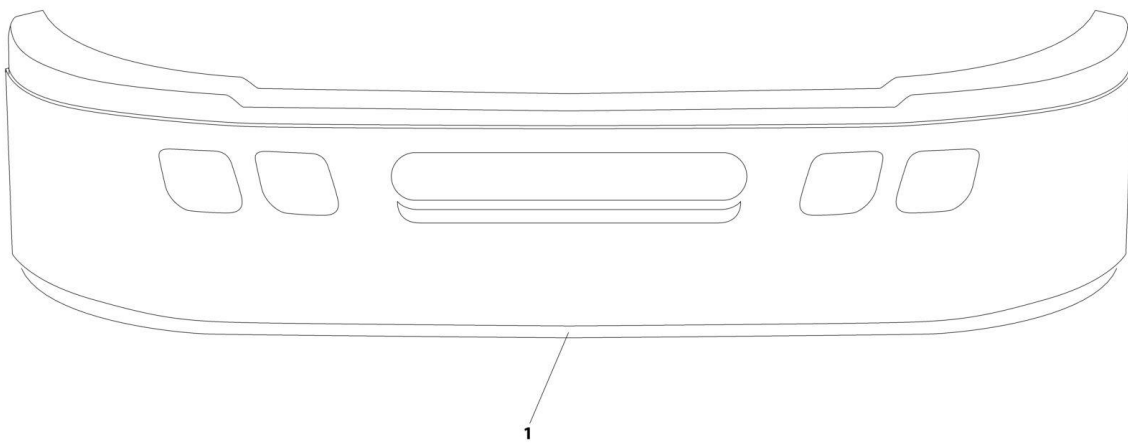
SECTION 9 - ACCESSORIES

FIGURE 9-5. BUMPER INSTALLATION - PUSH (FRONT) (CV515 4X2 2019+)

ITEM	PART NUMBER	QTY	DESCRIPTION	REV
	1001256227	Ref	BUMPER INSTALLATION - PUSH (FRONT) (NO GRILLE GUARD) (CV515 4X2)	A
1	1001256220	1	Bumper	

SECTION 9 - ACCESSORIES

FIGURE 9-6. BUMPER INSTALLATION - PUSH (FRONT) (CV515 4X4 2019+)



ART_1001256228

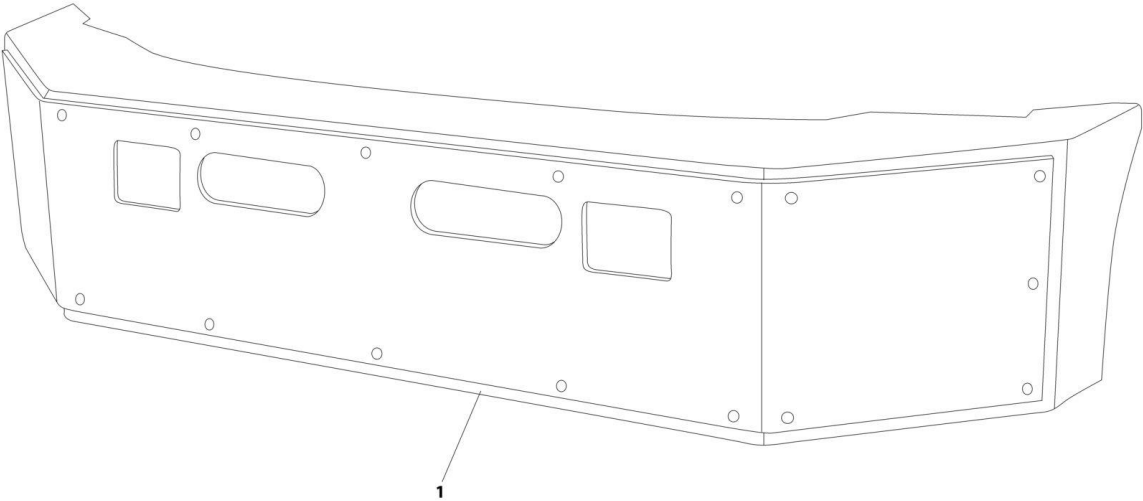
SECTION 9 - ACCESSORIES

FIGURE 9-6. BUMPER INSTALLATION - PUSH (FRONT) (CV515 4X4 2019+)

ITEM	PART NUMBER	QTY	DESCRIPTION	REV
	1001256228	Ref	BUMPER INSTALLATION - PUSH (FRONT) (NO GRILLE GUARD) (CV515 4X4)	A
1	1001256221	1	Bumper	

SECTION 9 - ACCESSORIES

FIGURE 9-7. BUMPER INSTALLATION - PUSH (FRONT) (FORD F450-F550 2011-2016)



ART_1001134181

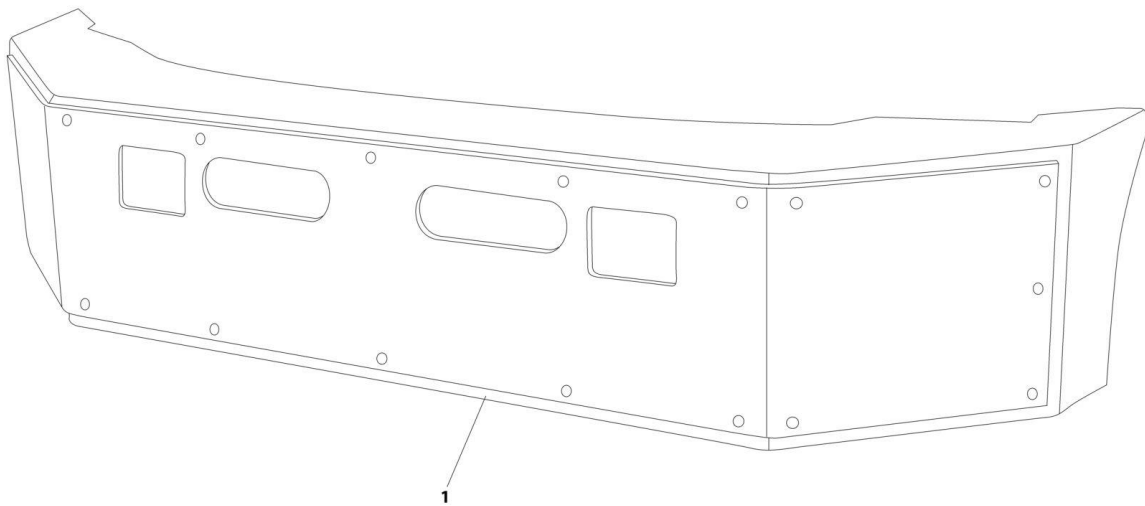
SECTION 9 - ACCESSORIES

FIGURE 9-7. BUMPER INSTALLATION - PUSH (FRONT) (FORD F450-F550 2011-2016)

ITEM	PART NUMBER	QTY	DESCRIPTION	REV
	1001134181	Ref	BUMPER INSTALLATION - PUSH (FRONT) (NO GRILLE GUARD) (FORD 2011-2016)	B
1	1001134178	1	Bumper	

SECTION 9 - ACCESSORIES

FIGURE 9-8. BUMPER INSTALLATION - PUSH (FRONT) (FORD F450-F550 2017+)



ART_1001221466

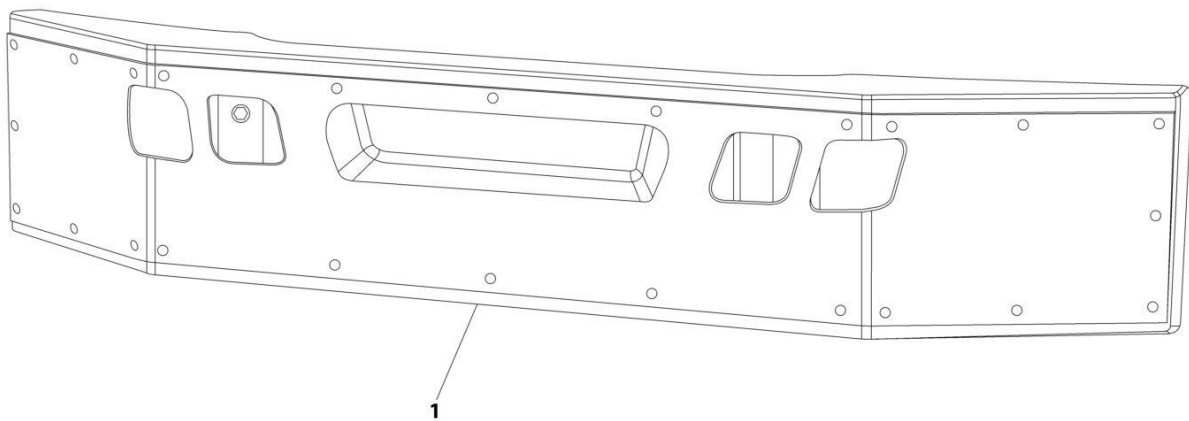
SECTION 9 - ACCESSORIES

FIGURE 9-8. BUMPER INSTALLATION - PUSH (FRONT) (FORD F450-F550 2017+)

ITEM	PART NUMBER	QTY	DESCRIPTION	REV
	1001221466	Ref	BUMPER INSTALLATION - PUSH (FRONT) (NO GRILLE GUARD) (FORD 2017+)	A
1	1001226914	1	Bumper	

SECTION 9 - ACCESSORIES

FIGURE 9-9. BUMPER INSTALLATION - PUSH (FRONT) (FORD F650-F750 2011-2016)



ART_1001133674

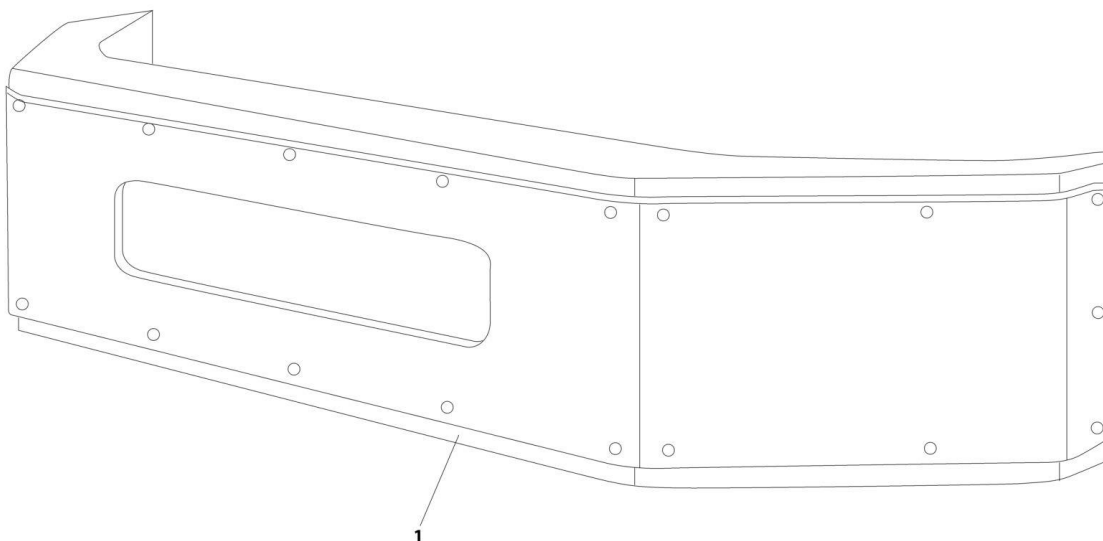
SECTION 9 - ACCESSORIES

FIGURE 9-9. BUMPER INSTALLATION - PUSH (FRONT) (FORD F650-F750 2011-2016)

ITEM	PART NUMBER	QTY	DESCRIPTION	REV
	1001133674	Ref	BUMPER INSTALLATION - PUSH (FRONT) (NO GRILLE GUARD) (FORD F650 2011-2016)	A
1	1001129909	1	Bumper	

SECTION 9 - ACCESSORIES

FIGURE 9-10. BUMPER INSTALLATION - PUSH (FRONT) (FREIGHTLINER 2008+)



ART_1001146879

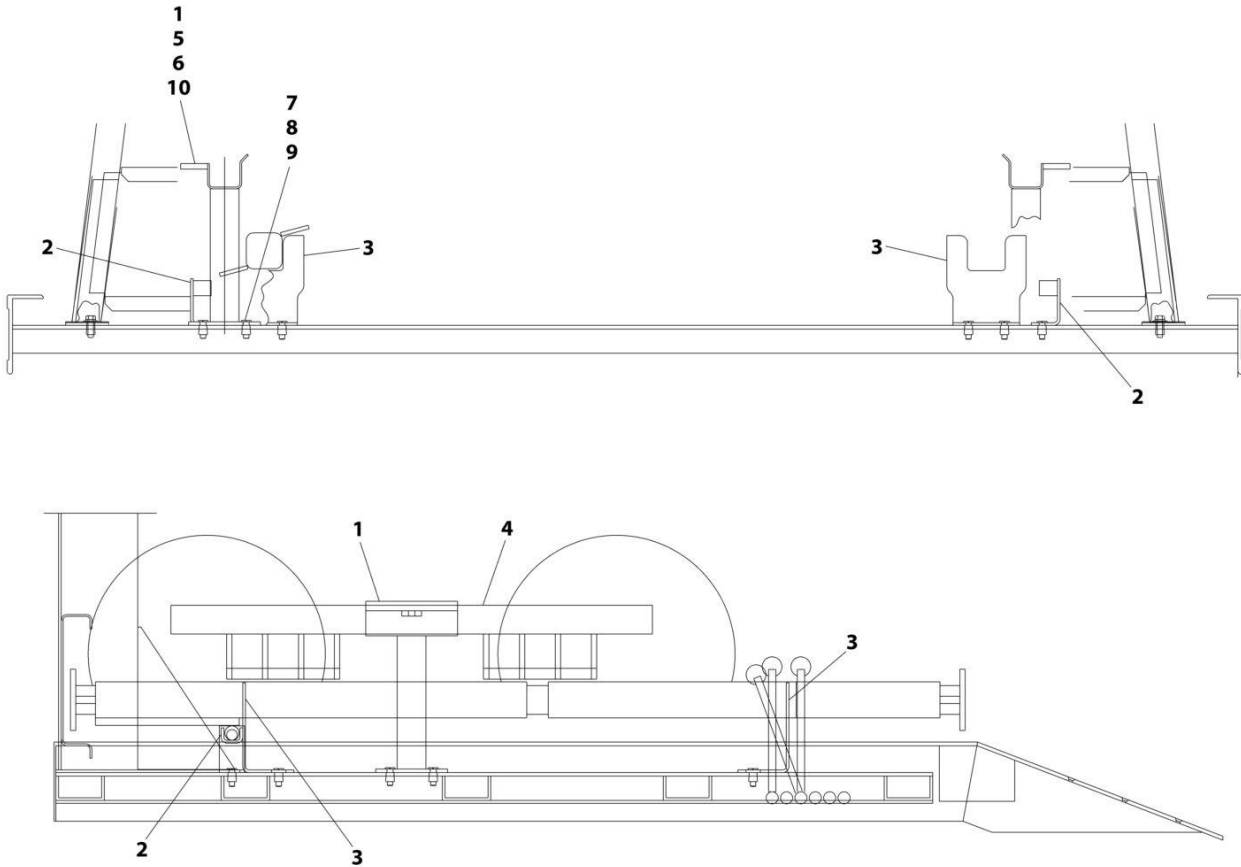
SECTION 9 - ACCESSORIES

FIGURE 9-10. BUMPER INSTALLATION - PUSH (FRONT) (FREIGHTLINER 2008+)

ITEM	PART NUMBER	QTY	DESCRIPTION	REV
	1001146879	Ref	BUMPER INSTALLATION - PUSH (FRONT) (NO GRILLE GUARD) (FREIGHTLINER 2008+)	A
1	1001146878	1	Bumper	

SECTION 9 - ACCESSORIES

FIGURE 9-11. DOLLY INSTALLATION (ALUMINUM)



ART_1001131154

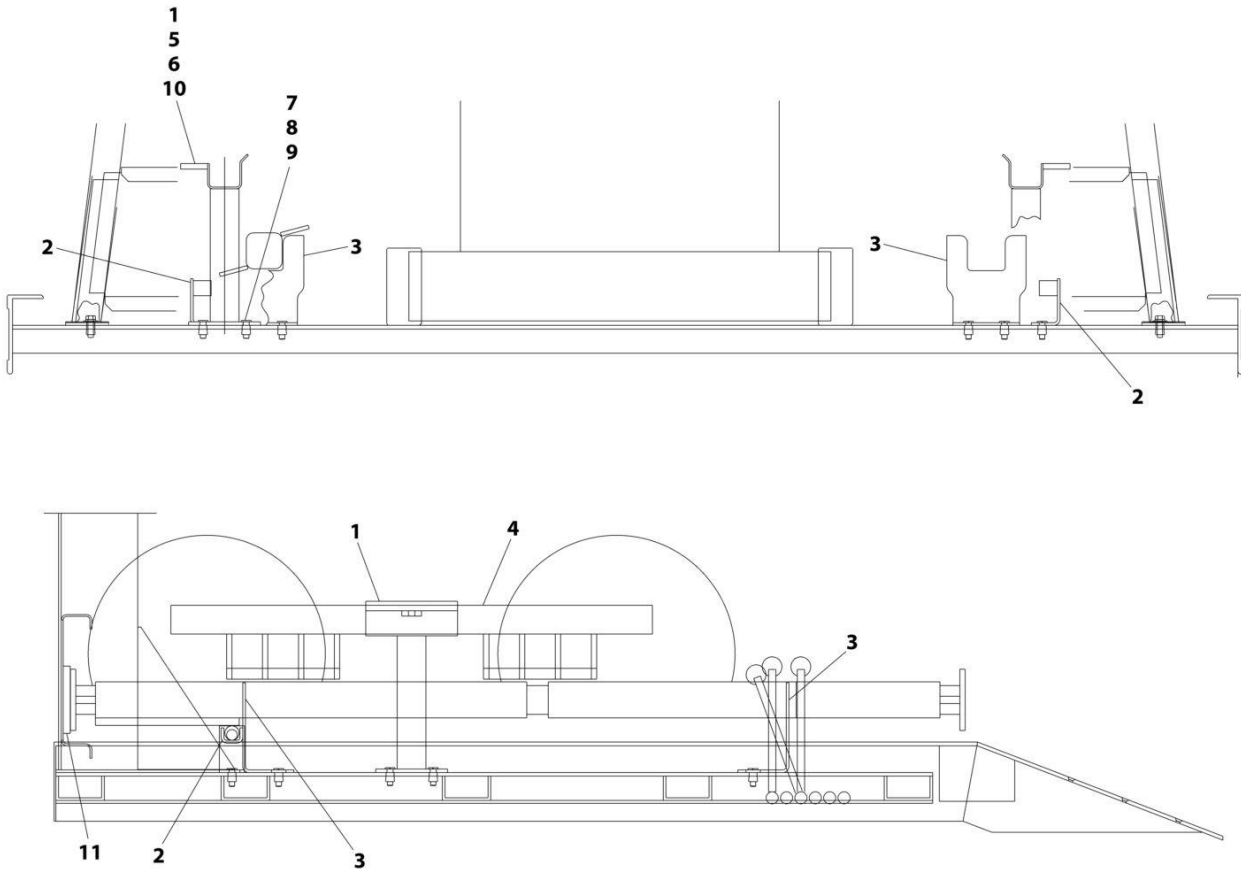
SECTION 9 - ACCESSORIES

FIGURE 9-11. DOLLY INSTALLATION (ALUMINUM)

ITEM	PART NUMBER	QTY	DESCRIPTION	REV
	1001131154	Ref	DOLLY INSTALLATION (ALUMINUM)	B
1	3178000033	2	Bracket	
2	3178000056	2	Bracket	
3	4178000215	4	Bracket	
4	7002000380	1	Dolly Aluminum	
5	7111161264	2	Bolt 3/8 x 1-1/2	
6	7660162100	2	Nut 3/8	
7	7413000003	18	Nut 3/8	
8	7111161050	18	Bolt 3/8 x 1-1/4	
9	7950160000	18	Washer 3/8 ID	
10	7950160251	20	Washer 3/8	
12	8632000002	1 ft	Trim (Not Shown)	

SECTION 9 - ACCESSORIES

FIGURE 9-12. DOLLY INSTALLATION (STEEL)



ART_2500870652

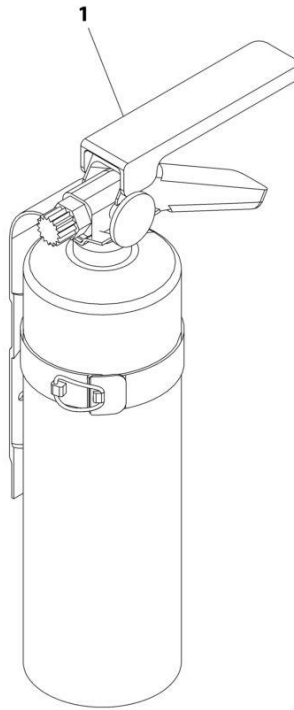
SECTION 9 - ACCESSORIES

FIGURE 9-12. DOLLY INSTALLATION (STEEL)

ITEM	PART NUMBER	QTY	DESCRIPTION	REV
	2500870652	Ref	DOLLY INSTALLATION (STEEL)	B
1	3178000458	2	Bracket	
2	3178000056	2	Bracket	
3	4178000215	2	Bracket	
4	3002000014	1	Dolly Rework	
5	7111161264	2	Bolt 3/8 x 1-1/2	
6	7660162100	2	Nut 3/8	
7	7413000003	18	Nut 3/8	
8	7111161050	18	Bolt 3/8 x 1-1/4	
9	7950160000	18	Washer 3/8 ID	
10	7950160251	18	Washer 3/8	
11	4679000013	2	Pad	
12	4632000001	1 in	Trim (Not Shown)	

SECTION 9 - ACCESSORIES

FIGURE 9-13. FIRE EXTINGUISHER



ART_2002000028

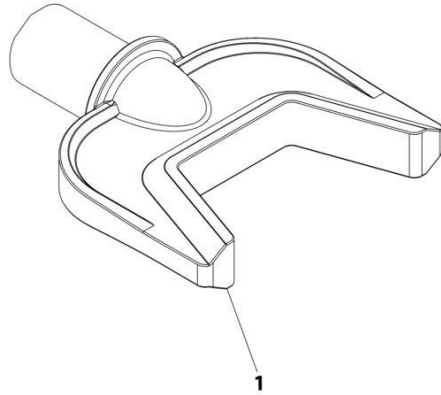
SECTION 9 - ACCESSORIES

FIGURE 9-13. FIRE EXTINGUISHER

ITEM	PART NUMBER	QTY	DESCRIPTION	REV
1	2002000028 7002000404	Ref 1	Fire Extinguisher Accessory Fire Extinguisher	0

SECTION 9 - ACCESSORIES

FIGURE 9-14. FORK - FRAME (LARGE)



ART_LFF

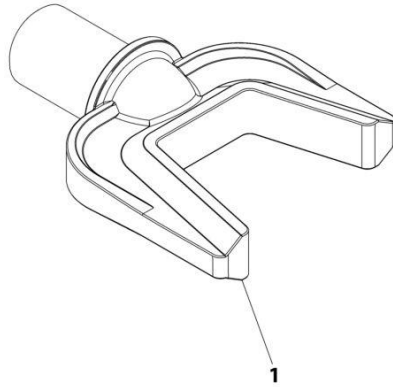
SECTION 9 - ACCESSORIES

FIGURE 9-14. FORK - FRAME (LARGE)

ITEM	PART NUMBER	QTY	DESCRIPTION	REV
1	LFF 7454000008	Ref 2	FORKS AND ADAPTERS Large Frame Fork	0

SECTION 9 - ACCESSORIES

FIGURE 9-15. FORK - FRAME (SMALL)



ART_SFF

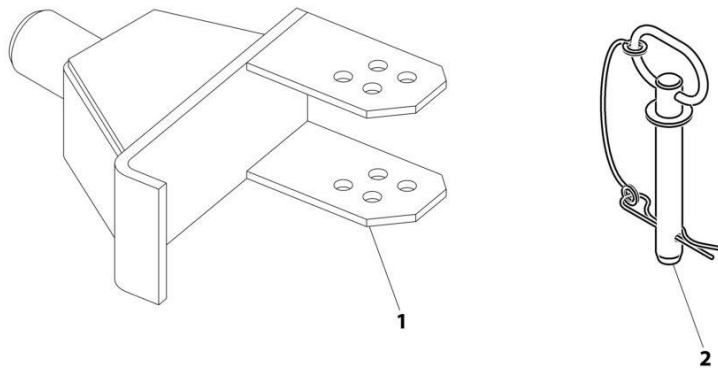
SECTION 9 - ACCESSORIES

FIGURE 9-15. FORK - FRAME (SMALL)

ITEM	PART NUMBER	QTY	DESCRIPTION	REV
1	SFF 7454000007	Ref 2	FORKS AND ADAPTERS Small Frame Fork	0

SECTION 9 - ACCESSORIES

FIGURE 9-16. FORK - SPRING HANGAR (1 PAIR))



ART_SHF

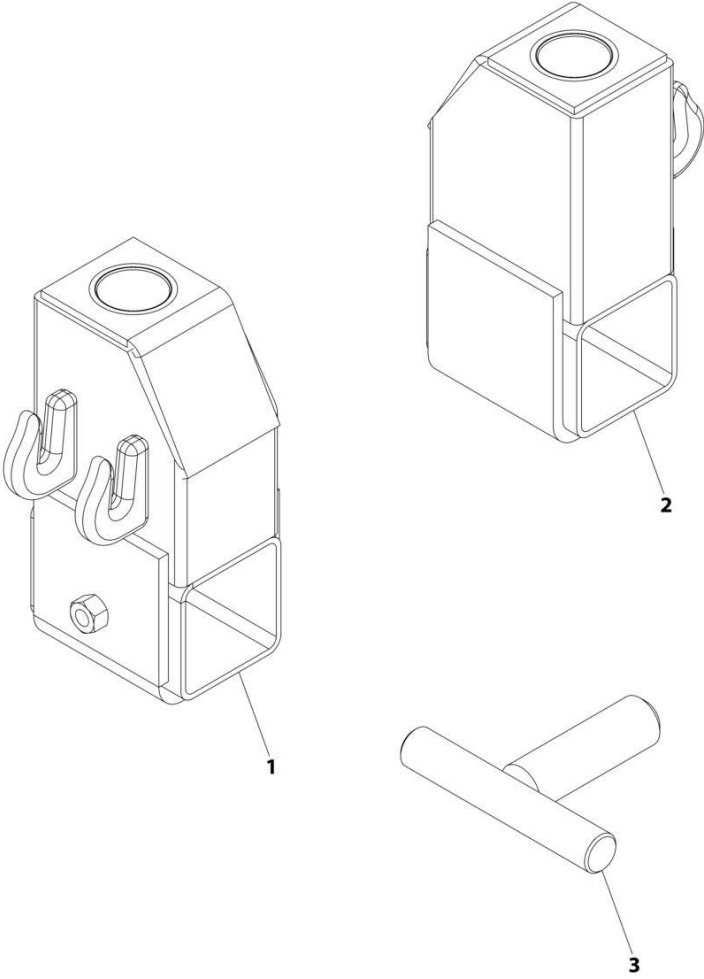
SECTION 9 - ACCESSORIES

FIGURE 9-16. FORK - SPRING HANGAR (1 PAIR))

ITEM	PART NUMBER	QTY	DESCRIPTION	REV
	SHF	Ref	FORKS AND ADAPTERS	0
1	3512880016	2	Spring Hanger Fork	
2	7691000017	2	Hitch Pin	

SECTION 9 - ACCESSORIES

FIGURE 9-17. FORK HOLDERS - HIGH (1 PAIR)



ART_HFH

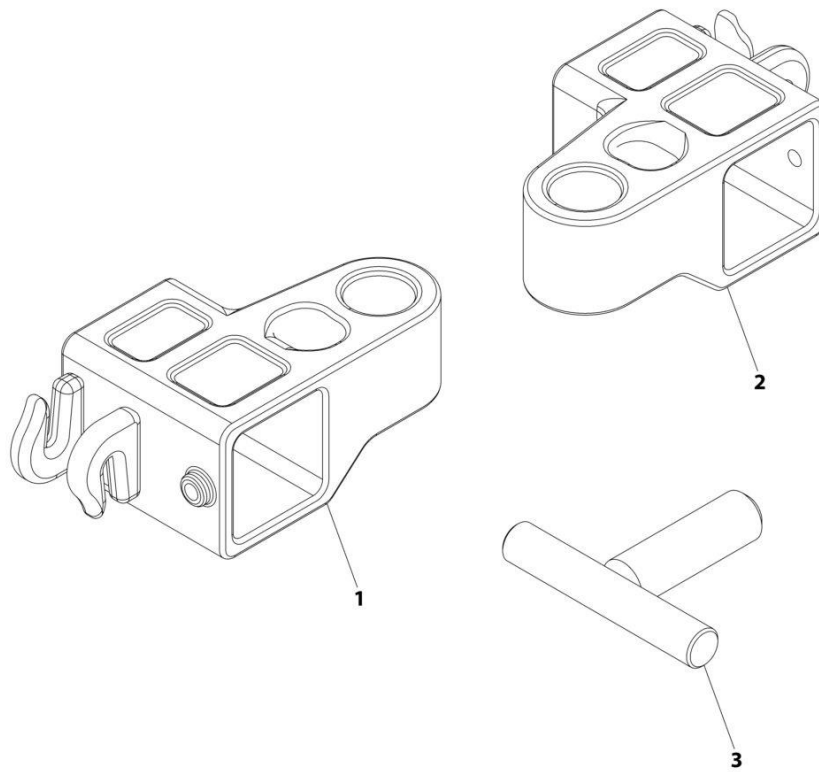
SECTION 9 - ACCESSORIES

FIGURE 9-17. FORK HOLDERS - HIGH (1 PAIR)

ITEM	PART NUMBER	QTY	DESCRIPTION	REV
	HFH	Ref	FORKS AND ADAPTERS	0
1	3512880013	1	High Fork Adapter. - LH	
2	3512880012	1	High Fork Adapter - RH	
3	3551000036	2	T-Handle	

SECTION 9 - ACCESSORIES

FIGURE 9-18. FORK HOLDERS - LOW (1 PAIR)



ART_LFH

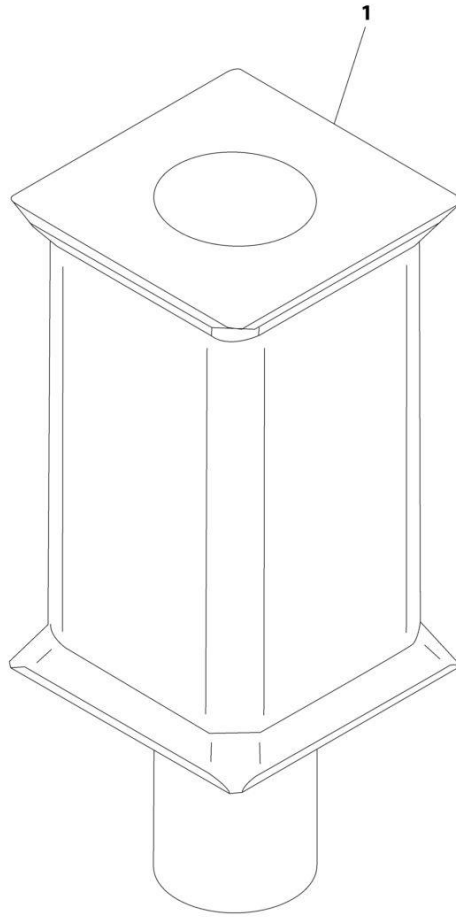
SECTION 9 - ACCESSORIES

FIGURE 9-18. FORK HOLDERS - LOW (1 PAIR)

ITEM	PART NUMBER	QTY	DESCRIPTION	REV
	LFH	Ref	FORKS AND ADAPTERS	0
1	7007000057	1	Low Fork Adapter - LH	
2	7007000058	1	Low Fork Adapter - RH	
3	3551000036	2	T-Handle	

SECTION 9 - ACCESSORIES

FIGURE 9-19. FORK RISERS



ART_1001231627

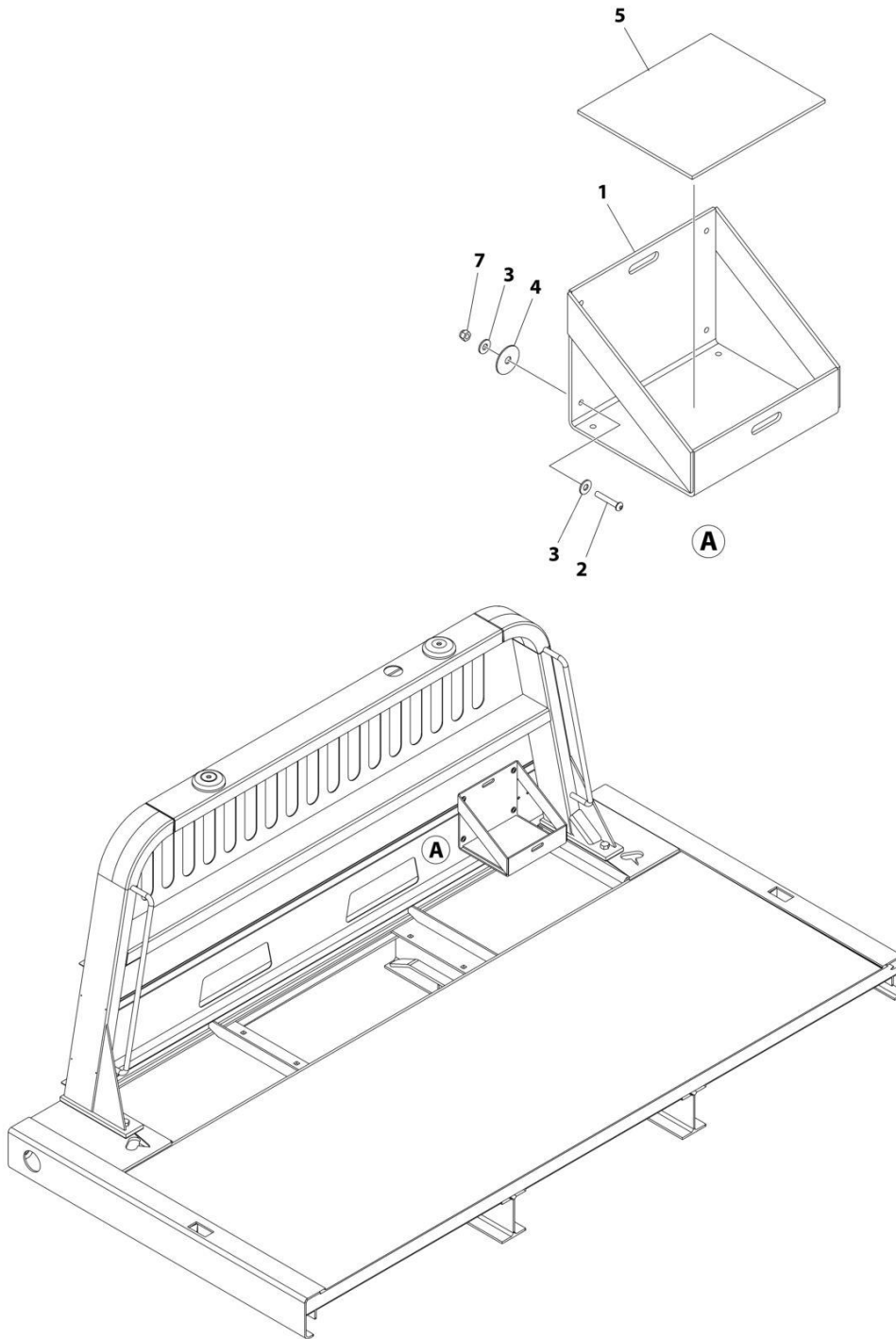
SECTION 9 - ACCESSORIES

FIGURE 9-19. FORK RISERS

ITEM	PART NUMBER	QTY	DESCRIPTION	REV
1	1001231627	Ref	FORK RISER - 7IN	A
	7002000502	2	Fork Riser Attachment	

SECTION 9 - ACCESSORIES

FIGURE 9-20. FUEL CAN STORAGE TRAY INSTALLATION (SN 0230003432 to Present)



ART_1001211866

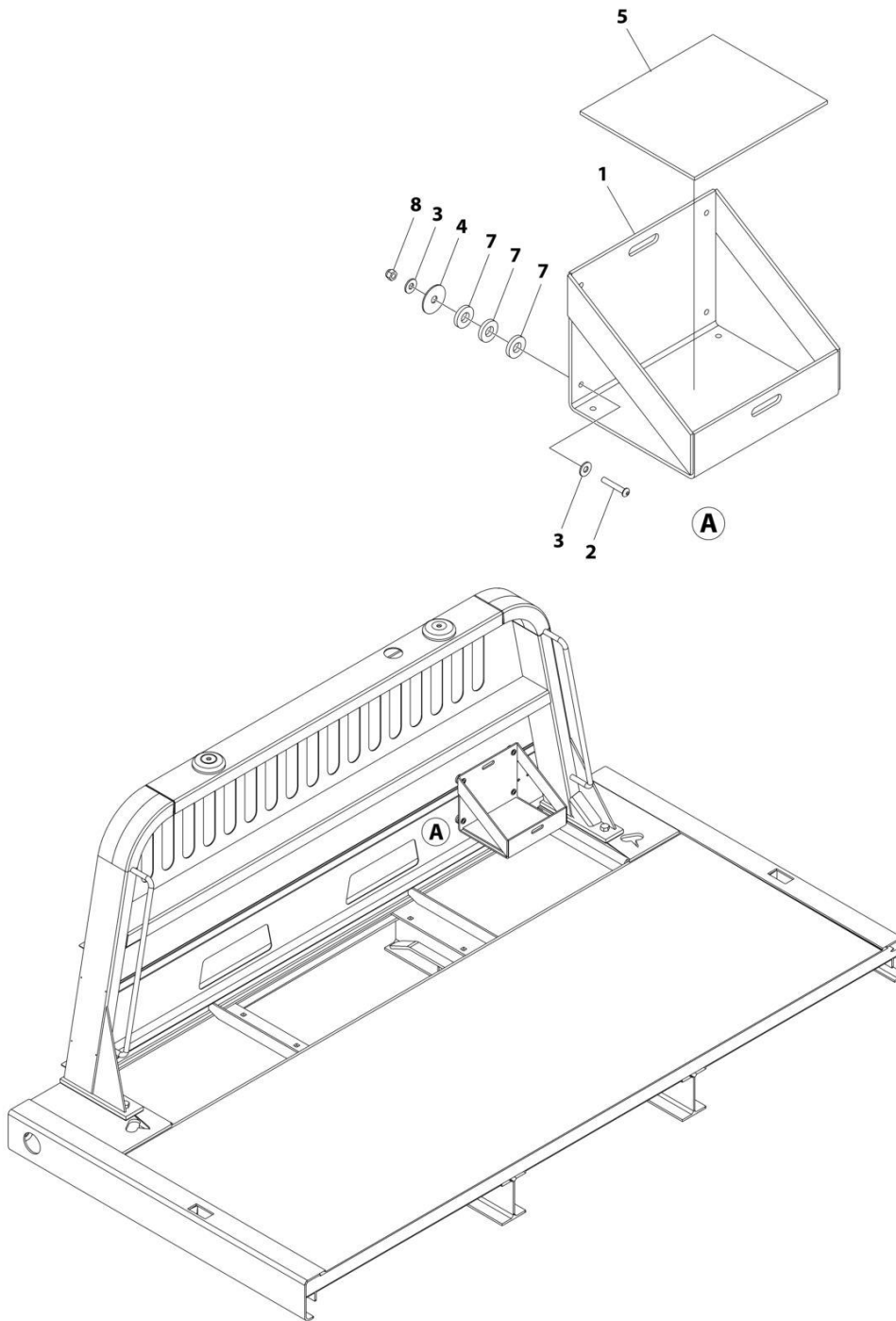
SECTION 9 - ACCESSORIES

FIGURE 9-20. FUEL CAN STORAGE TRAY INSTALLATION (SN 0230003432 to Present)

ITEM	PART NUMBER	QTY	DESCRIPTION	REV
	1001211866	Ref	FUEL CAN STORAGE TRAY INSTALLATION	A
1	3178000471	1	Bracket	
2	7114141218	4	Capscrew 1/4 x 1-1/2	
3	7950140153	8	Washer 1/4	
4	7949000055	4	Washer	
5	4679000274	1	Pad	
6	7894000063	1	Tie-Strap (Not Shown)	
7	7660142604	4	Nut 1/4	

SECTION 9 - ACCESSORIES

FIGURE 9-21. FUEL CAN STORAGE TRAY INSTALLATION (SN 0230002518 through 0230003431)



ART_1001129332

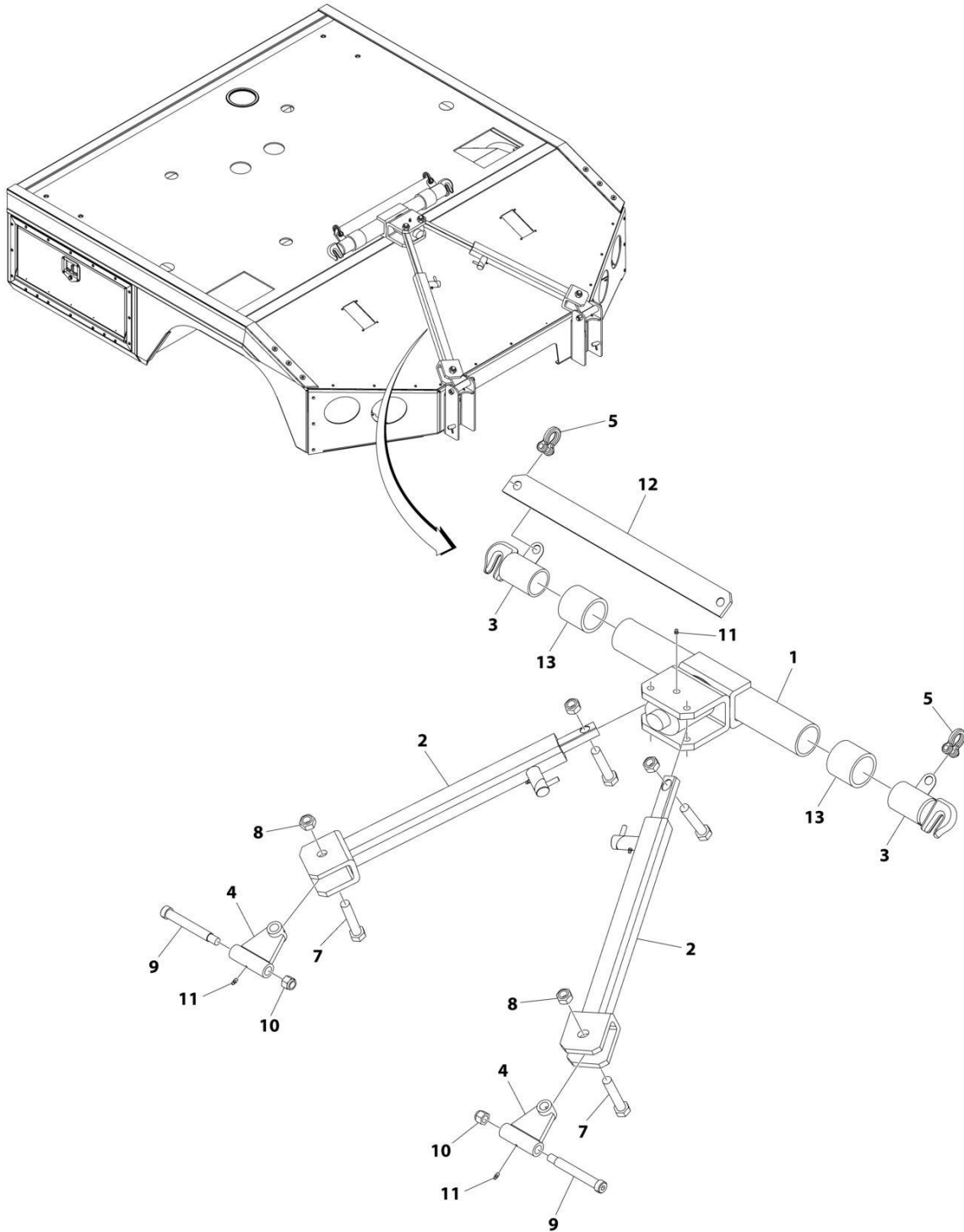
SECTION 9 - ACCESSORIES

FIGURE 9-21. FUEL CAN STORAGE TRAY INSTALLATION (SN 0230002518 through 0230003431)

ITEM	PART NUMBER	QTY	DESCRIPTION	REV
	1001129332	Ref	FUEL CAN HOLDER INSTALLATION	F
1	3178000471	1	Bracket	
2	7114141218	4	Capscrew 1/4	
3	4751400001	8	Washer 1/4	
4	7949000055	4	Washer	
5	4679000274	1	Pad	
6	7894000063	1	Tie-Strap (Not Shown)	
7	4891800	12	Washer 1/2	
8	7660142601	4	Nut 1/4	

SECTION 9 - ACCESSORIES

FIGURE 9-22. HITCH ASSEMBLY - DUAL LINE (MEDIUM DUTY)



ART_2512800031

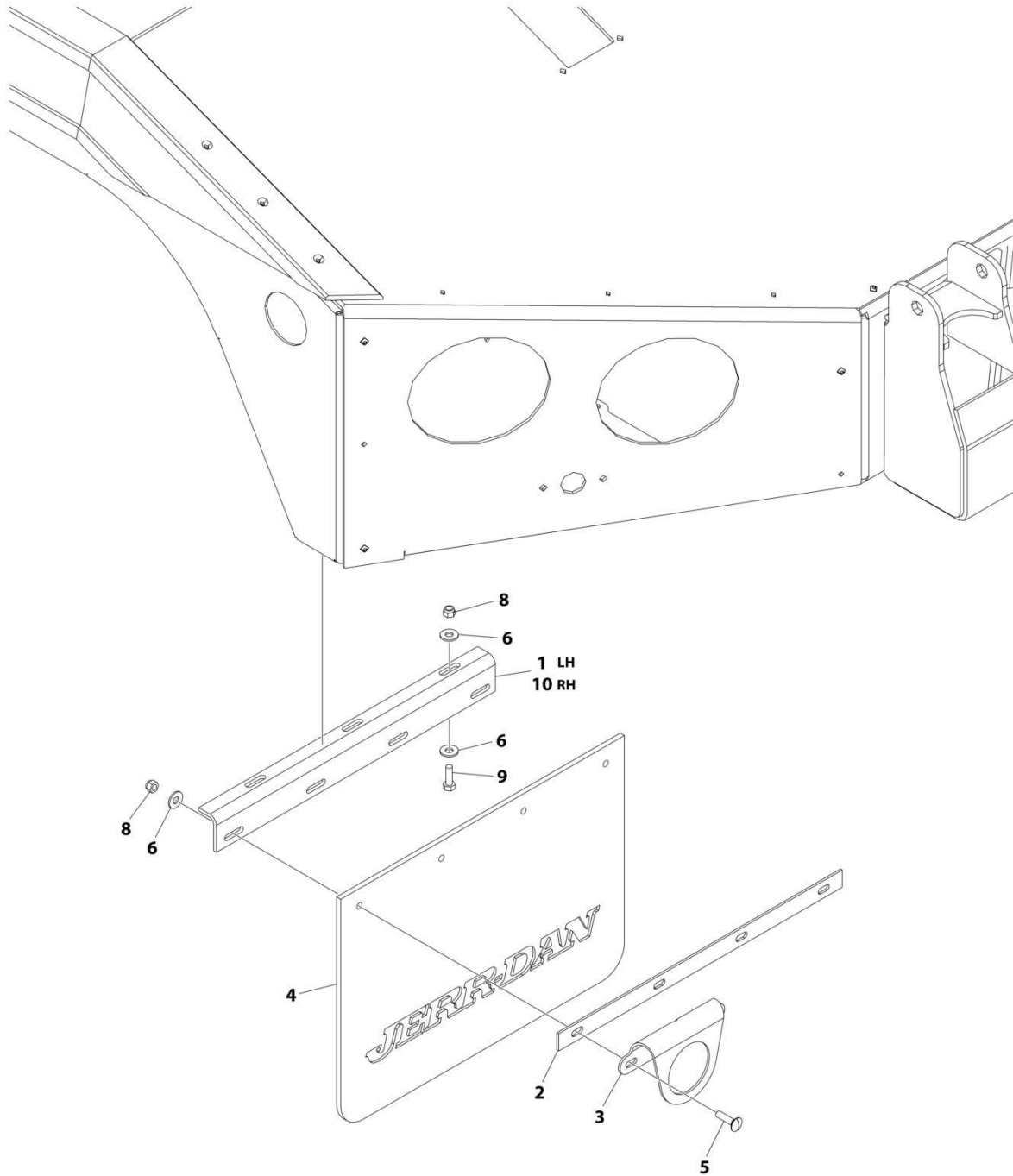
SECTION 9 - ACCESSORIES

FIGURE 9-22. HITCH ASSEMBLY - DUAL LINE (MEDIUM DUTY)

ITEM	PART NUMBER	QTY	DESCRIPTION	REV
	2512800031	Ref	TOW SLING INSTALLATION - DUAL WINCH	D
1	3512800043	1	Tow Sling Head	
2	3020000067	2	Hold Back Bar	
3	3912000003	2	Tube	
4	3309000006	2	U-Joint	
5	7804000002	2	Shackle	
7	7105223250	4	Bolt 3/4 x 4	
8	7661000017	4	Nut 3/4	
9	7115223806	2	Bolt 5/8 x 4-3/4	
10	7660202601	2	Nut 5/8	
11	7440030000	7	Fitting, Straight	
12	4706000983	1	Plate	
13	8565760025	2	Hose	
17	7262000014	2	Chain (Not Shown)	

SECTION 9 - ACCESSORIES

FIGURE 9-23. MUDFLAPS INSTALLATION - FACTORY SUPPLIED (19IN WIDE) (ALUMINUM BODY)



ART_2502080040

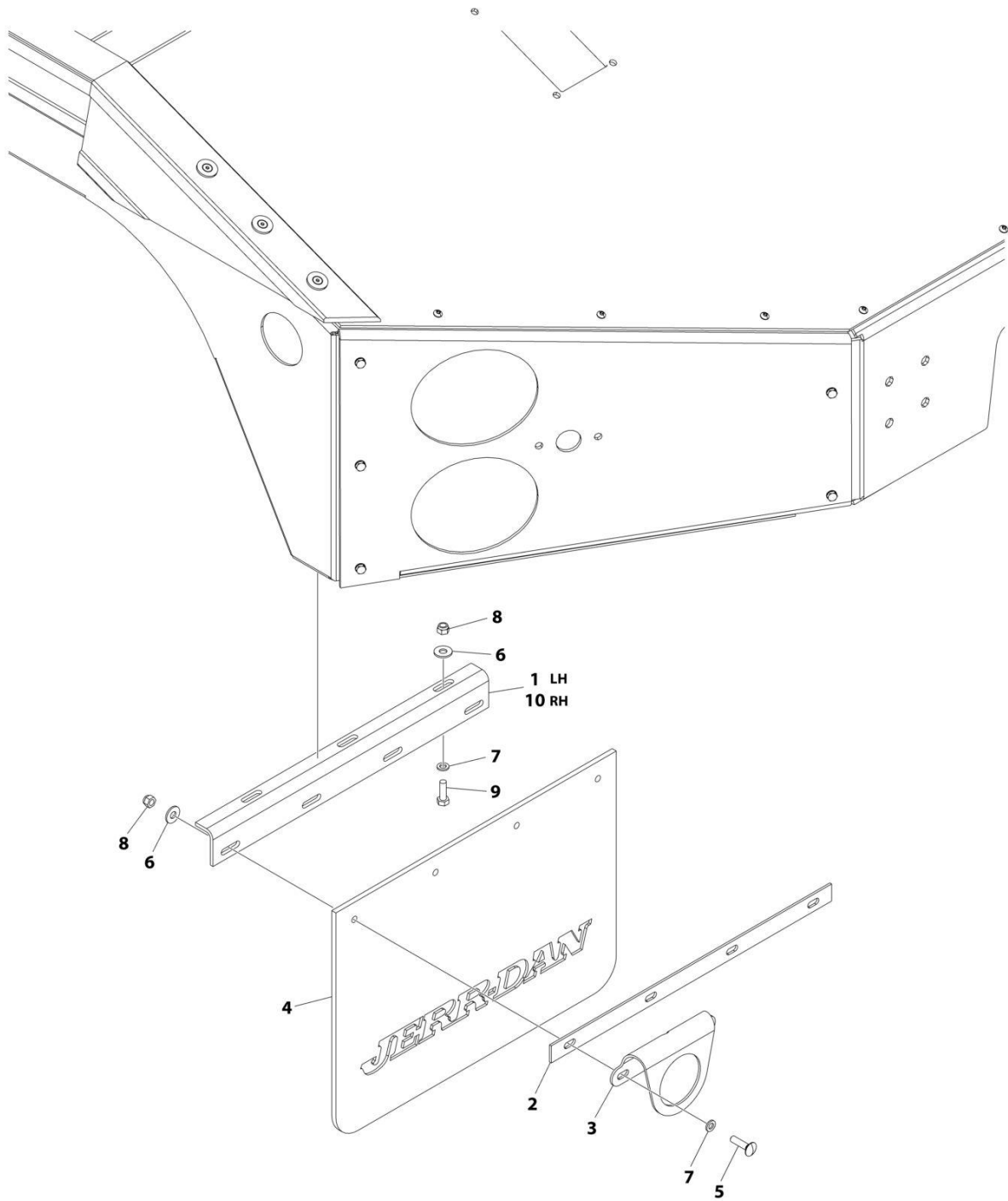
SECTION 9 - ACCESSORIES

FIGURE 9-23. MUDFLAPS INSTALLATION - FACTORY SUPPLIED (19IN WIDE) (ALUMINUM BODY)

ITEM	PART NUMBER	QTY	DESCRIPTION	REV
	2502080040	Ref	MUD FLAPS INSTALLATION	B
1	4017000478	1	Angle	
2	4706001123	2	Plate	
3	4178000073	2	Bracket	
4	7638000003	2	Mud Flap	
5	7115151064	8	Bolt 5/16 x 1-1/4	
6	4751500	20	Washer 5/16	
8	7660152601	14	Nut 5/16	
9	0641508	6	Bolt 5/16 x 1	
10	4017000482	1	Angle	

SECTION 9 - ACCESSORIES

FIGURE 9-24. MUDFLAPS INSTALLATION - FACTORY SUPPLIED (19IN WIDE) (STEEL BODY)



ART_2502080045

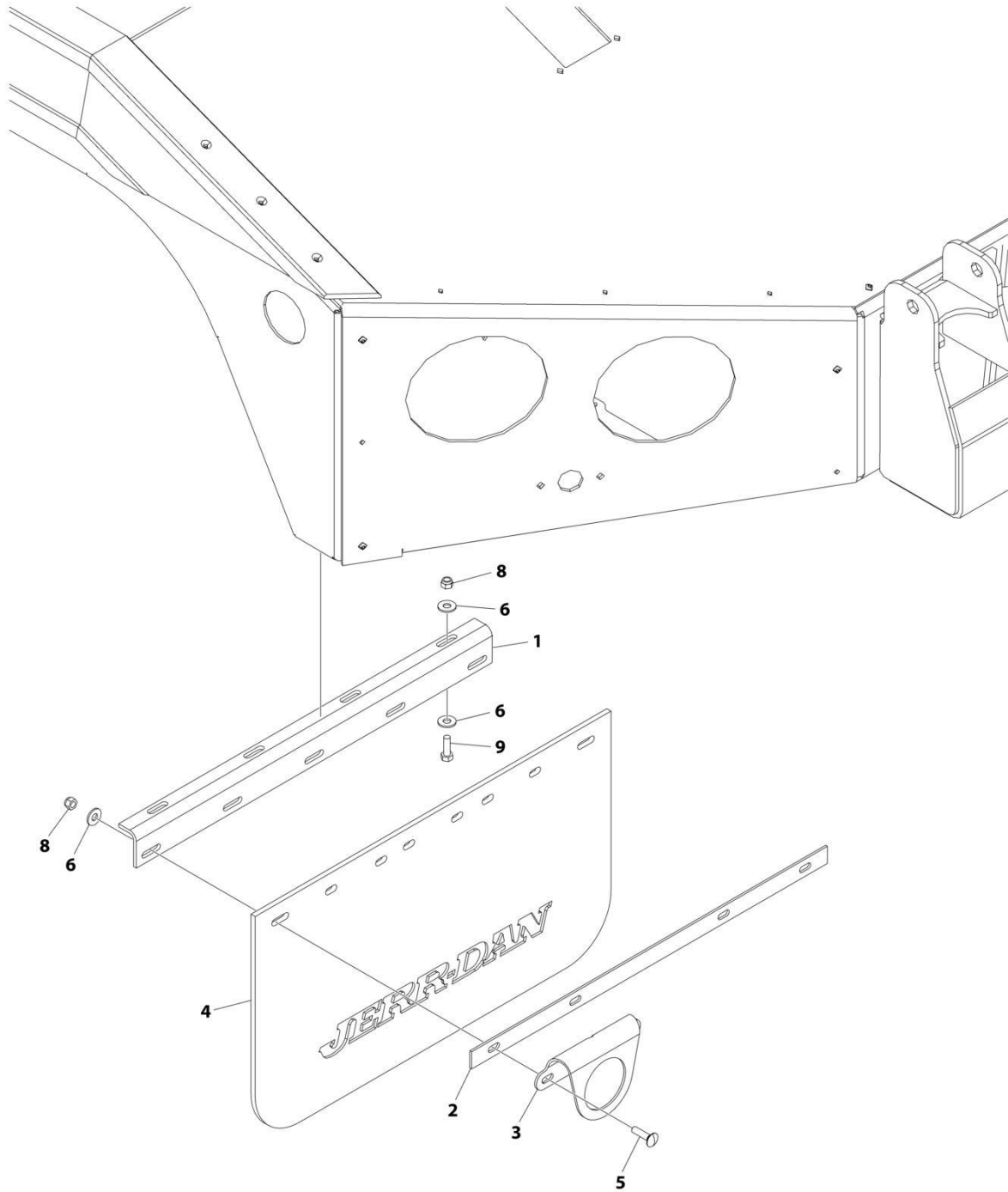
SECTION 9 - ACCESSORIES

FIGURE 9-24. MUDFLAPS INSTALLATION - FACTORY SUPPLIED (19IN WIDE) (STEEL BODY)

ITEM	PART NUMBER	QTY	DESCRIPTION	REV
	2502080045	Ref	MUD FLAPS INSTALLATION	0
1	4017000492	1	Angle	
2	4706001123	2	Plate	
3	4178000073	2	Bracket	
4	7638000003	2	Mud Flap	
5	7111151010	8	Bolt 5/16 x 1-1/4	
6	7950150161	14	Washer 5/16	
7	7950150000	14	Washer 5/16	
8	7660150000	14	Nut 5/16	
9	7111150850	6	Bolt 5/16 x 1	
10	4017000493	1	Angle	

SECTION 9 - ACCESSORIES

FIGURE 9-25. MUDFLAPS INSTALLATION - FACTORY SUPPLIED (24IN WIDE) (ALUMINUM BODY)



ART_2502080100

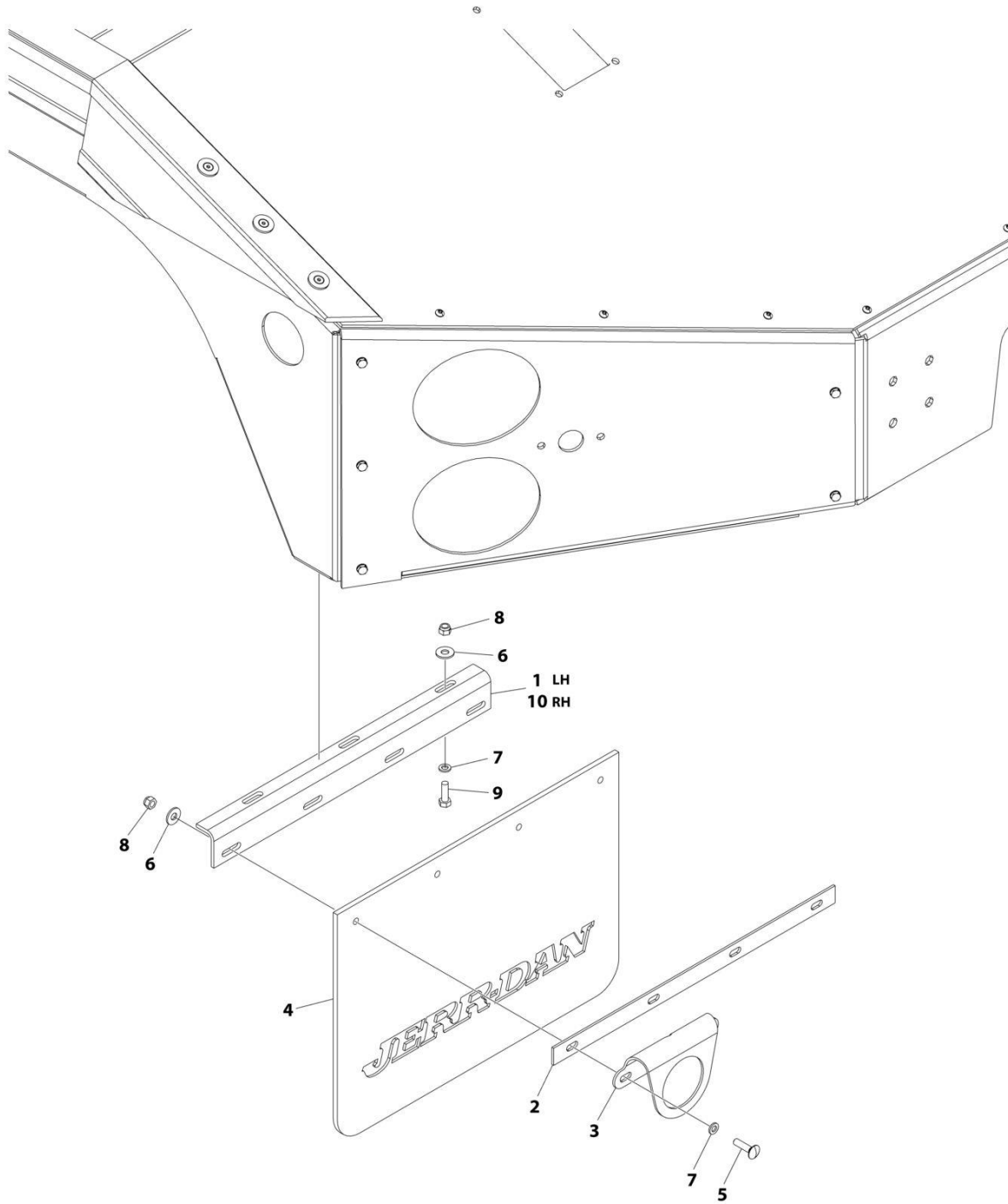
SECTION 9 - ACCESSORIES

FIGURE 9-25. MUDFLAPS INSTALLATION - FACTORY SUPPLIED (24IN WIDE) (ALUMINUM BODY)

ITEM	PART NUMBER	QTY	DESCRIPTION	REV
	2502080100	Ref	MUD FLAPS INSTALLATION	B
1	4017000481	2	Angle	
2	4706001125	2	Plate	
3	4178000073	2	Bracket	
4	7638000007	2	Mud Flap	
5	7115151064	8	Bolt 5/16 x 1-1/4	
6	4751500	20	Washer 5/16	
8	7660152601	14	Nut 5/16	
9	0641508	6	Bolt 5/16 x 1	

SECTION 9 - ACCESSORIES

FIGURE 9-26. MUDFLAPS INSTALLATION - FACTORY SUPPLIED (24IN WIDE) (STEEL BODY ON FORD/DODGE)



ART_2502080046

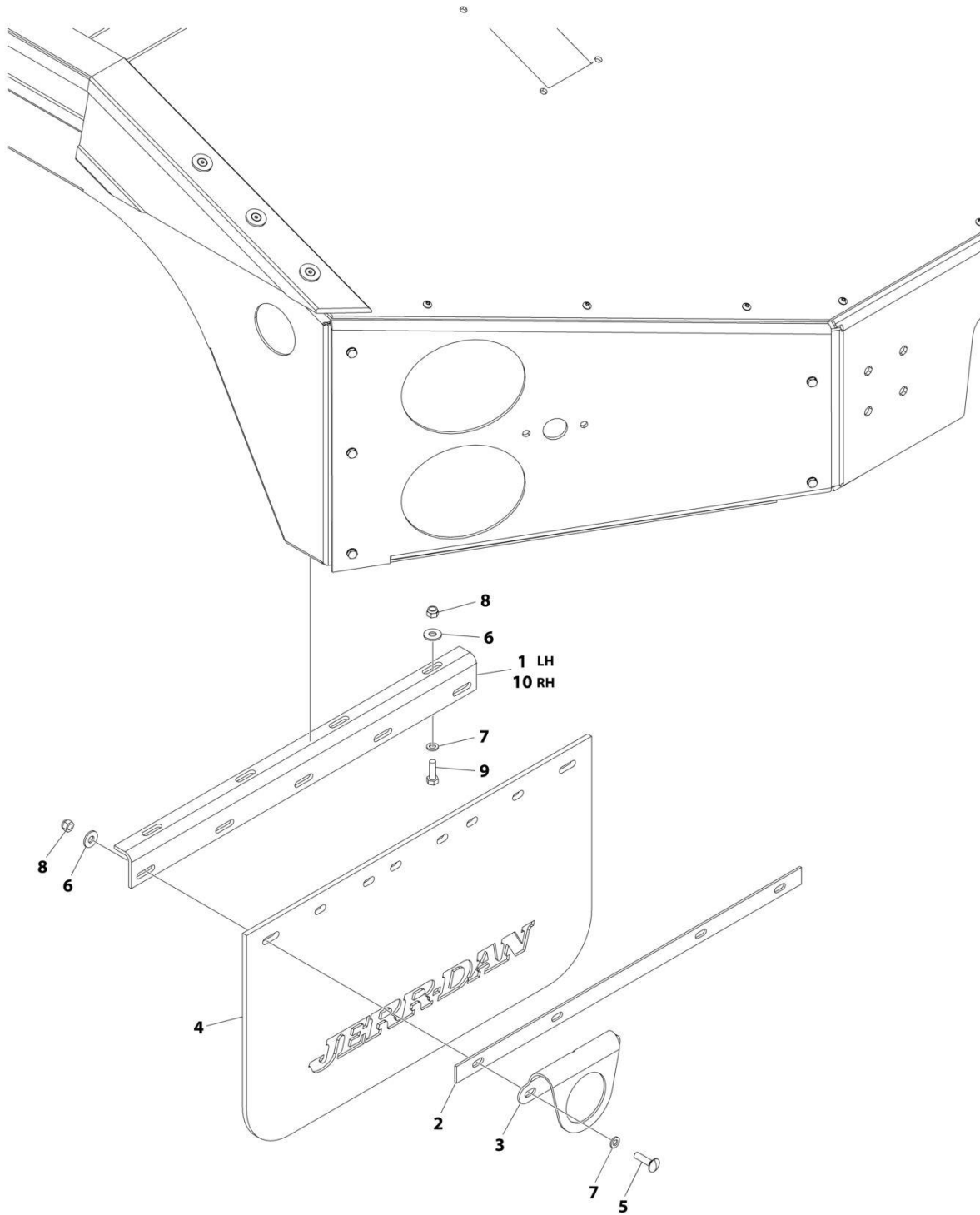
SECTION 9 - ACCESSORIES

FIGURE 9-26. MUDFLAPS INSTALLATION - FACTORY SUPPLIED (24IN WIDE) (STEEL BODY ON FORD/DODGE)

ITEM	PART NUMBER	QTY	DESCRIPTION	REV
	2502080046	Ref	MUD FLAPS INSTALLATION	0
1	4017000494	1	Angle	
2	4706001124	2	Plate	
3	4178000073	2	Bracket	
4	7638000003	2	Mud Flap	
5	7111151010	8	Bolt 5/16 x 1-1/4	
6	7950150161	14	Washer 5/16	
7	7950150000	14	Washer 5/16	
8	7660150000	14	Nut 5/16	
9	7111150850	6	Bolt 5/16 x 1	
10	4017000495	1	Angle	

SECTION 9 - ACCESSORIES

FIGURE 9-27. MUDFLAPS INSTALLATION - FACTORY SUPPLIED (24IN WIDE) (STEEL BODY ON IHC)



ART_2502080101

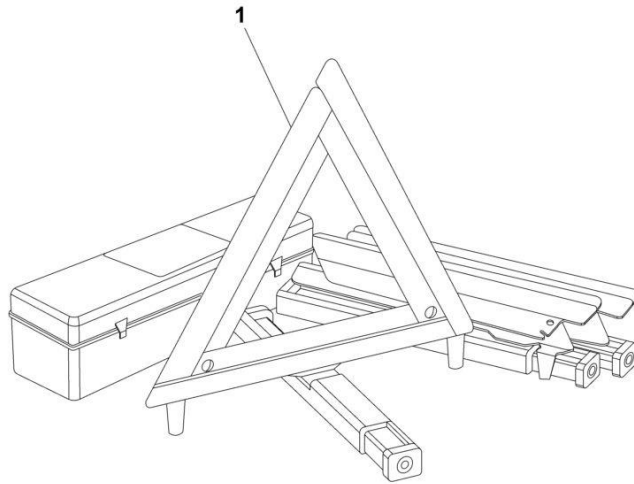
SECTION 9 - ACCESSORIES

FIGURE 9-27. MUDFLAPS INSTALLATION - FACTORY SUPPLIED (24IN WIDE) (STEEL BODY ON IHC)

ITEM	PART NUMBER	QTY	DESCRIPTION	REV
	2502080101	Ref	MUD FLAPS INSTALLATION	0
1	4017000496	1	Angle	
2	4706001125	2	Plate	
3	4178000073	2	Bracket	
4	7638000007	2	Mud Flap	
5	7111151010	8	Bolt 5/16 x 1-1/4	
6	7950150161	14	Washer 5/16	
7	7950150000	14	Washer 5/16	
8	7660150000	14	Nut 5/16	
9	7111150850	6	Bolt 5/16 x 1	
10	4017000497	1	Angle	

SECTION 9 - ACCESSORIES

FIGURE 9-28. SAFETY TRIANGLE KIT



ART_STK

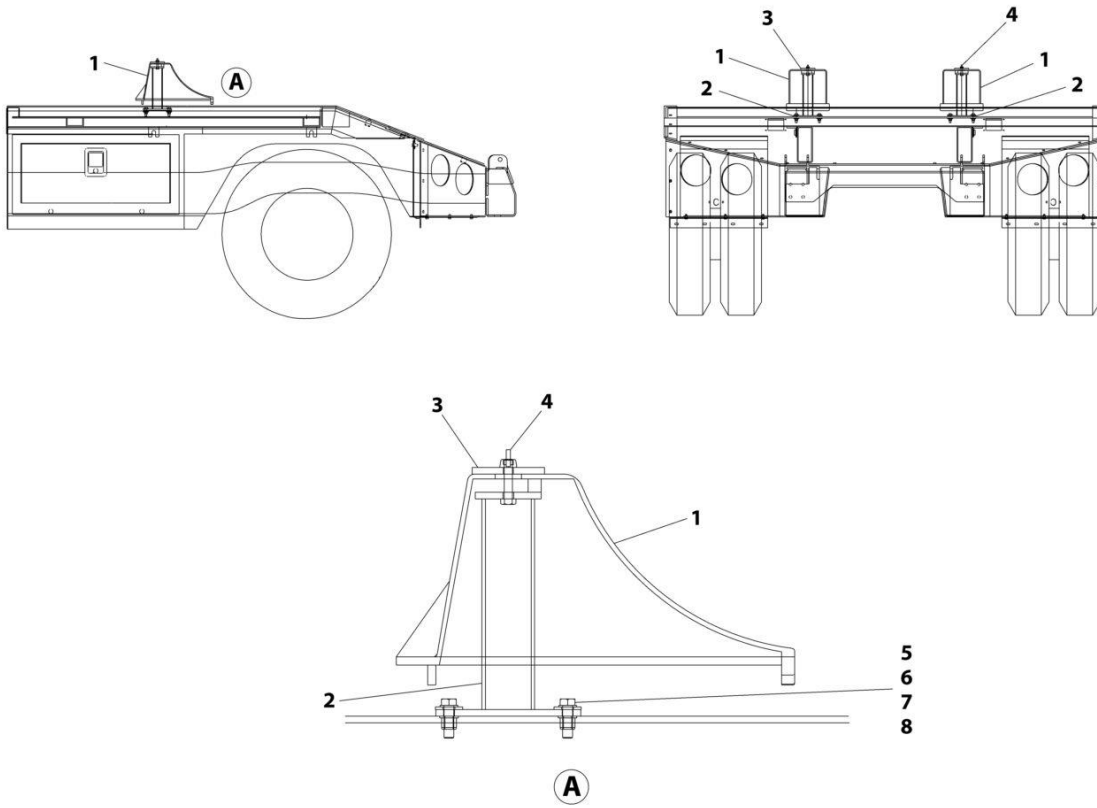
SECTION 9 - ACCESSORIES

FIGURE 9-28. SAFETY TRIANGLE KIT

ITEM	PART NUMBER	QTY	DESCRIPTION	REV
1	STK 7002000285	Ref 1	Safety Triangle Kit Reflective Triangles	0

SECTION 9 - ACCESSORIES

FIGURE 9-29. SCOTCH BLOCKS WITH STORAGE BRACKETS (LARGE)



ART_2500870067

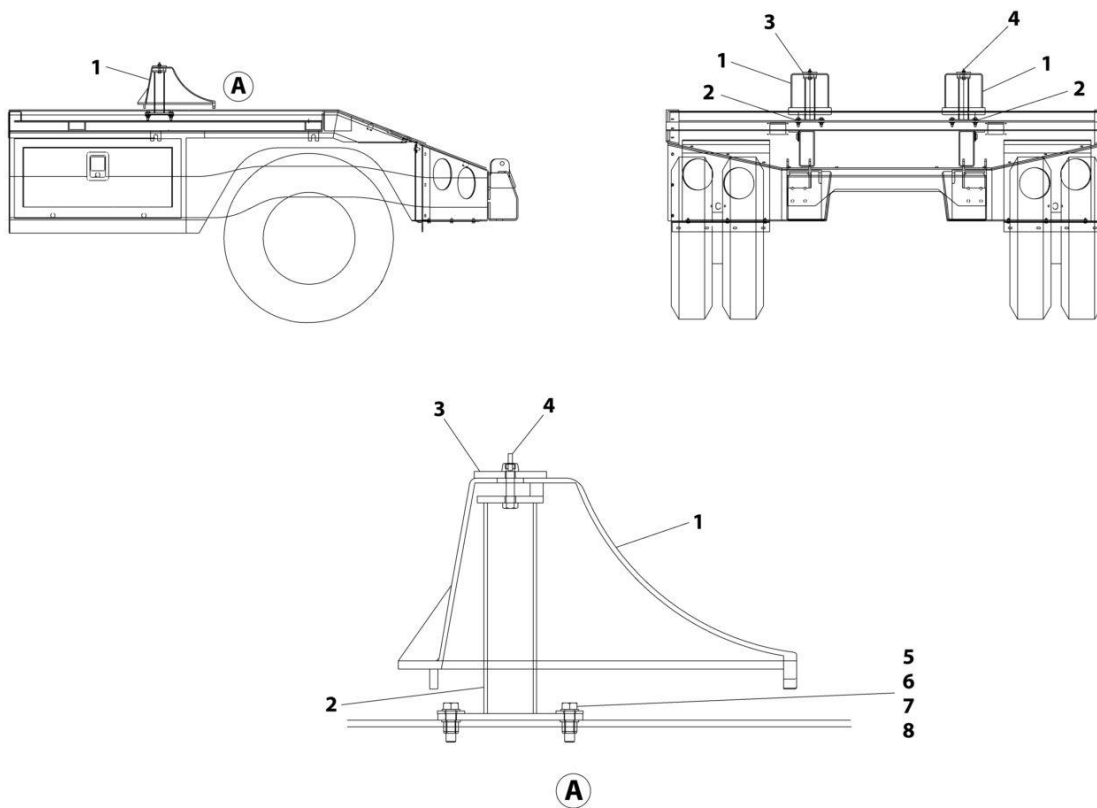
SECTION 9 - ACCESSORIES

FIGURE 9-29. SCOTCH BLOCKS WITH STORAGE BRACKETS (LARGE)

ITEM	PART NUMBER	QTY	DESCRIPTION	REV
	2500870067	Ref	WHEEL CHOCKS	B
1	7002000120	AR	Wheel Chock	
2	3636000012	2	Mount	
3	4949000016	2	Washer 1/4	
4	7660162100	2	Nut 3/8	
5	7413000003	4	Nut 3/8	
6	7111161050	4	Bolt 3/8 x 1-1/4	
7	7950160000	4	Washer 3/8 ID	
8	7950160161	4	Washer 3/8	

SECTION 9 - ACCESSORIES

FIGURE 9-30. SCOTCH BLOCKS WITH STORAGE BRACKETS (SMALL)



ART_2500870068

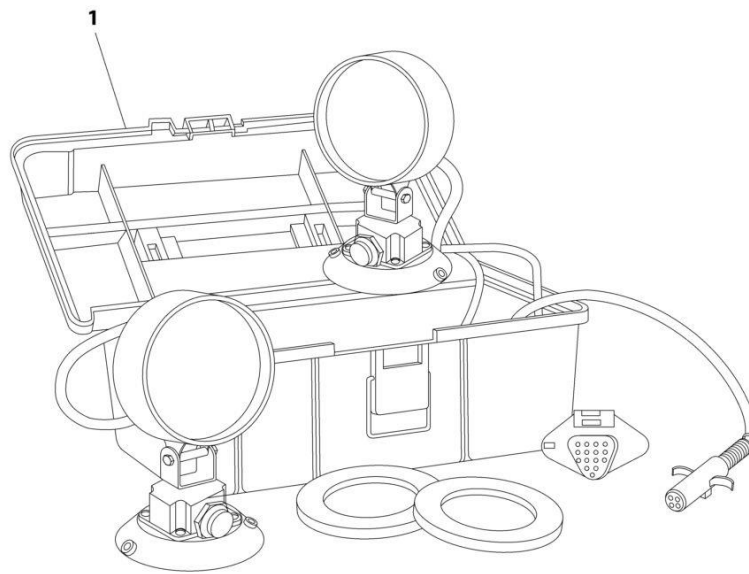
SECTION 9 - ACCESSORIES

FIGURE 9-30. SCOTCH BLOCKS WITH STORAGE BRACKETS (SMALL)

ITEM	PART NUMBER	QTY	DESCRIPTION	REV
	2500870068	Ref	WHEEL CHOCKS	A
1	7002000121	AR	Wheel Chock	
2	3636000013	2	Mount	
3	4949000015	2	Washer 1/4	
4	7660162100	2	Nut 3/8	
5	7413000003	4	Nut 3/8	
6	7111161050	4	Bolt 3/8 x 1-1/4	
7	7950160000	4	Washer 3/8 ID	
8	7950160161	4	Washer 3/8	

SECTION 9 - ACCESSORIES

FIGURE 9-31. TOW LIGHTS - MAGNETIC



ART_LMT

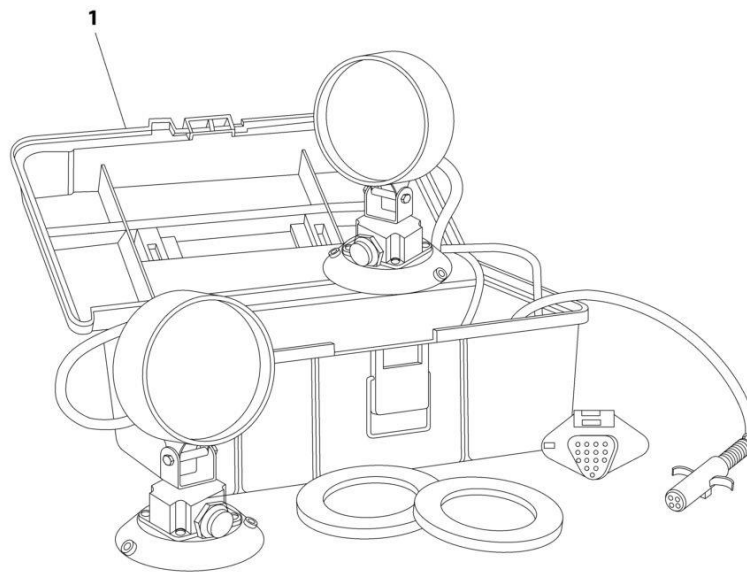
SECTION 9 - ACCESSORIES

FIGURE 9-31. TOW LIGHTS - MAGNETIC

ITEM	PART NUMBER	QTY	DESCRIPTION	REV
1	LMT 5525000752	Ref 1	TOW LIGHT KIT - MAGNETIC MOUNTED Magnetic Light Kit Towing - with Case	0

SECTION 9 - ACCESSORIES

FIGURE 9-32. TOW LIGHTS - MAGNETIC/SUCTION



ART_LST

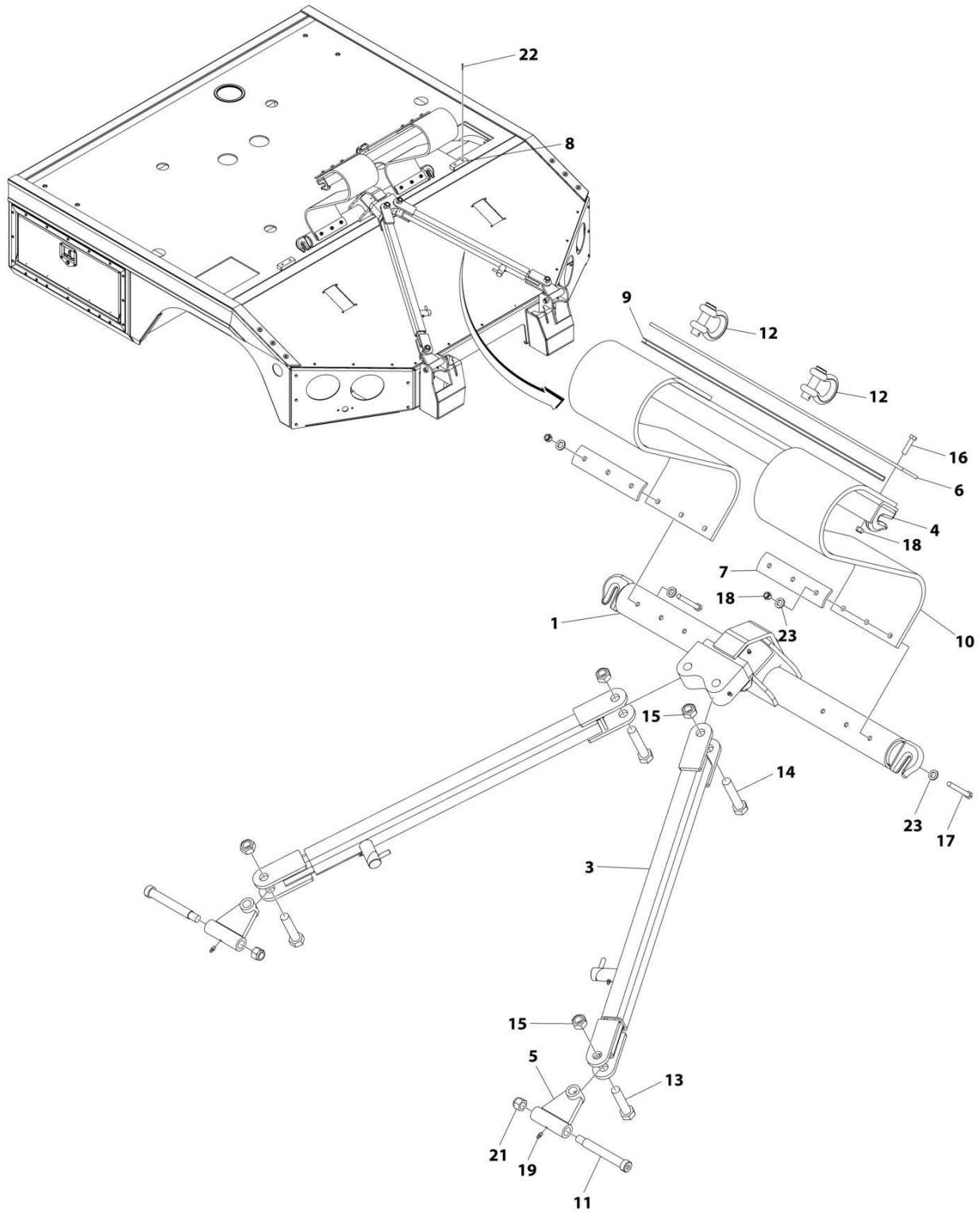
SECTION 9 - ACCESSORIES

FIGURE 9-32. TOW LIGHTS - MAGNETIC/SUCTION

ITEM	PART NUMBER	QTY	DESCRIPTION	REV
1	LST 7002000449	Ref 1	SUCTION MOUNTED TOW LIGHT KIT Tow Lights Suction	0

SECTION 9 - ACCESSORIES

FIGURE 9-33. TOW SLING ASSEMBLY - DUAL LINE (LIGHT DUTY)



ART_2500800646

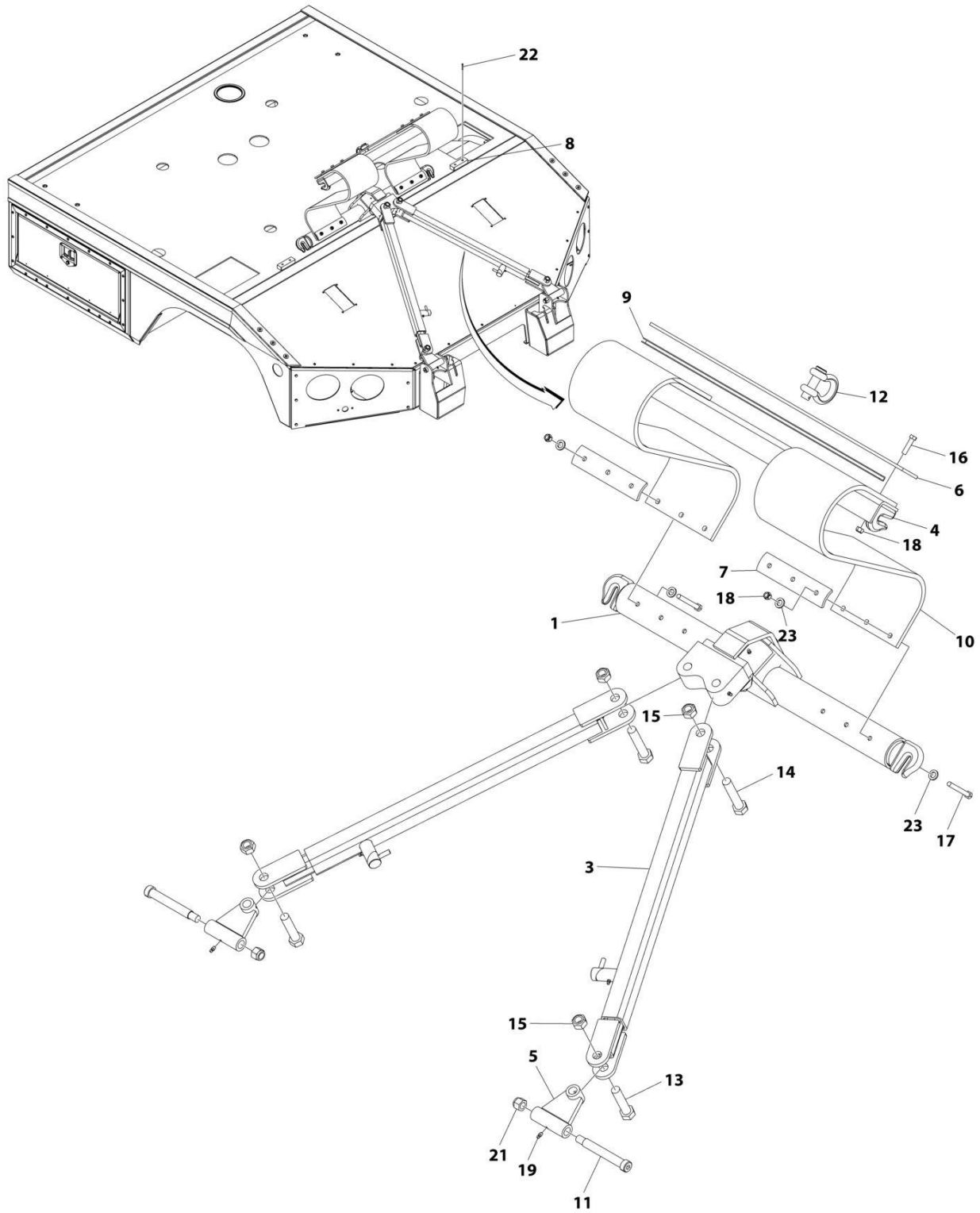
SECTION 9 - ACCESSORIES

FIGURE 9-33. TOW SLING ASSEMBLY - DUAL LINE (LIGHT DUTY)

ITEM	PART NUMBER	QTY	DESCRIPTION	REV
	2500800646	Ref	TOW SLING ASSEMBLY - DUAL LINE	C
1	3500800073	1	Sling Head Assembly	
3	3020000007	2	Hold back Arm Assembly	
4	3017000008	1	Anchor	
5	3309000007	2	U-Joint	
6	4706000727	1	Plate	
7	4062000556	2	Bar	
8	7679000010	2	Pad	
9	7632045016	1	Moulding	
10	7822000003	2	Sling Belt	
11	7115223806	2	Bolt 5/8 x 4-3/4	
12	7804000001	2	Anchor Shackle	
13	7105222650	2	Bolt 3/4 x 3-1/4	
14	7105223050	2	Bolt 3/4 x 3-3/4	
15	7661000017	4	Nut 3/4	
16	7115161250	6	Bolt 3/8 x 1-1/2	
17	7118163218	6	Bolt 3/8 x 4	
18	7660162601	12	Nut 3/8	
19	7440030000	7	Fitting, Straight	
20	7262000010	2	Chain (Not Shown)	
21	7660202601	2	Nut 5/8	
22	7790101276	4	Screw #10 x 3/4	
23	7796000102	12	O-Ring	

SECTION 9 - ACCESSORIES

FIGURE 9-34. TOW SLING ASSEMBLY - SINGLE LINE



ART_2500800647

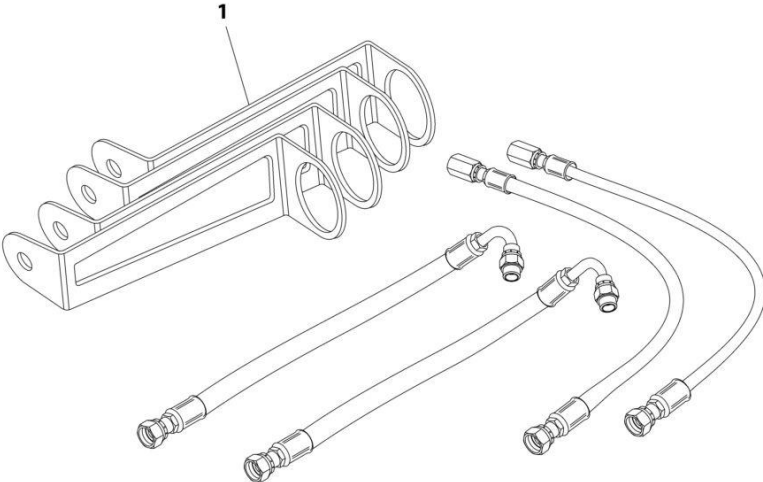
SECTION 9 - ACCESSORIES

FIGURE 9-34. TOW SLING ASSEMBLY - SINGLE LINE

ITEM	PART NUMBER	QTY	DESCRIPTION	REV
	2500800647	Ref	TOW SLING ASSEMBLY - SINGLE LINE	C
1	3500800073	1	Sling Head Assembly	
3	3020000007	2	Hold back Arm Assembly	
4	3017000008	1	Anchor	
5	3309000007	2	U-Joint	
6	4706000727	1	Plate	
7	4062000556	2	Bar	
8	7679000010	2	Pad	
9	7632045016	1	Moulding	
10	7822000003	2	Sling Belt	
11	7115223806	2	Bolt 5/8 x 4-3/4	
12	7804000001	1	Anchor Shackle	
13	7105222650	2	Bolt 3/4 x 3-1/4	
14	7105223050	2	Bolt 3/4 x 3-3/4	
15	7661000017	4	Nut 3/4	
16	7115161250	6	Bolt 3/8 x 1-1/2	
17	7118163218	6	Bolt 3/8 x 4	
18	7660162601	12	Nut 3/8	
19	7440030000	7	Fitting, Straight	
20	7262000010	2	Chain (Not Shown)	
21	7660202601	2	Nut 5/8	
22	7790101276	4	Screw #10 x 3/4	
23	7796000102	12	O-Ring	

SECTION 9 - ACCESSORIES

FIGURE 9-35. VALVE STEM EXTENSION KIT



ART_2002000029

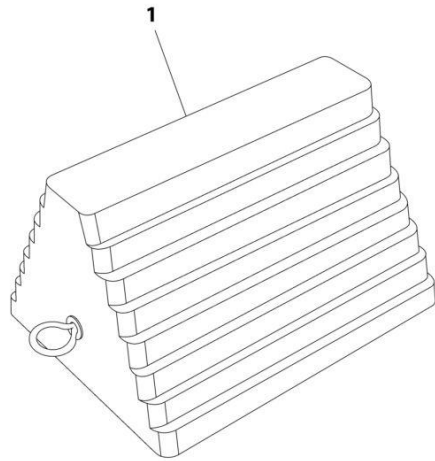
SECTION 9 - ACCESSORIES

FIGURE 9-35. VALVE STEM EXTENSION KIT

ITEM	PART NUMBER	QTY	DESCRIPTION	REV
1	2002000029 7002000447	Ref 1	Valve System Extension Kit Valve Stem	0

SECTION 9 - ACCESSORIES

FIGURE 9-36. WHEEL CHOCKS - RUBBER



ART_RWC

SECTION 9 - ACCESSORIES

FIGURE 9-36. WHEEL CHOCKS - RUBBER

ITEM	PART NUMBER	QTY	DESCRIPTION	REV
1	RWC 7002000448	Ref 2	WHEEL CHOCKS Wheel Chock - Rubber	0

SECTION 10 - BUILD DOCUMENTS

SECTION 10 - BUILD DOCUMENTS

FIGURE 10-1. BUILD DOC_5376000249

ITEM	PART NUMBER	QTY	DESCRIPTION	REV
	Note	Ref	Note: This list is for build tracking purposes only. Parts in this list are not available at this inventory stocking level. Parts in this list may not be applicable to all models. For more specific parts information contact Jerr-Dan Parts Department	
	1001181892	Ref	Cable Tensioner (8000 LBS Winch) (Qty 2 of PN 2500900643)	
	1001181891	Ref	Cable Tensioner (10000 LBS Winch) (Qty 2 of PN 2500900373)	
	2511290189	Ref	Decal Installation GSA Specs - Cougar)	
	RFSH8K-HPL	Ref	Handle Installation - 8000K Winch	
	2587000004	Ref	Handle Assembly (LH) (See Separate Breakdown in CONTROLS Section)	
	2587000003	Ref	Handle Assembly (RH) (See Separate Breakdown in CONTROLS Section)	
	1001142235	Ref	Handle Installation - 8000K Winch (Speedway Specs)	
	1001142233	Ref	Handle Assembly (LH) (See Separate Breakdown in CONTROLS Section)	
	1001142234	Ref	Handle Assembly (RH) (See Separate Breakdown in CONTROLS Section)	
	RFSH10K-HPL	Ref	Handle Installation - 10000K Winch	
	2587000001	Ref	Handle Assembly (LH) (See Separate Breakdown in CONTROLS Section)	
	2587000003	Ref	Handle Assembly (RH) (See Separate Breakdown in CONTROLS Section)	
	RFSH12K-HPL	Ref	Handle Installation - 12000K Winch (Includes Qty 1 of PN 2587000007 & 2587000008)	
	2587000008	Ref	Handle Assembly (LH) (See Separate Breakdown in CONTROLS Section)	
	2587000007	Ref	Handle Assembly (RH) (See Separate Breakdown in CONTROLS Section)	
	1001181878	Ref	Lights - Tunnel Toolbox Lights Installation (Qty 2 of PN 2502330280)	
	1001148533	Ref	MIL Data Plate	
		Ref	PTO (Installation & replacement is based on individual characteristics of the unit - Contact Jerr-Dan Parts Dept.)	
	TP_REF	Ref	Pump (Installation & replacement is based on individual characteristics of the unit - Contact Jerr-Dan Parts Dept.)	
	2636000013	Ref	Ship-Out Stand for Kits Models	
	3577000146	Ref	SubFrame Support Document	
	1001157353	Ref	SubFrame Support Document (IHC TerraStar)	
	1001135754	Ref	Switch Panel Installation - 3 Function (In Dash Compact) (SN 0230002518 through 0230009713)	
	1001135700	Ref	Switch Panel Installation - 3 Function (In Dash Compact) (See Separate Breakdown in ELECTRICAL Section) (SN 0230002518 through 0230009713)	
	1001129883	Ref	Breaker Installation - 50 Amp (See Separate Breakdown in ELECTRICAL Section) (SN 0230002518 through 0230009713)	
	1001135689	Ref	Cabinet Light & Fuse Installation (See Separate Breakdown in ELECTRICAL Section) (SN 0230002518 through 0230009713)	
	1001268205	Ref	Switch Panel Installation - 3 Function (In Dash Compact) (SN 0230009714 to Present)	
	1001266286	Ref	Switch Panel Installation - 3 Function (In Dash Compact) (See Separate Breakdown in ELECTRICAL Section) (SN 0230009714 to Present)	
	1001129883	Ref	Breaker Installation - 50 Amp (See Separate Breakdown in ELECTRICAL Section) (SN 0230009714 to Present)	

SECTION 10 - BUILD DOCUMENTS

ITEM	PART NUMBER	QTY	DESCRIPTION	REV
	1001135790	Ref	Switch Panel Installation - 3 Function (Under Dash Compact) (SN 0230002518 through 0230009713)	
	1001135756	Ref	Switch Panel Installation - 3 Function (Under Dash Compact) (See Separate Breakdown in ELECTRICAL Section) (SN 0230002518 through 0230009713)	
	1001129883	Ref	Breaker Installation - 50 Amp (See Separate Breakdown in ELECTRICAL Section) (SN 0230002518 through 0230009713)	
	1001135689	Ref	Cabinet Light & Fuse Installation (See Separate Breakdown in ELECTRICAL Section) (SN 0230002518 through 0230009713)	
	1001268203	Ref	Switch Panel Installation - 3 Function (Under Dash Compact) (SN 0230009714 to Present)	
	1001266207	Ref	Switch Panel Installation - 3 Function (Under Dash Compact) (See Separate Breakdown in ELECTRICAL Section) (SN 0230009714 to Present)	
	1001129883	Ref	Breaker Installation - 50 Amp (See Separate Breakdown in ELECTRICAL Section) (SN 0230009714 to Present)	
	1001135755	Ref	Switch Panel Installation - 5 Function (In Dash Compact) (SN 0230002518 through 0230009713)	
	1001135701	Ref	Switch Panel Installation - 5 Function (In Dash Compact) (See Separate Breakdown in ELECTRICAL Section) (SN 0230002518 through 0230009713)	
	1001129883	Ref	Breaker Installation - 50 Amp (See Separate Breakdown in ELECTRICAL Section) (SN 0230002518 through 0230009713)	
	1001268209	Ref	Switch Panel Installation - 5 Function (In Dash Compact) (SN 0230009714 to Present)	
	1001266358	Ref	Switch Panel Installation - 5 Function (In Dash Compact) (See Separate Breakdown in ELECTRICAL Section) (SN 0230009714 to Present)	
	1001129883	Ref	Breaker Installation - 50 Amp (See Separate Breakdown in ELECTRICAL Section) (SN 0230009714 to Present)	
	1001135791	Ref	Switch Panel Installation - 5 Function (Under Dash Compact) (SN 0230002518 through 0230009713)	
	1001135757	Ref	Switch Panel Installation - 5 Function (Under Dash Compact) (See Separate Breakdown in ELECTRICAL Section) (SN 0230002518 through 0230009713)	
	1001129883	Ref	Breaker Installation - 50 Amp (See Separate Breakdown in ELECTRICAL Section) (SN 0230002518 through 0230009713)	
	1001268207	Ref	Switch Panel Installation - 5 Function (Under Dash Compact) (SN 0230009714 to Present)	
	1001266360	Ref	Switch Panel Installation - 5 Function (Under Dash Compact) (See Separate Breakdown in ELECTRICAL Section) (SN 0230009714 to Present)	
	1001129883	Ref	Breaker Installation - 50 Amp (See Separate Breakdown in ELECTRICAL Section) (SN 0230009714 to Present)	
	1001181879	Ref	Tunnel Box (24IN) (Qty 2 of PN 2899000079)	
	1001181880	Ref	Tunnel Box (24IN) (Qty 2 of PN 2899000019)	

PART NUMBER INDEX

SECTION 10 - BUILD DOCUMENTS

0100011.....241	1001127743..... 91	1001132794 453, 455,	1001136992.....555, 565
0641405.....497, 503	1001127777 393	457, 459, 461, 463,	1001137205..... 317, 327,
0641406....265, 269, 273,	1001128326 269	465, 467, 469, 471,	337, 343, 345, 349, 359
275	1001128438 269	473, 475, 479, 481,	1001137357..... 41, 55, 65
0641408....253, 255, 265,	1001128597 249	483, 487	1001137358..... 43, 47
269, 273, 275	1001128621 213, 221	1001132804 469	1001137361..... 33
0641508.79, 83, 747, 751	1001128622 213	1001132805 473	1001137362..... 35
0641510....58, 62, 93, 97,	1001128882 249, 269	1001132806 481	1001137519..... 561
101, 105	1001129095 55, 653, 655	1001132807 453	1001137520.....563
0641516..87, 94, 98, 102,	1001129332 743	1001132829 469	1001138315.....455
106, 110, 114, 118,	1001129461 649	1001132830 473	1001138316.....455
122, 126, 130	1001129584 265, 267,	1001132831 481	1001139498..... 73
0641608..87, 94, 98, 101,	269	1001132832 453	1001139499..... 69
105, 157	1001129585 265, 267,	1001132990 417	1001139500..... 75
0641610....29, 31, 87, 93,	269, 273, 275	1001132991 421	1001139501..... 71
97, 101, 105, 265, 269,	1001129586 247, 267	1001133464 105, 117	1001139502..... 77
273, 275, 369, 373,	1001129587 247	1001133537 497, 503	1001139909..... 531, 533
377, 381	1001129882 539, 547,	1001133553 105, 497	1001139911..... 531
0641616.....33	643	1001133674 719	1001139924..... 185
0641708....110, 114, 122,	1001129883 547, 776,	1001134105 65	1001139970..... 101
125, 130	777	1001134111 55	1001140476..... 519
0641710....245, 249, 253,	1001129909 719	1001134161 381	1001140610..... 519
255	1001130055 101, 495	1001134162 381	1001140724..... 519
0641808.93, 97, 101, 105,	1001130056 101	1001134178 715	1001141627..... 415
109, 113, 117, 121,	1001130412 395	1001134181 715	1001141630..... 415
125, 129	1001130419 395	1001135020 393	1001141685..... 415
0641810.93, 97, 101, 105,	1001130420 395	1001135021 393	1001141919..... 603
109, 113, 117, 122,	1001130702 567	1001135062 389	1001142231..... 439
125, 130, 559	1001131154 723	1001135391 389	1001142232..... 441
0641812.88, 93, 109, 157	1001131340 23, 25, 27	1001135510 367	1001142233..... 439, 776
0641814.....97, 105, 113,	1001131398 23, 25, 27	1001135511 363, 365	1001142234..... 441, 776
117, 121, 125, 130,	1001131454 287, 291	1001135520 645	1001142235..... 776
245, 249, 253, 255	1001131455 287, 291	1001135522 653	1001142453..... 531
0641818.....363, 365	1001131515 23, 25, 27	1001135528 117, 503	1001142973..... 531
0641824....369, 373, 377,	1001131516 23, 25, 27	1001135689 553, 776,	1001142974..... 533
381	1001131517 23, 25, 27	777	1001144529..... 251
0642014.....101	1001131625 55, 65	1001135700 629, 776	1001144618..... 251, 271
0651606..88, 94, 98, 106,	1001131704 25, 27	1001135701 657, 777	1001144631..... 271
110, 114, 118, 122,	1001131725 25, 27	1001135754 776	1001144633..... 271
130, 157	1001132003 23	1001135755 777	1001144661..... 377
0681816....29, 31, 58, 62	1001132104 23	1001135756 641, 777	1001144662..... 377
0701019.....59	1001132111 23	1001135757 663, 777	1001144663..... 377
0701024.....59	1001132118 23	1001135790 777	1001146878..... 721
0741006.....391	1001132190 417, 423	1001135791 777	1001146879..... 721
1001095650....88, 94, 98,	1001132316 421, 427	1001135817 367	1001148533..... 776
106, 110, 114, 118,	1001132346 679, 681,	1001135818 363, 365	1001151517..... 25, 27
122, 130, 157	685	1001135859 323	1001153944..... 241
1001110145.....519	1001132563 679, 681,	1001135860 323, 325	1001153945..... 241
1001116727551	685	1001135862 323, 325,	1001153946..... 241
1001116729.....551	1001132568 687	333, 357	1001153947..... 241
1001121727.....549, 551	1001132569 689	1001135957 369, 373	1001153950..... 241
1001123146.....43	1001132570 691	1001135961 369, 373	1001153971..... 241
1001123179.....707	1001132571 693	1001135962 381	1001154361..... 705
1001125909.....17	1001132574 ... 87, 94, 98,	1001135980 323, 589	1001154382..... 705
1001125910.....17, 19	102, 106, 110, 114,	1001136036 33	1001156911..... 51
1001126269.....567	118, 122, 126, 130, 157	1001136037 33	1001156912..... 51
1001127220.....267, 269,	1001132604 457	1001136038 33	1001157352..... 19
271	1001132605 459, 461	1001136039 33, 35	1001157353..... 776
1001127338.....21	1001132608 473	1001136040 33	1001157805..... 67
1001127340.....21, 33	1001132609 463	1001136071 385, 387	1001158994..... 19
1001127341.....21	1001132611 475	1001136072 385, 387	1001160195..... 241
1001127342.....21	1001132613 479	1001136163 649	1001160779..... 37, 39
1001127387....21, 41, 43,	1001132617 453, 467,	1001136221 33	1001160835..... 39
47, 51, 55, 58, 62, 65,	481	1001136263 35	1001160919..... 39
67	1001132624 455	1001136265 35	1001160934..... 37
1001127388.....21		1001136990 557, 567	1001160935..... 39

SECTION 10 - BUILD DOCUMENTS

1001160942 37, 39	1001222888.....471	1001266207.....777	2346000003 597
1001160988 37	1001222889.....475	1001266286.....631, 776	2470000007 207
1001161084 39	1001222890.....479	1001266358.....659, 777	2470000008 205
1001161087 39	1001222891.....483	1001266360.....661, 777	2500350651 41
1001161088 37	1001222892.....487	1001266466.....303, 311, 331, 341, 353, 593	2500800646 767
1001161139 37	1001222908.....471	1001266957.....319, 321, 347	2500800647 769
1001161328 37, 39	1001222909.....475	1001266958.....303, 311, 331, 341, 353	2500870067 759
1001161670 37	1001222910.....479	1001267023.....319	2500870068 761
1001161671 39	1001222911.....483	1001267024.....321	2500870652 725
1001170649 637	1001222912.....487	1001267025.....325	2500900139 171
1001174682 579	1001224887.....58, 62	1001267026.....347	2500900373 173
1001175061 527	1001225063.....621	1001267027.....357	2500900562 175
1001176337 607	1001225068.....621	1001267028.....303	2500900643 169
1001179025 435, 437, 439, 441, 443, 445, 447, 449	1001225217.....621, 665, 667	1001267029.....311	2502080040 747
1001181878 776	1001226317.....621	1001267030.....331	2502080042 79
1001181879 777	1001226914.....717	1001267031.....341	2502080045 749
1001181880 777	1001226915.....709	1001267032.....353	2502080046 753
1001181887 201	1001228282.....179	1001267033.....333	2502080047 81
1001181888 195	1001228283.....187	1001267034.....603, 607	2502080078 287
1001181890 189	1001228284.....193	1001267035.....585, 595	2502080080 291
1001181891 776	1001228285.....199	1001267238.....333	2502080100 751
1001181892 776	1001229606.....531, 533	1001267250.....667	2502080101 755
1001197476 431, 433	1001231627.....739	1001267503.....647	2502080163 289
1001199475 561, 563, 572	1001231801.....679, 685	1001267650.....365, 373, 671	2502080164 293
1001206161 ... 87, 93, 97, 105, 109, 113, 117, 121, 129, 157	1001236329.....121, 129, 165	1001267668.....655	2502080268 253
1001206167 ... 87, 93, 97, 105, 109, 113, 117, 121, 129, 157	1001236330.....129, 167	1001267930.....639	2502080269 245
1001206171 ... 87, 93, 97, 105, 109, 113, 117, 121, 129, 157	1001241869.....702	1001267980.....635	2502080270 257
100120649997, 105, 113, 117, 129	1001247139.....559, 569	1001268203.....777	2502080271 255
1001211209 27	1001254044.....633, 635	1001268205.....776	2502080272 259
1001211866 741	1001255482.....29, 31	1001268207.....777	2502080275 263
1001220078 58, 62	1001255484.....537	1001268209.....777	2502080276 261
1001220181 535	1001255485.....537	1001271096.....333, 595	2502100063 87, 489
1001220359 363, 365, 369, 373, 377, 381	1001255485.....537	1001273634.....603, 607	2502170297 431
1001220832 58, 59	1001255523.....633	1001275791 585, 595	2502170332 433
1001220833 59	1001255943.....29, 31	1001290326.....702	2502330052 539
1001220909 58, 62	1001255944.....29, 31	1320061.....519	2502330280 599
1001221065 59	1001256220.....711	2002000028.....727	2502330283 601
1001221232 58, 62	1001256221.....713	2002000029.....771	2502330284 301, 305, 309, 313, 329, 335, 339, 351, 355
1001221375 647, 651, 655, 665, 667	1001256222.....713	2002000034.....381, 391	2502330285 297, 299, 307, 315
1001221396 665	1001256227.....711	2011000002.....523, 525	2502330315 613
1001221466 717	1001256228.....713	2011000003.....527	2502330316 609
1001221467 709	1001256269.....29, 31	2241000008.....305	2502330317 619
1001221468 58, 62	1001256789.....31	2241000009.....327	2502330319 581
1001221591 58	1001256801.....31	2241000010.....349	2502740065 389
1001221592 62	1001257134.....29	2241000011.....301	2502870049 397
1001221622 58	1001257135.....29, 31	2241000012.....317	2502880223 239
1001221623 62	1001257136.....29, 31	2241000014.....329	2502900043 133
1001221624 58	1001257163.....333	2241000016.....335	2509350151 ... 43, 47, 51
1001221625 58	1001257164.....357	2241000017.....355	2511100083 97, 493
1001221651 58, 59, 62	1001257310.....29, 31	2241000019.....309	2511100084 93, 491
1001221652 59, 63	1001257431.....31	2241000021.....313	2511150017 297
1001221653 59, 63	1001257482.....457	2241000102.....351	2511290158 677, 679, 683, 685
1001221664 58, 62	1001257483.....461	2241000103.....345	2511290189 776
1001221808 83	1001257484.....465	2241000109.....343	2511530173 511
1001221874 58, 62	1001257485.....459	2241000139.....337	2511530192 477
	1001257486.....463	2241000140.....339	2511530194 485
	1001257487.....467	2262870001.....295	2511570105 307
	1001259576.....559	2274000002.....673	2511570117 299
	1001263429.....541, 551	2296000155.....419	2511880154 235
	1001265805.....541, 545	2296000156.....411	2512100046 113, 501
	1001265917.....541	2296000157.....407	2512100047 109, 499
	1001266002.....615	2314000023.....285	2512100063 125, 507
	1001266003.....611	2330000035.....695	2512100081 129, 509
	1001266004.....617	2330000036.....697	
	1001266055.....651	2330000046.....699	
	1001266076.....319, 321, 325, 347, 357, 587		

SECTION 10 - BUILD DOCUMENTS

2512100082.....121, 505	3071000043..... 135	3484000042 239	3512100071..... 109, 113,
2512290118.....681	3071000212 227	3484000046 239	117, 121, 125, 129
2512530128.....513	3073000005 87	3484000047 239	3512100072..... 113
2512570086.....575	3097000534 283	3484000090 235	3512100073..... 109
2512570087.....577	3097000535 281	3484000091 235	3512100083..... 225
2512800031 745	3170000066 87	3500800073 767, 769	3512100084..... 217, 225
2512880041 702	3170000067 87	3500900016 171	3512100089..... 125
2512880073 237	3170000487 219	3500900061 175	3512100090..... 125
2570000157.....33, 35, 37, 39	3170000488 221, 223, 225	3502080177 253, 273	3512100091..... 215
2570000170.....25, 27	3178000033 723	3502080178 245, 265	3512100111..... 91
2570000171.....41, 43, 47, 51, 58, 62	3178000056 723, 725	3502080179 257, 277	3512100118..... 129
2570000174 23	3178000060 297	3502080180 255, 275	3512100119..... 121
2587000001 445, 776	3178000100 307	3502080181 259, 279	3512100128..... 217
2587000002 443	3178000443 575, 577	3502080182 263, 283	3512300117..... 265, 267, 269, 271, 273, 275, 277, 279
2587000003.....437, 776	3178000444 575, 577	3502080183 261, 281	3512800043..... 745
2587000004.....435, 776	3178000458 725	3502100014 87, 489	3512880012..... 735
2587000007 449, 776	3178000471 741, 743	3502100024 97, 105, 113, 117, 125, 129	3512880013..... 735
2587000008 447, 776	3178000530 299	3502300021 265, 267, 269, 271, 273, 275, 277, 279	3512880016..... 733
2590000126 607	3241000034 305	3502300022 265, 267, 271, 273, 275, 277, 279	3512880076..... 235, 237, 239
2590000176 579	3241000035 327, 335	3502300054 265, 267, 269, 271, 273, 275, 277, 279	3512880106..... 237
2590000177 583	3241000036 349, 355	3502880040 237	3512900006.. 87, 93, 109, 121, 157
2590000254 557	3241000037 301, 303	3502880041 235, 239	3551000036..... 235, 237, 407, 411, 417, 419, 421, 735, 737
2590000279 555	3241000038 317, 319, 329, 331	3502900009 133, 157	3551000056..... 403, 407, 411, 417, 419, 421
2590000280 605	3241000046 359	3502900010 157	3551000057..... 407, 411, 417, 419, 421
2636000003 315	3241000124 345, 347, 351, 353	3502900023 97, 101, 105, 113, 117, 125, 129	3553000011..... 137
2636000013 776	3241000188 309, 311	3509330132 523	3553000012..... 139, 141, 143
2750000013 515	3241000189 313	3510100050 93	3553000015..... 135
2750000014 517	3241000202 343	3510100051 97, 101, 113	3556000022..... 397
2870000012 627	3241000241 321, 337, 339, 341	3510100058 93, 109, 121	3577000146..... 776
2870000029 643	3249000002 97, 101, 105, 113, 117, 125, 129	3510100060 .. 93, 97, 105	3577000156..... 702
2899000019.....361, 363, 365	3263000011 297, 299, 307, 315	3510100062 . 93, 97, 101, 105	3587000007..... 435, 437, 439, 441, 443, 445, 447, 449
2899000020.....367	3271601 33	3510900068 . 87, 93, 109, 121, 157	3587000008..... 435, 437, 443, 445
2899000077 387	3271605 29, 31	3511100008 219, 221, 223, 225	3587000011..... 447, 449
2899000078 385	3271805 29, 31, 58, 62	3511100054 219, 221, 223, 225	3636000012..... 759
2899000079 373	3274000007 361, 367, 385, 387, 389	3511100071 211, 219	3636000013..... 761
2899000080 369	3309000006 745	3511100079 . 93, 97, 101, 105	3636000046..... 315
2978000001 65	3309000007 767, 769	3511100085 97	3686000004..... 273, 277
3002000014 725	3314000050 285	3511100086 93	3686000005..... 277
3017000002 169, 173	3320000007 . 93, 97, 101, 105, 109, 113, 117, 121, 125, 129, 137	3511100102 211	3691000002.. 87, 93, 109, 121, 157
3017000003 169, 173	332000011 . 93, 97, 101, 105, 109, 113, 117, 121, 125, 129, 141	3511350119 43, 47, 51	3691000060..... 211, 213, 215, 217
3017000008 767, 769	332000012 . 93, 97, 101, 105, 109, 113, 117, 121, 125, 129, 143	3511880087 235	3691000063..... 211, 213, 215, 217
3017000023 175	332000016 219, 221, 231	3512100004 109, 113, 117, 121, 125, 129	3691000066..... 211, 213, 215, 217
3017000024 175	332000038 223, 225, 233	3512100005 109, 113, 117, 121, 125, 129	3691000075.. 93, 97, 101, 105, 109, 113, 117, 121, 125, 129
3020000007 767, 769	332000044 87, 139	3512100009 129	3691000076.. 93, 97, 101, 105
3020000029 239	332000045 87, 135	3512100017 219, 221, 223, 225	3691000077..... 219, 221, 223, 225
3020000030 239	3320000228 211, 213, 215, 217, 227	3512100019 215, 223	3691000081..... 109, 113, 117, 121, 125, 129
3020000037 237	3455000018 361, 363, 365, 389	3512100040 109, 121	
3020000038 237	3455000019 367		
3020000067 745	3484000030 237		
3020000132 235	3484000031 237		
3020029.. 88, 94, 98, 102, 106, 110, 114, 118, 122, 126, 130, 157			
3020039..... 87, 88, 93, 94, 97, 98, 101, 102, 106, 109, 110, 113, 114, 118, 121, 122, 125, 126, 129, 130, 133, 157			
3071000007 137			
3071000011 141			
3071000012 143			
3071000017 231			
3071000039 233			
3071000042 139			

SECTION 10 - BUILD DOCUMENTS

<p>3691000086 211, 213, 215, 217</p> <p>3691000103 87</p> <p>3691000104 87</p> <p>3691000105 87</p> <p>3691000113 87</p> <p>369100013497, 101, 105, 113, 117, 125, 129</p> <p>3698000001 137</p> <p>3698000002 139, 141, 143</p> <p>3698000008 139</p> <p>3698000015 135</p> <p>3706000024 173</p> <p>3706000040 281, 283</p> <p>3706000052 175</p> <p>3706000099 169</p> <p>3708000002 245, 247, 249, 251, 253, 255, 257, 259</p> <p>3708000003 245, 247, 249, 251, 253, 255, 257, 259</p> <p>3750000057 515, 517</p> <p>376013393, 97, 101, 105, 109, 113, 117, 121, 125, 129</p> <p>3763000040 137</p> <p>3763000041 141, 143</p> <p>3763000043 231</p> <p>3763000051 233</p> <p>3763000056 139</p> <p>3763000057 135</p> <p>3763000153 413, 415, 417, 419, 421</p> <p>3763000154 405, 407, 409, 411, 413, 415, 417, 419, 421</p> <p>3763000155 409, 411, 413, 415, 417, 419, 421</p> <p>3763000156 409, 411, 413, 415, 417, 419, 421</p> <p>3763000157 401, 403, 405, 407, 409, 411, 413, 415, 417, 419, 421</p> <p>3763000158 401, 403, 405, 407, 409, 411, 413, 415, 417, 419, 421</p> <p>3763000159 401, 403, 405, 407, 409, 411, 413, 415, 417, 419, 421</p> <p>3763000186 227</p> <p>3841143, 88, 94, 98, 106, 110, 114, 118, 122, 130, 157</p> <p>3899000028 361</p> <p>3911000062 101</p> <p>3912000003 745</p> <p>3935000146 401, 403</p> <p>3935000147 409</p> <p>3935000148 413</p> <p>3935000149 405</p> <p>3935000220 407, 411, 419, 425</p> <p>3941506 ... 29, 31, 58, 62, 475, 479, 483, 487</p> <p>4017000387 17, 19</p>	<p>4017000459.....219, 221, 223, 225</p> <p>4017000478.....69, 747</p> <p>4017000481....73, 79, 83, 751</p> <p>4017000482.....69, 747</p> <p>4017000492.....71, 749</p> <p>4017000493.....71, 749</p> <p>4017000494.....75, 753</p> <p>4017000495.....75, 753</p> <p>4017000496...77, 81, 755</p> <p>4017000497...77, 81, 755</p> <p>4062000556.....767, 769</p> <p>4062000687.....285</p> <p>4090000018.....575, 577</p> <p>4178000073.....69, 71, 73, 75, 77, 79, 81, 83, 747, 749, 751, 753, 755</p> <p>4178000166.....435, 439, 443, 447</p> <p>4178000167.....437, 441, 445, 449</p> <p>4178000186.....253, 255, 257, 259, 263</p> <p>4178000187.....361, 363, 365, 367, 389</p> <p>4178000215.....723, 725</p> <p>4178000369.....477, 485</p> <p>4178000402.....555, 557, 561, 563, 575, 577</p> <p>4178000427.....627</p> <p>4178000743.....43, 47, 51</p> <p>4178000914.....207</p> <p>4178000915.....205</p> <p>4178000920.....43, 47, 51</p> <p>4209000019..87, 93, 109, 121</p> <p>4254000001.....233</p> <p>4314000004.....157</p> <p>4314000024.....87</p> <p>4314000029.....295</p> <p>4314000030.....295</p> <p>4314000101.....677, 679, 681, 683, 685</p> <p>4314000103.....357</p> <p>4314000224.....333</p> <p>4314000233.....433</p> <p>4346000005.....539, 547, 553, 605, 627, 629, 631, 635, 639, 641, 645, 647, 651, 653, 655, 659, 661, 667</p> <p>4377000002....43, 47, 51</p> <p>4415000048.....265, 267, 269, 271, 273, 275, 277, 279</p> <p>4415000049.....265, 267, 269, 271, 273, 275, 277, 279</p> <p>4460018 631, 659</p> <p>4460035 ... 631, 647, 651, 659, 661</p> <p>4460042 631, 659, 661</p> <p>4460457 ... 529, 543, 545, 551, 585, 587, 589, 591, 593, 595, 623</p>	<p>4460458....543, 545, 585, 587, 589, 591, 593, 595, 623, 625</p> <p>4460475....529, 543, 545, 585, 587, 589, 591, 593, 595, 623, 625</p> <p>4460587....549, 551, 669, 671</p> <p>4460588....545, 551, 669, 671</p> <p>4460589.....549, 551</p> <p>4460608....549, 551, 587, 589, 593, 595, 671</p> <p>4460682.....669, 671</p> <p>4460692....549, 551, 585, 587, 589, 591, 593, 595</p> <p>4460693....549, 551, 585, 591, 669</p> <p>4460695....549, 585, 587, 589, 591, 593, 595, 669, 671</p> <p>4460742....543, 545, 585, 587, 589, 591, 593, 595</p> <p>4460842.....623</p> <p>4460867.....543, 545</p> <p>4460955.....623</p> <p>4461157....585, 587, 589, 591, 593, 595</p> <p>4461215....549, 585, 587, 589, 591, 595, 669</p> <p>4533000415....23, 25, 27, 29, 31, 33, 35, 37, 39, 41, 43, 47, 51, 58, 62</p> <p>4551000005.....435, 437, 443, 445, 447, 449</p> <p>4553000008.....137</p> <p>4553000009.....139, 141, 143, 231</p> <p>4553000010.....227</p> <p>4553000014.....233</p> <p>4553000015.....135</p> <p>4564088.....537</p> <p>4567110024.....511, 513</p> <p>4567120115.....511, 513</p> <p>4567122055.....489, 491, 493, 495, 497, 499, 501, 503, 505, 507, 509</p> <p>4567130160.....471</p> <p>4567130165.....457</p> <p>4567130175.....459, 461</p> <p>4567130185.....463, 475</p> <p>4567130190.....479</p> <p>4567130200.....465</p> <p>4567130208.....467</p> <p>4567130212.....487</p> <p>4567130218.....483</p> <p>4567132026.....497, 503</p> <p>4567132055.....497, 503</p> <p>4567132060.....497, 503</p> <p>4567210021.....511, 513</p> <p>4567222022.....491, 493, 495, 497, 499, 501, 503, 505, 507, 509</p> <p>4567320044.....511, 513</p> <p>4567322064.....489, 491, 493, 495, 497, 499, 501, 503, 505, 507, 509</p>	<p>4567332075 157, 489, 491, 493, 495, 499, 501, 505, 507, 509</p> <p>4567362021 511, 513</p> <p>4567630153 469</p> <p>4567630177 473</p> <p>4567630195 453</p> <p>4567630212 481</p> <p>4567630219 455</p> <p>4567633183 477</p> <p>4567633207 485</p> <p>4570000008 491, 493, 495, 497, 499, 501, 503, 505, 507, 509</p> <p>4570000044 471</p> <p>4570000099 469</p> <p>4570000249 483</p> <p>4570000308 465</p> <p>4570000325 487</p> <p>4570000374 477</p> <p>4570000375 485</p> <p>4570000378 47, 51</p> <p>4575060600 435, 437, 447, 449</p> <p>4632000001 725</p> <p>4636000041 369, 373, 377, 381, 385, 387</p> <p>4638000001 79, 81</p> <p>4679000004 93, 97, 101, 105, 109, 113, 117, 121, 125, 129</p> <p>4679000005 .93, 97, 101, 105, 109, 113, 117, 121, 125, 129</p> <p>4679000013 725</p> <p>4679000046 219, 221, 223, 225</p> <p>4679000069 265, 267, 269, 271</p> <p>4679000070 265, 267, 269, 271, 273, 275</p> <p>4679000084 281</p> <p>4679000087 281, 283</p> <p>4679000088 87</p> <p>4679000089 87</p> <p>4679000090 361, 363, 365, 367, 389</p> <p>4679000253 391</p> <p>4679000274 741, 743</p> <p>4679000329 369, 373, 377, 381, 385, 387</p> <p>4679000330 369, 373, 377, 381, 385, 387</p> <p>4679000331 369, 373, 377, 381, 385, 387</p> <p>4686000030 279</p> <p>4686000031 275, 279</p> <p>4691000027 .. 93, 97, 105</p> <p>4691000054 219, 221, 223, 225</p> <p>4691000120 87, 219</p> <p>4691000121 219, 221, 223, 225</p> <p>4691000133 101, 109, 113, 117, 121, 125, 129</p>
---	--	--	---

SECTION 10 - BUILD DOCUMENTS

4691000179..93, 97, 101, 105, 109, 113, 117, 121, 125, 129	4706005002 323, 325	4812000142 ... 21, 33, 35, 37, 39	70051030.....572
4691000197.....219, 221, 223, 225	4706005864 391	4819000008 29, 31	70051035.....572
4691000427235, 237, 239	4706005865 391	4831000117 135	70051036.....572
4691000444.....221, 223, 225	4706005869 369, 373, 377, 381, 385, 387	4831000120 575	70051039.....572
4698000007137	4706005880 369, 385	4831000121 369, 385	70051044.....572
4698000008.....141, 143, 231	4706005903 ... 41, 43, 47, 51, 55, 65	4891600 . 87, 93, 97, 101, 105, 109, 113, 117, 121, 125, 130	70051045.....572
4698000009227	4706005904 ... 21, 33, 35, 67	4891800 743	70051048.....572
4698000011135	4706005906 ... 21, 52, 58, 62, 67	4949000015 761	70051049.....572
4698000014233	4706005907 52	4949000016 759	70051053.....572
470500050719	4706006397 43, 47, 51	4949000018 219, 221, 223, 225	70051055.....572
4706000067 ..93, 97, 101, 105, 109, 113, 117, 121, 125, 129	4706006442 ... 21, 33, 35, 37, 39, 41, 43, 47, 51, 55, 58, 62, 65, 67	4949000019 219, 221, 223, 225	70051056.....573
4706000160..93, 97, 101, 105, 109, 113, 117, 121, 125, 129	4711600 . 88, 94, 98, 106, 110, 114, 118, 122, 130, 157	4949000047 235, 237, 239	70051057.....573
4706000717245, 247, 249, 251, 253, 255, 257, 259, 261, 263	4711800 29, 31, 58, 62	5376000192 621	70051058.....572
4706000727767, 769	475140094, 98, 102, 110, 114, 118, 122, 126, 130, 253, 255, 265, 269, 273, 275	5525000752 763	70051059.....572
4706000983745	4751400001 743	5526000553 ... 23, 25, 27, 33, 35, 37, 39, 41, 43, 47, 51, 58, 59, 62, 323, 325, 333, 357, 523, 535, 537, 641, 661, 663	70051060.....572
4706001123.....69, 71, 83, 747, 749	4751500 ... 59, 62, 79, 83, 87, 94, 110, 114, 122, 126, 130, 747, 751	7002000120 759	70051061.....572
470600112475, 753	4751600 ... 157, 265, 269, 273, 275	7002000121 761	70051062.....572
4706001125.....73, 77, 79, 81, 751, 755	4761400 33, 265, 269, 273, 275, 497, 503	7002000285 757	70051063.....572
4706001255....87, 94, 98, 102, 106, 110, 114, 118, 122, 126, 130	4761500 98, 102, 106, 118	7002000380 723	70051064.....572
4706001262291	4761600 . 87, 93, 98, 101, 105, 157, 265, 269, 273, 275	7002000404 727	70051065.....572
4706001333265, 267, 269, 271, 273, 275, 277, 279	476180093, 97, 101, 105, 109, 113, 117, 121, 125, 130	7002000447 771	70051066.....572
4706001334.....265, 267, 269, 271, 273, 275, 277, 279	4763000150 401, 405, 409, 413	7002000448 773	70051068.....572
4706001450.....361, 363, 365	4763000151 405, 409, 413	7002000449 765	70051069.....572
4706001516261, 263	4763000154 401, 403, 405, 407, 409, 411, 413, 415, 417, 419, 421	7002000459 702	70051070.....572
4706001519265, 267, 269, 271, 273, 275, 277, 279	4763000184 391	7002000502 739	70051071.....572
4706002098235, 237, 239	4811001178 391	7002000505 702	70051072.....572
4706002282265, 267, 269, 271, 273, 275, 277, 279	4811001179 391	70050079 429	70051073.....572
4706002286265, 267, 269, 271, 273, 275, 277, 279	4811001194 ... 21, 35, 39, 41, 43, 47, 51, 55, 58, 62, 65	70050164 567	70051074.....572
4706002990597	4811001399 43, 47, 51	70050165 567	70051075.....572
4706003198....41, 44, 48, 52, 55, 65	4812000 59	70050166 567	70051076.....572
4706003402431, 433	4812000038 219, 221, 223, 225	70050167 567	70051077.....572
4706003611363, 365, 367, 369, 373, 377, 381	4812000047 361, 363, 365, 367, 369, 373, 377, 381	70050169 572	70051078.....572
4706003844453, 455, 457, 459, 461, 463, 465, 467, 469, 471, 473, 475, 477, 479, 481, 483, 485, 487	4812000107 369, 373, 377, 381, 385, 387	70050170 572	70051665.....429
	4812000108 369, 373, 377, 381, 385, 387	70050174 572	70070000.....569
		70050175 572	7007000057.....737
		70050176 572	7007000058.....737
		70050178 572	70070001.....569
		70050179 572	70070002.....569
		70050180 572	70070003.....569
		70050181 572	7011000006.....523, 525
		70050203 572	7082000021.....219, 221, 223, 225
		70050204 572	7104100613.....597
		70050207 573	7105222650.....767, 769
		70050208 573	7105223050.....767, 769
		70050209 573	7105223250.....745
		70050210 573	7111140613.....519, 609, 611, 613, 615, 617, 619
		70050211 573	7111140650.....267, 271, 277, 279
		70050665 572	7111141050.....523, 525, 527, 539, 541
		70050980 567	7111150850....69, 71, 73, 75, 77, 81, 749, 753, 755
		70050981 567	7111151010....69, 73, 75, 77, 81, 749, 753, 755
		70051021 572	7111151650.....511, 513
		70051022 572	7111161050.....723, 725, 759, 761
		70051023 572	7111161264.....723, 725
		70051026 572	7114060810.....537
		70051027 572	7114080418.....281, 283, 363, 365, 367, 369, 373, 377, 381, 385, 387, 389
		70051028 572	
		70051029 572	

SECTION 10 - BUILD DOCUMENTS

<p>7114080618 205, 207, 431</p> <p>7114100518 575, 577</p> <p>7114100610 35</p> <p>7114100618 ... 43, 47, 51, 393, 395</p> <p>7114100810 33, 37, 39</p> <p>7114140418 219, 221, 223, 225</p> <p>7114140518 207</p> <p>7114140611 361, 363, 365, 389</p> <p>7114140618 323, 325, 333, 357, 363, 365, 367, 369, 370, 373, 374, 377, 378, 381, 382</p> <p>7114140818 ... 43, 47, 51, 235, 237, 239, 265, 267, 269, 271, 273, 275, 277, 279, 333, 357</p> <p>7114140823 157</p> <p>7114141018 ... 43, 47, 51, 391, 581, 583</p> <p>7114141023 265, 267, 269, 271, 273, 275, 277, 279</p> <p>7114141218 741, 743</p> <p>7114160818 367</p> <p>7114181418 265, 267, 269, 271, 273, 275, 277, 279</p> <p>711514085039, 257, 259, 261, 263, 267, 271, 277, 279</p> <p>7115141650 44, 48, 52</p> <p>7115150650 673</p> <p>7115150664 575, 577</p> <p>7115150850 ... 41, 43, 44, 47, 48, 51, 52, 55, 65</p> <p>7115151050 ... 29, 31, 58, 62, 407, 411, 417, 419, 421, 453, 455, 457, 459, 461, 463, 465, 467, 469, 471, 473, 475, 477, 479, 481, 483, 485, 487</p> <p>7115151064 . 79, 83, 453, 455, 457, 459, 461, 463, 465, 467, 469, 471, 473, 475, 479, 481, 483, 487, 747, 751</p> <p>7115152650 511, 513</p> <p>7115160850 235, 237, 239, 297, 299, 307, 315, 363, 365, 367, 389</p> <p>7115161010 361, 363, 365, 389</p> <p>7115161050 ... 23, 25, 27, 33, 35, 37, 39, 41, 43, 47, 51, 58, 62, 169, 171, 173, 175, 267, 271, 277, 279, 297, 299, 307, 315, 367</p> <p>711516125035, 369, 373, 377, 381, 385, 387, 391, 401, 403, 405, 407, 409, 411, 413,</p>	<p>415, 417, 419, 421, 435, 437, 439, 441, 443, 445, 447, 449, 575, 577, 767, 769</p> <p>7115162650.....211, 213, 215, 217</p> <p>7115170850..... 117</p> <p>7115171050.....247, 251, 257, 259, 295</p> <p>7115181050.... 23, 25, 27, 555, 557, 561, 563</p> <p>7115181250..... 23</p> <p>7115181450... 23, 25, 27, 247, 251, 257, 259, 261, 263, 301, 303, 305, 309, 311, 313, 317, 319, 321, 323, 325, 327, 329, 331, 335, 337, 339, 341, 343, 345, 347, 349, 351, 353, 355, 357, 359, 361, 367, 389</p> <p>7115181650.... 21, 23, 25, 27, 33, 35, 37, 39, 41, 43, 47, 51, 55, 65, 67, 333, 397</p> <p>7115181864..... 369, 373, 377, 381, 385, 387</p> <p>7115182850..... 369, 373, 377, 381, 385, 387</p> <p>7115183250..... 219, 221, 223, 225, 369, 385</p> <p>7115183650..... 219, 221, 223, 225</p> <p>7115190950..... 575, 577</p> <p>7115201650..... 91</p> <p>7115223806..... 745, 767, 769</p> <p>7115241250..... 133</p> <p>7115245650.... 87, 93, 97, 101, 106, 109, 113, 118, 121, 125, 129</p> <p>7118140418.. 93, 98, 101, 105, 109, 114, 117, 122, 125, 130</p> <p>7118151250..... 109, 113, 117, 122, 125, 130</p> <p>7118151424..... 219, 221, 223, 225</p> <p>7118160516..... 281, 283, 385, 387, 389</p> <p>7118163218..... 767, 769</p> <p>7118171250..... 109, 113, 117, 121, 125, 130</p> <p>7120000034..... 535, 537, 547, 553, 627</p> <p>7120000070..... 285</p> <p>7120000072..... 609, 611, 613, 615, 617, 619</p> <p>7120000075..... 369, 385</p> <p>7178000025..... 323, 325, 333, 357</p> <p>7189000007..... 265, 267, 269, 271, 273, 275, 363, 365, 367, 370, 374, 378, 382</p> <p>7189000010..... 361</p>	<p>7190000066..... 707</p> <p>7248000001..... 177</p> <p>7248000003..... 181, 189</p> <p>7248000015..... 191, 195</p> <p>7248000023..... 197, 201</p> <p>7248000025..... 203</p> <p>7248000108..... 183</p> <p>7253000002.... 88, 94, 98, 102, 106, 110, 114, 117, 122, 126, 130, 157, 211, 213, 215, 217, 219, 221, 223, 225, 241</p> <p>7259000004..... 609, 611, 613, 615, 617, 619</p> <p>7262000010..... 767, 769</p> <p>7262000014..... 745</p> <p>7262000020..... 247</p> <p>7262000040..... 245, 249, 251, 253, 255, 257, 259, 295</p> <p>7262000048..... 702</p> <p>7274000002..... 453, 457, 459, 461, 463, 465, 467, 469, 471, 473, 475, 477, 479, 481, 483, 485, 487</p> <p>7274000005.... 29, 31, 41, 43, 47, 51, 58, 62</p> <p>7274000016..... 41</p> <p>7274000040..... 453, 455, 457, 459, 461, 463, 465, 467, 469, 471, 473, 475, 479, 481, 483, 487</p> <p>7274000041..... 453, 455, 457, 459, 461, 463, 465, 467, 469, 471, 473, 475, 477, 479, 481, 483, 487</p> <p>7274000042.. 29, 31, 453, 455, 457, 459, 461, 463, 465, 467, 469, 471, 473, 475, 477, 479, 481, 483, 485, 487, 511, 513</p> <p>7274000071..... 58, 62</p> <p>7274000076.... 29, 31, 58, 62, 453, 455, 457, 459, 461, 463, 465, 467, 469, 471, 473, 475, 477, 479, 481, 483, 485, 487</p> <p>7274000105.. 58, 62, 369, 373, 377, 381, 457, 459, 461, 463, 465, 467, 477, 479, 485, 519, 673</p> <p>7274000110..... 23</p> <p>7274000111.... 43, 47, 51, 58, 62</p> <p>7274000113..... 511, 513</p> <p>7274000114..... 511, 513</p> <p>7274000115..... 511, 513</p> <p>7274000116..... 511, 513</p> <p>7274000117..... 511, 513</p> <p>7280000006..... 297, 299, 307, 315</p>	<p>7280000018 535, 537</p> <p>7291000010 609, 611, 613, 615, 617, 619</p> <p>7295000105 431, 433</p> <p>7297000008 597</p> <p>7320000078 219, 221, 223, 225, 229</p> <p>7330000034 677, 679, 681, 683, 685</p> <p>7330000036 677, 679, 681, 683, 685</p> <p>7330000060 677, 679, 681, 683, 685</p> <p>7330000087 677, 683, 689</p> <p>7330000088 677, 683, 687</p> <p>7330000122 677, 679, 681, 683, 685</p> <p>7330000123 677, 679, 681, 683, 685</p> <p>7330000124 ... 88, 94, 98, 102, 106, 110, 114, 118, 122, 126, 130, 157, 677, 679, 681, 683, 685</p> <p>7330000125 157, 677, 683</p> <p>7330000126 ... 88, 94, 98, 102, 106, 110, 114, 118, 122, 126, 130, 677, 683</p> <p>7330000128 693</p> <p>7330000129 691</p> <p>7330000138 ... 87, 94, 98, 102, 106, 110, 114, 118, 122, 126, 130</p> <p>7330000139 677, 679, 681, 683, 685</p> <p>7330000143 677, 679, 681, 683, 685</p> <p>7330000145 ... 87, 94, 98, 102, 106, 110, 114, 118, 122, 126, 130</p> <p>7330000146 677, 683</p> <p>7330000288 627, 629, 631, 641, 657, 659, 661, 663</p> <p>7330000384 239</p> <p>7330000408 677, 679, 681, 683, 685</p> <p>7330000417 695</p> <p>7330000418 695</p> <p>7330000419 695, 697</p> <p>7330000420 697</p> <p>7330000432 697</p> <p>7330000529 699</p> <p>7330000540 677, 679, 681, 683, 685</p> <p>7330000546 ... 88, 94, 98, 102, 106, 110, 114, 118, 122, 126, 130, 157</p> <p>7330000599 677, 679, 681, 683, 685</p> <p>7330000627 645, 653</p> <p>7330000628 645, 653</p> <p>7330000683 239</p>
---	--	---	---

SECTION 10 - BUILD DOCUMENTS

7330000717.....	677, 683	734600146.....	543, 545	501, 503, 505, 507,	7570000021.....	23, 25, 27
7330000867.....	43, 47, 51	7413000002... ..	43, 47, 51,	509, 511, 513	7570000028.....	25, 27
7330000871.....	643	235, 265, 267, 269,		7445060648	7570000036.....	33, 35, 37,
7345001704.....	609, 613	271, 273, 275, 277,		495, 497, 499, 501,	39	
7345001710.....	553, 627	279, 285, 323, 325,		503, 505, 507, 509	7570000037.....	23, 29, 31,
7345001713.....	629, 641,	333, 357, 370, 374,		7445060672	33, 35, 37, 39, 58, 62	
645, 653, 657, 663		377, 382, 609, 611,		493, 495, 497, 499,	7577000194.....	539, 541
7345001714.....	433, 523,	613, 615, 617, 619		501, 503, 505, 507, 509	7577000626.....	511, 513
553, 581, 597, 599,		7413000003	363, 365,	7445060843	7577000627.....	489
621, 635, 637, 639,		367, 389, 723, 725,		493, 495, 497, 499,	7577000628.....	491, 493,
643, 649, 653, 665, 667		759, 761		501, 503, 505, 507, 509	495, 499, 501, 505,	
7345001910.....	627	7413000013	673	7445080818	507, 509	
7345001913.....	629, 657	7415000017	289, 293	7445080843	7577000634.....	23, 25, 27,
7345001914.....	531, 533,	7415000018	289, 293	491, 493, 495, 497,	33, 35	
555, 597, 621, 627,		7430000002	517	499, 501, 503, 505,	7577000666.....	369, 370,
633, 635, 637, 639,		7430000003	515, 519	507, 509	373, 374, 377, 378,	
643, 649, 665, 667		7431000001	515, 519	7445080845	381, 382	
7345211701.....	629, 641,	7431000004	517	497, 503	7577000667.....	369, 373,
657, 663		7440030000	87, 93, 97,	7445081043	377, 381	
7345211702.....	523	101, 105, 109, 113,		493, 495, 497, 499,	7577000693.....	21, 41, 43,
7345221702.....	431, 433,	117, 121, 125, 129,		501, 503, 505, 507,	47, 51, 55, 65, 67	
553, 621		211, 213, 215, 217,		509, 511, 513	7585000001.....	575, 577
7345221902.....	531, 533,	219, 221, 223, 225,		7445081045	7585000012.....	363, 365,
547, 553, 597		241, 745, 767, 769		7445121245	367, 369, 373, 377, 381	
7345241902.....	597	7443000013	453, 455,	7445121619	7590000001.....	599, 609,
7346000037.....	431, 433	457, 459, 461, 463,		7454000007	611, 613, 615	
7346000038.....	361, 363,	465, 467, 469, 471,		7454000008	7590000003.....	609, 611,
365, 367, 369, 373,		473, 475, 479, 481,		7457000004	613, 615, 617, 619	
377, 381, 385, 387		483, 487, 515, 517, 519		643	7590000105.....	323, 325,
7346000039.....	323, 325,	7443000023	489, 491,	7457000014	333, 357	
333, 357, 431, 433,		493, 495, 497, 499,		7457000015	7590000241.....	609, 611,
523, 531, 533, 555,		501, 503, 505, 507, 509		7457000017	613, 615, 617, 619	
581, 597, 599, 601,		7443000030	491, 493,	7470000002	7590000268.....	605
609, 611, 613, 615,		495, 497, 499, 501,		7470000015	7590000316.....	581, 583
621, 633, 637, 643,		503, 505, 507, 509		7470000017	7590000342.....	609, 611,
649, 665		7443000048	401, 403,	7493000002	613, 615, 617, 619	
7346000068.....	431, 433	405, 407, 409, 411		609, 611,	7590000343.....	609, 611,
7346000099.....	431, 433	7443000066	517	613, 615, 617, 619	613, 615, 617, 619	
7346000103.....	543	7443000105	511, 513	7493000003	7595000002.....	281, 283,
7346000104.....	431, 433,	7443000106	511, 513	337, 343, 345, 349,	385, 387, 389	
543		7443000108	511, 513	359, 539, 541	7626000013.....	109, 121,
7346000108.....	543, 549,	7443000129	511, 513	7493000009	125, 147	
669, 671		7443000137	489, 491,	609, 611, 613, 615,	7626000014.....	88, 93, 97,
7346000109.....	585, 587,	493, 495, 497, 499,		617, 619	101, 105, 113, 117,	
589, 591, 593, 595,		501, 503, 505, 507, 509		7493000011	129, 145, 157	
669, 671		7443000354	25, 27	7493000014	7626000018.....	121, 129,
7346000126.....	553, 597,	7443000483	58, 62	7493000026	149	
627		7444081070	515, 517,	7551000002	7632045016.....	767, 769
7346000129.....	623	519		409, 413	7632046140.....	363, 365
7346000130.....	625	7445040443	511, 513	7552000234	7636000005.....	369, 373,
7346000139.....	431, 433	7445040445	511, 513	539, 543	377, 381, 385, 387	
7346000141.....	543	7445040446	511, 513	7552000237	7636000021.....	33
7346000142.....	669, 671	7445040643	511, 513	361, 363,	7638000003.....	83, 747, 749,
7346000144.....	543	7445040645	511, 513	367, 369, 373, 377,	753	
7346000145.....	543, 545	7445040644	511, 513	381, 385, 387, 389, 669	7638000007.....	751, 755
7346000146.....	549, 669,	7445060643	489, 491,	7552000238	7660062604.....	537
671		489, 495, 497, 499,		301, 305,	7660082500.....	281, 283,
7346000147.....	543, 545,	501, 503, 505, 507, 509		309, 313, 329, 335,	363, 365, 367, 369,	
669, 671		7445060645	489, 491,	339, 351, 355, 585	373, 377, 381, 385,	
7346000153.....	543, 545	493, 495, 497, 499,		7552000239	387, 389	
7346000155.....	543	501, 503, 505, 507,		297, 299,	7660082604.....	205, 207,
7346000209.....	597	509, 511, 513		307, 315, 317, 327,	431	
7346000210.....	55	7445060646	489, 491,	337, 343, 345, 349,	7660102601.....	391
7346000220.....	597	493, 495, 497, 499,		359, 591	7660102604.....	33, 35, 37,
7346000242.....	631, 641,	501, 503, 505, 507, 509		7552000286	39, 393, 395, 575, 577,	
645, 647, 651, 653,		7445060647	489, 491,	431, 433,	609, 611, 613, 615,	
655, 659, 661, 663		493, 495, 497, 499,		625	617, 619	

SECTION 10 - BUILD DOCUMENTS

<p>7660140001 33</p> <p>7660140230 401, 403, 405, 407, 409, 411, 413, 415, 417, 419, 421</p> <p>7660141600 519</p> <p>7660142600 237, 239, 253, 255, 257, 259, 261, 263, 265, 267, 269, 271, 273, 275, 277, 279, 523, 525, 527, 539, 541</p> <p>7660142601 39, 363, 365, 367, 391, 583, 743</p> <p>7660142604 285, 361, 363, 365, 389, 581, 741</p> <p>7660150000 ... 69, 71, 73, 75, 77, 81, 477, 485, 749, 753, 755</p> <p>7660152601 ... 29, 31, 41, 43, 44, 47, 48, 51, 52, 55, 58, 62, 65, 79, 83, 87, 94, 98, 101, 105, 110, 114, 118, 122, 125, 130, 453, 455, 457, 459, 461, 463, 465, 467, 469, 471, 473, 475, 477, 479, 481, 483, 485, 487, 511, 513, 575, 577, 747, 751</p> <p>7660160000 35, 401, 403, 405, 407, 409, 411, 413, 415, 417, 419, 421, 435, 437, 439, 441, 443, 445, 447, 449</p> <p>7660161600 235, 237, 239</p> <p>7660162100 723, 725, 759, 761</p> <p>7660162301 281, 283, 369, 373, 377, 381, 385, 387, 389</p> <p>7660162601 ... 23, 25, 27, 33, 35, 37, 39, 41, 43, 47, 51, 58, 62, 87, 93, 97, 101, 105, 169, 173, 175, 211, 213, 215, 217, 265, 267, 269, 271, 273, 275, 277, 279, 297, 299, 307, 315, 361, 363, 365, 367, 389, 391, 401, 403, 405, 407, 409, 411, 413, 415, 417, 419, 421, 575, 577, 767, 769</p> <p>7660172600 245, 247, 249, 251, 253, 255, 257, 259, 295</p> <p>7660172601 109, 113, 117, 122, 125, 130</p> <p>7660180030 435, 437, 439, 441, 443, 445, 447, 449</p> <p>7660182301 245, 247, 249, 251, 253, 255, 257, 259, 261, 263,</p>	<p>361, 363, 365, 367, 369, 373, 377, 381, 389</p> <p>7660182600..... 171</p> <p>7660182601.... 21, 23, 25, 27, 33, 35, 37, 39, 41, 43, 48, 52, 55, 65, 67, 93, 97, 101, 105, 109, 113, 117, 121, 125, 130, 169, 173, 175, 219, 221, 223, 225, 245, 247, 249, 251, 253, 255, 257, 259, 261, 263, 301, 303, 305, 309, 311, 313, 329, 331, 333, 335, 339, 341, 351, 353, 355, 357, 359, 385, 387, 515, 517, 519, 555, 557, 559, 561, 563, 575, 577</p> <p>7660202601 91, 745, 767, 769</p> <p>7661000006.... 43, 47, 51, 157</p> <p>7661000007..... 597</p> <p>7661000017..... 745, 767, 769</p> <p>7661000019..... 323, 325, 333, 357</p> <p>7661000022.... 44, 48, 52, 673</p> <p>7661000024.... 43, 47, 51</p> <p>7661000027..... 477, 485</p> <p>7661000034..... 137</p> <p>7661000035..... 139, 141, 143, 227, 231, 233</p> <p>7661000037..... 135</p> <p>7661000042.... 44, 48, 52</p> <p>7661000062..... 363, 365, 367, 370, 374, 377, 378, 381, 382</p> <p>7679000010..... 235, 237, 767, 769</p> <p>7690000810..... 401, 403, 405, 407, 409, 411, 413, 415, 417, 419, 421, 575, 577</p> <p>7690051641..... 435, 437, 443, 445, 447, 449</p> <p>7690101200..... 401, 403, 405, 407, 409, 411, 413, 415, 417, 419, 421</p> <p>7690102041..... 435, 437, 439, 441, 443, 445, 447, 449</p> <p>7690141200..... 401, 403, 405, 407, 409, 411, 413, 415, 417, 419, 421</p> <p>7690144800..... 575, 577</p> <p>7691000017..... 733</p> <p>7691000056..... 401, 403, 405, 407, 409, 411, 413, 415, 417, 419, 421</p> <p>7696000065..... 41</p> <p>7696000068..... 43, 47, 51</p> <p>7696000070..... 43, 47, 51</p>	<p>7701000003..... 265, 269, 273, 275, 277, 279, 281, 283</p> <p>7701000030..... 87</p> <p>7701000032..... 281, 283</p> <p>7701000068.. 88, 94, 110, 122, 126, 130, 157, 401</p> <p>7701000075.... 23, 25, 27, 29, 31, 33, 35, 37, 39, 41, 55, 58, 62</p> <p>7740000003..... 553</p> <p>7754000001..... 135</p> <p>7754000002..... 137</p> <p>7754000003..... 137</p> <p>7754000004..... 137</p> <p>7754000005.... 87, 93, 97, 105, 109, 113, 117, 121, 129, 157</p> <p>7754000006.... 87, 93, 97, 101, 105, 109, 113, 117, 121, 125, 129</p> <p>7754000011..... 139, 141, 143, 231</p> <p>7754000012..... 139, 141, 143, 227, 231, 233</p> <p>7754000013..... 139, 141, 143</p> <p>7754000016..... 227</p> <p>7754000017..... 219, 221, 223, 225</p> <p>7754000018 97, 101, 105, 113, 117, 125, 129, 219, 221, 223, 225</p> <p>7754000019 87, 219, 221, 223, 225</p> <p>7754000024..... 235, 237, 239</p> <p>7754000026..... 137</p> <p>7754000027..... 227</p> <p>7754000028..... 139, 141, 143, 231</p> <p>7754000030..... 135</p> <p>7754000031..... 233</p> <p>7754000033..... 211, 213, 215, 217</p> <p>7754000036..... 135</p> <p>7755214000..... 135</p> <p>7755214609..... 135</p> <p>7755224000..... 137</p> <p>7755224609..... 137</p> <p>7755226000..... 139, 141, 143, 227, 231, 233</p> <p>7755226609..... 139, 141, 143, 227, 231, 233</p> <p>7755326000..... 110, 122, 126, 130</p> <p>7755327000..... 135</p> <p>7755327609..... 135</p> <p>7755334000..... 137</p> <p>7755334609..... 137</p> <p>7755338000..... 227</p> <p>7755338609..... 227, 231, 233</p> <p>7755342000..... 139, 141, 143, 231</p> <p>7755342609..... 139, 141, 143</p>	<p>7755354000 233</p> <p>7759000004 ... 87, 94, 98, 102, 106, 110, 114, 118, 122, 126, 130, 157, 211, 213, 215, 217, 265, 267, 269, 271, 273, 275, 277, 279, 281, 283, 433, 677, 679, 681, 683, 685</p> <p>7759000007 295</p> <p>7759000017 363, 365, 367, 369, 373, 377, 381</p> <p>7765000006 401, 403, 405, 407, 409, 411, 413, 415, 417, 419, 421</p> <p>7785152420 ... 29, 31, 58, 62, 453, 455, 457, 459, 461, 463, 465, 467, 469, 471, 473, 475, 477, 479, 481, 483, 485, 487</p> <p>7786000007 19</p> <p>7790060676 599, 609, 611, 613, 615</p> <p>7790100856 287, 291, 297, 299, 307, 315, 539, 643</p> <p>7790101276 235, 237, 767, 769</p> <p>7790141056 261, 263, 289, 293</p> <p>7790141076 361, 363, 365, 677, 679, 681, 683, 685</p> <p>7790151253 597</p> <p>7796000002 281, 283, 363, 365, 367, 370, 374, 377, 381, 385, 387</p> <p>7796000005 135</p> <p>7796000008 137</p> <p>7796000011 139, 141, 143, 227, 231, 233</p> <p>7796000012 363, 365, 367, 369, 373, 377, 381</p> <p>7796000013 227</p> <p>7796000023 135</p> <p>7796000024 137</p> <p>7796000025 139, 141, 143, 227, 231, 233</p> <p>7796000031 281, 283, 385, 387, 389</p> <p>7796000047 301, 303, 305, 309, 311, 313, 317, 319, 321, 323, 325, 327, 329, 331, 333, 335, 337, 339, 341, 343, 345, 347, 349, 351, 353, 355, 357, 359</p> <p>7796000048 609, 611, 613, 615, 617, 619</p> <p>7796000062 135</p> <p>7796000063 137</p> <p>7796000064 227</p> <p>7796000065 139, 141, 143, 231</p> <p>7796000066 233</p>
--	--	--	--

SECTION 10 - BUILD DOCUMENTS

7796000076.....609, 611, 613, 615, 617, 619	7935000341 517	367, 389, 723, 725, 759, 761	7990000011.....435, 437, 439, 441, 443, 445, 447, 449
7796000078.....361, 367, 369, 373, 377, 381, 385, 387, 389	7949000013..... 369, 373, 377, 381, 385, 387	7950160141 ... 23, 25, 27, 33, 35, 37, 39, 41, 43, 47, 51, 58, 62	8220081.....529, 551
7796000084.....363, 365, 367, 369, 373, 377, 381	7949000015 391	7950160153 .. 33, 35, 391	8220099.....549, 551, 585, 587, 589, 591, 593, 595, 669, 671
7796000102.....767, 769	7949000019 369, 385	7950160161 267, 271, 277, 279, 361, 363, 365, 367, 389, 407, 411, 417, 419, 421, 575, 577, 759, 761	8220100.....549, 585, 587, 589, 591, 593, 595, 669, 671
7804000001.....767, 769	7949000055 741, 743	7950160162 415, 435, 437, 439, 441, 443, 445, 447, 449	8220101.....549, 669, 671
7804000002.....745	7949000056 267, 269, 271, 363, 365, 367, 370, 373, 374, 377, 378, 381, 382	7950160251 235, 237, 239, 723, 725	8220934.....549, 585, 587, 589, 591, 593, 595, 669, 671
7809000001....87, 93, 97, 101, 105, 109, 113, 117, 121, 125, 129, 157	7949000058 323, 325, 357	7950170000 109, 114, 117, 122, 125, 130	8220935.....549, 551, 669, 671
7819000005.....511, 513	7950100003 43, 47, 51	7950180000 317, 319, 321, 327, 337, 343, 345, 347, 349	8390001.....519
7819000013.....453, 455, 459, 463, 467	7950100103 391, 393, 395, 575, 577	7950180150 575, 577	8410013.....519
7821000006.....391	7950100143 43, 47, 51	7950180153 ... 21, 23, 25, 27, 33, 35, 37, 39, 41, 43, 47, 51, 55, 65, 67	8565760025.....745
7822000003.....767, 769	7950100151 287, 291, 547, 643	7950180161 169, 173, 175, 301, 303, 305, 309, 311, 313, 317, 319, 321, 323, 325, 327, 329, 331, 333, 335, 337, 339, 341, 343, 345, 347, 349, 351, 353, 355, 357, 359, 435, 437, 439, 441, 443, 445, 447, 449, 515, 517, 519	8597650002.....433
7843000004.....169, 173, 175	7950100153 609, 611, 613, 615, 617, 619	7950180252 369, 373, 377, 381, 385, 387	8597650003.....641, 661, 663
7843000010.....435, 437, 439, 441, 443, 445, 447, 449	7950100163 323, 325, 333, 357	7950180400 ... 88, 93, 97, 101, 105, 109, 113, 117, 122, 125, 130, 157	8632000002.... 43, 47, 51, 723
7870000083.....627	79501100151 539	7950200000 369, 385	8632000018.....265, 267, 271, 273, 275, 277, 279, 281, 283
7870000100.....629, 631	7950140000 267, 271, 277, 279, 369, 373, 377, 381, 609, 611, 613, 615, 617, 619	7950200161 175	8632760025.....269
7870000106.....657, 659	7950140003 ... 43, 44, 47, 48, 51, 52, 219, 221, 223, 225	7950240161 . 93, 97, 101, 106, 109, 113, 118, 121, 125, 129, 133	88671008..... 87, 93, 109, 113, 117, 125, 129, 157
7870000134.....641, 643	7950140141 289, 293, 391, 523, 525, 527, 539, 541	7970000020 109, 121, 159	8871008..... 97, 101, 105, 121
7870000137.....661, 663	7950140143 ... 43, 44, 47, 48, 51, 52, 323, 325, 333, 357, 581, 583	7970000025 125, 161	8892040001.....621
7894000004.....29, 31	7950140153 . 33, 39, 219, 221, 223, 225, 285, 361, 363, 365, 369, 373, 377, 381, 389, 741	7970000026 125, 163	8977010300.....433, 523
7894000010.....579	7950140161 106, 235, 237, 239, 257, 259, 261, 263, 267, 271, 277, 279	7970000103 . 93, 97, 101, 105, 151	8977010400.....433
7894000034.....235, 237, 239	7950140500 369, 373, 377, 381	7970000104 . 87, 97, 101, 105, 153	9577820242.....229
7894000042.....323, 325, 333, 357, 369, 373, 377, 381	7950150000 ... 69, 71, 73, 75, 77, 81, 407, 411, 417, 419, 421, 749, 753, 755	7970000138 113, 117, 129	9590310195.....567
7894000055.....702	7950150160 407, 411, 417, 419, 421	7970000139 113, 117, 129	9590310197.....567
7894000063.....741, 743	7950150161 ... 29, 31, 41, 43, 44, 47, 48, 51, 52, 55, 58, 62, 65, 69, 71, 73, 75, 77, 81, 169, 173, 175, 297, 299, 307, 315, 453, 455, 457, 459, 461, 463, 465, 467, 469, 471, 473, 475, 477, 479, 481, 483, 485, 487, 511, 513, 749, 753, 755	7990000003 401, 403, 405, 407, 409, 411, 413, 415, 417, 419, 421	9590310200.....567
7912000001491, 493, 495, 497, 499, 501, 503, 505, 507, 509	7950160000 267, 271, 277, 279, 363, 365,		9590310202.....567
7912000002491, 493, 495, 497, 499, 501, 503, 505, 507, 509			9590310203.....567
7912000005.....511, 513			9590310205.....567
7912000013.....511			9590310206.....567
7912000017.....511, 513			9935930102.....511, 513
7912000020.....513			9935930104.....511, 513
7912000028.....489			9935930106.....429
7912000029.....489			BUAL-GMC.....523
7912000030.....511			CMKFRD84D11-HPL...47
7912000031.....513			CMKFRDG08-HPL41
793500000187, 94, 98, 102, 106, 110, 114, 118, 122, 125, 130			FEX-GSARB702
7935000169.....429			HFH735
7935000174....88, 94, 98, 102, 114, 157, 429			LFF729
7935000258.....497, 503			LFH737
7935000261.....401, 403, 405, 409, 413, 415, 429			LMT763
7935000266.....429			LST765
7935000307.....511, 513			RFSH10K-HPL776
7935000308....87, 94, 98, 102, 106, 110, 114, 118, 122, 126, 130, 511, 513			RFSH12K-HPL776

JERR-DAN[®]

***Corporate Office
13224 Fountainhead Plaza
Hagerstown, MD 21742 USA***

***☎ (717) 597-7111 (Corporate)
☎ (800) 926-9666 (Customer Support)***

***Visit our website
www.jerrdan.com***



OSHKOSH™